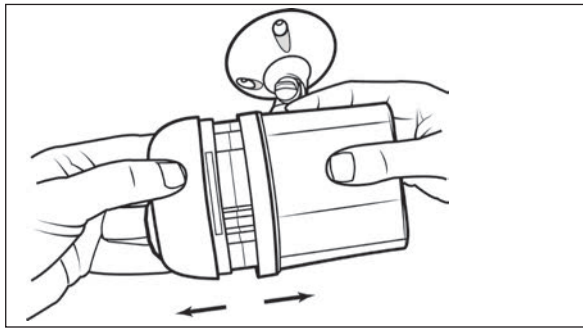




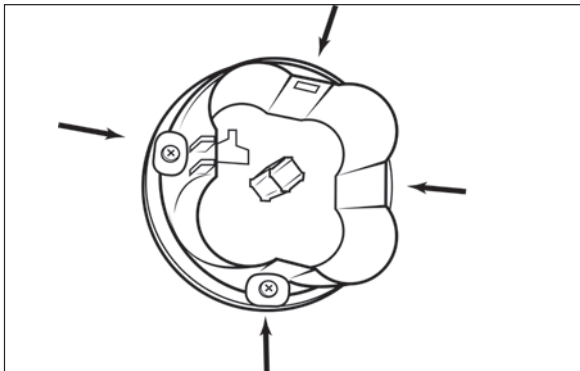
Wireless Motion Sensor UltraBright LED Spotlight Light Sensor Removal Instructions MB380/390

Important:

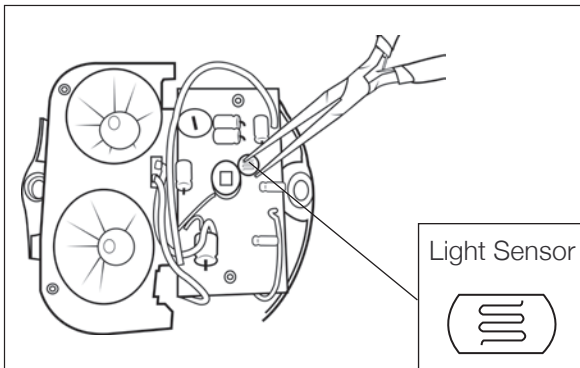
Before you begin, these instructions are for customers who find there is ambient light in the desired location that prevents their light from activating. Once the sensor is removed, your light will activate, regardless of surrounding lights. Battery life will decrease once the sensor is removed, because light will activate more often. Please note that **once the sensor is removed, your warranty is void**. We appreciate your interest in our products and are more than happy to help you customize your light for your specific need.



1. Remove front cover of Spotlight by rotating counter-clockwise as shown above. Pull face out from cup to reveal battery compartment.



2. Turn the battery compartment so you can see one screw on each side. Remove all four screws with a small screwdriver.



3. Once removed, the light sensor can be removed with needle nose pliers, gently twisting until it detaches from unit.

4. Replace battery compartment into face of the light. Screw four screws securely and twist back to base of light. See your user manual for installation instructions.