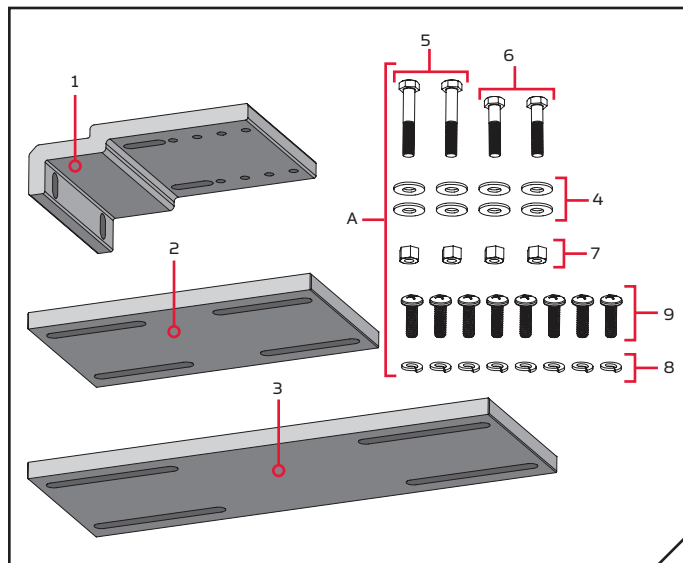


Parts Included:			
Item #	Part #	Description	Qty.
1	2376451	Plate-Support, Mach, Pontoon	1
2	2376455	Plate-Spanner, Short, Pontoon	1
3	2376456	Plate-Spanner, Long, Pontoon	1
A Includes 4-10	2994931	Bag, Asm, Perform, Pontoon	1
4	■	Washer-Flat 5/16 SS	8
5	■	Bolt 5/16-18 x 2" HHCS	2
6	■	Bolt 5/16-18 x 1-1/2" HHCS	2
7	■	Nut 5/16-18 Nylock 5/5	4
8	■	Washer-Lock 5/16	8
9	■	Screw 5/16-18 x 1" PPH SS	8
10	■	Anti-seize Tube, 4CC, (not shown)	1



TOOLS AND RESOURCES REQUIRED

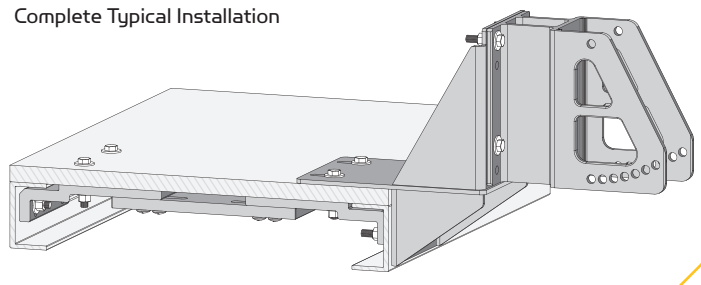
- Drill
- 3/8" Drill Bit
- Ratchet (or Socket) Wrench
- 1/2" Socket
- 1/2" Box Wrench
- #3 Phillips Bit

MOUNTING CONSIDERATIONS

Before mounting your Pontoon Edge Mount Kit and Pontoon Performance Kit, give consideration to the following:

- Because your pontoon bracket requires attaching to the structural cross members of the pontoon frame that run parallel to the bow and transom, Minn Kota requires mounting your Talon on either the bow or the transom of your pontoon, and does not endorse mounting on the side of the pontoon. Side mounting will void your product warranty. See figure for a complete typical installation.
- Some pontoons use aluminum sheeting underneath the deck. Accessing the structural cross members of the pontoon frame beneath will require the removal of this aluminum sheeting in order to install the Pontoon Edge Mount Kit and Pontoon Performance Kit. Minn Kota recommends contacting the pontoon manufacturer or dealer for installation.
- Pontoons vary between the types of edge trim used along the outer perimeter of the pontoon deck. In some cases the profile is raised which may prevent the pontoon bracket from sitting all the way against the face of the pontoon edge trim. It may be necessary to shim or cut away around these areas to securely complete the installation.
- The Talon Tilt Bracket - 1810222 is recommended for adjustable deck support to accommodate for low clearances and boat storage. Reference the Accessories section of these instructions for more details.

Complete Typical Installation



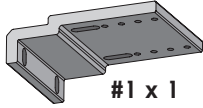
CAUTION

This Talon Pontoon Performance Kit - 1810226, is designed to provide additional deck support for pontoons with high powered engines (125 HP+), or where additional deck support is needed. Failure to follow recommended installation procedures, or any damages resulting from misuse or improper installation, may void your product warranty.

INSTALLATION

1

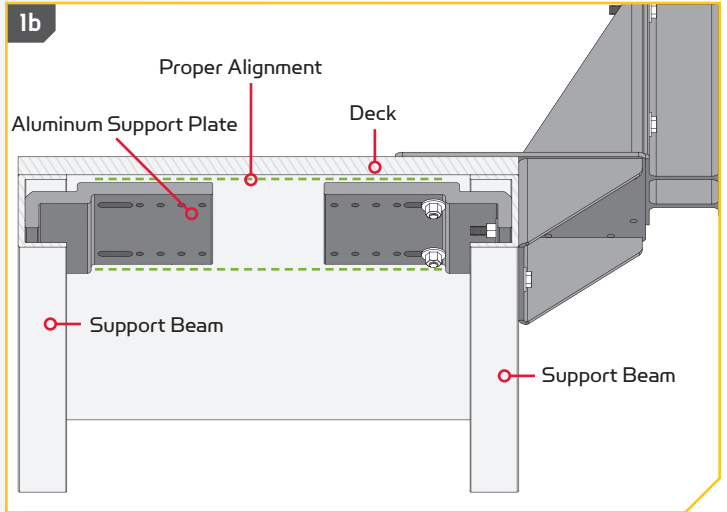
ITEM(S) NEEDED



- a. Complete installation of the Pontoon Edge Mount Kit (1810225).
- b. Place the Aluminum Support Plate (Item #1) below the pontoon deck against the closest and opposite support beam that is parallel to the support plate already installed with the Standard Talon Pontoon Adapter Bracket mounting kit as shown.

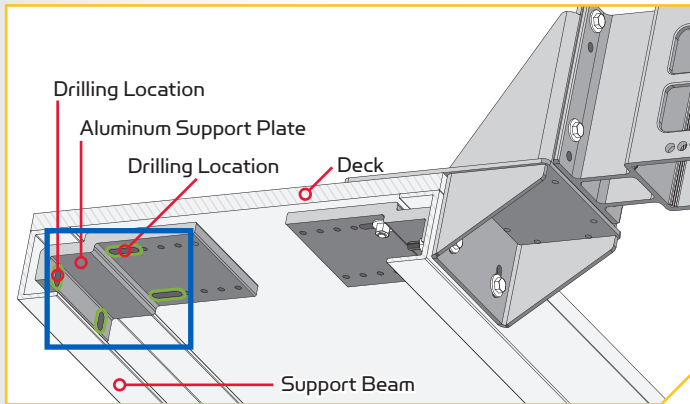
NOTE: Be sure to verify adequate outboard steering clearances, and that your installation will not interfere with any previously installed cabling, fuel lines, or wiring.

1b

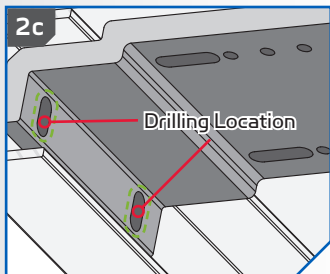


2

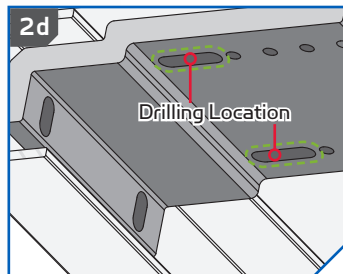
- c. Once placed, mark the Drilling Locations mid length in each slot on the bottom of the pontoon deck. Drill up through the floor using a 3/8" drill bit on the marked locations.
- d. Mark Drilling Locations for the Aluminum Support Plate on the face of the support beam, mid-length in each slot for the mounting hardware. Drill through the face of the beam using a 3/8" drill on the marked location.



2c

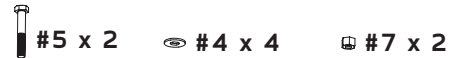


2d

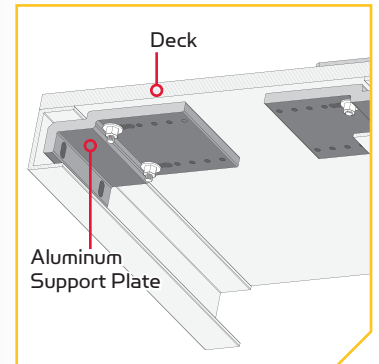
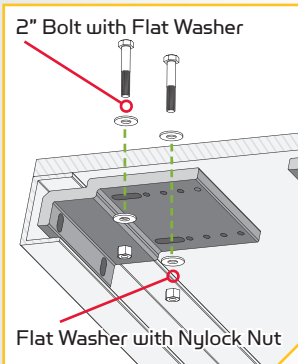


3

ITEM(S) NEEDED



- e. Secure the Aluminum Support Plate to the pontoon deck with two 2" bolts (Item #5). Place one Flat Washer (Item #4) on each bolt. Coat the threads of each bolt with anti-seize. Place the Aluminum Support Plate beneath the deck and align the slots with the holes drilled through the deck.
- f. With the washer in place, put one bolt in each of the holes on top. Each bolt will pass through the pontoon deck and the Aluminum Support Plate. Place a Flat Washer (Item #4) and Nylock Nut (Item #7) at the end of each bolt and secure each using a 1/2" wrench and ratchet fitted with a 1/2" socket.

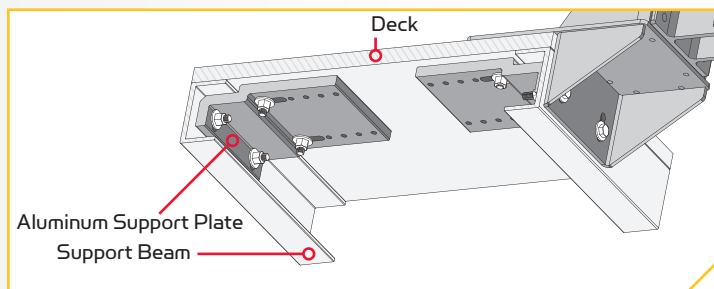
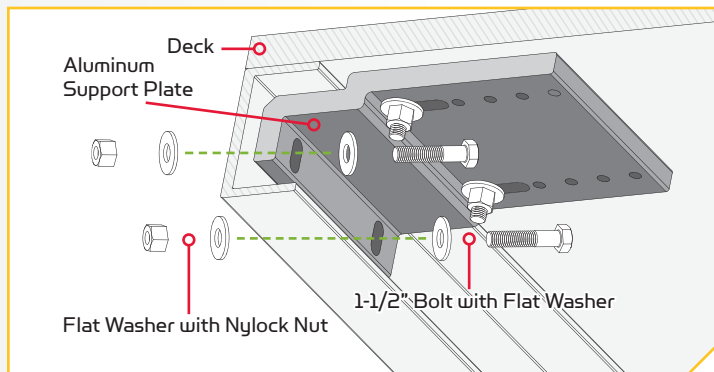


4

ITEM(S) NEEDED

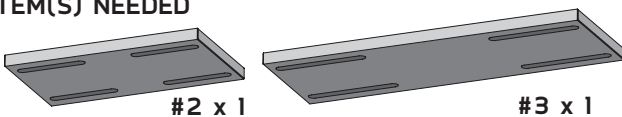


- g. Secure the Aluminum Support Plate to the pontoon support beam with two 1-1/2" bolts (Item #6). Place one Flat Washer (Item #4) on each bolt. Coat the threads of each bolt with anti-seize.
- h. Put one bolt through each drilled hole so it passes through the pontoon support beam and the Aluminum Support Plate. Place a Flat Washer (Item #4) and Nylock Nut (Item #7) at the end of each bolt and secure each using a 1/2" wrench and ratchet fitted with a 1/2" socket as shown.

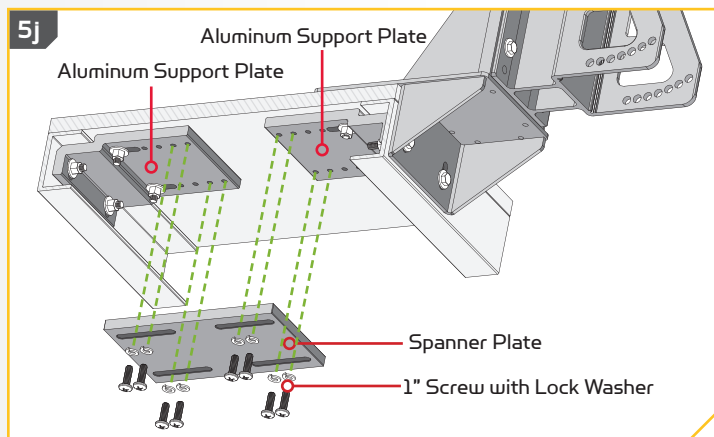
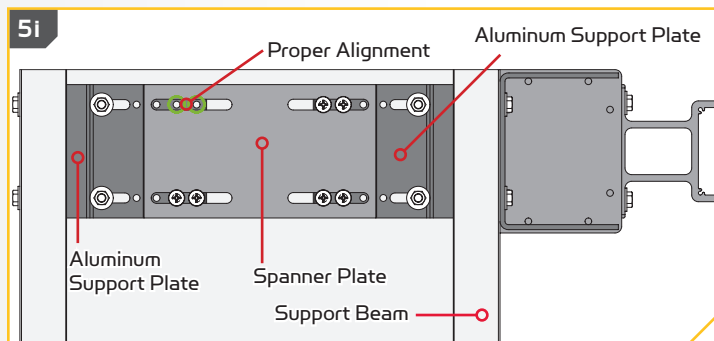


5

ITEM(S) NEEDED



- i. Based on the distance between the two Aluminum Support Plates, determine if space between support beams will require the installation of the Short Spanner Plate (Item #2) or the Long Spanner Plate (Item #3). For proper installation, the two slots on both sides of the selected spanner plate should align with at least two holes on each of the Aluminum Support Plates as shown.
- j. Secure the spanner plate in place by placing two screws in each slot and align it with the holes in the Aluminum Support Plate. Place one Lock Washer (Item #7) on each 1" screw (Item #8). The screws will pass through the spanner plate and Aluminum Support Plate and into the floor of the pontoon. Use a drill with a #3 Phillips Bit to tighten the screws in place. Make sure all hardware is secure.



ACCESSORIES

TALON TILT BRACKET (1810222)

This marine-grade, anodized aluminum tilt bracket accommodates for low-clearance areas and boat storage. Features adjustable deck support for added stability while tilting.

