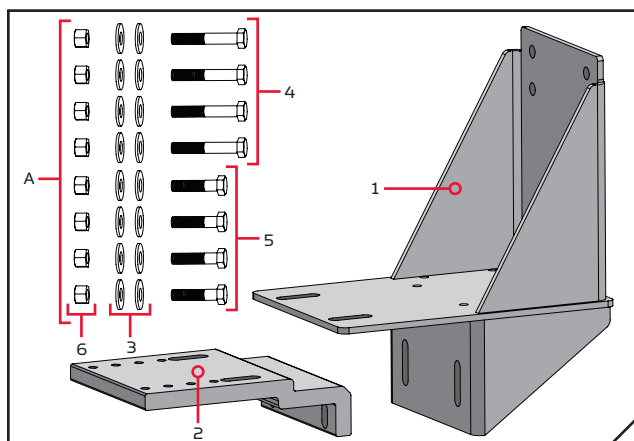


Parts Included:			
Item #	Part #	Description	Qty.
1	2371809	Mount-Painted, Edge Mount	1
2	2376451	Plate-Support, Mach, Pontoon	1
A Includes 3-7	2994930	Bag Asm, Talon Pontoon Brkt	1
3	■	Washer-Flat 5/16 SS	16
4	■	Bolt 5/16-18 x 2" HHCS S	4
5	■	Bolt 5/16-18 x 1-1/2" HHCS	4
6	■	Nut 5/16-18 Nylock SS	8
7	■	Anti-seize Tube, 4CC, Talon (not shown)	1



TOOLS AND RESOURCES REQUIRED

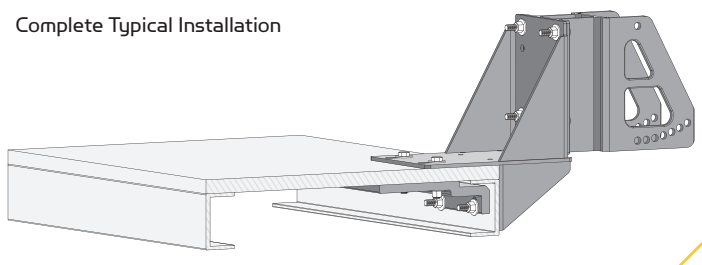
- Drill
- 3/8" Drill Bit
- Ratchet (or Socket) Wrench
- 1/2" Socket
- 1/2" Box Wrench

MOUNTING CONSIDERATIONS

Before mounting your Pontoon Edge Mount Kit, give consideration to the following:

- Because your pontoon bracket requires attaching to the structural cross members of the pontoon frame that run parallel to the bow and transom, Minn Kota requires mounting your Talon on either the bow or the transom of your pontoon, and does not endorse mounting on the side of the pontoon. Side mounting will void your product warranty. See figure to the right for a complete typical installation.
- Some pontoons use aluminum sheeting underneath the deck. Accessing the structural cross members of the pontoon frame beneath will require the removal of this aluminum sheeting in order to install the Pontoon Edge Mount Kit. Minn Kota recommends contacting the pontoon manufacturer or dealer for installation.
- Pontoons vary between the types of edge trim used along the outer perimeter of the pontoon deck. In some cases the profile is raised which may prevent the pontoon bracket from sitting all the way against the face of the pontoon edge trim. It may be necessary to shim or cut away around these areas to securely install your Talon pontoon bracket.
- The Talon Pontoon Performance Kit - 1810226 provides additional deck support for pontoons with high powered engines. The Talon Tilt Bracket - 1810222 is recommended for adjustable deck support to accommodate for low clearances and boat storage. Reference the Accessories section of these instructions for more details.

Complete Typical Installation



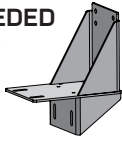
CAUTION

Your Minn Kota Pontoon Edge Mount Kit is designed for basic installation on pontoon applications where adequate deck support is provided. Please note that pontoon construction and mounting surfaces may vary, and some may not provide adequate deck support. For additional deck support, or for pontoons with high powered engines (125 HP+), Minn Kota recommends the use of the Talon Pontoon Performance Kit - 1810226. Damages resulting from misuse or improper installation may void your product warranty.

INSTALLATION

1

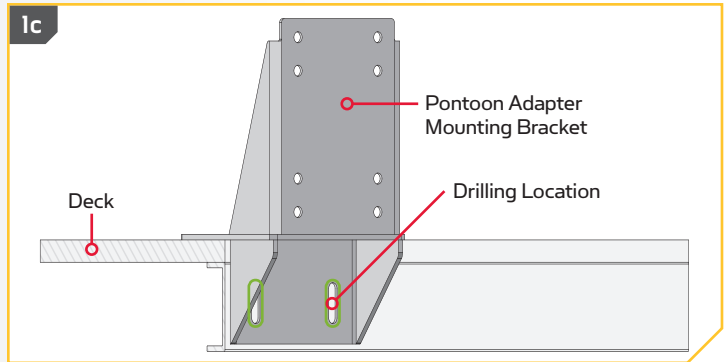
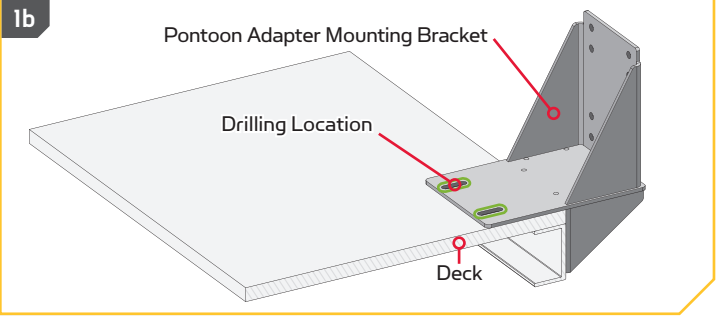
ITEM(S) NEEDED



#1 x 1

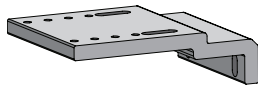
- a. Place the Pontoon Adapter Mounting Bracket (Item #1) in the location you desire on your pontoon.
- b. Mark drilling locations midlength in each slot on top of the deck for the mounting hardware of the pontoon bracket. Drill down through the floor using a 3/8" drill on the marked locations.
- c. On the face of the deck trim, mark drilling locations mid-length in each slot for the mounting hardware. Drill through the face of the deck trim using a 3/8" drill on the marked locations.

NOTE: Be sure to verify adequate outboard steering clearances, and that your installation will not interfere with any previously installed cabling, fuel lines, or wiring.



2

ITEM(S) NEEDED



#2 x 1



#4 x 2

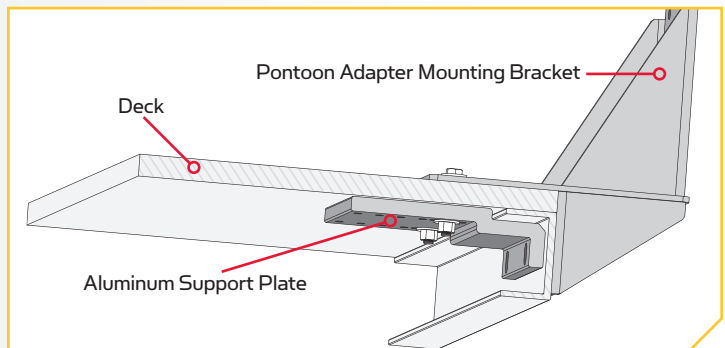
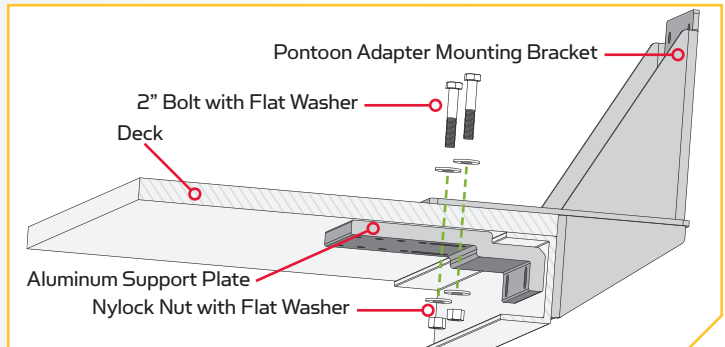


#3 x 4



#6 x 2

- d. Secure the top of the Pontoon Adapter Mounting Bracket with two 2" Bolts (Item #4). Place one Flat Washer (Item #3) on each bolt. Coat the threads of each bolt with anti-seize. Place the Aluminum Support Plate (Item #2) beneath the deck and align the slots with the holes drilled through the deck as shown.
- e. With the washer in place, put one bolt in each of the slots on top. Each bolt will pass through the Pontoon Adapter Mounting Bracket, pontoon deck, and the Aluminum Support Plate. Place a Flat Washer (Item #3) and Nylock Nut (Item #6) at the end of each bolt and secure each using a 1/2" wrench and ratchet fitted with a 1/2" socket.



3

ITEM(S) NEEDED



#4 x 2

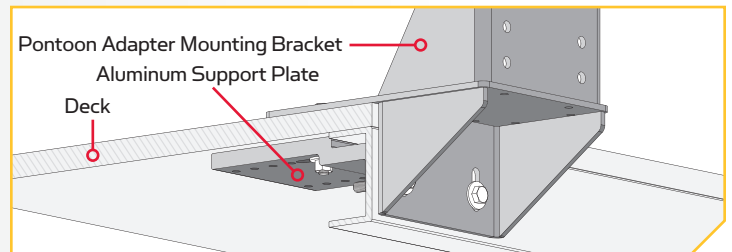
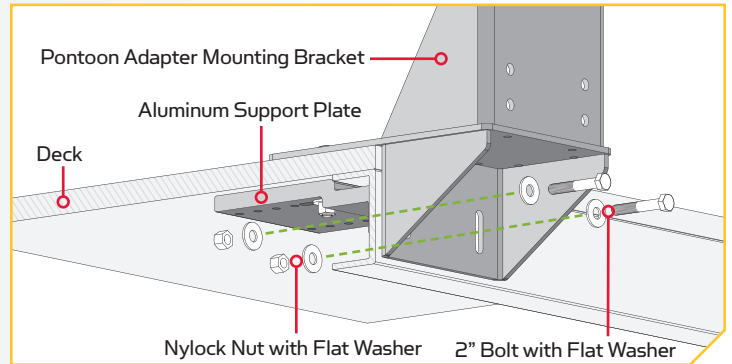


#3 x 4



#6 x 2

- f. Place a Flat Washer (Item #3) on each of the remaining two 2" Bolts (Item #4). Coat the threads of each bolt with anti-seize. Insert the bolts into the face of the Pontoon Adapter Mounting Bracket, through the face of the deck trim, the Aluminum Support Plate and secure beneath the deck. Place a Flat Washer (Item #3) and then a Nylock Nut (Item #6) at the end of the bolt as shown and secure.



4

ITEM(S) NEEDED



#5 x 4

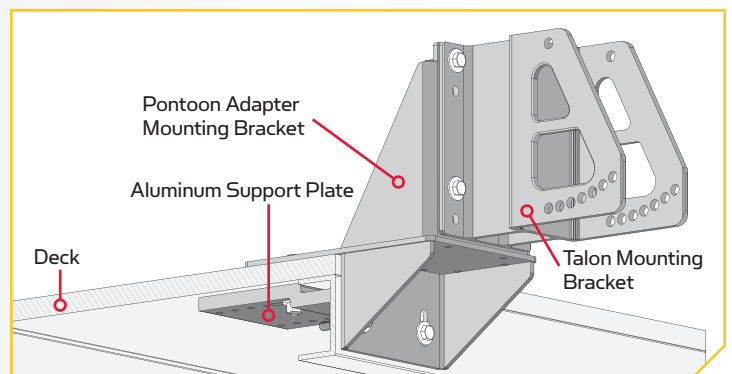
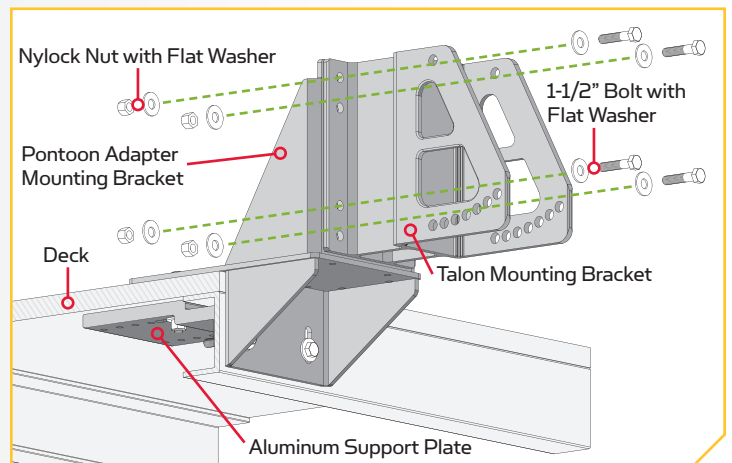


#3 x 8



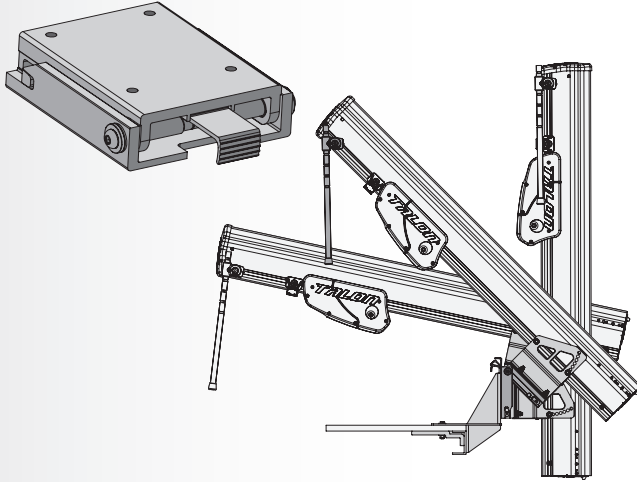
#6 x 4

- g. The Talon Mounting Bracket is secured to the Pontoon Adapter Mounting Bracket using the four 1-1/2" Bolts (Item #5). The alignment is noted in the figure.
- h. Place a Flat Washer (Item #3) on each of the four bolts and coat the threads of each with anti-seize. Place one bolt in each of the four holes. Place a Flat Washer (Item #3) and then a Nylock Nut (Item #6) at the end of each bolt and secure. Make sure all hardware is secure.



TALON TILT BRACKET (1810222)

This marine-grade, anodized aluminum tilt bracket accommodates for low-clearance areas and boat storage. Features adjustable deck support for added stability while tilting.



TALON PONTOON PERFORMANCE KIT (1810226)

Minn Kota recommends the use of the Talon Pontoon Performance Kit - 1810226 for additional deck support, or for pontoons with high powered engines (125 HP+).

