



INSTALLATION INSTRUCTIONS FOR PART 98-9000

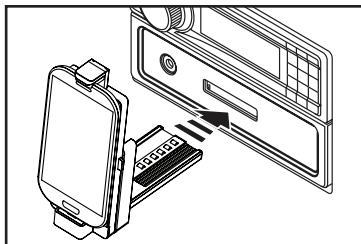
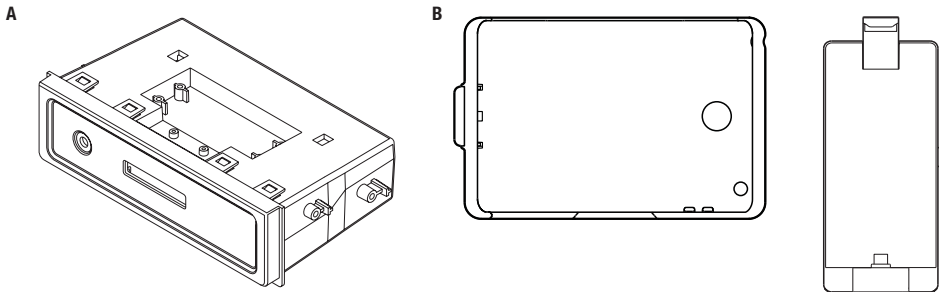
Pocket and tablet/phone mount 98-9000

KIT FEATURES

- Intended for use with a single-DIN radio installed into a variety of Metra dash kits.
- Pocket and tablet/phone mount connect together for a solid mount in front of the aftermarket radio.
- Will charge the connected device through mount.
- 3.5mm audio input jack on front of pocket.

KIT COMPONENTS

- A) Pocket • B) Tablet/phone mount • C) ATC fuse holder (not shown) • D) 5-amp ATC fuse (not shown)



APPLICATIONS

- 98-9000 for iPad mini (1st gen)
- 98-9001 for iPhone 4 and 4s
- 98-9002 for iPhone 5
- 98-9003 for Samsung S3, S4, Note 1, and Note 2.

See metra-online.com for specific vehicle applications

TOOLS REQUIRED

- Panel removal tool • Phillips screwdriver
- Socket wrench

CAUTION: Metra recommends disconnecting the negative battery terminal before beginning any installation. All accessories, switches, and especially air bag indicator lights must be plugged in before reconnecting the battery or cycling the ignition.

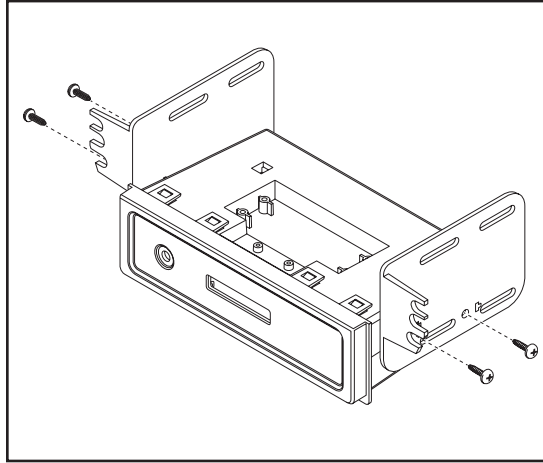
NOTE: Refer to the instructions included with the aftermarket radio.

Metra

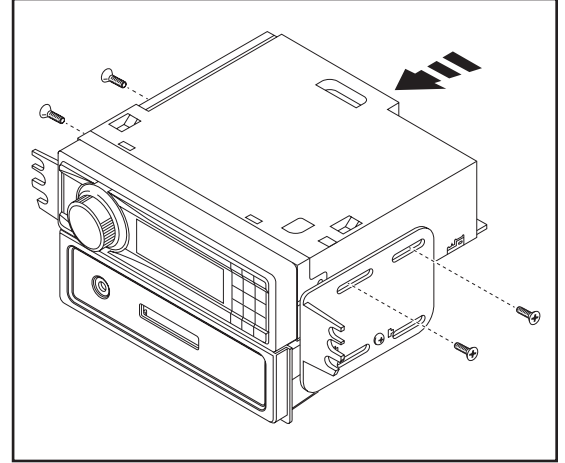
98-9000

Kit Assembly

1. Install the pocket along with a single DIN radio into the Metra installation kit. (Figure A, B)
2. Connect RCA to an AUX input on aftermarket radio.
3. The **red** and **black** wires from the pocket are for charging through the pocket. Connect the **black** wire to ground. Connect the **red** wire to a fused 12-volt accessory power source. A fuse and fuse holder have been supplied in this kit for the 12-volt power wire.



(Figure A)

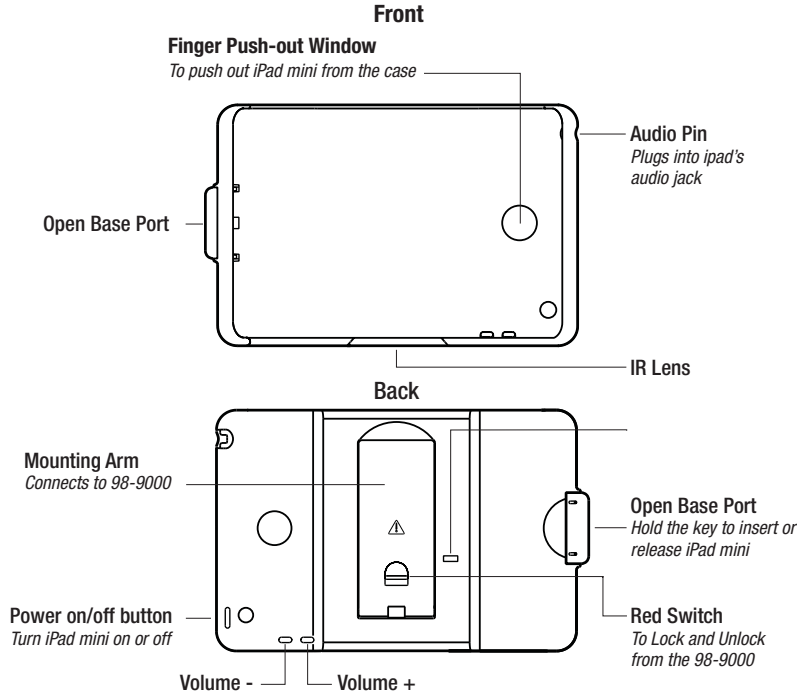


(Figure B)



Kit Assembly 98-9000

iPad mini (first Gen)



Continued on next page

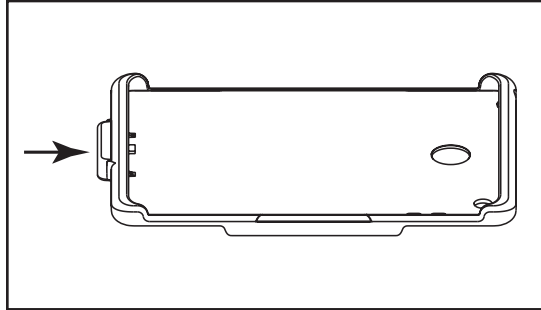


Kit Assembly 98-9000

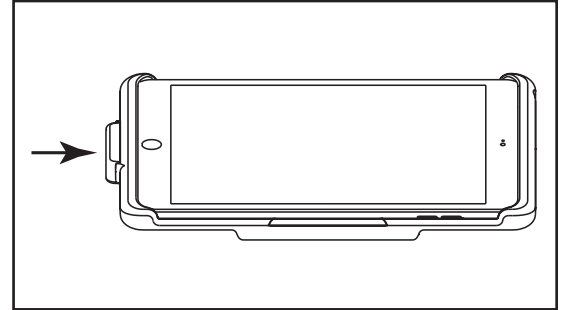
Installing iPad mini (first Gen) into the case

1. Push to close the "Open key"
(Figure A)
2. Insert iPad mini into the case with the charge connector port matched with the case's "Open Port" position, then push iPad mini down into the case. (Figure B)
3. When the iPad mini is inside the case, slide the iPad mini to the left, then press the "Open key" to ensure the iPad mini is held firmly by the case. (Figure C).

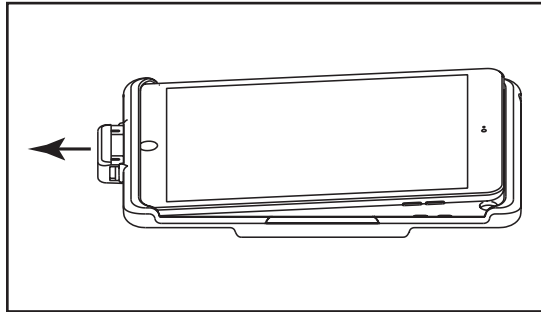
Continued on next page



(Figure A)



(Figure C)



(Figure B)

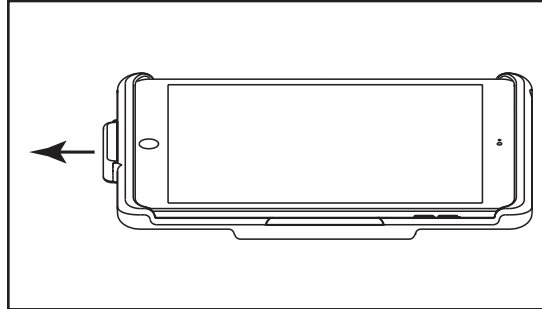


Kit Assembly 98-9000

Removing iPad mini (first Gen) from the case

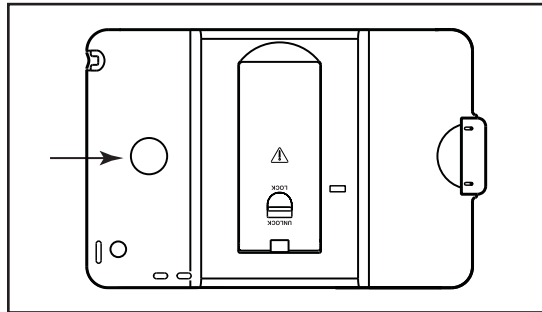
1. Slightly slide the iPad mini towards the direction of the "Open key" (Figure A)

Note: to prevent damage of locking parts, please do not pull the "Open key" too hard when removing the iPad mini from the case.



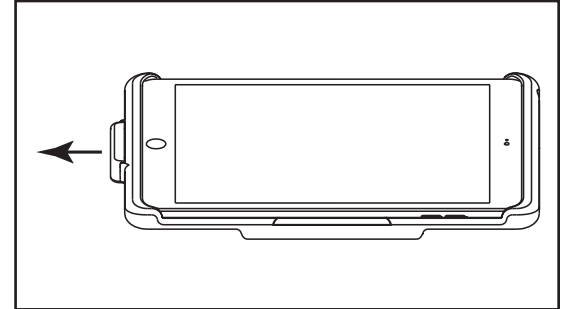
(Figure A)

2. Use your index finger to push up on the iPad mini through this circular hole. (Figure B)



(Figure B)

3. Take out the iPad mini from the case following the direction indicated. (Figure C)



(Figure C)

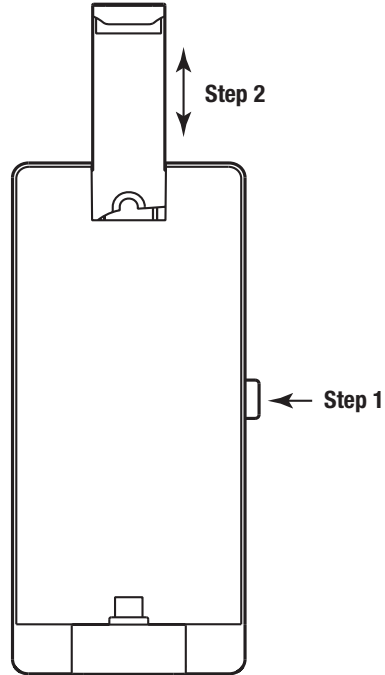


Kit Assembly 98-9000

Installing iPhone/Samsung on the Vehicle Dock

1. Push the button on the right side of the vehicle dock to raise the Activities lock.
2. Insert the iPhone/Samsung into the socket of the Vehicle Dock adapter, at the same time, lower the Activities lock to secure the phone.

Continued on next page





Kit Assembly 98-9000

Installing tablet/phone mount into pocket

1. While holding the “gray switch” to the UNLOCK position, slide the tablet/phone mount into the pocket as shown in the diagrams.
2. When the tablet/phone mount is fully inserted into the pocket, release the “gray switch” to LOCK position.
3. Adjust the tilt angle to the desired position.
4. To remove the mount, hold the gray switch to the UNLOCK position.

