



**Metra<sup>®</sup>**  
**Marine**



# OUTFIT YOUR MARINE VESSEL

**FUN | SAFETY | CONVENIENCE**

LED LIGHTBARS

TRANSOM LED LIGHTS

RGB ACCENT LIGHTS

LED CUBE LIGHTS



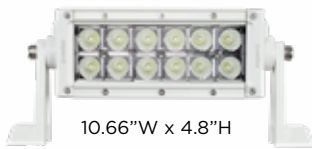
**WARNING:** This catalog does not advise whether a State of California Proposition 65 warning is required for a particular item of merchandise. To learn whether a particular item of merchandise requires a California Proposition 65 warning, please be sure to look up and read the particular merchandise's listing, as well as read the particular merchandise's packaging. When a California Proposition 65 warning is present on Metra's website listing for the particular merchandise, or on the particular merchandise's packaging, a compliant California Proposition 65 warning is to be provided to the purchasing California consumer prior to the sale of the particular merchandise.

# CONTENTS

LED LIGHTBARS .....	4-5
LED CUBE LIGHTS .....	6-7
TRANSOM LED LIGHTS .....	8-10
DRAIN PLUG LIGHTS .....	11
ACCENT LIGHTS & ACCESSORIES .....	12-14
LED STRIP LIGHTS .....	15
LED WHIPS.....	16
AUDIO ACCESSORIES.....	17-23
HDMI® .....	24-25
BATTERIES .....	26
POWER SUPPLY .....	27
TRAILER ACCESSORIES.....	28-30
INSTALLATION ACCESSORIES .....	30-33
FUSE BLOCKS .....	34-35
HARDWARE .....	36-39
TOOLS .....	40-46

LED STRIP LIGHTS

# LED LIGHTBARS



10.66"W x 4.8"H

## 8" LED LIGHTBAR DUAL ROW

- Wattage: 36W
- Raw Lumens: 2880lm
- Lux @ 10M: 215
- Current Consumption @ 13.8V: 1.9A
- IP Rating: IP68
- Hole Dimensions:  
Bracket Turned In: 7.25"  
Brackets Turned Out: 9.5"

**HE-MDR8**

★ IP68 ★  
CERTIFIED



16.69"W x 4.8"H

## 14" LED LIGHTBAR DUAL ROW

- Wattage: 72W
- Raw Lumens: 5760lm
- Lux @ 10M: 466
- Current Consumption @ 13.8vV: 3.7A
- IP Rating: IP68
- Hole Dimensions:  
Bracket Turned In: 13.5"  
Brackets Turned Out: 15.75"

**HE-MDR14**

★ IP68 ★  
CERTIFIED



16.69"W x 4.8"H

## 14" LED LIGHTBAR SINGLE ROW

- Wattage: 60W
- Raw Lumens: 4800lm
- Lux @ 10M: 450
- Current Consumption @ 13.8V: 3.7A
- IP Rating: IP68
- Hole Dimensions:  
Bracket Turned In: 13.5"  
Brackets Turned Out: 15.75"

**HE-MSR14**

★ IP68 ★  
CERTIFIED



24.72"W x 4.8"H

## 20" LED LIGHTBAR DUAL ROW

- Wattage: 108W
- Raw Lumens: 8640lm
- Lux @ 10M: 612
- Current Consumption @ 13.8V: 5.7A
- IP Rating: IP68
- Hole Dimensions:  
Bracket Turned In: 19.5"  
Brackets Turned Out: 21.75"

**HE-MDR20**

★ IP68 ★  
CERTIFIED

**INPUT VOLTAGE:** 10-30V DC  
**COLOR TEMPERATURE:** 6000K  
**BEAM PATTERN COMBO:**  
 Flood 90° and Spot 8°  
**HOUSING MATERIAL:**  
 Die-Cast Aluminum  
**COLOR:** White Coating with UV

**MEMBRANE:** Gore  
**LENS MATERIAL:** PC  
**MOUNTING BOLT DRILL:** 0.25"  
**MOUNTING BRACKET:**  
 Die-Cast Aluminum  
**HEIGHT OF LIGHTBAR:** 3"

**DEPTH OF LIGHTBAR:** 3.5"  
**ELECTRONICS:**  
 Integrated-Epoxy Encapsulated  
**HARDWARE:** 316 Stainless  
**OPERATING TEMPERATURE:**  
 -40°F to +140°F  
**PROTECTION:** Reverse Polarity



# LED LIGHTBARS



34.88"W x 4.8"H

## 30" LED LIGHTBAR DUAL ROW



- Wattage: 180W
- Raw Lumens: 14400lm
- Lux @ 10M: 625
- Current Consumption @ 13.8V: 9.5A
- IP Rating: IP67
- Hole Dimensions:  
Bracket Turned In: 31"  
Brackets Turned Out: 33.5"

**HE-MDRC30**



44.76"W x 4.8"H

## 42" LED LIGHTBAR DUAL ROW



- Wattage: 240W
- Raw Lumens: 19200lm
- Lux @ 10M: 780
- Current Consumption @ 13.8V: 12A
- IP Rating: IP67
- Hole Dimensions:  
Bracket Turned In: 41"  
Brackets Turned Out: 43.5"

**HE-MDRC42**

## ADDITIONAL ACCESSORIES

### UNIVERSAL LIGHTBAR BRACKETS

- 8", 22" and 32" sizes



**MPS-B01**



**MPS-B02**



**MPS-B03**



**INPUT VOLTAGE:** 10-30V DC  
**COLOR TEMPERATURE:** 6000K  
**BEAM PATTERN COMBO:**  
 Flood 90° and Spot 8°  
**HOUSING MATERIAL:**  
 Die-Cast Aluminum  
**COLOR:** White Coating with UV

**MEMBRANE:** Gore  
**LENS MATERIAL:** PC  
**MOUNTING BOLT DRILL:** 0.25"  
**MOUNTING BRACKET:**  
 Die-Cast Aluminum  
**HEIGHT OF LIGHTBAR:** 3"

**DEPTH OF LIGHTBAR:** 3.5"  
**ELECTRONICS:**  
 Integrated-Epoxy Encapsulated  
**HARDWARE:** 316 Stainless  
**OPERATING TEMPERATURE:**  
 -40°F to + 140°F  
**PROTECTION:** Reverse Polarity

# CUBE LED LIGHTS

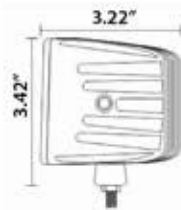
★ IP68 ★  
CERTIFIED

## 3" CUBE LIGHT 6 LED

- Wattage: 18W
- Raw Lumens: 1440lm
- Lux @ 10M: 18
- Current Consumption @ 13.8V: 1.2A
- IP Rating: IP68
- Beam Pattern: Flood 90°
- Mounting Bracket: Stainless Steel

**HE-MCL32PK** 2 light pair

*HE-DLWH1 dual light wiring harness included with 2 pack*

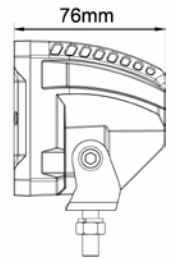


★ IP68 ★  
CERTIFIED

## 3" CUBE LIGHT 4 LED

- Wattage: 12W
- Raw Lumens: 960lm
- Lux @ 10M: 34
- Current Consumption @ 13.8V: 0.7A
- IP Rating: IP68
- Beam Pattern: Flood 90°
- Mounting Bracket: Stainless Steel

**HE-MHCL2**



### ACCENT CAPS

Customize your lights with included color accent caps!

### ACCESSORIES INCLUDED



#### PIGTAIL

Included with all marine high output cube LED lights

### ADDITIONAL ACCESSORIES



#### CUBE PROTECTIVE LENS COVERS

- Polycarbonate protective lens
- Use with 3" cube lights

- HE-CLLA** Amber
- HE-CLLBK** Black
- HE-CLLC** Clear
- HE-CLLR** Red
- HE-CLLG** Green
- HE-CLLBL** Blue

#### ROLL BAR MOUNTS

- Powder coated black
- Rubber insert



**MPS-C02** 3" **MPS-C04** 2" **MPS-C03** 1.1875"



# FLUSH MOUNT CUBE LED LIGHTS



★ IP68 ★  
CERTIFIED

## 3" FLUSH MOUNT CUBE LIGHT 4 LED

- Wattage: 12W
- Raw Lumens: 960lm
- Lux @ 10M: 17
- Current Consumption @ 13.8V: 0.9A
- IP Rating: IP68
- Beam Pattern: Flood 90°
- Mounting Bracket: Flush Mount

### HE-MFMCL2

*Includes gasket and cut out template*



★ IP68 ★  
CERTIFIED

## 3" FLUSH MOUNT CUBE LIGHT 6 LED

- Wattage: 18W
- Raw Lumens: 1440lm
- Lux @ 10M: 18
- Current Consumption @ 13.8V: 1.2A
- IP Rating: IP68
- Beam Pattern: Flood 90°
- Mounting Bracket: Flush Mount

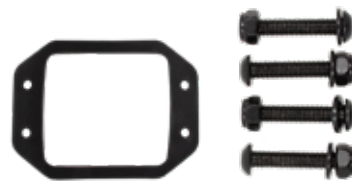
### HE-MFMCL3

*Includes gasket and cut out template*

## ACCESSORIES INCLUDED

### GASKETS AND SCREWS

- Included with all flush mount cube LED lights



**INPUT VOLTAGE:** 10-30V DC

**COLOR TEMPERATURE:** 6000K

**HOUSING MATERIAL:**  
Die-Cast Aluminum

**COLOR:** White Coating with UV

**LENS MATERIAL:** PC

**ELECTRONICS:**  
Integrated-Epoxy Encapsulated

**HARDWARE:** 316 Stainless

**OPERATING TEMPERATURE:**  
-40°F to +140°F

**PROTECTION:** Reverse Polarity

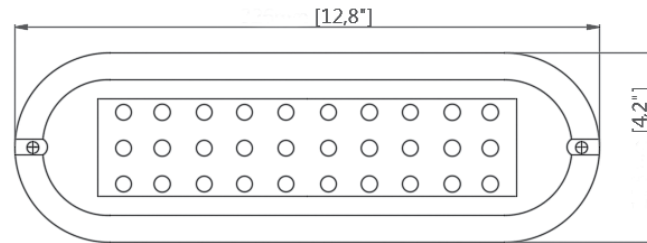
# TRANSOM LED LIGHTS

★ IP68 ★  
CERTIFIED

## 90W UNDERWATER TRANSOM LIGHT BLUE

- (30) 3-watt LEDs

ML-BLU90W

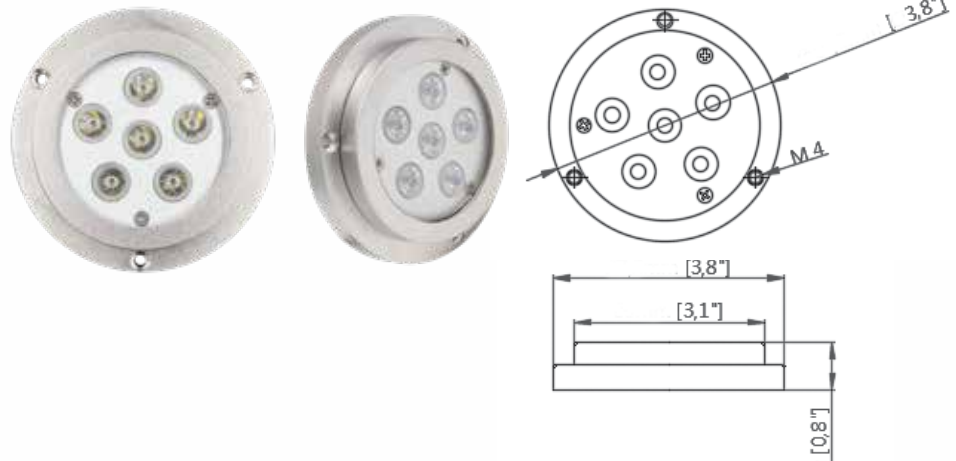


★ IP68 ★  
CERTIFIED

## 24W UNDERWATER TRANSOM LIGHT RGBW

- (6) 4-watt LEDs
- 5-wire RGBW

ML-RGBW24W



★ IP68 ★  
CERTIFIED

## 27W UNDERWATER TRANSOM LIGHT RGB

- (9) 3-watt LEDs
- 4-wire RGB

ML-RGB27W



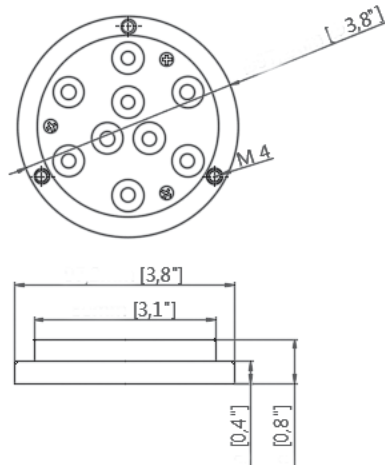
INPUT VOLTAGE: 10-30V DC

HOUSING MATERIAL: 316 Stainless

MOUNT: Surface



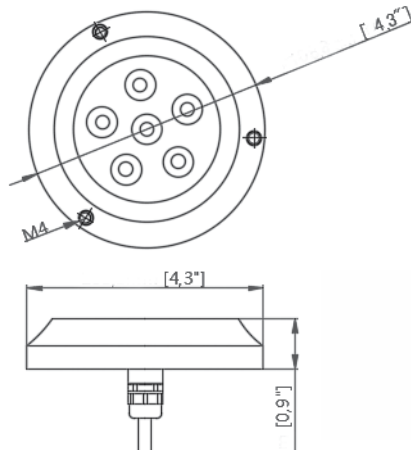
# TRANSOM LED LIGHTS



**★ IP68 ★  
CERTIFIED**  
**27W UNDERWATER  
TRANSOM LIGHT**

**WHITE OR BLUE**  
• (9) 3-watt LEDs

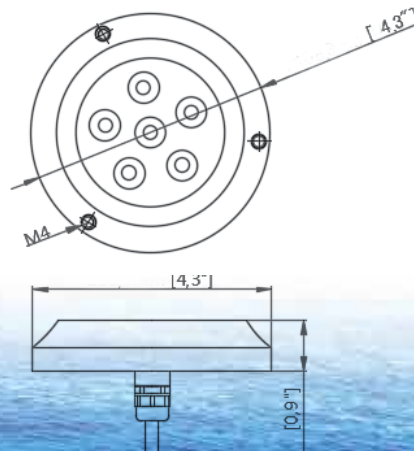
**ML-WHT27W** White  
**ML-BLU27W** Blue



**★ IP68 ★  
CERTIFIED**  
**72W UNDERWATER  
TRANSOM LIGHT**

**RGBW**  
• (6) 12-watt LEDs  
• 5-wire RGBW

**ML-RGBW72W**



**★ IP68 ★  
CERTIFIED**  
**54W UNDERWATER  
TRANSOM LIGHT**

**RGB**  
• (6) 9-watt LEDs  
• 4-wire RGB

**ML-RGB54W**



**INPUT VOLTAGE:** 10-30V DC

**HOUSING MATERIAL:** 316 Stainless

**MOUNT:** Surface

# TRANSOM LED LIGHTS

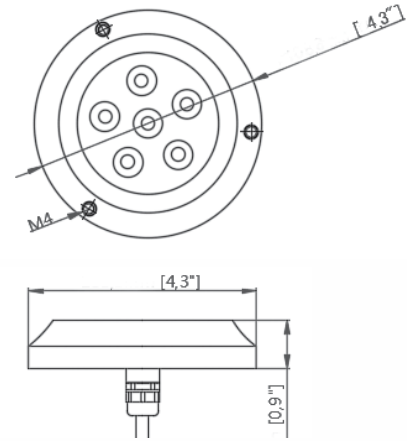
★ IP68 ★  
CERTIFIED

## 30W UNDERWATER TRANSOM LIGHT WHITE OR BLUE

- (6) 5-watt LEDs

ML-WHT30W White

ML-BLU30W Blue



★ IP68 ★  
CERTIFIED

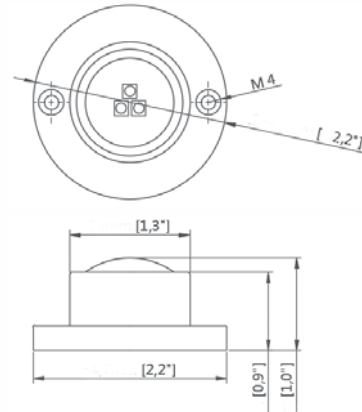
## 15W UNDERWATER TRANSOM LIGHT RGB

- (3) 5-watt LEDs
- 4-wire RGB

ML-RGB15W



RGB LEDS



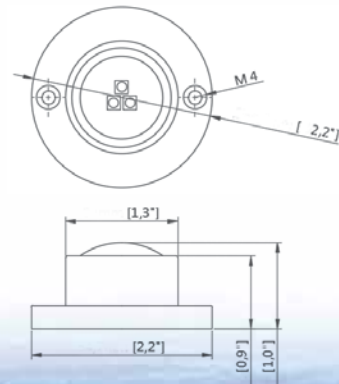
★ IP68 ★  
CERTIFIED

## 15W UNDERWATER TRANSOM LIGHT WHITE OR BLUE

- (3) 5-watt LEDs

ML-WHT15W White

ML-BLU15W Blue



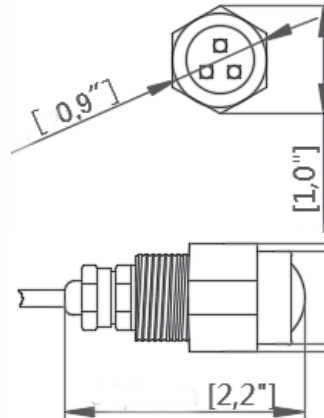
INPUT VOLTAGE: 10-30V DC

HOUSING MATERIAL: 316 Stainless

MOUNT: Surface



# DRAIN PLUG LED LIGHTS



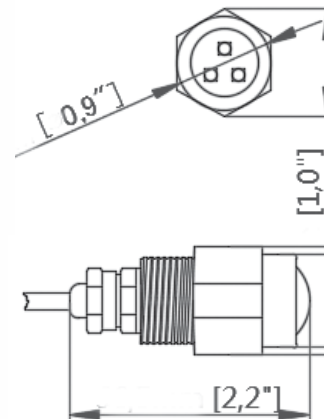
★ IP68 ★  
CERTIFIED

## 9W SMALL DRAIN PLUG LIGHT

RGB

- (3) 3-watt LEDs
- 4-wire RGB

**ML-DLRGB9W**



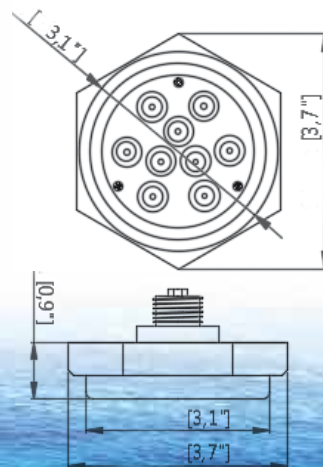
★ IP68 ★  
CERTIFIED

## 9W SMALL DRAIN PLUG LIGHT

WHITE, BLUE OR GREEN

- (3) 3-watt LEDs

**ML-DLWHT9W** White  
**ML-DLBLU9W** Blue  
**ML-DLGRN9W** Green



★ IP68 ★  
CERTIFIED

## 27W LARGE DRAIN PLUG LIGHT

RGB

- (9) 3-watt LEDs
- 4-wire RGB

**ML-DLRGB27W**



**INPUT VOLTAGE:** 10-30V DC

**HOUSING MATERIAL:**  
Brass or 316 stainless

**MOUNT:** 1/2" NPT Threads  
(no drilling required)

# ACCESSORIES & ACCENT LIGHTS



## 8-GANG SWITCH PANEL

This 8-gang switch panel system allows you to control 8 auxiliary LED lights or electrical devices. You can now customize your switch panel according to your needs with 50 switch stickers, blue LED lights for back lighting and multi-position installation (2 brackets for panel, 1 bracket for control box, 60 amp circuit breaker and 7-gauge tinned copper battery cables).

### HE-SWP8



### FEATURES

- 8-gang switch panel with control box and cover
- Selectable switch operation; latching or momentary
- 50 switch labels for customization
- 60 amp resettable circuit breaker
- 6 extra fuses, power harness and battery cables
- 2 switch panel brackets and 1 control box bracket
- Mounting hardware, screws and zip ties included

### SPECS

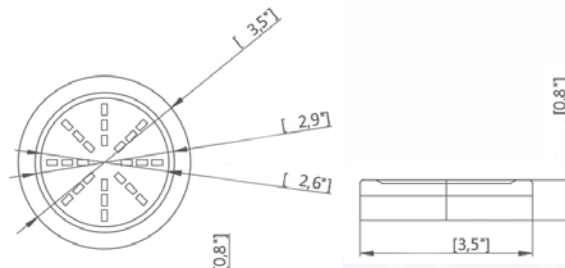
- Input Voltage: 12V / Power Handling: 600W
- Maximum Current: 60A
- Panel Material: Die-Cast Aluminum
- Control Box Material: Die-Cast Aluminum
- Control Box Cover: ABS Plastic
- Operating Temperature: - 40°F to 221°F
- Panel Size: 4.53" x 0.59" x 2.60"
- Circuit Box Size: 7.48" x 1.34" x 4.13"



## FLUSH MOUNT CASE FOR 8-GANG SWITCH PANEL

- Fits HE-SWP8 switch panel (sold separately)
- Switch panel screws securely to the case box
- Included snap on trim plate for a clean installation
- Cut template and mounting hardware included

### HE-SWP8C



★ IP68 ★  
CERTIFIED

## INTERIOR CABIN LIGHT WITH SWITCH

- (24) 3-watt LEDs

ML-CLWHT White  
ML-CLBLU Blue

**INPUT VOLTAGE:** 10-30V DC

**HOUSING MATERIAL:** Aluminum

**MOUNT:** Surface

# RGB ACCENT LIGHTS & LIGHT PODS



## ACCENT LIGHTS KIT

**3 LED • 8 PODS • 1.5" x 3"**

- LEDs: (3) 3-watt each (9W)
- Raw Lumens: 720lm

★ IP68 ★  
CERTIFIED



The HE-8MLRGBK is a complete kit to light up your boat. (8) HE-ML1RGB RGB accent lights and the HE-CBRGB control box will give you accent lighting where you want it.

**HE-8MLRGBK**



## ACCENT LIGHTS KIT

**3 LED • 4 PODS • 1.5" x 3"**

- LEDs: (3) 3-watt each (9W)
- Raw Lumens: 720lm

★ IP68 ★  
CERTIFIED



Designed as a starter kit, the HE-4MLRGBK allows you get the RGB lights in your boat without breaking the bank. This kit also allows you add up to four more HE-ML1RGB lights.

**HE-4MLRGBK**



## HEISE RGB APP FOR ANDROID™ AND iOS®:

This app allows endless color choices and even allows you to store your custom made colors. Preset flash Patterns, light flashing to your music in your library, even have the lights turn on and off at selected times.



## ADDITIONAL ACCESSORIES ACCENT LIGHTING COVER

The light cover is for use with the HE-4MLRGBK, HE-8MLRGBK, HE-ML1RGB

**HE-ML1DIV**



★ IP68 ★  
CERTIFIED



## RGB ACCENT LIGHT

**3 LED • RGB POD • 1.5" x 3"**

- LEDs: (3) 3-watt each (9W)
- Raw Lumens: 720lm

**HE-ML1RGB**



★ IP68 ★  
CERTIFIED

## ACCENT LIGHT

**3 LED • SINGLE POD • 1.5" x 3"**

- LEDs: (3) 5-watt each (15W)
- Raw Lumens: White: 1200lm/Color: 720lm

**HE-ML1 White**



**HE-ML1B Blue**

**INPUT VOLTAGE:** 10-30V DC

**BEAM PATTERN:** Flood 120°

**HOUSING MATERIAL:**  
White Die-Cast Aluminum

**COLOR:** White coating with UV

**LENS MATERIAL:** PC

**MOUNTING:** Surface

**HARDWARE:** 316 Stainless

**OPERATING TEMPERATURE:**  
-40°F to +140°F

**IP RATING:** IP68



# ACCENT LIGHT ACCESSORIES



## ACCENT LIGHTING COVER

- For use with the HE-4MLRGBK, HE-8MLRGBK, HE-ML1RGB

**HE-ML1DIV**



## MOUNTING BASE

- For use with the HE-ML1, HE-ML1A, HE-ML1B, HE-ML1G, HE-ML1R

**HE-ARB1**



## CONTROL BOX

**★ IP68 ★  
CERTIFIED**

### 8 OUTPUT

- Water-resistant control box for RGB lights
- Control box can be mounted in the engine compartment

**HE-CBRGB**



## PIGTAIL ADAPTER

### RGB ACCENT PODS

- Designed to wire the RGB accent pods into any 4-wire positive anode RGB controller like the Heise HE-RGBC-1, HE-RGBSAC-1, HE-WFRGBC-1, and HE-RFRGBC-1

**HE-PTRGB**



## EXTENSION CABLE

### 10 FOOT

- Designed to add an additional 10 feet of length to the accent pods which are already equipped with a 10 foot cable

**HE-EXTRGB**

## WORK LIGHT

### 33 LED

- Wattage: 60W
- Raw Lumens: 726lm
- Lux @ 10M: 0.1
- Beam Pattern: 120° Flood
- Current Consumption @ 13.8V: .3A
- Lens Design: Unique Waffle



3.75"W x 3"H x .75"D

**HE-WL1**



## “Y” ADAPTER

### HARNESS KIT

- Allows two lightbars, driving lights, or work lights 240W or less

**HE-EYHK**

# LED STRIP LIGHTS



## RGB STRIP LED LIGHT KIT 5 METER 5050 RGB LEDS

- 5 meters (16.4ft.) RGB 5050 LED strip
- 5050 SMD LEDs at 60 LEDs per meter
- One 24-key IR remote & RGB controller
- 3 amp power supply
- IP65 water-resistant covering

**H-RGB5MRK2**



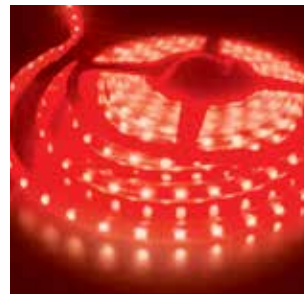
BLUE



GREEN



RED



WHITE



## IP68 5050 LED STRIP LIGHTS 5 METER ROLL

- Water-resistant covering
- 3M double-sided tape provides a strong bond
- 120° viewing angle
- LED strips can be cut at every 3rd LED
- 5 meter strip only draws 4.5 amps of current
- IP68 rated waterproof light strip
- Mounts with brackets (included) instead of tape for secure mounting
- Anti-static packaging

**HE-B55068** Blue

**HE-G55068** Green

**HE-R55068** Red

**HE-W55068** White



## ALUMINUM TRACK FOR STRIP LED LIGHTS

### 3 FOOT SILVER ANODIZED

- Aluminum surface and flush mount track available in both clear and frosted covers for use with LED strip lights
- Provides decorative look and secure place to attach your LED strip lights
- Flush mount requires a 5/8" wide and 1/4" deep opening
- Hardware included



**HE-ATCL** Clear surface



**HE-ATFL** Frosted surface



**HE-AFMTCL** Clear flush



**HE-AFMTFL** Frosted flush

# WHIPS



Actual color tones may vary

## DANCING LED RGB WHIPS 4 FOOT • SMART PHONE CONTROLLED

- 147 LEDs/60 per meter/3 amps
- IPX5 Rating

### MPS-CRGBWHIP4

- Mount on any boat or off-road vehicle: ATVs/UTVs, Jeeps, trucks, etc.
- Easy to install/uninstall with quick release mounting base
- Included orange flag and clips for safety



Actual color tones may vary

## DANCING LED RGB WHIPS 6 FOOT • SMART PHONE CONTROLLED

- 227 LEDs/60 per meter/4 amps
- IPX5 Rating

### MPS-CRGBWHIP6

**INPUT VOLTAGE:** 9-16V DC

**LED LIFE:** 50,000 hours

**BASE:** Aluminum, black anodized, quick release design

**RF REMOTE:** Included

## WHIP MOUNT

### DESIGNED TO WORK WITH ROLL CAGES

- Comes with 1.5", 1.75", 1.875" & 2" rubber inserts
- Milled aluminum
- Powder coated gloss black
- Adjusts to fit most angles

### MPS-WHIPM





# RADIO HOUSING/COVERS/ANTENNAS



## MARINE RADIO HOUSING

### PRE-WIRED SURFACE MOUNT

- White molded UV-resistant polycarbonate
- Smoke tinted door - spring-loaded with retention hinge
- Pre-wired for easy installation
- Stainless steel mounting hardware included
- Housing only - radio not included

**99-9006**



## MARINE RADIO COVER

### TRANSPARENT SMOKE TINTED DOOR

- Black or white finished base
- Magnetic latch - No push buttons
- Magnetic seal held in place with 3M adhesive
- Retention hinged so the door will stay open
- No other marine cover uses this style of hinge
- Universal design accommodates most DIN head units
- High-temp and UV resistant polycarbonate construction
- Stainless steel mounting hardware included

**99-9003W** White base

**99-9003B** Black base



## MARINE RADIO COVER

### TRANSPARENT SMOKE TINTED DOOR

- Black or white finished base
- Positive spring-loaded retention lock
- Longer life, heavy-duty, low-friction hinges
- Dual spring support while cover is open
- Accu-view tinted cover

**99-9005** White base

**99-9005B** Black base

## UNIVERSAL MARINE ANTENNA

- Flexible antenna
- 48" (122cm) cable
- Right angle motorola style connector
- Weather-resistant

**44-MAUA200**



## WHITE MARINE RUBBER ANTENNA

- Side/top mount for 1" (25mm) hole split ball
- 14" (36cm) removable white conductive rubber mast
- 54" (137cm) cable

**44-MAUS07R**

# OVERHEAD CONSOLES

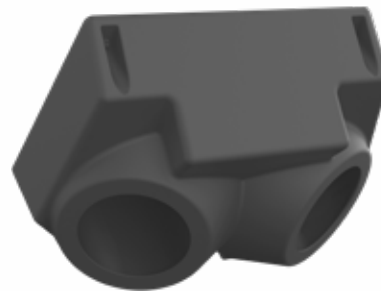


## OVERHEAD CONSOLE

### SINGLE-DIN | UNIVERSAL

- Easy install
- Automotive/marine grade ABS with UV
- Single-DIN opening or without for customized gauge mount
- Water-resistant
- Accommodates one radio device and two speakers
- Paintable for custom install
- OH-DIN01 has Single-DIN radio cut out

**OH-UNI01/OH-DIN01**



## OVERHEAD CONSOLE

### SINGLE-DIN AND DOUBLE-DIN | UNIVERSAL

- Made from durable ABS plastic
- 2 speaker cutouts for 6.5" - 6.75" speakers
- Single and Double-DIN radio templates included
- Will accommodate: Single-DIN radios/Double-DIN radios, marine media units, Bluetooth® receivers, gauges, dome lights, switches, etc.
- Mounting hardware included

**OH-UNI02**

# BLUETOOTH® AUDIO RECEIVERS



## AUDIO RECEIVER

### BLUETOOTH® MODULE NO DISPLAY

- Remote turn-on comes on when streaming media
- Water-resistant
- Upgrade existing non-Bluetooth® radio
- Automatically reconnects with the last Bluetooth® device
- RCA output

**IBR64**



## AUDIO RECEIVER

### FLUSH MOUNT DISPLAY BLUETOOTH® MODULE

- 1-1/8" mounting hole required
- Water-resistant, AUX input
- Remote turn-on comes on when streaming media
- Independent volume and track controls

**IBR65**



## **WATER-RESISTANT BLUETOOTH® SPEAKER**

### **UNIVERSAL**

- Blue LED back-lit control panel 3"x 2", with IP66 water-resistant rating
- Built-in FM radio tuner, with auto search and save
- USB input to play MP3/WMA/WAV music with 1 amp device charging
- Pair of 3" water-resistant speakers included, peak stereo output power: 2 x 20W
- Suitable for DC 12V

### **MPS-SBSMP3**

## **VOLTMETER**

### **DIGITAL**

- Snap-in panel with 3.5/USB/voltmeter
- Provides 2.1 amp 5V charging
- 3.5mm is pass-through

### **MPS-35USBV**





# SPEAKER ACCESSORIES



## SILICONE SPEAKER BAFFLES

### 2 PIECE SILICONE BAFFLE KIT

Pkg/pair 6.5"	<b>IBSBF65</b>	Bulk/pair pkg 6.5"	<b>IBSBF65-B</b>
Pkg/pair 5.25"	<b>IBSBF525</b>	Pkg/pair 6"x 9"	<b>IBSBF69</b>
Bulk/pair 6"x 9"	<b>IBSBF69-B</b>	Pkg/pair 8"	<b>IBSBF80</b>



## MODULAR SUB GRILLE HARDWARE INCLUDED

- Powder coated, heavy-duty mounting bases
- Steel protection arms with satin nickel finish

**EMSG02**



## VERTEX/XTC ACOUSTIC BAFFLES

### 2 PIECE BAFFLE KIT

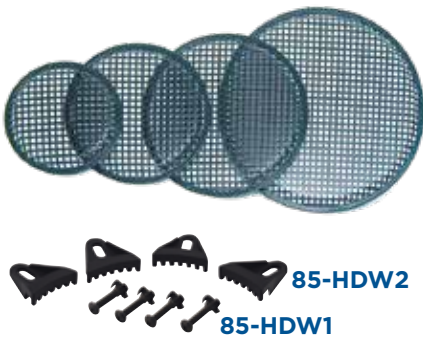
4" shallow round	<b>VXT42</b>	6.5" round large frame	<b>VXT60</b>
4"x 6" shallow oval	<b>VXT462</b>	6" round shallow large frame	<b>VXT62</b>
4"x 6" oval	<b>VXT46</b>	6.5" round small frame	<b>VXT65</b>
5" round shallow	<b>VXT52</b>	6"x 8" oval standard	<b>VXT68</b>
5" to 5.25" round	<b>VXT55</b>	6"x 9" oval	<b>VXT69</b>
5"x 7" oval	<b>VXT52</b>	8" round standard	<b>VXT80</b>



## IB ACOUSTIC BAFFLES

### 2 PIECE BAFFLE KIT

4" round shallow	<b>IBBAF42</b>
4"x 6" oval small frame	<b>IBBAF462</b>
4"x 6" oval	<b>IBBAF46</b>
5" round shallow	<b>IBBAF52</b>
5.25" round standard	<b>IBBAF55</b>
5"x 7" oval	<b>IBBAF57</b>
6" round shallow	
large frame	<b>IBBAF62</b>
6.5" round small frame	<b>IBBAF65</b>
6"x 8" oval	<b>IBBAF68</b>
6.5" round large	<b>IBBAF60</b>
6"x 9" oval	<b>IBBAF69</b>
8" round standard	<b>IBBAF80</b>



## WAFFLE GRILLE WITH HARDWARE

8" waffle grille	<b>85-9008</b>
10" waffle grille	<b>85-9010</b>
12" waffle grille	<b>85-9012</b>
15" waffle grille	<b>85-9015</b>
Woofer hardware	<b>85-HDW1</b>
Woofer clips	<b>85-HDW2</b>



## MESH SNAP ON GRILLE WITH PLASTIC RING

4" metal mesh	<b>SMG4</b>
5.25" metal mesh	<b>SMG525</b>
6.5" metal mesh	<b>SMG65</b>
8" metal mesh	<b>SMG8</b>
10" metal mesh	<b>SMG10</b>



## SPEAKER PLUGS WATER-RESISTANT

- Male to female speaker plug
- 18-gauge input

**JW4136**

# POWER & SPEAKER WIRE



**FULLY TINNED  
VIRGIN COPPER  
CONSTRUCTION**

## V10 POWER WIRE SPOOLS

- Meets CEA and ANSI specs
- Fully tinned virgin copper construction
- High strand count for max flex
- PVC blended jacket
- BC-5W2 marine compliant

### 1/0 AWG

50ft	15.24m	matte pearl
50ft	15.24m	matte black
50ft	15.24m	matte red

**V10PW-1050  
V10GW-1050  
V10PW-1RD50**

### 4 AWG

100ft	30.48m	matte pearl
100ft	30.48m	matte black
100ft	30.48m	matte red

**V10PW-4100  
V10GW-4100  
V10PW-4RD100**

### 8 AWG

250ft	76.20m	matte pearl
250ft	76.20m	matte black
250ft	76.20m	matte red

**V10PW-8250  
V10GW-8250  
V10PW-8RD250**

## V10 SPEAKER WIRE SPOOLS

- Meets CEA and ANSI specs
- Fully tinned virgin copper construction
- High strand count for max flexibility
- Ultra-flexible PVC blended jacket
- BC-5W2 marine compliant

### 12 AWG

125ft	38.10m	black
125ft	38.10m	white/black

**V10SW12125-BK  
V10SW12125-WB**

### 16 AWG

250ft	76.20m	black
500ft	152.4m	black
250ft	76.20m	white/black
500ft	152.4m	white/black

**V10SW16250-BK  
V10SW16500-BK  
V10SW16250-WB  
V10SW16500-WB**



**FULLY TINNED  
VIRGIN COPPER  
CONSTRUCTION**

# FUSE HOLDER/DISTRIBUTION BLOCKS



## MANL FUSE HOLDER 2-4GA/8GA INPUT/OUTPUT

- 2-4GA/8GA input/output
- Water-resistant rubber grommet

**VMANL**



## 4-POSITION MANL FUSE DISTRIBUTION BLOCK

- 1-1/0GA input 4-4GA output

**VFDB4**



## 4-POSITION DISTRIBUTION BLOCK

- 1-1/0GA input 4-4GA output

**VDB4**



## 4-POSITION MANL FUSE DISTRIBUTION BLOCK POWER/GROUND

- Positive: 2-1/0GA input 4-4GA output
- Negative: 1-1/0GA input 4-4GA output

**VPNB4**

**FINISH:** Brass machined with satin gunmetal finish

**MATERIAL:** TORX hardware with Gate Lock set screw



# AUDIO/VIDEO CABLES



## AMP INSTALLATION KITS

- Meets CEA and ANSI specification for wire gauge
- Fully tinned virgin copper construction
- High strand count for maximum flexibility
- BC-5W2 marine compliant RCA, speaker, power and ground wire
- Compact brass fusing and distribution

<b>1/0 AWG AMP KIT</b>	5200W	<b>V10-AK1</b>
<b>4 AWG AMP KIT</b>	2100W	<b>V10-AK4</b>
<b>8 AWG AMP KIT</b>	800W	<b>V10-AK8</b>

## 6-CHANNEL RCA AUDIO CABLES

17ft (5.18m)

- Dual twist for improved noise rejection
- Ultra-flexible PVC blended jacket
- Patented high tolerance compact machined metal end
- Quad split tip for maximum contact area
- Fully tinned wire to the entire V10 line.
- Made with BC-5W2 marine grade cable
- Packaged in high-end retail box

**V10R176**



## V10 RCA AUDIO CABLES

- Dual twist for improved noise rejection
- Ultra-flexible PVC blended jacket
- Patented high-tolerance, compact machined metal end
- Quad split tip for maximum contact area
- Made with BC-5W2 marine grade cable
- Packaged in high-end retail box

### 2-CHANNEL

1.5ft	0.45m	<b>V10R1-5</b>
3ft	0.91m	<b>V10R3</b>
6ft	1.83m	<b>V10R6</b>
10ft	3.05m	<b>V10R10</b>
14ft	4.27m	<b>V10R14</b>
17ft	5.18m	<b>V10R17</b>
20ft	6.10m	<b>V10R20</b>
Y-1	1F-2M	<b>V10RY1</b>
Y-2	1M-2F	<b>V10RY2</b>



### 4-CHANNEL

17ft	5.18m	<b>V10R174</b>
------	-------	----------------

## VIDEO CABLES

- True 75-ohm video cable
- Ultra-flexible PVC blended jacket
- Patented high-tolerance, compact machined metal end
- Quad split tip for maximum contact area
- Made with BC-5W2 marine grade cable
- Packaged in high-end retail box

### SINGLE CHANNEL

17ft	5.18m	<b>V10R174</b>
3ft	0.91m	<b>V10R3V</b>
9ft	2.74m	<b>V10R9V</b>
20ft	6.10m	<b>V10R20V</b>

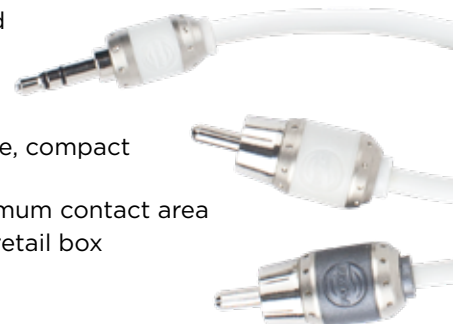


## 3.5MM TO RCA AUDIO

- Dual twist for improved noise rejection
- Ultra-flexible PVC blended jacket
- Patented high-tolerance, compact machined metal end
- Quad split tip for maximum contact area
- Packaged in high-end retail box

### 2-CHANNEL

6ft	1.83m	<b>V10R35-6</b>
-----	-------	-----------------



# HDMI® CABLES

**4K  
8K**

**HDR**

**24  
48**

**GBPS  
VERIFIED**

CERTIFIED **UHS**

ULTIMATE HIGH SPEED

**CL**

FT4  
RATED

**24K**

GOLD  
PLATED

## MHX HDMI® CABLES FEATURES

- ✓ Supports 4K@60Hz HDR
- ✓ 24K gold plated Grip-Lox™ connector for securing cable to devices
- ✓ Increased tensil pull tension without the risk of damaging equipment
- ✓ Multi-layer shielding
- ✓ Audio Return Channel (ARC/eARC).5M



## LENGTHS

POLY BAG	LENGTH	
<b>48Gbps ULTIMATE HIGH SPEED + ETHERNET</b>		
<b>MHX-LHDME-5</b>	<b>0.5M</b>	48Gbps ULTIMATE HIGH SPEED
<b>MHX-LHDME1</b>	<b>1M</b>	48Gbps ULTIMATE HIGH SPEED
<b>MHX-LHDME2</b>	<b>2M</b>	48Gbps ULTIMATE HIGH SPEED
<b>24Gbps HIGH SPEED + ETHERNET</b>		
<b>MHX-LHDME3</b>	<b>3M</b>	24Gbps HIGH SPEED
<b>MHX-LHDME4</b>	<b>4M</b>	24Gbps HIGH SPEED
<b>MHX-LHDME5</b>	<b>5M</b>	24Gbps HIGH SPEED
<b>MHX-LHDME6</b>	<b>6M</b>	24Gbps HIGH SPEED
<b>MHX-LHDME7</b>	<b>7M</b>	24Gbps HIGH SPEED
<b>MHX-LHDME7-5</b>	<b>7.5M</b>	24Gbps HIGH SPEED
<b>10Gbps HIGH SPEED + ETHERNET</b>		
<b>MHX-LHDME8</b>	<b>8M</b>	10.2Gbps* HIGH SPEED
<b>MHX-LHDME10</b>	<b>10M</b>	10.2Gbps* HIGH SPEED
<b>MHX-LHDME12</b>	<b>12M</b>	10.2Gbps* HIGH SPEED
<b>MHX-LHDME15</b>	<b>15M</b>	6.75Gbps HIGH SPEED
<b>MHX-LHDM17</b>	<b>17M</b>	6.75Gbps HIGH SPEED

**4K  
8K**

**HDR**

**24  
48**

**GBPS  
VERIFIED**

ETHEREAL  
CERTIFIED **UHS**

ULTIMATE HIGH SPEED

**CL**

FT4  
RATED

**24K**

GOLD  
PLATED

## MHY HDMI® CABLES FEATURES

- ✓ Supports 4K@60Hz HDR
- ✓ 24K gold plated Grip-Lox™ connector for securing cable to devices
- ✓ Ultra flexible slim profile cables excellent for use when added flexibility is needed
- ✓ Multi-layer shielding
- ✓ Audio Return Channel (ARC/eARC)



## LENGTHS

POLY BAG	LENGTH	
<b>48Gbps ULTIMATE HIGH SPEED + ETHERNET</b>		
<b>MHY-LHDME-5</b>	<b>0.5M</b>	48Gbps ULTIMATE HIGH SPEED
<b>MHY-LHDME1</b>	<b>1M</b>	48Gbps ULTIMATE HIGH SPEED
<b>MHY-LHDME1-5</b>	<b>1.5M</b>	48Gbps ULTIMATE HIGH SPEED
<b>MHY-LHDME2</b>	<b>2M</b>	48Gbps ULTIMATE HIGH SPEED
<b>24Gbps HIGH SPEED + ETHERNET</b>		
<b>MHY-LHDME3</b>	<b>3M</b>	24Gbps HIGH SPEED
<b>MHY-LHDME4</b>	<b>4M</b>	24Gbps HIGH SPEED
<b>MHY-LHDME5</b>	<b>5M</b>	24Gbps HIGH SPEED
<b>MHY-LHDME6</b>	<b>6M</b>	24Gbps HIGH SPEED
<b>MHY-LHDME7</b>	<b>7M</b>	24Gbps HIGH SPEED
<b>MHY-LHDME8</b>	<b>8M</b>	24Gbps HIGH SPEED
<b>MHY-LHDMER10</b>	<b>10M</b>	24Gbps HIGH SPEED
<b>MHY-LHDMER12</b>	<b>12M</b>	24Gbps HIGH SPEED
<b>MHY-LHDMER15</b>	<b>15M</b>	24Gbps HIGH SPEED



### HDMI® ACCELERATOR

- 18 Gigabit Accelerator for passive HDMI® cables
- Works with cables up to 15 m
- Powered by a USB cable
- Small, easy to install

**HDM-GA1**



### GIGABIT ACCELERATOR

- 12Gbps bandwidth x 4 channels up to 9 meters
- Extends 18 Gbps capability up to 20 meters & 48Gbps capability anticipated up to 9 meters
- Supports all features of the new HDMI® 2.0b & 2.1 specification

**HDM-GA2**



### HDMI® EDID REGENERATOR

- HDCP 2.2 support
- HDR, deep color & BT 2020 support
- RF shielded metal case
- 50% typical reduction in data rise times
- Solves: audio dropouts, HDCP not supported, mode not supported and mode out of range

**HDM-JR3**



## HDMI® SPLITTER 1 INPUT / 2 OUTPUTS

- Supports HDMI® 2.0 and HDCP 2.2 (and earlier versions)
- Supports 1080p, 3D, 4K/60Hz 4:4:4 up to 18Gbps
- Built-in scaling and EDID management to allow multiple resolutions simultaneously
- All HDR formats supported

**CS-1X2HMSPL5**



## HDMI® SPLITTER 1 INPUT / 4 OUTPUTS

- Supports HDMI® 2.0 and HDCP 2.2 (and earlier versions)
- Supports 1080p, 3D, 4K/60Hz 4:4:4 up to 18Gbps
- Built-in scaling and EDID management to allow multiple resolutions simultaneously
- All HDR formats supported

**CS-1X4HMSPL5**



## HDMI® SWITCH 3 SOURCES / 1 OUTPUT

- Supports HDMI® 2.0 and HDCP 2.2 (and earlier versions)
- Supports 1080p, 3D, 4K/60Hz up to 18Gbps
- Supports all HDR formats
- Supports control with IR & RS232

**CS-HDM3X1SW4**



## HDMI® SWITCH 5 SOURCES / 1 OUTPUT

- Supports HDMI® 2.0 and HDCP 2.2 (and earlier versions)
- Supports 1080p, 3D, 4K/60Hz up to 18Gbps
- Supports all HDR formats
- Supports control with IR & RS232

**CS-HDM5X1SW4**

## HDMI® HDBaseT™ EXTENDER

Send 4K/60, HDR HDMI® signals and bi-directional US type IR 20-60Hz signals up to 120m (394ft) and 1080p up to 150m (492ft). Includes RS232 pass through.

- Supports HDMI® 2.0 & HDCP 2.2 (and earlier versions)
- Resolutions supported: up to 4K/60Hz 4:4:4 HDR
- Compatible with CAT5e/CAT6/CAT6A
- Transmission distance: up to 150m/492ft over CAT6
- Includes US standard IR receiver & emitter
- HDMI® loop-out on transmitter
- Power from single side
- Wall mountable with included mounting tabs

**CS-HDBT2UR-120**



## HDMI® POE EXTENDER OVER SINGLE CAT6

- Carries HDMI® signals up to 50 meters over single CAT6
- 7 built-in adjustable EDID settings
- HDMI® loop out on transmitter
- Includes IR blaster & IR receiver
- Power only required on single side

**CS-HDC5EXTSRPOE**



# BATTERIES & ACCESSORIES



## 12V MARINE BATTERY 785 CRANK AMPS • 120 MIN RESERVE 55 AMP HOURS

- AGM technology (Absorbed Glass Mat)
- 12V marine grade battery
- Threaded and standard posts
- Can be discharged and recharged 100s of times

### SK-MBT-55

WEIGHT	WIDTH	HEIGHT	DEPTH
42.5LBS 19.3KG	10.75" 273MM	6.89" 175MM	6.61" 168MM



## 12V MARINE BATTERY 800 CRANK AMPS • 190 MIN RESERVE 100 AMP HOURS

- AGM technology (Absorbed Glass Mat)
- 12V marine grade battery
- Threaded and standard posts
- Can be discharged and recharged 100s of times

### SK-MBT-100

WEIGHT	WIDTH	HEIGHT	DEPTH
68.3LBS 31KG	13" 330MM	8.54" 217MM	6.85" 174MM

## SMART BATTERY ISOLATORS

- Charge your auxiliary power while driving
- Cost effective protection against a flat start battery

80 amp	<b>IB-SRL80</b>
200 amp	<b>IB-SRL200</b>
500 amp	<b>IB-SRL500</b>



## BUS BARS

### BRASS BUS BAR BLOCK GATE-LOCK TECHNOLOGY

- Standard 5mm set screws
- High quality ABS protective cover
- Includes inserts for positive and negative terminal
- Includes wire trim inserts
- Accepts 10 to 0 gauge wire
- 6 mounting points



### SK-TML-BLK

### BRASS BUS BAR PLATE FOR RING TERMINALS

- Standard 5mm set screws
- Includes inserts for positive and negative terminal
- Includes wire trim inserts
- Accepts up to 0 gauge ring terminals
- 6 mounting points



### SK-TML-PL



## POWER SUPPLY

- LED light, switchable outputs between smart charging and single fixed voltage (which can be set between 13volts and 16.5volts)
- Built-in 4 stage smart charger
- Deck mount converter
- UL-CUL approved
- Quiet internal cooling fan
- Overtemp protection
- Reverse polarity protection
- Power Factor Correction (PFC)
- More efficient and clean power supply

## 35 AMP POWER SUPPLY

- 35 amp power supply
- 430 watts max output
- 5 amps max AC current @ 108VAC

**IBPS35**

## 55 AMP POWER SUPPLY

- 55 amp power supply
- 780 watts max output
- 7 amps max AC current @ 108VAC

**IBPS55**

## 75 AMP POWER SUPPLY

- 75 amp power supply
- 1065 watts max output
- 12 amps max AC current @ 108VAC

**IBPS75**

## 100 AMP POWER SUPPLY

- 100 amp power supply
- 1440 watts max output
- 13 amps max AC current @ 108VAC

**IBPS100**

**SIZE:** 10.5" D x 3.5" H x 7.2" W

**DC OUTPUT VOLTAGE:** 13.6V/14.4 (DC)

**OUTPUT VOLTAGE TOLERANCE:** + or - .7%

**INPUT VOLTAGE:** 105-135 AC

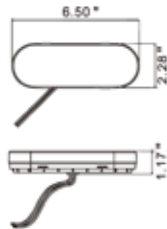
# TRAILER LED LIGHTS



## OVAL TRAILER LED LIGHT

### 6 INCH • 14 LED

- 14 red LEDs: Stop, turn, taillight functions
- Sonically sealed, weather-resistant
- PL-3 connector
- 6" rubber grommet
- PMMA lens and ABS housing
- FMVSS S2 T2 I6 / I6 / R
- @12VDC .06A for taillight



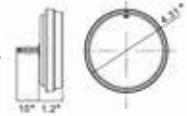
**HE-TR6001**



## ROUND TRAILER LED LIGHT

### 4 INCH • 14 LED

- 14 red LEDs: Stop, turn, taillight functions
- Sonically sealed, weather-resistant
- PL-3 connector with grommet
- PMMA lens and ABS housing
- FMVSS S2 T2 I6 / I6 / R
- @12VDC .38A for stop/turn LEDs



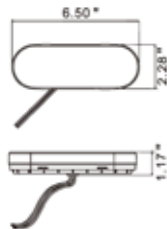
**HE-TR4001**



## OVAL TRAILER LED LIGHT

### 6 INCH • 14 LED

- 14 amber LEDs: Turn functions
- Sonically sealed, weather-resistant
- PL-3 connector
- 6" rubber grommet
- PMMA lens and ABS housing
- FMVSS S2 T2 I6 / I6 / R
- @12VDC .06A for taillight



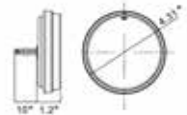
**HE-TR6002**



## ROUND TRAILER LED LIGHT

### 4 INCH • 14 LED

- 14 amber LEDs: Turn functions
- Sonically sealed, weather-resistant
- PL-3 connector with grommet
- PMMA lens and ABS housing
- FMVSS S2 T2 I6 / I6 / R
- @12VDC .06A for turn



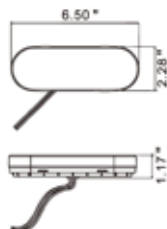
**HE-TR4002**



## OVAL TRAILER LED LIGHT

### 6 INCH • 14 LED

- 14 white LEDs: Backup function
- Sonically sealed, weather-resistant
- PL-3 connector
- 6" rubber grommet
- PMMA lens and ABS housing
- FMVSS S2 T2 I6 / I6 / R
- @12VDC .24A for backup



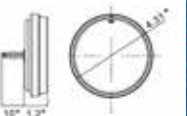
**HE-TR6003**



## ROUND TRAILER LED LIGHT

### 4 INCH • 14 LED

- 14 white LEDs: Backup functions
- Sonically sealed, weather-resistant
- PL-3 connector with grommet
- PMMA lens and ABS housing
- FMVSS S2 T2 I6 / I6 / R
- @12VDC .24A for backup



**HE-TR4003**





## ALL COPPER TRAILER WIRE 100 FOOT SPOOLS

- Wire recommended for RVs, boats and utility trailers

### 2-CONDUCTOR TRAILER WIRE

- 14 gauge black/red
- 16 gauge black/red
- 18 gauge black/red

**TWBKRD14100**  
**TWBKRD16100**  
**TWBKRD18100**

## BULK TRAILER WIRE COLORS 500 FOOT SPOOLS • 18GA

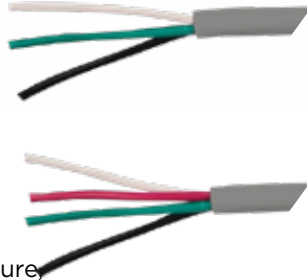
- GPT is designed for electrical usage in fleet vehicles
- PVC coated high temp rated

Red **US18500R**  
Blue **US18500BL**  
Brown **US18500BR**  
Green **US18500GR**  
Orange **US18500OR**  
Purple **US18500PL**  
White **US18500WT**  
Yellow **US18500YL**



## ALL COPPER JACKETED PRIMARY WIRE 100 FOOT SPOOLS

- Wire recommended for auto, truck, construction and light marine
- Heavy-duty PVC outer jacket is abrasion-resistant and protects against moisture, oil, acid and salt



### 2-CONDUCTOR

- 8 gauge black/white
- 10 gauge black/white
- 14 gauge black/white
- 16 gauge black/white

**JPWBW8100**  
**JPWBW10100**  
**JPWBW14100**  
**JPWBW16100**

### 3-CONDUCTOR

- 12 gauge black/green/white
- 16 gauge black/green/white

**JPWBGW12100**  
**JPWBGW16100**

### 4-CONDUCTOR

- 10 gauge black/green/red/white
- 12 gauge black/green/red/white
- 14 gauge black/green/red/white
- 16 gauge black/green/red/white

**JPWBGW16100**  
**JPWBGRW12100**  
**JPWBGRW14100**  
**JPWBGRW16100**

## ALL COPPER TRAILER WIRING PLUGS

- Connectors that allow basic hook up of the three lighting functions (running, turn and brake lights) plus one pin is provided for a ground wire (IBTH4P)
- One pin is available to provide support for another.



4-way 18 gauge  
5-way 18 gauge

**IBTH4P**  
**IBTH5P**

## ALL COPPER TRAILER HARNESS

**12GA, 16GA, 8 PIN 72"**  
**5 PIECES**

- For custom harness applications
- 12 gauge = red, white, black
  - 16 gauge = yellow, brown, green, blue, gray

**IBTH8P72**



# TRAILER WIRING



## ALL COPPER HOOKUP WIRE

### 1 FOOT • 2-PIN

- All copper
- Red/black

12 gauge	<b>IBTH12</b>
16 gauge	<b>IBTH16</b>
18 gauge	<b>IBTH18</b>



## TRAILER CONNECTORS

### BLACK PVC HOUSING WITH COPPER INTERNALS

6-pin round/4-way flat	<b>IBT-E01</b>
7-pin round/6-way flat	<b>IBT-E02</b>
7-way blade/4-way flat	<b>IBT-E03</b>
7-way blade/5-way flat	<b>IBT-E04</b>
7-way blade to trailer end	<b>IBT-E05</b>
7-way blade to vehicle end	<b>IBT-E06</b>
7-way blade 12volt LED tester	<b>IBT-E07</b>
Mounting bracket	<b>IBT-E08</b>

# INSTALLATION ACCESSORIES

## PANEL SWITCHES

**CERTIFIED, UPGRADED SWITCHES - @24VOLTS = 10AMPS  
@12VOLTS = 20AMPS**

- 4-switch panel with UNI switches
- 6-switch panel with UNI switches
- 2-pin on-off switch no LEDs
- 7-pin winch switch in-out with 2 blue LEDs
- 6-pin winch switch in-out with no LEDs
- 3-pin on-off switch with red LED
- 3-pin radio on-off switch with red LED
- 6-pin winch switch in-out with blue LED

- IBSP4**
- IBSP6**
- IBSS**
- IBSS2L**
- IBSS6P**
- IBSSL**
- IBSSR**
- IBSSWB**



## 12V RELAY 5-PIN

- 12/16 gauge
- Water-resistant

**IBW-E123H**



## GRAPHIC DISPLAY DIGITAL METER

- Mounting hole: 29.2mm/1.15"

<b>IBR94</b>	24 volts (15V-30V)
<b>IBR95</b>	12 volts



## 24V RELAY 5-PIN

- 12/16 gauge
- 30/40 amps
- Water-resistant

**IBW-24VRLH**



# INSTALLATION ACCESSORIES

## STAINLESS LATCHING SWITCHES ROUND

- Harness 3 amps
- IP67 water-resistant

Stainless	16mm blue
Stainless	19mm blue
Stainless	16mm green
Stainless	19mm green
Stainless	16mm red
Stainless	19mm red
Stainless	16mm white
Stainless	19mm white
Stainless	16mm yellow
Stainless	19mm yellow

**IBRSSB16**  
**IBRSSB19**  
**IBRSSG16**  
**IBRSSG19**  
**IBRSSR16**  
**IBRSSR19**  
**IBRSSW16**  
**IBRSSW19**  
**IBRSSY16**  
**IBRSSY19**



## DUAL 4.2A USB 3.DUAL USB 2.1A

- 29.2mm/1.15"

Red  
 White  
 Blue  
 Green  
 Orange

**IBR85**  
**IBR86**  
**IBR87**  
**IBR88**  
**IBR89**



## USB & VOLTAGE ROUND VOLTAGE MONITOR

- LED display
- Water-resistant
- Snap in extension cable
- 1.5 meters length
- Mounting hole: 29.2mm/1.15"

**IBR92**



## VOLTMETER WITH CURRENT DIGITAL VOLTAGE MONITOR

- Universal fit
- Blue LED
- Mounting hole: 28.5mm/1.10"

**IBR93**



## USB SOCKET PASS THROUGH FLUSH MOUNT

- 12V/24V with water-resistant cover
- Direct to battery wiring & fused connection

**IBR78**



## POWER SOCKET WATER-RESISTANT 12V POWER SOCKET

- Flush mount, 1-1/8" mounting hole required
- 0.250" power and ground lugs on back
- Use with optional mounts IBR59, IBR60 and IBR61

**IBR58**



## WATER-RESISTANT 3.5MM AUX-IN TO RCA-OUT

- Surface of flush mount AUX-in
- Mounting hole: 7/8"
- 2 meter cable

**IBR80**



# INSTALLATION ACCESSORIES



## DUAL USB MOUNT 12V MARINE LIGHTER SOCKET

- Dual 2.1A 5V USB
- IP65 Rating
- Water-resistant

**IBR79**



## CIRCUIT BREAKER MANUAL RESET USA COOPER BUSSMANN

- 50 amp
- 80 amp
- 100 amp
- 135 amp
- 150 amp

**CB50MR**  
**CB80MR**  
**CB100MR**  
**CB135MR**  
**CB150MR**



## CIRCUIT BREAKER AUTO RESET USA COOPER BUSSMANN

- 15 amp
- 20 amp
- 30 amp
- 40 amp
- 50 amp

**CB15AR**  
**CB20AR**  
**CB30AR**  
**CB40AR**  
**CB50AR**



## CIRCUIT BREAKER ECONOMY MANUAL RESET IP67 RATED

- 50 amp
- 60 amp
- 80 amp
- 100 amp
- 135 amp
- 150 amp
- 200 amp

**E-CB50MR**  
**E-CB60MR**  
**E-CB80MR**  
**E-CB100MR**  
**E-CB135MR**  
**E-CB150MR**  
**E-CB200MR**



## MINI CIRCUIT BREAKER

Miniature line-voltage circuit breakers. Push-to-reset, panel-mount design. For use in marine and control panels.

- 5 amp
- 10 amp
- 15 amp
- 20 amp
- 25 amp
- 30 amp

**CBW57-PS-5A**  
**CBW57-PS-10A**  
**CBW57-PS-15A**  
**CBW57-PS-20A**  
**CBW57-PS-25A**  
**CBW57-PS-30A**



## MOUNTS

### PANEL/SURFACE/UNDERDASH

Panel mount for IBR56, IBR57 & IBR58

**IBR59**

Surface mount for IBR56, IBR57 & IBR58

**IBR60**

Underdash mount for IBR57 & IBR58

**IBR61**



## IN-LINE FUSE HOLDER

- Mini
- Regular
- Micro II
- Maxi

**LPM-04B-I-12R**  
**LPR-04B-I-12R**  
**LPT-04B-I-12R**  
**LPX-04B-I-6R**



## FUSE HOLDERS

Mini ANL fuse holder  
**4GA INPUT/OUTPUT, 8GA  
REDUCERS INCLUDED**

**IBR51**

ANL and Mini ANL  
fuse holder

**1/0GA INPUT/OUTPUT, 4GA  
REDUCERS INCLUDED**

**IBR52**



## CIGARETTE LIGHTER PLUGS

**10 AMP**

- 2" leads

Female plug  
retail package

**CLA**

12V plug female

**CIGF**

Male lighter plug

**CIGM**

# INSTALLATION ACCESSORIES



## AGU FUSE HOLDERS

AGU 8 gauge Bakelite **ATFH8CB**  
4/8 gauge ADJ **FHAGU**



## ATC FUSE HOLDERS

**100/BAG**  
18 gauge w/cover **ATFH18C-10**  
16 gauge w/cover **ATFH16C-10**  
16 gauge no cover **ATFH16-10**



## ATM FUSE HOLDER

**10/BAG WITH COVER**  
ATM 18 gauge **ATFH18MC-10**  
ATM 16 gauge **ATFH16MC-10**  
ATM 12 gauge **ATFH12MC-10**



## MAXI FUSE HOLDER

Each **MAXIFH**  
10/Bag **MAXIFH-10**



## AGU/ANL FUSE HOLDERS

**EACH**  
4/8 gauge AGU **FHAGU**  
ANL, nickel, stud **ANLFH**  
size 5/16th

**10/BAG**  
4/8 gauge AGU **WFHAGU**  
ANL, nickel, stud **ANLFH-10**  
size 5/16th



## MINI ANL FUSE HOLDER

**EACH**  
4/8GA ADJ nickel **FHMANL**  
4/8GA **MANLFH**

**10-PACK**  
4/8GA ADJ nickel **WFH-MANL**  
4/8GA **MANLFH-10**



## MAXI HD FUSE HOLDER 4/8GA INPUT/OUTPUT

Maxi HD **MAXIHDH**



## ATC FUSE HOLDER 12 GAUGE WIRE

- Water-resistant design with mounting tab on cover

**IBR62**



## DUAL ATC FUSE HOLDER

**SUPPORTS UP TO 8 GAUGE  
WIRE**

- Mounting tab, supports up to 80 amps with two 40 amp fuses
- Water-resistant connector

**IBR63**



## MINI ANL FUSE HOLDER

**SUPPORTS UP TO  
4 GAUGE WIRE**

- Mini-ANL water-resistant fuse holder
- Marine-certified

**IBR81**

# FUSE BLOCKS



## STACKABLE FUSE PANEL ATC/ATM STACKABLE FUSE PANEL

- Acts as an in-line fuse holder with jumpers to create any distribution block
- Fused distribution or power ground as you need
- Max amp - 40 amps per circuit
- Maximum voltage - 32V DC

### ATMFP



## ATC FUSE BLOCK

6-position fuse block for use with regular auto blade fuses.

### BLC-106

Dust proof cover for BLC-106

### BLC-106-C



## ATC FUSE BLOCKS

6-position fuse block with grounding pad. For use with regular auto blade fuses.

### BLC-106-G

Dustproof cover for BLC-106-G

### BLC-106-C



## ATC FUSE BLOCKS

8-position fuse block with grounding pad. For use with regular auto blade fuses.

### BLC-108-G

Dustproof cover for BLC-108-G

### BLC-108-C



## ATC FUSE BLOCKS

10-position fuse block with grounding pad. For use with regular auto blade fuses.

### BLC-110-G

Dustproof cover for BLC-110-G

### BLC-110-C



## ATC FUSE BLOCKS

12-position fuse block with grounding pad. For use with regular auto blade fuses.

### BLC-112-G

Dustproof cover for BLC-112-G

### BLC-112-C



## 10-POSITION FUSE BLOCK WITH INDICATING LEDs

For use with low-profile auto blade fuses.

### BLS-I-310



## LED ATM FUSE BLOCKS

4-position fuse block with indicating LEDs. For use with mini auto blade fuses.

### BLM-I-304





## LED ATM FUSE BLOCKS

6-position fuse block with indicating LEDs. For use with mini auto blade fuses.

**BLM-I-306**



## LED ATM FUSE BLOCKS

10-position fuse block with indicating LEDs. For use with mini auto blade fuses.

**BLM-I-310**



## LED ATC FUSE BLOCKS

New screw terminal design! 10-position fuse block with indicating LEDs. Screw terminals. For use with regular blade fuses.

**BLM-I-310**



## LED ATC FUSE BLOCKS

4-position fuse block with indicating LEDs. For use with regular auto blade fuses.

**BLR-I-304**



## LED ATC FUSE BLOCKS

6-position fuse block with indicating LEDs. For use with regular auto blade fuses.

**BLR-I-306**



## LED ATC FUSE BLOCKS

10-position fuse block with indicating LEDs. For use with regular auto blade fuses.

**BLR-I-310**



## LED ATC FUSE BLOCKS

New screw terminal design! 4-position fuse block with indicating LED screw terminals. For use with regular blade fuses.

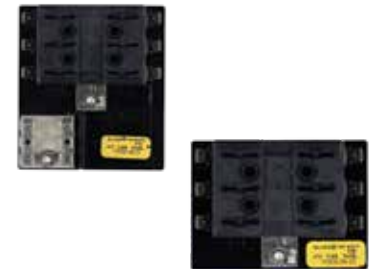
**BLR-I-504**



## LED ATC FUSE BLOCKS

New screw terminal design! 6-position fuse block with indicating LED screw terminals. For use with regular blade fuses.

**BLR-I-506**



## ATC FUSE PANELS

**USA COOPER BUSSMANN**

ATC fuse panel 30A 6 POS short base  
**15600-06-20**

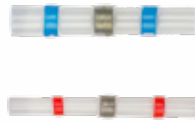
ATC fuse panel 30A 6 POS long base  
**15600-06-21**

# HARDWARE



## HEAT SHRINK BUTT CONNECTORS

<b>25/BAG</b> Red 8GA	<b>HSRBC8</b>
<b>50/BAG</b> Yellow 12/10GA	<b>HSYBC</b>
<b>100/BAG</b> Yellow 24/26GA Red 22/18GA Blue 16/14GA	<b>HSYBCM</b> <b>HSRBC</b> <b>HSBBC</b>



## HEAT SHRINK WITH SOLDER

<b>10 PACK</b> Blue 16/14GA Red 22/18GA White 26/24GA Yellow 12/10GA	<b>SHSBBC</b> <b>SHSRBC</b> <b>SHSWBC</b> <b>SHSYBC</b>
--	--



## HEAT SHRINK SPADE TERMINALS

<b>100 PACK - BLUE</b> 16/14GA #6 16/14GA #8 16/14GA #10	<b>HSBVLT6</b> <b>HSBVST8</b> <b>HSBVST10</b>
<b>100 PACK - RED</b> 22/18GA #8 22/18GA #10	<b>HSRVST8</b> <b>HSRVST10</b>

## HEAT SHRINK RING TERMINALS



### 50 PACK - YELLOW

12/10GA #8	<b>HSYRT8</b>
12/10GA #10	<b>HSYRT10</b>
12/10GA #1/4	<b>HSYRT14</b>
12/10GA #5/16	<b>HSYRT516</b>
12/10GA #3/8	<b>HSYRT38</b>
12/10GA #1/2	<b>HSYRT12</b>

### 100 PACK - BLUE

16/14GA #8	<b>HSBRT8</b>
16/14GA #10	<b>HSBRT10</b>
16/14GA #1/4	<b>HSBRT14</b>
16/14GA #5/16	<b>HSBRT516</b>
16/14GA #3/8	<b>HSBRT38</b>

### 100 PACK - RED

22/18GA #8	<b>HSRRT8</b>
22/18GA #10	<b>HSRRT10</b>
22/18GA #1/4	<b>HSRRT14</b>
22/18GA #5/16	<b>HSRRT516</b>
22/18GA #3/8	<b>HSRRT38</b>

## HEAT SHRINK BULLET CONNECTORS MALE & FEMALE

### 100 PACK

Red 22/18GA male	.18	<b>HSRMB</b>
Blue 16/14GA male	.157	<b>HSBMB</b>
Red 22/18GA female	.187	<b>HSRFB</b>
Blue 16/14GA female	.157	<b>HSBFB</b>



## HEAT SHRINK QUICK DISCONNECT FEMALE

### 100 PACK - FI=FULLY INSULATED

Red 22/10GA .250 female FI QD	<b>HSRFFI</b>
Blue 16/14GA .250 female FI QD	<b>HSBFFI</b>
Red 22/18GA .250 F QD	<b>HSRFD</b>
Blue 16/14GA .250 F QD	<b>HSFBD</b>

### 50 PACK - FI=FULLY INSULATED

Yellow 12/10 .250 female FI QD	<b>HSYFFI</b>
Yellow 12/10 .250 F QD	<b>HSFYD</b>



## HEAT SHRINK QUICK DISCONNECT MALE

### 100 PACK - FI=FULLY INSULATED

Red 22/10GA .250 male FI QD	<b>HSRMFI</b>
Blue 16/14GA .250 male FI QD	<b>HSBMFI</b>
Red 22/18GA .250 M QD	<b>HSRMD</b>
Blue 16/14GA .250 M QD	<b>HSMBD</b>

### 50 PACK - FI=FULLY INSULATED

Yellow 12/10GA .250 male FI QD	<b>HSYMF1</b>
Yellow 12/10GA .250 M QD	<b>HSMYD</b>





**tesa**  
**INTERIOR PANEL PROTECTION TAPE**

**EACH**  
9.5"x 72yd **IB51136**



**tesa**  
**PAINT PROTECTION TAPE**

**EACH**  
14"x 220yd **IB50530**



**3M**  
**ELECTRICAL TAPE**

**10 PACK**  
Super 33+ electrical tape 3/4"x 52ft  
**SUPER33-10**



**tesa**  
**EXTERIOR HARNESSING TAPE**

Tesa 3/8"x 82ft **IB51026**  
Tesa OEM 3/4"x 82ft **IB51036**



**SPLIT LOOM TUBING - BLACK**  
**POLYETHYLENE 200 DEGREE LOOM DISPENSER BOXED W/METRA LABEL**

- 1/4" **SLT145**
- 3/8" **SLT385**
- 1/2" **SLT122**
- 1" **SLT1**



**WIRE LOOM INSTALL TOOL**

- 1/4" - 7/16" **SLT-08**
- 1/2" - 5/8" **SLT-15**



**DIELECTRIC GREASE**

3.3 oz container  
**IB05113**



**CABLE CLAMPS**

- 100 PACK**
- 1/8" black **BCC18**
  - 3/16" black **BCC316**
  - 1/4" black **BCC14**
  - 5/16" black **BCC516**
  - 3/8" black **BCC38**
  - 1/2" black **BCC12**
  - 3/4" black **BCC34**
  - 1" black **BCC1**



**MOUNTING HOLE CABLE TIES**

- 100 PACK**
- 6" screw mount black 40lb **BMCT6**
  - 7.5" screw mount black 50lb **BMCT7**
  - 11" screw mount black 50lb **BMCT11**



**BLACK CABLE TIES**

- 1000 PACK**
- 4" 18lb **BCT4-1**
  - 6" 30lb **BCT6-1**
  - 8" 40lb **BCT8-1**
  - 18" 50lb **BCT18**



**WIRE CLIPS**

- 4 PACK - SCREW MOUNT**
- 8 AWG wire clips **IBCLIP8**
  - 10 AWG wire clips **IBCLIP10**



# HARDWARE



## FUSE BULK KITS

ATMLP - 150 assorted fuses, 1 fuse puller & 20 brass fuse taps  
 ATC - 150 assorted fuses, 1 fuse puller & 20 brass fuse taps  
 ATC - 150 assorted fuses, 1 fuse puller & 20 brass fuse taps

**IBATMLPKIT**  
**IBATCKIT**  
**IBATMKIT**

## HEAT SHRINK TUBING KIT

3M Polyolefin 50% shrink tubing

**3MHSKIT**

**3M**



## HIGH SPEED DRILL BIT

135° split point and shoulder tip

**PZGDRILL**



## NUT DRIVER

Magnetized nut setter  
 5/16" bolt 1/2" driver

**PZGDRIVER**



## STORAGE CONTAINER

12 slots

**IB12STORAGE**



## ELECTRICAL GEL

Anti-corrosion electrical connection gel

**PZGGEL**



## TERMINAL KIT

HEAT SHRINK - 120 PIECE

Assorted heat shrink butts, push ons, rings and spades

**IBK-HS120**



## BRUSH TIP

Stainless steel wires cut down to bare metal quickly

**PZGBRUSH**

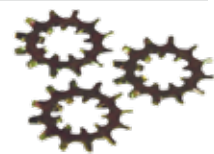


## LOCK WASHERS

50 PACK

Internal/external anodized

**PZGLWS**



## GROUNDING KIT

PROFESSIONAL HIGH CURRENT KIT

Contains enough parts for 50 grounds. Replacement parts can be purchased.

**PZGGRKT**



## CUTTING BOLTS

50 PACK

Zinc anodized thread 5/16"

**PZGBOLT**



## LOCK NUTS

50 PACK

Anodized flanged serrated

**PZGLNUT**



## SAFETY GLASSES

Clear safety glasses

**PZGGLESSSES**





### RUBBER GROMMETS

**100 PACK**

- Rubber grommet 1/8" ID **RG18**
- Rubber grommet 3/16" ID **RG316**
- Rubber grommet 1/4" ID **RG14**
- Rubber grommet 5/16" ID **RG516**
- Rubber grommet 3/8" ID **RG38**
- Rubber grommet 1/2" ID **RG12**



### LONG BARREL GROMMETS

**25 PACK**

- 8 gauge long barrel grommet .26" ID **LSB8**
- 4 gauge long barrel grommet .40" ID **LSB4**
- 1/0 gauge long barrel grommet .63" ID **LSB1**



### FIREWALL GROMMETS

**INCLUDES SEALING WASHERS**

- OAWG IP68 1/8" hole **IBFG0**
- 4AWG IP68 7/8" hole **IBFG4**
- 8AWG IP68 5/8" hole **IBFG8**



### STAINLESS WASHERS, NUTS & SCREWS

**10 PACK**

- #10 18-8 S.S. flat washer **FW188**
- #10 18-8 316 S.S. flat washer **FW316SC**

**100 PACK**

- #10-24 18-8 S.S. Hex nylon insert **NTSC1024**
- #10x1-3/4 18-8 S.S. Phillips oval **POHSC10134**
- #10x2 18-8 S.S. Phillips oval **POHSC102**
- #8x3/4 18-8 S.S. Phillips oval **POHSC834**
- #10x24 18-8 1-1/4" Phillips pan head **PPHSC1024114**
- #14x1 18-8 S.S. Phillips pan head **PPHSC141**
- #10x1 18-8 S.S. Phillips pan head **PPHSS101**
- #8x1 18-8 S.S. Phillips pan head **PPHSS81**
- #8x3/8 18-8 S.S. Phillips truss head **PTHSS838**
- #8x3/8 18-8 S.S. Phillips pan head **PPHSS812**



### T-NUTS & STAINLESS BOLTS

All T-nuts are zinc plated 1/4"-20 tpi x5/16"  
 All stainless bolts are 1/4"-20 tpi

**4 PACK**

- 1" Phillips head **IBTNKIT1**
- 1.5" Phillips head **IBTNKIT2**
- 2" Phillips head **IBTNKIT3**
- 1" Hex head **IBTNKIT4**
- 1.5" Hex head **IBTNKIT5**
- 2" Hex head **IBTNKIT6**



### ABS PLASTIC SHEET

- 12"x 12"x 1/16" sheet black **ABS116**
- 12"x 12"x 3/16" sheet black **ABS316**
- 12"x 12"x 1/8" sheet black **89-00-9031**
- 8"x 12"x 1/8" sheet black **89-00-9025**
- 17"x 21"x 1/8" sheet black **89-00-9032**
- 12"x 12" grid plate black **89-00-9030**
- 17"x 21"x 1/8" sheet white **W-ABS118L**
- 12"x 16"x 1/8" sheet white **W-ABS118S**

# TOOLS



## SOLDERING IRON KIT

### WELLER SUPER PRO SELF-IGNITING BUTANE SOLDERING IRON KIT

Professional quality, features "auto switch" safety shut-off and iron plated tip. Provides up to 125 watts of power.

#### IBPSI100K

- .094 single flat tip (for use with the IBPSI100K) **IBPSI2**
- .188 double flat tip (for use with the IBPSI100K) **IBPSI8**



## SOLDER KIT

### WELLER PROFESSIONAL SELF-IGNITING CORDLESS BUTANE

A lightweight, compact cordless butane soldering and hot air tool. Fast heat-up for high productivity, melts solder in less than 40 seconds. 25-75 watts.

#### IBP2KC

- .031 single flat tip (for use with the IBP2KC) **PPT1**
- .094 single flat tip (for use with the IBP2KC) **PPT2**
- .031 double flat tip (for use with the IBP2KC) **PPT5**
- .094 double flat tip (for use with the IBP2KC) **PPT5**

## SOLDER

.040 rosen core solder 1 lb spool 60/40 kester **SDR1**

.062 rosen core solder .25 lb spool 60/40 **SDR14**

.040 rosen core solder 11lb spool 60/40 economy **ESDR-1**

1lb .062 aluminum solder **ASDR1**

2 oz. golden flux for **ASDR1** only **GFLUX2**



**PRO4000A**



**HMAHS**



**HMG5**

## ELECTRIC GLUE GUN/STICKS

Electric glue gun - 80W

**PRO4000A**

### 8 STICKS PER BAG

- Black hot melt stick 10"
- Clear hot melt stick 10"
- Amber high strength stick

**HMG5**  
**HMGSC**  
**HMAHS**



## 3M DURAMIX

### SEMI-RIDGE PLASTIC REPAIR 6.25OZ

Urethane plastic repair material for repairing damaged bumpers and re-building tabs. Can also be used to bond many dissimilar materials such as plastic, fiberglass and metal. Used for backside reinforcement repair on a variety of plastic.

#### 3M04240

### SUPER FAST PLASTIC REPAIR 6.25OZ

A two-component adhesive that has a very fast gel and cure time. The two parts consist of a base side and an accelerator side. The two parts are always mixed together. Used for rebuilding tabs and fixing broken eyelets. Has excellent wide gap filling capabilities. Will not run or sag.

#### 3M04247



Duramix nozzle  
Applicator

**3M08193**  
**3M08571**





## WORK LIGHTS

The Bayco hanging work light on 50ft retractable reel is 60 LEDs on the body of a hanging worklight, giving you the ability to keep working longer. 60 LED floodlight creates 120 lumens. Dual-position magnet hook hangs horizontally and vertically.

60 LED w/50ft 18/2 cord reel

**SL864**

60 LED w/25ft 18/2 cord

**SL2125**

66 LED rechargeable spot with mag hook

**SLR2166**



## UTILITY KNIFE

### RATCHET LOCK, 18mm CUTTER

Heavy-duty cutter features a uniquely designed, comfortable contoured, high-impact ABS plastic handle with a ratchet wheel blade locking mechanism. Unlimited blade adjustment. Includes LB Blade.

**OLFBNL**

### 10/PK 18mm, 8 SEGMENTS PER STRIP

Replacement blade for OLFBNL

**OLFLB10B**

### 10/PK 18MM, SNAP-OFF SPEED BLADE

Manufactured from premium Japanese carbon tool steel. Features a special enhanced coating which virtually eliminates drag. Blade cuts faster and resists build-up when cutting adhesive backed materials. Excellent for cutting tough materials like thick corrugated, Gator Board, Corplast™, wallboard, rubber and more.

**OLFLFB**



## SLIDE LOCK UTILITY KNIFE

9mm cutter features an ABS non-slip handle with a full length stainless steel blade channel. Auto-locking blade slider has micro, 26 blade stop positions. This compares to 13 on similar knives. Includes a pocket-clip/blade snapper which firmly attaches to the cutter.

**OLFAA1**

### 10/PK 9MM, 13 SEGMENTS PER STRIP

Replacement blade for OLFAA1

**OLFAB10B**

### 50/PK 9MM, 13 SEGMENTS PER STRIP

Replacement blade for OLFAA1

**OLFAB50B**



## SNAP-OFF GRAPHICS

### STAINLESS STEEL KNIFE WITH 30 DEGREE ANGLE

The acute 30° angle easily cuts cardboard, plastics, Coroplast™, foam board, Gator Board and more. It features an auto-lock to firmly secure the blade in place while cutting. Pocket clip/blade snapper for convenience.

**OLFSAC1**

### 10/PK 9MM, 7 SEGMENTS PER STRIP

Replacement blade for OLFSAC1

**OLFA1160B**

# TOOLS



## TOP SHEET CUTTER

Its unique design lets you cut the top layer while preserving those below. While the cutter is great for cutting coupons and printed articles, you also can use it on cardstock, thin films, plastic sheeting, tape and more.

**OLFT.S1**

### 5/PK TOP SHEET CUTTER BLADE

Replacement blade for OLFT.S1

**OLFT.SB1**



## CUSHION GRIP KNIFE

### INCLUDES 2 PRECISION ART BLADES

This versatile knife features an acetone resistant, anti-slip cushion grip handle for enhanced comfort and performance. The bottom is weighted slightly for better balance and stability in cutting. The anti-roll device offers safety and its quick spin, easy blade change delivers convenience. For right and left handed users.

**OLFAK4**

### 5/PK #11 PRECISION BLADE

Replacement blade for OLFAK4

**OLFKB4S**



## STAINLESS STEEL KNIFE

Auto locking blade, stainless steel handle and built-in safety blade stripper

**OLFA**

10/pk ABS stainless blades **OL9281**

50/pk ABS stainless blades **OL9282**



## STANDARD DUTY CUTTER

Rubber grip insert, positive side lock

**OLPA2**

10/pk ABS stainless blades **OL9281**

50/pk ABS stainless blades **OL9282**



## ECONOMY CUTTER

Knife 13pt snap blade **114-58**

10/pk replacement blades **114-62**



## ART KNIFE

Art knife/weeding pick, 30 blades included

**OLFAK5**



## MULTI-PURPOSE SCRAPER

Handy scraper features high-quality 2 1/3" stainless steel blades and strong, acetone resistant handles to efficiently tackle most conventional jobs.

**OLFSCRL**

Multi-grip 4-3/4" **OLGSB-1S**

Replacement blade for OLGSB-1S **GSR13B**



## EDGE SCISSORS

### 7" STAINLESS STEEL, SERRATED SCISSORS

For heavy-duty cutting

**OLFSCS2**

### 5" PRECISION SMOOTH SCISSORS

Ideal for fine, intricate cutting

**OLFSCS4**



## RAZOR BLADES

100/pk single edge steel-back #12

**IBBLADE**



## DISPENSER PACK

100/pk utility replacement blades

**120-01**



## DAMPING MAT KNIFE

Retractable damping mat knife

**IBMATKNIFE**



## CRIMPING/CUTTING TOOL JOURNEYMAN

Soft handle material on outer surface and hard, black material on inner surface for comfort & durability. Use for insulated and uninsulated terminals & connectors. Accommodates wire from 10-22 AWG

**IBJ1005**



## CRIMPING/CUTTING TOOL WIRE CUTTER IN TAPERED NOSE

Crimper crimps non-insulated 10 to 22 AWG solderless terminals and connectors. Specially hardened wire cutter in nose. Tapered nose for confined spaces. Plastic-dipped, cushioned handles. Forged steel for maximum durability

**IB1006**



## CRIMPING/CUTTING TOOL INSULATED & NON-INSULATED TERMINALS & CONNECTORS 10- 22 AWG

Accommodates wire from 10 to 22 AWG. Specially hardened wire cutter in nose. Tapered nose design for working in tight spaces.

**IB1005**



## SCRIBE

Ideal for marking most metal and softer materials.

**IB31800**



## "O" RING AND SEAL

Ideal for marking most metal and softer materials.

**IB31840**

## HAMMER CRIMPER

Large gauge

**IBHDCRIMP**



## CRIMPING TOOL 6" AWG TO 4/0 COMPOUND

All-in-one integral crimp nest with no removable parts or rotating dies. Adjustable screw allows user to control crimp depth.

**IB2006**





# TOOLS



## CABLE CUTTER KURVE MULTI

Holes for looping and bending wire 8 inches each. Sold as each.

**IB63020**



## WIRE STRIPPER

Cuts, strips and loops 12-26 solid and stranded wire. Convenient hole for looping or bending wire. Adjustable slide stop with set screw for repeat stripping work.

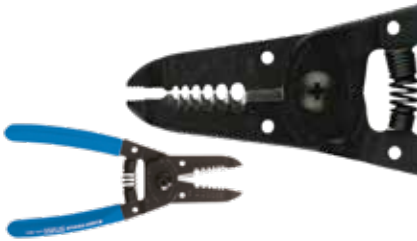
**IB1004**



## WIRE STRIPPER CUTTER

Strips 10-18 AWG solid wire, easy to read wire gauge markings and coil spring.

**IB11045**



## WIRE STRIPPER MULTI PURPOSE

Strips 10-20 AWG wire, bend shapes, pulls and loops wire, coil springs.

**IB1011**



## DIAGONAL CUTTERS MIDGET LIGHTWEIGHT

5" lightweight tool that shears wire up to 14 AWG with flush cutting action, compact head, steel hold-open spring, plastic-covered handles.

**IBD275-5**



## DIAGONAL CUTTERS MIDGET POINTED NOSE (4")

Sharp pointed nose for precise tip cutting and trimming printed circuit boards. Spring loaded for self opening action.

**IBD209-4**



## 10" MULTI CRIMPER/ CUTTER

Patented 3-in-1 quality crimping tool designed for quick splice T-tap clipping, wire cutting and connector crimping. Hot forged and specially heat treated alloy for extra durability.

**TMT10**



## 8" T-TAP CRIMPER/ CUTTER

Patented 2-in-1 wire quick splice T-tap clipper and wire cutter. Hot forged and specially heat treated alloy for extra durability.

**TTT08**



## CRIMPER

For stripping wires from 22-12 AWG. Professional, for crimping insulated terminals. Crimper made of carbon steel and hardened. Crimps red 22-18 AWG, blue 16-14 AWG, yellow 12-10 AWG.

**HW-9013**



## CABLE CUTTER

Cuts up to 4 gauge.

**TCT8**



## 5" STRIPPER & CUTTER

5" made of carbon steel and hardened with black-oxide finish.

**HW-9006**



**ASB10**

## AIR SAW BLADES

Bi-metal blades designed for automotive and sheet metal work. 10 TPI blade is for scroll cuts in fiberglass and heavy gauge metal. 18 and 24 TPI blades are for scroll cuts in lighter gauge metal.

24TPI 1/2" **ASB24**

**5 PACK**  
24TPI 1/2" **ASB24-5**

18TPI 1/2" **ASB18-5**

10TPI 1/2" **ASB10-5**



## UNIBIT

Double fluted design eliminates skidding and makes for easier resharping. Also features laser etched hole sizes, anti-skid tip and drill points so there is no pilot hole needed. Works with most metals.

13 increments fractional:  
1/8"-1/2" **IB59001**

9 increments fractional:  
1/4"-3/4" **IB59003**



## BIT SET

### 32 PIECE STANDARD TIP SET

Durable PVC black block allows for easy storage of standard bits. Block slides over most screwdriver shafts for easy bit access and storage. Industrial strength, heat-treated steel bits for long-lasting use.

**IB32526**



## OFFSET HI-SPEED HEAD HEAVY DUTY 105° OFFSET'

Made for heavy-duty power units. Rated at more than 500 in/lbs of torque/2000rpm. It lets you get your power unit into tight spots with drills, spade drills, grinders, buffers, nuts and screws.

**HD-105**

## SKEWDRIVER PRO® KIT

The Skewdriver® Pro SPK4040 kit features an offset bit driver, a right-angle tool that's perfect for removing the screws that secure some dash speaker grilles, getting to screws in hard-to-reach trim pieces, or working in tight quarters anywhere in your car or home.



**SPK4040**

## BEVEL-GEAR DRIVER

Die-cast Skewdriver® Pro offset bevel gear driver, with new super gears, 3-times stronger than previous models, has stabilizer lock screw, ANSI impact ready input shaft and black chrome finish.



**P9801HC**



## WRENCH SET

3/8" and 1/4" wrench set PBX 1400 Powerbox accessory with 7-piece English and metric sockets.

**PBS-1438**

## OFFSET GEAR DRIVER

**RGS-5299**



# TOOLS



## CIRCUIT TESTER

Hooded probe protects your fingers and automatically centers the wires. Small size allows easy use even in the tightest places. Works up to 28volts.

**IB25600**



## CIRCUIT TESTER

Works without damaging sensitive electronic components. Safe for use on 12-volt automotive computer circuits. Tool draws less than 21 M.A. at 12volts D.C. with an OPE rating range of 3-12 volts.

**IB27450**



**INNOVA**

## TEST LIGHT/CIRCUIT TESTER

Helps to quickly identify if there is voltage present on wiring and circuits. Ergonomic grip design with 6ft test leads. Transparent handle shows bright LEDs to identify connections: Green = ground present, red = voltage present

**3410**



## TONE GENERATOR SPEAKER POLARITY/ RCA CABLE TESTER

- Speaker tester with 9 volts
- RCA cable tester
- Easy to use control knobs
- Auto off function

**IBR68**



**NAVONE  
ENGINEERING**

## TONE GENERATOR

Will quickly help you isolate noise problems and locate the correct speaker wires in a car. Runs on a single 9volt battery and has both RCA and alligator clipped outputs.

**IBN-899**

**KLEIN  
TOOLS**



## MULTIMETERS MANUAL

- Measures up to 600volt AC/DC voltage, 10 amps AC/DC current and 2MΩ resistance
- Tests batteries and diodes

**MM300**

## AUTO

- Measures up to 600V AC/DCV, 10A AC/DC current and 40Mff res.
- Measures capacitance, temp., frequency, duty-cycle, and test diodes and continuity
- CAT III 600V safety rating

**MM400**



## AUTO-RANGING DMM 10 MEGOHM/UL

Auto-ranging™ scales eliminate the need to dial in the correct range when making electronic measurements. 10 MegOhm input impedance for safe automotive and household uses. Large digital display. Single-setting resistance function for voltage (AC & DC). Color-coded LEDs display battery quick check. Protective rubber corner guards for drop protection. Includes attachable test leads, holders and stand.

**3320**



## PHASE TESTER 10 MEGOHM/UL

Allows the install technician to verify the absolute phase of each speaker in the system, both individually and as a group. Features a built-in microphone and comes with a test CD that includes in polarity and out of polarity pulses (in addition to 11 other useful test tracks). Adds a built in pulse generator for both speaker level and low level connections directly to a component (speaker amplifier, signal processor, etc). The PT-9A also comes with a protective carrying case and test leads.

**EA-PT9A**



# TERMS & CONDITIONS

## **TERMS:**

Net 30 days from date of invoice on approved accounts. Minimum order: \$50 per invoice, orders less than required minimum incur a \$20 service charge.

---

## **FREIGHT:**

Freight on board (F.O.B.) from point of shipment. Freight will be charged on all drop-shipment orders.

---

## **CREDIT:**

In order to establish a credit line with Metra, an application for credit must be submitted listing a minimum of five (5) trade references and a bank with their addresses and phone numbers and must be signed by a principal or authorized officer of the company. A credit line will be established by our credit manager and must be maintained in a current status according to our terms (net 30 days). Credit not established or revoked requires remittance with order. Returned checks are subject to a fee of \$32.00.

---

## **RESALE TAX EXEMPTION CERTIFICATE:**

CA, TX, KY, NJ & FL customers must provide a valid resale card before an order can be placed.

---

## **CLAIMS:**

Title and risk of loss passes to buyer at F.O.B. shipping point and all claims must be filed with carrier. Any discrepancies must be reported to Metra within ten (10) days of receipt of shipment.

---

## **RETURNS:**

All sales are final. No returns or exchanges will be allowed without prior written authorization from Metra. All returns are subject to a 20% handling charge, must be in a saleable condition, and must have been purchased within sixty (60) days of return request. No stock balancing permitted. Copies of invoices must be mailed in advance for any return authorization (R.A.).

---

## **LIMITED WARRANTY:**

Metra warrants all of its products, including all electronic kits, to be free from defects in material and workmanship for a period of 1 year from date of purchase. Metra will, at its option, repair, replace or allow credit on any part which, in Metra's opinion, is found defective under normal use. Warranty void on items misused, altered in any way, tampered with or serviced by anyone other than Metra. This warranty of merchantability of fitness neither assumes or authorizes any other person to assume for it, any other liability in connection with its products. In no event shall we be liable for any incidental or \*consequential damages, or do we assume any other liability except provided herein.

---

## **BACK ORDERS:**

If an item is temporarily unavailable for immediate shipment, we will back-order the item and ship as soon as possible from the nearest available warehouse, unless otherwise instructed.

Metra reserves the right to make changes in or deletions of products or prices without prior notice.

\*Metra will not assume any responsibility for damages to person or property due to incorrect interpretation of the material in this publication. Metra is not responsible for typographical or printing errors. Reproductions of editorial or pictorial content is strictly prohibited without prior consent from Metra.



**WARNING:** This catalog does not advise whether a State of California Proposition 65 warning is required for a particular item of merchandise. To learn whether a particular item of merchandise requires a California Proposition 65 warning, please be sure to look up and read the particular merchandise's listing, as well as read the particular merchandise's packaging. When a California Proposition 65 warning is present on Metra's website listing for the particular merchandise, or on the particular merchandise's packaging, a compliant California Proposition 65 warning is to be provided to the purchasing California consumer prior to the sale of the particular merchandise.