

masterack®

A Leggett & Platt Commercial Vehicle Products Company



FORD VANS

GM VANS

MERCEDES VANS

NISSAN VANS

RAM VANS

VAN BODIES

COMMERCIAL VAN EQUIPMENT

ABOUT MASTERACK®

QUALITY AND CUSTOMER SATISFACTION IS OUR COMMITMENT.

Masterack has over 40 years of experience in the design and manufacture of high-quality, commercial grade van and pickup equipment for the nation's largest fleets and auto makers. Additionally, through our partnerships with professional distributor installers across the country, trade customers and local fleets can benefit from the same dependable equipment for their service vehicles.



LIMITED WARRANTY

Masterack commercial van and pickup equipment is warranted to be free from defects in material and workmanship, under normal use and service for a period of one (1) year from date of purchase. Factory installations, and products installed in new vehicles by an authorized Masterack installer are warranted for three (3) years or 36,000 miles (60,000 km), whichever comes first.

Leggett & Platt®
Commercial Vehicle Products

1 TABLE OF CONTENTS

HOW TO ORDER

Vehicle Layout Guides 2-3

STEEL COMPONENTS

Base Packages.....4
 Accessories.....5
 Cabinets & Drawers6
 Shelving.....7

SMARTSPACE COMPONENTS

Base Packages.....8
 Accessories.....9

ALUMINUM COMPONENTS

Base Packages..... 10
 Accessories..... 11

FOLDING ALUMINUM SHELVING

Base Packages..... 12

COMPUTER MOUNTING KITS AND CRADLES

Universal Cradles And Vehicle Kits..... 13

PARTITIONS

Steel..... 14
 Lightweight Composite & Wire 15

LADDER RACKS

Ergorack® 16
 Slide-down Ladder Rack 17
 Locking Ladder Rack 18
 Utility Carrier 19

ACCESSORIES

Manual & Document Storage..... 20
 Floor Drawers 20
 Window Screens..... 21
 Flooring 22
 Cargo Protection Packages 23

INDEX24-25

 **QuickShip** Items highlighted in red represent Masterack quick ship products



GM Express/Savana



Chevy City Express



Ford Transit



Ford Transit Connect



Nissan NV



Nissan NV200



RAM ProMaster



RAM ProMaster City



Sprinter

Masterack®

CUSTOM VAN INTERIORS

MEASUREMENT KEY

A	Cargo Length @ Floor
B	Front of Wheel Well
C	Rear of Wheel Well
D	Width Between Wheel House
E	Cargo Height Max

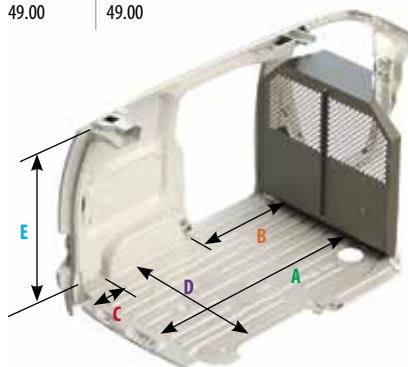
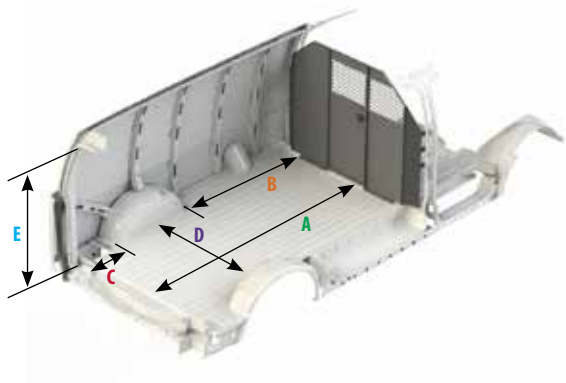
- 1) Select a base package - steel, SmartSpace® or aluminum
- 2) Add a vehicle specific steel, composite, or wire cab partition
- 3) Select upgrade options that fit your trade
- 4) Add roof options and exterior accessories

As Easy
as
1-2-3

GM Vans

GM Express/Savana

WHEELBASE	135"	155"
A	104.00	122.00
B	55.00	74.00
C	13.00	13.00
D	52.50	52.50
E	49.00	49.00



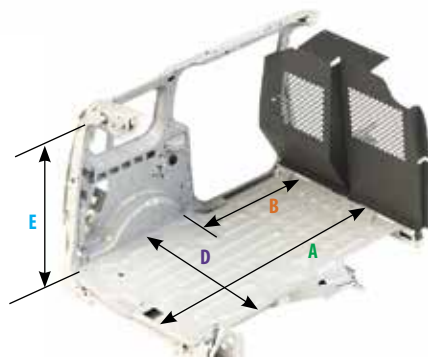
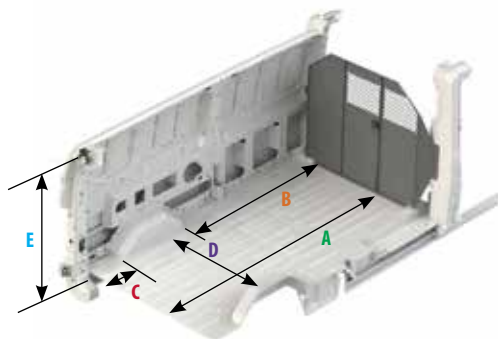
Chevy City Express

WHEELBASE	115" WB
A	66.00
B	28.00
C	9.00
D	44.00
E	52.00

Ford Vans

Ford Transit

WHEELBASE	130"	130"	148"	148"	148"	148" - EXT
Roof Height	LOW	MEDIUM	LOW	MEDIUM	HIGH	HIGH
A	103.5	103.5	121.25	121.25	121.25	140.50
B	54.5	54.5	71.5	71.5	71.5	71.5
C	14.00	14.00	14.00	14.00	42.50	42.50
D	53.50	53.50	53.50	53.50	53.50	53.50
E	49.00	64.00	49.00	64.00	73.00	73.00



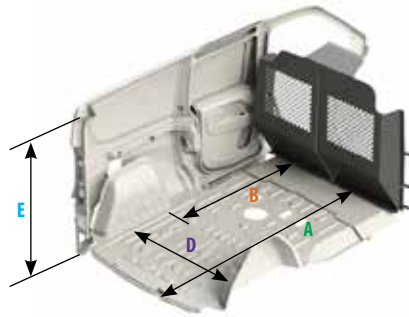
Ford Transit Connect

WHEELBASE	106"	121"
A	71.50	87.30
B	36.00	36.00
D	48.30	48.30
E	49.70	49.70

masterack®

QS Quickship products in red.

RAM Vans

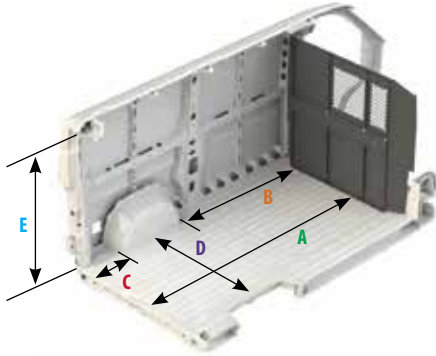


RAM ProMaster City

WHEELBASE	122" WB
A	77.00
B*	35.00
D	48.40
E	46.00

* To Door Opening

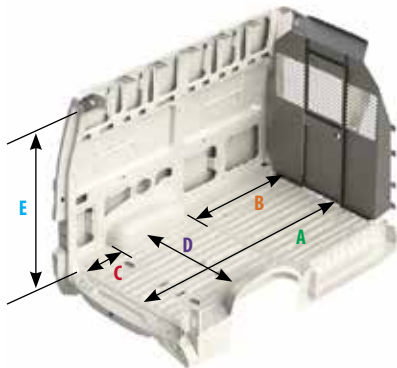
2-3 VEHICLE LAYOUT GUIDES



RAM ProMaster

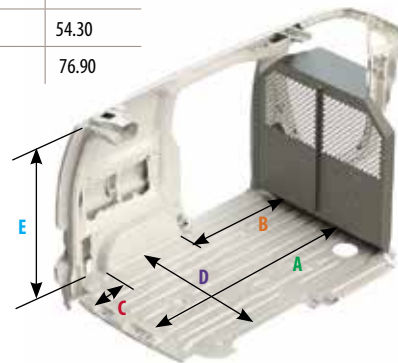
WHEELBASE	118"	136"	136"	159"	159" - EXT
Roof Height	LOW	LOW	HIGH	HIGH	HIGH
A	85.00	103.00	103.00	126.00	140.00
B	39.00	57.00	57.00	80.00	80.00
C	10.80	10.80	10.80	10.80	10.80
D	56.00	56.00	56.00	56.00	56.00
E	65.00	65.00	76.00	76.00	76.00

Nissan Vans



Nissan NV

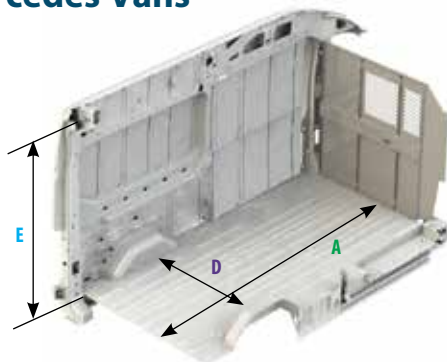
WHEELBASE	240.6"	240.6"
Roof Height	STANDARD	HIGH
A	100.00	100.00
B	48.00	48.00
C	14.00	14.00
D	54.30	54.30
E	55.80	76.90



Nissan NV200

WHEELBASE	115" WB
A	66.00
B	28.00
C	9.00
D	44.00
E	52.00

Mercedes Vans

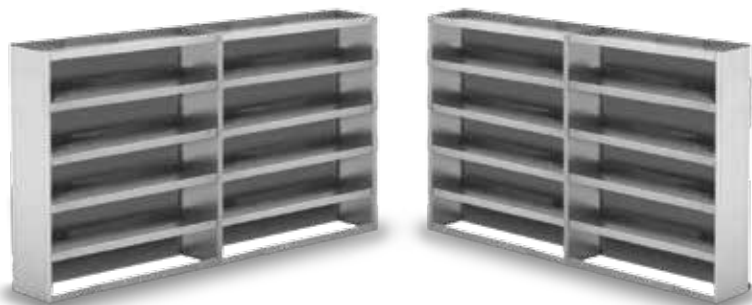
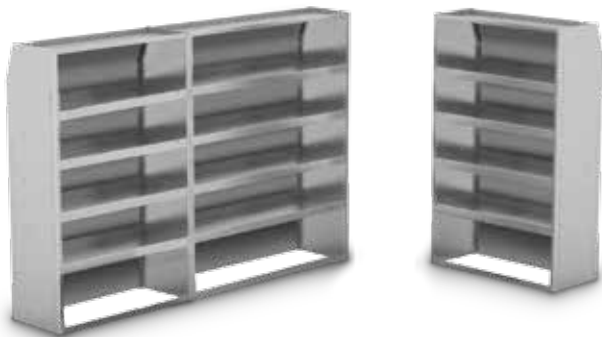
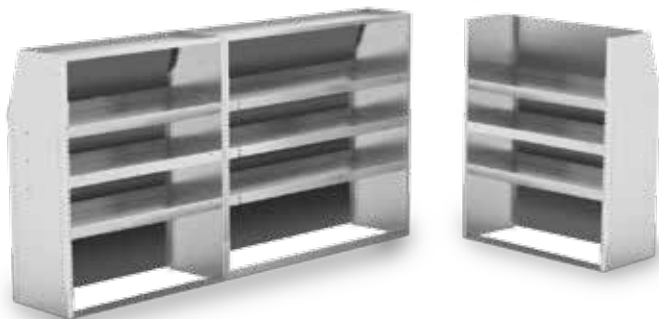
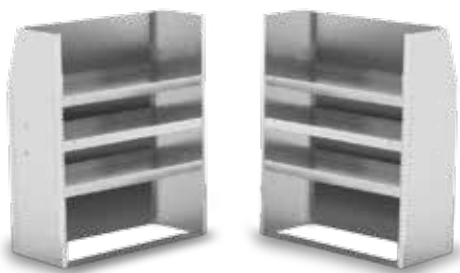


Mercedes Sprinter

WHEELBASE	144"	144"	170"	170" - EXT.
Roof Height	STANDARD	HIGH	HIGH	HIGH
A	128.60	128.60	169.30	185.10
D	53.10	53.10	53.10	38.50
E	65.00	78.20	78.20	78.20

STEEL BASE PACKAGES

Masterack's heavy duty steel interiors, used by the nation's largest fleets, offer maximum durability for the toughest applications. Choose a basic base interior from below to fit your vehicle and upgrade with trade accessories, shelf backs, cabinets, drawers, dividers and bins to meet your needs. **Partitions sold separately (see pages 14-15).**



Compact Steel Base Package

Applicable to Ford Transit Connect, Chevy City Express, RAM ProMaster City and Nissan NV200

PACKAGE #02K643KP

Part#	Description	Qty.
02J640KP	Steel Shelving Module 44"H x 37"W x 12"D	2

Note: Floor Attachment Kit recommended for Transit Connect (02G056KP), RAM ProMaster City (02J724KP), and Chevy City Express/Nissan NV200 (02F601KP) for no-drill installation

Standard Steel Base Package

Applicable to Ford Transit Low Roof, GM Express/Savana and Nissan NV Standard Roof

PACKAGE #02K644KP

Part#	Description	Qty.
022434KP	Steel Shelving Module 46"H x 43"W x 16"D	2
027546KP	Steel Shelving Module 46"H x 43"W x 12"D	1

Tall Steel Base Package

Applicable to Ford Transit Medium & High Roof, Ram ProMaster Low & High Roof, Nissan NV High Roof and Mercedes Sprinter

PACKAGE #02K645KP

Part#	Description	Qty.
02A383KP	Steel Shelving Module 60"H x 43"W x 16"D	3

Van Body Steel Base Package

Applicable to 10-14' Van Bodies

PACKAGE #02K646KP

Part#	Description	Qty.
027574KP	Steel Shelving Module 60"H x 51"W x 16"D	4

masterack®

 Quickship products in red.

STEEL ACCESSORIES



Shelf Dividers bolt to shelving, no drilling required. Easily adjustable to organize equipment. Sold as set of five dividers.

- 021396KP** 5"H x 12"D Shelf Divider
- 021395KP** 10"H x 12"D Shelf Divider
- 022528KP** 7"H x 16"D Shelf Divider



Composite Storage Bins and handy elastic cargo straps can be used for a wide variety of cargo containment needs. Color may vary.

- 021471KP** 5"H x 8"W x 12"D Storage Bin (set of four)



Lockable Storage Doors may be added to any storage module to create a secure compartment.

- 027500KP** 19"W x 12"H Storage Door
- 027495KP** 25"W x 12"H Storage Door
- 027496KP** 31"W x 12"H Storage Door
- 027497KP** 37"W x 12"H Storage Door
- 027498KP** 43"W x 12"H Storage Door
- 027499KP** 51"W x 12"H Storage Door

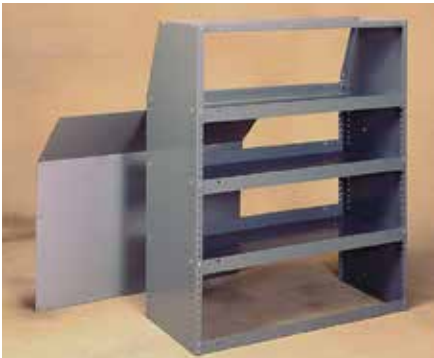


Multi-Purpose Utility Hooks (left) are ideal for a variety of uses. Zinc plated for long life, rounded for safety. 2" hook dia.

- 025527KP** Triple Utility Hook

Heavy-Duty, Vinyl Coated J-Hooks (right) can be mounted to shelving, or any vertical surface inside the van. Sold as set of two with hardware.

- 027503KP** 5" dia. Large J-hooks
- 027502KP** 3" dia. Small J-hooks



Shelf Backs used to close off back of shelving and help control noise. Height can easily be cut to fit module.

- 027484KP** 25"W x 36"H
- 027486KP** 43"W x 36"H
- 027485KP** 31"W x 36"H
- 027487KP** 51"W x 36"H
- 027176KP** 37"W x 36"H



Freon Tank Racks, Rings

Vertically store Freon tanks in a cradle with tie-down chains to secure the tanks. Tank Rings mount to floor, store individual tanks.

- 025544KP** 28"H x 13"W x 12"D Tank Rack 2-30# Tanks
- 027588KP** 36"H x 16"W x 16"D Tank Rack 2-50# Tanks
- 025545KP** 36"H x 13"W x 12"D Tank Rack 3-30# Tanks
- 025254KP** 46"H x 13"W x 12"D Tank Rack 4-30# Tanks
- 025295KP** 30# Single Freon Tank Ring
- 025296KP** 50# Single Freon Tank Ring



Wire Spool Carrier

Mounts to shelving, or vertical surface to organize wire spools, tape rolls, and other items.

- 024304KP** 24"H x 12"W x 4"D

4-5 STEEL COMPONENTS BASE PACKAGES & ACCESSORIES

ESTERK®

STEEL CABINETS & DRAWERS



Metal Parts Drawer Cabinets offer low cost storage for nuts and bolts, or other small items. Available in five sizes to fit your budget and needs. Cabinets include drop-in drawer dividers and bolt to steel or wire shelves. Tilt shelf recommended for solid steel shelving (see page 7).

- 021058KP** 8"H x 24"W x 12"D 8-drawer
- 021056KP** 11"H x 17"W x 12"D 9-drawer shown
- 021057KP** 8"H x 34"W x 12"D 12-drawer shown
- 021007KP** 11"H x 34"W x 12"D 18-drawer shown



Drawer Cabinets provide versatile, lockable storage for tools and small items. Shallow drawers include divided scoop tray. Cabinets mount to shelving module, or can be stacked on each other.

- 022788KP** 12"H x 18.5"W x 12"D 2-drawer shown
- 027259KP** 12"H x 18.5"W x 12"D 3-drawer shown
- 022787KP** 12"H x 18.5"W x 12"D 4-drawer shown
- 025070KP** 12"H x 18.5"W x 16"D 2-drawer
- 024515KP** 22"H x 18.5"W x 16"D 4-drawer shown
- 024056KP** 22"H x 18.5"W x 18"D 4-drawer



Composite Parts Drawer Cabinets feature composite drawers for nuts and bolts, or other small items. Cabinets include drop-in composite drawer dividers and bolt to steel or wire shelves (stack to form 12-, 18-, and 24- drawer cabinets).

- 02D641KP** 7"H x 18.5"W x 12"D 6-drawer



Exterior Vented Tank Storage Cabinets feature gasket sealed doors with snap tight latches. Cabinets include venting hoses and all connections. (Propane vents floor only). Installation instructions and hardware included.

- 022856KP** 34"H x 14"W x 14"D Universal Propane Cabinet
- 020711KP** 23"H x 14"W x 8"D Mapp/Acetylene Cabinet



Lockable Storage Cabinets provide generous, secure storage. Cabinets include an adjustable shelf and locking handle.

- 021392KP** 24"H x 18.5"W x 12"D includes 1 shelf
- 024514KP** 24"H x 18.5"W x 16"D includes 1 shelf
- 026188KP** 24"H x 18.5"W x 16"D incl. 4 padded shelves
- 022466KP** 24"H x 18.5"W x 18"D includes 1 shelf
- 025841KP** 46"H x 18.5"W x 12"D includes 3 shelves

masterack®

 Quickship products in red.

STEEL SHELVING



Tapered Uprights for use with contoured van walls. Use space saving uprights to maximize floor aisle space. Over-wheelwell uprights have reverse notch for installation over wheelwells. Sold as a set of two uprights.

Standard Uprights

022395KP 46" H x 16" D

027167KP 46" H x 12" D

02A355KP 60" H x 16" D

Space-Saving Uprights

02B762KP 46" x 16" D

02B885KP 46" x 12" D

Over-wheelwell Uprights

02D188KP 46" x 16"



Solid End Uprights

sold as set of two

023048KP 13" H x 12" D

022348KP 28" H x 12" D

022455KP 31" H x 12" D

022347KP 36" H x 12" D

025367KP 46" H x 12" D

026438KP 60" H x 12" D

024063KP 28" H x 16" D

025948KP 31" H x 16" D

022473KP 36" H x 16" D

022957KP 42" H x 16" D

026439KP 60" H x 16" D

024063KP 28" H x 16" D

025948KP 31" H x 16" D

022473KP 36" H x 16" D

022957KP 42" H x 16" D

026439KP 60" H x 16" D



Heavy Duty Stick Uprights

can be used with 12", 16", and 22" deep shelves.

Requires floor braces. Sold as set of four uprights.

021368KP 28" H

020031KP 31" H

021369KP 36" H

025366KP 46" H

026440KP 60" H

025336KP 72" H



Floor Braces - side braces for heavy duty uprights.

Side Braces

023054KP 12" D 025335KP 22" D

022613KP 16" D *(all sold as set of two)*

Front Braces

023055KP 19" W 023056KP 25" W

023057KP 31" W 023058KP 37" W

023059KP 43" W 025680KP 51" W

Floor Attachment Kits

02G056KP Ford Transit Connect

02J724KP RAM ProMaster City

02F601KP Nissan NV200

02F601KP Chevy City Express



Tool Drop Trays designed for 12" deep tapered shelf modules. Install in place of a top shelf to store tools. Features a 3" lip.

027165KP 37" W x 8" D

027792KP 43" W x 8" D

Divided Tool Drop Tray

02B894KP 37" W x 8" D

02B893KP Dividers (Set/5)



Parts Tray Shelves are formed with 3" deep lip; each shelf includes snap-in dividers. Additional dividers available (sold as set of four).

027478KP 25" W x 12" D 026486KP 25" W x 16" D

022898KP 31" W x 12" D 025877KP 31" W x 16" D

021389KP 37" W x 12" D 025815KP 37" W x 16" D

022215KP 43" W x 12" D 025858KP 43" W x 16" D

025842KP 51" W x 12" D 025859KP 51" W x 16" D

021391KP 12" dividers 027547KP 16" dividers



Steel Shelves

All shelves feature a fully hemmed perimeter edge for superior strength. Available as standard or heavy-duty. The 12" deep shelves have a 1" lip, the 16" and 22" deep shelves have a 2" lip.

Standard Shelves

021377KP 13" W x 12" D Shelf

021378KP 19" W x 12" D Shelf

021379KP 25" W x 12" D Shelf

021380KP 31" W x 12" D Shelf

021381KP 37" W x 12" D Shelf

021382KP 43" W x 12" D Shelf

025153KP 19" W x 16" D Shelf

022816KP 25" W x 16" D Shelf

022398KP 31" W x 16" D Shelf

022397KP 37" W x 16" D Shelf

022396KP 43" W x 16" D Shelf

Heavy Duty Shelves

025313KP 37" W x 12" D HD Shelf

025314KP 43" W x 12" D HD Shelf

025572KP 51" W x 12" D HD Shelf

025315KP 37" W x 16" D HD Shelf

025316KP 43" W x 16" D HD Shelf

025571KP 51" W x 16" D HD Shelf

025319KP 37" W x 22" D HD Shelf

025326KP 43" W x 22" D HD Shelf

027483KP 51" W x 22" D HD Shelf



Tilt Shelves are heavy gauge to support parts cabinets. Tilts back to keep drawers closed during transit.

022482KP 19" W x 12" D

020043KP 37" W x 12" D

022340KP 43" W x 12" D

029750KP 51" W x 12" D

025072KP 25" W x 16" D

02B022KP 31" W x 16" D

022531KP 37" W x 16" D

022532KP 43" W x 16" D

029811KP 51" W x 16" D

02B610KP 37" W x 22" D

02B611KP 43" W x 22" D



Universal Braces can be used to further secure drawers, cabinets and shelving to vehicle. Cut and bend to fit as necessary.

T-brackets can be used to reinforce modules to side walls of van for heavy-duty applications.

Universal Attachment Brace

027651KP Set of six with fasteners

Heavy Duty T-Bracket

027652KP Set of six with fasteners



Automotive Grade Aerosol Texture Paint matches original equipment color. 12 fl. oz.

RM660104A Bell White

RM660135A Black

RM660151A Gray

6-7 STEEL COMPONENTS CABINETS, DRAWERS & SHELVING

SmartSpace® BASE PACKAGES

SmartSpace is your innovative, modular cargo management system that offers a variety of adjustable shelves, drawers, and accessories for infinite storage possibilities. Made from structural foam and aluminum materials, this system provides weight savings over comparable steel interiors.

Installation kits required. Partitions sold separately (see pages 14-15).



Compact SmartSpace® Base Package

PACKAGE #OSS191KP			
Part#	Description	Qty.	
OSS155KP	SmartSpace Shelving Module 44"H x 37"W x 12"D	2	
Applicable Installation Kits			
Item#	Description	Item#	Description
OSS123KP	Ford Transit Connect	OSS139KP	Chevy City Express
OSS139KP	Nissan NV200	OSS182KP	RAM ProMaster City



Standard SmartSpace® Base Package

PACKAGE #OSS192KP			
Part#	Description	Qty.	
OSS150KP	SmartSpace Shelving Module 44"H x 74"W x 16"D	1	
OSS188KP	SmartSpace Shelving Module 44"H x 37"W x 16"D	1	
Applicable Installation Kits			
Item#	Description	Item#	Description
OSS125KP	Ford Transit 130"WB Low Roof	OSS132KP	GM Express / Savana 155"WB
OSS126KP	Ford Transit 148"WB Low Roof	OSS140KP	Nissan NV Standard Roof
OSS129KP	Ford Transit 148"WB High Roof	OSS142KP	Mercedes Sprinter (Standard Roof)
OSS131KP	GM Express / Savana 135"WB		



Tall SmartSpace® Base Package

PACKAGE #OSS193KP			
Part#	Description	Qty.	
OSS152KP	SmartSpace Shelving Module 66"H x 74"W x 16"D	1	
OSS189KP	SmartSpace Shelving Module 66"H x 37"W x 16"D	1	
Applicable Installation Kits			
Item#	Description	Item#	Description
OSS127KP	Ford Transit 130"WB Med. Roof	OSS136KP	RAM ProMaster 136"WB High Roof
OSS128KP	Ford Transit 148"WB Med. Roof	OSS137KP	RAM ProMaster 159"WB High Roof
OSS129KP	Ford Transit 148"WB High Roof	OSS138KP	RAM ProMaster 159"ELWB High Roof
OSS134KP	RAM ProMaster 118"WB Low Roof	OSS141KP	Nissan NV High Roof
OSS135KP	RAM ProMaster 136"WB Low Roof	OSS142KP	Mercedes Sprinter (High Roof)



SmartSpace® Van Body Package

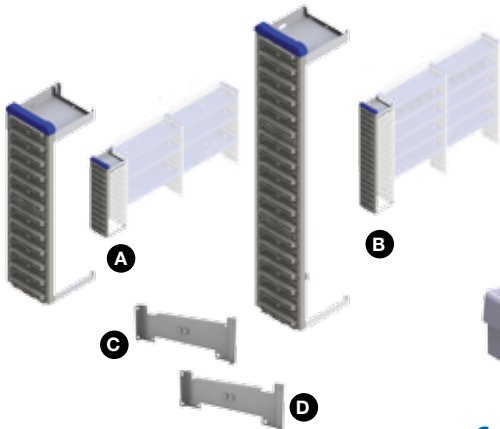
PACKAGE #OSS194KP		
Part#	Description	Qty.
OSS152KP	SmartSpace Shelving Module 66"H x 74"W x 16"D	2

masterack®

QS Quickship products in red.

SMARTSPACE™ ACCESSORIES

8-9 SMARTSPACE® COMPONENTS BASE PACKAGES & ACCESSORIES

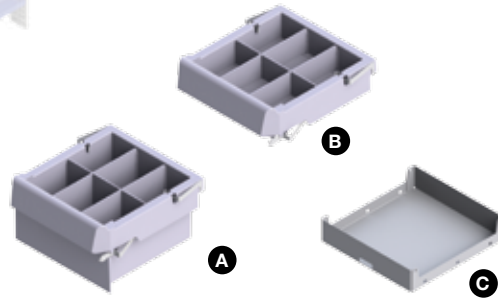


Cubby Modules

Add a cubby module to any base package to create more room for smaller items. Cubby modules can be installed at 90 or 180 degrees for rear or side door access. Add drawers, 12" shelves, and trade accessories to customize your cubby.

Note: Rotation brackets needed to rotate module 90 degrees (one per shelf).

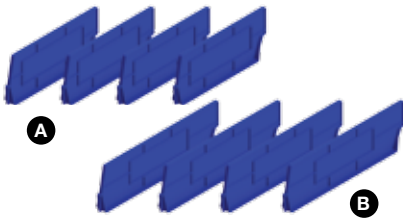
- A / Cubby Module 44"H x 14"W x 12"D Part # 0SS104KP
- B / Cubby Module 66"H x 14"W x 12"D Part # 0SS105KP
- C / Rotation Brackets - Streetside..... Part # 0SS051LKP
- D / Rotation Brackets - Curbside..... Part # 0SS051RKP



Cubby Accessories

Add drawers and shelves to any 12"W cubby module, which requires no tools to install or reconfigure!

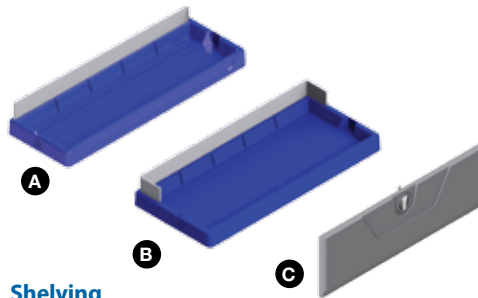
- A / Large Drawer w/ Dividers 12"W x 6"H x 12"D..... Part # 0SS106KP
- B / Small Drawer w/ Dividers 12"W x 3"H x 12"D Part # 0SS107KP
- C / Shelf Kit 12"W x 12"D Part # 0SS113KP



Shelf Dividers

Drop-in dividers are lightweight composite and minimize rattling of tools and cargo.

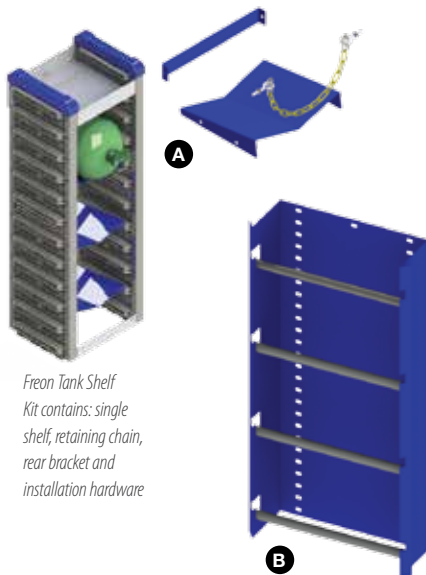
- A / Dividers 12"D – Set of 4 Part # 0SS109KP
- B / Dividers 16"D – Set of 4 Part # 0SS110KP



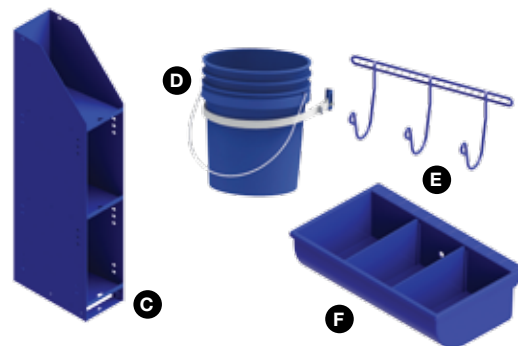
Shelving

Customize your shelving modules with additional components. Components require no tools to install or reconfigure!

- A / Shelf Kit w/ Shelf Back 37"W x 12"D Part # 0SS111KP
- B / Shelf Kit w/ Shelf Back 37"W x 16"D Part # 0SS112KP
- C / Locking Storage Door 37"W x 12"H Part # 0SS114KP



Freon Tank Shelf Kit contains: single shelf, retaining chain, rear bracket and installation hardware



Trade Accessories

Looking for accessories to fit your trade? SmartSpace has solutions for many applications!

- A / Steel 30# Freon Tank Shelf Kit (One shelf per kit) Part # 0SS115KP
- B / Steel Wire Spool Rack Part # 0SS117KP
- C / Steel Manual Rack Part # 0SS116KP
- D / Storage Bucket & Holder Part # 0SS118KP
- E / Steel Triple Utility Hook Part # 0SS119KP
- F / Composite Parts Bin w/ Dividers 10"W x 3"H x 6"D Part # 0SS108KP

ALUMINUM BASE PACKAGES



This lightweight interior has adjustable shelving, toolbox cradles, full-length drawers, and is compatible with SmartSpace® accessories. The USA-made aluminum is 30% lighter than steel with a comparable capacity. **Partition sold separately (see pages 14-15).**



Compact Aluminum Base Package

Applicable to Ford Transit Connect, Chevy City Express, RAM ProMaster City and Nissan NV200

PACKAGE #0AL102KP		
Part#	Description	Qty.
0AL137KP	Aluminum Shelving Module 44"H x 37"W x 12"D"	2

Applicable Installation Kits			
Item#	Description	Item#	Description
02G056KP	Ford Transit Connect	02F601KP	Chevy City Express
02F601KP	Nissan NV200	02J724KP	RAM ProMaster City

Note: Installation kits required for ALL applicable platforms



Standard Aluminum Base Package

Applicable to Ford Transit Low Roof, GM Express/Savana and Nissan NV Standard Roof

PACKAGE #0AL100KP		
Part#	Description	Qty.
0AL243KP	Aluminum Shelving Module 44"H x 43"W x 16"D	2
0AL143KP	Aluminum Shelving Module 44"H x 43"W x 12"D	1



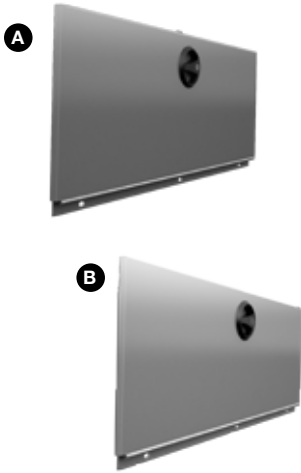
Tall Aluminum Base Package

Applicable to Ford Transit Medium & High Roof, Ram ProMaster Low & High Roof, Nissan NV High Roof and Mercedes Sprinter

PACKAGE #0AH101KP		
Part#	Description	Qty.
0AH243KP	Aluminum Shelving Module 58"H x 43"W x 16"D	3

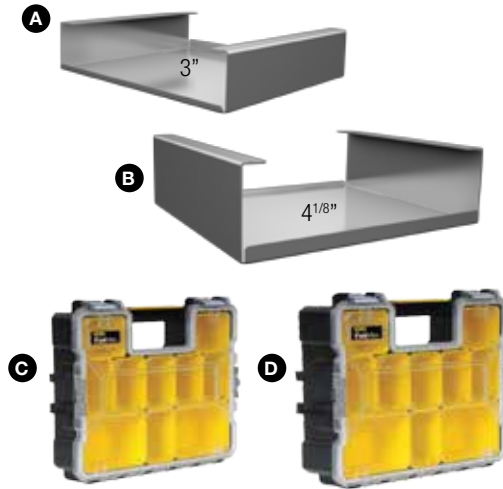
ALUMINUM ACCESSORIES

10-11 ALUMINUM COMPONENTS BASE PACKAGES & ACCESSORIES



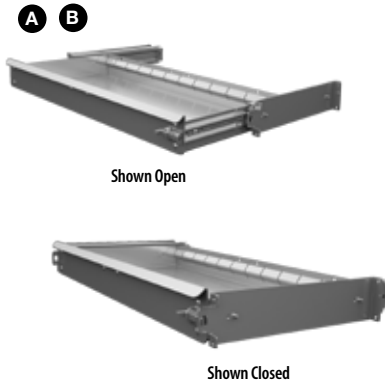
Locking Storage Doors

- A / 37"W Locking Door Part # 0AL022KP
- B / 43"W Locking Door Part # 0AL023KP



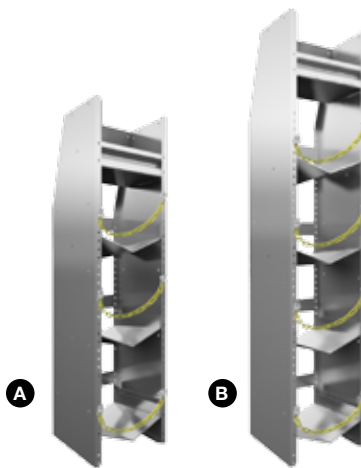
Toolbox Cradles

- A / Toolbox Cradle 3"D Part # 0AL026KP
- B / Toolbox Cradle 4.5"D Part # 0AL027KP
- C / Small Toolbox 14"H x 17.5"W x 2.5"D Part # 02J704KP
- D / Large Toolbox 14"H x 17.5"W x 4"D Part # 02J705KP



Drawer Units

- A / Drawer Unit 16"x37" Part # 0AL028KP
- B / Drawer Unit 16"x43" Part # 0AL029KP



Freon Tank Racks

- A / Freon Tank Rack 44" H 3x30 lbs Part # 0AL021KP
- B / Freon Tank Rack 58" H 4x30 lbs Part # 0AH005KP



Steel And Composite Accessories

- A / Steel Manual Rack Part # 0SS116KP
- B / Steel Wire Spool Rack Part # 0SS117KP
- C / Storage Bucket & Holder Part # 0SS118KP
- D / Steel Triple Utility Hook Part # 0SS119KP
- E / Composite Storage Bins (Set/4) Part # 021471KP

*fits on 12" shelves



FOLDING ALUMINUM SHELVING



Aluminum folding shelves are there when you need them, and can be folded out of the way when you don't. Manufactured with aluminum materials, this system can also increase your fuel efficiency due to its reduced weight over comparable steel interiors. **Partitions sold separately (see pages 14-15).**



Aluminum Folding Shelving Standard Package

Applicable to Ford Transit Medium Roof 130"WB, and RAM ProMaster 136"WB

PACKAGE #02G136KP

Part#	Description	Qty.
02H279KP	Aluminum Shelving Street Side 94"W x 20"D	1
02H280KP	Aluminum Shelving Curb Side 50"W x 20"D	1



Aluminum Folding Shelving Long Package

Applicable to Ford Transit Medium & High Roof 148"WB, and RAM ProMaster 159"WB

PACKAGE #02G137KP

Part#	Description	Qty.
02H281KP	Aluminum Shelving Street Side 94"W x 20"D	1
02H282KP	Aluminum Shelving Curb Side 75"W x 20"D	1

COMPUTER MOUNTING KITS

This system is designed to be modular so parts can be interchanged when switching vehicles. Below are some kits designed for popular vehicles on the market. The mounting kits include:

1. No-Drill Vehicle Base
2. Pole System. Some vehicle bases include a welded lower pole.
3. Motion Attachment
4. Support Brace



NotePad V - Universal Cradle

**12-13
FOLDING
ALUMINUM
SHELVING BASE
PACKAGES
COMPUTER
MOUNTING
KITS**

UNIVERSAL CRADLES			
Part #	Description	Antenna Pass-Through	Internal Power
02K141KP	NotePad V - Universal Laptop Cradle	NA	NA
02K142KP	NotePad V - LT - Universal Tablet Cradle	NA	NA

* All cradles require vehicle kit for installation



VEHICLE KITS		
Part #	Make	Model
02K126KP	Nissan	NV (2011+)
02K127KP	Nissan	NV200 (2010+)
02K127KP	Chevrolet	City Express (2015)
02K129KP	Ford	Ford E-Series Cutaway
02K130KP	Ford	F-250 to F-750 Super Duty (2011+)
02K131KP	Ford	F-150 (Aluminum Body) (2015)
02K132KP	Ford	Transit (2015)
02K133KP	Ford	Transit Connect (2014 - 2015)
02K134KP	Chevrolet	G-Series Van (2010+)
02K135KP	Chevrolet	Silverado (2015)
02K137KP	RAM	1500-5500 (2002+)
02K138KP	RAM	ProMaster (2014+)
02K139KP	RAM	ProMaster City (2015)
02K140KP	Mercedes	Sprinter (2004+)

STEEL PARTITIONS



- Exclusive non-glare black finish for superior rear and side visibility.
- Tough finish provides scratch resistance.
- Easy installation; complete instructions and hardware included.
- Some attachment panels sold separately.

027088KP Partition SL HM PR
027250KP GM Express / Savana
 Attachment Panels

Note : P - Perforated S - Solid H - Hinged L - Left M - Middle R - Right

STEEL PARTITION ORDERING GUIDE

	No Center Door			With Hinged Door		Attachment Panels Required
	PL - PM - PR	SL - PM - PR	SL - SM - SR	PL - HM - PR	SL - HM - PR	
FORD						
Transit (Low Roof)	027083KP	027084KP	027086KP	027087KP	027088KP	02H369KP
Transit (Medium Roof)	02J178KP	02J177KP	02J176KP	02J181KP	02J180KP	02H370KP
Transit (High Roof)	02J178KP	02J177KP	02J176KP	02J181KP	02J180KP	02H371KP
GM						
Express / Savana	027083KP	027084KP	027086KP	027087KP	027088KP	027807KP
RAM						
ProMaster (Low & High Roof)	02J178KP	02J177KP	02J176KP	02J181KP	02J180KP	02G731KP
NISSAN						
NV (Standard Roof)	027083KP	027084KP	027086KP	027087KP	027088KP	02E316KP
NV (High Roof)	-	-	-	02E382KP	02E386KP	Included
SPRINTER						
Mercedes Sprinter (Low Roof)	02A365KP	02A366KP	-	02A367KP	02A368KP	Included
Mercedes Sprinter (High Roof)	02A365KP	02A366KP	-	02A367KP	02A368KP	02A375KP

COMPACT VANS

	PL-PR
Ford Transit Connect	02F824KP
Chevrolet City Express	02F590KP
RAM ProMaster City	02J644KP
Nissan NV200	02F590KP

POLYCARBONATE COVER PANELS FOR STEEL PARTITIONS ORDERING GUIDE

Platform	Left, Center, Right	Center, Right	Left, Right
GM Express / Savana	027345KP	027343KP	-
Chevrolet City Express	-	-	02F591KP
Ford Transit (Low Roof)	027345KP	027343KP	-
Ford Transit (Medium & High Roof)	-	02G485KP	-
Ford Transit Connect	-	-	02B959KP
RAM PROMASTER	-	02G485KP	-
RAM ProMaster City	-	-	02B959KP
Nissan NV (Standard Roof)	027345KP	027343KP	-
Nissan NV (High Roof)	027643KP	027644KP	-
Nissan NV200	-	-	02F591KP
Mercedes Sprinter	027643KP	027644KP	-



masterack®

QS Quickship products in red.

LIGHTWEIGHT COMPOSITE & WIRE PARTITIONS

14-15 PARTITIONS

STEEL PARTITIONS

COMPOSITE & WIRE PARTITIONS



028583KP shown



02J111KP shown



02F823KP shown

- Easy Assembly.
- Lightweight, yet strong.
- Includes assembly and installation instructions and hardware.
- Wire partitions offer maximum visibility.
- All composite partitions offer center window.

COMPOSITE PARTITION ORDERING GUIDE

Part #	Platform
02H237KP	Ford Transit Connect (2014+)
02K122KP	Ford Transit (Medium Roof)
02K123KP	RAM ProMaster (Low Roof)
02K123KP	RAM ProMaster (High Roof)
02J111KP	Nissan NV200
02J111KP	Chevrolet City Express
028583KP	GM Express / Savana

WIRE PARTITION ORDERING GUIDE

Part #	Platform
02F823KP	Ford Transit Connect
02F589KP	Nissan NV200
02F589KP	Chevrolet City Express
02J643KP	RAM ProMaster City

PARTITION ACCESSORIES

Accessories fit partitions or mount on vertical surfaces in the cargo area.

PARTITION ACCESSORIES ORDERING GUIDE

Part #	Item	Description
025536KP	Head Impact Pad	Vinyl covered dense foam pad; 7"H x 12"W x 4" Thick
022181KP	Triangle Reflector Kit	Three D.O.T. approved safety reflectors with storage case.
027512KP	Triangle Reflector Kit Holder	Metal pocket holds 022181 Reflector Kit.
021782KP	First Aid Kit	Ten-unit kit includes first aid supplies in a storage case. OSHA compliant with individually packaged items.
020122KP	First Aid Kit Holder	Secure first aid kit to partition. 9"W x 3"D
020982KP	Fire Extinguisher 2.5 lb.	Class 1-A: 10-B: C 2-1/2 lb. rechargeable dry chemical extinguisher with mounting bracket. UL approved meets DOT requirements.
026383KP	Fire Extinguisher 5 lb.	Class 3-A: 40-B: C 5 lb. rechargeable dry chemical extinguisher with mounting bracket. UL approved meets DOT requirements.



ERGORACK™

Award winning aluminum ergonomic ladder rack solution.

- Hydraulic cylinder reduces muscle strain.
- Improves gas mileage by being lighter than similar steel ladder rack solutions.
- Reduce install time and improve resell with no holes to drill.
- Reduce theft; lockable.



Ergorack

As shown: **02G625** RAM ProMaster Low Roof (Clamp + Rotation)



Ergorack

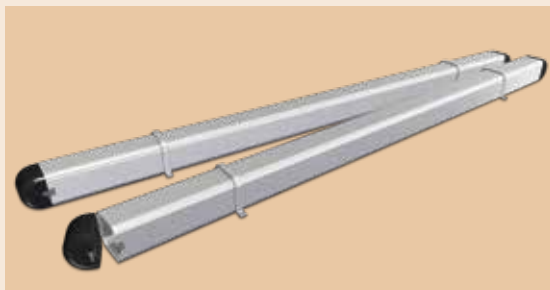
As shown: **02G625KP**
RAM ProMaster Low Roof
(Clamp + Rotation)

Description	GM Express / Savana	Chevrolet City Express	Ford Transit Connect (106"WB)	Ford Transit Connect (121"WB)	Nissan NV (High Roof)	Nissan NV (Standard Roof)	Nissan NV200	Mercedes Sprinter (Standard Roof)	Mercedes Sprinter (High Roof)
Single Rotation	02F071KP	02K111KP	02H358KP	02H359KP	02F180KP	02F181KP	02K111KP	02F176KP	02F177KP
Double Rotation	02E892KP	02J166KP	02H361KP	02H362KP	02F169KP	02F170KP	02J166KP	02F165KP	02F166KP
Combo (Clamp + Rotation)	02F447KP	02K112KP	02H360KP	02H351KP	-	-	02K112KP	-	-

RAM ProMaster	Low Roof (118"WB)	Low Roof (136"WB)	High Roof (136"WB)	High Roof (159"WB)	High Roof (159" Ext WB)
Single Rotation	02F178KP	02G622KP	02G481KP	02G623KP	02G624KP
Double Rotation	02G482KP	02G625KP	02G480KP	02G626KP	02G627KP

Ford Transit	Low Roof (130"WB)	Medium Roof (130"WB)	Low Roof (148"WB)	Medium Roof (148"WB)	High Roof (148"WB)
Single Rotation	02G150KP	02G744KP	02G741KP	02G689KP	02G148KP
Double Rotation	02G484KP	02G745KP	02G742KP	02G690KP	02G149KP

ERGORACK ACCESSORIES



Conduit Tubes are lightweight and aerodynamic. They can be added to carry lengthy materials.

02G119KP 5" x 5" x 8.5'

02F502KP 5" x 5" x 10'

02G120KP 5" x 5" x 12.5'



Strobe Light Mounting Brackets easily mount a flashing strobe to either a conduit tube or attach to the ladder rack. There are no holes to drill.

02G164KP Any ErgoRack model

02G121KP Any ErgoRack with a Conduit Tube



Rear mirror available in two different lengths.

02C351KP Any ErgoRack (22")

02C352KP Any ErgoRack with a streetside rotation feature.

masterack®

QS Quickship products in red.

SLIDE-DOWN™ LADDER RACK

Easily lowers ladder within arms reach.

- Actuator handle pivots ladder to side of van for safe, efficient operation.
- Partially-assembled racks include assist to help gently lower ladder and reduce wear.
- Zinc-plated and powder-coated for maximum outdoor protection.
- All ladder contact areas protected with vinyl covered stops and anti-skid strips.
- Includes padlock feature for security.
- Adjustable to fit different extension ladders.



Slide-Down

Slide-Down Ladder Rack
As shown: **02J024KP**
Single Slide-Down Ladder Rack
(Transit Low Roof)



Slide-Down Ladder Rack
As shown: **02J024KP**
Single Slide-Down Ladder Rack
(Transit Low Roof)

Partially Assembled (Includes Assist)	GM Express / Savana	Chevrolet City Express	RAM ProMaster City	Ford Transit Connect (106"WB)	Ford Transit Connect (121"WB)	Ford Transit Low Roof (130"WB)	Nissan NV200
Single Slide-Down Ladder Rack	026199KP	02F593KP	02J647KP	02H286KP	02G059KP	02J024KP	02F593KP
Double Slide-Down Ladder Rack	027966KP	02F596KP	02J648KP	02H287KP	02G060KP	02J025KP	02F596KP

SLIDE-DOWN LADDER RACK ACCESSORIES

(Also fit Locking Ladder Racks - see page 18)



4" dia. and 6" dia. PVC Carrier Kits feature steel end caps with easy opening hinged door. Mounting straps attach carrier to ladder rack. Use Schedule 40 PVC (not included).
021452KP 4" dia. Conduit Carrier Kit
021453KP 6" dia. Conduit Carrier Kit



Strobe Light and Mounting Base
Attach to crossbow peak, raising light for visibility. Amber 12V strobe light easily mounts to universal mounting bases.
025085KP Strobe Light
024223KP Strobe Light Base, Short
024224KP Strobe Light Base, Tall

16-17
LADDER
RACKS

ERGORACK™

SLIDE - DOWN™
LADDER RACKS



LOCKING LADDER RACK

Unequaled for ease-of-use and dependability.



- Easy-to-use clamping action secures ladders in place.
- Easily load and unload from side of vehicle for safe, efficient operation.
- Zinc-plated and powder-coated for maximum outdoor protection.
- With only one moving part, ladder rack is designed to be maintenance-free for a lifetime.
- Many racks install to existing vehicle hardware. No Drilling required. Other racks include roof-mounted bolt-through feet and reinforcement plates; some drilling is required.
- Adjustable to fit multiple step and extension ladders.

FEATURES:



Lockable for security. Simply lock the handle with a standard padlock to protect the ladder from theft.



Vinyl Coated clamps resist abrasion. The convenient operating handle securely locks ladders in place.



Extended Front Stop is fully adjustable to accommodate step and combination ladders. Included in streetside upgrade racks.

Description	GM Express / Savana	Chevrolet City Express	RAM ProMaster City	Ford Transit Connect (106"WB)	Ford Transit Connect (121"WB)	Ford Transit Low Roof (130"WB)	Nissan NV200
Single Locking Ladder Rack for Extension Ladders	022550KP	02F592KP	02J645KP	02H285KP	02G057KP	02J058KP	02F592KP
Locking Ladder Rack - Streetside Upgrade for Step/Combination Ladders	021226KP	02F595KP	02J646KP	02H289KP	021228KP	021226KP	02F595KP
Accessory							
Ladder Protection Kit	022445KP						



SINGLE LOCKING LADDER RACK
As shown: **022550KP**

LOCKING LADDER RACK ACCESSORIES



Ladder Rack Extension provides additional 24" of support when carrying longer ladders. Easily bolts to front crossbar. Use with locking ladder racks.
020940KP Ladder Rack Extension



Crossbow Tie Down Kit includes vinyl coated front stop, two side stops, and nylon tie-down straps.
025633KP Crossbow Tie Down Kit



Crossbar Assembly is added to locking ladder racks to accommodate smaller step ladders.
028527KP 6' Standard Ladder Crossbar Assembly



DOUBLE LOCKING LADDER RACK
As shown: **022550KP & 021226KP**

masterack®

 Quickship products in red.

UTILITY CARRIER

Heavy-duty utility carriers are the economical choice for a variety of uses.

- Ladders, pipe or most any cargo can be carried securely.
- Heavy gauge steel construction, zinc plated and powder coated for maximum weather protection.
- Utility carriers consist of two crossbows with tall outer stops.
- Many racks install to existing vehicle hardware. No drilling required. Other racks include roof-mounted bolt-through feet and reinforcement plates; some drilling is required.



Utility Rack

As shown includes:
02J056KP Utility Carrier -
 Ford Transit Low Roof

18-19
 LADDER
 RACKS

LOCKING
 LADDER
 RACKS

UTILITY
 CARRIERS

Description	GM Express / Savana	Chevrolet City Express	RAM ProMaster City	Ford Transit Connect	Ford Transit Low Roof	Nissan NV200
Utility Carrier	022553KP	02F594KP	02J649KP	02G058KP	02J056KP	02F594KP

UTILITY CARRIER ACCESSORIES



Utility Tie Down Kit includes front stop and straps to secure ladders.
020229KP Utility Tie Down Kit



Customize
 your vehicle
 to fit your
 needs



MANUAL & DOCUMENT STORAGE

- Organize the driver area safely and ergonomically.
- Provides a secure location for valuables.
- Includes hangers for file folders.



Manual Rack

Contains three shelves to carry catalogs or parts manuals.

025522KP 36"H x 6"W x 12"D

Work Order File

Six pocket holder for manuals and orders. Solid steel construction.

026892KP 27"H x 12"W x 5"D

Cab Organizer

021742KP 20"H x 13"W x 16"L

Mini Cab Organizer

022536KP 18"H x 6.5"W x 13.5"L
*02J192KP (bracket) is required to install 022536KP in Ford Transit

FLOOR DRAWERS

Heavy duty drawers with smooth glide rollers provide secure, lockable storage for parts, tools, and equipment. Safely latches when closed. Includes adjustable dividers and anti-skid strips on top.

FLOOR DRAWER ORDERING GUIDE

Part #	Dimensions	Number of Drawer Sections	Number of Dividers
025344KP	12"W x 12"H x 48"D	1	6
025327KP	20"W x 12"H x 48"D	1	6
026058KP	30"W x 10"H x 50"D	3	12
026147KP	40"W x 10"H x 50"D	4	16



masterack®

QS Quickship products in red.

WINDOW SCREENS

Deter theft and protect windows with welded wire window screens. Non-glare black powder coat finish. Contoured to fit your vehicle's windows. Specify van make and model.



02G051KP² Transit Connect Rear Door Screen

WINDOW SCREEN ORDERING GUIDE

	Rear Doors	Side Hinged	Side Sliding
GM Express/Savana	027594KP	027593KP	027592KP ¹
Chevrolet City Express	02F598KP	-	02J087KP
Ford Transit (Low Roof)	02G488KP	02H819KP	02G489KP ¹
Ford Transit (High Roof)	02G144KP	-	02G145KP ¹
Ford Transit Connect	02F830KP	-	-
Ford Transit Connect (106"WB)	02G051KP	-	02G055KP
Ford Transit Connect (121"WB)	02G051KP	-	02G048KP
RAM ProMaster	02G477KP	-	02G479KP ¹
RAM ProMaster City	02J651KP	-	02J650KP
Nissan NV	02E387KP	-	02E388KP
Nissan NV200	02F598KP	-	02J087KP ¹
Mercedes Sprinter	02B128KP	-	02B127KP ¹

¹Curbside Sliding Door

²60/40 Rear Barn Doors

20-21 ACCESSORIES

MANUAL & DOCUMENT STORAGE

FLOOR DRAWERS

WINDOW SCREENS

INTERIOR ACCESSORIES

INTERIOR ACCESSORIES



Hard Hat Holder mounts to partition or shelving unit. Holder will securely store standard hard hat.
027504KP 16"H x 12"W



Single Tank Holder mounts to partition or shelving.
026741KP



Vise Mount telescopes out van door to handle long material lengths. Floor mounted, accepts standard vise.
025162KP 36" closed x 60" extended



Door Storage Tray mounts to hinged cargo door or vertical surface for convenient storage of small parts. Each tray is 3.5"H x 18"W x 4.5"D
022678KP Single Tray with Lid and Dividers
022679KP Triple Tray with Lid and Dividers

FLOORING



Constructed of heavy duty rubber, Rubber Cargo Mats offer effective protection from scratches, dents, and spills. The unique anti-skid, air cushion design looks good and muffles sound. Mats are custom cut for each type of vehicle.

CARGO MAT ORDERING GUIDE		
Part #	Wheelbase	Platform
024075KP	135" WB	GM Express/Savana
025803KP	155" WB	
02E327KP	240.6"WB	Nissan NV
02G469KP	118" WB	RAM ProMaster
02G470KP	136" WB	
02G471KP	159" WB	
02G472KP	159" EWB	
02J628KP	122"WB	RAM ProMaster City

CARGO MAT ORDERING GUIDE		
Part #	Wheelbase	Platform
02H376KP	130"WB	Ford Transit
02H377KP	148"WB	
02H378KP	148"WB EXT.	
02G041KP	106"WB	Ford Transit Connect
02G040KP	121"WB	
02A428KP	144" WB	Mercedes Sprinter
02B760KP	170" WB	

EXTERIOR ACCESSORIES



Bumper-Mounted Safety Cone Holder is an effective way to carry safety cones and free up interior space. Holds up to four cones.

021604KP Bumper Cone Holder

*Not recommended for use on Ford Transit



Rear Crossview Mirror for improved rear visibility. White finish.

024145KP GM Express/Savana mirror

02H891KP Ford Transit mirror

02G872KP Ford Transit Connect mirror

027866KP Mercedes Sprinter mirror

022973KP 3" Round Blind Spot mirror, stick-on.



Slick Locks - Hasp & Locks eliminate damage to your vehicle by mounting hasps to factory holes inside the door. Add lock spinners for added security. Lock sold separately.

The Blade by Slick Locks

02D472KP GM Express/Savana Side/Rear Hinged Doors (Set/2)

02H704KP GM Express/Savana Sliding Door (Set/2)

02K427KP Chevrolet City Express (Set/3)

02J359KP Ford Transit Side Sliding/Rear Hinged Door (Set/2)

02J360KP Ford Transit Side/Rear Hinged Door (Set/2)

02J361KP Ford Transit Driver's Side Door (Set/1)

02H238KP Ford Transit Connect (Set/3)

02H442KP RAM ProMaster (Set/2)

02K426KP Nissan NV (Set/2)

02K427KP Nissan NV200 (Set/3)

02H441KP Mercedes Sprinter (Set/2)



02D474KP
Spinner 360*

02D476KP
Puck Locks (Set/2)

02D687KP
Puck Locks (Set/3)

masterack®

 Quickship products in red.

CARGO PROTECTION PACKAGES

- Masterack Cargo Protection Packages protect your investments in your work van and your cargo, preventing dents and scratches over years of use.
- Wall panels with protective ribs are molded to fit the van walls.
- Shelving modules and interior packages can be used with cargo protection packages.

See page 22 for optional Floor Mat ordering guide.

Partitions sold separately (see pages 14-15).



22-23
ACCESSORIES
 FLOORING
 EXTERIOR
 ACCESSORIES
 CARGO
 PROTECTION
 PACKAGES

WALL LINER ORDERING GUIDE	
02J170KP	GM Express / Savana 135"WB
02J264KP	Chevrolet City Express
02H235KP	Ford Transit Connect 121"WB
02K125KP	Ford Transit 148"WB Medium Roof Single Door
02K124KP	RAM ProMaster 136"WB Low Roof Dual Door
02J169KP	RAM ProMaster 136"WB High Roof Single Door
02J168KP	RAM ProMaster 136"WB High Roof Dual Door
02H494KP	RAM ProMaster 159"WB High Roof Single Door
02H495KP	RAM ProMaster 159"WB High Roof Dual Door
02J264KP	Nissan NV200
02J171KP	Nissan NV High Roof



INDEX

PART #	PC DESCRIPTION						
020031KP	7 31"H Heavy Duty Stick Uprights	022553KP	19 Utility Carrier GM Express/Savana	025803KP	22 Cargo Mat GM Express/Savana 155"WB	027652KP	7 Heavy Duty T-Bracket
020043KP	7 37"W x 12"D Tilt Shelves	022613KP	7 16"D Side Braces	025815KP	7 37"W x 16"D Parts Tray Shelves	027792KP	7 43"W x 8"D Tool Drop Tray
020122KP	15 First Aid Kit Holder	022678KP	21 Single Door Tray with Lid and Dividers	025841KP	6 Storage Cabinet 46"H x 18.5"W x 12"D	027807KP	14 Req'd Attachment Panels
020229KP	19 Utility Tie Down Kit	022679KP	21 Triple Door Tray with Lid and Dividers	025842KP	7 51"W x 12"D Parts Tray Shelves	027866KP	22 Rear Crossview Mirror Mercedes Sprinter
020711KP	6 23"H x 14"W x 8"D Mapp/Acetylene Cabinet	022787KP	6 Drawer Cabinet 12"H x 18.5"W x 12"D 4-dwr	025858KP	7 43"W x 16"D Parts Tray Shelves	027966KP	17 Dbl Slide-Dwn Ldr Rack-Express/Savana
020940KP	18 Ladder Rack Extension	022788KP	6 Drawer Cabinet 12"H x 18.5"W x 12"D 2-dwr	025859KP	7 51"W x 16"D Parts Tray Shelves	028527KP	18 6' Std. Ladder Crossbar Assembly
020982KP	15 Fire Extinguisher 2.5 lb.	022816KP	7 25"W x 16"D Steel Shelf	025877KP	7 31"W x 16"D Parts Tray Shelves	028583KP	15 Composite Partition Express/Savana
021007KP	6 Metal Cabinet 11"H x 34"W x 12"D 18-dwr	022856KP	6 34"H x 14"W x 14"D Univ Propane Cabinet	025948KP	7 31"H x 16"D Solid End Uprights	029750KP	7 51"W x 12"D Tilt Shelves
021056KP	6 Metal Cabinet 11"H x 17"W x 12"D 9-drawer	022898KP	7 31"W x 12"D Parts Tray Shelves	026058KP	20 Floor Drawer 30"W x 10"H x 50"D	029811KP	7 51"W x 16"D Tilt Shelves
021057KP	6 Metal Cabinet 8"H x 34"W x 12"D 12-drawer	022957KP	7 42"H x 16"D Solid End Uprights	026147KP	20 Floor Drawer 40"W x 10"H x 50"D	02A355KP	7 60"H x 16"D Standard Tapered Uprights
021058KP	6 Metal Cabinet 8"H x 24"W x 12"D 8-drawer	022973KP	22 Rear Crossview Mirror 3" Round Blind Spot	026188KP	6 Storage Cabinet 24"H x 18.5"W x 16"D	02A365KP	14 Steel Partition PL-PM-PR
021226KP	18 Dbl Lckg Lddr Rack-Ext Lddrs-Express/Savana	023048KP	7 13"H x 12"D Solid End Uprights	026199KP	17 Sgl Slide-Dwn Ladder Rack-Express/Savana	02A366KP	14 Steel Partition SL-PM-PR
021226KP	18 Dbl Lckg Lddr Rack-Ext Lddrs-Transit LR 130"	023054KP	7 12"D Side Braces	026383KP	15 Fire Extinguisher 5 lb.	02A367KP	14 Steel Partition PL-HM-PR
021228KP	18 Dbl Lckg Lddr Rack-Ext Lddrs-TC 121"WB	023055KP	7 19"W Front Braces	026438KP	7 60"H x 12"D Solid End Uprights	02A368KP	14 Steel Partition SL-HM-PR
021368KP	7 28"H Heavy Duty Stick Uprights	023056KP	7 25"W Front Braces	026439KP	7 60"H x 16"D Solid End Uprights	02A375KP	14 Req'd Attachment Panels
021369KP	7 36"H Heavy Duty Stick Uprights	023057KP	7 31"W Front Braces	026440KP	7 60"H Heavy Duty Stick Uprights	02A383KP	4 Steel Shelf Module 60"H x 43"W x 16"D
021377KP	7 13"W x 12"D Steel Shelf	023058KP	7 37"W Front Braces	026486KP	7 25"W x 16"D Parts Tray Shelves	02A428KP	22 Cargo Mat Mercedes Sprinter 144"WB
021378KP	7 19"W x 12"D Steel Shelf	023059KP	7 43"W Front Braces	026741KP	21 Single Tank Holder	02B022KP	7 31"W x 16"D Tilt Shelves
021379KP	7 25"W x 12"D Steel Shelf	024056KP	6 Drawer Cabinet 22"H x 18.5"W x 18"D 4-dwr	026892KP	20 Work Order File 27"H x 12"W x 5"D	02B127KP	21 Side Sliding Window Screen Sprinter
021380KP	7 31"W x 12"D Steel Shelf	024063KP	7 28"H x 16"D Solid End Uprights	027083KP	14 Steel Partition PL-PM-PR	02B128KP	21 Rear Window Screen Mercedes Sprinter
021381KP	7 37"W x 12"D Steel Shelf	024075KP	22 Cargo Mat GM Express/Savana 135"WB	027084KP	14 Steel Partition SL-PM-PR	02B610KP	7 37"W x 22"D Tilt Shelves
021382KP	7 43"W x 12"D Steel Shelf	024145KP	22 Rear Crossview Mirror GM Express/Savana	027086KP	14 Steel Partition SL-SM-SR	02B611KP	7 43"W x 22"D Tilt Shelves
021389KP	7 37"W x 12"D Parts Tray Shelves	024223KP	17 Strobe Light Base, Short	027087KP	14 Steel Partition PL-HM-PR	02B760KP	22 Cargo Mat Sprinter 170"WB
021391KP	7 12" Dividers for Parts Tray Shelves	024224KP	17 Strobe Light Base, Tall	027088KP	14 Steel Partition SL-HM-PR	02B762KP	7 46" x 16"D Space-Saving Tapered Uprights
021392KP	6 Storage Cabinet 24"H x 18.5"W x 12"D	024304KP	5 24"H x 12"W x 4"D Wire Spool Carrier	027165KP	7 37"W x 8"D Tool Drop Tray	02B885KP	7 46" x 12"D Space-Saving Tapered Uprights
021395KP	5 10"H x 12"D Shelf Divider	024514KP	6 Storage Cabinet 24"H x 18.5"W x 16"D	027167KP	7 46"H x 12"D Standard Tapered Uprights	02B893KP	7 Dividers (Set/5) for Divided Tool Drop Tray
021396KP	5 5"H x 12"D Shelf Divider	024515KP	6 Drawer Cabinet 22"H x 18.5"W x 16"D 4-dwr	027176KP	5 37"W x 36"H Shelf Back	02B894KP	7 37"W x 8"D Divided Tool Drop Tray
021452KP	17 4" Diameter PVC Conduit Carrier Kit	025070KP	6 Drawer Cabinet 12"H x 18.5"W x 16"D 2-dwr	027259KP	6 Dwr Cabinet 12"H x 18.5"W x 12"D 3-dwr	02B959KP	14 Polycarbonate Cover Panels Left, Right
021453KP	17 6" Diameter PVC Conduit Carrier Kit	025072KP	7 25"W x 16"D Tilt Shelves	027343KP	14 Polycarbonate Cover Panels Center, Right	02C351KP	16 Rear Mirror-any ErgoRack 22"
021471KP	11 Composite Bins (Set/4)	025085KP	17 Strobe Light	027345KP	14 Polycarbonate Cover Panels L, C, R	02C352KP	16 Rear Mirror-any ErgoRack w/SS rotation
021471KP	5 5"H x 8"W x 12"D Storage Bin (set of four)	025153KP	7 19"W x 16"D Steel Shelf	027478KP	7 25"W x 12"D Parts Tray Shelves	02D188KP	7 46" x 16" Over-wheelwell Taper Uprights
021604KP	22 Bumper-Mounted Safety Cone Holder	025162KP	21 Vise Mount	027483KP	7 51"W x 22"D Heavy Duty Steel Shelf	02D472KP	22 Slick Locks Express/Savana Hinged Doors
021742KP	20 Cab Organizer 20"H x 13"W x 16"L	025254KP	5 46"H x 13"W x 12"D Tank Rack 4-30# Tanks	027484KP	5 25"W x 36"H Shelf Back	02D474KP	22 Spinner 360*
021782KP	15 First Aid Kit	025295KP	5 30# Single Freon Tank Ring	027485KP	5 31"W x 36"H Shelf Back	02D476KP	22 Puck Locks (Set/2)
022181KP	15 Triangle Reflector Kit	025296KP	5 50# Single Freon Tank Ring	027486KP	5 43"W x 36"H Shelf Back	02D641KP	6 Composite Dwr 7"Hx18.5"Wx12"D 6-dwr
022215KP	7 43"W x 12"D Parts Tray Shelves	025313KP	7 37"W x 12"D Heavy Duty Steel Shelf	027487KP	5 51"W x 36"H Shelf Back	02D687KP	22 Puck Locks (Set/3)
022340KP	7 43"W x 12"D Tilt Shelves	025314KP	7 43"W x 12"D Heavy Duty Steel Shelf	027495KP	5 25"W x 12"H Storage Door	02E316KP	14 Req'd Attachment Panels
022347KP	7 36"H x 12"D Solid End Uprights	025315KP	7 37"W x 16"D Heavy Duty Steel Shelf	027496KP	5 31"W x 12"H Storage Door	02E327KP	22 Cargo Mat Nissan NV 240.6"WB
022348KP	7 28"H x 12"D Solid End Uprights	025316KP	7 43"W x 16"D Heavy Duty Steel Shelf	027497KP	5 37"W x 12"H Storage Door	02E382KP	14 Steel Partition PL-HM-PR
022395KP	7 46"H x 16"D Standard Tapered Uprights	025319KP	7 37"W x 22"D Heavy Duty Steel Shelf	027498KP	5 43"W x 12"H Storage Door	02E386KP	14 Steel Partition SL-HM-PR
022396KP	7 43"W x 16"D Steel Shelf	025326KP	7 43"W x 22"D Heavy Duty Steel Shelf	027499KP	5 51"W x 12"H Storage Door	02E387KP	21 Rear Window Screen Nissan NV
022397KP	7 37"W x 16"D Steel Shelf	025327KP	20 Floor Drawer 20"W x 12"H x 48"D	027500KP	5 19"W x 12"H Storage Door	02E388KP	21 Side Sliding Window Screen Nissan NV
022398KP	7 31"W x 16"D Steel Shelf	025335KP	7 22"D Side Braces	027502KP	5 3" diameter Small J-hooks	02E892KP	16 ErgoRack Dble Rotation - GM Express /Savana
022434KP	4 Steel Shelving Module 46"H x 43"W x 16"D	025336KP	7 72"H Heavy Duty Stick Uprights	027503KP	5 5" diameter Large J-hooks	02F071KP	16 ErgoRack Sgl Rotation - GM Express / Savana
022445KP	18 Ladder Protection Kit	025344KP	20 Floor Drawer 12"W x 12"H x 48"D	027504KP	21 Hard Hat Holder	02F165KP	16 ErgoRack Dble Rotation - Sprinter (std roof)
022455KP	7 31"H x 12"D Solid End Uprights	025366KP	7 46"H Heavy Duty Stick Uprights	027512KP	15 Triangle Reflector Kit Holder	02F166KP	16 ErgoRack Dble Rotation - Sprinter (std roof)
022466KP	6 Storage Cabinet 24"H x 18.5"W x 18"D	025367KP	7 46"H x 12"D Solid End Uprights	027546KP	4 Steel Shelving Module 46"H x 43"W x 12"D	02F169KP	16 ErgoRack Dble Rotation - Nissan NV (H. Roof)
022473KP	7 36"H x 16"D Solid End Uprights	025522KP	20 Manual Rack 36"H x 6"W x 12"D	027547KP	7 16" dividers for Parts Tray Shelves	02F170KP	16 ErgoRack Dble Rotation - Nissan NV (S. Roof)
022482KP	7 19"W x 12"D Tilt Shelves	025527KP	5 Triple Hook Assembly	027574KP	4 Steel Shelving Module 60"H x 51"W x 16"D	02F176KP	16 ErgoRack Sgl Rotation - Sprinter (std Roof)
022528KP	5 7"H x 16"D Shelf Divider	025536KP	15 Head Impact Pad	027588KP	5 36"H x 16"W x 16"D Tank Rack 2-50# Tanks	02F177KP	16 ErgoRack Sgl Rotation - Sprinter (High Roof)
022531KP	7 37"W x 16"D Tilt Shelves	025544KP	5 28"H x 13"W x 12"D Tank Rack 2-30# Tanks	027592KP	21 Side Sliding Window Screen Express/Savana	02F178KP	16 ErgoRack Sgl Rotation - RAM PrMstr 118"WB
022532KP	7 43"W x 16"D Tilt Shelves	025545KP	5 36"H x 13"W x 12"D Tank Rack 3-30# Tanks	027593KP	21 Side Hinged Window Screen Express/Savana	02F180KP	16 ErgoRack Sgl Rotation - NV (high roof)
022536KP	20 Mini Cab Organizer 18"H x 6.5"W x 13.5"L	025571KP	7 51"W x 16"D Heavy Duty Steel Shelf	027594KP	21 Rear Window Screen GM Express/Savana	02F181KP	16 ErgoRack Sgl Rotation - NV (standard roof)
022550KP	18 Sgl Lckg Lddr Rack-Ext Lddrs-Express/Savana	025572KP	7 51"W x 12"D Heavy Duty Steel Shelf	027643KP	14 Polycarbonate Cover Panels L, C, R	02F447KP	16 ErgoRack Combo - GM Express / Savana
		025633KP	18 Crossbow Tie Down Kit	027644KP	14 Polycarbonate Cover Panels Center, Right	02F502KP	16 Conduit Tube 5" x 5" x 10'
		025680KP	7 51"W Front Braces	027651KP	7 Universal Attachment Brace	02F589KP	15 Wire Partition Nissan NV200 / Chevy City Exp

02F590KP	14 Steel Partition PL-PR	02G731KP	14 Req'd Attachment Panels	02J361KP	22 Slick Locks Ford Transit Sliding Rear Door	0AL243KP	10 Alum Shelf Module 44"H x 43"W x 16"D
02F591KP	14 Polycarbonate Cover Panels L, R	02G741KP	16 ErgoRack Sgl Rotation-Transit 148" LR	02J640KP	4 Steel Shelving Module 44"H x 37"W x 12"D	0SS0511KP	9 Rotation Brackets - Curbside
02F592KP	18 Sgl Locking Ladder Rack - NV200 / City Express	02G742KP	16 ErgoRack Dble Rotation-Transit 148" LR	02J643KP	15 Wire Partition Ram ProMaster City	0SS051RKP	9 Rotation Brackets - Streetside
02F593KP	17 Sgl Slide-Down Lddr Rack - NV200 / City Express	02G744KP	16 ErgoRack Sgl Rotation-Transit130" MR	02J644KP	14 Steel Partition PL-PR	0SS104KP	9 Cubby Module 44"H x 14"W x 12"D
02F594KP	18 Utility Carrier Lddr Rack - NV200 / City Express	02G745KP	16 ErgoRack Dble Rotation-Transit130" MR	02J645KP	18 Sgl Lckg Lddr Rack-Ext Lddrs-ProMaster Cty	0SS105KP	9 Cubby Module 66"H x 14"W x 12"D
02F595KP	18 Sgl Lckg Lddr Rack-Ext Lddrs - NV200/City Exprs	02G872KP	22 Rear Crossview Mirror Ford Transit Connect	02J646KP	18 Dbl Lckg Lddr Rack-Ext Lddrs-ProMaster Cty	0SS106KP	9 Lg Drawer w/ Dividers 12"W x 6"H x 12"D
02F596KP	17 Dbl Slide-Down Lddr Rack- NV200 / City Express	02H235KP	23 Wall Liner Transit Connect	02J647KP	17 Sgl Slide-Down Ladder Rack-ProMaster City	0SS107KP	9 Sm Drawer w/ Dividers 12"W x 3"H x 12"D
02F598KP	21 Rear Window Screen NV200 / City Express	02H237KP	15 Composite Partition Transit Connect	02J648KP	17 Dbl Slide-Down Ladder Rack-ProMaster City	0SS108KP	9 Composite Bin w/ Dividers 10"W x 3"H x 6"D
02F601KP	7 Floor Attachment Kit City Express / NV200	02H238KP	22 Slick Locks Ford Transit Connect	02J649KP	19 Utility Carrier Ram ProMaster City	0SS109KP	9 Shelf Dividers 12"D - Set of 4
02F601KP	10 Floor Attachment Kit City Express / NV200	02H279KP	12 Aluminum Folding Module 94"W x 20"D SS	02J650KP	21 Side Sliding Window Screen ProMaster City	0SS110KP	9 Shelf Dividers 16"D - Set of 4
02F823KP	15 Wire Partition Ford Transit Connect	02H280KP	12 Aluminum Folding Module 50"W x 20"D CS	02J651KP	21 Rear Window Screen Ram ProMaster City	0SS111KP	9 Shelf Kit w/ Shelf Back 37"W x 12"D
02F824KP	14 Steel Partition PL-PR	02H281KP	12 Aluminum Folding Module 94"W x 20"D SS	02J652KP	22 Cargo Mat Ram ProMaster City 122"WB	0SS112KP	9 Shelf Kit w/ Shelf Back 37"W x 16"D
02F830KP	21 Rear Window Screen Ford Transit Connect	02H282KP	12 Aluminum Folding Module 75"W x 20"D CS	02J704KP	11 Small Toolbox 14"H x 17.5"W x 2.5"D	0SS113KP	9 Shelf Kit 12"W x 12"D
02G040KP	22 Cargo Mat Ford Transit Connect 121"WB	02H285KP	18 Sgl Lckg Lddr Rack-Ext Ladders-TC 106"WB	02J705KP	11 Large Toolbox 14"H x 17.5"W x 4"D	0SS114KP	9 Locking Storage Door 37"W x 12"H
02G041KP	22 Cargo Mat Ford Transit Connect 106"WB	02H286KP	17 Sgl Slide-Down Ladder Rack-TC 106"WB	02J724KP	10 RAM ProMaster City Floor Attachment Kits	0SS115KP	9 Steel 30# Freon Tank Shelf Kit
02G048KP	21 Side Slide Wndw Scrn Transit Connect 121"WB	02H287KP	17 Dbl Slide-Down Ladder Rack-TC 106"WB	02K111KP	16 ErgoRack Sgl Rotation - NV200 / City Express	0SS116KP	9 Steel Manual Rack
02G051KP	21 Rear Window Screen Ford Transit Connect	02H289KP	18 Dbl Lckg Lddr Rack-Ext Ladders-TC 106"WB	02K112KP	16 ErgoRack Combo - NV200 / City Express	0SS117KP	9 Steel Wire Spool Rack
02G055KP	21 Side Slide Wndw Scrn Transit Connect 106"WB	02H351KP	16 ErgoRackCombo-TC 121"WB	02K122KP	15 Composite Partition Transit Medium Roof	0SS118KP	9 Storage Bucket & Holder
02G056KP	7 Floor Attachment Kit ProMaster City	02H358KP	16 ErgoRack Sgl Rotation-TC 106"WB	02K123KP	15 Composite Partition ProMaster LR/HR	0SS119KP	9 Steel Triple Utility Hook
02G056KP	10 Transit Connect Attachment Kits	02H359KP	16 ErgoRack Sgl Rotation-TC 121"WB	02K124KP	23 Wall Liner ProMaster 136"WB LR Dual Door	0SS123KP	8 Ford Transit Connect Installation Kit
02G057KP	18 Sgl Lckg Lddr Rack-Ext Ladders-TC 121"WB	02H360KP	16 ErgoRackCombo-TC 106"WB	02K125KP	23 Wall Liner Transit 148"WB MR Single Door	0SS125KP	8 Ford Transit Low Roof 130"WB Install Kit
02G058KP	19 Utility Carrier Ford Transit Connect	02H361KP	16 ErgoRack Dble Rotation-TC 106"WB	02K126KP	13 Nissan NV Mounting Kit	0SS126KP	8 Ford Transit Low Roof 148"WB Install Kit
02G059KP	17 Sgl Slide-Down Ladder Rack-TC 121"WB	02H362KP	16 ErgoRack Dble Rotation-TC 121"WB	02K127KP	13 NV200 / City Express Mounting Kit	0SS127KP	8 Transit 130"WB Medium Roof Install Kit
02G060KP	17 Dbl Slide-Down Ladder Rack-TC 121"WB	02H369KP	14 Req'd Attachment Panels	02K129KP	13 Ford E-Series Cutaway Mounting Kit	0SS128KP	8 Transit 148"WB Medium Roof Install Kit
02G119KP	16 Conduit Tube 5" x 5" x 8.5'	02H370KP	14 Req'd Attachment Panels	02K130KP	13 Ford F-250/F-750 Super Duty Mounting Kit	0SS129KP	8 Ford Transit High Roof 148"WB Install Kit
02G120KP	16 Conduit Tube 5" x 5" x 12.5'	02H371KP	14 Req'd Attachment Panels	02K131KP	13 Ford F-150 (Aluminum Body) Mounting Kit	0SS131KP	8 GM Express / Savana 135"WB InstallKit
02G121KP	16 Strb Lt Mtg Brkts-any ErgoRack w/Conduit Tbs	02H376KP	22 Cargo Mat Ford Transit 130"WB	02K132KP	13 Ford Transit Mounting Kit	0SS132KP	8 GM Express / Savana 155"WB Install Kit
02G136KP	12 Aluminum Folding Shelving Standard Package	02H377KP	22 Cargo Mat Ford Transit 148"WB	02K133KP	13 Ford Transit Connect Mounting Kit	0SS134KP	8 ProMaster 118"WB Low Roof Install Kit
02G137KP	12 Aluminum Folding Shelving Long Package	02H378KP	22 Cargo Mat Ford Transit148"WB EXT.	02K134KP	13 Chevrolet G-Series Van Mounting Kit	0SS135KP	8 ProMaster 136"WB Low Roof Install Kit
02G144KP	21 Rear Window Screen - Transit High Roof	02H441KP	22 Slick Locks Mercedes Sprinter	02K135KP	13 Chevrolet Silverado Mounting Kit	0SS136KP	8 ProMaster 136"WB High Roof Install Kit
02G145KP	21 Side Sliding Window Screen Transit High Roof	02H442KP	22 Slick Locks RAM ProMaster	02K137KP	13 Ram 1500-5500 Mounting Kit	0SS137KP	8 ProMaster 159"WB High Roof Install Kit
02G148KP	16 ErgoRack Sgl Rotation-Transit 148" HR	02H494KP	23 Wall Liner ProMaster 159"WB HR Single Door	02K138KP	13 Ram ProMaster Mounting Kit	0SS138KP	8 ProMaster 159"ELWB High Roof Install Kit
02G149KP	16 ErgoRack Dble Rotation-Transit 148" HR	02H495KP	23 Wall Liner ProMaster 159"WB HR Dual Door	02K139KP	13 Ram ProMaster City Mounting Kit	0SS139KP	8 NV200 / City Express Installation Kit
02G150KP	16 ErgoRack Sgl Rotation-Transit 130" LR	02H704KP	22 Slick Locks / GM Express Sliding Door	02K140KP	13 Mercedes Sprinter Mounting Kit	0SS140KP	8 Nissan NV Standard Roof Installation Kit
02G164KP	16 Strobe Light Mounting Brkts-any ErgoRack	02H819KP	21 Side Hinged Window Screen Transit Low Roof	02K141KP	13 NotePad V - Universal Laptop Cradle	0SS141KP	8 NV High Roof Installation Kit
02G469KP	22 Cargo Mat Ram ProMaster 118"WB	02H891KP	22 Rear Crossview Mirror Ford Transit	02K142KP	13 NotePad V - LT Universal Tablet Cradle	0SS142KP	8 Sprinter Installation Kit
02G470KP	22 Cargo Mat Ram ProMaster 136"WB	02J024KP	17 Sgl Slide-Down Ladder Rack-Transit LR 130"WB	02K426KP	22 Slick Locks Nissan NV	0SS150KP	8 SmartSpace Shlvg Module 44"H x 74"W x 120"
02G471KP	22 Cargo Mat Ram ProMaster 159"WB	02J025KP	17 Dbl Slide-Down Ladder Rack-Transit LR 130"WB	02K427KP	22 Slick Locks Nissan NV200 / City Express	0SS151KP	8 SmartSpace Shlvg Module 66"H x 37"W x 160"
02G472KP	22 Cargo Mat Ram ProMaster 159"EWB	02J056KP	19 Utility Carrier Ford Transit Low Roof	02K643KP	4 Compact Steel Base Package	0SS152KP	8 SmartSpace Shlvg Module 66"H x 74"W x 16"D
02G477KP	21 Rear Window Screen Ram ProMaster	02J058KP	18 Sgl Lckg Lddr Rack-Ext Lddrs-Transit LR 130"	02K644KP	4 Standard Steel Base Package	0SS155KP	8 SmartSpace Shlvg Module 44"H x 37"W x 120"
02G479KP	21 Side Sliding Window Screen Ram ProMaster	02J087KP	21 Side Sliding Window Screen NV200 / Cty Exprs	02K645KP	4 Tall Steel Base Package	0SS182KP	8 RAM ProMaster City Installation Kit
02G480KP	16 ErgoRack Dble Rotation-ProMaster 136" HR	02J111KP	15 Composite Partition NV200 / City Express	02K646KP	4 Van Body Steel Base Package	0SS188KP	8 SmartSpace Shlvg Module 44"H x 37"W x 12"D
02G481KP	16 ErgoRack Sgl Rotation-ProMaster 136" HR	02J166KP	16 ErgoRack Dbl Rotation - NV200 / City Express	0AH005KP	11 Freon Tank Rack 58"H 4x30 lbs	0SS189KP	8 SmartSpace Shlvg Module 66"H x 37"W x 16"D
02G482KP	16 ErgoRack Dble Rotation-ProMaster 118" LR	02J168KP	23 Wall Liner ProMaster 136"WB HR Dual Door	0AH101KP	10 Tall Aluminum Base Package	0SS191KP	8 Compact SmartSpace Base Package
02G484KP	16 ErgoRack Dble Rotation-Transit 130" LR	02J169KP	23 Wall Liner ProMaster 136"WB HR Single Door	0AH243KP	10 Alum Shelf Module 58"H x 43"W x 16"D	0SS192KP	8 Standard SmartSpace Base Package
02G485KP	14 Polycarbonate Cover Panels Center, Right	02J170KP	23 Wall Liner Express/Savana 135"WB	0AL021KP	11 Freon Tank Rack 44"H 3x30 lbs	0SS193KP	8 Tall SmartSpace Base Package
02G488KP	21 Rear Window Screen Ford Transit Low Roof	02J171KP	23 Wall Liner NV High Roof	0AL022KP	11 37"W Locking Door	0SS194KP	8 Van Body SmartSpace Base Package
02G489KP	21 Side Sliding Window Scrn Transit Low Roof	02J176KP	14 Steel Partition SL-SM-SR	0AL023KP	11 43"W Locking Door	RM660104A	7 White Auto Grade Aerosol Texture Paint
02G622KP	16 ErgoRack Sgl Rotation-ProMaster 136" LR	02J177KP	14 Steel Partition SL-PM-PR	0AL026KP	11 Toolbox Cradle 3"D	RM660135A	7 Black Auto Grade Aerosol Texture Paint
02G623KP	16 ErgoRack Sgl Rotation-ProMaster 159" HR	02J178KP	14 Steel Partition PL-PM-PR	0AL027KP	11 Toolbox Cradle 4.5"D	RM660151A	7 Gray AutoGrade Aerosol Texture Paint
02G624KP	16 ErgoRack Sgl Rotation-ProMaster159"EXT HR	02J180KP	14 Steel Partition SL-HM-PR	0AL028KP	11 Aluminum Drawer Unit 16"x37"		
02G625KP	16 ErgoRack Dble Rotation-ProMaster 136"LR	02J181KP	14 Steel Partition PL-HM-PR	0AL029KP	11 Aluminum Drawer Unit 16"x43"		
02G626KP	16 ErgoRack Dble Rotation-ProMaster 159"HR	02J192KP	20 Cab Organizer Stand	0AL100KP	10 Standard Aluminum Base Package		
02G627KP	16 ErgoRack Dble Rotation-ProMaster 159"EXT HR	02J264KP	23 Wall Liner NV200 / City Express	0AL102KP	10 Compact Aluminum Base Package		
02G689KP	16 ErgoRack Sgl Rotation-Transit 148" MR	02J359KP	22 Slick Locks Ford Transit Side Slide Rear Door	0AL137KP	10 Alum Shelf Module 44"H x 37"W x 12"D"		
02G690KP	16 ErgoRack Dble Rotation-Transit 148" MR	02J360KP	22 Slick Locks Ford Transit HingedRear Door	0AL143KP	10 Alum Shelf Module 44"H x 43"W x 12"D		