

masterack®

COMMERCIAL VEHICLE EQUIPMENT

A Leggett & Platt Commercial Vehicle Products Company



NISSAN

Commercial Vehicles

Nissan NV

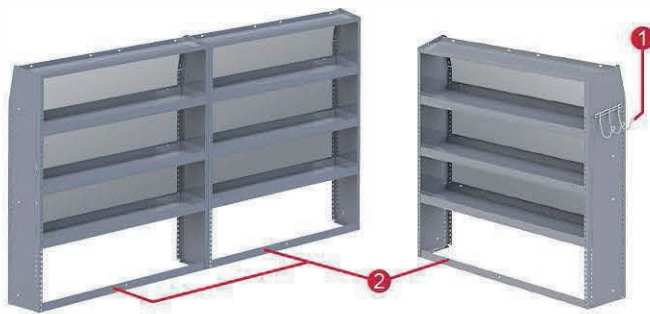


masterack®

COMMERCIAL STEEL PACKAGES

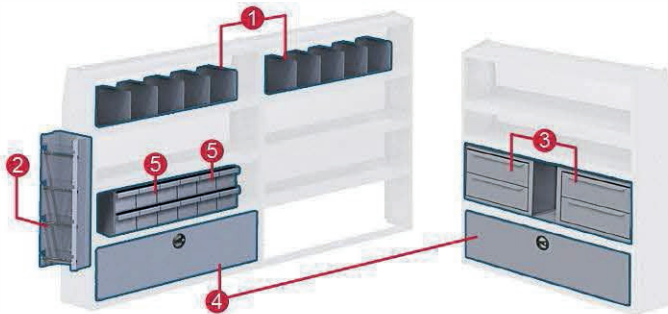
Masterack's heavy duty steel interiors, used by the nation's largest fleets, offer maximum durability for the toughest applications. Choose from pre-designed trade upgrades or accessorize with Masterack's full line of steel cabinets, drawers, dividers, and bins. Choose from 46" high or 60" high modules to maximize the efficiency of your vehicle. **Partition sold separately.**

STANDARD ROOF

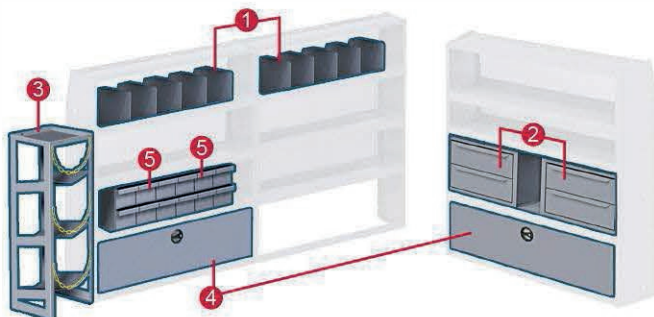


STANDARD STEEL PACKAGE			
PACKAGE #02C914KP			
Item#	Part#	Description	Qty.
1	025527KP	Triple Hook Assembly	1
2	022434KP	Shelving Module 46"H x 43"W x 16"D	3
3	02E462KP	Nissan NV Install Kit	1

+ TRADE UPGRADES



ELECTRICAL CONTRACTORS UPGRADE			
Item#	Part#	Description	Qty.
1	022528KP	Shelf Dividers (set of 5) 8"H x 16"D	2
2	024304KP	Wire Spool Carrier	1
3	025070KP	Two Drawer Cabinet	2
4	027498KP	Lockable Toolbox Door	2
5	02D641KP	6-Drawer Composite Cabinet	2



P/HVAC CONTRACTORS UPGRADE			
Item#	Part#	Description	Qty.
1	022528KP	Shelf Dividers (set of 5) 8"H x 16"D	2
2	025070KP	Two Drawer Cabinet	2
3	025545KP	3-30# Freon Tank Rack*	1
4	027498KP	Lockable Toolbox Door	2
5	02D641KP	6-Drawer Composite Cabinet	2

*Freon tanks not included



STEEL PARTITIONS

Steel partitions are available for the standard and high roof Nissan NV. Diamond perforations offer maximum visibility.

STANDARD¹ ROOF PARTITIONS:

027084KP SL-PM-PR
027088KP SL-HM-PR

¹Standard roof partition requires attachment panels.

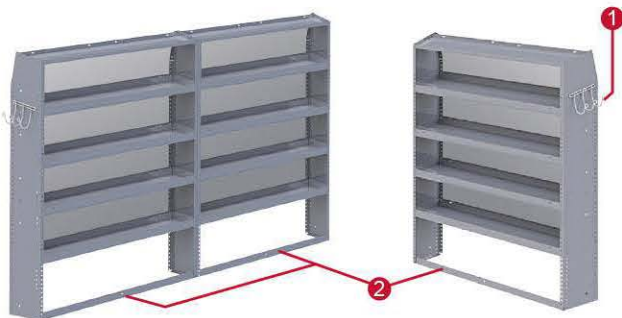
02E316KP
Standard NV Attachment Panel Kit

HIGH² ROOF PARTITION:

02E386KP SL-HM-PR

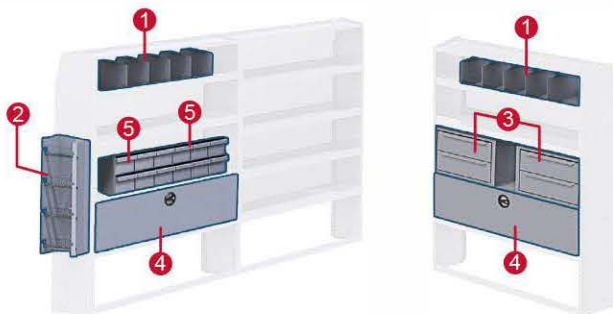
²High roof partition includes hinged center door that can be bolted closed if required.

HIGH ROOF

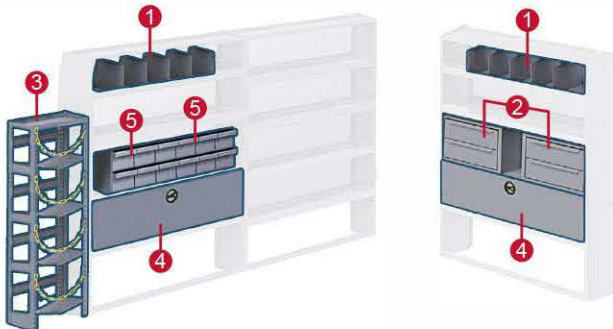


TALL STEEL PACKAGE			
PACKAGE #02C768KP			
Item#	Part#	Description	Qty.
1	025527KP	Triple Hook Assembly	1
2	02A383KP	Tapered Shelf Module 60"H x 43"W x 16"D	3
3	02E460KP	Nissan NV Instal Kit	1

+ TRADE UPGRADES



ELECTRICAL CONTRACTORS UPGRADE			
Item#	Part#	Description	Qty.
1	022528KP	Shelf Dividers (set of 5) 8"H x 16"D	2
2	024304KP	Wire Spool Carrier	1
3	025070KP	Two Drawer Cabinet	2
4	027499KP	Lockable Toolbox Door	2
5	02D841KP	6-Drawer Composite Cabinet	2



P/HVAC CONTRACTORS UPGRADE			
Item#	Part#	Description	Qty.
1	022528KP	Shelf Dividers (set of 5) 8"H x 16"D	2
2	025070KP	Two Drawer Cabinet	2
3	025254KP	4 30# Freon Tank Rack*	1
4	027499KP	Lockable Toolbox Door	2
5	02D841KP	6-Drawer Composite Cabinet	2

*Freon tanks not included

SmartSpace is your innovative, modular cargo management system that offers a variety of shelves, drawers, and accessories that slide into upright panels for infinite storage possibilities. Made from structural foam and aluminum materials, this system provides weight savings over comparable steel interiors. **Partition sold separately.**



STANDARD ROOF



SMARTSPACE STANDARD PACKAGE			
PACKAGE #0SS100KP			
Item#	Part#	Description	Qty.
1	0SS150KP	STREETSIDE : 44H" x 74"W x 16"D	1
2	0SS151KP	CURBSIDE : 44H" x 44"W x 16"D	1

0SS140KP	NISSAN NV STANDARD ROOF
----------	-------------------------

+ TRADE UPGRADES



ELECTRICAL CONTRACTORS UPGRADE			
Item#	Part#	Description	Qty.
1	0SS107KP	Small Drawer w/ Dividers 12"W x 3"H x 12"D	3
2	0SS114KP	Locking Storage Door	2
3	0SS117KP	Steel Wire Spool Rack	1
4	0SS118KP	Storage Bucket & Holder	1



PLUMBING / HVAC CONTRACTORS UPGRADE			
Item#	Part#	Description	Qty.
1	0SS104KP	Cubby Module 44"H x 14"W x 12"D	1
2	0SS107KP	Small Drawer w/ Dividers 12"W x 3"H x 12"D	3
3	0SS051LKP	Rotation Brackets - Streetside (not visible)	3
4	0SS113KP	Shelf Kit 12"W x 12"D	2
5	0SS114KP	Locking Storage Door	2
6	0SS115KP	Steel 30# Freon Tank Kit	3
7	0SS118KP	Storage Bucket & Holder	1



SmartSpace®

The Next Generation
of Cargo Management
Is Now Available.

HIGH ROOF



SMARTSPACE TALL PACKAGE			
PACKAGE #0SS101KP			
Item#	Part#	Description	Qty.
1	0SS152KP	STREETSIDE : 66H" x 74"W x 16"D	1
2	0SS153KP	CURBSIDE : 66H" x 49"W x 16"D	1

INSTALLATION KIT SOLD SEPARATELY	
0SS141KP	NISSAN NV HIGH ROOF

+ TRADE UPGRADES



ELECTRICAL CONTRACTORS UPGRADE			
Item#	Part#	Description	Qty.
1	0SS108KP	Composite Parts Bin w/ Dividers 10"W x 3"H x 6"D	3
2	0SS110KP	Dividers 16"D / Set of 4	1
3	0SS114KP	Locking Storage Door	2
4	0SS117KP	Steel Wire Spool Rack	1
5	0SS118KP	Storage Bucket & Holder	1



PLUMBING / HVAC CONTRACTORS UPGRADE			
Item#	Part#	Description	Qty.
1	0SS105KP	Cubby Module 66"H x 14"W x 12"D	1
2	0SS108KP	Composite Parts Bin w/ Dividers 10"W x 3"H x 6"D	3
3	0SS051LK	Rotation Brackets - Streetside (not visible)	5
4	0SS110KP	Dividers 16"D / Set of 4	1
5	0SS113KP	Shelf Kit 12"W x 12"D	2
6	0SS114KP	Locking Storage Door	2
7	0SS115KP	Steel 30# Freon Tank Kit	4
8	0SS118KP	Storage Bucket & Holder	1

ERGORACKS® Ladder Racks

Standard Roof

02F181KP Single ErgoRack®

02F170KP Double ErgoRack®

High Roof

02F180KP Single ErgoRack®

02F169KP Double ErgoRack®



ACCESSORIES

Flooring



02E327KP Rubber Cargo Floor Mat

Constructed of heavy duty rubber, offer effective protection from scratches, dents, and spills. The unique anti-skid, air cushion design looks good and muffles sound.

Wall Liner



02J171KP High Roof

Save your van from dents and scratches with a protective composite wall liner. These molded to fit wall panels are manufactured to last the life of your vehicle.

Window Screens



02E388KP Side Door

02E387KP Rear Door Set

Deter theft and protect windows with welded wire window screens. Non-glare black powder coat finish. Contoured to fit the Nissan NV's side and rear windows.



Part#	Description
021782KP	First Aid Kit
020122KP	First Aid Kit Holder
021742KP	Cab Organizer™
026892KP	6-Tier Literature Holder

Order accessories to help organize your interior. Cab Organizer™ features lift up lid and safety latch that allows the top to slide forward to create a handy writing desk. Six pocket holder for manuals and orders. Also available is our ten person first aid kit and holder, a safety necessity for any mobile workplace.