

UPLYFT™

LADDER RACK





INTRODUCING THE UPLYFT™ LADDER RACK SYSTEM

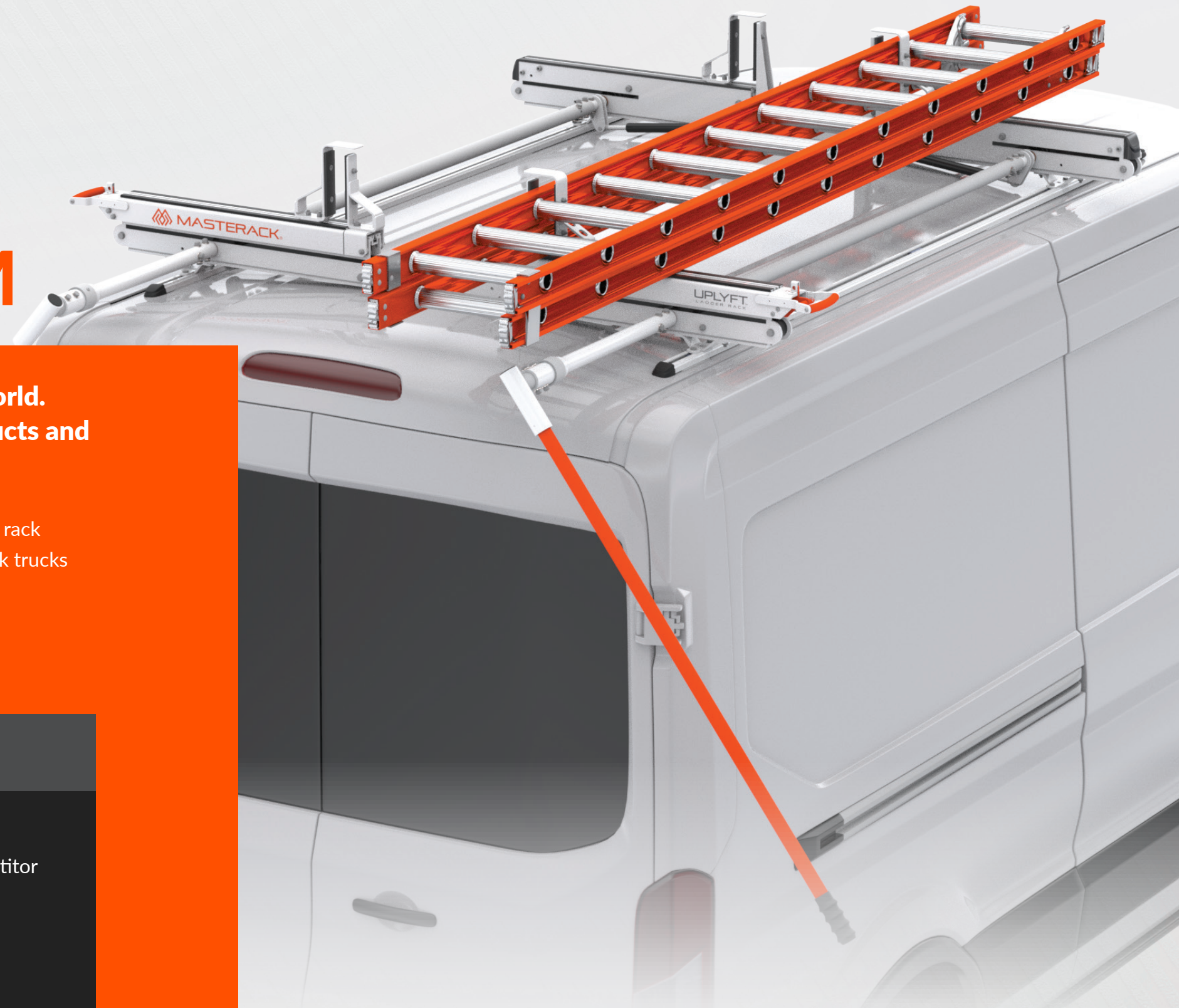
MASTERACK® is an Industry Veteran in the Work Van and Truck World. For over 50 years, we have offered the highest level of quality products and service at a value that our customers appreciate.

The UPLYFT™ Ladder Rack is the most reliable and durable drop-down, rotation style ladder rack on the market. With over 16 Different Single and Dual Ladder Rack models available for work trucks and vans, including Ford, GM, and RAM, the UPLYFT™ Ladder Rack is built to last.



TAILOR FIT FOR YOUR FLEET

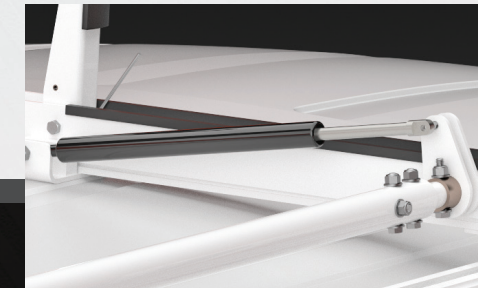
- **LOWEST PROFILE** ladder rack on the market
- **50% FASTER ASSEMBLY TIME** than the leading competitor
- **SHIP-THRU** available for Ford and GM vans
- **QUICK AND EASY FINAL ASSEMBLY** after ship-thru with just two bolts (see installation instructions)



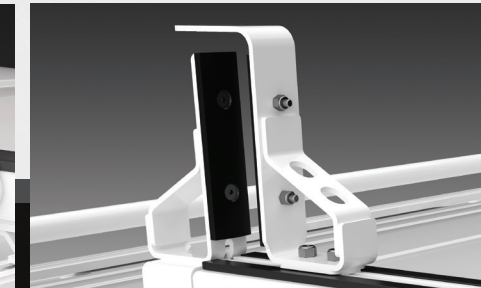


ROBUST ALUMINUM CONSTRUCTION

➤ **ERGONOMIC GRIP & LOCKABLE HANDLE**
for a secure and easy grip



➤ **EASY HYDRAULIC OPERATION**
for smooth, one-hand pull down operation



➤ **ABS WRAPPED S-BRACKETS**
secure ladder clamping and also protect ladders from abrasion



➤ **ABS PROTECTED SIDE & END CAPS**
for safer operation and service

➤ **UV POWDER COAT**
protects against the elements and prohibits rust buildup

➤ **REMOVABLE STOW AWAY HANDLE**
for easy reach and operation

➤ **DURABLE BRONZE BEARINGS**
for extended life





ELEVATE YOUR FLEET

Installs in under 30 minutes

Holds up to a 28-ft ladder / up to 70 lbs

› **NO HOLES
REQUIRED**
for fast, simple mounting

› **LOWEST PROFILE**
for decreased wind
resistance

› **FULLY OPENS
& CLOSES**
with or without a ladder

› **EXTRA STRENGTH**
is provided with linkage
positioned over center
supported mechanism

› **NARROW DESIGN**
does not hang over sides
of vehicle

› **LOWEST SLIDE DOWN
LADDER RACK**
for easier loading and unloading



INSTALL **READY**

With fewer than 30 parts, the Masterack UPLYFT™ Ladder Rack System can be installed 50% faster than the leading ladder rack system in four simple steps.

▶ CUT ASSEMBLY TIME IN HALF

1 Lower slide-down rack

2 Slide second stage platform onto rear crossbow

3 Rotate and bolt rear center post in place

4 Bolt S-brackets on front and rear crossbows

SPECIFICATIONS



	Model	Single or Double	Roof Height	Package Name	Kit Pack Number	Kit Pack Description	Max Ladder Weight	Max Ladder Length	Min Ladder Length	Max Ladder Width	Max Ladder Height	Total Drop Down	Drown Down with Slide (Mid roof)	Max Width (Mid roof)	Weight
Ford	Transit Low Roof	Single	Low Roof (Standard Slide Down)	Ford Transit Low Roof (NO - SHIP-THRU)	02P717KP	Single Ladder Rack Standard Slide-Down	70 lbs	28 ft	8 ft (3rd crossbow required for less than 8 ft)	23 in	7-1/4 in	26 in	45-3/4 in	72-1/8 in	88 lbs
		Double			02P755KP	Double Ladder Rack Standard Slide-Down									133 lbs
	Transit Medium/High Roof	Single	Medium/High Roof (Extended Slide-Down)	Ford Transit Med/High Roof	02P680KP	Single Ladder Rack Standard Slide-Down	70 lbs	28 ft	8 ft (3rd crossbow required for less than 8 ft)	23 in	7-1/4 in	26 in	45-3/4 in	72-1/8 in	102 lbs
		Double			02P142KP	Double Ladder Rack Extended Slide-Down									147 lbs
RAM	Promaster Medium/High Roof	Single	Medium/High Roof (Extended Slide-Down)	RAM Promaster High/Low Roof SWB	02P739KP	Single Ladder Rack Extended Slide-Down SWB	70 lbs	28 ft	8 ft (3rd crossbow required for less than 8 ft)	23 in	7-1/4 in	26 in	45-3/4 in	72-1/8 in	102 lbs
		Double			02P740KP	Double Ladder Rack Extended Slide-Down SWB									147 lbs
		Single		RAM Promaster High/Low Roof LWB	02P860KP	Single Ladder Rack Extended Slide-Down LWB									102 lbs
		Double			02P861KP	Double Ladder Rack Extended Slide-Down LWB									147 lbs
Chevy	Chevy Express Single	Single	Low Roof (Standard Slide Down)	Chevy Express/GMC Savana	02P741KP	Single Ladder Rack Standard Slide-Down	70 lbs	28 ft	8 ft (3rd crossbow required for less than 8 ft)	23 in	7-1/4 in	26 in	45-3/4 in	72-1/8 in	94 lbs
	Chevy Express Double	Double	Low Roof (Standard Slide Down)	Chevy Express/GMC Savana	02P742KP	Double Ladder Rack Standard Slide-Down	70 lbs	28 ft	8 ft (3rd crossbow required for less than 8 ft)	23 in	7-1/4 in	26 in	45-3/4 in	72-1/8 in	118 lbs

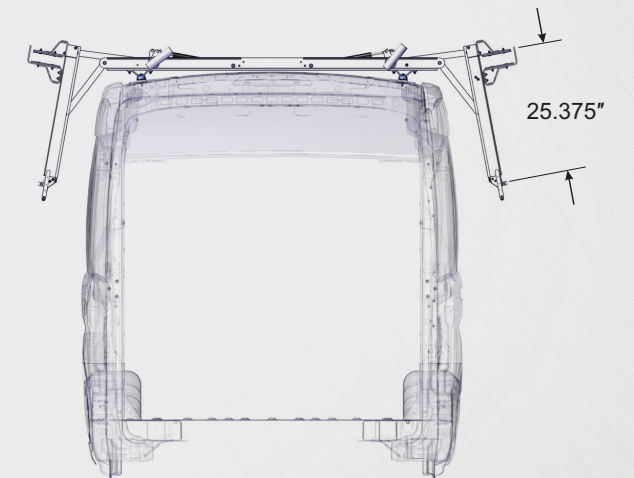
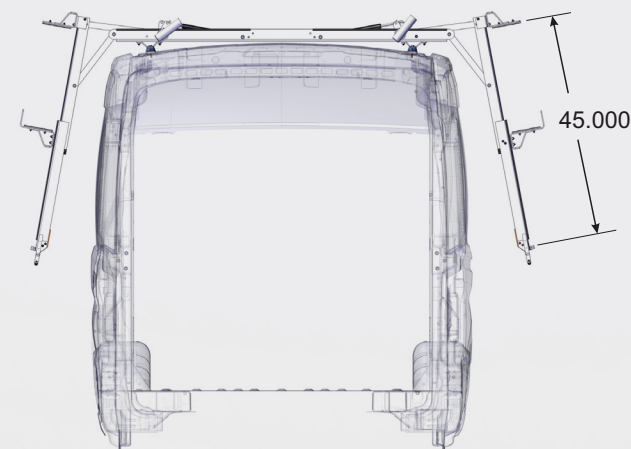
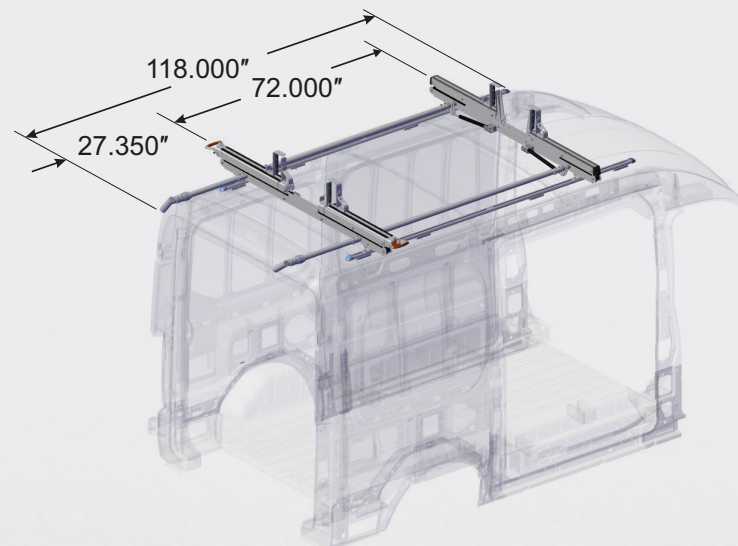
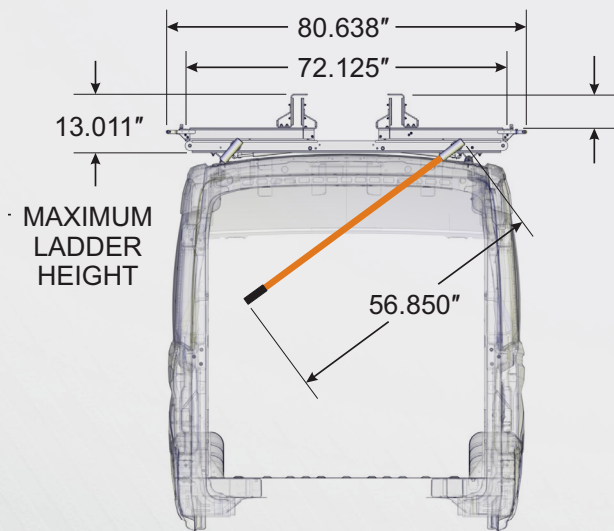
DIMENSIONS



TOP VIEW



EXTENDED SIDE VIEW



Learn more about commercial van equipment we have.