



MASTERACK®

TAILOR FIT FOR A JOB DONE RIGHT



COMMERCIAL VAN EQUIPMENT

FORD VANS
GM VANS
MERCEDES VANS
NISSAN VANS
RAM VANS
VAN BODIES

ABOUT MASTERACK®

Quality and Customer Satisfaction is our commitment. MASTERACK® has over 45 years of experience in the design and manufacture of high-quality, commercial grade van and pickup equipment for the nation's largest fleets and auto makers. Additionally, through our partnerships with professional distributor installers across the country, trade customers and local fleets can benefit from the same dependable equipment for their service vehicles.

UPFIT INCENTIVES

Factory upfit assistance is available to use on MASTERACK® products for new commercial vans. Subject to qualification. Check with your local dealer for program details.



Ford Commercial Connection Program



GM Business Choice Program



Ram On the Job Program



Nissan Commercial Incentive Program

TABLE OF CONTENTS

HOW TO ORDER

Vehicle Layout Guides	2-3
-----------------------------	-----

STEEL PRODUCTS

Base Packages.....	4
Accessories.....	5
Cabinets & Drawers.....	6
Shelving Components.....	7

SMARTSPACE® PRODUCTS

Base Packages.....	8
Components & Accessories.....	9

ALUMINUM PRODUCTS

Base Packages.....	10
Components & Accessories.....	11

FOLDING ALUMINUM SHELVING

Base Packages.....	12
Computer Mounting Kits And Cradles	13

PARTITIONS

Steel Partitions.....	14
Lightweight Composite & Wire Partitions.....	15

LADDER RACKS

Ergorack®	16
Slide-down Ladder Rack	17
Locking Ladder Rack.....	18
Utility Carrier	19

ACCESSORIES

Manual & Document Storage.....	20
Floor Drawers	20
Window Screens.....	21
Interior Accessories	21
Flooring.....	22
Exterior Accessories	22
Cargo Protection Packages.....	23

INDEX.....	24-25
------------	-------



CUSTOM VAN INTERIORS

MEASUREMENT KEY

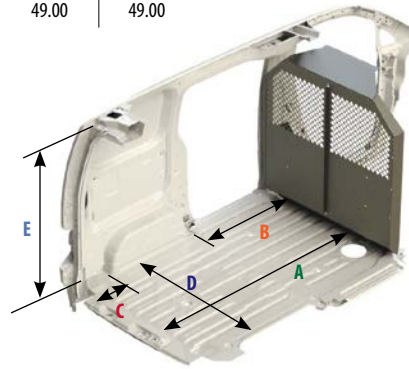
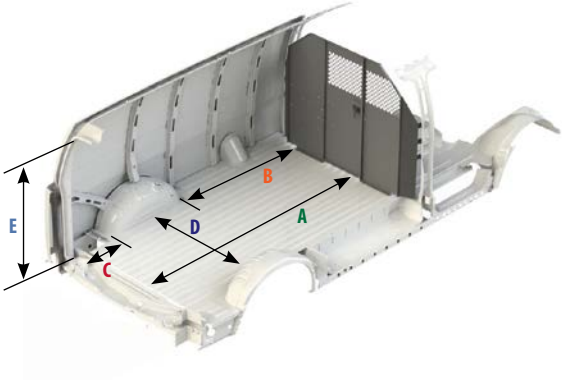
A	Cargo Length @ Floor
B	Front of Wheel Well
C	Rear of Wheel Well
D	Width Between Wheel House
E	Cargo Height Max

- 1) Select a base package - steel, SmartSpace® or aluminum
- 2) Add a vehicle specific steel, composite, or wire cab partition
- 3) Select upgrade options that fit your trade
- 4) Add roof options and exterior accessories

GM Vans

GM Express/Savana

WHEELBASE	135"	155"
A	104.00	122.00
B	55.00	74.00
C	13.00	13.00
D	52.50	52.50
E	49.00	49.00



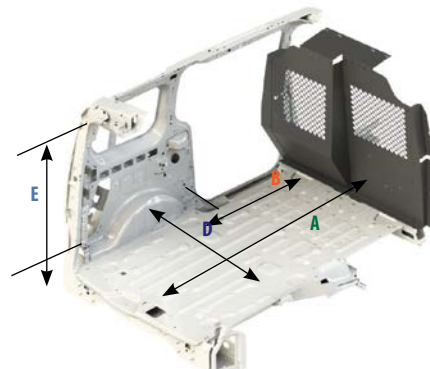
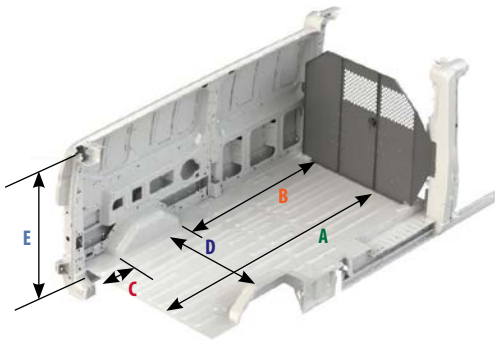
Chevy City Express

WHEELBASE	115"
A	66.00
B	28.00
C	9.00
D	44.00
E	52.00

Ford Vans

Ford Transit

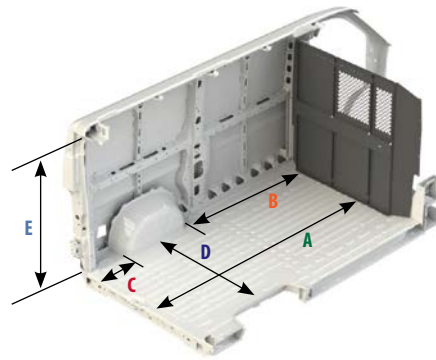
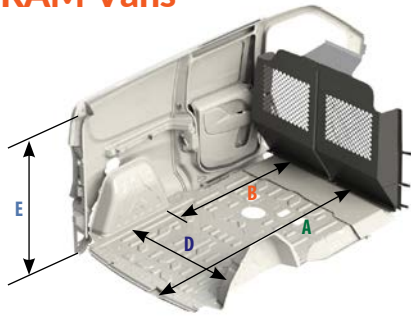
WHEELBASE	130"	130"	148"	148"	148"	148" - EXT
Roof Height	LOW	MEDIUM	LOW	MEDIUM	HIGH	HIGH
A	103.5	103.5	121.25	121.25	121.25	140.50
B	54.5	54.5	71.5	71.5	71.5	71.5
C	14.00	14.00	14.00	14.00	42.50	42.50
D	53.50	53.50	53.50	53.50	53.50	53.50
E	49.00	64.00	49.00	64.00	73.00	73.00



Ford Transit Connect

WHEELBASE	106"	121"
A	71.50	87.30
B	36.00	36.00
D	48.30	48.30
E	49.70	49.70

RAM Vans



2-3

VEHICLE LAYOUT GUIDES

RAM ProMaster City

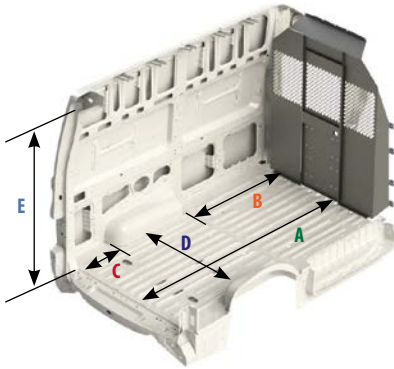
WHEELBASE	122"
A	77.00
B*	44.00
D	48.40
E	46.00

* To Door Opening

RAM ProMaster

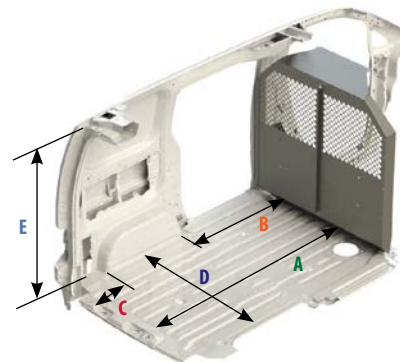
WHEELBASE	118"	136"	136"	159"	159" - EXT
Roof Height	LOW	LOW	HIGH	HIGH	HIGH
A	85.00	103.00	103.00	126.00	140.00
B	39.00	57.00	57.00	80.00	80.00
C	10.80	10.80	10.80	10.80	10.80
D	56.00	56.00	56.00	56.00	56.00
E	65.00	65.00	76.00	76.00	76.00

Nissan Vans



Nissan NV

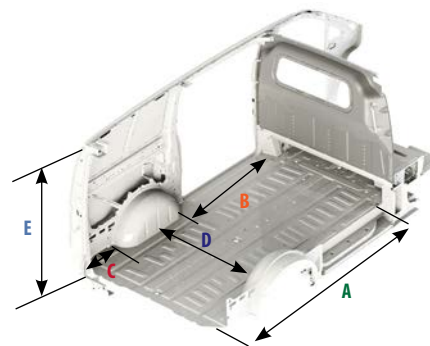
WHEELBASE	240.6"	240.6"
Roof Height	STANDARD	HIGH
A	100.00	100.00
B	48.00	48.00
C	14.00	14.00
D	54.30	54.30
E	55.80	76.90



Nissan NV200

WHEELBASE	115"
A	66.00
B	28.00
C	9.00
D	44.00
E	52.00

Mercedes Vans



Mercedes Sprinter

WHEELBASE	144"	144"	170"	170" - EXT.
Roof Height	STANDARD	HIGH	HIGH	HIGH
A	128.60	128.60	169.30	185.10
B	64.00	64.00	95.00	95.00
C	22.00	22.00	39.00	55.00
D	53.10	53.10	53.10	38.50
E	65.00	78.20	78.20	78.20

Mercedes Metris

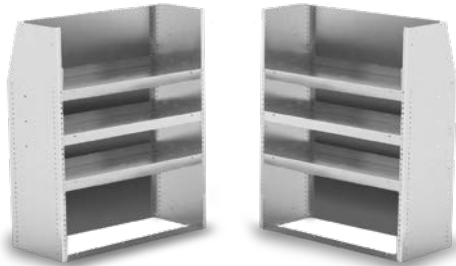
WHEELBASE	126"
Roof Height	STANDARD
A	105.00
B	48.00
C	16.00
D	50.00
E	55.00

STEEL BASE PACKAGES



MASTERACK®'s heavy duty steel interiors, used by the nation's largest fleets, offer maximum durability for the toughest applications. Choose a basic base interior from below to fit your vehicle and upgrade with trade accessories, shelf backs, cabinets, drawers, dividers and bins to meet your needs.

Partitions sold separately (see pages 14-15).



Compact Steel Base Package

Applicable to Ford Transit Connect, Chevy City Express, RAM ProMaster City and Nissan NV200

PACKAGE #02K643KP		
Part#	Description	Qty.
02J640KP	Steel Shelving Module 44" H x 37" W x 12" D	2

Note: Floor Attachment Kit recommended for Transit Connect (02G056KP), RAM ProMaster City (02J724KP), and Chevy City Express/Nissan NV200 (02F601KP) for no-drill installation

Standard Steel Base Package

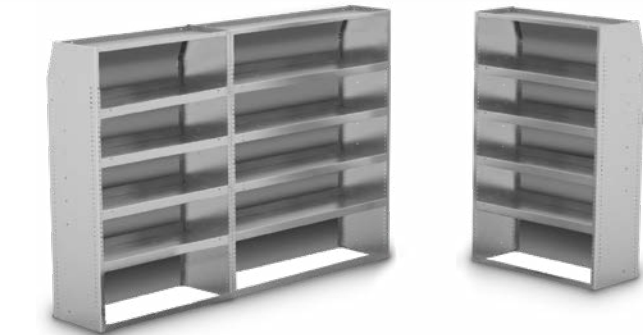
Applicable to Ford Transit Low Roof, GM Express/Savana and Nissan NV Standard Roof



PACKAGE #02K644KP		
Part#	Description	Qty.
022434KP	Steel Shelving Module 46" H x 43" W x 16" D	2
027546KP	Steel Shelving Module 46" H x 43" W x 12" D	1

Tall Steel Base Package

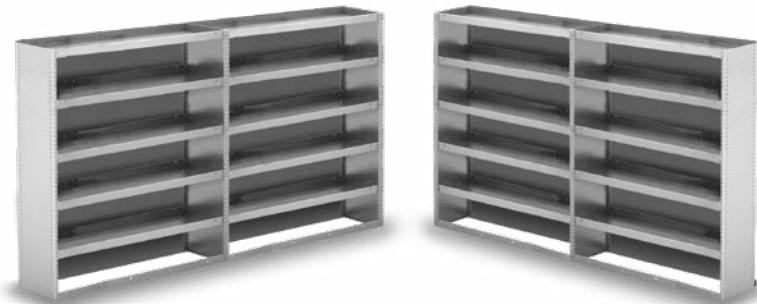
Applicable to Ford Transit Medium & High Roof, Ram ProMaster Low & High Roof, Nissan NV High Roof and Mercedes Sprinter



PACKAGE #02K645KP		
Part#	Description	Qty.
02A383KP	Steel Shelving Module 60" H x 43" W x 16" D	3

Van Body Steel Base Package

Applicable to 10-14' Van Bodies



PACKAGE #02K646KP		
Part#	Description	Qty.
027574KP	Steel Shelving Module 60" H x 51" W x 16" D	4

STEEL

4-5

STEEL PRODUCTS BASE PACKAGES & ACCESSORIES



Shelf Dividers bolt to shelving, no drilling required. Easily adjustable to organize equipment. Sold as set of five dividers.

- 021396KP** 5" H x 12" D Shelf Divider
- 021395KP** 10" H x 12" D Shelf Divider
- 022528KP** 7" H x 16" D Shelf Divider



Composite Storage Bins can be used for a wide variety of cargo containment needs. Color may vary.

- 021471KP** 5" H x 8" W x 12" D Storage Bin (set of four)



Lockable Storage Doors may be added to any storage module to create a secure compartment.

- 027500KP** 19" W x 12" H Storage Door
- 027495KP** 25" W x 12" H Storage Door
- 027496KP** 31" W x 12" H Storage Door
- 027497KP** 37" W x 12" H Storage Door
- 027498KP** 43" W x 12" H Storage Door
- 027499KP** 51" W x 12" H Storage Door



Multi-Purpose Utility Hooks (left) are ideal for a variety of uses. Zinc plated for long life, rounded for safety. 2" hook dia.

- 025527KP** Triple Utility Hook

Heavy-Duty, Vinyl Coated J-Hooks (right) can be mounted to shelving, or any vertical surface inside the van. Sold as set of two with hardware.

- 027503KP** 5" dia. Large J-hooks
- 027502KP** 3" dia. Small J-hooks



Shelf Backs used to close off back of shelving and help control noise. Height can easily be cut to fit module.

- 027484KP** 25" W x 36" H **027486KP** 43" W x 36" H
- 027485KP** 31" W x 36" H **027487KP** 51" W x 36" H
- 027176KP** 37" W x 36" H



Freon Tank Racks, Rings

Vertically store Freon tanks in a cradle with tie-down chains to secure the tanks. Tank Rings mount to floor, store individual tanks.

- 025544KP** 28" H x 13" W x 12" D Tank Rack 2-30# Tanks
- 027588KP** 36" H x 16" W x 16" D Tank Rack 2-50# Tanks
- 025545KP** 36" H x 13" W x 12" D Tank Rack 3-30# Tanks
- 025254KP** 46" H x 13" W x 12" D Tank Rack 4-30# Tanks
- 025295KP** 30# Single Freon Tank Ring
- 025296KP** 50# Single Freon Tank Ring



Wire Spool Carrier Mounts to shelving, or vertical surface to organize wire spools, tape rolls, and other items.

- 024304KP** 24" H x 12" W x 4" D



STEEL CABINETS & DRAWERS



Metal Parts Drawer Cabinets offer low cost storage for nuts and bolts, or other small items. Available in four sizes to fit your budget and needs. Cabinets include drop-in drawer dividers and bolt to steel or wire shelves. Tilt shelf recommended for solid steel shelving (see page 7).

- 021058KP** 8" H x 24" W x 12" D 8-drawer
- 021056KP** 11" H x 17" W x 12" D 9-drawer shown
- 021057KP** 8" H x 34" W x 12" D 12-drawer shown
- 021007KP** 11" H x 34" W x 12" D 18-drawer shown



Drawer Cabinets provide versatile, lockable storage for tools and small items. Shallow drawers include divided scoop tray. Cabinets mount to shelving module, or can be stacked on each other.

- 022788KP** 12" H x 18.5" W x 12" D 2-drawer shown
- 027259KP** 12" H x 18.5" W x 12" D 3-drawer shown
- 022787KP** 12" H x 18.5" W x 12" D 4-drawer shown
- 025070KP** 12" H x 18.5" W x 16" D 2-drawer
- 024515KP** 22" H x 18.5" W x 16" D 4-drawer shown
- 024056KP** 22" H x 18.5" W x 18" D 4-drawer



Composite Parts Drawer Cabinets feature composite drawers for nuts and bolts, or other small items. Cabinets include drop-in composite drawer dividers and bolt to steel or wire shelves (stack to form 12-, 18-, and 24-drawer cabinets).

- 02D641KP** 7" H x 18.5" W x 12" D 6-drawer



Exterior Vented Tank Storage Cabinets feature gasket sealed doors with snap tight latches. Cabinets include venting hoses and all connections. (Propane vents floor only). Installation instructions and hardware included.

- 022856KP** 34" H x 14" W x 14" D Universal Propane Cabinet
- 020711KP** 23" H x 14" W x 8" D Mapp/Acetylene Cabinet



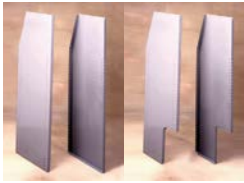
Lockable Storage Cabinets provide generous, secure storage. Cabinets include an adjustable shelf and locking handle.

- 021392KP** 24" H x 18.5" W x 12" D includes 1 shelf
- 024514KP** 24" H x 18.5" W x 16" D includes 1 shelf
- 026188KP** 24" H x 18.5" W x 16" D incl. 4 padded shelves
- 022466KP** 24" H x 18.5" W x 18" D includes 1 shelf
- 025841KP** 46" H x 18.5" W x 12" D includes 3 shelves

STEEL SHELVING

6-7

STEEL PRODUCTS CABINETS, DRAWERS & SHELVING



Tapered Uprights for use with contoured van walls. Use space saving uprights to maximize floor aisle space. Over-wheelwell uprights have reverse notch for installation over wheelwells. Sold as a set of two.

Standard Uprights

022395KP 46" H x 16" D

027167KP 46" H x 12" D

02A355KP 60" H x 16" D

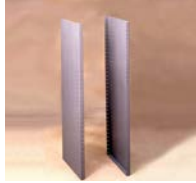
Space-Saving Uprights

02B762KP 46" x 16" D

02B885KP 46" x 12" D

Over-wheelwell Uprights

02D188KP 46" x 16"



Solid End Uprights sold as set of two.

023048KP 13" H x 12" D

022348KP 28" H x 12" D

022455KP 31" H x 12" D

022347KP 36" H x 12" D

025367KP 46" H x 12" D

026438KP 60" H x 12" D

024063KP 28" H x 16" D

025948KP 31" H x 16" D

022473KP 36" H x 16" D

022957KP 42" H x 16" D

026439KP 60" H x 16" D



Heavy Duty Stick Uprights can be used with 12", 16", and 22" deep shelves. Requires floor braces. Sold as set of four uprights.

021368KP 28" H

020031KP 31" H

021369KP 36" H

025366KP 46" H

026440KP 60" H

025336KP 72" H



Floor Braces - side braces for heavy duty uprights.

Side Braces

023054KP 12" D **025335KP** 22" D

022613KP 16" D (all sold as set of two)

Front Braces

023055KP 19" W **023056KP** 25" W

023057KP 31" W **023058KP** 37" W

023059KP 43" W **025680KP** 51" W

Floor Attachment Kits

02G056KP Ford Transit Connect

02J724KP RAM ProMaster City

02F601KP Nissan NV200

02F601KP Chevy City Express



Tool Drop Trays designed for 12" deep tapered shelf modules. Install in place of a top shelf to store tools.

Features a 3" lip.

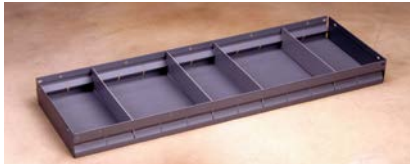
027165KP 37" W x 8" D

027792KP 43" W x 8" D

Divided Tool Drop Tray

02B894KP 37" W x 8" D

02B893KP Dividers (Set/5)



Parts Tray Shelves are formed with 3" deep lip; each shelf includes snap-in dividers. Additional dividers available (sold as set of four).

027478KP 25" W x 12" D

022898KP 31" W x 12" D

021389KP 37" W x 12" D

022215KP 43" W x 12" D

025842KP 51" W x 12" D

021391KP 12" dividers

026486KP 25" W x 16" D

025877KP 31" W x 16" D

025815KP 37" W x 16" D

025858KP 43" W x 16" D

025859KP 51" W x 16" D

027547KP 16" dividers



Steel Shelves

All shelves feature a fully hemmed perimeter edge for superior strength. Available as standard or heavy-duty. The 12" deep shelves have a 1" lip, the 16" and 22" deep shelves have a 2" lip.

Standard Shelves (20 GA)

021377KP 13" W x 12" D Shelf

021378KP 19" W x 12" D Shelf

021379KP 25" W x 12" D Shelf

021380KP 31" W x 12" D Shelf

021381KP 37" W x 12" D Shelf

021382KP 43" W x 12" D Shelf

025153KP 19" W x 16" D Shelf

022816KP 25" W x 16" D Shelf

022398KP 31" W x 16" D Shelf

022397KP 37" W x 16" D Shelf

022396KP 43" W x 16" D Shelf

Heavy Duty Shelves (16 GA)

025313KP 37" W x 12" D HD Shelf

025314KP 43" W x 12" D HD Shelf

025572KP 51" W x 12" D HD Shelf

025315KP 37" W x 16" D HD Shelf

025316KP 43" W x 16" D HD Shelf

025571KP 51" W x 16" D HD Shelf

025319KP 37" W x 22" D HD Shelf

025326KP 43" W x 22" D HD Shelf

027483KP 51" W x 22" D HD Shelf



Tilt Shelves are heavy gauge to support parts cabinets. Tilts back to keep drawers closed during transit.

022482KP 19" W x 12" D

020043KP 37" W x 12" D

022340KP 43" W x 12" D

029750KP 51" W x 12" D

025072KP 25" W x 16" D

02B022KP 31" W x 16" D

022531KP 37" W x 16" D

022532KP 43" W x 16" D

029811KP 51" W x 16" D

02B610KP 37" W x 22" D

02B611KP 43" W x 22" D



Universal Braces can be used to further secure drawers, cabinets and shelving to vehicle. Cut and bend to fit as necessary. T-brackets can be used to reinforce modules to side walls of van for heavy-duty applications.

Universal Attachment Brace

027651KP Set of six with fasteners

Heavy Duty T-Bracket

027652KP Set of six with fasteners



Automotive Grade Aerosol Texture Paint matches original equipment color. 12 fl. oz.

RM660104A Bell White

RM660135A Black

RM660151A Gray



SmartSpace® BASE PACKAGES

MASTERACK®



SmartSpace® is your innovative, modular cargo management system that offers a variety of adjustable shelves, drawers, and accessories for infinite storage possibilities. Made from structural foam and aluminum materials, this system provides weight savings over comparable steel interiors.

Installation kits required. Partitions sold separately (see pages 14-15).



Compact SmartSpace® Base Package

PACKAGE #OSS191KP		
Part#	Description	Qty.
OSS155KP	SmartSpace® Shelving Module 44" H x 37" W x 12" D"	2

Applicable Installation Kits

Item#	Description	Item#	Description
OSS123KP	Ford Transit Connect	OSS139KP	Chevy City Express
OSS139KP	Nissan NV200	OSS182KP	RAM ProMaster City



Standard SmartSpace® Base Package

PACKAGE #OSS192KP		
Part#	Description	Qty.
OSS150KP	SmartSpace® Shelving Module 44" H x 74" W x 16" D	1
OSS188KP	SmartSpace® Shelving Module 44" H x 37" W x 16" D	1

Applicable Installation Kits

Item#	Description	Item#	Description
OSS125KP	Ford Transit 130" WB Low Roof	OSS134KP	RAM ProMaster 118" WB Low Roof
OSS126KP	Ford Transit 148" WB Low Roof	OSS140KP	Nissan NV Standard Roof
OSS131KP	GM Express / Savana 135" WB	OSS142KP	Mercedes Sprinter (Standard Roof)
OSS132KP	GM Express / Savana 155" WB		



Tall SmartSpace® Base Package

PACKAGE #OSS193KP		
Part#	Description	Qty.
OSS152KP	SmartSpace® Shelving Module 66" H x 74" W x 16" D	1
OSS189KP	SmartSpace® Shelving Module 66" H x 37" W x 16" D	1

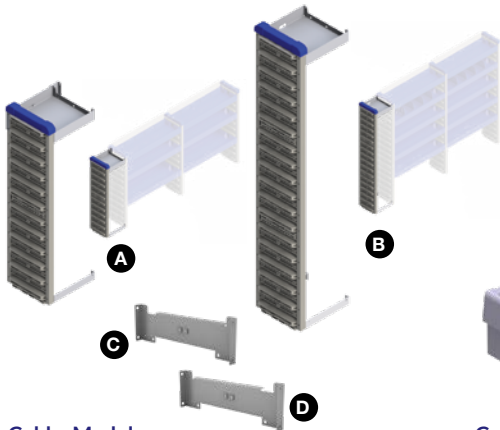
Applicable Installation Kits

Item#	Description	Item#	Description
OSS127KP	Ford Transit 130" WB Med. Roof	OSS137KP	RAM ProMaster 159" WB High Roof
OSS128KP	Ford Transit 148" WB Med. Roof	OSS138KP	RAM ProMaster 159" ELWB High Roof
OSS129KP	Ford Transit 148" WB High Roof	OSS141KP	Nissan NV High Roof
OSS135KP	RAM ProMaster 136" WB Low Roof	OSS142KP	Mercedes Sprinter (High Roof)
OSS136KP	RAM ProMaster 136" WB High Roof	OSS130KP	Ford Transit 148" WB Ext High Roof



SmartSpace® Van Body Package

PACKAGE #OSS194KP		
Part#	Description	Qty.
OSS152KP	SmartSpace® Shelving Module 66" H x 74" W x 16" D	2



Cubby Modules

Add a cubby module to any base package to create more room for smaller items. Cubby modules can be installed at 90 or 180 degrees for rear or side door access. Add drawers, 12" shelves, and trade accessories to customize your cubby.

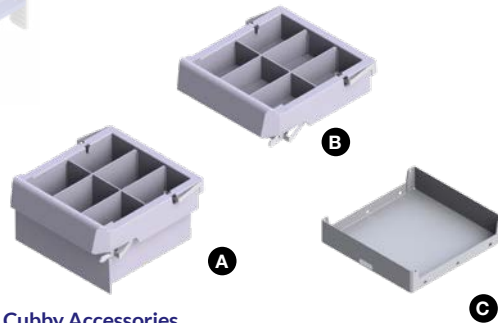
Note: Rotation brackets needed to rotate module 90 degrees (one per shelf).

A / **OSS104KP** Cubby Module 44" H x 14" W x 12" D

B / **OSS105KP** Cubby Module 66" H x 14" W x 12" D

C / **OSS051LKP** Rotation Brackets - Streetside

D / **OSS051RKP** Rotation Brackets - Curbside



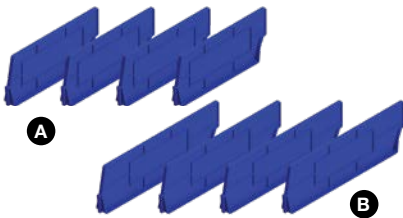
Cubby Accessories

Add drawers and shelves to any 12" W cubby module, which requires no tools to install or reconfigure!

A / **OSS106KP** Large Drawer w/ Dividers 12" W x 6" H x 12" D

B / **OSS107KP** Small Drawer w/ Dividers 12" W x 3" H x 12" D

C / **OSS113KP** Shelf Kit 12" W x 12" D

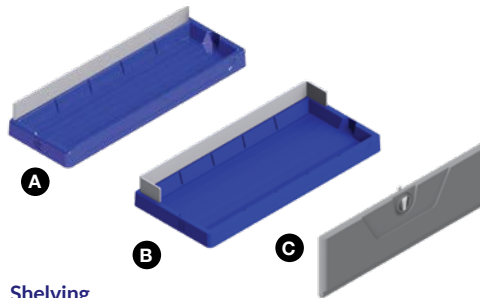


Shelf Dividers

Drop-in dividers are lightweight composite and minimize rattling of tools and cargo.

A / **OSS109KP** Dividers 12" D - Set of 4

B / **OSS110KP** Dividers 16" D - Set of 4



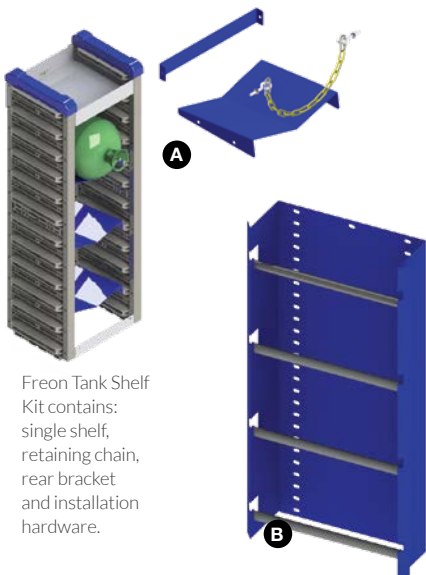
Shelving

Customize your shelving modules with additional components. Components require no tools to install or reconfigure!

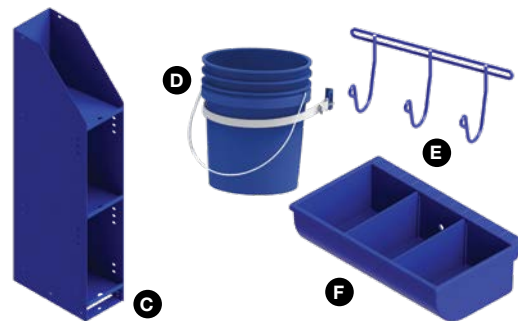
A / **OSS111KP** Shelf Kit w/ Shelf Back 37" W x 12" D

B / **OSS112KP** Shelf Kit w/ Shelf Back 37" W x 16" D

C / **OSS114KP** Locking Storage Door 37" W x 12" H



Freon Tank Shelf Kit contains: single shelf, retaining chain, rear bracket and installation hardware.



Trade Accessories

Looking for accessories to fit your trade? SmartSpace® has solutions for many applications!

A / **OSS115KP** Steel 30# Freon Tank Shelf Kit (One shelf per kit)

B / **OSS117KP** Steel Wire Spool Rack

C / **OSS116KP** Steel Manual Rack

D / **OSS118KP** Storage Bucket & Holder

E / **OSS119KP** Steel Triple Utility Hook

F / **OSS108KP** Composite Parts Bin w/ Dividers 10" W x 3" H x 6" D

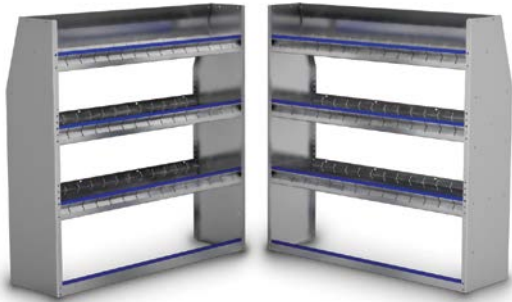


ALUMINUM BASE PACKAGES



This lightweight interior has adjustable shelving and drop-in composite dividers. Add accessories to customize for your needs. Made in the USA.

Partition sold separately (see pages 14-15).



Compact Aluminum Base Package

Applicable to Ford Transit Connect, Chevy City Express, RAM ProMaster City and Nissan NV200

PACKAGE #OAL102KP		
Part#	Description	Qty.
0AL137KP	Aluminum Shelving Module 44" H x 37" W x 12" D"	2

Applicable Installation Kits

Item#	Description	Item#	Description
02G056KP	Ford Transit Connect	02F601KP	Chevy City Express
02F601KP	Nissan NV200	02J724KP	RAM ProMaster City

Note: Installation kits recommended for no-drill installation



Standard Aluminum Base Package

Applicable to Ford Transit Low Roof, GM Express/Savana and Nissan NV Standard Roof

PACKAGE #OAL100KP		
Part#	Description	Qty.
0AL143KP	Aluminum Shelving Module 44" H x 43" W x 12" D	1
0AL243KP	Aluminum Shelving Module 44" H x 43" W x 16" D	2



Tall Aluminum Base Package

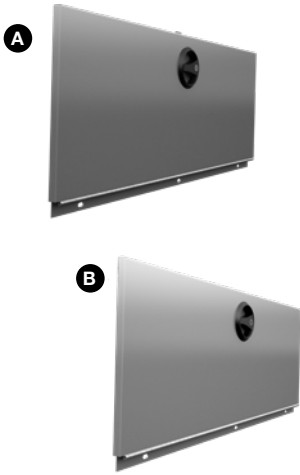
Applicable to Ford Transit Medium & High Roof, Ram ProMaster Low & High Roof, Nissan NV High Roof and Mercedes Sprinter

PACKAGE #0AH101KP		
Part#	Description	Qty.
0AH243KP	Aluminum Shelving Module 58" H x 43" W x 16" D	3

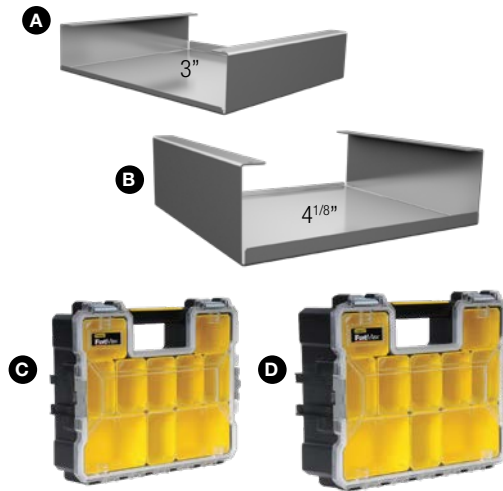
ALUMINUM ACCESSORIES

10 - 11

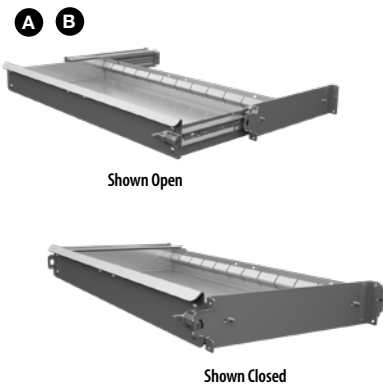
ALUMINUM PRODUCTS BASE PACKAGES & ACCESSORIES



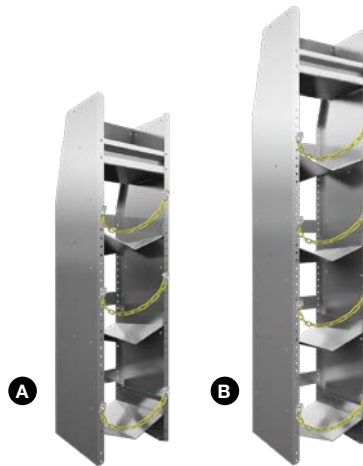
Locking Storage Doors
A / OAL022KP 37" W Locking Door
B / OAL023KP 43" W Locking Door



Toolbox Cradles
A / OAL026KP Toolbox Cradle 3" D
B / OAL027KP Toolbox Cradle 4.5" D
C / O2J704KP Small Toolbox 14" H x 17.5" W x 2.5" D
D / O2J705KP Large Toolbox 14" H x 17.5" W x 4" D



Drawer Units
A / OAL028KP Drawer Unit 16" x 37"
B / OAL029KP Drawer Unit 16" x 43"



Freon Tank Racks
A / OAL021KP Freon Tank Rack 44" H 3 x 30 lbs
B / OAH005KP Freon Tank Rack 58" H 4 x 30 lbs



Steel And Composite Accessories
A / OSS116KP Steel Manual Rack
B / OSS117KP Steel Wire Spool Rack
C / OSS118KP Storage Bucket & Holder
D / OSS119KP Steel Triple Utility Hook
E / O21471KP Composite Storage Bins (Set/4)

*fits on 12" shelves

BASE PACKAGES

Aluminum folding shelves are there when you need them, and can be folded out of the way when you don't.

Partitions sold separately (see pages 14-15).



Aluminum Folding Shelving Standard Package

*Applicable to Ford Transit Medium Roof 130" WB, and
RAM ProMaster 136" WB*

PACKAGE #02G136KP

Part#	Description	Qty.
02H279KP	Aluminum Shelving Street Side 94" W x 20" D	1
02H280KP	Aluminum Shelving Curb Side 50" W x 20" D	1



Aluminum Folding Shelving Long Package

*Applicable to Ford Transit Medium & High Roof 148" WB,
RAM ProMaster 159" WB, and all Sprinters*

PACKAGE #02G137KP

Part#	Description	Qty.
02H281KP	Aluminum Shelving Street Side 94" W x 20" D	1
02H282KP	Aluminum Shelving Curb Side 75" W x 20" D	1

This system is designed to be modular so parts can be interchanged when switching vehicles. Below are some kits designed for popular vehicles on the market. The mounting kits include:

1. No-Drill Vehicle Base
2. Pole System. Some vehicle bases include a welded lower pole.
3. Motion Attachment
4. Support Brace



NotePad V - Universal Cradle

UNIVERSAL CRADLES

Part #	Description
02K141KP	NotePad V - Universal Laptop Cradle
02K142KP	NotePad V - LT - Universal Tablet Cradle

* All cradles require vehicle kit for installation



VEHICLE KITS

Part	Make	Model
02K126KP	Nissan	NV (2011+)
02K127KP	Nissan	NV200 (2010+)
02K127KP	Chevrolet	City Express (2015+)
02K132KP	Ford	Transit (2015+)
02K133KP	Ford	Transit Connect (2014+)
02K134KP	Chevrolet	Express / Savana Van (2010+)
02K138KP	RAM	ProMaster (2014+)
02K139KP	RAM	ProMaster City (2015+)
02K140KP	Mercedes	Sprinter (2004+)



STEEL PARTITIONS



027088KP Partition SL HM PR
027250KP GM Express / Savana
 Attachment Panels

- Exclusive non-glare black finish for superior rear and side visibility.
- Tough finish provides scratch resistance.
- Easy installation; complete instructions and hardware included.
- Some attachment panels sold separately.

Note: P - Perforated S - Solid H - Hinged L - Left M - Middle R - Right

STEEL PARTITION ORDERING GUIDE

	No Center Door			With Hinged Door		Attachment Panels Required
	PL - PM - PR	SL - PM - PR	SL - SM - SR	PL - HM - PR	SL - HM - PR	
FORD						
Transit (Low Roof)	027083KP	027084KP	027086KP	027087KP	027088KP	02H369KP
Transit (Medium Roof)	02J178KP	02J177KP	02J176KP	02J181KP	02J180KP	02H370KP
Transit (High Roof)	02J178KP	02J177KP	02J176KP	02J181KP	02J180KP	02H371KP
GM						
Express / Savana	027083KP	027084KP	027086KP	027087KP	027088KP	027807KP
RAM						
ProMaster (Low & High Roof)	02J178KP	02J177KP	02J176KP	02J181KP	02J180KP	02G731KP
NISSAN						
NV (Standard Roof)	027083KP	027084KP	027086KP	027087KP	027088KP	02E316KP
NV (High Roof)	-	-	-	02E382KP	02E386KP	Included
SPRINTER						
Mercedes Sprinter (Low Roof)	02A365KP	02A366KP	-	02A367KP	02A368KP	Included
Mercedes Sprinter (High Roof)	02A365KP	02A366KP	-	02A367KP	02A368KP	02A375KP
COMPACT VANS						

	PL-PR
Ford Transit Connect	02F824KP
Chevrolet City Express	02F590KP
RAM ProMaster City	02J644KP
Nissan NV200	02F590KP

POLYCARBONATE COVER PANELS FOR STEEL PARTITIONS ORDERING GUIDE

Platform	Left, Center, Right	Center, Right	Left, Right
GM Express / Savana	027345KP	027343KP	-
Chevrolet City Express	-	-	02F591KP
Ford Transit (Low Roof)	027345KP	027343KP	-
Ford Transit (Medium & High Roof)	02K983KP	02G485KP	-
Ford Transit Connect	-	-	02B959KP
RAM PROMASTER	02K983KP	02G485KP	-
RAM ProMaster City	-	-	02B959KP
Nissan NV (Standard Roof)	027345KP	027343KP	-
Nissan NV (High Roof)	027643KP	027644KP	-
Nissan NV200	-	-	02F591KP
Mercedes Sprinter	027643KP	027644KP	-



LIGHTWEIGHT COMPOSITE & WIRE PARTITIONS

14 - 15

PARTITIONS STEEL PARTITIONS COMPOSITE & WIRE PARTITIONS ACCESSORIES

- Easy Assembly.
- Lightweight, yet strong.
- Includes assembly and installation instructions and hardware.
- Wire partitions offer maximum visibility.



028583KP shown

02J111KP shown

02F823KP shown

COMPOSITE PARTITION ORDERING GUIDE	
Part #	Platform
02H237KP	Ford Transit Connect (2014+)
02K122KP	Ford Transit (Medium Roof)
02K123KP	RAM ProMaster (Low Roof)
02K123KP	RAM ProMaster (High Roof)
02J111KP	Nissan NV200
02J111KP	Chevrolet City Express
028583KP	GM Express / Savana

WIRE PARTITION ORDERING GUIDE	
Part #	Platform
02F823KP	Ford Transit Connect
02F589KP	Nissan NV200
02F589KP	Chevrolet City Express
02J643KP	RAM ProMaster City

PARTITION ACCESSORIES

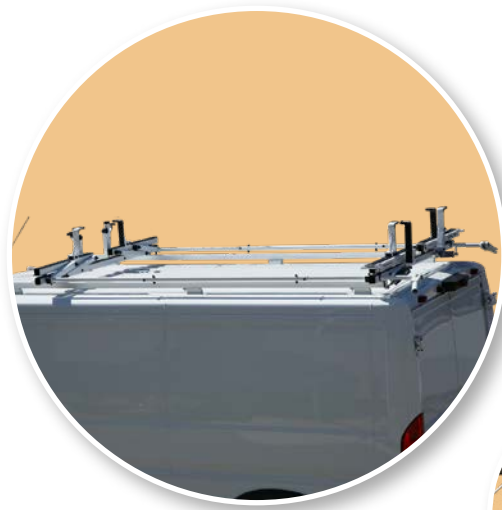
Accessories fit partitions or mount on vertical surfaces in the cargo area.

PARTITION ACCESSORIES ORDERING GUIDE		
Part #	Item	Description
025536KP	Head Impact Pad	Vinyl covered dense foam pad; 7" H x 12" W x 4" Thick
022181KP	Triangle Reflector Kit	Three D.O.T. approved safety reflectors with storage case.
027512KP	Triangle Reflector Kit Holder	Metal pocket holds 022181 Reflector Kit.
021782KP	First Aid Kit	Ten-unit kit includes first aid supplies in a storage case. OSHA compliant with individually packaged items.
020122KP	First Aid Kit Holder	Secure first aid kit to partition. 9" W x 3" D
020982KP	Fire Extinguisher 2.5 lb.	Class 1-A: 10-B: C 2-1/2 lb. rechargeable dry chemical extinguisher with mounting bracket. UL approved meets DOT requirements.
026383KP	Fire Extinguisher 5 lb.	Class 3-A: 40-B: C 5 lb. rechargeable dry chemical extinguisher with mounting bracket. UL approved meets DOT requirements.



ERGORACK®

Award winning aluminum ergonomic ladder rack solution.



- Hydraulic cylinder reduces muscle strain.
- Improves gas mileage by being lighter than similar steel ladder rack solutions.
- Reduce install time and improve resell with no holes to drill.
- Reduce theft; lockable.

Ergorack®

As shown: **02G625** RAM ProMaster Low Roof (Clamp + Rotation)



Ergorack®

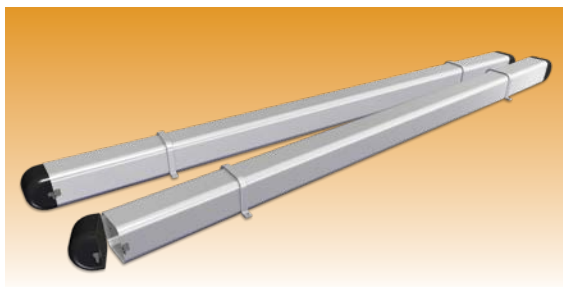
As shown: **02G625KP**

RAM ProMaster Low Roof (Double Rotation)

Description	GM Express / Savana	Chevrolet City Express	Ford Transit Connect (106" WB)	Ford Transit Connect (121" WB)	Nissan NV (High Roof)	Nissan NV (Standard Roof)	Nissan NV200	Mercedes Sprinter
Single Rotation	02F071KP	02K111KP	02H358KP	02H359KP	02F180KP	02F181KP	02K111KP	02F177KP
Double Rotation	02E892KP	02J166KP	02H361KP	02H362KP	02F169KP	02F170KP	02J166KP	02F166KP
Combo (Clamp + Rotation)	02F447KP	02K112KP	02H360KP	02H351KP	-	-	02K112KP	-

RAM ProMaster	Low Roof (118"WB)	Low Roof (136"WB)	High Roof (136"WB)	High Roof (159"WB)	High Roof (159" Ext WB)	Ford Transit	Low Roof (130"WB)	Medium Roof (130"WB)	Low Roof (148"WB)	Medium Roof (148"WB)	High Roof (148"WB)	High Roof (148" WB EXT)
Single Rotation	02F178KP	02G622KP	02G481KP	02G623KP	02G624KP	Single Rotation	02G150KP	02G744KP	02G741KP	02G689KP	02G148KP	02J459KP
Double Rotation	02G482KP	02G625KP	02G480KP	02G626KP	02G627KP	Double Rotation	02G484KP	02G745KP	02G742KP	02G690KP	02G149KP	02J460KP
						Combo	02J327KP	-	02K103KP	-	-	-

ERGORACK® ACCESSORIES



Conduit Tubes are lightweight and aerodynamic. They can be added to carry lengthy materials.

02G119KP 5" x 5" x 8.5'

02F502KP 5" x 5" x 10'

02G120KP 5" x 5" x 12.5'



Strobe Light Mounting Brackets easily mount a flashing strobe to either a conduit tube or attach to the ladder rack. There are no holes to drill.

02G164KP Any ErgoRack® model

02G121KP Any ErgoRack® with a Conduit Tube



Rear mirror available in two different lengths.

02C351KP Any ErgoRack® (22")

02C352KP Any ErgoRack® with a streetside rotation feature.

SLIDE-DOWN™ LADDER RACK

Easily lowers ladder within arms reach.

- Actuator handle pivots ladder to side of van for safe, efficient operation.
- Partially-assembled racks include assist to help gently lower ladder and reduce wear.
- Zinc-plated and powder-coated for maximum outdoor protection.
- All ladder contact areas protected with vinyl covered stops and anti-skid strips.
- Includes padlock feature for security.
- Adjustable to fit different extension ladders.



Slide-Down Ladder Rack
 As shown: **02J024KP**
 Single Slide-Down Ladder Rack & Upgrade
021226KP (Transit Low Roof)



Partially Assembled (Includes Assist)	GM Express / Savana	Chevrolet City Express	RAM ProMaster City	Ford Transit Connect (106" WB)	Ford Transit Connect (121" WB)	Ford Transit Low Roof (130" WB)	Nissan NV200
Single Slide-Down Ladder Rack	026199KP	02F593KP	02J647KP	02H286KP	02G059KP	02J024KP	02F593KP
Double Slide-Down Ladder Rack	027966KP	02F596KP	02J648KP	02H287KP	02G060KP	02J025KP	02F596KP
Slide-Down Upgrade	025573KP	02G099KP	-	02H744KP	02A061KP	025573KP	02G099KP

*Locking Ladder Rack upgrade (see page 18).

SLIDE-DOWN LADDER RACK ACCESSORIES

(Also fit Locking Ladder Racks - see page 18)



4" dia. and 6" dia. PVC Carrier Kits feature steel end caps with easy opening hinged door. Mounting straps attach carrier to ladder rack. Use Schedule 40 PVC (not included).

- 021452KP** 4" dia. Conduit Carrier Kit
- 021453KP** 6" dia. Conduit Carrier Kit



Strobe Light and Mounting Base Attach to crossbow, raising light for visibility. Amber 12V strobe light easily mounts to universal mounting bases.

- 025085KP** Strobe Light
- 024223KP** Strobe Light Base, Short
- 024224KP** Strobe Light Base, Tall

LADDER RACKS

ERGORACK®

SLIDE-DOWN™ LADDER RACKS



LOCKING LADDER RACK

Unequaled for ease-of-use and dependability.



- Easy-to-use clamping action secures ladders in place.
- Easily load and unload from side of vehicle for safe, efficient operation.
- Zinc-plated and powder-coated for maximum outdoor protection.
- With only one moving part, ladder rack is designed to be maintenance-free for a lifetime.
- Many racks install to existing vehicle hardware. No drilling required. Other racks include roof-mounted bolt-through feet and reinforcement plates; some drilling is required.
- Adjustable to fit multiple step and extension ladders.

FEATURES



Lockable for security. Simply lock the handle with a standard padlock to protect the ladder from theft.



Vinyl Coated clamps resist abrasion. The convenient operating handle securely locks ladders in place.



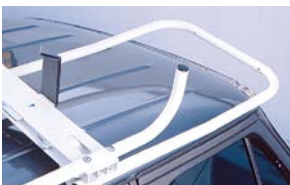
Extended Front Stop is fully adjustable to accommodate step and combination ladders. Included in streetside upgrade racks.

Description	GM Express / Savana	Chevrolet City Express	RAM ProMaster City	Ford Transit Connect (106" WB)	Ford Transit Connect (121" WB)	Ford Transit Low Roof (130" WB)	Nissan NV200
Single Locking Ladder Rack for Extension Ladders	022550KP	02F592KP	02J645KP	02H285KP	02G057KP	02J058KP	02F592KP
Locking Ladder Rack - Streetside Upgrade for Step/Combination Ladders	021226KP	02F595KP	02J646KP	02H289KP	021228KP	021226KP	02F595KP
Accessory							
Ladder Protection Kit	022445KP						



Single Locking Ladder Rack

LOCKING LADDER RACK ACCESSORIES



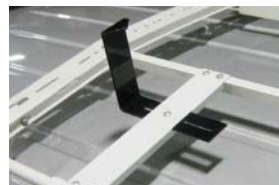
Ladder Rack Extension provides additional 24" of support when carrying longer ladders. Easily bolts to front crossbow. Use with locking ladder racks.

020940KP Ladder Rack Extension



Crossbow Tie Down Kit includes vinyl coated front stop, two side stops, and nylon tie-down straps.

025633KP Crossbow Tie Down Kit



Crossbar Assembly is added to locking ladder racks to accommodate smaller step ladders.

028527KP 6' Standard Ladder Crossbar Assembly



Single Locking Ladder Rack With Streetside Upgrade

UTILITY CARRIER

Heavy-duty utility carriers are the economical choice for a variety of uses.

- Ladders, pipe, or most any cargo can be carried securely.
- Heavy gauge steel construction, zinc plated, and powder coated for maximum weather protection.
- Utility carriers consist of two crossbows with tall outer stops.
- No drilling into the roof is required.



Utility Rack
As shown includes:
02J056KP Utility Carrier -
Ford Transit Low Roof

Description	GM Express / Savana	Chevrolet City Express	RAM ProMaster City	Ford Transit Connect	Ford Transit Low Roof	Nissan NV200
Utility Carrier	022553KP	02F594KP	02J649KP	02G058KP	02J056KP	02F594KP

UTILITY CARRIER ACCESSORIES



Utility Tie Down Kit includes front stop and straps to secure ladders.
020229KP Utility Tie Down Kit



Customize your vehicle to fit your needs



MANUAL & DOCUMENT STORAGE



Manual Rack
Contains three shelves to carry catalogs or parts manuals.
025522KP 36" H x 6" W x 12" D



Work Order File
Six pocket holder for manuals and orders. Solid steel construction.
026892KP 27" H x 12" W x 5" D



Cab Organizer
021742KP 20" H x 13" W x 16" L

- Fits in GM Express / Savana, Nissan NV, Mercedes Sprinter (without center console)
- Organize the driver area safely and ergonomically.
- Provides a secure location for valuables.
- Includes hangers for file folders.



Mini Cab Organizer
022536KP 18" H x 7" W x 14" L

*02J192KP (bracket) is required to install 022536KP in Ford Transit and RAM ProMaster

FLOOR DRAWERS

Heavy duty drawers with smooth glide rollers provide secure, lockable storage for parts, tools, and equipment. Safely latches when closed. Includes adjustable dividers and anti-skid strips on top.

FLOOR DRAWER ORDERING GUIDE

Part #	Dimensions	Number of Drawer Sections	Number of Dividers
025344KP	12" W x 12" H x 48" D	1	6
025327KP	20" W x 12" H x 48" D	1	6
026058KP	30" W x 10" H x 50" D	3	12
026147KP	40" W x 10" H x 50" D	4	16



WINDOW SCREENS

Deter theft and protect windows with welded wire window screens. Non-glare black powder coat finish. Contoured to fit your vehicle's windows

02G051KP Transit Connect Rear Door Screen



WINDOW SCREEN ORDERING GUIDE

Vehicle	Rear Doors	Side Hinged	Side Sliding	Liftgate
GM Express/Savana	027594KP	027593KP	027592KP ¹	–
Chevrolet City Express	02F598KP	–	02J087KP (Set/2)	–
Ford Transit (Low Roof)	02G488KP	02H819KP	02G489KP ¹	–
Ford Transit (High Roof)	02G144KP	–	02G145KP ¹	–
Ford Transit Connect (106" WB)	02G051KP	–	02G055KP (Set/2)	02F830KP
Ford Transit Connect (121" WB)	02G051KP	–	02G048KP (Set/2)	02F830KP
RAM ProMaster	02G477KP	–	02G479KP ¹	–
RAM ProMaster City	02J651KP	–	02J650KP (Set/2)	–
Nissan NV	02E387KP	–	02E388KP	–
Nissan NV200	02F598KP	–	02J087KP (Set/2)	–
Mercedes Sprinter	02B128KP	–	02B127KP	–

20 - 21

ACCESSORIES

MANUAL &
DOCUMENT
STORAGE

FLOOR
DRAWERS

WINDOW
SCREENS

INTERIOR
ACCESSORIES

INTERIOR ACCESSORIES



Hard Hat Holder mounts to partition or shelving unit. Holder will securely store standard hard hat.
027504KP 16" H x 12" W



Single Tank Holder mounts to partition or shelving.
026741KP



Vise Mount telescopes out van door to handle long material lengths. Floor mounted, accepts standard vise.
025162KP 36" closed x 60" extended



Door Storage Tray mounts to hinged cargo door or vertical surface for convenient storage of small parts. Each tray is 3.5" H x 18" W x 4.5" D
022678KP Single Tray with Lid and Dividers
022679KP Triple Tray with Lid and Dividers





FLOORING

Constructed of heavy duty rubber, Rubber Cargo Mats offer effective protection from scratches, dents, and spills. The unique anti-skid, air cushion design looks good and muffles sound. Mats are custom cut for each type of vehicle. Mats are approximately 1/8" thick.

CARGO MAT ORDERING GUIDE

Part #	Wheelbase	Platform
024075KP 025803KP	135" WB 155" WB	GM Express/Savana
02E327KP	240.6" WB	Nissan NV
02G469KP 02G470KP 02G471KP 02G472KP	118" WB 136" WB 159" WB 159" EWB	RAM ProMaster
02J628KP	122" WB	RAM ProMaster City

CARGO MAT ORDERING GUIDE

Part #	Wheelbase	Platform
02H376KP 02H377KP 02H378KP	130" WB 148" WB 148" WB EXT.	Ford Transit
02G041KP 02G040KP	106" WB 121" WB	Ford Transit Connect
02A428KP 02B760KP	144" WB 170" WB	Mercedes Sprinter

EXTERIOR ACCESSORIES



Bumper-Mounted Safety Cone Holder is an effective way to carry safety cones and free up interior space. Holds up to four cones.

021604KP Bumper Cone Holder

*Not recommended for use on Ford Transit



Rear Crossview Mirror for improved rear visibility. White finish.

024145KP GM Express/Savana mirror

02H891KP Ford Transit mirror

02G872KP Ford Transit Connect mirror

027866KP Mercedes Sprinter mirror

022973KP 3" Round Blind Spot mirror, stick-on.



Slick Locks - Hasp & Locks eliminate damage to your vehicle by mounting hasps to factory holes inside the door. Add lock spinners for added security. Lock sold separately.

The Blade by Slick Locks

02D472KP GM Express/Savana Side/Rear Hinged Doors (Set/2)

02H704KP GM Express/Savana Sliding Door (Set/2)

02K427KP Chevrolet City Express (Set/3)

02J359KP Ford Transit Side Sliding/Rear Hinged Door (Set/2)

02J360KP Ford Transit Side/Rear Hinged Door (Set/2)

02J361KP Ford Transit Driver's Side Door (Set/1)

02H238KP Ford Transit Connect (Set/3)

02H442KP RAM ProMaster (Set/2)

02K426KP Nissan NV (Set/2)

02K427KP Nissan NV200 (Set/3)

02H441KP Mercedes Sprinter (Set/2)

02D474KP Spinner 360*

02D476KP Puck Locks (Set/2)

02D687KP Puck Locks (Set/3)



CARGO PROTECTION PACKAGES

22 - 23

ACCESSORIES

FLOORING

EXTERIOR
ACCESSORIES

CARGO
PROTECTION
PACKAGES

- MASTERACK® Cargo Protection Packages protect your investments in your work van and your cargo, preventing dents and scratches over years of use.
- Wall panels with protective ribs are molded to fit the van walls.
- Shelving modules and interior packages can be used with cargo protection packages.

See page 22 for optional Floor Mat ordering guide.

Partitions sold separately (see pages 14-15).



WALL LINER ORDERING GUIDE

Part #	Platform
02J170KP	GM Express / Savana 135" WB
02J264KP	Chevrolet City Express
02H235KP	Ford Transit Connect 121" WB
02K125KP	Ford Transit 148" WB Medium Roof Single Door
02K124KP	RAM ProMaster 136" WB Low Roof Dual Door
02J169KP	RAM ProMaster 136" WB High Roof Single Door
02J168KP	RAM ProMaster 136" WB High Roof Dual Door
02H494KP	RAM ProMaster 159" WB High Roof Single Door
02H495KP	RAM ProMaster 159" WB High Roof Dual Door
02J264KP	Nissan NV200
02J171KP	Nissan NV High Roof



INDEX

PART #	PG	DESCRIPTION
020031KP	7	31" H Heavy Duty Stick Uprights
020043KP	7	37" W x 12" D Tilt Shelves
020122KP	15	First Aid Kit Holder
020229KP	19	Utility Tie Down Kit
020711KP	6	23" H x 14" W x 8" D Mapp/Acetylene Cabinet
020940KP	18	Ladder Rack Extension
020982KP	15	Fire Extinguisher 2.5 lb.
021007KP	6	Metal Cabinet 11" H x 34" W x 12" D 18-drawer
021056KP	6	Metal Cabinet 11" H x 17" W x 12" D 9-drawer
021057KP	6	Metal Cabinet 8" H x 34" W x 12" D 12-drawer
021058KP	6	Metal Cabinet 8" H x 24" W x 12" D 8-drawer
021226KP	18	Dbl Lckg Lddr Rack-Ext Lddrs-Express/Savana
021226KP	18	Dbl Lckg Lddr Rack-Ext Lddrs-Transit LR 130"
021228KP	18	Dbl Lckg Lddr Rack-Ext Lddrs-TC 121"WB
021368KP	7	28" H Heavy Duty Stick Uprights
021369KP	7	36" H Heavy Duty Stick Uprights
021377KP	7	13" W x 12" D Steel Shelf
021378KP	7	19" W x 12" D Steel Shelf
021379KP	7	25" W x 12" D Steel Shelf
021380KP	7	31" W x 12" D Steel Shelf
021381KP	7	37" W x 12" D Steel Shelf
021382KP	7	43" W x 12" D Steel Shelf
021389KP	7	37" W x 12" D Parts Tray Shelves
021391KP	7	12" Dividers for Parts Tray Shelves
021392KP	6	Storage Cabinet 24" H x 18.5" W x 12" D
021395KP	5	10" H x 12" D Shelf Divider
021396KP	5	5" H x 12" D Shelf Divider
021452KP	17	4" Diameter PVC Conduit Carrier Kit
021453KP	17	6" Diameter PVC Conduit Carrier Kit
021471KP	11	Composite Bins (Set/4)
021471KP	5	5" H x 8" W x 12" D Storage Bin (Set/4)
021604KP	22	Bumper-Mounted Safety Cone Holder
021742KP	20	Cab Organizer 20" H x 13" W x 16" L
021782KP	15	First Aid Kit
022181KP	15	Triangle Reflector Kit
022215KP	7	43" W x 12" D Parts Tray Shelves
022340KP	7	43" W x 12" D Tilt Shelves
022347KP	7	36" H x 12" D Solid End Uprights
022348KP	7	28" H x 12" D Solid End Uprights
022395KP	7	46" H x 16" D Standard Tapered Uprights
022396KP	7	43" W x 16" D Steel Shelf
022397KP	7	37" W x 16" D Steel Shelf
022398KP	7	31" W x 16" D Steel Shelf
022434KP	4	Steel Shelving Module 46" H x 43" W x 16" D
022445KP	18	Ladder Protection Kit
022455KP	7	31" H x 12" D Solid End Uprights
022466KP	6	Storage Cabinet 24" H x 18.5" W x 18" D
022473KP	7	36" H x 16" D Solid End Uprights
022482KP	7	19" W x 12" D Tilt Shelves
022528KP	5	7" H x 16" D Shelf Divider
022531KP	7	37" W x 16" D Tilt Shelves
022532KP	7	43" W x 16" D Tilt Shelves
022536KP	20	Mini Cab Organizer 18" H x 6.5" W x 13.5" L
022550KP	18	Single Locking Ladder Rack-Ext Lddrs GM Express/Savana
022553KP	19	Utility Carrier GM Express/Savana
022613KP	7	16" D Side Braces
022678KP	21	Single Door Tray with Lid and Dividers

PART #	PG	DESCRIPTION
022679KP	21	Triple Door Tray with Lid and Dividers
022787KP	6	Drawer Cabinet 12" H x 18.5" W x 12" D 4-drawer
022788KP	6	Drawer Cabinet 12" H x 18.5" W x 12" D 2-drawer
022816KP	7	25" W x 16" D Steel Shelf
022856KP	6	34" H x 14" W x 14" D Universal Propane Cabinet
022898KP	7	31" W x 12" D Parts Tray Shelves
022957KP	7	42" H x 16" D Solid End Uprights
022973KP	22	Rear Crossview Mirror 3" Round Blind Spot
023048KP	7	13" H x 12" D Solid End Uprights
023054KP	7	12" D Side Braces
023055KP	7	19" W Front Braces
023056KP	7	25" W Front Braces
023057KP	7	31" W Front Braces
023058KP	7	37" W Front Braces
023059KP	7	43" W Front Braces
024056KP	6	Drawer Cabinet 22" H x 18.5" W x 18" D 4-drawer
024063KP	7	28" H x 16" D Solid End Uprights
024075KP	22	Cargo Mat GM Express/Savana 135" WB
024145KP	22	Rear Crossview Mirror GM Express/Savana
024223KP	17	Strobe Light Base, Short
024224KP	17	Strobe Light Base, Tall
024304KP	5	24" H x 12" W x 4" D Wire Spool Carrier
024514KP	6	Storage Cabinet 24" H x 18.5" W x 16" D
024515KP	6	Drawer Cabinet 22" H x 18.5" W x 16" D 4-drawer
025070KP	6	Drawer Cabinet 12" H x 18.5" W x 16" D 2-drawer
025072KP	7	25" W x 16" D Tilt Shelves
025085KP	17	Strobe Light
025153KP	7	19" W x 16" D Steel Shelf
025162KP	21	Vise Mount
025254KP	5	46" H x 13" W x 12" D Tank Rack 4-30# Tanks
025295KP	5	30# Single Freon Tank Ring
025296KP	5	50# Single Freon Tank Ring
025313KP	7	37" W x 12" D Heavy Duty Steel Shelf
025314KP	7	43" W x 12" D Heavy Duty Steel Shelf
025315KP	7	37" W x 16" D Heavy Duty Steel Shelf
025316KP	7	43" W x 16" D Heavy Duty Steel Shelf
025319KP	7	37" W x 22" D Heavy Duty Steel Shelf
025326KP	7	43" W x 22" D Heavy Duty Steel Shelf
025327KP	20	Floor Drawer 20" W x 12" H x 48" D
025335KP	7	22" D Side Braces
025336KP	7	72" H Heavy Duty Stick Uprights
025344KP	20	Floor Drawer 12" W x 12" H x 48" D
025366KP	7	46" H Heavy Duty Stick Uprights
025367KP	7	46" H x 12" D Solid End Uprights
025522KP	20	Manual Rack 36" H x 6" W x 12" D
025527KP	5	Triple Hook Assembly
025536KP	15	Head Impact Pad
025544KP	5	28" H x 13" W x 12" D Tank Rack 2-30# Tanks
025545KP	5	36" H x 13" W x 12" D Tank Rack 3-30# Tanks
025571KP	7	51" W x 16" D Heavy Duty Steel Shelf
025572KP	7	51" W x 12" D Heavy Duty Steel Shelf
025573KP	17	Slide-Down Ldr Rack Upgde-Transit LR 130"WB
025573KP	17	Slide-Down Ldr Rack Upgde GM Express/Savana
025633KP	18	Crossbow Tie Down Kit
025680KP	7	51" W Front Braces
025803KP	22	Cargo Mat GM Express/Savana 155" WB

PART #	PG	DESCRIPTION
025815KP	7	37" W x 16" D Parts Tray Shelves
025841KP	6	Storage Cabinet 46" H x 18.5" W x 12" D
025842KP	7	51" W x 12" D Parts Tray Shelves
025858KP	7	43" W x 16" D Parts Tray Shelves
025859KP	7	51" W x 16" D Parts Tray Shelves
025877KP	7	31" W x 16" D Parts Tray Shelves
025948KP	7	31" W x 16" D Solid End Uprights
026058KP	20	Floor Drawer 30" W x 10" H x 50" D
026147KP	20	Floor Drawer 40" W x 10" H x 50" D
026188KP	6	Storage Cabinet 24" H x 18.5" W x 16" D
026199KP	17	Single Slide-Down Ladder Rack-Express/Savana
026383KP	15	Fire Extinguisher 5 lb.
026438KP	7	60" H x 12" D Solid End Uprights
026439KP	7	60" H x 16" D Solid End Uprights
026440KP	7	60" H Heavy Duty Stick Uprights
026486KP	7	25" W x 16" D Parts Tray Shelves
026741KP	21	Single Tank Holder
026892KP	20	Work Order File 27" H x 12" W x 5" D
027083KP	14	Steel Partition PL-PM-PR
027084KP	14	Steel Partition SL-PM-PR
027086KP	14	Steel Partition SL-SM-SR
027087KP	14	Steel Partition PL-HM-PR
027088KP	14	Steel Partition SL-HM-PR
027165KP	7	37" W x 8" D Tool Drop Tray
027167KP	7	46" H x 12" D Standard Tapered Uprights
027176KP	5	37" W x 36" H Shelf Back
027259KP	6	Drawer Cabinet 12" H x 18.5" W x 12" D 3-drawer
027343KP	14	Polycarbonate Cover Panels Center, Right
027345KP	14	Polycarbonate Cover Panels L, C, R
027478KP	7	25" W x 12" D Parts Tray Shelves
027483KP	7	51" W x 22" D Heavy Duty Steel Shelf
027484KP	5	25" W x 36" H Shelf Back
027485KP	5	31" W x 36" H Shelf Back
027486KP	5	43" W x 36" H Shelf Back
027487KP	5	51" W x 36" H Shelf Back
027495KP	5	25" W x 12" H Storage Door
027496KP	5	31" W x 12" H Storage Door
027497KP	5	37" W x 12" H Storage Door
027498KP	5	43" W x 12" H Storage Door
027499KP	5	51" W x 12" H Storage Door
027500KP	5	19" W x 12" H Storage Door
027502KP	5	3" diameter Small J-hooks
027503KP	5	5" diameter Large J-hooks
027504KP	21	Hard Hat Holder
027512KP	15	Triangle Reflector Kit Holder
027546KP	4	Steel Shelving Module 46" H x 43" W x 12" D
027547KP	7	16" dividers for Parts Tray Shelves
027574KP	4	Steel Shelving Module 60" H x 51" W x 16" D
027588KP	5	36" H x 16" W x 16" D Tank Rack 2-50# Tanks
027592KP	21	Side Sliding Window Screen Express/Savana
027593KP	21	Side Hinged Window Screen Express/Savana
027594KP	21	Rear Window Screen GM Express/Savana
027643KP	14	Polycarbonate Cover Panels L, C, R
027644KP	14	Polycarbonate Cover Panels Center, Right
027651KP	7	Universal Attachment Brace
027652KP	7	Heavy Duty T-Bracket
027792KP	7	43" W x 8" D Tool Drop Tray
027807KP	14	Req'd Savana/Express Attachment Panels

PART #	PG	DESCRIPTION
027866KP	22	Rear Crossview Mirror Mercedes Sprinter
027966KP	17	Dbl Slide-Down Ldr Rack-Express/Savana
028527KP	18	6" Std. Ladder Crossbar Assembly
028583KP	15	Composite Partition Express/Savana
029750KP	7	51" W x 12" D Tilt Shelves
029811KP	7	51" W x 16" D Tilt Shelves
02A061KP	17	Slide-Down Ldr Rack Upgde- Ford TC 121"WB
02A355KP	7	60" H x 16" D Standard Tapered Uprights
02A365KP	14	Steel Partition PL-PM-PR
02A366KP	14	Steel Partition SL-PM-PR
02A367KP	14	Steel Partition PL-HM-PR
02A368KP	14	Steel Partition SL-HM-PR
02A375KP	14	Req'd High Roof Sprinter Attachment Panels
02A383KP	4	Steel Shelf Module 60" H x 43" W x 16" D
02A428KP	22	Cargo Mat Mercedes Sprinter 144"WB
02B022KP	7	31" W x 16" D Tilt Shelves
02B127KP	21	Side Sliding Window Screen Sprinter
02B128KP	21	Rear Window Screen Mercedes Sprinter
02B610KP	7	37" W x 22" D Tilt Shelves
02B611KP	7	43" W x 22" D Tilt Shelves
02B760KP	22	Cargo Mat Sprinter 170"WB
02B762KP	7	46" x 16" D Space-Saving Tapered Uprights
02B885KP	7	46" x 12" D Space-Saving Tapered Uprights
02B893KP	7	Dividers (Set/5) for Divided Tool Drop Tray
02B894KP	7	37" W x 8" D Divided Tool Drop Tray
02B959KP	14	Polycarbonate Cover Panels Left, Right
02C351KP	16	Rear Mirror-any Ergorack® 22"
02C352KP	16	Rear Mirror-any ErgoRack® w/SS rotation
02D188KP	7	46" x 16" Over-wheelwell Taper Uprights
02D472KP	22	Slick Locks Express/Savana Hinged Doors
02D474KP	22	Spinner 360°
02D476KP	22	Puck Locks (Set/2)
02D641KP	6	Composite Dwr 7" Hx18.5" Wx12" D 6-drawer
02D687KP	22	Puck Locks (Set/3)
02E316KP	14	Req'd Standard Roof NV Attachment Panels
02E327KP	22	Cargo Mat Nissan NV 240.6"WB
02E382KP	14	Steel Partition PL-HM-PR
02E386KP	14	Steel Partition SL-HM-PR
02E387KP	21	Rear Window Screen Nissan NV
02E388KP	21	Side Sliding Window Screen Nissan NV
02E892KP	16	ErgoRack® Double Rotation - GM Express/Savana
02F071KP	16	ErgoRack® Single Rotation - GM Express/Savana
02F166KP	16	ErgoRack® Double Rotation - Sprinter
02F169KP	16	ErgoRack® Double Rotation - Nissan NV (H. Roof)
02F170KP	16	ErgoRack® Double Rotation - Nissan NV (S. Roof)
02F177KP	16	ErgoRack® Single Rotation - Sprinter
02F178KP	16	ErgoRack® Single Rotation - RAM PrMstr 118"WB
02F180KP	16	ErgoRack® Single Rotation - NV (high roof)
02F181KP	16	ErgoRack® Single Rotation - NV (standard roof)
02F447KP	16	ErgoRack® Combo - GM Express/Savana
02F502KP	16	Conduit Tube 5" x 5" x 10'
02F589KP	15	Wire Partition Nissan NV200 / Chevy City Exp
02F590KP	14	Steel Partition PL-PR
02F591KP	14	Polycarbonate Cover Panels L, R
02F592KP	18	Single Locking Ladder Rack - NV200 / City Express

PART #	PG	DESCRIPTION
02F593KP	17	Single Slide-Down Lddr Rack - NV200 / City Express
02F594KP	18	Utility Carrier Lddr Rack - NV200 / City Express
02F595KP	18	Single Lckg Lddr Rack-Ext Lddrs - NV200/ Cty Exprs
02F596KP	17	Dbj Slide-Down Lddr Rack- NV200 / City Express
02F598KP	21	Rear Window Screen NV200 / City Express
02F601KP	7	Floor Attachment Kit City Express / NV200
02F601KP	10	Floor Attachment Kit City Express / NV200
02F823KP	15	Wire Partition Ford Transit Connect
02F824KP	14	Steel Partition PL-PR
02F830KP	21	Rear Window Screen Lifgate Ford TC
02G040KP	22	Cargo Mat Ford Transit Connect 121"WB
02G041KP	22	Cargo Mat Ford Transit Connect 106"WB
02G048KP	21	Side Slide Wndw Scrn Transit Connect 121"WB
02G051KP	21	Rear Window Screen Ford Transit Connect
02G055KP	21	Side Slide Wndw Scrn Transit Connect 106"WB
02G056KP	7	Floor Attachment Kit ProMaster City
02G056KP	10	Transit Connect Attachment Kits
02G057KP	18	Single Lckg Lddr Rack-Ext Ladders-TC 121"WB
02G058KP	19	Utility Carrier Ford Transit Connect
02G059KP	17	Single Slide-Down Ladder Rack-TC 121"WB
02G060KP	17	Dbj Slide-Down Ladder Rack-TC 121"WB
02G099KP	17	Slide-Down Ldr Rack Upgde- NV100/City Express
02G119KP	16	Conduit Tube 5" x 5" x 8.5'
02G120KP	16	Conduit Tube 5" x 5" x 12.5'
02G121KP	16	Strb Lt Mtg Brkts-any Ergorack® w/ Conduit Tbs
02G136KP	12	Aluminum Folding Shelving Standard Package
02G137KP	12	Aluminum Folding Shelving Long Package
02G144KP	21	Rear Window Screen - Transit High Roof
02G145KP	21	Side Sliding Window Screen Transit High Roof
02G148KP	16	Ergorack® Single Rotation-Transit 148"HR
02G149KP	16	Ergorack® Double Rotation-Transit 148"HR
02G150KP	16	Ergorack® Single Rotation-Transit 130"LR
02G164KP	16	Strobe Light Mounting Brkts-any Ergorack®
02G469KP	22	Cargo Mat Ram ProMaster 118"WB
02G470KP	22	Cargo Mat Ram ProMaster 136"WB
02G471KP	22	Cargo Mat Ram ProMaster 159"WB
02G472KP	22	Cargo Mat Ram ProMaster 159"EWB
02G477KP	21	Rear Window Screen Ram ProMaster
02G479KP	21	Side Sliding Window Screen Ram ProMaster
02G480KP	16	Ergorack® Double Rotation-ProMaster 136"HR
02G481KP	16	Ergorack® Single Rotation-ProMaster 136"HR
02G482KP	16	Ergorack® Double Rotation-ProMaster 118"LR
02G484KP	16	Ergorack® Double Rotation-Transit 130"LR
02G485KP	14	Polycarbonate Cover Panels Center, Right
02G488KP	21	Rear Window Screen Ford Transit Low Roof
02G489KP	21	Side Sliding Window Scrn Transit Low Roof
02G622KP	16	Ergorack® Single Rotation-ProMaster 136"LR
02G623KP	16	Ergorack® Single Rotation-ProMaster 159"HR
02G624KP	16	Ergorack® Single Rotation-ProMaster 159"EXT HR
02G625KP	16	Ergorack® Double Rotation-ProMaster 136"LR
02G626KP	16	Ergorack® Double Rotation-ProMaster 159"HR

PART #	PG	DESCRIPTION
02G627KP	16	Ergorack® Double Rotation-ProMaster 159"EXT HR
02G689KP	16	Ergorack® Single Rotation-Transit 148"MR
02G690KP	16	Ergorack® Double Rotation-Transit 148"MR
02G731KP	14	Req'd ProMaster Attachment Panels
02G741KP	16	Ergorack® Single Rotation-Transit 148"LR
02G742KP	16	Ergorack® Double Rotation-Transit 148"LR
02G744KP	16	Ergorack® Single Rotation-Transit 130"MR
02G745KP	16	Ergorack® Double Rotation-Transit 130"MR
02G872KP	22	Rear Crossview Mirror Ford Transit Connect
02H235KP	23	Wall Liner Transit Connect
02H237KP	15	Composite Partition Transit Connect
02H238KP	22	Slick Locks Ford Transit Connect
02H279KP	12	Aluminum Folding Module 94"W x 20" D SS
02H280KP	12	Aluminum Folding Module 5 0"W x 20" D CS
02H281KP	12	Aluminum Folding Module 94"W x 20" D SS
02H282KP	12	Aluminum Folding Module 75"W x 20" D CS
02H285KP	18	Single Lckg Lddr Rack-Ext Ladders-TC 106"WB
02H286KP	17	Single Slide-Down Ladder Rack-TC 106"WB
02H287KP	17	Dbj Slide-Down Ladder Rack-TC 106"WB
02H289KP	18	Dbj Lckg Lddr Rack-Ext Ladders-TC 106"WB
02H351KP	16	Ergorack® Combo-TC 121"WB
02H358KP	16	Ergorack® Single Rotation-TC 106"WB
02H359KP	16	Ergorack® Single Rotation-TC 121"WB
02H360KP	16	Ergorack® Combo-TC 106"WB
02H361KP	16	Ergorack® Double Rotation-TC 106"WB
02H362KP	16	Ergorack® Double Rotation-TC 121"WB
02H369KP	14	Req'd Low Roof Transit Attachment Panels
02H370KP	14	Req'd Medium Roof Transit Attachment Panels
02H371KP	14	Req'd High Roof Transit Attachment Panels
02H376KP	22	Cargo Mat Ford Transit 130"WB
02H377KP	22	Cargo Mat Ford Transit 148"WB
02H378KP	22	Cargo Mat Ford Transit 148"WB EXT.
02H441KP	22	Slick Locks Mercedes Sprinter
02H442KP	22	Slick Locks RAM ProMaster
02H494KP	23	Wall Liner ProMaster 159"WB HR Single Door
02H495KP	23	Wall Liner ProMaster 159"WB HR Dual Door
02H704KP	22	Slick Locks / GM Express Sliding Door
02H744KP	17	Slide-Down Ldr Rack Upgde- Ford TC 106"WB
02H819KP	21	Side Sliding Window Screen Transit Low Roof
02H891KP	22	Rear Crossview Mirror Ford Transit
02J024KP	17	Single Slide-Down Ladder Rack-Transit LR 130"WB
02J025KP	17	Dbj Slide-Down Ladder Rack-Transit LR 130"WB
02J056KP	19	Utility Carrier Ford Transit Low Roof
02J058KP	18	Single Lckg Lddr Rack-Ext Lddrs-Transit LR 130"
02J066KP	8	8'-10" Van Body SmartSpace® Installation kit
02J087KP	21	Side Sliding Window Screen NV200 / City Exprs
02J111KP	15	Composite Partition NV200 / City Express
02J166KP	16	Ergorack® Dbl Rotation - NV200 / City Express
02J168KP	23	Wall Liner ProMaster 136"WB HR Dual Door
02J169KP	23	Wall Liner ProMaster 136"WB HR Single Door
02J170KP	23	Wall Liner Express/Savana 135"WB

PART #	PG	DESCRIPTION
02J171KP	23	Wall Liner NV High Roof
02J176KP	14	Steel Partition SL-SM-SR
02J177KP	14	Steel Partition SL-PM-PR
02J178KP	14	Steel Partition PL-PM-PR
02J180KP	14	Steel Partition SL-HM-PR
02J181KP	14	Steel Partition PL-HM-PR
02J192KP	20	Cab Organizer Stand
02J264KP	23	Wall Liner NV200 / City Express
02J327KP	16	Ergorack® Combo - Transit Low Roof 130"WB
02J359KP	22	Slick Locks Ford Transit Side Slide Rear Door
02J360KP	22	Slick Locks Ford Transit Hinged Rear Door
02J361KP	22	Slick Locks Ford Transit Sliding Rear Door
02J640KP	4	Steel Shelving Module 44" H x 37" W x 12" D
02J643KP	15	Wire Partition Ram ProMaster City
02J644KP	14	Steel Partition PL-PR
02J645KP	18	Single Lckg Lddr Rack-Ext Lddrs-ProMaster City
02J646KP	18	Dbj Lckg Lddr Rack-Ext Lddrs-ProMaster City
02J647KP	17	Single Slide-Down Ladder Rack-ProMaster City
02J648KP	17	Dbj Slide-Down Ladder Rack-ProMaster City
02J649KP	19	Utility Carrier Ram ProMaster City
02J650KP	21	Side Sliding Window Screen ProMaster City
02J651KP	21	Rear Window Screen Ram ProMaster City
02J652KP	22	Cargo Mat Ram ProMaster City 122"WB
02J704KP	11	Small Toolbox 14" H x 17.5" W x 2.5" D
02J705KP	11	Large Toolbox 14" H x 17.5" W x 4" D
02J724KP	10	RAM ProMaster City Floor Attachment Kits
02K103KP	16	Ergorack® Combo - Transit Low Roof 148"WB
02K111KP	16	Ergorack® Single Rotation - NV200 / City Express
02K112KP	16	Ergorack® Combo - NV200 / City Express
02K122KP	15	Composite Partition Transit Medium Roof
02K123KP	15	Composite Partition ProMaster LR/HR
02K124KP	23	Wall Liner ProMaster 136"WB LR Dual Door
02K125KP	23	Wall Liner Transit 148"WB MR Single Door
02K126KP	13	Nissan NV Mounting Kit
02K127KP	13	NV200 / City Express Mounting Kit
02K132KP	13	Ford Transit Mounting Kit
02K133KP	13	Ford Transit Connect Mounting Kit
02K134KP	13	Chevrolet G-Series Van Mounting Kit
02K138KP	13	Ram ProMaster Mounting Kit
02K139KP	13	Ram ProMaster City Mounting Kit
02K140KP	13	Mercedes Sprinter Mounting Kit
02K141KP	13	NotePad V - Universal Laptop Cradle
02K142KP	13	NotePad V - LT Universal Tablet Cradle
02K426KP	22	Slick Locks Nissan NV
02K427KP	22	Slick Locks Nissan NV200 / City Express
02K643KP	4	Compact Steel Base Package
02K644KP	4	Standard Steel Base Package
02K645KP	4	Tall Steel Base Package
02K646KP	4	Van Body Steel Base Package
0AH005KP	11	Freon Tank Rack 58" H 4x30 lbs
0AH101KP	10	Tall Aluminum Base Package
0AH243KP	10	Alum Shelf Module 58" H x 43" W x 16" D
0AL021KP	11	Freon Tank Rack 44" H x 3 x 30 lbs
0AL022KP	11	37" W Locking Door
0AL023KP	11	43" W Locking Door
0AL026KP	11	Toolbox Cradle 3" D

PART #	PG	DESCRIPTION
0AL027KP	11	Toolbox Cradle 4.5" D
0AL028KP	11	Aluminum Drawer Unit 16" x 37"
0AL029KP	11	Aluminum Drawer Unit 16" x 43"
0AL100KP	10	Standard Aluminum Base Package
0AL102KP	10	Compact Aluminum Base Package
0AL137KP	10	Alum Shelf Module 44" H x 37" W x 12" D
0AL143KP	10	Alum Shelf Module 44" H x 43" W x 12" D
0AL243KP	9	Alum Shelf Module 44" H x 43" W x 16" D
0SS051LKP	9	Rotation Brackets - Curbside
0SS051RKP	9	Rotation Brackets - Streetside
0SS104KP	9	Cubby Module 44" H x 14" W x 12" D
0SS105KP	9	Cubby Module 66" H x 14" W x 12" D
0SS106KP	9	Lg Drawer w/ Dividers 12" W x 6" H x 12" D
0SS107KP	9	Sm Drawer w/ Dividers 12" W x 3" H x 12" D
0SS108KP	9	Composite Bin w/ Dividers 10" W x 3" H x 6" D
0SS109KP	9	Shelf Dividers 12" D - Set/4
0SS110KP	9	Shelf Dividers 16" D - Set/4
0SS111KP	9	Shelf Kit w/ Shelf Back 37" W x 12" D
0SS112KP	9	Shelf Kit w/ Shelf Back 37" W x 16" D
0SS113KP	9	Shelf Kit 12" W x 12" D
0SS114KP	9	Locking Storage Door 37" W x 12" H
0SS115KP	9	Steel 30# Freon Tank Shelf Kit
0SS116KP	9	Steel Manual Rack
0SS117KP	9	Steel Wire Spool Rack
0SS118KP	9	Storage Bucket & Holder
0SS119KP	9	Steel Triple Utility Hook
0SS123KP	8	Ford Transit Connect Installation Kit
0SS125KP	8	Ford Transit Low Roof 130"WB Install Kit
0SS126KP	8	Ford Transit Low Roof 148"WB Install Kit
0SS127KP	8	Transit 130"WB Medium Roof Install Kit
0SS128KP	8	Transit 148"WB Medium Roof Install Kit
0SS129KP	8	Ford Transit High Roof 148"WB Install Kit
0SS131KP	8	GM Express/Savana 135"WB InstallKit
0SS132KP	8	GM Express/Savana 155"WB Install Kit
0SS134KP	8	ProMaster 118"WB Low Roof Install Kit
0SS135KP	8	ProMaster 136"WB Low Roof Install Kit
0SS136KP	8	ProMaster 136"WB High Roof Install Kit
0SS137KP	8	ProMaster 159"WB High Roof Install Kit
0SS138KP	8	ProMaster 159"ELWB High Roof Install Kit
0SS139KP	8	NV200 / City Express Installation Kit
0SS140KP	8	Nissan NV Standard Roof Installation Kit
0SS141KP	8	NV High Roof Installation Kit
0SS142KP	8	Sprinter Installation Kit
0SS150KP	8	SmartSpace® Shelving Module 44" H x 74" W x 12" D
0SS151KP	8	SmartSpace® Shelving Module 66" H x 37" W x 16" D
0SS152KP	8	SmartSpace® Shelving Module 66" H x 74" W x 16" D
0SS155KP	8	SmartSpace® Shelving Module 44" H x 37" W x 12" D
0SS182KP	8	RAM ProMaster City Installation Kit
0SS188KP	8	SmartSpace® Shelving Module 4 4" H x 37" W x 12" D
0SS189KP	8	SmartSpace® Shelving Module 66" H x 37" W x 16" D
0SS191KP	8	Compact SmartSpace® Base Package
0SS192KP	8	Standard SmartSpace® Base Package
0SS193KP	8	Tall SmartSpace® Base Package
0SS194KP	8	Van Body SmartSpace® Base Package
RM66010A	7	White Auto Grade Aerosol Texture Paint
RM660135A	7	Black Auto Grade Aerosol Texture Paint
RM660151A	7	Gray AutoGrade Aerosol Texture Paint



Learn more about commercial van equipment we have.