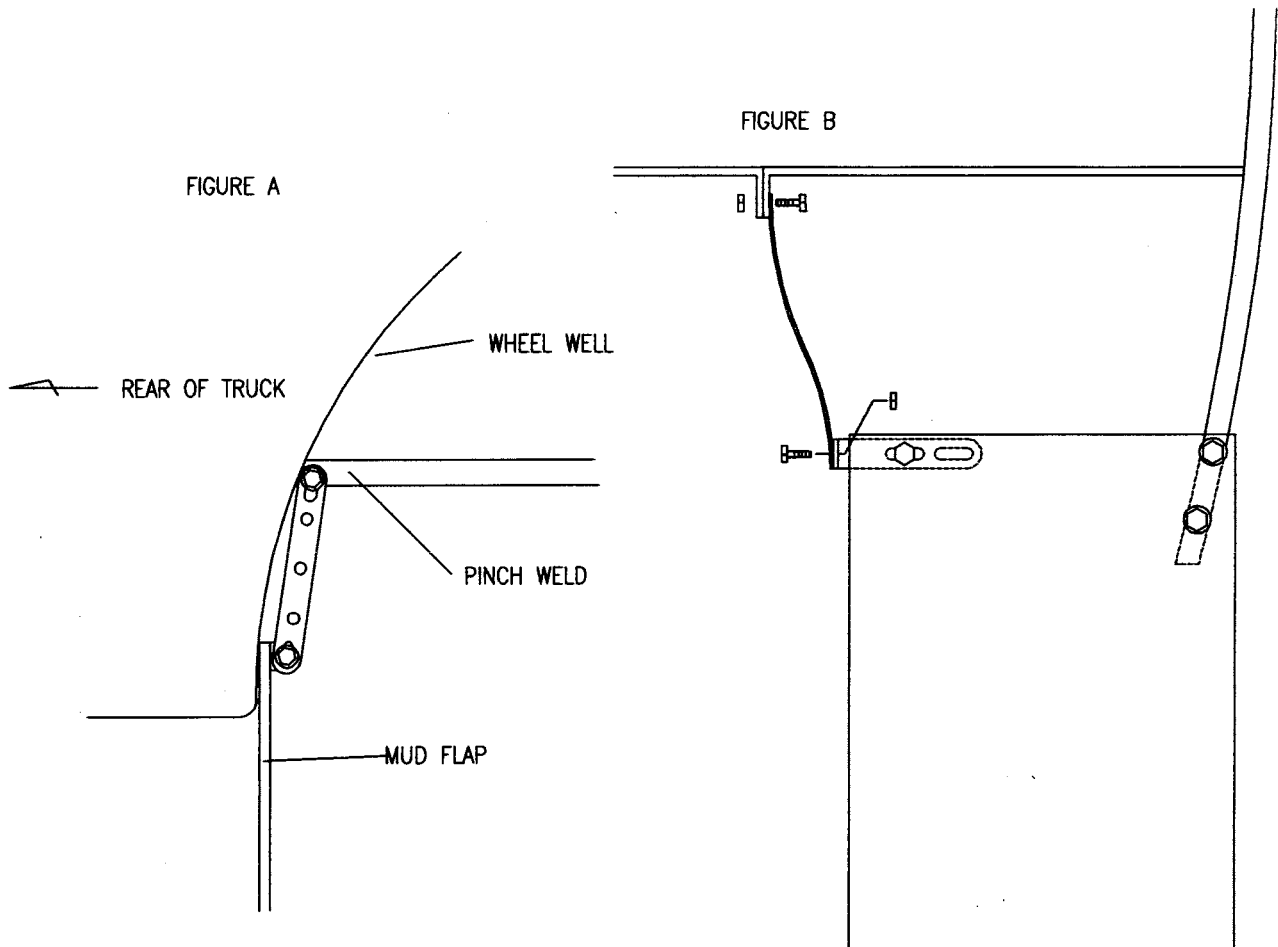




## MUD FLAP INSTALLATION INSTRUCTION

1. Attach "L" bracket to mud flap using 5/16" fasteners. Position the mud flap at desired height and clamp mud flap to wheel well. Drill hole in pinch weld above "L" bracket see figure A. Bolt strap to pinch weld and fasten with 5/16" fasteners. Bend strap for spring clearance and to reach the "L" bracket. If holes do not line up adjust mud flap or drill additional holes in strap.
2. To attached mud flap to wheel well drill two 1/8" holes through mud flap and wheel well. If you drill through metal strip of mud flap you may need to drill a 1/4" hole in metal layer only for screw clearance.



**DEFLECTA-SHIELD**  
ALUMINUM PRODUCTS