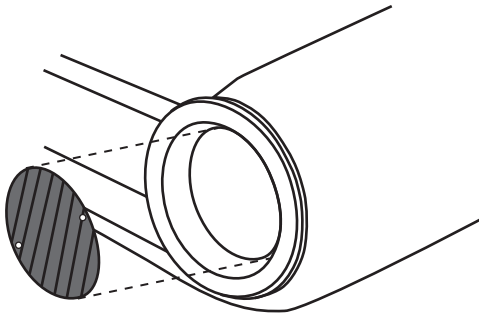


# UNIVERSAL L.E.D. TAIL LIGHT KIT

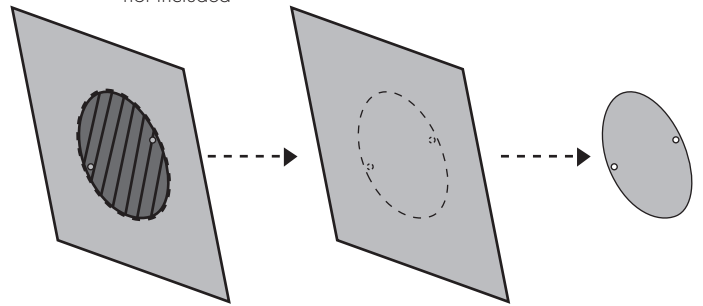
**KICLEDUNV1: 2 lights**  
**KICLEDUNV2: 4 lights**

1. Remove the tail light lens.

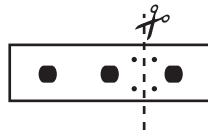


2. Using pattern board\*, create a template of the lens opening and transfer the template to a sheet of plastic\* or metal.\* This will become the L.E.D. mounting board.

\*not included

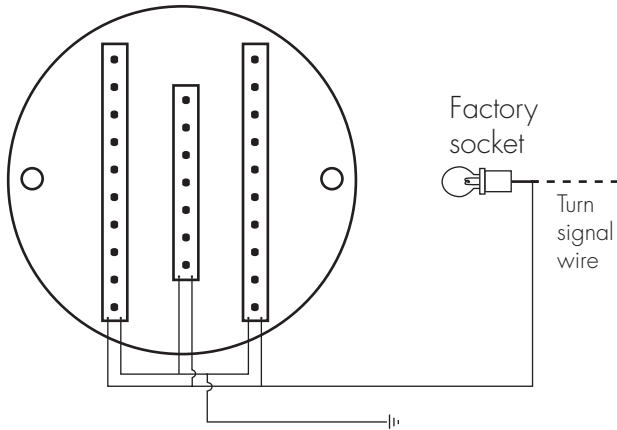


3. Cut L.E.D. tape to fit and apply to the insert. **NOTE: USE AS MANY PIECES OF L.E.D. TAPE AS DESIRED.**

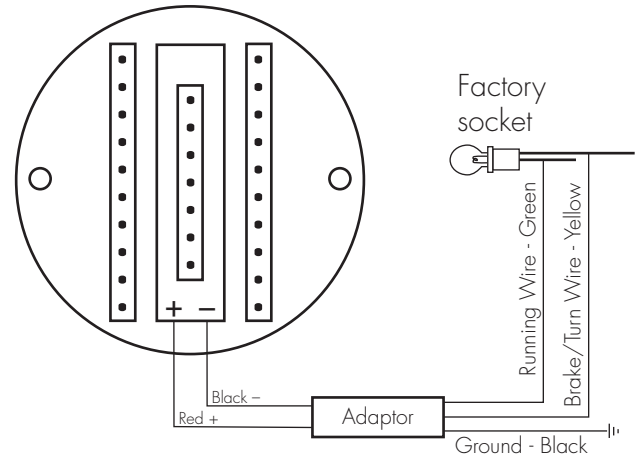


4. Wire the L.E.D. tape.

## OPTION 1: TURN SIGNAL ONLY WIRING



## OPTION 2: TURN SIGNAL & BRAKE LIGHT WIRING



5. Re-install and test the tail light assembly.

