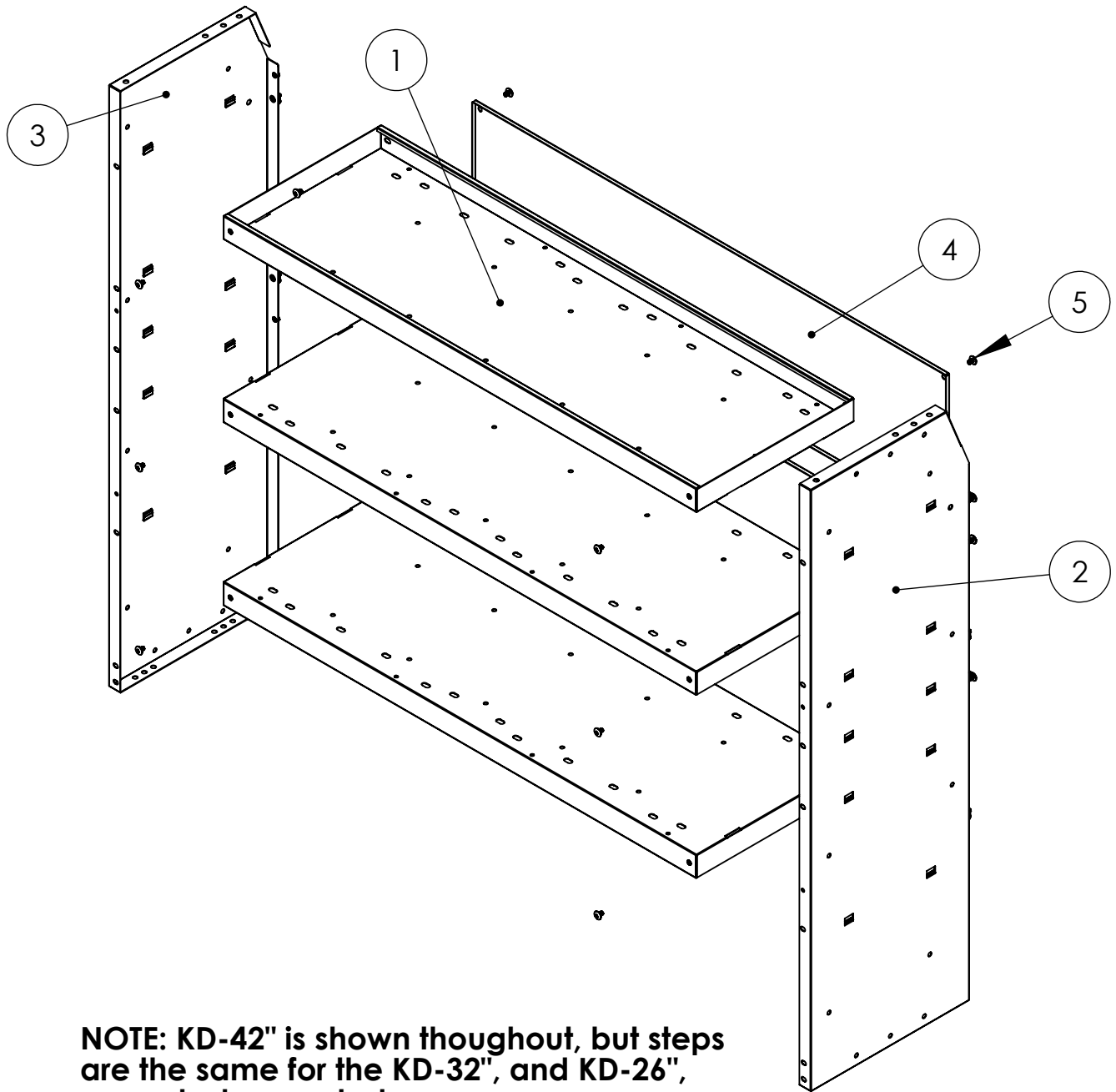


KARGO MASTER KD SHELF ASSEMBLY

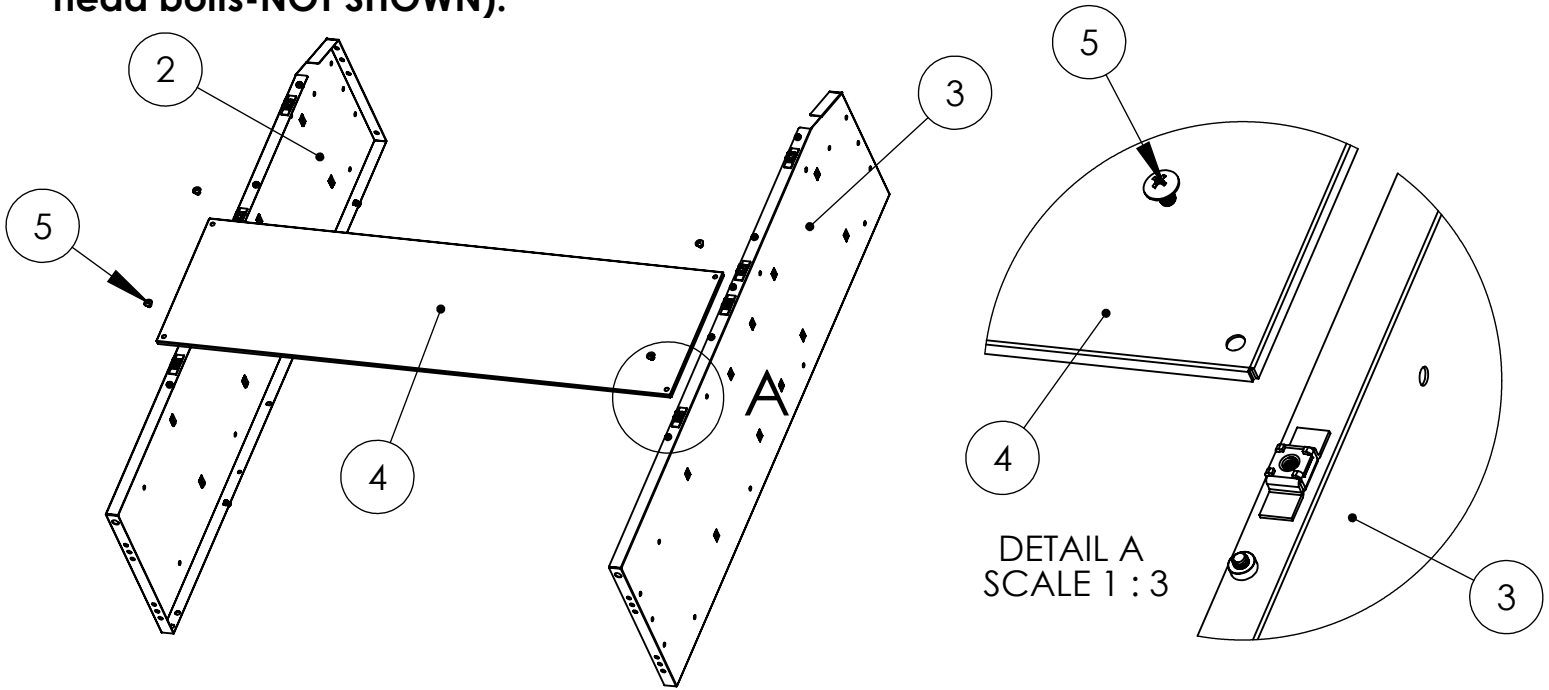


NOTE: KD-42" is shown throughout, but steps are the same for the KD-32", and KD-26", except where noted.

| ITEM | PART NUMBER | DESCRIPTION | QTY. |
|------|-------------------------|------------------------|------|
| 1 | KD-42 SHELF | 42" Shelf | 3 |
| 2 | KD-Right Side | Right Side Panel | 1 |
| 3 | KD-Left Side | Left Side Panel | 1 |
| 4 | KD-42 Back Panel | Back Panel | 2 |
| 5 | .25-20x.375 Button Head | 1/4-20x3/8 Button Head | 20 |

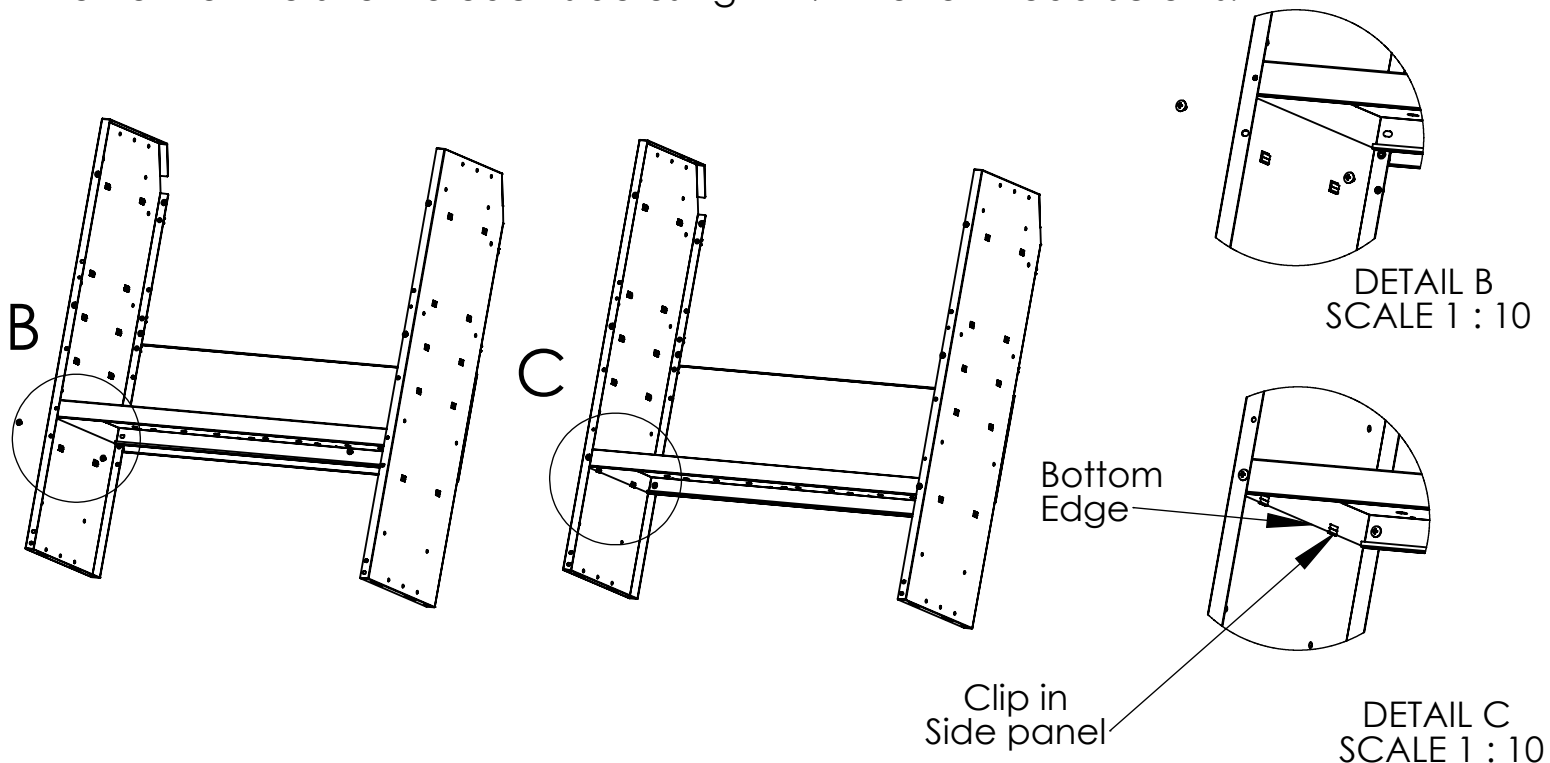
Step 1

Attach Item 4(KD Back Panel) to Items 2&3(KD Side Panels) the lower position using Item 5(1/4" Button Head Screws) loosely as shown(**26" Shelf uses hex head bolts-NOT SHOWN**).



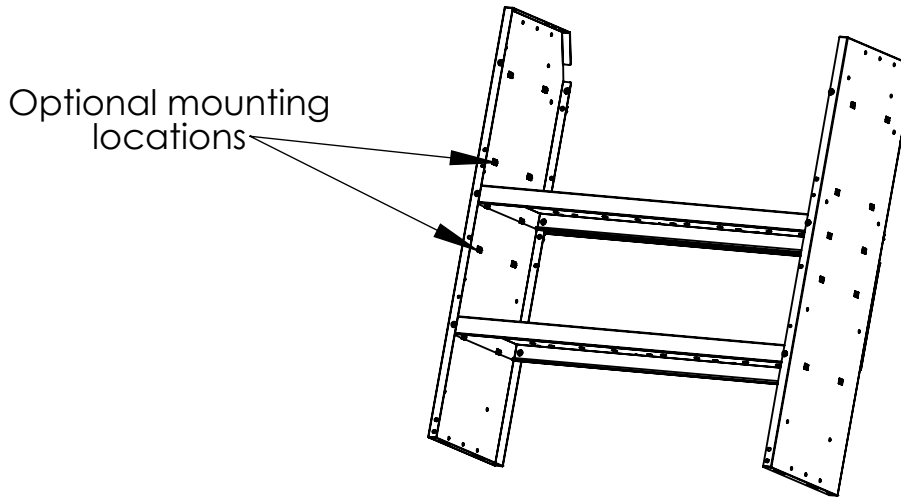
Step 2

Shelves can be assembled with flanges pointing up to retain shelf contents, or flanges pointing down to allow the installation of drawer cabinets. Decide which option you want for each shelf before attaching it to the sides. The beveled corner of each Shelf Side is in the back. Each Shelf, Item 1, front side only has nuts pressed into the Shelf flange. Make sure the shelf is oriented properly (nuts in front) before attaching. Press the shelf down firmly so that it is resting solidly and level on the lances in the shelf sides (Detail B and C). Attach the front of the Shelf to each side using 2 x 1/4" Button Head Screws.



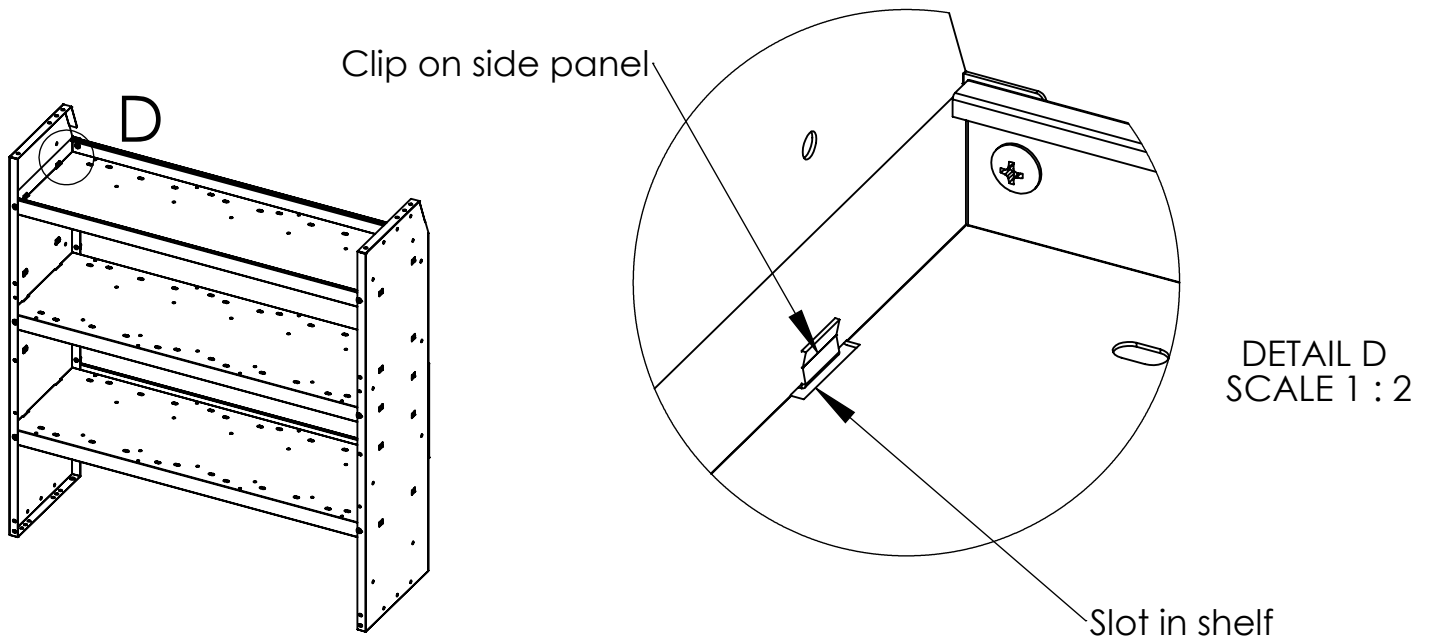
Step 3

Repeat step 2 for middle Shelf as shown. **NOTE: There are 3 mounting locations for the middle Shelf, an optional 4th Shelf is available.**



Step 4

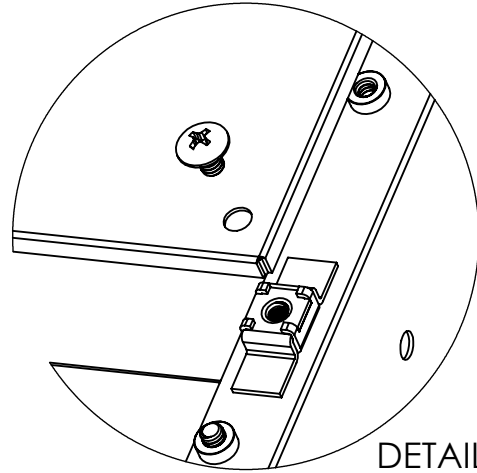
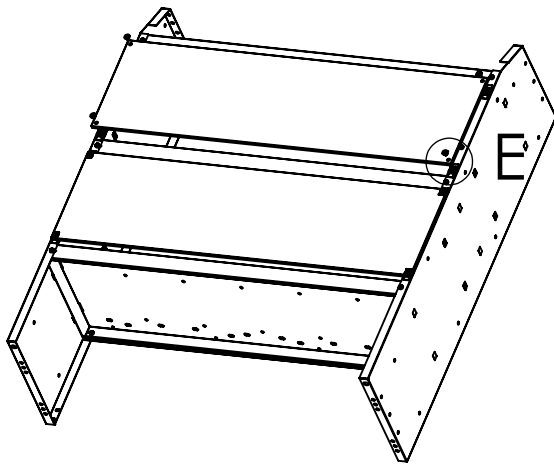
Repeat step 2 for top Shelf as shown. This Shelf is shown with the flanges up, since this is the most common configuration for this Shelf. Be sure that the clips in the side panels go into the slot on the Shelf as shown in Detail "D".



Step 5

Now attach the upper Back Panel, Item 4. You can now tighten all the screws and are ready to install the shelf.

NOTE: In most cases, the 26" shelf unit will be installed in the door opening of a Transit Connect. If you want access to the contents of the shelves from both sides, we recommend that you use the back panels to provide sheer strength during installation, and then remove the backs after installation is complete.



DETAIL E
SCALE 1 : 2

