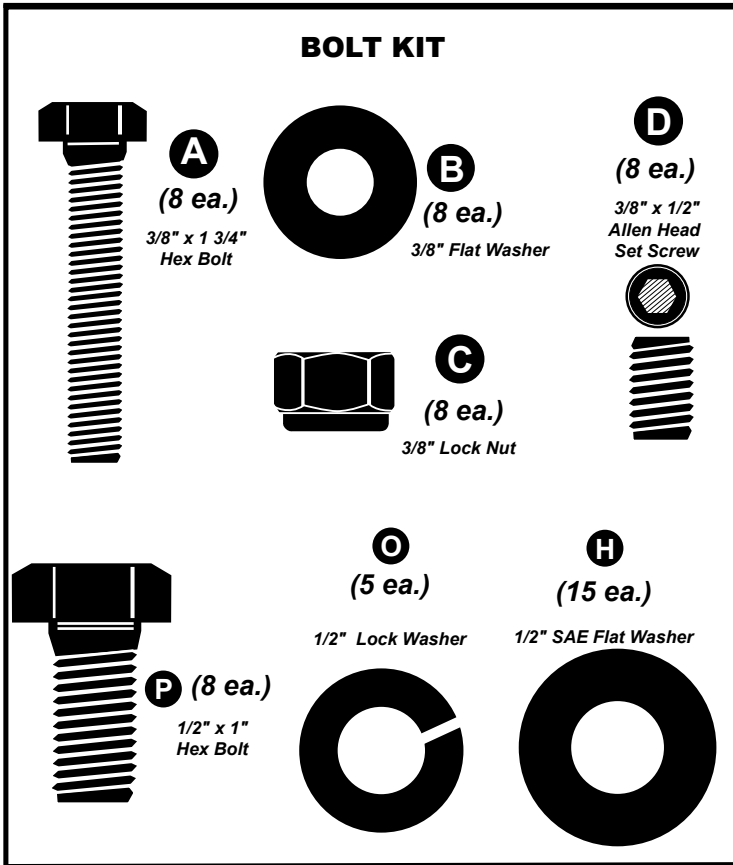


BOLT KIT



A (8 ea.)
3/8" x 1 3/4" Hex Bolt

B (8 ea.)
3/8" Flat Washer

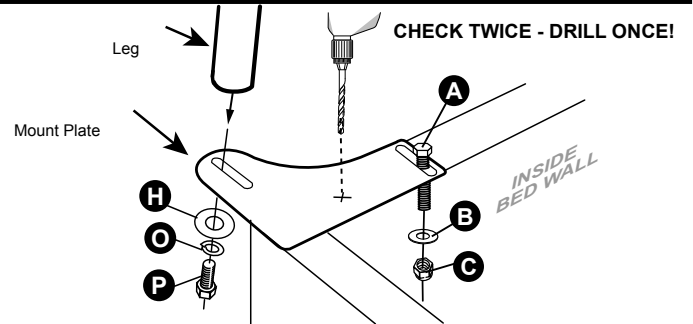
C (8 ea.)
3/8" Lock Nut

D (8 ea.)
3/8" x 1/2" Allen Head Set Screw

O (5 ea.)
1/2" Lock Washer

H (15 ea.)
1/2" SAE Flat Washer

P (8 ea.)
1/2" x 1" Hex Bolt

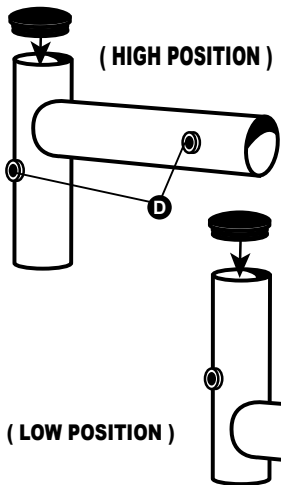
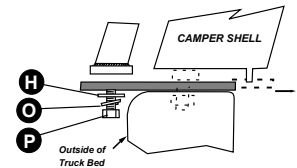


STEP 1- Be sure **FRONT MOUNTING PLATES** are as far forward towards the cab as possible. Find the pre-drilled hole in the footplate that is furthest from the leg and drill 3/8" hole through truck's bed rail. You must drill a second bolt hole through both the footplate and the truck's bed rail. Locate this second hole as close as possible to the front leg, but making sure you can access the end of the bolt underneath the truck's bed rail as necessary to put on the washer and nut. Attach the footplate to the truck using bolts **A**, washers **B** and nuts **C**.

NOTE: If it is not possible to locate a second hole close to the front leg because of the stake pocket, use our stake pocket T bolt mount kit (#31560) purchased separately.

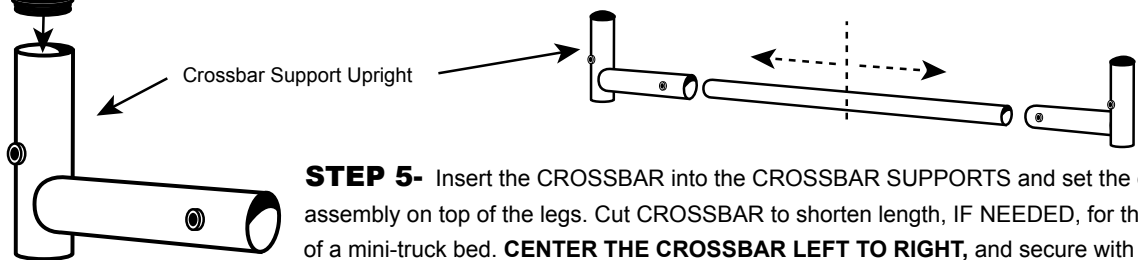
DO NOT OVER TIGHTEN ON DOUBLE WALL BED CONSTRUCTION, AS THIS MAY DEFORM THE SHEET METAL OF THE PICKUP BED!

STEP 2- Replace camper shell with appropriate weather stripping. Attach legs loosely to mounting plates with bolts **P**, lock washers **O**, and flat washers **H**.



STEP 3- Your rack can be set high or low by flipping the **CROSSBAR SUPPORT**, (as shown) Determine which is best for your vehicle and your cargo. For bowed canoes, we recommend the high position.

STEP 4- Plug the **TOP** of the **CROSSBAR SUPPORT UPRIGHT** with caps provided.



STEP 5- Insert the **CROSSBAR** into the **CROSSBAR SUPPORTS** and set the entire assembly on top of the legs. Cut **CROSSBAR** to shorten length, IF NEEDED, for the width of a mini-truck bed. **CENTER THE CROSSBAR LEFT TO RIGHT**, and secure with set screws. Secure the **CROSSBAR SUPPORT UPRIGHT** to each leg with set screws.

• To install the rear **ECONO TRUCK RACK** on your truck bed, repeat the above. Before drilling the mounting plate, make sure that the plate does not overhang or interfere with the tail gate. Before inserting the Caps, make sure that the height setting in the rear matches the height setting in the front.

Tighten all bolts and.... **THAT'S IT!** You're ready to load and go!