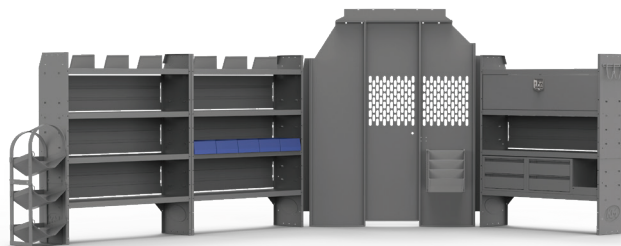


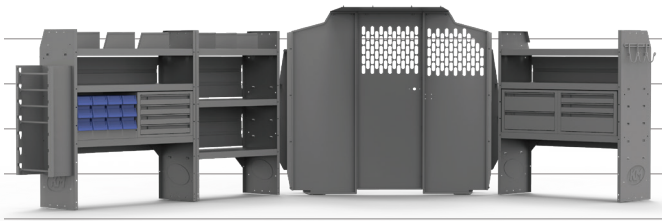


### VAN INTERIORS | TRUCK RACKS | VAN RACKS | AND MORE ...



# TABLE OF CONTENTS

## Cargo Van Interior Packages & Products



### METRIS VAN PACKAGES

Base, 4001M .....	3
Commercial Bin, 4003M .....	3
General Service, 4004M .....	3
Electric, Gas & Appliance Repair, 4005M .....	4
Heating & A/C Repair, 4006M .....	4
Tradesman Service, 4010M .....	4

### SPRINTER VAN PACKAGES

Base, 40SPL, 40SPH .....	5
General Service, 41SPL, 41SPH .....	5
EZ All Trades, 46SPL, 46SPH .....	6
HVAC, 45SPL, 45SPH .....	6

### VAN INTERIOR ACCESSORIES

Shelves & Shelf Accessories .....	7
Shelf Organizational Products .....	8

### VAN INTERIOR CUSTOMIZATION

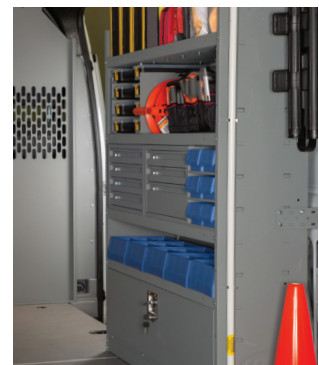
Van Floor Plan Layouts & Templates .....	9
--	---



## Kargo Master Roof Racks

### VAN RACKS

Aluminum Racks (Now Available!) .....	10
Steel Racks .....	11

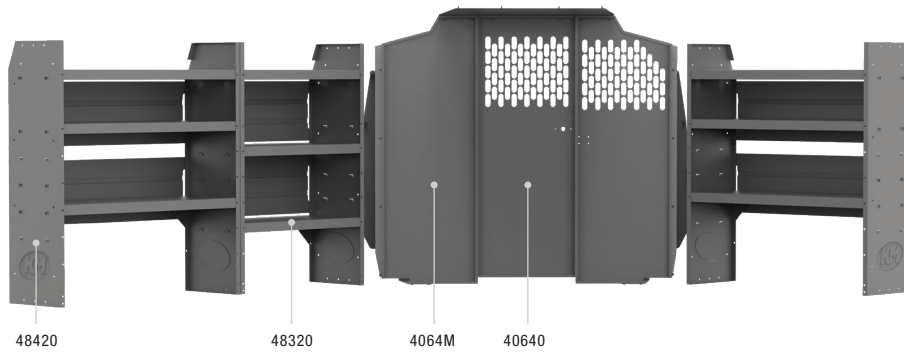


**Customer Service & Contact Information Back Cover**

© 2018 Kargo Master. All Rights Reserved.

# METRIS VAN PACKAGES

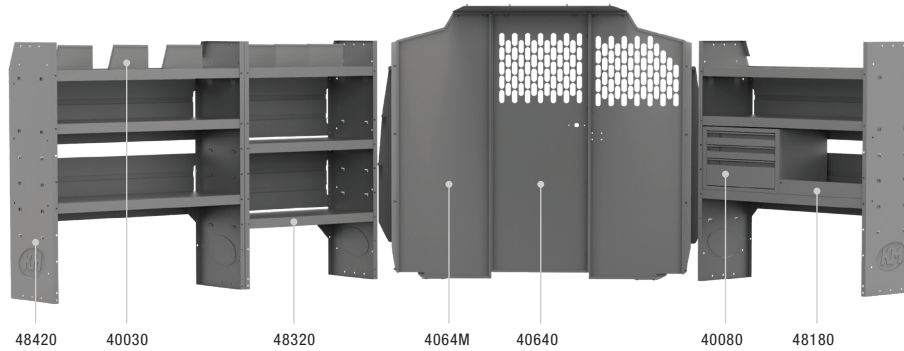
## BASE 46" H Shelves //



### 4001M PACKAGE 126" WB

Part #	Description	Qty
40640	Partition	1
4064M	Wing Kit	1
48420	42" W X 14" D X 46" H Shelves	2
48320	32" W X 14" D X 46" H Shelf	1

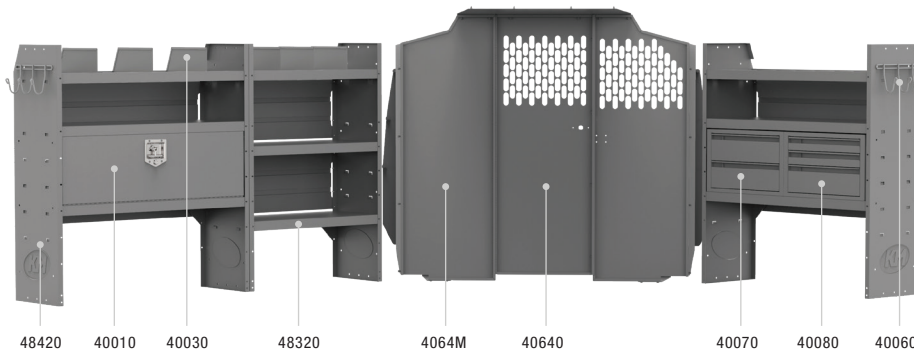
## COMMERCIAL BIN 46" H Shelves //



### 4003M PACKAGE 126" WB

Part #	Description	Qty
40640	Partition	1
4064M	Wing Kit	1
48420	42" W X 14" D X 46" H Shelves	2
48320	32" W X 14" D X 46" H Shelf	1
40080	Steel 3 Drawer Cabinet	1
40030	Shelf Dividers (Set of 6)	1
48180	20" W X 2.75" H Shelf Lip	1

## GENERAL SERVICE 46" H Shelves //



### 4004M PACKAGE 126" WB

Part #	Description	Qty
40640	Partition	1
4064M	Wing Kit	1
48420	42" W X 14" D X 46" H Shelves	2
48320	32" W X 14" D X 46" H Shelf	1
40070	Steel 2 Drawer Cabinet	1
40080	Steel 3 Drawer Cabinet	1
40010	42" W Shelf Door Kit	1
40060	3-Prong "J" Hooks	2
40030	Shelf Dividers (Set of 6)	1

## Lock Your Cab

### 40620 PARTITION LOCK & LATCH KIT

Kargo Master has upgraded the Partition Lock and Latch Kit. It now includes and locking T-handle on the cab side and a sturdy locking bar on the cargo side. It can be installed on any Kargo Master steel partition with a pass-through door.



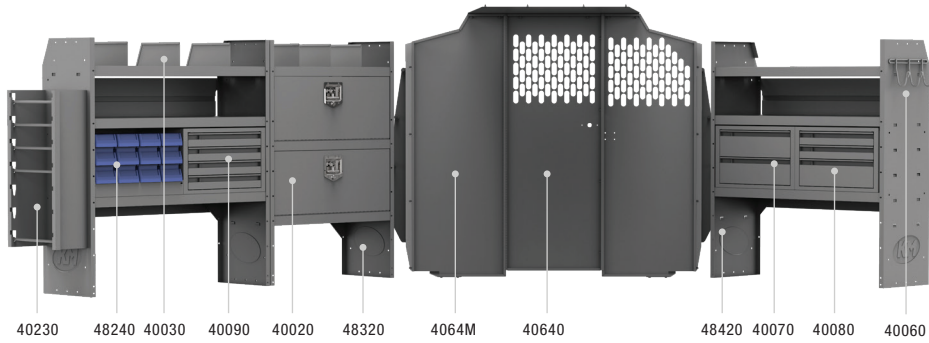
CAB SIDE



CARGO SIDE

# METRIS VAN PACKAGES

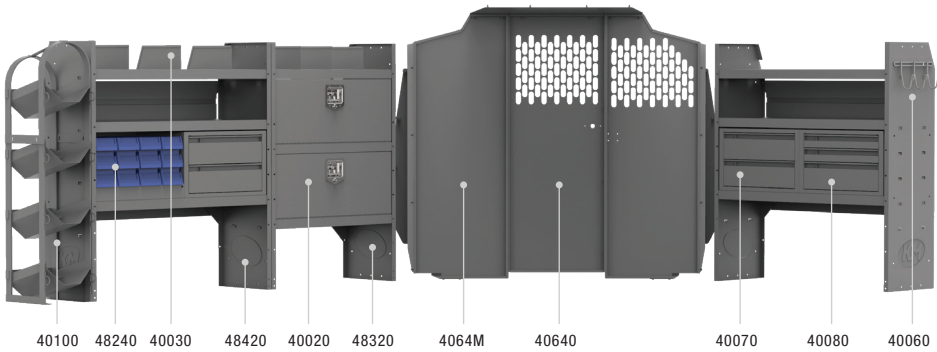
## ELECTRIC, GAS & APPLIANCE REPAIR 46" H Shelves //



### 4005M PACKAGE 126" WB

Part #	Description	Qty
40640	Partition	1
4064M	Wing Kit	1
48420	42" W X 14" D X 46" H Shelves	2
48320	32" W x 14" D x 46" H Shelf	1
40070	Steel 2 Drawer Cabinet	1
40080	Steel 3 Drawer Cabinet	1
40090	Steel 4 Drawer Cabinet	1
40020	32" W Shelf Door Kits	2
40230	Wire Reel Holder 5 Spindle	1
40060	3-Prong "J" Hook	1
48240	20" Plastic Shelf Bin Module	1
40030	Shelf Dividers (Set of 6)	1

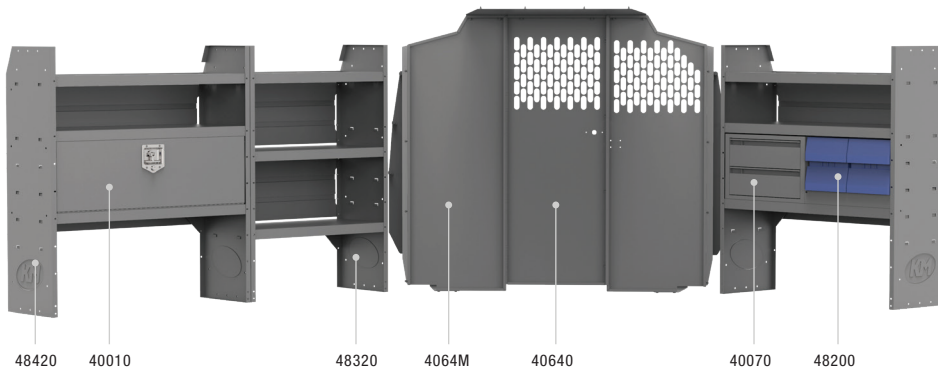
## HEATING & A/C REPAIR 46" H Shelves //



### 4006M PACKAGE 126" WB

Part #	Description	Qty
40640	Partition	1
4064M	Wing Kit	1
48420	42" W X 14" D X 46" H Shelves	2
48320	32" W x 14" D x 46" H Shelf	1
40070	Steel 2 Drawer Cabinets	2
40080	Steel 3 Drawer Cabinet	1
40020	32" W Shelf Door Kits	2
40100	4-Tank Refrigerant Rack	1
40060	3-Prong "J" Hook	1
40030	Shelf Dividers (Set of 6)	1
48240	20" Plastic Shelf Bin Module	1

## TRADESMAN SERVICE 46" H Shelves //

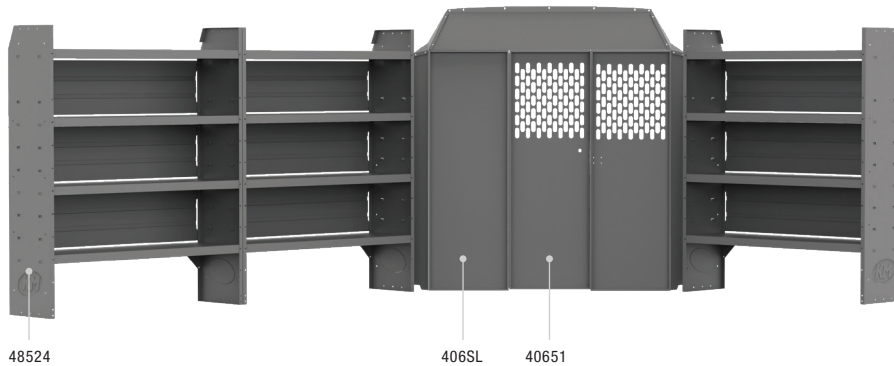


### 4010M PACKAGE 126" WB

Part #	Description	Qty
40640	Partition	1
4064M	Wing Kit	1
48420	42" W X 14" D X 46" H Shelves	2
48320	32" W x 14" D x 46" H Shelf	1
40010	42" W Shelf Door Kitt	1
40070	Steel 2 Drawer Cabinet	1
48200	Plastic Shelf Bin Module	1

# SPRINTER VAN PACKAGES

## BASE 60" H Shelves //

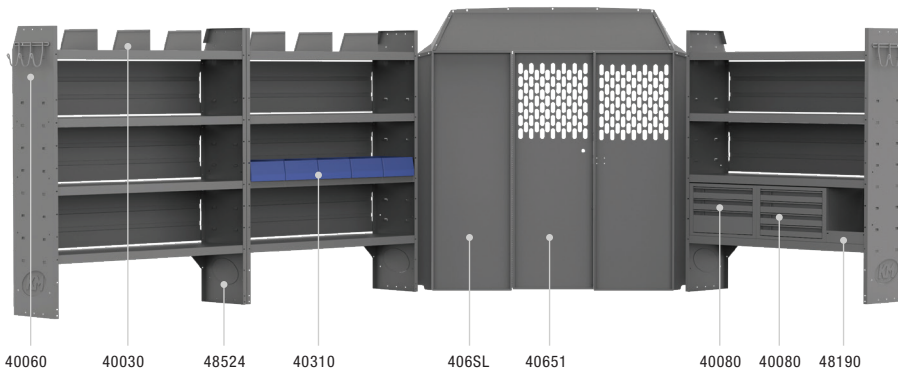


Above illustration is for 40SPL Standrd Roof 144" WB Package  
This package may also be used for the High Roof 144" WB by designating the 40SPH Package

40SPL PACKAGE 144" WB LR		
Part #	Description	Qty
40651	Partition	1
406SL	Wing Kit	1
48524	52" W X 14" D X 60" H Shelves	3

40SPH PACKAGE 170" WB		
Part #	Description	Qty
4061S	Partition & Wing Kit	1
48524	52" W X 14" D X 60" H Shelves	3

## GENERAL SERVICE 60" H Shelves //



Above illustration is for 41SPL Standard Roof 144" WB Package  
This package may also be used for the High Roof 144" WB by designating the 41SPH Package

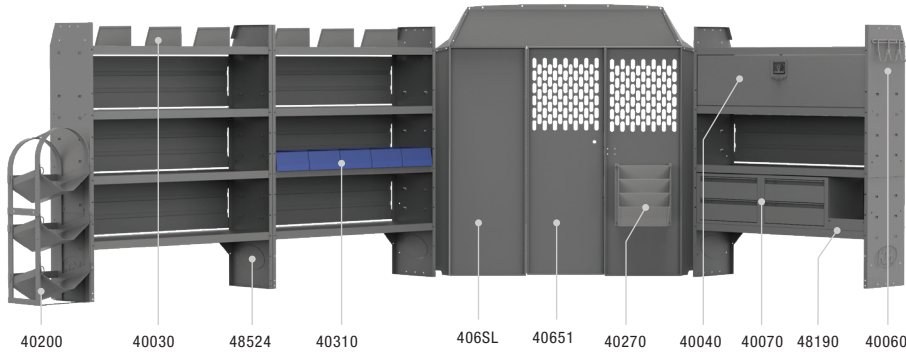
41SPL PACKAGE 144" WB LR		
Part #	Description	Qty
40651	Partition	1
406SL	Wing Kit	1
48524	52" W X 14" D X 60" H Shelves	3
40080	Steel 3 Drawer Cabinet	1
40090	Steel 4 Drawer Cabinet	1
40060	3-Prong "J" Hooks	2
40030	Shelf Dividers (Set of 6)	1
40310	Plastic Shelf Bins	5
48190	10" L Shelf Lip	1

41SPH PACKAGE 170" WB		
Part #	Description	Qty
4061S	Partition & Wing Kit	1
48524	52" W X 14" D X 60" H Shelves	3
40080	Steel 3 Drawer Cabinet	1
40090	Steel 4 Drawer Cabinet	1
40060	3-Prong "J" Hooks	2
40030	Shelf Dividers (Set of 6)	1
40310	Plastic Shelf Bins	5
48190	10" L Shelf Lip	1



# SPRINTER VAN PACKAGES

## HVAC 60" H Shelves //

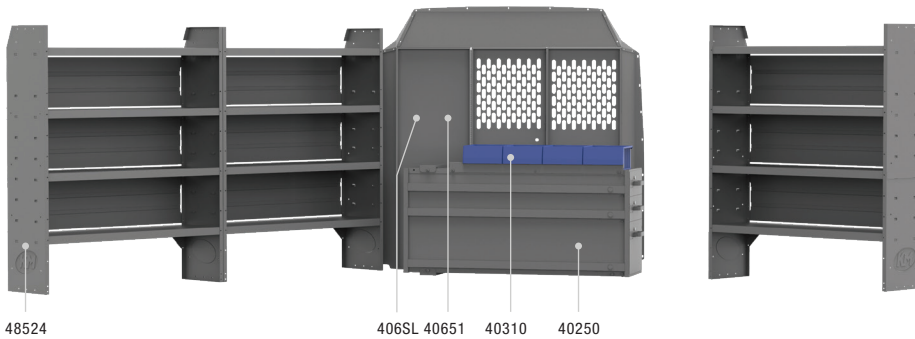


Above illustration is for 45SPL Standard Roof 144" WB Package  
This package may also be used for the High Roof 144" WB by designating the 45SPH Package

45SPL PACKAGE 144" WB		
Part #	Description	Qty
40651	Partition	1
406SL	Wing Kit	1
48524	52" W X 14" D X 60" H Shelves	3
40040	52" W Shelf Door Kit	1
40070	Steel 2 Drawer Cabinets	2
40200	3-Tank Refrigerant Rack	1
40270	Hanging File Rack	1
40030	Shelf Dividers (Set of 6)	1
40060	3-Prong "J" Hook	1
40310	Plastic Shelf Bins	5
48190	10" L Shelf Lip	1

45SPH PACKAGE 170" WB		
Part #	Description	Qty
4061S	Partition & Wing Kit	1
48524	52" W X 14" D X 60" H Shelves	3
40040	52" W Shelf Door Kit	1
40070	Steel 2 Drawer Cabinets	2
40200	3-Tank Refrigerant Rack	1
40270	Hanging File Rack	1
40030	Shelf Dividers (Set of 6)	1
40060	3-Prong "J" Hook	1
40310	Plastic Shelf Bins	5
48190	10" L Shelf Lip	1

## EZ ALL TRADES 60" H Shelves //

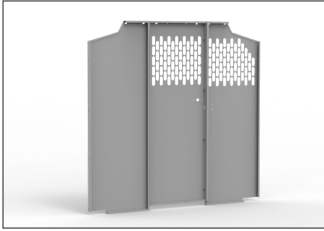


Above illustration is for 46SPL Standard Roof 144" WB Package  
This package may also be used for the High Roof 144" WB by designating the 46SPH Package

46SPL PACKAGE 144" WB		
Part #	Description	Qty
40651	Partition	1
406SL	Wing Kit	1
48524	52" W X 14" D X 60" H Shelves	3
40250	Steel Long 3 Drawer	1
40310	Plastic Shelf Bins	4

46SPH PACKAGE 170" WB		
Part #	Description	Qty
4061S	Partition & Wing Kit	1
48524	52" W X 14" D X 60" H Shelves	3
40250	Steel Long 3 Drawer	1
40310	Plastic Shelf Bins	4

# SHELVES & SHELF ACCESSORIES

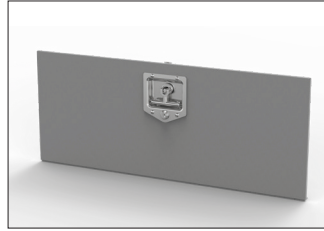


## STEEL PARTITIONS

- 40640 Metris
- 40651 Sprinter Low Roof
- 4061S Sprinter High Roof

## WING KITS

- 4064M Metris
- 406SL Sprinter Low Roof



## STEEL SHELF DOOR KIT

- 40010 For 42" W Shelf
- 40020 For 32" W Shelf
- 40040 For 52" W Shelf

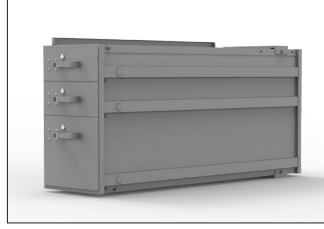
## ADDITIONAL SHELVES

- 48150 52" W for 48520 & 48524
- 48160 42" W for 48420 & 48424
- 48170 32" W for 48320 & 48324



## STEEL SHELF UNITS

- 4826L 26" W x 43" H x 14" D
- 4832L 32" W x 43" H x 14" D
- 48320 32" W x 46" H x 14" D
- 48324 32" W x 60" H x 14" D
- 48420 42" W x 46" H x 14" D
- 48424 42" W x 60" H x 14" D
- 48520 52" W x 46" H x 14" D
- 48524 52" W x 60" H x 14" D



## 3 DRAWER UNIT

- 40250 Heavy Duty Steel (Shown)
- 4025A Aluminum

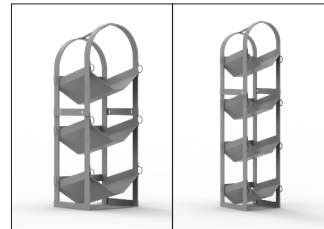
## ACCESSORIES

- 40310 10" W x 5.5" H x 11" D Plastic Small Parts Bin with 2 Dividers



## STEEL DRAWER CABINETS

- 40070 2 Drawer Cabinet  
20" W x 12" H x 13.5" D
- 40080 3 Drawer Cabinet  
20" W x 12" H x 13.5" D
- 40090 4 Drawer Cabinet  
20" W x 12" H x 13.5" D



## REFRIGERANT TANK RACKS

- 40200 3-Tier Rack
- 40100 4-Tier Rack



## CABINET LOCKER FULL DOOR

- 40220 All-Welded  
18" W x 46" H x 14" D



## SINGLE LARGE HOOK

- 40050 Rubber Coated

## 3-PRONG "J" HOOK

- 40060

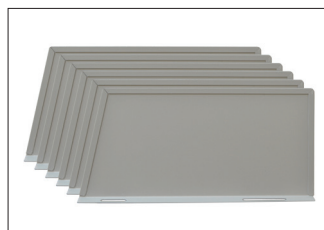


## STANDING BINDER RACK

- 40280 3 Shelves to Hold Manual Binders or Can be used with Plastic Shelf Bin 40310 (Right Image)

## STANDING BIN RACK

- 40290 Includes 7 x 10" W Bins 40310 with 2 Dividers each or Can Hold Binders in Combo

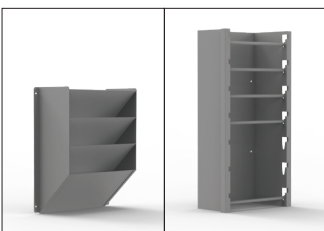


## SHELF DIVIDERS

- 40030 3.5" Upper & Lower Shelf (Set of 6)

## SHELF LIPS

- 48190 10" L x 2.75" H
  - 48180 20" L x 2.75" H
- Floor Angle for Mounting in Floor Opening:
- 48220 42" L x 3.5" H for 42" W 40010
  - 48230 52" L x 2.75" H for 52" W 40040

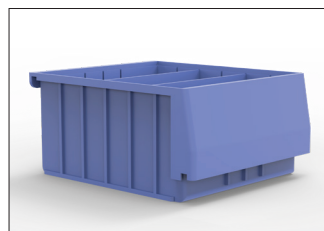


## HANGING FILE RACK

- 40270 Easily Mounts to Side of Shelf or Partition. Holds Hanging Files, Normal File Folders, Catalogs, Etc.

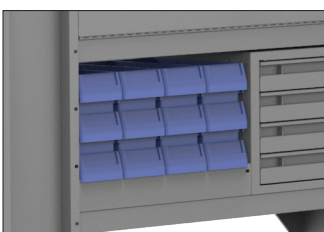
## WIRE REEL HOLDER

- 40230 5 Spindles



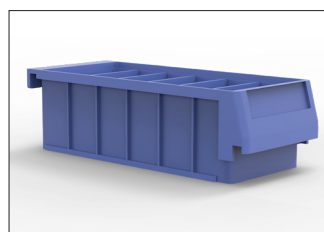
## 10" W PLASTIC SHELF BIN

- 40310 10" W X 5.5" H X 11" D Bins + 2 Dividers



## PLASTIC SHELF BIN MODULES

- 48200 20" W Plastic Bin Module (Includes 4 x 10" W Bins)
- 48210 10" W Plastic Bin Module (Includes 2 x 10" W Bins)
- 48240 20" W Plastic Small Parts Bin Module (Inc. 12 x 5" W Bins)
- 48250 10" W Plastic Small Parts Bin Module (Includes 6 x 5" W Bins)



## 5" W PLASTIC SMALL PARTS SHELF BIN

- 40330 5" W X 3.5" H X 11" D Bins + 5 Dividers

# SHELF ORGANIZATIONAL PRODUCTS



Stay organized with a host of new cargo van organizational products from Kargo Master. These products make it easy to organize all your small parts and tools. Kargo Master totes include removable parts containers. Totes fit conveniently in your choice of shelf mounted tote holders.



**40390 PLASTIC TOTE & SHELF BRACKET**  
15.3" W x 2.5" H x 13.3" D

The 40350 Plastic Tote & Shelf Bracket mounts underneath a "Lip Up" shelf.



**40350 PLASTIC TOTE**  
15.3" W x 2.5" H x 13.3" D

The Tote Tray features 8 Clip-On Bins and 6 Compartments. It is perfect for carrying small parts to and from the truck to work area while keeping it all secure.



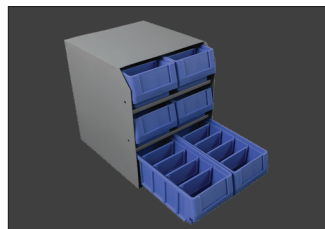
**40370 HANGING TOTE HOLDER WITH 3 TOTE TRAYS**

The Hanging Tote Holder is designed to mount to shelf end panels or partitions and includes a convenient top tray for storing aerosol cans and other small items.



**40380 4 TOTE SHELF CABINET WITH 4-40350 TOTE TRAYS**

The Tote Shelf Cabinet mounts to the flat surface of shelves and provides a secure and worry free way to carry the Tray Totes to and from the job.



**40340 STEEL SHELF CABINET**

The Steel Shelf Cabinet includes 6 Small Parts Bins that lock securely in the unit and mounts to flat shelves and surfaces.



**40360 PLASTIC TOTE WITH SHOULDER STRAP**  
6" W x 12" H x 13.5" D

The Tote with Shoulder strap includes 9 small and 6 medium Clip-On & Go Small Parts Bins. The Tote can easily be stored on any shelving unit and opens securely with two locking clasps.

**40150 DRAWER STACK HARDWARE KIT (DRAWERS ARE NOT INCLUDED)**

This convenient hardware kit creates a drawer stack using any combination of Kargo Master drawer units. It can be placed near side cargo doors or at the rear of the van. Simple and easy to assemble, hardware kit contains assembly brackets and fasteners to stack three drawer unit, 2" deep top tray and installation brackets and hardware. Use with any combination of 40070 (2 drawer), 40080 (3 drawer) or 40090 (4 drawer) steel drawer cabinet. Drawers must be purchased separately.

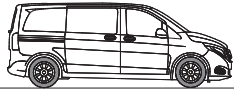


Included are these unique portable Small Parts Bins. They can be easily removed and clipped on a belt or strap for quick and light work. The bins have a locking lid and clip-on back.



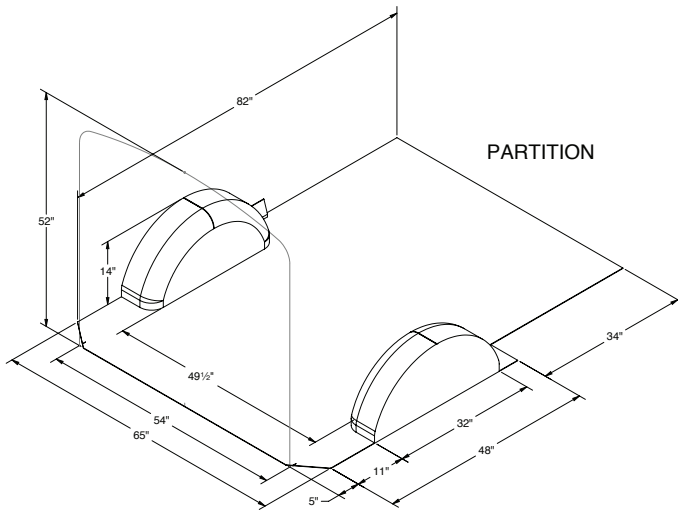
# CUSTOMIZATIONS

## Build Your Van Interior Package. Your Way.

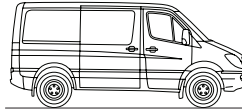


### METRIS 126" WB

Download this spec sheet and van floor template in PDF format from [kargomaster.com/vanlay-outs/metris-126wb.pdf](http://kargomaster.com/vanlay-outs/metris-126wb.pdf)

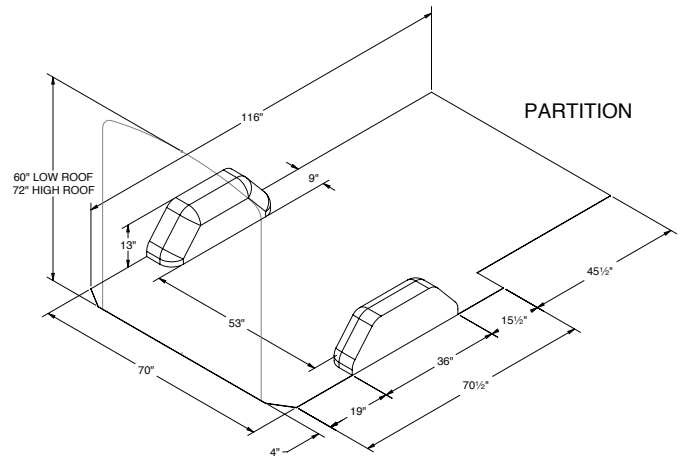


VAN: Metris 126

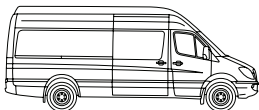


### SPRINTER 144" WB

Download this spec sheet and van floor template in PDF format from [kargomaster.com/vanlay-outs/sprinter-144wb.pdf](http://kargomaster.com/vanlay-outs/sprinter-144wb.pdf)

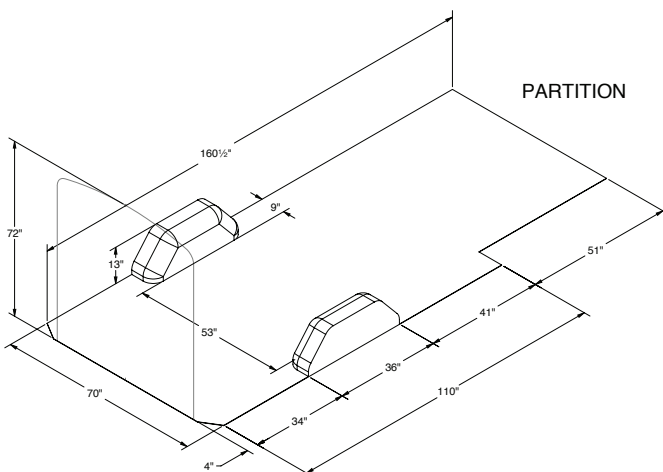


VAN: Sprinter 144

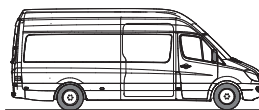


### SPRINTER 170" WB

Download this spec sheet and van floor template in PDF format from [kargomaster.com/vanlay-outs/sprinter-170wb.pdf](http://kargomaster.com/vanlay-outs/sprinter-170wb.pdf)

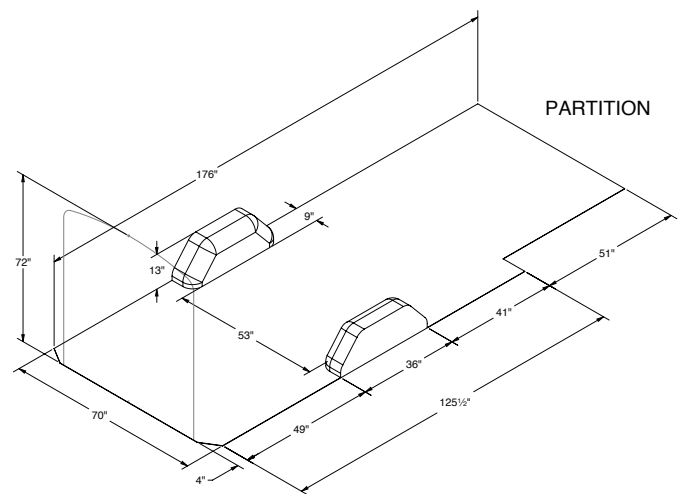


VAN: Sprinter 170



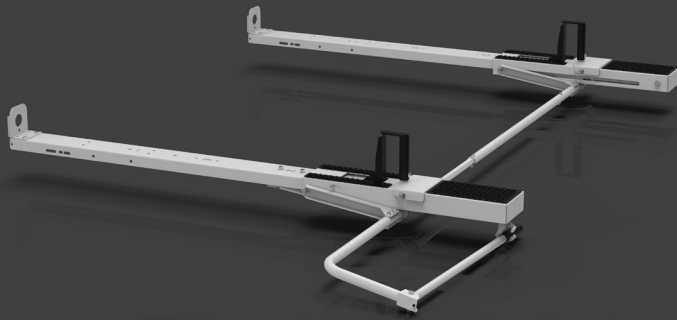
### SPRINTER 170" EXTWB

Download this spec sheet and van floor template in PDF format from [kargomaster.com/vanlay-outs/sprinter-170extwb.pdf](http://kargomaster.com/vanlay-outs/sprinter-170extwb.pdf)



VAN: Sprinter 170 EXT

# KARGO MASTER VAN RACKS ALUMINUM



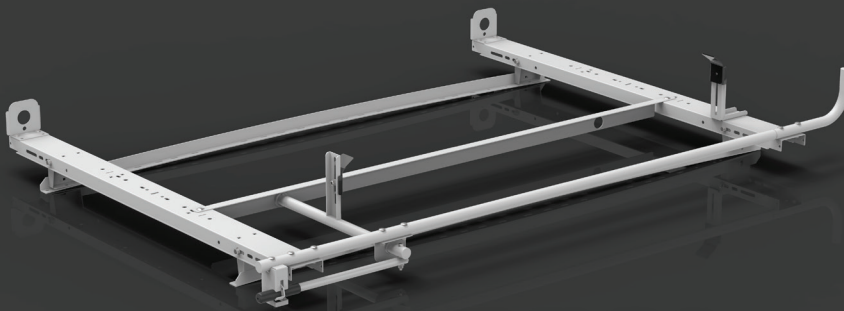
**EZ Drop Down Ladder Racks**

## **METRIS\***

- 4A92L Passenger Side
- 4A963 Driver Side
- 4081M \*Required Mount Kit

## **SPRINTER STANDARD OR HIGH ROOF\***

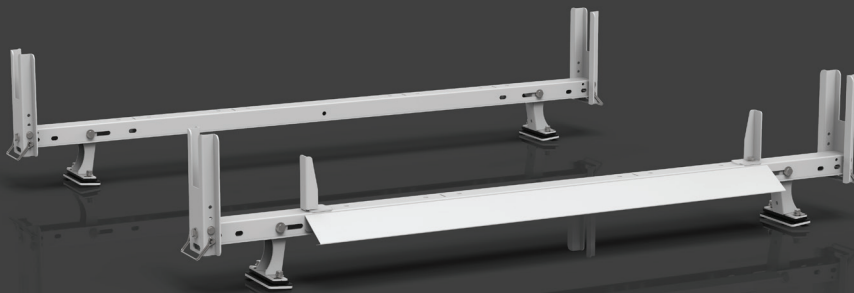
- 4A99H Passenger Side
- 4A913 Driver Side
- 40818 \*Required Mount Kit



**Clamp & Lock Ladder Racks**

## **METRIS\***

- 4A90L Passenger Side
- 4A813 Driver Side
- 4081M \*Required Mount Kit



**Crossbar Racks**

## **METRIS**

- 4A821 2 Crossbar Rack
- 4A822 3rd Crossbar
- 40830 Retractable Ratchet Straps (Pair)
- No Mount Kit Required

## **SPRINTER STANDARD OR HIGH ROOF**

- 4A821 2 Crossbar Rack
- 4A822 3rd Crossbar
- 40830 Retractable Ratchet Straps (Pair)
- No Mount Kit Required



## **NISSAN NV200**

- 8007A 4 Crossbars (Includes Wind Deflector)
- 31700 Extra Crossbar (Steel)
- 31490 Retractable Ratchet Straps (Pair)
- No Mount Kit Required

# KARGO MASTER VAN RACKS STEEL



**EZ Drop Down Ladder Racks**

## **METRIS\***

4092L Passenger Side

40963 Driver Side

4081M \*Required Mount Kit

## **SPRINTER STANDARD ROOF\***

4097M Passenger Side

40983 Driver Side

40818 \*Required Mount Kit

## **SPRINTER HIGH ROOF\***

4099H Passenger Side

40913 Driver Side

40818 \*Required Mount Kit



**Clamp & Lock Ladder Racks**

## **METRIS**

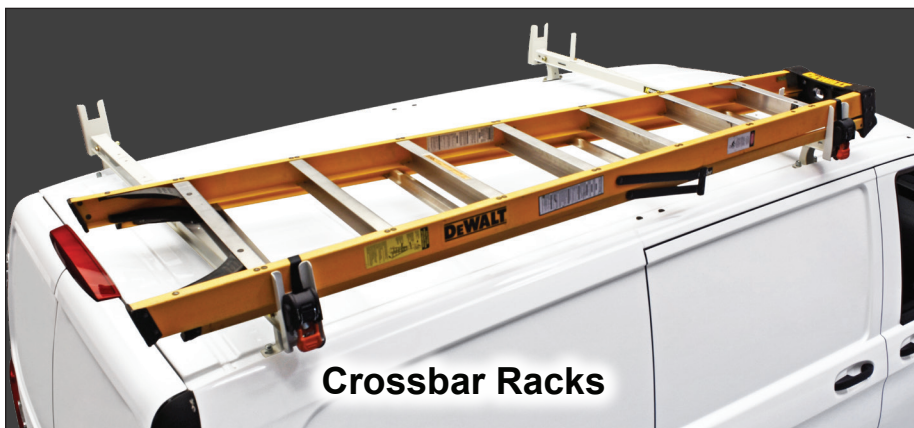
4090L Passenger Side

40813 Driver Side

4092L+40813 Combo Rack

4081M \*Required Mount Kit

*(Combo Rack Shown)*



**Crossbar Racks**

## **METRIS OR SPRINTER STANDARD ROOF**

40821 2 Crossbar Rack

40822 3rd Crossbar

40819 2 Crossbar Rack with  
2 Retractable Ratchet  
Straps 40830

No Mount Kit Required

## **SPRINTER HIGH ROOF**

40821 2 Crossbar Rack

40822 3rd Crossbar

40830 Retractable Ratchet  
Straps (Pair)

No Mount Kit Required



**Cargo Racks**

## **METRIS OR SPRINTER STANDARD OR HIGH ROOF**

80080 5 Crossbars (Includes  
Wind Deflector)

31490 Retractable Ratchet  
Straps (Pair)

No Mount Kit Required

*(4 Crossbars Shown)*

Learn more about commercial van equipment we have.