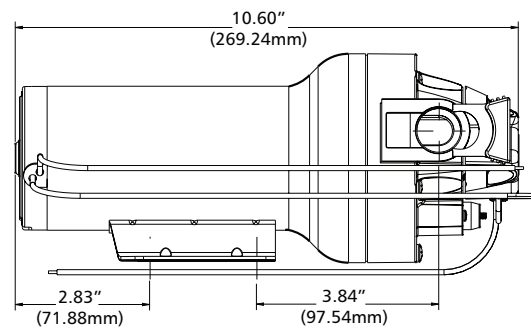
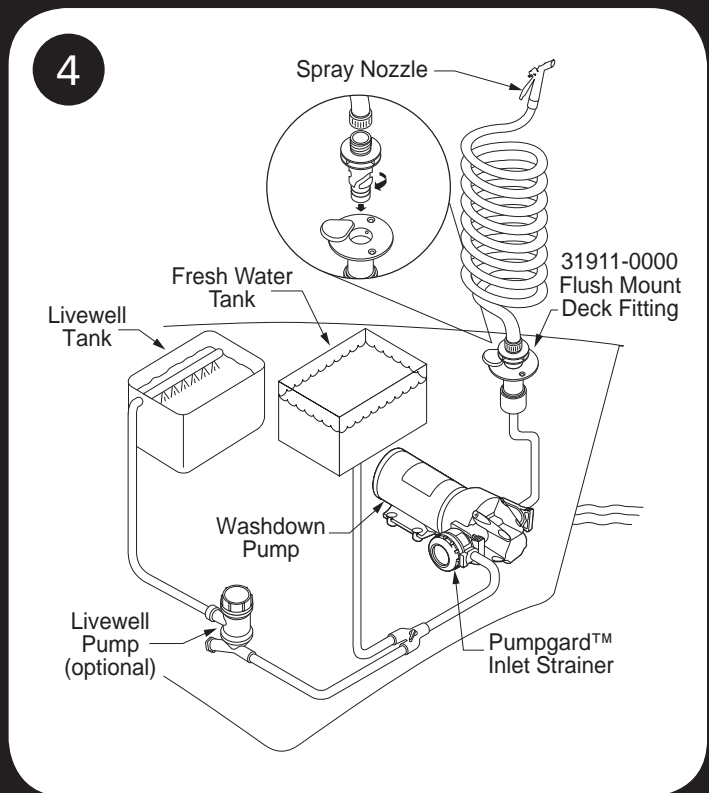
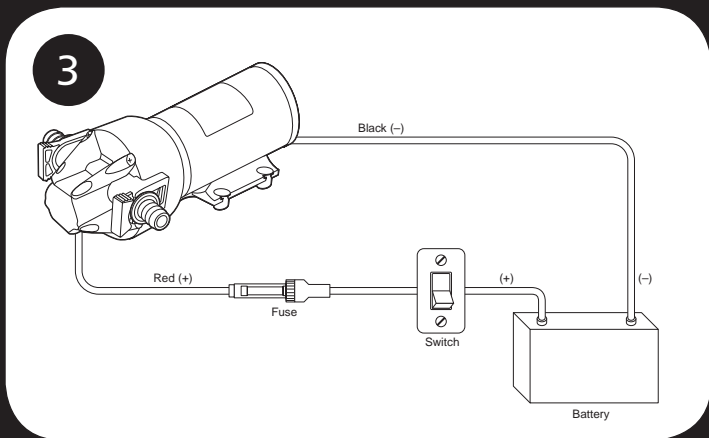
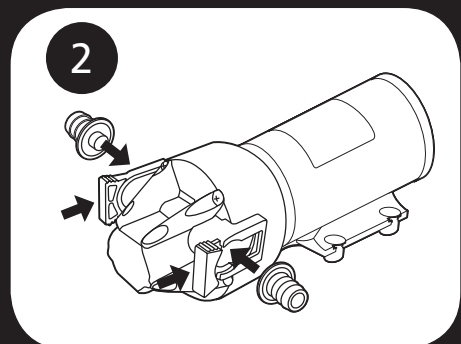
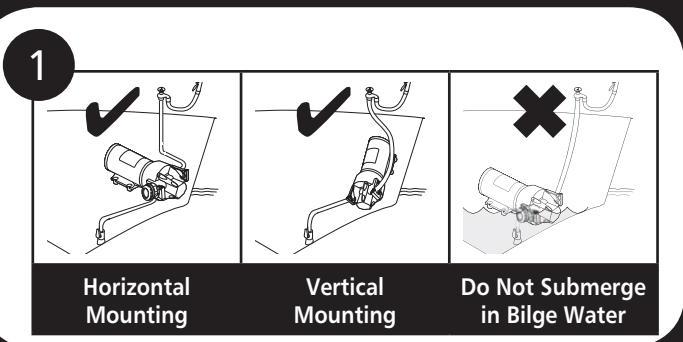
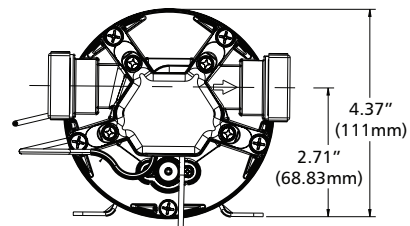


KEY	DESCRIPTION	PART NUMBER
1	Motor - 12 V (4 GPM)	18753-9300
	Motor - 24V (4 GPM)	18753-9240
	Motor - 12 V (5 GPM)	18753-9299
	Motor - 24V (5 GPM)	18753-9239
	Motor - 12 V (6 GPM)	18753-9298
	Motor - 24V (6 GPM)	18753-9238
2	Diaphragm/Drive Assembly	18753-8000
3	Check Valve Assembly	18753-8001
4	Switch - 70 PSI	18916-1070
5	Slide Clips 5 and 6 GPM	18753-5021
	Slide Clips 4 GPM	30647-1000
6	Switch cover and Gasket	18753-8002
7	Baseplate with Grommets	18753-8003



NOTE: 4 GPM model overall Length 9.91" (251.7mm). All other dimensions are the same as the 5 GPM / 6 GPM models.



WARNING
EXPLOSION HAZARD



Only used with specified products. DO NOT PUMP LIQUIDS WITH A FLASH POINT BELOW 100°F (38°C) OR USE WHERE FLAMMABLE VAPORS ARE PRESENT.

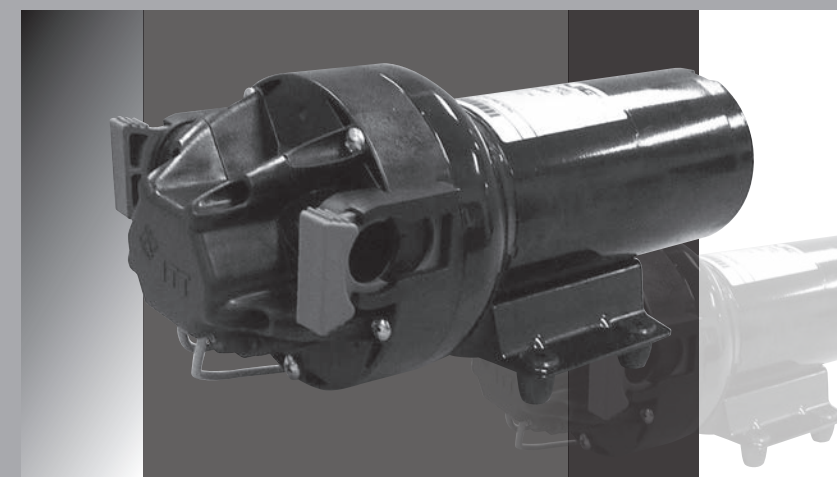


a xylem brand



a xylem brand

Washdown Pumps Installation Guide





a xylem brand

High Pressure Pumps

FEATURES

- High Pressure / High capacity
- Dry Running Capability
- Suitable for Use in Salt Water
- Long Life Sealed Motor
- Corrosion Resistant

MOUNTING AND INSTALLATION

HotShot Series is a self-priming pump. It may be located several feet from the tank, above or below the liquid level (it is not a submersible pump). For vertical pump mounting be sure that the motor is located on top. This will prevent water from entering the motor chamber in the event of a leak. – Fig. 1

PLUMBING

For best performance, flexible hose is recommended instead of rigid piping at the pump. HotShot Series ports are a push in type retained by a “C” clip. –See Figure 2. To install the pump ports move the “C” clips to the rear of the pump. Push the port until snug. Slide the “C” clip down toward the motor. Do not install pump such causes excessive stress on either port.

It is essential that a 20 mesh (min.) strainer or filter be installed in the tank or in the pump inlet line to keep large foreign particles out of the system. The Jabsco series 40 or 20 mesh strainer is available with various connections to fit most installations. The use of check valves in the plumbing system may interfere with the priming ability of the pump.

Check valves, if used, must have cracking (opening) pressure of no more than 2 PSI.

ELECTRICAL – See Fig. 3

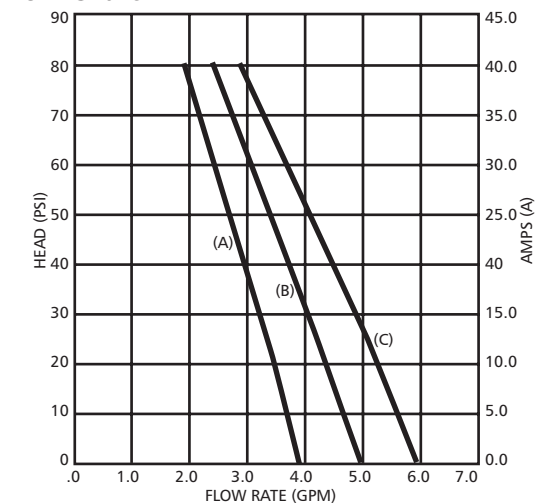
OPERATION

Allow pump to prime with discharge line (or spray valve) open, to avoid airlock. Built-in pressure switch will shut off pump automatically when discharge valve is closed and will restart pump when valve is opened. When pump runs out of liquid, it will continue to operate. Running dry will not damage the pump. Turn off manually.

Specifications

Motor Design	Perm. Magnet TENV (non-ventilated)
Voltage	12VDC, 24VDC
Pump Head Material	Glass Filled Nylon
Elastomers Diaphragm	Santoprene®
Check Valve	EPDM
Maximum Flow Rate	6.0 GPM (22.7 LPM)
Maximum Pressure	70 PSI (3.3 Bar)
Duty Cycle	Intermittent
Weight	7.6 lbs. (3.5 Kg)
Certifications	CE, NSF, UL
Port Size Inlet/Outlet	3/4"

Flow Chart



4.0 GPM – (A)		5.0 GPM – (B)		6.0 GPM – (C)	
PSI	GPM	PSI	GPM	PSI	GPM
0	4.00	0	5.00	0	6.00
10	3.76	10	4.71	10	5.65
20	3.53	20	4.41	20	5.30
30	3.26	30	4.08	30	4.90
40	3.00	40	3.75	40	4.50
50	2.73	50	3.42	50	4.10
60	2.46	60	3.08	60	3.70
70	2.20	70	2.75	70	3.30
80	1.93	80	2.42	80	2.90

Model	Voltage	GPM (lpm)	Pressure (Bar)
82605-0092	12	6 (22.7)	70 (4.8)
82605-0094	24	6 (22.7)	70 (4.8)
82505-0092	12	5 (18.9)	70 (4.8)
82505-0094	24	5 (18.9)	70 (4.8)
82405-0092	12	4 (15.1)	70 (4.8)
82405-0094	24	4 (15.1)	70 (4.8)
82605-0392	12	6 (22.7)	70 (4.8)
82605-0394	24	6 (22.7)	70 (4.8)
82505-0392	12	5 (18.9)	70 (4.8)
82505-0394	24	5 (18.9)	70 (4.8)
82405-0392	12	4 (15.1)	70 (4.8)
82405-0394	24	4 (15.1)	70 (4.8)
82906-0092	12	6 (22.7)	70 (4.8)
82906-0094	24	6 (22.7)	70 (4.8)
82905-0092	12	5 (18.9)	70 (4.8)
82905-0094	24	5 (18.9)	70 (4.8)
82904-0092	12	4 (15.1)	70 (4.8)
82904-0094	24	4 (15.1)	70 (4.8)