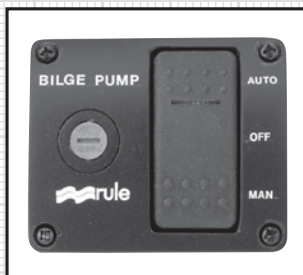


ACCESSORIES

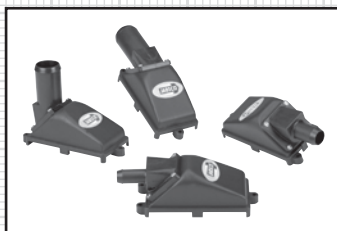
rule
Model No. 40



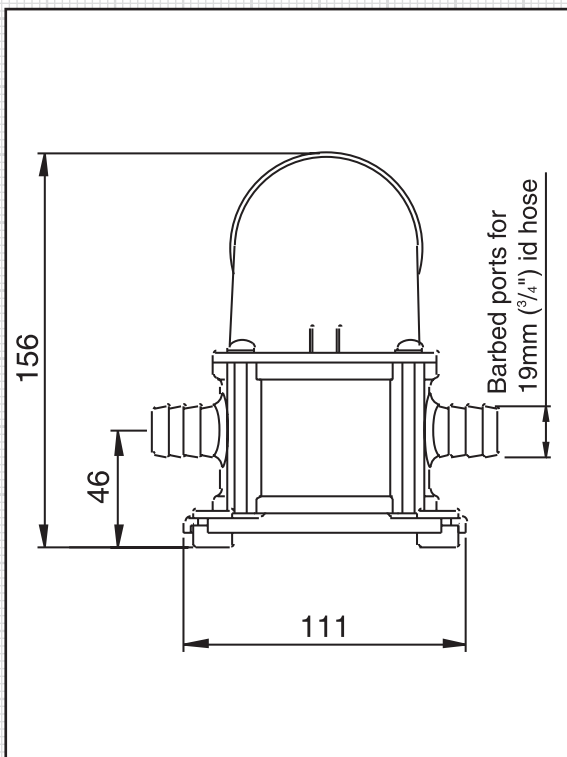
rule
Model No. 43 - 12 Volt
Model No. 44 - 24/32 Volt



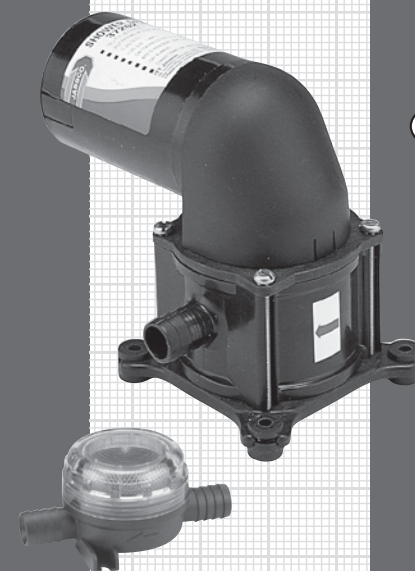
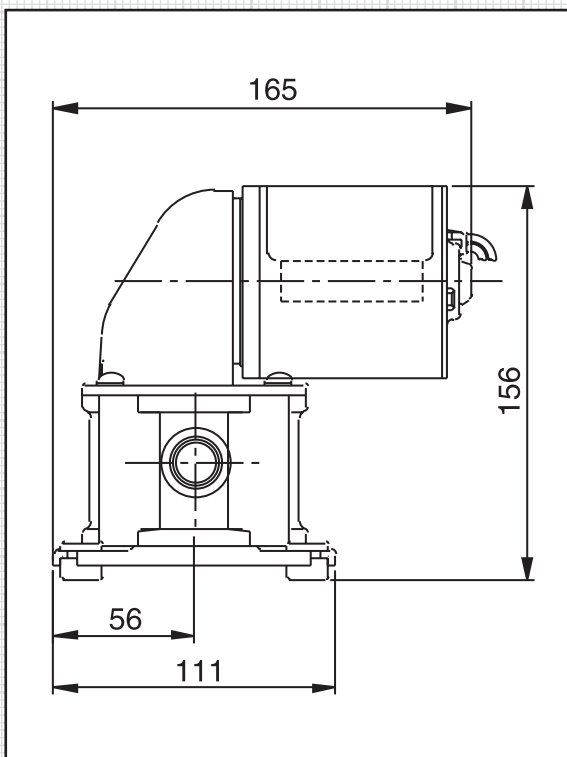
JABSCO
59400-0012 - 12 Volt
59400-0024 - 24 Volt



JABSCO
29290-1020 - 19mm (3/4")
29290-1000 - 25mm (1")
29290-1010 - 38mm (1 1/2")



Dimensions in mm



GB Shower Drain and Bilge Pump

37202-2



JABSCO®

Shower Drain and Bilge Pump

GB

- Quieter Running
- Constructed from corrosion resistant materials
- Ignition protected to ISO8846 MARINE
- Meets BSEN 50081 (electro magnetic compatibility) and ISO 8849 MARINE (bilge pump standard)
- Dry Running
- Supplied Complete With Pumpguard

Specifications:

- 720 lph (168 gph)
- Self Priming to 2 metres (6 1/2 ft)
- Connections for 19mm (3/4") I.D. hose

INSTALLATION AND SAFETY

1. Fit pump in a dry position, as close as possible to the liquid being pumped, where there is full access to the pump for service.
2. Use 19mm (3/4") i.d. spiral reinforced hose (with a smooth internal bore), or semi-rigid pipework systems.
3. Pipe runs should be as straight and as short as possible, avoiding rising and dipping over obstructions.
4. Fit Pumpguard on inlet side of pump.
5. All marine pumps discharging overboard must be installed with the overboard discharge well above both static and heeled waterlines (Sailboats normally discharge through the transom).
6. Motor cases may get hot. Prolonged contact during operation may cause burns.
7. Do no use for pumping petrol, petroleum products, or fluids with flash points below 37°C.

Electrical Connections

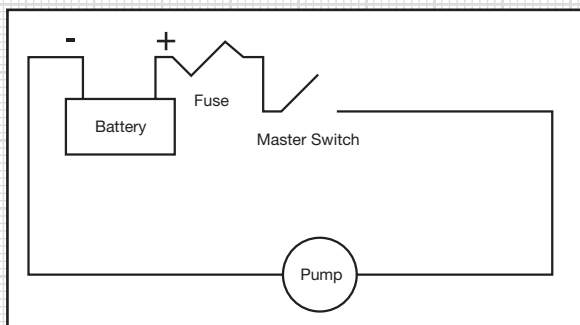
Wire the pump in an independent circuit.

Refer to the diagram for wiring connections.

Refer to wiring table for fuse and wire size.

If installing with a two or three way master switch, ensure that it has a minimum 10 amp capacity.

Wiring Diagram



Wiring Table

Model No	Fuse Size	Cable Length *	Wire Size
37202-2012	10 amp	0-7.6m (0-25ft)	2.5 mm ² (AWG#14)
		7.6-15m (25-50ft)	4 mm ² (AWG#12)
37202-2024	5 amp	0-7.6m (0-25ft)	1 mm ² (AWG#18)
		7.6-15m (25-50ft)	1.5 mm ² (AWG#16)

* Cable length is the total distance from the battery to the pump and back to the battery.

MAINTENANCE



ALWAYS DISCONNECT PUMP FROM POWER SUPPLY!

Remove pipework, remove four connecting bolts from pump, remove motor bracket and diaphragm assembly.

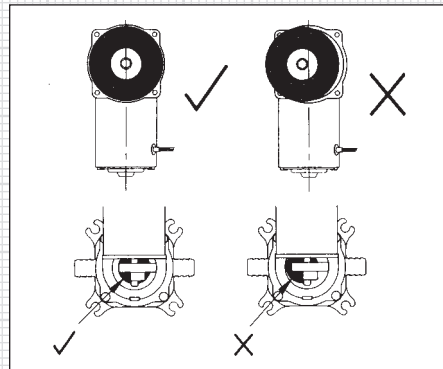
Valve Replacement

Remove valve retaining plate, remove and replace valves ensuring correct installation. Replace valve retaining plate.

Diaphragm Replacement

Unscrew bolt separating diaphragm assembly, reassemble new diaphragm, diaphragm plate, washer and bolt onto connecting rod.

Ensure the diaphragm is located centrally before reassembling the motor, bracket and diaphragm onto the body.



Connecting Rod Replacement

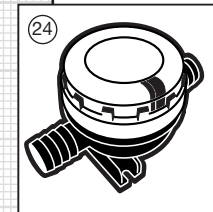
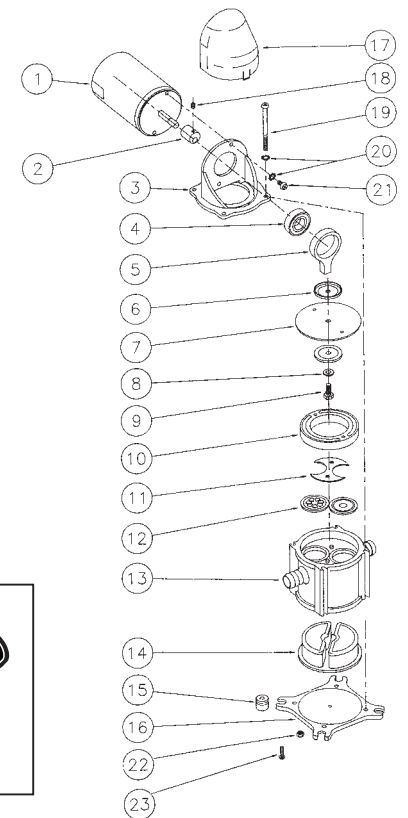
Undo set screw, remove two motor mounting screws and pull away from bracket and connecting rod assembly. Unscrew bolt separating diaphragm assembly and connecting rod. Reassemble diaphragm, diaphragm plate, washer, and bolt onto new connecting rod. Mount motor onto bracket aligning connecting rod assembly. Tighten set screw. Reassemble diaphragm assembly and bracket onto body.

Pulsation Dampener Replacement

Remove pump mounting screws. Remove foot screw and foot. Pull out and replace pulsation dampener positioning the three ribbed cavity on the discharge side. Replace foot and foot screw.

Winter Storage

Completely remove water from pump by removing pipework, and running the pump until all the water is expelled.



Repair kits available

Kit	Part No	Description
A	50095-1000	Major Service Kit
B	50096-1012	Motor Kit 12v
C	50096-1024	Motor Kit 24v
D	50097-1000	Connecting Rod Kit

Key	Description	Qty	Part No	Qty per repair kit			
				A	B	C	D
01	Motor 12v	1			1		
	Motor 24v	1				1	
02	Eccentric Drive	1					1
03	Bracket	1	50092-1000				
04	Bearing	1					
05	Con Rod	1					1
06	Diaphragm Plate	1	35688-0000	1			1
07	Diaphragm	1	50099-1000	1			
08	Sealing Washer	1		1			1
09	Bolt	1		1			1
10	Diaphragm Ring	1	35778-0000				
11	Valve Retainer	1	35816-0000	1			
12	Valve Set	1	30005-0000	1			
13	Body	1	50098-1000				
14	Pulsation Dampener	1	37179-0000	1			
15	Grommet	4		1			
16	Foot	1	50094-1000				
17	Cover	1	50093-1000				
18	Grub Screw	1					1
19	Bolt	4		1			1
20	Lock Washer	2			2	2	1
21	Motor Screw	2			2	2	1
22	Nut	4		1			1
23	Screw	1		1			
24	Pumpguard	1	46200-0000				