



3" Bull Bar with Stainless Skid Plate Installation Instructions

Part: # 35-4001/ 35-4002/ 35-4005/ 35-4006

Chevy Silverado 1500/2500HD/3500HD 2007-2010

Click To Select:

35-4001

2007 SILVERADO 1500 CLASSIC (both W/ & W/O Clad)

35-4002

2007-2010 SILVERADO 2500HD/3500HD CLASSIC

35-4005

2007-2010 CHEVY SILVERADO 1500

35-4006

2007-2010 SILVERADO 2500HD/3500HD



BULL BAR

PART# B35-4001 / 35-4001 INSTRUCTION SHEET

2000-06 TAHOE/YUKON/ 2000-06 SUBURBAN 1500 / YUKON XL 1500

1999-06 SILVERADO/SIERRA 1500 / 2007 SILERADO 1500 CLASSIC (both w/ & w/o clad) 2007 SIERRA 1500 CLASSIC

2001-06 AVALANCHE 1500 (both w/ and w/out clad)

<u>QTY.</u>	<u>ITEM</u>	<u>CONTENT</u>
1	1	BULL BAR
2	2	BRACKETS-PASSENGER & DRIVER SIDE
2	3	BOLT PLATE
2	4	PLASTIC PLUG
4	5	RUBBER BUMPER
2	6	1/2 -13 X 2.00" HEX HEAD BOLT
8	7	1/2" FLAT WASHERS
6	8	1/2" LOCK WASHERS
2	9	1/2- 13 HEX NUT
4	10	3/8 -16 X 1.25 HEX HEAD BOLT
8	11	3/8" FLATE WASHER
4	12	3/8 LOCK WASHER
4	13	3/8-16 HEX NUT
2	14	M12- 1.75 X 40MM HEX HEAD BOLT
2	15	M12-1.75 HEX NUT

STEP 1 REMOVE CONTENTS FROM BOX AND VERIFY ALL PART ARE PRESENT. READ INSTRUCTIONS COMPLETELY BEFORE BEGINNING.

STEP 2 IT MAY BE NECESSARY TO REMOVE/RELOCATE FRONT LICENSE PLATE AND LICENSE PLATE BRACKET. IT IS NOT REQUIRED, BUT SRONGLY RECOMMENDED.

STEP 3 DETERMINE PASSENGER AND DRIVER BRACKETS. FROM UNDERNEATH VEHICLE, REMOVE TOW HOOKS. INSERT BOLT PLATES THROUGH LARGE HOLES AND M12 X 1.75 X 40MM HEX HEAD BOLTS THROUGH SMALL HOLES IN BOTH BOTTOM FRAME LOCATIONS. SEE FIGURE 2.

STEP 4 ATTACH BRACKETS TO FRAME USING 1/2" FASTENERS AS SHOWN. LEAVE LOOSE. **NOTE**, FOR VEHICLES W/OUT TOW HOOKS A SMALL OPENING MAY NEED TO BE CUT OUT IN THE TWO INSIDE INDENTS OF THE AIRDAM USING A UTILITY KNIFE. SEE FIGURE 3.

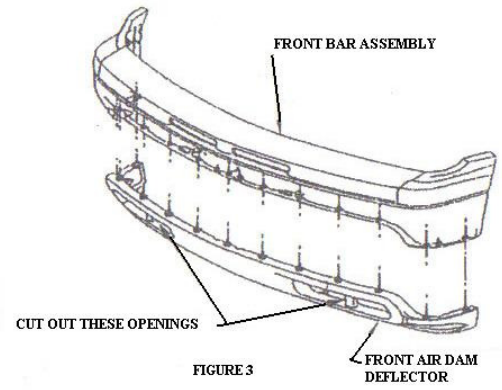
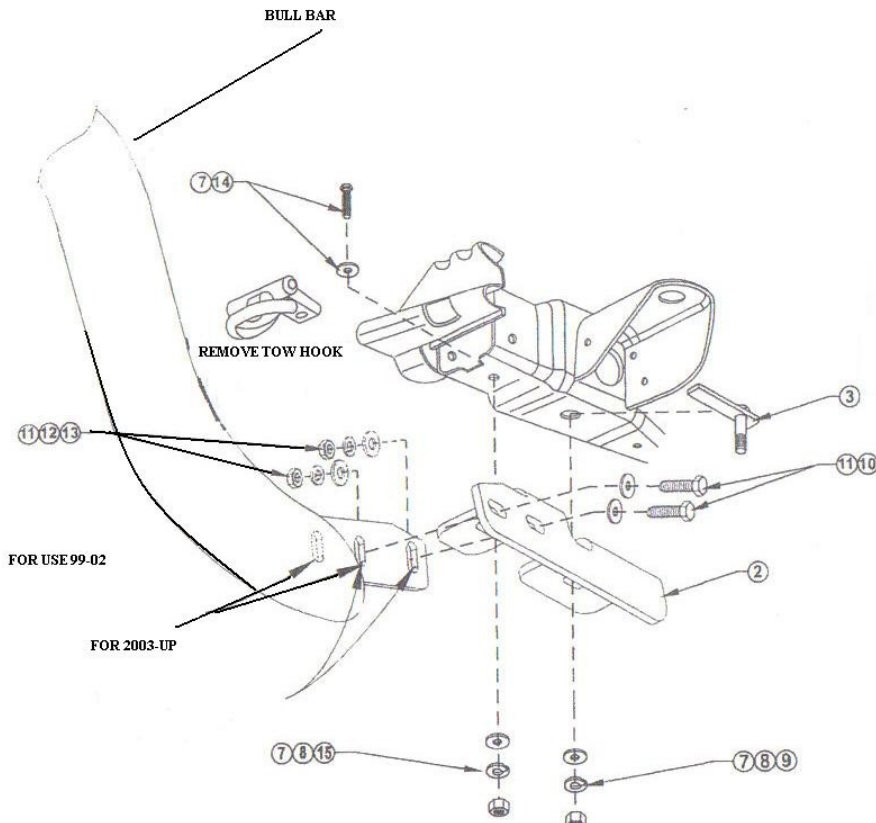
STEP 5 ATTACH BULL BAR TO BRACKETS USING 3/8" FASTENERS AS SHOWN. **NOTE:** 1999-02 MODELS USE FRONT AND MIDDLE HOLES ON THE LOOP MOUNTING BRACKETS. 2003 UP MODELS USE MIDDLE AND REAR HOLES. SEE FIGURE 2.

STEP 6 LEVEL AND ADJUST BULL BAR AS DESIRED. TORQUE 1/2" FASTENERS TO 65 FT.LBS AND 3/8" FASTENERS TO 30 FT. LBS.

FINISH PROTECTION- ARIES PRODUCTS HAVE A HIGH FINISH THAT MUST BE MAINTAINED SUCH AS ANY OTHER HIGH FINISH PRODUCT ON THE VEHICLE. PROTECT THE FINISH WITH A NON-ABRASIVE AUTOMOTIVE WAX. THE USE OF SOAP, POLISH, OR WAX THAT CONTAINS ABRASIVES IS DETRIMENTAL, AS THE COMPOUNDS SCRATCH THE FINISH AND OPEN IT TO CORROSION.

DISCLAIMER- BUYER ASSUMES ALL RISK AND LIABILITY WHATSOEVER FROM THE INSTALLATION AND USE OF ARIES PRODUCTS. ARIES PRODUCTS ARE SOLD AS DECORATIVE ACCESSORIES AND SHOULD NOT BE RELIED UPON AS PROTECTION FOR THE VEHICLE OR OCCUPANTS IN THE EVENT OF A COLLISION OR ROLL OVER. ARIES AUTOMOTIVE ASSUMES NO LIABILITY FOR INJURY, LOSS, INCIDENTAL OR CONSEQUENTIAL DAMAGES IN THE EVENT OF A COLLISION OR ROLLOVER.

35-4001





BULL BAR

B35-4002 / 35-4002 INSTRUCTION SHEET

1999-06 SILVERADO 2500LD / 2001-06 SIL 1500HD/2500HD/3500HD

2000-06 SUBURBAN/TAHOE 2500 / 2001-06 AVALANCHE 2500 (both w/ and w/out clad)

1999-06 SIERRA 2500 LD / 2001-06 SIERRA 1500HD/2500HD/3500HD / 2000-06 YUKON XL 2500LD

<u>QTY.</u>	<u>ITEM</u>	<u>CONTENT</u>
1	1	BULL BAR
2	2	BRACKETS-PASSENGER & DRIVER SIDE
2	3	SPACER PLATE
4	4	RUBBER BUMPER
4	5	1/2 -13 X 2.00" HEX HEAD BOLT
4	6	1/2" FLAT WASHERS
4	7	1/2" LOCK WASHERS
4	8	3/8" -16 X 1.25 HEX HEAD BOLT
8	9	3/8" FLATE WASHER
4	10	3/8 LOCK WASHER
4	11	3/8-16 HEX NUT
2	12	M12- 1.75 X 40MM HEX HEAD BOLT
2	13	M12-1.75 HEX NUT

STEP 1 REMOVE CONTENTS FROM BOX AND VERIFY ALL PART ARE PRESENT. READ INSTRUCTIONS COMPLETELY BEFORE BEGINNING.

STEP 2 IT MAY BE NECESSARY TO REMOVE/RELOCATE FRONT LICENSE PLATE AND LICENSE PLATE BRACKET. IT IS NOT REQUIRED, BUT SRONGLY RECOMMENDED.

STEP 3 DETERMINE PASSENGER AND DRIVER BRACKETS. FROM UNDERNEATH VEHICLE, REMOVE TOW HOOKS. SLIDE BRACKETS THROUGH END FRAME AND ALIGN HOLES IN BOTTOM OF FRAME WITH THE TWO NUTS WELDED TO THE BRACKETS. ATTACH BRACKETS TO FRAME RAIL WITH 1/2" FASTENERS AS SHOWN. **NOTE:** USE ONE SPACER PLATE FOR LARGE HOLE IN BOTTOM OF FRAME AS SHOWN. LEAVE LOOSE. NOTE FOR VEHICLES WITHOUT TOW HOOKS A SMALL OPENING MAY NEED TO BE CUT OUT IN THE TWO INSIDE INDENTS OF THE AIRDAM USING A UTILITY KNIFE. SEE FIGURE 3.

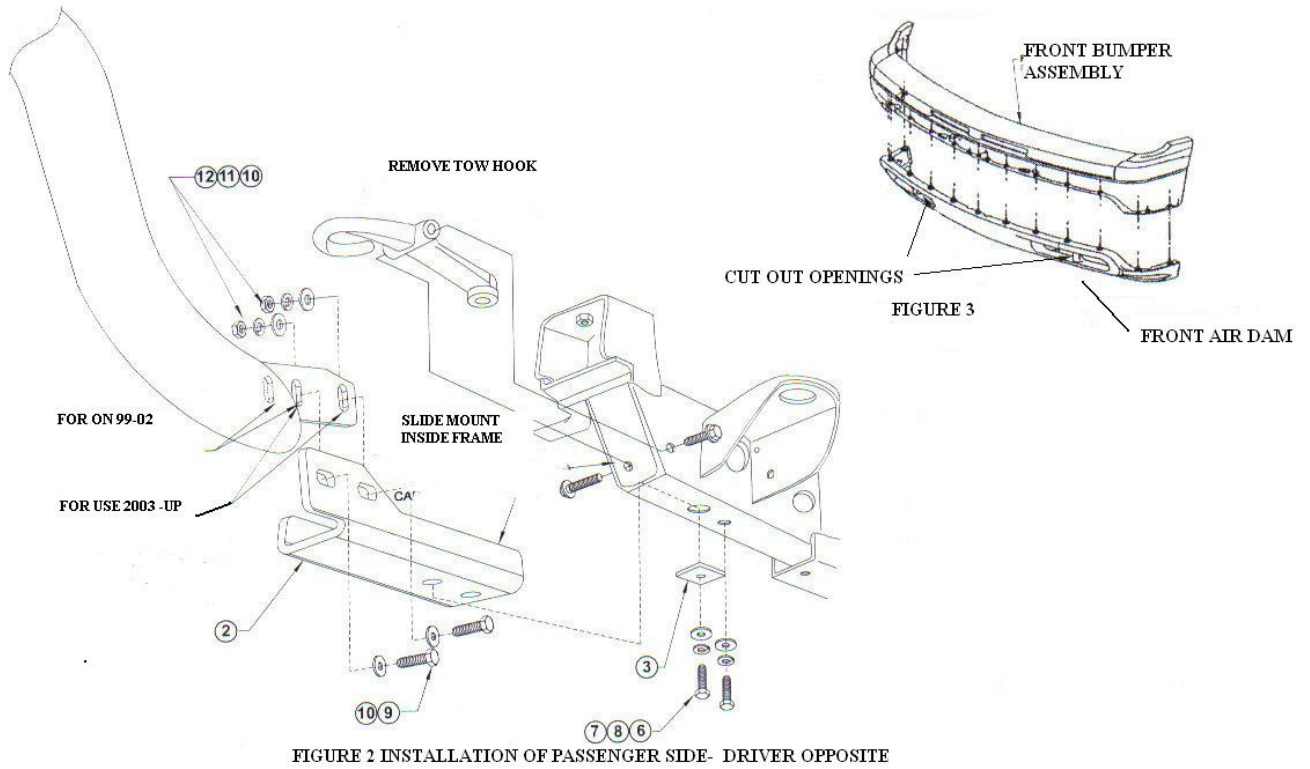
STEP 4 ATTACH HOOP MOUNTS BRACKETS TO FRAME BRACKETS USING 3/8" FASTNERS AS SHOWN . **NOTE:** 1999-02 MODELS USE FRONT AND MIDDLE HOLES ON THE LOOP MOUNTING BRACKETS. 2003 UP MODELS USE MIDDLE AND REAR HOLES. SEE FIGURE 2.

STEP 5 LEVEL AND ADJUST BULL BAR AS DESIRED. TORQUE 1/2" FASTENERS TO 65 FT.LBS AND 3/8" FASTENERS TO 30 FT. LBS.

FINISH PROTECTION- ARIES PRODUCTS HAVE A HIGH FINISH THAT MUST BE MAINTAINED SUCH AS ANY OTHER HIGH FINISH PRODUCT ON THE VEHICLE. PROTECT THE FINISH WITH A NON-ABRASIVE AUTOMOTIVE WAX. THE USE OF SOAP, POLISH, OR WAX THAT CONTAINS ABRASIVES IS DETRIMENTAL, AS THE COMPOUNDS SCRATCH THE FINISH AND OPEN IT TO CORROSION.

DISCLAIMER- BUYER ASSUMES ALL RISK AND LIABILITY WHATSOEVER FROM THE INSTALLATION AND USE OF ARIES PRODUCTS. ARIES PRODUCTS ARE SOLD AS DECORATIVE ACCESSORIES AND SHOULD NOT BE RELIED UPON AS PROTECTION FOR THE VEHICLE OR OCCUPANTS IN THE EVENT OF A COLLISION OR ROLL OVER. ARIES AUTOMOTIVE ASSUMES NO LIABILITY FOR INJURY, LOSS, INCIDENTAL OR CONSEQUENTIAL DAMAGES IN THE EVENT OF A COLLISION OR ROLLOVER.

35-4002





INSTALLATION INSTRUCTIONS

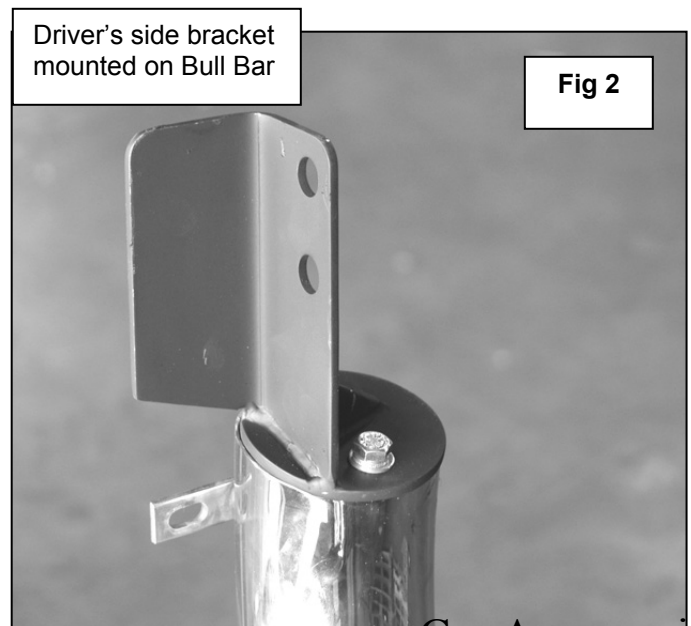
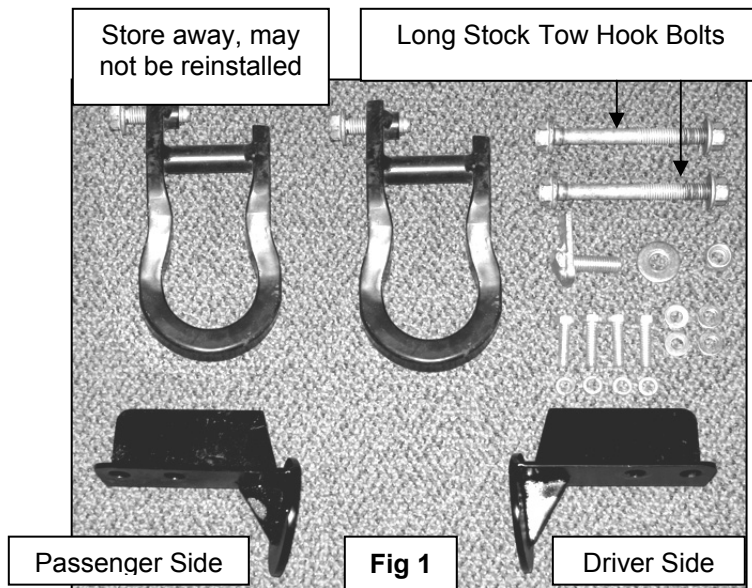
2007-10 CHEVY SILVERADO 1500 / 2007-10 GMC SIERRA 1500 (cut to lower valance)
BULL BAR PART# B35-4005 / 35-4005

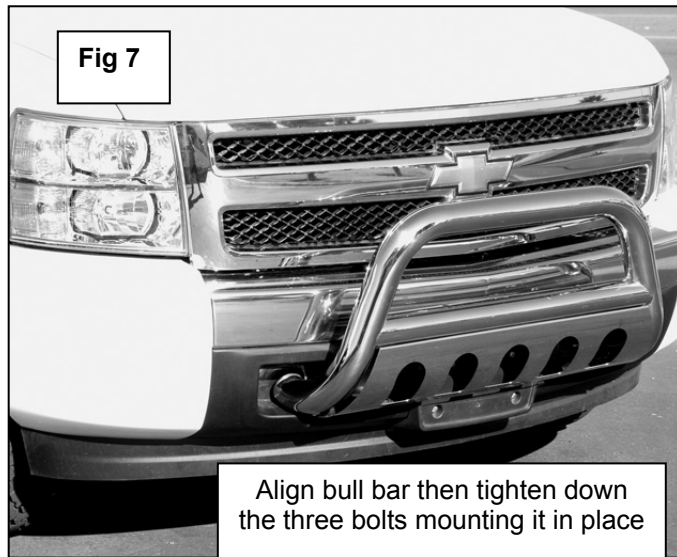
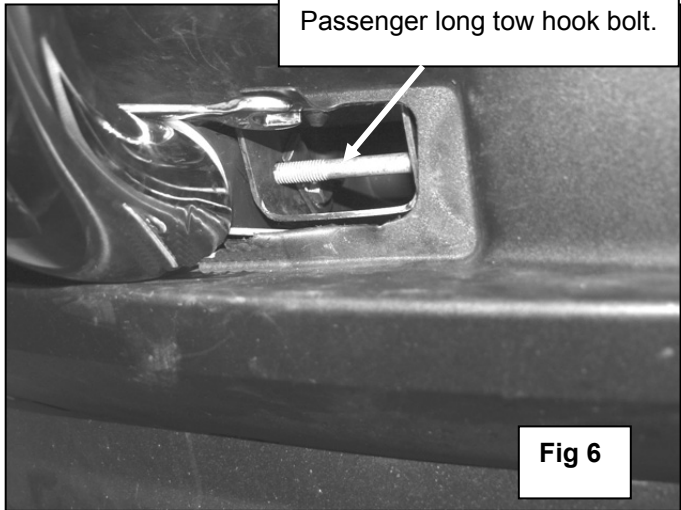
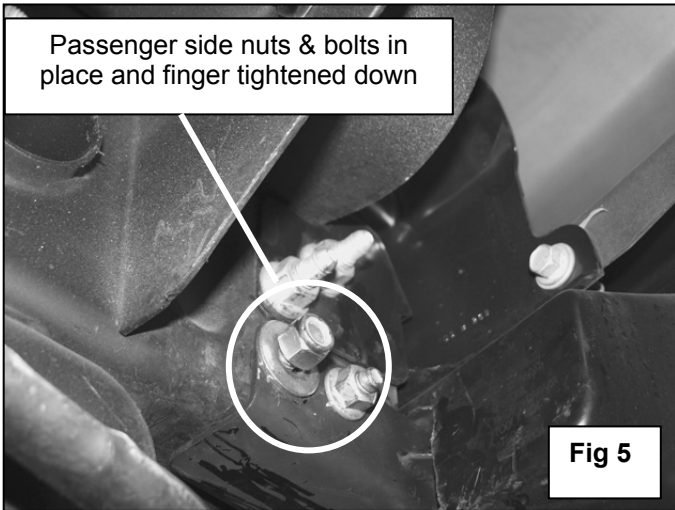
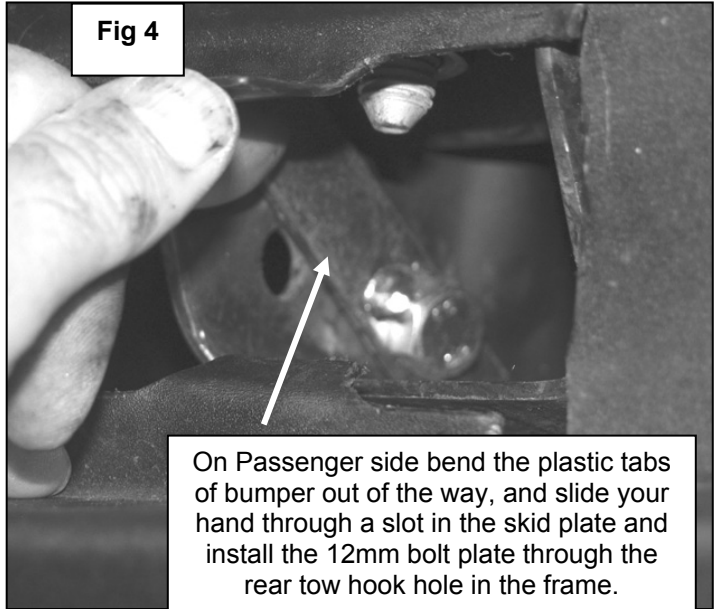
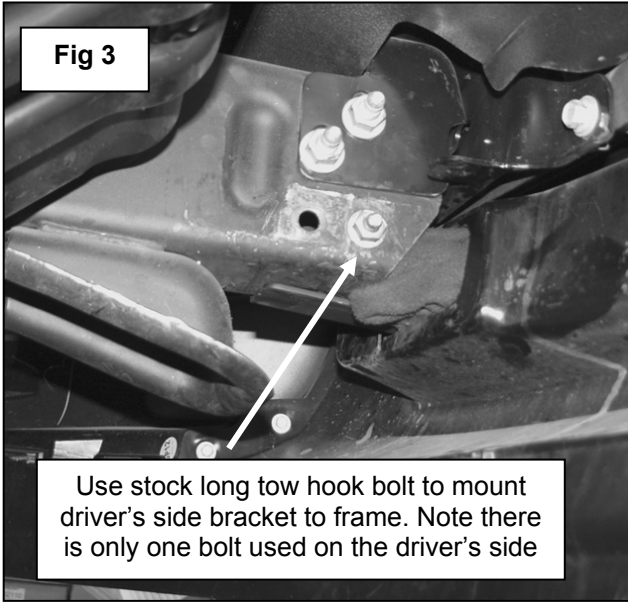
PARTS LIST:

1	Bull Bar	1	Drivers Side Bracket
1	Passenger Side Bracket	1	12-1.75X40mm Bolt plate
1	12mm washer	1	12mm lock Nut
4	8-1.25X30mm Bolt	4	8mm Lock Washers
4	8mm Flat Washers		

PROCEDURE:

- 1. REMOVE CONTENTS FROM BOX AND VERIFY ALL PARTS ARE PRESENT. READ INSTRUCTIONS CAREFULLY. PLEASE NOTE THAT YOU CAN NOT USE FACTORY TOW HOOKS WITH THIS BULL BAR.**
- Locate and set aside the Bull Bar, hardware kit and the brackets. Determine the driver and passenger sides for the brackets. (Fig 1)
- Remove the factory tow hooks and set aside the two long bolts and nuts. (Fig 1) You can not reinstall the tow hooks so put the two short bolts back into tow hooks and store away.
- Take the driver's side mounting bracket and attach it to the driver's side of the bull bar as shown, (Fig 2) using two of the 8mm bolts, flat washers and lock washers. Repeat this step on the passenger's side, making sure to tighten down all four bolts.
- Slide the bull bar onto the frame through the bumper openings. The brackets go on the outside of the frame tubes. On the drivers side replace the long stock tow hook bolt into the front hole and finger tighten the stock nut in place. (Fig 3)
- On the passenger side of truck, bend the bumper opening tabs in and out of the way. Putting your hand through one of the skid plate slots, slide the 12mm bolt plate into the frame tube and through the rear tow hook mounting hole. Place the 12mm flat washer in place the finger tighten the lock nut. (Fig 4,5 & 6) Next replace the passenger side long tow hook bolt and nut.
- Adjust the fit of bull bar to trucks bumper, to an even spacing top to bottom and tighten up the three bolts attaching it to the truck. (Fig 7)







35-4006 Bull Bar INSTALLATION

PARTS LIST

1 – Bull Bar	4 – 8mm-1.25 x 30 Bolts	4 – ½ x 1 ½ Bolts
2 – Mount Brackets	4 – 8mm Flat Washers	4 – ½ Flat Washers
2 – Spacer Plates	4 – 8mm Lock Washers	

1. Remove contents from box and verify all parts are present. Read instruction carefully.
2. Remove factory tow hooks. *Please note that you cannot re-install factory tow hooks with this bull bar.
3. Start with the passenger side. Insert mount bracket through the opening where the tow hook was located. Ensure the front bent portion of the bracket is facing out from the centre of the vehicle. See Image below.
4. Attach the mount bracket to the bottom of the frame using (2) ½ x 1 ¼ bolts, (2) ½ flat washers and the bolt plate. Use the bolt plate for the larger hole located on the bottom of the frame.
5. Repeat steps 3 & 4 for driver's side.
6. Attach bull bar to brackets by using 8mm bolts, 8mm washers and 8mm lock washers.

