

EXHAUST SYSTEMS

COMPLETE LINE

VOLUME 2 • ISSUE 1

GRAND
ROCK
EXHAUST
SYSTEMS

GRAND
ROCK

EXHAUST SOLUTIONS



TABLE OF CONTENTS

Table of Contents

Introduction

General Information

NEW Chrome Items

Display & Sales Aids

Universal Parts

- Stacks
- Dump Stacks
- Tilt Cab Connectors
- Diverters and HB Connectors
- Tubing Straight
- Repair Sections
- Connectors/Reducers
- Turbo Manifold Adapters
- Elbows
- Y-Pipes
- Rain Caps

Clamps and Brackets

- Clamps
- V-Band Clamps
- Brackets

Mufflers/Converters

- Mufflers/Resonators
- Converters
- Chrome Mufflers/Muffler Eliminators
- Universal Mufflers
- HF Mufflers
- Heat Shields
- Mounting Brackets

Air Intake

Emission Solutions/Flex Hose

- Emissions Solutions
- Heat Wrap
- Replacement Bellows
- Flex Hose

Heavy Duty Systems

- Ford
- Sterling
- Freightliner
- International
- Kenworth
- Mack
- Peterbilt
- Volvo
- Western Star

Medium Duty Systems

- Chevrolet/GMC
- Ford
- Freightliner
- International
- Kenworth

School Bus Exhaust Systems

Custom Parts

Numerical Listing

GENERAL INFORMATION

TERMS & CONDITIONS

Warranty coverage begins on the date and mileage that the part is purchased by the user and expires when the specified numbers of years or miles have passed, whichever comes first.

WARRANTY STATEMENT

In the rare event that a product does not perform as expected, Grand Rock warrants its products against failure due to defects in materials and workmanship for the period specified under Terms and Conditions for the particular part. Grand Rock obligation under this warranty covers replacement of the failed part including transportation charges.

The Length of Warranty for replacement parts provided under warranty coverage is the balance of the warranty period remaining on the part being replaced.

It is important that the customer handle, store and install all products properly. This warranty does not cover failure due to misapplication, misuse, abuse, neglect, rust through and corrosion (muffler), improper service practices or non-approved modification. If you have any questions about proper handling, storing or installation do not hesitate to contact Grand Rock.

Due to the higher heat output of Emissions Components, Grand Rock cannot warrant the Chrome Plating for any item installed on any truck made after 2007. As a solution, ceramic heat barrier coatings can be applied at an additional cost, alleviating the concern. Thank you, Grand Rock appreciates your business and understanding of any inconvenience this may cause.

U.S. EPA AND NOISE REGULATIONS FOR ON ROAD TRUCKS

The first nationwide regulation of truck noise was established with the Noise Control Act of 1972 (P.L. 92-574.86 STAT. 1234). Regulations apply to trucks greater than 10,000 lbs GVW. Noise regulations apply to total truck noise, not just exhaust noise.

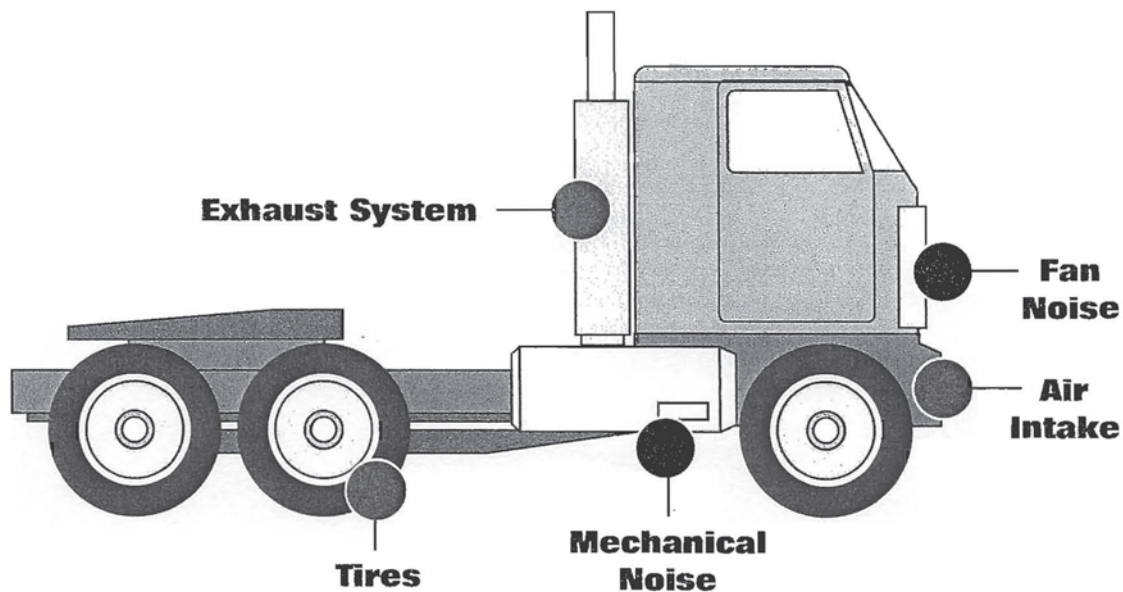
In the past, US EPA coordinated all federal noise control activities through its Office of Noise Abatement and Control. In 1981, the Administration at that time concluded that noise issues were best handled at the state or local government level. As a result, the US EPA phased out the office's funding in 1982 as part of a shift in federal noise control policy to transfer the primary responsibility of regulating noise to state and local governments. The Noise Control Act of 1972 and the Quiet Communities Act of 1978, however, were not rescinded by Congress and remain in effect today, although essentially unfunded.

GENERAL INFORMATION

US EPA regulations stipulate maximum noise levels for both new (first-fit) and in-use trucks. Vehicle manufacturers are responsible for compliance of new trucks, and owners are responsible for in-use trucks. New trucks must be no louder than 80dB at 50 feet. In-use trucks, if manufactured 1986 or later, must be less than 83dB. If they were manufactured before 1986, they must be no louder than 86dB. EPA regulations also stipulate that a replacement muffler be no louder than the original equipment (first-fit) muffler. Note that all federal noise regulations remain in effect, and are enforced by either EPA or a designated federal agency. These regulations cover standards for transportation equipment, motor carriers, low-noise-emission products, and construction equipment.

EPA does not have specific regulatory authority governing noise in local communities. You should consult with your local governmental (e.g., city and county) authorities to see if there are local or state laws that might apply to your situation. In addition, many states run noise pollution programs.

5 MAJOR SOURCES OF NOISE IN TRUCKS



The five major sources of noise in trucks are:

- ① Fan Noise
- ② Air Intake
- ③ Mechanical Noise (Engine & Drive Train)
- ④ Tires
- ⑤ Exhaust

GENERAL INFORMATION

Noise Reduction Tips

- 1 Make sure your muffler is recommended by the muffler manufacturer for the particular engine in your vehicle. To meet most new noise laws, the “universal” muffler must be replaced by a muffler designed specifically for the engine.
- 2 Tail pipes on horizontal exhaust systems should be tipped toward the center of the vehicle to avoid noise reflection off the road.
- 3 If you have curved stacks, replace them with straight stacks. Noise coming from a pipe outlet is directional and straight stacks will throw noise up, not to the side. Rain stacks and 45° cut stack do not appreciably affect noise levels.
- 4 The length of the stack installed on the muffler can be critical. If an irritating “rap” is heard at certain engine speeds, try stacks with different lengths.
- 5 In an exhaust system with piping exceeding 10 feet in length, the muffler is suggested to be installed where the exhaust pipe to the muffler is either one-half or four times the length of the tail pipe.
- 6 A resonator can be used in-line with the recommended muffler for additional noise reduction.
- 7 If you have increased the size of the exhaust piping or made a dual out of a single system, check recommendations for piping size. Over-sized systems are exceedingly noisy!
- 8 The vehicle operator, to a certain extent can control his vehicle noise. The greater the engine load the louder the noise. Certain engine speeds may be more noisy than others. High vehicle speed causes more tire noise. Operating an engine brake when it's not needed may cause extra noise.
- 9 If the above-mentioned techniques do not solve your problem, contact Grand Rock for specific recommendations.

Maintenance Tips

- 1 Check flex tubing regularly. Repair worn or leaking tubing.
- 2 Make sure the exhaust system is properly supported with required brackets, clamps and braces.
- 3 Check strap seal band clamps to ensure properly tightened to avoid leaks.
- 4 Consider acoustic compound when repairing OD-ID connections.

Diesel Exhaust Product Materials

There are several materials used in heavy duty diesel exhaust applications. Some of the materials are appropriate for heavy duty applications. Other choices are not durable at the temperatures generated by diesel engines, especially with new pollution control systems, and should be avoided to provide acceptable service life. Materials selected must not only survive high temperatures, but also withstand severe vibration, corrosive exhaust gasses, and external corroding agents such as salt and water.

The materials generally considered for exhaust parts are as follows:

- Aluminized Steel
- 400 Series Stainless Steel
- 400 Series Aluminized Stainless Steel
- 300 Series Stainless Steel
- Galvanized Steel
- Low Carbon Cold Rolled Steel (CRS) and Chromed

Diesel Exhaust Product Materials, continued

Aluminized Steel is the preferred material for most heavy duty diesel applications. Aluminized Steel is a low carbon steel with a thin layer of aluminum alloyed to the surface. The aluminum provides galvanic protection for the base material. Aluminized Steel parts have an ultimate service temperature of 1250 degrees F with a continuous duty temperature of 1100degreeF. This material has excellent corrosion resistance to acidic diesel exhaust gasses. Aluminized Steel parts provide excellent field life at a reasonable cost.

400 Series Stainless Steels are used for extended service life in diesel applications due to their higher operating temperatures. This material family provides slightly better strength at exhaust system temperatures than aluminized steel.

The most common 400 Series Steel that is used in exhaust applications is Type 409. It is stronger than aluminized but has cosmetic problems at exhaust system temperature. At first exposure to high temperature it discolors. Over time it develops a nondestructive coating of surface rust. After an extended time in the field a 409 product will display external discoloration and look worse than a similar aluminized part. Parts made with type 409 generally require some type of paint or other coating to slightly delay the onset of external discoloration. The parts will hold a magnet due to higher iron content.

Another type is 409 Stainless Steel with an Aluminum coating. Aluminized 409 SS are used on Diesel Catalytic Converter mufflers due to its excellent high temperature resistance and the corrosion protection of the aluminized coating. This is a premium material found primarily on emission products or high temperature gas applications. ***Grand Rock 400 Series products do not have a polished finish.***

300 Series Stainless Steels are also used in exhaust systems. The most common material is Type 304. This material has excellent corrosion resistance and very good high temperature strength and is used in some muffler applications where very high stresses occur. It is also used as a premium material for gas applications. The most prevalent use of the material in diesel heavy duty applications is for flex pipe. Flex pipe produced from light gauge 304 Stainless Steel is an excellent choice considering all the factors of cost, durability, and service life. In general field service life with stainless steel flex pipe is very good if the flex tubing is installed properly. ***Grand Rock 300 Series products do not have a polished finish.***

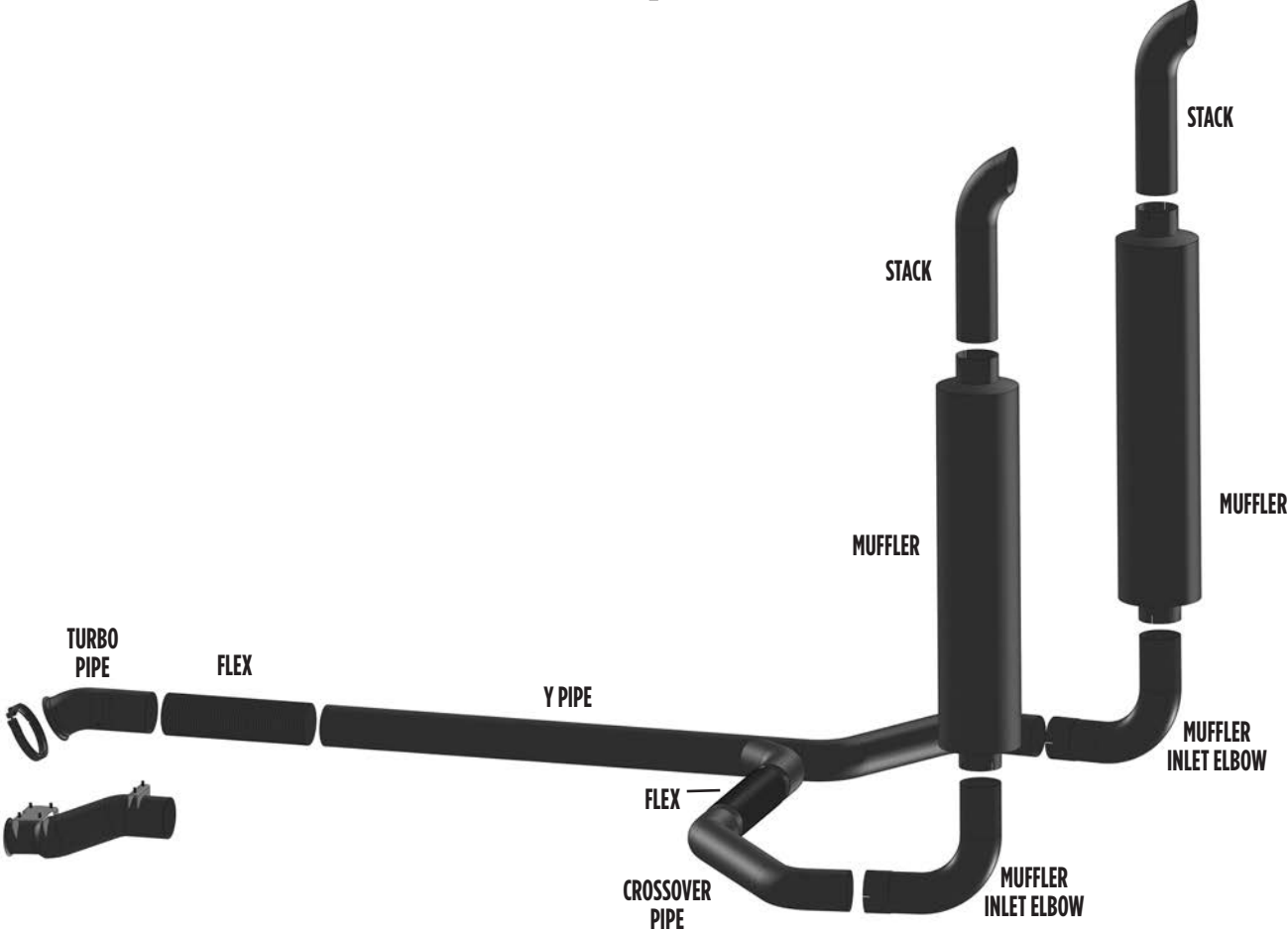
Galvanized Steel parts are sometimes used in the exhaust market. Galvanized Steel has very poor field performance. This material has an upper temperature limit of approximately 600 degrees F. At temperatures greater than 600 degrees the material rapidly corrodes with a resulting degradation in appearance and probable failure. Galvanized Steel is often used for flex pipe as a low cost replacement part. The initial low cost is offset by the limited field life of the product.

Cold Rolled Steel (CRS) is a very poor choice for any exhaust system part. This material is extremely susceptible to corrosion. These parts are only used when the lowest possible cost is desired. It is rare to find mufflers made of cold rolled steel, but there are stacks offered in some markets in Cold Rolled Steel. Clamps are another product commonly produced out of Cold Rolled Steel. Clamps are not exposed to the corrosive acids found in the exhaust gasses but the high temperatures cause clamps to degrade rapidly in appearance and in function. Cold Rolled Steel clamps can be very difficult to remove after a short time in the field.

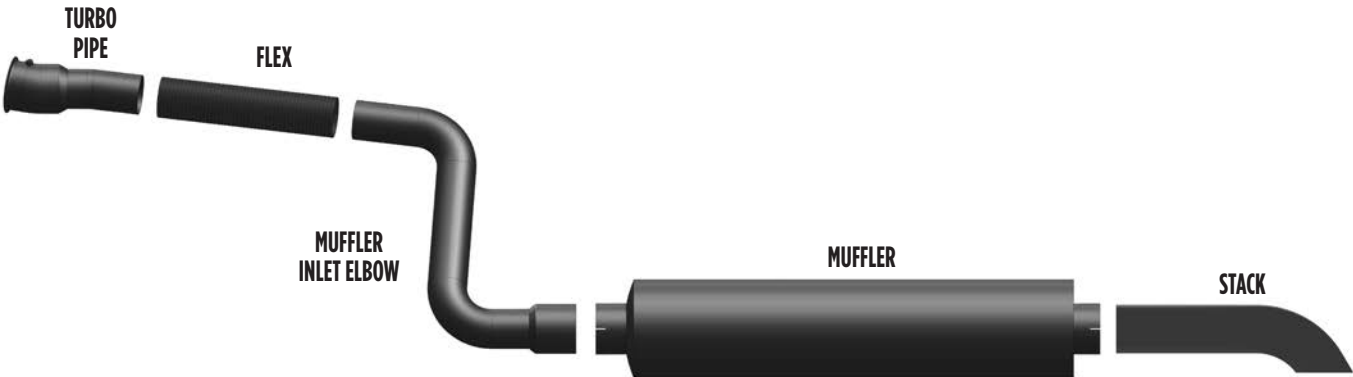
Often **Chrome Plated Cold Rolled Steel** parts are found on exhaust system parts. This material is a reasonable choice when a bright mirror finish is desired. Corrosion from the inside of the product can still occur; Chrome parts are very challenging to produce. It is important to produce the parts with a high level of quality because surface irregularities and field damage to the surface will lead to external rust.

GENERAL INFORMATION

Vertical Systems



Horizontal Systems



GENERAL INFORMATION

Engine Size Conversion Chart

C.I.D.	C.C.	LITER	C.I.D.	C.C.	LITER	C.I.D.	C.C.	LITER
61	1000	1.0	255	4179	4.2	466	7638	7.6
92	1500	1.5	258	4229	4.2	475	7785	7.8
98	1606	1.6	260	4261	4.3	495	8113	8.1
105	1721	1.7	265	4343	4.3	500	8195	8.2
112	1836	1.8	267	4376	4.4	504	8261	8.3
121	1983	2.0	292	4786	4.8	525	8605	8.6
122	2000	2.0	300	4917	4.9	551	9031	9.0
134	2196	2.2	301	4933	4.9	552	9047	9.0
135	2213	2.2	302	4950	4.9	555	9096	9.1
140	2295	2.3	304	4983	5.0	568	9310	9.3
151	2475	2.5	305	4999	5.0	611	10014	10.0
156	2557	2.6	307	5032	5.0	636	10424	10.4
159	2606	2.6	318	5212	5.2	638	10457	10.5
170	2786	2.8	350	5737	5.7	672	11014	11.0
171	2803	2.8	351	5753	5.8	673	11030	11.0
173	2835	2.8	359	5884	5.9	707	11588	11.6
181	2967	3.0	360	5900	5.9	736	12063	12.1
196	3212	3.2	368	6032	6.0	743	12178	12.2
200	3278	3.3	378	6195	6.2	852	13964	14.0
212	3475	3.5	379	6212	6.2	855	14013	14.0
225	3688	3.7	400	6556	6.6	864	14161	14.2
229	3753	3.8	403	6605	6.6	866	14194	14.2
231	3786	3.8	420	6884	6.9	893	14636	14.6
232	3802	3.8	425	6966	7.0	903	14800	14.8
238	3901	3.9	426	6982	7.0	927	15194	15.2
250	4097	4.1	454	7441	7.4	1099	18013	18.0
252	4130	4.1	460	7539	7.5	1150	18849	18.8

**For engines not listed above,
use the following conversion table:**

TO CONVERT:	INTO:	MULTIPLY BY:
C.I.D.	C.C.	16.39
C.I.D.	LITER	0.01639
C.C.	C.I.D.	0.06101
LITER	C.I.D.	61.01

TRUCK CLASSIFICATION GUIDE
based on gross vehicle weight of truck (GVW)

CATEGORY	GVW CLASS	GROSS VEHICLE WEIGHT RANGE
LIGHT	1	UP TO 6,000 LBS GVW
LIGHT	2	6,001 - 10,000 LBS GVW
MEDIUM	3	10,001 - 14,000 LBS GVW
MEDIUM	4	14,001 - 16,000 LBS GVW
MEDIUM	5	16,001 - 19,500 LBS GVW
MEDIUM	6	19,501 - 26,000 LBS GVW
HEAVY	7	26,001-33,000 LBS GVW
HEAVY	8	33,001 LBS AND UP GVW

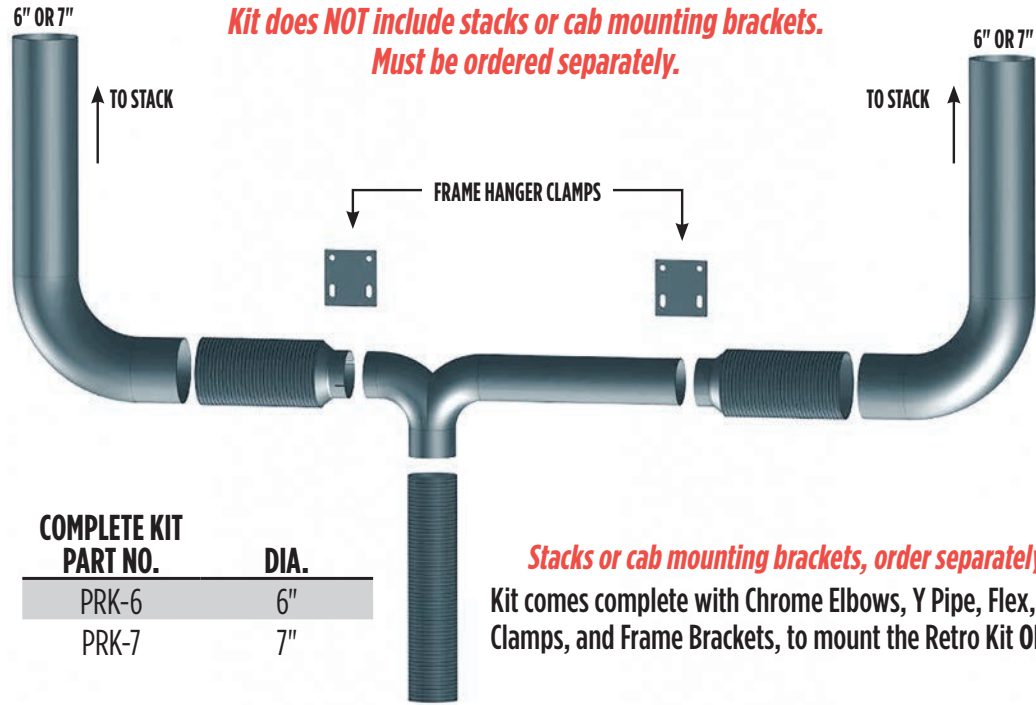
CHROME



CHROME

Peterbilt 379 Retro Fit

Get the "Retro" look out of your newer modern truck. Direct bolt on, **No Cutting or Drilling!** Large Radius Chrome 90° elbows follow the radius of the fuel tanks.



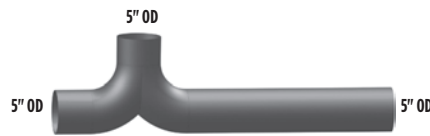
Kit does NOT include stacks or cab mounting brackets. Must be ordered separately.

COMPLETE KIT PART NO.	DIA.
PRK-6	6"
PRK-7	7"

Stacks or cab mounting brackets, order separately.
Kit comes complete with Chrome Elbows, Y Pipe, Flex, Clamps, and Frame Brackets, to mount the Retro Kit **ONLY**.

* The top of the elbows will be 5" above the lower cab bracket. Please confirm stack length.

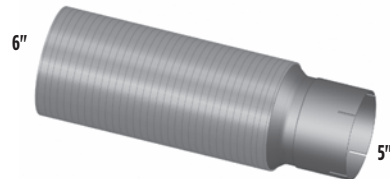
PART NO. PRKY-13944



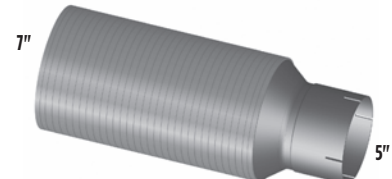
PART NO. PRK-BRKT



PART NO. PRKF-616



PART NO. PRKF-716



OR

PART NO. PRK-L690C

CHROME



PART NO. PRK-L790C

CHROME



OR

highest quality chrome in the industry

CURVED STACKS

ID STYLE

ID DIA.	LENGTH	PART NO.	ID DIA.	LENGTH	PART NO.
3"	12"	K3-12EXC	5"	72"	K5-72EXC
3"	24"	K3-24EXC	5"	84"	K5-84EXC
3.5"	12"	K35-12EXC	5"	96"	K5-96EXC
3.5"	36"	K35-36EXC	5"	108"	K5-108EXC
3.5"	48"	K35-48EXC	5"	114"	K5-114EXC
4"	12"	K4-12EXC	5"	120"	K5-120EXC
4"	18"	K4-18EXC	6"	18"	K6-18EXC
4"	24"	K4-24EXC	6"	72"	K6-72EXC
4"	36"	K4-36EXC	6"	84"	K6-84EXC
4"	48"	K4-48EXC	6"	96"	K6-96EXC
4"	60"	K4-60EXC	6"	108"	K6-108EXC
4"	72"	K4-72EXC	6"	114"	K6-114EXC
4"	84"	K4-84EXC	6"	120"	K6-120EXC
4"	96"	K4-96EXC	7"	72"	K7-72EXC
5"	12"	K5-12EXC	7"	84"	K7-84EXC
5"	18"	K5-18EXC	7"	96"	K7-96EXC
5"	24"	K5-24EXC	7"	108"	K7-108EXC
5"	36"	K5-36EXC	7"	114"	K7-114EXC
5"	48"	K5-48EXC	7"	120"	K7-120EXC
5"	60"	K5-60EXC			

OD STYLE

OD DIA.	LENGTH	PART NO.
3"	24"	K3-24SBC
3.5"	12"	K35-12SBC
3.5"	36"	K35-36SBC
4"	12"	K4-12SBC
4"	18"	K4-18SBC
4"	24"	K4-24SBC
4"	36"	K4-36SBC
4"	48"	K4-48SBC
4"	60"	K4-60SBC
4"	72"	K4-72SBC
5"	12"	K5-12SBC
5"	18"	K5-18SBC
5"	24"	K5-24SBC
5"	36"	K5-36SBC
5"	48"	K5-48SBC
5"	53"	K5-53SBC
5"	60"	K5-60SBC
5"	72"	K5-72SBC
5"	84"	K5-84SBC
5"	96"	K5-96SBC
6"	24"	K6-24SBC
6"	36"	K6-36SBC
6"	48"	K6-48SBC
6"	60"	K6-60SBC



ID



OD

CURVED STACK REDUCED BOTTOM

ID STYLE

ID DIA.	LENGTH	PART NO.
6" - 5"	60"	SK6-60EXC-5
6" - 5"	72"	SK6-72EXC-5
6" - 5"	84"	SK6-84EXC-5
6" - 5"	96"	SK6-96EXC-5
6" - 5"	108"	SK6-108EXC-5
6" - 5"	114"	SK6-114EXC-5
6" - 5"	120"	SK6-120EXC-5
7" - 5"	72"	SK7-72EXC-5
7" - 5"	84"	SK7-84EXC-5
7" - 5"	96"	SK7-96EXC-5
7" - 5"	108"	SK7-108EXC-5
7" - 5"	114"	SK7-114EXC-5
7" - 5"	120"	SK7-120EXC-5

OD STYLE

OD DIA.	LENGTH	PART NO.
6" - 5"	24"	SK6-24SBC-5
6" - 5"	36"	SK6-36SBC-5
6" - 5"	48"	SK6-48SBC-5
6" - 5"	60"	SK6-60SBC-5
6" - 5"	72"	SK6-72SBC-5
6" - 5"	84"	SK6-84SBC-5
6" - 5"	96"	SK6-96SBC-5
6" - 5"	108"	SK6-108SBC-5
7" - 5"	24"	SK7-24SBC-5
7" - 5"	36"	SK7-36SBC-5
7" - 5"	48"	SK7-48SBC-5
7" - 5"	60"	SK7-60SBC-5



ID



OD

C
H
R
O
M
E

highest quality
chrome in the industry

AUSSIE STACKS



ID

ID STYLE

ID DIA.	LENGTH	PART NO.
6" - 5"	108"	SA6-108EXC-5
7"	108"	A7-108EXC
7"	114"	A7-114EXC

OD STYLE

OD DIA.	LENGTH	PART NO.
5"	24"	A5-24SBC
5"	36"	A5-36SBC
5"	48"	A5-48SBC
5"	60"	A5-60SBC
5"	72"	A5-72SBC
6" - 5"	24"	SA6-24SBC-5
6" - 5"	36"	SA6-36SBC-5
6" - 5"	48"	SA6-48SBC-5
6" - 5"	60"	SA6-60SBC-5
7" - 5"	24"	SA7-24SBC-5
7" - 5"	36"	SA7-36SBC-5
7" - 5"	48"	SA7-48SBC-5
7" - 5"	60"	SA7-60SBC-5
8" - 5"	36"	SA8-36SBC-5
8" - 5"	48"	SA8-48SBC-5
8" - 5"	60"	SA8-60SBC-5



OD

BULLHORN STACKS



ID

ID STYLE

ID DIA.	LENGTH	PART NO.
5"	72"	BH5-72EXC
5"	84"	BH5-84EXC
5"	96"	BH5-96EXC
5"	108"	BH5-108EXC
6" - 5"	72"	SBH6-72EXC-5
6" - 5"	84"	SBH6-84EXC-5
6" - 5"	96"	SBH6-96EXC-5
6" - 5"	108"	SBH6-108EXC-5
6"	72"	BH6-72EXC
6"	84"	BH6-84EXC
6"	96"	BH6-96EXC
6"	108"	BH6-108EXC
6"	114"	BH6-114EXC
7"	72"	BH7-72EXC
7"	84"	BH7-84EXC
7"	96"	BH7-96EXC
7"	108"	BH7-108EXC
7" - 5"	84"	SBH7-84EXC-5
7" - 5"	96"	SBH7-96EXC-5
7" - 5"	108"	SBH7-108EXC-5

OD STYLE

OD DIA.	LENGTH	PART NO.
5"	36"	BH5-36SBC
5"	48"	BH5-48SBC
5"	60"	BH5-60SBC
5"	72"	BH5-72SBC
6" - 5"	36"	SBH6-36SBC-5
6" - 5"	48"	SBH6-48SBC-5
6" - 5"	60"	SBH6-60SBC-5
6"	36"	BH6-36SBC
6"	48"	BH6-48SBC
6"	60"	BH6-60SBC
7" - 5"	36"	SBH7-36SBC-5
7" - 5"	48"	SBH7-48SBC-5
7" - 5"	60"	SBH7-60SBC-5



OD

STRAIGHT STACKS



ID

ID STYLE

ID DIA.	LENGTH	PART NO.
4"	24"	S4-24EXC
4"	36"	S4-36EXC
4"	48"	S4-48EXC
4"	60"	S4-60EXC
4"	72"	S4-72EXC
5"	12"	S5-12EXC
5"	18"	S5-18EXC
5"	24"	S5-24EXC
5"	36"	S5-36EXC
5"	48"	S5-48EXC
5"	60"	S5-60EXC
5"	72"	S5-72EXC
6"	96"	S6-96EXC
6"	108"	S6-108EXC
7"	96"	S7-96EXC

OD STYLE

OD DIA.	LENGTH	PART NO.
4"	24"	S4-24SBC
4"	36"	S4-36SBC
4"	48"	S4-48SBC
5"	24"	S5-24SBC
5"	36"	S5-36SBC
5"	48"	S5-48SBC
5"	60"	S5-60SBC
6" - 5"	36"	SS6-36SBC-5
7" - 5"	36"	SS7-36SBC-5
7" - 5"	48"	SS7-48SBC-5
7" - 5"	60"	SS7-60SBC-5
8" - 5"	36"	SS8-36SBC-5
8" - 5"	48"	SS8-48SBC-5
8" - 5"	60"	SS8-60SBC-5



OD

ANGLE OR MITER STACKS



ID

ID STYLE

ID DIA.	LENGTH	PART NO.	ID DIA.	LENGTH	PART NO.
4"	48"	P4-48EXC	7" - 5"	72"	SP7-72EXC-5
4"	84"	P4-84EXC	7" - 5"	84"	SP7-84EXC-5
5"	36"	P5-36EXC	7" - 5"	96"	SP7-96EXC-5
5"	48"	P5-48EXC	7" - 5"	108"	SP7-108EXC-5
5"	60"	P5-60EXC	7" - 5"	114"	SP7-114EXC-5
5"	72"	P5-72EXC	7"	72"	P7-72EXC
5"	84"	P5-84EXC	7"	84"	P7-84EXC
5"	96"	P5-96EXC	7"	96"	P7-96EXC
5"	108"	P5-108EXC	7"	108"	P7-108EXC
5"	120"	P5-120EXC	7"	114"	P7-114EXC
6" - 5"	72"	SP6-72EXC-5			
6" - 5"	84"	SP6-84EXC-5			
6" - 5"	96"	SP6-96EXC-5			
6" - 5"	108"	SP6-108EXC-5			
6" - 5"	114"	SP6-114EXC-5			
6"	72"	P6-72EXC			
6"	84"	P6-84EXC			
6"	96"	P6-96EXC			
6"	108"	P6-108EXC			
6"	114"	P6-114EXC			

OD STYLE

OD DIA.	LENGTH	PART NO.
4"	36"	P4-36SBC
4"	48"	P4-48SBC
5"	24"	P5-24SBC
5"	36"	P5-36SBC
5"	48"	P5-48SBC
5"	60"	P5-60SBC
5"	72"	P5-72SBC
5"	96"	P5-96SBC
6" - 5"	24"	SP6-24SBC
6" - 5"	36"	SP6-36SBC
6" - 5"	48"	SP6-48SBC
6" - 5"	60"	SP6-60SBC
6"	24"	P6-24SBC
6"	36"	P6-36SBC
6"	48"	P6-48SBC
6"	60"	P6-60SBC
7" - 5"	24"	SP7-24SBC-5
7" - 5"	36"	SP7-36SBC-5
7" - 5"	48"	SP7-48SBC-5
7" - 5"	60"	SP7-60SBC-5
7" - 5"	72"	SP7-72SBC-5
8" - 5"	36"	SP8-36SBC-5
8" - 5"	48"	SP8-48SBC-5



OD

C
H
R
O
M
E

*highest quality
chrome in the industry*

**C
H
R
O
M
E**

DUMP STACK STYLE 1



STYLE	INLET	A	B	C	OVERALL HEIGHT	PART NO.
1	4" OD	10.5	16	24	30.5	ED-4LC
1	5" OD	10.5	16	24	29.5	ED-5LC
1	5" ID	10.5	16	24	29.5	ED-5LEXC
1	5" OD	10.5	19	24	29.5	WED-5LC
1	5" OD	18	16	24	37	UM-5LC
1	5" OD	11.75	16.25	21.5	28.25	DTS-5C
1	5" OD	18	19	29	42	SW-K5C
1	5" ID	18	19	29	42	SW-K5EXC

*highest quality
chrome in the industry*

DUMP STACK STYLE 3



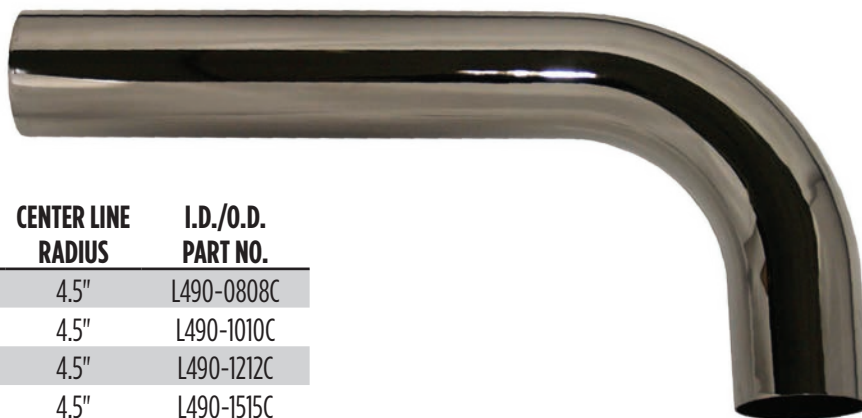
STYLE	INLET	A	B	OVERALL HEIGHT	PART NO.
3	5" OD	12	18	12	CSP-51218SC

C
H
R
O
M
E

*highest quality
chrome in the industry*

**C
H
R
O
M
E**

90° ELBOW ID/OD



DIA.	LENGTH A&B	CENTER LINE RADIUS	I.D./O.D. PART NO.
4"	8"	4.5"	L490-0808C
4"	10"	4.5"	L490-1010C
4"	12"	4.5"	L490-1212C
4"	15"	4.5"	L490-1515C
4"	18"	4.5"	L490-1818C
5"	10"	5.5"	L590-1010C
5"	12"	5.5"	L590-1212C
5"	15"	5.5"	L590-1515C
5"	18"	5.5"	L590-1818C
5"	18x32	5.5"	L590-1832C
6"	13"	7"	L690-1313C
6"	24"	7"	L690-2424C

90° ELBOW OD/OD



DIA.	LENGTH A&B	CENTER LINE RADIUS	O.D./O.D. PART NO.
4"	8"	4-1/2"	L490-0808SC
4"	10"	4-1/2"	L490-1010SC
4"	12"	4-1/2"	L490-1212SC
4"	15"	4-1/2"	L490-1515SC
4"	18"	4-1/2"	L490-1818SC
5"	10"	5-1/2"	L590-1010SC
5"	12"	5-1/2"	L590-1212SC
5"	15"	5-1/2"	L590-1515SC
5"	18"	5-1/2"	L590-1818SC
5"	18 x 32"	5-1/2"	L590-1832SC
6"	13"	7"	L690-1313SC
6"	24"	7"	L690-2424SC

*highest quality
chrome in the industry*

45° ELBOWS

DIA.	LENGTH A&B	CENTER LINE RADIUS	PART NO. I.D./O.D.	PART NO. O.D./O.D.
45° ELBOWS				
4"	9"	4.5"		L445-0909SC
5"	8"	5.5"	L545-0808C	L545-0808SC
5"	12"	5.5"	L545-1212C	L545-1212SC
6"	15"	6"		L645-1515SC
60° ELBOWS			I.D./O.D.	O.D./O.D.
5"	10"	5.5"		L560-1010SC



C
H
R
O
M
E

*highest quality
chrome in the industry*

REDUCERS



REDUCERS O.D. - I.D.

OD DIA.	ID DIA.	LENGTH	PART NO.
5"	4"	8"	R50-4IC
6"	5"	8"	R60-5IC
7"	5"	8"	R70-5IC

REDUCERS I.D. - O.D.

ID DIA.	OD DIA.	LENGTH	PART NO.
5"	4"	8"	R5I-40C
6"	5"	8"	R6I-50C
7"	5"	8"	R7I-50C

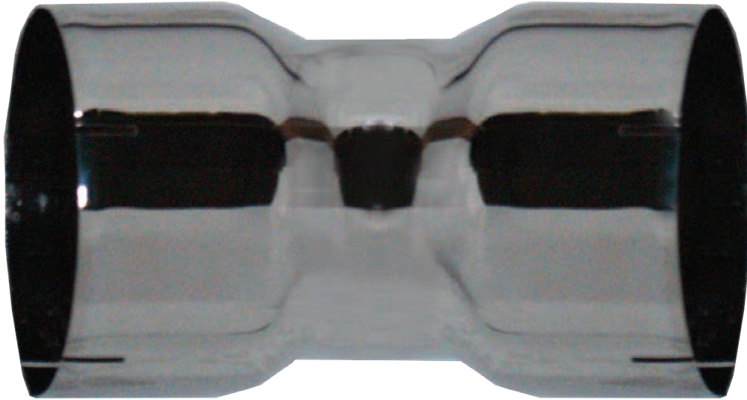
REDUCERS I.D. - I.D.

ID DIA.	ID DIA.	LENGTH	PART NO.
5"	4"	8"	R5I-4IC
6"	5"	8"	R6I-5IC
7"	5"	8"	R7I-5IC

REDUCERS O.D. - O.D.

OD DIA.	OD DIA.	LENGTH	PART NO.
7"	5"	8"	R7O-50C

COUPLERS



COUPLERS I.D. - I. D.

DIA.	LENGTH	PART NO.
4"	8"	CP-48C
5"	8"	CP-58C
6"	8"	CP-68C
7"	8"	CP-78C

C
H
R
O
M
E

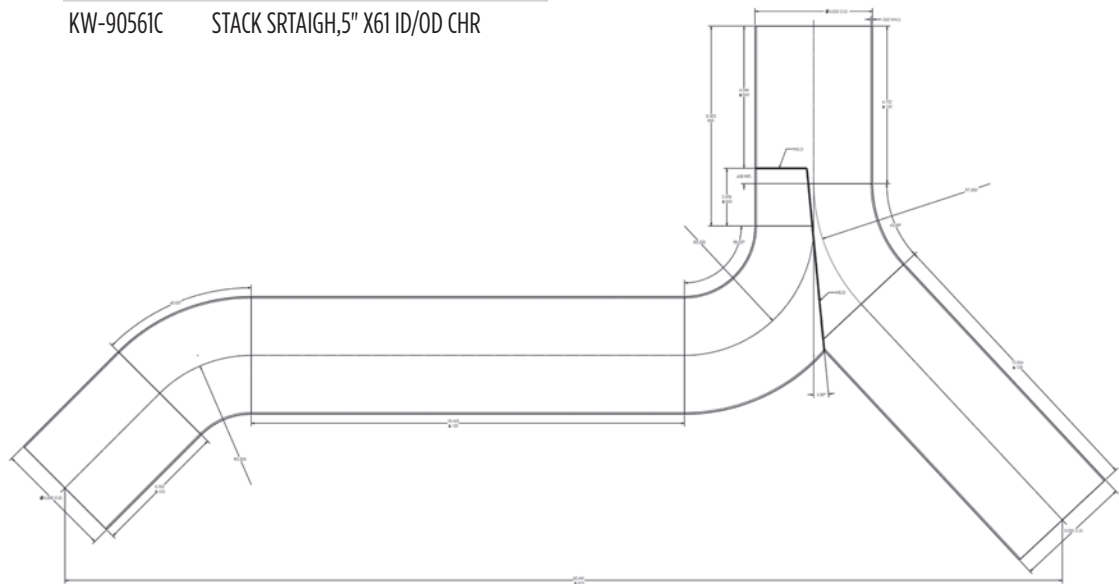
*highest quality
chrome in the industry*

CHROME

TOP SELLING MANUFACTURER SPECIFIC CHROME PARTS

PART NO.	DESCRIPTION
FREIGHTLINER	
FL-09657-013C	ELBOW,5"90DEG OD/OD CHR
FL-17476-001C	ELBOW,5"90DEG OD/OD MOUNT CHR
FL6-09657-013C	ELBOW,6"90DEG R5" OD/OD CHR
INTERNATIONAL	
IH-275-5C	ELBOW,5"90DEG OD/R4"OD CHR
IH-275-6C	ELBOW,6"90DEG OD/R4"OD CHR
IH-4095C3	ELBOW,5"90DEG ID/OD FLAT CHR
KENWORTH	
KW-1216LC	5" 2-BEND ID/OD PIPE RIGHT CHR
KW-1216RC	5" 2-BEND ID/OD PIPE RIGHT CHR
KW-1270LC	5" 2-BEND ID/OD PIPE RIGHT CHR
KW-1270RC	5" 2-BEND ID/OD PIPE RIGHT CHR
KW-1271LC	5" 2-BEND ID/OD PIPE LEFT CHR
KW-1271RC	5" 2-BEND ID/OD PIPE RIGHT CHR
KW-14764LC	5" 2-BEND ID/OD PIPE LEFT CHR
KW-14764RC	5" 2-BEND ID/OD PIPE RIGHT CHR
KW-18615LC	5" 2-BEND ID/OD PIPE LEFT CHR
KW-18615RC	5" 2-BEND ID/OD PIPE RIGHT CHR
KW-18616LC	5" 2-BEND ID/OD PIPE LEFT CHR
KW-18616RC	5" 2-BEND ID/OD PIPE RIGHT CHR
KW6-14764LC	6" 2-BEND OD/R5"ID PIPE LEFT CHR
KW6-14764RC	6" 2-BEND OD/R5"ID PIPE RIGHT CHR
KW-90561C	STACK SRTAIGH,5" X61 ID/OD CHR

PART NO.	DESCRIPTION
PETERBILT	
PB-01726C	ELBOW,5" 67DEG OD/OD CHR
PB-13042C	ELBOW,5" 24DEG OD/OD CHR
PB-13056C	ELBOW,5" 56DEG OD/OD CHR
PB-13059LC	5" 2-BEND OD/OD PIPE LEFT CHR
PB-13059RC	5"2-BEND OD/OD PIPE RIGHT CHR
PB6-01726C	ELBOW,6" 67DEG OD/R5"OD CHR
PB6-13056C	ELBOW,6" 56DEG OD/R5"OD CHR
PB7-13056C	ELBOW,7" 56DEG OD/R5"OD CHR
WESTERN STAR	
WS-3440C	ELBOW,5" 85DEG ID/OD CHR
WS-3540C	ELBOW,5" 90DEG ID/OD CHR
WS6-3540C	ELBOW,6" 90DEG OD/R5"ID CHR



highest quality
chrome in the industry

DISPLAY & SALES AIDS

Sales Aids

Window Sign

Sturdy 18" x 24" sign to help promote exhaust sales

Order Part No. SIGN 18X24



Large Banner

6' x 3' hanging banner to help promote exhaust sales

Order Part No. BANNER 6X3



UNIVERSAL PARTS

- **STACKS**
- **ELBOWS**
- **CONNECTORS**
- **COUPLERS**
- **REDUCERS**
- **TUBING**
- **Y PIPES**

Curved Stacks



ID



OD



Reduced ID or OD bottom

ID STYLE

ID DIA.	LENGTH	ALUMINIZED PART NO.	CHROME PART NO.	ID DIA.	LENGTH	ALUMINIZED PART NO.	CHROME PART NO.
3"	12"	K3-12EXA	K3-12EXC	6"	18"	-	K6-18EXC
3"	18"	K3-18EXA	-	6"	72"	-	K6-72EXC
3"	24"	-	K3-24EXC	6"	84"	-	K6-84EXC
3.5"	12"	K35-12EXA	K35-12EXC	6"	96"	-	K6-96EXC
3.5"	18"	K35-18EXA	-	6"	108"	-	K6-108EXC
3.5"	36"	K35-36EXA	K35-36EXC	6"	114"	-	K6-114EXC
3.5"	48"	-	K35-48EXC	6"	120"	-	K6-120EXC
4"	12"	K4-12EXA	K4-12EXC	6" - 5"	60"	-	SK6-60EXC-5
4"	18"	K4-18EXA	K4-18EXC	6" - 5"	72"	-	SK6-72EXC-5
4"	24"	K4-24EXA	K4-24EXC	6" - 5"	84"	-	SK6-84EXC-5
4"	36"	K4-36EXA	K4-36EXC	6" - 5"	96"	-	SK6-96EXC-5
4"	48"	K4-48EXA	K4-48EXC	6" - 5"	108"	-	SK6-108EXC-5
4"	60"	K4-60EXA	K4-60EXC	6" - 5"	114"	-	SK6-114EXC-5
4"	72"	-	K4-72EXC	6" - 5"	120"	-	SK6-120EXC-5
4"	84"	-	K4-84EXC	7"	72"	-	K7-72EXC
4"	96"	-	K4-96EXC	7"	84"	-	K7-84EXC
5"	12"	K5-12EXA	K5-12EXC	7"	96"	-	K7-96EXC
5"	18"	K5-18EXA	K5-18EXC	7"	108"	-	K7-108EXC
5"	24"	K5-24EXA	K5-24EXC	7"	114"	-	K7-114EXC
5"	36"	K5-36EXA	K5-36EXC	7"	120"	-	K7-120EXC
5"	48"	K5-48EXA	K5-48EXC	7" - 5"	72"	-	SK7-72EXC-5
5"	60"	K5-60EXA	K5-60EXC	7" - 5"	84"	-	SK7-84EXC-5
5"	72"	-	K5-72EXC	7" - 5"	96"	-	SK7-96EXC-5
5"	84"	-	K5-84EXC	7" - 5"	108"	-	SK7-108EXC-5
5"	96"	-	K5-96EXC	7" - 5"	114"	-	SK7-114EXC-5
5"	108"	-	K5-108EXC	7" - 5"	120"	-	SK7-120EXC-5
5"	114"	-	K5-114EXC				
5"	120"	-	K5-120EXC				

OD STYLE

OD DIA.	LENGTH	ALUMINIZED PART NO.	CHROME PART NO.	OD DIA.	LENGTH	ALUMINIZED PART NO.	CHROME PART NO.
3"	12"	K3-12SBA	-	6"	24"	-	K6-24SBC
3"	18"	K3-18SBA	-	6"	36"	-	K6-36SBC
3"	24"	-	K3-24SBC	6"	48"	-	K6-48SBC
3.5"	12"	K35-12SBA	K35-12SBC	6"	60"	-	K6-60SBC
3.5"	36"	-	K35-36SBC	6" - 5"	24"	-	SK6-24SBC-5
4"	12"	K4-12SBA	K4-12SBC	6" - 5"	36"	-	SK6-36SBC-5
4"	18"	K4-18SBA	K4-18SBC	6" - 5"	48"	-	SK6-48SBC-5
4"	24"	K4-24SBA	K4-24SBC	6" - 5"	60"	-	SK6-60SBC-5
4"	36"	K4-36SBA	K4-36SBC	6" - 5"	72"	-	SK6-72SBC-5
4"	48"	K4-48SBA	K4-48SBC	6" - 5"	84"	-	SK6-84SBC-5
4"	60"	K4-60SBA	K4-60SBC	6" - 5"	96"	-	SK6-96SBC-5
4"	72"	-	K4-72SBC	6" - 5"	108"	-	SK6-108SBC-5
5"	12"	K5-12SBA	K5-12SBC	7" - 5"	24"	-	SK7-24SBC-5
5"	18"	K5-18SBA	K5-18SBC	7" - 5"	36"	-	SK7-36SBC-5
5"	24"	K5-24SBA	K5-24SBC	7" - 5"	48"	-	SK7-48SBC-5
5"	36"	K5-36SBA	K5-36SBC	7" - 5"	60"	-	SK7-60SBC-5
5"	48"	K5-48SBA	K5-48SBC				
5"	53"	K5-53SBA	K5-53SBC				
5"	60"	K5-60SBA	K5-60SBC				
5"	72"	-	K5-72SBC				
5"	84"	-	K5-84SBC				
5"	96"	-	K5-96SBC				

Aussie Stacks

ID STYLE

ID DIA.	LENGTH	CHROME PART NO.
6" - 5"	108"	SA6-108EXC-5
7"	108"	A7-108EXC
7"	114"	A7-114EXC

OD STYLE

OD DIA.	LENGTH	CHROME PART NO.	OD DIA.	LENGTH	CHROME PART NO.
5"	24"	A5-24SBC	7" - 5"	24"	SA7-24SBC-5
5"	36"	A5-36SBC	7" - 5"	36"	SA7-36SBC-5
5"	48"	A5-48SBC	7" - 5"	48"	SA7-48SBC-5
5"	60"	A5-60SBC	7" - 5"	60"	SA7-60SBC-5
5"	72"	A5-72SBC	8" - 5"	36"	SA8-36SBC-5
6" - 5"	24"	SA6-24SBC-5	8" - 5"	48"	SA8-48SBC-5
6" - 5"	36"	SA6-36SBC-5	8" - 5"	60"	SA8-60SBC-5
6" - 5"	48"	SA6-48SBC-5			
6" - 5"	60"	SA6-60SBC-5			



OD
BOTTOM



ID
BOTTOM



REDUCED
OD BOTTOM

Straight Stacks

ID STYLE

ID DIA.	LENGTH	ALUMINIZED PART NO.	CHROME PART NO.
3"	24"	S3-24EXA	-
3"	36"	S3-36EXA	-
3.5"	24"	S35-24EXA	-
3.5"	36"	S35-36EXA	-
3.5"	48"	S35-48EXA	-
3.5"	60"	S35-60EXA	-
4"	12"	S4-12EXA	-
4"	18"	S4-18EXA	-
4"	24"	S4-24EXA	S4-24EXC
4"	36"	S4-36EXA	S4-36EXC
4"	48"	S4-48EXA	S4-48EXC
4"	60"	S4-60EXA	S4-60EXC
4"	72"	S4-72EXA	S4-72EXC
5"	12"	S5-12EXA	S5-12EXC
5"	18"	S5-18EXA	S5-18EXC
5"	24"	S5-24EXA	S5-24EXC
5"	36"	S5-36EXA	S5-36EXC
5"	48"	S5-48EXA	S5-48EXC
5"	60"	S5-60EXA	S5-60EXC
5"	72"	S5-72EXA	S5-72EXC
6"	96"	-	S6-96EXC
6"	108"	-	S6-108EXC
7"	96"	-	S7-96EXC

OD STYLE

OD DIA.	LENGTH	ALUMINIZED PART NO.	CHROME PART NO.
4"	24"	-	S4-24SBC
4"	36"	-	S4-36SBC
4"	48"	S4-48SBA	S4-48SBC
4"	60"	S4-60SBA	-
5"	24"	-	S5-24SBC
5"	36"	S5-36SBA	S5-36SBC
5"	48"	S5-48SBA	S5-48SBC
5"	60"	S5-60SBA	S5-60SBC
6" - 5"	36"	-	SS6-36SBC-5
7" - 5"	36"	-	SS7-36SBC-5
7" - 5"	48"	-	SS7-48SBC-5
7" - 5"	60"	-	SS7-60SBC-5
8" - 5"	36"	-	SS8-36SBC-5
8" - 5"	48"	-	SS8-48SBC-5
8" - 5"	60"	-	SS8-60SBC-5



ID



OD

Angle Cut Stacks

ID STYLE

ID DIA.	LENGTH	PART NO.	ID DIA.	LENGTH	PART NO.
4"	48"	P4-48EXC	7" - 5"	72"	SP7-72EXC-5
4"	84"	P4-84EXC	7" - 5"	84"	SP7-84EXC-5
5"	36"	P5-36EXC	7" - 5"	96"	SP7-96EXC-5
5"	48"	P5-48EXC	7" - 5"	108"	SP7-108EXC-5
5"	60"	P5-60EXC	7" - 5"	114"	SP7-114EXC-5
5"	72"	P5-72EXC	7"	72"	P7-72EXC
5"	84"	P5-84EXC	7"	84"	P7-84EXC
5"	96"	P5-96EXC	7"	96"	P7-96EXC
5"	108"	P5-108EXC	7"	108"	P7-108EXC
5"	120"	P5-120EXC	7"	114"	P7-114EXC
6" - 5"	72"	SP6-72EXC-5			
6" - 5"	84"	SP6-84EXC-5			
6" - 5"	96"	SP6-96EXC-5			
6" - 5"	108"	SP6-108EXC-5			
6" - 5"	114"	SP6-114EXC-5			
6"	72"	P6-72EXC			
6"	84"	P6-84EXC			
6"	96"	P6-96EXC			
6"	108"	P6-108EXC			
6"	114"	P6-114EXC			

OD STYLE

OD DIA.	LENGTH	PART NO.
4"	36"	P4-36SBC
4"	48"	P4-48SBC
5"	24"	P5-24SBC
5"	36"	P5-36SBC
5"	48"	P5-48SBC
5"	60"	P5-60SBC
5"	72"	P5-72SBC
5"	96"	P5-96SBC
6" - 5"	24"	SP6-24SBC-5
6" - 5"	36"	SP6-36SBC-5
6" - 5"	48"	SP6-48SBC-5
6" - 5"	60"	SP6-60SBC-5
6"	24"	P6-24SBC
6"	36"	P6-36SBC
6"	48"	P6-48SBC
6"	60"	P6-60SBC
7" - 5"	24"	SP7-24SBC-5
7" - 5"	36"	SP7-36SBC-5
7" - 5"	48"	SP7-48SBC-5
7" - 5"	60"	SP7-60SBC-5
7" - 5"	72"	SP7-72SBC-5
8" - 5"	36"	SP8-36SBC-5
8" - 5"	48"	SP8-48SBC-5



ID



OD

Bull Horn Stacks

ID STYLE

ID DIA.	LENGTH	CHROME PART NO.	ID DIA.	LENGTH	CHROME PART NO.
5"	72"	BH5-72EXC	7"	72"	BH7-72EXC
5"	84"	BH5-84EXC	7"	84"	BH7-84EXC
5"	96"	BH5-96EXC	7"	96"	BH7-96EXC
5"	108"	BH5-108EXC	7"	108"	BH7-108EXC
6" - 5"	72"	SBH6-72EXC-5	7" - 5"	84"	SBH7-84EXC-5
6" - 5"	84"	SBH6-84EXC-5	7" - 5"	96"	SBH7-96EXC-5
6" - 5"	96"	SBH6-96EXC-5	7" - 5"	108"	SBH7-108EXC-5
6" - 5"	108"	SBH6-108EXC-5			
6"	72"	BH6-72EXC			
6"	84"	BH6-84EXC			
6"	96"	BH6-96EXC			
6"	108"	BH6-108EXC			
6"	114"	BH6-114EXC			

OD STYLE

OD DIA.	LENGTH	CHROME PART NO.
5"	36"	BH5-36SBC
5"	48"	BH5-48SBC
5"	60"	BH5-60SBC
5"	72"	BH5-72SBC
6" - 5"	36"	SBH6-36SBC-5
6" - 5"	48"	SBH6-48SBC-5
6" - 5"	60"	SBH6-60SBC-5
6"	36"	BH6-36SBC
6"	48"	BH6-48SBC
6"	60"	BH6-60SBC
7" - 5"	36"	SBH7-36SBC-5
7" - 5"	48"	SBH7-48SBC-5
7" - 5"	60"	SBH7-60SBC-5

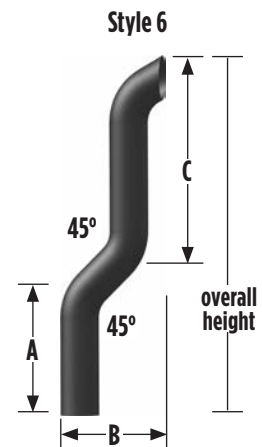
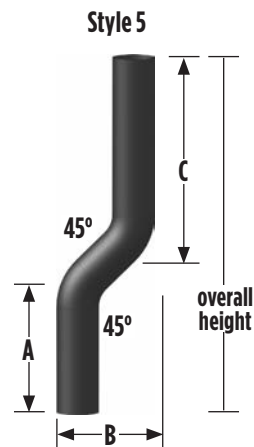
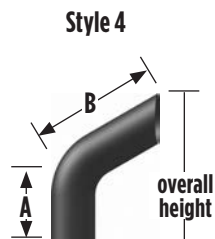
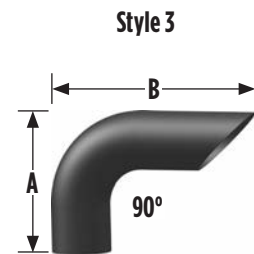
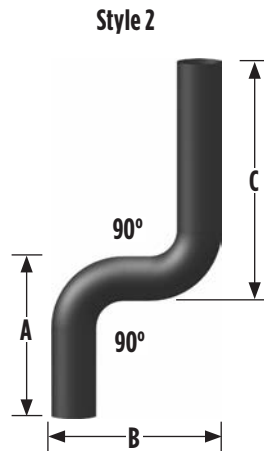
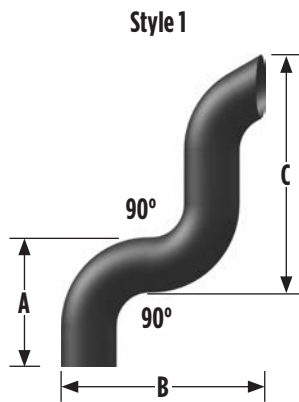


ID



OD

Dump Truck Stacks



STYLE	INLET	A	B	C	OVERALL HEIGHT	ALUMINIZED PART NO.	CHROME PART NO.	NOTES
1	4" OD	10.5	16	24	30.5	ED-4LA	ED-4LC	
1	5" OD	10.5	16	24	29.5	ED-5LA	ED-5LC	
1	5" ID	10.5	16	24	29.5	ED-5LEXA	ED-5LEXC	
1	5" OD	10.5	19	24	29.5		WED-5LC	
1	5" OD	18	16	24	37	UM-5LA	UM-5LC	Ideal for R& RD Macks, will not block mirror
1	5" OD	11.75	16.25	21.5	28.25		DTS-5C	
1	5" OD	18	19	29	42		SW-K5C	
1	5" ID	18	19	29	42		SW-K5EXC*	
2	4" OD	18	19	27	41	JDS-4A		
2	5" OD	18	19	27	40	JDS-5A	JDS-5C	
2	5" ID	18	19	27	40	JDS-5EXA		
3	5" OD	12	18		12		CSP-51218SC	
4	4" OD	8	12	12	16.5		OB-460C	
4	5" OD	8	12	12	16.5		OB-560C	
5	5" OD	14.8	11.6	21	42.8	FEC-5SA		
6	5" OD	14.8	11.6	25	46.75	FEC-5KA	FEC-5KC	

Limited Stock Call For Availability

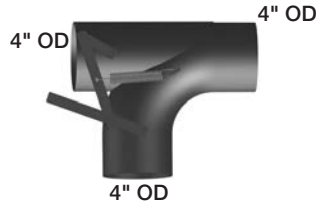
DIVERTERS & HB CONNECTORS

Exhaust Diverters & HB Connectors

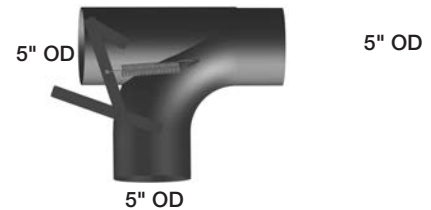
HDT-49090A
Tube Type
Ideal for Mack Granite



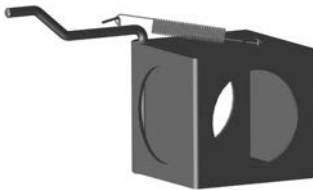
HDT-4A
Tube Type



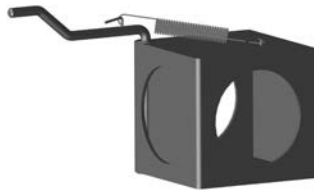
HDT-5A
Tube Type



HB-4
2 Position only
4" ID Holes



HB-5
2 Position only
5" ID Holes



SDB-5
4 Position
2 Partial Diversion
5" ID Holes



SP-5
Spring Plate
Use for heated
dump bed

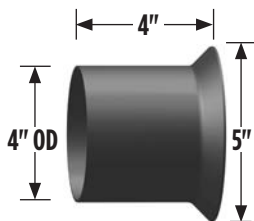


Parts are NOT approved for use on 2007 and later emission engines.

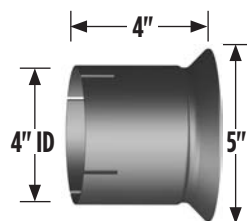
HB Connectors

Weld HB Connectors or elbows directly to diverter boxes or spring plate.

BT-54A



BT-54EXA



Bells

DIA.	ALUMINIZED PART NO.
4"	TBE-4
5"	TBE-5



Balls

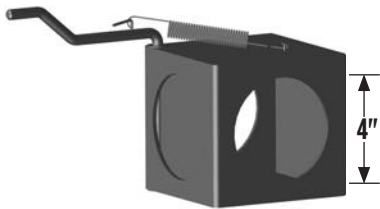
DIA.	ALUMINIZED PART NO.
4"	TBA-4
5"	TBA-5



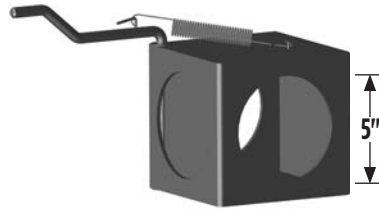
DIVERTERS & HB CONNECTORS

Stainless Steel Heat Diverters & HB Connectors

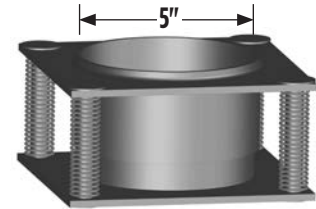
HB-4SS
304 Stainless Steel
4" ID Holes



HB-5SS
304 Stainless Steel
5" ID Holes



SP-5SS
Spring Plate
Use for heated dump bed

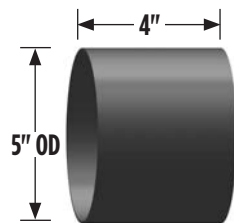


Parts are NOT approved for use on 2007 or later emission engines

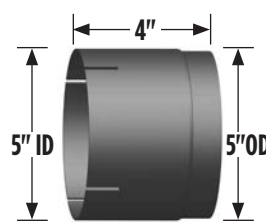
304 STAINLESS STEEL HB CONNECTOR

Weld HB Connector or elbows directly to diverter boxes or spring plate.

BT-5SS



BT-5EXSS



CONNECTORS, REDUCERS & REPAIR SECTIONS

Straight Tubing

TUBING O.D. - O.D.



DIA.	LENGTH	PLAIN PART NO.*	ALUMINIZED PART NO.
2"	120"	-	S2-120SBA
2.5"	120"	-	S25-120SBA
3"	120"	S3-120SB	S3-120SBA
3.5"	120"	S35-120SB	S35-120SBA
4"	120"	S4-120SB	S4-120SBA
5"	120"	S5-120SB	S5-120SBA
6"	120"	S6-120SB	S6-120SBA
7"	120"	S7-120SB	S7-120SBA
8"	120"	-	S8-120SBA
10"	120"	-	S10-120SBA
4"	168"	-	S4-168SBA
5"	168"	-	S5-168SBA

* This WILL Rust Very Fast

ALUMINIZED STEEL TUBING (one end expanded & slotted, I.D./O.D.)



SIZE	LENGTH	PART NO.
4"	120"	S4-120EXA
5"	120"	S5-120EXA

ALUMINIZED 409 STAINLESS STEEL TUBING



O.D.	GAUGE	LENGTH	PART NO.
3"	16	120"	S3-120SBS4
3.5"	16	120"	S35-120SBS4
4"	16	120"	S4-120SBS4
5"	16	120"	S5-120SBS4

TUBING I.D. - I.D.

DIA.	LENGTH	ALUMINIZED PART NO.
4"	120"	S4-120EXEXA
5"	120"	S5-120EXEXA



NOTE: Too Large for Ground Package, must ship by truck

CONNECTORS, REDUCERS & REPAIR SECTIONS

Repair Sections



- Perfect for splicing in sections
- 16ga Aluminized Steel

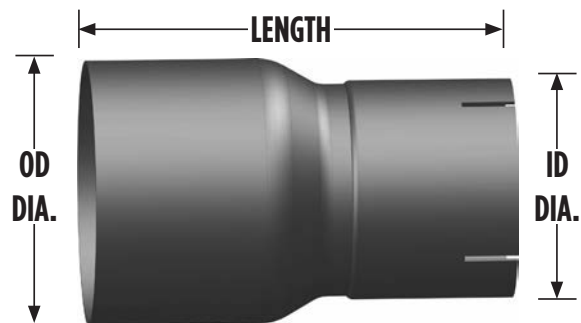
DIA.	LENGTH	ALUMINIZED PART NO.
3"	12"	RS-312A
3"	24"	RS-324A
3.5"	12"	RS-3512A
4"	12"	RS-412A
4"	18"	RS-418A
4"	24"	RS-424A
4"	36"	RS-436A
4"	48"	RS-448A
5"	12"	RS-512A
5"	18"	RS-518A
5"	24"	RS-524A
5"	36"	RS-536A
5"	48"	RS-548A

CONNECTORS, REDUCERS & REPAIR SECTIONS

Reducers

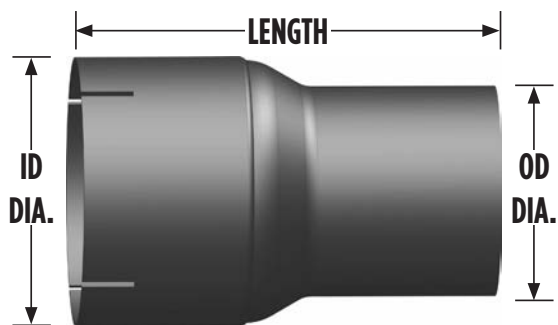
REDUCERS O.D. - I.D.

OD DIA.	ID DIA.	LENGTH	ALUMINIZED PART NO.	CHROME PART NO.
3"	2.5"	8"	R30-25IA	-
3.5"	3"	8"	R350-3IA	-
4"	3"	8"	R40-3IA	-
4"	3.5"	8"	R40-35IA	-
4.5"	4"	8"	-	-
5"	4"	8"	R50-4IA	R50-4IC
5"	4.5"	8"	R50-45IA	-
6"	5"	8"	R60-5IA	R60-5IC
7"	5"	8"	-	R70-5IC
8"	5"	8"	R80-5IA	-



REDUCERS I.D. - O.D.

ID DIA.	OD DIA.	LENGTH	ALUMINIZED PART NO.	CHROME PART NO.
3.5"	3"	8"	R35I-30A	-
4"	3"	8"	R4I-30A	-
4"	3.5"	8"	R4I-350A	-
4.5"	4"	8"	R45I-40A	-
5"	4"	8"	R5I-40A	R5I-40C
6"	4"	8"	R6I-40A	-
6"	5"	8"	R6I-50A	R6I-50C
7"	5"	8"	-	R7I-50C
8"	5"	8"	R8I-50A	-



CONNECTORS, REDUCERS & REPAIR SECTIONS

Reducers

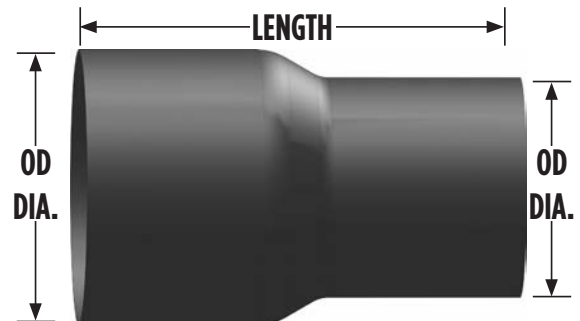
REDUCERS I.D. - I.D.

ID DIA.	ID DIA.	LENGTH	ALUMINIZED PART NO.	CHROME PART NO.
3"	2.5"	8"	R3I-25IA	
3.5"	3"	8"	R35I-3IA	-
4"	3"	8"	R4I-3IA	-
4"	3.5"	8"	R4I-35IA	-
5"	4"	8"	R5I-4IA	R5I-4IC
5"	4.5"	8"	R5I-45IA	-
6"	4"	8"	R6I-4IA	-
6"	5"	8"	R6I-5IA	R6I-5IC
7"	5"	8"	-	R7I-5IC
8"	5"	8"	R8I-5IA	-



REDUCERS O.D. - O.D.

OD DIA.	OD DIA.	LENGTH	ALUMINIZED PART NO.	CHROME PART NO.
3"	2.5"	8"	R30-250A	-
3.5"	3"	8"	R350-30A	-
4"	3"	8"	R40-30A	-
4"	3.5"	8"	R40-350A	-
4.5"	4"	8"	R450-40A	-
5"	4"	8"	R50-40A	-
5"	4.5"	8"	R50-450A	-
6"	4"	8"	R60-40A	-
6"	5"	8"	R60-50A	-
7"	5"	8"	R70-50A	R70-50C
8"	5"	8"	R80-50A	-

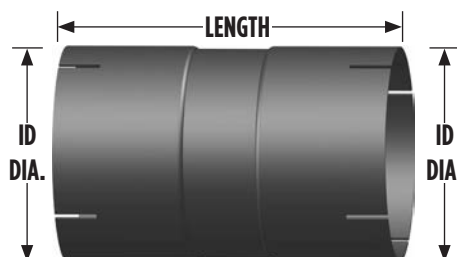


CONNECTORS, REDUCERS & REPAIR SECTIONS

Couplers and Connectors

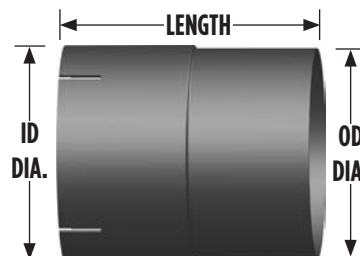
COUPLERS I.D. - I.D.

DIA.	LENGTH	ALUMINIZED PART NO.	CHROME PART NO.
2"	8"	CP-28A	—
2.25"	8"	CP-2258A	—
3"	8"	CP-38A	—
3.5"	8"	CP-358A	—
4"	8"	CP-48A	CP-48C
5"	8"	CP-58A	CP-58C
6"	8"	CP-68A	CP-68C
7"	8"	—	CP-78C
8"	8"	CP-88A	—



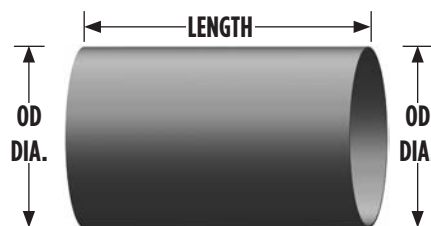
CONNECTORS I.D. - O.D.

DIA.	LENGTH	ALUMINIZED PART NO.	CHROME PART NO.
2"	8"	CN-28A	—
2.25"	8"	CN-2258A	—
3.5"	6"	CN-356A	—
4"	6"	CN-46A	—
5"	6"	CN-56A	CN-56C
6"	6"	CN-66A	—
7"	6"	CN-76A	—
8"	6"	CN-86A	—



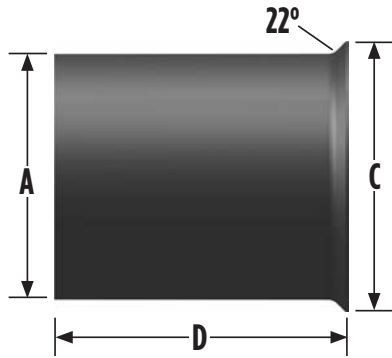
CONNECTORS O.D. - O.D.

DIA.	LENGTH	ALUMINIZED PART NO.
2.25"	8"	S225-8SBA
2.5"	8"	S25-8SBA
3"	8"	S3-8SBA
3.5"	8"	S35-8SBA
4"	8"	S4-8SBA
5"	8"	S5-8SBA
7"	8"	S7-8SBA

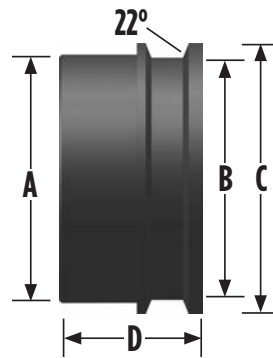


CONNECTORS, REDUCERS & REPAIR SECTIONS

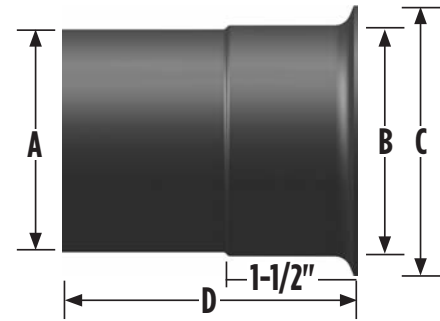
Turbo and Manifold Outlet Adapters



STYLE A



STYLE B - MACHINED

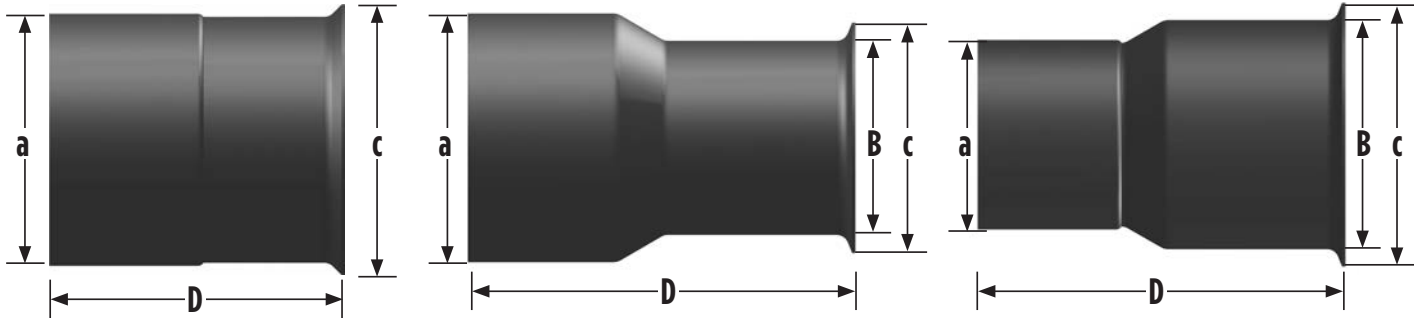


STYLE C

PART NO.	STYLE	A	B	C	D	FLARE	APPLICATION	USE WITH V-BAND CLAMP NO.	BREEZE
AD-311MF	B	2.86"OD	2.79"ID	3.114"	1.62"	22°	OE No.3910990 5.9L Cummins	VB-321C	VT-10323
AD-411MF	B	3.86"OD	3.725"ID	4.00"	2.125"	22°	OE No.3910995 8.3L Cummins	VB-413C	VT-10413
T321-2	A	2.75"OD		3.21"	2"	22°	OE No.3910990 5.9L Cummins	VB-321C	VT10321
T321-3ID	C	3"OD	3"ID	3.21"	3"	22°		VB-321C	VT10321
T375-6	A	3"OD		3.75"	6"	22°		VB-301I	VT10388
T400-6	A	3.5"OD	3.5"ID	4.00"	6"	45°	Detroit Diesel		
T407-4	A	3.5"OD	3.5"ID	4.07"	4"	22°	3208T Cat.	VB-419C	
T425-4	A	3.5"OD	3.5"ID	4.25"	4"	22°	7.3 Ford Powerstroke	VB-419C	
T450-6	A	4"OD	4"ID	4.5"	6"	45°	Cummins		VT10450
T461-4	A	4"OD	4"ID	4.61"	4"	22°	3306 Cat.	VB-461M	VT10461
T461-4	A	4"OD	4"ID	4.61"	4"	22°	Most 6 Cyl. Macks	VB-461M	VT10461
T475-4	A	4"OD	4"ID	4.75"	4"	22°	L10 Cummins & 3176 Cat	VB-475C	VT10475
T475-4	A	4"OD	4"ID	4.75"	4"	22°	8.2T Detroit Diesel, 6-71, 12V-71	VB-475D	VT10475
T525-4	B	5"OD	4.5"ID	5.25"	4.75"	22°	6V & 8V92T Detroit	VB-525D	VT10525
T550-6	A	5"OD	5"ID	5.5"	6"	45°	N14 & ISX Cummins		
T588-6 PYRO	A	5"OD	5"ID	5.88"	6"	22°	Cummins NTC	VB-588C	VT10588
T588-6	A	5"OD	5"ID	5.88"	6"	22°	3406 & C15 Cat.	VB-588C	VT10588
T588-6	A	5"OD	5"ID	5.88"	6"	22°	855 C.I. Cummins W/T50 Turbo	VB-588C	VT10588
T588-6	A	5"OD	5"ID	5.88"	6"	22°	60 Series Detroit	VB-588C	VT10588
T362-6ID	C	3"OD	3"ID	3.62"	6"	22°	Detroit Diesel 6V71		VT10382
T425-6ID	C	3.5"OD	3.5"ID	4.25"	6"	22°	Detroit Diesel 8V71		VT10450A
T475-6ID	C	4"OD	4"ID	4.75"	6"	22°	Detroit Diesel 12V71	VB-475D	VT10475

CONNECTORS, REDUCERS & REPAIR SECTIONS

Turbo and Manifold Outlet Adapters, continued



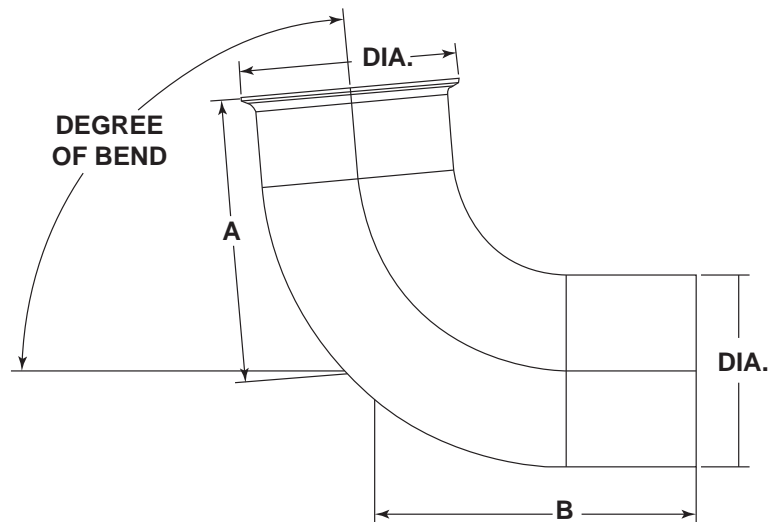
STYLE D

STYLE E

STYLE F

PART NO.	STYLE	A	B	C	D	FLARE	APPLICATION	USE WITH V-BAND CLAMP NO.	BREEZE
TURBO REPAIR FLANGES									
TRF-4625	D	4"ID	4"ID	4.625"	2"	22°	Replaces Cat No. 9N-6325	VB-461D	VT10461
TRF-475	D	4"ID	4"ID	4.75"	2"	22°	T35 Turbo, L10 & 3176	VB-475C	VT10475
TRF-588	D	5"ID	5"ID	5.88"	2"	22°	T50 Turbo, N14, ISX, 3406, C15, 60 Series	VB-588C	VT10588-1
TRF-550	D	5"ID	5"ID	5.5"	2"	22°	T50 Turbo, N14, ISX, 3406, C15, 60 Series	VB-588C	VT10588-1
TRF-450	D	4"ID	4"ID	4.5"	2"	22°	C7, 3116 & 3126 CAT	VB-461D	VT10461
TRF-425	D	3.5"ID	3.5"ID	4.25"	2"	22°	DT-466, DT-408, DT-360, VT-365	VB-350I	
T475-8E	E	5"ID	4"OD	4.75"	8"	22°	T35 Turbo, L10, 3176	VB-475C	VT10475
T588-8F	F	4"ID	5"OD	5.75"	8"	22°	T50, 3406, N14, ISX 60 Series Detroit	VB-588C	VT10588

PART NO.	DEGREE OF BEND	A	B
PB-13002	85°	6"	7"
PB-13430	58°	4-21/32"	5-21/32"
FL-16460	35°	2-1/2"	5"
KW-15565	22°	5-11/16"	5-7/16"
WS-3520	20°	3-5/16"	8-1/2"



ELBOWS & Y-PIPES

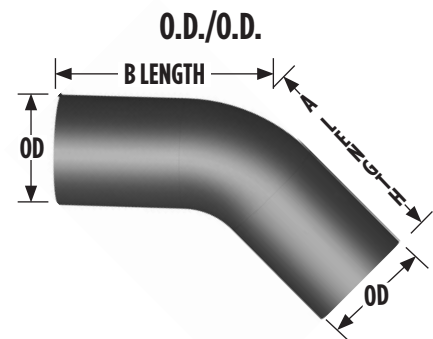
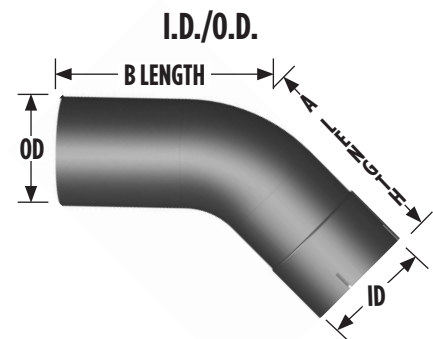
Elbows

DIA.	LENGTH A&B	CENTER LINE RADIUS	ALUMINIZED PART NO.	ALUMINIZED PART NO.	CHROME PART NO.	CHROME PART NO.
15° ELBOWS			I.D./O.D.	O.D./O.D.	I.D./O.D.	O.D./O.D.
3"	4"	3.5"	L315-0404A			
3.5"	4"	5"	L3515-0404A	L3515-0404SA		
4"	4"	4.5"	L415-0404A	L415-0404SA		
5"	4"	5.5"	L515-0404A	L515-0404SA		

30° ELBOWS			I.D./O.D.	O.D./O.D.	I.D./O.D.	O.D./O.D.
3"	4"	3.5"	L330-0404A	L330-0404SA		
3.5"	4"	5"	L3530-0404A	L3530-0404SA		
4"	4"	4.5"	L430-0404A	L430-0404SA		
5"	4"	5.5"	L530-0404A	L530-0404SA		

45° ELBOWS			I.D./O.D.	O.D./O.D.	I.D./O.D.	O.D./O.D.
2.5"	6"	3"	L2545-0606A			
3"	8"	4"	L345-0808A			
3.5"	9"	5"	L3545-0909A	L3545-0909SA		
4"	6"	4.5"	L445-0606A	L445-0606SA		
4"	9"	4.5"	L445-0909A	L445-0909SA		L445-0909SC
4"	12"	4.5"	L445-1212A	L445-1212SA		
5"	8"	5.5"	L545-0808A	L545-0808SA	L545-0808C	L545-0808SC
5"	12"	5.5"	L545-1212A	L545-1212SA	L545-1212C	L545-1212SC
6"	15"	6"	L645-1515A	L645-1515SA		L645-1515SC

60° ELBOWS			I.D./O.D.	O.D./O.D.	I.D./O.D.	O.D./O.D.
3"	8"	3.5"		L360-0808SA		
4"	8"	4.5"	L460-0808A	L460-0808SA		
4"	10"	4.5"	L460-1010A			
4"	12"	4.5"	L460-1212A	L460-1212SA		
5"	10"	5.5"	L560-1010A	L560-1010SA		L560-1010SC



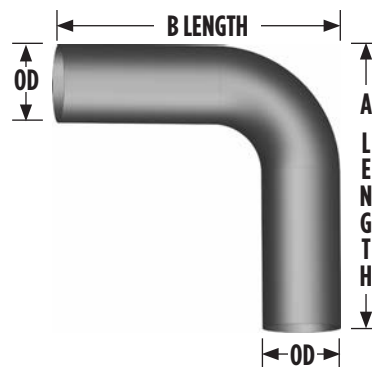
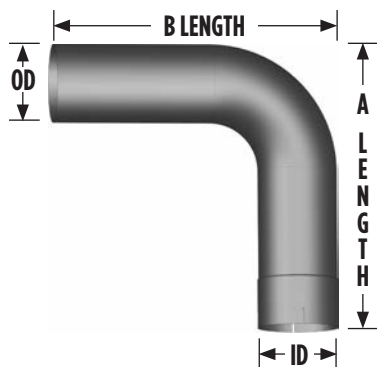
NOTE: Leg length is measured to the backside not the center line.

ELBOWS & Y-PIPES

90° Elbows

DIA.	LENGTH A&B	CENTER LINE RADIUS	I.D./O.D. ALUMINIZED PART NO.	I.D./O.D. CHROME PART NO.
2.5"	12"	4.5"	L2590-1212A	—
3"	7"	4"	L390-0707A	—
3"	8"	4"	L390-0808A	—
3"	10"	4"	L390-1010A	—
3"	14"	4"	L390-1414A	—
3.5"	8"	5"	L3590-0808A	—
3.5"	12"	5"	L3590-1212A	—
3.5"	16"	5"	L3590-1616A	—
4"	8"	4.5"	L490-0808A	L490-0808C
4"	10"	4.5"	L490-1010A	L490-1010C
4"	12"	4.5"	L490-1212A	L490-1212C
4"	15"	4.5"	L490-1515A	L490-1515C
4"	18"	4.5"	L490-1818A	L490-1818C
4"	18x29	4.5"	L490-1829A	—
5"	10"	5.5"	L590-1010A	L590-1010C
5"	12"	5.5"	L590-1212A	L590-1212C
5"	15"	5.5"	L590-1515A	L590-1515C
5"	18"	5.5"	L590-1818A	L590-1818C
5"	18x32	5.5"	L590-1832A	L590-1832C
5"	13.5"	8"	L590-1313A-8	—
5"	17.5"	8"	L590-1818A-8	—
6"	13"	7"	L690-1313A	L690-1313C
6"	24"	7"	L690-2424A	L690-2424C

DIA.	LENGTH A&B	CENTER LINE RADIUS	O.D./O.D. ALUMINIZED PART NO.	O.D./O.D. CHROME PART NO.
3"	6"	4"	L390-0606SA	—
3"	7"	4"	L390-0707SA	—
3"	10"	4"	L390-1010SA	—
3"	14"	4"	L390-1414SA	—
3.5"	8"	5"	L3590-0808SA	—
3.5"	12"	5"	L3590-1212SA	—
3.5"	16"	5"	L3590-1616SA	—
4"	6"	4-1/2"	L490-0606SA	—
4"	8"	4-1/2"	L490-0808SA	L490-0808SC
4"	10"	4-1/2"	L490-1010SA	L490-1010SC
4"	12"	4-1/2"	L490-1212SA	L490-1212SC
4"	15"	4-1/2"	L490-1515SA	L490-1515SC
4"	18"	4-1/2"	L490-1818SA	L490-1818SC
4"	18 x 29"	4-1/2"	L490-1829SA	—
5"	10"	5-1/2"	L590-1010SA	L590-1010SC
5"	12"	5-1/2"	L590-1212SA	L590-1212SC
5"	15"	5-1/2"	L590-1515SA	L590-1515SC
5"	18"	5-1/2"	L590-1818SA	L590-1818SC
5"	18 x 32"	5-1/2"	L590-1832SA	L590-1832SC
5"	13.5"	8"	L590-1313SA-8	—
5"	17.5"	8"	L590-1818SA-8	—
6"	13"	7"	L690-1313SA	L690-1313SC
6"	24"	7"	L690-2424SA	L690-2424SC

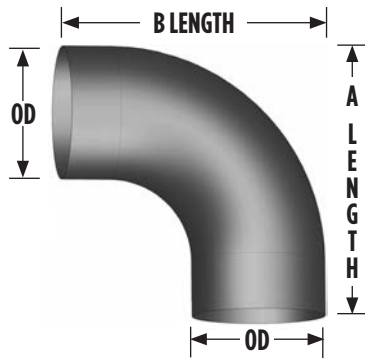


NOTE: Leg length is measured to the backside not the center line.

ELBOWS & Y-PIPES

90° Tangent Cut Elbows

- Cut at tangent NO straight
- Ideal for welding & repairing
- OD/OD only



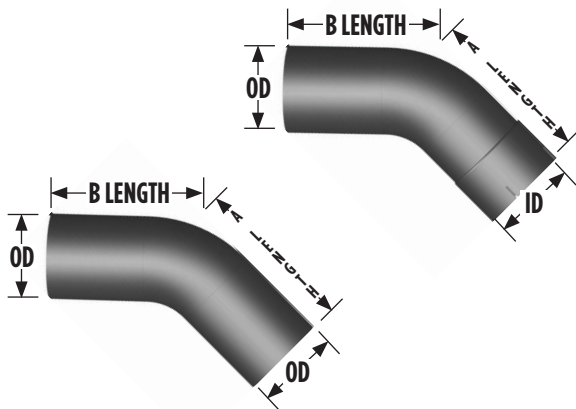
DIA.	LENGTH A&B	CENTER LINE RADIUS	ALUMINIZED PART NO.
3"	5"	3.5"	L390-0505SA
4"	6.5"	4.5"	L490-6565SA
5"	8"	5.5"	L590-0808SA
6"	10"	7"	L690-1010SA
8"	12"	12"	L890-2020S*

* Cold rolled steel and make to order, call for lead time

Aluminized Coated Stainless Steel Exhaust Parts

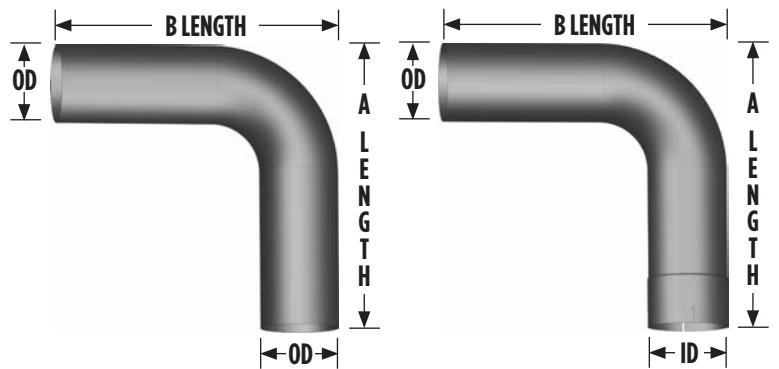
- 409 Stainless Aluminized
- 14 gauge
- These parts are not a bright finish.

45° Elbows



DIA.	LENGTH A&B	CENTER LINE RADIUS	ID/OD PART NO.	OD/OD PART NO.
4"	9"	4.5"	L445-0909S4	
5"	12"	5.5"	L545-1212S4	L545-1212S4S

90° Elbows

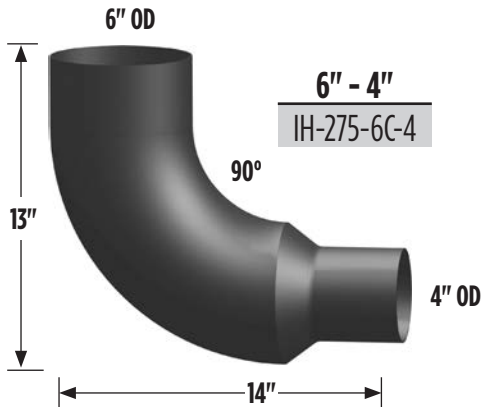
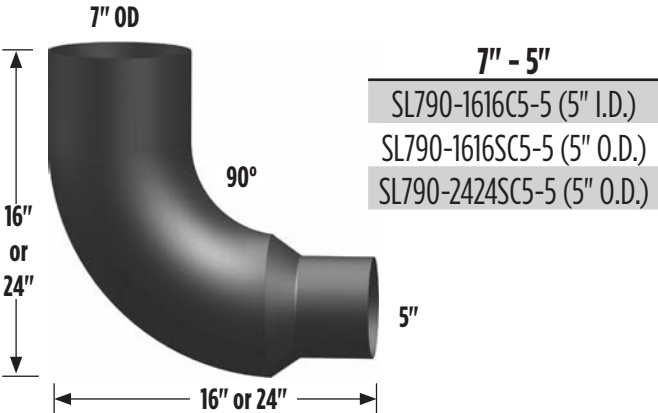
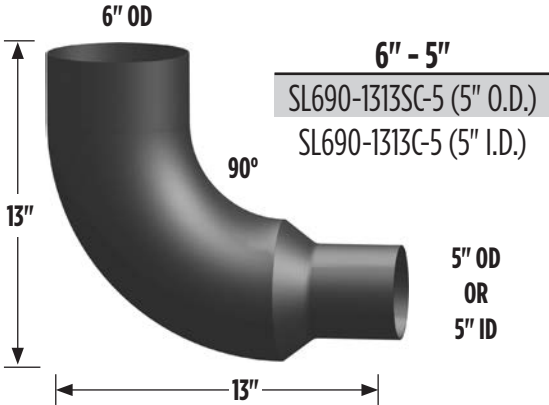
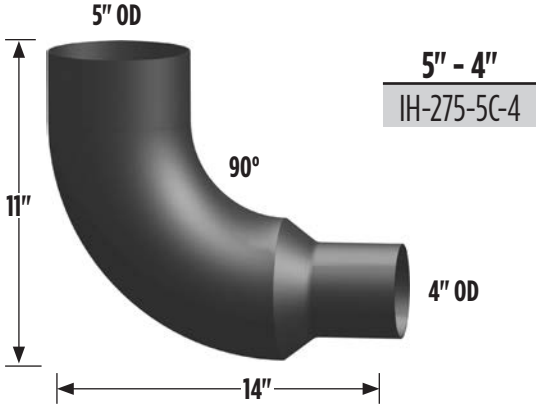


NOTE: Leg lengths are measured to the backside, not center line

DIA.	LENGTH A&B	CENTER LINE RADIUS	ID/OD PART NO.	OD/OD PART NO.
4"	12"	4.5"	L490-1212S4	L490-1212S4S
4"	18"	4.5"	L490-1818S4	
5"	12"	5.5"	L590-1212S4	L590-1212S4S
5"	18"	5.5"	L590-1818S4	L590-1818S4S

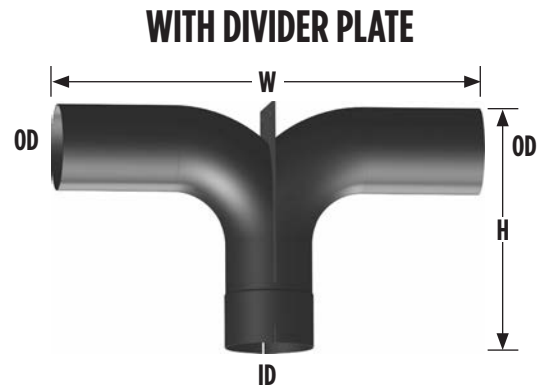
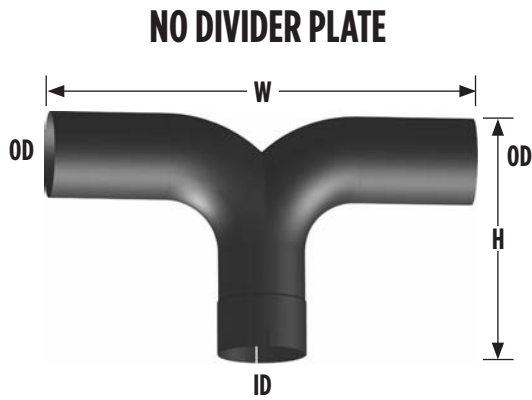
ELBOWS & Y-PIPES

Reduced 90° Elbows



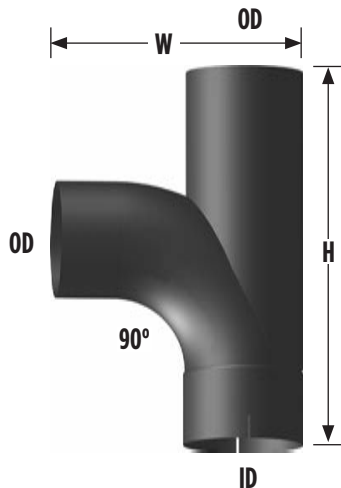
ELBOWS & Y-PIPES

Universal Y Pipes



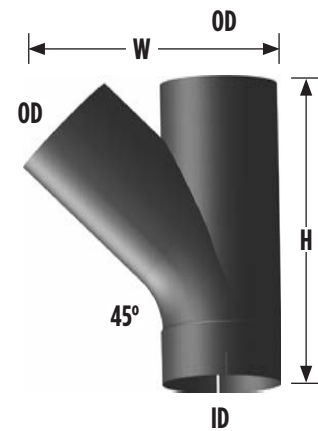
Type A

DIA.	WIDTH	HEIGHT	NO DIVIDER PLATE	WITH DIVIDER PLATE	
			ALUMINIZED PART NO.	ALUMINIZED PART NO.	CHROME PART NO.
3"	12"	10"	Y-300NPA		
3.5"	14"	10"	Y-350NPA		
4"	12"	8"	Y-401NPA		
4"	26"	12"		Y-400A	
5"	16"	11"	Y-501NPA		
5"	25"	14"	Y-500NPA	Y-500A	Y-500C



Type B

DIA.	WIDTH	HEIGHT	ALUMINIZED PART NO.
4"	10.5"	16"	YB-400A
5"	10.5"	16"	YB-500A



Type C

DIA.	WIDTH	HEIGHT	ALUMINIZED PART NO.
4"	9.4687"	12"	YC-400A
5"	10.843"	13"	YC-500A

ELBOWS & Y-PIPES

Rain Caps

DIA.	ZINC PART NO.	CHROME PART NO.	STAINLESS STEEL PART NO.
1.5"	—	—	—
1.75"	—	—	—
2"	RC-200	—	—
2.5"	RC-250	—	—
3"	RC-300	RC-300C	—
3.5"	RC-350	RC-350C	—
4"	RC-400	RC-400C	—
4.5"	RC-450	—	—
5"	RC-500	RC-500C	—
6"	RC-600	RC-600C	—
7"	RC-700	—	RC-700SS
8"	RC-800	—	RC-800SS



CLAMPS & BRACKETS

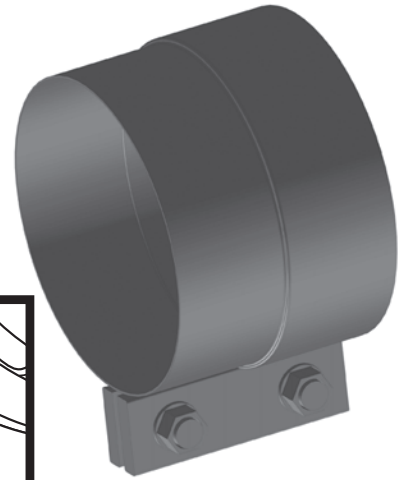
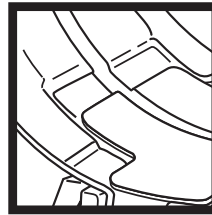


CLAMPS

Band Clamps

THE WFC SERIES: A GRAND ROCK EXCLUSIVE CLAMP

- LAP-JOINTS (Step Clamp)
- .030" Gauge Material — Heaviest in the Industry
- 304 Bright Stainless Steel or Aluminized Steel
- Unique Grade 8 Reversible Hardware – One Handed Tightening
- 3", 3.5", 4", & 5" Sizes
- Welded Flap Prevents Leakage at Closing Point
- ONLY AVAILABLE FROM GRAND ROCK
- The Preferred Pre-Formed Clamp



THE STC SERIES: (Super Torque Clamp)

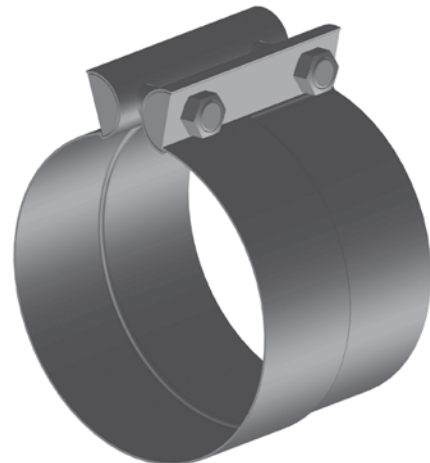
- LAP-JOINTS (Step Clamp)
- .030" Gauge Material — Heaviest in the Industry
- 304 Bright Stainless Steel
- Threaded Block for One Handed Tightening
- 3", 3.5", 4", & 5" Sizes
- Seal Feature Resists Leakage



The PF SERIES

Preformed Clamp

- LAP-JOINTS (Step Clamp)
- Bright Stainless, Polished Stainless, or Aluminized
- Available Pre-Assembled or Individually Boxed
- Available in Nested 10-Pack Bulk Cartons
- 2" to 6" Sizes



Band Clamps

PF Series Preformed Value 10-Pack Nested Clamps



Preformed Bulk Clamps come in a compact carton containing 10 clamps nested, & 10 hardware packs.



- For all LAP-JOINTS (Step Clamp)
- Reversible Hardware (unique to the bulk performed)
- Lower Cost
- Saves Space
- Available in 3-1/2" to 6" Diameters
- Bright 304 Stainless or Aluminized

Each individual clamp includes all Preformed hardware in a separate poly bag

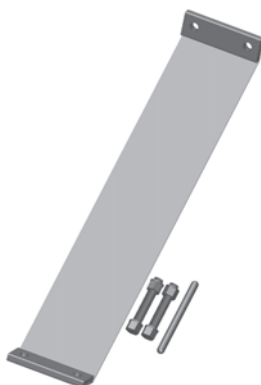
The EZ Series - Better Clamp

- Flat Seal Clamp
- 2" to 7" Sizes



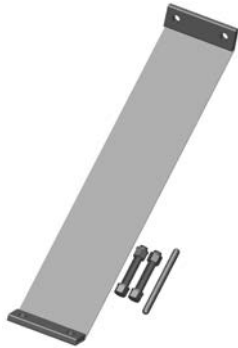
The FL Series

- Original type of Seal Clamp
- Available in Aluminized & Stainless
- 2" to 6" Sizes



CLAMPS

Clamps



FL Series



EZ Series



AS Series



PF Series



WFC Series

TYPE	WIDTH	2"	2-1/4"	2-1/2"	3"	3-1/2"	4"	4-1/2"	5"	6"	7"
FL Series Alz.	3.375"	-	-	-	-	-	FL-4A	-	FL-5A	-	-
FL Series SS	3.375"	-	-	FL-25SS	FL-3SS	FL-35SS	FL-4SS	-	FL-5SS	FL-6SS	-
EZ Series SS	3"	EZ-2SS	EZ-225SS	EZ-25SS	EZ-3SS	EZ-35SS	EZ-4SS	EZ-45SS	EZ-5SS	EZ-6SS	EZ-7SS
AS Series Alz.	1.25"	-	-	AS-25A	AS-3A	AS-35A	AS-4A	-	AS-5A	-	-
AS Series Std. SS	1.25"	-	-	-	AS-3SS	AS-35SS	AS-4SS	-	AS-5SS	-	-
AS Series Polished SS	1.25"	-	-	-	-	-	AS-4SSP	-	AS-5SSP	AS-6SSP	AS-7SSP
DuraSeal 409SS	1.25"	-	-	-	-	-	DS-4SS	-	DS-5SS	-	-
PF Series Alz.	3"	PF-2A	PF-225A	PF-25A	PF-3A	PF-35A	PF-4A	-	PF-5A	-	-
PF Series Alz. Bulk	3"	-	-	-	-	PF-35ABK	PF-4ABK	-	PF-5ABK	PF-6ABK	-
PF Series SS	3"	PF-2SS	-	PF-25SS	PF-3SS	PF-35SS	PF-4SS	-	PF-5SS	-	-
PF Series SS Polished	3"	-	-	-	-	-	-	-	PF-5SSP	PF-6SSP	-
PF Series SS Bulk	3"	-	-	-	-	PF-35SSBK	PF-4SSBK	-	PF-5SSBK	PF-6SSBK	-
WFC Series Alz.	3"	-	-	-	-	-	WFC-4A	-	WFC-5A	-	-
WFC Series Stainless	3"	-	-	-	WFC-3SS	WFC-35SS	WFC-4SS	-	WFC-5SS	-	-
STC Series SS	3"	-	-	-	STC-3SS	STC-35SS	STC-4SS	-	STC-5SS	-	-
PF Series Alz. Butt-Joint	3"	-	-	-	PF-3ABT	-	PF-4ABT	-	PF-5ABT	-	-

Saddle Clamps



**ROUND BOLT
OPEN SADDLE**
(Economy)



**ROUND BOLT
CLOSED SINGLE
SADDLE**
(Good)



**ROUND BOLT
CLOSED DOUBLE
SADDLE**
(Better)

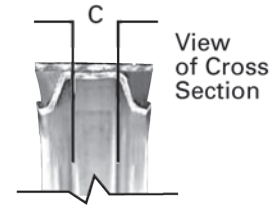
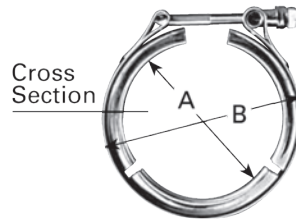


**FLAT BOLT
CLOSED DOUBLE
SADDLE**
(Best)

DIA.	ROUND BOLT OPEN SADDLE (PLAIN STEEL)	HD GUILLOTINE SINGLE EDGE SADDLE (ZINC PLATED)	HD GUILLOTINE SINGLE EDGE SADDLE (CHROME)	ROUND BOLT HD WELD SADDLE (ZINC PLATED)	FLAT BOLT HD WELD SADDLE (ZINC PLATED)	FLAT BOLT HD WELD SADDLE (CHROME)
1.875"	RO-178P	—	—	—	—	—
2"	RO-2P	RB-2ZN	—	—	—	—
2.25"	RO-225P	RB-225ZN	—	—	—	—
2.5"	RO-25P	RB-25ZN	—	—	—	—
2.75"	RO-275P	RB-275ZN	—	—	—	—
3"	RO-3P	RB-3ZN	RB-3C	HD-3ZN	—	—
3.5"	RO-35P	RB-35ZN	RB-35C	HD-35ZN	—	—
4"	RO-4P	RB-4ZN	RB-4C	HD-4ZN	FB-4ZN	FB-4C
4.5"	RO-45P	RB-45ZN	—	—	—	—
5"	RO-5P	RB-5ZN	RB-5C	HD-5ZN	FB-5ZN	FB-5C
6"	—	RB-6ZN	RB-6C	—	FB-6ZN	FB-6C
7"	—	—	—	—	—	FB-7C

CLAMPS

V-Band Clamps



MANUFACTURER	P/N	TUBE DIA.	A	B	C	APPLICATION	BREEZE P/N
UNIVERSAL							
	VB-300C	2.50	3.18	3.74	0.20	Emissions CLAMP	VT10318C02
	VB-525D	5.00	5.25	5.81	0.21	Fits - FLARED CONNECTORS.	VT10525
AIRESEARCH							
	VB-461M	4.00	4.17	4.61	0.21	TE0-699	VT10461
	VB-525D	5.00	5.25	5.81	0.21	T-1899, TH08A64	VT10525
BLUEBIRD							
	VB-321C	2.75	2.80	3.20	0.26	6BT5.9L, 6BTA5.9L REPLACES BLUEBIRD #1334226	
	VB-321C	2.75	2.80	3.20	0.26	94-98 BLUEBIRD TC2000 SCHOOL BUS W/5.9L	
	VB-413C	4.00	4.13	4.69	0.26	92-98 8.3L TURBO CUMMINS ALL AMERICAN	VT10413
	VB-461D	4.00	4.13	4.69	0.40	REPLACES BLUEBIRD #1250646 & #3116	VT10469
	VB-461D	4.00	4.13	4.69	0.40	BLUEBIRD ALL AMERICAN W/CAT3116 /TURBO & #3116	VT10469
CATERPILLAR							
	VB-419C	3.50	3.63	4.19	0.40	3208T# IW5455	VT10419
	VB-461D	4.00	4.13	4.69	0.40	3208T # IW2431 & #3116	VT10469
	VB-475C	4.00	4.19	4.75	0.40	3176T	VT10475
	VB-588C	5.00	5.32	5.88	0.40	3406, 3406B, 3176,T50 TURBO # 186917	VT10588-1
CUMMINS							
	VB-321C	2.75	2.80	3.20	0.26	6BT5.9L, 6BTA5.9L # 3903652	
	VB-351I	3.50	3.69	4.25	0.40	VT555, VT-555 MANIFOLD	
	VB-413C	4.00	4.13	4.69	0.26	8.3C CUMMINS # 3905216, for HX40 Turbo	VT10413
	VB-475C	4.00	4.19	4.75	0.40	L10 # 115774	VT10475
	VB-532	5.00	5.33	5.53	0.24	04-07 5.9L CUMMINS# 52121285AA	
	VB-588C	5.00	5.32	5.88	0.40	750, N, 88NT, NTC, VT, T50 TURBO # 186916	VTW10588-1
DETROIT DIESEL							
	VB-475D	4.00	4.13	4.75	0.16	8.2LT # 154977	
	VB-525D	5.00	5.25	5.81	0.21	8V-71T, 16V-71, 6V-92T, 8V-92, 8V-92T, 16V-92T # 513262	VT10525
	VB-588C	5.00	5.32	5.88	0.40	SERIES 60, 6-71T # 23506159	VT10588-1
DODGE							
	VB-450	4.00	4.53	4.73	0.26	DODGE 03-04 5.9L CUMMINS # A49-3535399	
	VB-532	5.00	5.33	5.53	0.24	04-07 5.9L CUMMINS# 52121285AA	
FORD							
	VB-321C	2.75	2.80	3.20	0.26	93-95 B600/700 W/5.9LT	
	VB-321C	2.75	2.80	3.20	0.26	REPLACES FORD #F3HZ5A281A	
	VB-351I	3.50	3.69	4.25	0.40	REPLACES FORD #E7HZ5A231C	
	VB-384F	3.00	3.84	4.01	0.23	FORD # F6TA-5A281-BA / 94-97 7.3 POWERSTROKE	
	VB-419C	3.50	3.63	4.19	0.40	REPLACES FORD #E2HZ5A231A	VT10419
	VB-419C	3.50	3.63	4.19	0.40	87-90 B600/700 SCHOOL BUS CF600/800 W/6.6LT	VT10419
	VB-419C	3.50	3.63	4.19	0.40	REPLACES FORD #E8HZ5A231E	VT10419
	VB-419F	3.50	3.63	4.19	0.40	FORD 6.6& 7.8 # E2HZ5A231A	VT10419

MANUFACTURER	P/N	TUBE DIA.	A	B	C	APPLICATION	BREEZE P/N
FORD, continued							
	VB-429F6	4.00	4.37	4.56	0.28	FORD 03-07 6.0L POWERSTROKE # 6C34-5A281-AA	
	VB-429F7	4.00	4.38	4.55	0.23	FORD 99-03 7.3L POWERSTROKE # 4C24-5A281-HA	
	VB-475D	4.00	4.13	4.75	0.16	REPLACES FORD #EOHZ5A231C	VT10475
	VB-532C	5.00	5.33	5.53	0.24	04-07 5.9L CUMMINS# 52121285AA	
FREIGHTLINER							
	VB-390MB	3.00	3.90	-	-	FREIGHTLINER BUS MERCEDES 4 CYL. # 04-19184-001	
	VB-460MB	4.00	4.60	-	-	FREIGHTLINER BUS MERCEDES 6 CYL. # 04-39184-000	
	VB-588C	5.00	5.32	5.88	0.40	w/DD series 60, cat 3406 # 04-13828-0000	VT10588-1
	VB-588C	5.00	5.32	5.88	0.40	w/cumminsntc, vt diesel #01-14596-000	VT10588-1
	VB-588C	5.00	5.32	5.88	0.40	replaces freightliner #0114596000	VT10588-1
GM							
	VB-384G	3.00	3.84	4.01	0.21	00-06 DURAMAX # 15671559	
	VB-525D	5.00	5.25	5.81	0.21	All 71T & 92T detroit #513262	VT10525
	VB-525D	5.00	5.25	5.81	0.21	REPLACES GM #15647159	VT10525
INTERNATIONAL							
	VB-301I	3.00	3.28	3.84	0.40	T444E 1994-2000 INTERNATIONAL BUS	
	VB-302I	3.00	3.28	3.82	0.21	REPLACES INTERNATIONAL #2033978C1	
	VB-351I	3.50	3.69	4.25	0.40	86-89 SERIES S TRUCK/BUS W/DT360	
	VB-351I	3.50	3.69	4.25	0.40	REPLACES INTERNATIONAL #893944R92	
	VB-350I	3.50	3.77	4.33	0.21	REPLACES INTERNATIONAL #338614C1	
	VB-350I	3.50	3.77	4.33	0.21	88-94 SERIES S TRUCK BUS W/DT466	
	VB-475C	4.00	4.19	4.75	0.40	REPLACES INTERNATIONAL #893945R92	VT10475
	VB-475C	4.00	4.19	4.75	0.40	7.3L, DT-DTA 360, DT-DTA 466	VT10475
	VB-525D	5.00	5.25	5.81	0.21	W/DD 8V71, 8V92	VT10525
	VB-525D	5.00	5.25	5.81	0.21	REPLACES INTERNATIONAL #5132650	VT10525
	VB-525D	5.00	5.25	5.81	0.21	REPLACES INTERNATIONAL # 780067C91	VT10525
	VB-588C	5.00	5.32	5.88	0.40	REPLACES INTERNATIONAL #390226C91	VT10588-1
	VB-588C	5.00	5.32	5.88	0.40	INTERNATIONAL #1672105C91	VT10588-1
MACK							
	VB-461M	4.00	4.17	4.61	0.16	REPLACES MACK #48RU2341	VT10461
	VB-461M	4.00	4.17	4.61	0.16	DM/MR MODELS	VT10461
	VB-588C	5.00	5.32	5.88	0.40	REPLACES MACK #11ME241	VT10588-1
THOMAS							
	VB-419C	3.50	3.63	4.19	0.40	84-90 SAF-T-LINER MODELS W/3208T	VT10419
	VB-419C	3.50	3.63	4.19	0.40	REPLACES THOMAS #61240207	VT10419
	VB-461D	4.00	4.13	4.69	0.40	84-89 THOMAS SCHOOL BUS W/ 3208T & #3116	VT10469
	VB-461D	4.00	4.13	4.69	0.40	REPLACES THOMAS #61240208 & #3116	VT10470
	VB-475D	4.00	4.19	4.75	0.21	89-93 W/8.2LT	VT10475
	VB-475D	4.00	4.19	4.75	0.21	REPLACES THOMAS #61240209	VT10475
VOLVO							
	VB-481V	4.00	4.375	4.81	0.43	Replaces Volvo 21021852	VT10481T
	VB-591V	5.00	5.50	5.91	0.43	Replaces Volvo 21021850	10769

PART NO. APPLICATION

VB-5880E T50 Turbo Housings, N14, ISX, 3406, C15, 60Series

This Is The More Economical 1 Pc OE Version



BRACKETS

Stack and Muffler Mounting Brackets

Peterbilt

Bolts directly onto factory cab brackets

DIA.	POLISHED STAINLESS PART NO.
5"	MB-5PBS
6"	MB-6PBS
7"	MB-7PBS



Fits 359 & 379 models

PB-14656U (2PC Grommet)

Use 2 of these 2pc Grommets along with any of the Peterbilt mounting brackets listed and with PB-12998S or PB-14186S



Polyurethane NOT Rubber

Bolts directly onto factory cab brackets

DIA.	POLISHED STAINLESS PART NO.
5"	OS-5PBS
6"	OS-6PBS
7"	OS-7PBS

May be used on unibilts or where you want to move the stack 2"



PB-12998S (Polished Stainless Steel) Fits 379

Replaces 14-14792 "Horseshoe" style cab Bracket



PB-14186S (Polished Stainless Steel) Fits 379



Stack and Muffler Mounting Brackets, continued

Kenworth

W900 B

Bolts directly onto factory cab brackets

DIA.	POLISHED STAINLESS PART NO.
5"	MB-5KWS
6"	MB-6KWS
7"	MB-7KWS



AEROCAB

DIA.	POLISHED STAINLESS PART NO.
6"	AC-6KWLP (Left)
6"	AC-6KWRP (Right)
7"	AC-7KWLP (Left)
7"	AC-7KWRP (Right)



Use factory 8mm bolt for mounting

AEROCAB

DIA.	POLISHED STAINLESS PART NO.
5"	ACFM-5
6"	ACFM-6
7"	ACFM-7



Western Star

WESTERN STAR 5", 6", & 7" STACK MOUNT BRACKETS HERITAGE MODEL

PART NO.
MB-WS



Bolt to existing cab brackets & bolt MB-5PBS, MB-6PBS or MB-7PBS to it for a simple hassle free installation.

WESTERN STAR CONSTELLATION

DIA.	STAINLESS PART NO.
6"	MB-6WSS
7"	MB-7WSS



BRACKETS

Stack and Muffler Mounting Brackets, continued

Universal

FREIGHTLINER / IH / UNIVERSAL

DIA.	POLISHED STAINLESS PART NO.
5"	ACFM-5
6"	ACFM-6
7"	ACFM-7

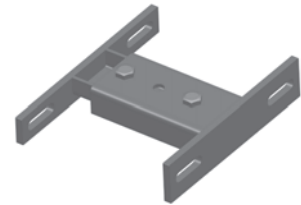


These can be used to replace standard 5" bolt type clamps.

STACK MOUNT BRACKET

See Page 35 for 4", 5" or 6" FB style clamps needed with these brackets.

PLAIN PART NO.	CHROME PART NO.
SMB	SMB-C



MUFFLER CLAMP



FITS MUFFLER DIMENSIONS	PART NO.
9"	MMB-9
10"	MMB-10
11"	MMB-11

Brackets

4" FORD DIESEL TAIL PIPE HANGER



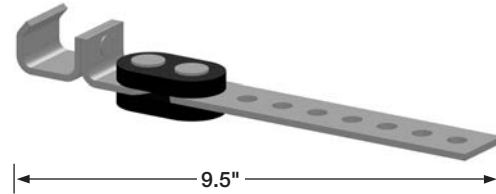
H-FTP1



H-FLM1
Muffler Hanger
Fits 11-1/8" Body Dia.
OE# 04-17998-001

HANGER

For horizontal applications for use on exhaust pipes or mufflers. Use 2 per muffler. Clamps not included. See page 35 for proper RB style clamps.



PLAIN PART NO.

H-10
H-10C
H-17

MUFFLERS HANGERS

PART NO.	STYLE	FITS BODY DIA.
RMH-7834	B	7" - 8-3/4"
RMH-6	A	6"
RMH-7	A	7"
RMH-8	A	8"
RMH-85	A	8-1/2"
RMH-9	A	9"
RMH-10	A	10"
OMH-8511	A	8-1/4" x 11-1/2"
OMH-1015	A	10" x 15"
RMH-11	C	11"
RMH-12	A	12"



STYLE A



STYLE B



STYLE C

MUFFLERS HANGERS

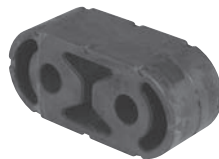
PART NO.	FITS BODY DIA.
QPM-8H	8"



FREIGHTLINER HANGERS



H-FLM2
Muffler Hanger
2004 & Newer
OE# A04-20919-000



RS-FRL1
Rubber Mount
2004 & Newer
OE# 04-19919

H-IHP1
Rubber Mount
2005 & Newer
International



H-FLP1
Hanger, Similar to
OE # A04-22840-000



H-FLP3
Hanger, Similar to
OE # 04-22424-000 &
04-22842-000



H-FLP4
Hanger, Similar to
OE # A04-21485-000



H-FLP4
Hanger, Similar to
OE # A04-18007-001

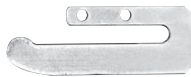
BRACKETS

Brackets, continued

CHEVROLET/GMC OVERAXLE HANGER ASSEMBLY



H-BBP2
Frame Bracket



H-BBP1
U-Shaped Hanger

FORD MUFFLER HANGERS

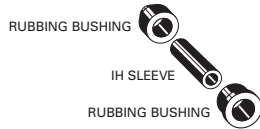


H-FTM2
Fits all Diesel Mufflers 1983 - UP
14" Round

INTERNATIONAL BRACKETS (extra heavy duty reinforced)



H-IHP6
Overaxle Bracket
(not included in complete set)



H-IH7
Complete Set
(tailpipe bracket, bushing, sleeve)



H-IHP3



H-IHP5 (4")
Pipe Hangers



H-IHM6 (7.3L)
Muffler Hangers
(1986 - UP)



H-IHM1 (96 - UP)
T44E Eng. (Forward)
Rear Muffler Hanger



H-IHM2 (96 - UP)
T44E Eng. (Forward)
Front Muffler Hanger
(big hole)



H-IHM4



H-IHM6A



H-IHP7
AMTRAN T444E/DT466
Rear Engine



H-USE1



H-USE2

LENGTH	IHC P/N	STRAP LOCATION
4-1/2	1660539C91	top row of holes
5	1660549C91	bottom row of holes

PART NO.	INTERNATIONAL NO.
H-USE1	482173C1
H-USE2	1675835C1

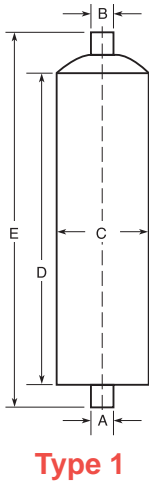
MUFFLERS, CONVERTERS, & SHIELDS



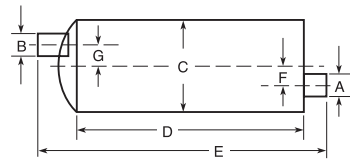
MUFFLERS, CONVERTERS, & SHIELDS

Muffler Types

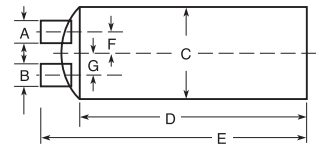
Note: Mufflers available in Stainless Steel, Call for details



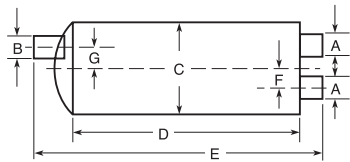
Type 1



Type 2



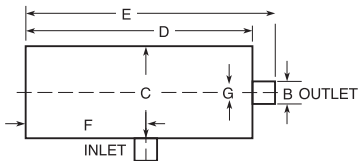
Type 3



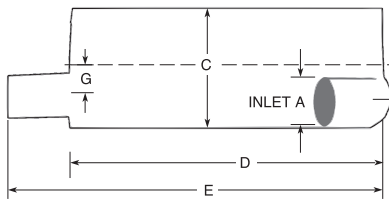
Type 2A



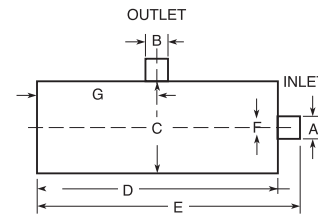
Type 3A



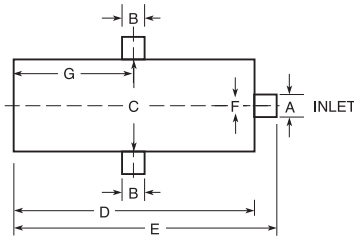
Type 4



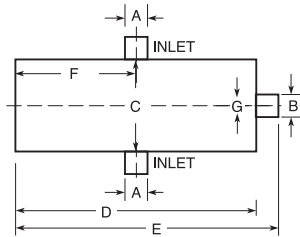
Type 5



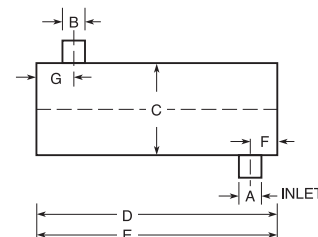
Type 6



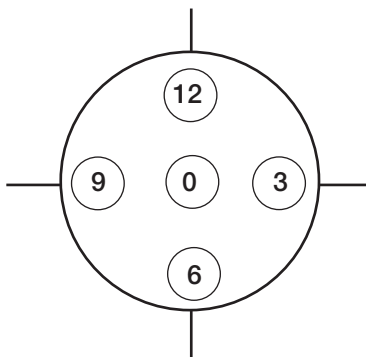
Type 7



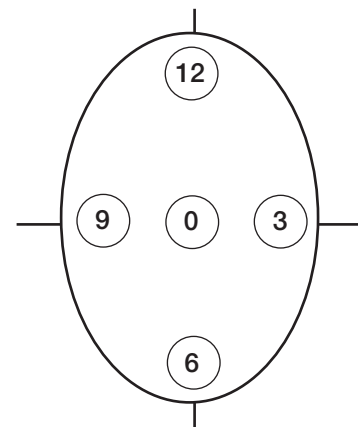
Type 8



Type 9



NOTE: All clock positions viewed from inlet end of muffler.



MUFFLERS, CONVERTERS, & SHIELDS

TYPE 1 - RESONATORS

Type	Part No.	A Inlet Dia. I.D.	B Outlet Dia I.D.	C Body Dia.	D Body Length	E Overall Length	F Inlet Offset/ Clock Position	G Outlet Offset/ Clock Position	Fits
1	M-556	3"	3"	9"	11.5"	16"	-	-	-
1	M-150	3.5"	3.5"	9"	14"	19.75"	-	-	-
1	M-144	4"	4"	9"	10"	16.5"	-	-	-
1	M-145	5"	5"	9"	10"	16.5"	-	-	-

TYPE 1 - END IN / END OUT CENTERED

Type	Part No.	A Inlet Dia. I.D.	B Outlet Dia I.D.	C Body Dia.	D Body Length	E Overall Length	F Inlet Offset/ Clock Position	G Outlet Offset/ Clock Position	Fits
1	M-187	3"	3"	6.1"	21"	30"	-	-	-
1	M-878	3"	4"	11"	36"	41.75"	-	-	Freightliner SB
1	M-110	3.5"	4"	8.5"	29.5"	36"	-	-	Thomas SB
1	M-188	3.5"	3.5"	7.1"	30"	38"	-	-	-
1	D5M	4"	5"	8"	15"	21"	-	-	Powerflow
1	M-079	4"	4"	10"	36"	43"	-	-	Bluebird SB
1	M-087	4"	4"	11"	36"	43"	-	-	Freightliner SB
1	M-127	4"	4"	8.5"	34.5"	41"	-	-	Mack R Model
1	M-130-4	4"	5"	10"	44.5"	51"	-	-	-
1	M-131	4"	4"	9"	44.5"	51"	-	-	-
1	M-444	4"	4"	10"	44.5"	51"	-	-	-
1	M-514	4"	5"	9"	44.5"	51"	-	-	Mack /Navistar/ Bluebird
1	M-630	4"	4"	6"	24"	30"	-	-	-
1	M-824	4"	4"	8"	15"	21.5"	-	-	Powerflow

MUFFLERS, CONVERTERS, & SHIELDS

TYPE 1 - END IN / END OUT CENTERED, continued

Type	Part No.	A Inlet Dia. I.D.	B Outlet Dia I.D.	C Body Dia.	D Body Length	E Overall Length	F Inlet Offset/ Clock Position	G Outlet Offset/ Clock Position	Fits
1	HF-1051	5"	5"	10"	44.5"	51"	-	-	Fuel Saver
1	M-062	5"	5"	11"	55"	61.5"	-	-	Peterbilt 387 06 & Older Muffler
1	M-0824	5"	5"	11"	55"	61.5"	-	-	Peterbilt 387 07& Newer Resonator
1	M-102	5"	5"	9"	44.5"	51"	-	-	Better Quality
1	M-130	5"	5"	10"	44.5"	51"	-	-	Better Quality
1	M-132	5"	5"	9"	44.5"	51"	-	-	Economy
1	M-136	5"	5"	10"	36"	41.6"	-	-	Great for Dump Trucks
1	M-1774	5"	5"	8"	55"	61"	-	-	Freightliner
1	M-196	5"	5"	10"	44.5"	51"	-	-	Cummins Electronic
1	M-465	5"	5"	10.1"	44.5"	51"	-	-	Economy
1	M-533	5"OD	5"	9"	25"	33"	-	-	Pete 379 Standard Hood
1	M-533-0	5"OD	5"	9"	25"	33"	-	-	Less Restrictive for High HP Engines
1	M-557	5"OD	5"	9"	34"	40.5"	-	-	Pete 379 Extended Hood
1	M-557-0	5"OD	5"	9"	34"	40.5"	-	-	Less Restrictive for High HP Engines
1	M-595	5"	5"	9"	20"	26.5"	-	-	-
1	M-656	5"	6"	10"	44.5"	51"	-	-	-
1	M-1236	5"	5"	12"	36"	41"	-	-	-
1	M-1436	5"	5"	14"	36"	41"	-	-	-
1	M-651	6"	6"	10"	44.5"	51"	-	-	-

MUFFLERS, CONVERTERS, & SHIELDS

TYPE 2 - END IN / END OUT OFFSET ENDS

Type	Part No.	A Inlet Dia. I.D.	B Outlet Dia I.D.	C Body Dia.	D Body Length	E Overall Length	F Inlet Offset/Clock Position	G Outlet Offset/Clock Position	Fits
2	M-518	2.5"	2.5"	6"	26"	33"	1.5"/12	3.6"/6	
2	M-624	2.75"	3"	8.5"	30.25"	36.25"	3"/12	2.75"/6	Chevrolet/GMC SB
2	M-070	3"	4"	11"	36.25"	42"	3"/6	4"/12	Freightliner SB
2	M-1136	3"	4"	11"	36"	42"	2.5"/12	2.5"/6	-
2	M-139	3"	3"	8.5"	31.2"	36.2"	2"/12	2"/6	-
2	M-106	3.5"	3.5"	8.25" x 11.5"	26"	32"	3"/12	3"/6	-
2	M-512	3.5"	4"	8.25" x 11.5"	27"	33"	2.5"/12	2.5"/6	IH
2	M-536	3.5"	4"	8.25" x 11.5"	32"	36.5"	2.5"/12	2.5"/6	International SB
2	M-879	3.5"	4"	11"	36"	42"	3"/0	0/12	Freightliner SB
2	M-125	4"	4"	10" X 15"	34"	40.5"	4.25"/6	4.25"/12	Thomas SB
2	M-153	4"	4"	8.25" x 11.5"	27"	33"	2.5"/12	2.5"/6	-
2	M-502	4"	4"	11"	36"	41.2"	2.5"/12	2.5"/6	Freightliner/Ford SB
2	M-529	4"	4"	11"	36"	42.2"	2.5"/12	2.5"/6	Ford SB
2	M-117	5"	5"	10" x 15"	36"	42"	4"/12	4"/6	-
2	M-147	5"	5"	10" X 15"	27"	33"	3.3"/12	3.3"/6	Thomas SB
2	M-4025	5"	5"	11"	36"	41"	2.5"/12	2.5"/6	Ford
2	M-180	6"	6"	10" x 15"	32"	42.5"	3.6"/12	3.6"/6	-
2	M-2230	3.5"	3.5"	8.25" x 11.5"	20"	26"	3"/6	3"/12	Ford E-450

TYPE 2A - DUAL END IN / SINGLE END OUT

Type	Part No.	A Inlet Dia. I.D.	B Outlet Dia I.D.	C Body Dia.	D Body Length	E Overall Length	F Inlet Offset/Clock Position	G Outlet Offset/Clock Position	Fits
2A	M-722	2.5"-2.5" FLARE	3"OD	8.7"	30"	39"	1.75"/1:30/10:30	2"/6	Bluebird/GMC SB
2A	M-185	2.75"-2.75"	4"	8.25" x 11.5"	27"	32.75"	4"/12-4"/6	2.5"/6	International SB
2A	M-622	2/2.5"	FLANGE	8.5"	29.5"	37.5"	2.5"/12	2.5"/3-3	Bluebird/GMC SB
2A	M-551	3"	2-5/8"	7" x 9"	24"	34"	2.625"/6 & 12	-	-

MUFFLERS, CONVERTERS, & SHIELDS

TYPE 3 & 3A - IN AND OUT SAME END

Type	Part No.	A Inlet Dia. I.D.	B Outlet Dia I.D.	C Body Dia.	D Body Length	E Overall Length	F Inlet Offset/ Clock Position	G Outlet Offset/ Clock Position	H Ctr. To Ctr.
3	M-755	3.5"	4" OD	8.25" x 11.5"	32"	38.4"	2.5"/12	2.5"6	-
3	M-033	4"	5"	11"	30"	33.5"	3"/12	3"/12	5"
3	M-115	4"	4"	10" X 15"	26" 2	29.2"	4"/12	4"/6	-
3	M-124	4"	5"	12" X 15"	30" 3	34"	4"/12	4"/6	-
3	M-116	5"	5"	10" X 15"	36"	40"	4"/12	4"/6	-
3	M-121	5"	5"	10" x 15"	26"	29"	3"/12	3"/6	6"
3	M-121L	5"	5"	10" x 15"	44"	48"	3"/12	3"/6	6"
3	M-121L6	5"	6"	10" x 15"	44"	48"	3"/12	3"/6	6"
3	M-899	5"	5"	15"	35"	39"	-	-	-
3A	M-922	5"	5"	9"	22"	25"	-	-	7.5"
3A	M-922-6	6"	6"	9"	22"	25"	-	-	7.5"

TYPE 4 - SIDE IN / END OUT

Type	Part No.	A Inlet Dia. I.D.	B Outlet Dia I.D.	C Body Dia.	D Body Length	E Overall Length	F Inlet Offset/ Clock Position	G Outlet Offset/ Clock Position	Fits
4	M-034	4"	4"	11"	36"	40"	4.5"/3	2.5"/12	Bluebird/GMC SB
4	M-149	4"	3.8"OD	10" x 15"	16"	20.1"	3.1"/12	4.4"/12	Mack DM
4	M-542	4"	5"	10" X 15"	21"	25"	3.1"/12	4.4"/12	-
4	M-625	4"	4"	11"	42"	45"	4"/12	0/0	Bluebird SB
4	M-626	4"	4"	11"	33.5"	36.5"	4"/12	0/0	Thomas SB
4	M-724	4"	4"	11"	36"	39"	4.3"/9	2.5"/12	-
4	M-751	4"	5"	10" x 15"	27"	30"	22.4"/5:30	3.6"/12	DOT / IH
4	M-771	4"	5"	9"	44.5"	48"	3.8"/6	0"/0	-
4	M-526	5"	5"	10"	44.5"	48.25"	5.5"/6	-	GMC Brigadier & Astro
4	M-757	5"	5"	12.3" X 15.2"	27"	30"	22.4"/5:30	3.6"/11	DOT / IH

MUFFLERS, CONVERTERS, & SHIELDS

TYPE 6 - END IN /SIDE OUT

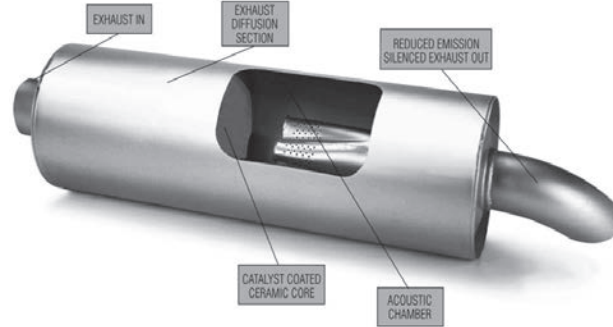
Type	Part No.	A Inlet Dia. I.D.	B Outlet Dia I.D.	C Body Dia.	D Body Length	E Overall Length	F Inlet Offset/ Clock Position	G Outlet Offset/ Clock Position	Fits
6	M-537	3.5"	4"	8.25" x 11.5"	32"	35"	2.5"/6	20"/3:30	IH DT 466 Horizontal Outlet
6	M-545	3.5"	4" OD	8.25" x 11.5"	32"	34.9"	2.5"/12	20.2"/3:30	DOT / IH
6	M-548	3.5"	4"	8.25" x 11.5"	32"	34.9"	2.5"/12	24.7"/3:30	DOT / IH
6	M-527C1	3.5"	4" OD	8.25" x 11.5"	32"	35.5"	2.5"/6	3.5"/9:00	DOT / IH
6	M-777	3.5"	4" OD	8.25" x 11.5"	32"	34.9"	2.5"/12	24.7"/3:30	DOT / IH
6	M-530	4"	4"	11.1"	36"	39"	1.5"/6	28.5"/12	Ford
6	M-503	5"	5"	10" x 15"	36"	39"	4.0"/12	28.5"/6	Ford
6	M-672	5"	5"	11"	36"	39"	2.7"/6	28.5"/12	Ford
6	M-010	5" OD	5" OD	12"	36"	39"	-	15"/12	-
6	M-158A	5"	5"	13"	42"	45"	-	14"/12	04-22804-000

TYPE 7 - END IN / DUAL SIDE OUT

Type	Part No.	A Inlet Dia. I.D.	B Outlet Dia I.D.	C Body Dia.	D Body Length	E Overall Length	F Inlet Offset/ Clock Position	G Outlet Offset/ Clock Position	Fits
7	M-7185	5"	5"/5"	8" X 20"	29"	32"	CTR	23"/9&3	Freightliner Columbia

MUFFLERS, CONVERTERS, & SHIELDS

Catalytic Converter Mufflers



Certified to Meet EPA Requirements

GrandRock converter mufflers are engineered to enable mid-range engines to meet emission requirements of the EPA's Diesel Emissions Standards. The catalytic core within the muffler reduces gaseous hydrocarbons, carbon monoxide, and particulates, while at the same time reducing exhaust noise to 67-72 dBA at 50 feet per the EPA drive-by noise test (levels will vary depending on system configuration).

- Same package size as equivalent mufflers
- Only 10 to 15 pounds heavier than equivalent mufflers
- 409 Stainless steel
- Internal design for even exhaust flow distribution

PART NO.	STYLE	INLET ID	OUTLET ID	INLET POSITION	OUTLET POSITION	INLET OFFSET	OUTLET OFFSET	CROSS SECTION	SHELL LENGTH	OVERALL LENGTH
M-355CT	1	4"	4"	0	0	0	0	11"	36"	41"
Style/Type Description - CENTER TO CENTER										
Application/Description - Any engine up to 9L										
M-580CT	2	3.5"	4"	6	12	2.75"	2.75"	8.25" x 11.5"	29.5"	36.5"
Style/Type Description - OFFSET TO OFFSET										
Application/Description - Any IH Motor & all others up to 9L										
M-581CT	2	4"	4"	12	6	2.5"	2.5"	11"	36"	44"
Style/Type Description - OFFSET TO OFFSET										
Application/Description - Any engine up to 9L										
M-1465CT	2	5"	5"	0	0	0	0	10"	44.5"	51"
Style/Type Description - CENTER TO CENTER										
Application/Description - Any engine up to 9L and Dual application on Cat C13 & C15, rep: M101283										
M-834CT	3	5"	5"	6	6	2.5"	2.5"	12"	36"	41"
Style/Type Description - OFFSET TO OFFSET										
Application/Description - Cat C13 & C15 Dual Application, rep: M120834										

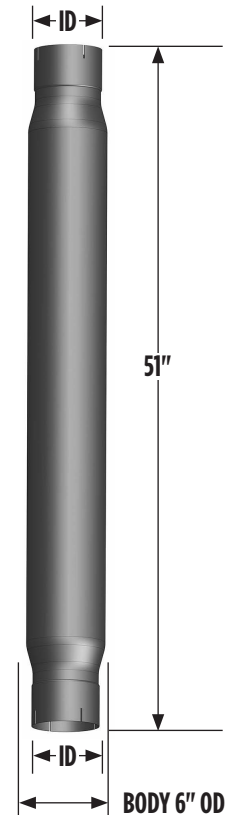
MUFFLERS, CONVERTERS, & SHIELDS

Mufflers

Chrome Mufflers

- Same length as standard muffler.
- Smooth, seamless construction
- Internal core is louvered for noise reduction
- Not very quiet

CHROME PARTNO.	INLET DIAMETER	OUTLET DIAMETER
CM-55C	5"	5"
CM-56C	5"	6"
CM-66C	6"	6"

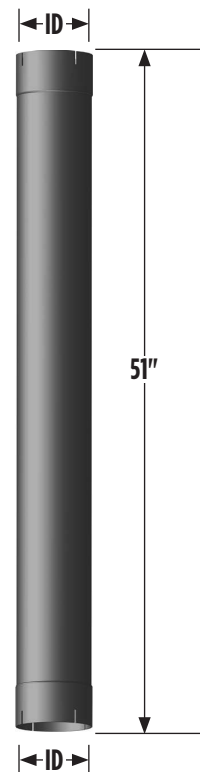


Muffler Eliminators

Muffler Eliminators

- Fits in place of standard mufflers

PARTNO.	DIAMETER	LENGTH	FINISH
S5-51EXEXA	5"	51"	Aluminized
S5-51EXEXC	5"	51"	Chrome



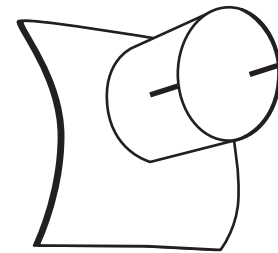
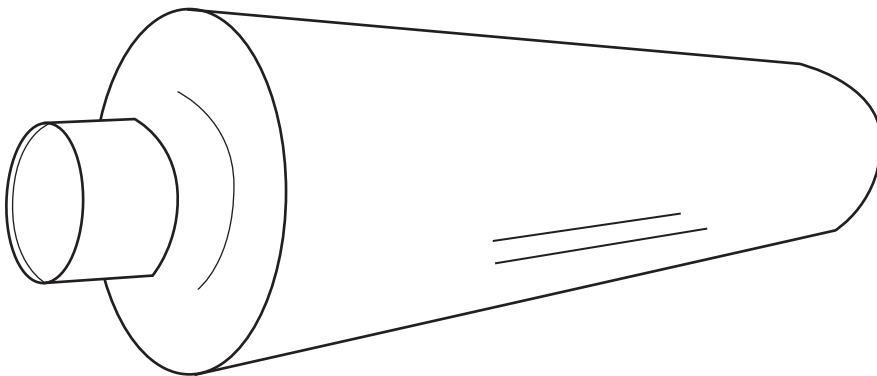
MUFFLERS, CONVERTERS, & SHIELDS

Grand Rock Universal End-In, Side-Out Muffler

***Muffler Also Accomodates Side-In, End Out!
YOU Decide Where to Put the Outlet!***

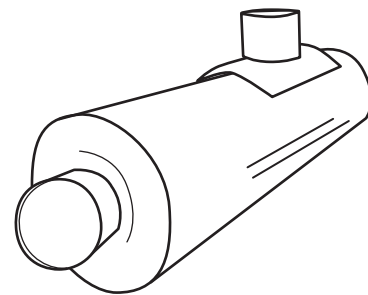
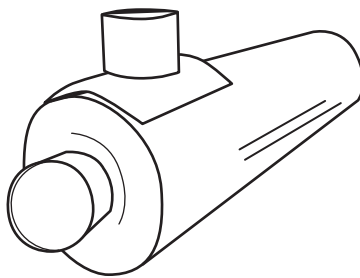
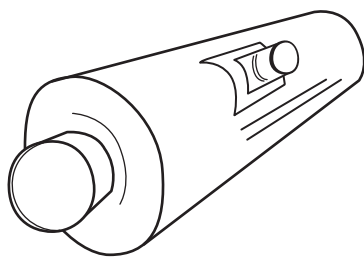
- Saves on Muffler Inventory Costs
- 4" Version for use on motors up to 10 Litre
- 5" Version: 11 Litre & Larger
- No more scrambling to find the right style

Universal Body



**OUTLET PATCH - 3.5", 4", or 5"
(8" x 8" - 14 ga., Sold Separately)**

SPECS: 10" or 11" Round x 36" Long Body - 16-gauge Aluminized Construction (27 lbs.)



**Place the outlet anywhere you need - just cut a hole in the body & weld the patch
(*Note: USE AN OD PATCH IF YOU ARE ATTACHING FLEX TO OUTLET)**

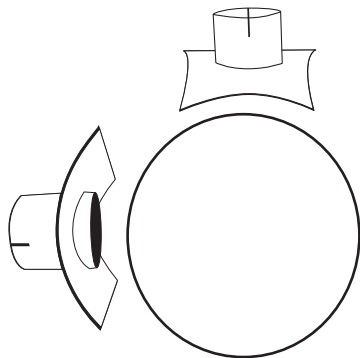
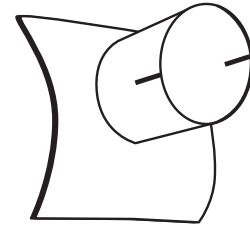
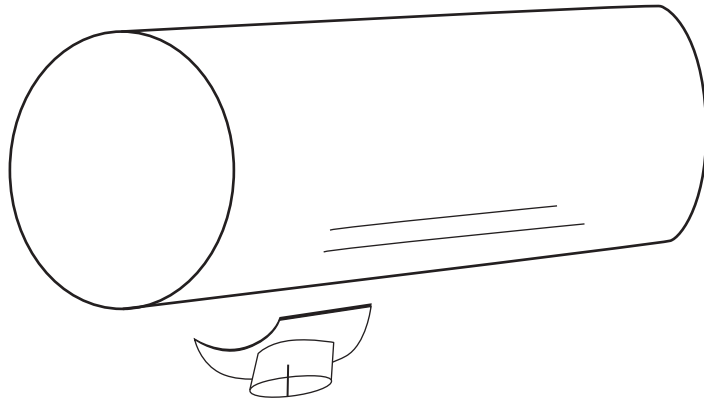
10" MUFFLER PART NO.	11" MUFFLER PART NO.	INLET DIA.	PATCH OUTLET PART NO.	OUTLET DIA.
ARG-03536	ARG-03536-11	3.5" ID	ARP-035	3.5" ID
ARG-035360D	ARG-03536-110D	3.5" OD	ARP-0350D	3.5" OD
ARG-0436	ARG-0436-11	4" ID	ARP-04	4" ID
ARG-04360D	ARG-04360D-11	4" OD	ARP-040D	4" OD
ARG-0536	ARG-0536-11	5" ID	ARP-05	5" ID
ARG-05360D	ARG-05360D-11	5" OD	ARP-050D	5" OD

MUFFLERS, CONVERTERS, & SHIELDS

Universal Muffler

Side inlet, side outlet universal muffler.

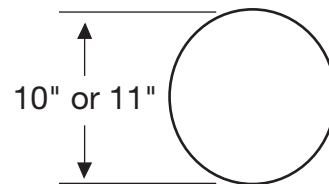
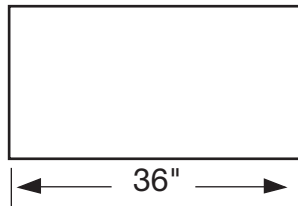
Both ends capped, use ARP Patch's for your choice of inlet & outlet.



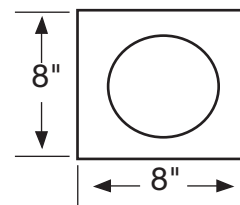
Single In, Single Out, Dual In, Single Out, combinations are endless.

Stock 1 muffler body and a few patches, replacing **hundreds** of part numbers.

MUFFLER BODY PART NO.	DIA.
EKM-1036	10"
EKM-1136	11"

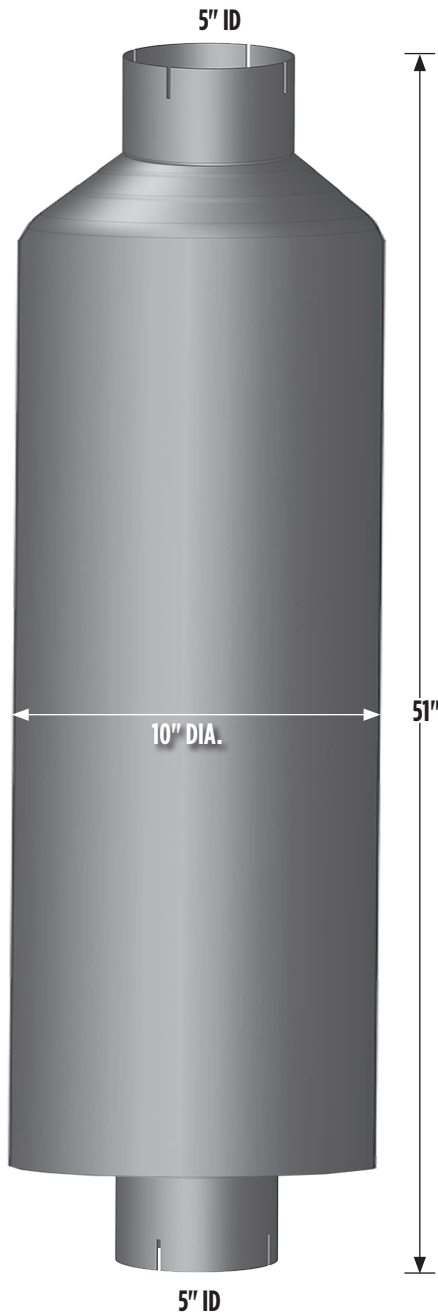


PATCH-OUTLET PART NO.	OUTLET DIAMETER
ARP-0350D	3.5" OD
ARP-04	4" ID
ARP-040D	4" OD
ARP-05	5" ID
ARP-050D	5" OD



MUFFLERS, CONVERTERS, & SHIELDS

HF-1051 (High Flow) Stock Replacement Muffler



- Standard 5" In/Out, 10" x 44.5" body, 51" OAL.
- 3% minimum gain in MPG Guaranteed.
- 30 Day Money Back Guarantee
- Bolt In Design for Easy Installation
- Heavy Gauge, 100% Welded Construction
- No Turbo Lag, Faster Acceleration
- Replaces Stock 10" Diameter Mufflers
- HIGHEST CFM Flow of ANY Muffler
- Quiet as a Stock 10" Diameter Muffler*
- Meets Federal and California Sound Levels
- Works on All Engines (ISX, 3406E, 14L Series 60, Etc.)

* Driving and Acceleration only, NOT engine braking.

Use less fuel and improve your company's bottom line

MUFFLERS, CONVERTERS, & SHIELDS

Grab Handles

Bright 300 Series Stainless Steel. Bolts onto Heat Shields.

LENGTH	PART NO.
18"	GH-18S
24"	GH-24S



MUFFLERS, CONVERTERS, & SHIELDS

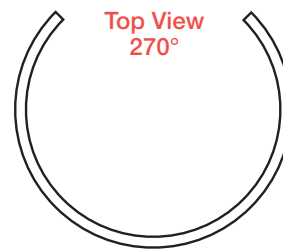
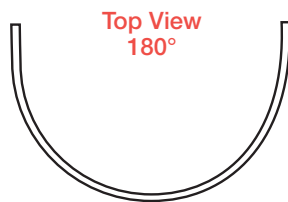
Heat Shields

**2 PC. MOUNTING BRACKETS
NOT INCLUDED WITH SHIELD**

SEE PAGE 71 FOR MOUNTING BRACKETS

STAINLESS STEEL IS BRIGHT FINISH

DEGREE OF WRAP AROUND	LENGTH	TO FIT DIA.	ALUMINIZED PART NO. ROUND HOLE	NO HOLE PART NO.	ROUND HOLE PART NO.	VERTICLE SLOT PART NO.
180°	30"	4"	-	PG-30NS	-	PG-30VS
180°	30"	5"	-	PG-30NS	-	PG-30VS
180°	30"	6"	-	PG-30NS	-	PG-30VS
180°	30"	7"	-	PG-30NS	-	PG-30VS
180°	42"	9"	MG-42RA	-	MG-42RS	-
180°	42"	10"	MG-42RA	-	MG-42RS	-
180°	48"	4"	PG-G	PG-NS	PG-S	PG-VS
180°	48"	5"	PG-G	PG-NS	PG-S	PG-VS
180°	48"	6"	PG-G	PG-NS	PG-S	PG-VS
180°	48"	7"	PG-G	PG-NS	PG-S	PG-VS
180°	48"	8"	MG-G	MG-NS	MG-S	MG-VS
180°	48"	8.5"	MG-G	MG-NS	MG-S	MG-VS
180°	48"	9"	MG-G	MG-NS	MG-S	MG-VS
180°	48"	10"	MG-G	MG-NS	MG-S	MG-VS
270°	48"	9"		MG-48270NS	MG-48270RS	MG-48270VS
270°	48"	10"		MG-48270NS	MG-48270RS	MG-48270VS
270°	60"	10"		MG-60270NS	MG-60270RS	MG-60270VS



No Hole



Round Hole



Vertical Slot



MUFFLERS, CONVERTERS, & SHIELDS

Aerodynamic Heat Shields

**2 PC. MOUNTING BRACKETS
NOT INCLUDED WITH SHIELD**
SEE PAGE 71 FOR MOUNTING BRACKETS



TO FIT DIA.	LENGTH	NO HOLE PART NO.	ROUND HOLE PART NO.
5" - 10"	60"	AHS-NS	AHS-RS

Polished stainless steel, 60" long to cover all clamps & mounting brackets

MUFFLERS, CONVERTERS, & SHIELDS

Heat Shields

Chrome Plated • Stainless Steel

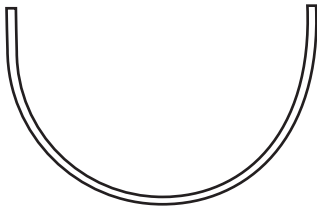
ULTRA BRIGHT

No Rust, No Dulling or Tarnishing!

2 PC. MOUNTING BRACKETS
NOT INCLUDED WITH SHIELD
SEE PAGE 71 FOR MOUNTING BRACKETS

DEGREE OF WRAP AROUND	LENGTH	TO FIT DIA.	NO HOLE PART NO.	ROUND HOLE PART NO.	VERTICAL SLOT PART NO.
180°	48"	4" - 7"	PG-NCSP	PG-RSCP	PG-VSCP

Top View
180°



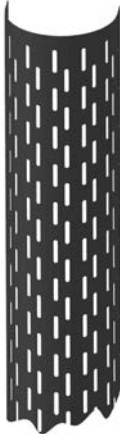
No Hole



Round Hole



Vertical Slot

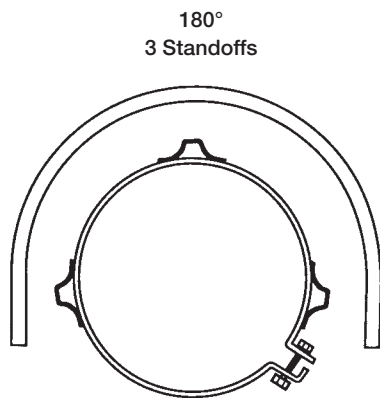


MUFFLERS, CONVERTERS, & SHIELDS

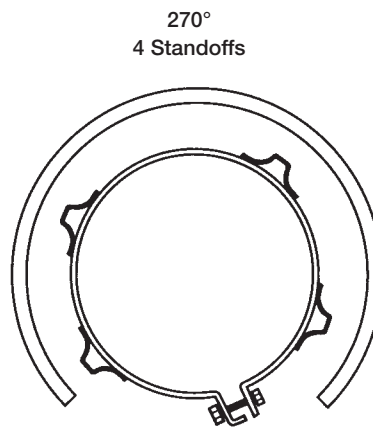
Mounting Brackets

180°, 270° & Aerodynamic Heat Shield Mounting Brackets

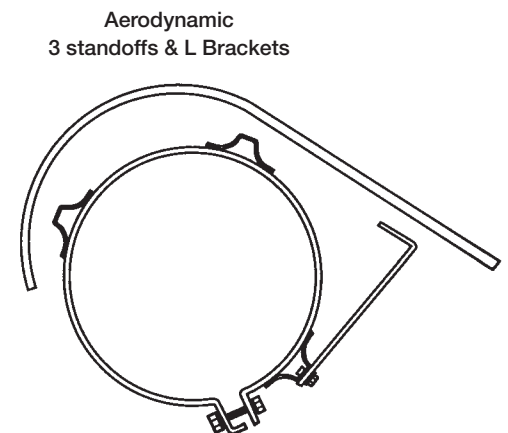
TO FIT DEGREE OF HEAT SHIELD	TO FIT DIA.	ZINC PLATED PART NO.	CHROME PLATED PART NO.
180°	4"	-	PG-4CBRKT
180°	5"	-	PG-5CBRKT
180°	6"	-	PG-6CBRKT
180°	7"	-	PG-7CBRKT
180°	8"	MG-8ZBRKT	-
180°	8.5"	MG-85ZBRKT	-
180°	9"	MG-9ZBRKT	-
180°	10"	MG-10ZBRKT	-
270°	9"	MG-9270BRKT	-
270°	10"	MG-10270BRKT	-
Aero	5"	AHS-5BRKT	-
Aero	6"	AHS-6BRKT	-
Aero	7"	AHS-7BRKT	-
Aero	10"	AHS-10BRKT	-



Top View



Top View

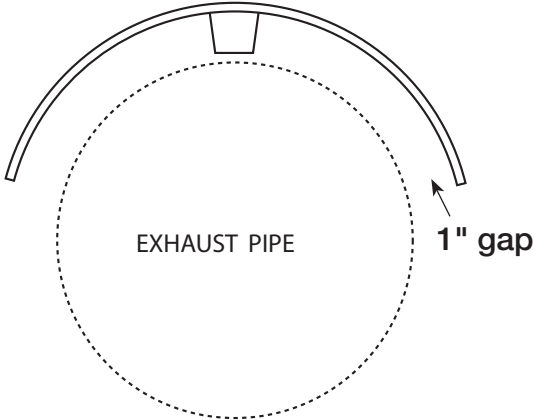
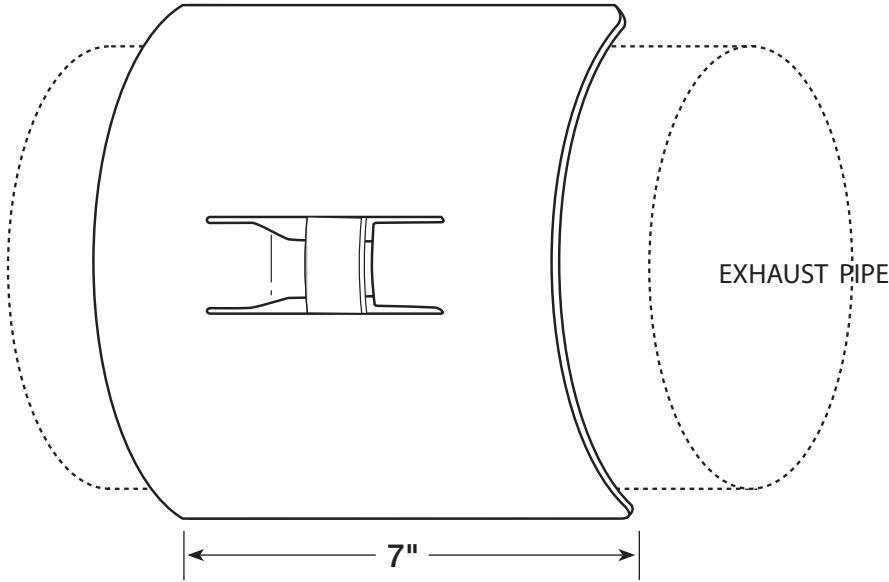


Top View

MUFFLERS, CONVERTERS, & SHIELDS

Universal Heat Shields

- Heat shield for exhaust pipe
- Protect wires, air, oil or fuel lines from extreme heat
- Universal fit, 3" - 6" diameter pipes
- Held on with strap clamp (included)



QTY.	PART NO.
1	UHS
10	UHS-B (10 pc. Bulk Pack)

AIR INTAKE



AIR INTAKE

Air Intake Rubber Elbows/Accessories

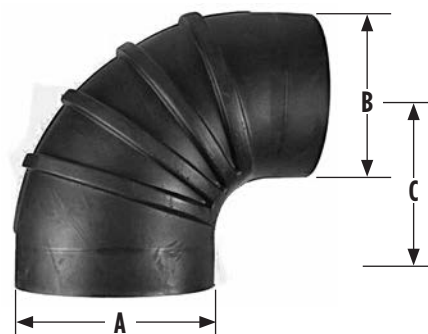
90° Elbow

PART NO.	SIZE	A	B	C
RE-390	3"	3"	5.25"	3"
RE-490	4"	4"	5.75"	4"
RE-590	5"	5"	6"	5"
RE-5590	5.5"	5.5"	6.5"	5.5"
RE-690	6"	6"	7"	6"
RE-790	7"	7"	7.65"	7"
RE-890	8"	8"	8.6"	8"



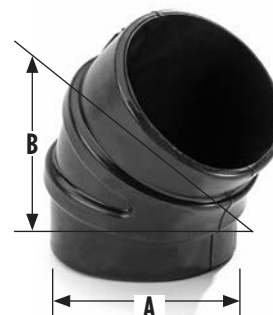
90° Reducer Elbow

PART NO.	SIZE	A	B	C
RRE-690-55	6"X5.5"	6"	5.5"	6.75"
RRE-790-55	7"X5.5"	7"	5.5"	6"



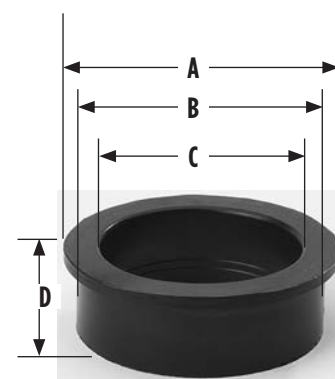
45° Elbow

PART NO.	SIZE	A	B
RE-445	4"	4"	45
RE-545	5"	5"	45
RE-5545	5.5"	5.5"	45
RE-645	6"	6"	45
RE-745	7"	7"	45
RE-845	8"	8"	45



Reducer Insert

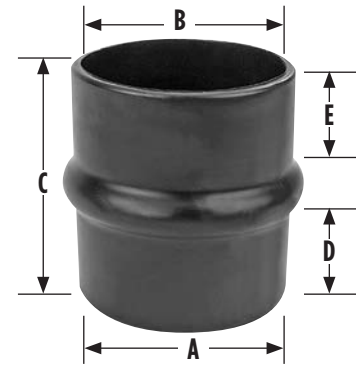
PART NO.	SIZE	A	B	C	D	E
RI-5-45	5" X 4.5"	5"	4.5"	4"	1.5"	.25"
RI-55-5	5.5" X 5"	5.5"	5"	4.75"	1.5"	.25"



Air Intake Rubber Elbows/Accessories, continued

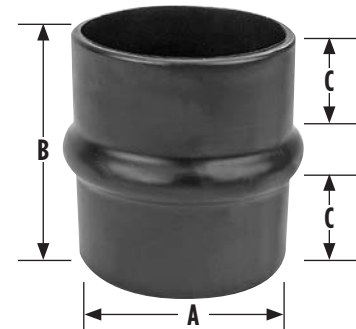
Reducer Hose

PART NO.	SIZE	A	B	C	D	E
RHH-5-4	5" X 4"	5.5"	4"	6"	2"	1.88"
RHH-6-4	6" X 4"	6"	4"	6"	2"	2"
RHH-6-5	6" X 5"	6"	5"	6"	2"	1.88"
RHH-6-55	6" X 5.5"	6"	5.5"	6"	2"	2"



Hump Hose

PART NO.	SIZE	A	B	C
HH-3	3"	5.25"	5.25"	1.87"
HH-4	4"	5.75"	5.25"	2"
HH-5	5"	6"	6"	2.25"
HH-55	5.5"	6.5"	6.5"	2.13"
HH-6	6"	7"	7"	2.17"
HH-7	7"	8"	8"	2.58"
HH-8	8"	9"	9"	2.58"



Air T-Bolt Clamp

PART NO.	SIZE
AT-3SS	3"
AT-35SS	3.5"
AT-4SS	4"
AT-5SS	5"
AT-55SS	5.5"
AT-6SS	6"
AT-7SS	7"
AT-8SS	8"



Air Intake Pipe

PART NO.	SIZE	LENGTH
S4-120ALUM	4"	120"
S5-120ALUM	5"	120"
S55-120ALUM	5.5"	120"
S6-120ALUM	6"	120"
S7-120ALUM	7"	120"
S8-120ALUM	8"	120"



EMISSION SOLUTIONS & FLEX HOSE



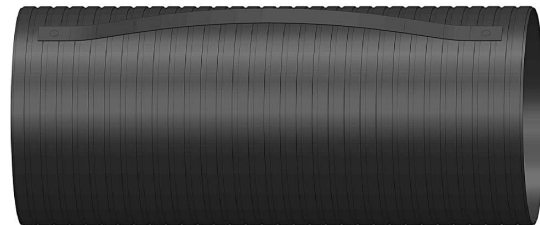
EMISSION SOLUTIONS

Emission Solutions

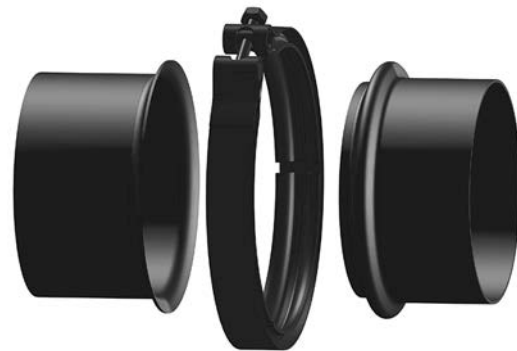
- Replacement for OE 2007+ bellows type section. All Stainless steel construction. Twist and stretch movement out performs the OE!



- A NEW generation of multi-ply stainless flex that gives you LEAK FREE performance with torsional movement! Stainless flex out performs bellows.



- Marmon flanges are available for 2.5" thru 5" diameter. Parts can be welded to almost any part that we have for a 100% leak free joint. 2007 + emission exhaust standard.

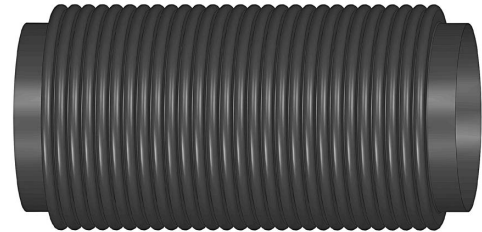


Bellows & Universal Heat Shields

Bellows

Bellows:

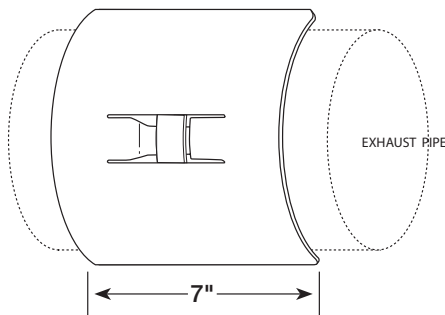
- Single Ply 304 Stainless
- Diameter, length, and part no. can be found in the flex hose section on page 77



Universal Heat Shields

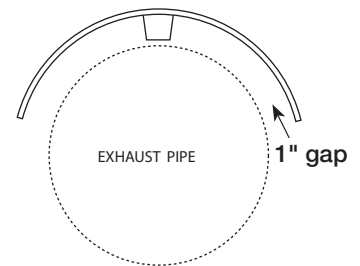
UNIVERSAL HEAT SHIELDS:

- Heat shield for exhaust pipe
- Protect wires, air, oil or fuel lines from extreme heat
- Universal fit, any diameter pipe
- Held on with strap clamp (included)



- Keep wiring, air, and hydraulic lines away from hot exhaust pipes
- Works on 3"- 6" diameter pipes

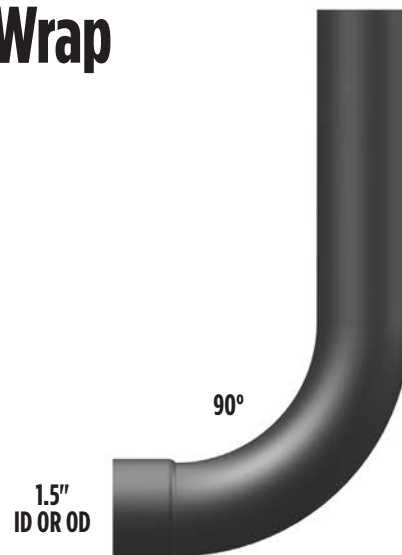
PART NO.	QTY.
UHS	1 PER BOX
UHS-B	10 PER BOX



APU & Heat Wrap

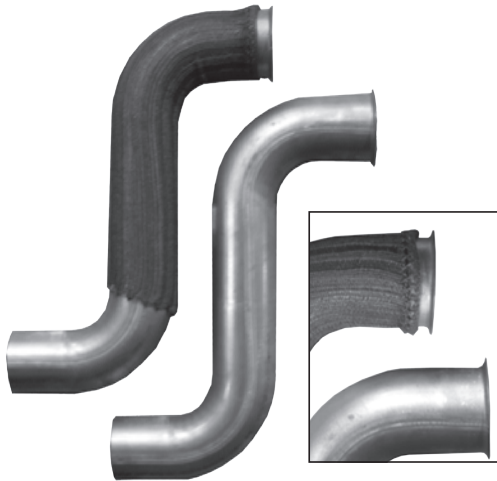
APU

APU or auxiliary heaters on your truck or bus and need to get the exhaust out? Call or send prints.



Heat Sleeves & Heat Wraps

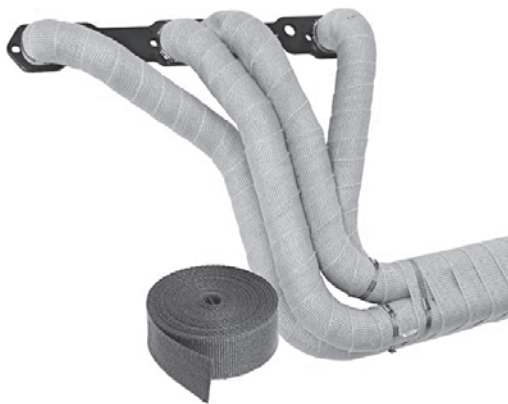
Either the heat sleeve or the heat wrap will reduce the outside temperature of a bare pipe by 300° F to 400° F



Heat Sleeve Kits

Slips onto 3" to 5" dia. pipe
Includes wrap clamps

PART NO.	LENGTH
HS-12	12"
HS-18	18"
HS-24	24"



Heat Wrap

Simple 2" wide roll, easy to install on any pipe

PART NO.	LENGTH
HW-2600	2" X 50' (600") ROLL



Heat Sleeve & Wrap Clamps

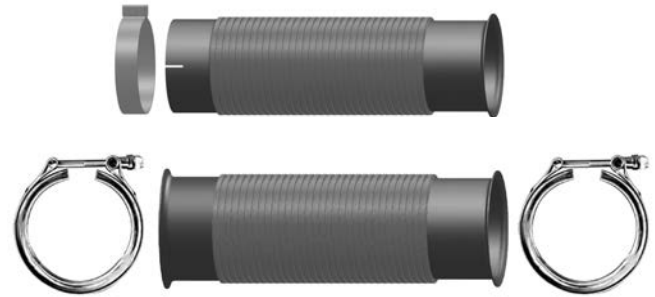
Wrap clamps make installation easy!
No tools needed.

PART NO.	LENGTH
HC-18SS	2 PC OF 18" LONG CLAMP
HC-18SSVP	12 PC OF 18" LONG CLAMP

Replacement for OE 2007+ Bellows Section

Freightliner/Western Star

PART NO.	SIMILAR TO	DIAMETER
FL-27334-018	A04-27334-18 OR A04-26200-018	5"
FL-28522-000	A04-28522-000 OR A04-25022-018	5"
FL-28578-000	04-28578-000 OR A04-25922-018 OR A04-26193-018	4"



International/Navistar

PART NO.	SIMILAR TO	DIAMETER
IH-1755C4	3811775C4	4" & 5"
IH-8113C5	3628113C5	4" & 5"
IH-6294C2	3826294C2	4" & 5"
IH-0024C3	3820024C3	4" & 5"



Paccar/Kenworth/Peterbilt

PART NO.	SIMILAR TO	DIAMETER
KW-6559	M66-6559	2.5"
KW-6541-0320	M66-6541-0320	4"
KW-6541-0335	M66-6541-0335	4"
KW-6541-0405	M66-6541-0405	4"
KW-6542-0320	M66-6542-0320	5"
KW-6542-0335	M66-6542-0335	5"



Volvo/Mack

PART NO.	SIMILAR TO	DIAMETER
VG-1403	21051403	5"
VG-8532	21428532	5"
VG-8534	21428534	4" & 5"

Flex Hose, Marmon Flanges, & Flares

Flex Hose

NEW generation of leak resistant stainless flex that works well on the 2007+ engines. Has both great torsional and length movement. Diameter and length part numbers are on pgs. 78 & 79 in the flex hose section.



TYPE SSS (33% THICKER) 4 PLY
• SPECIAL INTERLOCKED PROFILE •

Marmon Flange & Flares

These are used to join parts together for leakproof and serviceable connections with a 304SS VBand Clamp.



TUBE DIAMETER	FLARE PART NO.	V BAND CLAMP PART NO.	FLANGE PART NO.
2.5"	39659-L	VB-300C	42315-L
4"	39660-L	VB-475C	41967-L
5"	39392-L	VB-588C	41968-L

Ceramic Coated & Lined Pipes/Chrome Stacks



WHY CERAMIC COATING?

1. Ceramic coating is used by the OE's extensively on 2007 & newer exhaust.
2. Ceramic coating is recommended for parts that are exposed to extreme heat.
3. Ceramic lined is used inside of chrome stacks to reduce the outside temperature of the pipe. Letting you use a chrome pipe on 2007 & newer trucks.
4. Ceramic lined will increase the longevity of the chrome stack.
5. Ceramic coating produces more usable power.
6. Ceramic coating protects parts from thermal fatigue.

DEALERS & DISTRIBUTORS CONTACT US FOR QUOTE & LEAD TIME!

Ceramic Lined and/or Coated

CL - Ceramic Lined

We can add ceramic lining to a CHROME pipe. Use our high quality chrome parts on your 2007+ truck.

CC - Ceramic Coated

Coats the exterior of any part for a true Thermal Barrier. Keeps hot temperatures INSIDE the pipe to help with emissions and keeps cab floors, wires, & hoses cool

CL/CC - Ceramic Lined AND Ceramic Coated

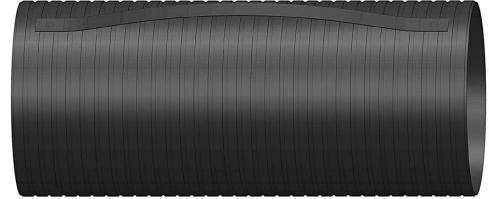
Line and Coat pipe for the Ultimate in Thermal Barrier.

Call for Price and Availability, plus more details

FLEX HOSE

Flex Hose Options

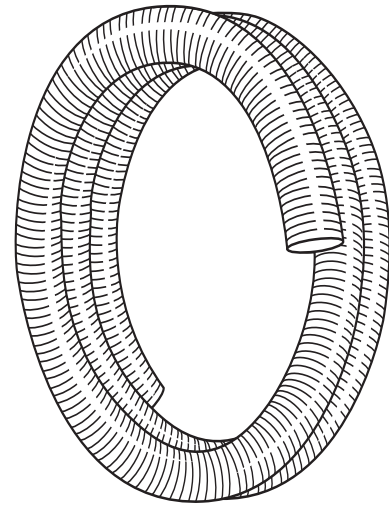
- Premium Triple S Stainless Steel (304 non magnetic) 4 PLY **(BEST)**



- 304 Stainless Conventional Flex (non magnetic) **(BETTER)**

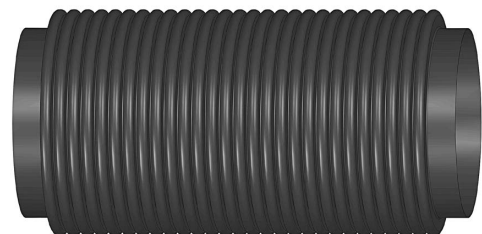
- 409 Stainless Conventional Flex (magnetic) **(GOOD)**

- Galvanized Conventional Flex
 - .018 Thick Strip (magnetic) **(GOOD)**



- Galvanized Conventional Flex
 - .015 Thick Strip (magnetic) **(GOOD)**

- Bellows, Single Ply
 - 304 Stainless (non magnetic) will not twist



Stainless & Galvanized Boxed Flex Kits



Stainless Kits include .015 Premium-Grade 304 Stainless Flex Precut (single interlocked profile), & two WFC Pre-Formed 304 Stainless Premium -Grade clamps.

Galvanized Kits include .015 Galvanized Flex Precut, & two WFC Pre-Formed Aluminized Premium-Grade clamps.

TYPE 304 STAINLESS KITS:

PART NO.	DIA. / LENGTH
FK-412SS	4" X 12"
FK-418SS	4" X 18"
FK-424SS	4" X 24"
FK-436SS	4" X 36"
FK-512SS	5" X 12"
FK-518SS	5" X 18"
FK-524SS	5" X 24"
FK-536SS	5" X 36"

GALVANIZED KITS:

PART NO.	DIA. / LENGTH
FK-412G	4" X 12"
FK-418G	4" X 18"
FK-424G	4" X 24"
FK-436G	4" X 36"
FK-512G	5" X 12"
FK-518G	5" X 18"
FK-524G	5" X 24"
FK-536G	5" X 36"

FLEX HOSE

4" & 5" Stainless Flex User Guide

GOOD > BETTER > BEST

RATING = GOOD (Type 409 Stainless - Magnetic)

- Better corrosion resistance than Galvanized or Aluminized Flex
- Flexibility = STIFF, can be cut and trimmed

PART NO.	4" DIA/LENGTH	PART NO.	5" DIA/LENGTH
S49-4300	4" X 300" ROLL	S49-5300	5" X 300" ROLL
S49-4120	4" X 120" ROLL	S49-5120	5" X 120" ROLL
S49-418	4" X 18" PRECUT	S49-512	5" X 12" PRECUT
S49-424	4" X 24" PRECUT	S49-518	5" X 18" PRECUT
S49-436	4" X 36" PRECUT	S49-524	5" X 24" PRECUT
		S49-536	5" X 36" PRECUT



RATING = BETTER (Type 304 Stainless - Non-Magnetic)

- Better quality stainless flex material — WILL NOT RUST OR CORRODE
- Flexibility on 10' & 25' Rolls = STIFF (typical), can be cut and trimmed
- Flexibility on 12" thru 48" Precuts = VERY FLEXIBLE, can be cut and trimmed

PART NO.	4" DIA/LENGTH	PART NO.	5" DIA/LENGTH
SF-4300	4" X 300" ROLL	SF-5300	5" X 300" ROLL
SF-4120	4" X 120" ROLL	SF-5120	5" X 120" ROLL
SF-412	4" X 12" PRECUT	SF-512	5" X 12" PRECUT
SF-418	4" X 18" PRECUT	SF-518	5" X 18" PRECUT
SF-424	4" X 24" PRECUT	SF-524	5" X 24" PRECUT
SF-436	4" X 36" PRECUT	SF-536	5" X 36" PRECUT
SF-448	4" X 48" PRECUT	SF-548	5" X 48" PRECUT



(Conventional Interlocked Profile)



RATING = BEST (OE Type SSS 304 Stainless - Non-Magnetic)

- Best quality stainless flex type — WILL NOT RUST OR CORRODE
- Precuts Only - Featuring EXTENSION GAUGE STRAP & Individually Boxed!
- SUPER FLEXIBLE & Torsional Movement, DO NOT cut or trim

PART NO.	4" DIA/LENGTH	PART NO.	5" DIA/LENGTH
WFF-412	4" X 12" PRECUT	WFF-512	5" X 12" PRECUT
WFF-415	4" X 15" PRECUT	WFF-515	5" X 15" PRECUT
WFF-418	4" X 18" PRECUT	WFF-518	5" X 18" PRECUT
WFF-424	4" X 24" PRECUT	WFF-521	5" X 21" PRECUT
		WFF-524	5" X 24" PRECUT



TYPE SSS (33% THICKER)

- SPECIAL INTERLOCKED PROFILE •



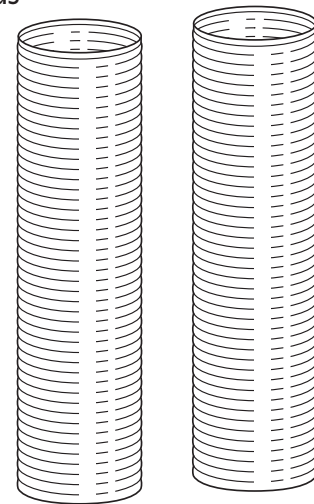
Flexible Metal Hose

PRECUT LENGTHS

DIA.	LENGTH	GALVANIZED	409 STAINLESS	HEAVY DUTY 304 STAINLESS
3"	24"	—	—	SF-324
3"	36"	—	—	SF-336
3.5"	12"	G15-3512	—	—
3.5"	18"	—	—	SF-3518
3.5"	24"	G15-3524	—	SF-3524
3.5"	36"	G15-3536	—	SF-3536
4"	12"	G15-412	S49-412	SF-412
4"	18"	G15-418	S49-418	SF-418
4"	24"	G15-424	S49-424	SF-424
4"	36"	G15-436	S49-436	SF-436
4"	48"	G15-448	—	SF-448
5"	12"	G15-512	S49-512	SF-512
5"	18"	G15-518	S49-518	SF-518
5"	24"	G15-524	S49-524	SF-524
5"	36"	G15-536	S49-536	SF-536
5"	48"	G15-548	—	SF-548

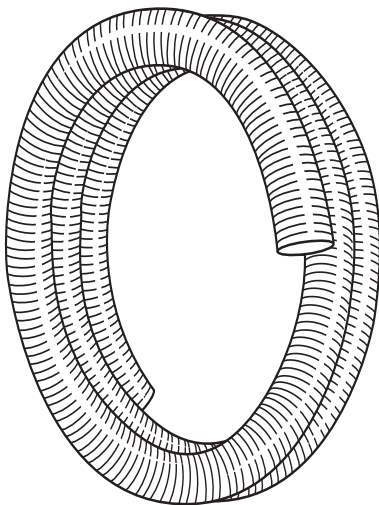
Various Pre-Cut Lengths:

- Save Money, Time and Hassle of Cutting
- Easier to Inventory and Handle
- Easier to Display
- Deburred Ends



NOTE: All Grand Rock Flex is measured in RELAXED lengths.
• Compression may occur during handling and transit

120" and 300" COILS



DIA.	STD. DUTY GALVANIZED 300" ROLL	STD. DUTY GALVANIZED 120" ROLL	HEAVY DUTY GALVANIZED 300" ROLL	HEAVY DUTY 304 STAINLESS 120" ROLL	HEAVY DUTY 304 STAINLESS 300" ROLL
1.5"	—	—	—	—	SF-15300
2"	G15-2300	—	—	—	—
2.5"	G15-25300	G15-25120	—	—	SF-25300
2.75"	G15-275300	—	—	—	SF-275300
3"	G15-3300	G15-3120	—	SF-3120	SF-3300
3.5"	G15-35300	G15-35120	—	SF-35120	SF-35300
4"	G15-4300	G15-4120	G18-4300	SF-4120	SF-4300
5"	G15-5300	G15-5120	G18-5300	SF-5120	SF-5300
6"	—	G15-6120	—	SF-6120	SF-6300
7"	—	—	—	SF-7120	—

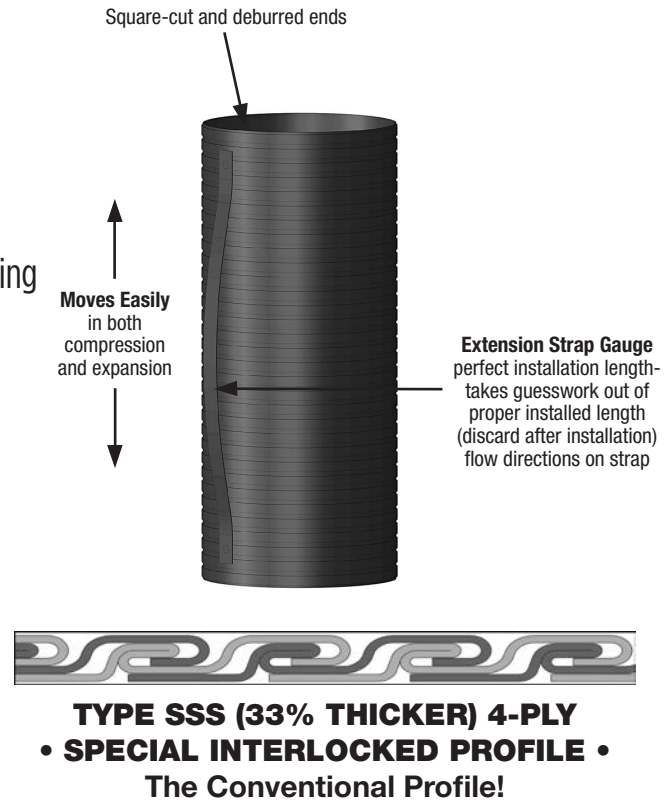
FLEX HOSE

Westfalia Triple-S Flex Hose

BEST FLEX HOSE in THE MARKET

- 304 Stainless Steel Construction
- Moves easily in all directions
- Torsional Movement (twists)
- 4-ply construction is virtually leak-free & low emission
- Precut lengths to fit any flex application — eliminates cutting
- Individually boxed with installation instructions
- Longer life than other flex types
- Do not cut this product

PART NO.	DIA.	LENGTH
WFF-412	4"	12"
WFF-415	4"	15"
WFF-418	4"	18"
WFF-424	4"	24"
WFF-512	5"	12"
WFF-515	5"	15"
WFF-518	5"	18"
WFF-521	5"	21"
WFF-524	5"	24"



Universal Stainless Steel Bellows Pipe



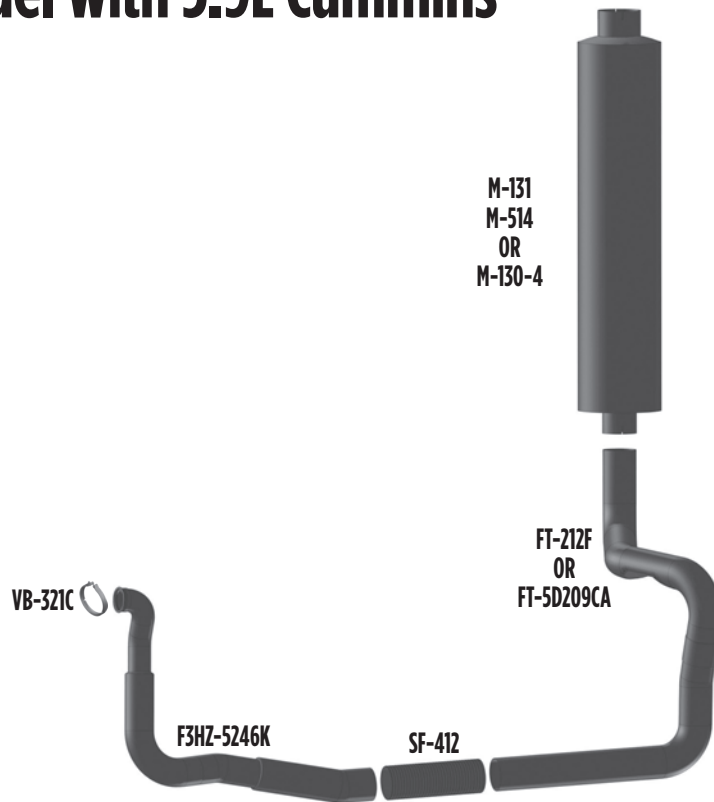
- Single Ply 304 Stainless Steel

PART NO.	DIA.	LENGTH
GBS-312	3"	10"
GBS-3512	3.5"	10"
GBS-412	4"	10"
GBS-512	5"	10"

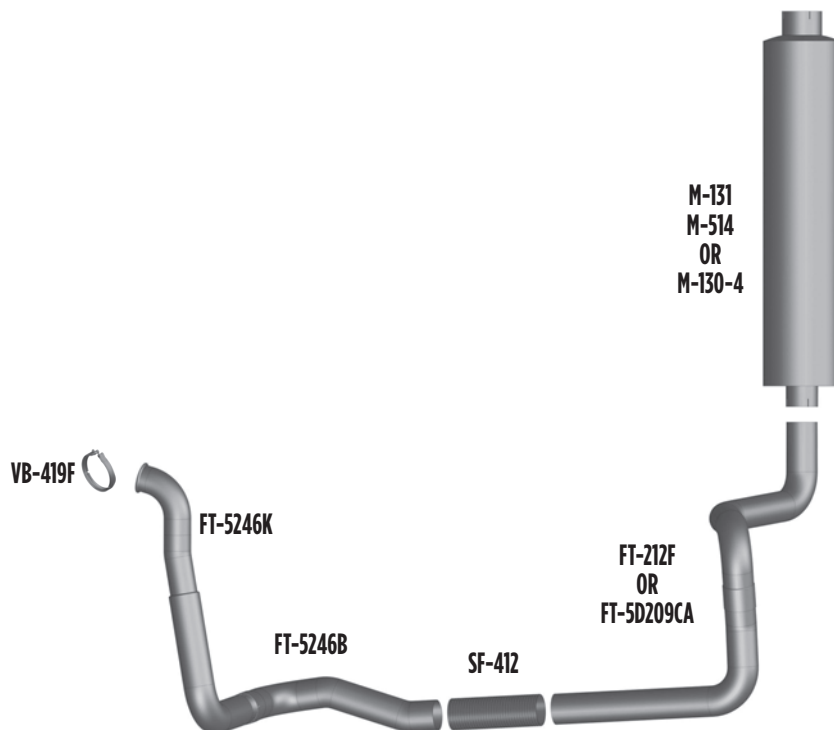
HEAVY DUTY MFG. SPECIFIC SYSTEMS



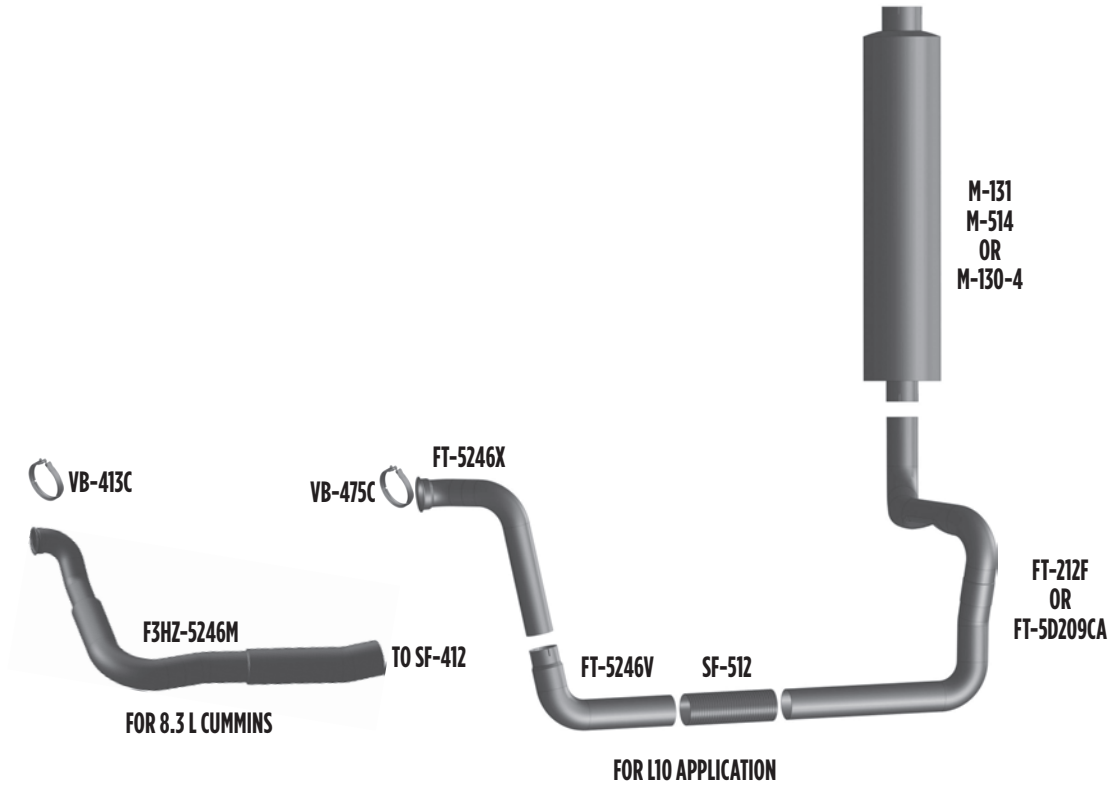
Ford L Model with 5.9L Cummins



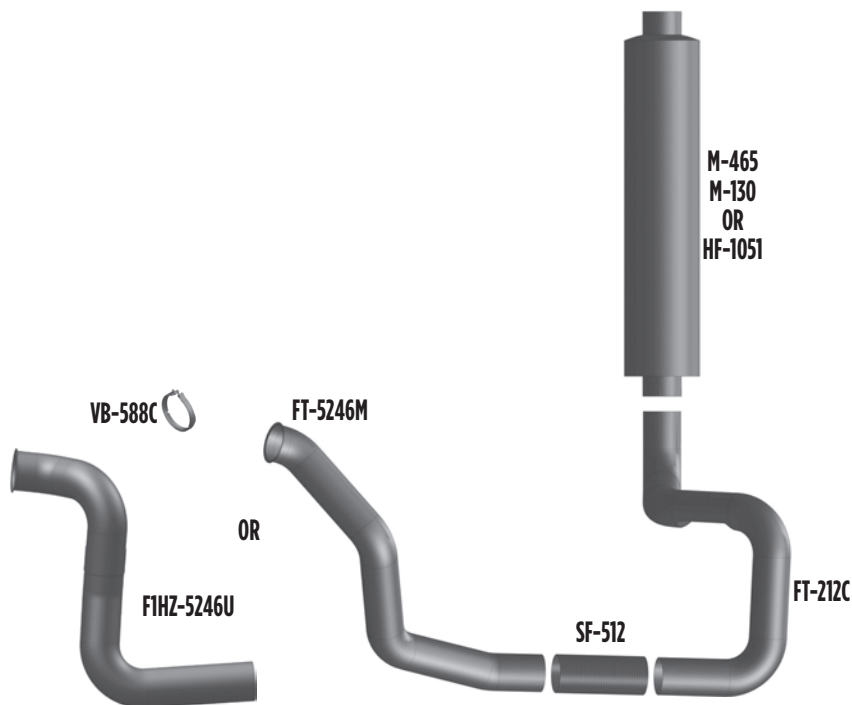
Ford L Model with Ford 6.6 or 7.8L Engine



Ford L Model with Ford L10 or 8.3L Cummins



Ford L, LN, LNT & LTS Exhaust System



FORD HEAVY DUTY TRUCKS

PART NO. F3HZ-5246K

- Compares to: F3HZ-5246K
- Use V-Band: VB-321C



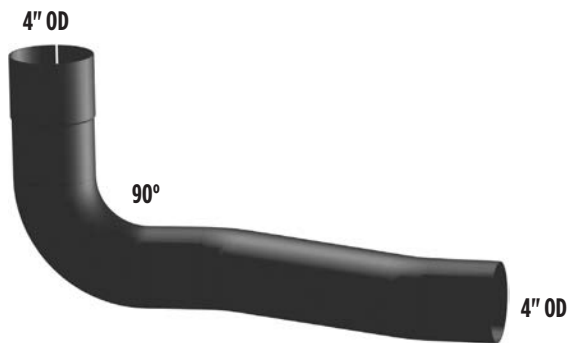
PART NO. FT-5246K

- Compares to: E7HZ-5246K
- Use V-Band: VB-419F



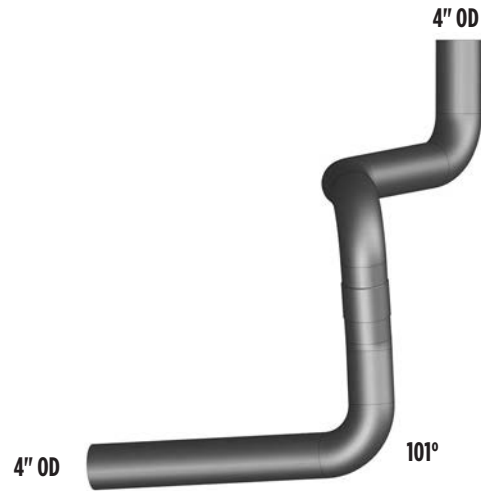
PART NO. FT-5246B

- Compares to: F7HZ-5246B



PART NO. FT-212F

- Compares to: E2HZ-5A212F



PART NO. FT-5D209CA

- Compares to: F1HZS-5D209CA



PART NO. SB5-8423FT

- Compares to: F4HZ-5246K
- Use V-Band: 275C



PART NO. F3HZ-5246M

- Compares to: F3HZ-5246M



PART NO. FT-5246X

- Compares to: E8HZ-5246X



PART NO. FT-5246V

- Compares to: E8HZ-5246V



PART NO. FT-5246M

- Compares to: E0HZ-5246M



PART NO. F1HZ-5246U

- Compares to: F1HZ-5246U



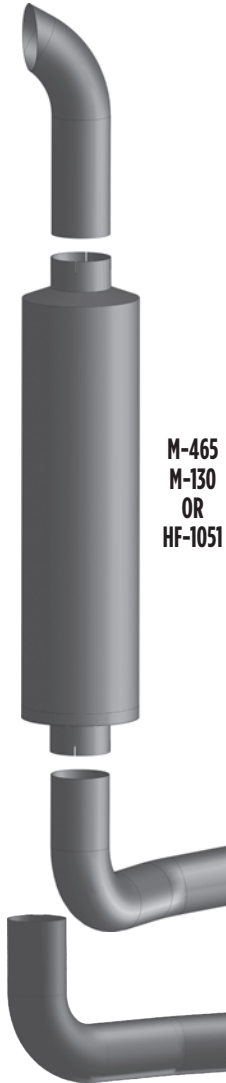
PART NO. FT-212C

- Compares to: F2HZ-5A212C

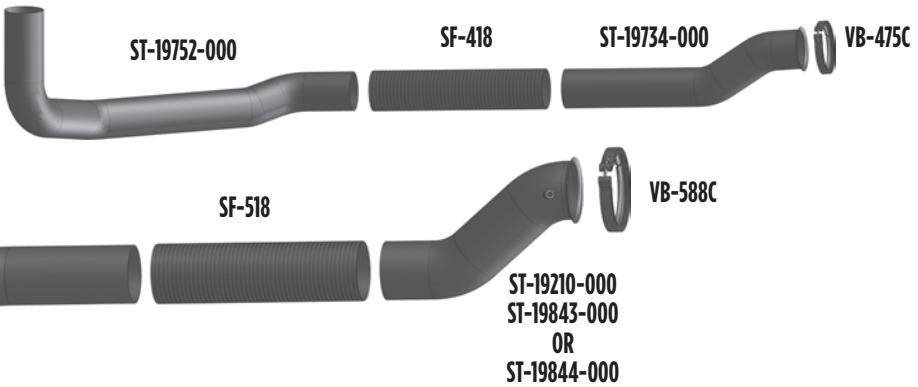


Sterling

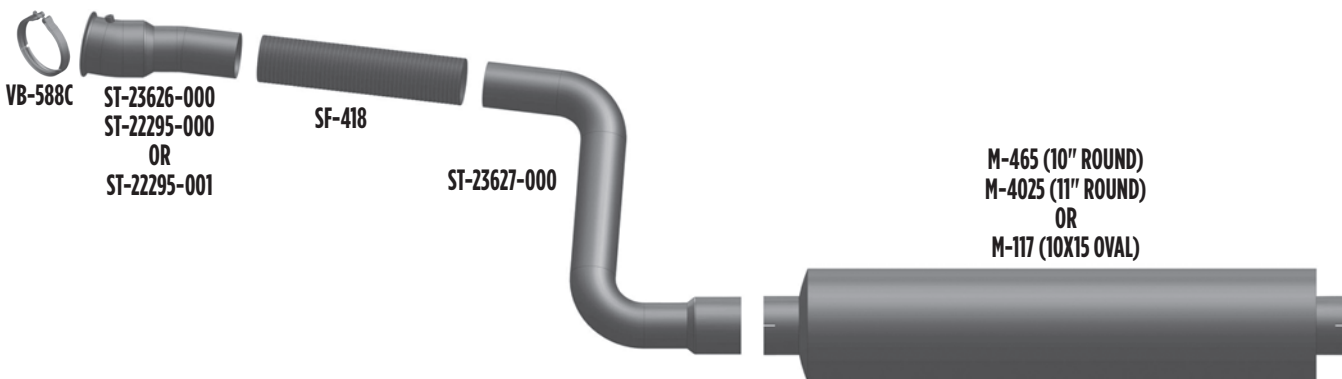
5" VERSION



4" VERSION



Sterling Car Hauler



PART NO. ST-19734-000

- Compares to: 04-19734-000



PART NO. ST-19752-000

- Compares to: 04-19752-000



PART NO. ST-19210-000

- Compares to: 04-19210-000



PART NO. ST-19844-000

- Compares to: 04-19844-000



PART NO. ST-19843-000

- Compares to: 04-19843-000



PART NO. FT-212BA

- Compares to: F6HZ-5A212BA or 04-19750-000



STERLING HEAVY DUTY TRUCKS

PART NO. ST-23626-000

- Compares to: A04-23626-000



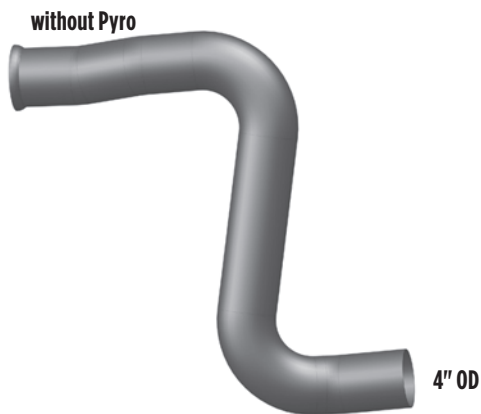
PART NO. ST-23627-000

- Compares to: 04-23627-000



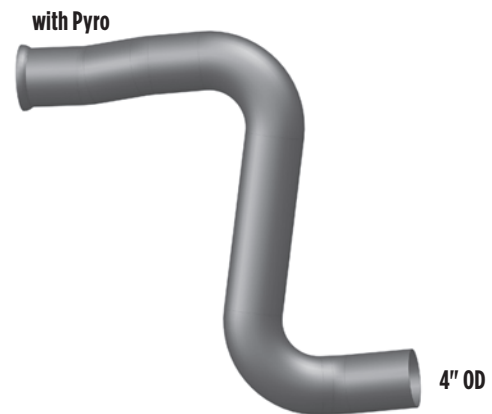
PART NO. ST-22295-000

- Compares to: 04-22295-000
- Use with M-130-4 (10") or M-131 (9")



PART NO. ST-22295-001

- Compares to: 04-22295-001
- Use with M-130-4 (10") or M-131 (9")



PART NO. ST-20001-000

- Compares to: 04-20001-000

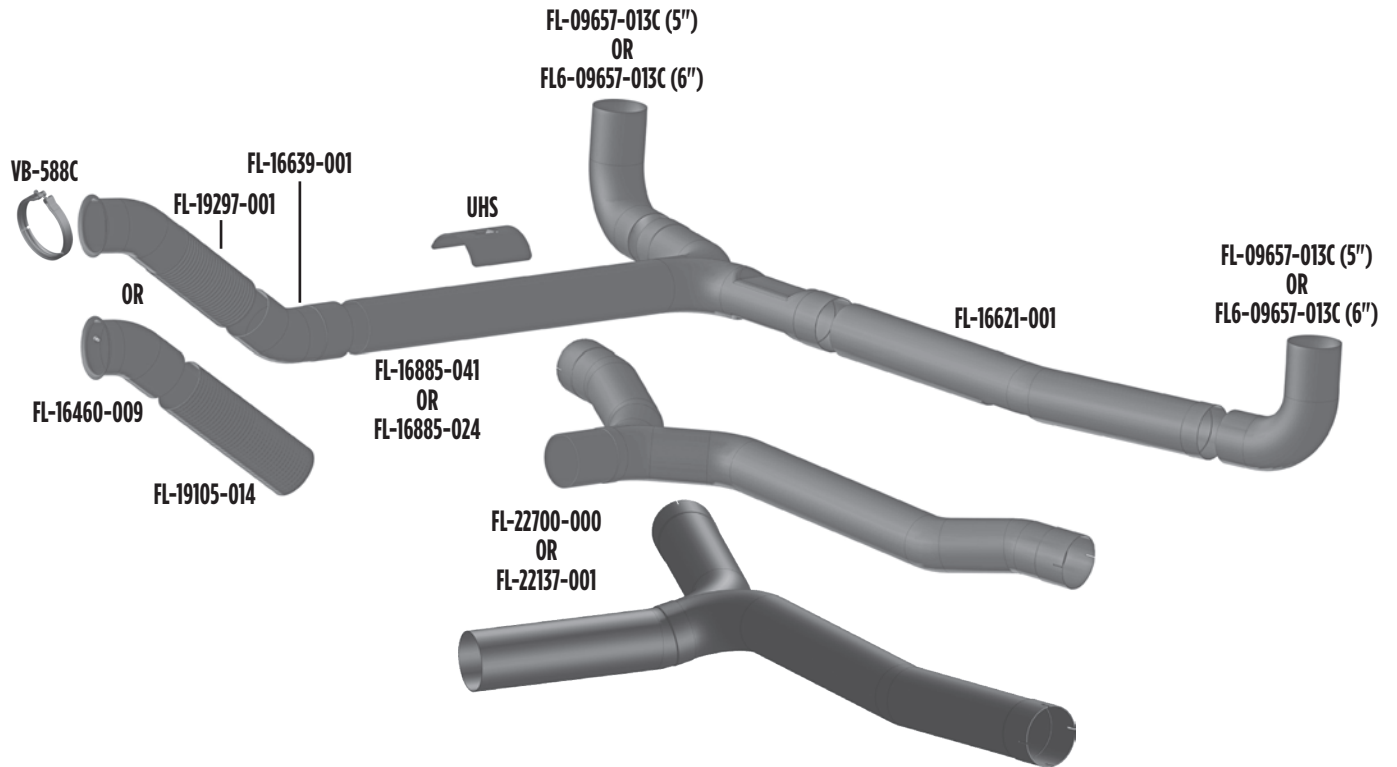


PART NO. ST-22338-000

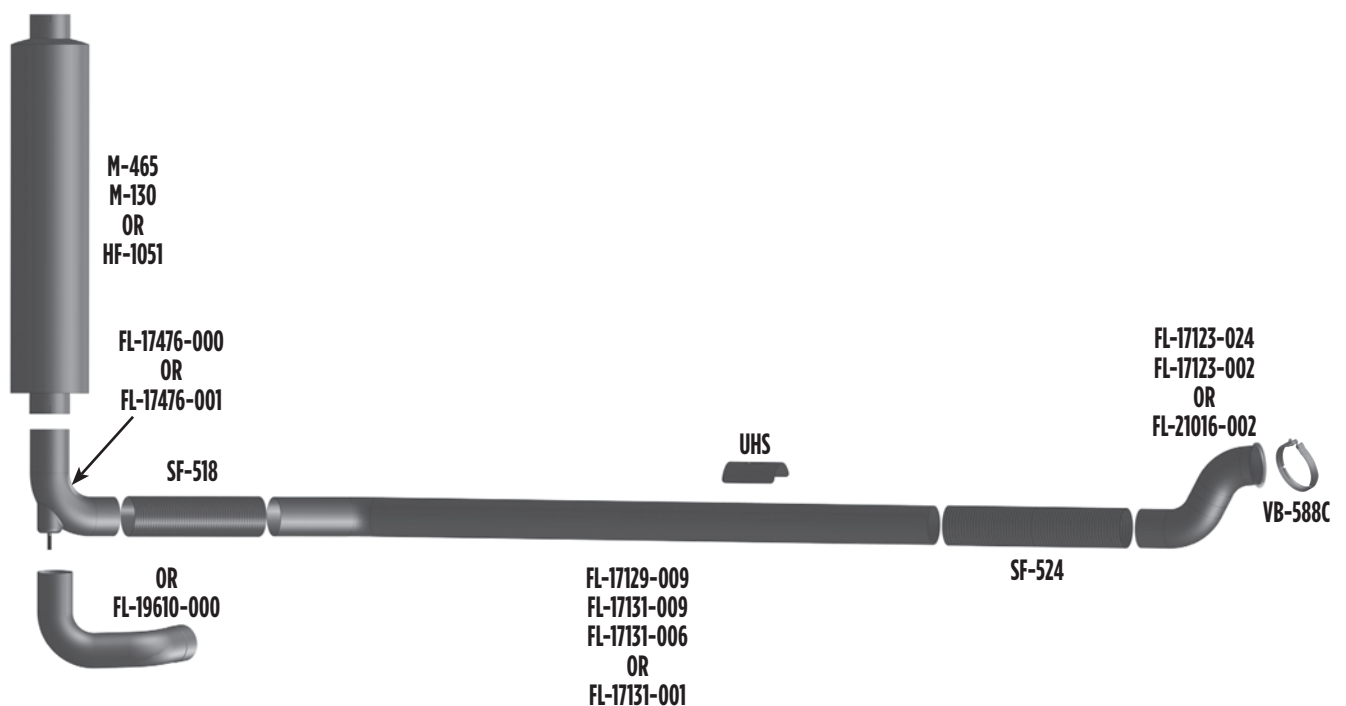
- Compares to: 04-22338-000



Freightliner Classic Model



Freightliner Century and Columbia



FREIGHTLINER HEAVY DUTY TRUCKS

PART NO. FL-16460-009

• Compares to: 04-16460-009



PART NO. FL-19105-014

• Compares to: 04-19105-014



PART NO. FL-19297-001

• Compares to: A04-19297-001



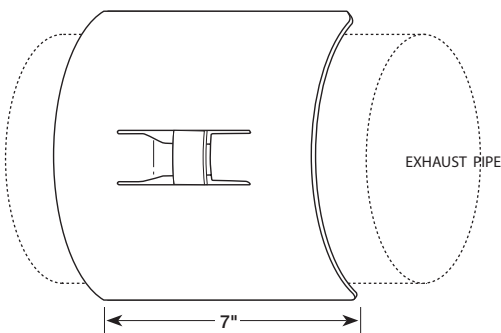
PART NO. FL-16639-001

• Compares to: 04-16639-001



PART NO. UHS

• Compares to: 04-16566-003



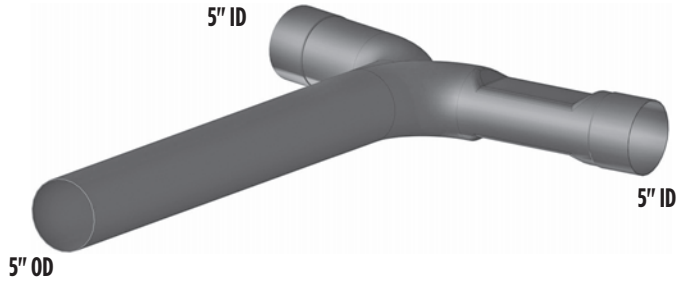
PART NO. FL-16621-001

• Compares to: 04-16621-001



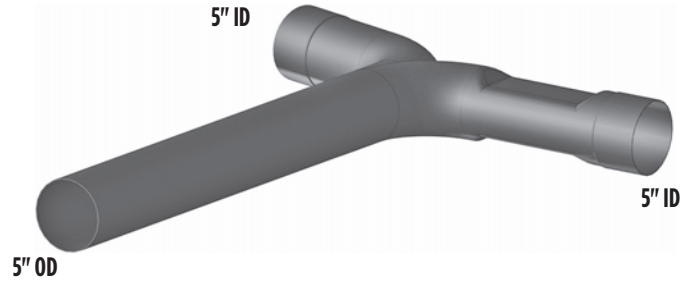
PART NO. FL-16885-041

• Compares to: 04-16885-041



PART NO. FL-16885-024

• Compares to: 04-16885-024



PART NO. FL-19610-000

• Compares to: 04-19610-000



PART NO. FL-22700-000

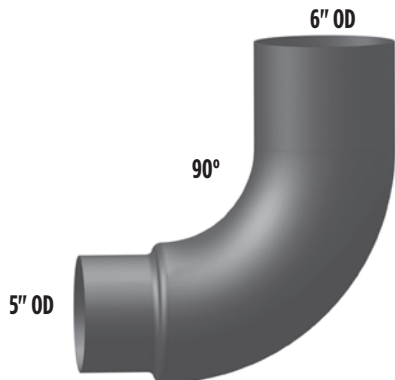
• Compares to: 04-22700-000



PART NO. FL6-09657-013C

• Compares to: 04-09657-013

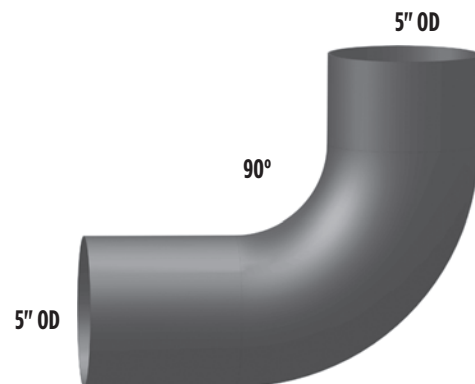
CHROME



PART NO. FL-09657-013C

• Compares to: 04-09657-013

CHROME



FREIGHTLINER HEAVY DUTY TRUCKS

PART NO. FL-17123-024

- Compares to: 04-17123-024



PART NO. FL-17123-002

- Compares to: 04-17123-002



PART NO. FL-21016-002

- Compares to: 04-21012-002



PART NO. FL-17131-009

- Compares to: 04-17131-009 (long)



PART NO. FL-17131-001

- Compares to: 04-17131-001 (short)



PART NO. FL-17131-006

- Compares to: 04-17131-006 (medium)



PART NO. FL-17476-000

• Compares to: A04-17476-000



PART NO. FL-17476-001C

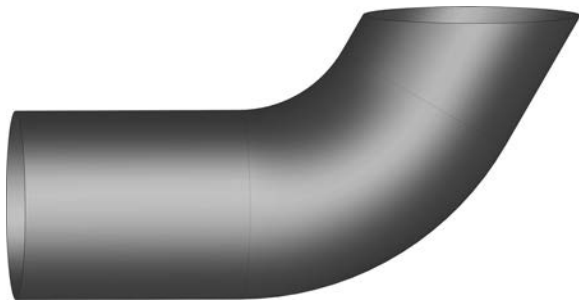
• Compares to: A04-17476-001

CHROME



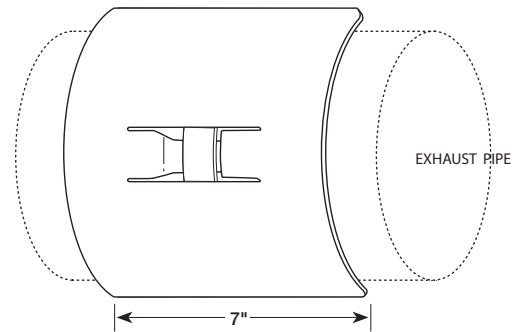
PART NO. FL-16759-012

• Compares to: 04-16759-012



PART NO. UHS

• Compares to: 04-16566-003

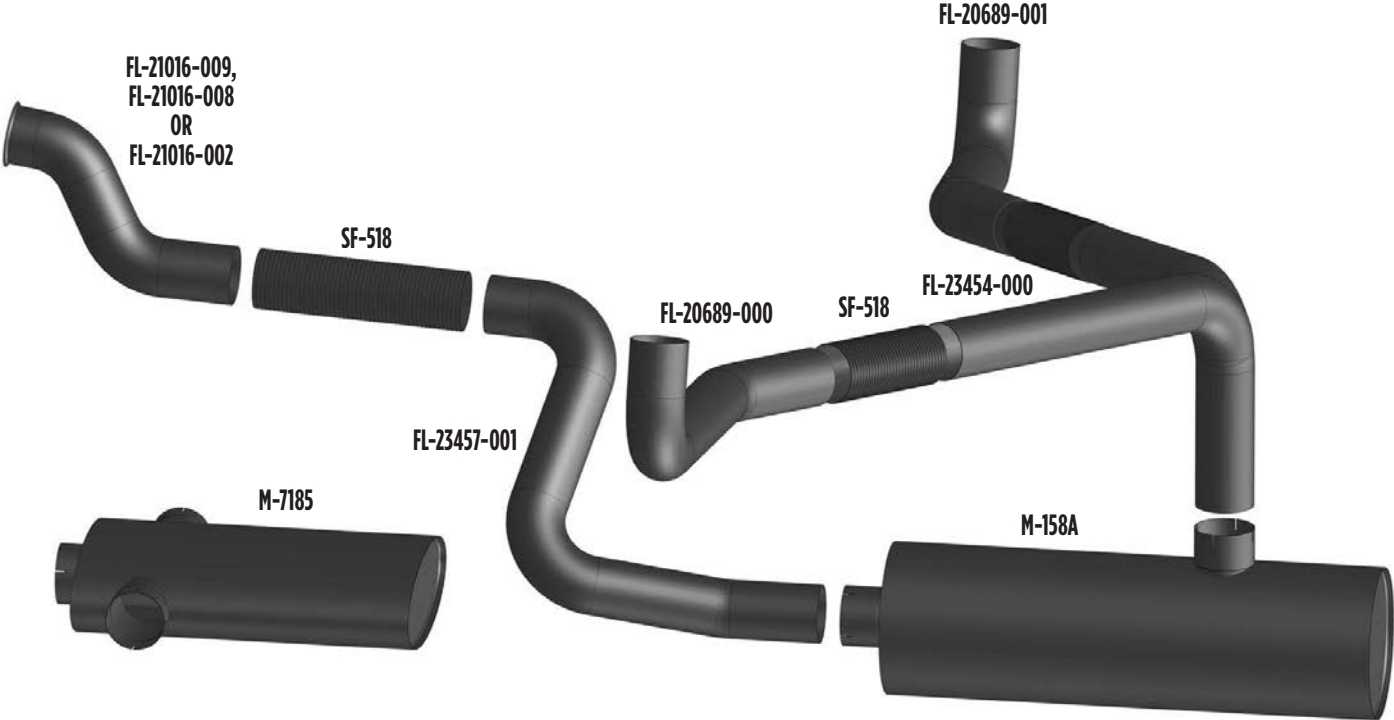


PART NO. FL-17129-009

• Compares to: 04-17129-009



Freightliner Columbia Model



PART NO:	COMPARES TO:	DESCRIPTION:
FL-21016-002	04-21016-002	28° & 25°
FL-2106-008	04-21016-008	55° & 60°
FL-21016-009	04-21016-009	60° & 58°



PART NO. FL-23457-001

• Compares to: 04-23457-001



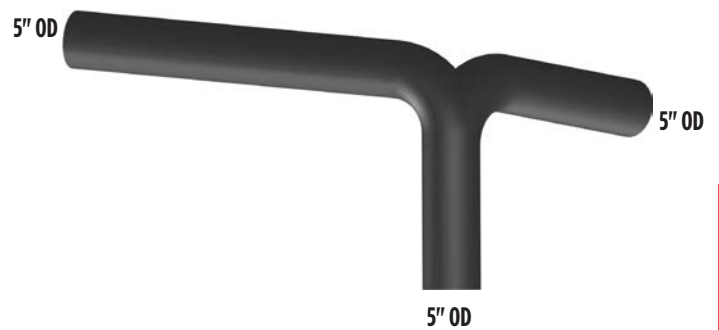
PART NO. M-158A

• Compares to: 04-22804-000



PART NO. FL-23454-000

• Compares to: 04-23454-000



PART NO. FL-20689-000

• Compares to: 04-20689-000



PART NO. FL-20689-001

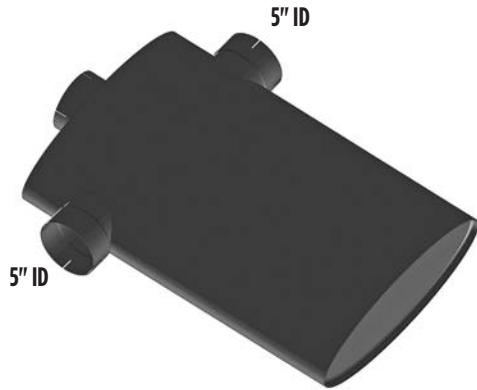
• Compares to: 04-20689-001



FREIGHTLINER HEAVY DUTY TRUCKS

PART NO. M-7185

- Compares to: 04-20185-000



PART NO. FL-27334-018

- Compares to: A04-27334-018 or A04-26200-018



PART NO. FL-28522-000

- Compares to: A04-28522-000 or A04-25022-018



PART NO. FL-28578-000

- Compares to: A04-28578-000, A04-26193-018, or A04-25922-018



WFF FLEX

PART NO.	COMPARES TO
WFF-512	04-19105-012
WFF-515	04-19105-015
WFF-518	04-19105-018
WFF-521	04-19105-021
WFF-524	04-19105-024



FLD and Other Models

PART NO. FL-17094-012

- Compares to: 04-17094-012

PART NO. FL-17094-013

- Compares to: 04-17094-012 with Pyro Fitting



PART NO. FL-17094-014

- Compares to: 04-17094-014

PART NO. FL-17094-020

- Compares to: 04-17094-020

PART NO. FL-17094-015

- Compares to: 04-17094-014 with Pyro Fitting



PART NO. FL-17094-016

- Compares to: 04-17094-016

PART NO. FL-17094-030

- Compares to: 04-17094-016 with Pyro Fitting



PART NO. FL-15654-0

- Compares to: 04-15654-000



PART NO. FL-13974

- Compares to: A04-13974-000



PART NO. FL-15653-000 & FL-15653-002

- Compares to: 04-15653-000 (aluminized)

PART NO. FL-15653-001C & FL-15653-003C

- Compares to: 04-15653-001 (chrome)



FREIGHTLINER HEAVY DUTY TRUCKS

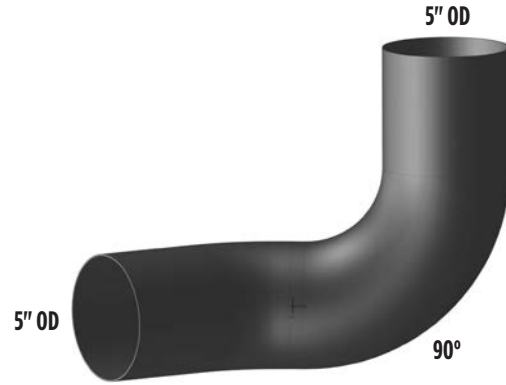
PART NO. FL-15077-0

• Compares to: 04-15077-000



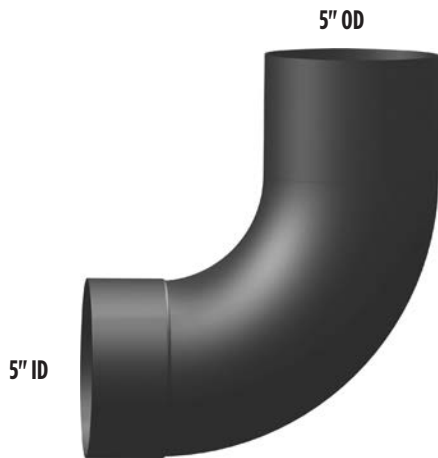
PART NO. FL-15077-3

• Compares to: 04-15077-003



PART NO. FL-15105-000

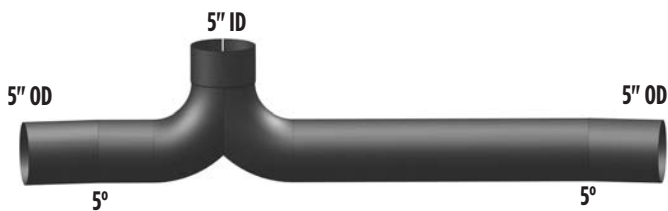
• Compares to: 04-15105-000



Older FLC Conventional

PART NO. FL-12104

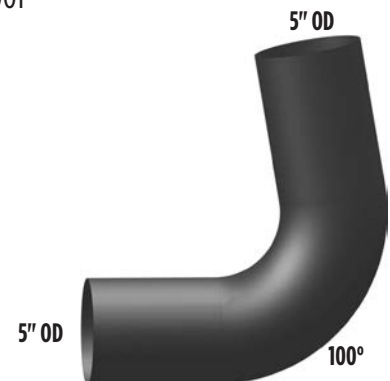
• Compares to: A04-12104-000



PART NO. FL-12099-01C

• Compares to: 04-12099-001

CHROME



PART NO. FL-16412-013

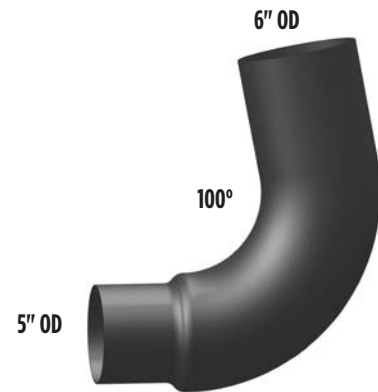
• Compares to: 04-16412-013



PART NO. FL-6100C

• Compares to: 04-12099-001

CHROME



PART NO. FL-16638-029

• Compares to: 04-16638-029



PART NO. FL-16638-029C

• Compares to: Chrome Version

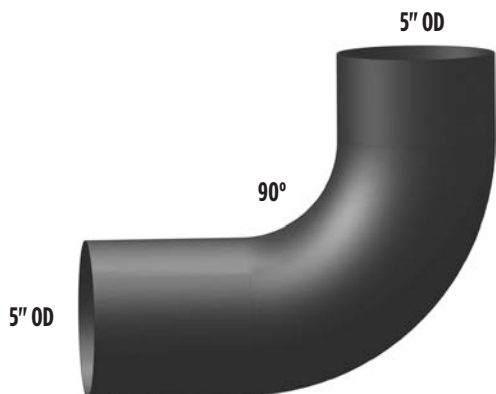
CHROME



PART NO. FL-09586-013C

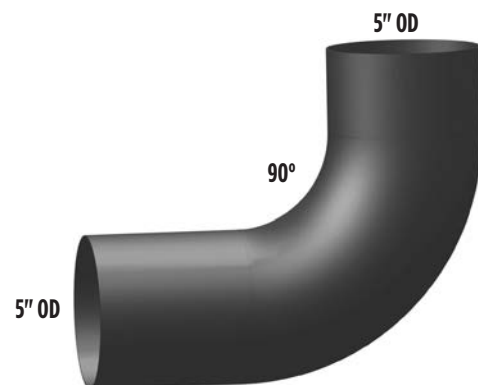
• Compares to: 04-09586-013

CHROME



PART NO. FL-09856-013

• Compares to: 04-09856-013



FREIGHTLINER HEAVY DUTY TRUCKS

PART NO. FL-9833-006

• Compares to: 04-09833-006



PART NO. FL-26200-018

• Compares to: 04-26200-018



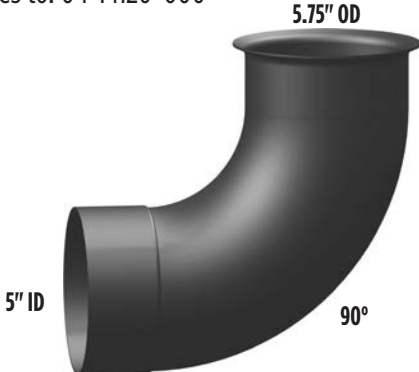
PART NO. FL-11501-03

• Compares to: 04-11501-003



PART NO. FL-14120

• Compares to: 04-14120-000



PART NO. FL-11284-01C

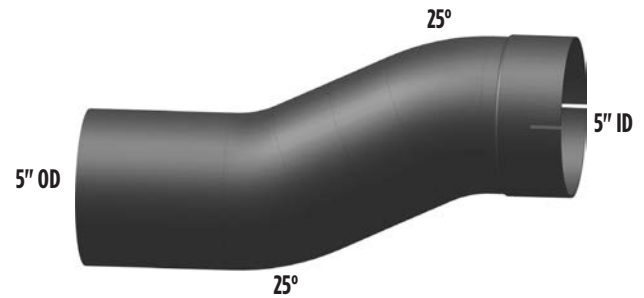
- Compares to: 04-11284-001

CHROME



PART NO. FL-15780-000

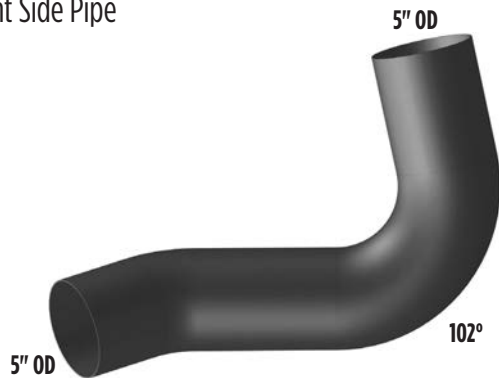
- Compares to: 04-1578-000



PART NO. FL-15653-001C

- Compares to: 04-15653-001
- Right Side Pipe

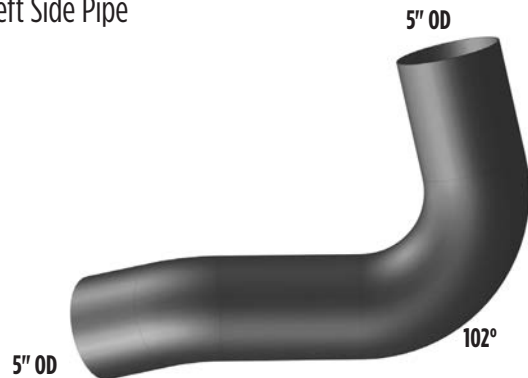
CHROME



PART NO. FL-15653-003C

- Compares to: 04-15653-002
- Left Side Pipe

CHROME



PART NO. FL-15654-001

- Compares to: 04-15654-001



FREIGHTLINER HEAVY DUTY TRUCKS

PART NO. FL-12399-0

- Compares to: 04-12399-000

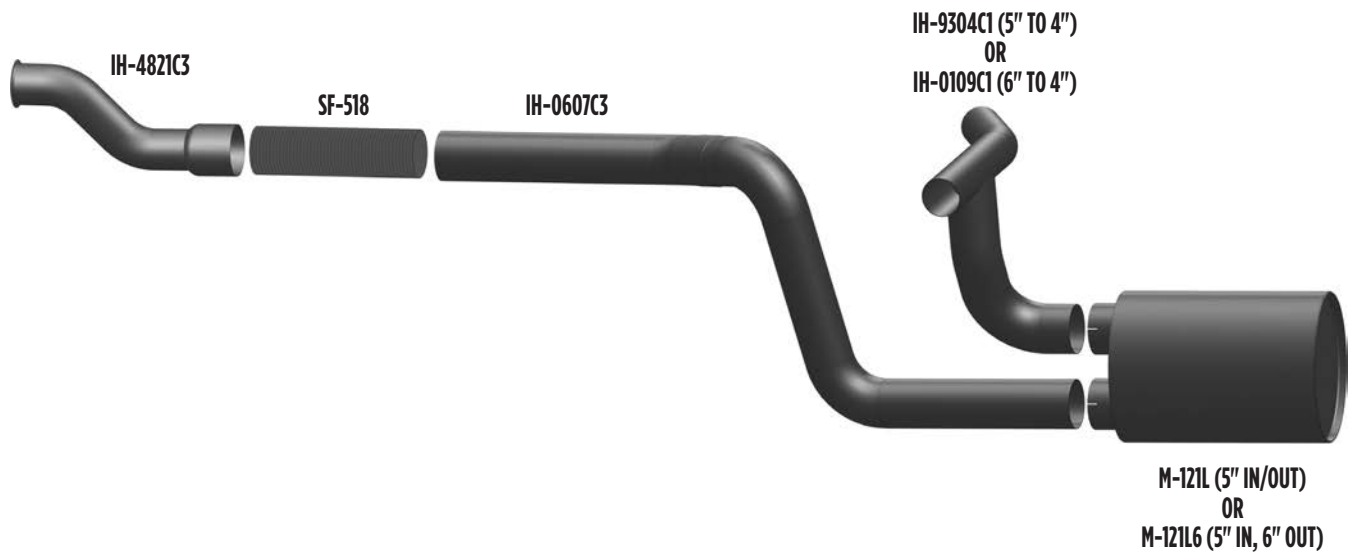


PART NO. FL-17123-043

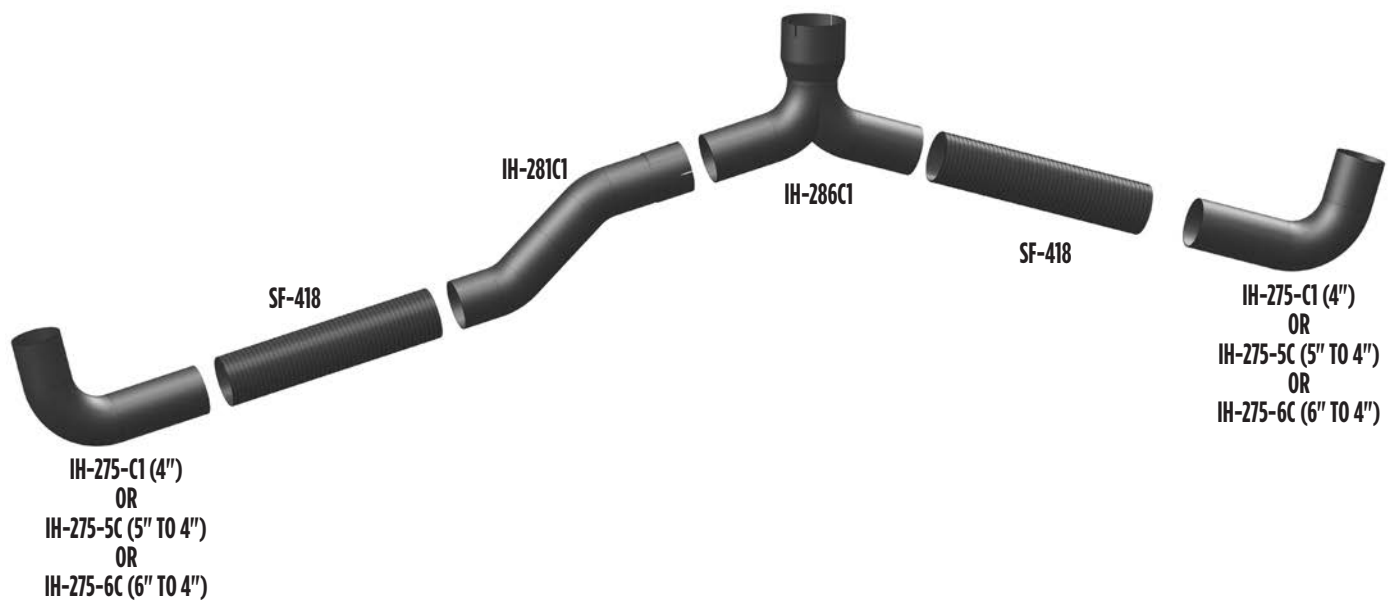
- Compares to: 04-17123-043



International 9400-9900 Series



International 9300 Series



INTERNATIONAL HEAVY DUTY TRUCKS

PART NO. IH-0607C3

- Compares to: 3530607C3



PART NO. M-121L

- Compares to: M0M12-0450-171
- Specs in Muffler Section



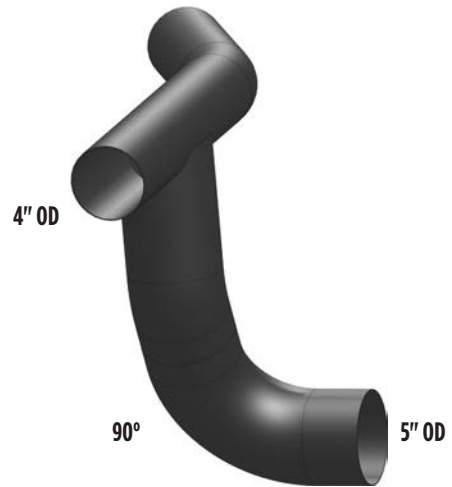
PART NO. M-121L6

- Compares to: M-121L
- Specs in Muffler Section



PART NO. IH-9304C1

- Compares to: 3519304C1



PART NO. IH-0109C1

- Compares to: 3530109C1



PART NO. IH-286C1

• Compares to: 598286C1



PART NO. IH-281C1

• Compares to: 598281C1



PART NO. IH-275-C1

• Compares to: 598275C1

CHROME



PART NO. IH-275-5C

• Compares to: 598275C1

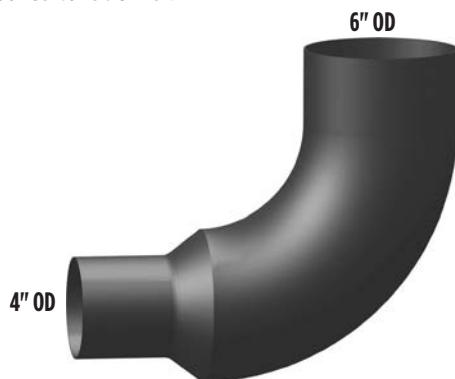
CHROME



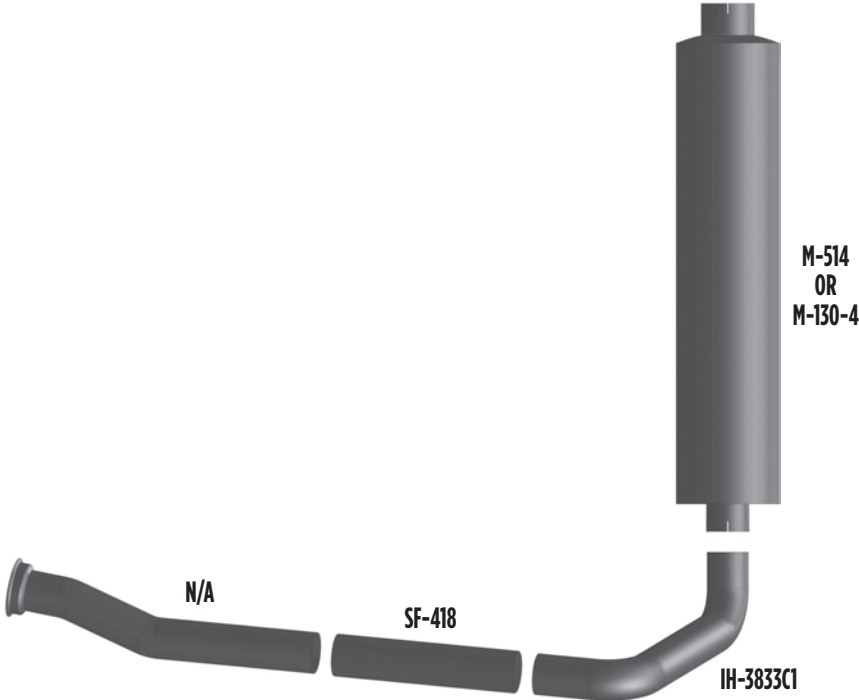
PART NO. IH-275-6C

• Compares to: 598275C1

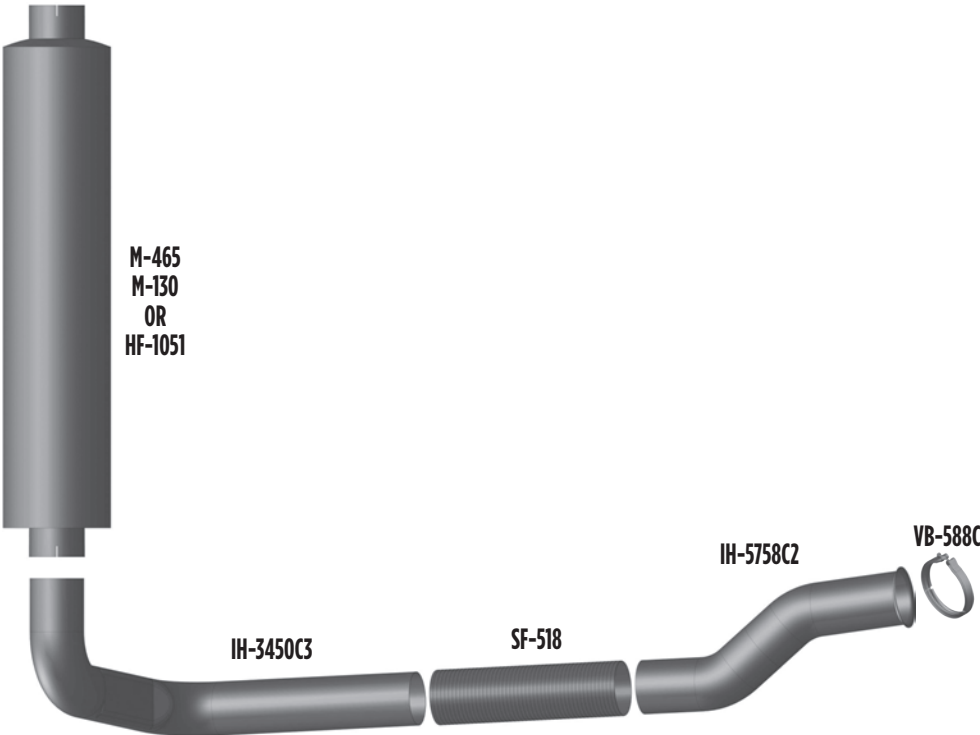
CHROME



International 8100 Daycab Exhaust Layout



International 8200 Daycab Exhaust Layout



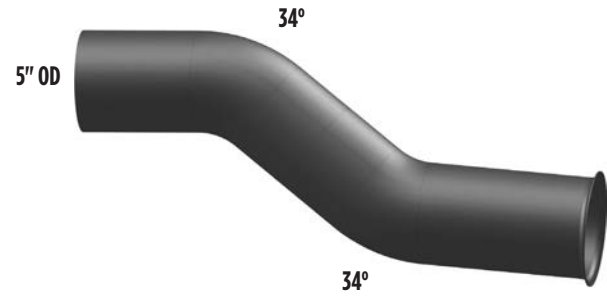
PART NO. IH-3833C1

- Compares to: 1673833C1



PART NO. IH-5758C2

- Compares to: 1675758C2

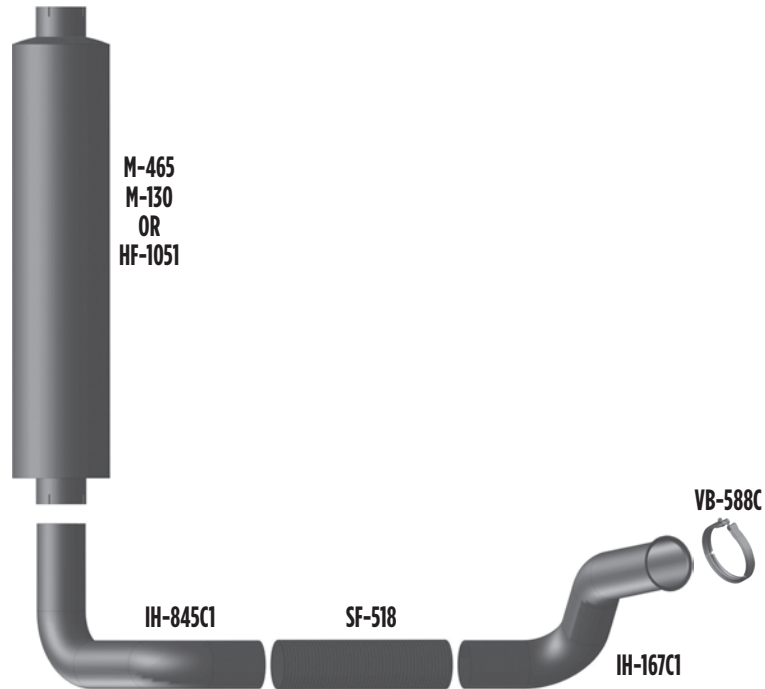


PART NO. IH-3450C3

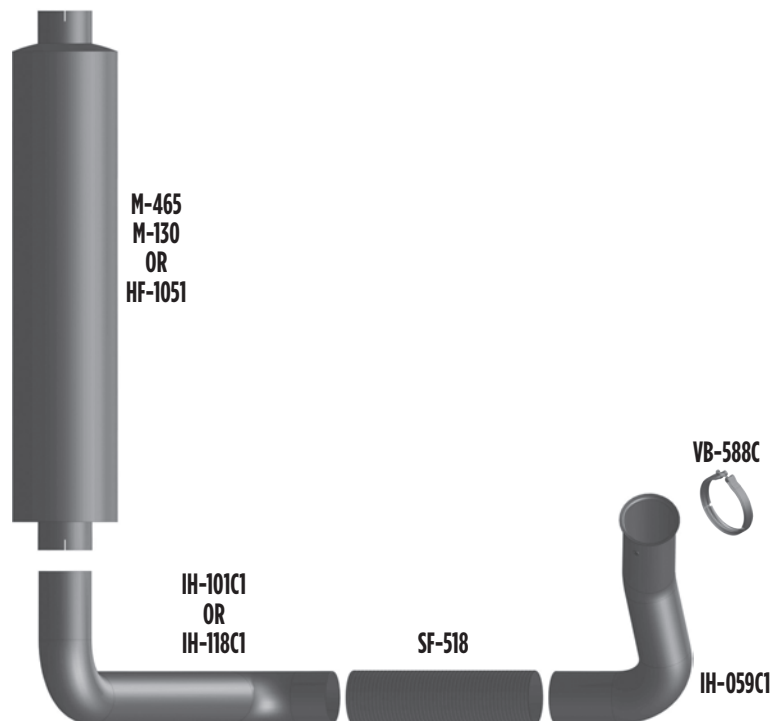
- Compares to: 1613450C3



International 9670 Exhaust Layout



International 9700 Exhaust Layout



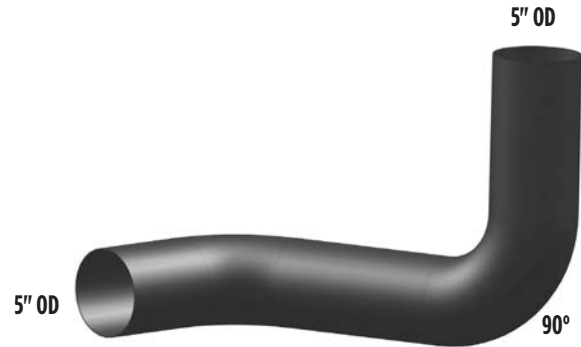
PART NO. IH-167C1

• Compares to: 582167C1



PART NO. IH-845C1

• Compares to: 503845C1



PART NO. IH-059C1

• Compares to: 1674059C1



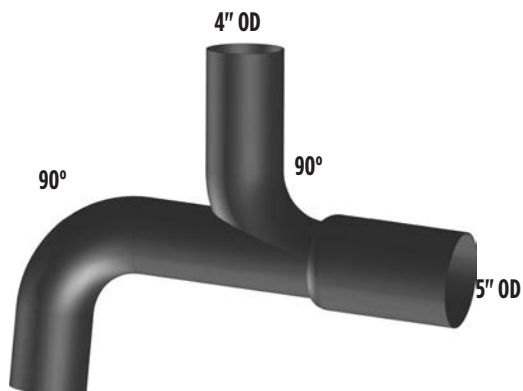
PART NO. IH-118C1

• Compares to: 1657118C1



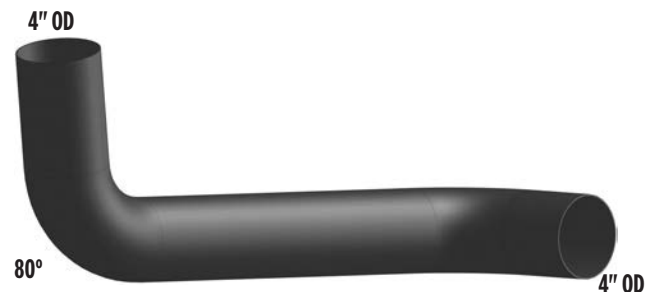
PART NO. IH-9844C1

• Compares to: 3539844C1



PART NO. IH-3833C1

• Compares to: 1673833C1



INTERNATIONAL HEAVY DUTY TRUCKS

PART NO. IH-8113C5

- Compares to: 3628113C5



PART NO. IH-1755C4

- Compares to: 3811755C4



PART NO. IH-0024C3

- Compares to: 3820024C3



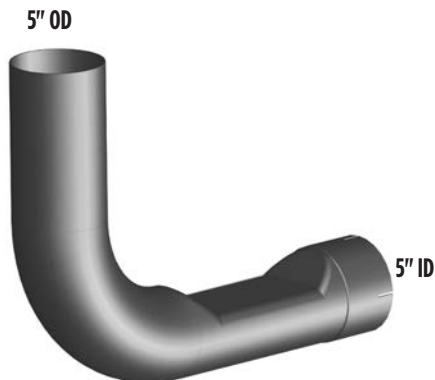
PART NO. IH-6294C2

- Compares to: 3826294C2



PART NO. IH-4095C3

- Compares to: 3524095C3



PART NO. IH-4830C4

- Compares to: 3524830C4



PART NO. IH-5758C2

• Compares to: 1675758C2



PART NO. IH-5967C1

• Compares to: 3575967C1



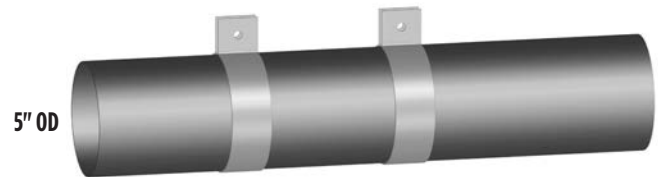
PART NO. IH-4821C3

• Compares to: 3564821C3



PART NO. IH-9843C2

• Compares to: 3539843C2



PART NO. IH-1803C1

• Compares to: 3541803C1



PART NO. IH-1804C1

• Compares to: 3541804C1



CHROME

INTERNATIONAL HEAVY DUTY TRUCKS

PART NO. IH-0190C2

- Compares to: 2040190C2



PART NO. IH-3450C3

- Compares to: 1613450C3



PART NO. IH-4061C1

- Compares to: 3854061C1 & 2512967C91



PART NO. IH-9011C3

- Compares to: 3529011C3

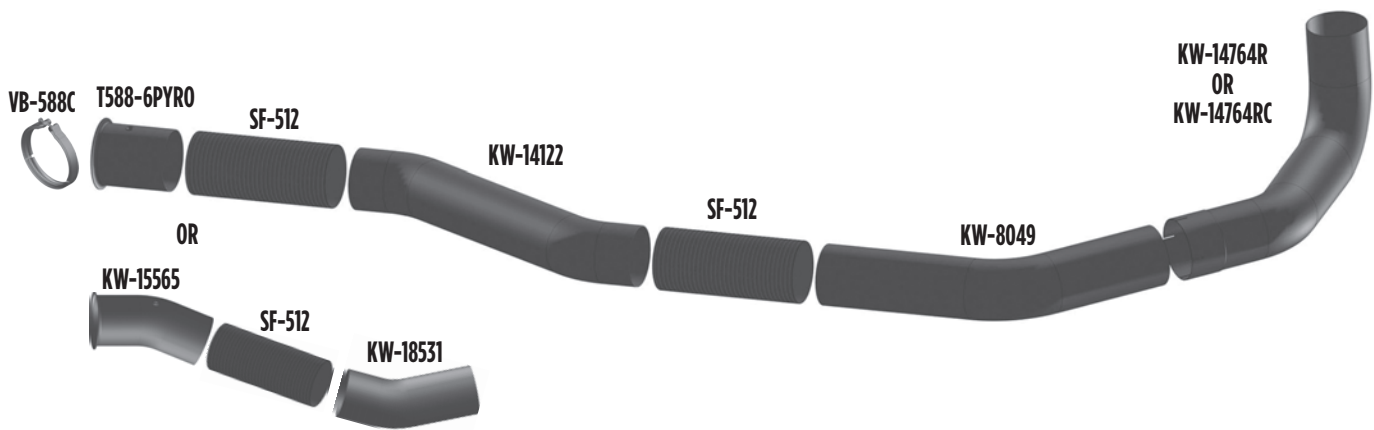


PART NO. IH-9154C1

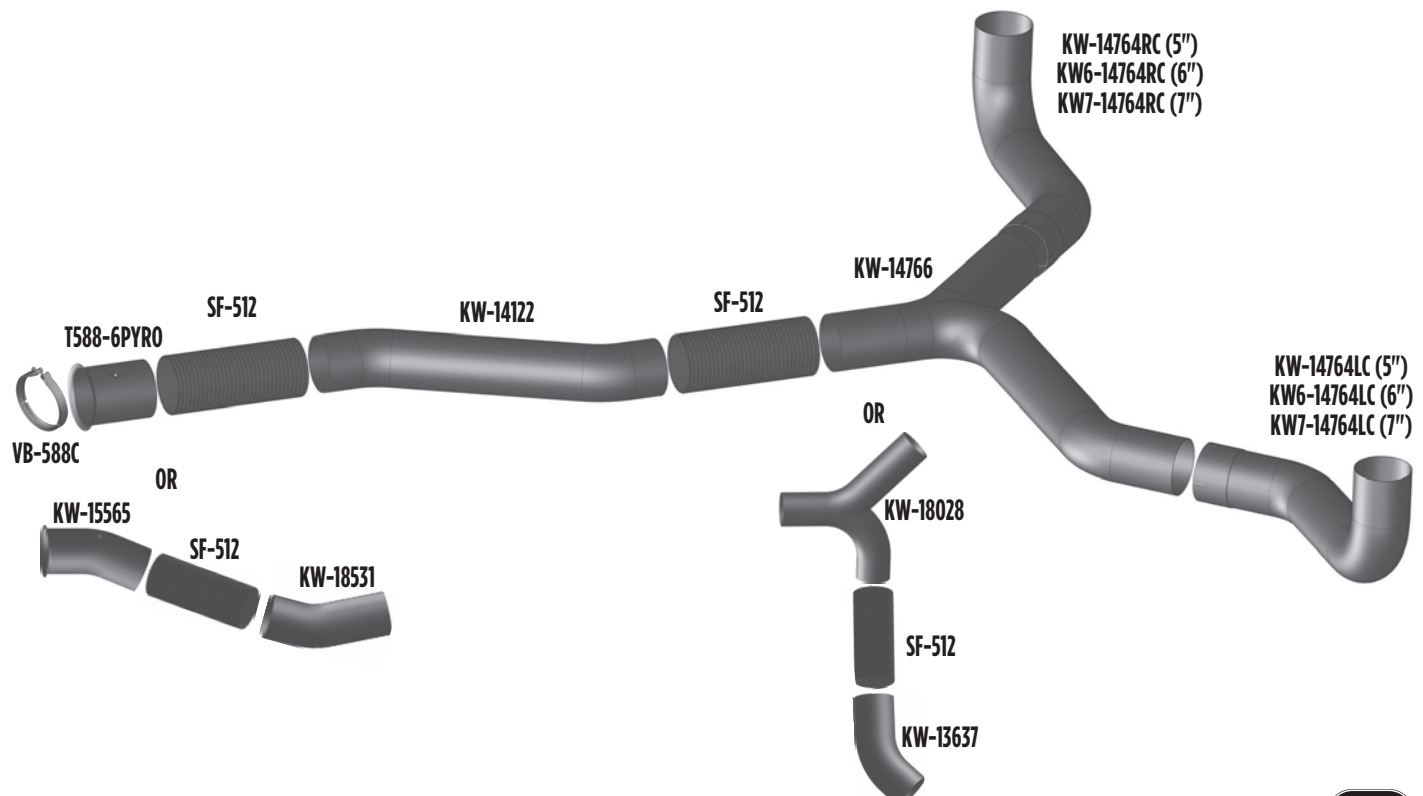
- Compares to: 3859154C1



W900B, L, T600 or T800 with Single Exhaust Layout



W900B, L, T600 or T800 with Dual Exhaust Layout



KENWORTH HEAVY DUTY TRUCKS

PART NO. T588-6PYR0

- Compares to: K130-166



PART NO. KW-15565

- Compares to: K180-15565



PART NO. KW-14122

- Compares to: K180-14122



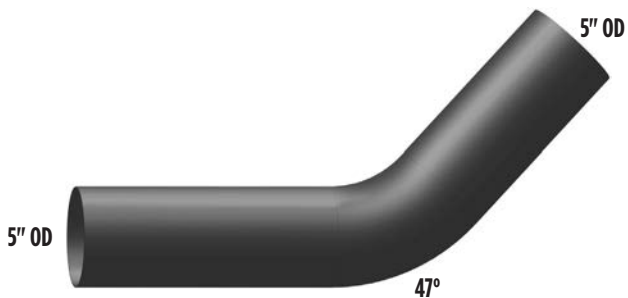
PART NO. KW-18531

- Compares to: K180-18531



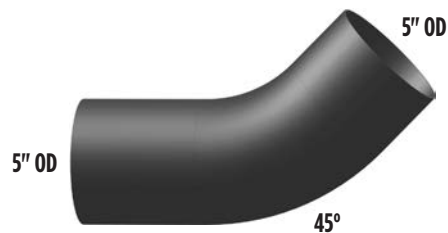
PART NO. KW-8049

- Compares to: K180-8049



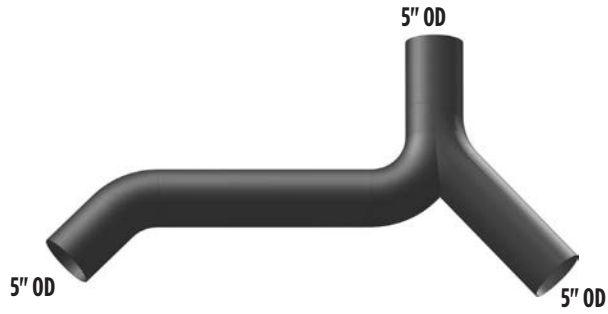
PART NO. KW-13637

- Compares to: K180-13637



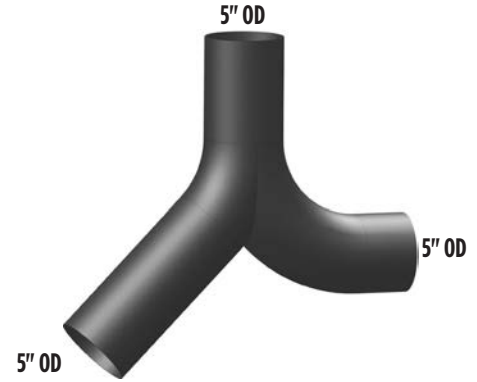
PART NO. KW-14766

- Compares to: K180-14766



PART NO. KW-18028

- Compares to: K180-18028



PART NO. KW-1214

- Compares to: M66-1214



PART NO. KW-1215

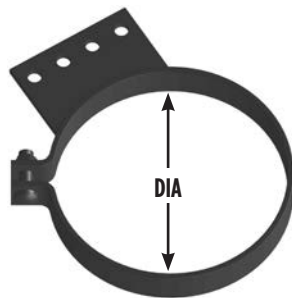
- Compares to: M66-1215



STACK MOUNT BRACKETS

- Polished Stainless Steel

PART NO.	DIA.
MB-5KWS	5"
MB-6KWS	6"
MB-7KWS	7"



Bolts directly onto factory cab brackets

PART NO. KW-18959

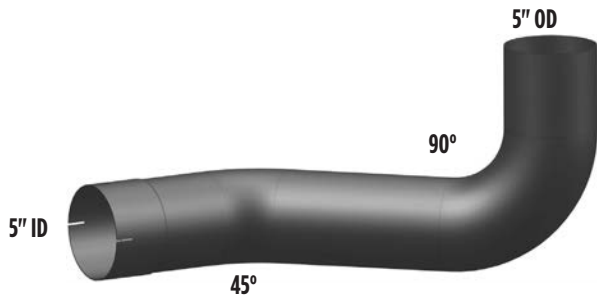
- Compares to: K180-18959



KENWORTH HEAVY DUTY TRUCKS

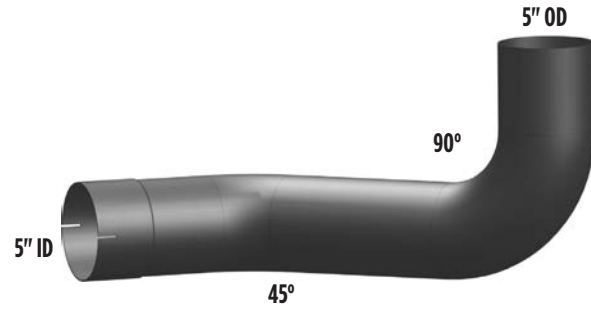
PART NO. KW-14764L

• Compares to: K180-14764



PART NO. KW-14764R

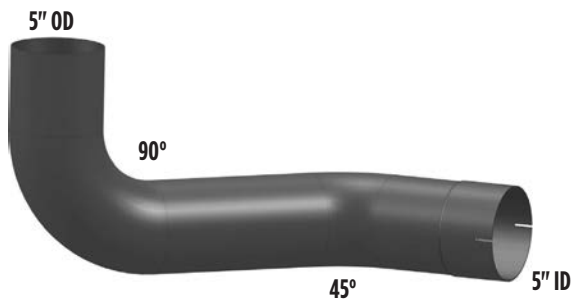
• Compares to: K180-14764R



PART NO. KW-14764LC

• Compares to: K180-14764CP

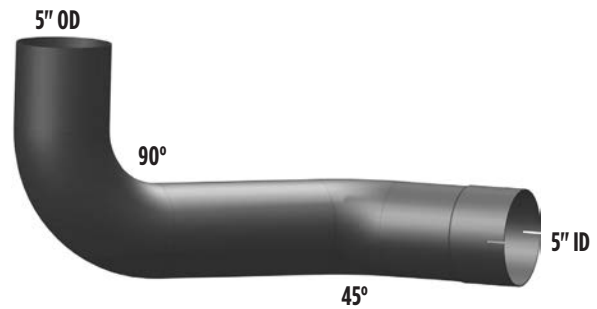
CHROME



PART NO. KW-14764RC

• Compares to: K180-14764RCP

CHROME



PART NO. KW6-14764LC

• Compares to: K180-14764CP

CHROME



PART NO. KW6-14764RC

• Compares to: K180-14764RCP

CHROME



PART NO. KW7-14764LC

• Compares to: K180-14764LC

CHROME



PART NO. KW7-14764RC

• Compares to: K180-14764RCP

CHROME



PART NO. KW-1317LC

• Compares to: M66-1317CP

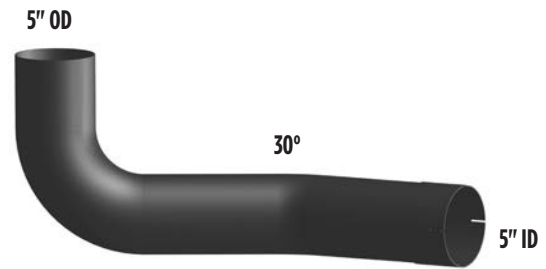
CHROME



PART NO. KW-1317RC

• Compares to: M66-1317RCP

CHROME



PART NO. KW-14729LC

• Compares to: K180-14729CP

CHROME



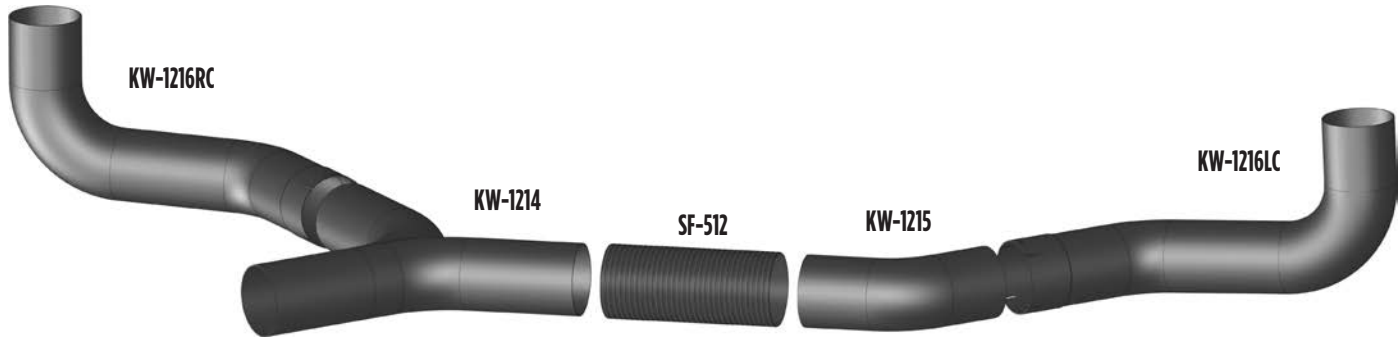
PART NO. KW-14729RC

• Compares to: K180-14729RCP

CHROME



W900 B, L, T600 or T800 with Dual Exhaust



PART NO. KW-1214

• Compares to: M66-1214



PART NO. KW-1215

• Compares to: M66-1215



PART NO. KW-1216LC

• Compares to: M66-1216CP

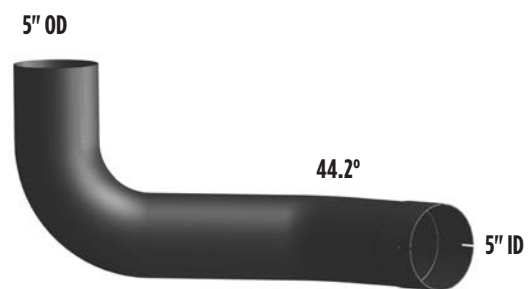
CHROME



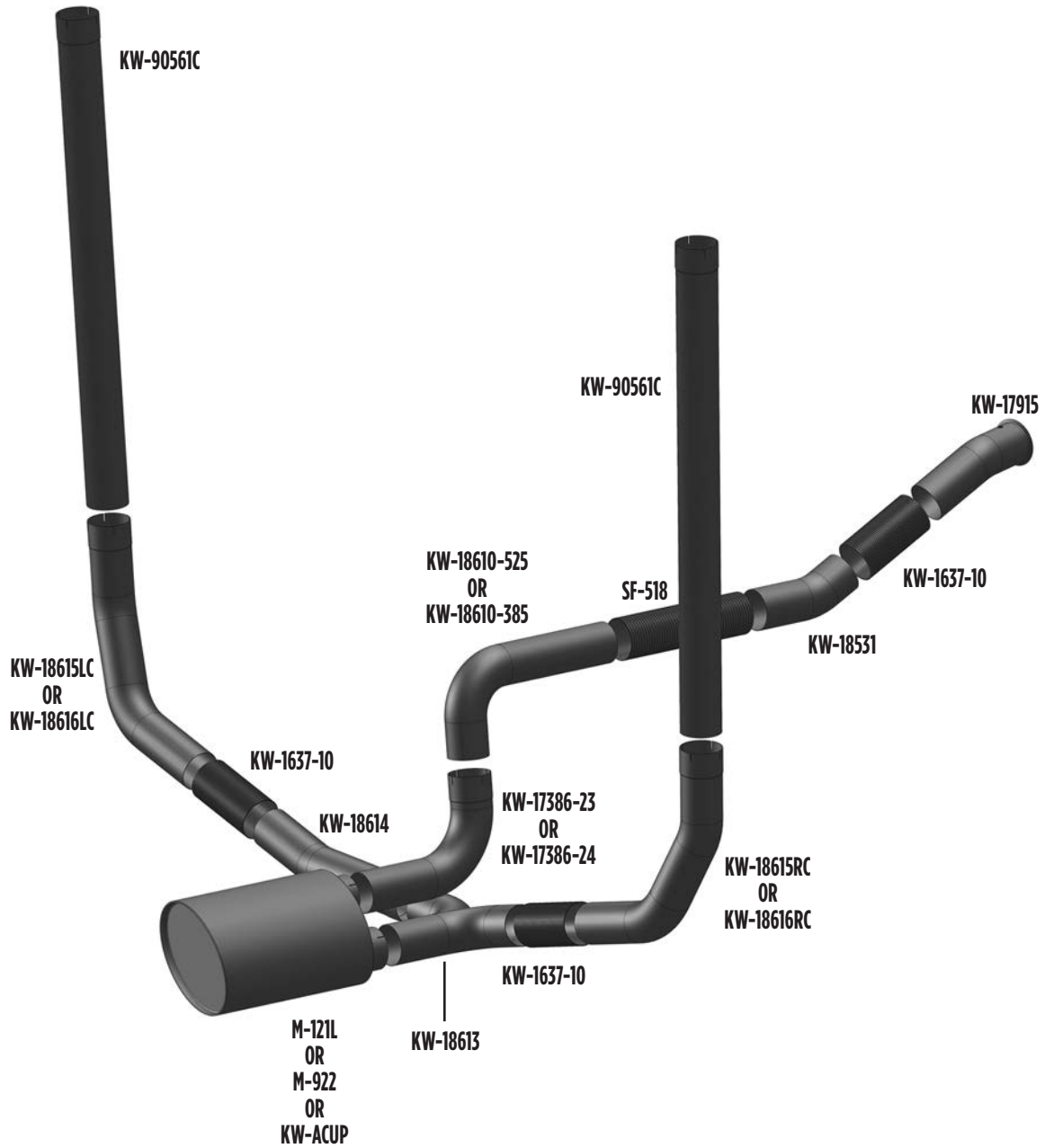
PART NO. KW-1216RC

• Compares to: M66-1216RCP

CHROME



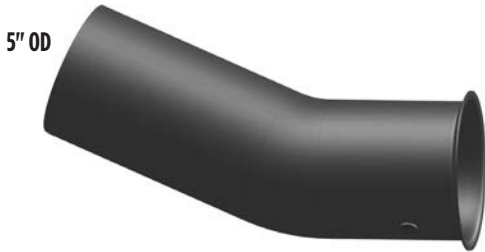
Early Aerocab with 1 Muffler



KENWORTH HEAVY DUTY TRUCKS

PART NO. KW-17915

- Compares to: K180-17915



PART NO. KW-18531

- Compares to: K180-18531



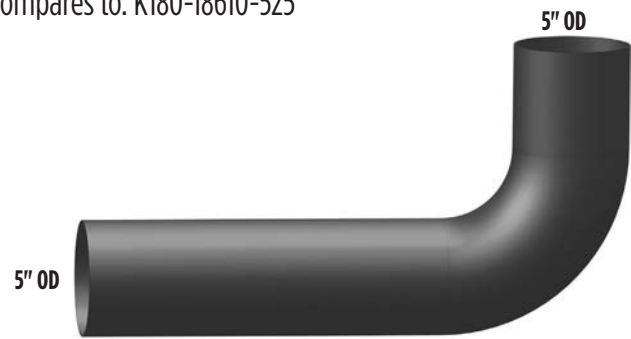
PART NO. KW-18610-385

- Compares to: K180-18610-385



PART NO. KW-18610-525

- Compares to: K180-18610-525



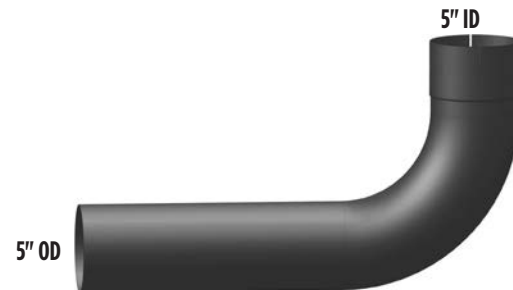
PART NO. KW-17386-23

- Compares to: K180-17386-23



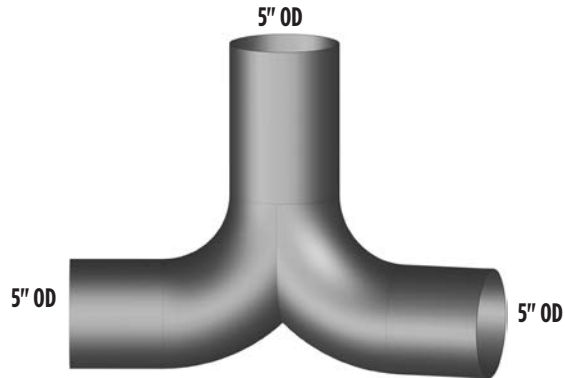
PART NO. KW-17386-24

- Compares to: K180-17386-24



PART NO. KW-18613

- Compares to: K180-18613



PART NO. KW-18614

- Compares to: K-180-18614



PART NO. M-121L

- Compares to: M0M12-0450-171
- Specs in Muffler Section



PART NO. M-922

- Replaces: M-121L
- Specs in Muffler Section



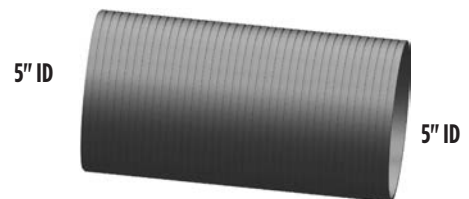
PART NO. KW-ACUP

- Replaces Large Oval Muffler



PART NO. KW-1637-10

- Compares to: K180-1637-10



KENWORTH HEAVY DUTY TRUCKS

THESE 6 PARTS ARE FOR 40" BATTERY BOX LENGTH

PART NO. KW-18615LC

• Compares to: K180-18615CP

CHROME



PART NO. KW-18615RC

• Compares to: K180-18615RCP

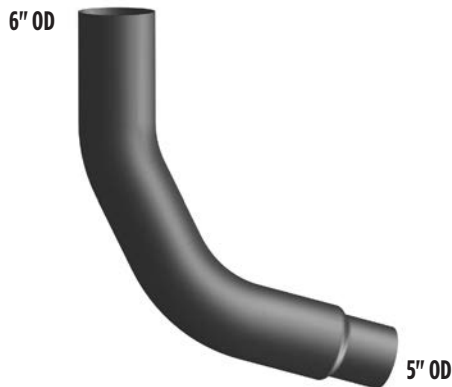
CHROME



PART NO. KW6-18615LC

• Compares to: K180-18615CP

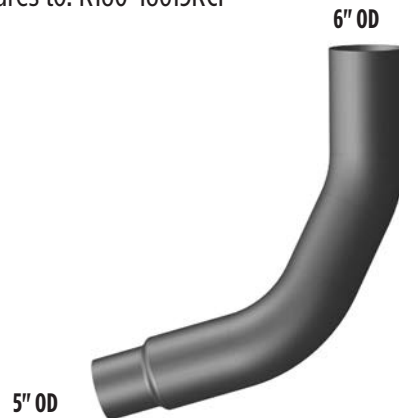
CHROME



PART NO. KW6-18615RC

• Compares to: K180-18615RCP

CHROME



PART NO. KW7-18615LC

• Compares to: K180-18615CP

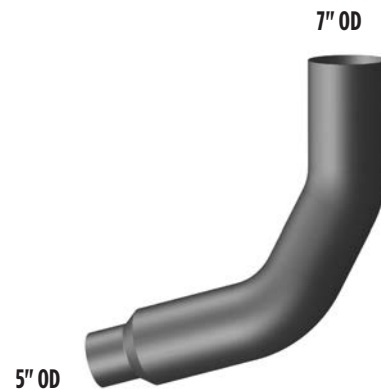
CHROME



PART NO. KW7-18615RC

• Compares to: K180-18615RCP

CHROME



THESE 6 PARTS ARE FOR 45" BATTERY BOX LENGTH

PART NO. KW-18616LC

• Compares to: K180-18616CP

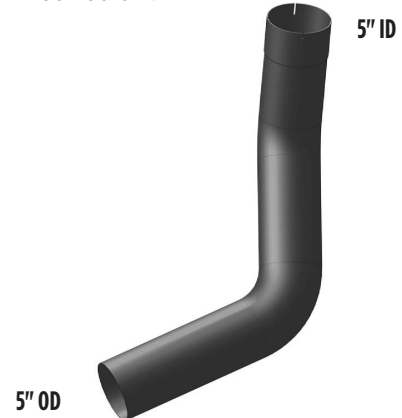
CHROME



PART NO. KW-18616RC

• Compares to: K180-18616RCP

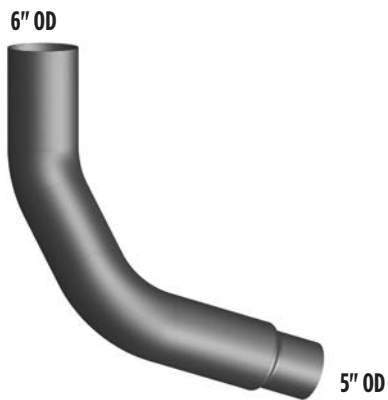
CHROME



PART NO. KW6-18616LC

• Compares to: K180-18616CP

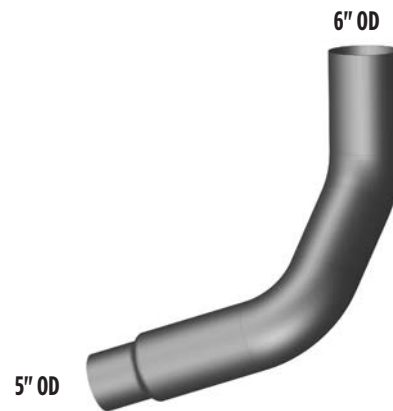
CHROME



PART NO. KW6-18616RC

• Compares to: K180-18616RCP

CHROME



PART NO. KW7-18616LC

• Compares to: K180-18616CP

CHROME



PART NO. KW7-18616RC

• Compares to: K180-18616RCP

CHROME



KENWORTH HEAVY DUTY TRUCKS

PART NO. KW-90561C

- Compares to: K180-90561CP

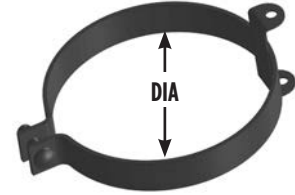
CHROME



TOP CAB MOUNT BRACKET

- Polished Stainless Steel

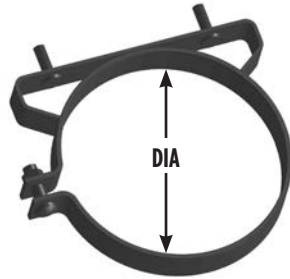
PART NO.	DIA.
AC-6KWLP	6" left
AC-6KWRP	6" right
AC-7KWLP	7" left
AC-7KWRP	7" right



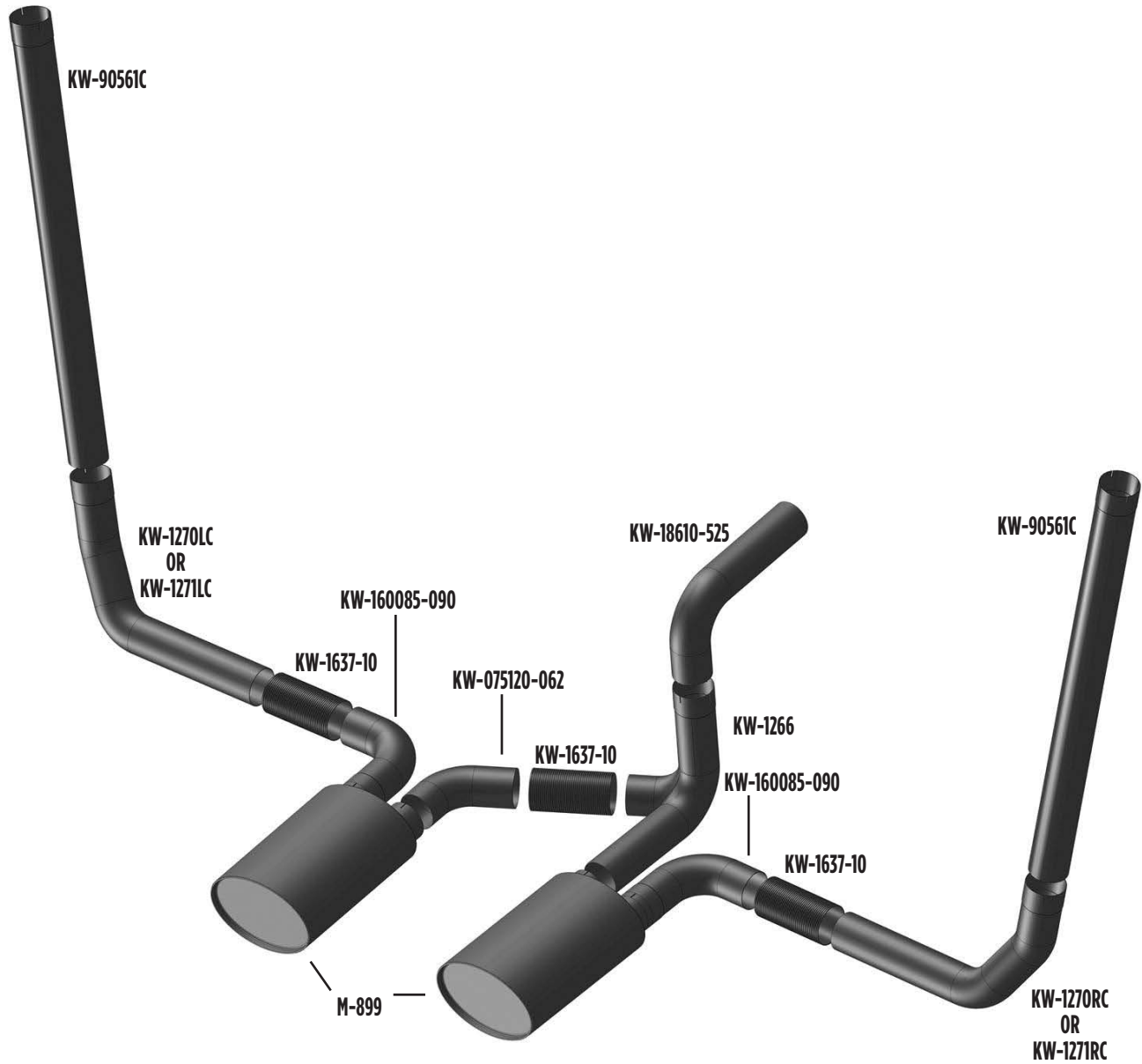
LOWER FRAME MOUNTING BRACKET

- Polished Stainless Steel
- 2 Required Per Side

PART NO.	DIA.
ACFM-5	5"
ACFM-6	6"
ACFM-7	7"



Newer Aerocab with 2 Catalytic Converters



KENWORTH HEAVY DUTY TRUCKS

PART NO. KW-1266

- Compares to: M66-1266



PART NO. KW-160085-090

- Compares to: M66-1082X160085N090



PART NO. KW-075120-062

- Compares to: M66-1082N072120-062



PART NO. M-834CT

- Compares to: M120834
- Catalytic Converter



PART NO. M-899

- Compares to: M120834
- Muffler Only



PART NO. KW-90561C

- Compares to: K180-90561CP

CHROME

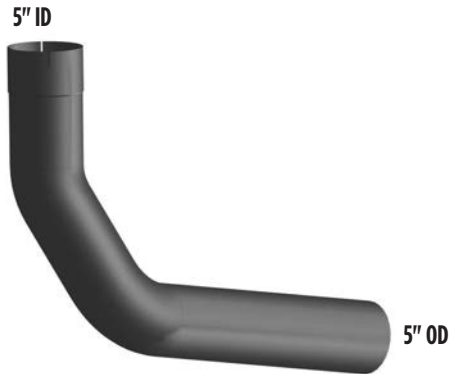


THESE 6 PARTS ARE FOR 40" BATTERY BOX LENGTH

PART NO. KW-1270LC

• Compares to: M66-1270CP

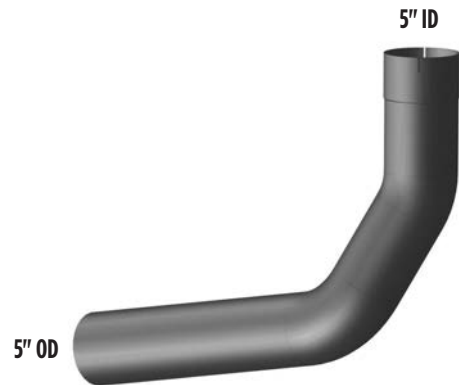
CHROME



PART NO. KW-1270RC

• Compares to: M66-1270RCP

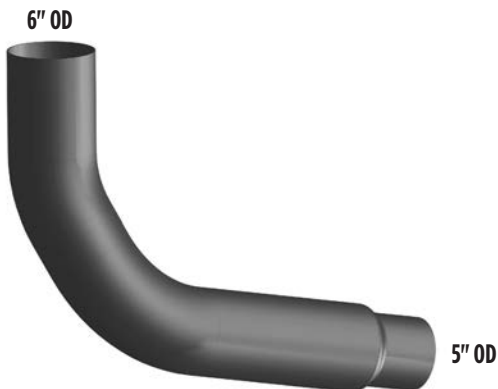
CHROME



PART NO. KW6-1270LC

• Compares to: M66-1270CP

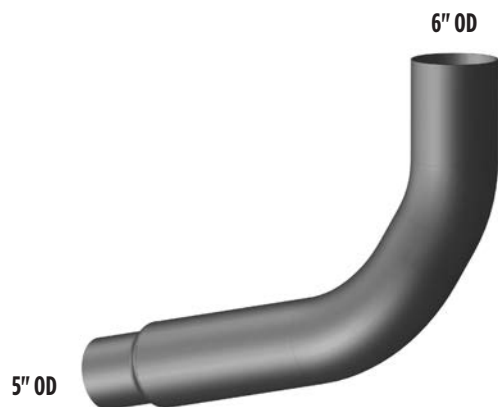
CHROME



PART NO. KW6-1270RC

• Compares to: M66-1270RCP

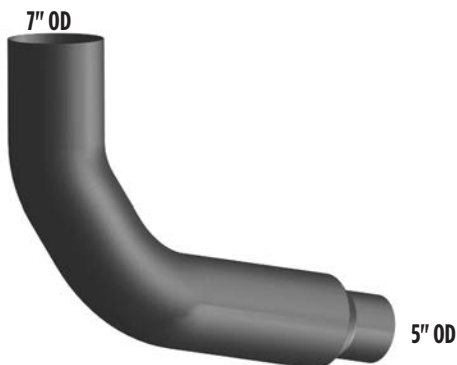
CHROME



PART NO. KW7-1270LC

• Compares to: M66-1270CP

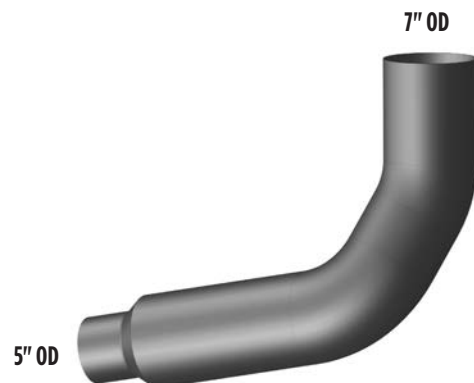
CHROME



PART NO. KW7-1270RC

• Compares to: M66-1270RCP

CHROME



KENWORTH HEAVY DUTY TRUCKS

THESE 6 PARTS ARE FOR 45" BATTERY BOX LENGTH

PART NO. KW-1271LC

• Compares to: M66-1271CP

CHROME



PART NO. KW-1271RC

• Compares to: M66-1271RCP

CHROME



PART NO. KW6-1271LC

• Compares to: M66-1271CP

CHROME



PART NO. KW6-1271RC

• Compares to: M66-1271RCP

CHROME



PART NO. KW7-1271LC

• Compares to: M66-1271CP

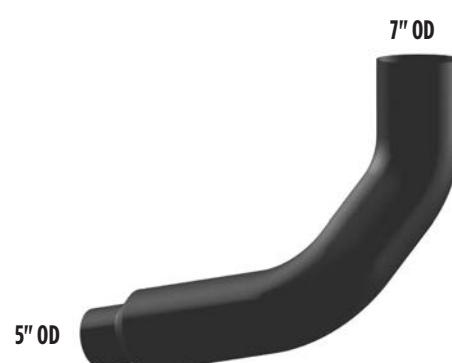
CHROME



PART NO. KW7-1271RC

• Compares to: M66-1271RCP

CHROME

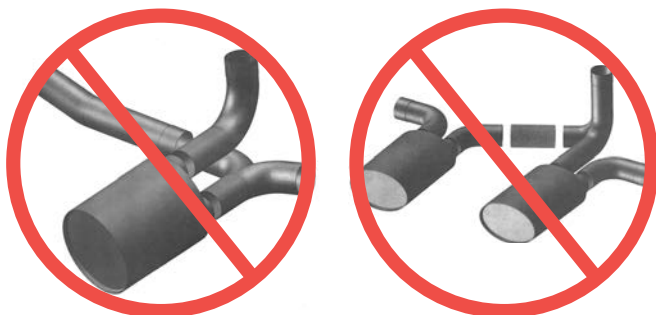


Kenworth Aerocab Exhaust

For the 5" system, remove the following: Muffler inlet elbow, muffler, Y pipe, 61" chrome pipes behind heat shield.

Replace with our Clamp and Bolt parts and make more profit!

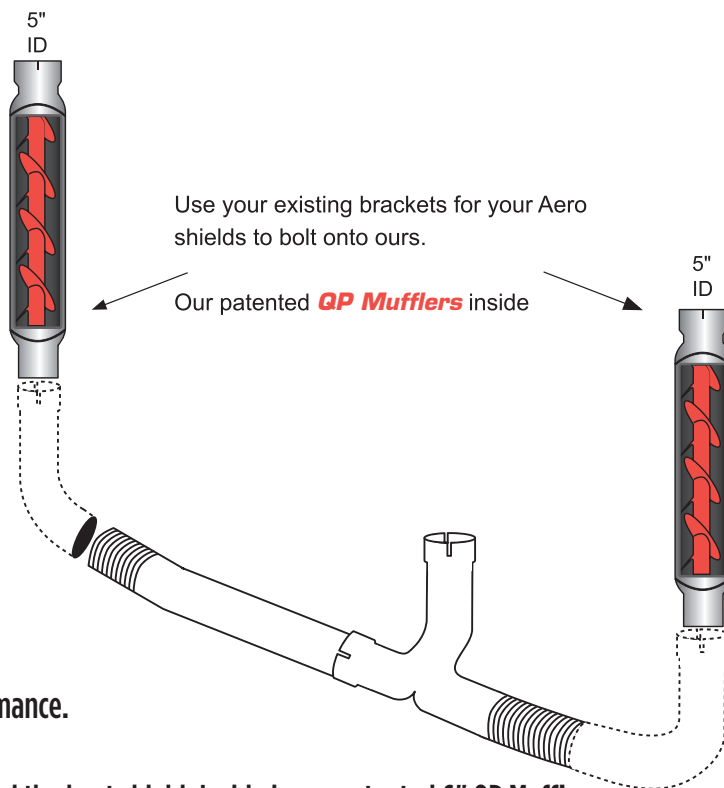
Remove Restrictive Stock Exhaust



Install our 5" QP/Aero System for improved MPG and performance.

Our "stack" pipe is the same length as the factory pipe behind the heat shield. Inside is our patented 6" QP Muffler. This part is aluminized and hides behind the factory Aero shield. Most factory shields will bolt onto our brackets, no cutting or modifying is necessary.

Use your existing 5" top stacks and lower elbows.



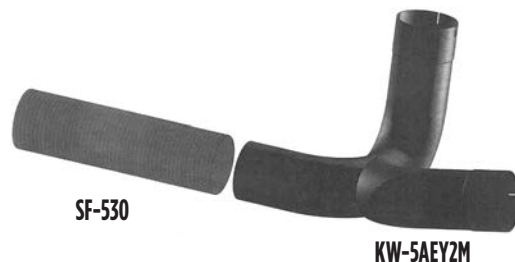
Available For Both Single And Dual Muffler Applications

PART NO.	DESCRIPTION
QPM-561AERO	Single Muffler Replacement Kit
QPM-561AERO-2	Dual Muffler Replacement Kit

Getting Rid of All Mufflers and Going with Straight Pipes?

*Y Pipes are available separately.

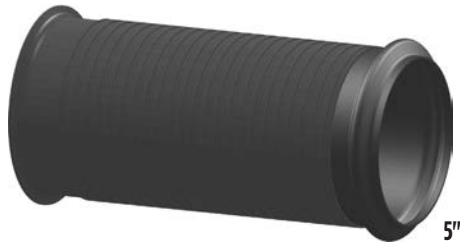
PART NO.	DESCRIPTION
KW-5AEY	Single Muffler Y Pipes Only
KW-18614	Single Muffler Cross Over
KW-5AEY2M	Dual Muffler Y Pipes
SF-530	Dual Mufflers Crossover



KENWORTH HEAVY DUTY TRUCKS

PART NO. KW-6542-0320

• Compares to: M66-6542-0320



PART NO. KW-6559

• Compares to: M66-6559



PART NO. KW-6541-0320

• Compares to: M66-6541-0320



PART NO. KW-6541-0335

• Compares to: M66-6541-0335



PART NO. KW-6541-0405

• Compares to: M66-6541-0405



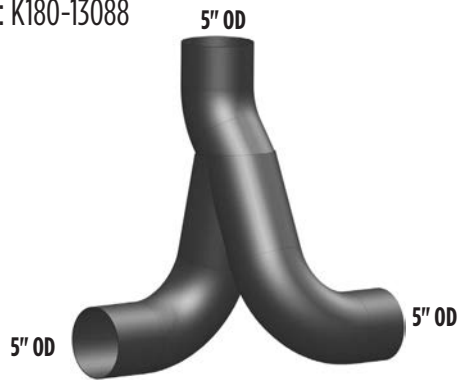
PART NO. KW-6542-0335

• Compares to: M66-6542-0335



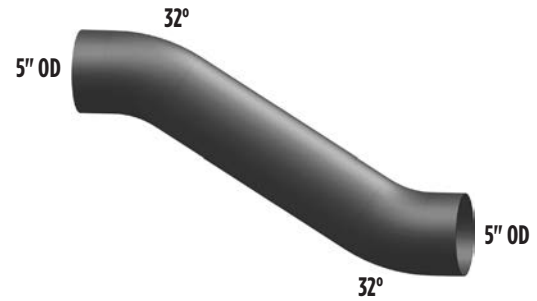
PART NO. KW-13088

• Compares to: K180-13088



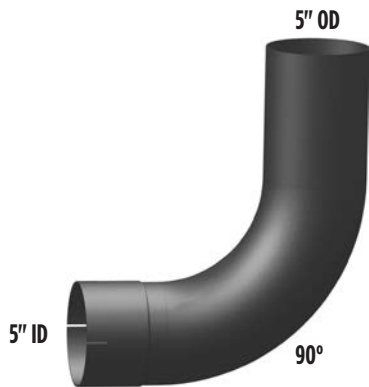
PART NO. KW-6326

• Compares to: K180-6326



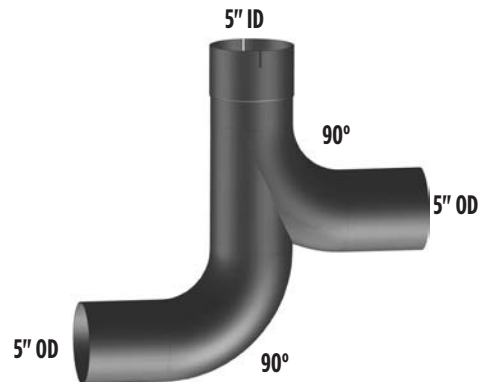
PART NO. KW-8047

• Compares to: K180-8047



PART NO. KW-12975

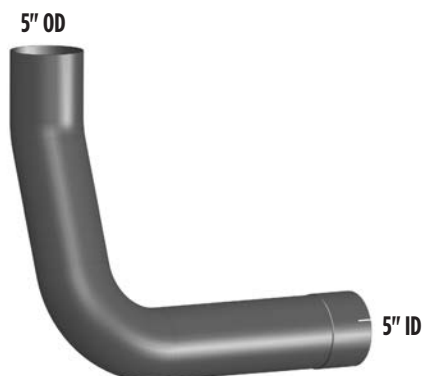
• Compares to: K180-12975



PART NO. KW-10742LC

• Compares to: K180-10742CP

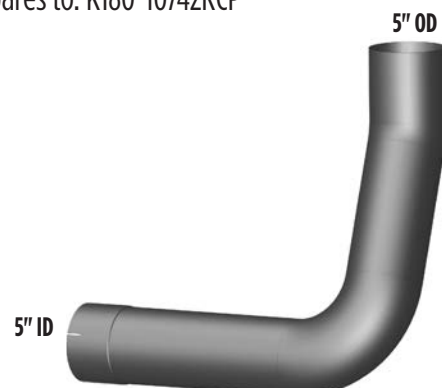
CHROME



PART NO. KW-10742RC

• Compares to: K180-10742RCP

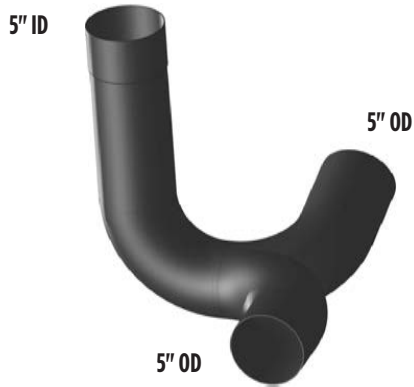
CHROME



KENWORTH HEAVY DUTY TRUCKS

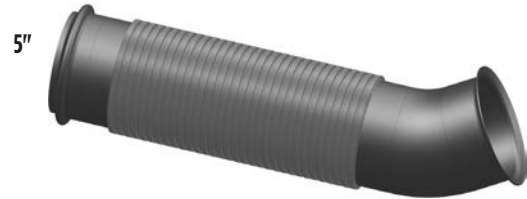
PART NO. KW-5AEY

- Early single muffler
- Compares to: KW-5AEY2M for early single muffler



PART NO. KW-1876

- Compares to: M66-1876



PART NO. KW-14765

- Compares to: K180-14765



PART NO. KW-17876

- Compares to: K180-17876



PART NO. KW-17876C

- Compares to: K180-17876CP

CHROME



PART NO. KW-19286C

• Compares to: K180-19286CP

CHROME



PART NO. KW-19286A

• Compares to: K180-19286



PART NO. KW-19291-1430

• Compares to: K180-19291-1430



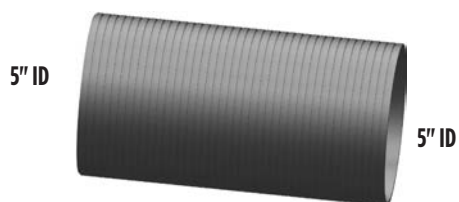
PART NO. M-922

• Compares to: M-922
• Specs in Muffler Page



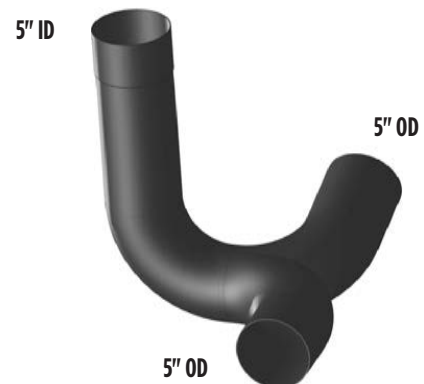
PART NO. KW-1637-10

• Compares to: K180-1637-10



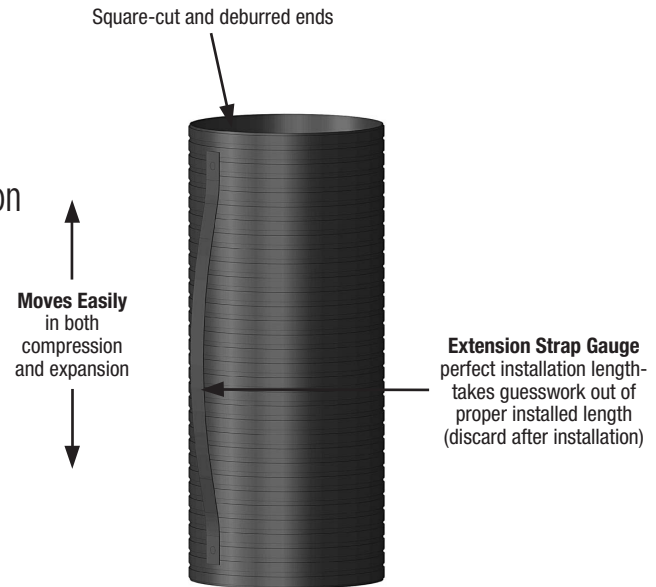
PART NO. KW-5AEY2M

• Compares to: KW-5AEY
• later Dual Muffler Applications



PACCAR OE Replacement Stainless Flex

- 304 Stainless Steel Construction
- Moves easily in both compression and expansion
- Torsional Movement (twists)
- Double wall construction is virtually leak-free & low emission
- In-between lengths to fit any flex application
- Eliminates cutting
- Easy installation
- Individually boxed with installation instructions
- Longer life than other flex types



PART NO.	COMPARES TO PACCAR NO.	DIA.	LENGTH
WFF-512	K180-1637-12	5"	12"
WFF-515	K180-1637-15	5"	15"
WFF-518	K180-1637-18	5"	18"
WFF-521	K180-1637-21	5"	21"
WFF-524	K180-1637-24	5"	24"

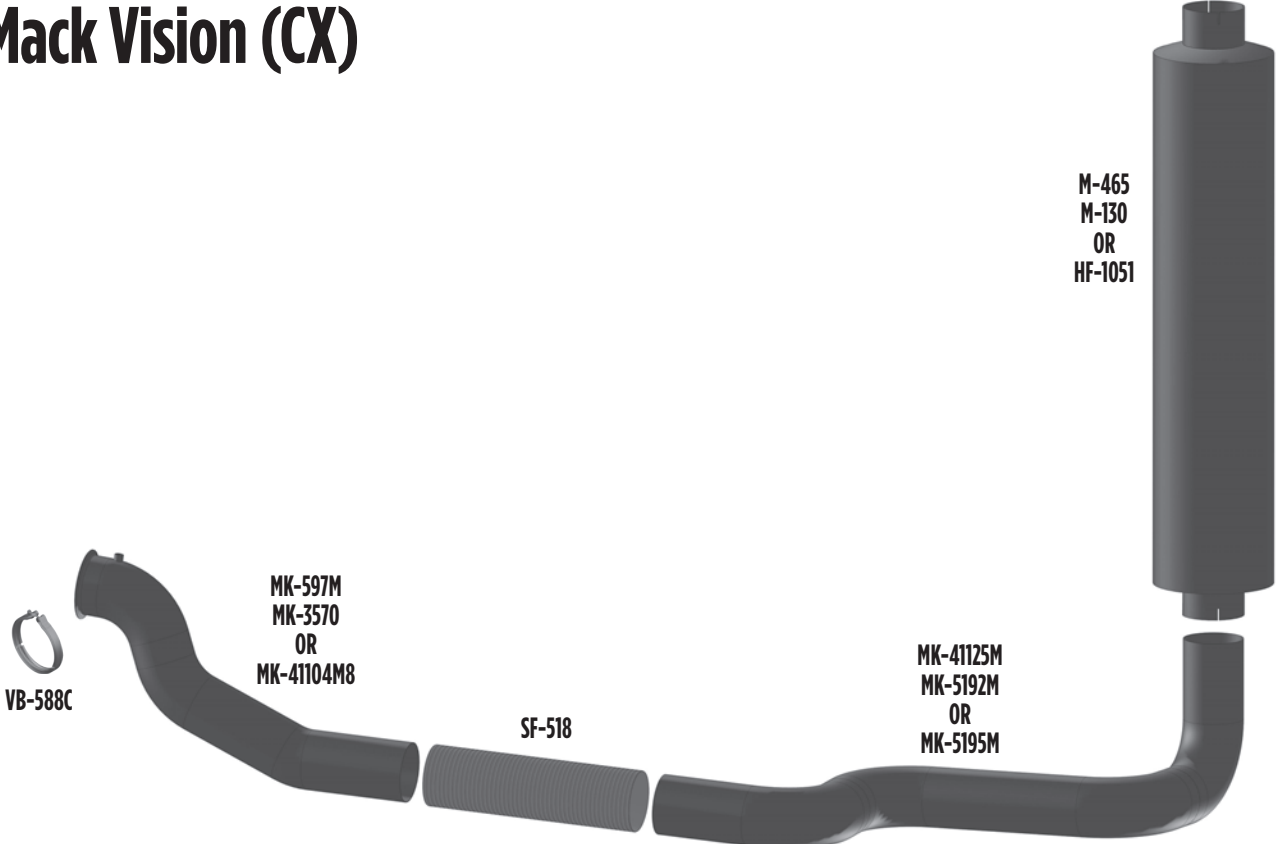


TYPE SSS (33% THICKER)
• SPECIAL INTERLOCKED PROFILE •

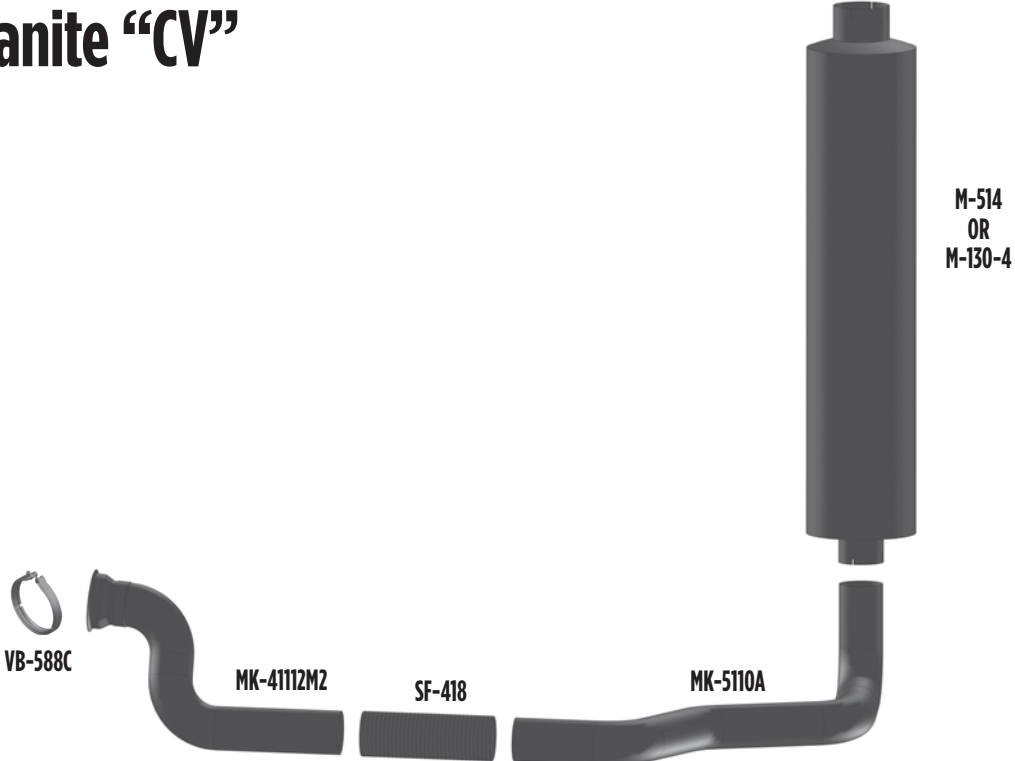


(Conventional Interlocked Profile)

Mack Vision (CX)



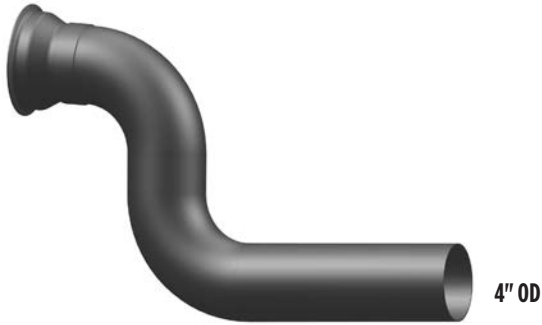
Mack Granite "CV"



MACK HEAVY DUTY TRUCKS

PART NO. MK-41112M2

- Compares to: 4ME-41112M2



PART NO. MK-5110A

- Compares to: 4ME-5110A



PART NO. MK-597M

- Compares to: 4ME-597M



PART NO. MK-3570

- Compares to: 25173570 Rev B (old No. 4ME-41104M4)



PART NO. MK-41104M8

- Compares to: 4ME-41104M8 Rev D



PART NO. MK-41125M

- Compares to: 4ME-41125M



PART NO. MK-5192M

- Compares to: 4ME-5192M

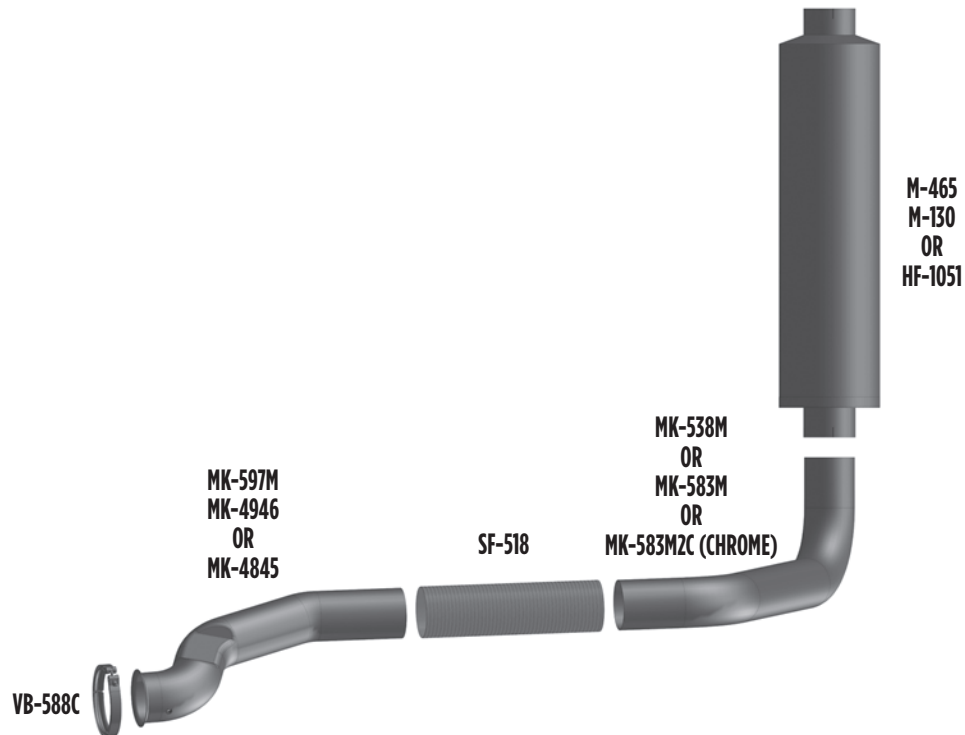


PART NO. MK-5195M

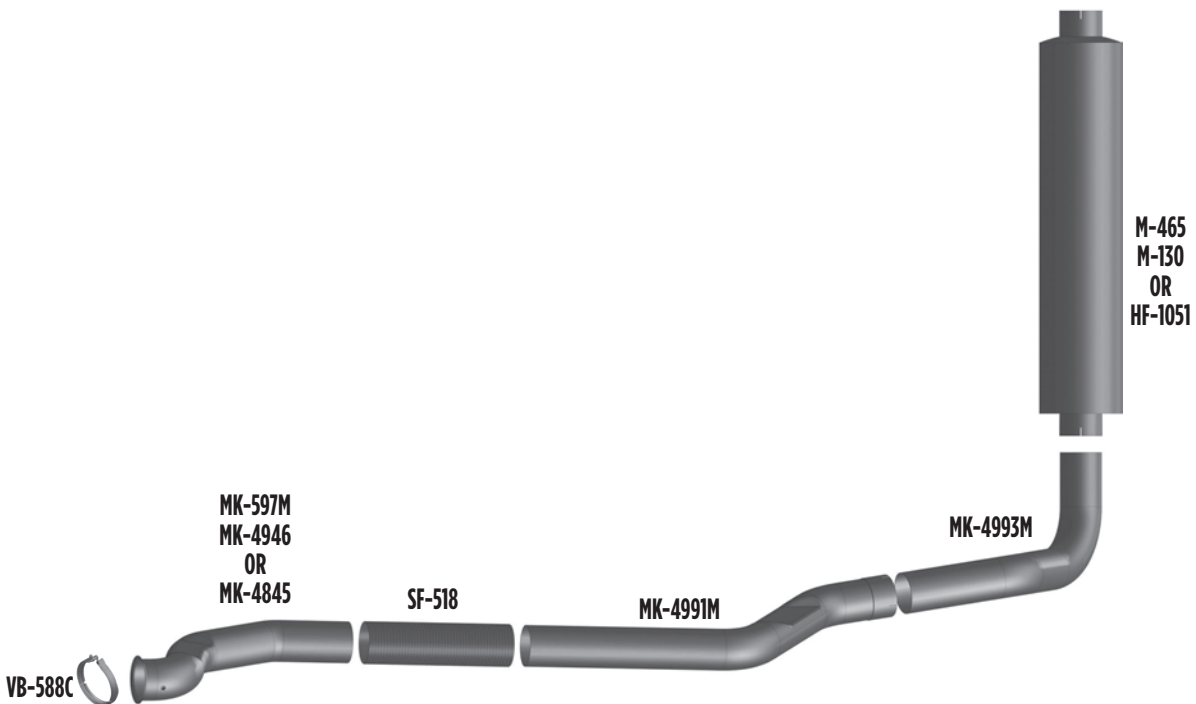
- Compares to: 4ME-5195M



Mack CH & CL Daycab Model Replacement Layout



Mack CH & CL Sleeper Model Replacement Layout



PART NO. MK-597M

• Compares to: 4ME-597M



PART NO. MK-4946

• Compares to: 4ME-4946



PART NO. MK-4845

• Compares to: 4ME-4845



PART NO. MK-583M

• Compares to: MK-583M



PART NO. MK-583M2C

• Compares to: 4ME-583M2C

CHROME



MACK HEAVY DUTY TRUCKS

PART NO. MK-538M

- Compares to: 4ME-538M



PART NO. MK-4991M

- Compares to: 4ME-4991M

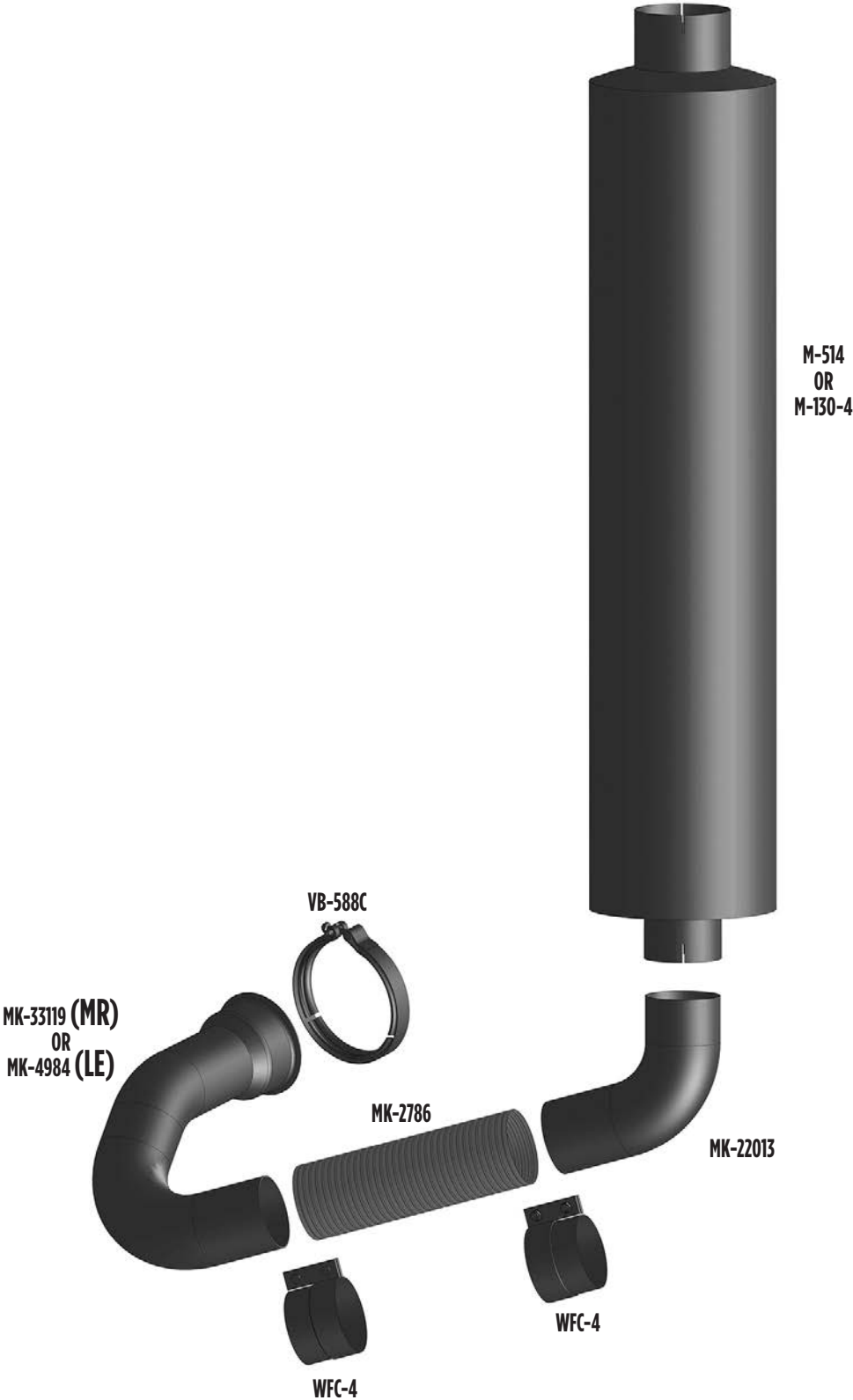


PART NO. MK-4993M

- Compares to: 4ME-4993M



Mack MR & LE Model Replacement Layout



MACK HEAVY DUTY TRUCKS

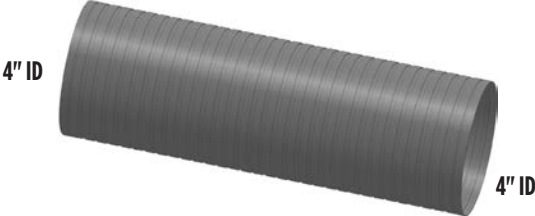
PART NO. MK-4984 (LE)

• Compares to: 4ME-4984



PART NO. MK-2786

• Compares to: 4ME-2786



PART NO. MK-22013

• Compares to: 4ME-22013

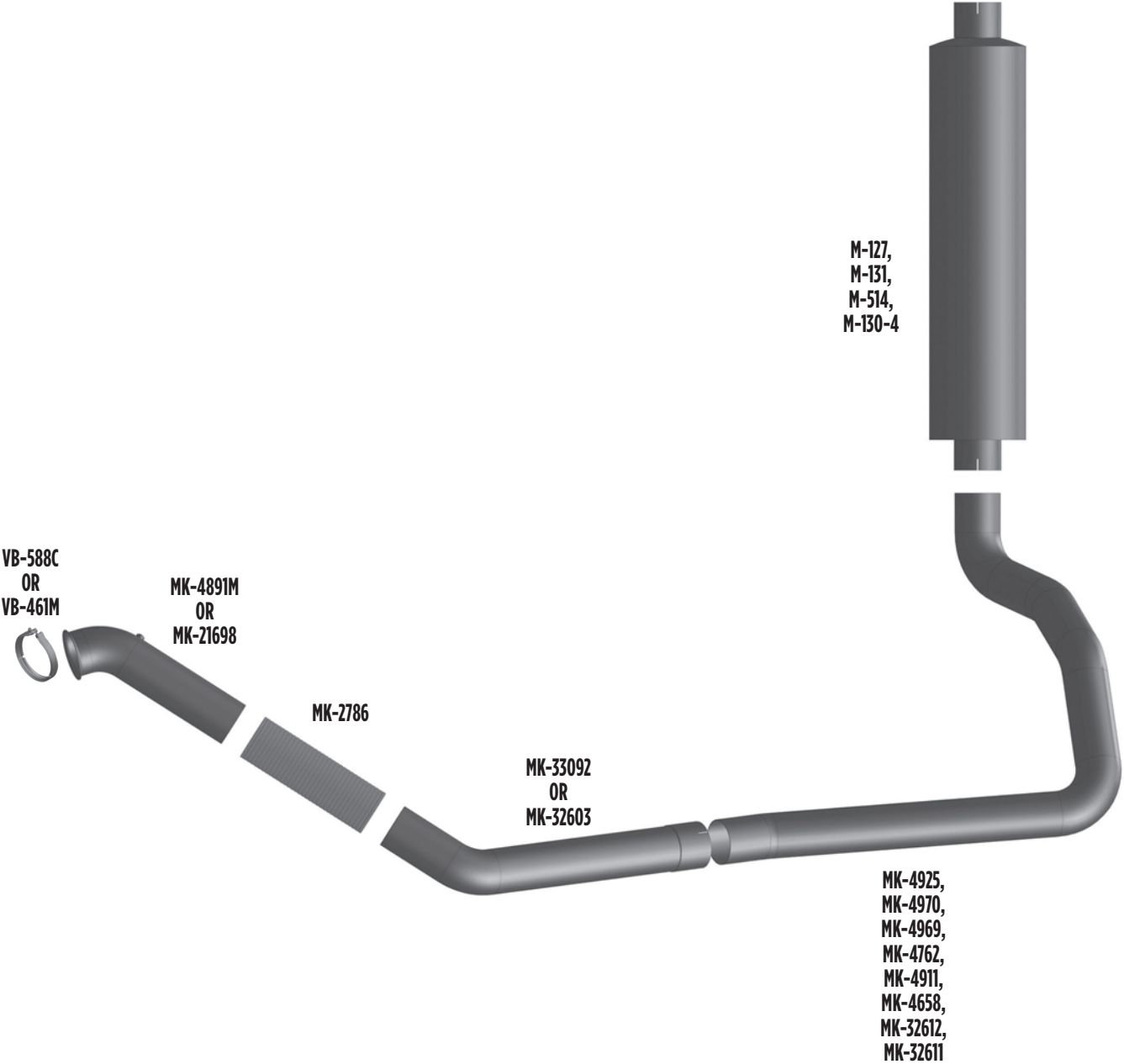


PART NO. MK-33119 (MR)

• Compares to: 4ME-33119



Mack R & RD Model Layout



MACK HEAVY DUTY TRUCKS

PART NO. MK-4891M

• Compares to: 4ME-4891M



PART NO. MK-21698

• Compares to: 4ME-21698



PART NO. MK-2786

• Compares to: 4ME-2786



PART NO. MK-33092

• Compares to: 4ME-33092



PART NO. MK-32603

• Compares to: 4ME-32603



PART NO. MK-4925

• Compares to: 4ME-4925



PART NO. MK-4926

• Compares to: 4ME-4926



PART NO. MK-4970

• Compares to: 4ME-4970



PART NO. MK-4969

• Compares to: 4ME-4969



PART NO. MK-4762

• Compares to: 4ME-4762



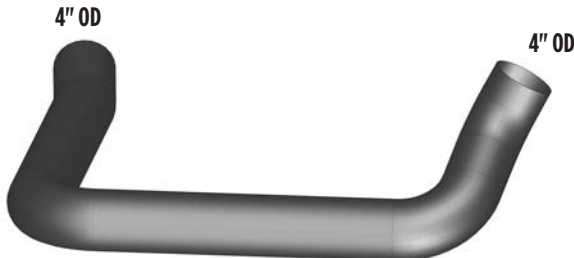
PART NO. MK-4911

• Compares to: 4ME-4911



PART NO. MK-4658

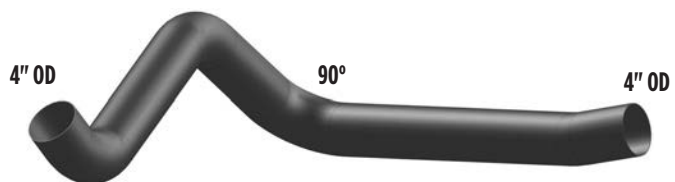
• Compares to: 4ME-4658



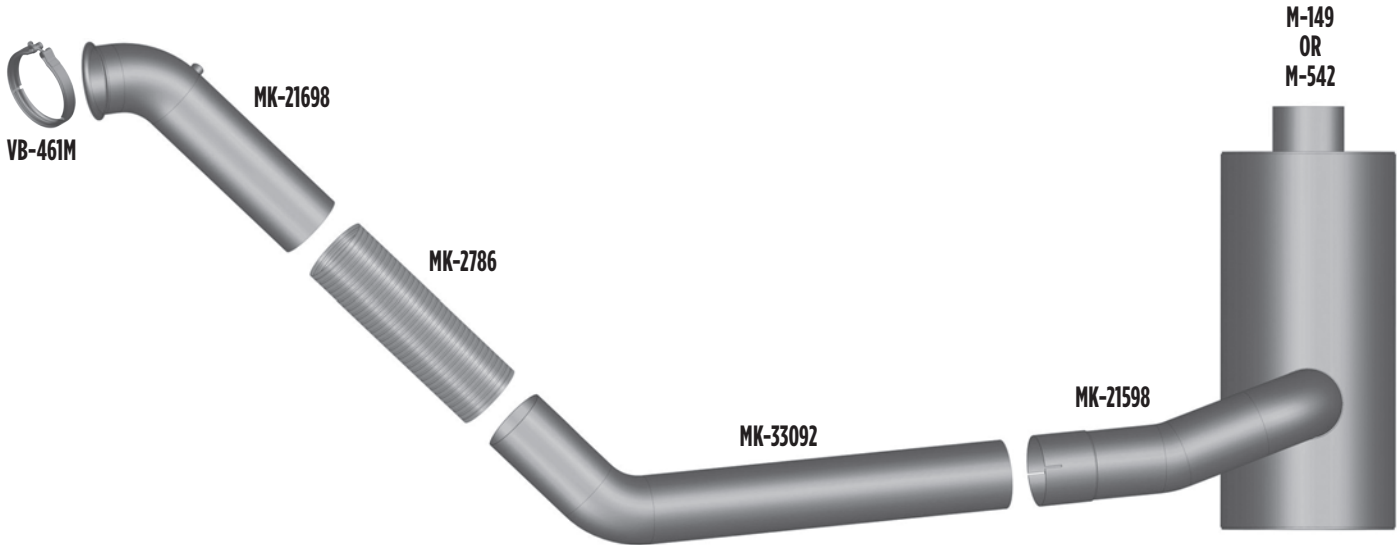
MACK HEAVY DUTY TRUCKS

PART NO. MK-32612

- Compares to: 4ME-32612



Mack DM Model Replacement Layout



MACK HEAVY DUTY TRUCKS

PART NO. MK-4947M

• Compares to: 4ME-4947M



PART NO. MK-4959M

• Compares to: 4ME-4959M



PART NO. MK-2991P17

• Compares to: 4ME-2991P17



PART NO. MK-21783P4

• Compares to: 4ME-21783P4



PART NO. MK-22022M

• Compares to: 4ME-22022M



PART NO. MK-21698

• Compares to: 4ME-21698



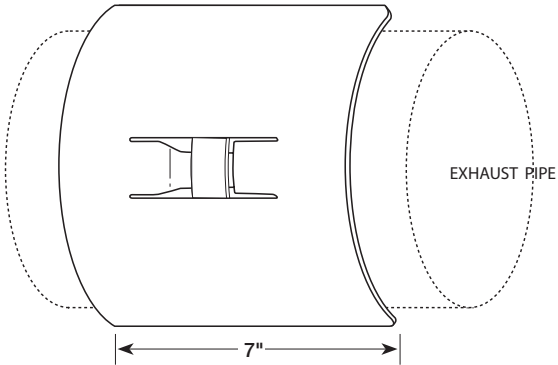
PART NO. M-149 & M-542

• Specs in Muffler Page

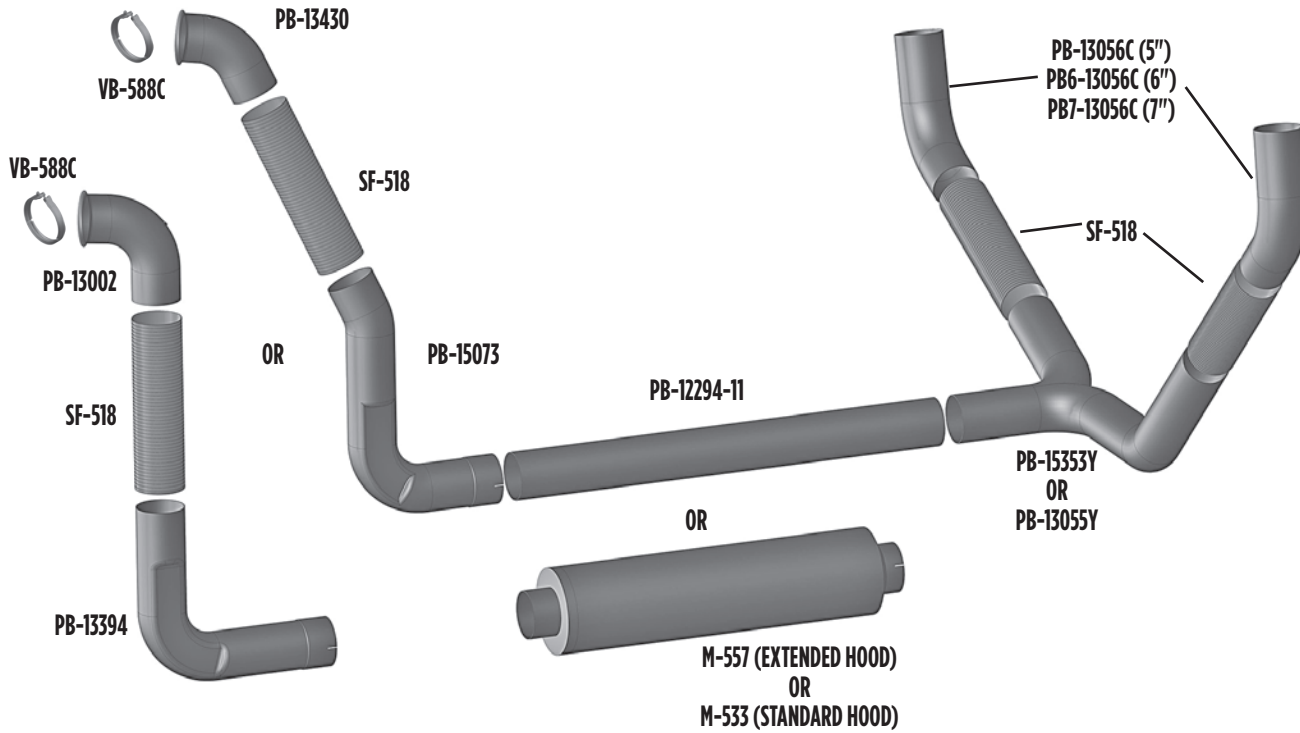


PART NO. UHS (MACK HEAT SHIELD)

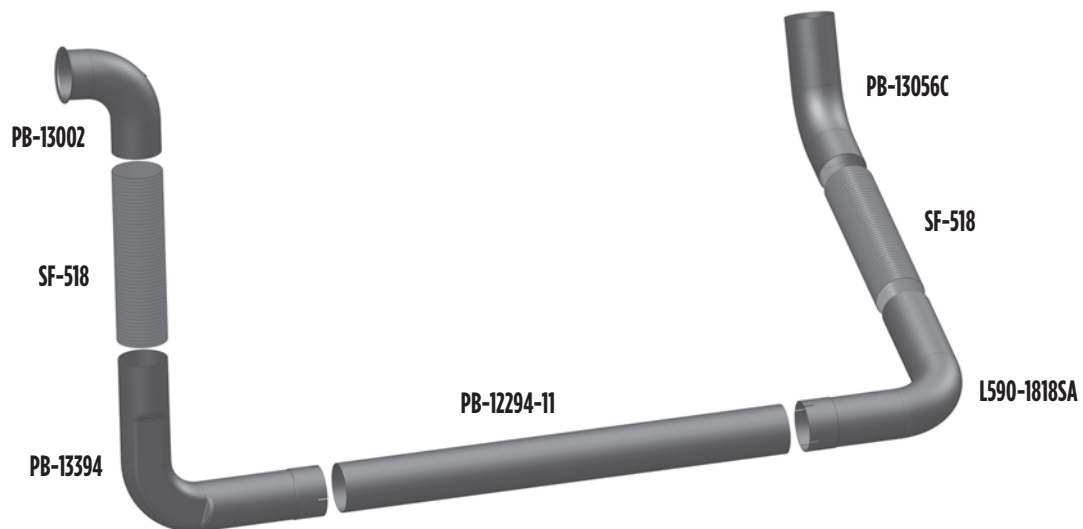
• Compares to: 13ME-3246M



Peterbilt 379 Dual Exhaust



For Single Right Side Exhaust



PART NO. PB-15329

• Compares to: 14-15329



PART NO. PB-13430

• Compares to: 14-13430



PART NO. PB-13002

• Compares to: 14-13002



PART NO. PB-13822

• Compares to: 14-13822



PART NO. PB-15073

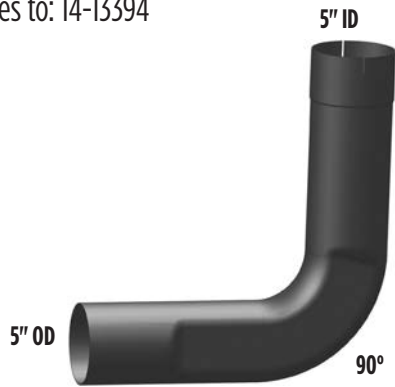
• Compares to: 14-15073



PETERBILT HEAVY DUTY TRUCKS

PART NO. PB-13394

- Compares to: 14-13394



PART NO. PB-13395

- Compares to: 14-13395



PART NO. PB-09456

- Compares to: 14-09456



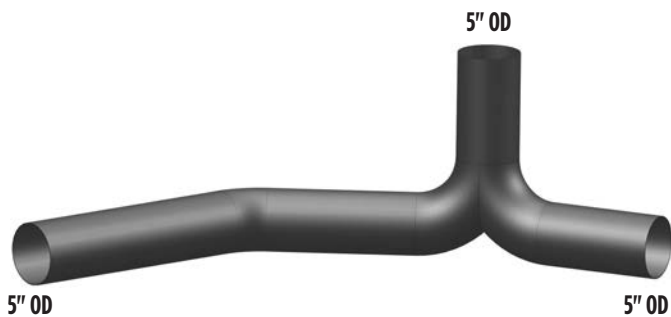
PART NO. PB-13433

- Compares to: 14-13433



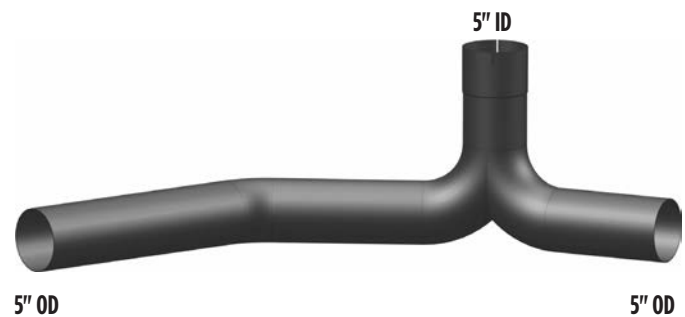
PART NO. PB-15353Y

- Compares to: 14-15353-0150 & 14-13944-0150



PART NO. PB-13055Y

- Compares to: 14-13055



PART NO. PB-13056

• Compares to: 14-13056



PART NO. PB-13056C

• Compares to: 14-13056CP

CHROME



PART NO. PB6-13056C

• Compares to: 14-13056CP

CHROME



PART NO. PB7-13056C

• Compares to: 14-13056CP

CHROME



PART NO. PB6-13056CID

• Compares to: 14-13056CP

CHROME



PART NO. PB7-13056CID

• Compares to: 14-13056CP

CHROME



PETERBILT HEAVY DUTY TRUCKS

PART NO. PB-13906LC

- Compares to: 14-13906CP

CHROME



PART NO. PB-13906RC

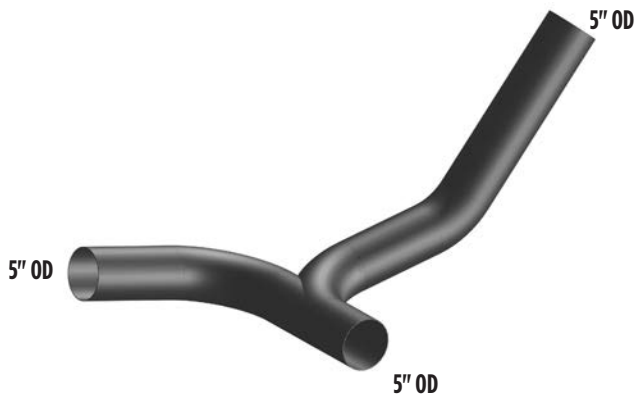
- Compares to: 14-13906RCP

CHROME



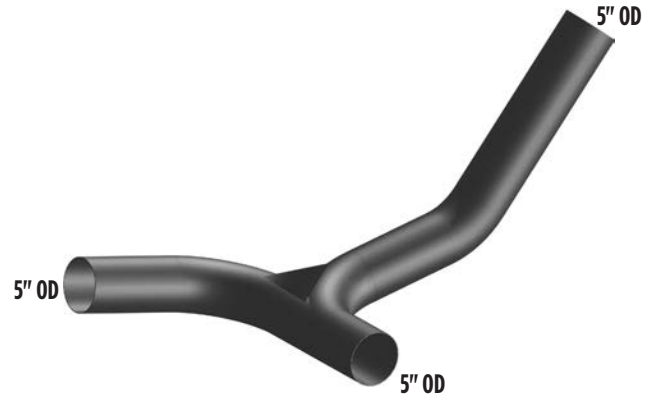
PART NO. PB-14046-0150

- Compares to: 14-14046-0150



PART NO. PB-14579-0150

- Compares to: 14-14579-0150



PART NO. PB-12294-11

- Compares to: 14-12294-1175
- 46.375" Length



PART NO. PB-14186S

- Compares to: 14-14186
- Polished 304 Stainless Steel



PART NO. PB-12998S

- Compares to: 14-12998
- Polished 304 Stainless Steel



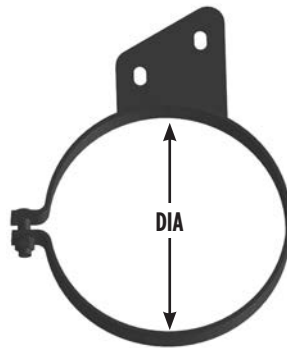
OFFSET STACK MOUNTING BRACKETS

- Polished Stainless Steel

Bolts directly onto factory cab brackets

DIA.	POLISHED STAINLESS PART NO.
5"	OS-5PBS
6"	OS-6PBS
7"	OS-7PBS

May be used on unibilts or where you want to move the stack 2"

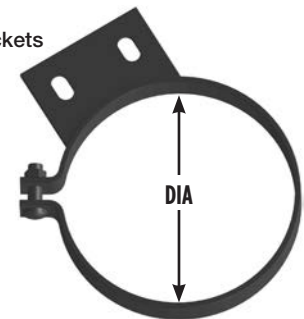


STACK MOUNTING BRACKETS

- Polished Stainless Steel

Bolts directly onto factory cab brackets

DIA.	POLISHED STAINLESS PART NO.
5"	MB-5PBS
6"	MB-6PBS
7"	MB-7PBS



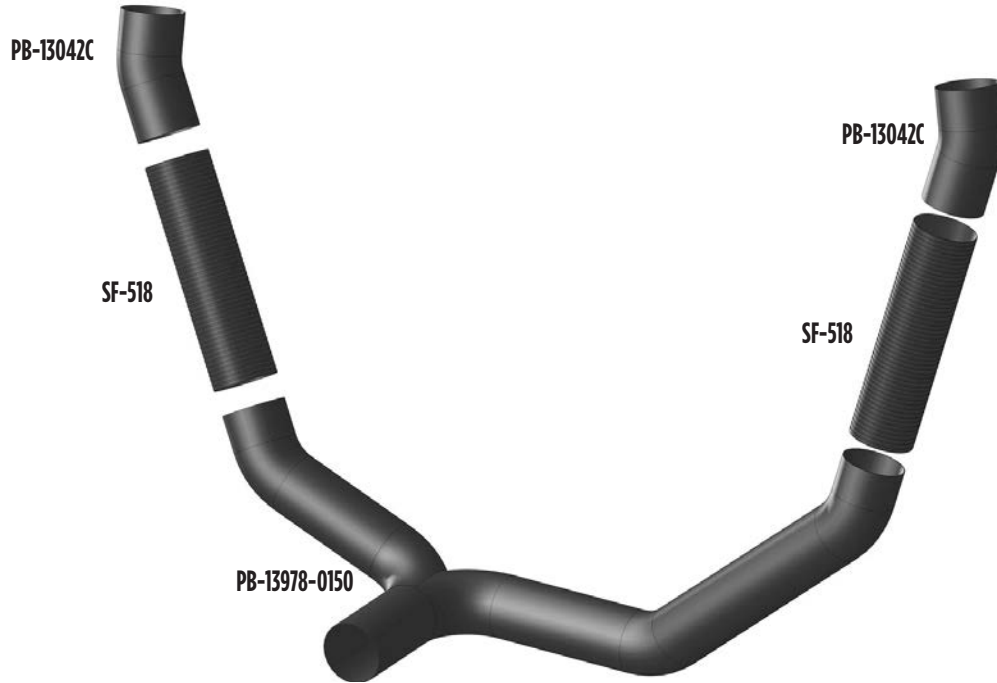
Fits 359 & 379 models thru '93

PART NO. PB-14656U

- Compares to: 14-14656
- Polyurethane not Rubber

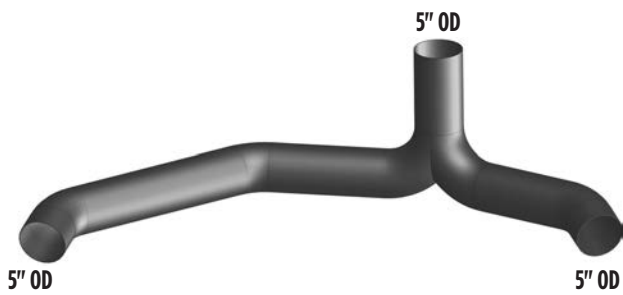


Peterbilt 379 Daycab (fits Daycab with mufflers behind the cab)



PART NO. PB-13978-0150

- Compares to: 14-13978-0150



PART NO. PB-13042C

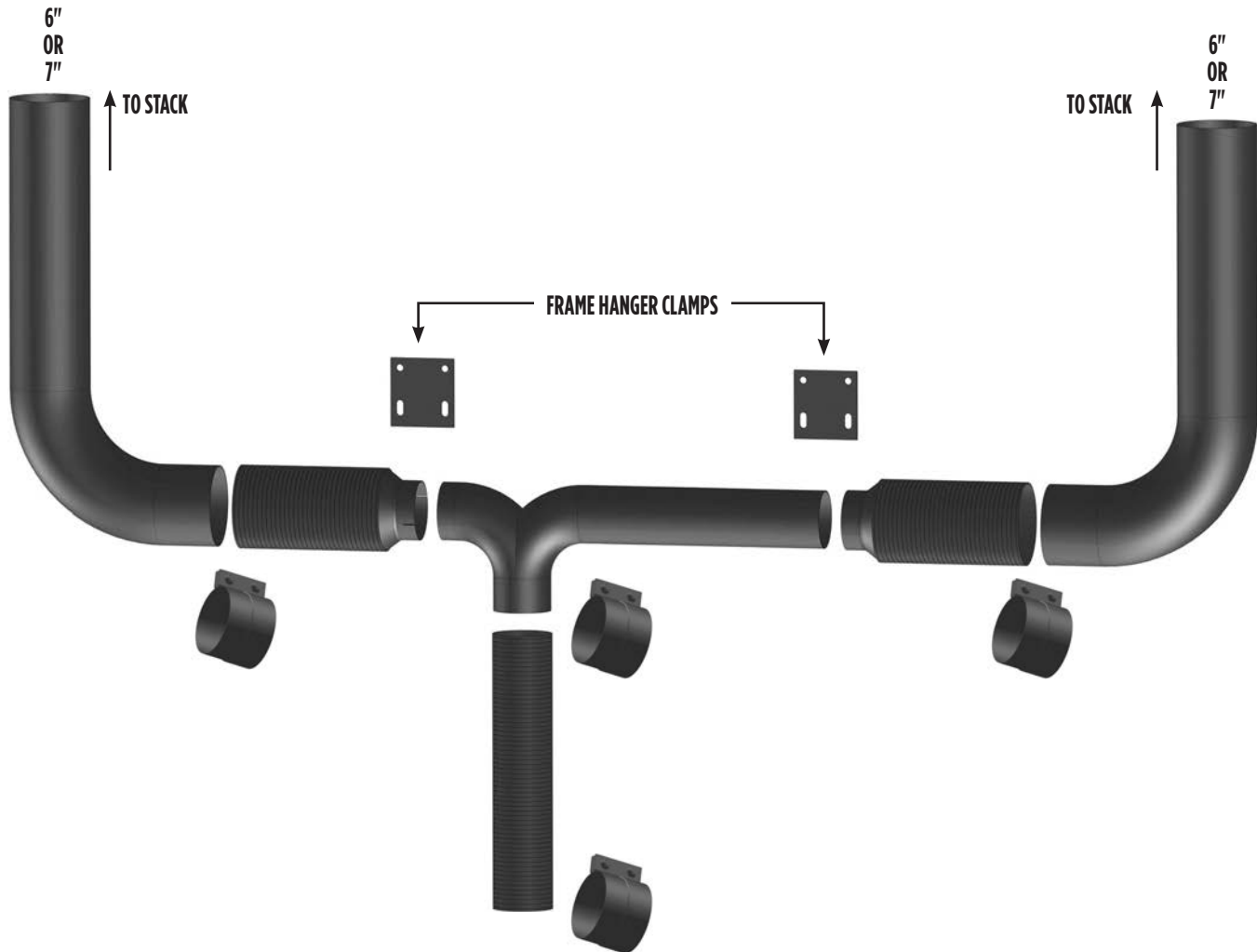
- Compares to: 14-13042CP

CHROME



Peterbilt 379 Retro Fit

Get the "Retro" look out of your newer modern truck. Direct bolt on, **No Cutting or Drilling!** Large Radius Chrome 90° elbows follow the radius of the fuel tanks.



Stacks or cab mounting brackets, must be ordered separately.

COMPLETE KIT PART NO.	DIA.
PRK-6	6"
PRK-7	7"

Kit comes complete with; chrome elbows, Y Pipe, Flex, Clamps, and Frame Brackets, to mount the Retro Kit **ONLY**.

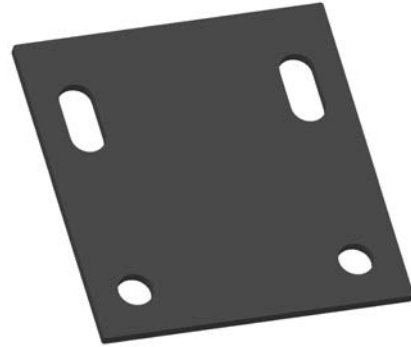
* The top of the elbows will be 5" above the lower cab bracket. Please confirm stack length.

PETERBILT HEAVY DUTY TRUCKS

PART NO. PRKY-13944



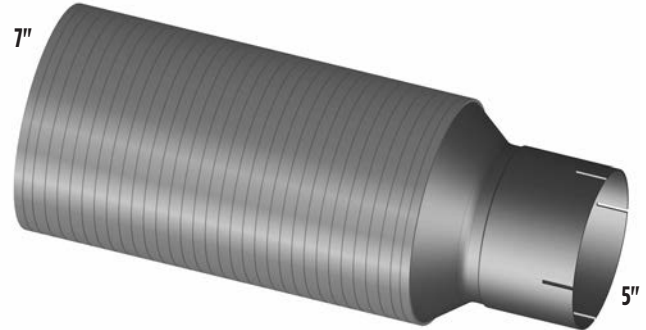
PART NO. PRK-BRKT



PART NO. PRKF-616



PART NO. PRKF-716



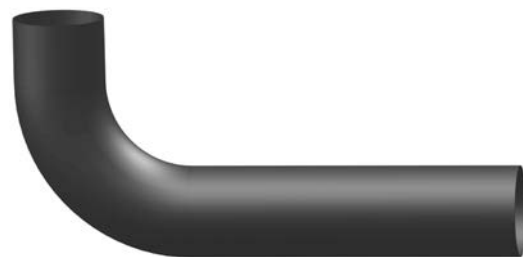
PART NO. PRK-L690C

CHROME



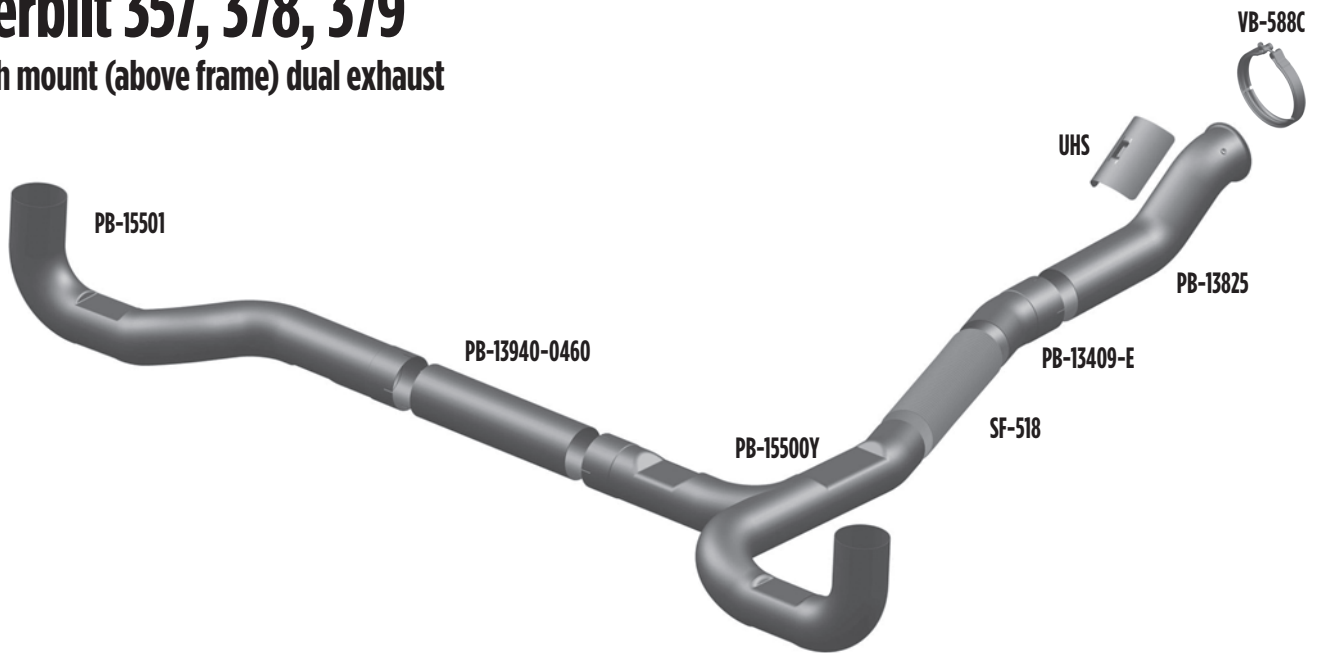
PART NO. PRK-L790C

CHROME



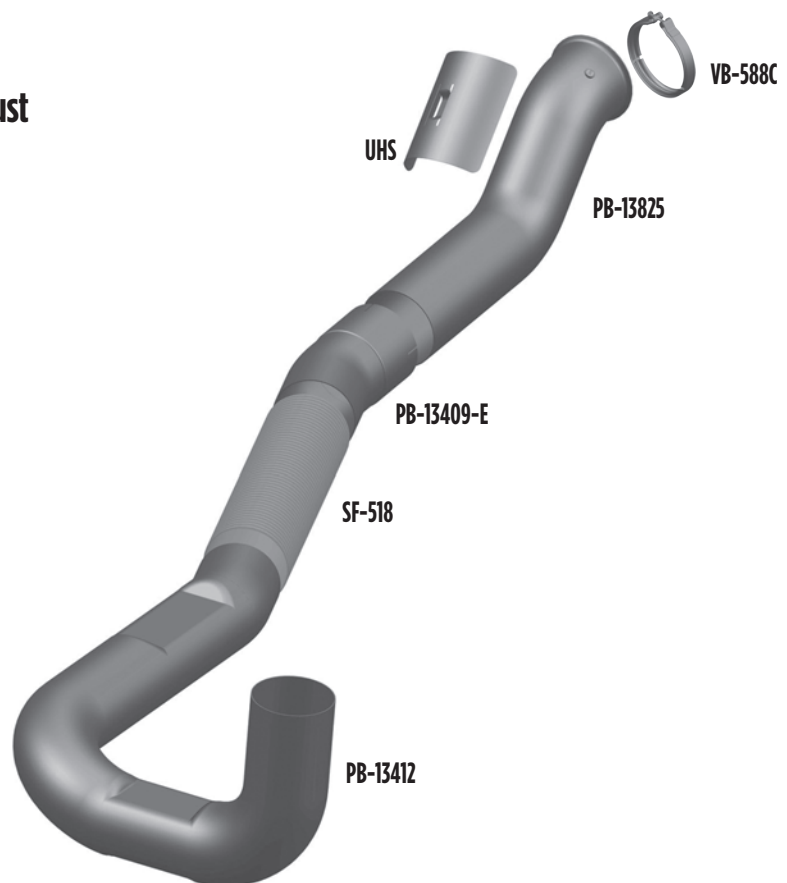
Peterbilt 357, 378, 379

w/ high mount (above frame) dual exhaust



Peterbilt 357, 378, 379

w/ high mount (above frame) single exhaust



PETERBILT HEAVY DUTY TRUCKS

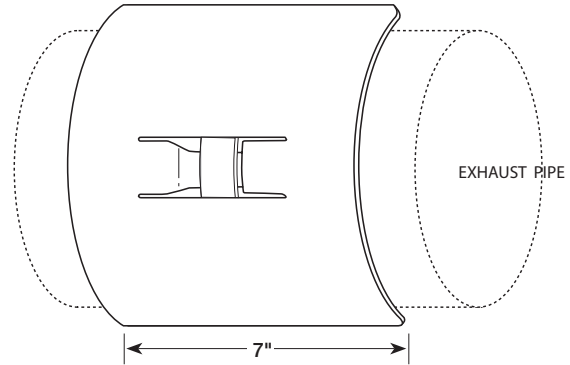
PART NO. PB-13825

- Compares to: 14-13825



PART NO. UHS (PETERBILT HEAT SHIELD)

- Compares to: 14-01661 & 05-19066-550



PART NO. PB-13409-E

- Compares to: 14-13409E



PART NO. PB-15500Y

- Compares to: 14-15500 & 14-13965



PART NO. PB-13412

- Compares to: 14-13412 & 14-15503



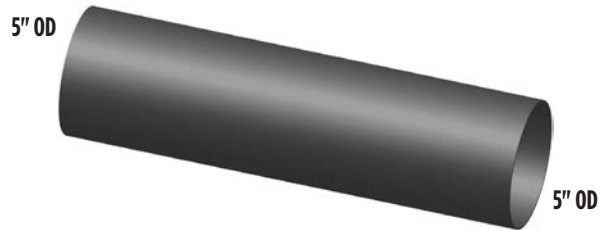
PART NO. PB-15501

- Compares to: 14-15501



PART NO. PB-13940-0460

- Compares to: 14-13940-0460
- 18" Length



PART NO. PB-15500Y-S4

- Compares to:
- 14ga Aluminized Coated 409 Stainless Steel



PART NO. PB-15501-S4

- Compares to:
- 14ga Aluminized Coated 409 Stainless Steel

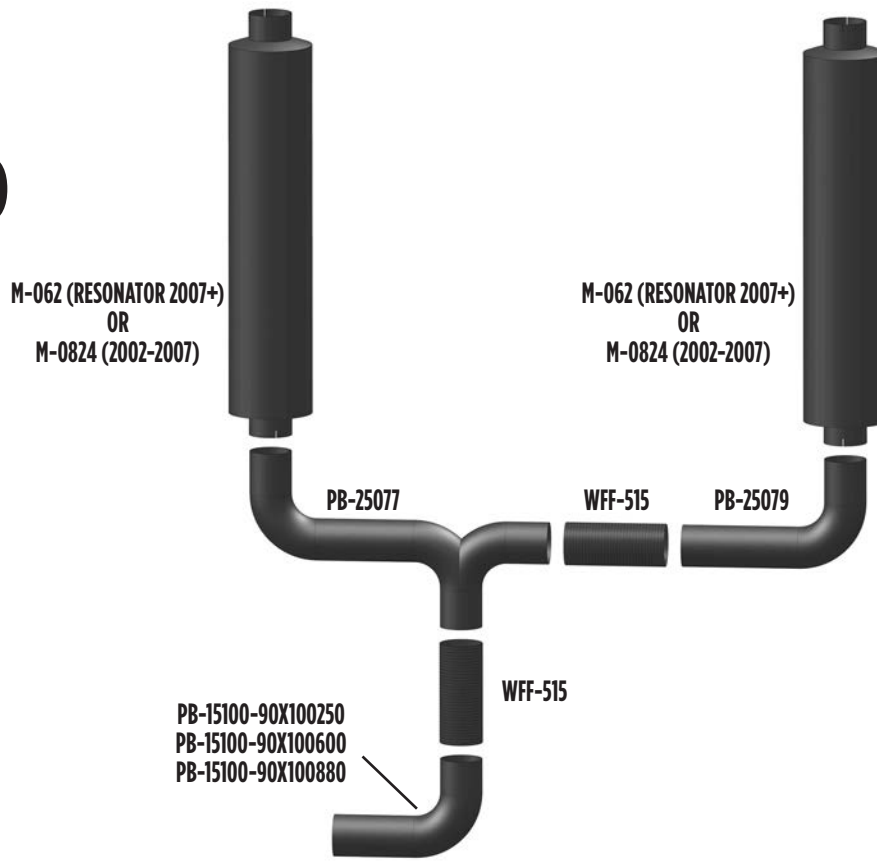


PART NO. PB-13412-S4

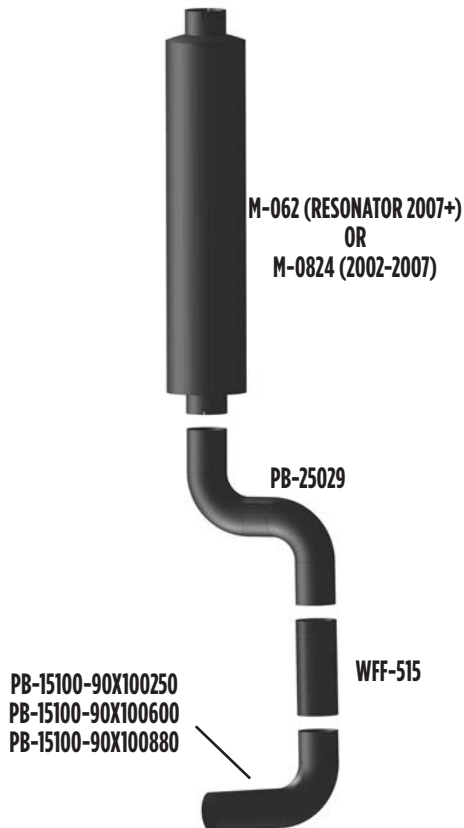
- Compares to:
- 14ga Aluminized Coated 409 Stainless Steel



Peterbilt 387 (dual exhaust)



Peterbilt 387 (single exhaust)



PART NO. PB-15100-90X100880

- Compares to: 14-15100-90X100880



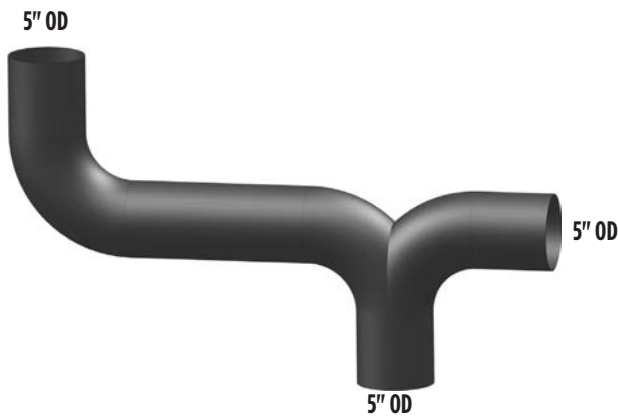
PART NO. PB-25029

- Compares to: 14-25029



PART NO. PB-25077

- Compares to: 14-25077



PART NO. PB-25079

- Compares to: 14-25079



PETERBILT HEAVY DUTY TRUCKS

PART NO. M-062

- Compares to: M111062
- Specs in Muffler Section



PART NO. M-0824

- Compares to: M110824
- Specs in Muffler Section

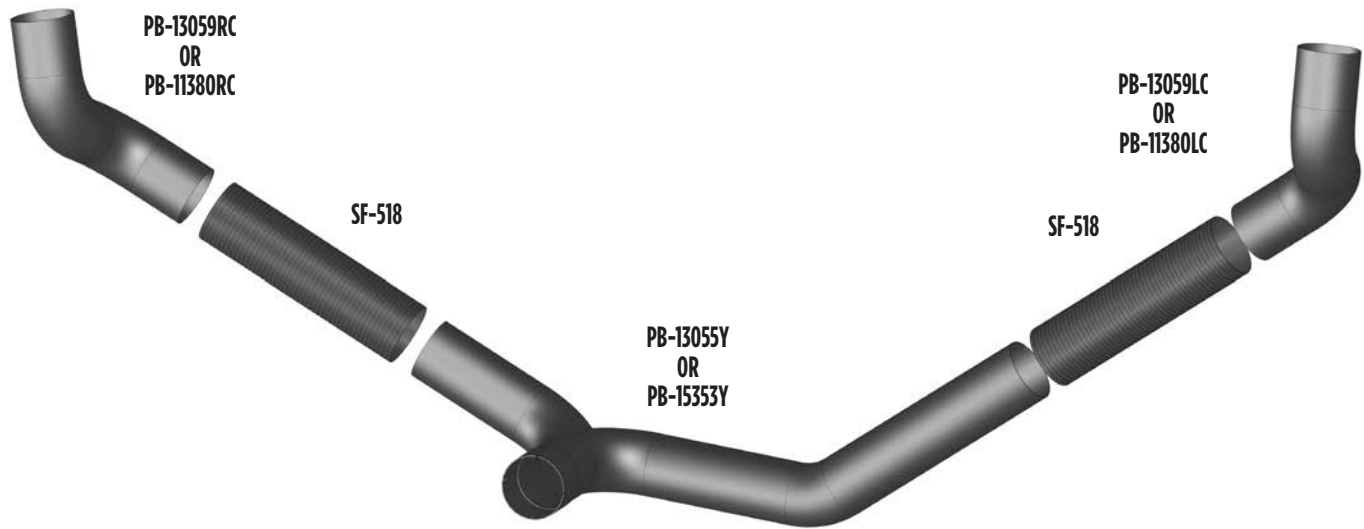


PART NO. WFF-515

- Compares to: 14-08044-014



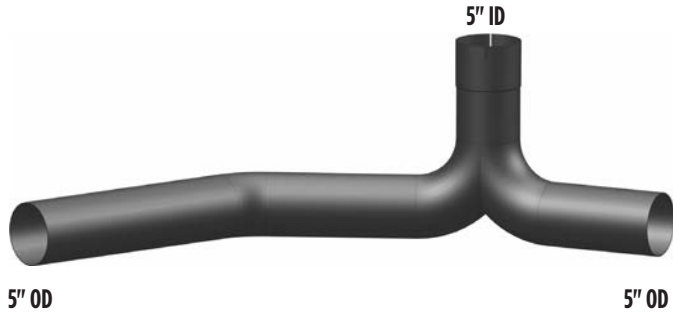
Peterbilt 377 Dual Exhaust



PETERBILT HEAVY DUTY TRUCKS

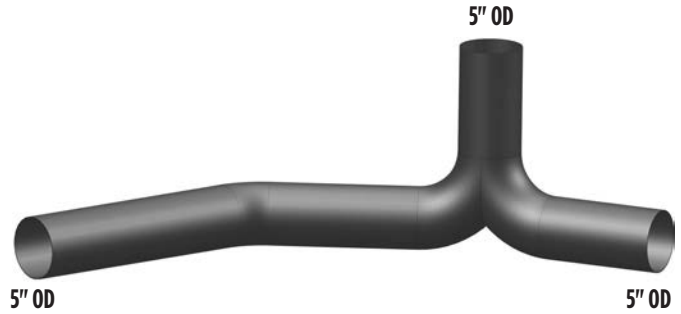
PART NO. PB-13055Y

• Compares to: 14-13055



PART NO. PB-15353Y

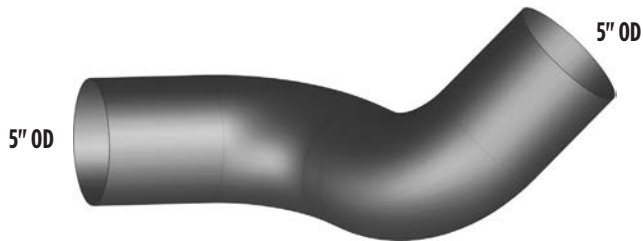
• Compares to: 14-15353



PART NO. PB-13059LC

• Compares to: 14-13059CP

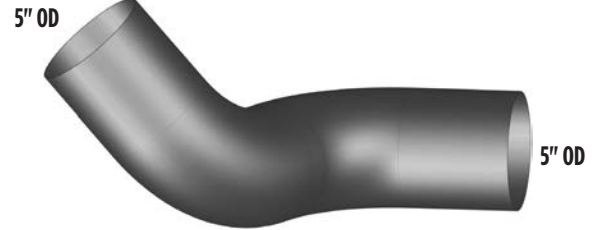
CHROME



PART NO. PB-13059RC

• Compares to: 14-13059RCP

CHROME



PART NO. PB-11380LC

• Compares to: 14-11380CP

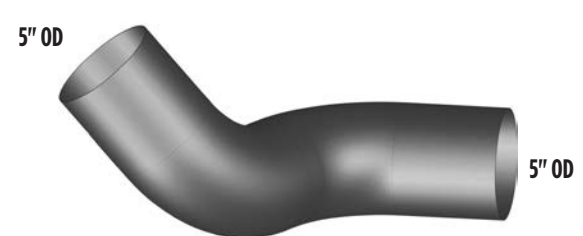
CHROME



PART NO. PB-11380RC

• Compares to: 14-11380RCP

CHROME



PART NO. PB6-13059LC

• Compares to: 14-13059CP

CHROME



PART NO. PB6-13059RC

• Compares to: 14-13059RCP

CHROME



PART NO. PB6-11380LC

• Compares to: 14-11380CP

CHROME



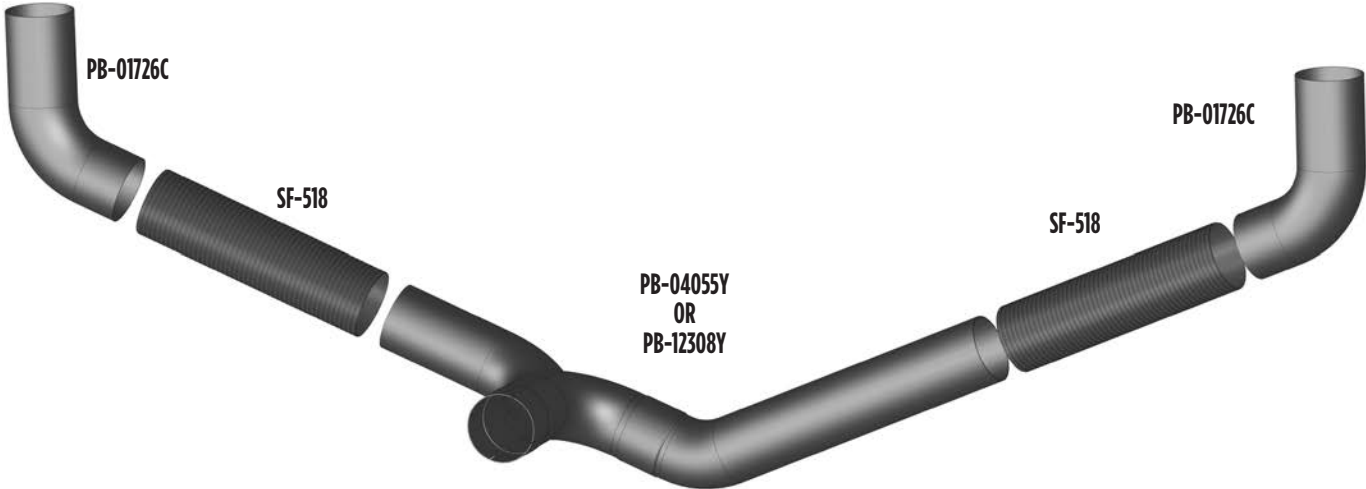
PART NO. PB6-11380RC

• Compares to: 14-11380RCP

CHROME



Peterbilt 359 Dual Exhaust



PART NO. PB-04055Y

• Compares to: 14-04055



PART NO. PB-12308Y

• Compares to: 14-12308Y



PART NO. PB-01726C

• Compares to: 14-01726CP

CHROME



PART NO. PB6-01726C

• Compares to: 14-01726CP

CHROME



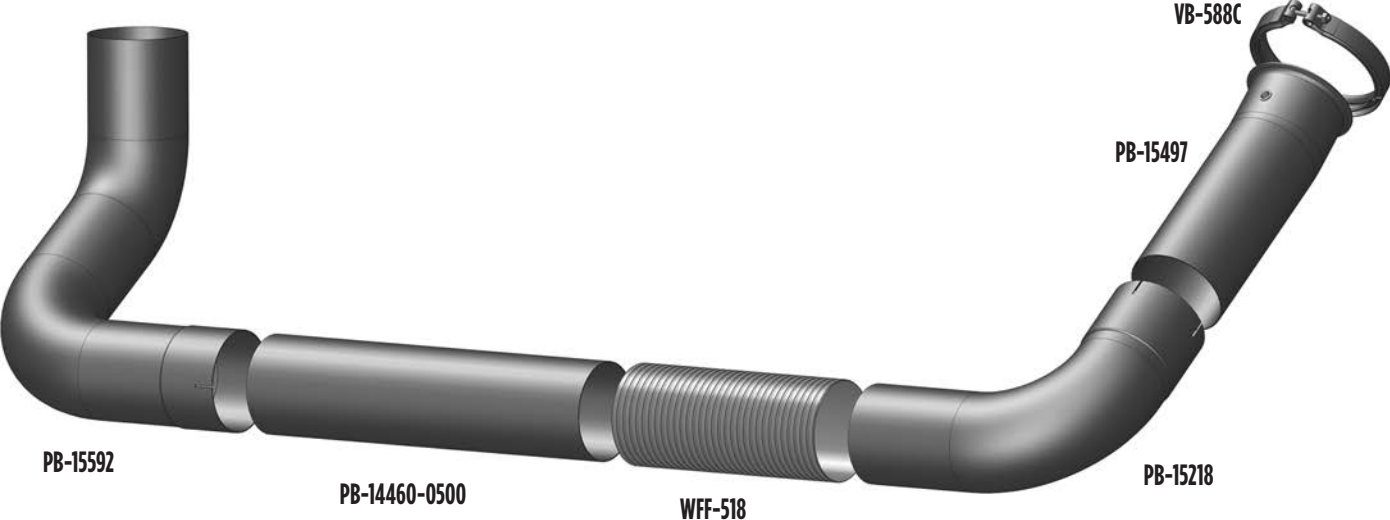
PART NO. PB7-01726C

• Compares to: 14-01726CP

CHROME



Peterbilt 320 System



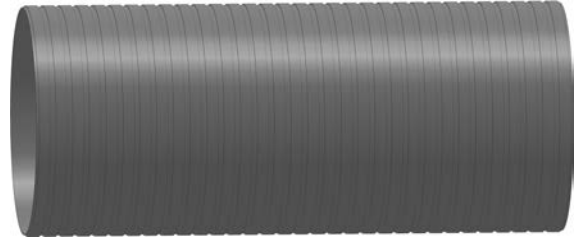
PART NO. PB-15497

- Compares to: 14-15497



PART NO. WFF-518

- Compares to: 7667



PART NO. PB-15592

- Compares to: 14-15592



PART NO. PB-15218

- Compares to: 14-15218



PART NO. PB-14460-0500

- Compares to: 14-14460-0500



Peterbilt 386 Heat Shield

PART NO. PB-6701HS-137

- Fits 386 Day Cab with single exhaust on RT side MX motor, with stack BEHIND cab.
- Bolts onto exhaust pipe part No. M66-6701
- Protect people from hot exhaust pipe

PB-6701HS-137



PART NO. PB-1510-009

• Compares to: 14-15100-009



PART NO. PB-13042C

• Compares to: 14-13042CP

CHROME



PART NO. PB-13825

• Compares to: 14-13825



PART NO. PB-13409-E

• Compares to: 14-13409E



PART NO. PB-13845LC

• Compares to: 14-13845CP

CHROME



PART NO. PB-13845RC

• Compares to: 14-13845RCP

CHROME



PETERBILT HEAVY DUTY TRUCKS

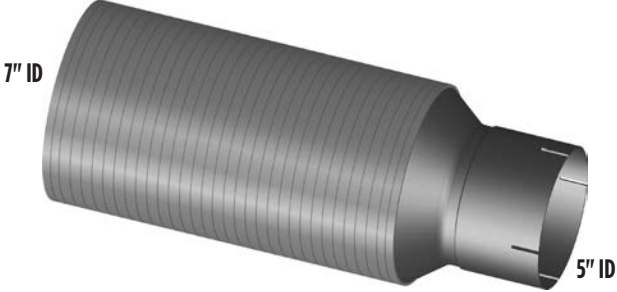
PART NO. PBF-618

- Retro Kit



PART NO. PBF-718

- Retro Kit



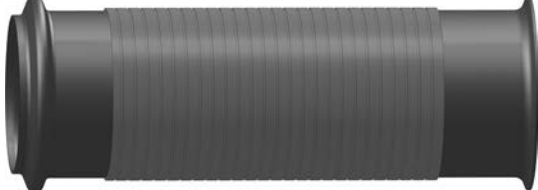
PART NO. PB-15502

- Compares to: 14-15502



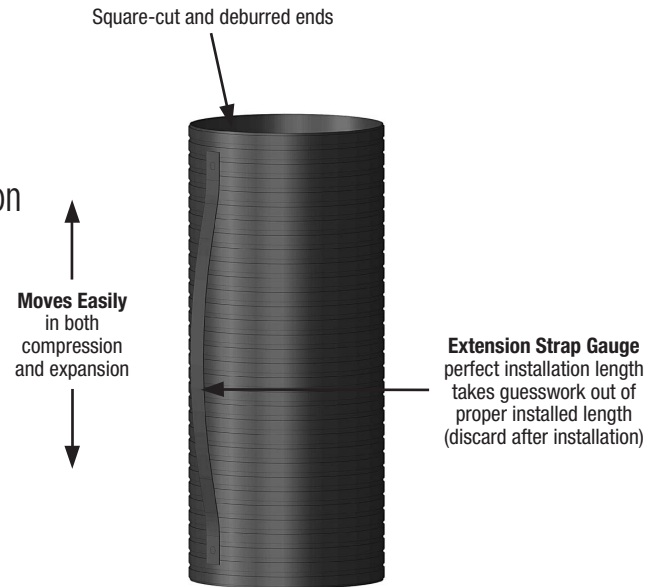
PART NO. PB-6541

- Compares to: M66-3541 REV A



PACCAR OE Replacement Stainless Flex

- 304 Stainless Steel Construction
- Moves easily in both compression and expansion
- Torsional Movement (twists)
- Double wall construction is virtually leak-free & low emission
- In-between lengths to fit any flex application
- Eliminates cutting
- Easy installation
- Individually boxed with installation instructions
- Longer life than other flex types



PART NO.	COMPARES TO PACCAR NO.	DIA.	LENGTH
WFF-512	K180-1637-12	5"	12"
WFF-515	K180-1637-15	5"	15"
WFF-518	K180-1637-18	5"	18"
WFF-521	K180-1637-21	5"	21"
WFF-524	K180-1637-24	5"	24"

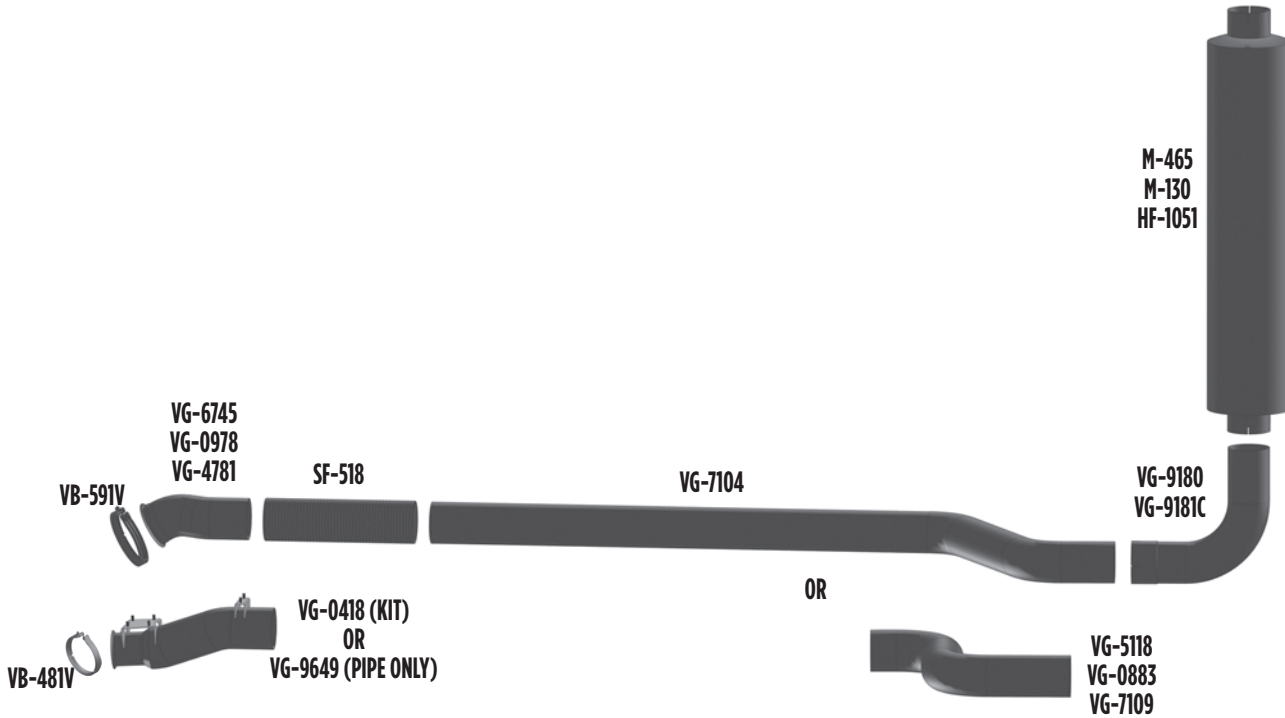


TYPE SSS (33% THICKER)
• SPECIAL INTERLOCKED PROFILE •

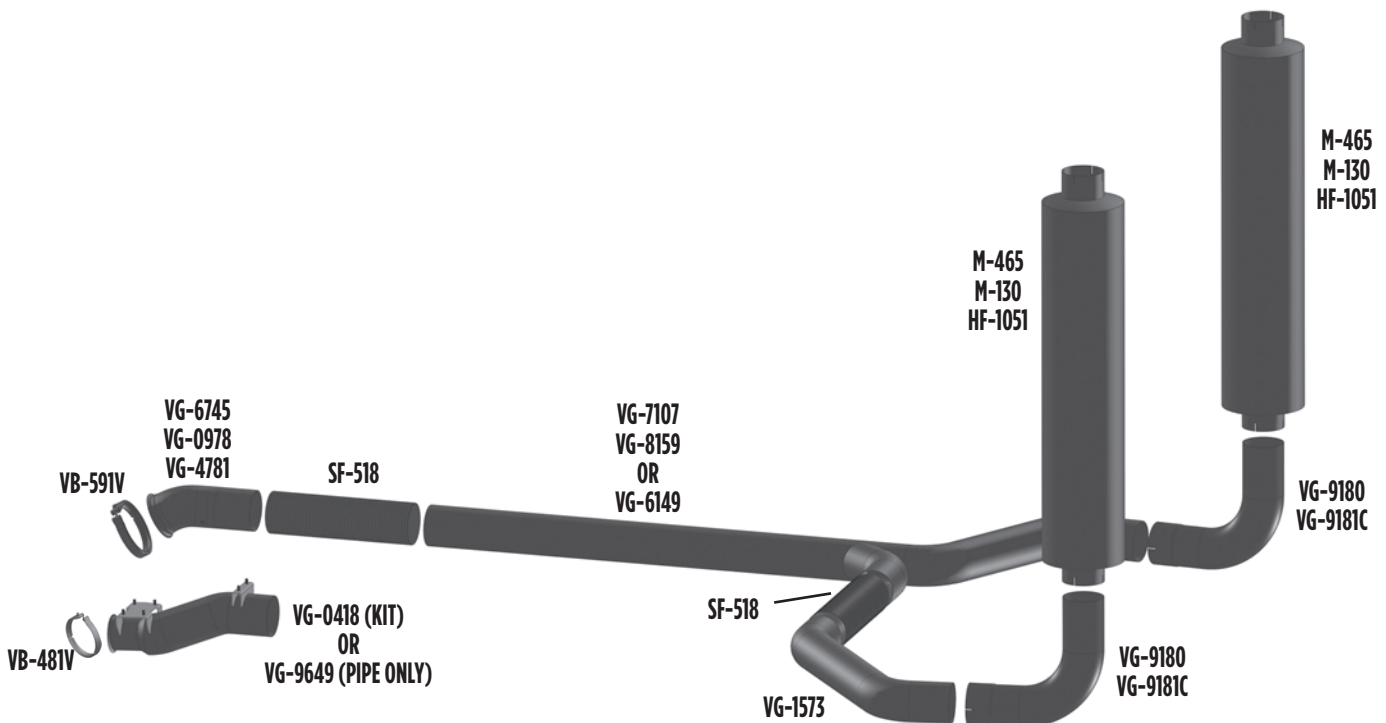


(Conventional Interlocked Profile)

Volvo VN & VNL Single Exhaust Layout

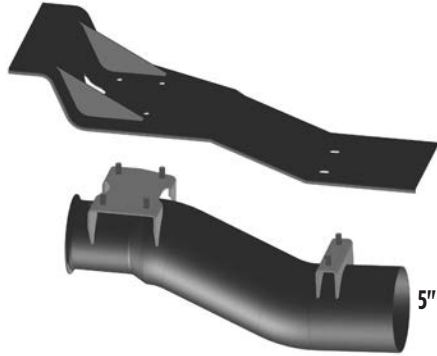


Volvo VN & VNL Dual Exhaust Layout



PART NO. VG-0418

- Compares to: 85110418
- Complete Kit (Pipe, Shield, Brackets)



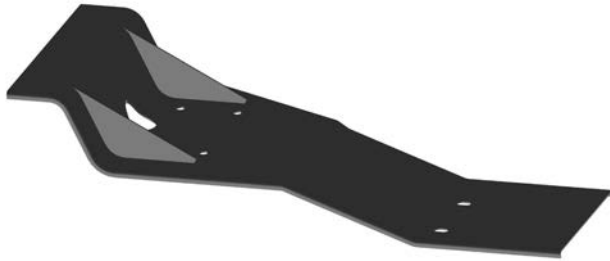
PART NO. VG-9649

- Compares to: 20779649
- Pipe Only



PART NO. VG-3768

- Compares to: 20823768
- Shield Only



PART NO. VG-1573

- Compares to: 21131573



PART NO. VG-6745

- Compares to: 20446745



PART NO. VG-4781

- Compares to: 20554781



VOLVO HEAVY DUTY TRUCKS

PART NO:	COMPARES TO:	DESCRIPTION:
VG-7107	20457107	Short Y Pipe
VG-8159	8078159	Medium Y Pipe
VG-6419	20457108 & 20866419	Long Y Pipe



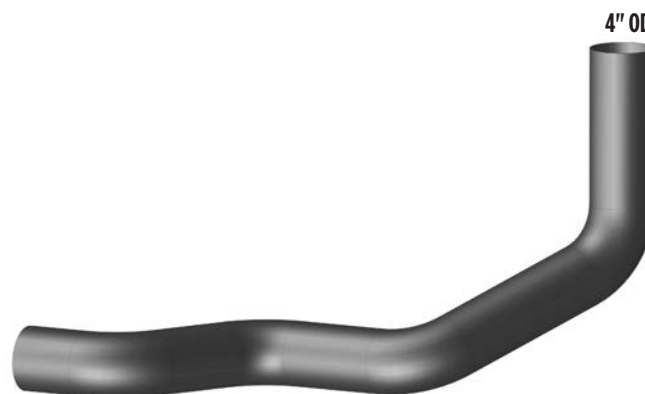
PART NO. VG-0978

- Compares to: 8080978



PART NO. VG-8019

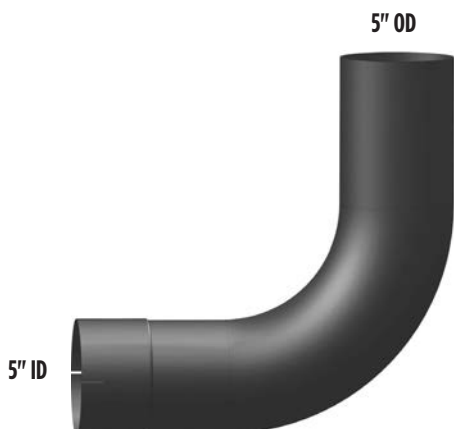
- Compares to: 8178019



PART NO. VG-9181C

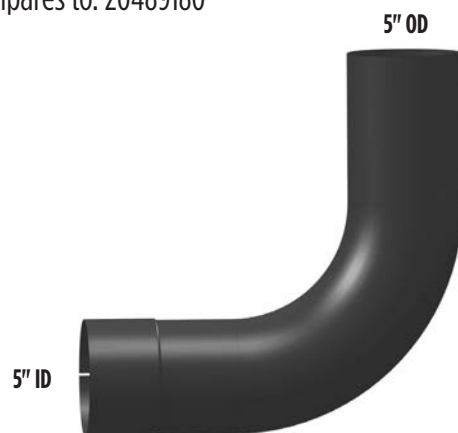
- Compares to: 20489181

CHROME



PART NO. VG-9180

- Compares to: 20489180



PART NO. VB-481V

• Compares to: 21021852



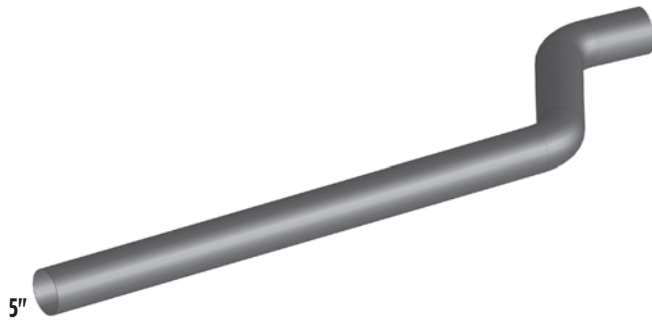
PART NO. VB-591V

• Compares to: 21021850



PART NO. VG-7104

• Compares to: 20457104



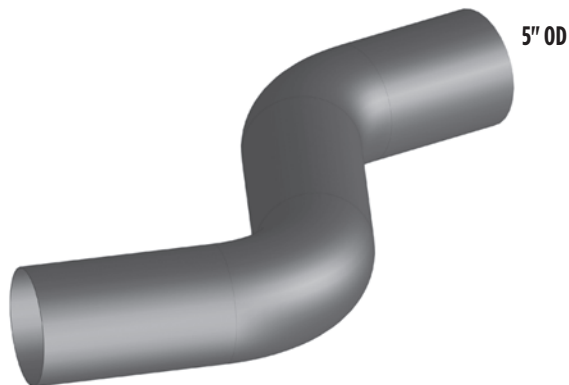
PART NO. VG-7109

• Compares to: 20457109



PART NO. VG-0883

• Compares to: 8070883



PART NO. VG-5118

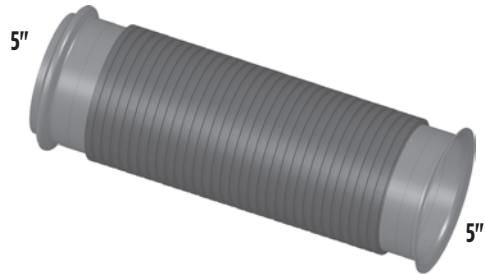
• Compares to: 8025118



VOLVO HEAVY DUTY TRUCKS

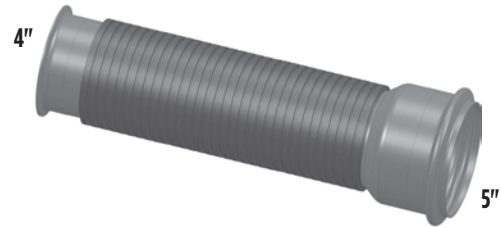
PART NO. VG-8532

- Compares to: 21428532



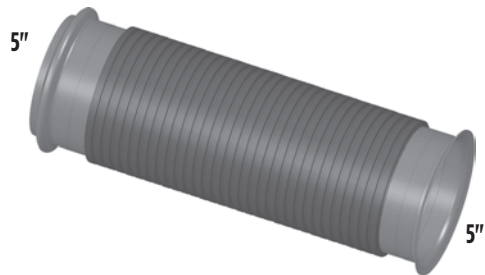
PART NO. VG-8534

- Compares to: 21428534



PART NO. VG-1403

- Compares to: 21051403



PART NO. VB-588C

- use for Marmon Flange 5"

PART NO. VB-475C

- use for Marmon Flange 4"



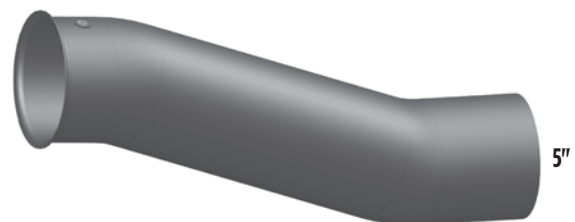
PART NO. VG-3286

- Compares to: 23509-3286

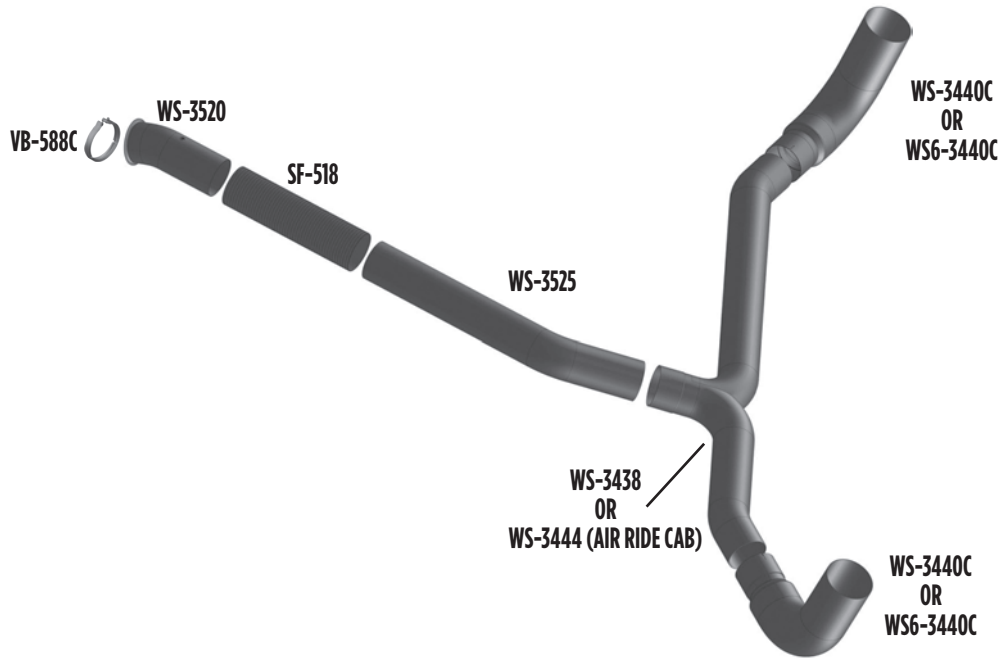


PART NO. VG-1845

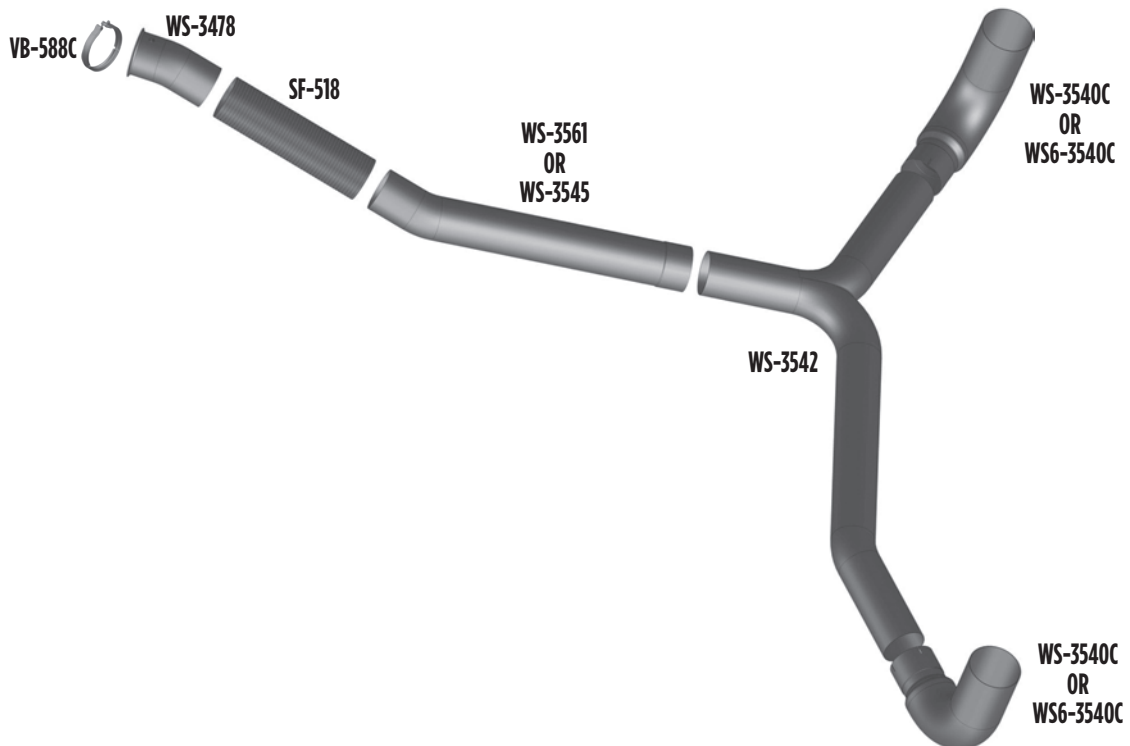
- Compares to: 8071845



Western Star Heritage Model



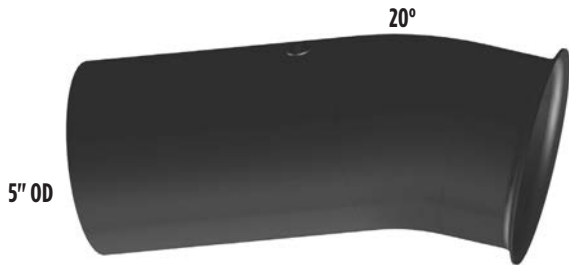
Western Star Constellation Model



WESTERN STAR HEAVY DUTY TRUCKS

PART NO. WS-3520

- Compares to: 23517-3520



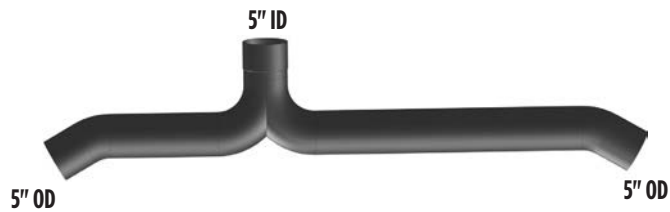
PART NO. WS-3525

- Compares to: 23517-3525



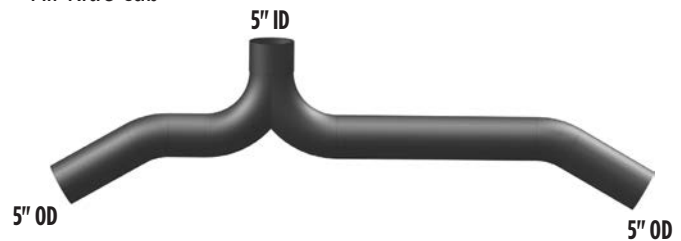
PART NO. WS-3438

- Compares to: 23527-3438
- Y Pipe



PART NO. WS-3444

- Compares to: 23529-3444
- Y Pipe
- Air Ride Cab



PART NO. WS-3440C

- Compares to: 23527-3440
- 85°

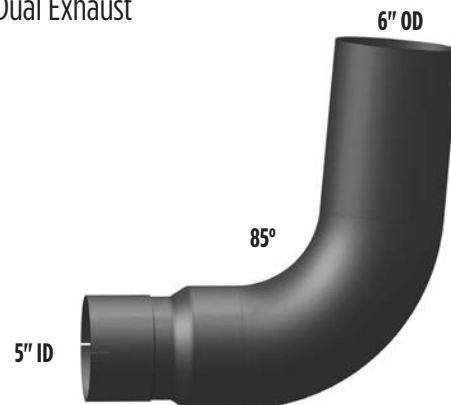
CHROME



PART NO. WS6-3440C

- 6" reduced to 5"
- For Dual Exhaust
- 85°

CHROME



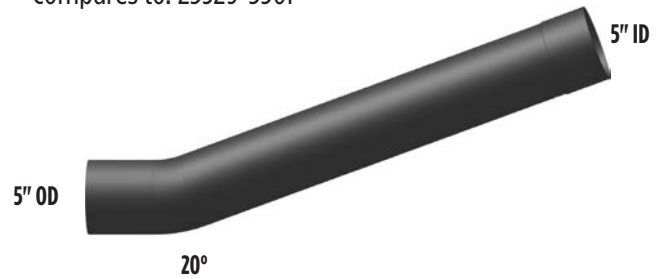
PART NO. WS-3478

- Compares to: 23529-3478



PART NO. WS-3561

- Compares to: 23529-3561



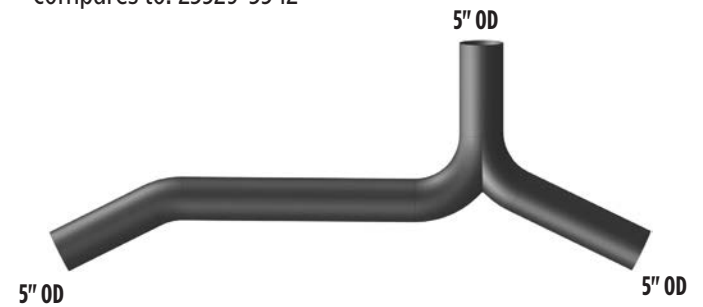
PART NO. WS-3545

- Compares to: 23529-3545



PART NO. WS-3542

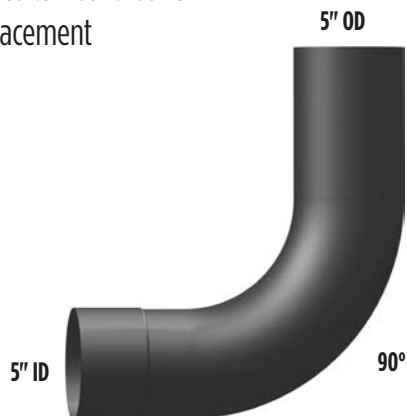
- Compares to: 23529-3542



PART NO. WS-3540C

- Compares to: 23529-3540
- OE Replacement
- 90°

CHROME



PART NO. WS6-3540C

- 6" reduced to 5"

CHROME



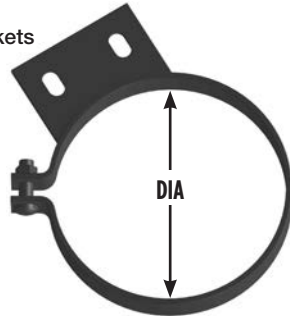
WESTERN STAR HEAVY DUTY TRUCKS

STACK MOUNTING BRACKETS

- Polished Stainless Steel

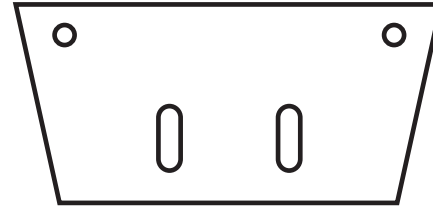
Bolts directly onto factory cab brackets

DIA.	POLISHED STAINLESS PART NO.
6"	MB-6WSS
7"	MB-7WSS



PART NO. MB-WS

- 5", 6" or 7" stack mounting bracket, bolt to cab and order MB-5PBS, MB-6PBS or MB-7PBS



MEDIUM DUTY SYSTEMS

CHEVROLET/GMC MEDIUM DUTY TRUCKS

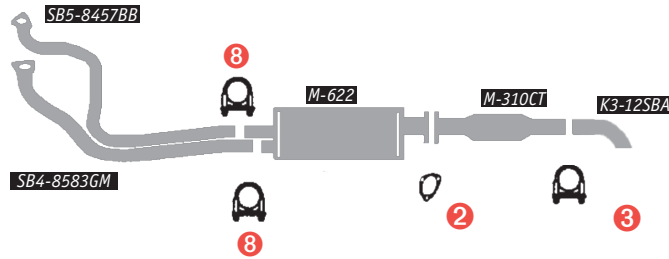
CLAMPS and HANGERS CHART

- | | | | |
|------------|----------|-----------|-----------|
| 1 RB-275ZN | 3 RO-3 | 5 VB-461D | 7 H-BBM5 |
| 2 G-BB2 | 4 RB-3ZN | 6 WFC-4 | 8 RB-25ZN |

Series 50, 60, 70, 5000, 6000, 7000

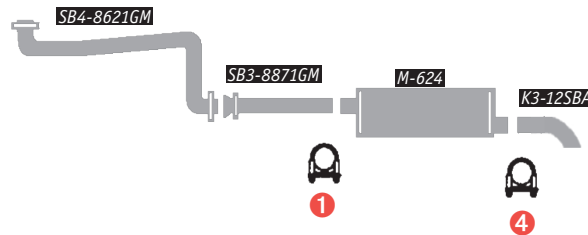
98-02 8 Cyl. C5D, C6D, C7D GMC Conventional Chassis w/ 454-502 Engine

CH100



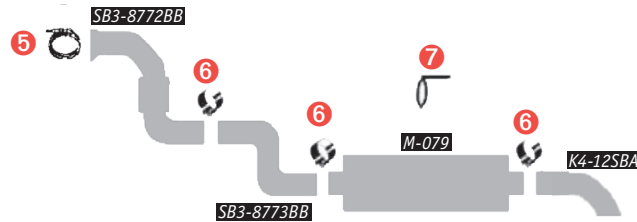
97-02 8 Cyl. C6D, C7D GMC Kodiak Topkick Chassis w/ 6.6L Turbo Diesel Engine

CH101



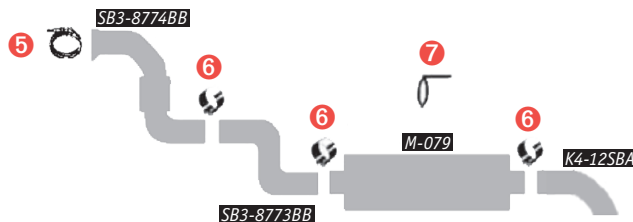
98-01 6 Cyl. C6D, C7D 3126 Cat., GMC Conventional Chassis, Turbo Diesel Engine

CH102



94-98 6 Cyl. C6D, C7D 3116 Cat., GMC Conventional Chassis, Turbo Diesel Engine

CH103



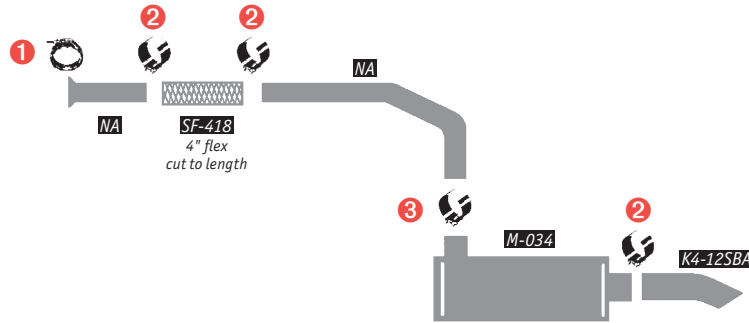
CLAMPS and HANGERS CHART

- 1 VB-461D 3 WFC-3
- 2 WFC-4

Series 50, 60, 70, 5000, 6000, 7000

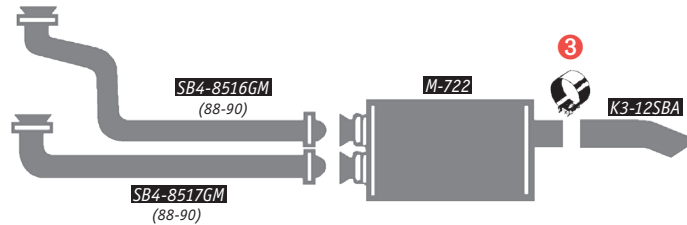
90-00 6 Cyl C7H, C6H w/ 3116 CAT.(6.6L) Turbo Diesel Engine

CH104



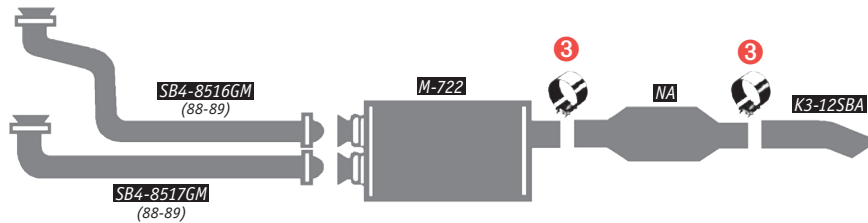
88-95 8 Cyl. C6D, C7D, w/ 366 C.I.D.(6.0L), 427 C.I.D.(7.0L) T.B.I. Engine; Ball & Socket Joint without Converter

CH105



88-95 8 Cyl. HIGH TEMPERATURE EXHAUST SYSTEM C6D, C6H, C7D, C7H; 366, 427 (C7D) T.B.I. Engine; With Converter; Ball & Socket Joint

CH106



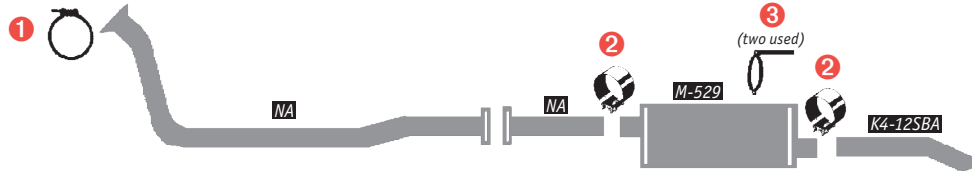
FORD MEDIUM DUTY TRUCKS

CLAMPS and HANGERS CHART

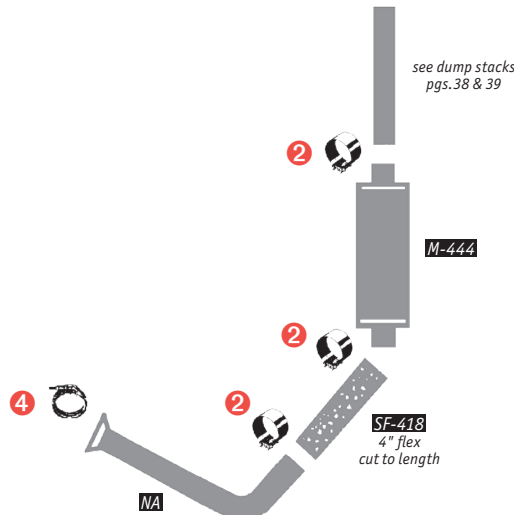
- | | |
|-----------|-----------|
| 1 VB-419F | 3 RMH-11 |
| 2 WFC-4 | 4 VB-321C |

Series C600, C700, C750, C800

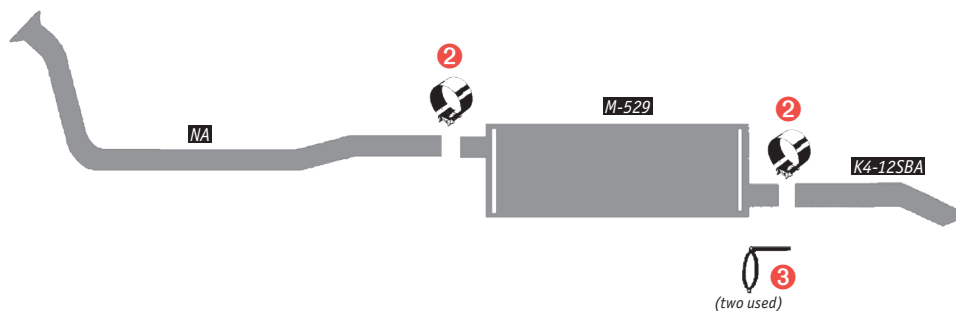
- | | | | |
|-------|--------|--|-------|
| 86-93 | 6 Cyl. | CF600, CF800; 401, 476(6.6L, 7.8L) Diesel Engine | FD200 |
| 88-92 | 6 Cyl. | CF700; 401, 476(6.6L, 7.8L) Diesel Engine | |
| 88-93 | 6 Cyl. | CF800; 401, 476(6.6L, 7.8L) Diesel Engine | |



- | | | | |
|-------|--------|--|-------|
| 93-94 | 6 Cyl. | CF700; Cummins FD1060(5.9L) Diesel Engine; Without Converter; (Before 11-93) | FD201 |
| 93-94 | 6 Cyl. | CF800; Cummins FD1060(5.9L) Diesel Engine; Without Converter; (Before 11-93) | |



- | | | | |
|-------|--------|--|-------|
| 93-94 | 6 Cyl. | CF700; Cummins FD1460(8.3L) Diesel Engine; Without Converter; (Before 11-93) | FD202 |
| 93-94 | 6 Cyl. | CF800; Cummins FD1460(8.3L) Diesel Engine; Without Converter; (Before 11-93) | |



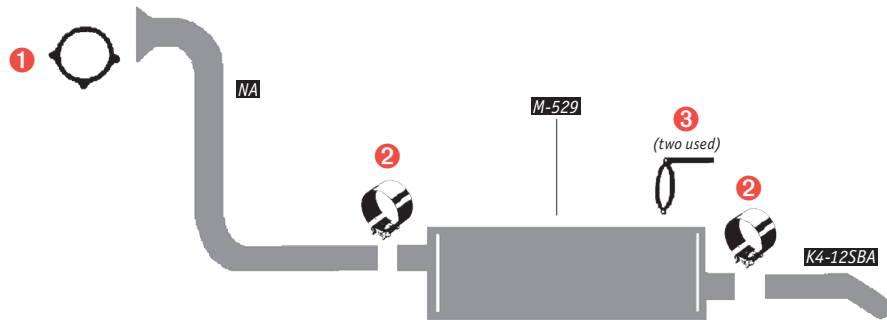
CLAMPS and HANGERS CHART

- | | | | |
|-----------|-----------|------------|-----------|
| 1 VB-419F | 3 RMH-11 | 5 PF-275 | 7 VB-475D |
| 2 WFC-4 | 4 VB-384F | 6 OMH-8511 | |

Series C600, C700, C750, C800

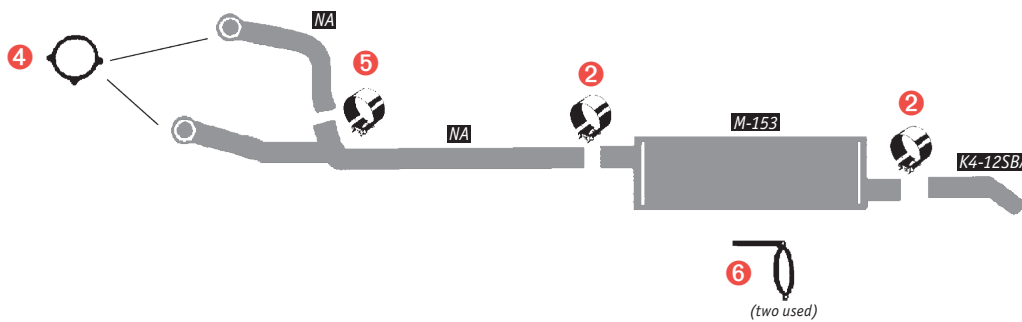
82-90 8 Cyl. C800; 636(10.4L) Turbo Diesel Engine
 82-86 8 Cyl. C700; 636(10.4L) Turbo Diesel Engine

FD203



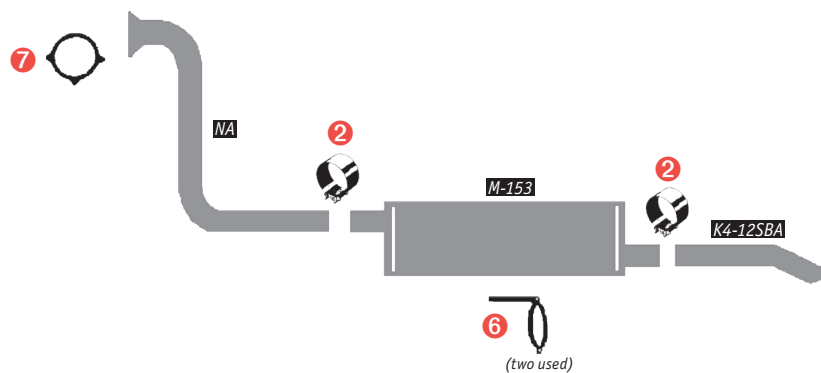
81-89 8 Cyl. C800, CT800; 501(8.2L) Diesel Engine; Except Turbo
 80-88 8 Cyl. C600; 501(8.2L) Diesel Engine; Except Turbo
 80-87 8 Cyl. C700; 501(8.2L) Diesel Engine; Except Turbo

FD204



81-89 8 Cyl. C800; 501(8.2L) Turbo Diesel Engine
 81-86 8 Cyl. C600, C700; 501(8.2L) Turbo Diesel Engine

FD205



FORD MEDIUM DUTY TRUCKS

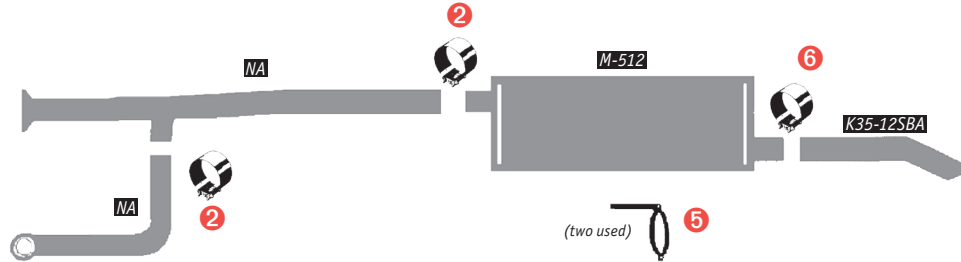
CLAMPS and HANGERS CHART

- | | | |
|-----------|-----------|------------|
| 1 VB-419F | 3 RMH-11 | 5 OMH-8511 |
| 2 WFC-4 | 4 VB-321C | 6 WFC-35 |

Series C900, CT900

73-83 8 Cyl. C900, CT900; (From SER. V20,001 to BC5,001); 401, 477, 534 C.I.D.; Single Exhaust

FD206



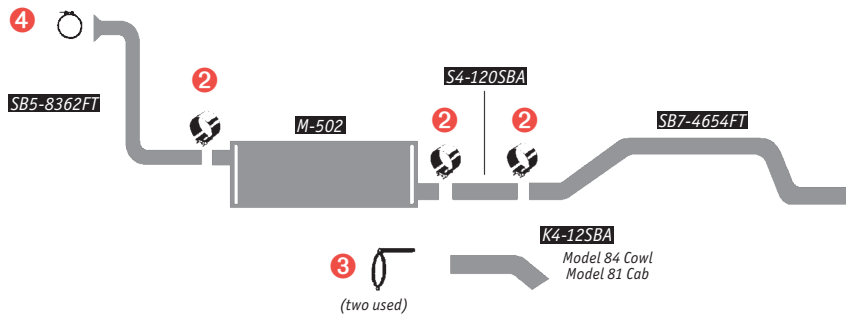
Series F500, F600, F700, F800

92-98 6 Cyl. F600; Cummins FD1060(5.9L) Diesel Engine; Exc. Low Profile; (Before 11-93)

FD207

92-98 6 Cyl. F700; Cummins FD1060(5.9L) Diesel Engine; Exc. Low Profile; (Before 11-93); Without Converter

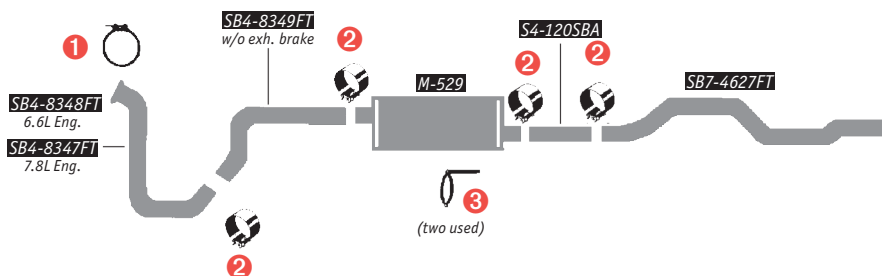
92-98 6 Cyl. FT800; Cummins FD1060(5.9L) Diesel Engine; Without Converter



87-98 6 Cyl. F600, F700; 401, 476(6.6L, 7.8L) Diesel Engine; Model 84(Cowl); All Wheel Bases; Right Side Exhaust

FD208

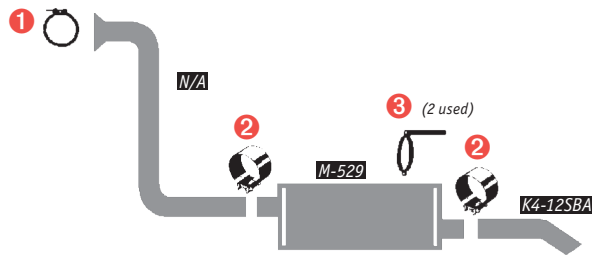
87-98 6 Cyl. F800, FT800, FT900; 401, 476(6.6L, 7.8L) Diesel Engine; Model 84(Cowl); Right Side Exhaust (FT900)



CLAMPS and HANGERS CHART		
1 VB-419F	3 RMH-11	5 VB-413C
2 WFC-4	4 VB-321C	

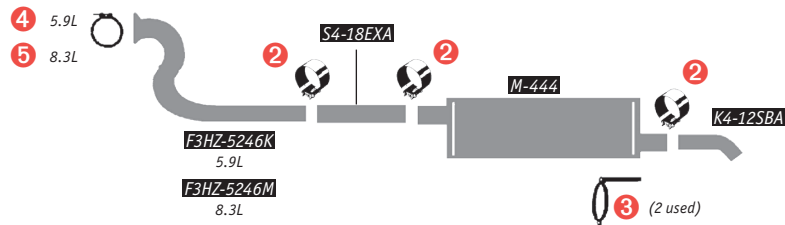
Series F500, F600, F700, F800

87-98	6 Cyl.	F600; 401, 476(6.6L, 7.8L) Diesel Engine; Model 81(Cab); Left Side Exhaust; Except Low Profile	FD209
87-98	6 Cyl.	F700; 401, 476(6.6L, 7.8L) Diesel Eng.; Model 81(Cab); Left Side Exhaust; Except Low Profile	
87-98	6 Cyl.	F800, FT800, FT900; 401, 476(6.6L, 7.8L) Diesel Engine; Model 81(Cab); Left Side Exhaust; Except Low Profile	

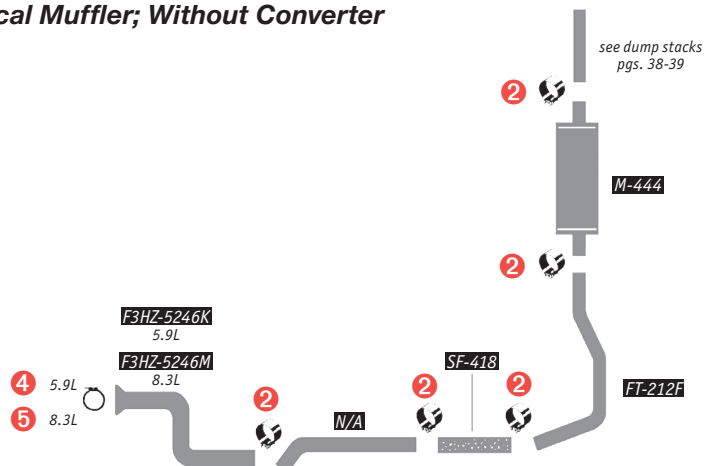


Series LN700, LN750

93-94	6 Cyl.	All models w/ Cummins FD1060 (5.9L) Diesel Engine; (Before 11-93); Without Converter	FD210
93-94	6 Cyl.	All models w/ Cummins FD1460 (8.3L) Diesel Engine; (Before 11-93); Without Converter	



93-94	6 Cyl.	All models w/ Cummins FD1460 (8.3L) Diesel Engine; (Before 11-93); Vertical Muffler; Without Converter	FD211
93-94	6 Cyl.	LN700 w/ Cummins FD1060 (5.9L) Diesel Engine; (Before 11-93); Vertical Muffler; Without Converter	



FORD MEDIUM DUTY TRUCKS

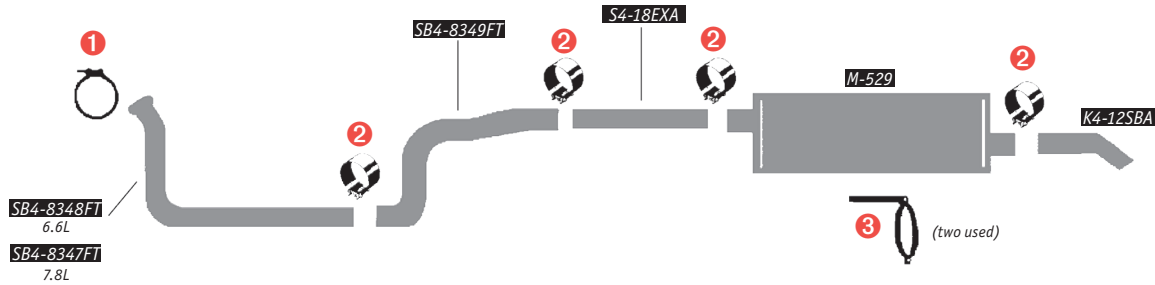
CLAMPS and HANGERS CHART

- | | | |
|-----------|-----------|-----------|
| 1 VB-419F | 3 RMH-11 | 5 PF-275 |
| 2 WFC-4 | 4 VB-384F | 6 VB-475C |

Series L600, L700, L800, L900

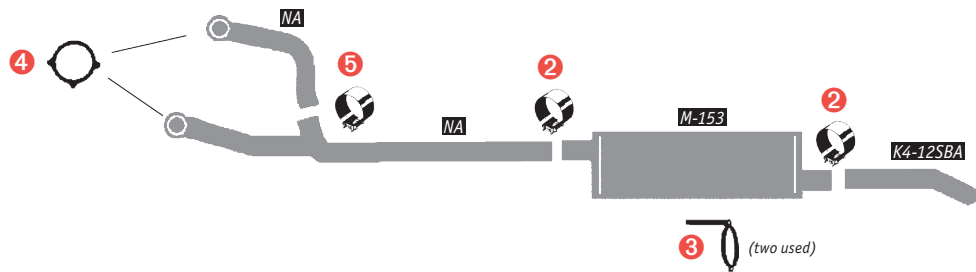
87-93 6 Cyl. LN700, L800; 401, 476(6.6L, 7.8L) Diesel Engine

FD212



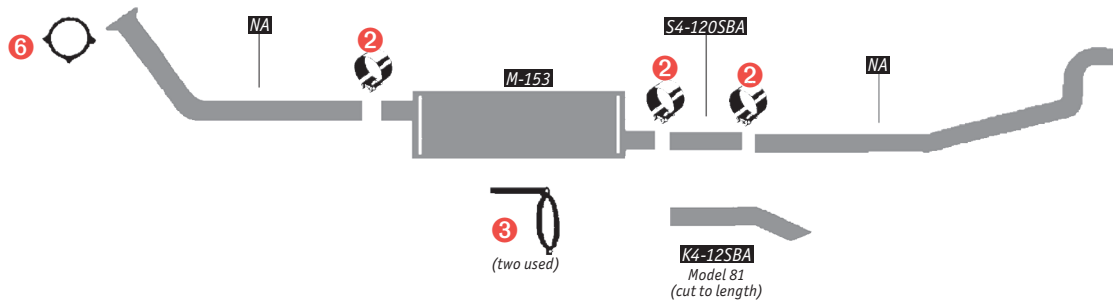
81-93 8 Cyl. LN700; 501(8.2L) Diesel Engine; Except Turbo
 81-86 8 Cyl. LN600; 501(8.2L) Diesel Engine; Except Turbo

FD213



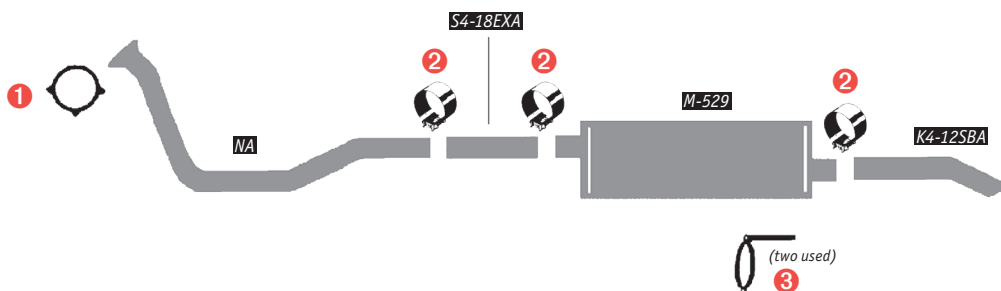
81-93 8 Cyl. LN700; 501(8.2L) Turbo Diesel Engine
 81-86 8 Cyl. LN600; 501(8.2L) Turbo Diesel Engine; Model 81(Cab)

FD214



82-89 8 Cyl. L800, LN800, LNT800, LT800, LTS800; 636(10.4L) Turbo Diesel Engine

FD215

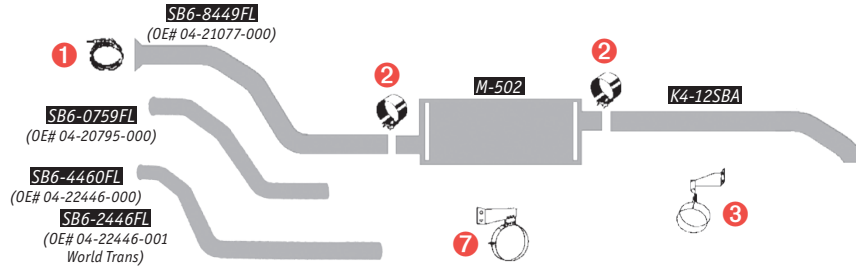


CLAMPS and HANGERS CHART

- | | | | | |
|-----------|----------|------------|------------|-----------|
| 1 VB-475C | 3 H-FLP3 | 5 VB-390MB | 7 H-FLM1 | 9 VB-321C |
| 2 WFC-4 | 4 H-FLP1 | 6 WFC-3 | 8 VB-460MB | |

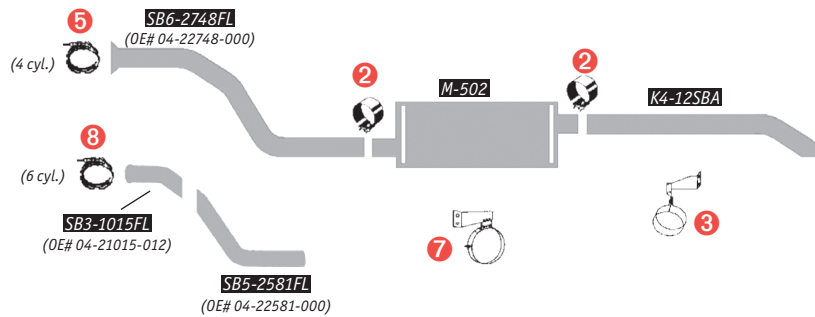
02-04 6 Cyl. FL70 Freightliner 3126 Caterpillar Engine

FL300



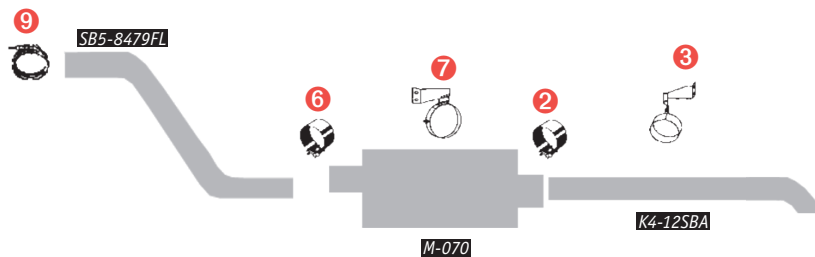
05-06 4 - 6 Cyl. FL70 Freightliner Mercedes Engine

FL301



2002 6 Cyl. FL70 Model w/ Cummins 5.9L Diesel

FL302



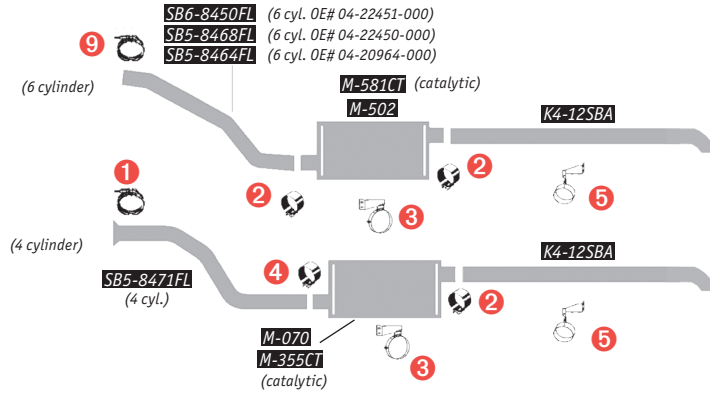
FREIGHTLINER MEDIUM DUTY TRUCKS

CLAMPS and HANGERS CHART

- | | | | | |
|------------|----------|-----------|-----------|------------|
| 1 VB-390MB | 3 H-FLM1 | 5 H-FLP3 | 7 H-FLM2 | 9 VB-460MB |
| 2 WFC-4 | 4 WFC-3 | 6 VB-321C | 8 VB-461D | |

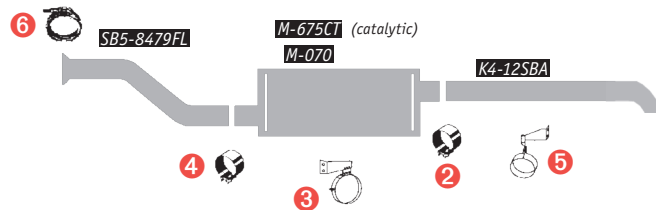
02-04 4-6 Cyl. FL70 Freightliner Mercedes Engine

FL303



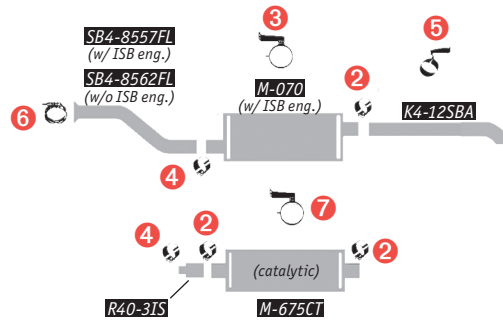
02-04 6 Cyl. FL70 Freightliner 5.9L B-Series Cummins Engine w/ World Trans.

FL304



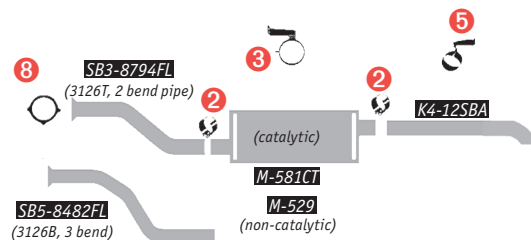
98-01 6 Cyl. FL70 Freightliner 5.9L B-Series Cummins Engine

FL305



98-01 6 Cyl. FL70 Freightliner 3126 Caterpillar Engine

FL306



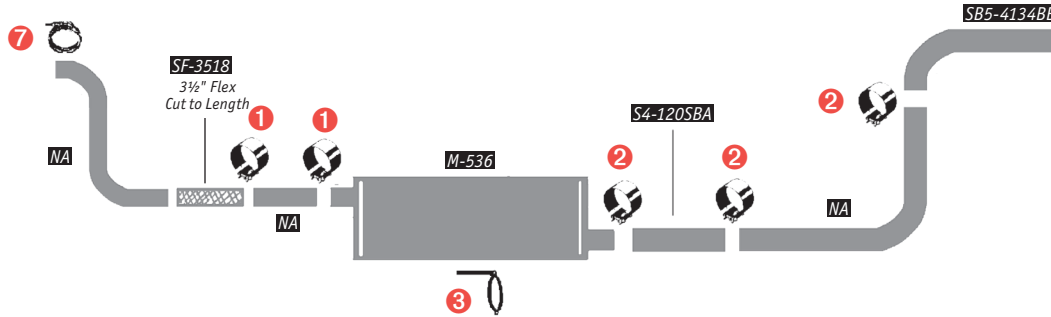
CLAMPS and HANGERS CHART

- | | | | |
|----------|-----------|------------|-----------|
| 1 WFC-35 | 3 H-IHM6A | 5 PF-275 | 7 VB-301I |
| 2 WFC-4 | 4 R0-25 | 6 OMH-8511 | |

1000 Series Chassis 1½ Ton & Over

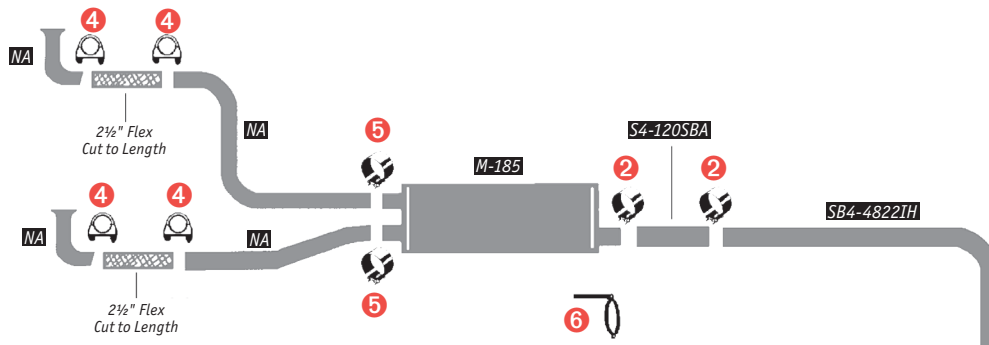
94-99 8 Cyl. 1562SC w/T444E Diesel, R.H. Mounted Muffler, Long Tail Pipe,
(Exc. 140" W.B.), w/o Air Suspension, Code 07AAX

INT400



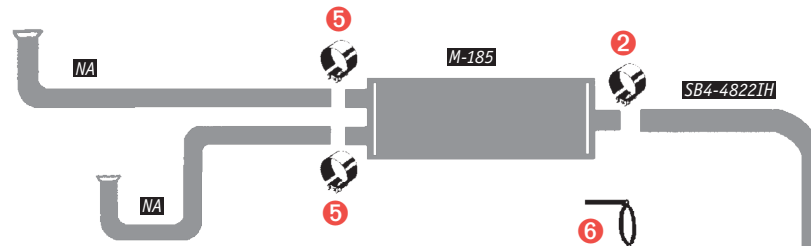
91-93 8 Cyl. 1652SC, 7.3L Diesel Engine; Stripped Chassis; Long Tail Pipe;
Left Hand Mounting

INT401



91-93 8 Cyl. 1652SC, 7.3L Diesel Engine; Left Hand Mounting; Tail Pipe Exits
Front of Rear Wheel

INT402



INTERNATIONAL MEDIUM DUTY TRUCKS

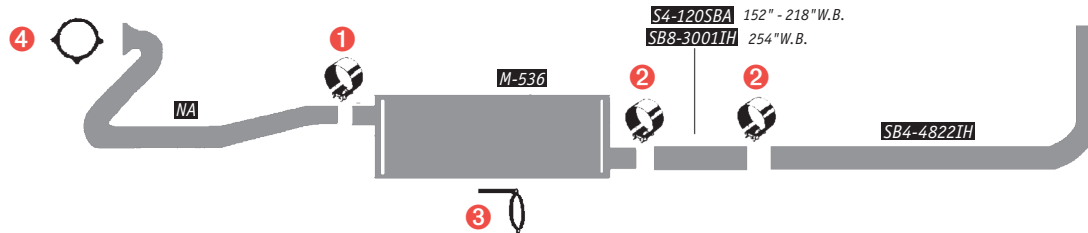
CLAMPS and HANGERS CHART

- | | | | | |
|----------|-----------|----------|------------|----------|
| 1 WFC-35 | 3 H-IHM6A | 5 R0-25 | 7 OMH-8511 | 9 H-IHP1 |
| 2 WFC-4 | 4 VB-351I | 6 PF-275 | 8 H-IHM4 | |

1000 Series Chassis 1 1/2 Ton & Over

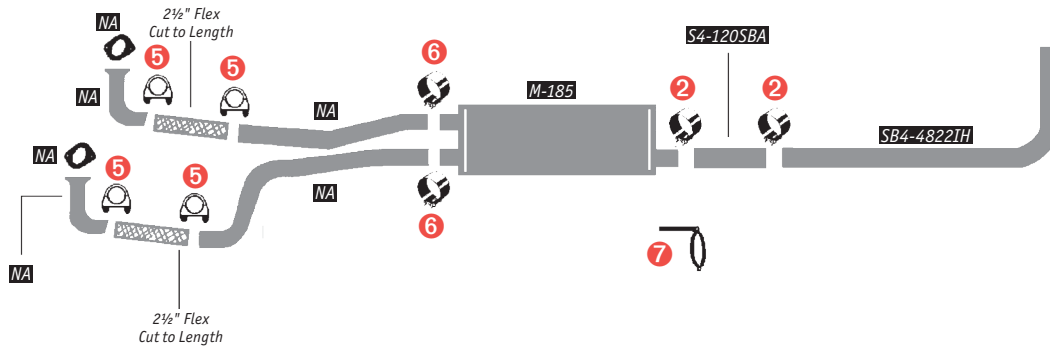
91-93 6 Cyl. 1652SC, DT360 Diesel Engine; Stripped Chassis; Long Tail Pipe; RH Mounting Front of Rear Wheel

INT403



91-93 8 Cyl. 1452SC, 1652SC, 7.3L Diesel Engine; Stripped Chassis; Long Tail Pipe; Exits Front of Rear Wheel; Right Hand Mounting

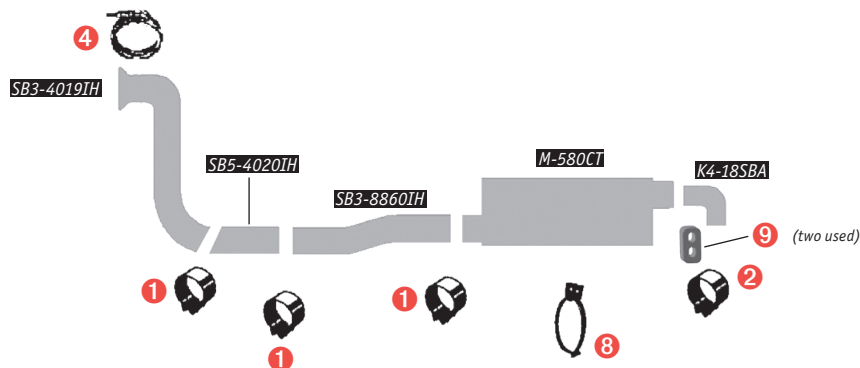
INT404



4000 Series Chassis 1 1/2 Ton & Over

07 - 08 Model 4300 International DT-466 Engine, Max Force DT

INT405



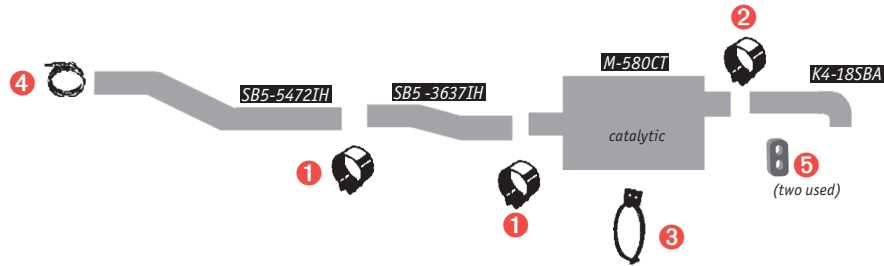
CLAMPS and HANGERS CHART

- | | | | |
|----------|-----------|-----------|----------|
| 1 WFC-35 | 3 H-IHM4 | 5 H-IHP1 | 7 H-IHP5 |
| 2 WFC-4 | 4 VB-351I | 6 H-IHM6A | |

4000 Series Chassis 1 1/2 Ton & Over

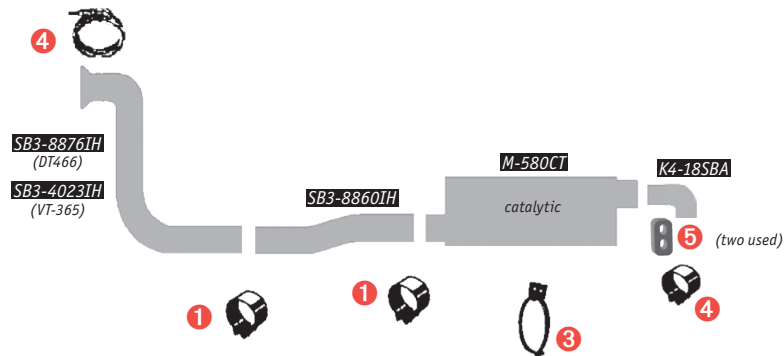
04 - 05 8 Cyl. Model 4300 w/VT365 Diesel

INT406



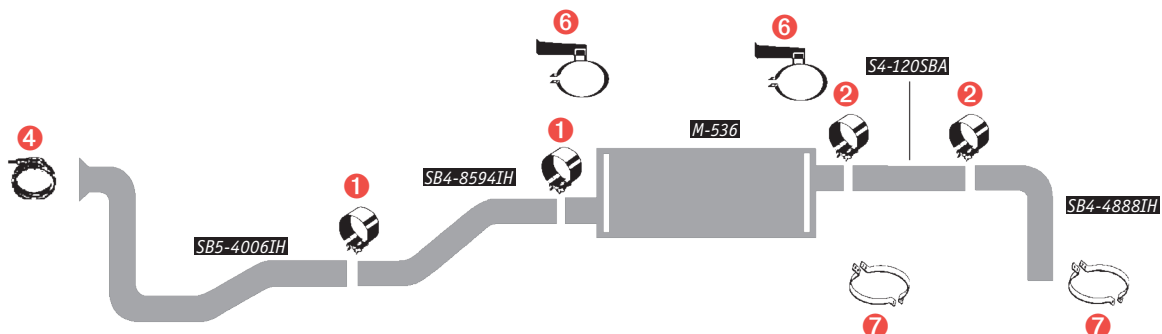
05-06 6 Cyl. Model 4300 International w/ DT 466 Engine & VT-365 Engine

INT407



00-02 6 Cyl. Model 4300 International DT 466 Engine, Left Side Exhaust System

INT408



INTERNATIONAL MEDIUM DUTY TRUCKS

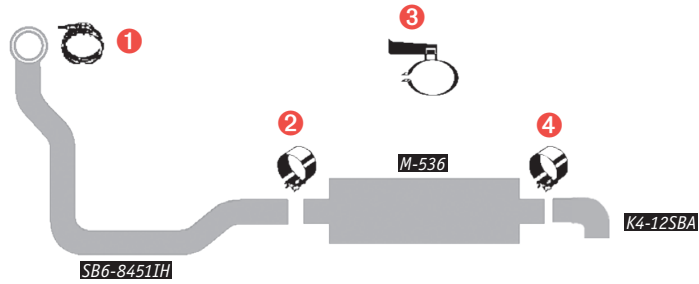
CLAMPS and HANGERS CHART

- | | |
|-----------|-----------|
| 1 VB-351I | 3 H-IHM6A |
| 2 WFC-35 | 4 WFC-4 |

4000 Series Chassis 1 1/2 Ton & Over

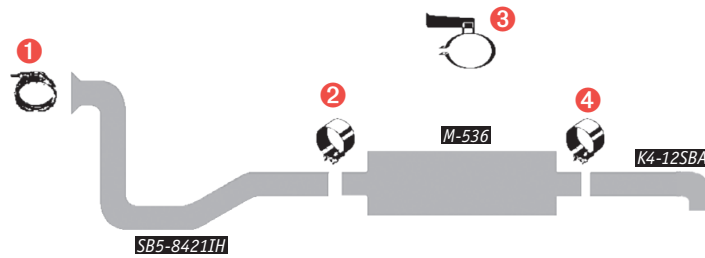
2001 6 Cyl. Model 4300 w/ T444 Turbo Diesel

INT409



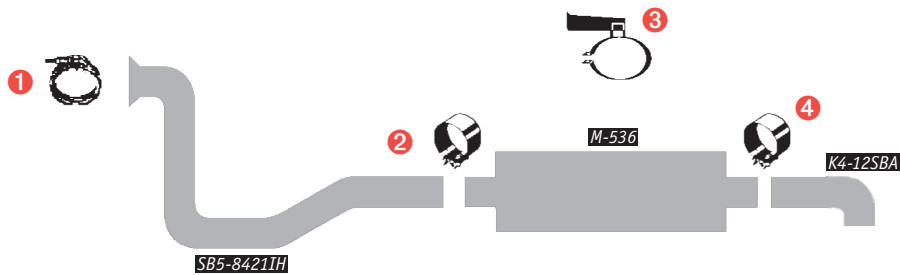
00-01 6 Cyl. Model 4300 w/ 466 Turbo Diesel

INT410



96-00 6 Cyl. Model 4300 w/ DT408, DT466 NGD Diesel; w/ Code 07ABC

INT411

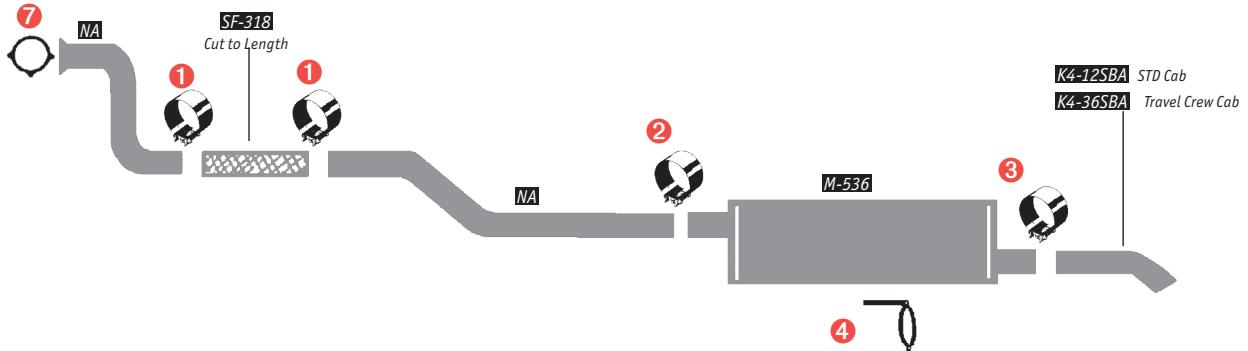


CLAMPS and HANGERS CHART

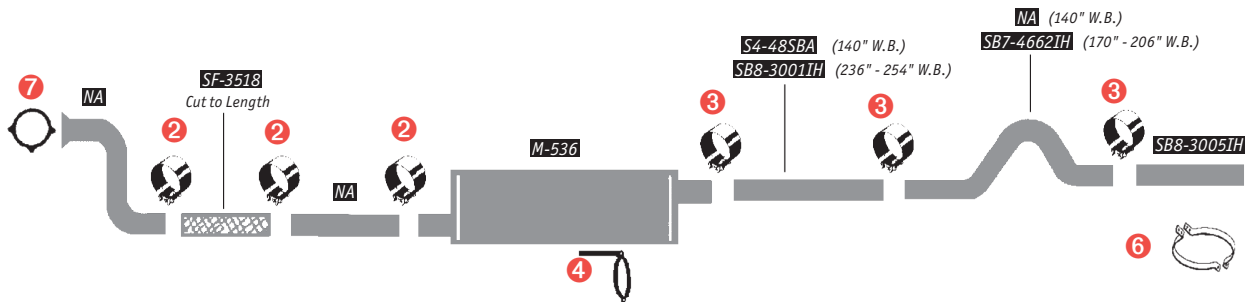
- | | | | |
|----------|-----------|-----------|-----------|
| 1 WFC-3 | 3 WFC-4 | 5 VB-351I | 7 VB-301I |
| 2 WFC-35 | 4 H-IHM6A | 6 H-IHP5 | |

4000 Series Chassis 1 1/2 Ton & Over

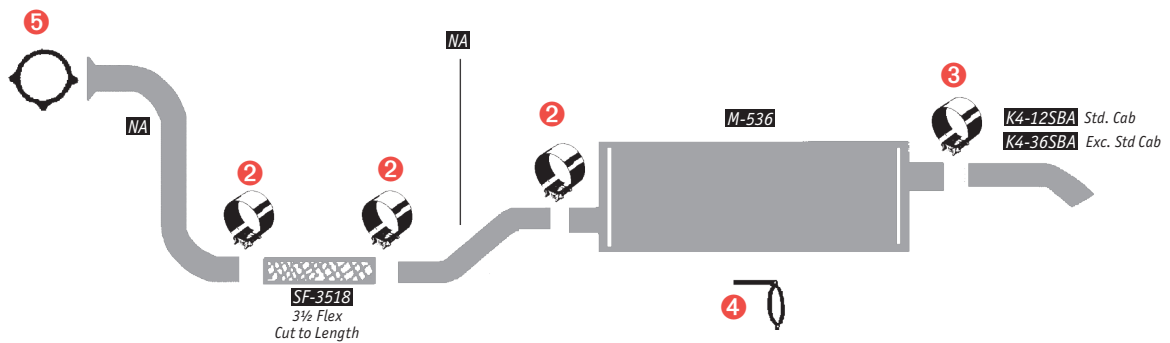
94-99 8 Cyl. 4500, 4700, T444E Diesel Engine; L.H. Frame Mounted Short Tail Pipe; **INT412**
Code 07AAZ



94-99 8 Cyl. 4700, T444E Diesel Engine; R.H. Mounted Muffler Long Tail Pipe; **INT413**
Code 07AAX



94-99 6 Cyl. 4000, DT408, DT466 NGD, 530 Diesel Engine; RH Frame Mounted without Beverage & Utility Body; Code 07AAY **INT414**



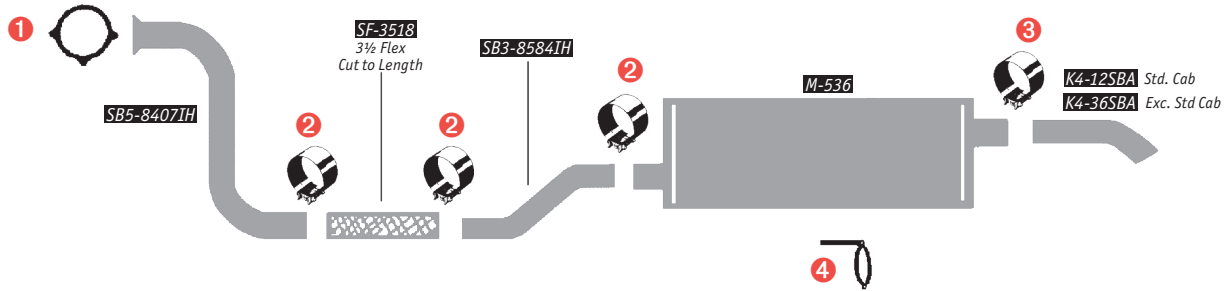
INTERNATIONAL MEDIUM DUTY TRUCKS

CLAMPS and HANGERS CHART

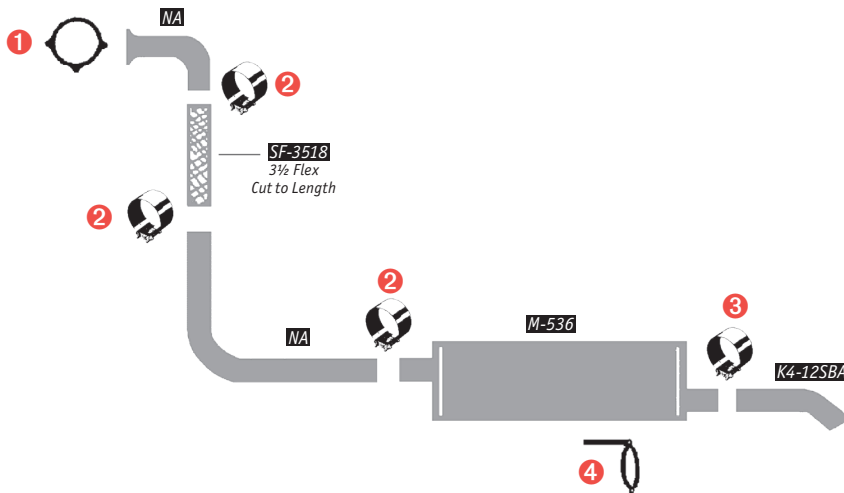
- | | |
|-----------|-----------|
| 1 VB-351I | 3 WFC-4 |
| 2 WFC-35 | 4 H-IHM6A |

4000 Series Chassis 1 1/2 Ton & Over

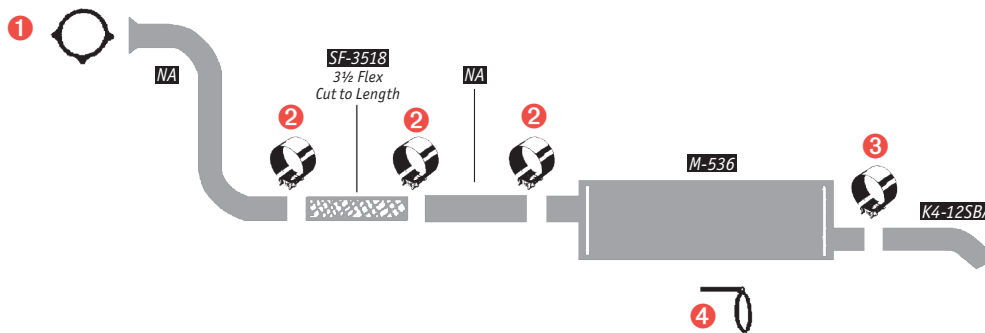
94-99 6 Cyl. 4000, DT408, DT466E, 530 Diesel Engine; L.H. Frame Mounted Muffler; **INT415**
With Short Tail Pipe



94-99 6 Cyl. 4000, DT408, DT466E, 530 Diesel Engine; R.H. Mounted Muffler; **INT416**
Short Tail Pipe; Codes 07BAG, 07AAY with Beverage Body



94-99 6 Cyl. 4000, DT408, DT466E, 530 Diesel Engine; R.H. Mounted Muffler; **INT417**
Short Tail Pipe; Code 07AAL with Beverage Body



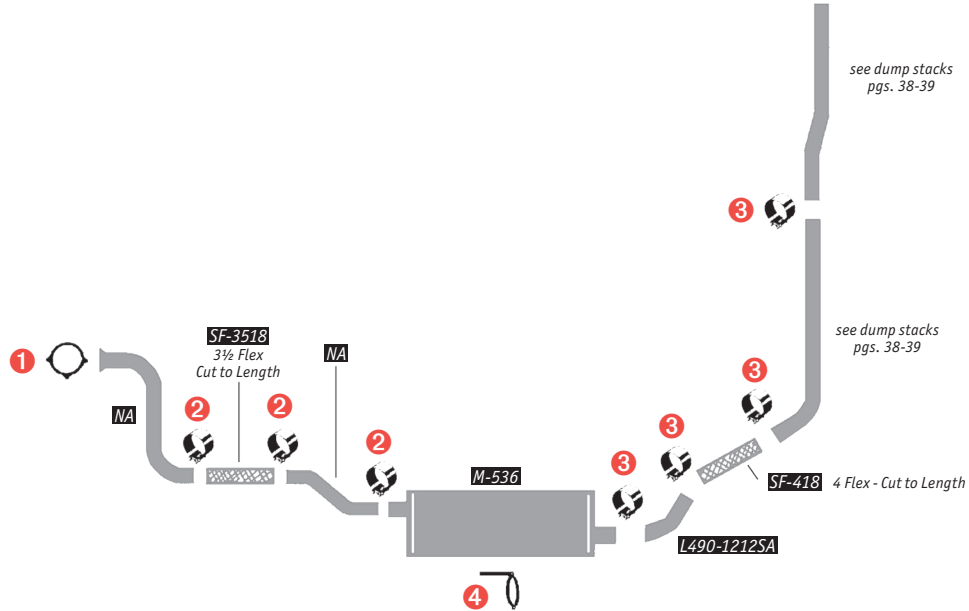
CLAMPS and HANGERS CHART

- | | |
|-----------|-----------|
| 1 VB-351I | 3 WFC-4 |
| 2 WFC-35 | 4 H-IHM6A |

4000 Series Chassis 1½ Ton & Over

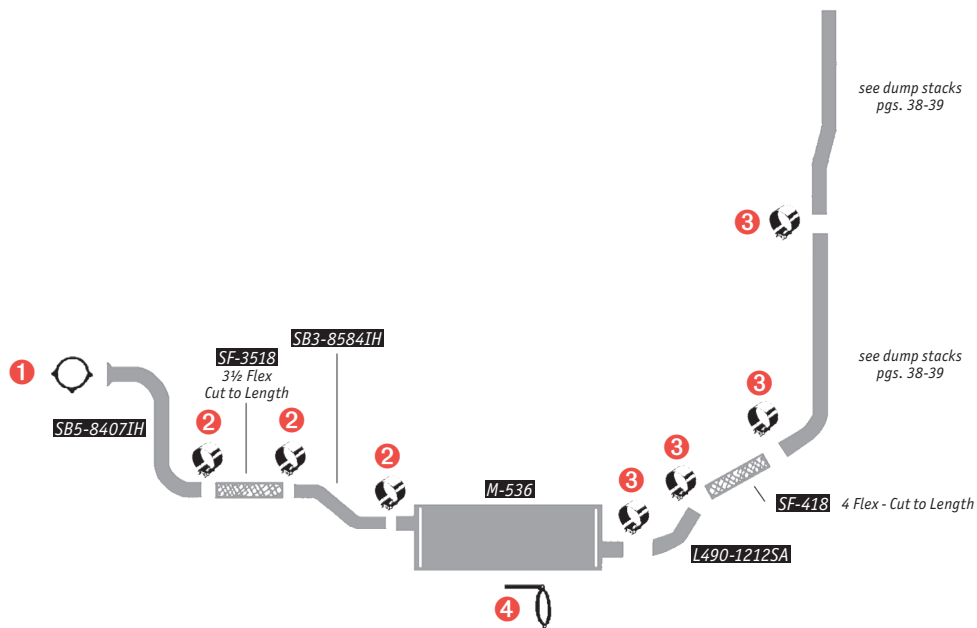
94-99 6 Cyl. 4000, DT408, DT466E, 530 Diesel Engine; R.H. Cab Mounted Vertical Tail Pipe; (Exc. Allison MT653DR & MT643 Auto. Trans.); Codes 07ACX, 07ACY

INT418



94-99 6 Cyl. 4000, DT408, DT466E, 530 Diesel Engine; Travelcrew Cab with L.H. Frame Mounted Muffler; Vertical Tail Pipe

INT419



INTERNATIONAL MEDIUM DUTY TRUCKS

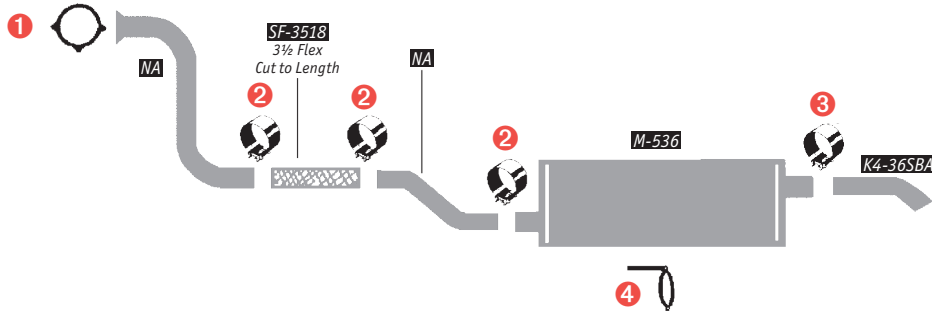
CLAMPS and HANGERS CHART

- | | |
|-----------|-----------|
| 1 VB-351I | 3 WFC-4 |
| 2 WFC-35 | 4 H-IHM6A |

4000 Series Chassis 1 1/2 Ton & Over

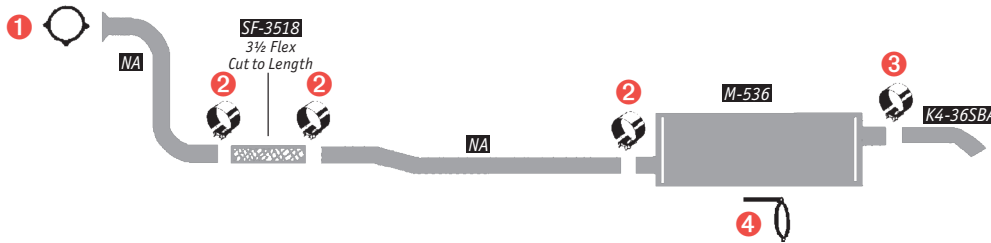
94-99 6 Cyl. 4000, DT408, DT466E, 530 Diesel Engine; R.H. Muffler Mounted 8" Back of Cab; Codes 07AMA, 07AAE w/ Short Tail Pipe

INT420



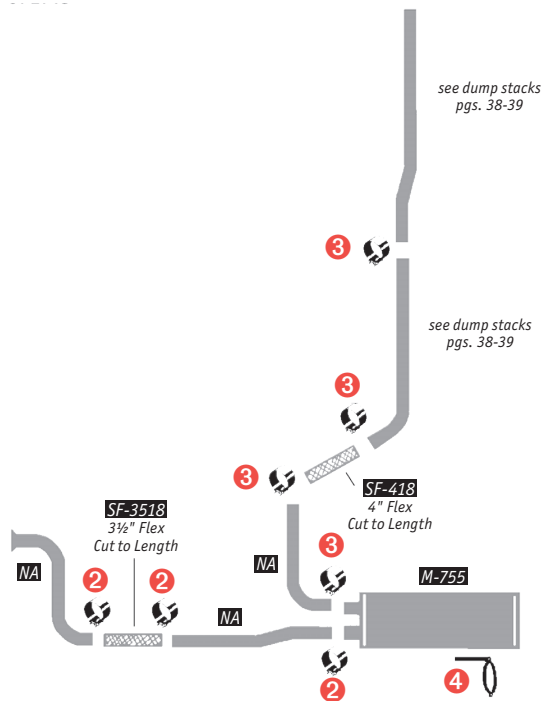
94-99 6 Cyl. 4000, DT408, DT466E, 530 Diesel Engine; R.H. Muffler Mounted 30" Back of Cab; Codes 07AMB, 07AAK w/ Short Tail Pipe

INT421



94-99 8 Cyl. 4000, T444E Diesel Engine; R.H. Muffler & Vertical Tail Pipe; Code 07BAC

INT422

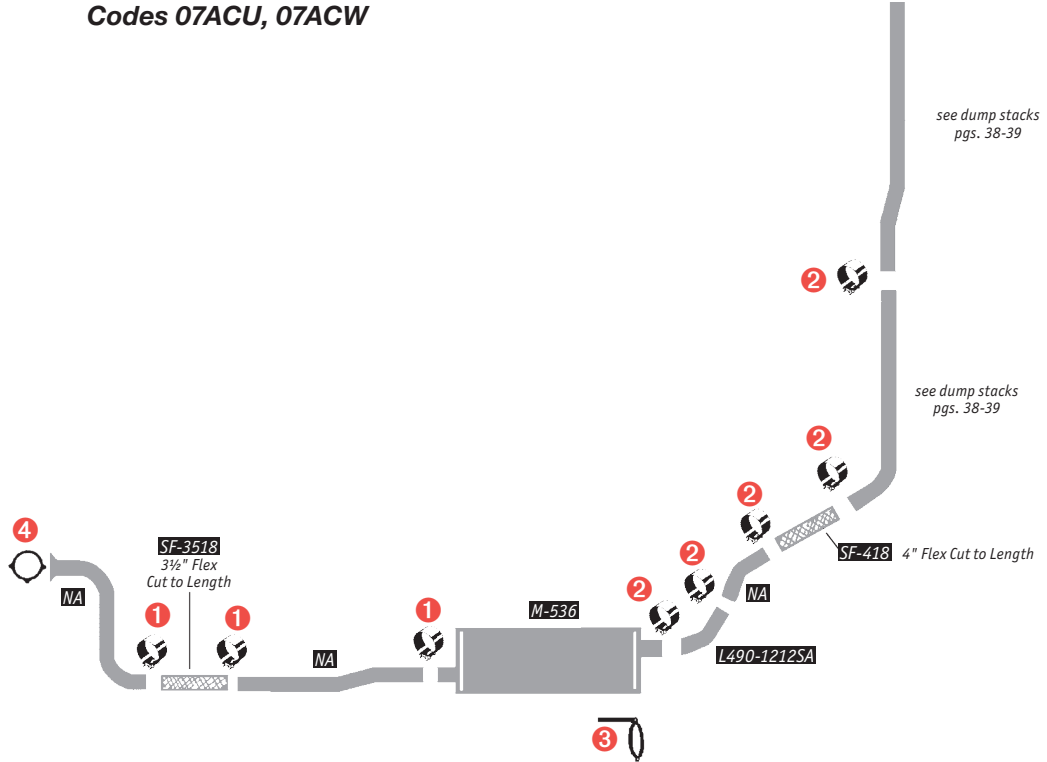


CLAMPS and HANGERS CHART

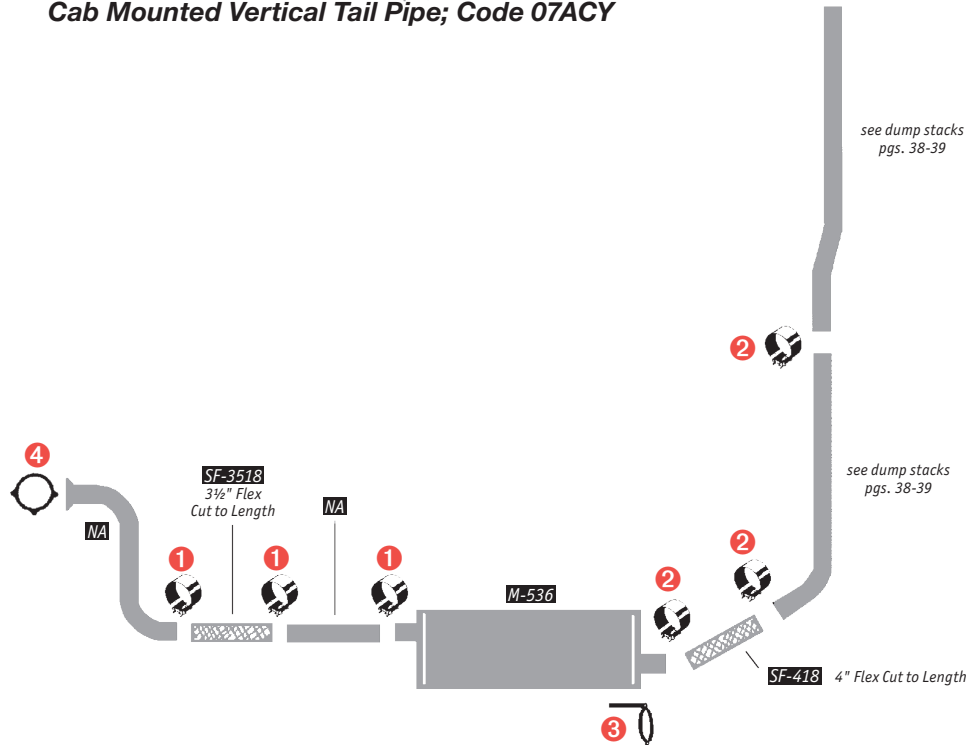
- | | |
|----------|-----------|
| ① WFC-35 | ③ H-IHM6A |
| ② WFC-4 | ④ VB-301I |

4000 Series Chassis 1½ Ton & Over

94-99 8 Cyl. 4000, T444E Diesel Engine; L.H. Frame Mounted Muffler; Vertical Tail Pipe; **INT423**
Codes 07ACU, 07ACW



94-99 8 Cyl. 4000 Travelcrew Cab, T444E Diesel Engine; R.H. Frame Mounted Muffler; Cab Mounted Vertical Tail Pipe; Code 07ACY **INT424**



INTERNATIONAL MEDIUM DUTY TRUCKS

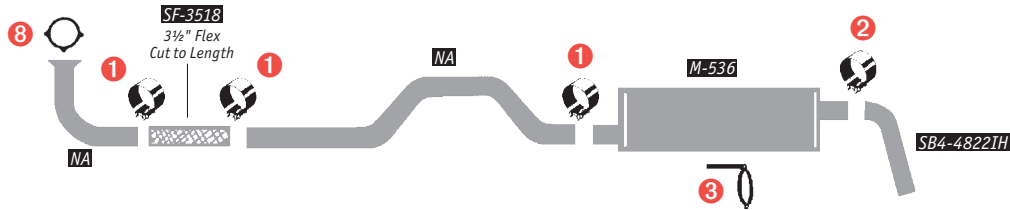
CLAMPS and HANGERS CHART

- | | | | |
|----------|-----------|-----------|-----------|
| 1 WFC-35 | 3 H-IHM6A | 5 VB-351I | 7 H-IHP5 |
| 2 WFC-4 | 4 VB-350I | 6 WFC-3 | 8 VB-301I |

4000 Series Chassis 1 1/2 Ton & Over

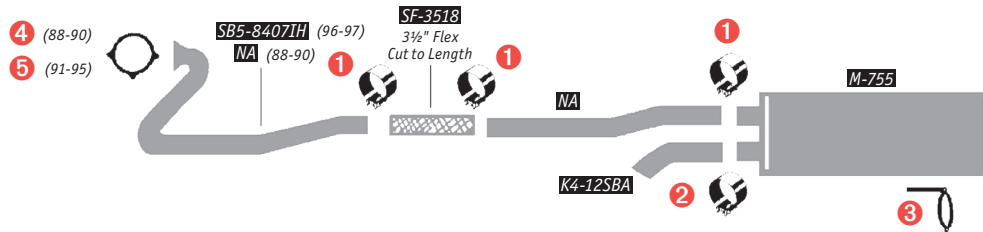
94-99 8 Cyl. 4000, T444E Diesel Engine; L.H. Mounted with Long Tail Pipe; Codes 07AAS, 07AAV, 07AAX

INT425



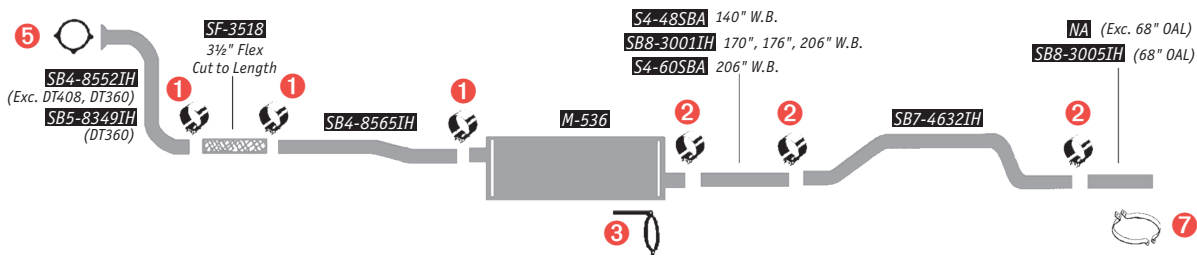
88-99 6 Cyl. 4000, DT408, 530, DT466 Diesel Engine; L.H. Mounted Muffler; Canada & Export Only; Code 07AAP

INT426



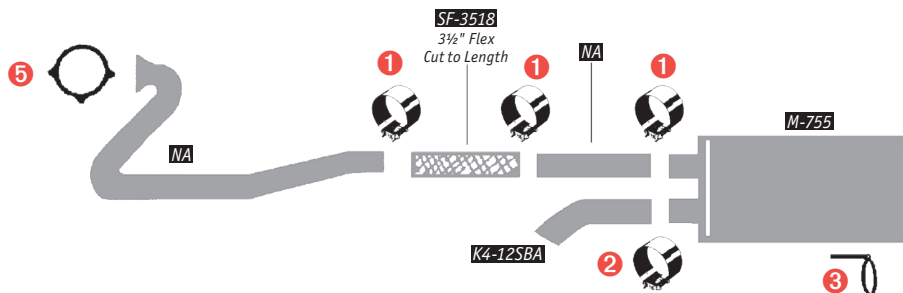
91-99 6 Cyl. 4700, 4900; DT360, DT408, DT/DTA466 Diesel Engine; R.H. Mounted Muffler; Long Tail Pipe; Code 07AAX

INT427



93-99 6 Cyl. 4000, DT408/DT/DTA466 Diesel Engine; Temporarily Mounted R.H. Side Muffler; Code 07AAH

INT428



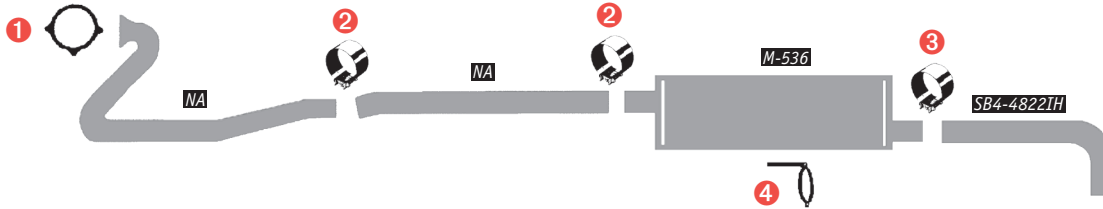
CLAMPS and HANGERS CHART

- | | | | |
|-----------|-----------|----------|------------|
| 1 VB-351I | 3 WFC-4 | 5 RO-25 | 7 OMH-8511 |
| 2 WFC-35 | 4 H-IHM6A | 6 PF-275 | |

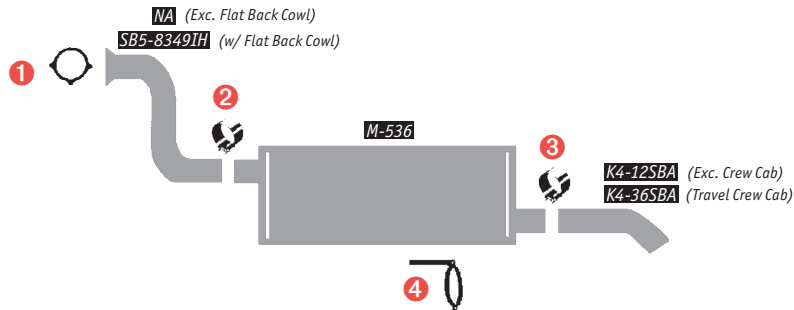
4000 Series Chassis 1½ Ton & Over

1993 6 Cyl. 4000, DT/DTA360; L.H. Frame Mounted; Long Tail Pipe; Side Exit;
Code 07AAV

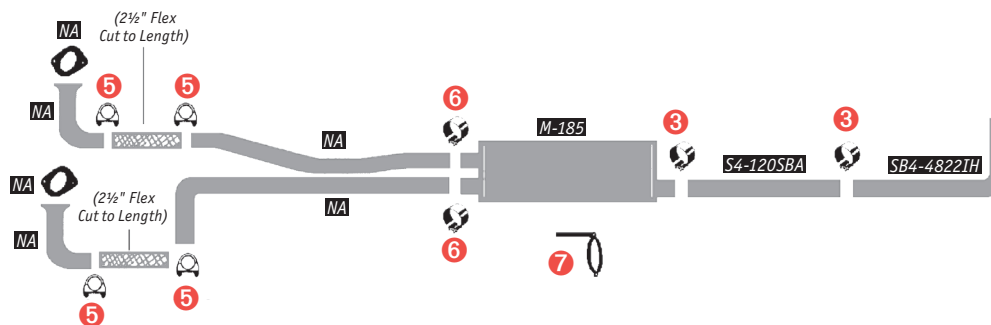
INT429



1993 6 Cyl. 4700 w/ DT 360 Diesel Engine; R.H. Side Mounting (Exc. Beverage Body) INT430
90-92 6 Cyl. 4700 w/ DT/DTA 360 Diesel Engine; R.H. Side Mounting (Exc. Beverage Body)



91-93 8 Cyl. 4000, 7.3L Diesel Engine; Long Tail Pipe; R.H. Mounting (Exc. Low profile) INT431
Code 07AAX



INTERNATIONAL MEDIUM DUTY TRUCKS

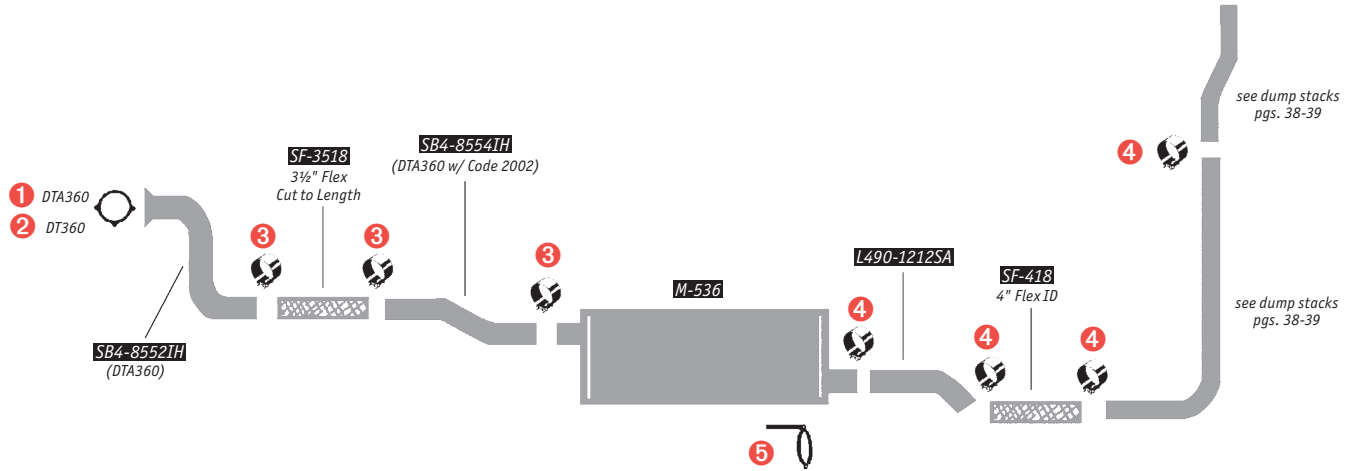
CLAMPS and HANGERS CHART

- 1 VB-350I 3 WFC-35 5 H-IHM6A
- 2 VB-351I 4 WFC-4

4000 Series Chassis 1 1/2 Ton & Over

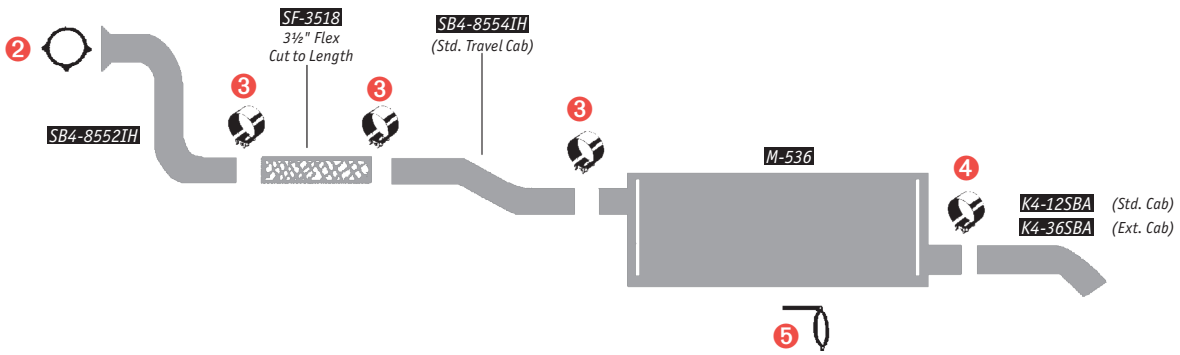
91-93 6 Cyl. 4000, DT/DTA360 Diesel Engine; Travelcrew Cab; R.H. Cab Mounted Tail Pipe; Code 07ACY

INT432



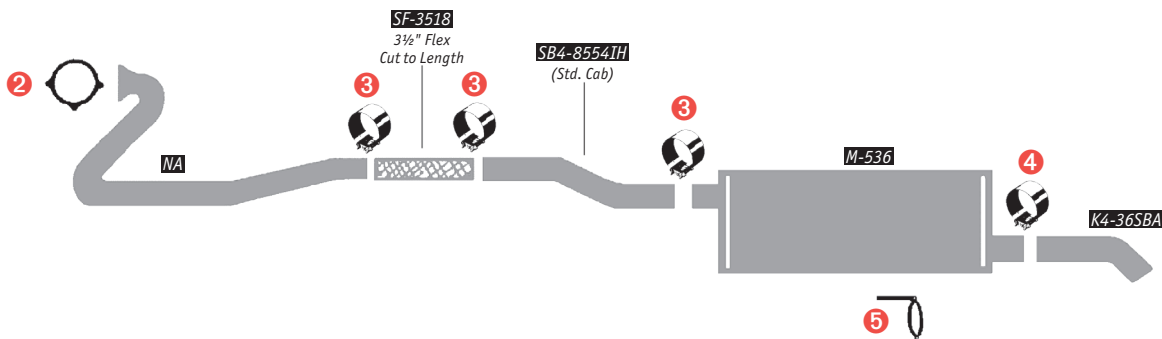
1993 6 Cyl. 4000, DTA360 Diesel Engine; R.H. Frame Mount (Exc. Beverage Body)

INT433



91-93 6 Cyl. 4000, DT/DTA466 Diesel Engine; R.H. Muffler Mounted 30" Back of Cab; Code 07AAK

INT434

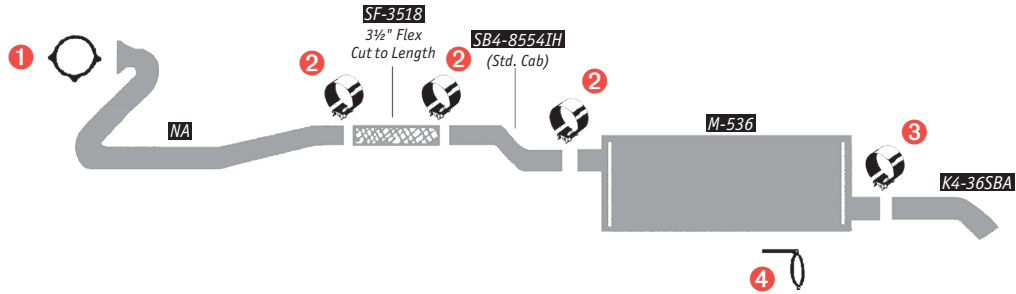


CLAMPS and HANGERS CHART

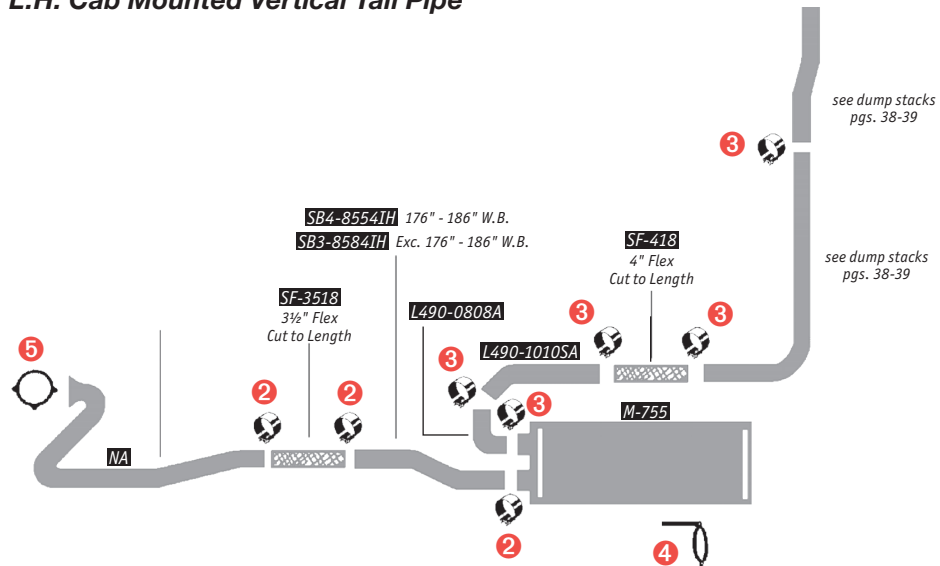
- | | | |
|-----------|-----------|-----------|
| 1 VB-351I | 3 WFC-4 | 5 VB-350I |
| 2 WFC-35 | 4 H-IHM6A | |

4000 Series Chassis 1½ Ton & Over

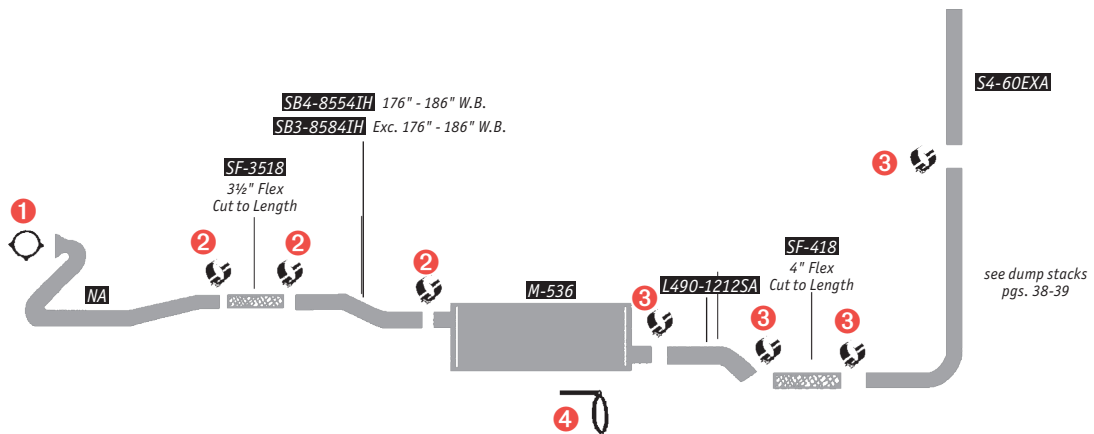
91-93 6 Cyl. 4000, DT/DTA466 Diesel Engine; R.H. Muffler Mounted 8" Back of Cab; INT435
Code 07AAE



91-93 6 Cyl. 4000, DT/DTA466 Diesel Engine; Std. Cab; INT436
L.H. Cab Mounted Vertical Tail Pipe



91-93 6 Cyl. 4000, DT/DTA466 Diesel Engine; Travelcrew Cab; L.H. Cab Mount Tail Pipe INT437



INTERNATIONAL MEDIUM DUTY TRUCKS

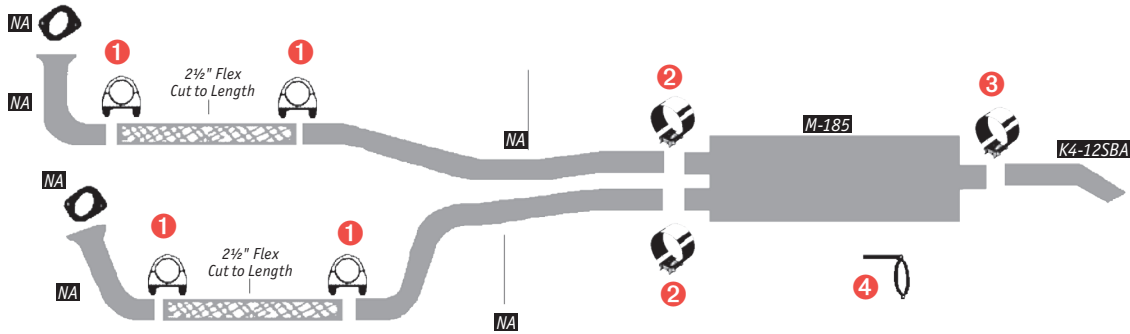
CLAMPS and HANGERS CHART

- | | | |
|----------|-----------|-----------|
| 1 RO-25 | 3 WFC-4 | 5 VB-351I |
| 2 PF-275 | 4 H-IHM6A | 6 WFC-35 |

4000 Series Chassis 1 1/2 Ton & Over

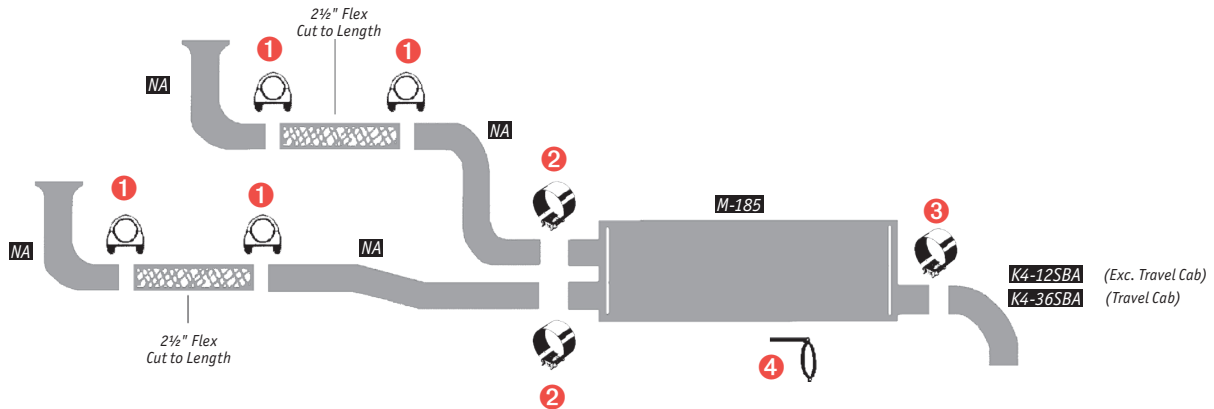
88-93 8 Cyl. 4600; 7.3L Diesel Engine; R.H. Side Mounting

INT438



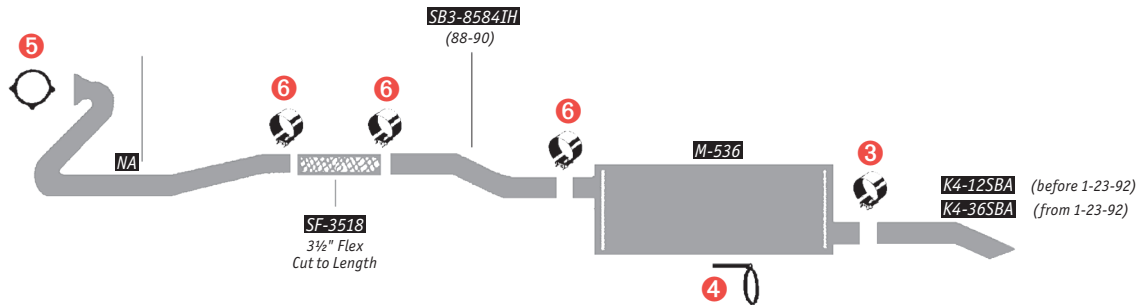
88-93 8 Cyl. 4600; 7.3L Diesel Engine; L.H. Side Mounting

INT439



88-93 6 Cyl. 4000, DT/DTA360 Diesel Engine; L.H. Frame Mount; Codes 07AAZ.2003, .2003, .2010, .2011, .2012

INT440

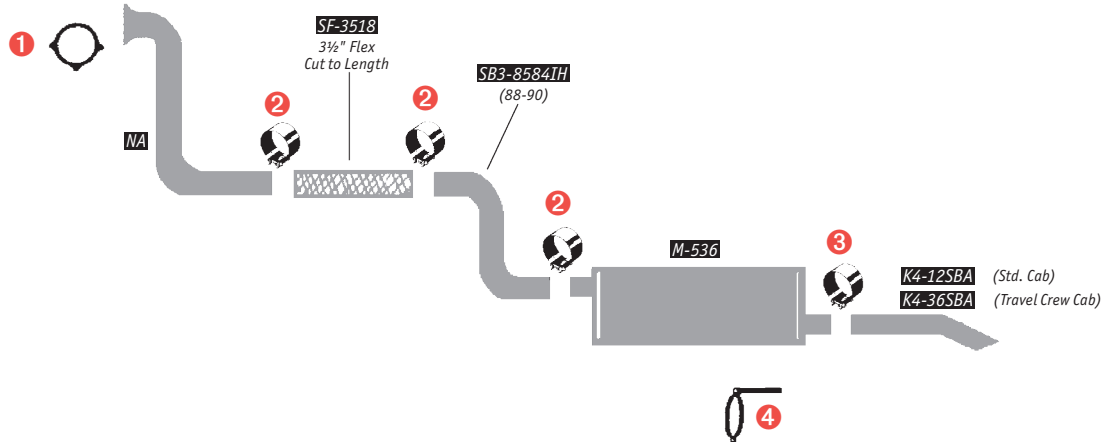


CLAMPS and HANGERS CHART

- | | |
|-----------|-----------|
| 1 VB-351I | 3 WFC-4 |
| 2 WFC-35 | 4 H-IHM6A |

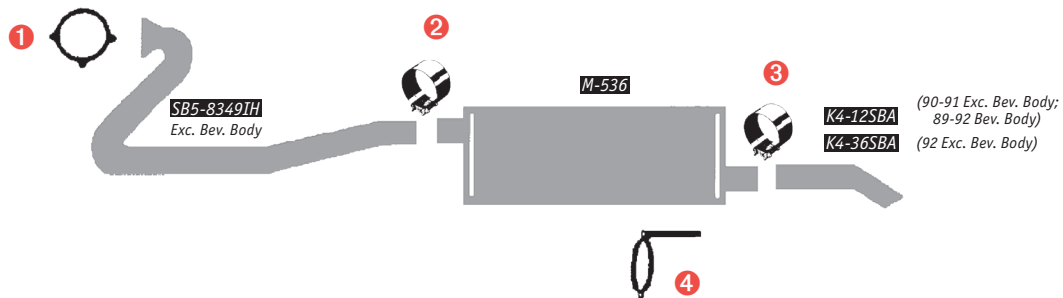
4000 Series Chassis 1 1/2 Ton & Over

88-93 6 Cyl. 4800, DT/DTA360 Diesel Engine; Left Side Mounting; With Flex Tubing **INT441**



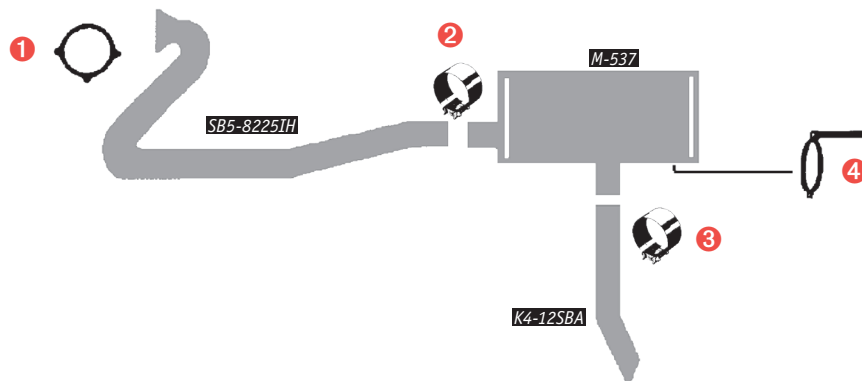
90-92 6 Cyl. 4700, DT/DTA360 Diesel Engine; Right Side Mounting; **INT442**

89-93 6 Cyl. 4700, DT/DTA360 Diesel Engine; Right Side Mounting; With Beverage Body



88-93 6 Cyl. 4700, DT/DTA360 Diesel Engine; Std. Cab; Right Side Mounting; **INT443**

(After 01-01-1988)



INTERNATIONAL MEDIUM DUTY TRUCKS

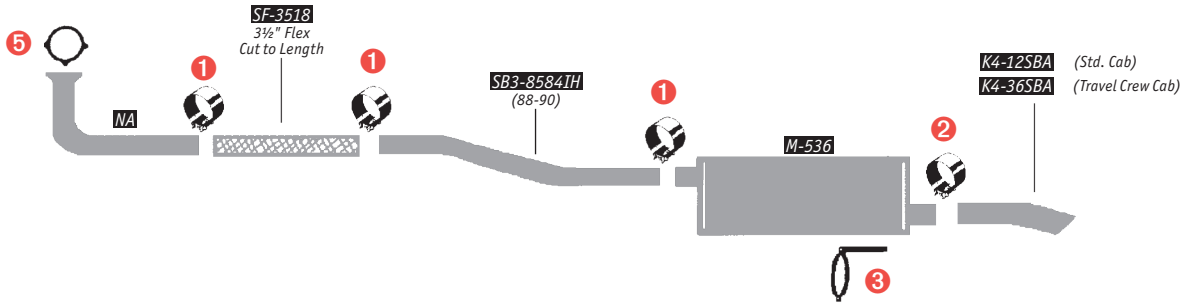
CLAMPS and HANGERS CHART

- 1 WFC-35 3 H-IHM6A 5 VB-351I
- 2 WFC-4 4 VB-350I

4000 Series Chassis 1 1/2 Ton & Over

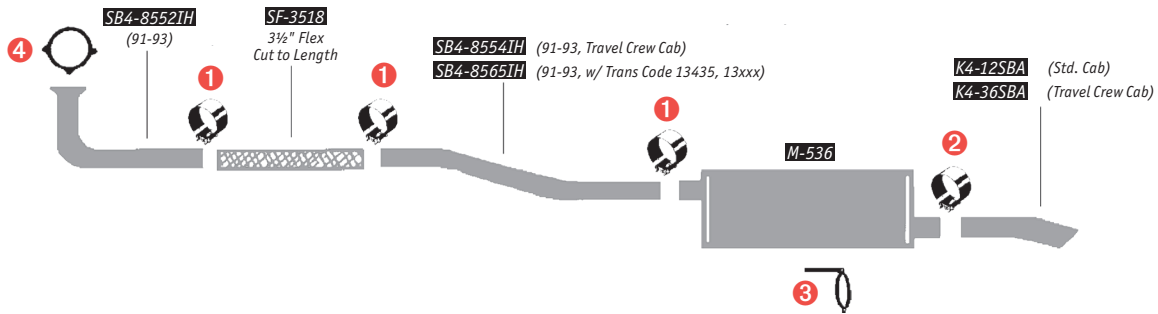
88-94 6 Cyl. 4800, 4900, DT/DTA360 Diesel Engine; Left Side Mounting;
After 01-01 -1988

INT444



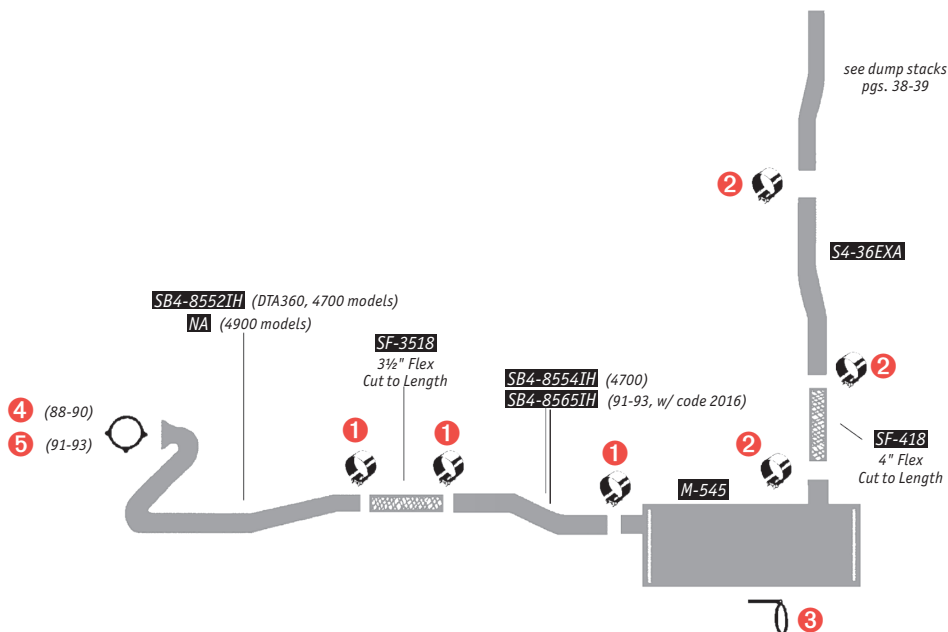
88-93 6 Cyl. 4900, DT/DTA466 Diesel Engine; Right Side Mounting;
Except Beverage Body

INT445



88-93 6 Cyl. 4700, 4900, DT/DTA360, DT/DTA466 Diesel Engine; R.H. Cab Mount
Tail Pipe; Codes 07ACR, 07ACY.2001, 2016, 2053, (1991 and later)

INT446



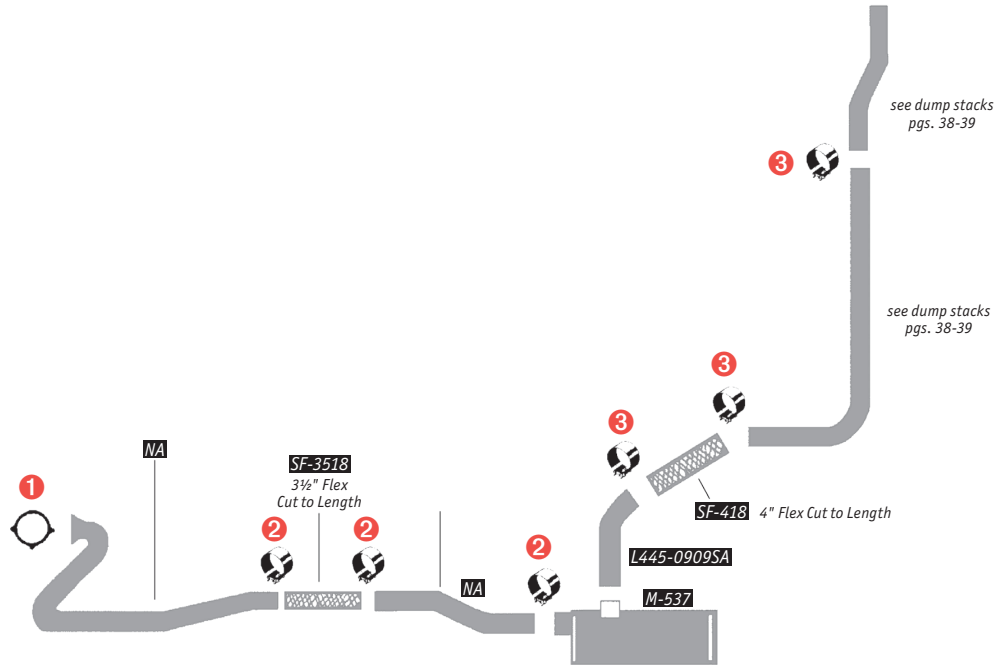
CLAMPS and HANGERS CHART

- 1 VB-351I 3 WFC-4
- 2 WFC-35 4 H-IHM6A

4000 Series Chassis 1½ Ton & Over

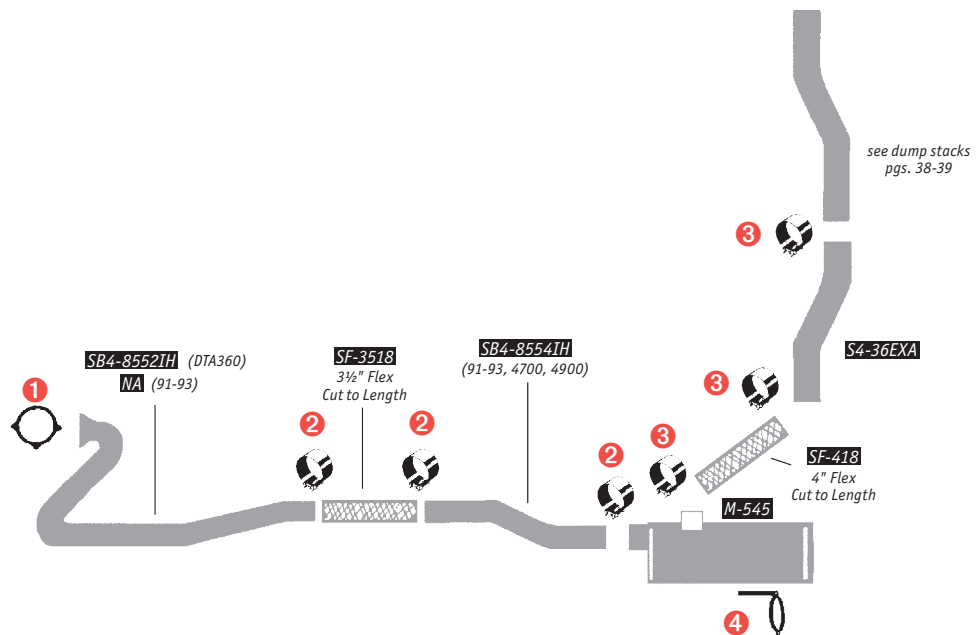
88-93 6 Cyl. 4000; DT/DTA360 Diesel Engine; STD. Cab; L.H. Cab Mounted Vertical Pipe

INT447



88-93 6 Cyl. 4700, 4900, DT/DTA360, DT/DTA466 Diesel Engine; R.H. Cab Mount Tail Pipe; Codes 07ACS, 07ACT, 07ACX, 07ACY.2014, 2025, 2026, 2038, 2041, 2048, 2050, 2051, 2056, 2057

INT448



INTERNATIONAL MEDIUM DUTY TRUCKS

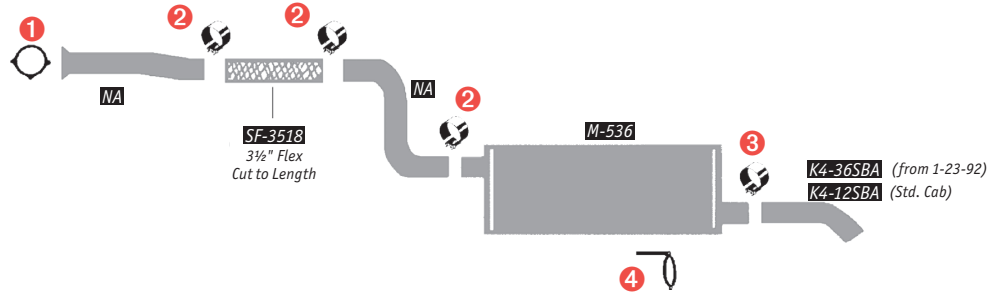
CLAMPS and HANGERS CHART

- 1 VB-351I 3 WFC-4 5 VB-350I
- 2 WFC-35 4 H-IHM6A

4000 Series Chassis 1 1/2 Ton & Over

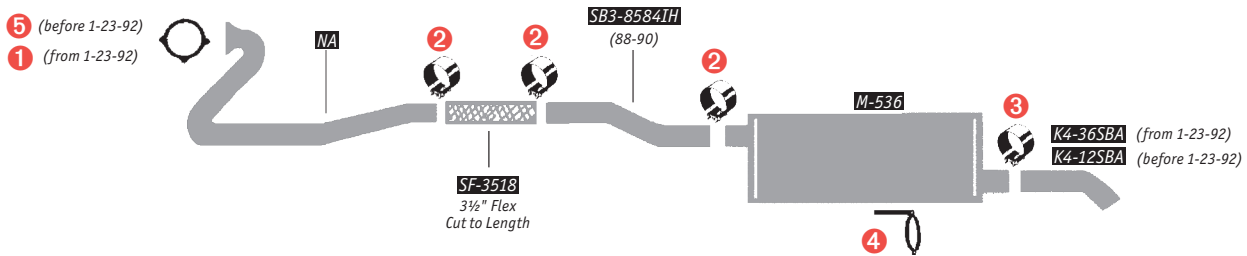
88-93 6 Cyl. 4000 Series; DT/DTA 466 Diesel Engine; L.H. Side Mount;
Codes 07AAZ.2006, .2007

INT449



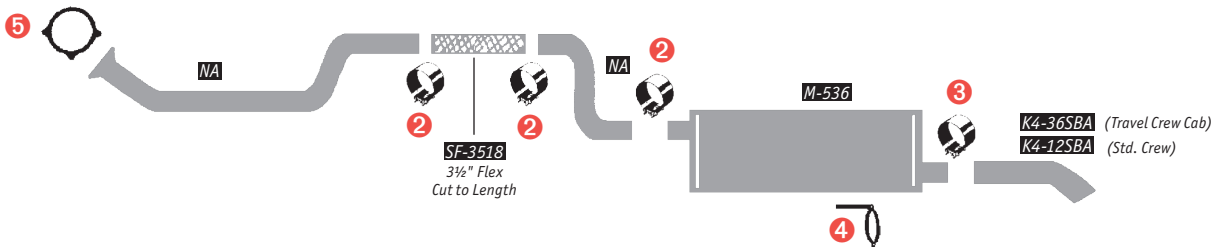
88-93 6 Cyl. 4000 Series; DT/DTA 466 Diesel Engine; L.H. Side Mount;
Codes 07AAZ.2002, .2003, .2010, .2011, .2012

INT450



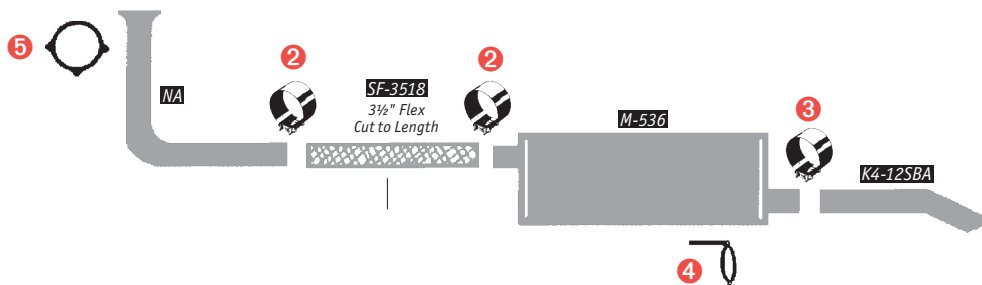
88-93 6 Cyl. 4000 Series; DT/DTA 466 Diesel Engine; (After 01-01-1988);
L.H. Side Mount; Codes 07AAZ.2001, .2008, .2009

INT451



88-93 6 Cyl. 4900; DT/DTA466 Diesel Engine; Right Side Mount; With Beverage Body

INT452



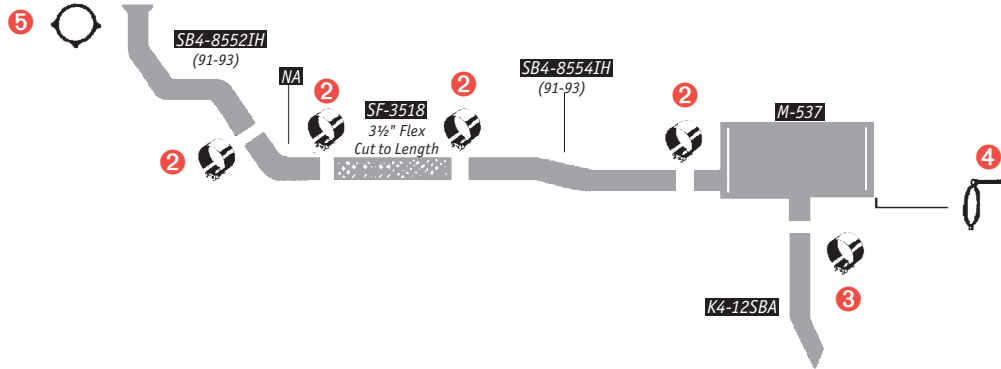
CLAMPS and HANGERS CHART

- ① VB-351I ③ WFC-4 ⑤ VB-350I
- ② WFC-35 ④ H-IHM6A

4000 Series Chassis 1 1/2 Ton & Over

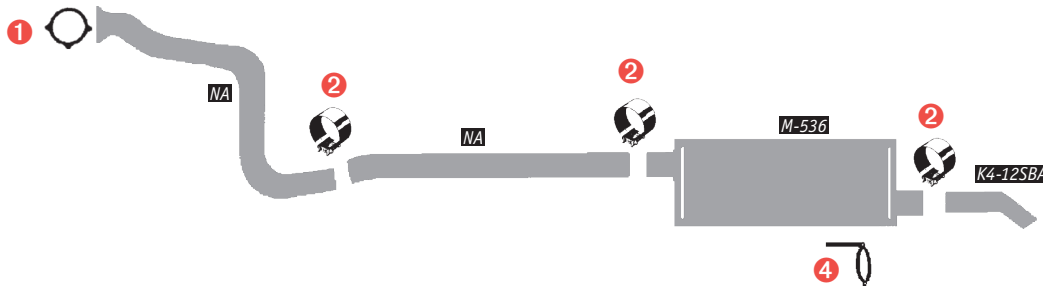
88-93 6 Cyl. 4900; DT/DTA466 Diesel Engine; Right Side Mount; (After 01-01-1988);
Except Beverage Body

INT453



88-90 6 Cyl. 4700, 4900; DT/DTA360 Diesel Engine; Left Side Mount;
Without Flex Tubing

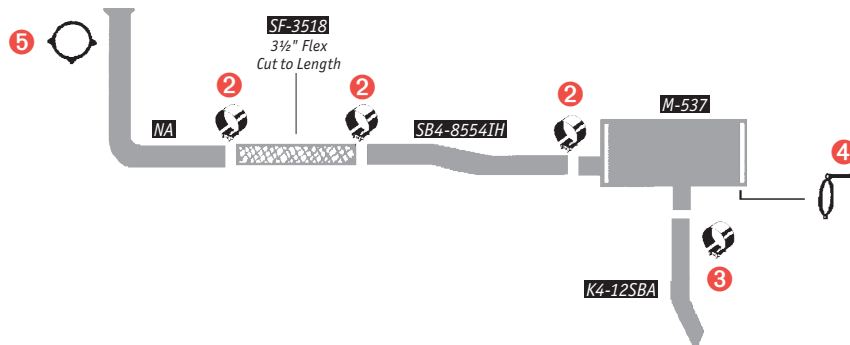
INT454



7000 Series Chassis

90-92 6 Cyl. 7100; DT/DTA466 Diesel Engine; Right Side Mount; Side Exit Outlet

INT455



INTERNATIONAL MEDIUM DUTY TRUCKS

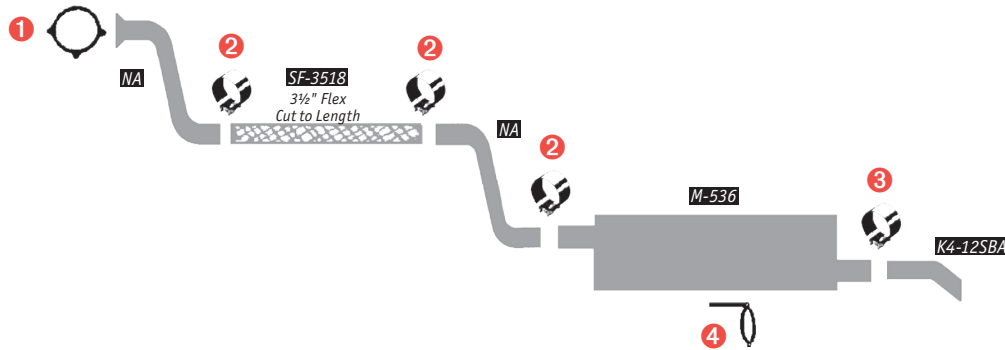
CLAMPS and HANGERS CHART

- | | | |
|-----------|-----------|----------|
| 1 VB-350I | 3 WFC-4 | 5 PF-275 |
| 2 WFC-35 | 4 H-IHM6A | |

7000 Series Chassis

89-92 6 Cyl. 7100, DT/DTA466 Diesel Engine; R.H. Mount; Code 07AAY

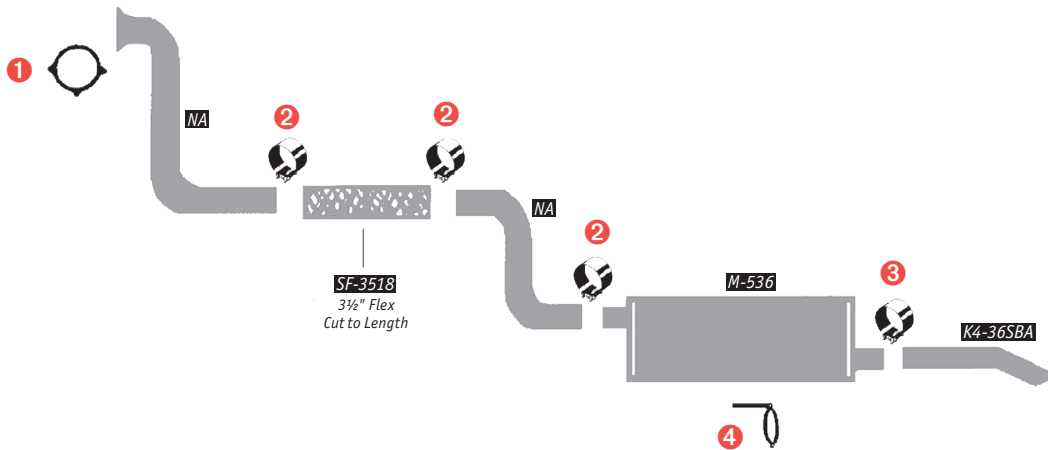
INT456



Fleetstar, Cargostar, Loadstar, "S" Series

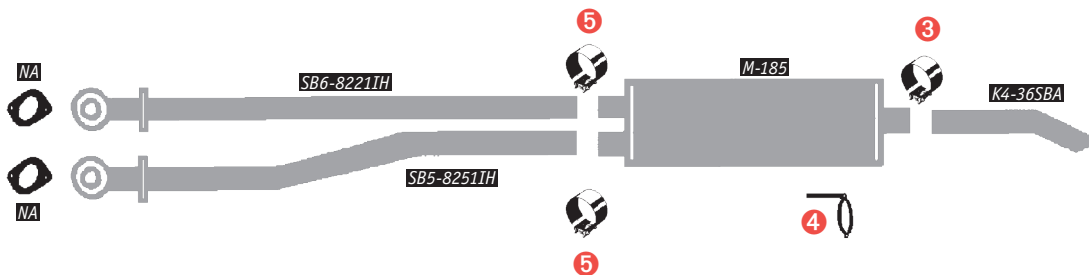
88-90 6 Cyl. Series "S"; DT466 Diesel Engine; Left Side Mount; (After 01-01-88)

INT457



83-88 8 Cyl. Series "S"; 6.9L Diesel Engine; Without Flex Tubing

INT458



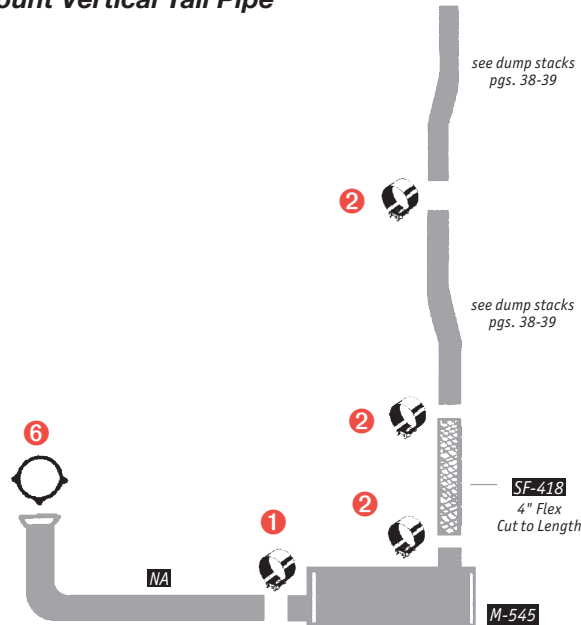
CLAMPS and HANGERS CHART

- | | | |
|----------|----------|-----------|
| 1 WFC-35 | 3 RO-25 | 5 H-IHM6A |
| 2 WFC-4 | 4 PF-275 | 6 VB-350I |

Fleetstar, Cargostar, Loadstar, "S" Series

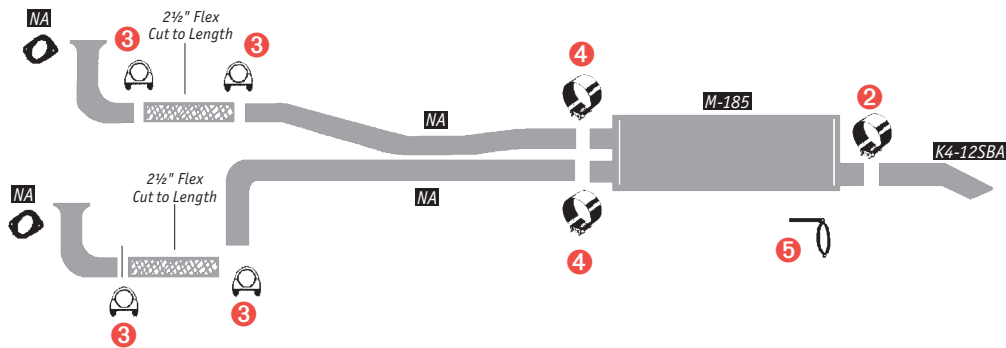
86-88 6 Cyl. Series "S"; DT/DTA466 Diesel Engine; (Before 01-01-1988); STD. Cab ; R.H. Cab Mount Vertical Tail Pipe

INT459



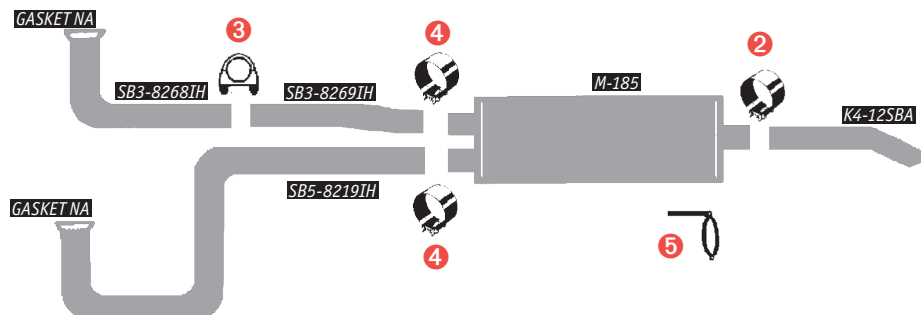
83-88 8 Cyl. Series "S"; 6.9L Diesel Engine; All W.B.; Flex Tubing

INT460



80-88 8 Cyl. Series "S"; 9.0L Diesel Engine 4x2 Models (Except 1853 Models and Code 16196)

INT461



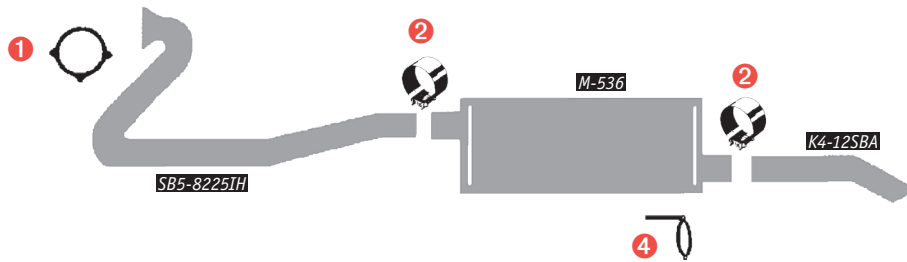
INTERNATIONAL MEDIUM DUTY TRUCKS

CLAMPS and HANGERS CHART

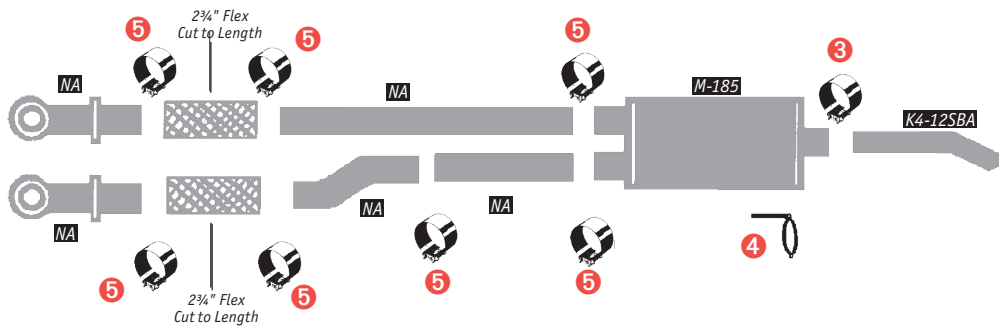
- 1 VB-350I 3 WFC-4 5 PF-275
- 2 WFC-35 4 H-IHM6A

Fleetstar, Cargostar, Loadstar, "S" Series

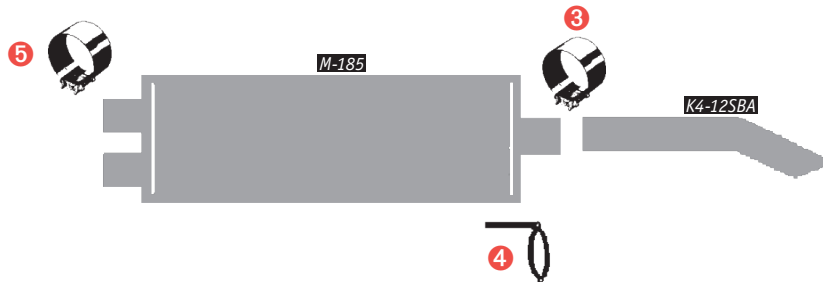
79-88 6 Cyl. Series "S"; DT466 Diesel Engine; Horizontal Tail Pipe (With Code 13552); INT462
 (Before 01-01-1988)



80-86 8 Cyl. Series "S"; 3208 Diesel Engine; Horizontal Tail Pipe INT463



80-86 8 Cyl. Series "S"; 9.0L Diesel Engine; 4x4 Series INT464



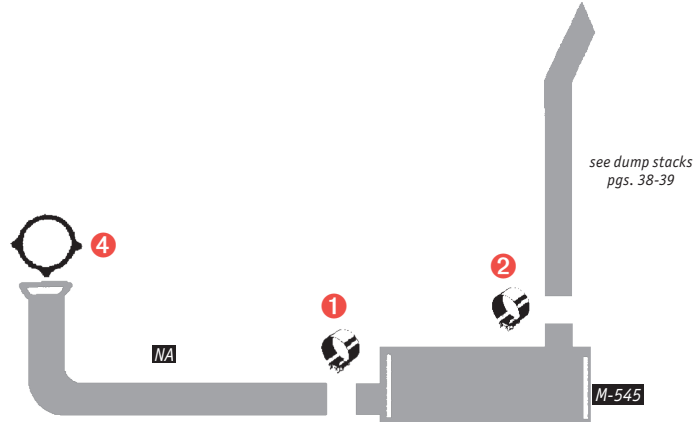
CLAMPS and HANGERS CHART

- ① WFC-35 ③ H-IHM6A
- ② WFC-4 ④ VB-350I

Fleetstar, Cargostar, Loadstar, "S" Series

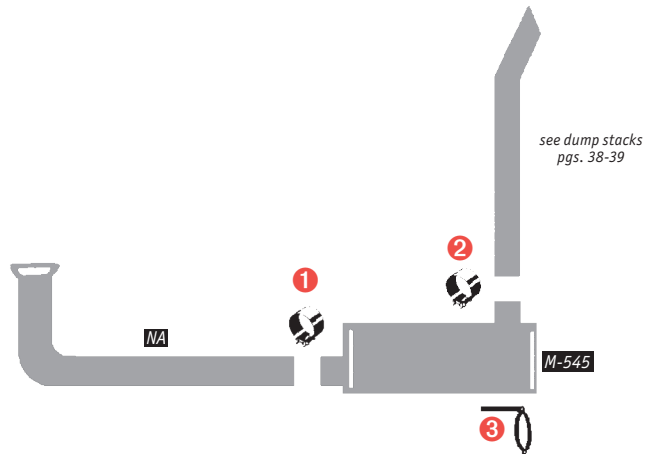
79-86 6 Cyl. Series "S"; DT466 Diesel Engine; Vertical Tail Pipe

INT465



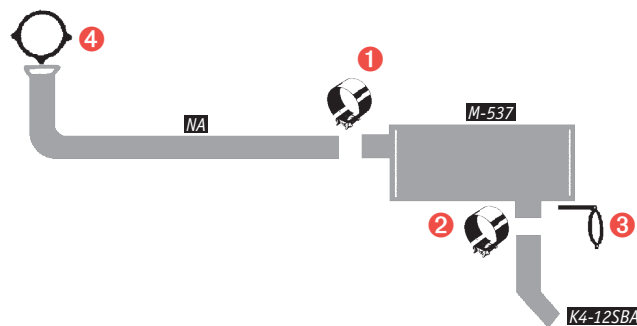
79-86 8 Cyl. Series "S"; 3208 Turbo Diesel Engine; Vertical Tail Pipe

INT466



79-86 8 Cyl. Series "S"; DT466, 466B Diesel Engine; 4x2, 6x4
(Exc. Aux. Trans. Code 13552)

INT467

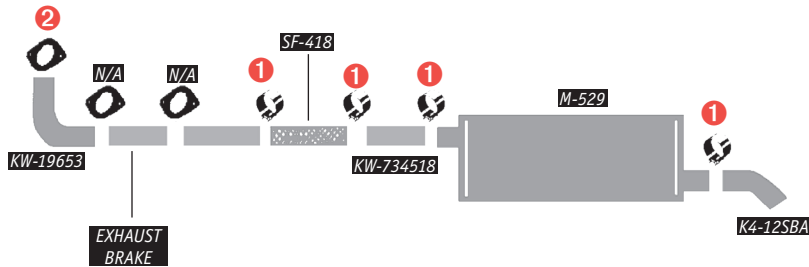


KENWORTH MEDIUM DUTY TRUCKS

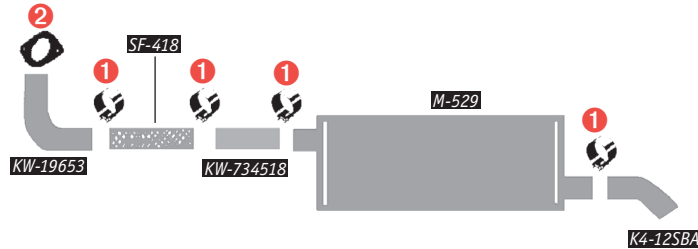
CLAMPS and HANGERS CHART

- ① WFC-4
- ② VB-413C

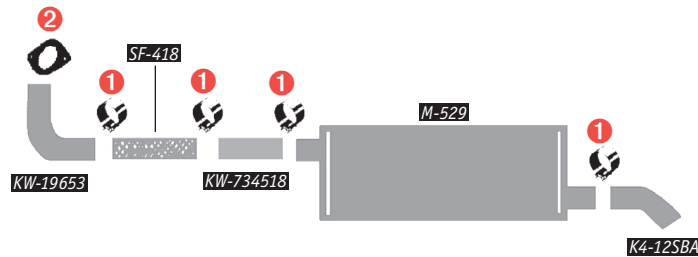
2003 6 Cyl. *Kenworth T300 w/Cummins ISC Diesel, Horizontal Muffler & Tailpipe, w/ Exhaust Brake* **KW500**



2003 6 Cyl. *Kenworth T300 w/Cummins ISC Diesel, Horizontal Muffler & Tailpipe, w/o Exhaust Brake* **KW501**



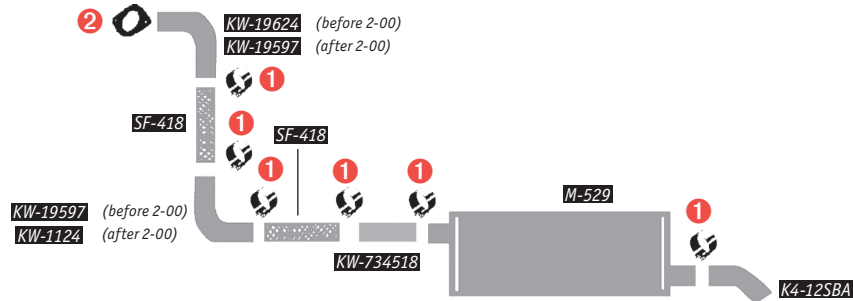
2002 6 Cyl. *Kenworth T300 w/Cummins 8.3L Diesel, Horizontal Muffler & Tailpipe, w/o Exhaust Brake* **KW502**



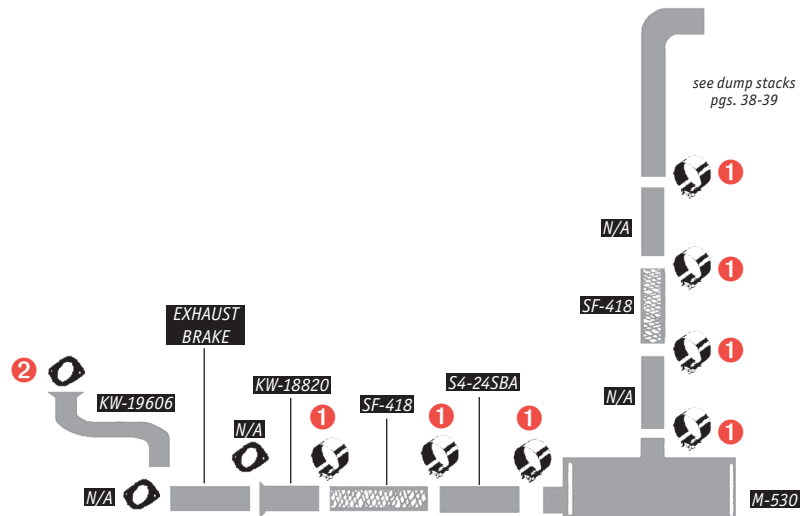
CLAMPS and HANGERS CHART

- ① WFC-4
- ② VB-461D

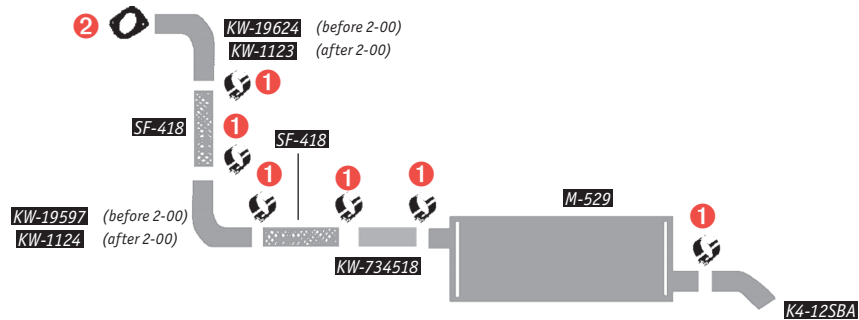
2002 6 Cyl. Kenworth T300 w/CAT. 3126 Diesel, Horizontal Muffler & Tailpipe, w/o Exhaust Brake KW503



2001 6 Cyl. Kenworth T300 w/CAT. 3126 Diesel, Horizontal Muffler & Vertical Stack Pipe, w/Exhaust Brake, 9 Speed Manual Transmission KW504



99-2000 6 Cyl. Kenworth T300 w/CAT. 3126 Diesel, Box/Straight Truck, Horizontal Muffler & Tailpipe, w/o Exhaust Brake, 6 Speed Manual Transmission KW505



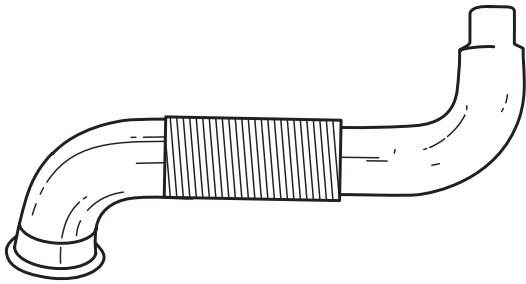
CUSTOM PARTS

CUSTOM PARTS

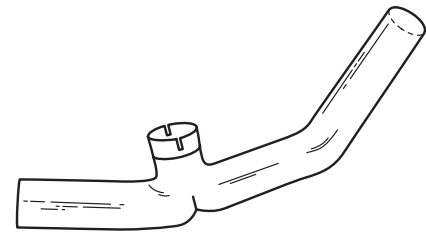
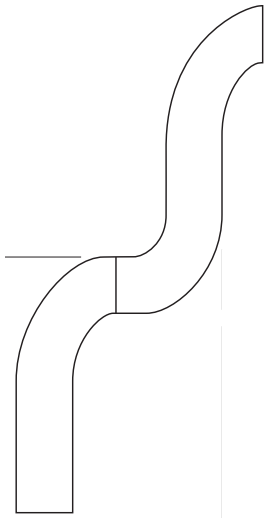
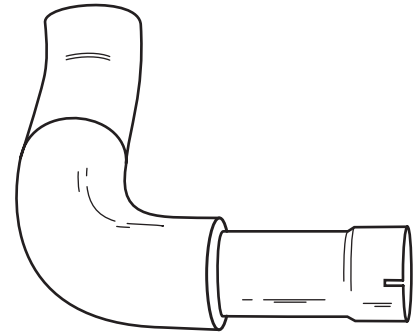
Don't See it in Our Catalog or Interchange?

We can make almost anything exhaust related. Send us a drawing, sample, or fill in the forms on the following pages for a quote.

FABRICATING ABILITIES INCLUDE:

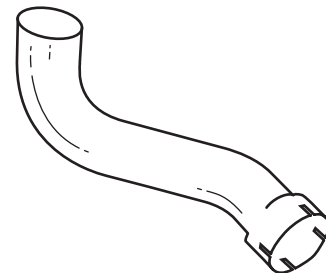
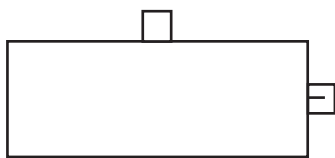


Bending
Deburring
Sizing
Reducing
Tapping
Flaring
Slotting
Welding
Chamfering
Expanding
Beading
Machining
Swaging
Drilling



MATERIAL / FINISHES

Plain Steel
Aluminized
Stainless
Chrome
Ceramic Lined
Ceramic Coated

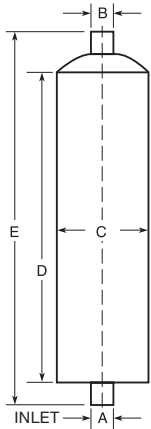


Custom Mufflers

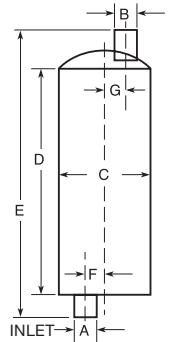
We can either modify existing mufflers or build them from scratch.
Provide the following information:

Quantity _____
 Type (see samples) _____
 Engine Type & Size _____
A Inlet Diameter _____ I.D. or O.D. _____
B Outlet Diameter _____ I.D. or O.D. _____
C Body Diameter _____
D Body Length _____
E Overall Length _____
F Location Inlet _____ Clock Position _____
G Location Outlet _____ Clock Position _____
I Material Type _____

Body Diameter Available
6"
7"
8.5"
9"
10"
11"
12"
16"
8" x 11"
10" x 15"

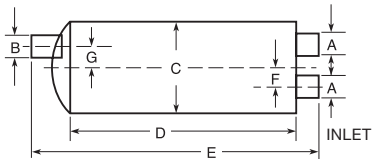


Type 1

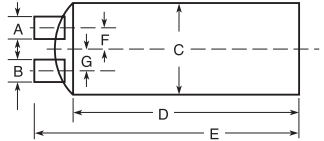


Type 2

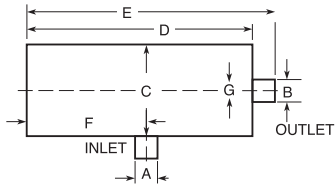
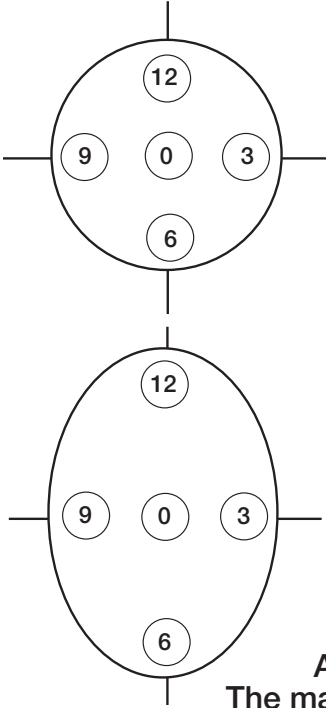
NOTE: All clock positions viewed from inlet end of muffler.



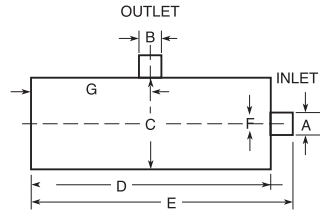
Type 2A



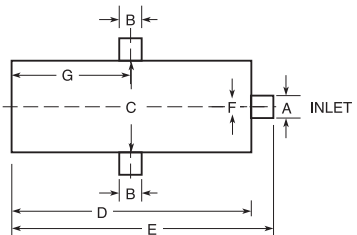
Type 3



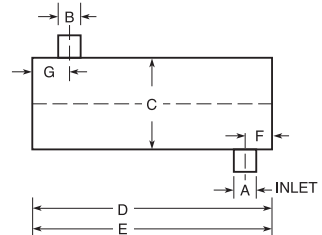
Type 4



Type 6



Type 7

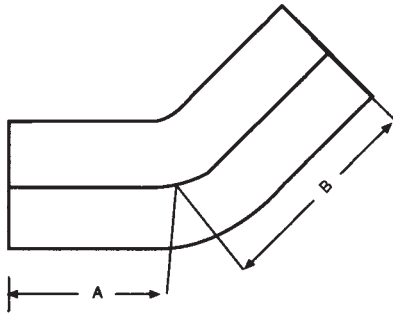


Type 9

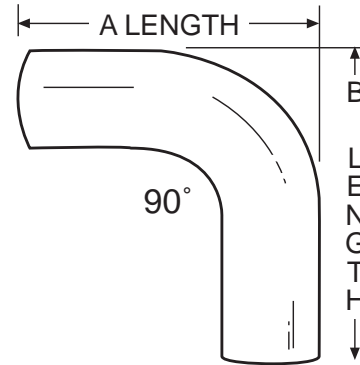
Quotes are good for 30 days!
 All Custom Muffler Sales are **FINAL** with no returns.
 The manufacturing and shipping process is generally 10-14 days

A picture is worth a thousand words. *Please fax us your specs.*

Custom Elbows



Measure to center line



Measure to backside

CALL FOR LEAD TIME

Quantity _____

Diameter _____

Degree of Bend _____

A Dimension _____

B Dimension _____

A or B Expanded (I.D.) _____

Aluminized, Chrome, Plain, SS, CL, CC _____

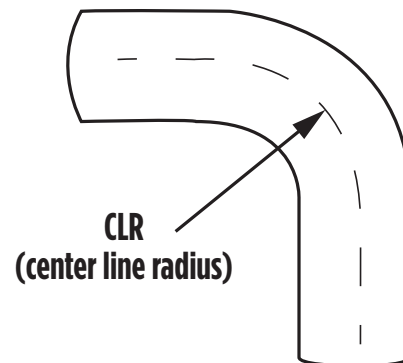
Bending Capability

Compression Bending

DIA.	CLR
1.5"	3"
1.75"	3", 4"
2"	3", 4", 5"
2.25"	4", 5"
2.5"	4", 5"

Mandrel Bending

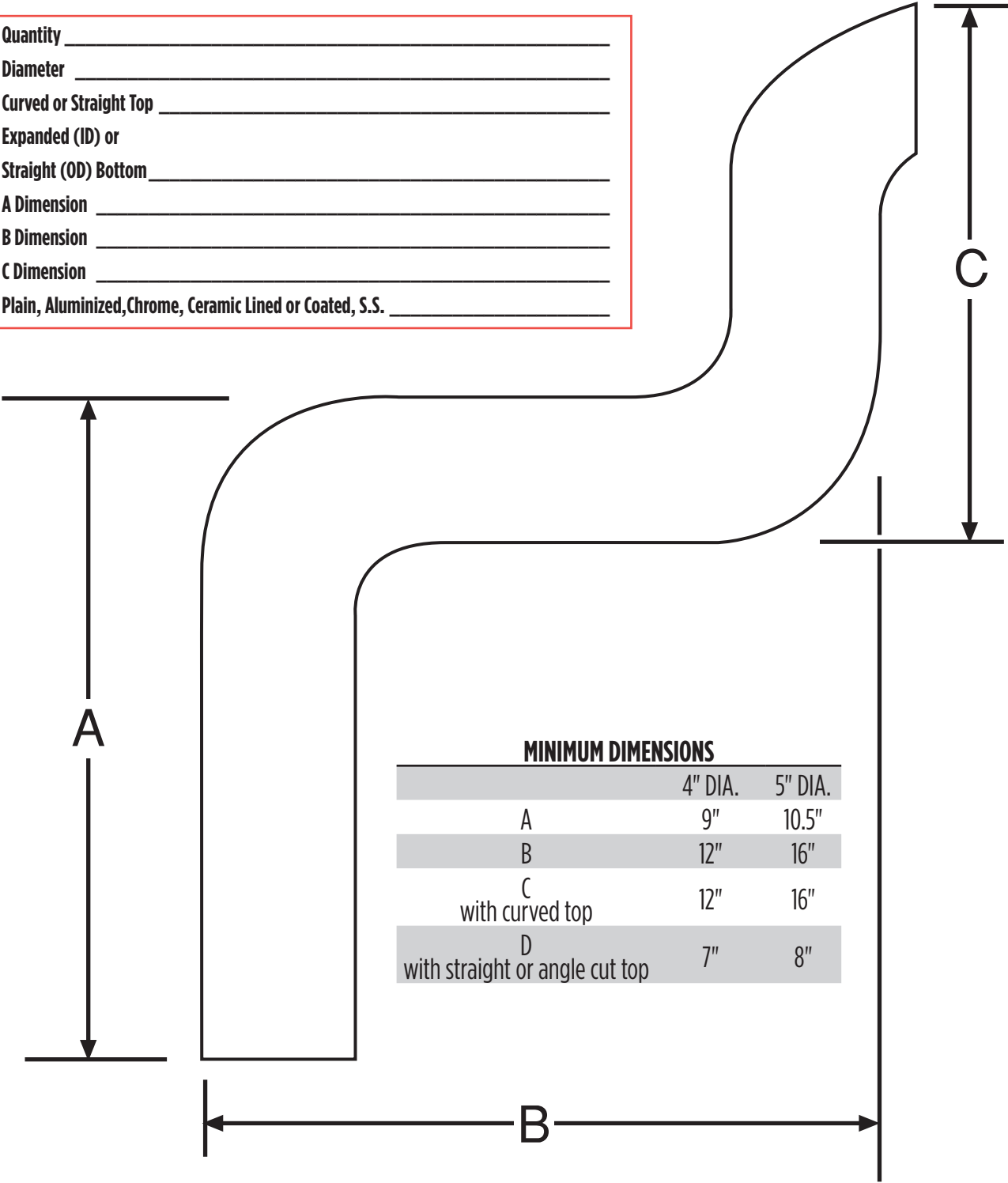
DIA.	CLR
3"	3.5"
3.5"	5"
4"	4.5"
5"	5.5", 6", 7.5", 10"
6"	7", 10"
7"	8"
8"	12"



Custom Dump Truck Stacks

Custom made to your specs

Quantity	_____
Diameter	_____
Curved or Straight Top	_____
Expanded (ID) or Straight (OD) Bottom	_____
A Dimension	_____
B Dimension	_____
C Dimension	_____
Plain, Aluminized, Chrome, Ceramic Lined or Coated, S.S.	_____



MINIMUM DIMENSIONS		
	4" DIA.	5" DIA.
A	9"	10.5"
B	12"	16"
C with curved top	12"	16"
D with straight or angle cut top	7"	8"

Fill in the blanks and fax this sheet to (440) 639-2010 for quote.

Call for lead time

CUSTOM PARTS

Pipe Hooks



Part No. PH-4A – (2.75" to 4" Dia.)
H.D. pipe hooks.

Part No. PH-6A – (5" to 6" Dia.)
H.D. pipe hooks.

Muffler Cement



Part No. Cement – 16oz.

This high-performance muffler cement applies like putty but dries metal hard. Sold per tube.