



Assembly instructions
3000 Series StepGuard Part # 3174B & 3174C
2014 - 2016 Chevrolet Silverado 1500/2/4wd
 (Excludes models with Driver Alert Package)
Do not attempt to install this product on any vehicle other than the one listed above!

Part List

Item	Qty.	Part #	Description	Torque
1	2	3171	Side Plate	
2	1	TT3700	Top Tube	
3	1	CP3700	Center Plate	
4	1	ST3700	Bottom Step Tube	
5	10		3/8 x 1 1/4" Hex Bolt	30 Ft. / Lbs.
6	4		3/8" Flat Washer	
7	10		3/8" Lock Washer	
8	4		3/8" Hex Nut	

Assembly & Installation Tools Required
 18 mm., 7/16", 9/16", & 3/4" Socket

 18mm., 7/16", 9/16", & 3/4" Wrench

 Phillips Screw Driver

 Ratchet & Ratchet Extension

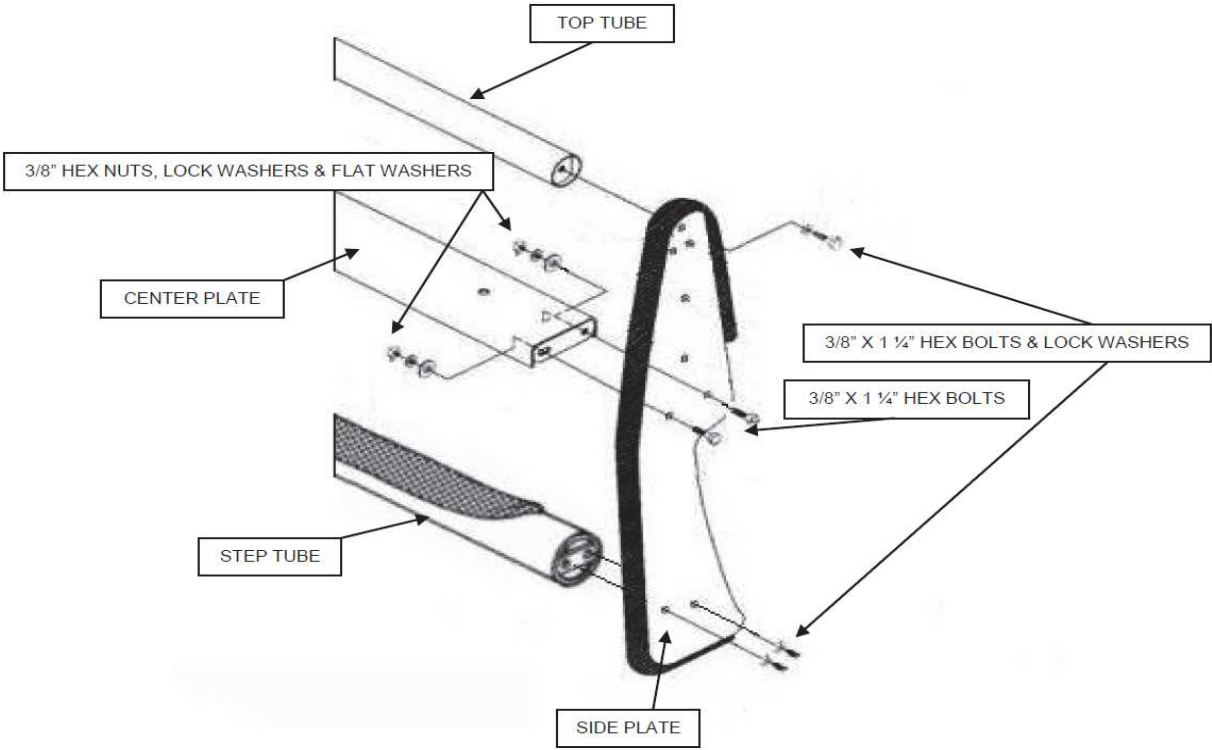
 Measure tape

Step-1 Begin the assembly by laying out the grille guard components on a protective surface.

Step-2 Position the side plate's front edge down, and the top tube, center plate and bottom step tube between the side plates. Attach the top tube to each side plate using (1) 3/8 x 1 1/4" hex bolt and (1) 3/8" lock washer, the center plate using (2) 3/8 x 1 1/4" hex bolts, (2) 3/8" flat washers, (2) 3/8" lock washers and (2) 3/8" hex nuts, and the bottom step tube using (2) 3/8 x 1 1/4" hex bolts and (2) 3/8" lock washers.

Step-3 Align the Grille Guard assembly and tighten all nuts and bolts.

Assembly Diagram



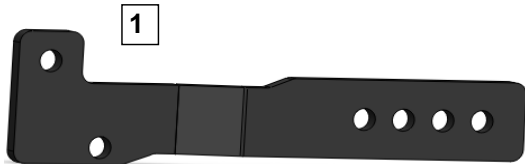
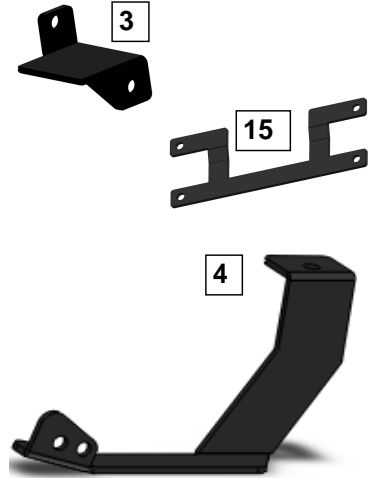
INSTALLATION INSTRUCTIONS
3000 Series StepGuard Part # 3174MB & 3174MC
2014 - 2016 Chevrolet Silverado 1500 2/4WD

EXCLUDE MODELS WITH DRIVER ALERT PACKAGE

Do not attempt to install this product on any vehicle other than the one listed above!

Item	Qty.	Part #	Description	Torque
------	------	--------	-------------	--------

1	1	503764AA	Driver side upper bracket	
2	1	503764BA	Passenger side opper bracket	
3	1	525764CA	Driver side auxiliary bracket	
4	1	503764CA	Driver side lower bracket	
5	1		Passenger side lower bracket	
7	4		1/2" Rod bolt	75 Lb/Ft
8	2		1/2" "T" Bolt	75 Lb/Ft
9	7		1/2 x 1 1/2" Hex bolt	75 Lb/Ft
10	13		1/2" Flat washer	
11	13		1/2" Lock washer	
12	13		1/2" Hex nut	
13	2		1/4" Hex head bolt	
14	2		1/4" Hex Nut	
15	1	502766AA	Licenseplate holder	

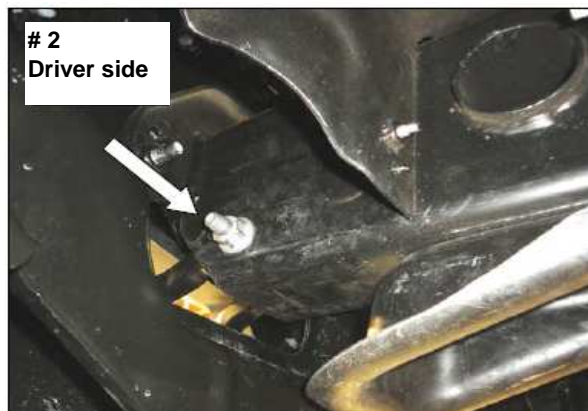


Nota:

If your vehicle is not equipped with factory tow hooks, attach the upper brackets and auxiliary bracket to the frame using the supplied 1/2" rod bolts, 1/2" flat washers, 1/2" lock washers and 1/2" hex nuts.

Protect the plastic bumper cover prior to the installation.

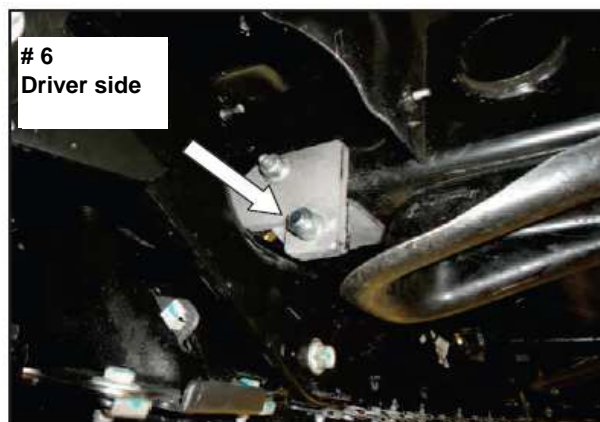
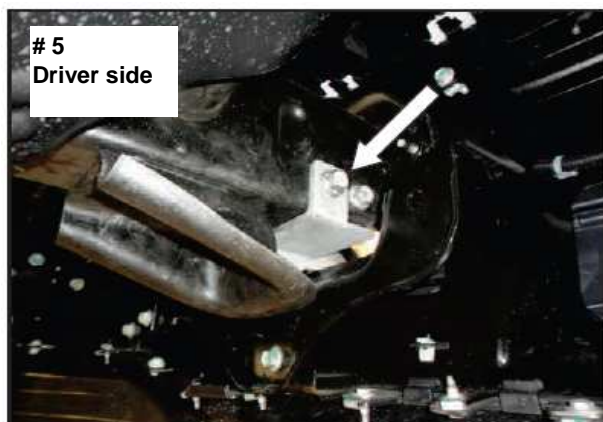
Step-1 Beginning with the driver side, remove the tow hook rear bolt, nut from the front bolt, (**Photo 1 & 2**) and the foam trim panel from the tow hook opening.



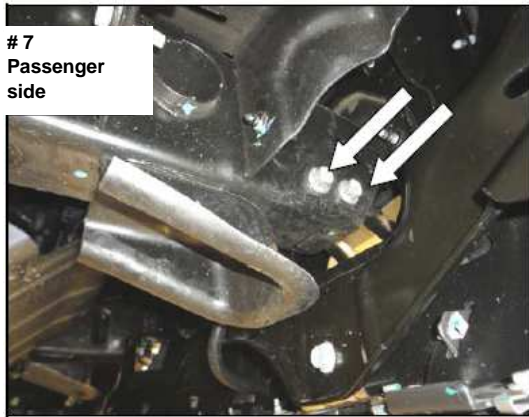
Step-2 From the tow hook opening, slide the vehicle attachment end of the driver side upper bracket under the frame, rotate the bracket and position upper attachment hole in the bracket over the shank of the front tow hook bolt and reinstall the nut. (**Photo 3 & 4**).



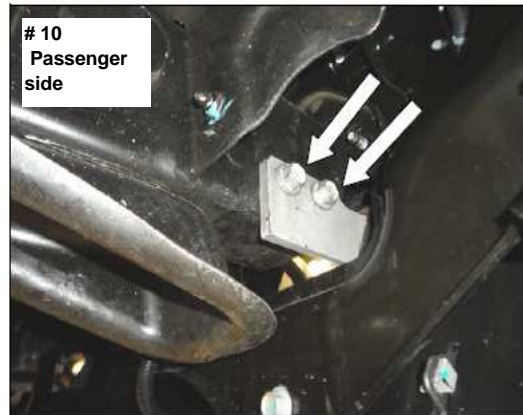
Step-3 Attach the driver side auxiliary bracket to the side of the frame using the tow hook rear bolt and to the lower hole in the upper bracket using (1) 1/2 x 1 1/2" hex bolt, (1) 1/2" flat washer (1) 1/2" lock washer and (1) 1/2" hex nut.(**Photo 5 & 6**)



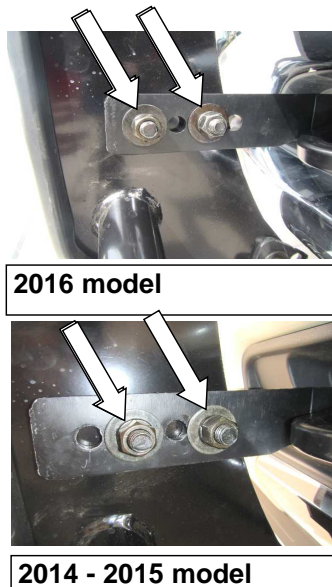
Step-4 Passenger side, remove the tow hook front nut and bolt, and the foam trim panel from the tow hook opening. (**Photo 7 & 8**)



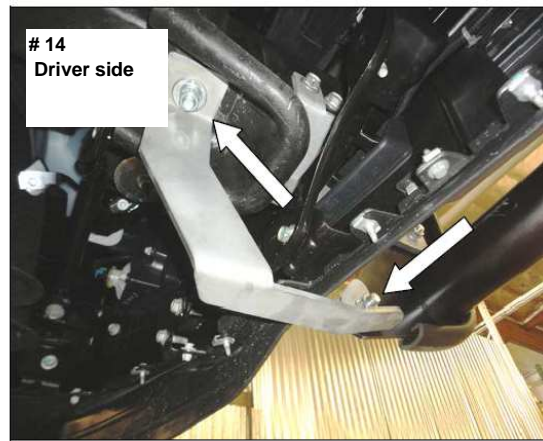
Step-5 From the tow hook opening, slide the vehicle attachment end of the passenger side upper bracket under the frame, rotate the bracket and align the holes in the bracket with the holes in the side of the frame and reinstall the tow hook front bolt and nut, then the rear bolt. (**Photo 9 & 10**)



Paso - 6 Identify the holes to use for your vehicle model (**Photo 11**) With assistance, position and attach the Grille Guard to the outside of each upper bracket using (2) 1/2 x 1 1/2" hex bolt, (2) 1/2" Flat washers, (2) 1/2" lock washers, (2) 1/2" hex nuts. Leave the nuts and bolts loose for final adjustment. (**Photo 12**)



Step-7 Locate the hole in the bottom of the frame and install (1) 1/2" t-bolt, (**Photo 13**). Attach the driver side lower bracket to the frame using the t-bolt, (1) 1/2" flat washer, (1) 1/2" lock washer and (1) 1/2" hex nut, and to the Grille Guard using (1) 1/2" x 1 1/2" hex bolt, (1) 1/2" flat washer, (1) 1/2" lock washer and (1) 1/2" hex nut. (**Photo 14**). Repeat to install the passenger side lower bracket.



2016 model



2014 - 2015 model



Step-8 Align the Grille Guard with the vehicle and tighten all factory and supplied nuts and bolts.

Step-9 If your state law requires a front license plate, attach the supplied bracket to the upper set of holes in the vehicle bracket using the factory license plate attachment screws. Attach the license plate to the supplied bracket using (2) 1/4 x 3/4" hex bolt and (2) 1/4" hex nuts. (**Photo 15**)

Remember to check and retighten the nuts and bolts every six months.

