



3000 SERIES STEPGUARD

GRILLE GUARD ASSEMBLY INSTRUCTIONS

PART NO. 3063B & 3063C 01-06 YUKON DENALI & YUKON XL DENALI 2/4WD

Do not attempt to install this product on any vehicle other than the one it is designed for and listed above!

PART LIST

<u>QTY</u>	<u>PART DESCRIPTION</u>	<u>QTY</u>	<u>PART DESCRIPTION</u>
10	3/8 x 1" BUTTON BOLT	2	1" OD x 1 1/4" 11 GA TUBULAR SPACERS
4	3/8 x 1" HEX BOLT	1	1037CD DRIVER SIDE FRAME BRACKET
10	3/8" LOCK WASHER	1	1037CP PASSENGER SIDE FRAME BRKT
10	3/8" HEX NUT	1	1031AD DRIVER SIDE UPPER BRACKET
2	M12 x 70mm HEX BOLT	1	1031AP PASSENGER SIDE UPPER BRKT
4	1/2 x 1 1/2" HEX BOLT	1	3063LP LICENSE PLATE BRACKET
6	1/2" FLAT WASHER	1	P200 PLUG KIT
6	1/2" LOCK WASHER	2	1/4 x 3/4" HEX BOLT
4	1/2" HEX NUT	2	1/4" FLAT WASHER
		2	1/4" HEX NUT

ASSEMBLY INSTRUCTIONS

READ THE ASSEMBLY AND INSTALLATION INSTRUCTIONS COMPLETELY BEFORE YOU BEGIN.

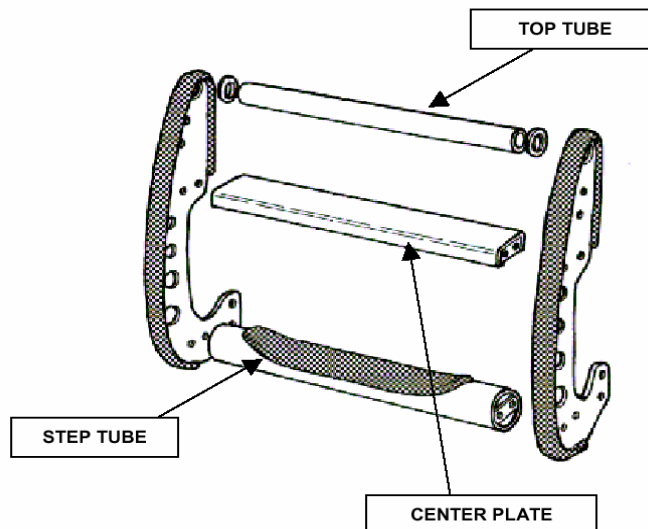
STEP 1. BEGIN THE GRILLE ASSEMBLY BY LAYING THE COMPONENTS OUT ON A PROTECTIVE SURFACE.

STEP 2. INSTALL THE TUBE CONNECTORS FROM THE P200 PLUG KIT INTO THE TOP TUBE.

STEP 3. LOOSELY ATTACHING THE BOTTOM PLATE TO THE GRILLE GUARD SIDE PLATES USING THE 3/8" X 1" BUTTON BOLTS.

STEP 4. POSITION THE CENTER PLATE BETWEEN THE SIDE PLATES, AND ATTACH THE CENTER PLATE TO THE SIDE PLATES USING THE 3/8" X 1" HEX HEAD BOLTS, LOCK WASHERS, AND NUTS.

STEP 5. ALIGN THE GRILLE ASSEMBLY AND TIGHTEN ALL NUTS AND BOLTS.



INSTALLATION INSTRUCTIONS

STEP 1. BEGINNING WITH THE PASSENGER SIDE, LOCATE AND REMOVE THE UPPER BUMPER BOLT. THE BOLT IS LOCATED BEHIND THE GRILLE ON THE TOP OF THE BUMPER. THE BOLT IS ACCESSIBLE BY REMOVING THE RIVETS AND PLASTIC TRIM PANEL ON TOP OF THE GRILLE TO EXPOSE THE BOLT.

STEP 2. POSITION 1031AP UPPER BRACKET BETWEEN THE GRILLE AND BUMPER. LOOSELY ATTACH THE BRACKET TO THE BUMPER USING THE 12MM BOLT, SPACER AND WASHERS. REPEAT THE ABOVE FOR THE DRIVER SIDE BRACKET.

STEP 3. LOCATE THE PASSENGER SIDE TOW HOOK MOUNTING BOLTS. REMOVE THE BOLT FROM THE BOTTOM AND THE HEX NUT FROM THE BOLT THAT PASSES THROUGH THE FRAME.

STEP 4. POSITION 1037CP FRAME BRACKET OVER THE SHANK OF THE TOW HOOK BOLT, AND ATTACH TO THE BOTTOM AND SIDE OF THE FRAME USING THE FACTORY NUT AND BOLT. REPEAT THE ABOVE FOR THE DRIVER SIDE BRACKET. **NOTE:** IF NOT EQUIPPED WITH FACTORY TOW HOOKS, ATTACH THE MOUNTING BRACKETS TO THE FRAME USING THE 1/2" BOLTS, WASHERS AND NUTS SUPPLIED.

STEP 5. ATTACH THE GRILLE GUARD ASSEMBLY TO THE OUTSIDE OF THE FRAME BRACKETS AND UPPER MOUNTING BRACKETS USING 3/8 x 1" BUTTON HEAD BOLTS, LOCK WASHERS AND HEX NUTS. ALIGN THE ASSEMBLY WITH THE FRONT OF THE VEHICLE AND TIGHTEN ALL NUTS AND BOLTS. RE-ATTACH THE PLASTIC TRIM PANEL.

STEP 6. REMOVE THE FOUR SCREWS SECURING THE FACTORY LICENSE PLATE BRACKET TO THE BUMPER. ALIGN 3063LP BRACKET WITH THE TWO UPPER HOLES IN THE BUMPER, ATTACH THE BRACKET TO THE BUMPER USING TWO OF THE FACTORY SCREWS. USING THE 1/4" BOLTS SUPPLIED. ATTACH THE TOP OF THE LICENSE PLATE TO THE NEW BRACKET.