



## Installation Instructions Wrangler Grille Guard Part # 13295B

**2015-2016 Ford F-150**

(Excludes Models with Active Park Assist & Adaptive Cruise Control)

### Parts List

Item	Qty.	Part #	Description	Torque
1	1	132950AA	Grille Guard	
2	1 Pr.	504334BA	Main Bracket	
3	2	504334AA	Auxiliary Bracket	
4	2		3/8" x 1 1/4" Hex Bolt	30 ft. lbs.
5	2		3/8" Flat Washer	
6	2		3/8" Lock Washer	
7	2		3/8" Hex Nut	
8	4		1/2" x 1 1/2" Hex Bolt (black)	65 ft. lbs.
9	8		1/2" Flat Washer (black)	
10	8		1/2" Lock Washer (black)	
11	8		1/2" Hex Nut (black)	
12	4		1/2" x 1 1/2" Tab Bolt	65 ft. lbs.
13	1		Bolt Wire Guide	

#### **Tools Required**

21mm, 1/2", 9/16" & 3/4" Socket

21mm, 1/2", 9/16" & 3/4" Wrench

Slotted Screwdriver

Ratchet & Ratchet Extension

Utility Knife

**Approximate installation time:  
60 minutes**

### **Important Installation Notes and Suggestions**

If equipped with Active Park Assist & Adaptive Cruise Control, installation of this grille guard will interfere with the function.

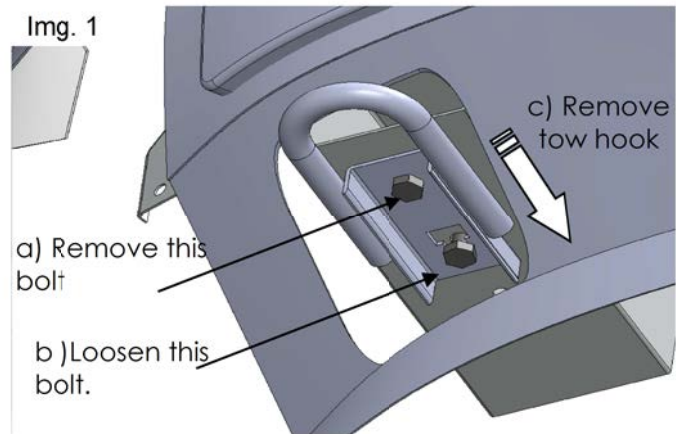
Read the assembly and installation instructions completely and verify that all of the parts listed are accounted for.

Cutting of the lower bumper valance is necessary to complete installation on models without factory tow hooks.

To maintain and care this product keep it clean and do not use abrasive cleaners or polish waxes.

**Texture Painted Finish:** Mild liquid detergent may be used. **Polished Stainless & Semi Gloss Painted Finishes:** We recommend using only non-abrasive automotive wax such as pure carnauba to avoid scratches and rust.

4. If the vehicle has tow hooks remove the plastic cap that covers the gap See *Img. 1*. If vehicle does not have tow hooks follow step 6.



5. Place lower bracket over the exposed tow hook bolt and re-install the tow hook over the grille guard bracket. Re-install using the original equipment bolts removed in step 2. *Img. 2*. Leave loose. Follow step 8.

PHOTO 1



6. If the vehicle does not have tow hooks, use the template, (printed at the end) as a guide to modify the lower valance. **NOTE:** Before proceeding with the valance modification, make sure that the supplied paper template has the dimensions clearly printed and check them out. **PROFESSIONAL INSTALLATION RECOMMENDED.**

PHOTO 2

7. Align paper template to the edges shown at *Photo 3*, mark area to cut out and proceed. Repeat for opposite side, review symmetry.

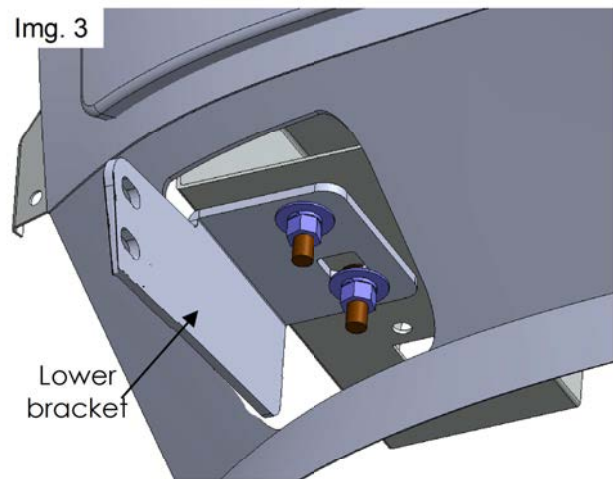
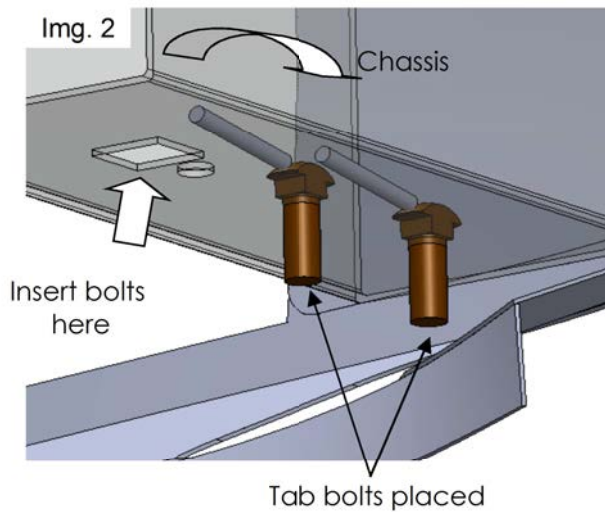
Paper template



Cut out

8. Once openings were made, place tab bolts into the frame holes as shown at **Img. 2**. Use the wire guide to place tab bolts.

9. Place lower bracket on the bottom frame surface, fasten using 1/2" flat and lock washers and hex nuts. **Img. 3**



10. Remove the plastic bumper valance and locate the outer OEM nut. Remove it and position the auxiliary bracket and fix it see. **Photo 3 and 4**

**PHOTO 3**



**PHOTO 4**



11. After installing the auxiliary bracket cut the plastic front part of the. Bumper valance tho allow the proper position. Tighten the nut befor puting the bumper valance back. Photo 5 and 6

PHOTO 5

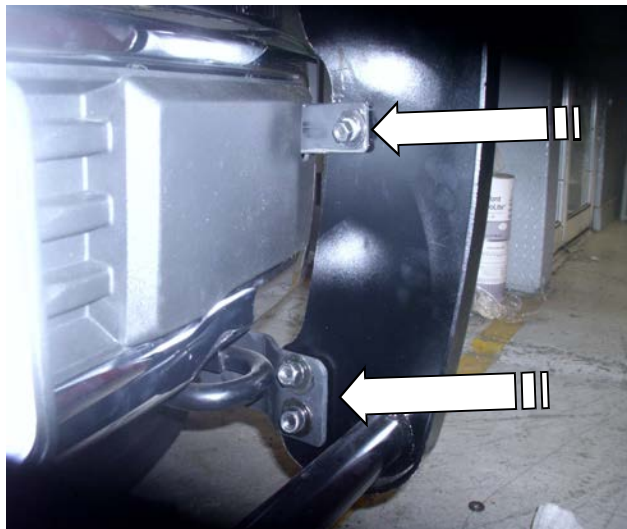


PHOTO 6



12 . Place Front grille guard as **Photo 7**, to secure lower bracket use 1/2 x 1 1/2" hex bolt, 1/2" flat washer and 1/2" lock nut. Secure to auxiliary bracket using 3/8 x 1 1/4" hex bolt, 3/8" flat washer and 3/8" lock nut. Leave loose.

PHOTO 7



13. Align the grille guard assembly with the front of the vehicle and tighten all assembly and installation nuts and bolts. PHOTO # 8
14. Periodically it may need re-tighten the bolts.
15. Fill the warranty card and place it inside your vehicle's glove box.

PHOTO 8



# FORD F-150 2015

