



S-Blade Electric Fans

Installation Instructions

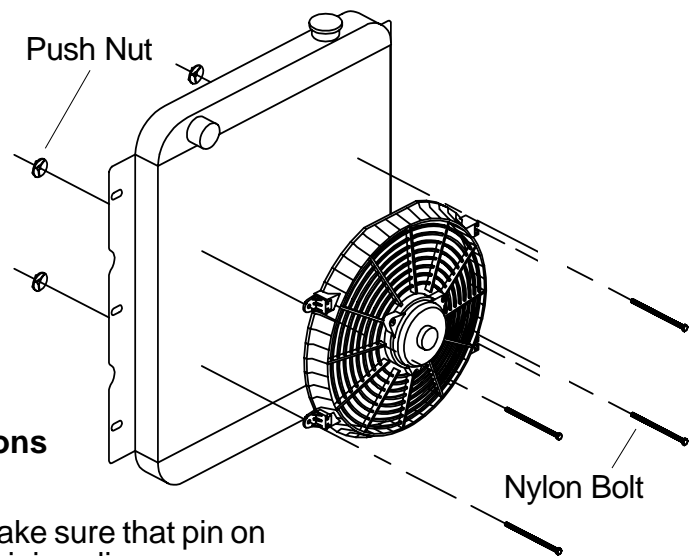
Puller Mode (as shipped from the manufacturer) Through Core Mounting Instructions (SEE DIAGRAM "A")

1. Position the electric fan against the radiator, and mark mounting hole locations.
2. Pass a small Phillips screwdriver through the marked holes, carefully spreading the fins to allow easy passage for the nylon bolts. Pass the bolts through the shroud holes in the radiator.
3. Push on the speed nuts until snug.
4. Cut off the end of the mounting bolts, leaving 1/4" remaining.

Pusher Mode Through Core Mounting Instructions

1. Remove retaining clip from motor shaft.
2. Remove fan blade, flip it over, and re-fit to shaft. Make sure that pin on shaft is seated into groove in fan hub. Replace retaining clip.
3. Proceed with instruction above. *Note: some vehicles have a/c condensers or transmission coolers mounted in front of the radiator. Modifications may be necessary to accommodate the fan.*

Diagram A
Puller Mode Shown



Wiring Instructions

Important: Pusher fans use:
Blue wire is positive (+).
Black wire is negative(-).

Important: Puller fans use:
Black wire is positive (+).
Blue wire is negative (-).

Note: Fans shipped in Puller mode. If you are mounting as a pusher, you need to flip fan blade over.