

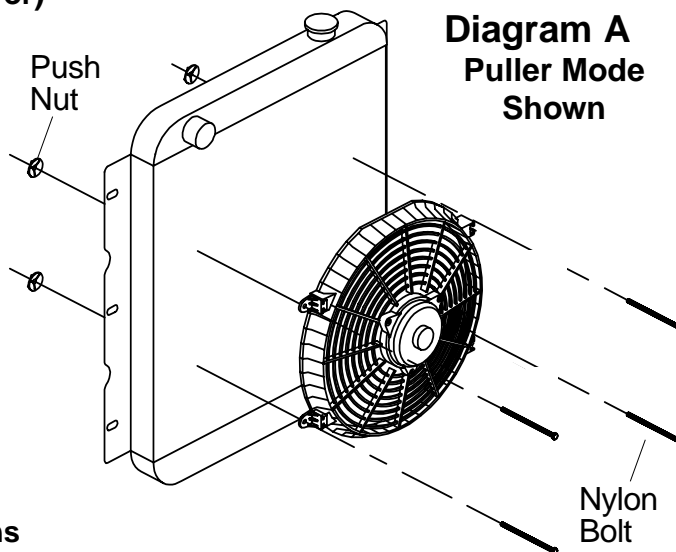


Trimline Electric Fans

Installation Instructions

Puller Mode (as shipped from the manufacturer) Through Core Mounting Instructions (SEE DIAGRAM "A")

1. Position the electric fan against the radiator, and mark mounting hole locations.
2. Pass a small Phillips screwdriver through the marked holes, carefully spreading the fins to allow easy passage for the nylon bolts. Fit the bolts to the mounting tabs, and pass the bolts through the shroud holes in the radiator.
3. Push on the speed nuts until snug.
4. Cut off the end of the mounting bolts, leaving 1/4" remaining.



Pusher Mode Through Core Mounting Instructions

1. Remove retaining clip from motor shaft.
2. Remove fan blade, flip it over, and re-fit to shaft. Make sure that pin on shaft is seated into groove in fan hub. Replace retaining clip.
3. Proceed with instruction above. *Note: some vehicles have a/c condensers or tranny coolers mounted in front of the radiator. Modifications may be necessary to accommodate the fan.*

Wiring Instructions

Important: Puller fans use:
Blue or Red wire is positive (+).
Black wire is negative (-).

Important: Pusher fans use:
Black wire is positive (+).
Blue or Red wire is negative(-).

Important: Disconnect the battery prior to wiring any of the products below.

Direct Connect: (Fan will operate when the ignition is "on")

1. Attach the positive fan motor wire to a 12 V positive ignition controlled source, e.g. fuse box.
Note: We recommend the use of a 20 Amp inline fuse (not included) for each fan.
2. Attach the negative fan motor wire to a suitable ground. Note: Connect directly to battery negative terminal if possible.
3. Reconnect the battery.