

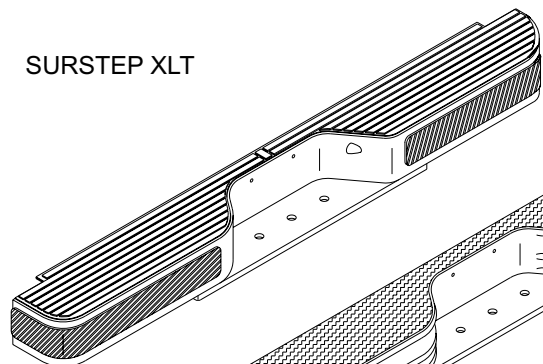


# INSTALLATION INSTRUCTIONS

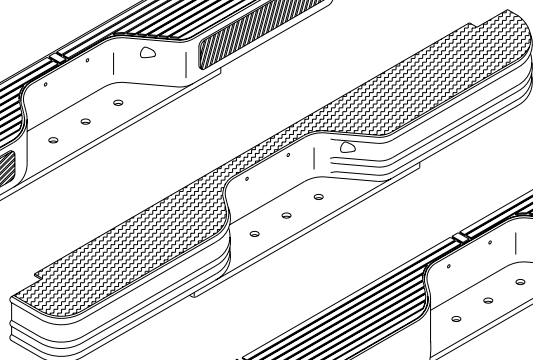
APPLICATION: 1973 - 98 CHEVY F/S TRUCK (1/2 TON)  
 1973 - 00 CHEVY F/S TRUCK (3/4 & 1 TON)  
 1972 - 93 DODGE F/S TRUCK  
 1967 - 96 FORD F/S TRUCK (1/2 TON)  
 1967 - 98 FORD F/S TRUCK (3/4 & 1 TON)

**MOUNT KIT : #223/92230**

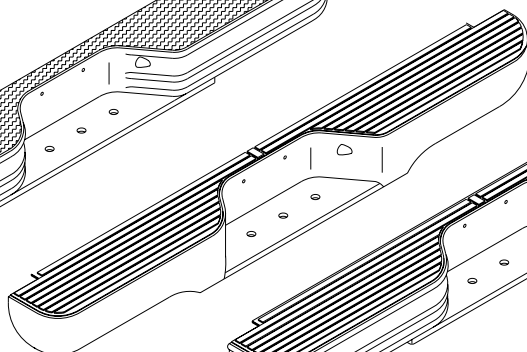
SURSTEP XLT



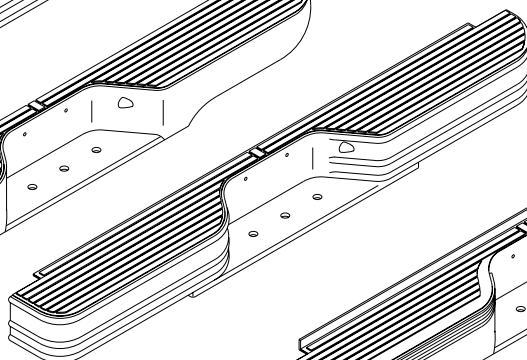
DIAMOND STEP



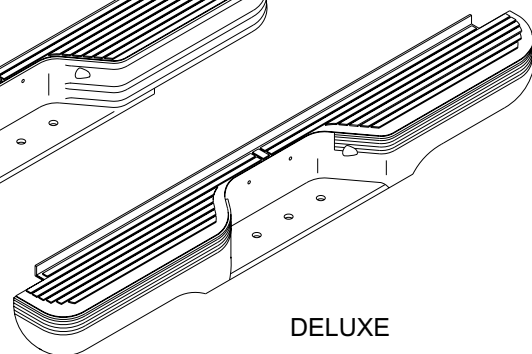
CONTOUR



SURSTEP



DELUXE  
SURESTEP  
CONTOUR



## MOUNTING KIT CONTENTS

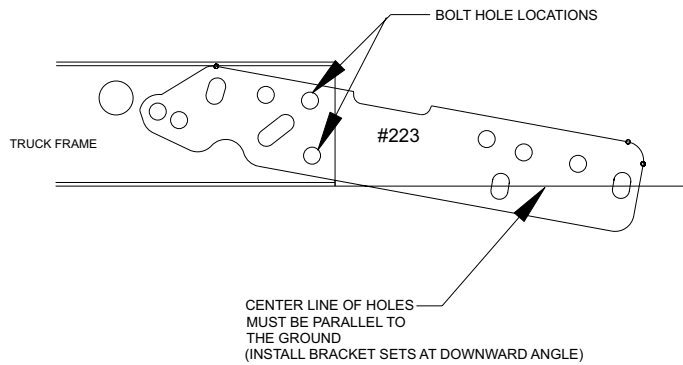
QTY	DESCRIPTION
1	DRIVER SIDE MOUNTING BRKT
1	PASSENGER SIDE MOUNTING BRKT
8	1/2 INCH BOLT, NUT, FLAT WASHER, AND LOCK WASHER
2	3/8 INCH BOLT, NUT, FLAT WASHER, AND LOCK WASHER
2	14mm BOLT, FLAT WASHER, AND LOCK WASHER
2	SPACER PLATE
<u>BUMPER KIT CONTENTS</u>	
QTY	DESCRIPTION
1	BUMPER
1	LICENSE PLATE LIGHT KIT

## TOOLS REQUIRED

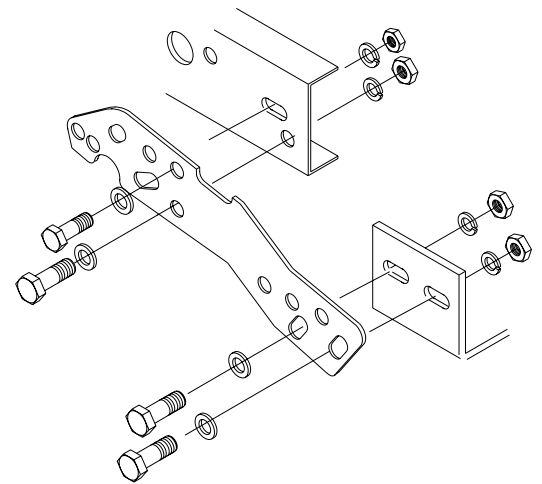
9/16 INCH SOCKET	(CHEVY CK ONLY)
9/16 INCH WRENCH	(CHEVY CK ONLY)
15mm SOCKET	(CHEVY CK ONLY)
15mm WRENCH	(CHEVY CK ONLY)
22mm SOCKET	(FORD ONLY)
22mm WRENCH	(FORD ONLY)
3/4 INCH SOCKET	
3/4 INCH WRENCH	
RATCHET	
TORQUE WRENCH	

APPLICATION: 1972 - 93 DODGE F/S TRUCK

STEP 1: Using 1/2 inch hardware, loosely install mounting brackets on the outside of truck frame rails with the offset outward. Refer to figure 1 and 2. DO NOT TIGHTEN mounting hardware.



**FIGURE 1 (driver side view)  
1972 - 93 DODGE F/S TRUCK**



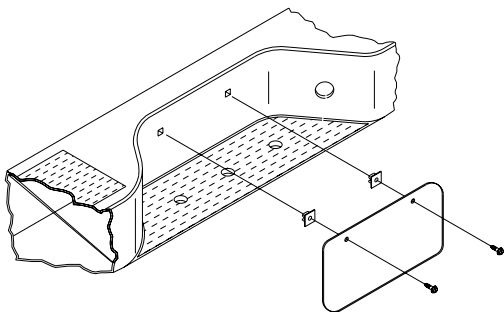
**FIGURE 2 (driver side view)  
1972 - 93 DODGE F/S TRUCK**

STEP 2: Install bumper onto mounting brackets with brackets outside of bumper hitch. See figure 2. Use remaining 1/2 inch hardware. DO NOT TIGHTEN.

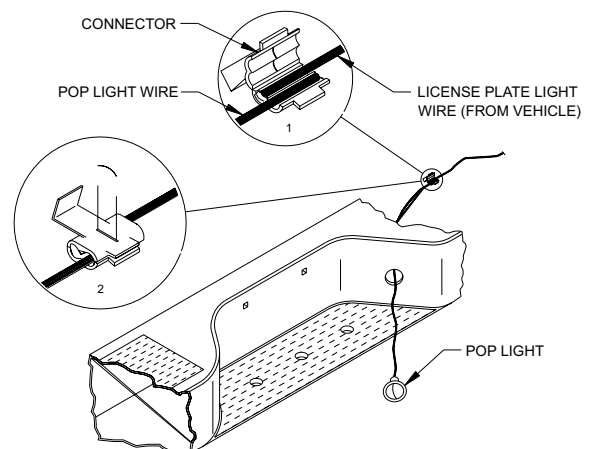
STEP 3 Position bumper squarely to tailgate and allow clearance for tailgate to open. Tighten hardware as follows: 1/2 to 60-65 ft. lbs.

STEP 1: Using square plastic grommets and sheet metal screws, install license plate. See figure 3.

STEP 2: Install pop lights into bumper (figure 4). Using supplied connectors, splice pop light wires into truck illumination wire as shown in figure 4. Make sure license plate lights are working properly.



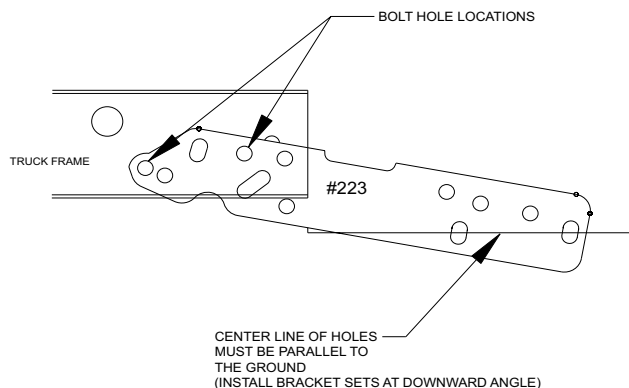
**FIGURE 3**



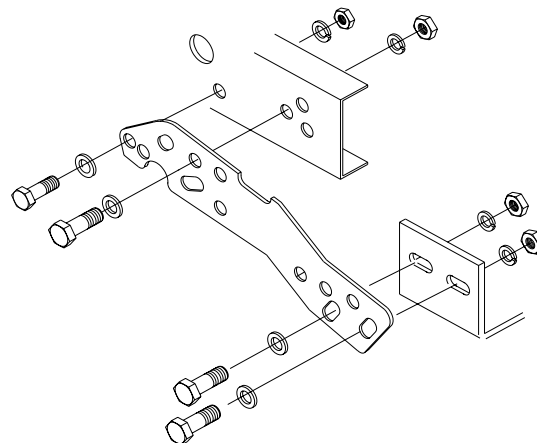
**FIGURE 4**

**APPLICATION: 1967 - 98 FORD F/S TRUCK  
1967-72 FORD FULL SIZE TRUCK (34 INCH FRAME)**

**STEP 1:** Using 1/2 inch hardware, loosely install mounting brackets on the OUTSIDE of truck frame rails with the offset OUTWARDS. Refer to figure 1 and 2.  
**DO NOT TIGHTEN** mounting hardware.



**FIGURE 1 (driver side view)  
1967-72 F/S TRUCK (34 INCH FRAME)**

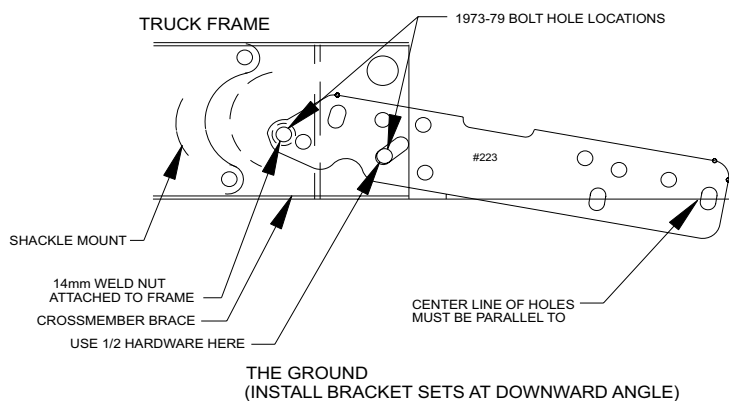


**FIGURE 2 (driver side view)  
1967-72 F/S TRUCK (34 INCH FRAME)**

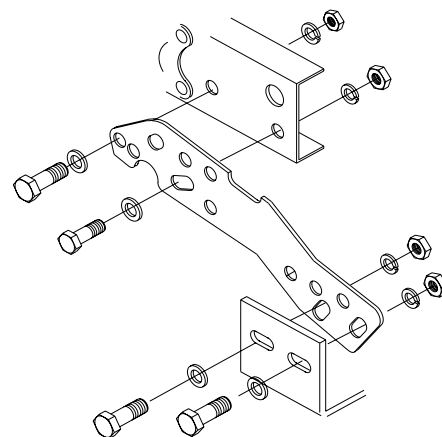
**STEP 2:** Install bumper onto mounting brackets with brackets OUTSIDE of bumper hitch. Refer to figure 2.  
Use remaining 1/2 inch hardware.  
**DO NOT TIGHTEN** mounting hardware. Refer to step 3 at bottom of page.

**1973 - 98 FORD FULL SIZE TRUCK (37 3/4 INCH FRAME)**

**STEP 1:** The truck frame rails may have one 14mm weld nut attached to each frame rail. These weld Nuts will be used for installing mounting brackets. Using 14mm and 1/2 hardware, loosely install mounting brackets on the OUTSIDE of truck frame rails with the offset INWARDS. **DO NOT TIGHTEN** mounting hardware. Refer to figure 1A.



**FIGURE 1A (driver side view)  
1973 & UP FORD F/S TRUCK (37 3/4 FRAME)**



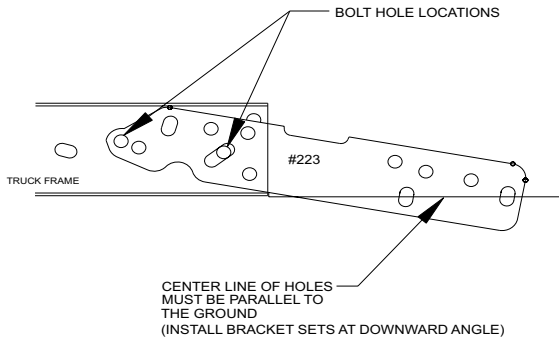
**FIGURE 2**

**STEP 2:** Install bumper onto mounting brackets with brackets INSIDE of bumper hitch. Refer to figure 2.  
Use remaining 1/2 inch hardware.

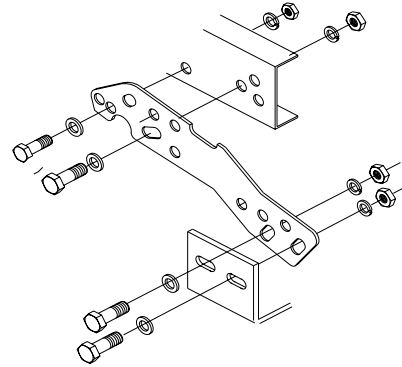
**STEP 3:** Position bumper squarely to tailgate and allow clearance for tailgate to open.  
Tighten hardware as follows: 3/8 to 30-35 ft lbs  
1/2 to 60-65 ft lbs  
14mm to 60-65 ft lbs

**APPLICATION: 1973-87 CHEVY/GMC F/S TRUCK**  
**APPLICATION: 1973-91 CHEVY/GMC CREW CAB**

STEP 1: Using 1/2 inch hardware, loosely install mounting brackets on the OUTSIDE of truck frame rails with the offset OUTWARDS. Refer to figure 1 and 2.  
 DO NOT TIGHTEN mounting hardware.



**FIGURE 1 (driver side view)**  
**1973-87 CHEVY CK TRUCK**



**FIGURE 2 (driver side view)**  
**1973-87 CHEVY CK TRUCK**

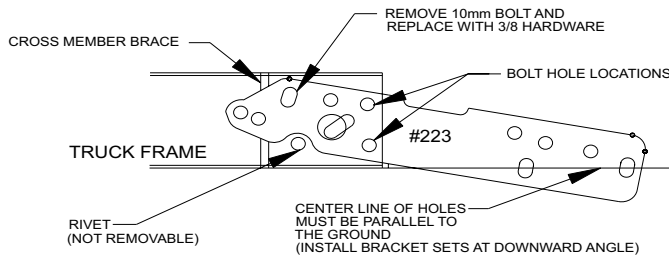
STEP 2: Install bumper onto mounting brackets with brackets INSIDE of bumper hitch. Refer to figure 2.  
 Use remaining 1/2 inch hardware. DO NOT TIGHTEN.

STEP 3: Position bumper squarely to tailgate and allow clearance for tailgate to open.  
 Tighten hardware as follows: 1/2 to 60-65 ft lbs.

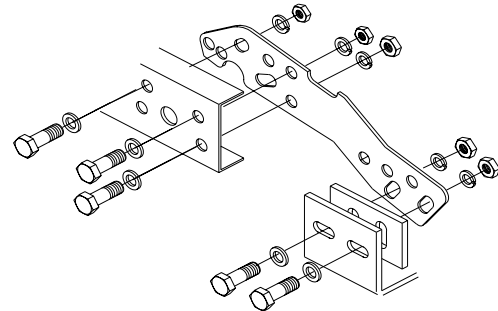
**APPLICATION: 1988 - 2000 CHEVY/GMC F/S TRUCK**

STEP 1: SHORT BED ONLY - Remove the 10mm shackle bolt from both frame rails prior to installing mounting brackets and replace with 3/8 inch hardware.

LONG BED ONLY - Remove ground wire and wiring harness retaining strap from driver side frame rail only. Re-attach ground wire after installation is complete.



**FIGURE 1A (driver side view)**  
**1988 - 2000 CHEVY CK TRUCK**



**FIGURE 2 (driver side view)**  
**1988 - 2000 CHEVY CK TRUCK**

STEP 2: Using 1/2 inch hardware, loosely install mounting brackets on the INSIDE of truck frame rails with the offset inwards. Refer to figure 1 and 2.  
 Short bed models, install 3/8 hardware in place of 10mm shackle bolt.  
 DO NOT TIGHTEN mounting hardware.

STEP 2: Install bumper using spacer plates between mounting brackets and hitch with brackets INSIDE of bumper hitch. See figure 2.  
 Use remaining 1/2 inch hardware. DO NOT TIGHTEN.

STEP 3: Position bumper squarely to tailgate and allow clearance for tailgate to open. Tighten hardware as follows: 3/8 to 30-35 ft lbs., 1/2 to 60-65 ft lbs.