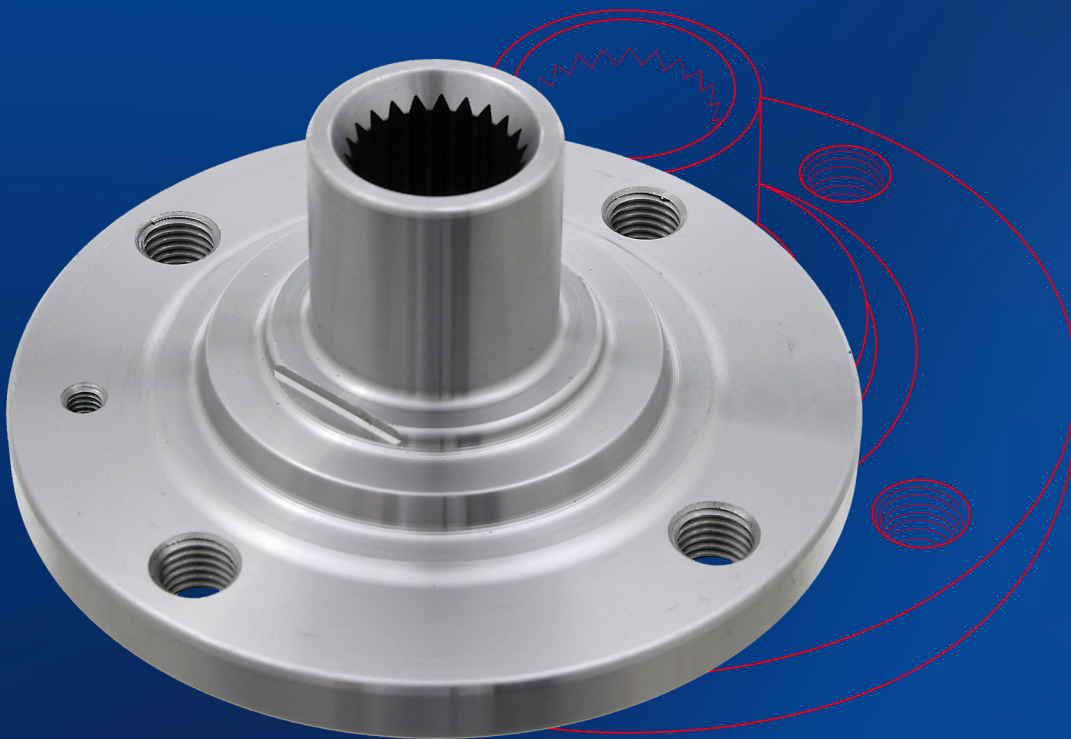










## wheel bearings/wheel hubs





					
<b>Alfa Romeo</b>	19 – 30	705 – 709	<b>Smart</b>	533, 534	1049
<b>Audi</b>	31 – 93	710 – 747	<b>Subaru</b>	535 – 537	1050, 1051
<b>BMW</b>	94 – 121	748 – 802	<b>Suzuki</b>	538 – 540	1052 – 1054
<b>Chevrolet</b>	122 – 124	803	<b>Toyota</b>	541 – 555	1055 – 1061
<b>Chrysler</b>	125		<b>Vauxhall</b>	556 – 619	1062 – 1090
<b>Citroën</b>	126 – 197	804 – 825	<b>Volkswagen</b>	620 – 691	1091 – 1135
<b>Dacia</b>	198 – 201	826, 827	<b>Volvo</b>	692 – 704	1136 – 1139
<b>Daewoo</b>	202 – 205	828, 829	<b>ref. no. →</b> 		1140 – 1167
<b>FIAT</b>	206 – 245	830 – 860	 <b>→ ref. no.</b>		1168 – 1178
<b>Ford</b>	246 – 267	861 – 875			
<b>Honda</b>	268, 269	876, 877			
<b>Hyundai</b>	270 – 276	878 – 883			
<b>IVECO</b>	277	884			
<b>KIA</b>	278 – 280	885, 886			
<b>LANCIA</b>	281 – 288	887 – 889			
<b>Lexus</b>	289, 290	890			
<b>Mazda</b>	291 – 301	891 – 896			
<b>Mercedes-Benz</b>	302 – 378	897 – 945			
<b>MINI</b>	379 – 381	946 – 948			
<b>Mitsubishi</b>	382 – 390	949 – 951			
<b>Nissan</b>	391 – 394	952 – 956			
<b>Opel</b>	395 – 452	957 – 981			
<b>Peugeot</b>	453 – 483	982 – 1019			
<b>Renault</b>	484 – 509	1020 – 1033			
<b>Saab</b>	510 – 513	1034			
<b>Scion</b>	514				
<b>Seat</b>	515 – 527	1035 – 1044			
<b>Skoda</b>	528 – 532	1045 – 1048			



suitable for:  
**Alfa Romeo**

Giulietta	19	
GT	19	705
GTV	20	
Mito	20, 21	705
Spider	21, 22	
145	22, 23	705, 706
146	23, 24	706, 707
147	25	708
155	26	708
155 4x4	26	708
156	27	708
156 Sportwagon	28	708
156 Sportwagon 4x4	28	709
164	28, 29	709
166	30	

suitable for:  
**Audi**

A1 (8X)		710
A1 quattro (8X)		710
A2 (8Z)	31	710
A3 (8L)	31	710
A3 quattro (8L)		711
S3 quattro (8L)	31	
A3 (8P)	31 – 37	711 – 714
A4 (8D)	38, 39	714
A4 quattro (8D)	39, 40	714
S4 quattro (8D)	40	714
RS4 quattro (8D)	40	715
A4 (8E)	41, 42	715 – 717
A4 quattro (8E)	43	717, 718
S4 quattro (8E)	43	719
RS4 quattro (8E)	43	719
A4 (8H)	43	719, 720
A4 quattro (8H)	43	720
S4 quattro (8H)	43	720
RS4 quattro (8H)	43	
A4 (8K)	44	721

A4 quattro (8K)	45	721, 722
S4 quattro (8K)	46	722
A5 (8F)	46	723
A5 quattro (8F)	46	723
S5 quattro (8F)	47	723
A5 (8T)	47, 48	724
A5 quattro (8T)	48	724, 725
S5 quattro (8T)	48	725
RS5 quattro (8T)	49	725
A6 (4A)	49	725
A6 quattro (4A)	49	
S6 quattro (4A)	49	
A6 (4B)	49 – 52	726, 727
A6 quattro (4B)	52 – 54	727, 728
S6 quattro (4B)	54	728
RS6 quattro (4B)	55	728
A6 (4F)	55	729
A6 quattro (4F)	55	
A6 (4G)	55	729
A6 quattro (4G)	56	729, 730
S6 quattro (4G)	56	730
A7 (4G)	56	
A7 quattro (4G)	56, 57	730
A8 (4D)	57	731
A8 quattro (4D)	57, 58	732, 733
S8 quattro (4D)		733
A8 (4H)	58	733
A8 quattro (4H)	58	733
Cabriolet (8G)	59	734
Coupe (8B)	59, 60	734
Coupe quattro (8B)	60	734
Coupe (85)	61	735
Coupe quattro (85)	61, 62	735
quattro (85)	62, 63	735
Q3 (8U)	63	735
Q5 (8R)	64	736
Q5 quattro (8R)	64	736
Q7 quattro (4L)	64, 65	736, 737
R8 quattro (42)	65	






Sport (85)	65	737
TT Coupe (8J)	66	737
TT Coupe (8N)	66	738
TT Coupe quattro (8N)	66, 67	738
TT Roadster (8J)	67	738
TT Roadster (8N)	68	738
TT Roadster quattro (8N)	68	739
V8 quattro (4C)	69	
V8 quattro (44)	69	
100 quattro (4A)	69	
100 quattro (44)	69, 70	739, 740
100 S4 quattro (4A)	70	
100 (4A)	71	740
100 (43)	71	740
100 (44)	72 – 79	740, 741
100 (81)	79	
200 quattro (44)	79, 80	742
200 (43)	80	742
200 (44)	80, 81	742
50 (86)	81, 82	743
80 (8A)	82, 83	743
80 quattro (8A)	83	
80 (8C)	83, 84	743
80 quattro (8C)	84, 85	743, 744
80 RS2 quattro (8C)	85	
80 (81)	85	744
80 quattro (81)	85	744
80 (82)	85	744
80 (83)	85	745
80 (84)	85	745
80 quattro (85)	86	745
80 (89)	86 – 88	745
80 quattro (89)	89	745
90 (8A)	89, 90	746
90 quattro (8A)	90	746
90 (81)	90	746
90 quattro (85)		746
90 (89)	91, 92	746
90 quattro (89)	92, 93	746, 747






suitable for:  
**BMW**

M 1		748
X 1 (E 84)	94	748
X 3 I (E 83)	94	748
X 3 I (E 83 LCI)	94	749
X 3 II (F 25)	94	
X 5 I (E 53)	95	749, 750
X 5 II (E 70)	95	750
X 5 II (E 70 LCI)	95	750, 751
X 6 (E 71)	96	751
X 6 (E 72)		751
Z 1 (E 30)	96	751
Z 3 (E 36)	96	752
Z 4 I (E 85)	96	752, 753
Z 4 I (E 86)	96	753
Z 4 II (E 89)	97	753
Z 8 (E 52)		754
00 Series (E 6)	97	
02 Series (E 10)	97	
02 Series (E 6)	97	
1 Series (E 81)	97	754, 755
1 Series (E 82)	98	755
1 Series (E 87)	98	756
1 Series (E 87 LCI)	98	756
1 Series (E 88)	98	757
3 Series (E 21)	99	
3 Series (E 30)	99	757, 758
3 Series (E 36)	100	759 – 768
3 Series (E 46)	101, 102	768 – 771
3 Series (E 90)	103, 104	772 – 775
3 Series (E 90 LCI)	104, 105	775 – 777
3 Series (E 91)	105, 106	778
3 Series (E 91 LCI)	106, 107	779 – 782
3 Series (E 92)	107, 108	782, 783
3 Series (E 92 LCI)	108	783, 784
3 Series (E 93)	109	784, 785
3 Series (E 93 LCI)	109	786
3 Series (F 30)		787

		
3 Series (F 31)		787
5 Series (E 28)		787, 788
5 Series (E 34)	109 – 111	788
5 Series (E 39)	111, 112	789
5 Series (E 60)	112, 113	789, 790
5 Series (E 60 LCI)	113, 114	791, 792
5 Series (E 61)	114	792, 793
5 Series (E 61 LCI)	115	793
5 Series (F 07)	116	794
5 Series (F 07 LCI)	116	794
5 Series (F 10)	116	794 – 796
5 Series (F 11)	117	796, 797
5 Series (F 18)	117	
6 Series (E 63)	117	798
6 Series (E 63 LCI)	118	798
6 Series (E 64)	118	798
6 Series (E 64 LCI)	118	798
6 Series (F 06)	118	
6 Series (F 12)	118	798
6 Series (F 13)	118	798, 799
7 Series (E 32)	119	
7 Series (E 38)	119	799
7 Series (E 65)	119	799
7 Series (E 66)	120	800
7 Series (F 01)	120	800
7'er (F 01 LCI)	120	800
7 Series (F 02)	120	800, 801
7'er (F 02 LCI)	120	801
7 Series (F 04)	120	801
8 Series (E 31)	120, 121	802

suitable for:  
**Chevrolet**

Aveo	122	
Cruze	123	
Epica		803
Evanda		803
Kalos	123	
Lacetti	123	803
Lanos	123	

		
Matiz	124	803
Nubira	124	803
Optra	124	
Orlando	124	
Rezzo	124	
Spark	124	803




suitable for:  
**Chrysler**




Grand Voyager	125	
Voyager	125	
Voyager AWD	125	

suitable for:  
**Citroën**

AX	126	804
AX 4x4	127	804
Berlingo I	127, 128	804
Berlingo I 4x4	128	804
Berlingo II	128, 129	804
Berlingo II 4x4	129	805
Berlingo III	130	
BX	130	
C Crosser 4x4		805
C1	130	805
C15	131	
C2	131, 132	805
C25	132	806
C25 4x4	133	806
C3 I	133 – 137	806
C3 I Pluriel	137	806
C3 II	137, 138	806
C3 II Picasso	139	806
C3 III	139	806
C4 I	140	807
C4 I Grand Picasso	140	
C4 I Picasso	140	
C4 II	140	
C5 I	141	
C5 II	141	
C5 III	141	807



		
C6	141	807
C8	141, 142	807
Dispatch I	142	807
Dispatch II	142	808
Dispatch III	143	808
DS3	143	808
DS4	144	
DS5	144	809
DS5 4x4	145	809
Evasion	145	809
Jumper I 27	146	809
Jumper I 27 4x4	147	809
Jumper I 31	148	810
Jumper I 31 4x4	149	810
Jumper I 35	150	810
Jumper I 35 4x4	151	810
Jumper II	152	
Jumper II 4x4	152	
Jumper III	153	810
Jumpy I	153	811
Jumpy II	153	811
Jumpy III	153, 154	811
Nemo	154	
Relay	155	811
Relay I	156 – 158	811, 812
Relay I 1000	159 – 161	812
Relay I 1400	162 – 165	812
Relay I 1400 4x4	165, 166	812
Relay I 1800	167 – 171	813
Relay I 1800 4x4	172	813
Relay I 4x4	173 – 176	813
Relay II	177, 178	
Relay II 4x4	178	
Relay III	178	813
Saxo	179 – 189	814 – 817
Synergie	190	818
Xantia I	190, 191	818, 819
Xantia II	191	819
XM II		819

		
Xsara I	192 – 194	820, 821
Xsara II	194, 195	821, 822
Xsara Picasso	196	823
ZX	196, 197	823 – 825

suitable for:  
**Dacia**







Dokker	198	826
Duster	198	826
Duster 4x4	198	
Lodgy	198	826
Logan	198 – 200	826
Sandero	200, 201	827
Sandero Stepway	201	827

suitable for:  
**Daewoo**

Aveo	202	
Cielo	202	828
Espero	202	828
Evanda		828
Kalos	202	
Lacetti	203	828
Lanos	203	828
Leganza	203	
Matiz	204	828
Nexia	204	828, 829
Nubira	204	829
Rezzo	205	




suitable for:  
**FIAT**

Barchetta	206	830
Brava	206, 207	830
Bravo I	208, 209	831
Bravo II	209, 210	831, 832
Cinquecento	210	832
Coupe	211	832
Croma	211, 212	833
Doblo	213, 214	833
Ducato (230)	214	834
Ducato (230) 4x4	215	

					
Ducato (244)	215		Qubo	233	851
Ducato (244) 4x4	215		Scudo	233	851, 852
Ducato (245)	216		Scudo 4x4		852
Ducato (250)	216		Sedici	234	
Ducato (280)	216	834	Sedici 4x4	234	
Ducato (280) 4x4	216		Seicento	234	852
Ducato (290)	216	834	Siena	235	853 – 855
Ducato (290) 4x4	216		Stilo	236	855
Fiorino	217	834	Stilo Multi Wagon	237	855
Grande Punto	217, 218	834, 835	Stilo Van	237	855
Idea	218	835	Strada Pick Up	238	
Linea	219	836	Talento	239	855
Marea	219, 220	836, 837	Tempra	239, 240	856
Marea Weekend	220, 221	838	Tempra Weekend	241	856, 857
Marengo	221	839	Tempra Weekend 4x4	242	857
Multipla	221, 222	839	Tipo	242 – 244	857
Palio	222	839 – 842	Ulysse I	244	857
Palio Adventure	223	842	Ulysse II	244	
Palio Weekend	223	842 – 844	Uno		858, 859
Panda I		845	500 Abarth (312)	245	859
Panda I Van		845	500 C Abarth (312)	245	859
Panda I 4x4		845	500 C (301)		859
Panda II	223, 224	845, 846	500 C (312)	245	859
Panda II Van	224, 225	846	500 L (199)	245	860
Panda II Van 4x4	225	847	500 (301)	245	860
Panda II 4x4	226	847	500 (312)	245	860
Panda III	226	847			
Panda III Van	226	847			
Panda III Van 4x4	226	848			
Panda III 4x4	227				
Pratico	227	848			
Punto	228	849			
Punto Evo	228	849, 850			
Punto I	229	850			
Punto I Cabrio	229	850			
Punto I Van	230	850			
Punto II	230, 231	850			
Punto II Van	232	850			
Punto Van	232, 233	851			
			<b>suitable for:</b>		
			<b>Ford</b>		
			B-MAX 12	246	
			Capri 73	246	
			Capri 75	246	
			C-MAX 03	246	861
			C-MAX 07	246	861
			C-MAX 11	246	
			Consul 72	246	
			Cougar 99	247	861
			Escort 81	247	861, 862
			Escort 86	247, 248	862
			Escort 91	248 – 250	862, 863

Escort 91 4x4	250	863	Scorpio 85	264		
Escort 95	250, 251	863, 864	Scorpio 92	264		
Escort 95 4x4	251	864	Sierra 83	264		
Fiesta 76	252	865	Sierra 87	264, 265		
Fiesta 82		865	Sierra 87 4x4	265		
Fiesta 84	252	865	Streetka 03	265	873	
Fiesta 87	252	865	Tourneo 02	266	873	
Fiesta 89	253	865 – 867	Transit 71	266		
Fiesta 96	254	867, 868	Transit 78	266		
Fiesta 02	254		Transit 84	266		
Fiesta 08	254	868	Transit 86	266		
Fiesta 13	255		Transit 92	267	874	
Focus 99	255	869	Transit 95	267	874	
Focus 04	256	870	Transit 00	267	874	
Focus 06	256	870	Transit 00 4x4	267		
Focus 08	256	870	Transit 02	267	874	
Focus 11	256		Transit 06		874	
Fusion 02	257		Transit 06 4x4		875	
Galaxy 95	257	870	Transit 13		875	
Galaxy 95 4x4	257	870				
Tourneo 13		870	<b>suitable for:</b>			
Galaxy 00	257	870	<b>Honda</b>			
Granada 72	257, 258		Accord VIII	268	876	
Granada 76	258		Accord VIII 4WD	268	876	
Granada 78	258		Civic VI		876	
Granada 82	258		Civic VII	268		
KA 97	258	871	CR-V II 4WD		877	
KA 08	259	871	FR-V	268		
Kuga 08	259		Jazz	268, 269	877	
Kuga 08 4x4	259		<b>suitable for:</b>			
Mondeo 93	259	871	<b>Hyundai</b>			
Mondeo 93 4x4	259	871	Accent I	270		
Mondeo 97	260	872	Accent II	270	878	
Mondeo 01	260	872	Accent III		878	
Mondeo 07	260		Accent IV		878	
Orion 83	261	872	Amica	270	878	
Orion 86	261	872	Atos	270	879	
Orion 91	261 – 263	873	Click		879	
Puma 97	263	873	Coupe	270, 271		
			Elantra I	271		



		
Elantra II	271	
Elantra III	272	879
Excel	272	880
Getz		880
Grandeur	272	
i10		880
i20		880
i30	272	881
Lantra I	273	
Lantra II	273	
Lavita		881
Matrix		881
Pony	274	
Pony XP	274	
Santa Fe		882
Santa Fe 4x4		882
Santamo	274	
Santamo 4x4	274	
S-Coupe	274	
Sonata II	274	
Sonata III	275	
Sonata IV	275	882
Sonata V	275	
Tiburon	275	
Tucson		882
Verna	275	883
XG 25	276	
XG 30	276	

suitable for:  
**IVECO**

Daily I	277	884
Daily II	277	884
Daily III	277	

suitable for:  
**KIA**

Carens I	278	885
Carens II	278	885
Carnival I	278	
Carnival II	278	

		
Ceed		885
Cerato	278	
Magentis I	278	885
Mentor I	279	
Optima	279	885
Picanto		885
Rio II		886
Sedona	279	
Sephia I	279	
Shuma I	279	
Shuma II	279	
Spectra	280	
Sportage		886

suitable for:  
**LANCIA**

Dedra	281	887
Dedra 4WD	282	887
Delta I 4WD	282	887
Delta II	282, 283	887
Delta III	283, 284	888
Lybra	284	888
Musa	285	888
Phedra	285	
Thema	286	
Thesis	287	
Y	287	888
Y10		888
Y10 4WD		889
Ypsilon	288	889
Zeta	288	889

suitable for:  
**Lexus**

ES 250	289	890
ES 300	289	
ES 330	289	
RX 300	289	
RX 300 4x4	290	



suitable for:

## Mazda







Capella (GD)	291	
Capella (GF)	291	
CX7 (ER)	291	
CX7 4WD (ER)	291	
CX9 (TB)	291	
CX9 4WD (TB)	291	
Eunos (CA)	292	
Eunos (TA)	292	
Mazda 2 (DE)	292	891
Mazda 3 (BK)	292, 293	891
Mazda 3 (BL)	293	
Mazda 5 (CR)	294	892
Mazda 6 (GG)	294	
Mazda 6 (GH)	294	
Mazda 6 (GY)	294, 295	
Mazda 6 4WD (GG)	295	
Mazda 6 4WD (GY)	295	
Miata I (NA)		892
MPV II (LW)	295	
MX-3 (EC)	295	892
MX-5 I (NA)		892
MX-5 II (NB)		892
MX-5 III (NC)	295	
MX-6 (GE)	296	
Premacy (CP)	296	
RX7 (FC)	296	
RX7 (FD)	296	
RX7 (SA)	296	
Xedos 6 (CA)	297	
Xedos 9 (TA)	297	
121 III (JASM)		893
121 III (JBMS)		893
323 Astina III (BG)	297	893
323 Astina IV (BG)	297	893
323 Astina IV 4WD (BG)	297	893
323 Astina V (BA)	297	894
323 Astina VI (BJ)	297	894

323 III (BG)	298	
323 IV (BG)	298	894
323 IV 4WD (BG)	298	894
323 Protege V (BA)	298	895
323 Protege VI (BJ)	298	895
323 V (BA)	299	895
323 VI (BJ)	299	896
626 Cronos IV (GE)	299	
626 Cronos IV 4WD (GE)	299	
626 III (GD)	300	
626 III (GV)	300	
626 III 4WD (GD)	300	
626 III 4WD (GV)	300	
626 IV (GE)	300	
626 IV 4WD (GE)	300	
626 V (GF)	301	
626 V (GW)	301	




suitable for:

## Mercedes-Benz

A-Class (Model 168)	302	897, 898
A-Class (Model 169)	303	899
B-Class (Model 245)	303	899
Model 110 (Fintail)	303	899
Model 111 (Fintail)	303	899
Model 114 ( / 8)		900
Model 115 ( / 8)		900
Model 123	304 – 306	900
Model 124	307 – 309	900 – 906
Model 309	310 – 313	
Model 310	313	
Model 313	314	
C-Class (Model 202)	314, 315	906 – 908
C-Class (Model 203)	316	908 – 911
C-Class (Model 204)	316 – 320	912 – 914
CL (Model 215)	320	915
CL (Model 216)	321	915
CLC (Model 203)	321	916
CLK (Model 208)	322	916
CLK (Model 209)	323, 324	917, 918

					
CLS (model 218)	324, 325	918	T 2 (model 669)	372	
CLS (Model 219)	325	918	T 2 (model 670)	373	
E-Class (Model 207)	326	919	Vaneo (Model 414)	373	
E-Class (Model 210)	327 – 330	919 – 922	Vario (Model 667)	374	
E-Class (Model 211)	331 – 333	923, 924	Vario (Model 668)	374	
E-Class (Model 212)	333 – 335	925, 926	Vario (Model 670)	375, 376	
GL-Class (Model 164)	336	926	Viano (Model 639)	376	944
GLK (Model 204)	336	926	Vito / V-Class (Model 638)	376	944
M-Class (Model 163)	336	927	Vito / V-Class (Model 639)	376	944
M-Class (Model 164)	336	927	190 Series (model 201)	377, 378	945
MB 100	337	927			
R-Class (Model 251)	337	927	<b>suitable for:</b>		
S-Class (Model 108)	337	928	<b>MINI</b>		
S-Class (Model 109)	337	928	Cooper (R50)	379	946
S-Class (Model 116)	338	928	Cooper (R52)	379	946
S-Class (Model 126)	338 – 341	928	Cooper (R53)	379	946
S-Class (Model 140)	342	929 – 931	Cooper (R55)	379	946
S-Class (Model 220)	342, 343	931 – 933	Cooper (R55 LCI)	379	946
S-Class (Model 221)	343 – 345	933 – 935	Cooper (R56)	379	946
SL (Model 107)	345	935	Cooper (R56 LCI)	380	947
SL (Model 113)	346	935	Cooper (R57)	380	947
SL (Model 129)		936	Cooper (R57 LCI)	380	947
SL (Model 230)	346	936	Cooper (R58)	380	947
SL (model 231)		937	Cooper (R59)	380	947
SLK (Model 170)	346	937	One (R50)	380	947
SLK (Model 171)	347	937	One (R52)	380	947
SLK (model 172)	347	938	One (R55)	381	948
SLS (Model 197)		938	One (R55 LCI)	381	948
Sprinter (Model 901)	348 – 350	938	One (R56)	381	948
Sprinter (Model 902)	351 – 353	938	One (R56 LCI)	381	948
Sprinter (Model 903)	354 – 359	939	One (R57 LCI)	381	948
Sprinter (Model 904)	360 – 365		<b>suitable for:</b>		
Sprinter (Model 905)	365		<b>Mitsubishi</b>		
Sprinter (Model 906)		939	Carisma	382	949
T 1 (Model 601)	365	940, 941	Carisma 4x4		949
T 1 (Model 602)	366 – 370	942 – 944	Chariot	382	
T 2 (model 611)	370		Chariot 4x4	382	
T 2 (model 667)	371		Colt II	382	
T 2 (model 668)	372		Colt III	383	
			Colt IV	383	949






		
Colt IV 4x4	383	949
Colt Plus	383	949
Colt Plus 4x4	383	949
Colt V	383	950
Colt VI	384	950
Colt VI 4x4	384	950
Colt VII	384	950
Colt VII 4x4	384	950
Eclipse I	384	
Eclipse I 4x4	384	
Galant III	384	
Galant IV	385	
Galant IV 4x4	385	
Lancer III	385	
Lancer III 4x4	385	
Lancer IV	386	
Lancer IV 4x4	386	
Lancer V	386	950
Lancer V 4x4	386, 387	951
Lancer VI	387	951
Lancer VI 4x4	387	
Lancer VII	387	
Montero 4x4	387	
Outlander II 4x4		951
Pajero III 4x4	388	
Pajero 4x4	388	
Shogun 4x4	388	
Space Runner I	388	
Space Runner I 4x4	388	
Space Star	389	951
Space Wagon I	389	
Space Wagon I 4x4	389	
Space Wagon II	389	
Space Wagon II 4x4	389	
Space Wagon III	390	

suitable for:

## Nissan







Almera I		952
Aprio	391	952

		
Interstar	391	952
Kubistar		953
March	391, 392	953
March 4WD	392	953
Micra	392	953, 954
Note	393	954
NP200	393	
Pathfinder 4WD		954
Platina	393	954
Primastar	394	955
Pulsar		955
Sentra		955
Sunny II		955
Sunny III		955
Sunny III 4WD		955
Terrano II 4WD		956
100 NX		956

suitable for:

## Opel

Adam	395	
Agila A	395	957
Agila B		957
Ascona B	395	
Ascona C	396	957
Astra F	397 – 418	957, 958
Astra G	419	958
Astra H	419 – 422	958
Astra J	422, 423	959
Calibra	424	959
Cascada	424	
Corsa A	425	959
Corsa B	426	960
Corsa C	426, 427	960 – 963
Corsa D	427 – 429	963 – 966
Corsa Utility		966
Insignia	430	
Insignia Sports Tourer	430	
Kadett C	430	
Kadett D	431	967

					
Kadett E	431 – 433	967 – 969	Ranch I	459	985
Manta B	433		Ranch II	460	986
Meriva A	434	969, 970	Ranch III	460	
Meriva B	434	970	RCZ	460	986
Movano A	435 – 438	970	1007	460, 461	986
Omega A	439	971	106 I	461, 462	986, 987
Omega B	439	972	106 II	462 – 465	987 – 992
Rekord E	440		107	465	992
Senator A	440		2008		993
Senator B	440	972	205	465 – 467	993, 994
Signum	441	973	205 4x4		994
Tigra A	441	973	206	467, 468	995 – 999
Tigra B	442	973	206+	468	999
Vectra A	442 – 445	974 – 980	207	469	999
Vectra B	446, 447	980	208	470	1000
Vectra C	448, 449	980	3008	470	
Vivaro	449	981	3008 4x4	470	1000
Zafira A	450	981	301	470	
Zafira B	450, 451	981	306 I	471 – 475	1000 – 1008
Zafira C	452		306 II	475 – 478	1009, 1010
			307 I	478	1011 – 1013
			307 II	478	1014
			308	478	
			308 I	478, 479	
			309	479 – 481	1014
			4007		1015
			4007 4x4		1015
			405 I	481	1015
			405 I 4x4		1015
			405 II	481	1015
			405 II 4x4		1015
			406	481	1015, 1016
			407	481	1016
			5008	481, 482	
			508	482	1017
			508 Break	482	1017
			508 4x4	482	1017
			605		1018
			607		1018
suitable for:					
<b>Peugeot</b>					
Bipper	453				
Boxer I	453	982			
Boxer I 4x4	454	982			
Boxer II	455	982			
Boxer II 4x4	455				
Boxer III	456	982			
Expert I	456	983			
Expert II	456	983			
Expert III	456	983			
Expert III 4x4	456	983			
J5	457	983			
J5 4x4	457				
Partner I	457, 458	984			
Partner II	458	984			
Partner II 4x4	458	984			
Partner III	459				
Ranch		985			

806	482	1018
807	483	1019
suitable for: <b>Renault</b>		
Avantime	484	
Clio I	484, 485	1020
Clio II	485 – 487	1020
Clio III	487, 488	1021
Duster	488	1021
Duster 4x4	488	
Espace I 4x4	488	
Espace III	488	
Espace IV	489	
Fluence	489	
Grand Espace III	489	
Grand Espace IV	489	
Grand Modus	489	1022
Grand Scenic II	490	1022
Grand Scenic III	490	
Kangoo I	490, 491	1022, 1023
Kangoo I 4x4	492	
Laguna I	492, 493	1024
Laguna II	494	
Logan I	494, 495	1024
Logan II	496	1024
Lutecia	496	1024, 1025
Master I		1025, 1026
Master II	497	1026
Megane Generation	497	
Megane I	497, 498	1027
Megane I 4x4		1027
Megane II	498, 499	1028
Megane III	499, 500	
Modus	500	1029
Rapid	500, 501	1029
R11	501	
R19 I	501, 502	1029
R19 II	502	1029
R21	502	

R21 II	502	
R5	503	1030
R9	503	
Safrane I	504	
Safrane I 4x4	504	
Safrane II	504	
Sandero	504	1030
Sandero I	504, 505	1030
Sandero II	505	1030
Sandero Stepway	505	1030
Scenic I	505	1030
Scenic I 4x4		1030
Scenic II	506	1031
Scenic III	506	
Symbol I	506, 507	1031
Symbol II		1031
Thalia I	507	1032
Thalia II	507, 508	1032
Tondar	508	1032
Trafic I		1032, 1033
Trafic II	508	1033
Twingo I	509	1033
Twingo II	509	1033
Vel Satis	509	
Wind	509	

suitable for:



**Saab**

9-5 II 4WD	510	
900 I	510, 511	
900 II	511	
9-3 I	511	
9-3 II	512	1034
9-3 II 4WD	512	1034
9-5 I	512	
9-5 II	513	

suitable for:




**Scion**

tC	514	
xA	514	

		
xB	514	
suitable for: <b>Seat</b>		
Leon (5F)	515	
Toledo IV (KG)	515	
Alhambra (7V)		1035
Alhambra (71)	515	1035
Altea (5P)	516	1035, 1036
Altea 4x4 (5P)	516	1036
Arosa (6H)	517	1037
Cordoba (6K)	518, 519	1037 – 1039
Cordoba (6L)		1039
Exeo (3R)	519	1040
Ibiza II (6K)	520	1040, 1041
Ibiza III (6K)	520	1041
Ibiza IV (6L)	520	1041
Ibiza V (6J)	521	1042
Inca (6K)	521	1042
Leon (1M)	522	1042
Leon 4x4 (1M)	522	1042
Leon (1P)	523, 524	1043
Mii (KF)	524	
Toledo I (1L)	524, 525	1043
Toledo II (1M)	526	1043
Toledo II 4x4 (1M)	526	
Toledo III (5P)	527	1044

suitable for:  
**Skoda**

Rapid (NH)	528	
Citigo (NF)	528	
Fabia (54)		1045
Fabia (58)		1045
Fabia (6Y)	528	1045
Favorit (13)	529	
Felicia (6U)	529	
Felicia I (6U)	529	
Felicia II (6U)	529	
Octavia (1U)	529	1046
Octavia 4x4 (1U)		1046

		
Octavia (1Z)	530	1046
Octavia 4x4 (1Z)	530	1047
Pick Up (13)	530	
Rapid (NA)		1047
Roomster (5J)	530	1047
Superb (3T)	531	1047
Superb 4x4 (3T)	531	1047
Superb (3U)	531, 532	1048
Yeti (5L)	532	1048
Yeti 4x4 (5L)	532	1048

suitable for:  
**Smart**







Cabrio (Model 450)	533	1049
City Coupe (Model 450)	533	1049
Crossblade (Model 450)	533	
Forfour (Model 454)	533	1049
Fortwo Cabrio (Model 450)	533	1049
Fortwo Cabrio (Model 451)	533	
Fortwo Coupe (Model 450)	533	1049
Fortwo Coupe (Model 451)	533	
Roadster (Model 452)	534	1049
Roadster Coupe (Model 452)	534	1049

suitable for:  
**Subaru**




Forester 4WD	535	
Impreza	535	1050
Impreza 4WD	535, 536	1050
Justy	536	1050
Justy 4WD	536	
Legacy I	536	
Legacy I 4WD	536	
Legacy II	536	1050
Legacy II 4WD	537	1051
Legacy III 4WD	537	
Outback 4WD	537	




suitable for:  
**Suzuki**

Alto III		1052
Carry		1052







					
Carry 4WD	538		Dyna	548	
Grand Escudo	538	1052	Echo	548	1059
Grand Escudo 4WD	538	1052	Hiace	548, 549	
Grand Vitara	538	1052	Hiace II	549	
Grand Vitara 4WD	538	1052	Hiace II 4x4	549	
Ignis	538	1053	Hiace III	549	
Ignis 4WD	539		Hiace IV	549, 550	
Splash		1053	Hiace IV 4x4	550	
Swift II		1053	Hiace V	550	
Swift II 4WD		1053	Hilux	550	
Swift III	539	1053	Hilux Mighty X	550	
Swift III 4WD		1053	Hilux 4x4	551	
Swift IV 4WD		1054	iQ	551	
SX4	539		MR 2	551, 552	1060
SX4 4WD	539		Noah	552	
Wagon R	539		Noah 4x4	552	
Wagon R+	540	1054	Picnic	552	
Wagon R+ 4WD	540		Prius	552	
suitable for:			RAV 4	552, 553	1060
<b>Toyota</b>			RAV 4 4x4	553	1060
Auris		1055	RAV 4J	553	
Auris 4x4		1055	RAV 4J 4x4	553	1061
Avalon	541		RAV 4L	553	
Avensis	541, 542	1055	RAV 4L 4x4	553	1061
Aygo	542	1055	Scion	554	
Camry	542, 543	1056	Solara	554	
Camry 4x4	543		Spacio	554	
Carina	543, 544	1056	Starlet II	554	
Carina II	544	1056	Starlet III	554	
Carina 4x4		1056	Starlet IV	555	
Celica	544	1056	Tercel		1061
Celica 4x4	544	1057	Urban Cruiser	555	
Corolla	544 – 547	1057, 1058	Urban Cruiser 4X11	555	
Corolla Altis	547	1058	Vitz	555	1061
Corolla Altis 4x4		1059	Yaris	555	1061
Corolla Levin	547	1059	suitable for:		
Corolla 4x4	547	1059	<b>Vauxhall</b>		
Corona	548		Adam	556	
Corona 4x4	548		Agila I	556	1062









		
Agila II		1062
Astra I		1062
Astra II	557 – 559	1063, 1064
Astra III	559 – 581	1064, 1065
Astra IV	582	1066
Astra V	583 – 585	1066
Astra VI	585	
Calibra	586 – 588	1067
Calibra 4WD	589 – 592	1067
Carlton III	592	1067 – 1069
Cascade	592	
Cavalier II	593	1070
Cavalier II 4WD	594	1070
Cavalier III	594 – 597	1071 – 1074
Cavalier III 4WD	598, 599	1074 – 1076
Corsa I	599	1076, 1077
Corsa II	600	1077 – 1080
Corsa III	601, 602	1080 – 1082
Corsa IV	603	1082
Insignia	603	
Insignia 4WD	603	
Meriva I	603, 604	1083
Meriva II	604	1083
Movano I	605 – 609	1084
Nova	609, 610	1084
Omega		1084, 1085
Senator	610, 611	1085
Signum	611	1086
Tigra I	611	1086
Tigra II	612	1087
Vectra I	612, 613	1087, 1088
Vectra II	614 – 616	1088
Vivaro	616	1089
VX	617	
Zafira I	617	1089
Zafira II	618, 619	1089, 1090
Zafira III	619	

		
suitable for:		
<b>Volkswagen</b>		
Jetta (AJ)		1091
Passat 6 (A3)	620	1091
Amarok (S1)	620	
Amarok 4 motion (S1)	620	
Amarok (2H)	620	
Amarok 4 motion (2H)	620	
Bora (1J)	621	1092
Bora 4 motion (1J)	622	1093
Caddy 1 (1A)	622	1093
Caddy 1 (14)	622	1093
Caddy 2 (9K)	622	1093
Caddy 2 (9U)	622	
Caddy 3 (2K)	623	1093
Caddy 4 (2C)	624	1094
Corrado (50)	624, 625	1094
Crafter 50 (2E)		1094
Crafter 50 (2F)		1095
Crossfox (5Z)	625	1095
Crossgolf (5M)	625	1095
Crosspolo (6R)	625	1095
Crosspolo (9N)	626	1095
Crosstouran (1T)	626	1095
Derby 1 (86)	626	1096
Derby 2 (87)	626	1096
Eos (1F)	627	1096
Fox (5Z)	627, 628	1097
Golf 1 (15)	629	1097
Golf 1 (17)	629	1097
Golf 2 (19)	629 – 632	1097
Golf 2 syncro (19)	632	1098
Golf 2 (1G)	632	1098
Golf 2 syncro (1G)	633	1098
Golf 3 (1H)	633, 634	1099
Golf 3 (1E)	634	1099
Golf 3 syncro (1H)	635	1100
Golf 4 (1J)	636, 637	1101
Golf 4 4 motion (1J)	637	1102



					
Golf 5 (1K)	638 – 642	1102 – 1104	Passat 5 (3C)	669	1118
Golf 5 (5M)	643, 644	1104	Passat 6 (36)		1119
Golf 5 4 motion (1K)	644, 645	1104	Passat CC (35)	670	1119
Golf 6 (5K)	645, 646	1105	Passat CC 4 motion (35)	670	1119
Golf 6 (AJ)	646, 647	1105	Polo 1 (86)	670	1120
Golf 6 (51)		1105	Polo 2 (80)	670	1120
Golf 6 (52)	647, 648	1105, 1106	Polo 2 (81)	671	1120
Golf 6 4 motion (AJ)	648	1106	Polo 2 (87)	671	1120
Golf 6 4 motion (5K)	648	1107	Polo 2 (86)	671	1120
Jetta 1 (16)	649	1107	Polo 3 (6N)	671	1120 – 1122
Jetta 2 (1G)	649, 650	1107	Polo 3 (6V)	672	1122, 1123
Jetta 2 (16)	650 – 652	1107	Polo 4 (9N)	672 – 674	1123
Jetta 2 syncro (1G)	652	1108	Polo 5 (6R)	674	1123
Jetta 2 syncro (16)	653	1108	Polo 5 (60)		1124
Jetta 3 (1K)	653 – 655	1109	Polo 5 (61)		1124
Jetta 4 (16)		1110	Rallye Golf syncro (1G)	675	1124
LT 28 (2D)	655		Santana (32)	675	1124
LT 32 (2D)	655		Saveiro (14)	675	
LT 35 (2D)	655		Scirocco (13)	676	1125
LT 46 (2D)	656	1110	Scirocco (53)	676	1125
Lupo (6E)	656	1110	Sharan 4 motion (7M)		1125
Lupo (6X)	656	1111	Sharan (7M)		1125
New Beetle (1C)	657	1111	Sharan (7N)	677	1125
New Beetle (9C)	657	1111	Tiguan (5N)	677	1126
New Beetle (1Y)	658	1112	Touareg 4 motion (7L)	677 – 681	1126 – 1130
New Beetle 4 motion (9C)	658	1112	Touareg 4 motion (7P)	681	1130
New Beetle (5C)	658	1112	Touran (1T)	682	1131
Passat 1 (32)	659	1113	Transporter T1 (21)	683	1132
Passat 1 (33)	659	1113	Transporter T1 (23)		1132
Passat 2 syncro (33)	659	1113	Transporter T1 (24)		1132
Passat 2 (32)	659, 660	1113	Transporter T1 (26)		1132
Passat 2 (33)	661	1113	Transporter T1 (27)		1132
Passat 3 syncro (31)	662	1114	Transporter T2 (21)	683	1132, 1133
Passat 3 syncro (3A)	662	1114	Transporter T2 (22)	683	1133
Passat 3 (31)	663	1115	Transporter T2 (23)	683	1133
Passat 3 (3A)	664	1115	Transporter T2 (24)	683	1133, 1134
Passat 4 syncro (3B)	664, 665	1115	Transporter T2 (26)	683	1134
Passat 4 (3B)	665 – 667	1116	Transporter T3 syncro (24)	683	1134
Passat 4 4 motion (3B)	667, 668	1117	Transporter T3 syncro (25)	683	1134

					
Transporter T3 (24)	684	1134	S 60 II	697	
Transporter T3 (25)	684, 685	1134	S 60 II AWD	697	
Transporter T4 syncro (7D)	685	1134	S 70	698	1137, 1138
Transporter T4 syncro (70)	685	1134	S 80 I	698	1138
Transporter T4 (7D)	685	1135	S 80 I AWD	698	
Transporter T4 (70)	685	1135	S 80 II	699	
Transporter T5 (7E)	686		S 80 II AWD	699	
Transporter T5 (7F)	686		V 50	699	1138
Transporter T5 (7H)	686, 687		V 50 AWD	699	
Transporter T5 (7J)	687		V 70 I	700	1138, 1139
Transporter T5 4 motion (7F)	687		V 70 I AWD	700	1139
Transporter T5 4 motion (7E)	687		V 70 II	700	1139
Transporter T5 4 motion (7H)	688		V 70 II AWD	701	
Transporter T5 4 motion (7J)	688		V 70 III	701	
T5 (7E)	688		V 70 III AWD	701	
T5 (7H)	688, 689		XC 60	701	
T5 4 motion (7E)	689		XC 60 AWD	702	
T5 4 motion (7H)	689		XC 70 I AWD	702	
up! (12)	689		XC 70 II AWD	702	
Vento (1H)	690, 691	1135	XC 70 III	702	
Vento (60)		1135	XC 70 III AWD	702	
			XC 90 AWD	703, 704	1139

suitable for:

## Volvo

240	692, 693	
260	693	
440	694	
460	694	
480	695	
850	695	1136
850 AWD	695	
C 30	696	1136
C 70 I	696	1136
C 70 II	696	1137
S 40 II	696	1137
S 40 II AWD	696	
V 60	697	
V 60 AWD	697	
S 60 I	697	1137
S 60 I AWD	697	



## Giulietta

(2010→)

1,4 198A4000  
1,4 940A2000  
1,4 940A6000  
1,4 940B1000  
1,4 955A8000  
1,6 D 198A2000  
1,6 D 940A3000  
1,8 940A1000  
2,0 D 939B3000  
2,0 D 940A4000  
2,0 D 940A5000  
2,0 D 940A7000  
2,0 D 940A8000  
2,0 D 940B5000

38860

-

## GT

(2003→2011)

1,8 AR32205  
1,9 D 937A5000  
1,9 D 937A6000  
2,0 932A2000  
2,0 937A1000

38860

40240

3,2 936A000

38860

40232

front axle



suitable for:

# Alfa Romeo

Car  
Division



## GTV

(1995→2005)

1,8 AR32201	from Chassis No. 6063041	28142	-
		-	40227 / 40240
2,0 937A1000 2,0 AR16201		28142	40227 / 40240
2,0 AR16202		-	40240
2,0 AR32301 2,0 AR32310		28142	40227 / 40240
3,0 AR16102 3,0 AR16105		-	40240
3,2 936A6000		-	40232

## Mito

(2008→ )

0,9 199B6000 0,9 312A2000		-	40224
1,3 D 199A3000 1,3 D 199B1000 1,3 D 199B4000 1,4 198A1000 1,4 198A4000		28142	40229
1,4 199A6000		28142	40224





## Mito

(2008→)

1,4 199A8000		28142	40229
1,4 350A1000		24524 / 28142	40224
1,4 940A2000		28142	40229
1,4 955A1000		24524 / 28142	40224
1,4 955A2000		28142	40229
1,4 955A6000		28142	40224
1,4 955A7000		28142	-
1,4 955A8000			
1,4 955A9000		24524 / 28142	40224
1,6 D 955A3000		28142	40229
1,6 D 955A4000			

## Spider

(1995→2010)

1,8 939B1000		-	40227
1,8 AR32201	from Chassis No. 6063041	28142	-
		-	40227
2,0 937A1000		28142	40227 / 40240

front axle

### febi 24524

Ref. No. 71714459



AØ 72 IØ 35 B 33

### febi 28142

Ref. No. 71745047 S1



AØ 72 IØ 37 B 37

### febi 40224

Ref. No. 51881464



LKØ 98 x 5

### febi 40227

Ref. No. 82466910



AØ 120 LKØ 98 x 5

### febi 40229

Ref. No. 51881465



AØ 120 LKØ 98 x 4

### febi 40240

Ref. No. 60563372



AØ 116 LKØ 98 x 5

suitable for:

# Alfa Romeo

Car  
Division



## Spider

(1995→2010)

front axle	2,0 AR16201		28142	40227 / 40240
		for vehicles without ABS	37015	-
	2,0 AR16202		-	40240
	2,0 AR32301 2,0 AR32310		28142	40227 / 40240
	3,0 AR16101 3,0 AR16102 3,0 AR16105 3,0 AR16199		-	40240
	3,2 936A6000		-	40232

## 145

(1994→2001)

1,4 AR33501	for vehicles without ABS	37015	-
		-	40233
1,4 AR33503 1,6 AR32102		28142	40233
	for vehicles without ABS	37015	-
1,6 AR33201	for vehicles without ABS	37015	-
		-	40233

### febi 28142

Ref. No. 71745047 S1



AØ 72 IØ 37 B 37

### febi 37015

Ref. No. 51754191



AØ 72 IØ 37 B 37

### febi 40227

Ref. No. 82466910



AØ 120 LKØ 98 x 5

### febi 40232

Ref. No. 60510369



AØ 116 LKØ 98 x 5

### febi 40233

Ref. No. 51824630



AØ 37 LKØ 98 x 4

### febi 40240

Ref. No. 60563372



AØ 116 LKØ 98 x 5



## 145

(1994→2001)

1,6 AR38201 1,6 AR67601		28142	40233
	for vehicles without ABS	37015	-
1,7 AR33401	for vehicles without ABS	37015	-
		-	40233
1,8 AR32201 1,8 AR38401 1,8 AR67106	for vehicles without ABS	28142	40233
		37015	-
1,9 D AR32302	for vehicles without ABS	37015	-
		-	40231
1,9 D AR33601 1,9 D AR67501	from the year of construction 01/1997	28142	-
	for vehicles without ABS	37015	-
		-	40233
2,0 AR32301 2,0 AR67204		28142	40233
	for vehicles without ABS	37015	-

## 146

(1994→2001)

1,4 AR33501	for vehicles without ABS	37015	-
		-	40233
1,4 AR33503 1,4 AR38501 1,6 AR32102	for vehicles without ABS	28142	40233
		37015	-
1,6 AR33201	for vehicles without ABS	37015	-
		-	40233
1,6 AR38201 1,6 AR67601		28142	40233
	for vehicles without ABS	37015	-

front axle





suitable for:

**Alfa Romeo**

**Car  
Division**



**146**  
(1994→2001)

front axle	1,7 AR33401	for vehicles without ABS	37015	-
			-	40233
	1,8 AR32201		28142	40233
	1,8 AR38401			
	1,8 AR67106	for vehicles without ABS	37015	-
	1,9 D AR32302	for vehicles without ABS	37015	-
			-	40231
	1,9 D AR33601		28142	40233
	1,9 D AR67501			
	2,0 AR32301	for vehicles without ABS	37015	-
2,0 AR67204				

**febi 28142**

Ref. No. 71745047 S1



AØ 72 IØ 37 B 37

**febi 37015**

Ref. No. 51754191



AØ 72 IØ 37 B 37

**febi 40231**

Ref. No. 60545087



AØ 116 x 4

**febi 40233**

Ref. No. 51824630



AØ 37 LKØ 98 x 4



## 147

(2000→2010)

1,6 AR32104	36968	40227
1,6 AR37203		
1,9 D 182B9000		
1,9 D 192A5000		
1,9 D 192B1000		
1,9 D 937A2000		
1,9 D 937A3000		
1,9 D 937A4000		
1,9 D 937A5000		
1,9 D 937A6000		
1,9 D 939A2000		
1,9 D 939A7000		
1,9 D AR37101		
2,0 937A1000	36968	-
2,0 AR32310	36968	40227
3,2 932A000	38860	40232

front axle



suitable for:

**Alfa Romeo**

**Car  
Division**



**155**

(1992→1997)

1,6 AR67601  
1,7 AR67103  
1,7 AR67105  
1,8 AR67101  
1,8 AR67102  
1,8 AR67106  
1,8 AR67402  
1,9 D AR33601  
1,9 D AR67501  
2,0 AR67201  
2,0 AR67202  
2,0 AR67204

-

**40233**

2,5 AR67301  
2,5 AR67302  
2,5 AR67303  
2,5 D VM07B  
2,5 D VM31B

-

**40231**

**155 4x4**

(1992→1997)

2,0 AR67203  
2,5 D VM31B

-

**40231 / 40233**

-

**40231**

**febi 40231**

Ref. No. 60545087



AØ 116 x 4

**febi 40233**

Ref. No. 51824630



AØ 37 LKØ 98 x 4



## 156

(1997→2005)

1,6 AR32101	38860	40240
1,6 AR32102		
1,6 AR32103		
1,6 AR32104		
1,6 AR67601		
1,8 AR32201		
1,8 AR32205		
1,9 D 192A5000		
1,9 D 192B1000		
1,9 D 937A2000		
1,9 D 937A4000		
1,9 D 937A5000		
1,9 D AR32302	38860	-
1,9 D AR37101		
2,0 932A2000	38860	40240
2,0 937A1000		
2,0 AR32301		
2,0 AR32303		
2,0 AR32310		
2,4 D 839A6000	38860	-
2,4 D 841C000		
2,4 D 841G000	38860	40240
2,4 D 841M000		
2,4 D AR32501	38860	-
2,5 AR32401	38860	40240
2,5 AR32402		
2,5 AR32405		
3,2 932A000	38860	40232

front axle



suitable for:

# Alfa Romeo

Car Division 



## 156 Sportwagon

(1997→2006)

1,6 AR32104	38860	40240
1,6 AR67601		
1,8 AR32201		
1,8 AR32205		
1,9 D 192A5000		
1,9 D 192B1000		
1,9 D 937A2000		
1,9 D 937A4000		
1,9 D 937A5000		
1,9 D AR32302		
1,9 D AR37101		
2,0 932A2000	38860	40240
2,0 937A1000		
2,0 AR32301		
2,0 AR32310		
2,4 D 839A6000	38860	-
2,4 D 841C000		
2,4 D 841G000	38860	40240
2,4 D 841M000		
2,4 D AR32501	38860	-
2,5 AR32401	38860	40240
2,5 AR32405		
3,2 932A000	38860	40232

## 156 Sportwagon 4x4

(2004→2006)

1,9 D 937A5000	36824 / 38860	40240
----------------	---------------	-------

## 164

(1987→1998)

2,0 AR06416	-	40232
2,0 AR06420		

**febi 36824**  
Ref. No. 71753821



AØ 83 IØ 42 B 37

**febi 38860**  
Ref. No. 71738029



AØ 94 IØ 42 B 37

**febi 40232**  
Ref. No. 60510369



AØ 116 LKØ 98 x 5

**febi 40240**  
Ref. No. 60563372



AØ 116 LKØ 98 x 5

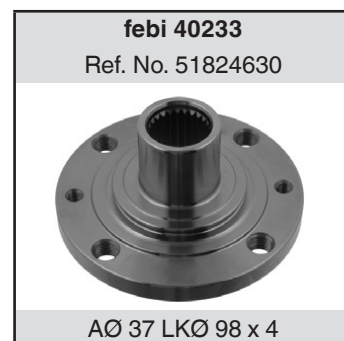


## 164

(1987→1998)

2,0 AR06476	from the year of construction 01/1992 from Chassis No. 6301138	-	40226
		-	40232
	to the year of construction 12/1991	-	40233
2,0 AR64101		-	40232
2,0 AR64102			
2,0 AR64103			
2,5 AR66201			
2,5 D VM08B			
2,5 D VM32B			
2,5 D VM84A			
3,0 AR06410			
3,0 AR06412			
3,0 AR64301			
3,0 AR64303			
3,0 AR64304			
3,0 AR64305			
3,0 AR64308			
3,0 AR64399			
3,0 AR66301			
3,0 AR66302			
3,0 AR66303			
3,0 AR66306			

front axle



suitable for:

# Alfa Romeo

Car  
Division 



## 166

(1998→2008)

- 2,0 AR34102
- 2,0 AR34103
- 2,0 AR36301
- 2,4 D 839A6000
- 2,4 D 841C000
- 2,4 D 841G000
- 2,4 D 841H000
- 2,4 D 841M000
- 2,4 D 841N000
- 2,5 AR34201
- 2,5 AR36201
- 3,0 AR34301
- 3,0 AR36101
- 3,2 936A000

38860

-

front axle

### febi 38860

Ref. No. 71738029



AØ 94 IØ 42 B 37



**A2 (8Z)**

(2000→2005)

all	24414	24414
-----	-------	-------

**A3 (8L)**

(1996→2003)

all	-	22512
-----	---	-------

**S3 quattro (8L)**

(1998→2003)

1,8 AMK 1,8 AUL 1,8 BAM	from Chassis No. 8L-1-180 001	23370	-
-------------------------------	-------------------------------	-------	---

**A3 (8P)**

(2003→ )

1,2 CBZB	For PR number 1ZF	26378 / 27342	26378 / 27342
	For PR number 1ZA/1ZD/1ZE/1ZM	26377 / 27317	26377 / 27317
	For PR number 1ZA/1ZE/1LJ		
	For PR number 1ZP/1LJ/1LK		

front axle

**febi 22512**

Ref. No. 1J0 407 613 G



LKØ 100 x 5

**febi 23370**

Ref. No. 8L0 498 625



AØ 74 IØ 40 B 40

**febi 24414**

Ref. No. 6R0 407 621 A



AØ 126 IØ 29 B 82  
AØ 72  
LKØ 100 x 5

**febi 26377**

Ref. No. 1T0 498 621 SK



AØ 136 IØ 27,5 B 84,5  
LKØ 112 x 5

**febi 26378**

Ref. No. 1K0 498 621 SK



AØ 136 IØ 27 B 85  
LKØ 112 x 5

**febi 27317**

Ref. No. 5K0 498 621



AØ 136 IØ 27,5 B 84,5  
LKØ 112 x 5

**febi 27342**

Ref. No. 5K0 498 621 A



AØ 136 IØ 27 B 85  
LKØ 112 x 5



**A3 (8P)**  
(2003→)

<b>1,4 CAXC</b>	For PR number 1ZF	<b>26378</b>	<b>26378</b>
	For PR number 1ZA/1ZD/1ZE/1ZM For PR number 1ZA/1ZE/1LJ For PR number 1ZP/1LJ/1LK	<b>26377 / 27317</b>	<b>26377 / 27317</b>
	For PR number 1ZF to Chassis No. 8P-8B050 000	<b>27342</b>	<b>27342</b>
<b>1,4 CMSA</b>	For PR number 1ZF	<b>26378 / 27342</b>	<b>26378 / 27342</b>
	For PR number 1ZA/1ZD/1ZE/1ZM For PR number 1ZP/1LJ/1LK	<b>26377 / 27317</b>	<b>26377 / 27317</b>
<b>1,6 BAG</b> <b>1,6 BGU</b>	For PR number 1ZA/1ZD/1ZE/1ZM For PR number 1ZP/1LJ/1LK	<b>26377 / 27317</b>	<b>26377 / 27317</b>
<b>1,6 BLF</b>	from Chassis No. 8P-6A000 001 from Chassis No. 8P-6B000 001 For PR number 1ZF	<b>26378</b>	<b>26378</b>
	For PR number 1ZA/1ZD/1ZE/1ZM For PR number 1ZP/1LJ/1LK	<b>26377 / 27317</b>	<b>26377 / 27317</b>
	to Chassis No. 8P-5A200 000 to Chassis No. 8P-5B050 000 For PR number 1ZF		
<b>1,6 BLP</b>	from Chassis No. 8P-6A000 001 from Chassis No. 8P-6B000 001 For PR number 1ZF to Chassis No. 8P-8B050 000	<b>27342</b>	<b>27342</b>
	For PR number 1ZA/1ZD/1ZE/1ZM For PR number 1ZP/1LJ/1LK	<b>26377 / 27317</b>	<b>26377 / 27317</b>
<b>1,6 BSE</b>	For PR number 1ZF	<b>26378</b>	<b>26378</b>
	For PR number 1ZA/1ZD/1ZE/1ZM For PR number 1ZA/1ZE/1LJ For PR number 1ZP/1LJ/1LK	<b>26377 / 27317</b>	<b>26377 / 27317</b>
<b>1,6 BSE</b>	For PR number 1ZF to Chassis No. 8P-8B050 000	<b>27342</b>	<b>27342</b>

**febi 26377**

Ref. No. 1T0 498 621 SK

AØ 136 IØ 27,5 B 84,5  
LKØ 112 x 5**febi 26378**

Ref. No. 1K0 498 621 SK

AØ 136 IØ 27 B 85  
LKØ 112 x 5**febi 27317**

Ref. No. 5K0 498 621

AØ 136 IØ 27,5 B 84,5  
LKØ 112 x 5**febi 27342**

Ref. No. 5K0 498 621 A

AØ 136 IØ 27 B 85  
LKØ 112 x 5



**A3 (8P)**

(2003→)

1,6 BSF	For PR number 1ZF	26378	26378
	For PR number 1ZA/1ZD/1ZE/1ZM For PR number 1ZP/1LJ/1LK	26377 / 27317	26377 / 27317
	For PR number 1ZF to Chassis No. 8P-8B050 000	27342	27342
1,6 D CAYB	For PR number 1ZF	26378 / 27342	26378 / 27342
	For PR number 1ZA/1ZD/1ZE/1ZM For PR number 1ZP/1LJ/1LK	26377 / 27317	26377 / 27317
	For PR number 1ZF	26378 / 27342	26378 / 27342
1,6 D CAYC	For PR number 1ZA/1ZD/1ZE/1ZM For PR number 1ZA/1ZE/1LJ For PR number 1ZP/1LJ/1LK	26377 / 27317	26377 / 27317
	For PR number 1ZF	26378 / 27342	26378 / 27342
	For PR number 1ZA/1ZD/1ZE/1ZM For PR number 1ZP/1LJ/1LK	26377 / 27317	26377 / 27317
1,6 CCSA	For PR number 1ZF	26378 / 27342	26378 / 27342
	For PR number 1ZA/1ZD/1ZE/1ZM For PR number 1ZP/1LJ/1LK	26377 / 27317	26377 / 27317
	For PR number 1ZF	26378 / 27342	26378 / 27342
1,6 CMXA	For PR number 1LJ/1LK/1ZA/1ZD For PR number 1ZA/1ZD/1ZE/1ZM For PR number 1ZE For PR number 1ZP/1LJ/1LK to the year of construction 09/2011	26377 / 27317	26377 / 27317
	For PR number 1ZF	26378 / 27342	26378 / 27342
	For PR number 1ZF	26378 / 27342	26378 / 27342
1,8 BPU	For PR number 1ZA/1ZD/1ZE/1ZM For PR number 1ZD/1ZE/1ZM For PR number 1ZP/1LJ/1LK	26377 / 27317	26377 / 27317
	For PR number 1ZF	26378 / 27342	26378 / 27342
	For PR number 1ZF	26378 / 27342	26378 / 27342
1,8 BYT	For PR number 1ZA/1ZD/1ZE/1ZM For PR number 1ZP/1LJ/1LK	26377 / 27317	26377 / 27317
	For PR number 1ZF	26378 / 27342	26378 / 27342
	For PR number 1ZF	26378 / 27342	26378 / 27342

front axle

**febi 26377**  
Ref. No. 1T0 498 621 SK




AØ 136 IØ 27,5 B 84,5  
LKØ 112 x 5

**febi 26378**  
Ref. No. 1K0 498 621 SK




AØ 136 IØ 27 B 85  
LKØ 112 x 5

**febi 27317**  
Ref. No. 5K0 498 621



AØ 136 IØ 27,5 B 84,5  
LKØ 112 x 5

**febi 27342**  
Ref. No. 5K0 498 621 A



AØ 136 IØ 27 B 85  
LKØ 112 x 5

**A3 (8P)**  
(2003→)

1,8 BZB 1,8 CDAA	For PR number 1ZF	26378 / 27342	26378 / 27342
	For PR number 1ZA/1ZD/1ZE/1ZM For PR number 1ZA/1ZE/1LJ For PR number 1ZP/1LJ/1LK	26377 / 27317	26377 / 27317
1,9 D BKC	from Chassis No. 8P-6A000 001 from Chassis No. 8P-6B000 001 For PR number 1ZF	26378 / 27342	26378 / 27342
	For PR number 1ZA/1ZD/1ZE/1ZM For PR number 1ZP/1LJ/1LK	26377 / 27317	26377 / 27317
1,9 D BLS	to Chassis No. 8P-5A200 000 to Chassis No. 8P-5B050 000 For PR number 1ZF		
	For PR number 1ZF	26378	26378
1,9 D BXE	For PR number 1ZA/1ZD/1ZE/1ZM For PR number 1ZA/1ZE/1LJ For PR number 1ZP/1LJ/1LK	26377 / 27317	26377 / 27317
	For PR number 1ZF to Chassis No. 8P-8B050 000	27342	27342
2,0 AXW	For PR number 1ZA/1ZD/1ZE/1ZM For PR number 1ZP/1LJ/1LK	26377 / 27317	26377 / 27317
	For PR number 1ZF from Chassis No. 8P-6A000 001 from Chassis No. 8P-6B000 001 to Chassis No. 8P-8B050 000	27342	27342

**febi 26377**

Ref. No. 1T0 498 621 SK

AØ 136 IØ 27,5 B 84,5  
LKØ 112 x 5**febi 26378**

Ref. No. 1K0 498 621 SK

AØ 136 IØ 27 B 85  
LKØ 112 x 5**febi 27317**

Ref. No. 5K0 498 621

AØ 136 IØ 27,5 B 84,5  
LKØ 112 x 5**febi 27342**

Ref. No. 5K0 498 621 A

AØ 136 IØ 27 B 85  
LKØ 112 x 5



## A3 (8P)

(2003→)

2,0 AXX 2,0 D AZV 2,0 D BKD 2,0 BLR	from Chassis No. 8P-6A000 001 from Chassis No. 8P-6B000 001 For PR number 1ZF	26378 / 27342	26378 / 27342
	For PR number 1ZA/1ZD/1ZE/1ZM For PR number 1ZP/1LJ/1LK	26377 / 27317	26377 / 27317
	to Chassis No. 8P-5A200 000 to Chassis No. 8P-5B050 000 For PR number 1ZF		
2,0 BLX	For PR number 1ZA/1ZD/1ZE/1ZM For PR number 1ZP/1LJ/1LK	26377 / 27317	26377 / 27317
2,0 BLY	from Chassis No. 8P-6A000 001 from Chassis No. 8P-6B000 001 For PR number 1ZF	26378 / 27342	26378 / 27342
	For PR number 1ZA/1ZD/1ZE/1ZM For PR number 1ZP/1LJ/1LK	26377 / 27317	26377 / 27317
	to Chassis No. 8P-5A200000 to Chassis No. 8P-5B050000 For PR number 1ZF		
2,0 BMB	For PR number 1ZA/1ZD/1ZE/1ZM For PR number 1ZP/1LJ/1LK	26377 / 27317	26377 / 27317
2,0 D BMM	For PR number 1ZF from Chassis No. 8P-6A000 001 from Chassis No. 8P-6B000 001	26378 / 27342	26378 / 27342
	For PR number 1ZA/1ZD/1ZE/1ZM For PR number 1ZP/1LJ/1LK	26377 / 27317	26377 / 27317
	to Chassis No. 8P-5A200 000 to Chassis No. 8P-5B050 000 For PR number 1ZF		
2,0 D BMN 2,0 BPY 2,0 D BUY	For PR number 1ZF	26378 / 27342	26378 / 27342
	For PR number 1ZA/1ZD/1ZE/1ZM For PR number 1ZP/1LJ/1LK	26377 / 27317	26377 / 27317

front axle

### febi 26377

Ref. No. 1T0 498 621 SK



AØ 136 IØ 27,5 B 84,5  
LKØ 112 x 5

### febi 26378

Ref. No. 1K0 498 621 SK



AØ 136 IØ 27 B 85  
LKØ 112 x 5

### febi 27317

Ref. No. 5K0 498 621



AØ 136 IØ 27,5 B 84,5  
LKØ 112 x 5

### febi 27342

Ref. No. 5K0 498 621 A



AØ 136 IØ 27 B 85  
LKØ 112 x 5

**A3 (8P)**  
(2003→)

2,0 BVY	For PR number 1ZF	26378	26378
	For PR number 1ZA/1ZD/1ZE/1ZM For PR number 1ZP/1LJ/1LK	26377 / 27317	26377 / 27317
	For PR number 1ZF from Chassis No. 8P-6A000 001 from Chassis No. 8P-6B000 001 to Chassis No. 8P-8B050 000	27342	27342
2,0 BVZ	For PR number 1ZF	26378 / 27342	26378 / 27342
	For PR number 1ZA/1ZD/1ZE/1ZM For PR number 1ZP/1LJ/1LK	26377 / 27317	26377 / 27317
	For PR number 1ZF from Chassis No. 8P-6A000 001 from Chassis No. 8P-6B000 001 to Chassis No. 8P-8B050 000	27342	27342
2,0 BWA	For PR number 1ZF	26378	26378
	For PR number 1ZA/1ZD/1ZE/1ZM For PR number 1ZP/1LJ/1LK	26377 / 27317	26377 / 27317
	For PR number 1ZF from Chassis No. 8P-6A000 001 to Chassis No. 8P-8B050 000 from Chassis No. 8P-6B000 001	27342	27342
2,0 CAWB 2,0 D CBAA 2,0 D CBAB	For PR number 1ZF	26378 / 27342	26378 / 27342
	For PR number 1ZA/1ZD/1ZE/1ZM For PR number 1ZA/1ZE/1LJ For PR number 1ZP/1LJ/1LK	26377 / 27317	26377 / 27317
	For PR number 1ZF	26378 / 27342	26378 / 27342
2,0 D CBBB 2,0 CBFA	For PR number 1ZF	26378 / 27342	26378 / 27342
	For PR number 1ZA/1ZD/1ZE/1ZM For PR number 1ZP/1LJ/1LK	26377 / 27317	26377 / 27317
	For PR number 1ZF	26378 / 27342	26378 / 27342
2,0 CCZA 2,0 D CFFA 2,0 D CFFB	For PR number 1ZF	26378 / 27342	26378 / 27342
	For PR number 1ZA/1ZD/1ZE/1ZM For PR number 1ZA/1ZE/1LJ For PR number 1ZP/1LJ/1LK	26377 / 27317	26377 / 27317
	For PR number 1ZF	26378 / 27342	26378 / 27342

**febi 26377**

Ref. No. 1T0 498 621 SK

AØ 136 IØ 27,5 B 84,5  
LKØ 112 x 5**febi 26378**

Ref. No. 1K0 498 621 SK

AØ 136 IØ 27 B 85  
LKØ 112 x 5**febi 27317**

Ref. No. 5K0 498 621

AØ 136 IØ 27,5 B 84,5  
LKØ 112 x 5**febi 27342**

Ref. No. 5K0 498 621 A

AØ 136 IØ 27 B 85  
LKØ 112 x 5



**A3 (8P)**

(2003→)

2,0 D CFGB 2,0 D CLJA	For PR number 1ZF	26378 / 27342	26378 / 27342
	For PR number 1ZA/1ZD/1ZE/1ZM For PR number 1ZP/1LJ/1LK	26377 / 27317	26377 / 27317
3,2 BMJ	from Chassis No. 8P-6A000 001 from Chassis No. 8P-6B000 001 For PR number 1ZF	26378	26378
	For PR number 1ZA/1ZD/1ZE/1ZM For PR number 1ZP/1LJ/1LK	26377 / 27317	26377 / 27317
	to Chassis No. 8P-5A200 000 to Chassis No. 8P-5B050 000 For PR number 1ZF		
	from Chassis No. 8P-6A000 001 from Chassis No. 8P-6B000 001 For PR number 1ZF to Chassis No. 8P-8B050 000	27342	27342
3,2 BUB	For PR number 1ZF	26378	26378
	For PR number 1ZA/1ZD/1ZE/1ZM For PR number 1ZP/1LJ/1LK	26377 / 27317	26377 / 27317
	For PR number 1ZF to Chassis No. 8P-8B050 000	27342	27342

front axle

**febi 26377**  
Ref. No. 1T0 498 621 SK

AØ 136 IØ 27,5 B 84,5  
LKØ 112 x 5

**febi 26378**  
Ref. No. 1K0 498 621 SK

AØ 136 IØ 27 B 85  
LKØ 112 x 5

**febi 27317**  
Ref. No. 5K0 498 621

AØ 136 IØ 27,5 B 84,5  
LKØ 112 x 5

**febi 27342**  
Ref. No. 5K0 498 621 A

AØ 136 IØ 27 B 85  
LKØ 112 x 5

suitable for:

**Audi**

**Car  
Division**



**febi**  
bilstein®



**A4 (8D)**  
(1994→2001)

1,6 ADP  
1,6 AHL  
1,6 ALZ  
1,6 ANA  
1,6 ARM  
1,8 ADR  
1,8 AEB  
1,8 AFY

1,8 AJL

1,8 ANB  
1,8 APT  
1,8 APU  
1,8 ARG  
1,8 AVV  
1,8 AWT  
1,9 D 1Z  
1,9 D AFF  
1,9 D AFN  
1,9 D AHH  
1,9 D AHU  
1,9 D AJM

1,9 D ATJ

1,9 D AVG

2,4 AFM from Chassis No. 8D-T-160 956

2,4 AGA  
2,4 AJG  
2,4 ALF  
2,4 AML  
2,4 AMM  
2,4 APS  
2,4 APZ  
2,4 ARJ  
2,5 D AFB  
2,5 D AKN

24366

24947

05913

18344

24366

24947

-

18344

05913 / 24366

24947

05913

-

-

18344

05913

18344

**febi 05913**

Ref. No. 4A0 498 625



AØ 82 IØ 43 B 37

**febi 18344**

Ref. No. 4A0 407 615 G



AØ 130 LKØ 112 x 5

**febi 24366**

Ref. No. 4B0 498 625



AØ 75 IØ 39 B 37

**febi 24947**

Ref. No. 8D0 407 615 E



AØ 130 LKØ 112 x 5



**A4 (8D)**  
(1994→2001)

2,6 ABC	from Chassis No. 8D-T-160 956	05913	-
2,6 ACZ		-	18344
2,8 AAH		-	18344
2,8 ACK		05913	18344
2,8 ALG			
2,8 AMX		-	18344
2,8 APR		05913	18344
2,8 AQD			
2,8 ATX			

**A4 quattro (8D)**  
(1994→2001)

1,8 ADR		05913 / 24366	24947
1,8 AEB			
1,8 AFY			
1,8 AJL		05913	18344
1,8 ANB		05913 / 24366	24947
1,8 APT			
1,8 APU			
1,8 ARG			
1,8 ARK		05913	-
1,8 AWT		05913 / 24366	24947
1,9 D AFN			
1,9 D AJM			
1,9 D ATJ		05913	18344
1,9 D AVG		05913 / 24366	24947

front axle

**febi 05913**  
Ref. No. 4A0 498 625

AØ 82 IØ 43 B 37

**febi 18344**  
Ref. No. 4A0 407 615 G

AØ 130 LKØ 112 x 5

**febi 24366**  
Ref. No. 4B0 498 625

AØ 75 IØ 39 B 37

**febi 24947**  
Ref. No. 8D0 407 615 E

AØ 130 LKØ 112 x 5



suitable for:

**Audi**

**Car  
Division**



## A4 quattro (8D)

(1994→2001)

front axle	2,4 AGA		05913	18344
	2,4 AJG			
	2,4 ALF			
	2,4 AML			
	2,4 APS			
	2,4 APZ			
	2,4 ARJ			
	2,5 D AFB			
	2,5 D AKN			
	2,6 ABC	from Chassis No. 8D-T-160 956	05913	-
2,6 ACZ		-	18344	
2,7 AJK		05913	-	
2,8 AAH	from Chassis No. 8D-T-160 956	05913	-	
		-	18344	
2,8 ACK		05913	18344	
2,8 ALG				
2,8 AMX				
2,8 APR				
2,8 AQD				
2,8 ATX				

## S4 quattro (8D)

(1997→2001)

2,7 AGB		-	18344
	from Chassis No. 8D-X-200 001	29837	-
2,7 AZB		29837	18344

## RS4 quattro (8D)

(2000→2001)

2,7 ASJ		29837	18344
2,8 AZR			

**febi 05913**

Ref. No. 4A0 498 625



AØ 82 IØ 43 B 37

**febi 18344**

Ref. No. 4A0 407 615 G



AØ 130 LKØ 112 x 5

**febi 29837**

Ref. No. 8E0 498 625 B



AØ 82 IØ 45 B 37



**A4 (8E)**  
(2000→2008)

1,6 ALZ

29837

24947

front axle

**febi 24947**  
Ref. No. 8D0 407 615 E



AØ 130 LKØ 112 x 5

**febi 29837**  
Ref. No. 8E0 498 625 B



AØ 82 IØ 45 B 37

suitable for:

# Audi

Car  
Division 



## A4 (8E) (2000→2008)

- 1,8 AMB
- 1,8 AVJ
- 1,8 BEX
- 1,8 BFB
- 1,9 D AVB
- 1,9 D AVF
- 1,9 D AWX
- 1,9 D BKE
- 1,9 D BRB
- 2,0 ALT
- 2,0 AWA
- 2,0 BGB
- 2,0 D BLB
- 2,0 D BNA
- 2,0 BPG
- 2,0 BPJ
- 2,0 D BPW
- 2,0 D BRD
- 2,0 D BRE
- 2,0 D BRF
- 2,0 BUL
- 2,0 D BVA
- 2,0 D BVF
- 2,0 D BVG
- 2,0 BWE
- 2,0 BWT
- 2,0 BYK
- 2,4 AMM
- 2,4 BDV
- 2,5 D AKE
- 2,5 D AYM
- 2,5 D BCZ
- 2,5 D BDG
- 2,5 D BFC
- 2,7 D BPP
- 2,7 D BSG
- 3,0 ASN
- 3,0 AVK
- 3,0 BBJ
- 3,2 AUK

29837

-

front axle

**febi 29837**

Ref. No. 8E0 498 625 B



AØ 82 IØ 45 B 37



**A4 quattro (8E)**

(2000→ )

all		29837	-
-----	--	-------	---

**S4 quattro (8E)**

(2003→2008)

4,2 BBK	For PR number 1BA/1BE/1BR/1BV	-	18344
4,2 BHF		29837	-

**RS4 quattro (8E)**

(2005→2008)

4,2 BNS		29837	18344
---------	--	-------	-------

**A4 (8H)**

(2002→2009)

all		29837	-
-----	--	-------	---

**A4 quattro (8H)**

(2002→2009)

all		29837	18344
-----	--	-------	-------

**S4 quattro (8H)**

(2004→2009)

4,2 BBK		29837	18344
---------	--	-------	-------

**RS4 quattro (8H)**

(2006→2008)

4,2 BNS		29837	18344
---------	--	-------	-------

front axle



suitable for:

**Audi**

**Car  
Division**



**A4 (8K)**

(2007→)

front axle

1,8 CABA 1,8 CABB		30270 / 30271 / 34823	-
1,8 CDHA 1,8 CDHB 2,0 CAEA	to the year of construction 08/2011	30270 / 30271 34823	- -
2,0 CAEB		30271	-
2,0 D CAGA 2,0 D CAGB 2,0 D CAGC 2,0 D CAHA 2,0 D CAHB 2,0 CDNB 2,0 CDNC	to the year of construction 08/2011	30270 / 30271 34823	- -
2,0 CFKA		30271	-
	to the year of construction 08/2011	34823	-
2,0 D CGLC 2,0 D CJCB 2,0 D CMEA	to the year of construction 08/2011	30271 34823	- -
2,0 D CMFA		30271	-
2,7 D CAMA 2,7 D CAMB		30270 / 30271 / 34823	-
2,7 D CGKA 2,7 D CGKB	to the year of construction 08/2011	30270 / 30271 34823	- -
3,0 D CLAB		30271	-
3,2 CALA	to the year of construction 08/2011	30270 / 30271 34823	- -

**febi 30270**

Ref. No. 8K0 407 625 A



AØ 102 IØ 61 B 40,5

**febi 30271**

Ref. No. 4H0 498 625



AØ 102 IØ 61 B 40,5

**febi 34823**

Ref. No. 4H0 498 625



AØ 102 IØ 61 B 41

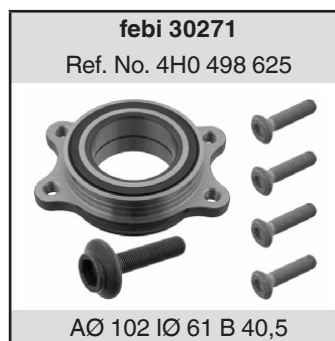


## A4 quattro (8K)

(2007→)

1,8 CDHB		30271	-
	to the year of construction 08/2011	34823	-
1,8 CJEB		30271	-
2,0 CAEB	to the year of construction 08/2011	30271 / 34823	-
2,0 D CAGA		30271	-
	to the year of construction 08/2011	34823	-
2,0 D CAGB		30271 / 34823	-
2,0 D CAHA		30271	-
	to the year of construction 08/2011	34823	-
2,0 D CAHB		30271 / 34823	-
2,0 CDNB		30270 / 30271	-
	to the year of construction 08/2011	34823	-
2,0 CDNC		30271	-
2,0 CFKA	to the year of construction 08/2011	34823	-
2,0 D CGLC		30271	-
2,0 D CJCA			
2,0 CPMA			
3,0 D CAPA		30271 / 34823	-
3,0 D CCLA		30271	-
	to the year of construction 08/2011	34823	-
3,0 D CCWA		30270 / 30271	-
	to the year of construction 08/2011	34823	-
3,0 D CCWB		30271 / 34823	-
3,0 D CKVB		30271	-
3,2 CALA	to the year of construction 08/2011	30271 / 34823	-

front axle



suitable for:

**Audi**

**Car  
Division**



**S4 quattro (8K)**

(2009→2012)

3,0 CAKA  
3,0 CCBA

30271 / 34823

-

**A5 (8F)**

(2009→ )

1,8 CDHB

30271 / 34823

-

1,8 CJEB

30271

-

2,0 CAEA  
2,0 CAEB  
2,0 D CAHA  
2,0 D CAHB  
2,0 CDNB  
2,0 CDNC

30271 / 34823

-

2,0 D CGLC  
2,0 D CGLD

30271

-

2,7 D CGKA  
2,7 D CGKB  
3,0 D CLAB  
3,2 CALA

30271 / 34823

-

**A5 quattro (8F)**

(2009→ )

2,0 CAEB  
2,0 CDNC

30271 / 34823

-

2,0 D CGLC

30271

-

3,0 D CCWA  
3,2 CALA

to the year of construction 08/2011

30271

-

30271 / 34823

-

**febi 30271**

Ref. No. 4H0 498 625



AØ 102 IØ 61 B 40,5

**febi 34823**

Ref. No. 4H0 498 625



AØ 102 IØ 61 B 41



**S5 quattro (8F)**

(2009→)

3,0 CAKA  
3,0 CCBA

to the year of construction 08/2011

30271

-

30271 / 34823

-

**A5 (8T)**

(2007→)

1,8 CABD

30271 / 34823

-

1,8 CDHB

to the year of construction 05/2011

30271

-

30271 / 34823

-

1,8 CJEB

30271

-

2,0 D CAGA

to the year of construction 05/2011

30271

-

to the year of construction 08/2011

34823

-

2,0 D CAGB

to the year of construction 05/2011

30271

-

30271 / 34823

-

2,0 D CAHA

to the year of construction 05/2011

30271

-

2,0 D CAHB

to the year of construction 08/2011

34823

-

2,0 CDNB

2,0 CDNC

2,0 D CGLC

2,0 D CGLD

2,0 D CJCA

2,0 D CJCB

2,0 D CMEA

to the year of construction 05/2011

30271

-

30271 / 34823

-

2,0 D CMFA

2,0 CPMA

30271

-

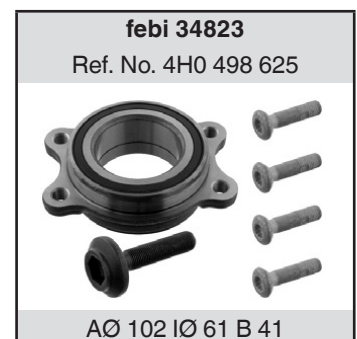
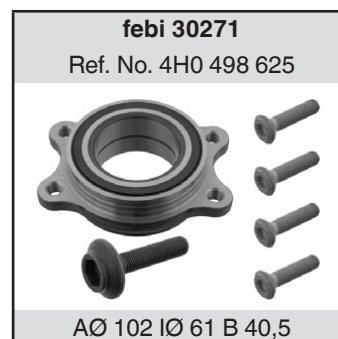
2,7 D CAMA

2,7 D CAMB

30271 / 34823

-

front axle





suitable for:

**Audi**

**Car  
Division**



**A5 (8T)**

(2007→)

2,7 D CGKA	to the year of construction 05/2011	30271	-
2,7 D CGKB	to the year of construction 08/2011	34823	-
3,0 D CLAB		30271	-
3,2 CALA	to the year of construction 05/2011	30271	-
	to the year of construction 08/2011	34823	-

**A5 quattro (8T)**

(2007→)

2,0 CAEB		30271 / 34823	-
2,0 D CAHA		30271	-
2,0 CDNC	to the year of construction 08/2011	34823	-
2,0 D CGLC		30271	-
3,0 D CAPA		30271 / 34823	-
3,0 D CCWA		30271	-
	to the year of construction 08/2011	34823	-
3,0 D CCWB		30271 / 34823	-
3,0 D CDUC		30271	-
3,2 CALA	to the year of construction 08/2011	34823	-

**S5 quattro (8T)**

(2007→2012)

3,0 CAKA		30271	-
4,2 CAUA	to the year of construction 08/2011	34823	-

**febi 30271**

Ref. No. 4H0 498 625



AØ 102 IØ 61 B 40,5

**febi 34823**

Ref. No. 4H0 498 625



AØ 102 IØ 61 B 41



**RS5 quattro (8T)**

(2010→)

4,2 CFSA

30271 / 34823

-

**A6 (4A)**

(1994→1997)

all

05913

18344

**A6 quattro (4A)**

(1994→1997)

all

05913

18344

**S6 quattro (4A)**

(1994→1997)

2,2 AAN

4,2 AEC

4,2 AHK

05913

-

**A6 (4B)**

(1997→2005)

1,8 AEB

1,8 AFY

1,8 AJL

24366

18344 / 24947

-

18344

front axle

**febi 05913**

Ref. No. 4A0 498 625



AØ 82 IØ 43 B 37

**febi 18344**

Ref. No. 4A0 407 615 G



AØ 130 LKØ 112 x 5

**febi 24366**

Ref. No. 4B0 498 625



AØ 75 IØ 39 B 37

**febi 24947**

Ref. No. 8D0 407 615 E



AØ 130 LKØ 112 x 5

**febi 30271**

Ref. No. 4H0 498 625



AØ 102 IØ 61 B 40,5

**febi 34823**

Ref. No. 4H0 498 625



AØ 102 IØ 61 B 41



## A6 (4B)

(1997→2005)

		24366	18344 / 24947
front axle	1,8 AJP		
	1,8 ANB		
	1,8 APU		
	1,8 AQE		
	1,8 ARH		
1,8 ARK		-	18344
1,8 AWT	from Chassis No. 4B-2-000 001 to Chassis No. 4B-2-031 500 not for rim size [in] 17 not for rim size [in] 18	-	18344
		24366	24947
	from Chassis No. 4B-2-000 001 to Chassis No. 4B-2-031 500 not for rim size [in] 17 not for rim size [in] 18	29837	-
		from Chassis No. 4B-2-031 501	
1,9 D AFN		-	18344
1,9 D AJM			
1,9 D AVF	to Chassis No. 4B-2-031 500 not for rim size [in] 17 not for rim size [in] 18	-	18344
		29837	-
1,9 D AVG		-	18344
1,9 D AWX	to Chassis No. 4B-2-031 500 not for rim size [in] 17 not for rim size [in] 18	-	18344
		29837	-
2,0 ALT	from Chassis No. 4B-2-000 001 to Chassis No. 4B-2-031 500 not for rim size [in] 17 not for rim size [in] 18	-	18344
		29837	-

### febi 18344

Ref. No. 4A0 407 615 G



AØ 130 LKØ 112 x 5

### febi 24366

Ref. No. 4B0 498 625



AØ 75 IØ 39 B 37

### febi 24947

Ref. No. 8D0 407 615 E



AØ 130 LKØ 112 x 5

### febi 29837

Ref. No. 8E0 498 625 B



AØ 82 IØ 45 B 37



**A6 (4B)**  
(1997→2005)

2,4 AGA		-	18344
2,4 AJG			
2,4 ALF			
2,4 ALW			
2,4 AML			
2,4 AMM	to Chassis No. 4B-2-031 500	-	18344
	from Chassis No. 4B-2-000 001	29837	-
2,4 APC		-	18344
2,4 APS			
2,4 APZ			
2,4 ARJ			
2,4 ARN			
2,4 ASM	to Chassis No. 4B-2-031 500	-	18344
	from Chassis No. 4B-2-000 001	29837	-
2,4 BDV	to Chassis No. 4B-2-031 500	-	18344
		29837	-
2,5 D AFB		-	18344
2,5 D AKE		-	18344
	from Chassis No. 4B-2-000 001	29837	-
2,5 D AKN		-	18344
2,5 D AYM	to Chassis No. 4B-2-031 500	-	18344
	from Chassis No. 4B-2-000 001	29837	-
2,5 D BAU		29837	-
2,5 D BCZ			
2,5 D BDG			
2,5 D BDH			
2,5 D BFC			

front axle



suitable for:

**Audi**

**Car  
Division**



**A6 (4B)**

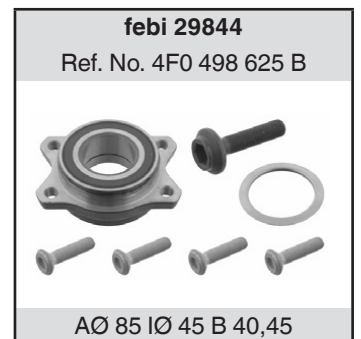
(1997→2005)

2,7 AJK 2,8 ACK 2,8 AGE 2,8 ALG		-	18344
2,8 AMX		-	18344
	from Chassis No. 4B-2-000 001	29837	-
2,8 APR		-	18344
2,8 AQD		-	18344
	from Chassis No. 4B-2-000 001	29837	-
2,8 ATX		-	18344
3,0 ASN	to Chassis No. 4B-2-031 500	-	18344
		29837	-
3,0 BBJ	to Chassis No. 4B-2-031 500	-	18344
		29837 / 29844	-

**A6 quattro (4B)**

(1997→2005)

1,8 AEB		24366	18344 / 24947
---------	--	-------	---------------





## A6 quattro (4B)

(1997→2005)

1,8 AJL		-	18344
1,8 ANB		24366	18344 / 24947
1,8 APU			
1,8 ARK		-	18344
1,8 AWT	from Chassis No. 4B-2-000 001 to Chassis No. 4B-2-031 500 not for rim size [in] 17 not for rim size [in] 18	-	18344
	to Chassis No. 4B-1-200 000	24366	24947
	from Chassis No. 4B-2-000 001 to Chassis No. 4B-2-031 500 not for rim size [in] 17 not for rim size [in] 18	29837	-
	from Chassis No. 4B-2-031 501		
2,4 AGA		-	18344
2,4 AJG			
2,4 ALF			
2,4 AML			
2,4 APC			
2,4 APS			
2,4 APZ			
2,4 ARJ			
2,4 BDV	to Chassis No. 4B-2-031 500	-	18344
		29837	-
2,5 D AFB		-	18344
2,5 D AKE		-	18344
	from Chassis No. 4B-2-000 001	29837	-
2,5 D AKN		-	18344
2,5 D BAU	to Chassis No. 4B-2-031 500	-	18344
	from Chassis No. 4B-2-000 001	29837	-

front axle



suitable for:

**Audi**

**Car  
Division**



## A6 quattro (4B)

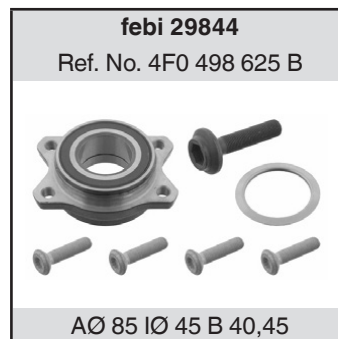
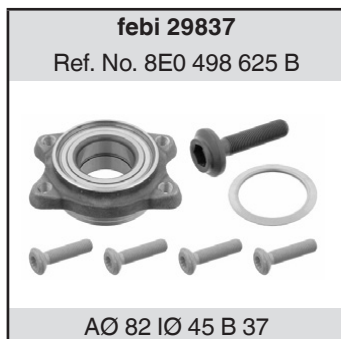
(1997→2005)

front axle	2,5 D BCZ		-	18344	
	2,5 D BDH	to Chassis No. 4B-2-031 500	-	18344	
		from Chassis No. 4B-2-000 001	29837	-	
	2,7 AJK 2,7 APB		-	18344	
		2,7 ARE	to Chassis No. 4B-2-031 500	-	18344
	from Chassis No. 4B-2-000 001		29837	-	
	2,7 AZA		-	18344	
	2,7 BES		29837	18344	
	2,8 ACK 2,8 AGE 2,8 ALG 2,8 AMX 2,8 APR 2,8 AQD 2,8 ATX		-	18344	
		3,0 ASN	to Chassis No. 4B-2-031 500	-	18344
				29837	-
		3,0 BBJ	to Chassis No. 4B-2-031 500	-	18344
				29837 / 29844	-
4,2 ARS 4,2 ASG			29837	-	
	4,2 BAS		-	18344	

## S6 quattro (4B)

(1999→2005)

4,2 ANK		29837	-
4,2 AQJ			





**RS6 quattro (4B)**

(2002→2004)

4,2 BCY  
4,2 BRV

29837

-

**A6 (4F)**

(2004→)

all

29844

-

**A6 quattro (4F)**

(2004→)

2,4 BDW  
2,8 BDX  
2,8 CCDA  
2,8 CCEA  
3,0 BBJ  
3,0 CAJA  
3,0 CCAA  
3,2 AUK  
3,2 BKH  
3,2 BYU

29844

-

**A6 (4G)**

(2010→)

2,0 CAEB  
2,0 CDNB  
2,0 D CGLC  
2,0 D CGLD  
2,0 D CGLE  
2,0 CHJA  
2,0 D CMGB  
2,8 CHVA  
3,0 D CLAB

30271 / 34823

-

front axle

**febi 29837**

Ref. No. 8E0 498 625 B



AØ 82 IØ 45 B 37

**febi 29844**

Ref. No. 4F0 498 625 B



AØ 85 IØ 45 B 40,45

**febi 30271**

Ref. No. 4H0 498 625



AØ 102 IØ 61 B 40,5

**febi 34823**

Ref. No. 4H0 498 625



AØ 102 IØ 61 B 41



suitable for:

**Audi**

**Car  
Division**



## A6 quattro (4G)

(2010→)

2,8 CHVA 3,0 D CDUC	to the year of construction 08/2011	30271	-
		30271 / 34823	-
3,0 D CDUD		30271	-
3,0 D CGQB		30271 / 34823	-
3,0 CGWB	to the year of construction 08/2011	30271	-
		30271 / 34823	-
3,0 CGWD 3,0 CGXB 3,0 D CKVB		30271 / 34823	-
3,0 D CKVC		30271	-
3,0 D CLAA		30271 / 34823	-

## S6 quattro (4G)

(2012→)

4,0 CEUC		30271	-
----------	--	-------	---

## A7 (4G)

(2010→)

2,8 CHVA 3,0 D CLAB		30271 / 34823	-
------------------------	--	---------------	---

## A7 quattro (4G)

(2010→)

2,8 CHVA 3,0 D CDUC		30271 / 34823	-
3,0 D CGQB		30271	-
3,0 CGWB		30271 / 34823	-
3,0 CGWD		30271	-

**febi 30271**

Ref. No. 4H0 498 625



AØ 102 IØ 61 B 40,5

**febi 34823**

Ref. No. 4H0 498 625



AØ 102 IØ 61 B 41



### A7 quattro (4G)

(2010→)

3,0 CGXB		30271 / 34823	-
3,0 D CKVB		30271	-
3,0 D CLAA		30271 / 34823	-

### A8 (4D)

(1995→2002)

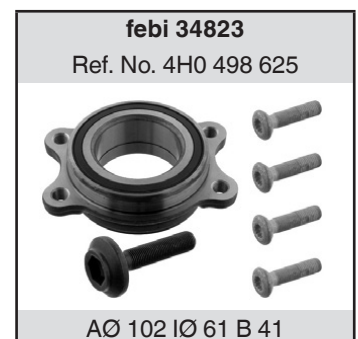
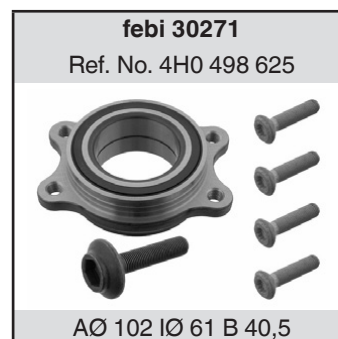
2,5 D AFB	from Chassis No. 4D-X-005 501	29837	-
2,5 D AKE		29837	-
2,5 D AKN 2,8 ALG	from Chassis No. 4D-X-005 501	29837	-
2,8 AMX 2,8 APR 2,8 AQD 3,3 D AKF		29837	-
3,7 AEW	from Chassis No. 4D-X-005 501	29837	-
3,7 AKC		29837	-
3,7 AKJ	from Chassis No. 4D-X-005 501	29837	-
3,7 AQG		29837	-

### A8 quattro (4D)

(1994→2002)

2,5 D AFB	from Chassis No. 4D-X-005 501	29837	-
2,5 D AKE		29837	-
2,5 D AKN 2,8 ACK	from Chassis No. 4D-X-005 501	29837	-
2,8 AMX 2,8 APR 2,8 AQD 3,3 D AKF		29837	-

front axle



suitable for:

# Audi

Car  
Division



## A8 quattro (4D)

(1994→2002)

3,7 AEW	from Chassis No. 4D-X-005 501	29837	-
3,7 AKC		29837	-
3,7 AKJ	from Chassis No. 4D-X-005 501	29837	-
3,7 AQQ		29837	-
4,2 ABZ	from Chassis No. 4D-X-005 501	29837	-
4,2 AKG			
4,2 AQF		29837	-
4,2 ARU			
4,2 AUW			

## A8 (4H)

(2011→)

3,0 D CLAB		30271 / 34823	-
------------	--	---------------	---

## A8 quattro (4H)

(2009→)

3,0 D CDTA		30271 / 34823	-
3,0 D CDTB			
3,0 CGWA			
3,0 CGXA			
3,0 CGXC			
3,0 CMDA			
3,0 D CMHA		30271	-
4,2 CDRA		30271 / 34823	-
4,2 D CDSB			
6,3 CEJA			

### febi 29837

Ref. No. 8E0 498 625 B



AØ 82 IØ 45 B 37

### febi 30271

Ref. No. 4H0 498 625



AØ 102 IØ 61 B 40,5

### febi 34823

Ref. No. 4H0 498 625



AØ 102 IØ 61 B 41



### Cabriolet (8G)

(1991→2000)

1,8 ADR		17534	17756
1,9 D 1Z			
1,9 D AHU			
2,0 ABK			
2,0 ACE			
2,3 NG			
2,6 ABC		17550	-
2,6 ACZ			
2,8 AAH			
2,8 AFC			

### Coupe (8B)

(1988→1996)

1,8 DZ		03625	02231 / 17756
	from Chassis No. 8B-M-014 414	17534	-
2,0 3A		03625	17756
2,0 6A			
2,0 AAD	from Chassis No. 8B-M-014 414	17534	-
2,0 ABK			
2,0 ACE			
2,0 NM			
2,2 3B		17550	-

front axle



suitable for:

**Audi**

**Car  
Division**



**Coupe (8B)**

(1988→1996)

2,2 ABY		17550	17756
2,2 KV		03625	17756
	from Chassis No. 8B-M-014 414	17534	-
2,3 7A		17550	-
2,3 NG		03625 / 17550	17756
	from Chassis No. 8B-M-014 414	17534	-
2,6 ABC 2,8 AAH		03625 / 17550	-

**Coupe quattro (8B)**

(1988→1996)

2,0 NM		17534	17756
2,2 3B		17550	-
2,2 ABY		17550	17756
2,2 KV		17534	17756
2,3 7A		17550	-
2,3 NG		17534 / 17550	17756
2,6 ABC 2,8 AAH		17550	-

**febi 03625**

Ref. No. 893 498 625 D



AØ 75 IØ 39 B 37

**febi 17534**

Ref. No. 8A0 498 625



AØ 75 IØ 39 B 37

**febi 17550**

Ref. No. 893 498 625 E



AØ 82 IØ 45 B 37

**febi 17756**

Ref. No. 8A0 407 615 C



AØ 127 LKØ 108 x 4



**Coupe (85)**

(1980→1991)

1,6 YN 1,8 DD		03620	02231
1,8 DS	to Chassis No. 85-D-200 000	-	02231
1,8 DZ		03620	-
1,8 JN 1,8 JV 1,8 PV 1,8 SF		03620	-
1,9 WN	to Chassis No. 85-D-200 000	-	02231
2,0 HP 2,0 JL 2,0 JS 2,0 SK		03620	-
2,1 KE 2,1 KL 2,1 WE	to Chassis No. 85-D-200 000	-	02231
2,2 HY 2,2 KV 2,2 KX 2,3 NG		03620	-

front axle

**Coupe quattro (85)**

(1984→1988)

1,8 DZ		-	02231
2,2 HY 2,2 JT		03620	-
2,2 KV		03620	-
	from the year of construction 1990	-	17756



suitable for:

**Audi**

**Car  
Division**



**Coupe quattro (85)**

(1984→1988)

2,3 NG

from Chassis No. 8B-M-040 000

**03620**

-

-

**17756**

**quattro (85)**

(1980→1991)

2,1 GV

2,1 WR

to Chassis No. 85-D-200 000

-

**02231**

**03620**

-

to the year of construction 1985  
to Chassis No. 85-F-901 500

**03622**

-

from Chassis No. 44-G-033 841  
automatic transmission

**03623**

-

2,1 WX

to Chassis No. 85-D-200 000

-

**02231**

**03620**

-

to Chassis No. 85-F-901 500

**03622**

-

from Chassis No. 44-G-033 841  
automatic transmission

**03623**

-

**febi 02231**

Ref. No. 823 407 615 A



AØ 39 LKØ 100 x 4

**febi 03620**

Ref. No. 321 498 625 ES



AØ 68 IØ 39 B 37

**febi 03622**

Ref. No. 443 498 625



AØ 75 IØ 42 B 37

**febi 03623**

Ref. No. 443 498 625 C



AØ 82 IØ 42 B 37

**febi 17756**

Ref. No. 8A0 407 615 C



AØ 127 LKØ 108 x 4



**quattro (85)**

(1980→1991)

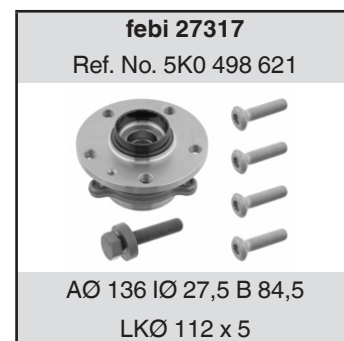
2,2 HY 2,2 JT		03620	-
	to the year of construction 1985 to Chassis No. 85-F-901 500	03622	-
	from Chassis No. 44-G-033 841 automatic transmission	03623	-
2,2 KV		03620	-
	to Chassis No. 85-F-901 500	03622	-
	from Chassis No. 44-G-033 841 automatic transmission	03623	-
2,2 MB 2,2 RR		03620	-
	to the year of construction 1985 to Chassis No. 85-F-901 500	03622	-
	from Chassis No. 44-G-033 841 automatic transmission	03623	-

front axle

**Q3 (8U)**

(2011→)

2,0 D CFFA 2,0 D CFFB 2,0 D CFGC		27317	27317
--	--	-------	-------





suitable for:

**Audi**

**Car  
Division**



**Q5 (8R)**

(2010→)

2,0 D CJCA	34823	-
2,0 D CJCB	30271 / 34823	-

**Q5 quattro (8R)**

(2008→)

2,0 CAEB	30271 / 34823	-
2,0 D CAGA		
2,0 D CAGB		
2,0 D CAHA		
2,0 D CAHB		
2,0 CDNA		
2,0 CDNB		
2,0 CDNC		
2,0 D CGLA		
2,0 D CGLB		
2,0 CHJA		
2,0 D CJCA		
2,0 D CJCB		
2,0 D CMGA		
3,0 D CCWA		
3,0 D CCWB		
3,2 CALB		

**Q7 quattro (4L)**

(2006→)

3,0 D BUG	34789	-
3,0 D BUN	to Chassis No. 4L-9-100 000	38521
3,0 D CASA		
3,0 D CASB		
3,0 D CATA		
3,0 D CCMA		

**febi 30271**  
Ref. No. 4H0 498 625

AØ 102 IØ 61 B 40,5

**febi 34789**  
Ref. No. 7L0 498 287

AØ 96 IØ 51 B 50

**febi 34823**  
Ref. No. 4H0 498 625

AØ 102 IØ 61 B 41

**febi 38521**  
Ref. No. 7L0 501 655 B

LKØ 112 x 5



### Q7 quattro (4L)

(2006→)

3,0 D CJGA		34789	-
3,0 D CJGC			
3,0 D CJGD			
3,0 D CJMA			
3,0 CJTB			
3,0 CJTC			
3,0 CJWB			
3,0 CJWC			
3,0 CJWE			
3,0 D CLZB			
3,0 CNAA			
3,0 D CRCA			
3,0 CTWB			
3,6 BHK		34789	-
4,2 BAR			
4,2 D BTR	to Chassis No. 4L-9-100 000	-	38521
4,2 D CCFA			
4,2 D CCFC		34789	-
6,0 D CCGA		34789	-
	to the year of construction 02/2011	-	38521

### R8 quattro (42)

(2007→)

4,2 BYH		29844	-
4,2 CNDA			
5,2 BUJ			
5,2 CMPA			

### Sport (85)

(1983→1987)

2,1 KW	from Chassis No. 44-G-033 841 automatic transmission	03623	-
--------	---	-------	---

**feby 03623**  
Ref. No. 443 498 625 C

AØ 82 IØ 42 B 37

**feby 29844**  
Ref. No. 4F0 498 625 B

AØ 85 IØ 45 B 40,45

**feby 34789**  
Ref. No. 7L0 498 287

AØ 96 IØ 51 B 50

**feby 38521**  
Ref. No. 7L0 501 655 B

LKØ 112 x 5

suitable for:

**Audi**

**Car  
Division**



**TT Coupe (8J)**

(2006→ )

all

26377 / 27317

26377 / 27317

**TT Coupe (8N)**

(1998→2006)

1,8 AJQ

1,8 ARY

1,8 AUM

1,8 AUQ

1,8 AWP

from Chassis No. 8N-3-000 001  
Manual Transmission, 5-speed  
for vehicles with sports suspension

14250

-

1,8 BVP

1,8 BVR

Manual Transmission, 5-speed  
for vehicles with sports suspension

14250

-

23370

-

**TT Coupe quattro (8N)**

(1998→2006)

1,8 AJQ

to Chassis No. 8N-1-046 000

14250

-

1,8 AMU

from Chassis No. 8N-3-000 001  
Manual Transmission, 5-speed  
for vehicles with sports suspension

14250

-

1,8 APP

1,8 APX

to Chassis No. 8N-1-046 000

14250

-

1,8 ARY

to Chassis No. 8N-1-046 000

14250

-

from Chassis No. 8N-3-000 001  
Manual Transmission, 5-speed  
for vehicles with sports suspension

23370

-

1,8 ATC

14250

-

**febi 14250**

Ref. No. 1J0 498 625 A



AØ 74 IØ 40 B 40

**febi 23370**

Ref. No. 8L0 498 625



AØ 74 IØ 40 B 40

**febi 26377**

Ref. No. 1T0 498 621 SK



AØ 136 IØ 27,5 B 84,5  
LKØ 112 x 5

**febi 27317**

Ref. No. 5K0 498 621



AØ 136 IØ 27,5 B 84,5  
LKØ 112 x 5



## TT Coupe quattro (8N)

(1998→2006)

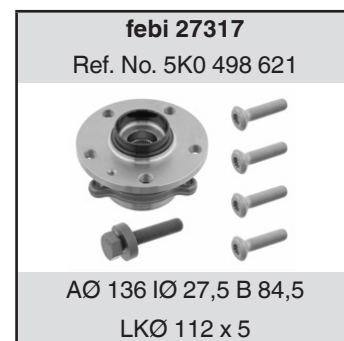
<b>1,8 AUQ</b>	to Chassis No. 8N-1-046 000	<b>14250</b>	-
	from Chassis No. 8N-3-000 001 Manual Transmission, 5-speed for vehicles with sports suspension	<b>23370</b>	-
<b>1,8 AWP</b>	from Chassis No. 8N-3-000 001 Manual Transmission, 5-speed for vehicles with sports suspension	<b>14250</b>	-
		<b>23370</b>	-
<b>1,8 BAM</b>	to Chassis No. 8N-1-046 000	<b>14250</b>	-
	from Chassis No. 8N-3-000 001 Manual Transmission, 5-speed for vehicles with sports suspension	<b>23370</b>	-
<b>1,8 BFV</b>	to Chassis No. 8N-1-046 000	<b>14250</b>	-
	Manual Transmission, 5-speed for vehicles with sports suspension	<b>23370</b>	-
<b>1,8 BVR</b>	Manual Transmission, 5-speed for vehicles with sports suspension	<b>14250</b>	-
		<b>23370</b>	-
<b>3,2 BHE</b> <b>3,2 BPF</b>	to Chassis No. 8N-1-046 000	<b>14250</b>	-
		<b>14250 / 23370</b>	-

front axle

## TT Roadster (8J)

(2007→)

<b>all</b>	<b>26377 / 27317</b>	<b>26377 / 27317</b>
------------	----------------------	----------------------



suitable for:

**Audi**

**Car  
Division**



**TT Roadster (8N)**

(1999→2006)

1,8 AJQ		14250	-
1,8 APP			
1,8 ARY			
1,8 AUM	from Chassis No. 8N-1-046 001	23370	-
1,8 AUQ			
1,8 AWP		14250 / 23370	-
1,8 BVP			
1,8 BVR			

**TT Roadster quattro (8N)**

(1998→2007)

1,8 AJQ	to Chassis No. 8N-1-046 000	14250	-
	from Chassis No. 8N-1-046 001	23370	-
1,8 AMU		14250	-
	from Chassis No. 8N-1-046 001	23370	-
1,8 APX	to Chassis No. 8N-1-046 000	14250	-
1,8 ARY	from Chassis No. 8N-1-046 001	23370	-
1,8 ATC		14250	-
1,8 AUQ	to Chassis No. 8N-1-046 000	14250	-
	from Chassis No. 8N-1-046 001	23370	-
1,8 AWP		14250	-
	from Chassis No. 8N-1-046 001	23370	-
1,8 BAM	to Chassis No. 8N-1-046 000	14250	-
	from Chassis No. 8N-1-046 001	23370	-
1,8 BVR		14250 / 23370	-
3,2 BHE	to Chassis No. 8N-1-046 000	14250	-
3,2 BPF		14250 / 23370	-

**febi 14250**

Ref. No. 1J0 498 625 A



AØ 74 IØ 40 B 40

**febi 23370**

Ref. No. 8L0 498 625



AØ 74 IØ 40 B 40



**V8 quattro (4C)**

(1990→1994)

3,6 PT  
4,2 ABH

05913

-

**V8 quattro (44)**

(1988→1990)

3,6 PT

to Chassis No. 44-G-033 840

03622

-

05913

-

**100 quattro (4A)**

(1990→1994)

2,0 AAD  
2,0 ACE  
2,3 AAR  
2,6 ABC

05913

18344

2,6 ACZ

-

18344

2,8 AAH

05913

18344

4,2 AEC

-

18344

**100 quattro (44)**

(1984→1991)

1,8 4B

to Chassis No. 44-G-033 840

03622

-

from Chassis No. 44-G-033 841  
automatic transmission

03623

-

from Chassis No. 44-J-200 100

05913

18344

1,8 JW

to Chassis No. 44-G-033 840

03622

-

from Chassis No. 44-G-033 841  
automatic transmission

03623

-

front axle

**febi 03622**

Ref. No. 443 498 625



AØ 75 IØ 42 B 37

**febi 03623**

Ref. No. 443 498 625 C



AØ 82 IØ 42 B 37

**febi 05913**

Ref. No. 4A0 498 625



AØ 82 IØ 43 B 37

**febi 18344**

Ref. No. 4A0 407 615 G



AØ 130 LKØ 112 x 5



## 100 quattro (44)

(1984→1991)

front axle	1,8 NP	to Chassis No. 44-G-033 840	03622	-
	1,8 PH	from Chassis No. 44-G-033 841 automatic transmission	03623	-
		from Chassis No. 44-J-200 100	05913	-
	1,8 SH	to Chassis No. 44-G-033 840	03622	-
		from Chassis No. 44-G-033 841 automatic transmission	03623	-
		from Chassis No. 44-J-200 100	05913	18344
	2,2 HX	to Chassis No. 44-G-033 840	03622	-
		from Chassis No. 44-G-033 841 automatic transmission	03623	-
	2,2 KU	to Chassis No. 44-G-033 840	03622	-
	2,2 MC	from Chassis No. 44-G-033 841 automatic transmission	03623	-
		from Chassis No. 44-J-200 100	05913	18344
	2,2 PX	to Chassis No. 44-G-033 840	03622	-
	from Chassis No. 44-G-033 841 automatic transmission	03623	-	
2,3 NF	to Chassis No. 44-G-033 840	03622	-	
	from Chassis No. 44-G-033 841 automatic transmission	03623	-	
	from Chassis No. 44-J-200 100	05913	18344	

## 100 S4 quattro (4A)

(1991→1994)

2,2 AAN	05913	18344
4,2 ABH		





**100 (4A)**

(1990→1994)

- 1,6 ABB
- 2,0 AAD
- 2,0 AAE
- 2,0 ABK
- 2,0 ACE
- 2,0 ADW
- 2,3 AAR
- 2,4 D AAS
- 2,5 D AAT
- 2,5 D ABP
- 2,6 ABC
- 2,6 ACZ
- 2,8 AAH

05913

18344

**100 (43)**

(1976→1987)

1,6 YV

03622

03493

1,9 WH

to Chassis No. 44-J-200 099

-

03493

from Chassis No. 44-J-200 100  
automatic transmission

03622

-

- 2,0 D CN
- 2,0 D DE
- 2,0 WA
- 2,1 WB
- 2,1 WC
- 2,1 WE
- 2,1 WG

03622

03493

front axle

**febi 03493**

Ref. No. 443 407 615 A



AØ 42 LKØ 108 x 4

**febi 03622**

Ref. No. 443 498 625



AØ 75 IØ 42 B 37

**febi 05913**

Ref. No. 4A0 498 625



AØ 82 IØ 43 B 37

**febi 18344**

Ref. No. 4A0 407 615 G



AØ 130 LKØ 112 x 5





## 100 (44) (1977→1991)

1,8 4B

to Chassis No. 44-J-200 099

-

03493

from Chassis No. 44-J-200 100  
automatic transmission

to Chassis No. 44-G-033 840

03622

-

from Chassis No. 44-G-033 841  
automatic transmission

03623

-

manual transmission

05913

-

1,8 DR

to Chassis No. 44-J-200 099

-

03493

from Chassis No. 44-J-200 100  
automatic transmission

to Chassis No. 44-G-033 840

03622

-

from Chassis No. 44-G-033 841  
automatic transmission

03623

-

1,8 DS

to Chassis No. 44-J-200 099

-

03493

1,8 JW

from Chassis No. 44-J-200 100  
for automatic transmission

to Chassis No. 44-G-033 840

03622

-

from Chassis No. 44-G-033 841  
automatic transmission

03623

-

from Chassis No. 44-J-200 100  
manual transmission

05913

-

1,8 NP

to Chassis No. 44-J-200 099

-

03493

from Chassis No. 44-J-200 100  
automatic transmission

to Chassis No. 44-G-033 840

03622

-

from Chassis No. 44-G-033 841  
automatic transmission

03623

-

manual transmission

05913

-

### febi 03493

Ref. No. 443 407 615 A



AØ 42 LKØ 108 x 4

### febi 03622

Ref. No. 443 498 625



AØ 75 IØ 42 B 37

### febi 03623

Ref. No. 443 498 625 C



AØ 82 IØ 42 B 37

### febi 05913

Ref. No. 4A0 498 625



AØ 82 IØ 43 B 37



**100 (44)**  
(1977→1991)

<b>1,8 PH</b>	to Chassis No. 44-J-200 099	-	<b>03493</b>
	from Chassis No. 44-J-200 100 for automatic transmission		
	to Chassis No. 44-G-033 840	<b>03622</b>	-
	from Chassis No. 44-G-033 841 automatic transmission	<b>03623</b>	-
<b>1,8 RS</b>	to Chassis No. 44-J-200 099	-	<b>03493</b>
	from Chassis No. 44-J-200 100 automatic transmission		
	to Chassis No. 44-G-033 840	<b>03622</b>	-
	from Chassis No. 44-G-033 841 automatic transmission	<b>03623</b>	-
<b>1,8 SH</b>	to Chassis No. 44-J-200 099	-	<b>03493</b>
	from Chassis No. 44-J-200 100 automatic transmission		
	to Chassis No. 44-G-033 840	<b>03622</b>	-
	from Chassis No. 44-G-033 841 automatic transmission	<b>03623</b>	-
<b>1,9 WH</b>	to Chassis No. 44-J-200 099	-	<b>03493</b>
	from Chassis No. 44-J-200 100 automatic transmission		
	to Chassis No. 44-G-033 840	<b>03622</b>	-
	from Chassis No. 44-G-033 841 automatic transmission	<b>03623</b>	-

front axle



suitable for:

**Audi**

**Car  
Division**



**100 (44)**  
(1977→1991)

**2,0 D CN**

to Chassis No. 44-J-200 099

-

**03493**

from Chassis No. 44-J-200 100  
automatic transmission

to Chassis No. 44-G-033 840

**03622**

-

from Chassis No. 44-G-033 841  
automatic transmission

**03623**

-

from Chassis No. 44-J-200 100  
manual transmission

**05913**

-

-

**18344**

**2,0 D DE  
2,0 KP**

to Chassis No. 44-J-200 099

-

**03493**

from Chassis No. 44-J-200 100  
for automatic transmission

to Chassis No. 44-G-033 840

**03622**

-

from Chassis No. 44-G-033 841  
automatic transmission

**03623**

-

front axle

**febi 03493**

Ref. No. 443 407 615 A



AØ 42 LKØ 108 x 4

**febi 03622**

Ref. No. 443 498 625



AØ 75 IØ 42 B 37

**febi 03623**

Ref. No. 443 498 625 C



AØ 82 IØ 42 B 37

**febi 05913**

Ref. No. 4A0 498 625



AØ 82 IØ 43 B 37

**febi 18344**

Ref. No. 4A0 407 615 G



AØ 130 LKØ 112 x 5



**100 (44)**  
(1977→1991)

**2,0 D NC**

to Chassis No. 44-J-200 099

-

**03493**

from Chassis No. 44-J-200 100  
for automatic transmission

to Chassis No. 44-G-033 840

**03622**

-

from Chassis No. 44-G-033 841  
automatic transmission

**03623**

-

manual transmission

**05913**

-

-

**18344**

**2,0 RT**

to Chassis No. 44-J-200 099

-

**03493**

from Chassis No. 44-J-200 100  
automatic transmission

to Chassis No. 44-G-033 840

**03622**

-

from Chassis No. 44-G-033 841  
automatic transmission

**03623**

-

manual transmission

**05913**

-

-

**18344**

front axle



suitable for:

**Audi**

**Car  
Division**



**100 (44)**  
(1977→1991)

2,0 SL  
2,1 KF  
2,1 WC  
2,1 WU  
2,2 HX

to Chassis No. 44-J-200 099  
from Chassis No. 44-J-200 100  
for automatic transmission

-

**03493**

to Chassis No. 44-G-033 840

**03622**

-

from Chassis No. 44-G-033 841  
automatic transmission

**03623**

-

2,2 KU

to Chassis No. 44-J-200 099

-

**03493**

from Chassis No. 44-J-200 100  
automatic transmission

to Chassis No. 44-G-033 840

**03622**

-

from Chassis No. 44-G-033 841  
automatic transmission

**03623**

-

from Chassis No. 44-J-200 100  
manual transmission

**05913**

-

-

**18344**

**febi 03493**

Ref. No. 443 407 615 A



AØ 42 LKØ 108 x 4

**febi 03622**

Ref. No. 443 498 625



AØ 75 IØ 42 B 37

**febi 03623**

Ref. No. 443 498 625 C



AØ 82 IØ 42 B 37

**febi 05913**

Ref. No. 4A0 498 625



AØ 82 IØ 43 B 37

**febi 18344**

Ref. No. 4A0 407 615 G



AØ 130 LKØ 112 x 5



**100 (44)**  
(1977→1991)

<b>2,2 KZ</b>	to Chassis No. 44-J-200 099	-	<b>03493</b>
	from Chassis No. 44-J-200 100 for automatic transmission		
	to Chassis No. 44-G-033 840	<b>03622</b>	-
	from Chassis No. 44-G-033 841 automatic transmission	<b>03623</b>	-
<b>2,2 MC</b>	to Chassis No. 44-J-200 099	-	<b>03493</b>
	from Chassis No. 44-J-200 100 automatic transmission		
	to Chassis No. 44-G-033 840	<b>03622</b>	-
	from Chassis No. 44-G-033 841 automatic transmission	<b>03623</b>	-
	from Chassis No. 44-J-200 100 manual transmission	<b>05913</b>	-
	from Chassis No. 44-J-200 100	-	<b>18344</b>

front axle



suitable for:

**Audi**

**Car  
Division**



**100 (44)**  
(1977→1991)

**2,2 PR**

to Chassis No. 44-J-200 099

-

**03493**

from Chassis No. 44-J-200 100  
automatic transmission

to Chassis No. 44-G-033 840

**03622**

-

from Chassis No. 44-G-033 841  
automatic transmission

**03623**

-

manual transmission

**05913**

-

-

**18344**

**2,3 NF**

to Chassis No. 44-J-200 099

-

**03493**

from Chassis No. 44-J-200 100  
for automatic transmission

to Chassis No. 44-G-033 840

**03622**

-

from Chassis No. 44-G-033 841  
automatic transmission

**03623**

-

from Chassis No. 44-J-200 100  
manual transmission

**05913**

-

-

**18344**

front axle

**febi 03493**

Ref. No. 443 407 615 A



AØ 42 LKØ 108 x 4

**febi 03622**

Ref. No. 443 498 625



AØ 75 IØ 42 B 37

**febi 03623**

Ref. No. 443 498 625 C



AØ 82 IØ 42 B 37

**febi 05913**

Ref. No. 4A0 498 625



AØ 82 IØ 43 B 37

**febi 18344**

Ref. No. 4A0 407 615 G



AØ 130 LKØ 112 x 5



**100 (44)**  
(1977→1991)

2,4 D 3D  
2,5 D 1T

to Chassis No. 44-J-200 099

from Chassis No. 44-J-200 100  
for automatic transmission

to Chassis No. 44-G-033 840

from Chassis No. 44-G-033 841  
automatic transmission

manual transmission

-

**03493**

**03622**

-

**03623**

-

**05913**

-

-

**18344**

**100 (81)**  
(1968→1976)

all

**03620**

**02231**

**200 quattro (44)**  
(1983→1991)

2,1 JY  
2,1 KG

to Chassis No. 44-G-031 043

from Chassis No. 44-G-033 841  
automatic transmission

from Chassis No. 44-J-200 100

**03622**

-

**03623**

-

-

**18344**

front axle

**febi 02231**

Ref. No. 823 407 615 A



AØ 39 LKØ 100 x 4

**febi 03493**

Ref. No. 443 407 615 A



AØ 42 LKØ 108 x 4

**febi 03620**

Ref. No. 321 498 625 ES



AØ 68 IØ 39 B 37

**febi 03622**

Ref. No. 443 498 625



AØ 75 IØ 42 B 37

**febi 03623**

Ref. No. 443 498 625 C



AØ 82 IØ 42 B 37

**febi 05913**

Ref. No. 4A0 498 625



AØ 82 IØ 43 B 37

**febi 18344**

Ref. No. 4A0 407 615 G



AØ 130 LKØ 112 x 5



suitable for:

**Audi**

**Car  
Division**



**200 quattro (44)**

(1983→1991)

front axle	2,2 1B	to Chassis No. 44-G-031 043	03622	-
	2,2 3B	from Chassis No. 44-G-033 841 automatic transmission	03623	-
			05913	18344
	2,2 MC	to Chassis No. 44-G-031 043	03622	-
		from Chassis No. 44-G-033 841 automatic transmission	03623	-
		from Chassis No. 44-J-200 100	05913	18344

**200 (43)**

(1979→1983)

all	to Chassis No. 44-G-031 043	03622	-
-----	-----------------------------	-------	---

**200 (44)**

(1979→1990)

2,1 JY 2,1 KG	to Chassis No. 44-G-031 043	03622	-
	from Chassis No. 44-G-033 841 automatic transmission	03623	-
	from Chassis No. 44-J-200 100 manual transmission	05913	18344
2,1 KH 2,1 KJ 2,1 WC 2,1 WK 2,1 WS	to Chassis No. 44-G-031 043	03622	-
	from Chassis No. 44-G-033 841 automatic transmission	03623	-





**200 (44)**  
(1979→1990)

2,2 1B 2,2 2B	to Chassis No. 44-G-031 043	03622	-
	from Chassis No. 44-G-033 841 automatic transmission	03623	-
	manual transmission	05913	-
		-	18344
2,2 KU	to Chassis No. 44-G-031 043	03622	-
	from Chassis No. 44-G-033 841 automatic transmission	03623	-
2,2 MC 2,3 NF	to Chassis No. 44-G-031 043	03622	-
	from Chassis No. 44-G-033 841 automatic transmission	03623	-
	from Chassis No. 44-J-200 100 manual transmission	05913	18344

**50 (86)**  
(1974→1978)

0,8 HE		-	01424
--------	--	---	-------

front axle



suitable for:

**Audi**

**Car  
Division**



**50 (86)**

(1974→1978)

1,1 HB  
1,1 HC  
1,1 HD  
1,3 HH

03624

01424

**80 (8A)**

(1988→1992)

1,6 ABB

03625

03617 / 17756

1,6 PP  
1,6 D RA  
1,6 RN  
1,6 D SB

03625

03617

1,8 DZ  
1,8 JN  
1,8 NE  
1,8 PM

03625 / 17534

03617

1,8 RU

03625

03617

1,8 SF

03625 / 17534

03617

1,9 D 1Y

03625

03617

2,0 3A

03625 / 17534

03617

2,0 6A

03625 / 17534

03617 / 17756

**febi 01424**

Ref. No. 861 407 615 A



AØ 34 LKØ 100 x 4

**febi 03617**

Ref. No. 8A0 407 615



AØ 39 LKØ 108 x 4

**febi 03624**

Ref. No. 871 498 625 A



AØ 62 IØ 34 B 37

**febi 03625**

Ref. No. 893 498 625 D



AØ 75 IØ 39 B 37

**febi 17534**

Ref. No. 8A0 498 625



AØ 75 IØ 39 B 37

**febi 17756**

Ref. No. 8A0 407 615 C



AØ 127 LKØ 108 x 4



**80 (8A)**

(1988→1992)

2,0 AAD

03625 / 17534

03617

**80 quattro (8A)**

(1989→1991)

all

17534

-

**80 (8C)**

(1990→1995)

1,6 ABB

03625

17756

from Chassis No. 8C-P-224 840

17534

-

1,6 ABM

03625

17756

1,6 ADA

03625

17756

from Chassis No. 8C-P-224 840

17534

-

1,9 D 1Z

03625

-

from Chassis No. 8C-P-224 840

17534

-

1,9 D AAZ

03625

17756

from Chassis No. 8C-P-224 840

17534

-

front axle

**febi 03617**

Ref. No. 8A0 407 615



AØ 39 LKØ 108 x 4

**febi 03625**

Ref. No. 893 498 625 D



AØ 75 IØ 39 B 37

**febi 17534**

Ref. No. 8A0 498 625



AØ 75 IØ 39 B 37

**febi 17756**

Ref. No. 8A0 407 615 C



AØ 127 LKØ 108 x 4

suitable for:

**Audi**

**Car  
Division**



**80 (8C)**

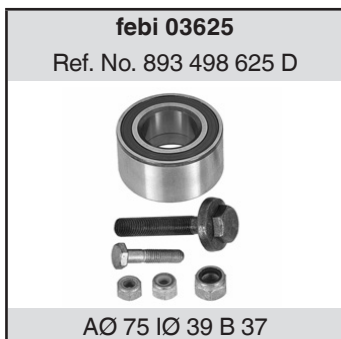
(1990→1995)

front axle	<b>2,0 6A</b>		<b>03625 / 17550</b>	-
		from Chassis No. 8C-P-224 840	<b>17534</b>	-
		Rim Size [in] 15	-	<b>17756</b>
	<b>2,0 ABK</b>	from Chassis No. 8C-P-224 840	<b>17534</b>	-
			<b>17550</b>	-
		Rim Size [in] 15	-	<b>17756</b>
	<b>2,0 ABT</b>		<b>03625</b>	<b>17756</b>
		from Chassis No. 8C-P-224 840	<b>17534</b>	-
	<b>2,0 ACE</b> <b>2,0 ADW</b>	from Chassis No. 8C-P-224 840	<b>17534</b>	-
			<b>17550</b>	-
	Rim Size [in] 15	-	<b>17756</b>	
<b>2,3 NG</b>	from Chassis No. 8C-P-224 840	<b>17534</b>	-	
		<b>17550</b>	-	
	from Chassis No. 8B-M-040 000	-	<b>17756</b>	
<b>2,6 ABC</b> <b>2,6 ACZ</b> <b>2,8 AAH</b>		<b>17534 / 17550</b>	-	

**80 quattro (8C)**

(1991→1996)

<b>2,0 6A</b> <b>2,0 ABK</b> <b>2,0 ACE</b> <b>2,0 ADW</b>		<b>17534 / 17550</b>	-
	Rim Size [in] 15	-	<b>17756</b>
<b>2,2 ABY</b>		<b>17534 / 17550</b>	-
<b>2,3 NG</b>		<b>17534 / 17550</b>	-
	from Chassis No. 8B-M-040 000	-	<b>17756</b>





**80 quattro (8C)**

(1991→1996)

2,6 ABC  
2,6 ACZ  
2,8 AAH

17534 / 17550

-

**80 RS2 quattro (8C)**

(1994→1995)

2,2 ADU

17550

-

**80 (81)**

(1975→1986)

all

03620

02231

**80 quattro (81)**

(1982→1986)

all

-

02231

from Chassis No. 81-D000 001

03620

-

**80 (82)**

(1972→1979)

all

03620

02231

**80 (83)**

(1972→1978)

all

03620

02231

**80 (84)**

(1972→1978)

all

03620

02231

front axle

**febi 02231**

Ref. No. 823 407 615 A



AØ 39 LKØ 100 x 4

**febi 03620**

Ref. No. 321 498 625 ES



AØ 68 IØ 39 B 37

**febi 17534**

Ref. No. 8A0 498 625



AØ 75 IØ 39 B 37

**febi 17550**

Ref. No. 893 498 625 E



AØ 82 IØ 45 B 37

suitable for:

**Audi**

**Car  
Division**



**80 quattro (85)**

(1982→1984)

all	to Chassis No. 85-D-200 000	-	02231
-----	-----------------------------	---	-------

**80 (89)**

(1986→1991)

1,4 SE	to Chassis No. 89-J-373 598	03620	08949
1,6 D JK	from Chassis No. 89-J-373 599	-	03617
	to Chassis No. 89-J-373 598	03620	08949
1,6 PP	from Chassis No. 89-J-373 599	-	03617
	to Chassis No. 89-J-373 598	03620	08949
		03625	-
1,6 D RA	from Chassis No. 89-J-373 599	-	03617
	to Chassis No. 89-J-373 598	03620	08949
1,6 RN 1,6 D SB	from Chassis No. 89-J-373 599	-	03617
	to Chassis No. 89-J-373 598	03620	08949
		03625	-

**febi 02231**

Ref. No. 823 407 615 A



AØ 39 LKØ 100 x 4

**febi 03617**

Ref. No. 8A0 407 615



AØ 39 LKØ 108 x 4

**febi 03620**

Ref. No. 321 498 625 ES



AØ 68 IØ 39 B 37

**febi 03625**

Ref. No. 893 498 625 D



AØ 75 IØ 39 B 37

**febi 08949**

Ref. No. 893 407 615 A



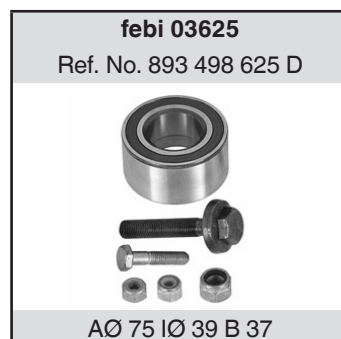
AØ 39 LKØ 108 x 4



**80 (89)**  
(1986→1991)

1,8 DZ 1,8 JN	from Chassis No. 89-J-373 599	-	03617
	to Chassis No. 89-J-373 598	03620	08949
1,8 JV	from Chassis No. 89-J-351 001	03625	-
	from Chassis No. 89-H-450 420	17534	-
	from Chassis No. 89-J-373 599	-	03617
1,8 NE	to Chassis No. 89-J-373 598	03620	08949
	from Chassis No. 89-J-373 599	-	03617
	to Chassis No. 89-J-373 598	03620	08949
	from Chassis No. 89-J-351 001	03625	-
1,8 PM	from Chassis No. 89-H-450 420	17534	-
	from Chassis No. 89-J-373 599	-	03617
	to Chassis No. 89-J-373 598	03620	08949
		03625	-
1,8 RU	from Chassis No. 89-H-450 420	17534	-
	from Chassis No. 89-J-373 599	-	03617
	to Chassis No. 89-J-373 598	03620	08949
		03625	-

front axle





suitable for:

**Audi**

**Car  
Division**



**80 (89)**

(1986→1991)

**1,8 SF**

from Chassis No. 89-J-373 599

-

**03617**

to Chassis No. 89-J-373 598

**03620**

**08949**

from Chassis No. 89-J-351 001

**03625**

-

from Chassis No. 89-H-450 420

**17534**

-

**1,9 SD**

to Chassis No. 89-J-373 598

**03620**

**08949**

from Chassis No. 89-H-450 420

**17534**

-

**2,0 3A**

from Chassis No. 89-J-373 599

-

**03617**

to Chassis No. 89-J-373 598

**03620**

**08949**

from Chassis No. 89-J-351 001

**03625**

-

**17534**

-

front axle

**febi 03617**

Ref. No. 8A0 407 615



AØ 39 LKØ 108 x 4

**febi 03620**

Ref. No. 321 498 625 ES



AØ 68 IØ 39 B 37

**febi 03625**

Ref. No. 893 498 625 D



AØ 75 IØ 39 B 37

**febi 08949**

Ref. No. 893 407 615 A



AØ 39 LKØ 108 x 4

**febi 17534**

Ref. No. 8A0 498 625



AØ 75 IØ 39 B 37



### 80 quattro (89)

(1986→1991)

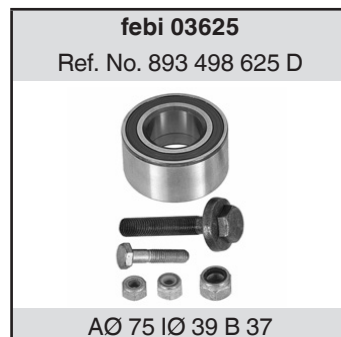
1,8 DZ	from Chassis No. 89-J-373 599	-	03617
1,8 JN	to Chassis No. 89-J-373 598	03620	-
1,8 NE	from Chassis No. 89-J-351 001	03625	-
1,8 SF	to Chassis No. 89-J-351 000	-	08949
	from Chassis No. 89-H-450 420	17534	-
1,9 SD	from Chassis No. 89-J-373 599	-	03617
	to Chassis No. 89-J-373 598	03620	-
	to Chassis No. 89-J-351 000	-	08949
	from Chassis No. 89-H-450 420	17534	-
2,0 3A	from Chassis No. 89-J-373 599	-	03617
	to Chassis No. 89-J-373 598	03620	-
	from Chassis No. 89-J-351 001	03625	-
		17534	-

### 90 (8A)

(1987→1991)

1,6 D RA		-	03617
----------	--	---	-------

front axle



suitable for:

**Audi**

**Car  
Division**



**90 (8A)**

(1987→1991)

1,6 D SB	03625	03617
1,8 DZ 2,0 NM	03625 / 17534	03617
2,0 PS	03625	03617
2,2 KV	03625 / 17534	03617
2,3 7A	17550	-
2,3 NG	03625 / 17534	03617

**90 quattro (8A)**

(1987→1991)

2,0 NM 2,2 KV	17534	-
2,3 7A	17550	-
2,3 NG	17534	-

**90 (81)**

(1984→1987)

all	03620	02231
-----	-------	-------

**febi 02231**

Ref. No. 823 407 615 A



AØ 39 LKØ 100 x 4

**febi 03617**

Ref. No. 8A0 407 615



AØ 39 LKØ 108 x 4

**febi 03620**

Ref. No. 321 498 625 ES



AØ 68 IØ 39 B 37

**febi 03625**

Ref. No. 893 498 625 D



AØ 75 IØ 39 B 37

**febi 17534**

Ref. No. 8A0 498 625



AØ 75 IØ 39 B 37

**febi 17550**

Ref. No. 893 498 625 E



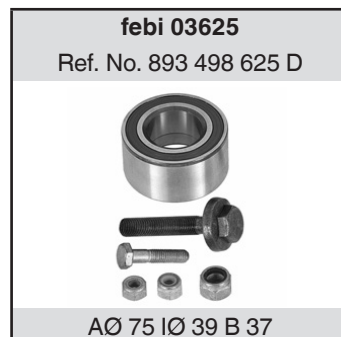
AØ 82 IØ 45 B 37



**90 (89)**  
(1987→1991)

<b>1,6 D RA</b>	from Chassis No. 89-J-373 599	-	<b>03617</b>
	to Chassis No. 89-J-373 598	<b>03620</b>	<b>08949</b>
<b>1,6 D SB</b>	from Chassis No. 89-J-373 599	-	<b>03617</b>
	to Chassis No. 89-J-373 598	<b>03620</b>	<b>08949</b>
		<b>03625</b>	-
<b>2,0 NM</b>	from Chassis No. 89-J-373 599	-	<b>03617</b>
	to Chassis No. 89-J-373 598	<b>03620</b>	-
	from Chassis No. 89-J-351 001	<b>03625</b>	-
		<b>17534</b>	-
<b>2,0 PS</b>	from Chassis No. 89-J-373 599	-	<b>03617</b>
	to Chassis No. 89-J-373 598	<b>03620</b>	<b>08949</b>
		<b>03625</b>	-
<b>2,2 KV</b>	from Chassis No. 89-J-373 599	-	<b>03617</b>
	to Chassis No. 89-J-373 598	<b>03620</b>	<b>08949</b>
	from Chassis No. 89-J-351 001	<b>03625</b>	-
		<b>17534</b>	-

front axle



suitable for:

**Audi**

**Car  
Division**



**90 (89)**  
(1987→1991)

<b>2,3 7A</b>	to Chassis No. 89-J-373 598	<b>03620</b>	-
		<b>17550</b>	-
	from Chassis No. 89-J-373 599	-	<b>03617</b>
	to Chassis No. 89-J-373 598	<b>03620</b>	<b>08949</b>
<b>2,3 NG</b>	from Chassis No. 89-J-351 001	<b>03625</b>	-
		<b>17534</b>	-

**90 quattro (89)**  
(1986→1991)

<b>2,0 6A</b> <b>2,0 NM</b>	from Chassis No. 89-J-373 599	-	<b>03617</b>
	to Chassis No. 89-J-373 598	<b>03620</b>	-
	from Chassis No. 89-J-351 001	<b>03625</b>	-
		<b>17534</b>	-

**febi 03617**  
Ref. No. 8A0 407 615

AØ 39 LKØ 108 x 4

**febi 03620**  
Ref. No. 321 498 625 ES

AØ 68 IØ 39 B 37

**febi 03625**  
Ref. No. 893 498 625 D

AØ 75 IØ 39 B 37

**febi 08949**  
Ref. No. 893 407 615 A

AØ 39 LKØ 108 x 4

**febi 17534**  
Ref. No. 8A0 498 625

AØ 75 IØ 39 B 37

**febi 17550**  
Ref. No. 893 498 625 E

AØ 82 IØ 45 B 37



**90 quattro (89)**

(1986→1991)

<b>2,2 KV</b>	from Chassis No. 89-J-373 599	-	<b>03617</b>
	to Chassis No. 89-J-373 598	<b>03620</b>	-
	from Chassis No. 89-J-351 001	<b>03625</b>	-
	to Chassis No. 89-J-351 000	-	<b>08949</b>
	from Chassis No. 89-H-450 420	<b>17534</b>	-
<b>2,3 7A</b>	from Chassis No. 89-J-373 599	-	<b>03617</b>
	to Chassis No. 89-J-373 598	<b>03620</b>	-
		<b>17550</b>	-
<b>2,3 NG</b>	from Chassis No. 89-J-373 599	-	<b>03617</b>
	to Chassis No. 89-J-373 598	<b>03620</b>	-
	from Chassis No. 89-J-351 001	<b>03625</b>	-
	to Chassis No. 89-J-351 000	-	<b>08949</b>
		<b>17534</b>	-

front axle



suitable for:

**BMW**

**Car  
Division**



**X 1 (E 84)**

(2009→)

- X 1 1.8 d (N 47N)
- X 1 1.8 i (N 46N)
- X 1 2.0 d (N 47)
- X 1 2.0 i (N 20)

24571

24571

**X 3 I (E 83)**

(2003→2006)

all

23926 / 23928

-

**X 3 I (E 83 LCI)**

(2006→2010)

- X 3 I 1.8 d X (N 47)
- X 3 I 2.0 d X (M 47N2)
- X 3 I 2.0 d X (N 47)
- X 3 I 2.0 X (N 46)
- X 3 I 2.5 Si X (N 52N)
- X 3 I 3.0 d X (M 57N2)
- X 3 I 3.0 i X (N 52N)
- X 3 I 3.0 sd X (M 57N2)
- X 3 I 3.0 Si X (N 52N)
- X 3 I 3.5 sd X (M 57N2)

23926 / 23928

-

**X 3 II (F 25)**

(2011→)

- X 3 II 1.8 d (N 47N)

36289

36289

front axle

**febi 23926**

Ref. No. 31 22 6 783 913



AØ 90 IØ 49 B 45

**febi 23928**

Ref. No. 31 22 6 783 913 S1



AØ 90 IØ 49 B 45

**febi 24571**

Ref. No. 31 21 6 765 157



AØ 147 IØ 42 B 86  
LKØ 115 x 5

**febi 36289**

Ref. No. 31 20 6 850 158



AØ 145 x 10



**X 5 I (E 53)**

(1999→2006)

X 5 I 3.0 d X (M 57)		23926	28114
X 5 I 3.0 d X (M 57N)			
X 5 I 3.0 i X (M 54)	from the year of construction 04/2000	23928	-
X 5 I 4.4 i X (M 62)		23926 / 29630 / 29631	28114
	from the year of construction 04/2000	23928	-
X 5 I 4.4 i X (N 62)		23926	28114
X 5 I 4.6 iS X (M 62)			
X 5 I 4.8 iS X (N 62)	from the year of construction 04/2000	23928	-

**X 5 II (E 70)**

(2006→2010)

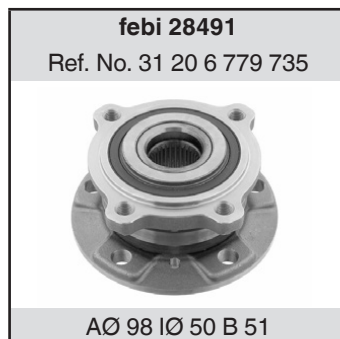
X 5 II 3.0 d X (M 57N2)		28491	28491
X 5 II 3.0 sd X (M 57N2)			
X 5 II 3.0 Si X (N 52N)			
X 5 II 4.8 i X (N 62N)			

**X 5 II (E 70 LCI)**

(2010→2013)

X 5 II 3.0 d X (N 57)		28491	28491
X 5 II 3.5 i X (N 55)			
X 5 II 4.0 d X (N 57)			
X 5 II 5.0 i X (N 63)			

front axle





suitable for:

**BMW**

**Car  
Division**



**X 6 (E 71)**  
(2008→ )

all

28491

28491

**Z 1 (E 30)**  
(1988→1991)

Z 1 2.5 Cabrio (M 20)

04044

04044

**Z 3 (E 36)**  
(1995→2003)

- Z 3 M 3.2 Cabrio (S 50)
- Z 3 M 3.2 Cabrio (S 54)
- Z 3 M 3.2 Coupe (S 50)
- Z 3 M 3.2 Coupe (S 54)
- Z 3 1.8 Cabrio (M 43)
- Z 3 1.9 Cabrio (M 43)
- Z 3 1.9 Cabrio (M 44)
- Z 3 2.0 Cabrio (M 52)
- Z 3 2.2 Cabrio (M 54)
- Z 3 2.8 Cabrio (M 52)
- Z 3 2.8 Coupe (M 52)
- Z 3 3.0 Cabrio (M 54)
- Z 3 3.0 Coupe (M 54)

18769

18769

**Z 4 I (E 85)**  
(2003→2009)

all

18769

18769

**Z 4 I (E 86)**  
(2006→2009)

Z 4 I 3.0 Si Coupe (N 52)

18769

18769

**febi 04044**

Ref. No. 31 21 1 131 297



AØ 120 IØ 31 B 61  
LKØ 100 x 4

**febi 18769**

Ref. No. 31 22 6 757 024



AØ 143 IØ 37 B 65  
LKØ 115 x 5

**febi 28491**

Ref. No. 31 20 6 779 735



AØ 98 IØ 50 B 51



**Z 4 II (E 89)**

(2009→)

all

24571 / 24572

24571 / 24572

**00 Series (E 6)**

(1971→1973)

2000 touring (M 10)

08391

-

**02 Series (E 10)**

(1967→1977)

all

08391

-

**02 Series (E 6)**

(1971→1976)

1602 touring (M 10)

08391

-

1802 touring (M 10)

2002 touring (M 10)

**1 Series (E 81)**

(2005→)

- 116 d Compact (N 47)
- 116 i Compact (N 43)
- 116 i Compact (N 45N)
- 118 d Compact (N 47)
- 118 i Compact (N 43)
- 118 i Compact (N 46N)
- 120 d Compact (N 47)
- 120 i Compact (N 43)
- 120 i Compact (N 46N)
- 123 d Compact (N 47)
- 130 i Compact (N 52)
- 130 i Compact (N 52N)

24571 / 24572

24571 / 24572

front axle

**febi 08391**  
Ref. No. 31 21 1 107 447

AØ 50,5 IØ 29 B 14,7  
AØ 36 IØ 17,5

**febi 24571**  
Ref. No. 31 21 6 765 157

AØ 147 IØ 42 B 86  
LKØ 115 x 5

**febi 24572**  
Ref. No. 31 21 6 765 157 S1

AØ 147 B 84  
LKØ 115 x 5

suitable for:

**BMW**

**Car  
Division**



## 1 Series (E 82)

(2007→ )

118 d Coupe (N 47)  
 120 d Coupe (N 47)  
 120 i Coupe (N 43)  
 120 i Coupe (N 46N)  
 123 d Coupe (N 47)  
 125 i Coupe (N 52N)  
 135 i Coupe (N 54)  
 135 i Coupe (N 55)

24571 / 24572

24571 / 24572

## 1 Series (E 87)

(2004→2012)

116 i (N 45)  
 118 d (M 47N)  
 118 i (N 46)  
 120 d (M 47N)  
 120 i (N 46)  
 130 i (N 52)

24571 / 24572

24571 / 24572

## 1 Series (E 87 LCI)

(2004→2011)

all

24571 / 24572

24571 / 24572

## 1 Series (E 88)

(2007→ )

118 d Cabrio (N 47)  
 118 i Cabrio (N 43)  
 118 i Cabrio (N 46N)  
 120 d Cabrio (N 47)  
 120 i Cabrio (N 43)  
 120 i Cabrio (N 46N)  
 123 d Cabrio (N 47)  
 125 i Cabrio (N 52N)  
 135 i Cabrio (N 54)  
 135 i Cabrio (N 55)

24571 / 24572

24571 / 24572

**febi 24571**

Ref. No. 31 21 6 765 157



AØ 147 IØ 42 B 86  
 LKØ 115 x 5

**febi 24572**

Ref. No. 31 21 6 765 157 S1



AØ 147 B 84  
 LKØ 115 x 5



### 3 Series (E 21)

(1975→1985)

- 315 (M 10)
- 316 (M 10)
- 316 Cabrio (M 10)
- 318 (M 10)
- 318 Cabrio (M 10)
- 318 i (M 10)
- 318 i Cabrio (M 10)
- 320 (M 10)

08391

-

### 3 Series (E 30)

(1980→1994)

all

04044

04044

front axle

#### febi 04044

Ref. No. 31 21 1 131 297



AØ 120 IØ 31 B 61  
LKØ 100 x 4

#### febi 08391

Ref. No. 31 21 1 107 447



AØ 50,5 IØ 29 B 14,7  
AØ 36 IØ 17,5

suitable for:

**BMW**

**Car  
Division**



## 3 Series (E 36)

(1990→2001)

- M 3 (S 50)
- M 3 Cabrio (S 50)
- M 3 Coupe (S 50)
- 316 i (M 40)
- 316 i (M 43)
- 316 i Compact (M 43)
- 316 i Coupe (M 43)
- 316 i touring (M 43)
- 318 i (M 40)
- 318 i (M 43)
- 318 i Cabrio (M 43)
- 318 i touring (M 43)
- 318 iS (M 42)
- 318 iS (M 44)
- 318 iS Coupe (M 42)
- 318 iS Coupe (M 44)
- 318 tds (M 41)
- 318 tds Compact (M 41)
- 318 tds touring (M 41)
- 318 ti Compact (M 42)
- 318 ti Compact (M 44)
- 320 i (M 50)
- 320 i (M 52)
- 320 i Cabrio (M 50)
- 320 i Cabrio (M 52)
- 320 i Coupe (M 50)
- 320 i Coupe (M 52)
- 320 i touring (M 52)
- 323 i (M 52)
- 323 i Cabrio (M 52)
- 323 i Compact (M 52)
- 323 i Coupe (M 52)
- 323 i touring (M 52)
- 325 i (M 50)
- 325 i Cabrio (M 50)
- 325 i Coupe (M 50)
- 325 td (M 51)
- 325 tds (M 51)
- 325 tds touring (M 51)
- 328 i (M 52)
- 328 i Cabrio (M 52)
- 328 i Coupe (M 52)
- 328 i touring (M 52)

18769

18769

front axle

**febi 18769**

Ref. No. 31 22 6 757 024



AØ 143 IØ 37 B 65

LKØ 115 x 5



### 3 Series (E 46)

(1998→)

- 316 i (M 43)
- 316 i (N 40)
- 316 i (N 42)
- 316 i (N 45)
- 316 i (N 46)
- 316 i Compact (N 40)
- 316 i Compact (N 42)
- 316 i Compact (N 45)
- 316 i Compact (N 46)
- 316 i Coupe (M 43)
- 316 i Coupe (N 40)
- 316 i Coupe (N 45)
- 316 i touring (N 42)
- 316 i touring (N 45)
- 316 i touring (N 46)
- 318 d (M 47)
- 318 d (M 47N)
- 318 d Compact (M 47N)
- 318 d touring (M 47)
- 318 d touring (M 47N)
- 318 i (M 43)
- 318 i (N 42)
- 318 i (N 46)
- 318 i Cabrio (N 42)
- 318 i Cabrio (N 46)
- 318 i Compact (N 42)
- 318 i Compact (N 46)
- 318 i Coupe (M 43)
- 318 i Coupe (N 42)
- 318 i Coupe (N 46)
- 318 i touring (M 43)
- 318 i touring (N 42)
- 318 i touring (N 46)
- 318 td Compact (M 47)
- 320 d (M 47)
- 320 d (M 47N)
- 320 d Cabrio (M 47N)
- 320 d Compact (M 47N)
- 320 d Coupe (M 47N)
- 320 d touring (M 47)
- 320 d touring (M 47N)
- 320 i (M 52)
- 320 i (M 54)

18769

18769

front axle

**febi 18769**

Ref. No. 31 22 6 757 024



AØ 143 IØ 37 B 65  
LKØ 115 x 5

suitable for:

**BMW**

**Car  
Division**



## 3 Series (E 46)

(1998→)

320 i Coupe (M 52)  
320 i Coupe (M 54)  
320 i touring (M 52)  
320 i touring (M 54)  
320 td Compact (M 47)  
323 i (M 52)  
323 i Cabrio (M 52)  
323 i Coupe (M 52)  
325 i (M 54)  
325 i Cabrio (M 54)  
325 i Compact (M 54)  
325 i Coupe (M 54)  
325 i touring (M 54)

325 i X (M 54)  
325 i X touring (M 54)

328 i (M 52)  
328 i Coupe (M 52)  
328 i touring (M 52)  
330 d (M 57)  
330 d (M 57N)  
330 d Cabrio (M 57N)  
330 d Coupe (M 57N)  
330 d touring (M 57)  
330 d touring (M 57N)

330 d X (M 57)  
330 d X (M 57N)  
330 d X touring (M 57)  
330 d X touring (M 57N)

330 i (M 54)  
330 i Cabrio (M 54)  
330 i Coupe (M 54)  
330 i touring (M 54)

330 i X (M 54)  
330 i X touring (M 54)

18769

18769

29630 / 29631

-

18769

18769

29630 / 29631

-

18769

18769

29630 / 29631

-

**febi 18769**

Ref. No. 31 22 6 757 024



AØ 143 IØ 37 B 65  
LKØ 115 x 5

**febi 29630**

Ref. No. 31 22 1 095 702



AØ 85 IØ 45 B 41

**febi 29631**

Ref. No. 31 22 1 095 702 S1



AØ 85 IØ 45 B 41



### 3 Series (E 90)

(2005→2011)

316 i (N 43)	24571 / 24572	24571 / 24572
316 i (N 45)		
316 i (N 45N)		
318 d (M 47N2)		
318 d (N 47)		
318 i (N 43)		
318 i (N 46)		
318 i (N 46N)		
320 d (M 47N2)		
320 d (N 47)		
320 i (N 43)		
320 i (N 46)		
320 i (N 46N)		
320 Si (N 45)		
323 i (N 52)		
323 i (N 52N)		
325 d (M 57N2)		
325 i (N 52)		
325 i X (N 52)		
325 i X (N 53)		
328 i (N 51)	24571 / 24572	24571 / 24572
328 i (N 52N)		
328 i X (N 51)	23926 / 23928	-
328 i X (N 52N)		
330 d (M 57N2)	24571 / 24572	24571 / 24572
330 d X (M 57N2)	23926 / 23928	-
330 i (N 52)	24571 / 24572	24571 / 24572
330 i (N 52N)		
330 i (N 53)		
330 i X (N 52)	23926 / 23928	-
330 i X (N 53)		

front axle





suitable for:

**BMW**

Car  
Division 

**febi**  
bilstein®



**3 Series (E 90)**

(2005→2011)

335 d (M 57N2) 335 i (N 54)	24571 / 24572	24571 / 24572
335 i X (N 54)	23926 / 23928	-

**3 Series (E 90 LCI)**

(2008→2012)

316 d (N 47) 316 i (N 43) 316 i (N 45N) 318 d (N 47) 318 i (N 43) 318 i (N 46N) 320 d (N 47) 320 d (N 47N)	24571 / 24572	24571 / 24572
320 d X (N 47)	23926 / 23928	-
320 ed (N 47N) 320 i (N 43) 320 i (N 46N) 323 i (N 52N) 325 d (M 57N2) 325 d (N 57) 325 i (N 52N) 325 i (N 53)	24571 / 24572	24571 / 24572
325 i X (N 52N) 325 i X (N 53)	23926 / 23928	-
328 i (N 51) 328 i (N 52N)	24571 / 24572	24571 / 24572
328 i X (N 51) 328 i X (N 52N)	23926 / 23928	-
330 d (N 57)	24571 / 24572	24571 / 24572
330 d X (N 57)	23926 / 23928	-
330 i (N 52N) 330 i (N 53)	24571 / 24572	24571 / 24572

**febi 23926**

Ref. No. 31 22 6 783 913



AØ 90 IØ 49 B 45

**febi 23928**

Ref. No. 31 22 6 783 913 S1



AØ 90 IØ 49 B 45

**febi 24571**

Ref. No. 31 21 6 765 157



AØ 147 IØ 42 B 86  
LKØ 115 x 5

**febi 24572**

Ref. No. 31 21 6 765 157 S1



AØ 147 B 84  
LKØ 115 x 5



### 3 Series (E 90 LCI)

(2008→2012)

330 i X (N 53)	23926 / 23928	-
335 d (M 57N2) 335 i (N 54) 335 i (N 55)	24571 / 24572	24571 / 24572
335 i X (N 54) 335 i X (N 55)	23926 / 23928	-

### 3 Series (E 91)

(2005→2008)

318 d touring (M 47N2) 318 d touring (N 47) 318 i touring (N 43) 318 i touring (N 46) 318 i touring (N 46N) 320 d touring (M 47N2) 320 d touring (N 47)	24571 / 24572	24571 / 24572
320 d X touring (N 47)	23926 / 23928	-
320 i touring (N 43) 320 i touring (N 46) 320 i touring (N 46N) 323 i touring (N 52) 323 i touring (N 52N) 325 d touring (M 57N2) 325 i touring (N 52) 325 i touring (N 52N) 325 i touring (N 53)	24571 / 24572	24571 / 24572
325 i X touring (N 52) 325 i X touring (N 52N) 325 i X touring (N 53)	23926 / 23928	-
328 i touring (N 52)	24571 / 24572	24571 / 24572
328 i X touring (N 52)	23926 / 23928	-
330 d touring (M 57N2)	24571 / 24572	24571 / 24572
330 d X touring (M 57N2)	23926 / 23928	-

front axle

**febi 23926**  
Ref. No. 31 22 6 783 913

AØ 90 IØ 49 B 45

**febi 23928**  
Ref. No. 31 22 6 783 913 S1

AØ 90 IØ 49 B 45

**febi 24571**  
Ref. No. 31 21 6 765 157

AØ 147 IØ 42 B 86  
LKØ 115 x 5

**febi 24572**  
Ref. No. 31 21 6 765 157 S1

AØ 147 B 84  
LKØ 115 x 5

suitable for:

**BMW**

**Car  
Division**



### 3 Series (E 91)

(2005→2008)

330 i touring (N 52) 330 i touring (N 52N) 330 i touring (N 53)	24571 / 24572	24571 / 24572
330 i X touring (N 52) 330 i X touring (N 53)	23926 / 23928	-
335 d touring (M 57N2) 335 i touring (N 54)	24571 / 24572	24571 / 24572
335 i X touring (N 54)	23926 / 23928	-

### 3 Series (E 91 LCI)

(2007→2012)

316 d touring (N 47N) 316 i touring (N 43) 318 d touring (N 47) 318 i touring (N 43) 318 i touring (N 46N) 320 d touring (N 47) 320 d touring (N 47N)	24571 / 24572	24571 / 24572
320 d X touring (N 47) 320 d X touring (N 47N)	23926 / 23928	-
320 ed touring (N 47) 320 i touring (N 43) 320 i touring (N 46N) 323 i touring (N 52N) 325 d touring (M 57N2) 325 d touring (N 57) 325 i touring (N 52N) 325 i touring (N 53)	24571 / 24572	24571 / 24572
325 i X touring (N 52N) 325 i X touring (N 53)	23926 / 23928	-
328 i touring (N 52N)	24571 / 24572	24571 / 24572
328 i X touring (N 52N)	23926 / 23928	-
330 d touring (N 57)	24571 / 24572	24571 / 24572

**febi 23926**

Ref. No. 31 22 6 783 913



AØ 90 IØ 49 B 45

**febi 23928**

Ref. No. 31 22 6 783 913 S1



AØ 90 IØ 49 B 45

**febi 24571**

Ref. No. 31 21 6 765 157



AØ 147 IØ 42 B 86  
LKØ 115 x 5

**febi 24572**

Ref. No. 31 21 6 765 157 S1



AØ 147 B 84  
LKØ 115 x 5



### 3 Series (E 91 LCI)

(2007→2012)

330 d X touring (N 57)	23926 / 23928	-
330 i touring (N 52N) 330 i touring (N 53)	24571 / 24572	24571 / 24572
330 i X touring (N 53)	23926 / 23928	-
335 d touring (M 57N2) 335 i touring (N 55)	24571 / 24572	24571 / 24572
335 i X touring (N 54) 335 i X touring (N 55)	23926 / 23928	-

### 3 Series (E 92)

(2006→2011)

316 i Coupe (N 43) 320 d Coupe (N 47)	24571 / 24572	24571 / 24572
320 d X Coupe (N 47)	23926 / 23928	-
320 i Coupe (N 43) 320 i Coupe (N 46N) 323 i Coupe (N 52N) 325 d Coupe (M 57N2) 325 i Coupe (N 52N) 325 i Coupe (N 53)	24571 / 24572	24571 / 24572
325 i X Coupe (N 52N) 325 i X Coupe (N 53)	23926 / 23928	-
330 d Coupe (M 57N2) 330 d Coupe (N 57)	24571 / 24572	24571 / 24572
330 d X Coupe (M 57N2) 330 d X Coupe (N 57)	23926 / 23928	-
330 i Coupe (N 52N) 330 i Coupe (N 53)	24571 / 24572	24571 / 24572
330 i X Coupe (N 52) 330 i X Coupe (N 52N) 330 i X Coupe (N 53)	23926 / 23928	-

front axle

**febi 23926**  
Ref. No. 31 22 6 783 913



AØ 90 IØ 49 B 45

**febi 23928**  
Ref. No. 31 22 6 783 913 S1



AØ 90 IØ 49 B 45

**febi 24571**  
Ref. No. 31 21 6 765 157



AØ 147 IØ 42 B 86  
LKØ 115 x 5

**febi 24572**  
Ref. No. 31 21 6 765 157 S1



AØ 147 B 84  
LKØ 115 x 5

suitable for:

**BMW**

**Car  
Division**



### 3 Series (E 92)

(2006→2011)

335 d Coupe (M 57N2) 335 i Coupe (N 54)	24571 / 24572	24571 / 24572
335 i X Coupe (N 54)	23926 / 23928	-

### 3 Series (E 92 LCI)

(2009→2013)

316 i Coupe (N 43) 318 i Coupe (N 43) 320 d Coupe (N 47N)	24571 / 24572	24571 / 24572
320 d X Coupe (N 47N)	23926 / 23928	-
320 i Coupe (N 43) 320 i Coupe (N 46N) 323 i Coupe (N 52N) 325 d Coupe (N 57) 325 i Coupe (N 52N) 325 i Coupe (N 53)	24571 / 24572	24571 / 24572
325 i X Coupe (N 52N) 325 i X Coupe (N 53)	23926 / 23928	-
330 d Coupe (N 57)	24571 / 24572	24571 / 24572
330 d X Coupe (N 57)	23926 / 23928	-
330 i Coupe (N 52N) 330 i Coupe (N 53)	24571 / 24572	24571 / 24572
330 i X Coupe (N 53)	23926 / 23928	-
335 d Coupe (N 57)	24571 / 24572	24571 / 24572
335 i X Coupe (N 55)	23926 / 23928	-

#### febi 23926

Ref. No. 31 22 6 783 913



AØ 90 IØ 49 B 45

#### febi 23928

Ref. No. 31 22 6 783 913 S1



AØ 90 IØ 49 B 45

#### febi 24571

Ref. No. 31 21 6 765 157



AØ 147 IØ 42 B 86  
LKØ 115 x 5

#### febi 24572

Ref. No. 31 21 6 765 157 S1



AØ 147 B 84  
LKØ 115 x 5



### 3 Series (E 93)

(2006→)

320 d Cabrio (N 47)  
320 i Cabrio (N 43)  
320 i Cabrio (N 46N)  
323 i Cabrio (N 52)  
325 d Cabrio (M 57N2)  
325 i Cabrio (N 52N)  
325 i Cabrio (N 53)  
328 i Cabrio (N 52N)  
330 d Cabrio (M 57N2)  
330 d Cabrio (N 57)  
330 i Cabrio (N 52)  
330 i Cabrio (N 53)  
335 i Cabrio (N 54)

24571 / 24572

24571 / 24572

### 3 Series (E 93 LCI)

(2010→)

318 i Cabrio (N 43)  
320 d Cabrio (N 47N)  
320 i Cabrio (N 43)  
320 i Cabrio (N 46N)  
323 i Cabrio (N 52N)  
325 d Cabrio (N 57)  
325 i Cabrio (N 52N)  
325 i Cabrio (N 53)  
328 i Cabrio (N 51)  
330 d Cabrio (N 57)  
330 i Cabrio (N 52N)  
330 i Cabrio (N 53)  
335 i Cabrio (N 55)

24571 / 24572

24571 / 24572

### 5 Series (E 34)

(1987→1997)

518 i (M 40)

to the year of construction 09/1991

04043

04043

from the year of construction 09/1991

04436

04436

518 i (M 43)

from the year of construction 09/1991

04436

04436

#### febi 04043

Ref. No. 31 21 1 129 386



AØ 139 IØ 37 B 64  
LKØ 115 x 5

#### febi 04436

Ref. No. 31 22 1 139 345



AØ 139 IØ 37 B 64  
LKØ 112 x 5

#### febi 24571

Ref. No. 31 21 6 765 157



AØ 147 IØ 42 B 86  
LKØ 115 x 5

#### febi 24572

Ref. No. 31 21 6 765 157 S1



AØ 147 B 84  
LKØ 115 x 5

suitable for:

**BMW**

**Car  
Division**



## 5 Series (E 34)

(1987→1997)

518 i touring (M 40)	to the year of construction 09/1991	04043	04043
	from the year of construction 09/1991	04436	04436
518 i touring (M 43)	from the year of construction 09/1991	04436	04436
520 i (M 20)	to the year of construction 09/1991	04043	04043
	from the year of construction 09/1991	04436	04436
520 i (M 50) 520 i touring (M 50)	to the year of construction 03/1991 for vehicles without ABS	04043	04043
	to the year of construction 11/1991 for vehicles with ABS		
	from the year of construction 03/1991 for vehicles without ABS	04436	04436
	from the year of construction 11/1991 for vehicles with ABS		
524 td (M 21)	to the year of construction 09/1991	04043	04043
	from the year of construction 09/1991	04436	04436
525 i (M 20)		04043	04043
525 i (M 50) 525 i touring (M 50)	to the year of construction 03/1991 for vehicles without ABS	04043	04043
	to the year of construction 11/1991 for vehicles with ABS		
	from the year of construction 03/1991 for vehicles without ABS	04436	04436
	from the year of construction 11/1991 for vehicles with ABS		
525 td (M 51) 525 td touring (M 51)	from the year of construction 09/1991	04436	04436
525 tds (M 51) 525 tds touring (M 51)		04436	04436

**febi 04043**

Ref. No. 31 21 1 129 386



AØ 139 IØ 37 B 64  
LKØ 115 x 5

**febi 04436**

Ref. No. 31 22 1 139 345



AØ 139 IØ 37 B 64  
LKØ 112 x 5



### 5 Series (E 34)

(1987→1997)

530 i (M 30)	to the year of construction 09/1991	04043	04043
	from the year of construction 09/1991	04436	04436
530 i (M 60)		04436	04436
530 i touring (M 60)	from the year of construction 09/1991	04436	04436
535 i (M 30)	to the year of construction 09/1991	04043	04043
	from the year of construction 09/1991	04436	04436
540 i (M 60)		04436	04436
540 i touring (M 60)	from the year of construction 09/1991	04436	04436

### 5 Series (E 39)

(1995→2004)

520 d (M 47)		12179 / 18397 / 18769	12179 / 18397 / 18769
520 d touring (M 47)			
520 i (M 52)	to the year of construction 09/1998	12179 / 18397	12179 / 18397

front axle

**febi 04043**  
Ref. No. 31 21 1 129 386

AØ 139 IØ 37 B 64  
LKØ 115 x 5

**febi 04436**  
Ref. No. 31 22 1 139 345

AØ 139 IØ 37 B 64  
LKØ 112 x 5

**febi 12179**  
Ref. No. 31 22 1 093 427

AØ 139 IØ 62 B 82  
AØ 74  
LKØ 115 x 5

**febi 18397**  
Ref. No. 31 22 1 093 427 S1

AØ 139 IØ 62 B 82  
LKØ 115 x 5

**febi 18769**  
Ref. No. 31 22 6 757 024

AØ 143 IØ 37 B 65  
LKØ 115 x 5



suitable for:

**BMW**

**Car  
Division**



## 5 Series (E 39)

(1995→2004)

- 520 i (M 54)
- 520 i touring (M 52)
- 520 i touring (M 54)
- 523 i (M 52)
- 523 i touring (M 52)
- 525 d (M 57)
- 525 d touring (M 57)
- 525 i (M 54)
- 525 i touring (M 54)
- 525 td (M 51)
- 525 tds (M 51)
- 525 tds touring (M 51)
- 528 i (M 52)
- 528 i touring (M 52)
- 530 d (M 57)
- 530 d touring (M 57)
- 530 i (M 54)
- 530 i touring (M 54)
- 535 i (M 62)
- 540 i (M 62)
- 540 i touring (M 62)

12179 / 18397

12179 / 18397

## 5 Series (E 60)

(2003→2007)

- 520 d (M 47N2)
- 520 i (M 54)
- 523 i (N 52)
- 525 d (M 57N)
- 525 i (M 54)
- 525 i (N 52)

23369 / 23371

23369 / 23371

### febi 12179

Ref. No. 31 22 1 093 427



AØ 139 IØ 62 B 82

AØ 74

LKØ 115 x 5

### febi 18397

Ref. No. 31 22 1 093 427 S1



AØ 139 IØ 62 B 82

LKØ 115 x 5

### febi 23369

Ref. No. 31 22 6 765 601



AØ 143 IØ 26

LKØ 120 x 6

### febi 23371

Ref. No. 31 22 6 765 601 S1



AØ 143 B 82

LKØ 115 x 5



### 5 Series (E 60)

(2003→2007)

525 i X (N 52)	23926 / 23928	-
530 d (M 57N) 530 d (M 57N2)	23369 / 23371	23369 / 23371
530 d X (M 57N2)	23926 / 23928	-
530 i (M 54) 530 i (N 52)	23369 / 23371	23369 / 23371
530 i X (N 52)	23926 / 23928	-
535 d (M 57N) 540 i (N 62N) 545 i (N 62) 550 i (N 62N)	23369 / 23371	23369 / 23371

### 5 Series (E 60 LCI)

(2007→)

520 d (M 47N2) 520 d (N 47) 520 i (N 43) 520 i (N 46N) 523 i (N 52N) 523 i (N 53) 525 d (M 57N2)	23369 / 23371	23369 / 23371
525 d X (M 57N2)	23926 / 23928	-
525 i (N 53)	23369 / 23371	23369 / 23371
525 i X (N 53)	23926 / 23928	-
528 i (N 52N)	23369 / 23371	23369 / 23371
528 i X (N 52N)	23926 / 23928	-
530 d (M 57N2)	23369 / 23371	23369 / 23371
530 d X (M 57N2)	23926 / 23928	-
530 i (N 52N) 530 i (N 53)	23369 / 23371	23369 / 23371

front axle

**febi 23369**  
Ref. No. 31 22 6 765 601

AØ 143 IØ 26  
LKØ 120 x 6

**febi 23371**  
Ref. No. 31 22 6 765 601 S1

AØ 143 B 82  
LKØ 115 x 5

**febi 23926**  
Ref. No. 31 22 6 783 913

AØ 90 IØ 49 B 45

**febi 23928**  
Ref. No. 31 22 6 783 913 S1

AØ 90 IØ 49 B 45

suitable for:

**BMW**

**Car  
Division**



## 5 Series (E 60 LCI)

(2007→)

530 i X (N 52N) 530 i X (N 53)	23926 / 23928	-
535 d (M 57N2) 535 i (N 54)	23369 / 23371	23369 / 23371
535 i X (N 54)	23926 / 23928	-
540 i (N 62N) 550 i (N 62N)	23369 / 23371	23369 / 23371

## 5 Series (E 61)

(2004→2007)

520 d touring (M 47N2) 520 i touring (M 54) 523 i touring (N 52) 525 d touring (M 57N) 525 i touring (M 54) 525 i touring (N 52)	23369 / 23371	23369 / 23371
525 i X touring (N 52)	23926 / 23928	-
528 i touring (N 52) 530 d touring (M 57N) 530 d touring (M 57N2)	23369 / 23371	23369 / 23371
530 d X touring (M 57N2)	23926 / 23928	-
530 i touring (N 52) 530 i touring (N 54)	23369 / 23371	23369 / 23371
530 i X touring (N 52)	23926 / 23928	-
535 d touring (M 57N) 545 i touring (N 62) 550 i touring (N 62N)	23369 / 23371	23369 / 23371

### febi 23369

Ref. No. 31 22 6 765 601



AØ 143 IØ 26  
LKØ 120 x 6

### febi 23371

Ref. No. 31 22 6 765 601 S1



AØ 143 B 82  
LKØ 115 x 5

### febi 23926

Ref. No. 31 22 6 783 913



AØ 90 IØ 49 B 45

### febi 23928

Ref. No. 31 22 6 783 913 S1



AØ 90 IØ 49 B 45



## 5 Series (E 61 LCI)

(2007→)

520 d touring (M 47N2) 520 d touring (N 47) 520 i touring (N 43) 523 i touring (N 52N) 523 i touring (N 53) 525 d touring (M 57N2)	23369 / 23371	23369 / 23371
525 d X touring (M 57N2)	23926 / 23928	-
525 i touring (N 52N) 525 i touring (N 53)	23369 / 23371	23369 / 23371
525 i X touring (N 53)	23926 / 23928	-
530 d touring (M 57N2)	23369 / 23371	23369 / 23371
530 d X touring (M 57N2)	23926 / 23928	-
530 i touring (N 52N) 530 i touring (N 53)	23369 / 23371	23369 / 23371
530 i X touring (N 52N) 530 i X touring (N 53)	23926 / 23928	-
535 d touring (M 57N2)	23369 / 23371	23369 / 23371
535 i X touring (N 54)	23926 / 23928	-
550 i touring (N 62N)	23369 / 23371	23369 / 23371

front axle

### febi 23369

Ref. No. 31 22 6 765 601



AØ 143 IØ 26  
LKØ 120 x 6

### febi 23371

Ref. No. 31 22 6 765 601 S1



AØ 143 B 82  
LKØ 115 x 5

### febi 23926

Ref. No. 31 22 6 783 913



AØ 90 IØ 49 B 45

### febi 23928

Ref. No. 31 22 6 783 913 S1



AØ 90 IØ 49 B 45

suitable for:

**BMW**

**Car  
Division**



**5 Series (F 07)**

(2009→2013)

all

36289

36289

**5 Series (F 07 LCI)**

(2012→ )

530 d GT (N 57)  
535 d GT (N 57Z)  
550 i GT (N 63N)

36289

36289

**5 Series (F 10)**

(2010→2013)

**M 5 (S 63)**

to the year of construction 10/2011

36289

36289

**5 Hybrid (N 55)**

36289

36289

520 d (N 47N)  
520 ed (N 47N)  
520 i (N 20)

to the year of construction 10/2011

36289

36289

523 i (N 52N)  
523 i (N 53)

36289

36289

525 d (N 47S1)  
525 d (N 57)  
528 i (N 20)  
528 i (N 52N)

to the year of construction 10/2011

36289

36289

528 i (N 53)

36289

36289

530 d (N 57)  
530 d (N 57N)

to the year of construction 10/2011

36289

36289

530 i (N 52N)

36289

36289

530 i (N 53)  
535 d (N 57S)  
535 d (N 57Z)  
535 i (N 55)  
550 i (N 63)

to the year of construction 10/2011

36289

36289

**febi 36289**

Ref. No. 31 20 6 850 158



AØ 145 x 10



### 5 Series (F 11)

(2010→2013)

520 d touring (N 47N) 520 i touring (N 20)	to the year of construction 10/2011	36289	36289
523 i touring (N 52N) 523 i touring (N 53)		36289	36289
525 d touring (N 47S1) 525 d touring (N 57) 528 i touring (N 20)	to the year of construction 10/2011	36289	36289
528 i touring (N 52N) 528 i touring (N 53)		36289	36289
530 d touring (N 57) 530 d touring (N 57N) 530 d X touring (N 57)	to the year of construction 10/2011	36289	36289
530 i touring (N 52N)		36289	36289
530 i touring (N 53) 535 d touring (N 57) 535 d touring (N 57S) 535 d touring (N 57Z) 535 i touring (N 55) 550 i touring (N 63)	to the year of construction 10/2011	36289	36289

### 5 Series (F 18)

(2010→)

all		36289	36289
-----	--	-------	-------

### 6 Series (E 63)

(2003→2007)

630 i Coupe (N 52) 645 i Coupe (N 62) 650 i Coupe (N 62N)		23369 / 23371	23369 / 23371
---	--	---------------	---------------

front axle



suitable for:

**BMW**

Car  
Division 



**6 Series (E 63 LCI)**

(2007→2011)

630 i Coupe (N 52N)  
630 i Coupe (N 53)  
635 d Coupe (M 57N2)  
650 i Coupe (N 62N)

23369 / 23371

23369 / 23371

**6 Series (E 64)**

(2004→2007)

630 i Cabrio (N 52)  
645 i Cabrio (N 62)  
650 i Cabrio (N 62N)

23369 / 23371

23369 / 23371

**6 Series (E 64 LCI)**

(2007→)

630 i Cabrio (N 52N)  
630 i Cabrio (N 53)  
635 d Cabrio (M 57N2)  
650 i Cabrio (N 62N)

23369 / 23371

23369 / 23371

**6 Series (F 06)**

(2012→)

640 d Coupe (N 57)  
640 i Coupe (N 55)  
650 i Coupe (N 63)  
650 i X Coupe (N 63)

36289

36289

**6 Series (F 12)**

(2011→)

all

36289

36289

**6 Series (F 13)**

(2011→)

all

36289

36289

**febi 23369**

Ref. No. 31 22 6 765 601



AØ 143 IØ 26  
LKØ 120 x 6

**febi 23371**

Ref. No. 31 22 6 765 601 S1



AØ 143 B 82  
LKØ 115 x 5

**febi 36289**

Ref. No. 31 20 6 850 158



AØ 145 x 10



### 7 Series (E 32)

(1982→1994)

730 i (M 30)	to the year of construction 11/1991	04043	04043	
	from the year of construction 11/1991	04436	04436	
730 i (M 60)	from the year of construction 11/1991	04436	04436	
730 iL (M 30)	to the year of construction 11/1991	04043	04043	
	730 iL (M 60)	from the year of construction 11/1991	04436	04436
735 i (M 30)				
735 iL (M 30)				
740 i (M 60)	from the year of construction 11/1991	04436	04436	
				740 iL (M 60)
750 i (M 70)	to the year of construction 11/1991	04043	04043	
	750 iL (M 70)	from the year of construction 11/1991	04436	04436

### 7 Series (E 38)

(1993→2002)

all		12178	12178
-----	--	-------	-------

### 7 Series (E 65)

(2001→2009)

all		21167 / 21168	21167 / 21168
-----	--	---------------	---------------

front axle

**febi 04436**  
Ref. No. 31 22 1 139 345

AØ 139 IØ 37 B 64  
LKØ 112 x 5

**febi 12178**  
Ref. No. 31 22 1 092 519

AØ 139 IØ 37 B 64  
LKØ 115 x 5

**febi 21167**  
Ref. No. 31 22 6 750 217

AØ 145 IØ 42 B 87  
LKØ 115 x 5

**febi 04043**  
Ref. No. 31 21 1 129 386

AØ 139 IØ 37 B 64  
LKØ 115 x 5

**febi 21168**  
Ref. No. 31 22 6 750 217 S1

AØ 145 B 89  
LKØ 115 x 5



suitable for:

**BMW**

**Car  
Division**



**7 Series (E 66)**

(2001→2008)

all

21167 / 21168

21167 / 21168

**7 Series (F 01)**

(2008→2012)

all

36289

36289

**7'er (F 01 LCI)**

(2012→)

all

36289

36289

**7 Series (F 02)**

(2008→2012)

all

36289

36289

**7'er (F 02 LCI)**

(2012→)

all

36289

36289

**7 Series (F 04)**

(2010→)

7 Hybrid Li (N 63)

7 Hybrid X (N 63)

36289

36289

**8 Series (E 31)**

(1989→1999)

840 Ci (M 62)

from the year of construction 03/1992

04436

04436

840 i (M 60)

850 Ci (M 70)

04436

04436

850 Ci (M 73)

from the year of construction 03/1992

04436

04436

**febi 04436**

Ref. No. 31 22 1 139 345



AØ 139 IØ 37 B 64  
LKØ 112 x 5

**febi 21167**

Ref. No. 31 22 6 750 217



AØ 145 IØ 42 B 87  
LKØ 115 x 5

**febi 21168**

Ref. No. 31 22 6 750 217 S1



AØ 145 B 89  
LKØ 115 x 5

**febi 36289**

Ref. No. 31 20 6 850 158



AØ 145 x 10



**8 Series (E 31)**

(1989→1999)

**850 i (M 70)**

to the year of construction 03/1992

**04043**

**04043**

from the year of construction 03/1992

**04436**

**04436**

front axle

**febi 04043**

Ref. No. 31 21 1 129 386



AØ 139 IØ 37 B 64  
LKØ 115 x 5

**febi 04436**

Ref. No. 31 22 1 139 345



AØ 139 IØ 37 B 64  
LKØ 112 x 5

suitable for:

# Chevrolet

Car  
Division 



## Aveo

(2003→ )

front axle

1,2 A12XEL 1,2 A12XER 1,2 B12D1		31690	-
1,2 B12S1	to Chassis No. 123935	31690	-
1,2 F12D1		31690	-
1,2 F12S3	to Chassis No. 123935	31690	-
1,2 LMU 1,2 D LSF 1,3 D LDV 1,3 D Z13DTE 1,4 A14XER		31690	-
1,4 F14D3	to Chassis No. 123935	31690	-
1,4 F14D4		31690	-
1,4 L95	to Chassis No. 123935	31690	-
1,4 L95CNG		31690	-
1,5 F15S3 1,6 A16DMS 1,6 F16D3 1,6 F16D3CNG 1,6 F16D4 1,6 L91 1,6 LXT 1,6 LXV	to Chassis No. 123935	31690	-

### febi 31690

Ref. No. 94536117 S1



AØ 64 IØ 34 B 37



## Cruze

(2009→)

1,6 F16D3  
1,6 F16D4  
1,6 LXT  
1,7 D A17DTS  
1,8 2H0  
1,8 F18D4  
1,8 LUW  
2,0 D Z20D1  
2,0 D Z20S1

Rim Size [in] 15

40098

40098

Rim Size [in] 16

40099

40099

## Kalos

(2002→2008)

all

to Chassis No. 123935

31690

-

## Lacetti

(2002→)

all

31691

-

## Lanos

(1997→)

1,3 A13SM  
1,6 A16DMS

from Chassis No. 110578

31690

-

front axle

### febi 31690

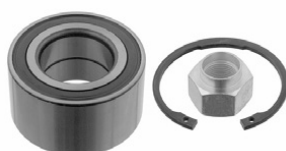
Ref. No. 94536117 S1



AØ 64 IØ 34 B 37

### febi 31691

Ref. No. 96995000 S1



AØ 74 IØ 39 B 39

### febi 40098

Ref. No. 13583478



AØ 136  
LKØ 50 x 6

### febi 40099

Ref. No. 13583479



AØ 146  
LKØ 62 x 6

suitable for:

# Chevrolet

Car Division 



Model	Year Range	Engine	Rim Size [in]	Part No.	Notes
<b>Matiz</b>	(1998→)	0,8 A08S		31453	-
		0,8 F8CV			
		1,0 B10S			
		1,0 B10S1			
<b>Nubira</b>	(1999→)	all		31691	-
<b>Optra</b>	(2006→2012)	1,6 LXT		31691	-
		2,0 D Z20DM			
		2,0 D Z20S1			
<b>Orlando</b>	(2011→)	1,4 LUJ	Rim Size [in] 16	40099	40099
		1,8 F18D4			
		2,0 LTD			
		2,0 D Z20D1			
<b>Rezzo</b>	(2000→2009)	1,6 A16DMS		31691	-
		2,0 T20SED			
<b>Spark</b>	(2000→)	0,8 F8CV		31453	-
		0,8 LBF			
		1,0 B10S1			
		1,0 LA2			

**febi 31453**  
Ref. No. 96285525 S1



AØ 60 IØ 35 B 15,9

**febi 31691**  
Ref. No. 96995000 S1



AØ 74 IØ 39 B 39

**febi 40099**  
Ref. No. 13583479



AØ 146  
LKØ 62 x 6



### Grand Voyager

(1995→2001)

2,5 D ENC

29914

29914

### Voyager

(1988→2001)

2,5 EDM  
2,5 D ENC  
2,5 D VM425  
3,0 EFA  
3,3 EGA

29914

29914

### Voyager AWD

(1990→1995)

3,3 EGA

29914

29914

front axle

#### febi 29914

Ref. No. 04641196



AØ 140 IØ 48 B 94

suitable for:

# Citroën

Car  
Division 



## AX

(1986→1997)

		22006	19844
0,0 01353C			
0,0 01354A			
1,0 C1A			
1,0 C3A			
1,0 TU9M			
1,1 H1A			
1,1 H1B			
1,1 HAZ			
1,1 HDZ			
1,1 TU1			
1,1 TU1M			
1,3 M4A	to Control Number 05166 for vehicles with sports suspension	22006	19844
1,4 K1A	from Control Number 05278	05542	-
1,4 K1B			
1,4 K1F		-	10223
1,4 K1G			
1,4 K1J	to Control Number 05277	22006	-
1,4 K2A			
1,4 K2B			
1,4 KAY			
1,4 KDY			
1,4 TU3			
1,4 TU3-2			
1,4 TU3F			
1,4 TU3FJ2			
1,4 TU3FM			
1,4 TU3J2			
1,4 TU3M			
1,4 TU3S			
1,4 D TUD3	from Control Number 05278	05542	-
1,4 D TUD3Y	to Control Number 05277	22006	19844
1,5 D TUD5	from Control Number 05278	05542	-

### febi 05542

Ref. No. 3350.17



AØ 72 IØ 35 B 33

### febi 10223

Ref. No. 3307.49



AØ 130 LKØ 108 x 4

### febi 19844

Ref. No. 3307.74



AØ 119 LKØ 85 x 3

### febi 22006

Ref. No. 3350.18



AØ 66 IØ 35 B 32



**AX 4x4**

(1986→1995)

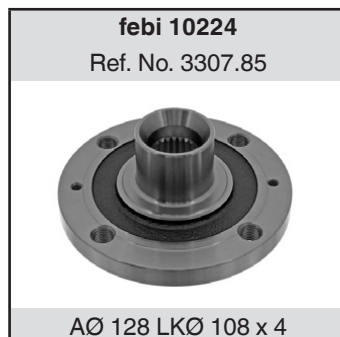
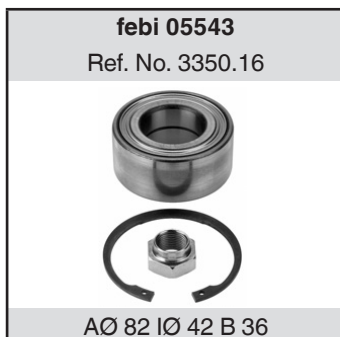
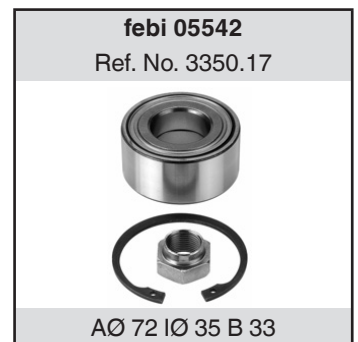
1,1 H1A		05542	-
1,4 K2A			
1,4 KD4	for leaf-spring suspension vehicles	22006	19844
1,4 KDZ			
1,4 TU3			
1,4 TU3F			
1,4 D TUD3	from Control Number 05278	05542	-
	for leaf-spring suspension vehicles	22006	19844

**Berlingo I**

(1996→2002)

0,0 SA18	for vehicles with standard chassis	05543	-
		-	10224

front axle





suitable for:

**Citroën**

**Car  
Division**



**Berlingo I**

(1996→2002)

1,1 TU1JP  
1,1 TU1M  
1,1 TU1M+  
1,4 TU3-2  
1,4 TU3JP  
1,6 TU5JP4  
1,8 XU7JB  
1,8 D XUD7  
1,9 D DW8  
1,9 D DW8B  
1,9 D XUD9  
1,9 D XUD9A  
2,0 D DW10TD

05543

10224

**Berlingo I 4x4**

(1998→2002)

1,8 XU7JB  
1,9 D DW8  
1,9 D DW8B

05543

10224

**Berlingo II**

(1999→2011)

0,0 ELSA18MV  
0,0 SA18  
1,1 TU1JP

to Control Number 11773

05543

-

-

10224

1,4 TU3JP

to Control Number 11682  
to Control Number 11773

05543 / 19574

-

-

10224

1,4 TU3JPCNG

for vehicles with heavy duty chassis

05543

-

to Control Number 11773

-

10224

**febi 05543**

Ref. No. 3350.16



AØ 82 IØ 42 B 36

**febi 10224**

Ref. No. 3307.85



AØ 128 LKØ 108 x 4

**febi 19574**

Ref. No. 3350.69



AØ 82 IØ 42 B 36



### Berlingo II

(1999→2011)

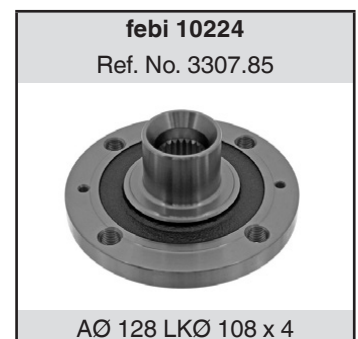
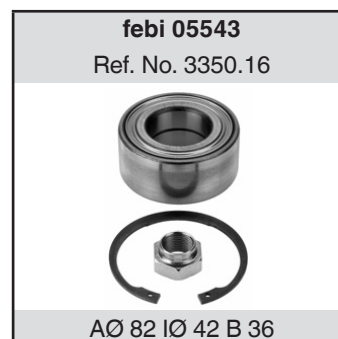
1,6 D DV6ATED4 1,6 D DV6B	for vehicles with heavy duty chassis	05543	-
	to Control Number 11773 for vehicles with standard chassis		
	to Control Number 11773	-	10224
1,6 D DV6ETED		05543	-
	to Control Number 11773	-	10224
1,6 D DV6TED4 1,6 TU5JP4	for vehicles with heavy duty chassis	05543	-
	to Control Number 11773 for vehicles with standard chassis		
	to Control Number 11773	-	10224
1,9 D DW8B	to Control Number 11773 for vehicles with standard chassis	05543	-
	for vehicles with heavy duty chassis		
	to Control Number 11773	-	10224
2,0 D DW10TD		05543	-
	to Control Number 11773	-	10224

### Berlingo II 4x4

(2000→2006)

1,9 D DW8B	to Control Number 11773 for vehicles with standard chassis	05543	-
	for vehicles with heavy duty chassis		
	to Control Number 11773	-	10224
2,0 D DW10TD		05543	-
	to Control Number 11773	-	10224

front axle



suitable for:

**Citroën**

**Car  
Division**



**Berlingo III**

(2008→ )

to Control Number 11682

- 1,4 TU3JP
- 1,4 TU3JPCNG
- 1,6 D DV6ATED4
- 1,6 D DV6AUTED4
- 1,6 D DV6BTED4
- 1,6 D DV6BUTED4
- 1,6 D DV6C
- 1,6 D DV6DTED
- 1,6 D DV6DTEDM
- 1,6 D DV6ETED
- 1,6 D DV6ETEDM
- 1,6 D DV6TED4
- 1,6 EP6C
- 1,6 EP6CB
- 1,6 EP6CDTR
- 1,6 TU5JP4
- 1,6 TU5JP4B
- 1,9 D DW8B

-	10224
19574	-

**BX**

(1981→1994)

all

05543	10224
-------	-------

**C1**

(2005→ )

all

31062	-
-------	---

**febi 05543**

Ref. No. 3350.16



AØ 82 IØ 42 B 36

**febi 10224**

Ref. No. 3307.85



AØ 128 LKØ 108 x 4

**febi 19574**

Ref. No. 3350.69



AØ 82 IØ 42 B 36

**febi 31062**

Ref. No. 6822.JL



AØ 69 IØ 38 B 39



**C15**

(1984→2005)

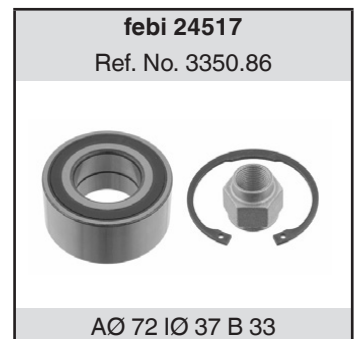
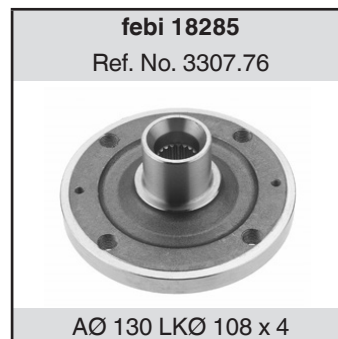
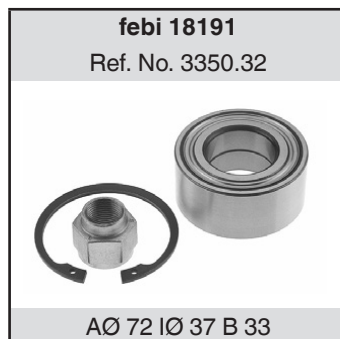
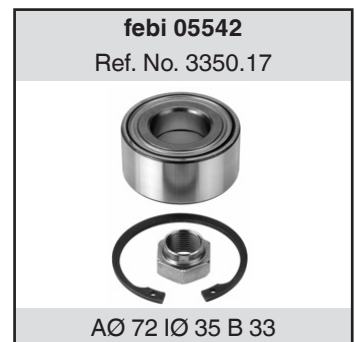
1,0 TU9K	from Control Number 04222	05542	10223
1,1 E1A		05542	10223
1,1 TU1 1,1 TU1MZ	from Control Number 04222	05542	10223
1,3 G1A		05542	10223
1,4 TU3 1,4 TU3A 1,4 TU3K1G 1,4 TU3K2D 1,4 TU3M	from Control Number 04222	05542	10223
1,8 D XUD7 1,9 D DW8B		05542	10223

**C2**

(2003→)

1,1 TU1A 1,1 TU1JP 1,4 D DV4TD	for vehicles without ABS	18191	-
1,4 ET3J4 1,4 TU3A 1,4 TU3JP	for vehicles with ABS	24517	-

front axle



suitable for:

**Citroën**

**Car  
Division**



**C2**

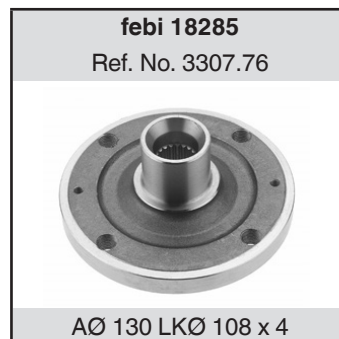
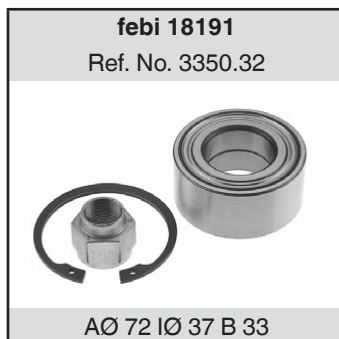
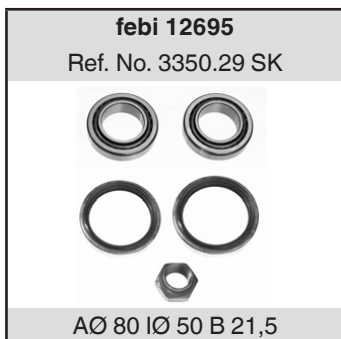
(2003→ )

front axle	<b>1,6 D DV6TED4</b>	for vehicles without ABS	<b>18191</b>	-
		for vehicles with heavy duty chassis	-	<b>18285</b>
	<b>1,6 TU5JP4</b>	for vehicles without ABS	<b>18191</b>	-
		for vehicles with ABS	<b>24517</b>	-
	<b>1,6 TU5JP4S</b>	for vehicles without ABS	<b>18191</b>	-
		for vehicles with heavy duty chassis	-	<b>18285</b>
	for vehicles with ABS	<b>24517</b>	-	

**C25**

(1981→1994)

all	from Chassis No. 604497	-	<b>12573</b>
		<b>12691 / 12695</b>	-





**C25 4x4**  
(1983→1994)

all

from Chassis No. 604497

-	12573
12691 / 12695	-

**C3 I**

(2002→2009)

1,1 TU1JP

to the year of construction 01/2005  
for vehicles without ABS  
for vehicles with standard chassis

18191	-
-------	---

from Control Number 09128 CA  
to the year of construction 01/2005  
for vehicles without ABS  
for vehicles with heavy duty chassis

from Control Number 09128 CA  
from Control Number 09555 78  
to the year of construction 01/2005  
for vehicles with heavy duty chassis

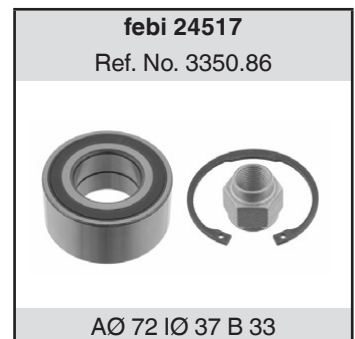
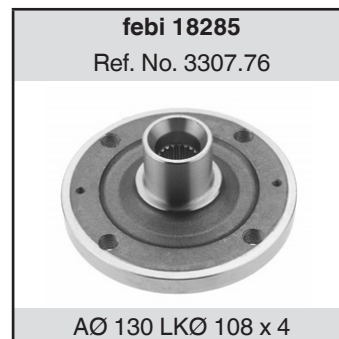
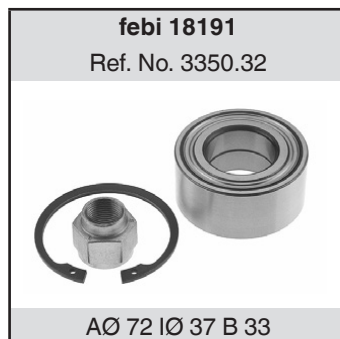
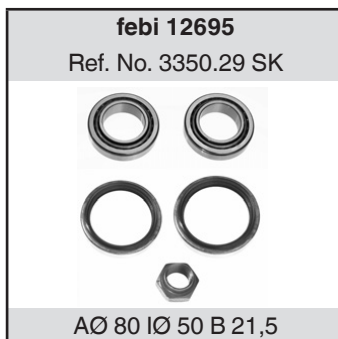
-	18285
---	-------

to the year of construction 01/2005  
for vehicles with standard chassis

for vehicles with ABS

24517	-
-------	---

front axle





**C3 I**  
(2002→2009)

**1,4 D DV4TD**

for vehicles without ABS  
for vehicles with standard chassis

**18191**

-

for vehicles without ABS  
from Control Number 09128 CA  
from Control Number 09555 78  
for vehicles with heavy duty chassis

from Control Number 09128 CA  
from Control Number 09555 78  
to the year of construction 01/2005  
for vehicles with heavy duty chassis

-

**18285**

to the year of construction 01/2005  
for vehicles with standard chassis

for vehicles with ABS

**24517**

-

**1,4 D DV4TED4**

to the year of construction 01/2005  
for vehicles without ABS  
for vehicles with standard chassis

**18191**

-

from Control Number 09128 CA  
to the year of construction 01/2005  
for vehicles without ABS  
from Control Number 09555 78  
for vehicles with heavy duty chassis

from Control Number 09128 CA  
from Control Number 09555 78  
to the year of construction 01/2005  
for vehicles with heavy duty chassis

-

**18285**

to the year of construction 01/2005  
for vehicles with standard chassis

for vehicles with ABS

**24517**

-

**1,4 ET3J4**

to the year of construction 01/2005  
for vehicles without ABS  
for vehicles with standard chassis

**18191**

-

-

**18285**

for vehicles with ABS

**24517**

-

**febi 18191**

Ref. No. 3350.32



AØ 72 IØ 37 B 33

**febi 18285**

Ref. No. 3307.76



AØ 130 LKØ 108 x 4

**febi 24517**

Ref. No. 3350.86



AØ 72 IØ 37 B 33

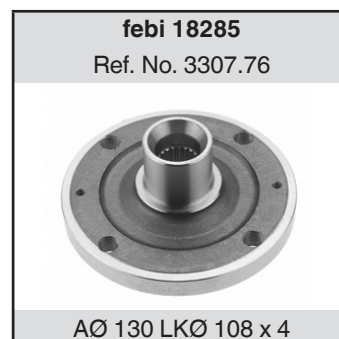


**C3 I**

(2002→2009)

Engine	Configuration	Febril 18191	Febril 18285
1,4 TU3A	for vehicles without ABS	18191	-
	from Control Number 09128 CA from Control Number 09555 78 to the year of construction 01/2005 for vehicles with heavy duty chassis	-	18285
	to the year of construction 01/2005 for vehicles with standard chassis		
	for vehicles with ABS	24517	-
1,4 TU3JP	for vehicles without ABS for vehicles with standard chassis	18191	-
	from Control Number 09128 CA from Control Number 09555 78 for vehicles without ABS for vehicles with heavy duty chassis	-	18285
	to the year of construction 01/2005 for vehicles with standard chassis		
	for vehicles with ABS	24517	-
1,4 TU3JPCNG	for vehicles without ABS for vehicles with standard chassis	18191	-
	for vehicles without ABS from Control Number 09128 CA from Control Number 09555 78 for vehicles with heavy duty chassis	-	18285
	to the year of construction 01/2005 for vehicles with standard chassis		
	for vehicles with ABS	24517	-

front axle





suitable for:

**Citroën**

**Car  
Division**



**C3 I**  
(2002→2009)

front axle

	for vehicles with ABS	<b>24517</b>	-
<b>1,6 D DV6ATED4</b>	for vehicles without ABS	<b>18191</b>	-
		-	<b>18285</b>
<b>1,6 TU5JP4</b>	for vehicles with ABS	<b>24517</b>	-
	from Control Number 10556 to Control Number 10800 automatic transmission Transmission Type AL4	-	<b>10224</b>
	for vehicles without ABS	<b>18191</b>	-
	from Control Number 09128 CA from Control Number 09555 78 to the year of construction 01/2005 for vehicles with heavy duty chassis	-	<b>18285</b>
	to the year of construction 01/2005 for vehicles with standard chassis		
	from the year of construction 02/2005 to Control Number 10800 for vehicles with standard chassis manual transmission		

**febi 10224**

Ref. No. 3307.85



AØ 128 LKØ 108 x 4

**febi 18191**

Ref. No. 3350.32



AØ 72 IØ 37 B 33

**febi 18285**

Ref. No. 3307.76



AØ 130 LKØ 108 x 4

**febi 24517**

Ref. No. 3350.86



AØ 72 IØ 37 B 33



**C3 I**

(2002→2009)

to Control Number 10800  
for vehicles with standard chassis

19574

-

for vehicles with ABS

24517

-

**C3 I Pluriel**

(2003→2011)

1,4 D DV4TD

1,4 TU3A

1,4 TU3JP

for vehicles without ABS

18191

-

for vehicles with ABS

24517

-

1,6 TU5JP4

for vehicles without ABS

18191

-

for vehicles with ABS

24517

-

**C3 II**

(2005→2009)

1,1 TU1A

for vehicles without ABS

18191

-

for vehicles with ABS

24517

-

1,4 D DV4TD

1,4 TU3JP

1,4 TU3JPCNG

for vehicles without ABS  
for vehicles with standard chassis

18191

-

for vehicles without ABS  
from Control Number 09128 CA  
from Control Number 09555 78  
for vehicles with heavy duty chassis

-

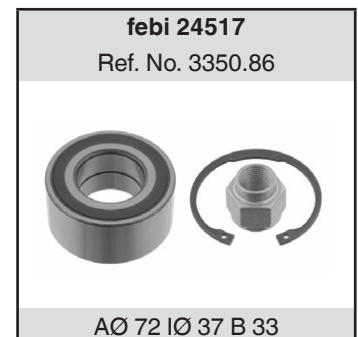
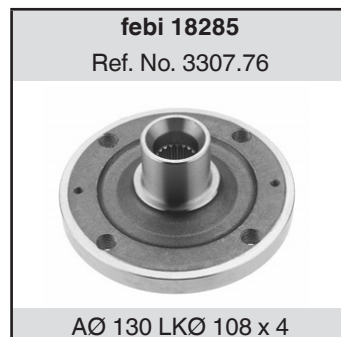
18285

for vehicles with ABS

24517

-

front axle



**C3 II**

(2005→2009)

**1,6 D DV6ATED4**

for vehicles without ABS

**18191**

-

-

**18285**

for vehicles with ABS

**24517**

-

**1,6 D DV6TED4**

for vehicles without ABS

**18191**

-

from Control Number 10801  
for vehicles with standard chassis  
for vehicles with soot filter

-

**18285**

for vehicles with heavy duty chassis

to Control Number 10800  
for vehicles with standard chassis**19574**

-

for vehicles with ABS

**24517**

-

**1,6 TU5JP4**

for vehicles without ABS

**18191**

-

from Control Number 09128 CA  
from Control Number 09555 78  
to the year of construction 01/2005  
for vehicles with heavy duty chassis

-

**18285**to the year of construction 01/2005  
for vehicles with standard chassisfrom the year of construction 02/2005  
to Control Number 10800  
for vehicles with standard chassis  
manual transmissionto Control Number 10800  
for vehicles with standard chassis**19574**

-

for vehicles with ABS

**24517**

-

**febi 18191**

Ref. No. 3350.32



AØ 72 IØ 37 B 33

**febi 18285**

Ref. No. 3307.76



AØ 130 LKØ 108 x 4

**febi 19574**

Ref. No. 3350.69



AØ 82 IØ 42 B 36

**febi 24517**

Ref. No. 3350.86



AØ 72 IØ 37 B 33



### C3 II Picasso

(2009→)

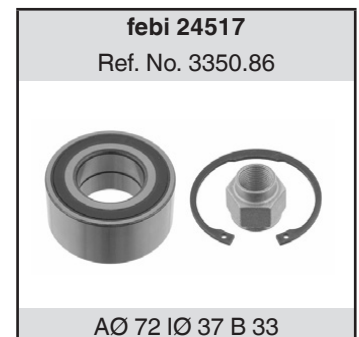
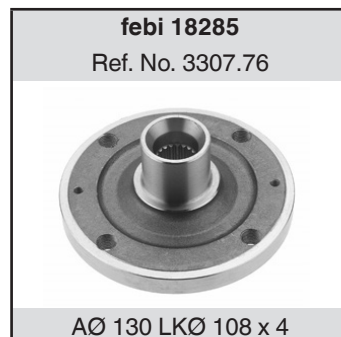
1,4 EP3		19574	10224
1,4 EP3C			
1,5 TU4M			
1,6 D DV6ATED4			
1,6 D DV6C		19574	10224
1,6 D DV6DTEd			
	Observe dimensions	-	18285
	for vehicles with ABS	24517	-
1,6 D DV6DTEd4		19574	10224
1,6 D DV6TED4			
1,6 EP6			
1,6 EP6C		19574	-
1,6 TU5JP4		19574	10224

### C3 III

(2003→)

1,0 EB0		19574	10224
1,1 TU1A			
1,2 EB2M			
1,4 D DV4C			
1,4 D DV4TD			
1,4 EP3			
1,4 EP3C			
1,4 TU3A			
1,4 TU3AE5			
1,4 TU3JP			
1,6 D DV6ATED4			
1,6 D DV6C	Observe dimensions	-	18285
1,6 D DV6DTEd		19574	10224
1,6 EP6C			
1,6 TU5JP4	Observe dimensions	-	18285
	for vehicles with ABS	24517	-

front axle



suitable for:

**Citroën**

**Car  
Division**



**C4 I**

(2004→ )

all

19574

10224

**C4 I Grand Picasso**

(2006→2013)

all

to Control Number 11682

-

10224

19574

-

**C4 I Picasso**

(2006→ )

all

to Control Number 11682

-

10224

19574

-

**C4 II**

(2009→ )

1,4 EP3C  
1,6 D DV6C  
1,6 D DV6DTED  
1,6 D DV6DTED4

19574

10224

1,6 D DV6DTEDM

19574

-

1,6 EP6C  
1,6 EP6CDT  
1,6 EP6CDTM  
1,6 EP6CDTMD

19574

10224

1,6 EP6CDTX

Rim Width [in] 19

40703

-

1,6 TU5JP4

19574

10224

2,0 D DW10CB

Rim Width [in] 19

40703

-

2,0 D DW10CTED4

19574

10224

Rim Width [in] 19

40703

-

**febi 10224**

Ref. No. 3307.85



AØ 128 LKØ 108 x 4

**febi 19574**

Ref. No. 3350.69



AØ 82 IØ 42 B 36

**febi 40703**

Ref. No. 3350.82



AØ 83 IØ 45



**C5 I**

(2000→2004)

all

19574

28497

**C5 II**

(2004→2008)

all

19574

28497

**C5 III**

(2008→)

all

40703

-

**C6**

(2005→)

all

40703

-

**C8**

(2002→)

2,0 D DW10ATED4

2,0 D DW10BTED4

24523

19842

2,0 D DW10CB

24523

-

2,0 D DW10UTED4

24523

19842

front axle

**febi 19574**

Ref. No. 3350.69



AØ 82 IØ 42 B 36

**febi 19842**

Ref. No. 3307.64



AØ 122 LKØ 95 x 5

**febi 24523**

Ref. No. 3350.87



AØ 82,5 IØ 44 B 37

**febi 28497**

Ref. No. 3307.75



AØ 128 LKØ 108 x 4

**febi 40703**

Ref. No. 3350.82



AØ 83 IØ 45

suitable for:

**Citroën**

**Car  
Division**



**C8**

(2002→ )

2,0 EW10A		-	19842
	to Control Number 10814	24523	-
2,0 EW10J4		24523	19842
2,2 D DW12TED4		-	19842
	to Control Number 10814	24523	-
2,2 EW12J4		24523	19842

**Dispatch I**

(1995→2003)

1,6 220A2000	to Control Number 08575	14538	19842
1,9 D DW8	to Control Number 09834	14538	19842
1,9 D XUD9	to Control Number 07905	14538	19842
1,9 D XUD9TE	from Control Number 09835 to Control Number 10036	14538	19842
1,9 D XUD9TF	to Control Number 09834	14538	19842

**Dispatch II**

(1996→2006)

1,9 D DW8B	to Control Number 09834	14538	19842
1,9 D XUD9TE	from Control Number 09835 to Control Number 10036	14538	19842
2,0 D DW10ATED 2,0 D DW10ATED4	from Control Number 09793	14538	19842
2,0 D DW10BTED 2,0 D DW10CTED 2,0 EW10J4	to Control Number 09834	14538	19842

**febi 14538**

Ref. No. 3350.91



AØ 82 IØ 44 B 37

**febi 19842**

Ref. No. 3307.64



AØ 122 LKØ 95 x 5

**febi 24523**

Ref. No. 3350.87



AØ 82,5 IØ 44 B 37



### Dispatch III

(2006→)

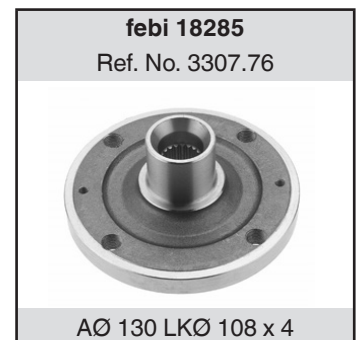
1,6 D DV6UTED4 2,0 D DW10BTED4	40702	19842
2,0 D DW10CD 2,0 D DW10CE 2,0 D DW10CTED4	40702	-
2,0 D DW10UTED4 2,0 EW10A	40702	19842

### DS3

(2009→)

1,2 EB2 1,4 D DV4C 1,4 EP3C 1,6 D DV6C 1,6 D DV6DTEd 1,6 EP6C 1,6 EP6CDTX 1,6 EP6DT	Observe dimensions for vehicles with ABS	19574 - 24517	10224 18285 -
1,6 EP6DTS		19574	10224

front axle





suitable for:

**Citroën**

**Car  
Division**



**DS4**

(2009→ )

1,4 EP3C		19574	10224
1,6 D DV6C			
1,6 D DV6DTED			
1,6 D DV6DTED4			
1,6 D DV6DTEDM			
1,6 EP6C			
1,6 EP6CDT			
1,6 EP6CDTM			
1,6 EP6CDTMD			
1,6 EP6CDTX	Rim Width [in] 19	40703	-
1,6 EP6DT		19574	10224
1,6 TU5JP4			
2,0 D DW10CB	Rim Width [in] 19	40703	-
2,0 D DW10CTED4		19574	10224
	Rim Width [in] 19	40703	-

**DS5**

(2011→ )

1,6 D DV6C		-	10224
1,6 EP6CDT			
	Observe dimensions	40703	-
1,6 EP6CDTMD			
1,6 EP6CDTX	Observe dimensions	40703	-
2,0 D DW10CB		-	10224
	Observe dimensions	40703	-
2,0 D DW10CTED4			
2,0 DW10CTED4		-	10224
2,0 D DW10CTED4	Observe dimensions	40703	-





**DS5 4x4**

(2011→)

2,0 DW10CTED4

-

10224

**Evasion**

(1994→2002)

1,8 XU7JP

1,9 D XUD9TE

14538

19842

1,9 D XUD9TF

to Control Number 09834

14538

19842

2,0 D DW10ATED

2,0 D DW10ATED4

2,0 D DW10TD

2,0 EW10J4

2,0 XU10J2

2,0 XU10J2C

2,0 XU10J2TE

2,0 XU10J4R

2,1 D XUD11BTE

14538

19842

front axle



suitable for:

**Citroën**

**Car  
Division**



## Jumper I 27

(1994→2002)

**1,9 D XUD9A**  
**1,9 D XUD9TE**  
**1,9 D XUD9TF**  
**1,9 D XUD9UTF**  
**2,0 D DW10UTD**  
**2,0 XU10J2C**  
**2,0 XU10J2U**  
**2,5 D DJ5**  
**2,5 D DJ5T**  
**2,5 D DJ5TED**  
**2,8 D 814043S**

to Chassis No. 16206253  
 For vehicles with drum brakes on the rear axle  
 for vehicles with ABS  
 Payload [kg] 1000  
 Payload [kg] 1400

to Chassis No. 16205754  
 For vehicles with drum brakes on the rear axle  
 for vehicles without ABS  
 Payload [kg] 1000  
 Payload [kg] 1400

not for payload [kg] 1800

from Chassis No. 16205755  
 Payload [kg] 1000  
 Payload [kg] 1400  
 Payload [kg] 1500

from Chassis No. 16194400  
 Payload [kg] 1800

**12691 / 12695**

-

-

**14967**

-

**28231**

-

**28232**

### febi 12691

Ref. No. 3350.29



AØ 80 IØ 50 B 21,5

### febi 12695

Ref. No. 3350.29 SK



AØ 80 IØ 50 B 21,5

### febi 14967

Ref. No. 3307.65



AØ 139 LKØ 112 x 5

### febi 28231

Ref. No. 3307.84



AØ 139 LKØ 113,5 x 5

### febi 28232

Ref. No. 3307.83



AØ 156 LKØ 126 x 5



**Jumper I 27 4x4**

(1997→2000)

2,0 XU10J2C

to Chassis No. 16206253  
For vehicles with drum brakes on the rear axle  
for vehicles with ABS  
Payload [kg] 1000  
Payload [kg] 1400

12691 / 12695

-

to Chassis No. 16205754  
For vehicles with drum brakes on the rear axle  
for vehicles without ABS  
Payload [kg] 1000  
Payload [kg] 1400

not for payload [kg] 1800

-

14967

from Chassis No. 16205755  
Payload [kg] 1000  
Payload [kg] 1400  
Payload [kg] 1500

-

28231

from Chassis No. 16194400  
Payload [kg] 1800

-

28232

front axle

**febi 12691**

Ref. No. 3350.29



AØ 80 IØ 50 B 21,5

**febi 12695**

Ref. No. 3350.29 SK



AØ 80 IØ 50 B 21,5

**febi 14967**

Ref. No. 3307.65



AØ 139 LKØ 112 x 5

**febi 28231**

Ref. No. 3307.84



AØ 139 LKØ 113,5 x 5

**febi 28232**

Ref. No. 3307.83



AØ 156 LKØ 126 x 5

suitable for:

**Citroën**

**Car  
Division**



## Jumper I 31

(1994→2002)

1,9 D XUD9TF  
1,9 D XUD9UTF  
2,0 XU10J2C  
2,0 XU10J2U  
2,5 D DJ5  
2,5 D DJ5T  
2,5 D DJ5TED  
2,8 D 814043  
2,8 D 814043S  
2,8 D 814063

to Chassis No. 16206253  
For vehicles with drum brakes on the rear axle  
for vehicles with ABS  
Payload [kg] 1000  
Payload [kg] 1400

to Chassis No. 16205754  
For vehicles with drum brakes on the rear axle  
for vehicles without ABS  
Payload [kg] 1000  
Payload [kg] 1400

not for payload [kg] 1800

from Chassis No. 16205755  
Payload [kg] 1000  
Payload [kg] 1400  
Payload [kg] 1500

from Chassis No. 16194400  
Payload [kg] 1800

**12691 / 12695**

-

-

**14967**

-

**28231**

-

**28232**

### febi 12691

Ref. No. 3350.29



AØ 80 IØ 50 B 21,5

### febi 12695

Ref. No. 3350.29 SK



AØ 80 IØ 50 B 21,5

### febi 14967

Ref. No. 3307.65



AØ 139 LKØ 112 x 5

### febi 28231

Ref. No. 3307.84



AØ 139 LKØ 113,5 x 5

### febi 28232

Ref. No. 3307.83



AØ 156 LKØ 126 x 5



## Jumper I 31 4x4

(1996→2002)

1,9 D XUD9TE  
2,0 XU10J2C  
2,5 D DJ5  
2,5 D DJ5T  
2,5 D DJ5TED  
2,8 D 814043S

to Chassis No. 16206253  
For vehicles with drum brakes on the  
rear axle  
for vehicles with ABS  
Payload [kg] 1000  
Payload [kg] 1400

to Chassis No. 16205754  
For vehicles with drum brakes on the  
rear axle  
for vehicles without ABS  
Payload [kg] 1000  
Payload [kg] 1400

not for payload [kg] 1800

from Chassis No. 16205755  
Payload [kg] 1000  
Payload [kg] 1400  
Payload [kg] 1500

from Chassis No. 16194400  
Payload [kg] 1800

12691 / 12695

-

-

14967

-

28231

-

28232

front axle

### febi 12691

Ref. No. 3350.29



AØ 80 IØ 50 B 21,5

### febi 12695

Ref. No. 3350.29 SK



AØ 80 IØ 50 B 21,5

### febi 14967

Ref. No. 3307.65



AØ 139 LKØ 112 x 5

### febi 28231

Ref. No. 3307.84



AØ 139 LKØ 113,5 x 5

### febi 28232

Ref. No. 3307.83



AØ 156 LKØ 126 x 5

suitable for:

**Citroën**

**Car  
Division**



**Jumper I 35**

(1994→2002)

2,0 XU10J2C  
2,5 D DJ5  
2,5 D DJ5T  
2,5 D DJ5TED  
2,8 D 814043  
2,8 D 814043S  
2,8 D 814063

to Chassis No. 16206253  
For vehicles with drum brakes on the rear axle  
for vehicles with ABS  
Payload [kg] 1000  
Payload [kg] 1400

to Chassis No. 16205754  
For vehicles with drum brakes on the rear axle  
for vehicles without ABS  
Payload [kg] 1000  
Payload [kg] 1400

not for payload [kg] 1800

from Chassis No. 16205755  
Payload [kg] 1000  
Payload [kg] 1400  
Payload [kg] 1500

from Chassis No. 16194400  
Payload [kg] 1800

**12691 / 12695**

-

-

**14967**

-

**28231**

-

**28232**

**febi 12691**

Ref. No. 3350.29



AØ 80 IØ 50 B 21,5

**febi 12695**

Ref. No. 3350.29 SK



AØ 80 IØ 50 B 21,5

**febi 14967**

Ref. No. 3307.65



AØ 139 LKØ 112 x 5

**febi 28231**

Ref. No. 3307.84



AØ 139 LKØ 113,5 x 5

**febi 28232**

Ref. No. 3307.83



AØ 156 LKØ 126 x 5



## Jumper I 35 4x4

(1996→2002)

2,5 D DJ5  
2,5 D DJ5T  
2,5 D DJ5TED  
2,8 D 814043S

to Chassis No. 16206253  
For vehicles with drum brakes on the rear axle  
for vehicles with ABS  
Payload [kg] 1000  
Payload [kg] 1400

to Chassis No. 16205754  
For vehicles with drum brakes on the rear axle  
for vehicles without ABS  
Payload [kg] 1000  
Payload [kg] 1400

not for payload [kg] 1800

from Chassis No. 16205755  
Payload [kg] 1000  
Payload [kg] 1400  
Payload [kg] 1500

from Chassis No. 16194400  
Payload [kg] 1800

12691 / 12695

-

-

14967

-

28231

-

28232

front axle

### febi 12691

Ref. No. 3350.29



AØ 80 IØ 50 B 21,5

### febi 12695

Ref. No. 3350.29 SK



AØ 80 IØ 50 B 21,5

### febi 14967

Ref. No. 3307.65



AØ 139 LKØ 112 x 5

### febi 28231

Ref. No. 3307.84



AØ 139 LKØ 113,5 x 5

### febi 28232

Ref. No. 3307.83



AØ 156 LKØ 126 x 5



**Jumper II**

(2001→)

**2,0 D DW10TD**

Payload [kg] 1000

Payload [kg] 1400

**24519**

-

Payload [kg] 1800

**24521****28232**

Payload [kg] 1000

Payload [kg] 1400

Payload [kg] 1500

-

**28231****2,0 D DW10UTD**

Payload [kg] 1000

Payload [kg] 1400

**24519**

-

Payload [kg] 1800

**24521**

-

Payload [kg] 1000

Payload [kg] 1400

Payload [kg] 1500

-

**28231**

from Chassis No. 16194400

Payload [kg] 1800

-

**28232****2,0 XU10J2****2,0 XU10J2CNG****2,2 D DW12UTED****2,3 D F1AEO48N****2,8 D 414043C****2,8 D 814043N****2,8 D 814043S****2,8 D F28TDCR**

Payload [kg] 1000

Payload [kg] 1400

Payload [kg] 1800

Payload [kg] 1000

Payload [kg] 1400

Payload [kg] 1500

**24519**

-

**24521****28232**

-

**28231****Jumper II 4x4**

(2002→2006)

**2,8 D 814043S****2,8 D F28TDCR**

Payload [kg] 1000

Payload [kg] 1400

**24519**

-

Payload [kg] 1800

**24521****28232**

Payload [kg] 1000

Payload [kg] 1400

Payload [kg] 1500

-

**28231****febi 24519**

Ref. No. 3326.62



AØ 84 IØ 49 B 48

**febi 24521**

Ref. No. 3326.69



AØ 90 IØ 55 B 60

**febi 28231**

Ref. No. 3307.84



AØ 139 LKØ 113,5 x 5

**febi 28232**

Ref. No. 3307.83



AØ 156 LKØ 126 x 5



### Jumper III

(2006→)

all		36309	-
<b>Jumpy I</b> (1995→2000)			
1,6 220A2000	to Control Number 08575	14538	19842
1,8 XU7JP 1,9 D DW8	to Control Number 09834	14538	19842
1,9 D XUD9	to Control Number 07905	14538	19842
1,9 D XUD9TE	from Control Number 09835 to Control Number 10036	14538	19842
1,9 D XUD9TF	to Control Number 09834	14538	19842

### Jumpy II

(1999→2006)

1,9 D DW8B	to Control Number 09834	14538	19842
1,9 D XUD9TE	from Control Number 09835 to Control Number 10036	14538	19842
2,0 D DW10ATED 2,0 D DW10ATED4	from Control Number 09793	14538	19842
2,0 D DW10BTED 2,0 D DW10CTED 2,0 EW10J4 2,2 D DW12TED	to Control Number 09834	14538	19842

### Jumpy III

(2006→)

1,6 D DV6DUM		40702	-
1,6 D DV6UTED4 2,0 D DW10BTED4		40702	19842

front axle

**febi 14538**  
Ref. No. 3350.91

AØ 82 IØ 44 B 37

**febi 19842**  
Ref. No. 3307.64

AØ 122 LKØ 95 x 5

**febi 36309**  
Ref. No. 16 063 746 80 S1

AØ 90 IØ 55 B 54

**febi 40702**  
Ref. No. 3350.93

AØ 86 IØ 45

suitable for:

# Citroën

Car  
Division



## Jumpy III

(2006→)

2,0 D DW10CD  
2,0 D DW10CE  
2,0 D DW10CTED4

40702

-

2,0 D DW10UTED4  
2,0 EW10A

40702

19842

## Nemo

(2008→)

1,3 D F13DTE5  
1,4 D DV4TED

28142

-

front axle

### febi 19842

Ref. No. 3307.64



AØ 122 LKØ 95 x 5

### febi 28142

Ref. No. 3326.77 S1



AØ 72 IØ 37 B 37

### febi 40702

Ref. No. 3350.93



AØ 86 IØ 45



**Relay**

(1997→2000)

**2,5 D DJ5TED**

to Chassis No. 16206253  
For vehicles with drum brakes on the rear axle  
for vehicles with ABS  
Payload [kg] 1000  
Payload [kg] 1400

**12691 / 12695**

-

to Chassis No. 16205754  
For vehicles with drum brakes on the rear axle  
for vehicles without ABS  
Payload [kg] 1000  
Payload [kg] 1400

not for payload [kg] 1800

-

**14967**

from Chassis No. 16205755  
Payload [kg] 1000  
Payload [kg] 1400  
Payload [kg] 1500

-

**28231**

from Chassis No. 16194400  
Payload [kg] 1800

-

**28232**

front axle

**febi 12691**

Ref. No. 3350.29



AØ 80 IØ 50 B 21,5

**febi 12695**

Ref. No. 3350.29 SK



AØ 80 IØ 50 B 21,5

**febi 14967**

Ref. No. 3307.65



AØ 139 LKØ 112 x 5

**febi 28231**

Ref. No. 3307.84



AØ 139 LKØ 113,5 x 5

**febi 28232**

Ref. No. 3307.83



AØ 156 LKØ 126 x 5

suitable for:

**Citroën**

**Car  
Division**



**Relay I**

(1994→2002)

1,9 D XUD9TE  
1,9 D XUD9TF  
1,9 D XUD9UTF

to Chassis No. 16206253  
For vehicles with drum brakes on the rear axle  
for vehicles with ABS  
Payload [kg] 1000  
Payload [kg] 1400

to Chassis No. 16205754  
For vehicles with drum brakes on the rear axle  
for vehicles without ABS  
Payload [kg] 1000  
Payload [kg] 1400

not for payload [kg] 1800

from Chassis No. 16205755  
Payload [kg] 1000  
Payload [kg] 1400  
Payload [kg] 1500

from Chassis No. 16194400  
Payload [kg] 1800

**12691 / 12695**

-

-

**14967**

-

**28231**

-

**28232**

**febi 12691**

Ref. No. 3350.29



AØ 80 IØ 50 B 21,5

**febi 12695**

Ref. No. 3350.29 SK



AØ 80 IØ 50 B 21,5

**febi 14967**

Ref. No. 3307.65



AØ 139 LKØ 112 x 5

**febi 28231**

Ref. No. 3307.84



AØ 139 LKØ 113,5 x 5

**febi 28232**

Ref. No. 3307.83



AØ 156 LKØ 126 x 5



**Relay I**

(1994→2002)

**2,0 D DW10TD**

not for payload [kg] 1800

-

**14967**

from Chassis No. 16205755

-

**28231**

Payload [kg] 1000

Payload [kg] 1400

Payload [kg] 1500

from Chassis No. 16194400

-

**28232**

Payload [kg] 1800

front axle

**febi 14967**

Ref. No. 3307.65



AØ 139 LKØ 112 x 5

**febi 28231**

Ref. No. 3307.84



AØ 139 LKØ 113,5 x 5

**febi 28232**

Ref. No. 3307.83



AØ 156 LKØ 126 x 5

suitable for:

**Citroën**

**Car  
Division**



## Relay I

(1994→2002)

2,0 D DW10UTD  
2,0 XU10J2C  
2,0 XU10J2U

to Chassis No. 16206253  
For vehicles with drum brakes on the  
rear axle  
for vehicles with ABS  
Payload [kg] 1000  
Payload [kg] 1400

**12691 / 12695**

-

to Chassis No. 16205754  
For vehicles with drum brakes on the  
rear axle  
for vehicles without ABS  
Payload [kg] 1000  
Payload [kg] 1400

not for payload [kg] 1800

-

**14967**

from Chassis No. 16205755  
Payload [kg] 1000  
Payload [kg] 1400  
Payload [kg] 1500

-

**28231**

from Chassis No. 16194400  
Payload [kg] 1800

-

**28232**

### febi 12691

Ref. No. 3350.29



AØ 80 IØ 50 B 21,5

### febi 12695

Ref. No. 3350.29 SK



AØ 80 IØ 50 B 21,5

### febi 14967

Ref. No. 3307.65



AØ 139 LKØ 112 x 5

### febi 28231

Ref. No. 3307.84



AØ 139 LKØ 113,5 x 5

### febi 28232

Ref. No. 3307.83



AØ 156 LKØ 126 x 5



## Relay I 1000

(1994→2002)

1,9 D XUD9A

to Chassis No. 16206253  
drum brake  
For vehicles with drum brakes on the  
rear axle  
for vehicles with ABS  
Payload [kg] 1000  
Payload [kg] 1400

12691

-

to Chassis No. 16205754  
drum brake  
For vehicles with drum brakes on the  
rear axle  
for vehicles without ABS  
Payload [kg] 1000  
Payload [kg] 1400

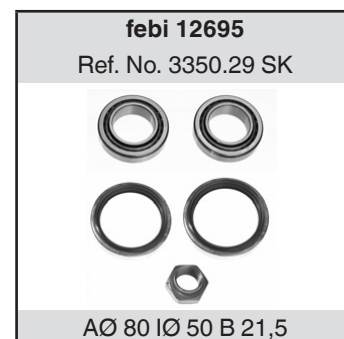
to Chassis No. 16206253  
For vehicles with drum brakes on the  
rear axle  
for vehicles with ABS  
Payload [kg] 1000  
Payload [kg] 1400

12695

-

to Chassis No. 16205754  
For vehicles with drum brakes on the  
rear axle  
for vehicles without ABS  
Payload [kg] 1000  
Payload [kg] 1400

front axle





suitable for:

**Citroën**

**Car  
Division**



**Relay I 1000**

(1994→2002)

front axle

	not for payload [kg] 1800	-	<b>14967</b>
	from Chassis No. 16205755 Payload [kg] 1000 Payload [kg] 1400 Payload [kg] 1500	-	<b>28231</b>
	from Chassis No. 16194400 Payload [kg] 1800	-	<b>28232</b>
<b>2,8 D 814043S</b>	to Chassis No. 16206253 For vehicles with drum brakes on the rear axle for vehicles with ABS Payload [kg] 1000 Payload [kg] 1400	<b>12691 / 12695</b>	-
	to Chassis No. 16205754 For vehicles with drum brakes on the rear axle for vehicles without ABS Payload [kg] 1000 Payload [kg] 1400		

**febi 12691**  
Ref. No. 3350.29

AØ 80 IØ 50 B 21,5

**febi 12695**  
Ref. No. 3350.29 SK

AØ 80 IØ 50 B 21,5

**febi 14967**  
Ref. No. 3307.65

AØ 139 LKØ 112 x 5

**febi 28231**  
Ref. No. 3307.84

AØ 139 LKØ 113,5 x 5

**febi 28232**  
Ref. No. 3307.83

AØ 156 LKØ 126 x 5

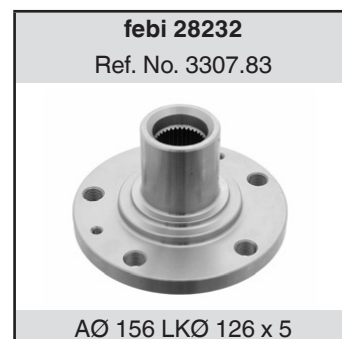


**Relay I 1000**

(1994→2002)

not for payload [kg] 1800	-	<b>14967</b>
from Chassis No. 16205755	-	<b>28231</b>
Payload [kg] 1000		
Payload [kg] 1400		
Payload [kg] 1500		
from Chassis No. 16194400	-	<b>28232</b>
Payload [kg] 1800		

front axle



suitable for:

**Citroën**

**Car  
Division**



**Relay I 1400**

(1994→2002)

2,5 D DJ5  
2,5 D DJ5T  
2,5 D DJ5TED  
2,8 D 814043

to Chassis No. 16206253  
For vehicles with drum brakes on the rear axle  
for vehicles with ABS  
Payload [kg] 1000  
Payload [kg] 1400

to Chassis No. 16205754  
For vehicles with drum brakes on the rear axle  
for vehicles without ABS  
Payload [kg] 1000  
Payload [kg] 1400

not for payload [kg] 1800

from Chassis No. 16205755  
Payload [kg] 1000  
Payload [kg] 1400  
Payload [kg] 1500

from Chassis No. 16194400  
Payload [kg] 1800

**12691 / 12695**

-

-

**14967**

-

**28231**

-

**28232**

**febi 12691**

Ref. No. 3350.29



AØ 80 IØ 50 B 21,5

**febi 12695**

Ref. No. 3350.29 SK



AØ 80 IØ 50 B 21,5

**febi 14967**

Ref. No. 3307.65



AØ 139 LKØ 112 x 5

**febi 28231**

Ref. No. 3307.84



AØ 139 LKØ 113,5 x 5

**febi 28232**

Ref. No. 3307.83



AØ 156 LKØ 126 x 5



**Relay I 1400**

(1994→2002)

**2,8 D 814043S**

to Chassis No. 16205754  
For vehicles with drum brakes on the rear axle  
for vehicles without ABS  
Payload [kg] 1000  
Payload [kg] 1400

**12691**

-

to Chassis No. 16206253  
For vehicles with drum brakes on the rear axle  
for vehicles with ABS  
Payload [kg] 1000  
Payload [kg] 1400

**12695**

-

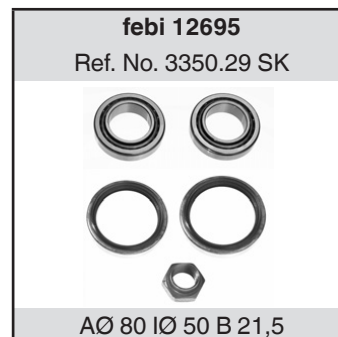
to Chassis No. 16205754  
For vehicles with drum brakes on the rear axle  
for vehicles without ABS  
Payload [kg] 1000  
Payload [kg] 1400

not for payload [kg] 1800

-

**14967**

front axle



suitable for:

**Citroën**

**Car  
Division**



**Relay I 1400**

(1994→2002)

front axle


	from Chassis No. 16205755 Payload [kg] 1000 Payload [kg] 1400 Payload [kg] 1500	-	<b>28231</b>
	from Chassis No. 16194400 Payload [kg] 1800	-	<b>28232</b>
<b>2,8 D 814063</b>	to Chassis No. 16206253 For vehicles with drum brakes on the rear axle for vehicles with ABS Payload [kg] 1000 Payload [kg] 1400	<b>12691 / 12695</b>	-
	to Chassis No. 16205754 For vehicles with drum brakes on the rear axle for vehicles without ABS Payload [kg] 1000 Payload [kg] 1400		
	not for payload [kg] 1800	-	<b>14967</b>

**febi 12691**  
Ref. No. 3350.29



AØ 80 IØ 50 B 21,5

**febi 12695**  
Ref. No. 3350.29 SK




AØ 80 IØ 50 B 21,5

**febi 14967**  
Ref. No. 3307.65



AØ 139 LKØ 112 x 5

**febi 28231**  
Ref. No. 3307.84



AØ 139 LKØ 113,5 x 5

**febi 28232**  
Ref. No. 3307.83



AØ 156 LKØ 126 x 5



**Relay I 1400**

(1994→2002)

from Chassis No. 16205755

Payload [kg] 1000

Payload [kg] 1400

Payload [kg] 1500

-

**28231**

from Chassis No. 16194400

Payload [kg] 1800

-

**28232**

**Relay I 1400 4x4**

(2000→2002)

**2,8 D 814043S**

to Chassis No. 16206253

For vehicles with drum brakes on the rear axle

for vehicles with ABS

Payload [kg] 1000

Payload [kg] 1400

**12691 / 12695**

-

to Chassis No. 16205754

For vehicles with drum brakes on the rear axle

for vehicles without ABS

Payload [kg] 1000

Payload [kg] 1400

front axle

**febi 12691**

Ref. No. 3350.29



AØ 80 IØ 50 B 21,5

**febi 12695**

Ref. No. 3350.29 SK



AØ 80 IØ 50 B 21,5

**febi 28231**

Ref. No. 3307.84



AØ 139 LKØ 113,5 x 5

**febi 28232**

Ref. No. 3307.83



AØ 156 LKØ 126 x 5

suitable for:

# Citroën

Car  
Division



## Relay I 1400 4x4

(2000→2002)

not for payload [kg] 1800

-

**14967**

from Chassis No. 16205755

-

**28231**

Payload [kg] 1000

Payload [kg] 1400

Payload [kg] 1500

from Chassis No. 16194400

-

**28232**

Payload [kg] 1800

front axle

**febi 14967**

Ref. No. 3307.65



AØ 139 LKØ 112 x 5

**febi 28231**

Ref. No. 3307.84



AØ 139 LKØ 113,5 x 5

**febi 28232**

Ref. No. 3307.83



AØ 156 LKØ 126 x 5



**Relay I 1800**

(1994→2002)

2,5 D DJ5

to Chassis No. 16205754  
For vehicles with drum brakes on the rear axle  
for vehicles without ABS  
Payload [kg] 1000  
Payload [kg] 1400

**12691**

-

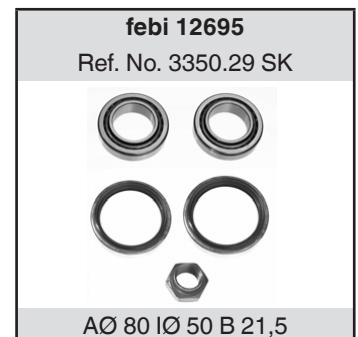
to Chassis No. 16206253  
For vehicles with drum brakes on the rear axle  
for vehicles with ABS  
Payload [kg] 1000  
Payload [kg] 1400

**12695**

-

to Chassis No. 16205754  
For vehicles with drum brakes on the rear axle  
for vehicles without ABS  
Payload [kg] 1000  
Payload [kg] 1400

front axle





suitable for:

# Citroën

Car  
Division



## Relay I 1800

(1994→2002)

not for payload [kg] 1800

-

**14967**

from Chassis No. 16205755

-

**28231**

Payload [kg] 1000

Payload [kg] 1400

Payload [kg] 1500

from Chassis No. 16194400

-

**28232**

Payload [kg] 1800

front axle

**febi 14967**

Ref. No. 3307.65



AØ 139 LKØ 112 x 5

**febi 28231**

Ref. No. 3307.84



AØ 139 LKØ 113,5 x 5

**febi 28232**

Ref. No. 3307.83



AØ 156 LKØ 126 x 5



## Relay I 1800

(1994→2002)

2,5 D DJ5T  
2,5 D DJ5TED

to Chassis No. 16206253  
For vehicles with drum brakes on the rear axle  
for vehicles with ABS  
Payload [kg] 1000  
Payload [kg] 1400

to Chassis No. 16205754  
For vehicles with drum brakes on the rear axle  
for vehicles without ABS  
Payload [kg] 1000  
Payload [kg] 1400

not for payload [kg] 1800

from Chassis No. 16205755  
Payload [kg] 1000  
Payload [kg] 1400  
Payload [kg] 1500

from Chassis No. 16194400  
Payload [kg] 1800

12691 / 12695

-

-

14967

-

28231

-

28232

front axle

### febi 12695

Ref. No. 3350.29 SK



AØ 80 IØ 50 B 21,5

### febi 14967

Ref. No. 3307.65



AØ 139 LKØ 112 x 5

### febi 28231

Ref. No. 3307.84



AØ 139 LKØ 113,5 x 5

### febi 28232

Ref. No. 3307.83



AØ 156 LKØ 126 x 5

### febi 12691

Ref. No. 3350.29



AØ 80 IØ 50 B 21,5

suitable for:

**Citroën**

**Car  
Division**



**Relay I 1800**

(1994→2002)

**2,8 D 814043**  
**2,8 D 814043S**

to Chassis No. 16205754  
For vehicles with drum brakes on the rear axle  
for vehicles without ABS  
Payload [kg] 1000  
Payload [kg] 1400

**12691**

-

to Chassis No. 16206253  
For vehicles with drum brakes on the rear axle  
for vehicles with ABS  
Payload [kg] 1000  
Payload [kg] 1400

**12695**

-

to Chassis No. 16205754  
For vehicles with drum brakes on the rear axle  
for vehicles without ABS  
Payload [kg] 1000  
Payload [kg] 1400

not for payload [kg] 1800

-

**14967**

from Chassis No. 16205755  
Payload [kg] 1000  
Payload [kg] 1400  
Payload [kg] 1500

-

**28231**

from Chassis No. 16194400  
Payload [kg] 1800

-

**28232**

**febi 12691**

Ref. No. 3350.29



AØ 80 IØ 50 B 21,5

**febi 12695**

Ref. No. 3350.29 SK



AØ 80 IØ 50 B 21,5

**febi 14967**

Ref. No. 3307.65



AØ 139 LKØ 112 x 5

**febi 28231**

Ref. No. 3307.84



AØ 139 LKØ 113,5 x 5

**febi 28232**

Ref. No. 3307.83



AØ 156 LKØ 126 x 5



**Relay I 1800**

(1994→2002)

**2,8 D 814063**

to Chassis No. 16206253  
For vehicles with drum brakes on the rear axle  
for vehicles with ABS  
Payload [kg] 1000  
Payload [kg] 1400

**12691 / 12695**

-

to Chassis No. 16205754  
For vehicles with drum brakes on the rear axle  
for vehicles without ABS  
Payload [kg] 1000  
Payload [kg] 1400

not for payload [kg] 1800

-

**14967**

from Chassis No. 16205755  
Payload [kg] 1000  
Payload [kg] 1400  
Payload [kg] 1500

-

**28231**

from Chassis No. 16194400  
Payload [kg] 1800

-

**28232**

front axle

**febi 12691**

Ref. No. 3350.29



AØ 80 IØ 50 B 21,5

**febi 12695**

Ref. No. 3350.29 SK



AØ 80 IØ 50 B 21,5

**febi 14967**

Ref. No. 3307.65



AØ 139 LKØ 112 x 5

**febi 28231**

Ref. No. 3307.84



AØ 139 LKØ 113,5 x 5

**febi 28232**

Ref. No. 3307.83



AØ 156 LKØ 126 x 5

suitable for:

**Citroën**

**Car  
Division**



## Relay I 1800 4x4

(2000→2002)

**2,8 D 814043S**

to Chassis No. 16206253  
For vehicles with drum brakes on the rear axle  
for vehicles with ABS  
Payload [kg] 1000  
Payload [kg] 1400

**12691 / 12695**

-

to Chassis No. 16205754  
For vehicles with drum brakes on the rear axle  
for vehicles without ABS  
Payload [kg] 1000  
Payload [kg] 1400

not for payload [kg] 1800

-

**14967**

from Chassis No. 16205755  
Payload [kg] 1000  
Payload [kg] 1400  
Payload [kg] 1500

-

**28231**

from Chassis No. 16194400  
Payload [kg] 1800

-

**28232**

front axle

**febi 12691**

Ref. No. 3350.29



AØ 80 IØ 50 B 21,5

**febi 12695**

Ref. No. 3350.29 SK



AØ 80 IØ 50 B 21,5

**febi 14967**

Ref. No. 3307.65



AØ 139 LKØ 112 x 5

**febi 28231**

Ref. No. 3307.84



AØ 139 LKØ 113,5 x 5

**febi 28232**

Ref. No. 3307.83



AØ 156 LKØ 126 x 5



## Relay I 4x4

(1994→2002)

1,9 D XUD9TE

to Chassis No. 16206253  
For vehicles with drum brakes on the rear axle  
for vehicles with ABS  
Payload [kg] 1000  
Payload [kg] 1400

12691 / 12695

-

to Chassis No. 16205754  
For vehicles with drum brakes on the rear axle  
for vehicles without ABS  
Payload [kg] 1000  
Payload [kg] 1400

not for payload [kg] 1800

-

14967

from Chassis No. 16205755  
Payload [kg] 1000  
Payload [kg] 1400  
Payload [kg] 1500

-

28231

from Chassis No. 16194400  
Payload [kg] 1800

-

28232

front axle

**febi 12691**

Ref. No. 3350.29



AØ 80 IØ 50 B 21,5

**febi 12695**

Ref. No. 3350.29 SK



AØ 80 IØ 50 B 21,5

**febi 14967**

Ref. No. 3307.65



AØ 139 LKØ 112 x 5

**febi 28231**

Ref. No. 3307.84



AØ 139 LKØ 113,5 x 5

**febi 28232**

Ref. No. 3307.83



AØ 156 LKØ 126 x 5

suitable for:

**Citroën**

**Car  
Division**



## Relay I 4x4

(1994→2002)

2,0 XU10J2C

to Chassis No. 16205754  
For vehicles with drum brakes on the rear axle  
for vehicles without ABS  
Payload [kg] 1000  
Payload [kg] 1400

**12691**

-

to Chassis No. 16206253  
For vehicles with drum brakes on the rear axle  
for vehicles with ABS  
Payload [kg] 1000  
Payload [kg] 1400

**12695**

-

to Chassis No. 16205754  
For vehicles with drum brakes on the rear axle  
for vehicles without ABS  
Payload [kg] 1000  
Payload [kg] 1400

-

**14967**

not for payload [kg] 1800

**febi 12691**

Ref. No. 3350.29



AØ 80 IØ 50 B 21,5

**febi 12695**

Ref. No. 3350.29 SK



AØ 80 IØ 50 B 21,5

**febi 14967**

Ref. No. 3307.65



AØ 139 LKØ 112 x 5



**Relay I 4x4**

(1994→2002)

from Chassis No. 16205755

Payload [kg] 1000

Payload [kg] 1400

Payload [kg] 1500

-

**28231**

from Chassis No. 16194400

Payload [kg] 1800

-

**28232**

front axle

**febi 28231**

Ref. No. 3307.84



AØ 139 LKØ 113,5 x 5

**febi 28232**

Ref. No. 3307.83



AØ 156 LKØ 126 x 5



suitable for:

**Citroën**

**Car  
Division**



## Relay I 4x4

(1994→2002)

2,4 D DJ5  
2,5 D DJ5  
2,5 D DJ5T  
2,5 D DJ5TED  
2,8 D 814043S

to Chassis No. 16206253  
For vehicles with drum brakes on the  
rear axle  
for vehicles with ABS  
Payload [kg] 1000  
Payload [kg] 1400

to Chassis No. 16205754  
For vehicles with drum brakes on the  
rear axle  
for vehicles without ABS  
Payload [kg] 1000  
Payload [kg] 1400

not for payload [kg] 1800

from Chassis No. 16205755  
Payload [kg] 1000  
Payload [kg] 1400  
Payload [kg] 1500

from Chassis No. 16194400  
Payload [kg] 1800

**12691 / 12695**

-

-

**14967**

-

**28231**

-

**28232**

### febi 12691

Ref. No. 3350.29



AØ 80 IØ 50 B 21,5

### febi 12695

Ref. No. 3350.29 SK



AØ 80 IØ 50 B 21,5

### febi 14967

Ref. No. 3307.65



AØ 139 LKØ 112 x 5

### febi 28231

Ref. No. 3307.84



AØ 139 LKØ 113,5 x 5

### febi 28232

Ref. No. 3307.83



AØ 156 LKØ 126 x 5

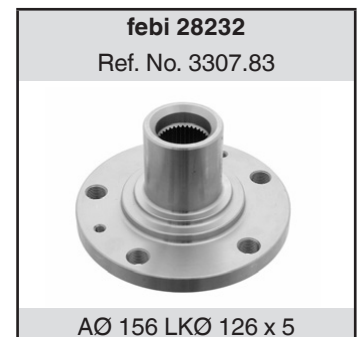
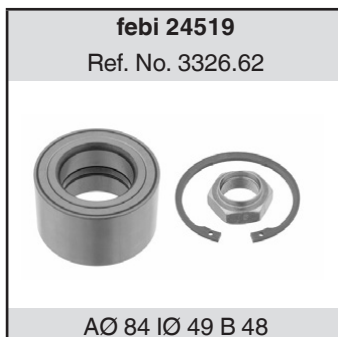


**Relay II**

(2002→2006)

<b>2,0 D DW10TD</b>	Payload [kg] 1000	<b>24519</b>	-
	Payload [kg] 1400		
	Payload [kg] 1800	<b>24521</b>	<b>28232</b>
	Payload [kg] 1000 Payload [kg] 1400 Payload [kg] 1500	-	<b>28231</b>
<b>2,0 D DW10UTD</b> <b>2,0 XU10J2</b>	Payload [kg] 1000	<b>24519</b>	-
	Payload [kg] 1400		
	Payload [kg] 1800	<b>24521</b>	-
	Payload [kg] 1000 Payload [kg] 1400 Payload [kg] 1500	-	<b>28231</b>
	from Chassis No. 16194400 Payload [kg] 1800	-	<b>28232</b>
<b>2,2 D DW12TED</b> <b>2,2 D DW12UTED</b>	Payload [kg] 1000	<b>24519</b>	-
	Payload [kg] 1400		
	Payload [kg] 1800	<b>24521</b>	<b>28232</b>
	Payload [kg] 1000 Payload [kg] 1400 Payload [kg] 1500	-	<b>28231</b>
<b>2,8 D 814043N</b>	Payload [kg] 1000	<b>24519</b>	-
	Payload [kg] 1400		
	Payload [kg] 1800	<b>24521</b>	-
	Payload [kg] 1000 Payload [kg] 1400 Payload [kg] 1500	-	<b>28231</b>
	from Chassis No. 16194400 Payload [kg] 1800	-	<b>28232</b>

front axle



suitable for:

**Citroën**

**Car  
Division**



**Relay II**

(2002→2006)

2,8 D 814043S  
2,8 D F28TDCR

Payload [kg] 1000  
Payload [kg] 1400

24519

-

Payload [kg] 1800

24521

28232

Payload [kg] 1000  
Payload [kg] 1400  
Payload [kg] 1500

-

28231

**Relay II 4x4**

(2002→2006)

2,8 D F28TDCR

Payload [kg] 1000  
Payload [kg] 1400

24519

-

Payload [kg] 1800

24521

28232

Payload [kg] 1000  
Payload [kg] 1400  
Payload [kg] 1500

-

28231

**Relay III**

(2006→ )

all

36309

-

**febi 24519**

Ref. No. 3326.62



AØ 84 IØ 49 B 48

**febi 24521**

Ref. No. 3326.69



AØ 90 IØ 55 B 60

**febi 28231**

Ref. No. 3307.84



AØ 139 LKØ 113,5 x 5

**febi 28232**

Ref. No. 3307.83



AØ 156 LKØ 126 x 5

**febi 36309**

Ref. No. 16 063 746 80 S1



AØ 90 IØ 55 B 54



**Saxo**

(1996→2004)

**0,0 SA13**

to Control Number 08093

**05542**

-

from Control Number 07555  
to Control Number 08093  
for vehicles with heavy duty chassis

-

**10223**

to Control Number 08093  
for vehicles with ABS  
for vehicles with standard chassis  
for vehicles without power steering

to Control Number 08093  
for vehicles with standard chassis  
for vehicles with power steering

to Control Number 07554  
for vehicles with heavy duty chassis

**22006**

**19844**

**1,0 TU9M**

from Control Number 07555  
to Control Number 08093  
for vehicles with heavy duty chassis

**05542**

-

to Control Number 08093  
for vehicles with standard chassis

from Control Number 07555  
to Control Number 08093  
for vehicles with heavy duty chassis

-

**10223**

to Control Number 08093  
for vehicles with standard chassis

to Control Number 08093  
for vehicles with ABS  
for vehicles with standard chassis  
for vehicles without power steering

to Control Number 08093  
for vehicles with standard chassis  
for vehicles with power steering

front axle

**febi 05542**

Ref. No. 3350.17



AØ 72 IØ 35 B 33

**febi 10223**

Ref. No. 3307.49



AØ 130 LKØ 108 x 4

**febi 19844**

Ref. No. 3307.74



AØ 119 LKØ 85 x 3

**febi 22006**

Ref. No. 3350.18



AØ 66 IØ 35 B 32

suitable for:

**Citroën**

**Car  
Division**



**Saxo**  
(1996→2004)

front axle

	from Control Number 08094 Rim Hole Number 4	<b>18191</b>	<b>18285</b>
	to Control Number 07554 for vehicles with heavy duty chassis	<b>22006</b>	<b>19844</b>
	to Control Number 08330 for vehicles with standard chassis		
<b>1,1 TU1JP</b>	from Control Number 07555 to Control Number 08093 for vehicles with heavy duty chassis	<b>05542</b>	-
	to Control Number 08093 for vehicles with standard chassis		
	from Control Number 07555 to Control Number 08093 for vehicles with heavy duty chassis	-	<b>10223</b>
	to Control Number 08093 for vehicles with standard chassis		
	to Control Number 08093 for vehicles with ABS for vehicles with standard chassis for vehicles without power steering		
	to Control Number 08093 for vehicles with standard chassis for vehicles with power steering		

**febi 05542**

Ref. No. 3350.17



AØ 72 IØ 35 B 33

**febi 10223**

Ref. No. 3307.49



AØ 130 LKØ 108 x 4

**febi 18191**

Ref. No. 3350.32



AØ 72 IØ 37 B 33

**febi 18285**

Ref. No. 3307.76



AØ 130 LKØ 108 x 4

**febi 19844**

Ref. No. 3307.74



AØ 119 LKØ 85 x 3

**febi 22006**

Ref. No. 3350.18



AØ 66 IØ 35 B 32



**Saxo**

(1996→2004)

for vehicles with sports suspension  
Rim Hole Number 4

**18191**

**18285**

to Control Number 07554  
for vehicles with heavy duty chassis

**22006**

**19844**

to Control Number 08792  
for vehicles with standard chassis  
Rim Hole Number 3

front axle

**febi 18191**  
Ref. No. 3350.32

AØ 72 IØ 37 B 33

**febi 18285**  
Ref. No. 3307.76

AØ 130 LKØ 108 x 4

**febi 19844**  
Ref. No. 3307.74

AØ 119 LKØ 85 x 3

**febi 22006**  
Ref. No. 3350.18

AØ 66 IØ 35 B 32



## Saxo (1996→2004)

### 1,1 TU1M

from Control Number 07555  
to Control Number 08093  
for vehicles with heavy duty chassis

**05542**

-

to Control Number 08093  
for vehicles with standard chassis

from Control Number 07555  
to Control Number 08093  
for vehicles with heavy duty chassis

-

**10223**

to Control Number 08093  
for vehicles with standard chassis

to Control Number 08093  
for vehicles with ABS  
for vehicles with standard chassis  
for vehicles without power steering

to Control Number 08093  
for vehicles with standard chassis  
for vehicles with power steering

to Control Number 07554  
for vehicles with heavy duty chassis

**22006**

**19844**

### 1,1 TU1M+

from Control Number 07555  
to Control Number 08093  
for vehicles with heavy duty chassis

**05542**

-

to Control Number 08093  
for vehicles with ABS  
for vehicles with standard chassis  
for vehicles without power steering

to Control Number 08093  
for vehicles with standard chassis  
for vehicles with power steering

front axle

#### febi 05542

Ref. No. 3350.17



AØ 72 IØ 35 B 33

#### febi 10223

Ref. No. 3307.49



AØ 130 LKØ 108 x 4

#### febi 19844

Ref. No. 3307.74



AØ 119 LKØ 85 x 3

#### febi 22006

Ref. No. 3350.18



AØ 66 IØ 35 B 32



**Saxo**

(1996→2004)

from Control Number 07555 to Control Number 08093 for vehicles with heavy duty chassis	-	10223
to Control Number 08093 for vehicles with standard chassis		
to Control Number 08093 for vehicles with ABS for vehicles with standard chassis for vehicles without power steering		
to Control Number 08093 for vehicles with standard chassis for vehicles with power steering		
from Control Number 08094 for vehicles without ABS for vehicles with sports suspension	18191	-
from Control Number 08094 for vehicles without ABS for vehicles without power steering for vehicles with standard chassis		
from Control Number 08094 for vehicles with sports suspension	-	18285
from Control Number 08094 for vehicles without ABS for vehicles with standard chassis for vehicles without power steering		

front axle



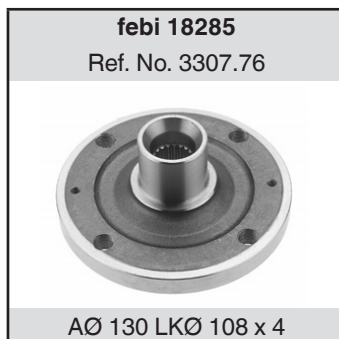
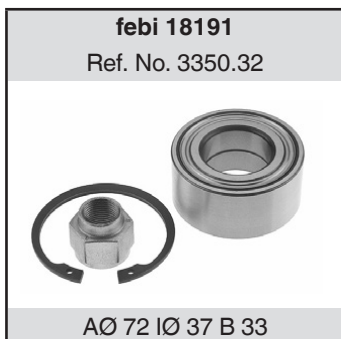
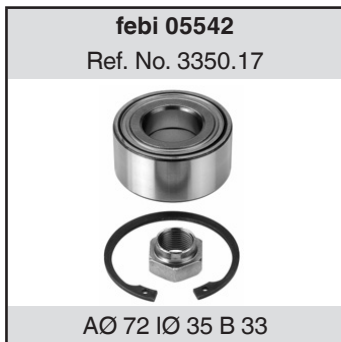




## Saxo (1996→2004)

front axle

	to Control Number 07554 for vehicles with heavy duty chassis	<b>22006</b>	<b>19844</b>
	to Control Number 08330 for vehicles without ABS for vehicles with standard chassis for vehicles without power steering		
<b>1,4 TU3JP</b>	to Control Number 08093	<b>05542</b>	-
	from Control Number 07555 to Control Number 08093 for vehicles with heavy duty chassis	-	<b>10223</b>
	to Control Number 08093 for vehicles with standard chassis		
	to Control Number 08093 for vehicles with ABS for vehicles with standard chassis for vehicles without power steering		
	to Control Number 08093 for vehicles with standard chassis for vehicles with power steering		
	from Control Number 08094 for vehicles with sports suspension	<b>18191</b>	<b>18285</b>
	to Control Number 07554 for vehicles with heavy duty chassis	<b>22006</b>	<b>19844</b>





**Saxo**

(1996→2004)

**1,5 D TUD5**

to Control Number 08093	<b>05542</b>	-
from Control Number 07555 to Control Number 08093 for vehicles with heavy duty chassis	-	<b>10223</b>
to Control Number 08093 for vehicles with standard chassis Number of Doors 3		
for vehicles with standard chassis Number of Doors 5		
to Control Number 08093 for vehicles with ABS for vehicles with standard chassis for vehicles without power steering		
to Control Number 08093 for vehicles with standard chassis for vehicles with power steering		
from Control Number 08094	<b>18191</b>	<b>18285</b>
to Control Number 07554 for vehicles with heavy duty chassis	<b>22006</b>	<b>19844</b>

front axle

**febi 18191**  
Ref. No. 3350.32

AØ 72 IØ 37 B 33

**febi 18285**  
Ref. No. 3307.76

AØ 130 LKØ 108 x 4

**febi 05542**  
Ref. No. 3350.17

AØ 72 IØ 35 B 33

**febi 10223**  
Ref. No. 3307.49

AØ 130 LKØ 108 x 4

**febi 19844**  
Ref. No. 3307.74

AØ 119 LKØ 85 x 3

**febi 22006**  
Ref. No. 3350.18

AØ 66 IØ 35 B 32

suitable for:

**Citroën**

**Car  
Division**



**Saxo**

(1996→2004)

**1,5 D TUD5B**

from Control Number 07555  
to Control Number 08093  
for vehicles with heavy duty chassis

**05542**

-

to Control Number 08093  
for vehicles with standard chassis

from Control Number 07555  
to Control Number 08093  
for vehicles with heavy duty chassis

-

**10223**

to Control Number 08093  
for vehicles with standard chassis

to Control Number 08093  
for vehicles with ABS  
for vehicles with standard chassis  
for vehicles without power steering

to Control Number 08093  
for vehicles with standard chassis  
for vehicles with power steering

**18191**

**18285**

to Control Number 07554  
for vehicles with heavy duty chassis

**22006**

**19844**

front axle

**febi 05542**

Ref. No. 3350.17



AØ 72 IØ 35 B 33

**febi 10223**

Ref. No. 3307.49



AØ 130 LKØ 108 x 4

**febi 18191**

Ref. No. 3350.32



AØ 72 IØ 37 B 33

**febi 18285**

Ref. No. 3307.76



AØ 130 LKØ 108 x 4

**febi 19844**

Ref. No. 3307.74



AØ 119 LKØ 85 x 3

**febi 22006**

Ref. No. 3350.18



AØ 66 IØ 35 B 32



**Saxo**

(1996→2004)

1,6 TU5J4

to Control Number 08093	<b>05542</b>	-
from Control Number 07555 to Control Number 08093 for vehicles with heavy duty chassis	-	<b>10223</b>
to Control Number 08093 for vehicles with standard chassis		
to Control Number 08093 for vehicles with ABS for vehicles with standard chassis for vehicles without power steering		
to Control Number 08093 for vehicles with standard chassis for vehicles with power steering		
from Control Number 08094 automatic transmission	<b>18191</b>	<b>18285</b>
to Control Number 07554 for vehicles with heavy duty chassis	<b>22006</b>	<b>19844</b>

front axle

**febi 18191**  
Ref. No. 3350.32

AØ 72 IØ 37 B 33

**febi 18285**  
Ref. No. 3307.76

AØ 130 LKØ 108 x 4

**febi 05542**  
Ref. No. 3350.17

AØ 72 IØ 35 B 33

**febi 10223**  
Ref. No. 3307.49

AØ 130 LKØ 108 x 4

**febi 19844**  
Ref. No. 3307.74

AØ 119 LKØ 85 x 3

**febi 22006**  
Ref. No. 3350.18

AØ 66 IØ 35 B 32



## Saxo (1996→2004)

1,6 TU5JP

from Control Number 07555  
to Control Number 08093  
for vehicles with heavy duty chassis

05542

-

to Control Number 08093  
for vehicles with standard chassis

from Control Number 07555  
to Control Number 08093  
for vehicles with heavy duty chassis

-

10223

to Control Number 08093  
for vehicles with standard chassis

to Control Number 08093  
for vehicles with ABS  
for vehicles with standard chassis  
for vehicles without power steering

to Control Number 08093  
for vehicles with standard chassis  
for vehicles with power steering

from Control Number 08094  
automatic transmission

18191

18285

to Control Number 07554  
for vehicles with heavy duty chassis

22006

19844

front axle

### febi 05542

Ref. No. 3350.17



AØ 72 IØ 35 B 33

### febi 10223

Ref. No. 3307.49



AØ 130 LKØ 108 x 4

### febi 18191

Ref. No. 3350.32



AØ 72 IØ 37 B 33

### febi 18285

Ref. No. 3307.76



AØ 130 LKØ 108 x 4

### febi 19844

Ref. No. 3307.74



AØ 119 LKØ 85 x 3

### febi 22006

Ref. No. 3350.18



AØ 66 IØ 35 B 32



**Saxo**

(1996→2004)

**1,6 TU5JP4**

from Control Number 07555 to Control Number 08093 for vehicles with heavy duty chassis	<b>05542</b>	-
to Control Number 08093 for vehicles with standard chassis		
from Control Number 07555 to Control Number 08093 for vehicles with heavy duty chassis	-	<b>10223</b>
to Control Number 08093 for vehicles with standard chassis		
to Control Number 08093 for vehicles with ABS for vehicles with standard chassis for vehicles without power steering		
to Control Number 08093 for vehicles with standard chassis for vehicles with power steering		
to Control Number 07554 for vehicles with heavy duty chassis	<b>22006</b>	<b>19844</b>

front axle

**febi 05542**  
Ref. No. 3350.17

AØ 72 IØ 35 B 33

**febi 10223**  
Ref. No. 3307.49

AØ 130 LKØ 108 x 4

**febi 19844**  
Ref. No. 3307.74

AØ 119 LKØ 85 x 3

**febi 22006**  
Ref. No. 3350.18

AØ 66 IØ 35 B 32

suitable for:

**Citroën**

**Car  
Division**



**Synergie**

(1994→2003)

all

14538

19842

**Xantia I**

(1993→1998)

1,6 XU5JP  
1,8 XU7JB  
1,8 XU7JP  
1,8 XU7JP4  
1,9 D XUD9

05543

10224

1,9 D XUD9A  
1,9 D XUD9BTF

05543

-

1,9 D XUD9SD

05543

10224

1,9 D XUD9T

05543

-

1,9 D XUD9TE

05543

10224

1,9 D XUD9TF  
1,9 D XUD9Y

05543

-

2,0 XU10J2

05543

10224

2,0 XU10J2C

05543

-

2,0 XU10J2TE

05543

28497

**febi 05543**

Ref. No. 3350.16



AØ 82 IØ 42 B 36

**febi 10224**

Ref. No. 3307.85



AØ 128 LKØ 108 x 4

**febi 14538**

Ref. No. 3350.91



AØ 82 IØ 44 B 37

**febi 19842**

Ref. No. 3307.64



AØ 122 LKØ 95 x 5

**febi 28497**

Ref. No. 3307.75



AØ 128 LKØ 108 x 4



### Xantia I

(1993→1998)

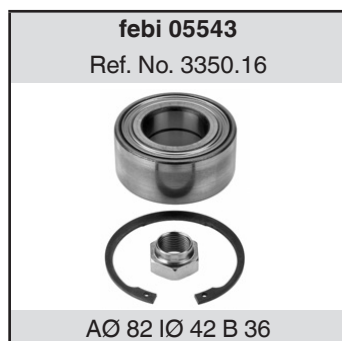
2,0 XU10J4	05543	-
from Control Number 06687 to Control Number 06778	-	10224
2,0 XU10J4D	05543	-
2,0 XU10J4R	05543	10224
2,1 D XUD11BTE 3,0 ES9J4	05543	28497

### Xantia II

(1998→2003)

1,6 XU5JP 1,8 XU7JB 1,8 XU7JP4	05543	10224
1,9 D XUD9BTF	05543	-
1,9 D XUD9SD	05543	10224
1,9 D XUD9TE	05543	10224
automatic transmission Transmission Type AL4	-	28497
2,0 D DW10ATED	05543	28497
2,0 D DW10TD 2,0 XU10J2	05543	10224
2,0 XU10J2C	05543	-
2,0 XU10J2TE	05543	28497
2,0 XU10J4R	05543	10224 / 28497
2,1 D XUD11BTE 3,0 ES9J4	05543	28497

front axle







## Xsara I

(1997→2005)

### 1,4 TU3JP

to Control Number 08098  
for vehicles without ABS

**05542**

-

to Control Number 08098  
for vehicles without ABS  
for vehicles with standard chassis

-

**10223**

for vehicles with ABS

-

**10224**

from Control Number 08099  
for vehicles without ABS

**18191**

-

from Control Number 08099  
for vehicles without ABS  
for vehicles with standard chassis

-

**18285**

### 1,5 D TUD5

to Control Number 08098  
for vehicles without ABS

**05542**

-

for vehicles with ABS

**05543**

**10224**

to Control Number 08098  
for vehicles without ABS  
for vehicles with standard chassis

-

**10223**

front axle

#### febi 05542

Ref. No. 3350.17



AØ 72 IØ 35 B 33

#### febi 05543

Ref. No. 3350.16



AØ 82 IØ 42 B 36

#### febi 10223

Ref. No. 3307.49



AØ 130 LKØ 108 x 4

#### febi 10224

Ref. No. 3307.85



AØ 128 LKØ 108 x 4

#### febi 18191

Ref. No. 3350.32



AØ 72 IØ 37 B 33

#### febi 18285

Ref. No. 3307.76



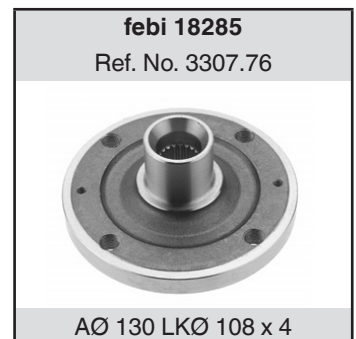
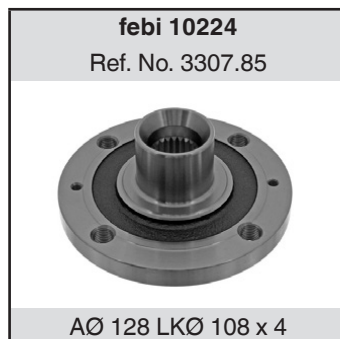
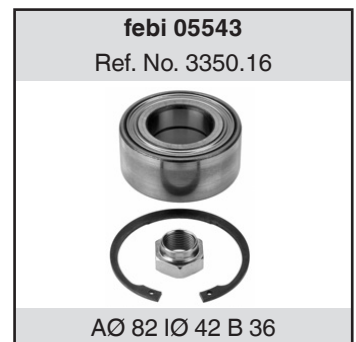
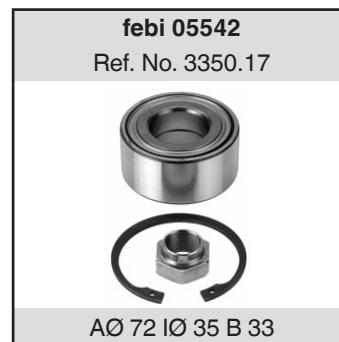
AØ 130 LKØ 108 x 4



**Xsara I**  
(1997→2005)

	from Control Number 08099 for vehicles without ABS	18191	-
	from Control Number 08099 for vehicles without ABS for vehicles with standard chassis	-	18285
1,6 TU5JP	to Control Number 08098 for vehicles without ABS	05542	10223
	for vehicles with ABS for vehicles with heavy duty chassis	-	10224
	for vehicles with standard chassis		
	from Control Number 08099 for vehicles without ABS for vehicles with heavy duty chassis	18191	-
	from Control Number 08099 for vehicles without ABS	-	18285
1,8 XU7JB 1,8 XU7JP 1,8 XU7JP4		-	10224
1,8 D XUD7		05543	10224
1,9 D DW8	to the year of construction 08/2000	05543	-
		-	10224

front axle



suitable for:

**Citroën**

**Car  
Division**



**Xsara I**

(1997→2005)

front axle	1,9 D DW8B	for vehicles with heavy duty chassis	05543	-
			-	10224
	1,9 D XUD9		05543	10224
	1,9 D XUD9A			
	1,9 D XUD9BSD			
	1,9 D XUD9TE			
	2,0 D DW10TD	to the year of construction 08/2000	05543	-
			-	10224
	2,0 XU10J4R		-	10224
	2,0 XU10J4RS			

**Xsara II**

(2000→2005)

1,4 D DV4TD	for vehicles with heavy duty chassis	05543	-
		-	10224

**febi 05543**  
Ref. No. 3350.16

AØ 82 IØ 42 B 36

**febi 10224**  
Ref. No. 3307.85

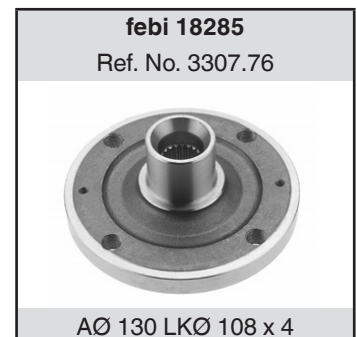
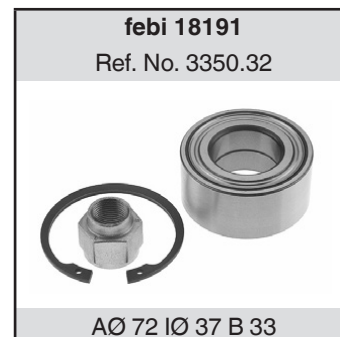
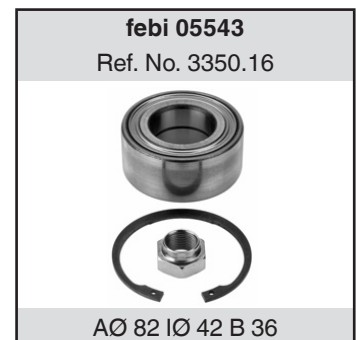
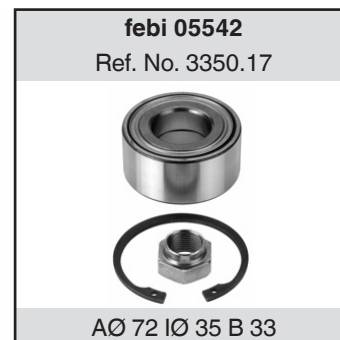
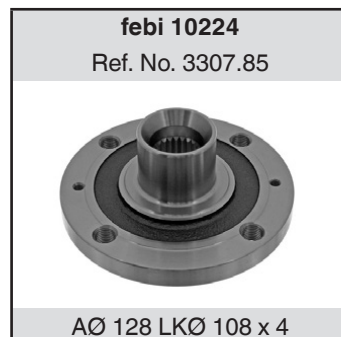
AØ 128 LKØ 108 x 4



**Xsara II**  
(2000→2005)

<b>1,6 TU5JP4</b>	to Control Number 08098 for vehicles without ABS	<b>05542</b>	<b>10223</b>
	for vehicles with heavy duty chassis	<b>05543</b>	-
		-	<b>10224</b>
	from Control Number 08099 for vehicles without ABS for vehicles with heavy duty chassis	<b>18191</b>	-
<b>1,8 EW7J4</b> <b>1,9 D DW8B</b> <b>2,0 D DW10</b>	for vehicles with heavy duty chassis	<b>05543</b>	-
		-	<b>10224</b>
	<b>2,0 D DW10ATED</b>	<b>05543</b>	<b>10224</b>
<b>2,0 D DW10TD</b> <b>2,0 EW10J4</b>	for vehicles with heavy duty chassis	<b>05543</b>	-
		-	<b>10224</b>

front axle



suitable for:

**Citroën**

**Car  
Division**



## Xsara Picasso

(1999→)

1,6 D DV6		05543	10224
1,6 D DV6ATED4			
1,6 D DV6TED4			
1,6 TU5JP			
1,6 TU5JP4			
1,8 EW7J4			
1,8 XU7JP	for vehicles with heavy duty chassis	05543	-
1,8 XU7JP4		-	10224
2,0 D DW10ATED		05543	-
2,0 D DW10TD		05543	10224
2,0 EW10J4			

## ZX

(1991→1998)

1,1 TU1	for vehicles without ABS	05542	10223
1,1 TU1M			
1,1 TU1M+	for vehicles with ABS	05543	10224
1,4 TU3-2			
1,4 TU32			
1,4 TU32MC			
1,4 TU3JP			
1,4 TU3M			
1,4 TU3MC			
1,4 D TUD3		05542	10223
1,5 D TUD5			

### febi 05542

Ref. No. 3350.17



AØ 72 IØ 35 B 33

### febi 05543

Ref. No. 3350.16



AØ 82 IØ 42 B 36

### febi 10223

Ref. No. 3307.49



AØ 130 LKØ 108 x 4

### febi 10224

Ref. No. 3307.85



AØ 128 LKØ 108 x 4



**ZX**

(1991→1998)

- 1,6 XU5JP
- 1,6 XU5M
- 1,8 XU7JP
- 1,8 XU7JP4
- 1,8 D XUD7
- 1,9 XU9JA
- 1,9 XU9JAZ
- 1,9 D XUD9
- 1,9 D XUD9A
- 1,9 D XUD9TE
- 1,9 D XUD9Y
- 2,0 XU10J2
- 2,0 XU10J2C
- 2,0 XU10J4
- 2,0 XU10J4RS

05543

10224

front axle



suitable for:

**Dacia**

**Car  
Division**



front axle

**Dokker**

(2012→)

1,2 H5F  
1,5 D K9K  
1,6 K7M

39623

-

**Duster**

(2010→)

1,5 D K9K  
1,6 K4M

33988

-

**Duster 4x4**

(2010→)

1,5 D K9K  
1,6 K4M

33988

-

**Lodgy**

(2012→)

1,2 H5F  
1,5 D K9K  
1,6 K7M

39623

-

**Logan**

(2004→)

0,9 H4B

for vehicles with ABS

24315

24315

**febi 24315**

Ref. No. 77 01 207 677



AØ 77 IØ 42 B 37

**febi 33988**

Ref. No. 40 21 070 49R



AØ 80 IØ 42 B 39

**febi 39623**

Ref. No. 40 21 073 14R



AØ 77 IØ 42



**Logan**

(2004→)

<b>1,0 D4D</b>	for vehicles with ABS	<b>26887</b>	-
		-	<b>32376</b>
<b>1,2 D4F</b>	for vehicles with ABS model K8MG, K8MP, L8MG, L8MP	<b>24315</b>	<b>24315</b>
	for vehicles with ABS model LS02, LS1N	<b>26887</b>	-
		-	<b>32376</b>
<b>1,4 K7J</b>	for vehicles with ABS model FS0A, FS0C, FS0E, KS0A, KS0C, KS0E, KS0G, KS12, US0E	<b>24315</b>	<b>24315</b>
	for vehicles with ABS model LS0A, LS0C, LS0E, LS0G, LS1F, LS12	<b>26887</b>	-
	model LS0A, LS0E, LS0G, LS1F, LS12	-	<b>32376</b>
	model FS0A, FS0C, FS0E, KS0A, KS0C, KS0E, KS0G, KS12, US0E	-	<b>32555</b>
<b>1,5 D K9K</b>	for vehicles with ABS model FS0J, FS0K, FS0W, FS0Y, FS00, FS04, FS1L, KS0J, KS0K, KS0W , KS0Y, KS00, KS04, KS1L, K8AL, L8AL, L8JB, US0J, US0K, US0W, US0Y, US00 , US04	<b>24315</b>	<b>24315</b>
	for vehicles with ABS model LS0J, LS0K, LS0W, LS0Y, LS00, LS04, LS1L	<b>26887</b>	-
		-	<b>32555</b>

front axle





**Logan**  
(2004→)

<b>1,6 K4M</b>	for vehicles with ABS model KS0L, KS0M, KS0P, KS1J, KS1S	<b>24315</b>	<b>24315</b>
	for vehicles with ABS model KS0L, KS0M, KS0P, LS0L, LS0M, LS0P, LS0V, LS09, LS1J, LS1S , LS1V	<b>26887</b>	-
		-	<b>32555</b>
		<b>24315</b>	<b>24315</b>
<b>1,6 K7M</b>	for vehicles with ABS model FS0B, FS0D, FS0F, FS03, FS1E, FS11, KS0B, KS0D, KS0F, KS0H , KS03, KS1E, KS11, US0B, US0D, US0F, US0H, US03, US1E	<b>26887</b>	-
	for vehicles with ABS model LS0B, LS0D, LS0F, LS0H, LS0M, LS0T, LS03, LS1A, LS1E, LS1H , LS1U	-	<b>32376</b>
	model FS0B, FS0D, FS0F, KS0B, KS0D, KS0F, KS0H, KS1E, KS11, LS0B , LS0M, LS1E, LS1U, US0B, US0D, US0F, US0H, US03, US1E	-	<b>32555</b>
	model LS0D, LS0F, LS0H, LS1E, LS1H, LS11	-	<b>32376</b>

**Sandero**  
(2007→)

<b>0,9 H4B</b>	for vehicles with ABS	<b>24315</b>	<b>24315</b>
<b>1,0 D4D</b>	for vehicles with ABS	<b>24315</b>	<b>24315</b>
		-	<b>32555</b>
<b>1,2 D4F</b>	for vehicles with ABS	<b>24315</b>	<b>24315</b>
	model BS02, BS1N	-	<b>32376</b>
	model BS1N	-	<b>32555</b>

**febi 24315**

Ref. No. 77 01 207 677



AØ 77 IØ 42 B 37

**febi 26887**

Ref. No. 60 01 547 686



AØ 72 IØ 37 B 37

**febi 32376**

Ref. No. 60 01 547 685



AØ 121 LKØ 100 x 4

**febi 32555**

Ref. No. 82 00 208 335



AØ 121 LKØ 100 x 4



## Sandero

(2007→)

1,4 K7J	for vehicles with ABS	24315	24315
	model BS0A, BS0C, BS0E, BS0G, BS1F, BS1U, BS12	-	32376
	model BS1F, BS1U	-	32555
1,5 D K9K 1,6 K4M	for vehicles with ABS	24315	24315
		-	32555
1,6 K7M	for vehicles with ABS	24315	24315
	model BS0E	-	32376
	model BS0B, BS1A, BS1E, BS1H	-	32555

## Sandero Stepway

(2008→)

1,5 D K9K 1,6 K4M 1,6 K7M	for vehicles with ABS	24315	24315
---------------------------------	-----------------------	-------	-------

front axle



suitable for:

# Daewoo

Car  
Division 



## Aveo

(2003→ )

1,2 F12D4  
1,2 F12S3  
1,4 F14D3  
1,6 F16D3

from Chassis No. 110578

31690

-

## Cielo

(1994→1998)

1,5 V15L

for vehicles without ABS

03096 / 03270

-

for vehicles with ABS

03189 / 03271

-

## Espero

(1991→1999)

all

03189 / 03271

-

## Kalos

(2002→2008)

all

to Chassis No. 123935

31690

-

### febi 03096

Ref. No. 90279331 S1



AØ 64 IØ 34 B 37

### febi 03189

Ref. No. 90279332 S1



AØ 72 IØ 39 B 37

### febi 03270

Ref. No. 90279331



AØ 64 IØ 34 B 37

### febi 03271

Ref. No. 90279332



AØ 72 IØ 39 B 37

### febi 31690

Ref. No. 94536117 S1



AØ 64 IØ 34 B 37



**Lacetti**

(2002→)

1,8 F18D2  
1,8 F18S2  
1,8 T18SED

31691

-

**Lanos**

(1997→)

1,3 A13SM  
1,3 A13SMS  
1,3 C14L  
1,4 A14SMS  
1,5 A15SM  
1,5 A15SMS  
1,5 Y15L

Rim Size [in] 14

03189 / 03271

-

from Chassis No. 110578

31690

-

1,5 Y15LS

from Chassis No. 110578

31690

-

1,6 616L

1,6 A16DMS

Rim Size [in] 14

03189 / 03271

-

from Chassis No. 110578

31690

-

**Leganza**

(1997→2002)

all

31691

-

front axle

**febi 03189**

Ref. No. 90279332 S1



AØ 72 IØ 39 B 37

**febi 03271**

Ref. No. 90279332



AØ 72 IØ 39 B 37

**febi 31690**

Ref. No. 94536117 S1



AØ 64 IØ 34 B 37

**febi 31691**

Ref. No. 96995000 S1



AØ 74 IØ 39 B 39

suitable for:

# Daewoo

Car  
Division 



Matiz (1998→)		31453	-
0,8 F8CV			
1,0 B10S			
1,0 G10CV			
Nexia (1995→2008)			
1,5 A15MF	for vehicles without ABS	03096 / 03270	-
1,5 G15MF			
1,5 V15L	for vehicles with ABS	03189 / 03271	-
1,5 Y15			
1,5 Y15L			
1,8 C18LE			
Nubira (1999→)			
1,4 F14D3		31691	-
1,6 A16DMS			
1,6 F16D3			
1,8 C18LE	to the year of construction 12/2005	31691	-
1,8 T18SED		31691	-
2,0 T20SED			

front axle





**Rezzo**

(2000→2009)

all

**31691**

-

front axle



suitable for:

**FIAT**

**Car  
Division**



**Barchetta**

(1995→2005)

1,8 183A1000  
1,8 188A6000

28142

40233

**Brava**

(1995→2001)

1,2 182B2000  
1,2 188A5000

for vehicles without ABS

12520 / 12521

-

-

12572

for vehicles with ABS  
not for automatic transmission

24524

-

1,4 182A3000  
1,4 182A5000

for vehicles without ABS

12520 / 12521

-

-

12572

1,6 182A4000  
1,6 182A6000

for vehicles without ABS

12520 / 12521

-

-

12572 / 40233

from the year of construction 01/1998  
for vehicles with ABS  
not for automatic transmission

24524

-

front axle

**febi 12520**

Ref. No. 5890990



AØ 72 IØ 35 B 33

**febi 12521**

Ref. No. 46773659



AØ 72 IØ 35 B 32

**febi 12572**

Ref. No. 7608131



AØ 35 LKØ 98 x 4

**febi 24524**

Ref. No. 71714459



AØ 72 IØ 35 B 33

**febi 28142**

Ref. No. 71745047 S1



AØ 72 IØ 37 B 37

**febi 40233**

Ref. No. 51824630



AØ 37 LKØ 98 x 4

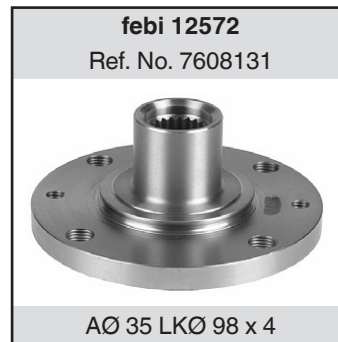
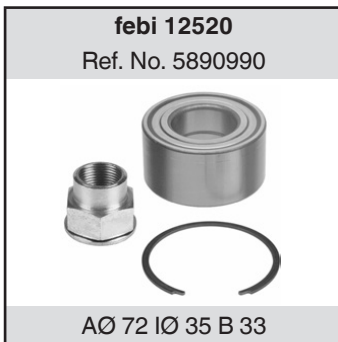


**Brava**

(1995→2001)

<b>1,6 182B6000</b>	for vehicles without ABS	<b>12520 / 12521</b>	-
		-	<b>12572 / 40233</b>
<b>1,6 182B6000</b>	for vehicles with ABS not for automatic transmission	<b>24524</b>	-
<b>1,8 182A2000</b>		<b>28142</b>	<b>40233</b>
	for vehicles without ABS	<b>37015</b>	-
<b>1,9 D 160A7000</b>		-	<b>12572</b>
	for vehicles without ABS	<b>37015</b>	-
<b>1,9 D 182A7000</b> <b>1,9 D 182A8000</b>		<b>28142</b>	<b>40233</b>
	for vehicles without ABS	<b>37015</b>	-
<b>1,9 D 182B4000</b>		<b>28142</b>	-
	for vehicles without ABS	<b>37015</b>	-
<b>1,9 D 182B9000</b>		<b>28142</b>	<b>40233</b>
	for vehicles without ABS	<b>37015</b>	-
<b>2,0 182B7000</b>		-	<b>40231</b>

front axle



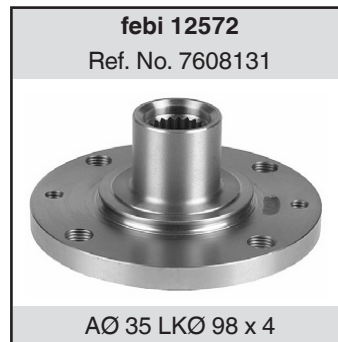
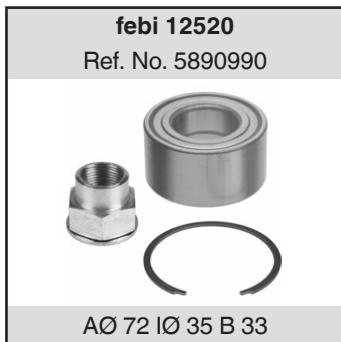




**Bravo I**

(1995→2003)

1,2 182B2000 1,2 188A5000	for vehicles without ABS	12520 / 12521	-
		-	12572
	for vehicles with ABS not for automatic transmission	24524	-
1,4 182A3000 1,4 182A5000	for vehicles without ABS	12520 / 12521	-
		-	12572
1,6 182A4000 1,6 182A6000	for vehicles without ABS	12520 / 12521	-
		-	12572 / 40233
	from the year of construction 01/1998 for vehicles with ABS not for automatic transmission	24524	-
1,6 182B6000	for vehicles without ABS	12520 / 12521	-
		-	12572 / 40233
	for vehicles with ABS not for automatic transmission	24524	-
1,8 182A2000		28142	40233
	for vehicles without ABS	37015	-





### Bravo I

(1995→2003)

1,9 D 160A7000		-	12572
	for vehicles without ABS	37015	-
1,9 D 182A7000		28142	40233
1,9 D 182A8000		37015	-
	for vehicles without ABS	37015	-
1,9 D 182B4000		28142	-
	for vehicles without ABS	37015	-
1,9 D 182B9000		28142	40233
	for vehicles without ABS	37015	-
2,0 182A1000		-	40231
2,0 182B7000		-	40231

### Bravo II

(2007→)

1,4 192B2000		-	40233
1,4 198A1000		36824	40233
1,4 198A4000	automatic transmission	36967	-
		-	40233
1,4 198A7000		-	40233

front axle

#### febi 12572

Ref. No. 7608131



AØ 35 LKØ 98 x 4

#### febi 28142

Ref. No. 71745047 S1



AØ 72 IØ 37 B 37

#### febi 36824

Ref. No. 71753821



AØ 83 IØ 42 B 37

#### febi 36967

Ref. No. 71753820



AØ 74 IØ 37 B 37

#### febi 37015

Ref. No. 51754191



AØ 72 IØ 37 B 37

#### febi 40231

Ref. No. 60545087



AØ 116 x 4

#### febi 40233

Ref. No. 51824630



AØ 37 LKØ 98 x 4

suitable for:

**FIAT**

**Car  
Division**



## Bravo II

(2007→)

1,6 D 198A2000	automatic transmission	36967	-
1,6 D 198A3000		-	40233
1,9 D 192A1000		36967	40231 / 40233
1,9 D 192A8000	automatic transmission	36967	-
		-	40231 / 40233
1,9 D 192B5000		36967	40231 / 40233
1,9 D 937A5000		36967	40231
2,0 D 198A5000		36824	40226
2,0 D 844A2000			

## Cinquecento

(1991→1998)

0,7 170A000	for vehicles without ABS for vehicles without ESP	12534 / 12536	-
0,7 170A046			
0,7 171A000			
0,9 1170A1000		-	12572
0,9 1170A1046			
0,9 170A1000			
0,9 170A1046			
1,1 176B2000			

### febi 12534

Ref. No. 71714466



AØ 66 IØ 35 B 33

### febi 12536

Ref. No. 51753789



AØ 66 IØ 35 B 33

### febi 12572

Ref. No. 7608131



AØ 35 LKØ 98 x 4

### febi 36824

Ref. No. 71753821



AØ 83 IØ 42 B 37

### febi 36967

Ref. No. 71753820



AØ 74 IØ 37 B 37

### febi 40226

Ref. No. 82463292



AØ 116 LKØ 98 x 4

### febi 40231

Ref. No. 60545087



AØ 116 x 4

### febi 40233

Ref. No. 51824630



AØ 37 LKØ 98 x 4



## Coupe

(1994→2008)

1,8 183A1000		37015	40233
2,0 175A1000 2,0 175A3000		-	40231
2,0 182A1000 2,0 182B3000	for vehicles without ABS	37015	-
		-	40233

## Croma

(1985→2013)

1,8 939A4000 1,8 939A4000GM		23377	23377
1,9 D 154C6000	from the year of construction 01/1990	-	40233
1,9 D 154D1000		-	40226
1,9 D 939A1000 1,9 D 939A2000 1,9 D 939A7000 1,9 D 939A8000		23377	23377
2,0 154A080	from the year of construction 11/1992	-	40226
	from the year of construction 01/1990 to the year of construction 10/1992	-	40233

front axle

### febi 23377

Ref. No. 51748680



AØ 137 IØ 33 B 130  
LKØ 105 x 5

### febi 37015

Ref. No. 51754191



AØ 72 IØ 37 B 37

### febi 40226

Ref. No. 82463292



AØ 116 LKØ 98 x 4

### febi 40231

Ref. No. 60545087



AØ 116 x 4

### febi 40233

Ref. No. 51824630



AØ 37 LKØ 98 x 4

**Croma**

(1985→2013)

2,0 154A1000	from the year of construction 01/1990 to the year of construction 10/1992	-	40233
2,0 154A480		-	40226
2,0 154AA50	from the year of construction 11/1992	-	40226
	from the year of construction 01/1990 to the year of construction 10/1992	-	40233
2,0 154C2048	from the year of construction 11/1992	-	40226
	to the year of construction 10/1992	-	40233
2,0 154C3000	from the year of construction 11/1992	-	40226
2,0 154C3046			
2,0 154C4000	from the year of construction 01/1990 to the year of construction 10/1992	-	40233
2,0 154C4046			
2,0 154E1000	from the year of construction 11/1992	-	40226
	to the year of construction 10/1992	-	40233
2,0 154E1027		-	40226
2,0 834B146	from the year of construction 11/1992	-	40226
	to the year of construction 10/1992	-	40233
2,0 834C146	from the year of construction 11/1992	-	40226
2,0 838A046			
	from the year of construction 01/1990 to the year of construction 10/1992	-	40233
2,2 194A1000		23377	23377
2,4 D 939A3000			
2,5 154C6146		-	40226
2,5 D 814497			
2,5 D 814497 S		-	40233
2,5 D 814497S		-	40226
2,5 D 814497Y			
2,5 834C000			
2,5 834G000			

**febi 23377**

Ref. No. 51748680

AØ 137 IØ 33 B 130  
LKØ 105 x 5**febi 40226**

Ref. No. 82463292



AØ 116 LKØ 98 x 4

**febi 40233**

Ref. No. 51824630



AØ 37 LKØ 98 x 4



**Doblo**

(2000→ )

1,2 223A5000		28142	-
1,3 D 188A9000			
1,3 D 199A2000	for vehicles without ABS	37015	-
1,3 D 199A3000	for vehicles with ABS	28142	-
	for vehicles without ABS	37015	-
1,3 D 223A9000		28142	-
	for vehicles without ABS	37015	-
1,3 D 263A2000	for vehicles with ABS	28142	-
	for vehicles without ABS	37015	-
1,4 198A4000	for vehicles with ABS	28142	-
1,4 198A4000CNG	for vehicles with ABS	28142	-
1,4 310A2011	for vehicles without ABS	37015	-
1,4 350A1000		28142	-
	for vehicles without ABS	37015	-
1,4 843A1000	for vehicles with ABS	28142	-
	for vehicles without ABS	37015	-
1,6 182B6000		28142	-
1,6 182B6000CNG	for vehicles without ABS	37015	-
1,6 D 198A3000	for vehicles with ABS	28142	-
	for vehicles without ABS	37015	-
	to the year of construction 08/2010 for vehicles with heavy duty chassis	-	40232
1,6 D 263A3000	for vehicles with ABS	28142	-
	for vehicles without ABS	37015	-

front axle



suitable for:

**FIAT**

**Car  
Division**



**Doblo**

(2000→)

**1,6 D 263A4000**

for vehicles with ABS

**28142**

-

for vehicles without ABS

**37015**

-

to the year of construction 08/2010  
for vehicles with heavy duty chassis

-

**40232**

**1,9 D 182B1000**

**28142**

-

**1,9 D 182B9000**

for vehicles without ABS

**37015**

-

**1,9 D 186A9000**

**1,9 D 223A6000**

**1,9 D 223A7000**

**1,9 D 223B1000**

**1,9 D 223B2000**

**2,0 D 263A1000**

for vehicles with ABS

**28142**

-

for vehicles without ABS

**37015**

-

-

**40232**

**Ducato (230)**

(1994→2002)

all

not for payload [kg] 1800

**12691 / 12695**

**14967**

**febi 12691**

Ref. No. 4330647



AØ 80 IØ 50 B 21,5

**febi 12695**

Ref. No. 71714450



AØ 80 IØ 50 B 21,5

**febi 14967**

Ref. No. 1300472080



AØ 139 LKØ 112 x 5

**febi 28142**

Ref. No. 71745047 S1



AØ 72 IØ 37 B 37

**febi 37015**

Ref. No. 51754191



AØ 72 IØ 37 B 37

**febi 40232**

Ref. No. 60510369



AØ 116 LKØ 98 x 5



**Ducato (230) 4x4**

(1994→2002)

all not for payload [kg] 1800 - 14967

**Ducato (244)**

(2001→2006)

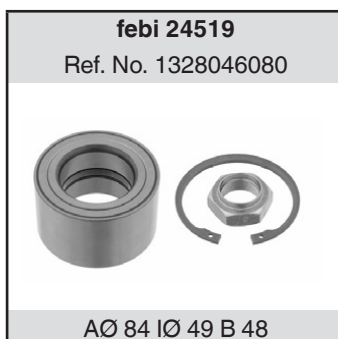
2,0 RFL	Payload [kg] 1000	24519	-
2,0 RFLBIP	Payload [kg] 1400		
2,0 RFLBPO			
2,0 RFLCNG	Payload [kg] 1800	24521	28232
2,0 D RHV	Payload [kg] 1000	-	28231
2,3 D F1AE0481C	Payload [kg] 1400		
2,8 D 814043	Payload [kg] 1500		
2,8 D 814043N			
2,8 D 814043S			

**Ducato (244) 4x4**

(2001→2006)

2,0 RFL	Payload [kg] 1000	24519	-
2,8 D 814043	Payload [kg] 1400		
2,8 D 814043S	Payload [kg] 1800	24521	28232
	Payload [kg] 1000	-	28231
	Payload [kg] 1400		
	Payload [kg] 1500		

front axle





suitable for:

**FIAT**

**Car  
Division**



**Ducato (245)**

(2009→ )

2,3 D F1AE0481T

36309

-

**Ducato (250)**

(2006→ )

all

36309

-

**Ducato (280)**

(1981→1990)

all

12691 / 12695

12573

**Ducato (280) 4x4**

(1981→1990)

all

12691 / 12695

12573

**Ducato (290)**

(1990→1994)

all

12691 / 12695

12573

**Ducato (290) 4x4**

(1990→1994)

2,0 170D

2,5 D 814027

2,5 D 814467

12691 / 12695

12573

**febi 12573**

Ref. No. 7657422



AØ 50 LKØ 139 x 5

**febi 12691**

Ref. No. 4330647



AØ 80 IØ 50 B 21,5

**febi 12695**

Ref. No. 71714450



AØ 80 IØ 50 B 21,5

**febi 36309**

Ref. No. 51745702 S1



AØ 90 IØ 55 B 54



**Fiorino**

(2007→)

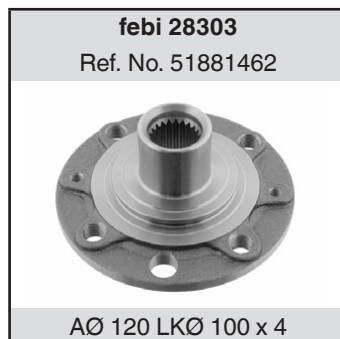
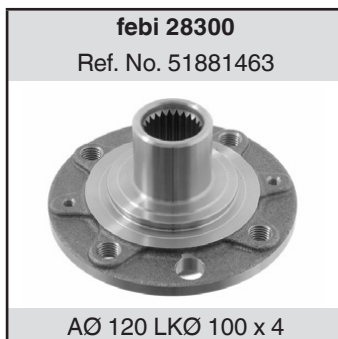
1,3 D 199A2000 1,3 D 199B1000	28142	40233
1,4 350A1000CNG 1,4 KFT 1,4 KfV 1,4 KFVCNG	24524	-

**Grande Punto**

(2005→2012)

1,2 169A4000 1,2 199A4000	24524	28303
1,2 310A6600	-	28303
1,3 D 199A2000	28142	28300
for vehicles without ABS	37015	-
1,3 D 199A3000 1,3 D Z13DT	28142	28300
1,4 198A1000	-	28303
1,4 198A4000	28142	-
1,4 199A6000 1,4 199A7000	24524	28303
1,4 199A8000	28142	-

front axle



suitable for:

**FIAT**

**Car  
Division**



**Grande Punto**

(2005→2012)

1,4 323B6600	-	28303
1,4 350A1000 1,4 350A1000CNG	24524	28303
1,6 D 955A3000	28142	-
1,9 D 199A5000 1,9 D 939A1000 1,9 D 939A7000	28142	28300

**Idea**

(2003→ )

1,2 188A5000	28142	12572 / 40233
1,3 D 188A9000 1,3 D 199A3000	28142	40233
1,3 D 199B1000	-	40233
1,4 178F3011 1,4 192B2000 1,4 350A1000 1,4 843A1000	24524	12572
1,6 D 350A2000 1,9 D 188B2000	28142	40233

**febi 12572**

Ref. No. 7608131



AØ 35 LKØ 98 x 4

**febi 24524**

Ref. No. 71714459



AØ 72 IØ 35 B 33

**febi 28142**

Ref. No. 71745047 S1



AØ 72 IØ 37 B 37

**febi 28300**

Ref. No. 51881463



AØ 120 LKØ 100 x 4

**febi 28303**

Ref. No. 51881462



AØ 120 LKØ 100 x 4

**febi 40233**

Ref. No. 51824630



AØ 37 LKØ 98 x 4



**Linea**

(2007→)

1,3 D 199A3000		28142	-
1,4 198A4000		28142	40233
1,6 D 198A3000			
1,8 370A0011		28142	-

**Marea**

(1996→2002)

1,2 182B2000	for vehicles without ABS	12520 / 12521	-
1,4 182A3000		-	12572
	for vehicles with ABS not for automatic transmission	24524	-
1,6 182A4000	from the year of construction 01/1999	28142	-
	for vehicles without ABS	37015	-
		-	40233
1,6 182B5098		28142	40233
1,6 182B6000			
1,6 185A3000	for vehicles without ABS	37015	-

front axle

**febi 12520**

Ref. No. 5890990



AØ 72 IØ 35 B 33

**febi 12521**

Ref. No. 46773659



AØ 72 IØ 35 B 32

**febi 12572**

Ref. No. 7608131



AØ 35 LKØ 98 x 4

**febi 24524**

Ref. No. 71714459



AØ 72 IØ 35 B 33

**febi 28142**

Ref. No. 71745047 S1



AØ 72 IØ 37 B 37

**febi 37015**

Ref. No. 51754191



AØ 72 IØ 37 B 37

**febi 40233**

Ref. No. 51824630



AØ 37 LKØ 98 x 4

suitable for:

**FIAT**

**Car  
Division**



**Marea**

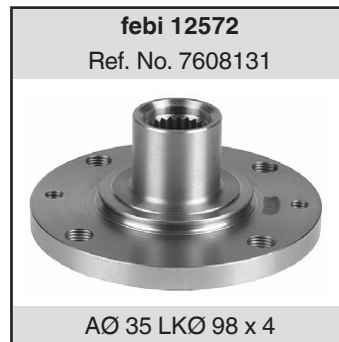
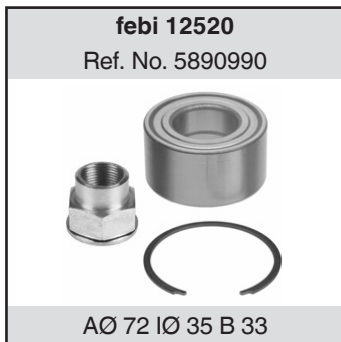
(1996→2002)

1,8 182A2000	from the year of construction 01/1999	28142	-
1,9 D 182A7000	for vehicles without ABS	37015	-
1,9 D 182A8000		-	40233
1,9 D 182B4000	for vehicles without ABS	28142	40233
1,9 D 186A6000		37015	-
2,0 182A1000		-	40231
2,0 182B7000			
2,0 185A8000			
2,4 D 185A2000			
2,4 D 185A6000			

**Marea Weekend**

(1996→2003)

1,2 182B2000	for vehicles without ABS	12520 / 12521	-
1,4 182A3000	for vehicles with ABS not for automatic transmission	-	12572
		24524	-





### Marea Weekend

(1996→2003)

1,6 182A4000	from the year of construction 01/1999	28142	-
	for vehicles without ABS	37015	-
		-	40233
1,6 182B6000		28142	40233
	for vehicles without ABS	37015	-
1,8 182A2000	from the year of construction 01/1999	28142	-
	for vehicles without ABS	37015	-
1,9 D 182A7000		-	40233
1,9 D 182A8000		28142	40233
1,9 D 182B4000		37015	-
1,9 D 182B9000		-	40231
1,9 D 186A6000		-	40231

### Marengo

(1999→2002)

1,9 D 186A6000		28142	40233
	for vehicles without ABS	37015	-

### Multipla

(1999→2010)

1,6 182A4000		28142	40233
	for vehicles without ABS	37015	-
1,6 182B6000		-	40233
1,6 182B6000CNG		-	40233
1,6 186A3000CNG		-	40233
1,6 186A4000		-	40233

#### febi 28142

Ref. No. 71745047 S1



AØ 72 IØ 37 B 37

#### febi 37015

Ref. No. 51754191



AØ 72 IØ 37 B 37

#### febi 40231

Ref. No. 60545087



AØ 116 x 4

#### febi 40233

Ref. No. 51824630



AØ 37 LKØ 98 x 4

front axle

suitable for:

**FIAT**

**Car  
Division**



**Multipla**

(1999→2010)

1,9 D 182B4000  
1,9 D 186A6000  
1,9 D 186A8000  
1,9 D 186A9000

28142

40233

**Palio**

(1996→ )

1,0 178A1000  
1,1 178B9033  
1,1 187A1000  
1,2 178B5000  
1,2 178B7045  
1,2 178C4066  
1,2 178D7055  
1,2 178E2000  
1,2 188A4000  
1,2 188A5000

-

39630

1,3 D 188A9000

28142

-

for vehicles without ABS

37015

-

1,4 178B2000  
1,4 178B2016  
1,4 199A1000  
1,4 350A1000  
1,4 834A1000

-

39630

1,5 138B2048  
1,5 178E5022

28142

-

1,6 178B3000  
1,6 178C8098  
1,6 178D2011  
1,6 182B6000  
1,6 182B6024  
1,6 310A5011

-

39630

1,9 D 223A6000

28142

-

**febi 28142**

Ref. No. 71745047 S1



AØ 72 IØ 37 B 37

**febi 37015**

Ref. No. 51754191



AØ 72 IØ 37 B 37

**febi 39630**

Ref. No. 82491391



AØ 116 LKØ 98 x 4

**febi 40233**

Ref. No. 51824630



AØ 37 LKØ 98 x 4



### Palio Adventure

(2007→2012)

1,6 182B6000

-

39630

### Palio Weekend

(1996→)

1,2 188A5000

1,7 D 176A3000

1,7 D 176A5000

1,7 D 176B7000

1,7 D 178C9066

-

39630

1,9 D 188A2000

for vehicles with ABS

28142

-

### Panda II

(2003→2011)

1,1 187A1000

for vehicles without ABS  
for vehicles without ESP

12536

-

for vehicles with ABS

28142

-

-

40230

1,2 169A4000

for vehicles without ABS  
for vehicles without ESP

12536

-

-

40230

front axle

#### febi 12536

Ref. No. 51753789



AØ 66 IØ 35 B 33

#### febi 28142

Ref. No. 71745047 S1



AØ 72 IØ 37 B 37

#### febi 39630

Ref. No. 82491391



AØ 116 LKØ 98 x 4

#### febi 40230

Ref. No. 7672265



AØ 116 LKØ 98 x 4



suitable for:

**FIAT**

**Car  
Division**



**Panda II**

(2003→2011)

1,2 188A4000 1,2 188A4000CNG	for vehicles without ABS for vehicles without ESP	12536	-
		-	12572 / 40230
1,3 D 169A1000 1,3 D 169A5000 1,3 D 188A8000 1,3 D 188A9000		28142	40230 / 40233
1,4 169A3000		28142	40233
1,4 350A1000 1,4 350A1000CNG		28142	40230

**Panda II Van**

(2004→2011)

1,1 187A1000	for vehicles without ABS for vehicles without ESP	12536	-
	for vehicles with ABS	28142	-
		-	40230
1,2 169A4000	for vehicles without ABS for vehicles without ESP	12536	-
		-	40230

**febi 12536**

Ref. No. 51753789



AØ 66 IØ 35 B 33

**febi 12572**

Ref. No. 7608131



AØ 35 LKØ 98 x 4

**febi 28142**

Ref. No. 71745047 S1



AØ 72 IØ 37 B 37

**febi 40230**

Ref. No. 7672265



AØ 116 LKØ 98 x 4

**febi 40233**

Ref. No. 51824630



AØ 37 LKØ 98 x 4



**Panda II Van**

(2004→2011)

1,2 187A4000 1,2 188A4000	for vehicles without ABS for vehicles without ESP	12536	-
		-	12572 / 40230
1,2 188A4000CNG	for vehicles without ABS for vehicles without ESP	12536	-
		-	40230
1,3 D 169A1000 1,3 D 188A9000		28142	40230 / 40233
1,4 350A1000CNG		28142	40230

**Panda II Van 4x4**

(2004→2011)

1,2 169A4000	for vehicles without ABS for vehicles without ESP	12536	-
		28142	40233
1,2 188A4000	for vehicles without ABS for vehicles without ESP	12536	-
		28142	12572 / 40233
1,3 D 169A1000		28142	40233

front axle

**febi 12536**

Ref. No. 51753789



AØ 66 IØ 35 B 33

**febi 12572**

Ref. No. 7608131



AØ 35 LKØ 98 x 4

**febi 28142**

Ref. No. 71745047 S1



AØ 72 IØ 37 B 37

**febi 40230**

Ref. No. 7672265



AØ 116 LKØ 98 x 4

**febi 40233**

Ref. No. 51824630



AØ 37 LKØ 98 x 4

suitable for:

**FIAT**

**Car  
Division**



## Panda II 4x4

(2004→2011)

1,2 169A4000		28142	40233
1,2 188A4000	for vehicles without ABS for vehicles without ESP	12536	-
		28142	12572 / 40233
1,3 D 169A1000		28142	40233
1,3 D 188A8000 1,3 D 188A9000	for vehicles without ABS for vehicles without ESP	12536	-
		28142	40233

## Panda III

(2012→)

0,9 312A2000 0,9 312A2000CNG 1,0 312A4000 1,2 169A4000		28142	-
1,3 D 169A5000		28142	40233
1,3 D 199A9000		28142	-
1,4 350A1000CNG		28142	40233

## Panda III Van

(2013→)

0,9 312A2000CNG 1,2 169A4000 1,3 D 199A9000		28142	-
---	--	-------	---

## Panda III Van 4x4

(2013→)

0,9 312A2000 1,3 D 199A9000		28142	-
--------------------------------	--	-------	---

**febi 12536**

Ref. No. 51753789



AØ 66 IØ 35 B 33

**febi 12572**

Ref. No. 7608131



AØ 35 LKØ 98 x 4

**febi 28142**

Ref. No. 71745047 S1



AØ 72 IØ 37 B 37

**febi 40233**

Ref. No. 51824630



AØ 37 LKØ 98 x 4



**Panda III 4x4**

(2012→)

0,9 312A2000 1,2 169A4000		28142	-
1,3 D 169A5000		28142	40233
1,3 D 199A9000		28142	-

**Pratico**

(2010→)

1,3 D 199A3000 1,3 D 263A2000	for vehicles with ABS	28142	-
	for vehicles without ABS	37015	-
1,6 D 198A3000	for vehicles with ABS	28142	-
	for vehicles without ABS	37015	-
	to the year of construction 08/2010 for vehicles with heavy duty chassis	-	40232
2,0 D 263A1000	for vehicles with ABS	28142	-
	for vehicles without ABS	37015	-
		-	40232

front axle

**febi 28142**  
Ref. No. 71745047 S1

AØ 72 IØ 37 B 37

**febi 37015**  
Ref. No. 51754191

AØ 72 IØ 37 B 37

**febi 40232**  
Ref. No. 60510369

AØ 116 LKØ 98 x 5

**febi 40233**  
Ref. No. 51824630

AØ 37 LKØ 98 x 4

suitable for:

**FIAT**

**Car  
Division**



**Punto**

(2009→ )

1,2 169A4000	-	28303
1,3 D 199A2000 1,3 D 199A9000	28142	28300
1,3 D 199B1000 1,3 D 199B4000	28142	-
1,4 198A1000	28142	28303
1,4 199A7000 1,4 350A1000 1,4 350A1000CNG	-	28303
1,4 955A2000 1,4 955A6000	28142	28303

**Punto Evo**

(2008→2012)

1,2 169A4000 1,2 199A4000	-	28303
1,3 D 199A2000 1,3 D 199A3000 1,3 D 199A9000	28142	28300
1,3 D 199B1000 1,3 D 199B2000 1,3 D 199B4000 1,3 D 223A9000	28142	-
1,4 199A7000 1,4 199A8000 1,4 350A1000 1,4 350A1000CNG	28142	28303
1,4 955A2000 1,4 955A6000	-	28303
1,4 955A8000 1,6 D 955A3000	28142	-

**febi 28142**

Ref. No. 71745047 S1



AØ 72 IØ 37 B 37

**febi 28300**

Ref. No. 51881463



AØ 120 LKØ 100 x 4

**febi 28303**

Ref. No. 51881462



AØ 120 LKØ 100 x 4



### Punto I

(1993→1999)

1,1 176A6000 1,1 176B2000	for vehicles without ABS	12534 / 12536	-
		-	12572
1,2 176A7000 1,2 176A8000 1,2 176B1000 1,2 176B4000 1,2 176B9000		12520 / 12521	12572
1,4 176A4000 1,4 176B6000	for vehicles without ABS	37015	-
		-	40233
1,6 176A9000		12520 / 12521	12572
1,7 D 176A3000 1,7 D 176A5000		-	40233
1,7 D 176B3000		12520 / 12521	-
1,7 D 176B7000		12520 / 12521	12572

### Punto I Cabrio

(1994→2000)

all		12520 / 12521	12572
-----	--	---------------	-------

front axle

#### febi 12520

Ref. No. 5890990



AØ 72 IØ 35 B 33

#### febi 12521

Ref. No. 46773659



AØ 72 IØ 35 B 32

#### febi 12534

Ref. No. 71714466



AØ 66 IØ 35 B 33

#### febi 12536

Ref. No. 51753789



AØ 66 IØ 35 B 33

#### febi 12572

Ref. No. 7608131



AØ 35 LKØ 98 x 4

#### febi 37015

Ref. No. 51754191



AØ 72 IØ 37 B 37

#### febi 40233

Ref. No. 51824630



AØ 37 LKØ 98 x 4

suitable for:

**FIAT**

**Car  
Division**



**Punto I Van**

(1996→1999)

<b>1,1 176B2000</b>	for vehicles without ABS	<b>12534 / 12536</b>	-
		-	<b>12572</b>
<b>1,7 D 176A5000</b>		-	<b>40233</b>
<b>1,7 D 176B3000</b>		<b>12520 / 12521</b>	-
<b>1,7 D 176B7000</b>		<b>12520 / 12521</b>	<b>12572</b>

**Punto II**

(1999→2010)

<b>1,2 188A4000</b>	for vehicles without ABS automatic transmission	<b>12520 / 12521</b>	-
		-	<b>12572</b>
	for vehicles with ABS	<b>24524</b>	-
<b>1,2 188A4000CNG</b>	for vehicles without ABS automatic transmission	<b>12520 / 12521</b>	-
		-	<b>12572</b>
	to the year of construction 12/2003 for vehicles with ABS	<b>24524</b>	-

**febi 12520**

Ref. No. 5890990



AØ 72 IØ 35 B 33

**febi 12521**

Ref. No. 46773659



AØ 72 IØ 35 B 32

**febi 12534**

Ref. No. 71714466



AØ 66 IØ 35 B 33

**febi 12536**

Ref. No. 51753789



AØ 66 IØ 35 B 33

**febi 12572**

Ref. No. 7608131



AØ 35 LKØ 98 x 4

**febi 24524**

Ref. No. 71714459



AØ 72 IØ 35 B 33

**febi 40233**

Ref. No. 51824630



AØ 37 LKØ 98 x 4

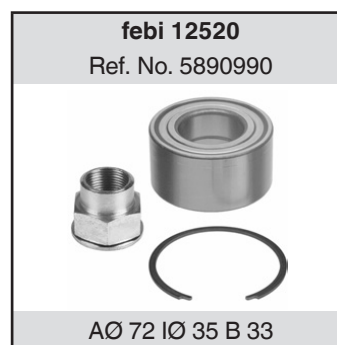


**Punto II**

(1999→2010)

1,2 188A5000	for vehicles without ABS automatic transmission	12520 / 12521	-
		-	12572
1,3 D 188A9000		28142	40233
1,4 199A6000 1,4 843A1000		-	12572
1,8 183A1000 1,8 183A6000		28142	40233
1,8 188A6000		-	40233
1,9 D 188A2000		28142	40233
1,9 D 188A3000	for vehicles without ABS automatic transmission	12520 / 12521	-
		-	12572
	to the year of construction 12/2003 for vehicles with ABS not for automatic transmission	24524	-
1,9 D 188A7000 1,9 D 188B2000		28142	40233

front axle





suitable for:

**FIAT**

**Car  
Division**



**febi**  
bilstein®



## Punto II Van

(2000→2009)

1,2 188A4000 1,2 188A4000CNG	for vehicles without ABS automatic transmission	12520 / 12521	-
		-	12572
	to the year of construction 12/2003 for vehicles with ABS	24524	-
1,3 D 188A9000		28142	40233
1,9 D 188A3000	for vehicles without ABS automatic transmission	12520 / 12521	-
		-	12572
	to the year of construction 12/2003 for vehicles with ABS not for automatic transmission	24524	-
1,9 D 188A7000		28142	40233

## Punto Van

(2012→ )

1,3 D 199A2000 1,3 D 199A9000		28142	28300
1,3 D 199B1000 1,3 D 199B4000		28142	-

### febi 12520

Ref. No. 5890990



AØ 72 IØ 35 B 33

### febi 12521

Ref. No. 46773659



AØ 72 IØ 35 B 32

### febi 12572

Ref. No. 7608131



AØ 35 LKØ 98 x 4

### febi 24524

Ref. No. 71714459



AØ 72 IØ 35 B 33

### febi 28142

Ref. No. 71745047 S1



AØ 72 IØ 37 B 37

### febi 28300

Ref. No. 51881463



AØ 120 LKØ 100 x 4

### febi 40233

Ref. No. 51824630



AØ 37 LKØ 98 x 4



**Punto Van**

(2012→)

1,4 350A1000  
1,4 350A1000CNG

-

28303

**Qubo**

(2008→)

1,3 D 199A2000  
1,3 D 199B1000

28142

40233

1,4 KFT  
1,4 Kfv  
1,4 KFVCNG

24524

-

**Scudo**

(1996→2006)

1,6 220A2000  
1,9 D D8B  
1,9 D D9B  
1,9 D DHX  
1,9 D DW8  
1,9 D WJY  
1,9 D WJZ  
2,0 RFN  
2,0 D RHM  
2,0 D RHW  
2,0 D RHX  
2,0 D RHZ

14538

19842

front axle

**febi 14538**

Ref. No. 71714473 SK



AØ 82 IØ 44 B 37

**febi 19842**

Ref. No. 1311508080



AØ 122 LKØ 95 x 5

**febi 24524**

Ref. No. 71714459



AØ 72 IØ 35 B 33

**febi 28142**

Ref. No. 71745047 S1



AØ 72 IØ 37 B 37

**febi 28303**

Ref. No. 51881462



AØ 120 LKØ 100 x 4

**febi 40233**

Ref. No. 51824630



AØ 37 LKØ 98 x 4

suitable for:

**FIAT**

**Car  
Division**



**Sedici**

(2006→ )

1,6 M16A  
1,9 D D19AA  
2,0 D D20AA

29182

40225

**Sedici 4x4**

(2006→ )

1,6 M16A  
1,9 D D19AA  
2,0 D D20AA

29182

40225

**Seicento**

(1998→2010)

0,0 221SE  
0,0 222SE

for vehicles without ABS

12534 / 12536

-

-

40230

0,9 1170A1046

for vehicles without ABS

12534 / 12536

-

-

12572

1,1 176B2000  
1,1 187A1000

for vehicles without ABS

12534 / 12536

-

**febi 12534**

Ref. No. 71714466



AØ 66 IØ 35 B 33

**febi 12536**

Ref. No. 51753789



AØ 66 IØ 35 B 33

**febi 12572**

Ref. No. 7608131



AØ 35 LKØ 98 x 4

**febi 29182**

Ref. No. 71742699



AØ 84 IØ 45 B 39

**febi 40225**

Ref. No. 71768302



AØ 134 LKØ 114 x 5

**febi 40230**

Ref. No. 7672265



AØ 116 LKØ 98 x 4



**Siena**

(1996→)

1,0 178A1000	-	39630
1,2 178B5000	-	39630
1,2 178C4066	-	39630
1,2 178E9011	-	39630
1,2 188A4000	-	39630
1,2 188A5000	-	39630
1,3 D 188A9000	28142	-
for vehicles without ABS	37015	-
1,4 178B2000	-	39630
1,4 178B2016	-	39630
1,4 199A1000	-	39630
1,5 138B2048	-	39630
1,5 178E5022	-	39630
1,6 178B3000	-	39630
1,6 182B6000	-	39630
1,7 D 176A3000	-	39630
1,7 D 176B7000	-	39630
1,7 D 178C9066	-	39630
1,9 D 223A6000	28142	39630

front axle



suitable for:

**FIAT**

**Car  
Division**



**Stilo**

(2001→2008)

1,2 188A5000	-	12572
not for automatic transmission	24524	-
1,4 192B2000	36967	40233
1,4 843A1000		
1,6 182B6000		
1,6 192B30		
1,6 192B3000		
1,8 192A4000		
1,9 D 192A1000		
1,9 D 192A3000	-	40233
1,9 D 192A5000	36824	40231
1,9 D 192A8000	36967	40233
1,9 D 192A9000	36967	-
1,9 D 192B1000	36824	40231
1,9 D 192B5000	36967	40233
1,9 D 937A4000	36824	40231
1,9 D 937A5000		
1,9 D 937A7000	36967	40233
2,4 192A2000	-	40231

front axle

**febi 12572**

Ref. No. 7608131



AØ 35 LKØ 98 x 4

**febi 24524**

Ref. No. 71714459



AØ 72 IØ 35 B 33

**febi 36824**

Ref. No. 71753821



AØ 83 IØ 42 B 37

**febi 36967**

Ref. No. 71753820



AØ 74 IØ 37 B 37

**febi 40231**

Ref. No. 60545087



AØ 116 x 4

**febi 40233**

Ref. No. 51824630



AØ 37 LKØ 98 x 4



## Stilo Multi Wagon

(2002→2008)

1,4 192B2000	36967	40233
1,4 843A1000		
1,6 182B6000		
1,6 192B30		
1,8 192A4000		
1,9 D 192A1000		
1,9 D 192A3000	-	40233
1,9 D 192A5000	36824	40231
1,9 D 192A8000	36967	40233
1,9 D 192A9000	36967	-
1,9 D 192B1000	36824	40231
1,9 D 192B5000	36967	40233
1,9 D 937A4000	36824	40231
1,9 D 937A5000		
1,9 D 937A7000	36967	40233
2,4 192A2000	-	40231

## Stilo Van

(2001→2008)

1,6 182B6000	36967	40233
1,9 D 192A1000		
1,9 D 192A3000	-	40233
1,9 D 192A5000	36824	40231
1,9 D 192A8000	36967	40233
1,9 D 937A5000	36824	40231

front axle



suitable for:

**FIAT**

**Car  
Division**



## Strada Pick Up

(2000→ )

1,2 178B5000		28142	-
	for vehicles without ABS	37015	-
1,2 178B7045	for vehicles without ABS	37015	-
1,2 188A4000		28142	-
	for vehicles without ABS	37015	-
1,3 D 199B1000	for vehicles with ABS	28142	-
	For vehicles without diesel soot filter		
1,3 D 223A9000		28142	-
	for vehicles without ABS	37015	-
1,4 178F3011		-	39630
1,6 178D2011 1,6 310A5011	for vehicles without ABS	37015	-
1,7 D 176A3000		28142	39630
	for vehicles without ABS	37015	-
1,9 D 188A2000 1,9 D 223A6000		28142	-
	for vehicles without ABS	37015	-

front axle

### febi 28142

Ref. No. 71745047 S1



AØ 72 IØ 37 B 37

### febi 37015

Ref. No. 51754191



AØ 72 IØ 37 B 37

### febi 39630

Ref. No. 82491391



AØ 116 LKØ 98 x 4



**Talento**

(1989→1994)

all

12691 / 12695

12573

**Tempra**

(1990→1998)

1,4 159A2000

1,4 160A1046

1,4 836A4000

for vehicles without ABS

12534 / 12536

-

-

12572 / 40233

front axle

**febi 12534**

Ref. No. 71714466



AØ 66 IØ 35 B 33

**febi 12536**

Ref. No. 51753789



AØ 66 IØ 35 B 33

**febi 12572**

Ref. No. 7608131



AØ 35 LKØ 98 x 4

**febi 12573**

Ref. No. 7657422



AØ 50 LKØ 139 x 5

**febi 12691**

Ref. No. 4330647



AØ 80 IØ 50 B 21,5

**febi 12695**

Ref. No. 71714450



AØ 80 IØ 50 B 21,5

**febi 40233**

Ref. No. 51824630



AØ 37 LKØ 98 x 4



suitable for:

**FIAT**

**Car  
Division**



## Tempra

(1990→1998)

		12520 / 12521	12572 / 40233
front axle	1,6 159A3000 1,6 159A3046 1,6 159A3048 1,6 159B9000 1,6 835C1000		
	1,8 159A4000 1,8 159A4046 1,8 835C2000 1,8 835C4000 1,8 836A5000	-	40233
	1,9 D 160A6000	for vehicles without ABS 37015	-
		-	40233
	1,9 D 160A7000	for vehicles without ABS 37015	-
	-	12572	
1,9 D 160B6046 1,9 D 160D1000	for vehicles without ABS 37015	-	
	-	40233	
2,0 159A6046	-	40233	

### febi 12520

Ref. No. 5890990



AØ 72 IØ 35 B 33

### febi 12521

Ref. No. 46773659



AØ 72 IØ 35 B 32

### febi 12572

Ref. No. 7608131



AØ 35 LKØ 98 x 4

### febi 37015

Ref. No. 51754191



AØ 72 IØ 37 B 37

### febi 40233

Ref. No. 51824630



AØ 37 LKØ 98 x 4



## Tempra Weekend

(1990→1996)

1,4 159A2000 1,4 160A1046 1,4 836A4000	for vehicles without ABS	12534 / 12536	-
1,6 159A3000 1,6 159A3046 1,6 159A3048 1,6 159B9000 1,6 835C1000		12520 / 12521	12572 / 40233
1,8 159A4000 1,8 159A4046 1,8 835C2000 1,8 835C4000 1,8 836A5000		-	40233
1,9 D 160A6000 1,9 D 160A6046	for vehicles without ABS	37015	-
1,9 D 160A7000		-	40233
	for vehicles without ABS	37015	12572
1,9 D 160B6046 1,9 D 160D1000	for vehicles without ABS	37015	-
2,0 159A6046		-	40233

front axle

### febi 12520

Ref. No. 5890990



AØ 72 IØ 35 B 33

### febi 12521

Ref. No. 46773659



AØ 72 IØ 35 B 32

### febi 12534

Ref. No. 71714466



AØ 66 IØ 35 B 33

### febi 12536

Ref. No. 51753789



AØ 66 IØ 35 B 33

### febi 12572

Ref. No. 7608131



AØ 35 LKØ 98 x 4

### febi 37015

Ref. No. 51754191



AØ 72 IØ 37 B 37

### febi 40233

Ref. No. 51824630



AØ 37 LKØ 98 x 4

suitable for:

**FIAT**

**Car  
Division**



**Tempra Weekend 4x4**

(1992→1995)

1,8 159A4000  
2,0 159A6046

-

40233

**Tipo**

(1987→1996)

1,1 160A3000

for vehicles without ABS

12534 / 12536

-

1,4 149C1046

for vehicles without ABS

12534 / 12536

-

1,4 159A2000

1,4 160A1000

1,4 160A1046

1,4 160A1048

1,4 836A4000

-

12572 / 40233

1,6 138C3048

12520 / 12521

12572 / 40233

1,6 149C2046

from the year of construction 06/1989

12520 / 12521

-

-

12572 / 40233

1,6 159A3000

1,6 159A3046

1,6 159A3048

12520 / 12521

12572 / 40233

1,6 160A2000

from the year of construction 06/1989

12520 / 12521

-

-

12572 / 40233

**febi 12520**

Ref. No. 5890990



AØ 72 IØ 35 B 33

**febi 12521**

Ref. No. 46773659



AØ 72 IØ 35 B 32

**febi 12534**

Ref. No. 71714466



AØ 66 IØ 35 B 33

**febi 12536**

Ref. No. 51753789



AØ 66 IØ 35 B 33

**febi 12572**

Ref. No. 7608131



AØ 35 LKØ 98 x 4

**febi 40233**

Ref. No. 51824630



AØ 37 LKØ 98 x 4



**Tipo**

(1987→1996)

		12520 / 12521	12572 / 40233
1,6 160A2046			
1,6 160B2000			
1,6 835C1000			
1,7 D 149B4000		-	40233
1,8 159A4000			
1,8 159A4046			
1,8 160A5000			
1,8 835C2000			
1,8 835C4000			
1,8 836A5000			
1,9 D 160A6000	for vehicles without ABS	37015	-
1,9 D 160A6046		-	40233
1,9 D 160A7000		-	12572 / 40233
	for vehicles without ABS	37015	-
1,9 D 160B6046	for vehicles without ABS	37015	-
1,9 D 160D1000		-	40233

front axle



suitable for:

**FIAT**

**Car  
Division**



**Tipo**

(1987→1996)

2,0 159A5046  
2,0 159A6046  
2,0 160A8000  
2,0 160A8046  
2,0 834B146  
2,0 836A3000  
2,0 836A3011

-

40233

**Ulysse I**

(1994→2002)

all

14538

19842

**Ulysse II**

(2002→2011)

2,0 RFN  
2,0 D RHK  
2,0 D RHM  
2,0 D RHR  
2,0 D RHW  
2,2 D 4H01  
2,2 D 4HP  
2,2 D 4HR  
2,2 D 4HT  
2,2 D 4HW

24523

19842

3,0 XFW

-

19842

**febi 14538**

Ref. No. 71714473 SK



AØ 82 IØ 44 B 37

**febi 19842**

Ref. No. 1311508080



AØ 122 LKØ 95 x 5

**febi 24523**

Ref. No. 71752156



AØ 82,5 IØ 44 B 37

**febi 40233**

Ref. No. 51824630



AØ 37 LKØ 98 x 4



**500 Abarth (312)**

(2008→)

1,4 312A1000  
1,4 312A3000

28142

40233

**500 C Abarth (312)**

(2009→)

1,4 312A1000  
1,4 312A3000

28142

40233

**500 C (312)**

(2009→)

1,2 169A4000

28142

12572 / 40233

**500 L (199)**

(2012→)

all

28142

-

**500 (301)**

(2011→)

1,4 327A011  
1,4 R

-

40233

**500 (312)**

(2007→)

0,9 312A2000

28142

40233

1,0 312A4000

-

40233

1,2 169A4000

-

12572 / 40230

1,3 D 169A1000

1,3 D 199B1000

1,4 169A3000

28142

40233

front axle

**febi 12572**

Ref. No. 7608131



AØ 35 LKØ 98 x 4

**febi 28142**

Ref. No. 71745047 S1



AØ 72 IØ 37 B 37

**febi 40230**

Ref. No. 7672265



AØ 116 LKØ 98 x 4

**febi 40233**

Ref. No. 51824630



AØ 37 LKØ 98 x 4

suitable for:

**Ford**

**Car  
Division**



**B-MAX 12**

(2012→ )

all

38314

-

**Capri 73**

(1972→1974)

3,0 HC V6

05394

-

**Capri 75**

(1974→1977)

3,0 HC Essex 12V

05394

-

**C-MAX 03**

(2003→2007)

all

26770

26770

**C-MAX 07**

(2007→2010)

all

26770

26770

**C-MAX 11**

(2010→ )

all

39500

-

**Consul 72**

(1972→1977)

all

05394

-

**febi 05394**

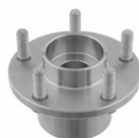
Ref. No. 5 007 028



AØ 50,3 IØ 29 B 14,75  
AØ 39,9 IØ 17,5 B 14,5

**febi 26770**

Ref. No. 1 471 854



AØ 131 IØ 29,5 B 92  
AØ 78  
LKØ 104 x 5

**febi 38314**

Ref. No. 1 582 282



AØ 72 IØ 39

**febi 39500**

Ref. No. 1 796 001



AØ 82 IØ 45



**Cougar 99**

(1998→2001)

2,0 EFI ZETEC E 16V  
2,5 EFI Duratec V6 24V

19265

19090

**Escort 81**

(1980→1986)

1,1 HC CVH

05397

05761

1,1 HC OHV

05397 / 05398

-

1,1 LC CVH

05397

05761

1,3 HC CVH

05398

05761

1,6 D

05398

-

1,6 HC CVH  
1,6 HC CVH Turbo  
1,6 LC FI CVH

-

05761

**Escort 86**

(1985→1990)

1,1 HC OHV

05397 / 05398

05761

1,1 HC OHV (HCS)

05397

05761

front axle

**febi 05397**

Ref. No. 5 007 039



AØ 60 IØ 35 B 19

**febi 05398**

Ref. No. 5 007 040



AØ 60 IØ 35 B 19

**febi 05761**

Ref. No. 1 644 842



AØ 35 LKØ 110 x 4

**febi 19090**

Ref. No. 7 346 525



AØ 134 LKØ 108 x 4

**febi 19265**

Ref. No. 5 027 620



AØ 75 IØ 40 B 37



suitable for:

**Ford**

**Car  
Division**



**Escort 86**

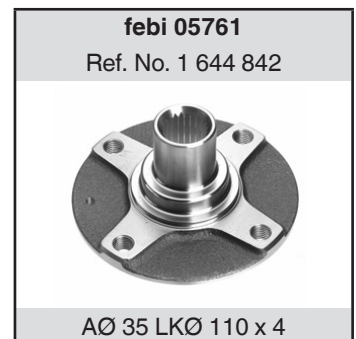
(1985→1990)

1,3 HC OHV 1,3 HC OHV (HCS) 1,4 HC CVH 1,4 LC CVH 1,4 LC CFI CVH		05398	05761
1,6 D	to the year of construction 12/1988	05398	-
		-	05761
1,6 HC CVH 1,6 HC EFI CVH 1,6 HC FI CVH 1,6 HC FI CVH Turbo 1,6 LC FI CVH 1,8 D		05398	05761

**Escort 91**

(1990→1995)

1,3 OHV (HCS) 1,3 CFI OHV (HCS)		03271 / 05412	03991
	to the year of construction 01/1991	05411	-
1,3 EFI HCS 1,3 H HCS		03271	03991
	to the year of construction 06/1994	05411	-
	from the year of construction 07/1994	05412	-



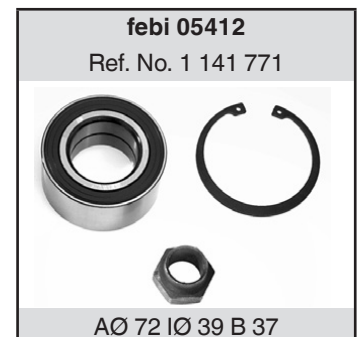


## Escort 91

(1990→1995)

1,3 HC OHV (HCS) 1,3 HC SEFI OHV Endura-E		03271 / 05412	03991
	to the year of construction 01/1991	05411	-
1,4 CFI CVH	to the year of construction 01/1991 for vehicles with ABS manual transmission	03271 / 05412	-
	from the year of construction 02/1991		
	to the year of construction 09/1990 for vehicles with air conditioner	-	03991
	to the year of construction 09/1990 for vehicles with ABS manual transmission		
	to the year of construction 09/1990 automatic transmission		
	from the year of construction 10/1990		
	to the year of construction 01/1991 for vehicles without ABS manual transmission	05411	-
1,4 EFI CVH 1,4 G CVH 1,4 LC CVH		03271 / 05412	03991
1,6 ZETEC 16V 1,6 EFI ZETEC E 16V		03271 / 05412	03991
	to the year of construction 06/1994	05411	-
1,6 HC CVH 1,6 HC EFI CVH	to the year of construction 01/1991 for vehicles with ABS manual transmission	03271 / 05412	-
	from the year of construction 02/1991		
		-	03991
	to the year of construction 01/1991 for vehicles without ABS manual transmission	05411	-

front axle



suitable for:

**Ford**

**Car  
Division**



## Escort 91

(1990→1995)

1,6 HC SEFI ZETEC E 16V		03271 / 05412	03991
1,8 D	to the year of construction 06/1994	05411	-
1,8 EFI ZETEC E 16V			
1,8 EFI ZETEC 16V			
1,8 HC SEFI ZETEC E 16V			
1,8 NA D			
1,8 TD D			
1,8 TDCI D Endura-DE			
2,0 ZETEC 16V			
2,0 EFI DOHC 16V			

## Escort 91 4x4

(1991→1995)

all	to the year of construction 06/1994	03271 / 05412	-
	from the year of construction 07/1994	05411	-

## Escort 95

(1995→2001)

1,3 EFI HCS	to the year of construction 02/1999	03271 / 05412	-
		-	03991
1,3 HC SEFI OHV Endura-E		03271 / 05412	03991
1,4 CFI CVH			
1,4 HC CVH	to the year of construction 02/1999	03271 / 05412	03991
1,4 LC CVH		03271 / 05412	03991
1,6 ZETEC E 16V			
1,6 ZETEC 16V			
1,6 CFI ZETEC 16V			
1,6 HC SEFI ZETEC E 16V	to the year of construction 02/1999	03271 / 05412	03991
1,6 HC SEFI ZETEC 16V		03271 / 05412	03991
1,6 SEFI ZETEC 16V	to the year of construction 02/1999	-	03991
1,8 D Endura-DE	to the year of construction 02/1999	03271 / 05412	03991

**febi 03271**

Ref. No. 4 331 541



AØ 72 IØ 39 B 37

**febi 03991**

Ref. No. 1 333 147



AØ 39 LKØ 110 x 4

**febi 05411**

Ref. No. 5 024 195



AØ 60 IØ 35 B 23

**febi 05412**

Ref. No. 1 141 771



AØ 72 IØ 39 B 37



### Escort 95

(1995→2001)

1,8 D		03271 / 05412	-
	to the year of construction 02/1999	-	03991
1,8 EFI D Endura-DE		03271 / 05412	03991
1,8 EFI ZETEC E 16V	to the year of construction 02/1999	03271 / 05412	03991
1,8 HC SEFI ZETEC E 16V 1,8 T D Endura-DE		03271 / 05412	03991
1,8 TD D	to the year of construction 02/1999	03271 / 05412	03991
1,8 TI D Endura-DE 2,0 ZETEC 16V		03271 / 05412	03991

### Escort 95 4x4

(1995→1998)

1,6 HC SEFI ZETEC E 16V		05411	05762
2,0 HC DOHC Cos. 16V		03271 / 05412	03991
2,0 HC EFI DOHC 16V		05411	-

front axle

#### febi 03271

Ref. No. 4 331 541



AØ 72 IØ 39 B 37

#### febi 03991

Ref. No. 1 333 147



AØ 39 LKØ 110 x 4

#### febi 05411

Ref. No. 5 024 195



AØ 60 IØ 35 B 23

#### febi 05412

Ref. No. 1 141 771



AØ 72 IØ 39 B 37

#### febi 05762

Ref. No. 6 517 014



AØ 35 LKØ 110 x 4

suitable for:

**Ford**

**Car  
Division**



**Fiesta 76**

(1975→1986)

0,9 OHV  
1,0 HC OHV  
1,0 LC OHV  
1,1  
1,3 HC

from the year of construction 08/1980  
Country Version Great Britain  
Country Version Spain

from the year of construction 07/1980  
Country Version Germany

from the year of construction 07/1980

**05397**

-

**05398**

-

-

**05761**

**Fiesta 84**

(1983→1987)

1,0 LC OHV  
1,1 HC OHV

1,3 HC CVH

1,4 HC CVH

1,6 D

1,6 HC CVH

to the year of construction 01/1987

**05397**

**05761**

**05398**

**05761**

**05398**

-

-

**05761**

**Fiesta 87**

(1986→1989)

1,0 LC OHV  
1,1 HC OHV

1,4 HC CVH

1,4 LC CVH

1,4 LC CFI CVH

1,6 D

1,6 HC CVH

**05397**

**05761**

**05398**

**05761**

front axle

**febi 05397**

Ref. No. 5 007 039



AØ 60 IØ 35 B 19

**febi 05398**

Ref. No. 5 007 040



AØ 60 IØ 35 B 19

**febi 05761**

Ref. No. 1 644 842



AØ 35 LKØ 110 x 4



## Fiesta 89

(1989→1997)

1,0 OHV (HCS)	from the year of construction 02/1994	03271 / 05412	03991
1,1 OHV (HCS)			
1,1 CFI OHV (HCS)	to the year of construction 01/1994	05411	05762
1,1 HC OHV (HCS)			
1,3			
1,3 CFI OHV (HCS)			
1,3 EFI OHV (HCS)		05411	05762
1,4 EFI CVH	from the year of construction 02/1994	03271 / 05412	03991
1,4 HL CVH			
1,4 LC CVH	to the year of construction 01/1994	05411	05762
1,4 LC CFI CVH			
1,6 EFI CVH		05411	05762
1,6 EFI CVH Turbo			
1,6 EFI ZETEC E 16V		03271 / 05412	03991
	to the year of construction 01/1994	-	05762
1,6 HC CVH		05411	05762
1,6 HC EFI CVH		05411	05762
	from the year of construction 02/1994	05412	-
1,8 D	from the year of construction 02/1994	03271 / 05412	03991
1,8 EFI ZETEC E 16V	to the year of construction 01/1994	05411	05762

front axle

### febi 03271

Ref. No. 4 331 541



AØ 72 IØ 39 B 37

### febi 03991

Ref. No. 1 333 147



AØ 39 LKØ 110 x 4

### febi 05411

Ref. No. 5 024 195



AØ 60 IØ 35 B 23

### febi 05412

Ref. No. 1 141 771



AØ 72 IØ 39 B 37

### febi 05762

Ref. No. 6 517 014



AØ 35 LKØ 110 x 4

suitable for:

**Ford**

**Car  
Division**



**Fiesta 96**

(1995→2003)

1,0 1,0 EFI OHV (HCS) 1,1 OHV (HCS)		-	03991
1,25 EFI ZETEC S DOHC 16V 1,3 EFI OHV (HCS) 1,4 EFI CVH 1,4 EFI ZETEC S 16V 1,4 EFI ZETEC SE 16V 1,6 SEFI ZETEC S 16V 1,6 SEFI ZETEC SE 16V 1,8 D Endura-DE 1,8 D Endura-DI 1,8 D 1,8 NA D 1,8 TD D Lynx	to the year of construction 10/2001	03271 05412	03991 -

**Fiesta 02**

(2000→2011)

all		19213	03991
-----	--	-------	-------

**Fiesta 08**

(2008→ )

all		38314	36241
-----	--	-------	-------





**Fiesta 13**

(2012→)

all

38314

-

**Focus 99**

(1998→2005)

- 1,4 EFI ZETEC S 16V
- 1,4 EFI ZETEC SE 16V
- 1,4 SFI ZETEC SE 16V
- 1,6 ZETEC S 16V
- 1,6 EFI ZETEC E 16V
- 1,6 EFI ZETEC S 16V
- 1,6 SFI ZETEC E 16V
- 1,8 D Duratorq
- 1,8 ZETEC E 16V
- 1,8 EFI ZETEC E 16V
- 1,8 TD D Lynx
- 1,8 TDCI D Lynx
- 1,8 TDDI D Lynx

19213

03991

2,0 ZETEC E 16V

2,0 EFI ZETEC E 16V

19213

-

2,0 RS Duratec HE 16V

2,0 SFI ZETEC E 16V

2,0 ST Duratec HE 16V

2,0 ST ZETEC E HC 16V

-

19090

19213

-

19213

19090

19213

-

front axle

**febi 03991**

Ref. No. 1 333 147



AØ 39 LKØ 110 x 4

**febi 19090**

Ref. No. 7 346 525



AØ 134 LKØ 108 x 4

**febi 19213**

Ref. No. 1 112 547



AØ 72 IØ 39 B 37

**febi 38314**

Ref. No. 1 582 282



AØ 72 IØ 39



suitable for:

**Ford**

**Car  
Division**



**febi**  
bilstein®



**Focus 04**

(2004→2012)

all

26770

26770

**Focus 06**

(2006→2011)

1,6 PFI ZETEC S 16V  
2,0 PFI Duratec HE 16V  
2,0 TDCI D Duratorq 16V

26770

26770

**Focus 08**

(2007→ )

1,4 PFI Duratec 16V  
1,4 PFI ZETEC S 16V  
1,6 ZETEC S  
1,6 ZETEC S 16V  
1,6 ZETEC 16V  
1,6 TDCI D Duratorq 16V  
1,6 TI-VCT ZETEC S 16V  
1,8 Duratec HE 16V  
1,8 PFI Duratec HE 16V  
1,8 TDCI D Duratorq  
2,0 ZETEC 16V  
2,0 16V  
2,0 PFI Duratec HE 16V

26770

26770

2,0 TDCI D Duratorq 16V

26770 / 39500

26770

2,5 RS Duratec 20V  
2,5 ST Duratec 20V

32592

32592

**Focus 11**

(2011→ )

all

39500

-

**febi 26770**

Ref. No. 1 471 854



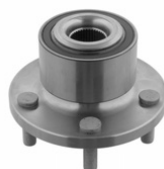
AØ 131 IØ 29,5 B 92

AØ 78

LKØ 104 x 5

**febi 32592**

Ref. No. 1 496 721



LKØ 100 x 5

**febi 39500**

Ref. No. 1 796 001



AØ 82 IØ 45



**Fusion 02**

(2002→2012)

all

19213

03991

**Galaxy 95**

(1995→2006)

all

19920

22554

**Galaxy 95 4x4**

(1996→2000)

2,3 DOHC 16V  
2,8 SEFI V6

19920

22554

**Galaxy 00**

(2000→2006)

all

19920

22554

**Granada 72**

(1972→1977)

1,7 HC  
1,7 LC  
2,0 HC OHC  
2,0 HC V6

05394

-

front axle

**febi 03991**

Ref. No. 1 333 147



AØ 39 LKØ 110 x 4

**febi 05394**

Ref. No. 5 007 028



AØ 50,3 IØ 29 B 14,75  
AØ 39,9 IØ 17,5 B 14,5

**febi 19213**

Ref. No. 1 112 547



AØ 72 IØ 39 B 37

**febi 19920**

Ref. No. 1 497 386



AØ 80 IØ 43 B 38

**febi 22554**

Ref. No. 1 121 342



AØ 141 LKØ 112 x 5

suitable for:

**Ford**

**Car  
Division**



**Granada 72**

(1972→1977)

2,3 HC V6  
2,6 HC V6

to the year of construction 05/1975

05394

-

3,0 HC V6

05394

-

**Granada 76**

(1972→1977)

1,7 LC  
2,3 HC V6  
3,0 HC V6

05394

-

**Granada 78**

(1977→1985)

all

05394

-

**Granada 82**

(1977→1985)

all

05394

-

**KA 97**

(1996→2008)

1,0

-

03991

to the year of construction 10/2002

05412

-

1,3 EFI Duratec 8V Rocam  
1,3 EFI OHV (HCS)  
1,3 SEFI Endura-E  
1,3 SEFI OHV Endura-E

to the year of construction 10/2002

03271 / 05412

-

1,6 ZETEC ROCAM

-

03991

**febi 03271**

Ref. No. 4 331 541



AØ 72 IØ 39 B 37

**febi 03991**

Ref. No. 1 333 147



AØ 39 LKØ 110 x 4

**febi 05394**

Ref. No. 5 007 028



AØ 50,3 IØ 29 B 14,75  
AØ 39,9 IØ 17,5 B 14,5

**febi 05412**

Ref. No. 1 141 771



AØ 72 IØ 39 B 37



**KA 08**

(2008→)

1,2 Duratec	-	12572 / 40230
1,3 TDCI D Duratorq 16V	28142	40233

**Kuga 08**

(2008→2012)

2,0 TDCI D Duratorq 16V 2,5 L Duratec 20V	39500	-
--	-------	---

**Kuga 08 4x4**

(2008→2012)

2,0 TDCI D Duratorq 16V 2,5 L Duratec 20V	39500	-
--	-------	---

**Mondeo 93**

(1993→1996)

all	19265	19090
-----	-------	-------

**Mondeo 93 4x4**

(1993→1996)

all	19265	19090
-----	-------	-------

front axle

**febi 12572**

Ref. No. 1 541 797



AØ 35 LKØ 98 x 4

**febi 19090**

Ref. No. 7 346 525



AØ 134 LKØ 108 x 4

**febi 19265**

Ref. No. 5 027 620



AØ 75 IØ 40 B 37

**febi 28142**

Ref. No. 1 587 565



AØ 72 IØ 37 B 37

**febi 39500**

Ref. No. 1 796 001



AØ 82 IØ 45

**febi 40230**

Ref. No. 1 701 249



AØ 116 LKØ 98 x 4

**febi 40233**

Ref. No. 1 541 797



AØ 37 LKØ 98 x 4

suitable for:

**Ford**

**Car  
Division**



**Mondeo 97**

(1996→2000)

all

19265

19090

**Mondeo 01**

(2000→2007)

1,8 SCI Duratec HE 16V  
1,8 SFI Duratec HE 16V

19706

24351

2,0 DI D Duratorq 16V not for 5 speed automatic transmission

19706

24351

2,0 SFI Duratec HE 16V

19706

24351

2,0 TD D Duratorq 16V not for 5 speed automatic transmission

19706

24351

2,2 D Duratorq 16V  
2,2 TDCI D Duratorq 16V

2,5 EFI Duratec V6 24V  
2,5 SFI Duratec V6 24V  
3,0 V6 24V  
3,0 EFI Duratec V6 24V

19706

24351

**Mondeo 07**

(2007→ )

all

32592

32592

**febi 19090**

Ref. No. 7 346 525



AØ 134 LKØ 108 x 4

**febi 19265**

Ref. No. 5 027 620



AØ 75 IØ 40 B 37

**febi 19706**

Ref. No. 1 133 023



AØ 75 IØ 40 B 37

**febi 24351**

Ref. No. 4 103 347



AØ 134 LKØ 104 x 5

**febi 32592**

Ref. No. 1 496 721



LKØ 100 x 5



**Orion 83**

(1983→1986)

1,3 HC CVH	05398	05761
1,6 D	05398	-
1,6 HC CVH	05398	05761

**Orion 86**

(1985→1990)

all	05398	05761
-----	-------	-------

**Orion 91**

(1990→1993)

1,3 CFI OHV (HCS)	from the year of construction 02/1991	03271 / 05412	-
	to the year of construction 07/1993	-	03991
	to the year of construction 01/1991	05411	-

front axle





## Orion 91

(1990→1993)

1,4 CFI CVH  
1,4 LC CVH

to the year of construction 01/1991  
for vehicles with ABS  
manual transmission

---

from the year of construction 02/1991

---

to the year of construction 09/1990  
for vehicles with air conditioner

---

to the year of construction 09/1990  
for vehicles with ABS  
manual transmission

---

to the year of construction 09/1990  
automatic transmission

---

from the year of construction 10/1990

03271 / 05412

-

to the year of construction 01/1991  
for vehicles without ABS  
manual transmission

05411

-

1,6 EFI ZETEC E 16V

to the year of construction 07/1993

03271 / 05412

-

to the year of construction 01/1991  
for vehicles with ABS  
manual transmission

03271 / 05412

-

from the year of construction 02/1991

to the year of construction 07/1993

-

03991

to the year of construction 01/1991  
for vehicles without ABS  
manual transmission

05411

-

1,6 HC CVH

front axle

### febi 03271

Ref. No. 4 331 541



AØ 72 IØ 39 B 37

### febi 03991

Ref. No. 1 333 147



AØ 39 LKØ 110 x 4

### febi 05411

Ref. No. 5 024 195



AØ 60 IØ 35 B 23

### febi 05412

Ref. No. 1 141 771



AØ 72 IØ 39 B 37



**Orion 91**

(1990→1993)

**1,6 HC EFI CVH**

to the year of construction 01/1991  
for vehicles with ABS  
manual transmission

**03271 / 05412**

-

from the year of construction 02/1991

-

**03991**

to the year of construction 01/1991  
for vehicles without ABS  
manual transmission

**05411**

-

**1,8 D**

**1,8 EFI ZETEC E 16V**

**1,8 TD D**

to the year of construction 07/1993

**03271 / 05412**

-

-

**03991**

**Puma 97**

(1997→2002)

**1,4 EFI ZETEC S 16V**

**1,6 EFI ZETEC S 16V**

**1,7 EFI ZETEC 16V**

to the year of construction 12/2001

**03271 / 05412**

**03991**

**03271 / 05412**

-

-

**03991**

front axle

**febi 03271**

Ref. No. 4 331 541



AØ 72 IØ 39 B 37

**febi 03991**

Ref. No. 1 333 147



AØ 39 LKØ 110 x 4

**febi 05411**

Ref. No. 5 024 195



AØ 60 IØ 35 B 23

**febi 05412**

Ref. No. 1 141 771



AØ 72 IØ 39 B 37



suitable for:

**Ford**

**Car  
Division**



**Scorpio 85**

(1985→1993)

all

**05493**

-

**Scorpio 92**

(1986→1994)

2,0 DOHC

from the year of construction 02/1992  
to the year of construction 08/1992

**05493**

-

2,0

**05493**

-

2,0 EFI DOHC

from the year of construction 02/1992  
to the year of construction 08/1992

**05493**

-

2,0 HC DOHC

2,4 EFI V6

2,5 NA D

2,5 T D

2,9 EFI V6

2,9 EFI V6 24V

to the year of construction 02/1992

**05493**

-

2,9 MC EFI V6

from the year of construction 02/1992  
to the year of construction 08/1992

**05493**

-

**Sierra 83**

(1982→1986)

all

not for country-spec. model Canada  
not for country-spec. model USA

**05400 / 05401**

-

**Sierra 87**

(1987→1993)

1,6 HC OHC

not for country-spec. model Canada  
not for country-spec. model USA

**05400 / 05401**

-

1,8 CVH

1,8 CFI CVH

1,8 HC CVH

**05400 / 05401**

-

1,8 HC OHC

not for country-spec. model Canada  
not for country-spec. model USA

**05400 / 05401**

-

**febi 05400**

Ref. No. 5 008 716



AØ 60 IØ 35 B 19

**febi 05401**

Ref. No. 5 010 762



AØ 60 IØ 35 B 19

**febi 05493**

Ref. No. 5 012 477



AØ 63 IØ 37,5 B 19



### Sierra 87

(1987→1993)

1,8 TD D		05400 / 05401	-
2,0 EFI DOHC 2,0 EFI DOHC 16V 2,0 HC DOHC 2,0 HC DOHC Cos. 16V	not for country-spec. model Canada not for country-spec. model USA to the year of construction 01/1990	05400 / 05401 05493	-
2,0 HC OHC 2,0 HC EFI OHC 2,0 LC EFI OHC	not for country-spec. model Canada not for country-spec. model USA	05400 / 05401	-
2,3 D		05400 / 05401	-
2,8 EFI V6 2,9 EFI V6	not for country-spec. model Canada not for country-spec. model USA	05400 / 05401	-

### Sierra 87 4x4

(1987→1993)

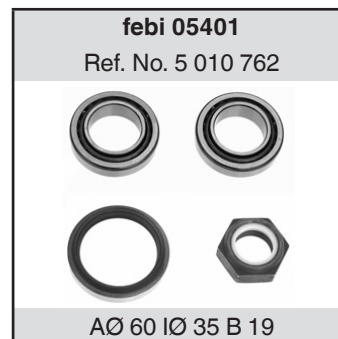
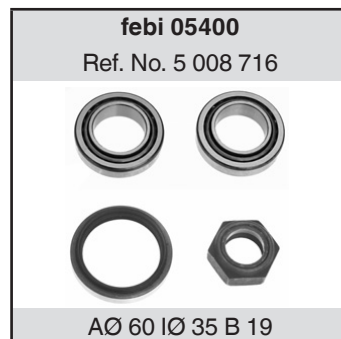
2,8 EFI V6 2,9 EFI V6	not for country-spec. model Canada not for country-spec. model USA	05400 / 05401	-
--------------------------	---	---------------	---

### Streetka 03

(2003→2005)

1,6 Duratec		-	03991
-------------	--	---	-------

front axle



suitable for:

**Ford**

**Car  
Division**



**Tourneo 02**

(2002→ )

1,8 EFI ZETEC E 16V

for vehicles without ABS

29473

-

1,8 TDCI D Duratorq

for vehicles with ABS

31379

-

**Transit 71**

(1968→1978)

1,5 LC

05458

-

1,7 LC

to the year of construction 04/1975

05458

-

**Transit 78**

(1977→1986)

1,6 LC OHC

2,0 LC OHC

2,4 York D

05458

-

**Transit 84**

(1977→1986)

2,4 D

2,5 D

05458

-

**Transit 86**

(1985→1992)

1,6 LC OHC

2,0 LC OHC

2,5 D

to the year of construction 07/1991

05458

-

**febi 05458**

Ref. No. 5 007 029



AØ 45 IØ 32 B 17  
IØ 19

**febi 29473**

Ref. No. 1 484 266



AØ 74 IØ 39 B 39

**febi 31379**

Ref. No. 1 484 269



AØ 74 IØ 39 B 39



**Transit 92**

(1991→1994)

all

14498 / 14499

-

**Transit 95**

(1994→2000)

all

14498 / 14499

-

**Transit 00**

(2000→2006)

all

22805

-

**Transit 00 4x4**

(2000→2003)

2,4 TD D Duratorq 16V

22805

-

**Transit 02**

(2002→)

1,8 EFI ZETEC E 16V

for vehicles without ABS

29473

-

1,8 TDCI D Duratorq

for vehicles with ABS

31379

-

front axle

**febi 14498**

Ref. No. 5 025 899



AØ 62 IØ 35 B 19,2  
AØ 45,25 IØ 19 B 16,6

**febi 14499**

Ref. No. 1 053 115



AØ 62 IØ 35 B 19,2  
AØ 45,25 IØ 19 B 16,6

**febi 22805**

Ref. No. 1 201 300



AØ 78 IØ 45 B 53

**febi 29473**

Ref. No. 1 484 266



AØ 74 IØ 39 B 39

**febi 31379**

Ref. No. 1 484 269



AØ 74 IØ 39 B 39

suitable for:

**Honda**

**Car  
Division**



**Accord VIII**

(2002→2008)

2,0 K20A  
2,0 K20A6  
2,0 K20Z2  
2,2 D N22A1  
2,4 K24A3

30576

-

**Accord VIII 4WD**

(2003→2008)

2,0 K20A  
2,0 K20A6

30576

-

**Civic VII**

(2005→ )

1,3 L13A7  
1,4 L13Z1  
1,8 R18A1  
1,8 R18A2  
1,8 R18A4CNG

31451

-

2,0 K20A  
2,0 K20A3  
2,0 K20Z3  
2,0 K20Z4

30576

-

**FR-V**

(2005→2009)

2,2 D N22A1

30576

-

**Jazz**

(2002→ )

1,2 L12A1  
1,2 L12A3

30575 / 32540

-

1,2 L12A4

32540

-

1,3 L13A1

30575 / 32540

-

**febi 30575**

Ref. No. 44300-SAA-003



AØ 73 IØ 38 B 40

**febi 30576**

Ref. No. 44300-SDA-A52



AØ 86 IØ 48 B 42

**febi 31451**

Ref. No. 44300-SMG-G01



AØ 78 IØ 43 B 44

**febi 32540**

Ref. No. 44300-SAA-003 S1



AØ 73 IØ 38 B 40



## Jazz

(2002→)

- 1,3 L13A5
- 1,3 L13A6
- 1,5 L15A
- 1,5 L15A7

32540

-

front axle

### febi 32540

Ref. No. 44300-SAA-003 S1



AØ 73 IØ 38 B 40

suitable for:

# Hyundai

Car  
Division 



## Accent I

(1994→2000)

1,3 G4BH		27316	-
1,3 G4CH			
1,3 G4DH	from the year of construction 12/1995	-	28251
1,3 G4EH			
1,5 G4EK			
1,5 G4ER		27316	28251

## Accent II

(1999→2006)

all		31183	-
-----	--	-------	---

## Amica

(1999→2000)

1,0 G4AC		27316	-
----------	--	-------	---

## Atos

(1997→2003)

0,8 G3HJ		27316	-
1,0 G4AC	to the year of construction 12/2000	27316	-
1,0 G4HC			

## Coupe

(1994→2008)

1,6 G4GR	to the year of construction 08/2000	-	28250
1,8 G4GM			
2,0 G4DF	to the year of construction 09/2001	31183	-
2,0 G4GF			

### febi 27316

Ref. No. 51720-22000



AØ 65 IØ 38 B 21

### febi 28250

Ref. No. 51750-29000



AØ 150 LKØ 114,5 x 4

### febi 28251

Ref. No. 51750-24500



AØ 154 LKØ 114,5 x 4

### febi 31183

Ref. No. 51720-29300



AØ 70 IØ 38 B 37



## Coupe

(1994→2008)

2,7 G6BA  
2,7 G6BAG

for vehicles with ABS

31832

-

## Elantra I

(1990→2000)

1,5 G4DJ  
1,6 G4CR

27316

-

1,6 G4DR  
1,6 G4GR

to the year of construction 04/1998

-

28250

from the year of construction 08/1996

31183

-

1,8 G4CN

27316

-

1,8 G4GM

to the year of construction 04/1998

-

28250

from the year of construction 08/1996

31183

-

2,0 G4GF

to the year of construction 04/1998

-

28250

31183

-

## Elantra II

(2001→2006)

2,0 D D4EA

for vehicles with ABS

31832

-

front axle

### febi 27316

Ref. No. 51720-22000



AØ 65 IØ 38 B 21

### febi 28250

Ref. No. 51750-29000



AØ 150 LKØ 114,5 x 4

### febi 31183

Ref. No. 51720-29300



AØ 70 IØ 38 B 37

### febi 31832

Ref. No. 51720-2D200



AØ 80 IØ 42 B 35,8



suitable for:

# Hyundai

Car  
Division 



## Elantra III

(2006→ )

1,6 132  
1,6 D D4FB  
1,6 G4HN  
1,8 G4NB  
1,8 G4NBB  
2,0 G4EN  
2,0 G4GC

34712

-

## Excel

(1985→2005)

1,3 G4DG  
1,3 G4EH

27316

28251

1,5 G4AJ

-

28251

1,5 G4DJ

27316

28251

1,5 G4EK

1,5 G4ER

## Grandeur

(1998→2007)

2,5 G6AV  
3,0 G6CT

to the year of construction 01/2002

31832

-

## i30

(2007→ )

1,4 D D4FC  
1,4 G4FA  
1,6 D D4FB  
1,6 G4FC  
1,6 G4FD  
2,0 D D4EA  
2,0 G4GC  
2,0 G4GCG

34712

-

**febi 27316**

Ref. No. 51720-22000



AØ 65 IØ 38 B 21

**febi 28251**

Ref. No. 51750-24500



AØ 154 LKØ 114,5 x 4

**febi 31832**

Ref. No. 51720-2D200



AØ 80 IØ 42 B 35,8

**febi 34712**

Ref. No. 51720-2H000



AØ 78 IØ 42 B 40



**Lantra I**

(1990→1995)

1,5 G4DJ  
1,6 G4CR

27316

-

**Lantra II**

(1995→2003)

1,5 G4EK

to the year of construction 04/1998

-

28250

31183

-

1,6 G4DR

to the year of construction 04/1998

-

28250

1,6 G4GR

1,8 G4GM

from the year of construction 08/1996

31183

-

1,9 D 2DN

to the year of construction 04/1998

-

28250

31183

-

2,0 D D4EA

for vehicles with ABS

31832

-

2,0 G4DF

2,0 G4GF

2,0 G4JPE

to the year of construction 04/1998

-

28250

31183

-

front axle

**febi 27316**

Ref. No. 51720-22000



AØ 65 IØ 38 B 21

**febi 28250**

Ref. No. 51750-29000



AØ 150 LKØ 114,5 x 4

**febi 31183**

Ref. No. 51720-29300



AØ 70 IØ 38 B 37

**febi 31832**

Ref. No. 51720-2D200



AØ 80 IØ 42 B 35,8

suitable for:

# Hyundai

Car  
Division



## Pony

(1989→2000)

1,3 G4DG  
1,3 G4EH  
1,5 G4DJ  
1,5 G4EK  
1,5 G4ER

27316

28251

## Pony XP

(1990→1994)

1,3 G4DG  
1,5 G4DJ

27316

28251

## Santamo

(1996→2002)

2,0 G4CP  
2,0 G4JPE

30711

-

## Santamo 4x4

(1999→2002)

2,0 G4JPE

30711

-

## S-Coupe

(1990→1996)

1,5 G4DJ

27316

-

from the year of construction 01/1993

-

28251

1,5 G4DJA21

27316

-

1,5 G4EK  
1,5 G4EKT

27316

-

from the year of construction 01/1993

-

28251

## Sonata II

(1989→1998)

all

30711

-

**febi 27316**

Ref. No. 51720-22000



AØ 65 IØ 38 B 21

**febi 28251**

Ref. No. 51750-24500



AØ 154 LKØ 114,5 x 4

**febi 30711**

Ref. No. 51720-34200



AØ 80 IØ 39,9 B 35,85



**Sonata III**

(1998→2001)

2,0 G4JPE  
2,4 G4BS  
2,5 G6DV

31832

-

**Sonata IV**

(2001→2005)

all

-

28252

**Sonata V**

(2005→)

2,0 D D4EA  
2,0 G4KA  
2,0 G4KD  
2,2 D D4EB  
2,4 G4KC  
3,3 G6DB  
3,3 G6DC

Country Version Russia

-

28252

**Tiburon**

(2002→2008)

2,7 G6BA

for vehicles with ABS

31832

-

**Verna**

(1999→)

1,3 G4EA  
1,3 G4EAG

31183

-

1,4 G4EE

to the year of construction 12/2006

31183

-

1,5 D D3DA  
1,5 G4EK  
1,5 G4FK

31183

-

1,6 G4ED

to the year of construction 12/2006

31183

-

front axle



suitable for:

# Hyundai

Car  
Division 



**XG 25**  
(1999→2005)

2,5 G6AV

to the year of construction 01/2002

**31832**

-

**XG 30**  
(1998→2006)

3,0 G6CT

to the year of construction 01/2002

**31832**

-

front axle

**febi 31832**

Ref. No. 51720-2D200



AØ 80 IØ 42 B 35,8



**Daily I**

(1978→1989)

2,4 D 814021  
2,4 D 814061

35591 / 35592

35591 / 35592

**Daily II**

(1989→1999)

2,5 D 814007

35591

35591

2,5 D 814027  
2,5 D 814027S  
2,5 D 814047  
2,5 D 814047R

35591 / 35592

35591 / 35592

2,5 D 814067F

35591

35591

2,5 D 814097  
2,8 D 814023  
2,8 D 814043

35591 / 35592

35591 / 35592

2,8 D 814063  
2,8 814903CNG

35591

35591

**Daily III**

(1990→1999)

2,5 D 814027  
2,5 D 814027S  
2,8 D 814023  
2,8 D 814043

35591

35591

front axle

**febi 35591**

Ref. No. 0 9382 4579



AØ 122 LKØ 95 x 6

**febi 35592**

Ref. No. 0 9382 4580



AØ 122 LKØ 95 x 6

suitable for:

**KIA**

**Car  
Division**



**Carens I**

(1999→2002)

1,8 T8D  
2,0 G4CB

31564

-

**Carens II**

(2002→2006)

all

31564

-

**Carnival I**

(1998→2001)

all

31566

-

**Carnival II**

(1998→2006)

2,4 OK573Y  
2,5 K5  
2,5 KV6  
2,9 D HJ3  
2,9 D OK53GJ3

to the year of construction 12/2004

31566

-

**Cerato**

(2004→2009)

1,5 D D4FA  
1,6 D D4NE  
2,0 D D4EA

31832

-

**Magentis I**

(2001→2005)

2,0 G4JP  
2,5 G6BV

from the year of construction 02/2002

-

28252

to the year of construction 01/2002

31832

-

**febi 28252**

Ref. No. 51750-3D003



AØ 139 LKØ 114 x 4

**febi 31564**

Ref. No. OK9A233047 S1



AØ 80 IØ 42 B 45

**febi 31566**

Ref. No. OK55233047 S1



AØ 76 IØ 42 B 39

**febi 31832**

Ref. No. 51720-2D200



AØ 80 IØ 42 B 35,8



### Mentor I

(1993→2001)

1,5 OK280  
1,5 ZLVE  
1,5 ZYVE  
1,6 B6

30087

-

### Optima

(2001→2005)

2,0 G4JP  
2,5 G6BV

from the year of construction 02/2002

-

28252

to the year of construction 01/2002

31832

-

### Sedona

(1998→2006)

2,4 OK573Y  
2,5 K5  
2,9 D HJ3

to the year of construction 12/2004

31566

-

### Sephia I

(1993→2001)

all

30087

-

### Shuma I

(1997→2001)

1,5 ZYVE  
1,8 OK2BD  
1,8 T8D

30087

-

### Shuma II

(2001→2005)

1,6 B4ZE  
1,8 T8

to the year of construction 02/2004

30087

-

#### febi 28252

Ref. No. 51750-3D003



AØ 139 LKØ 114 x 4

#### febi 30087

Ref. No. OK20133047S1



AØ 74 IØ 40 B 40

#### febi 31566

Ref. No. OK55233047 S1



AØ 76 IØ 42 B 39

#### febi 31832

Ref. No. 51720-2D200



AØ 80 IØ 42 B 35,8



suitable for:

**KIA**

**Car  
Division**



**Spectra**  
(2001→ )

1,6 B4ZE  
1,8 T8D

30087

-

front axle

**febi 30087**

Ref. No. OK20133047S1



AØ 74 IØ 40 B 40



**Dedra**

(1989→1999)

1,6 159B9000		12520 / 12521	12572 / 40233
1,6 182A4000		-	12572 / 40233
1,6 835A1000 1,6 835A1046 1,6 835C1000		12520 / 12521	12572 / 40233
1,8 182A2000	for vehicles without ABS	37015	-
1,8 183A1000 1,8 835A2000 1,8 835A2046 1,8 835C5000 1,8 836A2046 1,8 836A5000 1,9 D 160D1000 1,9 D 835A4000 2,0 835A5000 2,0 835A5046 2,0 835A6046 2,0 835A8000 2,0 835A8046 2,0 836A3000		-	40233

front axle

**febi 12520**

Ref. No. 5890990



AØ 72 IØ 35 B 33

**febi 12521**

Ref. No. 46528566



AØ 72 IØ 35 B 32

**febi 12572**

Ref. No. 7608131



AØ 35 LKØ 98 x 4

**febi 37015**

Ref. No. 51754191



AØ 72 IØ 37 B 37

**febi 40233**

Ref. No. 51824630



AØ 37 LKØ 98 x 4

suitable for:

**LANCIA**

**Car  
Division**



**Dedra 4WD**

(1990→1999)

2,0 835A7000	for vehicles without ABS	37015	-
2,0 835A7046			
2,0 836A3000		-	40233

**Delta I 4WD**

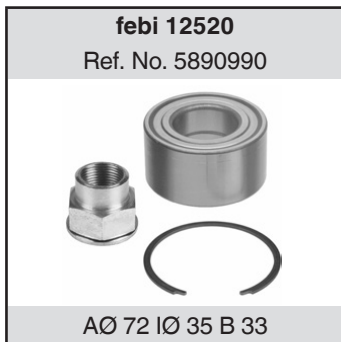
(1986→1994)

2,0 831B5000	for vehicles without ABS	37015	-
2,0 831C5000			
2,0 831C5046			
2,0 831D5000			
2,0 831E5000	for vehicles without ABS	37015	-
	from the year of construction 01/1991	-	40227
2,0 831E5046	for vehicles without ABS	37015	-
		-	40227

**Delta II**

(1993→2000)

1,4 160A1046	12520 / 12521	12572
1,4 836A4000		
1,6 182A4000		
1,6 182A6000		
1,6 835C1000		





### Delta II

(1993→2000)

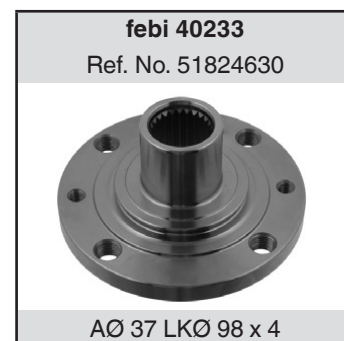
1,8 182A2000	for vehicles without ABS	37015	-
1,8 183A1000		-	40233
1,8 835C2000		-	40233
1,8 835C4000		-	40233
1,8 836A5000		-	40233
1,8 836A6000			
1,9 D 160D1000		-	40233
1,9 D 835A4000			
2,0 175A4000	for vehicles without ABS	37015	-
2,0 836A2000		-	40231 / 40233
2,0 836A3000	for vehicles without ABS	37015	-
		-	40233

### Delta III

(2008→)

1,4 198A1000	automatic transmission	36967	-
1,4 198A4000			
1,4 198A7000			
1,6 D 198A2000	for manual transmission	36967	-
1,6 D 844A3000	automatic transmission	36967	-
1,6 D 955A4000			

front axle



suitable for:

**LANCIA**

**Car  
Division**



**Delta III**

(2008→ )

- 1,8 939B1000
- 1,9 D 844A1000
- 2,0 D 198A5000
- 2,0 D 844A2000

36824

40226

**Lybra**

(1999→2005)

- 1,6 182A4000
- 1,6 182B6000
- 1,8 839A4000
- 1,8 839A7000
- 1,8 839A9000

28142

40233

- 1,9 D 937A2000
- 1,9 D AR32302
- 1,9 D AR37101
- 2,0 182B7000
- 2,0 185A8000
- 2,4 D 839A5000
- 2,4 D 839A6000
- 2,4 D 841C000
- 2,4 D AR32501

-

40231

**febi 28142**

Ref. No. 71745047 S1



AØ 72 IØ 37 B 37

**febi 36824**

Ref. No. 71753821



AØ 83 IØ 42 B 37

**febi 40226**

Ref. No. 82463292



AØ 116 LKØ 98 x 4

**febi 40231**

Ref. No. 60545087



AØ 116 x 4

**febi 40233**

Ref. No. 51824630



AØ 37 LKØ 98 x 4



**Musa**

(2004→2012)

1,3 D 188A9000 1,3 D 199A3000	28142	40233
1,3 D 199B1000	-	40233
1,4 192B2000 1,4 350A1000 1,4 843A1000	-	12572
1,6 D 350A2000 1,6 D 350A3000 1,9 D 188B2000	28142	40233

**Phedra**

(2000→2010)

2,0 RFN 2,0 D RHK 2,0 D RHM 2,0 D RHR 2,0 D RHW 2,2 D 4H01 2,2 D 4HP 2,2 D 4HR 2,2 D 4HT 2,2 D 4HW	24523	19842
3,0 ES9J4S	-	19842

front axle

**febi 12572**

Ref. No. 7608131



AØ 35 LKØ 98 x 4

**febi 19842**

Ref. No. 1311508080



AØ 122 LKØ 95 x 5

**febi 24523**

Ref. No. 71752156



AØ 82,5 IØ 44 B 37

**febi 28142**

Ref. No. 71745047 S1



AØ 72 IØ 37 B 37

**febi 40233**

Ref. No. 51824630



AØ 37 LKØ 98 x 4

suitable for:

**LANCIA**

**Car  
Division**



**Thema**

(1984→1995)

front axle

2,0 834B000		-	40226
2,0 834B048	from the year of construction 01/1988	-	40233
2,0 834B1000		-	40226 / 40233
2,0 834B146	from the year of construction 01/1988	-	40226
		-	40233
2,0 834B2000		-	40226 / 40233
2,0 834B2246		-	40226 / 40233
2,0 834C000	from the year of construction 01/1988	-	40226
		-	40233
2,0 834C046		-	40226 / 40233
2,0 834C1000		-	40226 / 40233
2,0 834C1246		-	40226 / 40233
2,0 834C146	from the year of construction 01/1988	-	40226
		-	40233
2,0 834F1000		-	40226 / 40233
2,0 834F2000		-	40226 / 40233
2,4 D 814491	from the year of construction 01/1988	-	40233
2,5 D 814497		-	40226 / 40233
2,5 D 814497S		-	40226 / 40233
2,5 D 814497Y		-	40226 / 40233
2,8 834A000	from the year of construction 01/1988	-	40233
2,8 834E000		-	40233
2,8 834E146		-	40233
2,9 834A0131	from the year of construction 01/1988	-	40233
2,9 F105L		-	40233
2,9 F105L046		-	40233
3,0 834F000		-	40226

**febi 40226**

Ref. No. 82463292



AØ 116 LKØ 98 x 4

**febi 40233**

Ref. No. 51824630



AØ 37 LKØ 98 x 4



**Thesis**

(2002→2009)

2,0 841E000  
2,4 D 841C000  
2,4 841D000  
2,4 D 841G000  
2,4 D 841H000  
2,4 D 841M000  
2,4 D 841N000  
2,4 D 841P000

38860

-

**Y**

(1995→2003)

1,1 176B2000

12520 / 12521

12572

from Chassis No. 3336902  
for vehicles with ABS  
manual transmission

24524

-

1,2 176B9000  
1,2 188A4000  
1,2 188A5000  
1,2 840A3000

12520 / 12521

12572

from Chassis No. 3336902  
automatic transmission

24524

-

1,4 840A2000  
1,4 840A4000

12520 / 12521

12572

from Chassis No. 3336902  
for vehicles with ABS  
manual transmission

24524

-

front axle

**febi 12520**

Ref. No. 5890990



AØ 72 IØ 35 B 33

**febi 12521**

Ref. No. 46528566



AØ 72 IØ 35 B 32

**febi 12572**

Ref. No. 7608131



AØ 35 LKØ 98 x 4

**febi 24524**

Ref. No. 71714459



AØ 72 IØ 35 B 33

**febi 38860**

Ref. No. 71738029



AØ 94 IØ 42 B 37



suitable for:

**LANCIA**

**Car  
Division**



**Ypsilon**

(2003→ )

0,9 312A2000 0,9 312A2000CNG 1,2 169A4000	28142	-
1,2 169A5000 1,2 188A4000 1,2 188A5000	-	12572
1,3 D 188A9000 1,3 D 199A2000 1,3 D 199A3000	28142	40233
1,3 D 199B1000	28142	-
1,4 350A1000	28142	12572
1,4 843A1000	-	12572

**Zeta**

(1994→2002)

all	14538	19842
-----	-------	-------

**febi 12572**

Ref. No. 7608131



AØ 35 LKØ 98 x 4

**febi 14538**

Ref. No. 71714473 SK



AØ 82 IØ 44 B 37

**febi 19842**

Ref. No. 1311508080



AØ 122 LKØ 95 x 5

**febi 28142**

Ref. No. 71745047 S1



AØ 72 IØ 37 B 37

**febi 40233**

Ref. No. 51824630



AØ 37 LKØ 98 x 4



<b>ES 250</b> (1989→1991)			
2,5 2VZFE		24717	-
<b>ES 300</b> (1991→2006)			
3,0 1MZFE		27313 / 31189	-
	to the year of construction 07/2003	-	28249
3,0 3VZFE		27313	-
<b>ES 330</b> (2001→2006)			
3,0 1MZFE		27313	-
	to the year of construction 07/2003	-	28249
<b>RX 300</b> (1998→2003)			
3,0 1MZFE		-	28249

front axle

**febi 24717**  
Ref. No. 90369-38003




AØ 74 IØ 38 B 36

**febi 27313**  
Ref. No. 90369-43008



AØ 82 IØ 43 B 45

**febi 28249**  
Ref. No. 43502-33030



AØ 139 LKØ 114 x 5

**febi 31189**  
Ref. No. 90369-43009



AØ 82 IØ 43 B 45

suitable for:

**Lexus**

**Car  
Division**



**RX 300 4x4**  
(1999→2003)

**3,0 1MZFE**

**27313**

**28239**

front axle

**febi 27313**

Ref. No. 90369-43008



AØ 82 IØ 43 B 45

**febi 28239**

Ref. No. 43502-32070



AØ 140 LKØ 114 x 5



**Capella (GD)**

(1987→1992)

2,0 F84J

31564

-

**Capella (GF)**

(1997→2002)

2,0 FS2D

2,0 FSJ4HP

31564

-

**CX7 (ER)**

(2006→2013)

2,3 L3K7

2,3 L3Y7

2,5 L5Y7

32790

-

**CX7 4WD (ER)**

(2007→)

2,2 D R2AA

2,3 L3K4

2,3 L3Y6

2,3 L3Y7

2,3 L3ZA

32790

-

**CX9 (TB)**

(2007→)

all

32790

-

**CX9 4WD (TB)**

(2007→)

all

32790

-

front axle

**febi 31564**

Ref. No. BN8B-33-047A S1



AØ 80 IØ 42 B 45

**febi 32790**

Ref. No. GP9A-33-047C



AØ 84 IØ 45 B 45

suitable for:

# Mazda

Car  
Division 



## Eunos (CA)

(1994→1999)

1,6 B6EW  
1,6 B6EX  
2,0 KF27

31564

-

## Eunos (TA)

(1993→2000)

2,3 KJ15  
2,3 KJ17  
2,3 KJY5  
2,5 KL68  
2,5 KLL2

31564

-

## Mazda 2 (DE)

(2010→)

1,5 ZY  
1,5 ZY05

32920

-

## Mazda 3 (BK)

(2003→)

1,3 ZJ07

to the year of construction 01/2005

32868

32868

from the year of construction 02/2005

32920

-

1,3 ZJ30

32920

-

1,6 B6ZE  
1,6 D Y601

to the year of construction 01/2005

32868

32868

from the year of construction 02/2005

32920

-

1,6 D Y603  
1,6 D Y605

32920

-

1,6 Z601

to the year of construction 01/2005

32868

32868

1,6 Z602

to the year of construction 01/2005

32868

32868

from the year of construction 02/2005

32920

-

1,6 Z627

32920

-

**febi 31564**

Ref. No. BN8B-33-047A S1



AØ 80 IØ 42 B 45

**febi 32868**

Ref. No. BP4K-33-15XB



AØ 78 IØ 29 B 37

AØ 138

LKØ 110 x 5

**febi 32920**

Ref. No. C236-26-151D



AØ 80 IØ 42 B 45,3



## Mazda 3 (BK)

(2003→)

2,0 LF50	to the year of construction 01/2005	32868	32868
2,0 LF72	from the year of construction 02/2005	32920	-
2,0 LFN7		32920	-
2,0 LFN8			
2,0 D RF7J			
2,0 D RF8G			
2,3 L33Y	to the year of construction 01/2005	32868	32868
	from the year of construction 02/2005	32920	-
2,3 L3M6		32920	-
2,3 L3N9			
2,3 L3V	to the year of construction 01/2005	32868	32868
	from the year of construction 02/2005	32920	-
2,3 L3YH		32920	-
2,3 L3YS	to the year of construction 01/2005	32868	32868
2,3 L3YY	from the year of construction 02/2005	32920	-

front axle

## Mazda 3 (BL)

(2008→)

1,6 D Y642		32920	-
1,6 D Y650			
1,6 Z668			
1,6 Z682			
1,6 Z683			
2,0 LF5H			
2,0 LF5W			
2,0 LFX			
2,0 LFZ2			
2,2 D R2AA			
2,3 L3KG			
2,3 L3YH			
2,5 L5Y3			

### febi 32868

Ref. No. BP4K-33-15XB



AØ 78 IØ 29 B 37

AØ 138

LKØ 110 x 5

### febi 32920

Ref. No. C236-26-151D



AØ 80 IØ 42 B 45,3

suitable for:

**Mazda**

**Car  
Division**



**Mazda 5 (CR)**

(2005→ )

1,8 L823  
2,0 LFD7  
2,0 LFF7  
2,0 D RF7J  
2,3 L333

32920

-

**Mazda 6 (GG)**

(2002→2008)

1,8 L813  
1,8 L829  
2,0 LF17  
2,0 LF18  
2,0 LFH1

31564

-

2,0 D RF7J

32790

-

2,3 L333  
2,3 L3C1  
2,3 L3C9  
2,3 L3R4  
2,3 L3R5  
3,0 AJ0N  
3,0 AJ5N

31564

-

**Mazda 6 (GH)**

(2009→2012)

3,7 CAY1

31564

-

**Mazda 6 (GY)**

(2002→ )

1,8 L813  
1,8 L829  
2,0 LF17  
2,0 LF18  
2,0 LFH1

31564

-

2,0 D RF7J

32790

-

**febi 31564**

Ref. No. BN8B-33-047A S1



AØ 80 IØ 42 B 45

**febi 32790**

Ref. No. GP9A-33-047C



AØ 84 IØ 45 B 45

**febi 32920**

Ref. No. C236-26-151D



AØ 80 IØ 42 B 45,3



## Mazda 6 (GY)

(2002→)

2,3 L333  
2,3 L3C1  
2,3 L3R4  
2,3 L3R5

31564

-

## Mazda 6 4WD (GG)

(2005→2008)

2,3 L3KG

31564

-

## Mazda 6 4WD (GY)

(2002→2008)

2,3 L333  
2,3 L3R4  
2,3 L3R5

31564

-

## MPV II (LW)

(1999→)

all

31564

-

## MX-3 (EC)

(1991→1998)

all

30087

-

## MX-5 III (NC)

(2005→)

1,8 L831  
2,0 LFG7  
2,0 LFG8  
2,0 LFY7

31564

-

front axle

### febi 30087

Ref. No. B455-33-047D S1



AØ 74 IØ 40 B 40

### febi 31564

Ref. No. BN8B-33-047A S1



AØ 80 IØ 42 B 45



suitable for:

**Mazda**

Car  
Division 



**MX-6 (GE)**

(1992→1997)

- 2,0 FS83
- 2,0 FS84
- 2,5 KLH5
- 2,5 KLY1

31564

-

**Premacy (CP)**

(1999→ )

- 1,8 F5K2
- 1,8 FP87
- 1,8 FP88
- 1,8 FPD9
- 1,8 FPE1
- 1,9 FP
- 2,0 FS7E
- 2,0 FS7G
- 2,0 D RF2A
- 2,0 D RF3F
- 2,0 D RF4F

30087

-

**RX7 (FC)**

(1985→1991)

- 2,6 8AF2
- 2,6 8AF4
- 2,6 8AF6
- 2,6 8AF8

31564

-

**RX7 (FD)**

(1992→2003)

- 1,3 RE13B
- 2,6 8AFF

31564

-

**RX7 (SA)**

(1979→1985)

- 1,1 12A
- 2,3 N210
- 2,3 V210

31564

-

**febi 30087**

Ref. No. B455-33-047D S1



AØ 74 IØ 40 B 40

**febi 31564**

Ref. No. BN8B-33-047A S1



AØ 80 IØ 42 B 45



## Xedos 6 (CA)

(1992→1999)

1,6 B6EW  
1,6 B6EX  
2,0 KF1  
2,0 KF27

31564

-

## Xedos 9 (TA)

(1993→2002)

all

31564

-

## 323 Astina III (BG)

(1989→1994)

all

30087

-

## 323 Astina IV (BG)

(1989→1994)

1,6 B67J  
1,6 B67L  
1,8 BP32

30087

-

## 323 Astina IV 4WD (BG)

(1989→1994)

1,8 BP32

30087

-

## 323 Astina V (BA)

(1994→1998)

all

30087

-

## 323 Astina VI (BJ)

(2001→2004)

2,0 FS7H  
2,0 FS7L

30087

-

front axle

### febi 30087

Ref. No. B455-33-047D S1



AØ 74 IØ 40 B 40

### febi 31564

Ref. No. BN8B-33-047A S1



AØ 80 IØ 42 B 45

suitable for:

**Mazda**

**Car  
Division**



**323 III (BG)**

(1989→1991)

1,6 B63M  
1,6 B63P  
1,6 B63R  
1,8 BP30  
1,8 BP31

30087

-

**323 IV (BG)**

(1989→1994)

all

30087

-

**323 IV 4WD (BG)**

(1989→1994)

1,8 BP  
1,8 BP27

30087 / 31564

-

1,8 BP32  
1,8 BP51  
1,8 BP52

30087

-

1,8 BP55

31564

-

1,8 BP5J

30087

-

**323 Protege V (BA)**

(1994→1998)

1,6 D6DK  
2,0 ZKF48  
2,0 ZKF49

30087

-

**323 Protege VI (BJ)**

(1998→2004)

all

30087

-

**febi 30087**

Ref. No. B455-33-047D S1



AØ 74 IØ 40 B 40

**febi 31564**

Ref. No. BN8B-33-047A S1



AØ 80 IØ 42 B 45



## 323 V (BA)

(1994→2001)

1,3 B3  
1,3 B32A  
1,3 B3P7  
1,5 Z501  
1,5 Z5DE  
1,6 D 4EE1T  
1,6 D6DK  
1,6 D6DL  
1,7 D Y709  
1,8 BP3G  
1,8 BP3H  
1,8 BPE4  
1,8 BPE5  
2,0 KF40  
2,0 KF52  
2,0 D RF1G  
2,0 ZKF48

30087

-

## 323 VI (BJ)

(1998→)

all

30087

-

## 626 Cronos IV (GE)

(1991→1997)

all

31564

-

## 626 Cronos IV 4WD (GE)

(1991→1997)

2,0 FS84  
2,5 KLY1

31564

-

front axle



suitable for:

# Mazda

Car  
Division 



## 626 III (GD)

(1987→1992)

2,2 F2D3

2,2 F2D4

2,2 F2G2

2,2 F2G3

2,2 F2G4

31564

-

## 626 III (GV)

(1988→1992)

2,2 F2D3

2,2 F2G2

31564

-

## 626 III 4WD (GD)

(1987→1992)

2,2 F2G7

31564

-

## 626 III 4WD (GV)

(1991→1997)

2,2 F2L1

31564

-

## 626 IV (GE)

(1991→1997)

all

31564

-

## 626 IV 4WD (GE)

(1992→1997)

2,0 FS

2,0 FS31

2,0 FS84

31564

-

**febi 31564**

Ref. No. BN8B-33-047A S1



AØ 80 IØ 42 B 45



**626 V (GF)**

(1997→2002)

- 1,8 FP33
- 1,8 FP63
- 1,8 FPA1
- 1,8 FPA9
- 2,0 FS2A
- 2,0 FS2B
- 2,0 FS2C
- 2,0 FS2D
- 2,0 FS4B
- 2,0 FSH9
- 2,0 FSJ1
- 2,0 FSJ2
- 2,0 FSJ4
- 2,0 FSS9
- 2,0 D RF2A
- 2,0 D RF3F
- 2,0 D RF4F

31564

-

front axle

**626 V (GW)**

(1997→2002)

- 1,8 FP33
- 1,8 FP63
- 1,8 FPA1
- 1,8 FPA9
- 2,0 FS2A
- 2,0 FS2C
- 2,0 FS4B
- 2,0 FSH9
- 2,0 FSJ1
- 2,0 FSJ2
- 2,0 FSS9
- 2,0 D RF2A
- 2,0 D RF3F
- 2,0 D RF4F

31564

-

**febi 31564**

Ref. No. BN8B-33-047A S1



AØ 80 IØ 42 B 45

suitable for:

# Mercedes-Benz

Car  
Division 



## A-Class (Model 168)

(1997→2004)

- A 140 (168.031)
- A 140 (168.131)
- A 160 (168.033)
- A 160 (168.133)
- A 160 CDI (168.006)
- A 160 CDI (168.007)
- A 170 CDI (168.008)
- A 170 CDI (168.009)
- A 170 CDI (168.109)
- A 190 (168.032)
- A 190 (168.132)
- A 210 (168.035)
- A 210 (168.135)

23225 / 23226

31668

front axle

### febi 23225

Ref. No. 168 981 06 27 S1



AØ 75 IØ 42 B 37

### febi 23226

Ref. No. 168 981 06 27 SK



AØ 75 IØ 42 B 37

### febi 31668

Ref. No. 168 337 03 45



AØ 141 LKØ 110 x 5



## A-Class (Model 169)

(2004→2012)

A 150 (169.031)		24507	31669
A 150 (169.331)			
A 160 (169.031)	from Chassis No. J 116410	37549	-
A 160 (169.331)	from the year of construction 03/2005		
A 160 CDI (169.006)			
A 160 CDI (169.306)			
A 170 (169.032)			
A 170 (169.332)			
A 180 (169.032)			
A 180 (169.332)			
A 180 CDI (169.007)			
A 180 CDI (169.307)			
A 200 (169.033)			
A 200 (169.034)			
A 200 (169.333)			
A 200 (169.334)			
A 200 CDI (169.008)			
A 200 CDI (169.308)			

## B-Class (Model 245)

(2005→2011)

all		24507	31669
	from Chassis No. J 116410	37549	-
	from the year of construction 03/2005		

## Model 110 (Fintail)

(1960→1968)

all		05422	-
-----	--	-------	---

## Model 111 (Fintail)

(1959→1971)

all		05422	-
-----	--	-------	---

front axle

**febi 05422**  
Ref. No. 107 330 00 51

AØ 59 IØ 31,8 B 16,6  
AØ 45 IØ 18,9

**febi 24507**  
Ref. No. 169 981 01 27 S1

AØ 84 IØ 45 B 39

**febi 31669**  
Ref. No. 169 337 01 45

AØ 141 LKØ 120 x 5

**febi 37549**  
Ref. No. 169 981 01 27 S2

AØ 84 IØ 44 B 39



suitable for:

# Mercedes-Benz

Car  
Division



## Model 123

(1976→1986)

front axle	200 (123.020)	for vehicles without ABS	05577 / 08838	-
	200 (123.220)	for vehicles with ABS	05580 / 08839 / 08950	-
	200 D (123.120)			
	200 T (123.280)	for vehicles without ABS	05577 / 08838 / 08950	-
		for vehicles with ABS	05580 / 08839	-
	220 D (123.126)	for vehicles without ABS	05577 / 08838	-
	230 (123.000)	for vehicles with ABS	05580 / 08839 / 08950	-
	230 (123.023)	for vehicles without ABS	05577 / 08838	-
		for vehicles with ABS	05580 / 08839	-
	230 C (123.043)	for vehicles without ABS	05577 / 08838	-
230 CE (123.243)	for vehicles with ABS	05580 / 08839 / 08950	-	
230 E (123.200)				
230 E (123.223)				
230 T (123.083)	for vehicles without ABS	05577 / 08838 / 08950	-	
230 TE (123.283)	for vehicles with ABS	05580 / 08839	-	

### febi 05577

Ref. No. 611 330 07 25



AØ 65,25 IØ 35 B 18,5  
AØ 50 IØ 21,5

### febi 05580

Ref. No. 126 330 00 51 SK



AØ 65 IØ 34,5 B 18,8  
AØ 50 IØ 21,5

### febi 08838

Ref. No. 116 330 00 51



AØ 65,25 IØ 35 B 18,5  
AØ 50 IØ 21,5

### febi 08839

Ref. No. 126 330 00 51



AØ 65,25 IØ 35 B 18,5  
AØ 50 IØ 21,5

### febi 08950

Ref. No. 001 980 29 02



AØ 65



## Model 123

(1976→1986)

240 D (123.102) 240 D (123.103)	for vehicles without ABS	05577 / 08838	-
	for vehicles with ABS	05580 / 08839 / 08950	-
240 D (123.123)	for vehicles without ABS	05577 / 08838	-
	for vehicles with ABS	05580 / 08839	-
240 D (123.125)	for vehicles without ABS	05577 / 08838	-
	for vehicles with ABS	05580 / 08839 / 08950	-
240 TD (123.183)	for vehicles without ABS	05577 / 08838 / 08950	-
	for vehicles with ABS	05580 / 08839	-
250 (123.003) 250 (123.026) 250 (123.028)		05577 / 08838	-
	for vehicles with ABS	05580 / 08839 / 08950	-
250 T (123.086)		05577 / 08838	-
	for vehicles with ABS	05580 / 08839	-
	for vehicles without ABS	08950	-

front axle

### febi 05577

Ref. No. 611 330 07 25



AØ 65,25 IØ 35 B 18,5  
AØ 50 IØ 21,5

### febi 05580

Ref. No. 126 330 00 51 SK



AØ 65 IØ 34,5 B 18,8  
AØ 50 IØ 21,5

### febi 08838

Ref. No. 116 330 00 51



AØ 65,25 IØ 35 B 18,5  
AØ 50 IØ 21,5

### febi 08839

Ref. No. 126 330 00 51



AØ 65,25 IØ 35 B 18,5  
AØ 50 IØ 21,5

### febi 08950

Ref. No. 001 980 29 02



AØ 65

suitable for:

# Mercedes-Benz

Car  
Division 



## Model 123

(1976→1986)

280 (123.030)		05577 / 08838	-
280 C (123.050)			
280 CE (123.053)	for vehicles with ABS	05580 / 08839 / 08950	-
280 E (123.007)			
280 E (123.033)		05577 / 08838	-
	for vehicles with ABS	05580 / 08839	-
280 TE (123.093)		05577 / 08838	-
	for vehicles with ABS	05580 / 08839	-
	for vehicles without ABS	08950	-
300 CD (123.150)		08838	-
300 CD Turbo (123.153)			
300 D (123.130)		05577 / 08838	-
	for vehicles with ABS	05580 / 08839 / 08950	-
300 D Turbo (123.133)		08838	-
300 TD (123.190)		05577 / 08838	-
300 TD Turbo (123.193)			
	for vehicles with ABS	05580 / 08839	-
	for vehicles without ABS	08950	-

### febi 05577

Ref. No. 611 330 07 25



AØ 65,25 IØ 35 B 18,5  
AØ 50 IØ 21,5

### febi 05580

Ref. No. 126 330 00 51 SK



AØ 65 IØ 34,5 B 18,8  
AØ 50 IØ 21,5

### febi 08838

Ref. No. 116 330 00 51



AØ 65,25 IØ 35 B 18,5  
AØ 50 IØ 21,5

### febi 08839

Ref. No. 126 330 00 51



AØ 65,25 IØ 35 B 18,5  
AØ 50 IØ 21,5

### febi 08950

Ref. No. 001 980 29 02



AØ 65



## Model 124

(1984→1998)

E 200 (124.019)	05581 / 08841	-
E 200 (124.040)		
E 200 Cabrio (124.060)		
E 200 D (124.120)		
E 200 T (124.079)		
E 220 (124.022)	05581	-

front axle

**febi 05581**  
Ref. No. 201 330 02 51 SK

AØ 59 IØ 31,6 B 16,6  
AØ 45 IØ 19

**febi 08841**  
Ref. No. 201 330 02 51

AØ 59 IØ 32 B 17  
AØ 45 IØ 19

suitable for:

# Mercedes-Benz

Car  
Division 



## Model 124

(1984→1998)

**E 220 (124.042)**  
**E 220 Cabrio (124.062)**  
**E 220 T (124.082)**  
**E 250 D (124.126)**  
**E 250 D Turbo (124.128)**  
**E 250 TD (124.104)**  
**E 250 TD (124.126)**  
**E 250 TD (124.186)**  
**E 250 TD Turbo (124.188)**  
**E 280 (124.028)**  
**E 280 T (124.088)**  
**E 300 D (124.130)**  
**E 300 D (124.131)**  
**E 300 D Turbo (124.133)**  
**E 300 TD (124.191)**  
**E 300 TD Turbo (124.193)**  
**E 320 (124.032)**  
**E 320 (124.052)**  
**E 320 T (124.092)**  
**E 36 AMG (124.052)**  
**E 36 T AMG (124.092)**  
**200 (124.020)**  
**200 CE (124.040)**  
**200 CE (124.041)**  
**200 CE Cabrio (124.060)**  
**200 D (124.120)**  
**200 E (124.019)**  
**200 E (124.021)**  
**200 T (124.080)**  
**200 TD (124.180)**  
**200 TE (124.079)**  
**200 TE (124.081)**  
**220 CE (124.042)**

05581 / 08841

-

220 E (124.022)

05581

-

220 TE (124.082)

05581 / 08841

-

230 CE (124.043)

230 E (124.003)

### febi 05581

Ref. No. 201 330 02 51 SK



AØ 59 IØ 31,6 B 16,6

AØ 45 IØ 19

### febi 08841

Ref. No. 201 330 02 51



AØ 59 IØ 32 B 17

AØ 45 IØ 19



## Model 124

(1984→1998)

Model	Notes	Part 1	Part 2
230 E (124.004)	to the year of construction 09/1989 to Chassis No. F 023121	05581 / 08841	-
230 E (124.023)		05581 / 08841	-
230 TE (124.083)			
250 D (124.125)			
250 D (124.127)			
250 D Turbo (124.128)			
250 TD (124.105)			
250 TD (124.185)			
250 TD Turbo (124.188)			
260 E (124.007)			
260 E (124.026)			
260 E (124.027)			
280 E (124.028)			
280 TE (124.088)			
300 CE (124.050)			
300 CE 3.4 AMG (124.051)			
300 CE-24 (124.061)			
300 CE-24 V. (124.051)			
300 D (124.130)			
300 D Turbo (124.133)			
300 E (124.026)			
300 E (124.030)			
300 E (124.230)			
300 E-24 V. (124.031)			
300 TD (124.190)			
300 TD Turbo (124.193)			
300 TE (124.090)			
300 TE 3.4 AMG (124.091)			
300 TE-24 V. (124.091)			
320 CE (124.052)			
320 E (124.032)			
320 TE (124.092)			

front axle

**febi 05581**  
Ref. No. 201 330 02 51 SK

AØ 59 IØ 31,6 B 16,6  
AØ 45 IØ 19

**febi 08841**  
Ref. No. 201 330 02 51

AØ 59 IØ 32 B 17  
AØ 45 IØ 19

suitable for:

# Mercedes-Benz

Car  
Division 



## Model 309

(1956→1988)

- L 406 DG (309.100)
- L 406 DG (309.101)
- L 406 DG (309.102)
- L 406 DG (309.103)
- L 406 DG (309.111)
- L 406 DG (309.112)
- L 406 DG (309.113)
- L 406 DG (309.114)
- L 406 DG (309.115)
- L 406 DG (309.116)
- L 406 DG (309.124)
- L 406 DG (309.125)
- L 406 DG (309.126)
- L 406 DG (309.140)
- L 407 D (309.100)
- L 407 D (309.101)
- L 407 D (309.102)
- L 407 D (309.103)
- L 407 D (309.111)
- L 407 D (309.112)
- L 407 D (309.113)
- L 407 D (309.114)
- L 407 D (309.115)
- L 407 D (309.116)
- L 407 D (309.124)
- L 407 D (309.125)
- L 407 D (309.126)
- L 407 D (309.140)
- L 407 D (309.141)
- L 407 D (309.144)
- L 408 DG (309.300)
- L 408 DG (309.301)
- L 408 DG (309.302)
- L 408 DG (309.303)
- L 408 DG (309.311)
- L 408 DG (309.312)
- L 408 DG (309.313)
- L 408 DG (309.314)
- L 408 DG (309.315)
- L 408 DG (309.316)
- L 408 DG (309.324)
- L 408 DG (309.325)
- L 408 DG (309.326)

Axle Design BM 730.405, .407  
 Axle Design .408-.415, .502-.506  
 Axle Design .530-.535, .600-.606  
 Axle Design .630

Axle Design BM 732.210-.212  
 Axle Design .801, .802

08152

-

front axle

febi 08152

Ref. No. 003 981 95 05



AØ 52 IØ 25



## Model 309

(1956→1988)

- L 408 G (309.001)
- L 408 G (309.002)
- L 408 G (309.011)
- L 408 G (309.012)
- L 408 G (309.013)
- L 408 G (309.014)
- L 408 G (309.015)
- L 408 G (309.016)
- L 408 G (309.024)
- L 408 G (309.025)
- L 408 G (309.026)
- L 409 (309.000)
- L 409 (309.001)
- L 409 (309.002)
- L 409 (309.011)
- L 409 (309.012)
- L 409 (309.013)
- L 409 (309.014)
- L 409 (309.015)
- L 409 (309.016)
- L 409 (309.024)
- L 409 (309.025)
- L 409 (309.026)
- L 410 (309.000)
- L 410 (309.002)
- L 410 (309.011)
- L 410 (309.012)
- L 410 (309.013)
- L 410 (309.014)
- L 410 (309.015)
- L 410 (309.016)
- L 410 (309.024)
- L 410 (309.025)
- L 410 (309.026)
- L 508 DG (309.400)
- L 508 DG (309.401)
- L 508 DG (309.402)
- L 508 DG (309.403)
- L 508 DG (309.405)
- L 508 DG (309.411)
- L 508 DG (309.412)
- L 508 DG (309.413)

Axle Design BM 730.405, .407  
 Axle Design .408-.415, .502-.506  
 Axle Design .530-.535, .600-.606  
 Axle Design .630

Axle Design BM 732.210-.212  
 Axle Design .801, .802

08152

-

front axle

**febi 08152**

Ref. No. 003 981 95 05



AØ 52 IØ 25



suitable for:

# Mercedes-Benz

Car  
Division 



## Model 309

(1956→1988)

- L 508 DG (309.415)
- L 508 DG (309.416)
- L 508 DG (309.424)
- L 508 DG (309.425)
- L 508 DG (309.426)
- L 508 DG (309.427)
- L 508 DG (309.429)
- LF 408 G (309.050)
- LF 408 G (309.051)
- LF 408 G (309.052)
- LF 408 G (309.053)
- LF 408 G (309.054)
- LF 408 G (309.055)
- LF 408 G (309.056)
- LF 408 G (309.059)
- LF 409 (309.050)
- LF 409 (309.051)
- LF 409 (309.052)
- LF 409 (309.053)
- LF 409 (309.056)
- LF 409 (309.059)
- LF 410 (309.050)
- LF 410 (309.051)
- LF 410 (309.052)
- LF 410 (309.059)
- LK 408 G (309.032)
- LK 408 G (309.040)
- LK 408 G (309.041)
- LK 409 (309.040)
- LK 409 (309.041)
- LK 409 (309.044)
- LK 410 (309.041)
- LK 410 (309.044)
- LK 508 DG (309.440)
- LK 508 DG (309.441)
- LK 508 DG (309.442)
- LK 508 DG (309.444)
- LK 508 DG (309.445)
- LKO 406 DG (309.130)
- LKO 406 DG (309.131)
- LKO 406 DG (309.132)
- LKO 406 DG (309.133)

Axle Design BM 730.405, .407  
 Axle Design .408-.415, .502-.506  
 Axle Design .530-.535, .600-.606  
 Axle Design .630

Axle Design BM 732.210-.212  
 Axle Design .801, .802

08152

-

front axle

febi 08152

Ref. No. 003 981 95 05



AØ 52 IØ 25



## Model 309

(1956→1988)

LKO 407 D (309.130)  
 LKO 407 D (309.131)  
 LKO 407 D (309.132)  
 LKO 407 D (309.133)  
 LKO 407 D (309.135)  
 LKO 408 G (309.030)  
 LKO 408 G (309.031)  
 LKO 408 G (309.032)  
 LKO 408 G (309.035)  
 LKO 409 (309.030)  
 LKO 409 (309.031)  
 LKO 409 (309.033)  
 LKO 409 (309.035)  
 LKO 508 DG (309.430)  
 LKO 508 DG (309.431)  
 LKO 508 DG (309.432)  
 LKO 508 DG (309.433)  
 LKO 508 DG (309.435)  
 O 309 D (309.370)  
 O 309 D (309.371)  
 O 309 D (309.372)  
 O 309 D (309.373)  
 O 309 D (309.382)  
 O 309 D (309.383)  
 O 309 D (309.390)  
 O 309 D (309.391)

Axle Design BM 730.405, .407  
 Axle Design .408-.415, .502-.506  
 Axle Design .530-.535, .600-.606  
 Axle Design .630

Axle Design BM 732.210-.212  
 Axle Design .801, .802

08152

-

front axle

## Model 310

(1969→1988)

L 608 D (310.300)  
 L 608 D (310.302)  
 L 608 D (310.311)  
 L 608 D (310.312)  
 O 309 D (310.386)  
 O 309 D (310.389)

Axle Design BM 730.405, .407  
 Axle Design .408-.415, .502-.506  
 Axle Design .530-.535, .600-.606  
 Axle Design .630

Axle Design BM 732.210-.212  
 Axle Design .801, .802

08152

-

**febi 08152**

Ref. No. 003 981 95 05



AØ 52 IØ 25

**Model 313**

(1977→1988)

L 613 D (313.402)  
L 613 D (313.404)  
L 613 D (313.424)  
L 613 D (313.427)

Axle Design BM 730.405, .407  
Axle Design .408-.415, .502-.506  
Axle Design .530-.535, .600-.606  
Axle Design .630

Axle Design BM 732.210-.212  
Axle Design .801, .802

08152

-

**C-Class (Model 202)**

(1993→2001)

C 180 (202.018)

from Chassis No. A 344661  
from Chassis No. F 331441

02071 / 07870

-

28384

28384

C 180 T (202.078)

C 180 T (202.081)

C 180 T Kompressor (202.085)

02071 / 07870 /  
28384

28384

C 200 (202.020)

C 200 (202.023)

C 200 CDI (202.134)

C 200 D (202.120)

C 200 D (202.122)

C 200 Kompressor (202.025)

from Chassis No. A 344661  
from Chassis No. F 331441

02071 / 07870

-

28384

28384

C 200 T (202.080)

C 200 T CDI (202.194)

C 200 T Kompressor (202.082)

C 200 T Kompressor (202.087)

C 200 TD (202.180)

02071 / 07870 /  
28384

28384

C 220 (202.022)

C 220 CDI (202.133)

C 220 D (202.121)

from Chassis No. A 344661  
from Chassis No. F 331441

02071 / 07870

-

28384

28384

C 220 T CDI (202.193)

C 220 TD (202.182)

02071 / 07870 /  
28384

28384

**febi 02071**

Ref. No. 210 330 00 51



AØ 60 IØ 35 B 17  
AØ 45 IØ 22

**febi 07870**

Ref. No. 210 330 00 51 SK



AØ 60 IØ 35 B 17  
AØ 45 IØ 22

**febi 08152**

Ref. No. 003 981 95 05



AØ 52 IØ 25

**febi 28384**

Ref. No. 210 330 03 25



AØ 150 IØ 22 B 89,2  
LKØ 112 x 5

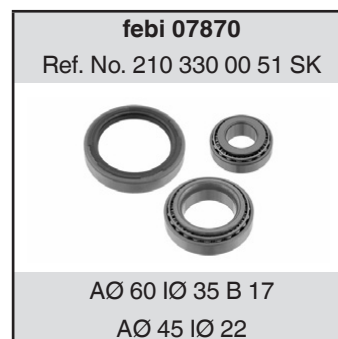


## C-Class (Model 202)

(1993→2001)

<b>C 230 (202.023)</b>		<b>02071 / 07870</b>	<b>-</b>
<b>C 230 Kompressor (202.024)</b>	from Chassis No. A 344661 from Chassis No. F 331441	<b>28384</b>	<b>28384</b>
<b>C 230 T (202.083)</b>		<b>02071 / 07870 / 28384</b>	<b>28384</b>
<b>C 230 T Kompressor (202.085)</b>			
<b>C 240 (202.026)</b>		<b>02071 / 07870</b>	<b>-</b>
	from Chassis No. A 344661 from Chassis No. F 331441	<b>28384</b>	<b>28384</b>
<b>C 240 T (202.086)</b>		<b>02071 / 07870 / 28384</b>	<b>28384</b>
<b>C 240 T (202.088)</b>			
<b>C 250 D (202.125)</b>		<b>02071 / 07870</b>	<b>-</b>
<b>C 250 D Turbo (202.128)</b>	from Chassis No. A 344661 from Chassis No. F 331441	<b>28384</b>	<b>28384</b>
<b>C 250 TD Turbo (202.188)</b>		<b>02071 / 07870 / 28384</b>	<b>28384</b>
<b>C 280 (202.028)</b>		<b>02071 / 07870</b>	<b>-</b>
<b>C 280 (202.029)</b>	from Chassis No. A 344661 from Chassis No. F 331441	<b>28384</b>	<b>28384</b>
<b>C 280 T (202.089)</b>		<b>02071 / 07870 / 28384</b>	<b>28384</b>
<b>C 36 AMG (202.028)</b>		<b>02071 / 07870</b>	<b>-</b>
<b>C 43 AMG (202.033)</b>	from Chassis No. A 344661 from Chassis No. F 331441	<b>28384</b>	<b>28384</b>
<b>C 43 T AMG (202.093)</b>		<b>02071 / 07870 / 28384</b>	<b>28384</b>

front axle



suitable for:

**Mercedes-Benz**

**Car  
Division**



**C-Class (Model 203)**

(2000→2011)

all

22435 / 27163 /  
27164 / 27311 /  
36077

36077

**C-Class (Model 204)**

(2007→ )

C 180 CDI (204.000)  
C 180 CGI (204.049)  
C 180 CGI (204.349)  
C 180 Kompressor (204.044)  
C 180 Kompressor (204.045)  
C 180 Kompressor (204.046)  
C 180 T CDI (204.200)  
C 180 T CGI (204.249)  
C 180 T Kompressor (204.245)  
C 180 T Kompressor (204.246)  
C 200 CDI (204.001)  
C 200 CDI (204.007)  
C 200 CDI Eco (204.006)  
C 200 CGI (204.048)

22435 / 27163 /  
27164 / 27311 /  
36073

36073

C 200 CGI (204.348)

22435 / 27163 /  
27164 / 27311

-

**febi 22435**

Ref. No. 203 330 00 51



AØ 62 IØ 35 B 14  
AØ 50 IØ 22

**febi 27163**

Ref. No. 002 980 30 02



AØ 62 IØ 35 B 14

**febi 27164**

Ref. No. 002 980 31 02



AØ 50 IØ 22 B 14

**febi 27311**

Ref. No. 203 330 00 51 SK



AØ 62 IØ 35 B 14  
AØ 50 IØ 22

**febi 36073**

Ref. No. 204 330 06 25



AØ 150 LKØ 112 x 5

**febi 36077**

Ref. No. 209 330 03 25



AØ 150  
LKØ 112 x 5



## C-Class (Model 204)

(2007→)

C 200 Kompressor (204.041) C 200 T CDI (204.201) C 200 T CDI (204.207) C 200 T CGI (204.248) C 200 T Kompressor (204.241) C 220 CDI (204.002) C 220 CDI (204.008) C 220 CDI (204.302)	22435 / 27163 / 27164 / 27311 / 36073	36073
C 220 CDI 4 Matic (204.084)	-	36079
C 220 T CDI (204.202) C 220 T CDI (204.208)	22435 / 27163 / 27164 / 27311 / 36073	36073
C 220 T CDI 4 Matic (204.284)	-	36079
C 230 (204.052) C 230 T (204.252)	22435 / 27163 / 27164 / 27311 / 36073	36073
C 230 4 Matic (204.085)	-	36079
C 250 (204.052) C 250 CDI (204.003) C 250 CDI (204.303)	22435 / 27163 / 27164 / 27311 / 36073	36073
C 250 CDI 4 Matic (204.082)	-	36079

front axle

### febi 22435

Ref. No. 203 330 00 51



AØ 62 IØ 35 B 14  
AØ 50 IØ 22

### febi 27163

Ref. No. 002 980 30 02



AØ 62 IØ 35 B 14

### febi 27164

Ref. No. 002 980 31 02



AØ 50 IØ 22 B 14

### febi 27311

Ref. No. 203 330 00 51 SK



AØ 62 IØ 35 B 14  
AØ 50 IØ 22

### febi 36073

Ref. No. 204 330 06 25



AØ 150 LKØ 112 x 5

### febi 36079

Ref. No. 221 337 02 45



AØ 150 LKØ 112 x 5

suitable for:

# Mercedes-Benz

Car  
Division



## C-Class (Model 204)

(2007→)

C 250 CGI (204.047) C 250 CGI (204.347) C 250 T (204.252) C 250 T CDI (204.203)	22435 / 27163 / 27164 / 27311 / 36073	36073
C 250 T CDI 4 Matic (204.282)	-	36079
C 250 T CGI (204.247) C 280 (204.054) C 280 T (204.254)	22435 / 27163 / 27164 / 27311 / 36073	36073
C 280 4 Matic (204.081)	-	36079
C 300 (204.054)	22435 / 27163 / 27164 / 27311 / 36073	36073
C 300 CDI 4 Matic (204.092)	-	36079
C 300 CGI (204.055)	22435 / 27163 / 27164 / 27311 / 36073	36073
C 300 CGI 4 Matic (204.080)	-	36079
C 300 T (204.254)	22435 / 27163 / 27164 / 27311 / 36073	36073
C 300 T CDI 4 Matic (204.292)	-	36079

### febi 22435

Ref. No. 203 330 00 51



AØ 62 IØ 35 B 14  
AØ 50 IØ 22

### febi 27163

Ref. No. 002 980 30 02



AØ 62 IØ 35 B 14

### febi 27164

Ref. No. 002 980 31 02



AØ 50 IØ 22 B 14

### febi 27311

Ref. No. 203 330 00 51 SK



AØ 62 IØ 35 B 14  
AØ 50 IØ 22

### febi 36073

Ref. No. 204 330 06 25



AØ 150 LKØ 112 x 5

### febi 36079

Ref. No. 221 337 02 45



AØ 150 LKØ 112 x 5



## C-Class (Model 204)

(2007→)

C 300 T CGI (204.255)	22435 / 27163 / 27164 / 27311 / 36073	36073
C 300 4 Matic (204.081)	-	36079
C 320 CDI (204.022)	22435 / 27163 / 27164 / 27311 / 36073	36073
C 320 CDI 4 Matic (204.089)	-	36079
C 320 T CDI (204.222)	22435 / 27163 / 27164 / 27311 / 36073	36073
C 320 T CDI 4 Matic (204.289)	-	36079
C 350 (204.056) C 350 (204.065) C 350 CDI (204.022) C 350 CDI (204.023) C 350 CDI (204.025)	22435 / 27163 / 27164 / 27311 / 36073	36073
C 350 CDI 4 Matic (204.089) C 350 CDI 4 Matic (204.092)	-	36079
C 350 CGI (204.057) C 350 CGI (204.357)	22435 / 27163 / 27164 / 27311 / 36073	36073

front axle

### febi 22435

Ref. No. 203 330 00 51



AØ 62 IØ 35 B 14

AØ 50 IØ 22

### febi 27163

Ref. No. 002 980 30 02



AØ 62 IØ 35 B 14

### febi 27164

Ref. No. 002 980 31 02



AØ 50 IØ 22 B 14

### febi 27311

Ref. No. 203 330 00 51 SK



AØ 62 IØ 35 B 14

AØ 50 IØ 22

### febi 36073

Ref. No. 204 330 06 25



AØ 150 LKØ 112 x 5

### febi 36079

Ref. No. 221 337 02 45



AØ 150 LKØ 112 x 5



suitable for:

**Mercedes-Benz**

**Car  
Division**



**C-Class (Model 204)**

(2007→)

C 350 CGI 4 Matic (204.088) C 350 CGI 4 Matic (204.388)	-	36079
C 350 T (204.256) C 350 T CDI (204.222) C 350 T CDI (204.223) C 350 T CDI (204.225)	22435 / 27163 / 27164 / 27311 / 36073	36073
C 350 T CDI 4 Matic (204.289) C 350 T CDI 4 Matic (204.292)	-	36079
C 350 T CGI (204.257)	22435 / 27163 / 27164 / 27311 / 36073	36073
C 350 4 Matic (204.087)	-	36079

**CL (Model 215)**

(1999→2006)

all	24535 / 30945	30945
-----	---------------	-------

**febi 22435**

Ref. No. 203 330 00 51



AØ 62 IØ 35 B 14  
AØ 50 IØ 22

**febi 24535**

Ref. No. 220 330 07 25 S1



AØ 86 IØ 45 B 39

**febi 27163**

Ref. No. 002 980 30 02



AØ 62 IØ 35 B 14

**febi 27164**

Ref. No. 002 980 31 02



AØ 50 IØ 22 B 14

**febi 27311**

Ref. No. 203 330 00 51 SK



AØ 62 IØ 35 B 14  
AØ 50 IØ 22

**febi 30945**

Ref. No. 220 330 07 25



AØ 145 LKØ 67 x 5

**febi 36073**

Ref. No. 204 330 06 25



AØ 150 LKØ 112 x 5

**febi 36079**

Ref. No. 221 337 02 45



AØ 150 LKØ 112 x 5



## CL (Model 216)

(2006→)

CL 500 (216.371) CL 500 (216.373)	36078 / 38374	36078
CL 500 4 Matic (216.386) CL 500 4 Matic (216.394)	-	36079
CL 600 (216.376) CL 63 AMG (216.374) CL 63 AMG (216.377) CL 65 AMG (216.379)	36078 / 38374	36078

## CLC (Model 203)

(2008→)

all	22435 / 27163 / 27164 / 27311 / 36077	36077
-----	---	-------

front axle

**febi 22435**  
Ref. No. 203 330 00 51

AØ 62 IØ 35 B 14  
AØ 50 IØ 22

**febi 27163**  
Ref. No. 002 980 30 02

AØ 62 IØ 35 B 14

**febi 27164**  
Ref. No. 002 980 31 02

AØ 50 IØ 22 B 14

**febi 27311**  
Ref. No. 203 330 00 51 SK

AØ 62 IØ 35 B 14  
AØ 50 IØ 22

**febi 36077**  
Ref. No. 209 330 03 25

AØ 150  
LKØ 112 x 5

**febi 36078**  
Ref. No. 221 330 02 25

LKØ 112 x 5

**febi 36079**  
Ref. No. 221 337 02 45

AØ 150 LKØ 112 x 5

**febi 38374**  
Ref. No. 221 330 02 25 S1

AØ 68 IØ 40 B 20  
AØ 52 IØ 25 B 19,5

suitable for:

# Mercedes-Benz

Car  
Division



## CLK (Model 208) (1997→2003)

all

02071 / 07870 /  
28384

28384

front axle

### febi 02071

Ref. No. 210 330 00 51



AØ 60 IØ 35 B 17  
AØ 45 IØ 22

### febi 07870

Ref. No. 210 330 00 51 SK



AØ 60 IØ 35 B 17  
AØ 45 IØ 22

### febi 28384

Ref. No. 210 330 03 25



AØ 150 IØ 22 B 89,2  
LKØ 112 x 5



## CLK (Model 209)

(2002→2010)

- CLK 200 Cabrio Kompressor (209.441)
- CLK 200 Cabrio Kompressor (209.442)
- CLK 200 CGI (209.343)
- CLK 200 Kompressor (209.341)
- CLK 200 Kompressor (209.342)
- CLK 220 CDI (209.308)
- CLK 240 (209.361)
- CLK 240 Cabrio (209.461)
- CLK 270 CDI (209.316)
- CLK 280 (209.354)
- CLK 280 Cabrio (209.454)
- CLK 320 (209.365)
- CLK 320 Cabrio (209.465)
- CLK 320 CDI (209.320)
- CLK 320 CDI Cabrio (209.420)
- CLK 350 (209.356)
- CLK 350 Cabrio (209.456)
- CLK 500 (209.372)
- CLK 500 (209.375)
- CLK 500 Cabrio (209.472)
- CLK 500 Cabrio (209.475)

22435 / 27163 /  
27164 / 27311 /  
36077

36077

front axle

### febi 22435

Ref. No. 203 330 00 51



AØ 62 IØ 35 B 14  
AØ 50 IØ 22

### febi 27163

Ref. No. 002 980 30 02



AØ 62 IØ 35 B 14

### febi 27164

Ref. No. 002 980 31 02



AØ 50 IØ 22 B 14

### febi 27311

Ref. No. 203 330 00 51 SK



AØ 62 IØ 35 B 14  
AØ 50 IØ 22

### febi 36077

Ref. No. 209 330 03 25



AØ 150  
LKØ 112 x 5

suitable for:

# Mercedes-Benz

Car Division 



## CLK (Model 209)

(2002→2010)

CLK 55 AMG (209.376)  
 CLK 55 AMG Cabrio (209.476)  
 CLK 55 AMG DTM Cabrio (209.476)  
 CLK 63 AMG (209.377)  
 CLK 63 AMG Cabrio (209.477)

Not for equipment version Black Series

22435 / 27163 /  
 27164 / 27311 /  
 36077

36077

## CLS (model 218)

(2010→)

CLS 250 CDI (218.303)  
 CLS 250 T CDI (218.903)  
 CLS 300 CGI (218.355)

38649 / 38651

-

CLS 350 Bluetec 4 Matic (218.394)

-

36079

CLS 350 CDI (218.323)

38649 / 38651

-

CLS 350 CDI 4 Matic (218.393)

-

36079

CLS 350 CGI (218.359)

38649 / 38651

-

CLS 350 T Bluetec 4 Matic (218.993)

-

36079

CLS 350 T CDI (218.923)

38649 / 38651

-

CLS 350 T CDI 4 Matic (218.993)

-

36079

CLS 350 T CGI (218.959)

38649 / 38651

-

CLS 500 (218.373)

CLS 500 T (218.973)

### febi 22435

Ref. No. 203 330 00 51



AØ 62 IØ 35 B 14  
 AØ 50 IØ 22

### febi 27163

Ref. No. 002 980 30 02



AØ 62 IØ 35 B 14

### febi 27164

Ref. No. 002 980 31 02



AØ 50 IØ 22 B 14

### febi 27311

Ref. No. 203 330 00 51 SK



AØ 62 IØ 35 B 14  
 AØ 50 IØ 22

### febi 36077

Ref. No. 209 330 03 25



AØ 150  
 LKØ 112 x 5

### febi 36079

Ref. No. 221 337 02 45



AØ 150 LKØ 112 x 5

### febi 38649

Ref. No. 212 330 00 25 S2



AØ 45 IØ 22  
 AØ 68 IØ 40

### febi 38651

Ref. No. 212 330 00 25 S1



AØ 45 IØ 22  
 AØ 68 IØ 16



## CLS (model 218)

(2010→)

CLS 500 T 4 Matic (218.991) CLS 500 4 Matic (218.391)	-	36079
CLS 63 AMG (218.374)	38649 / 38651 / 38652	38652
CLS 63 AMG 4 Matic (218.376) CLS 63 AMG 4 Matic (218.392)	-	36079
CLS 63 T AMG (218.974)	38649 / 38651 / 38652	38652
CLS 63 T AMG 4 Matic (218.976) CLS 63 T AMG 4 Matic (218.992)	-	36079

## CLS (Model 219)

(2004→2010)

all	24534 / 26005 / 32850	32850
-----	--------------------------	-------

front axle

### febi 24534

Ref. No. 230 330 03 25 S1



AØ 68 IØ 39 B 20  
AØ 45 IØ 22 B 17

### febi 26005

Ref. No. 230 330 03 25 S2



AØ 68 IØ 38 B 20  
AØ 45 IØ 22 B 17

### febi 32850

Ref. No. 230 330 03 25



AØ 150 LKØ 112 x 5

### febi 36079

Ref. No. 221 337 02 45



AØ 150 LKØ 112 x 5

### febi 38649

Ref. No. 212 330 00 25 S2



AØ 45 IØ 22  
AØ 68 IØ 40

### febi 38651

Ref. No. 212 330 00 25 S1



AØ 45 IØ 22  
AØ 68 IØ 16

### febi 38652

Ref. No. 212 330 00 25



AØ 150 LKØ 112 x 5

suitable for:

# Mercedes-Benz

Car  
Division



## E-Class (Model 207)

(2009→)

front axle

- E 200 CGI (207.348)
- E 200 CGI (207.448)
- E 220 CDI (207.302)
- E 220 CDI (207.402)
- E 250 CDI (207.303)
- E 250 CDI (207.403)
- E 250 CGI (207.347)
- E 250 CGI (207.447)
- E 300 CGI (207.355)
- E 300 CGI (207.455)
- E 350 (207.356)
- E 350 (207.456)
- E 350 CDI (207.322)
- E 350 CDI (207.323)
- E 350 CDI (207.422)
- E 350 CDI (207.423)
- E 350 CGI (207.357)
- E 350 CGI (207.359)
- E 350 CGI (207.457)
- E 350 CGI (207.459)

22435 / 27163 /  
27164 / 27311 /  
36073

36073

E 350 4 Matic (207.388)

22435 / 27163 /  
27164 / 27311

36079

E 500 (207.372)

E 500 (207.472)

E 550 CGI (207.373)

22435 / 27163 /  
27164 / 27311 /  
36073

36073

### febi 22435

Ref. No. 203 330 00 51



AØ 62 IØ 35 B 14  
AØ 50 IØ 22

### febi 27163

Ref. No. 002 980 30 02



AØ 62 IØ 35 B 14

### febi 27164

Ref. No. 002 980 31 02



AØ 50 IØ 22 B 14

### febi 27311

Ref. No. 203 330 00 51 SK



AØ 62 IØ 35 B 14  
AØ 50 IØ 22

### febi 36073

Ref. No. 204 330 06 25



AØ 150 LKØ 112 x 5

### febi 36079

Ref. No. 221 337 02 45



AØ 150 LKØ 112 x 5

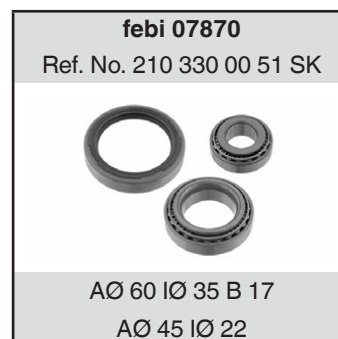


## E-Class (Model 210)

(1995→2003)

E 200 (210.035) E 200 CDI (210.007)		02071 / 07870 / 28384	28384
E 200 D (210.003)		02071 / 07870	-
	to Chassis No. A 962231 to Chassis No. X 027613	28384	28384
E 200 Kompressor (210.045)		02071 / 07870 / 28384	28384
E 200 Kompressor (210.048)		02071 / 07870	-
	from Chassis No. A 962232 from Chassis No. X 027613	28384	28384
E 200 T (210.235) E 200 T Kompressor (210.245)		02071 / 07870 / 28384	28384
E 200 T Kompressor (210.248)		02071 / 07870	-
	from Chassis No. A 962232 from Chassis No. X 027613	28384	28384
E 220 CDI (210.006)		02071 / 07870 / 28384	28384
E 220 D (210.004)		02071 / 07870	-
	to Chassis No. A 962231 to Chassis No. X 027613	28384	28384
E 220 T CDI (210.206)		02071 / 07870 / 28384	28384
E 220 T CDI (210.606)		02071 / 07870	-
E 230 (210.037) E 230 T (210.237)		02071 / 07870	-
	to Chassis No. A 962231 to Chassis No. X 027613	28384	28384
E 240 (210.061)		02071 / 07870 / 28384	28384

front axle





suitable for:

# Mercedes-Benz

Car  
Division 



## E-Class (Model 210)

(1995→2003)

front axle	E 240 (210.062)		02071 / 07870	-
		from Chassis No. A 962232 from Chassis No. X 027613	28384	28384
	E 240 T (210.261)		02071 / 07870 / 28384	28384
	E 240 T (210.262)		02071 / 07870	-
		from Chassis No. A 962232 from Chassis No. X 027613	28384	28384
	E 250 D (210.010)		02071 / 07870	-
	E 250 D Turbo (210.015)		28384	28384
		to Chassis No. A 962231 to Chassis No. X 027613		
	E 250 TD (210.210)		02071 / 07870 / 28384	28384
	E 250 TD (210.610)		02071 / 07870	-
	E 250 TD Turbo (210.215)		02071 / 07870	-
		to Chassis No. A 962231 to Chassis No. X 027613	28384	28384
	E 270 CDI (210.016)		02071 / 07870	-
	E 270 T CDI (210.216)		28384	28384
		from Chassis No. A 962232 from Chassis No. X 027613		
	E 270 T CDI (210.616)		02071	-
		from Chassis No. A 962232 from Chassis No. X 027613	28384	28384
	E 280 (210.053)		02071 / 07870	-
		to Chassis No. A 962231 to Chassis No. X 027613	28384	28384
	E 280 (210.063)		02071 / 07870 / 28384	28384

### febi 02071

Ref. No. 210 330 00 51



AØ 60 IØ 35 B 17  
AØ 45 IØ 22

### febi 07870

Ref. No. 210 330 00 51 SK



AØ 60 IØ 35 B 17  
AØ 45 IØ 22

### febi 28384

Ref. No. 210 330 03 25



AØ 150 IØ 22 B 89,2  
LKØ 112 x 5



## E-Class (Model 210)

(1995→2003)

<b>E 280 T (210.263)</b>		<b>02071 / 07870</b>	<b>-</b>
	from Chassis No. A 962232 from Chassis No. X 027613	<b>28384</b>	<b>28384</b>
<b>E 280 T (210.663)</b>		<b>02071 / 07870</b>	<b>-</b>
<b>E 280 T 4 Matic (210.281)</b> <b>E 280 4 Matic (210.081)</b>	to the year of construction 06/1999	<b>07870</b> <b>21887</b>	<b>-</b> <b>-</b>
<b>E 290 D Turbo (210.017)</b> <b>E 290 TD Turbo (210.217)</b> <b>E 290 TD Turbo (210.617)</b> <b>E 300 D (210.020)</b> <b>E 300 D Turbo (210.025)</b> <b>E 300 TD Turbo (210.225)</b> <b>E 320 (210.055)</b>	to Chassis No. A 962231 to Chassis No. X 027613	<b>02071 / 07870</b> <b>28384</b>	<b>-</b> <b>28384</b>
<b>E 320 (210.065)</b>		<b>02071 / 07870 / 28384</b>	<b>28384</b>
<b>E 320 CDI (210.026)</b>		<b>02071 / 07870</b>	<b>-</b>
	from Chassis No. A 962232 from Chassis No. X 027613	<b>28384</b>	<b>28384</b>
<b>E 320 T (210.265)</b>		<b>02071 / 07870 / 28384</b>	<b>28384</b>
<b>E 320 T CDI (210.226)</b>		<b>02071 / 07870</b>	<b>-</b>
	from Chassis No. A 962232 from Chassis No. X 027613	<b>28384</b>	<b>28384</b>
<b>E 320 T 4 Matic (210.282)</b> <b>E 320 4 Matic (210.082)</b>	to the year of construction 06/1999	<b>07870</b> <b>21887</b>	<b>-</b> <b>-</b>
<b>E 420 (210.072)</b> <b>E 420 T (210.272)</b>	to Chassis No. A 962231 to Chassis No. X 027613	<b>02071 / 07870</b> <b>28384</b>	<b>-</b> <b>28384</b>
<b>E 430 (210.070)</b> <b>E 430 T (210.270)</b>		<b>02071 / 07870 / 28384</b>	<b>28384</b>

front axle



suitable for:

# Mercedes-Benz

Car  
Division



## E-Class (Model 210)

(1995→2003)

E 50 AMG (210.072)

02071 / 07870

-

to Chassis No. A 962231  
to Chassis No. X 027613

28384

28384

E 55 AMG (210.074)  
E 55 T AMG (210.274)

02071 / 07870 /  
28384

28384

front axle

### febi 02071

Ref. No. 210 330 00 51



AØ 60 IØ 35 B 17  
AØ 45 IØ 22

### febi 07870

Ref. No. 210 330 00 51 SK



AØ 60 IØ 35 B 17  
AØ 45 IØ 22

### febi 28384

Ref. No. 210 330 03 25



AØ 150 IØ 22 B 89,2  
LKØ 112 x 5

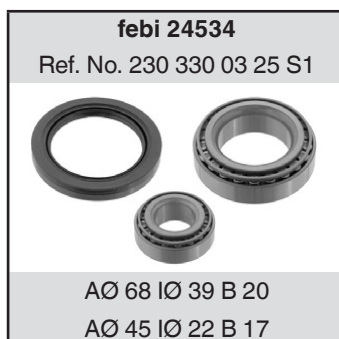


## E-Class (Model 211)

(2002→)

E 200 (211.042)	24534 / 26005 / 32850	32850
E 200 CDI (211.004)		
E 200 CDI (211.007)		
E 200 Kompressor (211.041)		
E 200 Kompressor (211.042)		
E 200 T CDI (211.207)		
E 200 T Kompressor (211.241)		
E 200 T Kompressor (211.242)		
E 220 CDI (211.006)		
E 220 CDI (211.008)		
E 220 CDI (211.208)		
E 220 T CDI (211.206)		
E 220 T CDI (211.208)		
E 220 T CDI (211.606)		
E 220 T CDI (211.608)		
E 230 (211.052)		
E 230 T (211.252)		
E 240 (211.061)	37507	-
E 240 T (211.261)		
E 240 T 4 Matic (211.280)	37507	-
E 240 4 Matic (211.080)		
E 250 (211.052)	24534 / 26005 / 32850	32850
E 250 T (211.252)		
E 270 CDI (211.016)		
E 270 T CDI (211.216)		
E 270 T CDI (211.616)		
E 280 (211.054)		
E 280 CDI (211.020)		
E 280 CDI (211.023)		
E 280 CDI 4 Matic (211.084)	37507	-
E 280 T (211.254)		
E 280 T CDI (211.220)	24534 / 26005 / 32850	32850
E 280 T CDI (211.223)		
E 280 T CDI (211.620)		
E 280 T CDI 4 Matic (211.284)		
E 280 T 4 Matic (211.292)	37507	-
E 280 4 Matic (211.092)		

front axle



suitable for:

# Mercedes-Benz

Car  
Division



## E-Class (Model 211)

(2002→)

E 300 CDI (211.024) E 320 (211.065) E 320 CDI (211.022) E 320 CDI (211.026)	24534 / 26005 / 32850	32850
E 320 CDI 4 Matic (211.089)	37507	-
E 320 T (211.265) E 320 T CDI (211.222) E 320 T CDI (211.226)	24534 / 26005 / 32850	32850
E 320 T CDI 4 Matic (211.289)	37507	-
E 320 T 4 Matic (211.265)	24534 / 26005 / 32850	32850
E 320 T 4 Matic (211.282) E 320 4 Matic (211.082)	37507	-
E 350 (211.056) E 350 CGI (211.057) E 350 T (211.256) E 350 T CGI (211.257)	24534 / 26005 / 32850	32850
E 350 T 4 Matic (211.287) E 350 4 Matic (211.087)	37507	-
E 400 CDI (211.028) E 420 CDI (211.029) E 500 (211.070) E 500 (211.072) E 500 T (211.270) E 500 T (211.272)	24534 / 26005 / 32850	32850
E 500 T 4 Matic (211.283) E 500 T 4 Matic (211.290) E 500 4 Matic (211.083) E 500 4 Matic (211.090)	37507	-
E 55 AMG (211.076) E 55 T AMG (211.276)	24534 / 26005 / 32850	32850
E 550 4 Matic (211.090)	37507	-

### febi 24534

Ref. No. 230 330 03 25 S1



AØ 68 IØ 39 B 20  
AØ 45 IØ 22 B 17

### febi 26005

Ref. No. 230 330 03 25 S2



AØ 68 IØ 38 B 20  
AØ 45 IØ 22 B 17

### febi 32850

Ref. No. 230 330 03 25



AØ 150 LKØ 112 x 5

### febi 37507

Ref. No. 220 330 00 51



AØ 88 IØ 49 B 46



## E-Class (Model 211)

(2002→)

E 63 AMG (211.077)  
E 63 T AMG (211.277)

24534 / 26005 /  
32850

32850

## E-Class (Model 212)

(2008→)

E 200 (212.041)  
E 200 CDI (212.005)  
E 200 CGI (212.048)  
E 200 CGI (212.148)  
E 200 T CDI (212.205)  
E 200 T CGI (212.248)  
E 220 CDI (212.002)  
E 220 T CDI (212.202)  
E 250 (212.052)  
E 250 CDI (212.003)

38649 / 38651 /  
38652

38652

E 250 CDI 4 Matic (212.082)

-

36079

E 250 CGI (212.047)  
E 250 T CDI (212.203)

38649 / 38651 /  
38652

38652

E 250 T CDI 4 Matic (212.282)

-

36079

front axle

### febi 24534

Ref. No. 230 330 03 25 S1



AØ 68 IØ 39 B 20  
AØ 45 IØ 22 B 17

### febi 26005

Ref. No. 230 330 03 25 S2



AØ 68 IØ 38 B 20  
AØ 45 IØ 22 B 17

### febi 32850

Ref. No. 230 330 03 25



AØ 150 LKØ 112 x 5

### febi 36079

Ref. No. 221 337 02 45



AØ 150 LKØ 112 x 5

### febi 38649

Ref. No. 212 330 00 25 S2



AØ 45 IØ 22  
AØ 68 IØ 40

### febi 38651

Ref. No. 212 330 00 25 S1



AØ 45 IØ 22  
AØ 68 IØ 16

### febi 38652

Ref. No. 212 330 00 25



AØ 150 LKØ 112 x 5

suitable for:

# Mercedes-Benz

Car  
Division



## E-Class (Model 212)

(2008→)

E 250 T CGI (212.247)	38649 / 38651 / 38652	38652
E 260 CGI (212.147)		
E 300 (212.053)		
E 300 (212.054)		
E 300 (212.055)		
E 300 (212.098)		
E 300 (212.154)		
E 300 CDI (212.020)		
E 300 CDI (212.021)		
E 300 T (212.254)		
E 300 T (212.255)		
E 300 T (212.298)	38652	38652
E 300 T CDI (212.220)	38649 / 38651 / 38652	38652
E 300 T CDI (212.221)		
E 300 T 4 Matic (212.280)	-	36079
E 300 4 Matic (212.080)		
E 350 (212.056)	38649 / 38651 / 38652	38652
E 350 (212.059)		
E 350 Bluetec (212.024)		
E 350 Bluetec 4 Matic (212.094)	-	36079
E 350 CDI (212.023)	38649 / 38651 / 38652	38652
E 350 CDI (212.025)		
E 350 CDI 4 Matic (212.089)	-	36079
E 350 CDI 4 Matic (212.093)		
E 350 CGI (212.057)	38649 / 38651 / 38652	38652
E 350 T (212.256)		
E 350 T (212.259)		
E 350 T Bluetec (212.224)		
E 350 T Bluetec 4 Matic (212.294)	-	36079
E 350 T CDI (212.223)	38649 / 38651 / 38652	38652
E 350 T CDI (212.225)		
E 350 T CDI 4 Matic (212.289)	-	36079
E 350 T CDI 4 Matic (212.293)		

**febi 36079**

Ref. No. 221 337 02 45



AØ 150 LKØ 112 x 5

**febi 38649**

Ref. No. 212 330 00 25 S2



AØ 45 IØ 22  
AØ 68 IØ 40

**febi 38651**

Ref. No. 212 330 00 25 S1



AØ 45 IØ 22  
AØ 68 IØ 16

**febi 38652**

Ref. No. 212 330 00 25



AØ 150 LKØ 112 x 5



## E-Class (Model 212)

(2008→)

E 350 T CGI (212.257)	38649 / 38651 / 38652	38652
E 350 T 4 Matic (212.287) E 350 T 4 Matic (212.288) E 350 4 Matic (212.087) E 350 4 Matic (212.088) E 400 T 4 Matic (212.267) E 400 4 Matic (212.067)	-	36079
E 500 (212.072) E 500 (212.073) E 500 T (212.272) E 500 T (212.273)	38649 / 38651 / 38652	38652
E 500 T 4 Matic (212.291) E 500 4 Matic (212.090) E 500 4 Matic (212.091)	-	36079
E 63 AMG (212.074) E 63 AMG (212.077)	38649 / 38651 / 38652	38652
E 63 AMG 4 Matic (212.076) E 63 AMG 4 Matic (212.092)	-	36079
E 63 T AMG (212.274)	38649 / 38651 / 38652	38652
E 63 T AMG (212.276)	-	36079
E 63 T AMG (212.277)	38649 / 38651 / 38652	38652
E 63 T AMG 4 Matic (212.292)	-	36079

front axle





suitable for:

**Mercedes-Benz**

**Car  
Division**



**GL-Class (Model 164)**

(2006→ )

all	-	36071
-----	---	-------

**GLK (Model 204)**

(2008→ )

all	-	36079
-----	---	-------

**M-Class (Model 163)**

(1998→2005)

ML 230 4 Matic (163.136) ML 270 CDI 4 Matic (163.113) ML 320 4 Matic (163.154) ML 350 4 Matic (163.157) ML 400 CDI 4 Matic (163.128) ML 430 4 Matic (163.172) ML 500 4 Matic (163.175)	21975	-
--	-------	---

ML 55 AMG 4 Matic (163.174)	21975	36072
-----------------------------	-------	-------

**M-Class (Model 164)**

(2005→ )

all	-	36071
-----	---	-------

front axle

**febi 21975**  
Ref. No. 163 330 00 51

AØ 88 IØ 49 B 46

**febi 36071**  
Ref. No. 164 356 02 01

AØ 152 LKØ 112 x 5

**febi 36072**  
Ref. No. 163 334 01 10

AØ 152 LKØ 112 x 5

**febi 36079**  
Ref. No. 221 337 02 45

AØ 150 LKØ 112 x 5



## MB 100

(1988→1996)

MB 100 D (631.332)  
MB 100 D (631.333)  
MB 100 D (631.334)  
MB 100 D (631.340)  
MB 100 D (631.342)  
MB 100 D (631.344)

Axle Number 733.702-705

model 733. 702-705

05464

-

17205

-

## R-Class (Model 251)

(2005→)

all

-

36071

## S-Class (Model 108)

(1965→1972)

all

05422

-

## S-Class (Model 109)

(1965→1972)

all

05422

-

front axle

### febi 05422

Ref. No. 107 330 00 51



AØ 59 IØ 31,8 B 16,6  
AØ 45 IØ 18,9

### febi 05464

Ref. No. 631 330 02 51 SK



AØ 75 IØ 46 B 21  
IØ 45 B 18,5

### febi 17205

Ref. No. 631 330 02 51



AØ 75 IØ 46 B 21,5  
IØ 45 B 18,5

### febi 36071

Ref. No. 164 356 02 01



AØ 152 LKØ 112 x 5

suitable for:

# Mercedes-Benz

Car  
Division 



## S-Class (Model 116)

(1972→1980)

all

05577 / 08838 /  
08950

-

## S-Class (Model 126)

(1979→1993)

260 SE (126.020)

from the year of construction 09/1985

05577

-

from the year of construction 09/1985  
for vehicles with ABS

05580

-

08838 / 08950

-

for vehicles with ABS

08839

-

280 S (126.021)

to the year of construction 09/1985

05577

-

280 SE (126.022)

280 SEL (126.023)

08838

-

for vehicles without ABS

08950

-

300 SDL (126.125)

for vehicles with ABS

08839

-

### febi 05577

Ref. No. 611 330 07 25



AØ 65,25 IØ 35 B 18,5  
AØ 50 IØ 21,5

### febi 05580

Ref. No. 126 330 00 51 SK



AØ 65 IØ 34,5 B 18,8  
AØ 50 IØ 21,5

### febi 08838

Ref. No. 116 330 00 51



AØ 65,25 IØ 35 B 18,5  
AØ 50 IØ 21,5

### febi 08839

Ref. No. 126 330 00 51



AØ 65,25 IØ 35 B 18,5  
AØ 50 IØ 21,5

### febi 08950

Ref. No. 001 980 29 02



AØ 65



## S-Class (Model 126)

(1979→1993)

300 SE (126.024) 300 SEL (126.025)	for vehicles without ABS	05577	-
	from the year of construction 09/1985 for vehicles with ABS	05580	-
		08838	-
	for vehicles with ABS	08839 / 08950	-
350 SD (126.134) 350 SDL (126.135)	for vehicles with ABS	08839	-
380 SE (126.032)	from the year of construction 09/1985	05577	-
		08838 / 08950	-
	for vehicles with ABS	08839	-
380 SEC (126.043) 380 SEL (126.033)	from the year of construction 09/1985	05577	-
		08838 / 08950	-
420 SE (126.034)	from the year of construction 09/1985	05580	-
	for vehicles with ABS	05580 / 08839	-
		08950	-

front axle

### febi 05577

Ref. No. 611 330 07 25



AØ 65,25 IØ 35 B 18,5  
AØ 50 IØ 21,5

### febi 05580

Ref. No. 126 330 00 51 SK



AØ 65 IØ 34,5 B 18,8  
AØ 50 IØ 21,5

### febi 08838

Ref. No. 116 330 00 51



AØ 65,25 IØ 35 B 18,5  
AØ 50 IØ 21,5

### febi 08839

Ref. No. 126 330 00 51



AØ 65,25 IØ 35 B 18,5  
AØ 50 IØ 21,5

### febi 08950

Ref. No. 001 980 29 02



AØ 65

suitable for:

# Mercedes-Benz

Car  
Division 



## S-Class (Model 126)

(1979→1993)

front axle	<b>420 SEC (126.046)</b>	from the year of construction 09/1985	<b>05577 / 05580 / 08838</b>	-
		for vehicles with ABS	<b>08839</b>	-
	<b>420 SEL (126.035)</b>	from the year of construction 09/1985	<b>05580</b>	-
		for vehicles with ABS	<b>05580 / 08839</b>	-
		<b>08950</b>	-	
<b>500 SE (126.036)</b>	from the year of construction 09/1985	<b>05577</b>	-	
	from the year of construction 09/1985 for vehicles with ABS	<b>05580</b>	-	
		<b>08838 / 08950</b>	-	
	for vehicles with ABS	<b>08839</b>	-	
<b>500 SEC (126.044)</b>	from the year of construction 09/1985	<b>05577 / 05580</b>	-	
		<b>08838 / 08950</b>	-	
	for vehicles with ABS	<b>08839</b>	-	

### febi 05577

Ref. No. 611 330 07 25



AØ 65,25 IØ 35 B 18,5  
AØ 50 IØ 21,5

### febi 05580

Ref. No. 126 330 00 51 SK



AØ 65 IØ 34,5 B 18,8  
AØ 50 IØ 21,5

### febi 08838

Ref. No. 116 330 00 51



AØ 65,25 IØ 35 B 18,5  
AØ 50 IØ 21,5

### febi 08839

Ref. No. 126 330 00 51



AØ 65,25 IØ 35 B 18,5  
AØ 50 IØ 21,5

### febi 08950

Ref. No. 001 980 29 02



AØ 65



## S-Class (Model 126)

(1979→1993)

<b>500 SEL (126.037)</b>	from the year of construction 09/1985	<b>05577</b>	-
	from the year of construction 09/1985 for vehicles with ABS	<b>05580</b>	-
		<b>08838 / 08950</b>	-
	for vehicles with ABS	<b>08839</b>	-
<b>560 SE (126.038)</b>	from the year of construction 09/1985	<b>05580</b>	-
	for vehicles with ABS	<b>05580 / 08839 / 08950</b>	-
<b>560 SEC (126.045)</b>	from the year of construction 09/1985	<b>05577 / 05580 / 08838</b>	-
	for vehicles with ABS	<b>08839</b>	-
		<b>08950</b>	-
<b>560 SEL (126.039)</b>	from the year of construction 09/1985	<b>05580</b>	-
	for vehicles with ABS	<b>05580 / 08839 / 08950</b>	-
<b>560 SEL (126.045)</b>	for vehicles with ABS	<b>08839</b>	-

front axle

### febi 05577

Ref. No. 611 330 07 25



AØ 65,25 IØ 35 B 18,5  
AØ 50 IØ 21,5

### febi 05580

Ref. No. 126 330 00 51 SK



AØ 65 IØ 34,5 B 18,8  
AØ 50 IØ 21,5

### febi 08838

Ref. No. 116 330 00 51



AØ 65,25 IØ 35 B 18,5  
AØ 50 IØ 21,5

### febi 08839

Ref. No. 126 330 00 51



AØ 65,25 IØ 35 B 18,5  
AØ 50 IØ 21,5

### febi 08950

Ref. No. 001 980 29 02



AØ 65

suitable for:

# Mercedes-Benz

Car  
Division



## S-Class (Model 140)

(1991→2000)

all

05415 / 05416

-

## S-Class (Model 220)

(1998→2005)

S 280 (220.063)

S 280 (220.163)

S 320 (220.065)

S 320 (220.165)

S 320 CDI (220.025)

S 320 CDI (220.026)

S 320 CDI (220.125)

S 320 CDI (220.126)

S 350 (220.067)

S 350 (220.167)

24535 / 30945

30945

S 350 4 Matic (220.087)

from Chassis No. A 428628

37507

-

S 350 4 Matic (220.187)

S 400 CDI (220.028)

S 400 CDI (220.128)

S 430 (220.070)

S 430 (220.170)

24535 / 30945

30945

S 430 4 Matic (220.083)

from Chassis No. A 428628

37507

-

S 430 4 Matic (220.183)

### febi 05415

Ref. No. 140 330 02 51 SK



AØ 68 IØ 39 B 22

AØ 52 IØ 25 B 20

### febi 05416

Ref. No. 140 330 02 51



AØ 68 IØ 39 B 22

AØ 52 IØ 25 B 20

### febi 24535

Ref. No. 220 330 07 25 S1



AØ 86 IØ 45 B 39

### febi 30945

Ref. No. 220 330 07 25



AØ 145 LKØ 67 x 5

### febi 37507

Ref. No. 220 330 00 51



AØ 88 IØ 49 B 46



## S-Class (Model 220)

(1998→2005)

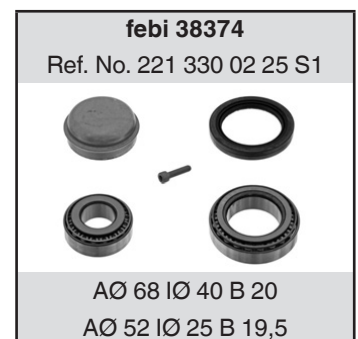
S 500 (220.075) S 500 (220.175)		24535 / 30945	30945
S 500 (220.875)		24535	-
S 500 4 Matic (220.084) S 500 4 Matic (220.184)	from Chassis No. A 428628	37507	-
S 55 AMG (220.073) S 55 AMG (220.074) S 55 AMG (220.173) S 55 AMG Kompressor (220.174) S 600 (220.176) S 600 (220.178)		24535 / 30945	30945
S 600 (220.878)		24535	-
S 65 AMG (220.179)		24535 / 30945	30945

## S-Class (Model 221)

(2005→)

S 250 CDI (221.003) S 250 CDI (221.103)		-	36079
S 280 (221.054) S 280 (221.154) S 320 CDI (221.022) S 320 CDI (221.122)		36078 / 38374	36078

front axle





suitable for:

**Mercedes-Benz**

**Car  
Division**



**S-Class (Model 221)**

(2005→ )

S 320 CDI 4 Matic (221.080) S 320 CDI 4 Matic (221.180)	-	36079
S 350 (221.056) S 350 (221.156) S 350 CDI (221.022) S 350 CDI (221.122) S 350 CDI Bluetec (221.026) S 350 CDI Bluetec (221.126)	36078 / 38374	36078
S 350 CDI Bluetec 4 Matic (221.083) S 350 CDI Bluetec 4 Matic (221.183) S 350 CDI 4 Matic (221.080) S 350 CDI 4 Matic (221.180)	-	36079
S 350 CGI (221.057) S 350 CGI (221.157)	36078 / 38374	36078
S 350 CGI 4 Matic (221.082) S 350 CGI 4 Matic (221.182) S 350 4 Matic (221.087) S 350 4 Matic (221.187)	-	36079
S 400 (221.095) S 400 (221.195) S 420 CDI (221.028) S 420 CDI (221.128) S 450 (221.070) S 450 (221.170) S 450 CDI (221.028) S 450 CDI (221.128)	36078 / 38374	36078
S 450 4 Matic (221.084) S 450 4 Matic (221.184)	-	36079
S 500 (221.071) S 500 (221.171) S 500 CGI (221.073) S 500 CGI (221.173)	36078 / 38374	36078

front axle

**febi 36078**

Ref. No. 221 330 02 25



LKØ 112 x 5

**febi 36079**

Ref. No. 221 337 02 45



AØ 150 LKØ 112 x 5

**febi 38374**

Ref. No. 221 330 02 25 S1



AØ 68 IØ 40 B 20  
AØ 52 IØ 25 B 19,5



## S-Class (Model 221)

(2005→)

S 500 CGI 4 Matic (221.094)	-	36079
S 500 CGI 4 Matic (221.194)		
S 500 4 Matic (221.086)		
S 500 4 Matic (221.186)		
S 550 (221.071)	36078 / 38374	36078
S 550 4 Matic (221.086)	-	36079
S 550 4 Matic (221.186)		
S 600 (221.176)	36078 / 38374	36078
S 63 AMG (221.074)		
S 63 AMG (221.077)		
S 63 AMG (221.174)		
S 63 AMG (221.177)		
S 65 AMG (221.179)		

## SL (Model 107)

(1971→1989)

300 SL Cabrio (107.041)	05581 / 08841	-
380 SL Cabrio (107.045)	05422	-
420 SL Cabrio (107.047)	05581 / 08841	-
500 SL Cabrio (107.046)		

front axle

### febi 05422

Ref. No. 107 330 00 51



AØ 59 IØ 31,8 B 16,6  
AØ 45 IØ 18,9

### febi 05581

Ref. No. 201 330 02 51 SK



AØ 59 IØ 31,6 B 16,6  
AØ 45 IØ 19

### febi 08841

Ref. No. 201 330 02 51



AØ 59 IØ 32 B 17  
AØ 45 IØ 19

### febi 36078

Ref. No. 221 330 02 25



LKØ 112 x 5

### febi 36079

Ref. No. 221 337 02 45



AØ 150 LKØ 112 x 5

### febi 38374

Ref. No. 221 330 02 25 S1



AØ 68 IØ 40 B 20  
AØ 52 IØ 25 B 19,5

suitable for:

# Mercedes-Benz

Car  
Division 



## SL (Model 113)

(1966→1971)

250 SL Cabrio (113.043)  
280 SL Cabrio (113.044)

05422

-

## SL (Model 230)

(2001→)

all Not for equipment version Black Series

24534 / 32850

32850

26005

-

## SLK (Model 170)

(1996→2004)

all

02071 / 07870 /  
28384

28384

front axle

### febi 02071

Ref. No. 210 330 00 51



AØ 60 IØ 35 B 17  
AØ 45 IØ 22

### febi 05422

Ref. No. 107 330 00 51



AØ 59 IØ 31,8 B 16,6  
AØ 45 IØ 18,9

### febi 07870

Ref. No. 210 330 00 51 SK



AØ 60 IØ 35 B 17  
AØ 45 IØ 22

### febi 24534

Ref. No. 230 330 03 25 S1



AØ 68 IØ 39 B 20  
AØ 45 IØ 22 B 17

### febi 26005

Ref. No. 230 330 03 25 S2



AØ 68 IØ 38 B 20  
AØ 45 IØ 22 B 17

### febi 28384

Ref. No. 210 330 03 25



AØ 150 IØ 22 B 89,2  
LKØ 112 x 5

### febi 32850

Ref. No. 230 330 03 25



AØ 150 LKØ 112 x 5



## SLK (Model 171)

(2004→2011)

all

22435 / 27163 /  
27164 / 27311 /  
36077

36077

## SLK (model 172)

(2011→)

all

27163 / 27164 /  
36073

36073

front axle

### febi 22435

Ref. No. 203 330 00 51



AØ 62 IØ 35 B 14  
AØ 50 IØ 22

### febi 27163

Ref. No. 002 980 30 02



AØ 62 IØ 35 B 14

### febi 27164

Ref. No. 002 980 31 02



AØ 50 IØ 22 B 14

### febi 27311

Ref. No. 203 330 00 51 SK



AØ 62 IØ 35 B 14  
AØ 50 IØ 22

### febi 36073

Ref. No. 204 330 06 25



AØ 150 LKØ 112 x 5

### febi 36077

Ref. No. 209 330 03 25



AØ 150  
LKØ 112 x 5

suitable for:

# Mercedes-Benz

Car Division 



## Sprinter (Model 901)

(1994→2006)

front axle

Sprinter 208 CDI (901.611)	Axle Design BM 730.405, .407	08152	-
Sprinter 208 CDI (901.612)	Axle Design .408-.415, .502-.506		
Sprinter 208 CDI (901.621)	Axle Design .530-.535, .600-.606		
Sprinter 208 CDI (901.661)	Axle Design .630		
Sprinter 208 CDI (901.662)	Axle Design BM 732.210-.212	23625	-
Sprinter 208 CDI (901.671)	Axle Design .801, .802		
Sprinter 208 D (901.311)	to Axle Number S 231916	23626	-
Sprinter 208 D (901.312)	to Axle Number Y 245977		
Sprinter 208 D (901.321)	Axle Design 730. 408 - 414		
Sprinter 208 D (901.361)	Axle Design 732. 210, 211		
Sprinter 208 D (901.362)	Equipment Variation SA 504033		
Sprinter 208 D (901.371)	01/02/20		
	Equipment Variation SA 504033/21		
	Equipment Variation SA 504304 06		
	from Axle Number Y 245977	23626	-
	from Axle Number S 231916		
	Axle Design 730. 408 - 414		
	Axle Design 732. 210, 211		
	Equipment Variation SA 504033		
	01/02/20	08152	-
	Equipment Variation SA 50403321		
Sprinter 210 D Turbo (901.421)	Axle Design BM 730.405, .407	08152	-
Sprinter 210 D Turbo (901.461)	Axle Design .408-.415, .502-.506		
Sprinter 210 D Turbo (901.462)	Axle Design .530-.535, .600-.606		
Sprinter 211 CDI (901.621)	Axle Design .630		
Sprinter 211 CDI (901.661)	Axle Design BM 732.210-.212		
Sprinter 211 CDI (901.662)	Axle Design .801, .802		

### febi 08152

Ref. No. 003 981 95 05



AØ 52 IØ 25

### febi 23625

Ref. No. 604 330 00 25



AØ 73,5 IØ 41 B 19,5

AØ 52 IØ 25 B 23

### febi 23626

Ref. No. 901 330 10 25



AØ 73,5 IØ 41 B 19,5

AØ 52 IØ 25 B 23

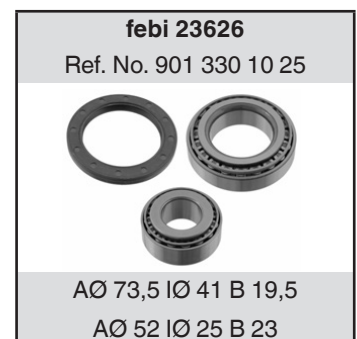
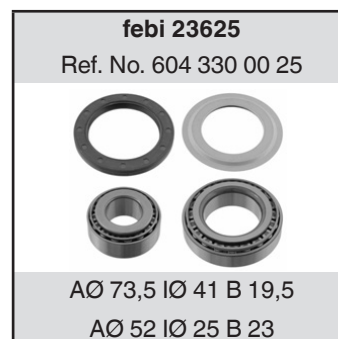


## Sprinter (Model 901)

(1994→2006)

<p><b>Sprinter 212 D Turbo (901.421)</b>  <b>Sprinter 212 D Turbo (901.461)</b>  <b>Sprinter 212 D Turbo (901.462)</b></p>	<p>Axle Design BM 730.405, .407            Axle Design .408-.415, .502-.506            Axle Design .530-.535, .600-.606            Axle Design .630</p>	<p><b>08152</b></p>	<p>-</p>
<p>Axle Design BM 732.210-.212            Axle Design .801, .802</p> <p>to Axle Number S 231916            to Axle Number Y 245977            Axle Design 730. 408 - 414            Axle Design 732. 210, 211            Equipment Variation SA 504033            01/02/20            Equipment Variation SA 504033/21            Equipment Variation SA 504304 06</p>		<p><b>23625</b></p>	<p>-</p>
	<p>from Axle Number Y 245977            from Axle Number S 231916            Axle Design 730. 408 - 414            Axle Design 732. 210, 211            Equipment Variation SA 504033            01/02/20            Equipment Variation SA 50403321</p>	<p><b>23626</b></p>	<p>-</p>
<p><b>Sprinter 213 CDI (901.621)</b>  <b>Sprinter 213 CDI (901.661)</b>  <b>Sprinter 213 CDI (901.662)</b></p>	<p>Axle Design BM 730.405, .407            Axle Design .408-.415, .502-.506            Axle Design .530-.535, .600-.606            Axle Design .630</p> <p>Axle Design BM 732.210-.212            Axle Design .801, .802</p>	<p><b>08152</b></p>	<p>-</p>

front axle



suitable for:

**Mercedes-Benz**

**Car  
Division**



**Sprinter (Model 901)**

(1994→2006)

**Sprinter 214 (901.061)**

**Sprinter 214 (901.062)**

**Sprinter 214 (901.661)**

Axle Design BM 730.405, .407  
Axle Design .408-.415, .502-.506  
Axle Design .530-.535, .600-.606  
Axle Design .630

**08152**

-

Axle Design BM 732.210-.212  
Axle Design .801, .802

to Axle Number S 231916  
to Axle Number Y 245977  
Axle Design 730. 408 - 414  
Axle Design 732. 210, 211  
Equipment Variation SA 504033  
01/02/20  
Equipment Variation SA 504033/21  
Equipment Variation SA 504304 06

**23625**

-

from Axle Number Y 245977  
from Axle Number S 231916  
Axle Design 730. 408 - 414  
Axle Design 732. 210, 211  
Equipment Variation SA 504033  
01/02/20  
Equipment Variation SA 50403321

**23626**

-

**Sprinter 214 (901.662)**

Axle Design BM 730.405, .407  
Axle Design .408-.415, .502-.506  
Axle Design .530-.535, .600-.606  
Axle Design .630

**08152**

-

Axle Design BM 732.210-.212  
Axle Design .801, .802

**febi 08152**

Ref. No. 003 981 95 05



AØ 52 IØ 25

**febi 23625**

Ref. No. 604 330 00 25



AØ 73,5 IØ 41 B 19,5

AØ 52 IØ 25 B 23

**febi 23626**

Ref. No. 901 330 10 25



AØ 73,5 IØ 41 B 19,5

AØ 52 IØ 25 B 23



**Sprinter (Model 902)**

(1994→2006)

Sprinter 208 CDI (902.611)	Axle Design BM 730.405, .407	08152	-
Sprinter 208 CDI (902.612)	Axle Design .408-.415, .502-.506		
Sprinter 208 CDI (902.621)	Axle Design .530-.535, .600-.606		
Sprinter 208 CDI (902.622)	Axle Design .630		
Sprinter 208 CDI (902.661)			
Sprinter 208 CDI (902.662)	Axle Design BM 732.210-.212		
Sprinter 208 CDI (902.671)	Axle Design .801, .802		
Sprinter 208 CDI (902.672)			

front axle





suitable for:

# Mercedes-Benz

Car Division 



## Sprinter (Model 902)

(1994→2006)

- Sprinter 208 D (902.311)
- Sprinter 208 D (902.312)
- Sprinter 208 D (902.321)
- Sprinter 208 D (902.322)
- Sprinter 208 D (902.361)
- Sprinter 208 D (902.362)
- Sprinter 208 D (902.371)
- Sprinter 208 D (902.372)
- Sprinter 210 D Turbo (902.461)
- Sprinter 210 D Turbo (902.462)
- Sprinter 210 D Turbo (902.471)
- Sprinter 210 D Turbo (902.472)
- Sprinter 211 CDI (902.611)
- Sprinter 211 CDI (902.612)
- Sprinter 211 CDI (902.621)
- Sprinter 211 CDI (902.622)
- Sprinter 211 CDI (902.661)
- Sprinter 211 CDI (902.662)
- Sprinter 211 CDI (902.671)
- Sprinter 211 CDI (902.672)
- Sprinter 212 D Turbo (902.411)
- Sprinter 212 D Turbo (902.412)
- Sprinter 212 D Turbo (902.421)
- Sprinter 212 D Turbo (902.422)
- Sprinter 212 D Turbo (902.461)
- Sprinter 212 D Turbo (902.462)
- Sprinter 212 D Turbo (902.471)
- Sprinter 212 D Turbo (902.472)
- Sprinter 213 CDI (902.611)
- Sprinter 213 CDI (902.612)
- Sprinter 213 CDI (902.621)
- Sprinter 213 CDI (902.622)
- Sprinter 213 CDI (902.661)
- Sprinter 213 CDI (902.662)
- Sprinter 213 CDI (902.671)
- Sprinter 213 CDI (902.672)
- Sprinter 214 (902.011)
- Sprinter 214 (902.012)
- Sprinter 214 (902.061)
- Sprinter 214 (902.062)
- Sprinter 214 (902.071)
- Sprinter 214 (902.072)
- Sprinter 214 (902.611)

Axle Design BM 730.405, .407  
 Axle Design .408-.415, .502-.506  
 Axle Design .530-.535, .600-.606  
 Axle Design .630

Axle Design BM 732.210-.212  
 Axle Design .801, .802

to Axle Number S 231916  
 to Axle Number Y 245977  
 Axle Design 730. 408 - 414  
 Axle Design 732. 210, 211  
 Equipment Variation SA 504033  
 01/02/20  
 Equipment Variation SA 504033/21  
 Equipment Variation SA 504304 06

from Axle Number Y 245977  
 from Axle Number S 231916  
 Axle Design 730. 408 - 414  
 Axle Design 732. 210, 211  
 Equipment Variation SA 504033  
 01/02/20  
 Equipment Variation SA 50403321

**08152**

-

**23625**

-

**23626**

-

**febi 08152**

Ref. No. 003 981 95 05



AØ 52 IØ 25

**febi 23625**

Ref. No. 604 330 00 25



AØ 73,5 IØ 41 B 19,5

AØ 52 IØ 25 B 23

**febi 23626**

Ref. No. 901 330 10 25



AØ 73,5 IØ 41 B 19,5

AØ 52 IØ 25 B 23

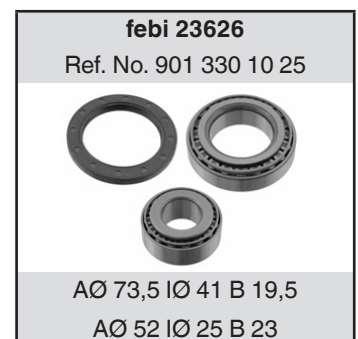
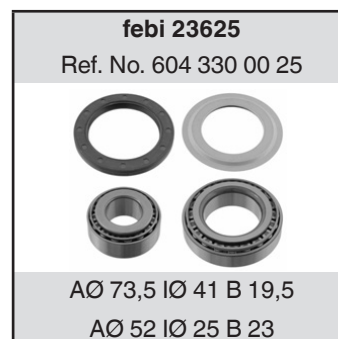


## Sprinter (Model 902)

(1994→2006)

<b>Sprinter 214 (902.622)</b>	Axle Design BM 730.405, .407 Axle Design .408-.415, .502-.506 Axle Design .530-.535, .600-.606 Axle Design .630	<b>08152</b>	-
	Axle Design BM 732.210-.212 Axle Design .801, .802		
<b>Sprinter 214 (902.661)</b> <b>Sprinter 214 (902.662)</b> <b>Sprinter 214 (902.671)</b> <b>Sprinter 214 (902.672)</b> <b>Sprinter 216 CDI (902.611)</b> <b>Sprinter 216 CDI (902.612)</b> <b>Sprinter 216 CDI (902.621)</b> <b>Sprinter 216 CDI (902.622)</b>	Axle Design BM 730.405, .407 Axle Design .408-.415, .502-.506 Axle Design .530-.535, .600-.606 Axle Design .630	<b>08152</b>	-
	Axle Design BM 732.210-.212 Axle Design .801, .802		
<b>Sprinter 216 CDI (902.661)</b> <b>Sprinter 216 CDI (902.662)</b> <b>Sprinter 216 CDI (902.671)</b> <b>Sprinter 216 CDI (902.672)</b>	to Axle Number S 231916 to Axle Number Y 245977 Axle Design 730. 408 - 414 Axle Design 732. 210, 211 Equipment Variation SA 504033 01/02/20 Equipment Variation SA 504033/21 Equipment Variation SA 504304 06	<b>23625</b>	-
	from Axle Number Y 245977 from Axle Number S 231916 Axle Design 730. 408 - 414 Axle Design 732. 210, 211 Equipment Variation SA 504033 01/02/20 Equipment Variation SA 50403321		

front axle



suitable for:

# Mercedes-Benz

Car  
Division



## Sprinter (Model 903)

(1994→2006)

front axle

Sprinter 308 CDI (903.611)	Axle Design BM 730.405, .407	08152	-
Sprinter 308 CDI (903.612)	Axle Design .408-.415, .502-.506		
Sprinter 308 CDI (903.613)	Axle Design .530-.535, .600-.606		
Sprinter 308 CDI (903.621)	Axle Design .630		
Sprinter 308 CDI (903.622)	Axle Design BM 732.210-.212	23625	-
Sprinter 308 CDI (903.623)	Axle Design .801, .802		
Sprinter 308 CDI (903.661)	to Axle Number S 231916		
Sprinter 308 CDI (903.662)	to Axle Number Y 245977		
Sprinter 308 CDI (903.663)	Axle Design 730. 408 - 414		
Sprinter 308 CDI (903.671)	Axle Design 732. 210, 211		
Sprinter 308 CDI (903.672)	Equipment Variation SA 504033		
Sprinter 308 CDI (903.673)	01/02/20		
Sprinter 308 D (903.311)	Equipment Variation SA 504033/21		
Sprinter 308 D (903.312)	Equipment Variation SA 504304 06		
Sprinter 308 D (903.313)	from Axle Number Y 245977		
Sprinter 308 D (903.321)	from Axle Number S 231916		
Sprinter 308 D (903.322)	Axle Design 730. 408 - 414		
Sprinter 308 D (903.323)	Axle Design 732. 210, 211		
Sprinter 308 D (903.361)	Equipment Variation SA 504033		
Sprinter 308 D (903.362)	01/02/20		
Sprinter 308 D (903.363)	Equipment Variation SA 50403321		
Sprinter 308 D (903.371)			
Sprinter 308 D (903.372)			
Sprinter 308 D (903.373)			
Sprinter 308 D 4 Matic (903.361)			

### febi 08152

Ref. No. 003 981 95 05



AØ 52 IØ 25

### febi 23625

Ref. No. 604 330 00 25



AØ 73,5 IØ 41 B 19,5

AØ 52 IØ 25 B 23

### febi 23626

Ref. No. 901 330 10 25



AØ 73,5 IØ 41 B 19,5

AØ 52 IØ 25 B 23



**Sprinter (Model 903)**

(1994→2006)

- Sprinter 310 D Turbo (903.411)
- Sprinter 310 D Turbo (903.412)
- Sprinter 310 D Turbo (903.413)
- Sprinter 310 D Turbo (903.421)
- Sprinter 310 D Turbo (903.422)
- Sprinter 310 D Turbo (903.423)
- Sprinter 310 D Turbo (903.461)
- Sprinter 310 D Turbo (903.462)
- Sprinter 310 D Turbo (903.463)
- Sprinter 310 D Turbo (903.471)
- Sprinter 310 D Turbo (903.472)
- Sprinter 310 D Turbo (903.473)
- Sprinter 310 D 4 Matic Turbo (903.461)
- Sprinter 310 D 4 Matic Turbo (903.462)
- Sprinter 310 D 4 Matic Turbo (903.472)
- Sprinter 310 D 4 Matic Turbo (903.473)

- Axle Design BM 730.405, .407
  - Axle Design .408-.415, .502-.506
  - Axle Design .530-.535, .600-.606
  - Axle Design .630
- 
- Axle Design BM 732.210-.212
  - Axle Design .801, .802

**08152**

-

front axle



suitable for:

# Mercedes-Benz

Car  
Division

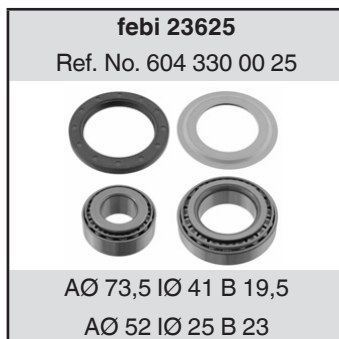


## Sprinter (Model 903)

(1994→2006)

front axle

Sprinter 311 CDI (903.611)	Axle Design BM 730.405, .407	08152	-
Sprinter 311 CDI (903.612)	Axle Design .408-.415, .502-.506		
Sprinter 311 CDI (903.613)	Axle Design .530-.535, .600-.606		
Sprinter 311 CDI (903.621)	Axle Design .630		
Sprinter 311 CDI (903.622)	Axle Design BM 732.210-.212	23625	-
Sprinter 311 CDI (903.623)	Axle Design .801, .802		
Sprinter 311 CDI (903.661)	to Axle Number S 231916		
Sprinter 311 CDI (903.662)	to Axle Number Y 245977		
Sprinter 311 CDI (903.663)	Axle Design 730. 408 - 414	23626	-
Sprinter 311 CDI (903.671)	Axle Design 732. 210, 211		
Sprinter 311 CDI (903.672)	Equipment Variation SA 504033		
Sprinter 311 CDI (903.673)	01/02/20		
Sprinter 311 CDI 4 Matic (903.612)	Equipment Variation SA 504033/21	23626	-
Sprinter 311 CDI 4 Matic (903.613)	Equipment Variation SA 504304 06		
Sprinter 311 CDI 4 Matic (903.622)	from Axle Number Y 245977		
Sprinter 311 CDI 4 Matic (903.623)	from Axle Number S 231916		
Sprinter 311 CDI 4 Matic (903.662)	Axle Design 730. 408 - 414	08152	-
Sprinter 311 CDI 4 Matic (903.663)	Axle Design 732. 210, 211		
Sprinter 311 CDI 4 Matic (903.672)	Equipment Variation SA 504033		
Sprinter 311 CDI 4 Matic (903.673)	01/02/20		
Sprinter 312 D Turbo (903.411)	Equipment Variation SA 50403321	08152	-
Sprinter 312 D Turbo (903.412)			
Sprinter 312 D Turbo (903.413)			
Sprinter 312 D Turbo (903.421)			
Sprinter 312 D Turbo (903.422)		08152	-
Sprinter 312 D Turbo (903.423)			
Sprinter 312 D Turbo (903.461)			
Sprinter 312 D Turbo (903.462)			
Sprinter 312 D Turbo (903.463)		08152	-
Sprinter 312 D Turbo (903.471)			
Sprinter 312 D Turbo (903.472)			
Sprinter 312 D Turbo (903.473)			
Sprinter 312 D 4 Matic Turbo (903.461)	Axle Design BM 730.405, .407	08152	-
Sprinter 312 D 4 Matic Turbo (903.462)	Axle Design .408-.415, .502-.506		
Sprinter 312 D 4 Matic Turbo (903.473)	Axle Design .530-.535, .600-.606		
Sprinter 312 D 4 Matic Turbo (903.473)	Axle Design .630		
Sprinter 312 D 4 Matic Turbo (903.473)	Axle Design BM 732.210-.212	08152	-
Sprinter 312 D 4 Matic Turbo (903.473)	Axle Design .801, .802		



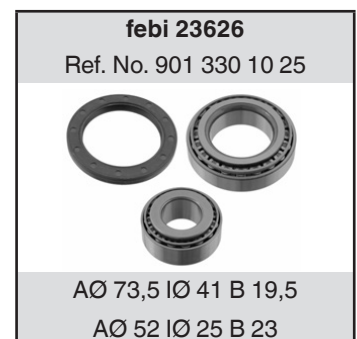
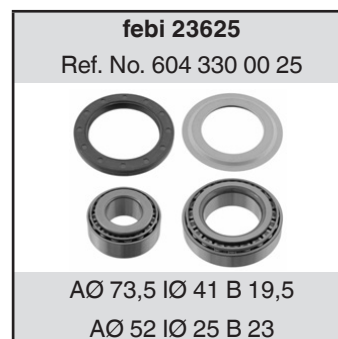


## Sprinter (Model 903)

(1994→2006)

Sprinter 313 CDI (903.611)	Axle Design BM 730.405, .407	08152	-
Sprinter 313 CDI (903.612)	Axle Design .408-.415, .502-.506		
Sprinter 313 CDI (903.621)	Axle Design .530-.535, .600-.606		
Sprinter 313 CDI (903.622)	Axle Design .630		
Sprinter 313 CDI (903.661)			
Sprinter 313 CDI (903.662)	Axle Design BM 732.210-.212	23625	-
Sprinter 313 CDI (903.671)	Axle Design .801, .802		
Sprinter 313 CDI (903.672)	to Axle Number S 231916		
Sprinter 313 CDI 4 Matic (903.612)	to Axle Number Y 245977		
Sprinter 313 CDI 4 Matic (903.613)	Axle Design 730. 408 - 414	23626	-
Sprinter 313 CDI 4 Matic (903.622)	Axle Design 732. 210, 211		
Sprinter 313 CDI 4 Matic (903.623)	Equipment Variation SA 504033		
Sprinter 313 CDI 4 Matic (903.662)	01/02/20		
Sprinter 313 CDI 4 Matic (903.663)	Equipment Variation SA 504033/21		
Sprinter 313 CDI 4 Matic (903.672)	Equipment Variation SA 504304 06		
Sprinter 313 CDI 4 Matic (903.673)			
Sprinter 314 (903.011)	from Axle Number Y 245977		
Sprinter 314 (903.012)	from Axle Number S 231916		
Sprinter 314 (903.013)	Axle Design 730. 408 - 414		
Sprinter 314 (903.022)	Axle Design 732. 210, 211		
Sprinter 314 (903.061)	Equipment Variation SA 504033		
Sprinter 314 (903.062)	01/02/20		
Sprinter 314 (903.063)	Equipment Variation SA 50403321		
Sprinter 314 (903.071)			
Sprinter 314 (903.072)			
Sprinter 314 (903.073)			
Sprinter 314 (903.611)			
Sprinter 314 (903.612)			
Sprinter 314 (903.613)			
Sprinter 314 (903.622)			
Sprinter 314 (903.661)			
Sprinter 314 (903.662)			
Sprinter 314 (903.671)			
Sprinter 314 (903.672)			
Sprinter 314 4 Matic (903.612)			
Sprinter 314 4 Matic (903.613)			
Sprinter 314 4 Matic (903.622)			

front axle





## Sprinter (Model 903)

(1994→2006)

### Sprinter 314 4 Matic (903.661)

Axle Design BM 730.405, .407  
Axle Design .408-.415, .502-.506  
Axle Design .530-.535, .600-.606  
Axle Design .630

**08152**

-

Axle Design BM 732.210-.212  
Axle Design .801, .802

### Sprinter 314 4 Matic (903.662)

Axle Design BM 730.405, .407  
Axle Design .408-.415, .502-.506  
Axle Design .530-.535, .600-.606  
Axle Design .630

**08152**

-

### Sprinter 314 4 Matic (903.663)

### Sprinter 314 4 Matic (903.672)

### Sprinter 314 4 Matic (903.673)

### Sprinter 316 CDI (903.611)

### Sprinter 316 CDI (903.612)

### Sprinter 316 CDI (903.613)

### Sprinter 316 CDI (903.621)

### Sprinter 316 CDI (903.622)

to Axle Number S 231916  
to Axle Number Y 245977  
Axle Design 730. 408 - 414  
Axle Design 732. 210, 211  
Equipment Variation SA 504033  
01/02/20  
Equipment Variation SA 504033/21  
Equipment Variation SA 504304 06

**23625**

-

from Axle Number Y 245977  
from Axle Number S 231916  
Axle Design 730. 408 - 414  
Axle Design 732. 210, 211  
Equipment Variation SA 504033  
01/02/20  
Equipment Variation SA 50403321

**23626**

-

### Sprinter 316 CDI (903.623)

Axle Design BM 730.405, .407  
Axle Design .408-.415, .502-.506  
Axle Design .530-.535, .600-.606  
Axle Design .630

**08152**

-

Axle Design BM 732.210-.212  
Axle Design .801, .802

#### febi 08152

Ref. No. 003 981 95 05



AØ 52 IØ 25

#### febi 23625

Ref. No. 604 330 00 25



AØ 73,5 IØ 41 B 19,5

AØ 52 IØ 25 B 23

#### febi 23626

Ref. No. 901 330 10 25



AØ 73,5 IØ 41 B 19,5

AØ 52 IØ 25 B 23

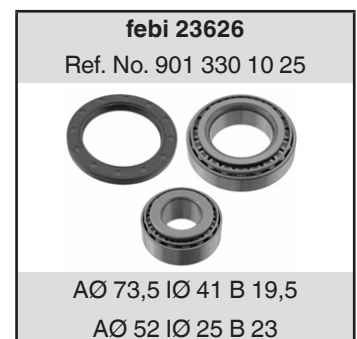
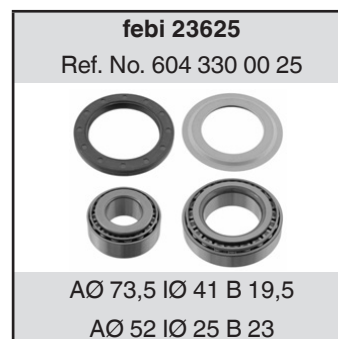


## Sprinter (Model 903)

(1994→2006)

Sprinter 316 CDI (903.661)	Axle Design BM 730.405, .407	08152	-
Sprinter 316 CDI (903.662)	Axle Design .408-.415, .502-.506		
Sprinter 316 CDI (903.663)	Axle Design .530-.535, .600-.606		
Sprinter 316 CDI (903.671)	Axle Design .630		
Sprinter 316 CDI (903.672)			
Sprinter 316 CDI (903.673)	Axle Design BM 732.210-.212	23625	-
Sprinter 316 CDI 4 Matic (903.612)	Axle Design .801, .802		
Sprinter 316 CDI 4 Matic (903.613)	to Axle Number S 231916		
Sprinter 316 CDI 4 Matic (903.622)	to Axle Number Y 245977		
Sprinter 316 CDI 4 Matic (903.623)	Axle Design 730. 408 - 414		
Sprinter 316 CDI 4 Matic (903.662)	Axle Design 732. 210, 211		
Sprinter 316 CDI 4 Matic (903.663)	Equipment Variation SA 504033		
Sprinter 316 CDI 4 Matic (903.672)	01/02/20		
Sprinter 316 CDI 4 Matic (903.673)	Equipment Variation SA 504033/21		
	Equipment Variation SA 504304 06		
	from Axle Number Y 245977	23626	-
	from Axle Number S 231916		
	Axle Design 730. 408 - 414		
	Axle Design 732. 210, 211		
	Equipment Variation SA 504033		
	01/02/20		
	Equipment Variation SA 50403321		

front axle





suitable for:

# Mercedes-Benz

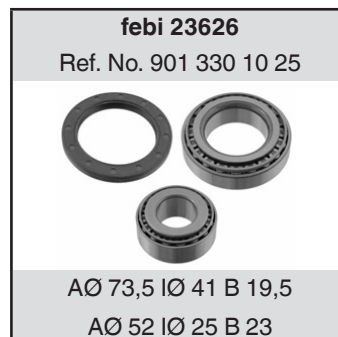
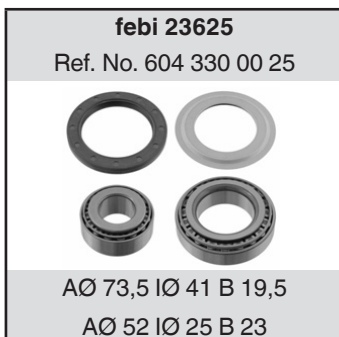
Car Division 



## Sprinter (Model 904)

(1995→2006)

front axle	<b>Sprinter 408 CDI (904.612)</b> <b>Sprinter 408 CDI (904.613)</b> <b>Sprinter 408 CDI (904.622)</b> <b>Sprinter 408 CDI (904.623)</b> <b>Sprinter 408 CDI (904.662)</b> <b>Sprinter 408 CDI (904.663)</b> <b>Sprinter 408 D (904.312)</b>	Axle Design BM 730.405, .407 Axle Design .408-.415, .502-.506 Axle Design .530-.535, .600-.606 Axle Design .630	<b>08152</b>	-
	Axle Design BM 732.210-.212 Axle Design .801, .802			
	to Axle Number S 231916 to Axle Number Y 245977 Axle Design 730. 408 - 414 Axle Design 732. 210, 211 Equipment Variation SA 504033 01/02/20 Equipment Variation SA 504033/21 Equipment Variation SA 504304 06		<b>23625</b>	-
	from Axle Number Y 245977 from Axle Number S 231916 Axle Design 730. 408 - 414 Axle Design 732. 210, 211 Equipment Variation SA 504033 01/02/20 Equipment Variation SA 50403321		<b>23626</b>	-
<b>Sprinter 408 D (904.313)</b>	Axle Design BM 730.405, .407 Axle Design .408-.415, .502-.506 Axle Design .530-.535, .600-.606 Axle Design .630	<b>08152</b>	-	
	Axle Design BM 732.210-.212 Axle Design .801, .802			





## Sprinter (Model 904)

(1995→2006)

### Sprinter 408 D (904.322)

Axle Design BM 730.405, .407  
Axle Design .408-.415, .502-.506  
Axle Design .530-.535, .600-.606  
Axle Design .630

**08152**

-

Axle Design BM 732.210-.212  
Axle Design .801, .802

to Axle Number S 231916  
to Axle Number Y 245977  
Axle Design 730. 408 - 414  
Axle Design 732. 210, 211  
Equipment Variation SA 504033  
01/02/20  
Equipment Variation SA 504033/21  
Equipment Variation SA 504304 06

**23625**

-

from Axle Number Y 245977  
from Axle Number S 231916  
Axle Design 730. 408 - 414  
Axle Design 732. 210, 211  
Equipment Variation SA 504033  
01/02/20  
Equipment Variation SA 50403321

**23626**

-

### Sprinter 408 D (904.323)

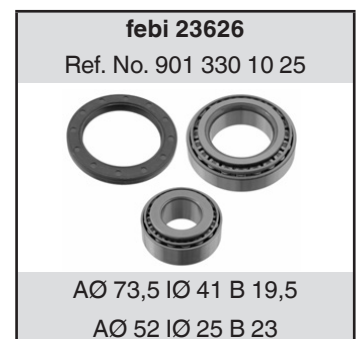
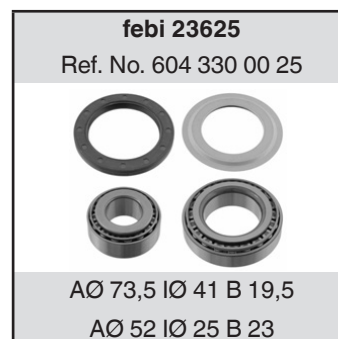
Axle Design BM 730.405, .407  
Axle Design .408-.415, .502-.506  
Axle Design .530-.535, .600-.606  
Axle Design .630

**08152**

-

Axle Design BM 732.210-.212  
Axle Design .801, .802

front axle



suitable for:

**Mercedes-Benz**

**Car  
Division**



**Sprinter (Model 904)**

(1995→2006)

**Sprinter 408 D (904.362)**

Axle Design BM 730.405, .407  
Axle Design .408-.415, .502-.506  
Axle Design .530-.535, .600-.606  
Axle Design .630

**08152**

-

Axle Design BM 732.210-.212  
Axle Design .801, .802

to Axle Number S 231916  
to Axle Number Y 245977  
Axle Design 730. 408 - 414  
Axle Design 732. 210, 211  
Equipment Variation SA 504033  
01/02/20  
Equipment Variation SA 504033/21  
Equipment Variation SA 504304 06

**23625**

-

from Axle Number Y 245977  
from Axle Number S 231916  
Axle Design 730. 408 - 414  
Axle Design 732. 210, 211  
Equipment Variation SA 504033  
01/02/20  
Equipment Variation SA 50403321

**23626**

-

**Sprinter 408 D (904.363)**

Axle Design BM 730.405, .407  
Axle Design .408-.415, .502-.506  
Axle Design .530-.535, .600-.606  
Axle Design .630

**08152**

-

Axle Design BM 732.210-.212  
Axle Design .801, .802

front axle

**febi 08152**

Ref. No. 003 981 95 05



AØ 52 IØ 25

**febi 23625**

Ref. No. 604 330 00 25



AØ 73,5 IØ 41 B 19,5

AØ 52 IØ 25 B 23

**febi 23626**

Ref. No. 901 330 10 25



AØ 73,5 IØ 41 B 19,5

AØ 52 IØ 25 B 23

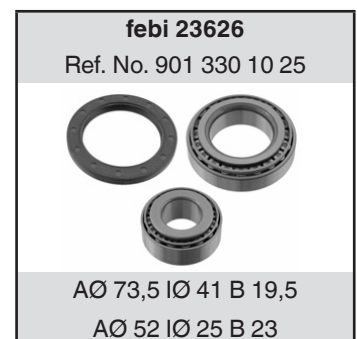
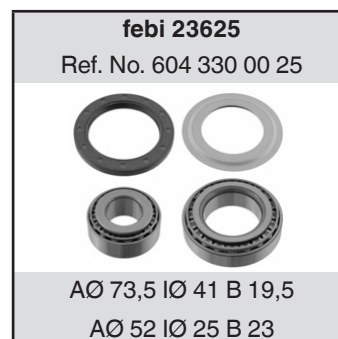


## Sprinter (Model 904)

(1995→2006)

Sprinter 408 D 4 Matic (904.322)	Axle Design BM 730.405, .407	08152	-
Sprinter 408 D 4 Matic (904.362)	Axle Design .408-.415, .502-.506		
Sprinter 410 D (904.423)	Axle Design .530-.535, .600-.606	08152	-
Sprinter 410 D (904.462)	Axle Design .630		
Sprinter 410 D Turbo (904.412)	Axle Design BM 732.210-.212	23625	-
Sprinter 410 D Turbo (904.413)	Axle Design .801, .802		
Sprinter 410 D Turbo (904.422)	to Axle Number S 231916	23626	-
Sprinter 410 D Turbo (904.462)	to Axle Number Y 245977		
Sprinter 410 D Turbo (904.463)	Axle Design 730. 408 - 414		
Sprinter 410 D 4 Matic Turbo (904.422)	Axle Design 732. 210, 211		
Sprinter 410 D 4 Matic Turbo (904.462)	Equipment Variation SA 504033		
Sprinter 411 CDI (904.612)	01/02/20		
Sprinter 411 CDI (904.613)	Equipment Variation SA 504033/21		
Sprinter 411 CDI (904.622)	Equipment Variation SA 504304 06		
Sprinter 411 CDI (904.623)	from Axle Number Y 245977		
Sprinter 411 CDI (904.662)	from Axle Number S 231916		
Sprinter 411 CDI (904.663)	Axle Design 730. 408 - 414	08152	-
Sprinter 411 CDI 4 Matic (904.612)	Axle Design 732. 210, 211		
Sprinter 411 CDI 4 Matic (904.613)	Equipment Variation SA 504033		
Sprinter 411 CDI 4 Matic (904.622)	01/02/20		
Sprinter 411 CDI 4 Matic (904.623)	Equipment Variation SA 50403321		
Sprinter 411 CDI 4 Matic (904.662)			
Sprinter 411 CDI 4 Matic (904.663)			
Sprinter 412 D (904.423)	Axle Design BM 730.405, .407		
	Axle Design .408-.415, .502-.506		
	Axle Design .530-.535, .600-.606		
	Axle Design .630		
	Axle Design BM 732.210-.212		
	Axle Design .801, .802		

front axle



suitable for:

# Mercedes-Benz

Car Division 



## Sprinter (Model 904)

(1995→2006)

**Sprinter 412 D Turbo (904.412)**

**Sprinter 412 D Turbo (904.413)**

**Sprinter 412 D Turbo (904.462)**

**Sprinter 412 D Turbo (904.463)**

**Sprinter 412 D 4 Matic Turbo**

**(904.412)**

**Sprinter 412 D 4 Matic Turbo**

**(904.462)**

**Sprinter 413 CDI (904.612)**

**Sprinter 413 CDI (904.613)**

**Sprinter 413 CDI (904.622)**

**Sprinter 413 CDI (904.623)**

**Sprinter 413 CDI (904.662)**

**Sprinter 413 CDI (904.663)**

**Sprinter 413 CDI 4 Matic (904.613)**

**Sprinter 413 CDI 4 Matic (904.623)**

**Sprinter 413 CDI 4 Matic (904.663)**

**Sprinter 414 (904.012)**

**Sprinter 414 (904.013)**

**Sprinter 414 (904.062)**

**Sprinter 414 (904.063)**

**Sprinter 414 (904.612)**

**Sprinter 414 (904.613)**

**Sprinter 414 (904.662)**

**Sprinter 414 (904.663)**

**Sprinter 414 D 4 Matic (904.423)**

**Sprinter 414 D 4 Matic (904.463)**

Axle Design BM 730.405, .407  
Axle Design .408-.415, .502-.506  
Axle Design .530-.535, .600-.606  
Axle Design .630

Axle Design BM 732.210-.212  
Axle Design .801, .802

to Axle Number S 231916  
to Axle Number Y 245977  
Axle Design 730. 408 - 414  
Axle Design 732. 210, 211  
Equipment Variation SA 504033  
01/02/20  
Equipment Variation SA 504033/21  
Equipment Variation SA 504304 06

from Axle Number Y 245977  
from Axle Number S 231916  
Axle Design 730. 408 - 414  
Axle Design 732. 210, 211  
Equipment Variation SA 504033  
01/02/20  
Equipment Variation SA 50403321

Axle Design BM 730.405, .407  
Axle Design .408-.415, .502-.506  
Axle Design .530-.535, .600-.606  
Axle Design .630

Axle Design BM 732.210-.212  
Axle Design .801, .802

**08152**

-

**23625**

-

**23626**

-

**08152**

-

**febi 08152**

Ref. No. 003 981 95 05



AØ 52 IØ 25

**febi 23625**

Ref. No. 604 330 00 25



AØ 73,5 IØ 41 B 19,5  
AØ 52 IØ 25 B 23

**febi 23626**

Ref. No. 901 330 10 25



AØ 73,5 IØ 41 B 19,5  
AØ 52 IØ 25 B 23



## Sprinter (Model 904)

(1995→2006)

Sprinter 414 4 Matic (904.613)	Axle Design BM 730.405, .407	08152	-
Sprinter 414 4 Matic (904.663)	Axle Design .408-.415, .502-.506		
Sprinter 416 CDI (904.612)	Axle Design .530-.535, .600-.606		
Sprinter 416 CDI (904.613)	Axle Design .630		
Sprinter 416 CDI (904.622)	Axle Design BM 732.210-.212	23625	-
Sprinter 416 CDI (904.623)	Axle Design .801, .802		
Sprinter 416 CDI (904.662)			
Sprinter 416 CDI (904.663)	to Axle Number S 231916	23626	-
Sprinter 416 CDI 4 Matic (904.613)	to Axle Number Y 245977		
Sprinter 416 CDI 4 Matic (904.623)	Axle Design 730. 408 - 414		
Sprinter 416 CDI 4 Matic (904.663)	Axle Design 732. 210, 211		
	Equipment Variation SA 504033 01/02/20		
	Equipment Variation SA 504033/21	23626	-
	Equipment Variation SA 504304 06		
	from Axle Number Y 245977	23626	-
	from Axle Number S 231916		
	Axle Design 730. 408 - 414		
	Axle Design 732. 210, 211		
	Equipment Variation SA 504033 01/02/20		
	Equipment Variation SA 50403321		

front axle

## Sprinter (Model 905)

(2001→2006)

Sprinter 616 CDI (905.612)	Axle Design BM 730.405, .407	08152	-
Sprinter 616 CDI (905.613)	Axle Design .408-.415, .502-.506		
Sprinter 616 CDI (905.622)	Axle Design .530-.535, .600-.606		
Sprinter 616 CDI (905.623)	Axle Design .630		
	Axle Design BM 732.210-.212		
	Axle Design .801, .802		

## T 1 (Model 601)

(1977→1996)

all	Axle Design 730.403,404,445,446	05577	-
-----	---------------------------------	-------	---

**feby 05577**  
Ref. No. 611 330 07 25

AØ 65,25 IØ 35 B 18,5  
AØ 50 IØ 21,5

**feby 08152**  
Ref. No. 003 981 95 05

AØ 52 IØ 25

**feby 23625**  
Ref. No. 604 330 00 25

AØ 73,5 IØ 41 B 19,5  
AØ 52 IØ 25 B 23

**feby 23626**  
Ref. No. 901 330 10 25

AØ 73,5 IØ 41 B 19,5  
AØ 52 IØ 25 B 23

suitable for:

**Mercedes-Benz**

**Car  
Division**



**T 1 (Model 602)**

(1973→1996)

front axle

307 D (602.311)	Axle Design 730.403,404,445,446	<b>05577</b>	-
307 D (602.312)			
307 D (602.313)	Axle Design 730.405,407,447,448	<b>08146</b>	-
307 D (602.316)			
307 D (602.317)	Axle Design BM 730.405, .407	<b>08152</b>	-
307 D (602.318)	Axle Design .408-.415, .502-.506		
307 D (602.321)	Axle Design .530-.535, .600-.606		
307 D (602.322)	Axle Design .630		
307 D (602.323)	Axle Design BM 732.210-.212		
307 D (602.326)	Axle Design .801, .802		
307 D (602.327)			
307 D (602.328)			
307 D (602.366)	Axle Design BM 730.405, .407	<b>08152</b>	-
307 D (602.367)	Axle Design .408-.415, .502-.506		
307 D (602.376)	Axle Design .530-.535, .600-.606		
	Axle Design .630		
	Axle Design BM 732.210-.212		
	Axle Design .801, .802		

**febi 05577**

Ref. No. 611 330 07 25



AØ 65,25 IØ 35 B 18,5  
AØ 50 IØ 21,5

**febi 08146**

Ref. No. 611 330 08 25



AØ 73,5 IØ 41 B 23  
AØ 52 IØ 25 B 22

**febi 08152**

Ref. No. 003 981 95 05



AØ 52 IØ 25



## T 1 (Model 602)

(1973→1996)

308 (602.011)	Axle Design 730.403,404,445,446	05577	-
308 (602.012)			
308 (602.013)	Axle Design 730.405,407,447,448	08146	-
308 (602.016)			
308 (602.017)	Axle Design BM 730.405, .407	08152	-
308 (602.018)	Axle Design .408-.415, .502-.506		
308 (602.021)	Axle Design .530-.535, .600-.606		
308 (602.022)	Axle Design .630		
308 (602.023)			
308 (602.026)	Axle Design BM 732.210-.212		
308 (602.027)	Axle Design .801, .802		
308 (602.028)			
308 D (602.311)			
308 D (602.312)			
308 D (602.313)			
308 D (602.316)			
308 D (602.317)			
308 D (602.318)			
308 D (602.321)			
308 D (602.322)			
308 D (602.323)			
308 D (602.326)			
308 D (602.327)			
308 D (602.328)			
308 D (602.361)			
308 D (602.362)			
308 D (602.366)	Axle Design BM 730.405, .407	08152	-
308 D (602.367)	Axle Design .408-.415, .502-.506		
308 D (602.368)	Axle Design .530-.535, .600-.606		
	Axle Design .630		
	Axle Design BM 732.210-.212		
	Axle Design .801, .802		

front axle





suitable for:

# Mercedes-Benz

Car  
Division 



## T 1 (Model 602)

(1973→1996)

**308 D (602.371)**

Axle Design 730.403,404,445,446

**05577**

-

Axle Design 730.405,407,447,448

**08146**

-

Axle Design BM 730.405, .407  
Axle Design .408-.415, .502-.506  
Axle Design .530-.535, .600-.606  
Axle Design .630

**08152**

-

Axle Design BM 732.210-.212  
Axle Design .801, .802

**308 D (602.376)**

Axle Design BM 730.405, .407  
Axle Design .408-.415, .502-.506  
Axle Design .530-.535, .600-.606  
Axle Design .630

**08152**

-

Axle Design BM 732.210-.212  
Axle Design .801, .802

front axle

**febi 05577**

Ref. No. 611 330 07 25



AØ 65,25 IØ 35 B 18,5  
AØ 50 IØ 21,5

**febi 08146**

Ref. No. 611 330 08 25



AØ 73,5 IØ 41 B 23  
AØ 52 IØ 25 B 22

**febi 08152**

Ref. No. 003 981 95 05



AØ 52 IØ 25



## T 1 (Model 602)

(1973→1996)

308 D (602.377)	Axle Design 730.403,404,445,446	<b>05577</b>	-
309 D (602.411)			
309 D (602.412)	Axle Design 730.405,407,447,448	<b>08146</b>	-
309 D (602.413)			
309 D (602.416)	Axle Design BM 730.405, .407	<b>08152</b>	-
309 D (602.417)	Axle Design .408-.415, .502-.506		
309 D (602.418)	Axle Design .530-.535, .600-.606		
309 D (602.421)	Axle Design .630		
309 D (602.422)			
309 D (602.423)	Axle Design BM 732.210-.212		
309 D (602.426)	Axle Design .801, .802		
309 D (602.427)			
309 D (602.428)			
309 D (602.461)			
309 D (602.462)			
309 D (602.466)			
309 D (602.467)			
309 D (602.471)			
309 D (602.476)			
309 D (602.477)			
309 D (602.487)			
310 (602.011)			
310 (602.012)			
310 (602.013)			
310 (602.016)			
310 (602.017)			
310 (602.018)			
310 (602.021)			
310 (602.022)			
310 (602.023)			
310 (602.026)			
310 (602.027)			
310 (602.028)			
310 (602.061)			
310 (602.062)			
310 (602.066)			
310 (602.067)			
310 D (602.411)			
310 D (602.412)			
310 D (602.413)			
310 D (602.416)			
310 D (602.417)			
310 D (602.418)			

front axle

### febi 05577

Ref. No. 611 330 07 25



AØ 65,25 IØ 35 B 18,5  
AØ 50 IØ 21,5

### febi 08146

Ref. No. 611 330 08 25



AØ 73,5 IØ 41 B 23  
AØ 52 IØ 25 B 22

### febi 08152

Ref. No. 003 981 95 05



AØ 52 IØ 25

suitable for:

# Mercedes-Benz

Car  
Division



## T 1 (Model 602)

(1973→1996)

310 D (602.422)  
310 D (602.423)  
310 D (602.426)  
310 D (602.427)  
310 D (602.428)  
310 D (602.466)  
310 D (602.467)  
310 D (602.476)  
310 D (602.477)

Axle Design 730.403,404,445,446

**05577**

-

Axle Design 730.405,407,447,448

**08146**

-

Axle Design BM 730.405, .407  
Axle Design .408-.415, .502-.506  
Axle Design .530-.535, .600-.606  
Axle Design .630

**08152**

-

Axle Design BM 732.210-.212  
Axle Design .801, .802

## T 2 (model 611)

(1981→1995)

407 D (611.317)  
407 D (611.318)  
407 D (611.367)  
407 D (611.368)  
408 D (611.317)  
408 D (611.318)  
408 D (611.367)  
408 D (611.368)  
409 D (611.417)  
409 D (611.418)  
409 D (611.467)  
409 D (611.468)  
410 (611.017)  
410 (611.018)  
410 (611.067)  
410 (611.068)  
410 D (611.417)  
410 D (611.418)  
410 D (611.467)  
410 D (611.468)

Axle Design 730.405,407,447,448

**08146**

-

Axle Design BM 730.405, .407  
Axle Design .408-.415, .502-.506  
Axle Design .530-.535, .600-.606  
Axle Design .630

**08152**

-

Axle Design BM 732.210-.212  
Axle Design .801, .802

**febi 05577**

Ref. No. 611 330 07 25



AØ 65,25 IØ 35 B 18,5  
AØ 50 IØ 21,5

**febi 08146**

Ref. No. 611 330 08 25



AØ 73,5 IØ 41 B 23  
AØ 52 IØ 25 B 22

**febi 08152**

Ref. No. 003 981 95 05



AØ 52 IØ 25



## T 2 (model 667)

(1978→1996)

507 D (667.301)	Axle Design 730.405,407,447,448	<b>08146</b>	-
507 D (667.302)	for vehicles without ABS	<b>08152</b>	-
507 D (667.341)	Axle Design BM 730.405, .407		
507 D (667.342)	Axle Design .408-.415, .502-.506		
507 D (667.361)	Axle Design .530-.535, .600-.606		
507 D (667.362)	Axle Design .630		
	Axle Design BM 732.210-.212		
	Axle Design .801, .802		
508 D (667.301)	for vehicles without ABS	<b>08152</b>	-
508 D (667.341)	Axle Design BM 730.405, .407		
508 D (667.342)	Axle Design .408-.415, .502-.506		
508 D (667.361)	Axle Design .530-.535, .600-.606		
508 D (667.362)	Axle Design .630		
	Axle Design BM 732.210-.212		
	Axle Design .801, .802		
510 (667.001)	Axle Design 730.405,407,447,448	<b>08146</b>	-
510 (667.002)	for vehicles without ABS	<b>08152</b>	-
510 (667.061)	Axle Design BM 730.405, .407		
510 (667.062)	Axle Design .408-.415, .502-.506		
	Axle Design .530-.535, .600-.606		
	Axle Design .630		
	Axle Design BM 732.210-.212		
	Axle Design .801, .802		

front axle



suitable for:

# Mercedes-Benz

Car  
Division 



## T 2 (model 668)

(1986→1996)

- 609 D (668.001)
- 609 D (668.002)
- 609 D (668.003)
- 609 D (668.041)
- 609 D (668.042)
- 609 D (668.061)
- 609 D (668.062)
- 609 D (668.063)

Axle Design BM 730.405, .407  
 Axle Design .408-.415, .502-.506  
 Axle Design .530-.535, .600-.606  
 Axle Design .630

**08152**

-

## T 2 (model 669)

(1986→1996)

- 709 D (669.001)
- 709 D (669.002)
- 709 D (669.003)
- 709 D (669.041)
- 709 D (669.042)
- 709 D (669.061)
- 709 D (669.062)
- 709 D (669.063)

Axle Design BM 730.405, .407  
 Axle Design .408-.415, .502-.506  
 Axle Design .530-.535, .600-.606  
 Axle Design .630

**08152**

-

front axle

**febi 08152**

Ref. No. 003 981 95 05



AØ 52 IØ 25



## T 2 (model 670)

(1986→)

809 D (670.001)	Axle Design BM 730.405, .407	08152	-
809 D (670.002)	Axle Design .408-.415, .502-.506		
809 D (670.003)	Axle Design .530-.535, .600-.606		
809 D (670.041)	Axle Design .630		
809 D (670.042)			
809 D (670.061)	Axle Design BM 732.210-.212		
809 D (670.062)	Axle Design .801, .802		
809 D (670.063)			
811 D (670.302)			
811 D (670.303)			
811 D (670.362)			
811 D (670.363)			
811 DK (670.341)			
811 DK (670.342)			
814 D (670.312)			
814 D (670.313)			
814 D (670.364)			
814 D (670.365)			
814 D (670.366)			
814 D Turbo (670.312)			
814 DA 4 Matic (670.464)		-	31668
814 DA 4 Matic (670.465)			

## Vaneo (Model 414)

(2001→2005)

Vaneo (414.700)	-	31668
Vaneo CDI (414.700)		
Vaneo CDI (414.700ME1)		

front axle



suitable for:

# Mercedes-Benz

Car  
Division 



## Vario (Model 667)

(1996→2010)

- Vario 512 D (667.321)
- Vario 512 D (667.322)
- Vario 512 D (667.323)
- Vario 512 D (667.351)
- Vario 512 D (667.352)
- Vario 512 D (667.353)

for vehicles without ABS

- Axle Design BM 730.405, .407
- Axle Design .408-.415, .502-.506
- Axle Design .530-.535, .600-.606
- Axle Design .630

- Axle Design BM 732.210-.212
- Axle Design .801, .802

08152

-

## Vario (Model 668)

(1996→2011)

- Vario 612 D (668.321)
- Vario 612 D (668.322)
- Vario 612 D (668.323)
- Vario 612 D (668.331)
- Vario 612 D (668.352)
- Vario 614 D Turbo (668.321)
- Vario 614 D Turbo (668.322)
- Vario 614 D Turbo (668.323)
- Vario 614 D Turbo (668.331)

- Axle Design BM 730.405, .407
- Axle Design .408-.415, .502-.506
- Axle Design .530-.535, .600-.606
- Axle Design .630

- Axle Design BM 732.210-.212
- Axle Design .801, .802

08152

-

febi 08152

Ref. No. 003 981 95 05



AØ 52 IØ 25

front axle



## Vario (Model 670)

(1996→)

**Vario 810 DT (670.398)**  
**Vario 812 D (670.321)**  
**Vario 812 D (670.322)**  
**Vario 812 D (670.323)**  
**Vario 812 D (670.324)**  
**Vario 812 D (670.331)**  
**Vario 812 D (670.332)**  
**Vario 812 D (670.351)**  
**Vario 812 D (670.352)**  
**Vario 812 D (670.353)**  
**Vario 814 D (670.321)**  
**Vario 814 D (670.322)**  
**Vario 814 D (670.323)**  
**Vario 814 D (670.324)**  
**Vario 814 D (670.331)**  
**Vario 814 D (670.332)**  
**Vario 814 D (670.351)**  
**Vario 814 D (670.352)**  
**Vario 814 D (670.353)**  
**Vario 814 DA 4 Matic (670.421)**  
**Vario 814 DA 4 Matic (670.422)**  
**Vario 814 DA 4 Matic (670.423)**  
**Vario 814 DA 4 Matic (670.431)**  
**Vario 814 DA 4 Matic (670.432)**  
**Vario 814 DA 4 Matic (670.451)**  
**Vario 814 DA 4 Matic (670.452)**  
**Vario 815 D (670.321)**  
**Vario 815 D (670.322)**  
**Vario 815 D (670.323)**  
**Vario 815 D (670.324)**  
**Vario 815 D (670.331)**  
**Vario 815 D (670.332)**  
**Vario 815 D (670.351)**  
**Vario 815 D (670.352)**  
**Vario 815 D (670.353)**  
**Vario 815 DA 4 Matic (670.421)**  
**Vario 815 DA 4 Matic (670.422)**  
**Vario 815 DA 4 Matic (670.423)**  
**Vario 815 DA 4 Matic (670.432)**  
**Vario 815 DA 4 Matic (670.451)**  
**Vario 815 DA 4 Matic (670.452)**  
**Vario 815 DA 4 Matic (670.453)**  
**Vario 816 D (670.321)**

Axle Design BM 730.405, .407  
 Axle Design .408-.415, .502-.506  
 Axle Design .530-.535, .600-.606  
 Axle Design .630

Axle Design BM 732.210-.212  
 Axle Design .801, .802

08152

-

front axle

**febi 08152**

Ref. No. 003 981 95 05



AØ 52 IØ 25



suitable for:

**Mercedes-Benz**

**Car  
Division**



**Vario (Model 670)**

(1996→)

Vario 816 D (670.323)  
 Vario 816 D (670.324)  
 Vario 816 D (670.331)  
 Vario 816 D (670.332)  
 Vario 816 D (670.351)  
 Vario 816 D (670.352)  
 Vario 816 D (670.353)  
 Vario 818 D (670.321)  
 Vario 818 D (670.322)

Axle Design BM 730.405, .407  
 Axle Design .408-.415, .502-.506  
 Axle Design .530-.535, .600-.606  
 Axle Design .630

Axle Design BM 732.210-.212  
 Axle Design .801, .802

**08152**

-

**Viano (Model 639)**

(2003→)

all

**40835**

-

**Vito / V-Class (Model 638)**

(1995→2003)

all

Equipment Variation SA 503408 01-06  
 Equipment Variation SA 503409 01-03

**22078**

-

-

**34321**

**Vito / V-Class (Model 639)**

(2003→)

all

**40835**

-

**febi 08152**

Ref. No. 003 981 95 05



AØ 52 IØ 25

**febi 22078**

Ref. No. 638 981 00 27 S1



AØ 84 IØ 45

**febi 34321**

Ref. No. 638 334 01 01



AØ 150 LKØ 112 x 5

**febi 40835**

Ref. No. 639 981 04 27 S1



AØ 92 IØ 50



## 190 Series (model 201)

(1982→1993)

190 (201.022)	from Chassis No. 003513 for vehicles without ABS	05141 / 05579	-
	from Chassis No. 002896 for vehicles with ABS		
	to the year of construction 09/1988 to Chassis No. 002895 for vehicles with ABS	05421	-
	to the year of construction 09/1988 to Chassis No. 003512 for vehicles without ABS		
	to the year of construction 09/1988 to Chassis No. 005539 for vehicles with ABS	05592	-
to the year of construction 09/1988 to Chassis No. 006892 for vehicles without ABS			
190 (201.023)		05141 / 05579	-
190 D (201.122)	from Chassis No. 000043 for vehicles without ABS	05141 / 05579	-
	from Chassis No. 000001 for vehicles with ABS		
	to the year of construction 09/1988 to Chassis No. 002895 for vehicles with ABS	05421	-
	to the year of construction 09/1988 to Chassis No. 003512 for vehicles without ABS		
	to the year of construction 09/1988 to Chassis No. 000042 for vehicles without ABS	05592	-
190 D 2.5 (201.126) 190 D 2.5 Turbo (201.128)		05141 / 05579	-

front axle

**febi 05141**  
Ref. No. 201 330 01 51

AØ 59 IØ 32 B 16,7  
AØ 40 IØ 17,5 B 14,6

**febi 05421**  
Ref. No. 201 330 00 51

AØ 40 IØ 17,5 B 15  
AØ 50 IØ 29

**febi 05579**  
Ref. No. 201 330 01 51 SK

AØ 59 IØ 32 B 17  
AØ 40 IØ 17,5 B 14,5

**febi 05592**  
Ref. No. 201 330 00 51 SK

AØ 50 IØ 29 B 15  
AØ 40 IØ 17,5

suitable for:

# Mercedes-Benz

Car  
Division



## 190 Series (model 201)

(1982→1993)

**190 E (201.024)**

from Chassis No. 006893  
for vehicles without ABS

**05141 / 05579**

-

from Chassis No. 005540  
for vehicles with ABS

to the year of construction 09/1988  
to Chassis No. 002895  
for vehicles with ABS

**05421**

-

to the year of construction 09/1988  
to Chassis No. 003512  
for vehicles without ABS

to the year of construction 09/1988  
to Chassis No. 005539  
for vehicles with ABS

**05592**

-

to the year of construction 09/1988  
to Chassis No. 006892  
for vehicles without ABS

**190 E 1.8 (201.018)**

**190 E 2.3 (201.028)**

**05141 / 05579**

-

**190 E 2.3-16 V. (201.034)**

**190 E 2.5-16 V. (201.035)**

**05141 / 05579 /  
05581 / 08841**

-

**190 E 2.5-16 V. Evolut. (201.036)**

**190 E 2.6 (201.029)**

**05141 / 05579**

-

### febi 05141

Ref. No. 201 330 01 51



AØ 59 IØ 32 B 16,7  
AØ 40 IØ 17,5 B 14,6

### febi 05421

Ref. No. 201 330 00 51



AØ 40 IØ 17,5 B 15  
AØ 50 IØ 29

### febi 05579

Ref. No. 201 330 01 51 SK



AØ 59 IØ 32 B 17  
AØ 40 IØ 17,5 B 14,5

### febi 05581

Ref. No. 201 330 02 51 SK



AØ 59 IØ 31,6 B 16,6  
AØ 45 IØ 19

### febi 05592

Ref. No. 201 330 00 51 SK



AØ 50 IØ 29 B 15  
AØ 40 IØ 17,5

### febi 08841

Ref. No. 201 330 02 51



AØ 59 IØ 32 B 17  
AØ 45 IØ 19



### Cooper (R50)

(2001→2007)

1,6 W 10

to the year of construction 07/2006

22315 / 37106

22315 / 37106

1,6 W 11

from the year of construction 07/2006

31077 / 37107

31077 / 37107

### Cooper (R52)

(2002→2008)

1,6 W 10

to the year of construction 07/2006

22315 / 37106

22315 / 37106

1,6 W 11

from the year of construction 07/2006

31077 / 37107

31077 / 37107

### Cooper (R53)

(2002→2008)

1,6 W 11

to the year of construction 07/2006

22315 / 37106

22315 / 37106

from the year of construction 07/2006

31077 / 37107

31077 / 37107

### Cooper (R55)

(2007→)

all

31077 / 37107

31077 / 37107

### Cooper (R55 LCI)

(2010→)

all

31077 / 37107

31077 / 37107

### Cooper (R56)

(2006→)

1,6 D 9HZ

1,6 N 12

1,6 N 14

31077 / 37107

31077 / 37107

front axle

**febi 22315**  
Ref. No. 31 22 6 756 889

AØ 137 IØ 70 B 87  
LKØ 100 x 5

**febi 31077**  
Ref. No. 31 22 6 776 162

AØ 137 IØ 70 B 87  
LKØ 100 x 5

**febi 37106**  
Ref. No. 31 22 6 756 889 S1

AØ 137 IØ 70 B 87  
LKØ 100 x 5

**febi 37107**  
Ref. No. 31 22 6 776 162 S1

AØ 137 IØ 70 B 87  
LKØ 100 x 5

suitable for:

**MINI**

**Car  
Division**



**Cooper (R56 LCI)**

(2006→)

all

31077 / 37107

31077 / 37107

**Cooper (R57)**

(2007→)

1,6 N 12  
1,6 N 14

31077 / 37107

31077 / 37107

**Cooper (R57 LCI)**

(2009→)

all

31077 / 37107

31077 / 37107

**Cooper (R58)**

(2011→)

all

31077 / 37107

31077 / 37107

**Cooper (R59)**

(2012→)

all

31077 / 37107

31077 / 37107

**One (R50)**

(2001→2007)

1,4 D 1ND

22315 / 37106

22315 / 37106

1,4 W 10

to the year of construction 07/2006

22315 / 37106

22315 / 37106

1,6 W 10

from the year of construction 07/2006

31077 / 37107

31077 / 37107

**One (R52)**

(2004→2007)

1,6 W 10

to the year of construction 07/2006

22315 / 37106

22315 / 37106

from the year of construction 07/2006

31077 / 37107

31077 / 37107

**febi 22315**

Ref. No. 31 22 6 756 889



AØ 137 IØ 70 B 87  
LKØ 100 x 5

**febi 31077**

Ref. No. 31 22 6 776 162



AØ 137 IØ 70 B 87  
LKØ 100 x 5

**febi 37106**

Ref. No. 31 22 6 756 889 S1



AØ 137 IØ 70 B 87  
LKØ 100 x 5

**febi 37107**

Ref. No. 31 22 6 776 162 S1



AØ 137 IØ 70 B 87  
LKØ 100 x 5



**One (R55)**

(2009→)

1,4 N 12  
1,6 N 16

31077 / 37107

31077 / 37107

**One (R55 LCI)**

(2010→)

1,6 N 16  
1,6 D N 47

31077 / 37107

31077 / 37107

**One (R56)**

(2006→2010)

1,4 N 12  
1,6 D 9HZ

31077 / 37107

31077 / 37107

**One (R56 LCI)**

(2010→)

1,6 N 12  
1,6 N 16  
1,6 D N 47

31077 / 37107

31077 / 37107

**One (R57 LCI)**

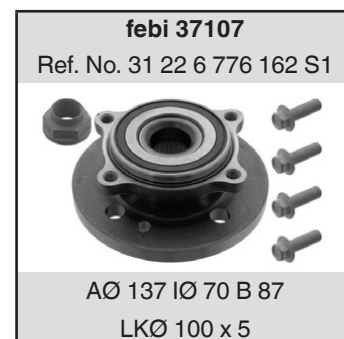
(2010→)

1,6 N 16

31077 / 37107

31077 / 37107

front axle



suitable for:

**Mitsubishi**

**Car  
Division**



**Carisma**

(1995→2006)

front axle	1,3 4G13	to the year of construction 12/2003	31465	-
	1,6 4G92	to the year of construction 02/1999	31464	-
		from the year of construction 03/1999 to the year of construction 12/2003	31465	-
	1,8 4G93 1,8 4G93DOHC	to the year of construction 12/2003	31465	-
		1,9 D F8QT	to the year of construction 02/1999	31464
	from the year of construction 03/1999		31465	-
	1,9 D F9Q1 1,9 D F9Q2		31465	-

**Chariot**

(1991→1998)

1,8 4G93		31465	-
----------	--	-------	---

**Chariot 4x4**

(1991→1998)

1,8 4G93 2,4 4G64S		31465	-
-----------------------	--	-------	---

**Colt II**

(1982→1990)

1,2 4G11 1,2 4G16 1,3 G13B 1,5 4G15 1,5 G15B 1,6 4G32 1,6 4G32T 1,6 4G61 1,6 G32BT 1,8 D 4D65		31465	-
--	--	-------	---





**Colt III**

(1988→1993)

all

31465

-

**Colt IV**

(1991→1996)

all

31464

-

**Colt IV 4x4**

(1993→1995)

1,6 4G92

31464

-

**Colt Plus**

(2004→2012)

1,5 4A91

1,5 4G15DOHC

32970

32970

**Colt Plus 4x4**

(2004→2012)

1,3 4A90DOHC

32970

32970

**Colt V**

(1995→2005)

1,3 4G13

1,5 4G15

to the year of construction 06/2003

31464

-

1,5 4G15M

31464

-

1,6 4G92

to the year of construction 06/2003

31464

-

1,8 4G93DOHC

31464

-

front axle





suitable for:

# Mitsubishi

Car  
Division 



front axle

## Colt VI

(2004→ )

all

32970

32970

## Colt VI 4x4

(2002→2008)

1,3 4A90DOHC

32970

32970

## Colt VII

(2008→2012)

1,1 3A91  
1,3 4A90  
1,5 4G15DOHC

32970

32970

## Colt VII 4x4

(2008→2012)

1,3 4A90DOHC

32970

32970

## Eclipse I

(1989→1994)

1,8 4G37OHC

31465

-

2,0 4G63 to the year of construction 03/1994

31465

-

## Eclipse I 4x4

(1991→1995)

2,0 4G63 to the year of construction 03/1994

31465

-

2,0 4G63DOHC

31465

-

## Galant III

(1984→1990)

all

31465

-

**febi 31465**

Ref. No. MB303865



AØ 80 IØ 40 B 34

**febi 32970**

Ref. No. MN102067 S1



AØ 135

AØ 75

LKØ 114,3 x 4



**Galant IV**

(1987→1992)

- 1,8 D 4D65
- 1,8 D 4D65T
- 1,8 4G37
- 1,8 4G67
- 2,0 4G63
- 2,0 4G63DOHC

31465

-

**Galant IV 4x4**

(1988→1992)

- 2,0 4G63
- 2,0 4G63DOHC

31465

-

**Lancer III**

(1985→1992)

- 1,3 G13B
- 1,5 4G15
- 1,5 4G15M
- 1,5 G15B
- 1,8 D 4D65

31465

-

**Lancer III 4x4**

(1986→1992)

- 1,8 D 4D65
- 1,8 4G37
- 1,8 G37B

31465

-

front axle

**febi 31465**

Ref. No. MB303865



AØ 80 IØ 40 B 34

suitable for:

# Mitsubishi

Car Division 



## Lancer IV

(1988→1995)

- 1,2 4G16
- 1,3 4G13
- 1,3 4G13M
- 1,3 G13B
- 1,5 4G15
- 1,6 4G61
- 1,6 4G92
- 1,8 D 4D65
- 1,8 4G37
- 1,8 4G67
- 1,8 4G93
- 1,8 4G93DOHC

31465

-

## Lancer IV 4x4

(1988→1993)

- 1,6 4G61
- 1,6 4G92 to the year of construction 12/1996
- 1,6 4G92 from the year of construction 01/1997
- 1,8 4G37

31465

-

31464

-

31465

-

31465

-

## Lancer V

(1991→2003)

- 1,3 4G13 to the year of construction 12/1996
- 1,6 4G92
- 1,8 4G93DOHC
- 2,0 D 4D68 to the year of construction 12/1996

31464

-

31464

-

31464

-

## Lancer V 4x4

(1992→2003)

- 1,6 4G92 to the year of construction 12/1996

31464

-

31465

-

**febi 31464**

Ref. No. MR449797



AØ 74 IØ 40 B 36

**febi 31465**

Ref. No. MB303865



AØ 80 IØ 40 B 34



## Lancer V 4x4

(1992→2003)

1,8 4G93DOHC		31464	-
2,0 D 4D68	to the year of construction 12/1996	31464	-

## Lancer VI

(1995→2010)

1,3 4G13	to the year of construction 11/1998	31464	-
1,5 4G15			
1,5 4G15DOHC			
1,5 4G15M			
1,6 4G92			
1,8 4G93		31464	-
1,8 4G93DOHC			
2,0 D 4D68	to the year of construction 12/1996	31464	-
2,0 4G63	to the year of construction 11/1998	31464	-
2,0 4G94DOHC			

## Lancer VI 4x4

(1995→2003)

1,8 4G93		31464	-
1,8 4G93DOHC			

## Lancer VII

(2003→2007)

1,3 4G13		31464	-
----------	--	-------	---

## Montero 4x4

(1991→2007)

2,5 D 4D56T		31833	31833
3,0 6G72			
3,0 6G72DOHC			
3,0 6G72SOHC			
3,2 D 4M41			
3,5 6G74DOHC			

front axle



suitable for:

# Mitsubishi

Car Division 



## Pajero III 4x4

(2000→2007)

2,5 D 4D56T  
3,0 6G72SOHC  
3,2 D 4M41  
3,5 6G74DOHC

31833

31833

## Pajero 4x4

(1999→2007)

1,8 4G93

31464

-

from the year of construction 09/2001  
to the year of construction 02/2005

34273

-

1,8 4G93DOHC

to the year of construction 06/2000

31464

-

2,0 4G94DOHC

31464

-

from the year of construction 09/2001  
to the year of construction 02/2005

34273

-

3,0 6G72SOHC

31833

31833

3,2 D 4M41

to the year of construction 02/2005

34273

-

## Shogun 4x4

(1999→)

2,5 D 4D56T  
3,2 D 4M41  
3,5 6G74DOHC

31833

31833

## Space Runner I

(1991→1999)

all

31465

-

## Space Runner I 4x4

(1991→1999)

1,8 4G93

31465

-

**febi 31464**

Ref. No. MR449797



AØ 74 IØ 40 B 36

**febi 31465**

Ref. No. MB303865



AØ 80 IØ 40 B 34

**febi 31833**

Ref. No. 3880A024



AØ 86 IØ 50 B 55,2

**febi 34273**

Ref. No. MR519097



AØ 74 IØ 40 B 36



## Space Star

(1998→2006)

1,3 4G13	to the year of construction 03/2001	31464	-
	from the year of construction 04/2001	31465	-
1,6 4G18 1,6 4G92		31465	-
1,8 4G93DOHC	to the year of construction 03/2001	31464	-
	from the year of construction 04/2001	31465	-
1,9 D F9Q1 1,9 D F9Q2	from the year of construction 04/2001	31465	-

## Space Wagon I

(1986→1987)

2,0 4G63		31465	-
----------	--	-------	---

## Space Wagon I 4x4

(1985→1991)

2,0 4G63 2,0 G63B		31465	-
----------------------	--	-------	---

## Space Wagon II

(1991→1998)

all		31465	-
-----	--	-------	---

## Space Wagon II 4x4

(1991→2004)

1,8 4G93 2,0 4G63S 2,4 4G64DOHC		31465	-
---------------------------------------	--	-------	---

front axle



suitable for:

# Mitsubishi

Car  
Division 



## Space Wagon III (1998→2004)

2,4 4G64DOHC

to the year of construction 11/2000

31465

-

front axle

**febi 31465**

Ref. No. MB303865



AØ 80 IØ 40 B 34



## Aprio

(2004→)

1,4 K7J710	for vehicles with ABS	26887	-
1,4 K7J714		-	32376
1,5 D K9K790	for vehicles with ABS	26887	-
1,5 D K9K792		-	-
1,5 D K9K796		-	-
1,6 K4M690	for vehicles with ABS	26887	-
1,6 K4M697		-	32555
1,6 K4M698	-	-	32555
1,6 K7M710	for vehicles with ABS	26887	-
		-	32555

## Interstar

(2002→)

all		23183	-
-----	--	-------	---

## March

(1982→2002)

1,0 CG10DE		31252	-
1,0 MA10S	from the year of construction 01/1988	17432	-

front axle

### febi 17432

Ref. No. 40210-34B00



AØ 68 IØ 35 B 33

### febi 23183

Ref. No. 40210-00QAC



AØ 84 IØ 49 B 48

### febi 26887

Ref. No. -



AØ 72 IØ 37 B 37

### febi 31252

Ref. No. 40210-99B00



AØ 68 IØ 35 B 39

### febi 32376

Ref. No. -



AØ 121 LKØ 100 x 4

### febi 32555

Ref. No. -



AØ 121 LKØ 100 x 4



suitable for:

# Nissan

Car  
Division 



## March

(1982→2002)

1,3 CG13DE  
1,3 CGA3DE

31252

-

## March 4WD

(2007→2010)

1,4 CR14DE

24315

24315

## Micra

(1982→2010)

1,0 CG10DE

model K12E

24315

24315

model K11E

31252

-

1,0 MA10S

from the year of construction 01/1988

17432

-

1,2 CG12DE  
1,2 CR12DE

24315

24315

1,2 MA12

17432

-

1,2 MA12S

from the year of construction 01/1988

17432

-

1,3 CG13DE  
1,3 CGA3DE

31252

-

1,4 CR14DE  
1,5 D K9K704  
1,5 D K9K708  
1,5 D K9K714  
1,5 D K9K722

24315

24315

1,5 D TD15

31252

-

1,6 HR16DE

24315

24315

### febi 17432

Ref. No. 40210-34B00



AØ 68 IØ 35 B 33

### febi 24315

Ref. No. 40210-AX000 S1



AØ 77 IØ 42 B 37

### febi 31252

Ref. No. 40210-99B00



AØ 68 IØ 35 B 39



**Note**

(2006→2013)

1,4 CR14DE  
1,5 D K9K274  
1,5 D K9K276  
1,5 D K9K278  
1,6 HR16DE

24315

24315

**NP200**

(2008→)

1,4 K7J710 for vehicles with ABS  
1,5 D K9K792 for vehicles with ABS  
1,5 D K9K794  
1,5 D K9K796  
1,6 K7M710

24315

24315

24315

24315

-

32555

**Platina**

(2006→)

1,6 K4M

05528

09321

front axle

**febi 05528**  
Ref. No. 40210-00QAA

AØ 72 IØ 37 B 37

**febi 09321**  
Ref. No. -

AØ 37 LKØ 100 x 4

**febi 24315**  
Ref. No. 40210-AX000 S1

AØ 77 IØ 42 B 37

**febi 32555**  
Ref. No. -

AØ 121 LKØ 100 x 4

suitable for:

# Nissan

Car  
Division 



## Primastar

(2001→ )

1,9 D F9Q760	for vehicles with ABS	23330	-
1,9 D F9Q762			
2,0 F4R720		23331	-
2,0 F4R722			
2,0 F4R726			
2,0 D F9Q760		23331	-
2,0 D M9R780			
2,0 D M9R782			
2,5 D G9U630			
2,5 D G9U632			
2,5 D G9U730			
2,5 D G9U742			

front axle

### febi 23330

Ref. No. 40210-00QAE



AØ 86 IØ 45 B 39

### febi 23331

Ref. No. 40210-00QAG



AØ 88 IØ 45 B 39



### Adam

(2012→)

all

24524

28303

### Agila A

(2000→2008)

1,0 Z10XE  
1,0 Z10XEP  
1,2 Z12XE  
1,2 Z12XEP

31342

-

1,3 D Z13DT

31432

-

### Ascona B

(1975→1981)

all

03115 / 06507

-

front axle

#### febi 03115

Ref. No. 1603 065



AØ 50 IØ 29 B 15  
AØ 40 IØ 17

#### febi 06507

Ref. No. 1603 193



AØ 50 IØ 29 B 15  
AØ 40 IØ 17

#### febi 24524

Ref. No. 1603 337



AØ 72 IØ 35 B 33

#### febi 28303

Ref. No. 0326 165



AØ 120 LKØ 100 x 4

#### febi 31342

Ref. No. 4700 322 S1



AØ 62 IØ 35 B 40

#### febi 31432

Ref. No. 4707 157



AØ 72 IØ 40 B 36

suitable for:

**Opel**

**Car  
Division**



**Ascona C**

(1981→1988)

1,3 13N 1,3 13S	03096 / 03270	03106
1,6 D 16D 1,6 D 16DA 1,6 16N 1,6 16S 1,6 16SH	03189 / 03271	03104
1,6 16SV 1,6 C16LZ 1,6 C16NZ 1,6 E16NZ	03096 / 03270	03106
1,8 18E 1,8 18SE 1,8 C18NE 1,8 E18NV 1,8 S18NV	03189 / 03271	03104
2,0 20E	03271	-
2,0 20NE 2,0 20SEH 2,0 C20NE	03189 / 03271	03104
2,0 C20NEF	03271	-

front axle

**febi 03096**

Ref. No. 1603 192



AØ 64 IØ 34 B 37

**febi 03104**

Ref. No. 0326 184



AØ 120 LKØ 100 x 4

**febi 03106**

Ref. No. 0326 197



AØ 120 LKØ 100 x 4

**febi 03189**

Ref. No. 1603 191



AØ 72 IØ 39 B 37

**febi 03270**

Ref. No. 0328 104



AØ 64 IØ 34 B 37

**febi 03271**

Ref. No. 0328 103



AØ 72 IØ 39 B 37

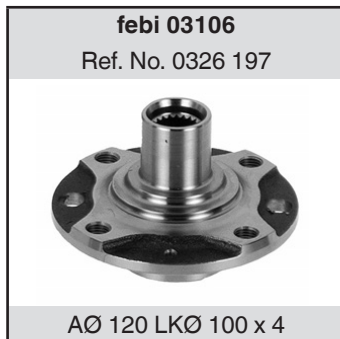
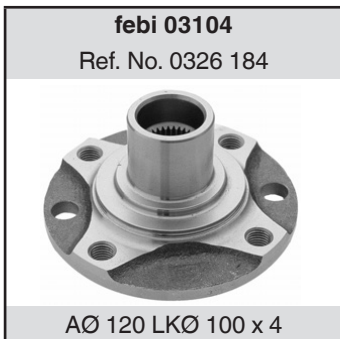


**Astra F**

(1991→2002)

1,2 X12XE	-	03106
1,4 14NV	-	03104 / 03106 / 03975
to Chassis No. P2999999 to Chassis No. P3999999 to Chassis No. P4999999 to Chassis No. P5999999 to Chassis No. P6999999 to Chassis No. P8999999 manual transmission	03270	-
to Chassis No. P5077914 to Chassis No. NE2999999 automatic transmission		

front axle



suitable for:

**Opel**

**Car  
Division**



## Astra F

(1991→2002)

1,4 14SE

front axle

	-	03104 / 03106 / 03975
to Chassis No. P2999999 to Chassis No. P3999999 to Chassis No. P4999999 to Chassis No. P6999999 automatic transmission	<b>03189</b>	-
from Chassis No. P5077915 to Chassis No. P5999999 automatic transmission		
from Chassis No. P8100001 to Chassis No. P8999999 automatic transmission		
to Chassis No. RB000000 manual transmission		

**febi 03104**

Ref. No. 0326 184



AØ 120 LKØ 100 x 4

**febi 03106**

Ref. No. 0326 197



AØ 120 LKØ 100 x 4

**febi 03189**

Ref. No. 1603 191



AØ 72 IØ 39 B 37

**febi 03975**

Ref. No. 0326 196



AØ 120 LKØ 100 x 4



**Astra F**  
(1991→2002)

to Chassis No. P2999999  
to Chassis No. P3999999  
to Chassis No. P4999999  
to Chassis No. P5999999  
to Chassis No. P6999999  
to Chassis No. P8999999  
manual transmission

**03270**

-

to Chassis No. P5077914  
to Chassis No. NE2999999  
automatic transmission

to Chassis No. RB000000  
manual transmission

**03271**

-

to Chassis No. P2999999  
to Chassis No. P3999999  
to Chassis No. P4999999  
to Chassis No. P6999999  
automatic transmission

from Chassis No. P5077915  
to Chassis No. P5999999  
automatic transmission

from Chassis No. P8100001  
to Chassis No. P8999999  
automatic transmission

from Chassis No. R2000001  
from Chassis No. R3000001  
from Chassis No. R4000001  
from Chassis No. R5000001  
from Chassis No. R6000001  
from Chassis No. R8000001

**04799**

-

Not for equipment version Sport

**04838**

-

front axle

**febi 03270**

Ref. No. 0328 104



AØ 64 IØ 34 B 37

**febi 03271**

Ref. No. 0328 103



AØ 72 IØ 39 B 37

**febi 04799**

Ref. No. 1603 195



AØ 66 IØ 34 B 37

**febi 04838**

Ref. No. 1603 196



AØ 74 IØ 39 B 39



suitable for:

**Opel**

**Car  
Division**



**Astra F**

(1991→2002)

1,4 C14NZ

front axle

	-	03104 / 03106 / 03975
to Chassis No. P2999999 to Chassis No. P3999999 to Chassis No. P4999999 to Chassis No. P5999999 to Chassis No. P6999999 to Chassis No. P8999999 manual transmission	03270	-
to Chassis No. P5077914 to Chassis No. NE2999999 automatic transmission		-
from Chassis No. R2000001 from Chassis No. R3000001 from Chassis No. R4000001 from Chassis No. R5000001 from Chassis No. R6000001 from Chassis No. R8000001	04799	-

**febi 03104**  
Ref. No. 0326 184

AØ 120 LKØ 100 x 4

**febi 03106**  
Ref. No. 0326 197

AØ 120 LKØ 100 x 4

**febi 03270**  
Ref. No. 0328 104

AØ 64 IØ 34 B 37

**febi 03975**  
Ref. No. 0326 196

AØ 120 LKØ 100 x 4

**febi 04799**  
Ref. No. 1603 195

AØ 66 IØ 34 B 37



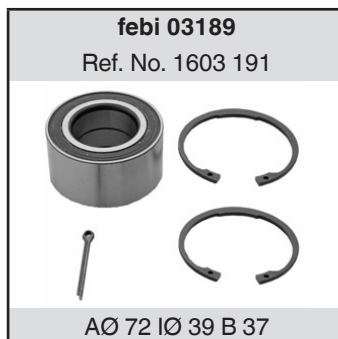
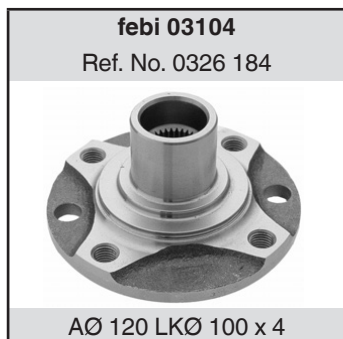
## Astra F

(1991→2002)

1,4 C14SE

	-	03104 / 03106 / 03975
to Chassis No. P2999999 to Chassis No. P3999999 to Chassis No. P4999999 to Chassis No. P6999999 automatic transmission	03189	-
from Chassis No. P5077915 to Chassis No. P5999999 automatic transmission		
from Chassis No. P8100001 to Chassis No. P8999999 automatic transmission		
to Chassis No. RB000000 manual transmission		

front axle





**Astra F**

(1991→2002)

front axle

to Chassis No. P2999999 to Chassis No. P3999999 to Chassis No. P4999999 to Chassis No. P5999999 to Chassis No. P6999999 to Chassis No. P8999999 manual transmission	<b>03270</b>	-
to Chassis No. P5077914 to Chassis No. NE2999999 automatic transmission		
to Chassis No. RB000000 manual transmission	<b>03271</b>	-
to Chassis No. P2999999 to Chassis No. P3999999 to Chassis No. P4999999 to Chassis No. P6999999 automatic transmission		
from Chassis No. P5077915 to Chassis No. P5999999 automatic transmission		
from Chassis No. P8100001 to Chassis No. P8999999 automatic transmission		
from Chassis No. R2000001 from Chassis No. R3000001 from Chassis No. R4000001 from Chassis No. R5000001 from Chassis No. R6000001 from Chassis No. R8000001	<b>04799</b>	-
Not for equipment version Sport	<b>04838</b>	-

**febi 03270**

Ref. No. 0328 104



AØ 64 IØ 34 B 37

**febi 03271**

Ref. No. 0328 103



AØ 72 IØ 39 B 37

**febi 04799**

Ref. No. 1603 195



AØ 66 IØ 34 B 37

**febi 04838**

Ref. No. 1603 196



AØ 74 IØ 39 B 39



## Astra F

(1991→2002)

1,4 X14NZ	-	03104 / 03106 / 03975
from Chassis No. RB000001 manual transmission for vehicles without off-road suspension	04799	-
1,4 X14XE	-	03104 / 03106 / 03975
for vehicles without off-road suspension	04799	-
1,6 16LZ2	-	03104 / 03106 / 03965 / 03975
for vehicles without off-road suspension not for country-spec. model India	03189	-
for vehicles without off-road suspension not for country-spec. model India not for country-spec. model Kenya not for country-spec. model Thailand	04799	-
for vehicles with off-road suspension	04838	-

front axle

### febi 03104

Ref. No. 0326 184



AØ 120 LKØ 100 x 4

### febi 03106

Ref. No. 0326 197



AØ 120 LKØ 100 x 4

### febi 03189

Ref. No. 1603 191



AØ 72 IØ 39 B 37

### febi 03965

Ref. No. 0326 194



AØ 120 LKØ 100 x 4

### febi 03975

Ref. No. 0326 196



AØ 120 LKØ 100 x 4

### febi 04799

Ref. No. 1603 195



AØ 66 IØ 34 B 37

### febi 04838

Ref. No. 1603 196



AØ 74 IØ 39 B 39

suitable for:

**Opel**

**Car  
Division**



**Astra F**

(1991→2002)

**1,6 16NZ2**

for vehicles with off-road suspension

-

**03965**

**04838**

-

**1,6 C16NZ**

to Chassis No. P2999999  
to Chassis No. P3999999  
to Chassis No. P4999999  
to Chassis No. P6999999  
automatic transmission

from Chassis No. P5077915  
to Chassis No. P5999999  
automatic transmission

from Chassis No. P8100001  
to Chassis No. P8999999  
automatic transmission

to Chassis No. RB000000  
manual transmission

-

**03104 / 03106 /  
03975**

**03189**

-

front axle

**febi 03104**

Ref. No. 0326 184



AØ 120 LKØ 100 x 4

**febi 03106**

Ref. No. 0326 197



AØ 120 LKØ 100 x 4

**febi 03189**

Ref. No. 1603 191



AØ 72 IØ 39 B 37

**febi 03965**

Ref. No. 0326 194



AØ 120 LKØ 100 x 4

**febi 03975**

Ref. No. 0326 196



AØ 120 LKØ 100 x 4

**febi 04838**

Ref. No. 1603 196



AØ 74 IØ 39 B 39



**Astra F**  
(1991→2002)

to Chassis No. P2999999  
to Chassis No. P3999999  
to Chassis No. P4999999  
to Chassis No. P5999999  
to Chassis No. P6999999  
to Chassis No. P8999999  
manual transmission

**03270**

-

to Chassis No. P5077914  
to Chassis No. NE2999999  
automatic transmission

to Chassis No. RB000000  
manual transmission

**03271**

-

to Chassis No. P2999999  
to Chassis No. P3999999  
to Chassis No. P4999999  
to Chassis No. P6999999  
automatic transmission

from Chassis No. P5077915  
to Chassis No. P5999999  
automatic transmission

from Chassis No. P8100001  
to Chassis No. P8999999  
automatic transmission

from Chassis No. R2000001  
from Chassis No. R3000001  
from Chassis No. R4000001  
from Chassis No. R5000001  
from Chassis No. R6000001  
from Chassis No. R8000001

**04799**

-

for vehicles with off-road suspension

**04838**

-

front axle

**febi 03270**

Ref. No. 0328 104



AØ 64 IØ 34 B 37

**febi 03271**

Ref. No. 0328 103



AØ 72 IØ 39 B 37

**febi 04799**

Ref. No. 1603 195



AØ 66 IØ 34 B 37

**febi 04838**

Ref. No. 1603 196



AØ 74 IØ 39 B 39

suitable for:

**Opel**

**Car  
Division**



**Astra F**

(1991→2002)

1,6 C16SE

-

**03104 / 03106 /  
03975**

front axle

**febi 03104**

Ref. No. 0326 184



AØ 120 LKØ 100 x 4

**febi 03106**

Ref. No. 0326 197



AØ 120 LKØ 100 x 4

**febi 03975**

Ref. No. 0326 196



AØ 120 LKØ 100 x 4



**Astra F**

(1991→2002)

to Chassis No. P2999999  
to Chassis No. P3999999  
to Chassis No. P4999999  
to Chassis No. P6999999  
automatic transmission

**03189**

-

from Chassis No. P5077915  
to Chassis No. P5999999  
automatic transmission

from Chassis No. P8100001  
to Chassis No. P8999999  
automatic transmission

to Chassis No. RB000000  
manual transmission

to Chassis No. P2999999  
to Chassis No. P3999999  
to Chassis No. P4999999  
to Chassis No. P5999999  
to Chassis No. P6999999  
to Chassis No. P8999999  
manual transmission

**03270**

-

to Chassis No. P5077914  
to Chassis No. NE2999999  
automatic transmission

front axle

**febi 03189**

Ref. No. 1603 191



AØ 72 IØ 39 B 37

**febi 03270**

Ref. No. 0328 104



AØ 64 IØ 34 B 37



suitable for:

**Opel**

**Car  
Division**



**Astra F**

(1991→2002)

front axle

to Chassis No. RB000000  
manual transmission

**03271**

-

to Chassis No. P2999999  
to Chassis No. P3999999  
to Chassis No. P4999999  
to Chassis No. P6999999  
automatic transmission

from Chassis No. P5077915  
to Chassis No. P5999999  
automatic transmission

from Chassis No. P8100001  
to Chassis No. P8999999  
automatic transmission

from Chassis No. R2000001  
from Chassis No. R3000001  
from Chassis No. R4000001  
from Chassis No. R5000001  
from Chassis No. R6000001  
from Chassis No. R8000001

**04799**

-

**1,6 E16NZ**

-

**03106**

to Chassis No. P2999999  
to Chassis No. P3999999  
to Chassis No. P4999999  
to Chassis No. P5999999  
to Chassis No. P6999999  
to Chassis No. P8999999  
manual transmission

**03270**

-

to Chassis No. P5077914  
to Chassis No. NE2999999  
automatic transmission

from Chassis No. R1000001  
from Chassis No. R5000001  
from Chassis No. R7500001  
manual transmission  
not for country-spec. model Pakistan

**04799**

-

**febi 03106**

Ref. No. 0326 197



AØ 120 LKØ 100 x 4

**febi 03270**

Ref. No. 0328 104



AØ 64 IØ 34 B 37

**febi 03271**

Ref. No. 0328 103



AØ 72 IØ 39 B 37

**febi 04799**

Ref. No. 1603 195



AØ 66 IØ 34 B 37



**Astra F**  
(1991→2002)

1,6 X16SZ

-

03104 / 03106 /  
03975

front axle



suitable for:

**Opel**

**Car  
Division**



**Astra F**

(1991→2002)

front axle

to Chassis No. P2999999 to Chassis No. P3999999 to Chassis No. P4999999 to Chassis No. P6999999 automatic transmission	<b>03189</b>	-
from Chassis No. P5077915 to Chassis No. P5999999 automatic transmission		
from Chassis No. P8100001 to Chassis No. P8999999 automatic transmission		
to Chassis No. RB000000 manual transmission	<b>03271</b>	-
to Chassis No. RB000000 manual transmission		
to Chassis No. P2999999 to Chassis No. P3999999 to Chassis No. P4999999 to Chassis No. P6999999 automatic transmission		
from Chassis No. P5077915 to Chassis No. P5999999 automatic transmission		
from Chassis No. P8100001 to Chassis No. P8999999 automatic transmission		
from Chassis No. R2000001 from Chassis No. R3000001 from Chassis No. R4000001 from Chassis No. R5000001 from Chassis No. R6000001 from Chassis No. R8000001		
for vehicles with off-road suspension	<b>04799</b>	-
	<b>04838</b>	-

**febi 03189**

Ref. No. 1603 191



AØ 72 IØ 39 B 37

**febi 03271**

Ref. No. 0328 103



AØ 72 IØ 39 B 37

**febi 04799**

Ref. No. 1603 195



AØ 66 IØ 34 B 37

**febi 04838**

Ref. No. 1603 196



AØ 74 IØ 39 B 39



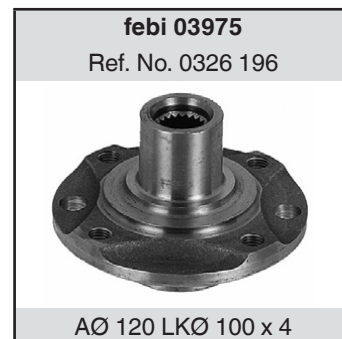
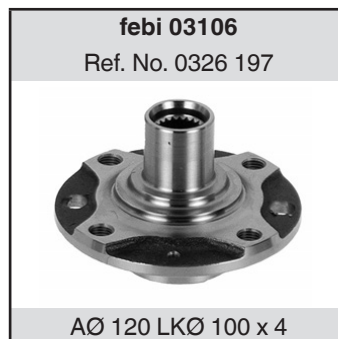
**Astra F**  
(1991→2002)

1,6 X16SZR

-

03104 / 03106 /  
03975

front axle



suitable for:

**Opel**

**Car  
Division**



## Astra F

(1991→2002)

front axle

to Chassis No. P2999999 to Chassis No. P3999999 to Chassis No. P4999999 to Chassis No. P6999999 automatic transmission	<b>03189</b>	-
from Chassis No. P5077915 to Chassis No. P5999999 automatic transmission		
from Chassis No. P8100001 to Chassis No. P8999999 automatic transmission		
to Chassis No. P2999999 to Chassis No. RB000000 manual transmission to Chassis No. P3999999 to Chassis No. P4999999 to Chassis No. P6999999 automatic transmission	<b>03271</b>	-
from Chassis No. P5077915 to Chassis No. P2999999 to Chassis No. P3999999 to Chassis No. P5999999 automatic transmission to Chassis No. P4999999 to Chassis No. P6999999		
from Chassis No. P5077915 from Chassis No. P8100001 to Chassis No. P5999999 to Chassis No. P8999999 automatic transmission		
from Chassis No. P8100001 to Chassis No. P8999999 automatic transmission		

### febi 03189

Ref. No. 1603 191



AØ 72 IØ 39 B 37

### febi 03271

Ref. No. 0328 103



AØ 72 IØ 39 B 37



**Astra F**  
(1991→2002)

from Chassis No. RB000001  
manual transmission  
for vehicles without off-road  
suspension

**04799**

-

for vehicles with off-road suspension

**04838**

-

**1,6 X16XEL**

to Chassis No. S2999999  
to Chassis No. S5999999  
to Chassis No. S6999999  
to Chassis No. S8999999  
to Chassis No. SP999999  
Country of use Thailand

**03189**

-

for vehicles without off-road  
suspension  
not for country-spec. model India  
not for country-spec. model Kenya  
not for country-spec. model Thailand

**04799**

-

**03104 / 03106 /  
03975**

front axle

**febi 03104**

Ref. No. 0326 184



AØ 120 LKØ 100 x 4

**febi 03106**

Ref. No. 0326 197



AØ 120 LKØ 100 x 4

**febi 03189**

Ref. No. 1603 191



AØ 72 IØ 39 B 37

**febi 03975**

Ref. No. 0326 196



AØ 120 LKØ 100 x 4

**febi 04799**

Ref. No. 1603 195



AØ 66 IØ 34 B 37

**febi 04838**

Ref. No. 1603 196



AØ 74 IØ 39 B 39

suitable for:

**Opel**

**Car  
Division**



**Astra F**

(1991→2002)

1,7 D 17D  
1,7 D 17DR

	-	03104 / 03106 / 03975
to Chassis No. S2999999 to Chassis No. S5999999 to Chassis No. S6999999 to Chassis No. S8999999 to Chassis No. SP999999	03189 / 03271	-
from Chassis No. T2500001 from Chassis No. T5000000 from Chassis No. T6000001 from Chassis No. T8000001 from Chassis No. TP000001	04838	-

1,7 D 17TD

	-	03104 / 03106 / 03975
to Chassis No. S2999999 to Chassis No. S5999999 to Chassis No. S6999999 to Chassis No. S8999999 to Chassis No. SP999999	03189	-
from Chassis No. T2500001 from Chassis No. T5000000 from Chassis No. T6000001 from Chassis No. T8000001 from Chassis No. TP000001	04838	-

**febi 03104**

Ref. No. 0326 184



AØ 120 LKØ 100 x 4

**febi 03106**

Ref. No. 0326 197



AØ 120 LKØ 100 x 4

**febi 03189**

Ref. No. 1603 191



AØ 72 IØ 39 B 37

**febi 03271**

Ref. No. 0328 103



AØ 72 IØ 39 B 37

**febi 03975**

Ref. No. 0326 196



AØ 120 LKØ 100 x 4

**febi 04838**

Ref. No. 1603 196



AØ 74 IØ 39 B 39



## Astra F

(1991→2002)

1,7 D X17DTL  
1,8 C18NZ  
1,8 C18SEL

to Chassis No. S2999999  
to Chassis No. S5999999  
to Chassis No. S6999999  
to Chassis No. S8999999  
to Chassis No. SP999999

from Chassis No. T2500001  
from Chassis No. T5000000  
from Chassis No. T6000001  
from Chassis No. T8000001  
from Chassis No. TP000001

-

03104 / 03106 /  
03975

03189 / 03271

-

04838

-

1,8 C18XE

to Chassis No. S2999999  
to Chassis No. S5999999  
to Chassis No. S6999999  
to Chassis No. S8999999  
to Chassis No. SP999999

from Chassis No. T2500001  
from Chassis No. T5000000  
from Chassis No. T6000001  
from Chassis No. T8000001  
from Chassis No. TP000001

-

03104 / 03106 /  
03965 / 03975

03189 / 03271

-

04838

-

front axle

### febi 03104

Ref. No. 0326 184



AØ 120 LKØ 100 x 4

### febi 03106

Ref. No. 0326 197



AØ 120 LKØ 100 x 4

### febi 03189

Ref. No. 1603 191



AØ 72 IØ 39 B 37

### febi 03271

Ref. No. 0328 103



AØ 72 IØ 39 B 37

### febi 03965

Ref. No. 0326 194



AØ 120 LKØ 100 x 4

### febi 03975

Ref. No. 0326 196



AØ 120 LKØ 100 x 4

### febi 04838

Ref. No. 1603 196



AØ 74 IØ 39 B 39





## Astra F

(1991→2002)

### 1,8 C18XEL

	-	03104 / 03106 / 03975
to Chassis No. S2999999 to Chassis No. S5999999 to Chassis No. S6999999 to Chassis No. S8999999 to Chassis No. SP999999	03189 / 03271	-
from Chassis No. T2500001 from Chassis No. T5000000 from Chassis No. T6000001 from Chassis No. T8000001 from Chassis No. TP000001	04838	-

### 1,8 X18XE

	-	03104 / 03106 / 03965 / 03975
to Chassis No. S2999999 to Chassis No. S5999999 to Chassis No. S6999999 to Chassis No. S8999999 to Chassis No. SP999999	03189 / 03271	-
from Chassis No. T2500001 from Chassis No. T5000000 from Chassis No. T6000001 from Chassis No. T8000001 from Chassis No. TP000001	04838	-

#### febi 03104

Ref. No. 0326 184



AØ 120 LKØ 100 x 4

#### febi 03106

Ref. No. 0326 197



AØ 120 LKØ 100 x 4

#### febi 03189

Ref. No. 1603 191



AØ 72 IØ 39 B 37

#### febi 03271

Ref. No. 0328 103



AØ 72 IØ 39 B 37

#### febi 03965

Ref. No. 0326 194



AØ 120 LKØ 100 x 4

#### febi 03975

Ref. No. 0326 196



AØ 120 LKØ 100 x 4

#### febi 04838

Ref. No. 1603 196



AØ 74 IØ 39 B 39



**Astra F**

(1991→2002)

<b>1,8 X18XE1</b>	-	<b>03106</b>
<b>2,0 C20NE</b>	-	<b>03104 / 03106 / 03965 / 03975</b>
to Chassis No. S2999999 to Chassis No. S5999999 to Chassis No. S6999999 to Chassis No. S8999999 to Chassis No. SP999999	<b>03189 / 03271</b>	-
from Chassis No. T2500001 from Chassis No. T5000000 from Chassis No. T6000001 from Chassis No. T8000001 from Chassis No. TP000001	<b>04838</b>	-
<b>2,0 C20XE</b>	-	<b>03104 / 03106 / 03975</b>
to Chassis No. S2999999 to Chassis No. S5999999 to Chassis No. S6999999 to Chassis No. S8999999 to Chassis No. SP999999	<b>03189 / 03271</b>	-

front axle

**febi 03104**

Ref. No. 0326 184



AØ 120 LKØ 100 x 4

**febi 03106**

Ref. No. 0326 197



AØ 120 LKØ 100 x 4

**febi 03189**

Ref. No. 1603 191



AØ 72 IØ 39 B 37

**febi 03271**

Ref. No. 0328 103



AØ 72 IØ 39 B 37

**febi 03965**

Ref. No. 0326 194



AØ 120 LKØ 100 x 4

**febi 03975**

Ref. No. 0326 196



AØ 120 LKØ 100 x 4

**febi 04838**

Ref. No. 1603 196



AØ 74 IØ 39 B 39

suitable for:

**Opel**

**Car  
Division**



**febi**  
bilstein®



**Astra F**

(1991→2002)

front axle

	from Chassis No. T2500001 from Chassis No. T5000000 from Chassis No. T6000001 from Chassis No. T8000001 from Chassis No. TP000001	<b>04838</b>	-
<b>2,0 D X20DTH</b> <b>2,0 D X20DTL</b> <b>2,0 X20XER</b>		-	<b>03106</b>
<b>2,0 X20XEV</b>		-	<b>03104 / 03106 / 03975</b>
	to Chassis No. S2999999 to Chassis No. S5999999 to Chassis No. S6999999 to Chassis No. S8999999 to Chassis No. SP999999	<b>03189 / 03271</b>	-
	from Chassis No. T2500001 from Chassis No. T5000000 from Chassis No. T6000001 from Chassis No. T8000001 from Chassis No. TP000001	<b>04838</b>	-

**febi 03104**

Ref. No. 0326 184



AØ 120 LKØ 100 x 4

**febi 03106**

Ref. No. 0326 197



AØ 120 LKØ 100 x 4

**febi 03189**

Ref. No. 1603 191



AØ 72 IØ 39 B 37

**febi 03271**

Ref. No. 0328 103



AØ 72 IØ 39 B 37

**febi 03975**

Ref. No. 0326 196



AØ 120 LKØ 100 x 4

**febi 04838**

Ref. No. 1603 196



AØ 74 IØ 39 B 39



### Astra G

(1998→2009)

all

Rim Hole Number 4

14611 / 14615

14611 / 14615

Rim Hole Number 5

14623 / 24164

14623 / 24164

### Astra H

(2004→2010)

1,2 Z12XEP  
1,3 D Z13DTH  
1,4 Z14XEL  
1,4 Z14XEP  
1,6 A16LET  
1,6 A16XER  
1,6 Z16LET  
1,6 Z16XE1  
1,6 Z16XEP  
1,6 Z16XER

Rim Hole Number 5

27386

27386

1,7 D A17DTJ

from Chassis No. 62079979  
from Chassis No. 65076710  
from Chassis No. 68027073  
from Chassis No. 8B000001  
Rim Hole Number 5

27386

27386

to Chassis No. 62079978  
to Chassis No. 65076709  
to Chassis No. 68027072

31122

31122

front axle

#### febi 14611

Ref. No. 1603 208



AØ 120 IØ 29 B 84  
AØ 56,5 IØ 25,4  
LKØ 100 x 4

#### febi 14615

Ref. No. 1603 209



AØ 120 IØ 26 B 116  
IØ 56,38 B 87  
LKØ 100 x 4

#### febi 14623

Ref. No. 1603 211 SK



AØ 136 IØ 26 B 115  
LKØ 105 x 5

#### febi 24164

Ref. No. 1603 211 S1



AØ 136 IØ 26 B 115  
LKØ 105 x 5

#### febi 27386

Ref. No. 1603 254



AØ 137 B 95  
LKØ 105 x 5

#### febi 31122

Ref. No. 1603 841



AØ 137 B 137

suitable for:

**Opel**

**Car  
Division**



## Astra H

(2004→2010)

<b>1,7 D A17DTR</b>		<b>31122</b>	<b>31122</b>
<b>1,7 D Z17DTH</b>	Rim Hole Number 5	<b>27386</b>	<b>27386</b>
<b>1,7 D Z17DTJ</b>	from Chassis No. 62079979 from Chassis No. 65076710 from Chassis No. 68027073 from Chassis No. 8B000001 Rim Hole Number 5	<b>27386</b>	<b>27386</b>
	to Chassis No. 62079978 to Chassis No. 6506709 to Chassis No. 65076709 to Chassis No. 68027072 Rim Hole Number 5	<b>31122</b>	<b>31122</b>
<b>1,7 D Z17DTL</b>	Rim Hole Number 5	<b>27386</b>	<b>27386</b>
<b>1,7 D Z17DTR</b>	Rim Hole Number 5	<b>31122</b>	<b>31122</b>
<b>1,8 A18XER</b>	Rim Hole Number 5	<b>27386</b>	<b>27386</b>
<b>1,8 Z18XE</b>	to Chassis No. 72999999 to Chassis No. 75999999 to Chassis No. 78999999 Rim Hole Number 5	<b>27386</b>	<b>27386</b>
<b>1,8 Z18XER</b>	Rim Hole Number 5	<b>27386</b>	<b>27386</b>
<b>1,9 D Z19DT</b>	to Chassis No. 62083449 to Chassis No. 65076709 to Chassis No. 68027072 Rim Hole Number 5	<b>27386</b>	<b>27386</b>
	from Chassis No. 62083450 from Chassis No. 65076710 from Chassis No. 68027073 from Chassis No. 8B000001 Rim Hole Number 5	<b>31122</b>	<b>31122</b>

### febi 27386

Ref. No. 1603 254



AØ 137 B 95  
LKØ 105 x 5

### febi 31122

Ref. No. 1603 841



AØ 137 B 137

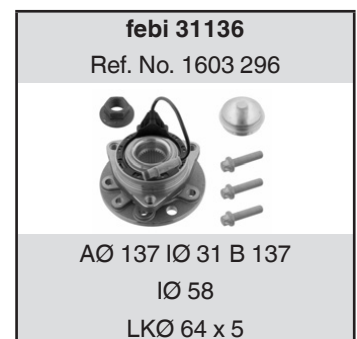


## Astra H

(2004→2010)

1,9 D Z19DTH	to Chassis No. 52083982 to Chassis No. 55084253 to Chassis No. 58055665 to Chassis No. 5G	31122	31122
	from Chassis No. 52083983 from Chassis No. 55084254 from Chassis No. 58055666 from Chassis No. 8B000001 from Chassis No. 5G	31136	31136
1,9 D Z19DTJ	to Chassis No. 62083449 to Chassis No. 65076709 to Chassis No. 68027072 Rim Hole Number 5	27386	27386
	from Chassis No. 62083450 from Chassis No. 65076710 from Chassis No. 68027073 from Chassis No. 8B000001	31122	31122
1,9 D Z19DTL	to Chassis No. 62083449 to Chassis No. 65076709 to Chassis No. 68027072 Rim Hole Number 5	27386	27386
	from Chassis No. 62083450 from Chassis No. 65076710 from Chassis No. 68027073 from Chassis No. 8B000001 Rim Hole Number 5	31122	31122
2,0 Z20LEH	to Chassis No. 52083982 to Chassis No. 55084253 to Chassis No. 58055665 to Chassis No. 5G	31122	31122
	from Chassis No. 52083983 from Chassis No. 55084254 from Chassis No. 58055666 from Chassis No. 8B000001 from Chassis No. 5G	31136	31136

front axle



suitable for:

**Opel**

**Car  
Division**



## Astra H

(2004→2010)

2,0 Z20LEL  
2,0 Z20LER

to Chassis No. 62083449  
to Chassis No. 65076709  
to Chassis No. 68027072  
Rim Hole Number 5

27386

27386

from Chassis No. 62083450  
from Chassis No. 65076710  
from Chassis No. 68027073  
from Chassis No. 8B000001

31122

31122

2,2 Z22YH

31122

31122

## Astra J

(2009→ )

1,3 D A13DTE  
1,4 A14NEL  
1,4 A14NET  
1,4 A14XEL  
1,4 A14XER

Brake System POC J67

40098

40098

Brake System J60  
Brake System J17

40099

40099

1,6 A16LET  
1,6 A16XER

Rim Hole Number 5

27386

27386

Brake System POC J67

40098

40098

Brake System J60  
Brake System J17

40099

40099

1,6 A16XHT

Brake System POC J67

40098

40098

Brake System J60  
Brake System J17

40099

40099

1,6 Z16XER

Rim Hole Number 5

27386

27386

Brake System POC J67

40098

40098

Brake System J60  
Brake System J17

40099

40099

**febi 27386**

Ref. No. 1603 254



AØ 137 B 95  
LKØ 105 x 5

**febi 31122**

Ref. No. 1603 841



AØ 137 B 137

**febi 40098**

Ref. No. 0328 016



AØ 136  
LKØ 50 x 6

**febi 40099**

Ref. No. 0328 021



AØ 146  
LKØ 62 x 6



## Astra J

(2009→)

1,7 D A17DTC	Brake System POC J67	40098	40098
1,7 D A17DTE			
1,7 D A17DTF	Brake System J60	40099	40099
1,7 D A17DTJ	Brake System J17		
1,7 D A17DTL			
1,7 D A17DTN			
1,7 D A17DTR			
1,7 D A17DTS			
1,7 D Z17DTR			
1,8 A18XER	Rim Hole Number 5	27386	27386
	Brake System POC J67	40098	40098
	Brake System J60	40099	40099
	Brake System J17		
1,8 Z18XER	Brake System POC J67	40098	40098
2,0 D A20DTH			
2,0 D A20DTR	Brake System J60	40099	40099
2,0 A20NFT	Brake System J17		

front axle





suitable for:

**Opel**

**Car  
Division**



## Calibra

(1989→1998)

**2,0 C20LET**

to Chassis No. N1299999  
to Chassis No. N9299999

**03189 / 03271**

-

from Chassis No. P1000001  
from Chassis No. P9000001

-

**03969**

from Chassis No. Z1000001  
from Chassis No. T9000001

**04838**

-

**2,0 C20NE  
2,0 C20XE  
2,0 X20XEV**

to Chassis No. S1, S9

-

**03104**

**03189 / 03271**

-

from Chassis No. T1, T9

-

**03965**

from Chassis No. Z1000001  
from Chassis No. T9000001

**04838**

-

**2,5 C25XE  
2,5 X25XE**

from Chassis No. P1000001  
from Chassis No. P9000001

-

**03969**

from Chassis No. Z1000001  
from Chassis No. T9000001

**04838**

-

## Cascade

(2013→)

**all**

**40099**

**40099**

**febi 03104**

Ref. No. 0326 184



AØ 120 LKØ 100 x 4

**febi 03189**

Ref. No. 1603 191



AØ 72 IØ 39 B 37

**febi 03271**

Ref. No. 0328 103



AØ 72 IØ 39 B 37

**febi 03965**

Ref. No. 0326 194



AØ 120 LKØ 100 x 4

**febi 03969**

Ref. No. 0326 195



AØ 137 LKØ 105 x 5

**febi 04838**

Ref. No. 1603 196



AØ 74 IØ 39 B 39

**febi 40099**

Ref. No. 0328 021



AØ 146  
LKØ 62 x 6

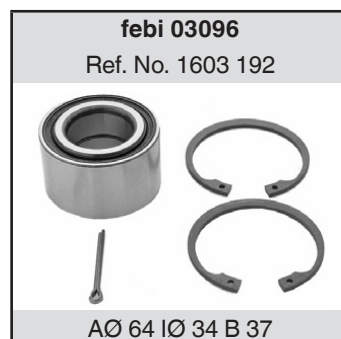


**Corsa A**

(1982→1994)

1,0 10S		03096	03106
1,2 12N			
1,2 12NC	number of teeth 22	04799	-
1,2 12NV			
1,2 12S		03096	-
1,2 12ST		03096	03106
1,2 C12NZ			
1,2 E12GV	number of teeth 22	04799	-
1,3 13NB			
1,3 13S			
1,3 13SB			
1,3 C13N			
1,4 14NV			
1,4 C14NZ			
1,4 C14SE			
1,5 D 15D			
1,5 D 15DT		03096	-
1,5 D 15TD		03096	03106
1,6 C16NZ			
1,6 C16SE	number of teeth 22	04799	-
1,6 E16SE			

front axle



suitable for:

**Opel**

**Car  
Division**



## Corsa B

(1993→2001)

- 1,0 X10XE
- 1,2 12NZ
- 1,2 C12NZ
- 1,2 X12SZ
- 1,2 X12XE
- 1,4 C14NZ
- 1,4 C14SE
- 1,4 X14SZ
- 1,4 X14XE
- 1,5 D 15D
- 1,5 D 15TD
- 1,5 D X15D
- 1,5 D X15TD
- 1,6 C16SEL
- 1,6 C16XE
- 1,6 C16XEL
- 1,6 X16XE
- 1,7 D X17D

04799

03106

## Corsa C

(2000→ )

- 1,0 Z10XE
- 1,0 Z10XEP
- 1,2 Z12XE
- 1,2 Z12XEP
- 1,3 D Y13DT
- 1,3 D Z13DT
- 1,3 D Z13DTJ
- 1,4 Z14XE
- 1,4 Z14XEP
- 1,6 Y16YNG
- 1,6 Z16SE
- 1,6 Z16YNG
- 1,7 D Y17DT
- 1,7 D Y17DTL

19085

28301

**febi 03106**

Ref. No. 0326 197



AØ 120 LKØ 100 x 4

**febi 04799**

Ref. No. 1603 195



AØ 66 IØ 34 B 37

**febi 19085**

Ref. No. 0328 980



AØ 67 IØ 34 B 37

**febi 28301**

Ref. No. 0326 001



AØ 123 LKØ 100 x 4



**Corsa C**  
(2000→)

1,7 D Z17DTH

03189

-

1,8 Z18XE

19085

28301

**Corsa D**  
(2005→)

1,0 A10XEP

24524

-

from Chassis No. C4000001  
from Chassis No. C6000001  
for vehicles with off-road suspension

-

28300

for vehicles without off-road  
suspension

-

28303

to Chassis No. B4999999  
to Chassis No. B6999999  
for vehicles with off-road suspension

1,0 Z10XEP

24524

28303

front axle

**febi 03189**

Ref. No. 1603 191



AØ 72 IØ 39 B 37

**febi 19085**

Ref. No. 0328 980



AØ 67 IØ 34 B 37

**febi 24524**

Ref. No. 1603 337



AØ 72 IØ 35 B 33

**febi 28300**

Ref. No. 0326 166



AØ 120 LKØ 100 x 4

**febi 28301**

Ref. No. 0326 001



AØ 123 LKØ 100 x 4

**febi 28303**

Ref. No. 0326 165



AØ 120 LKØ 100 x 4

suitable for:

**Opel**

**Car  
Division**



**Corsa D**

(2005→ )

1,2 A12XEL  
1,2 A12XER

from Chassis No. C4000001  
from Chassis No. C6000001  
for vehicles with off-road suspension

for vehicles without off-road suspension

to Chassis No. B4999999  
to Chassis No. B6999999  
for vehicles with off-road suspension

24524

-

-

28300

-

28303

1,2 Z12XEP

24524

28301 / 28303

1,3 D A13DTC  
1,3 D A13DTE  
1,3 D A13DTR  
1,3 D Z13DTE

28142

28300

1,3 D Z13DTH

19085 / 28142

28300

1,3 D Z13DTJ

28142

28300

**febi 19085**

Ref. No. 0328 980



AØ 67 IØ 34 B 37

**febi 24524**

Ref. No. 1603 337



AØ 72 IØ 35 B 33

**febi 28142**

Ref. No. 1603 338



AØ 72 IØ 37 B 37

**febi 28300**

Ref. No. 0326 166



AØ 120 LKØ 100 x 4

**febi 28301**

Ref. No. 0326 001



AØ 123 LKØ 100 x 4

**febi 28303**

Ref. No. 0326 165



AØ 120 LKØ 100 x 4

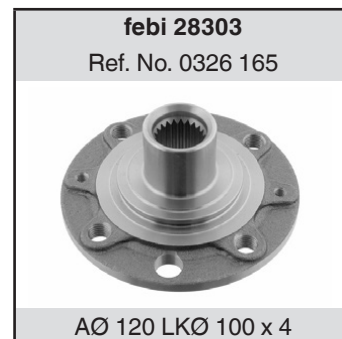
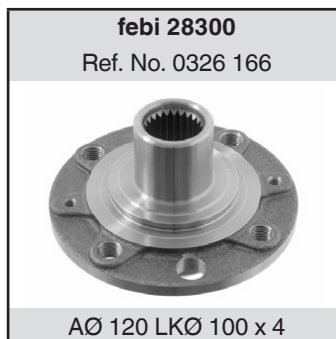


## Corsa D

(2005→)

1,4 A14XEL 1,4 A14XER		24524	-
	from Chassis No. C4000001 from Chassis No. C6000001 for vehicles with off-road suspension	-	28300
	for vehicles without off-road suspension	-	28303
	to Chassis No. B4999999 to Chassis No. B6999999 for vehicles with off-road suspension		
1,4 Z14XEP		24524	28303
1,6 A16LEL 1,6 A16LER 1,6 A16LES 1,6 Z16LEL 1,6 Z16LER 1,7 D A17DTS 1,7 D Z17DTR		28142	-

front axle



suitable for:

**Opel**

**Car  
Division**



## Insignia

(2008→)

1,4 A14NET  
1,6 A16LET  
1,6 A16XER  
1,8 A18XER  
2,0 D A20DT  
2,0 D A20DTC  
2,0 D A20DTH  
2,0 D A20DTJ  
2,0 D A20DTL  
2,0 D A20DTR  
2,0 A20NFT  
2,0 A20NHT  
2,8 A28NER  
2,8 A28NET

39916

39916

## Insignia Sports Tourer

(2008→)

all

39916

39916

## Kadett C

(1973→1979)

all

from Chassis No. 52696300  
from Chassis No. 55151639

03115 / 06507

-

### febi 03115

Ref. No. 1603 065



AØ 50 IØ 29 B 15  
AØ 40 IØ 17

### febi 06507

Ref. No. 1603 193



AØ 50 IØ 29 B 15  
AØ 40 IØ 17

### febi 39916

Ref. No. 0328 006



AØ 91 IØ 36  
AØ 156  
LKØ 52 x 6



## Kadett D

(1979→1984)

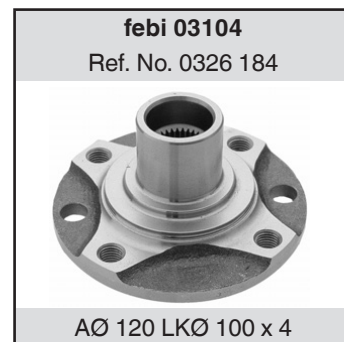
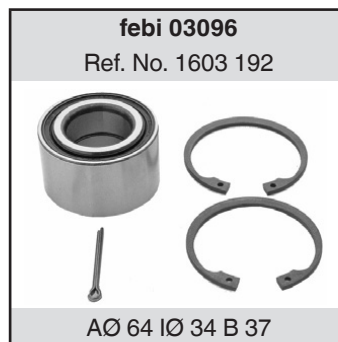
1,0 10N	03096 / 03270	-
1,0 10S	03096 / 03270	03106
1,2 12N		
1,2 12S		
1,2 12ST		
1,2 12SV	03096 / 03270	-
1,3 13N	03096 / 03270	03106
1,3 13S		
1,6 D 16D	03189 / 03271	03104
1,8 18E		

## Kadett E

(1984→1994)

1,2 12N	03096 / 03270	-
1,2 12S	03096 / 03270	03106
1,2 12SC		
1,2 12ST		
1,2 12SV	03096 / 03270	-

front axle





suitable for:

**Opel**

**Car  
Division**



**febi**  
bilstein®



## Kadett E

(1984→1994)

1,3 13N  
1,3 13NB  
1,3 13S  
1,3 C13N  
1,4 14NV  
1,4 C14NZ

03096 / 03270

03106

1,4 C14SE

03096 / 03270

-

1,5 D 15TD

03189 / 03271

-

1,6 D 16D  
1,6 D 16DA  
1,6 16S

03189 / 03271

03104

1,6 16SH

03096 / 03270

-

1,6 16SV  
1,6 C16LZ  
1,6 C16NZ  
1,6 E16NZ

03096 / 03270

03106

front axle

### febi 03096

Ref. No. 1603 192



AØ 64 IØ 34 B 37

### febi 03104

Ref. No. 0326 184



AØ 120 LKØ 100 x 4

### febi 03106

Ref. No. 0326 197



AØ 120 LKØ 100 x 4

### febi 03189

Ref. No. 1603 191



AØ 72 IØ 39 B 37

### febi 03270

Ref. No. 0328 104



AØ 64 IØ 34 B 37

### febi 03271

Ref. No. 0328 103



AØ 72 IØ 39 B 37



## Kadett E

(1984→1994)

1,7 D 17D  
1,8 18E  
1,8 18SE  
1,8 C18NE  
1,8 C18NT  
1,8 C18NZ  
1,8 E18NV  
1,8 S18NV  
2,0 20NE  
2,0 20SEH  
2,0 20SER  
2,0 20XE  
2,0 C20NE  
2,0 C20XE

03189 / 03271

03104

## Manta B

(1975→1988)

all

03115 / 06507

-

front axle

### febi 03104

Ref. No. 0326 184



AØ 120 LKØ 100 x 4

### febi 03115

Ref. No. 1603 065



AØ 50 IØ 29 B 15  
AØ 40 IØ 17

### febi 03189

Ref. No. 1603 191



AØ 72 IØ 39 B 37

### febi 03271

Ref. No. 0328 103



AØ 72 IØ 39 B 37

### febi 06507

Ref. No. 1603 193



AØ 50 IØ 29 B 15  
AØ 40 IØ 17

suitable for:

**Opel**

**Car  
Division**



## Meriva A

(2003→2010)

1,3 D Y13DT		19085	-
1,3 D Z13DT			
1,3 D Z13DTJ	Rim Hole Number 4	-	28301
1,4 Z14XEP			
1,6 Z16LET		03189	-
	Rim Hole Number 4	-	28301
1,6 Z16SE		19085	-
1,6 Z16XE			
1,6 Z16XEP	Rim Hole Number 4	-	28301
1,7 D A17DTR			
1,7 D Y17DT			
1,7 D Z17DT		03189	-
1,7 D Z17DTH			
1,7 D Z17DTR	Rim Hole Number 4	-	28301
1,8 Z18XE		19085	-
	Rim Hole Number 4	-	28301

## Meriva B

(2010→ )

1,3 D A13DTC	Rim Hole Number 4	-	28301
1,3 D A13DTE			
1,4 A14NEL			
1,4 A14NET			
1,4 A14XER			
1,7 D A17DT			
1,7 D A17DTC			
1,7 D A17DTS			

**febi 03189**

Ref. No. 1603 191



AØ 72 IØ 39 B 37

**febi 19085**

Ref. No. 0328 980



AØ 67 IØ 34 B 37

**febi 28301**

Ref. No. 0326 001



AØ 123 LKØ 100 x 4



**Movano A**  
(1998→2010)

1,9 D F9Q 770

from Chassis No. B001462  
Equipment Variation ED  
Rim Size [in] 15

from Chassis No. B000482  
from Chassis No. B000486  
Equipment Variation FD  
Rim Size [in] 15

from Chassis No. B000207  
Equipment Variation HD  
Rim Size [in] 15

from Chassis No. B000807  
Equipment Variation JD  
Rim Size [in] 15

from Chassis No. B000184  
Equipment Variation UD  
Rim Size [in] 15

from the year of construction 07/2000  
Rim Size [in] 16

**23183**

-

front axle



suitable for:

**Opel**

**Car  
Division**



## Movano A

(1998→2010)

1,9 D F9Q 772  
1,9 D F9Q 774

from Chassis No. B001462  
Equipment Variation ED  
Rim Size [in] 15

from Chassis No. B000482  
from Chassis No. B000486  
Equipment Variation FD  
Rim Size [in] 15

from Chassis No. B000207  
Equipment Variation HD  
Rim Size [in] 15

from Chassis No. B000807  
Equipment Variation JD  
Rim Size [in] 15

from Chassis No. B000184  
Equipment Variation UD  
Rim Size [in] 15

Rim Size [in] 16

**23183**

-

2,2 D G9T 720  
2,2 D G9T 722

from Chassis No. B001462  
Equipment Variation ED  
Rim Size [in] 15

from Chassis No. B000482  
from Chassis No. B000486  
Equipment Variation FD  
Rim Size [in] 15

from Chassis No. B000207  
Equipment Variation HD  
Rim Size [in] 15

from Chassis No. B000807  
Equipment Variation JD  
Rim Size [in] 15

from Chassis No. B000184  
Equipment Variation UD  
Rim Size [in] 15

from the year of construction 07/2000  
Rim Size [in] 16

**23183**

-

**febi 23183**

Ref. No. 4403 023



AØ 84 IØ 49 B 48



## Movano A

(1998→2010)

2,2 D G9T 750	from Chassis No. B001462	23183	-
2,5 D G9U 632	Equipment Variation ED		
2,5 D G9U 650	Rim Size [in] 15		
2,5 D G9U 720	from Chassis No. B000482		
2,5 D G9U 724	from Chassis No. B000486		
2,5 D G9U 750	Equipment Variation FD		
2,5 D G9U 754	Rim Size [in] 15		
	from Chassis No. B000207	23183	-
	Equipment Variation HD		
	Rim Size [in] 15		
	from Chassis No. B000807		
	Equipment Variation JD		
	Rim Size [in] 15		
	from Chassis No. B000184	23183	-
	Equipment Variation UD		
	Rim Size [in] 15		
	Rim Size [in] 16		
2,5 D S8U 770	from Chassis No. B001462		
2,5 D S8U 772	Equipment Variation ED		
2,8 D S9W 700	Rim Size [in] 15		
2,8 D S9W 702	from Chassis No. B000482		
	from Chassis No. B000486		
	Equipment Variation FD		
	Rim Size [in] 15		
	from Chassis No. B000207		
	Equipment Variation HD		
	Rim Size [in] 15		
	from Chassis No. B000807		
	Equipment Variation JD		
	Rim Size [in] 15		
	from Chassis No. B000184		
	Equipment Variation UD		
	Rim Size [in] 15		
	from the year of construction 07/2000		
	Rim Size [in] 16		

front axle

**febi 23183**

Ref. No. 4403 023



AØ 84 IØ 49 B 48

suitable for:

**Opel**

**Car  
Division**



## Movano A

(1998→2010)

**3,0 D ZD3 200**  
**3,0 D ZD3 202**

from Chassis No. B001462  
Equipment Variation ED  
Rim Size [in] 15

from Chassis No. B000482  
from Chassis No. B000486  
Equipment Variation FD  
Rim Size [in] 15

from Chassis No. B000207  
Equipment Variation HD  
Rim Size [in] 15

from Chassis No. B000807  
Equipment Variation JD  
Rim Size [in] 15

from Chassis No. B000184  
Equipment Variation UD  
Rim Size [in] 15

Rim Size [in] 16

**23183**

-

front axle

**febi 23183**

Ref. No. 4403 023



AØ 84 IØ 49 B 48



## Omega A

(1986→1994)

1,8 18NV  
1,8 18SEH  
1,8 18SV  
1,8 E18NVR  
1,8 S18NV  
2,0 20SE  
2,0 C20NE  
2,0 C20NEF  
2,0 C20NEJ  
2,3 D 23DTR  
2,3 D 23YD  
2,3 D 23YDT  
2,4 C24NE  
2,6 C26NE  
3,0 30NE  
3,0 C30LE  
3,0 C30NE  
3,0 C30SE  
3,0 C30SEJ  
3,0 C30XEI  
3,6 C36GET

05117 / 06167

05117 / 06167

front axle

## Omega B

(1994→2003)

2,0 20SE  
2,0 D X20DTH  
2,0 X20SE  
2,0 X20XEV  
2,2 D Y22DTH  
2,2 Y22XE  
2,2 Z22XE  
2,5 D 25DT  
2,5 D U25TD  
2,5 D X25TD  
2,5 X25XE  
2,5 D Y25TD  
2,6 Y26SE  
3,0 X30XE  
3,2 Y32SE

06167

06167

**febi 05117**

Ref. No. 0326 180



AØ 76 IØ 35 B 76

**febi 06167**

Ref. No. 1603 194



AØ 60 IØ 35 B 19



suitable for:

# Opel

Car  
Division



## Rekord E

(1977→1986)

1,7 17N  
 1,8 18N  
 1,8 18S  
 1,8 C18NV  
 1,9 19N  
 2,0 D 20D  
 2,0 20E  
 2,0 20N  
 2,0 20S

03115 / 06507

-

## Senator A

(1977→1987)

all for vehicles with ABS

06167

06167

## Senator B

(1987→1993)

all  
not for ambulances

05117

05117

06167

06167

### febi 03115

Ref. No. 1603 065



AØ 50 IØ 29 B 15  
AØ 40 IØ 17

### febi 05117

Ref. No. 0326 180



AØ 76 IØ 35 B 76

### febi 06167

Ref. No. 1603 194



AØ 60 IØ 35 B 19

### febi 06507

Ref. No. 1603 193



AØ 50 IØ 29 B 15  
AØ 40 IØ 17



## Signum

(2003→2008)

1,8 Z18XE  
1,8 Z18XER  
1,9 D Z19DT  
1,9 D Z19DTH  
1,9 D Z19DTL  
2,0 D Y20DTH  
2,0 Z20NET  
2,2 D Y22DTR  
2,2 Z22YH  
2,8 Z28NEL  
2,8 Z28NET  
2,8 Z28SE  
3,0 D Y30DT  
3,0 D Z30DT  
3,2 Z32SE

to Chassis No. 41999999  
For vehicles without IDS suspension

23377

23377

to Chassis No. 41999999  
For vehicles with IDS suspension

28141

28141

from Chassis No. 51000000

## Tigra A

(1993→2000)

1,4 X14XE  
1,6 C16XE  
1,6 X16XE

04799

03106

front axle

### febi 03106

Ref. No. 0326 197



AØ 120 LKØ 100 x 4

### febi 04799

Ref. No. 1603 195



AØ 66 IØ 34 B 37

### febi 23377

Ref. No. 1603 294



AØ 137 IØ 33 B 130  
LKØ 105 x 5

### febi 28141

Ref. No. 1603 295



AØ 137  
LKØ 105 x 5

suitable for:

**Opel**

**Car  
Division**



**Tigra B**

(2004→2010)

1,3 D Z13DT  
1,4 Z14XEP  
1,8 Z18XE

19085

28301

**Vectra A**

(1988→1995)

1,4 14NV

to Chassis No. P1999999  
to Chassis No. P5999999  
to Chassis No. P7999999  
manual transmission

03096 / 03270

03106

1,6 16SV

to Chassis No. P1999999  
to Chassis No. P5999999  
to Chassis No. P7999999  
manual transmission

03096 / 03270

03106

to Chassis No. P1999999  
to Chassis No. P5999999  
to Chassis No. P7999999  
automatic transmission

03189 / 03271

03104

**febi 03096**

Ref. No. 1603 192



AØ 64 IØ 34 B 37

**febi 03104**

Ref. No. 0326 184



AØ 120 LKØ 100 x 4

**febi 03106**

Ref. No. 0326 197



AØ 120 LKØ 100 x 4

**febi 03189**

Ref. No. 1603 191



AØ 72 IØ 39 B 37

**febi 03270**

Ref. No. 0328 104



AØ 64 IØ 34 B 37

**febi 03271**

Ref. No. 0328 103



AØ 72 IØ 39 B 37

**febi 19085**

Ref. No. 0328 980



AØ 67 IØ 34 B 37

**febi 28301**

Ref. No. 0326 001



AØ 123 LKØ 100 x 4

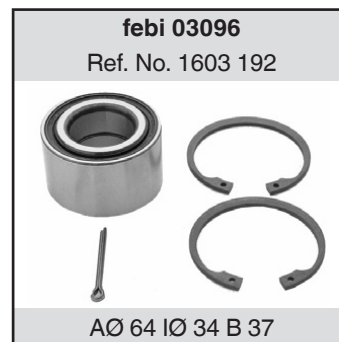


**Vectra A**

(1988→1995)

<b>1,6 C16LZ2</b>	from Chassis No. R1000001 from Chassis No. R5000001 from Chassis No. R7500001	-	<b>03106</b>
	to Chassis No. P1999999 to Chassis No. P5999999 to Chassis No. P7999999	<b>03271</b>	<b>03104</b>
<b>1,6 C16NZ</b>	from Chassis No. S1000001	-	<b>03104</b>
		-	<b>03106</b>
	to Chassis No. P1999999 to Chassis No. P5999999 to Chassis No. P7999999 manual transmission	<b>03096 / 03270</b>	-
	from Chassis No. R1000001 from Chassis No. R5000001 from Chassis No. R7500001 manual transmission not for country-spec. model Pakistan	<b>04799</b>	-

front axle



suitable for:

**Opel**

**Car  
Division**



## Vectra A

(1988→1995)

**1,6 C16NZ2**

from Chassis No. R1000001  
from Chassis No. R5000001  
from Chassis No. R7500001

-

**03106**

to Chassis No. P1999999  
to Chassis No. P5999999  
to Chassis No. P7999999

**03189 / 03271**

**03104**

from Chassis No. R1000001  
from Chassis No. R5000001  
from Chassis No. R7500001  
manual transmission  
not for country-spec. model Pakistan

**04799**

-

**1,6 E16NZ**

**1,6 X16SZ**

-

**03106**

to Chassis No. P1999999  
to Chassis No. P5999999  
to Chassis No. P7999999  
manual transmission

**03096 / 03270**

-

from Chassis No. R1000001  
from Chassis No. R5000001  
from Chassis No. R7500001  
manual transmission  
not for country-spec. model Pakistan

**04799**

-

**febi 03096**

Ref. No. 1603 192



AØ 64 IØ 34 B 37

**febi 03104**

Ref. No. 0326 184



AØ 120 LKØ 100 x 4

**febi 03106**

Ref. No. 0326 197



AØ 120 LKØ 100 x 4

**febi 03189**

Ref. No. 1603 191



AØ 72 IØ 39 B 37

**febi 03270**

Ref. No. 0328 104



AØ 64 IØ 34 B 37

**febi 03271**

Ref. No. 0328 103



AØ 72 IØ 39 B 37

**febi 04799**

Ref. No. 1603 195



AØ 66 IØ 34 B 37

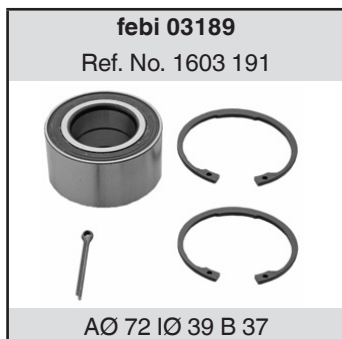
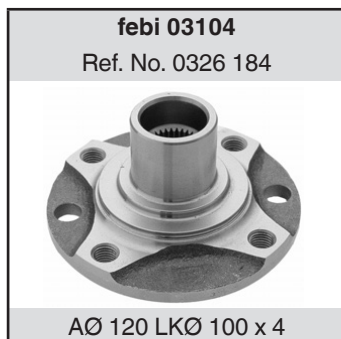


## Vectra A

(1988→1995)

1,7 D 17D		03189 / 03271	03104
1,7 D 17DR			
1,7 D 17TD			
1,8 18SV			
1,8 C18NZ			
1,8 E18NVR			
2,0 20NE			
2,0 20SEH			
2,0 20XE			
2,0 C20LET	to Chassis No. NV299999 to Chassis No. N1999999 to Chassis No. N5999999	03189 / 03271	-
		04838	-
2,0 C20NE		03189 / 03271	03104
2,0 C20NEF		03271	-
2,0 C20XE		03189 / 03271	03104
2,0 X20XEV			
2,5 C25XE		04838	-

front axle



suitable for:

**Opel**

**Car  
Division**



**Vectra B**

(1994→2003)

1,6 16LZ2

from Chassis No. X1000001  
from Chassis No. X7000001

04838

03965

-

03969

1,6 16SV

04838

-

1,6 X16SZR  
1,6 X16XEL

from Chassis No. W1285447  
to Chassis No. W1999999

-

03965

from Chassis No. W7154259  
to Chassis No. W7999999

from Chassis No. XL000001

from Chassis No. X1000001  
from Chassis No. X7000001

-

03969

to Chassis No. W1285446  
to Chassis No. W5276825  
to Chassis No. W7154258

-

03975

04838

-

1,6 Y16XE  
1,6 Z16XE

from Chassis No. X1000001  
from Chassis No. X7000001

-

03969

04838

-

1,7 D X17TD  
1,8 X18XE  
1,8 X18XE1

from Chassis No. X1000001  
from Chassis No. X7000001

04838

03965

-

03969

1,8 Z18XE

04838

03965

1,8 Z18XEL

from Chassis No. X1000001  
from Chassis No. X7000001

-

03969

04838

-

2,0 20NEJ

04838

03965

from Chassis No. X1000001  
from Chassis No. X7000001

-

03969

**febi 03965**

Ref. No. 0326 194



AØ 120 LKØ 100 x 4

**febi 03969**

Ref. No. 0326 195



AØ 137 LKØ 105 x 5

**febi 03975**

Ref. No. 0326 196



AØ 120 LKØ 100 x 4

**febi 04838**

Ref. No. 1603 196



AØ 74 IØ 39 B 39



## Vectra B

(1994→2003)

2,0 C20SEL		04838	03969
2,0 D X20DTH		04838	03965
2,0 D X20DTL	from Chassis No. X1000001 from Chassis No. X7000001	-	03969
2,0 X20XEV		04838	03969
2,0 D Y20DTH	from Chassis No. X1000001 from Chassis No. X7000001	-	03969
		04838	-
2,2 C22SEL		04838	03969
2,2 D Y22DTR			
2,2 Z22SE			
2,5 X25XE			
2,5 X25XEI		04838	-
2,6 Y26SE		04838	03969

front axle





suitable for:

**Opel**

**Car  
Division**



**Vectra C**

(2002→2008)

**1,6 Z16XE**

to Chassis No. 41999999  
to Chassis No. 48999999  
For vehicles without IDS suspension

**23377**

**23377**

to Chassis No. 41999999  
to Chassis No. 48999999  
For vehicles with IDS suspension

**28141**

**28141**

from Chassis No. 51000000  
from Chassis No. 58000000

**1,6 Z16XEP  
1,8 Z18XE  
1,8 Z18XEL**

to Chassis No. 41999999  
to Chassis No. 48999999  
For vehicles without IDS suspension

**23377**

**23377**

chassis number bis41999999  
to Chassis No. 41999999  
chassis number bis48999999  
to Chassis No. 48999999  
For vehicles with IDS suspension

**28141**

**28141**

chassis number ab51000001  
from Chassis No. 51000000  
chassis number ab58000001  
from Chassis No. 58000000

**1,8 Z18XER  
1,9 D Z19DT  
1,9 D Z19DTH  
1,9 D Z19DTL  
2,0 D Y20DTH  
2,0 Z20NET  
2,2 D Y22DTR  
2,2 Z22SE  
2,2 Z22YH**

to Chassis No. 41999999  
to Chassis No. 48999999  
For vehicles without IDS suspension

**23377**

**23377**

to Chassis No. 41999999  
to Chassis No. 48999999  
For vehicles with IDS suspension

**28141**

**28141**

from Chassis No. 51000000  
from Chassis No. 58000000

**febi 23377**

Ref. No. 1603 294



AØ 137 IØ 33 B 130  
LKØ 105 x 5

**febi 28141**

Ref. No. 1603 295



AØ 137  
LKØ 105 x 5



**Vectra C**  
(2002→2008)

2,8 Z28NEL  
2,8 Z28NET

to Chassis No. 41999999  
to Chassis No. 48999999  
For vehicles without IDS suspension

**23377**

**23377**

chassis number bis41999999  
to Chassis No. 41999999  
chassis number bis48999999  
to Chassis No. 48999999  
For vehicles with IDS suspension

**28141**

**28141**

chassis number ab51000001  
from Chassis No. 51000000  
chassis number ab58000001  
from Chassis No. 58000000

2,8 Z28SE  
3,0 D Y30DT  
3,0 D Z30DT  
3,2 Z32SE

to Chassis No. 41999999  
to Chassis No. 48999999  
For vehicles without IDS suspension

**23377**

**23377**

to Chassis No. 41999999  
to Chassis No. 48999999  
For vehicles with IDS suspension

**28141**

**28141**

from Chassis No. 51000000  
from Chassis No. 58000000

**Vivaro**  
(2000→ )

1,9 D F9Q 760  
1,9 D F9Q 762  
2,0 F4R 720  
2,0 F4R 820  
2,0 D M9R 780  
2,0 D M9R 782  
2,0 D M9R 784  
2,5 D G9U 630  
2,5 D G9U 730

to Chassis No. 3V613233  
to Chassis No. 3Y

**23330**

-

from Chassis No. 3V613234  
from Chassis No. 3Y

**23331**

-

front axle

**feby 23330**  
Ref. No. 4408 668

AØ 86 IØ 45 B 39

**feby 23331**  
Ref. No. 4430 305

AØ 88 IØ 45 B 39

**feby 23377**  
Ref. No. 1603 294

AØ 137 IØ 33 B 130  
LKØ 105 x 5

**feby 28141**  
Ref. No. 1603 295

AØ 137  
LKØ 105 x 5

suitable for:

**Opel**

**Car  
Division**



**Zafira A**  
(1999→2005)

all	Rim Hole Number 4	14611 / 14615	14611 / 14615
	Rim Hole Number 5	14623 / 24164	14623 / 24164

**Zafira B**  
(2005→ )

1,6 A16XER	Rim Hole Number 5	27386	27386
1,6 A16XNT	from Chassis No. 62034066 from Chassis No. 6G019310	31122	31122
1,6 Z16XE1 1,6 Z16XEP 1,6 Z16XER	Rim Hole Number 5	27386	27386
1,6 Z16XNT	from Chassis No. 62034066 from Chassis No. 6G019310	31122	31122
1,6 Z16YNG	to Chassis No. 62034065 to Chassis No. 6G019309 Rim Hole Number 5	27386	27386
	from Chassis No. 62034066 from Chassis No. 6G019310	31122	31122
1,7 D A17DTJ 1,7 D A17DTR 1,7 D Z17DTJ	from Chassis No. 62034066 from Chassis No. 6G019310	31122	31122

**febi 14611**

Ref. No. 1603 208



AØ 120 IØ 29 B 84  
AØ 56,5 IØ 25,4  
LKØ 100 x 4

**febi 14615**

Ref. No. 1603 209



AØ 120 IØ 26 B 116  
IØ 56,38 B 87  
LKØ 100 x 4

**febi 14623**

Ref. No. 1603 211 SK



AØ 136 IØ 26 B 115  
LKØ 105 x 5

**febi 24164**

Ref. No. 1603 211 S1



AØ 136 IØ 26 B 115  
LKØ 105 x 5

**febi 27386**

Ref. No. 1603 254



AØ 137 B 95  
LKØ 105 x 5

**febi 31122**

Ref. No. 1603 841



AØ 137 B 137

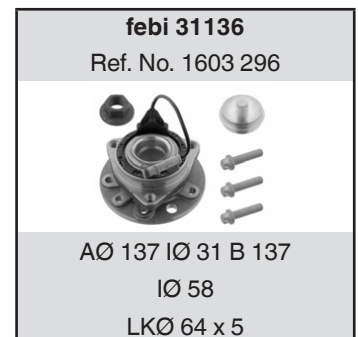
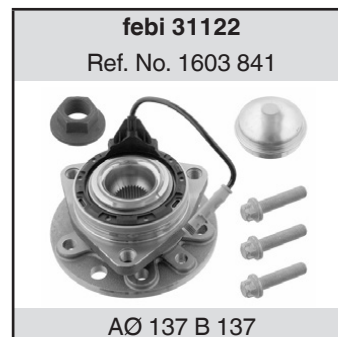


**Zafira B**

(2005→)

1,8 A18XER 1,8 Z18XER	Rim Hole Number 5	27386	27386
1,9 D Z19DT	to Chassis No. 62034065 to Chassis No. 6G019309 Rim Hole Number 5	27386	27386
	from Chassis No. 62034066 from Chassis No. 6G019310	31122	31122
1,9 D Z19DTH		31136	31136
1,9 D Z19DTL	to Chassis No. 62034065 to Chassis No. 6G019309 Rim Hole Number 5	27386	27386
	from Chassis No. 62034066 from Chassis No. 6G019310	31122	31122
2,0 Z20LEH		31136	31136
2,0 Z20LER 2,2 Z22YH	to Chassis No. 62034065 to Chassis No. 6G019309 Rim Hole Number 5	27386	27386
	from Chassis No. 62034066 from Chassis No. 6G019310 Rim Hole Number 5	31122	31122

front axle



suitable for:

**Opel**

**Car  
Division**



## Zafira C

(2011→)

1,4 A14NEL  
1,4 A14NET  
1,6 A16XHT  
1,6 A16XNT  
1,6 D B16DTH  
1,8 A18XEL  
1,8 A18XER  
2,0 D A20DT  
2,0 D A20DTH  
2,0 D A20DTL  
2,0 D A20DTR  
2,0 D Y20DTJ  
2,0 D Z20DTJ

40099

40099

front axle

### febi 40099

Ref. No. 0328 021



AØ 146  
LKØ 62 x 6



## Bipper

(2007→)

1,3 D F13DTE5  
1,4 D DV4TED

28142

-

## Boxer I

(1994→2002)

1,9 D XUD9  
1,9 D XUD9A  
1,9 D XUD9AU  
1,9 D XUD9TE  
1,9 D XUD9UTF  
2,0 D DW10TD  
2,0 XU10J2  
2,0 XU10J2U  
2,5 D 814067  
2,5 D DJ5  
2,5 D DJ5T  
2,5 D DJ5TED  
2,8 D 814043  
2,8 D 814043S  
2,8 D 814063

to Chassis No. 16206253  
drum brake  
for vehicles with ABS  
Payload [kg] 1000  
Payload [kg] 1400

12691 / 12695

-

to Chassis No. 16205754  
drum brake  
for vehicles without ABS  
Payload [kg] 1000  
Payload [kg] 1400

not for payload [kg] 1800

-

14967

Payload [kg] 1000  
Payload [kg] 1400

24519

-

Payload [kg] 1000  
Payload [kg] 1400  
Payload [kg] 1500

-

28231

Payload [kg] 1800

-

28232

front axle

### febi 12691

Ref. No. 3350.29



AØ 80 IØ 50 B 21,5

### febi 12695

Ref. No. 3350.29 SK



AØ 80 IØ 50 B 21,5

### febi 14967

Ref. No. 3307.65



AØ 139 LKØ 112 x 5

### febi 24519

Ref. No. 3326.62



AØ 84 IØ 49 B 48

### febi 28142

Ref. No. 3326.77 S1



AØ 72 IØ 37 B 37

### febi 28231

Ref. No. 3307.84



AØ 139 LKØ 113,5 x 5

### febi 28232

Ref. No. 3307.83



AØ 156 LKØ 126 x 5

suitable for:

**Peugeot**

**Car  
Division**



## Boxer I 4x4

(1996→2002)

1,9 D XUD9TE  
2,0 XU10J2U  
2,5 D DJ5  
2,5 D DJ5T  
2,5 D DJ5TED  
2,8 D 814043S

to Chassis No. 16206253  
drum brake  
for vehicles with ABS  
Payload [kg] 1000  
Payload [kg] 1400

to Chassis No. 16205754  
drum brake  
for vehicles without ABS  
Payload [kg] 1000  
Payload [kg] 1400

not for payload [kg] 1800

Payload [kg] 1000  
Payload [kg] 1400

from Chassis No. 16205755  
Payload [kg] 1000  
Payload [kg] 1400  
Payload [kg] 1500

Payload [kg] 1800

**12691 / 12695**

-

-

**14967**

**24519**

-

-

**28231**

-

**28232**

### febi 12691

Ref. No. 3350.29



AØ 80 IØ 50 B 21,5

### febi 12695

Ref. No. 3350.29 SK



AØ 80 IØ 50 B 21,5

### febi 14967

Ref. No. 3307.65



AØ 139 LKØ 112 x 5

### febi 24519

Ref. No. 3326.62



AØ 84 IØ 49 B 48

### febi 28231

Ref. No. 3307.84



AØ 139 LKØ 113,5 x 5

### febi 28232

Ref. No. 3307.83



AØ 156 LKØ 126 x 5



### Boxer II

(2001→)

2,0 D DW10TD	Payload [kg] 800	24519	-
2,0 D DW10UTD	Payload [kg] 1000		
2,0 XU10J2	Payload [kg] 1400		
2,0 XU10J2U			
2,2 D DW12TED	Payload [kg] 1800	24521	28232
2,2 D DW12UTED			
2,8 D 814043	Payload [kg] 1000	-	28231
2,8 D 814043N	Payload [kg] 1400		
2,8 D 814043S	Payload [kg] 1500		
2,8 D 814043S4HY			

### Boxer II 4x4

(2001→2006)

2,8 D 814043S	Payload [kg] 800	24519	-
	Payload [kg] 1000		
	Payload [kg] 1400		
	Payload [kg] 1800	24521	28232
	Payload [kg] 1000	-	28231
	Payload [kg] 1400		
	Payload [kg] 1500		

front axle

#### febi 24519

Ref. No. 3326.62



AØ 84 IØ 49 B 48

#### febi 24521

Ref. No. 3326.69



AØ 90 IØ 55 B 60

#### febi 28231

Ref. No. 3307.84



AØ 139 LKØ 113,5 x 5

#### febi 28232

Ref. No. 3307.83



AØ 156 LKØ 126 x 5



suitable for:

**Peugeot**

**Car  
Division**



## Boxer III

(2006→ )

2,2 D 22DT  
2,2 D 4HU  
2,2 D 4HV  
3,0 D F1C  
3,0 D F30DT

36309

-

## Expert I

(1995→ )

1,6 1580SPI to Control Number 08575  
1,6 220A2000

14538

19842

1,8 XU7JP to Control Number 09834  
1,9 D DW8

14538

19842

1,9 D XUD9 to Control Number 07905  
1,9 D XUD9AU

14538

19842

1,9 D XUD9TE to Control Number 10036

14538

19842

## Expert II

(2000→2006)

1,9 D DW8 to Control Number 09834  
1,9 D DW8B

14538

19842

2,0 D DW10ATED to Control Number 10814  
2,0 D DW10ATED4

14538

19842

2,0 D DW10BTED to Control Number 09834  
2,0 EW10J4

14538

19842

## Expert III

(2006→ )

all

40702

-

## Expert III 4x4

(2007→ )

2,0 D DW10UTED4

40702

-

**febi 14538**

Ref. No. 3350.91



AØ 82 IØ 44 B 37

**febi 19842**

Ref. No. 3307.64



AØ 122 LKØ 95 x 5

**febi 36309**

Ref. No. 16 063 746 80 S1



AØ 90 IØ 55 B 54

**febi 40702**

Ref. No. 3350.93



AØ 86 IØ 45



**J5**

(1981→)

all

from Chassis No. 0244301

-  
12691 / 12695

12573  
-

**J5 4x4**

(1981→1994)

all

from Chassis No. 0244301

-  
12691 / 12695

12573  
-

**Partner I**

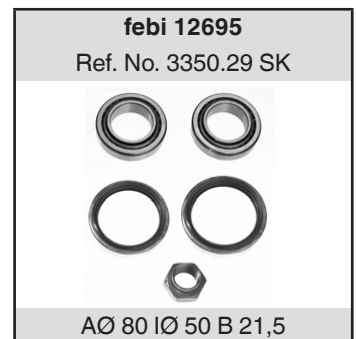
(1996→2008)

0,0 ELSA18

-

10224

front axle



suitable for:

**Peugeot**

**Car  
Division**



**Partner I**

(1996→2008)

1,1 TU1JP  
1,1 TU1M  
1,1 TU1M+  
1,4 TU32  
1,4 TU3JP  
1,6 TU5JP4  
1,8 XU7JB  
1,8 D XUD7  
1,9 D DW8  
1,9 D DW8B  
1,9 D XUD9  
1,9 D XUD9A  
2,0 D DW10TD

05543

10224

**Partner II**

(2002→ )

1,1 TU1JP  
1,4 TU3A to Control Number 11773  
1,4 TU3JP  
1,4 TU3JPCNG  
1,6 D DV6ATED4 to Control Number 11773  
1,6 D DV6B  
1,6 D DV6BTED4 to Control Number 11773  
1,6 TU5JP4 to Control Number 11773  
1,9 D DW8B  
2,0 D DW10TD

05543

10224

05543

10224

05543

10224

-

10224

05543

10224

-

10224

05543

10224

05543

10224

**Partner II 4x4**

(2004→2008)

1,9 D DW8B to Control Number 11773  
2,0 D DW10TD

05543

10224

05543

10224

**febi 05543**

Ref. No. 3350.16



AØ 82 IØ 42 B 36

**febi 10224**

Ref. No. 3307.85



AØ 128 LKØ 108 x 4



### Partner III

(2005→)

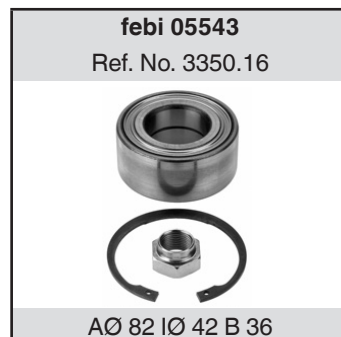
1,4 TU3JP	to Control Number 11682	-	10224
1,6 D DV6ATED4		19574	-
1,6 D DV6AUTED4			
1,6 D DV6B			
1,6 D DV6BTED4			
1,6 D DV6BUTED4			
1,6 D DV6C			
1,6 D DV6DTEd		19574	-
1,6 D DV6DTEdM			
1,6 D DV6ETED4			
1,6 D DV6ETEDM			
1,6 D DV6TED4	to Control Number 11682	-	10224
		19574	-
1,6 D DV6TED4BU		19574	-
1,6 EP6C	to Control Number 11682	-	10224
1,6 EP6CB			
1,6 EP6CDTR		19574	-
1,6 TU5JP4			
1,6 TU5JP4B			

### Ranch I

(1996→2008)

1,1 TU1JP		05543	10224
1,1 TU1M			
1,4 TU3JP			
1,6 TU5JP4		-	10224
1,8 XU7JB		05543	10224
1,8 D XUD7			
1,9 D DW8			
1,9 D DW8B			
1,9 D XUD9			
1,9 D XUD9A			
2,0 D DW10TD			

front axle



suitable for:

**Peugeot**

**Car  
Division**



**Ranch II**

(2002→2008)

all	to Control Number 11773	05543	10224
-----	-------------------------	-------	-------

**Ranch III**

(2008→ )

1,6 D DV6ATED4	to Control Number 11682	-	10224
1,6 D DV6AUTED4			
1,6 D DV6BUTED4		19574	-
1,6 D DV6TED4			
1,6 TU5JP4			
1,6 TU5JP4B			

**RCZ**

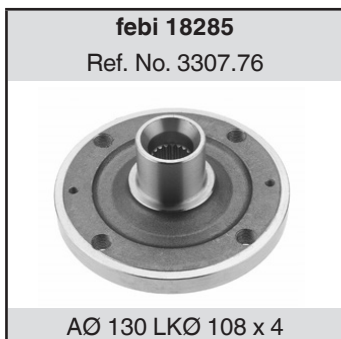
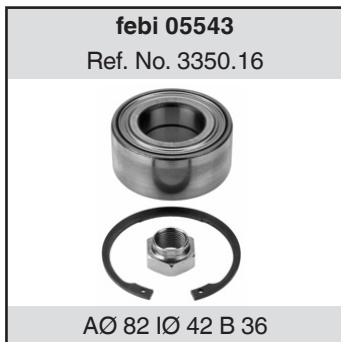
(2010→ )

all	Observe dimensions	40703	-
-----	--------------------	-------	---

**1007**

(2004→2009)

1,4 D DV4TD	for vehicles with standard chassis	-	18285
1,4 ET3J4			
1,4 TU3A		24517	-
1,4 TU3JP			
1,6 D DV6TED4	for vehicles with standard chassis	-	18285





### 1007

(2004→2009)

1,6 TU5JP4

for vehicles with standard chassis

-

18285

24517

-

### 106 I

(1991→1996)

0,0 SA13

for vehicles with power steering

05542

10223

for vehicles without power steering

22006

19844

1,0 TU9

for vehicles with heavy duty chassis

05542

10223

for vehicles with standard chassis

22006

19844

1,0 TU9M

for vehicles with ABS

05542

10223

for vehicles without ABS

22006

19844

for vehicles with standard chassis

1,1 TU1

05542

10223

for vehicles with standard chassis

22006

19844

1,1 TU1M

for vehicles with ABS

05542

10223

for vehicles without ABS

22006

19844

for vehicles with standard chassis

1,3 TU2J2

05542

10223

front axle

#### febi 05542

Ref. No. 3350.17



AØ 72 IØ 35 B 33

#### febi 10223

Ref. No. 3307.49



AØ 130 LKØ 108 x 4

#### febi 18285

Ref. No. 3307.76



AØ 130 LKØ 108 x 4

#### febi 19844

Ref. No. 3307.74



AØ 119 LKØ 85 x 3

#### febi 22006

Ref. No. 3350.18



AØ 66 IØ 35 B 32

#### febi 24517

Ref. No. 3350.86



AØ 72 IØ 37 B 33

suitable for:

**Peugeot**

**Car  
Division**



**106 I**

(1991→1996)

<b>1,4 TU3</b>	for vehicles with heavy duty chassis	<b>05542</b>	<b>10223</b>
<b>1,4 TU32</b>		<b>05542</b>	<b>10223</b>
<b>1,4 TU3FJ</b> <b>1,4 TU3J2</b>	for vehicles with heavy duty chassis	<b>05542</b>	<b>10223</b>
<b>1,4 TU3M</b> <b>1,4 TU3MC</b> <b>1,4 D TUD3</b> <b>1,5 D TUD5</b> <b>1,6 TU5J2</b> <b>1,6 TU5JP</b>		<b>05542</b>	<b>10223</b>

**106 II**

(1996→2004)

<b>0,0 SA13</b>		<b>-</b>	<b>18285</b>
<b>1,0 TU9M</b>	to Control Number 08093 Rim Hole Number 4	<b>05542</b>	<b>10223</b>
	from Control Number 08094 Rim Hole Number 4	<b>18191</b>	<b>18285</b>
	to Control Number 08792 Rim Hole Number 3	<b>22006</b>	<b>19844</b>

**febi 05542**

Ref. No. 3350.17



AØ 72 IØ 35 B 33

**febi 10223**

Ref. No. 3307.49



AØ 130 LKØ 108 x 4

**febi 18191**

Ref. No. 3350.32



AØ 72 IØ 37 B 33

**febi 18285**

Ref. No. 3307.76



AØ 130 LKØ 108 x 4

**febi 19844**

Ref. No. 3307.74



AØ 119 LKØ 85 x 3

**febi 22006**

Ref. No. 3350.18



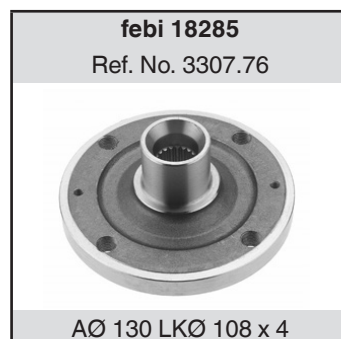
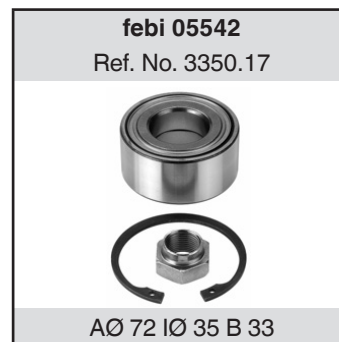
AØ 66 IØ 35 B 32



**106 II**  
(1996→2004)

<b>1,1 TU1</b>	from Control Number 08094 Rim Hole Number 4	<b>18191</b>	<b>18285</b>
	Rim Hole Number 3	<b>22006</b>	<b>19844</b>
<b>1,1 TU1JP</b>	for vehicles with sports suspension Rim Hole Number 4	<b>18191</b>	-
	for vehicles with sports suspension	-	<b>18285</b>
	for vehicles without sports suspension Rim Hole Number 4	<b>22006</b>	<b>19844</b>
	to Control Number 08792 for vehicles without sports suspension Rim Hole Number 3		
<b>1,1 TU1M</b>	from Control Number 08094	-	<b>18285</b>
<b>1,1 TU1M+</b>	to Control Number 08093 Rim Hole Number 4	<b>05542</b>	<b>10223</b>
	from Control Number 08094 for vehicles with standard chassis	<b>18191</b>	-
	from Control Number 08094 for vehicles without ABS for vehicles with sports suspension		

front axle





suitable for:

**Peugeot**

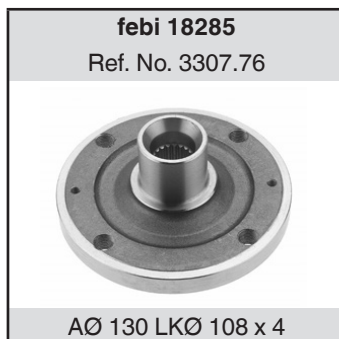
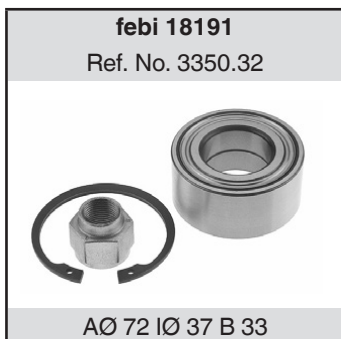
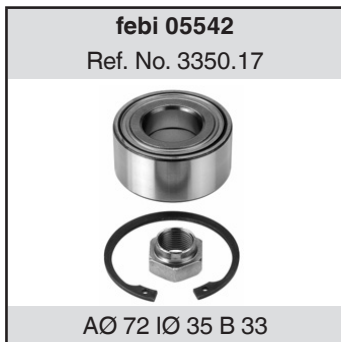
**Car  
Division**



**106 II**  
(1996→2004)

front axle

	from Control Number 08094	-	18285
	to Control Number 08792 for vehicles without sports suspension Rim Hole Number 3	22006	19844
<b>1,4 TU3JP</b>	to Control Number 08093	05542	10223
	from Control Number 08094 for vehicles with sports suspension	18191	18285
<b>1,5 D TUD5</b>	to Control Number 08093	05542	10223
	from Control Number 08094	18191	18285
<b>1,5 D TUD5B</b>		18191	18285
<b>1,6 TU5J2</b> <b>1,6 TU5J4</b>	to Control Number 08093	05542	10223
	from Control Number 08094 automatic transmission	18191	-
	from Control Number 08094	-	18285





## 106 II

(1996→2004)

1,6 TU5JP

to Control Number 08093  
automatic transmission

05542

10223

manual transmission

from Control Number 08094  
automatic transmission

18191

18285

## 107

(2005→)

1,0 384F

1,4 D DV4TD

31062

-

## 205

(1983→1998)

1,0 TU9

for vehicles without ABS

05542

10223

for vehicles with ABS

05543

-

1,0 XV8

for vehicles without ABS

05542

10223

1,1 E1

1,1 TU1

1,1 XW7

1,2 F1

1,3 G1

for vehicles without ABS

05542

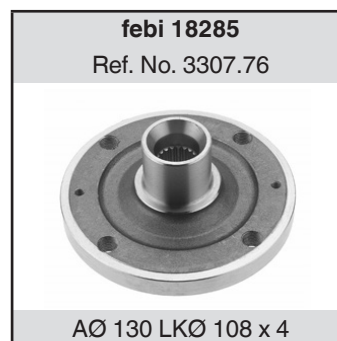
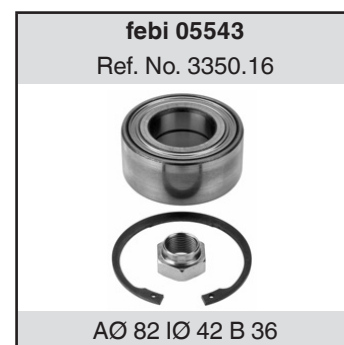
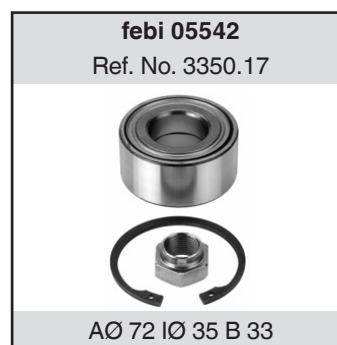
10223

for vehicles with ABS

05543

-

front axle



suitable for:

# Peugeot

Car  
Division



## 205 (1983→1998)

1,3 TU24	for vehicles without ABS	05542	10223
1,4 G2S	for vehicles without ABS	05542	10223
1,4 TU3	for vehicles with ABS	05543	-
1,4 TU32	for vehicles without ABS	05542	10223
	for vehicles with ABS	05543	-
		-	10224
1,4 TU3A	for vehicles without ABS	05542	10223
1,4 TU3CP	for vehicles with ABS	05543	-
1,4 TU3JP			
1,4 TU3S			
1,4 XY6B	for vehicles without ABS	05542	10223
1,4 XY7			
1,4 XY7CP			
1,4 XY8			
1,4 XYR			
1,6 J2	for vehicles without ABS	05542	10223
	for vehicles with ABS	05543	-
		-	10224
1,6 XU51C	for vehicles without ABS	05542	10223
1,6 XU5CP	for vehicles with ABS	05543	-
1,6 XU5S	for vehicles without ABS	05542	10223
	for vehicles with ABS	05543	-
		-	10224
1,8 D XUD7	for vehicles without ABS	05542	10223
1,8 D XUD7T	for vehicles with ABS	05543	10224
1,8 D XUD7TE			

**febi 05542**

Ref. No. 3350.17



AØ 72 IØ 35 B 33

**febi 05543**

Ref. No. 3350.16



AØ 82 IØ 42 B 36

**febi 10223**

Ref. No. 3307.49



AØ 130 LKØ 108 x 4

**febi 10224**

Ref. No. 3307.85



AØ 128 LKØ 108 x 4



## 205

(1983→1998)

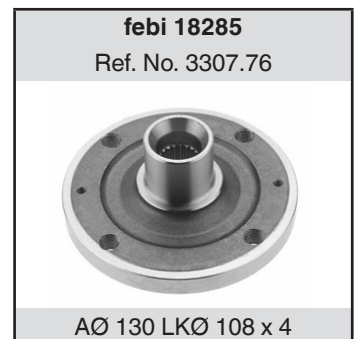
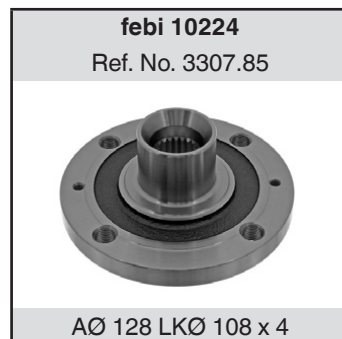
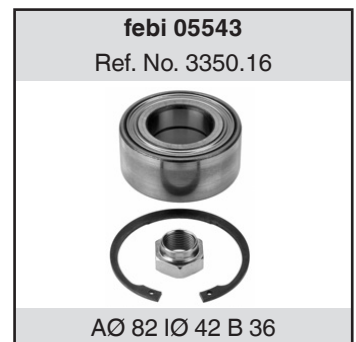
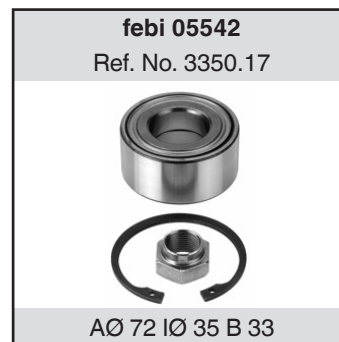
1,9 XU9JA	for vehicles with ABS	05543	-
	for vehicles with ABS to the year of construction 12/1990	-	10224
1,9 D XUD9	for vehicles without ABS	05542	10223
1,9 D XUD9A			
1,9 D XUD9Y	for vehicles with ABS	05543	10224

## 206

(1998→)

1,0 TU7A		18191	18285
1,1 TU1JP			
1,4 D DV4TD			
1,4 ET3J4			
1,4 TU3A			
1,4 TU3AF		05543	10224
1,4 TU3JP		18191	18285
1,6 D DV6TED4		05543	10224
1,6 TU5JP		18191	18285

front axle



suitable for:

**Peugeot**

**Car  
Division**



**206**

(1998→ )

<b>front axle</b>	<b>1,6 TU5JP4</b>	from Control Number 09233 78 from Control Number 10426 YN	<b>05543</b>	-
		from Control Number 09233 78 from Control Number 10426 YN from Control Number 09233 83	-	<b>10224</b>
	<b>1,6 TU5JP4G</b>		<b>05543</b>	<b>10224</b>
	<b>1,9 D DW8</b> <b>1,9 D DW8B</b>		<b>18191</b>	<b>18285</b>
	<b>2,0 D DW10TD</b>		<b>05543</b>	<b>10224</b>
	<b>2,0 EW10J4</b>	to Control Number 10555	<b>05543</b>	<b>10224</b>
	<b>2,0 EW10J4S</b>		<b>05543</b>	<b>10224</b>

**206+**

(2009→ )

<b>all</b>	from Control Number 11705	<b>18191</b>	-
	to Control Number 11705	-	<b>18285</b>

**febi 05543**  
Ref. No. 3350.16

AØ 82 IØ 42 B 36

**febi 10224**  
Ref. No. 3307.85

AØ 128 LKØ 108 x 4

**febi 18191**  
Ref. No. 3350.32

AØ 72 IØ 37 B 33

**febi 18285**  
Ref. No. 3307.76

AØ 130 LKØ 108 x 4



## 207

(2006→)

1,4 D DV4C		-	10224
	for vehicles with heavy duty chassis	24517	18285
	for vehicles with standard chassis	19574	-
1,4 D DV4TD		19574	10224
	from Control Number 10934 for vehicles with heavy duty chassis	24517	18285
1,4 EP3 1,4 EP3C		19574	10224
	for vehicles with standard chassis	-	18285
	for vehicles without sports suspension	24517	-
1,4 ET3J4 1,4 TU3A 1,4 TU3AE5		24517	18285
1,6 D DV6ATED4 1,6 D DV6C 1,6 D DV6DTED 1,6 D DV6TED4 1,6 EP6 1,6 EP6C 1,6 EP6CDT 1,6 EP6DT 1,6 EP6DTS 1,6 TU5JP4		19574	10224
2,0 D DW10TD		19574	-

front axle

### febi 10224

Ref. No. 3307.85



AØ 128 LKØ 108 x 4

### febi 18285

Ref. No. 3307.76



AØ 130 LKØ 108 x 4

### febi 19574

Ref. No. 3350.69



AØ 82 IØ 42 B 36

### febi 24517

Ref. No. 3350.86



AØ 72 IØ 37 B 33

suitable for:

**Peugeot**

**Car  
Division**



**208**

(2012→)

1,0 EB0  
1,2 EB2  
1,4 D DV4C  
1,4 EP3C  
1,6 D DV6C  
1,6 D DV6DTED  
1,6 EP6C  
1,6 EP6CDT  
1,6 EP6CDTXM

Observe dimensions

24517

10224

-

18285

**3008**

(2009→)

1,6 D DV6C  
1,6 D DV6TED4  
1,6 EP6  
1,6 EP6C  
1,6 EP6CDT  
1,6 EP6CDTM  
1,6 EP6CDTMD  
1,6 EP6DT

19574

10224

2,0 D DW10CB

19574

-

2,0 D DW10CTED4

19574

10224

**3008 4x4**

(2011→)

2,0 DW10CTED4

19574

10224

**301**

(2012→)

all

Observe dimensions

-

18285

24517

-

**febi 10224**

Ref. No. 3307.85



AØ 128 LKØ 108 x 4

**febi 18285**

Ref. No. 3307.76



AØ 130 LKØ 108 x 4

**febi 19574**

Ref. No. 3350.69



AØ 82 IØ 42 B 36

**febi 24517**

Ref. No. 3350.86



AØ 72 IØ 37 B 33

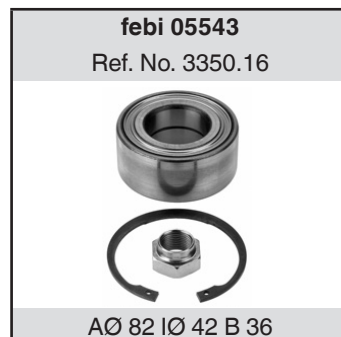
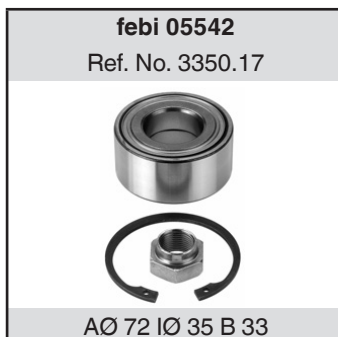


## 306 I

(1993→2002)

<b>1,1 TU1M</b>	to the year of construction 04/1997 for vehicles without ABS	<b>05542</b>	<b>10223</b>
	to the year of construction 04/1997 for vehicles with ABS	<b>05543</b>	-
	from the year of construction 05/1997 for vehicles with ABS	-	<b>10224</b>
<b>1,1 TU1M+</b>	for vehicles without ABS	<b>05542</b>	<b>10223</b>
	for vehicles with ABS	<b>05543</b>	-
	to the year of construction 04/1997 for vehicles with ABS	-	<b>10224</b>
<b>1,4 TU3</b>	for vehicles without ABS	<b>05542</b>	<b>10223</b>
<b>1,4 TU32</b>	to the year of construction 04/1997 for vehicles without ABS	<b>05542</b>	<b>10223</b>
	from the year of construction 05/1997 to Control Number 08091 for vehicles without ABS for steel rims for vehicles with standard chassis		
	from the year of construction 05/1997 to Control Number 08091 for vehicles with heavy duty chassis		
	for vehicles with ABS	<b>05543</b>	-
	to the year of construction 04/1997 for vehicles with ABS	-	<b>10224</b>

front axle







## 306 I (1993→2002)

### 1,4 TU3JP

to the year of construction 04/1997  
for vehicles without ABS

**05542**

**10223**

from the year of construction 05/1997  
to Control Number 08091  
for vehicles without ABS  
for steel rims  
for vehicles with standard chassis

from the year of construction 05/1997  
to Control Number 08091  
for vehicles with heavy duty chassis

to the year of construction 04/1997  
for vehicles with ABS

**05543**

-

from the year of construction 05/1997  
for vehicles without ABS  
for light-alloy rims  
for vehicles with standard chassis

to the year of construction 04/1997  
for vehicles with ABS

-

**10224**

### 1,4 TU3M

from the year of construction 05/1997  
to Control Number 08091  
for vehicles with heavy duty chassis

**05542**

**10223**

for vehicles with ABS  
Number of Doors 3

-

**10224**

### 1,4 TU3MC

to the year of construction 04/1997  
for vehicles without ABS

**05542**

**10223**

to the year of construction 04/1997  
for vehicles with ABS

**05543**

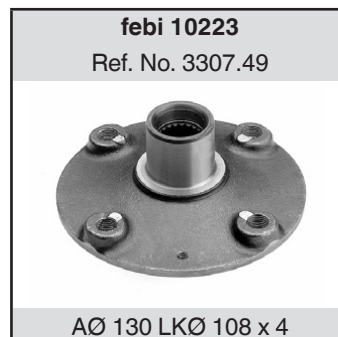
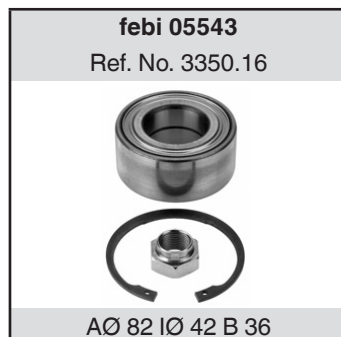
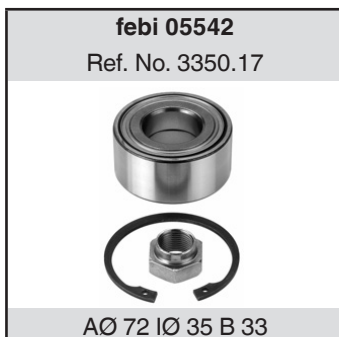
-

from the year of construction 05/1997  
to the year of construction 04/1997  
for vehicles with ABS  
Number of Doors 3

-

**10224**

front axle



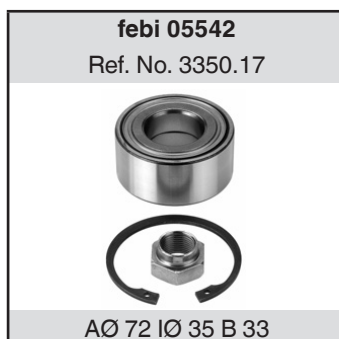


## 306 I

(1993→2002)

<b>1,6 TU5JP</b>	to the year of construction 04/1997 for vehicles without ABS	<b>05542</b>	<b>10223</b>
		<b>05543</b>	-
	to the year of construction 04/1997 for vehicles with ABS	-	<b>10224</b>
	<b>1,8 XU7JP</b>		
	for vehicles with ABS	<b>05543</b>	-
	to the year of construction 04/1997 for vehicles with ABS for vehicles with standard chassis	-	<b>10224</b>
	from Control Number 08575 from the year of construction 05/1997 for vehicles with heavy duty chassis		
<b>1,8 D XUD7</b>	to Control Number 08575 for vehicles with ABS	<b>05543</b>	-
	to the year of construction 04/1997 for vehicles with ABS	-	<b>10224</b>
	from the year of construction 05/1997 for vehicles with standard chassis		
	from the year of construction 05/1997 to Control Number 08574 for vehicles with heavy duty chassis		
<b>1,9 D XUD9</b>	to Control Number 08575 for vehicles with ABS	<b>05543</b>	-
	to the year of construction 04/1997 for vehicles with ABS	-	<b>10224</b>
	from the year of construction 05/1997 for vehicles with standard chassis		
	from the year of construction 05/1997 to Control Number 08574 for vehicles with heavy duty chassis		

front axle



suitable for:

**Peugeot**

**Car  
Division**



**306 I**  
(1993→2002)

front axle

	from Control Number 08092	<b>18191</b>	-
<b>1,9 D XUD9A</b>	to Control Number 08575 for vehicles with ABS	<b>05543</b>	-
	to the year of construction 04/1997 for vehicles with ABS	-	<b>10224</b>
	from the year of construction 05/1997 for vehicles with standard chassis		
	from the year of construction 05/1997 to Control Number 08574 for vehicles with heavy duty chassis		
<b>1,9 D XUD9TE</b>	to Control Number 08575 for vehicles with ABS	<b>05543</b>	-
	to the year of construction 04/1997 for vehicles with standard chassis for vehicles with ABS	-	<b>10224</b>
	from Control Number 08575 from the year of construction 05/1997 for vehicles with heavy duty chassis		
<b>1,9 D XUD9Y</b>	to Control Number 08575 for vehicles with ABS	<b>05543</b>	-
	to the year of construction 04/1997 for vehicles with ABS	-	<b>10224</b>
	from the year of construction 05/1997 for vehicles with standard chassis		
	from the year of construction 05/1997 to Control Number 08574 for vehicles with heavy duty chassis		

**febi 05543**

Ref. No. 3350.16



AØ 82 IØ 42 B 36

**febi 10224**

Ref. No. 3307.85



AØ 128 LKØ 108 x 4

**febi 18191**

Ref. No. 3350.32



AØ 72 IØ 37 B 33



### 306 I

(1993→2002)

**2,0 XU10J2**

to Control Number 08575  
for vehicles with ABS

**05543**

-

for vehicles with ABS  
to the year of construction 04/1997

-

**10224**

from the year of construction 05/1997  
for vehicles with standard chassis

from the year of construction 05/1997  
to Control Number 08574  
for vehicles with heavy duty chassis

**2,0 XU10J4  
2,0 XU10J4RS  
2,0 XU10J4Z**

to Control Number 08575  
for vehicles with ABS

**05543**

-

to the year of construction 04/1997  
for vehicles with ABS

-

**10224**

from the year of construction 05/1997  
for vehicles with standard chassis

from the year of construction 05/1997  
to Control Number 08574  
for vehicles with heavy duty chassis

### 306 II

(1996→2002)

**1,4 TU3JP**

to Control Number 08091  
for vehicles without ABS  
for steel rims  
for vehicles with standard chassis

**05542**

**10223**

to Control Number 08091  
for vehicles with heavy duty chassis  
for vehicles with standard chassis

front axle

**febi 05542**

Ref. No. 3350.17



AØ 72 IØ 35 B 33

**febi 05543**

Ref. No. 3350.16



AØ 82 IØ 42 B 36

**febi 10223**

Ref. No. 3307.49



AØ 130 LKØ 108 x 4

**febi 10224**

Ref. No. 3307.85



AØ 128 LKØ 108 x 4

suitable for:

**Peugeot**

**Car  
Division**



**306 II**  
(1996→2002)

for light-alloy rims  
for vehicles without ABS  
for vehicles with standard chassis

**05543**

-

for vehicles without ABS  
for light-alloy rims  
for vehicles with standard chassis  
Number of Doors 3

-

**10224**

for vehicles with ABS  
for vehicles with standard chassis

from Control Number 08092  
for vehicles without ABS  
for steel rims

**18191**

**18285**

**1,6 TU5JP**

to Control Number 08091  
for vehicles with heavy duty chassis

**05542**

**10223**

for vehicles with ABS

**05543**

-

-

**10224**

from Control Number 08092  
for vehicles without ABS  
for steel rims

**18191**

**18285**

**febi 05542**

Ref. No. 3350.17



AØ 72 IØ 35 B 33

**febi 05543**

Ref. No. 3350.16



AØ 82 IØ 42 B 36

**febi 10223**

Ref. No. 3307.49



AØ 130 LKØ 108 x 4

**febi 10224**

Ref. No. 3307.85



AØ 128 LKØ 108 x 4

**febi 18191**

Ref. No. 3350.32



AØ 72 IØ 37 B 33

**febi 18285**

Ref. No. 3307.76



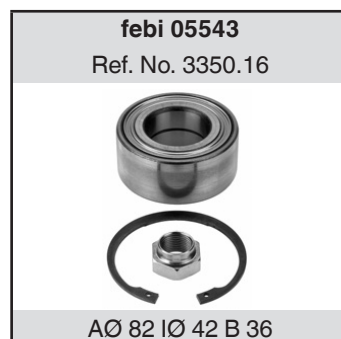
AØ 130 LKØ 108 x 4



**306 II**  
(1996→2002)

<b>1,8 XU7JP</b>	for vehicles with ABS	<b>05543</b>	-
	to Control Number 08475	-	<b>10224</b>
	from Control Number 08092	<b>18191</b>	-
<b>1,8 XU7JP4</b>	for vehicles with ABS	<b>05543</b>	-
	to Control Number 08475	-	<b>10224</b>
	for vehicles with standard chassis		
	from Control Number 08575		
<b>1,8 D XUD7</b>	for vehicles with heavy duty chassis		
	from Control Number 08092	<b>18191</b>	-
	to Control Number 08575	<b>05543</b>	-
<b>1,8 D XUD7</b>	for vehicles with ABS		
	from Control Number 08092	<b>18191</b>	-
	to Control Number 08574	<b>05543</b>	-
<b>1,9 D DW8</b>	from Control Number 08092	<b>18191</b>	-
	to Control Number 08574	<b>05543</b>	-
	from Control Number 08092	<b>18191</b>	-
<b>1,9 D DW8B</b>	for vehicles without heavy duty chassis	<b>05543</b>	-
	from Control Number 08092	<b>18191</b>	-
	to Control Number 08575	<b>05543</b>	-
<b>1,9 D XUD9</b> <b>1,9 D XUD9A</b>	for vehicles with ABS	<b>05543</b>	-
	from Control Number 08092	<b>18191</b>	-
<b>1,9 D XUD9BSD</b>	to Control Number 08575	<b>05543</b>	-
	for vehicles with ABS		
	from Control Number 08092	<b>18191</b>	-

front axle



suitable for:

**Peugeot**

**Car  
Division**



306 II (1996→2002)		05543	10224
1,9 D XUD9TE		18191	-
	from Control Number 08092		
2,0 D DW10TD	for vehicles with ABS	05543	-
	for vehicles with heavy duty chassis		
		-	10224
	from Control Number 08092	18191	-
2,0 XU10J4R	to Control Number 08575	05543	-
	for vehicles with ABS		
		-	10224
	from Control Number 08092	18191	-

307 I (2000→2009)		19574	10224
all			

307 II (2004→ )		19574	10224
all			

308 (2009→2012)		19574	10224
2,0 D DW10BTED4			

308 I (2007→2013)		19574	10224
1,4 EP3			
1,4 EP3C			
1,6 D DV6ATED4			
1,6 D DV6C			

**febi 05543**  
Ref. No. 3350.16

AØ 82 IØ 42 B 36

**febi 10224**  
Ref. No. 3307.85

AØ 128 LKØ 108 x 4

**febi 18191**  
Ref. No. 3350.32

AØ 72 IØ 37 B 33

**febi 19574**  
Ref. No. 3350.69

AØ 82 IØ 42 B 36



### 308 I

(2007→2013)

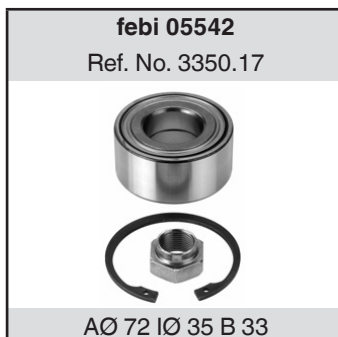
1,6 D DV6CM	19574	-
1,6 D DV6DTED	19574	10224
1,6 D DV6DTEDM		
1,6 D DV6TED4		
1,6 EP6		
1,6 EP6C	19574	-
1,6 EP6CDT	19574	10224
1,6 EP6CDTM		
1,6 EP6CDTMD	19574	-
1,6 EP6CDTX	19574	10224
1,6 EP6CM	19574	-
1,6 EP6DT	19574	10224
1,6 EP6DTS		
1,6 TU5JP4		
2,0 D DW10BTED4		
2,0 D DW10CB	19574	-
2,0 D DW10CTED4	19574	10224
2,0 EW10A		

### 309

(1985→1993)

1,1 E1	05542	10223
1,1 E1A		

front axle





suitable for:

**Peugeot**

**Car  
Division**



**309**

(1985→1993)

1,1 TU1		05542	-
1,1 TU1M			
	to the year of construction 12/1990	05543	10224
	from the year of construction 01/1991	-	10223
1,3 G1		05542	10223
1,3 G1A			
1,3 G2			
1,4 G2S			
1,4 TU3		05542	-
1,4 TU3A			
1,4 TU3F2	to the year of construction 12/1990	05543	10224
1,4 TU3M	from the year of construction 01/1991	-	10223
1,4 TU3S		05542	10224
1,4 Y2		05543	10224
1,6 J2		-	10224
1,6 XU51C			
1,6 XU52C		05543	10224
1,6 XU5CP		-	10224
1,6 XU5J			
1,6 XU5J1		05543	10224
1,6 XU5JA			
1,6 XU5M			
1,8 D XUD7			
1,8 D XUD7A			
1,8 D XUD7T			
1,9 XU92C		-	10224
1,9 XU9J1			
1,9 XU9J4		05543	10224
1,9 XU9JA		-	10224

front axle

**febi 05542**

Ref. No. 3350.17



AØ 72 IØ 35 B 33

**febi 05543**

Ref. No. 3350.16



AØ 82 IØ 42 B 36

**febi 10223**

Ref. No. 3307.49



AØ 130 LKØ 108 x 4

**febi 10224**

Ref. No. 3307.85



AØ 128 LKØ 108 x 4



## 309

(1985→1993)

1,9 XU9JAZ  
1,9 XU9M  
1,9 D XUD9  
1,9 D XUD9A

05543

10224

## 405 I

(1987→1993)

all

05543

10224

## 405 II

(1992→1999)

all

05543

10224

## 406

(1995→2004)

all

05543

10224

## 407

(2004→)

all

40703

-

## 5008

(2009→)

1,6 D DV6C  
1,6 D DV6TED4  
1,6 EP6  
1,6 EP6C  
1,6 EP6CDT

19574

10224

1,6 EP6CDTM

19574

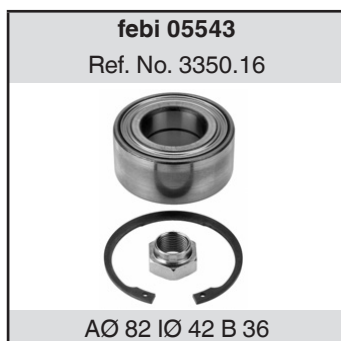
-

1,6 EP6CDTMD

19574

10224

front axle



suitable for:

**Peugeot**

**Car  
Division**



**5008**

(2009→)

1,6 EP6DT  
2,0 D DW10CB

19574

-

2,0 D DW10CTED4

19574

10224

**508**

(2010→)

all

40703

-

**508 Break**

(2012→)

1,6 D DV6C

40703

-

**508 4x4**

(2011→)

2,0 D DW10CTED4

40703

-

**806**

(1994→2002)

all

14538

19842

**febi 10224**

Ref. No. 3307.85



AØ 128 LKØ 108 x 4

**febi 14538**

Ref. No. 3350.91



AØ 82 IØ 44 B 37

**febi 19574**

Ref. No. 3350.69



AØ 82 IØ 42 B 36

**febi 19842**

Ref. No. 3307.64



AØ 122 LKØ 95 x 5

**febi 40703**

Ref. No. 3350.82



AØ 83 IØ 45



**807**

(2002→)

2,0 D DW10ATED4	-	19842
to Control Number 10814	24523	-
2,0 D DW10BTED4	24523	19842
2,0 D DW10CB	24523	-
2,0 D DW10UTED4	24523	19842
2,0 EW10A	-	19842
to Control Number 10814	24523	-
2,0 EW10J4	24523	19842
2,2 D DW12TED4	-	19842
to Control Number 10814	24523	-
2,2 EW12J4	24523	19842

front axle



suitable for:

# Renault

Car  
Division 



## Avantime

(2001→2003)

2,0 F4R  
2,2 D G9T  
3,0 L7X

19823

-

## Clio I

(1990→1998)

0,0 2BD

to the year of construction 07/1997

05526

09322

from the year of construction 08/1997

05528

09321

1,2 C3G

05526

09322

1,2 D7F

from the year of construction 08/1997  
for vehicles with ABS

05526

09322

for vehicles without ABS

for vehicles with ABS

05528

09321

to the year of construction 07/1997

1,2 E5F

model B572, C57R, C572, S572

05526

09322

model B57N

05528

09321

1,2 E7F

for vehicles without ABS

05526

09322

for vehicles with ABS

05528

09321

1,4 E6J

05526

09322

### febi 05526

Ref. No. 77 01 205 778



AØ 65 IØ 35 B 35

### febi 05528

Ref. No. 77 01 205 779



AØ 72 IØ 37 B 37

### febi 09321

Ref. No. 82 00 208 332



AØ 37 LKØ 100 x 4

### febi 09322

Ref. No. 77 00 719 140



AØ 35 LKØ 100 x 4

### febi 19823

Ref. No. 60 25 371 670 SK



AØ 88 IØ 45 B 39



## Clio I

(1990→1998)

1,4 E7J	for vehicles without ABS	05526	09322
	for vehicles with ABS	05528	09321
1,7 F2N	for vehicles without ABS	05526	09322
	for vehicles with ABS	-	09321
1,8 F3P	for vehicles without ABS	05526	09322
	for vehicles with ABS	05528	09321
1,8 F7P 1,9 D F8Q 2,0 F7R		05528	09321

## Clio II

(1998→)

1,0 CG1		-	09322
1,0 D4D 1,0 D7D		05526	09322

front axle

### febi 05526

Ref. No. 77 01 205 778



AØ 65 IØ 35 B 35

### febi 05528

Ref. No. 77 01 205 779



AØ 72 IØ 37 B 37

### febi 09321

Ref. No. 82 00 208 332



AØ 37 LKØ 100 x 4

### febi 09322

Ref. No. 77 00 719 140



AØ 35 LKØ 100 x 4

suitable for:

# Renault

Car  
Division 



## Clio II (1998→)

front axle	1,2 D4F		05528	-
		model BB0W, BB2L, BB2T, BB2U, BB27, BB30, BB31, CB0W, CB05, CB11, CB2L, CB2M, CB2T, CB2V	-	09321
		model BB05, BB19, CB19	-	09322
		model CB2L, CB2T	-	32555
	1,2 D7F		05526	09322
	1,4 E7J 1,4 K4J 1,4 K7J		05528	09321
	1,5 D K9K		05528	-
		model BB07, BB1W, CB07	-	09321
		model BB08, BB2G, BB2J, BB3M, BB3N, CB08, CB2G, CB2J, CB3M, CB3N	-	32555

### febi 05526

Ref. No. 77 01 205 778



AØ 65 IØ 35 B 35

### febi 05528

Ref. No. 77 01 205 779



AØ 72 IØ 37 B 37

### febi 09321

Ref. No. 82 00 208 332



AØ 37 LKØ 100 x 4

### febi 09322

Ref. No. 77 00 719 140



AØ 35 LKØ 100 x 4

### febi 32555

Ref. No. 82 00 208 335



AØ 121 LKØ 100 x 4



## Clio II

(1998→)

1,6 K4M	model BB3E, CB3E	05526	09322
	model BB0H, BB0T, BB01, BB1D, BB1J, BB1R, BB14, BB2K, BB26, BB3G, BB3H, CB0H, CB0T, CB01, CB1D, CB14, CB26, CB3G, CB3H	05528	-
	model BB0H, BB0T, BB01, BB1D, BB1J, BB1R, BB14, BB2K, BB26, BB3G, BB3H, CB0H, CB0T, CB01, CB1D, CB14, CB26, CB3G	-	09321
1,6 K7M 1,9 D F8Q 1,9 D F9Q		05528	09321
2,0 F4R		05528	32555

## Clio III

(2005→)

1,2 D4F 1,4 K4J		24315	24315
1,5 D K9K	model BR0H, CR0H	24313	-
	model BR0F, BR0G, CR0F, CR0G	24315	24315
1,6 K4M		24315	24315

front axle

### febi 05526

Ref. No. 77 01 205 778



AØ 65 IØ 35 B 35

### febi 05528

Ref. No. 77 01 205 779



AØ 72 IØ 37 B 37

### febi 09321

Ref. No. 82 00 208 332



AØ 37 LKØ 100 x 4

### febi 09322

Ref. No. 77 00 719 140



AØ 35 LKØ 100 x 4

### febi 24313

Ref. No. 77 01 210 111



AØ 77 IØ 42 B 39

### febi 24315

Ref. No. 77 01 207 677



AØ 77 IØ 42 B 37

### febi 32555

Ref. No. 82 00 208 335



AØ 121 LKØ 100 x 4



suitable for:

# Renault

Car  
Division 



## Clio III

(2005→ )

2,0 M4R

24313

-

## Duster

(2010→ )

1,5 D K9K

1,6 K4M

33988

-

## Duster 4x4

(2010→ )

1,5 D K9K

1,6 K4M

33988

-

## Espace I 4x4

(1985→1990)

2,0 J7R

2,2 J7T

05528

-

## Espace III

(1996→2002)

all

19823

-

### febi 05528

Ref. No. 77 01 205 779



AØ 72 IØ 37 B 37

### febi 19823

Ref. No. 60 25 371 670 SK



AØ 88 IØ 45 B 39

### febi 24313

Ref. No. 77 01 210 111



AØ 77 IØ 42 B 39

### febi 33988

Ref. No. 40 21 070 49R



AØ 80 IØ 42 B 39



## Espace IV

(2002→)

all

23331

-

## Fluence

(2010→)

0,0 5AM  
1,5 D K9K  
1,6 K4M  
2,0 H4M  
2,0 M4R

33988

-

## Grand Espace III

(1997→2002)

all

19823

-

## Grand Espace IV

(2002→)

all

23331

-

## Grand Modus

(2004→)

all

24315

24315

front axle

### febi 19823

Ref. No. 60 25 371 670 SK



AØ 88 IØ 45 B 39

### febi 23331

Ref. No. 40 21 096 97R



AØ 88 IØ 45 B 39

### febi 24315

Ref. No. 77 01 207 677



AØ 77 IØ 42 B 37

### febi 33988

Ref. No. 40 21 070 49R



AØ 80 IØ 42 B 39

suitable for:

# Renault

Car  
Division 



## Grand Scenic II

(2003→)

1,4 K4J  
1,5 D K9K  
1,6 K4M  
1,9 D F9Q  
2,0 F4R

24313

-

## Grand Scenic III

(2008→)

1,4 H4J  
1,5 D K9K  
1,6 K4M  
1,9 D F9Q  
2,0 M4R

33988

-

2,0 D M9R

34174

-

## Kangoo I

(1997→2010)

1,0 D4D  
1,0 D7D

05528

-

1,2 D4F

05528

09321

from the year of construction 06/2006

-

32555

### febi 05528

Ref. No. 77 01 205 779



AØ 72 IØ 37 B 37

### febi 09321

Ref. No. 82 00 208 332



AØ 37 LKØ 100 x 4

### febi 24313

Ref. No. 77 01 210 111



AØ 77 IØ 42 B 39

### febi 32555

Ref. No. 82 00 208 335



AØ 121 LKØ 100 x 4

### febi 33988

Ref. No. 40 21 070 49R



AØ 80 IØ 42 B 39

### febi 34174

Ref. No. 40 21 018 77R



AØ 83 IØ 45 B 39



## Kangoo I (1997→2010)

1,2 D7F		05528	-
	model FC0A, FC0F, FC01, FC1A, FC1H, KC0A, KC0F, KC01, KC1A, KC1H	-	09321
	model FC0A, FC0F, KC0A, KC0F, KC01	-	32555
1,4 E7J		05528	-
	model FC0C, FC0H, KC0C, KC0H	-	09321 / 32555
1,4 K7J		05528	-
	model FC0B, FC0C, FC0M, KC0B, KC0C, KC0M	-	09321
	model FC0B, FC0C, FC0M, KC0B, KC0C, KC0M, KC1V	-	32555
1,5 D K9K		05528	09321
	from the year of construction 06/2006	-	32555
1,6 K4M		05528	-
	model FC0P, FC0S, FC1N, FC1U, FC1Y, KC0L, KC0P, KC0S, KC0Z, KC1N , KC1U, KC1Y	-	09321
	model FC0P, FC0S, FC1N, FC1U, FC1W, FC1Y, KC0L, KC0P, KC0S, KC0Z , KC1U, KC1W, KC1Y	-	32555
1,6 K7M		05528	-
1,9 D F8Q		05528	-
	model FC0D, FC0E, FC0J, FC0N, KC0D, KC0E, KC0J, KC0N	-	09321
	model FC0D, FC0E, KC0D, KC0E, KC0N	-	32555
1,9 D F9Q		05528	09321
	from the year of construction 06/2006	-	32555

front axle



suitable for:

# Renault

Car  
Division 



## Kangoo I 4x4 (2003→2008)

1,6 K4M		05528	-
	model KC1N	-	09321 / 32555

## Laguna I (1993→2001)

1,6 K4M		19811	-
1,8 F3P	from the year of construction 04/1995	05528	-
	from the year of construction 05/1995 manual transmission for vehicles without ABS	-	09321
	to the year of construction 01/1997	19807	-
	from the year of construction 02/1997	19811	-
1,8 F4P	to the year of construction 01/1997	19807	-
	from the year of construction 02/1997	19811	-
1,9 D F9Q		19811 / 23253	-

### febi 05528

Ref. No. 77 01 205 779



AØ 72 IØ 37 B 37

### febi 09321

Ref. No. 82 00 208 332



AØ 37 LKØ 100 x 4

### febi 19807

Ref. No. 77 01 205 780



AØ 84 IØ 40 B 38

### febi 19811

Ref. No. 77 01 205 972



AØ 84 IØ 40 B 39,7

### febi 23253

Ref. No. 77 01 209 807



AØ 83 IØ 45 B 39

### febi 32555

Ref. No. 82 00 208 335



AØ 121 LKØ 100 x 4



## Laguna I

(1993→2001)

<b>2,0 F3R</b>	from the year of construction 04/1995	<b>05528</b>	-
	for manual transmission	-	<b>09321</b>
	from the year of construction 05/1995		
	manual transmission for vehicles without ABS		
<b>2,0 F4R</b>	to the year of construction 01/1997	<b>19807</b>	-
	to the year of construction 04/1995		
<b>2,0 N7Q</b>	from the year of construction 02/1997	<b>19811</b>	-
<b>2,2 D G8T</b>	for manual transmission for vehicles without ABS	-	<b>09321</b>
	to the year of construction 01/1997	<b>19807</b>	-
	from the year of construction 02/1997	<b>19811</b>	-
<b>2,9 L7X</b>		<b>19811</b>	-
<b>3,0 Z7X</b>		<b>19807</b>	-

front axle



suitable for:

# Renault

Car  
Division



## Laguna II (2001→2008)

all

23253

-

## Logan I (2004→ )

1,0 D4D  
1,2 D4F

for vehicles with ABS

26887

-

1,4 K7J

for vehicles with ABS  
model FS0A, FS0C, FS0E, KS0A, KS0C,  
KS0E, KS0G, KS12, US0E

24315

24315

for vehicles with ABS  
model LS0A, LS0C, LS0E, LS0G, LS1F,  
LS12

26887

-

model LS0A, LS0E, LS0G, LS1F, LS12

-

32376

model FS0A, FS0C, FS0E, KS0A, KS0C,  
KS0E, KS0G, KS12, US0E

-

32555

front axle

### febi 23253

Ref. No. 77 01 209 807



AØ 83 IØ 45 B 39

### febi 24315

Ref. No. 77 01 207 677



AØ 77 IØ 42 B 37

### febi 26887

Ref. No. 60 01 547 686



AØ 72 IØ 37 B 37

### febi 32376

Ref. No. 60 01 547 685



AØ 121 LKØ 100 x 4

### febi 32555

Ref. No. 82 00 208 335



AØ 121 LKØ 100 x 4



## Logan I

(2004→)

Engine	Vehicle Description	Part 1	Part 2
1,5 D K9K	for vehicles with ABS model FS0J, FS0K, FS0W, FS0Y, FS00, FS04, FS1L, KS0J, KS0K, KS0W , KS0Y, KS00, KS04, KS1L, US0J, US0K, US0W, US0Y, US00, US04	24315	24315
	for vehicles with ABS model LS0J, LS0K, LS0W, LS0Y, LS00, LS04, LS1L	26887	-
		-	32555
		24315	24315
1,6 K4M	for vehicles with ABS model KS0L, KS0M, KS0P, KS1J, KS1S	24315	24315
	for vehicles with ABS model KS0L, KS0M, KS0P, LS0L, LS0M, LS0P, LS0V, LS09, LS1S, LS1V	26887	-
		-	32555
		24315	24315
1,6 K7M	for vehicles with ABS model FS0B, FS0D, FS0F, FS03, FS1E, FS11, KS0B, KS0D, KS0F, KS0H , KS03, KS1E, KS11, US0B, US0D, US0F, US0H, US03, US1E	24315	24315
	for vehicles with ABS model LS0B, LS0D, LS0F, LS0H, LS0M, LS0T, LS03, LS1A, LS1E, LS1H , LS1U	26887	-
	model LS0D, LS0F, LS0H, LS1E, LS1H, LS11	-	32376
	model FS0B, FS0D, FS0F, KS0B, KS0D, KS0F, KS0H, KS1E, KS11, LS0B , LS0M, LS1E, LS1U, US0B, US0D, US0F, US0H, US03, US1E	-	32555

front axle

**febi 24315**  
Ref. No. 77 01 207 677

AØ 77 IØ 42 B 37

**febi 26887**  
Ref. No. 60 01 547 686

AØ 72 IØ 37 B 37

**febi 32376**  
Ref. No. 60 01 547 685

AØ 121 LKØ 100 x 4

**febi 32555**  
Ref. No. 82 00 208 335

AØ 121 LKØ 100 x 4



suitable for:

# Renault

Car  
Division



## Logan II

(2012→)

0,9 H4B  
1,2 D4F  
1,5 D K9K

for vehicles with ABS

24315

24315

## Lutecia

(1990→)

1,6 K4M

model BB0H, BB1J, BB14, CB0H, CB0J,  
CB14

05528

-

model BR0B, CR0B

24315

24315

1,6 K7M

05528

09321

1,7 F2N

for vehicles without ABS

05526

09322

for vehicles with ABS

-

09321

1,8 F3P

for vehicles without ABS

05526

09322

for vehicles with ABS

05528

09321

2,0 F4R

05528

32555

### febi 05526

Ref. No. 77 01 205 778



AØ 65 IØ 35 B 35

### febi 05528

Ref. No. 77 01 205 779



AØ 72 IØ 37 B 37

### febi 09321

Ref. No. 82 00 208 332



AØ 37 LKØ 100 x 4

### febi 09322

Ref. No. 77 00 719 140



AØ 35 LKØ 100 x 4

### febi 24315

Ref. No. 77 01 207 677



AØ 77 IØ 42 B 37

### febi 32555

Ref. No. 82 00 208 335



AØ 121 LKØ 100 x 4



## Master II

(1997→)

1,9 D F9Q  
2,2 D G9T  
2,5 D G9U  
2,5 D S8U  
2,5 D S9U  
2,8 D S9W  
3,0 D ZD3

from the year of construction 08/2000

23183

-

to the year of construction 07/2000

29521

-

## Megane Generation

(2010→)

1,5 D K9K  
1,6 K4M  
2,0 M4R

33988

-

## Megane I

(1995→2003)

1,4 E7J

05528

09321

1,4 K4J  
1,6 K4M

05528

-

1,6 K7M

05528

09321

1,8 F4P

05528

-

front axle

### febi 05528

Ref. No. 77 01 205 779



AØ 72 IØ 37 B 37

### febi 09321

Ref. No. 82 00 208 332



AØ 37 LKØ 100 x 4

### febi 23183

Ref. No. 77 01 206 740



AØ 84 IØ 49 B 48

### febi 29521

Ref. No. 77 01 205 416



AØ 84 IØ 49 B 48

### febi 33988

Ref. No. 40 21 070 49R



AØ 80 IØ 42 B 39

suitable for:

# Renault

Car  
Division



## Megane I

(1995→2003)

front axle	1,9 D F8Q	model BA0A, BA0K, BA0U, BA0Y, BA09, FA0J, FA0Y, JA0J, KA0R, LA0A, LA0K, LA0R, LA0U	05528	-
			-	09321
		model JA0K, JA0Y	19807	-
	1,9 D F9Q 2,0 F3R		05528	09321
	2,0 F5R 2,0 F7R		05528	-

## Megane II

(2002→ )

1,4 K4J	model LM1E	24313	-
	model BM0B, BM0H, BM08, BM1A, BM1S, CM0B, CM0H, CM08, CM1S, KM0B, KM0H, KM1S, LM0B, LM0H, LM08, LM1A	24315	24315
1,5 D K9K	model BM1E, CM1E, EM1E, KM1E, LM1E	24313	-
	model BM0F, BM0T, BM02, BM13, CM0F, CM02, CM1F, KM0F, KM0T, KM02, LM0F, LM0T, LM02, LM1F	24315	24315
1,6 K4M		24315	24315

**febi 05528**

Ref. No. 77 01 205 779



AØ 72 IØ 37 B 37

**febi 09321**

Ref. No. 82 00 208 332



AØ 37 LKØ 100 x 4

**febi 19807**

Ref. No. 77 01 205 780



AØ 84 IØ 40 B 38

**febi 24313**

Ref. No. 77 01 210 111



AØ 77 IØ 42 B 39

**febi 24315**

Ref. No. 77 01 207 677



AØ 77 IØ 42 B 37



## Megane II

(2002→)

1,9 D F9Q	model BM00, BM1D, BM1G, BM14, CM0G, CM00, CM1D, CM1G, CM14, EM0G, EM1D, EM1G, EM14, KM0G, KM00, KM1D, KM1G, KM14, LM0G, LM00, LM1D, LM1G	24313	-
	model BM0G	24315	24315
2,0 F4R	model BM0M, CM0M	23331	-
	model BM0W, BM1T, CM0W, CM1T, EM0W, EM1T	24313	-
	model BM0M, BM0U, BM0W, BM05, BM1M, BM1N, BM1U, BM2V, CM0U, CM05, CM1M, CM1N, CM1U, CM2V, EM0U, EM05, EM1M, EM1N, KM0S, KM0U, KM05, KM1N, CM1U, CM2V, EM0U, EM05, EM1M, EM1N, KM0S, KM0U, KM05, KM1N, KM1U, LM0U, KM1U, LM0U, LM05, LM1M, LM1N, LM1U, LM2V, LM05, LM1M, LM1N, LM1U, LM2V	24315	24315

front axle

## Megane III

(2008→)

1,4 H4J 1,5 D K9K 1,6 K4M 1,9 D F9Q	33988	-
--	-------	---



suitable for:

# Renault

Car  
Division 



## Megane III

(2008→)

2,0 F4R		34174	-
2,0 M4R		33988	-
2,0 D M9R		34174	-

## Modus

(2004→)

1,2 D4F 1,4 K4J		24315	24315
1,5 D K9K	model JP0H	24313	-
	model FP0D, FP0E, FP0F, FP0G, JP0D, JP0E, JP0F, JP0G, JP08, JP17	24315	24315
1,6 K4M		24315	24315

## Rapid

(1985→1999)

1,0 C1C 1,1 C1E 1,2 C1G		-	09322
1,2 C3G	from the year of construction 10/1996	-	09321
		-	09322

**febi 09321**

Ref. No. 82 00 208 332



AØ 37 LKØ 100 x 4

**febi 09322**

Ref. No. 77 00 719 140



AØ 35 LKØ 100 x 4

**febi 24313**

Ref. No. 77 01 210 111



AØ 77 IØ 42 B 39

**febi 24315**

Ref. No. 77 01 207 677



AØ 77 IØ 42 B 37

**febi 33988**

Ref. No. 40 21 070 49R



AØ 80 IØ 42 B 39

**febi 34174**

Ref. No. 40 21 018 77R



AØ 83 IØ 45 B 39



## Rapid

(1985→1999)

1,2 E7F	to the year of construction 10/1996 not for increased payload	-	09322
1,4 C1J 1,4 C2J 1,4 C3J		-	09322
1,4 E6J	for increased payload	-	09321
	not for increased payload	-	09322
1,4 E7J	for increased payload	-	09321
	to the year of construction 10/1996	-	09322
	not for increased payload	-	09322
1,6 D F8M 1,9 D F8Q	to the year of construction 10/1996 for increased payload	-	09321
	to the year of construction 10/1996 not for increased payload	-	09322

## R11

(1982→1989)

all		05526	-
-----	--	-------	---

## R19 I

(1988→1994)

1,2 C1C 1,2 C1G 1,4 C1J 1,4 C2J 1,4 C3J		05528	-
---	--	-------	---

front axle

**febi 05526**  
Ref. No. 77 01 205 778

AØ 65 IØ 35 B 35

**febi 05528**  
Ref. No. 77 01 205 779

AØ 72 IØ 37 B 37

**febi 09321**  
Ref. No. 82 00 208 332

AØ 37 LKØ 100 x 4

**febi 09322**  
Ref. No. 77 00 719 140

AØ 35 LKØ 100 x 4

suitable for:

# Renault

Car  
Division 



<b>front axle</b>	<b>R19 I</b> (1988→1994)		
	1,4 E6J	05528	09321
	1,4 E7J		
	1,7 F2N		
	1,7 F3N		
	1,8 F7P		
	1,9 D F8Q		
	<b>R19 II</b> (1991→2001)		
	1,2 C1G	05528	-
	1,2 E7F	05528	09321
1,4 C1J	05528	-	
1,4 C3J			
1,4 E6J	05528	09321	
1,4 E7J			
1,7 F2N			
1,7 F3N			
1,8 F3P			
1,8 F7P			
1,9 D F8Q			
<b>R21</b> (1986→1995)			
1,4 C2J	05528	09321	
1,7 F2N			
1,7 F3N			
1,9 D F8Q			
<b>R21 II</b> (1989→1993)			
1,9 D F8Q	05528	09321	





## R5

(1972→1996)

0,8 800		-	09322
0,8 839		-	09322
1,0 689		-	09322
1,0 698		-	09322
1,0 C1C	to the year of construction 12/1991	05526	-
	to the year of construction 12/1986	-	09322
1,1 688		-	09322
1,1 C1E	to the year of construction 12/1991	05526	-
	to the year of construction 12/1986	-	09322
1,2 C1G		05526	-
1,3 810		-	09322
1,4 840		-	09322
1,4 847		-	09322
1,4 C1J 1,4 C2J		05526	-
	to the year of construction 12/1986	-	09322
1,4 C3J	to the year of construction 12/1991	05526	-
	to the year of construction 12/1986	-	09322
1,4 C6J		-	09322
1,6 D F8M	to the year of construction 12/1991	05526	-
	to the year of construction 12/1986	-	09322
1,7 F2N 1,7 F3N	to the year of construction 12/1991	05526	-

## R9

(1981→1989)

all		05526	-
-----	--	-------	---

front axle





suitable for:

# Renault

Car Division 



## Safrane I

(1992→1996)

all

19807

-

## Safrane I 4x4

(1992→1997)

3,0 Z7X

19807

-

## Safrane II

(1996→2000)

all

19807

-

## Sandero

(2007→)

1,2 D4F

for vehicles with ABS

24315

24315

model BS1N

-

32376 / 32555

1,4 K7J

for vehicles with ABS

24315

24315

model BS1U, BS12

-

32376

model BS1U

-

32555

1,6 K4M

for vehicles with ABS

24315

24315

-

32555

1,6 K7M

for vehicles with ABS

24315

24315

## Sandero I

(2007→)

1,0 D4D

for vehicles with ABS

24315

24315

-

32555

1,2 D4F

for vehicles with ABS

24315

24315

-

32376

### febi 19807

Ref. No. 77 01 205 780



AØ 84 IØ 40 B 38

### febi 24315

Ref. No. 77 01 207 677



AØ 77 IØ 42 B 37

### febi 32376

Ref. No. 60 01 547 685



AØ 121 LKØ 100 x 4

### febi 32555

Ref. No. 82 00 208 335



AØ 121 LKØ 100 x 4



## Sandero I

(2007→)

1,4 K7J	for vehicles with ABS	24315	24315
	model BS0A, BS0C, BS0E, BS0G, BS1F	-	32376
	model BS1F	-	32555
1,5 D K9K 1,6 K4M	for vehicles with ABS	24315	24315
		-	32555
1,6 K7M	for vehicles with ABS	24315	24315
	model BS0E	-	32376
	model BS0B, BS1A, BS1E, BS1H	-	32555

## Sandero II

(2012→)

0,9 H4B 1,2 D4F 1,5 D K9K	for vehicles with ABS	24315	24315
---------------------------------	-----------------------	-------	-------

## Sandero Stepway

(2008→)

1,6 K4M 1,6 K7M	for vehicles with ABS	24315	24315
--------------------	-----------------------	-------	-------

## Scenic I

(1997→2003)

all		05528	-
-----	--	-------	---

front axle

### febi 05528

Ref. No. 77 01 205 779



AØ 72 IØ 37 B 37

### febi 24315

Ref. No. 77 01 207 677



AØ 77 IØ 42 B 37

### febi 32376

Ref. No. 60 01 547 685



AØ 121 LKØ 100 x 4

### febi 32555

Ref. No. 82 00 208 335



AØ 121 LKØ 100 x 4

suitable for:

# Renault

Car  
Division



## Scenic II

(2003→2009)

all

24313

-

## Scenic III

(2008→ )

1,4 H4J  
1,5 D K9K  
1,6 K4M  
1,9 D F9Q  
2,0 M4R

33988

-

2,0 D M9R

34174

-

## Symbol I

(1998→2009)

1,0 D4D

05526

09322

1,2 D4F

Observe dimensions  
model LB11, LB19, LB2U, LB2V, LB27

05526

-

Observe dimensions  
model LB1Y, LB11

05528

-

-

09322

1,4 K4J

05528

-

### febi 05526

Ref. No. 77 01 205 778



AØ 65 IØ 35 B 35

### febi 05528

Ref. No. 77 01 205 779



AØ 72 IØ 37 B 37

### febi 09322

Ref. No. 77 00 719 140



AØ 35 LKØ 100 x 4

### febi 24313

Ref. No. 77 01 210 111



AØ 77 IØ 42 B 39

### febi 33988

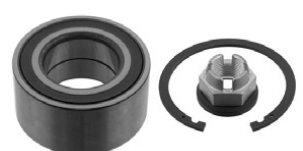
Ref. No. 40 21 070 49R



AØ 80 IØ 42 B 39

### febi 34174

Ref. No. 40 21 018 77R



AØ 83 IØ 45 B 39



## Symbol I

(1998→2009)

1,4 K7J		05526	09322
1,5 D K9K		05528	32555
1,6 K4M	model LB3E	05526	-
	model LB01, LB1B, LB1J, LB1R, LB1V, LB18, LB2K, LB26, LB3G, LB3H	05528	-
		-	09322
1,6 K7M 1,9 D F8Q		05528	-

## Thalia I

(1998→2008)

1,0 D4D		05526	09322
1,2 D4F	Observe dimensions model LB11	05526 / 05528	-
		-	09322
1,4 K4J		05528	-
1,4 K7J	Observe dimensions model LB17	05526 / 05528	-
		-	09322
1,5 D K9K		05528	32555
1,6 K4M 1,9 D F8Q		05528	-

## Thalia II

(2008→)

1,2 D4F		-	09322
1,4 K4J 1,5 D K9K		05528	-

front axle



suitable for:

# Renault

Car  
Division 



## Thalia II

(2008→)

2,0 F4R

05528

32555

## Tondar

(2007→)

1,6 K4M

for vehicles with ABS

26887

-

-

32555

## Trafic II

(2001→)

1,9 D F9Q

2,0 F4R

to the year of construction 11/2002

for vehicles with ABS

23330

-

for vehicles with ABS

from the year of construction 12/2002

23331

-

2,0 D M9R

for vehicles with ABS

23331

-

2,5 D G9U

to the year of construction 11/2002

for vehicles with ABS

23330

-

for vehicles with ABS

from the year of construction 12/2002

23331

-

### febi 05528

Ref. No. 77 01 205 779



AØ 72 IØ 37 B 37

### febi 23330

Ref. No. 77 01 206 847



AØ 86 IØ 45 B 39

### febi 23331

Ref. No. 40 21 096 97R



AØ 88 IØ 45 B 39

### febi 26887

Ref. No. 60 01 547 686



AØ 72 IØ 37 B 37

### febi 32555

Ref. No. 82 00 208 335



AØ 121 LKØ 100 x 4



## Twingo I

(1993→2007)

all

05526

09322

## Twingo II

(2007→)

1,2 D4F  
1,2 D7F  
1,5 D K9K

24315

24315 / 32555

## Vel Satis

(2002→)

all

23331

-

## Wind

(2010→)

1,2 D4F  
1,6 K4M

24313

-

front axle

### febi 05526

Ref. No. 77 01 205 778



AØ 65 IØ 35 B 35

### febi 09322

Ref. No. 77 00 719 140



AØ 35 LKØ 100 x 4

### febi 23331

Ref. No. 40 21 096 97R



AØ 88 IØ 45 B 39

### febi 24313

Ref. No. 77 01 210 111



AØ 77 IØ 42 B 39

### febi 24315

Ref. No. 77 01 207 677



AØ 77 IØ 42 B 37

### febi 32555

Ref. No. 82 00 208 335



AØ 121 LKØ 100 x 4

suitable for:

**Saab**

**Car  
Division**



**9-5 II 4WD**

(2010→ )

2,0 A20DTR  
2,0 A20NFT  
2,0 A20NHT  
2,8 A28NER

39916

39916

**900 I**

(1978→1994)

2,0 B20  
2,0 B201 from the year of construction 01/1986

22235 / 22237

-

2,0 B2012S from the year of construction 01/1986

22235

-

22237

-

2,0 B2012T from the year of construction 01/1986

22235

-

2,0 B201C from the year of construction 01/1986

22235 / 22237

-

2,0 B201L from the year of construction 01/1986

22235

-

22237

-

2,0 B201S from the year of construction 01/1986

22235 / 22237

-

2,0 B201T from the year of construction 01/1986

22235

-

2,0 B201XC  
2,0 B201XI from the year of construction 01/1986

22235 / 22237

-

2,0 B201XL  
2,0 B202I from the year of construction 01/1986

22235

-

22237

-

2,0 B202L from the year of construction 01/1986

22235 / 22237

-

2,0 B202LT from the year of construction 01/1986

22235

-

2,0 B202S  
2,0 B202T  
2,0 B202XI

22237

-

2,0 B202XL from the year of construction 01/1986

22235 / 22237

-

**febi 22235**

Ref. No. 30 520 278



AØ 75 IØ 42 B 37

**febi 22237**

Ref. No. 91 04 209 S1



AØ 75 IØ 42 B 37

**febi 39916**

Ref. No. 13 580 135



AØ 91 IØ 36

AØ 156

LKØ 52 x 6



**900 I**

(1978→1994)

2,0 B20C 2,0 B20I 2,0 B20S 2,0 B20T	from the year of construction 01/1986	22235	-
2,1 B212I	from the year of construction 01/1986	22235	-
		22237	-

**900 II**

(1993→1998)

all		04838	03969
-----	--	-------	-------

**9-3 I**

(1998→2003)

2,0 B204E 2,0 B204I 2,0 B204L 2,0 B204R 2,0 B205E 2,0 B205L 2,0 B205R	to the year of construction 12/2002	04838	03969
2,2 D223L		04838	03969
2,3 B234I 2,3 B234R	to the year of construction 12/2002	04838	03969
2,3 B235R		04838	03969

front axle

**febi 03969**  
Ref. No. 90 496 444

AØ 137 LKØ 105 x 5

**febi 04838**  
Ref. No. 46 89 923

AØ 74 IØ 39 B 39

**febi 22235**  
Ref. No. 30 520 278

AØ 75 IØ 42 B 37

**febi 22237**  
Ref. No. 91 04 209 S1

AØ 75 IØ 42 B 37



suitable for:

**Saab**

**Car  
Division**



**9-3 II**

(2002→)

1,8 Z18XE  
1,9 Z19DT  
1,9 Z19DTH  
1,9 Z19DTR  
2,0 B207E  
2,0 B207L  
2,0 B207R  
2,2 D223L  
2,8 B284E  
2,8 B284L  
2,8 B284R  
2,8 B638R

23377

23377

**9-3 II 4WD**

(2005→2012)

2,0 B207R  
2,8 B284R

23377

23377

**9-5 I**

(1997→2010)

2,0 B204R

04838

03969

2,0 B205E

to the year of construction 12/2001

04838

03969

2,0 B205L

04838

03969

2,3 B235E

-

03969

to the year of construction 12/2001

04838

-

2,3 B235L

04838

03969

2,3 B235R

to the year of construction 12/2001

04838

03969

3,0 B308E

3,0 D308L

to the year of construction 12/2001

04838

-

**febi 03969**

Ref. No. 90 496 444



AØ 137 LKØ 105 x 5

**febi 04838**

Ref. No. 46 89 923



AØ 74 IØ 39 B 39

**febi 23377**

Ref. No. 93 186 387



AØ 137 IØ 33 B 130  
LKØ 105 x 5



**9-5 II**  
(2010→)

all

**39916**

**39916**

front axle

**febi 39916**

Ref. No. 13 580 135



AØ 91 IØ 36

AØ 156

LKØ 52 x 6

suitable for:

# Scion

Car  
Division 



**tC**

(2004→ )

2,4 2AZFE  
2,5 2ARFE

30473

-

**xA**

(2003→2006)

1,5 1NZFE

27148

28248

**xB**

(2000→2005)

1,5 1NZFE

27148

28248

front axle

**febi 27148**

Ref. No. 90369-38021



AØ 71 IØ 37 B 40

**febi 28248**

Ref. No. 43502-52010



AØ 125 LKØ 100 x 4

**febi 30473**

Ref. No. 90363-40066



AØ 74 IØ 40 B 42



### Leon (5F)

(2012→)

1,2 CJZA  
1,2 CJZB  
1,4 CHPA  
1,4 CMBA  
1,4 CPTA  
1,4 CPWA  
1,6 D CLHA  
1,6 D CLHB  
1,6 D CRKB  
1,8 CJSA  
2,0 D CKFC  
2,0 D CRLB  
2,0 D CRMB  
2,0 D CRVA  
2,0 D CRVC  
2,0 D CUPA

For PR number 1ZG

24414

24414

### Toledo IV (KG)

(2012→)

all

For PR number 1ZC/1ZG

24414

24414

### Alhambra (71)

(2010→)

1,4 CTHA  
1,8 CDAA

27317

27317

front axle

#### febi 24414

Ref. No. 6R0 407 621 A



AØ 126 IØ 29 B 82

AØ 72

LKØ 100 x 5

#### febi 27317

Ref. No. 5K0 498 621



AØ 136 IØ 27,5 B 84,5

LKØ 112 x 5

suitable for:

**Seat**

**Car  
Division**



**Altea (5P)**

(2004→)

all For PR number 1ZA/1ZE/1LB/1LJ

**26377 / 27317**

**26377 / 27317**

For PR number 1ZF

**26378 / 27342**

**26378 / 27342**

**Altea 4x4 (5P)**

(2007→)

1,6 D CAYC For PR number 1ZA/1ZE/1LB/1LJ

**26377 / 27317**

**26377 / 27317**

For PR number 1ZF

**26378 / 27342**

**26378 / 27342**

1,9 D BLS For PR number 1ZA/1ZE/1LB/1LJ

**27317**

**27317**

For PR number 1ZF

**27342**

**27342**

2,0 D BMM For PR number 1ZA/1ZE/1LB/1LJ

**26377 / 27317**

**26377 / 27317**

2,0 D BMN For PR number 1ZF

**26378 / 27342**

**26378 / 27342**

2,0 D CFHC For PR number 1ZA/1ZE/1LB/1LJ

**27317**

**27317**

For PR number 1ZF

**27342**

**27342**

front axle

**febi 26377**

Ref. No. 1T0 498 621 SK



AØ 136 IØ 27,5 B 84,5  
LKØ 112 x 5

**febi 26378**

Ref. No. 1K0 498 621 SK



AØ 136 IØ 27 B 85  
LKØ 112 x 5

**febi 27317**

Ref. No. 5K0 498 621



AØ 136 IØ 27,5 B 84,5  
LKØ 112 x 5

**febi 27342**

Ref. No. 5K0 498 621 A



AØ 136 IØ 27 B 85  
LKØ 112 x 5



**Arosa (6H)**  
(1997→2004)

all

19912

01902

front axle

**febi 01902**  
Ref. No. 6N0 407 613



AØ 35 LKØ 100 x 4

**febi 19912**  
Ref. No. 6N0 498 625



AØ 66 IØ 35 B 37

suitable for:

# Seat

Car Division 



## Cordoba (6K)

(1993→2003)

for vehicles without ABS

03662

01901 / 02219

-

03368

- 1,0 AAU
- 1,0 AER
- 1,0 ALD
- 1,0 ANV
- 1,0 AST
- 1,0 AUC
- 1,0 AVZ
- 1,3 2G
- 1,3 AAV
- 1,4 ABD
- 1,4 AEX
- 1,4 AFH
- 1,4 AKK
- 1,4 AKV
- 1,4 ANW
- 1,4 ANX
- 1,4 APE
- 1,4 APQ
- 1,4 AQQ
- 1,4 AUA
- 1,4 AUB
- 1,4 AUD
- 1,6 1F
- 1,6 ABU
- 1,6 AEE
- 1,6 AEH
- 1,6 AFT
- 1,6 AKL
- 1,6 ALM
- 1,6 APF
- 1,6 AUR
- 1,8 ABS
- 1,8 ADL
- 1,8 ADZ
- 1,8 AQX
- 1,8 AYP
- 1,9 D 1Y
- 1,9 D 1Z
- 1,9 D AAZ
- 1,9 D AEY
- 1,9 D AFN
- 1,9 D AGP
- 1,9 D AGR

front axle

**febi 01901**

Ref. No. 357 407 613 B



AØ 40 LKØ 100 x 4

**febi 02219**

Ref. No. 357 407 615 A



AØ 40 LKØ 100 x 4

**febi 03368**

Ref. No. 357 407 615



AØ 40 LKØ 100 x 4

**febi 03662**

Ref. No. 357 498 625 C



AØ 72 IØ 40 B 37



**Cordoba (6K)**

(1993→2003)

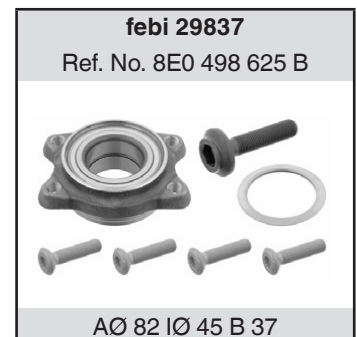
1,9 D ALH		03662	01901 / 02219
1,9 D AQM			
1,9 D ASV	for vehicles without ABS	-	03368
2,0 2E			
2,0 ABF			
2,0 AGG			

**Exeo (3R)**

(2008→)

all		29837	-
-----	--	-------	---

front axle





suitable for:

# Seat

Car  
Division



## Ibiza II (6K)

(1993→1999)

1,0 AAU  
 1,0 AER  
 1,3 2G  
 1,3 AAV  
 1,4 ABD  
 1,4 AEX  
 1,4 AFH  
 1,4 AKV  
 1,4 ANX  
 1,4 APQ  
 1,6 1F  
 1,6 ABU  
 1,6 AEE  
 1,6 AFT  
 1,6 ALM  
 1,8 ABS  
 1,8 ADL  
 1,8 ADZ  
 1,9 D 1Y  
 1,9 D 1Z  
 1,9 D AAZ  
 1,9 D AEY  
 1,9 D AFN  
 1,9 D AHU  
 2,0 2E  
 2,0 ABF  
 2,0 AGG

03662

01901 / 02219

## Ibiza III (6K)

(1999→2003)

all

03662

01901 / 02219

## Ibiza IV (6L)

(2001→2009)

all

24414

24414

febi 01901

Ref. No. 357 407 613 B



AØ 40 LKØ 100 x 4

febi 02219

Ref. No. 357 407 615 A



AØ 40 LKØ 100 x 4

febi 03662

Ref. No. 357 498 625 C



AØ 72 IØ 40 B 37

febi 24414

Ref. No. 6R0 407 621 A



AØ 126 IØ 29 B 82

AØ 72

LKØ 100 x 5



**Ibiza V (6J)**

(2008→)

- 1,2 BZG
- 1,2 CBZB
- 1,2 D CFWA
- 1,2 CGPA
- 1,2 CGPB
- 1,2 CHFA
- 1,4 D BMS
- 1,4 BXW
- 1,4 CAVE
- 1,4 CAVF
- 1,4 CGGB
- 1,6 BTS
- 1,6 D CAYA
- 1,6 D CAYB
- 1,6 D CAYC
- 1,6 D CLNA
- 1,6 CNKA
- 1,9 D BLS
- 1,9 D BXJ
- 2,0 CEKA
- 2,0 D CFHD

24414

24414

front axle

**Inca (6K)**

(1995→2003)

all

03662

01901 / 02219

**febi 01901**  
Ref. No. 357 407 613 B

AØ 40 LKØ 100 x 4

**febi 02219**  
Ref. No. 357 407 615 A

AØ 40 LKØ 100 x 4

**febi 03662**  
Ref. No. 357 498 625 C

AØ 72 IØ 40 B 37

**febi 24414**  
Ref. No. 6R0 407 621 A

AØ 126 IØ 29 B 82  
AØ 72  
LKØ 100 x 5

suitable for:

**Seat**

**Car  
Division**



**Leon (1M)**

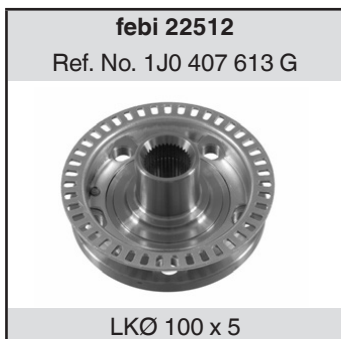
(1998→2006)

front axle	1,4 AHW		-	22512	
	1,4 APE				
	1,4 AXP				
	1,4 BCA				
	1,6 AEH				
	1,6 AKL				
	1,6 AUS				
	1,6 AZD				
	1,6 BCB				
	1,6 BFQ				
	1,8 AGN				
	1,8 AMK				
	1,8 APG				
	1,8 APP				
	1,8 AUQ	to Chassis No. 1M-3-054 800		-	22512
	1,8 BAM		23370		-
1,9 D AGR			-	22512	
1,9 D AHF					
1,9 D ALH					
1,9 D AQM					
1,9 D ARL	to Chassis No. 1M-3-054 800		-	22512	
1,9 D ASV			-	22512	
1,9 D ASZ					
1,9 D AXR					
2,3 AQN	to Chassis No. 1M-3-054 800		-	22512	
2,8 BDE			-	22512	

**Leon 4x4 (1M)**

(2000→2005)

all	to Chassis No. 1M-3-054 800		-	22512
-----	-----------------------------	--	---	-------





## Leon (1P)

(2005→)

	26377 / 27317	26377 / 27317
1,2 CBZB		
1,4 BXW		
1,4 CAXC		
1,4 CGGB		
1,6 BSE		
1,6 BSF		
1,6 D CAYB		
1,6 D CAYC		
1,6 CCSA		
1,6 CHGA		
1,6 CMXA		
1,8 BZB		
1,8 CDAA		
1,9 D BKC		
1,9 D BLS		
1,9 D BXE		
1,9 D BXF		
2,0 D AZV		
2,0 D BKD		
2,0 BLR		
2,0 BLY		
2,0 D BMM		
2,0 D BMN		
2,0 BVY		
2,0 BVZ		
2,0 BWA		
2,0 BWJ		
2,0 CCZB		
2,0 CDLA		
2,0 CDLD		
2,0 D CEGA		
2,0 D CFHC	26377	26377
For PR number 1ZF/1ZC	26378	26378
For PR number 1ZA/1ZB/1ZE/1ZM For PR number 1LB/1LJ/1LT/1LU	27317	27317
For PR number 1ZC/1ZF	27342	27342

front axle

**febi 26377**  
Ref. No. 1T0 498 621 SK

AØ 136 IØ 27,5 B 84,5  
LKØ 112 x 5

**febi 26378**  
Ref. No. 1K0 498 621 SK

AØ 136 IØ 27 B 85  
LKØ 112 x 5

**febi 27317**  
Ref. No. 5K0 498 621

AØ 136 IØ 27,5 B 84,5  
LKØ 112 x 5

**febi 27342**  
Ref. No. 5K0 498 621 A

AØ 136 IØ 27 B 85  
LKØ 112 x 5

suitable for:

**Seat**

**Car  
Division**



**Leon (1P)**

(2005→)

2,0 D CFJA  
2,0 D CLCB

26377 / 27317

26377 / 27317

For PR number 1ZF/1ZC

26378

26378

For PR number 1ZC/1ZF

27342

27342

**Mii (KF)**

(2011→)

1,0 CHYA  
1,0 CHYB  
1,0 CPGA

39160

-

**Toledo I (1L)**

(1991→1999)

1,6 1F  
1,6 ABN  
1,6 AFT  
1,6 EZ  
1,8 ABS  
1,8 ACC

03662

01298 / 01901

1,8 ADZ

03662

01298

**febi 01298**

Ref. No. 1H0 407 613 B



LKØ 100 x 5

**febi 01901**

Ref. No. 357 407 613 B



AØ 40 LKØ 100 x 4

**febi 03662**

Ref. No. 357 498 625 C



AØ 72 IØ 40 B 37

**febi 26377**

Ref. No. 1T0 498 621 SK



AØ 136 IØ 27,5 B 84,5  
LKØ 112 x 5

**febi 26378**

Ref. No. 1K0 498 621 SK



AØ 136 IØ 27 B 85  
LKØ 112 x 5

**febi 27317**

Ref. No. 5K0 498 621



AØ 136 IØ 27,5 B 84,5  
LKØ 112 x 5

**febi 27342**

Ref. No. 5K0 498 621 A



AØ 136 IØ 27 B 85  
LKØ 112 x 5

**febi 39160**

Ref. No. 1S0 498 625



AØ 66 IØ 34,5 B 66



## Toledo I (1L)

(1991→1999)

1,8 KR	03662	01298 / 01901
1,8 PL		
1,8 RP		
1,9 D 1Y		
1,9 D 1Z		
1,9 D AAZ		
1,9 D AFN		
1,9 D AHU		
2,0 2E		
2,0 ABF	08435	01298 / 01901 / 02219
2,0 AGG	03662	-

front axle

### febi 01298

Ref. No. 1H0 407 613 B



LKØ 100 x 5

### febi 01901

Ref. No. 357 407 613 B



AØ 40 LKØ 100 x 4

### febi 02219

Ref. No. 357 407 615 A



AØ 40 LKØ 100 x 4

### febi 03662

Ref. No. 357 498 625 C



AØ 72 IØ 40 B 37

### febi 08435

Ref. No. 1H0 498 625



AØ 72 IØ 40 B 37

suitable for:

**Seat**

**Car  
Division**



**Toledo II (1M)**

(1998→2006)

- 1,4 AHW
- 1,4 APE
- 1,4 AXP
- 1,4 BCA
- 1,6 AEH
- 1,6 AKL
- 1,6 AUS
- 1,6 AZD
- 1,6 BCB
- 1,8 AGN
- 1,8 APG
- 1,8 APP
- 1,8 AUQ
- 1,9 D AGR
- 1,9 D AHF
- 1,9 D ALH
- 1,9 D AQM
- 1,9 D ARL
- 1,9 D ASV
- 2,3 AGZ
- 2,3 AQN
- 2,8 AUE

	-	22512
--	---	-------

**Toledo II 4x4 (1M)**

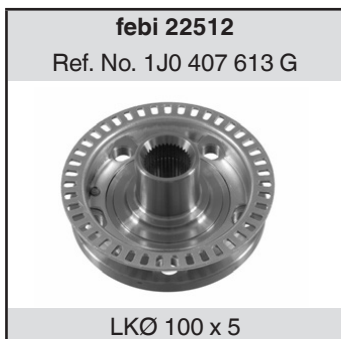
(2000→2006)

- 1,8 AJQ
- 1,8 AMK
- 1,8 ARY

1,8 BAM

2,8 BDE

	-	22512
23370	-	-
-	-	22512





## Toledo III (5P)

(2004→2009)

1,4 BXW 1,4 CAXC	For PR number 1ZE/1LU	26377 / 27317	26377 / 27317
	For PR number 1ZF	26378 / 27342	26378 / 27342
1,6 BGU 1,6 BSE 1,6 BSF	For PR number 1ZE/1LU	26377 / 27317	26377 / 27317
	For PR number 1ZF from Chassis No. 5P-5-165 000	26378	26378
	For PR number 1ZF	27342	27342
1,6 CCSA 1,8 BYT 1,8 BZB 1,8 CDAA	For PR number 1ZE/1LU	26377 / 27317	26377 / 27317
	For PR number 1ZF	26378 / 27342	26378 / 27342
1,9 D BJB 1,9 D BKC	For PR number 1ZE/1LU	26377 / 27317	26377 / 27317
	For PR number 1ZF from Chassis No. 5P-5-165 000	26378	26378
	For PR number 1ZF	27342	27342
1,9 D BLS 1,9 D BXE	For PR number 1ZE/1LU	26377 / 27317	26377 / 27317
	For PR number 1ZF	26378 / 27342	26378 / 27342
2,0 D AZV 2,0 D BKD 2,0 BLR 2,0 BLY	For PR number 1ZE/1LU	26377 / 27317	26377 / 27317
	For PR number 1ZF from Chassis No. 5P-5-165 000	26378	26378
	For PR number 1ZF	27342	27342
2,0 D BMM 2,0 D BMN 2,0 BVY 2,0 BVZ 2,0 BWA 2,0 D CEGA	For PR number 1ZE/1LU	26377 / 27317	26377 / 27317
	For PR number 1ZF	26378 / 27342	26378 / 27342

front axle

### febi 26377

Ref. No. 1T0 498 621 SK



AØ 136 IØ 27,5 B 84,5  
LKØ 112 x 5

### febi 26378

Ref. No. 1K0 498 621 SK



AØ 136 IØ 27 B 85  
LKØ 112 x 5

### febi 27317

Ref. No. 5K0 498 621



AØ 136 IØ 27,5 B 84,5  
LKØ 112 x 5

### febi 27342

Ref. No. 5K0 498 621 A



AØ 136 IØ 27 B 85  
LKØ 112 x 5



suitable for:

**Skoda**

**Car  
Division**



**Rapid (NH)**

(2012→)

all

For PR number 1ZC/1ZG

24414

24414

**Citigo (NF)**

(2011→)

1,0 CHYA  
1,0 CHYB  
1,0 CPGA

39160

-

**Fabia (6Y)**

(1999→2008)

all

For PR number 1N0/1LM  
for vehicles without power steering

24574 / 32558

24574 / 32558

front axle

**febi 24414**

Ref. No. 6R0 407 621 A



AØ 126 IØ 29 B 82  
AØ 72  
LKØ 100 x 5

**febi 24574**

Ref. No. 6Q0 407 621 BK



AØ 120 IØ 23 B 82  
AØ 66  
LKØ 96 x 5

**febi 32558**

Ref. No. 6Q0 407 621 BK S1



AØ 66 IØ 23 B 82  
LKØ 56

**febi 39160**

Ref. No. 1S0 498 625



AØ 66 IØ 34,5 B 66



**Favorit (13)**

(1988→1995)

- 1,1 74413
- 1,3 135
- 1,3 135I
- 1,3 136
- 1,3 136I
- 1,3 781.135
- 1,3 781.13542
- 1,3 781.13543
- 1,3 781.135I40
- 1,3 781.13650

30040

-

**Felicia (6U)**

(1994→)

all

30040

-

**Felicia I (6U)**

(1994→2001)

all

30040

-

**Felicia II (6U)**

(1995→2001)

all

30040

-

**Octavia (1U)**

(1996→2010)

all

-

22512

front axle

**febi 22512**

Ref. No. 1J0 407 613 G



LKØ 100 x 5

**febi 30040**

Ref. No. 6U0 498 003



AØ 68 IØ 35 B 37

suitable for:

**Skoda**

**Car  
Division**



**Octavia (1Z)**

(2004→ )

all	Not for PR number 1ZC/1ZF	26377 / 27317	26377 / 27317
	For PR number 1ZC/1ZF	26378 / 27342	26378 / 27342

**Octavia 4x4 (1Z)**

(2004→2013)

all	Not for PR number 1ZC/1ZF	26377	26377
	For PR number 1ZC/1ZF	26378 / 27342	26378 / 27342
		27317	27317

**Pick Up (13)**

(1991→1996)

all		30040	-
-----	--	-------	---

**Roomster (5J)**

(2006→ )

all	For PR number 1ZC/1ZD/1ZG	24414	24414
-----	---------------------------	-------	-------

**febi 24414**  
Ref. No. 6R0 407 621 A

AØ 126 IØ 29 B 82  
AØ 72  
LKØ 100 x 5

**febi 26377**  
Ref. No. 1T0 498 621 SK

AØ 136 IØ 27,5 B 84,5  
LKØ 112 x 5

**febi 26378**  
Ref. No. 1K0 498 621 SK

AØ 136 IØ 27 B 85  
LKØ 112 x 5

**febi 27317**  
Ref. No. 5K0 498 621

AØ 136 IØ 27,5 B 84,5  
LKØ 112 x 5

**febi 27342**  
Ref. No. 5K0 498 621 A

AØ 136 IØ 27 B 85  
LKØ 112 x 5

**febi 30040**  
Ref. No. 6U0 498 003

AØ 68 IØ 35 B 37



**Superb (3T)**

(2008→)

all

26377 / 27317

26377 / 27317

**Superb 4x4 (3T)**

(2008→)

all

27317

27317

**Superb (3U)**

(2001→2008)

1,8 AWT

for vehicles with automatic transmission

05913

-

for vehicles with manual transmission

24366

-

-

24947

1,9 D AVB

24366

24947

1,9 D AVF  
1,9 D AWX

05913

18344

1,9 D BPZ  
1,9 D BSV

24366

-

2,0 AZM

24366

24947

2,0 D BSS

05913

24947

front axle

**febi 05913**

Ref. No. 4A0 498 625



AØ 82 IØ 43 B 37

**febi 18344**

Ref. No. 4A0 407 615 G



AØ 130 LKØ 112 x 5

**febi 24366**

Ref. No. 4B0 498 625



AØ 75 IØ 39 B 37

**febi 24947**

Ref. No. 8D0 407 615 E



AØ 130 LKØ 112 x 5

**febi 26377**

Ref. No. 1T0 498 621 SK



AØ 136 IØ 27,5 B 84,5  
LKØ 112 x 5

**febi 27317**

Ref. No. 5K0 498 621



AØ 136 IØ 27,5 B 84,5  
LKØ 112 x 5

suitable for:

**Skoda**

**Car  
Division**



**Superb (3U)**

(2001→2008)

2,0 BWW	-	24947
2,5 D AYM 2,5 D BDG 2,8 AMX 2,8 BBG	05913	18344

**Yeti (5L)**

(2009→)

all	For PR number 1ZA/1ZE/1LJ	26377 / 27317	26377 / 27317
	For PR number 1ZF	26378 / 27342	26378 / 27342

**Yeti 4x4 (5L)**

(2009→)

all	For PR number 1ZA/1ZE/1LJ	26377 / 27317	26377 / 27317
	For PR number 1ZF	26378 / 27342	26378 / 27342

**febi 05913**

Ref. No. 4A0 498 625



AØ 82 IØ 43 B 37

**febi 18344**

Ref. No. 4A0 407 615 G



AØ 130 LKØ 112 x 5

**febi 24947**

Ref. No. 8D0 407 615 E



AØ 130 LKØ 112 x 5

**febi 26377**

Ref. No. 1T0 498 621 SK



AØ 136 IØ 27,5 B 84,5  
LKØ 112 x 5

**febi 26378**

Ref. No. 1K0 498 621 SK



AØ 136 IØ 27 B 85  
LKØ 112 x 5

**febi 27317**

Ref. No. 5K0 498 621



AØ 136 IØ 27,5 B 84,5  
LKØ 112 x 5

**febi 27342**

Ref. No. 5K0 498 621 A



AØ 136 IØ 27 B 85  
LKØ 112 x 5



**Cabrio (Model 450)**

(1999→2004)

all	28230	28230
-----	-------	-------

**City Coupe (Model 450)**

(1998→2004)

all	28230	28230
-----	-------	-------

**Crossblade (Model 450)**

(2002→2003)

0,6 (16011715) 0,6 (160920)	28230	28230
--------------------------------	-------	-------

**Forfour (Model 454)**

(2003→2008)

all	32970	32970
-----	-------	-------

**Fortwo Cabrio (Model 450)**

(2003→2006)

all	28230	28230
-----	-------	-------

**Fortwo Cabrio (Model 451)**

(2007→)

all	36789	36789
-----	-------	-------

**Fortwo Coupe (Model 450)**

(2004→2007)

all	28230	28230
-----	-------	-------

**Fortwo Coupe (Model 451)**

(2007→)

all	36789	36789
-----	-------	-------

front axle

**febi 28230**  
Ref. No. 1870V023000000

AØ 133,5 IØ 35 B 47,8  
LKØ 110 x 3

**febi 32970**  
Ref. No. 454 330 01 20 S1

AØ 135  
AØ 75  
LKØ 114,3 x 4

**febi 36789**  
Ref. No. 451 330 00 59 S1

AØ 134 IØ 60 B 134  
LKØ 112

suitable for:

**Smart**

**Car  
Division**



**Roadster (Model 452)**

(2003→2006)

all

28230

28230

**Roadster Coupe (Model 452)**

(2003→2006)

all

28230

28230

front axle

**febi 28230**

Ref. No. 1870V023000000



AØ 133,5 IØ 35 B 47,8

LKØ 110 x 3



### Forester 4WD

(1997→2005)

2,0 EJ201	to the year of construction 01/2003	31509	-
2,0 EJ202		31509	-
2,0 EJ205	to the year of construction 01/2003	31509	-
2,0 EJ20J		31509	-
2,5 EJ25	to the year of construction 01/2003	31509	-
2,5 EJ250		31509	-
2,5 EJ251	to the year of construction 01/2003	31509	-
2,5 EJ25D		31509	-

### Impreza

(1993→2006)

1,5 EJ151		31509	-
1,6 EJ161	to the year of construction 01/2003	31509	-
1,6 EJ16E 1,8 EJ18E 2,0 EJ201 2,0 EJ20E 2,0 EJ20F 2,2 EJ22E		31509	-

### Impreza 4WD

(1993→2007)

1,6 EJ161	to the year of construction 01/2003	31509	-
1,6 EJ16E 1,8 EJ18E		31509	-
2,0 EJ201 2,0 EJ205	to the year of construction 01/2003	31509	-
2,0 EJ205P		31509	-
2,0 EJ207	to the year of construction 06/2004	31509	-

front axle





suitable for:

# Subaru

Car  
Division 



## Impreza 4WD

(1993→2007)

2,0 EJ20E  
2,0 EJ20G  
2,2 EJ22  
2,2 EJ22E  
2,5 EJ251

31509

-

## Justy

(2003→2007)

1,3 D Z13DT

31432

-

## Justy 4WD

(2003→)

1,3 K3VE  
1,3 M13A  
1,5 M15A

31432

-

## Legacy I

(1989→1993)

1,6 EJ16  
1,8 EJ18S  
2,0 EJ20E  
2,2 EJ22

31509

-

## Legacy I 4WD

(1989→1994)

1,8 EJ18S  
2,0 EJ20E  
2,0 EJ20G  
2,2 EJ22E

31509

-

## Legacy II

(1994→1999)

2,0 EJ20E

31509

-

**febi 31432**

Ref. No. 4344086G00000



AØ 72 IØ 40 B 36

**febi 31509**

Ref. No. 28316AE000



AØ 72 IØ 42 B 38



**Legacy II 4WD**

(1994→1999)

all

31509

-

**Legacy III 4WD**

(1998→2003)

all

31509

-

**Outback 4WD**

(1996→2003)

2,5 EJ251  
3,0 EZ30D

31509

-

front axle

**febi 31509**

Ref. No. 28316AE000



AØ 72 IØ 42 B 38

suitable for:

**Suzuki**

Car  
Division 



**Carry 4WD**

(1999→2004)

1,3 G13BB

31342

-

**Grand Escudo**

(2005→2011)

1,6 M16A

2,0 J20A

33915

33915

**Grand Escudo 4WD**

(2003→2008)

1,6 M16A

2,7 H27A

33915

33915

**Grand Vitara**

(2005→ )

1,3 M13A

1,6 M16A

1,9 D F9Q

33915

33915

**Grand Vitara 4WD**

(2005→ )

1,6 M16A

1,9 D F9Q

2,0 J20A

2,4 J24B

2,7 H27A

3,2 N32A

33915

33915

**Ignis**

(2000→2012)

1,3 M13A

31342 / 31432

-

1,3 D Z13DT

1,5 M15A

31432

-

**febi 31342**

Ref. No. 43440-84F00-000



AØ 62 IØ 35 B 40

**febi 31432**

Ref. No. 43440-86G00-000



AØ 72 IØ 40 B 36

**febi 33915**

Ref. No. 43402-57L50-000



AØ 84 IØ 30,17  
LKØ 114,3 x 5



**Ignis 4WD**

(2000→2012)

1,3 M13A		31342	-
1,5 M15 1,5 M15A		31432	-

**Swift III**

(2005→)

1,3 D D13A		31432	-
1,3 M13A	chassis number TSM... to Chassis No. S00500000	31432	-
1,3 D Z13DT 1,3 D Z13DTJ 1,5 M15A		31432	-
1,6 M16A		29182	-

**SX4**

(2006→)

all		29182	40225
-----	--	-------	-------

**SX4 4WD**

(2006→)

all		29182	40225
-----	--	-------	-------

**Wagon R**

(2000→2003)

1,0 K10A 1,3 M13A		31342	-
----------------------	--	-------	---

front axle

**febi 29182**  
Ref. No. 43440-80J00-000

AØ 84 IØ 45 B 39

**febi 31342**  
Ref. No. 43440-84F00-000

AØ 62 IØ 35 B 40

**febi 31432**  
Ref. No. 43440-86G00-000

AØ 72 IØ 40 B 36

**febi 40225**  
Ref. No. 43421-79J01-000

AØ 134 LKØ 114 x 5

suitable for:

# Suzuki

Car  
Division 



## Wagon R+

(1992→2012)

0,7 F6AB  
 0,7 F6AG  
 1,0 G10A  
 1,0 K10A  
 1,0 Z10EXP  
 1,2 K12A  
 1,2 Z12XEP  
 1,3 G13BB  
 1,3 M13A

31342

-

1,3 D Z13DT

31432

-

## Wagon R+ 4WD

(1998→2012)

1,2 K12A  
 1,3 M13A

31342

-

front axle

### febi 31342

Ref. No. 43440-84F00-000



AØ 62 IØ 35 B 40

### febi 31432

Ref. No. 43440-86G00-000



AØ 72 IØ 40 B 36



### Avalon

(1996→2005)

3,0 1MZFE

27313

-

from the year of construction 04/2001

-

28249

### Avensis

(1997→)

1,6 3ZZFE

24716

-

1,6 4AFE

1,8 1ZZFE

24716 / 30473

-

1,8 7AFE

24716

-

2,0 D 1ADFTV

2,0 1AZFE

model AZT250

24716

-

27313

-

model ACM20

31189

-

2,0 1AZFSE

24716

-

2,0 D 1CDFTV

model CDT220, CDT221, CDT250

24716

-

27313

-

model CLM20

31189

-

front axle

#### febi 24716

Ref. No. 90080-36087



AØ 74 IØ 40 B 42

#### febi 27313

Ref. No. 90369-43008



AØ 82 IØ 43 B 45

#### febi 28249

Ref. No. 43502-33030



AØ 139 LKØ 114 x 5

#### febi 30473

Ref. No. 90363-40066



AØ 74 IØ 40 B 42

#### febi 31189

Ref. No. 90369-43009



AØ 82 IØ 43 B 45

suitable for:

**Toyota**

**Car  
Division**



**Avensis**

(1997→)

2,0 D 2CT  
2,0 D 2CTE  
2,0 3SFE  
2,2 D 2ADFHV  
2,2 D 2ADFTV

24716

-

**Aygo**

(2005→)

1,0 1KRFE  
1,4 D 2WZTV

31062

-

**Camry**

(1982→2007)

1,8 D 1CTL  
1,8 1SL  
2,0 D 2CT  
2,0 3SFE

24717

-

2,2 5SFE

27313

28239

2,4 2AZFE

27313

28239

to the year of construction 07/2003

31189

-

2,5 2VZFE

24717

-

**febi 24716**

Ref. No. 90080-36087



AØ 74 IØ 40 B 42

**febi 24717**

Ref. No. 90369-38003



AØ 74 IØ 38 B 36

**febi 27313**

Ref. No. 90369-43008



AØ 82 IØ 43 B 45

**febi 28239**

Ref. No. 43502-32070



AØ 140 LKØ 114 x 5

**febi 31062**

Ref. No. 90369-W0001



AØ 69 IØ 38 B 39

**febi 31189**

Ref. No. 90369-43009



AØ 82 IØ 43 B 45



### Camry

(1982→2007)

3,0 1MZFE		27313	-
	from the year of construction 02/2001 to the year of construction 07/2004	-	28249
	to the year of construction 07/2003	31189	-
3,0 3VZFE		27313	-
	from the year of construction 02/2001	-	28249

### Camry 4x4

(1987→1991)

2,0 3SFE		24717	-
----------	--	-------	---

### Carina

(1992→1997)

1,6 4AFE		24717	-
	to the year of construction 01/1996	-	28247
1,8 7AFE		24717	-
2,0 D 2C		24717	28247

front axle

**febi 24717**  
Ref. No. 90369-38003

AØ 74 IØ 38 B 36

**febi 27313**  
Ref. No. 90369-43008

AØ 82 IØ 43 B 45

**febi 28247**  
Ref. No. 43502-20131

AØ 125 LKØ 100 x 5

**febi 28249**  
Ref. No. 43502-33030

AØ 139 LKØ 114 x 5

**febi 31189**  
Ref. No. 90369-43009

AØ 82 IØ 43 B 45



suitable for:

**Toyota**

**Car  
Division**



**Carina**

(1992→1997)

2,0 3SFE

2,0 3SGE

24717

-

to the year of construction 01/1996

-

28247

**Carina II**

(1983→1992)

all

24717

-

**Celica**

(1985→2005)

1,6 4AFE

1,6 4AGEL

1,6 4AGELC

1,6 4AL

24717

-

1,8 2ZZGE

30473

-

1,8 7AFE

2,0 3SGE

2,0 3SGEL

2,0 3SGELC

2,2 5SFE

24717

-

**Celica 4x4**

(1988→1994)

2,0 3SGTE

24717

-

**Corolla**

(1983→ )

1,3 2AL

24717

-

**febi 24717**

Ref. No. 90369-38003



AØ 74 IØ 38 B 36

**febi 28247**

Ref. No. 43502-20131



AØ 125 LKØ 100 x 5

**febi 30473**

Ref. No. 90363-40066



AØ 74 IØ 40 B 42



## Corolla

(1983→)

1,3 2E		24770	28240
1,3 2EE		24770	-
1,3 2EL 1,3 2ELC		24717	-
1,3 4EFE		24770	28240
1,4 D 1NDTV		24716 / 30473	-
1,4 4AZFE		24770	-
1,4 4ZZFE	model ZZE120	24716	-
	model ZZE111	24770	-
		30473	-
1,5 1NZFE		30473	-
1,5 5AFE		-	28240
1,6 3ZZFE	model ZZE121	24716	-
	model ZZE112	24770	-
		30473	-

front axle

### febi 24716

Ref. No. 90080-36087



AØ 74 IØ 40 B 42

### febi 24717

Ref. No. 90369-38003



AØ 74 IØ 38 B 36

### febi 24770

Ref. No. 90363-38006



AØ 72 IØ 38 B 36

### febi 28240

Ref. No. 43502-12090



AØ 125 LKØ 100 x 4

### febi 30473

Ref. No. 90363-40066



AØ 74 IØ 40 B 42

suitable for:

**Toyota**

**Car  
Division**



**Corolla**

(1983→ )

front axle	1,6 4AFE	model AE111	24716	-		
		model AE95	24770	-		
			-	28240		
	1,6 4AGEC 1,6 4AGEL 1,6 4AL 1,6 4ALC			24717	-	
				24717 / 24770	-	
				24717	-	
				24770 / 30473	28240	
	1,8 7AFE	from the year of construction 02/1994 to the year of construction 05/1996			24770	-
					-	28240
	1,9 D 1WZ			24770	-	
2,0 D 1CDFTV	model CDE120	24716	-			
	model CDE110	24770	-			
		30473	28240			
2,0 D 2C			24770 / 30473	28240		

**febi 24716**  
Ref. No. 90080-36087

Ø 74 IØ 40 B 42

**febi 24717**  
Ref. No. 90369-38003

Ø 74 IØ 38 B 36

**febi 24770**  
Ref. No. 90363-38006

Ø 72 IØ 38 B 36

**febi 28240**  
Ref. No. 43502-12090

Ø 125 LKØ 100 x 4

**febi 30473**  
Ref. No. 90363-40066

Ø 74 IØ 40 B 42



### Corolla

(1983→)

2,0 D 2CE

24770

28240

### Corolla Altis

(2002→)

1,6 3ZZFE

24716 / 30473

-

### Corolla Levin

(1991→1997)

1,5 5AFE  
1,6 4AFE

-

28240

### Corolla 4x4

(1987→2004)

1,6 4AF  
1,6 4AFE

24770

-

1,8 1ZZFE

24716 / 30473

-

1,8 7AFE

from the year of construction 02/1994  
to the year of construction 05/1996

24770

-

-

28240

front axle

#### febi 24716

Ref. No. 90080-36087



AØ 74 IØ 40 B 42

#### febi 24770

Ref. No. 90363-38006



AØ 72 IØ 38 B 36

#### febi 28240

Ref. No. 43502-12090



AØ 125 LKØ 100 x 4

#### febi 30473

Ref. No. 90363-40066



AØ 74 IØ 40 B 42

suitable for:

**Toyota**

**Car  
Division**



front axle

**Corona**

(1992→2001)

1,6 4AFE  
2,0 3SFE  
2,0 3SGE

-

28247

**Corona 4x4**

(1996→2001)

2,0 3SFSE

-

28247

**Dyna**

(1985→2001)

1,8 2Y  
2,4 D 2L

27479

-

**Echo**

(1999→2006)

1,0 1SZFE

-

28248

1,3 2NZFE

27148

28248

1,4 D 1NDTV

-

28248

1,5 1NZFE

27148

28248

**Hiace**

(1977→2004)

1,6 12R  
2,2 D L

from the year of construction 11/1982

27479

-

**febi 27148**

Ref. No. 90369-38021



AØ 71 IØ 37 B 40

**febi 27479**

Ref. No. 90368-34001 S1



AØ 65 IØ 35 B 19

AØ 50 IØ 21

**febi 28247**

Ref. No. 43502-20131



AØ 125 LKØ 100 x 5

**febi 28248**

Ref. No. 43502-52010



AØ 125 LKØ 100 x 4



### Hiace

(1977→2004)

3,0 D 5LE

32886

32886

### Hiace II

(1982→1989)

1,8 2Y

from the year of construction 08/1987

27479

-

1,8 2YC

2,0 3Y

2,2 D L

2,4 D 2L

### Hiace II 4x4

(1987→1989)

2,0 3Y

27479

-

### Hiace III

(1989→2000)

2,0 1RZ

27479

-

2,4 D 2L

to the year of construction 08/1995

27479

-

2,4 2RZE

27479

-

### Hiace IV

(1989→)

2,4 D 2L

from the year of construction 07/1999

27479

-

2,4 D 2LT

2,4 2RZE

27479

-

2,5 D 2KDFTV

to the year of construction 08/2005

27479

-

from the year of construction 01/2005

32886

32886

2,7 2TRFE

32886

32886

2,7 3RZFE

from the year of construction 07/1999

27479

-

to the year of construction 08/2005

front axle

#### febi 27479

Ref. No. 90368-34001 S1



AØ 65 IØ 35 B 19

AØ 50 IØ 21

#### febi 32886

Ref. No. 43560-26010



AØ 90 IØ 53 B 60

suitable for:

**Toyota**

**Car  
Division**



front axle

**Hiace IV**

(1989→)

<b>3,0 D 1KDFTV</b>		<b>32886</b>	<b>32886</b>
<b>3,0 D 5L</b>	to the year of construction 08/2005	<b>27479</b>	-
<b>3,0 D 5LE</b>		<b>32886</b>	<b>32886</b>

**Hiace IV 4x4**

(1996→2006)

<b>2,4 D 2LT</b>	from the year of construction 07/1999	<b>27479</b>	-
<b>2,5 D 2KDFTV</b>	to the year of construction 08/2005	<b>27479</b>	-
<b>2,7 3RZFE</b>	from the year of construction 07/1999 to the year of construction 08/2005	<b>27479</b>	-

**Hiace V**

(2005→)

<b>2,5 D 2KDFTV</b> <b>3,0 D 1KDFTV</b>		<b>32886</b>	<b>32886</b>
--	--	--------------	--------------

**Hilux**

(1983→1999)

<b>1,8 2Y</b> <b>2,0 3Y</b> <b>2,4 D 2L</b>	from the year of construction 03/1986	<b>27479</b>	-
<b>2,4 D 2LT</b>		<b>27479</b>	-

**Hilux Mighty X**

(1990→1999)

<b>1,8 2Y</b> <b>2,4 D 2L</b> <b>2,4 D 2LT</b>		<b>27479</b>	-
--	--	--------------	---

**febi 27479**

Ref. No. 90368-34001 S1



AØ 65 IØ 35 B 19  
AØ 50 IØ 21

**febi 32886**

Ref. No. 43560-26010



AØ 90 IØ 53 B 60



### Hilux 4x4

(1983→2004)

2,0 3Y		27479	-
2,2 4Y			
2,4 22R			
2,4 22RE			
2,4 22REC	from the year of construction 03/1986	27479	-
2,4 D 2L		27479	-
2,4 D 2LT			
2,8 D 3L			
3,0 3VZE			

### iQ

(2008→ )

1,0 1KRFE		-	28248
1,3 1NRFE		30712	-
1,4 D 1NDTV			

### MR 2

(1984→2000)

1,6 4AGEL		27314	-
1,6 4AGELC			

front axle

**febi 27314**  
Ref. No. 90369-28006




AØ 61 IØ 28 B 42

**febi 27479**  
Ref. No. 90368-34001 S1



AØ 65 IØ 35 B 19  
AØ 50 IØ 21

**febi 28248**  
Ref. No. 43502-52010



AØ 125 LKØ 100 x 4

**febi 30712**  
Ref. No. 90363-40079



AØ 75 IØ 39,8 B 39



suitable for:

**Toyota**

**Car  
Division**



front axle

<b>MR 2</b> (1984→2000)			
2,0 3SFE 2,0 3SGE 2,0 3SGTE		27312	-
<b>Noah</b> (2009→ )			
2,0 3ZRFAE		27313 / 31189	-
<b>Noah 4x4</b> (2008→ )			
2,0 3ZRFAE		27313 / 31189	-
<b>Picnic</b> (1996→2001)			
2,0 3SFE 2,2 D 3CTE		27313 / 31189	-
<b>Prius</b> (1997→2003)			
1,5 1NZFXE		30473	-
<b>RAV 4</b> (1995→2005)			
0,0 EM 1,8 1ZZFE		27313 / 31189	-





### RAV 4

(1995→2005)

2,0 3SFE

24717

28246

### RAV 4 4x4

(1994→)

2,0 1AZFE

2,0 D 1CDFTV

27313 / 31189

-

2,0 3SFE

24717

28246

2,4 2AZFE

27313 / 31189

-

### RAV 4J

(1997→1999)

2,0 3SFE

24717

28246

### RAV 4J 4x4

(1994→2005)

2,0 1AZFSE

27313 / 31189

-

2,0 3SFE

2,0 3SGE

24717

28246

### RAV 4L

(1997→1999)

2,0 3SFE

24717

28246

### RAV 4L 4x4

(1994→2005)

2,0 1AZFSE

27313 / 31189

-

2,0 3SFE

24717

28246

front axle

**febi 24717**

Ref. No. 90369-38003



AØ 74 IØ 38 B 36

**febi 27313**

Ref. No. 90369-43008



AØ 82 IØ 43 B 45

**febi 28246**

Ref. No. 43502-42010



AØ 140 LKØ 114 x 5

**febi 31189**

Ref. No. 90369-43009



AØ 82 IØ 43 B 45

suitable for:

**Toyota**

**Car  
Division**



front axle

<b>Scion</b> (2004→2006)			
1,5 1NZFE		27148	28248
<b>Solara</b> (1998→2002)			
2,2 5SFE		-	28239
<b>Spacio</b> (2001→2004)			
1,8 1ZZFE		30473	-
<b>Starlet II</b> (1984→1989)			
1,0 1EL 1,5 D 1N		17432	-
<b>Starlet III</b> (1989→1996)			
1,0 1E 1,3 2E 1,3 2EE 1,5 D 1N		17432	-

**febi 17432**

Ref. No. 90369-35029



AØ 68 IØ 35 B 33

**febi 27148**

Ref. No. 90369-38021



AØ 71 IØ 37 B 40

**febi 28239**

Ref. No. 43502-32070



AØ 140 LKØ 114 x 5

**febi 28248**

Ref. No. 43502-52010



AØ 125 LKØ 100 x 4

**febi 30473**

Ref. No. 90363-40066



AØ 74 IØ 40 B 42



### Starlet IV

(1996→1999)

1,3 2E  
1,3 4EFE

17432

-

### Urban Cruiser

(2009→)

1,3 1NRFE  
1,4 D 1NDTV

30712

-

### Urban Cruiser 4X11

(2009→)

1,4 D 1NDTV

30712

-

### Vitz

(1999→2010)

1,0 1KRFE

30712

-

1,0 1SZFE  
1,3 2NZFE

27148

28248

1,3 2SZFE  
1,5 1NZFE

27148

-

### Yaris

(1999→2012)

1,0 1KRFE

30712

-

1,0 1SZFE  
1,3 2NZFE

27148

28248

1,3 2SZFE

model SCP12

27148

-

model SCP90

30712

-

1,4 D 1NDTV

27148

28248

1,5 1NZFE

27148

-

1,8 2ZRFE

30712

-

front axle

#### febi 17432

Ref. No. 90369-35029



AØ 68 IØ 35 B 33

#### febi 27148

Ref. No. 90369-38021



AØ 71 IØ 37 B 40

#### febi 28248

Ref. No. 43502-52010



AØ 125 LKØ 100 x 4

#### febi 30712

Ref. No. 90363-40079



AØ 75 IØ 39,8 B 39

suitable for:

# Vauxhall

Car  
Division 



## Adam

(2012→)

1,2 A12XEL  
1,4 A14XEL  
1,4 A14XER

24524

28303

## Agila I

(2000→2008)

1,0 Z10XE  
1,0 Z10XEP  
1,2 Z12XE  
1,2 Z12XEP

31342

-

1,3 D Z13DT

31432

-

front axle

### febi 24524

Ref. No. 93188889



AØ 72 IØ 35 B 33

### febi 28303

Ref. No. 55701432



AØ 120 LKØ 100 x 4

### febi 31342

Ref. No. 09203934 S1



AØ 62 IØ 35 B 40

### febi 31432

Ref. No. 09214025



AØ 72 IØ 40 B 36



## Astra II

(1984→1993)

		03096 / 03270 / 04799	03106
1,2 12S 1,3 13N 1,3 13S 1,4 14NV 1,4 C14NZ	to Chassis No. S2999999 to Chassis No. S5999999 to Chassis No. S6999999 to Chassis No. S8999999 to Chassis No. SP999999 Country of use Thailand	03271	-
1,5 D 15DT 1,6 D 16D	to Chassis No. S2999999 to Chassis No. S5999999 to Chassis No. S6999999 to Chassis No. S8999999 to Chassis No. SP999999 Country of use Thailand	03189 03271	03104 -
1,6 D 16DA 1,6 16S	to Chassis No. S2999999 to Chassis No. S5999999 to Chassis No. S6999999 to Chassis No. S8999999 to Chassis No. SP999999 Country of use Thailand	03189 03271	- -

front axle

### febi 03096

Ref. No. 90486458



AØ 64 IØ 34 B 37

### febi 03104

Ref. No. 90251816



AØ 120 LKØ 100 x 4

### febi 03106

Ref. No. 90498610



AØ 120 LKØ 100 x 4

### febi 03189

Ref. No. 90486460



AØ 72 IØ 39 B 37

### febi 03270

Ref. No. 90279331



AØ 64 IØ 34 B 37

### febi 03271

Ref. No. 90279332



AØ 72 IØ 39 B 37

### febi 04799

Ref. No. 90510544



AØ 66 IØ 34 B 37

suitable for:

**Vauxhall**

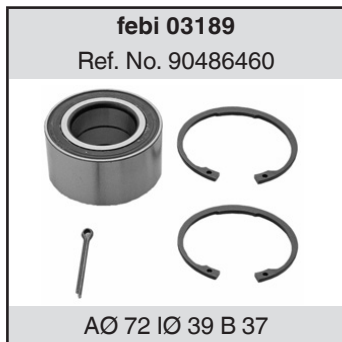
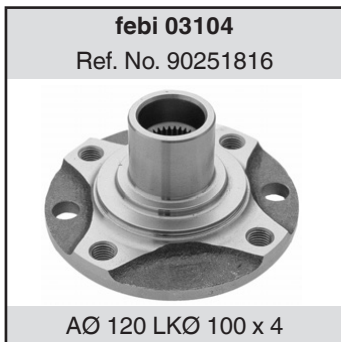
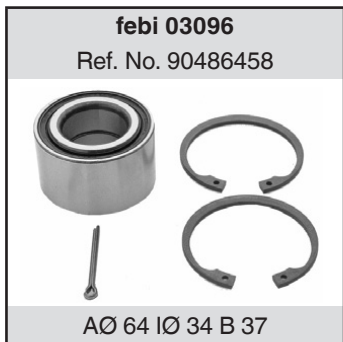
**Car  
Division**



**Astra II**

(1984→1993)

front axle	1,6 16SV		03096 / 03270 / 04799	03104
		to Chassis No. S2999999 to Chassis No. S5999999 to Chassis No. S6999999 to Chassis No. S8999999 to Chassis No. SP999999 Country of use Thailand	03271	-
	1,6 E16NZ		-	03975
	1,7 D 17D 1,7 D 17DR		03189	03104
	1,8 18E 1,8 18SE 2,0 20NE 2,0 20SEH 2,0 20XE	to Chassis No. S2999999 to Chassis No. S5999999 to Chassis No. S6999999 to Chassis No. S8999999 to Chassis No. SP999999 Country of use Thailand	03271	-





**Astra II**

(1984→1993)

2,0 C20NE

to Chassis No. S2999999  
to Chassis No. S5999999  
to Chassis No. S6999999  
to Chassis No. S8999999  
to Chassis No. SP999999

from Chassis No. T2500001  
from Chassis No. T5000001  
from Chassis No. T6000001  
from Chassis No. T8000001  
from Chassis No. TP000001  
for vehicles without off-road  
suspension  
not for country-spec. model China

for vehicles with off-road suspension  
Country Version China

03189

03104

-

03965

-

03975

**Astra III**

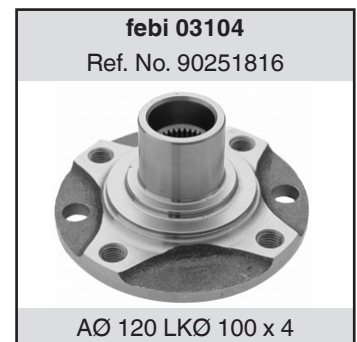
(1991→2001)

1,4 14NV

-

03106

front axle





suitable for:

**Vauxhall**

**Car  
Division**



**Astra III**

(1991→2001)

1,4 C14NZ

front axle

	-	03106 / 03975
to Chassis No. P2999999 to Chassis No. P3999999 to Chassis No. P4999999 to Chassis No. P5999999 to Chassis No. P6999999 to Chassis No. P8999999 manual transmission	<b>03270</b>	-
to Chassis No. P5077914 to Chassis No. NE2999999 automatic transmission		
for vehicles without off-road suspension from Chassis No. R2000001 from Chassis No. R3000001 not for country-spec. model India from Chassis No. R4000001 not for country-spec. model Kenya from Chassis No. R5000001 not for country-spec. model Thailand from Chassis No. R6000001 from Chassis No. R8000001	<b>04799</b>	-

**febi 03106**  
Ref. No. 90498610

AØ 120 LKØ 100 x 4

**febi 03270**  
Ref. No. 90279331

AØ 64 IØ 34 B 37

**febi 03975**  
Ref. No. 90468645

AØ 120 LKØ 100 x 4

**febi 04799**  
Ref. No. 90510544

AØ 66 IØ 34 B 37



**Astra III**

(1991→2001)

1,4 C14SE

from Chassis No. RB000001  
manual transmission  
not for country-spec. model India

to Chassis No. P5077915  
to Chassis No. NE299999  
automatic transmission

to Chassis No. P2999999  
to Chassis No. P3999999  
to Chassis No. P4999999  
to Chassis No. P6999999  
automatic transmission

from Chassis No. P5077915  
to Chassis No. P5999999  
automatic transmission

from Chassis No. P8100001  
to Chassis No. P8999999  
automatic transmission

to Chassis No. RB000000  
manual transmission

-	03106
03189	-

front axle

**febi 03106**  
Ref. No. 90498610



AØ 120 LKØ 100 x 4

**febi 03189**  
Ref. No. 90486460



AØ 72 IØ 39 B 37

suitable for:

# Vauxhall

Car  
Division 



## Astra III (1991→2001)

front axle

to Chassis No. P2999999 to Chassis No. P3999999 to Chassis No. P4999999 to Chassis No. P5999999 to Chassis No. P6999999 to Chassis No. P8999999 manual transmission	<b>03270</b>	-
to Chassis No. P5077914 to Chassis No. NE2999999 automatic transmission		
to Chassis No. RB000000 to Chassis No. S2999999 manual transmission to Chassis No. S5999999 to Chassis No. S6999999 to Chassis No. S8999999 to Chassis No. SP999999 Country of use Thailand	<b>03271</b>	-
to Chassis No. P2999999 to Chassis No. P3999999 to Chassis No. P4999999 to Chassis No. P6999999 automatic transmission		
from Chassis No. P5077915 to Chassis No. P5999999 automatic transmission		
from Chassis No. P8100001 to Chassis No. P8999999 automatic transmission		

### febi 03270

Ref. No. 90279331



AØ 64 IØ 34 B 37

### febi 03271

Ref. No. 90279332



AØ 72 IØ 39 B 37



**Astra III**

(1991→2001)

	-	03975
<p>for vehicles without off-road suspension                      from Chassis No. R2000001                      from Chassis No. R3000001                      not for country-spec. model India                      from Chassis No. R4000001                      not for country-spec. model Kenya                      from Chassis No. R5000001                      not for country-spec. model Thailand                      from Chassis No. R6000001                      from Chassis No. R8000001</p>	04799	-
Not for equipment version Sport	04838	-
<b>1,4 X14NZ</b>	-	03106 / 03975
<p>for vehicles without off-road suspension                      from Chassis No. RB000001                      manual transmission                      not for country-spec. model India                      not for country-spec. model Kenya                      not for country-spec. model Thailand</p>	04799	-
<b>1,4 X14XE</b>	-	03106 / 03975
<p>for vehicles without off-road suspension                      not for country-spec. model India                      not for country-spec. model Kenya                      not for country-spec. model Thailand</p>	04799	-

front axle





## Astra III (1991→2001)

1,6 16LZ2

to Chassis No. S2999999  
to Chassis No. S5999999  
to Chassis No. S6999999  
to Chassis No. S8999999  
to Chassis No. SP9999999

-

03104

for vehicles without off-road suspension  
not for country-spec. model India

03189

-

to Chassis No. S2999999  
to Chassis No. S5999999  
to Chassis No. S6999999  
to Chassis No. S8999999  
to Chassis No. SP9999999  
Country of use Thailand

03271

-

-

03965 / 03975

for vehicles without off-road suspension  
not for country-spec. model India  
not for country-spec. model Kenya  
not for country-spec. model Thailand

04799

-

for vehicles with off-road suspension

04838

-

### febi 03104

Ref. No. 90251816



AØ 120 LKØ 100 x 4

### febi 03189

Ref. No. 90486460



AØ 72 IØ 39 B 37

### febi 03271

Ref. No. 90279332



AØ 72 IØ 39 B 37

### febi 03965

Ref. No. 90468646



AØ 120 LKØ 100 x 4

### febi 03975

Ref. No. 90468645



AØ 120 LKØ 100 x 4

### febi 04799

Ref. No. 90510544



AØ 66 IØ 34 B 37

### febi 04838

Ref. No. 90510542



AØ 74 IØ 39 B 39



**Astra III**  
(1991→2001)

1,6 C16NZ

manual transmission  
not for country-spec. model India

to Chassis No. P5077915  
to Chassis No. NE299999  
automatic transmission

to Chassis No. P2999999  
to Chassis No. P3999999  
to Chassis No. P4999999  
to Chassis No. P6999999  
automatic transmission

from Chassis No. P5077915  
to Chassis No. P5999999  
automatic transmission

from Chassis No. P8100001  
to Chassis No. P8999999  
automatic transmission

to Chassis No. RB000000  
manual transmission

to Chassis No. P2999999  
to Chassis No. P3999999  
to Chassis No. P4999999  
to Chassis No. P5999999  
to Chassis No. P6999999  
to Chassis No. P8999999  
manual transmission

to Chassis No. P5077914  
to Chassis No. NE2999999  
automatic transmission

to Chassis No. S2999999  
to Chassis No. S5999999  
to Chassis No. S6999999  
to Chassis No. S8999999  
to Chassis No. SP999999  
Country of use Thailand

-	03106
03189	-
03270	-
03271	-

front axle

**febi 03106**  
Ref. No. 90498610

AØ 120 LKØ 100 x 4

**febi 03189**  
Ref. No. 90486460

AØ 72 IØ 39 B 37

**febi 03270**  
Ref. No. 90279331

AØ 64 IØ 34 B 37

**febi 03271**  
Ref. No. 90279332

AØ 72 IØ 39 B 37

suitable for:

**Vauxhall**

**Car  
Division**



**Astra III**  
(1991→2001)

front axle

	-	<b>03975</b>
for vehicles without off-road suspension from Chassis No. R2000001 from Chassis No. R3000001 not for country-spec. model India from Chassis No. R4000001 not for country-spec. model Kenya from Chassis No. R5000001 not for country-spec. model Thailand from Chassis No. R6000001 from Chassis No. R8000001	<b>04799</b>	-
for vehicles with off-road suspension	<b>04838</b>	-
<b>1,6 C16NZ2</b>	-	<b>03975</b>

**febi 03975**  
Ref. No. 90468645

AØ 120 LKØ 100 x 4

**febi 04799**  
Ref. No. 90510544

AØ 66 IØ 34 B 37

**febi 04838**  
Ref. No. 90510542

AØ 74 IØ 39 B 39



**Astra III**  
(1991→2001)

1,6 C16SE

from Chassis No. RB000001  
manual transmission  
not for country-spec. model India

-

03106

to Chassis No. P5077915  
to Chassis No. NE299999  
automatic transmission

to Chassis No. P2999999  
to Chassis No. P3999999  
to Chassis No. P4999999  
to Chassis No. P6999999  
automatic transmission

03189

-

from Chassis No. P5077915  
to Chassis No. P5999999  
automatic transmission

from Chassis No. P8100001  
to Chassis No. P8999999  
automatic transmission

to Chassis No. RB000000  
manual transmission

to Chassis No. P2999999  
to Chassis No. P3999999  
to Chassis No. P4999999  
to Chassis No. P5999999  
to Chassis No. P6999999  
to Chassis No. P8999999  
manual transmission

03270

-

to Chassis No. P5077914  
to Chassis No. NE2999999  
automatic transmission

to Chassis No. S2999999  
to Chassis No. S5999999  
to Chassis No. S6999999  
to Chassis No. S8999999  
to Chassis No. SP999999  
Country of use Thailand

03271

-

front axle

**febi 03106**

Ref. No. 90498610



AØ 120 LKØ 100 x 4

**febi 03189**

Ref. No. 90486460



AØ 72 IØ 39 B 37

**febi 03270**

Ref. No. 90279331



AØ 64 IØ 34 B 37

**febi 03271**

Ref. No. 90279332



AØ 72 IØ 39 B 37



suitable for:

**Vauxhall**

**Car  
Division**



**Astra III**

(1991→2001)

front axle

	-	03975
<p>for vehicles without off-road suspension                      from Chassis No. R2000001                      from Chassis No. R3000001                      not for country-spec. model India                      from Chassis No. R4000001                      not for country-spec. model Kenya                      from Chassis No. R5000001                      not for country-spec. model Thailand                      from Chassis No. R6000001                      from Chassis No. R8000001</p>	<p><b>04799</b></p>	<p>-</p>
<p><b>1,6 E16NZ</b></p>	<p>-</p>	<p><b>03106 / 03975</b></p>
<p>to Chassis No. P2999999                      to Chassis No. P3999999                      to Chassis No. P4999999                      to Chassis No. P5999999                      to Chassis No. P6999999                      to Chassis No. P8999999                      manual transmission</p>	<p><b>03270</b></p>	<p>-</p>
<p>to Chassis No. P5077914                      to Chassis No. NE2999999                      automatic transmission</p>		
<p>for vehicles without off-road suspension                      from Chassis No. R1000001                      from Chassis No. R5000001                      not for country-spec. model India                      from Chassis No. R7500001                      not for country-spec. model Kenya                      manual transmission                      not for country-spec. model Thailand                      not for country-spec. model Pakistan</p>	<p><b>04799</b></p>	<p>-</p>

**febi 03106**  
 Ref. No. 90498610

AØ 120 LKØ 100 x 4

**febi 03270**  
 Ref. No. 90279331

AØ 64 IØ 34 B 37

**febi 03975**  
 Ref. No. 90468645

AØ 120 LKØ 100 x 4

**febi 04799**  
 Ref. No. 90510544

AØ 66 IØ 34 B 37



**Astra III**

(1991→2001)

1,6 X16SZ

from Chassis No. RB000001  
manual transmission  
not for country-spec. model India

to Chassis No. P5077915  
to Chassis No. NE299999  
automatic transmission

to Chassis No. P2999999  
to Chassis No. P3999999  
to Chassis No. P4999999  
to Chassis No. P6999999  
automatic transmission

from Chassis No. P5077915  
to Chassis No. P5999999  
automatic transmission

from Chassis No. P8100001  
to Chassis No. P8999999  
automatic transmission

to Chassis No. RB000000  
manual transmission

-	03106
03189	-

front axle

**febi 03106**  
Ref. No. 90498610



AØ 120 LKØ 100 x 4

**febi 03189**  
Ref. No. 90486460



AØ 72 IØ 39 B 37



## Astra III (1991→2001)

front axle

to Chassis No. RB000000  
to Chassis No. S2999999  
manual transmission  
to Chassis No. S5999999  
to Chassis No. S6999999  
to Chassis No. S8999999  
to Chassis No. SP999999  
Country of use Thailand

to Chassis No. P2999999  
to Chassis No. P3999999  
to Chassis No. P4999999  
to Chassis No. P6999999  
automatic transmission

from Chassis No. P5077915  
to Chassis No. P5999999  
automatic transmission

from Chassis No. P8100001  
to Chassis No. P8999999  
automatic transmission

**03271**

-

-

**03975**

for vehicles without off-road suspension  
from Chassis No. R2000001  
from Chassis No. R3000001  
not for country-spec. model India  
from Chassis No. R4000001  
not for country-spec. model Kenya  
from Chassis No. R5000001  
not for country-spec. model Thailand  
from Chassis No. R6000001  
from Chassis No. R8000001

**04799**

-

for vehicles with off-road suspension

**04838**

-

### febi 03271

Ref. No. 90279332



AØ 72 IØ 39 B 37

### febi 03975

Ref. No. 90468645



AØ 120 LKØ 100 x 4

### febi 04799

Ref. No. 90510544



AØ 66 IØ 34 B 37

### febi 04838

Ref. No. 90510542



AØ 74 IØ 39 B 39



**Astra III**  
(1991→2001)

1,6 X16SZR

manual transmission  
not for country-spec. model India

-

**03106**

to Chassis No. P2999999  
to Chassis No. P3999999  
to Chassis No. P4999999  
to Chassis No. P6999999  
automatic transmission

**03189**

-

from Chassis No. P5077915  
to Chassis No. P5999999  
automatic transmission

from Chassis No. P8100001  
to Chassis No. P8999999  
automatic transmission

-

**03975**

for vehicles without off-road  
suspension  
from Chassis No. RB000001  
manual transmission  
not for country-spec. model India  
not for country-spec. model Kenya  
not for country-spec. model Thailand

**04799**

-

for vehicles with off-road suspension

**04838**

-

front axle

**febi 03106**

Ref. No. 90498610



AØ 120 LKØ 100 x 4

**febi 03189**

Ref. No. 90486460



AØ 72 IØ 39 B 37

**febi 03975**

Ref. No. 90468645



AØ 120 LKØ 100 x 4

**febi 04799**

Ref. No. 90510544



AØ 66 IØ 34 B 37

**febi 04838**

Ref. No. 90510542



AØ 74 IØ 39 B 39

suitable for:

**Vauxhall**

**Car  
Division**



**Astra III**

(1991→2001)

**1,6 X16XEL**

manual transmission  
not for country-spec. model India

-

**03106**

to Chassis No. S2999999  
to Chassis No. S5999999  
to Chassis No. S6999999  
to Chassis No. S8999999  
to Chassis No. SP999999  
Country of use Thailand

**03189 / 03271**

-

-

**03975**

for vehicles without off-road  
suspension  
not for country-spec. model India  
not for country-spec. model Kenya  
not for country-spec. model Thailand

**04799**

-

**1,7 D 17D**

to Chassis No. P2733477  
to Chassis No. P5272311  
to Chassis No. P8202125

-

**03104**

to Chassis No. S2999999  
to Chassis No. S5999999  
to Chassis No. S6999999  
to Chassis No. S8999999  
to Chassis No. SP999999

**03189**

-

**febi 03104**

Ref. No. 90251816



AØ 120 LKØ 100 x 4

**febi 03106**

Ref. No. 90498610



AØ 120 LKØ 100 x 4

**febi 03189**

Ref. No. 90486460



AØ 72 IØ 39 B 37

**febi 03271**

Ref. No. 90279332



AØ 72 IØ 39 B 37

**febi 03975**

Ref. No. 90468645



AØ 120 LKØ 100 x 4

**febi 04799**

Ref. No. 90510544



AØ 66 IØ 34 B 37



**Astra III**  
(1991→2001)

to Chassis No. S2999999  
to Chassis No. S5999999  
to Chassis No. S6999999  
to Chassis No. S8999999  
to Chassis No. SP999999  
Country of use Thailand

**03271**

-

-

**03975**

from Chassis No. T2500001  
from Chassis No. T5000000  
from Chassis No. T6000001  
from Chassis No. T8000001  
from Chassis No. TP000001

**04838**

-

**1,7 D 17DR**

to Chassis No. P2733477  
to Chassis No. P5272311  
to Chassis No. P8202125

-

**03104**

to Chassis No. S2999999  
to Chassis No. S5999999  
to Chassis No. S6999999  
to Chassis No. S8999999  
to Chassis No. SP999999

**03189**

-

front axle

**febi 03104**

Ref. No. 90251816



AØ 120 LKØ 100 x 4

**febi 03189**

Ref. No. 90486460



AØ 72 IØ 39 B 37

**febi 03271**

Ref. No. 90279332



AØ 72 IØ 39 B 37

**febi 03975**

Ref. No. 90468645



AØ 120 LKØ 100 x 4

**febi 04838**

Ref. No. 90510542



AØ 74 IØ 39 B 39

suitable for:

**Vauxhall**

**Car  
Division**



**Astra III**

(1991→2001)

front axle

		-	03975
	from Chassis No. T2500001 from Chassis No. T5000000 from Chassis No. T6000001 from Chassis No. T8000001 from Chassis No. TP000001	04838	-
1,7 D 17TD	to Chassis No. S2999999 to Chassis No. S5999999 to Chassis No. S6999999 to Chassis No. S8999999 to Chassis No. SP999999	03189	03104
	to Chassis No. S2999999 to Chassis No. S5999999 to Chassis No. S6999999 to Chassis No. S8999999 to Chassis No. SP999999 Country of use Thailand	03271	-
	from Chassis No. T2500001 from Chassis No. T5000001 from Chassis No. T6000001 from Chassis No. T8000001 from Chassis No. TP000001 for vehicles without off-road suspension not for country-spec. model China	-	03965

**febi 03104**

Ref. No. 90251816



AØ 120 LKØ 100 x 4

**febi 03189**

Ref. No. 90486460



AØ 72 IØ 39 B 37

**febi 03271**

Ref. No. 90279332



AØ 72 IØ 39 B 37

**febi 03965**

Ref. No. 90468646



AØ 120 LKØ 100 x 4

**febi 03975**

Ref. No. 90468645



AØ 120 LKØ 100 x 4

**febi 04838**

Ref. No. 90510542



AØ 74 IØ 39 B 39



**Astra III**  
(1991→2001)

		-	03975
	from Chassis No. T2500001 from Chassis No. T5000000 from Chassis No. T6000001 from Chassis No. T8000001 from Chassis No. TP000001	<b>04838</b>	-
<b>1,7 D X17DT</b>	to Chassis No. S2999999 to Chassis No. S5999999 to Chassis No. S6999999 to Chassis No. S8999999 to Chassis No. SP999999 Country of use Thailand	<b>03271</b>	-
		-	<b>03975</b>
<b>1,7 D X17DTL</b>	to Chassis No. S2999999 to Chassis No. S5999999 to Chassis No. S6999999 to Chassis No. S8999999 to Chassis No. SP999999	<b>03189</b>	-
	to Chassis No. S2999999 to Chassis No. S5999999 to Chassis No. S6999999 to Chassis No. S8999999 to Chassis No. SP999999 Country of use Thailand	<b>03271</b>	-
		-	<b>03975</b>
	from Chassis No. T2500001 from Chassis No. T5000000 from Chassis No. T6000001 from Chassis No. T8000001 from Chassis No. TP000001	<b>04838</b>	-

front axle

**febi 03189**  
Ref. No. 90486460

AØ 72 IØ 39 B 37

**febi 03271**  
Ref. No. 90279332

AØ 72 IØ 39 B 37

**febi 03975**  
Ref. No. 90468645

AØ 120 LKØ 100 x 4

**febi 04838**  
Ref. No. 90510542

AØ 74 IØ 39 B 39



suitable for:

# Vauxhall

Car  
Division 



## Astra III (1991→2001)

1,8 C18NZ

to Chassis No. S2999999  
to Chassis No. S5999999  
to Chassis No. S6999999  
to Chassis No. S8999999  
to Chassis No. SP999999

03189

03104

to Chassis No. S2999999  
to Chassis No. S5999999  
to Chassis No. S6999999  
to Chassis No. S8999999  
to Chassis No. SP999999  
Country of use Thailand

03271

-

-

03975

from Chassis No. T2500001  
from Chassis No. T5000000  
from Chassis No. T6000001  
from Chassis No. T8000001  
from Chassis No. TP000001

04838

-

**febi 03104**

Ref. No. 90251816



AØ 120 LKØ 100 x 4

**febi 03189**

Ref. No. 90486460



AØ 72 IØ 39 B 37

**febi 03271**

Ref. No. 90279332



AØ 72 IØ 39 B 37

**febi 03975**

Ref. No. 90468645



AØ 120 LKØ 100 x 4

**febi 04838**

Ref. No. 90510542



AØ 74 IØ 39 B 39



**Astra III**  
(1991→2001)

**1,8 C18XE**

to Chassis No. S2999999  
to Chassis No. S5999999  
to Chassis No. S6999999  
to Chassis No. S8999999  
to Chassis No. SP999999

**03189**

**03104**

to Chassis No. S2999999  
to Chassis No. S5999999  
to Chassis No. S6999999  
to Chassis No. S8999999  
to Chassis No. SP999999  
Country of use Thailand

**03271**

-

-

**03965 / 03975**

from Chassis No. T2500001  
from Chassis No. T5000000  
from Chassis No. T6000001  
from Chassis No. T8000001  
from Chassis No. TP000001

**04838**

-

front axle

**febi 03104**

Ref. No. 90251816



AØ 120 LKØ 100 x 4

**febi 03189**

Ref. No. 90486460



AØ 72 IØ 39 B 37

**febi 03271**

Ref. No. 90279332



AØ 72 IØ 39 B 37

**febi 03965**

Ref. No. 90468646



AØ 120 LKØ 100 x 4

**febi 03975**

Ref. No. 90468645



AØ 120 LKØ 100 x 4

**febi 04838**

Ref. No. 90510542



AØ 74 IØ 39 B 39

suitable for:

# Vauxhall

Car  
Division 



## Astra III

(1991→2001)

1,8 C18XEL

to Chassis No. S2999999  
to Chassis No. S5999999  
to Chassis No. S6999999  
to Chassis No. S8999999  
to Chassis No. SP999999

03189

03104

to Chassis No. S2999999  
to Chassis No. S5999999  
to Chassis No. S6999999  
to Chassis No. S8999999  
to Chassis No. SP999999  
Country of use Thailand

03271

-

-

03975

from Chassis No. T2500001  
from Chassis No. T5000000  
from Chassis No. T6000001  
from Chassis No. T8000001  
from Chassis No. TP000001

04838

-

**febi 03104**

Ref. No. 90251816



AØ 120 LKØ 100 x 4

**febi 03189**

Ref. No. 90486460



AØ 72 IØ 39 B 37

**febi 03271**

Ref. No. 90279332



AØ 72 IØ 39 B 37

**febi 03975**

Ref. No. 90468645



AØ 120 LKØ 100 x 4

**febi 04838**

Ref. No. 90510542



AØ 74 IØ 39 B 39



**Astra III**

(1991→2001)

**1,8 X18XE**

to Chassis No. S2999999  
to Chassis No. S5999999  
to Chassis No. S6999999  
to Chassis No. S8999999  
to Chassis No. SP999999

**03189**

**03104**

-

**03965 / 03975**

from Chassis No. T2500001  
from Chassis No. T5000000  
from Chassis No. T6000001  
from Chassis No. T8000001  
from Chassis No. TP000001

**04838**

-

**2,0 C20NE**

to Chassis No. S2999999  
to Chassis No. S5999999  
to Chassis No. S6999999  
to Chassis No. S8999999  
to Chassis No. SP999999

**03189**

**03104**

to Chassis No. S2999999  
to Chassis No. S5999999  
to Chassis No. S6999999  
to Chassis No. S8999999  
to Chassis No. SP999999  
Country of use Thailand

**03271**

-

front axle

**febi 03104**

Ref. No. 90251816



AØ 120 LKØ 100 x 4

**febi 03189**

Ref. No. 90486460



AØ 72 IØ 39 B 37

**febi 03271**

Ref. No. 90279332



AØ 72 IØ 39 B 37

**febi 03965**

Ref. No. 90468646



AØ 120 LKØ 100 x 4

**febi 03975**

Ref. No. 90468645



AØ 120 LKØ 100 x 4

**febi 04838**

Ref. No. 90510542



AØ 74 IØ 39 B 39

suitable for:

**Vauxhall**

**Car  
Division**



**Astra III**

(1991→2001)

front axle

		-	03965 / 03975
	from Chassis No. T2500001 from Chassis No. T5000000 from Chassis No. T6000001 from Chassis No. T8000001 from Chassis No. TP000001	04838	-
<b>2,0 C20XE</b>	to Chassis No. S2999999 to Chassis No. S5999999 to Chassis No. S6999999 to Chassis No. S8999999 to Chassis No. SP999999	03189	03104
	from Chassis No. T2500001 from Chassis No. T5000001 from Chassis No. T6000001 from Chassis No. T8000001 from Chassis No. TP000001 for vehicles without off-road suspension not for country-spec. model China	-	03965
		-	03975

**febi 03104**

Ref. No. 90251816



AØ 120 LKØ 100 x 4

**febi 03189**

Ref. No. 90486460



AØ 72 IØ 39 B 37

**febi 03965**

Ref. No. 90468646



AØ 120 LKØ 100 x 4

**febi 03975**

Ref. No. 90468645



AØ 120 LKØ 100 x 4

**febi 04838**

Ref. No. 90510542



AØ 74 IØ 39 B 39



**Astra III**

(1991→2001)

2,0 X20XEV

to Chassis No. S2999999  
to Chassis No. S5999999  
to Chassis No. S6999999  
to Chassis No. S8999999  
to Chassis No. SP999999

03189

03104

to Chassis No. S2999999  
to Chassis No. S5999999  
to Chassis No. S6999999  
to Chassis No. S8999999  
to Chassis No. SP999999  
Country of use Thailand

03271

-

-

03975

from Chassis No. T2500001  
from Chassis No. T5000000  
from Chassis No. T6000001  
from Chassis No. T8000001  
from Chassis No. TP000001

04838

-

front axle

**febi 03104**

Ref. No. 90251816



AØ 120 LKØ 100 x 4

**febi 03189**

Ref. No. 90486460



AØ 72 IØ 39 B 37

**febi 03271**

Ref. No. 90279332



AØ 72 IØ 39 B 37

**febi 03975**

Ref. No. 90468645



AØ 120 LKØ 100 x 4

**febi 04838**

Ref. No. 90510542



AØ 74 IØ 39 B 39

**Astra IV**

(1998→)

front axle	1,2 X12XE	Rim Hole Number 4	14611 / 14615	14611 / 14615	
	1,2 Z12XE				
	1,4 X14XE	Rim Hole Number 5	14623 / 24164	14623 / 24164	
	1,4 Z14XE	Rim Hole Number 4	14611 / 14615	14611 / 14615	
		Rim Hole Number 5	14623	14623	
		for vehicles with ABS Rim Hole Number 5	24164	24164	
	1,6 C16SEL 1,6 X16SZR 1,6 X16XEL 1,6 Z16SE 1,6 Z16XE 1,6 Z16XEP	Rim Hole Number 4	14611 / 14615	14611 / 14615	
		Rim Hole Number 5	14623 / 24164	14623 / 24164	
		1,7 D X17DTL 1,7 D Y17DT			
			1,7 D Z17DTL	Rim Hole Number 4	14611 / 14615
			Rim Hole Number 5	14623	14623
1,8 X18XE1 1,8 Z18XE	Rim Hole Number 4	14611 / 14615	14611 / 14615		
	2,0 D X20DTH 2,0 D X20DTL 2,0 X20XER 2,0 X20XEV	Rim Hole Number 5	14623 / 24164	14623 / 24164	
2,0 D Y20DTH	Rim Hole Number 4	14611 / 14615	14611 / 14615		
	Rim Hole Number 5	14623	14623		
	for vehicles with ABS Rim Hole Number 5	24164	24164		
2,0 D Y20DTL 2,0 Z20LET 2,2 Z22SE	Rim Hole Number 4	14611 / 14615	14611 / 14615		
	Rim Hole Number 5	14623 / 24164	14623 / 24164		

**febi 14611**

Ref. No. 09117619



AØ 120 IØ 29 B 84  
AØ 56,5 IØ 25,4  
LKØ 100 x 4

**febi 14615**

Ref. No. 09117620



AØ 120 IØ 26 B 116  
IØ 56,38 B 87  
LKØ 100 x 4

**febi 14623**

Ref. No. 09117622



AØ 136 IØ 26 B 115  
LKØ 105 x 5

**febi 24164**

Ref. No. 09117622 S1



AØ 136 IØ 26 B 115  
LKØ 105 x 5

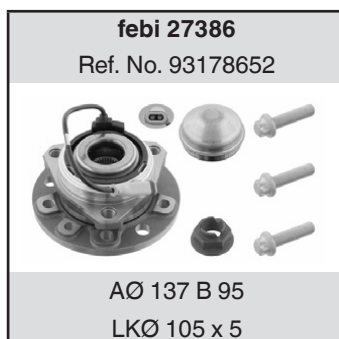


## Astra V

(2004→)

1,2 Z12XEP 1,3 D Z13DTH 1,4 Z14XEL 1,4 Z14XEP 1,6 Z16LET 1,6 Z16XE1 1,6 Z16XEP	Rim Hole Number 5	27386	27386
1,6 Z16XER	Rim Hole Number 5	27386	27386
	Brake System POC J67	40098	40098
	Brake System J60 Brake System J17	40099	40099
1,7 D A17DTJ	Brake System J60 Brake System J17	40099	40099
1,7 D Z17DTH	Rim Hole Number 5	27386	27386
1,7 D Z17DTJ	from Chassis No. 62079979 from Chassis No. 65076710 from Chassis No. 68027073 from Chassis No. 8B000001 Rim Hole Number 5	27386	27386
	to Chassis No. 62079978 to Chassis No. 65076709 to Chassis No. 68027072	31122	31122
1,7 D Z17DTL	Rim Hole Number 5	27386	27386
1,8 A18XER	Rim Hole Number 5	27386	27386
	Brake System POC J67	40098	40098
	Brake System J60 Brake System J17	40099	40099
1,8 Z18XE	to Chassis No. 72999999 to Chassis No. 75999999 to Chassis No. 78999999 Rim Hole Number 5	27386	27386
1,8 Z18XER	Rim Hole Number 5	27386	27386

front axle



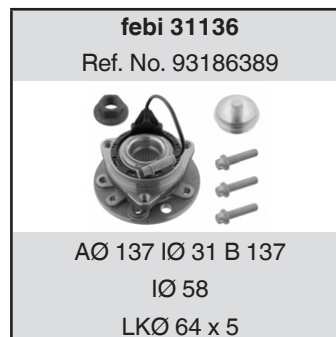




## Astra V (2004→ )

front axle

1,9 D Z19DT	to Chassis No. 62083449 to Chassis No. 65076709 to Chassis No. 68027072 Rim Hole Number 5	27386	27386
	from Chassis No. 62083450 from Chassis No. 65076710 from Chassis No. 68027073 from Chassis No. 8B000001 Rim Hole Number 5	31122	31122
1,9 D Z19DTH	to Chassis No. 52083982 to Chassis No. 55084253 to Chassis No. 58055665 to Chassis No. 5G	31122	31122
	from Chassis No. 52083983 from Chassis No. 55084254 from Chassis No. 58055666 from Chassis No. 8B000001 from Chassis No. 5G	31136	31136
1,9 D Z19DTJ 1,9 D Z19DTL	to Chassis No. 62083449 to Chassis No. 65076709 to Chassis No. 68027072 Rim Hole Number 5	27386	27386
	from Chassis No. 62083450 from Chassis No. 65076710 from Chassis No. 68027073 from Chassis No. 8B000001	31122	31122
2,0 Z20LEH	to Chassis No. 52083982 to Chassis No. 55084253 to Chassis No. 58055665 to Chassis No. 5G	31122	31122
	from Chassis No. 52083983 from Chassis No. 55084254 from Chassis No. 58055666 from Chassis No. 8B000001 from Chassis No. 5G	31136	31136





### Astra V

(2004→)

2,0 Z20LEL  
2,0 Z20LER

to Chassis No. 62083449  
to Chassis No. 65076709  
to Chassis No. 68027072  
Rim Hole Number 5

27386

27386

from Chassis No. 62083450  
from Chassis No. 65076710  
from Chassis No. 68027073  
from Chassis No. 8B000001

31122

31122

### Astra VI

(2009→)

1,3 D A13DTE  
1,4 A14NEL  
1,4 A14NET  
1,4 A14XEL  
1,4 A14XER

Brake System POC J67

40098

40098

Brake System J60  
Brake System J17

40099

40099

1,6 A16LET

Rim Hole Number 5

27386

27386

Brake System POC J67

40098

40098

Brake System J60  
Brake System J17

40099

40099

1,6 A16XER  
1,7 D A17DTC  
1,7 D A17DTE  
1,7 D A17DTF  
1,7 D A17DTJ  
1,7 D A17DTL  
1,7 D A17DTR  
1,7 D A17DTS  
2,0 D A20DTH  
2,0 D A20DTR  
2,0 A20NFT

Brake System POC J67

40098

40098

Brake System J60  
Brake System J17

40099

40099

front axle

#### febi 27386

Ref. No. 93178652



AØ 137 B 95  
LKØ 105 x 5

#### febi 31122

Ref. No. 93188477



AØ 137 B 137

#### febi 40098

Ref. No. 13583478



AØ 136  
LKØ 50 x 6

#### febi 40099

Ref. No. 13583479



AØ 146  
LKØ 62 x 6

suitable for:

**Vauxhall**

**Car  
Division**



**Calibra**

(1989→1998)

**2,0 C20NE**

to Chassis No. S1  
to Chassis No. S9

-

**03104**

to Chassis No. S1999999  
to Chassis No. S9999999

**03189**

-

from Chassis No. T1000001  
from Chassis No. T9000001  
Country Version Japan

to Chassis No. S2999999  
to Chassis No. S5999999  
to Chassis No. S6999999  
to Chassis No. S8999999  
to Chassis No. SP9999999  
Country of use Thailand

**03271**

-

from Chassis No. T1  
from Chassis No. T9

-

**03965**

from Chassis No. Z1000001  
from Chassis No. T9000001

**04838**

-

front axle

**febi 03104**

Ref. No. 90251816



AØ 120 LKØ 100 x 4

**febi 03189**

Ref. No. 90486460



AØ 72 IØ 39 B 37

**febi 03271**

Ref. No. 90279332



AØ 72 IØ 39 B 37

**febi 03965**

Ref. No. 90468646



AØ 120 LKØ 100 x 4

**febi 04838**

Ref. No. 90510542



AØ 74 IØ 39 B 39



**Calibra**

(1989→1998)

2,0 C20XE

to Chassis No. S1  
to Chassis No. S9

-

**03104**

to Chassis No. S1999999  
to Chassis No. S9999999

**03189**

-

from Chassis No. T1000001  
from Chassis No. T9000001  
not for country-spec. model Brazil

to Chassis No. S2999999  
to Chassis No. S5999999  
to Chassis No. S6999999  
to Chassis No. S8999999  
to Chassis No. SP999999  
Country of use Thailand

**03271**

-

from Chassis No. T1  
from Chassis No. T9

-

**03965**

from Chassis No. Z1000001  
from Chassis No. T9000001

**04838**

-

front axle

**febi 03104**

Ref. No. 90251816



AØ 120 LKØ 100 x 4

**febi 03189**

Ref. No. 90486460



AØ 72 IØ 39 B 37

**febi 03271**

Ref. No. 90279332



AØ 72 IØ 39 B 37

**febi 03965**

Ref. No. 90468646



AØ 120 LKØ 100 x 4

**febi 04838**

Ref. No. 90510542



AØ 74 IØ 39 B 39

suitable for:

**Vauxhall**

**Car  
Division**



**Calibra**

(1989→1998)

**2,0 X20XEV**

to Chassis No. S1  
to Chassis No. S9

-

**03104**

to Chassis No. S1999999  
to Chassis No. S9999999

**03189**

-

from Chassis No. T1000001  
from Chassis No. T9000001  
manual transmission  
Country Version Japan

to Chassis No. S2999999  
to Chassis No. S5999999  
to Chassis No. S6999999  
to Chassis No. S8999999  
to Chassis No. SP9999999  
Country of use Thailand

**03271**

-

from Chassis No. T1  
from Chassis No. T9

-

**03965**

from Chassis No. Z1000001  
from Chassis No. T9000001

**04838**

-

**2,5 C25XE**

**2,5 X25XE**

from Chassis No. P1000001  
from Chassis No. P9000001

-

**03969**

from Chassis No. Z1000001  
from Chassis No. T9000001

**04838**

-

**febi 03104**

Ref. No. 90251816



AØ 120 LKØ 100 x 4

**febi 03189**

Ref. No. 90486460



AØ 72 IØ 39 B 37

**febi 03271**

Ref. No. 90279332



AØ 72 IØ 39 B 37

**febi 03965**

Ref. No. 90468646



AØ 120 LKØ 100 x 4

**febi 03969**

Ref. No. 90496444



AØ 137 LKØ 105 x 5

**febi 04838**

Ref. No. 90510542



AØ 74 IØ 39 B 39



**Calibra 4WD**

(1990→1997)

<b>2,0 C20LET</b>	to Chassis No. N1299999 to Chassis No. N9299999	<b>03189</b>	-
	to Chassis No. S2999999 to Chassis No. S5999999 to Chassis No. S6999999 to Chassis No. S8999999 to Chassis No. SP999999 Country of use Thailand	<b>03271</b>	-
	from Chassis No. P1000001 from Chassis No. P9000001	-	<b>03969</b>
	from Chassis No. Z1000001 from Chassis No. T9000001	<b>04838</b>	-
<b>2,0 C20NE</b>	to Chassis No. S1 to Chassis No. S9	-	<b>03104</b>
	to Chassis No. S1999999 to Chassis No. S9999999	<b>03189</b>	-
	from Chassis No. T1000001 from Chassis No. T9000001 Country Version Japan		

front axle

**febi 03104**

Ref. No. 90251816



AØ 120 LKØ 100 x 4

**febi 03189**

Ref. No. 90486460



AØ 72 IØ 39 B 37

**febi 03271**

Ref. No. 90279332



AØ 72 IØ 39 B 37

**febi 03969**

Ref. No. 90496444



AØ 137 LKØ 105 x 5

**febi 04838**

Ref. No. 90510542



AØ 74 IØ 39 B 39

suitable for:

**Vauxhall**

**Car  
Division**

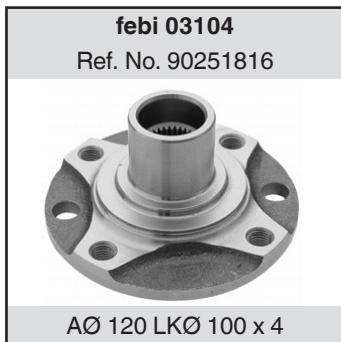


**Calibra 4WD**

(1990→1997)

front axle

	to Chassis No. S2999999 to Chassis No. S5999999 to Chassis No. S6999999 to Chassis No. S8999999 to Chassis No. SP999999 Country of use Thailand	<b>03271</b>	-
	from Chassis No. T1 from Chassis No. T9	-	<b>03965</b>
	from Chassis No. Z1000001 from Chassis No. T9000001	<b>04838</b>	-
<b>2,0 C20XE</b>	to Chassis No. S1 to Chassis No. S9	-	<b>03104</b>
	to Chassis No. S1999999 to Chassis No. S9999999	<b>03189</b>	-
	from Chassis No. T1000001 from Chassis No. T9000001 not for country-spec. model Brazil		





**Calibra 4WD**  
(1990→1997)

to Chassis No. S2999999  
to Chassis No. S5999999  
to Chassis No. S6999999  
to Chassis No. S8999999  
to Chassis No. SP999999  
Country of use Thailand

**03271**

-

from Chassis No. T1  
from Chassis No. T9

-

**03965**

from Chassis No. Z1000001  
from Chassis No. T9000001

**04838**

-

**2,0 X20XEV**

to Chassis No. S1  
to Chassis No. S9

-

**03104**

to Chassis No. S1999999  
to Chassis No. S9999999

**03189**

-

from Chassis No. T1000001  
from Chassis No. T9000001  
manual transmission  
Country Version Japan

front axle

**febi 03104**

Ref. No. 90251816



AØ 120 LKØ 100 x 4

**febi 03189**

Ref. No. 90486460



AØ 72 IØ 39 B 37

**febi 03271**

Ref. No. 90279332



AØ 72 IØ 39 B 37

**febi 03965**

Ref. No. 90468646



AØ 120 LKØ 100 x 4

**febi 04838**

Ref. No. 90510542



AØ 74 IØ 39 B 39



suitable for:

**Vauxhall**

**Car  
Division**



**Calibra 4WD**

(1990→1997)

to Chassis No. S2999999  
to Chassis No. S5999999  
to Chassis No. S6999999  
to Chassis No. S8999999  
to Chassis No. SP999999  
Country of use Thailand

**03271**

-

from Chassis No. T1  
from Chassis No. T9

-

**03965**

from Chassis No. Z1000001  
from Chassis No. T9000001

**04838**

-

**Carlton III**

(1990→1994)

2,0 C20NEF  
2,0 C20NEJ

**05117**

**05117**

**Cascade**

(2013→)

all

**40099**

**40099**

**febi 03271**

Ref. No. 90279332



AØ 72 IØ 39 B 37

**febi 03965**

Ref. No. 90468646



AØ 120 LKØ 100 x 4

**febi 04838**

Ref. No. 90510542



AØ 74 IØ 39 B 39

**febi 05117**

Ref. No. 90235571



AØ 76 IØ 35 B 76

**febi 40099**

Ref. No. 13583479



AØ 146  
LKØ 62 x 6

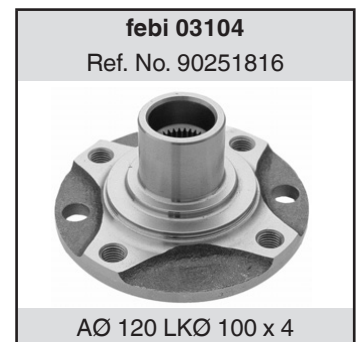
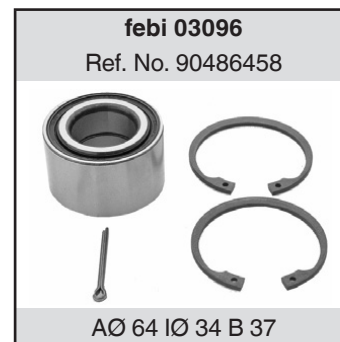


**Cavalier II**

(1981→1988)

1,3 13N		-	03106
1,3 13S		03096 / 03270	03106
1,6 D 16D		03189	03104
1,6 D 16DA			
1,6 16N	to Chassis No. S2999999 to Chassis No. S5999999 to Chassis No. S6999999 to Chassis No. S8999999 to Chassis No. SP999999 Country of use Thailand	03271	-
1,6 16S			
1,6 16SH			
1,6 C16LZ			-
1,6 C16NZ			
1,6 E16NZ		03096 / 03270	03106
1,8 18E		03189	03104
1,8 18SE			
1,8 E18NV	to Chassis No. S2999999 to Chassis No. S5999999 to Chassis No. S6999999 to Chassis No. S8999999 to Chassis No. SP999999 Country of use Thailand	03271	-
2,0 20E			
2,0 20NE			
2,0 20S			
2,0 20SEH			

front axle



suitable for:

**Vauxhall**

**Car  
Division**



**Cavalier II 4WD**

(1987→1988)

2,0 20SEH

to Chassis No. S2999999  
to Chassis No. S5999999  
to Chassis No. S6999999  
to Chassis No. S8999999  
to Chassis No. SP999999  
Country of use Thailand

03189

03104

03271

-

**Cavalier III**

(1988→1995)

1,4 14NV

to Chassis No. P1999999  
to Chassis No. P5999999  
to Chassis No. P7999999  
manual transmission

03096

03106

03270 / 04838

-

to Chassis No. S2999999  
to Chassis No. S5999999  
to Chassis No. S6999999  
to Chassis No. S8999999  
to Chassis No. SP999999  
Country of use Thailand

03271

-

**febi 03096**

Ref. No. 90486458



AØ 64 IØ 34 B 37

**febi 03104**

Ref. No. 90251816



AØ 120 LKØ 100 x 4

**febi 03106**

Ref. No. 90498610



AØ 120 LKØ 100 x 4

**febi 03189**

Ref. No. 90486460



AØ 72 IØ 39 B 37

**febi 03270**

Ref. No. 90279331



AØ 64 IØ 34 B 37

**febi 03271**

Ref. No. 90279332



AØ 72 IØ 39 B 37

**febi 04838**

Ref. No. 90510542



AØ 74 IØ 39 B 39



**Cavalier III**

(1988→1995)

1,6 16SV

to Chassis No. P1999999  
to Chassis No. P5999999  
to Chassis No. P7999999  
manual transmission

**03096**

**03106**

to Chassis No. P1999999  
to Chassis No. P5999999  
to Chassis No. P7999999  
automatic transmission

**03189**

-

**03270 / 04838**

-

to Chassis No. S2999999  
to Chassis No. S5999999  
to Chassis No. S6999999  
to Chassis No. S8999999  
to Chassis No. SP999999  
Country of use Thailand

**03271**

-

front axle

**febi 03096**

Ref. No. 90486458



AØ 64 IØ 34 B 37

**febi 03106**

Ref. No. 90498610



AØ 120 LKØ 100 x 4

**febi 03189**

Ref. No. 90486460



AØ 72 IØ 39 B 37

**febi 03270**

Ref. No. 90279331



AØ 64 IØ 34 B 37

**febi 03271**

Ref. No. 90279332



AØ 72 IØ 39 B 37

**febi 04838**

Ref. No. 90510542



AØ 74 IØ 39 B 39

suitable for:

**Vauxhall**

**Car  
Division**



**Cavalier III**

(1988→1995)

1,6 C16NZ  
1,6 E16NZ  
1,6 X16SZ

to Chassis No. P1999999  
to Chassis No. P5999999  
to Chassis No. P7999999  
manual transmission

**03096**

-

**03270 / 04838**

**03106**

to Chassis No. S2999999  
to Chassis No. S5999999  
to Chassis No. S6999999  
to Chassis No. S8999999  
to Chassis No. SP999999  
Country of use Thailand

**03271**

-

from Chassis No. R1000001  
from Chassis No. R5000001  
from Chassis No. R7500001  
manual transmission  
not for country-spec. model Pakistan

**04799**

-

**febi 03096**

Ref. No. 90486458



AØ 64 IØ 34 B 37

**febi 03106**

Ref. No. 90498610



AØ 120 LKØ 100 x 4

**febi 03270**

Ref. No. 90279331



AØ 64 IØ 34 B 37

**febi 03271**

Ref. No. 90279332



AØ 72 IØ 39 B 37

**febi 04799**

Ref. No. 90510544



AØ 66 IØ 34 B 37

**febi 04838**

Ref. No. 90510542



AØ 74 IØ 39 B 39



## Cavalier III

(1988→1995)

		03189 / 03270 / 04838	03104
1,7 D 17D			
1,7 D 17DR			
1,7 D 17TD			
1,8 18SV	to Chassis No. S2999999 to Chassis No. S5999999 to Chassis No. S6999999 to Chassis No. S8999999 to Chassis No. SP999999 Country of use Thailand	03271	-
1,8 C18NZ			
1,8 E18NVR			
2,0 20NE			
2,0 20SEH			
2,0 20XE			
2,0 C20NE			
2,0 C20XE			
2,0 X20XEV			
2,5 C25XE		03270 / 04838	-
	to Chassis No. S2999999 to Chassis No. S5999999 to Chassis No. S6999999 to Chassis No. S8999999 to Chassis No. SP999999 Country of use Thailand	03271	-

front axle

### febi 03104

Ref. No. 90251816



AØ 120 LKØ 100 x 4

### febi 03189

Ref. No. 90486460



AØ 72 IØ 39 B 37

### febi 03270

Ref. No. 90279331



AØ 64 IØ 34 B 37

### febi 03271

Ref. No. 90279332



AØ 72 IØ 39 B 37

### febi 04838

Ref. No. 90510542



AØ 74 IØ 39 B 39

suitable for:

**Vauxhall**

**Car  
Division**



**Cavalier III 4WD**

(1988→1994)

2,0 20SEH  
2,0 20XE

03189 / 03270 /  
04838

03104

to Chassis No. S2999999  
to Chassis No. S5999999  
to Chassis No. S6999999  
to Chassis No. S8999999  
to Chassis No. SP999999  
Country of use Thailand

03271

-

2,0 C20LET

to Chassis No. NV299999  
to Chassis No. N1999999  
to Chassis No. N5999999

03189

-

03270 / 04838

-

to Chassis No. S2999999  
to Chassis No. S5999999  
to Chassis No. S6999999  
to Chassis No. S8999999  
to Chassis No. SP999999  
Country of use Thailand

03271

-

**febi 03104**

Ref. No. 90251816



AØ 120 LKØ 100 x 4

**febi 03189**

Ref. No. 90486460



AØ 72 IØ 39 B 37

**febi 03270**

Ref. No. 90279331



AØ 64 IØ 34 B 37

**febi 03271**

Ref. No. 90279332



AØ 72 IØ 39 B 37

**febi 04838**

Ref. No. 90510542



AØ 74 IØ 39 B 39



**Cavalier III 4WD**

(1988→1994)

2,0 C20XE

03189 / 03270 /  
04838

03104

to Chassis No. S2999999  
to Chassis No. S5999999  
to Chassis No. S6999999  
to Chassis No. S8999999  
to Chassis No. SP999999  
Country of use Thailand

03271

-

**Corsa I**

(1993→2001)

1,0 X10XE  
1,2 C12NZ  
1,2 X12SZ  
1,2 X12XE  
1,4 C14NZ  
1,4 C14SE  
1,4 X14SZ  
1,4 X14XE  
1,5 D 15D  
1,5 D 15TD  
1,5 D X15TD  
1,6 C16XE  
1,6 X16XE  
1,7 D X17D

04799

03106

front axle

**febi 03104**

Ref. No. 90251816



AØ 120 LKØ 100 x 4

**febi 03106**

Ref. No. 90498610



AØ 120 LKØ 100 x 4

**febi 03189**

Ref. No. 90486460



AØ 72 IØ 39 B 37

**febi 03270**

Ref. No. 90279331



AØ 64 IØ 34 B 37

**febi 03271**

Ref. No. 90279332



AØ 72 IØ 39 B 37

**febi 04799**

Ref. No. 90510544



AØ 66 IØ 34 B 37

**febi 04838**

Ref. No. 90510542



AØ 74 IØ 39 B 39



suitable for:

**Vauxhall**

**Car  
Division**



## Corsa II

(1994→ )

1,0 Z10XE 1,0 Z10XEP 1,2 Z12XE 1,2 Z12XEP 1,3 D Y13DT 1,3 D Z13DT	19085	28301
1,3 D Z13DTE	28142	28300
1,3 D Z13DTJ	19085	-
1,4 C14NZ	-	03106
1,4 Z14XE 1,4 Z14XEP 1,6 Y16YNG 1,6 Z16SE 1,6 Z16YNG 1,7 D Y17DT 1,7 D Y17DTL	19085	28301
1,7 D Z17DTH	03189	-
1,8 Z18XE	19085	28301

**febi 03106**

Ref. No. 90498610



AØ 120 LKØ 100 x 4

**febi 03189**

Ref. No. 90486460



AØ 72 IØ 39 B 37

**febi 19085**

Ref. No. 09195608



AØ 67 IØ 34 B 37

**febi 28142**

Ref. No. 93188890



AØ 72 IØ 37 B 37

**febi 28300**

Ref. No. 55701433



AØ 120 LKØ 100 x 4

**febi 28301**

Ref. No. 90576767



AØ 123 LKØ 100 x 4



**Corsa III**

(2006→)

	24524	-
<b>1,0 A10XEP</b>		
from Chassis No. C4000001 from Chassis No. C6000001 for vehicles with off-road suspension	-	<b>28300</b>
for vehicles without off-road suspension	-	<b>28303</b>
to Chassis No. B4999999 to Chassis No. B6999999 for vehicles with off-road suspension		
<b>1,0 Z10XEP</b>	-	<b>28303</b>
<b>1,2 A12XEL</b> <b>1,2 A12XER</b>	<b>24524</b>	-
from Chassis No. C4000001 from Chassis No. C6000001 for vehicles with off-road suspension	-	<b>28300</b>
for vehicles without off-road suspension	-	<b>28303</b>
to Chassis No. B4999999 to Chassis No. B6999999 for vehicles with off-road suspension		
<b>1,2 Z12XEP</b>	-	<b>28303</b>
<b>1,3 D Z13DTE</b>	<b>28142</b>	<b>28300</b>

front axle

**febi 24524**  
Ref. No. 93188889

AØ 72 IØ 35 B 33

**febi 28142**  
Ref. No. 93188890

AØ 72 IØ 37 B 37

**febi 28300**  
Ref. No. 55701433

AØ 120 LKØ 100 x 4

**febi 28303**  
Ref. No. 55701432

AØ 120 LKØ 100 x 4

suitable for:

**Vauxhall**

**Car  
Division**



**Corsa III**

(2006→ )

	19085 / 28142	28300 / 28301
1,3 D Z13DTH 1,3 D Z13DTJ		
1,4 A14XER	24524	-
from Chassis No. C4000001 from Chassis No. C6000001 for vehicles with off-road suspension	-	28300
for vehicles without off-road suspension	-	28303
to Chassis No. B4999999 to Chassis No. B6999999 for vehicles with off-road suspension		
1,4 Z14XEP	24524	28303
1,6 A16LES 1,6 Z16LEL	28142	-
1,6 Z16LER	19085 / 28142	28301
1,7 D A17DTS	28142	-
1,7 D Z17DTR	19085 / 28142	28301

front axle

**febi 19085**  
Ref. No. 09195608

AØ 67 IØ 34 B 37

**febi 24524**  
Ref. No. 93188889

AØ 72 IØ 35 B 33

**febi 28142**  
Ref. No. 93188890

AØ 72 IØ 37 B 37

**febi 28300**  
Ref. No. 55701433

AØ 120 LKØ 100 x 4

**febi 28301**  
Ref. No. 90576767

AØ 123 LKØ 100 x 4

**febi 28303**  
Ref. No. 55701432

AØ 120 LKØ 100 x 4



**Corsa IV**

(2009→)

1,4 A14XEL

from Chassis No. C4000001  
from Chassis No. C6000001  
for vehicles with off-road suspension

-

28300

**Insignia**

(2008→)

1,4 A14NET  
1,6 A16LET  
1,6 A16XER  
1,8 A18XER  
2,0 D A20DT  
2,0 D A20DTC  
2,0 D A20DTH  
2,0 D A20DTJ  
2,0 D A20DTL  
2,0 D A20DTR  
2,0 A20NFT  
2,0 A20NHT

39916

39916

**Insignia 4WD**

(2008→)

2,0 D A20DTR  
2,0 A20NHT  
2,8 A28NER  
2,8 A28NET

39916

39916

**Meriva I**

(2003→2010)

1,3 D Z13DT  
1,3 D Z13DTJ  
1,4 Z14XEP

19085

-

Rim Hole Number 4

-

28301

front axle

**febi 19085**  
Ref. No. 09195608

AØ 67 IØ 34 B 37

**febi 28300**  
Ref. No. 55701433

AØ 120 LKØ 100 x 4

**febi 28301**  
Ref. No. 90576767

AØ 123 LKØ 100 x 4

**febi 39916**  
Ref. No. 13580135

AØ 91 IØ 36  
AØ 156  
LKØ 52 x 6

suitable for:

**Vauxhall**

**Car  
Division**



**Meriva I**

(2003→2010)

1,6 Z16LET		03189	-
	Rim Hole Number 4	-	28301
1,6 Z16SE		19085	-
1,6 Z16XE			
1,6 Z16XEP	Rim Hole Number 4	-	28301
1,7 D A17DTR		19085	-
1,7 D Y17DT		19085	-
	Rim Hole Number 4	-	28301
1,7 D Z17DT		03189	-
1,7 D Z17DTH	Rim Hole Number 4	-	28301
1,7 D Z17DTR		03189	-
1,8 Z18XE		19085	-
	Rim Hole Number 4	-	28301

**Meriva II**

(2010→)

1,3 D A13DTC	Rim Hole Number 4	-	28301
1,3 D A13DTE			
1,4 A14NEL			
1,4 A14NET			
1,7 D A17DT			
1,7 D A17DTC			
1,7 D A17DTS			

**febi 03189**  
Ref. No. 90486460

AØ 72 IØ 39 B 37

**febi 19085**  
Ref. No. 09195608

AØ 67 IØ 34 B 37

**febi 28301**  
Ref. No. 90576767

AØ 123 LKØ 100 x 4



**Movano I**  
(1998→2010)

1,9 D F9Q 770

from Chassis No. B001462  
Equipment Variation ED  
Rim Size [in] 15

from Chassis No. B000482  
from Chassis No. B000486  
Equipment Variation FD  
Rim Size [in] 15

from Chassis No. B000207  
Equipment Variation HD  
Rim Size [in] 15

from Chassis No. B000807  
Equipment Variation JD  
Rim Size [in] 15

from Chassis No. B000184  
Equipment Variation UD  
Rim Size [in] 15

from the year of construction 07/2000  
Rim Size [in] 16

**23183**

-

front axle

**febi 23183**

Ref. No. 09111023



AØ 84 IØ 49 B 48

suitable for:

**Vauxhall**

**Car  
Division**



**Movano I**

(1998→2010)

**1,9 D F9Q 774**

from Chassis No. B001462  
Equipment Variation ED  
Rim Size [in] 15

**23183**

-

from Chassis No. B000482  
from Chassis No. B000486  
Equipment Variation FD  
Rim Size [in] 15

from Chassis No. B000207  
Equipment Variation HD  
Rim Size [in] 15

from Chassis No. B000807  
Equipment Variation JD  
Rim Size [in] 15

from Chassis No. B000184  
Equipment Variation UD  
Rim Size [in] 15

Rim Size [in] 16

**2,2 D G9T 720**

**2,2 D G9T 722**

from Chassis No. B001462  
Equipment Variation ED  
Rim Size [in] 15

**23183**

-

from Chassis No. B000482  
from Chassis No. B000486  
Equipment Variation FD  
Rim Size [in] 15

from Chassis No. B000207  
Equipment Variation HD  
Rim Size [in] 15

from Chassis No. B000807  
Equipment Variation JD  
Rim Size [in] 15

from Chassis No. B000184  
Equipment Variation UD  
Rim Size [in] 15

from the year of construction 07/2000  
Rim Size [in] 16

**febi 23183**

Ref. No. 09111023



AØ 84 IØ 49 B 48

front axle



**Movano I**  
(1998→2010)

**2,2 D G9T 750**

from Chassis No. B001462  
Equipment Variation ED  
Rim Size [in] 15

**23183**

-

from Chassis No. B000482  
from Chassis No. B000486  
Equipment Variation FD  
Rim Size [in] 15

from Chassis No. B000207  
Equipment Variation HD  
Rim Size [in] 15

from Chassis No. B000807  
Equipment Variation JD  
Rim Size [in] 15

from Chassis No. B000184  
Equipment Variation UD  
Rim Size [in] 15

Rim Size [in] 16

**2,5 D G9U 632**

from Chassis No. B001462  
Equipment Variation ED  
Rim Size [in] 15

**23183**

-

from Chassis No. B000486  
Equipment Variation FD  
Rim Size [in] 15

from Chassis No. B000207  
Equipment Variation HD  
Rim Size [in] 15

from Chassis No. B000807  
Equipment Variation JD  
Rim Size [in] 15

from Chassis No. B000184  
Equipment Variation UD  
Rim Size [in] 15

Rim Size [in] 16

front axle

**febi 23183**

Ref. No. 09111023



AØ 84 IØ 49 B 48



suitable for:

**Vauxhall**

**Car  
Division**



## Movano I

(1998→2010)

2,5 D G9U 650  
2,5 D G9U 720  
2,5 D G9U 724  
2,5 D G9U 750  
2,5 D G9U 754

from Chassis No. B001462  
Equipment Variation ED  
Rim Size [in] 15

from Chassis No. B000482  
from Chassis No. B000486  
Equipment Variation FD  
Rim Size [in] 15

from Chassis No. B000207  
Equipment Variation HD  
Rim Size [in] 15

from Chassis No. B000807  
Equipment Variation JD  
Rim Size [in] 15

from Chassis No. B000184  
Equipment Variation UD  
Rim Size [in] 15

Rim Size [in] 16

**23183**

-

2,5 D S8U 770  
2,5 D S8U 772  
2,8 D S9W 700  
2,8 D S9W 702

from Chassis No. B001462  
Equipment Variation ED  
Rim Size [in] 15

from Chassis No. B000482  
from Chassis No. B000486  
Equipment Variation FD  
Rim Size [in] 15

from Chassis No. B000207  
Equipment Variation HD  
Rim Size [in] 15

from Chassis No. B000807  
Equipment Variation JD  
Rim Size [in] 15

from Chassis No. B000184  
Equipment Variation UD  
Rim Size [in] 15

from the year of construction 07/2000  
Rim Size [in] 16

**23183**

-

**febi 23183**

Ref. No. 09111023



AØ 84 IØ 49 B 48



### Movano I

(1998→2010)

3,0 D ZD3 200  
3,0 D ZD3 202

from Chassis No. B001462  
Equipment Variation ED  
Rim Size [in] 15

from Chassis No. B000482  
from Chassis No. B000486  
Equipment Variation FD  
Rim Size [in] 15

from Chassis No. B000207  
Equipment Variation HD  
Rim Size [in] 15

from Chassis No. B000807  
Equipment Variation JD  
Rim Size [in] 15

from Chassis No. B000184  
Equipment Variation UD  
Rim Size [in] 15

Rim Size [in] 16

23183

-

### Nova

(1982→1994)

1,0 10S  
1,2 12N  
1,2 12NC

number of teeth 22

03096

03106

04799

-

1,2 12NV  
1,2 12S

03096 / 04799

03106

#### febi 03096

Ref. No. 90486458



AØ 64 IØ 34 B 37

#### febi 03106

Ref. No. 90498610



AØ 120 LKØ 100 x 4

#### febi 04799

Ref. No. 90510544



AØ 66 IØ 34 B 37

#### febi 23183

Ref. No. 09111023



AØ 84 IØ 49 B 48

front axle

suitable for:

**Vauxhall**

**Car  
Division**



**Nova**

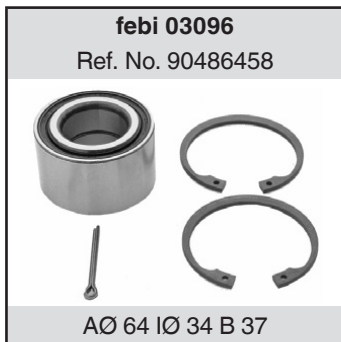
(1982→1994)

1,2 12ST		03096	03106
1,2 C12NZ			
1,3 13NB	number of teeth 22	04799	-
1,3 13SB			
1,3 C13N			
1,4 14NV			
1,4 C14NZ			
1,4 C14SE			
1,5 D 15D			
1,5 D 15DT			
1,6 C16SE			
1,6 C16SEI		-	03106
1,6 E16SE		03096	03106
	number of teeth 22	04799	-

**Senator**

(1987→1993)

2,5 25NE		05117	05117
2,6 C26NE	not for ambulances	06167	06167
3,0 30NE		05117	05117





**Senator**

(1987→1993)

3,0 C30LE		05117	05117
3,0 C30NE			
3,0 C30SE	not for ambulances	06167	06167

**Signum**

(2003→2008)

1,8 Z18XE	to Chassis No. 41999999	23377	23377
1,8 Z18XER	For vehicles without IDS suspension		
1,9 D Z19DT			
1,9 D Z19DTH	to Chassis No. 41999999	28141	28141
1,9 D Z19DTL	For vehicles with IDS suspension		
2,0 D Y20DTH			
2,0 Z20NET	from Chassis No. 51000000		
2,2 D Y22DTR			
2,2 Z22YH			
2,8 Z28NEL			
2,8 Z28NET			
3,0 D Y30DT			
3,0 D Z30DT			
3,2 Z32SE			

**Tigra I**

(1994→2000)

1,4 X14XE		04799	03106
1,6 X16XE			

front axle

**febi 03106**

Ref. No. 90498610



AØ 120 LKØ 100 x 4

**febi 04799**

Ref. No. 90510544



AØ 66 IØ 34 B 37

**febi 05117**

Ref. No. 90235571



AØ 76 IØ 35 B 76

**febi 06167**

Ref. No. 90486467



AØ 60 IØ 35 B 19

**febi 23377**

Ref. No. 93186387



AØ 137 IØ 33 B 130  
LKØ 105 x 5

**febi 28141**

Ref. No. 93186388



AØ 137  
LKØ 105 x 5

suitable for:

**Vauxhall**

**Car  
Division**



**Tigra II**

(2004→2009)

1,3 D Z13DT  
1,4 Z14XEP  
1,8 Z18XE

19085

28301

**Vectra I**

(1995→2002)

1,6 X16SZR  
1,6 X16XEL

from Chassis No. W1285447  
to Chassis No. W1999999  
from Chassis No. W7154259  
to Chassis No. W7999999  
from Chassis No. XL000001

-

03965

from Chassis No. X1000001  
from Chassis No. X7000001

-

03969

to Chassis No. W1285446  
to Chassis No. W5276825  
to Chassis No. W7154258

-

03975

04838

-

1,6 Y16XE  
1,6 Z16XE

from Chassis No. X1000001  
from Chassis No. X7000001

-

03969

04838

-

**febi 03965**

Ref. No. 90468646



AØ 120 LKØ 100 x 4

**febi 03969**

Ref. No. 90496444



AØ 137 LKØ 105 x 5

**febi 03975**

Ref. No. 90468645



AØ 120 LKØ 100 x 4

**febi 04838**

Ref. No. 90510542



AØ 74 IØ 39 B 39

**febi 19085**

Ref. No. 09195608



AØ 67 IØ 34 B 37

**febi 28301**

Ref. No. 90576767



AØ 123 LKØ 100 x 4



**Vectra I**

(1995→2002)

1,7 D X17DT 1,7 D X17TD 1,8 X18XE 1,8 X18XE1	to Chassis No. W1999999 to Chassis No. W5999999 to Chassis No. W7999999	-	03965
	from Chassis No. XL000001		
	from Chassis No. X1000001 from Chassis No. X7000001	-	03969
		04838	-
1,8 Z18XE	to Chassis No. W1999999 to Chassis No. W5999999 to Chassis No. W7999999	-	03965
	from Chassis No. XL000001		
		04838	-
2,0 D X20DTH 2,0 D X20DTL	to Chassis No. W1999999 to Chassis No. W5999999 to Chassis No. W7999999	-	03965
	from Chassis No. XL000001		
	from Chassis No. X1000001 from Chassis No. X7000001	-	03969
		04838	-
2,0 X20XEV		04838	03969
2,0 D Y20DTH	from Chassis No. X1000001 from Chassis No. X7000001	-	03969
		04838	-
2,2 D Y22DTR 2,2 Z22SE 2,5 X25XE 2,6 Y26SE		04838	03969

front axle



suitable for:

**Vauxhall**

**Car  
Division**



**Vectra II**

(2002→ )

front axle

1,6 Z16XE	to Chassis No. 41999999 to Chassis No. 48999999 For vehicles without IDS suspension	<b>23377</b>	<b>23377</b>
	to Chassis No. 41999999 For vehicles with IDS suspension to Chassis No. 48999999	<b>28141</b>	<b>28141</b>
	from Chassis No. 51000000 from Chassis No. 58000000		
1,6 Z16XEP 1,8 Z18XE	to Chassis No. 41999999 to Chassis No. 48999999 For vehicles without IDS suspension	<b>23377</b>	<b>23377</b>
	chassis number bis41999999 to Chassis No. 41999999 chassis number bis48999999 For vehicles with IDS suspension to Chassis No. 48999999	<b>28141</b>	<b>28141</b>
1,8 Z18XEL 1,8 Z18XER	chassis number ab51000001 from Chassis No. 51000000 chassis number ab58000001 from Chassis No. 58000000		
	to Chassis No. 41999999 to Chassis No. 48999999 For vehicles without IDS suspension	<b>23377</b>	<b>23377</b>
	to Chassis No. 41999999 For vehicles with IDS suspension to Chassis No. 48999999	<b>28141</b>	<b>28141</b>
	from Chassis No. 51000000 from Chassis No. 58000000		

**febi 23377**

Ref. No. 93186387



AØ 137 IØ 33 B 130  
LKØ 105 x 5

**febi 28141**

Ref. No. 93186388



AØ 137  
LKØ 105 x 5



**Vectra II**

(2002→ )

1,9 D Z19DT	to Chassis No. 41999999 to Chassis No. 48999999 For vehicles without IDS suspension	23377	23377
	to Chassis No. 41999999 to Chassis No. 48999999 For vehicles with IDS suspension	28141	28141
	from Chassis No. 51000000 from Chassis No. 58000000		
1,9 D Z19DTH 1,9 D Z19DTL 2,0 D Y20DTH 2,0 Z20NET 2,2 D Y22DTR 2,2 Z22SE 2,2 Z22YH	to Chassis No. 41999999 to Chassis No. 48999999 For vehicles without IDS suspension	23377	23377
	to Chassis No. 41999999 For vehicles with IDS suspension to Chassis No. 48999999	28141	28141
	from Chassis No. 51000000 from Chassis No. 58000000		
2,8 Z28NEL 2,8 Z28NET	to Chassis No. 41999999 to Chassis No. 48999999 For vehicles without IDS suspension	23377	23377
	chassis number bis41999999 to Chassis No. 41999999 chassis number bis48999999 For vehicles with IDS suspension to Chassis No. 48999999	28141	28141
	chassis number ab51000001 from Chassis No. 51000000 chassis number ab58000001 from Chassis No. 58000000		

front axle





suitable for:

**Vauxhall**

**Car  
Division**



**Vectra II**

(2002→ )

3,0 D Y30DT 3,0 D Z30DT 3,2 Z32SE	to Chassis No. 41999999 to Chassis No. 48999999 For vehicles without IDS suspension	<b>23377</b>	<b>23377</b>
	to Chassis No. 41999999 For vehicles with IDS suspension to Chassis No. 48999999	<b>28141</b>	<b>28141</b>
	from Chassis No. 51000000 from Chassis No. 58000000		

**Vivaro**

(2000→ )

1,9 D F9Q 760 1,9 D F9Q 762 2,0 F4R 720	to Chassis No. 3V613233 to Chassis No. 3Y	<b>23330</b>	-
	from Chassis No. 3V613234 from Chassis No. 3Y	<b>23331</b>	-
2,0 F4R 820 2,0 D M9R 780 2,0 D M9R 782 2,5 D G9U 630	to Chassis No. 3V613233 for vehicles with ABS to Chassis No. 3Y	<b>23330</b>	-
	from Chassis No. 3V613234 to Chassis No. 3V613234 from Chassis No. 3Y	<b>23331</b>	-
2,5 D G9U 730	to Chassis No. 3V613233 to Chassis No. 3Y	<b>23330</b>	-
	from Chassis No. 3V613234 from Chassis No. 3Y	<b>23331</b>	-

**febi 23330**  
Ref. No. 91160086

AØ 86 IØ 45 B 39

**febi 23331**  
Ref. No. 93161376

AØ 88 IØ 45 B 39

**febi 23377**  
Ref. No. 93186387

AØ 137 IØ 33 B 130  
LKØ 105 x 5

**febi 28141**  
Ref. No. 93186388

AØ 137  
LKØ 105 x 5



**VX**

(2000→2005)

2,0 Z20LET  
2,2 Z22SE

for vehicles with ABS

24164

24164

**Zafira I**

(1999→2005)

1,6 X16XEL  
1,6 Z16XE  
1,8 X18XE1  
1,8 Z18XE  
2,0 D X20DTL  
2,0 D Y20DTH  
2,0 Z20LER

Rim Hole Number 4

14611 / 14615

14611 / 14615

Rim Hole Number 5

14623 / 24164

14623 / 24164

2,0 Z20LET

Rim Hole Number 4

14611 / 14615

14611 / 14615

Rim Hole Number 5

14623

14623

for vehicles with ABS  
Rim Hole Number 5

24164

24164

2,2 Z22SE

Rim Hole Number 4

14611 / 14615

14611 / 14615

Rim Hole Number 5

14623 / 24164

14623 / 24164

front axle

**febi 14611**

Ref. No. 09117619



AØ 120 IØ 29 B 84  
AØ 56,5 IØ 25,4  
LKØ 100 x 4

**febi 14615**

Ref. No. 09117620



AØ 120 IØ 26 B 116  
IØ 56,38 B 87  
LKØ 100 x 4

**febi 14623**

Ref. No. 09117622



AØ 136 IØ 26 B 115  
LKØ 105 x 5

**febi 24164**

Ref. No. 09117622 S1



AØ 136 IØ 26 B 115  
LKØ 105 x 5

suitable for:

**Vauxhall**

**Car  
Division**



**Zafira II**

(2005→ )

front axle

1,6 Z16XE1 1,6 Z16XEP 1,6 Z16XER	Rim Hole Number 5	27386	27386
1,6 Z16XNT	from Chassis No. 62034066 from Chassis No. 6G019310	31122	31122
1,6 Z16YNG	to Chassis No. 62034065 to Chassis No. 6G019309 Rim Hole Number 5	27386	27386
	from Chassis No. 62034066 from Chassis No. 6G019310	31122	31122
1,7 D A17DTJ 1,7 D A17DTR 1,7 D Z17DTJ	from Chassis No. 62034066 from Chassis No. 6G019310	31122	31122
1,8 A18XER 1,8 Z18XER	Rim Hole Number 5	27386	27386
1,9 D Z19DT	to Chassis No. 62034065 to Chassis No. 6G019309 Rim Hole Number 5	27386	27386
	from Chassis No. 62034066 from Chassis No. 6G019310	31122	31122
1,9 D Z19DTH		31136	31136
1,9 D Z19DTL	to Chassis No. 62034065 to Chassis No. 6G019309 Rim Hole Number 5	27386	27386
	from Chassis No. 62034066 from Chassis No. 6G019310	31122	31122
2,0 Z20LEH		31136	31136

**febi 27386**

Ref. No. 93178652



AØ 137 B 95  
LKØ 105 x 5

**febi 31122**

Ref. No. 93188477



AØ 137 B 137

**febi 31136**

Ref. No. 93186389



AØ 137 IØ 31 B 137  
IØ 58  
LKØ 64 x 5



**Zafira II**

(2005→)

2,0 Z20LER  
2,2 Z22YH

to Chassis No. 62034065  
to Chassis No. 6G019309  
Rim Hole Number 5

27386

27386

from Chassis No. 62034066  
from Chassis No. 6G019310  
Rim Hole Number 5

31122

31122

**Zafira III**

(2011→)

all

40099

40099

front axle

**febi 27386**  
Ref. No. 93178652

AØ 137 B 95  
LKØ 105 x 5

**febi 31122**  
Ref. No. 93188477

AØ 137 B 137

**febi 40099**  
Ref. No. 13583479

AØ 146  
LKØ 62 x 6

suitable for:

# Volkswagen

Car  
Division 



## Passat 6 (A3)

(2011→)

all For PR number 1ZD/1ZE/1ZM/1ZP  
For PR number 1LJ

27317

27317

## Amarok (S1)

(2012→)

all

38863

-

## Amarok 4 motion (S1)

(2012→)

all

38863

-

## Amarok (2H)

(2010→)

all

38863

-

## Amarok 4 motion (2H)

(2010→)

all

38863

-

front axle

### febi 27317

Ref. No. 5K0 498 621



AØ 136 IØ 27,5 B 84,5  
LKØ 112 x 5

### febi 38863

Ref. No. 2H0 498 627 A



AØ 88 IØ 48,70 B 88



## Bora (1J)

(1998→2005)

- 1,4 AHW
- 1,4 AKQ
- 1,4 APE
- 1,4 AXP
- 1,4 BCA
- 1,6 AEH
- 1,6 AKL
- 1,6 APF
- 1,6 ATN
- 1,6 AUS
- 1,6 AVU
- 1,6 AWB
- 1,6 AZD
- 1,6 BAD
- 1,6 BCB
- 1,6 BFQ
- 1,8 AGN
- 1,8 AGU
- 1,8 ARX
- 1,8 AUM
- 1,8 AUQ
- 1,9 D AGP
- 1,9 D AGR
- 1,9 D AHF
- 1,9 D AJM
- 1,9 D ALH
- 1,9 D AQM
- 1,9 D ARL
- 1,9 D ASV
- 1,9 D ASZ
- 1,9 D ATD
- 1,9 D AUY
- 1,9 D AXR
- 2,0 APK
- 2,0 AQY
- 2,0 AZG
- 2,0 AZH
- 2,0 AZJ
- 2,3 AGZ
- 2,3 AQN
- 2,8 AQP
- 2,8 AUE

Not for PR number 1LJ/1ZD/1ZE

14250

-

-

22512

front axle

### febi 14250

Ref. No. 1J0 498 625 A



AØ 74 IØ 40 B 40

### febi 22512

Ref. No. 1J0 407 613 G



LKØ 100 x 5

suitable for:

**Volkswagen**

**Car  
Division**



**Bora 4 motion (1J)**

(1998→2005)

all

14250

-

**Caddy 1 (1A)**

(1991→1992)

1,6 EW

1,6 D ME

1,8 JH

03270 / 03488

-

**Caddy 1 (14)**

(1982→1991)

all

03270 / 03488

06655

**Caddy 2 (9K)**

(1995→2003)

all

03662

01901 / 02219

**Caddy 2 (9U)**

(1996→2000)

1,6 AEE

1,9 D AEF

03662 / 30040

01901 / 02219

**febi 01901**

Ref. No. 357 407 613 B



AØ 40 LKØ 100 x 4

**febi 02219**

Ref. No. 357 407 615 A



AØ 40 LKØ 100 x 4

**febi 03270**

Ref. No. 171 407 625 A



AØ 64 IØ 34 B 37

**febi 03488**

Ref. No. 171 498 625 D



AØ 64 IØ 34 B 37

**febi 03662**

Ref. No. 357 498 625 C



AØ 72 IØ 40 B 37

**febi 06655**

Ref. No. 175 407 615



AØ 34 LKØ 100 x 4

**febi 14250**

Ref. No. 1J0 498 625 A



AØ 74 IØ 40 B 40

**febi 30040**

Ref. No. 6U0 498 003



AØ 68 IØ 35 B 37



## Caddy 3 (2K)

(2004→2010)

1,4 BCA	For PR number 1ZE/1LJ	26377 / 27317	26377 / 27317
	from Chassis No. 2K-6-000 001 For PR number 1ZM/1ZF	26378 / 27342	26378 / 27342
1,4 BUD	For PR number 1ZE/1LJ	26377 / 27317	26377 / 27317
	For PR number 1ZM/1ZF	26378 / 27342	26378 / 27342
1,6 BGU	For PR number 1ZE/1LJ	26377 / 27317	26377 / 27317
	from Chassis No. 2K-6-000 001 For PR number 1ZM/1ZF	26378 / 27342	26378 / 27342
1,6 BRY	For PR number 1ZE/1LJ	26377 / 27317	26377 / 27317
1,6 BSE	For PR number 1ZE/1LJ	26377 / 27317	26377 / 27317
1,6 BSF	For PR number 1ZM/1ZF	26378 / 27342	26378 / 27342
1,9 D BJB	For PR number 1ZE/1LJ	26377 / 27317	26377 / 27317
	For PR number 1ZM/1ZF from Chassis No. 2K-6-000 001	26378 / 27342	26378 / 27342
1,9 D BLS	For PR number 1ZE/1LJ	26377 / 27317	26377 / 27317
1,9 D BSU	For PR number 1ZM/1ZF	26378 / 27342	26378 / 27342
2,0 D BDJ	For PR number 1ZE/1LJ	26377 / 27317	26377 / 27317
	from Chassis No. 2K-6-000 001 For PR number 1ZM/1ZF	26378 / 27342	26378 / 27342
2,0 D BMM	For PR number 1ZE/1LJ	26377 / 27317	26377 / 27317
2,0 D BST	For PR number 1ZM/1ZF	26378 / 27342	26378 / 27342
2,0 BSX	For PR number 1ZM/1ZF	26378 / 27342	26378 / 27342

front axle

### febi 26377

Ref. No. 1T0 498 621 SK



AØ 136 IØ 27,5 B 84,5  
LKØ 112 x 5

### febi 26378

Ref. No. 1K0 498 621 SK



AØ 136 IØ 27 B 85  
LKØ 112 x 5

### febi 27317

Ref. No. 5K0 498 621



AØ 136 IØ 27,5 B 84,5  
LKØ 112 x 5

### febi 27342

Ref. No. 5K0 498 621 A



AØ 136 IØ 27 B 85  
LKØ 112 x 5



suitable for:

**Volkswagen**

**Car  
Division**



**Caddy 4 (2C)**

(2010→)

1,2 CBZA  
1,2 CBZB  
1,6 BSF  
1,6 D CAYD  
1,6 D CAYE  
2,0 BSX  
2,0 D CFHC  
2,0 D CFHE  
2,0 D CLCA

to the year of construction 02/2011  
For PR number 1ZF

26377 / 27317

26377 / 27317

26378 / 27342

26378 / 27342

**Corrado (50)**

(1988→1995)

1,8 KR  
1,8 PG  
2,0 2E  
2,0 9A  
2,0 ADY

03662

01901 / 02219 /  
03368

**febi 01901**

Ref. No. 357 407 613 B



AØ 40 LKØ 100 x 4

**febi 02219**

Ref. No. 357 407 615 A



AØ 40 LKØ 100 x 4

**febi 03368**

Ref. No. 357 407 615



AØ 40 LKØ 100 x 4

**febi 03662**

Ref. No. 357 498 625 C



AØ 72 IØ 40 B 37

**febi 26377**

Ref. No. 1T0 498 621 SK



AØ 136 IØ 27,5 B 84,5  
LKØ 112 x 5

**febi 26378**

Ref. No. 1K0 498 621 SK



AØ 136 IØ 27 B 85  
LKØ 112 x 5

**febi 27317**

Ref. No. 5K0 498 621



AØ 136 IØ 27,5 B 84,5  
LKØ 112 x 5

**febi 27342**

Ref. No. 5K0 498 621 A



AØ 136 IØ 27 B 85  
LKØ 112 x 5



## Corrado (50)

(1988→1995)

2,9 ABV

08435

01298

## Crossfox (5Z)

(2005→)

1,4 BKR  
1,4 D BNM

For PR number 1AC/1AT/1ZF  
for vehicles with ABS

24414

24414

for vehicles without ABS

-

38491

1,6 BAH

for vehicles without ABS

-

38491

## Crossgolf (5M)

(2006→)

1,4 BMY  
1,6 BSE  
1,6 BSF  
2,0 D BMM

For PR number 1ZF/1ZC

26378 / 27342

26378 / 27342

For PR number 1ZD/1ZE/1ZM/1ZP  
For PR number 1LJ

26377 / 27317

26377 / 27317

## Crosspolo (6R)

(2009→)

all

24414

24414

front axle

### febi 01298

Ref. No. 1H0 407 613 B



LKØ 100 x 5

### febi 08435

Ref. No. 1H0 498 625



AØ 72 IØ 40 B 37

### febi 24414

Ref. No. 6R0 407 621 A



AØ 126 IØ 29 B 82  
AØ 72  
LKØ 100 x 5

### febi 26377

Ref. No. 1T0 498 621 SK



AØ 136 IØ 27,5 B 84,5  
LKØ 112 x 5

### febi 26378

Ref. No. 1K0 498 621 SK



AØ 136 IØ 27 B 85  
LKØ 112 x 5

### febi 27317

Ref. No. 5K0 498 621



AØ 136 IØ 27,5 B 84,5  
LKØ 112 x 5

### febi 27342

Ref. No. 5K0 498 621 A



AØ 136 IØ 27 B 85  
LKØ 112 x 5

### febi 38491

Ref. No. 5Z0 407 615



AØ 120 x 5

suitable for:

# Volkswagen

Car  
Division 



## Crosspolo (9N)

(2005→2009)

all Not for PR number 1LM/1ZN

24414

24414

## Crosstouran (1T)

(2007→ )

all 26377 / 27317 26377 / 27317

## Derby 1 (86)

(1975→1981)

0,9 HA 03624 01424  
1,1 HB  
1,3 HH  
1,3 HJ

## Derby 2 (87)

(1981→1984)

1,0 GL 03624 01424  
1,1 HB  
1,3 GK  
1,3 HH  
1,3 HK  
1,3 MH

**febi 01424**

Ref. No. 861 407 615 A



AØ 34 LKØ 100 x 4

**febi 03624**

Ref. No. 871 498 625 A



AØ 62 IØ 34 B 37

**febi 24414**

Ref. No. 6R0 407 621 A



AØ 126 IØ 29 B 82

AØ 72

LKØ 100 x 5

**febi 26377**

Ref. No. 1T0 498 621 SK



AØ 136 IØ 27,5 B 84,5

LKØ 112 x 5

**febi 27317**

Ref. No. 5K0 498 621



AØ 136 IØ 27,5 B 84,5

LKØ 112 x 5



## Eos (1F)

(2006→)

- 1,4 CAVD
- 1,4 CAXA
- 1,4 CTHD
- 1,6 BLF
- 2,0 D BMM
- 2,0 BPY
- 2,0 BVY
- 2,0 BVZ
- 2,0 BWA
- 2,0 CAWB
- 2,0 D CBAB
- 2,0 CBFA
- 2,0 CCTA
- 2,0 CCZA
- 2,0 CCZB
- 2,0 D CFFA
- 2,0 D CFFB
- 3,2 BUB
- 3,2 CBRA
- 3,6 CDVA

26377 / 27317

26377 / 27317

front axle

## Fox (5Z)

(2003→)

- 1,0 AQZ
- 1,0 BJE
- 1,0 BNX
- 1,0 CCNA

for vehicles without ABS

-

38491

### febi 26377

Ref. No. 1T0 498 621 SK



AØ 136 IØ 27,5 B 84,5  
LKØ 112 x 5

### febi 27317

Ref. No. 5K0 498 621



AØ 136 IØ 27,5 B 84,5  
LKØ 112 x 5

### febi 38491

Ref. No. 5Z0 407 615



AØ 120 x 5

suitable for:

**Volkswagen**

**Car  
Division**



**Fox (5Z)**  
(2003→)

<b>front axle</b>	<b>1,2 BMD</b>	For PR number 1AC/1AT/1ZF for vehicles with ABS	<b>24414</b>	<b>24414</b>
		to Chassis No. 5Z-80027 000 to Chassis No. 5Z-84180 000 For PR number 1ZN for vehicles with ABS	<b>24574 / 32558</b>	<b>24574 / 32558</b>
		for vehicles without ABS	-	<b>38491</b>
	<b>1,2 CHFA</b>	For PR number 1AC/1AT/1ZF for vehicles with ABS	<b>24414</b>	<b>24414</b>
	for vehicles without ABS	-	<b>38491</b>	
<b>1,2 CHFB</b>	For PR number 1AC/1AT/1ZF for vehicles with ABS	<b>24414</b>	<b>24414</b>	
	to Chassis No. 5Z-80027 000 to Chassis No. 5Z-84180 000 For PR number 1ZN for vehicles with ABS	<b>24574 / 32558</b>	<b>24574 / 32558</b>	
	for vehicles without ABS	-	<b>38491</b>	
<b>1,4 BKR</b> <b>1,4 D BNM</b>	For PR number 1AC/1AT/1ZF for vehicles with ABS	<b>24414</b>	<b>24414</b>	
	for vehicles without ABS	-	<b>38491</b>	
<b>1,6 BAH</b> <b>1,6 BJA</b> <b>1,6 BLH</b> <b>1,6 BPA</b> <b>1,6 CCRA</b> <b>1,6 CFZA</b> <b>1,9 D ASY</b>	for vehicles without ABS	-	<b>38491</b>	

**febi 24414**

Ref. No. 6R0 407 621 A



AØ 126 IØ 29 B 82  
AØ 72  
LKØ 100 x 5

**febi 24574**

Ref. No. 6Q0 407 621 BK



AØ 120 IØ 23 B 82  
AØ 66  
LKØ 96 x 5

**febi 32558**

Ref. No. 6Q0 407 621 BK S1



AØ 66 IØ 23 B 82  
LKØ 56

**febi 38491**

Ref. No. 5Z0 407 615



AØ 120 x 5



## Golf 1 (15)

(1979→1993)

all

03270 / 03488

06655

## Golf 1 (17)

(1974→1984)

all

03270 / 03488

06655

## Golf 2 (19)

(1983→1988)

1,0 GN

03621

08331

front axle

### febi 03270

Ref. No. 171 407 625 A



AØ 64 IØ 34 B 37

### febi 03488

Ref. No. 171 498 625 D



AØ 64 IØ 34 B 37

### febi 03621

Ref. No. 191 498 625



AØ 66 IØ 35 B 37

### febi 06655

Ref. No. 175 407 615



AØ 34 LKØ 100 x 4

### febi 08331

Ref. No. 191 407 615



AØ 35 LKØ 100 x 4

suitable for:

**Volkswagen**

**Car  
Division**



**Golf 2 (19)**

(1983→1988)

1,0 HZ	from Chassis No. 1.-JW000 001 from Chassis No. 19-JB000 001	03662	01901 / 02219 / 03368
	to Chassis No. 1.-HW990 000 to Chassis No. 19-HB990 000	03621	08331
1,3 GT 1,3 HK 1,3 HW		03621	08331
1,3 MH	from Chassis No. 1.-JW000 001 from Chassis No. 19-JB000 001	03662	01901 / 02219 / 03368
	to Chassis No. 1.-HW990 000 to Chassis No. 19-HB990 000	03621	08331
1,3 NU		03621	08331
1,3 NZ 1,6 EZ	from Chassis No. 1.-JW000 001 from Chassis No. 19-JB000 001	03662	01901 / 02219 / 03368
	to Chassis No. 1.-HW990 000 to Chassis No. 19-HB990 000	03621	08331
1,6 EZA		03621	08331

**febi 01901**

Ref. No. 357 407 613 B



AØ 40 LKØ 100 x 4

**febi 02219**

Ref. No. 357 407 615 A



AØ 40 LKØ 100 x 4

**febi 03368**

Ref. No. 357 407 615



AØ 40 LKØ 100 x 4

**febi 03621**

Ref. No. 191 498 625



AØ 66 IØ 35 B 37

**febi 03662**

Ref. No. 357 498 625 C



AØ 72 IØ 40 B 37

**febi 08331**

Ref. No. 191 407 615



AØ 35 LKØ 100 x 4



## Golf 2 (19)

(1983→1988)

1,6 HM	from Chassis No. 1.-JW000 001 from Chassis No. 19-JB000 001	03662	01901 / 02219 / 03368
1,6 D JP			
1,6 D JR	to Chassis No. 1.-HW990 000 to Chassis No. 19-HB990 000	03621	08331
1,6 D ME			
1,6 D MF			
1,6 PN			
1,6 RF			
1,8 EV		03621	08331
1,8 GU	from Chassis No. 1.-JW000 001 from Chassis No. 19-JB000 001	03662	01901 / 02219 / 03368
	to Chassis No. 1.-HW990 000 to Chassis No. 19-HB990 000	03621	08331
1,8 GX		03621 / 03662	01901 / 02219 / 03368 / 08331
1,8 GZ	from Chassis No. 1.-JW000 001 from Chassis No. 19-JB000 001	03662	01901 / 02219 / 03368
	to Chassis No. 1.-HW990 000 to Chassis No. 19-HB990 000	03621	08331
1,8 HT		03621	08331
1,8 HV			

front axle

### febi 01901

Ref. No. 357 407 613 B



AØ 40 LKØ 100 x 4

### febi 02219

Ref. No. 357 407 615 A



AØ 40 LKØ 100 x 4

### febi 03368

Ref. No. 357 407 615



AØ 40 LKØ 100 x 4

### febi 03621

Ref. No. 191 498 625



AØ 66 IØ 35 B 37

### febi 03662

Ref. No. 357 498 625 C



AØ 72 IØ 40 B 37

### febi 08331

Ref. No. 191 407 615



AØ 35 LKØ 100 x 4



suitable for:

**Volkswagen**

**Car  
Division**



**Golf 2 (19)**

(1983→1988)

1,8 KR	from Chassis No. 1.-JW000 001	03662	01901 / 02219 / 03368
1,8 PB	from Chassis No. 19-JB000 001		
1,8 PF			
1,8 PL	to Chassis No. 1.-HW990 000	03621	08331
1,8 RD	to Chassis No. 19-HB990 000		
1,8 RH			
1,8 RP		03662	01901 / 02219 / 03368

**Golf 2 syncro (19)**

(1985→1988)

1,8 GU	from Chassis No. 19-J-000 001	03662	01901 / 02219
1,8 GX			
1,8 RH	from Chassis No. 1.-JW000 001 from Chassis No. 19-JB000 001	-	03368
	to Chassis No. 19-H-999 999	03621	08331

**Golf 2 (1G)**

(1988→1992)

all		03662	01901 / 02219 / 03368
-----	--	-------	-----------------------





## Golf 2 syncro (1G)

(1988→1992)

1,8 1P  
1,8 GU  
1,8 PG

03662

01901 / 02219 /  
03368

## Golf 3 (1H)

(1991→2000)

0,0 S20  
1,3 2G  
1,4 ABD  
1,4 AEX  
1,4 APQ  
1,6 ABU  
1,6 AEA  
1,6 AEE  
1,6 AEK  
1,6 AFT  
1,6 AKS  
1,8 AAM  
1,8 ABS  
1,8 ACC  
1,8 ADZ  
1,8 ANN  
1,8 ANP  
1,9 D 1Y  
1,9 D 1Z  
1,9 D AAZ  
1,9 D AEY  
1,9 D AFN  
1,9 D AHU  
1,9 D ALE

03662

01901 / 02219 /  
03368

front axle

### febi 01901

Ref. No. 357 407 613 B



AØ 40 LKØ 100 x 4

### febi 02219

Ref. No. 357 407 615 A



AØ 40 LKØ 100 x 4

### febi 03368

Ref. No. 357 407 615



AØ 40 LKØ 100 x 4

### febi 03662

Ref. No. 357 498 625 C



AØ 72 IØ 40 B 37

suitable for:

**Volkswagen**

Car  
Division



**Golf 3 (1H)**

(1991→2000)

2,0 2E	03662 / 08435	01298 / 01901 / 02219 / 03368
2,0 ABA	03662	01901 / 02219 / 03368
2,0 ABF 2,0 ADY	03662 / 08435	01298 / 01901 / 02219 / 03368
2,0 AEP	03662	01901 / 02219 / 03368
2,0 AGG 2,0 AKR	03662 / 08435	01298 / 01901 / 02219 / 03368
2,8 AAA 2,9 ABV	08435	01298

**Golf 3 (1E)**

(1993→2002)

all	03662	01901 / 02219
-----	-------	---------------

**febi 01298**

Ref. No. 1H0 407 613 B



LKØ 100 x 5

**febi 01901**

Ref. No. 357 407 613 B



AØ 40 LKØ 100 x 4

**febi 02219**

Ref. No. 357 407 615 A



AØ 40 LKØ 100 x 4

**febi 03368**

Ref. No. 357 407 615



AØ 40 LKØ 100 x 4

**febi 03662**

Ref. No. 357 498 625 C



AØ 72 IØ 40 B 37

**febi 08435**

Ref. No. 1H0 498 625



AØ 72 IØ 40 B 37



## Golf 3 syncro (1H)

(1993→1999)

1,8 ABS 1,8 ADZ 1,9 D 1Z 1,9 D AHU 1,9 D ALE	03662	01901 / 02219 / 02231 / 03368
2,0 AGG	03662 / 08435	01298 / 01901 / 02219 / 02231 / 03368
2,9 ABV	08435	01298

front axle

### febi 01298

Ref. No. 1H0 407 613 B



LKØ 100 x 5

### febi 01901

Ref. No. 357 407 613 B



AØ 40 LKØ 100 x 4

### febi 02219

Ref. No. 357 407 615 A



AØ 40 LKØ 100 x 4

### febi 02231

Ref. No. 823 407 615 A



AØ 39 LKØ 100 x 4

### febi 03368

Ref. No. 357 407 615



AØ 40 LKØ 100 x 4

### febi 03662

Ref. No. 357 498 625 C



AØ 72 IØ 40 B 37

### febi 08435

Ref. No. 1H0 498 625



AØ 72 IØ 40 B 37

suitable for:

**Volkswagen**

**Car  
Division**



**Golf 4 (1J)**

(1997→2006)

- front axle
- 1,4 AHW
  - 1,4 AKQ
  - 1,4 APE
  - 1,4 AXP
  - 1,4 BCA
  - 1,6 AEH
  - 1,6 AKL
  - 1,6 APF
  - 1,6 ATN
  - 1,6 AUS
  - 1,6 AVU
  - 1,6 AWB
  - 1,6 AZD
  - 1,6 BAD
  - 1,6 BAH
  - 1,6 BCB
  - 1,6 BFQ
  - 1,8 ACC
  - 1,8 AGN
  - 1,8 AGU
  - 1,8 AQA
  - 1,8 ARZ
  - 1,8 AUM

Not for PR number 1LJ/1ZD/1ZE

14250

-

-

22512

14250 / 23370

-

Not for PR number 1LJ/1ZD/1ZE

-

22512





## Golf 4 (1J)

(1997→2006)

- 1,8 AWD
- 1,9 D AAZ
- 1,9 D AGP
- 1,9 D AGR
- 1,9 D AHF
- 1,9 D AJM
- 1,9 D ALH
- 1,9 D AQM
- 1,9 D ARL
- 1,9 D ASV
- 1,9 D ASZ
- 1,9 D ATD
- 1,9 D AUY
- 1,9 D AXR
- 2,0 APK
- 2,0 AQY
- 2,0 AZG
- 2,0 AZJ
- 2,0 BEH
- 2,3 AGZ
- 2,3 AQN
- 2,8 AAA

Not for PR number 1LJ/1ZD/1ZE

14250

-

-

22512

front axle

## Golf 4 4 motion (1J)

(1997→2006)

- 1,8 AGN
- 3,2 BFH

Manual Transmission, 6-speed  
not for 6 speed manual transmission

For PR number G0R  
Six-speed Automatic Transmission

14250

-

23370

-

34875

-

- 3,2 BML

For PR number G0L  
Manual Transmission, 6-speed

14250

-

34875

-



suitable for:

**Volkswagen**

**Car  
Division**



**Golf 5 (1K)**

(2003→2009)

1,4 BCA 1,4 BKG	from Chassis No. 1K-5B162 041 from Chassis No. 1K-5P108 282 from Chassis No. 1K-5U027 668 from Chassis No. 1K-5W572 545 For PR number 1ZF	26378 / 27342	26378 / 27342
	For PR number 1ZD/1ZE/1ZM/1ZP For PR number 1LJ/1LK	26377 / 27317	26377 / 27317
1,4 BLG	For PR number 1ZF	26378 / 27342	26378 / 27342
	For PR number 1ZD/1ZE/1ZM/1ZP For PR number 1LJ/1LK	26377 / 27317	26377 / 27317
1,4 BLN	from Chassis No. 1K-5B162 041 from Chassis No. 1K-5P108 282 from Chassis No. 1K-5U027 668 from Chassis No. 1K-5W572 545 For PR number 1ZF	26378 / 27342	26378 / 27342
	For PR number 1ZD/1ZE/1ZM/1ZP For PR number 1LJ/1LK	26377 / 27317	26377 / 27317
1,4 BMY 1,4 BUD	For PR number 1ZF	26378 / 27342	26378 / 27342
	For PR number 1ZD/1ZE/1ZM/1ZP For PR number 1LJ/1LK	26377 / 27317	26377 / 27317
1,4 CAVD	For PR number 1ZD/1ZE/1ZM/1ZP For PR number 1LJ/1LK	26377 / 27317	26377 / 27317
1,4 CAXA	For PR number 1ZF	26378 / 27342	26378 / 27342
	For PR number 1ZD/1ZE/1ZM/1ZP For PR number 1LJ/1LK	26377 / 27317	26377 / 27317
1,6 BAG 1,6 BGU	from Chassis No. 1K-5B162 041 from Chassis No. 1K-5P108 282 from Chassis No. 1K-5U027 668 from Chassis No. 1K-5W572 545 For PR number 1ZF	26378 / 27342	26378 / 27342
	For PR number 1ZD/1ZE/1ZM/1ZP For PR number 1LJ/1LK	26377 / 27317	26377 / 27317

**febi 26377**

Ref. No. 1T0 498 621 SK



AØ 136 IØ 27,5 B 84,5  
LKØ 112 x 5

**febi 26378**

Ref. No. 1K0 498 621 SK



AØ 136 IØ 27 B 85  
LKØ 112 x 5

**febi 27317**

Ref. No. 5K0 498 621



AØ 136 IØ 27,5 B 84,5  
LKØ 112 x 5

**febi 27342**

Ref. No. 5K0 498 621 A



AØ 136 IØ 27 B 85  
LKØ 112 x 5



## Golf 5 (1K)

(2003→2009)

1,6 BLF	For PR number 1ZF	26378 / 27342	26378 / 27342
	For PR number 1ZD/1ZE/1ZM/1ZP For PR number 1LJ/1LK	26377 / 27317	26377 / 27317
1,6 BLP	from Chassis No. 1K-5B162 041 from Chassis No. 1K-5P108 282 from Chassis No. 1K-5U027 668 from Chassis No. 1K-5W572 545 For PR number 1ZF	26378 / 27342	26378 / 27342
	For PR number 1ZD/1ZE/1ZM/1ZP For PR number 1LJ/1LK	26377 / 27317	26377 / 27317
1,6 BSE 1,6 BSF	For PR number 1ZF from Chassis No. 1K-5B162 041 from Chassis No. 1K-5P108 282 from Chassis No. 1K-5U027 668 from Chassis No. 1K-5W572 545	26378 / 27342	26378 / 27342
	For PR number 1ZD/1ZE/1ZM/1ZP For PR number 1LJ/1LK	26377 / 27317	26377 / 27317
1,6 CCSA	For PR number 1ZF	26378 / 27342	26378 / 27342
	For PR number 1ZD/1ZE/1ZM/1ZP For PR number 1LJ/1LK	26377 / 27317	26377 / 27317
1,9 D BKC	For PR number 1ZF from Chassis No. 1K-5B162 041 from Chassis No. 1K-5P108 282 from Chassis No. 1K-5U027 668 from Chassis No. 1K-5W572 545	26378 / 27342	26378 / 27342
	For PR number 1ZD/1ZE/1ZM/1ZP For PR number 1LJ/1LK	26377 / 27317	26377 / 27317
1,9 D BLS	For PR number 1ZF	26378 / 27342	26378 / 27342
	For PR number 1ZD/1ZE/1ZM/1ZP For PR number 1LJ/1LK	26377 / 27317	26377 / 27317

front axle

### febi 26377

Ref. No. 1T0 498 621 SK



AØ 136 IØ 27,5 B 84,5  
LKØ 112 x 5

### febi 26378

Ref. No. 1K0 498 621 SK



AØ 136 IØ 27 B 85  
LKØ 112 x 5

### febi 27317

Ref. No. 5K0 498 621



AØ 136 IØ 27,5 B 84,5  
LKØ 112 x 5

### febi 27342

Ref. No. 5K0 498 621 A



AØ 136 IØ 27 B 85  
LKØ 112 x 5



suitable for:

**Volkswagen**

**Car  
Division**



**Golf 5 (1K)**

(2003→2009)

front axle

<b>1,9 D BRU</b>	from Chassis No. 1K-5B162 041 from Chassis No. 1K-5P108 282 from Chassis No. 1K-5U027 668 from Chassis No. 1K-5W572 545 For PR number 1ZF	<b>26378 / 27342</b>	<b>26378 / 27342</b>
	For PR number 1ZD/1ZE/1ZM/1ZP For PR number 1LJ/1LK	<b>26377 / 27317</b>	<b>26377 / 27317</b>
<b>1,9 D BXE</b>	For PR number 1ZF	<b>26378 / 27342</b>	<b>26378 / 27342</b>
<b>1,9 D BXF</b>	For PR number 1ZD/1ZE/1ZM/1ZP For PR number 1LJ/1LK	<b>26377 / 27317</b>	<b>26377 / 27317</b>
<b>1,9 D BXJ</b>			
<b>2,0 AXW</b>	from Chassis No. 1K-5B162 041 from Chassis No. 1K-5P108 282 from Chassis No. 1K-5U027 668 from Chassis No. 1K-5W572 545 For PR number 1ZF	<b>26378 / 27342</b>	<b>26378 / 27342</b>
	For PR number 1ZD/1ZE/1ZM/1ZP For PR number 1LJ/1LK	<b>26377 / 27317</b>	<b>26377 / 27317</b>
<b>2,0 AXX</b>		<b>26377 / 27317</b>	<b>26377 / 27317</b>
	from Chassis No. 1K-5B162 041 from Chassis No. 1K-5P108 282 from Chassis No. 1K-5U027 668 from Chassis No. 1K-5W572 545 For PR number 1ZF	<b>26378 / 27342</b>	<b>26378 / 27342</b>
<b>2,0 D AZV</b>	For PR number 1ZF from Chassis No. 1K-5B162 041 from Chassis No. 1K-5P108 282 from Chassis No. 1K-5U027 668 from Chassis No. 1K-5W572 545	<b>26378 / 27342</b>	<b>26378 / 27342</b>
	For PR number 1ZD/1ZE/1ZM/1ZP For PR number 1LJ/1LK	<b>26377 / 27317</b>	<b>26377 / 27317</b>

**febi 26377**

Ref. No. 1T0 498 621 SK



AØ 136 IØ 27,5 B 84,5  
LKØ 112 x 5

**febi 26378**

Ref. No. 1K0 498 621 SK



AØ 136 IØ 27 B 85  
LKØ 112 x 5

**febi 27317**

Ref. No. 5K0 498 621



AØ 136 IØ 27,5 B 84,5  
LKØ 112 x 5

**febi 27342**

Ref. No. 5K0 498 621 A



AØ 136 IØ 27 B 85  
LKØ 112 x 5



## Golf 5 (1K)

(2003→2009)

<b>2,0 D BDK</b>	from Chassis No. 1K-5B162 041 from Chassis No. 1K-5P108 282 from Chassis No. 1K-5U027 668 from Chassis No. 1K-5W572 545 For PR number 1ZF	<b>26378 / 27342</b>	<b>26378 / 27342</b>
	For PR number 1ZD/1ZE/1ZM/1ZP For PR number 1LJ/1LK	<b>26377 / 27317</b>	<b>26377 / 27317</b>
<b>2,0 BHY</b>	For PR number 1ZF	<b>26378 / 27342</b>	<b>26378 / 27342</b>
	For PR number 1ZD/1ZE/1ZM/1ZP For PR number 1LJ/1LK	<b>26377 / 27317</b>	<b>26377 / 27317</b>
<b>2,0 D BKD</b>	For PR number 1ZF from Chassis No. 1K-5B162 041 from Chassis No. 1K-5P108 282 from Chassis No. 1K-5U027 668 from Chassis No. 1K-5W572 545	<b>26378 / 27342</b>	<b>26378 / 27342</b>
	For PR number 1ZD/1ZE/1ZM/1ZP For PR number 1LJ/1LK	<b>26377 / 27317</b>	<b>26377 / 27317</b>
<b>2,0 BLR</b> <b>2,0 BLX</b> <b>2,0 BLY</b>	from Chassis No. 1K-5B162 041 from Chassis No. 1K-5P108 282 from Chassis No. 1K-5U027 668 from Chassis No. 1K-5W572 545 For PR number 1ZF	<b>26378 / 27342</b>	<b>26378 / 27342</b>
	For PR number 1ZD/1ZE/1ZM/1ZP For PR number 1LJ/1LK	<b>26377 / 27317</b>	<b>26377 / 27317</b>
<b>2,0 BMB</b>	For PR number 1ZF	<b>26378 / 27342</b>	<b>26378 / 27342</b>
	For PR number 1ZD/1ZE/1ZM/1ZP For PR number 1LJ/1LK	<b>26377 / 27317</b>	<b>26377 / 27317</b>

front axle

### febi 26377

Ref. No. 1T0 498 621 SK



AØ 136 IØ 27,5 B 84,5  
LKØ 112 x 5

### febi 26378

Ref. No. 1K0 498 621 SK



AØ 136 IØ 27 B 85  
LKØ 112 x 5

### febi 27317

Ref. No. 5K0 498 621



AØ 136 IØ 27,5 B 84,5  
LKØ 112 x 5

### febi 27342

Ref. No. 5K0 498 621 A



AØ 136 IØ 27 B 85  
LKØ 112 x 5

suitable for:

**Volkswagen**

**Car  
Division**



**Golf 5 (1K)**

(2003→2009)

2,0 D BMM	For PR number 1ZF from Chassis No. 1K-5B162 041 from Chassis No. 1K-5P108 282 from Chassis No. 1K-5U027 668 from Chassis No. 1K-5W572 545	26378 / 27342	26378 / 27342
	For PR number 1ZD/1ZE/1ZM/1ZP For PR number 1LJ/1LK	26377 / 27317	26377 / 27317
2,0 D BMN	For PR number 1ZF	26378 / 27342	26378 / 27342
	For PR number 1ZD/1ZE/1ZM/1ZP For PR number 1LJ/1LK	26377 / 27317	26377 / 27317
2,0 BPY		26377 / 27317	26377 / 27317
	For PR number 1ZF	26378 / 27342	26378 / 27342
2,0 D BVB	For PR number 1ZF	26378 / 27342	26378 / 27342
	For PR number 1ZD/1ZE/1ZM/1ZP For PR number 1LJ/1LK	26377 / 27317	26377 / 27317
2,0 BVX 2,0 BVY	from Chassis No. 1K-5B162 041 from Chassis No. 1K-5P108 282 from Chassis No. 1K-5U027 668 from Chassis No. 1K-5W572 545 For PR number 1ZF	26378 / 27342	26378 / 27342
	For PR number 1ZD/1ZE/1ZM/1ZP For PR number 1LJ/1LK	26377 / 27317	26377 / 27317
2,0 BVZ 2,0 BWA	For PR number 1ZF	26378 / 27342	26378 / 27342
	For PR number 1ZD/1ZE/1ZM/1ZP For PR number 1LJ/1LK	26377 / 27317	26377 / 27317
2,0 BYD		26377 / 27317	26377 / 27317
2,0 CAWB 2,0 D CBDA 2,0 D CBDB 3,2 BUB	For PR number 1ZD/1ZE/1ZM/1ZP For PR number 1LJ/1LK	26377 / 27317	26377 / 27317

**febi 26377**

Ref. No. 1T0 498 621 SK



AØ 136 IØ 27,5 B 84,5  
LKØ 112 x 5

**febi 26378**

Ref. No. 1K0 498 621 SK



AØ 136 IØ 27 B 85  
LKØ 112 x 5

**febi 27317**

Ref. No. 5K0 498 621



AØ 136 IØ 27,5 B 84,5  
LKØ 112 x 5

**febi 27342**

Ref. No. 5K0 498 621 A



AØ 136 IØ 27 B 85  
LKØ 112 x 5



## Golf 5 (5M)

(2004→2008)

1,4 BCA	from Chassis No. 1K-6-500 001 For PR number 1ZC/1ZF	26378 / 27342	26378 / 27342
	For PR number 1ZD/1ZE/1ZM/1ZP For PR number 1LJ	26377 / 27317	26377 / 27317
1,4 BLG	For PR number 1ZF	26378 / 27342	26378 / 27342
	For PR number 1ZD/1ZE/1ZM/1ZP For PR number 1LJ	26377 / 27317	26377 / 27317
1,4 BLN	For PR number 1ZC/1ZF	26378 / 27342	26378 / 27342
	For PR number 1ZD/1ZE/1ZM/1ZP For PR number 1LJ	26377 / 27317	26377 / 27317
1,4 BMY 1,4 BUD 1,4 CAVD 1,4 CAXA	For PR number 1ZF	26378 / 27342	26378 / 27342
	For PR number 1ZD/1ZE/1ZM/1ZP For PR number 1LJ	26377 / 27317	26377 / 27317
1,6 BLF 1,6 BSE 1,6 BSF	from Chassis No. 1K-6-500 001 For PR number 1ZC/1ZF	26378 / 27342	26378 / 27342
	For PR number 1ZD/1ZE/1ZM/1ZP For PR number 1LJ	26377 / 27317	26377 / 27317
1,6 CCSA	For PR number 1ZF	26378 / 27342	26378 / 27342
	For PR number 1ZD/1ZE/1ZM/1ZP For PR number 1LJ	26377 / 27317	26377 / 27317
1,9 D BKC	from Chassis No. 1K-6-500 001 For PR number 1ZC/1ZF	26378 / 27342	26378 / 27342
	For PR number 1ZD/1ZE/1ZM/1ZP For PR number 1LJ	26377 / 27317	26377 / 27317
1,9 D BLS	For PR number 1ZF	26378 / 27342	26378 / 27342
	For PR number 1ZD/1ZE/1ZM/1ZP For PR number 1LJ	26377 / 27317	26377 / 27317

front axle

**febi 26377**  
Ref. No. 1T0 498 621 SK

AØ 136 IØ 27,5 B 84,5  
LKØ 112 x 5

**febi 26378**  
Ref. No. 1K0 498 621 SK

AØ 136 IØ 27 B 85  
LKØ 112 x 5

**febi 27317**  
Ref. No. 5K0 498 621

AØ 136 IØ 27,5 B 84,5  
LKØ 112 x 5

**febi 27342**  
Ref. No. 5K0 498 621 A

AØ 136 IØ 27 B 85  
LKØ 112 x 5

suitable for:

# Volkswagen

Car  
Division 



## Golf 5 (5M)

(2004→2008)

front axle	1,9 D BRU	from Chassis No. 1K-6-500 001 For PR number 1ZC/1ZF	26378 / 27342	26378 / 27342
		For PR number 1ZD/1ZE/1ZM/1ZP For PR number 1LJ	26377 / 27317	26377 / 27317
	1,9 D BXE	For PR number 1ZF	26378 / 27342	26378 / 27342
	1,9 D BXF	For PR number 1ZD/1ZE/1ZM/1ZP For PR number 1LJ	26377 / 27317	26377 / 27317
	1,9 D BXJ			
	2,0 D AZV	from Chassis No. 1K-6-500 001 For PR number 1ZC/1ZF	26378 / 27342	26378 / 27342
2,0 D BEE				
2,0 D BKD				
2,0 BLR	For PR number 1ZD/1ZE/1ZM/1ZP For PR number 1LJ	26377 / 27317	26377 / 27317	
2,0 BLY				
2,0 D BMM	For PR number 1ZF	26378 / 27342	26378 / 27342	
2,0 BVY				
2,0 BVZ	For PR number 1ZD/1ZE/1ZM/1ZP For PR number 1LJ	26377 / 27317	26377 / 27317	

## Golf 5 4 motion (1K)

(2003→2008)

1,9 D BKC	from Chassis No. 1K-5B162 041 from Chassis No. 1K-5P108 282 from Chassis No. 1K-5U027 668 from Chassis No. 1K-5W572 545 For PR number 1ZF	26378 / 27342	26378 / 27342
1,9 D BLS	For PR number 1ZF	26378 / 27342	26378 / 27342
1,9 D BXE			
2,0 D AZV	For PR number 1ZC /1ZF	26377 / 27317	26377 / 27317
2,0 D BKD	from Chassis No. 1K-5B162 041 from Chassis No. 1K-5P108 282 from Chassis No. 1K-5U027 668 from Chassis No. 1K-5W572 545 For PR number 1ZF	26378 / 27342	26378 / 27342
2,0 BLR			
2,0 BLX			
2,0 BLY			
2,0 D BMM			
2,0 BVX	For PR number 1ZF	26378 / 27342	26378 / 27342

**febi 26377**

Ref. No. 1T0 498 621 SK



AØ 136 IØ 27,5 B 84,5  
LKØ 112 x 5

**febi 26378**

Ref. No. 1K0 498 621 SK



AØ 136 IØ 27 B 85  
LKØ 112 x 5

**febi 27317**

Ref. No. 5K0 498 621



AØ 136 IØ 27,5 B 84,5  
LKØ 112 x 5

**febi 27342**

Ref. No. 5K0 498 621 A



AØ 136 IØ 27 B 85  
LKØ 112 x 5



## Golf 5 4 motion (1K)

(2003→2008)

2,0 BVY  
2,0 BVZ

from Chassis No. 1K-5B162 041  
from Chassis No. 1K-5P108 282  
from Chassis No. 1K-5U027 668  
from Chassis No. 1K-5W572 545  
For PR number 1ZF

26378 / 27342

26378 / 27342

## Golf 6 (5K)

(2008→)

1,2 CBZA  
1,2 CBZB  
1,4 CAVD  
1,4 CAXA  
1,4 CGGA  
1,4 CNWA

For PR number 1ZF

26378 / 27342

26378 / 27342

1,4 CTHD  
1,4 CTKA

For PR number 1ZA/1ZD/1ZE/1ZP  
For PR number 1LJ

26377 / 27317

26377 / 27317

1,6 BSE  
1,6 BSF  
1,6 D CAYB  
1,6 D CAYC  
1,6 CCSA  
1,6 CHGA  
1,6 CMXA  
1,8 CDAA  
2,0 D CBAA  
2,0 D CBAB  
2,0 D CBBB  
2,0 D CBDA  
2,0 D CBDC

For PR number 1ZF  
For PR number 1ZA/1ZD/1ZE/1ZP  
For PR number 1LJ

26378 / 27342

26378 / 27342

2,0 CBFA  
2,0 CCTA  
2,0 CCZB

For PR number 1ZF

26377 / 27317

26377 / 27317

2,0 CDLA

For PR number 1ZF  
For PR number 1ZA/1ZD/1ZE/1ZP  
For PR number 1LJ

26378 / 27342

26378 / 27342

26377 / 27317

26377 / 27317

front axle

### febi 26377

Ref. No. 1T0 498 621 SK



AØ 136 IØ 27,5 B 84,5  
LKØ 112 x 5

### febi 26378

Ref. No. 1K0 498 621 SK



AØ 136 IØ 27 B 85  
LKØ 112 x 5

### febi 27317

Ref. No. 5K0 498 621



AØ 136 IØ 27,5 B 84,5  
LKØ 112 x 5

### febi 27342

Ref. No. 5K0 498 621 A



AØ 136 IØ 27 B 85  
LKØ 112 x 5

suitable for:

**Volkswagen**

**Car  
Division**



**Golf 6 (5K)**

(2008→ )

2,0 CDLG	For PR number 1ZA/1ZD/1ZE/1ZP For PR number 1LJ	26377 / 27317	26377 / 27317
2,0 D CFFA 2,0 D CFFB	For PR number 1ZF	26378 / 27342	26378 / 27342
2,0 D CFGB 2,0 D CJAA 2,0 D CLCA	For PR number 1ZA/1ZD/1ZE/1ZP For PR number 1LJ	26377 / 27317	26377 / 27317

**Golf 6 (AJ)**

(2007→ )

1,2 CBZA	For PR number 1ZA/1ZD/1ZE/1ZP For PR number 1LJ	26377 / 27317	26377 / 27317
1,2 CBZB	For PR number 1ZF	26378 / 27342	26378 / 27342
	For PR number 1ZA/1ZD/1ZE/1ZP For PR number 1LJ	26377 / 27317	26377 / 27317
1,4 BUD	For PR number 1ZA/1ZD/1ZE/1ZP For PR number 1LJ	26377 / 27317	26377 / 27317
1,4 CAVD 1,4 CAXA	For PR number 1ZF	26378 / 27342	26378 / 27342
1,4 CGGA	For PR number 1ZA/1ZD/1ZE/1ZP For PR number 1LJ	26377 / 27317	26377 / 27317
1,4 CNWA 1,4 CTHD	For PR number 1ZA/1ZD/1ZE/1ZP For PR number 1LJ	26377 / 27317	26377 / 27317
1,6 BSE 1,6 BSF	For PR number 1ZF	26378 / 27342	26378 / 27342
1,6 D CAYB 1,6 D CAYC 1,6 CCSA	For PR number 1ZA/1ZD/1ZE/1ZP For PR number 1LJ	26377 / 27317	26377 / 27317

**febi 26377**

Ref. No. 1T0 498 621 SK



AØ 136 IØ 27,5 B 84,5  
LKØ 112 x 5

**febi 26378**

Ref. No. 1K0 498 621 SK



AØ 136 IØ 27 B 85  
LKØ 112 x 5

**febi 27317**

Ref. No. 5K0 498 621



AØ 136 IØ 27,5 B 84,5  
LKØ 112 x 5

**febi 27342**

Ref. No. 5K0 498 621 A



AØ 136 IØ 27 B 85  
LKØ 112 x 5



## Golf 6 (AJ)

(2007→)

1,6 CMXA 2,0 D BMM 2,0 D CBDA 2,0 D CBDB 2,0 CCZA 2,0 D CFHB 2,0 D CFHC	For PR number 1ZA/1ZD/1ZE/1ZP For PR number 1LJ	26377 / 27317	26377 / 27317
2,0 D CJAA 2,0 D CLCA	For PR number 1ZF	26378 / 27342	26378 / 27342
	For PR number 1ZA/1ZD/1ZE/1ZP For PR number 1LJ	26377 / 27317	26377 / 27317
2,5 CBTA 2,5 CBUA 2,5 CCCA	For PR number 1ZA/1ZD/1ZE/1ZP For PR number 1LJ	26377 / 27317	26377 / 27317

## Golf 6 (52)

(2009→)

1,2 CBZA 1,2 CBZB 1,4 BLN 1,4 BUD 1,4 CAVD 1,4 CAXA 1,4 CGGA	For PR number 1ZA/1ZE/1ZP/1LJ to the year of construction 02/2011 For PR number 1ZF	26377 / 27317	26377 / 27317
	to the year of construction 02/2011 For PR number 1ZF	26378 / 27342	26378 / 27342
1,4 CNWA	For PR number 1ZA/1ZE/1ZP/1LJ to the year of construction 03/2011 For PR number 1ZF	26377 / 27317	26377 / 27317
	to the year of construction 03/2011 For PR number 1ZF	26378 / 27342	26378 / 27342
1,6 BSE 1,6 BSF 1,6 D CAYB 1,6 D CAYC	For PR number 1ZA/1ZE/1ZP/1LJ to the year of construction 02/2011 For PR number 1ZF	26377 / 27317	26377 / 27317
	to the year of construction 02/2011 For PR number 1ZF	26378 / 27342	26378 / 27342
1,6 CCSA	For PR number 1ZA/1ZE/1ZP/1LJ For PR number 1ZF	26377 / 27317	26377 / 27317
	For PR number 1ZF	26378 / 27342	26378 / 27342

front axle

### febi 26377

Ref. No. 1T0 498 621 SK



AØ 136 IØ 27,5 B 84,5  
LKØ 112 x 5

### febi 26378

Ref. No. 1K0 498 621 SK



AØ 136 IØ 27 B 85  
LKØ 112 x 5

### febi 27317

Ref. No. 5K0 498 621



AØ 136 IØ 27,5 B 84,5  
LKØ 112 x 5

### febi 27342

Ref. No. 5K0 498 621 A



AØ 136 IØ 27 B 85  
LKØ 112 x 5



suitable for:

**Volkswagen**

**Car  
Division**



**Golf 6 (52)**

(2009→ )

1,6 CHGA 1,6 CMXA	For PR number 1ZA/1ZE/1ZP/1LJ	26377 / 27317	26377 / 27317
	to the year of construction 02/2011 For PR number 1ZF	26378 / 27342	26378 / 27342
2,0 D BMM 2,0 D CBDA 2,0 D CBDB	For PR number 1ZA/1ZE/1ZP/1LJ	26377 / 27317	26377 / 27317
	For PR number 1ZF	26378 / 27342	26378 / 27342
2,0 D CBDC 2,0 D CFHB 2,0 D CFHC 2,0 D CLCA	For PR number 1ZA/1ZE/1ZP/1LJ	26377 / 27317	26377 / 27317
	to the year of construction 02/2011	26378 / 27342	26378 / 27342
	For PR number 1ZF	26378 / 27342	26378 / 27342

**Golf 6 4 motion (AJ)**

(2009→ )

1,6 D CAYC	For PR number 1ZF	26378 / 27342	26378 / 27342
	For PR number 1ZA/1ZD/1ZE/1ZP For PR number 1LJ	26377 / 27317	26377 / 27317

**Golf 6 4 motion (5K)**

(2008→ )

1,6 D CAYC 2,0 D CBAB 2,0 CDLA 2,0 CDLC 2,0 CDLF 2,0 D CFFB	For PR number 1ZF	26378 / 27342	26378 / 27342
	For PR number 1ZA/1ZD/1ZE/1ZP For PR number 1LJ	26377 / 27317	26377 / 27317
2,0 CRZA	For PR number 1ZA/1ZD/1ZE/1ZP For PR number 1LJ	26377 / 27317	26377 / 27317

**febi 26377**

Ref. No. 1T0 498 621 SK



AØ 136 IØ 27,5 B 84,5  
LKØ 112 x 5

**febi 26378**

Ref. No. 1K0 498 621 SK



AØ 136 IØ 27 B 85  
LKØ 112 x 5

**febi 27317**

Ref. No. 5K0 498 621



AØ 136 IØ 27,5 B 84,5  
LKØ 112 x 5

**febi 27342**

Ref. No. 5K0 498 621 A



AØ 136 IØ 27 B 85  
LKØ 112 x 5



## Jetta 1 (16)

(1978→1985)

all

03270 / 03488

06655

## Jetta 2 (1G)

(1986→1992)

1,0 HZ  
1,3 2G  
1,3 MH  
1,3 NZ  
1,6 D 1V  
1,6 ABN  
1,6 EZ  
1,6 D JP  
1,6 D JR  
1,6 D ME  
1,6 D MF  
1,6 PN  
1,6 D RA  
1,6 RF  
1,6 D SB

1,8 GU

from Chassis No. 1.-JW000 001  
from Chassis No. 19-JB000 001

1,8 KR  
1,8 PB

03662

01901 / 02219 /  
03368

03662

01901 / 02219 /  
03368

03662

01901 / 02219 /  
03368

front axle

### febi 01901

Ref. No. 357 407 613 B



AØ 40 LKØ 100 x 4

### febi 02219

Ref. No. 357 407 615 A



AØ 40 LKØ 100 x 4

### febi 03270

Ref. No. 171 407 625 A



AØ 64 IØ 34 B 37

### febi 03368

Ref. No. 357 407 615



AØ 40 LKØ 100 x 4

### febi 03488

Ref. No. 171 498 625 D



AØ 64 IØ 34 B 37

### febi 03662

Ref. No. 357 498 625 C



AØ 72 IØ 40 B 37

### febi 06655

Ref. No. 175 407 615



AØ 34 LKØ 100 x 4

suitable for:

**Volkswagen**

**Car  
Division**



**Jetta 2 (1G)**

(1986→1992)

1,8 PF	from Chassis No. 1.-JW000 001 from Chassis No. 19-JB000 001	03662	01901 / 02219 / 03368
1,8 PL		03662	01901 / 02219 / 03368
1,8 RH	from Chassis No. 1.-JW000 001 from Chassis No. 19-JB000 001	03662	01901 / 02219 / 03368
1,8 RP 1,8 RV		03662	01901 / 02219 / 03368

**Jetta 2 (16)**

(1983→1992)

1,0 HZ	from Chassis No. 1.-JW000 001 from Chassis No. 19-JB000 001	03662	01901 / 02219 / 03368
	to Chassis No. 1.-HW990 000 to Chassis No. 19-HB990 000	03621	08331
1,3 GT 1,3 HK		03621	08331
1,3 MH 1,3 NU 1,3 NZ 1,6 EZ	from Chassis No. 1.-JW000 001 from Chassis No. 19-JB000 001	03662	01901 / 02219 / 03368
	to Chassis No. 1.-HW990 000 to Chassis No. 19-HB990 000	03621	08331

**febi 01901**

Ref. No. 357 407 613 B



AØ 40 LKØ 100 x 4

**febi 02219**

Ref. No. 357 407 615 A



AØ 40 LKØ 100 x 4

**febi 03368**

Ref. No. 357 407 615



AØ 40 LKØ 100 x 4

**febi 03621**

Ref. No. 191 498 625



AØ 66 IØ 35 B 37

**febi 03662**

Ref. No. 357 498 625 C



AØ 72 IØ 40 B 37

**febi 08331**

Ref. No. 191 407 615



AØ 35 LKØ 100 x 4



## Jetta 2 (16)

(1983→1992)

1,6 EZA		03621	08331
1,6 HM	from Chassis No. 1.-JW000 001	03662	01901 / 02219 / 03368
1,6 D JP	from Chassis No. 19-JB000 001		
1,6 D JR	to Chassis No. 1.-HW990 000	03621	08331
	to Chassis No. 19-HB990 000		
1,6 D ME		03662	01901 / 02219 / 03368
1,6 D MF	from Chassis No. 1.-JW000 001	03662	01901 / 02219 / 03368
1,6 PN	from Chassis No. 19-JB000 001		
1,6 RF	to Chassis No. 1.-HW990 000	03621	08331
	to Chassis No. 19-HB990 000		
1,8 EV		03621	08331
1,8 GU	from Chassis No. 1.-JW000 001	03662	01901 / 02219 / 03368
	from Chassis No. 19-JB000 001		
	to Chassis No. 1.-HW990 000	03621	08331
	to Chassis No. 19-HB990 000		
1,8 GX		03621	08331

front axle

### febi 01901

Ref. No. 357 407 613 B



AØ 40 LKØ 100 x 4

### febi 02219

Ref. No. 357 407 615 A



AØ 40 LKØ 100 x 4

### febi 03368

Ref. No. 357 407 615



AØ 40 LKØ 100 x 4

### febi 03621

Ref. No. 191 498 625



AØ 66 IØ 35 B 37

### febi 03662

Ref. No. 357 498 625 C



AØ 72 IØ 40 B 37

### febi 08331

Ref. No. 191 407 615



AØ 35 LKØ 100 x 4

suitable for:

**Volkswagen**

Car  
Division



**Jetta 2 (16)**

(1983→1992)

1,8 GZ	from Chassis No. 1.-JW000 001 from Chassis No. 19-JB000 001	03662	01901 / 02219 / 03368
	to Chassis No. 1.-HW990 000 to Chassis No. 19-HB990 000	03621	08331
1,8 HV		03621	08331
1,8 KR	from Chassis No. 1.-JW000 001	03662	01901 / 02219 / 03368
1,8 PB	from Chassis No. 19-JB000 001		
1,8 PF			
1,8 PL	to Chassis No. 1.-HW990 000	03621	08331
1,8 RD	to Chassis No. 19-HB990 000		
1,8 RP		03662	01901 / 02219 / 03368

**Jetta 2 syncro (1G)**

(1985→1991)

1,8 1P	from Chassis No. 1.-JW000 001	03662	01901 / 02219 / 03368
1,8 GU	from Chassis No. 19-JB000 001		





## Jetta 2 syncro (16)

(1987→1989)

1,8 GU  
1,8 GX  
1,8 RH

03662

01901 / 02219 /  
03368

to Chassis No. 16-H-999 999

03621

08331

## Jetta 3 (1K)

(2005→)

1,4 BLG  
1,4 BMY  
1,4 CAVD  
1,4 CAXA  
1,6 BLF  
1,6 BSE

26377 / 27317

26377 / 27317

front axle

### febi 01901

Ref. No. 357 407 613 B



AØ 40 LKØ 100 x 4

### febi 02219

Ref. No. 357 407 615 A



AØ 40 LKØ 100 x 4

### febi 03368

Ref. No. 357 407 615



AØ 40 LKØ 100 x 4

### febi 03621

Ref. No. 191 498 625



AØ 66 IØ 35 B 37

### febi 03662

Ref. No. 357 498 625 C



AØ 72 IØ 40 B 37

### febi 08331

Ref. No. 191 407 615



AØ 35 LKØ 100 x 4

### febi 26377

Ref. No. 1T0 498 621 SK



AØ 136 IØ 27,5 B 84,5  
LKØ 112 x 5

### febi 27317

Ref. No. 5K0 498 621



AØ 136 IØ 27,5 B 84,5  
LKØ 112 x 5

suitable for:

**Volkswagen**

**Car  
Division**



**Jetta 3 (1K)**

(2005→ )

front axle

1,6 BSF		26377 / 27317	26377 / 27317
	For PR number 1ZC/1ZF	26378 / 27342	26378 / 27342
1,6 D CAYB		26377 / 27317	26377 / 27317
1,6 D CAYC			
1,6 CCSA			
1,6 CMXA			
1,9 D BKC		26377 / 27317	26377 / 27317
1,9 D BLS			
	For PR number 1ZC/1ZF	26378 / 27342	26378 / 27342
1,9 D BRM		26377 / 27317	26377 / 27317
1,9 D BXE		26377 / 27317	26377 / 27317
	For PR number 1ZC/1ZF	26378 / 27342	26378 / 27342
2,0 AXX		26377 / 27317	26377 / 27317
2,0 D AZV		26377 / 27317	26377 / 27317
2,0 D BKD			
	For PR number 1ZC/1ZF	26378 / 27342	26378 / 27342
2,0 D BKM		26377 / 27317	26377 / 27317
2,0 BLR			
2,0 BLY			
2,0 D BMM		26377 / 27317	26377 / 27317
	For PR number 1ZC/1ZF	26378 / 27342	26378 / 27342

**febi 26377**

Ref. No. 1T0 498 621 SK



AØ 136 IØ 27,5 B 84,5  
LKØ 112 x 5

**febi 26378**

Ref. No. 1K0 498 621 SK



AØ 136 IØ 27 B 85  
LKØ 112 x 5

**febi 27317**

Ref. No. 5K0 498 621



AØ 136 IØ 27,5 B 84,5  
LKØ 112 x 5

**febi 27342**

Ref. No. 5K0 498 621 A



AØ 136 IØ 27 B 85  
LKØ 112 x 5



## Jetta 3 (1K)

(2005→)

2,0 D BMN  
2,0 BPY  
2,0 BVY  
2,0 BVZ  
2,0 BWA  
2,0 CAWA  
2,0 CAWB  
2,0 D CBDA  
2,0 D CBDB  
2,0 D CBEA  
2,0 CBFA  
2,0 CCTA  
2,0 D CEGA  
2,0 D CJAA  
2,0 D CLCA  
2,5 BGP  
2,5 BTK  
2,5 CBTA  
2,5 CCCA

26377 / 27317

26377 / 27317

## LT 28 (2D)

(1996→2006)

all

23625 / 23626

-

## LT 32 (2D)

(2001→2006)

all

23625 / 23626

-

## LT 35 (2D)

(1996→2006)

all

23625 / 23626

-

front axle

### febi 23625

Ref. No. 2D0 498 625



AØ 73,5 IØ 41 B 19,5  
AØ 52 IØ 25 B 23

### febi 23626

Ref. No. 2D0 498 625 S1



AØ 73,5 IØ 41 B 19,5  
AØ 52 IØ 25 B 23

### febi 26377

Ref. No. 1T0 498 621 SK



AØ 136 IØ 27,5 B 84,5  
LKØ 112 x 5

### febi 27317

Ref. No. 5K0 498 621



AØ 136 IØ 27,5 B 84,5  
LKØ 112 x 5



suitable for:

# Volkswagen

Car  
Division 



## LT 46 (2D)

(1996→2006)

all

23625 / 23626

-

## Lupo (6E)

(2000→2005)

1,4 ARR  
1,6 AVY

19912

-

## Lupo (6X)

(1998→2005)

all

19912

-

front axle

### febi 19912

Ref. No. 6N0 498 625



AØ 66 IØ 35 B 37

### febi 23625

Ref. No. 2D0 498 625



AØ 73,5 IØ 41 B 19,5

AØ 52 IØ 25 B 23

### febi 23626

Ref. No. 2D0 498 625 S1



AØ 73,5 IØ 41 B 19,5

AØ 52 IØ 25 B 23



## New Beetle (1C)

(1998→)

- 1,4 BCA
- 1,6 AWH
- 1,6 AYD
- 1,6 BFS
- 1,8 APH
- 1,8 AVC
- 1,8 AWP
- 1,8 AWU
- 1,8 AWV
- 1,8 BKF
- 1,8 BNU
- 1,9 D ALH
- 1,9 D ATD
- 1,9 D BEW
- 1,9 D BSW
- 2,0 AEG
- 2,0 APK
- 2,0 AQY
- 2,0 AVH
- 2,0 AZG
- 2,0 AZJ
- 2,0 BEJ
- 2,0 BER
- 2,0 BEV
- 2,0 BHP
- 2,0 CBPA
- 2,3 AQN
- 2,5 BPR
- 2,5 BPS

For PR number 1ZM/1ZP

14250

-

-

22512

front axle

## New Beetle (9C)

(1998→)

all

For PR number 1ZM/1ZP

14250

-

-

22512



suitable for:

**Volkswagen**

**Car  
Division**



**New Beetle (1Y)**

(2002→ )

all	14250	-
For PR number 1ZM/1ZP	-	22512

**New Beetle 4 motion (9C)**

(2000→2001)

3,2 AXJ	14250	-
---------	-------	---

**New Beetle (5C)**

(2011→ )

1,2 CBZB 1,4 CAVB 1,4 CAVD 1,4 CNWA	26377 / 27317	26377 / 27317
1,4 CTHD 1,4 CTKA	26377	26377
1,6 D CAYC 2,0 CBFA 2,0 CCTA 2,0 CCZA 2,0 D CFFB 2,0 D CJAA 2,5 CBTA 2,5 CBUA 2,5 CCCA	26377 / 27317	26377 / 27317

front axle

**febi 14250**  
Ref. No. 1J0 498 625 A

AØ 74 IØ 40 B 40

**febi 22512**  
Ref. No. 1J0 407 613 G

LKØ 100 x 5

**febi 26377**  
Ref. No. 1T0 498 621 SK

AØ 136 IØ 27,5 B 84,5  
LKØ 112 x 5

**febi 27317**  
Ref. No. 5K0 498 621

AØ 136 IØ 27,5 B 84,5  
LKØ 112 x 5



### Passat 1 (32)

(1973→1981)

all

03620

02231

### Passat 1 (33)

(1973→1981)

all

03620

02231

### Passat 2 syncro (33)

(1983→1989)

all

03620

-

### Passat 2 (32)

(1975→1988)

1,3 EP

1,3 EU

03620

02231

1,3 FY

-

02231

1,3 FZ

1,6 D CR

1,6 D CY

1,6 DT

1,6 DTA

1,6 D JK

1,6 JU

1,6 PP

03620

02231

1,6 D RA

-

02231

front axle

#### febi 02231

Ref. No. 823 407 615 A



AØ 39 LKØ 100 x 4

#### febi 03620

Ref. No. 321 498 625 ES



AØ 68 IØ 39 B 37

suitable for:

# Volkswagen

Car  
Division



## Passat 2 (32)

(1975→1988)

front axle

1,6 RL  
1,6 WP  
1,6 WV  
1,6 WY  
1,6 YP  
1,6 YY  
1,8 DS  
1,8 DZ  
1,8 JN  
1,8 JV  
1,8 RM  
1,9 WN  
2,0 HP  
2,0 JS  
2,1 WE

03620

02231

2,2 HY  
2,2 KV

03620

-

2,2 KX

03620

02231

**febi 02231**

Ref. No. 823 407 615 A



AØ 39 LKØ 100 x 4

**febi 03620**

Ref. No. 321 498 625 ES



AØ 68 IØ 39 B 37



## Passat 2 (33)

(1975→1988)

- 1,3 EP
- 1,3 EU
- 1,3 FY
- 1,3 FZ
- 1,6 D CR
- 1,6 D CY
- 1,6 DTA
- 1,6 D JK
- 1,6 JU
- 1,6 PP
- 1,6 RL
- 1,6 WP
- 1,6 WV
- 1,6 WY
- 1,6 YN
- 1,6 YP
- 1,6 YY
- 1,8 DS
- 1,8 DZ
- 1,8 JN
- 1,8 JV
- 1,8 RM
- 1,9 WN
- 2,0 HP
- 2,0 JS
- 2,1 WE

2,2 HY  
2,2 KV

2,2 KX

03620

02231

03620

-

03620

02231

front axle

### febi 02231

Ref. No. 823 407 615 A



AØ 39 LKØ 100 x 4

### febi 03620

Ref. No. 321 498 625 ES



AØ 68 IØ 39 B 37

suitable for:

# Volkswagen

Car  
Division



## Passat 3 syncro (31)

(1988→1993)

all

03662

01901 / 02219

## Passat 3 syncro (3A)

(1994→1996)

2,0 2E  
2,0 ADY  
2,0 AGG

03662

01901 / 02219

2,8 AHA  
2,9 ABV

08435

01298

front axle

**febi 01298**

Ref. No. 1H0 407 613 B



LKØ 100 x 5

**febi 01901**

Ref. No. 357 407 613 B



AØ 40 LKØ 100 x 4

**febi 02219**

Ref. No. 357 407 615 A



AØ 40 LKØ 100 x 4

**febi 03662**

Ref. No. 357 498 625 C



AØ 72 IØ 40 B 37

**febi 08435**

Ref. No. 1H0 498 625



AØ 72 IØ 40 B 37



## Passat 3 (31)

(1988→1996)

- 1,6 1F
- 1,6 ABN
- 1,6 EZ
- 1,6 D RA
- 1,6 RF
- 1,6 D SB
- 1,8 AAM
- 1,8 ABS
- 1,8 KR
- 1,8 PB
- 1,8 PF
- 1,8 PG
- 1,8 RP
- 1,9 D 1Y
- 1,9 D 1Z
- 1,9 D AAZ
- 2,0 2E
- 2,0 9A
- 2,0 ACX

2,8 AAA

from Chassis No. 31-N-255 990

to Chassis No. 31-N-255 989

03662

01901 / 02219 /  
03368

08435

01298

03662

01901 / 02219

front axle

**febi 01298**

Ref. No. 1H0 407 613 B



LKØ 100 x 5

**febi 01901**

Ref. No. 357 407 613 B



AØ 40 LKØ 100 x 4

**febi 02219**

Ref. No. 357 407 615 A



AØ 40 LKØ 100 x 4

**febi 03368**

Ref. No. 357 407 615



AØ 40 LKØ 100 x 4

**febi 03662**

Ref. No. 357 498 625 C



AØ 72 IØ 40 B 37

**febi 08435**

Ref. No. 1H0 498 625



AØ 72 IØ 40 B 37



suitable for:

**Volkswagen**

**Car  
Division**



**Passat 3 (3A)**

(1993→1997)

1,6 AEK 1,6 AFT 1,8 AAM 1,8 ABS 1,8 ADZ 1,9 D 1Z 1,9 D AAZ	03662	01901 / 02219
1,9 D AFN	08435	01298
1,9 D AHU 2,0 2E	03662	01901 / 02219
2,0 ABF	08435	01298
2,0 ACX 2,0 ADY 2,0 AEP 2,0 AGG	03662	01901 / 02219
2,8 AAA	08435	01298

**Passat 4 syncro (3B)**

(1996→2000)

1,8 ADR 1,8 AEB 1,8 APT 1,8 ARG	24366	-
--	-------	---





## Passat 4 syncro (3B)

(1996→2000)

1,9 D AFN		05913 / 24366	18344
1,9 D AJM		05913 / 24366	18344
	to Chassis No. 3B-Y-390 000	-	24947
1,9 D AVG		05913 / 24366	18344
2,3 AGZ	automatic transmission	05913	-
		24366	18344
2,5 D AFB		05913	18344
2,8 ACK			
2,8 AGE			
2,8 ALG			
2,8 APR			
2,8 AQD			
2,8 ATX			

## Passat 4 (3B)

(1996→2005)

1,6 ADP		24366	24947
1,6 AHL			
1,6 ALZ			
1,6 ANA			
1,6 ARM			
1,8 ADR			
1,8 AEB			
1,8 AFY			
1,8 ANB			
1,8 APT			
1,8 APU		05913	18344
1,8 ARG			
1,8 AWM			
1,8 AWT	automatic transmission	05913	-
		-	18344 / 24947
	manual transmission	24366	-

front axle

**febi 05913**  
Ref. No. 4A0 498 625

AØ 82 IØ 43 B 37

**febi 18344**  
Ref. No. 4A0 407 615 G

AØ 130 LKØ 112 x 5

**febi 24366**  
Ref. No. 4B0 498 625

AØ 75 IØ 39 B 37

**febi 24947**  
Ref. No. 8D0 407 615 E

AØ 130 LKØ 112 x 5

suitable for:

**Volkswagen**

**Car  
Division**



**Passat 4 (3B)**

(1996→2005)

front axle

1,9 D AFN		05913	18344 / 24947
1,9 D AHH		24366	24947
1,9 D AHU			
1,9 D AJM		05913	18344
	to Chassis No. 3B-Y-390 000	24366	24947
1,9 D ATJ	from Chassis No. 3B-Y-390 001	05913	18344
	to Chassis No. 3B-Y-390 000	24366	24947
1,9 D AVB	automatic transmission	05913	-
		-	18344 / 24947
	manual transmission	24366	-
1,9 D AVF		05913	18344
1,9 D AVG		05913	18344 / 24947
1,9 D AWX		05913	18344
2,0 ALT		24366	24947
2,0 AZM			
2,0 D BGW		05913	18344
2,0 D BHW			
2,3 AGZ	automatic transmission	05913	-
		24366	18344 / 24947
2,3 AZX		05913	18344 / 24947
2,5 D AFB		05913	18344
2,5 D AKN		05913	18344 / 24947

**febi 05913**

Ref. No. 4A0 498 625



AØ 82 IØ 43 B 37

**febi 18344**

Ref. No. 4A0 407 615 G



AØ 130 LKØ 112 x 5

**febi 24366**

Ref. No. 4B0 498 625



AØ 75 IØ 39 B 37

**febi 24947**

Ref. No. 8D0 407 615 E



AØ 130 LKØ 112 x 5



## Passat 4 (3B)

(1996→2005)

2,5 D BDG  
2,8 ACK  
2,8 AGE  
2,8 AMX  
2,8 APR  
2,8 AQD  
2,8 ATQ  
2,8 ATX  
2,8 BBG

05913

18344

## Passat 4 4 motion (3B)

(1997→2005)

1,8 APT  
1,8 ARG

24366

-

1,8 AWM

05913

-

1,9 D AFN

05913 / 24366

18344

1,9 D ATJ

from Chassis No. 3B-Y-390 001

05913

18344

1,9 D AVF

05913

18344

1,9 D AWX

05913

-

2,0 AZM

24366

24947

2,3 AGZ

automatic transmission

05913

-

24366

18344

2,3 AZX

05913

18344 / 24947

2,5 D AFB

05913

18344

2,5 D AKN

Also for police vehicles

05913

-

2,5 D BAU

-

18344

2,5 D BDH

### febi 05913

Ref. No. 4A0 498 625



AØ 82 IØ 43 B 37

### febi 18344

Ref. No. 4A0 407 615 G



AØ 130 LKØ 112 x 5

### febi 24366

Ref. No. 4B0 498 625



AØ 75 IØ 39 B 37

### febi 24947

Ref. No. 8D0 407 615 E



AØ 130 LKØ 112 x 5

suitable for:

**Volkswagen**

**Car  
Division**



**Passat 4 4 motion (3B)**

(1997→2005)

<b>front axle</b>	<b>2,8 AMX</b>	Also for police vehicles	<b>05913</b>	-
			-	<b>18344</b>
		for armoured vehicles from Chassis No. 3B-1-085 201	<b>29837</b>	-
	<b>2,8 APR 2,8 AQD</b>		<b>05913</b>	<b>18344</b>
	<b>2,8 ATQ 2,8 BBG</b>	Also for police vehicles	<b>05913</b>	-
			-	<b>18344</b>
		for armoured vehicles from Chassis No. 3B-1-085 201	<b>29837</b>	-
	<b>4,0 BDN 4,0 BDP</b>	to Chassis No. 3B-3-450 000	<b>05913</b>	-
		from Chassis No. 3B-3-450 001	<b>29837</b>	-

**febi 05913**

Ref. No. 4A0 498 625



AØ 82 IØ 43 B 37

**febi 18344**

Ref. No. 4A0 407 615 G



AØ 130 LKØ 112 x 5

**febi 29837**

Ref. No. 8E0 498 625 B



AØ 82 IØ 45 B 37



## Passat 5 (3C)

(2005→2010)

- 1,4 CAXA
- 1,4 CDGA
- 1,6 BLF
- 1,6 BSE
- 1,6 BSF
- 1,6 D CAYC
- 1,8 BZB
- 1,8 CDAA
- 1,8 CDAB
- 1,8 CGYA
- 1,9 D BKC
- 1,9 D BLS
- 1,9 D BXE
- 2,0 AXX
- 2,0 D BKP
- 2,0 BLR
- 2,0 BLX
- 2,0 BLY
- 2,0 D BMA
- 2,0 D BMP
- 2,0 D BMR
- 2,0 BPY
- 2,0 D BUZ
- 2,0 D BVE
- 2,0 BVY
- 2,0 BVZ
- 2,0 BWA
- 2,0 D BWV
- 2,0 CAWB
- 2,0 D CBAA
- 2,0 D CBAB
- 2,0 D CBAC
- 2,0 D CBBB
- 2,0 D CBDC
- 2,0 CBFA
- 2,0 CCTA
- 2,0 CCTB
- 2,0 CCZA
- 3,6 BLV

26377 / 27317

26377 / 27317

front axle

### febi 26377

Ref. No. 1T0 498 621 SK



AØ 136 IØ 27,5 B 84,5  
LKØ 112 x 5

### febi 27317

Ref. No. 5K0 498 621



AØ 136 IØ 27,5 B 84,5  
LKØ 112 x 5

suitable for:

**Volkswagen**

**Car  
Division**



**Passat CC (35)**

(2008→2012)

1,4 CKMA	to the year of construction 04/2011	26377 / 27317	26377 / 27317
1,8 BZB		26377 / 27317	26377 / 27317
1,8 CDAA			
1,8 CDAB			
1,8 CGYA			
2,0 CAWB			
2,0 D CBAA			
2,0 D CBAB			
2,0 D CBAC			
2,0 D CBBA			
2,0 D CBBB			
2,0 CBFA			
2,0 CCTA			
2,0 CCZA	to the year of construction 04/2011	26377 / 27317	26377 / 27317
2,0 CCZB			
2,0 D CFFA			
2,0 D CFFB			
2,0 D CFGB			
3,6 BLV		26377 / 27317	26377 / 27317

**Passat CC 4 motion (35)**

(2008→2012)

2,0 D CFFB	to the year of construction 02/2011	26377 / 27317	26377 / 27317
2,0 D CFGB			

**Polo 1 (86)**

(1975→1983)

all		03624	01424
-----	--	-------	-------

**Polo 2 (80)**

(1981→1994)

all		03624	01424
-----	--	-------	-------

**febi 01424**  
Ref. No. 861 407 615 A

AØ 34 LKØ 100 x 4

**febi 03624**  
Ref. No. 871 498 625 A

AØ 62 IØ 34 B 37

**febi 26377**  
Ref. No. 1T0 498 621 SK

AØ 136 IØ 27,5 B 84,5  
LKØ 112 x 5

**febi 27317**  
Ref. No. 5K0 498 621

AØ 136 IØ 27,5 B 84,5  
LKØ 112 x 5



## Polo 2 (81)

(1991→1994)

1,0 AAU  
1,3 AAV  
1,4 D 1W

03624

01424

## Polo 2 (87)

(1981→1994)

1,0 GL  
1,0 HZ  
1,1 HB  
1,3 GK  
1,3 GT  
1,3 HH  
1,3 HK  
1,3 MH

03624

01424

1,3 D MN

-

01424

1,3 PY

03624

01424

## Polo 2 (86)

(1981→1986)

all

03624

01424

## Polo 3 (6N)

(1994→2005)

all

19912

01902

front axle





suitable for:

**Volkswagen**

**Car  
Division**



**Polo 3 (6V)**

(1994→2002)

all

03662

01901 / 02219

**Polo 4 (9N)**

(2001→ )

1,2 AWY

Not for PR number 1LM/1ZN

24414

24414

For PR number 1LM/1ZN/1N0  
for vehicles without power steering

24574 / 32558

24574 / 32558

1,2 AZQ  
1,2 BBM

Not for PR number 1LM/1ZN

24414

24414

1,2 BMD

Not for PR number 1LM/1ZN

24414

24414

For PR number 1LM/1ZN/1N0  
to Chassis No. 9N-6D040 000  
for vehicles without power steering  
to Chassis No. 9N-6Y095 000

24574

24574

For PR number 1LM/1ZN/1N0  
for vehicles without power steering

32558

32558

1,2 BME

Not for PR number 1LM/1ZN

24414

24414

For PR number 1LM/1ZN  
to Chassis No. 9N-6D040 000  
to Chassis No. 9N-6Y095 000  
For PR number 1LM/1LN

24574

24574

**febi 01901**

Ref. No. 357 407 613 B



AØ 40 LKØ 100 x 4

**febi 02219**

Ref. No. 357 407 615 A



AØ 40 LKØ 100 x 4

**febi 03662**

Ref. No. 357 498 625 C



AØ 72 IØ 40 B 37

**febi 24414**

Ref. No. 6R0 407 621 A



AØ 126 IØ 29 B 82

AØ 72

LKØ 100 x 5

**febi 24574**

Ref. No. 6Q0 407 621 BK



AØ 120 IØ 23 B 82

AØ 66

LKØ 96 x 5

**febi 32558**

Ref. No. 6Q0 407 621 BK S1



AØ 66 IØ 23 B 82

LKØ 56

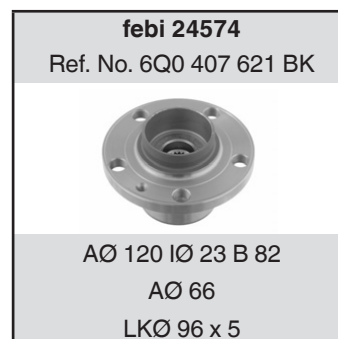
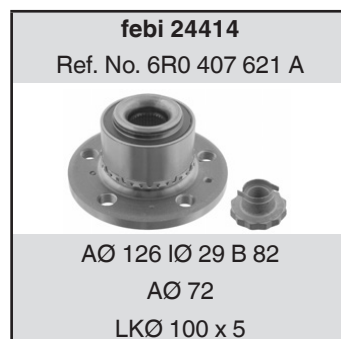


## Polo 4 (9N)

(2001→)

1,2 BZG 1,4 D AMF 1,4 AUA 1,4 AUB	Not for PR number 1LM/1ZN	24414	24414
1,4 AXU	Not for PR number 1LM/1ZN	24414	24414
	For PR number 1LM/1ZN to Chassis No. 9N-6D040 000 to Chassis No. 9N-6Y095 000 For PR number 1LM/1LN	24574	24574
1,4 D BAY 1,4 BBY	Not for PR number 1LM/1ZN	24414	24414
1,4 BBZ	Not for PR number 1LM/1ZN	24414	24414
	For PR number 1LM/1ZN	24574	24574
1,4 BKY	Not for PR number 1LM/1ZN	24414	24414
	For PR number 1LM/1ZN to Chassis No. 9N-6D040 000 to Chassis No. 9N-6Y095 000 For PR number 1LM/1LN	24574	24574
1,4 BLM 1,4 D BMS 1,4 D BNM 1,4 D BNV 1,4 BUD 1,4 D BWB	Not for PR number 1LM/1ZN	24414	24414
1,6 BAH	Not for PR number 1LM/1ZN	24414	24414
	For PR number 1LM/1ZN	24574	24574
	for vehicles without ABS	-	38491
1,6 BPA	Not for PR number 1LM/1ZN	24414	24414
	for vehicles without ABS	-	38491

front axle



suitable for:

**Volkswagen**

**Car  
Division**



**Polo 4 (9N)**

(2001→)

front axle	1,6 BTS 1,8 BBU 1,8 BJX	Not for PR number 1LM/1ZN	24414	24414	
	1,9 D ASY	Not for PR number 1LM/1ZN	24414	24414	
		for vehicles without ABS	-	38491	
	1,9 D ASZ 1,9 D ATD 1,9 D AXR 1,9 D BLT	Not for PR number 1LM/1ZN	24414	24414	
	2,0 BBX	Not for PR number 1LM/1ZN	24414	24414	
		For PR number 1LM/1ZN to Chassis No. 9N-6D040 000 to Chassis No. 9N-6Y095 000 For PR number 1LM/1LN	24574	24574	
	<b>Polo 5 (6R)</b>				
	(2009→)				
	all		24414	24414	

**febi 24414**

Ref. No. 6R0 407 621 A



AØ 126 IØ 29 B 82

AØ 72

LKØ 100 x 5

**febi 24574**

Ref. No. 6Q0 407 621 BK



AØ 120 IØ 23 B 82

AØ 66

LKØ 96 x 5

**febi 38491**

Ref. No. 5Z0 407 615



AØ 120 x 5



## Rallye Golf syncro (1G)

(1988→1991)

1,8 1H  
1,8 PG

03662

01901 / 02219 /  
03368

## Santana (32)

(1975→1988)

all

03620

02231

## Saveiro (14)

(1984→1995)

1,6 EW

03270 / 03488

-

front axle

### febi 01901

Ref. No. 357 407 613 B



AØ 40 LKØ 100 x 4

### febi 02219

Ref. No. 357 407 615 A



AØ 40 LKØ 100 x 4

### febi 02231

Ref. No. 823 407 615 A



AØ 39 LKØ 100 x 4

### febi 03270

Ref. No. 171 407 625 A



AØ 64 IØ 34 B 37

### febi 03368

Ref. No. 357 407 615



AØ 40 LKØ 100 x 4

### febi 03488

Ref. No. 171 498 625 D



AØ 64 IØ 34 B 37

### febi 03620

Ref. No. 321 498 625 ES



AØ 68 IØ 39 B 37

### febi 03662

Ref. No. 357 498 625 C



AØ 72 IØ 40 B 37

suitable for:

# Volkswagen

Car  
Division



## Scirocco (13)

(2008→)

to the year of construction 06/2011

26377 / 27317

26377 / 27317

1,4 CAVD  
 1,4 CAXA  
 1,4 CMSB  
 2,0 CAWB  
 2,0 D CBBB  
 2,0 D CBDB  
 2,0 CCZB  
 2,0 CDLA  
 2,0 CDLC  
 2,0 D CFGB  
 2,0 D CFHB  
 2,0 D CFHC

## Scirocco (53)

(1974→1992)

all

03270 / 03488

06655

**febi 03270**

Ref. No. 171 407 625 A



AØ 64 IØ 34 B 37

**febi 03488**

Ref. No. 171 498 625 D



AØ 64 IØ 34 B 37

**febi 06655**

Ref. No. 175 407 615



AØ 34 LKØ 100 x 4

**febi 26377**

Ref. No. 1T0 498 621 SK



AØ 136 IØ 27,5 B 84,5  
LKØ 112 x 5

**febi 27317**

Ref. No. 5K0 498 621



AØ 136 IØ 27,5 B 84,5  
LKØ 112 x 5



## Sharan (7N)

(2010→)

1,4 CAVA  
2,0 CCZA  
2,0 D CFFA  
2,0 D CFFB  
2,0 D CFFE  
2,0 D CFGB

to the year of construction 06/2011

26377 / 27317

26377 / 27317

## Tiguan (5N)

(2007→2012)

all

to the year of construction 03/2011

26377 / 27317

26377 / 27317

## Touareg 4 motion (7L)

(2002→2010)

2,5 D BAC

For PR number 1LC/1LE/1LF  
Rim Size [in] 17  
Rim Size [in] 18

34789

-

from Chassis No. 7L-4-035 001  
For PR number 1LB  
Rim Size [in] 16

34800

34800

For PR number 1LC/1LF/1LE

-

38521

front axle

### febi 26377

Ref. No. 1T0 498 621 SK



AØ 136 IØ 27,5 B 84,5  
LKØ 112 x 5

### febi 27317

Ref. No. 5K0 498 621



AØ 136 IØ 27,5 B 84,5  
LKØ 112 x 5

### febi 34789

Ref. No. 7L0 498 287



AØ 96 IØ 51 B 50

### febi 34800

Ref. No. 7H0 498 611



AØ 85 IØ 56 B 45  
AØ 149,5  
LKØ 12,5 x 5

### febi 38521

Ref. No. 7L0 501 655 B



LKØ 112 x 5

suitable for:

**Volkswagen**

**Car  
Division**



**Touareg 4 motion (7L)**

(2002→2010)

<b>2,5 D BLK</b>	For PR number 1LC/1LE/1LF Rim Size [in] 17 Rim Size [in] 18	<b>34789</b>	-
	For PR number 1LB from Chassis No. 7L-4-035 001 Rim Size [in] 16	<b>34800</b>	<b>34800</b>
	For PR number 1LC/1LF/1LE	-	<b>38521</b>
<b>2,5 D BPD 2,5 D BPE</b>	For PR number 1LA/1LC/1LE/1LF For PR number 1LC/1LE/1LF For PR number 1LT/1LU Rim Size [in] 17 Rim Size [in] 18	<b>34789</b>	-
	For PR number 1LB Rim Size [in] 16	<b>34800</b>	<b>34800</b>
	For PR number 1LA/1LC/1LE/1LF For PR number 1LC/1LF/1LE For PR number 1LT/1LU	-	<b>38521</b>
<b>3,0 D BKS</b>	For PR number 1LC/1LE/1LF Rim Size [in] 17 Rim Size [in] 18	<b>34789</b>	-
	For PR number 1LA/1LC/1LE/1LF For PR number 1LC/1LF/1LE For PR number 1LT/1LU	-	<b>38521</b>
<b>3,0 D BUN</b>	For PR number 1LA/1LC/1LE/1LF For PR number 1LC/1LE/1LF For PR number 1LT/1LU Rim Size [in] 17 Rim Size [in] 18	<b>34789</b>	-
	For PR number 1LA/1LC/1LE/1LF For PR number 1LC/1LF/1LE For PR number 1LT/1LU	-	<b>38521</b>

**febi 34789**

Ref. No. 7L0 498 287



AØ 96 IØ 51 B 50

**febi 34800**

Ref. No. 7H0 498 611



AØ 85 IØ 56 B 45  
AØ 149,5  
LKØ 12,5 x 5

**febi 38521**

Ref. No. 7L0 501 655 B



LKØ 112 x 5



## Touareg 4 motion (7L)

(2002→2010)

3,0 D CASA 3,0 D CASB 3,0 D CASC 3,0 D CATA	For PR number 1LA/1LC/1LE/1LF For PR number 1LT/1LU Rim Size [in] 18 Rim Size [in] 17	34789	-
	For PR number 1LA/1LC/1LE/1LF For PR number 1LT/1LU	-	38521
3,2 AZZ 3,2 BAA 3,2 BKJ	For PR number 1LC/1LE/1LF Rim Size [in] 17 Rim Size [in] 18	34789	-
	For PR number 1LC/1LF	-	38521
3,2 BMV 3,2 BMX 3,2 BRJ	For PR number 1LC/1LE/1LF Rim Size [in] 17 Rim Size [in] 18	34789	-
	For PR number 1LC/1LF/1LE	-	38521
3,6 BHK	For PR number 1LA/1LC/1LE/1LF For PR number 1LC/1LE/1LF For PR number 1LT/1LU Rim Size [in] 17 Rim Size [in] 18	34789	-
	For PR number 1LA/1LC/1LE/1LF For PR number 1LC/1LF/1LE For PR number 1LT/1LU	-	38521
4,2 AXQ	For PR number 1LC/1LE/1LF Rim Size [in] 17 Rim Size [in] 18	34789	-
	For PR number 1LC/1LF/1LE	-	38521

front axle





suitable for:

**Volkswagen**

**Car  
Division**



**Touareg 4 motion (7L)**

(2002→2010)

<b>4,2 BAR</b>	For PR number 1LA/1LC/1LE/1LF For PR number 1LC/1LE/1LF For PR number 1LT/1LU Rim Size [in] 17 Rim Size [in] 18	<b>34789</b>	-
	For PR number 1LA/1LC/1LE/1LF For PR number 1LC/1LF/1LE For PR number 1LT/1LU	-	<b>38521</b>
<b>4,2 BHX</b>	For PR number 1LC/1LE/1LF Rim Size [in] 17 Rim Size [in] 18	<b>34789</b>	-
	For PR number 1LC/1LF	-	<b>38521</b>
<b>5,0 D AYH</b>	For PR number 1LC/1LE/1LF Rim Size [in] 17 Rim Size [in] 18	<b>34789</b>	-
	For PR number 1LC/1LF/1LE	-	<b>38521</b>
<b>5,0 D BLE</b>	For PR number 1LA/1LC/1LE/1LF For PR number 1LC/1LE/1LF For PR number 1LT/1LU Rim Size [in] 17 Rim Size [in] 18	<b>34789</b>	-
	For PR number 1LA/1LC/1LE/1LF For PR number 1LC/1LF/1LE For PR number 1LT/1LU	-	<b>38521</b>
<b>5,0 D CBWA</b>	For PR number 1LA/1LC/1LE/1LF For PR number 1LT/1LU Rim Size [in] 18 Rim Size [in] 17	<b>34789</b>	-
	For PR number 1LA/1LC/1LE/1LF For PR number 1LT/1LU	-	<b>38521</b>

**febi 34789**

Ref. No. 7L0 498 287



AØ 96 IØ 51 B 50

**febi 38521**

Ref. No. 7L0 501 655 B



LKØ 112 x 5



## Touareg 4 motion (7L)

(2002→2010)

**6,0 BJN**

For PR number 1LA/1LC/1LE/1LF  
For PR number 1LC/1LE/1LF  
For PR number 1LT/1LU  
Rim Size [in] 17  
Rim Size [in] 18

**34789**

-

For PR number 1LA/1LC/1LE/1LF  
For PR number 1LC/1LF/1LE  
For PR number 1LT/1LU

-

**38521**

**6,0 CFRA**

For PR number 1LA/1LC/1LE/1LF  
For PR number 1LT/1LU  
Rim Size [in] 18  
Rim Size [in] 17

**34789**

-

For PR number 1LA/1LC/1LE/1LF  
For PR number 1LT/1LU

-

**38521**

## Touareg 4 motion (7P)

(2010→)

**3,0 D CASA**  
**3,0 D CASD**  
**3,0 D CATA**  
**3,0 D CJMA**  
**3,0 CJTA**  
**3,0 D CNRB**  
**3,0 D CRCA**  
**3,6 CGRA**  
**3,6 CMTA**

**34789**

-

front axle



suitable for:

# Volkswagen

Car  
Division 



## Touran (1T)

(2003→ )

- 1,2 CBZB
- 1,4 BLG
- 1,4 BMY
- 1,4 CAVB
- 1,4 CAVC
- 1,4 CDGA
- 1,4 CTHC
- 1,6 BAG
- 1,6 BGU
- 1,6 BLF
- 1,6 BLP
- 1,6 BSE
- 1,6 BSF
- 1,6 D CAYB
- 1,6 D CAYC
- 1,9 D AVQ
- 1,9 D BKC
- 1,9 D BLS
- 1,9 D BRU
- 1,9 D BXE
- 1,9 D BXF
- 1,9 D BXJ
- 2,0 AXW
- 2,0 D AZV
- 2,0 BJZ
- 2,0 D BKD
- 2,0 BLR
- 2,0 BLX
- 2,0 BLY
- 2,0 D BMM
- 2,0 D BMN
- 2,0 BSX
- 2,0 BVY
- 2,0 BVZ
- 2,0 D CFHC
- 2,0 D CFJA
- 2,0 D CFJB
- 2,0 D CLCA

26377 / 27317

26377 / 27317

front axle

**febi 26377**

Ref. No. 1T0 498 621 SK



AØ 136 IØ 27,5 B 84,5  
LKØ 112 x 5

**febi 27317**

Ref. No. 5K0 498 621



AØ 136 IØ 27,5 B 84,5  
LKØ 112 x 5



**Transporter T1 (21)**

(1950→1970)

all

05845

-

**Transporter T2 (21)**

(1962→1979)

all

05845

-

**Transporter T2 (22)**

(1966→1967)

1,6 B

05845

-

**Transporter T2 (23)**

(1970→1975)

1,6 AF

05845

-

**Transporter T2 (24)**

(1971→1979)

all

05845

-

**Transporter T2 (26)**

(1970→1975)

1,6 AF

05845

-

**Transporter T3 syncro (24)**

(1984→1992)

all

05588

-

**Transporter T3 syncro (25)**

(1981→1992)

all

05588

-

front axle



suitable for:

**Volkswagen**

**Car  
Division**



## Transporter T3 (24)

(1979→1992)

front axle	1,6 D CS	to Chassis No. 24-E-023 827	05586	-
		from Chassis No. 24-E-023 828	05587	-
	1,6 CT	from Chassis No. 24-A-024 012	05586	-
	1,6 D JX 1,7 D KY		05587	-
	1,9 DF	to Chassis No. 24-E-023 827	05586	-
	1,9 DG	from Chassis No. 24-E-023 828	05587	-
	1,9 DH 1,9 GW		05587	-
	1,9 SP		05587	-
	2,0 CU 2,0 CV	from Chassis No. 24-A-024 012	05586	-
	2,1 DJ 2,1 MV 2,1 SR 2,1 SS		05587	-

## Transporter T3 (25)

(1979→1992)

1,6 D CS	from Chassis No. 24-A-024 012 to Chassis No. 24-E-023 827	05586	-
	from Chassis No. 24-E-023 828	05587	-
1,6 D JX 1,7 D KY		05587	-
1,9 DF	to Chassis No. 24-E-023 827	05586	-
1,9 DG	from Chassis No. 24-E-023 828	05587	-
1,9 DH 1,9 GW		05587	-
1,9 SP		05587	-
2,0 CU	from Chassis No. 24-A-024 012	05586	-

### febi 05586

Ref. No. 113 517 185 C S1



AØ 68 IØ 41 B 18,5  
AØ 45 IØ 19 B 16,5

### febi 05587

Ref. No. 251 405 645 B S1



AØ 68 IØ 41 B 18,5  
AØ 45 IØ 22 B 16,5



## Transporter T3 (25)

(1979→1992)

2,0 CV

from Chassis No. 24-A-024 012  
to Chassis No. 24-E-023 827

05586

-

from Chassis No. 24-E-023 828

05587

-

2,1 DJ

2,1 MV

2,1 SR

2,1 SS

05587

-

## Transporter T4 syncro (7D)

(1996→2003)

all

19914

-

## Transporter T4 syncro (70)

(1990→1996)

all

05848

-

## Transporter T4 (7D)

(1996→2003)

all

19914

-

## Transporter T4 (70)

(1990→1996)

all

05848

-

front axle

### febi 05586

Ref. No. 113 517 185 C S1



AØ 68 IØ 41 B 18,5

AØ 45 IØ 19 B 16,5

### febi 05587

Ref. No. 251 405 645 B S1



AØ 68 IØ 41 B 18,5

AØ 45 IØ 22 B 16,5

### febi 05848

Ref. No. 701 498 625



AØ 80 IØ 45 B 45

### febi 19914

Ref. No. 7D0 498 625



AØ 80 IØ 45 B 45

suitable for:

**Volkswagen**

**Car  
Division**



### Transporter T5 (7E)

(2009→)

2,0 AXA  
2,0 D CAAA  
2,0 D CAAB  
2,0 D CAAC  
2,0 D CAAD  
2,0 D CAAE  
2,0 D CCHA  
2,0 D CCHB  
2,0 D CFCA  
2,0 CJKA

34800

34800

### Transporter T5 (7F)

(2009→)

2,0 AXA  
2,0 D CAAA  
2,0 D CAAB  
2,0 D CAAC  
2,0 D CAAD  
2,0 D CAAE  
2,0 D CCHA  
2,0 D CFCA

34800

34800

### Transporter T5 (7H)

(2003→2009)

1,9 D AXB  
1,9 D AXC

from Chassis No. 7H-4-017 501

34800

34800

1,9 D BRR  
1,9 D BRS  
2,0 AXA

34800

34800

2,5 D AXD  
2,5 D AXE

from Chassis No. 7H-4-017 501

34800

34800

**febi 34800**

Ref. No. 7H0 498 611



AØ 85 IØ 56 B 45

AØ 149,5

LKØ 12,5 x 5



## Transporter T5 (7H)

(2003→2009)

2,5 D BLJ  
2,5 D BNZ  
2,5 D BPC  
3,2 BDL  
3,2 BKK  
3,2 CFLA

34800

34800

## Transporter T5 (7J)

(2003→2009)

1,9 D AXB  
1,9 D AXC

from Chassis No. 7H-4-017 501

34800

34800

1,9 D BRR  
1,9 D BRS  
2,0 AXA

34800

34800

2,5 D AXD  
2,5 D AXE

from Chassis No. 7H-4-017 501

34800

34800

2,5 D BNZ  
2,5 D BPC  
3,2 BDL  
3,2 BKK

34800

34800

## Transporter T5 4 motion (7F)

(2009→)

all

34800

34800

## Transporter T5 4 motion (7E)

(2009→)

all

34800

34800

front axle

### febi 34800

Ref. No. 7H0 498 611



AØ 85 IØ 56 B 45

AØ 149,5

LKØ 12,5 x 5



suitable for:

**Volkswagen**

**Car  
Division**



**Transporter T5 4 motion (7H)**

(2003→2009)

2,5 D AXD		34800	34800
2,5 D AXE			
2,5 D BNZ			
2,5 D BPC			
3,2 BDL	from Chassis No. 7H-4-017 501	34800	34800
3,2 BKK		34800	34800
3,2 CFLA			

**Transporter T5 4 motion (7J)**

(2003→2009)

2,5 D AXD	from Chassis No. 7H-4-017 501	34800	34800
2,5 D AXE		34800	34800
2,5 D BNZ			
2,5 D BPC			
3,2 BDL			

**T5 (7E)**

(2009→ )

2,0 AXA		34800	34800
2,0 D CAAA			
2,0 D CAAB			
2,0 D CAAC			
2,0 D CAAD			
2,0 D CAAE			
2,0 D CCHA			
2,0 D CCHB			
2,0 D CFCA			
2,0 CJKA			

**T5 (7H)**

(2003→2009)

1,9 D AXB	from Chassis No. 7H-4-017 501	34800	34800
-----------	-------------------------------	-------	-------

**febi 34800**

Ref. No. 7H0 498 611



AØ 85 IØ 56 B 45

AØ 149,5

LKØ 12,5 x 5



## T5 (7H)

(2003→2009)

1,9 D AXC 1,9 D BRR 1,9 D BRS 2,0 AXA		34800	34800
2,5 D AXD 2,5 D AXE	from Chassis No. 7H-4-017 501	34800	34800
2,5 D BLJ 2,5 D BNZ 2,5 D BPC 3,2 BDL 3,2 BKK		34800	34800

## T5 4 motion (7E)

(2009→ )

all		34800	34800
-----	--	-------	-------

## T5 4 motion (7H)

(2004→2009)

all		34800	34800
-----	--	-------	-------

## up! (12)

(2011→ )

1,0 CHYA 1,0 CHYB 1,0 CPGA		39160	-
----------------------------------	--	-------	---

front axle

**febi 34800**  
Ref. No. 7H0 498 611

AØ 85 IØ 56 B 45  
AØ 149,5  
LKØ 12,5 x 5

**febi 39160**  
Ref. No. 1S0 498 625

AØ 66 IØ 34,5 B 66

suitable for:

**Volkswagen**

Car  
Division



**Vento (1H)**

(1991→1999)

1,4 ABD  
1,4 AEX  
1,4 APQ  
1,6 ABU  
1,6 AEA  
1,6 AEE  
1,6 AEK  
1,6 AFT  
1,6 AKS  
1,8 AAM  
1,8 ABS  
1,8 ADZ  
1,9 D 1Y  
1,9 D 1Z  
1,9 D AAZ  
1,9 D AEY  
1,9 D AFN  
1,9 D AHU  
1,9 D ALE

03662

01901 / 02219 /  
03368

2,0 2E

03662 / 08435

01298 / 01901 /  
02219 / 03368

2,0 AAC

03662

01901 / 02219 /  
03368

2,0 ADY

03662 / 08435

01298 / 01901 /  
02219 / 03368

**febi 01298**

Ref. No. 1H0 407 613 B



LKØ 100 x 5

**febi 01901**

Ref. No. 357 407 613 B



AØ 40 LKØ 100 x 4

**febi 02219**

Ref. No. 357 407 615 A



AØ 40 LKØ 100 x 4

**febi 03368**

Ref. No. 357 407 615



AØ 40 LKØ 100 x 4

**febi 03662**

Ref. No. 357 498 625 C



AØ 72 IØ 40 B 37

**febi 08435**

Ref. No. 1H0 498 625



AØ 72 IØ 40 B 37



## Vento (1H)

(1991→1999)

2,0 AEP	03662	01901 / 02219 / 03368
2,0 AGG 2,0 AKR	03662 / 08435	01298 / 01901 / 02219 / 03368
2,8 AAA	08435	01298

front axle



suitable for:

**Volvo**

**Car  
Division**



**240**

(1974→1993)

front axle

1,8 B 17 A	from Chassis No. 191001	<b>05894</b>	-
2,0 B 19 A	from Chassis No. 320001		
2,0 B 19 E	from Chassis No. 595001		
2,0 B 19 ET			
2,0 B 19 K			
2,0 B 20 A			
2,0 B 20 F			
2,0 B 200 E	from Chassis No. 320001 from Chassis No. 595001	<b>05894</b>	-
2,0 B 200 F	from Chassis No. 595001	<b>05894</b>	-
2,0 B 200 K	from Chassis No. 320001 from Chassis No. 595001	<b>05894</b>	-
2,0 D 20	from Chassis No. 191001	<b>05894</b>	-
2,1 B 21 A	from Chassis No. 320001		
2,1 B 21 E	from Chassis No. 595001		
2,1 B 21 ET			
2,1 B 21 F			
2,1 B 21 FT			
2,3 B 23 A			
2,3 B 23 E			
2,3 B 23 F			
2,3 B 230 A	from Chassis No. 320001 from Chassis No. 595001	<b>05894</b>	-
2,3 B 230 E	from Chassis No. 595001	<b>05894</b>	-
2,3 B 230 EF			
2,3 B 230 F	from Chassis No. 320001 from Chassis No. 595001	<b>05894</b>	-
2,3 B 230 FD	from Chassis No. 595001	<b>05894</b>	-
2,3 B 230 FX	from Chassis No. 320001	<b>05894</b>	-
2,3 B 230 K	from Chassis No. 595001		
2,4 D 24	from Chassis No. 191001 from Chassis No. 320001 from Chassis No. 595001	<b>05894</b>	-

**febi 05894**

Ref. No. 271391 SK



AØ 60 IØ 35 B 18,5

AØ 46 IØ 22



**240**

(1974→1993)

2,7 B 27 E  
2,8 B 28 A  
2,8 B 28 E

from Chassis No. 320001  
from Chassis No. 595001

05894

-

**260**

(1974→1982)

2,4 D 24

from Chassis No. 110001

05894

-

2,7 B 27 A  
2,7 B 27 E

from Chassis No. 110001  
from Chassis No. 290001  
from Chassis No. 8401

05894

-

2,7 B 27 F

from Chassis No. 110001  
from Chassis No. 8401

05894

-

2,8 B 28 A  
2,8 B 28 E

from Chassis No. 110001  
from Chassis No. 290001  
from Chassis No. 8401

05894

-

2,8 B 28 F

from Chassis No. 110001  
from Chassis No. 8401

05894

-

front axle



suitable for:

**Volvo**

**Car  
Division**



**440**

(1988→1997)

- 1,6 B 16 F
- 1,6 B 16 FI
- 1,7 B 18 E
- 1,7 B 18 ED
- 1,7 B 18 EP
- 1,7 B 18 F
- 1,7 B 18 FP
- 1,7 B 18 FT
- 1,7 B 18 FTM
- 1,7 B 18 K
- 1,7 B 18 KD
- 1,7 B 18 KP
- 1,7 B 18 KPD
- 1,8 B 18 U
- 2,0 B 20 F
- 2,0 B 20 U

05895

-

**460**

(1988→1997)

- 1,6 B 16 F
- 1,7 B 18 EP from the year of construction 1990
- 1,7 B 18 FP
- 1,7 B 18 FT
- 1,7 B 18 FTM
- 1,7 B 18 K
- 1,7 B 18 KD from the year of construction 1990
- 1,7 B 18 KP
- 1,7 B 18 KPD from the year of construction 1990
- 1,8 B 18 U
- 1,9 D 19 T
- 2,0 B 20 F

05895

-

05895

-

05895

-

05895

-

05895

-

05895

-

05895

-





**480**

(1980→1996)

1,7 B 18 E  
1,7 B 18 EAT  
1,7 B 18 ED

05895

-

1,7 B 18 EP

from the year of construction 1986

05895

-

1,7 B 18 ES  
1,7 B 18 F  
1,7 B 18 FP  
1,7 B 18 FT  
1,7 B 18 FTM  
2,0 B 20 F

05895

-

**850**

(1991→1997)

2,0 B 5202 S  
2,0 B 5204 F  
2,0 B 5204 FS  
2,0 B 5204 FT  
2,0 B 5204 T  
2,0 B 5204 T2  
2,3 B 5234 FS  
2,3 B 5234 FT  
2,3 B 5234 T2  
2,3 B 5234 T4  
2,3 B 5234 T5  
2,4 B 5252 FS  
2,4 B 5252 S  
2,4 B 5254 FS  
2,4 B 5254 S  
2,4 B 5254 T  
2,5 D 5252 T

from the year of construction 1994

14902

14902

**850 AWD**

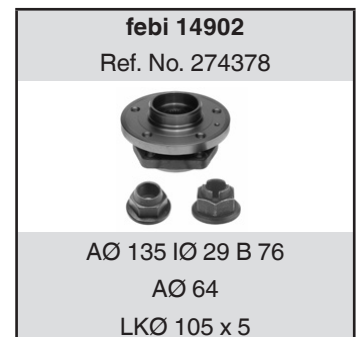
(1996→1997)

2,4 B 5254 T

14902

14902

front axle





suitable for:

**Volvo**

**Car  
Division**



**C 30**

(2006→ )

all

29825

29825

**C 70 I**

(1997→2005)

2,0 B 5204 T2

to the year of construction 1998

14902

14902

2,0 B 5204 T3

2,0 B 5204 T4

2,3 B 5234 T3

2,3 B 5234 T9

2,4 B 5254 S

2,4 B 5254 SDENS

2,4 B 5254 T

**C 70 II**

(2005→ )

2,4 B 5244 S4

29825

29825

2,4 B 5244 S5

2,4 D 5244 T8

2,5 B 5254 T3

2,5 B 5254 T7

**S 40 II**

(2003→ )

all

29825

29825

**S 40 II AWD**

(2004→ )

2,4 B 5244 S4

29825

29825

2,5 B 5254 T3

2,5 B 5254 T7

**febi 14902**

Ref. No. 274378



AØ 135 IØ 29 B 76

AØ 64

LKØ 105 x 5

**febi 29825**

Ref. No. 31262950



AØ 131 IØ 29,5 B 92

LKØ 104 x 5

front axle



**V 60**

(2010→)

1,6 B 4164 T  
1,6 B 4164 T3  
2,0 B 4204 T6  
2,0 B 4204 T7  
2,0 D 5204 T2  
2,4 D 5244 T10

32694

32694

**V 60 AWD**

(2010→)

2,4 D 5244 T10  
3,0 B 6304 T4

32694

32694

**S 60 I**

(2000→2010)

all

22649

22649

**S 60 I AWD**

(2001→2010)

all

22649

22649

**S 60 II**

(2010→)

1,6 B 4164 T  
1,6 B 4164 T3  
2,0 B 4204 T6  
2,0 B 4204 T7  
2,0 D 5204 T2  
2,4 D 5244 T10

32694

32694

**S 60 II AWD**

(2010→)

2,4 D 5244 T10  
3,0 B 6304 T4

32694

32694

front axle

**febi 22649**

Ref. No. 274298



AØ 136,7 IØ 28 B 83  
LKØ 102 x 5

**febi 32694**

Ref. No. 30736501



AØ 136 IØ 56 B 136  
AØ 82  
LKØ 100 x 6

suitable for:

**Volvo**

**Car  
Division**



## S 70

(1996→2000)

- 2,0 B 5202 FS
- 2,0 B 5202 S
- 2,0 B 5204 F
- 2,0 B 5204 S
- 2,0 B 5204 T
- 2,0 B 5204 T2
- 2,0 B 5204 T3
- 2,3 B 5234 T3
- 2,3 B 5234 T4
- 2,3 B 5234 T7
- 2,4 B 5244 S
- 2,4 B 5244 S2
- 2,4 B 5244 SG
- 2,4 B 5244 T
- 2,4 B 5252 S
- 2,4 B 5254 S
- 2,4 B 5254 SDENS
- 2,4 B 5254 T
- 2,4 GB 5252 S
- 2,5 D 5252 T

to the year of construction 1998

14902

14902

## S 80 I

(1998→2006)

all

22649

22649

## S 80 I AWD

(2000→2006)

- 2,3 B 5234 T7
- 2,4 B 5244 T3
- 2,5 B 5254 T2

22649

22649

### febi 14902

Ref. No. 274378



AØ 135 IØ 29 B 76

AØ 64

LKØ 105 x 5

### febi 22649

Ref. No. 274298



AØ 136,7 IØ 28 B 83

LKØ 102 x 5



**S 80 II**

(2006→)

- 1,6 D 4164 T
- 2,0 B 4204 S3
- 2,0 B 4204 S4
- 2,0 B 4204 T6
- 2,0 D 4204 T
- 2,4 D 5244 T10
- 2,4 D 5244 T14
- 2,4 D 5244 T19
- 2,4 D 5244 T4
- 2,4 D 5244 T5
- 2,5 B 5254 T10
- 2,5 B 5254 T11
- 2,5 B 5254 T6
- 2,5 B 5254 T8
- 3,2 B 6324 S
- 4,4 B 8444 S

32694

32694

**S 80 II AWD**

(2006→)

- 2,4 D 5244 T10
- 2,4 D 5244 T4
- 2,5 B 5254 T6
- 3,0 B 6304 T2
- 3,0 B 6304 T4
- 3,2 B 6324 S
- 4,4 B 8444 S

32694

32694

**V 50**

(2003→)

all

29825

29825

**V 50 AWD**

(2006→)

- 2,4 B 5244 S4
- 2,5 B 5254 T7

29825

29825

front axle

**febi 29825**

Ref. No. 31262950



AØ 131 IØ 29,5 B 92  
LKØ 104 x 5

**febi 32694**

Ref. No. 30736501



AØ 136 IØ 56 B 136  
AØ 82  
LKØ 100 x 6

suitable for:

**Volvo**

**Car  
Division**



## V 70 I

(1996→2000)

- 2,0 B 5202 FS
- 2,0 B 5202 S
- 2,0 B 5204 FS
- 2,0 B 5204 S
- 2,0 B 5204 T
- 2,0 B 5204 T2
- 2,0 B 5204 T3
- 2,0 B 5404 T
- 2,0 B 5404 T3
- 2,3 B 5234 T3
- 2,3 B 5234 T6
- 2,4 B 5244 SG
- 2,4 B 5244 T
- 2,4 B 5252 FS
- 2,4 B 5252 S
- 2,4 B 5254 FS
- 2,4 B 5254 S
- 2,4 B 5254 SDENS
- 2,4 B 5254 T
- 2,4 GB 5252 S
- 2,5 D 5252 T

to the year of construction 1998

14902

14902

## V 70 I AWD

(1997→2002)

- 2,0 B 5204 T3
- 2,3 B 5234 FT
- 2,3 B 5234 T2
- 2,3 B 5234 T4
- 2,3 B 5234 T6
- 2,3 B 5234 T7
- 2,3 B 5234 T8
- 2,4 B 5244 T
- 2,4 B 5254 T

to the year of construction 1998

14902

14902

## V 70 II

(1997→2007)

all

22649

22649

### febi 14902

Ref. No. 274378



AØ 135 IØ 29 B 76

AØ 64

LKØ 105 x 5

### febi 22649

Ref. No. 274298



AØ 136,7 IØ 28 B 83

LKØ 102 x 5



**V 70 II AWD**

(1998→2007)

all

22649

22649

**V 70 III**

(2007→ )

- 1,6 D 4164 T
- 2,0 B 4204 S3
- 2,0 B 4204 S4
- 2,0 B 4204 T6
- 2,0 D 4204 T
- 2,0 D 5204 T2
- 2,4 D 5244 T10
- 2,4 D 5244 T14
- 2,4 D 5244 T19
- 2,4 D 5244 T4
- 2,5 B 5254 T10
- 2,5 B 5254 T11
- 2,5 B 5254 T6
- 2,5 B 5254 T8
- 3,2 B 6324 S
- 3,2 B 6324 S5

32694

32694

**V 70 III AWD**

(2007→ )

- 2,4 D 5244 T10
- 2,4 D 5244 T4
- 3,0 B 6304 T2
- 3,0 B 6304 T4
- 3,2 B 6324 S
- 3,2 B 6324 S5

32694

32694

**XC 60**

(2009→ )

- 2,0 B 4204 T6
- 2,0 D 5204 T2
- 2,4 D 5244 T14

32694

32694

front axle

**febi 22649**  
Ref. No. 274298

AØ 136,7 IØ 28 B 83  
LKØ 102 x 5

**febi 32694**  
Ref. No. 30736501

AØ 136 IØ 56 B 136  
AØ 82  
LKØ 100 x 6

suitable for:

**Volvo**

**Car  
Division**



### XC 60 AWD

(2008→ )

2,4 D 5244 T10  
2,4 D 5244 T16  
2,4 D 5244 T4  
2,4 D 5244 T5  
3,0 B 6304 T2  
3,0 B 6304 T4  
3,2 B 6324 S  
3,2 B 6324 S5

32694

32694

### XC 70 I AWD

(1997→2002)

2,0 B 5204 T3  
2,4 B 5254 T

to the year of construction 1998

14902

14902

### XC 70 II AWD

(2002→2008)

2,4 D 5244 T  
2,4 D 5244 T4  
2,5 B 5254 T2

22649

22649

### XC 70 III

(2011→2013)

2,0 D 5204 T2

32694

32694

### XC 70 III AWD

(2007→ )

2,4 D 5244 T10  
2,4 D 5244 T14  
2,4 D 5244 T16  
2,4 D 5244 T4  
2,4 D 5244 T5  
3,0 B 6304 T2  
3,0 B 6304 T4  
3,2 B 6324 S

32694

32694

#### febi 14902

Ref. No. 274378



AØ 135 IØ 29 B 76

AØ 64

LKØ 105 x 5

#### febi 22649

Ref. No. 274298



AØ 136,7 IØ 28 B 83

LKØ 102 x 5

#### febi 32694

Ref. No. 30736501



AØ 136 IØ 56 B 136

AØ 82

LKØ 100 x 6



**XC 90 AWD**

(2002→)

2,4 D 5244 T 2,4 D 5244 T2 2,4 D 5244 T4	from Chassis No. 354877 Rim Size [in] 16	<b>31864</b>	<b>31864</b>
	from Chassis No. 354116 Rim Size [in] 17		
	from Chassis No. 196988 to Chassis No. 354876 Rim Size [in] 16	<b>31865</b>	<b>31865</b>
	from Chassis No. 196988 to Chassis No. 354115 Rim Size [in] 17		
	to Chassis No. 196987 Rim Size [in] 16 Rim Size [in] 17	<b>31866</b>	<b>31866</b>
2,4 D 5244 T5	from Chassis No. 196988 to Chassis No. 354876 Rim Size [in] 16	<b>31865</b>	<b>31865</b>
	from Chassis No. 196988 to Chassis No. 354115 Rim Size [in] 17		
	to Chassis No. 196987 Rim Size [in] 16 Rim Size [in] 17	<b>31866</b>	<b>31866</b>

front axle





suitable for:

**Volvo**

**Car  
Division**



## XC 90 AWD

(2002→ )

2,5 B 5254 T2  
2,9 B 6294 T  
3,2 B 6324 S  
4,4 B 8444 S

from Chassis No. 354877  
Rim Size [in] 16

**31864**

**31864**

from Chassis No. 354116  
Rim Size [in] 17

from Chassis No. 196988  
to Chassis No. 354876  
Rim Size [in] 16

**31865**

**31865**

from Chassis No. 196988  
to Chassis No. 354115  
Rim Size [in] 17

to Chassis No. 196987  
Rim Size [in] 16  
Rim Size [in] 17

**31866**

**31866**

front axle

### febi 31864

Ref. No. 30794650



AØ 136  
LKØ 64 x 6

### febi 31865

Ref. No. 30639875 S1



AØ 136 IØ 30  
LKØ 64 x 6

### febi 31866

Ref. No. 30639875 S2



AØ 136 IØ 30 B 89  
LKØ 64 x 6



## GT

(2003→2011)

1,8 AR32205 to Chassis No. 0023783  
 1,9 D 937A5000  
 1,9 D 937A6000  
 2,0 932A2000  
 2,0 937A1000  
 3,2 936A000

19114

19114

## Mito

(2008→ )

all

19345

19345

## 145

(1994→2001)

1,4 AR33501	for vehicles without ABS	12116	12116
1,4 AR33503	for vehicles without ABS to the year of construction 01/2000	12116	12116
	from the year of construction 01/1999 for vehicles with ABS	19345	19345
1,6 AR32102	for vehicles without ABS to the year of construction 01/2000	12116	12116
	for vehicles with ABS	19345	19345
1,6 AR33201	for vehicles without ABS	12116	12116
	for vehicles with ABS	12117	12117
1,6 AR38201 1,6 AR67601	for vehicles without ABS to the year of construction 01/2000	12116	12116
	from the year of construction 01/1999 for vehicles with ABS	19345	19345
1,7 AR33401	for vehicles without ABS	12116	12116
	for vehicles with ABS	12117	12117

12116

12116

12116

12116

19345

19345

12116

12116

19345

19345

12116

12116

12117

12117

12116

12116

19345

19345

12116

12116

12117

12117

rear axle

### febi 12116

Ref. No. 51754192



AØ 118 IØ 30 B 60,5  
LKØ 98 x 4

### febi 12117

Ref. No. 46425959



AØ 118 IØ 30 B 61  
LKØ 98 x 4

### febi 19114

Ref. No. 60652014



AØ 116 IØ 35 B 63  
LKØ 94 x 5

### febi 19345

Ref. No. 51754193



AØ 118 IØ 30  
IØ 62  
LKØ 98 x 4

suitable for:

**Alfa Romeo**

**Car  
Division**



**145**

(1994→2001)

<b>1,8 AR32201</b>	for vehicles without ABS to the year of construction 01/2000	<b>12116</b>	<b>12116</b>
	from the year of construction 01/1999 for vehicles with ABS	<b>19345</b>	<b>19345</b>
<b>1,8 AR38401</b> <b>1,8 AR67106</b>	for vehicles without ABS	<b>12116</b>	<b>12116</b>
<b>1,9 D AR32302</b>	for vehicles without ABS	<b>12116</b>	<b>12116</b>
	for vehicles with ABS	<b>19345</b>	<b>19345</b>
<b>1,9 D AR33601</b> <b>1,9 D AR67501</b>	for vehicles without ABS	<b>12116</b>	<b>12116</b>
	to the year of construction 12/1996 for vehicles with ABS	<b>12117</b>	<b>12117</b>
<b>2,0 AR32301</b>	for vehicles without ABS to the year of construction 01/2000	<b>12116</b>	<b>12116</b>
	from the year of construction 01/1999 for vehicles with ABS	<b>19345</b>	<b>19345</b>
<b>2,0 AR67204</b>	for vehicles without ABS	<b>12116</b>	<b>12116</b>
	from the year of construction 01/1999 for vehicles with ABS	<b>19345</b>	<b>19345</b>

**146**

(1994→2001)

<b>1,4 AR33501</b>	for vehicles without ABS	<b>12116</b>	<b>12116</b>
<b>1,4 AR33503</b> <b>1,4 AR38501</b>	for vehicles without ABS to the year of construction 01/2000	<b>12116</b>	<b>12116</b>
	from the year of construction 01/1999 for vehicles with ABS	<b>19345</b>	<b>19345</b>
<b>1,6 AR32102</b>	for vehicles without ABS to the year of construction 01/2000	<b>12116</b>	<b>12116</b>
	for vehicles with ABS	<b>19345</b>	<b>19345</b>

**febi 12116**

Ref. No. 51754192



AØ 118 IØ 30 B 60,5  
LKØ 98 x 4

**febi 12117**

Ref. No. 46425959



AØ 118 IØ 30 B 61  
LKØ 98 x 4

**febi 19345**

Ref. No. 51754193



AØ 118 IØ 30  
IØ 62  
LKØ 98 x 4



## 146

(1994→2001)

1,6 AR33201	for vehicles without ABS	12116	12116
	for vehicles with ABS	12117	12117
1,6 AR38201 1,6 AR67601	for vehicles without ABS to the year of construction 01/2000	12116	12116
	from the year of construction 01/1999 for vehicles with ABS	19345	19345
1,7 AR33401	for vehicles without ABS	12116	12116
	for vehicles with ABS	12117	12117
1,8 AR32201 1,8 AR38401	from the year of construction 01/1999 for vehicles with ABS	19345	19345
1,9 D AR32302	for vehicles without ABS	12116	12116
	for vehicles with ABS	19345	19345
1,9 D AR33601	for vehicles without ABS	12116	12116
	to the year of construction 1996 for vehicles with ABS	12117	12117
1,9 D AR67501	for vehicles without ABS	12116	12116
	for vehicles with ABS to the year of construction 1996	12117	12117
2,0 AR32301	from the year of construction 01/1999 for vehicles with ABS	19345	19345
2,0 AR67204	to the year of construction 12/1996	12118	12118
	from the year of construction 01/1999 for vehicles with ABS	19345	19345

rear axle

### febi 12116

Ref. No. 51754192



AØ 118 IØ 30 B 60,5  
LKØ 98 x 4

### febi 12117

Ref. No. 46425959



AØ 118 IØ 30 B 61  
LKØ 98 x 4

### febi 12118

Ref. No. 7769902



AØ 116 IØ 30 B 63  
LKØ 97 x 4

### febi 19345

Ref. No. 51754193



AØ 118 IØ 30  
IØ 62  
LKØ 98 x 4

suitable for:

**Alfa Romeo**

**Car  
Division**



**147**

(2000→2010)

all to Chassis No. 3402367

**19114**

**19114**

**155**

(1992→1997)

all for vehicles without ABS

**12116**

**12116**

for vehicles with ABS

**12117**

**12117**

**155 4x4**

(1992→1997)

2,0 AR67203 for vehicles without ABS

**12116**

**12116**

-

**40233**

2,5 D VM31B for vehicles without ABS

**12116**

**12116**

**156**

(1997→2005)

all to Chassis No. 0644569

**19114**

**19114**

**156 Sportwagon**

(1997→2006)

all to Chassis No. 0644569

**19114**

**19114**

rear axle

**febi 12116**

Ref. No. 51754192



AØ 118 IØ 30 B 60,5  
LKØ 98 x 4

**febi 12117**

Ref. No. 46425959



AØ 118 IØ 30 B 61  
LKØ 98 x 4

**febi 19114**

Ref. No. 60652014



AØ 116 IØ 35 B 63  
LKØ 94 x 5

**febi 40233**

Ref. No. 51824630



AØ 37 LKØ 98 x 4



## 156 Sportwagon 4x4

(2004→2006)

1,9 D 937A5000

to Chassis No. 0644569

19114

19114

-

40240

## 164

(1987→1998)

all

-

40232

rear axle

### febi 19114

Ref. No. 60652014



AØ 116 IØ 35 B 63

LKØ 94 x 5

### febi 40232

Ref. No. 60510369



AØ 116 LKØ 98 x 5

### febi 40240

Ref. No. 60563372



AØ 116 LKØ 98 x 5

suitable for:

# Audi

Car  
Division



## A1 (8X)

(2010→)

1,2 CBZA  
1,4 CAVG  
1,4 CAXA  
1,4 CNVA  
1,4 CTHG  
1,4 CTJA  
1,6 D CAYB  
1,6 D CAYC  
2,0 D CFHB  
2,0 D CFHD

For PR number UC0/UC2/1JB

24224

24224

## A1 quattro (8X)

(2012→)

2,0 CDLH

27317

27317

## A2 (8Z)

(2000→2005)

all

For PR number 0N1

24224

24224

## A3 (8L)

(1996→2003)

all

09521 / 24236

09521 / 24236

rear axle

### febi 09521

Ref. No. 1J0 501 477 A



AØ 120 IØ 30 B 63  
LKØ 100 x 5

### febi 24224

Ref. No. 6Q0 598 611



AØ 120 IØ 28 B 63,25  
AØ 57  
LKØ 100 x 5

### febi 24236

Ref. No. 1J0 598 477



AØ 120 IØ 30 B 63  
LKØ 100 x 5

### febi 27317

Ref. No. 5K0 498 621



AØ 136 IØ 27,5 B 84,5  
LKØ 112 x 5



### A3 quattro (8L)

(1996→2003)

1,8 AGU  
1,8 ARZ  
1,8 AUQ

-

22512

### A3 (8P)

(2003→)

1,2 CBZB

For PR number 1KJ

23320

23320

For PR number 1KD/1KE/1KS/1KZ

26380

26380

1,4 CAXC

For PR number 1KJ  
from Chassis No. 8P-9A000 001

23320

23320

For PR number 1KD/1KE/1KS/1KZ  
to Chassis No. 8P-8P050 000

26380

26380

from Chassis No. 8P-9A000 001  
For PR number 1KD/1KE/1KS/1KZ

1,4 CMSA

For PR number 1KJ

23320

23320

For PR number 1KD/1KE/1KS/1KZ

26380

26380

1,6 BAG  
1,6 BGU

to Chassis No. 8P-4-162 000

23320

23320

from Chassis No. 8P-4-162 001

26380

26380

1,6 BLF  
1,6 BLP

26380

26380

1,6 BSE  
1,6 BSF

from Chassis No. 8P-9A000 001  
For PR number 1KJ

23320

23320

to Chassis No. 8P-8P050 000

26380

26380

from Chassis No. 8P-9A000 001  
For PR number 1KD/1KE/1KS/1KZ

1,6 D CAYB  
1,6 D CAYC  
1,6 CCSA  
1,6 CMXA

For PR number 1KJ

23320

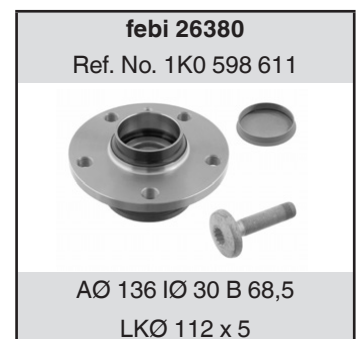
23320

For PR number 1KD/1KE/1KS/1KZ

26380

26380

rear axle





suitable for:

**Audi**

**Car  
Division**



**A3 (8P)**  
(2003→ )

<b>1,8 BPU</b> <b>1,8 BYT</b>		<b>26380</b>	<b>26380</b>
<b>1,8 BZB</b>	to Chassis No. 8P-8P050 000	<b>26380</b>	<b>26380</b>
	from Chassis No. 8P-9A000 001 For PR number 1KD/1KE/1KS/1KZ		
<b>1,8 CDA</b>	For PR number 1KJ	<b>23320</b>	<b>23320</b>
	For PR number 1KD/1KE/1KS/1KZ	<b>26380</b>	<b>26380</b>
<b>1,9 D BKC</b>	to Chassis No. 8P-4-162 000	<b>23320</b>	<b>23320</b>
	from Chassis No. 8P-4-162 001	<b>26380</b>	<b>26380</b>
<b>1,9 D BLS</b> <b>1,9 D BXE</b>	from Chassis No. 8P-9A000 001 For PR number 1KJ	<b>23320</b>	<b>23320</b>
	to Chassis No. 8P-8P050 000	<b>26380</b>	<b>26380</b>
	from Chassis No. 8P-9A000 001 For PR number 1KD/1KE/1KS/1KZ		
<b>2,0 AXW</b>	to Chassis No. 8P-4-162 000	<b>23320</b>	<b>23320</b>
	from Chassis No. 8P-4-162 001	<b>26380</b>	<b>26380</b>
<b>2,0 AXX</b>		<b>26380</b>	<b>26380</b>
<b>2,0 D AZV</b> <b>2,0 D BKD</b>	to Chassis No. 8P-4-162 000	<b>26380</b>	<b>23320</b>
	from Chassis No. 8P-4-162 001 to Chassis No. 8P-8P050 000		
	from Chassis No. 8P-9A000 001 For PR number 1KD/1KE/1KS/1KZ		
<b>2,0 BLR</b> <b>2,0 BLX</b> <b>2,0 BLY</b>		<b>26380</b>	<b>26380</b>
<b>2,0 BMB</b>	to Chassis No. 8P-4-162 000	<b>23320</b>	<b>23320</b>
	from Chassis No. 8P-4-162 001		

rear axle

**febi 23320**  
Ref. No. 1T0 598 611 B

AØ 136 IØ 32 B 70  
LKØ 112 x 5

**febi 26380**  
Ref. No. 1K0 598 611

AØ 136 IØ 30 B 68,5  
LKØ 112 x 5

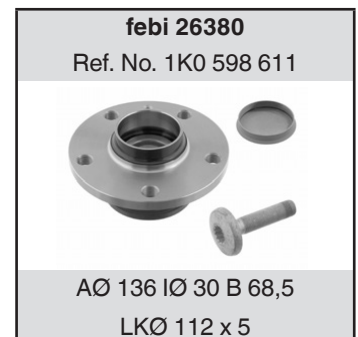


**A3 (8P)**

(2003→)

2,0 D BMM 2,0 D BMN	to Chassis No. 8P-8P050 000 from Chassis No. 8P-9A000 001 For PR number 1KD/1KE/1KS/1KZ	26380	26380
2,0 BPY		26380	26380
2,0 D BUY	to Chassis No. 8P-8P050 000 from Chassis No. 8P-9A000 001 For PR number 1KD/1KE/1KS/1KZ	26380	26380
2,0 BVY		26380	26380
2,0 BVZ	to Chassis No. 8P-8P050 000 from Chassis No. 8P-9A000 001 For PR number 1KD/1KE/1KS/1KZ	26380	26380
2,0 BWA	from Chassis No. 8P-9A000 001 For PR number 1KJ	23320	23320
	to Chassis No. 8P-8P050 000 from Chassis No. 8P-9A000 001 For PR number 1KD/1KE/1KS/1KZ	26380	26380
2,0 CAWB	to Chassis No. 8P-8P050 000 from Chassis No. 8P-9A000 001 For PR number 1KD/1KE/1KS/1KZ	26380	26380
2,0 D CBAA 2,0 D CBAB 2,0 D CBBB 2,0 CBFA 2,0 CCZA 2,0 D CFFA 2,0 D CFFB 2,0 D CFGB 2,0 D CLJA	For PR number 1KJ	23320	23320
	For PR number 1KD/1KE/1KS/1KZ	26380	26380
3,2 BMJ		26380	26380

rear axle



suitable for:

**Audi**

**Car  
Division**



**A3 (8P)**  
(2003→)

<b>3,2 BUB</b>	from Chassis No. 8P-9A000 001 For PR number 1KJ	<b>23320</b>	<b>23320</b>
	to Chassis No. 8P-8P050 000	<b>26380</b>	<b>26380</b>
	from Chassis No. 8P-9A000 001 For PR number 1KD/1KE/1KS/1KZ		

**A4 (8D)**  
(1994→2001)

<b>all</b>	to Chassis No. 8D-V-152 676	<b>05386</b>	-
	from Chassis No. 8D-V-152 677	<b>26568</b>	-

**A4 quattro (8D)**  
(1994→2001)

<b>all</b>		<b>28192</b>	-
------------	--	--------------	---

**S4 quattro (8D)**  
(1997→2001)

<b>2,7 AGB 2,7 APB 2,7 AZB</b>		<b>28192</b>	-
--	--	--------------	---

rear axle

**febi 05386**  
Ref. No. 4A0 598 625 A

AØ 50 IØ 29 B 16  
AØ 45 IØ 19 B 15

**febi 23320**  
Ref. No. 1T0 598 611 B

AØ 136 IØ 32 B 70  
LKØ 112 x 5

**febi 26380**  
Ref. No. 1K0 598 611

AØ 136 IØ 30 B 68,5  
LKØ 112 x 5

**febi 26568**  
Ref. No. 8D0 598 625

AØ 50 IØ 29 B 15  
AØ 45 IØ 19 B 17

**febi 28192**  
Ref. No. 8D0 598 625 A

AØ 75 IØ 39 B 37



**RS4 quattro (8D)**

(2000→2001)

2,7 ASJ  
2,8 AZR

28192

-

**A4 (8E)**

(2000→2008)

1,6 ALZ

05918 / 29872

-

For PR number 1BA/1BE/1BR/1BV  
For PR number 1BD  
For PR number 1SA/1SH  
for vehicles without sports  
suspension

31121

31121

1,8 AMB  
1,8 AVJ  
1,8 BEX

05918 / 29872

-

For PR number 1BA/1BE/1BR/1BV  
For PR number 1BD  
for vehicles without sports  
suspension

31121

31121

1,8 BFB

05918 / 29872

-

For PR number 1BA/1BE/1BR/1BV  
For PR number 1BD  
For PR number 1SA/1SH  
for vehicles without sports  
suspension

31121

31121

1,9 D AVB  
1,9 D AVF  
1,9 D AWX

05918 / 29872

-

For PR number 1BA/1BE/1BR/1BV  
For PR number 1BD  
for vehicles without sports  
suspension

31121

31121

rear axle

**febi 05918**

Ref. No. 4D0 407 625 E



AØ 82 IØ 45 B 37

**febi 28192**

Ref. No. 8D0 598 625 A



AØ 75 IØ 39 B 37

**febi 29872**

Ref. No. 8E0 598 625



AØ 82 IØ 43 B 37

**febi 31121**

Ref. No. 8E0 598 611 B



AØ 130,85 B 69,35  
LKØ 112 x 5

suitable for:

**Audi**

**Car  
Division**



**A4 (8E)**

(2000→2008)

1,9 D BKE		05918 / 29872	-
1,9 D BRB			
2,0 ALT	For PR number 1BA/1BE/1BR/1BV	31121	31121
2,0 AWA	For PR number 1BD		
2,0 BGB	For PR number 1SA/1SH		
2,0 D BLB	for vehicles without sports		
2,0 D BNA	suspension		
2,0 BPG			
2,0 BPJ			
2,0 D BPW			
2,0 D BRD			
2,0 D BRE			
2,0 D BRF			
2,0 BUL			
2,0 D BVA			
2,0 D BVF			
2,0 D BVG			
2,0 BWE			
2,0 BWT			
2,0 BYK			
2,4 AMM		05918 / 29872	-
2,4 BDV			
2,5 D AKE	For PR number 1BA/1BE/1BR/1BV	31121	31121
2,5 D AYM	For PR number 1BD		
2,5 D BCZ	for vehicles without sports		
	suspension		
2,5 D BDG		05918 / 29872	-
	For PR number 1BA/1BE/1BR/1BV	31121	31121
	For PR number 1BD		
	For PR number 1SA/1SH		
	for vehicles without sports		
	suspension		
2,5 D BFC		05918 / 29872	-
	For PR number 1BA/1BE/1BR/1BV	31121	31121
	For PR number 1BD		
	for vehicles without sports		
	suspension		

rear axle





**A4 (8E)**  
(2000→2008)

2,7 D BPP 2,7 D BSG		05918 / 29872	-
	For PR number 1BA/1BE/1BR/1BV For PR number 1BD For PR number 1SA/1SH for vehicles without sports suspension	31121	31121
3,0 ASN 3,0 AVK		05918 / 29872	-
	For PR number 1BA/1BE/1BR/1BV For PR number 1BD for vehicles without sports suspension	31121	31121
3,0 BBJ 3,2 AUK		05918 / 29872	-
	For PR number 1BA/1BE/1BR/1BV For PR number 1BD For PR number 1SA/1SH for vehicles without sports suspension	31121	31121

**A4 quattro (8E)**  
(2000→ )

1,8 AMB 1,8 AVJ 1,8 BEX		05918	-
	For PR number 1BA/1BE/1BR/1BV	29872	18344
1,8 BFB		05918	-
	For PR number 1BA/1BE/1BR/1BV	-	18344
	For PR number 1BA/1BE/1BR/1BV For PR number 1SA/1SH	29872	-
1,9 D AVF		05918	-
	For PR number 1BA/1BE/1BR/1BV	29872	18344

rear axle



**A4 quattro (8E)**

(2000→)

2,0 BGB		05918	-
2,0 BPG			
2,0 D BPW	For PR number 1BA/1BE/1BR/1BV	-	18344
2,0 D BRD			
2,0 BUL	For PR number 1BA/1BE/1BR/1BV	29872	-
2,0 D BVA	For PR number 1SA/1SH		
2,0 BWE			
2,0 BWT		05918	-
	For PR number 1BA/1BE/1BR/1BV	-	18344
	For PR number 1BA/1BE/1BR/1BV	29872 / 31121	31121
	For PR number 1SA/1SH		
2,5 D AKE		05918	-
2,5 D BAU			
2,5 D BDH	For PR number 1BA/1BE/1BR/1BV	29872	18344
3,0 D ASB		05918	-
	For PR number 1BA/1BE/1BR/1BV	-	18344
	For PR number 1BA/1BE/1BR/1BV	29872	-
	For PR number 1SA/1SH		
3,0 ASN		05918	-
3,0 AVK			
	For PR number 1BA/1BE/1BR/1BV	29872	18344
3,0 BBJ		05918	-
3,0 D BKN			
3,2 AUK	For PR number 1BA/1BE/1BR/1BV	-	18344
	For PR number 1BA/1BE/1BR/1BV	29872	-
	For PR number 1SA/1SH		
3,2 BKH		05918	-
	For PR number 1BA/1BE/1BR/1BV	29872	18344
	For PR number 1SA/1SH		

rear axle

**febi 05918**

Ref. No. 4D0 407 625 E



AØ 82 IØ 45 B 37

**febi 18344**

Ref. No. 4A0 407 615 G



AØ 130 LKØ 112 x 5

**febi 29872**

Ref. No. 8E0 598 625



AØ 82 IØ 43 B 37

**febi 31121**

Ref. No. 8E0 598 611 B



AØ 130,85 B 69,35

LKØ 112 x 5



### S4 quattro (8E)

(2003→2008)

4,2 BBK		05918	-
	For PR number 1BA/1BE/1BR/1BV	-	18344
	For PR number 1BA/1BE/1BR/1BV For PR number 1SA/1SH	29872	-
4,2 BHF		05918	18344
	For PR number 1BA/1BE/1BR/1BV For PR number 1SA/1SH	29872	-

### RS4 quattro (8E)

(2005→2008)

4,2 BNS		05918	-
---------	--	-------	---

### A4 (8H)

(2002→2009)

1,8 BFB	For PR number 1BA/1BE/1BV/1SA For PR number 1BD For PR number 1SB for vehicles without sports suspension	31121	31121
2,0 ALT	For PR number 1BD for vehicles without sports suspension	31121	31121
2,0 D BPW 2,0 D BRC 2,0 BWE 2,0 BWT	For PR number 1BA/1BE/1BV/1SA For PR number 1BD For PR number 1SB for vehicles without sports suspension	31121	31121
2,4 AMM 2,4 BDV 2,5 D BCZ 2,5 D BDG 2,5 D BFC	For PR number 1BD for vehicles without sports suspension	31121	31121

rear axle





suitable for:

**Audi**

**Car  
Division**



## A4 (8H)

(2002→2009)

<b>2,7 D BPP</b>	For PR number 1BA/1BE/1BV/1SA For PR number 1BD For PR number 1SB for vehicles without sports suspension	<b>31121</b>	<b>31121</b>
<b>3,0 ASN 3,0 BBJ</b>	For PR number 1BD for vehicles without sports suspension	<b>31121</b>	<b>31121</b>
<b>3,2 AUK</b>	For PR number 1BA/1BE/1BV/1SA For PR number 1BD For PR number 1SB for vehicles without sports suspension	<b>31121</b>	<b>31121</b>

## A4 quattro (8H)

(2002→2009)

<b>1,8 BFB</b>		<b>29872</b>	-
<b>3,0 D ASB</b>	For PR number 1BA/1BE/1BV For PR number 1SA/1SB	<b>29872</b>	-
<b>3,0 ASN</b>		<b>29872</b>	-
<b>3,0 D BKN 3,2 AUK 3,2 BKH</b>	For PR number 1BA/1BE/1BV For PR number 1SA/1SB	<b>29872</b>	-

## S4 quattro (8H)

(2006→2009)

<b>4,2 BBK</b>		<b>05918</b>	-
----------------	--	--------------	---

rear axle

### febi 05918

Ref. No. 4D0 407 625 E



AØ 82 IØ 45 B 37

### febi 29872

Ref. No. 8E0 598 625



AØ 82 IØ 43 B 37

### febi 31121

Ref. No. 8E0 598 611 B



AØ 130,85 B 69,35

LKØ 112 x 5



**A4 (8K)**

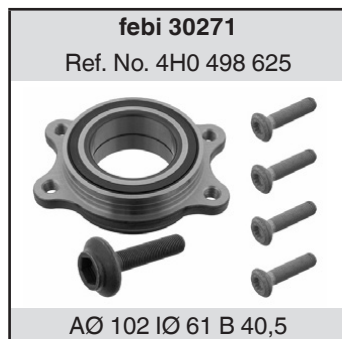
(2007→)

1,8 CABA		36650	36650
1,8 CABB			
1,8 CDHA			
1,8 CDHB			
2,0 CAEA			
2,0 CAEB		30271	-
2,0 D CAGA	from Chassis No. 8K-8-002 923 to Chassis No. 8K-9A212 000 manual transmission	30270	-
2,0 D CAGB			
2,0 D CAGC			
2,0 D CAHA	to Chassis No. 8K-9A212 000 For PR number SA6/TH3 manual transmission	30271	-
2,0 D CAHB			
		36650	36650
2,0 CDNB		36650	36650
2,0 CDNC			
2,0 CFKA			
2,0 D CJCB			
2,0 D CMEA			
2,7 D CAMA			
2,7 D CAMB			
2,7 D CGKA			
2,7 D CGKB			
3,2 CALA			

**A4 quattro (8K)**

(2007→)

1,8 CDHB		30271	-
	to the year of construction 08/2011	34823	-
2,0 CAEB	to the year of construction 08/2011	30271 / 34823	-
2,0 D CAGA		30271	-
	to the year of construction 08/2011	34823	-
2,0 D CAGB		30271 / 34823	-



suitable for:

**Audi**

**Car  
Division**



## A4 quattro (8K)

(2007→)

<b>2,0 D CAHA</b>		<b>30271</b>	-
	to the year of construction 08/2011	<b>34823</b>	-
<b>2,0 D CAHB</b>		<b>30271 / 34823</b>	-
<b>2,0 CDNB</b>		<b>30271</b>	-
<b>2,0 CDNC</b>			
<b>2,0 CFKA</b>	to the year of construction 08/2011	<b>34823</b>	-
<b>3,0 D CAPA</b>		<b>30271 / 34823</b>	-
<b>3,0 D CCLA</b>		<b>30271</b>	-
	to the year of construction 08/2011	<b>34823</b>	-
<b>3,0 D CCWA</b>	from Chassis No. 8K-8-002 923 to Chassis No. 8K-9A212 000 manual transmission	<b>30270</b>	-
		<b>30271 / 36650</b>	<b>36650</b>
	to the year of construction 08/2011	<b>34823</b>	-
<b>3,0 D CCWB</b>		<b>30271 / 34823</b>	-
<b>3,2 CALA</b>	to the year of construction 08/2011	<b>30271 / 34823</b>	-

## S4 quattro (8K)

(2009→2012)

<b>3,0 CAKA</b>		<b>30271 / 34823</b>	-
<b>3,0 CCBA</b>			

**febi 30270**

Ref. No. 8K0 407 625 A



AØ 102 IØ 61 B 40,5

**febi 30271**

Ref. No. 4H0 498 625



AØ 102 IØ 61 B 40,5

**febi 34823**

Ref. No. 4H0 498 625



AØ 102 IØ 61 B 41

**febi 36650**

Ref. No. 8K0 598 611



AØ 142 IØ 32 B 69



### A5 (8F)

(2009→)

1,8 CDHB  
2,0 CAEA  
2,0 CAEB  
2,0 D CAHA  
2,0 D CAHB  
2,0 CDNB  
2,0 CDNC  
2,0 D CGLC  
2,0 D CGLD  
2,0 D CJCA  
2,7 D CGKA  
2,7 D CGKB  
3,0 D CLAB  
3,2 CALA

36650

36650

### A5 quattro (8F)

(2009→)

2,0 CAEB  
2,0 CDNC

30271 / 34823

-

2,0 D CGLC

30271

-

3,0 D CCWA  
3,2 CALA

to the year of construction 08/2011

30271

-

30271 / 34823

-

### S5 quattro (8F)

(2009→)

3,0 CAKA  
3,0 CCBA

to the year of construction 08/2011

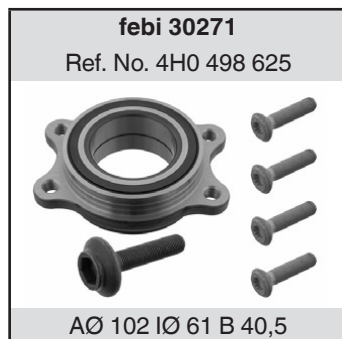
30271

-

30271 / 34823

-

rear axle



suitable for:

**Audi**

Car  
Division



**A5 (8T)**

(2007→)

- 1,8 CABD
- 1,8 CDHB
- 2,0 D CAGA
- 2,0 D CAGB
- 2,0 D CAHA
- 2,0 D CAHB
- 2,0 CDNB
- 2,0 CDNC
- 2,0 D CGLC
- 2,0 D CGLD
- 2,0 D CJCA
- 2,0 D CJCB
- 2,0 D CMEA
- 2,0 D CMFA
- 2,7 D CAMA
- 2,7 D CAMB
- 2,7 D CGKA
- 2,7 D CGKB
- 3,0 D CLAB
- 3,2 CALA

36650

36650

**A5 quattro (8T)**

(2007→)

2,0 CAEB

30271 / 34823

-

2,0 D CAHA  
2,0 CDNC

30271

-

to the year of construction 08/2011

34823

-

2,0 D CGLC

30271

-

3,0 D CAPA

30271 / 34823

-

3,0 D CCWA

30271

-

to the year of construction 08/2011

34823

-

3,0 D CCWB

30271 / 34823

-

**febi 30271**

Ref. No. 4H0 498 625



AØ 102 IØ 61 B 40,5

**febi 34823**

Ref. No. 4H0 498 625



AØ 102 IØ 61 B 41

**febi 36650**

Ref. No. 8K0 598 611



AØ 142 IØ 32 B 69



### A5 quattro (8T)

(2007→)

3,0 D CDUC  
3,2 CALA

30271

-

to the year of construction 08/2011

34823

-

### S5 quattro (8T)

(2007→2012)

3,0 CAKA  
4,2 CAUA

30271

-

to the year of construction 08/2011

34823

-

### RS5 quattro (8T)

(2010→)

4,2 CFSA

30271 / 34823

-

### A6 (4A)

(1994→1997)

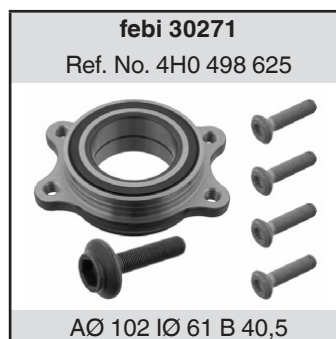
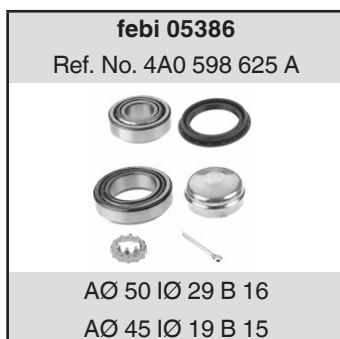
all

For vehicles with drum brakes on the rear axle

05386

-

rear axle



suitable for:

# Audi

Car  
Division 



## A6 (4B)

(1997→2005)

- 1,8 AEB
- 1,8 AFY
- 1,8 AJL
- 1,8 AJP
- 1,8 ANB
- 1,8 APU
- 1,8 AQE
- 1,8 ARH
- 1,8 ARK
- 1,8 AWT
- 1,9 D AFN
- 1,9 D AJM
- 1,9 D AVF
- 1,9 D AVG
- 1,9 D AWX
- 2,0 ALT
- 2,4 AGA
- 2,4 AJG
- 2,4 ALF
- 2,4 ALW
- 2,4 AML
- 2,4 AMM
- 2,4 APC
- 2,4 APS
- 2,4 APZ
- 2,4 ARJ
- 2,4 ARN
- 2,4 ASM
- 2,4 BDV
- 2,5 D AFB
- 2,5 D AKE
- 2,5 D AKN
- 2,5 D AYM
- 2,5 D BAU
- 2,5 D BCZ
- 2,5 D BDG
- 2,5 D BDH
- 2,5 D BFC
- 2,7 AJK
- 2,8 ACK
- 2,8 AGE
- 2,8 ALG
- 2,8 AMX

rear axle

19386

19386

**febi 19386**

Ref. No. 8E0 501 611 J



AØ 131 IØ 40 B 130

AØ 56

LKØ 108 x 5



### A6 (4B)

(1997→2005)

2,8 AQD  
2,8 ATX  
3,0 ASN  
3,0 BBJ  
3,7 AQQ

19386

19386

### A6 quattro (4B)

(1997→2005)

1,8 AEB  
1,8 AJL  
1,8 ANB  
1,8 APU  
1,8 ARK  
1,8 AWT  
2,4 AGA  
2,4 AJG  
2,4 ALF  
2,4 AML  
2,4 APC  
2,4 APS  
2,4 APZ  
2,4 ARJ

from Chassis No. 4B-2-000 001

05918

-

2,4 BDV

from Chassis No. 4B-2-000 001

05918

-

for armoured vehicles

26376

26376

2,5 D AKE

from Chassis No. 4B-2-000 001

05918

-

from Chassis No. 4B-2-000 001  
for armoured vehicles

26376

26376

2,5 D AKN

from Chassis No. 4B-2-000 001

05918

-

2,5 D BAU

from Chassis No. 4B-2-000 001

05918

-

for armoured vehicles

from Chassis No. 4B-2-000 001

26376

26376

2,5 D BCZ

05918

-

2,5 D BDH

from Chassis No. 4B-2-000 001

05918

-

for armoured vehicles

from Chassis No. 4B-2-000 001

26376

26376

rear axle

**febi 05918**

Ref. No. 4D0 407 625 E



AØ 82 IØ 45 B 37

**febi 19386**

Ref. No. 8E0 501 611 J



AØ 131 IØ 40 B 130

AØ 56

LKØ 108 x 5

**febi 26376**

Ref. No. 4D0 407 625 H



AØ 82 IØ 45 B 37



suitable for:

**Audi**

**Car  
Division**



## A6 quattro (4B)

(1997→2005)

2,7 AJK	from Chassis No. 4B-2-000 001	05918	-
2,7 APB		19386	19386
2,7 ARE	from Chassis No. 4B-2-000 001	05918	-
	for armoured vehicles from Chassis No. 4B-2-000 001	26376	26376
2,7 AZA	from Chassis No. 4B-2-000 001	05918	-
2,7 BES	from Chassis No. 4B-2-000 001	05918	-
	for armoured vehicles	26376	26376
2,8 ACK	from Chassis No. 4B-2-000 001	05918	-
2,8 AGE			
2,8 ALG			
2,8 AMX			
2,8 APR			
2,8 AQD			
2,8 ATX			
3,0 ASN	from Chassis No. 4B-2-000 001	05918	-
3,0 BBJ	for armoured vehicles	26376	26376
3,7 AQG	from Chassis No. 4B-2-000 001	05918	-
4,2 ARS		26376	26376
4,2 ASG		26376	26376
4,2 BAS		05918	-

## S6 quattro (4B)

(1999→2005)

4,2 ANK		26376	26376
4,2 AQJ			

## RS6 quattro (4B)

(2002→2004)

4,2 BCY		26376	26376
4,2 BRV			

**febi 05918**

Ref. No. 4D0 407 625 E



AØ 82 IØ 45 B 37

**febi 19386**

Ref. No. 8E0 501 611 J



AØ 131 IØ 40 B 130

AØ 56

LKØ 108 x 5

**febi 26376**

Ref. No. 4D0 407 625 H



AØ 82 IØ 45 B 37



**A6 (4F)**

(2004→)

all

29897

29897

**A6 (4G)**

(2010→)

2,0 CAEB  
2,0 CDNB  
2,0 D CGLC  
2,0 D CGLD

For PR number 1BA/1BE/1BR/1BV

36650

36650

2,0 D CGLE

30271

-

For PR number 1BA/1BE/1BR/1BV

36650

36650

2,0 CHJA  
2,0 D CMGB  
2,8 CHVA  
3,0 D CLAB

For PR number 1BA/1BE/1BR/1BV

36650

36650

**A6 quattro (4G)**

(2010→)

2,8 CHVA  
3,0 D CDUC

to the year of construction 08/2011

30271

-

to the year of construction bis  
05/2011

30271 / 34823

-

3,0 D CDUD

30271

-

3,0 D CGQB

30271 / 34823

-

3,0 CGWB

to the year of construction 08/2011

30271

-

to the year of construction bis  
05/2011

30271 / 34823

-

3,0 CGWD

30271 / 34823

-

rear axle

**febi 29897**

Ref. No. 4F0 598 611 B



AØ 131 IØ 50 B 95,5  
LKØ 112 x 5

**febi 30271**

Ref. No. 4H0 498 625



AØ 102 IØ 61 B 40,5

**febi 34823**

Ref. No. 4H0 498 625



AØ 102 IØ 61 B 41

**febi 36650**

Ref. No. 8K0 598 611



AØ 142 IØ 32 B 69

suitable for:

**Audi**

**Car  
Division**



**A6 quattro (4G)**

(2010→)

<b>3,0 CGXB</b>		<b>30271</b>	-
	to the year of construction bis 05/2011		
		<b>30271 / 34823</b>	-
<b>3,0 D CKVB</b>		<b>30271 / 34823</b>	-
<b>3,0 D CKVC</b> <b>3,0 D CLAA</b>		<b>30271</b>	-
	to the year of construction bis 05/2011		
		<b>30271 / 34823</b>	-

**S6 quattro (4G)**

(2012→)

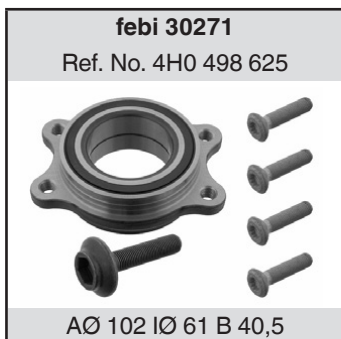
<b>4,0 CEUC</b>		<b>30271</b>	-
-----------------	--	--------------	---

**A7 quattro (4G)**

(2010→)

<b>2,8 CHVA</b> <b>3,0 D CDUC</b>		<b>30271 / 34823</b>	-
<b>3,0 D CGQB</b>		<b>30271</b>	-
<b>3,0 CGWB</b>		<b>30271 / 34823</b>	-
<b>3,0 CGWD</b>		<b>30271</b>	-
<b>3,0 CGXB</b>		<b>30271 / 34823</b>	-
<b>3,0 D CKVB</b> <b>3,0 D CLAA</b>		<b>30271</b>	-

rear axle





**A8 (4D)**  
(1994→2002)

<b>2,5 D AFB</b>	to Chassis No. 4D-X-004 999	<b>05918</b>	-
	from Chassis No. 4D-X-005 001	<b>26376</b>	<b>26376</b>
<b>2,5 D AKE</b>	to Chassis No. 4D-X-004 999	<b>05918</b>	-
		<b>26376</b>	<b>26376</b>
<b>2,5 D AKN</b>	to Chassis No. 4D-X-004 999	<b>05918</b>	-
	from Chassis No. 4D-X-005 001	<b>26376</b>	<b>26376</b>
<b>2,8 AAH</b> <b>2,8 ACK</b> <b>2,8 AEJ</b>	to Chassis No. 4D-X-004 999	<b>05918</b>	-
<b>2,8 ALG</b>	to Chassis No. 4D-X-004 999	<b>05918</b>	-
	from Chassis No. 4D-X-005 001	<b>26376</b>	<b>26376</b>
<b>2,8 AMX</b> <b>2,8 APR</b> <b>2,8 AQD</b> <b>3,3 D AKF</b>	to Chassis No. 4D-X-004 999	<b>05918</b>	-
		<b>26376</b>	<b>26376</b>
<b>3,7 AEW</b>	to Chassis No. 4D-X-004 999	<b>05918</b>	-
	from Chassis No. 4D-X-005 001	<b>26376</b>	<b>26376</b>
<b>3,7 AKC</b>	to Chassis No. 4D-X-004 999	<b>05918</b>	-
		<b>26376</b>	<b>26376</b>
<b>3,7 AKJ</b>	to Chassis No. 4D-X-004 999	<b>05918</b>	-
	from Chassis No. 4D-X-005 001	<b>26376</b>	<b>26376</b>
<b>3,7 AQQ</b>	to Chassis No. 4D-X-004 999	<b>05918</b>	-
		<b>26376</b>	<b>26376</b>

rear axle



suitable for:

**Audi**

**Car  
Division**



## A8 quattro (4D)

(1994→2002)

2,5 D AFB	to Chassis No. 4D-X-004 999	05918	-
	from Chassis No. 4D-X-005 001	26376	26376
2,5 D AKE	to Chassis No. 4D-X-004 999	05918	-
		26376	26376
2,5 D AKN	to Chassis No. 4D-X-004 999	05918	-
	from Chassis No. 4D-X-005 001	26376	26376
2,8 AAH	to Chassis No. 4D-X-004 999	05918	-
2,8 ACK	to Chassis No. 4D-X-004 999	05918	-
	from Chassis No. 4D-X-005 001	26376	26376
2,8 AEJ	to Chassis No. 4D-X-004 999	05918	-
2,8 ALG			
2,8 AMX	to Chassis No. 4D-X-004 999	05918	-
2,8 APR			
2,8 AQD		26376	26376
3,3 D AKF			
3,7 AEW	to Chassis No. 4D-X-004 999	05918	-
	from Chassis No. 4D-X-005 001	26376	26376
3,7 AKC	to Chassis No. 4D-X-004 999	05918	-
		26376	26376
3,7 AKJ	to Chassis No. 4D-X-004 999	05918	-
	from Chassis No. 4D-X-005 001	26376	26376
3,7 AQG	to Chassis No. 4D-X-004 999	05918	-
		26376	26376
4,2 ABZ	to Chassis No. 4D-X-004 999	05918	-
	from Chassis No. 4D-X-005 001	26376	26376

rear axle

**febi 05918**

Ref. No. 4D0 407 625 E



AØ 82 IØ 45 B 37

**febi 26376**

Ref. No. 4D0 407 625 H



AØ 82 IØ 45 B 37



### A8 quattro (4D)

(1994→2002)

4,2 AEM 4,2 AGH	to Chassis No. 4D-X-004 999	05918	-
4,2 AKG	to Chassis No. 4D-X-004 999	05918	-
	from Chassis No. 4D-X-005 001	26376	26376
4,2 AQF 4,2 ARU 4,2 AUW 6,0 AZC	to Chassis No. 4D-X-004 999	05918	-
		26376	26376

### S8 quattro (4D)

(1996→2002)

4,2 AHC 4,2 AKH	from Chassis No. 4D-X-005 001	26376	26376
4,2 AQH 4,2 AVP		26376	26376

### A8 (4H)

(2011→)

3,0 D CLAB		30271	-
------------	--	-------	---

### A8 quattro (4H)

(2009→)

3,0 D CDTA 3,0 D CDTB 3,0 CGWA 3,0 CGXA 3,0 CGXC 3,0 CMDA		30271 / 34823	-
3,0 D CMHA		30271	-
4,2 CDRA 4,2 D CDSB 6,3 CEJA		30271 / 34823	-

rear axle

**febi 05918**  
Ref. No. 4D0 407 625 E

AØ 82 IØ 45 B 37

**febi 26376**  
Ref. No. 4D0 407 625 H

AØ 82 IØ 45 B 37

**febi 30271**  
Ref. No. 4H0 498 625

AØ 102 IØ 61 B 40,5

**febi 34823**  
Ref. No. 4H0 498 625

AØ 102 IØ 61 B 41

suitable for:

**Audi**

**Car  
Division**



## Cabriolet (8G)

(1991→2000)

1,8 ADR		26568	-
1,9 D 1Z		05386	-
	from Chassis No. 8G-V-004 800	26568	-
1,9 D AHU	to Chassis No. 8G-V-004 799	05386	-
2,0 ABK	from Chassis No. 8G-V-004 800	26568	-
2,0 ACE		05386	-
2,3 NG	from Chassis No. 8G-V-004 800	26568	-
2,6 ABC	to Chassis No. 8G-V-004 799	05386	-
2,6 ACZ			
2,8 AAH	from Chassis No. 8G-V-004 800	26568	-
2,8 AFC			

## Coupe (8B)

(1988→1996)

all		05386	-
-----	--	-------	---

## Coupe quattro (8B)

(1988→1996)

2,0 NM		05918	-
2,2 KV			
2,3 7A		03625 / 05918	-
2,3 NG			
2,6 ABC			
2,8 AAH			

rear axle

### febi 03625

Ref. No. 893 498 625 D



AØ 75 IØ 39 B 37

### febi 05386

Ref. No. 4A0 598 625 A



AØ 50 IØ 29 B 16  
AØ 45 IØ 19 B 15

### febi 05918

Ref. No. 4D0 407 625 E



AØ 82 IØ 45 B 37

### febi 26568

Ref. No. 8D0 598 625



AØ 50 IØ 29 B 15  
AØ 45 IØ 19 B 17



**Coupe (85)**

(1980→1991)

all	For vehicles with drum brakes on the rear axle	03674 / 12934	-
	For vehicles with disc brakes on the rear axle	05386	-

**Coupe quattro (85)**

(1984→1988)

all	-	03493
-----	---	-------

**quattro (85)**

(1980→1991)

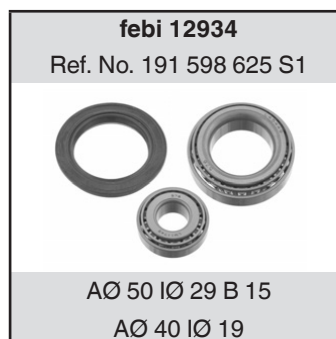
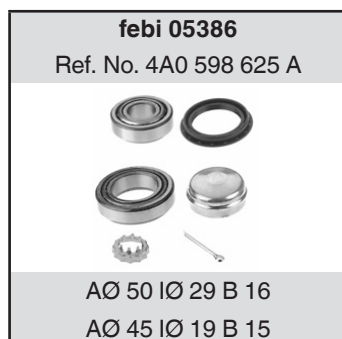
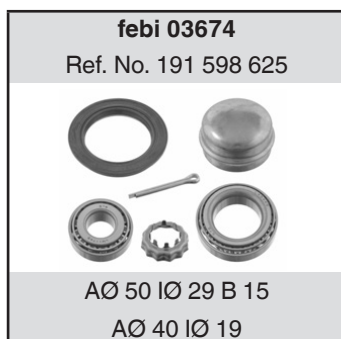
all	-	03493
-----	---	-------

**Q3 (8U)**

(2011→)

2,0 D CFFA 2,0 D CFFB	23320	23320
--------------------------	-------	-------

rear axle





suitable for:

**Audi**

**Car  
Division**



**Q5 (8R)**

(2010→)

2,0 D CJCB

30271

-

**Q5 quattro (8R)**

(2008→)

2,0 CAEB

2,0 D CAGA

2,0 D CAGB

2,0 D CAHA

2,0 D CAHB

2,0 CDNA

2,0 CDNB

2,0 CDNC

2,0 D CGLA

2,0 D CGLB

2,0 CHJA

2,0 D CJCA

2,0 D CJCB

2,0 D CMGA

3,0 D CCWA

3,0 D CCWB

3,2 CALB

30271 / 34823

-

**Q7 quattro (4L)**

(2006→)

3,0 D BUG

3,0 D BUN

3,0 D CASA

3,0 D CASB

34789

38521

3,0 D CATA

3,0 D CCMA

3,0 D CJGA

3,0 D CJGC

34789

-

to Chassis No. FE-AD020 000

to Chassis No. 4L-AD050 000

to Chassis No. 4L-AG005 000

-

38521

3,0 D CJGD

3,0 D CJMA

34789

-

**febi 30271**

Ref. No. 4H0 498 625



AØ 102 IØ 61 B 40,5

**febi 34789**

Ref. No. 7L0 498 287



AØ 96 IØ 51 B 50

**febi 34823**

Ref. No. 4H0 498 625



AØ 102 IØ 61 B 41

**febi 38521**

Ref. No. 7L0 501 655 B



LKØ 112 x 5

rear axle

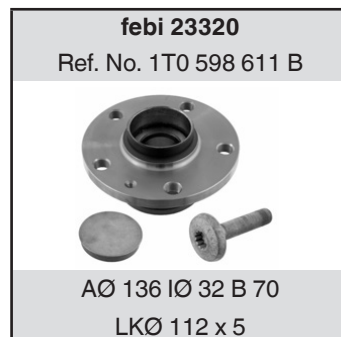


### Q7 quattro (4L)

(2006→)

3,0 CJTB		34789	-
3,0 CJTC			
	to Chassis No. FE-AD020 000 to Chassis No. 4L-AD050 000 to Chassis No. 4L-AG005 000	-	38521
3,0 CJWB		34789	-
3,0 CJWC			
3,0 CJWE			
3,0 D CLZB			
3,0 CNA A		34789	-
	to Chassis No. FE-AD020 000 to Chassis No. 4L-AD050 000 to Chassis No. 4L-AG005 000	-	38521
3,0 D CRCA		34789	-
3,0 CTWB			
3,6 BHK		34789	38521
4,2 BAR			
4,2 D BTR			
4,2 D CCFA		34789	-
4,2 D CCFC			
	to Chassis No. FE-AD020 000 to Chassis No. 4L-AD050 000 to Chassis No. 4L-AG005 000	-	38521
6,0 D CCGA		34789	38521
<b>Sport (85)</b>			
(1983→1987)			
2,1 KW		-	03493
<b>TT Coupe (8J)</b>			
(2006→)			
all		23320	23320

rear axle



suitable for:

**Audi**

**Car  
Division**



## TT Coupe (8N)

(1998→2006)

all		24236	24236
-----	--	-------	-------

## TT Coupe quattro (8N)

(1998→2006)

1,8 AJQ	to Chassis No. 8N-1-046 000	14250	-
		14250	22512
1,8 AMU		14250	22512
1,8 APP	to Chassis No. 8N-1-046 000	14250	-
1,8 APX		14250	22512
1,8 ARY		14250	22512
1,8 ATC		14250	22512
1,8 AUQ	to Chassis No. 8N-1-046 000	14250	-
		14250	22512
1,8 AWP		14250	22512
1,8 BAM	to Chassis No. 8N-1-046 000	14250	-
1,8 BFV		14250	22512
1,8 BVR		14250	22512
3,2 BHE	to Chassis No. 8N-1-046 000	14250	-
3,2 BPF		14250	22512

## TT Roadster (8J)

(2007→ )

all		23320	23320
-----	--	-------	-------

## TT Roadster (8N)

(1999→2006)

all		24236	24236
-----	--	-------	-------

**febi 14250**

Ref. No. 1J0 498 625 A



AØ 74 IØ 40 B 40

**febi 22512**

Ref. No. 1J0 407 613 G



LKØ 100 x 5

**febi 23320**

Ref. No. 1T0 598 611 B



AØ 136 IØ 32 B 70

LKØ 112 x 5

**febi 24236**

Ref. No. 1J0 598 477



AØ 120 IØ 30 B 63

LKØ 100 x 5



### TT Roadster quattro (8N)

(1998→2007)

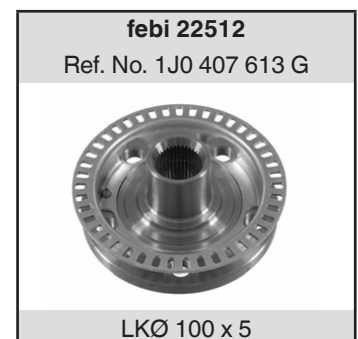
1,8 AJQ	to Chassis No. 8N-1-046 000	14250	-
		14250	22512
1,8 AMU		14250	22512
1,8 APX 1,8 ARY	to Chassis No. 8N-1-046 000	14250	-
		14250	22512
1,8 ATC		14250	22512
1,8 AUQ	to Chassis No. 8N-1-046 000	14250	-
		14250	22512
1,8 AWP		14250	22512
1,8 BAM	to Chassis No. 8N-1-046 000	14250	-
		14250	22512
1,8 BVR		14250	22512
3,2 BHE 3,2 BPF	to Chassis No. 8N-1-046 000	14250	-
		14250	22512

### 100 quattro (44)

(1984→1991)

1,8 4B	to Chassis No. 44-G-031 043 from Chassis No. 44-J-200 100	04526	-
		-	18344
1,8 JW 1,8 NP 1,8 PH	to Chassis No. 44-G-031 043	04526	-
1,8 SH	to Chassis No. 44-G-031 043 from Chassis No. 44-J-200 100	04526	-
		-	18344
2,2 HX	to Chassis No. 44-G-031 043	04526	-

rear axle



suitable for:

**Audi**

**Car  
Division**



**100 quattro (44)**

(1984→1991)

2,2 KU	to Chassis No. 44-G-031 043	04526	-
2,2 MC	from Chassis No. 44-J-200 100	-	18344
2,2 PX	to Chassis No. 44-G-031 043	04526	-
2,3 NF	from Chassis No. 44-J-200 100	-	18344

**100 (4A)**

(1990→1994)

1,6 ABB 2,0 AAD 2,0 AAE 2,0 ABK 2,0 ACE 2,0 ADW 2,3 AAR 2,4 D AAS 2,5 D AAT 2,5 D ABP 2,6 ABC 2,6 ACZ 2,8 AAH	For vehicles with drum brakes on the rear axle	05386	-
---	--	-------	---

**100 (43)**

(1976→1987)

all		04526	-
	For vehicles with drum brakes on the rear axle	05386	-

**100 (44)**

(1977→1991)

1,8 4B	For vehicles with drum brakes on the rear axle	05386	-
--------	--	-------	---

rear axle

**febi 04526**  
Ref. No. 443 498 625

AØ 75 IØ 42 B 37

**febi 05386**  
Ref. No. 4A0 598 625 A

AØ 50 IØ 29 B 16  
AØ 45 IØ 19 B 15

**febi 18344**  
Ref. No. 4A0 407 615 G

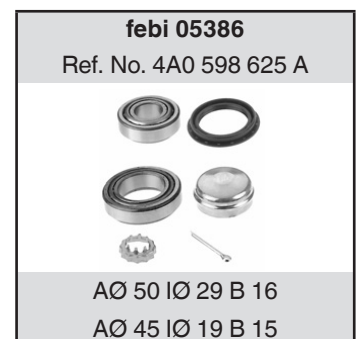
AØ 130 LKØ 112 x 5



**100 (44)**  
(1977→1991)

1,8 DR	to Chassis No. 44-G-033 840	04526	-	
1,8 DS	For vehicles with drum brakes on the rear axle	05386	-	
1,8 JW				
1,8 NP	For vehicles with drum brakes on the rear axle	05386	-	
1,8 PH	to Chassis No. 44-G-033 840	04526	-	
	For vehicles with drum brakes on the rear axle	05386	-	
1,8 RS	For vehicles with drum brakes on the rear axle	05386	-	
				1,8 SH
1,9 WH		04526	-	
	For vehicles with drum brakes on the rear axle	05386	-	
2,0 D CN	to Chassis No. 44-G-033 840	04526	-	
				2,0 D DE
2,0 KP	For vehicles with drum brakes on the rear axle	05386	-	
2,0 D NC	For vehicles with drum brakes on the rear axle	05386	-	
				2,0 RT
				2,0 SL
2,1 KF	For vehicles with drum brakes on the rear axle	05386	-	
				2,1 WC
				2,1 WU
2,2 HX	to Chassis No. 44-G-033 840	04526	-	
				2,2 KU
				2,2 KZ
				2,2 MC
2,2 PR	For vehicles with drum brakes on the rear axle	05386	-	
				2,3 NF
				2,4 D 3D
				2,5 D 1T

rear axle



suitable for:

**Audi**

**Car  
Division**



**200 quattro (44)**

(1983→1991)

2,1 JY	from Chassis No. 44-J-200 100	-	18344
2,1 KG	to Chassis No. 44-F-300 000	04526	-
	from Chassis No. 44-J-200 100	-	18344
2,2 1B 2,2 3B		-	18344
2,2 MC	to Chassis No. 44-F-300 000	04526	-
	from Chassis No. 44-J-200 100	-	18344

**200 (43)**

(1979→1983)

all		04526 / 05386	-
-----	--	---------------	---

**200 (44)**

(1979→1990)

2,1 JY	to Chassis No. 44-G-031 043	04526	-
2,1 KG		05386	-
2,1 KH 2,1 KJ 2,1 WC 2,1 WK 2,1 WS		04526 / 05386	-
2,2 1B 2,2 2B		05386	-
2,2 KU		04526 / 05386	-
2,2 MC	to Chassis No. 44-G-031 043	04526	-
		05386	-
2,3 NF		05386	-

rear axle

**febi 04526**  
Ref. No. 443 498 625

AØ 75 IØ 42 B 37

**febi 05386**  
Ref. No. 4A0 598 625 A

AØ 50 IØ 29 B 16  
AØ 45 IØ 19 B 15

**febi 18344**  
Ref. No. 4A0 407 615 G

AØ 130 LKØ 112 x 5



**50 (86)**  
(1974→1978)

all

03674 / 12934

-

**80 (8A)**  
(1988→1992)

all

For vehicles with drum brakes on the rear axle

03674 / 12934

-

For vehicles with disc brakes on the rear axle

05386

-

**80 (8C)**  
(1990→1995)

all

05386

-

**80 quattro (8C)**  
(1991→1996)

2,0 6A

05222 / 05918

-

rear axle

**febi 03674**

Ref. No. 191 598 625



AØ 50 IØ 29 B 15  
AØ 40 IØ 19

**febi 05222**

Ref. No. 893 407 625 C



AØ 75 IØ 39 B 37

**febi 05386**

Ref. No. 4A0 598 625 A



AØ 50 IØ 29 B 16  
AØ 45 IØ 19 B 15

**febi 05918**

Ref. No. 4D0 407 625 E



AØ 82 IØ 45 B 37

**febi 12934**

Ref. No. 191 598 625 S1



AØ 50 IØ 29 B 15  
AØ 40 IØ 19



suitable for:

# Audi

Car  
Division 



## 80 quattro (8C)

(1991→1996)

2,0 ABK  
2,0 ACE  
2,0 ADW  
2,2 ABY  
2,3 NG  
2,6 ABC  
2,6 ACZ  
2,8 AAH

05222 / 05918

03493

## 80 (81)

(1975→1986)

all

-

03493

For vehicles with drum brakes on the rear axle

03674 / 12934

-

## 80 quattro (81)

(1982→1986)

all

-

03493

## 80 (82)

(1972→1979)

all

12934

-

rear axle

**febi 03493**

Ref. No. 443 407 615 A



AØ 42 LKØ 108 x 4

**febi 03674**

Ref. No. 191 598 625



AØ 50 IØ 29 B 15

AØ 40 IØ 19

**febi 05222**

Ref. No. 893 407 625 C



AØ 75 IØ 39 B 37

**febi 05918**

Ref. No. 4D0 407 625 E



AØ 82 IØ 45 B 37

**febi 12934**

Ref. No. 191 598 625 S1



AØ 50 IØ 29 B 15

AØ 40 IØ 19



**80 (83)**  
(1972→1978)

all

12934

-

**80 (84)**  
(1972→1978)

all

12934

-

**80 quattro (85)**  
(1982→1984)

all

-

03493

**80 (89)**  
(1986→1991)

all

For vehicles with drum brakes on the rear axle

03674 / 12934

-

**80 quattro (89)**  
(1986→1991)

1,8 DZ  
1,8 JN  
1,8 NE  
1,8 SF

from Chassis No. 89-J-351 001

-

03493

1,9 SD

from Chassis No. 89-J-351 001

05918

-

2,0 3A

from Chassis No. 89-J-351 001

-

03493

05918

-

rear axle

**febi 03493**

Ref. No. 443 407 615 A



AØ 42 LKØ 108 x 4

**febi 03674**

Ref. No. 191 598 625



AØ 50 IØ 29 B 15  
AØ 40 IØ 19

**febi 05918**

Ref. No. 4D0 407 625 E



AØ 82 IØ 45 B 37

**febi 12934**

Ref. No. 191 598 625 S1



AØ 50 IØ 29 B 15  
AØ 40 IØ 19

suitable for:

**Audi**

**Car  
Division**



**90 (8A)**

(1987→1991)

all	For vehicles with drum brakes on the rear axle	<b>03674 / 12934</b>	-
	For vehicles with disc brakes on the rear axle	<b>05386</b>	-

**90 quattro (8A)**

(1987→1991)

2,3 7A	-	<b>03493</b>
--------	---	--------------

**90 (81)**

(1984→1987)

all	For vehicles with drum brakes on the rear axle	<b>03674 / 12934</b>	-
-----	--	----------------------	---

**90 quattro (85)**

(1984→1986)

all	-	<b>03493</b>
-----	---	--------------

**90 (89)**

(1987→1991)

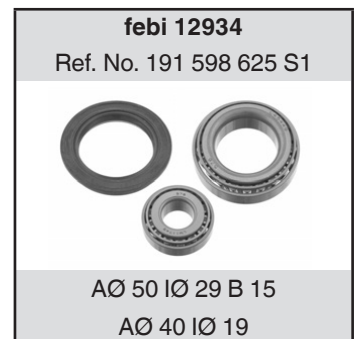
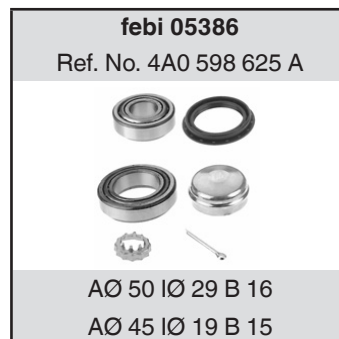
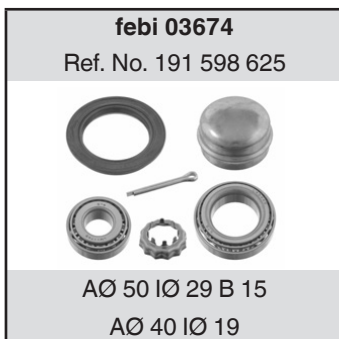
all	For vehicles with drum brakes on the rear axle	<b>03674 / 12934</b>	-
-----	--	----------------------	---

**90 quattro (89)**

(1986→1991)

2,0 6A	to Chassis No. 89-J-350 001	-	<b>03493</b>
--------	-----------------------------	---	--------------

rear axle





**90 quattro (89)**

(1986→1991)

2,0 NM  
2,2 KV  
2,3 7A  
2,3 NG

from Chassis No. 89-J-351 001

-

**03493**

**05918**

-

**febi 03493**

Ref. No. 443 407 615 A



AØ 42 LKØ 108 x 4

**febi 05918**

Ref. No. 4D0 407 625 E



AØ 82 IØ 45 B 37

suitable for:

**BMW**

Car  
Division 



**M 1**

(2011→2012)

M 1 (N 54)

26313 / 26314

-

**X 1 (E 84)**

(2009→ )

- X 1 1.8 d (N 47N)
- X 1 1.8 d X (N 47N)
- X 1 1.8 i (N 46N)
- X 1 2.0 d (N 47)
- X 1 2.0 d X (N 47)
- X 1 2.0 ed (N 47N)
- X 1 2.0 i (N 20)
- X 1 2.0 i X (N 20)
- X 1 2.3 d X (N 47)
- X 1 2.5 i X (N 52N)
- X 1 2.8 i (N 20)
- X 1 2.8 i X (N 20)
- X 1 2.8 i X (N 52N)

-

32806

**X 3 I (E 83)**

(2003→2006)

all

09004 / 32044

-

rear axle

**febi 09004**

Ref. No. 33 41 1 090 505



AØ 85 IØ 45 B 41

**febi 26313**

Ref. No. 33 41 6 762 321



AØ 85 IØ 45 B 41

**febi 26314**

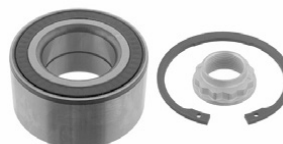
Ref. No. 33 41 6 762 321 S1



AØ 85 IØ 45 B 41

**febi 32044**

Ref. No. 33 41 2 295 519



AØ 85,05 IØ 45 B 41

**febi 32806**

Ref. No. 33 41 6 760 058



AØ 145 x 6



### X 3 I (E 83 LCI)

(2006→2010)

X 3 I 1.8 d X (N 47) X 3 I 2.0 d X (M 47N2) X 3 I 2.0 d X (N 47) X 3 I 2.0 X (N 46) X 3 I 2.5 Si X (N 52N) X 3 I 3.0 d X (M 57N2)		09004 / 32044	-
X 3 I 3.0 i X (N 52N)		32044	-
X 3 I 3.0 sd X (M 57N2) X 3 I 3.0 Si X (N 52N) X 3 I 3.5 sd X (M 57N2)		09004 / 32044	-

### X 5 I (E 53)

(1999→2006)

X 5 I 3.0 d X (M 57)	to the year of construction 09/2003	21166	21166
	from the year of construction 09/2003	26312	-
		38258	-
X 5 I 3.0 d X (M 57N)		26312	-
X 5 I 3.0 i X (M 54)	to the year of construction 09/2003	21166 / 38258	21166
	from the year of construction 09/2003	26312	-

rear axle



suitable for:

**BMW**

**Car  
Division**



**X 5 I (E 53)**

(1999→2006)

<b>X 5 I 4.4 i X (M 62)</b>	to the year of construction 09/2003	<b>21166</b>	<b>21166</b>
	from the year of construction 09/2003	<b>26312</b>	-
<b>X 5 I 4.4 i X (N 62)</b>		<b>38258</b>	-
<b>X 5 I 4.4 i X (N 62)</b>		<b>26312</b>	-
<b>X 5 I 4.6 iS X (M 62)</b>	to the year of construction 09/2003	<b>21166 / 38258</b>	<b>21166</b>
	from the year of construction 09/2003	<b>26312</b>	-
<b>X 5 I 4.8 iS X (N 62)</b>		<b>26312</b>	-

**X 5 II (E 70)**

(2006→2010)

<b>X 5 II M X (S 63)</b> <b>X 5 II 3.0 d X (M 57N2)</b> <b>X 5 II 3.0 sd X (M 57N2)</b> <b>X 5 II 3.0 Si X (N 52N)</b> <b>X 5 II 4.8 i X (N 62N)</b>		<b>28506 / 28623</b>	<b>39279</b>
--	--	----------------------	--------------

**X 5 II (E 70 LCI)**

(2010→2013)

<b>X 5 II 3.0 d X (N 57)</b> <b>X 5 II 3.5 i X (N 55)</b> <b>X 5 II 4.0 d X (N 57)</b>		<b>28506 / 28623</b>	<b>39279</b>
--	--	----------------------	--------------

rear axle

**febi 21166**  
Ref. No. 33 41 1 095 238

AØ 80 IØ 45 B 41

**febi 26312**  
Ref. No. 33 41 6 762 314

AØ 80 IØ 45 B 37

**febi 28506**  
Ref. No. 33 41 6 770 974

AØ 99 IØ 51 B 50  
AØ 88 B 46

**febi 28623**  
Ref. No. 33 41 6 770 974 S1

AØ 88 IØ 51 B 46

**febi 38258**  
Ref. No. 33 41 1 095 238 S1

AØ 80 IØ 45 B 41

**febi 39279**  
Ref. No. 33 41 6 776 651

AØ 145 x 6



**X 5 II (E 70 LCI)**

(2010→2013)

X 5 II 5.0 d M X (N 57)

-

39279

X 5 II 5.0 i X (N 63)

28506 / 28623

39279

**X 6 (E 71)**

(2008→)

all

28506 / 28623

-

**X 6 (E 72)**

(2010→)

X 6 Hybrid i X (N 63)

X 6 5.0 i X (N 63)

28506 / 28623

-

**Z 1 (E 30)**

(1988→1991)

Z 1 2.5 Cabrio (M 20)

04526

-

rear axle

**febi 04526**

Ref. No. 33 41 1 130 617



AØ 75 IØ 42 B 37

**febi 28506**

Ref. No. 33 41 6 770 974



AØ 99 IØ 51 B 50

AØ 88 B 46

**febi 28623**

Ref. No. 33 41 6 770 974 S1



AØ 88 IØ 51 B 46

**febi 39279**

Ref. No. 33 41 6 776 651



AØ 145 x 6



suitable for:

**BMW**

**Car  
Division**



**Z 3 (E 36)**

(1995→2003)

Z 3 M 3.2 Cabrio (S 50)		09004 / 32044	28132
Z 3 M 3.2 Cabrio (S 54)			
Z 3 M 3.2 Coupe (S 50)			
Z 3 M 3.2 Coupe (S 54)			
Z 3 1.8 Cabrio (M 43)	For vehicles with drum brakes on the rear axle	03271	-
Z 3 1.9 Cabrio (M 43)	For vehicles with drum brakes on the rear axle	03271	-
	from the year of construction 04/1999	04526	-
Z 3 1.9 Cabrio (M 44)	For vehicles with drum brakes on the rear axle	03271	-
Z 3 2.0 Cabrio (M 52)		04526	-
Z 3 2.2 Cabrio (M 54)			
Z 3 2.8 Cabrio (M 52)			
Z 3 2.8 Coupe (M 52)			
Z 3 3.0 Cabrio (M 54)			
Z 3 3.0 Coupe (M 54)			

**Z 4 I (E 85)**

(2003→2009)

Z 4 I M 3.2 Cabrio (S 54)		09004 / 32044	-
---------------------------	--	---------------	---

rear axle

**febi 03271**

Ref. No. 33 41 1 124 358



AØ 72 IØ 39 B 37

**febi 04526**

Ref. No. 33 41 1 130 617



AØ 75 IØ 42 B 37

**febi 09004**

Ref. No. 33 41 1 090 505



AØ 85 IØ 45 B 41

**febi 28132**

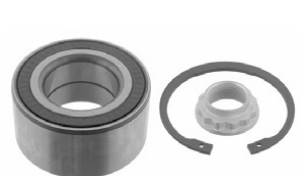
Ref. No. 33 41 1 095 774



AØ 145 x 5

**febi 32044**

Ref. No. 33 41 2 295 519



AØ 85,05 IØ 45 B 41



### Z 4 I (E 85)

(2003→2009)

Z 4 I 2.0 Cabrio (N 46)  
Z 4 I 2.2 Cabrio (M 54)  
Z 4 I 2.5 Cabrio (M 54)  
Z 4 I 2.5 i Cabrio (N 52)  
Z 4 I 2.5 Si Cabrio (N 52)  
Z 4 I 3.0 Cabrio (M 54)  
Z 4 I 3.0 Si Cabrio (N 52)

26309 / 26310

32807

### Z 4 I (E 86)

(2006→2009)

Z 4 I M 3.2 Coupe (S 54)

09004 / 32044

-

Z 4 I 3.0 Si Coupe (N 52)

26309 / 26310

32807

### Z 4 II (E 89)

(2009→)

Z 4 II 2.0 i Cabrio (N 20)

26309 / 26310

-

Z 4 II 2.3 i Cabrio (N 52N)

26309 / 26310

32807

Z 4 II 2.8 i Cabrio (N 20)

26309 / 26310

-

Z 4 II 3.0 i Cabrio (N 52N)

26309 / 26310

32807

Z 4 II 3.5 i Cabrio (N 54)

Z 4 II 3.5 iS Cabrio (N 54)

rear axle

#### febi 09004

Ref. No. 33 41 1 090 505



AØ 85 IØ 45 B 41

#### febi 26309

Ref. No. 33 41 6 762 317



AØ 75 IØ 42 B 37

#### febi 26310

Ref. No. 33 41 6 762 317 S1



AØ 75 IØ 42 B 37

#### febi 32044

Ref. No. 33 41 2 295 519



AØ 85,05 IØ 45 B 41

#### febi 32807

Ref. No. 33 41 6 752 381



AØ 145 x 6

suitable for:

**BMW**

**Car  
Division**



**Z 8 (E 52)**

(2000→2003)

Z 8 4.9 Cabrio (S 38)  
Z 8 4.9 Cabrio (S 62)

09004 / 32044

28132

**1 Series (E 81)**

(2005→)

116 d Compact (N 47)  
116 i Compact (N 43)  
116 i Compact (N 45N)  
118 d Compact (N 47)  
118 i Compact (N 43)  
118 i Compact (N 46N)  
120 d Compact (N 47)  
120 i Compact (N 43)  
120 i Compact (N 46N)

26309 / 26310

32804

rear axle

**febi 09004**

Ref. No. 33 41 1 090 505



AØ 85 IØ 45 B 41

**febi 26309**

Ref. No. 33 41 6 762 317



AØ 75 IØ 42 B 37

**febi 26310**

Ref. No. 33 41 6 762 317 S1



AØ 75 IØ 42 B 37

**febi 28132**

Ref. No. 33 41 1 095 774



AØ 145 x 5

**febi 32044**

Ref. No. 33 41 2 295 519



AØ 85,05 IØ 45 B 41

**febi 32804**

Ref. No. 33 41 6 760 056



AØ 145 x 6



## 1 Series (E 81)

(2005→)

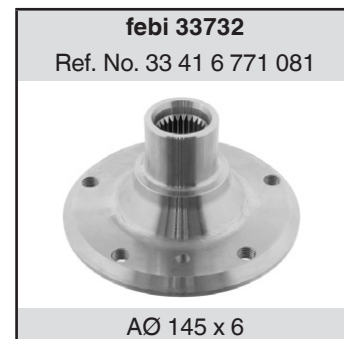
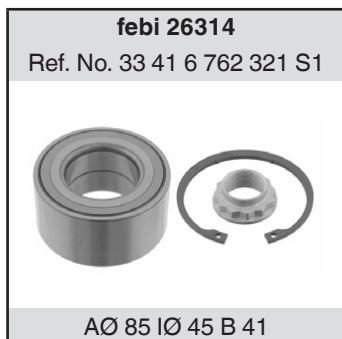
123 d Compact (N 47)	26313 / 26314	32806
130 i Compact (N 52)	26314	32806
130 i Compact (N 52N)	26313 / 26314	32806

## 1 Series (E 82)

(2007→)

118 d Coupe (N 47) 120 d Coupe (N 47)	26309 / 26310	33732
120 i Coupe (N 43) 120 i Coupe (N 46N)	26309	33732
123 d Coupe (N 47)	26313 / 26314	-
125 i Coupe (N 52N)	26309 / 26310	33732
135 i Coupe (N 54) 135 i Coupe (N 55)	26313 / 26314	-

rear axle



suitable for:

**BMW**

**Car  
Division**



## 1 Series (E 87)

(2004→2012)

116 i (N 45) 118 d (M 47N) 118 i (N 46) 120 d (M 47N) 120 i (N 46)	26309 / 26310	32804
130 i (N 52)	26313 / 26314	32806

## 1 Series (E 87 LCI)

(2004→2011)

116 d (N 47) 116 i (N 43) 116 i (N 45N) 118 d (N 47) 118 i (N 43) 118 i (N 46N) 120 d (N 47) 120 i (N 43) 120 i (N 46N)	26309 / 26310	32804
123 d (N 47) 130 i (N 52N)	26313 / 26314	32806

rear axle

**febi 26309**  
Ref. No. 33 41 6 762 317

AØ 75 IØ 42 B 37

**febi 26310**  
Ref. No. 33 41 6 762 317 S1

AØ 75 IØ 42 B 37

**febi 26313**  
Ref. No. 33 41 6 762 321

AØ 85 IØ 45 B 41

**febi 26314**  
Ref. No. 33 41 6 762 321 S1

AØ 85 IØ 45 B 41

**febi 32804**  
Ref. No. 33 41 6 760 056

AØ 145 x 6

**febi 32806**  
Ref. No. 33 41 6 760 058

AØ 145 x 6



## 1 Series (E 88)

(2007→)

118 d Cabrio (N 47)	26309 / 26310	33732
118 i Cabrio (N 43) 118 i Cabrio (N 46N)	26309 / 26310	-
120 d Cabrio (N 47) 120 i Cabrio (N 43) 120 i Cabrio (N 46N)	26309 / 26310	33732
123 d Cabrio (N 47)	26309 / 26310 / 26313 / 26314	-
125 i Cabrio (N 52N)	26309 / 26310	33732
135 i Cabrio (N 54) 135 i Cabrio (N 55)	26313 / 26314	-

## 3 Series (E 30)

(1980→1994)

M 3 (S 14) M 3 Cabrio (S 14)		04526	-
316 (M 10)	for vehicles without ABS	03271	-
	from the year of construction 09/1985 for vehicles with ABS	04526	-

rear axle

### febi 03271

Ref. No. 33 41 1 124 358



AØ 72 IØ 39 B 37

### febi 04526

Ref. No. 33 41 1 130 617



AØ 75 IØ 42 B 37

### febi 26309

Ref. No. 33 41 6 762 317



AØ 75 IØ 42 B 37

### febi 26310

Ref. No. 33 41 6 762 317 S1



AØ 75 IØ 42 B 37

### febi 26313

Ref. No. 33 41 6 762 321



AØ 85 IØ 45 B 41

### febi 26314

Ref. No. 33 41 6 762 321 S1



AØ 85 IØ 45 B 41

### febi 33732

Ref. No. 33 41 6 771 081



AØ 145 x 6

suitable for:

**BMW**

**Car  
Division**



### 3 Series (E 30)

(1980→1994)

316 i (M 10)	for vehicles without ABS	03271	-
316 i (M 40)			
316 i touring (M 40)	for vehicles with ABS	04526	-
318 i (M 10)			
318 i (M 40)			
318 i Cabrio (M 10)			
318 i Cabrio (M 40)			
318 i touring (M 40)			
318 iS (M 42)		04526	-
320 i (M 20)	for vehicles without ABS	03271	-
320 i Cabrio (M 20)			
	from the year of construction 09/1985	04526	-
	for vehicles with ABS		
320 i touring (M 20)	for vehicles without ABS	03271	-
	for vehicles with ABS	04526	-
320 iS (S 14)	from the year of construction 09/1985	04526	-
	for vehicles with ABS		
323 i (M 20)	for vehicles without ABS	03271	-
323 i Cabrio (M 20)			
	from the year of construction 09/1985	04526	-
324 d (M 21)	for vehicles without ABS	03271	-
	for vehicles with ABS	04526	-
324 td (M 21)		04526	-
324 td touring (M 21)			
325 e (M 20)	for vehicles without ABS	03271	-
		04526	-
325 i (M 20)		04526	-
325 i Cabrio (M 20)			
325 i touring (M 20)			
325 i X (M 20)			
325 i X touring (M 20)			

rear axle

**febi 03271**

Ref. No. 33 41 1 124 358



AØ 72 IØ 39 B 37

**febi 04526**

Ref. No. 33 41 1 130 617



AØ 75 IØ 42 B 37



**3 Series (E 36)**

(1990→2001)

M 3 (S 50)  
M 3 Cabrio (S 50)  
M 3 Coupe (S 50)

09004 / 32044

28132


rear axle

**febi 09004**  
Ref. No. 33 41 1 090 505



AØ 85 IØ 45 B 41

**febi 28132**  
Ref. No. 33 41 1 095 774



AØ 145 x 5

**febi 32044**  
Ref. No. 33 41 2 295 519



AØ 85,05 IØ 45 B 41



suitable for:

**BMW**

**Car  
Division**



### 3 Series (E 36)

(1990→2001)

<b>316 i (M 40)</b>	For vehicles with drum brakes on the rear axle	<b>03271</b>	-
	to the year of construction 12/1991 for vehicles with ABS	<b>04526</b>	-
	For vehicles with drum brakes on the rear axle	<b>21954</b>	<b>32535</b>
	For vehicles with disc brakes on the rear axle	<b>21996</b>	<b>26234</b>
<b>316 i (M 43)</b>	For vehicles with drum brakes on the rear axle	<b>03271</b>	-
	For vehicles with disc brakes on the rear axle	<b>04526 / 21996</b>	<b>26234</b>
	For vehicles with drum brakes on the rear axle	<b>21954</b>	<b>32535</b>
<b>316 i Compact (M 43)</b>	For vehicles with drum brakes on the rear axle	<b>03271</b>	-

rear axle

#### febi 03271

Ref. No. 33 41 1 124 358



AØ 72 IØ 39 B 37

#### febi 04526

Ref. No. 33 41 1 130 617



AØ 75 IØ 42 B 37

#### febi 21954

Ref. No. 33 41 1 124 358 S1



AØ 72 IØ 39 B 37

#### febi 21996

Ref. No. 33 41 2 220 987



AØ 75 IØ 42 B 37

#### febi 26234

Ref. No. 33 41 1 093 567



AØ 145 LKØ 115 x 5

#### febi 32535

Ref. No. 33 41 1 093 693



AØ 145 x 6



### 3 Series (E 36)

(1990→2001)

<b>316 i Coupe (M 43)</b> <b>316 i touring (M 43)</b>	For vehicles with drum brakes on the rear axle	<b>03271</b>	-
	For vehicles with disc brakes on the rear axle	<b>04526 / 21996</b>	<b>26234</b>
	For vehicles with drum brakes on the rear axle	<b>21954</b>	<b>32535</b>
<b>318 i (M 40)</b> <b>318 i (M 43)</b>	For vehicles with drum brakes on the rear axle	<b>03271</b>	-
	Country of use Australia	<b>04526</b>	-
	For vehicles with drum brakes on the rear axle	<b>21954</b>	<b>32535</b>
	For vehicles with disc brakes on the rear axle	<b>21996</b>	<b>26234</b>
<b>318 i Cabrio (M 43)</b>	For vehicles with drum brakes on the rear axle	<b>03271</b>	-
	for vehicles with ABS disc brake	<b>04526</b>	-
	For vehicles with drum brakes on the rear axle	<b>21954</b>	<b>32535</b>
	For vehicles with disc brakes on the rear axle	<b>21996</b>	<b>26234</b>

rear axle

**febi 03271**

Ref. No. 33 41 1 124 358



AØ 72 IØ 39 B 37

**febi 04526**

Ref. No. 33 41 1 130 617



AØ 75 IØ 42 B 37

**febi 21954**

Ref. No. 33 41 1 124 358 S1



AØ 72 IØ 39 B 37

**febi 21996**

Ref. No. 33 41 2 220 987



AØ 75 IØ 42 B 37

**febi 26234**

Ref. No. 33 41 1 093 567



AØ 145 LKØ 115 x 5

**febi 32535**

Ref. No. 33 41 1 093 693



AØ 145 x 6

suitable for:

**BMW**

**Car  
Division**



### 3 Series (E 36)

(1990→2001)

<b>318 i touring (M 43)</b>	For vehicles with drum brakes on the rear axle	<b>03271</b>	-
	For vehicles with disc brakes on the rear axle	<b>04526 / 21996</b>	<b>26234</b>
	For vehicles with drum brakes on the rear axle	<b>21954</b>	<b>32535</b>
<b>318 iS (M 42) 318 iS (M 44) 318 iS Coupe (M 42) 318 iS Coupe (M 44)</b>	For vehicles with drum brakes on the rear axle	<b>03271</b>	-
	for vehicles with ABS	<b>04526</b>	-
	For vehicles with drum brakes on the rear axle	<b>21954</b>	<b>32535</b>
	For vehicles with disc brakes on the rear axle	<b>21996</b>	<b>26234</b>
	For vehicles with drum brakes on the rear axle	<b>03271</b>	-
<b>318 tds (M 41)</b>	For vehicles with disc brakes on the rear axle	<b>04526 / 21996</b>	<b>26234</b>
	For vehicles with drum brakes on the rear axle	<b>21954</b>	<b>32535</b>
	For vehicles with drum brakes on the rear axle	<b>03271</b>	-
<b>318 tds Compact (M 41)</b>	For vehicles with drum brakes on the rear axle	<b>03271</b>	-

rear axle

**febi 03271**

Ref. No. 33 41 1 124 358



AØ 72 IØ 39 B 37

**febi 04526**

Ref. No. 33 41 1 130 617



AØ 75 IØ 42 B 37

**febi 21954**

Ref. No. 33 41 1 124 358 S1



AØ 72 IØ 39 B 37

**febi 21996**

Ref. No. 33 41 2 220 987



AØ 75 IØ 42 B 37

**febi 26234**

Ref. No. 33 41 1 093 567



AØ 145 LKØ 115 x 5

**febi 32535**

Ref. No. 33 41 1 093 693



AØ 145 x 6

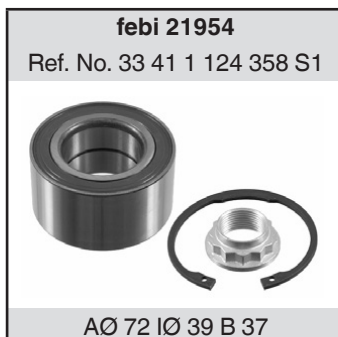


### 3 Series (E 36)

(1990→2001)

<b>318 tds touring (M 41)</b>	For vehicles with drum brakes on the rear axle	<b>03271</b>	-
	For vehicles with disc brakes on the rear axle	<b>04526 / 21996</b>	<b>26234</b>
	For vehicles with drum brakes on the rear axle	<b>21954</b>	<b>32535</b>
<b>318 ti Compact (M 42)</b> <b>318 ti Compact (M 44)</b>	For vehicles with drum brakes on the rear axle	<b>03271</b>	-
	For vehicles with drum brakes on the rear axle	<b>03271</b>	-
<b>320 i (M 50)</b> <b>320 i (M 52)</b>	For vehicles with drum brakes on the rear axle	<b>03271</b>	-
	for vehicles with ABS	<b>04526</b>	-
	For vehicles with drum brakes on the rear axle	<b>21954</b>	<b>32535</b>
	For vehicles with disc brakes on the rear axle	<b>21996</b>	<b>26234</b>

rear axle



suitable for:

**BMW**

**Car  
Division**



### 3 Series (E 36)

(1990→2001)

<b>320 i Cabrio (M 50)</b> <b>320 i Cabrio (M 52)</b>	For vehicles with drum brakes on the rear axle	<b>03271</b>	-
	for vehicles with ABS disc brake	<b>04526</b>	-
	For vehicles with drum brakes on the rear axle	<b>21954</b>	<b>32535</b>
	For vehicles with disc brakes on the rear axle	<b>21996</b>	<b>26234</b>
<b>320 i Coupe (M 50)</b> <b>320 i Coupe (M 52)</b>	for vehicles with ABS	<b>04526</b>	-
	For vehicles with drum brakes on the rear axle	<b>21954</b>	<b>32535</b>
	For vehicles with disc brakes on the rear axle	<b>21996</b>	<b>26234</b>
<b>320 i touring (M 52)</b>	For vehicles with drum brakes on the rear axle	<b>03271</b>	-
	For vehicles with disc brakes on the rear axle	<b>04526 / 21996</b>	<b>26234</b>
	For vehicles with drum brakes on the rear axle	<b>21954</b>	<b>32535</b>

rear axle

**febi 03271**

Ref. No. 33 41 1 124 358



AØ 72 IØ 39 B 37

**febi 04526**

Ref. No. 33 41 1 130 617



AØ 75 IØ 42 B 37

**febi 21954**

Ref. No. 33 41 1 124 358 S1



AØ 72 IØ 39 B 37

**febi 21996**

Ref. No. 33 41 2 220 987



AØ 75 IØ 42 B 37

**febi 26234**

Ref. No. 33 41 1 093 567



AØ 145 LKØ 115 x 5

**febi 32535**

Ref. No. 33 41 1 093 693



AØ 145 x 6



### 3 Series (E 36)

(1990→2001)

<b>323 i (M 52)</b>	For vehicles with drum brakes on the rear axle	<b>03271</b>	-
	for vehicles with ABS	<b>04526</b>	-
	For vehicles with drum brakes on the rear axle	<b>21954</b>	<b>32535</b>
	For vehicles with disc brakes on the rear axle	<b>21996</b>	<b>26234</b>
<b>323 i Cabrio (M 52)</b>	For vehicles with drum brakes on the rear axle	<b>03271</b>	-
	for vehicles with ABS disc brake	<b>04526</b>	-
	For vehicles with drum brakes on the rear axle	<b>21954</b>	<b>32535</b>
	For vehicles with disc brakes on the rear axle	<b>21996</b>	<b>26234</b>
<b>323 i Compact (M 52)</b>	For vehicles with disc brakes on the rear axle	<b>04526 / 21996</b>	-

rear axle

**febi 03271**

Ref. No. 33 41 1 124 358



AØ 72 IØ 39 B 37

**febi 04526**

Ref. No. 33 41 1 130 617



AØ 75 IØ 42 B 37

**febi 21954**

Ref. No. 33 41 1 124 358 S1



AØ 72 IØ 39 B 37

**febi 21996**

Ref. No. 33 41 2 220 987



AØ 75 IØ 42 B 37

**febi 26234**

Ref. No. 33 41 1 093 567



AØ 145 LKØ 115 x 5

**febi 32535**

Ref. No. 33 41 1 093 693



AØ 145 x 6

suitable for:

**BMW**

**Car  
Division**



### 3 Series (E 36)

(1990→2001)

<b>323 i Coupe (M 52)</b>	For vehicles with drum brakes on the rear axle	<b>03271</b>	-
	for vehicles with ABS	<b>04526</b>	-
	For vehicles with drum brakes on the rear axle	<b>21954</b>	<b>32535</b>
	For vehicles with disc brakes on the rear axle	<b>21996</b>	<b>26234</b>
<b>323 i touring (M 52)</b>	For vehicles with drum brakes on the rear axle	<b>03271</b>	-
	For vehicles with disc brakes on the rear axle	<b>04526 / 21996</b>	<b>26234</b>
	For vehicles with drum brakes on the rear axle	<b>21954</b>	<b>32535</b>
<b>325 i (M 50)</b>	For vehicles with drum brakes on the rear axle	<b>03271</b>	-
	for vehicles with ABS	<b>04526</b>	-
	For vehicles with drum brakes on the rear axle	<b>21954</b>	<b>32535</b>
	For vehicles with disc brakes on the rear axle	<b>21996</b>	<b>26234</b>

rear axle

#### febi 03271

Ref. No. 33 41 1 124 358



AØ 72 IØ 39 B 37

#### febi 04526

Ref. No. 33 41 1 130 617



AØ 75 IØ 42 B 37

#### febi 21954

Ref. No. 33 41 1 124 358 S1



AØ 72 IØ 39 B 37

#### febi 21996

Ref. No. 33 41 2 220 987



AØ 75 IØ 42 B 37

#### febi 26234

Ref. No. 33 41 1 093 567



AØ 145 LKØ 115 x 5

#### febi 32535

Ref. No. 33 41 1 093 693



AØ 145 x 6



### 3 Series (E 36)

(1990→2001)

<b>325 i Cabrio (M 50)</b>	For vehicles with drum brakes on the rear axle	<b>03271</b>	-
	for vehicles with ABS disc brake	<b>04526</b>	-
	For vehicles with drum brakes on the rear axle	<b>21954</b>	<b>32535</b>
	For vehicles with disc brakes on the rear axle	<b>21996</b>	<b>26234</b>
<b>325 i Coupe (M 50) 325 td (M 51) 325 tds (M 51)</b>	For vehicles with drum brakes on the rear axle	<b>03271</b>	-
	for vehicles with ABS	<b>04526</b>	-
	For vehicles with drum brakes on the rear axle	<b>21954</b>	<b>32535</b>
	For vehicles with disc brakes on the rear axle	<b>21996</b>	<b>26234</b>
<b>325 tds touring (M 51)</b>	For vehicles with drum brakes on the rear axle	<b>03271</b>	-
	For vehicles with disc brakes on the rear axle	<b>04526 / 21996</b>	<b>26234</b>
	For vehicles with drum brakes on the rear axle	<b>21954</b>	<b>32535</b>

rear axle

**febi 03271**

Ref. No. 33 41 1 124 358



AØ 72 IØ 39 B 37

**febi 04526**

Ref. No. 33 41 1 130 617



AØ 75 IØ 42 B 37

**febi 21954**

Ref. No. 33 41 1 124 358 S1



AØ 72 IØ 39 B 37

**febi 21996**

Ref. No. 33 41 2 220 987



AØ 75 IØ 42 B 37

**febi 26234**

Ref. No. 33 41 1 093 567



AØ 145 LKØ 115 x 5

**febi 32535**

Ref. No. 33 41 1 093 693



AØ 145 x 6



suitable for:

**BMW**

**Car  
Division**



### 3 Series (E 36)

(1990→2001)

<b>328 i (M 52)</b>	for vehicles with ABS	<b>04526</b>	-
	For vehicles with disc brakes on the rear axle	<b>21996</b>	<b>26234</b>
<b>328 i Cabrio (M 52)</b>	for vehicles with ABS disc brake	<b>04526</b>	-
	For vehicles with disc brakes on the rear axle	<b>21996</b>	<b>26234</b>
<b>328 i Coupe (M 52)</b>	for vehicles with ABS	<b>04526</b>	-
	For vehicles with disc brakes on the rear axle	<b>21996</b>	<b>26234</b>
<b>328 i touring (M 52)</b>	For vehicles with disc brakes on the rear axle	<b>04526 / 21996</b>	<b>26234</b>

### 3 Series (E 46)

(1998→)

<b>M 3 Cabrio (S 54)</b> <b>M 3 Coupe (S 54)</b> <b>M 3 Coupe (S 54N)</b>		<b>09004 / 32044</b>	-
---	--	----------------------	---

rear axle

**febi 04526**

Ref. No. 33 41 1 130 617



AØ 75 IØ 42 B 37

**febi 09004**

Ref. No. 33 41 1 090 505



AØ 85 IØ 45 B 41

**febi 21996**

Ref. No. 33 41 2 220 987



AØ 75 IØ 42 B 37

**febi 26234**

Ref. No. 33 41 1 093 567



AØ 145 LKØ 115 x 5

**febi 32044**

Ref. No. 33 41 2 295 519



AØ 85,05 IØ 45 B 41



### 3 Series (E 46)

(1998→)

316 i (M 43) 316 i (N 40) 316 i (N 42) 316 i (N 45) 316 i (N 46)	04526 / 21996	26234
316 i Compact (N 40) 316 i Compact (N 42) 316 i Compact (N 45) 316 i Compact (N 46)	04526 / 21996	-
316 i Coupe (M 43) 316 i Coupe (N 40) 316 i Coupe (N 45) 316 i touring (N 42) 316 i touring (N 45) 316 i touring (N 46)	04526 / 21996	26234
318 d (M 47) 318 d (M 47N) 318 d Compact (M 47N) 318 d touring (M 47) 318 d touring (M 47N)	04526 / 21996	-
318 i (M 43) 318 i (N 42) 318 i (N 46) 318 i Cabrio (N 42) 318 i Cabrio (N 46)	04526 / 21996	26234
318 i Compact (N 42) 318 i Compact (N 46) 318 i Coupe (M 43) 318 i Coupe (N 42) 318 i Coupe (N 46)	04526 / 21996	-
318 i touring (M 43) 318 i touring (N 42) 318 i touring (N 46)	04526 / 21996	26234

rear axle



suitable for:

**BMW**

**Car  
Division**



**febi**  
bilstein



## 3 Series (E 46)

(1998→)

318 td Compact (M 47)		04526 / 21996	-
320 d (M 47)			
320 d (M 47N)			
320 d Cabrio (M 47N)			
320 d Compact (M 47N)			
320 d Coupe (M 47N)			
320 d touring (M 47)			
320 d touring (M 47N)			
320 i (M 52)		04526 / 21996	26234
320 i (M 54)		04526 / 21996	26234
320 i Cabrio (M 54)	for right-hand drive vehicles	09004	-
320 i Coupe (M 52)		04526 / 21996	26234
320 i Coupe (M 54)		04526 / 21996	26234
	for right-hand drive vehicles	09004	-
320 i touring (M 52)		04526 / 21996	26234
320 i touring (M 54)		04526 / 21996	26234
	for right-hand drive vehicles	09004	-
320 td Compact (M 47)		04526 / 21996	-
323 i (M 52)		04526 / 21996	26234
323 i Cabrio (M 52)			
323 i Coupe (M 52)			
325 i (M 54)		04526 / 21996	26234
325 i Cabrio (M 54)	for right-hand drive vehicles	09004	-
325 i Compact (M 54)		04526 / 21996	-
	for right-hand drive vehicles	09004	-
325 i Coupe (M 54)		04526 / 21996	26234
	for right-hand drive vehicles	09004	-

rear axle

**febi 04526**

Ref. No. 33 41 1 130 617



AØ 75 IØ 42 B 37

**febi 09004**

Ref. No. 33 41 1 090 505



AØ 85 IØ 45 B 41

**febi 21996**

Ref. No. 33 41 2 220 987



AØ 75 IØ 42 B 37

**febi 26234**

Ref. No. 33 41 1 093 567



AØ 145 LKØ 115 x 5



### 3 Series (E 46)

(1998→)

325 i touring (M 54)	04526 / 21996	-
for right-hand drive vehicles	09004	-
325 i X (M 54) 325 i X touring (M 54)	04526 / 09004 / 21996 / 32044	28132
328 i (M 52) 328 i Coupe (M 52) 328 i touring (M 52)	04526 / 21996	26234
330 d (M 57) 330 d (M 57N) 330 d Cabrio (M 57N) 330 d Coupe (M 57N) 330 d touring (M 57) 330 d touring (M 57N) 330 d X (M 57) 330 d X (M 57N) 330 d X touring (M 57) 330 d X touring (M 57N) 330 i (M 54) 330 i Cabrio (M 54) 330 i Coupe (M 54) 330 i touring (M 54) 330 i X (M 54) 330 i X touring (M 54)	09004 / 32044	28132

rear axle

#### febi 04526

Ref. No. 33 41 1 130 617



AØ 75 IØ 42 B 37

#### febi 09004

Ref. No. 33 41 1 090 505



AØ 85 IØ 45 B 41

#### febi 21996

Ref. No. 33 41 2 220 987



AØ 75 IØ 42 B 37

#### febi 26234

Ref. No. 33 41 1 093 567



AØ 145 LKØ 115 x 5

#### febi 28132

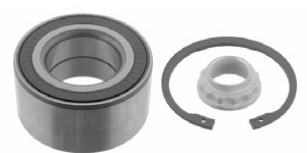
Ref. No. 33 41 1 095 774



AØ 145 x 5

#### febi 32044

Ref. No. 33 41 2 295 519



AØ 85,05 IØ 45 B 41

suitable for:

**BMW**

**Car  
Division**



### 3 Series (E 90)

(2005→2011)

<b>M 3 (S 65)</b>		<b>26313 / 26314</b>	<b>-</b>
<b>316 i (N 43)</b>		<b>26309 / 26310</b>	<b>-</b>
<b>316 i (N 45)</b>			
<b>316 i (N 45N)</b>	not for government vehicles	<b>-</b>	<b>32804</b>
<b>318 d (M 47N2)</b>	not for increased payload		
<b>318 d (N 47)</b>		<b>26309</b>	<b>-</b>
	not for government vehicles	<b>-</b>	<b>32804</b>
	not for increased payload		
<b>318 i (N 43)</b>		<b>26309 / 26310</b>	<b>-</b>
<b>318 i (N 46)</b>			
<b>318 i (N 46N)</b>	not for government vehicles	<b>-</b>	<b>32804</b>
	not for increased payload		
<b>320 d (M 47N2)</b>	not for government vehicles	<b>26309</b>	<b>-</b>
		<b>26310 / 26313</b>	<b>-</b>
	for government vehicles	<b>26314</b>	<b>32806</b>
	not for government vehicles	<b>-</b>	<b>32804</b>
	not for increased payload		

rear axle

#### febi 26309

Ref. No. 33 41 6 762 317



AØ 75 IØ 42 B 37

#### febi 26310

Ref. No. 33 41 6 762 317 S1



AØ 75 IØ 42 B 37

#### febi 26313

Ref. No. 33 41 6 762 321



AØ 85 IØ 45 B 41

#### febi 26314

Ref. No. 33 41 6 762 321 S1



AØ 85 IØ 45 B 41

#### febi 32804

Ref. No. 33 41 6 760 056



AØ 145 x 6

#### febi 32806

Ref. No. 33 41 6 760 058



AØ 145 x 6

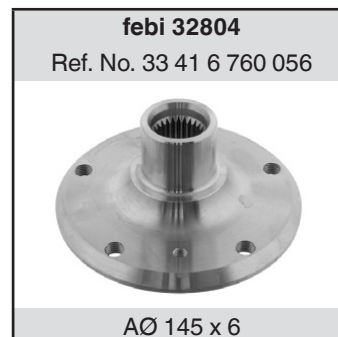


### 3 Series (E 90)

(2005→2011)

320 d (N 47)	not for government vehicles	26309 / 26310	-
		26313 / 26314	-
320 d (N 47)	not for government vehicles not for increased payload	-	32804
	for government vehicles	-	32806
320 i (N 43) 320 i (N 46) 320 i (N 46N)	not for government vehicles not for increased payload	26309 / 26310	-
320 Si (N 45)		26313 / 26314	32806
323 i (N 52)		26309 / 26310	-
	not for government vehicles not for increased payload	-	32804
323 i (N 52N)		26309 / 26310	32804
325 d (M 57N2)		26313 / 26314	-
	for increased payload	-	32806

rear axle



suitable for:

**BMW**

**Car  
Division**



### 3 Series (E 90)

(2005→2011)

<b>325 i (N 52)</b>	not for increased payload	<b>26309 / 26310</b>	-
		<b>26313</b>	-
	for increased payload	<b>26314</b>	<b>32806</b>
	not for government vehicles not for increased payload	-	<b>32804</b>
<b>325 i (N 52N)</b> <b>325 i (N 53)</b>	not for increased payload	<b>26309 / 26310</b>	-
		<b>26313 / 26314</b>	-
	not for government vehicles not for increased payload	-	<b>32804</b>
	for increased payload	-	<b>32806</b>
<b>325 i X (N 52)</b> <b>325 i X (N 52N)</b> <b>325 i X (N 53)</b>		<b>26313 / 26314</b>	<b>32806</b>
		<b>26309 / 26310</b>	-
		-	<b>32804</b>
<b>328 i (N 51)</b> <b>328 i (N 52N)</b>		<b>26309 / 26310</b>	-
	not for government vehicles not for increased payload	-	<b>32804</b>

rear axle

#### febi 26309

Ref. No. 33 41 6 762 317



AØ 75 IØ 42 B 37

#### febi 26310

Ref. No. 33 41 6 762 317 S1



AØ 75 IØ 42 B 37

#### febi 26313

Ref. No. 33 41 6 762 321



AØ 85 IØ 45 B 41

#### febi 26314

Ref. No. 33 41 6 762 321 S1



AØ 85 IØ 45 B 41

#### febi 32804

Ref. No. 33 41 6 760 056



AØ 145 x 6

#### febi 32806

Ref. No. 33 41 6 760 058



AØ 145 x 6



### 3 Series (E 90)

(2005→2011)

330 d (M 57N2)  
330 d X (M 57N2)  
330 i (N 52)  
330 i (N 52N)  
330 i (N 53)  
330 i X (N 52)  
330 i X (N 53)  
335 d (M 57N2)  
335 i (N 54)  
335 i X (N 54)

26313 / 26314

32806

### 3 Series (E 90 LCI)

(2008→2012)

M 3 (S 65)

316 d (N 47)  
316 i (N 43)  
316 i (N 45N)  
318 d (N 47)  
318 i (N 43)  
318 i (N 46N)

26313 / 26314

-

26309 / 26310

32807

rear axle

#### febi 26313

Ref. No. 33 41 6 762 321



AØ 85 IØ 45 B 41

#### febi 26314

Ref. No. 33 41 6 762 321 S1



AØ 85 IØ 45 B 41

#### febi 26309

Ref. No. 33 41 6 762 317



AØ 75 IØ 42 B 37

#### febi 26310

Ref. No. 33 41 6 762 317 S1



AØ 75 IØ 42 B 37

#### febi 32806

Ref. No. 33 41 6 760 058



AØ 145 x 6

#### febi 32807

Ref. No. 33 41 6 752 381



AØ 145 x 6



suitable for:

**BMW**

**Car  
Division**



### 3 Series (E 90 LCI)

(2008→2012)

<b>320 d (N 47)</b>	not for government vehicles	<b>26309 / 26310</b>	<b>32807</b>
		<b>26313 / 26314</b>	-
	for left-hand drive vehicles for government vehicles	-	<b>33736</b>
<b>320 d (N 47N)</b>		<b>26309 / 26313 / 26314</b>	-
	not for government vehicles not for increased payload	-	<b>32804</b>
	for government vehicles	-	<b>32806</b>
	not for government vehicles	-	<b>32807</b>
	for left-hand drive vehicles for government vehicles	-	<b>33736</b>
<b>320 d X (N 47)</b>		<b>26313 / 26314</b>	<b>33736</b>
<b>320 ed (N 47N)</b>		<b>26309 / 26314</b>	<b>32807</b>
	for left-hand drive vehicles for government vehicles	-	<b>33736</b>
<b>320 i (N 43) 320 i (N 46N) 323 i (N 52N)</b>		<b>26309 / 26310</b>	<b>32807</b>

rear axle

#### febi 26309

Ref. No. 33 41 6 762 317



AØ 75 IØ 42 B 37

#### febi 26310

Ref. No. 33 41 6 762 317 S1



AØ 75 IØ 42 B 37

#### febi 26313

Ref. No. 33 41 6 762 321



AØ 85 IØ 45 B 41

#### febi 26314

Ref. No. 33 41 6 762 321 S1



AØ 85 IØ 45 B 41

#### febi 32804

Ref. No. 33 41 6 760 056



AØ 145 x 6

#### febi 32806

Ref. No. 33 41 6 760 058



AØ 145 x 6

#### febi 32807

Ref. No. 33 41 6 752 381



AØ 145 x 6

#### febi 33736

Ref. No. 33 41 6 783 671



AØ 145 x 6

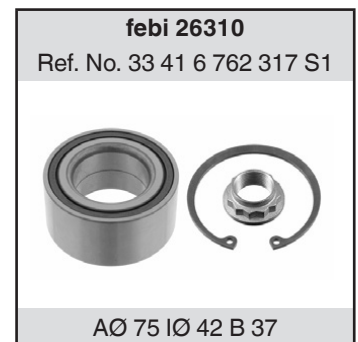


### 3 Series (E 90 LCI)

(2008→2012)

325 d (M 57N2) 325 d (N 57)		26313 / 26314	33736
325 i (N 52N) 325 i (N 53)	not for increased payload	26309 / 26310	32807
		26313 / 26314	-
	for increased payload	-	33736
325 i X (N 52N) 325 i X (N 53)		26313 / 26314	33736
328 i (N 51) 328 i (N 52N)		26309 / 26310	32807 / 33736
328 i X (N 51) 328 i X (N 52N)		26314	-
330 d (N 57)		26313 / 26314	33736
330 d X (N 57)		26313 / 26314	-
330 i (N 52N) 330 i (N 53) 330 i X (N 53) 335 d (M 57N2) 335 i (N 54) 335 i (N 55) 335 i X (N 54) 335 i X (N 55)		26313 / 26314	33736

rear axle



suitable for:

**BMW**

**Car  
Division**



### 3 Series (E 91)

(2005→2008)

- 318 d touring (M 47N2)
- 318 d touring (N 47)
- 318 i touring (N 43)
- 318 i touring (N 46)
- 318 i touring (N 46N)
- 320 d touring (M 47N2)
- 320 d touring (N 47)
- 320 d X touring (N 47)
- 320 i touring (N 43)
- 320 i touring (N 46)
- 320 i touring (N 46N)
- 323 i touring (N 52)
- 323 i touring (N 52N)
- 325 d touring (M 57N2)
- 325 i touring (N 52)
- 325 i touring (N 52N)
- 325 i touring (N 53)
- 325 i X touring (N 52)
- 325 i X touring (N 52N)
- 325 i X touring (N 53)
- 328 i touring (N 52)
- 328 i X touring (N 52)
- 330 d touring (M 57N2)
- 330 d X touring (M 57N2)
- 330 i touring (N 52)
- 330 i touring (N 52N)
- 330 i touring (N 53)
- 330 i X touring (N 52)
- 330 i X touring (N 53)
- 335 d touring (M 57N2)
- 335 i touring (N 54)
- 335 i X touring (N 54)

26313 / 26314

32806

rear axle

**febi 26313**

Ref. No. 33 41 6 762 321



AØ 85 IØ 45 B 41

**febi 26314**

Ref. No. 33 41 6 762 321 S1



AØ 85 IØ 45 B 41

**febi 32806**

Ref. No. 33 41 6 760 058



AØ 145 x 6



### 3 Series (E 91 LCI)

(2007→2012)

<b>316 d touring (N 47N)</b>	<b>26309 / 26313 / 26314</b>	<b>32807</b>
<b>316 i touring (N 43)</b>	<b>26309 / 26313 / 26314</b>	-
from the year of construction 09/2009	-	<b>32807</b>
to the year of construction 09/2009	-	<b>33736</b>
<b>318 d touring (N 47)</b> <b>318 i touring (N 43)</b>	<b>26309 / 26313 / 26314</b>	-
from the year of construction 09/2009 not for government vehicles not for increased payload For vehicles without active steering	-	<b>32807</b>
to the year of construction 09/2009	-	<b>33736</b>
<b>318 i touring (N 46N)</b>	<b>26309 / 26313 / 26314</b>	-
from the year of construction 09/2009	-	<b>32807</b>
to the year of construction 09/2009	-	<b>33736</b>

rear axle

**febi 26309**

Ref. No. 33 41 6 762 317



AØ 75 IØ 42 B 37

**febi 26313**

Ref. No. 33 41 6 762 321



AØ 85 IØ 45 B 41

**febi 26314**

Ref. No. 33 41 6 762 321 S1



AØ 85 IØ 45 B 41

**febi 32807**

Ref. No. 33 41 6 752 381



AØ 145 x 6

**febi 33736**

Ref. No. 33 41 6 783 671



AØ 145 x 6

suitable for:

**BMW**

**Car  
Division**



### 3 Series (E 91 LCI)

(2007→2012)

<b>320 d touring (N 47)</b>	<b>26309 / 26313 / 26314</b>	-
from the year of construction 09/2009 not for government vehicles not for increased payload For vehicles without active steering	-	<b>32807</b>
to the year of construction 09/2009	-	<b>33736</b>
<b>320 d touring (N 47N)</b>	<b>26309 / 26313 / 26314</b>	-
not for government vehicles not for increased payload For vehicles without active steering	-	<b>32807</b>
to the year of construction 09/2009	-	<b>33736</b>
<b>320 d X touring (N 47)</b> <b>320 d X touring (N 47N)</b>	<b>26313 / 26314</b>	-
to the year of construction 09/2009	-	<b>33736</b>
<b>320 ed touring (N 47)</b>	<b>26309 / 26313 / 26314</b>	<b>32807</b>
to the year of construction 09/2009	-	<b>33736</b>

rear axle

#### febi 26309

Ref. No. 33 41 6 762 317



AØ 75 IØ 42 B 37

#### febi 26313

Ref. No. 33 41 6 762 321



AØ 85 IØ 45 B 41

#### febi 26314

Ref. No. 33 41 6 762 321 S1



AØ 85 IØ 45 B 41

#### febi 32807

Ref. No. 33 41 6 752 381



AØ 145 x 6

#### febi 33736

Ref. No. 33 41 6 783 671



AØ 145 x 6



### 3 Series (E 91 LCI)

(2007→2012)

320 i touring (N 43) 320 i touring (N 46N)	26309 / 26313 / 26314	-
from the year of construction 09/2009 not for government vehicles not for increased payload For vehicles without active steering	-	32807
to the year of construction 09/2009	-	33736
323 i touring (N 52N)	26313 / 26314	33736
325 d touring (M 57N2) 325 d touring (N 57)	26313 / 26314	-
325 i touring (N 52N) 325 i touring (N 53) 325 i X touring (N 52N) 325 i X touring (N 53) 328 i touring (N 52N) 328 i X touring (N 52N) 330 d touring (N 57) 330 d X touring (N 57) 330 i touring (N 52N) 330 i touring (N 53) 330 i X touring (N 53) 335 d touring (M 57N2)	26313 / 26314	33736
335 i touring (N 54)	-	33736

rear axle

#### febi 26309

Ref. No. 33 41 6 762 317



AØ 75 IØ 42 B 37

#### febi 26313

Ref. No. 33 41 6 762 321



AØ 85 IØ 45 B 41

#### febi 26314

Ref. No. 33 41 6 762 321 S1



AØ 85 IØ 45 B 41

#### febi 32807

Ref. No. 33 41 6 752 381



AØ 145 x 6

#### febi 33736

Ref. No. 33 41 6 783 671



AØ 145 x 6

suitable for:

**BMW**

**Car  
Division**



**febi**  
bilstein



### 3 Series (E 91 LCI)

(2007→2012)

335 i touring (N 55) 335 i X touring (N 54)	26313 / 26314	33736
335 i X touring (N 55)	-	33736

### 3 Series (E 92)

(2006→2011)

M 3 Coupe (S 65)	26313 / 26314	-
316 i Coupe (N 43) 320 d Coupe (N 47)	26309 / 26310	32804
320 d X Coupe (N 47)	26313 / 26314	32806
320 i Coupe (N 43) 320 i Coupe (N 46N) 323 i Coupe (N 52N)	26309 / 26310	32804
325 d Coupe (M 57N2)	26313 / 26314	32806
325 i Coupe (N 52N) 325 i Coupe (N 53)	26309 / 26310	32804

rear axle

#### febi 26309

Ref. No. 33 41 6 762 317



AØ 75 IØ 42 B 37

#### febi 26310

Ref. No. 33 41 6 762 317 S1



AØ 75 IØ 42 B 37

#### febi 26313

Ref. No. 33 41 6 762 321



AØ 85 IØ 45 B 41

#### febi 26314

Ref. No. 33 41 6 762 321 S1



AØ 85 IØ 45 B 41

#### febi 32804

Ref. No. 33 41 6 760 056



AØ 145 x 6

#### febi 32806

Ref. No. 33 41 6 760 058



AØ 145 x 6

#### febi 33736

Ref. No. 33 41 6 783 671



AØ 145 x 6



### 3 Series (E 92)

(2006→2011)

325 i X Coupe (N 52N)  
325 i X Coupe (N 53)  
330 d Coupe (M 57N2)  
330 d Coupe (N 57)  
330 d X Coupe (M 57N2)  
330 d X Coupe (N 57)  
330 i Coupe (N 52N)  
330 i Coupe (N 53)  
330 i X Coupe (N 52)  
330 i X Coupe (N 52N)  
330 i X Coupe (N 53)  
335 d Coupe (M 57N2)  
335 i Coupe (N 54)  
335 i X Coupe (N 54)

26313 / 26314

32806

### 3 Series (E 92 LCI)

(2009→2013)

M 3 Coupe (S 65)

26313 / 26314

-

316 i Coupe (N 43)

26309 / 26310

32804

318 i Coupe (N 43)

320 d Coupe (N 47N)

26309 / 26310 /  
26313 / 26314

32804 / 32806

320 d X Coupe (N 47N)

26309 / 26310 /  
26313 / 26314

32806

rear axle

#### febi 26309

Ref. No. 33 41 6 762 317



AØ 75 IØ 42 B 37

#### febi 26310

Ref. No. 33 41 6 762 317 S1



AØ 75 IØ 42 B 37

#### febi 26313

Ref. No. 33 41 6 762 321



AØ 85 IØ 45 B 41

#### febi 26314

Ref. No. 33 41 6 762 321 S1



AØ 85 IØ 45 B 41

#### febi 32804

Ref. No. 33 41 6 760 056



AØ 145 x 6

#### febi 32806

Ref. No. 33 41 6 760 058



AØ 145 x 6



suitable for:

**BMW**

Car  
Division 



### 3 Series (E 92 LCI)

(2009→2013)

320 i Coupe (N 43) 320 i Coupe (N 46N) 323 i Coupe (N 52N)	26309 / 26310	32804
325 d Coupe (N 57)	26313 / 26314	32806
325 i Coupe (N 52N) 325 i Coupe (N 53)	26309 / 26310	32804
325 i X Coupe (N 52N) 325 i X Coupe (N 53) 330 d Coupe (N 57) 330 d X Coupe (N 57) 330 i Coupe (N 52N) 330 i Coupe (N 53) 330 i X Coupe (N 53) 335 d Coupe (N 57)	26313 / 26314	32806
335 i Coupe (N 55)	-	32806
335 i X Coupe (N 55)	26313 / 26314	32806

### 3 Series (E 93)

(2006→ )

M 3 Cabrio (S 65)	26313 / 26314	-
320 d Cabrio (N 47)	26313 / 26314	32806

rear axle

#### febi 26309

Ref. No. 33 41 6 762 317



AØ 75 IØ 42 B 37

#### febi 26310

Ref. No. 33 41 6 762 317 S1



AØ 75 IØ 42 B 37

#### febi 26313

Ref. No. 33 41 6 762 321



AØ 85 IØ 45 B 41

#### febi 26314

Ref. No. 33 41 6 762 321 S1



AØ 85 IØ 45 B 41

#### febi 32804

Ref. No. 33 41 6 760 056



AØ 145 x 6

#### febi 32806

Ref. No. 33 41 6 760 058



AØ 145 x 6



### 3 Series (E 93)

(2006→)

<b>320 i Cabrio (N 43)</b>	<b>26309 / 26310 / 26313 / 26314</b>	<b>-</b>
from the year of construction 09/2009 For vehicles without active steering	-	<b>32804</b>
to the year of construction 09/2009 For vehicles without active steering	-	<b>32806</b>
from the year of construction 09/2009 For vehicles with active steering		
<b>320 i Cabrio (N 46N)</b>	<b>26309 / 26310 / 26313 / 26314</b>	<b>-</b>
from the year of construction 09/2009	-	<b>32804</b>
to the year of construction 09/2009	-	<b>32806</b>
<b>323 i Cabrio (N 52)</b> <b>325 d Cabrio (M 57N2)</b> <b>325 i Cabrio (N 52N)</b> <b>325 i Cabrio (N 53)</b> <b>328 i Cabrio (N 52N)</b> <b>330 d Cabrio (M 57N2)</b> <b>330 d Cabrio (N 57)</b> <b>330 i Cabrio (N 52)</b> <b>330 i Cabrio (N 53)</b> <b>335 i Cabrio (N 54)</b>	<b>26313 / 26314</b>	<b>32806</b>

rear axle

**febi 26309**

Ref. No. 33 41 6 762 317



AØ 75 IØ 42 B 37

**febi 26310**

Ref. No. 33 41 6 762 317 S1



AØ 75 IØ 42 B 37

**febi 26313**

Ref. No. 33 41 6 762 321



AØ 85 IØ 45 B 41

**febi 26314**

Ref. No. 33 41 6 762 321 S1



AØ 85 IØ 45 B 41

**febi 32804**

Ref. No. 33 41 6 760 056



AØ 145 x 6

**febi 32806**

Ref. No. 33 41 6 760 058



AØ 145 x 6

suitable for:

**BMW**

**Car  
Division**



### 3 Series (E 93 LCI)

(2010→)

M 3 Cabrio (S 65)	26313 / 26314	-
318 i Cabrio (N 43)	26309 / 26310	32804
320 d Cabrio (N 47N)	26313 / 26314	32806
320 i Cabrio (N 43) 320 i Cabrio (N 46N)	26309 / 26310	32804
323 i Cabrio (N 52N) 325 d Cabrio (N 57) 325 i Cabrio (N 52N)	26313 / 26314	32806
325 i Cabrio (N 53)	26313 / 26314	-
328 i Cabrio (N 51) 330 d Cabrio (N 57) 330 i Cabrio (N 52N)	26313 / 26314	32806
330 i Cabrio (N 53)	26313 / 26314	-
335 i Cabrio (N 55)	26313 / 26314	32806

rear axle

#### febi 26309

Ref. No. 33 41 6 762 317



AØ 75 IØ 42 B 37

#### febi 26310

Ref. No. 33 41 6 762 317 S1



AØ 75 IØ 42 B 37

#### febi 26313

Ref. No. 33 41 6 762 321



AØ 85 IØ 45 B 41

#### febi 26314

Ref. No. 33 41 6 762 321 S1



AØ 85 IØ 45 B 41

#### febi 32804

Ref. No. 33 41 6 760 056



AØ 145 x 6

#### febi 32806

Ref. No. 33 41 6 760 058



AØ 145 x 6



### 3 Series (F 30)

(2011→)

3 Hybrid (N 55) 320 d X (N 47) 320 i X (N 20) 328 i (N 20) 328 i (N 26) 328 i X (N 20) 328 i X (N 26)	39827 / 39828	-
330 d (N 57)	39827	-
330 d (N 57N)	39827 / 39828	-
330 d X (N 57)	39827	-
330 d X (N 57N) 335 i (N 55) 335 i X (N 55)	39827 / 39828	-

### 3 Series (F 31)

(2012→)

320 d touring (N 47N) 320 d X touring (N 47)	39827 / 39828	-
320 i X touring (N 20)	39827	-
325 d touring (N 47S1) 328 i touring (N 20) 328 i X touring (N 20) 330 d touring (N 57N) 330 d X touring (N 57N) 335 i touring (N 55) 335 i X touring (N 55)	39827 / 39828	-

### 5 Series (E 28)

(1981→1987)

518 (M 10) 518 i (M 10)	04529	-
----------------------------	-------	---

rear axle



suitable for:

**BMW**

**Car  
Division**



## 5 Series (E 28)

(1981→1987)

520 i (M 20)	for vehicles without ABS	04529	-
	from the year of construction 09/1986		
	for vehicles with ABS		
524 td (M 21)	for vehicles without ABS	04529	-
	from the year of construction 09/1986		
	for vehicles with ABS		
525 e (M 20)	from the year of construction 04/1986	04529	-
525 i (M 30)	from the year of construction 09/1986	04529	-
	for vehicles with ABS		
	from the year of construction 04/1986		
	for vehicles without ABS		

## 5 Series (E 34)

(1987→1997)

rear axle	518 i (M 40)	04529	-
	518 i (M 43)		
	518 i touring (M 40)		
	518 i touring (M 43)		
	520 i (M 20)		
	520 i (M 50)		
	520 i touring (M 50)		
	524 td (M 21)		
	525 i (M 20)		
	525 i (M 50)		
	525 i touring (M 50)		
	525 i X (M 50)		
	525 i X touring (M 50)		
	525 td (M 51)		
	525 td touring (M 51)		
525 tds (M 51)			
525 tds touring (M 51)			

**febi 04529**

Ref. No. 33 41 1 123 415



AØ 74 IØ 37 B 45



## 5 Series (E 39)

(1995→2004)

M 5 (S 62)		12180 / 12202	-
520 d (M 47) 520 d touring (M 47)		12180 / 12202	32803
520 i (M 52)	to the year of construction 09/1998	12180 / 12202	32803
520 i (M 54) 520 i touring (M 52) 520 i touring (M 54) 523 i (M 52) 523 i touring (M 52) 525 d (M 57) 525 d touring (M 57) 525 i (M 54) 525 i touring (M 54) 525 td (M 51) 525 tds (M 51) 525 tds touring (M 51) 528 i (M 52) 528 i touring (M 52) 530 d (M 57) 530 d touring (M 57) 530 i (M 54) 530 i touring (M 54) 535 i (M 62) 540 i (M 62) 540 i touring (M 62)		12180 / 12202	32803

## 5 Series (E 60)

(2003→2007)

520 d (M 47N2) 520 i (M 54) 523 i (N 52) 525 d (M 57N) 525 i (M 54) 525 i (N 52)		12180 / 12202	28132
525 i X (N 52)		12180 / 12202	-

rear axle



suitable for:

**BMW**

**Car  
Division**



**febi**  
bilstein®



## 5 Series (E 60)

(2003→2007)

530 d (M 57N) 530 d (M 57N2)	12180 / 12202	28132
530 d X (M 57N2)	12180 / 12202	-
530 i (M 54)	12180 / 12202	28132
530 i (N 52)	12180 / 12202 / 21166 / 38258	21166 / 28132
530 i X (N 52)	12180 / 12202 / 21166 / 38258	21166
535 d (M 57N) 540 i (N 62N) 545 i (N 62)	12180 / 12202	28132
550 i (N 62N)	12180 / 12202 / 21166 / 38258	21166 / 28132

rear axle

### febi 12180

Ref. No. 33 41 1 095 652



AØ 80 IØ 45 B 37

### febi 12202

Ref. No. 33 41 1 095 652 S1



AØ 80 IØ 45 B 37

### febi 21166

Ref. No. 33 41 1 095 238



AØ 80 IØ 45 B 41

### febi 28132

Ref. No. 33 41 1 095 774



AØ 145 x 5

### febi 38258

Ref. No. 33 41 1 095 238 S1



AØ 80 IØ 45 B 41



## 5 Series (E 60 LCI)

(2007→)

520 d (M 47N2) 520 d (N 47) 520 i (N 43) 520 i (N 46N) 523 i (N 52N) 523 i (N 53) 525 d (M 57N2)	12180 / 12202	28132
525 d X (M 57N2)	12180 / 12202	-
525 i (N 53)	12180 / 12202	28132
525 i X (N 53)	12180 / 12202	-
528 i (N 52N)	12180 / 12202	28132
528 i X (N 52N)	12180 / 12202	-
530 d (M 57N2)	12180 / 12202	28132
530 d X (M 57N2)	12180 / 12202	-
530 i (N 52N) 530 i (N 53)	12180 / 12202 / 21166 / 38258	21166 / 28132
530 i X (N 52N) 530 i X (N 53)	12180 / 12202 / 21166 / 38258	21166
535 d (M 57N2) 535 i (N 54)	12180 / 12202	28132

rear axle

### febi 12180

Ref. No. 33 41 1 095 652



AØ 80 IØ 45 B 37

### febi 12202

Ref. No. 33 41 1 095 652 S1



AØ 80 IØ 45 B 37

### febi 21166

Ref. No. 33 41 1 095 238



AØ 80 IØ 45 B 41

### febi 28132

Ref. No. 33 41 1 095 774



AØ 145 x 5

### febi 38258

Ref. No. 33 41 1 095 238 S1



AØ 80 IØ 45 B 41



suitable for:

**BMW**

**Car  
Division**



## 5 Series (E 60 LCI)

(2007→)

535 i X (N 54)	12180 / 12202	-
540 i (N 62N)	12180 / 12202	28132
550 i (N 62N)	12180 / 12202 / 21166 / 38258	21166 / 28132

## 5 Series (E 61)

(2004→2007)

520 d touring (M 47N2)	21166 / 38258	21166 / 28132
520 i touring (M 54)		
523 i touring (N 52)		
525 d touring (M 57N)		
525 i touring (M 54)		
525 i touring (N 52)		
525 i X touring (N 52)	21166 / 38258	21166
528 i touring (N 52)	21166 / 38258	21166 / 28132
530 d touring (M 57N)		
530 d touring (M 57N2)		
530 d X touring (M 57N2)	21166 / 38258	21166
530 i touring (N 52)	21166 / 38258	21166 / 28132
530 i touring (N 54)		
530 i X touring (N 52)	21166 / 38258	21166

rear axle

**febi 12180**  
Ref. No. 33 41 1 095 652

AØ 80 IØ 45 B 37

**febi 12202**  
Ref. No. 33 41 1 095 652 S1

AØ 80 IØ 45 B 37

**febi 21166**  
Ref. No. 33 41 1 095 238

AØ 80 IØ 45 B 41

**febi 28132**  
Ref. No. 33 41 1 095 774

AØ 145 x 5

**febi 38258**  
Ref. No. 33 41 1 095 238 S1

AØ 80 IØ 45 B 41



### 5 Series (E 61)

(2004→2007)

535 d touring (M 57N)  
545 i touring (N 62)  
550 i touring (N 62N)

21166 / 38258

21166 / 28132

### 5 Series (E 61 LCI)

(2007→)

520 d touring (M 47N2)  
520 d touring (N 47)  
520 i touring (N 43)  
523 i touring (N 52N)  
523 i touring (N 53)  
525 d touring (M 57N2)

21166 / 38258

21166 / 28132

525 d X touring (M 57N2)

21166 / 38258

21166

525 i touring (N 52N)  
525 i touring (N 53)

21166 / 38258

21166 / 28132

525 i X touring (N 53)

21166 / 38258

21166

530 d touring (M 57N2)

21166 / 38258

21166 / 28132

530 d X touring (M 57N2)

21166 / 38258

21166

530 i touring (N 52N)  
530 i touring (N 53)  
530 i X touring (N 52N)

21166 / 38258

21166 / 28132

530 i X touring (N 53)

21166 / 38258

21166

535 d touring (M 57N2)

21166 / 38258

21166 / 28132

535 i X touring (N 54)

21166 / 38258

21166

550 i touring (N 62N)

21166 / 38258

21166 / 28132

rear axle



suitable for:

**BMW**

**Car  
Division**



**5 Series (F 07)**

(2009→2013)

all	to the year of construction 09/2011	36275 / 36751	-
		-	36679

**5 Series (F 07 LCI)**

(2012→)

530 d X GT (N 57N)		-	36679
535 d GT (N 57Z)			
535 d X GT (N 57Z)			
550 i GT (N 63N)			
550 i X GT (N 63N)			

**5 Series (F 10)**

(2010→2013)

M 5 (S 63)	to the year of construction 09/2011	36275 / 36751	-
		-	36679
M 550 d X (N 57)		-	36679
520 d (N 47N)	To DAM number 09/2011	36275	-
		-	36679
	to the year of construction 09/2011	36751	-
520 ed (N 47N)	to the year of construction 09/2011	36275 / 36751	-
523 i (N 52N)	To DAM number 09/2011	36275	-
		to the year of construction 09/2011	36751
525 d (N 47S1)	to the year of construction 09/2011	36275 / 36751	-

rear axle

**febi 36275**  
Ref. No. 33 40 6 850 159

AØ 95 IØ 49

**febi 36679**  
Ref. No. 33 41 6 777 844

AØ 145 x 6

**febi 36751**  
Ref. No. 33 40 6 850 159 S1

AØ 95 IØ 49



## 5 Series (F 10)

(2010→2013)

525 d (N 57)	To DAM number 09/2011	36275	-
		-	36679
	to the year of construction 09/2011	36751	-
525 d X (N 47)		-	36679
525 d X (N 47S1)	to the year of construction 09/2011	36275 / 36751	-
528 i (N 20)		-	36679
528 i (N 52N)		-	36679
528 i (N 53)	To DAM number 09/2011	36275	-
		-	36679
	to the year of construction 09/2011	36751	-
528 i X (N 20)	to the year of construction 09/2011	36275 / 36751	-
		-	36679
		-	36679
530 d (N 57)	To DAM number 09/2011	36275	-
		-	36679
	to the year of construction 09/2011	36751	-
530 d (N 57N) 530 d X (N 57) 530 d X (N 57N) 530 i (N 53)	to the year of construction 09/2011	36275 / 36751	-
		-	36679
		-	36679
		-	36679
535 d (N 57S)	To DAM number 09/2011	36275	-
		-	36679
	to the year of construction 09/2011	36751	-
535 d (N 57Z) 535 d X (N 57Z)	to the year of construction 09/2011	36275 / 36751	-
		-	36679

rear axle



suitable for:

**BMW**

**Car  
Division**



## 5 Series (F 10)

(2010→2013)

<b>535 i (N 55)</b>	To DAM number 09/2011	<b>36275</b>	-
		-	<b>36679</b>
	to the year of construction 09/2011	<b>36751</b>	-
<b>535 i X (N 55)</b>	to the year of construction 09/2011	<b>36275 / 36751</b>	-
		-	<b>36679</b>
<b>550 i (N 63) 550 i X (N 63)</b>	To DAM number 09/2011	<b>36275</b>	-
		-	<b>36679</b>
	to the year of construction 09/2011	<b>36751</b>	-

## 5 Series (F 11)

(2010→2013)

<b>M 550 d X touring (N 57)</b>		-	<b>36679</b>
<b>520 d touring (N 47N) 520 i touring (N 20)</b>	to the year of construction 09/2011	<b>36275 / 36751</b>	-
		-	<b>36679</b>
<b>523 i touring (N 52N)</b>		-	<b>36679</b>

rear axle

**febi 36275**

Ref. No. 33 40 6 850 159



AØ 95 IØ 49

**febi 36679**

Ref. No. 33 41 6 777 844



AØ 145 x 6

**febi 36751**

Ref. No. 33 40 6 850 159 S1



AØ 95 IØ 49



## 5 Series (F 11)

(2010→2013)

523 i touring (N 53)	to the year of construction 09/2011	36275 / 36751	-
525 d touring (N 47S1)		-	36679
525 d X touring (N 57)			
525 d X touring (N 47S1)			
528 i touring (N 20)			
528 i touring (N 52N)			
528 i touring (N 53)			
528 i X touring (N 20)			
530 d touring (N 57)			
530 d touring (N 57N)			
530 d X touring (N 57)			
530 d X touring (N 57N)			
530 i touring (N 53)			
535 d touring (N 57)			
535 d touring (N 57S)			
535 d touring (N 57Z)			
535 d X touring (N 57Z)			
535 i touring (N 55)			
535 i X touring (N 55)		-	36679
550 i touring (N 63)	to the year of construction 09/2011	36275 / 36751	-
		-	36679

rear axle



suitable for:

**BMW**

**Car  
Division**



**febi**  
bilstein



**6 Series (E 63)**

(2003→2007)

630 i Coupe (N 52)  
645 i Coupe (N 62)  
650 i Coupe (N 62N)

21166 / 38258

21166 / 28132

**6 Series (E 63 LCI)**

(2007→2011)

630 i Coupe (N 52N)  
630 i Coupe (N 53)  
635 d Coupe (M 57N2)  
650 i Coupe (N 62N)

21166 / 38258

21166 / 28132

**6 Series (E 64)**

(2004→2007)

630 i Cabrio (N 52)  
645 i Cabrio (N 62)  
650 i Cabrio (N 62N)

21166 / 38258

21166 / 28132

**6 Series (E 64 LCI)**

(2007→)

630 i Cabrio (N 52N)  
630 i Cabrio (N 53)  
635 d Cabrio (M 57N2)  
650 i Cabrio (N 62N)

21166 / 38258

21166 / 28132

**6 Series (F 12)**

(2011→)

all

-

36679

**6 Series (F 13)**

(2011→)

M 6 Coupe (S 63)

-

36679

rear axle

**febi 21166**

Ref. No. 33 41 1 095 238



AØ 80 IØ 45 B 41

**febi 28132**

Ref. No. 33 41 1 095 774



AØ 145 x 5

**febi 36679**

Ref. No. 33 41 6 777 844



AØ 145 x 6

**febi 38258**

Ref. No. 33 41 1 095 238 S1



AØ 80 IØ 45 B 41



## 6 Series (F 13)

(2011→)

640 d Coupe (N 57N)	to the year of construction 09/2011	36275 / 36751	-
		-	36679
640 d X Coupe (N 57)		-	36679
640 i Coupe (N 55) 650 i Coupe (N 63)	to the year of construction 09/2011	36275 / 36751	-
		-	36679
650 i Coupe (N 63N)		-	36679
650 i X Coupe (N 63)	to the year of construction 09/2011	36275 / 36751	-
		-	36679
650 i X Coupe (N 63N)		-	36679

## 7 Series (E 38)

(1993→2002)

all		09004 / 32044	28132
-----	--	---------------	-------

## 7 Series (E 65)

(2001→2009)

all		21166 / 38258	21166
-----	--	---------------	-------

rear axle





suitable for:

**BMW**

**Car  
Division**



**7 Series (E 66)**

(2001→2008)

all

21166 / 38258

21166

**7 Series (F 01)**

(2008→2012)

all

to the year of construction 09/2011

36275 / 36751

-

-

36679

**7'er (F 01 LCI)**

(2012→)

all

-

36679

**7 Series (F 02)**

(2008→2012)

730 Ld (N 57)

to the year of construction 09/2011

36275 / 36751

-

-

36679

730 Li (N 52)

-

36679

rear axle

**febi 21166**

Ref. No. 33 41 1 095 238



AØ 80 IØ 45 B 41

**febi 36275**

Ref. No. 33 40 6 850 159



AØ 95 IØ 49

**febi 36679**

Ref. No. 33 41 6 777 844



AØ 145 x 6

**febi 36751**

Ref. No. 33 40 6 850 159 S1



AØ 95 IØ 49

**febi 38258**

Ref. No. 33 41 1 095 238 S1



AØ 80 IØ 45 B 41



### 7 Series (F 02)

(2008→2012)

730 Li (N 52N)	to the year of construction 09/2011	36275 / 36751	-
740 Li (N 54)		-	36679
750 Li (N 63)			
750 Li X (N 63)			
760 Li (N 74)			

### 7'er (F 02 LCI)

(2012→)

all		-	36679
-----	--	---	-------

### 7 Series (F 04)

(2010→)

7 Hybrid Li (N 63)	to the year of construction 09/2011	36275 / 36751	-
7 Hybrid X (N 63)		-	36679

rear axle



suitable for:

**BMW**

**Car  
Division**



## 8 Series (E 31)

(1989→1999)

- 840 Ci (M 62)
- 840 i (M 60)
- 850 Ci (M 70)
- 850 Ci (M 73)
- 850 CSI (M 70)
- 850 i (M 70)

09004 / 32044

28132

rear axle

### febi 09004

Ref. No. 33 41 1 090 505



AØ 85 IØ 45 B 41

### febi 28132

Ref. No. 33 41 1 095 774



AØ 145 x 5

### febi 32044

Ref. No. 33 41 2 295 519



AØ 85,05 IØ 45 B 41



## Epica

(2005→)

2,0 C20SED  
2,0 T20SED  
2,0 X20D1  
2,0 D Z20DMH  
2,0 Z20E1  
2,0 Z20E2

32805

32805

## Evanda

(2002→2006)

2,0 T20SED  
2,0 X20SED  
2,5 X25D1

32805

32805

## Lacetti

(2003→)

all

32805

32805

## Matiz

(1998→)

0,8 A08S  
0,8 F8CV  
1,0 B10S  
1,0 B10S1

31529

-

## Nubira

(1997→)

all

32805

32805

## Spark

(2000→)

0,8 F8CV  
0,8 LBF

31529

-

rear axle

### febi 31529

Ref. No. 96316635 S1



AØ 52 IØ 25 B 16,3  
AØ 47 IØ 20 B 15,9

### febi 32805

Ref. No. 96639607



AØ 140  
LKØ 114,3 x 4

suitable for:

**Citroën**

**Car  
Division**



**AX**

(1988→1997)

all

11420 / 11704

-

**AX 4x4**

(1991→1995)

all

11420 / 11704

-

**Berlingo I**

(1996→2002)

all

for vehicles without ABS

29382

29382

for vehicles with ABS  
for vehicles without ESP

29384

29384

**Berlingo I 4x4**

(1998→2002)

1,8 XU7JB

1,9 D DW8

1,9 D DW8B

for vehicles without ABS

29382

29382

for vehicles with ABS  
for vehicles without ESP

29384

29384

**Berlingo II**

(1999→2011)

0,0 ELSA18MV

0,0 SA18

1,1 TU1JP

1,4 TU3JP

1,4 TU3JPCNG

1,6 D DV6ATED4

1,6 D DV6B

1,6 D DV6ETED

1,6 D DV6TED4

1,6 TU5JP4

1,9 D DW8B

2,0 D DW10TD

for vehicles without ABS

29382

29382

to Control Number 10219  
for vehicles with ABS  
for vehicles without ESP

29384

29384

rear axle

**febi 11420**

Ref. No. 3748.17



AØ 52 IØ 25 B 37

**febi 11704**

Ref. No. 3748.17 S1



AØ 52 IØ 25 B 37

**febi 29382**

Ref. No. 3748.43



AØ 129 IØ 32 B 60,4  
LKØ 108 x 4

**febi 29384**

Ref. No. 3748.44



AØ 129 IØ 32 B 60,4  
LKØ 108 x 4



## Berlingo II 4x4

(2000→2006)

1,9 D DW8B  
2,0 D DW10TD

for vehicles without ABS

29382

29382

to Control Number 10219  
for vehicles with ABS  
for vehicles without ESP

29384

29384

## C Crosser 4x4

(2007→)

2,2 D DW12MTED4  
2,4 4B12  
2,4 MMC

31826

31826

## C1

(2005→)

all

31063

31063

## C2

(2003→)

all

disc brake

31185

31185

rear axle

### febi 29382

Ref. No. 3748.43



AØ 129 IØ 32 B 60,4  
LKØ 108 x 4

### febi 29384

Ref. No. 3748.44



AØ 129 IØ 32 B 60,4  
LKØ 108 x 4

### febi 31063

Ref. No. 3748.85



LKØ 100 x 4

### febi 31185

Ref. No. 3748.76



AØ 129 B 60  
LKØ 108 x 4

### febi 31826

Ref. No. 3730.36



AØ 140  
LKØ 110 x 5

suitable for:

**Citroën**

**Car  
Division**



**C25**

(1981→1994)

all	not for payload [kg] 1800	19295	-
-----	---------------------------	-------	---

**C25 4x4**

(1983→1994)

all	not for payload [kg] 1800	19295	-
-----	---------------------------	-------	---

**C3 I**

(2002→2009)

all	disc brake	31185	31185
-----	------------	-------	-------

**C3 I Pluriel**

(2003→2011)

all	disc brake	31185	31185
-----	------------	-------	-------

**C3 II**

(2005→2009)

all	disc brake	31185	31185
-----	------------	-------	-------

**C3 II Picasso**

(2009→ )

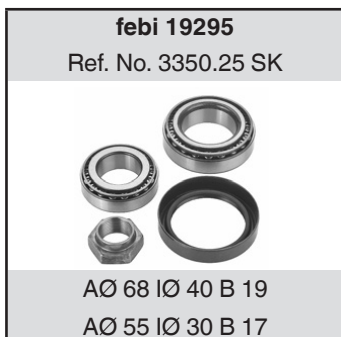
all		40014	-
-----	--	-------	---

**C3 III**

(2009→ )

1,4 EP3 1,4 EP3C 1,6 EP6C	For vehicles with disc brakes on the rear axle	40014	-
---------------------------------	--	-------	---

rear axle





**C4 I**

(2004→)

all	from Control Number 11018 77 for vehicles with ABS	28264	28264
	from Control Number 11905	40014	-

**C5 III**

(2008→)

all	for vehicles with ABS	29394	29394
-----	-----------------------	-------	-------

**C6**

(2005→)

all	for vehicles with ABS	29394	29394
-----	-----------------------	-------	-------

**C8**

(2002→)

all		40017	40017
-----	--	-------	-------

**Dispatch I**

(1995→2003)

all		14535	14535
-----	--	-------	-------

rear axle

**febi 14535**  
Ref. No. 3350.28 SK

AØ 120 IØ 30 B 70  
LKØ 95 x 5

**febi 28264**  
Ref. No. 3748.74

AØ 129 IØ 25 B 58,80  
LKØ 108 x 4

**febi 29394**  
Ref. No. 3748.87

AØ 128 IØ 32 B 60  
LKØ 108 x 5

**febi 40014**  
Ref. No. 3748.90

AØ 62 IØ 30

**febi 40017**  
Ref. No. 3350.71

AØ 120 IØ 30



suitable for:

# Citroën

Car  
Division 



## Dispatch II

(1996→2006)

1,9 D DW8B  
1,9 D XUD9TE  
2,0 D DW10ATED  
2,0 D DW10ATED4  
2,0 D DW10BTED  
2,0 D DW10CTED  
2,0 EW10J4

14535

14535

## Dispatch III

(2006→)

1,6 D DV6UTED4  
2,0 D DW10BTED4  
2,0 D DW10CD  
2,0 D DW10CE  
2,0 D DW10CTED4  
2,0 D DW10UTED4  
2,0 EW10A

30886 / 30887

30886 / 30887

## DS3

(2009→)

all For vehicles with disc brakes on the rear axle

40014

-

rear axle

**febi 14535**

Ref. No. 3350.28 SK



AØ 120 IØ 30 B 70  
LKØ 95 x 5

**febi 30886**

Ref. No. 3748.A0



AØ 128 B 128  
LKØ 104 x 5

**febi 30887**

Ref. No. 3748.99



AØ 128 B 128  
LKØ 104 x 5

**febi 40014**

Ref. No. 3748.90



AØ 62 IØ 30



**DS5**

(2011→)

2,0 DW10CTED4

40703

-

**DS5 4x4**

(2011→)

2,0 DW10CTED4

40703

-

**Evasion**

(1994→2002)

all

14535

14535

**Jumper I 27**

(1994→2002)

all

to Chassis No. 16194399  
not for payload [kg] 1800

19295

-

**Jumper I 27 4x4**

(1997→2000)

2,0 XU10J2C

drum brake

12691 / 12695

-

rear axle

**febi 12691**

Ref. No. 3350.29



AØ 80 IØ 50 B 21,5

**febi 12695**

Ref. No. 3350.29 SK



AØ 80 IØ 50 B 21,5

**febi 14535**

Ref. No. 3350.28 SK



AØ 120 IØ 30 B 70  
LKØ 95 x 5

**febi 19295**

Ref. No. 3350.25 SK



AØ 68 IØ 40 B 19  
AØ 55 IØ 30 B 17

**febi 40703**

Ref. No. 3350.82



AØ 83 IØ 45

suitable for:

# Citroën

Car  
Division 



## Jumper I 31

(1994→2002)

all to Chassis No. 16194399  
not for payload [kg] 1800

19295

-

## Jumper I 31 4x4

(1996→2002)

all drum brake

12691 / 12695

-

## Jumper I 35

(1994→2002)

all to Chassis No. 16194399  
not for payload [kg] 1800

19295

-

## Jumper I 35 4x4

(1996→2002)

all drum brake

12691 / 12695

-

## Jumper III

(2006→)

all Payload [kg] 1200  
Payload [kg] 1400  
Payload [kg] 1600

40018

40018

rear axle

### febi 12691

Ref. No. 3350.29



AØ 80 IØ 50 B 21,5

### febi 12695

Ref. No. 3350.29 SK



AØ 80 IØ 50 B 21,5

### febi 19295

Ref. No. 3350.25 SK



AØ 68 IØ 40 B 19

AØ 55 IØ 30 B 17

### febi 40018

Ref. No. 3701.82



AØ 143 IØ 42



## Jumpy I

(1995→2000)

all	14535	14535
-----	-------	-------

## Jumpy II

(1999→2006)

all	14535	14535
-----	-------	-------

## Jumpy III

(2006→)

all	30886 / 30887	30886 / 30887
-----	---------------	---------------

## Relay

(1997→2000)

2,5 D DJ5TED	to Chassis No. 16194399 not for payload [kg] 1800	19295	-
--------------	--	-------	---

## Relay I

(1994→2002)

1,9 D XUD9TE 1,9 D XUD9TF 1,9 D XUD9UTF	to Chassis No. 16194399 not for payload [kg] 1800	19295	-
---	--	-------	---

rear axle

### febi 14535

Ref. No. 3350.28 SK



AØ 120 IØ 30 B 70  
LKØ 95 x 5

### febi 19295

Ref. No. 3350.25 SK



AØ 68 IØ 40 B 19  
AØ 55 IØ 30 B 17

### febi 30886

Ref. No. 3748.A0



AØ 128 B 128  
LKØ 104 x 5

### febi 30887

Ref. No. 3748.99



AØ 128 B 128  
LKØ 104 x 5

suitable for:

**Citroën**

**Car  
Division**



**Relay I**

(1994→2002)

2,0 D DW10TD	not for payload [kg] 1800	12691	-
	to Control Number 09092 not for payload [kg] 1800	19295	-
2,0 D DW10UTD 2,0 XU10J2C 2,0 XU10J2U	to Chassis No. 16194399 not for payload [kg] 1800	19295	-

**Relay I 1000**

(1994→2002)

1,9 D XUD9A	to Chassis No. 16194399 to Control Number 09092 not for payload [kg] 1800	19295	-
2,8 D 814043S	to Chassis No. 16194399 not for payload [kg] 1800	19295	-

**Relay I 1400**

(1994→2002)

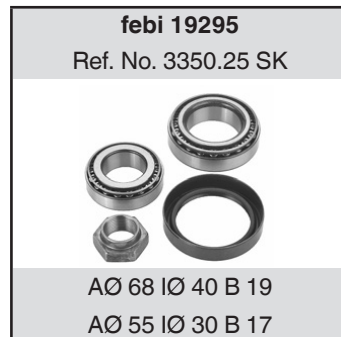
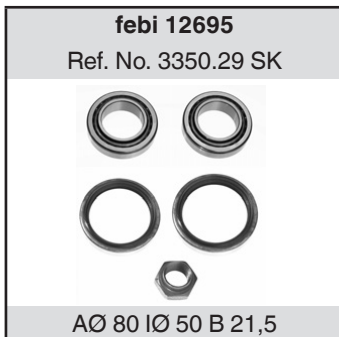
2,5 D DJ5 2,5 D DJ5T 2,5 D DJ5TED 2,8 D 814043	to Chassis No. 16194399 not for payload [kg] 1800	19295	-
2,8 D 814043S	to Chassis No. 16194399 to Control Number 09092 not for payload [kg] 1800	19295	-
2,8 D 814063	to Chassis No. 16194399 not for payload [kg] 1800	19295	-

**Relay I 1400 4x4**

(2000→2002)

2,8 D 814043S	drum brake	12691 / 12695	-
---------------	------------	---------------	---

rear axle





### Relay I 1800

(1994→2002)

2,5 D DJ5	to Chassis No. 16194399 to Control Number 09092 not for payload [kg] 1800	19295	-
2,5 D DJ5T 2,5 D DJ5TED	to Chassis No. 16194399 not for payload [kg] 1800	19295	-
2,8 D 814043 2,8 D 814043S	to Chassis No. 16194399 to Control Number 09092 not for payload [kg] 1800	19295	-
2,8 D 814063	to Chassis No. 16194399 not for payload [kg] 1800	19295	-

### Relay I 1800 4x4

(2000→2002)

2,8 D 814043S	drum brake	12691 / 12695	-
---------------	------------	---------------	---

### Relay I 4x4

(1994→2002)

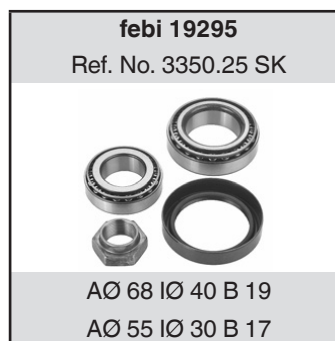
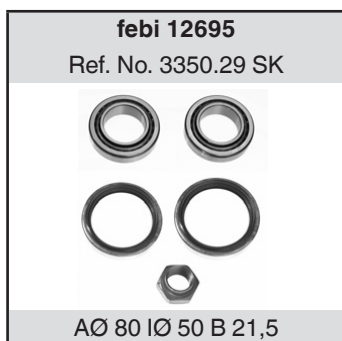
all	drum brake	12691 / 12695	-
-----	------------	---------------	---

### Relay III

(2006→)

all	Payload [kg] 1200 Payload [kg] 1400 Payload [kg] 1600	40018	40018
-----	---	-------	-------

rear axle



suitable for:

**Citroën**

**Car  
Division**



**Saxo**

(1996→2004)

<b>0,0 SA13</b>	to Control Number 08091	<b>11420 / 11704</b>	-
	to Control Number 08093 drum brake for vehicles with ABS		
	to Control Number 08093 Rim Hole Number 4		
	from Control Number 08092 For vehicles with drum brakes on the rear axle	<b>34924</b>	-
<b>1,0 TU9M</b>	to Control Number 08091 for vehicles with heavy duty chassis	<b>11420 / 11704</b>	-
	to Control Number 08330 for vehicles with standard chassis		
	to Control Number 08093 drum brake for vehicles with ABS		
	to Control Number 08093 Rim Hole Number 4	<b>34924</b>	-
from Control Number 08092 For vehicles with drum brakes on the rear axle			
<b>1,1 TU1JP</b>	to Control Number 08091 for vehicles with heavy duty chassis	<b>11420 / 11704</b>	-
	to Control Number 08091 for vehicles with standard chassis Number of Doors 3		
	to Control Number 08093 drum brake for vehicles with ABS		
	to Control Number 08093 for vehicles without ABS Rim Hole Number 4		

rear axle





**Saxo**

(1996→2004)

	from Control Number 08793 For vehicles with drum brakes on the rear axle	<b>34924</b>	-
<b>1,1 TU1M</b>	to Control Number 08091 for vehicles with heavy duty chassis	<b>11420 / 11704</b>	-
	to Control Number 08091 for vehicles with standard chassis Number of Doors 3		
	to Control Number 08093 drum brake for vehicles with ABS		
	to Control Number 08093 for vehicles without ABS Rim Hole Number 4		
<b>1,1 TU1M+</b>	to Control Number 08091 for vehicles with heavy duty chassis	<b>11420 / 11704</b>	-
	for vehicles with standard chassis to Control Number 08091 Number of Doors 3		
	to Control Number 08093 drum brake for vehicles with ABS		
	to Control Number 08093 for vehicles without ABS Rim Hole Number 4		
	from Control Number 08092 For vehicles with drum brakes on the rear axle	<b>34924</b>	-

rear axle





suitable for:

**Citroën**

**Car  
Division**



**Saxo**

(1996→2004)

rear axle	<b>1,4 TU3JP</b>	to Control Number 08091	<b>11420 / 11704</b>	-
		to Control Number 08093 drum brake for vehicles with ABS		
		to Control Number 08093 for vehicles without ABS Rim Hole Number 4		
		from Control Number 08092 For vehicles with drum brakes on the rear axle	<b>34924</b>	-
	<b>1,5 D TUD5 1,5 D TUD5B</b>	to Control Number 08091 for vehicles with heavy duty chassis	<b>11420 / 11704</b>	-
		to Control Number 08091 for vehicles with standard chassis Number of Doors 3		
		to Control Number 08093 drum brake for vehicles with ABS		
		to Control Number 08093 for vehicles without ABS Rim Hole Number 4		
from Control Number 08092 For vehicles with drum brakes on the rear axle		<b>34924</b>		



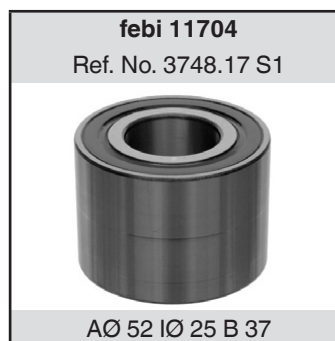


**Saxo**

(1996→2004)

<b>1,6 TU5J4</b>	to Control Number 08091 for vehicles with heavy duty chassis	<b>11420 / 11704</b>	-
	to Control Number 08091 for vehicles with standard chassis Number of Doors 3		
	to Control Number 08093 drum brake for vehicles with ABS		
	to Control Number 08093 for vehicles without ABS Rim Hole Number 4		
<b>1,6 TU5JP</b>	to Control Number 08091 drum brake	<b>11420 / 11704</b>	-
	to Control Number 08093 drum brake for vehicles with ABS		
	to Control Number 08093 for vehicles without ABS Rim Hole Number 4		
	from Control Number 08092 For vehicles with drum brakes on the rear axle	<b>34924</b>	-
<b>1,6 TU5JP4</b>	to Control Number 08091 for vehicles with heavy duty chassis	<b>11420 / 11704</b>	-
	to Control Number 08091 for vehicles with standard chassis Number of Doors 3		
	to Control Number 08093 drum brake for vehicles with ABS		
	to Control Number 08093 for vehicles without ABS Rim Hole Number 4		

rear axle



suitable for:

**Citroën**

**Car  
Division**



**Synergie**

(1994→2003)

all

14535

14535

**Xantia I**

(1993→1998)

1,6 XU5JP

from Control Number 06779  
for vehicles with ABS

28498

28498

for vehicles without ABS

29382

29382

1,8 XU7JB

for vehicles with ABS

28498

28498

1,8 XU7JP

from Control Number 06779

1,8 XU7JP4

for vehicles without ABS

29382

29382

1,9 D XUD9

from Control Number 06779

28498

28498

1,9 D XUD9A

for vehicles with ABS

for vehicles without ABS

29382

29382

1,9 D XUD9BTF

for vehicles with ABS

28498

28498

for vehicles without ABS

29382

29382

1,9 D XUD9SD

for vehicles with ABS

28498

28498

from Control Number 06779

for vehicles without ABS

29382

29382

1,9 D XUD9T

from Control Number 06779

28498

28498

1,9 D XUD9TE

for vehicles with ABS

1,9 D XUD9TF

for vehicles without ABS

29382

29382

1,9 D XUD9Y

2,0 XU10J2

2,0 XU10J2C

2,0 XU10J2TE

for vehicles with ABS

28498

28498

from Control Number 06779

for vehicles without ABS

29382

29382

2,0 XU10J4

2,0 XU10J4D

from Control Number 06779

28498

28498

for vehicles with ABS

for vehicles without ABS

29382

29382

rear axle

**febi 14535**

Ref. No. 3350.28 SK



AØ 120 IØ 30 B 70  
LKØ 95 x 5

**febi 28498**

Ref. No. 3748.29



AØ 128 IØ 32 B 60  
LKØ 108 x 4

**febi 29382**

Ref. No. 3748.43



AØ 129 IØ 32 B 60,4  
LKØ 108 x 4



## Xantia I

(1993→1998)

2,0 XU10J4R 2,1 D XUD11BTE	for vehicles with ABS from Control Number 06779	28498	28498
	for vehicles without ABS	29382	29382
3,0 ES9J4	from Control Number 06779 for vehicles with ABS	28498	28498
	for vehicles without ABS	29382	29382

## Xantia II

(1998→2003)

all	to Control Number 08336 for vehicles with ABS	28498	28498
	for vehicles without ABS	29382	29382

## XM II

(1994→2000)

all	from Control Number 07478	40015	-
-----	---------------------------	-------	---

rear axle



suitable for:

**Citroën**

**Car  
Division**



## Xsara I

(1997→2005)

1,4 TU3JP 1,5 D TUD5 1,6 TU5JP	to Control Number 07969	11420 / 11704	-
	drum brake	31184	31184
	from Control Number 07970 For vehicles with drum brakes on the rear axle	34924	-
1,8 XU7JB 1,8 XU7JP 1,8 XU7JP4 1,8 D XUD7 1,9 D DW8	to Control Number 07969 for vehicles with heavy duty chassis	11420 / 11704	-
	to Control Number 07969 drum brake for vehicles with standard chassis		
	drum brake	31184	31184
	from Control Number 07970 For vehicles with drum brakes on the rear axle	34924	-
1,9 D DW8B	to Control Number 07969 for vehicles with heavy duty chassis	11420 / 11704	-
	to Control Number 07969 drum brake for vehicles with standard chassis		
	from Control Number 07970 For vehicles with drum brakes on the rear axle	34924	-
1,9 D XUD9	drum brake	31184	31184
	from Control Number 07970 For vehicles with drum brakes on the rear axle	34924	-

rear axle

**febi 11420**

Ref. No. 3748.17



AØ 52 IØ 25 B 37

**febi 11704**

Ref. No. 3748.17 S1



AØ 52 IØ 25 B 37

**febi 31184**

Ref. No. 3748.31



AØ 129 IØ 25 B 59,2  
LKØ 108 x 4

**febi 34924**

Ref. No. 3748.39



AØ 52 IØ 25 B 37



## Xsara I

(1997→2005)

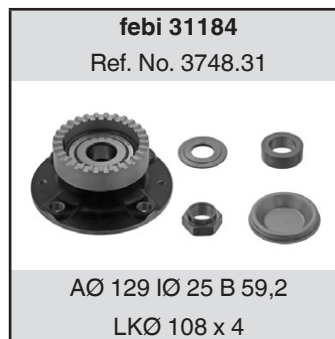
1,9 D XUD9A 1,9 D XUD9BSD 1,9 D XUD9TE 2,0 D DW10TD 2,0 XU10J4R	to Control Number 07969 for vehicles with heavy duty chassis	11420 / 11704	-
	to Control Number 07969 drum brake for vehicles with standard chassis		
	drum brake	31184	31184
	from Control Number 07970 For vehicles with drum brakes on the rear axle	34924	-
2,0 XU10J4RS	to Control Number 07969 for vehicles with heavy duty chassis	11420 / 11704	-
	to Control Number 07969 drum brake for vehicles with standard chassis		
	from Control Number 07970 For vehicles with drum brakes on the rear axle	34924	-

## Xsara II

(2000→2005)

1,4 D DV4TD	to Control Number 07969 for vehicles with heavy duty chassis	11420 / 11704	-
	drum brake	31184	31184
1,6 TU5JP4	to Control Number 07969	11420 / 11704	-
	drum brake	31184	31184
	from Control Number 07970 For vehicles with drum brakes on the rear axle	34924	-
1,8 EW7J4	to Control Number 07969 for vehicles with heavy duty chassis	11420 / 11704	-

rear axle





## Xsara II

(2000→2005)

rear axle	1,9 D DW8B	drum brake	31184	31184
		from Control Number 07970 For vehicles with drum brakes on the rear axle	34924	-
	2,0 D DW10	to Control Number 07969 for vehicles with heavy duty chassis	11420 / 11704	-
		to Control Number 07969 drum brake for vehicles with standard chassis		
		from Control Number 07970 For vehicles with drum brakes on the rear axle	34924	-
	2,0 D DW10ATED	to Control Number 07969 for vehicles with heavy duty chassis	11420 / 11704	-
to Control Number 07969 drum brake for vehicles with standard chassis				
drum brake		31184	31184	
from Control Number 07970 For vehicles with drum brakes on the rear axle		34924	-	
2,0 D DW10TD	to Control Number 07969 for vehicles with heavy duty chassis	11420 / 11704	-	
	to Control Number 07969 drum brake for vehicles with standard chassis			
	from Control Number 07970 For vehicles with drum brakes on the rear axle	34924	-	
2,0 EW10J4	to Control Number 07969 for vehicles with heavy duty chassis	11420 / 11704	-	
	drum brake			31184

### febi 11420

Ref. No. 3748.17



AØ 52 IØ 25 B 37

### febi 11704

Ref. No. 3748.17 S1



AØ 52 IØ 25 B 37

### febi 31184

Ref. No. 3748.31



AØ 129 IØ 25 B 59,2  
LKØ 108 x 4

### febi 34924

Ref. No. 3748.39



AØ 52 IØ 25 B 37



**Xsara Picasso**

(1999→)

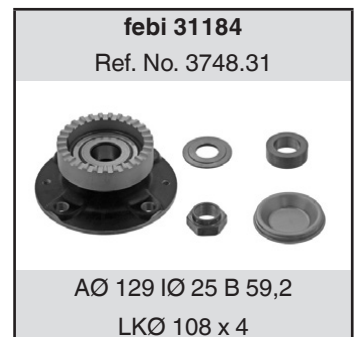
all	for vehicles without ABS	29382	29382
	to Control Number 10219 for vehicles with ABS for vehicles without ESP	29384	29384

**ZX**

(1991→1998)

1,1 TU1 1,1 TU1M 1,1 TU1M+ 1,4 TU3-2 1,4 TU32 1,4 TU32MC	from Control Number 06749 drum brake for vehicles with ABS	11420 / 11704	-
	drum brake for vehicles without ABS		
1,4 TU3JP	from Control Number 06749 drum brake for vehicles with ABS	11420 / 11704	-
	drum brake for vehicles without ABS		
	drum brake	31184	31184

rear axle





suitable for:

**Citroën**

**Car  
Division**



**ZX**

(1991→1998)

rear axle	<b>1,4 TU3M</b>	from Control Number 06749 drum brake for vehicles with ABS	<b>11420 / 11704</b>	-
		drum brake for vehicles without ABS		
	<b>1,4 TU3MC</b>	from Control Number 06749 drum brake for vehicles with ABS	<b>11420 / 11704</b>	-
		drum brake for vehicles without ABS		
		drum brake		
	<b>1,4 D TUD3</b>	from Control Number 06749 drum brake for vehicles with ABS	<b>11420 / 11704</b>	-
drum brake for vehicles without ABS				
<b>1,5 D TUD5 1,6 XU5JP</b>	from Control Number 06749 drum brake for vehicles with ABS	<b>11420 / 11704</b>	-	
	drum brake for vehicles without ABS			
	drum brake			<b>31184</b>
<b>1,6 XU5M</b>	from Control Number 06749 drum brake for vehicles with ABS	<b>11420 / 11704</b>	-	
	drum brake for vehicles without ABS			

**febi 11420**

Ref. No. 3748.17



AØ 52 IØ 25 B 37

**febi 11704**

Ref. No. 3748.17 S1



AØ 52 IØ 25 B 37

**febi 31184**

Ref. No. 3748.31



AØ 129 IØ 25 B 59,2  
LKØ 108 x 4



**ZX**

(1991→1998)

1,8 XU7JP	from Control Number 06749 drum brake for vehicles with ABS	11420 / 11704	-
	drum brake for vehicles without ABS		
	drum brake	31184	31184
1,8 XU7JP4	drum brake	11420 / 11704 / 31184	31184
1,8 D XUD7	from Control Number 06749 drum brake for vehicles with ABS	11420 / 11704	-
	drum brake for vehicles without ABS		
	drum brake	31184	31184
1,9 XU9JA 1,9 XU9JAZ	from Control Number 06749 drum brake for vehicles with ABS	11420 / 11704	-
	drum brake for vehicles without ABS		
1,9 D XUD9 1,9 D XUD9A 1,9 D XUD9TE 1,9 D XUD9Y	from Control Number 06749 drum brake for vehicles with ABS	11420 / 11704	-
	drum brake for vehicles without ABS		
	drum brake	31184	31184
2,0 XU10J2 2,0 XU10J2C 2,0 XU10J4 2,0 XU10J4RS	from Control Number 06749 drum brake for vehicles with ABS	11420 / 11704	-
	drum brake for vehicles without ABS		

rear axle



suitable for:

# Dacia

Car  
Division 



## Dokker

(2012→)

1,2 H5F  
1,5 D K9K  
1,6 K7M

39622

-

## Duster

(2010→)

1,5 D K9K  
1,6 K4M  
2,0 F4R

39622

-

## Lodgy

(2012→)

1,2 H5F  
1,5 D K9K  
1,6 K7M

39622

-

## Logan

(2004→)

0,9 H4B

30545

-

1,2 D4F

model LS02, LS1N

05538

-

model K8MG, K8MP, L8MG, L8MP

30545

-

1,4 K7J

05538

-

1,5 D K9K

model FS0J, FS0K, FS0W, FS0Y, FS00,  
FS04, FS1L, KS0J, KS0K, KS0W  
, KS0Y, KS00, KS04, KS1L, LS0J, LS0K,  
LS0W, LS0Y, LS00, LS04, LS1L, US0J  
, US0K, US0W, US0Y, US00, US04

05538

-

model K8AL, L8AL, L8JB

30545

-

1,6 K4M

05538

-

1,6 K7M

rear axle

### febi 05538

Ref. No. 77 01 205 812



AØ 52 IØ 25 B 37

### febi 30545

Ref. No. 77 01 210 004



AØ 55 IØ 25 B 43

### febi 39622

Ref. No. 43 21 020 69R



AØ 62 IØ 30



**Sandero**

(2007→)

0,9 H4B		30545	-
1,2 D4F	model BS02, BS1N	05538	-
	model B8MG, B8MP, B8MY	30545	-
1,4 K7J		05538	-
1,5 D K9K	model BS0J, BS0K, BS0W, BS0Y, BS00, BS04, BS1E, BS1L	05538	-
	model B8AL, B8JB, B8M4, B8M6	30545	-
1,6 K4M		05538	-
1,6 K7M			

**Sandero Stepway**

(2008→)

1,5 D K9K		05538	-
1,6 K4M			
1,6 K7M			

rear axle



suitable for:

# Daewoo

Car  
Division 



## Cielo

(1994→1998)

1,5 V15L

03115 / 06507

-

## Espero

(1991→1999)

all

03115 / 06507

-

## Evanda

(2002→2006)

2,0 X20SED

32805

32805

## Lacetti

(2003→)

1,8 T18SED

32805

32805

## Lanos

(1997→)

all

03115 / 06507

-

## Matiz

(1998→)

0,8 F8CV  
1,0 B10S  
1,0 G10CV

31529

-

## Nexia

(1995→2008)

1,5 A15MF

06507

-

rear axle

### febi 03115

Ref. No. 0926529001 S1



AØ 50 IØ 29 B 15  
AØ 40 IØ 17

### febi 06507

Ref. No. 0926529001 S2



AØ 50 IØ 29 B 15  
AØ 40 IØ 17

### febi 31529

Ref. No. 96316635 S1



AØ 52 IØ 25 B 16,3  
AØ 47 IØ 20 B 15,9

### febi 32805

Ref. No. 96639607



AØ 140  
LKØ 114,3 x 4



## Nexia

(1995→2008)

1,5 G15MF  
1,5 V15L  
1,5 Y15  
1,5 Y15L  
1,8 C18LE

03115 / 06507

-

## Nubira

(1997→)

1,4 F14D3

03115 / 06507 /  
32805

32805

1,5 A15DMS  
1,6 616L  
1,6 A16DMS

03115 / 06507

-

1,6 F16D3  
1,8 C18LE  
1,8 T18SED

03115 / 06507 /  
32805

32805

1,8 X18XE1  
2,0 C20SED  
2,0 T20SED  
2,0 X20SED  
2,0 Z20L

03115 / 06507

-

rear axle

### febi 03115

Ref. No. 0926529001 S1



AØ 50 IØ 29 B 15  
AØ 40 IØ 17

### febi 06507

Ref. No. 0926529001 S2



AØ 50 IØ 29 B 15  
AØ 40 IØ 17

### febi 32805

Ref. No. 96639607



AØ 140  
LKØ 114,3 x 4

suitable for:

**FIAT**

**Car  
Division**



## Barchetta

(1995→2005)

1,8 183A1000	for vehicles without ABS	12116	12116
1,8 188A6000	to Chassis No. 0043319 for vehicles with ABS	12118	12118

## Brava

(1995→2001)

1,2 182B2000	for vehicles without ABS	12116	12116
1,2 188A5000	for vehicles with ABS	19345	19345
1,4 182A3000	for vehicles without ABS	12116	12116
	for vehicles with ABS	12118	12118
	from the year of construction 01/1998 for vehicles with ABS	19345	19345
1,4 182A5000	for vehicles without ABS	12116	12116
1,6 182A4000	to the year of construction 12/1998 for vehicles with ABS	12118	12118
1,6 182B6000	from the year of construction 01/1998 for vehicles with ABS	19345	19345
	for vehicles without ABS	12116	12116
	for vehicles with ABS	19345	19345
1,8 182A2000	for vehicles without ABS	12116	12116
1,9 D 160A7000	to the year of construction 12/1998 for vehicles with ABS	12118	12118
1,9 D 182A7000			
1,9 D 182A8000			
1,9 D 182B4000	from the year of construction 01/1998 for vehicles with ABS	19345	19345
	for vehicles without ABS	12116	12116
1,9 D 182B9000	for vehicles with ABS	19345	19345
2,0 182B7000			

rear axle

### febi 12116

Ref. No. 51754192



AØ 118 IØ 30 B 60,5  
LKØ 98 x 4

### febi 12118

Ref. No. 7769902



AØ 116 IØ 30 B 63  
LKØ 97 x 4

### febi 19345

Ref. No. 51754193



AØ 118 IØ 30  
IØ 62  
LKØ 98 x 4



## Bravo I

(1995→2003)

1,2 182B2000	for vehicles without ABS	12116	12116
1,2 188A5000	for vehicles with ABS	19345	19345
1,4 182A3000	for vehicles without ABS	12116	12116
1,4 182A5000	to the year of construction 12/1998	12118	12118
1,6 182A4000	for vehicles with ABS	19345	19345
1,6 182A6000	from the year of construction 01/1998	19345	19345
1,6 182B6000	for vehicles without ABS	12116	12116
	for vehicles with ABS	19345	19345
1,8 182A2000	for vehicles without ABS	12116	12116
1,9 D 160A7000	to the year of construction 12/1998	12118	12118
1,9 D 182A7000	for vehicles with ABS	19345	19345
1,9 D 182A8000	from the year of construction 01/1998	19345	19345
1,9 D 182B4000	for vehicles without ABS	12116	12116
	for vehicles with ABS	19345	19345
2,0 182A1000	for vehicles without ABS	12116	12116
	for vehicles with ABS	12118	12118
	from the year of construction 01/1998	19345	19345
	for vehicles with ABS	19345	19345
2,0 182B7000	for vehicles without ABS	12116	12116
	for vehicles with ABS	19345	19345

rear axle

## Bravo II

(2007→)

1,4 192B2000	19345	19345
1,4 198A1000		
1,4 198A4000		





suitable for:

**FIAT**

**Car  
Division**



## Bravo II

(2007→)

1,4 198A7000	to the year of construction 09/2010	19345	19345
1,6 D 198A2000		19345	19345
1,6 D 198A3000			
1,9 D 192A1000			
1,9 D 192A8000			
1,9 D 192B5000			
1,9 D 937A5000			
2,0 D 198A5000			
2,0 D 844A2000			

## Cinquecento

(1991→1998)

all		12370	12370
-----	--	-------	-------

## Coupe

(1994→2000)

1,8 183A1000	for vehicles without ABS	12116	12116
	for vehicles with ABS	12117	12117
2,0 175A1000	for vehicles with ABS	12117	12117
2,0 175A3000			
2,0 182A1000			
2,0 182B3000			
2,0 836A3000			
2,0 836A3011			

rear axle

### febi 12116

Ref. No. 51754192



AØ 118 IØ 30 B 60,5  
LKØ 98 x 4

### febi 12117

Ref. No. 46425959



AØ 118 IØ 30 B 61  
LKØ 98 x 4

### febi 12370

Ref. No. 7603485



AØ 117 IØ 30 B 64  
LKØ 98 x 4

### febi 19345

Ref. No. 51754193



AØ 118 IØ 30  
IØ 62  
LKØ 98 x 4



### Croma

(2005→2013)

1,8 939A4000  
1,8 939A4000GM  
1,9 D 939A1000  
1,9 D 939A2000  
1,9 D 939A7000  
1,9 D 939A8000  
2,2 194A1000  
2,4 D 939A3000

26675

26675

### Doblo

(2009→ )

1,3 D 199A3000  
1,3 D 263A2000  
1,4 198A4000  
1,4 198A4000CNG  
1,4 310A2011  
1,4 843A1000  
1,6 D 198A3000  
1,6 D 263A3000  
1,6 D 263A4000  
2,0 D 263A1000

for vehicles without ABS  
not for increased payload

34953

34953

for vehicles with ABS

34954

34954

for vehicles without ABS  
for increased payload

34955

34955

for vehicles with ABS  
for increased payload

34956

34956

rear axle

#### febi 26675

Ref. No. 51749115



AØ 140 IØ 31 B 80  
LKØ 105 x 5

#### febi 34953

Ref. No. 51810394



AØ 117,5  
LKØ 98 x 5

#### febi 34954

Ref. No. 51810086



AØ 117,5  
LKØ 98 x 5

#### febi 34955

Ref. No. 51810395



AØ 120  
LKØ 98 x 5

#### febi 34956

Ref. No. 51810087



AØ 120  
LKØ 98 x 5

suitable for:

**FIAT**

**Car  
Division**



**Ducato (230)**

(1994→2002)

all	not for payload [kg] 1800	19295	-
-----	---------------------------	-------	---

**Ducato (280)**

(1981→1990)

all	not for payload [kg] 1800	19295	-
-----	---------------------------	-------	---

**Ducato (290)**

(1990→1994)

all	not for payload [kg] 1800	19295	-
-----	---------------------------	-------	---

**Fiorino**

(2007→)

1,2 178E9011 1,3 D 199A2000 1,3 D 199B1000 1,4 350A1000CNG 1,4 KFT 1,4 KFV 1,4 KFVCNG	for vehicles with ABS	19345	19345
---	-----------------------	-------	-------

**Grande Punto**

(2005→2012)

1,2 169A4000		28145	28145
1,2 199A4000	from the year of construction 01/2008 for vehicles without ABS	12116	12116
		28145	28145
1,2 310A6600		28145	28145
1,3 D 199A2000 1,3 D 199A3000	from the year of construction 01/2008 for vehicles without ABS	12116	12116
		28145	28145

rear axle

**febi 12116**  
Ref. No. 51754192

AØ 118 IØ 30 B 60,5  
LKØ 98 x 4

**febi 19295**  
Ref. No. 55225248 SK

AØ 68 IØ 40 B 19  
AØ 55 IØ 30 B 17

**febi 19345**  
Ref. No. 51754193

AØ 118 IØ 30  
IØ 62  
LKØ 98 x 4

**febi 28145**  
Ref. No. 71747713

AØ 129 IØ 30  
LKØ 100 x 6



## Grande Punto

(2005→2012)

1,3 D 199B2000		28145	28145
1,3 D 199B4000			
1,3 D 223A9000			
1,3 D Z13DT	from the year of construction 01/2008 for vehicles without ABS	12116	12116
		28145	28145
1,4 198A1000		28145	28145
1,4 198A4000			
1,4 199A6000	from the year of construction 01/2008 for vehicles without ABS	12116	12116
		28145	28145
1,4 199A7000		28145	28145
1,4 199A8000			
1,4 323B6600			
1,4 350A1000			
1,4 350A1000CNG			
1,6 D 955A3000			
1,9 D 199A5000			
1,9 D 939A1000			
1,9 D 939A7000			

## Idea

(2003→)

1,2 188A5000		19345	19345
1,3 D 188A9000			
1,3 D 199A3000			
1,3 D 199B1000			
1,4 178F3011			
1,4 192B2000			
1,4 350A1000			
1,4 843A1000			
1,6 D 350A2000			
1,9 D 188B2000			

rear axle



**Linea**

(2006→)

all	for vehicles without ABS	12116	12116
	for vehicles with ABS	19345	19345

**Marea**

(1996→2006)

1,2 182B2000	for vehicles without ABS	12116	12116
	from the year of construction 01/1999 for vehicles with ABS	19345	19345
1,4 182A3000	for vehicles without ABS	12116	12116
	to the year of construction 12/1998 for vehicles with ABS	12118	12118
1,6 182A4000	for vehicles without ABS	12116	12116
	to the year of construction 12/1998 for vehicles with ABS	12118	12118
	for vehicles with ABS from the year of construction 01/1999	19345	19345
1,6 182B5098	for vehicles without ABS	12116	12116
1,6 182B6000	for vehicles with ABS	19345	19345
1,6 185A3000	for vehicles without ABS	12116	12116
	to the year of construction 12/1998	12118	12118
	for vehicles with ABS	12118 / 19345	12118 / 19345
1,8 182A2000	for vehicles without ABS	12116	12116
	to the year of construction 12/1998 for vehicles with ABS	12118	12118
	from the year of construction 01/1999 for vehicles with ABS	19345	19345

rear axle

**febi 12116**

Ref. No. 51754192

AØ 118 IØ 30 B 60,5  
LKØ 98 x 4**febi 12118**

Ref. No. 7769902

AØ 116 IØ 30 B 63  
LKØ 97 x 4**febi 19345**

Ref. No. 51754193

AØ 118 IØ 30  
IØ 62  
LKØ 98 x 4



**Marea**

(1996→2006)

<b>1,9 D 182A7000</b>	for vehicles without ABS	<b>12116</b>	<b>12116</b>
	to the year of construction 12/1998 for vehicles with ABS	<b>12118</b>	<b>12118</b>
<b>1,9 D 182A8000</b>	for vehicles without ABS	<b>12116</b>	<b>12116</b>
	to the year of construction 12/1998 for vehicles with ABS	<b>12118</b>	<b>12118</b>
	from the year of construction 01/1999 for vehicles with ABS	<b>19345</b>	<b>19345</b>
<b>1,9 D 182B4000</b> <b>1,9 D 186A6000</b>	for vehicles without ABS	<b>12116</b>	<b>12116</b>
	for vehicles with ABS	<b>19345</b>	<b>19345</b>
<b>2,0 182A1000</b>	for vehicles without ABS	<b>12116</b>	<b>12116</b>
	to the year of construction 12/1998 for vehicles with ABS	<b>12118</b>	<b>12118</b>
<b>2,0 182B7000</b> <b>2,0 185A8000</b>	for vehicles without ABS	<b>12116</b>	<b>12116</b>
	for vehicles with ABS	<b>19345</b>	<b>19345</b>
<b>2,4 D 185A2000</b>	for vehicles without ABS	<b>12116</b>	<b>12116</b>
	to the year of construction 12/1998 for vehicles with ABS	<b>12118</b>	<b>12118</b>
<b>2,4 D 185A6000</b>	for vehicles without ABS	<b>12116</b>	<b>12116</b>
	for vehicles with ABS	<b>19345</b>	<b>19345</b>
<b>2,4 192A2000</b>	to the year of construction 12/2002 for vehicles with ABS	<b>19345</b>	<b>19345</b>

rear axle



**Marea Weekend**

(1996→2006)

1,2 182B2000	for vehicles without ABS	12116	12116
	for vehicles with ABS	12117	12117
	from the year of construction 01/1999 for vehicles with ABS	19345	19345
1,4 182A3000 1,6 182A4000	for vehicles without ABS	12116	12116
	for vehicles with ABS	12117	12117
1,6 182B6000	for vehicles without ABS	12116	12116
	for vehicles with ABS	12117 / 19345	12117 / 19345
1,8 182A2000	for vehicles without ABS	12116	12116
1,9 D 182A7000 1,9 D 182A8000	for vehicles with ABS	12117	12117
1,9 D 182B4000 1,9 D 182B9000 1,9 D 186A6000	for vehicles without ABS	12116	12116
	for vehicles with ABS	12117 / 19345	12117 / 19345
2,0 182A1000	for vehicles without ABS	12116	12116
	for vehicles with ABS	12117	12117
2,0 182B7000 2,0 185A8000	for vehicles without ABS	12116	12116
	for vehicles with ABS	12117 / 19345	12117 / 19345
2,4 D 185A2000	for vehicles without ABS	12116	12116
	for vehicles with ABS	12117	12117
2,4 D 185A6000	for vehicles without ABS	12116	12116
	for vehicles with ABS	12117 / 19345	12117 / 19345
2,4 192A2000	for vehicles with ABS	19345	19345

rear axle

**febi 12116**

Ref. No. 51754192

AØ 118 IØ 30 B 60,5  
LKØ 98 x 4**febi 12117**

Ref. No. 46425959

AØ 118 IØ 30 B 61  
LKØ 98 x 4**febi 19345**

Ref. No. 51754193

AØ 118 IØ 30  
IØ 62  
LKØ 98 x 4



### Marengo

(1999→2002)

1,9 D 186A6000

for vehicles without ABS

12116

12116

for vehicles with ABS

12117 / 19345

12117 / 19345

### Multipla

(1999→2010)

all

for vehicles without ABS

12116

12116

for vehicles with ABS

19345

19345

### Palio

(1996→)

1,0 178A1000

for vehicles without ABS

12116

12116

1,1 178B9033

to the year of construction 12/2002

12118

12118

for vehicles with ABS

from the year of construction 01/2002

19345

19345

for vehicles with ABS

1,1 187A1000

for vehicles without ABS

12116

12116

for vehicles with ABS

19345

19345

1,2 178B5000

for vehicles without ABS

12116

12116

to the year of construction 12/2002

12118

12118

for vehicles with ABS

for vehicles with ABS

19345

19345

from the year of construction 01/2002

1,2 178B7045

for vehicles without ABS

12116

12116

for vehicles with ABS

12118

12118

1,2 178C4066

for vehicles without ABS

12116

12116

to the year of construction 12/2002

12118

12118

for vehicles with ABS

12118 / 19345

12118 / 19345

rear axle

#### febi 12116

Ref. No. 51754192



AØ 118 IØ 30 B 60,5  
LKØ 98 x 4

#### febi 12117

Ref. No. 46425959



AØ 118 IØ 30 B 61  
LKØ 98 x 4

#### febi 12118

Ref. No. 7769902



AØ 116 IØ 30 B 63  
LKØ 97 x 4

#### febi 19345

Ref. No. 51754193



AØ 118 IØ 30  
IØ 62  
LKØ 98 x 4



**Palió**

(1996→)

rear axle	1,2 178D7055	for vehicles without ABS	12116	12116
		to the year of construction 12/2002	12118	12118
		for vehicles with ABS		
	1,2 178E2000	from the year of construction 01/2002	19345	19345
		for vehicles with ABS		
	1,2 178B2000	for vehicles without ABS	12116	12116
		for vehicles with ABS	12118	12118
		from the year of construction 01/2002	19345	19345
	1,2 188A4000	for vehicles with ABS		
1,2 188A5000	for vehicles without ABS	12116	12116	
	to the year of construction 12/2002	12118	12118	
	for vehicles with ABS	12118 / 19345	12118 / 19345	
1,3 169A1046	for vehicles without ABS	12116	12116	
	1,3 D 188A9000			
1,3 D 188A9000	for vehicles with ABS	19345	19345	
1,4 178B2000	for vehicles without ABS	12116	12116	
	1,4 178B2016			
1,4 178B2016	to the year of construction 12/2002	12118	12118	
	for vehicles with ABS			
1,4 199A1000	for vehicles without ABS	12116	12116	
	1,4 350A1000			
1,4 834A1000	for vehicles with ABS	19345	19345	
1,5 138B2048	for vehicles without ABS	12116	12116	
	for vehicles with ABS	12118	12118	
1,5 178E5022	for vehicles without ABS	12116	12116	
	to the year of construction 12/2002	12118	12118	
	for vehicles with ABS	12118 / 19345	12118 / 19345	

**febi 12116**

Ref. No. 51754192

AØ 118 IØ 30 B 60,5  
LKØ 98 x 4**febi 12118**

Ref. No. 7769902

AØ 116 IØ 30 B 63  
LKØ 97 x 4**febi 19345**

Ref. No. 51754193

AØ 118 IØ 30  
IØ 62  
LKØ 98 x 4



**Palio**

(1996→)

<b>1,6 178B3000</b>	for vehicles without ABS	<b>12116</b>	<b>12116</b>
	to the year of construction 12/2002 for vehicles with ABS	<b>12118</b>	<b>12118</b>
<b>1,6 178C8098</b>	for vehicles without ABS	<b>12116</b>	<b>12116</b>
	to the year of construction 12/2002 for vehicles with ABS	<b>12118</b>	<b>12118</b>
	from the year of construction 01/2002 for vehicles with ABS	<b>19345</b>	<b>19345</b>
<b>1,6 178D2011</b>	for vehicles without ABS	<b>12116</b>	<b>12116</b>
	for vehicles with ABS to the year of construction 12/2002	<b>12118</b>	<b>12118</b>
	for vehicles with ABS from the year of construction 01/2002	<b>19345</b>	<b>19345</b>
<b>1,6 182B6000</b>	for vehicles without ABS	<b>12116</b>	<b>12116</b>
	to the year of construction 12/2002 for vehicles with ABS	<b>12118</b>	<b>12118</b>
	from the year of construction 01/2002 for vehicles with ABS	<b>19345</b>	<b>19345</b>
<b>1,6 182B6024</b> <b>1,7 D 176A3000</b>	for vehicles without ABS	<b>12116</b>	<b>12116</b>
	for vehicles with ABS	<b>19345</b>	<b>19345</b>
<b>1,7 D 176A5000</b>	for vehicles without ABS	<b>12116</b>	<b>12116</b>
	to the year of construction 12/2002 for vehicles with ABS	<b>12118</b>	<b>12118</b>
	for vehicles with ABS from the year of construction 01/2002	<b>19345</b>	<b>19345</b>
<b>1,7 D 176B3000</b>	for vehicles without ABS	<b>12116</b>	<b>12116</b>
	for vehicles with ABS	<b>12118</b>	<b>12118</b>

rear axle



suitable for:

**FIAT**

**Car  
Division**



## Palio

(1996→ )

**1,9 D 223A6000**

for vehicles without ABS

**12116**

**12116**

to the year of construction 12/2002  
for vehicles with ABS

**12118**

**12118**

from the year of construction 01/2003  
for vehicles with ABS

**19345**

**19345**

## Palio Adventure

(2007→2012)

**1,6 182B6000**

for vehicles without ABS

**12116**

**12116**

for vehicles with ABS

**19345**

**19345**

## Palio Weekend

(1996→ )

**1,0 178A1000**

for vehicles without ABS

**12116**

**12116**

to the year of construction 12/2002  
for vehicles with ABS

**12118**

**12118**

from the year of construction 01/2002  
for vehicles with ABS

**19345**

**19345**

**1,2 178B5000**

for vehicles without ABS

**12116**

**12116**

for vehicles with ABS

**12118 / 19345**

**12118 / 19345**

**1,2 178C4066**

for vehicles without ABS

**12116**

**12116**

to the year of construction 12/2002  
for vehicles with ABS

**12118**

**12118**

from the year of construction 01/2002  
for vehicles with ABS

**19345**

**19345**

rear axle

**febi 12116**

Ref. No. 51754192



AØ 118 IØ 30 B 60,5  
LKØ 98 x 4

**febi 12118**

Ref. No. 7769902



AØ 116 IØ 30 B 63  
LKØ 97 x 4

**febi 19345**

Ref. No. 51754193



AØ 118 IØ 30  
IØ 62  
LKØ 98 x 4



## Palio Weekend

(1996→)

1,2 178E2000	for vehicles without ABS	12116	12116
	for vehicles with ABS	12118	12118
	from the year of construction 01/2002 for vehicles with ABS	19345	19345
1,2 188A4000	for vehicles without ABS	12116	12116
	to the year of construction 12/2002 for vehicles with ABS	12118	12118
	from the year of construction 01/2002 for vehicles with ABS	19345	19345
1,2 188A5000	for vehicles without ABS	12116	12116
	to the year of construction 01/2002	12118	12118
	for vehicles with ABS	12118 / 19345	12118 / 19345
1,4 178B2000 1,4 178B2016	for vehicles without ABS	12116	12116
	for vehicles with ABS	12118	12118
1,4 178F3011 1,4 310A2011 1,5 138B2048 1,5 178E5022	for vehicles without ABS	12116	12116
	for vehicles with ABS	19345	19345
	for vehicles without ABS	12116	12116
1,6 178B3000	for vehicles without ABS	12116	12116
	for vehicles with ABS	12118	12118
1,6 178C7098	for vehicles without ABS	12116	12116
	to the year of construction 12/2002 for vehicles with ABS	12118	12118
	from the year of construction 01/2002 for vehicles with ABS	19345	19345

rear axle



**Palio Weekend**

(1996→ )

1,6 178D2011	for vehicles without ABS	12116	12116
	to the year of construction 12/2002	12118	12118
	for vehicles with ABS		
1,6 182B6000	for vehicles without ABS	12116	12116
	to the year of construction 01/2002	12118	12118
	for vehicles with ABS	12118 / 19345	12118 / 19345
1,7 D 176A3000 1,7 D 176A5000	for vehicles without ABS	12116	12116
	to the year of construction 12/2002	12118	12118
	for vehicles with ABS		
1,7 D 176B7000 1,7 D 178C9066	for vehicles without ABS	12116	12116
	to the year of construction 01/2002	12118	12118
	for vehicles with ABS	19345	19345
1,8 93313090 1,8 939A2046	for vehicles without ABS	12116	12116
	to the year of construction 01/2002	12118	12118
	for vehicles with ABS	19345	19345
1,9 D 188A2000	for vehicles without ABS	12116	12116
	to the year of construction 01/2002	12118	12118
	for vehicles with ABS	12118 / 19345	12118 / 19345
1,9 D 223A6000	for vehicles without ABS	12116	12116
	to the year of construction 12/2002	12118	12118
	for vehicles with ABS	19345	19345
	from the year of construction 01/2002		

rear axle

**febi 12116**

Ref. No. 51754192

AØ 118 IØ 30 B 60,5  
LKØ 98 x 4**febi 12118**

Ref. No. 7769902

AØ 116 IØ 30 B 63  
LKØ 97 x 4**febi 19345**

Ref. No. 51754193

AØ 118 IØ 30  
IØ 62  
LKØ 98 x 4



**Panda I**

(1980→2004)

all

12370

12370

**Panda I Van**

(1986→1997)

1,0 156A2100

1,0 156A2246

12370

12370

**Panda I 4x4**

(1980→2004)

all

12370

12370

**Panda II**

(2003→2011)

1,1 187A1000

for vehicles without ABS

12116

12116

for vehicles with ABS  
for vehicles with level control  
system

19345

19345

1,2 169A4000

for vehicles without ABS

12116

12116

to the year of construction 09/2010  
for vehicles with ABS  
for vehicles with level control  
system

19345

19345

1,2 188A4000

1,2 188A4000CNG

1,3 D 169A1000

1,3 D 188A8000

1,3 D 188A9000

1,4 169A3000

for vehicles without ABS

12116

12116

for vehicles with ABS  
for vehicles with level control  
system

19345

19345

rear axle

**febi 12116**

Ref. No. 51754192



AØ 118 IØ 30 B 60,5

LKØ 98 x 4

**febi 12370**

Ref. No. 7603485



AØ 117 IØ 30 B 64

LKØ 98 x 4

**febi 19345**

Ref. No. 51754193



AØ 118 IØ 30

IØ 62

LKØ 98 x 4

suitable for:

**FIAT**

**Car  
Division**



## Panda II

(2003→2011)

1,4 350A1000	for vehicles without ABS	12116	12116
	to the year of construction 09/2010 for vehicles with ABS for vehicles with level control system	19345	19345
1,4 350A1000CNG	for vehicles without ABS	12116	12116

## Panda II Van

(2004→2011)

1,1 187A1000 1,2 187A4000 1,2 188A4000	for vehicles without ABS	12116	12116
	for vehicles with ABS for vehicles with level control system	19345	19345
1,2 188A4000CNG	for vehicles without ABS	12116	12116
	to the year of construction 09/2010 for vehicles with ABS for vehicles with level control system	19345	19345
1,3 D 169A1000 1,3 D 188A9000	for vehicles without ABS	12116	12116
	for vehicles with ABS for vehicles with level control system	19345	19345
1,4 350A1000CNG	for vehicles without ABS	12116	12116
	to the year of construction 09/2010 for vehicles with ABS for vehicles with level control system	19345	19345

rear axle

### febi 12116

Ref. No. 51754192



AØ 118 IØ 30 B 60,5  
LKØ 98 x 4

### febi 19345

Ref. No. 51754193



AØ 118 IØ 30  
IØ 62  
LKØ 98 x 4



### Panda II Van 4x4

(2004→2011)

1,2 169A4000	for vehicles with active stabilizer	19345	19345
		-	40230
1,2 188A4000	for vehicles without ABS	12116	12116
1,3 D 169A1000	for vehicles with active stabilizer	19345	19345
		-	40230

### Panda II 4x4

(2004→2011)

1,2 169A4000	for vehicles without ABS	12116	12116
1,2 188A4000	for vehicles with active stabilizer	19345	19345
		-	40230
1,3 D 169A1000	for vehicles with active stabilizer	19345	19345
		-	40230
1,3 D 188A8000	for vehicles without ABS	12116	12116
1,3 D 188A9000	for vehicles with active stabilizer	19345	19345

### Panda III

(2012→)

all		19345	19345
-----	--	-------	-------

### Panda III Van

(2013→)

0,9 312A2000CNG		19345	19345
1,2 169A4000			
1,3 D 199A9000			

rear axle





suitable for:

**FIAT**

**Car  
Division**



**Panda III Van 4x4**

(2013→ )

0,9 312A2000  
1,3 D 199A9000

19345

19345

**Pratico**

(2010→ )

1,3 D 199A3000  
1,3 D 263A2000  
1,6 D 198A3000  
2,0 D 263A1000

for vehicles without ABS  
not for increased payload

34953

34953

for vehicles with ABS

34954

34954

for vehicles without ABS  
for increased payload

34955

34955

for vehicles with ABS  
for increased payload

34956

34956

rear axle

**febi 19345**

Ref. No. 51754193



AØ 118 IØ 30  
IØ 62  
LKØ 98 x 4

**febi 34953**

Ref. No. 51810394



AØ 117,5  
LKØ 98 x 5

**febi 34954**

Ref. No. 51810086



AØ 117,5  
LKØ 98 x 5

**febi 34955**

Ref. No. 51810395



AØ 120  
LKØ 98 x 5

**febi 34956**

Ref. No. 51810087



AØ 120  
LKØ 98 x 5



## Punto

(2009→ )

0,9 312A2000  
1,2 169A4000  
1,3 D 199A2000  
1,3 D 199A9000  
1,3 D 199B1000  
1,3 D 199B4000  
1,4 198A1000  
1,4 199A7000  
1,4 350A1000  
1,4 350A1000CNG  
1,4 955A2000  
1,4 955A6000

28145

28145

## Punto Evo

(2008→2012)

1,2 169A4000

28145

28145

1,2 199A4000

for vehicles without ABS  
to the year of construction 01/2010

12116

12116

1,3 D 199A2000

1,3 D 199A3000

1,3 D 199A9000

1,3 D 199B1000

1,3 D 199B2000

28145

28145

1,3 D 199B4000

28145

28145

1,3 D 223A9000

1,4 199A7000

for vehicles without ABS  
to the year of construction 01/2010

12116

12116

28145

28145

1,4 199A8000

28145

28145

1,4 350A1000

1,4 350A1000CNG

1,4 955A2000

1,4 955A6000

for vehicles without ABS  
to the year of construction 01/2010

12116

12116

28145

28145

1,4 955A8000

28145

28145

rear axle

### febi 12116

Ref. No. 51754192



AØ 118 IØ 30 B 60,5

LKØ 98 x 4

### febi 28145

Ref. No. 71747713



AØ 129 IØ 30

LKØ 100 x 6

suitable for:

**FIAT**

**Car  
Division**



**Punto Evo**

(2008→2012)

**1,6 D 955A3000**

for vehicles without ABS  
to the year of construction 01/2010

**12116**

**12116**

**28145**

**28145**

**Punto I**

(1993→1999)

**all**

for vehicles without ABS

**12116**

**12116**

for vehicles with ABS

**12118**

**12118**

**Punto I Cabrio**

(1994→2000)

**all**

for vehicles without ABS

**12116**

**12116**

for vehicles with ABS

**12118**

**12118**

**Punto I Van**

(1996→1999)

**all**

for vehicles without ABS

**12116**

**12116**

for vehicles with ABS

**12118**

**12118**

**Punto II**

(1999→2010)

**all**

for vehicles without ABS

**12116**

**12116**

for vehicles with ABS

**19345**

**19345**

**Punto II Van**

(2000→2009)

**all**

for vehicles without ABS

**12116**

**12116**

for vehicles with ABS

**19345**

**19345**

rear axle

**febi 12116**

Ref. No. 51754192



AØ 118 IØ 30 B 60,5  
LKØ 98 x 4

**febi 12118**

Ref. No. 7769902



AØ 116 IØ 30 B 63  
LKØ 97 x 4

**febi 19345**

Ref. No. 51754193



AØ 118 IØ 30  
IØ 62  
LKØ 98 x 4

**febi 28145**

Ref. No. 71747713



AØ 129 IØ 30  
LKØ 100 x 6



### Punto Van

(2012→)

1,3 D 199A2000  
1,3 D 199A9000  
1,3 D 199B1000  
1,3 D 199B4000  
1,4 350A1000  
1,4 350A1000CNG

28145

28145

### Qubo

(2008→)

all for vehicles with ABS

19345

19345

### Scudo

(1996→)

1,6 220A2000

14535

14535

1,6 D 9HU

30886 / 30887

30886 / 30887

1,9 D D8B  
1,9 D D9B  
1,9 D DHX  
1,9 D DW8  
1,9 D WJY  
1,9 D WJZ

14535

14535

2,0 RFH

30886 / 30887

30886 / 30887

rear axle

#### febi 14535

Ref. No. 9567217780 SK



AØ 120 IØ 30 B 70  
LKØ 95 x 5

#### febi 19345

Ref. No. 51754193



AØ 118 IØ 30  
IØ 62  
LKØ 98 x 4

#### febi 28145

Ref. No. 71747713



AØ 129 IØ 30  
LKØ 100 x 6

#### febi 30886

Ref. No. 1401393480



AØ 128 B 128  
LKØ 104 x 5

#### febi 30887

Ref. No. 1440088280



AØ 128 B 128  
LKØ 104 x 5

suitable for:

**FIAT**

**Car  
Division**



## Scudo

(1996→)

2,0 RFN	14535	14535
2,0 D RH02 2,0 D RHH 2,0 D RHK	30886 / 30887	30886 / 30887
2,0 D RHM	14535	14535
2,0 D RHR	30886 / 30887	30886 / 30887
2,0 D RHW 2,0 D RHX 2,0 D RHZ	14535	14535

## Scudo 4x4

(2007→)

2,0 RFH 2,0 D RH02 2,0 D RHK	30886 / 30887	30886 / 30887
------------------------------------	---------------	---------------

## Seicento

(1998→2010)

all	for vehicles without ABS	12370	12370
-----	--------------------------	-------	-------

rear axle

### febi 12370

Ref. No. 7603485



AØ 117 IØ 30 B 64  
LKØ 98 x 4

### febi 14535

Ref. No. 9567217780 SK



AØ 120 IØ 30 B 70  
LKØ 95 x 5

### febi 30886

Ref. No. 1401393480



AØ 128 B 128  
LKØ 104 x 5

### febi 30887

Ref. No. 1440088280



AØ 128 B 128  
LKØ 104 x 5



**Siena**

(1996→)

1,0 178A1000	for vehicles without ABS	12116	12116
	to the year of construction 12/2002	12118	12118
	for vehicles with ABS	19345	19345
1,0 178D9011	for vehicles without ABS	12116	12116
	to the year of construction 12/2002	12118	12118
	for vehicles with ABS	19345	19345
1,2 178B5000	for vehicles without ABS	12116	12116
	to the year of construction 12/2002	12118	12118
	for vehicles with ABS	19345	19345
1,2 178C4066 1,2 178E9011	for vehicles without ABS	12116	12116
	to the year of construction 12/2002	12118	12118
	for vehicles with ABS	19345	19345
1,2 188A4000 1,2 188A5000	for vehicles without ABS	12116	12116
	to the year of construction 12/2002	12118	12118
	for vehicles with ABS	12118 / 19345	12118 / 19345
1,3 D 188A9000	for vehicles without ABS	12116	12116
	for vehicles with ABS	19345	19345
1,4 178B2000	for vehicles without ABS	12116	12116
	to the year of construction 12/2002	12118	12118
	for vehicles with ABS	19345	19345

rear axle



**Siena**

(1996→)

1,4 178B2016	for vehicles without ABS	12116	12116
	to the year of construction 12/2002 for vehicles with ABS	12118	12118
	from the year of construction 01/2002 for vehicles with ABS	19345	19345
1,4 178F3011 1,4 178F5038	for vehicles without ABS	12116	12116
1,4 199A1000 1,5 138B2048 1,5 178E5022	for vehicles without ABS	12116	12116
1,6 178B3000	for vehicles with ABS	19345	19345
	for vehicles without ABS	12116	12116
	to the year of construction 12/2002 for vehicles with ABS	12118	12118
1,6 182B6000	from the year of construction 01/2002 for vehicles with ABS	19345	19345
	for vehicles without ABS	12116	12116
	to the year of construction 12/2002 for vehicles with ABS	12118	12118
1,7 D 176A3000	from the year of construction 01/2003 for vehicles with ABS	19345	19345
	for vehicles without ABS	12116	12116
	for vehicles with ABS	19345	19345
1,7 D 176B7000 1,7 D 178C9066	for vehicles without ABS	12116	12116
	to the year of construction 12/2002 for vehicles with ABS	12118	12118
	from the year of construction 01/2002 for vehicles with ABS	19345	19345

rear axle

**febi 12116**

Ref. No. 51754192

AØ 118 IØ 30 B 60,5  
LKØ 98 x 4**febi 12118**

Ref. No. 7769902

AØ 116 IØ 30 B 63  
LKØ 97 x 4**febi 19345**

Ref. No. 51754193

AØ 118 IØ 30  
IØ 62  
LKØ 98 x 4



### Siena

(1996→)

1,8 93313090	for vehicles without ABS	12116	12116
	to the year of construction 12/2002 for vehicles with ABS	12118	12118
1,9 D 223A6000	for vehicles without ABS	12116	12116
	to the year of construction 12/2002 for vehicles with ABS	12118	12118
	from the year of construction 01/2003 for vehicles with ABS	19345	19345

### Stilo

(2001→2008)

all		19345	19345
-----	--	-------	-------

### Stilo Multi Wagon

(2002→2008)

all		19345	19345
-----	--	-------	-------

### Stilo Van

(2001→2008)

all		19345	19345
-----	--	-------	-------

### Talento

(1989→1994)

all		19295	-
-----	--	-------	---

rear axle

#### febi 12116

Ref. No. 51754192



AØ 118 IØ 30 B 60,5  
LKØ 98 x 4

#### febi 12118

Ref. No. 7769902



AØ 116 IØ 30 B 63  
LKØ 97 x 4

#### febi 19295

Ref. No. 55225248 SK



AØ 68 IØ 40 B 19  
AØ 55 IØ 30 B 17

#### febi 19345

Ref. No. 51754193



AØ 118 IØ 30  
IØ 62  
LKØ 98 x 4



suitable for:

**FIAT**

**Car  
Division**



## Tempra

(1990→1998)

1,4 159A2000		12116	12116
1,4 160A1046			
1,4 836A4000	for vehicles with ABS	12117	12117
1,6 159A3000			
1,6 159A3046			
1,6 159A3048			
1,6 159B9000			
1,6 835C1000			
1,8 159A4000		12116	12116 / 40233
1,8 159A4046			
1,8 835C2000	for vehicles with ABS	12117	12117
1,8 835C4000			
1,8 836A5000			
1,9 D 160A6000		12116	12116
1,9 D 160A7000			
1,9 D 160B6046	for vehicles with ABS	12117	12117
1,9 D 160D1000			
2,0 159A6046		12116	12116 / 40233
	for vehicles with ABS	12117	12117

## Tempra Weekend

(1990→1996)

1,4 159A2000		12116	12116
1,4 160A1046			
1,4 836A4000	for vehicles with ABS	12117	12117
1,6 159A3000			
1,6 159A3046			
1,6 159A3048			
1,6 159B9000			
1,6 835C1000			
1,8 159A4000		12116	12116 / 40233
1,8 159A4046			
1,8 835C2000	for vehicles with ABS	12117	12117
1,8 835C4000			
1,8 836A5000			

### febi 12116

Ref. No. 51754192



AØ 118 IØ 30 B 60,5  
LKØ 98 x 4

### febi 12117

Ref. No. 46425959



AØ 118 IØ 30 B 61  
LKØ 98 x 4

### febi 40233

Ref. No. 51824630



AØ 37 LKØ 98 x 4



### Tempra Weekend

(1990→1996)

1,9 D 160A6000		12116	12116
1,9 D 160A6046			
1,9 D 160A7000	for vehicles with ABS	12117	12117
1,9 D 160B6046			
1,9 D 160D1000			
2,0 159A6046		12116	12116 / 40233
	for vehicles with ABS	12117	12117

### Tempra Weekend 4x4

(1992→1995)

1,8 159A4000		12116	12116 / 40233
2,0 159A6046			

### Tipo

(1987→1996)

all		12116	12116
	for vehicles with ABS	12117	12117

### Ulysse I

(1994→2002)

all		14535	14535
-----	--	-------	-------

rear axle

**febi 12116**  
Ref. No. 51754192

AØ 118 IØ 30 B 60,5  
LKØ 98 x 4

**febi 12117**  
Ref. No. 46425959

AØ 118 IØ 30 B 61  
LKØ 98 x 4

**febi 14535**  
Ref. No. 9567217780 SK

AØ 120 IØ 30 B 70  
LKØ 95 x 5

**febi 40233**  
Ref. No. 51824630

AØ 37 LKØ 98 x 4

suitable for:

**FIAT**

**Car  
Division**



## Uno

(1983→2006)

- 0,9 100GL000
- 0,9 146A000
- 0,9 146A048
- 0,9 146A100
- 0,9 146A300
- 1,0 146A2166
- 1,0 146C7000
- 1,0 146C8000
- 1,0 156A2000
- 1,0 156A2044
- 1,0 156A2045
- 1,0 156A2046
- 1,0 156A2048
- 1,0 156A2100
- 1,0 156A2246
- 1,0 156B2044
- 1,1 146A4044
- 1,1 146A4048
- 1,1 146A6000
- 1,1 146C3000
- 1,1 156C046
- 1,1 160A3000
- 1,3 D 127A5000
- 1,3 138B2000
- 1,3 146A2000
- 1,3 146A2146
- 1,3 146A2246
- 1,3 D 146B1000
- 1,3 146BA23
- 1,3 146BE23
- 1,3 149A7000

12370

12370

1,4 146A8000

to the year of construction 12/1995

12370

12370

rear axle

**febi 12370**

Ref. No. 7603485



AØ 117 IØ 30 B 64

LKØ 98 x 4



**Uno**

(1983→2006)

- 1,4 146A8046
- 1,4 D 146B000
- 1,4 D 146B3000
- 1,4 146C1000
- 1,4 160A1046
- 1,4 160A1048
- 1,4 D 160B3000
- 1,5 138C2000
- 1,5 138C2048
- 1,5 146C2028
- 1,5 149C1000
- 1,6 159A3046
- 1,6 159A3048
- 1,7 D 146B2000
- 1,9 D 149B5046
- 1,9 D 160B6000

12370

12370

**500 Abarth (312)**

(2008→)

- 1,4 312A1000
- 1,4 312A3000

19345

19345

**500 C Abarth (312)**

(2009→)

- 1,4 312A1000
- 1,4 312A3000

19345

19345

**500 C (301)**

(2013→)

- 1,4 R

19345

19345

**500 C (312)**

(2009→)

- all

19345

19345

rear axle

**febi 12370**

Ref. No. 7603485



AØ 117 IØ 30 B 64  
LKØ 98 x 4

**febi 19345**

Ref. No. 51754193



AØ 118 IØ 30  
IØ 62  
LKØ 98 x 4

suitable for:

**FIAT**

**Car  
Division**



**500 L (199)**  
(2012→)

all

34954

34954

**500 (301)**  
(2011→)

1,4 327A011  
1,4 R

19345

19345

**500 (312)**  
(2007→)

all

19345

19345

rear axle

**febi 19345**

Ref. No. 51754193



AØ 118 IØ 30  
IØ 62  
LKØ 98 x 4

**febi 34954**

Ref. No. 51810086



AØ 117,5  
LKØ 98 x 5



**C-MAX 03**

(2003→2007)

all

32598

32598

**C-MAX 07**

(2007→2010)

all

32598

32598

**Cougar 99**

(1998→2001)

2,0 EFI ZETEC E 16V  
2,5 EFI Duratec V6 24V

for vehicles without ABS

07830

07830

for vehicles with ABS

07833

07833

**Escort 81**

(1980→1986)

1,1 HC CVH

05394

-

1,1 HC OHV

05394 / 05458

-

1,1 LC CVH

05394

-

1,3 HC CVH  
1,6 D

05394 / 05458

-

rear axle

**febi 05394**

Ref. No. 5 007 028



AØ 50,3 IØ 29 B 14,75  
AØ 39,9 IØ 17,5 B 14,5

**febi 05458**

Ref. No. 5 007 029



AØ 45 IØ 32 B 17  
IØ 19

**febi 07830**

Ref. No. 5 027 621



AØ 136 IØ 35 B 70  
AØ 78  
LKØ 108 x 4

**febi 07833**

Ref. No. 5 027 622



AØ 136 IØ 35 B 70  
LKØ 108 x 4

**febi 32598**

Ref. No. 1 506 577



AØ 136

suitable for:

**Ford**

**Car  
Division**



**Escort 81**

(1980→1986)

1,6 HC CVH 1,6 HC CVH Turbo 1,6 LC FI CVH		05394	-
---	--	-------	---

**Escort 86**

(1985→1990)

1,1 HC OHV	from the year of construction 01/1986	05394	-
		05458	-
1,1 HC OHV (HCS)	from the year of construction 01/1986	05394	-
1,3 HC OHV 1,3 HC OHV (HCS)	from the year of construction 01/1986	05394	-
		05458	-
1,4 HC CVH 1,4 LC CVH	from the year of construction 01/1986	05394	-
1,4 LC CFI CVH	from the year of construction 01/1986	05394	-
		05458	-
1,6 D		05394 / 05458	-
1,6 HC CVH 1,6 HC EFI CVH 1,6 HC FI CVH 1,6 HC FI CVH Turbo 1,6 LC FI CVH	from the year of construction 01/1986	05394	-
1,8 D		05394 / 05458	-

**Escort 91**

(1990→1995)

1,3 OHV (HCS) 1,3 CFI OHV (HCS) 1,3 EFI HCS 1,3 H HCS		05408 / 05409	-
--	--	---------------	---

**febi 05394**  
Ref. No. 5 007 028

AØ 50,3 IØ 29 B 14,75  
AØ 39,9 IØ 17,5 B 14,5

**febi 05408**  
Ref. No. 5 030 537

AØ 50 IØ 29 B 18

**febi 05409**  
Ref. No. 5 030 538

AØ 50 IØ 29 B 18

**febi 05458**  
Ref. No. 5 007 029

AØ 45 IØ 32 B 17  
IØ 19



### Escort 91

(1990→1995)

1,3 HC OHV (HCS)	05408 / 05409 / 08132	-
1,3 HC SEFI OHV Endura-E	05408 / 05409	-
1,4 CFI CVH	05408 / 05409 / 08132	-
1,4 EFI CVH 1,4 G CVH 1,4 LC CVH 1,6 ZETEC 16V 1,6 EFI ZETEC E 16V 1,6 HC CVH 1,6 HC EFI CVH 1,6 HC SEFI ZETEC E 16V	05408 / 05409	-
1,8 D	05408 / 05409 / 08132	-
1,8 EFI ZETEC E 16V 1,8 EFI ZETEC 16V 1,8 HC SEFI ZETEC E 16V 1,8 NA D 1,8 TD D 1,8 TDCI D Endura-DE 2,0 ZETEC 16V 2,0 EFI DOHC 16V	05408 / 05409	-

### Escort 91 4x4

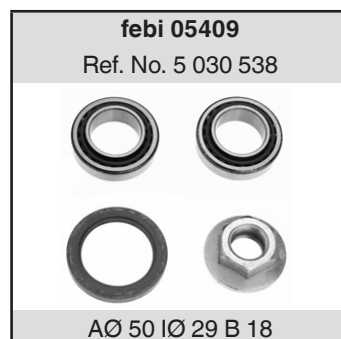
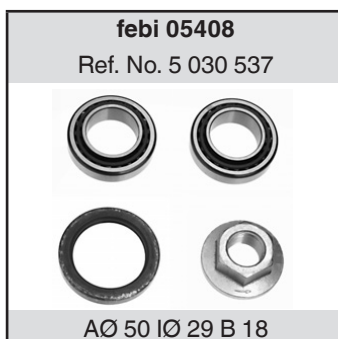
(1991→1995)

all	05408 / 05409	-
-----	---------------	---

### Escort 95

(1995→2001)

1,3 EFI HCS	08080	-
1,3 HC SEFI OHV Endura-E 1,4 CFI CVH	05408 / 05409 / 08080	-





suitable for:

**Ford**

**Car  
Division**



## Escort 95

(1995→2001)

1,4 HC CVH	05408 / 05409 / 08080 / 08132	-
1,4 LC CVH 1,6 ZETEC E 16V 1,6 ZETEC 16V 1,6 CFI ZETEC 16V 1,6 HC SEFI ZETEC E 16V 1,6 HC SEFI ZETEC 16V	05408 / 05409 / 08080	-
1,6 SEFI ZETEC 16V	08080	-
1,8 D Endura-DE 1,8 D	05408 / 05409 / 08080 / 08132	-
1,8 EFI D Endura-DE 1,8 EFI ZETEC E 16V 1,8 HC SEFI ZETEC E 16V 1,8 T D Endura-DE 1,8 TD D 1,8 TI D Endura-DE 2,0 ZETEC 16V	05408 / 05409 / 08080	-

## Escort 95 4x4

(1995→1998)

1,6 HC SEFI ZETEC E 16V 2,0 HC DOHC Cos. 16V 2,0 HC EFI DOHC 16V	05408 / 05409 / 08080	-
--	--------------------------	---

rear axle

### febi 05408

Ref. No. 5 030 537



AØ 50 IØ 29 B 18

### febi 05409

Ref. No. 5 030 538



AØ 50 IØ 29 B 18

### febi 08080

Ref. No. 1 375 743



AØ 50 IØ 29 B 17,5

### febi 08132

Ref. No. 5 024 251



AØ 60 IØ 35 B 19



**Fiesta 76**

(1975→1986)

all

05393

-

**Fiesta 82**

(1981→1983)

all

05393

-

**Fiesta 84**

(1983→1987)

all

05393

-

**Fiesta 87**

(1986→1989)

all

05393

-

**Fiesta 89**

(1989→1997)

1,0 OHV (HCS)  
1,1 OHV (HCS)  
1,1 CFI OHV (HCS)  
1,1 HC OHV (HCS)  
1,3

05408 / 05409 /  
08080

-

rear axle

**febi 05393**

Ref. No. 5 007 027



AØ 50 IØ 27 B 15  
AØ 40 IØ 17,3 B 14,5

**febi 05408**

Ref. No. 5 030 537



AØ 50 IØ 29 B 18

**febi 05409**

Ref. No. 5 030 538



AØ 50 IØ 29 B 18

**febi 08080**

Ref. No. 1 375 743



AØ 50 IØ 29 B 17,5




## Fiesta 89

(1989→1997)

1,3 CFI OHV (HCS)	05408 / 05409 / 05413 / 08080	-	
	from the year of construction 12/1994 for vehicles without ABS	07830	07830
	from the year of construction 12/1994 for vehicles with ABS	07833	07833
1,3 EFI OHV (HCS) 1,4 EFI CVH 1,4 HL CVH 1,4 LC CVH 1,4 LC CFI CVH 1,6 EFI CVH 1,6 EFI CVH Turbo 1,6 EFI ZETEC E 16V 1,6 HC CVH 1,6 HC EFI CVH	05408 / 05409 / 08080	-	
	1,8 D	05408 / 05409 / 05413 / 08080	-
	from the year of construction 12/1994 for vehicles without ABS	07830	07830
	from the year of construction 12/1994 for vehicles with ABS	07833	07833


rear axle

**febi 05408**  
Ref. No. 5 030 537




AØ 50 IØ 29 B 18

**febi 05409**  
Ref. No. 5 030 538




AØ 50 IØ 29 B 18

**febi 05413**  
Ref. No. 5 025 675



AØ 60 IØ 35 B 19

**febi 07830**  
Ref. No. 5 027 621




AØ 136 IØ 35 B 70  
AØ 78  
LKØ 108 x 4

**febi 07833**  
Ref. No. 5 027 622



AØ 136 IØ 35 B 70  
LKØ 108 x 4

**febi 08080**  
Ref. No. 1 375 743



AØ 50 IØ 29 B 17,5



### Fiesta 89

(1989→1997)

1,8 EFI ZETEC E 16V

05408 / 05409 /  
08080

-

### Fiesta 96

(1995→2003)

1,0

1,0 EFI OHV (HCS)

1,1 OHV (HCS)

1,25 EFI ZETEC S DOHC 16V

08080

-

1,3 EFI OHV (HCS)

for vehicles without ABS

07830

07830

to the year of construction 10/2001  
for vehicles with ABS

07833

07833

08080

-

1,4 EFI CVH

for vehicles without ABS

07830

07830

for vehicles with ABS

07833

07833

1,4 EFI ZETEC S 16V

for vehicles without ABS

07830

07830

1,4 EFI ZETEC SE 16V

to the year of construction 10/2001  
for vehicles with ABS

07833

07833

08080

-

rear axle

#### febi 05408

Ref. No. 5 030 537



AØ 50 IØ 29 B 18

#### febi 05409

Ref. No. 5 030 538



AØ 50 IØ 29 B 18

#### febi 07830

Ref. No. 5 027 621



AØ 136 IØ 35 B 70

AØ 78

LKØ 108 x 4

#### febi 07833

Ref. No. 5 027 622



AØ 136 IØ 35 B 70

LKØ 108 x 4

#### febi 08080

Ref. No. 1 375 743



AØ 50 IØ 29 B 17,5

suitable for:

**Ford**

**Car  
Division**



**Fiesta 96**

(1995→2003)

1,6 SEFI ZETEC S 16V 1,6 SEFI ZETEC SE 16V		08080	-
1,8 D Endura-DE	for vehicles without ABS	07830	07830
	for vehicles with ABS to the year of construction 10/2001	07833	07833
		08080	-
1,8 D Endura-DI	for vehicles without ABS	07830	07830
	to the year of construction 10/2001 for vehicles with ABS	07833	07833
		08080	-
1,8 D 1,8 NA D 1,8 TD D Lynx	for vehicles without ABS	07830	07830
	to the year of construction 10/2001 for vehicles with ABS	07833	07833

**Fiesta 08**

(2008→ )

all		40203	40203
-----	--	-------	-------

rear axle

**febi 07830**

Ref. No. 5 027 621



AØ 136 IØ 35 B 70  
AØ 78  
LKØ 108 x 4

**febi 07833**

Ref. No. 5 027 622



AØ 136 IØ 35 B 70  
LKØ 108 x 4

**febi 08080**

Ref. No. 1 375 743



AØ 50 IØ 29 B 17,5

**febi 40203**

Ref. No. 1 699 196



AØ 131



**Focus 99**

(1998→2005)

1,4 EFI ZETEC S 16V	drum brake	19183	-
1,4 EFI ZETEC SE 16V			
1,4 SFI ZETEC SE 16V	from the year of construction 08/1999		
	disc brake	34763	-
1,6 ZETEC S 16V		19183 / 34763	-
1,6 EFI ZETEC E 16V	drum brake	19183	-
1,6 EFI ZETEC S 16V			
1,6 SFI ZETEC E 16V	from the year of construction 08/1999		
	disc brake	34763	-
1,8 D Duratorq		19183 / 34763	-
1,8 ZETEC E 16V	drum brake	19183	-
1,8 EFI ZETEC E 16V			
	from the year of construction 08/1999		
	disc brake	34763	-
1,8 TD D Lynx		19183 / 34763	-
1,8 TDCI D Lynx			
1,8 TDDI D Lynx	drum brake	19183	-
2,0 ZETEC E 16V			
2,0 EFI ZETEC E 16V	from the year of construction 08/1999		
	disc brake	34763	-
2,0 RS Duratec HE 16V		19183 / 34763	-
2,0 SFI ZETEC E 16V	drum brake	19183	-
	from the year of construction 08/1999		
	disc brake	34763	-
2,0 ST Duratec HE 16V		19183 / 34763	-
2,0 ST ZETEC E HC 16V			

rear axle



suitable for:

# Ford

Car  
Division



## Focus 04

(2004→2012)

all

32598

32598

## Focus 06

(2006→2011)

1,6 PFI ZETEC S 16V  
2,0 PFI Duratec HE 16V  
2,0 TDCI D Duratorq 16V

32598

32598

## Focus 08

(2007→2012)

all

32598

32598

## Galaxy 95

(1995→2006)

all

19922

22554

## Galaxy 95 4x4

(1996→2000)

2,3 DOHC 16V  
2,8 SEFI V6

19922

22554

## Tourneo 13

(2012→)

2,2 TDCI D Duratorq 16V

27162

-

## Galaxy 00

(2000→2006)

all

19922

-

rear axle

### febi 19922

Ref. No. 1 104 362



AØ 80 IØ 43 B 38

### febi 22554

Ref. No. 1 121 342



AØ 141 LKØ 112 x 5

### febi 27162

Ref. No. 4 479 002



AØ 90 IØ 55 B 17,5

### febi 32598

Ref. No. 1 506 577



AØ 136



### KA 97

(1996→2008)

1,0		08080	-
1,3 EFI Duratec 8V Rocam 1,3 EFI OHV (HCS) 1,3 SEFI Endura-E 1,3 SEFI OHV Endura-E 1,6 ZETEC ROCAM		05408 / 05409 / 08080	-

### KA 08

(2008→)

all		19345	19345
-----	--	-------	-------

### Mondeo 93

(1993→1996)

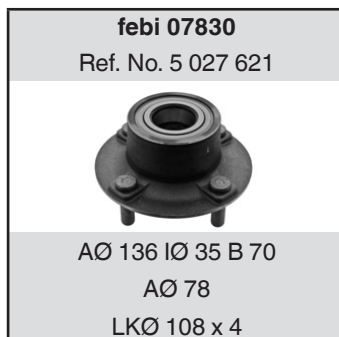
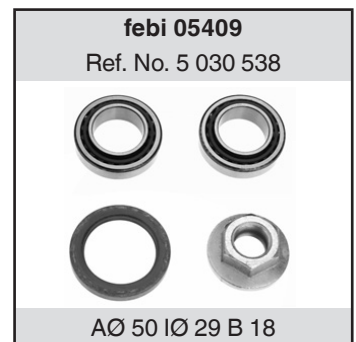
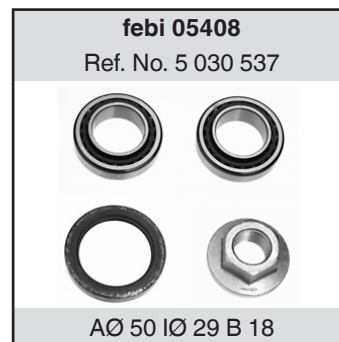
all	for vehicles without ABS	07830	07830
	for vehicles with ABS	07833	07833

### Mondeo 93 4x4

(1993→1996)

1,8 ZETEC E 16V 2,0 ZETEC 16V	for vehicles without ABS	07830	07830
	for vehicles with ABS	07833	07833

rear axle





suitable for:

# Ford

Car  
Division



## Mondeo 97

(1996→2000)

all	for vehicles without ABS	07830	07830
	for vehicles with ABS	07833	07833

## Mondeo 01

(2000→2007)

all		19983	19983
-----	--	-------	-------

## Orion 83

(1983→1986)

1,3 HC CVH 1,6 D 1,6 HC CVH	to the year of construction 12/1985	05394	-
-----------------------------------	-------------------------------------	-------	---

## Orion 86

(1985→1990)

all		05394	-
-----	--	-------	---

rear axle

### febi 05394

Ref. No. 5 007 028



AØ 50,3 IØ 29 B 14,75  
AØ 39,9 IØ 17,5 B 14,5

### febi 07830

Ref. No. 5 027 621



AØ 136 IØ 35 B 70  
AØ 78  
LKØ 108 x 4

### febi 07833

Ref. No. 5 027 622



AØ 136 IØ 35 B 70  
LKØ 108 x 4

### febi 19983

Ref. No. 4 858 822



AØ 136 B 93  
B 150  
LKØ 104 x 5



**Orion 91**

(1990→1993)

1,3 CFI OHV (HCS)

05408 / 05409 /  
08080

-

1,4 CFI CVH  
1,4 LC CVH  
1,6 EFI ZETEC E 16V  
1,6 HC CVH  
1,6 HC EFI CVH  
1,8 D  
1,8 EFI ZETEC E 16V  
1,8 TD D

05408 / 05409

-

**Puma 97**

(1997→2002)

1,4 EFI ZETEC S 16V  
1,6 EFI ZETEC S 16V  
1,7 EFI ZETEC 16V

08080

-

**Streetka 03**

(2003→2005)

1,6 Duratec

08080

-

**Tourneo 02**

(2002→ )

1,8 EFI ZETEC E 16V  
1,8 TDCI D Duratorq

for vehicles with ABS

31686

31686

rear axle

**febi 05408**

Ref. No. 5 030 537



AØ 50 IØ 29 B 18

**febi 05409**

Ref. No. 5 030 538



AØ 50 IØ 29 B 18

**febi 08080**

Ref. No. 1 375 743



AØ 50 IØ 29 B 17,5

**febi 31686**

Ref. No. 1 469 189



AØ 136  
LKØ 110 x 5

suitable for:

**Ford**

**Car  
Division**



**Transit 92**

(1991→1994)

all	Axle Version 34	14539	-
-----	-----------------	-------	---

**Transit 95**

(1994→2000)

2,0 EFI DOHC	Axle Version 34	14539	-
2,5 D OHC 2,5 EFI DOHC	Axle Version 34 to the year of construction 12/1999	14539	-
2,5 T D Turbo 2,5 TD D OHC	Axle Version 34	14539	-
2,5 TI D OHC	Axle Version 34 to the year of construction 12/1999	14539	-

**Transit 00**

(2000→2006)

all	not for dual tyres Translating Relation 3.77 Translating Relation 4.27 Translating Relation 5.88	27162	-
-----	---	-------	---

**Transit 02**

(2002→ )

1,8 EFI ZETEC E 16V 1,8 TDCI D Duratorq	for vehicles with ABS	31686	31686
--	-----------------------	-------	-------

**Transit 06**

(2006→ )

all		27162	-
-----	--	-------	---

rear axle

**febi 14539**  
Ref. No. 5 025 900

AØ 85 IØ 45 B 33,3

**febi 27162**  
Ref. No. 4 479 002

AØ 90 IØ 55 B 17,5

**febi 31686**  
Ref. No. 1 469 189

AØ 136  
LKØ 110 x 5



**Transit 06 4x4**

(2006→)

2,2 TDCI D Duratorq 16V  
2,4 TDCI D Duratorq 16V

27162

-

**Transit 13**

(2012→)

2,2 TDCI D Duratorq 16V

27162

-

**febi 27162**

Ref. No. 4 479 002



AØ 90 IØ 55 B 17,5

suitable for:

# Honda

Car  
Division



## Accord VIII

(2002→2008)

2,0 K20A  
2,0 K20Z2  
2,2 D N22A1  
2,4 K24A2  
2,4 K24A3  
2,4 K24A4  
2,4 K24A8  
3,0 J30A4  
3,0 J30A5  
3,0 JNA1

33929

33929

## Accord VIII 4WD

(2003→2008)

2,0 K20A  
2,0 K20A6

33929

33929

## Civic VI

(2000→2005)

1,3 LDA1	disc brake	32306	32306
1,4 D14Z5	drum brake	31567	31567
1,4 D14Z6	disc brake	32306	32306
1,5 D15B 1,5 D15Y3			
1,6 D16V1	drum brake	31567	31567
1,6 D16V3	disc brake	32306	32306
1,6 D16W7 1,6 R16A1	drum brake	31567	31567
1,7 D 4EE2 1,7 D17A1 1,7 D17A5 1,7 D17A6 1,7 D17A8 1,7 D17A9	disc brake	32306	32306

**febi 31567**

Ref. No. 42200-S5A-008



AØ 138 IØ 30  
LKØ 100 x 4

**febi 32306**

Ref. No. 42200-S5A-J01



AØ 139 IØ 30 B 67,5  
LKØ 105 x 4

**febi 33929**

Ref. No. 42200-SEA-951



AØ 139,5 B 94,75  
LKØ 114,3 x 5



## CR-V II 4WD

(2002→2006)

2,0 K20A4  
2,0 K20A5

30575 / 32540

-

## Jazz

(2002→ )

1,2 L12A1	to the year of construction 11/2008 drum brake	32875	32875
1,2 L12A3 1,2 L12A4 1,3 L13A1	drum brake	32875	32875
1,3 L13A5	to the year of construction 11/2008 drum brake	32875	32875
1,3 L13A6	drum brake	32875	32875
1,4 L13A1 1,4 L13Z1 1,4 L13Z2	to the year of construction 11/2008 drum brake	32875	32875
1,5 L15A	drum brake	32875	32875
1,5 L15A7	to the year of construction 11/2008 drum brake	32875	32875

rear axle

### febi 30575

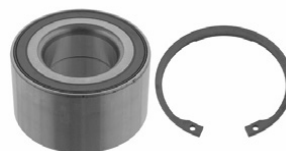
Ref. No. 44300-SAA-003



AØ 73 IØ 38 B 40

### febi 32540

Ref. No. 44300-SAA-003 S1



AØ 73 IØ 38 B 40

### febi 32875

Ref. No. 42200-SAA-G02



AØ 66,5 IØ 28

AØ 134

LKØ 100 x 4

suitable for:

# Hyundai

Car  
Division



## Accent II (1999→2006)

all	for vehicles with ABS	28253	28253
-----	-----------------------	-------	-------

## Accent III (2005→2012)

1,4 G4EE 1,5 D D4FA	drum brake for vehicles without ABS Br. drum outer diameter [mm] 203,2	31377	31377
	for vehicles with ABS disc brake	31403	31403
1,5 G4EK	for vehicles with ABS disc brake	31403	31403
1,6 G4ED	drum brake for vehicles without ABS Br. drum outer diameter [mm] 203,2	31377	31377
	for vehicles with ABS disc brake	31403	31403

## Accent IV (2010→ )

1,4 G4FA 1,6 D D4FB 1,6 G4FD	drum brake for vehicles without ABS Br. drum outer diameter [mm] 203,2	31377	31377
	for vehicles with ABS disc brake	31403	31403

## Amica (1999→2000)

1,0 G4AC	to the year of construction 02/2001	31685	-
----------	-------------------------------------	-------	---

rear axle

**febi 28253**  
Ref. No. 52710-25100

AØ 140 LKØ 100 x 4

**febi 31377**  
Ref. No. 52750-1G001

AØ 140 B 130  
LKØ 100 x 4

**febi 31403**  
Ref. No. 52750-1G100

AØ 140 B 130  
LKØ 100 x 4

**febi 31685**  
Ref. No. 51720-11101 S1

AØ 50,3 IØ 27 B 14,7  
AØ 39,9 IØ 17,4 B 14,55



### Atos

(1997→2003)

0,8 G3HJ  
1,0 G4AC  
1,0 G4HC

to the year of construction 02/2001

31685

-

### Click

(2006→2009)

1,5 D D4FA

drum brake  
for vehicles without ABS

31377

31377

for vehicles with ABS  
disc brake

31403

31403

### Elantra III

(2006→)

1,6 132  
1,6 D D4FB  
1,6 G4HN  
2,0 G4EN  
2,0 G4GC

disc brake

32885

32885

rear axle

#### febi 31377

Ref. No. 52750-1G001



AØ 140 B 130  
LKØ 100 x 4

#### febi 31403

Ref. No. 52750-1G100



AØ 140 B 130  
LKØ 100 x 4

#### febi 31685

Ref. No. 51720-11101 S1



AØ 50,3 IØ 27 B 14,7  
AØ 39,9 IØ 17,4 B 14,55

#### febi 32885

Ref. No. 52730-2H000



AØ 148  
LKØ 114,3 x 5



suitable for:

# Hyundai

Car  
Division



Model	Year Range	Configuration	Part No.	Part No.
<b>Excel</b>	(1994→2006)			
1,3 G4DA		for vehicles with ABS	28253	28253
1,3 G4EA				
1,3 G4EAG				
1,5 D D3DA				
1,5 G4ECG				
1,5 G4EK				
1,6 G4ED				
<b>Getz</b>	(2002→2012)			
1,1 G4HD		drum brake for vehicles without ABS	31377	31377
		for vehicles with ABS disc brake	31403	31403
1,3 G4EA		for vehicles with ABS disc brake	31403	31403
1,4 G4EE		drum brake	31377	31377
1,5 D D4FA		for vehicles without ABS		
1,6 G4EDG		for vehicles with ABS disc brake	31403	31403
<b>i10</b>	(2007→)			
1,1 D D3FA		for vehicles with ABS disc brake	31403	31403
1,1 G4HG				
1,2 G4LA				
1,2 G4UG				
<b>i20</b>	(2008→)			
all		for vehicles with ABS disc brake	31403	31403

rear axle

**febi 28253**  
Ref. No. 52710-25100

AØ 140 LKØ 100 x 4

**febi 31377**  
Ref. No. 52750-1G001

AØ 140 B 130  
LKØ 100 x 4

**febi 31403**  
Ref. No. 52750-1G100

AØ 140 B 130  
LKØ 100 x 4



## i30

(2007→ )

1,4 D D4FC  
1,4 G4FA  
1,6 D D4FB  
1,6 G4FC  
1,6 G4FD  
2,0 D D4EA  
2,0 G4GC  
2,0 G4GCG

32885

32885

## Lavita

(2000→2010)

1,5 D D4FA  
1,8 G4GB

for vehicles with ABS  
For vehicles with TCS

32884

32884

## Matrix

(2001→2010)

1,5 D D3EA  
1,5 D D4FA

to the year of construction 02/2007  
for vehicles with ABS  
For vehicles with TCS

32884

32884

1,6 G4ED

from the year of construction 05/2005  
to the year of construction 02/2007  
for vehicles with ABS  
For vehicles with TCS

32884

32884

1,8 G4GB

from the year of construction 09/2003  
to the year of construction 02/2007  
for vehicles with ABS  
For vehicles with TCS

32884

32884

rear axle

### febi 32884

Ref. No. 52710-17100



AØ 139 IØ 32  
LKØ 114,3 x 4

### febi 32885

Ref. No. 52730-2H000



AØ 148  
LKØ 114,3 x 5

suitable for:

# Hyundai

Car  
Division



## Santa Fe

(2000→ )

2,0 D D4EA  
 2,0 D D4HA  
 2,0 G4BP  
 2,2 D D4EB  
 2,2 D D4HB  
 2,4 G4JS  
 2,4 G4KC  
 2,4 G4KE  
 2,7 G6BA  
 2,7 G6EA  
 3,5 G6CU  
 3,5 G6DC

32883

32883

## Santa Fe 4x4

(2005→2011)

2,7 G6BA

32883

32883

## Sonata IV

(2001→2005)

all

for vehicles with ABS  
disc brake

28254

28254

## Tucson

(2004→ )

2,0 D D4EA  
 2,0 D D4EAV  
 2,0 G4GC  
 2,0 G4KD

31829

31829

rear axle

### febi 28254

Ref. No. 52730-38102



AØ 148 LKØ 114 x 4

### febi 31829

Ref. No. 52710-2E100



AØ 139 B 98,5  
LKØ 110 x 5

### febi 32883

Ref. No. 52750-2B100



LKØ 114,3 x 5



**Verna**

(2002→)

1,4 G4EE 1,5 D D4FA	drum brake for vehicles without ABS Br. drum outer diameter [mm] 203,2	<b>31377</b>	<b>31377</b>
	for vehicles with ABS disc brake	<b>31403</b>	<b>31403</b>
1,6 D D4FB	drum brake for vehicles without ABS Br. drum outer diameter [mm] 203,2	<b>31377</b>	<b>31377</b>
1,6 G4ED	for vehicles with ABS	<b>28253</b>	<b>28253</b>
	drum brake for vehicles without ABS Br. drum outer diameter [mm] 203,2	<b>31377</b>	<b>31377</b>
	for vehicles with ABS disc brake	<b>31403</b>	<b>31403</b>
1,6 G4FD	drum brake for vehicles without ABS Br. drum outer diameter [mm] 203,2	<b>31377</b>	<b>31377</b>

rear axle



suitable for:

**IVECO**

**Car  
Division**



**Daily I**

(1978→1989)

2,4 D 814021  
2,4 D 814027S  
2,4 D 814061

19769

-

**Daily II**

(1990→1999)

all

19769

-

rear axle

**febi 19769**

Ref. No. 0 0110 1597





### Carens I

(1999→2002)

1,8 T8D  
2,0 G4CB

disc brake

31565

31565

### Carens II

(2002→2006)

all

disc brake

31565

31565

### Ceed

(2006→ )

all

32885

32885

### Magentis I

(2001→2005)

2,0 G4JP  
2,5 G6BV

from the year of construction 01/2002

28254

28254

### Optima

(2001→2005)

2,0 G4JP  
2,5 G6BV

from the year of construction 01/2002

28254

28254

### Picanto

(2004→ )

1,0 G3LA  
1,0 G4HC  
1,0 G4HE  
1,1 D D3FA  
1,1 G4HG

disc brake  
to the year of construction 04/2011  
for vehicles with ABS

31403

31403

rear axle

#### febi 28254

Ref. No. 52730-38102



AØ 148 LKØ 114 x 4

#### febi 31403

Ref. No. 52750-1G100



AØ 140 B 130  
LKØ 100 x 4

#### febi 31565

Ref. No. 0K9A5-26-150



AØ 140 B 74  
LKØ 115 x 4

#### febi 32885

Ref. No. 52730-2H000



AØ 148  
LKØ 114,3 x 5

suitable for:

**KIA**

**Car  
Division**



## Rio II

(2005→)

1,4 G4EE	for vehicles without ABS drum brake Drum Diameter 20,32	31377	31377
	to the year of construction 12/2006 disc brake for vehicles with ABS	31403	31403
1,4 G4FA	for vehicles without ABS drum brake Drum Diameter 20,32	31377	31377
1,4 G4KR 1,5 D D3EA 1,5 D D4FA 1,6 G4ED	for vehicles without ABS drum brake Drum Diameter 20,32	31377	31377
	to the year of construction 12/2006 disc brake for vehicles with ABS	31403	31403

## Sportage

(2004→)

2,0 D D4EA 2,0 G4GC 2,0 G4KD		31829	31829
------------------------------------	--	-------	-------

rear axle

### febi 31377

Ref. No. 52750-1G000



AØ 140 B 130  
LKØ 100 x 4

### febi 31403

Ref. No. 52750-1G100



AØ 140 B 130  
LKØ 100 x 4

### febi 31829

Ref. No. 52710-2E100



AØ 139 B 98,5  
LKØ 110 x 5



**Dedra**

(1989→1999)

all	for vehicles without ABS	12116	12116
	for vehicles with ABS	12117	12117
		-	40233

**Dedra 4WD**

(1990→1999)

2,0 835A7000 2,0 835A7046 2,0 836A3000	for vehicles without ABS	12116	12116
	for vehicles with ABS	12117	12117
		-	40233

**Delta I 4WD**

(1989→1994)

2,0 831E5000	from the year of construction 01/1991	-	40227
2,0 831E5046		-	40227

**Delta II**

(1993→2000)

all	for vehicles without ABS	12116	12116
	for vehicles with ABS	12117	12117

rear axle

**febi 12116**  
Ref. No. 51754192

AØ 118 IØ 30 B 60,5  
LKØ 98 x 4

**febi 12117**  
Ref. No. 46425959

AØ 118 IØ 30 B 61  
LKØ 98 x 4

**febi 40227**  
Ref. No. 82466910

AØ 120 LKØ 98 x 5

**febi 40233**  
Ref. No. 51824630

AØ 37 LKØ 98 x 4



suitable for:

**LANCIA**

**Car  
Division**



**Delta III**

(2008→ )

all

19345

19345

**Lybra**

(1999→2005)

all

19345

19345

**Musa**

(2004→2012)

all

to the year of construction 09/2010

19345

19345

**Y**

(1995→2003)

all

for vehicles without ABS

12116

12116

to Chassis No. 3336902  
for vehicles without ABS

12118

12118

for vehicles with ABS

19345

19345

**Y10**

(1985→1995)

1,0 156A0000  
1,0 156A1000  
1,0 156A2000  
1,0 156A2048  
1,0 156A2100  
1,0 156A2246

from the year of construction 01/1988

12370

12370

1,1 156C000  
1,1 156C046  
1,1 176B2000  
1,3 146A5046  
1,3 156B000

12370

12370

rear axle

**febi 12116**

Ref. No. 51754192



AØ 118 IØ 30 B 60,5  
LKØ 98 x 4

**febi 12118**

Ref. No. 7769902



AØ 116 IØ 30 B 63  
LKØ 97 x 4

**febi 12370**

Ref. No. 7603485



AØ 117 IØ 30 B 64  
LKØ 98 x 4

**febi 19345**

Ref. No. 51754193



AØ 118 IØ 30  
IØ 62  
LKØ 98 x 4



### Y10 4WD

(1986→1995)

1,0 156A2000		12370	12370
1,0 156A2100	from the year of construction 01/1988	12370	12370
1,0 156A2246 1,1 156C000 1,1 156C046 1,1 176B2000		12370	12370

### Ypsilon

(2003→)

all		19345	19345
-----	--	-------	-------

### Zeta

(1994→2002)

all		14535	14535
-----	--	-------	-------

rear axle

**febi 12370**  
Ref. No. 7603485



AØ 117 IØ 30 B 64  
LKØ 98 x 4

**febi 14535**  
Ref. No. 9567217780 SK



AØ 120 IØ 30 B 70  
LKØ 95 x 5

**febi 19345**  
Ref. No. 51754193



AØ 118 IØ 30  
IØ 62  
LKØ 98 x 4

suitable for:

**Lexus**

**Car  
Division**



**ES 250**  
(1989→1991)

**2,5 2VZFE**

**27312**

-

rear axle

**febi 27312**

Ref. No. 90369-30044



AØ 63 IØ 30 B 42



**Mazda 2 (DE)**

(2007→)

- 1,3 ZJ06
- 1,3 ZJ07
- 1,3 ZJ46
- 1,4 D Y404
- 1,5 ZY
- 1,5 ZY05
- 1,5 ZY06
- 1,6 D Y401
- 1,6 D Y660

34378

34378

**Mazda 3 (BK)**

(2003→)

- 1,3 ZJ07
- 1,3 ZJ30
- 1,6 B6ZE
- 1,6 D Y601
- 1,6 D Y603
- 1,6 D Y605
- 1,6 Z601
- 1,6 Z602
- 1,6 Z627
- 2,0 LF50
- 2,0 LF72
- 2,0 LFN7
- 2,0 LFN8
- 2,0 D RF7J
- 2,0 D RF8G
- 2,3 L33Y
- 2,3 L3M6
- 2,3 L3N9
- 2,3 L3V
- 2,3 L3YH
- 2,3 L3YS
- 2,3 L3YY

32686

32686

rear axle

**febi 32686**

Ref. No. BP4K-26-15XF



∅ 142  
LK∅ 110 x 5

**febi 34378**

Ref. No. D651-26-15XE



x 4

suitable for:

# Mazda

Car  
Division



## Mazda 5 (CR)

(2005→)

1,8 L823  
2,0 LFD7  
2,0 LFF7  
2,0 D RF7J  
2,3 L333

32686

32686

## Miata I (NA)

(1994→1997)

1,6 B69P

30087

-

## MX-3 (EC)

(1991→1995)

1,6 B69  
1,8 8AE1  
1,8 K819

drum brake  
for vehicles without ABS

32684

32684

disc brake

32685

32685

## MX-5 I (NA)

(1989→1998)

all

30087

-

## MX-5 II (NB)

(1998→2005)

1,6 B6MC  
1,6 B6MU  
1,8 BP5A  
1,8 BP6J

30087

-

rear axle

**febi 30087**

Ref. No. B455-33-047D S1



AØ 74 IØ 40 B 40

**febi 32684**

Ref. No. B455-26-15XC



AØ 122 IØ 30 B 69  
LKØ 100 x 4

**febi 32685**

Ref. No. B603-26-15XC



AØ 122 IØ 30 B 69  
LKØ 100 x 4

**febi 32686**

Ref. No. BP4K-26-15XF



AØ 142  
LKØ 110 x 5



## 121 III (JASM)

(1996→)

1,2 DHF  
1,3 1E03  
1,4 1E04  
1,8 D RTJ

08080

-

## 121 III (JBSM)

(1996→)

1,2 DHG  
1,8 D RTK

08080

-

## 323 Astina III (BG)

(1989→1994)

all

drum brake  
for vehicles without ABS

32684

32684

disc brake

32685

32685

## 323 Astina IV (BG)

(1989→1994)

1,6 B67J  
1,6 B67L  
1,8 BP32

drum brake  
for vehicles without ABS

32684

32684

disc brake

32685

32685

## 323 Astina IV 4WD (BG)

(1989→1994)

1,8 BP32

drum brake  
for vehicles without ABS

32684

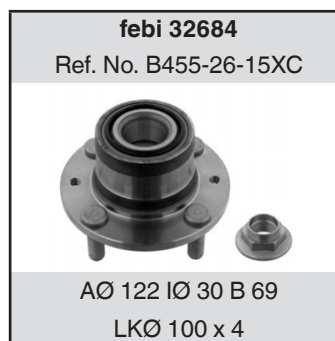
32684

disc brake

32685

32685

rear axle



suitable for:

**Mazda**

**Car  
Division**



### 323 Astina V (BA)

(1994→1998)

1,5 Z501	drum brake	32684	32684
1,8 BP3G	for vehicles without ABS		
1,8 BP3H	disc brake	32685	32685
1,8 BPE4			
1,8 BPE5	for vehicles without ABS	32869	32869
	disc brake		

### 323 Astina VI (BJ)

(2001→2004)

2,0 FS7H	drum brake	32684	32684
2,0 FS7L	for vehicles without ABS		
	disc brake	32685	32685

### 323 IV (BG)

(1989→1994)

all	drum brake	32684	32684
	for vehicles without ABS		
	disc brake	32685	32685

### 323 IV 4WD (BG)

(1989→1994)

all	drum brake	32684	32684
	for vehicles without ABS		
	disc brake	32685	32685

rear axle

#### febi 32684

Ref. No. B455-26-15XC



AØ 122 IØ 30 B 69  
LKØ 100 x 4

#### febi 32685

Ref. No. B603-26-15XC



AØ 122 IØ 30 B 69  
LKØ 100 x 4

#### febi 32869

Ref. No. B01C-26-15X



AØ 65 IØ 30  
AØ 140  
LKØ 110 x 5



## 323 Protege V (BA)

(1994→1998)

1,6 D6DK 2,0 ZKF48 2,0 ZKF49	drum brake for vehicles without ABS	32684	32684
	disc brake for vehicles without ABS	32685	32685
	disc brake	32869	32869

## 323 Protege VI (BJ)

(1998→2004)

all	drum brake for vehicles without ABS	32684	32684
	disc brake	32685	32685

## 323 V (BA)

(1994→2001)

1,3 B3 1,3 B32A 1,3 B3P7 1,5 Z501 1,5 Z5DE 1,6 D 4EE1T 1,6 D6DK 1,6 D6DL 1,7 D Y709 1,8 BP3G 1,8 BP3H 1,8 BPE4 1,8 BPE5 2,0 KF40 2,0 KF52 2,0 D RF1G 2,0 ZKF48	drum brake for vehicles without ABS	32684	32684
	disc brake for vehicles without ABS	32685	32685
	disc brake	32869	32869

rear axle





suitable for:

# Mazda

Car  
Division 



## 323 VI (BJ) (1998→)

all	drum brake for vehicles without ABS	32684	32684
	disc brake	32685	32685

rear axle

**febi 32684**  
Ref. No. B455-26-15XC



AØ 122 IØ 30 B 69  
LKØ 100 x 4

**febi 32685**  
Ref. No. B603-26-15XC



AØ 122 IØ 30 B 69  
LKØ 100 x 4



## A-Class (Model 168)

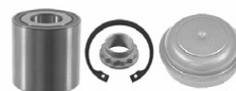
(1997→2004)

<b>A 140 (168.031)</b>	to the year of construction 02/2001 to Chassis No. J 568589	<b>21839 / 21843</b>	-
	from the year of construction 03/2001	<b>21844 / 21847</b>	-
	to Chassis No. J 568589	<b>28382</b>	<b>28382</b>
	from Chassis No. J 535749	<b>28383</b>	<b>28383</b>
<b>A 140 (168.131)</b>	to the year of construction 02/2001 to Chassis No. J 568589	<b>21839 / 21843</b>	-
	from the year of construction 03/2001	<b>21844 / 21847</b>	-
	from Chassis No. J 535749	<b>28383</b>	<b>28383</b>
<b>A 160 (168.033)</b>	to the year of construction 02/2001 to Chassis No. J 568589	<b>21839 / 21843</b>	-
	from the year of construction 03/2001	<b>21844 / 21847</b>	-
	to Chassis No. J 568589	<b>28382</b>	<b>28382</b>
	from Chassis No. J 535749	<b>28383</b>	<b>28383</b>
<b>A 160 (168.133)</b>	to the year of construction 02/2001 to Chassis No. J 568589	<b>21839 / 21843</b>	-
	from the year of construction 03/2001	<b>21844 / 21847</b>	-
	from Chassis No. J 535749	<b>28383</b>	<b>28383</b>

rear axle

### febi 21839

Ref. No. 168 981 03 27 S1



AØ 55 IØ 25 B 43

### febi 21843

Ref. No. 168 981 03 27



AØ 55 IØ 25 B 43

### febi 21844

Ref. No. 168 981 07 27



AØ 55 IØ 25 B 53,5

### febi 21847

Ref. No. 168 981 07 27 S1



AØ 55 IØ 25 B 53,5

### febi 28382

Ref. No. 168 350 03 35



AØ 147,7 B 92,4  
LKØ 114,5 x 5

### febi 28383

Ref. No. 168 350 04 35



AØ 147,7 B 92,4  
LKØ 114,5 x 5

suitable for:

# Mercedes-Benz

Car  
Division



## A-Class (Model 168)

(1997→2004)

<b>A 160 CDI (168.006)</b> <b>A 160 CDI (168.007)</b> <b>A 170 CDI (168.008)</b> <b>A 170 CDI (168.009)</b>	to the year of construction 02/2001 to Chassis No. J 568589	<b>21839 / 21843</b>	-
	from the year of construction 03/2001	<b>21844 / 21847</b>	-
	to Chassis No. J 568589	<b>28382</b>	<b>28382</b>
	from Chassis No. J 535749	<b>28383</b>	<b>28383</b>
<b>A 170 CDI (168.109)</b>	to the year of construction 02/2001 to Chassis No. J 568589	<b>21839 / 21843</b>	-
	from the year of construction 03/2001	<b>21844 / 21847</b>	-
	from Chassis No. J 535749	<b>28383</b>	<b>28383</b>
<b>A 190 (168.032)</b>	to the year of construction 02/2001 to Chassis No. J 568589	<b>21839 / 21843</b>	-
	from the year of construction 03/2001	<b>21844 / 21847</b>	-
	to Chassis No. J 568589	<b>28382</b>	<b>28382</b>
	from Chassis No. J 535749	<b>28383</b>	<b>28383</b>
<b>A 190 (168.132)</b> <b>A 210 (168.035)</b> <b>A 210 (168.135)</b>	to the year of construction 02/2001 to Chassis No. J 568589	<b>21839 / 21843</b>	-
	from the year of construction 03/2001	<b>21844 / 21847</b>	-
	from Chassis No. J 535749	<b>28383</b>	<b>28383</b>

rear axle

### febi 21839

Ref. No. 168 981 03 27 S1



AØ 55 IØ 25 B 43

### febi 21843

Ref. No. 168 981 03 27



AØ 55 IØ 25 B 43

### febi 21844

Ref. No. 168 981 07 27



AØ 55 IØ 25 B 53,5

### febi 21847

Ref. No. 168 981 07 27 S1



AØ 55 IØ 25 B 53,5

### febi 28382

Ref. No. 168 350 03 35



AØ 147,7 B 92,4  
LKØ 114,5 x 5

### febi 28383

Ref. No. 168 350 04 35



AØ 147,7 B 92,4  
LKØ 114,5 x 5



## A-Class (Model 169)

(2004→2012)

- A 150 (169.031)
- A 150 (169.331)
- A 160 (169.031)
- A 160 (169.331)
- A 160 CDI (169.006)
- A 160 CDI (169.306)
- A 170 (169.032)
- A 170 (169.332)
- A 180 (169.032)
- A 180 (169.332)
- A 180 CDI (169.007)
- A 180 CDI (169.307)
- A 200 (169.033)
- A 200 (169.034)
- A 200 (169.333)
- A 200 (169.334)
- A 200 CDI (169.008)
- A 200 CDI (169.308)

36487

36487

## B-Class (Model 245)

(2005→2011)

all

36487

36487

## Model 110 (Fintail)

(1960→1968)

all

05423

-

## Model 111 (Fintail)

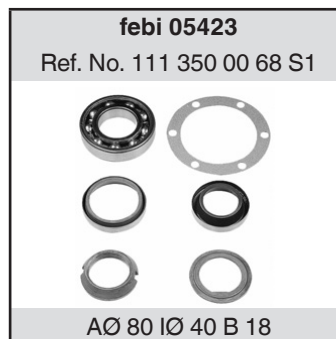
(1959→1971)

all

05423

-

rear axle



suitable for:

# Mercedes-Benz

Car  
Division 



## Model 114 ( /8)

(1967→1977)

all

05569 / 05995 /  
08840

-

## Model 115 ( /8)

(1968→1977)

all

05569 / 05995 /  
08840

-

## Model 123

(1976→1986)

all

05569 / 05995 /  
08840

-

## Model 124

(1984→1998)

E 200 (124.019)

E 200 (124.040)

E 200 Cabrio (124.060)

05578 / 07931 /  
07932 / 08881

-

E 200 D (124.120)

05578 / 08881

-

rear axle

### febi 05569

Ref. No. 123 350 00 68 SK



AØ 75 IØ 46 B 18  
AØ 68 IØ 41

### febi 05578

Ref. No. 202 980 00 16 SK



AØ 84 IØ 45 B 39

### febi 05995

Ref. No. 000 980 82 02 S1



### febi 07931

Ref. No. 124 980 05 16



AØ 84 IØ 49 B 43

### febi 07932

Ref. No. 124 980 05 16 SK



AØ 84 IØ 49 B 43

### febi 08840

Ref. No. 123 350 00 68



AØ 75 IØ 46 B 18,5  
AØ 68 IØ 41

### febi 08881

Ref. No. 202 980 00 16



AØ 84 IØ 45 B 39

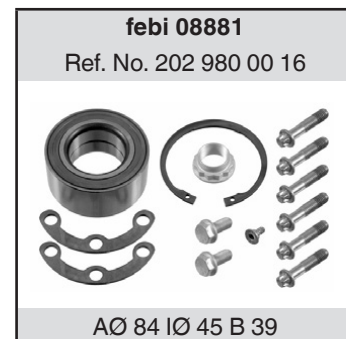
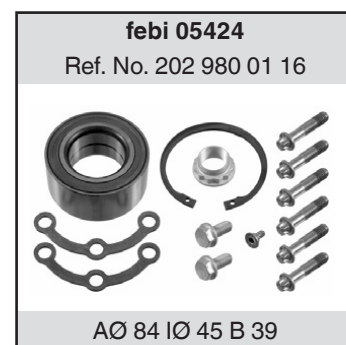


## Model 124

(1984→1998)

E 220 (124.022) E 220 (124.042) E 220 Cabrio (124.062)	05578 / 07931 / 07932 / 08881	-
E 220 T (124.082)	07931 / 07932	-
E 250 D (124.126)	05578 / 07931 / 07932 / 08881	-
E 250 D (124.129)	07931 / 07932	-
E 250 D Turbo (124.128)	05424 / 05578 / 08881	-
E 250 TD (124.104) E 250 TD (124.107)	07931 / 07932	-
E 250 TD (124.126)	05578 / 08881	-
E 250 TD Turbo (124.188)	04178 / 05424 / 07931 / 07932 / 08881	-
E 280 (124.008)	04178 / 07931 / 07932	-
E 280 (124.028)	05424 / 05578 / 08881	-

rear axle



suitable for:

# Mercedes-Benz

Car  
Division



## Model 124

(1984→1998)

E 280 (124.029)	04178 / 05424 / 07931 / 07932 / 08881	-
E 280 T (124.088)	04178 / 07931 / 07932	-
E 300 D (124.130) E 300 D (124.131) E 300 D Turbo (124.133) E 300 D Turbo 4 Matic (124.333)	05424 / 05578 / 08881	-
E 300 T 4 Matic (124.290) E 300 TD (124.191) E 300 TD Turbo (124.193) E 300 TD Turbo 4 Matic (124.393)	04178 / 07931 / 07932	-
E 300 4 Matic (124.230) E 320 (124.032) E 320 (124.052) E 320 Cabrio (124.066)	05424 / 05578 / 08881	-
E 320 T (124.092)	04178 / 07931 / 07932	-
E 36 AMG (124.052) E 36 AMG Cabrio (124.066)	05424 / 05578 / 08881	-
E 36 T AMG (124.092)	04178 / 07931 / 07932	-

rear axle

### febi 04178

Ref. No. 124 980 04 16



AØ 84 IØ 49 B 43

### febi 05424

Ref. No. 202 980 01 16



AØ 84 IØ 45 B 39

### febi 05578

Ref. No. 202 980 00 16 SK



AØ 84 IØ 45 B 39

### febi 07931

Ref. No. 124 980 05 16



AØ 84 IØ 49 B 43

### febi 07932

Ref. No. 124 980 05 16 SK



AØ 84 IØ 49 B 43

### febi 08881

Ref. No. 202 980 00 16



AØ 84 IØ 45 B 39

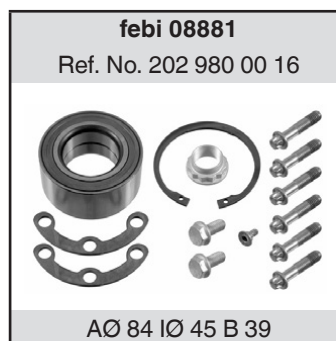
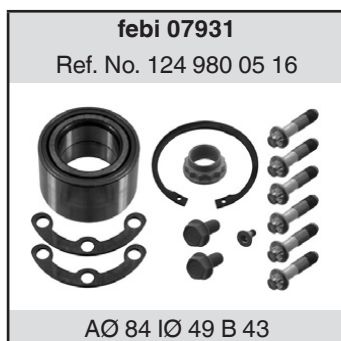


## Model 124

(1984→1998)

E 420 (124.034) E 500 (124.036) E 60 AMG (124.036)	21873	-
200 (124.020)	05578 / 07931 / 07932 / 08881	-
200 CE (124.040) 200 CE (124.041) 200 CE Cabrio (124.060) 200 D (124.120) 200 E (124.019) 200 E (124.021)	05578 / 08881	-
200 T (124.080) 200 TD (124.180) 200 TE (124.079) 200 TE (124.081)	07931 / 07932	-
220 CE (124.042) 220 E (124.022)	05578 / 08881	-
220 TE (124.082)	07931 / 07932	-
230 CE (124.043)	05578 / 08881	-
230 E (124.003) 230 E (124.004)	04178 / 07931 / 07932	-
230 E (124.023)	05578 / 08881	-

rear axle





suitable for:

# Mercedes-Benz

Car Division 

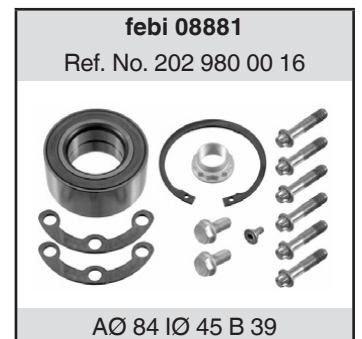
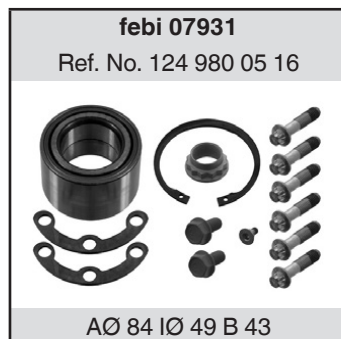
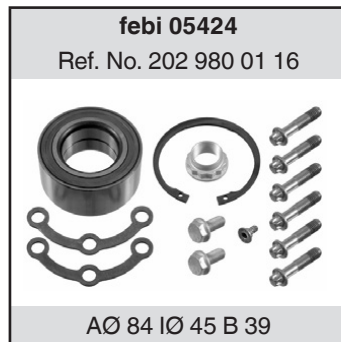
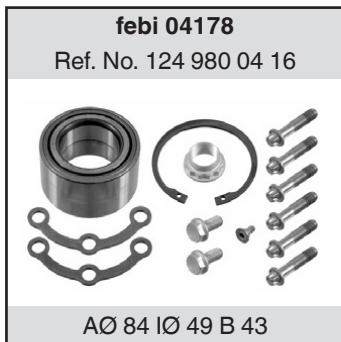


## Model 124

(1984→1998)

230 TE (124.083)		07931 / 07932	-
250 D (124.125)		05578 / 07931 / 07932 / 08881	-
250 D (124.127)	from the year of construction 09/1989 to the year of construction 10/1992	04178	-
		07931 / 07932	-
250 D Turbo (124.128)		05424 / 05578 / 08881	-
250 TD (124.105) 250 TD (124.185)		07931 / 07932	-
250 TD Turbo (124.188) 260 E (124.007)		04178 / 07931 / 07932	-
260 E (124.026)		05424 / 05578 / 08881	-
260 E (124.027)		04178 / 07931 / 07932	-
260 E 4 Matic (124.226)		05424 / 05578 / 08881	-
260 TE (124.007)		04178 / 07931 / 07932	-

rear axle



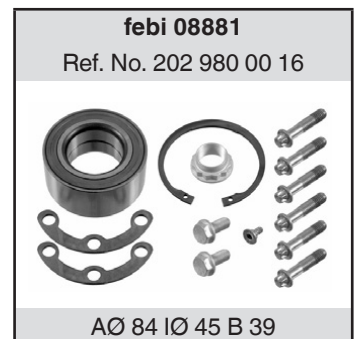
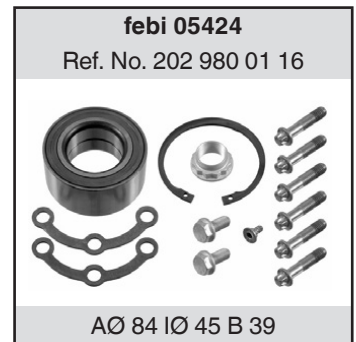
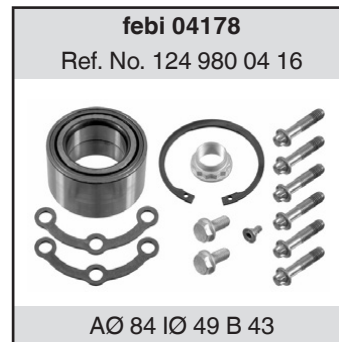


## Model 124

(1984→1998)

280 E (124.028)	05424 / 05578 / 08881	-
280 E (124.029) 280 TE (124.008) 280 TE (124.088)	04178 / 07931 / 07932	-
300 CE (124.050) 300 CE 3.4 AMG (124.051) 300 CE-24 (124.061) 300 CE-24 V. (124.051) 300 D (124.130) 300 D (124.330) 300 D Turbo (124.133)	05424 / 05578 / 08881	-
300 D Turbo (124.393)	04178 / 07931 / 07932	-
300 D Turbo 4 Matic (124.333) 300 D 4 Matic (124.330) 300 E (124.026) 300 E (124.030) 300 E (124.230) 300 E 4 Matic (124.230) 300 E-24 V. (124.031)	05424 / 05578 / 08881	-

rear axle



suitable for:

# Mercedes-Benz

Car  
Division



## Model 124

(1984→1998)

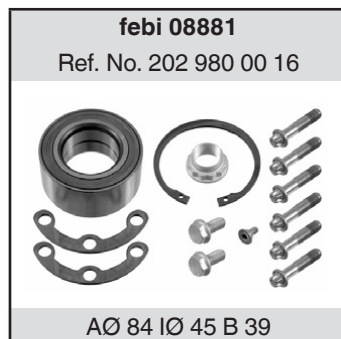
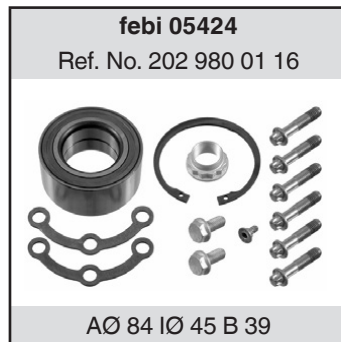
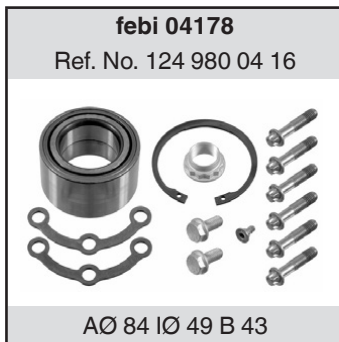
300 TD (124.190) 300 TD Turbo (124.193) 300 TD Turbo (124.393) 300 TD Turbo 4 Matic (124.393) 300 TE (124.090) 300 TE 3.4 AMG (124.091) 300 TE 4 Matic (124.290) 300 TE-24 V. (124.091)	04178 / 07931 / 07932	-
320 CE (124.052) 320 E (124.032)	05424 / 05578 / 08881	-
320 TE (124.092)	04178 / 07931 / 07932	-
400 E (124.034) 500 E (124.036) 500 E 6.0 AMG (124.036)	21873	-

## C-Class (Model 202)

(1993→2001)

C 180 (202.018) C 180 T (202.078) C 180 T (202.081)	05578 / 08881	36091
C 180 T Kompressor (202.085)	05424 / 05578 / 08881	36091

rear axle



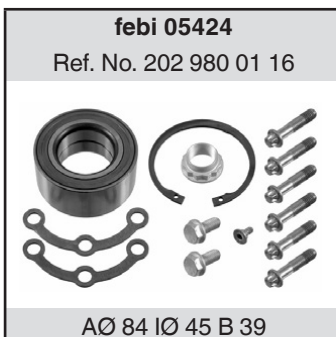


## C-Class (Model 202)

(1993→2001)

C 200 (202.020)	05578 / 08881	36091
C 200 (202.023) C 200 CDI (202.134)	05424 / 05578 / 08881	36091
C 200 D (202.120) C 200 D (202.122) C 200 Kompressor (202.025) C 200 T (202.080)	05578 / 08881	36091
C 200 T CDI (202.194)	05424 / 05578 / 08881	36091
C 200 T Kompressor (202.082) C 200 T Kompressor (202.087) C 200 TD (202.180) C 220 (202.022)	05578 / 08881	36091
C 220 CDI (202.133)	05424 / 05578 / 08881	36091
C 220 D (202.121)	05578 / 08881	36091
C 220 T CDI (202.193)	05424 / 05578 / 08881	36091
C 220 TD (202.182)	05578 / 08881	36091
C 230 (202.023) C 230 Kompressor (202.024)	05424 / 05578 / 08881	36091
C 230 T (202.083)	05578 / 08881	36091
C 230 T Kompressor (202.085)	05424 / 05578 / 08881	36091
C 240 (202.026) C 240 T (202.086) C 240 T (202.088) C 250 D (202.125)	05578 / 08881	36091

rear axle



suitable for:

# Mercedes-Benz

Car  
Division 



## C-Class (Model 202)

(1993→2001)

C 250 D Turbo (202.128) C 250 TD Turbo (202.188) C 280 (202.028) C 280 (202.029) C 280 T (202.089)	05424 / 05578 / 08881	36091
C 36 AMG (202.028)	05424 / 05578 / 08881	-
to Chassis No. F 149154	-	36091
C 43 AMG (202.033)	05424 / 05578 / 08881	-
C 43 T AMG (202.093)	05424 / 05578 / 08881	36091

## C-Class (Model 203)

(2000→2011)

C 160 Kompressor (203.730)	03403	36091
to Chassis No. A 274456	05424	-

rear axle

**febi 03403**

Ref. No. 202 981 01 27



AØ 83,95 IØ 45 B 38,8

**febi 05424**

Ref. No. 202 980 01 16



AØ 84 IØ 45 B 39

**febi 05578**

Ref. No. 202 980 00 16 SK



AØ 84 IØ 45 B 39

**febi 08881**

Ref. No. 202 980 00 16



AØ 84 IØ 45 B 39

**febi 36091**

Ref. No. 203 357 01 08



LKØ 112 x 5



## C-Class (Model 203)

(2000→2011)

C 180 (203.035)		03403	36091
C 180 (203.735)			
C 180 Kompressor (203.046)	to Chassis No. A 274456	05424	-
C 180 Kompressor (203.746)			
C 180 T (203.235)	from Chassis No. A 274457	21872	-
C 180 T Kompressor (203.246)			
C 200 CDI (203.004)			
C 200 CDI (203.007)			
C 200 CDI (203.707)		03403	36091
	to Chassis No. A 274456	05424	-
C 200 CGI (203.043)		03403	36091
	to Chassis No. A 274456	05424	-
	from Chassis No. A 274457	21872	-
C 200 CGI Kompressor (203.743)		03403	36091
	to Chassis No. A 274456	05424	-
C 200 Kompressor (203.042)		03403	36091
C 200 Kompressor (203.045)	to Chassis No. A 274456	05424	-
	from Chassis No. A 274457	21872	-
C 200 Kompressor (203.742)		03403	36091
	to Chassis No. A 274456	05424	-
C 200 Kompressor (203.745)		03403	36091
C 200 T CDI (203.204)			
C 200 T CDI (203.207)	to Chassis No. A 274456	05424	-
C 200 T CGI (203.243)	from Chassis No. A 274457	21872	-
C 200 T Kompressor (203.242)			
C 200 T Kompressor (203.245)			
C 220 CDI (203.006)			
C 220 CDI (203.008)		03403	36091
	to Chassis No. A 274456	05424	-

rear axle



suitable for:

# Mercedes-Benz

Car  
Division



## C-Class (Model 203)

(2000→2011)

<b>C 220 CDI (203.706)</b>		<b>03403</b>	<b>36091</b>
	to Chassis No. A 274456	<b>05424</b>	-
	from Chassis No. A 274457	<b>21872</b>	-
<b>C 220 CDI (203.708)</b>		<b>03403</b>	<b>36091</b>
	to Chassis No. A 274456	<b>05424</b>	-
<b>C 220 T CDI (203.206)</b>		<b>03403</b>	<b>36091</b>
	to Chassis No. A 274456	<b>05424</b>	-
	from Chassis No. A 274457	<b>21872</b>	-
<b>C 220 T CDI (203.208)</b>		<b>03403</b>	<b>36091</b>
<b>C 230 (203.052)</b>		<b>05424</b>	-
<b>C 230 (203.752)</b>	to Chassis No. A 274456	<b>05424</b>	-
<b>C 230 Kompressor (203.040)</b>			
<b>C 230 Kompressor (203.740)</b>		<b>03403</b>	<b>36091</b>
<b>C 230 Kompressor (203.747)</b>		<b>05424</b>	-
	to Chassis No. A 274456	<b>05424</b>	-
	from Chassis No. A 274457	<b>21872</b>	-
<b>C 230 T (203.252)</b>		<b>03403</b>	<b>36091</b>
<b>C 230 T Kompressor (203.240)</b>		<b>05424</b>	-
	to Chassis No. A 274456	<b>05424</b>	-
<b>C 240 (203.061)</b>		<b>03403</b>	<b>36091</b>
<b>C 240 T (203.261)</b>		<b>05424</b>	-
<b>C 240 T 4 Matic (203.281)</b>	to Chassis No. A 274456	<b>05424</b>	-
<b>C 240 4 Matic (203.081)</b>	from Chassis No. A 274457	<b>21872</b>	-
<b>C 270 CDI (203.016)</b>			
<b>C 270 T CDI (203.216)</b>			
<b>C 280 (203.054)</b>		<b>03403</b>	<b>36091</b>
<b>C 280 T (203.254)</b>		<b>05424</b>	-
<b>C 280 T 4 Matic (203.292)</b>	to Chassis No. A 274456	<b>05424</b>	-
<b>C 280 4 Matic (203.092)</b>			

rear axle

**febi 03403**

Ref. No. 202 981 01 27



AØ 83,95 IØ 45 B 38,8

**febi 05424**

Ref. No. 202 980 01 16



AØ 84 IØ 45 B 39

**febi 21872**

Ref. No. 203 980 00 16



AØ 84 IØ 45 B 39

**febi 36091**

Ref. No. 203 357 01 08



LKØ 112 x 5

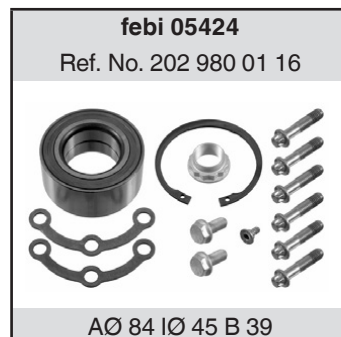


## C-Class (Model 203)

(2000→2011)

C 30 CDI AMG (203.018)		03403	36091
C 30 CDI AMG (203.718)			
C 30 T CDI AMG (203.218)	to Chassis No. A 274456	05424	-
C 32 AMG Kompressor (203.065)			
C 32 T AMG Kompressor (203.265)	from Chassis No. A 274457	21872	-
C 320 (203.064)			
C 320 (203.764)			
C 320 CDI (203.020)		03403	36091
	to Chassis No. A 274456	05424	-
C 320 T (203.264)		03403	36091
	to Chassis No. A 274456	05424	-
	from Chassis No. A 274457	21872	-
C 320 T CDI (203.220)		03403	36091
	to Chassis No. A 274456	05424	-
C 320 T 4 Matic (203.284)		03403	36091
C 320 4 Matic (203.064)	to Chassis No. A 274456	05424	-
C 320 4 Matic (203.084)	from Chassis No. A 274457	21872	-
C 350 (203.056)		03403	36091
C 350 (203.756)			
C 350 T (203.256)	to Chassis No. A 274456	05424	-
C 350 T 4 Matic (203.287)		03403	36091
	to Chassis No. A 274456	05424	-
	from Chassis No. A 274457	21872	-
C 350 4 Matic (203.087)		03403	36091
	to Chassis No. A 274456	05424	-
C 55 AMG (203.076)		03403	36091
C 55 T AMG (203.276)	from Chassis No. A 274457	21872	-

rear axle





suitable for:

# Mercedes-Benz

Car  
Division 



## C-Class (Model 204)

(2007→ )

- C 180 CDI (204.000)
- C 180 CGI (204.049)
- C 180 CGI (204.349)
- C 180 Kompressor (204.044)
- C 180 Kompressor (204.045)
- C 180 Kompressor (204.046)
- C 180 T CDI (204.200)
- C 180 T CGI (204.249)
- C 180 T Kompressor (204.245)
- C 180 T Kompressor (204.246)
- C 200 CDI (204.001)
- C 200 CDI (204.007)
- C 200 CDI Eco (204.006)
- C 200 CGI (204.048)

34738

36087

C 200 CGI (204.348)

34738

-

rear axle

**febi 34738**

Ref. No. 230 981 01 27 S1



AØ 79 IØ 49 B 103

**febi 36087**

Ref. No. 230 357 03 08



AØ 148 LKØ 112 x 5



## C-Class (Model 204)

(2007→)

	34738	36087
C 200 Kompressor (204.041)		
C 200 T CDI (204.201)		
C 200 T CDI (204.207)		
C 200 T CGI (204.248)		
C 200 T Kompressor (204.241)		
C 220 CDI (204.002)		
C 220 CDI (204.008)		
C 220 CDI (204.302)		
C 220 T CDI (204.202)		
C 220 T CDI (204.208)		
C 230 (204.052)		
C 230 T (204.252)		
C 230 4 Matic (204.085)		
C 250 (204.052)		
C 250 CDI (204.003)		
C 250 CDI (204.303)		
C 250 CDI 4 Matic (204.082)		
C 250 CGI (204.047)		
C 250 CGI (204.347)		
C 250 T (204.252)		
C 250 T CDI (204.203)		
C 250 T CDI 4 Matic (204.282)		
C 250 T CGI (204.247)		
C 280 (204.054)		
C 280 T (204.254)		
C 280 4 Matic (204.081)		
C 300 (204.054)		
C 300 CDI 4 Matic (204.092)		
C 300 CGI (204.055)		
C 300 CGI 4 Matic (204.080)		
C 300 T (204.254)		
C 300 T CDI 4 Matic (204.292)		
C 300 T CGI (204.255)	-	36087

rear axle



suitable for:

# Mercedes-Benz

Car  
Division



## C-Class (Model 204)

(2007→)

- C 300 4 Matic (204.081)
- C 320 CDI (204.022)
- C 320 CDI 4 Matic (204.089)
- C 320 T CDI (204.222)
- C 320 T CDI 4 Matic (204.289)
- C 350 (204.056)
- C 350 (204.065)
- C 350 CDI (204.022)
- C 350 CDI (204.023)
- C 350 CDI (204.025)
- C 350 CDI 4 Matic (204.089)
- C 350 CDI 4 Matic (204.092)
- C 350 CGI (204.057)
- C 350 CGI (204.357)
- C 350 CGI 4 Matic (204.088)

34738

36087

C 350 CGI 4 Matic (204.388)

34738

-

- C 350 T (204.256)
- C 350 T CDI (204.222)
- C 350 T CDI (204.223)
- C 350 T CDI (204.225)
- C 350 T CDI 4 Matic (204.289)
- C 350 T CDI 4 Matic (204.292)
- C 350 T CGI (204.257)
- C 350 4 Matic (204.087)

34738

36087

C 63 AMG (204.077)

28574 / 34738

28574 / 36087

C 63 AMG (204.377)

34738

28620 / 36087

C 63 T AMG (204.277)

28574 / 34738

28574 / 36087

rear axle

**febi 28574**

Ref. No. 211 981 02 27



AØ 91 IØ 49 B 50

**febi 28620**

Ref. No. 211 357 05 08



AØ 148,3 LKØ 110 x 5

**febi 34738**

Ref. No. 230 981 01 27 S1



AØ 79 IØ 49 B 103

**febi 36087**

Ref. No. 230 357 03 08



AØ 148 LKØ 112 x 5



## CL (Model 215)

(1999→2006)

all

08222 / 21668

-

## CL (Model 216)

(2006→)

CL 500 (216.371)

CL 500 (216.373)

11416 / 28574 /  
28678

28574 / 28620

CL 500 4 Matic (216.386)

CL 500 4 Matic (216.394)

28574 / 28678

28574 / 28620

CL 600 (216.376)

CL 63 AMG (216.374)

CL 63 AMG (216.377)

11416 / 28574 /  
28678

28574 / 28620

CL 65 AMG (216.379)

11416 / 28574

28574

rear axle

### febi 08222

Ref. No. 140 980 04 16 SK



AØ 88 IØ 49 B 46

### febi 11416

Ref. No. 140 981 99 05



AØ 52 IØ 25 B 19,5

### febi 21668

Ref. No. 220 980 01 16



AØ 88 IØ 49 B 46

### febi 28574

Ref. No. 211 981 02 27



AØ 91 IØ 49 B 50

### febi 28620

Ref. No. 211 357 05 08



AØ 148,3 LKØ 110 x 5

### febi 28678

Ref. No. 211 981 02 27 S1



AØ 91 IØ 49 B 50

suitable for:

# Mercedes-Benz

Car  
Division



## CLC (Model 203)

(2008→)

all

to Chassis No. A 274456

03403

36091

05424

-

## CLK (Model 208)

(1997→2003)

CLK 200 (208.335)

CLK 200 Cabrio (208.435)

05578 / 08881

36091

CLK 200 Cabrio Kompressor (208.444)

CLK 200 Cabrio Kompressor  
(208.445)

CLK 200 Kompressor (208.344)

CLK 200 Kompressor (208.345)

CLK 230 Cabrio Kompressor  
(208.447)

CLK 230 Cabrio Kompressor  
(208.448)

CLK 230 Kompressor (208.347)

CLK 230 Kompressor (208.348)

CLK 320 (208.365)

CLK 320 Cabrio (208.465)

CLK 430 (208.370)

CLK 430 Cabrio (208.470)

05424 / 05578 /  
08881

36091

CLK 55 AMG (208.374)

CLK 55 AMG Cabrio (208.474)

05424 / 05578 /  
08881

-

rear axle

**febi 03403**

Ref. No. 202 981 01 27



AØ 83,95 IØ 45 B 38,8

**febi 05424**

Ref. No. 202 980 01 16



AØ 84 IØ 45 B 39

**febi 05578**

Ref. No. 202 980 00 16 SK



AØ 84 IØ 45 B 39

**febi 08881**

Ref. No. 202 980 00 16



AØ 84 IØ 45 B 39

**febi 36091**

Ref. No. 203 357 01 08



LKØ 112 x 5



## CLK (Model 209)

(2002→2010)

CLK 200 Cabrio Kompressor (209.441)	03403 / 21697	36091
CLK 200 Cabrio Kompressor (209.442) CLK 200 CGI (209.343)	03403 / 05578 / 21697	36091
CLK 200 Kompressor (209.341)	03403 / 21697	36091
CLK 200 Kompressor (209.342)	03403 / 05578 / 21697	36091
CLK 220 CDI (209.308)	03403 / 21697	36091
CLK 240 (209.361) CLK 240 Cabrio (209.461) CLK 270 CDI (209.316)	03403 / 05578 / 21697	36091
CLK 280 (209.354) CLK 280 Cabrio (209.454)	03403 / 21697	36091
CLK 320 (209.365) CLK 320 Cabrio (209.465)	03403 / 05578 / 21697	36091
CLK 320 CDI (209.320) CLK 320 CDI Cabrio (209.420) CLK 350 (209.356) CLK 350 Cabrio (209.456)	03403 / 21697	36091
CLK 500 (209.372)	03403	36091
CLK 500 (209.375)	03403 / 05578 / 21697	36091
CLK 500 Cabrio (209.472)	03403	36091
CLK 500 Cabrio (209.475)	03403 / 05578 / 21697	36091
CLK 55 AMG (209.376) CLK 55 AMG Cabrio (209.476) CLK 55 AMG DTM Cabrio (209.476)	03403	36091

rear axle



suitable for:

# Mercedes-Benz

Car  
Division 



## CLK (Model 209)

(2002→2010)

CLK 63 AMG (209.377)

03403 / 21697 /  
28574 / 28678

28574 / 28620

CLK 63 AMG Cabrio (209.477)

03403 / 21697

-

## CLS (model 218)

(2010→)

all

28574 / 28678

28574 / 28620

## CLS (Model 219)

(2004→2011)

all

28574 / 28678

28574 / 28620

rear axle

### febi 03403

Ref. No. 202 981 01 27



AØ 83,95 IØ 45 B 38,8

### febi 21697

Ref. No. 209 980 00 16



AØ 84 IØ 45 B 39

### febi 28574

Ref. No. 211 981 02 27



AØ 91 IØ 49 B 50

### febi 28620

Ref. No. 211 357 05 08



AØ 148,3 LKØ 110 x 5

### febi 28678

Ref. No. 211 981 02 27 S1



AØ 91 IØ 49 B 50



## E-Class (Model 207)

(2009→)

- E 200 CGI (207.348)
- E 200 CGI (207.448)
- E 220 CDI (207.302)
- E 220 CDI (207.402)
- E 250 CDI (207.303)
- E 250 CDI (207.403)
- E 250 CGI (207.347)
- E 250 CGI (207.447)
- E 300 CGI (207.355)
- E 300 CGI (207.455)
- E 350 (207.356)
- E 350 (207.456)
- E 350 CDI (207.322)
- E 350 CDI (207.323)
- E 350 CDI (207.422)
- E 350 CDI (207.423)
- E 350 CGI (207.357)
- E 350 CGI (207.359)
- E 350 CGI (207.457)
- E 350 CGI (207.459)
- E 350 4 Matic (207.388)
- E 500 (207.372)
- E 500 (207.472)
- E 550 CGI (207.373)

34738

36087

## E-Class (Model 210)

(1995→2003)

E 200 (210.035)

05578 / 08881

-

rear axle





suitable for:

# Mercedes-Benz

Car  
Division

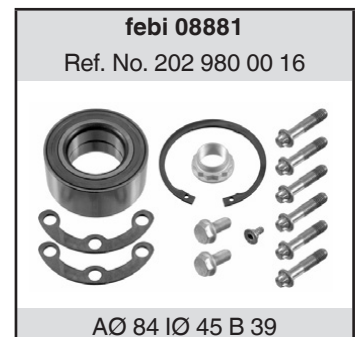


## E-Class (Model 210)

(1995→2003)

E 200 CDI (210.007)	05424 / 05578 / 08881	-
E 200 D (210.003)	05578 / 08881	-
E 200 Kompressor (210.045)	05424 / 05578 / 08881	-
E 200 Kompressor (210.048)	05578 / 08881	-
E 200 T Kompressor (210.245)	08220	-
E 220 CDI (210.006)	05424 / 05578 / 08881	-
E 220 D (210.004)	05578 / 08881	-
E 220 T CDI (210.206) E 220 T CDI (210.606)	08220	-
E 230 (210.037) E 240 (210.061) E 240 (210.062) E 250 D (210.010)	05578 / 08881	-
E 250 D Turbo (210.015)	05424 / 05578 / 08881	-
E 250 TD (210.610) E 250 TD Turbo (210.215)	08220	-
E 270 CDI (210.016)	05424	-
E 270 T CDI (210.216) E 270 T CDI (210.616)	08220	-
E 280 (210.053)	05424 / 05578 / 08881	-
E 280 (210.063)	05424 / 05578 / 08220 / 08881	-
E 280 T (210.263) E 280 T (210.663) E 280 T 4 Matic (210.281)	08220	-

rear axle



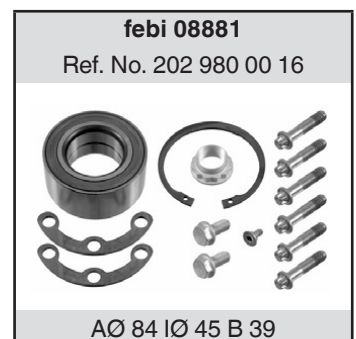
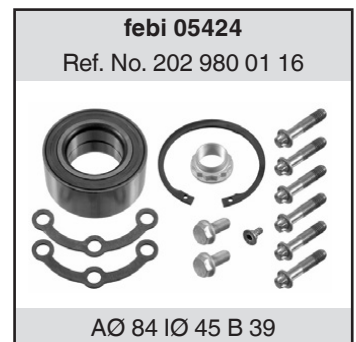


## E-Class (Model 210)

(1995→2003)

E 280 4 Matic (210.081)	05424 / 05578 / 08220 / 08881	-
E 290 D Turbo (210.017)	05424 / 05578 / 08881	-
E 290 TD Turbo (210.217) E 290 TD Turbo (210.617)	08220	-
E 300 D (210.020) E 300 D Turbo (210.025)	05424 / 05578 / 08881	-
E 300 TD Turbo (210.225)	08220	-
E 320 (210.055) E 320 (210.065)	05424 / 05578 / 08881	-
E 320 CDI (210.026)	05424	-
E 320 T (210.265) E 320 T CDI (210.226) E 320 T 4 Matic (210.282)	08220	-
E 320 4 Matic (210.082)	05424 / 05578 / 08881	-
E 420 (210.072)	05424 / 05578 / 08221 / 08881	-
E 420 T (210.272)	08220	-

rear axle



suitable for:

# Mercedes-Benz

Car Division 

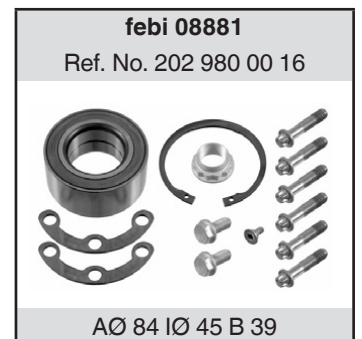
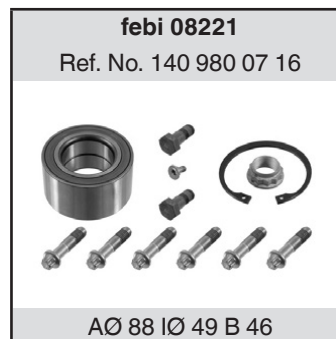


## E-Class (Model 210)

(1995→2003)

E 430 (210.070)	05424 / 05578 / 08220 / 08221 / 08881	-
E 430 T (210.270) E 430 T 4 Matic (210.283)	08220	-
E 430 4 Matic (210.083)	05424 / 08220	-
E 50 AMG (210.072)	05424 / 05578 / 08221 / 08881	-
E 55 AMG (210.074)	05424 / 05578 / 08220 / 08881	-
E 55 T AMG (210.274)	08220	-

rear axle





## E-Class (Model 211)

(2002→)

- E 200 (211.042)
- E 200 CDI (211.004)
- E 200 CDI (211.007)
- E 200 Kompressor (211.041)
- E 200 Kompressor (211.042)
- E 200 T CDI (211.207)
- E 200 T Kompressor (211.241)
- E 200 T Kompressor (211.242)
- E 220 CDI (211.006)
- E 220 CDI (211.008)
- E 220 CDI (211.208)
- E 220 T CDI (211.206)
- E 220 T CDI (211.208)
- E 220 T CDI (211.606)
- E 220 T CDI (211.608)
- E 230 (211.052)
- E 230 T (211.252)
- E 240 (211.061)
- E 240 T (211.261)
- E 240 T 4 Matic (211.280)
- E 240 4 Matic (211.080)
- E 250 (211.052)
- E 250 T (211.252)
- E 270 CDI (211.016)
- E 270 T CDI (211.216)
- E 270 T CDI (211.616)
- E 280 (211.054)
- E 280 CDI (211.020)
- E 280 CDI (211.023)
- E 280 CDI 4 Matic (211.084)
- E 280 T (211.254)
- E 280 T CDI (211.220)
- E 280 T CDI (211.223)
- E 280 T CDI (211.620)
- E 280 T CDI 4 Matic (211.284)
- E 280 T 4 Matic (211.292)
- E 280 4 Matic (211.092)
- E 300 CDI (211.024)
- E 320 (211.065)
- E 320 CDI (211.022)
- E 320 CDI (211.026)
- E 320 CDI 4 Matic (211.089)
- E 320 T (211.265)

28574 / 28678

28574 / 28620

rear axle

**feby 28574**

Ref. No. 211 981 02 27



AØ 91 IØ 49 B 50

**feby 28620**

Ref. No. 211 357 05 08



AØ 148,3 LKØ 110 x 5

**feby 28678**

Ref. No. 211 981 02 27 S1



AØ 91 IØ 49 B 50

suitable for:

# Mercedes-Benz

Car  
Division 



## E-Class (Model 211)

(2002→)

- E 320 T CDI (211.226)
- E 320 T CDI 4 Matic (211.289)
- E 320 T 4 Matic (211.265)
- E 320 T 4 Matic (211.282)
- E 320 4 Matic (211.082)
- E 350 (211.056)
- E 350 CGI (211.057)
- E 350 T (211.256)
- E 350 T CGI (211.257)
- E 350 T 4 Matic (211.287)
- E 350 4 Matic (211.087)
- E 400 CDI (211.028)
- E 420 CDI (211.029)
- E 500 (211.070)
- E 500 (211.072)
- E 500 T (211.270)
- E 500 T (211.272)
- E 500 T 4 Matic (211.283)
- E 500 T 4 Matic (211.290)
- E 500 4 Matic (211.083)
- E 500 4 Matic (211.090)
- E 55 AMG (211.076)
- E 55 T AMG (211.276)
- E 550 4 Matic (211.090)
- E 63 AMG (211.077)
- E 63 T AMG (211.277)

28574 / 28678

28574 / 28620

rear axle

**febi 28574**

Ref. No. 211 981 02 27



AØ 91 IØ 49 B 50

**febi 28620**

Ref. No. 211 357 05 08



AØ 148,3 LKØ 110 x 5

**febi 28678**

Ref. No. 211 981 02 27 S1



AØ 91 IØ 49 B 50



## E-Class (Model 212)

(2008→)

- E 200 (212.041)
- E 200 CDI (212.005)
- E 200 CGI (212.048)
- E 200 CGI (212.148)
- E 200 T CDI (212.205)
- E 200 T CGI (212.248)
- E 220 CDI (212.002)
- E 220 T CDI (212.202)
- E 250 (212.052)
- E 250 CDI (212.003)
- E 250 CDI 4 Matic (212.082)
- E 250 CGI (212.047)
- E 250 T CDI (212.203)
- E 250 T CDI 4 Matic (212.282)
- E 250 T CGI (212.247)
- E 260 CGI (212.147)
- E 300 (212.053)
- E 300 (212.054)
- E 300 (212.055)
- E 300 (212.098)
- E 300 (212.154)
- E 300 CDI (212.020)
- E 300 CDI (212.021)
- E 300 T (212.254)
- E 300 T (212.255)
- E 300 T (212.298)
- E 300 T CDI (212.220)
- E 300 T CDI (212.221)
- E 300 T 4 Matic (212.280)
- E 300 4 Matic (212.080)
- E 350 (212.056)
- E 350 (212.059)
- E 350 Bluetec (212.024)
- E 350 CDI (212.023)
- E 350 CDI (212.025)
- E 350 CDI 4 Matic (212.089)
- E 350 CDI 4 Matic (212.093)
- E 350 CGI (212.057)
- E 350 T (212.256)
- E 350 T (212.259)
- E 350 T Bluetec (212.224)
- E 350 T CDI (212.223)
- E 350 T CDI (212.225)

28574 / 28678

28574 / 28620

rear axle

**feby 28574**

Ref. No. 211 981 02 27



AØ 91 IØ 49 B 50

**feby 28620**

Ref. No. 211 357 05 08



AØ 148,3 LKØ 110 x 5

**feby 28678**

Ref. No. 211 981 02 27 S1



AØ 91 IØ 49 B 50

suitable for:

# Mercedes-Benz

Car  
Division 



## E-Class (Model 212)

(2008→)

- E 350 T CDI 4 Matic (212.293)
- E 350 T CGI (212.257)
- E 350 T 4 Matic (212.287)
- E 350 T 4 Matic (212.288)
- E 350 4 Matic (212.087)
- E 350 4 Matic (212.088)
- E 500 (212.072)
- E 500 (212.073)
- E 500 T (212.272)
- E 500 T (212.273)
- E 500 T 4 Matic (212.291)
- E 500 4 Matic (212.090)
- E 500 4 Matic (212.091)
- E 63 AMG (212.074)
- E 63 AMG (212.077)
- E 63 T AMG (212.274)
- E 63 T AMG (212.276)
- E 63 T AMG (212.277)

28574 / 28678

28574 / 28620

## GL-Class (Model 164)

(2006→)

all

-

36071

## GLK (Model 204)

(2008→)

all

28574 / 28678

28574 / 28620

rear axle

**febi 28574**

Ref. No. 211 981 02 27



AØ 91 IØ 49 B 50

**febi 28620**

Ref. No. 211 357 05 08



AØ 148,3 LKØ 110 x 5

**febi 28678**

Ref. No. 211 981 02 27 S1



AØ 91 IØ 49 B 50

**febi 36071**

Ref. No. 164 356 02 01



AØ 152 LKØ 112 x 5



## M-Class (Model 163)

(1998→2005)

ML 230 4 Matic (163.136)  
ML 270 CDI 4 Matic (163.113)  
ML 320 4 Matic (163.154)  
ML 350 4 Matic (163.157)  
ML 400 CDI 4 Matic (163.128)  
ML 430 4 Matic (163.172)  
ML 500 4 Matic (163.175)

21975

-

ML 55 AMG 4 Matic (163.174)

21975

36072

## M-Class (Model 164)

(2005→)

all

-

36071

## MB 100

(1988→1996)

MB 100 D (631.332)  
MB 100 D (631.333)  
MB 100 D (631.334)  
MB 100 D (631.340)  
MB 100 D (631.342)  
MB 100 D (631.344)

from Chassis No. 128166

05995

-

## R-Class (Model 251)

(2005→)

all

-

36071

rear axle

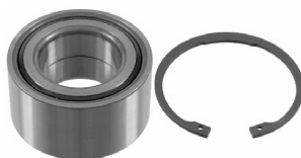
### febi 05995

Ref. No. 000 980 82 02 S1



### febi 21975

Ref. No. 163 330 00 51



AØ 88 IØ 49 B 46

### febi 36071

Ref. No. 164 356 02 01



AØ 152 LKØ 112 x 5

### febi 36072

Ref. No. 163 334 01 10



AØ 152 LKØ 112 x 5



suitable for:

# Mercedes-Benz

Car  
Division 



## S-Class (Model 108)

(1965→1972)

all

05423

-

## S-Class (Model 109)

(1965→1972)

all

05423

-

## S-Class (Model 116)

(1972→1980)

all

05569 / 05995 /  
08840

-

## S-Class (Model 126)

(1979→1993)

all

05569 / 05995 /  
08840

-

rear axle

### febi 05423

Ref. No. 111 350 00 68 S1



AØ 80 IØ 40 B 18

### febi 05569

Ref. No. 123 350 00 68 SK



AØ 75 IØ 46 B 18

AØ 68 IØ 41

### febi 05995

Ref. No. 000 980 82 02 S1



### febi 08840

Ref. No. 123 350 00 68



AØ 75 IØ 46 B 18,5

AØ 68 IØ 41

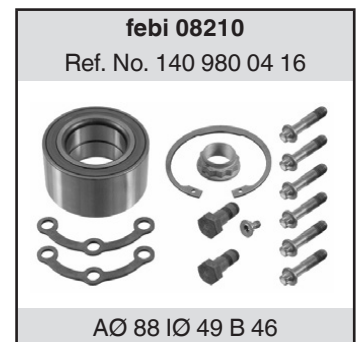


## S-Class (Model 140)

(1991→2000)

<b>S 280 (140.028)</b>	to Chassis No. A 212244	<b>08210</b>	-
	from Chassis No. A 212245	<b>08220</b>	-
		<b>08222</b>	-
<b>S 300 D Turbo (140.135)</b>	from Chassis No. A 212245	<b>08220</b>	-
<b>S 320 (140.032)</b>	to Chassis No. A 212244	<b>08210</b>	-
<b>S 320 (140.033)</b>	from Chassis No. A 212245	<b>08220</b>	-
<b>S 320 lang (140.033)</b>		<b>08222</b>	-
<b>S 350 D Turbo (140.134)</b>	to Chassis No. A212244	<b>08210</b>	-
	to Chassis No. 212244		
	from Chassis No. A 212245		
		<b>08220</b>	-
		<b>08222</b>	-
<b>S 420 (140.042)</b>		<b>08219</b>	-
<b>S 420 (140.043)</b>	from Chassis No. A 212245	<b>08221</b>	-
		<b>08219 / 08222</b>	-
<b>S 420 (140.063)</b>	from Chassis No. A 212245	<b>08221</b>	-
<b>S 500 (140.050)</b>			
<b>S 500 (140.051)</b>			
<b>S 500 (140.070)</b>			
<b>S 600 (140.056)</b>			
<b>S 600 (140.057)</b>			

rear axle



suitable for:

# Mercedes-Benz

Car  
Division 



## S-Class (Model 140)

(1991→2000)

S 600 SEC (140.076)	to Chassis No. 212244	08219 / 08222	-
	from Chassis No. A 212245	08221	-
300 SD 3.5 Turbo (140.134)	to Chassis No. A212244 to Chassis No. 212244	08210	-
	from Chassis No. A 212245	08220	-
		08222	-
300 SE 2.8-24 V. (140.028) 300 SE 3.2-24 V. (140.032) 300 SEL 3.2-24 V. (140.033)	to Chassis No. A 212244	08210	-
	from Chassis No. A 212245	08220	-
400 (140.042) 400 SE (140.042)		08219	-
	from Chassis No. A 212245	08221	-
400 SEC (140.063)	from Chassis No. A 212245	08221	-
400 SEL (140.043)		08219	-
	from Chassis No. A 212245	08221	-
420 SE (140.042) 420 SEL (140.043) 500 SE (140.050) 500 SEC (140.070)		08219 / 08222	-
	from Chassis No. A 212245	08221	-

rear axle

### febi 08210

Ref. No. 140 980 04 16



AØ 88 IØ 49 B 46

### febi 08219

Ref. No. 140 980 05 16



AØ 88 IØ 49 B 46

### febi 08220

Ref. No. 210 980 05 16



AØ 88 IØ 49 B 46

### febi 08221

Ref. No. 140 980 07 16



AØ 88 IØ 49 B 46

### febi 08222

Ref. No. 140 980 04 16 SK



AØ 88 IØ 49 B 46



## S-Class (Model 140)

(1991→2000)

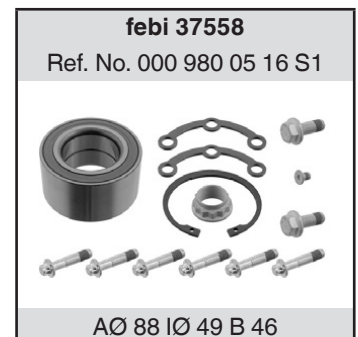
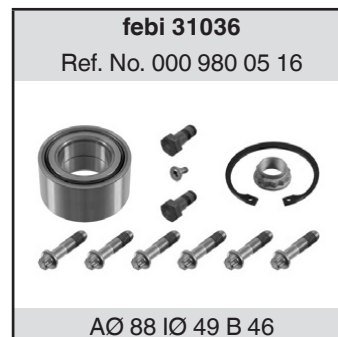
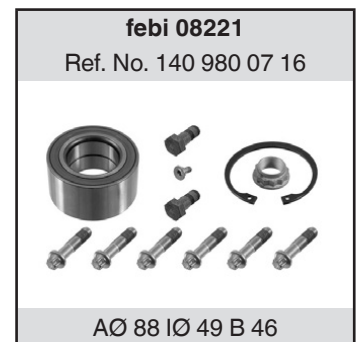
500 SEL (140.051)		08219	-
	from Chassis No. A 212245	08221	-
600 SE V12 (140.056)	to Chassis No. 212244	08219 / 08222	-
	from Chassis No. A 212245	08221	-
600 SE V12 (140.057)		08219	-
	from Chassis No. A 212245	08221	-
600 SEC V12 (140.076) 600 SEL V12 (140.057)	to Chassis No. 212244	08219 / 08222	-
	from Chassis No. A 212245	08221	-

## S-Class (Model 220)

(1998→2005)

S 280 (220.063)	08222 / 21667 / 31036 / 37558	-
S 280 (220.163)	31036 / 37558	-

rear axle



suitable for:

# Mercedes-Benz

Car  
Division



## S-Class (Model 220)

(1998→2005)

S 320 (220.065) S 320 (220.165) S 320 CDI (220.025) S 320 CDI (220.026) S 320 CDI (220.125) S 320 CDI (220.126) S 350 (220.067) S 350 (220.167)	08222 / 21667 / 31036 / 37558	-
S 350 4 Matic (220.087) S 350 4 Matic (220.187)	31036 / 37558	-
S 400 CDI (220.028) S 400 CDI (220.128)	08222 / 21668	-
S 430 (220.070) S 430 (220.170) S 430 4 Matic (220.083) S 430 4 Matic (220.183)	08222 / 21667 / 31036 / 37558	-
S 500 (220.075) S 500 (220.175) S 500 4 Matic (220.084) S 500 4 Matic (220.184) S 55 AMG (220.073)	08222 / 21668	-
S 55 AMG (220.074)	21668	-
S 55 AMG (220.173) S 55 AMG Kompressor (220.174)	08222 / 21668	-

rear axle

### febi 08222

Ref. No. 140 980 04 16 SK



AØ 88 IØ 49 B 46

### febi 21667

Ref. No. 220 980 00 16



AØ 88 IØ 49 B 46

### febi 21668

Ref. No. 220 980 01 16



AØ 88 IØ 49 B 46

### febi 31036

Ref. No. 000 980 05 16



AØ 88 IØ 49 B 46

### febi 37558

Ref. No. 000 980 05 16 S1



AØ 88 IØ 49 B 46



## S-Class (Model 220)

(1998→2005)

S 600 (220.176)		21668	-
S 600 (220.178)		08222 / 21668	-

## S-Class (Model 221)

(2005→)

S 250 CDI (221.003)	not for special purpose vehicles	28574 / 28678	28574
S 250 CDI (221.103)		-	28620
S 280 (221.054)		11416	28620
S 280 (221.154)			
S 320 CDI (221.022)	not for special purpose vehicles	28574 / 28678	28574
S 320 CDI (221.122)			
S 320 CDI 4 Matic (221.080)	not for special purpose vehicles	28574 / 28678	28574
S 320 CDI 4 Matic (221.180)		-	28620
S 350 (221.056)		11416	28620
S 350 (221.156)			
S 350 CDI (221.022)	not for special purpose vehicles	28574 / 28678	28574
S 350 CDI (221.122)			
S 350 CDI Bluetec (221.026)			
S 350 CDI Bluetec (221.126)			

rear axle

### febi 08222

Ref. No. 140 980 04 16 SK



AØ 88 IØ 49 B 46

### febi 11416

Ref. No. 140 981 99 05



AØ 52 IØ 25 B 19,5

### febi 21668

Ref. No. 220 980 01 16



AØ 88 IØ 49 B 46

### febi 28574

Ref. No. 211 981 02 27



AØ 91 IØ 49 B 50

### febi 28620

Ref. No. 211 357 05 08



AØ 148,3 LKØ 110 x 5

### febi 28678

Ref. No. 211 981 02 27 S1



AØ 91 IØ 49 B 50

suitable for:

# Mercedes-Benz

Car  
Division



## S-Class (Model 221)

(2005→)

S 350 CDI Bluetec 4 Matic (221.083)	not for special purpose vehicles	28574 / 28678	28574
S 350 CDI Bluetec 4 Matic (221.183)		-	28620
S 350 CDI 4 Matic (221.080)			
S 350 CDI 4 Matic (221.180)			
S 350 CGI (221.057)		11416	28620
S 350 CGI (221.157)			
	not for special purpose vehicles	28574 / 28678	28574
S 350 CGI 4 Matic (221.082)	not for special purpose vehicles	28574 / 28678	28574
S 350 CGI 4 Matic (221.182)			
S 350 4 Matic (221.087)		-	28620
S 350 4 Matic (221.187)			
S 400 (221.095)		11416	28620
S 400 (221.195)			
S 420 CDI (221.028)	not for special purpose vehicles	28574 / 28678	28574
S 420 CDI (221.128)			
S 450 (221.070)			
S 450 (221.170)			
S 450 CDI (221.028)			
S 450 CDI (221.128)			
S 450 4 Matic (221.084)	not for special purpose vehicles	28574 / 28678	28574
S 450 4 Matic (221.184)		-	28620
S 500 (221.071)		11416	28620
S 500 (221.171)			
S 500 CGI (221.073)	not for special purpose vehicles	28574 / 28678	28574
S 500 CGI (221.173)			
S 500 CGI 4 Matic (221.094)	not for special purpose vehicles	28574 / 28678	28574
S 500 CGI 4 Matic (221.194)			
S 500 4 Matic (221.086)		-	28620
S 500 4 Matic (221.186)			
S 550 (221.071)		11416	28620
	not for special purpose vehicles	28574 / 28678	28574

rear axle

**febi 11416**

Ref. No. 140 981 99 05



AØ 52 IØ 25 B 19,5

**febi 28574**

Ref. No. 211 981 02 27



AØ 91 IØ 49 B 50

**febi 28620**

Ref. No. 211 357 05 08



AØ 148,3 LKØ 110 x 5

**febi 28678**

Ref. No. 211 981 02 27 S1



AØ 91 IØ 49 B 50



## S-Class (Model 221)

(2005→)

S 550 4 Matic (221.086)	not for special purpose vehicles	28574 / 28678	28574
S 550 4 Matic (221.186)		-	28620
S 600 (221.176)	not for special purpose vehicles	11416	28620
S 63 AMG (221.074)		28574 / 28678	28574
S 63 AMG (221.077)			
S 63 AMG (221.174)			
S 63 AMG (221.177)	11416	-	
S 65 AMG (221.179)	not for special purpose vehicles	28574 / 28678	28574

## SL (Model 107)

(1971→1989)

all		05569 / 05995 / 08840	-
-----	--	-----------------------	---

## SL (Model 113)

(1966→1971)

250 SL Cabrio (113.043)		05423	-
280 SL Cabrio (113.044)			

rear axle

**febi 05423**  
Ref. No. 111 350 00 68 S1

AØ 80 IØ 40 B 18

**febi 05569**  
Ref. No. 123 350 00 68 SK

AØ 75 IØ 46 B 18  
AØ 68 IØ 41

**febi 05995**  
Ref. No. 000 980 82 02 S1

**febi 08840**  
Ref. No. 123 350 00 68

AØ 75 IØ 46 B 18,5  
AØ 68 IØ 41

**febi 11416**  
Ref. No. 140 981 99 05

AØ 52 IØ 25 B 19,5

**febi 28574**  
Ref. No. 211 981 02 27

AØ 91 IØ 49 B 50

**febi 28620**  
Ref. No. 211 357 05 08

AØ 148,3 LKØ 110 x 5

**febi 28678**  
Ref. No. 211 981 02 27 S1

AØ 91 IØ 49 B 50



suitable for:

# Mercedes-Benz

Car  
Division



## SL (Model 129)

(1989→2001)

SL 280 Cabrio (129.058) SL 280 Cabrio (129.059)	05424 / 05578 / 08881	-
SL 320 Cabrio (129.063)	05424 / 05578 / 08881 / 21873	-
SL 320 Cabrio (129.064)	05424 / 05578 / 08881	-
SL 500 Cabrio (129.067) SL 500 Cabrio (129.068)	21873	-
300 SL Cabrio (129.060) 300 SL-24 V. Cabrio (129.061)	05424 / 05578 / 08881	-
500 SL Cabrio (129.066) 500 SL Cabrio (129.067)	21873	-

## SL (Model 230)

(2001→2012)

all	34738	36087
-----	-------	-------

rear axle

### febi 05424

Ref. No. 202 980 01 16



AØ 84 IØ 45 B 39

### febi 05578

Ref. No. 202 980 00 16 SK



AØ 84 IØ 45 B 39

### febi 08881

Ref. No. 202 980 00 16



AØ 84 IØ 45 B 39

### febi 21873

Ref. No. 129 980 04 16



AØ 84 IØ 45 B 34

### febi 34738

Ref. No. 230 981 01 27 S1



AØ 79 IØ 49 B 103

### febi 36087

Ref. No. 230 357 03 08



AØ 148 LKØ 112 x 5



## SL (model 231)

(2011→)

SL 350 Cabrio (231.457) SL 500 Cabrio (231.473) SL 550 Cabrio (231.473) SL 63 AMG Cabrio (231.474)	28574 / 28678	28574 / 28620
SL 65 AMG Cabrio (231.479)	28574 / 28678	28574

## SLK (Model 170)

(1996→2004)

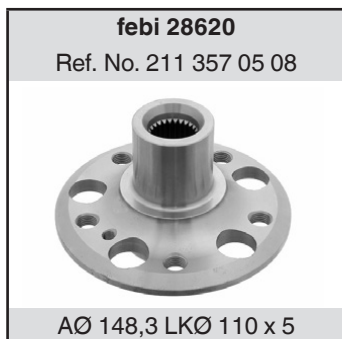
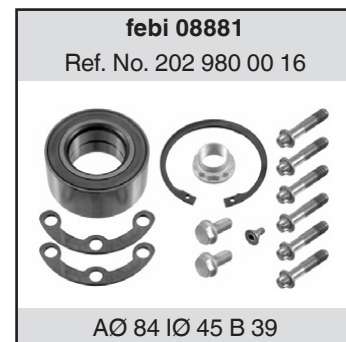
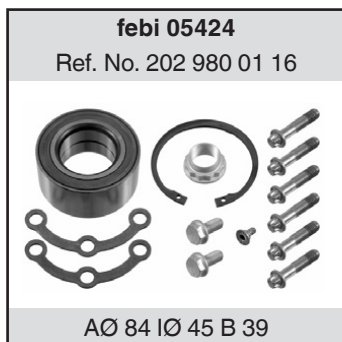
SLK 200 Cabrio (170.435)	05578 / 08881	36091
SLK 200 Cabrio Kompressor (170.444)	05424	-
SLK 200 Cabrio Kompressor (170.445) SLK 230 Cabrio Kompressor (170.447)	05424 / 05578 / 08881	36091
SLK 230 Cabrio Kompressor (170.449) SLK 320 AMG Cabrio (170.466) SLK 320 Cabrio (170.465)	05424	-

## SLK (Model 171)

(2004→2011)

all	03403	36091
-----	-------	-------

rear axle



suitable for:

**Mercedes-Benz**

**Car  
Division**



**SLK (model 172)**

(2011→)

all

34738

36087

**SLS (Model 197)**

(2010→)

SLS AMG (197.377)

SLS AMG (197.477)

28574 / 28678

28574

Not for equipment version Black Series

34738

-

**Sprinter (Model 901)**

(1994→2006)

all

Axle Design 741.407-409, 411

23489 / 23657 /  
23663

-

**Sprinter (Model 902)**

(1994→2006)

all

Axle Design 741.407-409, 411

23489 / 23657 /  
23663

-

rear axle

**febi 23489**

Ref. No. 902 350 00 68



AØ 84 IØ 49 B 48

**febi 23657**

Ref. No. 011 981 89 05



AØ 84 IØ 49 B 48

**febi 23663**

Ref. No. 902 350 00 68 SK



AØ 84 IØ 49 B 48

**febi 28574**

Ref. No. 211 981 02 27



AØ 91 IØ 49 B 50

**febi 28678**

Ref. No. 211 981 02 27 S1



AØ 91 IØ 49 B 50

**febi 34738**

Ref. No. 230 981 01 27 S1



AØ 79 IØ 49 B 103

**febi 36087**

Ref. No. 230 357 03 08



AØ 148 LKØ 112 x 5



## Sprinter (Model 903)

(1994→2006)

all

Axle Design 741.407-409, 411

23489 / 23657 /  
23663

-

## Sprinter (Model 906)

(2006→ )

- Sprinter 309 CDI (906.132)
- Sprinter 309 CDI (906.134)
- Sprinter 309 CDI (906.136)
- Sprinter 310 CDI (906.132)
- Sprinter 310 CDI (906.134)
- Sprinter 310 CDI (906.136)
- Sprinter 311 CDI (906.132)
- Sprinter 311 CDI (906.134)
- Sprinter 311 CDI (906.136)
- Sprinter 313 CDI (906.132)
- Sprinter 313 CDI (906.134)
- Sprinter 313 CDI (906.136)
- Sprinter 315 CDI (906.132)
- Sprinter 315 CDI (906.134)
- Sprinter 315 CDI (906.136)
- Sprinter 316 CDI (906.132)
- Sprinter 316 CDI (906.134)
- Sprinter 316 CDI (906.136)
- Sprinter 319 CDI (906.132)
- Sprinter 319 CDI (906.134)
- Sprinter 319 CDI (906.136)

37857

37857

rear axle

### febi 23489

Ref. No. 902 350 00 68



AØ 84 IØ 49 B 48

### febi 23657

Ref. No. 011 981 89 05



AØ 84 IØ 49 B 48

### febi 23663

Ref. No. 902 350 00 68 SK



AØ 84 IØ 49 B 48

### febi 37857

Ref. No. 906 350 02 49 S1



suitable for:

# Mercedes-Benz

Car  
Division 



## T 1 (Model 601)

(1977→1996)

- 207 D (601.311)
- 207 D (601.312)
- 207 D (601.321)
- 207 D (601.322)
- 207 D (601.361)
- 207 D (601.362)
- 207 D (601.371)
- 207 D (601.372)
- 208 (601.011)
- 208 (601.012)
- 208 (601.021)
- 208 (601.022)
- 208 (601.061)
- 208 (601.062)
- 208 (601.071)
- 208 (601.072)
- 208 D (601.311)
- 208 D (601.312)
- 208 D (601.316)
- 208 D (601.317)
- 208 D (601.318)
- 208 D (601.321)
- 208 D (601.322)
- 208 D (601.326)
- 208 D (601.327)
- 208 D (601.328)
- 208 D (601.361)
- 208 D (601.362)
- 208 D (601.367)
- 208 D (601.371)
- 208 D (601.372)
- 208 D (601.376)
- 208 D (601.377)
- 209 D (601.411)
- 209 D (601.412)
- 209 D (601.416)
- 209 D (601.417)
- 209 D (601.418)
- 209 D (601.421)
- 209 D (601.422)
- 209 D (601.426)
- 209 D (601.427)
- 209 D (601.428)

from Axle Number L 440470  
Axle Design 741. 400,401,404-406  
Axle Design 741. 436-439

**04284**

-


to Axle Number L 440470  
Axle Design 741.400,401,404-406  
Axle Design 741.436-439

**01063 / 05860**

-

rear axle

**febi 01063**  
Ref. No. 601 350 04 68




AØ 80 IØ 45 B 26

**febi 04284**  
Ref. No. 601 350 15 10



AØ 80 IØ 45 B 27

**febi 05860**  
Ref. No. 601 350 04 68 SK



AØ 80 IØ 45 B 26



## T 1 (Model 601)

(1977→1996)

- 209 D (601.462)
- 209 D (601.466)
- 209 D (601.467)
- 209 D (601.476)
- 209 D (601.477)
- 210 (601.011)
- 210 (601.012)
- 210 (601.016)
- 210 (601.017)
- 210 (601.018)
- 210 (601.021)
- 210 (601.022)
- 210 (601.026)
- 210 (601.027)
- 210 (601.028)
- 210 (601.061)
- 210 (601.062)
- 210 (601.066)
- 210 (601.067)
- 210 (601.071)
- 210 (601.076)
- 210 (601.077)
- 210 D (601.411)
- 210 D (601.412)
- 210 D (601.416)
- 210 D (601.417)
- 210 D (601.418)
- 210 D (601.421)
- 210 D (601.422)
- 210 D (601.426)
- 210 D (601.427)
- 210 D (601.428)
- 210 D (601.461)
- 210 D (601.462)
- 210 D (601.466)
- 210 D (601.467)
- 210 D (601.476)
- 210 D (601.477)

from Axle Number L 440470  
Axle Design 741. 400,401,404-406  
Axle Design 741. 436-439

**04284**

-

to Axle Number L 440470  
Axle Design 741.400,401,404-406  
Axle Design 741.436-439

**01063 / 05860**

-

rear axle



suitable for:

# Mercedes-Benz

Car  
Division 



## T 1 (Model 602)

(1973→1996)

- 307 D (602.311)
- 307 D (602.312)
- 307 D (602.313)
- 307 D (602.316)
- 307 D (602.317)
- 307 D (602.318)
- 307 D (602.321)
- 307 D (602.322)
- 307 D (602.323)
- 307 D (602.326)
- 307 D (602.327)
- 307 D (602.328)
- 308 (602.011)
- 308 (602.012)
- 308 (602.013)
- 308 (602.016)
- 308 (602.017)
- 308 (602.018)
- 308 (602.021)
- 308 (602.022)
- 308 (602.023)
- 308 (602.026)
- 308 (602.027)
- 308 (602.028)
- 308 D (602.311)
- 308 D (602.312)
- 308 D (602.313)
- 308 D (602.316)
- 308 D (602.317)
- 308 D (602.318)
- 308 D (602.321)
- 308 D (602.322)
- 308 D (602.323)
- 308 D (602.326)
- 308 D (602.327)
- 308 D (602.328)
- 308 D (602.361)
- 308 D (602.362)
- 308 D (602.371)
- 308 D (602.377)
- 309 D (602.411)
- 309 D (602.412)
- 309 D (602.413)

from Axle Number L 440470  
Axle Design 741. 400,401,404-406  
Axle Design 741. 436-439

**04284**

-


to Axle Number L 440470  
Axle Design 741.400,401,404-406  
Axle Design 741.436-439

**01063 / 05860**

-

rear axle

**febi 01063**  
Ref. No. 601 350 04 68




AØ 80 IØ 45 B 26

**febi 04284**  
Ref. No. 601 350 15 10



AØ 80 IØ 45 B 27

**febi 05860**  
Ref. No. 601 350 04 68 SK



AØ 80 IØ 45 B 26



## T 1 (Model 602)

(1973→1996)

- 309 D (602.417)
- 309 D (602.418)
- 309 D (602.421)
- 309 D (602.422)
- 309 D (602.423)
- 309 D (602.426)
- 309 D (602.427)
- 309 D (602.428)
- 309 D (602.461)
- 309 D (602.462)
- 309 D (602.466)
- 309 D (602.467)
- 309 D (602.471)
- 309 D (602.476)
- 309 D (602.477)
- 309 D (602.487)
- 310 (602.011)
- 310 (602.012)
- 310 (602.013)
- 310 (602.016)
- 310 (602.017)
- 310 (602.018)
- 310 (602.021)
- 310 (602.022)
- 310 (602.023)
- 310 (602.026)
- 310 (602.027)
- 310 (602.028)
- 310 (602.061)
- 310 (602.062)
- 310 (602.066)
- 310 (602.067)
- 310 D (602.411)
- 310 D (602.412)
- 310 D (602.413)
- 310 D (602.416)
- 310 D (602.417)
- 310 D (602.418)
- 310 D (602.421)
- 310 D (602.422)
- 310 D (602.423)
- 310 D (602.426)

from Axle Number L 440470  
Axle Design 741. 400,401,404-406  
Axle Design 741. 436-439

**04284**

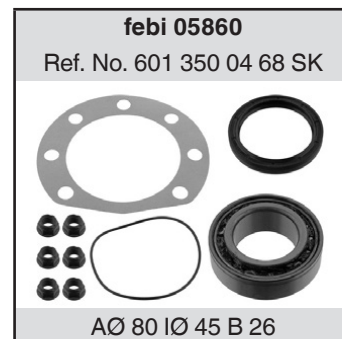
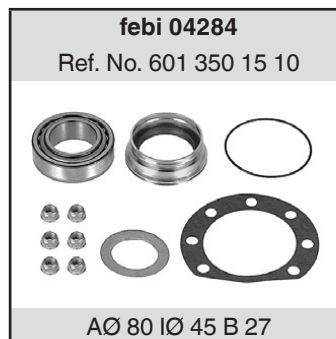
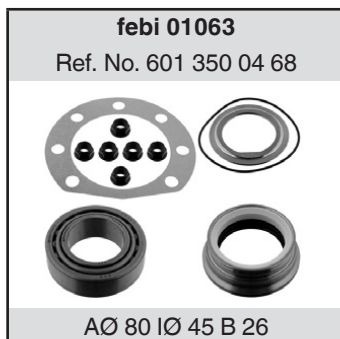
-

to Axle Number L 440470  
Axle Design 741.400,401,404-406  
Axle Design 741.436-439

**01063 / 05860**

-

rear axle





suitable for:

# Mercedes-Benz

Car  
Division 



## T 1 (Model 602)

(1973→1996)

310 D (602.428) 310 D (602.466) 310 D (602.467) 310 D (602.476) 310 D (602.477)	from Axle Number L 440470 Axle Design 741. 400,401,404-406 Axle Design 741. 436-439	04284	-
	to Axle Number L 440470 Axle Design 741.400,401,404-406 Axle Design 741.436-439	01063 / 05860	-

## Viano (Model 639)

(2003→ )

all	to Chassis No. 3603471	40835	-
-----	------------------------	-------	---

## Vito / V-Class (Model 638)

(1995→2003)

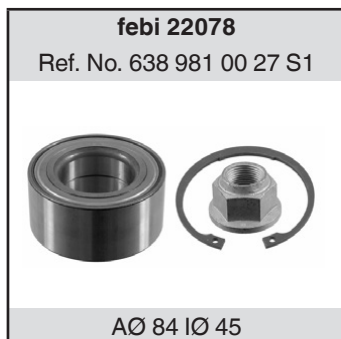
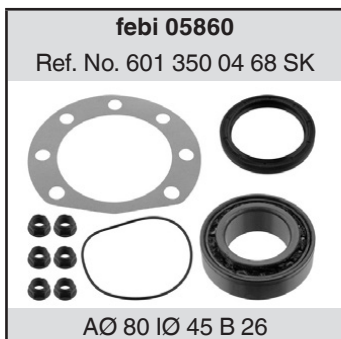
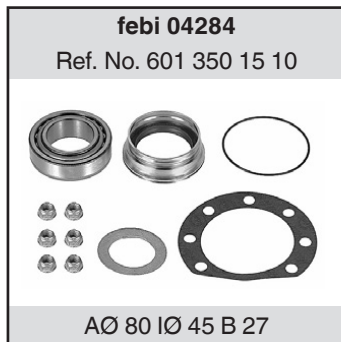
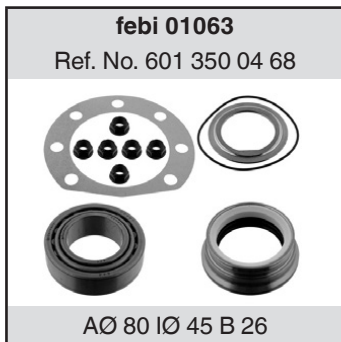
all	Equipment Variation SA 503408 01-06 Equipment Variation SA 503409 01-03	22078	-
		-	34331

## Vito / V-Class (Model 639)

(2003→ )

all	to Chassis No. 3603471	40835	-
-----	------------------------	-------	---

rear axle





## 190 Series (model 201)

(1982→1993)

190 (201.022)	05578 / 08881	-
190 (201.023)		
190 D (201.122)		
190 D 2.5 (201.126)		
190 D 2.5 Turbo (201.128)		
190 E (201.024)		
190 E 1.8 (201.018)		
190 E 2.3 (201.028)		
190 E 2.3-16 V. (201.034)	05424 / 05578 / 08881	-
190 E 2.5-16 V. (201.035)		
190 E 2.5-16 V. Evolut. (201.036)		
190 E 2.6 (201.029)	05578 / 08881	-

rear axle



suitable for:

**MINI**

**Car  
Division**



**Cooper (R50)**

(2001→2007)

1,6 W 10	to the year of construction 07/2006	22316	22316
1,6 W 11	from the year of construction 07/2006	31078	31078

**Cooper (R52)**

(2002→2008)

1,6 W 10	to the year of construction 07/2006	22316	22316
1,6 W 11	from the year of construction 07/2006	31078	31078

**Cooper (R53)**

(2002→2008)

1,6 W 11	to the year of construction 07/2006	22316	22316
	from the year of construction 07/2006	31078	31078

**Cooper (R55)**

(2007→ )

all		31078	31078
-----	--	-------	-------

**Cooper (R55 LCI)**

(2010→ )

all		31078	31078
-----	--	-------	-------

**Cooper (R56)**

(2006→ )

1,6 D 9HZ 1,6 N 12 1,6 N 14		31078	31078
-----------------------------------	--	-------	-------

rear axle

**febi 22316**

Ref. No. 33 41 6 756 830



AØ 137 IØ 82 B 87  
LKØ 100 x 4

**febi 31078**

Ref. No. 33 41 6 786 552



AØ 137 IØ 82 B 87  
LKØ 100 x 4



**Cooper (R56 LCI)**

(2010→)

all		31078	31078
-----	--	-------	-------

**Cooper (R57)**

(2007→)

1,6 N 12 1,6 N 14		31078	31078
----------------------	--	-------	-------

**Cooper (R57 LCI)**

(2010→)

all		31078	31078
-----	--	-------	-------

**Cooper (R58)**

(2011→)

all		31078	31078
-----	--	-------	-------

**Cooper (R59)**

(2012→)

all		31078	31078
-----	--	-------	-------

**One (R50)**

(2001→2007)

1,4 D 1ND		22316	22316
1,4 W 10 1,6 W 10	to the year of construction 07/2006	22316	22316
	from the year of construction 07/2006	31078	31078

**One (R52)**

(2004→2007)

1,6 W 10	to the year of construction 07/2006	22316	22316
	from the year of construction 07/2006	31078	31078

rear axle



suitable for:

**MINI**

**Car  
Division**



**One (R55)**  
(2009→ )

1,4 N 12  
1,6 N 16

31078

31078

**One (R55 LCI)**  
(2010→ )

1,6 N 16  
1,6 D N 47

31078

31078

**One (R56)**  
(2006→2010)

1,4 N 12  
1,6 D 9HZ

31078

31078

**One (R56 LCI)**  
(2010→ )

1,6 N 12  
1,6 N 16  
1,6 D N 47

31078

31078

**One (R57 LCI)**  
(2010→ )

1,6 N 16

31078

31078

rear axle

**febi 31078**

Ref. No. 33 41 6 786 552



AØ 137 IØ 82 B 87  
LKØ 100 x 4



**Carisma**

(1995→2004)

1,3 4G13		32550	32550
1,6 4G92	to the year of construction 02/1999 for vehicles without ABS	31478	31478
1,8 4G93DOHC		32550	32550
1,9 D F8QT	to the year of construction 02/1999 for vehicles without ABS	31478	31478
1,9 D F9Q1 1,9 D F9Q2		32550	32550

**Carisma 4x4**

(2000→ )

2,0 4G63DOHC		32550	32550
--------------	--	-------	-------

**Colt IV**

(1991→1996)

all	for vehicles without ABS	31478	31478
-----	--------------------------	-------	-------

**Colt IV 4x4**

(1993→1995)

1,6 4G92	for vehicles without ABS	31478	31478
----------	--------------------------	-------	-------

**Colt Plus**

(2004→2012)

1,5 4A91 1,5 4G15DOHC		32580	32580
--------------------------	--	-------	-------

**Colt Plus 4x4**

(2004→2012)

1,3 4A90DOHC		32580	32580
--------------	--	-------	-------

rear axle

**febi 31478**  
Ref. No. MB 844 919

AØ 125,5 IØ 28 B 90  
LKØ 100 x 4

**febi 32550**  
Ref. No. MR223285

AØ 140 IØ 30 B 50

**febi 32580**  
Ref. No. MR594142

AØ 67 B 121  
AØ 137  
LKØ 114 x 4

suitable for:

# Mitsubishi

Car  
Division 



## Colt V

(1995→2005)

1,3 4G13	for vehicles without ABS to the year of construction 06/2003	31478	31478
1,5 4G15	to the year of construction 06/2003	31478	31478
1,5 4G15M		31478	31478
1,6 4G92	for vehicles without ABS to the year of construction 06/2003	31478	31478

## Colt VI

(2004→ )

all		32580	32580
-----	--	-------	-------

## Colt VI 4x4

(2002→2008)

1,3 4A90DOHC		32580	32580
--------------	--	-------	-------

## Colt VII

(2008→2012)

1,1 3A91 1,3 4A90 1,5 4G15DOHC		32580	32580
--------------------------------------	--	-------	-------

## Colt VII 4x4

(2008→2012)

1,3 4A90DOHC		32580	32580
--------------	--	-------	-------


## Lancer V

(1991→1996)

1,3 4G13 1,6 4G92 1,8 4G93DOHC 2,0 D 4D68	for vehicles without ABS	31478	31478
--	--------------------------	-------	-------


rear axle

**febi 31478**  
Ref. No. MB 844 919



AØ 125,5 IØ 28 B 90  
LKØ 100 x 4

**febi 32580**  
Ref. No. MR594142



AØ 67 B 121  
AØ 137  
LKØ 114 x 4



## Lancer V 4x4

(1994→1999)

1,8 4G93DOHC

for vehicles without ABS

31478

31478

## Lancer VI

(1995→2010)

1,3 4G13

1,5 4G15

1,5 4G15DOHC

1,5 4G15M

1,6 4G92

2,0 D 4D68

2,0 4G63

2,0 4G94DOHC

for vehicles without ABS

31478

31478

## Outlander II 4x4

(2006→ )

2,0 D BSY

2,2 D HTH

2,4 4B12

3,0 6B31

31826

31826

## Space Star

(1998→2006)

1,3 4G13

1,6 4G18

1,6 4G92

1,8 4G93DOHC

1,9 D F9Q1

1,9 D F9Q2

32550

32550

rear axle

### febi 31478

Ref. No. MB 844 919



AØ 125,5 IØ 28 B 90  
LKØ 100 x 4

### febi 31826

Ref. No. 3885A019



AØ 140  
LKØ 110 x 5

### febi 32550

Ref. No. MR223285



AØ 140 IØ 30 B 50



suitable for:

# Nissan

Car  
Division 



## Almera I

(1995→2000)

all

31228

31228

## Aprio

(2004→ )

- 1,4 K7J710
- 1,4 K7J714
- 1,5 D K9K790
- 1,5 D K9K792
- 1,5 D K9K796
- 1,6 K4M690
- 1,6 K4M697
- 1,6 K7M710

05538

-

## Interstar

(2002→ )

all

23179

-

rear axle

### febi 05538

Ref. No. 43210-AZ300



AØ 52 IØ 25 B 37

### febi 23179

Ref. No. 43210-00QAB



AØ 80 IØ 45,3 B 48

### febi 31228

Ref. No. 43200-0M001



AØ 134 IØ 27 B 68

LKØ 100 x 4



### Kubistar

(2003→)

1,2 D4F712	not for increased payload	19897	-
1,2 D4F726			
1,2 D4F730	for increased payload	39252	39252
1,2 D7F726			
1,2 D7F764			
1,4 K7J			
1,4 K7J700			
1,4 K7J701			
1,5 D K9K702			
1,5 D K9K704			
1,5 D K9K710			
1,5 D K9K714			
1,5 D K9K716			
1,5 D K9K718			
1,5 D K9K722			
1,6 K4M752			
1,6 K4M753			

### March

(1992→2000)

1,0 CG10DE	to the year of construction 04/1997	31227	31227
1,3 CG13DE			

### March 4WD

(2007→2010)

1,4 CR14DE		05538	-
------------	--	-------	---

### Micra

(1982→2010)

1,0 CG10DE		05538	-
	to the year of construction 04/1997	31227	31227

rear axle



suitable for:

# Nissan

Car  
Division 



<b>Micra</b> (1982→2010)			
1,0 MA10S		31226	31226
1,2 CG12DE 1,2 CR12DE		05538	-
1,2 MA12 1,2 MA12S		31226	31226
1,3 CG13DE	to the year of construction 04/1997	31227	31227
1,4 CR14DE 1,5 D K9K704 1,5 D K9K708 1,5 D K9K714 1,5 D K9K722 1,6 HR16DE		05538	-

<b>Note</b> (2006→2013)			
1,4 CR14DE 1,5 D K9K274 1,5 D K9K276 1,5 D K9K278 1,6 HR16DE		05538	-

<b>Pathfinder 4WD</b> (1995→2005)			
3,3 VG33E 3,5 VQ35DE	to the year of construction 08/2003	32887	-

<b>Platina</b> (2006→ )			
1,6 K4M		05538	-


rear axle

**febi 05538**  
Ref. No. 43210-AZ300



AØ 52 IØ 25 B 37

**febi 31226**  
Ref. No. 43202-72B00



AØ 134 IØ 27 B 60  
LKØ 100 x 4

**febi 31227**  
Ref. No. 43200-5F617



AØ 134 IØ 26,9 B 78,3  
LKØ 100 x 4

**febi 32887**  
Ref. No. 43210-0W000 S1



AØ 80 IØ 42 B 38



## Primastar

(2001→)

all

22864

-

## Pulsar

(1990→2000)

1,5 GA15DE  
1,6 GA16DE

31228

31228

## Sentra

(1990→1995)

1,4 GA14DE  
1,6 GA16DE  
1,6 GA16DEL  
1,6 GA16DS

31228

31228

## Sunny II

(1988→1991)

1,4 GA14S

31228

31228

## Sunny III

(1990→1995)

1,4 GA14DE  
1,4 GA14DS  
1,5 GA15D  
1,6 GA16D  
1,6 GA16DE  
1,6 GA16DEL  
1,6 GA16DS  
2,0 D CD20  
2,0 SR20DE

31228

31228

## Sunny III 4WD

(1990→1995)

all

31228

31228

rear axle

### febi 22864

Ref. No. 43210-00QAC



AØ 68 IØ 35 B 48

### febi 31228

Ref. No. 43200-0M001



AØ 134 IØ 27 B 68

LKØ 100 x 4

suitable for:

# Nissan

Car  
Division 



## Terrano II 4WD

(1993→2006)

2,4 KA24E		32887	-
2,7 D TD27T	from the year of construction 05/1996	32887	-
2,7 D TD27TI		32887	-
3,0 D ZD30			
3,0 D ZD30DDTI			

## 100 NX

(1990→1996)

1,6 GA16DE		31228	31228
1,6 GA16DS			

rear axle

### febi 31228

Ref. No. 43200-0M001



AØ 134 IØ 27 B 68

LKØ 100 x 4

### febi 32887

Ref. No. 43210-0W000 S1



AØ 80 IØ 42 B 38



### Agila A

(2000→2008)

all

31341

-

### Agila B

(2008→)

all

30574

-

### Ascona C

(1981→1988)

all

03115 / 06507

-

### Astra F

(1991→2001)

1,4 14NV

1,4 14SE

1,4 C14NZ

1,4 C14SE

1,4 X14NZ

1,4 X14XE

1,6 16LZ2

1,6 C16NZ

1,6 C16SE

for vehicles with ABS  
Rim Hole Number 4

02843

02843

for vehicles without ABS  
Rim Hole Number 4

02895

02895

rear axle

#### febi 02843

Ref. No. 1604 003



AØ 136

AØ 56,5

LKØ 100 x 4

#### febi 02895

Ref. No. 1604 004



AØ 136 B 107,5

LKØ 100 x 4

#### febi 03115

Ref. No. 1603 065



AØ 50 IØ 29 B 15

AØ 40 IØ 17

#### febi 06507

Ref. No. 1603 193



AØ 50 IØ 29 B 15

AØ 40 IØ 17

#### febi 30574

Ref. No. 4708 249



AØ 58 IØ 28 B 44

#### febi 31341

Ref. No. 4706 538



AØ 52 IØ 25 B 42

suitable for:

**Opel**

**Car  
Division**



**febi**  
bilstein



## Astra F

(1991→2001)

1,6 E16NZ	from Chassis No. P1000001 from Chassis No. P5000001 from Chassis No. P7500001 for vehicles with ABS Rim Hole Number 4	02843	02843
	for vehicles without ABS Rim Hole Number 4	02895	02895
1,6 X16SZ 1,6 X16SZR 1,6 X16XEL 1,7 D 17D 1,7 D 17DR 1,7 D 17TD 1,7 D X17DTL 1,8 C18NZ 1,8 C18SEL 1,8 C18XE 1,8 C18XEL 1,8 X18XE 2,0 C20NE 2,0 C20XE 2,0 X20XEV	for vehicles with ABS Rim Hole Number 4	02843	02843
	for vehicles without ABS Rim Hole Number 4	02895	02895

## Astra G

(1998→2009)

all	for vehicles with ABS Rim Hole Number 4	02843	02843
	for vehicles without ABS Rim Hole Number 4	02895	02895

## Astra H

(2004→2010)

all	Rim Hole Number 5	27382	27382
	Rim Hole Number 4	27384	27384

**febi 02843**

Ref. No. 1604 003



∅ 136  
∅ 56,5  
LK∅ 100 x 4

**febi 02895**

Ref. No. 1604 004



∅ 136 B 107,5  
LK∅ 100 x 4

**febi 27382**

Ref. No. 1604 316



∅ 140 B 150  
LK∅ 105 x 5

**febi 27384**

Ref. No. 1604 315



∅ 136 B 150  
LK∅ 100 x 4



### Astra J

(2009→)

1,6 A16LET  
1,6 A16XER  
1,6 Z16XER  
1,8 A18XER

Rim Hole Number 5

27382

27382

Rim Hole Number 4

27384

27384

### Calibra

(1989→1998)

2,0 C20LET  
2,0 C20NE  
2,0 C20XE  
2,0 X20XEV  
2,5 C25XE

01971 / 04529

-

2,5 X25XE

04529

-

### Corsa A

(1982→1994)

all

03115 / 06507

-

rear axle

#### febi 01971

Ref. No. 1604 292



AØ 74 IØ 37 B 45

#### febi 03115

Ref. No. 1603 065



AØ 50 IØ 29 B 15

AØ 40 IØ 17

#### febi 04529

Ref. No. 0415 203



AØ 74 IØ 37 B 45

#### febi 06507

Ref. No. 1603 193



AØ 50 IØ 29 B 15

AØ 40 IØ 17

#### febi 27382

Ref. No. 1604 316



AØ 140 B 150

LKØ 105 x 5

#### febi 27384

Ref. No. 1604 315



AØ 136 B 150

LKØ 100 x 4



suitable for:

**Opel**

**Car  
Division**



**febi**  
bilstein®



## Corsa B

(1992→2001)

1,0 X10XE  
1,2 12NZ  
1,2 C12NZ  
1,2 X12SZ  
1,2 X12XE  
1,4 C14NZ  
1,4 C14SE  
1,4 C14SEL  
1,4 X14NZ  
1,4 X14SZ  
1,4 X14XE  
1,5 D 15D  
1,5 D 15TD  
1,5 D X15D  
1,5 D X15TD  
1,6 C16SEL  
1,6 C16XE  
1,6 C16XEL  
1,6 X16XE  
1,7 D 17D  
1,7 D X17D

06507

-

## Corsa C

(2000→ )

1,0 Z10XE  
1,0 Z10XEP  
1,2 Z12XE  
1,2 Z12XEP

for vehicles with ABS  
For vehicles with disc brakes on the  
rear axle

02843

02843

for vehicles without ABS  
For vehicles with disc brakes on the  
rear axle

02895

02895

For vehicles with drum brakes on the  
rear axle

19088

-

**febi 02843**

Ref. No. 1604 003



AØ 136  
AØ 56,5  
LKØ 100 x 4

**febi 02895**

Ref. No. 1604 004



AØ 136 B 107,5  
LKØ 100 x 4

**febi 06507**

Ref. No. 1603 193



AØ 50 IØ 29 B 15  
AØ 40 IØ 17

**febi 19088**

Ref. No. 1604 007



AØ 53 IØ 27 B 43



## Corsa C

(2000→)

1,3 D Y13DT	for vehicles with ABS For vehicles with disc brakes on the rear axle	02843	02843
	for vehicles without ABS For vehicles with disc brakes on the rear axle	02895	02895
		19088	-
1,3 D Z13DT	for vehicles with ABS For vehicles with disc brakes on the rear axle	02843	02843
	for vehicles without ABS For vehicles with disc brakes on the rear axle	02895	02895
	drum brake For vehicles with drum brakes on the rear axle	19088	-
1,3 D Z13DTJ	for vehicles with ABS For vehicles with disc brakes on the rear axle	02843	02843
	for vehicles without ABS For vehicles with disc brakes on the rear axle	02895	02895
		19088	-
1,4 Z14XE 1,4 Z14XEP	for vehicles with ABS For vehicles with disc brakes on the rear axle	02843	02843
	for vehicles without ABS For vehicles with disc brakes on the rear axle	02895	02895
	For vehicles with drum brakes on the rear axle	19088	-

rear axle

### febi 02843

Ref. No. 1604 003



AØ 136  
AØ 56,5  
LKØ 100 x 4

### febi 02895

Ref. No. 1604 004



AØ 136 B 107,5  
LKØ 100 x 4

### febi 19088

Ref. No. 1604 007



AØ 53 IØ 27 B 43



**Corsa C**

(2000→ )

1,6 Y16YNG	for vehicles with ABS For vehicles with disc brakes on the rear axle	02843	02843
	for vehicles without ABS For vehicles with disc brakes on the rear axle	02895	02895
	drum brake	19088	-
1,6 Z16SE	for vehicles with ABS For vehicles with disc brakes on the rear axle	02843	02843
	for vehicles without ABS For vehicles with disc brakes on the rear axle	02895	02895
	drum brake	19088	-
1,6 Z16YNG	for vehicles with ABS For vehicles with disc brakes on the rear axle	02843	02843
	for vehicles without ABS For vehicles with disc brakes on the rear axle	02895	02895
	drum brake	19088	-
1,7 D Y17DT 1,7 D Y17DTL	for vehicles with ABS For vehicles with disc brakes on the rear axle	02843	02843
	for vehicles without ABS For vehicles with disc brakes on the rear axle	02895	02895
	drum brake For vehicles with drum brakes on the rear axle	19088	-

rear axle

**febi 02843**

Ref. No. 1604 003



AØ 136  
AØ 56,5  
LKØ 100 x 4

**febi 02895**

Ref. No. 1604 004



AØ 136 B 107,5  
LKØ 100 x 4

**febi 19088**

Ref. No. 1604 007



AØ 53 IØ 27 B 43



### Corsa C

(2000→)

<b>1,7 D Z17DTH</b>	drum brake For vehicles with drum brakes on the rear axle	<b>19088</b>	-
<b>1,8 Z18XE</b>	for vehicles with ABS For vehicles with disc brakes on the rear axle	<b>02843</b>	<b>02843</b>
	for vehicles without ABS For vehicles with disc brakes on the rear axle	<b>02895</b>	<b>02895</b>
	For vehicles with drum brakes on the rear axle	<b>19088</b>	-

### Corsa D

(2005→)

<b>1,0 A10XEP</b> <b>1,0 Z10XEP</b> <b>1,2 A12XEL</b> <b>1,2 A12XER</b> <b>1,2 Z12XEP</b>	For vehicles with drum brakes on the rear axle to Chassis No. 84999999 to Chassis No. 86999999	<b>28145</b>	<b>28145</b>
<b>1,3 D A13DTC</b> <b>1,3 D A13DTE</b> <b>1,3 D A13DTR</b> <b>1,3 D Z13DTE</b>	For vehicles with disc brakes on the rear axle	<b>30237</b>	<b>30237</b>

rear axle

#### febi 02843

Ref. No. 1604 003



AØ 136  
AØ 56,5  
LKØ 100 x 4

#### febi 02895

Ref. No. 1604 004



AØ 136 B 107,5  
LKØ 100 x 4

#### febi 19088

Ref. No. 1604 007



AØ 53 IØ 27 B 43

#### febi 28145

Ref. No. 1604 017



AØ 129 IØ 30  
LKØ 100 x 6

#### febi 30237

Ref. No. 1604 360



AØ 130 IØ 30 B 62,5

suitable for:

**Opel**

**Car  
Division**



**febi**  
bilstein



**Corsa D**

(2005→ )

**1,3 D Z13DTH**

for vehicles with ABS  
For vehicles with disc brakes on the rear axle

**02843**

**02843**

for vehicles without ABS  
For vehicles with disc brakes on the rear axle

**02895**

**02895**

drum brake  
For vehicles with drum brakes on the rear axle

**19088**

-

For vehicles with drum brakes on the rear axle  
to Chassis No. 84999999  
to Chassis No. 86999999

**28145**

**28145**

For vehicles with disc brakes on the rear axle

**30237**

**30237**

**1,3 D Z13DTJ**

drum brake

**19088**

-

For vehicles with drum brakes on the rear axle  
to Chassis No. 84999999  
to Chassis No. 86999999

**28145**

**28145**

For vehicles with disc brakes on the rear axle

**30237**

**30237**

rear axle

**febi 02843**

Ref. No. 1604 003



AØ 136  
AØ 56,5  
LKØ 100 x 4

**febi 02895**

Ref. No. 1604 004



AØ 136 B 107,5  
LKØ 100 x 4

**febi 19088**

Ref. No. 1604 007



AØ 53 IØ 27 B 43

**febi 28145**

Ref. No. 1604 017



AØ 129 IØ 30  
LKØ 100 x 6

**febi 30237**

Ref. No. 1604 360



AØ 130 IØ 30 B 62,5



**Corsa D**

(2005→ )

<b>1,4 A14NEL</b>	For vehicles with drum brakes on the rear axle	<b>28145</b>	<b>28145</b>
<b>1,4 A14XEL</b> <b>1,4 A14XER</b> <b>1,4 Z14XEP</b>	For vehicles with drum brakes on the rear axle to Chassis No. 84999999 to Chassis No. 86999999	<b>28145</b>	<b>28145</b>
	For vehicles with disc brakes on the rear axle	<b>30237</b>	<b>30237</b>
<b>1,6 A16LEL</b>	For vehicles with drum brakes on the rear axle	<b>28145</b>	<b>28145</b>
	For vehicles with disc brakes on the rear axle	<b>30237</b>	<b>30237</b>
<b>1,6 A16LER</b>	For vehicles with drum brakes on the rear axle to Chassis No. 84999999 to Chassis No. 86999999	<b>28145</b>	<b>28145</b>
	For vehicles with disc brakes on the rear axle	<b>30237</b>	<b>30237</b>
<b>1,6 A16LES</b>	For vehicles with drum brakes on the rear axle	<b>28145</b>	<b>28145</b>
<b>1,6 Z16LEL</b>	For vehicles with drum brakes on the rear axle to Chassis No. 84999999 to Chassis No. 86999999	<b>28145</b>	<b>28145</b>
	For vehicles with disc brakes on the rear axle	<b>30237</b>	<b>30237</b>

rear axle



suitable for:

**Opel**

**Car  
Division**



## Corsa D

(2005→ )

1,6 Z16LER	drum brake	19088	-
	For vehicles with drum brakes on the rear axle to Chassis No. 84999999 to Chassis No. 86999999	28145	28145
	For vehicles with disc brakes on the rear axle	30237	30237
1,7 D A17DTR 1,7 D A17DTS	For vehicles with drum brakes on the rear axle to Chassis No. 84999999 to Chassis No. 86999999	28145	28145
	For vehicles with disc brakes on the rear axle	30237	30237
1,7 D Z17DTR	drum brake	19088	-
	For vehicles with drum brakes on the rear axle to Chassis No. 84999999 to Chassis No. 86999999	28145	28145
	For vehicles with disc brakes on the rear axle	30237	30237

rear axle

## Corsa Utility

(2001→2012)

1,7 D Y17DT	For vehicles with drum brakes on the rear axle	28145	28145
-------------	--	-------	-------

### febi 19088

Ref. No. 1604 007



AØ 53 IØ 27 B 43

### febi 28145

Ref. No. 1604 017



AØ 129 IØ 30  
LKØ 100 x 6

### febi 30237

Ref. No. 1604 360



AØ 130 IØ 30 B 62,5



## Kadett D

(1979→1984)

1,0 10N		03115 / 06507	-
1,0 10S			
1,2 12N			
1,2 12S			
1,2 12ST	for vehicles without ABS Rim Hole Number 4	02895	02895
		03115 / 06507	-
1,2 12SV		03115 / 06507	-
1,3 13N			
1,3 13S			
1,6 D 16D			
1,6 D 16DA			
1,6 16N			
1,6 16S			
1,6 16SH			
1,8 18E			
1,8 18S			

## Kadett E

(1982→1994)

1,2 12N	for vehicles without ABS Rim Hole Number 4	02895	02895
		03115 / 06507	-
1,2 12S	for vehicles with ABS	02843	02843
1,2 12SC	Rim Hole Number 4		
1,2 12ST	for vehicles without ABS	02895	02895
	Rim Hole Number 4		
		03115 / 06507	-
1,2 12SV		03115 / 06507	-

rear axle

### febi 02843

Ref. No. 1604 003



AØ 136  
AØ 56,5  
LKØ 100 x 4

### febi 02895

Ref. No. 1604 004



AØ 136 B 107,5  
LKØ 100 x 4

### febi 03115

Ref. No. 1603 065



AØ 50 IØ 29 B 15  
AØ 40 IØ 17

### febi 06507

Ref. No. 1603 193



AØ 50 IØ 29 B 15  
AØ 40 IØ 17





## Kadett E

(1982→1994)

1,3 13N 1,3 13NB 1,3 13S 1,3 C13N 1,4 14NV 1,4 C14NZ	for vehicles with ABS Rim Hole Number 4	02843	02843
	for vehicles without ABS Rim Hole Number 4	02895	02895
		03115 / 06507	-
1,4 C14SE	for vehicles without ABS Rim Hole Number 4	02895	02895
		03115 / 06507	-
1,5 D 15TD 1,6 D 16D 1,6 D 16DA	for vehicles with ABS Rim Hole Number 4	02843	02843
	for vehicles without ABS Rim Hole Number 4	02895	02895
		03115 / 06507	-
1,6 16N		03115 / 06507	-
1,6 16S	for vehicles with ABS Rim Hole Number 4	02843	02843
	for vehicles without ABS Rim Hole Number 4	02895	02895
		03115 / 06507	-
1,6 16SH	for vehicles without ABS Rim Hole Number 4	02895	02895
		03115 / 06507	-

rear axle

### febi 02843

Ref. No. 1604 003



AØ 136  
AØ 56,5  
LKØ 100 x 4

### febi 02895

Ref. No. 1604 004



AØ 136 B 107,5  
LKØ 100 x 4

### febi 03115

Ref. No. 1603 065



AØ 50 IØ 29 B 15  
AØ 40 IØ 17

### febi 06507

Ref. No. 1603 193



AØ 50 IØ 29 B 15  
AØ 40 IØ 17



## Kadett E

(1982→1994)

1,6 16SV	for vehicles with ABS Rim Hole Number 4	02843	02843
1,6 C16LZ			
1,6 C16NZ	for vehicles without ABS Rim Hole Number 4	02895	02895
1,6 E16NZ			
1,7 D 17D		03115 / 06507	-
1,7 D 17DR			
1,8 18E			
1,8 18SE			
1,8 C18NE			
1,8 C18NT			
1,8 C18NZ			
1,8 E18NV			
1,8 S18NV			
2,0 20NE			
2,0 20SEH			
2,0 20SER			
2,0 20XE			
2,0 C20NE			
2,0 C20XE			

## Meriva A

(2003→2010)

1,3 D Y13DT	for vehicles with ABS	02843	02843
1,3 D Z13DT			
	for vehicles without ABS Rim Hole Number 4	02895	02895
1,3 D Z13DTJ		02843	02843
1,4 Z14XEP	for vehicles with ABS	02843	02843
1,6 Z16SE	for vehicles with ABS	02843	02843
1,6 Z16XE			
	for vehicles without ABS Rim Hole Number 4	02895	02895
1,6 Z16XEP		02843	02843

rear axle

### febi 02843

Ref. No. 1604 003



∅ 136  
∅ 56,5  
LK∅ 100 x 4

### febi 02895

Ref. No. 1604 004



∅ 136 B 107,5  
LK∅ 100 x 4

### febi 03115

Ref. No. 1603 065



∅ 50 I∅ 29 B 15  
∅ 40 I∅ 17

### febi 06507

Ref. No. 1603 193



∅ 50 I∅ 29 B 15  
∅ 40 I∅ 17

suitable for:

**Opel**

**Car  
Division**



## Meriva A

(2003→2010)

1,7 D Y17DT	for vehicles with ABS	02843	02843
	for vehicles without ABS Rim Hole Number 4	02895	02895
1,7 D Z17DTH		02843	02843
1,8 Z18XE	for vehicles with ABS	02843	02843
	for vehicles without ABS Rim Hole Number 4	02895	02895

## Meriva B

(2010→)

1,3 D A13DTC		27382	27382
1,3 D A13DTE			
1,4 A14NEL			
1,4 A14NET			
1,4 A14XER			
1,7 D A17DT			
1,7 D A17DTC			
1,7 D A17DTS			

## Movano A

(1998→2010)

all	Rim Size [in] 16	23179	-
-----	------------------	-------	---

rear axle

### febi 02843

Ref. No. 1604 003



AØ 136  
AØ 56,5  
LKØ 100 x 4

### febi 02895

Ref. No. 1604 004



AØ 136 B 107,5  
LKØ 100 x 4

### febi 23179

Ref. No. 4403 044



AØ 80 IØ 45,3 B 48

### febi 27382

Ref. No. 1604 316



AØ 140 B 150  
LKØ 105 x 5

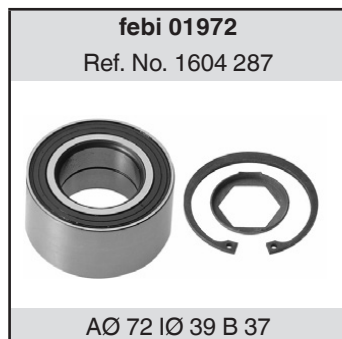


## Omega A

(1986→1994)

1,8 18NV 1,8 18SEH 1,8 18SV 1,8 E18NVR 1,8 S18NV 2,0 20SE 2,0 C20NE	01971 / 01972 / 03271 / 04529	-
2,0 C20NEF 2,0 C20NEJ	03271	-
2,3 D 23DTR	01971 / 04529	-
2,3 D 23YD	01971 / 01972 / 03271 / 04529	-
2,3 D 23YDT 2,4 C24NE 2,6 C26NE 3,0 30NE 3,0 C30LE 3,0 C30NE 3,0 C30SE 3,0 C30SEJ 3,6 C36GET	01971 / 04529	-

rear axle



suitable for:

**Opel**

**Car  
Division**



## Omega B

(1994→2003)

2,0 20SE	for armoured vehicles	01971 / 04529	-
	not for armoured vehicles	04838	-
2,0 D X20DTH	for extended wheelbase	01971	-
2,0 X20SE	for armoured vehicles	01971 / 04529	-
2,0 X20XEV			
2,2 D Y22DTH	not for armoured vehicles	04838	-
2,2 Y22XE			
2,2 Z22XE			
2,5 D 25DT	not for armoured vehicles	04838	-
2,5 D U25TD	for extended wheelbase	01971	-
2,5 D X25TD	for armoured vehicles	01971 / 04529	-
2,5 D Y25TD	for armoured vehicles	01971 / 04529	-
	not for armoured vehicles	04838	-
2,6 Y26SE	for extended wheelbase	01971	-
3,2 Y32SE	for armoured vehicles	01971 / 04529	-
	not for armoured vehicles	04838	-
	for extended wheelbase	01971	-
		04529	-
	not for armoured vehicles	04838	-

## Senator B

(1987→1993)

all		01971 / 04529	-
-----	--	---------------	---

**febi 01971**

Ref. No. 1604 292



AØ 74 IØ 37 B 45

**febi 04529**

Ref. No. 0415 203



AØ 74 IØ 37 B 45

**febi 04838**

Ref. No. 1603 196



AØ 74 IØ 39 B 39



**Signum**  
(2003→2008)

all

26675

26675

**Tigra A**  
(1993→2000)

1,4 X14XE  
1,6 C16XE  
1,6 X16XE

06507

-

**Tigra B**  
(2004→2010)

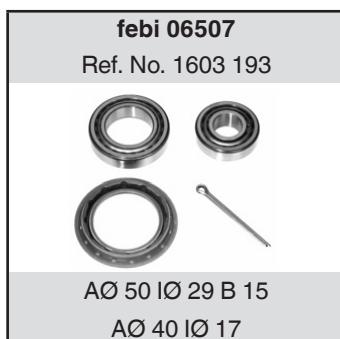
1,3 D Z13DT  
1,4 Z14XEP  
1,8 Z18XE

For vehicles with drum brakes on the  
rear axle

19088

-

rear axle



**Vectra A**

(1988→1995)

rear axle	1,4 14NV 1,6 16SV	from Chassis No. P1000001 from Chassis No. P5000001 from Chassis No. P7500001 for vehicles with ABS Rim Hole Number 4	02843	02843
		from Chassis No. P10000001 from Chassis No. P50000001 from Chassis No. P75000001 from Chassis No. PV0000001 from Chassis No. P80000001 for vehicles without ABS Rim Hole Number 4	02895	02895
			03115 / 06507	-
	1,6 C16LZ2	from Chassis No. P10000001 from Chassis No. P50000001 from Chassis No. P75000001 from Chassis No. PV0000001 from Chassis No. P80000001 for vehicles without ABS Rim Hole Number 4	02895	02895
		03115 / 06507	-	
	1,6 C16NZ 1,6 C16NZ2 1,6 E16NZ 1,6 X16SZ 1,7 D 17D 1,7 D 17DR 1,7 D 17TD 1,8 18SV 1,8 C18NZ	from Chassis No. P1000001 from Chassis No. P5000001 from Chassis No. P7500001 for vehicles with ABS Rim Hole Number 4	02843	02843
		from Chassis No. P10000001 from Chassis No. P50000001 from Chassis No. P75000001 from Chassis No. PV0000001 from Chassis No. P80000001 for vehicles without ABS Rim Hole Number 4	02895	02895
			03115 / 06507	-

**febi 02843**

Ref. No. 1604 003

AØ 136  
AØ 56,5  
LKØ 100 x 4**febi 02895**

Ref. No. 1604 004

AØ 136 B 107,5  
LKØ 100 x 4**febi 03115**

Ref. No. 1603 065

AØ 50 IØ 29 B 15  
AØ 40 IØ 17**febi 06507**

Ref. No. 1603 193

AØ 50 IØ 29 B 15  
AØ 40 IØ 17



**Vectra A**

(1988→1995)

**1,8 E18NVR  
2,0 20NE**

**01971 / 03115 /  
06507**

-

from Chassis No. P1000001  
from Chassis No. P5000001  
from Chassis No. P7500001  
for vehicles with ABS  
Rim Hole Number 4

**02843**

**02843**

from Chassis No. P1000001  
from Chassis No. P5000001  
from Chassis No. P7500001  
from Chassis No. PV0000001  
from Chassis No. P8000001  
for vehicles without ABS  
Rim Hole Number 4

**02895**

**02895**

**2,0 20SEH**

**01971 / 03115 /  
06507**

-

from Chassis No. P1000001  
from Chassis No. P5000001  
from Chassis No. P7500001  
for vehicles with ABS  
Rim Hole Number 4

**02843**

**02843**

rear axle

**febi 01971**

Ref. No. 1604 292



AØ 74 IØ 37 B 45

**febi 02843**

Ref. No. 1604 003



AØ 136  
AØ 56,5  
LKØ 100 x 4

**febi 02895**

Ref. No. 1604 004



AØ 136 B 107,5  
LKØ 100 x 4

**febi 03115**

Ref. No. 1603 065



AØ 50 IØ 29 B 15  
AØ 40 IØ 17

**febi 06507**

Ref. No. 1603 193



AØ 50 IØ 29 B 15  
AØ 40 IØ 17



suitable for:

**Opel**

**Car  
Division**



**Vectra A**

(1988→1995)

	from Chassis No. P1000001 from Chassis No. P5000001 from Chassis No. P7500001 from Chassis No. PV000001 from Chassis No. P8000001 for vehicles without ABS Rim Hole Number 4	<b>02895</b>	<b>02895</b>
	to Chassis No. NV999999 to Chassis No. N199999 to Chassis No. N599999	<b>04529</b>	-
<b>2,0 20XE</b>	to Chassis No. NV999999 to Chassis No. N199999 to Chassis No. N599999	<b>01971</b>	-
	from Chassis No. P1000001 from Chassis No. P5000001 from Chassis No. P7500001 for vehicles with ABS Rim Hole Number 4	<b>02843</b>	<b>02843</b>
	from Chassis No. P1000001 from Chassis No. P5000001 from Chassis No. P7500001 from Chassis No. PV000001 from Chassis No. P8000001 for vehicles without ABS Rim Hole Number 4	<b>02895</b>	<b>02895</b>
	to Chassis No. NV999999 to Chassis No. N199999 to Chassis No. N599999	<b>04529</b>	-

rear axle

**febi 01971**

Ref. No. 1604 292



AØ 74 IØ 37 B 45

**febi 02843**

Ref. No. 1604 003



AØ 136  
AØ 56,5  
LKØ 100 x 4

**febi 02895**

Ref. No. 1604 004



AØ 136 B 107,5  
LKØ 100 x 4

**febi 04529**

Ref. No. 0415 203



AØ 74 IØ 37 B 45



## Vectra A

(1988→1995)

<b>2,0 20XEJ</b>		<b>03115 / 06507</b>	-
<b>2,0 C20LET</b>	from Chassis No. P1000001 from Chassis No. P5000001 from Chassis No. P7500001 for vehicles with ABS Rim Hole Number 4	<b>02843</b>	<b>02843</b>
		<b>03115</b>	-
	to Chassis No. NV999999 to Chassis No. N199999 to Chassis No. N599999	<b>04529</b>	-
<b>2,0 C20NE</b>		<b>01971 / 03115 / 06507</b>	-
	from Chassis No. P1000001 from Chassis No. P5000001 from Chassis No. P7500001 for vehicles with ABS Rim Hole Number 4	<b>02843</b>	<b>02843</b>

rear axle

### febi 01971

Ref. No. 1604 292



AØ 74 IØ 37 B 45

### febi 02843

Ref. No. 1604 003



AØ 136

AØ 56,5

LKØ 100 x 4

### febi 03115

Ref. No. 1603 065



AØ 50 IØ 29 B 15

AØ 40 IØ 17

### febi 04529

Ref. No. 0415 203



AØ 74 IØ 37 B 45

### febi 06507

Ref. No. 1603 193



AØ 50 IØ 29 B 15

AØ 40 IØ 17

suitable for:

**Opel**

**Car  
Division**



**Vectra A**

(1988→1995)

	from Chassis No. P1000001 from Chassis No. P5000001 from Chassis No. P7500001 from Chassis No. PV000001 from Chassis No. P8000001 for vehicles without ABS Rim Hole Number 4	<b>02895</b>	<b>02895</b>
<b>2,0 C20NEF</b>	from Chassis No. P1000001 from Chassis No. P5000001 from Chassis No. P7500001 from Chassis No. PV000001 from Chassis No. P8000001 for vehicles without ABS Rim Hole Number 4	<b>02895</b>	<b>02895</b>
		<b>03115 / 06507</b>	<b>-</b>
<b>2,0 C20XE</b>	to Chassis No. NV999999 to Chassis No. N1999999 to Chassis No. N5999999	<b>01971</b>	<b>-</b>
	from Chassis No. P1000001 from Chassis No. P5000001 from Chassis No. P7500001 for vehicles with ABS Rim Hole Number 4	<b>02843</b>	<b>02843</b>

rear axle

**febi 01971**  
Ref. No. 1604 292

AØ 74 IØ 37 B 45

**febi 02843**  
Ref. No. 1604 003

AØ 136  
AØ 56,5  
LKØ 100 x 4

**febi 02895**  
Ref. No. 1604 004

AØ 136 B 107,5  
LKØ 100 x 4

**febi 03115**  
Ref. No. 1603 065

AØ 50 IØ 29 B 15  
AØ 40 IØ 17

**febi 06507**  
Ref. No. 1603 193

AØ 50 IØ 29 B 15  
AØ 40 IØ 17



## Vectra A

(1988→1995)

from Chassis No. P1000001  
from Chassis No. P5000001  
from Chassis No. P7500001  
from Chassis No. PV000001  
from Chassis No. P8000001  
for vehicles without ABS  
Rim Hole Number 4

02895

02895

to Chassis No. NV999999  
to Chassis No. N199999  
to Chassis No. N599999

04529

-

### 2,0 X20XEV

01971 / 03115 /  
06507

-

from Chassis No. P1000001  
from Chassis No. P5000001  
from Chassis No. P7500001  
for vehicles with ABS  
Rim Hole Number 4

02843

02843

from Chassis No. P1000001  
from Chassis No. P5000001  
from Chassis No. P7500001  
from Chassis No. PV000001  
from Chassis No. P8000001  
for vehicles without ABS  
Rim Hole Number 4

02895

02895

rear axle

#### febi 01971

Ref. No. 1604 292



AØ 74 IØ 37 B 45

#### febi 02843

Ref. No. 1604 003



AØ 136  
AØ 56,5  
LKØ 100 x 4

#### febi 02895

Ref. No. 1604 004



AØ 136 B 107,5  
LKØ 100 x 4

#### febi 03115

Ref. No. 1603 065



AØ 50 IØ 29 B 15  
AØ 40 IØ 17

#### febi 04529

Ref. No. 0415 203



AØ 74 IØ 37 B 45

#### febi 06507

Ref. No. 1603 193



AØ 50 IØ 29 B 15  
AØ 40 IØ 17

suitable for:

**Opel**

**Car  
Division**



**Vectra A**

(1988→1995)

2,5 C25XE

03115 / 06507

-

**Vectra B**

(1994→2003)

1,6 16LZ2  
1,6 X16SZR  
1,6 X16XEL  
1,6 Z16XE  
1,7 D X17TD  
1,8 X18XE  
1,8 X18XE1  
1,8 Z18XE  
2,0 D X20DTH  
2,0 D X20DTL  
2,0 D Y20DTH

to Chassis No. W1999999  
to Chassis No. W7999999  
for vehicles with ABS  
Rim Hole Number 4

from Chassis No. XL000001  
for vehicles with ABS  
Rim Hole Number 4

02843

02843

**Vectra C**

(2002→2008)

all

26675

26675

rear axle

**febi 02843**

Ref. No. 1604 003



AØ 136  
AØ 56,5  
LKØ 100 x 4

**febi 03115**

Ref. No. 1603 065



AØ 50 IØ 29 B 15  
AØ 40 IØ 17

**febi 06507**

Ref. No. 1603 193



AØ 50 IØ 29 B 15  
AØ 40 IØ 17

**febi 26675**

Ref. No. 1604 314



AØ 140 IØ 31 B 80  
LKØ 105 x 5



### Vivaro

(2000→)

1,9 D F9Q 760  
1,9 D F9Q 762  
2,0 F4R 720  
2,0 F4R 820  
2,0 D M9R 780  
2,0 D M9R 782  
2,0 D M9R 784  
2,5 D G9U 630  
2,5 D G9U 730

22864

-

### Zafira A

(1999→2005)

all

for vehicles with ABS  
Rim Hole Number 4

02843

02843

for vehicles without ABS  
Rim Hole Number 4

02895

02895

### Zafira B

(2005→)

all

27382

27382

rear axle

#### febi 02843

Ref. No. 1604 003



AØ 136

AØ 56,5

LKØ 100 x 4

#### febi 02895

Ref. No. 1604 004



AØ 136 B 107,5

LKØ 100 x 4

#### febi 22864

Ref. No. 4408 277



AØ 68 IØ 35 B 48

#### febi 27382

Ref. No. 1604 316



AØ 140 B 150

LKØ 105 x 5

suitable for:

**Peugeot**

**Car  
Division**



**Boxer I**

(1994→2002)

all

to Control Number 09092  
not for payload [kg] 1800

**19295**

-

**Boxer I 4x4**

(1996→2002)

all

drum brake

**12691 / 12695**

-

**Boxer II**

(2001→)

2,0 D DW10TD  
2,0 D DW10UTD  
2,0 XU10J2  
2,0 XU10J2U  
2,2 D DW12TED  
2,2 D DW12UTED  
2,8 D 814043  
2,8 D 814043N  
2,8 D 814043S  
2,8 D 814043S4HY

to Control Number 09092  
not for payload [kg] 1800

**19295**

-

**Boxer III**

(2006→)

2,2 D 22DT  
2,2 D 4HU  
2,2 D 4HV  
3,0 D F1C  
3,0 D F30DT

Payload [kg] 1200  
Payload [kg] 1400  
Payload [kg] 1600

**40018**

**40018**

rear axle

**febi 12691**

Ref. No. 3350.29



AØ 80 IØ 50 B 21,5

**febi 12695**

Ref. No. 3350.29 SK



AØ 80 IØ 50 B 21,5

**febi 19295**

Ref. No. 3350.25 SK



AØ 68 IØ 40 B 19  
AØ 55 IØ 30 B 17

**febi 40018**

Ref. No. 3701.82



AØ 143 IØ 42



### Expert I

(1995→)

all

14535

14535

### Expert II

(2000→2006)

all

14535

14535

### Expert III

(2006→)

1,6 D DV6UTED4  
2,0 D DW10BTED4

30886 / 30887

30886 / 30887

2,0 D DW10CD  
2,0 D DW10CE

30887

30887

2,0 D DW10CTED4  
2,0 D DW10UTED4  
2,0 EW10A

30886 / 30887

30886 / 30887

### Expert III 4x4

(2007→)

2,0 D DW10UTED4

30886 / 30887

30886 / 30887

### J5

(1981→)

all

not for payload [kg] 1800

19295

-

rear axle

#### febi 14535

Ref. No. 3350.28 SK



AØ 120 IØ 30 B 70  
LKØ 95 x 5

#### febi 19295

Ref. No. 3350.25 SK



AØ 68 IØ 40 B 19  
AØ 55 IØ 30 B 17

#### febi 30886

Ref. No. 3748.A0



AØ 128 B 128  
LKØ 104 x 5

#### febi 30887

Ref. No. 3748.99



AØ 128 B 128  
LKØ 104 x 5



suitable for:

**Peugeot**

**Car  
Division**



## Partner I

(1996→2008)

0,0 ELSA18	for vehicles without ABS	29382	29382
	from Control Number 09800 for vehicles with ABS for vehicles without ESP	29384	29384
1,1 TU1JP 1,1 TU1M 1,1 TU1M+ 1,4 TU32 1,4 TU3JP 1,6 TU5JP4 1,8 XU7JB 1,8 D XUD7 1,9 D DW8 1,9 D DW8B 1,9 D XUD9 1,9 D XUD9A 2,0 D DW10TD	for vehicles without ABS	29382	29382
	for vehicles with ABS for vehicles without ESP	29384	29384

## Partner II

(2002→ )

all	for vehicles without ABS	29382	29382
	to Control Number 10219 for vehicles with ABS for vehicles without ESP	29384	29384

## Partner II 4x4

(2004→2008)

1,9 D DW8B 2,0 D DW10TD	for vehicles without ABS	29382	29382
	to Control Number 10219 for vehicles with ABS for vehicles without ESP	29384	29384

**febi 29382**

Ref. No. 3748.43



AØ 129 IØ 32 B 60,4  
LKØ 108 x 4

**febi 29384**

Ref. No. 3748.44



AØ 129 IØ 32 B 60,4  
LKØ 108 x 4



### Ranch

(1999→2000)

1,9 D DW8	for vehicles without ABS	29382	29382
	for vehicles with ABS for vehicles without ESP	29384	29384

### Ranch I

(1996→2008)

1,1 TU1JP	for vehicles without ABS	29382	29382
	for vehicles with ABS to Control Number 10219 for vehicles without ESP	29384	29384
1,1 TU1M	for vehicles without ABS	29382	29382
	for vehicles with ABS for vehicles without ESP	29384	29384
1,4 TU3A	for vehicles without ABS	29382	29382
	to Control Number 10219 for vehicles with ABS for vehicles without ESP	29384	29384
1,4 TU3JP	for vehicles without ABS	29382	29382
	for vehicles with ABS for vehicles without ESP	29384	29384
1,6 TU5JP4	for vehicles without ABS	29382	29382
	to Control Number 10219 for vehicles with ABS for vehicles without ESP	29384	29384
1,8 XU7JB 1,8 D XUD7 1,9 D DW8 1,9 D DW8B 1,9 D XUD9 1,9 D XUD9A 2,0 D DW10TD	for vehicles without ABS	29382	29382
	for vehicles with ABS for vehicles without ESP	29384	29384

rear axle



suitable for:

**Peugeot**

**Car  
Division**



**Ranch II**

(2002→2008)

all	for vehicles without ABS	29382	29382
	to Control Number 10219 for vehicles with ABS for vehicles without ESP	29384	29384

**RCZ**

(2010→ )

all		40016	40016
-----	--	-------	-------

**1007**

(2004→2009)

all	disc brake	31185	31185
-----	------------	-------	-------

**106 I**

(1991→1996)

1,0 TU9	Manufacturer Restriction Bendix	11420 / 11704	-
1,0 TU9M	for vehicles with ABS Manufacturer Restriction Bendix	11420 / 11704	-
1,1 TU1	Manufacturer Restriction Bendix	11420 / 11704	-

rear axle

**febi 11420**  
Ref. No. 3748.17

AØ 52 IØ 25 B 37

**febi 11704**  
Ref. No. 3748.17 S1

AØ 52 IØ 25 B 37

**febi 29382**  
Ref. No. 3748.43

AØ 129 IØ 32 B 60,4  
LKØ 108 x 4

**febi 29384**  
Ref. No. 3748.44

AØ 129 IØ 32 B 60,4  
LKØ 108 x 4

**febi 31185**  
Ref. No. 3748.76

AØ 129 B 60  
LKØ 108 x 4

**febi 40016**  
Ref. No. 3748.89

AØ 129 IØ 32



### 106 I

(1991→1996)

1,1 TU1M	for vehicles with ABS Manufacturer Restriction Bendix	11420 / 11704	-
1,3 TU2J2 1,4 TU3 1,4 TU3J2 1,4 TU3M 1,4 TU3MC 1,4 D TUD3 1,5 D TUD5 1,6 TU5J2 1,6 TU5JP	Manufacturer Restriction Bendix	11420 / 11704	-

### 106 II

(1996→2004)

0,0 SA13	to Control Number 08091	11420 / 11704	-
	to Control Number 08093 drum brake for vehicles without ABS Manufacturer Restriction Bendix Rim Hole Number 4		
	to Control Number 08093 drum brake for vehicles without ABS Manufacturer Restriction Bosch Rim Hole Number 4		
	to Control Number 08093 drum brake for vehicles with ABS Manufacturer Restriction Girling		

rear axle



suitable for:

**Peugeot**

**Car  
Division**



**106 II**  
(1996→2004)

**1,0 TU9M**

to Control Number 08091  
Rim Hole Number 4

**11420 / 11704**

-

to Control Number 08093  
drum brake  
for vehicles with ABS  
Manufacturer Restriction Girling

drum brake  
for vehicles without ABS  
Manufacturer Restriction Bosch  
Rim Hole Number 4

drum brake  
for vehicles without ABS  
Manufacturer Restriction Bendix  
Rim Hole Number 4

from Control Number 08092  
For vehicles with drum brakes on the  
rear axle  
Rim Hole Number 4

**34924**

-

**1,1 TU1**

to Control Number 08091  
Rim Hole Number 4

**11420**

-

to Control Number 08093  
drum brake  
for vehicles with ABS  
Manufacturer Restriction Girling

drum brake  
for vehicles without ABS  
Manufacturer Restriction Bosch  
Rim Hole Number 4

drum brake  
for vehicles without ABS  
Manufacturer Restriction Bendix  
Rim Hole Number 4

rear axle

**febi 11420**

Ref. No. 3748.17



AØ 52 IØ 25 B 37

**febi 11704**

Ref. No. 3748.17 S1



AØ 52 IØ 25 B 37

**febi 34924**

Ref. No. 3748.39



AØ 52 IØ 25 B 37



**106 II**  
(1996→2004)

1,1 TU1JP

to Control Number 08093  
for vehicles with ABS  
Manufacturer Restriction Girling

11420 / 11704

-

drum brake  
for vehicles without ABS  
Manufacturer Restriction Bendix  
Rim Hole Number 4

drum brake  
for vehicles without ABS  
Manufacturer Restriction Bosch  
Rim Hole Number 4

For vehicles with drum brakes on the  
rear axle  
Rim Hole Number 4

34924

-

1,1 TU1M

to Control Number 08093  
for vehicles with ABS  
Manufacturer Restriction Girling

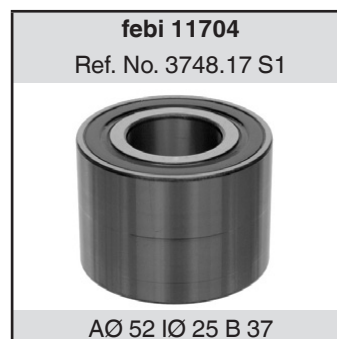
11420 / 11704

-

drum brake  
for vehicles without ABS  
Manufacturer Restriction Bendix  
Rim Hole Number 4

drum brake  
for vehicles without ABS  
Manufacturer Restriction Bosch  
Rim Hole Number 4

rear axle



suitable for:

**Peugeot**

**Car  
Division**



**106 II**  
(1996→2004)

**1,1 TU1M+**

to Control Number 08091  
Rim Hole Number 4

**11420 / 11704**

-

to Control Number 08093  
drum brake  
for vehicles with ABS  
Manufacturer Restriction Girling

drum brake  
for vehicles without ABS  
Manufacturer Restriction Bosch  
Rim Hole Number 4

drum brake  
for vehicles without ABS  
Manufacturer Restriction Bendix  
Rim Hole Number 4

**1,4 TU3JP**  
**1,5 D TUD5**

to Control Number 08091

**11420 / 11704**

-

to Control Number 08093  
drum brake  
for vehicles with ABS  
Manufacturer Restriction Girling

drum brake  
for vehicles without ABS  
Manufacturer Restriction Bendix  
Rim Hole Number 4

drum brake  
for vehicles without ABS  
Manufacturer Restriction Bosch  
Rim Hole Number 4

from Control Number 08092  
For vehicles with drum brakes on the  
rear axle

**34924**

-

rear axle

**febi 11420**

Ref. No. 3748.17



AØ 52 IØ 25 B 37

**febi 11704**

Ref. No. 3748.17 S1



AØ 52 IØ 25 B 37

**febi 34924**

Ref. No. 3748.39



AØ 52 IØ 25 B 37



**106 II**  
(1996→2004)

**1,5 D TUD5B**

to Control Number 08093  
for vehicles with ABS  
Manufacturer Restriction Girling

**11420 / 11704**

-

drum brake  
for vehicles without ABS  
Manufacturer Restriction Bendix  
Rim Hole Number 4

drum brake  
for vehicles without ABS  
Manufacturer Restriction Bosch  
Rim Hole Number 4

For vehicles with drum brakes on the  
rear axle

**34924**

-

**1,6 TU5J2**  
**1,6 TU5J4**

to Control Number 08093  
for vehicles with ABS  
Manufacturer Restriction Girling

**11420 / 11704**

-

drum brake  
for vehicles without ABS  
Manufacturer Restriction Bendix  
Rim Hole Number 4

drum brake  
for vehicles without ABS  
Manufacturer Restriction Bosch  
Rim Hole Number 4

rear axle





suitable for:

**Peugeot**

**Car  
Division**



**106 II**  
(1996→2004)

**1,6 TU5JP**

to Control Number 08091

**11420 / 11704**

-

to Control Number 08093  
drum brake  
for vehicles with ABS  
Manufacturer Restriction Girling

drum brake  
for vehicles without ABS  
Manufacturer Restriction Bendix  
Rim Hole Number 4

drum brake  
for vehicles without ABS  
Manufacturer Restriction Bosch  
Rim Hole Number 4

from Control Number 08092  
For vehicles with drum brakes on the  
rear axle

**34924**

-

**107**  
(2005→ )

**1,0 384F**  
**1,4 D DV4TD**

**31063**

**31063**

rear axle

**febi 11420**

Ref. No. 3748.17



AØ 52 IØ 25 B 37

**febi 11704**

Ref. No. 3748.17 S1



AØ 52 IØ 25 B 37

**febi 31063**

Ref. No. 3748.85



LKØ 100 x 4

**febi 34924**

Ref. No. 3748.39



AØ 52 IØ 25 B 37



## 2008

(2013→)

1,2 EB2  
1,2 EB2DT  
1,2 EB2DTS  
1,4 D D4VC  
1,4 D DV4C  
1,6 D DV6C  
1,6 D DV6DTED  
1,6 EP6C

40014

-

## 205

(1983→1998)

1,0 TU9

11420 / 11704

-

1,0 TU9M

to Control Number 08020  
drum brake

11420 / 11704

-

For vehicles with drum brakes on the  
rear axle

34924

-

1,0 XV8

1,4 TU32

11420 / 11704

-

For vehicles with drum brakes on the  
rear axle

34924

-

1,4 TU3A  
1,4 TU3CP  
1,4 TU3JP

11420 / 11704

-

1,4 TU3M  
1,4 TU3MC

to Control Number 08020  
drum brake

11420 / 11704

-

For vehicles with drum brakes on the  
rear axle

34924

-

rear axle

### febi 11420

Ref. No. 3748.17



AØ 52 IØ 25 B 37

### febi 11704

Ref. No. 3748.17 S1



AØ 52 IØ 25 B 37

### febi 34924

Ref. No. 3748.39



AØ 52 IØ 25 B 37

### febi 40014

Ref. No. 3748.90



AØ 62 IØ 30

suitable for:

**Peugeot**

**Car  
Division**



**205**

(1983→1998)

1,4 TU3S 1,4 XY6B 1,4 XY7 1,4 XY7CP 1,4 XY8 1,4 XYR 1,6 J2 1,6 XU51C 1,6 XU5CP 1,6 XU5J 1,6 XU5J1 1,6 XU5JA		11420 / 11704	-
1,6 XU5M	to Control Number 08020 drum brake	11420 / 11704	-
	For vehicles with drum brakes on the rear axle	34924	-
1,6 XU5S 1,8 D XUD7 1,8 D XUD7T 1,8 D XUD7TE 1,8 XY10		11420 / 11704	-
1,9 XU9J1 1,9 XU9JA	to Control Number 08020 drum brake	11420 / 11704	-
	For vehicles with drum brakes on the rear axle	34924	-
1,9 XU9JA1 1,9 XU9JAZ 1,9 D XUD9 1,9 D XUD9A 1,9 D XUD9Y		11420 / 11704	-

rear axle

**205 4x4**

(1984→1986)

1,8 XY10		11420 / 11704	-
----------	--	---------------	---





## 206

(1998→)

<b>1,0 TU7A</b>	to Control Number 07958 for vehicles with standard chassis	<b>11420 / 11704</b>	-
	from Control Number 07959 For vehicles with drum brakes on the rear axle	<b>34924</b>	-
<b>1,1 TU1JP</b>	to Control Number 07958 for vehicles with standard chassis	<b>11420 / 11704</b>	-
	to Control Number 09456 disc brake	<b>34923</b>	<b>34923</b>
	For vehicles with drum brakes on the rear axle from Control Number 07959	<b>34924</b>	-
<b>1,4 D DV4TD</b>	to Control Number 09456 disc brake	<b>34923</b>	<b>34923</b>
	For vehicles with drum brakes on the rear axle	<b>34924</b>	-
<b>1,4 ET3J4</b>	disc brake	<b>31185</b>	<b>31185</b>
	to Control Number 09456 disc brake	<b>34923</b>	<b>34923</b>
	For vehicles with drum brakes on the rear axle	<b>34924</b>	-

rear axle

### febi 11420

Ref. No. 3748.17



AØ 52 IØ 25 B 37

### febi 11704

Ref. No. 3748.17 S1



AØ 52 IØ 25 B 37

### febi 31185

Ref. No. 3748.76



AØ 129 B 60  
LKØ 108 x 4

### febi 34923

Ref. No. 3748.41



AØ 129,1 IØ 25 B 69

### febi 34924

Ref. No. 3748.39



AØ 52 IØ 25 B 37

suitable for:

**Peugeot**

**Car  
Division**



**206**

(1998→ )

<b>1,4 TU3A</b>	to Control Number 09456 disc brake	<b>34923</b>	<b>34923</b>
	For vehicles with drum brakes on the rear axle	<b>34924</b>	-
	<b>1,4 TU3AF</b>	For vehicles with drum brakes on the rear axle	<b>34924</b>
<b>1,4 TU3JP</b>	to Control Number 07958 for vehicles with standard chassis	<b>11420 / 11704</b>	-
	to Control Number 09456 disc brake	<b>34923</b>	<b>34923</b>
	For vehicles with drum brakes on the rear axle from Control Number 07959	<b>34924</b>	-
<b>1,6 D DV6TED4</b>	disc brake from Control Number 09457	<b>31185</b>	<b>31185</b>
	to Control Number 09456 disc brake	<b>34923</b>	<b>34923</b>
	For vehicles with drum brakes on the rear axle	<b>34924</b>	-

rear axle

**febi 11420**

Ref. No. 3748.17



AØ 52 IØ 25 B 37

**febi 11704**

Ref. No. 3748.17 S1



AØ 52 IØ 25 B 37

**febi 31185**

Ref. No. 3748.76



AØ 129 B 60  
LKØ 108 x 4

**febi 34923**

Ref. No. 3748.41



AØ 129,1 IØ 25 B 69

**febi 34924**

Ref. No. 3748.39



AØ 52 IØ 25 B 37



**206**

(1998→)

<b>1,6 TU5JP</b>		<b>11420 / 11704</b>	-
	from Control Number 07959 For vehicles with drum brakes on the rear axle	<b>34924</b>	-
<b>1,6 TU5JP4</b>	to Control Number 07858 for vehicles with standard chassis	<b>11420 / 11704</b>	-
	from Control Number 09457 disc brake	<b>31185</b>	<b>31185</b>
	to Control Number 09456 disc brake	<b>34923</b>	<b>34923</b>
	For vehicles with drum brakes on the rear axle from Control Number 10584 Number of Doors 5	<b>34924</b>	-
<b>1,6 TU5JP4G</b>	disc brake	<b>31185</b>	<b>31185</b>
	to Control Number 09456	<b>34923</b>	<b>34923</b>
	from Control Number 10584 For vehicles with drum brakes on the rear axle Number of Doors 5	<b>34924</b>	-

rear axle

**febi 11420**

Ref. No. 3748.17



AØ 52 IØ 25 B 37

**febi 11704**

Ref. No. 3748.17 S1



AØ 52 IØ 25 B 37

**febi 31185**

Ref. No. 3748.76



AØ 129 B 60  
LKØ 108 x 4

**febi 34923**

Ref. No. 3748.41



AØ 129,1 IØ 25 B 69

**febi 34924**

Ref. No. 3748.39



AØ 52 IØ 25 B 37

suitable for:

**Peugeot**

**Car  
Division**



**206**

(1998→)

**1,9 D DW8**

to Control Number 07958  
for vehicles with standard chassis

**11420 / 11704**

-

For vehicles with drum brakes on the  
rear axle  
for vehicles with heavy duty chassis

**34924**

-

from Control Number 07959  
For vehicles with drum brakes on the  
rear axle  
for vehicles with standard chassis  
Number of Doors 3

**1,9 D DW8B**

For vehicles with drum brakes on the  
rear axle  
Number of Doors 3

**34924**

-

from Control Number 09457  
For vehicles with drum brakes on the  
rear axle  
Number of Doors 5  
for vehicles with standard chassis

For vehicles with drum brakes on the  
rear axle  
Number of Doors 5  
for vehicles with heavy duty chassis

**2,0 D DW10TD**

to Control Number 09456  
disc brake

**34923**

**34923**

For vehicles with drum brakes on the  
rear axle

**34924**

-

rear axle

**febi 11420**

Ref. No. 3748.17



AØ 52 IØ 25 B 37

**febi 11704**

Ref. No. 3748.17 S1



AØ 52 IØ 25 B 37

**febi 34923**

Ref. No. 3748.41



AØ 129,1 IØ 25 B 69

**febi 34924**

Ref. No. 3748.39

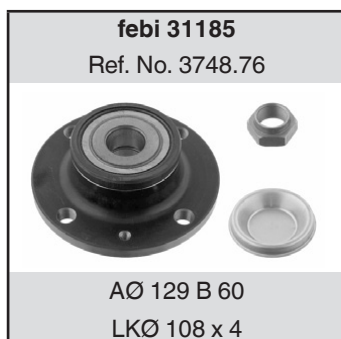


AØ 52 IØ 25 B 37



Model	Year	Configuration	Part No. 1	Part No. 2
<b>206</b> (1998→)	2,0 EW10J4	from Control Number 09457 disc brake	31185	31185
		to Control Number 09456 disc brake	34923	34923
		For vehicles with drum brakes on the rear axle	34924	-
		disc brake	31185	31185
<b>206+</b> (2009→)	all	For vehicles with drum brakes on the rear axle	34924	-
<b>207</b> (2006→)	1,4 D DV4C 1,4 D DV4TD 1,4 EP3C 1,4 ET3J4 1,4 TU3A 1,4 TU3AE5	For vehicles with drum brakes on the rear axle	40014	-
		For vehicles with disc brakes on the rear axle	40014	-
		For vehicles with disc brakes on the rear axle	40014	-
		For vehicles with disc brakes on the rear axle	40014	-
		For vehicles with disc brakes on the rear axle	40014	-
		For vehicles with disc brakes on the rear axle	40014	-
		For vehicles with disc brakes on the rear axle	40014	-

rear axle





suitable for:

**Peugeot**

**Car  
Division**



**208**

(2012→)

- 1,0 EB0
- 1,2 EB2
- 1,4 D DV4C
- 1,4 EP3C
- 1,6 D DV6C
- 1,6 D DV6DTED
- 1,6 EP6C
- 1,6 EP6CDT
- 1,6 EP6CDTXM

40014

-

**3008 4x4**

(2011→)

2,0 DW10CTED4

from Control Number 12397

40703

-

**306 I**

(1993→2002)

1,1 TU1M

to the year of construction 04/1997  
for vehicles with heavy duty chassis

11420 / 11704

-

to the year of construction 04/1997  
drum brake  
for vehicles without ABS  
for vehicles with standard chassis

to the year of construction 06/1995  
drum brake  
for vehicles with ABS  
Manufacturer Restriction Bosch  
for vehicles with standard chassis

to the year of construction 06/1995  
drum brake  
for vehicles with ABS  
Manufacturer Restriction Bendix  
for vehicles with standard chassis

rear axle

**febi 11420**

Ref. No. 3748.17



AØ 52 IØ 25 B 37

**febi 11704**

Ref. No. 3748.17 S1



AØ 52 IØ 25 B 37

**febi 40014**

Ref. No. 3748.90



AØ 62 IØ 30

**febi 40703**

Ref. No. 3350.82



AØ 83 IØ 45

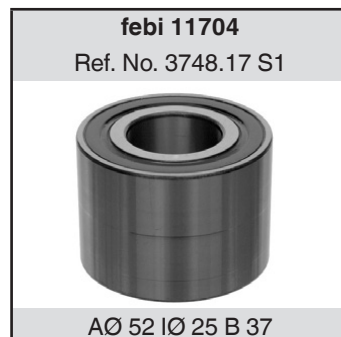


**306 I**

(1993→2002)

	for vehicles with ABS Manufacturer Restriction Bosch drum brake	<b>31184</b>	<b>31184</b>
	from Control Number 07970 For vehicles with drum brakes on the rear axle	<b>34924</b>	-
<b>1,1 TU1M+</b>	for vehicles with ABS Manufacturer Restriction Bosch drum brake	<b>31184</b>	<b>31184</b>
<b>1,4 TU3</b>	for vehicles with heavy duty chassis drum brake	<b>11420 / 11704</b>	-
	for vehicles without ABS for vehicles with standard chassis		
	drum brake for vehicles with ABS Manufacturer Restriction Bosch for vehicles with standard chassis		
	drum brake for vehicles with ABS Manufacturer Restriction Bendix for vehicles with standard chassis		
	for vehicles with ABS Manufacturer Restriction Bosch drum brake		

rear axle



suitable for:

**Peugeot**

**Car  
Division**



**306 I**

(1993→2002)

**1,4 TU32  
1,4 TU3JP  
1,4 TU3M**

to the year of construction 04/1997  
for vehicles with heavy duty chassis

**11420 / 11704**

-

to the year of construction 04/1997  
drum brake  
for vehicles without ABS  
for vehicles with standard chassis

to the year of construction 06/1995  
drum brake  
for vehicles with ABS  
Manufacturer Restriction Bosch  
for vehicles with standard chassis

to the year of construction 06/1995  
drum brake  
for vehicles with ABS  
Manufacturer Restriction Bendix  
for vehicles with standard chassis

from the year of construction 05/1997  
to Control Number 07969  
drum brake

for vehicles with ABS  
Manufacturer Restriction Bosch  
drum brake

**31184**

**31184**

from Control Number 07970  
For vehicles with drum brakes on the  
rear axle

**34924**

-

rear axle

**febi 11420**

Ref. No. 3748.17



AØ 52 IØ 25 B 37

**febi 11704**

Ref. No. 3748.17 S1



AØ 52 IØ 25 B 37

**febi 31184**

Ref. No. 3748.31



AØ 129 IØ 25 B 59,2  
LKØ 108 x 4

**febi 34924**

Ref. No. 3748.39



AØ 52 IØ 25 B 37



**306 I**  
(1993→2002)

**1,4 TU3MC**

to the year of construction 04/1997  
for vehicles with heavy duty chassis

**11420 / 11704**

-

to the year of construction 04/1997  
drum brake  
for vehicles without ABS  
for vehicles with standard chassis

to the year of construction 06/1995  
drum brake  
for vehicles with ABS  
Manufacturer Restriction Bosch  
for vehicles with standard chassis

to the year of construction 06/1995  
drum brake  
for vehicles with ABS  
Manufacturer Restriction Bendix  
for vehicles with standard chassis

for vehicles with ABS  
Manufacturer Restriction Bosch  
drum brake

**31184**

**31184**

from Control Number 07970  
For vehicles with drum brakes on the  
rear axle

**34924**

-

rear axle

**febi 11420**

Ref. No. 3748.17



AØ 52 IØ 25 B 37

**febi 11704**

Ref. No. 3748.17 S1



AØ 52 IØ 25 B 37

**febi 31184**

Ref. No. 3748.31



AØ 129 IØ 25 B 59,2

LKØ 108 x 4

**febi 34924**

Ref. No. 3748.39



AØ 52 IØ 25 B 37



## 306 I (1993→2002)

1,6 TU5JP  
1,8 XU7JP

to the year of construction 04/1997  
for vehicles with heavy duty chassis

11420 / 11704

-

to the year of construction 04/1997  
drum brake  
for vehicles without ABS  
for vehicles with standard chassis

to the year of construction 06/1995  
drum brake  
for vehicles with ABS  
Manufacturer Restriction Bosch  
for vehicles with standard chassis

to the year of construction 06/1995  
drum brake  
for vehicles with ABS  
Manufacturer Restriction Bendix  
for vehicles with standard chassis

from the year of construction 05/1997  
to Control Number 07969  
drum brake

for vehicles with ABS  
Manufacturer Restriction Bosch  
drum brake

31184

31184

from Control Number 07970  
For vehicles with drum brakes on the  
rear axle

34924

-

1,8 D XUD7

for vehicles with ABS  
Manufacturer Restriction Bosch  
drum brake

31184

31184

from Control Number 07970  
For vehicles with drum brakes on the  
rear axle

34924

-

rear axle

### febi 11420

Ref. No. 3748.17



AØ 52 IØ 25 B 37

### febi 11704

Ref. No. 3748.17 S1



AØ 52 IØ 25 B 37

### febi 31184

Ref. No. 3748.31



AØ 129 IØ 25 B 59,2  
LKØ 108 x 4

### febi 34924

Ref. No. 3748.39



AØ 52 IØ 25 B 37



**306 I**  
(1993→2002)

**1,9 D XUD9**

for vehicles with heavy duty chassis  
to Control Number 07969  
to the year of construction 04/1997  
drum brake

to the year of construction 04/1997  
for vehicles without ABS  
for vehicles with standard chassis

drum brake  
to the year of construction 06/1995  
for vehicles with ABS  
Manufacturer Restriction Bosch  
for vehicles with standard chassis

drum brake  
to the year of construction 06/1995  
for vehicles with ABS  
Manufacturer Restriction Bendix  
for vehicles with standard chassis

from the year of construction 05/1997  
to Control Number 07969  
drum brake

for vehicles with ABS  
Manufacturer Restriction Bosch  
drum brake

from Control Number 07970  
For vehicles with drum brakes on the  
rear axle

**11420 / 11704**

-

**31184**

**31184**

**34924**

-

rear axle

**febi 11420**

Ref. No. 3748.17



AØ 52 IØ 25 B 37

**febi 11704**

Ref. No. 3748.17 S1



AØ 52 IØ 25 B 37

**febi 31184**

Ref. No. 3748.31



AØ 129 IØ 25 B 59,2  
LKØ 108 x 4

**febi 34924**

Ref. No. 3748.39



AØ 52 IØ 25 B 37

suitable for:

**Peugeot**

**Car  
Division**



**306 I**  
(1993→2002)

**1,9 D XUD9A**

to the year of construction 04/1997  
for vehicles with heavy duty chassis

**11420 / 11704**

-

to the year of construction 04/1997  
drum brake  
for vehicles without ABS  
for vehicles with standard chassis

to the year of construction 06/1995  
drum brake  
for vehicles with ABS  
Manufacturer Restriction Bosch  
for vehicles with standard chassis

to the year of construction 06/1995  
drum brake  
for vehicles with ABS  
Manufacturer Restriction Bendix  
for vehicles with standard chassis

from the year of construction 05/1997  
to Control Number 07969  
drum brake

for vehicles with ABS  
Manufacturer Restriction Bosch  
drum brake

**31184**

**31184**

from Control Number 07970  
For vehicles with drum brakes on the  
rear axle

**34924**

-

rear axle

**febi 11420**

Ref. No. 3748.17



AØ 52 IØ 25 B 37

**febi 11704**

Ref. No. 3748.17 S1



AØ 52 IØ 25 B 37

**febi 31184**

Ref. No. 3748.31



AØ 129 IØ 25 B 59,2  
LKØ 108 x 4

**febi 34924**

Ref. No. 3748.39



AØ 52 IØ 25 B 37



**306 I**

(1993→2002)

**1,9 D XUD9TE**  
**1,9 D XUD9Y**

to the year of construction 04/1997  
for vehicles with heavy duty chassis

**11420 / 11704**

-

to the year of construction 04/1997  
drum brake  
for vehicles without ABS  
for vehicles with standard chassis

to the year of construction 06/1995  
drum brake  
for vehicles with ABS  
Manufacturer Restriction Bosch  
for vehicles with standard chassis

to the year of construction 06/1995  
drum brake  
for vehicles with ABS  
Manufacturer Restriction Bendix  
for vehicles with standard chassis

for vehicles with ABS  
Manufacturer Restriction Bosch  
drum brake

**31184**

**31184**

from Control Number 07970  
For vehicles with drum brakes on the  
rear axle

**34924**

-

rear axle

**febi 11420**

Ref. No. 3748.17



AØ 52 IØ 25 B 37

**febi 11704**

Ref. No. 3748.17 S1



AØ 52 IØ 25 B 37

**febi 31184**

Ref. No. 3748.31



AØ 129 IØ 25 B 59,2  
LKØ 108 x 4

**febi 34924**

Ref. No. 3748.39



AØ 52 IØ 25 B 37



suitable for:

**Peugeot**

**Car  
Division**



**306 I**

(1993→2002)

**2,0 XU10J2  
2,0 XU10J4**

to the year of construction 04/1997  
for vehicles with heavy duty chassis

**11420 / 11704**

-

to the year of construction 04/1997  
drum brake  
for vehicles without ABS  
for vehicles with standard chassis

to the year of construction 06/1995  
drum brake  
for vehicles with ABS  
Manufacturer Restriction Bosch  
for vehicles with standard chassis

to the year of construction 06/1995  
drum brake  
for vehicles with ABS  
Manufacturer Restriction Bendix  
for vehicles with standard chassis

from the year of construction 05/1997  
to Control Number 07969  
drum brake

for vehicles with ABS  
Manufacturer Restriction Bosch  
drum brake

**31184**

**31184**

from Control Number 07970  
For vehicles with drum brakes on the  
rear axle

**34924**

-

**2,0 XU10J4RS  
2,0 XU10J4Z**

for vehicles with ABS  
Manufacturer Restriction Bosch  
drum brake

**31184**

**31184**

from Control Number 07970  
For vehicles with drum brakes on the  
rear axle

**34924**

-

rear axle

**febi 11420**

Ref. No. 3748.17



AØ 52 IØ 25 B 37

**febi 11704**

Ref. No. 3748.17 S1



AØ 52 IØ 25 B 37

**febi 31184**

Ref. No. 3748.31



AØ 129 IØ 25 B 59,2  
LKØ 108 x 4

**febi 34924**

Ref. No. 3748.39



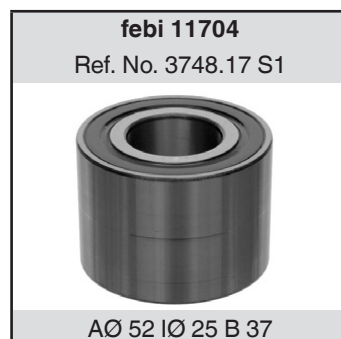
AØ 52 IØ 25 B 37



**306 II**  
(1996→2002)

1,4 TU3JP	for vehicles with ABS Manufacturer Restriction Bosch drum brake	31184	31184
	from Control Number 07970 For vehicles with drum brakes on the rear axle	34924	-
1,6 TU5JP 1,8 XU7JP 1,8 XU7JP4 1,8 D XUD7	to Control Number 07969 drum brake	11420 / 11704	-
	for vehicles with ABS Manufacturer Restriction Bosch drum brake	31184	31184
1,9 D DW8 1,9 D DW8B	from Control Number 07970 For vehicles with drum brakes on the rear axle	34924	-
	for vehicles with ABS Manufacturer Restriction Bosch drum brake	31184	31184
1,9 D XUD9 1,9 D XUD9A	For vehicles with drum brakes on the rear axle	34924	-
	for vehicles with ABS Manufacturer Restriction Bosch drum brake	31184	31184
1,9 D XUD9 1,9 D XUD9A	from Control Number 07970 For vehicles with drum brakes on the rear axle	34924	-
	for vehicles with ABS Manufacturer Restriction Bosch drum brake	31184	31184

rear axle



suitable for:

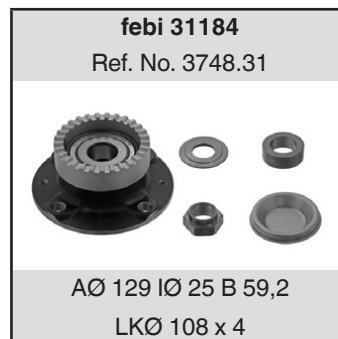
**Peugeot**

**Car  
Division**



**306 II**  
(1996→2002)

rear axle	<b>1,9 D XUD9BSD</b>	to Control Number 07969 drum brake	<b>11420 / 11704</b>	-
		for vehicles with ABS Manufacturer Restriction Bosch drum brake	<b>31184</b>	<b>31184</b>
		from Control Number 07970 For vehicles with drum brakes on the rear axle	<b>34924</b>	-
	<b>1,9 D XUD9TE</b>	for vehicles with ABS Manufacturer Restriction Bosch drum brake	<b>31184</b>	<b>31184</b>
		from Control Number 07970 For vehicles with drum brakes on the rear axle	<b>34924</b>	-
	<b>2,0 D DW10TD</b>	for vehicles with ABS Manufacturer Restriction Bosch drum brake	<b>31184</b>	<b>31184</b>
For vehicles with drum brakes on the rear axle		<b>34924</b>	-	
<b>2,0 XU10J4R</b>	to Control Number 07969 drum brake	<b>11420 / 11704</b>	-	
	for vehicles with ABS Manufacturer Restriction Bosch drum brake	<b>31184</b>	<b>31184</b>	
	from Control Number 07970 For vehicles with drum brakes on the rear axle	<b>34924</b>	-	





### 307 I

(2000→2009)

1,4 D DV4TD  
1,4 ET3J4  
1,4 TU3JP  
1,6 D DV6TED4  
1,6 TU5JP4

to the year of construction 05/2005  
from Control Number 08827 88  
to Control Number 09974 88  
for vehicles with ABS

to the year of construction 05/2005  
from Control Number 08827 89  
to Control Number 09897 89  
for vehicles with ABS

to the year of construction 05/2005  
from Control Number 09984 UW  
to Control Number 10191 UW  
for vehicles with ABS

to the year of construction 05/2005  
from Control Number 09911 77  
for vehicles with ABS

from Control Number 10898

28264

28264

40014

-

### 2,0 D DW10ATED

to the year of construction 05/2005  
from Control Number 08827 88  
to Control Number 09974 88  
for vehicles with ABS

to the year of construction 05/2005  
from Control Number 08827 89  
to Control Number 09897 89  
for vehicles with ABS

to the year of construction 05/2005  
from Control Number 09984 UW  
to Control Number 10191 UW  
for vehicles with ABS

to the year of construction 05/2005  
from Control Number 09911 77  
for vehicles with ABS

from Control Number 10983 77  
for vehicles with ABS

from Control Number 10898

28264

28264

40014

-

rear axle

#### febi 28264

Ref. No. 3748.74



AØ 129 IØ 25 B 58,80

LKØ 108 x 4

#### febi 40014

Ref. No. 3748.90



AØ 62 IØ 30

suitable for:

**Peugeot**

**Car  
Division**



**307 I**  
(2000→2009)

**2,0 D DW10BTED4**

to the year of construction 05/2005  
from Control Number 08827 88  
to Control Number 09974 88  
for vehicles with ABS

**28264**

**28264**

to the year of construction 05/2005  
from Control Number 08827 89  
to Control Number 09897 89  
for vehicles with ABS

to the year of construction 05/2005  
from Control Number 09984 UW  
to Control Number 10191 UW  
for vehicles with ABS

to the year of construction 05/2005  
from Control Number 09911 77  
for vehicles with ABS

from Control Number 10898

**40014**

-

**2,0 D DW10TD**

to the year of construction 05/2005  
from Control Number 08827 88  
to Control Number 09974 88  
for vehicles with ABS

**28264**

**28264**

to the year of construction 05/2005  
from Control Number 08827 89  
to Control Number 09897 89  
for vehicles with ABS

to the year of construction 05/2005  
from Control Number 09984 UW  
to Control Number 10191 UW  
for vehicles with ABS

to the year of construction 05/2005  
from Control Number 09911 77  
for vehicles with ABS

from the year of construction 06/2005  
for vehicles with ABS

from Control Number 10898

**40014**

-

rear axle

**febi 28264**

Ref. No. 3748.74



AØ 129 IØ 25 B 58,80  
LKØ 108 x 4

**febi 40014**

Ref. No. 3748.90



AØ 62 IØ 30



**307 I**

(2000→2009)

2,0 EW10A	from Control Number 10661 77 for vehicles with ABS	28264	28264
	from Control Number 10898	40014	-
2,0 EW10J4 2,0 EW10J4S	to the year of construction 05/2005 from Control Number 08827 88 to Control Number 09974 88 for vehicles with ABS	28264	28264
	to the year of construction 05/2005 from Control Number 08827 89 to Control Number 09897 89 for vehicles with ABS		
	to the year of construction 05/2005 from Control Number 09984 UW to Control Number 10191 UW for vehicles with ABS		
	to the year of construction 05/2005 from Control Number 09911 77 for vehicles with ABS		
	from Control Number 10898	40014	-

rear axle





## 307 II (2005→)

1,6 D DV6TED4

to the year of construction 05/2005  
from Control Number 08827 88  
to Control Number 09974 88  
for vehicles with ABS

28264

28264

to the year of construction 05/2005  
from Control Number 08827 89  
to Control Number 09897 89  
for vehicles with ABS

to the year of construction 05/2005  
from Control Number 09984 UW  
to Control Number 10191 UW  
for vehicles with ABS

to the year of construction 05/2005  
from Control Number 09911 77  
for vehicles with ABS

from Control Number 10885

40014

-

1,6 TU5JP4

from Control Number 10661 77  
for vehicles with ABS

28264

28264

from Control Number 10898

40014

-

2,0 D DW10BTED4

from Control Number 10898

40014

-

2,0 EW10A

from Control Number 10661 77  
for vehicles with ABS

28264

28264

from Control Number 10885

40014

-

2,0 EW10J4S

to Control Number 10897  
for vehicles with ABS

28264

28264

from Control Number 10898

40014

-

## 309

(1985→1993)

all

11420 / 11704

-

febi 11420

Ref. No. 3748.17



AØ 52 IØ 25 B 37

febi 11704

Ref. No. 3748.17 S1



AØ 52 IØ 25 B 37

febi 28264

Ref. No. 3748.74



AØ 129 IØ 25 B 58,80

LKØ 108 x 4

febi 40014

Ref. No. 3748.90



AØ 62 IØ 30



**4007**

(2010→)

2,0 4B11

31826

31826

**4007 4x4**

(2007→)

all

31826

31826

**405 I**

(1987→1993)

all

for vehicles without ABS

05555

05555

**405 I 4x4**

(1987→1992)

1,9 XU9JAZ

for vehicles without ABS

05555

05555

**405 II**

(1992→1999)

all

for vehicles without ABS

05555

05555

**405 II 4x4**

(1992→1997)

2,0 XU10J2

2,0 XU10J4TE

for vehicles without ABS

05555

05555

**406**

(1995→2004)

1,6 XU5JP

1,8 XU7JB

to the year of construction 03/1999  
for vehicles without ABS

29382

29382

1,8 XU7JP

for vehicles without ABS

29382

29382

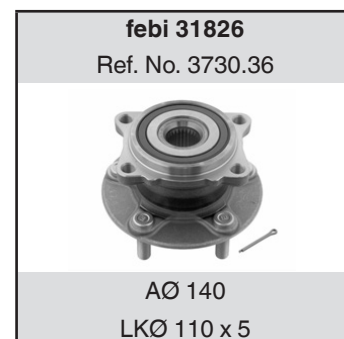
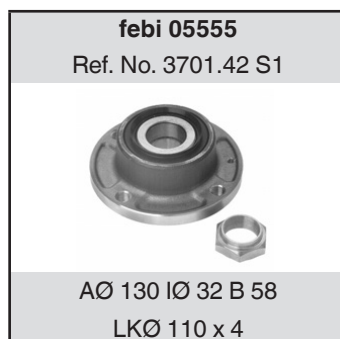
1,8 XU7JP4

for vehicles without ABS  
to the year of construction 03/1999

29382

29382

rear axle





suitable for:

**Peugeot**

**Car  
Division**



**406**

(1995→2004)

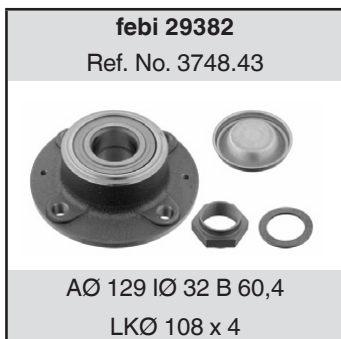
1,9 D XUD9 1,9 D XUD9SD	for vehicles without ABS	29382	29382
1,9 D XUD9TE	for vehicles without ABS to the year of construction 03/1999	29382	29382
2,0 D DW10ATED 2,0 EW10J4	to the year of construction 03/1999 for vehicles without ABS	29382	29382
2,0 XU10J2TE	for vehicles without ABS to the year of construction 03/1999	29382	29382
2,0 XU10J4R	to the year of construction 03/1999 for vehicles without ABS	29382	29382
2,1 D XUD11BTE	for vehicles without ABS	29382	29382
3,0 ES9J4 3,0 ES9J4S	to the year of construction 03/1999 for vehicles without ABS	29382	29382

**407**

(2004→ )

1,6 D DV6TED4 1,8 EW7A 1,8 EW7J4	for vehicles with ABS	29394	29394
2,0 D DW10BTED4 2,0 D DW10CTED4	for vehicles with ABS	29394 40016	29394 40016
2,0 EW10A 2,0 EW10J4 2,2 D DW12BTED4	for vehicles with ABS	29394	29394
2,2 EW12J4 2,7 D DT17TED4 3,0 D DT20C 3,0 ES9A	for vehicles with ABS	29394 40016	29394 40016

rear axle





## 508 (2010→)

all	Axle Version VH10	29394	29394
	Suspension strut manufacturer McPherson	-	38550

## 508 Break (2012→)

1,6 D DV6C	Axle Version VH10	29394	29394
	Suspension strut manufacturer McPherson	-	38550

## 508 4x4 (2010→)

2,0 D DW10CTED4	Axle Version VH10	29394	-
2,0 DW10CTED4	Axle Version VH10	29394	-
	Axle Version VH10	-	29394
2,0 D DW10CTED4	Axle Version VH10	-	29394
2,0 DW10CTED4	Suspension strut manufacturer McPherson	-	38550
2,0 D DW10CTED4		40703	-
2,0 DW10CTED4			-

rear axle



suitable for:

**Peugeot**

**Car  
Division**



**605**

(1989→2000)

2,0 XU102C  
2,0 XU10J2  
2,0 XU10J2TE  
2,0 XU10J4R  
2,0 XU10M  
2,1 D XUD11A  
2,1 D XUD11ATE  
2,1 D XUD11BTE  
2,5 D DK5ATE  
3,0 ES9J4  
3,0 ZPJ  
3,0 ZPJ4

from Control Number 07469

40015

-

**607**

(1999→2011)

2,0 D DW10ATED  
2,0 D DW10BTED4 for vehicles with ABS  
2,0 EW10J4  
2,2 D DW12BTED4 for vehicles with ABS  
2,2 D DW12TED4  
2,2 EW12J4 for vehicles with ABS  
2,7 D DT17TED4  
3,0 ES9A  
3,0 ES9J4S

40015

-

29394

29394

40015

-

40015

-

29394

29394

40015

-

40015

-

29394

29394

40015

-

40015

-

**806**

(1994→2002)

all

14535

14535

**febi 14535**

Ref. No. 3350.28 SK



AØ 120 IØ 30 B 70  
LKØ 95 x 5

**febi 29394**

Ref. No. 3748.87



AØ 128 IØ 32 B 60  
LKØ 108 x 5

**febi 40015**

Ref. No. 3350.31



AØ 83 IØ 45



**807**  
(2002→)

all

**40017**

**40017**

rear axle



suitable for:

# Renault

Car  
Division 



## Clio I (1990→1998)

all	disc brake	05537	-
	drum brake	05538	-

## Clio II (1998→)

1,0 CG1		05538	-
1,0 D4D	model BB06, BB2R, BB3B, BB3V, BB3W, CB0Y, CB06, CB2R, CB2V, CB3B , CB3V	05538	-
	model BB3Y	22864	-
1,0 D7D 1,2 D4F		05538	-
1,2 D7F	drum brake	05538	-
1,4 E7J 1,4 K4J 1,4 K7J		05538	-
1,5 D K9K	drum brake	05538	-
	disc brake	24780	-
1,6 K4M 1,6 K7M 1,9 D F8Q 1,9 D F9Q		05538	-
2,0 F4R	drum brake	05538	-
	disc brake	24780	-

rear axle





## Clio III

(2004→)

1,2 D4F	drum brake	05538	-
	disc brake	24780	-
	For vehicles with drum brakes on the rear axle	30545	-
1,2 D7F	drum brake	05538	-
	disc brake	24780	-
1,4 K4J	drum brake	05538	-
	disc brake	24780	-
	For vehicles with drum brakes on the rear axle	30545	-
1,5 D K9K	drum brake	05538	-
	disc brake	24780	-
	drum brake For vehicles with drum brakes on the rear axle	30545	-
1,6 K4M	drum brake	05538	-
	disc brake	24780	-
	For vehicles with drum brakes on the rear axle	30545	-
2,0 F4R 2,0 M4R	drum brake	05538	-
	disc brake	24780	-

## Duster

(2010→)

1,5 D K9K 1,6 K4M 2,0 F4R		39622	-
---------------------------------	--	-------	---

rear axle



suitable for:

# Renault

Car  
Division



## Grand Modus

(2004→ )

1,2 D4F	drum brake	05538	-
	disc brake	24780	-
1,4 K4J	disc brake	24780	-
1,5 D K9K 1,6 K4M	drum brake	05538	-
	disc brake	24780	-

## Grand Scenic II

(2003→2005)

1,5 D K9K		24781	-
-----------	--	-------	---

## Kangoo I

(1997→2010)

0,0 5DC 0,0 5EE	to the year of construction 03/2003 for increased payload	21095	21095
	for increased payload	39252	39252
1,0 D7D	to the year of construction 03/2003 for increased payload	21095	21095

rear axle

**febi 05538**  
Ref. No. 77 01 205 812

AØ 52 IØ 25 B 37

**febi 21095**  
Ref. No. 77 01 205 499

AØ 133 IØ 25 B 74  
AØ 74  
LKØ 100 x 4

**febi 24780**  
Ref. No. 77 01 208 058

AØ 55 IØ 25 B 45

**febi 24781**  
Ref. No. 77 01 208 059

AØ 55 IØ 25 B 48

**febi 39252**  
Ref. No. 77 01 208 075

AØ 133  
LKØ 100



## Kangoo I (1997→2010)

1,2 D4F	not for increased payload	19897	-
	to the year of construction 03/2003 for increased payload	21095	21095
	for increased payload from the year of construction 04/2003	39252	39252
1,2 D7F 1,4 E7J	not for increased payload	19897	-
	to the year of construction 03/2003 for increased payload	21095	21095
1,4 K7J	not for increased payload	19897	-
	for increased payload to the year of construction 03/2003	21095	21095
	for increased payload from the year of construction 04/2003	39252	39252
1,5 D K9K 1,6 K4M	not for increased payload	19897	-
	to the year of construction 03/2003 for increased payload	21095	21095
	for increased payload from the year of construction 04/2003	39252	39252
1,6 K7M	for increased payload	21095	21095
1,9 D F8Q	not for increased payload	19897	-
	for increased payload to the year of construction 03/2003	21095	21095
1,9 D F9Q	not for increased payload	19897	-
	to the year of construction 03/2003	21095	21095
	for increased payload	21095 / 39252	21095 / 39252

rear axle





suitable for:

# Renault

Car  
Division 



## Laguna I (1993→2001)

all		19897	-
-----	--	-------	---

## Logan I (2004→)

all		05538	-
-----	--	-------	---

## Logan II (2012→)

0,9 H4B 1,2 D4F 1,5 D K9K		30545	-
---------------------------------	--	-------	---

## Lutecia (1990→)

1,6 K4M	drum brake	05538	-
	disc brake	24780	-
1,6 K7M		05538	-
1,7 F2N	disc brake	05537	-
1,8 F3P	drum brake	05538	-

rear axle

**febi 05537**  
Ref. No. 77 01 463 523



AØ 52 IØ 25 B 37

**febi 05538**  
Ref. No. 77 01 205 812



AØ 52 IØ 25 B 37

**febi 19897**  
Ref. No. 77 01 205 596 SK



AØ 55 IØ 25 B 43

**febi 24780**  
Ref. No. 77 01 208 058



AØ 55 IØ 25 B 45

**febi 30545**  
Ref. No. 77 01 210 004



AØ 55 IØ 25 B 43



## Lutecia

(1990→)

2,0 F4R

drum brake

05538

-

disc brake

24780

-

## Master I

(1980→1998)

2,0 829

model QH72, QH92, QJ12, QJ72, QJ92,  
RC12, RC72, RC92, RF12, RH12  
, RH22, RH42, RJ12, RJ22, RL12, RL72

11416 / 11418

-

2,0 J5R

to the year of construction 12/1992  
model QH72, QH92, QJ12, QJ52, QJ72,  
QJ92, RC72, RC92, RF12, RH12  
, RH22, RH52, RH92, RJ12, RJ22, RL72,  
RL92

11416 / 11418

-

2,1 D J8S

to the year of construction 12/1992  
model RF13, RF23, RF33

11416 / 11418

-

2,2 J7T

to the year of construction 12/1992  
model RC9A, RC9E, RD9A, RF1A, RF2A,  
RH1A, RJ1A, RJ1E, RJ5A, RJ6A  
, RL7A

11416 / 11418

-

2,4 D 814

model QH14, QH74, QH94, QJ74, QJ94,  
RH14

11416

-

model QH14, QH74, QH94, QJ74, QJ94,  
RH14

11418

-

to the year of construction 12/1992

2,4 D S8U

to the year of construction 12/1992  
model QD94, QHA4, QH54, QH74, QH94,  
QJ14, QJ24, QJ74, QJ94, RC7G  
, RF1G, RF1L, RF14, RH14, RH15, RH55,  
RJ54, RJ6L

11416 / 11418

-

2,5 D S8U

to the year of construction 12/1992  
model RC76, RC96, RD96, RF16, RH16,  
RH26, RJ16, RJ26, RJ66, RL76

11416 / 11418

-

rear axle

### febi 05538

Ref. No. 77 01 205 812



AØ 52 IØ 25 B 37

### febi 11416

Ref. No. 50 00 389 879



AØ 52 IØ 25 B 19,5

### febi 11418

Ref. No. 50 00 388 284 S1



AØ 72 IØ 35 B 25,5  
AØ 52 IØ 25 B 19,5

### febi 24780

Ref. No. 77 01 208 058



AØ 55 IØ 25 B 45

suitable for:

# Renault

Car  
Division



## Master I

(1980→1998)

2,5 D S9U

to the year of construction 12/1992  
model Q8D7, RC9C, RC9K, RD95, RD97,  
RH1H, RH15, RH17, RH27, RH5C  
, RH55, RH57, RH95, RH97, RJ25, RJ27,  
RJ9C, RL77, RL97, R8D5

11416 / 11418

-

## Master II

(1997→)

1,9 D F9Q

from the year of construction 08/2000  
from the year of construction 09/2000

23179

-

to the year of construction 07/2000

29565

-

2,2 D G9T

from the year of construction 08/2000

23179

-

2,5 D G9U

2,5 D S8U

2,5 D S9U

2,8 D S9W

3,0 D ZD3

to the year of construction 07/2000

29565

-

rear axle

### febi 11416

Ref. No. 50 00 389 879



AØ 52 IØ 25 B 19,5

### febi 11418

Ref. No. 50 00 388 284 S1



AØ 72 IØ 35 B 25,5  
AØ 52 IØ 25 B 19,5

### febi 23179

Ref. No. 77 01 206 742



AØ 80 IØ 45,3 B 48

### febi 29565

Ref. No. 77 01 205 417



AØ 80 IØ 45,3 B 48



## Megane I

(1995→2003)

1,4 E7J	disc brake	05537	-
	drum brake	05538	-
	for vehicles with ABS drum brake	21721	21721
1,4 K4J	disc brake	05537	-
	drum brake	05538	-
	for vehicles with ABS	21721	21721
1,6 K4M 1,6 K7M	disc brake	05537	-
	drum brake	05538	-
	for vehicles with ABS drum brake	21721	21721
1,8 F4P	disc brake	05537	-
	drum brake	05538	-
1,9 D F8Q 1,9 D F9Q 2,0 F3R	disc brake	05537	-
	drum brake	05538	-
	for vehicles with ABS drum brake	21721	21721
2,0 F4R 2,0 F5R 2,0 F7R	disc brake	05537	-
	drum brake	05538	-

## Megane I 4x4

(1997→1999)

2,0 F3R	for vehicles with ABS drum brake	21721	21721
---------	-------------------------------------	-------	-------

rear axle



suitable for:

# Renault

Car  
Division



## Megane II

(2002→)

1,4 K4J	model BM0B, BM0H, BM08, BM1A, BM1S, CM0B, CM0H, CM08, CM1S, LM0B, LM0H, LM08, LM1A, LM1E	24780	-
	model KM0B, KM1A, KM1S	24781	-
1,5 D K9K	model BM0F, BM0T, BM02, BM1E, BM1F, BM13, CM0F, CM02, CM1E, CM1F, LM0F, LM0T, LM02, LM1E, LM1F	24780	-
	model EM1_, KM0F, KM0T, KM02, KM1E, KM1F, KM13	24781	-
1,6 K4M	model BM0C, BM0J, BM0Y, BM1B, BM1R, BM1Y, CM0C, CM0J, CM0Y, CM1B, CM1R, CM1Y, EM0C, EM0J, EM1B, EM1R, LM0C, LM0J, LM1B	24780	-
	model KM0C, KM0J, KM0Y, KM1B, KM1R	24781	-
1,9 D F9Q	model BM0G, BM00, BM1D, BM1G, BM14, CM0G, CM00, CM1D, CM1G, CM14, EM0G, EM1G, EM14, LM0G, LM00, LM1D, LM1G	24780	-
	model KM0G, KM00, KM1D, KM1G, KM14, KM17	24781	-
2,0 F4R	model BM0U, BM0W, BM05, BM1M, BM1N, BM1T, BM1U, BM2V, CM0U, CM0W, CM05, CM1M, CM1N, CM1T, CM1U, CM2V, EM0U, EM0W, EM05, EM1M, EM1N, EM1T, EM1U, EM2T, LM0U, LM05, LM1M, LM1N, LM1U, LM2V	24780	-
	model KM0S, KM0U, KM1M, KM1N, KM2V, KM23	24781	-
2,0 D M9R		24781	-

rear axle

**febi 24780**

Ref. No. 77 01 208 058



AØ 55 IØ 25 B 45

**febi 24781**

Ref. No. 77 01 208 059



AØ 55 IØ 25 B 48



## Modus

(2004→)

all	drum brake	05538	-
	disc brake	24780	-

## Rapid

(1985→1999)

1,1 C1E 1,2 C1G 1,2 C3G 1,4 C2J 1,4 E7J 1,9 D F8Q	not for increased payload	19897	-
--	---------------------------	-------	---

## R19 I

(1988→1994)

all	disc brake	05537	-
	drum brake	05538	-

## R19 II

(1991→2001)

1,2 C1G 1,2 E7F 1,4 C1J 1,4 C3J 1,4 E6J 1,4 E7J 1,7 F2N 1,7 F3N 1,8 F3P 1,8 F7P 1,9 D F8Q	disc brake	05537	-
	drum brake	05538	-

rear axle

### febi 05537

Ref. No. 77 01 463 523



AØ 52 IØ 25 B 37

### febi 05538

Ref. No. 77 01 205 812



AØ 52 IØ 25 B 37

### febi 19897

Ref. No. 77 01 205 596 SK



AØ 55 IØ 25 B 43

### febi 24780

Ref. No. 77 01 208 058



AØ 55 IØ 25 B 45

suitable for:

# Renault

Car  
Division



## R5

(1972→1996)

all drum brake

05538

-

## Sandero

(2007→)

all

05538

-

## Sandero I

(2007→)

all

05538

-

## Sandero II

(2012→)

0,9 H4B  
1,2 D4F  
1,5 D K9K

30545

-

## Sandero Stepway

(2008→)

1,6 K7M

05538

-

## Scenic I

(1997→2003)

all for vehicles with ABS  
drum brake

21721

21721

## Scenic I 4x4

(2000→2003)

1,8 F4P  
1,9 D F9Q  
2,0 F4R for vehicles with ABS  
drum brake

21721

21721

rear axle

### febi 05538

Ref. No. 77 01 205 812



AØ 52 IØ 25 B 37

### febi 21721

Ref. No. 77 01 205 170



AØ 133 IØ 25 B 80  
LKØ 100 x 4

### febi 30545

Ref. No. 77 01 210 004



AØ 55 IØ 25 B 43



## Scenic II

(2003→2010)

all		24781	-
-----	--	-------	---

## Symbol I

(1998→2009)

1,0 D4D		05538	-
1,2 D4F			
1,2 D7F			
1,4 K4J	drum brake	05538	-
	disc brake	24780	-
1,4 K7J		05538	-
1,5 D K9K			
1,6 K4M			
1,6 K7M			
1,9 D F8Q			

## Symbol II

(2008→ )

1,2 K4M		05538	-
1,4 K7J			
	disc brake	24780	-
1,5 D K9K		05538	-
1,6 K7M			

rear axle





suitable for:

# Renault

Car  
Division 



## Thalia I

(1998→2008)

1,0 D4D  
1,2 D4F  
1,2 D7F  
1,4 K4J  
1,4 K7J  
1,5 D K9K  
1,6 K4M  
1,6 K7M  
1,9 D F8Q

05538

-

## Thalia II

(2008→ )

1,2 D4F  
1,4 K4J  
1,4 K7J  
1,5 D K9K  
1,6 K4M  
2,0 F4R

05538

-

## Tondar

(2007→ )

1,6 K4M

05538

-

## Trafic I

(1980→2001)

1,4 C1J	model T110	11416 / 11418	-
1,7 F1N	model P318, T118, T318, T328, T428, T5B8	11416 / 11418	-
2,0 J5R	model PC82, T2B2, T422, T492, T5	11416 / 11418	-
2,1 D 852	model TB13, T113, T313, T323, T5B8	11416 / 11418	-

### febi 05538

Ref. No. 77 01 205 812



AØ 52 IØ 25 B 37

### febi 11416

Ref. No. 50 00 389 879



AØ 52 IØ 25 B 19,5

### febi 11418

Ref. No. 50 00 388 284 S1



AØ 72 IØ 35 B 25,5  
AØ 52 IØ 25 B 19,5



## Trafic I

(1980→2001)

2,1 D J8S	to the year of construction 12/1996 model PC8F, PC9F, TC9F, TXW, TXX, T11F, T2BF, T2BK, T21F, T23F, T31F , T31K, T32F, T35K, T41F, T42F, T42K	11416 / 11418	-
2,2 J7T	to the year of construction 12/1996 model TB1E, TB2E, TC9E, TXW, TXX, T11E, T2BE, T31A, T31E, T32E, T35A , T41E, T42E, T5BA, T5BE	11416 / 11418	-
2,4 D S8U		11416	-
	to the year of construction 12/1996	11418	-
2,5 D S8U	to the year of construction 12/1996 model TB1G, TB14, TB24, TB3G, TB94, TC9G, THBG, T2B4, T414, T424	11416 / 11418	-

## Trafic II

(2001→)

all		22864	-
-----	--	-------	---

## Twingo I

(1993→2007)

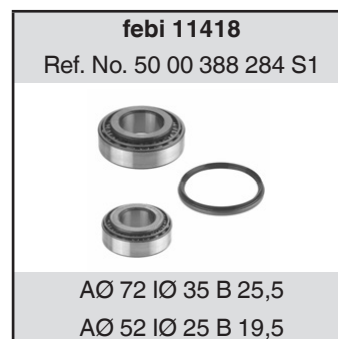
all		05538	-
-----	--	-------	---

## Twingo II

(2007→)

all		05538	-
-----	--	-------	---

rear axle



suitable for:

**Saab**

**Car  
Division**



**9-3 II**

(2002→)

- 1,8 Z18XE
- 1,9 Z19DT
- 1,9 Z19DTH
- 1,9 Z19DTR
- 2,0 B207E
- 2,0 B207L
- 2,0 B207R
- 2,2 D223L
- 2,8 B284E
- 2,8 B284L
- 2,8 B284R
- 2,8 B638R

26675

26675

**9-3 II 4WD**

(2005→2012)

- 2,0 B207R
- 2,8 B284R

26675

26675

rear axle

**febi 26675**

Ref. No. 93 170 611



AØ 140 IØ 31 B 80

LKØ 105 x 5



### Alhambra (7V)

(1996→)

all

19922 / 23320

23320

### Alhambra (71)

(2010→)

1,4 CAVA  
1,4 CNWB  
2,0 CCZA  
2,0 D CFFA  
2,0 D CFFB  
2,0 D CFFE  
2,0 D CFGB

23320

23320

### Altea (5P)

(2004→)

1,2 CBZB  
1,4 BXW  
1,4 CAXC  
1,4 CGGB

Observe dimensions

23320

23320

1,6 BGU

Observe dimensions

26380

26380

1,6 BSE

1,6 BSF

1,6 D CAYB

1,6 D CAYC

1,6 CCSA

1,6 CHGA

1,6 CMXA

1,8 BYT

1,8 BZB

1,8 CDAA

Observe dimensions

23320

23320

26380

26380

1,9 D BJB

1,9 D BKC

Observe dimensions

26380

26380

1,9 D BLS

1,9 D BXE

1,9 D BXF

2,0 D AZV

2,0 D BKD

Observe dimensions

23320

23320

26380

26380

rear axle



suitable for:

**Seat**

**Car  
Division**



**Altea (5P)**

(2004→ )

2,0 BLR 2,0 BLY	Observe dimensions	26380	26380
2,0 D BMM 2,0 D BMN		23320	23320
2,0 BVY 2,0 BVZ 2,0 BWA 2,0 CCZB 2,0 D CEGA 2,0 D CFHC 2,0 D CFJA	Observe dimensions	26380	26380

**Altea 4x4 (5P)**

(2007→ )

1,6 D CAYC		26377 / 27317	26377 / 27317
1,9 D BLS		27317	27317
2,0 D BMM 2,0 D BMN 2,0 BWA 2,0 CCZB 2,0 D CEGA		26377 / 27317	26377 / 27317
2,0 D CFHC		27317	27317

rear axle

**febi 23320**  
Ref. No. 1T0 598 611 B

AØ 136 IØ 32 B 70  
LKØ 112 x 5

**febi 26377**  
Ref. No. 1T0 498 621 SK

AØ 136 IØ 27,5 B 84,5  
LKØ 112 x 5

**febi 26380**  
Ref. No. 1K0 598 611

AØ 136 IØ 30 B 68,5  
LKØ 112 x 5

**febi 27317**  
Ref. No. 5K0 498 621

AØ 136 IØ 27,5 B 84,5  
LKØ 112 x 5



### Arosa (6H)

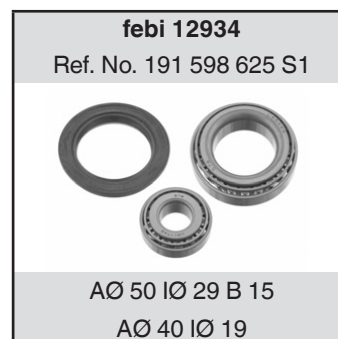
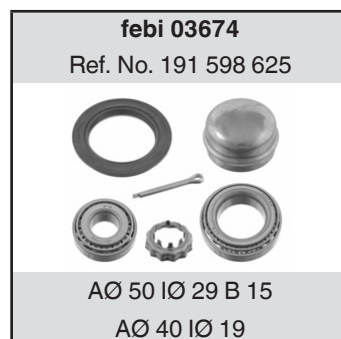
(1997→2004)

1,0 AER	to Chassis No. 6H-X-027 500	03674 / 12934	-
1,0 AHT	from Chassis No. 6H-X-027 501	28168	28168
1,0 ALD		28168	28168
1,0 ALL	to Chassis No. 6H-X-027 500	03674 / 12934	-
	from Chassis No. 6H-X-027 501	28168	28168
1,0 ANV		28168	28168
1,0 AUC			
1,4 AEX	to Chassis No. 6H-X-027 500	03674 / 12934	-
1,4 AFK		28168	28168
1,4 AKK			
1,4 AKV	to Chassis No. 6H-X-027 500	03674 / 12934	-
	from Chassis No. 6H-X-027 501	28168	28168
1,4 D AMF		28168	28168
1,4 ANW			
1,4 APQ	to Chassis No. 6H-X-027 500	03674	-
	from Chassis No. 6H-X-027 500	12934	-
1,4 AQQ		28168	28168
1,4 AUB			
1,4 AUD			
1,7 D AKU	to Chassis No. 6H-X-027 500	03674 / 12934	-
	from Chassis No. 6H-X-027 501	28168	28168

### Cordoba (6K)

(1993→2003)

1,0 AAU		03674 / 12934	-
1,0 AER			
1,0 ALD	from Chassis No. 6K-X-400 000	28168	28168
1,0 ANV			



suitable for:

**Seat**

**Car  
Division**



**Cordoba (6K)**

(1993→2003)

1,0 AST 1,0 AUC 1,0 AVZ		28168	28168
1,3 2G 1,3 AAV 1,4 ABD 1,4 AEX 1,4 AFH		03674 / 12934	-
1,4 AKK	from Chassis No. 6K-X-400 000	28168	28168
1,4 AKV		03674 / 12934	-
1,4 ANW	from Chassis No. 6K-X-400 000	28168	28168
1,4 ANX		03674 / 12934	-
1,4 APE	from Chassis No. 6K-X-400 000	28168	28168
1,4 APQ		03674 / 12934	-
1,4 AQQ 1,4 AUA 1,4 AUB 1,4 AUD		28168	28168
1,6 1F 1,6 ABU 1,6 AEE		03674 / 12934	-
1,6 AEH		28168	28168
1,6 AFT		03674 / 12934	-
1,6 AKL 1,6 ALM	to Chassis No. 6K-X-399 999	03674 / 12934	-
	from Chassis No. 6K-X-400 000	28168	28168
1,6 APF	from Chassis No. 6K-X-400 000	28168	28168
1,6 AUR		28168	28168
1,8 ABS 1,8 ADL 1,8 ADZ		03674 / 12934	-

rear axle

**febi 03674**

Ref. No. 191 598 625



AØ 50 IØ 29 B 15  
AØ 40 IØ 19

**febi 12934**

Ref. No. 191 598 625 S1



AØ 50 IØ 29 B 15  
AØ 40 IØ 19

**febi 28168**

Ref. No. 6X0 598 477



AØ 120 IØ 28 B 65  
LKØ 100 x 4



### Cordoba (6K)

(1993→2003)

1,8 AQX 1,8 AYP		28168	28168
1,9 D 1Y 1,9 D 1Z 1,9 D AAZ 1,9 D AEY 1,9 D AFN		03674 / 12934	-
1,9 D AGP 1,9 D AGR	from Chassis No. 6K-X-400 000	28168	28168
1,9 D AHU		03674 / 12934	-
1,9 D ALH 1,9 D AQM 1,9 D ASV	from Chassis No. 6K-X-400 000	28168	28168
2,0 2E 2,0 ABF 2,0 AGG		03674 / 12934	-

### Cordoba (6L)

(2002→)

all		24224	24224
-----	--	-------	-------

rear axle

#### febi 03674

Ref. No. 191 598 625



AØ 50 IØ 29 B 15  
AØ 40 IØ 19

#### febi 12934

Ref. No. 191 598 625 S1



AØ 50 IØ 29 B 15  
AØ 40 IØ 19

#### febi 24224

Ref. No. 6Q0 598 611



AØ 120 IØ 28 B 63,25  
AØ 57  
LKØ 100 x 5

#### febi 28168

Ref. No. 6X0 598 477



AØ 120 IØ 28 B 65  
LKØ 100 x 4



suitable for:

**Seat**

**Car  
Division**



**Exeo (3R)**

(2008→ )

all		31121	31121
-----	--	-------	-------

**Ibiza II (6K)**

(1993→1999)

1,0 AAU		03674 / 12934	-
1,0 AER	to Chassis No. 6K-X-290 000	03674 / 12934	-
	from Chassis No. 6K-X-290 001	28168	28168
1,3 2G 1,3 AAV 1,4 ABD 1,4 AEX 1,4 AFH		03674 / 12934	-
1,4 AKV	to Chassis No. 6K-X-290 000	03674 / 12934	-
	from Chassis No. 6K-X-290 001	28168	28168
1,4 ANX		03674 / 12934	-
1,4 APQ	to Chassis No. 6K-X-290 000	03674 / 12934	-
	from Chassis No. 6K-X-290 001	28168	28168
1,6 1F 1,6 ABU 1,6 AEE		03674 / 12934	-
1,6 AFT	to Chassis No. 6K-X-290 000	03674 / 12934	-
	from Chassis No. 6K-X-290 001	28168	28168
1,6 ALM 1,8 ABS 1,8 ADL 1,8 ADZ 1,9 D 1Y 1,9 D 1Z 1,9 D AAZ		03674 / 12934	-

rear axle

**febi 03674**  
Ref. No. 191 598 625

AØ 50 IØ 29 B 15  
AØ 40 IØ 19

**febi 12934**  
Ref. No. 191 598 625 S1

AØ 50 IØ 29 B 15  
AØ 40 IØ 19

**febi 28168**  
Ref. No. 6X0 598 477

AØ 120 IØ 28 B 65  
LKØ 100 x 4

**febi 31121**  
Ref. No. 8E0 598 611 B

AØ 130,85 B 69,35  
LKØ 112 x 5



### Ibiza II (6K)

(1993→1999)

1,9 D AEY

to Chassis No. 6K-X-290 000

03674 / 12934

-

from Chassis No. 6K-X-290 001

28168

28168

1,9 D AFN

1,9 D AHU

2,0 2E

2,0 ABF

2,0 AGG

03674 / 12934

-

### Ibiza III (6K)

(1999→2003)

all

28168

28168

### Ibiza IV (6L)

(2001→)

all

24224

24224

rear axle

#### febi 03674

Ref. No. 191 598 625



AØ 50 IØ 29 B 15

AØ 40 IØ 19

#### febi 12934

Ref. No. 191 598 625 S1



AØ 50 IØ 29 B 15

AØ 40 IØ 19

#### febi 24224

Ref. No. 6Q0 598 611



AØ 120 IØ 28 B 63,25

AØ 57

LKØ 100 x 5

#### febi 28168

Ref. No. 6X0 598 477



AØ 120 IØ 28 B 65

LKØ 100 x 4

suitable for:

# Seat

Car  
Division



## Ibiza V (6J)

(2008→ )

1,2 BZG  
 1,2 CBZB  
 1,2 D CFWA  
 1,2 CGPA  
 1,2 CGPB  
 1,2 CHFA  
 1,4 D BMS  
 1,4 BXW  
 1,4 CAVE  
 1,4 CAVF  
 1,4 CGGB  
 1,6 BTS  
 1,6 D CAYA  
 1,6 D CAYB  
 1,6 D CAYC  
 1,6 D CLNA  
 1,6 CNKA  
 1,9 D BLS  
 1,9 D BXJ  
 2,0 CEKA  
 2,0 D CFHD

24224

24224

## Inca (6K)

(1995→2003)

all from Chassis No. 9K-X-023 409

28376

28376

## Leon (1M)

(1998→2006)

all

24236

24236

## Leon 4x4 (1M)

(2000→2005)

all

-

22512

**febi 22512**

Ref. No. 1J0 407 613 G



LKØ 100 x 5

**febi 24224**

Ref. No. 6Q0 598 611



AØ 120 IØ 28 B 63,25

AØ 57

LKØ 100 x 5

**febi 24236**

Ref. No. 1J0 598 477



AØ 120 IØ 30 B 63

LKØ 100 x 5

**febi 28376**

Ref. No. 6K9 501 477



AØ 120 IØ 30 B 64

LKØ 100 x 4



### Leon (1P)

(2005→)

all

26380

26380

### Toledo I (1L)

(1991→1999)

all

03674 / 12934

-

### Toledo II (1M)

(1998→2006)

- 1,4 AHW
- 1,4 APE
- 1,4 AXP
- 1,4 BCA
- 1,6 AEH
- 1,6 AKL
- 1,6 AUS
- 1,6 AZD
- 1,6 BCB
- 1,8 AGN
- 1,8 APG
- 1,8 APP
- 1,8 AUQ
- 1,9 D AGR
- 1,9 D AHF
- 1,9 D ALH
- 1,9 D AQM
- 1,9 D ARL
- 1,9 D ASV
- 1,9 D ASZ
- 2,3 AGZ
- 2,3 AQN
- 2,8 AUE

24236

24236

rear axle

#### febi 03674

Ref. No. 191 598 625



AØ 50 IØ 29 B 15  
AØ 40 IØ 19

#### febi 12934

Ref. No. 191 598 625 S1



AØ 50 IØ 29 B 15  
AØ 40 IØ 19

#### febi 24236

Ref. No. 1J0 598 477



AØ 120 IØ 30 B 63  
LKØ 100 x 5

#### febi 26380

Ref. No. 1K0 598 611



AØ 136 IØ 30 B 68,5  
LKØ 112 x 5

suitable for:

**Seat**

**Car  
Division**



**Toledo III (5P)**  
(2004→2009)

all

23320

23320

rear axle

**febi 23320**

Ref. No. 1T0 598 611 B



AØ 136 IØ 32 B 70

LKØ 112 x 5



**Fabia (54)**

(2006→)

- 1,2 BBM
- 1,2 BZG
- 1,2 CBZA
- 1,2 CBZB
- 1,2 CEVA
- 1,2 D CFWA
- 1,2 CGPA
- 1,2 CGPB
- 1,2 CHFA
- 1,2 CHTA
- 1,4 D BMS
- 1,4 D BNM
- 1,4 D BNV
- 1,4 BXW
- 1,4 CAVE
- 1,4 CGGB
- 1,6 BTS
- 1,6 D CAYA
- 1,6 D CAYB
- 1,6 D CAYC
- 1,6 CFNA
- 1,9 D BLS
- 1,9 D BSW

24224

24224

**Fabia (58)**

(2010→)

- 1,2 CJLA
- 1,6 CLSA

24224

24224

**Fabia (6Y)**

(1999→2008)

all

24224

24224

rear axle

**febi 24224**

Ref. No. 6Q0 598 611



AØ 120 IØ 28 B 63,25

AØ 57

LKØ 100 x 5

suitable for:

**Skoda**

**Car  
Division**



## Octavia (1U)

(1996→2010)

1,4 AMD  
1,4 AXP  
1,4 BCA  
1,6 AEE  
1,6 AEH  
1,6 AKL  
1,6 AVU  
1,6 BFQ  
1,8 AGN  
1,8 AGU  
1,8 ARX  
1,8 ARZ  
1,8 AUM  
1,8 AUQ  
1,9 D AGP  
1,9 D AGR  
1,9 D AHF  
1,9 D ALH  
1,9 D AQM  
1,9 D ASV  
1,9 D ASZ

09521 / 24236

09521 / 24236

1,9 D AXR

24236

24236

2,0 AEG  
2,0 APK  
2,0 AQY  
2,0 AZH  
2,0 AZJ

09521 / 24236

09521 / 24236

## Octavia 4x4 (1U)

(1999→2010)

2,0 ATF

-

22512

## Octavia (1Z)

(2004→)

all

23320

23320

**febi 09521**

Ref. No. 1J0 501 477 A



AØ 120 IØ 30 B 63  
LKØ 100 x 5

**febi 22512**

Ref. No. 1J0 407 613 G



LKØ 100 x 5

**febi 23320**

Ref. No. 1T0 598 611 B



AØ 136 IØ 32 B 70  
LKØ 112 x 5

**febi 24236**

Ref. No. 1J0 598 477



AØ 120 IØ 30 B 63  
LKØ 100 x 5



**Octavia 4x4 (1Z)**

(2004→2013)

all

26377 / 27317

26377 / 27317

**Rapid (NA)**

(2011→)

1,6 D CLNA  
1,6 CLSA

For PR number 0N5

24236

24236

**Roomster (5J)**

(2006→)

all

24236

24236

**Superb (3T)**

(2008→)

all

23320

23320

**Superb 4x4 (3T)**

(2008→)

all

27317

27317

rear axle

**febi 23320**

Ref. No. 1T0 598 611 B



AØ 136 IØ 32 B 70  
LKØ 112 x 5

**febi 24236**

Ref. No. 1J0 598 477



AØ 120 IØ 30 B 63  
LKØ 100 x 5

**febi 26377**

Ref. No. 1T0 498 621 SK



AØ 136 IØ 27,5 B 84,5  
LKØ 112 x 5

**febi 27317**

Ref. No. 5K0 498 621



AØ 136 IØ 27,5 B 84,5  
LKØ 112 x 5



suitable for:

**Skoda**

**Car  
Division**



**Superb (3U)**  
(2001→2008)

all

19386

19386

**Yeti (5L)**  
(2009→)

all

23320

23320

**Yeti 4x4 (5L)**  
(2009→)

all

26377 / 27317

26377 / 27317

rear axle

**febi 19386**

Ref. No. 8E0 501 611 J



AØ 131 IØ 40 B 130  
AØ 56  
LKØ 108 x 5

**febi 23320**

Ref. No. 1T0 598 611 B



AØ 136 IØ 32 B 70  
LKØ 112 x 5

**febi 26377**

Ref. No. 1T0 498 621 SK



AØ 136 IØ 27,5 B 84,5  
LKØ 112 x 5

**febi 27317**

Ref. No. 5K0 498 621



AØ 136 IØ 27,5 B 84,5  
LKØ 112 x 5



**Cabrio (Model 450)**

(1999→2004)

all	28314	28314
-----	-------	-------

**City Coupe (Model 450)**

(1998→2004)

all	28314	28314
-----	-------	-------

**Forfour (Model 454)**

(2003→2008)

all	32580	32580
-----	-------	-------

**Fortwo Cabrio (Model 450)**

(2003→2006)

all	28314	28314
-----	-------	-------

**Fortwo Coupe (Model 450)**

(2004→2007)

all	28314	28314
-----	-------	-------

**Roadster (Model 452)**

(2003→2006)

0,7 (164113) 0,7 (164123) 0,7 (16412815)	28314	28314
--	-------	-------

**Roadster Coupe (Model 452)**

(2003→2006)

0,7 (16411315) 0,7 (164123) 0,7 (16412815)	28314	28314
--	-------	-------

rear axle

**febi 28314**  
Ref. No. 0002072V010000000



AØ 133,5 IØ 35 B 73  
LKØ 112 x 3

**febi 32580**  
Ref. No. 454 350 01 35



AØ 67 B 121  
AØ 137  
LKØ 114 x 4

suitable for:

# Subaru

Car  
Division



## Impreza

(1993→2000)

1,6 EJ161 1,6 EJ16E	for vehicles with ABS to the year of construction 06/1998	31825	31825
1,8 EJ18E 2,0 EJ201 2,0 EJ20E	for vehicles with ABS	31825	31825

## Impreza 4WD

(1993→ )

1,6 EJ161	for vehicles with ABS	31825	31825
1,6 EJ16E	to the year of construction 06/1998 for vehicles with ABS	31825	31825
1,8 EJ18E 2,0 EJ201	for vehicles with ABS	31825	31825
2,0 EJ205		29939	-
2,0 EJ20E	to the year of construction 06/1998 for vehicles with ABS	31825	31825
2,0 EJ20G 2,5 EJ255		29939	-

## Justy

(2003→2007)

1,3 D Z13DT		31341	-
-------------	--	-------	---

## Legacy II

(1994→1999)

2,0 EJ20E	for vehicles with ABS	31825	31825
-----------	-----------------------	-------	-------

### febi 29939

Ref. No. 28016AA030 S1



AØ 65 IØ 32 B 52

### febi 31341

Ref. No. 4686083E10



AØ 52 IØ 25 B 42

### febi 31825

Ref. No. 28063AC000



AØ 125,5  
LKØ 100 x 5



## Legacy II 4WD

(1994→1999)

1,8 EJ18E		29939	-
2,0 EJ20E	for vehicles with ABS	31825	31825
2,2 EJ22E		29939	-
	to the year of construction 07/1995 for vehicles with ABS	31825	31825
2,5 EJ25D		29939	-



suitable for:

**Suzuki**

**Car  
Division**



**Alto III**

(1994→2002)

1,0 G10B  
1,0 G10BB

31340

-

**Carry**

(1979→1985)

0,8 F8A

31340

-

**Grand Escudo**

(2005→2011)

1,6 M16A  
2,0 J20A

33915

33915

**Grand Escudo 4WD**

(2003→2008)

1,6 M16A  
2,7 H27A

33915

33915

**Grand Vitara**

(2005→ )

1,3 M13A  
1,6 M16A  
1,9 D F9Q

33915

33915

**Grand Vitara 4WD**

(2005→ )

1,6 M16A  
1,9 D F9Q  
2,0 J20A  
2,4 J24B  
2,7 H27A  
3,2 N32A

33915

33915

rear axle

**febi 31340**

Ref. No. 09262-20121-000



AØ 52 IØ 25 B 15  
AØ 47 IØ 20 B 14

**febi 33915**

Ref. No. 43402-57L50-000



AØ 84 IØ 30,17  
LKØ 114,3 x 5



**Ignis**

(2003→2012)

1,3 M13A  
1,3 D Z13DT  
1,5 M15A

31341

-

**Splash**

(2007→)

all

30574

-

**Swift II**

(1989→2003)

1,0 G10  
1,0 G10A  
1,3 G13A  
1,3 G13B  
1,3 G13BA  
1,3 G13BB

29905

-

**Swift II 4WD**

(1989→2001)

1,3 G13A  
1,3 G13BA

29905

-

**Swift III**

(2005→)

1,3 D D13A  
1,3 M13A  
1,3 D Z13DT  
1,3 D Z13DTJ  
1,5 M15A

30574

-

**Swift III 4WD**

(2006→2012)

1,3 M13A

31342

-

rear axle

**febi 29905**

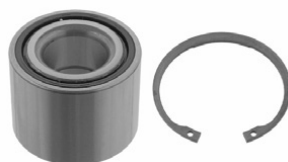
Ref. No. 08123-62047-000S1



AØ 52 IØ 25 B 14,95  
AØ 47 IØ 20 B 13,95

**febi 30574**

Ref. No. 46860-62J00-000 S1



AØ 58 IØ 28 B 44

**febi 31341**

Ref. No. 46860-83E10



AØ 52 IØ 25 B 42

**febi 31342**

Ref. No. 43440-84F00-000



AØ 62 IØ 35 B 40

suitable for:

**Suzuki**

**Car  
Division**



**Swift IV 4WD**

(2010→2011)

1,3 M13A

31342

-

**Wagon R+**

(1997→2012)

0,7 F6AB

0,7 F6AG

31340

-

1,0 G10A

31341

-

1,0 K10A

31340

-

1,0 Z10EXP

31341

-

1,2 K12A

31340

-

1,3 G13BB

1,3 M13A

1,3 D Z13DT

31341

-

rear axle

**febi 31340**

Ref. No. 09262-20121-000



AØ 52 IØ 25 B 15

AØ 47 IØ 20 B 14

**febi 31341**

Ref. No. 46860-83E10



AØ 52 IØ 25 B 42

**febi 31342**

Ref. No. 43440-84F00-000



AØ 62 IØ 35 B 40



### Auris

(2006→)

1,3 1NRFE  
1,4 D 1NDTV  
1,4 4ZZFE  
1,5 1NZFE  
1,6 1ZRFAE  
1,6 1ZRFE  
1,8 2ZRFAE  
1,8 2ZRFE  
1,8 2ZRFXE  
2,0 D 1ADFTV

31687

31687

### Auris 4x4

(2006→2012)

1,5 1NZFE  
1,8 2ZRFE

31687

31687

### Avensis

(2003→)

1,6 3ZZFE  
1,8 1ZZFE  
2,0 D 1ADFTV  
2,0 1AZFE  
2,0 1AZFSE  
2,0 D 1CDFTV

31339

31339

2,2 D 2ADFHV  
2,2 D 2ADFTV

31336

31336

2,4 2AZFSE

31339

31339

### Aygo

(2005→)

1,0 1KRFE  
1,4 D 2WZTV

31063

31063

rear axle

#### febi 31063

Ref. No. 42450-0H010



LKØ 100 x 4

#### febi 31336

Ref. No. 42450-05060



AØ 140  
LKØ 108 x 5

#### febi 31339

Ref. No. 42450-05040



AØ 135 B 81  
LKØ 100 x 5

#### febi 31687

Ref. No. 42450-02120



AØ 152  
LKØ 108 x 5



suitable for:

**Toyota**

**Car  
Division**



**Camry**

(1982→1991)

1,8 D 1CTL	to the year of construction 10/1986	27312	-
1,8 1S		27312	-
1,8 1SL			
2,0 D 2CT			

**Carina**

(1987→1992)

1,5 5AFE		27312	-
----------	--	-------	---

**Carina II**

(1983→1992)

all		27312	-
-----	--	-------	---

**Carina 4x4**

(1987→1992)

1,8 4SFI		27312	-
----------	--	-------	---

**Celica**

(1985→1994)

1,6 4AFE		27312	-
1,6 4AGEL			
1,6 4AGELC			
1,6 4AL			
1,8 1SEL			
2,0 3SGE			
2,0 3SGEL			
2,0 3SGELC			
2,0 3SGTE			
2,2 5SFE			

rear axle

**febi 27312**

Ref. No. 90369-30044



AØ 63 IØ 30 B 42



### Celica 4x4

(1988→1997)

2,0 3SGTE

to the year of construction 08/1989

27312

-

### Corolla

(1983→)

1,3 2AL

27314

-

1,3 2E

24631 / 27314

24631

1,3 2EE

27314

-

1,3 2EL

1,3 2ELC

1,3 4EFE

24631

24631

1,4 D 1NDTV

31180

31180

1,4 D 3CTE

1,4 4AZFE

24631

24631

1,4 4ZZFE

model ZZE111

24631

24631

model ZZE120

31180

31180

1,5 1NFEE

1,5 1NZFE

31180

31180

1,5 5AFE

24631

24631

rear axle

#### feby 24631

Ref. No. 42409-19015



AØ 72 IØ 35 B 45

#### feby 27312

Ref. No. 90369-30044



AØ 63 IØ 30 B 42

#### feby 27314

Ref. No. 90369-28006



AØ 61 IØ 28 B 42

#### feby 31180

Ref. No. 42450-12070



AØ 135  
LKØ 100 x 4

suitable for:

**Toyota**

**Car  
Division**



## Corolla

(1983→ )

1,6 3ZZFE	model ZZE112	24631	24631
	model ZZE121	31180	31180
	model ZNR10	31338	31338
1,6 4AC 1,6 4AF		27314	-
1,6 4AFE		24631 / 27314	24631
1,6 4AGE 1,6 4AGEC 1,6 4AGEL 1,6 4AL 1,6 4ALC 1,8 D 1C 1,8 D 1CL		27314	-
1,8 1ZZFE	model ZZE110	24631	24631
	model ZNE122, ZNR11	31338	31338
1,8 2ZZGE		31180	31180
1,8 7AFE 1,9 D 1WZ		24631	24631
2,0 D 1CDFTV	model CDE110	24631	24631
	model CDE120	31180	31180
	model CUR10	31338	31338
2,0 D 2C 2,0 D 2CE		24631	24631
2,2 D 2ADFHV 2,2 D 2ADFTV		31338	31338

## Corolla Altis

(2002→ )

1,6 3ZZFE		31180	31180
-----------	--	-------	-------

**febi 24631**

Ref. No. 42409-19015



AØ 72 IØ 35 B 45

**febi 27314**

Ref. No. 90369-28006



AØ 61 IØ 28 B 42

**febi 31180**

Ref. No. 42450-12070



AØ 135  
LKØ 100 x 4

**febi 31338**

Ref. No. 42450-0F010



AØ 140 B 81  
LKØ 110 x 5



### Corolla Altis 4x4

(2001→2004)

1,5 1NZFE

31180

31180

### Corolla Levin

(1991→1997)

1,5 5AFE

1,6 4AFE

24631

24631

### Corolla 4x4

(1987→2004)

1,6 4AF

1,6 4AFE

27314

-

1,8 1ZZFE

31180

31180

### Echo

(1999→2006)

1,0 1SZFE

1,3 2NZFE

1,5 1NZFE

for vehicles without ABS

31182

31182

rear axle

#### febi 24631

Ref. No. 42409-19015



AØ 72 IØ 35 B 45

#### febi 27314

Ref. No. 90369-28006



AØ 61 IØ 28 B 42

#### febi 31180

Ref. No. 42450-12070



AØ 135  
LKØ 100 x 4

#### febi 31182

Ref. No. 42410-0D010



AØ 135 B 105  
LKØ 100 x 4

suitable for:

**Toyota**

**Car  
Division**



**MR 2**

(1984→2005)

1,6 4AGEL 1,6 4AGELC		24717	-
1,8 1ZZFE		30473	-
2,0 3SFE 2,0 3SGE 2,0 3SGTE 2,2 5SFE		27313	-

**RAV 4**

(2000→2005)

1,8 1ZZFE	from the year of construction 07/2003	31337	31337
	for vehicles without ABS	31819	31819

**RAV 4 4x4**

(1994→2005)

2,0 3SFE		27315	-
2,4 2AZFE		31337	31337

rear axle

**febi 24717**  
Ref. No. 90369-38003

AØ 74 IØ 38 B 36

**febi 27313**  
Ref. No. 90369-43008

AØ 82 IØ 43 B 45

**febi 27315**  
Ref. No. 42409-42010

IØ 38 B 58

**febi 30473**  
Ref. No. 90363-40066

AØ 74 IØ 40 B 42

**febi 31337**  
Ref. No. 42450-42030

AØ 140  
LKØ 108 x 5

**febi 31819**  
Ref. No. 42410-42050

AØ 140  
LKØ 108 x 5



### RAV 4J 4x4

(1994→1999)

2,0 3SFE  
2,0 3SGE

27315

-

### RAV 4L 4x4

(1994→1997)

2,0 3SFE

27315

-

### Tercel

(1982→1985)

1,5 3A  
1,5 3AU

27314

-

### Vitz

(1999→2003)

1,0 1SZFE

for vehicles without ABS

31182

31182

1,3 2NZFE

for vehicles without ABS  
to the year of construction 02/2003

31182

31182

### Yaris

(1999→2005)

1,0 1SZFE

for vehicles without ABS

31182

31182

1,3 2NZFE

for vehicles without ABS  
to the year of construction 02/2003

31182

31182

1,4 D 1NDTV

to the year of construction 02/2003  
to the year of construction 12/2002  
for vehicles without ABS

31182

31182

1,5 1NZFE

for vehicles without ABS  
to the year of construction 12/2002

31182

31182

rear axle

#### febi 27314

Ref. No. 90369-28006



AØ 61 IØ 28 B 42

#### febi 27315

Ref. No. 42409-42010



IØ 38 B 58

#### febi 31182

Ref. No. 42410-0D010



AØ 135 B 105  
LKØ 100 x 4

suitable for:

# Vauxhall

Car  
Division 



## Agila I

(2000→2008)

all

31341

-

## Agila II

(2008→)

all

30574

-

## Astra I

(1979→1989)

1,2 12S

03115 / 06507

-

1,3 13N

03115

-

1,3 13S

03115 / 06507

-

1,6 D 16D

1,6 D 16DA

1,6 16SH

1,8 18E

rear axle

### febi 03115

Ref. No. 90005147



AØ 50 IØ 29 B 15

AØ 40 IØ 17

### febi 06507

Ref. No. 90486463



AØ 50 IØ 29 B 15

AØ 40 IØ 17

### febi 30574

Ref. No. 93192990



AØ 58 IØ 28 B 44

### febi 31341

Ref. No. 09213602



AØ 52 IØ 25 B 42



## Astra II

(1984→1993)

1,2 12S	for vehicles with ABS Rim Hole Number 4	02843	02843
	for vehicles without ABS Rim Hole Number 4	02895	02895
		03115 / 06507	-
1,3 13N	for vehicles with ABS	02843	02843
		03115	-
1,3 13S 1,4 14NV 1,4 C14NZ	for vehicles with ABS Rim Hole Number 4	02843	02843
	for vehicles without ABS Rim Hole Number 4	02895	02895
		03115 / 06507	-
1,5 D 15DT	for vehicles with ABS	02843	02843
		03115	-
1,6 D 16D 1,6 D 16DA	for vehicles with ABS Rim Hole Number 4	02843	02843
	for vehicles without ABS Rim Hole Number 4	02895	02895
		03115 / 06507	-
1,6 16NZ		03115	-
1,6 16S	for vehicles with ABS	02843	02843
		03115	-
1,6 16SH	for vehicles without ABS Rim Hole Number 4	02895	02895
		03115 / 06507	-

rear axle

### febi 02843

Ref. No. 09120128



AØ 136  
AØ 56,5  
LKØ 100 x 4

### febi 02895

Ref. No. 09120129



AØ 136 B 107,5  
LKØ 100 x 4

### febi 03115

Ref. No. 90005147



AØ 50 IØ 29 B 15  
AØ 40 IØ 17

### febi 06507

Ref. No. 90486463



AØ 50 IØ 29 B 15  
AØ 40 IØ 17



**Astra II**

(1984→1993)

1,6 16SV	for vehicles with ABS Rim Hole Number 4	02843	02843
	for vehicles without ABS Rim Hole Number 4	02895	02895
		03115 / 06507	-
1,6 C16LZ		03115	-
1,6 E16NZ 1,7 D 17D	for vehicles with ABS Rim Hole Number 4	02843	02843
	for vehicles without ABS Rim Hole Number 4	02895	02895
		03115 / 06507	-
1,7 D 17DR	for vehicles with ABS	02843	02843
		03115	-
1,8 18E 1,8 18SE 2,0 20NE 2,0 20SEH 2,0 20XE 2,0 C20NE	for vehicles with ABS Rim Hole Number 4	02843	02843
	for vehicles without ABS Rim Hole Number 4	02895	02895
		03115 / 06507	-

**Astra III**

(1991→2001)

1,4 14NV 1,4 C14NZ	for vehicles with ABS Rim Hole Number 4	02843	02843
1,4 C14SE 1,4 X14NZ 1,4 X14XE 1,6 16LZ2 1,6 C16NZ	for vehicles without ABS Rim Hole Number 4	02895	02895
1,6 C16NZ2	for vehicles with ABS	02843	02843

**febi 02843**

Ref. No. 09120128



AØ 136  
AØ 56,5  
LKØ 100 x 4

**febi 02895**

Ref. No. 09120129



AØ 136 B 107,5  
LKØ 100 x 4

**febi 03115**

Ref. No. 90005147



AØ 50 IØ 29 B 15  
AØ 40 IØ 17

**febi 06507**

Ref. No. 90486463



AØ 50 IØ 29 B 15  
AØ 40 IØ 17



## Astra III

(1991→2001)

1,6 C16SE	for vehicles with ABS Rim Hole Number 4	02843	02843
	for vehicles without ABS Rim Hole Number 4	02895	02895
1,6 E16NZ	for vehicles with ABS from Chassis No. P1000001 from Chassis No. P5000001 from Chassis No. P7500001 Rim Hole Number 4	02843	02843
	for vehicles without ABS Rim Hole Number 4	02895	02895
1,6 X16SZ 1,6 X16SZR 1,6 X16XEL 1,7 D 17D 1,7 D 17DR 1,7 D 17TD	for vehicles with ABS Rim Hole Number 4	02843	02843
	for vehicles without ABS Rim Hole Number 4	02895	02895
	for vehicles with ABS	02843	02843
	for vehicles with ABS Rim Hole Number 4	02843	02843
1,7 D X17DTL 1,8 C18NZ 1,8 C18XE 1,8 C18XEL 1,8 X18XE 2,0 C20NE	for vehicles without ABS Rim Hole Number 4	02895	02895
	for vehicles with ABS	02843	02843
	for vehicles with ABS Rim Hole Number 4	02843	02843
	for vehicles with ABS Rim Hole Number 4	02843	02843
2,0 C20XE	for vehicles with ABS	02843	02843
	for vehicles without ABS Rim Hole Number 4	02895	02895
2,0 X20XEV	for vehicles with ABS Rim Hole Number 4	02843	02843
	for vehicles without ABS Rim Hole Number 4	02895	02895

rear axle

### febi 02843

Ref. No. 09120128



AØ 136  
AØ 56,5  
LKØ 100 x 4

### febi 02895

Ref. No. 09120129



AØ 136 B 107,5  
LKØ 100 x 4

suitable for:

**Vauxhall**

**Car  
Division**



## Astra IV

(1998→ )

all

for vehicles with ABS  
Rim Hole Number 4

**02843**

**02843**

for vehicles without ABS  
Rim Hole Number 4

**02895**

**02895**

## Astra V

(2004→ )

1,2 Z12XEP  
1,3 D Z13DTH  
1,4 Z14XEL  
1,4 Z14XEP  
1,6 Z16LET  
1,6 Z16XE1  
1,6 Z16XEP  
1,6 Z16XER  
1,7 D Z17DTH  
1,7 D Z17DTJ  
1,7 D Z17DTL  
1,8 Z18XE  
1,8 Z18XER  
1,9 D Z19DT  
1,9 D Z19DTH  
1,9 D Z19DTJ  
1,9 D Z19DTL  
2,0 Z20LEH  
2,0 Z20LEL  
2,0 Z20LER

Rim Hole Number 5

**27382**

**27382**

Rim Hole Number 4

**27384**

**27384**

rear axle

### febi 02843

Ref. No. 09120128



AØ 136  
AØ 56,5  
LKØ 100 x 4

### febi 02895

Ref. No. 09120129



AØ 136 B 107,5  
LKØ 100 x 4

### febi 27382

Ref. No. 93178626



AØ 140 B 150  
LKØ 105 x 5

### febi 27384

Ref. No. 93178625



AØ 136 B 150  
LKØ 100 x 4



**Calibra**

(1989→1998)

all

01971 / 04529

-

**Calibra 4WD**

(1990→1997)

all

01971 / 04529

-

**Carlton III**

(1986→1994)

1,8 18NV  
1,8 18SEH  
1,8 18SV

01971 / 01972 /  
04529

-

to Chassis No. S2999999  
to Chassis No. S5999999  
to Chassis No. S6999999  
to Chassis No. S8999999  
to Chassis No. SP999999  
Country of use Thailand

03271

-

1,8 E18NVR

to Chassis No. S2999999  
to Chassis No. S5999999  
to Chassis No. S6999999  
to Chassis No. S8999999  
to Chassis No. SP999999  
Country of use Thailand

03271

-

04529

-

1,8 S18NV

to Chassis No. S2999999  
to Chassis No. S5999999  
to Chassis No. S6999999  
to Chassis No. S8999999  
to Chassis No. SP999999  
Country of use Thailand

01971 / 04529

-

03271

-

rear axle

**febi 01971**

Ref. No. 90486468



AØ 74 IØ 37 B 45

**febi 01972**

Ref. No. 90486461



AØ 72 IØ 39 B 37

**febi 03271**

Ref. No. 90279332



AØ 72 IØ 39 B 37

**febi 04529**

Ref. No. 90235281



AØ 74 IØ 37 B 45

suitable for:

**Vauxhall**

**Car  
Division**



**Carlton III**

(1986→1994)

**2,0 20NE**

**01972**

-

to Chassis No. S2999999  
to Chassis No. S5999999  
to Chassis No. S6999999  
to Chassis No. S8999999  
to Chassis No. SP9999999  
Country of use Thailand

**03271**

-

**2,0 20SE**

**2,0 C20NE**

**01971 / 01972 /  
04529**

-

to Chassis No. S2999999  
to Chassis No. S5999999  
to Chassis No. S6999999  
to Chassis No. S8999999  
to Chassis No. SP9999999  
Country of use Thailand

**03271**

-

**2,0 C20NEF**

**2,0 C20NEJ**

to Chassis No. S2999999  
to Chassis No. S5999999  
to Chassis No. S6999999  
to Chassis No. S8999999  
to Chassis No. SP9999999  
Country of use Thailand

**03271**

-

**2,3 D 23DTR**

**01971**

-

to Chassis No. S2999999  
to Chassis No. S5999999  
to Chassis No. S6999999  
to Chassis No. S8999999  
to Chassis No. SP9999999  
Country of use Thailand

**03271**

-

for extended wheelbase

**04529**

-

rear axle

**febi 01971**

Ref. No. 90486468



AØ 74 IØ 37 B 45

**febi 01972**

Ref. No. 90486461



AØ 72 IØ 39 B 37

**febi 03271**

Ref. No. 90279332



AØ 72 IØ 39 B 37

**febi 04529**

Ref. No. 90235281



AØ 74 IØ 37 B 45



## Carlton III

(1986→1994)

2,3 D 23YD		01971 / 01972 / 04529	-
	to Chassis No. S2999999 to Chassis No. S5999999 to Chassis No. S6999999 to Chassis No. S8999999 to Chassis No. SP999999 Country of use Thailand	03271	-
2,3 D 23YDT		01971	-
	to Chassis No. S2999999 to Chassis No. S5999999 to Chassis No. S6999999 to Chassis No. S8999999 to Chassis No. SP999999 Country of use Thailand	03271	-
	for extended wheelbase	04529	-
2,4 C24NE		04529	-
2,6 C26NE		01971	-
3,0 30NE	for extended wheelbase	04529	-
3,0 C30LE		04529	-
3,0 C30NE		01971	-
	for extended wheelbase	04529	-
3,0 C30SE		04529	-
3,0 C30SEJ		01971 / 04529	-
3,6 C36GET		04529	-

rear axle



suitable for:

**Vauxhall**

**Car  
Division**



**Cavalier II**

(1981→1988)

1,3 13N	03115 / 06507	-
1,3 13NB	03115	-
1,3 13S 1,6 D 16D 1,6 D 16DA	03115 / 06507	-
1,6 16N 1,6 16S	03115	-
1,6 16SH 1,6 C16LZ 1,6 C16NZ 1,6 E16NZ 1,8 18E 1,8 18SE 1,8 C18NE 1,8 E18NV 2,0 20E 2,0 20NE	03115 / 06507	-
2,0 20S 2,0 20SE	03115	-
2,0 20SEH 2,0 C20NE	03115 / 06507	-

**Cavalier II 4WD**

(1987→1988)

2,0 20SEH	03115	-
-----------	-------	---

**febi 03115**

Ref. No. 90005147



AØ 50 IØ 29 B 15  
AØ 40 IØ 17

**febi 06507**

Ref. No. 90486463



AØ 50 IØ 29 B 15  
AØ 40 IØ 17



## Cavalier III

(1988→1995)

1,4 14NV 1,6 16SV 1,6 C16NZ 1,6 E16NZ 1,6 X16SZ 1,7 D 17D 1,7 D 17DR 1,7 D 17TD 1,8 18SV 1,8 C18NZ 1,8 E18NVR 2,0 20NE 2,0 20SEH	from Chassis No. P1000001 from Chassis No. P5000001 from Chassis No. P7500001 for vehicles with ABS Rim Hole Number 4	02843	02843
	from Chassis No. P10000001 from Chassis No. P50000001 from Chassis No. P75000001 from Chassis No. PV0000001 from Chassis No. P80000001 for vehicles without ABS Rim Hole Number 4	02895	02895
		03115 / 06507	-
2,0 20XE	to Chassis No. NV999999 to Chassis No. N1999999 to Chassis No. N5999999	01971	-
	from Chassis No. P1000001 from Chassis No. P5000001 from Chassis No. P7500001 for vehicles with ABS Rim Hole Number 4	02843	02843

rear axle

### febi 01971

Ref. No. 90486468



AØ 74 IØ 37 B 45

### febi 02843

Ref. No. 09120128



AØ 136  
AØ 56,5  
LKØ 100 x 4

### febi 02895

Ref. No. 09120129



AØ 136 B 107,5  
LKØ 100 x 4

### febi 03115

Ref. No. 90005147



AØ 50 IØ 29 B 15  
AØ 40 IØ 17

### febi 06507

Ref. No. 90486463



AØ 50 IØ 29 B 15  
AØ 40 IØ 17



suitable for:

**Vauxhall**

**Car  
Division**



**Cavalier III**

(1988→1995)

	from Chassis No. P1000001 from Chassis No. P5000001 from Chassis No. P7500001 from Chassis No. PV000001 from Chassis No. P8000001 for vehicles without ABS Rim Hole Number 4	<b>02895</b>	<b>02895</b>
	to Chassis No. NV999999 to Chassis No. N199999 to Chassis No. N599999	<b>04529</b>	-
<b>2,0 C20NE</b>	from Chassis No. P1000001 from Chassis No. P5000001 from Chassis No. P7500001 for vehicles with ABS Rim Hole Number 4	<b>02843</b>	<b>02843</b>
	from Chassis No. P1000001 from Chassis No. P5000001 from Chassis No. P7500001 from Chassis No. PV000001 from Chassis No. P8000001 for vehicles without ABS Rim Hole Number 4	<b>02895</b>	<b>02895</b>
		<b>03115 / 06507</b>	-

rear axle

**febi 02843**  
Ref. No. 09120128

AØ 136  
AØ 56,5  
LKØ 100 x 4

**febi 02895**  
Ref. No. 09120129

AØ 136 B 107,5  
LKØ 100 x 4

**febi 03115**  
Ref. No. 90005147

AØ 50 IØ 29 B 15  
AØ 40 IØ 17

**febi 04529**  
Ref. No. 90235281

AØ 74 IØ 37 B 45

**febi 06507**  
Ref. No. 90486463

AØ 50 IØ 29 B 15  
AØ 40 IØ 17



**Cavalier III**

(1988→1995)

**2,0 C20XE**

to Chassis No. NV999999  
to Chassis No. N1999999  
to Chassis No. N5999999

**01971**

-

from Chassis No. P1000001  
from Chassis No. P5000001  
from Chassis No. P7500001  
for vehicles with ABS  
Rim Hole Number 4

**02843**

**02843**

from Chassis No. P10000001  
from Chassis No. P50000001  
from Chassis No. P75000001  
from Chassis No. PV0000001  
from Chassis No. P80000001  
for vehicles without ABS  
Rim Hole Number 4

**02895**

**02895**

to Chassis No. NV999999  
to Chassis No. N1999999  
to Chassis No. N5999999

**04529**

-

**2,0 X20XEV**

from Chassis No. P1000001  
from Chassis No. P5000001  
from Chassis No. P7500001  
for vehicles with ABS  
Rim Hole Number 4

**02843**

**02843**

from Chassis No. P10000001  
from Chassis No. P50000001  
from Chassis No. P75000001  
from Chassis No. PV0000001  
from Chassis No. P80000001  
for vehicles without ABS  
Rim Hole Number 4

**02895**

**02895**

rear axle

**febi 01971**

Ref. No. 90486468



AØ 74 IØ 37 B 45

**febi 02843**

Ref. No. 09120128



AØ 136

AØ 56,5

LKØ 100 x 4

**febi 02895**

Ref. No. 09120129



AØ 136 B 107,5

LKØ 100 x 4

**febi 04529**

Ref. No. 90235281



AØ 74 IØ 37 B 45

suitable for:

**Vauxhall**

**Car  
Division**



**Cavalier III**

(1988→1995)

	<b>03115 / 06507</b>	-
<b>2,5 C25XE</b>	<b>03115 / 06507</b>	-

**Cavalier III 4WD**

(1988→1994)

<b>2,0 20NE</b>	from Chassis No. P1000001 from Chassis No. P5000001 from Chassis No. P7500001 for vehicles with ABS Rim Hole Number 4	<b>02843</b>	<b>02843</b>
<b>2,0 20SEH</b>		<b>01971</b>	-
	from Chassis No. P1000001 from Chassis No. P5000001 from Chassis No. P7500001 for vehicles with ABS Rim Hole Number 4	<b>02843</b>	<b>02843</b>
	to Chassis No. NV999999 to Chassis No. N199999 to Chassis No. N599999	<b>04529</b>	-

rear axle

**febi 01971**  
Ref. No. 90486468

AØ 74 IØ 37 B 45

**febi 02843**  
Ref. No. 09120128

AØ 136  
AØ 56,5  
LKØ 100 x 4

**febi 03115**  
Ref. No. 90005147

AØ 50 IØ 29 B 15  
AØ 40 IØ 17

**febi 04529**  
Ref. No. 90235281

AØ 74 IØ 37 B 45

**febi 06507**  
Ref. No. 90486463

AØ 50 IØ 29 B 15  
AØ 40 IØ 17

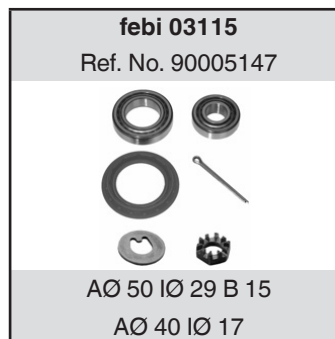
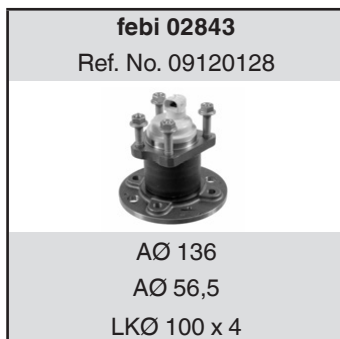


**Cavalier III 4WD**

(1988→1994)

<b>2,0 20XE</b>	to Chassis No. NV999999 to Chassis No. N1999999 to Chassis No. N5999999	<b>01971</b>	-
	from Chassis No. P1000001 from Chassis No. P5000001 from Chassis No. P7500001 for vehicles with ABS Rim Hole Number 4	<b>02843</b>	<b>02843</b>
	to Chassis No. NV999999 to Chassis No. N1999999 to Chassis No. N5999999	<b>04529</b>	-
<b>2,0 C20LET</b>		<b>01971 / 03115</b>	-
	from Chassis No. P1000001 from Chassis No. P5000001 from Chassis No. P7500001 for vehicles with ABS Rim Hole Number 4	<b>02843</b>	<b>02843</b>
	to Chassis No. NV999999 to Chassis No. N1999999 to Chassis No. N5999999	<b>04529</b>	-
<b>2,0 C20NE</b>	from Chassis No. P1000001 from Chassis No. P5000001 from Chassis No. P7500001 for vehicles with ABS Rim Hole Number 4	<b>02843</b>	<b>02843</b>

rear axle



suitable for:

**Vauxhall**

**Car  
Division**



**Cavalier III 4WD**

(1988→1994)

**2,0 C20XE**

to Chassis No. NV999999  
to Chassis No. N1999999  
to Chassis No. N5999999

**01971**

-

from Chassis No. P1000001  
from Chassis No. P5000001  
from Chassis No. P7500001  
for vehicles with ABS  
Rim Hole Number 4

**02843**

**02843**

to Chassis No. NV999999  
to Chassis No. N1999999  
to Chassis No. N5999999

**04529**

-

**Corso I**

(1993→2001)

**1,0 X10XE**

**06507**

-

**1,2 C12NZ  
1,2 X12SZ**

**03115 / 06507**

-

**1,2 X12XE**

**06507**

-

**1,4 C14NZ  
1,4 C14SE**

**03115 / 06507**

-

**1,4 C14SEL**

**06507**

-

rear axle

**febi 01971**

Ref. No. 90486468



AØ 74 IØ 37 B 45

**febi 02843**

Ref. No. 09120128



AØ 136  
AØ 56,5  
LKØ 100 x 4

**febi 03115**

Ref. No. 90005147



AØ 50 IØ 29 B 15  
AØ 40 IØ 17

**febi 04529**

Ref. No. 90235281



AØ 74 IØ 37 B 45

**febi 06507**

Ref. No. 90486463



AØ 50 IØ 29 B 15  
AØ 40 IØ 17



## Corsa I

(1993→2001)

1,4 X14SZ	03115 / 06507	-
1,4 X14XE 1,5 D 15D 1,5 D 15TD 1,5 D X15TD 1,6 C16XE 1,6 X16XE	06507	-
1,7 D 17D 1,7 D X17D	03115 / 06507	-

## Corsa II

(1994→)

1,0 Z10XE 1,0 Z10XEP 1,2 Z12XE 1,2 Z12XEP	for vehicles with ABS For vehicles with disc brakes on the rear axle	02843	02843
	for vehicles without ABS For vehicles with disc brakes on the rear axle	02895	02895
	For vehicles with drum brakes on the rear axle	19088	-

rear axle

**febi 02843**  
Ref. No. 09120128

AØ 136  
AØ 56,5  
LKØ 100 x 4

**febi 02895**  
Ref. No. 09120129

AØ 136 B 107,5  
LKØ 100 x 4

**febi 03115**  
Ref. No. 90005147

AØ 50 IØ 29 B 15  
AØ 40 IØ 17

**febi 06507**  
Ref. No. 90486463

AØ 50 IØ 29 B 15  
AØ 40 IØ 17

**febi 19088**  
Ref. No. 09196286

AØ 53 IØ 27 B 43

suitable for:

**Vauxhall**

**Car  
Division**




**Corsa II**

(1994→ )

<b>1,3 D Y13DT</b>	for vehicles with ABS For vehicles with disc brakes on the rear axle	<b>02843</b>	<b>02843</b>
	for vehicles without ABS For vehicles with disc brakes on the rear axle	<b>02895</b>	<b>02895</b>
		<b>19088</b>	-
<b>1,3 D Z13DT</b>	for vehicles with ABS For vehicles with disc brakes on the rear axle	<b>02843</b>	<b>02843</b>
	for vehicles without ABS For vehicles with disc brakes on the rear axle	<b>02895</b>	<b>02895</b>
	For vehicles with drum brakes on the rear axle	<b>19088</b>	-
<b>1,3 D Z13DTE</b>	For vehicles with drum brakes on the rear axle	<b>28145</b>	<b>28145</b>
	For vehicles with disc brakes on the rear axle	<b>30237</b>	<b>30237</b>

rear axle

**febi 02843**  
Ref. No. 09120128



AØ 136  
AØ 56,5  
LKØ 100 x 4

**febi 02895**  
Ref. No. 09120129



AØ 136 B 107,5  
LKØ 100 x 4

**febi 19088**  
Ref. No. 09196286



AØ 53 IØ 27 B 43

**febi 28145**  
Ref. No. 93168760



AØ 129 IØ 30  
LKØ 100 x 6

**febi 30237**  
Ref. No. 93190216



AØ 130 IØ 30 B 62,5



## Corsa II

(1994→)

<b>1,3 D Z13DTJ</b>	for vehicles with ABS For vehicles with disc brakes on the rear axle	<b>02843</b>	<b>02843</b>
	for vehicles without ABS For vehicles with disc brakes on the rear axle	<b>02895</b>	<b>02895</b>
		<b>19088</b>	-
<b>1,4 C14NZ</b>		<b>06507</b>	-
<b>1,4 Z14XE</b> <b>1,4 Z14XEP</b>	for vehicles with ABS For vehicles with disc brakes on the rear axle	<b>02843</b>	<b>02843</b>
	for vehicles without ABS For vehicles with disc brakes on the rear axle	<b>02895</b>	<b>02895</b>
	For vehicles with drum brakes on the rear axle	<b>19088</b>	-
<b>1,6 Y16YNG</b> <b>1,6 Z16SE</b> <b>1,6 Z16YNG</b>	for vehicles with ABS For vehicles with disc brakes on the rear axle	<b>02843</b>	<b>02843</b>
	for vehicles without ABS For vehicles with disc brakes on the rear axle	<b>02895</b>	<b>02895</b>
		<b>19088</b>	-
<b>1,7 D Y17DT</b> <b>1,7 D Y17DTL</b>	for vehicles with ABS For vehicles with disc brakes on the rear axle	<b>02843</b>	<b>02843</b>
	for vehicles without ABS For vehicles with disc brakes on the rear axle	<b>02895</b>	<b>02895</b>
	For vehicles with drum brakes on the rear axle	<b>19088</b>	-

rear axle

### febi 02843

Ref. No. 09120128



AØ 136  
AØ 56,5  
LKØ 100 x 4

### febi 02895

Ref. No. 09120129



AØ 136 B 107,5  
LKØ 100 x 4

### febi 06507

Ref. No. 90486463



AØ 50 IØ 29 B 15  
AØ 40 IØ 17

### febi 19088

Ref. No. 09196286



AØ 53 IØ 27 B 43



suitable for:

**Vauxhall**

**Car  
Division**



## Corsa II

(1994→ )

<b>1,7 D Z17DTH</b>	For vehicles with drum brakes on the rear axle	<b>19088</b>	-
<b>1,8 Z18XE</b>	for vehicles with ABS For vehicles with disc brakes on the rear axle	<b>02843</b>	<b>02843</b>
	for vehicles without ABS For vehicles with disc brakes on the rear axle	<b>02895</b>	<b>02895</b>
	For vehicles with drum brakes on the rear axle	<b>19088</b>	-

## Corsa III

(2006→ )

<b>1,0 A10XEP 1,0 Z10XEP 1,2 A12XEL 1,2 A12XER 1,2 Z12XEP 1,3 D Z13DTE</b>	For vehicles with drum brakes on the rear axle	<b>28145</b>	<b>28145</b>
	to Chassis No. 84999999 to Chassis No. 86999999		
	For vehicles with disc brakes on the rear axle	<b>30237</b>	<b>30237</b>

rear axle

### febi 02843

Ref. No. 09120128



AØ 136  
AØ 56,5  
LKØ 100 x 4

### febi 02895

Ref. No. 09120129



AØ 136 B 107,5  
LKØ 100 x 4

### febi 19088

Ref. No. 09196286



AØ 53 IØ 27 B 43

### febi 28145

Ref. No. 93168760



AØ 129 IØ 30  
LKØ 100 x 6

### febi 30237

Ref. No. 93190216



AØ 130 IØ 30 B 62,5



## Corsa III

(2006→)

<b>1,3 D Z13DTH</b>	drum brake	<b>19088</b>	-
	For vehicles with drum brakes on the rear axle to Chassis No. 84999999 to Chassis No. 86999999	<b>28145</b>	<b>28145</b>
	For vehicles with disc brakes on the rear axle	<b>30237</b>	<b>30237</b>
<b>1,3 D Z13DTJ</b>	for vehicles with ABS For vehicles with disc brakes on the rear axle	<b>02843</b>	<b>02843</b>
	drum brake	<b>19088</b>	-
	For vehicles with drum brakes on the rear axle to Chassis No. 84999999 to Chassis No. 86999999	<b>28145</b>	<b>28145</b>
	For vehicles with disc brakes on the rear axle	<b>30237</b>	<b>30237</b>
<b>1,4 A14NEL</b>	For vehicles with drum brakes on the rear axle	<b>28145</b>	<b>28145</b>
<b>1,4 A14XER</b> <b>1,4 Z14XEP</b>	For vehicles with drum brakes on the rear axle to Chassis No. 84999999 to Chassis No. 86999999	<b>28145</b>	<b>28145</b>
	For vehicles with disc brakes on the rear axle	<b>30237</b>	<b>30237</b>
<b>1,6 A16LES</b>	For vehicles with drum brakes on the rear axle	<b>28145</b>	<b>28145</b>

rear axle

### febi 02843

Ref. No. 09120128



Ø 136  
Ø 56,5  
LKØ 100 x 4

### febi 19088

Ref. No. 09196286



Ø 53 IØ 27 B 43

### febi 28145

Ref. No. 93168760



Ø 129 IØ 30  
LKØ 100 x 6

### febi 30237

Ref. No. 93190216



Ø 130 IØ 30 B 62,5

suitable for:

**Vauxhall**

**Car  
Division**



## Corsa III

(2006→ )

rear axle	<b>1,6 Z16LEL</b>	For vehicles with drum brakes on the rear axle to Chassis No. 84999999 to Chassis No. 86999999	<b>28145</b>	<b>28145</b>
		For vehicles with disc brakes on the rear axle	<b>30237</b>	<b>30237</b>
	<b>1,6 Z16LER</b>	drum brake	<b>19088</b>	-
		For vehicles with drum brakes on the rear axle to Chassis No. 84999999 to Chassis No. 86999999	<b>28145</b>	<b>28145</b>
		For vehicles with disc brakes on the rear axle	<b>30237</b>	<b>30237</b>
	<b>1,7 D A17DTR</b> <b>1,7 D A17DTS</b>	For vehicles with drum brakes on the rear axle to Chassis No. 84999999 to Chassis No. 86999999	<b>28145</b>	<b>28145</b>
For vehicles with disc brakes on the rear axle		<b>30237</b>	<b>30237</b>	
<b>1,7 D Z17DTR</b>	drum brake	<b>19088</b>	-	
	For vehicles with drum brakes on the rear axle to Chassis No. 84999999 to Chassis No. 86999999	<b>28145</b>	<b>28145</b>	
	For vehicles with disc brakes on the rear axle	<b>30237</b>	<b>30237</b>	

## Corsa IV

(2009→ )

<b>1,4 A14XEL</b>	For vehicles with drum brakes on the rear axle	<b>28145</b>	<b>28145</b>
-------------------	--	--------------	--------------

### febi 19088

Ref. No. 09196286



AØ 53 IØ 27 B 43

### febi 28145

Ref. No. 93168760



AØ 129 IØ 30  
LKØ 100 x 6

### febi 30237

Ref. No. 93190216



AØ 130 IØ 30 B 62,5



## Meriva I

(2003→2010)

1,3 D Z13DT	for vehicles with ABS	02843	02843
	for vehicles without ABS Rim Hole Number 4	02895	02895
1,3 D Z13DTJ		02843	02843
1,4 Z14XEP	for vehicles with ABS Rim Hole Number 4	02843	02843
1,6 Z16SE 1,6 Z16XE	for vehicles with ABS	02843	02843
	for vehicles without ABS Rim Hole Number 4	02895	02895
1,6 Z16XEP	for vehicles with ABS Rim Hole Number 4	02843	02843
1,7 D Y17DT	for vehicles with ABS	02843	02843
	for vehicles without ABS Rim Hole Number 4	02895	02895
1,7 D Z17DTH		02843	02843
1,8 Z18XE	for vehicles with ABS	02843	02843
	for vehicles without ABS Rim Hole Number 4	02895	02895

## Meriva II

(2010→)

1,3 D A13DTC 1,3 D A13DTE 1,4 A14NEL 1,4 A14NET 1,7 D A17DT 1,7 D A17DTC 1,7 D A17DTS		27382	27382
---	--	-------	-------

### febi 02843

Ref. No. 09120128



AØ 136  
AØ 56,5  
LKØ 100 x 4

### febi 02895

Ref. No. 09120129



AØ 136 B 107,5  
LKØ 100 x 4

### febi 27382

Ref. No. 93178626



AØ 140 B 150  
LKØ 105 x 5

suitable for:

# Vauxhall

Car Division 



## Movano I (1998→2010)

all	Rim Size [in] 16	23179	-
-----	------------------	-------	---

## Nova (1982→1994)

all		03115 / 06507	-
-----	--	---------------	---

## Omega (1994→)

2,0 20SE	for armoured vehicles	01971 / 04529	-
		03271	-
	not for armoured vehicles	04838	-
2,0 D X20DTH 2,0 X20SE 2,0 X20XEV	for extended wheelbase	01971	-
		03271 / 04529	-
	not for armoured vehicles	04838	-
2,2 D Y22DTH 2,2 Y22XE 2,2 Z22XE		04838	-
2,5 D 25DT		03271	-
	not for armoured vehicles	04838	-


rear axle

**febi 01971**  
Ref. No. 90486468



AØ 74 IØ 37 B 45

**febi 03115**  
Ref. No. 90005147



AØ 50 IØ 29 B 15  
AØ 40 IØ 17

**febi 03271**  
Ref. No. 90279332




AØ 72 IØ 39 B 37

**febi 04529**  
Ref. No. 90235281




AØ 74 IØ 37 B 45

**febi 04838**  
Ref. No. 90510542



AØ 74 IØ 39 B 39

**febi 06507**  
Ref. No. 90486463



AØ 50 IØ 29 B 15  
AØ 40 IØ 17

**febi 23179**  
Ref. No. 09111044



AØ 80 IØ 45,3 B 48



## Omega

(1994→)

2,5 D U25TD	for extended wheelbase	01971	-
2,5 D X25TD		03271 / 04529	-
2,5 X25XE			
	not for armoured vehicles	04838	-
2,5 D Y25TD	for armoured vehicles	01971 / 04529	-
		03271	-
	not for armoured vehicles	04838	-
2,6 Y26SE	for extended wheelbase	01971	-
3,0 X30XE		03271 / 04529	-
3,2 Y32SE			
	not for armoured vehicles	04838	-

## Senator

(1987→1993)

2,5 25NE		01971 / 04529	-
2,6 C26NE			
3,0 30NE		01971	-
3,0 C30NE		01971 / 04529	-
3,0 C30SE			

rear axle

### febi 01971

Ref. No. 90486468



AØ 74 IØ 37 B 45

### febi 03271

Ref. No. 90279332



AØ 72 IØ 39 B 37

### febi 04529

Ref. No. 90235281



AØ 74 IØ 37 B 45

### febi 04838

Ref. No. 90510542



AØ 74 IØ 39 B 39

suitable for:

**Vauxhall**

**Car  
Division**



## Signum

(2003→2008)

1,8 Z18XE	26675	26675
1,8 Z18XER		
1,9 D Z19DT		
1,9 D Z19DTH		
1,9 D Z19DTL	26675	26675
Rim Hole Number 5	27382	27382
Rim Hole Number 4	27384	27384
2,0 D Y20DTH	26675	26675
2,0 Z20NET		
2,2 D Y22DTR		
2,2 Z22YH		
2,8 Z28NEL		
2,8 Z28NET		
3,0 D Y30DT		
3,0 D Z30DT		
3,2 Z32SE		

## Tigra I

(1994→2000)

1,4 X14XE	06507	-
1,6 X16XE		

rear axle

### febi 06507

Ref. No. 90486463



AØ 50 IØ 29 B 15  
AØ 40 IØ 17

### febi 26675

Ref. No. 1604 314



AØ 140 IØ 31 B 80  
LKØ 105 x 5

### febi 27382

Ref. No. 93178626



AØ 140 B 150  
LKØ 105 x 5

### febi 27384

Ref. No. 93178625



AØ 136 B 150  
LKØ 100 x 4



**Tigra II**

(2004→2009)

1,3 D Z13DT  
1,4 Z14XEP  
1,8 Z18XE

For vehicles with drum brakes on the rear axle

19088

-

**Vectra I**

(1995→2002)

1,6 X16SZR  
1,6 X16XEL

from Chassis No. W1349680  
to Chassis No. W1999999  
to Chassis No. W7999999  
for vehicles with ABS  
from Chassis No. W7203768  
from Chassis No. XL000001  
Rim Hole Number 4

02843

02843

from Chassis No. XL000001  
for vehicles with ABS  
Rim Hole Number 4

1,6 Z16XE

to Chassis No. W1999999  
to Chassis No. W7999999  
for vehicles with ABS  
Rim Hole Number 4

02843

02843

from Chassis No. XL000001  
for vehicles with ABS  
Rim Hole Number 4

1,7 D X17DT  
1,7 D X17TD  
1,8 X18XE  
1,8 X18XE1

from Chassis No. W1349680  
to Chassis No. W1999999  
to Chassis No. W7999999  
for vehicles with ABS  
from Chassis No. W7203768  
from Chassis No. XL000001  
Rim Hole Number 4

02843

02843

from Chassis No. XL000001  
for vehicles with ABS  
Rim Hole Number 4

rear axle

**febi 02843**

Ref. No. 09120128



AØ 136  
AØ 56,5  
LKØ 100 x 4

**febi 19088**

Ref. No. 09196286



AØ 53 IØ 27 B 43



suitable for:

**Vauxhall**

**Car  
Division**



**Vectra I**

(1995→2002)

rear axle	1,8 Z18XE	to Chassis No. W1999999 to Chassis No. W7999999 for vehicles with ABS Rim Hole Number 4	02843	02843
		from Chassis No. XL000001 for vehicles with ABS Rim Hole Number 4		
	2,0 D X20DTH 2,0 D X20DTL	from Chassis No. W1349680 to Chassis No. W1999999 to Chassis No. W7999999 for vehicles with ABS from Chassis No. W7203768 from Chassis No. XL000001 Rim Hole Number 4	02843	02843
	from Chassis No. XL000001 for vehicles with ABS Rim Hole Number 4			
2,0 D Y20DTH	to Chassis No. W1999999 to Chassis No. W7999999 for vehicles with ABS Rim Hole Number 4	02843	02843	
	from Chassis No. XL000001 for vehicles with ABS Rim Hole Number 4			

**Vectra II**

(2002→ )

all		26675	26675
-----	--	-------	-------

**febi 02843**

Ref. No. 09120128



AØ 136  
AØ 56,5  
LKØ 100 x 4

**febi 26675**

Ref. No. 1604 314



AØ 140 IØ 31 B 80  
LKØ 105 x 5



### Vivaro

(2000→)

1,9 D F9Q 760  
1,9 D F9Q 762  
2,0 F4R 720  
2,0 F4R 820  
2,0 D M9R 780  
2,0 D M9R 782  
2,5 D G9U 630  
2,5 D G9U 730

22864

-

### Zafira I

(1999→2005)

all

for vehicles with ABS  
Rim Hole Number 4

02843

02843

for vehicles without ABS  
Rim Hole Number 4

02895

02895

### Zafira II

(2005→)

1,6 Z16XE1  
1,6 Z16XEP  
1,6 Z16XER  
1,7 D A17DTJ  
1,7 D A17DTR  
1,7 D Z17DTJ  
1,7 D Z17DTR  
1,8 A18XER  
1,8 Z18XEP  
1,8 Z18XER  
1,9 D Z19DT  
1,9 D Z19DTH

27382

27382

rear axle

#### febi 02843

Ref. No. 09120128



∅ 136

∅ 56,5

LK∅ 100 x 4

#### febi 02895

Ref. No. 09120129



∅ 136 B 107,5

LK∅ 100 x 4

#### febi 22864

Ref. No. 91159917



∅ 68 I∅ 35 B 48

#### febi 27382

Ref. No. 93178626



∅ 140 B 150

LK∅ 105 x 5

suitable for:

# Vauxhall

Car  
Division 



## Zafira II

(2005→ )

1,9 D Z19DTL		27382	27382
	Rim Hole Number 4	27384	27384
2,0 Z20LEH 2,0 Z20LER 2,0 Z20LERT 2,2 Z22YH		27382	27382


rear axle

**febi 27382**  
Ref. No. 93178626



AØ 140 B 150  
LKØ 105 x 5

**febi 27384**  
Ref. No. 93178625



AØ 136 B 150  
LKØ 100 x 4



## Jetta (AJ)

(2007→)

2,5 CBTA  
2,5 CCCA

Observe dimensions

23320

23320

## Passat 6 (A3)

(2011→)

all

23320

23320

### febi 23320

Ref. No. 1T0 598 611 B



AØ 136 IØ 32 B 70

LKØ 112 x 5

suitable for:

# Volkswagen

Car  
Division



## Bora (1J)

(1998→2005)

- 1,4 AHW
- 1,4 AKQ
- 1,4 APE
- 1,4 AXP
- 1,4 BCA
- 1,6 AEH
- 1,6 AKL
- 1,6 APF
- 1,6 ATN
- 1,6 AUS
- 1,6 AVU
- 1,6 AWB
- 1,6 AZD
- 1,6 BAD
- 1,6 BCB
- 1,6 BFQ
- 1,8 AGN
- 1,8 AGU
- 1,8 ARX
- 1,8 AUM
- 1,8 AUQ
- 1,9 D AGP
- 1,9 D AGR
- 1,9 D AHF
- 1,9 D AJM
- 1,9 D ALH
- 1,9 D AQM
- 1,9 D ARL
- 1,9 D ASV
- 1,9 D ASZ
- 1,9 D ATD
- 1,9 D AUY
- 1,9 D AXR
- 2,0 APK
- 2,0 AQY
- 2,0 AZG
- 2,0 AZH
- 2,0 AZJ
- 2,3 AGZ
- 2,3 AQN
- 2,8 AQP
- 2,8 AUE

rear axle

24236

24236

febi 24236

Ref. No. 1J0 598 477



AØ 120 IØ 30 B 63

LKØ 100 x 5



## Bora 4 motion (1J)

(1998→2005)

all	14250	-
-----	-------	---

## Caddy 1 (1A)

(1991→1992)

1,6 EW 1,6 D ME 1,8 JH	05386	-
------------------------------	-------	---

## Caddy 1 (14)

(1982→1991)

all	05386	-
-----	-------	---

## Caddy 2 (9K)

(1995→2003)

1,4 AKV 1,4 APQ	from Chassis No. 9K-X-541 901	28376	28376
--------------------	-------------------------------	-------	-------

1,4 AUA 1,4 AUD		28376	28376
--------------------	--	-------	-------

1,6 AEE 1,7 D AHB 1,9 D 1Y 1,9 D AEY 1,9 D AHU 1,9 D ALE	from Chassis No. 9K-X-541 901	28376	28376
---	-------------------------------	-------	-------

1,9 D ALH 1,9 D AYQ		28376	28376
------------------------	--	-------	-------

## Caddy 3 (2K)

(2004→2010)

all	For PR number 0E1/0E2	29447	29447
-----	-----------------------	-------	-------

rear axle

**febi 05386**  
Ref. No. 4A0 598 625 A

AØ 50 IØ 29 B 16  
AØ 45 IØ 19 B 15

**febi 14250**  
Ref. No. 1J0 498 625 A

AØ 74 IØ 40 B 40

**febi 28376**  
Ref. No. 6K9 501 477

AØ 120 IØ 30 B 64  
LKØ 100 x 4

**febi 29447**  
Ref. No. 1T0 598 611 A

AØ 136 IØ 32 B 70  
LKØ 108 x 5

suitable for:

# Volkswagen

Car  
Division 



## Caddy 4 (2C)

(2010→)

For PR number 0E1/0E2

- 1,2 CBZA
- 1,2 CBZB
- 1,6 BSF
- 1,6 D CAYD
- 1,6 D CAYE
- 1,6 CHGA
- 2,0 BSX
- 2,0 D CFHC
- 2,0 D CFHE
- 2,0 D CLCA

29447

29447

## Corrado (50)

(1988→1995)

- 1,8 KR
- 1,8 PG
- 2,0 2E
- 2,0 9A
- 2,0 ADY
- 2,9 ABV

03674 / 12934

-

## Crafter 50 (2E)

(2006→)

- 2,0 D CKTB
- 2,0 D CKTC
- 2,0 D CKUB
- 2,0 D CKUC
- 2,5 D BJK
- 2,5 D B JL
- 2,5 D BJM
- 2,5 D CEBB
- 2,5 D CECA
- 2,5 D CECB

19769

-

rear axle

### febi 03674

Ref. No. 191 598 625



AØ 50 IØ 29 B 15  
AØ 40 IØ 19

### febi 12934

Ref. No. 191 598 625 S1



AØ 50 IØ 29 B 15  
AØ 40 IØ 19

### febi 19769

Ref. No. 2D0 501 319 B



### febi 29447

Ref. No. 1T0 598 611 A



AØ 136 IØ 32 B 70  
LKØ 108 x 5



## Crafter 50 (2F)

(2006→)

2,0 D CKTB  
2,0 D CKTC  
2,0 D CKUB  
2,0 D CKUC  
2,5 D BJJ  
2,5 D BJK  
2,5 D BJL  
2,5 D BJM  
2,5 D CEBB  
2,5 D CECA  
2,5 D CECB

19769

-

## Crossfox (5Z)

(2007→)

1,4 BKR  
1,4 D BNM

24224

24224

## Crossgolf (5M)

(2006→)

all

26380

26380

## Crosspolo (6R)

(2009→)

all

24224

24224

## Crosspolo (9N)

(2005→2009)

all

24224

24224

## Crosstouran (1T)

(2007→)

all

23320

23320

rear axle

### febi 19769

Ref. No. 2D0 501 319 B



### febi 23320

Ref. No. 1T0 598 611 B



AØ 136 IØ 32 B 70  
LKØ 112 x 5

### febi 24224

Ref. No. 6Q0 598 611



AØ 120 IØ 28 B 63,25  
AØ 57  
LKØ 100 x 5

### febi 26380

Ref. No. 1K0 598 611



AØ 136 IØ 30 B 68,5  
LKØ 112 x 5



suitable for:

# Volkswagen

Car  
Division 



## Derby 1 (86)

(1975→1981)

0,9 HA  
1,1 HB  
1,3 HH  
1,3 HJ

03674 / 12934

-

## Derby 2 (87)

(1981→1984)

1,0 GL  
1,1 HB  
1,3 GK  
1,3 HH  
1,3 HK  
1,3 MH

03674 / 12934

-

## Eos (1F)

(2006→)

1,4 CAVD  
1,4 CAXA  
1,6 BLF  
2,0 D BMM  
2,0 BPY  
2,0 BVY  
2,0 BVZ  
2,0 BWA  
2,0 CAWB  
2,0 D CBAB  
2,0 CBFA  
2,0 CCTA  
2,0 CCZA  
2,0 CCZB  
2,0 D CFFA  
2,0 D CFFB  
3,2 BUB  
3,2 CBRA  
3,6 CDVA

23320

23320

rear axle

### febi 03674

Ref. No. 191 598 625



AØ 50 IØ 29 B 15  
AØ 40 IØ 19

### febi 12934

Ref. No. 191 598 625 S1



AØ 50 IØ 29 B 15  
AØ 40 IØ 19

### febi 23320

Ref. No. 1T0 598 611 B



AØ 136 IØ 32 B 70  
LKØ 112 x 5



## Fox (5Z)

(2003→)

- 1,0 AQZ
- 1,0 BJE
- 1,0 BNX
- 1,0 CCNA
- 1,2 BMD
- 1,2 CHFA
- 1,2 CHFB
- 1,4 BKR
- 1,4 D BNM
- 1,6 BAH
- 1,6 BJA
- 1,6 BLH
- 1,6 BPA
- 1,6 CCRA
- 1,9 D ASY

24224

24224

## Golf 1 (15)

(1979→1993)

all

03674 / 12934

-

## Golf 1 (17)

(1974→1984)

all

03674 / 12934

-

## Golf 2 (19)

(1983→1988)

all

03674 / 12934

-

rear axle

**febi 03674**  
Ref. No. 191 598 625

AØ 50 IØ 29 B 15  
AØ 40 IØ 19

**febi 12934**  
Ref. No. 191 598 625 S1

AØ 50 IØ 29 B 15  
AØ 40 IØ 19

**febi 24224**  
Ref. No. 6Q0 598 611

AØ 120 IØ 28 B 63,25  
AØ 57  
LKØ 100 x 5

suitable for:

**Volkswagen**

**Car  
Division**



**Golf 2 syncro (19)**

(1985→1988)

1,8 GU		05380	02231
1,8 GX			
1,8 RH	from Chassis No. 1.-JW000 001 from Chassis No. 19-JB000 001 For vehicles with disc brakes on the rear axle	-	03368

**Golf 2 (1G)**

(1988→1992)

all		03674 / 12934	-
-----	--	---------------	---

**Golf 2 syncro (1G)**

(1988→1992)

1,8 1P		05380 / 12934	02231 / 03368
1,8 GU		05380	02231 / 03368
1,8 PG		05379 / 05380	02231 / 03368

rear axle

**febi 02231**  
Ref. No. 823 407 615 A

AØ 39 LKØ 100 x 4

**febi 03368**  
Ref. No. 357 407 615

AØ 40 LKØ 100 x 4

**febi 03674**  
Ref. No. 191 598 625

AØ 50 IØ 29 B 15  
AØ 40 IØ 19

**febi 05379**  
Ref. No. 331 598 625 A S1

AØ 72 IØ 40 B 37

**febi 05380**  
Ref. No. 331 598 625

AØ 68 IØ 39 B 37

**febi 12934**  
Ref. No. 191 598 625 S1

AØ 50 IØ 29 B 15  
AØ 40 IØ 19



## Golf 3 (1H)

(1991→2000)

- 0,0 S20
- 1,4 ABD
- 1,4 AEX
- 1,4 APQ
- 1,6 ABU
- 1,6 AEA
- 1,6 AEE
- 1,6 AEK
- 1,6 AFT
- 1,6 AKS
- 1,8 AAM
- 1,8 ABS
- 1,8 ACC
- 1,8 ADZ
- 1,8 ANN
- 1,8 ANP
- 1,9 D 1Y
- 1,9 D 1Z
- 1,9 D AAZ
- 1,9 D AEY
- 1,9 D AFN
- 1,9 D AHU
- 1,9 D ALE
- 2,0 2E
- 2,0 ABA
- 2,0 ABF
- 2,0 ADY
- 2,0 AEP
- 2,0 AGG
- 2,0 AKR
- 2,8 AAA
- 2,9 ABV

03674 / 12934

-

## Golf 3 (1E)

(1993→2002)

all

03674 / 12934

-

rear axle

### febi 03674

Ref. No. 191 598 625



AØ 50 IØ 29 B 15  
AØ 40 IØ 19

### febi 12934

Ref. No. 191 598 625 S1



AØ 50 IØ 29 B 15  
AØ 40 IØ 19

suitable for:

# Volkswagen

Car  
Division 



## Golf 3 syncro (1H)

(1993→1997)

1,8 ABS	05380	-
1,8 ADZ		
1,9 D 1Z		
1,9 D AHU		
1,9 D ALE		
2,0 AGG		
2,9 ABV	05379 / 05380	-


rear axle

**febi 05379**  
Ref. No. 331 598 625 A S1



AØ 72 IØ 40 B 37

**febi 05380**  
Ref. No. 331 598 625



AØ 68 IØ 39 B 37



## Golf 4 (1J)

(1997→2006)

- 1,4 AHW
- 1,4 AKQ
- 1,4 APE
- 1,4 AXP
- 1,4 BCA
- 1,6 AEH
- 1,6 AKL
- 1,6 APF
- 1,6 ATN
- 1,6 AUS
- 1,6 AVU
- 1,6 AZD
- 1,6 BAD
- 1,6 BAH
- 1,6 BCB
- 1,6 BFQ
- 1,8 AGN
- 1,8 AGU
- 1,8 AQA
- 1,8 ARZ
- 1,8 AUM
- 1,8 AUQ
- 1,8 AWD
- 1,9 D AGP
- 1,9 D AGR
- 1,9 D AHF
- 1,9 D AJM
- 1,9 D ALH
- 1,9 D AQM
- 1,9 D ARL
- 1,9 D ASV
- 1,9 D ASZ
- 1,9 D ATD
- 1,9 D AUY
- 1,9 D AXR
- 2,0 APK
- 2,0 AQY
- 2,0 AZG
- 2,0 AZJ
- 2,0 BEH
- 2,3 AGZ
- 2,3 AQN
- 2,8 AAA

09521 / 24236

09521 / 24236

rear axle

**febi 09521**

Ref. No. 1J0 501 477 A



AØ 120 IØ 30 B 63  
LKØ 100 x 5

**febi 24236**

Ref. No. 1J0 598 477



AØ 120 IØ 30 B 63  
LKØ 100 x 5

suitable for:

**Volkswagen**

**Car  
Division**



**Golf 4 4 motion (1J)**

(1997→2006)

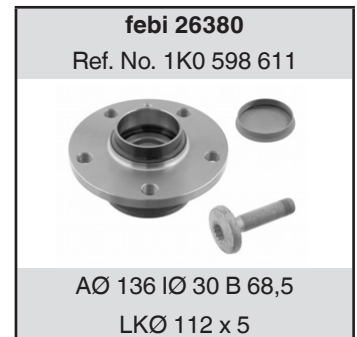
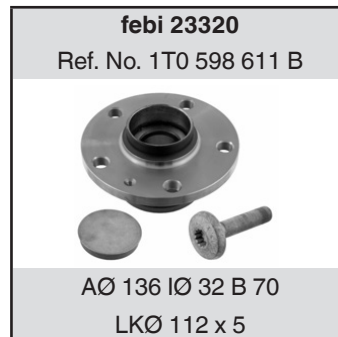
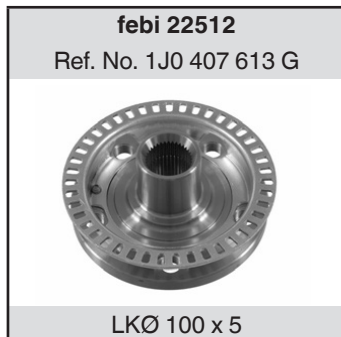
1,8 AGN		14250	-
1,9 D AGR			
1,9 D AJM			
1,9 D ALH			
1,9 D ARL			
1,9 D ASZ			
1,9 D ATD			
1,9 D AUJ			
2,0 AZH			
2,0 AZJ			
2,3 AGZ			
2,3 AQN			
2,8 AQP			
2,8 AUE			
2,8 BDE			
3,2 BFH		14250	22512
3,2 BML			

**Golf 5 (1K)**

(2003→2009)

1,4 BCA	Observe dimensions	23320	23320
1,4 BKG	from Chassis No. 1K-4P025 001	26380	26380
	Observe dimensions		
1,4 BLG	Observe dimensions	23320 / 26380	23320 / 26380
1,4 BLN			
1,4 BMY			
1,4 BUD			
1,4 CAVD			
1,4 CAXA			
1,6 BAG	Observe dimensions	23320	23320
	from Chassis No. 1K-4P025 001	26380	26380
	Observe dimensions		

rear axle





## Golf 5 (1K)

(2003→2009)

1,6 BGU 1,6 BLF 1,6 BLP 1,6 BSE 1,6 BSF 1,6 CCSA	Observe dimensions	23320 / 26380	23320 / 26380
1,9 D BKC	Observe dimensions	23320	23320
	from Chassis No. 1K-4P025 001 Observe dimensions	26380	26380
1,9 D BLS 1,9 D BRU 1,9 D BXE 1,9 D BXF 1,9 D BXJ	Observe dimensions	23320 / 26380	23320 / 26380
2,0 AXW	Observe dimensions	23320	23320
	from Chassis No. 1K-4P025 001 Observe dimensions	26380	26380
2,0 AXX	Observe dimensions	23320 / 26380	23320 / 26380
2,0 D AZV	Observe dimensions	23320	23320
	from Chassis No. 1K-4P025 001 Observe dimensions	26380	26380
2,0 D BDK 2,0 BHY	Observe dimensions	23320 / 26380	23320 / 26380
2,0 D BKD	Observe dimensions	23320	23320
	from Chassis No. 1K-4P025 001 Observe dimensions	26380	26380

rear axle





suitable for:

**Volkswagen**

Car  
Division



**Golf 5 (1K)**

(2003→2009)

2,0 BLR 2,0 BLX 2,0 BLY 2,0 BMB 2,0 D BMM 2,0 D BMN 2,0 BPY 2,0 D BVB 2,0 BVX 2,0 BVY 2,0 BVZ 2,0 BWA 2,0 BYD 2,0 CAWB 2,0 D CBDA 2,0 D CBDB	Observe dimensions	23320 / 26380	23320 / 26380
2,5 D BDG	Observe dimensions	23320	23320
	from Chassis No. 1K-4P025 001	26380	26380
	Observe dimensions		
2,5 BGP 2,5 BGQ 3,2 BUB	Observe dimensions	23320 / 26380	23320 / 26380

**Golf 5 (5M)**

(2004→2008)

all		26380	26380
-----	--	-------	-------

**Golf 5 4 motion (1K)**

(2003→2008)

2,0 D AZV		26377 / 27317	26377 / 27317
-----------	--	---------------	---------------

**febi 23320**  
Ref. No. 1T0 598 611 B

AØ 136 IØ 32 B 70  
LKØ 112 x 5

**febi 26377**  
Ref. No. 1T0 498 621 SK

AØ 136 IØ 27,5 B 84,5  
LKØ 112 x 5

**febi 26380**  
Ref. No. 1K0 598 611

AØ 136 IØ 30 B 68,5  
LKØ 112 x 5

**febi 27317**  
Ref. No. 5K0 498 621

AØ 136 IØ 27,5 B 84,5  
LKØ 112 x 5



## Golf 6 (5K)

(2008→)

all

Observe dimensions

23320 / 26380

23320 / 26380

## Golf 6 (AJ)

(2007→)

all

Observe dimensions

23320 / 26380

23320 / 26380

## Golf 6 (51)

(2011→)

1,2 CBZB  
1,4 CAVD  
1,4 CAXA  
1,4 CNWA  
1,4 CTHD  
1,6 D CAYC  
2,0 CCZB  
2,0 CDLA  
2,0 CDLC  
2,0 D CFHC

26380

26380

## Golf 6 (52)

(2009→)

1,2 CBZA  
1,2 CBZB  
1,4 BLN  
1,4 BUD  
1,4 CAVD  
1,4 CAXA  
1,4 CGGA  
1,4 CNWA

from the year of construction 03/2011  
For PR number 3M1/OBK+3M0

23320

23320

1,4 CTHD  
1,4 CTKA

from the year of construction 03/2011  
For PR number 3M1/OBK+3M0

23320

23320

For PR number 3M0/OBE+3M0

26380

26380

rear axle

### febi 23320

Ref. No. 1T0 598 611 B



AØ 136 IØ 32 B 70  
LKØ 112 x 5

### febi 26380

Ref. No. 1K0 598 611



AØ 136 IØ 30 B 68,5  
LKØ 112 x 5

suitable for:

# Volkswagen

Car  
Division



## Golf 6 (52)

(2009→)

1,6 BSE	from the year of construction 03/2011	23320	23320
1,6 BSF	For PR number 3M1/0BK+3M0		
1,6 D CAYB	to the year of construction 02/2011	26380	26380
1,6 D CAYC	For PR number 3M0/3M1		
	from the year of construction 03/2011		
	For PR number 3M0/0BE+3M0		
1,6 CCSA	For PR number 3M0/3M1	26380	26380
1,6 CHGA	from the year of construction 03/2011	23320	23320
1,6 CMXA	For PR number 3M1/0BK+3M0		
	to the year of construction 02/2011	26380	26380
	For PR number 3M0/3M1		
	from the year of construction 03/2011		
	For PR number 3M0/0BE+3M0		
2,0 D BMM	For PR number 3M0/3M1	26380	26380
2,0 D CBDA			
2,0 D CBDB			
2,0 D CBDC	from the year of construction 03/2011	23320	23320
2,0 D CFHB	For PR number 3M1/0BK+3M0		
2,0 D CFHC	to the year of construction 02/2011	26380	26380
2,0 D CLCA	For PR number 3M0/3M1		
	from the year of construction 03/2011		
	For PR number 3M0/0BE+3M0		

## Golf 6 4 motion (AJ)

(2009→)

1,6 D CAYC	26377 / 27317	26377 / 27317
------------	---------------	---------------

**febi 23320**

Ref. No. 1T0 598 611 B



AØ 136 IØ 32 B 70  
LKØ 112 x 5

**febi 26377**

Ref. No. 1T0 498 621 SK



AØ 136 IØ 27,5 B 84,5  
LKØ 112 x 5

**febi 26380**

Ref. No. 1K0 598 611



AØ 136 IØ 30 B 68,5  
LKØ 112 x 5

**febi 27317**

Ref. No. 5K0 498 621



AØ 136 IØ 27,5 B 84,5  
LKØ 112 x 5



## Golf 6 4 motion (5K)

(2008→)

1,6 D CAYC  
2,0 D CBAB  
2,0 CDLA  
2,0 CDLF  
2,0 D CFFB

26377 / 27317

26377 / 27317

2,0 CRZA

Observe dimensions

23320 / 26380

23320 / 26380

## Jetta 1 (16)

(1978→1985)

all

03674 / 12934

-

## Jetta 2 (1G)

(1986→1992)

all

03674 / 12934

-

## Jetta 2 (16)

(1983→1992)

all

03674 / 12934

-

rear axle

### febi 03674

Ref. No. 191 598 625



AØ 50 IØ 29 B 15

AØ 40 IØ 19

### febi 12934

Ref. No. 191 598 625 S1



AØ 50 IØ 29 B 15

AØ 40 IØ 19

### febi 23320

Ref. No. 1T0 598 611 B



AØ 136 IØ 32 B 70

LKØ 112 x 5

### febi 26377

Ref. No. 1T0 498 621 SK



AØ 136 IØ 27,5 B 84,5

LKØ 112 x 5

### febi 26380

Ref. No. 1K0 598 611



AØ 136 IØ 30 B 68,5

LKØ 112 x 5

### febi 27317

Ref. No. 5K0 498 621



AØ 136 IØ 27,5 B 84,5

LKØ 112 x 5

suitable for:

# Volkswagen

Car  
Division 



## Jetta 2 syncro (1G)

(1985→1991)

1,8 1P  
1,8 GU

from Chassis No. 1.-JW000 001  
from Chassis No. 19-JB000 001

05380

02231

-

03368

## Jetta 2 syncro (16)

(1987→1989)

1,8 GU  
1,8 GX  
1,8 RH

For vehicles with disc brakes on the  
rear axle

05380

02231

-

03368

rear axle

**febi 02231**

Ref. No. 823 407 615 A



AØ 39 LKØ 100 x 4

**febi 03368**

Ref. No. 357 407 615



AØ 40 LKØ 100 x 4

**febi 05380**

Ref. No. 331 598 625



AØ 68 IØ 39 B 37



## Jetta 3 (1K)

(2005→2010)

1,4 BLG  
1,4 BMY  
1,4 CAVD  
1,4 CAXA  
1,6 BLF  
1,6 BSE  
1,6 BSF  
1,6 D CAYB  
1,6 D CAYC  
1,6 CCSA  
1,6 CMXA  
1,9 D BKC  
1,9 D BLS  
1,9 D BRM  
1,9 D BXE  
2,0 D AZV  
2,0 D BKD  
2,0 D BKM  
2,0 BLR  
2,0 BLY  
2,0 D BMM  
2,0 D BMN  
2,0 BPY  
2,0 BVY  
2,0 BVZ  
2,0 BWA  
2,0 CAWB  
2,0 D CBDA  
2,0 D CBDB  
2,0 D CBEA  
2,0 CBFA  
2,0 CCTA  
2,0 D CEGA  
2,0 D CJAA  
2,0 D CLCA  
2,5 BGP  
2,5 BTK  
2,5 CBTA  
2,5 CCCA

23320

23320

rear axle

**febi 23320**

Ref. No. 1T0 598 611 B



AØ 136 IØ 32 B 70

LKØ 112 x 5

suitable for:

**Volkswagen**

**Car  
Division**



## Jetta 4 (16)

(2010→)

1,2 CBZB	For PR number 0N4	23320	23320
1,4 CAVA	For PR number 0N9	26380	26380
1,4 CAVD			
1,4 CAXA			
1,4 CMSB	For PR number 0N9	26380	26380
1,4 CTHA			
1,6 D CAYC	For PR number 0N4	23320	23320
	For PR number 0N9	26380	26380
1,6 CLRA	For PR number 0N9	26380	26380
	For PR number 0N4	23320	23320
2,0 CBFA	For PR number 0N9	26380	26380
2,0 CBPA			
2,0 CCTA	For PR number 0N9	26380	26380
2,0 CCZA			
2,0 D CFFB			
2,0 D CFHC			
2,0 D CJAA			
2,0 CKJA			
2,0 D CLCA			
2,0 D CLCB			
2,5 CBTA			
2,5 CBUA			
2,5 CCCA			

## LT 46 (2D)

(1996→2006)

all	for dual tyres	19769	-
-----	----------------	-------	---

## Lupo (6E)

(2000→2005)

1,4 ARR	For PR number 1KE/1KK For vehicles with disc brakes on the rear axle	28168	28168
1,6 AVY			

**febi 19769**

Ref. No. 2D0 501 319 B



**febi 23320**

Ref. No. 1T0 598 611 B



AØ 136 IØ 32 B 70  
LKØ 112 x 5

**febi 26380**

Ref. No. 1K0 598 611



AØ 136 IØ 30 B 68,5  
LKØ 112 x 5

**febi 28168**

Ref. No. 6X0 598 477



AØ 120 IØ 28 B 65  
LKØ 100 x 4



## Lupo (6X)

(1998→2005)

all

28168

28168

## New Beetle (1C)

(1998→)

- 1,4 BCA
- 1,6 AWH
- 1,6 AYD
- 1,6 BFS
- 1,8 APH
- 1,8 AVC
- 1,8 AWP
- 1,8 AWU
- 1,8 AWV
- 1,8 BKF
- 1,8 BNU
- 1,9 D ALH
- 1,9 D ATD
- 1,9 D BEW
- 1,9 D BSW
- 2,0 AEG
- 2,0 APK
- 2,0 AQY
- 2,0 AVH
- 2,0 AZG
- 2,0 AZJ
- 2,0 BEJ
- 2,0 BER
- 2,0 BEV
- 2,0 BHP
- 2,0 CBPA
- 2,3 AQN
- 2,5 BPR
- 2,5 BPS

24236

24236

## New Beetle (9C)

(1998→)

all

24236

24236

rear axle

### febi 24236

Ref. No. 1J0 598 477



AØ 120 IØ 30 B 63  
LKØ 100 x 5

### febi 28168

Ref. No. 6X0 598 477



AØ 120 IØ 28 B 65  
LKØ 100 x 4



suitable for:

**Volkswagen**

**Car  
Division**



**New Beetle (1Y)**

(2002→ )

all

24236

24236

**New Beetle 4 motion (9C)**

(2000→2001)

3,2 AXJ

14250

22512

**New Beetle (5C)**

(2010→ )

1,2 CBZB

For PR number 0N4

23320

23320

1,4 CAVB

1,4 CAVD

1,4 CNWA

For PR number 0N9

26380

26380

1,4 CTHD

1,4 CTKA

For PR number 0N9

26380

26380

1,6 D CAYC

2,0 CBFA

2,0 CCTA

2,0 CCZA

2,0 D CFFB

2,0 D CJAA

2,5 CBTA

2,5 CBUA

2,5 CCCA

For PR number 0N4

For PR number 0N9

23320

26380

23320

26380

rear axle

**febi 14250**

Ref. No. 1J0 498 625 A



AØ 74 IØ 40 B 40

**febi 22512**

Ref. No. 1J0 407 613 G



LKØ 100 x 5

**febi 23320**

Ref. No. 1T0 598 611 B



AØ 136 IØ 32 B 70

LKØ 112 x 5

**febi 24236**

Ref. No. 1J0 598 477



AØ 120 IØ 30 B 63

LKØ 100 x 5

**febi 26380**

Ref. No. 1K0 598 611



AØ 136 IØ 30 B 68,5

LKØ 112 x 5



## Passat 1 (32)

(1973→1981)

all

03674 / 12934

-

## Passat 1 (33)

(1973→1981)

all

03674 / 12934

-

## Passat 2 syncro (33)

(1983→1989)

all

05379 / 05380

03368

## Passat 2 (32)

(1975→1988)

all

03674 / 12934

-

## Passat 2 (33)

(1975→1988)

all

03674 / 12934

-

rear axle

### febi 03368

Ref. No. 357 407 615



AØ 40 LKØ 100 x 4

### febi 03674

Ref. No. 191 598 625



AØ 50 IØ 29 B 15  
AØ 40 IØ 19

### febi 05379

Ref. No. 331 598 625 A S1



AØ 72 IØ 40 B 37

### febi 05380

Ref. No. 331 598 625



AØ 68 IØ 39 B 37

### febi 12934

Ref. No. 191 598 625 S1



AØ 50 IØ 29 B 15  
AØ 40 IØ 19

suitable for:

**Volkswagen**

**Car  
Division**



**Passat 3 syncro (31)**

(1988→1993)

1,8 PF		-	03368
1,8 PG 2,0 2E	to Chassis No. 31-M-367 757	05380	02231
		-	03368
	from Chassis No. 31-M-367 758	05379	-
2,0 AAW		-	03368

**Passat 3 syncro (3A)**

(1994→1996)

2,0 2E 2,0 ADY 2,0 AGG		05379	03368
2,8 AHA 2,9 ABV		05379	-

rear axle





## Passat 3 (31)

(1988→1996)

1,6 1F  
1,6 ABN  
1,6 EZ  
1,6 D RA  
1,6 RF  
1,6 D SB  
1,8 AAM  
1,8 ABS  
1,8 KR  
1,8 PB  
1,8 PF  
1,8 PG  
1,8 RP  
1,9 D 1Y  
1,9 D 1Z  
1,9 D AAZ  
2,0 2E  
2,0 9A  
2,0 ACX  
2,4 4A  
2,8 AAA

03674 / 12934

-

## Passat 3 (3A)

(1993→1997)

all

03674 / 12934

-

## Passat 4 syncro (3B)

(1996→2000)

all

-

24947

rear axle

### febi 03674

Ref. No. 191 598 625



AØ 50 IØ 29 B 15  
AØ 40 IØ 19

### febi 12934

Ref. No. 191 598 625 S1



AØ 50 IØ 29 B 15  
AØ 40 IØ 19

### febi 24947

Ref. No. 8D0 407 615 E



AØ 130 LKØ 112 x 5

suitable for:

# Volkswagen

Car  
Division 



## Passat 4 (3B)

(1996→2005)

1,6 ADP  
1,6 AHL  
1,6 ALZ  
1,6 ANA  
1,6 ARM  
1,8 ADR  
1,8 AEB  
1,8 AFY  
1,8 ANB  
1,8 APT  
1,8 APU  
1,8 ARG  
1,8 AWM  
1,8 AWT  
1,9 D AFN  
1,9 D AHH  
1,9 D AHU  
1,9 D AJM  
1,9 D ATJ  
1,9 D AVB  
1,9 D AVF  
1,9 D AVG  
1,9 D AWX  
2,0 ALT  
2,0 ASU  
2,0 AUZ  
2,0 AVA  
2,0 AZM  
2,0 D BGW  
2,0 D BHW  
2,3 AGZ  
2,3 AZX  
2,5 D AFB  
2,5 D AKN  
2,5 D BDG  
2,8 ACK  
2,8 AGE  
2,8 AMX  
2,8 APR  
2,8 AQD  
2,8 ATQ  
2,8 ATX  
2,8 BBG

19386

19386

rear axle

**febi 19386**

Ref. No. 8E0 501 611 J



AØ 131 IØ 40 B 130

AØ 56

LKØ 108 x 5



## Passat 4 4 motion (3B)

(1997→2005)

1,9 D AVF	For PR number 1KD/1KE/1KF	-	24947
2,0 AZM	For PR number 1KW/1KJ	26376	26376
2,3 AZX			
2,5 D AKN	For PR number 1KD/1KE/1KF For PR number 1KD/1KE/1KF/F4G Also for police vehicles	-	24947
	For PR number 1KW/1KJ	26376	26376
2,5 D BAU 2,5 D BDH	For PR number 1KD/1KE/1KF/F4G Also for police vehicles	-	24947
	For PR number 1KW/1KJ	26376	26376
2,8 AMX 2,8 ATQ 2,8 BBG	For PR number 1KD/1KE/1KF/F4G Also for police vehicles	-	24947
	For PR number F4S/1KJ/1KW Also for armoured vehicles	26376	26376
4,0 BDN 4,0 BDP	For PR number 1KD/1KE/1KF	-	24947
	For PR number 1KW/1KJ	26376	26376

rear axle



suitable for:

# Volkswagen

Car  
Division 



## Passat 5 (3C)

(2005→2010)

1,4 CAXA  
1,4 CDGA  
1,6 BLF  
1,6 BSE  
1,6 BSF  
1,6 D CAYC  
1,8 BZB  
1,8 CDAA  
1,8 CDAB  
1,8 CGYA  
1,9 D BKC  
1,9 D BLS  
1,9 D BXE  
2,0 AXX  
2,0 D BKP  
2,0 BLR  
2,0 BLX  
2,0 BLY  
2,0 D BMA  
2,0 D BMP  
2,0 D BMR  
2,0 BPY  
2,0 D BUZ  
2,0 D BVE  
2,0 BVY  
2,0 BVZ  
2,0 BWA  
2,0 D BWV  
2,0 CAWB  
2,0 D CBAA  
2,0 D CBAB  
2,0 D CBAC  
2,0 D CBBB  
2,0 D CBDC  
2,0 CBFA  
2,0 CCTA  
2,0 CCTB  
2,0 CCZA  
3,6 BLV

23320

23320

rear axle

**febi 23320**

Ref. No. 1T0 598 611 B



AØ 136 IØ 32 B 70

LKØ 112 x 5



## Passat 6 (36)

(2010→)

1,4 CAXA  
1,4 CDGA  
1,4 CKMA  
1,6 D CAYC  
1,8 CDAA  
1,8 CDAB  
2,0 CCZB  
2,0 D CFFA  
2,0 D CFFB  
2,0 D CFGB  
2,0 D CLLA

23320

23320

## Passat CC (35)

(2008→2012)

all

23320

23320

## Passat CC 4 motion (35)

(2008→2012)

2,0 D CFFB  
2,0 D CFGB

to the year of construction 04/2011

26377 / 27317

26377 / 27317

rear axle

### febi 23320

Ref. No. 1T0 598 611 B



AØ 136 IØ 32 B 70  
LKØ 112 x 5

### febi 26377

Ref. No. 1T0 498 621 SK



AØ 136 IØ 27,5 B 84,5  
LKØ 112 x 5

### febi 27317

Ref. No. 5K0 498 621



AØ 136 IØ 27,5 B 84,5  
LKØ 112 x 5



suitable for:

**Volkswagen**

**Car  
Division**



**Polo 1 (86)**

(1975→1983)

all

03674 / 12934

-

**Polo 2 (80)**

(1981→1994)

all

03674 / 12934

-

**Polo 2 (81)**

(1991→1994)

1,0 AAU

1,3 AAV

1,4 D 1W

03674 / 12934

-

**Polo 2 (87)**

(1981→1994)

all

03674 / 12934

-

**Polo 2 (86)**

(1981→1986)

all

03674 / 12934

-

**Polo 3 (6N)**

(1994→2005)

1,0 AER

to Chassis No. 6N-XY379 991

03674 / 12934

-

from Chassis No. 6N-XY379 992

28168

28168

1,0 AEV

03674

-

to Chassis No. 6N-XY379 991

12934

-

1,0 ALD

28168

28168

rear axle

**febi 03674**

Ref. No. 191 598 625



AØ 50 IØ 29 B 15

AØ 40 IØ 19

**febi 12934**

Ref. No. 191 598 625 S1

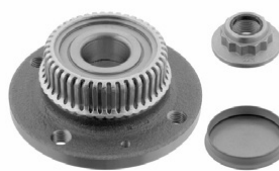


AØ 50 IØ 29 B 15

AØ 40 IØ 19

**febi 28168**

Ref. No. 6X0 598 477



AØ 120 IØ 28 B 65

LKØ 100 x 4

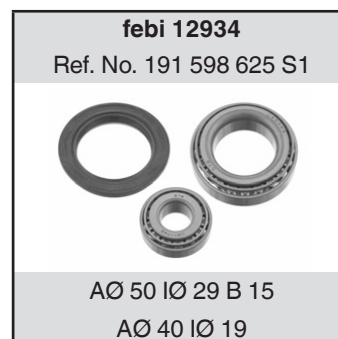
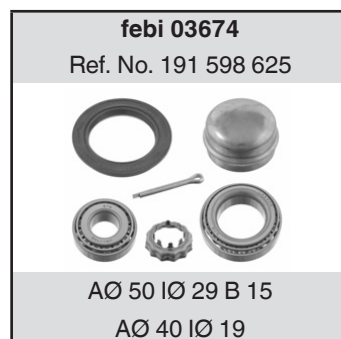


## Polo 3 (6N)

(1994→2005)

1,0 ALL	to Chassis No. 6N-XY379 991	03674 / 12934	-
	from Chassis No. 6N-XY379 992	28168	28168
1,0 AUC		28168	28168
1,3 ADX		03674	-
	to Chassis No. 6N-XY379 991	12934	-
1,4 AEX 1,4 AFH	to Chassis No. 6N-XY379 991	03674 / 12934	-
	from Chassis No. 6N-XY379 992	28168	28168
1,4 AFK 1,4 AHW 1,4 AKK 1,4 AKP		28168	28168
1,4 AKV	to Chassis No. 6N-XY379 991	03674 / 12934	-
	from Chassis No. 6N-XY379 992	28168	28168
1,4 D AMF		28168	28168
1,4 ANX	to Chassis No. 6N-XY379 991	03674 / 12934	-
	from Chassis No. 6N-XY379 992	28168	28168
1,4 APE		28168	28168
1,4 APQ	to Chassis No. 6N-XY379 991	03674 / 12934	-
	from Chassis No. 6N-XY379 992	28168	28168
1,4 AQQ 1,4 D ATL 1,4 AUA 1,4 AUB 1,4 AUD		28168	28168
1,6 AEA		03674	-
	to Chassis No. 6N-XY379 991	12934	-

rear axle



suitable for:

**Volkswagen**

**Car  
Division**



**Polo 3 (6N)**

(1994→2005)

1,6 AEE	to Chassis No. 6N-XY379 991	03674 / 12934	-
1,6 AHS			
1,6 AJV	from Chassis No. 6N-XY379 992	28168	28168
1,6 ARC		28168	28168
1,6 AVY			
1,7 D AHG	to Chassis No. 6N-XY379 991	03674 / 12934	-
1,7 D AKU			
1,9 D AEF	from Chassis No. 6N-XY379 992	28168	28168
1,9 D AGD			
1,9 D ASX		28168	28168

**Polo 3 (6V)**

(1994→2002)

1,4 AEX		12934	-
1,4 AGY	to Chassis No. 6K-X-610 000	12934	-
1,4 AKK			
1,4 AKP	from Chassis No. 6K-X-610 001	28168	28168
1,4 AKV		12934	-
1,4 ANW	to Chassis No. 6K-X-610 000	12934	-
	from Chassis No. 6K-X-610 001	28168	28168
1,4 ANX		12934	-
1,4 APE	to Chassis No. 6K-X-610 000	12934	-
	from Chassis No. 6K-X-610 001	28168	28168
1,4 APQ		12934	-
1,4 AUA		28168	28168
1,4 AUD			
1,6 1F		12934	-
1,6 AEE			

**febi 03674**

Ref. No. 191 598 625



AØ 50 IØ 29 B 15  
AØ 40 IØ 19

**febi 12934**

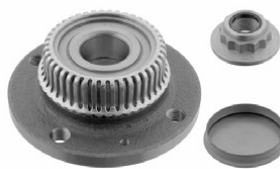
Ref. No. 191 598 625 S1



AØ 50 IØ 29 B 15  
AØ 40 IØ 19

**febi 28168**

Ref. No. 6X0 598 477



AØ 120 IØ 28 B 65  
LKØ 100 x 4



## Polo 3 (6V)

(1994→2002)

1,6 AEH	to Chassis No. 6K-X-610 000	12934	-
	from Chassis No. 6K-X-610 001	28168	28168
1,6 AFT		12934	-
1,6 AKL 1,6 ALM	to Chassis No. 6K-X-610 000	12934	-
	from Chassis No. 6K-X-610 001	28168	28168
1,6 APF 1,6 AUR		28168	28168
1,7 D AKW		12934	-
1,8 ADD 1,8 ADZ	to Chassis No. 6K-X-610 000	12934	-
	from Chassis No. 6K-X-610 001	28168	28168
1,9 D 1Y 1,9 D AEY 1,9 D AFN		12934	-
1,9 D AGP 1,9 D AGR	to Chassis No. 6K-X-610 000	12934	-
	from Chassis No. 6K-X-610 001	28168	28168
1,9 D AHU 1,9 D ALE		12934	-
1,9 D ALH 1,9 D AQM 1,9 D ASV 2,0 ADC	to Chassis No. 6K-X-610 000	12934	-
	from Chassis No. 6K-X-610 001	28168	28168
		12934	-
		28168	28168

rear axle

## Polo 4 (9N)

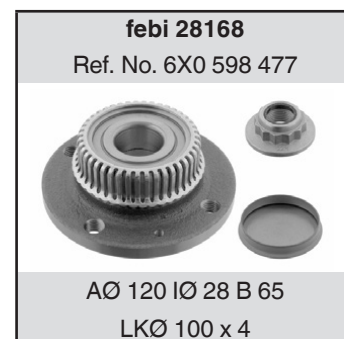
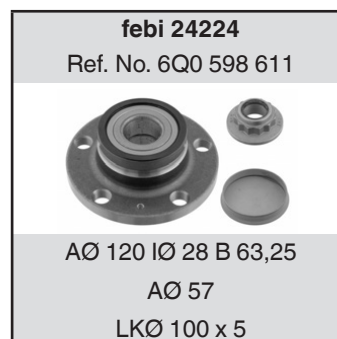
(2001→)

all	24224	24224
-----	-------	-------

## Polo 5 (6R)

(2009→)

all	24224	24224
-----	-------	-------



suitable for:

**Volkswagen**

**Car  
Division**



**Polo 5 (60)**

(2010→)

1,6 CLSA

to the year of construction 07/2011

24236

24236

**Polo 5 (61)**

(2010→2012)

1,6 CFNB

to the year of construction 08/2011

24236

24236

**Rallye Golf syncro (1G)**

(1988→1991)

1,8 1H

05379 / 05380

03368

1,8 PG

05380

03368

**Santana (32)**

(1981→1988)

all

03674 / 12934

-

rear axle

**febi 03368**

Ref. No. 357 407 615



AØ 40 LKØ 100 x 4

**febi 03674**

Ref. No. 191 598 625



AØ 50 IØ 29 B 15  
AØ 40 IØ 19

**febi 05379**

Ref. No. 331 598 625 A S1



AØ 72 IØ 40 B 37

**febi 05380**

Ref. No. 331 598 625



AØ 68 IØ 39 B 37

**febi 12934**

Ref. No. 191 598 625 S1



AØ 50 IØ 29 B 15  
AØ 40 IØ 19

**febi 24236**

Ref. No. 1J0 598 477



AØ 120 IØ 30 B 63  
LKØ 100 x 5



## Scirocco (13)

(2008→)

1,4 CAVD  
1,4 CAXA  
1,4 CMSB  
2,0 CAWB  
2,0 D CBBB  
2,0 D CBDB  
2,0 CCZB  
2,0 CDLA  
2,0 CDLC  
2,0 D CFGB  
2,0 D CFHB  
2,0 D CFHC

23320

23320

## Scirocco (53)

(1974→1992)

all

03674 / 12934

-

## Sharan 4 motion (7M)

(2000→2010)

1,9 D BVK

19922

-

## Sharan (7M)

(1995→2010)

all

19922

-

## Sharan (7N)

(2010→)

1,4 CAVA  
2,0 CCZA  
2,0 D CFFA  
2,0 D CFFB  
2,0 D CFFE  
2,0 D CFGB

23320

23320

rear axle

### febi 03674

Ref. No. 191 598 625



AØ 50 IØ 29 B 15  
AØ 40 IØ 19

### febi 12934

Ref. No. 191 598 625 S1



AØ 50 IØ 29 B 15  
AØ 40 IØ 19

### febi 19922

Ref. No. 7M3 598 625



AØ 80 IØ 43 B 38

### febi 23320

Ref. No. 1T0 598 611 B



AØ 136 IØ 32 B 70  
LKØ 112 x 5

suitable for:

**Volkswagen**

**Car  
Division**



**Tiguan (5N)**

(2007→ )

all	23320	23320
-----	-------	-------

**Touareg 4 motion (7L)**

(2002→2010)

rear axle	2,5 D BAC	For PR number 1KF/1KQ Rim Size [in] 17	34789	-
		from Chassis No. 7L-4-035 001 For PR number 1KE for brake disk diameter [mm] 314 Rim Size [in] 16 for brake disk thickness [mm] 22	34800	34800
		For PR number 1KF/1KQ	-	38521
	2,5 D BLK	For PR number 1KF/1KQ Rim Size [in] 17	34789	-
		For PR number 1KE from Chassis No. 7L-4-035 001 for brake disk diameter [mm] 314 Rim Size [in] 16 for brake disk thickness [mm] 22	34800	34800
		For PR number 1KF/1KQ	-	38521
	2,5 D BPD 2,5 D BPE	For PR number 1KD/1KF/1KQ/2EE For PR number 1KF/1KQ For PR number 2ED Rim Size [in] 17	34789	-
		For PR number 1KE for brake disk diameter [mm] 314 Rim Size [in] 16 for brake disk thickness [mm] 22	34800	34800
		For PR number 1KF/1KQ For PR number 1KD/1KF/1KQ/2EE For PR number 2ED	-	38521

**febi 23320**  
Ref. No. 1T0 598 611 B

AØ 136 IØ 32 B 70  
LKØ 112 x 5

**febi 34789**  
Ref. No. 7L0 498 287

AØ 96 IØ 51 B 50

**febi 34800**  
Ref. No. 7H0 498 611

AØ 85 IØ 56 B 45  
AØ 149,5  
LKØ 12,5 x 5

**febi 38521**  
Ref. No. 7L0 501 655 B

LKØ 112 x 5

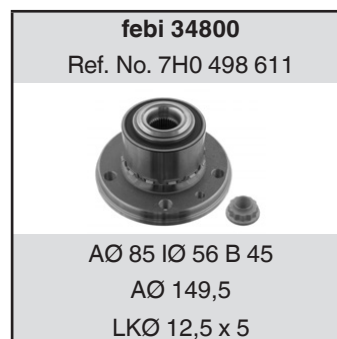


## Touareg 4 motion (7L)

(2002→2010)

<b>3,0 D BKS</b>	For PR number 1KF/1KQ Rim Size [in] 17	<b>34789</b>	-
	For PR number 1KE for brake disk diameter [mm] 314 for brake disk thickness [mm] 22 Rim Size [in] 16	<b>34800</b>	<b>34800</b>
	For PR number 1KF/1KQ For PR number 1KD/1KF/1KQ/2EE For PR number 2ED	-	<b>38521</b>
<b>3,0 D BUN</b>	For PR number 1KD/1KF/1KQ/2EE For PR number 1KF/1KQ For PR number 2ED Rim Size [in] 17	<b>34789</b>	-
	For PR number 1KE for brake disk diameter [mm] 314 Rim Size [in] 16 for brake disk thickness [mm] 22	<b>34800</b>	<b>34800</b>
	For PR number 1KF/1KQ For PR number 1KD/1KF/1KQ/2EE For PR number 2ED	-	<b>38521</b>
<b>3,0 D CASA</b> <b>3,0 D CASB</b> <b>3,0 D CASC</b> <b>3,0 D CATA</b>	For PR number 1KD/1KF/1KQ/2EE For PR number 2ED Rim Size [in] 17	<b>34789</b>	-
	For PR number 1KE for brake disk diameter [mm] 314 Rim Size [in] 16 for brake disk thickness [mm] 22	<b>34800</b>	<b>34800</b>
		-	<b>38521</b>

rear axle





suitable for:

**Volkswagen**

**Car  
Division**



**Touareg 4 motion (7L)**

(2002→2010)

3,2 AZZ 3,2 BAA 3,2 BKJ	For PR number 1KF/1KQ Rim Size [in] 17	<b>34789</b>	-
	from Chassis No. 7L-4-035 001 For PR number 1KE for brake disk diameter [mm] 314 for brake disk thickness [mm] 22 Rim Size [in] 16	<b>34800</b>	<b>34800</b>
	For PR number 1KF	-	<b>38521</b>
3,2 BMV 3,2 BMX 3,2 BRJ	For PR number 1KF/1KQ Rim Size [in] 17	<b>34789</b>	-
	For PR number 1KE for brake disk diameter [mm] 314 for brake disk thickness [mm] 22 Rim Size [in] 16	<b>34800</b>	<b>34800</b>
	For PR number 1KF/1KQ	-	<b>38521</b>
3,6 BHK	For PR number 1KD/1KF/1KQ/2EE For PR number 1KF/1KQ For PR number 2ED Rim Size [in] 17	<b>34789</b>	-
	For PR number 1KF/1KQ For PR number 1KD/1KF/1KQ/2EE For PR number 2ED	-	<b>38521</b>
	For PR number 1KF/1KQ Rim Size [in] 17	<b>34789</b>	-
4,2 AXQ	For PR number 1KF/1KQ Rim Size [in] 17	<b>34789</b>	-
	from Chassis No. 7L-4-035 001 For PR number 1KE for brake disk diameter [mm] 314 for brake disk thickness [mm] 22 Rim Size [in] 16	<b>34800</b>	<b>34800</b>
	For PR number 1KF/1KQ	-	<b>38521</b>

rear axle

**febi 34789**

Ref. No. 7L0 498 287



AØ 96 IØ 51 B 50

**febi 34800**

Ref. No. 7H0 498 611



AØ 85 IØ 56 B 45  
AØ 149,5  
LKØ 12,5 x 5

**febi 38521**

Ref. No. 7L0 501 655 B



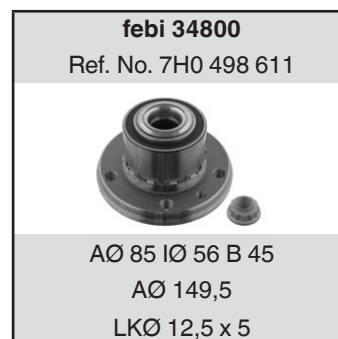
LKØ 112 x 5



## Touareg 4 motion (7L) (2002→2010)

4,2 BAR	For PR number 1KD/1KF/1KQ/2EE For PR number 1KF/1KQ For PR number 2ED Rim Size [in] 17	34789	-
	For PR number 1KF/1KQ For PR number 1KD/1KF/1KQ/2EE For PR number 2ED	-	38521
	For PR number 1KF/1KQ Rim Size [in] 17	34789	-
4,2 BHX	from Chassis No. 7L-4-035 001 For PR number 1KE for brake disk diameter [mm] 314 for brake disk thickness [mm] 22 Rim Size [in] 16	34800	34800
	For PR number 1KF	-	38521
	For PR number 1KF/1KQ Rim Size [in] 17	34789	-
	from Chassis No. 7L-4-035 001 For PR number 1KE for brake disk diameter [mm] 314 for brake disk thickness [mm] 22 Rim Size [in] 16	34800	34800
5,0 D AYH	For PR number 1KF/1KQ Rim Size [in] 17	34789	-
	from Chassis No. 7L-4-035 001 For PR number 1KE for brake disk diameter [mm] 314 for brake disk thickness [mm] 22 Rim Size [in] 16	34800	34800
	For PR number 1KF/1KQ	-	38521
	For PR number 1KF/1KQ/2EE For PR number 1KF/1KQ For PR number 2ED Rim Size [in] 17	34789	-
5,0 D BLE	For PR number 1KE for brake disk diameter [mm] 314 Rim Size [in] 16 for brake disk thickness [mm] 22	34800	34800
	For PR number 1KF/1KQ For PR number 1KD/1KF/1KQ/2EE For PR number 2ED	-	38521
	For PR number 1KF/1KQ/2EE For PR number 1KF/1KQ For PR number 2ED Rim Size [in] 17	34789	-
	For PR number 1KF/1KQ Rim Size [in] 17	34789	-

rear axle



suitable for:

**Volkswagen**

**Car  
Division**



## Touareg 4 motion (7L)

(2002→2010)

5,0 D CBWA	For PR number 1KD/1KF/1KQ/2EE For PR number 2ED Rim Size [in] 17	34789	-
	For PR number 1KE for brake disk diameter [mm] 314 Rim Size [in] 16 for brake disk thickness [mm] 22	34800	34800
		-	38521
6,0 BJN	For PR number 1KD/1KF/1KQ/2EE For PR number 1KF/1KQ For PR number 2ED Rim Size [in] 17	34789	-
	For PR number 1KE for brake disk diameter [mm] 314 Rim Size [in] 16 for brake disk thickness [mm] 22	34800	34800
	For PR number 1KF/1KQ For PR number 1KD/1KF/1KQ/2EE For PR number 2ED	-	38521
6,0 CFRA	For PR number 1KD/1KF/1KQ/2EE For PR number 2ED Rim Size [in] 17	34789	-
		-	38521

## Touareg 4 motion (7P)

(2010→)

3,0 D CASA 3,0 D CATA	For PR number 1KE for brake disk diameter [mm] 314 Rim Size [in] 16 for brake disk thickness [mm] 22	34800	34800
--------------------------	---	-------	-------

**febi 34789**

Ref. No. 7L0 498 287



AØ 96 IØ 51 B 50

**febi 34800**

Ref. No. 7H0 498 611



AØ 85 IØ 56 B 45  
AØ 149,5  
LKØ 12,5 x 5

**febi 38521**

Ref. No. 7L0 501 655 B



LKØ 112 x 5



## Touran (1T)

(2003→)

- 1,2 CBZB
- 1,4 BLG
- 1,4 BMY
- 1,4 CAVB
- 1,4 CAVC
- 1,4 CDGA
- 1,6 BAG
- 1,6 BGU
- 1,6 BLF
- 1,6 BLP
- 1,6 BSE
- 1,6 BSF
- 1,6 D CAYB
- 1,6 D CAYC
- 1,9 D AVQ
- 1,9 D BKC
- 1,9 D BLS
- 1,9 D BRU
- 1,9 D BXE
- 1,9 D BXF
- 1,9 D BXJ
- 2,0 AXW
- 2,0 D AZV
- 2,0 BJZ
- 2,0 D BKD
- 2,0 BLR
- 2,0 BLX
- 2,0 BLY
- 2,0 D BMM
- 2,0 D BMN
- 2,0 BSX
- 2,0 BVY
- 2,0 BVZ
- 2,0 D CFHC
- 2,0 D CFJA
- 2,0 D CLCA

23320

23320

rear axle

**febi 23320**

Ref. No. 1T0 598 611 B



AØ 136 IØ 32 B 70

LKØ 112 x 5

suitable for:

# Volkswagen

Car  
Division 



## Transporter T1 (21)

(1950→1970)

all from Chassis No. 211 2000 001

03691

-

## Transporter T1 (23)

(1964→1968)

1,5 H1

03691

-

## Transporter T1 (24)

(1950→1967)

all

03691

-

## Transporter T1 (26)

(1950→1970)

all

03691

-

## Transporter T1 (27)

(1964→1967)

1,5 H1

03691

-

## Transporter T2 (21)

(1962→1979)

1,3 AB from Chassis No. 211 2000 001

1,3 AR

1,6 AD

1,6 AE

03691

-

1,6 AF

03691

-

rear axle

febi 03691

Ref. No. 211 501 287 S1



AØ 72 IØ 35 B 17

AØ 62 B 19



## Transporter T2 (21)

(1962→1979)

1,6 AG	from Chassis No. 211 2000 001	03691	-
1,6 AS			
1,6 B			
1,6 C			
1,7 CA			
1,7 CB			
1,8 AP			
1,8 AW			
1,8 ED			
2,0 GD			
2,0 GE			

## Transporter T2 (22)

(1966→1967)

1,6 B	from Chassis No. 211 2000 001	03691	-
-------	-------------------------------	-------	---

## Transporter T2 (23)

(1967→1979)

all		03691	-
-----	--	-------	---


## Transporter T2 (24)

(1967→1979)

1,3 AB	from Chassis No. 211 2000 001	03691	-
1,3 AR			
1,6 AG		03691	-
1,6 AS			
1,6 B			
1,6 C			
1,7 CA			
1,8 AP			
1,8 ED			
2,0 CJ	from Chassis No. 211 2000 001	03691	-
2,0 GD		03691	-

rear axle

**febi 03691**  
Ref. No. 211 501 287 S1



AØ 72 IØ 35 B 17  
AØ 62 B 19

suitable for:

**Volkswagen**

**Car  
Division**



**Transporter T2 (24)**

(1967→1979)

2,0 GE

from Chassis No. 211 2000 001

03691

-

**Transporter T2 (26)**

(1968→1979)

all

03691

-

**Transporter T3 syncro (24)**

(1984→1992)

all

03691 / 04843

-

**Transporter T3 syncro (25)**

(1981→1992)

all

03691 / 04843

-

**Transporter T3 (24)**

(1979→1992)

all

03691 / 04843

-

**Transporter T3 (25)**

(1979→1992)

all

03691 / 04843

-

**Transporter T4 syncro (7D)**

(1996→2003)

all

not for payload [kg] 2000

05847

-

**Transporter T4 syncro (70)**

(1990→1996)

all

not for payload [kg] 2000

05847

-

rear axle

**febi 03691**

Ref. No. 211 501 287 S1



AØ 72 IØ 35 B 17

AØ 62 B 19

**febi 04843**

Ref. No. 211 501 283 D



AØ 62 IØ 35 B 19

**febi 05847**

Ref. No. 701 598 625



AØ 80 IØ 45 B 45



## Transporter T4 (7D)

(1996→2003)

all	not for payload [kg] 2000	05847	-
-----	---------------------------	-------	---

## Transporter T4 (70)

(1990→1996)

all	not for payload [kg] 2000	05847	-
-----	---------------------------	-------	---

## Vento (1H)

(1991→1999)

all		03674 / 12934	-
-----	--	---------------	---

## Vento (60)

(2010→)

1,6 D CLNA 1,6 CLSA	to the year of construction 07/2011	24236	24236
------------------------	-------------------------------------	-------	-------

rear axle

**febi 03674**  
Ref. No. 191 598 625

AØ 50 IØ 29 B 15  
AØ 40 IØ 19

**febi 05847**  
Ref. No. 701 598 625

AØ 80 IØ 45 B 45

**febi 12934**  
Ref. No. 191 598 625 S1

AØ 50 IØ 29 B 15  
AØ 40 IØ 19

**febi 24236**  
Ref. No. 1J0 598 477

AØ 120 IØ 30 B 63  
LKØ 100 x 5



suitable for:

# Volvo

Car  
Division 



## 850

(1991→1997)

- 2,0 B 5204 FS
- 2,0 B 5204 FT
- 2,0 B 5204 T2
- 2,3 B 5234 FS
- 2,3 B 5234 FT
- 2,3 B 5234 T2
- 2,3 B 5234 T4
- 2,3 B 5234 T5
- 2,4 B 5252 FS
- 2,4 B 5254 FS
- 2,4 B 5254 T
- 2,5 D 5252 T

from the year of construction 1994

14887

14887

## C 30

(2006→ )

all

34271

34271

## C 70 I

(1997→2005)

- 2,0 B 5204 T2
- 2,0 B 5204 T3
- 2,0 B 5204 T4
- 2,3 B 5234 T3
- 2,3 B 5234 T9
- 2,4 B 5244 T
- 2,4 B 5254 S
- 2,4 B 5254 SDENS
- 2,4 B 5254 T

to the year of construction 2000

14887

14887

rear axle

### febi 14887

Ref. No. 271795



AØ 135 IØ 30 B 71  
LKØ 105 x 5

### febi 34271

Ref. No. 31280051 SK



AØ 136 IØ 56 B 153



### C 70 II

(2005→)

2,0 D 4204 T  
2,0 D 5204 T  
2,0 D 5204 T5  
2,4 B 5244 S4  
2,4 B 5244 S5  
2,4 D 5244 T8  
2,5 B 5254 T3  
2,5 B 5254 T7

34271

34271

### S 40 II

(2003→)

all

34271

34271

### S 60 I

(2000→2010)

all

19248

19248

### S 70

(1996→2000)

2,0 B 5202 FS

14887

14887

2,0 B 5202 S to the year of construction 2000

14887

14887

2,0 B 5204 F  
2,0 B 5204 S  
2,0 B 5204 T  
2,0 B 5204 T2  
2,0 B 5204 T3  
2,0 B 5204 T4  
2,3 B 5234 T3  
2,3 B 5234 T4  
2,3 B 5234 T7  
2,4 B 5244 S  
2,4 B 5244 S2  
2,4 B 5244 SG  
2,4 B 5244 SG2  
2,4 B 5244 T

rear axle

#### febi 14887

Ref. No. 271795



AØ 135 IØ 30 B 71  
LKØ 105 x 5

#### febi 19248

Ref. No. 9173872



AØ 135 IØ 65 B 90  
LKØ 105 x 5

#### febi 34271

Ref. No. 31280051 SK



AØ 136 IØ 56 B 153

suitable for:

**Volvo**

**Car  
Division**



**S 70**

(1996→2000)

2,4 B 5252 FS 2,4 B 5252 S		14887	14887
2,4 B 5254 S 2,4 B 5254 SDENS	to the year of construction 2000	14887	14887
2,4 B 5254 T		14887	14887
2,4 GB 5252 S 2,5 D 5252 T	to the year of construction 2000	14887	14887

**S 80 I**

(1998→2006)

all		19248	19248
-----	--	-------	-------

**V 50**

(2003→ )

all		34271	34271
-----	--	-------	-------

**V 70 I**

(1996→2000)

2,0 B 5202 FS 2,0 B 5202 S 2,0 B 5204 FS 2,0 B 5204 S 2,0 B 5204 T 2,0 B 5204 T2 2,0 B 5204 T3 2,0 B 5404 T 2,0 B 5404 T3 2,3 B 5234 T3 2,3 B 5234 T6 2,4 B 5244 S 2,4 B 5244 S2	to the year of construction 2000	14887	14887
2,4 B 5244 SG		14887	14887
2,4 B 5244 T	to the year of construction 2000	14887	14887

rear axle

**febi 14887**  
Ref. No. 271795

AØ 135 IØ 30 B 71  
LKØ 105 x 5

**febi 19248**  
Ref. No. 9173872

AØ 135 IØ 65 B 90  
LKØ 105 x 5

**febi 34271**  
Ref. No. 31280051 SK

AØ 136 IØ 56 B 153



**V 70 I**

(1996→2000)

2,4 B 5252 FS		14887	14887
2,4 B 5252 S	to the year of construction 2000	14887	14887
2,4 B 5254 FS		14887	14887
2,4 B 5254 S	to the year of construction 2000	14887	14887
2,4 B 5254 SDENS			
2,4 B 5254 T		14887	14887
2,4 GB 5252 S	to the year of construction 2000	14887	14887
2,5 D 5252 T			

**V 70 I AWD**

(1997→2000)

2,3 B 5234 T2		14887	14887
2,3 B 5234 T7	to the year of construction 2000	14887	14887
2,3 B 5234 T8			

**V 70 II**

(1997→2007)

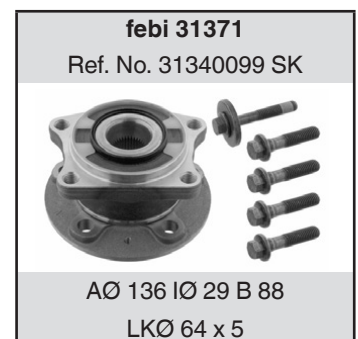
all		19248	19248
-----	--	-------	-------

**XC 90 AWD**

(2002→)

2,4 D 5244 T		31371	31371
2,4 D 5244 T2			
2,4 D 5244 T4			
2,5 B 5254 T2			
2,9 B 6294 T			
3,2 B 6324 S			
4,4 B 8444 S			

rear axle



ref. no. →

Car  
Division 

ref. no.



suitable for:

**Alfa Romeo**

46423869	<b>37015</b>	22-24
46425959	<b>12117</b>	705-708
46512973	<b>19345</b>	705-707
46519901	<b>19345</b>	705-707
46529970	<b>37015</b>	22-24
46739139	<b>36968</b>	25
46773662	<b>28142</b>	20, 21-24
50700495	<b>36824</b>	28
51754191	<b>37015</b>	22-24
51754192	<b>12116</b>	705-708
51754193	<b>19345</b>	705-707
51813028	<b>40224</b>	20, 21
51813925	<b>38860</b>	19, 25, 27, 28, 30
51813925 S1	<b>38860</b>	19, 25, 27, 28, 30
51822886	<b>40229</b>	20, 21
51824630	<b>40233</b>	22-24, 26, 29, 708
51881464	<b>40224</b>	20, 21
51881465	<b>40229</b>	20, 21
55703171	<b>28142</b>	20, 21-24
60510367	<b>40232</b>	19, 20, 22, 25, 27-29, 709
60510369	<b>40232</b>	19, 20, 22, 25, 27-29, 709
60545087	<b>40231</b>	23, 24, 26
60563372	<b>40240</b>	19-22, 27, 28, 709
60652011	<b>38860</b>	19, 25, 27, 28, 30
60652014	<b>19114</b>	705, 708, 709
60653528	<b>40240</b>	19-22, 27, 28, 709
60671437	<b>38860</b>	19, 25, 27, 28, 30
60671437 S1	<b>38860</b>	19, 25, 27, 28, 30
60751504	<b>40233</b>	22-24, 26, 29, 708
60800548	<b>40233</b>	22-24, 26, 29, 708
60801750	<b>40233</b>	22-24, 26, 29, 708
60806440	<b>12116</b>	705-708
60806445	<b>12117</b>	705-708
60809668	<b>40226</b>	29
60809805	<b>40231</b>	23, 24, 26
60809985	<b>12116</b>	705-708
60811032	<b>40227</b>	20, 21, 22, 25
60812057	<b>12118</b>	707
60812195	<b>12116</b>	705-708
60814780	<b>37015</b>	22-24
60815429	<b>19345</b>	705-707
60815902	<b>28142</b>	20, 21-24

ref. no.



60816766	<b>38860</b>	19, 25, 27, 28, 30
71714457	<b>28142</b>	20, 21-24
71714459	<b>24524</b>	21
71714471	<b>19345</b>	705-707
71714478	<b>38860</b>	19, 25, 27, 28, 30
71737189	<b>19345</b>	705-707
71738029	<b>38860</b>	19, 25, 27, 28, 30
71745046	<b>24524</b>	21
71745047	<b>28142</b>	20, 21-24
71745047 S1	<b>28142</b>	20, 21-24
71753062	<b>24524</b>	21
71753817	<b>36968</b>	25
71753821	<b>36824</b>	28
71769738	<b>19345</b>	705-707
7667265	<b>40233</b>	22-24, 26, 29, 708
7732410	<b>12117</b>	705-708
7769902	<b>12118</b>	707
82390273	<b>37015</b>	22-24
82466910	<b>40227</b>	20, 21, 22, 25

suitable for:

**Audi**

APS 598 625	<b>03674</b>	735, 743-746
1J0 407 613 B	<b>22512</b>	31, 711, 738, 739
1J0 407 613 C	<b>22512</b>	31, 711, 738, 739
1J0 407 613 G	<b>22512</b>	31, 711, 738, 739
4A0 407 615 B	<b>18344</b>	38-40, 43, 49-54, 69-71, 74-81, 717-719, 739, 740, 742
4A0 407 615 D	<b>18344</b>	38-40, 43, 49-54, 69-71, 74-81, 717-719, 739, 740, 742
4A0 407 615 F	<b>18344</b>	38-40, 43, 49-54, 69-71, 74-81, 717-719, 739, 740, 742
4A0 407 615 G	<b>18344</b>	38-40, 43, 49-54, 69-71, 74-81, 717-719, 739, 740, 742
431 407 615	<b>03493</b>	71-79, 735, 737, 744-747
443 407 615 A	<b>03493</b>	71-79, 735, 737, 744-747
8A0 407 615	<b>03617</b>	82, 83, 86-93
8A0 407 615 C	<b>17756</b>	59-62, 82-84
8D0 407 615 B	<b>24947</b>	38, 39, 41, 49, 50, 52, 53
8D0 407 615 D	<b>24947</b>	38, 39, 41, 49, 50, 52, 53
8D0 407 615 E	<b>24947</b>	38, 39, 41, 49, 50, 52, 53

ref. no.		
823 407 615 A	<b>02231</b>	59, 61, 62, 79, 85, 86, 90
861 407 615 A	<b>01424</b>	81, 82
893 407 615 A	<b>08949</b>	86–89, 91–93
893 407 615 B	<b>03617</b>	82, 83, 86–93
893 407 615 D	<b>17756</b>	59–62, 82–84
6Q0 407 621 AC	<b>24414</b>	31
6Q0 407 621 AD	<b>24414</b>	31
6Q0 407 621 AH	<b>24414</b>	31
6Q0 407 621 AJ	<b>24414</b>	31
6Q0 407 621 BE	<b>24414</b>	31
6Q0 407 621 BR	<b>24414</b>	31
6Q0 407 621 C	<b>24414</b>	31
6Q0 407 621 H	<b>24414</b>	31
6Q0 407 621 R	<b>24414</b>	31
6R0 407 621 A	<b>24414</b>	31
6R0 407 621 E	<b>24414</b>	31
4A0 407 625 A	<b>05918</b>	715–720, 727, 728, 731–734, 743–745, 747
4D0 407 625 D	<b>26376</b>	727, 728, 731–733
4D0 407 625 E	<b>05918</b>	715–720, 727, 728, 731–734, 743–745, 747
4D0 407 625 H	<b>26376</b>	727, 728, 731–733
443 407 625 F	<b>05918</b>	715–720, 727, 728, 731–734, 743–745, 747
443 407 625 H	<b>05918</b>	715–720, 727, 728, 731–734, 743–745, 747
8D0 407 625 A	<b>05222</b>	743, 744
8K0 407 625 A	<b>30270</b>	44, 45, 721, 722
893 407 625	<b>05222</b>	743, 744
893 407 625 A	<b>05222</b>	743, 744
893 407 625 C	<b>05222</b>	743, 744
7L0 498 287	<b>34789</b>	64, 65, 736, 737
1K0 498 621	<b>27342</b>	31–37
1K0 498 621 SK	<b>26378</b>	31–37
1T0 498 621	<b>27317</b>	31–37, 63, 66, 67, 710
1T0 498 621 SK	<b>26377</b>	31–37, 66, 67
3C0 498 621	<b>27317</b>	31–37, 63, 66, 67, 710
3C0 498 621 SK	<b>26377</b>	31–37, 66, 67
5K0 498 621	<b>27317</b>	31–37, 63, 66, 67, 710
5K0 498 621 A	<b>27342</b>	31–37
5K0 498 621 SK	<b>26377</b>	31–37, 66, 67

ref. no.		
1J0 498 625	<b>14250</b>	66–68, 738, 739
1J0 498 625 A	<b>14250</b>	66–68, 738, 739
321 498 625 A	<b>03620</b>	61–63, 79, 85–93
321 498 625 B	<b>03620</b>	61–63, 79, 85–93
321 498 625 C	<b>03620</b>	61–63, 79, 85–93
321 498 625 D	<b>03620</b>	61–63, 79, 85–93
321 498 625 E	<b>03620</b>	61–63, 79, 85–93
321 498 625 ES	<b>03620</b>	61–63, 79, 85–93
4A0 498 625	<b>05913</b>	38, 39, 40, 49, 69–81
4B0 498 625	<b>24366</b>	38, 39, 49, 50, 52, 53
4F0 498 625	<b>29844</b>	52, 54, 55, 65
4F0 498 625 B	<b>29844</b>	52, 54, 55, 65
4H0 498 625	<b>30271</b>	44, 45–49, 55–58, 64, 721, 722–725, 729, 730, 733, 736
4H0 498 625	<b>34823</b>	45, 64, 721, 722
431 498 625	<b>03622</b>	62, 63, 69–81
431 498 625	<b>04526</b>	739–742
431 498 625 A	<b>03623</b>	62, 63, 65, 69, 70, 72–81
443 498 625	<b>04526</b>	739–742
443 498 625	<b>03622</b>	62, 63, 69–81
443 498 625 A	<b>05913</b>	38, 39, 40, 49, 69–81
443 498 625 B	<b>03623</b>	62, 63, 65, 69, 70, 72–81
443 498 625 C	<b>03623</b>	62, 63, 65, 69, 70, 72–81
443 498 625 D	<b>05913</b>	38, 39, 40, 49, 69–81
443 498 625 E	<b>03623</b>	62, 63, 65, 69, 70, 72–81
8A0 498 625	<b>17534</b>	59, 60, 82–85, 87–93
8D0 498 625	<b>24366</b>	38, 39, 49, 50, 52, 53
8D0 498 625 C	<b>29837</b>	40–43, 50–55, 57, 58
8E0 498 625 A	<b>29837</b>	40–43, 50–55, 57, 58
8E0 498 625 B	<b>29837</b>	40–43, 50–55, 57, 58
8L0 498 625	<b>23370</b>	31, 66–68
861 498 625	<b>03624</b>	82
871 498 625	<b>03624</b>	82
871 498 625 A	<b>03624</b>	82
893 498 625	<b>03625</b>	59, 60, 82–84, 86–93, 734
893 498 625 A	<b>03625</b>	59, 60, 82–84, 86–93, 734
893 498 625 B	<b>03625</b>	59, 60, 82–84, 86–93, 734
893 498 625 C	<b>17550</b>	59, 60, 84, 85, 90, 92, 93
893 498 625 D	<b>03625</b>	59, 60, 82–84, 86–93, 734

ref. no. →

Car  
Division 

ref. no.

893 498 625 E **17550** 59, 60, 84, 85, 90,  
92, 931J0 501 477 A **09521** 7108E0 501 611 **19386** 726-7288E0 501 611 J **19386** 726-7288K0 501 611 B SK **36650** 721-724, 7297L0 501 655 B **38521** 64, 65, 736, 7371J0 598 477 **24236** 710, 7381K0 598 611 **26380** 711-7141T0 598 611 **23320** 711-714, 735, 737,  
7381T0 598 611 B **23320** 711-714, 735, 737,  
7384F0 598 611 A **29897** 7294F0 598 611 B **29897** 7296Q0 598 611 **24224** 7108E0 598 611 **31121** 715-7208E0 598 611 A **31121** 715-7208E0 598 611 B **31121** 715-7208E0 598 611 C **31121** 715-7208K0 598 611 **36650** 721-724, 7291J0 598 625 **14250** 66-68, 738, 739191 598 625 **03674** 735, 743-746191 598 625 S1 **12934** 735, 743-746191 598 625 S3 **12934** 735, 743-7464A0 598 625 **05386** 714, 725, 734, 735,  
740-743, 7464A0 598 625 A **05386** 714, 725, 734, 735,  
740-743, 7468D0 598 625 **26568** 714, 7348D0 598 625 A **28192** 714, 7158E0 598 625 **29872** 715-7208J0 598 625 **27317** 31-37, 63, 66, 67,  
7108J0 598 625 SK **26377** 31-37, 66, 678K0 598 625 **30271** 44, 45-49, 55-58,  
64, 721, 722-725,  
729, 730, 733, 736

suitable for:

**BMW**31 20 3 450 600 **23926** 94, 95, 103-108, 113-  
11531 20 3 450 600 S1 **23928** 94, 95, 103-108, 113-  
11531 20 4 081 309 **36289** 94, 116-118, 12031 20 6 751 735 **28114** 9531 20 6 755 987 **28114** 9531 20 6 756 256 **28114** 95

ref. no.

31 20 6 773 207 **28491** 95, 9631 20 6 775 771 **36289** 94, 116-118, 12031 20 6 779 735 **28491** 95, 9631 20 6 791 007 **36289** 94, 116-118, 12031 20 6 850 158 **36289** 94, 116-118, 12031 21 1 107 447 **08391** 97, 9931 21 1 128 157 **04044** 96, 9931 21 1 128 569 **04044** 96, 9931 21 1 129 386 **04043** 109-111, 119, 12131 21 1 131 297 **04044** 96, 9931 21 1 137 996 **12178** 11931 21 1 468 751 **04043** 109-111, 119, 12131 21 1 468 752 **04044** 96, 9931 21 6 765 157 **24571** 94, 97, 98, 103-10931 21 6 765 157 S1 **24572** 97, 98, 103-10931 22 1 092 519 **12178** 11931 22 1 093 427 **12179** 111, 11231 22 1 093 427 S1 **18397** 111, 11231 22 1 095 702 **29630** 95, 10231 22 1 095 702 S1 **29631** 95, 10231 22 1 139 345 **04436** 109-111, 119-12131 22 1 468 926 **04436** 109-111, 119-12131 22 6 750 217 **21167** 119, 12031 22 6 750 217 S1 **21168** 119, 12031 22 6 751 978 **23926** 94, 95, 103-108, 113-  
11531 22 6 751 978 S1 **23928** 94, 95, 103-108, 113-  
11531 22 6 757 024 **18769** 96, 100-102, 11131 22 6 760 177 **23369** 112-115, 117, 11831 22 6 765 601 **23369** 112-115, 117, 11831 22 6 765 601 S1 **23371** 112-115, 117, 11831 22 6 783 913 **23926** 94, 95, 103-108, 113-  
11531 22 6 783 913 S1 **23928** 94, 95, 103-108, 113-  
11533 40 6 850 159 **36275** 794-797, 799-80133 40 6 850 159 S1 **36751** 794-797, 799-80133 41 1 090 505 **09004** 748, 749, 752-754,  
759, 768, 770, 771,  
799, 80233 41 1 090 505 S1 **32044** 748, 749, 752-754,  
759, 768, 771, 799,  
80233 41 1 093 102 **12180** 789, 790, 791, 79233 41 1 093 371 **32803** 78933 41 1 093 567 **26234** 760-77133 41 1 093 693 **32535** 760-767



ref. no.		
33 41 1 093 725	<b>12180</b>	789, 790, 791, 792
33 41 1 095 238	<b>21166</b>	749, 750, 790-793, 798-800
33 41 1 095 238 S1	<b>38258</b>	749, 750, 790-793, 798-800
33 41 1 095 652	<b>12180</b>	789, 790, 791, 792
33 41 1 095 652 S1	<b>12202</b>	789, 790, 791, 792
33 41 1 095 654	<b>12180</b>	789, 790, 791, 792
33 41 1 095 774	<b>28132</b>	752, 754, 759, 771, 789, 790, 791, 792, 793, 798, 799, 802
33 41 1 123 415	<b>04529</b>	787, 788
33 41 1 124 358	<b>03271</b>	752, 757, 758, 760-767
33 41 1 124 358 S1	<b>21954</b>	760-767
33 41 1 130 617	<b>04526</b>	751, 752, 757, 758, 760-771
33 41 1 130 617 S1	<b>21996</b>	760-771
33 41 1 136 180	<b>26234</b>	760-771
33 41 1 136 183	<b>32535</b>	760-767
33 41 1 137 358	<b>28132</b>	752, 754, 759, 771, 789, 790, 791, 792, 793, 798, 799, 802
33 41 1 137 685	<b>09004</b>	748, 749, 752-754, 759, 768, 770, 771, 799, 802
33 41 1 138 581	<b>28132</b>	752, 754, 759, 771, 789, 790, 791, 792, 793, 798, 799, 802
33 41 1 468 747	<b>04526</b>	751, 752, 757, 758, 760-771
33 41 1 468 904	<b>09004</b>	748, 749, 752-754, 759, 768, 770, 771, 799, 802
33 41 2 220 987	<b>21996</b>	760-771
33 41 2 295 519	<b>32044</b>	748, 749, 752-754, 759, 768, 771, 799, 802
33 41 6 752 381	<b>32807</b>	753, 775-777, 779-781
33 41 6 760 056	<b>32804</b>	754, 756, 772-774, 776, 782-786
33 41 6 760 058	<b>32806</b>	748, 755, 756, 772-776, 778, 782-786
33 41 6 762 314	<b>26312</b>	749, 750
33 41 6 762 317	<b>26309</b>	753-757, 772-777, 779-786
33 41 6 762 317 S1	<b>26310</b>	753-757, 772-777, 782-786
33 41 6 762 321	<b>26313</b>	748, 755-757, 772-786
33 41 6 762 321 S1	<b>26314</b>	748, 755-757, 772-786

ref. no.		
33 41 6 770 974	<b>28506</b>	750, 751
33 41 6 770 974 S1	<b>28623</b>	750, 751
33 41 6 770 976	<b>39279</b>	750, 751
33 41 6 771 081	<b>33732</b>	755, 757
33 41 6 775 020	<b>36275</b>	794-797, 799-801
33 41 6 775 020 S1	<b>36751</b>	794-797, 799-801
33 41 6 775 021	<b>36275</b>	794-797, 799-801
33 41 6 775 021 S1	<b>36751</b>	794-797, 799-801
33 41 6 776 651	<b>39279</b>	750, 751
33 41 6 777 844	<b>36679</b>	794-801
33 41 6 783 671	<b>33736</b>	776, 777, 779-782
33 41 6 792 361	<b>39827</b>	787
33 41 6 792 361 S1	<b>39828</b>	787

suitable for:

### Chevrolet

13502828	<b>40098</b>	123
13502829	<b>40099</b>	123, 124
13583478	<b>40098</b>	123
13583479	<b>40099</b>	123, 124
94535247 S1	<b>31690</b>	122, 123
94535249 S1	<b>31690</b>	122, 123
94535253 S1	<b>31691</b>	123, 124
94535259 S1	<b>31691</b>	123, 124
94535982 S1	<b>31691</b>	123, 124
94536117 S1	<b>31690</b>	122, 123
96285525	<b>31453</b>	124
96285525 S1	<b>31453</b>	124
96316634 S1	<b>31529</b>	803
96316635 S1	<b>31529</b>	803
96328248	<b>32805</b>	803
96451751	<b>32805</b>	803
96639607	<b>32805</b>	803
96995000 S1	<b>31691</b>	123, 124

suitable for:

### Chrysler

04641196	<b>29914</b>	125
4641196	<b>29914</b>	125

suitable for:



### Citroën



16 063 746 80 S1	<b>36309</b>	153, 178
3307.49	<b>10223</b>	126, 131, 179, 180, 182-189, 192, 193, 195, 196
3307.56	<b>10224</b>	127-130, 136, 139, 140, 143-145, 190-197



ref. no. →

Car  
Division 

ref. no.		
3307.60	<b>12573</b>	132, 133
3307.62	<b>19844</b>	126, 127, 179–182, 184–189
3307.64	<b>19842</b>	141–143, 145, 153, 154, 190
3307.65	<b>14967</b>	146–151, 155–158, 160–164, 166, 168–174, 176
3307.69	<b>10224</b>	127–130, 136, 139, 140, 143–145, 190–197
3307.71	<b>10224</b>	127–130, 136, 139, 140, 143–145, 190–197
3307.72	<b>10224</b>	127–130, 136, 139, 140, 143–145, 190–197
3307.74	<b>19844</b>	126, 127, 179–182, 184–189
3307.75	<b>28497</b>	141, 190, 191
3307.76	<b>18285</b>	131–139, 143, 180, 181, 183–188, 192, 193, 195
3307.77	<b>28231</b>	146–152, 155–158, 160–162, 164–166, 168–173, 175–178
3307.78	<b>28232</b>	146–152, 155–158, 160–162, 164–166, 168–173, 175–178
3307.83	<b>28232</b>	146–152, 155–158, 160–162, 164–166, 168–173, 175–178
3307.84	<b>28231</b>	146–152, 155–158, 160–162, 164–166, 168–173, 175–178
3307.85	<b>10224</b>	127–130, 136, 139, 140, 143–145, 190–197
3326.31	<b>05542</b>	126, 127, 131, 179, 180, 182, 184–189, 192, 193, 195, 196
3326.62	<b>24519</b>	152, 177, 178
3326.63	<b>24521</b>	152, 177, 178
3326.69	<b>24521</b>	152, 177, 178
3326.71	<b>36309</b>	153, 178
3326.71 S1	<b>36309</b>	153, 178
3326.75	<b>28142</b>	154
3326.75 S1	<b>28142</b>	154
3326.77	<b>28142</b>	154
3326.77 S1	<b>28142</b>	154
3350.16	<b>05543</b>	127, 128–130, 190–197
3350.17	<b>05542</b>	126, 127, 131, 179, 180, 182, 184–189, 192, 193, 195, 196

ref. no.		
3350.18	<b>22006</b>	126, 127, 179–182, 184–189
3350.25 SK	<b>19295</b>	806, 809–813
3350.27	<b>14538</b>	142, 145, 153, 190
3350.28	<b>14535</b>	807–809, 811, 818
3350.28 SK	<b>14535</b>	807–809, 811, 818
3350.29	<b>12691</b>	132, 133, 146–151, 155, 156, 158–160, 162–165, 167, 169–174, 176, 809, 810, 812, 813
3350.29 SK	<b>12695</b>	132, 133, 146–151, 155, 156, 158–160, 162–165, 167, 169–174, 176, 809, 810, 812, 813
3350.31	<b>40015</b>	819
3350.32	<b>18191</b>	131–138, 180, 181, 183–188, 192, 193, 195
3350.69	<b>19574</b>	128, 130, 137–141, 143, 144
3350.71	<b>40017</b>	807
3350.72	<b>24517</b>	131–139, 143
3350.74	<b>19574</b>	128, 130, 137–141, 143, 144
3350.81	<b>24523</b>	141, 142
3350.82	<b>40703</b>	140, 141, 144, 809
3350.84	<b>19574</b>	128, 130, 137–141, 143, 144
3350.85	<b>40703</b>	140, 141, 144, 809
3350.86	<b>24517</b>	131–139, 143
3350.87	<b>24523</b>	141, 142
3350.88	<b>40702</b>	143, 153, 154
3350.91	<b>14538</b>	142, 145, 153, 190
3350.93	<b>40702</b>	143, 153, 154
3701.82	<b>40018</b>	810, 813
3730.36	<b>31826</b>	805
3748.A0	<b>30886</b>	808, 811
3748.A3	<b>30887</b>	808, 811
3748.17	<b>11420</b>	804, 814–817, 820–825
3748.17 S	<b>11704</b>	804, 814–817, 820–825
3748.17 SK	<b>11420</b>	804, 814–817, 820–825
3748.17 S1	<b>11704</b>	804, 814–817, 820–825
3748.28	<b>29382</b>	804, 805, 818, 819, 823
3748.29	<b>28498</b>	818, 819
3748.31	<b>31184</b>	820–825



ref. no.		
3748.36	<b>29384</b>	804, 805, 823
3748.39	<b>34924</b>	814–817, 820–822
3748.43	<b>29382</b>	804, 805, 818, 819, 823
3748.44	<b>29384</b>	804, 805, 823
3748.45	<b>31184</b>	820–825
3748.74	<b>28264</b>	807
3748.76	<b>31185</b>	805, 806
3748.79	<b>31185</b>	805, 806
3748.85	<b>31063</b>	805
3748.86	<b>29394</b>	807
3748.87	<b>29394</b>	807
3748.90	<b>40014</b>	806–808
3748.95	<b>30887</b>	808, 811
3748.96	<b>30886</b>	808, 811
3748.99	<b>30887</b>	808, 811
6822.JL	<b>31062</b>	130
95 030 281	<b>19844</b>	126, 127, 179–182, 184–189

suitable for:

**Dacia**

40 21 070 49R	<b>33988</b>	198
40 21 073 14R	<b>39623</b>	198
43 21 020 69R	<b>39622</b>	826
60 01 547 685	<b>32376</b>	199–201
60 01 547 686	<b>26887</b>	199, 200
60 01 547 700	<b>05538</b>	826, 827
60 01 548 986	<b>05538</b>	826, 827
60 01 550 915	<b>24315</b>	198–201
77 01 205 812	<b>05538</b>	826, 827
77 01 207 677	<b>24315</b>	198–201
77 01 208 767	<b>05538</b>	826, 827
77 01 210 004	<b>30545</b>	826, 827
77 01 415 121	<b>32555</b>	199–201
77 01 462 217	<b>05538</b>	826, 827
77 01 463 523	<b>05538</b>	826, 827
77 01 465 735	<b>05538</b>	826, 827
77 03 090 313	<b>05538</b>	826, 827
77 03 090 433	<b>05538</b>	826, 827
82 00 208 335	<b>32555</b>	199–201

suitable for:

**Daewoo**

0926529001 S1	<b>03115</b>	828, 829
0926529001 S2	<b>06507</b>	828, 829
90279331	<b>03270</b>	202, 204

ref. no.		
90279331 S1	<b>03096</b>	202, 204
90279332	<b>03271</b>	202–204
90279332 S1	<b>03189</b>	202–204
94535247 S1	<b>31690</b>	202, 203
94535249 S1	<b>31690</b>	202, 203
94535253 S1	<b>31691</b>	203–205
94535259 S1	<b>31691</b>	203–205
94535982 S1	<b>31691</b>	203–205
94536117 S1	<b>31690</b>	202, 203
96285525	<b>31453</b>	204
96285525 S1	<b>31453</b>	204
96316634 S1	<b>31529</b>	828
96316635 S1	<b>31529</b>	828
96328248	<b>32805</b>	828, 829
96451751	<b>32805</b>	828, 829
96639607	<b>32805</b>	828, 829
96995000 S1	<b>31691</b>	203–205

suitable for:

**FIAT**

1300472080	<b>14967</b>	214, 215
1311508080	<b>19842</b>	233, 244
1328045080	<b>28231</b>	215
1328046080	<b>24519</b>	215
1328053080	<b>28232</b>	215
1328054080	<b>24521</b>	215
1346650080	<b>24521</b>	215
1346652080	<b>28232</b>	215
1346653080	<b>28231</b>	215
1401393280	<b>30887</b>	851, 852
1401393480	<b>30886</b>	851, 852
1440088280	<b>30887</b>	851, 852
4330647	<b>12691</b>	214, 216, 239
4330647 SK	<b>12695</b>	214, 216, 239
4330648 SK	<b>19295</b>	834, 855
4399856	<b>12370</b>	832, 845, 852, 858, 859
46423869	<b>37015</b>	207–209, 211, 213, 214, 217, 219–222, 227, 229, 235, 238, 240, 241, 243
46423870	<b>12536</b>	210, 223–226, 229, 230, 234, 239, 241, 242
46425959	<b>12117</b>	832, 838, 839, 856, 857
46447445	<b>39630</b>	222, 223, 235, 238
46453887	<b>12116</b>	830–832, 834–847, 849, 850, 853–857

ref. no. →

Car  
Division 

ref. no.



46512973	<b>19345</b>	830-832, 834-848, 850, 851, 853-855, 859, 860
46519901	<b>19345</b>	830-832, 834-848, 850, 851, 853-855, 859, 860
46527733	<b>24524</b>	206-208, 217-220, 230-233, 236
46528566	<b>12521</b>	206-208, 219, 220, 229-232, 240-243
46529970	<b>37015</b>	207-209, 211, 213, 214, 217, 219-222, 227, 229, 235, 238, 240, 241, 243
46773659	<b>12521</b>	206-208, 219, 220, 229-232, 240-243
46773660	<b>24524</b>	206-208, 217-220, 230-233, 236
46773662	<b>28142</b>	206-209, 213, 214, 217-228, 231-233, 235, 238, 245
50700495	<b>36824</b>	209, 210, 236, 237
51745702	<b>36309</b>	216
51745702 S1	<b>36309</b>	216
51748680	<b>23377</b>	211, 212
51749115	<b>26675</b>	833
51753789	<b>12536</b>	210, 223-226, 229, 230, 234, 239, 241, 242
51753791	<b>28142</b>	206-209, 213, 214, 217-228, 231-233, 235, 238, 245
51754191	<b>37015</b>	207-209, 211, 213, 214, 217, 219-222, 227, 229, 235, 238, 240, 241, 243
51754192	<b>12116</b>	830-832, 834-847, 849, 850, 853-857
51754193	<b>19345</b>	830-832, 834-848, 850, 851, 853-855, 859, 860
51782549	<b>12572</b>	206-210, 218-220, 224-226, 229-232, 234, 236, 239-243, 245
51782550	<b>40233</b>	206-212, 217-222, 224-227, 229-233, 236, 237, 239-245, 856, 857
51785515	<b>40233</b>	206-212, 217-222, 224-227, 229-233, 236, 237, 239-245, 856, 857
51787397	<b>28145</b>	834, 835, 849-851
51810086	<b>34954</b>	833, 848, 860
51810087	<b>34956</b>	833, 848

ref. no.



51810394	<b>34953</b>	833, 848
51810395	<b>34955</b>	833, 848
51824630	<b>40233</b>	206-212, 217-222, 224-227, 229-233, 236, 237, 239-245, 856, 857
51881462	<b>28303</b>	217, 218, 228, 233
51881463	<b>28300</b>	217, 218, 228, 232
55225248 SK	<b>19295</b>	834, 855
55701432	<b>28303</b>	217, 218, 228, 233
55701433	<b>28300</b>	217, 218, 228, 232
55701518	<b>28145</b>	834, 835, 849-851
55703170	<b>24524</b>	206-208, 217-220, 230-233, 236
55703171	<b>28142</b>	206-209, 213, 214, 217-228, 231-233, 235, 238, 245
55703556	<b>28303</b>	217, 218, 228, 233
55703557	<b>28300</b>	217, 218, 228, 232
5890990	<b>12520</b>	206-208, 219, 220, 229-232, 240-243
5890991	<b>12534</b>	210, 229, 230, 234, 239, 241, 242
5948422	<b>12370</b>	832, 845, 852, 858, 859
60510367	<b>40232</b>	213, 214, 227
60510369	<b>40232</b>	213, 214, 227
60545087	<b>40231</b>	207, 209-211, 220, 221, 236, 237
60809668	<b>40226</b>	210-212
60809805	<b>40231</b>	207, 209-211, 220, 221, 236, 237
60811481	<b>12117</b>	832, 838, 839, 856, 857
60812057	<b>12118</b>	830, 831, 836, 837, 839-844, 850, 853-855
60812195	<b>12116</b>	830-832, 834-847, 849, 850, 853-857
60814780	<b>37015</b>	207-209, 211, 213, 214, 217, 219-222, 227, 229, 235, 238, 240, 241, 243
60815429	<b>19345</b>	830-832, 834-848, 850, 851, 853-855, 859, 860
71714450	<b>12695</b>	214, 216, 239
71714457	<b>28142</b>	206-209, 213, 214, 217-228, 231-233, 235, 238, 245
71714459	<b>24524</b>	206-208, 217-220, 230-233, 236



ref. no.		
71714466	<b>12534</b>	210, 229, 230, 234, 239, 241, 242
71714471	<b>19345</b>	830-832, 834-848, 850, 851, 853-855, 859, 860
71714473 SK	<b>14538</b>	233, 244
71731547	<b>24523</b>	244
71737189	<b>19345</b>	830-832, 834-848, 850, 851, 853-855, 859, 860
71742697	<b>40225</b>	234
71742699	<b>29182</b>	234
71745046	<b>24524</b>	206-208, 217-220, 230-233, 236
71745047	<b>28142</b>	206-209, 213, 214, 217-228, 231-233, 235, 238, 245
71745047 S1	<b>28142</b>	206-209, 213, 214, 217-228, 231-233, 235, 238, 245
71747713	<b>28145</b>	834, 835, 849-851
71752156	<b>24523</b>	244
71753061	<b>28142</b>	206-209, 213, 214, 217-228, 231-233, 235, 238, 245
71753062	<b>24524</b>	206-208, 217-220, 230-233, 236
71753820	<b>36967</b>	209, 210, 236, 237
71753821	<b>36824</b>	209, 210, 236, 237
71768302	<b>40225</b>	234
71769738	<b>19345</b>	830-832, 834-848, 850, 851, 853-855, 859, 860
7555466	<b>12521</b>	206-208, 219, 220, 229-232, 240-243
7558570	<b>12536</b>	210, 223-226, 229, 230, 234, 239, 241, 242
7595521	<b>40233</b>	206-212, 217-222, 224-227, 229-233, 236, 237, 239-245, 856, 857
7599461	<b>12370</b>	832, 845, 852, 858, 859
7603485	<b>12370</b>	832, 845, 852, 858, 859
7603679	<b>12116</b>	830-832, 834-847, 849, 850, 853-857
7608131	<b>12572</b>	206-210, 218-220, 224-226, 229-232, 234, 236, 239-243, 245
7613514	<b>12117</b>	832, 838, 839, 856, 857

ref. no.		
7645817	<b>40233</b>	206-212, 217-222, 224-227, 229-233, 236, 237, 239-245, 856, 857
7657422	<b>12573</b>	216, 239
07667265	<b>40233</b>	206-212, 217-222, 224-227, 229-233, 236, 237, 239-245, 856, 857
7669715	<b>12573</b>	216, 239
7672265	<b>40230</b>	223, 224, 225, 234, 245, 847
7750120	<b>12116</b>	830-832, 834-847, 849, 850, 853-857
7769902	<b>12118</b>	830, 831, 836, 837, 839-844, 850, 853-855
7787124	<b>12116</b>	830-832, 834-847, 849, 850, 853-857
82390273	<b>37015</b>	207-209, 211, 213, 214, 217, 219-222, 227, 229, 235, 238, 240, 241, 243
82433787	<b>40233</b>	206-212, 217-222, 224-227, 229-233, 236, 237, 239-245, 856, 857
82463292	<b>40226</b>	210-212
82491391	<b>39630</b>	222, 223, 235, 238
92403013	<b>36967</b>	209, 210, 236, 237
9403748959	<b>30887</b>	851, 852
9403748969	<b>30886</b>	851, 852
9567217680 SK	<b>14538</b>	233, 244
9567217780 SK	<b>14535</b>	851, 852, 857
suitable for:		
<b>Ford</b>		
1 001 718	<b>19920</b>	257
1 004 719	<b>19922</b>	870
1 019 561	<b>08080</b>	863-868, 871, 873
1 053 115	<b>14499</b>	267
1 061 596	<b>19213</b>	254, 255, 257
1 085 043	<b>19183</b>	869
1 085 565	<b>19183</b>	869
1 085 568	<b>19213</b>	254, 255, 257
1 085 569	<b>19213</b>	254, 255, 257
1 088 380	<b>05412</b>	248-251, 253, 254, 258, 261-263
1 101 885	<b>22554</b>	257, 870
1 104 362	<b>19922</b>	870
1 112 547	<b>19213</b>	254, 255, 257
1 115 019	<b>19983</b>	872

ref. no. →

Car  
Division 

ref. no.



1 121 342	<b>22554</b>	257, 870
1 122 167	<b>22554</b>	257, 870
1 124 904	<b>19983</b>	872
1 133 023	<b>19706</b>	260
1 135 043	<b>19183</b>	869
1 135 043 S1	<b>34763</b>	869
1 137 830	<b>08080</b>	863-868, 871, 873
1 141 771	<b>05412</b>	248-251, 253, 254, 258, 261-263
1 146 119	<b>03991</b>	248-251, 253-255, 257, 258, 261-263, 265
1 146 121	<b>19213</b>	254, 255, 257
1 146 689	<b>19983</b>	872
1 201 300	<b>22805</b>	267
1 201 569	<b>19213</b>	254, 255, 257
1 223 640	<b>26770</b>	246, 256
1 230 907	<b>26770</b>	246, 256
1 230 942	<b>32598</b>	861, 870
1 232 245	<b>26770</b>	246, 256
1 254 308	<b>26770</b>	246, 256
1 308 716	<b>26770</b>	246, 256
1 309 814	<b>32598</b>	861, 870
1 326 487	<b>26770</b>	246, 256
1 326 640	<b>19213</b>	254, 255, 257
1 333 147	<b>03991</b>	248-251, 253-255, 257, 258, 261-263, 265
1 336 139	<b>26770</b>	246, 256
1 355 129	<b>32598</b>	861, 870
1 362 872	<b>31686</b>	873, 874
1 375 743	<b>08080</b>	863-868, 871, 873
1 383 427	<b>19983</b>	872
1 463 833	<b>32592</b>	256, 260
1 469 189	<b>31686</b>	873, 874
1 471 852	<b>32598</b>	861, 870
1 471 854	<b>26770</b>	246, 256
1 484 266	<b>29473</b>	266, 267
1 484 269	<b>31379</b>	266, 267
1 496 721	<b>32592</b>	256, 260
1 497 386	<b>19920</b>	257
1 506 577	<b>32598</b>	861, 870
1 513 043	<b>38314</b>	246, 254, 255
1 536 195	<b>36241</b>	254
1 541 797	<b>40233</b>	259
1 541 797	<b>12572</b>	259
1 582 282	<b>38314</b>	246, 254, 255

ref. no.



1 587 565	<b>28142</b>	259
1 587 590	<b>19345</b>	871
1 644 842	<b>05761</b>	247, 248, 252, 261
1 699 196	<b>40203</b>	868
1 699 368	<b>38314</b>	246, 254, 255
1 701 249	<b>40230</b>	259
1 746 588	<b>38314</b>	246, 254, 255
1 796 001	<b>39500</b>	246, 256, 259
3 555 333	<b>03991</b>	248-251, 253-255, 257, 258, 261-263, 265
3 903 036	<b>03991</b>	248-251, 253-255, 257, 258, 261-263, 265
4 052 783	<b>22805</b>	267
4 103 347	<b>24351</b>	260
4 103 363	<b>19706</b>	260
4 331 541	<b>03271</b>	248-251, 253, 254, 258, 261-263
4 410 218	<b>29473</b>	266, 267
4 410 219	<b>31379</b>	266, 267
4 479 002	<b>27162</b>	870, 874, 875
4 506 244	<b>22805</b>	267
4 858 822	<b>19983</b>	872
5 007 027	<b>05393</b>	865
5 007 028	<b>05394</b>	246, 257, 258, 861, 862, 872
5 007 029	<b>05458</b>	266, 861, 862
5 007 039	<b>05397</b>	247, 252
5 007 040	<b>05398</b>	247, 248, 252, 261
5 008 716	<b>05400</b>	264, 265
5 010 762	<b>05401</b>	264, 265
5 012 477	<b>05493</b>	264, 265
5 020 654	<b>05408</b>	862-867, 871, 873
5 020 655	<b>05409</b>	862-867, 871, 873
5 020 656	<b>05411</b>	248-251, 253, 261-263
5 024 195	<b>05411</b>	248-251, 253, 261-263
5 024 196	<b>05412</b>	248-251, 253, 254, 258, 261-263
5 024 251	<b>08132</b>	863, 864
5 025 675	<b>05413</b>	866
5 025 899	<b>14498</b>	267
5 025 900	<b>14539</b>	874
5 027 620	<b>19265</b>	247, 259, 260
5 027 621	<b>07830</b>	861, 866-868, 871, 872



ref. no.		
5 027 621	<b>07833</b>	861, 866–868, 871, 872
5 027 622	<b>07833</b>	861, 866–868, 871, 872
5 030 537	<b>05408</b>	862–867, 871, 873
5 030 537 SK	<b>08080</b>	863–868, 871, 873
5 030 538	<b>05409</b>	862–867, 871, 873
6 087 129	<b>05761</b>	247, 248, 252, 261
6 485 018	<b>05412</b>	248–251, 253, 254, 258, 261–263
6 517 013	<b>03991</b>	248–251, 253–255, 257, 258, 261–263, 265
6 517 014	<b>05762</b>	251, 253
6 798 053	<b>19090</b>	247, 255, 259, 260
6 798 055	<b>19265</b>	247, 259, 260
6 800 112	<b>07833</b>	861, 866–868, 871, 872
6 800 113	<b>07833</b>	861, 866–868, 871, 872
7 201 007	<b>22554</b>	257, 870
7 346 525	<b>19090</b>	247, 255, 259, 260
AS511104AA	<b>40230</b>	259
A800X1K018EA	<b>05397</b>	247, 252
A800X1K018FA	<b>05398</b>	247, 248, 252, 261
A800X1K028AA	<b>05393</b>	865
A800X1K028BA	<b>05394</b>	246, 257, 258, 861, 862, 872
A800X1K028CA	<b>05458</b>	266, 861, 862
A810X1K018FA	<b>05400</b>	264, 265
A810X1K0185RA	<b>05401</b>	264, 265
A840X1K018BA	<b>05493</b>	264, 265
YC152B663AE	<b>22805</b>	267
1C1J1K018AA	<b>22805</b>	267
1S7J1K018AA	<b>19706</b>	260
1S7W1104AA	<b>24351</b>	260
1S7W1215AA	<b>19706</b>	260
1S712C299AD	<b>19983</b>	872
1S712C299AF	<b>19983</b>	872
1S712C299AJ	<b>19983</b>	872
2S6J1K018BA	<b>19213</b>	254, 255, 257
2S611104DA	<b>03991</b>	248–251, 253–255, 257, 258, 261–263, 265
2T141K018AA	<b>29473</b>	266, 267
2T141K018AB	<b>29473</b>	266, 267
2T141K018BA	<b>31379</b>	266, 267
2T141K018BB	<b>31379</b>	266, 267
2T142C299DD	<b>31686</b>	873, 874

ref. no.		
3C111A049AA	<b>27162</b>	870, 874, 875
3M512C299RAA	<b>32598</b>	861, 870
3M512C299RBA	<b>32598</b>	861, 870
3M512C299RBB	<b>32598</b>	861, 870
3M512C299RBC	<b>32598</b>	861, 870
3M512C300CA	<b>26770</b>	246, 256
3M512C300CF	<b>26770</b>	246, 256
3M512C300CG	<b>26770</b>	246, 256
3M512C300CH	<b>26770</b>	246, 256
5N111104AA	<b>03991</b>	248–251, 253–255, 257, 258, 261–263, 265
5U7J1A049AA	<b>08080</b>	863–868, 871, 873
6G912C300GAB	<b>32592</b>	256, 260
6G912C300GAC	<b>32592</b>	256, 260
6M211A047AA	<b>19920</b>	257
7M512C299AC	<b>32598</b>	861, 870
7T162C299BB	<b>31686</b>	873, 874
8V411K018AA	<b>39500</b>	246, 256, 259
8V5J1K018AA	<b>38314</b>	246, 254, 255
8V511104AC	<b>36241</b>	254
8V512C299AF	<b>40203</b>	868
86AB1106AA	<b>05761</b>	247, 248, 252, 261
89FX1A049AA	<b>05408</b>	862–867, 871, 873
89FX1A049BA	<b>05409</b>	862–867, 871, 873
9S51J1A049AA	<b>19345</b>	871
9S51J1K018BA	<b>28142</b>	259
9S511104AA	<b>40233</b>	259
9S511104AA	<b>12572</b>	259
91AB1104AD	<b>03991</b>	248–251, 253–255, 257, 258, 261–263, 265
91AB1104AE	<b>03991</b>	248–251, 253–255, 257, 258, 261–263, 265
91AB1104BE	<b>05762</b>	251, 253
91AX1A049AA	<b>08132</b>	863, 864
91AX1K018AA	<b>05412</b>	248–251, 253, 254, 258, 261–263
91AX1K028AA	<b>05411</b>	248–251, 253, 261–263
92FX1A049AA	<b>05413</b>	866
92VX1A049AA	<b>14539</b>	874
92VX1K018AA	<b>14498</b>	267
93BB1104AF	<b>19090</b>	247, 255, 259, 260
93BX1A049AA	<b>07830</b>	861, 866–868, 871, 872
93BX1A049BA	<b>07833</b>	861, 866–868, 871, 872

ref. no. →

Car  
Division

ref. no.



93BX1K018AA	<b>19265</b>	247, 259, 260
94FX1A049AA	<b>05408</b>	862-867, 871, 873
94FX1A049BA	<b>05409</b>	862-867, 871, 873
95VW1A047AA	<b>19920</b>	257
95VW1A049AA	<b>19922</b>	870
95VW1A049AB	<b>19922</b>	870
95VW1A137AA	<b>22554</b>	257, 870
95VW1A137AD	<b>22554</b>	257, 870
95VW1A137BA	<b>22554</b>	257, 870
95VW1A137BB	<b>22554</b>	257, 870
96FX1A049AA	<b>08080</b>	863-868, 871, 873
97VX1K018AA	<b>14499</b>	267
98AX1A049AA	<b>19183</b>	869
98AX1A049AB	<b>19183</b>	869
98AX1K018BB	<b>19213</b>	254, 255, 257

suitable for:

**Honda**

42200-SAA-G01	<b>32875</b>	877
42200-SAA-G02	<b>32875</b>	877
42200-SAA-003	<b>32875</b>	877
42200-SEA-951	<b>33929</b>	876
42200-S5A-J01	<b>32306</b>	876
42200-S5A-008	<b>31567</b>	876
44300-SAA-003	<b>30575</b>	268, 877
44300-SAA-003 S1	<b>32540</b>	268, 269, 877
44300-SDA-A52	<b>30576</b>	268
44300-SMG-G01	<b>31451</b>	268
90681-SR3-A10	<b>30575</b>	268, 877
90681-SR3-A10 S1	<b>32540</b>	268, 269, 877

suitable for:

**Hyundai**

51718-2H000	<b>34712</b>	272
51718-29100	<b>31183</b>	270, 271, 273, 275
51720-11101 S1	<b>31685</b>	878, 879
51720-2D200	<b>31832</b>	271-273, 275, 276
51720-2H000	<b>34712</b>	272
51720-21100	<b>27316</b>	270-274
51720-22000	<b>27316</b>	270-274
51720-29100	<b>31183</b>	270, 271, 273, 275
51720-29150	<b>31183</b>	270, 271, 273, 275
51720-29300	<b>31183</b>	270, 271, 273, 275
51720-29400	<b>31183</b>	270, 271, 273, 275
51720-34000	<b>30711</b>	274
51720-34100	<b>30711</b>	274
51720-34200	<b>30711</b>	274

ref. no.



51720-38000	<b>31832</b>	271-273, 275, 276
51720-38100	<b>31832</b>	271-273, 275, 276
51730-11101	<b>31685</b>	878, 879
51750-24500	<b>28251</b>	270, 272, 274
51750-29000	<b>28250</b>	270, 271, 273
51750-3D000	<b>28252</b>	275
51750-3D003	<b>28252</b>	275
52710-17100	<b>32884</b>	881
52710-2E100	<b>31829</b>	882
52710-25100	<b>28253</b>	878, 880, 883
52710-25101	<b>28253</b>	878, 880, 883
52713-21100	<b>31685</b>	878, 879
52730-2H000	<b>32885</b>	879, 881
52730-38101	<b>28254</b>	882
52730-38102	<b>28254</b>	882
52730-38103	<b>28254</b>	882
52750-1C200	<b>31403</b>	878-880, 883
52750-1G000	<b>31377</b>	878-880, 883
52750-1G001	<b>31377</b>	878-880, 883
52750-1G100	<b>31403</b>	878-880, 883
52750-1G101	<b>31403</b>	878-880, 883
52750-2B100	<b>32883</b>	882

suitable for:

**IVECO**

0 0110 1597	<b>19769</b>	884
0 0716 2191	<b>19769</b>	884
0 9382 4579	<b>35591</b>	277
0 9382 4580	<b>35592</b>	277

suitable for:

**KIA**

OK201-26-139	<b>30087</b>	279, 280
OK201-33-042	<b>30087</b>	279, 280
OK20133047S1	<b>30087</b>	279, 280
OK201-33-065A	<b>30087</b>	279, 280
OK55233047 S1	<b>31566</b>	278, 279
OK9A233047 S1	<b>31564</b>	278
OK9A4-26-150	<b>31565</b>	885
OK9A5-26-150	<b>31565</b>	885
51720-2D200	<b>31832</b>	278, 279
51720-38000	<b>31832</b>	278, 279
51720-38100	<b>31832</b>	278, 279
51750-3D000	<b>28252</b>	278, 279
51750-3D003	<b>28252</b>	278, 279
52710-2E100	<b>31829</b>	886
52730-2H000	<b>32885</b>	885



ref. no.		
52730-38101	<b>28254</b>	885
52730-38102	<b>28254</b>	885
52730-38103	<b>28254</b>	885
52750-1G000	<b>31377</b>	886
52750-1G100	<b>31403</b>	885, 886
suitable for:		
<b>LANCIA</b>		
1311508080	<b>19842</b>	285, 288
4399856	<b>12370</b>	888, 889
46423869	<b>37015</b>	281-283
46425959	<b>12117</b>	887
46453887	<b>12116</b>	887, 888
46512973	<b>19345</b>	888, 889
46519901	<b>19345</b>	888, 889
46528566	<b>12521</b>	281, 282, 287
46529970	<b>37015</b>	281-283
46773662	<b>28142</b>	284, 285, 288
50700495	<b>36824</b>	284
51753791	<b>28142</b>	284, 285, 288
51754191	<b>37015</b>	281-283
51754192	<b>12116</b>	887, 888
51754193	<b>19345</b>	888, 889
51782549	<b>12572</b>	281, 282, 285, 287, 288
51824630	<b>40233</b>	281-286, 288, 887
55703171	<b>28142</b>	284, 285, 288
5890990	<b>12520</b>	281, 282, 287
5948422	<b>12370</b>	888, 889
60545087	<b>40231</b>	283, 284
60671437	<b>38860</b>	287
60671437 S1	<b>38860</b>	287
60809805	<b>40231</b>	283, 284
60811032	<b>40227</b>	282, 887
60811481	<b>12117</b>	887
60812057	<b>12118</b>	888
60812195	<b>12116</b>	887, 888
60814780	<b>37015</b>	281-283
60815429	<b>19345</b>	888, 889
71714457	<b>28142</b>	284, 285, 288
71714459	<b>24524</b>	287
71714471	<b>19345</b>	888, 889
71714473 SK	<b>14538</b>	288
71731547	<b>24523</b>	285
71737189	<b>19345</b>	888, 889
71738029	<b>38860</b>	287

ref. no.		
71745046	<b>24524</b>	287
71745047	<b>28142</b>	284, 285, 288
71745047 S1	<b>28142</b>	284, 285, 288
71752156	<b>24523</b>	285
71753061	<b>28142</b>	284, 285, 288
71753062	<b>24524</b>	287
71753820	<b>36967</b>	283
71753821	<b>36824</b>	284
71769738	<b>19345</b>	888, 889
7555466	<b>12521</b>	281, 282, 287
7599461	<b>12370</b>	888, 889
7603485	<b>12370</b>	888, 889
7608131	<b>12572</b>	281, 282, 285, 287, 288
7613514	<b>12117</b>	887
07667265	<b>40233</b>	281-286, 288, 887
7769902	<b>12118</b>	888
7787124	<b>12116</b>	887, 888
82390273	<b>37015</b>	281-283
82463292	<b>40226</b>	284, 286
82466910	<b>40227</b>	282, 887
92403013	<b>36967</b>	283
9567217680 SK	<b>14538</b>	288
9567217780 SK	<b>14535</b>	889
suitable for:		
<b>Lexus</b>		
43502-32070	<b>28239</b>	290
43502-33030	<b>28249</b>	289
90369-30044	<b>27312</b>	890
90369-38003	<b>24717</b>	289
90369-43008	<b>27313</b>	289, 290
90369-43009	<b>31189</b>	289
suitable for:		
<b>Mazda</b>		
BBM2-33-047	<b>32920</b>	292-294
BN8B-33-047A S1	<b>31564</b>	291, 292, 294-301
BP4K-26-15XD	<b>32686</b>	891, 892
BP4K-26-15XE	<b>32686</b>	891, 892
BP4K-26-15XF	<b>32686</b>	891, 892
BP4K-33-15XA	<b>32868</b>	292, 293
BP4K-33-15XB	<b>32868</b>	292, 293
BP4L-33-047A	<b>32920</b>	292-294
BP4L-33-047B	<b>32920</b>	292-294
B01C-26-15X	<b>32869</b>	894, 895
B21M-33-048	<b>30087</b>	295-299, 892



ref. no. →



Car Division 



ref. no.



B455-26-15XA	<b>32684</b>	892-896
B455-26-15XB	<b>32684</b>	892-896
B455-26-15XC	<b>32684</b>	892-896
B455-33-047A	<b>30087</b>	295-299, 892
B455-33-047B	<b>30087</b>	295-299, 892
B455-33-047D	<b>30087</b>	295-299, 892
B455-33-047D S1	<b>30087</b>	295-299, 892
B603-26-15XA	<b>32685</b>	892-896
B603-26-15XB	<b>32685</b>	892-896
B603-26-15XC	<b>32685</b>	892-896
C236-26-151B	<b>32920</b>	292-294
C236-26-151C	<b>32920</b>	292-294
C236-26-151D	<b>32920</b>	292-294
D651-26-15XB	<b>34378</b>	891
D651-26-15XC	<b>34378</b>	891
D651-26-15XD	<b>34378</b>	891
D651-26-15XE	<b>34378</b>	891
GA2A-33-047A S1	<b>31564</b>	291, 292, 294-301
GJ21-33-042B	<b>30087</b>	295-299, 892
GP9A-33-047A	<b>32790</b>	291, 294
GP9A-33-047B	<b>32790</b>	291, 294
GP9A-33-047C	<b>32790</b>	291, 294
G304-33-065	<b>30087</b>	295-299, 892
1E00-32-61YA	<b>08080</b>	893

suitable for:

**Mercedes-Benz**

204 330 04 25	<b>36073</b>	316-320, 326, 347
204 330 06 25	<b>36073</b>	316-320, 326, 347
209 330 03 25	<b>36077</b>	316, 321, 323, 324, 347
210 330 03 25	<b>28384</b>	314, 315, 322, 327-330, 346
212 330 00 25 S1	<b>38651</b>	324, 325, 333-335
212 330 00 25	<b>38652</b>	325, 333-335
212 330 00 25 S2	<b>38649</b>	324, 325, 333-335
218 330 01 25 S2	<b>38649</b>	324, 325, 333-335
218 330 01 25 S1	<b>38651</b>	324, 325, 333-335
220 330 07 25	<b>30945</b>	320, 342, 343
220 330 07 25 S1	<b>24535</b>	320, 342, 343
221 330 02 25 S1	<b>38374</b>	321, 343-345
221 330 02 25	<b>36078</b>	321, 343-345
230 330 03 25 S1	<b>24534</b>	325, 331-333, 346
230 330 03 25	<b>32850</b>	325, 331-333, 346
230 330 03 25 S2	<b>26005</b>	325, 331-333, 346
604 330 00 25	<b>23625</b>	348-350, 352-354, 356-365

ref. no.



611 330 07 25	<b>05577</b>	304-306, 338-341, 365-370
611 330 08 25	<b>08146</b>	366-371
901 330 10 25	<b>23626</b>	348-350, 352-354, 356-365
107 330 00 51	<b>05422</b>	303, 337, 345, 346
111 330 00 51	<b>05422</b>	303, 337, 345, 346
116 330 00 51 SK	<b>05577</b>	304-306, 338-341, 365-370
116 330 00 51	<b>08838</b>	304-306, 338-341
126 330 00 51	<b>08839</b>	304-306, 338-341
126 330 00 51 SK	<b>05580</b>	304-306, 338-341
140 330 00 51	<b>05415</b>	342
140 330 00 51 S	<b>05416</b>	342
140 330 02 51 SK	<b>05415</b>	342
140 330 02 51	<b>05416</b>	342
163 330 00 51	<b>21975</b>	336, 927
201 330 00 51 SK	<b>05592</b>	377, 378
201 330 00 51	<b>05421</b>	377, 378
201 330 01 51 SK	<b>05579</b>	377, 378
201 330 01 51	<b>05141</b>	377, 378
201 330 02 51 SK	<b>05581</b>	307-309, 345, 378
201 330 02 51	<b>08841</b>	307-309, 345, 378
202 330 00 51 SK	<b>07870</b>	314, 315, 322, 327-330, 346
202 330 00 51	<b>02071</b>	314, 315, 322, 327-330, 346
203 330 00 51 SK	<b>27311</b>	316-321, 323, 324, 326, 347
203 330 00 51	<b>22435</b>	316-321, 323, 324, 326, 347
210 330 00 51 SK	<b>07870</b>	314, 315, 322, 327-330, 346
210 330 00 51	<b>02071</b>	314, 315, 322, 327-330, 346
210 330 01 51	<b>21887</b>	329
220 330 00 51	<b>37507</b>	331, 332, 342, 343
631 330 00 51 SK	<b>05464</b>	337
631 330 00 51	<b>17205</b>	337
631 330 02 51 SK	<b>05464</b>	337
631 330 02 51	<b>17205</b>	337
638 334 01 01	<b>34321</b>	376
163 334 00 10	<b>36072</b>	336, 927
163 334 01 10	<b>36072</b>	336, 927
168 337 03 45	<b>31668</b>	302, 373
169 337 01 45	<b>31669</b>	303
221 337 02 45	<b>36079</b>	317-321, 324-326, 333-336, 343-345
601 350 15 10	<b>04284</b>	940-944



ref. no.		
168 350 03 35	<b>28382</b>	897, 898
168 350 04 35	<b>28383</b>	897, 898
124 350 05 49 SK	<b>07932</b>	900, 901–906
124 350 05 49	<b>07931</b>	900, 901–906
124 350 06 49	<b>04178</b>	901–906
129 350 00 49	<b>21873</b>	903, 906, 936
140 350 01 49	<b>08219</b>	929–931
201 350 01 49	<b>08881</b>	900, 901, 902–908, 916, 919–922, 936, 937, 945
201 350 01 49 SK	<b>05578</b>	900, 901–908, 916, 917, 919–922, 936, 937, 945
201 350 02 49	<b>08881</b>	900, 901, 902–908, 916, 919–922, 936, 937, 945
201 350 02 49 SK	<b>05578</b>	900, 901–908, 916, 917, 919–922, 936, 937, 945
201 350 05 49 SK	<b>05578</b>	900, 901–908, 916, 917, 919–922, 936, 937, 945
201 350 05 49	<b>05424</b>	901, 902, 904–911, 916, 920, 921, 922, 936, 937, 945
201 350 05 49	<b>08881</b>	900, 901, 902–908, 916, 919–922, 936, 937, 945
906 350 02 49 S1	<b>37857</b>	939
111 350 00 68 S	<b>05423</b>	899, 928, 935
111 350 00 68 S1	<b>05423</b>	899, 928, 935
123 350 00 68 SK	<b>05569</b>	900, 928, 935
123 350 00 68	<b>08840</b>	900, 928, 935
601 350 00 68	<b>01063</b>	940–944
601 350 00 68 SK	<b>05860</b>	940–944
601 350 01 68	<b>01063</b>	940–944
601 350 01 68 SK	<b>05860</b>	940–944
601 350 02 68 SK	<b>05860</b>	940–944
601 350 02 68	<b>01063</b>	940–944
601 350 04 68	<b>01063</b>	940–944
601 350 04 68 SK	<b>05860</b>	940–944
902 350 00 68	<b>23489</b>	938, 939
902 350 00 68 SK	<b>23663</b>	938, 939
164 356 01 01	<b>36071</b>	336, 337, 926, 927
164 356 02 01	<b>36071</b>	336, 337, 926, 927
638 356 00 01	<b>34331</b>	944
201 357 17 08	<b>36091</b>	906–911, 916, 917, 937
203 357 00 08	<b>36091</b>	906–911, 916, 917, 937

ref. no.		
203 357 01 08	<b>36091</b>	906–911, 916, 917, 937
211 357 03 08	<b>28620</b>	914, 915, 918, 923–926, 933–935, 937
211 357 04 08	<b>28620</b>	914, 915, 918, 923–926, 933–935, 937
211 357 05 08	<b>28620</b>	914, 915, 918, 923–926, 933–935, 937
230 357 01 08	<b>36087</b>	912–914, 919, 936, 938
230 357 03 08	<b>36087</b>	912–914, 919, 936, 938
111 586 04 33	<b>05422</b>	303, 337, 345, 346
116 586 00 33	<b>08838</b>	304–306, 338–341
116 586 00 33 SK	<b>05577</b>	304–306, 338–341, 365–370
111 586 00 35 S	<b>05423</b>	899, 928, 935
115 586 06 35 SK	<b>05569</b>	900, 928, 935
115 586 06 35	<b>08840</b>	900, 928, 935
115 586 07 35 SK	<b>05569</b>	900, 928, 935
115 586 07 35	<b>08840</b>	900, 928, 935
115 586 08 35	<b>08840</b>	900, 928, 935
115 586 08 35 SK	<b>05569</b>	900, 928, 935
115 586 11 35	<b>08840</b>	900, 928, 935
115 586 11 35 SK	<b>05569</b>	900, 928, 935
123 586 00 35	<b>08840</b>	900, 928, 935
123 586 00 35 SK	<b>05569</b>	900, 928, 935
000 980 82 02 S1	<b>05995</b>	900, 927, 928, 935
000 980 82 02 S	<b>05995</b>	900, 927, 928, 935
001 980 29 02	<b>08950</b>	304–306, 338–341
002 980 30 02	<b>27163</b>	316–321, 323, 324, 326, 347
002 980 31 02	<b>27164</b>	316–321, 323, 324, 326, 347
000 980 05 16	<b>31036</b>	931, 932
000 980 05 16 S1	<b>37558</b>	931, 932
124 980 00 16	<b>03403</b>	908–911, 916, 917, 918, 937
124 980 04 16	<b>04178</b>	901–906
124 980 05 16 SK	<b>07932</b>	900, 901–906
124 980 05 16	<b>07931</b>	900, 901–906
129 980 00 16	<b>21873</b>	903, 906, 936
129 980 04 16	<b>21873</b>	903, 906, 936
140 980 04 16 SK	<b>08222</b>	915, 929–933
140 980 04 16	<b>08210</b>	929, 930
140 980 05 16	<b>08219</b>	929–931
140 980 06 16	<b>08220</b>	920–922, 929, 930
140 980 07 16	<b>08221</b>	921, 922, 929–931

ref. no. →

Car  
Division 

ref. no.



201 980 00 16 SK	<b>05578</b>	900, 901-908, 916, 917, 919-922, 936, 937, 945
201 980 00 16	<b>08881</b>	900, 901, 902-908, 916, 919-922, 936, 937, 945
201 980 01 16 SK	<b>05578</b>	900, 901-908, 916, 917, 919-922, 936, 937, 945
201 980 01 16	<b>08881</b>	900, 901, 902-908, 916, 919-922, 936, 937, 945
201 980 01 16	<b>05424</b>	901, 902, 904-911, 916, 920, 921, 922, 936, 937, 945
202 980 00 16 SK	<b>05578</b>	900, 901-908, 916, 917, 919-922, 936, 937, 945
202 980 00 16	<b>08881</b>	900, 901, 902-908, 916, 919-922, 936, 937, 945
202 980 01 16	<b>05424</b>	901, 902, 904-911, 916, 920, 921, 922, 936, 937, 945
202 980 01 16	<b>08881</b>	900, 901, 902-908, 916, 919-922, 936, 937, 945
203 980 00 16	<b>21872</b>	909-911
209 980 00 16	<b>21697</b>	917, 918
210 980 01 16	<b>08220</b>	920-922, 929, 930
210 980 05 16	<b>08220</b>	920-922, 929, 930
220 980 00 16	<b>21667</b>	931, 932
220 980 01 16	<b>21668</b>	915, 932, 933
002 981 23 01 S1	<b>05423</b>	899, 928, 935
003 981 10 05	<b>08152</b>	310-314, 348-376
003 981 15 05	<b>08152</b>	310-314, 348-376
003 981 95 05	<b>08152</b>	310-314, 348-376
006 981 58 05	<b>08152</b>	310-314, 348-376
011 981 89 05	<b>23657</b>	938, 939
011 981 90 05	<b>23657</b>	938, 939
011 981 91 05	<b>23657</b>	938, 939
017 981 46 05	<b>23657</b>	938, 939
140 981 99 05	<b>11416</b>	915, 933-935
001 981 15 25 S1	<b>05423</b>	899, 928, 935
140 981 04 27 S1	<b>37558</b>	931, 932
168 981 03 27	<b>21843</b>	897, 898
168 981 03 27 S1	<b>21839</b>	897, 898
168 981 06 27 SK	<b>23226</b>	302
168 981 06 27 S1	<b>23225</b>	302
168 981 07 27	<b>21844</b>	897, 898
168 981 07 27 S1	<b>21847</b>	897, 898

ref. no.



169 981 00 27	<b>36487</b>	899
169 981 01 27 S1	<b>24507</b>	303
169 981 01 27 S2	<b>37549</b>	303
202 981 01 27	<b>03403</b>	908-911, 916, 917, 918, 937
211 981 02 27 S1	<b>28678</b>	915, 918, 923-926, 933-935, 937, 938
211 981 02 27	<b>28574</b>	914, 915, 918, 923-926, 933-935, 937, 938
230 981 01 27 S1	<b>34738</b>	912-914, 919, 936, 938
638 981 00 27 S1	<b>22078</b>	376, 944
639 981 04 27 S1	<b>40835</b>	376, 944
639 981 04 27	<b>40835</b>	376, 944

suitable for:

**MINI**

31 22 6 756 889	<b>22315</b>	379, 380
31 22 6 756 889 S1	<b>37106</b>	379, 380
31 22 6 776 162	<b>31077</b>	379-381
31 22 6 776 162 S1	<b>37107</b>	379-381
31 22 6 776 671	<b>31077</b>	379-381
31 22 6 776 671 S1	<b>37107</b>	379-381
33 41 6 756 830	<b>22316</b>	946, 947
33 41 6 774 944	<b>31078</b>	946-948
33 41 6 786 552	<b>31078</b>	946-948
33 41 6 786 620	<b>31078</b>	946-948

suitable for:

**Mitsubishi**

MB303865	<b>31465</b>	382-386, 388-390
MB808442	<b>31464</b>	382, 383, 386-389
MB 844 919	<b>31478</b>	949-951
MN102067 S1	<b>32970</b>	383, 384
MN102068 S1	<b>32970</b>	383, 384
MN103586	<b>31833</b>	387, 388
MR 131 774	<b>31478</b>	949-951
MR223285	<b>32550</b>	949, 951
MR 403 728	<b>31478</b>	949-951
MR 403 806	<b>31478</b>	949-951
MR449797	<b>31464</b>	382, 383, 386-389
MR455620	<b>31833</b>	387, 388
MR519097	<b>34273</b>	388
MR594142	<b>32580</b>	949, 950
MR594954	<b>31833</b>	387, 388
3880A024	<b>31833</b>	387, 388
3885A019	<b>31826</b>	951



ref. no.		
suitable for:		
<b>Nissan</b>		
-	<b>32555</b>	391, 393
-	<b>09321</b>	393
-	<b>26887</b>	391
-	<b>32376</b>	391
40210-AX000	<b>24315</b>	392, 393
40210-AX000 S1	<b>24315</b>	392, 393
40210-00QAA	<b>05528</b>	393
40210-00QAC	<b>23183</b>	391
40210-00QAE	<b>23330</b>	394
40210-00QAG	<b>23331</b>	394
40210-21B00	<b>17432</b>	391, 392
40210-34B00	<b>17432</b>	391, 392
40210-99B00	<b>31252</b>	391, 392
43200-0M001	<b>31228</b>	952, 955, 956
43200-4F116	<b>31226</b>	954
43200-4F800	<b>31227</b>	953, 954
43200-4F805	<b>31227</b>	953, 954
43200-4F806	<b>31227</b>	953, 954
43200-5F607	<b>31227</b>	953, 954
43200-5F617	<b>31227</b>	953, 954
43202-00QAC	<b>39252</b>	953
43202-21B00	<b>31226</b>	954
43202-34B00	<b>31226</b>	954
43202-72B00	<b>31226</b>	954
43210-AX000	<b>05538</b>	952-954
43210-AZ300	<b>05538</b>	952-954
43210-0W000 S1	<b>32887</b>	954, 956
43210-00QAB	<b>23179</b>	952
43210-00QAC	<b>22864</b>	955
43210-00QAD	<b>19897</b>	953
43210-00QAD SK	<b>19897</b>	953

suitable for:		
<b>Opel</b>		
0326 001	<b>28301</b>	426-428, 434, 442
0326 165	<b>28303</b>	395, 427, 428, 429
0326 166	<b>28300</b>	427-429
0326 169	<b>03106</b>	396, 397, 398, 400, 401, 403, 404, 406, 408, 409, 411, 413-418, 425, 426, 431, 432, 441-444

ref. no.		
0326 173	<b>03104</b>	396-398, 400, 401, 403, 404, 406, 409, 411, 413-418, 424, 431-433, 442-445
0326 178	<b>03106</b>	396, 397, 398, 400, 401, 403, 404, 406, 408, 409, 411, 413-418, 425, 426, 431, 432, 441-444
0326 180	<b>05117</b>	439, 440
0326 181	<b>05117</b>	439, 440
0326 184	<b>03104</b>	396-398, 400, 401, 403, 404, 406, 409, 411, 413-418, 424, 431-433, 442-445
0326 194	<b>03965</b>	403, 404, 415-417, 424, 446, 447
0326 195	<b>03969</b>	424, 446, 447
0326 196	<b>03975</b>	397, 398, 400, 401, 403, 404, 406, 409, 411, 413-418, 446
0326 197	<b>03106</b>	396, 397, 398, 400, 401, 403, 404, 406, 408, 409, 411, 413-418, 425, 426, 431, 432, 441-444
0328 000	<b>40098</b>	422, 423
0328 001	<b>40099</b>	422-424, 452
0328 006	<b>39916</b>	430
0328 016	<b>40098</b>	422, 423
0328 021	<b>40099</b>	422-424, 452
0328 100	<b>03270</b>	396, 397, 399, 400, 402, 405, 407, 408, 431, 432, 442-444
0328 102	<b>03271</b>	396, 399, 402, 405, 408, 410, 412, 414-418, 424, 431-433, 442-445, 971
0328 103	<b>03271</b>	396, 399, 402, 405, 408, 410, 412, 414-418, 424, 431-433, 442-445, 971
0328 104	<b>03270</b>	396, 397, 399, 400, 402, 405, 407, 408, 431, 432, 442-444
0328 106	<b>04799</b>	399, 400, 402, 403, 405, 408, 410, 413, 425, 426, 441, 443, 444
0328 292	<b>39916</b>	430
0328 980	<b>19085</b>	426-428, 434, 442
0415 203	<b>04529</b>	959, 971, 972, 976, 977, 979
0421 000	<b>02895</b>	957, 958, 960-964, 967-970, 974-976, 978, 979, 981

ref. no. →

Car  
Division 

ref. no.		
0421 001	<b>02843</b>	957, 958, 960-964, 967-970, 974-981
0421 006	<b>02895</b>	957, 958, 960-964, 967-970, 974-976, 978, 979, 981
09111023	<b>23183</b>	435-438
09111044	<b>23179</b>	970
09117619	<b>14611</b>	419, 450
09117620	<b>14615</b>	419, 450
09117622	<b>14623</b>	419, 450
09117622 S1	<b>24164</b>	419, 450
09120128	<b>02843</b>	957, 958, 960-964, 967-970, 974-981
09120129	<b>02895</b>	957, 958, 960-964, 967-970, 974-976, 978, 979, 981
09195608	<b>19085</b>	426-428, 434, 442
09196286	<b>19088</b>	960-964, 966, 973
09203934 S1	<b>31342</b>	395
09203935	<b>31341</b>	957
09213602	<b>31341</b>	957
09214025	<b>31432</b>	395
11054489	<b>06507</b>	395, 430, 433, 440, 957, 959, 960, 967-969, 973-975, 977-980
11070311	<b>06507</b>	395, 430, 433, 440, 957, 959, 960, 967-969, 973-975, 977-980
13502785	<b>39916</b>	430
13502828	<b>40098</b>	422, 423
13502829	<b>40099</b>	422-424, 452
13580135	<b>39916</b>	430
13583478	<b>40098</b>	422, 423
13583479	<b>40099</b>	422-424, 452
1603 065	<b>03115</b>	395, 430, 433, 440, 957, 959, 967-969, 974, 975, 977-980
1603 143	<b>23377</b>	441, 448, 449
1603 191	<b>03189</b>	396, 398, 401, 403, 404, 407, 410, 412-418, 424, 427, 431-434, 442, 444, 445
1603 192	<b>03096</b>	396, 425, 431, 432, 442-444
1603 193	<b>06507</b>	395, 430, 433, 440, 957, 959, 960, 967-969, 973-975, 977-980
1603 194	<b>06167</b>	439, 440

ref. no.		
1603 195	<b>04799</b>	399, 400, 402, 403, 405, 408, 410, 413, 425, 426, 441, 443, 444
1603 196	<b>04838</b>	399, 402-405, 410, 413-418, 424, 445-447, 972
1603 208	<b>14611</b>	419, 450
1603 209	<b>14615</b>	419, 450
1603 211 SK	<b>14623</b>	419, 450
1603 211 S1	<b>14623</b>	419, 450
1603 211 S1	<b>24164</b>	419, 450
1603 243	<b>23377</b>	441, 448, 449
1603 254	<b>27386</b>	419-423, 450, 451
1603 255	<b>28141</b>	441, 448, 449
1603 282	<b>31136</b>	421, 451
1603 294	<b>23377</b>	441, 448, 449
1603 295	<b>28141</b>	441, 448, 449
1603 296	<b>31136</b>	421, 451
1603 337	<b>24524</b>	395, 427-429
1603 338	<b>28142</b>	428, 429
1603 841	<b>31122</b>	419-422, 450, 451
1604 003	<b>02843</b>	957, 958, 960-964, 967-970, 974-981
1604 004	<b>02895</b>	957, 958, 960-964, 967-970, 974-976, 978, 979, 981
1604 007	<b>19088</b>	960-964, 966, 973
1604 017	<b>28145</b>	963-966
1604 287	<b>01972</b>	971
1604 292	<b>01971</b>	959, 971, 972, 975-979
1604 302	<b>02843</b>	957, 958, 960-964, 967-970, 974-981
1604 303	<b>02895</b>	957, 958, 960-964, 967-970, 974-976, 978, 979, 981
1604 306	<b>02843</b>	957, 958, 960-964, 967-970, 974-981
1604 307	<b>02895</b>	957, 958, 960-964, 967-970, 974-976, 978, 979, 981
1604 314	<b>26675</b>	973, 980
1604 315	<b>27384</b>	958, 959
1604 316	<b>27382</b>	958, 959, 970, 981
1604 358	<b>28145</b>	963-966
1604 360	<b>30237</b>	963-966
4403 023	<b>23183</b>	435-438
4403 044	<b>23179</b>	970
4408 277	<b>22864</b>	981



ref. no.		
4408 668	<b>23330</b>	449
4412 598	<b>23331</b>	449
4430 305	<b>23331</b>	449
4700 322	<b>31342</b>	395
4700 322 S1	<b>31342</b>	395
4700 323	<b>31341</b>	957
4706 538	<b>31341</b>	957
4707 157	<b>31432</b>	395
4708 249	<b>30574</b>	957
55701432	<b>28303</b>	395, 427, 428, 429
55701433	<b>28300</b>	427-429
90005147	<b>06507</b>	395, 430, 433, 440, 957, 959, 960, 967-969, 973-975, 977-980
90005147	<b>03115</b>	395, 430, 433, 440, 957, 959, 967-969, 974, 975, 977-980
90095270	<b>03104</b>	396-398, 400, 401, 403, 404, 406, 409, 411, 413-418, 424, 431-433, 442-445
90157724	<b>03106</b>	396, 397, 398, 400, 401, 403, 404, 406, 408, 409, 411, 413-418, 425, 426, 431, 432, 441-444
90235281	<b>04529</b>	959, 971, 972, 976, 977, 979
90235435	<b>05117</b>	439, 440
90235571	<b>05117</b>	439, 440
90251816	<b>03104</b>	396-398, 400, 401, 403, 404, 406, 409, 411, 413-418, 424, 431-433, 442-445
90279331	<b>03270</b>	396, 397, 399, 400, 402, 405, 407, 408, 431, 432, 442-444
90279332	<b>03271</b>	396, 399, 402, 405, 408, 410, 412, 414-418, 424, 431-433, 442-445, 971
90372568	<b>02895</b>	957, 958, 960-964, 967-970, 974-976, 978, 979, 981
90372569	<b>02843</b>	957, 958, 960-964, 967-970, 974-981
90425658	<b>04838</b>	399, 402-405, 410, 413-418, 424, 445-447, 972
90447280	<b>04799</b>	399, 400, 402, 403, 405, 408, 410, 413, 425, 426, 441, 443, 444

ref. no.		
90468191	<b>02895</b>	957, 958, 960-964, 967-970, 974-976, 978, 979, 981
90468192	<b>02843</b>	957, 958, 960-964, 967-970, 974-981
90468491	<b>02895</b>	957, 958, 960-964, 967-970, 974-976, 978, 979, 981
90468645	<b>03975</b>	397, 398, 400, 401, 403, 404, 406, 409, 411, 413-418, 446
90468646	<b>03965</b>	403, 404, 415-417, 424, 446, 447
90486458	<b>03096</b>	396, 425, 431, 432, 442-444
90486460	<b>03189</b>	396, 398, 401, 403, 404, 407, 410, 412-418, 424, 427, 431-434, 442, 444, 445
90486461	<b>01972</b>	971
90486463	<b>06507</b>	395, 430, 433, 440, 957, 959, 960, 967-969, 973-975, 977-980
90486467	<b>06167</b>	439, 440
90486468	<b>01971</b>	959, 971, 972, 975-979
90496444	<b>03969</b>	424, 446, 447
90498610	<b>03106</b>	396, 397, 398, 400, 401, 403, 404, 406, 408, 409, 411, 413-418, 425, 426, 431, 432, 441-444
90510542	<b>04838</b>	399, 402-405, 410, 413-418, 424, 445-447, 972
90510544	<b>04799</b>	399, 400, 402, 403, 405, 408, 410, 413, 425, 426, 441, 443, 444
90510629	<b>02843</b>	957, 958, 960-964, 967-970, 974-981
90511494	<b>02895</b>	957, 958, 960-964, 967-970, 974-976, 978, 979, 981
90540069	<b>02843</b>	957, 958, 960-964, 967-970, 974-981
90540262	<b>02895</b>	957, 958, 960-964, 967-970, 974-976, 978, 979, 981
90576767	<b>28301</b>	426-428, 434, 442
91159917	<b>22864</b>	981
91160086	<b>23330</b>	449
93161059	<b>23331</b>	449
93161376	<b>23331</b>	449
93168760	<b>28145</b>	963-966

ref. no. →

Car  
Division 

ref. no.



93170611	<b>26675</b>	973, 980
93171495	<b>23377</b>	441, 448, 449
93175327	<b>23377</b>	441, 448, 449
93178626	<b>27382</b>	958, 959, 970, 981
93178652	<b>27386</b>	419-423, 450, 451
93178661	<b>28141</b>	441, 448, 449
93182913	<b>31136</b>	421, 451
93186387	<b>23377</b>	441, 448, 449
93186388	<b>28141</b>	441, 448, 449
93186389	<b>31136</b>	421, 451
93188477	<b>31122</b>	419-422, 450, 451
93188889	<b>24524</b>	395, 427-429
93188890	<b>28142</b>	428, 429
93190215	<b>28145</b>	963-966
93190216	<b>30237</b>	963-966
93192990	<b>30574</b>	957

suitable for:

**Peugeot**

13 004 720 80	<b>14967</b>	453, 454
16 063 746 80 S1	<b>36309</b>	456
3307.49	<b>10223</b>	461-467, 471-473, 475, 476, 479, 480
3307.56	<b>10224</b>	457-460, 466-482
3307.60	<b>12573</b>	457
3307.62	<b>19844</b>	461-464
3307.64	<b>19842</b>	456, 482, 483
3307.65	<b>14967</b>	453, 454
3307.69	<b>10224</b>	457-460, 466-482
3307.71	<b>10224</b>	457-460, 466-482
3307.72	<b>10224</b>	457-460, 466-482
3307.74	<b>19844</b>	461-464
3307.76	<b>18285</b>	460-465, 467-470, 476
3307.77	<b>28231</b>	453-455
3307.78	<b>28232</b>	453-455
3307.83	<b>28232</b>	453-455
3307.84	<b>28231</b>	453-455
3307.85	<b>10224</b>	457-460, 466-482
3326.31	<b>05542</b>	461-467, 471-473, 475, 476, 479, 480
3326.35	<b>05543</b>	458-460, 465-468, 471-478, 480, 481
3326.62	<b>24519</b>	453-455
3326.63	<b>24521</b>	455
3326.69	<b>24521</b>	455
3326.71	<b>36309</b>	456

ref. no.



3326.71 S1	<b>36309</b>	456
3326.75	<b>28142</b>	453
3326.75 S1	<b>28142</b>	453
3326.77	<b>28142</b>	453
3326.77 S1	<b>28142</b>	453
3350.16	<b>05543</b>	458-460, 465-468, 471-478, 480, 481
3350.17	<b>05542</b>	461-467, 471-473, 475, 476, 479, 480
3350.18	<b>22006</b>	461-464
3350.25 SK	<b>19295</b>	982, 983
3350.27	<b>14538</b>	456, 482
3350.27 SK	<b>14538</b>	456, 482
3350.28	<b>14535</b>	983, 1018
3350.28 SK	<b>14535</b>	983, 1018
3350.29	<b>12691</b>	453, 454, 457, 982
3350.29 SK	<b>12695</b>	453, 454, 457, 982
3350.31	<b>40015</b>	1018
3350.32	<b>18191</b>	462-465, 467, 468, 474, 476-478
3350.69	<b>19574</b>	459, 460, 469, 470, 478, 479, 481, 482
3350.71	<b>40017</b>	1019
3350.72	<b>24517</b>	460, 461, 469, 470
3350.74	<b>19574</b>	459, 460, 469, 470, 478, 479, 481, 482
3350.81	<b>24523</b>	483
3350.82	<b>40703</b>	460, 481, 482, 1000, 1017
3350.84	<b>19574</b>	459, 460, 469, 470, 478, 479, 481, 482
3350.85	<b>40703</b>	460, 481, 482, 1000, 1017
3350.86	<b>24517</b>	460, 461, 469, 470
3350.87	<b>24523</b>	483
3350.88	<b>40702</b>	456
3350.91	<b>14538</b>	456, 482
3350.93	<b>40702</b>	456
3701.42 S	<b>05555</b>	1015
3701.42 S1	<b>05555</b>	1015
3701.82	<b>40018</b>	982
3730.36	<b>31826</b>	1015
3748.A0	<b>30886</b>	983
3748.A3	<b>30887</b>	983
3748.A6	<b>38550</b>	1017
3748.17	<b>11420</b>	986-998, 1000-1010, 1014
3748.17 S	<b>11704</b>	986-998, 1000-1010, 1014



ref. no.		
3748.17 SK	<b>11420</b>	986-998, 1000-1010, 1014
3748.17 S1	<b>11704</b>	986-998, 1000-1010, 1014
3748.28	<b>29382</b>	984-986, 1015, 1016
3748.31	<b>31184</b>	1001-1010
3748.36	<b>29384</b>	984-986
3748.39	<b>34924</b>	988-999, 1001-1010
3748.41	<b>34923</b>	995-999
3748.43	<b>29382</b>	984-986, 1015, 1016
3748.44	<b>29384</b>	984-986
3748.45	<b>31184</b>	1001-1010
3748.74	<b>28264</b>	1011-1014
3748.76	<b>31185</b>	986, 995-997, 999
3748.79	<b>31185</b>	986, 995-997, 999
3748.85	<b>31063</b>	992
3748.86	<b>29394</b>	1016-1018
3748.87	<b>29394</b>	1016-1018
3748.89	<b>40016</b>	986, 1016
3748.90	<b>40014</b>	993, 999, 1000, 1011-1014
3748.95	<b>30887</b>	983
3748.96	<b>30886</b>	983
3748.99	<b>30887</b>	983
6822 JL	<b>31062</b>	465
96 858 633 80	<b>38550</b>	1017
suitable for:		
<b>Renault</b>		
40 21 018 77R	<b>34174</b>	490, 500, 506
40 21 070 49R	<b>33988</b>	488-490, 497, 499, 500, 506
40 21 096 97R	<b>23331</b>	489, 499, 508, 509
43 21 020 69R	<b>39622</b>	1021
50 00 113 951	<b>11416</b>	1025, 1026, 1032, 1033
50 00 388 284 S	<b>11418</b>	1025, 1026, 1032, 1033
50 00 388 284 S1	<b>11418</b>	1025, 1026, 1032, 1033
50 00 388 400	<b>11416</b>	1025, 1026, 1032, 1033
50 00 388 401 S	<b>11418</b>	1025, 1026, 1032, 1033
50 00 389 879	<b>11416</b>	1025, 1026, 1032, 1033
55 16 010 573 S	<b>11418</b>	1025, 1026, 1032, 1033
60 01 547 685	<b>32376</b>	494, 495, 504, 505
60 01 547 686	<b>26887</b>	494, 495, 508
60 01 547 700	<b>05538</b>	1020-1022, 1024, 1025, 1027, 1029-1033
60 01 548 986	<b>05538</b>	1020-1022, 1024, 1025, 1027, 1029-1033

ref. no.		
60 01 550 915	<b>24315</b>	487, 489, 494-496, 498-500, 504, 505, 509
60 25 371 536	<b>19823</b>	484, 488, 489
60 25 371 670 SK	<b>19823</b>	484, 488, 489
77 00 415 121	<b>32555</b>	486, 487, 490-492, 494-496, 504, 505, 507-509
77 00 415 122	<b>32555</b>	486, 487, 490-492, 494-496, 504, 505, 507-509
77 00 704 704	<b>09322</b>	484-487, 496, 500, 501, 503, 506, 507, 509
77 00 719 140	<b>09322</b>	484-487, 496, 500, 501, 503, 506, 507, 509
77 00 768 318	<b>09321</b>	484-487, 490-493, 496-498, 500-502
77 00 768 319	<b>09321</b>	484-487, 490-493, 496-498, 500-502
77 01 205 170	<b>21721</b>	1027, 1030
77 01 205 416	<b>29521</b>	497
77 01 205 417	<b>29565</b>	1026
77 01 205 499	<b>21095</b>	1022, 1023
77 01 205 596	<b>19897</b>	1023, 1024, 1029
77 01 205 596 SK	<b>19897</b>	1023, 1024, 1029
77 01 205 778	<b>05526</b>	484-487, 496, 501, 503, 506, 507, 509
77 01 205 779	<b>05528</b>	484-488, 490-493, 496-498, 501, 502, 505-508
77 01 205 780	<b>19807</b>	492, 493, 498, 504
77 01 205 812	<b>05538</b>	1020-1022, 1024, 1025, 1027, 1029-1033
77 01 205 972	<b>19811</b>	492, 493
77 01 206 661	<b>23253</b>	492, 494
77 01 206 740	<b>23183</b>	497
77 01 206 742	<b>23179</b>	1026
77 01 206 847	<b>23330</b>	508
77 01 206 849	<b>22864</b>	1020, 1033
77 01 207 358	<b>23331</b>	489, 499, 508, 509
77 01 207 676	<b>24313</b>	487, 488, 490, 498-500, 506, 509
77 01 207 677	<b>24315</b>	487, 489, 494-496, 498-500, 504, 505, 509
77 01 207 966	<b>23331</b>	489, 499, 508, 509
77 01 208 058	<b>24780</b>	1020-1022, 1024, 1025, 1028, 1029, 1031
77 01 208 059	<b>24781</b>	1022, 1028, 1031
77 01 208 060	<b>23253</b>	492, 494



ref. no. →

Car  
Division 

ref. no.



77 01 208 075	<b>39252</b>	1022, 1023
77 01 208 427	<b>23331</b>	489, 499, 508, 509
77 01 208 429	<b>23253</b>	492, 494
77 01 208 767	<b>05538</b>	1020-1022, 1024, 1025, 1027, 1029-1033
77 01 209 807	<b>23253</b>	492, 494
77 01 210 004	<b>30545</b>	1021, 1024, 1030
77 01 210 111	<b>24313</b>	487, 488, 490, 498- 500, 506, 509
77 01 462 217	<b>05538</b>	1020-1022, 1024, 1025, 1027, 1029-1033
77 01 462 469	<b>05526</b>	484-487, 496, 501, 503, 506, 507, 509
77 01 463 523	<b>05537</b>	1020, 1024, 1027, 1029
77 01 463 523	<b>05538</b>	1020-1022, 1024, 1025, 1027, 1029-1033
77 01 463 987	<b>19897</b>	1023, 1024, 1029
77 01 464 049	<b>05528</b>	484-488, 490-493, 496-498, 501, 502, 505-508
77 01 465 181	<b>05526</b>	484-487, 496, 501, 503, 506, 507, 509
77 01 465 735	<b>05538</b>	1020-1022, 1024, 1025, 1027, 1029-1033
77 01 466 803	<b>19807</b>	492, 493, 498, 504
77 01 467 860	<b>19807</b>	492, 493, 498, 504
77 01 469 682	<b>19823</b>	484, 488, 489
77 01 470 552	<b>19811</b>	492, 493
77 03 090 283	<b>05526</b>	484-487, 496, 501, 503, 506, 507, 509
77 03 090 313	<b>05538</b>	1020-1022, 1024, 1025, 1027, 1029-1033
77 03 090 365	<b>19897</b>	1023, 1024, 1029
77 03 090 433	<b>05538</b>	1020-1022, 1024, 1025, 1027, 1029-1033
82 00 208 332	<b>09321</b>	484-487, 490-493, 496-498, 500-502
82 00 208 335	<b>32555</b>	486, 487, 490-492, 494-496, 504, 505, 507-509

suitable for:

**Saab**

12 799 815	<b>23377</b>	512
13 502 785	<b>39916</b>	510, 513
13 580 135	<b>39916</b>	510, 513
24 421 906	<b>26675</b>	1034
30 520 278	<b>22235</b>	510, 511
42 42 194	<b>03969</b>	511, 512
42 42 202	<b>04838</b>	511, 512
45 68 192	<b>03969</b>	511, 512

ref. no.



46 89 923	<b>04838</b>	511, 512
89 42 765	<b>22235</b>	510, 511
89 42 765 S1	<b>22237</b>	510, 511
90 496 444	<b>03969</b>	511, 512
91 04 209	<b>22235</b>	510, 511
91 04 209 S1	<b>22237</b>	510, 511
93 170 611	<b>26675</b>	1034
93 171 495	<b>23377</b>	512
93 175 327	<b>23377</b>	512
93 186 387	<b>23377</b>	512

suitable for:

**Scion**

43502-52010	<b>28248</b>	514
90363-40066	<b>30473</b>	514
90369-38021	<b>27148</b>	514

suitable for:

**Seat**

APS 598 625	<b>03674</b>	1037-1041, 1043
1H0 407 613 A	<b>01298</b>	524, 525
1H0 407 613 B	<b>01298</b>	524, 525
1J0 407 613 B	<b>22512</b>	522, 526, 1042
1J0 407 613 C	<b>22512</b>	522, 526, 1042
1J0 407 613 G	<b>22512</b>	522, 526, 1042
357 407 613 B	<b>01901</b>	518-521, 524, 525
6N0 407 613	<b>01902</b>	517
357 407 615	<b>03368</b>	518, 519
357 407 615 A	<b>02219</b>	518-521, 525
6Q0 407 621 AC	<b>24414</b>	515, 520, 521
6Q0 407 621 AD	<b>24414</b>	515, 520, 521
6Q0 407 621 AH	<b>24414</b>	515, 520, 521
6Q0 407 621 AJ	<b>24414</b>	515, 520, 521
6Q0 407 621 BE	<b>24414</b>	515, 520, 521
6Q0 407 621 BR	<b>24414</b>	515, 520, 521
6Q0 407 621 C	<b>24414</b>	515, 520, 521
6Q0 407 621 H	<b>24414</b>	515, 520, 521
6Q0 407 621 R	<b>24414</b>	515, 520, 521
6R0 407 621 A	<b>24414</b>	515, 520, 521
6R0 407 621 E	<b>24414</b>	515, 520, 521
1K0 498 621	<b>27342</b>	516, 523, 524, 527
1K0 498 621 SK	<b>26378</b>	516, 523, 524, 527
1T0 498 621	<b>27317</b>	515, 516, 523, 524, 527, 1036
1T0 498 621 SK	<b>26377</b>	516, 523, 524, 527, 1036
3C0 498 621	<b>27317</b>	515, 516, 523, 524, 527, 1036



ref. no.		
3C0 498 621 SK	<b>26377</b>	516, 523, 524, 527, 1036
5K0 498 621	<b>27317</b>	515, 516, 523, 524, 527, 1036
5K0 498 621 A	<b>27342</b>	516, 523, 524, 527
5K0 498 621 SK	<b>26377</b>	516, 523, 524, 527, 1036
1H0 498 625	<b>08435</b>	525
1H0 498 625 S1	<b>08435</b>	525
1S0 498 625	<b>39160</b>	524
191 498 625 A	<b>03662</b>	518-521, 524, 525
357 498 625	<b>03662</b>	518-521, 524, 525
357 498 625 A	<b>08435</b>	525
357 498 625 B	<b>03662</b>	518-521, 524, 525
357 498 625 B S2	<b>03662</b>	518-521, 524, 525
357 498 625 C	<b>03662</b>	518-521, 524, 525
6N0 498 625	<b>19912</b>	517
8D0 498 625 C	<b>29837</b>	519
8E0 498 625 A	<b>29837</b>	519
8E0 498 625 B	<b>29837</b>	519
8L0 498 625	<b>23370</b>	522, 526
6K9 501 477	<b>28376</b>	1042
1J0 598 477	<b>24236</b>	1042, 1043
6X0 598 477	<b>28168</b>	1037-1041
1K0 598 611	<b>26380</b>	1035, 1036, 1043
1T0 598 611	<b>23320</b>	1035, 1036, 1044
1T0 598 611 B	<b>23320</b>	1035, 1036, 1044
6Q0 598 611	<b>24224</b>	1039, 1041, 1042
8E0 598 611	<b>31121</b>	1040
8E0 598 611 A	<b>31121</b>	1040
8E0 598 611 B	<b>31121</b>	1040
8E0 598 611 C	<b>31121</b>	1040
191 598 625	<b>03674</b>	1037-1041, 1043
191 598 625 S1	<b>12934</b>	1037-1041, 1043
191 598 625 S3	<b>12934</b>	1037-1041, 1043
7M0 598 625	<b>19922</b>	1035
7M0 598 625 A	<b>19922</b>	1035
7M3 598 625	<b>19922</b>	1035
8J0 598 625	<b>27317</b>	515, 516, 523, 524, 527, 1036
8J0 598 625 SK	<b>26377</b>	516, 523, 524, 527, 1036
suitable for:		
<b>Skoda</b>		
969 106 801	<b>30040</b>	529, 530
1J0 407 613 B	<b>22512</b>	529, 1046
1J0 407 613 C	<b>22512</b>	529, 1046

ref. no.		
1J0 407 613 G	<b>22512</b>	529, 1046
4A0 407 615 B	<b>18344</b>	531, 532
4A0 407 615 D	<b>18344</b>	531, 532
4A0 407 615 F	<b>18344</b>	531, 532
4A0 407 615 G	<b>18344</b>	531, 532
8D0 407 615 E	<b>24947</b>	531, 532
6Q0 407 621 AB S1	<b>32558</b>	528
6Q0 407 621 AB	<b>24574</b>	528
6Q0 407 621 AF S1	<b>32558</b>	528
6Q0 407 621 AF	<b>24574</b>	528
6Q0 407 621 AL	<b>24574</b>	528
6Q0 407 621 BD S1	<b>32558</b>	528
6Q0 407 621 BD	<b>24574</b>	528
6Q0 407 621 BK S1	<b>32558</b>	528
6Q0 407 621 BK	<b>24574</b>	528
6R0 407 621 A	<b>24414</b>	528, 530
6U0 498 002	<b>30040</b>	529, 530
6U0 498 003	<b>30040</b>	529, 530
1K0 498 621	<b>27342</b>	530, 532
1K0 498 621 SK	<b>26378</b>	530, 532
1T0 498 621	<b>27317</b>	530-532, 1047, 1048
1T0 498 621 SK	<b>26377</b>	530-532, 1047, 1048
3C0 498 621	<b>27317</b>	530-532, 1047, 1048
3C0 498 621 SK	<b>26377</b>	530-532, 1047, 1048
5K0 498 621	<b>27317</b>	530-532, 1047, 1048
5K0 498 621 A	<b>27342</b>	530, 532
5K0 498 621 SK	<b>26377</b>	530-532, 1047, 1048
1S0 498 625	<b>39160</b>	528
4A0 498 625	<b>05913</b>	531, 532
4B0 498 625	<b>24366</b>	531
443 498 625 A	<b>05913</b>	531, 532
443 498 625 D	<b>05913</b>	531, 532
8D0 498 625	<b>24366</b>	531
1J0 501 477 A	<b>09521</b>	1046
8E0 501 611	<b>19386</b>	1048
8E0 501 611 J	<b>19386</b>	1048
1J0 598 477	<b>24236</b>	1046, 1047
1T0 598 611	<b>23320</b>	1046-1048
1T0 598 611 B	<b>23320</b>	1046-1048
6Q0 598 611	<b>24224</b>	1045
8J0 598 625	<b>27317</b>	530-532, 1047, 1048
8J0 598 625 SK	<b>26377</b>	530-532, 1047, 1048
suitable for:		
<b>Smart</b>		
0001870V021000000	<b>28230</b>	533, 534

ref. no. →

Car  
Division 

ref. no.

0001870V023000000 **28230** 533, 5340002072V010 **28314** 10490002072V010000000 **28314** 10491870V021000000 **28230** 533, 5341870V023000000 **28230** 533, 5342072V009000000 **28314** 10492072V010 **28314** 10492072V010000000 **28314** 1049451 330 00 25 **36789** 533451 330 00 59 S1 **36789** 533451 330 01 59 S1 **36789** 533454 330 00 20 S1 **32970** 533454 330 00 59 **32970** 533454 330 01 20 S1 **32970** 533454 330 01 59 **32970** 533454 330 02 20 S1 **32970** 533454 350 01 35 **32580** 1049

suitable for:

**Subaru**28015AA090 **29939** 1050, 105128016AA011 **31509** 535-53728016AA011NT **31509** 535-53728016AA020 **29939** 1050, 105128016AA020 NT **29939** 1050, 105128016AA030 S1 **29939** 1050, 105128063AA000 NT **31825** 1050, 105128063AA010 **31825** 1050, 105128063AC000 **31825** 1050, 105128316AE000 **31509** 535-5374344086G00 **31432** 5364344086G00000 **31432** 5364686083E10 **31341** 1050

suitable for:

**Suzuki**08123-62047S1 **29905** 105308123-62047-000S1 **29905** 105309180-21001 **29905** 105309262-20069 **31340** 1052, 105409262-20069-000 **31340** 1052, 105409262-20121 **31340** 1052, 105409262-20121-000 **31340** 1052, 105409262-25061 **29905** 105343401-65J00 **33915** 538, 105243401-65J00-000 **33915** 538, 105243401-65J02 **33915** 538, 1052

ref. no.

43401-65J02-000 **33915** 538, 105243402-57L50 **33915** 538, 105243402-57L50-000 **33915** 538, 105243421-79J01 **40225** 53943421-79J01-000 **40225** 53943440-78A00 **31342** 538-540, 1053, 105443440-78A00-000 **31342** 538-540, 1053, 105443440-78A20 **31342** 538-540, 1053, 105443440-78A20-000 **31342** 538-540, 1053, 105443440-79J00-000 **29182** 53943440-80J00-000 **29182** 53943440-83E10 **31342** 538-540, 1053, 105443440-83E10-000 **31342** 538-540, 1053, 105443440-84F00 **31342** 538-540, 1053, 105443440-84F00-000 **31342** 538-540, 1053, 105443440-86G00 **31432** 538-54043440-86G00-000 **31432** 538-54046860-62J00 S1 **30574** 105346860-62J00-000 S1 **30574** 105346860-63J00 S1 **30574** 105346860-63J00-000 S1 **30574** 105346860-83E00 **31341** 1053, 105446860-83E00-000 **31341** 1053, 105446860-83E10 **31341** 1053, 105446860-83E10-000 **31341** 1053, 105446880M70F10 **31340** 1052, 105490043-63079 **29905** 1053

suitable for:

**Toyota**42409-12020 **24631** 1057-105942409-19015 **24631** 1057-105942409-42010 **27315** 1060, 106142410-0D010 **31182** 1059, 106142410-42050 **31819** 106042410-52020 **31182** 1059, 106142410-52021 **31182** 1059, 106142450-0F010 **31338** 105842450-0H010 **31063** 105542450-02060 **31180** 1057-105942450-02120 **31687** 105542450-05040 **31339** 105542450-05060 **31336** 105542450-12070 **31180** 1057-105942450-12080 **31180** 1057-105942450-12081 **31180** 1057-1059



ref. no.		
42450-42030	<b>31337</b>	1060
43502-12090	<b>28240</b>	545-547
43502-20131	<b>28247</b>	543, 544, 548
43502-32070	<b>28239</b>	542, 554
43502-33010	<b>28249</b>	541, 543
43502-33030	<b>28249</b>	541, 543
43502-42010	<b>28246</b>	553
43502-52010	<b>28248</b>	548, 551, 554, 555
43560-26010	<b>32886</b>	549, 550
90080-36087	<b>24716</b>	541, 542, 545-547
90080-36108	<b>27148</b>	548, 554, 555
90252-04001	<b>27479</b>	548-551
90311-50005	<b>27479</b>	548-551
90363-38006	<b>24770</b>	545, 546, 547
90363-40066	<b>30473</b>	541, 544-547, 552, 554, 1060
90363-40079	<b>30712</b>	551, 555
90368-21001	<b>27479</b>	548-551
90368-34001	<b>27479</b>	548-551
90368-34001 S1	<b>27479</b>	548-551
90369-W0001	<b>31062</b>	542
90369-28006	<b>27314</b>	551, 1057-1059, 1061
90369-30043	<b>27312</b>	552, 1056, 1057
90369-30044	<b>27312</b>	552, 1056, 1057
90369-35029	<b>17432</b>	554, 555
90369-38003	<b>24717</b>	542-546, 553, 1060
90369-38021	<b>27148</b>	548, 554, 555
90369-38022	<b>27148</b>	548, 554, 555
90369-43008	<b>27313</b>	541-543, 552, 553, 1060
90369-43009	<b>31189</b>	541-543, 552, 553
suitable for:		
<b>Vauxhall</b>		
09111023	<b>23183</b>	605-609
09111044	<b>23179</b>	1084
09117619	<b>14611</b>	582, 617
09117620	<b>14615</b>	582, 617
09117622	<b>14623</b>	582, 617
09117622 S1	<b>24164</b>	582, 617
09120128	<b>02843</b>	1063-1066, 1071-1081, 1083, 1087-1089
09120129	<b>02895</b>	1063-1066, 1071-1073, 1077-1080, 1083, 1089
09195608	<b>19085</b>	600, 602-604, 612
09196286	<b>19088</b>	1077-1082, 1087
09203934	<b>31342</b>	556

ref. no.		
09203934 S1	<b>31342</b>	556
09203935	<b>31341</b>	1062
09213602	<b>31341</b>	1062
09214025	<b>31432</b>	556
11054489	<b>06507</b>	1062-1064, 1070-1072, 1074, 1076, 1077, 1079, 1084, 1086
11070311	<b>06507</b>	1062-1064, 1070-1072, 1074, 1076, 1077, 1079, 1084, 1086
13502785	<b>39916</b>	603
13502828	<b>40098</b>	583, 585
13502829	<b>40099</b>	583, 585, 592, 619
13580135	<b>39916</b>	603
13583478	<b>40098</b>	583, 585
13583479	<b>40099</b>	583, 585, 592, 619
1604 314	<b>26675</b>	1086, 1088
55701432	<b>28303</b>	556, 601, 602
55701433	<b>28300</b>	600-603
90005147	<b>06507</b>	1062-1064, 1070-1072, 1074, 1076, 1077, 1079, 1084, 1086
90005147	<b>03115</b>	1062-1064, 1070-1072, 1074-1077, 1084
90095270	<b>03104</b>	557-559, 564, 572-574, 576-581, 586-591, 593, 594, 597-599
90157724	<b>03106</b>	557, 559-561, 563, 565, 567-569, 571, 572, 593-596, 599, 600, 609-611
90235281	<b>04529</b>	1067-1069, 1072-1076, 1084, 1085
90235435	<b>05117</b>	592, 610, 611
90235571	<b>05117</b>	592, 610, 611
90251816	<b>03104</b>	557-559, 564, 572-574, 576-581, 586-591, 593, 594, 597-599
90279331	<b>03270</b>	557, 558, 560, 562, 565, 567, 568, 593-599
90279332	<b>03271</b>	557, 558, 562, 564, 565, 567, 570, 572-579, 581, 586-599, 1067-1069, 1084, 1085
90372568	<b>02895</b>	1063-1066, 1071-1073, 1077-1080, 1083, 1089
90372569	<b>02843</b>	1063-1066, 1071-1081, 1083, 1087-1089

ref. no. →

Car  
Division

ref. no.



90425658	<b>04838</b>	563, 564, 566, 570, 571, 573-581, 586-592, 594-599, 612, 613, 1084, 1085
90447280	<b>04799</b>	557, 558, 560, 563, 564, 566, 568, 570-572, 596, 599, 609-611
90468191	<b>02895</b>	1063-1066, 1071-1073, 1077-1080, 1083, 1089
90468645	<b>03975</b>	558-560, 563, 564, 566, 568, 570-581, 612
90468646	<b>03965</b>	559, 564, 574, 577, 579, 580, 586-588, 590-592, 612, 613
90486458	<b>03096</b>	557, 558, 593-596, 609, 610
90486460	<b>03189</b>	557-559, 561, 564, 565, 567, 569, 571-581, 586-591, 593-595, 597-600, 604
90486461	<b>01972</b>	1067, 1068, 1069
90486463	<b>06507</b>	1062-1064, 1070-1072, 1074, 1076, 1077, 1079, 1084, 1086
90486467	<b>06167</b>	610, 611
90486468	<b>01971</b>	1067-1069, 1071, 1073-1076, 1084, 1085
90496444	<b>03969</b>	588, 589, 612, 613
90498610	<b>03106</b>	557, 559-561, 563, 565, 567-569, 571, 572, 593-596, 599, 600, 609-611
90510542	<b>04838</b>	563, 564, 566, 570, 571, 573-581, 586-592, 594-599, 612, 613, 1084, 1085
90510544	<b>04799</b>	557, 558, 560, 563, 564, 566, 568, 570-572, 596, 599, 609-611
90511494	<b>02895</b>	1063-1066, 1071-1073, 1077-1080, 1083, 1089
90540069	<b>02843</b>	1063-1066, 1071-1081, 1083, 1087-1089
90540262	<b>02895</b>	1063-1066, 1071-1073, 1077-1080, 1083, 1089
90576767	<b>28301</b>	600, 602-604, 612
91159917	<b>22864</b>	1089
91160086	<b>23330</b>	616
93161059	<b>23331</b>	616
93161376	<b>23331</b>	616

ref. no.



93168760	<b>28145</b>	1078, 1080-1082
93171495	<b>23377</b>	611, 614-616
93175327	<b>23377</b>	611, 614-616
93178625	<b>27384</b>	1066, 1086, 1090
93178626	<b>27382</b>	1066, 1083, 1086, 1089, 1090
93178652	<b>27386</b>	583-585, 618, 619
93178661	<b>28141</b>	611, 614-616
93182913	<b>31136</b>	584, 618
93186387	<b>23377</b>	611, 614-616
93186388	<b>28141</b>	611, 614-616
93186389	<b>31136</b>	584, 618
93188477	<b>31122</b>	583-585, 618, 619
93188889	<b>24524</b>	556, 601, 602
93188890	<b>28142</b>	600-602
93190215	<b>28145</b>	1078, 1080-1082
93190216	<b>30237</b>	1078, 1080-1082
93192990	<b>30574</b>	1062

suitable for:

**Volkswagen**

APS 598 625	<b>03674</b>	1094, 1096-1099, 1107, 1113, 1115, 1120-1122, 1124, 1125, 1135
969 106 801	<b>30040</b>	622
211 405 645 DS	<b>05845</b>	683
211 405 645 D S1	<b>05845</b>	683
251 405 645 B S1	<b>05587</b>	684, 685
251 405 645 BS	<b>05587</b>	684, 685
1H0 407 613 A	<b>01298</b>	625, 634, 635, 662-664, 690, 691
1H0 407 613 B	<b>01298</b>	625, 634, 635, 662-664, 690, 691
1J0 407 613 B	<b>22512</b>	621, 636, 637, 657, 658, 1102, 1112
1J0 407 613 C	<b>22512</b>	621, 636, 637, 657, 658, 1102, 1112
1J0 407 613 G	<b>22512</b>	621, 636, 637, 657, 658, 1102, 1112
357 407 613 B	<b>01901</b>	622, 624, 630-635, 649-653, 662-664, 672, 675, 690, 691
6N0 407 613	<b>01902</b>	671
175 407 615	<b>06655</b>	622, 629, 649, 676
191 407 615	<b>08331</b>	629-632, 650-653
357 407 615	<b>03368</b>	624, 630-635, 649-653, 663, 675, 690, 691, 1098, 1108, 1113, 1114, 1124



ref. no.		
357 407 615 A	<b>02219</b>	622, 624, 630–635, 649–653, 662–664, 672, 675, 690, 691
4A0 407 615 B	<b>18344</b>	665–668
4A0 407 615 D	<b>18344</b>	665–668
4A0 407 615 F	<b>18344</b>	665–668
4A0 407 615 G	<b>18344</b>	665–668
5Z0 407 615	<b>38491</b>	625, 627, 628, 673, 674
8D0 407 615 B	<b>24947</b>	665–667, 1115, 1117
8D0 407 615 D	<b>24947</b>	665–667, 1115, 1117
8D0 407 615 E	<b>24947</b>	665–667, 1115, 1117
823 407 615 A	<b>02231</b>	635, 659–661, 675, 1098, 1108, 1114
861 407 615 A	<b>01424</b>	626, 670, 671
6Q0 407 621 AB	<b>24574</b>	628, 672–674
6Q0 407 621 AB S1	<b>32558</b>	628, 672
6Q0 407 621 AC	<b>24414</b>	625, 626, 628, 672–674
6Q0 407 621 AD	<b>24414</b>	625, 626, 628, 672–674
6Q0 407 621 AF S1	<b>32558</b>	628, 672
6Q0 407 621 AF	<b>24574</b>	628, 672–674
6Q0 407 621 AH	<b>24414</b>	625, 626, 628, 672–674
6Q0 407 621 AJ	<b>24414</b>	625, 626, 628, 672–674
6Q0 407 621 AL	<b>24574</b>	628, 672–674
6Q0 407 621 BD S1	<b>32558</b>	628, 672
6Q0 407 621 BD	<b>24574</b>	628, 672–674
6Q0 407 621 BE	<b>24414</b>	625, 626, 628, 672–674
6Q0 407 621 BK S1	<b>32558</b>	628, 672
6Q0 407 621 BK	<b>24574</b>	628, 672–674
6Q0 407 621 BR	<b>24414</b>	625, 626, 628, 672–674
6Q0 407 621 C	<b>24414</b>	625, 626, 628, 672–674
6Q0 407 621 H	<b>24414</b>	625, 626, 628, 672–674
6Q0 407 621 R	<b>24414</b>	625, 626, 628, 672–674
6R0 407 621 A	<b>24414</b>	625, 626, 628, 672–674
6R0 407 621 E	<b>24414</b>	625, 626, 628, 672–674
171 407 625 A	<b>03270</b>	622, 629, 649, 675, 676
171 407 625 AS	<b>03270</b>	622, 629, 649, 675, 676

ref. no.		
171 407 625 A S1	<b>03488</b>	622, 629, 649, 675, 676
171 407 625 C	<b>03270</b>	622, 629, 649, 675, 676
171 407 625 C S1	<b>03488</b>	622, 629, 649, 675, 676
251 407 625 S	<b>05588</b>	683
251 407 625 S1	<b>05588</b>	683
4D0 407 625 D	<b>26376</b>	1117
4D0 407 625 H	<b>26376</b>	1117
6U0 498 002	<b>30040</b>	622
6U0 498 003	<b>30040</b>	622
211 498 071	<b>05845</b>	683
7L0 498 287	<b>34789</b>	677–681, 1126–1130
7H0 498 611	<b>34800</b>	677, 678, 686–689, 1126–1130
7L0 498 611	<b>34800</b>	677, 678, 686–689, 1126–1130
1K0 498 621	<b>27342</b>	623–625, 638–648, 654
1K0 498 621 SK	<b>26378</b>	623–625, 638–648, 654
1T0 498 621	<b>27317</b>	620, 623–627, 638–648, 653–655, 658, 669, 670, 676, 677, 682, 1104, 1106, 1107, 1119
1T0 498 621 SK	<b>26377</b>	623–627, 638–648, 653–655, 658, 669, 670, 676, 677, 682, 1104, 1106, 1107, 1119
2K0 498 621 A	<b>27317</b>	620, 623–627, 638–648, 653–655, 658, 669, 670, 676, 677, 682, 1104, 1106, 1107, 1119
3C0 498 621	<b>27317</b>	620, 623–627, 638–648, 653–655, 658, 669, 670, 676, 677, 682, 1104, 1106, 1107, 1119
3C0 498 621 SK	<b>26377</b>	623–627, 638–648, 653–655, 658, 669, 670, 676, 677, 682, 1104, 1106, 1107, 1119
5K0 498 621	<b>27317</b>	620, 623–627, 638–648, 653–655, 658, 669, 670, 676, 677, 682, 1104, 1106, 1107, 1119
5K0 498 621 A	<b>27342</b>	623–625, 638–648, 654
5K0 498 621 SK	<b>26377</b>	623–627, 638–648, 653–655, 658, 669, 670, 676, 677, 682, 1104, 1106, 1107, 1119

ref. no. →

Car  
Division 

ref. no.



1H0 498 625	<b>08435</b>	625, 634, 635, 662–664, 690, 691
1H0 498 625 S1	<b>08435</b>	625, 634, 635, 662–664, 690, 691
1J0 498 625	<b>14250</b>	621, 622, 636, 637, 657, 658, 1093, 1102, 1112
1J0 498 625 A	<b>14250</b>	621, 622, 636, 637, 657, 658, 1093, 1102, 1112
1S0 498 625	<b>39160</b>	689
171 498 625	<b>03488</b>	622, 629, 649, 675, 676
171 498 625 A	<b>03488</b>	622, 629, 649, 675, 676
171 498 625 B	<b>03488</b>	622, 629, 649, 675, 676
171 498 625 C	<b>03488</b>	622, 629, 649, 675, 676
171 498 625 D	<b>03488</b>	622, 629, 649, 675, 676
171 498 625 DS	<b>03488</b>	622, 629, 649, 675, 676
171 498 625 S	<b>03488</b>	622, 629, 649, 675, 676
191 498 625	<b>03621</b>	629–632, 650–653
191 498 625 A	<b>03662</b>	622, 624, 630–635, 649–653, 662–664, 672, 675, 690, 691
2D0 498 625	<b>23625</b>	655, 656
2D0 498 625 S1	<b>23626</b>	655, 656
321 498 625 A	<b>03620</b>	659–661, 675
321 498 625 B	<b>03620</b>	659–661, 675
321 498 625 C	<b>03620</b>	659–661, 675
321 498 625 D	<b>03620</b>	659–661, 675
321 498 625 E	<b>03620</b>	659–661, 675
321 498 625 ES	<b>03620</b>	659–661, 675
357 498 625	<b>03662</b>	622, 624, 630–635, 649–653, 662–664, 672, 675, 690, 691
357 498 625 A	<b>08435</b>	625, 634, 635, 662–664, 690, 691
357 498 625 B	<b>03662</b>	622, 624, 630–635, 649–653, 662–664, 672, 675, 690, 691
357 498 625 B S2	<b>03662</b>	622, 624, 630–635, 649–653, 662–664, 672, 675, 690, 691
357 498 625 C	<b>03662</b>	622, 624, 630–635, 649–653, 662–664, 672, 675, 690, 691
4A0 498 625	<b>05913</b>	665–668
4B0 498 625	<b>24366</b>	664–667

ref. no.



443 498 625 A	<b>05913</b>	665–668
443 498 625 D	<b>05913</b>	665–668
6N0 498 625	<b>19912</b>	656, 671
7D0 498 625	<b>19914</b>	685
701 498 625	<b>05848</b>	685
8D0 498 625	<b>24366</b>	664–667
8D0 498 625 C	<b>29837</b>	668
8E0 498 625 A	<b>29837</b>	668
8E0 498 625 B	<b>29837</b>	668
8L0 498 625	<b>23370</b>	636, 637
8L0 498 625 A	<b>34875</b>	637
861 498 625	<b>03624</b>	626, 670, 671
871 498 625	<b>03624</b>	626, 670, 671
871 498 625 A	<b>03624</b>	626, 670, 671
2H0 498 627	<b>38863</b>	620
2H0 498 627 A	<b>38863</b>	620
211 501 283 C	<b>04843</b>	1134
211 501 283 D	<b>04843</b>	1134
211 501 287 S	<b>03691</b>	1132–1134
211 501 287 S1	<b>03691</b>	1132–1134
2D0 501 319 B	<b>19769</b>	1094, 1095, 1110
1J0 501 477 A	<b>09521</b>	1101
6K9 501 477	<b>28376</b>	1093
8E0 501 611	<b>19386</b>	1116
8E0 501 611 J	<b>19386</b>	1116
7L0 501 655 B	<b>38521</b>	677–681, 1126–1130
113 517 185 C S1	<b>05586</b>	684, 685
113 517 185 CS	<b>05586</b>	684, 685
1J0 598 477	<b>24236</b>	1092, 1101, 1111, 1112, 1124, 1135
6X0 598 477	<b>28168</b>	1110, 1111, 1120–1123
1K0 598 611	<b>26380</b>	1095, 1102–1107, 1110, 1112
1T0 598 611	<b>23320</b>	1091, 1095, 1096, 1102–1107, 1109, 1110, 1112, 1118, 1119, 1125, 1126, 1131
1T0 598 611 A	<b>29447</b>	1093, 1094
1T0 598 611 B	<b>23320</b>	1091, 1095, 1096, 1102–1107, 1109, 1110, 1112, 1118, 1119, 1125, 1126, 1131
6Q0 598 611	<b>24224</b>	1095, 1097, 1123
1J0 598 625	<b>14250</b>	621, 622, 636, 637, 657, 658, 1093, 1102, 1112
191 598 625	<b>03674</b>	1094, 1096–1099, 1107, 1113, 1115, 1120–1122, 1124, 1125, 1135



ref. no.		
191 598 625 S1	<b>12934</b>	1094, 1096–1099, 1107, 1113, 1115, 1120–1125, 1135
191 598 625 S3	<b>12934</b>	1094, 1096–1099, 1107, 1113, 1115, 1120–1125, 1135
331 598 625	<b>05380</b>	1098, 1100, 1108, 1113, 1114, 1124
331 598 625 A	<b>05379</b>	1098, 1100, 1113, 1114, 1124
331 598 625 A S1	<b>05379</b>	1098, 1100, 1113, 1114, 1124
331 598 625 S	<b>05380</b>	1098, 1100, 1108, 1113, 1114, 1124
4A0 598 625	<b>05386</b>	1093
4A0 598 625 A	<b>05386</b>	1093
7M0 598 625	<b>19922</b>	1125
7M0 598 625 A	<b>19922</b>	1125
7M3 598 625	<b>19922</b>	1125
701 598 625	<b>05847</b>	1134, 1135
8J0 598 625	<b>27317</b>	620, 623–627, 638–648, 653–655, 658, 669, 670, 676, 677, 682, 1104, 1106, 1107, 1119
8J0 598 625 SK	<b>26377</b>	623–627, 638–648, 653–655, 658, 669, 670, 676, 677, 682, 1104, 1106, 1107, 1119

suitable for:

**Volvo**

271391 SK	<b>05894</b>	692, 693
271786	<b>14902</b>	695, 696, 698, 700, 702
271795	<b>14887</b>	1136–1139
273824 SK	<b>05894</b>	692, 693
274181	<b>14902</b>	695, 696, 698, 700, 702
274298	<b>22649</b>	697, 698, 700–702
274378	<b>14902</b>	695, 696, 698, 700, 702
30639875 S1	<b>31865</b>	703, 704
30639875 S2	<b>31866</b>	703, 704
30639876	<b>31371</b>	1139
30666104 SK	<b>34271</b>	1136–1138
30666605	<b>29825</b>	696, 699
30666606 SK	<b>34271</b>	1136–1138
30682223 SK	<b>34271</b>	1136–1138
30683161	<b>29825</b>	696, 699
30714492	<b>29825</b>	696, 699
30714730	<b>29825</b>	696, 699

ref. no.		
30730828	<b>29825</b>	696, 699
30736501	<b>32694</b>	697, 699, 701, 702
30736885 SK	<b>34271</b>	1136–1138
30748191	<b>31371</b>	1139
30794650	<b>31864</b>	703, 704
31201011	<b>31371</b>	1139
31201642 SK	<b>34271</b>	1136–1138
31212698	<b>29825</b>	696, 699
31262571 SK	<b>34271</b>	1136–1138
31262950	<b>29825</b>	696, 699
31280051 SK	<b>34271</b>	1136–1138
31340099 SK	<b>31371</b>	1139
31340100 SK	<b>31371</b>	1139
3454197 S1	<b>05895</b>	694, 695
8672371	<b>22649</b>	697, 698, 700–702
9173872	<b>19248</b>	1137–1139
9173991	<b>22649</b>	697, 698, 700–702



	ref. no.	
<b>01063</b>	601 350 04 68	940-944
<b>01298</b>	1H0 407 613 B	524, 525, 625, 634, 635, 662-664, 690, 691
<b>01424</b>	861 407 615 A	81, 82, 626, 670, 671
<b>01901</b>	357 407 613 B	518-521, 524, 525, 622, 624, 630-635, 649-653, 662-664, 672, 675, 690, 691
<b>01902</b>	6N0 407 613	517, 671
<b>01971</b>	1604 292	959, 971, 972, 975-979
<b>01971</b>	90486468	1067-1069, 1071, 1073-1076, 1084, 1085
<b>01972</b>	1604 287	971
<b>01972</b>	90486461	1067, 1068, 1069
<b>02071</b>	210 330 00 51	314, 315, 322, 327-330, 346
<b>02219</b>	357 407 615 A	518-521, 525, 622, 624, 630-635, 649-653, 662-664, 672, 675, 690, 691
<b>02231</b>	823 407 615 A	59, 61, 62, 79, 85, 86, 90, 635, 659-661, 675, 1098, 1108, 1114
<b>02843</b>	09120128	1063-1066, 1071-1081, 1083, 1087-1089
<b>02843</b>	1604 003	957, 958, 960-964, 967-970, 974-981
<b>02895</b>	09120129	1063-1066, 1071-1073, 1077-1080, 1083, 1089
<b>02895</b>	1604 004	957, 958, 960-964, 967-970, 974-976, 978, 979, 981
<b>03096</b>	1603 192	396, 425, 431, 432, 442-444
<b>03096</b>	90279331 S1	202, 204
<b>03096</b>	90486458	557, 558, 593-596, 609, 610
<b>03104</b>	0326 184	396-398, 400, 401, 403, 404, 406, 409, 411, 413-418, 424, 431-433, 442-445
<b>03104</b>	90251816	557-559, 564, 572-574, 576-581, 586-591, 593, 594, 597-599
<b>03106</b>	0326 197	396, 397, 398, 400, 401, 403, 404, 406, 408, 409, 411, 413-418, 425, 426, 431, 432, 441-444
<b>03106</b>	90498610	557, 559-561, 563, 565, 567-569, 571, 572, 593-596, 599, 600, 609-611

	ref. no.	
<b>03115</b>	0926529001 S1	828, 829
<b>03115</b>	1603 065	395, 430, 433, 440, 957, 959, 967-969, 974, 975, 977-980
<b>03115</b>	90005147	1062-1064, 1070-1072, 1074-1077, 1084
<b>03189</b>	1603 191	396, 398, 401, 403, 404, 407, 410, 412-418, 424, 427, 431-434, 442, 444, 445
<b>03189</b>	90279332 S1	202-204
<b>03189</b>	90486460	557-559, 561, 564, 565, 567, 569, 571-581, 586-591, 593-595, 597-600, 604
<b>03270</b>	0328 104	396, 397, 399, 400, 402, 405, 407, 408, 431, 432, 442-444
<b>03270</b>	171 407 625 A	622, 629, 649, 675, 676
<b>03270</b>	90279331	202, 204, 557, 558, 560, 562, 565, 567, 568, 593-599
<b>03271</b>	0328 103	396, 399, 402, 405, 408, 410, 412, 414-418, 424, 431-433, 442-445, 971
<b>03271</b>	33 41 1 124 358	752, 757, 758, 760-767
<b>03271</b>	4 331 541	248-251, 253, 254, 258, 261-263
<b>03271</b>	90279332	202-204, 557, 558, 562, 564, 565, 567, 570, 572-579, 581, 586-599, 1067-1069, 1084, 1085
<b>03368</b>	357 407 615	518, 519, 624, 630-635, 649-653, 663, 675, 690, 691, 1098, 1108, 1113, 1114, 1124
<b>03403</b>	202 981 01 27	908-911, 916, 917, 918, 937
<b>03488</b>	171 498 625 D	622, 629, 649, 675, 676
<b>03493</b>	443 407 615 A	71-79, 735, 737, 744-747
<b>03617</b>	8A0 407 615	82, 83, 86-93
<b>03620</b>	321 498 625 ES	61-63, 79, 85-93, 659-661, 675
<b>03621</b>	191 498 625	629-632, 650-653
<b>03622</b>	443 498 625	62, 63, 69-81
<b>03623</b>	443 498 625 C	62, 63, 65, 69, 70, 72-81
<b>03624</b>	871 498 625 A	82, 626, 670, 671
<b>03625</b>	893 498 625 D	59, 60, 82-84, 86-93, 734



	ref. no.	
<b>03662</b>	357 498 625 C	518-521, 524, 525, 622, 624, 630-635, 649-653, 662-664, 672, 675, 690, 691
<b>03674</b>	191 598 625	735, 743-746, 1037-1041, 1043, 1094, 1096-1099, 1107, 1113, 1115, 1120-1122, 1124, 1125, 1135
<b>03691</b>	211 501 287 S1	1132-1134
<b>03965</b>	0326 194	403, 404, 415-417, 424, 446, 447
<b>03965</b>	90468646	559, 564, 574, 577, 579, 580, 586-588, 590-592, 612, 613
<b>03969</b>	0326 195	424, 446, 447
<b>03969</b>	90496444	588, 589, 612, 613
<b>03969</b>	90 496 444	511, 512
<b>03975</b>	0326 196	397, 398, 400, 401, 403, 404, 406, 409, 411, 413-418, 446
<b>03975</b>	90468645	558-560, 563, 564, 566, 568, 570-581, 612
<b>03991</b>	1 333 147	248-251, 253-255, 257, 258, 261-263, 265
<b>04043</b>	31 21 1 129 386	109-111, 119, 121
<b>04044</b>	31 21 1 131 297	96, 99
<b>04178</b>	124 980 04 16	901-906
<b>04284</b>	601 350 15 10	940-944
<b>04436</b>	31 22 1 139 345	109-111, 119-121
<b>04526</b>	33 41 1 130 617	751, 752, 757, 758, 760-771
<b>04526</b>	443 498 625	739-742
<b>04529</b>	0415 203	959, 971, 972, 976, 977, 979
<b>04529</b>	33 41 1 123 415	787, 788
<b>04529</b>	90235281	1067-1069, 1072-1076, 1084, 1085
<b>04799</b>	1603 195	399, 400, 402, 403, 405, 408, 410, 413, 425, 426, 441, 443, 444
<b>04799</b>	90510544	557, 558, 560, 563, 564, 566, 568, 570-572, 596, 599, 609-611
<b>04838</b>	1603 196	399, 402-405, 410, 413-418, 424, 445-447, 972
<b>04838</b>	46 89 923	511, 512

	ref. no.	
<b>04838</b>	90510542	563, 564, 566, 570, 571, 573-581, 586-592, 594-599, 612, 613, 1084, 1085
<b>04843</b>	211 501 283 D	1134
<b>05117</b>	0326 180	439, 440
<b>05117</b>	90235571	592, 610, 611
<b>05141</b>	201 330 01 51	377, 378
<b>05222</b>	893 407 625 C	743, 744
<b>05379</b>	331 598 625 A S1	1098, 1100, 1113, 1114, 1124
<b>05380</b>	331 598 625	1098, 1100, 1108, 1113, 1114, 1124
<b>05386</b>	4A0 598 625 A	714, 725, 734, 735, 740-743, 746, 1093
<b>05393</b>	5 007 027	865
<b>05394</b>	5 007 028	246, 257, 258, 861, 862, 872
<b>05397</b>	5 007 039	247, 252
<b>05398</b>	5 007 040	247, 248, 252, 261
<b>05400</b>	5 008 716	264, 265
<b>05401</b>	5 010 762	264, 265
<b>05408</b>	5 030 537	862-867, 871, 873
<b>05409</b>	5 030 538	862-867, 871, 873
<b>05411</b>	5 024 195	248-251, 253, 261-263
<b>05412</b>	1 141 771	248-251, 253, 254, 258, 261-263
<b>05413</b>	5 025 675	866
<b>05415</b>	140 330 02 51 SK	342
<b>05416</b>	140 330 02 51	342
<b>05421</b>	201 330 00 51	377, 378
<b>05422</b>	107 330 00 51	303, 337, 345, 346
<b>05423</b>	111 350 00 68 S1	899, 928, 935
<b>05424</b>	202 980 01 16	901, 902, 904-911, 916, 920, 921, 922, 936, 937, 945
<b>05458</b>	5 007 029	266, 861, 862
<b>05464</b>	631 330 02 51 SK	337
<b>05493</b>	5 012 477	264, 265
<b>05526</b>	77 01 205 778	484-487, 496, 501, 503, 506, 507, 509
<b>05528</b>	40210-00QAA	393
<b>05528</b>	77 01 205 779	484-488, 490-493, 496-498, 501, 502, 505-508
<b>05537</b>	77 01 463 523	1020, 1024, 1027, 1029
<b>05538</b>	43210-AZ300	952-954
<b>05538</b>	77 01 205 812	826, 827, 1020-1022, 1024, 1025, 1027, 1029-1033

	ref. no.	
05542	3350.17	126, 127, 131, 179, 180, 182, 184-189, 192, 193, 195, 196, 461-467, 471-473, 475, 476, 479, 480
05543	3350.16	127, 128-130, 190-197, 458-460, 465-468, 471-478, 480, 481
05555	3701.42 S1	1015
05569	123 350 00 68 SK	900, 928, 935
05577	611 330 07 25	304-306, 338-341, 365-370
05578	202 980 00 16 SK	900, 901-908, 916, 917, 919-922, 936, 937, 945
05579	201 330 01 51 SK	377, 378
05580	126 330 00 51 SK	304-306, 338-341
05581	201 330 02 51 SK	307-309, 345, 378
05586	113 517 185 C S1	684, 685
05587	251 405 645 B S1	684, 685
05588	251 407 625 S1	683
05592	201 330 00 51 SK	377, 378
05761	1 644 842	247, 248, 252, 261
05762	6 517 014	251, 253
05845	211 405 645 D S1	683
05847	701 598 625	1134, 1135
05848	701 498 625	685
05860	601 350 04 68 SK	940-944
05894	271391 SK	692, 693
05895	3454197 S1	694, 695
05913	4A0 498 625	38, 39, 40, 49, 69-81, 531, 532, 665-668
05918	4D0 407 625 E	715-720, 727, 728, 731-734, 743-745, 747
05995	000 980 82 02 S1	900, 927, 928, 935
06167	1603 194	439, 440
06167	90486467	610, 611
06507	0926529001 S2	828, 829
06507	1603 193	395, 430, 433, 440, 957, 959, 960, 967-969, 973-975, 977-980
06507	90486463	1062-1064, 1070-1072, 1074, 1076, 1077, 1079, 1084, 1086
06655	175 407 615	622, 629, 649, 676
07830	5 027 621	861, 866-868, 871, 872
07833	5 027 622	861, 866-868, 871, 872

	ref. no.	
07870	210 330 00 51 SK	314, 315, 322, 327-330, 346
07931	124 980 05 16	900, 901-906
07932	124 980 05 16 SK	900, 901-906
08080	1E00-32-61YA	893
08080	1 375 743	863-868, 871, 873
08132	5 024 251	863, 864
08146	611 330 08 25	366-371
08152	003 981 95 05	310-314, 348-376
08210	140 980 04 16	929, 930
08219	140 980 05 16	929-931
08220	210 980 05 16	920-922, 929, 930
08221	140 980 07 16	921, 922, 929-931
08222	140 980 04 16 SK	915, 929-933
08331	191 407 615	629-632, 650-653
08391	31 21 1 107 447	97, 99
08435	1H0 498 625	525, 625, 634, 635, 662-664, 690, 691
08838	116 330 00 51	304-306, 338-341
08839	126 330 00 51	304-306, 338-341
08840	123 350 00 68	900, 928, 935
08841	201 330 02 51	307-309, 345, 378
08881	202 980 00 16	900, 901, 902-908, 916, 919-922, 936, 937, 945
08949	893 407 615 A	86-89, 91-93
08950	001 980 29 02	304-306, 338-341
09004	33 41 1 090 505	748, 749, 752-754, 759, 768, 770, 771, 799, 802
09321	-	393
09321	82 00 208 332	484-487, 490-493, 496-498, 500-502
09322	77 00 719 140	484-487, 496, 500, 501, 503, 506, 507, 509
09521	1J0 501 477 A	710, 1046, 1101
10223	3307.49	126, 131, 179, 180, 182-189, 192, 193, 195, 196, 461-467, 471-473, 475, 476, 479, 480
10224	3307.85	127-130, 136, 139, 140, 143-145, 190-197, 457-460, 466-482
11416	50 00 389 879	1025, 1026, 1032, 1033
11416	140 981 99 05	915, 933-935
11418	50 00 388 284 S1	1025, 1026, 1032, 1033



	ref. no.	
11420	3748.17	804, 814–817, 820–825, 986–998, 1000–1010, 1014
11704	3748.17 S1	804, 814–817, 820–825, 986–998, 1000–1010, 1014
12116	51754192	705–708, 830–832, 834–847, 849, 850, 853–857, 887, 888
12117	46425959	705–708, 832, 838, 839, 856, 857, 887
12118	7769902	707, 830, 831, 836, 837, 839–844, 850, 853–855, 888
12178	31 22 1 092 519	119
12179	31 22 1 093 427	111, 112
12180	33 41 1 095 652	789, 790, 791, 792
12202	33 41 1 095 652 S1	789, 790, 791, 792
12370	7603485	832, 845, 852, 858, 859, 888, 889
12520	5890990	206–208, 219, 220, 229–232, 240–243, 281, 282, 287
12521	46528566	281, 282, 287
12521	46773659	206–208, 219, 220, 229–232, 240–243
12534	71714466	210, 229, 230, 234, 239, 241, 242
12536	51753789	210, 223–226, 229, 230, 234, 239, 241, 242
12572	1 541 797	259
12572	7608131	206–210, 218–220, 224–226, 229–232, 234, 236, 239–243, 245, 281, 282, 285, 287, 288
12573	3307.60	132, 133, 457
12573	7657422	216, 239
12691	3350.29	132, 133, 146–151, 155, 156, 158–160, 162–165, 167, 169–174, 176, 453, 454, 457, 809, 810, 812, 813, 982
12691	4330647	214, 216, 239
12695	3350.29 SK	132, 133, 146–151, 155, 156, 158–160, 162–165, 167, 169–174, 176, 453, 454, 457, 809, 810, 812, 813, 982
12695	71714450	214, 216, 239

	ref. no.	
12934	191 598 625 S1	735, 743–746, 1037–1041, 1043, 1094, 1096–1099, 1107, 1113, 1115, 1120–1125, 1135
14250	1J0 498 625 A	66–68, 621, 622, 636, 637, 657, 658, 738, 739, 1093, 1102, 1112
14498	5 025 899	267
14499	1 053 115	267
14535	3350.28 SK	807–809, 811, 818, 983, 1018
14535	9567217780 SK	851, 852, 857, 889
14538	3350.91	142, 145, 153, 190, 456, 482
14538	71714473 SK	233, 244, 288
14539	5 025 900	874
14611	09117619	582, 617
14611	1603 208	419, 450
14615	09117620	582, 617
14615	1603 209	419, 450
14623	09117622	582, 617
14623	1603 211 SK	419, 450
14887	271795	1136–1139
14902	274378	695, 696, 698, 700, 702
14967	1300472080	214, 215
14967	3307.65	146–151, 155–158, 160–164, 166, 168–174, 176, 453, 454
17205	631 330 02 51	337
17432	40210-34B00	391, 392
17432	90369-35029	554, 555
17534	8A0 498 625	59, 60, 82–85, 87–93
17550	893 498 625 E	59, 60, 84, 85, 90, 92, 93
17756	8A0 407 615 C	59–62, 82–84
18191	3350.32	131–138, 180, 181, 183–188, 192, 193, 195, 462–465, 467, 468, 474, 476–478
18285	3307.76	131–139, 143, 180, 181, 183–188, 192, 193, 195, 460–465, 467–470, 476
18344	4A0 407 615 G	38–40, 43, 49–54, 69–71, 74–81, 531, 532, 665–668, 717–719, 739, 740, 742
18397	31 22 1 093 427 S1	111, 112
18769	31 22 6 757 024	96, 100–102, 111
19085	0328 980	426–428, 434, 442

	ref. no.	
19085	09195608	600, 602-604, 612
19088	09196286	1077-1082, 1087
19088	1604 007	960-964, 966, 973
19090	7 346 525	247, 255, 259, 260
19114	60652014	705, 708, 709
19183	1 135 043	869
19213	1 112 547	254, 255, 257
19248	9173872	1137-1139
19265	5 027 620	247, 259, 260
19295	3350.25 SK	806, 809-813, 982, 983
19295	55225248 SK	834, 855
19345	1 587 590	871
19345	51754193	705-707, 830-832, 834-848, 850, 851, 853-855, 859, 860, 888, 889
19386	8E0 501 611 J	726-728, 1048, 1116
19574	3350.69	128, 130, 137-141, 143, 144, 459, 460, 469, 470, 478, 479, 481, 482
19706	1 133 023	260
19769	0 0110 1597	884
19769	2D0 501 319 B	1094, 1095, 1110
19807	77 01 205 780	492, 493, 498, 504
19811	77 01 205 972	492, 493
19823	60 25 371 670 SK	484, 488, 489
19842	1311508080	233, 244, 285, 288
19842	3307.64	141-143, 145, 153, 154, 190, 456, 482, 483
19844	3307.74	126, 127, 179-182, 184-189, 461-464
19897	43210-00QAD SK	953
19897	77 01 205 596 SK	1023, 1024, 1029
19912	6N0 498 625	517, 656, 671
19914	7D0 498 625	685
19920	1 497 386	257
19922	1 104 362	870
19922	7M3 598 625	1035, 1125
19983	4 858 822	872
21095	77 01 205 499	1022, 1023
21166	33 41 1 095 238	749, 750, 790-793, 798-800
21167	31 22 6 750 217	119, 120
21168	31 22 6 750 217 S1	119, 120
21667	220 980 00 16	931, 932
21668	220 980 01 16	915, 932, 933

	ref. no.	
21697	209 980 00 16	917, 918
21721	77 01 205 170	1027, 1030
21839	168 981 03 27 S1	897, 898
21843	168 981 03 27	897, 898
21844	168 981 07 27	897, 898
21847	168 981 07 27 S1	897, 898
21872	203 980 00 16	909-911
21873	129 980 04 16	903, 906, 936
21887	210 330 01 51	329
21954	33 41 1 124 358 S1	760-767
21975	163 330 00 51	336, 927
21996	33 41 2 220 987	760-771
22006	3350.18	126, 127, 179-182, 184-189, 461-464
22078	638 981 00 27 S1	376, 944
22235	30 520 278	510, 511
22237	91 04 209 S1	510, 511
22315	31 22 6 756 889	379, 380
22316	33 41 6 756 830	946, 947
22435	203 330 00 51	316-321, 323, 324, 326, 347
22512	1J0 407 613 G	31, 522, 526, 529, 621, 636, 637, 657, 658, 711, 738, 739, 1042, 1046, 1102, 1112
22554	1 121 342	257, 870
22649	274298	697, 698, 700-702
22805	1 201 300	267
22864	43210-00QAC	955
22864	4408 277	981
22864	77 01 206 849	1020, 1033
22864	91159917	1089
23179	09111044	1084
23179	43210-00QAB	952
23179	4403 044	970
23179	77 01 206 742	1026
23183	09111023	605-609
23183	40210-00QAC	391
23183	4403 023	435-438
23183	77 01 206 740	497
23225	168 981 06 27 S1	302
23226	168 981 06 27 SK	302
23253	77 01 209 807	492, 494



	ref. no.	
<b>23320</b>	1T0 598 611 B	711-714, 735, 737, 738, 1035, 1036, 1044, 1046-1048, 1091, 1095, 1096, 1102-1107, 1109, 1110, 1112, 1118, 1119, 1125, 1126, 1131
<b>23330</b>	40210-00QAE	394
<b>23330</b>	4408 668	449
<b>23330</b>	77 01 206 847	508
<b>23330</b>	91160086	616
<b>23331</b>	40210-00QAG	394
<b>23331</b>	40 21 096 97R	489, 499, 508, 509
<b>23331</b>	4430 305	449
<b>23331</b>	93161376	616
<b>23369</b>	31 22 6 765 601	112-115, 117, 118
<b>23370</b>	8L0 498 625	31, 66-68, 522, 526, 636, 637
<b>23371</b>	31 22 6 765 601 S1	112-115, 117, 118
<b>23377</b>	1603 294	441, 448, 449
<b>23377</b>	51748680	211, 212
<b>23377</b>	93186387	611, 614-616
<b>23377</b>	93 186 387	512
<b>23489</b>	902 350 00 68	938, 939
<b>23625</b>	604 330 00 25	348-350, 352-354, 356-365
<b>23625</b>	2D0 498 625	655, 656
<b>23626</b>	901 330 10 25	348-350, 352-354, 356-365
<b>23626</b>	2D0 498 625 S1	655, 656
<b>23657</b>	011 981 89 05	938, 939
<b>23663</b>	902 350 00 68 SK	938, 939
<b>23926</b>	31 22 6 783 913	94, 95, 103-108, 113-115
<b>23928</b>	31 22 6 783 913 S1	94, 95, 103-108, 113-115
<b>24164</b>	09117622 S1	582, 617
<b>24164</b>	1603 211 S1	419, 450
<b>24224</b>	6Q0 598 611	710, 1039, 1041, 1042, 1045, 1095, 1097, 1123
<b>24236</b>	1J0 598 477	710, 738, 1042, 1043, 1046, 1047, 1092, 1101, 1111, 1112, 1124, 1135
<b>24313</b>	77 01 210 111	487, 488, 490, 498-500, 506, 509
<b>24315</b>	40210-AX000 S1	392, 393
<b>24315</b>	77 01 207 677	198-201, 487, 489, 494-496, 498-500, 504, 505, 509
<b>24351</b>	4 103 347	260

	ref. no.	
<b>24366</b>	4B0 498 625	38, 39, 49, 50, 52, 53, 531, 664-667
<b>24414</b>	6R0 407 621 A	31, 515, 520, 521, 528, 530, 625, 626, 628, 672-674
<b>24507</b>	169 981 01 27 S1	303
<b>24517</b>	3350.86	131-139, 143, 460, 461, 469, 470
<b>24519</b>	1328046080	215
<b>24519</b>	3326.62	152, 177, 178, 453-455
<b>24521</b>	1328054080	215
<b>24521</b>	3326.69	152, 177, 178, 455
<b>24523</b>	3350.87	141, 142, 483
<b>24523</b>	71752156	244, 285
<b>24524</b>	1603 337	395, 427-429
<b>24524</b>	71714459	21, 206-208, 217-220, 230-233, 236, 287
<b>24524</b>	93188889	556, 601, 602
<b>24534</b>	230 330 03 25 S1	325, 331-333, 346
<b>24535</b>	220 330 07 25 S1	320, 342, 343
<b>24571</b>	31 21 6 765 157	94, 97, 98, 103-109
<b>24572</b>	31 21 6 765 157 S1	97, 98, 103-109
<b>24574</b>	6Q0 407 621 BK	528, 628, 672-674
<b>24631</b>	42409-19015	1057-1059
<b>24716</b>	90080-36087	541, 542, 545-547
<b>24717</b>	90369-38003	289, 542-546, 553, 1060
<b>24770</b>	90363-38006	545, 546, 547
<b>24780</b>	77 01 208 058	1020-1022, 1024, 1025, 1028, 1029, 1031
<b>24781</b>	77 01 208 059	1022, 1028, 1031
<b>24947</b>	8D0 407 615 E	38, 39, 41, 49, 50, 52, 53, 531, 532, 665-667, 1115, 1117
<b>26005</b>	230 330 03 25 S2	325, 331-333, 346
<b>26234</b>	33 41 1 093 567	760-771
<b>26309</b>	33 41 6 762 317	753-757, 772-777, 779-786
<b>26310</b>	33 41 6 762 317 S1	753-757, 772-777, 782-786
<b>26312</b>	33 41 6 762 314	749, 750
<b>26313</b>	33 41 6 762 321	748, 755-757, 772-786
<b>26314</b>	33 41 6 762 321 S1	748, 755-757, 772-786
<b>26376</b>	4D0 407 625 H	727, 728, 731-733, 1117



ref. no.



<b>26377</b>	1T0 498 621 SK	31-37, 66, 67, 516, 523, 524, 527, 530-532, 623-627, 638-648, 653-655, 658, 669, 670, 676, 677, 682, 1036, 1047, 1048, 1104, 1106, 1107, 1119
<b>26378</b>	1K0 498 621 SK	31-37, 516, 523, 524, 527, 530, 532, 623-625, 638-648, 654
<b>26380</b>	1K0 598 611	711-714, 1035, 1036, 1043, 1095, 1102-1107, 1110, 1112
<b>26568</b>	8D0 598 625	714, 734
<b>26675</b>	1604 314	973, 980, 1086, 1088
<b>26675</b>	51749115	833
<b>26675</b>	93 170 611	1034
<b>26770</b>	1 471 854	246, 256
<b>26887</b>	-	391
<b>26887</b>	60 01 547 686	199, 200, 494, 495, 508
<b>27148</b>	90369-38021	514, 548, 554, 555
<b>27162</b>	4 479 002	870, 874, 875
<b>27163</b>	002 980 30 02	316-321, 323, 324, 326, 347
<b>27164</b>	002 980 31 02	316-321, 323, 324, 326, 347
<b>27311</b>	203 330 00 51 SK	316-321, 323, 324, 326, 347
<b>27312</b>	90369-30044	552, 890, 1056, 1057
<b>27313</b>	90369-43008	289, 290, 541-543, 552, 553, 1060
<b>27314</b>	90369-28006	551, 1057-1059, 1061
<b>27315</b>	42409-42010	1060, 1061
<b>27316</b>	51720-22000	270-274
<b>27317</b>	5K0 498 621	31-37, 63, 66, 67, 515, 516, 523, 524, 527, 530-532, 620, 623-627, 638-648, 653-655, 658, 669, 670, 676, 677, 682, 710, 1036, 1047, 1048, 1104, 1106, 1107, 1119
<b>27342</b>	5K0 498 621 A	31-37, 516, 523, 524, 527, 530, 532, 623-625, 638-648, 654
<b>27382</b>	1604 316	958, 959, 970, 981
<b>27382</b>	93178626	1066, 1083, 1086, 1089, 1090
<b>27384</b>	1604 315	958, 959
<b>27384</b>	93178625	1066, 1086, 1090
<b>27386</b>	1603 254	419-423, 450, 451
<b>27386</b>	93178652	583-585, 618, 619
<b>27479</b>	90368-34001 S1	548-551



ref. no.



<b>28114</b>	31 20 6 756 256	95
<b>28132</b>	33 41 1 095 774	752, 754, 759, 771, 789, 790, 791, 792, 793, 798, 799, 802
<b>28141</b>	1603 295	441, 448, 449
<b>28141</b>	93186388	611, 614-616
<b>28142</b>	1 587 565	259
<b>28142</b>	1603 338	428, 429
<b>28142</b>	3326.77 S1	154, 453
<b>28142</b>	71745047 S1	20, 21-24, 206-209, 213, 214, 217-228, 231-233, 235, 238, 245, 284, 285, 288
<b>28142</b>	93188890	600-602
<b>28145</b>	1604 017	963-966
<b>28145</b>	71747713	834, 835, 849-851
<b>28145</b>	93168760	1078, 1080-1082
<b>28168</b>	6X0 598 477	1037-1041, 1110, 1111, 1120-1123
<b>28192</b>	8D0 598 625 A	714, 715
<b>28230</b>	1870V023000000	533, 534
<b>28231</b>	1346653080	215
<b>28231</b>	3307.84	146-152, 155-158, 160-162, 164-166, 168-173, 175-178, 453-455
<b>28232</b>	1346652080	215
<b>28232</b>	3307.83	146-152, 155-158, 160-162, 164-166, 168-173, 175-178, 453-455
<b>28239</b>	43502-32070	290, 542, 554
<b>28240</b>	43502-12090	545-547
<b>28246</b>	43502-42010	553
<b>28247</b>	43502-20131	543, 544, 548
<b>28248</b>	43502-52010	514, 548, 551, 554, 555
<b>28249</b>	43502-33030	289, 541, 543
<b>28250</b>	51750-29000	270, 271, 273
<b>28251</b>	51750-24500	270, 272, 274
<b>28252</b>	51750-3D003	275, 278, 279
<b>28253</b>	52710-25100	878, 880, 883
<b>28254</b>	52730-38102	882, 885
<b>28264</b>	3748.74	807, 1011-1014
<b>28300</b>	0326 166	427-429
<b>28300</b>	51881463	217, 218, 228, 232
<b>28300</b>	55701433	600-603
<b>28301</b>	0326 001	426-428, 434, 442
<b>28301</b>	90576767	600, 602-604, 612
<b>28303</b>	0326 165	395, 427, 428, 429



	ref. no.	
<b>28303</b>	51881462	217, 218, 228, 233
<b>28303</b>	55701432	556, 601, 602
<b>28314</b>	0002072V010000000	1049
<b>28376</b>	6K9 501 477	1042, 1093
<b>28382</b>	168 350 03 35	897, 898
<b>28383</b>	168 350 04 35	897, 898
<b>28384</b>	210 330 03 25	314, 315, 322, 327-330, 346
<b>28491</b>	31 20 6 779 735	95, 96
<b>28497</b>	3307.75	141, 190, 191
<b>28498</b>	3748.29	818, 819
<b>28506</b>	33 41 6 770 974	750, 751
<b>28574</b>	211 981 02 27	914, 915, 918, 923-926, 933-935, 937, 938
<b>28620</b>	211 357 05 08	914, 915, 918, 923-926, 933-935, 937
<b>28623</b>	33 41 6 770 974 S1	750, 751
<b>28678</b>	211 981 02 27 S1	915, 918, 923-926, 933-935, 937, 938
<b>29182</b>	43440-80J00-000	539
<b>29182</b>	71742699	234
<b>29382</b>	3748.43	804, 805, 818, 819, 823, 984-986, 1015, 1016
<b>29384</b>	3748.44	804, 805, 823, 984-986
<b>29394</b>	3748.87	807, 1016-1018
<b>29447</b>	1T0 598 611 A	1093, 1094
<b>29473</b>	1 484 266	266, 267
<b>29521</b>	77 01 205 416	497
<b>29565</b>	77 01 205 417	1026
<b>29630</b>	31 22 1 095 702	95, 102
<b>29631</b>	31 22 1 095 702 S1	95, 102
<b>29825</b>	31262950	696, 699
<b>29837</b>	8E0 498 625 B	40-43, 50-55, 57, 58, 519, 668
<b>29844</b>	4F0 498 625 B	52, 54, 55, 65
<b>29872</b>	8E0 598 625	715-720
<b>29897</b>	4F0 598 611 B	729
<b>29905</b>	08123-62047-000S1	1053
<b>29914</b>	04641196	125
<b>29939</b>	28016AA030 S1	1050, 1051
<b>30040</b>	6U0 498 003	529, 530, 622
<b>30087</b>	B455-33-047D S1	295-299, 892
<b>30087</b>	OK20133047S1	279, 280
<b>30237</b>	1604 360	963-966
<b>30237</b>	93190216	1078, 1080-1082

	ref. no.	
<b>30270</b>	8K0 407 625 A	44, 45, 721, 722
<b>30271</b>	4H0 498 625	44, 45-49, 55-58, 64, 721, 722-725, 729, 730, 733, 736
<b>30473</b>	90363-40066	514, 541, 544-547, 552, 554, 1060
<b>30545</b>	77 01 210 004	826, 827, 1021, 1024, 1030
<b>30574</b>	46860-62J00-000 S1	1053
<b>30574</b>	4708 249	957
<b>30574</b>	93192990	1062
<b>30575</b>	44300-SAA-003	268, 877
<b>30576</b>	44300-SDA-A52	268
<b>30711</b>	51720-34200	274
<b>30712</b>	90363-40079	551, 555
<b>30886</b>	1401393480	851, 852
<b>30886</b>	3748.A0	808, 811, 983
<b>30887</b>	1440088280	851, 852
<b>30887</b>	3748.99	808, 811, 983
<b>30945</b>	220 330 07 25	320, 342, 343
<b>31036</b>	000 980 05 16	931, 932
<b>31062</b>	6822.JL	130
<b>31062</b>	6822 JL	465
<b>31062</b>	90369-W0001	542
<b>31063</b>	3748.85	805, 992
<b>31063</b>	42450-0H010	1055
<b>31077</b>	31 22 6 776 162	379-381
<b>31078</b>	33 41 6 786 552	946-948
<b>31121</b>	8E0 598 611 B	715-720, 1040
<b>31122</b>	1603 841	419-422, 450, 451
<b>31122</b>	93188477	583-585, 618, 619
<b>31136</b>	1603 296	421, 451
<b>31136</b>	93186389	584, 618
<b>31180</b>	42450-12070	1057-1059
<b>31182</b>	42410-0D010	1059, 1061
<b>31183</b>	51720-29300	270, 271, 273, 275
<b>31184</b>	3748.31	820-825, 1001-1010
<b>31185</b>	3748.76	805, 806, 986, 995-997, 999
<b>31189</b>	90369-43009	289, 541-543, 552, 553
<b>31226</b>	43202-72B00	954
<b>31227</b>	43200-5F617	953, 954
<b>31228</b>	43200-0M001	952, 955, 956
<b>31252</b>	40210-99B00	391, 392
<b>31336</b>	42450-05060	1055
<b>31337</b>	42450-42030	1060



	ref. no.	
<b>31338</b>	42450-0F010	1058
<b>31339</b>	42450-05040	1055
<b>31340</b>	09262-20121-000	1052, 1054
<b>31341</b>	09213602	1062
<b>31341</b>	46860-83E10	1053, 1054
<b>31341</b>	4686083E10	1050
<b>31341</b>	4706 538	957
<b>31342</b>	09203934 S1	556
<b>31342</b>	43440-84F00-000	538-540, 1053, 1054
<b>31342</b>	4700 322 S1	395
<b>31371</b>	31340099 SK	1139
<b>31377</b>	52750-1G000	886
<b>31377</b>	52750-1G001	878-880, 883
<b>31379</b>	1 484 269	266, 267
<b>31403</b>	52750-1G100	878-880, 883, 885, 886
<b>31432</b>	09214025	556
<b>31432</b>	43440-86G00-000	538-540
<b>31432</b>	4344086G00000	536
<b>31432</b>	4707 157	395
<b>31451</b>	44300-SMG-G01	268
<b>31453</b>	96285525 S1	124, 204
<b>31464</b>	MR449797	382, 383, 386-389
<b>31465</b>	MB303865	382-386, 388-390
<b>31478</b>	MB 844 919	949-951
<b>31509</b>	28316AE000	535-537
<b>31529</b>	96316635 S1	803, 828
<b>31564</b>	BN8B-33-047A S1	291, 292, 294-301
<b>31564</b>	OK9A233047 S1	278
<b>31565</b>	OK9A5-26-150	885
<b>31566</b>	OK55233047 S1	278, 279
<b>31567</b>	42200-S5A-008	876
<b>31668</b>	168 337 03 45	302, 373
<b>31669</b>	169 337 01 45	303
<b>31685</b>	51720-11101 S1	878, 879
<b>31686</b>	1 469 189	873, 874
<b>31687</b>	42450-02120	1055
<b>31690</b>	94536117 S1	122, 123, 202, 203
<b>31691</b>	96995000 S1	123, 124, 203-205
<b>31819</b>	42410-42050	1060
<b>31825</b>	28063AC000	1050, 1051
<b>31826</b>	3730.36	805, 1015
<b>31826</b>	3885A019	951
<b>31829</b>	52710-2E100	882, 886
<b>31832</b>	51720-2D200	271-273, 275, 276, 278, 279

	ref. no.	
<b>31833</b>	3880A024	387, 388
<b>31864</b>	30794650	703, 704
<b>31865</b>	30639875 S1	703, 704
<b>31866</b>	30639875 S2	703, 704
<b>32044</b>	33 41 2 295 519	748, 749, 752-754, 759, 768, 771, 799, 802
<b>32306</b>	42200-S5A-J01	876
<b>32376</b>	-	391
<b>32376</b>	60 01 547 685	199-201, 494, 495, 504, 505
<b>32535</b>	33 41 1 093 693	760-767
<b>32540</b>	44300-SAA-003 S1	268, 269, 877
<b>32550</b>	MR223285	949, 951
<b>32555</b>	-	391, 393
<b>32555</b>	82 00 208 335	199-201, 486, 487, 490-492, 494-496, 504, 505, 507-509
<b>32558</b>	6Q0 407 621 BK S1	528, 628, 672
<b>32580</b>	MR594142	949, 950
<b>32580</b>	454 350 01 35	1049
<b>32592</b>	1 496 721	256, 260
<b>32598</b>	1 506 577	861, 870
<b>32684</b>	B455-26-15XC	892-896
<b>32685</b>	B603-26-15XC	892-896
<b>32686</b>	BP4K-26-15XF	891, 892
<b>32694</b>	30736501	697, 699, 701, 702
<b>32790</b>	GP9A-33-047C	291, 294
<b>32803</b>	33 41 1 093 371	789
<b>32804</b>	33 41 6 760 056	754, 756, 772-774, 776, 782-786
<b>32805</b>	96639607	803, 828, 829
<b>32806</b>	33 41 6 760 058	748, 755, 756, 772-776, 778, 782-786
<b>32807</b>	33 41 6 752 381	753, 775-777, 779-781
<b>32850</b>	230 330 03 25	325, 331-333, 346
<b>32868</b>	BP4K-33-15XB	292, 293
<b>32869</b>	B01C-26-15X	894, 895
<b>32875</b>	42200-SAA-G02	877
<b>32883</b>	52750-2B100	882
<b>32884</b>	52710-17100	881
<b>32885</b>	52730-2H000	879, 881, 885
<b>32886</b>	43560-26010	549, 550
<b>32887</b>	43210-0W000 S1	954, 956
<b>32920</b>	C236-26-151D	292-294
<b>32970</b>	MN102067 S1	383, 384
<b>32970</b>	454 330 01 20 S1	533

	ref. no.	
<b>33732</b>	33 41 6 771 081	755, 757
<b>33736</b>	33 41 6 783 671	776, 777, 779-782
<b>33915</b>	43402-57L50-000	538, 1052
<b>33929</b>	42200-SEA-951	876
<b>33988</b>	40 21 070 49R	198, 488-490, 497, 499, 500, 506
<b>34174</b>	40 21 018 77R	490, 500, 506
<b>34271</b>	31280051 SK	1136-1138
<b>34273</b>	MR519097	388
<b>34321</b>	638 334 01 01	376
<b>34331</b>	638 356 00 01	944
<b>34378</b>	D651-26-15XE	891
<b>34712</b>	51720-2H000	272
<b>34738</b>	230 981 01 27 S1	912-914, 919, 936, 938
<b>34763</b>	1 135 043 S1	869
<b>34789</b>	7L0 498 287	64, 65, 677-681, 736, 737, 1126-1130
<b>34800</b>	7H0 498 611	677, 678, 686-689, 1126-1130
<b>34823</b>	4H0 498 625	45, 64, 721, 722
<b>34875</b>	8L0 498 625 A	637
<b>34923</b>	3748.41	995-999
<b>34924</b>	3748.39	814-817, 820-822, 988-999, 1001-1010
<b>34953</b>	51810394	833, 848
<b>34954</b>	51810086	833, 848, 860
<b>34955</b>	51810395	833, 848
<b>34956</b>	51810087	833, 848
<b>35591</b>	0 9382 4579	277
<b>35592</b>	0 9382 4580	277
<b>36071</b>	164 356 02 01	336, 337, 926, 927
<b>36072</b>	163 334 01 10	336, 927
<b>36073</b>	204 330 06 25	316-320, 326, 347
<b>36077</b>	209 330 03 25	316, 321, 323, 324, 347
<b>36078</b>	221 330 02 25	321, 343-345
<b>36079</b>	221 337 02 45	317-321, 324-326, 333-336, 343-345
<b>36087</b>	230 357 03 08	912-914, 919, 936, 938
<b>36091</b>	203 357 01 08	906-911, 916, 917, 937
<b>36241</b>	1 536 195	254
<b>36275</b>	33 40 6 850 159	794-797, 799-801
<b>36289</b>	31 20 6 850 158	94, 116-118, 120
<b>36309</b>	16 063 746 80 S1	153, 178, 456
<b>36309</b>	51745702 S1	216

	ref. no.	
<b>36487</b>	169 981 00 27	899
<b>36650</b>	8K0 598 611	721-724, 729
<b>36679</b>	33 41 6 777 844	794-801
<b>36751</b>	33 40 6 850 159 S1	794-797, 799-801
<b>36789</b>	451 330 00 59 S1	533
<b>36824</b>	71753821	28, 209, 210, 236, 237, 284
<b>36967</b>	71753820	209, 210, 236, 237, 283
<b>36968</b>	71753817	25
<b>37015</b>	51754191	22-24, 207-209, 211, 213, 214, 217, 219- 222, 227, 229, 235, 238, 240, 241, 243, 281-283
<b>37106</b>	31 22 6 756 889 S1	379, 380
<b>37107</b>	31 22 6 776 162 S1	379-381
<b>37507</b>	220 330 00 51	331, 332, 342, 343
<b>37549</b>	169 981 01 27 S2	303
<b>37558</b>	000 980 05 16 S1	931, 932
<b>37857</b>	906 350 02 49 S1	939
<b>38258</b>	33 41 1 095 238 S1	749, 750, 790-793, 798-800
<b>38314</b>	1 582 282	246, 254, 255
<b>38374</b>	221 330 02 25 S1	321, 343-345
<b>38491</b>	5Z0 407 615	625, 627, 628, 673, 674
<b>38521</b>	7L0 501 655 B	64, 65, 677-681, 736, 737, 1126-1130
<b>38550</b>	3748.A6	1017
<b>38649</b>	212 330 00 25 S2	324, 325, 333-335
<b>38651</b>	212 330 00 25 S1	324, 325, 333-335
<b>38652</b>	212 330 00 25	325, 333-335
<b>38860</b>	71738029	19, 25, 27, 28, 30, 287
<b>38863</b>	2H0 498 627 A	620
<b>39160</b>	1S0 498 625	524, 528, 689
<b>39252</b>	43202-00QAC	953
<b>39252</b>	77 01 208 075	1022, 1023
<b>39279</b>	33 41 6 776 651	750, 751
<b>39500</b>	1 796 001	246, 256, 259
<b>39622</b>	43 21 020 69R	826, 1021
<b>39623</b>	40 21 073 14R	198
<b>39630</b>	82491391	222, 223, 235, 238
<b>39827</b>	33 41 6 792 361	787
<b>39828</b>	33 41 6 792 361 S1	787
<b>39916</b>	0328 006	430
<b>39916</b>	13580135	603
<b>39916</b>	13 580 135	510, 513



→ ref. no.

Car  
Division 



ref. no.



40014	3748.90	806-808, 993, 999, 1000, 1011-1014
40015	3350.31	819, 1018
40016	3748.89	986, 1016
40017	3350.71	807, 1019
40018	3701.82	810, 813, 982
40098	0328 016	422, 423
40098	13583478	123, 583, 585
40099	0328 021	422-424, 452
40099	13583479	123, 124, 583, 585, 592, 619
40203	1 699 196	868
40224	51881464	20, 21
40225	43421-79J01-000	539
40225	71768302	234
40226	60809668	29
40226	82463292	210-212, 284, 286
40227	82466910	20, 21, 22, 25, 282, 887
40229	51881465	20, 21
40230	1 701 249	259
40230	7672265	223, 224, 225, 234, 245, 847
40231	60545087	23, 24, 26, 207, 209- 211, 220, 221, 236, 237, 283, 284
40232	60510369	19, 20, 22, 25, 27- 29, 213, 214, 227, 709
40233	1 541 797	259
40233	51824630	22-24, 26, 29, 206- 212, 217-222, 224- 227, 229-233, 236, 237, 239-245, 281- 286, 288, 708, 856, 857, 887
40240	60563372	19-22, 27, 28, 709
40702	3350.93	143, 153, 154, 456
40703	3350.82	140, 141, 144, 460, 481, 482, 809, 1000, 1017
40835	639 981 04 27 S1	376, 944