

## Steering and Suspension

- febi ProKit – guarantees complete kits with all the parts required for a repair.



# INDIVIDUALLY STRONG, UNBEATABLE AS A TEAM

The bilstein group is a family-run, independent group of companies providing a single strong umbrella under which the prestigious product brands febi, SWAG and Blue Print are united.

As a leading specialist in the global automotive aftermarket, the bilstein group offers spare parts and repair solutions to fit all popular makes of cars and commercial vehicles.

The range, which is exceptional in its breadth and depth, comprises approximately 47,000 different products and is supplemented by practice-oriented services. The bilstein group can therefore meet even the highest requirements.



## Solutions „Made in Germany“ – At home all over the world

With a product line of over 30,000 different parts for cars and commercial vehicles, febi bilstein offers a complete and constantly growing range of professional vehicle repair products for all current vehicle makes and models.

### Focusing on our customers' interests

As a strong partner to the vehicle trade and workshops, our top priorities are quality assurance and service. This is why you will only find products of tested original equipment quality at febi bilstein.

### Looking to the future

As a supplier and manufacturer, we use the know-how we have acquired over many years and state-of-the-art manufacturing technologies in order to meet the growing expectations of the market at all times. For this reason we are continually investing in the expansion of our in-house production, testing equipment and machinery at febi bilstein. Only this way are we able to fulfil both our own requirements and our partners' expectations in terms of credible quality assurance.

### febi bilstein added value

- Original equipment quality
- Manufacturing expertise
- Just in time delivery in more than 140 countries



# User notes: clear and simple

The febi catalogue contains the following information:

- 1 Vehicle type
- 2 Model
- 3 Model year
- 4 Photo with febi number
- 5 Cross reference to the other axle
- 6 febi ProKit
- 7 febi number
- 8 Reference number
- 9 Part description in German and English
- 10 Restrictions and exceptions in general, the parts shown apply to all engine and design variants; exceptions are highlighted in this list
- 11 Dimensions

**OPEL** Car Division febi bilstein

**Movano B**  
(2010 →)

Vorderräder / Front axle

42634 42634

44428 44728 44728 44428

37309 37309

(1) alle mit Heckantrieb in Verbindung mit Doppelbereifung / all with rear drive combined with double tires  
 (2) EVO , FV0 , HVO , UV0 , JVO  
 Nur Fahrzeuge mit Frontantrieb mit einem Gesamtgewicht von 3300 u. 3500 kg / only vehicles with front wheel drive combined with a total weight of 3300 u. 3500 kg  
 (3) Vorderradantrieb oder Heckantrieb ohne Doppelbereifung / front-wheel drive or rear-wheel drive without double tires

Ref.-No.	Ref.-No.	ProKit	Part description	Notes	Dimensions
37309	4419 291	ProKit	Verbindungsstange / stabilizer link	(3)	L 330
39444	4420 098 SK	ProKit	Axialgelenk / axial joint		L 253
42634	4419 219		Traggelenk / ball joint	→ 22.07.10	
43617	4420 097	ProKit	Spurstrangendenstück / tie rod end		M18 x 1,5
43618	4420 098	ProKit	Spurstrangendenstück / tie rod end		M18 x 1,5
43687	4420 097 S1	ProKit	Spurstrange / tie rod		
43688	4420 098 S1	ProKit	Spurstrange / tie rod		
44428	4420 954		Verbindungsstange / stabilizer link	(1)	L 166
44728	4419 323		Stabilisatorlager / stabilizer mount	(2)	Ø 125,4

70

Die Einbau darf nur durch geschultes Fachpersonal erfolgen. / The installation may exclusively be performed by trained specialist staff.

# Find every part: quick and convenient

- You know the vehicle type and the vehicle manufacturer's reference number:

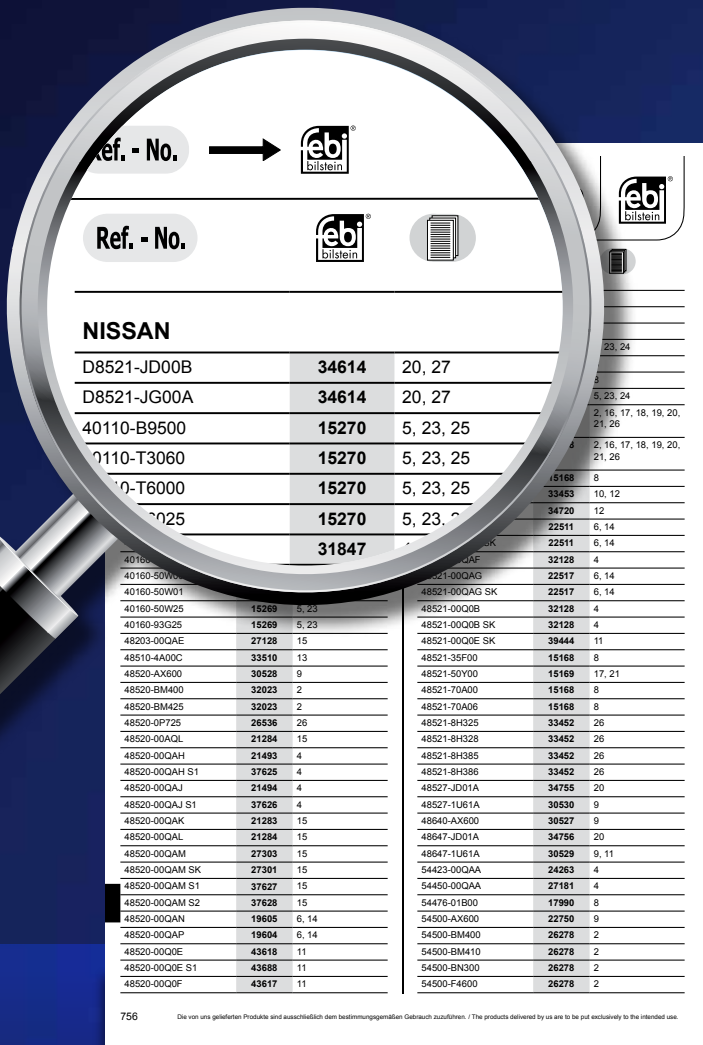
Reference number → febi number → Page number

- The positioning of the reference numbers corresponds to the vehicle manufacturer's sorting sequence:

febi number → Reference number → Page number

- This list is sorted by febi number in ascending order.

**Note:** On the catalogue cover, you will find a list of symbols and abbreviations with explanations in different languages.



756 Die von uns gelieferten Produkte sind ausschließlich dem bestimmungsgemäßen Gebrauch zuzuführen. / The products delivered by us are to be put exclusively to the intended use.

120 Das von uns gelieferte Produkt ist ausschließlich dem bestimmungsgemäßen Gebrauch zuzuführen. / The products delivered by us are to be put exclusively to the intended use.

48520-0000L	43611	11	41900-E-16500	28518	5
48520-0000E S1	43618	11	41900-BM300	28518	5

	front axle	rear axle
<b>Nissan</b>		
100 NX (B13)	1	-
Almera (N15) / (N16)	2	-
Almera Tino (V10)	3	-
Interstar (X70)	4	-
Juke (F15E) / King Cab / Pick Up (D21)	5	-
Kubistar (X76)	6	-
Maxima (A32) / (CA33)	7	-
Micra (K10) / (K11)	8	638
Micra (K12) / Micra C+C (CK12E)	9	-
Murano (Z50)	-	638
Murano (Z51)	10	638
Navara (D40M)	10	-
Note (E11)	11	-
NV400 (X62)	11	639
Pathfinder (R50)	12	639
Pathfinder (R51)	12	640
Patrol (Y60)	13	640
Pixo	13	-
Platina	14	-
Primastar (X83)	15	-
Primera Limousine (P10E)	16	-
Primera Wagon (W10)	17	-
Primera (P10 / W10)	-	640
Primera (P11 / WP11)	18	-
Primera (P12 / WP12)	19	640
Qashqai (J10E / +2 / JJ10E)	20	641
Serena (C23M)	20	-
Sunny (N14 / Y10)	21	-
Teana (J31)	-	641
Teana (J32) / (J32R)	22	641
Terrano I (WD21)	23	-
Terrano II (R20)	24	642
Urvan (E23/E24)	25	-
Vanette Cargo (HC23)	26	-
X-Trail (T30)	26	642
X-Trail (T31) / (T31R)	27	642

	front axle	rear axle
<b>Opel</b>		
Adam	28	-
Agila A / Agila B	29-30	-
Antara	31	643
Ampera / Arena	32	-
Ascona C	33-34	-
Astra F	35-37	-
Astra G	38-39	-
Astra H	40-41	-

	front axle	rear axle
<b>Opel</b>		
Astra J	42-44	-
Calibra	45-46	644
Cascada / Combo C	47	-
Combo D / Commodore C	48	-
Corsa A	49	-
Corsa B	50-51	-
Corsa C	52-53	-
Corsa D	54	-
Corsa E	55	-
Frontera A / Frontera B	56-57	-
Insignia	58	644
Kadett C	59	-
Kadett D	59-60	-
Kadett E	61-62	-
Manta B	63	-
Meriva A / Meriva B	64-65	-
Mokka	66	-
Monterey A / Monterey B	67	-
Movano A	68-69	-
Movano B	70	645
Monza	71	-
Omega A	72-73	645
Omega B	74	646
Rekord E	75	-
Senator A	76	-
Senator B	77	647
Signum	78	648
Tigra A	79-80	-
Tigra B TwinTop	81	-
Vectra A	82-85	649
Vectra B	86	650
Vectra C	87	651
Vivaro A	88-89	-
Zafira A	90-91	-
Zafira B	92-93	-
Zafira C	94	-

	front axle	rear axle
<b>Peugeot</b>		
106	95-96	-
107	97	-
205	98-99	-
206	100-101	-
206 SW	102-103	-
206 CC	104-105	-
206 +	106	-
207 / CC / SW	107	-

	front axle	rear axle
<b>Peugeot</b>		
208	108-109	-
301	110	-
306	111-113	-
307 / CC / SW	114-115	-
308 / CC / SW	116-117	-
308 II	118	-
309	119-120	-
405	121-122	-
406	123	652
407 / Coupé	124-125	653
504	126	-
505	127	-
508	128-129	653
604	130	-
605	131	654
607	132	654
806	133	-
807	134	-
1007	135	-
2008	136	-
3008	137	655
4007	138	655
4008	139	655
5008	140-141	-
Bipper / Tepee	142	-
Boxer I + II	143	-
Boxer III	144	656
Expert I + II	145	-
Expert III / Tepee	146	-
J5	147	656
Partner I	148-151	-
Partner II	152-153	-
Partner III / Tepee	154	-
RCZ	155	-

**Porsche**

911 Carrera / Turbo (996)	156	659
911 Carrera 2 / 2-S (997)	157	659
924	158	-
Boxster (986) / (987)	159	657
Cayenne (955) S / GTS / Turbo	160	-
Cayenne (958) S / GTS / Turbo S	161	-
Cayenne S / Turbo S (A2) / Cayenne (9P)	161	-
Cayenne (9P)	161	-
Cayman (987)	162	658
Panamera (970)	162	-

**Renault**

	front axle	rear axle
R5	163	-
R9 / R11	164	-
R12	165	-
R15 / R17 / R18	166	-
R19	167	-
R20 / R30	168	-
R21	169-170	-
R25	171	-
Avantime	172	-
Clio 1	173-174	-
Clio 2 / Symbol	175-176	660
Clio 3	177	-
Clio 4	178	-
Duster	178	661
Espace 1 / Espace 2	179-180	-
Espace 3 / Espace 4	181-182	-
Fluence	183	-
Kangoo 1	184	-
Kangoo 2	185	-
Koleos	186	660
Laguna 1	187	-
Laguna 2	188-189	-
Laguna 3	190	-
Logan 1	191	-
Master 2	192-193	-
Master 1	194	-
Master 3	195	662
Megane 1 / Coupé	196-197	-
Megane 1 / Scenic	198-199	-
Megane 2	200-201	-
Megane 3	202-203	-
Megane Generation	204	-
Modus	205	-
Rapid	206	-
Safrane	207	-
Sandero 1	208	-
Scenic 2	209	-
Scenic 3	210	-
Thalia	211	-
Trafic 1	212	662
Trafic 2	213	-
Twingo 1	214	-
Twingo 2	215	-
Twizy	216	-
Vel Satis	217	-
Wind / Zoe	218	-

	front axle	rear axle
<b>Rover</b>		
25	219	-
75 (RJ)	219	663
200 (3+5 Türen/3+5 door saloons)	220	663
200 (Coupé / Cabrio)	220	-
400	221	663
600 / Austin Metro	222	-
MG ZR/ZT	223	663
Mini	223	-

	front axle	rear axle
<b>Saab</b>		
9-3 I	224	-
9-3 II	225	664
9-5 I	226	665
9-5 II	227	-
90 / 99 / 900 I	228	-
900 II	229	-
9000	230	-

	front axle	rear axle
<b>Seat</b>		
Alhambra (7V8)	231	666
Alhambra (7V9)	232-233	666
Alhambra (710)	234-235	667
Altea (5P)	236-237	668-669
Arosa (6H)	238-241	-
Cordoba (6K)	242-244	-
Cordoba / Vario (6K)	245-247	-
Cordoba / Vario (6L)	248-251	-
Exeo (3R)	252-253	670
Ibiza (6K)	254-258	-
Ibiza (6L)	259-261	-
Ibiza (6J)	262-263	-
Inca (9K)	264	-
Leon (1M)	265-267	671
Leon (1P)	268-271	672-673
Leon (5F)	272-273	674
Marbella	274	-
Mii (KF)	275	-
Toledo (1L)	276-282	-
Toledo (1M)	283-285	-
Toledo (5P)	286-287	672-673
Toledo (KG3)	288-289	-

	front axle	rear axle
<b>Škoda</b>		
Citigo (NF)	290-291	-
Fabia (6Y)	292-295	-
Fabia II (5J)	296-297	-

	front axle	rear axle
<b>Škoda</b>		
Fabia III (NJ) / Favorit 785 Forman	298	-
Felicia (4X) (6X)	299	-
Octavia (1U)	300-303	675
Octavia (1Z)	304-305	676-677
Octavia (5E / NL3 / NR3)	306	675
Pick-Up (6U)	307	-
Rapid (NH / NK)	308-309	-
Roomster (5J)	310-313	-
Superb (3U)	314-315	-
Superb (3T)	316-317	678-679
Yeti 4x4 (5L)	318-319	678-679

	front axle	rear axle
<b>Smart</b>		
City Coupé / Cabrio	320	-
Crossblade / Forfour (BM 454)	321	-
Fortwo / Cabrio (BM 450)	322	680
Fortwo / Cabrio / Coupé (BM 451)	323	-
Roadster (BM 452)	324	-

	front axle	rear axle
<b>Subaru</b>		
E 12 (D11)	325	-
Forester (S10)	325	681
Forester (S11)	326	681
Forester (S12)	327	-
Impreza (G10)	327	682
Impreza (G11)	328	682
Impreza (G12)	328	-
Justy IV (M300) / Legacy I (B10)	329	-
Legacy II (B11)	329	683
Legacy III (B12) / Legacy IV (B13)	330	684

	front axle	rear axle
<b>Suzuki</b>		
Alto / Alto V	331	-
Baleno	332	-
Carry	332	-
Grand Vitara / Grand Vitara / XL	333	-
Ignis	334	-
Jimny	334	-
Splash	335	-
Swift I	336	-
Swift II	336	685
Swift III	337	-
SX-4 / Vitara	338	-
Wagon R+	339	685
Wagon R+ II	339	-
X-90	339	-



	front axle	rear axle
<b>Toyota</b>		
Alphard (GGH20)	340	-
Auris (_E15_) / (_X10_)	341	-
Avalon (_X20_) / (_X30_)	342	-
Avensis (_T22_)	343	687
Avensis (_T25_) / (_T27_)	344	687
Avensis Verso (ACM/20)	344	-
Aygo (WNB10)	345	-
Camry (_V2_)	346	688
Camry (_V10_)	346	-
Camry (_V20_)	347	-
Camry (_V30/31_)	348	688
Camry (_V36_)	349	688
Camry (_V40_)	349	-
Carina (_T15_)	350	-
Carina (_T17_)	350	689
Carina (_T19_)	351	689
Celica (_T16_) / (_T18_)	352	690
Celica (_T20_)	353	690
Celica (ZZT23)	353	-
Corolla (_E8_) / (_E9_)	354	-
Corolla (_E10_)	355	-
Corolla (_E11_)	356	691
Corolla (_E12_)	357	691
Corolla (_E15_)	357	-
Corolla Verso (_E12_)	358	-
Corona (AT190/210ST191/210)	359	-
Corona (AT220/CT220/ST210)	359	691
Corona (AT151/CT150/ST15)	360	-
Crown (GS151/JZS155)	360	-
Dyna (LY100/YY100)	361	-
Echo / Verso (NCP 12/13/20)	362	-
Hiace III (_H10_)	362	-
Hiace IV (_H1_H2_)	363	-
Hilux 2WD (N5)	363	-
Highlander (U20)	364	692
Hilux (RN 125)	364	-
Land Cruiser (J7_J8)	365	693
Land Cruiser (J9)	365	694
Land Cruiser (J10)	366	694
Land Cruiser (J12)	366	694
MR 2 (ZZW20) / (ZZW30)	367	-
Noah (ZRR70)	367	-
Paseo (EL44)	368	-
Picnic (_XM10_)	368	-
Previa (R1) / (R3)	369	-
Previa (_R5_)	369	-

	front axle	rear axle
<b>Toyota</b>		
Prius (NHW11) / (NHW20)	370	-
RAV 4 I (_SXA1/10/11/16_)	371	-
RAV 4 I (_BEA11_)	372	-
RAV 4 II (_XA2_)	372	695
RAV 4 III (_A3_)	373	695
Rukus	374	-
Scion (_10_)	375	-
Scion XA/XB (_NCP_)	375	-
Scion XB (_AZE_)	375	-
Sienna (_L_)	376	-
Solara	377	-
Spacio (AE111)	378	-
Starlet (_P7 / P8 / P9_)	379	-
Supra (MA70) / (JZA80)	380	-
Tacoma (_RN22_) / (_RZ/VZ_)	381	-
Tarago (_R1_) / (_R3_) / (_R5_)	382	-
Tercel (_EL31_) / (_EL40/42/53_)	383	-
Tundra (_CK30/40_)	383	-
4 Runner	384	697
Vios / Soluna Vios	385	-
Wish (_ANE11_) / (_ZNE10_)	386	-
Wish (_ZGE10_)	386	-
Yaris / Yaris Verso	387	-
Auris (ADE157)	-	686
Avalon (MCX10)	-	686
Corolla	-	690
FJ Cruiser (US)	-	692
Highlander (U25)	-	692
Kluger (_U28_)	-	693
MR 2 (_W2_) / (_W3_)	-	695
Scion TC / Solara (_V20_)	-	696

**Vauxhall**

Adam	388	-
Agila Mk I / Mk II	389	-
Antara	390	698
Ampera / Arena	391	-
Astra Mk I	391	-
Astra Mk II	391-393	-
Astra Mk III	394-397	-
Astra Mk IV	398-399	-
Astra Mk V	400-401	-
Astra Mk VI	402-404	-
Calibra	405-406	699
Carlton	407-408	700
Cascade / Cavalier Mk II	409	-

	front axle	rear axle
<b>Vauxhall</b>		
Cavalier Mk III	410-415	701
Corsa Mk I	416-417	-
Corsa Mk II	418-419	-
Corsa Mk III	420	-
Corsa Mk IV	421	-
Combo Mk II	422	-
Combo Mk III / Frontera Mk I	423	-
Frontera Mk II	424	-
Insignia	425	701
Meriva Mk I	426	-
Meriva Mk II	427	-
Movano Mk I	428-429	-
Movano Mk II	430	702
Mokka	431	-
Nova	432	-
Omega	433-434	702
Royale	435	-
Senator Mk II	436	703
Signum	437	704
Tigra	438-439	-
Tigra TwinTop	440	-
Vectra Mk I	441	705
Vectra Mk II	442-443	706
Viceroy	444	-
Vivaro A	444-445	-
Zafira Mk I	446-447	-
Zafira Mk II	448-449	-
Zafira Mk III	450	-

## Volkswagen

Amarok (2H)	451	-
Bora (1J)	452-455	707
Caddy (14)	457	-
Caddy (9K)	458-459	-
Caddy (2K)	460-461	708
Caddy (2C)	462-463	707
Caddy Pickup (9U)	464	-
CC (3C)	465	710
Corrado (50)	466-468	-
Crafter (2E)	469	709
Derby 1 / Derby 2	469	-
Eos (1F)	470-471	712-713
Fox (5Z)	472-474	-
Golf 1 (17) / Cabrio (15)	475-476	-
Golf 2 (19/1G)	477-478	-
Golf 3 (1H)	479-482	-

## Volkswagen

	front axle	rear axle
Golf 3 Variant (1H)	483-486	-
Golf 3 Cabrio (1E)	487-489	-
Golf 4 (ex.) 4 Motion (1J)	490-491	-
Golf 4 4 Motion (1J)	492-495	711
Golf 5 / Plus (1K)	496-497	714-715
Golf 6 / Plus (1K)	498-499	716-717
Golf 7 (5G)	500	718
Golf 7 Sportsvan	501	-
Jetta 1 (16)	502-503	-
Jetta 2 (16/1G)	504-507	-
Jetta 2 Syncro	508	-
Jetta (16)	509	722
Jetta (1K)	510-511	719-721
Käfer	512-513	-
LT (28/29) (21)	514-516	-
LT 28 / LT 35	517-518	723
LT 46	518	723
Lupo (6x)	519-521	-
New Beetle (1C/9C)	522-525	723
New Beetle Cabrio (1Y)	526	-
New Beetle (5C1)	527	724
New Beetle (5C7)	528	-
Passat 1 (32)	529	-
Passat 2 (32)	530-534	-
Passat 3 (31/3A)	535-540	-
Passat 4 4motion	541	725
Passat 4 (3B)	542-543	725
Passat 5	544-545	726-727
Passat CC (3C)	544-545	730-731
Passat (Typ 36)	546	-
Passat 6 (A32)	547	728-729
Phaeton (3D)	548	732
Polo 1 / 2 (80/86/87)	549	-
Polo 3 (6N1)	550-551	-
Polo 3 (6N2)	552-553	-
Polo 4 (9N)	554-558	-
Polo (6C)	559	-
Polo Classic / Variant (6K)	560-563	-
Polo (6R)	564-565	-
Santana (32)	566-569	-
Scirocco 1+2 (53)	570-571	-
Scirocco 3 (13)	572-573	730-731
Sharan (7M8/7M9/7M6)	574	732
Sharan (7N)	575	733
Tiguan (5N)	576-577	734-735
Touareg (7L)	578-579	736

front axle rear axle

## Volkswagen

Touran (1T)	580-581	738-739
Touareg (7P)	582	737
Transporter Typ 3 (24)	583-584	740
Transporter T4 (70)	585-586	-
Transporter T4 (7D)	587-588	-
Transporter T5 (7H/7J)	589	740
Typ 3 (1500 / 1600)	590	-
up! (121) / e-up! (BL1)	591	-
Vento (1H)	592-596	-
Bora 4 4motion (1J)	-	711
Golf 6 Cabrio (51)	-	718
Transporter T4 / Multivan	-	740

## Volvo

240 → 260	597-599	741
340 → 360	600	-
440 → 460	601	742
480	602	742
740 → 760	603-604	743
780	605	-
850	605-606	744
940 → 960	607-609	745
C 30	610-611	747
C 70 I	612-613	745
C 70 II	614-615	747
S 40 I	616-617	746
S 40 II	618-619	747
S 60 I	620-621	748
S 60 II	622-623	749
S 70 I	624-625	749
S 80 I	633	753
S 80 II	634	754
S 90	635	754
V 40 II	626	750
V 40 Cross Country	627	750
V 40 I	616-617	746
V 50	618-619	747
V 60	622-623	749
V 70 I	624-625	-
V 70 II	628-629	751
V 70 III	632	752
V 70 XC , XC 70 II	630-631	751
V 90	635	754
XC 60	636	755
XC 70 III	632	752
XC 90 I	637	755

front axle  
Page 1 - 637

rear axle  
Page 638 - 755

febi number  
Page 756 - 846

ref. number  
Page 847 - 886



## 100 NX (B13) (10/90 → 10/94)

Vorderachse / Front axle

15467



15465



Ref. - No.



15465	54500-52Y70
15467	54501-52Y70

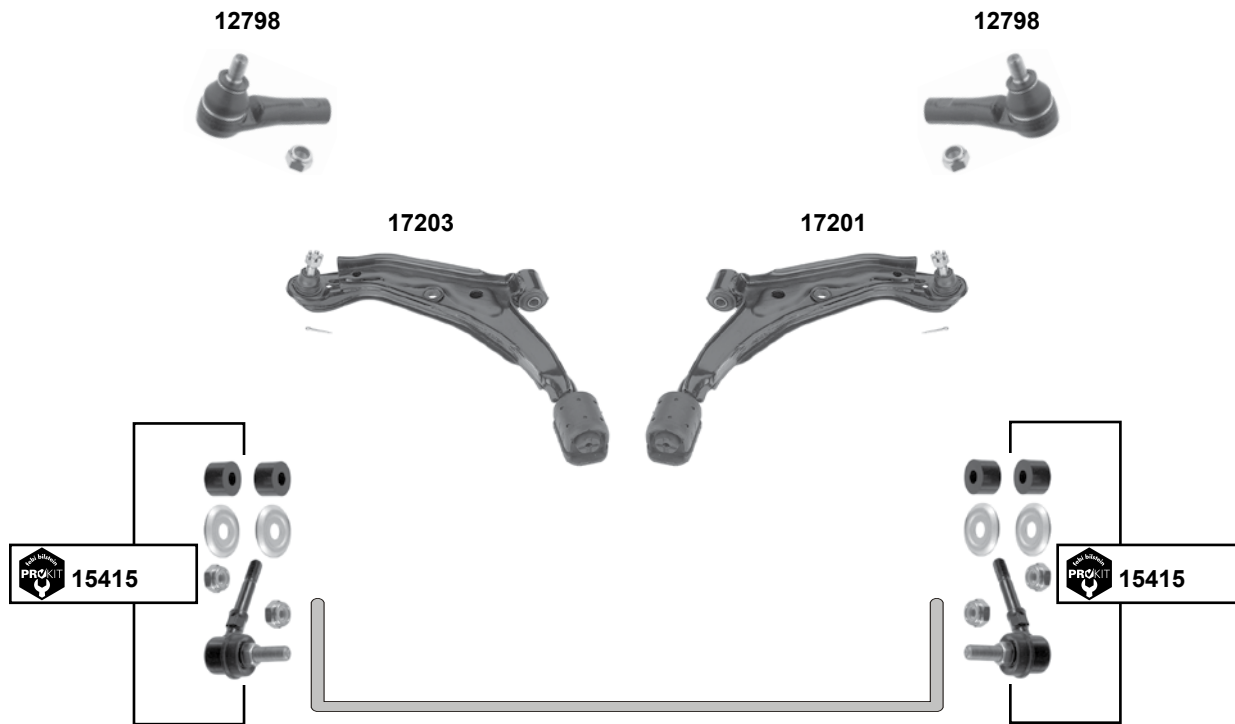
Querlenker / control arm
Querlenker / control arm



## Almera (N15)

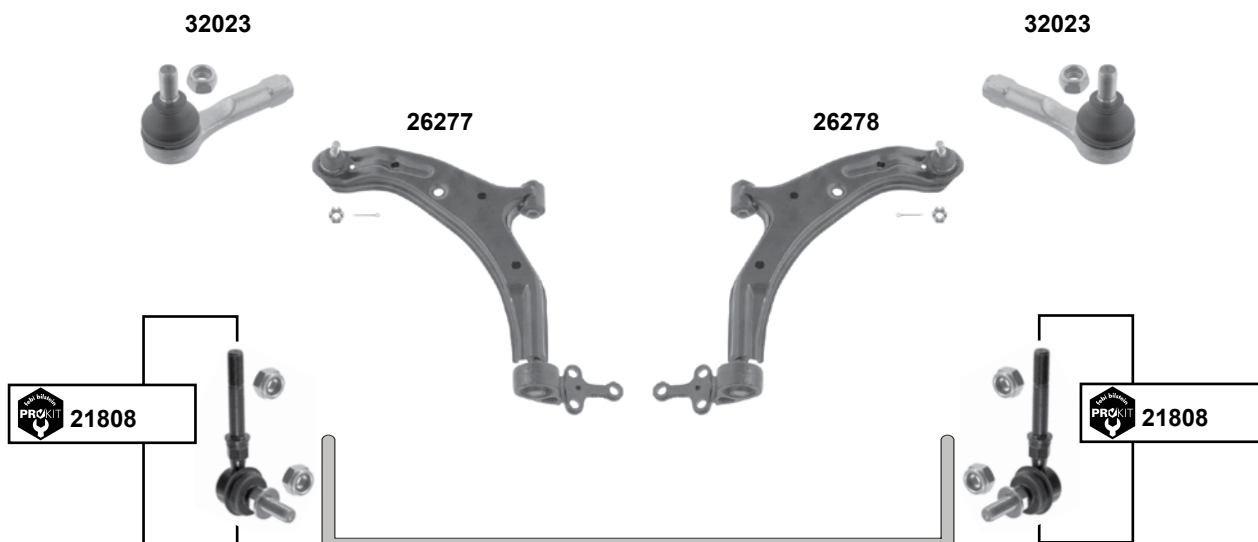
(1995 → 2000)

Vorderachse / Front axle



## Almera (N16)

(2000 →)



Ref. - No.

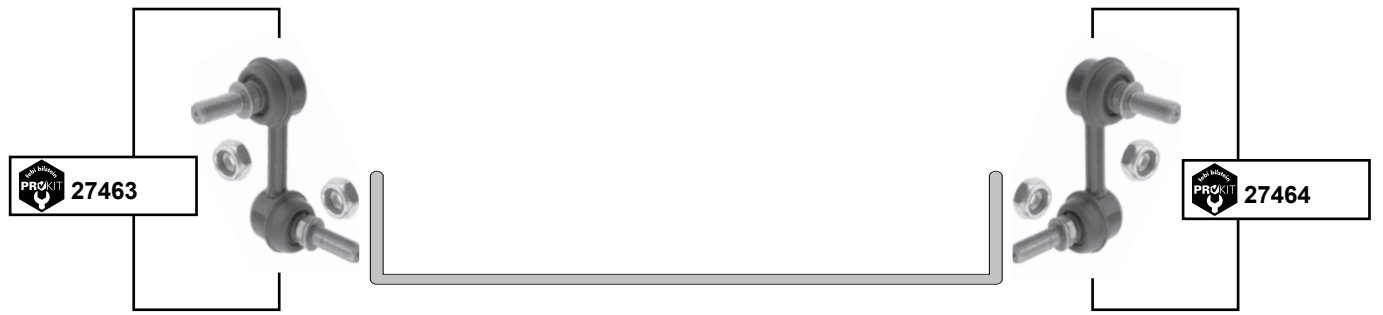


<b>12798</b>	48520-73J25	Spurstangenendstück / tie rod end		M10 x 1,25
<b>15415</b>	54618-50Y00	ProKit Verbindungsstange / stabilizer link		M10 x 1,25
<b>17201</b>	54500-0M060	Querlenker / control arm		
<b>17203</b>	54501-0M060	Querlenker / control arm		
<b>21808</b>	54618-4M400	ProKit Verbindungsstange / stabilizer link		M10 x 1,25
<b>26277</b>	54501-4M410	Querlenker / control arm		
<b>26278</b>	54500-4M410	Querlenker / control arm		
<b>32023</b>	48520-BM425	Spurstangenendstück / tie rod end		M12 x 1,25

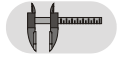


**Almera Tino (V10)**  
(05/00 →)

Vorderachse / Front axle



**Ref. - No.**



<b>27463</b>	54668-4U000
<b>27464</b>	54618-4U000

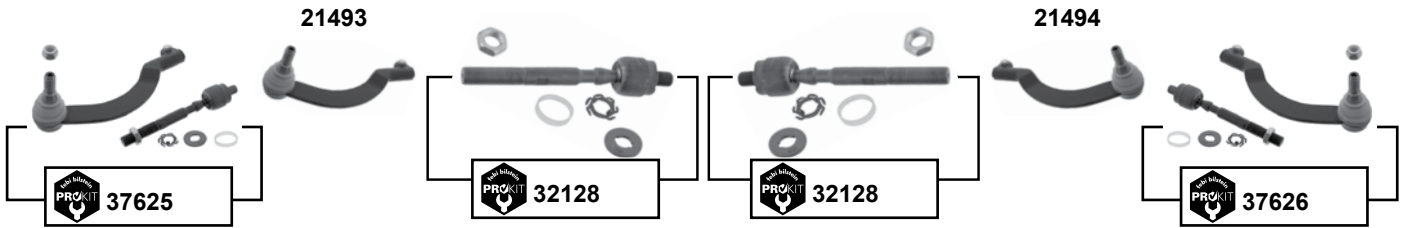
ProKit Verbindungsstange links / connecting rod left
ProKit Verbindungsstange rechts / connecting rod right

L 65 M10x1,25
L 65 M10x1,25

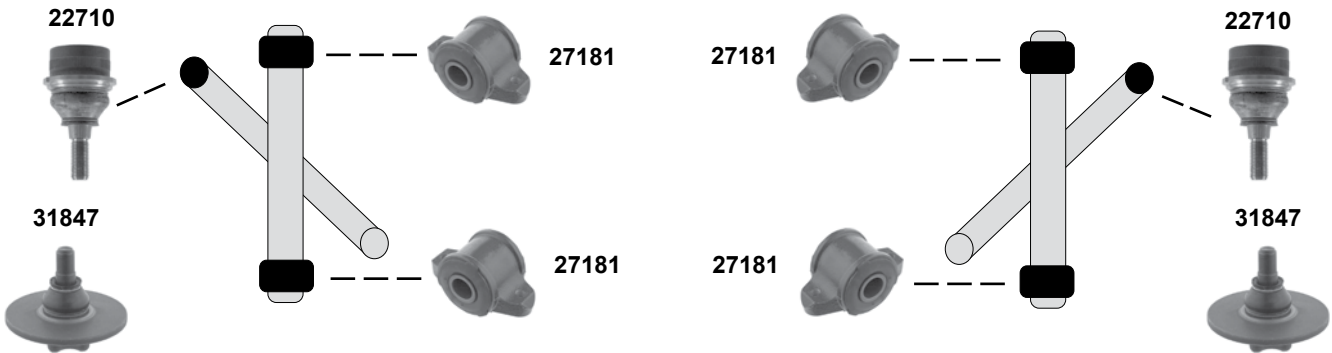


## Interstar (X70)

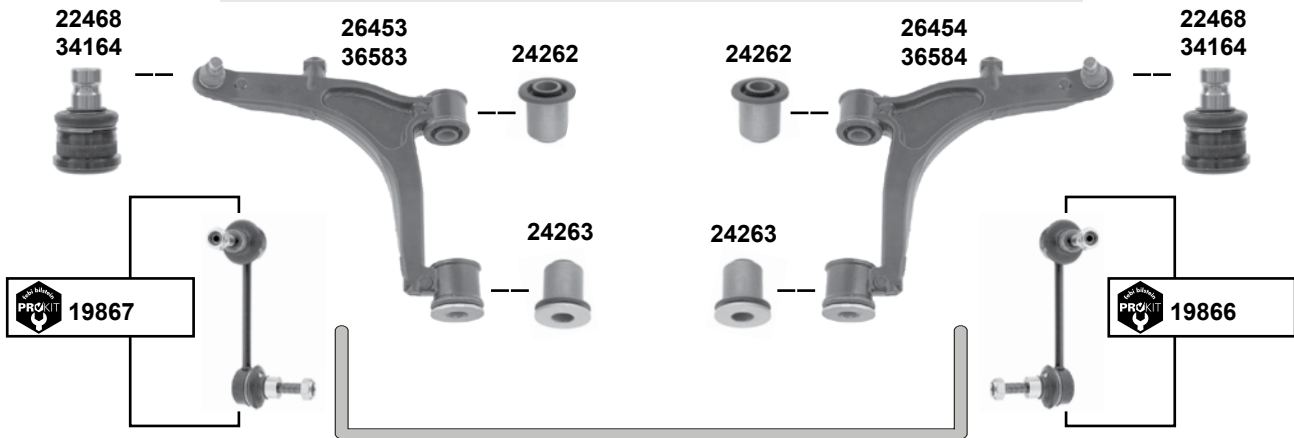
(2002 →)



oben / upper



unten / lower



	Ref. - No.			
19866	54618-00QAA	ProKit Verbindungsstange / stabilizer link		L 130
19867	54618-00QAB	ProKit Verbindungsstange / stabilizer link		L 130
21493	48520-00QAH	Spurstangenendstück / tie rod end		L 225
21494	48520-00QAJ	Spurstangenendstück / tie rod end		L 225
22468	40160-00QAD	Traggelenk / ball joint	→ 07	Ø A 22
22710	40160-00QAB	Traggelenk / ball joint		Ø A 22
24262	54570-00QAA	Querlenkerlager / control arm mount		
24263	54423-00QAA	Querlenkerlager / control arm mount		
26453	54501-00QAE	Querlenker / control arm	→ 06	
26454	54500-00QAE	Querlenker / control arm	→ 06	
27181	54450-00QAA	Querlenkerlager / control arm mount		
31847	40110-00QAB	Traggelenk / ball joint		ØA 15/101
32128	48521-00Q0B SK	ProKit Spurstange / tie rod		L 174,5
34164	40160-00Q0B	Traggelenk / ball joint	09.07 →	Ø A 24
36583	54501-00Q0E	Querlenker / control arm	07 →	
36584	54500-00Q0E	Querlenker / control arm	07 →	
37625	48520-00QAH S1	ProKit Spurstange / tie rod		
37626	48520-00QAJ S1	ProKit Spurstange / tie rod		

Vorderachse / Front axle



**Juke (F15E)**  
(2010 →)

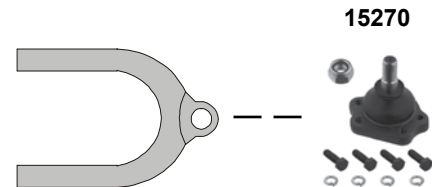
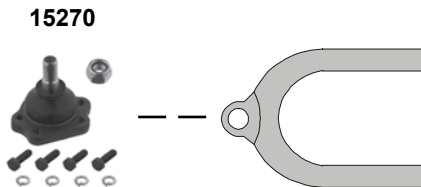


**King Cab / Pick Up (D21)**  
(1985 → 1998)

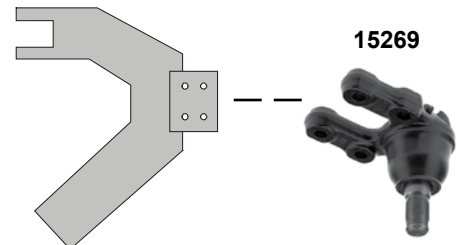
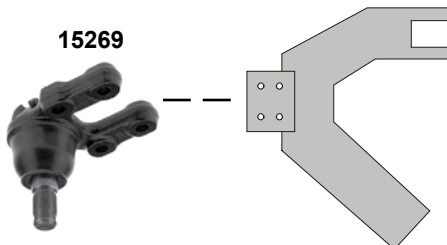
Vorderachse / Front axle



oben / upper



unten / lower



	Ref. - No.			
<b>15266</b>	48520-7F000	Spurstangenendstück / tie rod end		M12 x 1,25
<b>15269</b>	40160-93G25	Traggelenk / ball joint	4WD	M18 x 1,5
<b>15270</b>	40110-01G25	Traggelenk / ball joint		M14 x 1,5
<b>34067</b>	54613-JD04A	Stabilisatorlager / stabilizer mount	(mot.) 1,6	Ø 121

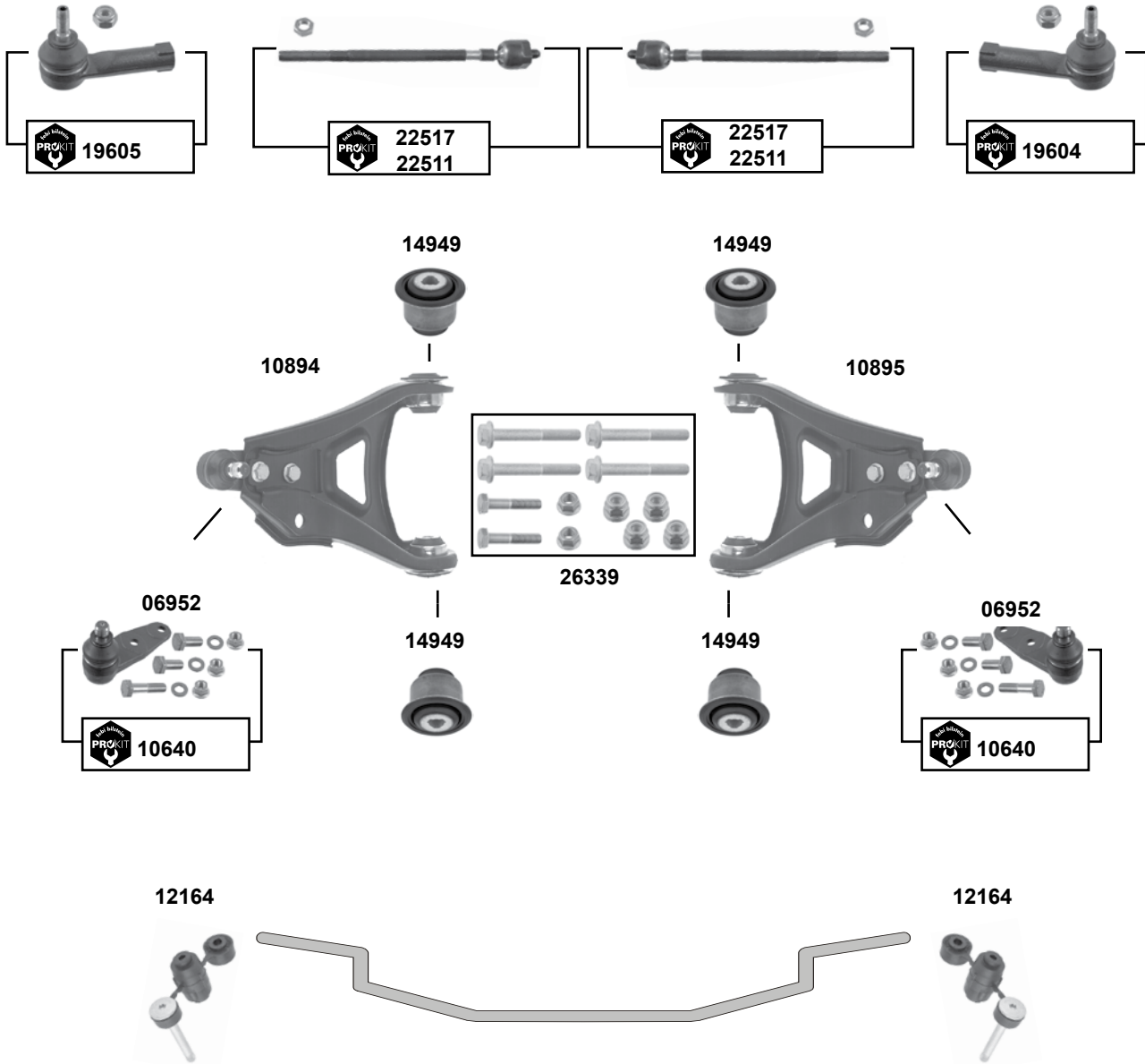




## Kubistar (X76)

(2003 →)

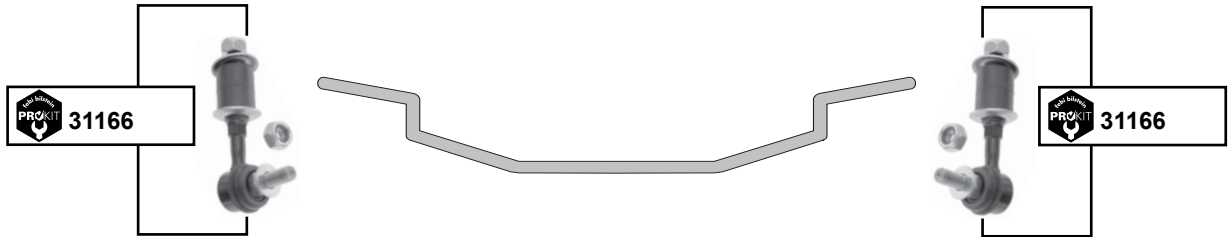
Vorderachse / Front axle



	Ref. - No.			
06952	54501-00QAH S2	Traggelenk / ball joint		
10640	54501-00QAH S1	ProKit Traggelenk / ball joint		
10894	54501-00QAH	Querlenker / control arm		
10895	54500-00QAH	Querlenker / control arm		
12164	54616-00QAA	Stabilisatorlager außen / stabilizer mount outer	gelb / yellow	
14949	54560-00QAB	Querlenkerlager / control arm mount		45,5x46
19604	48520-00QAP	ProKit Spurstangenendstück / tie rod end		
19605	48520-00QAN	ProKit Spurstangenendstück / tie rod end		
22511	48521-00QAA SK	ProKit Spurstange / tie rod	man.	
22517	48521-00QAG SK	ProKit Spurstange / tie rod	servo	
26339	54500-00QAH S1	Schraubensatz / screw kit		

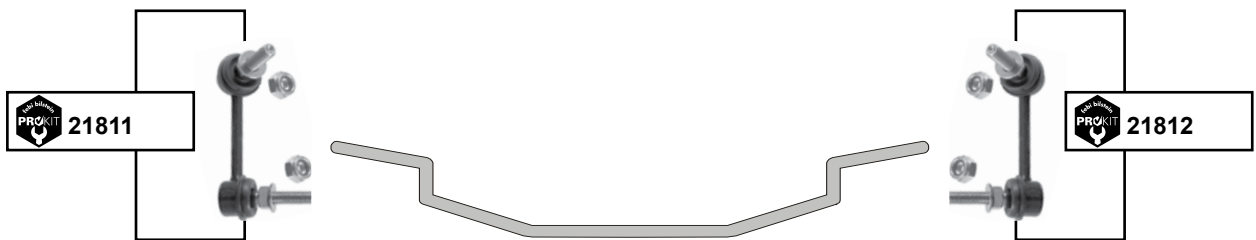


**Maxima (A32)**  
(1995 → 2000)



Vorderachse / Front axle

**Maxima (CA33)**  
(2000 →)



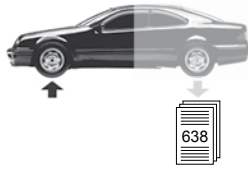
Ref. - No.



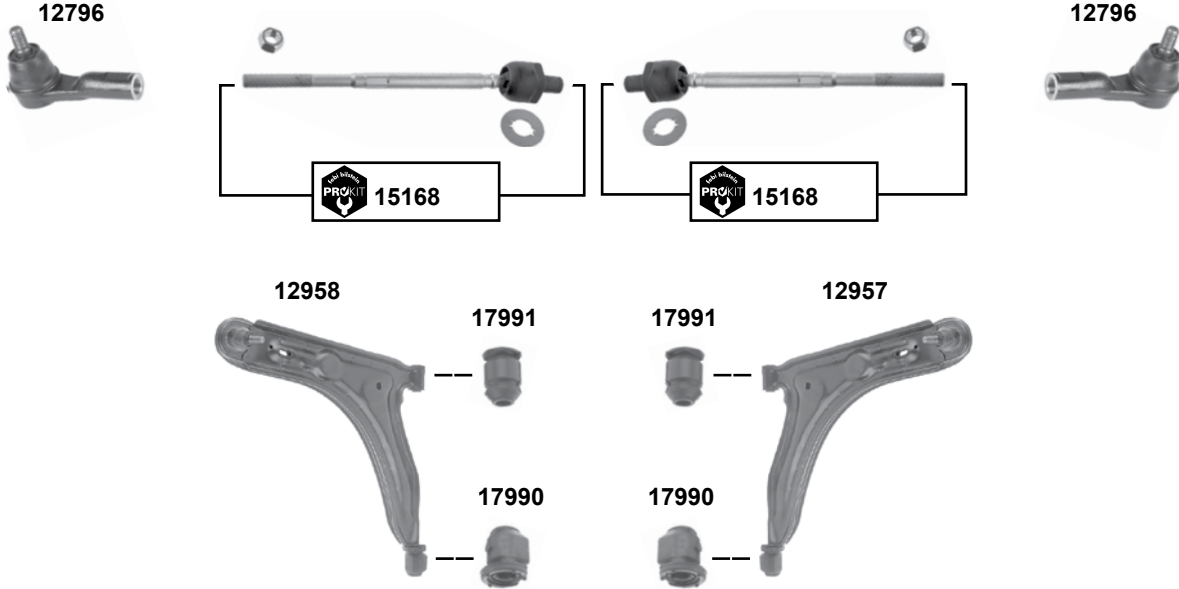
<b>21811</b>	54668-2Y000
<b>21812</b>	54618-2Y000
<b>31166</b>	54618-0E000

ProKit Verbindungsstange / stabilizer link
ProKit Verbindungsstange / stabilizer link
ProKit Verbindungsstange / stabilizer link

L 90
L 90
L 100

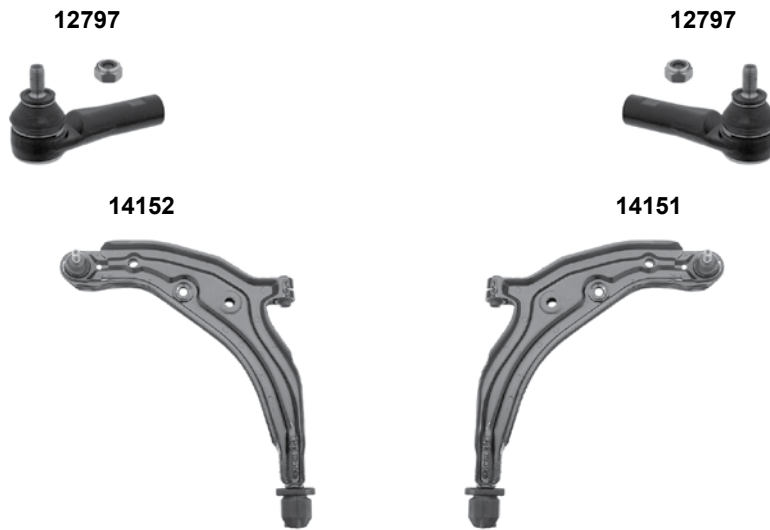


## Micra (K10) (1982 → 1992)



Vorderachse / Front axle

## Micra (K11) (1992 → 2003)



(1) 1,0 (Benzin, CG10DE), 1,3 (Benzin, CG13DE)



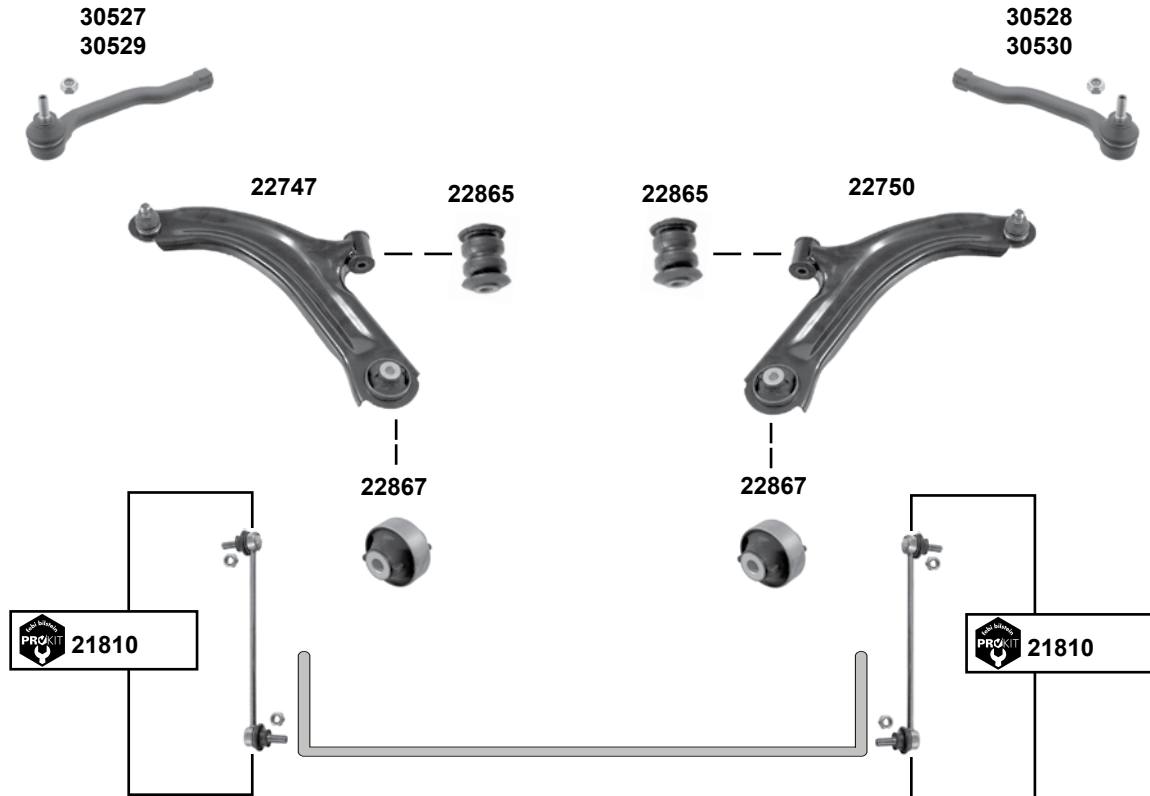
Ref. - No.



Ref. - No.	Description	Dimensions
12796	Spurstangenendstück / tie rod end	M10 x 1,25
12797	Spurstangenendstück / tie rod end	M10 x 1,25
12957	Querlenker / control arm	
12958	Querlenker / control arm	
14151	Querlenker / control arm	08/92 → 02/98 / (1)
14152	Querlenker / control arm	08/92 → 02/98 / (1)
15168	ProKit Spurstange / tie rod	02/85 →
17990	Querlenkerlager / control arm mount	
17991	Querlenkerlager / control arm mount	L 280



**Micra (K12)**  
(2003 →)

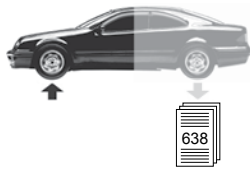


Vorderachse / Front axle

**Micra C+C (CK12E)**  
(2005 →)



	Ref. - No.			
<b>21810</b>	54618-AX600	ProKit Verbindungsstange / stabilizer link		L 248
<b>22747</b>	54501-AX600	Querlenker / control arm		
<b>22750</b>	54500-AX600	Querlenker / control arm		
<b>22865</b>	54560-AX600	Querlenkerlager / control arm mount		Ø A 40
<b>22867</b>	54570-AX600	Querlenkerlager / control arm mount		Ø A 58
<b>30527</b>	48640-AX600	Spurstangenendstück / tie rod end	→ 04	
<b>30528</b>	48520-AX600	Spurstangenendstück / tie rod end	→ 04	
<b>30529</b>	48647-1U61A	Spurstangenendstück / tie rod end	07 →	
<b>30530</b>	48527-1U61A	Spurstangenendstück / tie rod end	07 →	



## Murano (Z51)

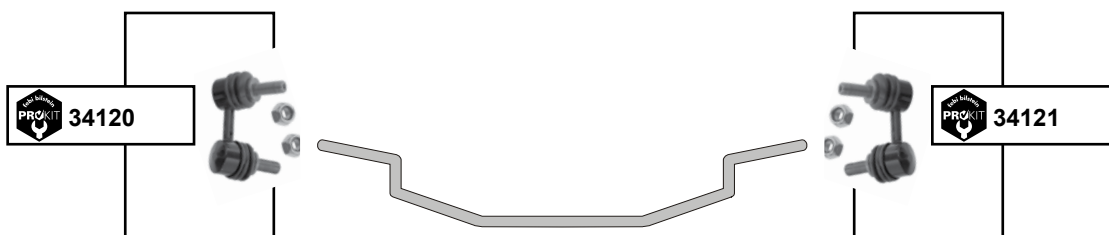
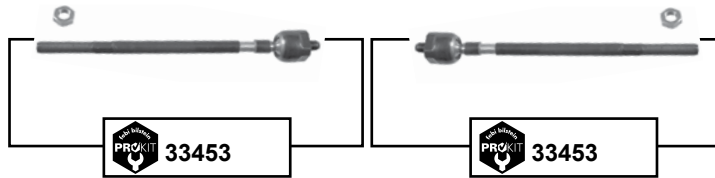
(2008 →)

Vorderachse / Front axle



## Navara (D40M)

(05/05 →)



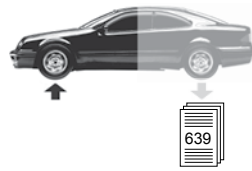
(1) (D40M) 05/05 → 2,5 D (YD25DDTi)  
01/10 → 3,0 D (V9X)



Ref. - No.



Ref. - No.	Description	Quantity	Length
30985	54668-JD00A ProKit Verbindungsstange / stabilizer link		L 300
30986	54618-JD00A ProKit Verbindungsstange / stabilizer link		L 300
33453	48521-EA000 ProKit Axialgelenk / axial joint	2,5 (Diesel, YD25DDTi)	L 203
34120	54668-EA010 ProKit Verbindungsstange / stabilizer link	(1)	L 64,5
34121	54618-EA010 ProKit Verbindungsstange / stabilizer link	(1)	L 64,5



**Note (E11)**  
(2006 →)

30529

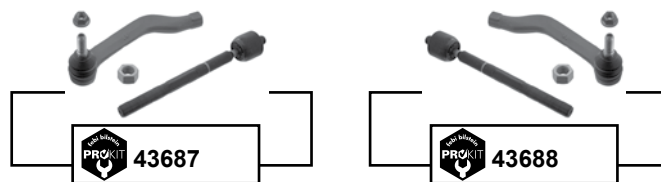
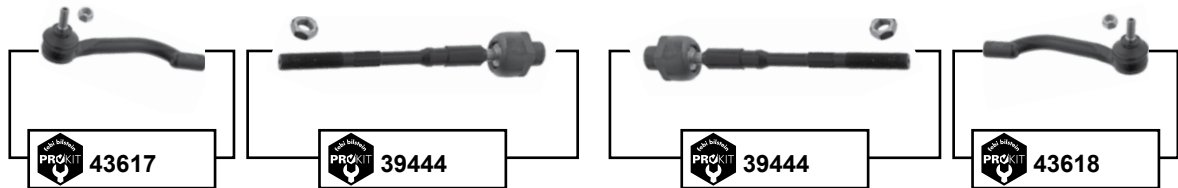


30530

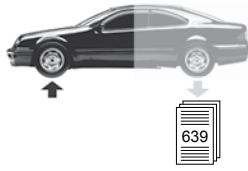


**NV400 (X62)**  
(2011 →)

Vorderachse / Front axle

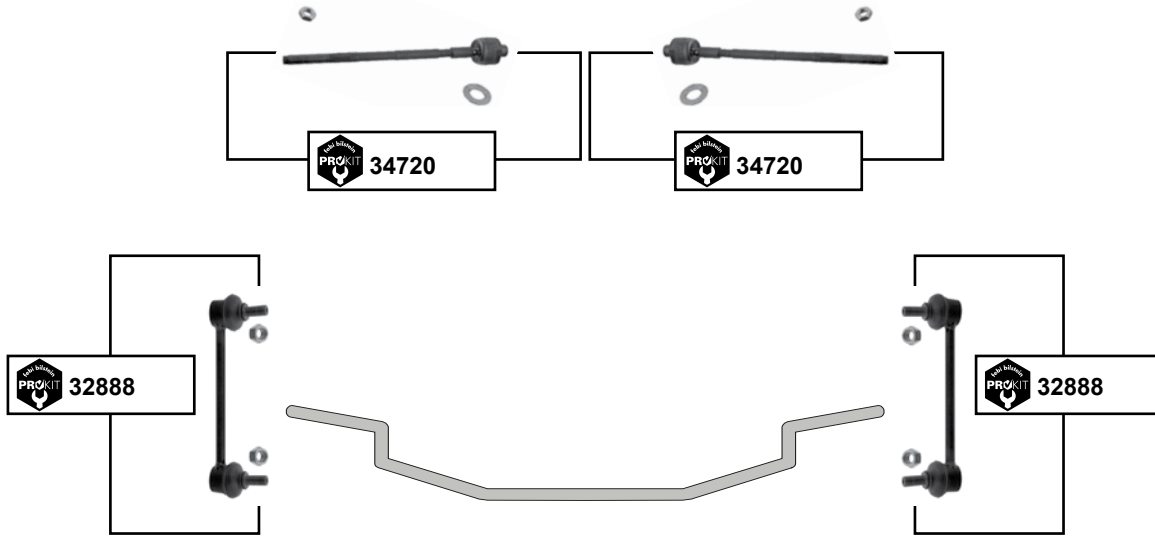


	Ref. - No.			
30529	48647-1U61A	Spurstangenendstück / tie rod end		L 200
30530	48527-1U61A	Spurstangenendstück / tie rod end		L 200
39444	48521-00Q0E SK	ProKit Axialgelenk / axial joint	2,3L Diesel (M9T)	
43617	48520-00Q0F	ProKit Spurstangenendstück / tie rod end	2,3L Diesel (M9T)	
43618	48520-00Q0E	ProKit Spurstangenendstück / tie rod end	2,3L Diesel (M9T)	
43687	48520-00Q0F S1	ProKit Spurstange / tie rod	2,3L Diesel (M9T)	
43688	48520-00Q0E S1	ProKit Spurstange / tie rod	2,3L Diesel (M9T)	



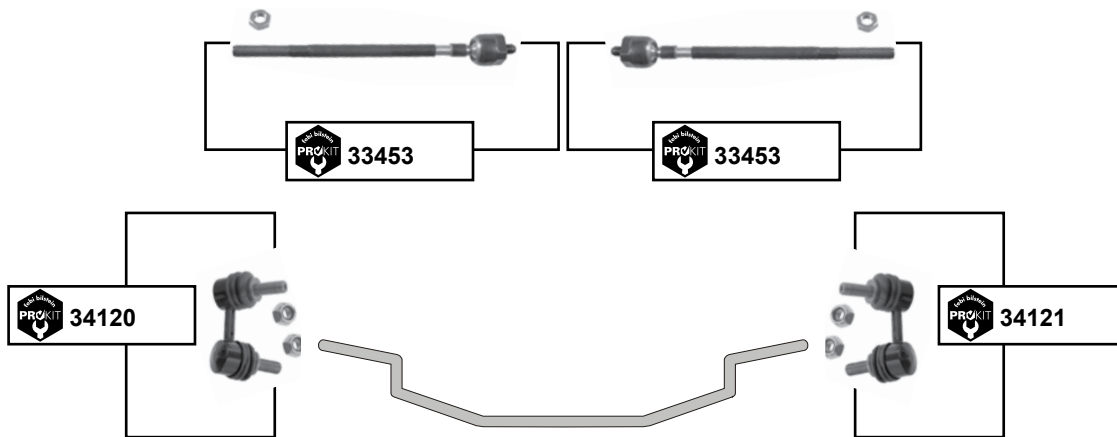
## Pathfinder (R50)

(1997 → 2004)



## Pathfinder (R51)

(2005 →)



(1) (R50) 10/97 → 07/00 / 3,3 (Benzin, VG33E)  
07/00 → / 3,5 (Benzin, VQ35DE)

(2) (R51M) 06/05 → 2,5 D (YD25DDTi), 4,0 B (VQ40DE)  
01/10 → 3,0 D (V9X)

(3) (R50) 10/97 → 07/00 (mot.) VG33E  
07/00 → 08/02 (mot.) VQ35DE



Ref. - No.



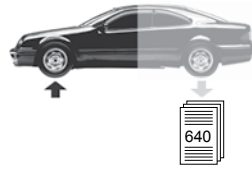
**32888**  
**33453**  
**34120**  
**34121**  
**34720**

54618-0W001  
48521-EA000  
54668-EA010  
54618-EA010  
48521-0W025

ProKit Verbindungsstange / stabilizer link  
ProKit Axialgelenk / axial joint  
ProKit Verbindungsstange / stabilizer link  
ProKit Verbindungsstange / stabilizer link  
ProKit Axialgelenk / axial joint

(1)  
4,0 (Benzin, VQ40DE)  
(2)  
(2)  
(3)

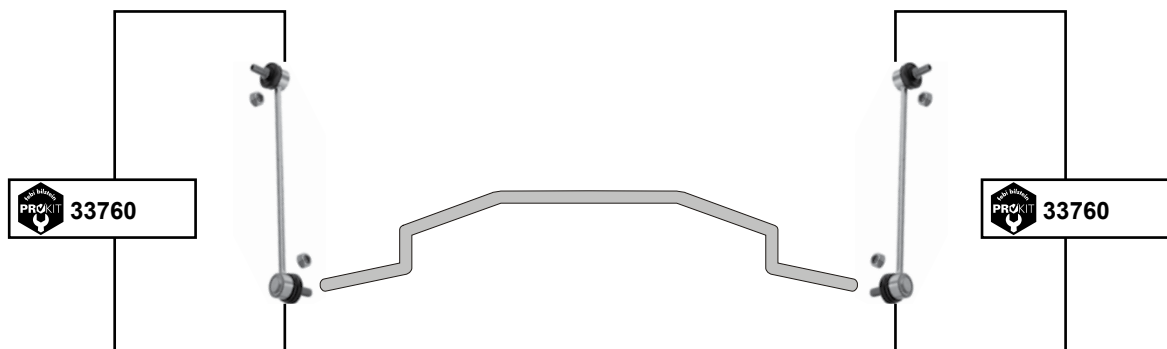
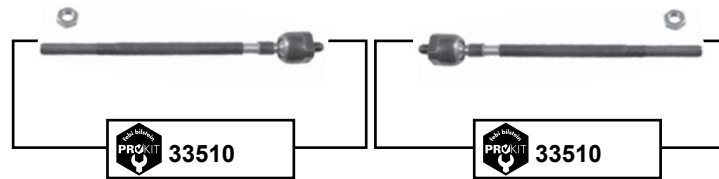
L 190  
L 203  
L 64,5  
L 64,5  
L 328



**Patrol (Y60)**  
(1987 → 1997)



**Pixo**  
(2009 →)



Vorderachse / Front axle



Ref. - No.



**15421**  
**33510**  
**33760**

56260-01J10  
48510-4A00C  
54616-4A00B

ProKit Verbindungsstange / stabilizer link  
ProKit Axialgelenk / axial joint  
ProKit Verbindungsstange / stabilizer link

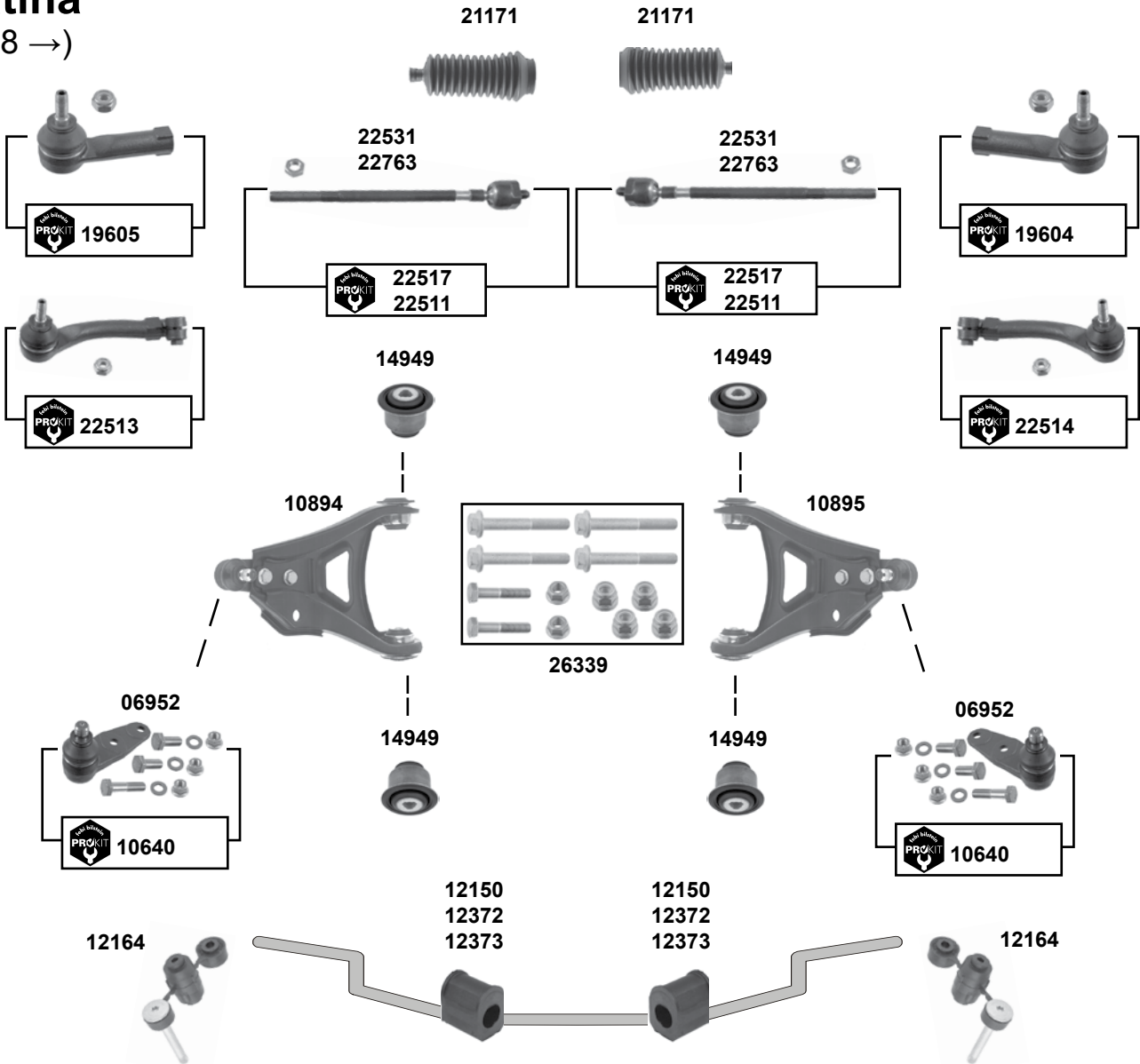
M10 x 1,25  
L 290  
L 282





## Platina (1998 →)

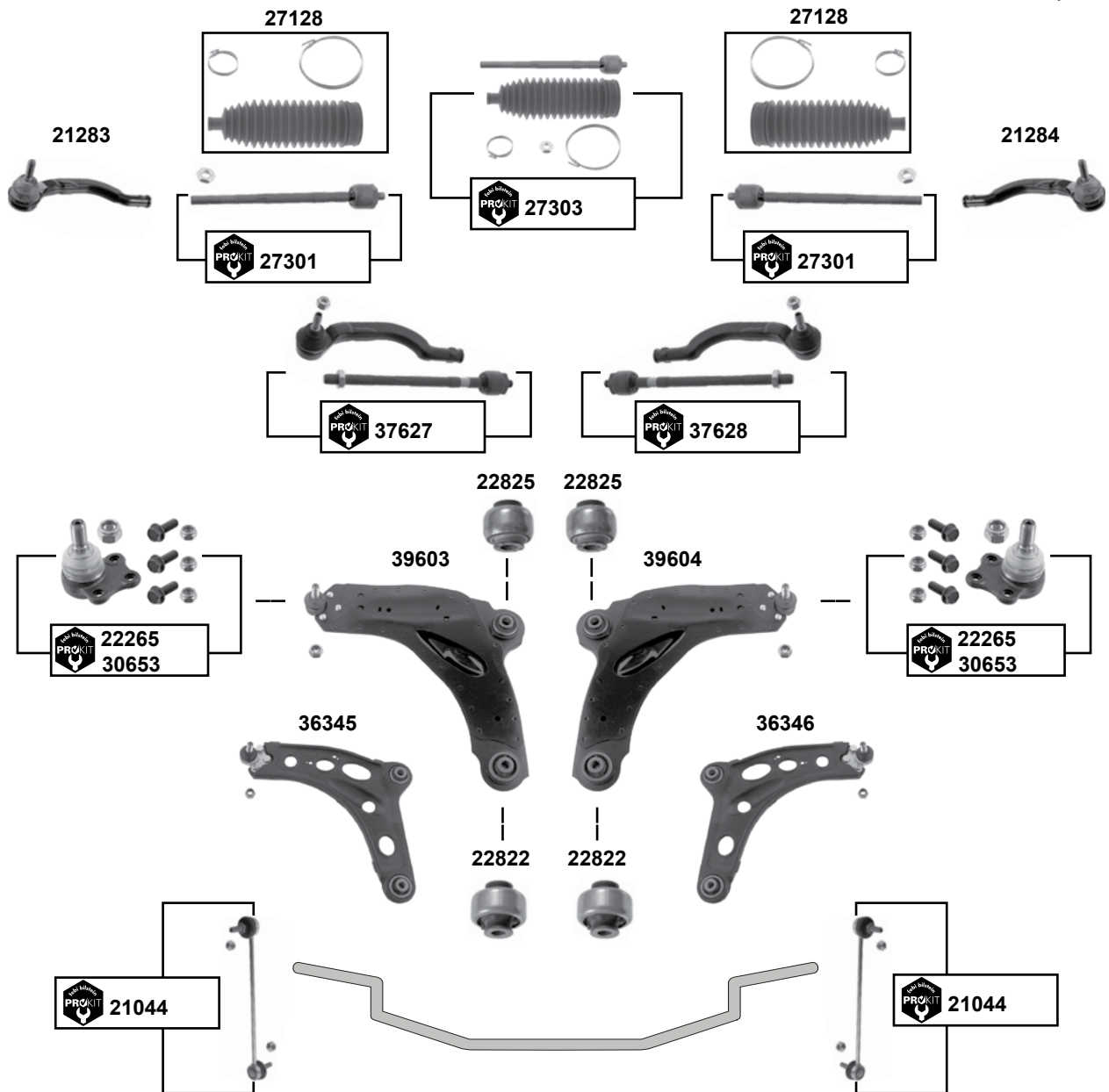
Vorderachse / Front axle



	Ref. - No.			
06952	54501-00QAH S2	Traggelenk / ball joint		Ø A 16
10640	54501-00QAH S1	ProKit Traggelenk / ball joint		
10894	54501-00QAH	Querlenker / control arm		
10895	54500-00QAH	Querlenker / control arm		
12150	77 00 798 053	Stabilisatorlager / stabilizer mount		Ø I 22
12164	54616-00QAA	Stabilisatorlager / stabilizer mount	(ex.) RS V6	
12372	77 00 835 929	Stabilisatorlager / stabilizer mount		Ø I 24
12373	77 00 785 788	Stabilisatorlager / stabilizer mount		Ø I 23
14949	54560-00QAB	Querlenkerlager / control arm mount		45,5x46
19604	48520-00QAP	ProKit Spurstangenendstück / tie rod end	12/99 →	M10 x 1,25
19605	48520-00QAN	ProKit Spurstangenendstück / tie rod end	12/99 →	M10 x 1,25
21171	77 01 469 496	Lenkmanschette / steering boot	SMI servo	
22511	48521-00QAA SK	ProKit Spurstange / tie rod	man.  12/99 →	
22513	77 01 471 145	ProKit Spurstangenendstück / tie rod end	→ 12/99	
22514	77 01 471 146	ProKit Spurstangenendstück / tie rod end	→ 12/99	
22517	48521-00QAG SK	ProKit Spurstange / tie rod	SMI servo  12/99 →	
22531	77 01 471 145	Spurstange / tie rod	servo  → 12/99	
22763	77 01 472 734 SK	Spurstange / tie rod	TRW servo  12/99 →	
26339	54500-00QAH S1	Schraubensatz / screw kit	(ex.) RS V6	



Primastar (X83)  
(2001 →)



Vorderachse / Front axle

	Ref. - No.			
21044	54616-00QAC	ProKit Verbindungsstange / stabilizer link		L 280
21283	48520-00QAK	Spurstangenendstück / tie rod end		M14 x 1,5
21284	48520-00QAL	Spurstangenendstück / tie rod end		M14 x 1,5
22265	40160-00Q0C	ProKit Traggelenk / ball joint	07/02 → 10/06	M16 x 1,5
22822	54503-00Q0B SK3	Querlenkerlager / control arm mount		Ø A 58/27
22825	54503-00Q0B SK2	Querlenkerlager / control arm mount		
27128	48203-00QAE	Rep. Satz Lenkmanschette / rep. kit steering boot	03 →	L 205
27301	48520-00QAM SK	ProKit Spurstange / tie rod	03 →	L 245
27303	48520-00QAM	ProKit Spurstange beidseitig / tie rod both sides	03 →	
30653	40160-00Q0A	ProKit Traggelenk / ball joint	10/06 →	M16 x 1,5
36345	54503-00Q0E	Querlenker / control arm	12/06 →	
36346	54502-00Q0E	Querlenker / control arm	12/06 →	
37627	48520-00QAM S1	ProKit Spurstange / tie rod		
37628	48520-00QAM S2	ProKit Spurstange / tie rod		
39603	54503-00Q0B	Querlenker / control arm	→ 12/06	
39604	54502-00Q0B	Querlenker / control arm	→ 12/06	



## Primera Limousine (P10E)

(1990 → 1996)

Vorderachse / Front axle

12798



12798



oben / upper

12962



12961

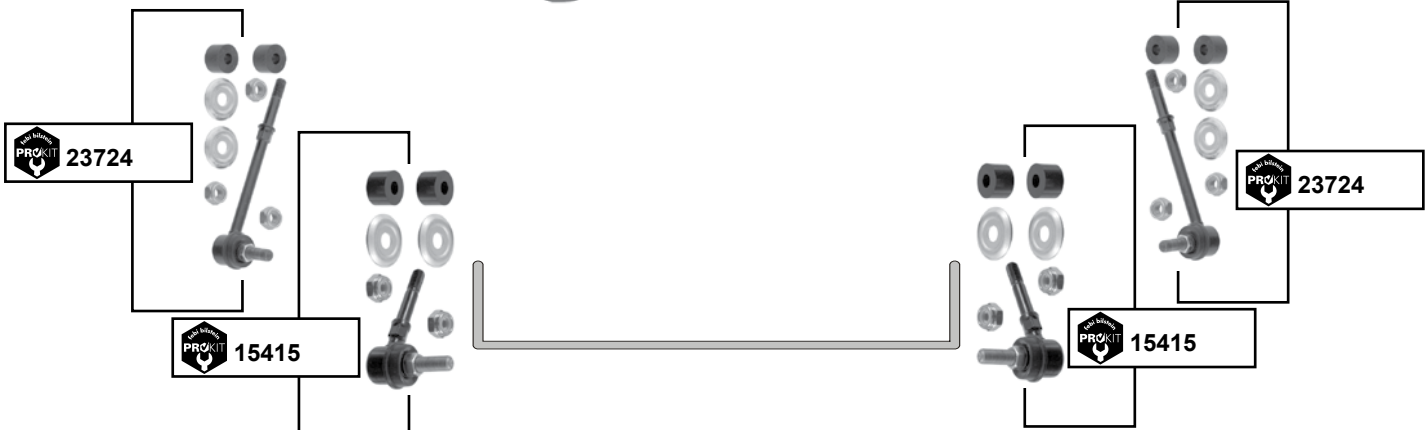


unten / lower

12960



12959



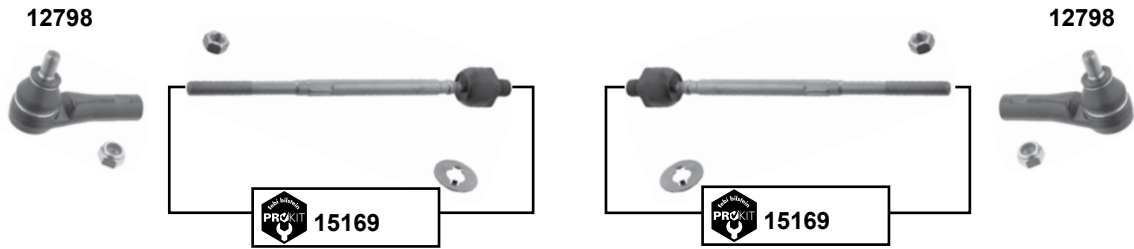
Ref. - No.



12798	48520-73J25	Spurstangenendstück / tie rod end			M10 x 1,25
12959	54500-86J00	Querlenker / control arm	(ex.) 4WD		
12960	54501-86J00	Querlenker / control arm	(ex.) 4WD		
12961	54524-2F010	Querlenker / control arm	94 →		
12962	54525-2F010	Querlenker / control arm	94 →		
15415	54618-50Y00	ProKit Verbindungsstange / stabilizer link	(mot.) 1.6		M10 x 1,25
23724	54618-86J25	ProKit Verbindungsstange / stabilizer link	(ex.) (mot.) 1.6		L 165



**Primera Wagon (W10)**  
(1990 → 1998)



Vorderachse / Front axle



Ref. - No.



<b>12798</b>	48520-73J25
<b>15169</b>	48521-50Y00
<b>15415</b>	54618-50Y00

Spurstangenendstück / tie rod end
ProKit Spurstange / tie rod
ProKit Verbindungsstange / stabilizer link

(ex.) 4WD

M10 x 1,25
L 290
M10 x 1,25



## Primera (P11 / WP11)

(1996 → 2002)

12798



12798



oben / upper

12962



12961



unten / lower

14150



14149



PROKIT 23724



PROKIT 23724

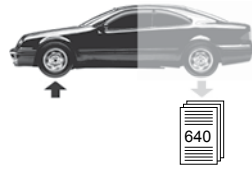


Ref. - No.



12798	48520-73J25	Spurstangenendstück / tie rod end
12961	54524-2F010	Querlenker / control arm
12962	54525-2F010	Querlenker / control arm
14149	54500-2F500	Querlenker / control arm
14150	54501-2F500	Querlenker / control arm
23724	54618-86J25	ProKit Verbindungsstange / stabilizer link

L 165



Primera (P12 / WP12)  
(2002 →)

12798



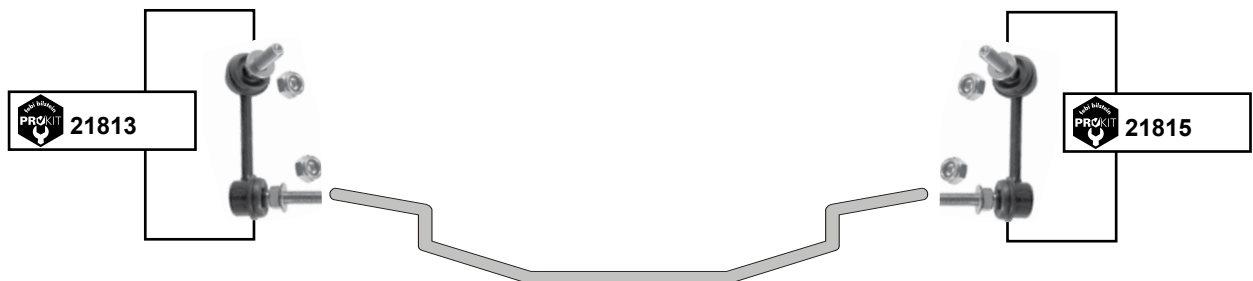
12798



24417

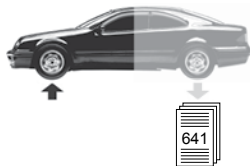


24418



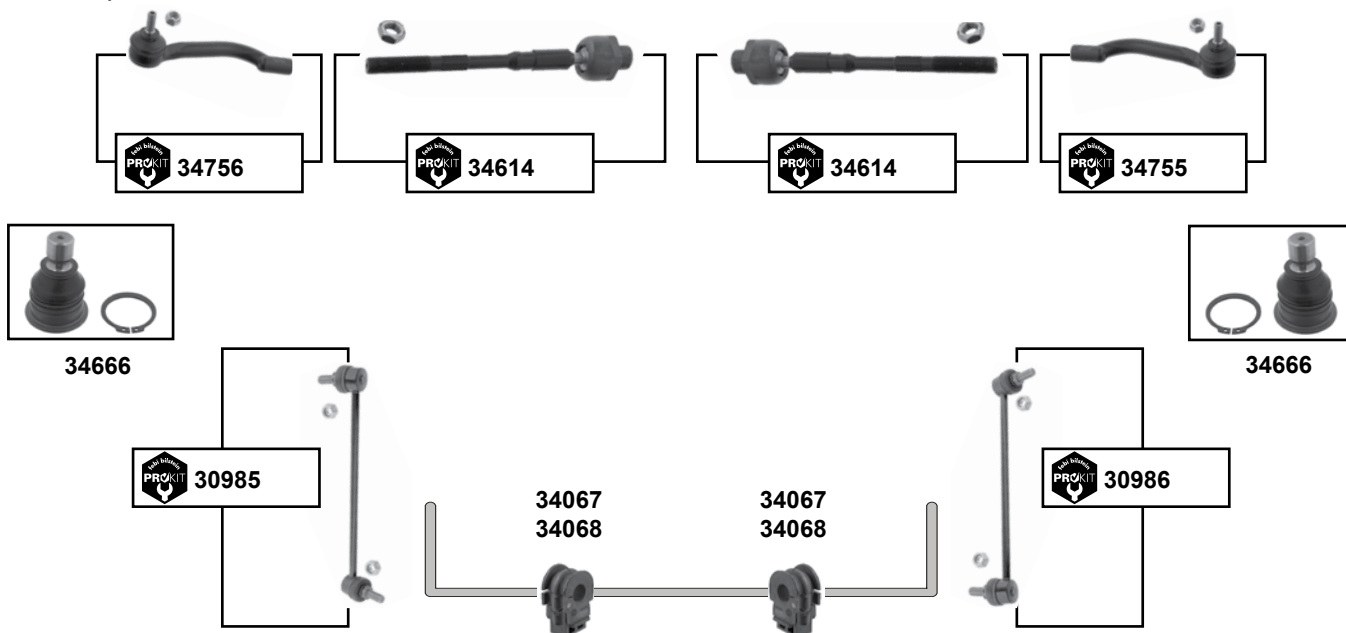
Vorderachse / Front axle

	Ref. - No.			
12798	48520-73J25	Spurstangenendstück / tie rod end		M10 x 1,25
21813	54668-AU000	ProKit Verbindungsstange / stabilizer link		L 65
21815	54618-AU000	ProKit Verbindungsstange / stabilizer link		L 65
24417	54525-AV601	Querlenker links / control arm left	03/02 →	
24418	54524-AV601	Querlenker rechts / control arm right	03/02 →	



## Qashqai (J10E / +2 / JJ10E)

(2006 →)



## Serena (C23M)

(1992 →)



- (1) Qashqai (J10E) : 12/06 → (mot.) 1,6 / 1,5 / 2,0  
 Qashqai +2 (JJ10E) : 08/08 → (mot.) 1,6 / 1,5 / 2,0

- (2) Qashqai (J10E) : 04/07 → (mot.) 2,0

- (3) Qashqai (J10E) 04/07 → (mot.) 2,0 Diesel M9R, (mot.) 1,6 Benzin HR16DE, (mot.) 2,0 Benzin (MR20DE)  
 Qashqai (JJ10E) 08/08 → (mot.) 1,6 Benzin HR16DE, (mot.) 2,0 Benzin MR20DE, (mot.) 1,5 Diesel K9K

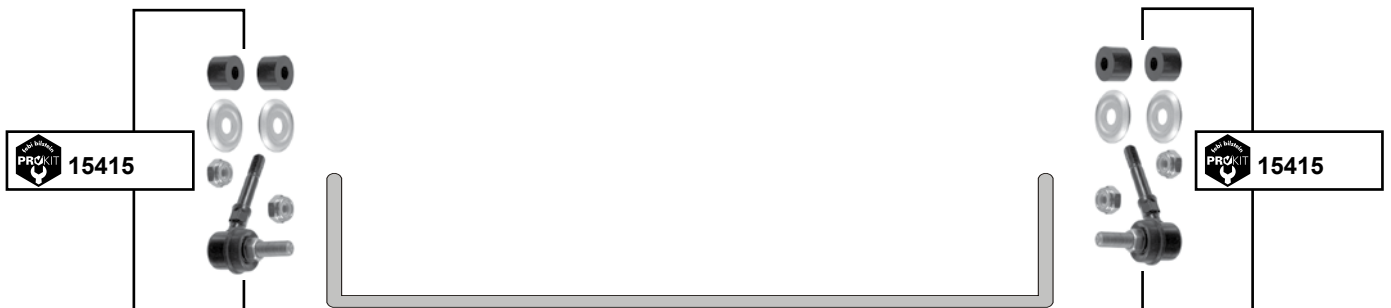
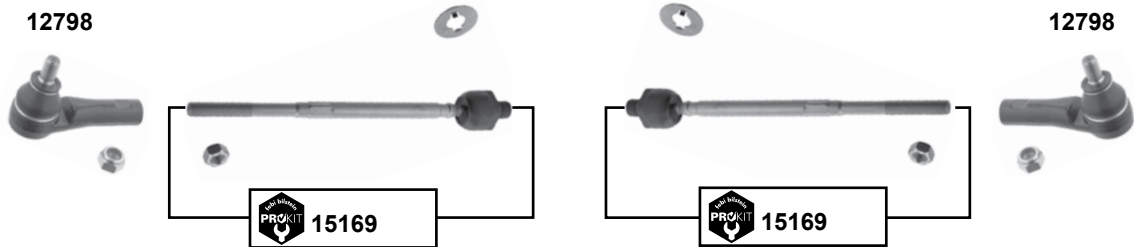
- (4) Qashqai (J10E) 12/06 → (mot.) HR16DE, MR20DE, K9K, M9R  
 Qashqai (JJ10E) 08/08 → (mot.) HR16DE, MR20DE, K9K, M9R



Ref. - No.				
12798	48520-73J25	Spurstangenendstück / tie rod end		M10 x 1,25
23515	54618-9C002	ProKit Verbindungsstange / stabilizer link		L 131 12x1,5
23516	54668-9C000	ProKit Verbindungsstange / stabilizer link		L 131 12x1,5
30985	54668-JD00A	ProKit Verbindungsstange / stabilizer link	(1)	L 300
30986	54618-JD00A	ProKit Verbindungsstange / stabilizer link	(1)	L 300
34067	54613-JD04A	Stabilisatorlager / stabilizer mount	(2)	Ø I 21
34068	54613-JD17A	Stabilisatorlager / stabilizer mount	(3)	Ø I 17
34614	D8521-JD00B	ProKit Axialgelenk / axial joint	J10, JJ10 02/07 →	L 233
34666	54500-JD000 S1	Traggelenk / ball joint	(4)	
34755	48527-JD01A	ProKit Spurstangenendstück / tie rod end	(4)	M10 x 1,25
34756	48647-JD01A	ProKit Spurstangenendstück / tie rod end	(4)	M10 x 1,25



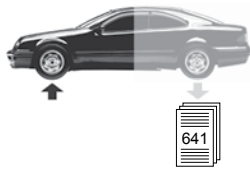
## Sunny (N14 / Y10) (1990 → 1998)



Vorderachse / Front axle

	Ref. - No.			
12798	48520-73J25	Spurstangenendstück / tie rod end		M10 x 1,25
15169	48521-50Y00	ProKit Spurstange / tie rod	(ex.) 4WD	L 290
15415	54618-50Y00	ProKit Verbindungsstange / stabilizer link		M10 x 1,25
15465	54500-52Y70	Querlenker / control arm	(ex.) 2.0 GTI-R	
15467	54501-52Y70	Querlenker / control arm	(ex.) 2.0 GTI-R	





## Teana (J32) (2008 →)



Vorderachse / Front axle

## Teana (J32R) (2009 →)



Ref. - No.



**30985** 54668-JD00A  
**30986** 54618-JD00A

ProKit Verbindungsstange / stabilizer link  
ProKit Verbindungsstange / stabilizer link

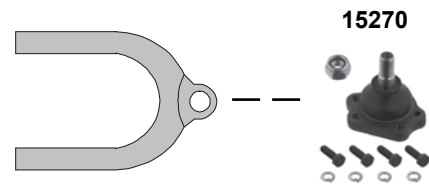
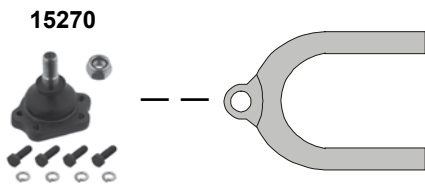
L 300  
L 300



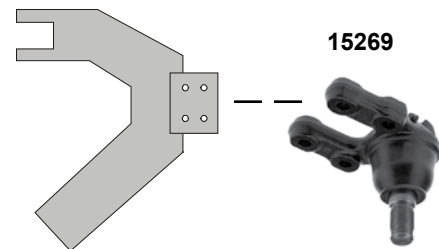
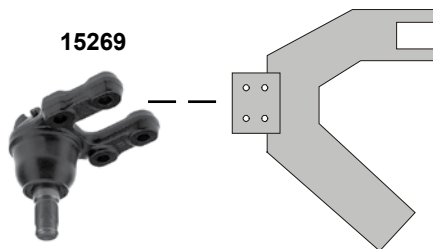
**Terrano I (WD21)**  
(1987 → 1997)



oben / upper

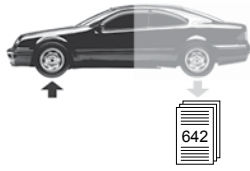


unten / lower



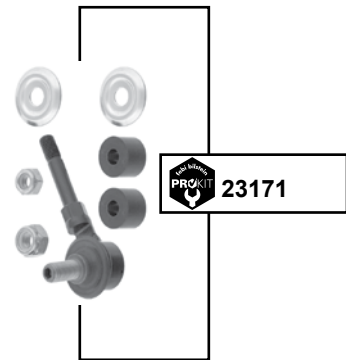
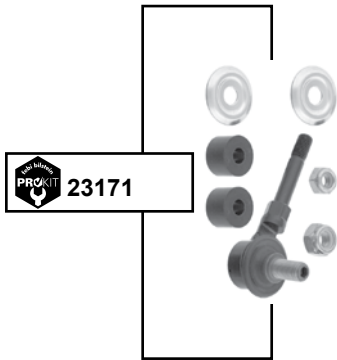
Vorderachse / Front axle

	Ref. - No.			
15266	48520-7F000	Spurstangenendstück / tie rod end		M12 x 1,25
15269	40160-93G25	Traggelenk / ball joint		M18 x 1,5
15270	40110-01G25	Traggelenk / ball joint		M14 x 1,5



## Terrano II (R20) (1993 →)

Vorderachse / Front axle



Ref. - No.



15266 48520-7F000  
23171 54618-0F000

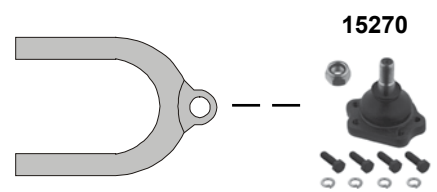
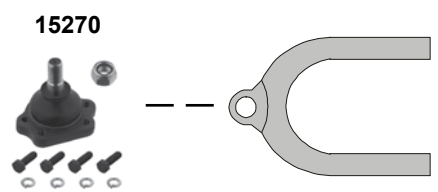
Spurstangenendstück / tie rod end  
ProKit Verbindungsstange / stabilizer link

M12 x 1,25  
M12/10x1,25

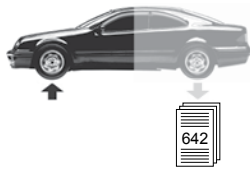


## Urvan (E23/E24) (1986 → 1995)

oben / upper



Vorderachse / Front axle



## Vanette Cargo (HC23)

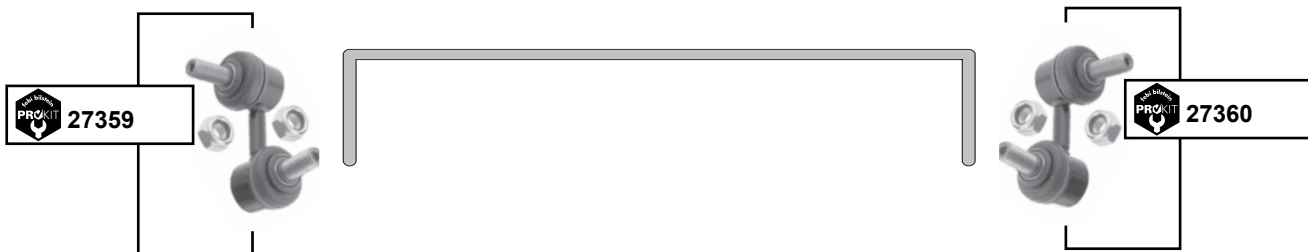
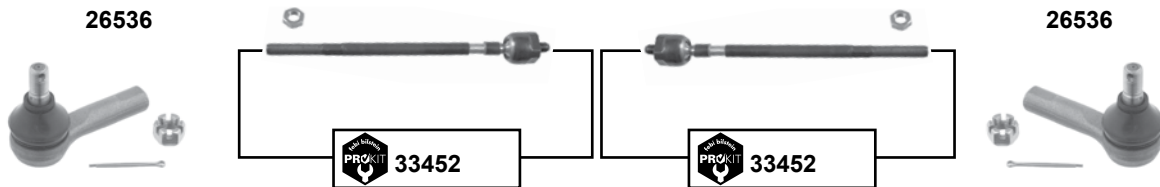
(1995 →)



Vorderachse / Front axle

## X-Trail (T30)

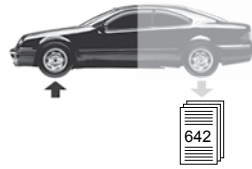
(2001 →)



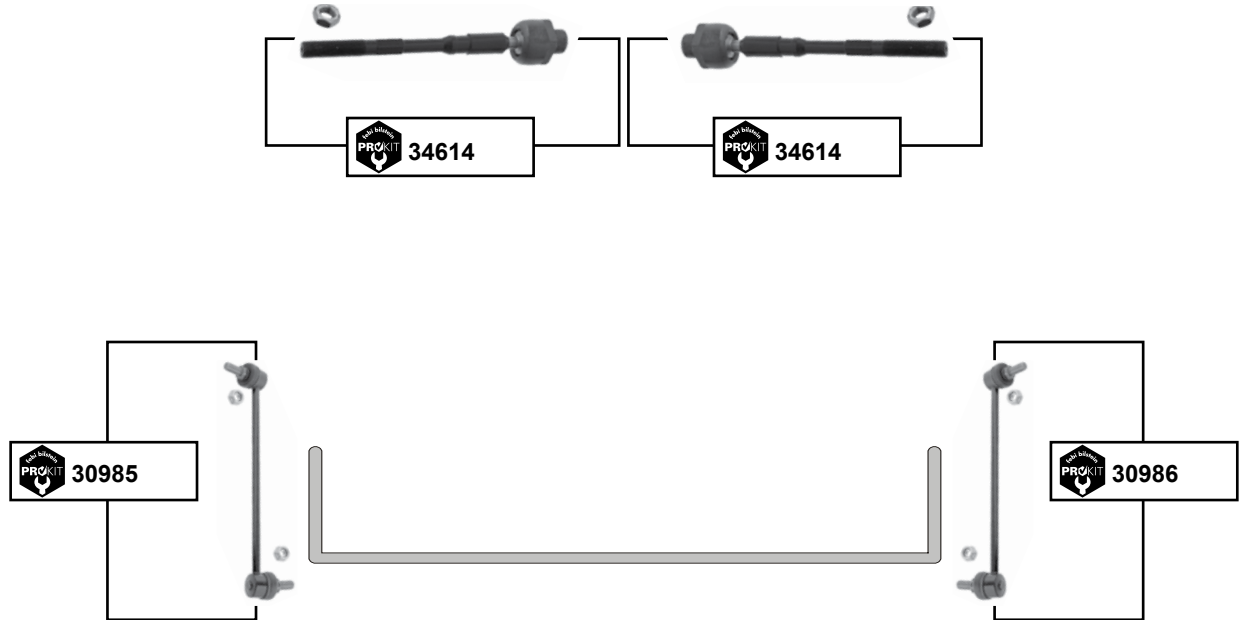
Ref. - No.



<b>12798</b>	48520-73J25	Spurstangenendstück / tie rod end		M10 x 1,25
<b>23515</b>	54618-9C002	ProKit Verbindungsstange / stabilizer link		L 131
<b>23516</b>	54668-9C000	ProKit Verbindungsstange / stabilizer link	06/01 →	L 65 M12x1,25
<b>26536</b>	48520-0P725	Spurstangenendstück / tie rod end		L 95
<b>27359</b>	54668-8H300	ProKit Verbindungsstange / stabilizer link	06/01 →	L 65 M12x1,25
<b>27360</b>	54618-8H300	ProKit Verbindungsstange / stabilizer link	06/01 →	L 65 M12x1,25
<b>33452</b>	48521-8H386	ProKit Axialgelenk / axial joint		L 287



**X-Trail (T31)**  
(2007 →)



Vorderachse / Front axle

**X-Trail (T31R)**  
(2009 →)



(1) 03/07 → (mot.) 2,0 Benzin (MR20DE), (mot.) 2,5 Benzin (QR25DE), (mot.) Diesel (M9R)



Ref. - No.

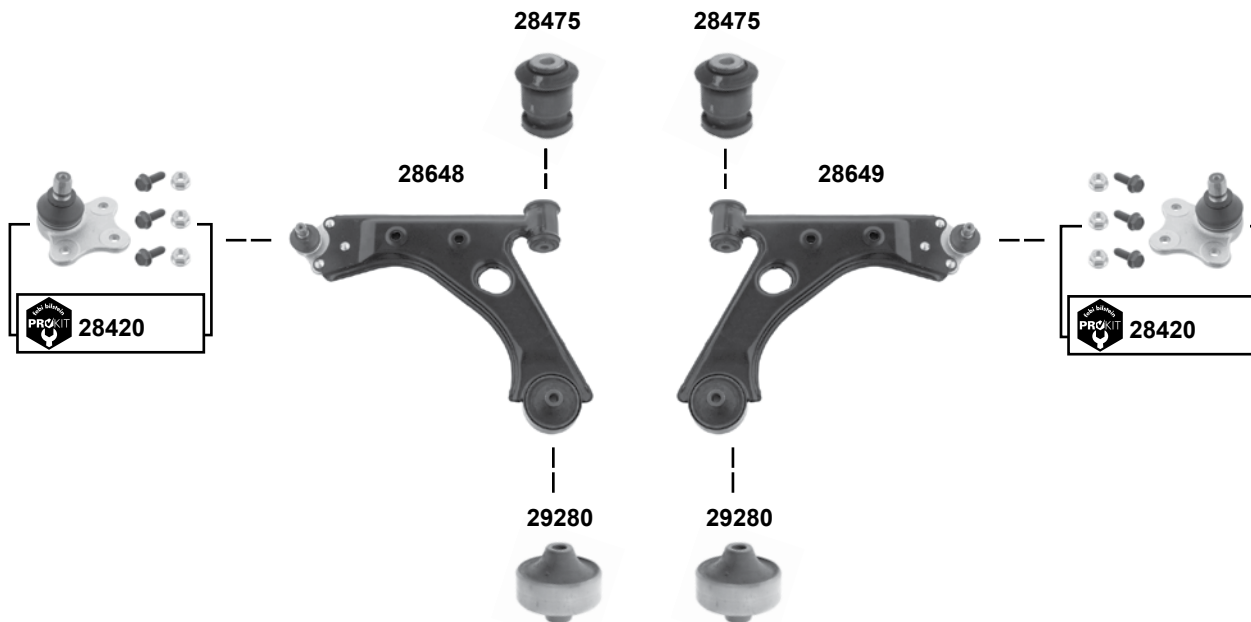


<b>30985</b>	54668-JD00A	ProKit Verbindungsstange / stabilizer link	(mot.) 2,0 / 2,5	L 300
<b>30986</b>	54618-JD00A	ProKit Verbindungsstange / stabilizer link	(mot.) 2,0 / 2,5	L 300
<b>34614</b>	D8521-JD00B	ProKit Axialgelenk / axial joint	(1)	L 233



## Adam (2013 →)

Vorderachse / Front axle



(1) (ex.) B1,4NEH / LPG Sport



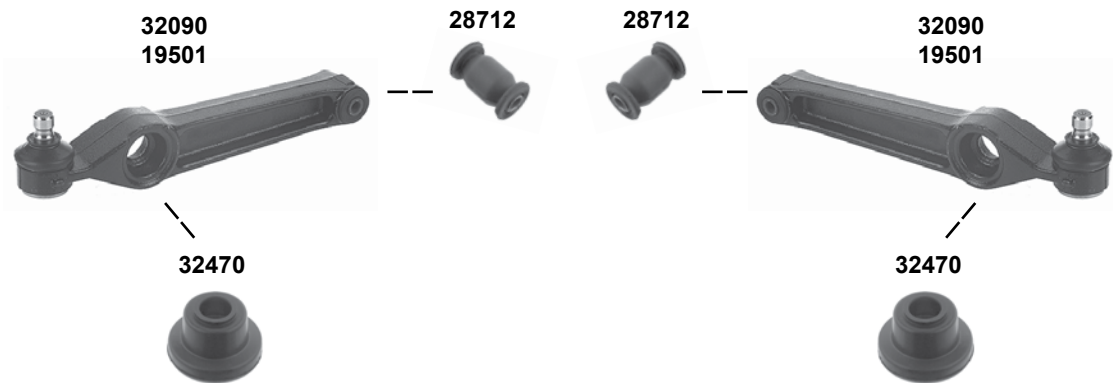
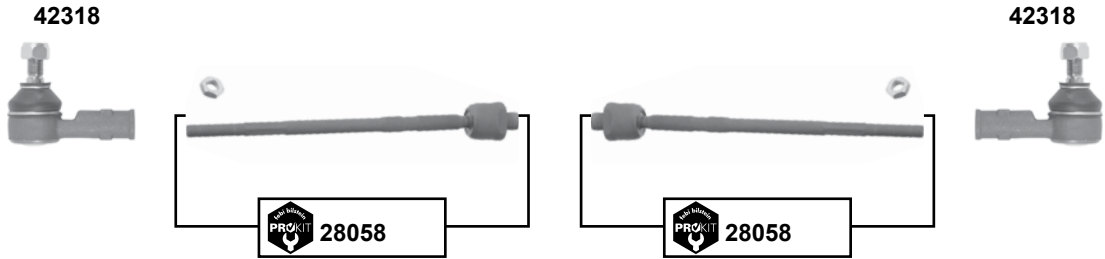
Ref. - No.



28420	0352 087	ProKit Traggelenk / ball joint	(1)	Ø 16/12x52x68  12x72x66 L 1045 L 310
28475	0352 380	Querlenkerlager / control arm mount		
28648	5352 039	Querlenker / control arm		
28649	5352 038	Querlenker / control arm		
29280	0352 864	Querlenkerlager / control arm mount		
38586	0350 181	Stabilisatorsatz / stabilizer kit		
45219	0350 233	ProKit Verbindungsstange / stabilizer link		



**Agila A**  
(2000 → 2008)



Vorderachse / Front axle

	Ref. - No.			
<b>19501</b>	4705 172	Querlenker / control arm	(ch.) → 1G075421	
<b>28058</b>	4701 745	ProKit Spurstange / tie rod		L 263 52x28
<b>28712</b>	4703 866	Querlenkerlager / control arm mount		
<b>32090</b>	4707 280	Querlenker/ control arm	(ch.) 1G075422 →	
<b>32470</b>	4705 409	Stabilisatorlager / stabilizer mount		Ø A 48 / I 20
<b>42318</b>	4705 716	Spurstangenendstück / tie rod end		M14 x 1,5

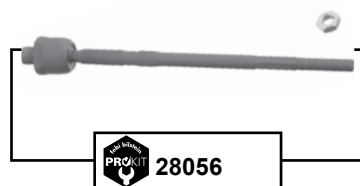
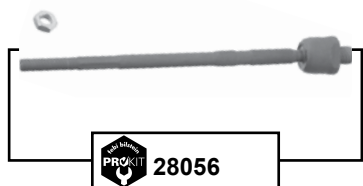




## Agila B (2008 →)

Vorderachse / Front axle

29830



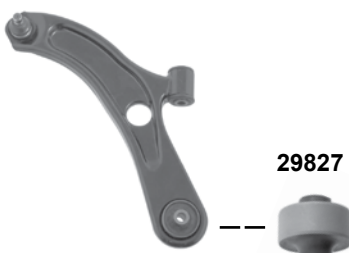
29830



29826



32140



29827



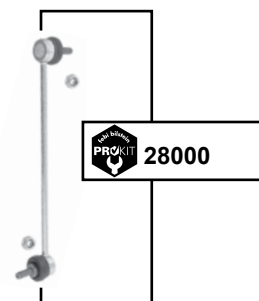
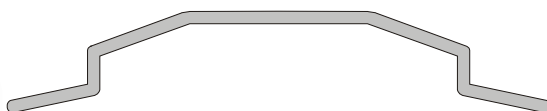
29827



32141



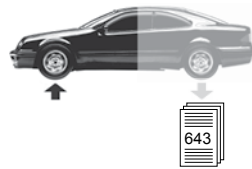
29826



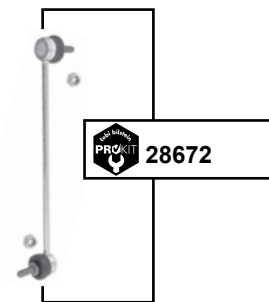
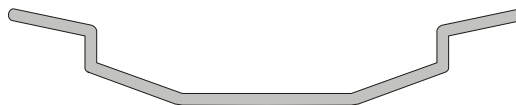
Ref. - No.



<b>28000</b>	4709 702	ProKit Verbindungsstange / stabilizer link	L 300
<b>28056</b>	4709 161	ProKit Spurstange / tie rod	L 306
<b>29826</b>	4708 299 S1	Traggelenk / ball joint	
<b>29827</b>	4708 299 S2	Querlenkerlager / control arm mount	60x50
<b>29830</b>	4709 195	Spurstangenendstück / tie rod end	M12 x 1,25
<b>32140</b>	4708 300	Querlenker / control arm	
<b>32141</b>	4708 299	Querlenker / control arm	



**Antara**  
(2006 →)



Vorderachse / Front axle



(1) (ch.) → AB999999, → A3999999

(2) (ch.) → 80999999, → AB999999, → A3999999



Ref. - No.

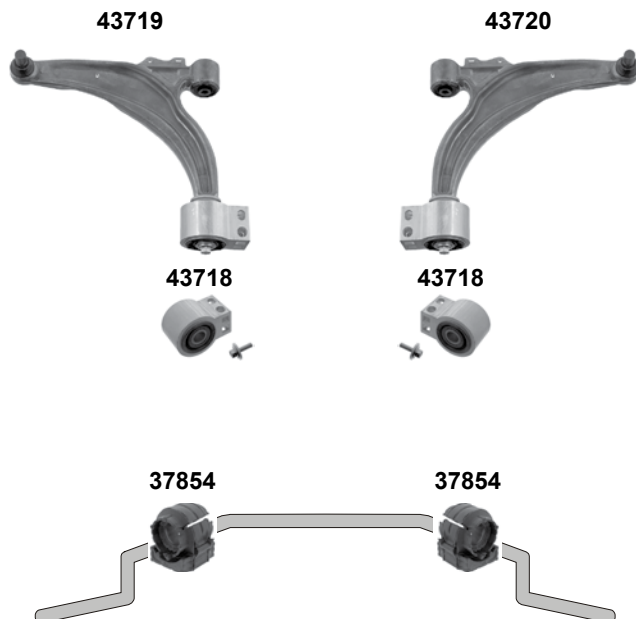


<b>28347</b>	4810 831 SK	ProKit Tragelenk / ball joint	(2)	
<b>28671</b>	4817 516	ProKit Verbindungsstange / stabilizer link	(1)	L 286
<b>28672</b>	4817 515	ProKit Verbindungsstange / stabilizer link	(1)	L 286
<b>41529</b>	4817 869	Querlenkerlager / control arm mount	(2)	
<b>41740</b>	4810 831	Querlenker / control arm		
<b>41741</b>	4812 870	Querlenker / control arm		
<b>41929</b>	4803 429	ProKit Spurstangenendstück / tie rod end		



## Ampera

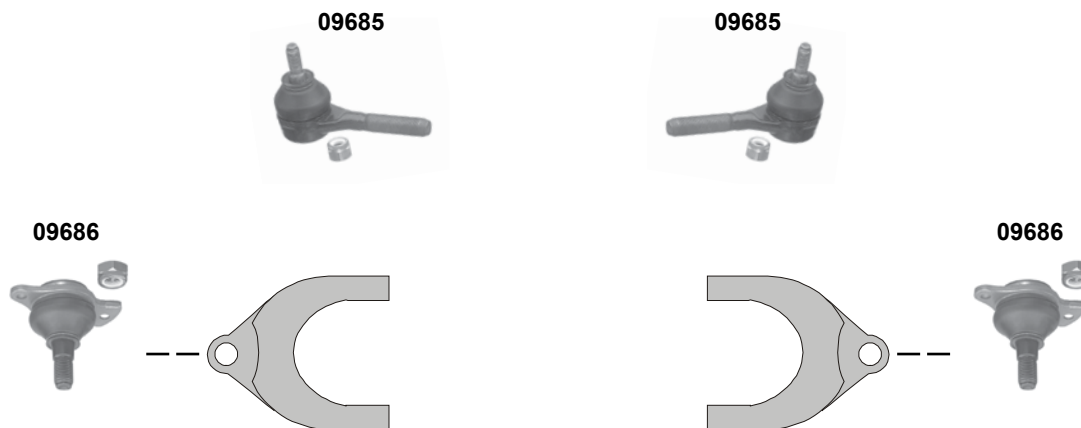
(2011 →)



Vorderachse / Front axle

## Arena

(1997 → 2001)



Ref. - No.

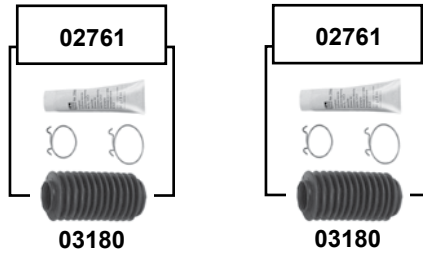


<b>09685</b>	4403 661	Spurstangenendstück / tie rod end	servo	M14 x 1,5
<b>09686</b>	4403 641	Traggelenk / ball joint		
<b>37854</b>	0350 621	Stabilisatorlager / stabilizer mount		
<b>43718</b>	0352 491	Querlenkerlager / control arm mount		
<b>43719</b>	0352 492	Querlenker / control arm		
<b>43720</b>	0352 493	Querlenker / control arm		



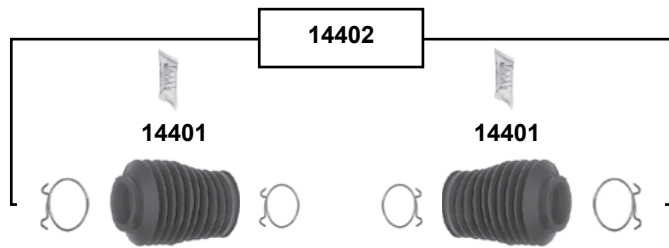
**Ascona C**  
(1981 → 1988)

man.



Vorderachse / Front axle

servo

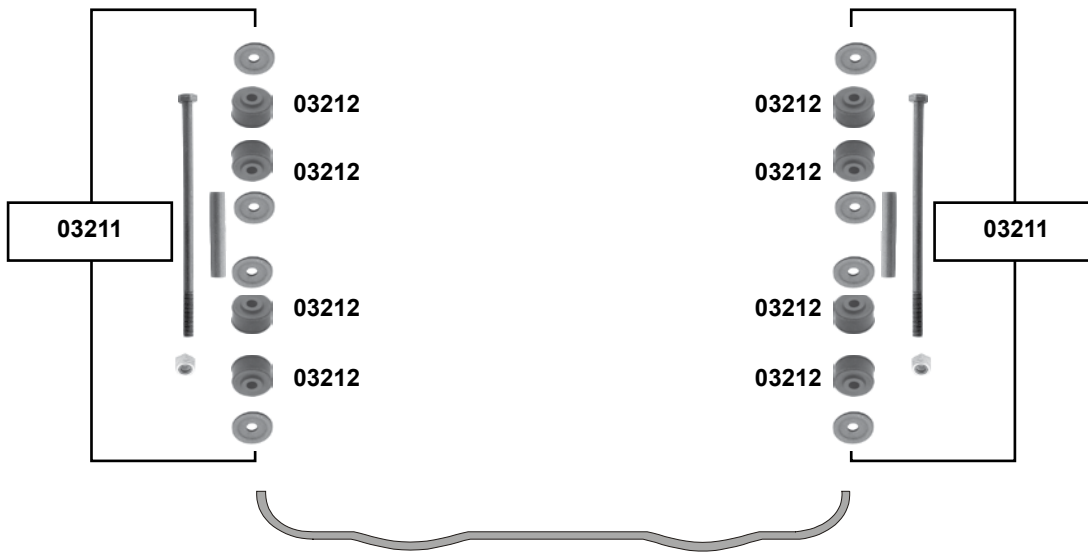
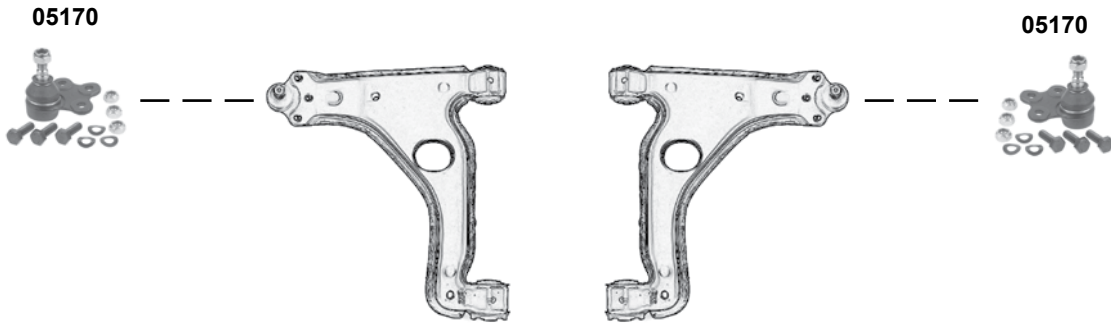


	Ref. - No.			
02629	0322 575	Einstellbolzen / adjusting bolt		M16 x 1,5
02633	0322 125	Spurstange / tie rod		L 429
02634	0322 126	Spurstange / tie rod		L 429
02635	0324 039	ProKit Spurstangenendstück / tie rod end		M16x1,5 RHT
02636	0324 038	ProKit Spurstangenendstück / tie rod end		M16x1,5 LHT
02761	0902 828 S1	Rep. Satz Lenkmanschette / rep. kit steering boot		
03180	0902 828	Lenkmanschette / steering boot		
14401	1609 073 S1	Lenkmanschette / steering boot		
14402	1609 073 SK	Lenkmanschette / steering boot		

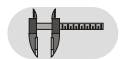


**Ascona C**  
(1981 → 1988)

Vorderachse / Front axle



Ref. - No.



<b>03211</b>	1603 149
<b>03212</b>	0350 153
<b>05170</b>	1603 167

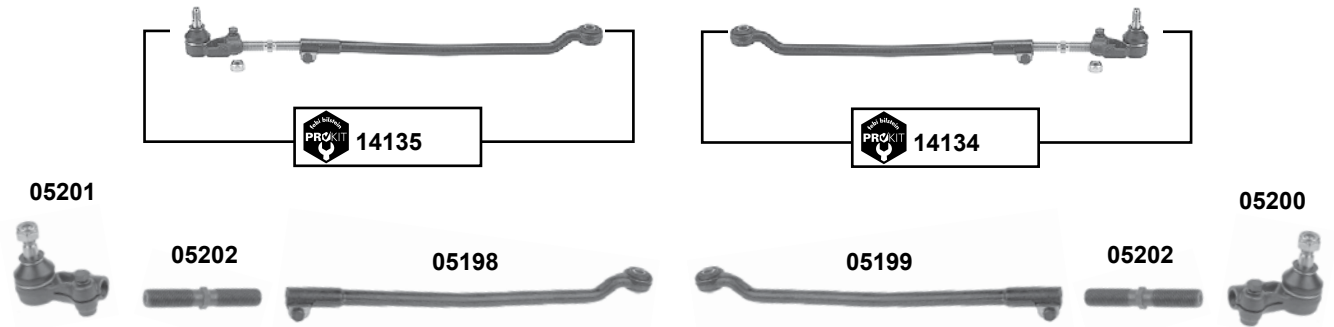
Rep. Satz Stabilisatorlager / rep. kit stabilizer mount
Verbindungsstangenlager / stabilizer link bush
Traggelenk / ball joint

8,5x30x19  
M12 x 1,5

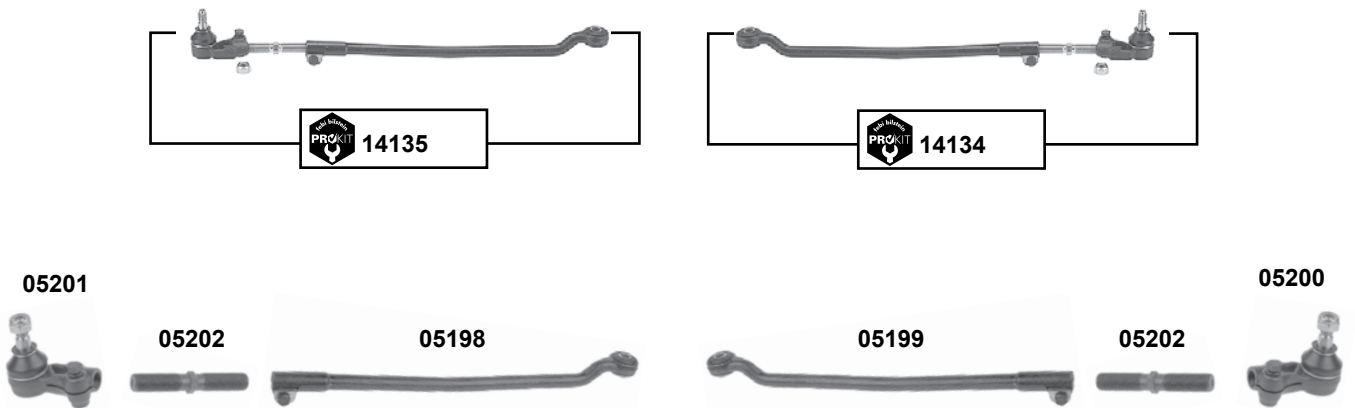


**Astra F**  
(1991 → 1998)

(ch.) → R 2595225, R 5111734, R 8145949



(ch.) R 2595226, R 5111735, R 8145950 →



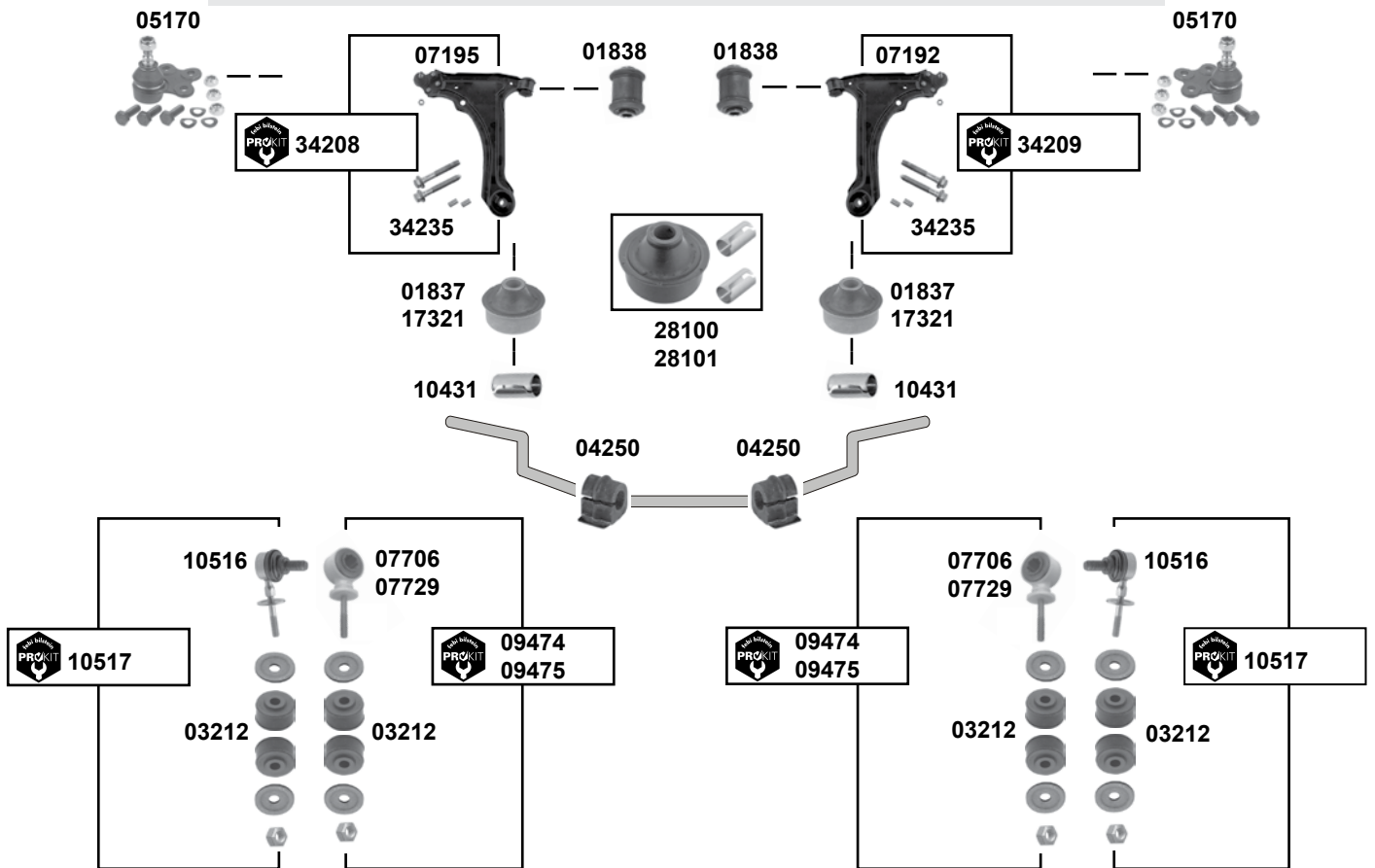
Vorderachse / Front axle

	Ref. - No.			
05198	0322 147	Spurstange / tie rod		L 434
05199	0322 146	Spurstange / tie rod		L 434
05200	0324 056	Spurstangenendstück / tie rod end		M16x1,5 LHT
05201	0324 055	Spurstangenendstück / tie rod end		M16x1,5 RHT
05202	0322 577	Einstellbolzen / adjusting bolt		M16x2x105,5
14134	0322 146 S1	ProKit Spurstange / tie rod		
14135	0322 147 S1	ProKit Spurstange / tie rod		



## Astra F (1991 → 1998)

(ch.) → R 2595225, R 5111734, R 8145949



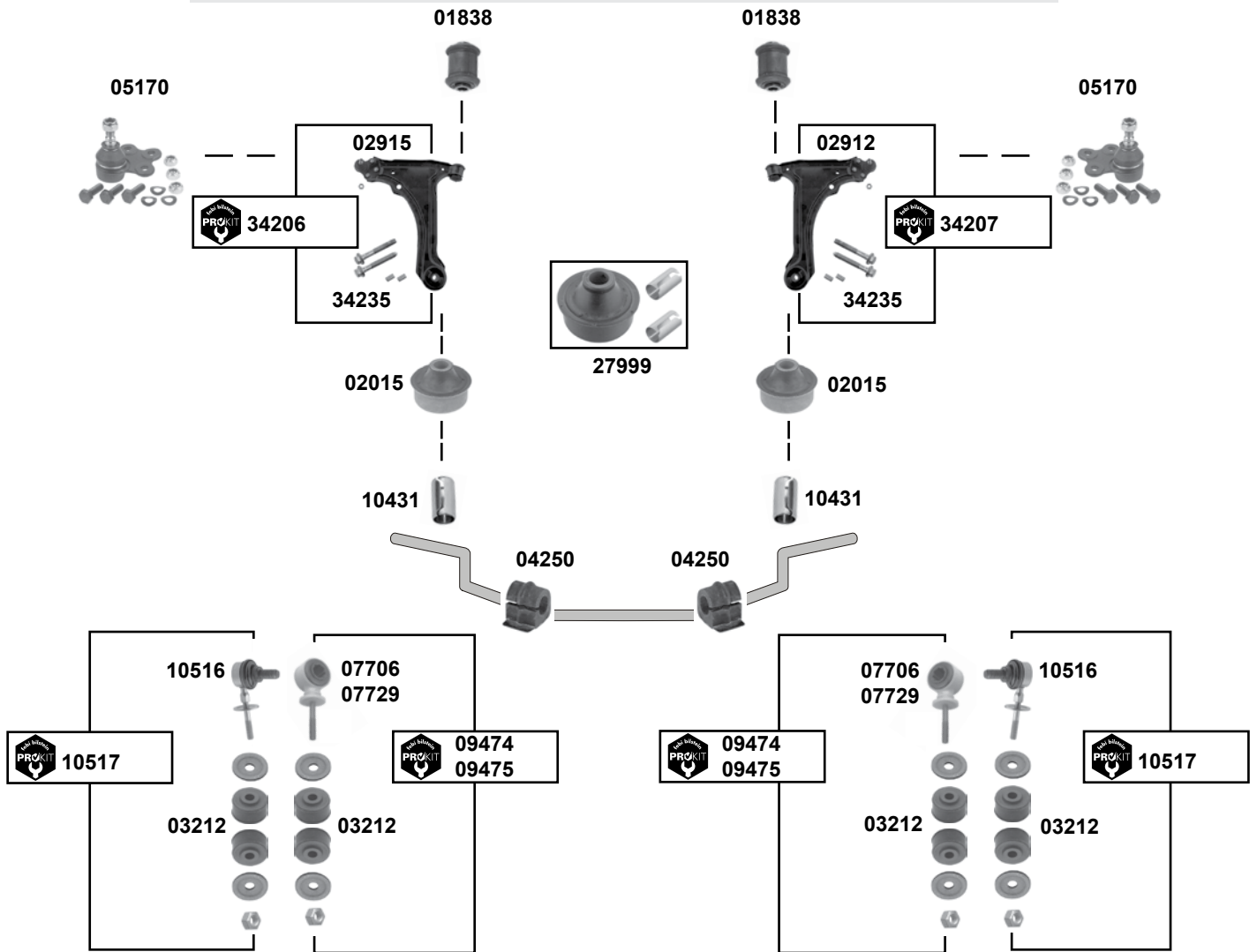
- |  |                       |                                 |
|--|-----------------------|---------------------------------|
|  | (1) (ch.) → P 2603822 | (2) (ch.) P 2603823 → R 2595225 |
|  | (ch.) → P 8146889     |                                 |

	Ref. - No.			
01837	0352 348	Querlenkerlager / control arm mount	(1)	16x60x58
01838	0352 300	Querlenkerlager / control arm mount	(1)	12x39x60
03212	0350 153	Verbindungsstangenlager / stabilizer link bush		8,5x30x19
04250	0350 078	Stabilisatorlager / stabilizer mount		Ø I 20
05170	1603 167	Traggelenk / ball joint		M12 x 1,5
07192	0352 192	Querlenker / control arm	inkl. 2x10431 (ex.) GSI	
07195	0352 193	Querlenker / control arm	inkl. 2x10431 (ex.) GSI	
07706	0350 260	Verbindungsstange / stabilizer link		Ø I 22
07729	0350 261	Verbindungsstange / stabilizer link		Ø I 18
09474	0350 260 S1	ProKit Verbindungsstange / stabilizer link		
09475	0350 261 S1	ProKit Verbindungsstange / stabilizer link		
10431	0353 460	Hülse / sleeve		16,3x30
10516	0350 263	Verbindungsstange / stabilizer link		L 86
10517	0350 263 S1	ProKit Verbindungsstange / stabilizer link		L 86
17321	0352 352	Querlenkerlager / control arm mount	(2)	
28100	0352 348 S1	Querlenkerlager / control arm mount	(1)	16x60x58
28101	0352 352 S1	Querlenkerlager / control arm mount	(2)	16x60x58
34208	0352 193 S1	ProKit Querlenker / control arm	(ex.) GSI	
34209	0352 192 S1	ProKit Querlenker / control arm	(ex.) GSI	
34235	2026 745 S1	Schraubensatz für Querlenker / screw kit for control arm		



**Astra F**  
(1991 → 1998)

(ch.) R 2595226, R 5111735, R 8145950 →



Vorderachse / Front axle

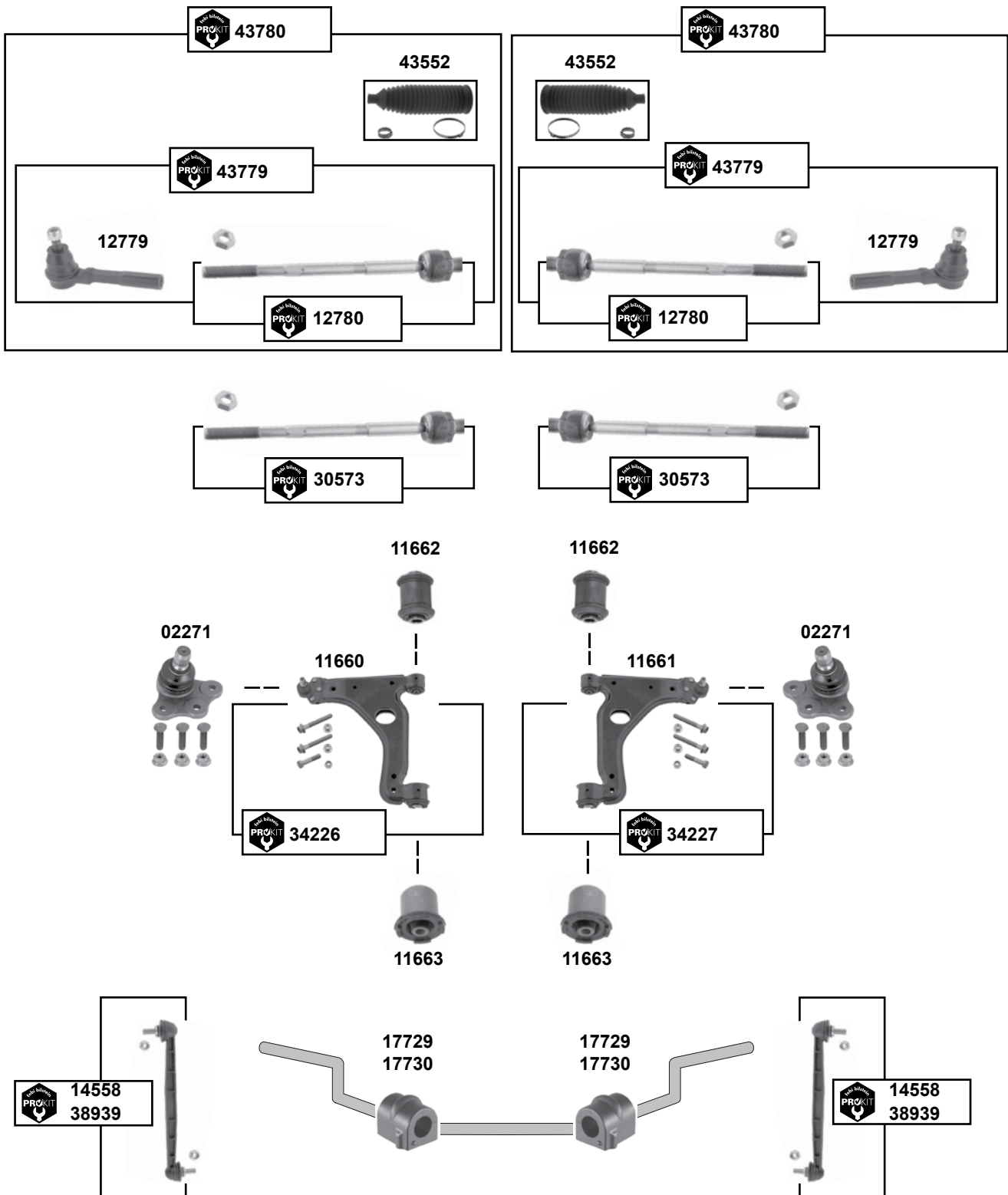
	Ref. - No.			
01838	0352 300	Querlenkerlager / control arm mount		12x39x60
02015	0352 356	Querlenkerlager / control arm mount		16x60x58
02912	5352 000	Querlenker / control arm	inkl. 2x10431 (ex.) GSI	
02915	5352 001	Querlenker / control arm	inkl. 2x10431 (ex.) GSI	
03212	0350 153	Verbindungsstangenlager / stabilizer link bush		8,5x30x19
04250	0350 078	Stabilisatorlager / stabilizer mount		Ø   22
05170	1603 167	Traggelenk / ball joint		M12 x 1,5
07706	0350 260	Verbindungsstange / stabilizer link		Ø   22
07729	0350 261	Verbindungsstange / stabilizer link		Ø   18
09474	0350 260 S1	ProKit Verbindungsstange / stabilizer link		
09475	0350 261 S1	ProKit Verbindungsstange / stabilizer link		
10431	0353 460	Hülse / sleeve		16,3x30
10516	0350 263	Verbindungsstange / stabilizer link		L 86
10517	0350 263 S1	ProKit Verbindungsstange / stabilizer link		L 86
27999	0352 356 S1	Querlenkerlager / control arm mount		16x60x58
34206	5352 001 S1	ProKit Querlenker / control arm	(ex.) GSI	
34207	5352 000 S1	ProKit Querlenker / control arm	(ex.) GSI	
34235	2026 745 S1	Schraubensatz für Querlenker / screw kit for control arm		





## Astra G (1998 → 2004)

Vorderachse / Front axle





**Astra G**  
(1998 → 2004)



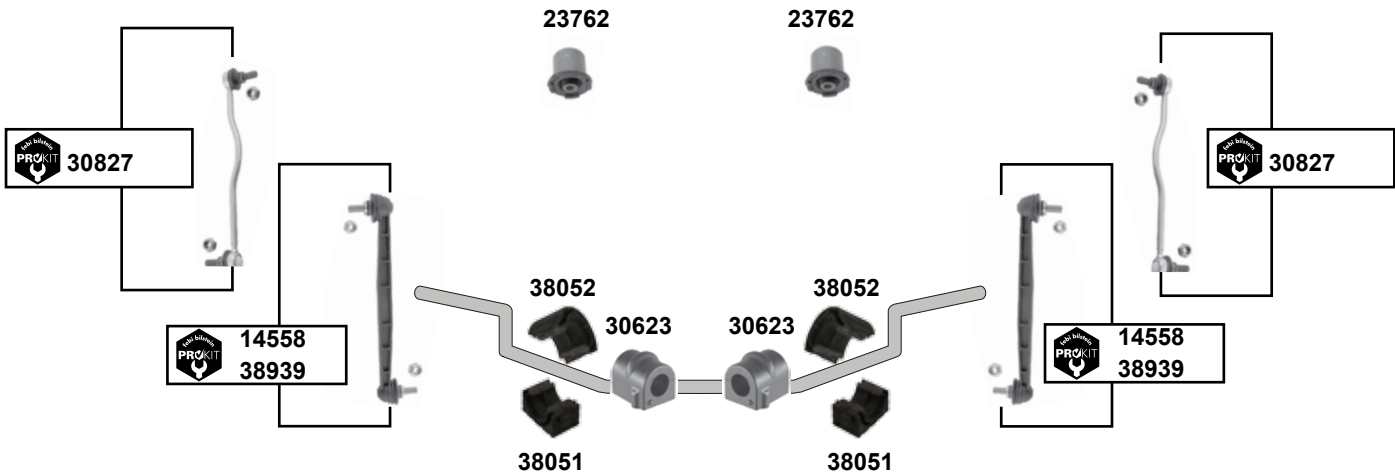
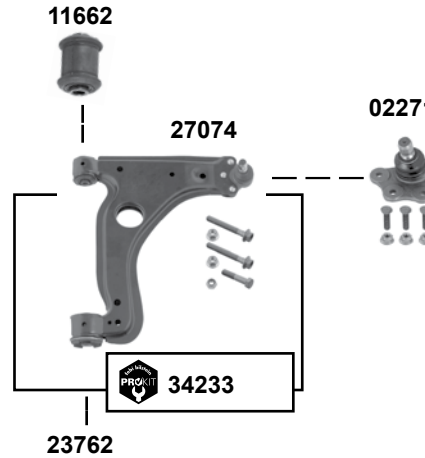
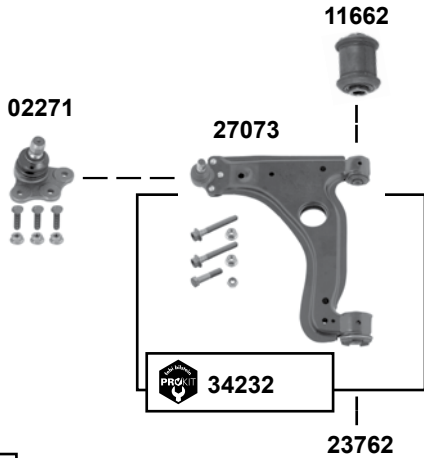
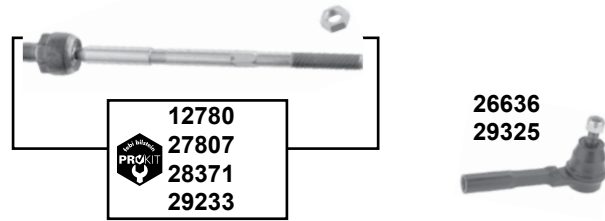
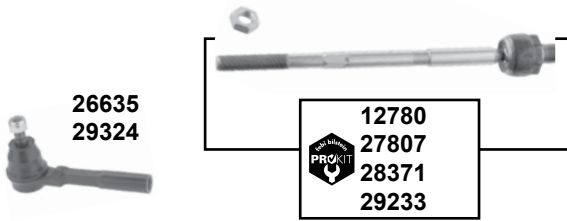
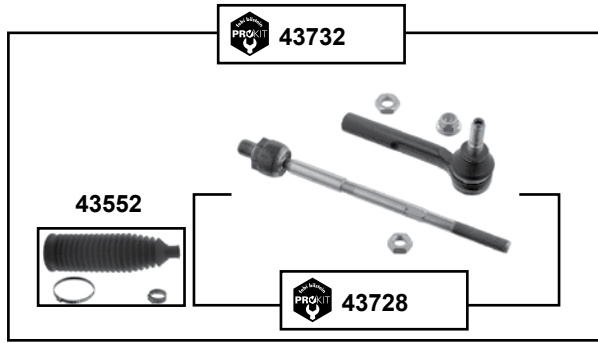
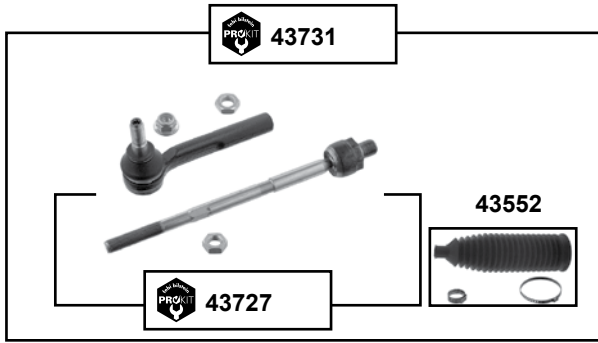
- (1) 1.2 (ch.) → X 2999999 / X 5999999 / X 6999999 / X 8999999
- (2) 1.2 (ch.) Y 2000001 / Y 5000001 / Y 6000001 / Y 8000001 →  
1.4 / 1.6 / 1.8 / 2.0 / 1.7 TD / DTI / 2.0 DI / DTI
- (3) Z1,4 XEP + servo elektronisch / electronic // Coupe/Cabrio + servo TRW
- (4) Nur für TRW-Lenkung / TRW-steering only

	Ref. - No.			
02271	0352 800	Traggelenk / ball joint		Ø A 18
11660	5352 016	Querlenker / control arm		
11661	5352 017	Querlenker / control arm		
11662	0352 364	Querlenkerlager / control arm mount		12x36,5x60
11663	0352 365	Querlenkerlager / control arm mount		12x45/48x60
12779	1603 542	Spurstangenendstück / tie rod end	(ex.) OPC	M14x1,5 RHT
12780	1603 213	ProKit Spurstange / tie rod	(ex.) OPC	L 300
14558	0350 614	ProKit Verbindungsstange / stabilizer link	OLD	L 300
17729	0350 130	Stabilisatorlager / stabilizer mount	(1)	Ø I 16
17730	0350 138	Stabilisatorlager / stabilizer mount	(2)	Ø I 18
30573	1603 644 SK	ProKit Spurstange / tie rod	(3)	L 304
34226	5352 016 S1	ProKit Querlenker / control arm		
34227	5352 017 S1	ProKit Querlenker / control arm		
38939	0350 176	ProKit Verbindungsstange / stabilizer link	NEW	L 350
43552	1609 356	Lenkmanschettensatz / steering boot set	(4)	L 211
43779	1603 643 S5	ProKit Spurstange / tie rod	(4)	M18 x 1,5
43780	1603 643 S6	ProKit Spurstange / tie rod	(4)	M18 x 1,5



**Astra H**  
(2004 → 2009)

Vorderachse / Front axle





**Astra H**  
(2004 → 2009)

(1) servo  ZF (ex.) Sport	(3) servo  ZF Sport , (ex.) 18/19"
(2) servo  ZF Sport (ex.) 18/19"	(4) TRW Generation II
(5) Schrägheck/Hatchback (ch.) → 52999999, 55999999, 58999999	
(6) Nur für TRW-Lenkung / TRW-steering only (ch.) 72094720 , (ch.) 75080481 , (ch.) 78048189 , (ch.) 8B000001, (ch.) 7G-	
(7) (ch.) 72094720 - , (ch.) 75080481 - , (ch.) 78048189 - , (ch.) 8B000001 - , (ch.) 7G -	



Ref. - No.



Ref. - No.	Description	Notes	Dimensions
02271	0352 800	Traggelenk / ball joint	
11662	0352 364	Querlenkerlager / control arm mount	12x36,5x60
12780	1603 213	ProKit Spurstange / tie rod	L 283
14558	0350 614	ProKit Verbindungsstange / stabilizer link	L 300
23762	0352 324	Querlenkerlager / control arm mount	12x46x60
26635	1603 266	Spurstangenendstück / tie rod end	M14 x 1,5
26636	1603 267	Spurstangenendstück / tie rod end	M14 x 1,5
27073	5352 029	Querlenker / control arm	
27074	5352 030	Querlenker / control arm	
27807	1603 357 SK	ProKit Spurstange / tie rod	L 295
28371	1603 358 SK	ProKit Spurstange / tie rod	L 279
29233	1603 359 SK	ProKit Spurstange / tie rod	L 279
29324	1603 289	Spurstangenendstück / tie rod end	M14 x 1,5
29325	1603 288	Spurstangenendstück / tie rod end	M14 x 1,5
30623	0350 161	Stabilisatorlager / stabilizer mount	Ø I 21
30827	0350 613	ProKit Verbindungsstange / stabilizer link	
34232	5352 029 S1	ProKit Querlenker links / control arm left	
34233	5352 030 S1	ProKit Querlenker rechts / control arm right	
38051	0350 391	Stabilisatorlager, unten / stabilizer mount, lower	Ø I 24
38052	0350 390	Stabilisatorlager, oben / stabilizer mount, upper	Ø I 24
38939	0350 176	ProKit Verbindungsstange / stabilizer link	L 350
43552	1609 356	Lenkmanschettensatz / steering boot set	L 211
43727	1603 643 S1	ProKit Spurstange / tie rod	M18 x 1,5
43728	1603 643 S2	ProKit Spurstange / tie rod	M18 x 1,5
43731	1603 643 S3	ProKit Spurstange / tie rod	M18 x 1,5
43732	1603 643 S4	ProKit Spurstange / tie rod	M18 x 1,5



## Astra J (2009 → 2015)

Vorderachse / Front axle

45095



45095



45096

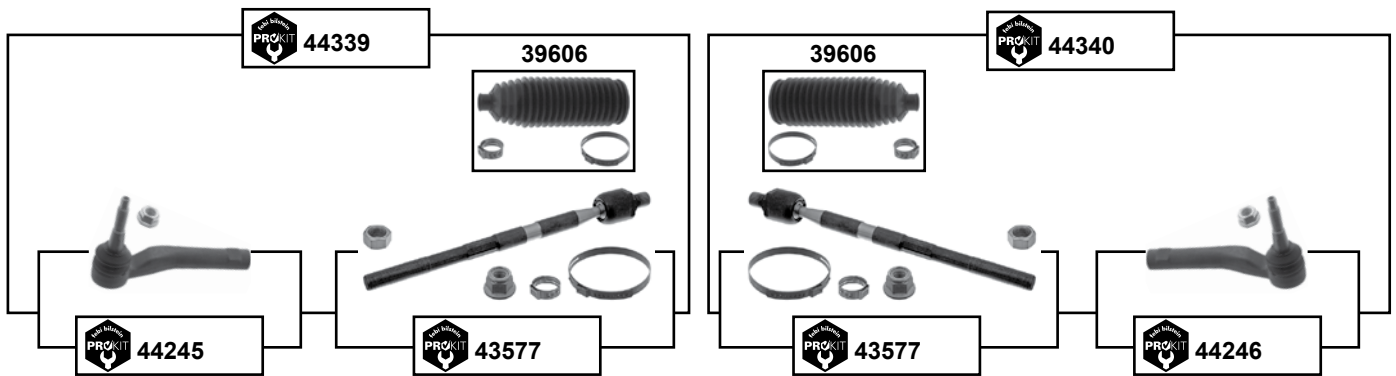


45096





**Astra J**  
(2009 → 2015)



Vorderachse / Front axle

- (1) (ch.) → A3999999 / A8999999 / AG999999
- (2) 3-türer / doors mit / with servo
- (3) Coupe : Nur mit hydraulischer servo / combined with hydraulic servo
- (4) 5-türer / doors / servo / (ch.) C1000001 → , (ch.) B3000001 → , (ch.) B8000001 → , (ch.) BG000001 →
- (5) → (ch.) A3999999 / → (ch.) A8999999 / → (ch.) AG999999
- (6) 3-türer / doors E - servo
- (7) 5-türer / doors E - servo

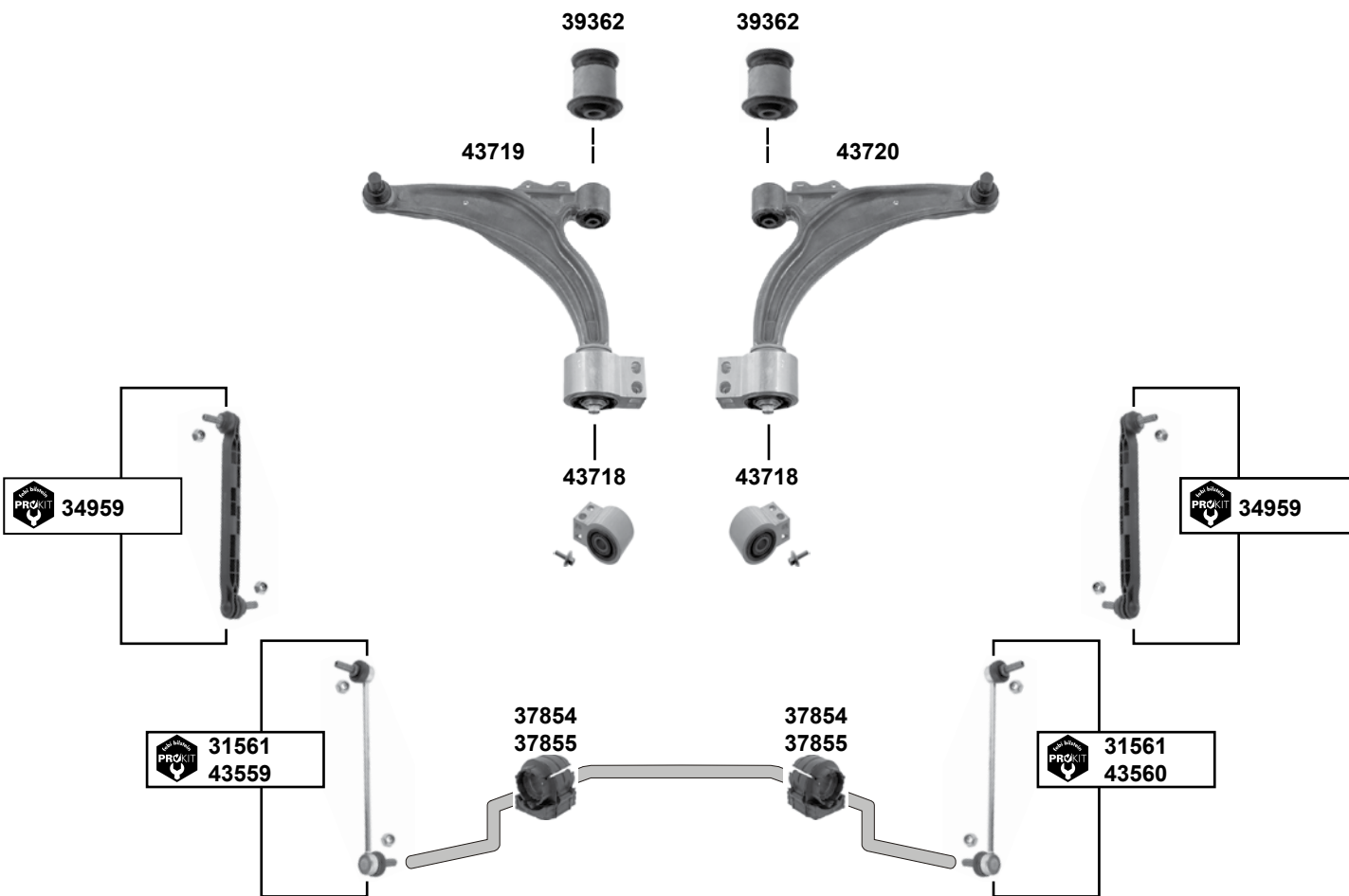


	Ref. - No.			
<b>39606</b>	0902 010	Rep. Satz Lenkmanschette / rep. kit steering boot	servo	
<b>43577</b>	0920 005	ProKit Axialgelenk / axial joint	(1) servo	L 294
<b>44156</b>	1609 187	ProKit Axialgelenk / axial joint	Coupe E - servo	L 223
<b>44245</b>	1609 185	ProKit Spurstangenendstück / tie rod end	(2)	M12 x 1,75
<b>44246</b>	1609 186	ProKit Spurstangenendstück / tie rod end	(2)	M12 x 1,75
<b>44249</b>	1609 187 S1	ProKit Spurstange / tie rod	(6)	
<b>44250</b>	1609 187 S2	ProKit Spurstange / tie rod	(6)	
<b>44338</b>	0920 005 S1	ProKit Spurstange / tie rod	(5) (7)	
<b>44339</b>	0920 005 S2	ProKit Spurstange / tie rod	(2) (5)	L 396
<b>44340</b>	0920 005 S3	ProKit Spurstange / tie rod	(2) (5)	L 396
<b>44424</b>	1609 169	ProKit Axialgelenk / axial joint	(3)	L 228
<b>44434</b>	1609 169 S1	ProKit Spurstange / tie rod	(3)	
<b>44446</b>	0920 007	ProKit Axialgelenk / axial joint	(4)	L284
<b>44447</b>	0920 007 S1	ProKit Spurstange / tie rod	servo	
<b>45095</b>	1609 182 SK1	Lenkmanschette / steering boot	E - servo	
<b>45096</b>	1609 182	Lenkmanschettensatz / steering boot set	E - servo	



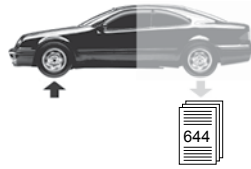
## Astra J (2009 → 2015)

Vorderachse / Front axle



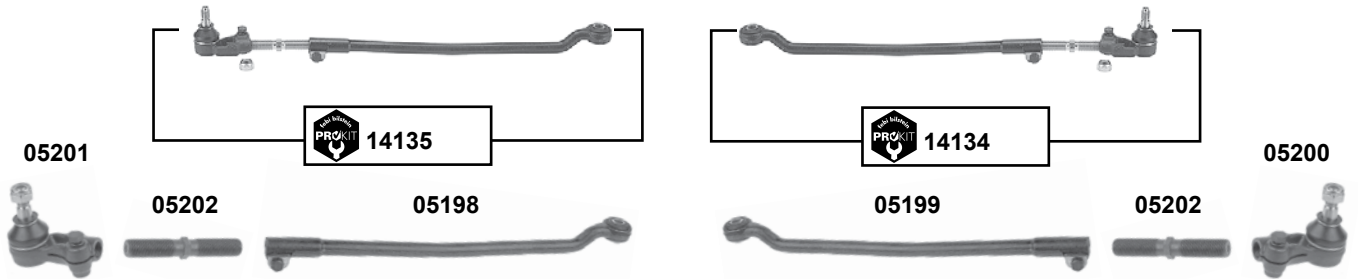
- (1)
- (2) alle (ex.) Flexride Fahrwerk / all (ex.)
- (3) (ch.) B8106940 - B8999999 / (ch.) BG140001 - BG999999  
(ch.) C0000001 → / (ch.) C1000001 → / (ch.) C3000001 → / (ch.) C8000001 / → (ch.) CG000001 →  
(ex.) Biturbo
- (4) (mot.) A 2,0 NFT 3-türer // alle / all 5-türer
- (5) A2,0DTR , A2,0DTH , Y2,0DTJ , Z2,0DTC nur 3-türer / 3-doors only
- (6) ( 5-türer / doors Schrägheck / Sufenheck / Caravan ) außer / except Biturbo

	Ref. - No.			
31561	0350 618	ProKit Verbindungsstange / stabilizer link	(1)	L 303,5
34959	0350 617	ProKit Verbindungsstange / stabilizer link	(2)	L 304
37854	0350 621	Stabilisatorlager / stabilizer mount	(4)	Ø I 25
37855	0350 622	Stabilisatorlager / stabilizer mount	(5)	Ø I 23
39362	0352 866	Querlenkerlager / control arm mount	(6)	12x52x60
43559	0350 192	ProKit Verbindungsstange / stabilizer link	3-türer / doors	L 290
43560	0350 193	ProKit Verbindungsstange / stabilizer link	3-türer / doors	L 290
43718	0352 491	Querlenkerlager / control arm mount	(6)	106x80x65
43719	0352 492	Querlenker / control arm	(3)	
43720	0352 493	Querlenker / control arm	(3)	

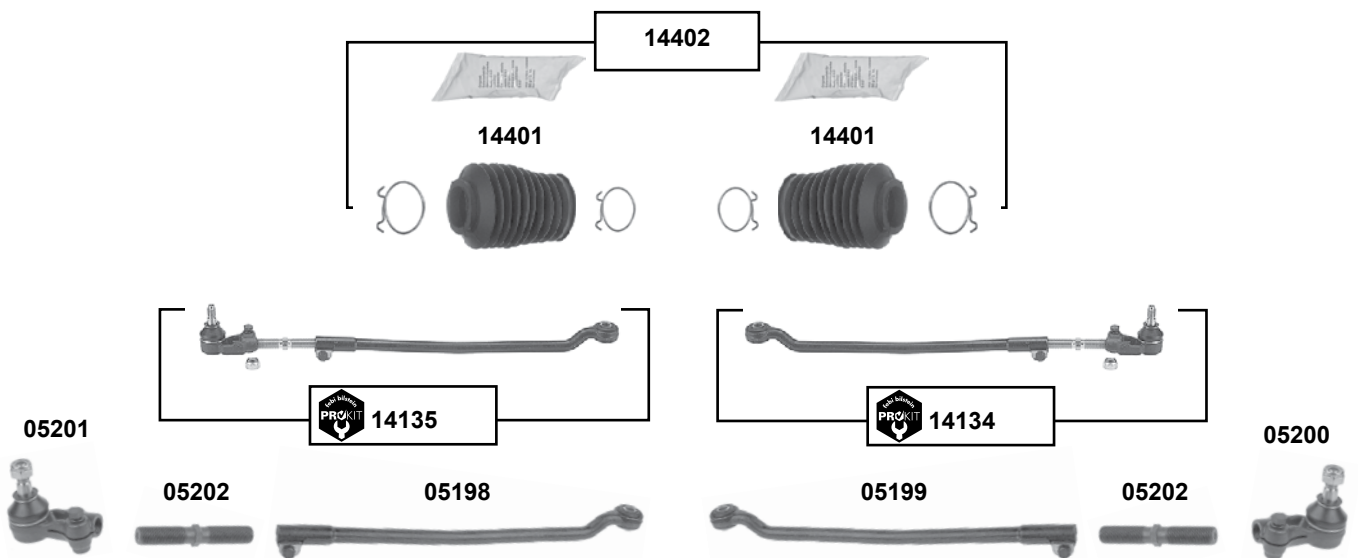


Calibra  
(1990 → 1997)

man.



servo

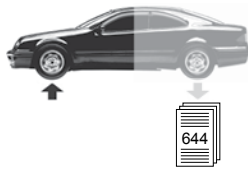


Vorderachse / Front axle

	Ref. - No.			
05198	0322 147	Spurstange / tie rod		L 434
05199	0322 146	Spurstange / tie rod		L 434
05200	0324 056	Spurstangenendstück / tie rod end		M16x1,5 LHT
05201	0324 055	Spurstangenendstück / tie rod end		M16x1,5 RHT
05202	0322 577	Einstellbolzen / adjusting bolt		M16x2x105,5
14134	0322 146 S1	ProKit Spurstange / tie rod		
14135	0322 147 S1	ProKit Spurstange / tie rod		
14401	1609 073 S1	Lenkmanschette / steering boot		
14402	1609 073 SK	Lenkmanschette / steering boot		

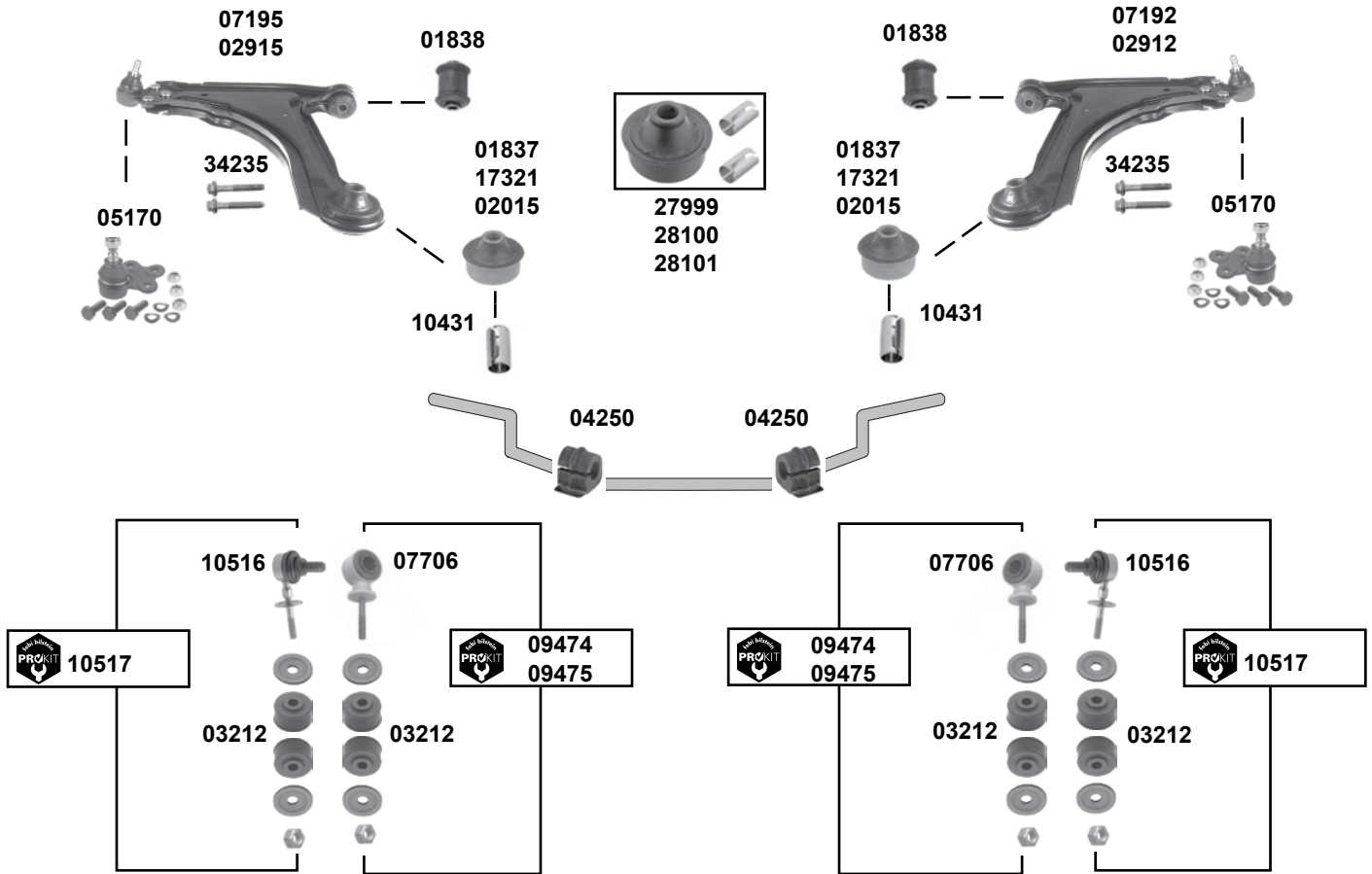
servo ZF  
servo ZF





## Calibra (1990 → 1997)

Vorderachse / Front axle

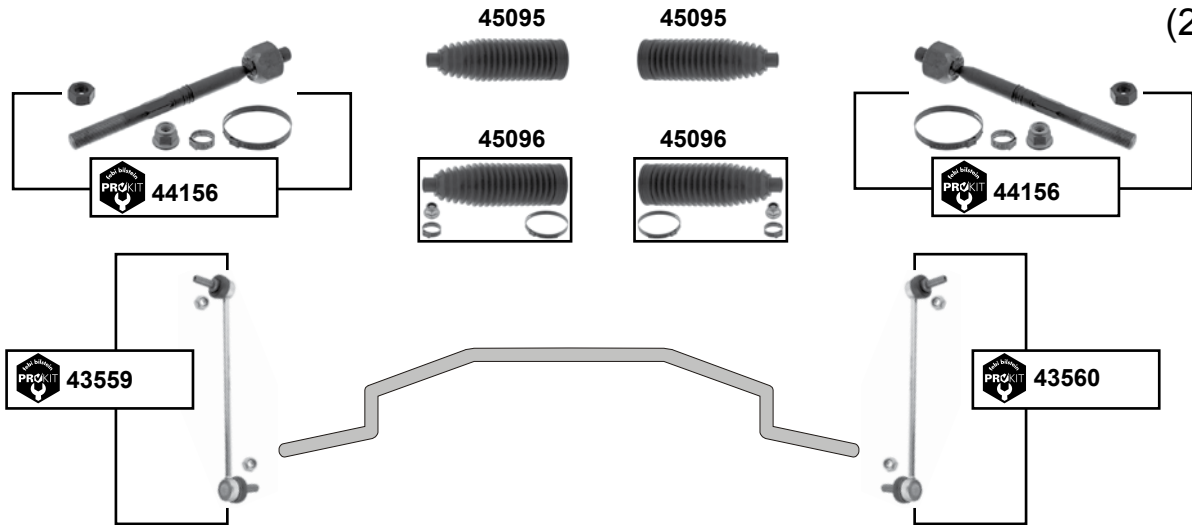


	(1) 2.0 i (85kW) (ch.) → R 9003127	(3) 2.0 i (85kW) (ch.) R 9003128 →
		2.0 i 16V → 2.5 V6 (ch.) R 9003175 →
	(2) 2.0 i 16V → 2.5 V6 (ch.) → R 9003174	(4) 2.0 i (85kW) / 2.0 i 16V (ch.) R 9003128 →

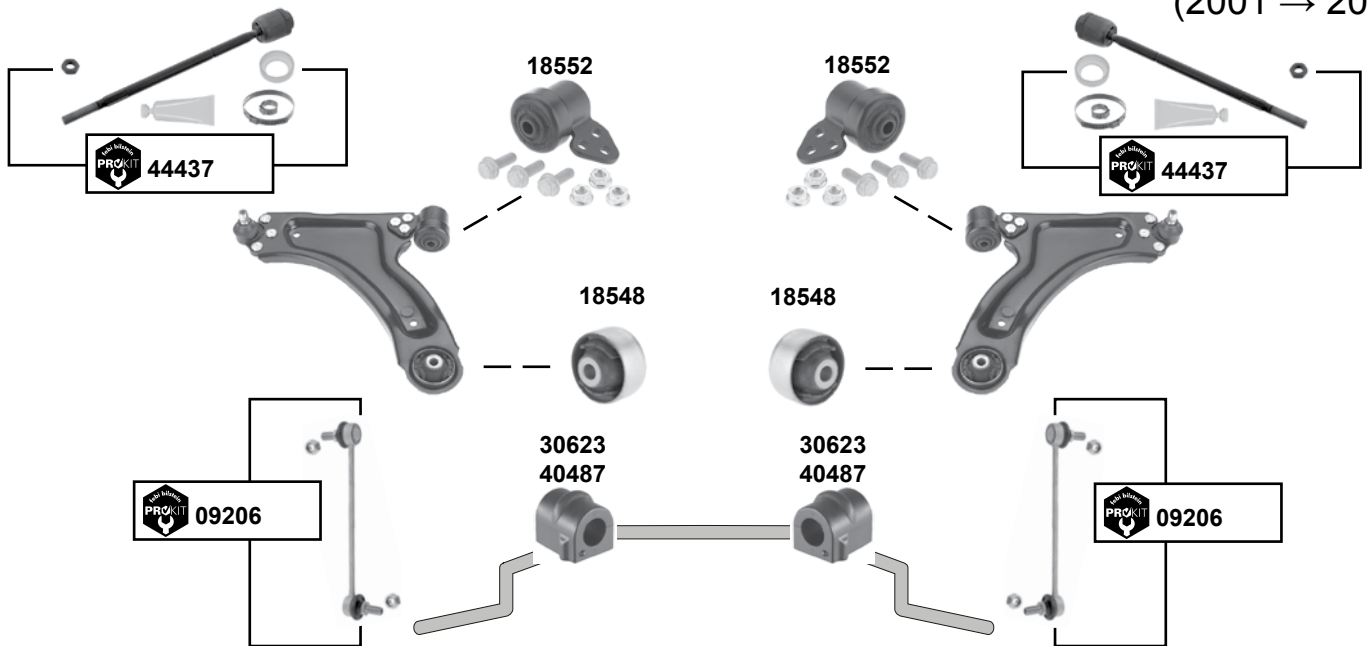
	Ref. - No.			
01837	0352 348	Querlenkerlager / control arm mount	(1)	16x60x58
01838	0352 300	Querlenkerlager / control arm mount	2.0 i (85 kW)	12x39x60
02015	0352 356	Querlenkerlager / control arm mount	(3)	16x60x58
02912	5352 000	Querlenker / control arm	(4) inkl. 2x10431	
02915	5352 000	Querlenker / control arm	(4) inkl. 2x10431	
03212	0350 153	Verbindungsstangenlager / stabilizer link bush		8,5x30x19
04250	0350 078	Stabilisatorlager / stabilizer mount		Ø I 22
05170	1603 167	Traggelenk / ball joint	(ex.) 2.5 V6	M12 x 1,5
07192	0352 192	Querlenker / control arm	(1) inkl. 2x10431	
07195	0352 193	Querlenker / control arm	(1) inkl. 2x10431	
07706	0350 260	Verbindungsstange / stabilizer link		Ø I 22
09474	0350 260 S1	ProKit Verbindungsstange / stabilizer link		
09475	0350 261 S1	ProKit Verbindungsstange / stabilizer link		
10431	0353 460	Hülse / sleeve		16,3x30
10516	0350 263	Verbindungsstange / stabilizer link		L 86
10517	0350 263 S1	ProKit Verbindungsstange / stabilizer link		L 86
17321	0352 352	Querlenkerlager / control arm mount	(2)	
27999	0352 356 S1	Querlenkerlager / control arm mount	(3)	16x60x58
28100	0352 348 S1	Querlenkerlager / control arm mount	(1)	16x60x58
28101	0352 352 S1	Querlenkerlager / control arm mount	(2)	
34235	2026 745 S1	Schraubensatz für Querlenker / screw kit for control arm		



## Cascade (2013 →)

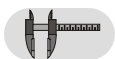


## Combo C (2001 → 2010)



Vorderachse / Front axle

- (1) F06 → (ch.) 33999999 / F25 alle / all
- (2) F06 (ch.) 43000001 →, 74000001 →
- (3) (ex.) Z13DTJ / servo

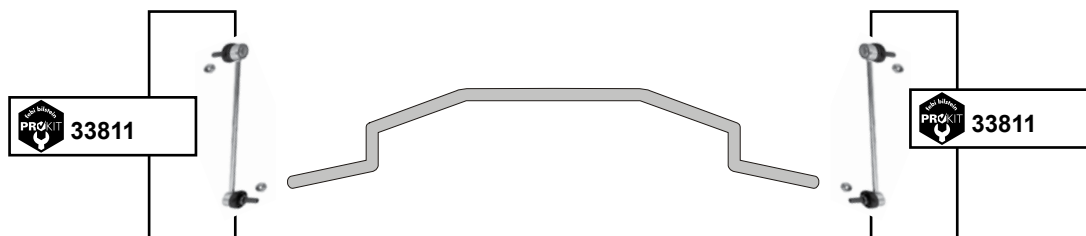


Ref. - No.			
09206	0350 610	ProKit Verbindungsstange / connecting rod	L 243,5
18548	0352 320	Querlenkerlager / control arm mount	13x61x46
18552	0352 309	Querlenkerlager / control arm mount	12x59x70
30623	0350 161	Stabilisatorlager / stabilizer mount	(2)
40487	0350 143	Stabilisatorlager / stabilizer mount	(1) Ø 22
43559	0350 192	ProKit Verbindungsstange / stabilizer link	L 290
43560	0350 193	ProKit Verbindungsstange / stabilizer link	L 290
44156	1609 187	ProKit Axialgelenk / axial joint	L 223
44437	1603 843	ProKit Axialgelenk / axial joint	L 317
45095	1609 182 SK1	Lenkmanschette / steering boot	E - servo
45096	1609 182	Lenkmanschettensatz / steering boot set	E - servo E - servo



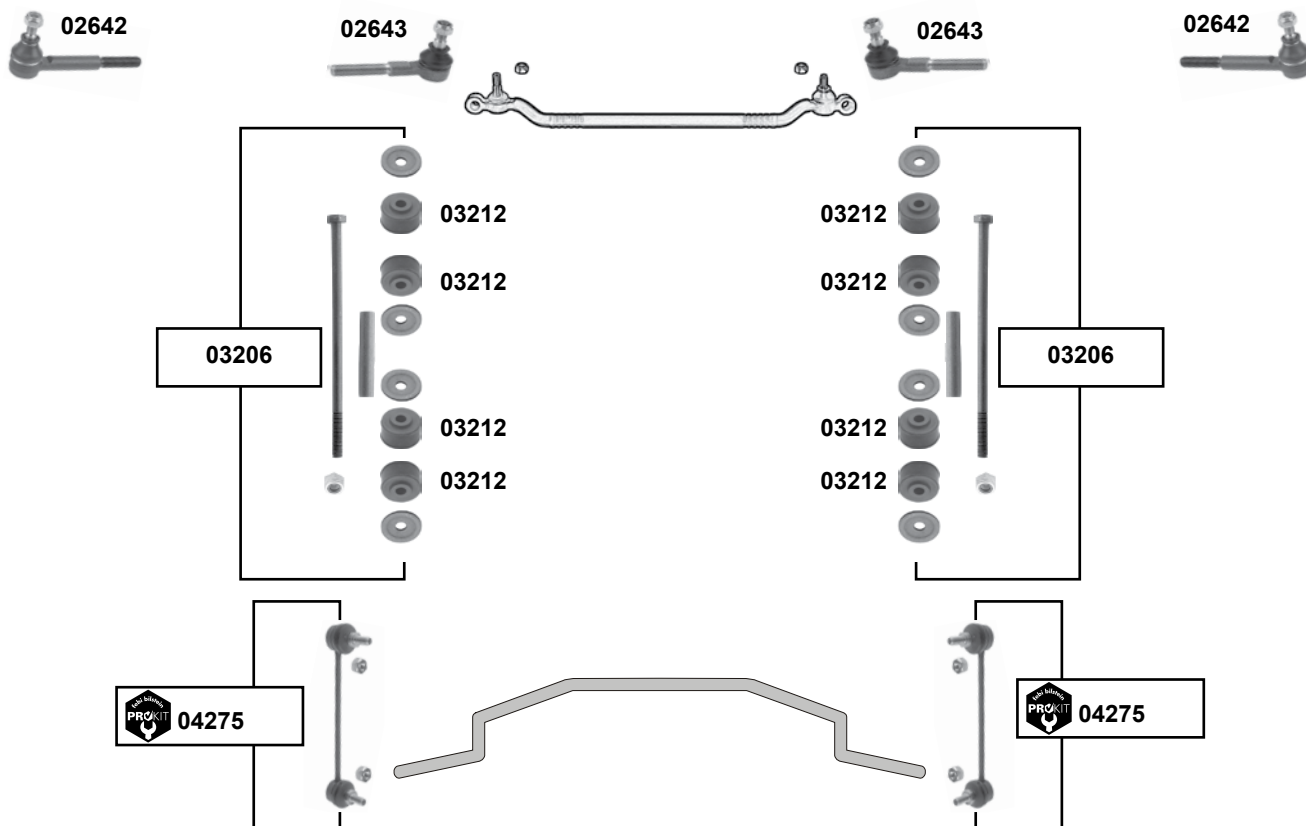
## Combo D

(2011 →)



## Commodore C

(1978 → 1982)



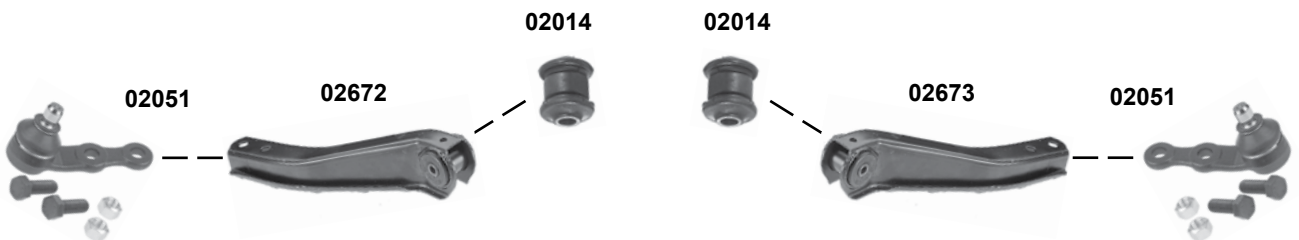
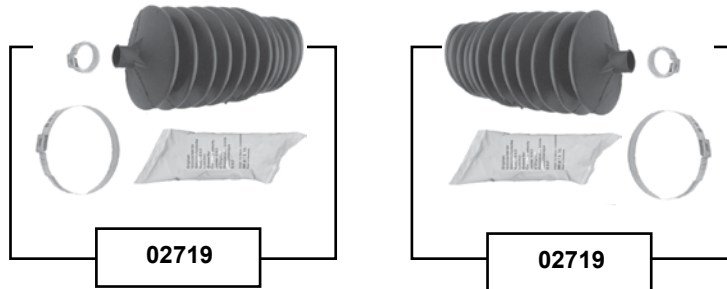
Ref. - No.



02642	0324 044	Spurstangenendstück / tie rod end	M14x1,5 LHT
02643	0324 045	Spurstangenendstück / tie rod end	M14x1,5 RHT
03206	1603 147	Rep. Satz Stabilisatorlager / rep. kit stabilizer mount	
03212	0350 153	Verbindungsstangenlager / stabilizer link bush	8,5x30x19
04275	0350 602	ProKit Verbindungsstange / stabilizer link	L 195
33811	0350 198	ProKit Verbindungsstange / stabilizer link	L 297



**Corsa A**  
(1982 → 1993)



Vorderachse / Front axle

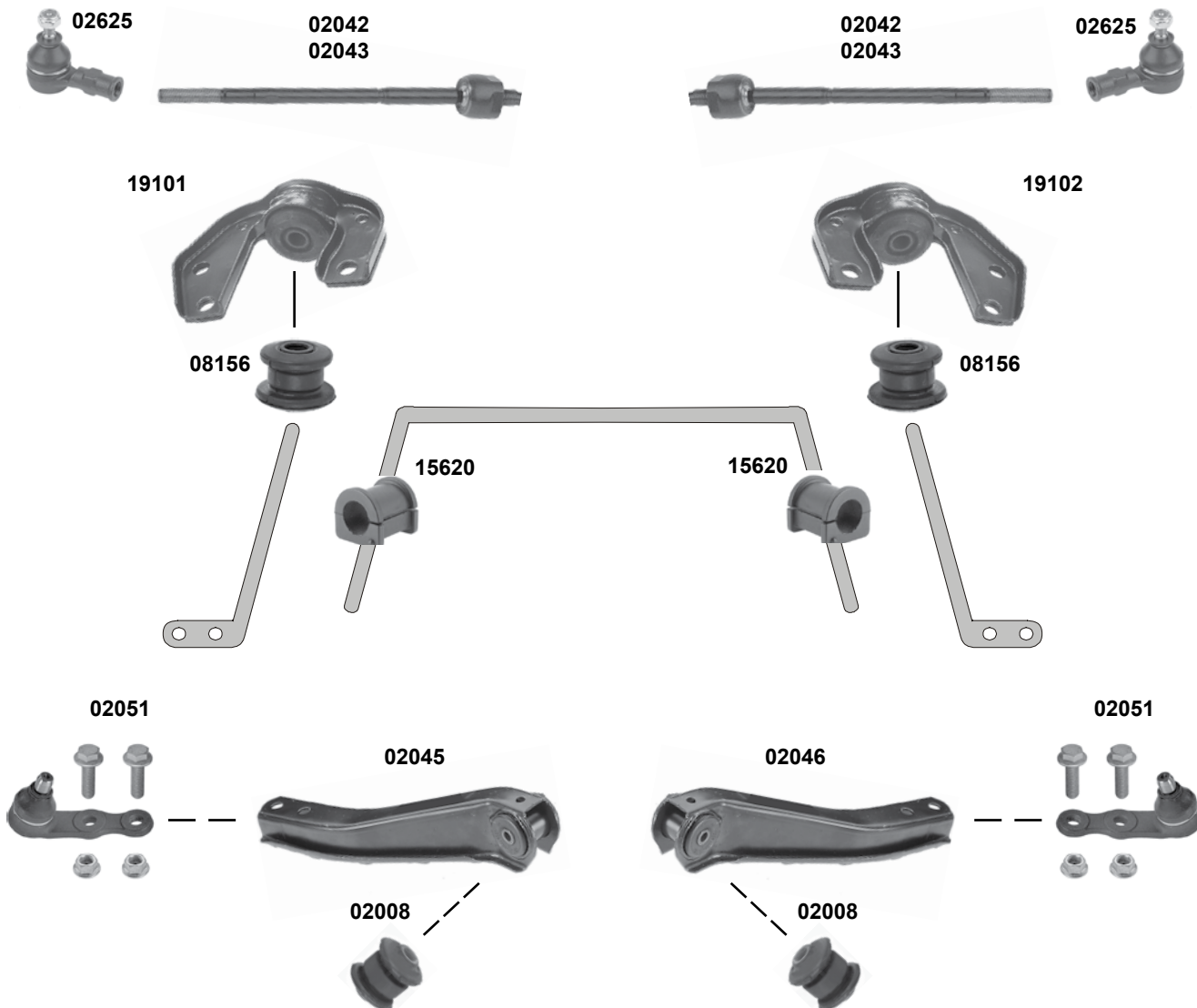
	Ref. - No.			
02014	0352 327	Querlenkerlager / control arm mount		10x35x52
02051	1603 187	Traggelenk / ball joint		Ø A 15
02624	0322 149	Spurstange / tie rod		L 300
02625	1603 645	Spurstangenendstück / tie rod end		M12x1,5 RHT
02672	0352 043	Querlenker / control arm		
02673	0352 044	Querlenker / control arm		
02719	0902 826	Rep. Satz Lenkmanschette / rep. kit steering boot		
08144	0353 560	Zugstrebenlager / tension rod mount		14x32/45x36



## Corsa B (1993 → 2001)

(ch.) → V 3023597, V 4166925, V 6066279

Vorderachse / Front axle



(1) Combo (ch.) V 3037204 →



Ref. - No.

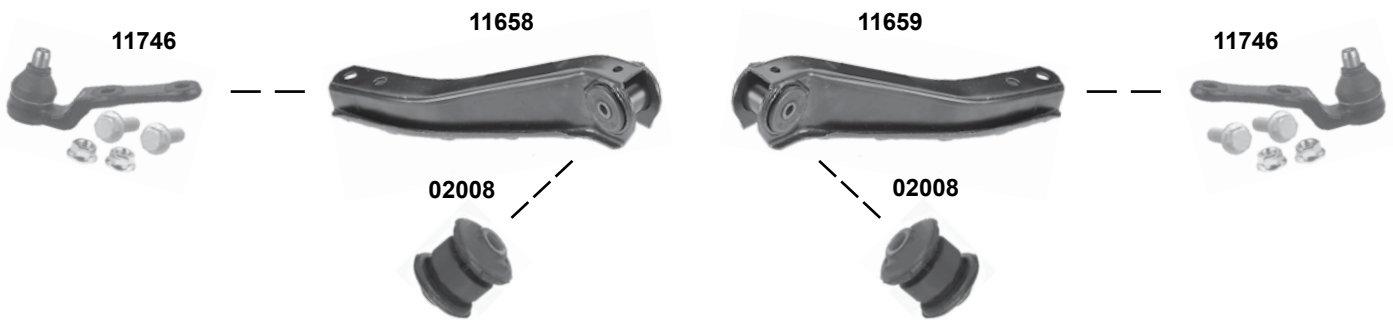
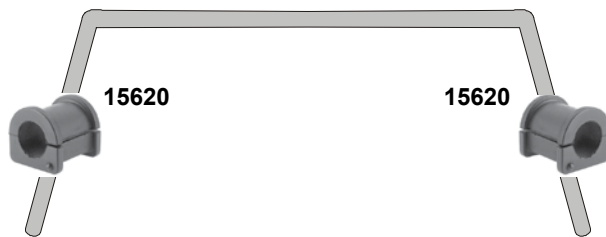


<b>02008</b>	0352 301	Querlenkerlager / control arm mount	man.  / E - servo	10x35x52
<b>02042</b>	1603 453 SK	Spurstange / tie rod		L 325
<b>02043</b>	0322 158	Spurstange / tie rod	servo	L 290
<b>02045</b>	0352 003	Querlenker / control arm		
<b>02046</b>	0352 002	Querlenker / control arm		
<b>02051</b>	1603 187	Traggelenk / ball joint		Ø A 15
<b>02625</b>	1603 645	Spurstangenendstück / tie rod end		M12x1,5 RHT
<b>08156</b>	0353 561	Zugstrebenlager / tension rod mount		14x36/50x40
<b>15620</b>	0350 127	Stabilisatorlager / stabilizer mount		Ø I 21,5
<b>19101</b>	0353 281	Halter / mount	(1)	
<b>19102</b>	0353 280	Halter / mount	(1)	



**Corso B**  
(1993 → 2001)

(ch.) V 3023598, V 4166926, V 6066280 →



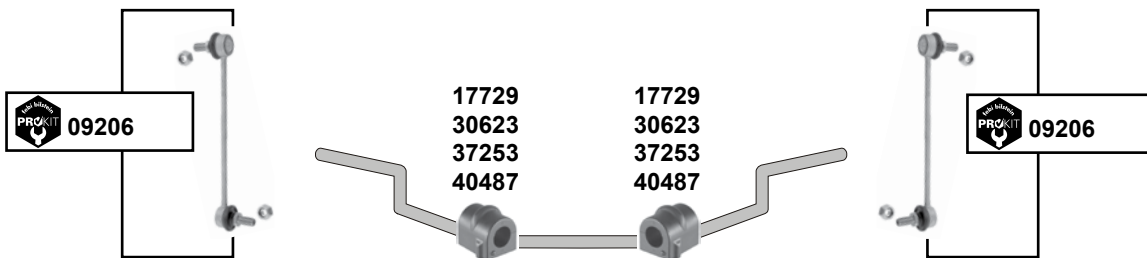
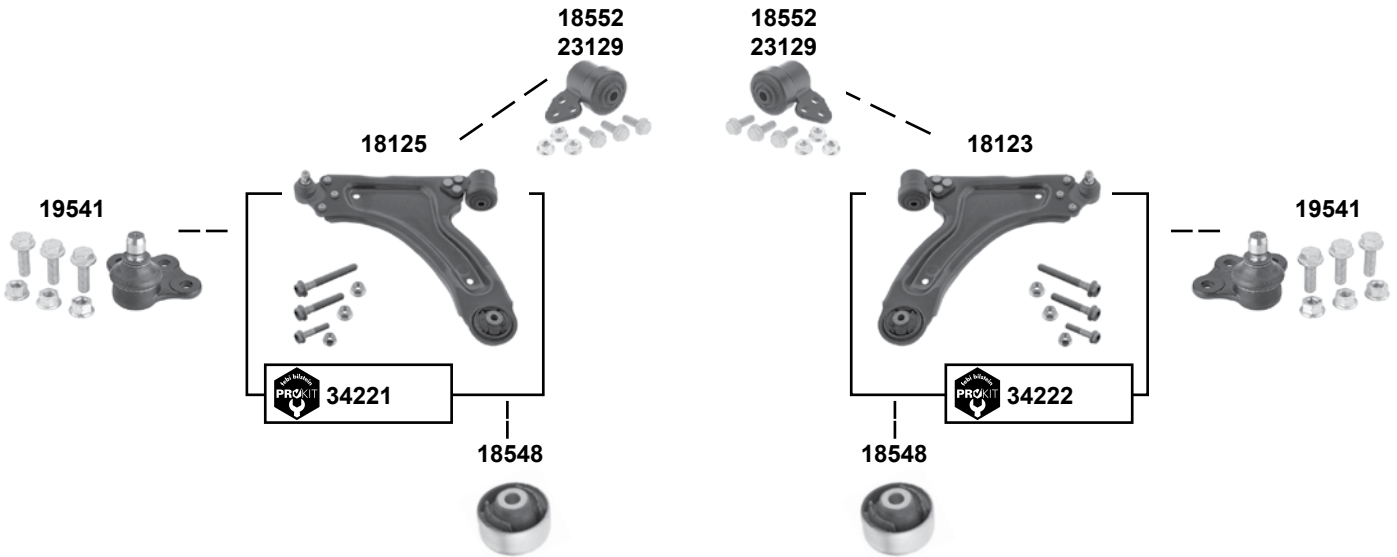
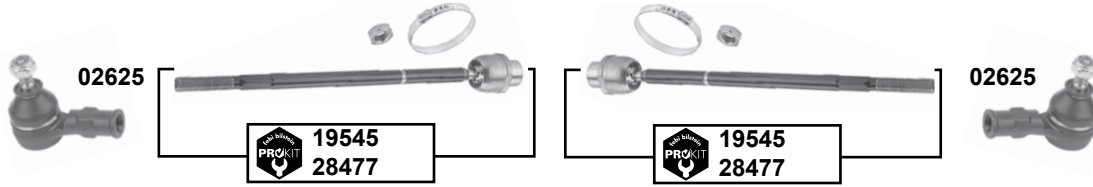
Vorderachse / Front axle

	Ref. - No.			
<b>02008</b>	0352 301	Querlenkerlager / control arm mount		10x35x52
<b>02042</b>	1603 453 SK	Spurstange / tie rod	man.  / E - servo	L 325
<b>02043</b>	0322 158	Spurstange / tie rod		servo
<b>11658</b>	5352 011	Querlenker / control arm		
<b>11659</b>	5352 012	Querlenker / control arm		
<b>11746</b>	1603 202	Traggelenk / ball joint		Ø A 15
<b>12778</b>	1603 455	Spurstangenendstück / tie rod end		M12x1,5 RHT
<b>15620</b>	0350 127	Stabilisatorlager / stabilizer mount		Ø I 21,5



## Corso C (2001 → 2006)

Vorderachse / Front axle





**Corса C**  
(2001 → 2006)

- |   |  |
|---|--|
| (1) (ch.) 33999999 → ,(ch.) 34999999 →<br>(ch.) 36999999 →  | (2) (ch.) 43000001 →, (ch.) 44000001 →<br>(ch.) 46000001 → |
| (3) (ex.) Combo (mot.) 1,0 / 1,2 / Y 1,3 DT / Z 1,3 DT / 1,4 / Z 1,7 DTH alle / all (ex.) Sport / (ex.) HD                  |  |
| (4) (ex.) Combo (mot.) Z 1,0 XE / Z 1,2 XE /<br>für Fahrzeuge mit / for cars with HD (ex.) Sport → (ch.) 14999999, 16999999 |  |
| (5) (ex.) Combo (mot.) Z 1,4 XE<br>für Fahrzeuge mit / for cars with Sport oder /or HD → (ch.) 14999999, 16999999           |  |
| (6) Combo für alle Fahrzeuge (ex.) / Combo for all cars (ex.) HD  |  |



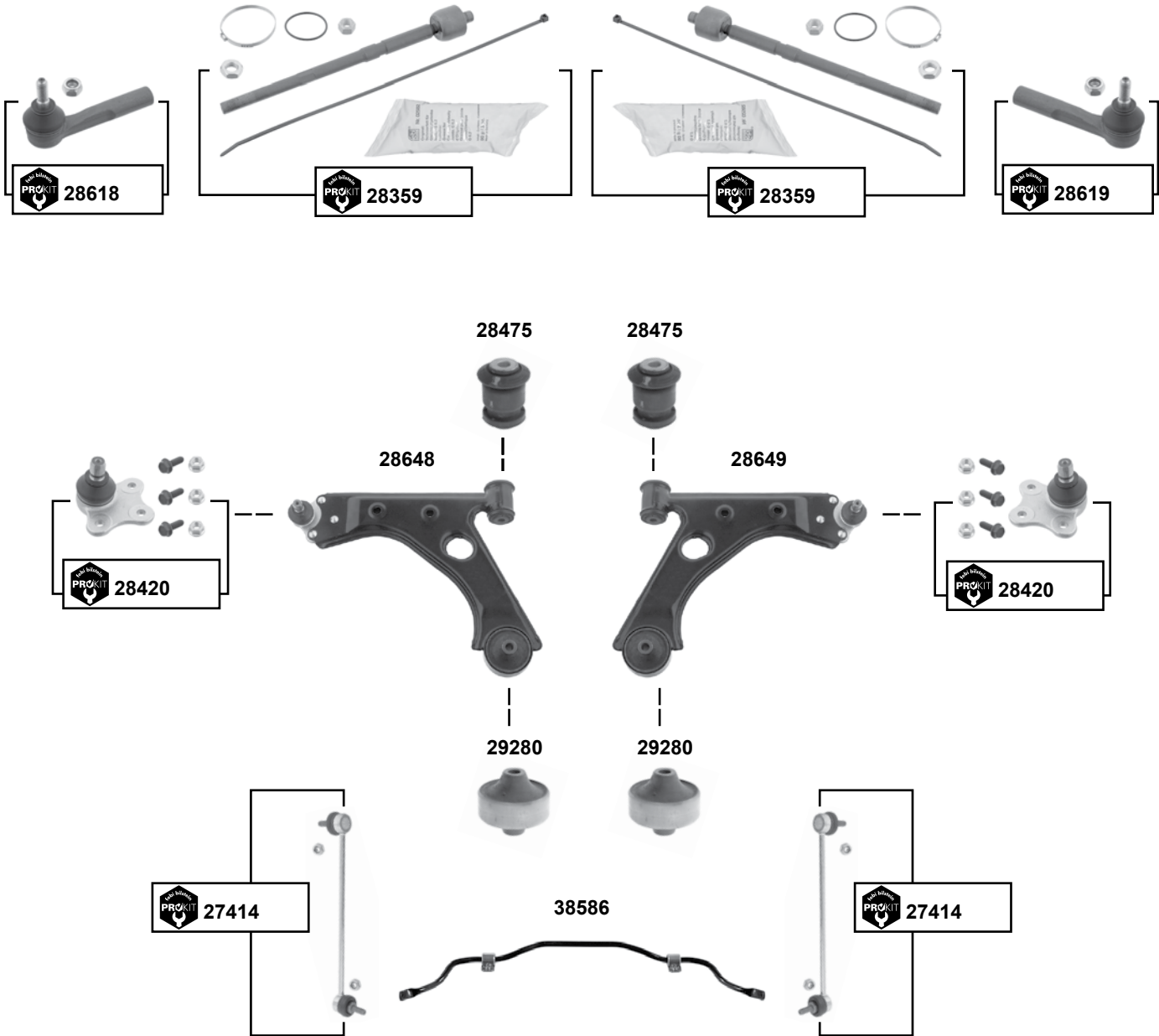
	Ref. - No.			
02625	1603 645	Spurstangenendstück / tie rod end	(1)	M12x1,5 RHT
09206	0350 610	ProKit Verbindungsstange / stabilizer link	(ex.) Combo	L 243,5
17729	0350 130	Stabilisatorlager / stabilizer mount		Ø I 16
18123	0352 063	Querlenker / control arm	(ex.) Sport / HD	
18125	0352 061	Querlenker / control arm	(ex.) Sport / HD	
18548	0352 320	Querlenkerlager / control arm mount		Ø A 59,5
18552	0352 309	Querlenkerlager / control arm mount	(ex.) HD	Ø A 60/49
19541	0352 803	Traggelenk / ball joint		
19545	1603 845	ProKit Spurstange / tie rod	(1)	L 315
23129	0352 377	Querlenkerlager / control arm mount	HD	Ø A60/49
28477	1603 844	ProKit Spurstange / tie rod	(2)	L 318
30623	0350 161	Stabilisatorlager / stabilizer mount	(2)	Ø I 21
34221	0352 061 S1	ProKit Querlenker / control arm	(3) (4) (5) (6)	
34222	0352 063 S1	ProKit Querlenker / control arm	(3) (4) (5) (6)	
37253	0350 104	Stabilisatorlager / stabilizer mount	(ex.) HD	Ø I 15 L 43,5
40487	0350 143	Stabilisatorlager / stabilizer mount		Ø 22





## Corsa D (2006 → 2014)

Vorderachse / Front axle

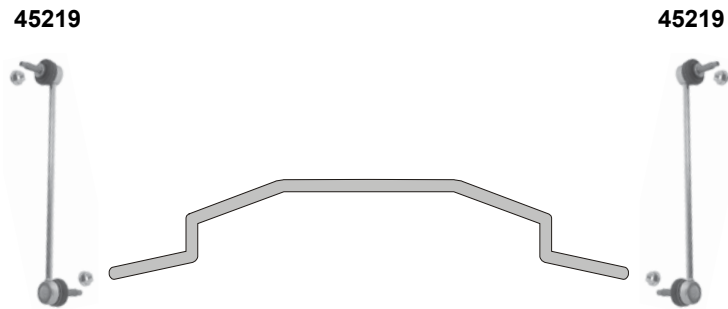
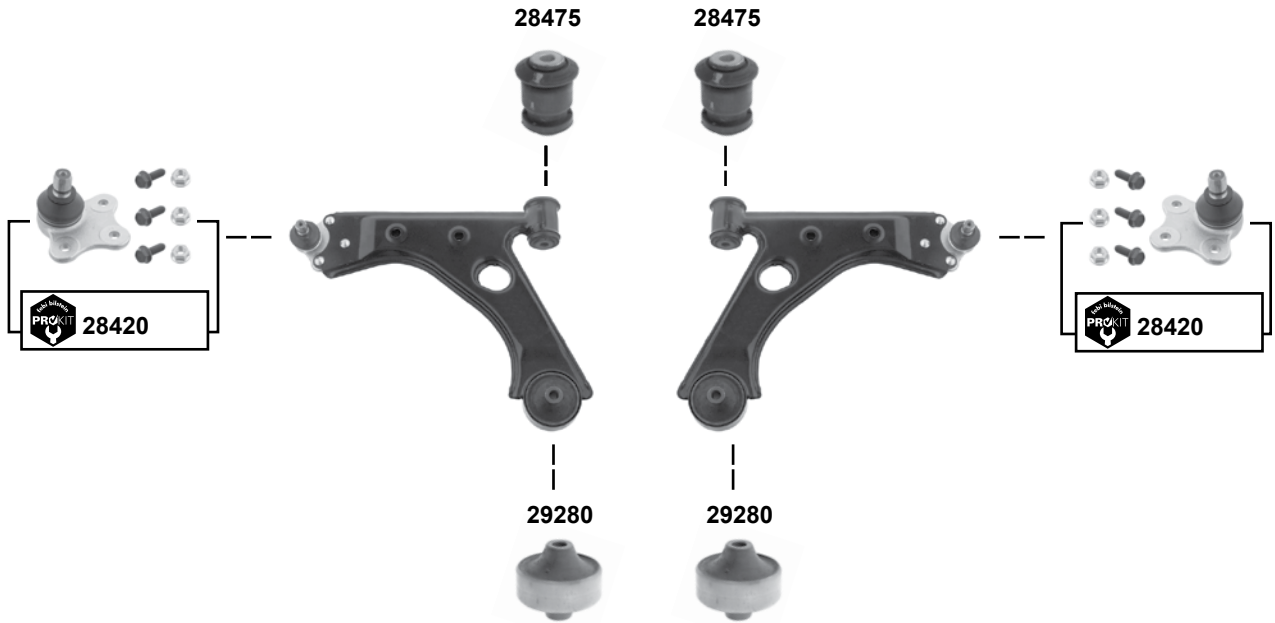


(1) (ch.) → 94170397, 96065974

	Ref. - No.			
27414	0350 175	ProKit Verbindungsstange / stabilizer link		L 301
28359	1603 543	ProKit Spurstange / tie rod		L 305
28420	0352 087	ProKit Tragelenk / ball joint		Ø A 16
28475	0352 380	Querlenkerlager / control arm mount		12x52x68
28618	1603 544	ProKit Spurstangenendstück / tie rod end	(1)	M14 x 1,5
28619	1603 545	ProKit Spurstangenendstück / tie rod end	(1)	M14 x 1,5
28648	5352 039	Querlenker / control arm		
28649	5352 038	Querlenker / control arm		
29280	0352 864	Querlenkerlager / control arm mount		12x72x66
38586	0350 181	Stabilisatorsatz / stabilizer set		L 1045



**Corса E**  
(2014 →)



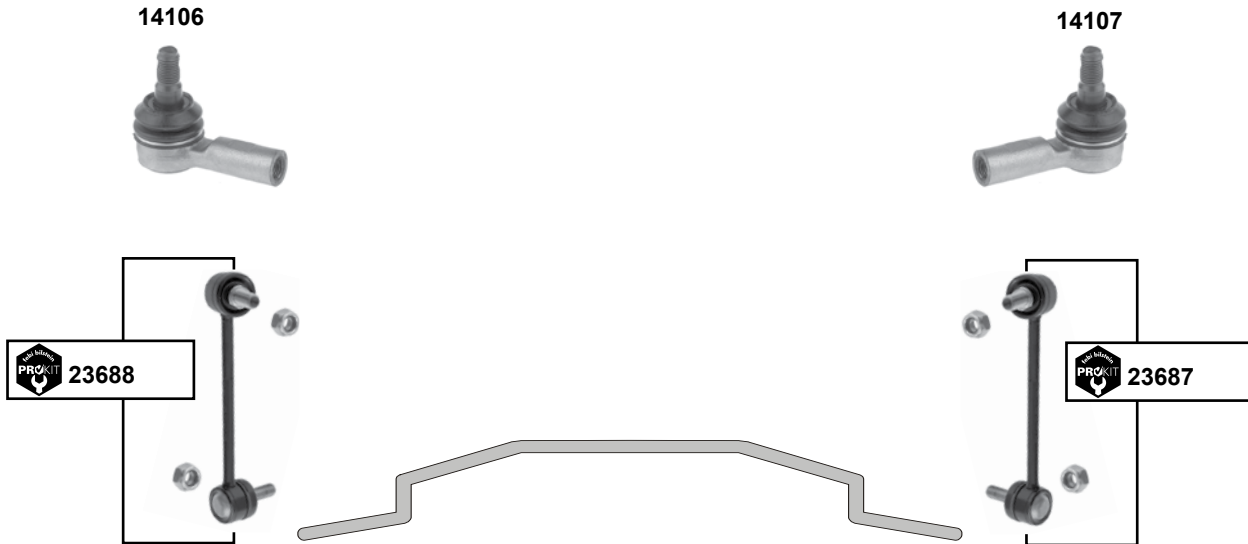
Vorderachse / Front axle

	Ref. - No.			
28420	0352 087	ProKit Tragelenk / ball joint		Ø A 16
28475	0352 380	Querlenkerlager / control arm mount		12x52x68
29280	0352 864	Querlenkerlager / control arm mount		12x72x66
45219	0350 233	Verbindungsstange / stabilizer link		L 310



## Frontera A (1992 → 1998)

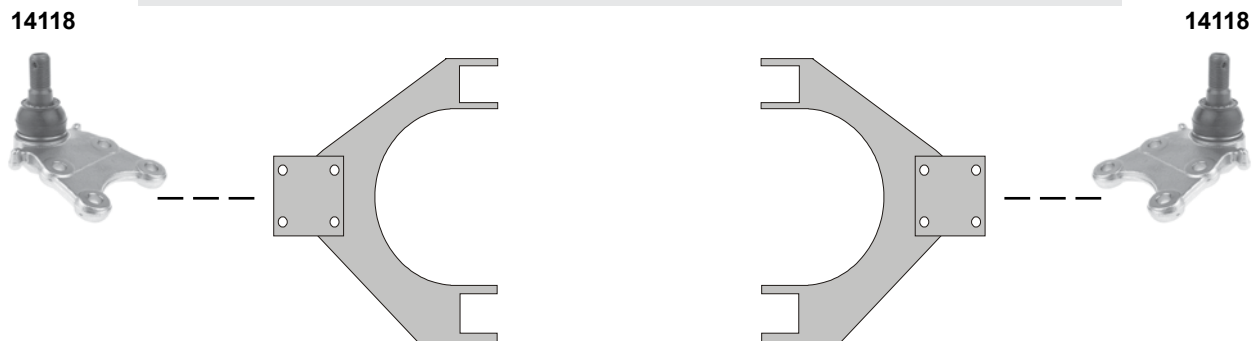
Vorderachse / Front axle



**oben / upper**



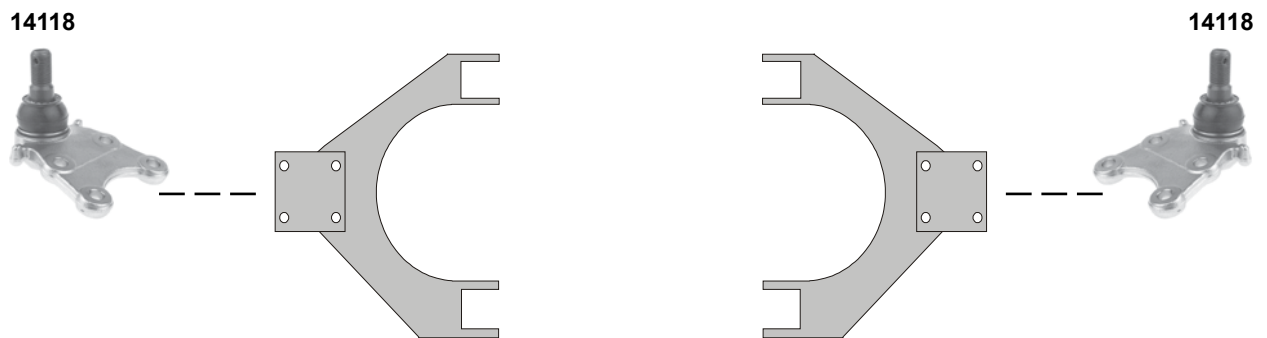
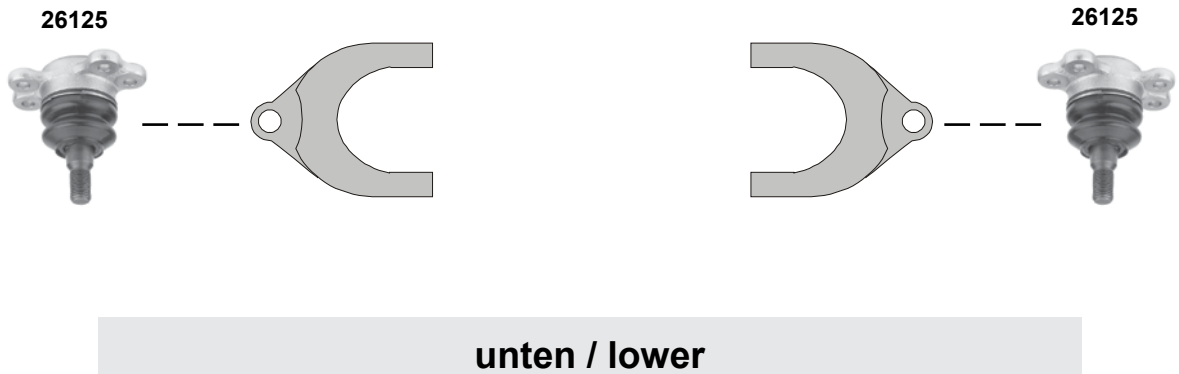
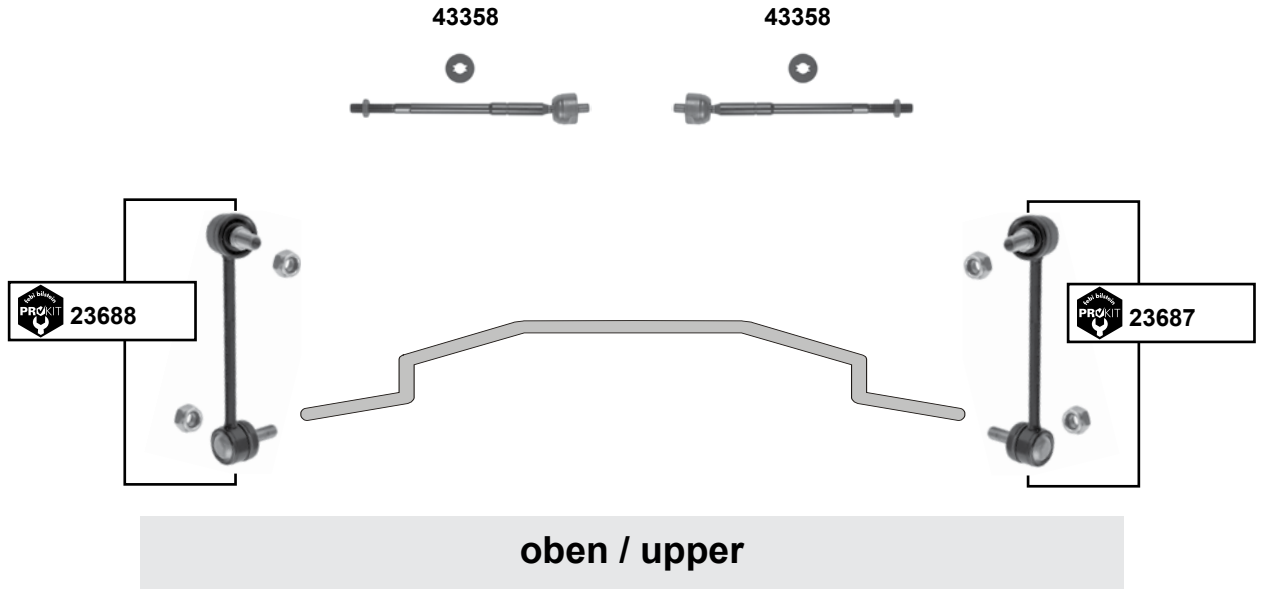
**unten / lower**



	Ref. - No.			
14106	0324 057	Spurstangenendstück / tie rod end		M14 x 1,5
14107	0324 058	Spurstangenendstück / tie rod end		M14 x 1,5
14117	0310 821	Traggelenk / ball joint	(ch.) → SV 720102	M18 x 1,5
14118	0352 828	Traggelenk / ball joint		M18 x 1,5
23687	0350 608	ProKit Verbindungsstange / stabilizer link	(ch.) SV 720103 →	L 150
23688	0350 607	ProKit Verbindungsstange / stabilizer link	(ch.) SV 720103 →	L 150
26125	0310 823	Traggelenk / ball joint	(ch.) SV 720103 →	M14 x 1,5

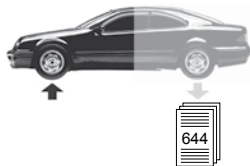


**Frontera B**  
(1998 → 2004)



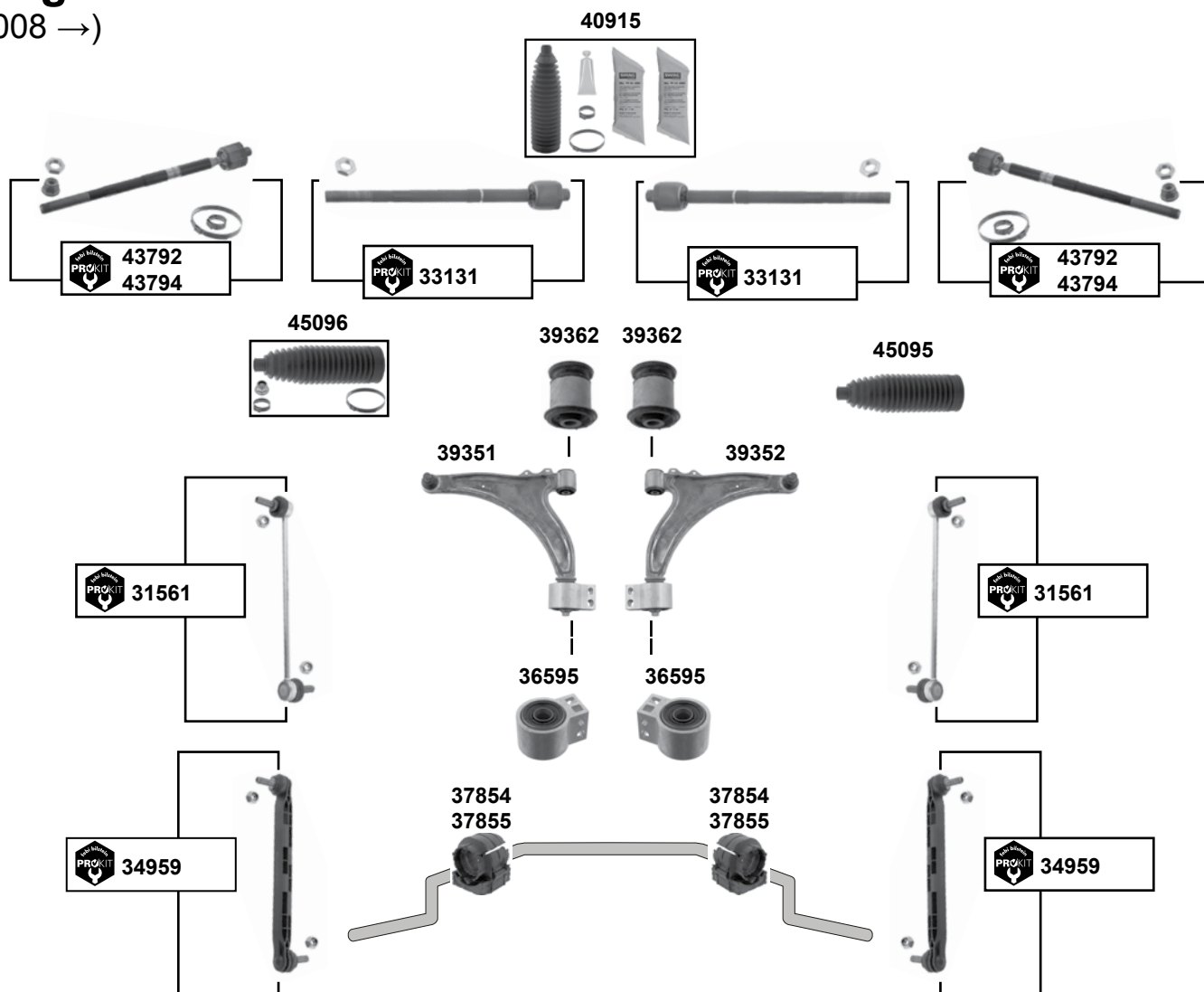
Vorderachse / Front axle

	Ref. - No.			
14118	0352 828	Traggelenk / ball joint		M18 x 1,5
23687	0350 608	ProKit Verbindungsstange / stabilizer link		L 150
23688	0350 607	ProKit Verbindungsstange / stabilizer link		L 150
26125	0310 823	Traggelenk / ball joint		M14 x 1,5
43358	0900 905	Axialgelenk / axial joint		L 312



## Insignia (2008 →)

Vorderachse / Front axle



- (1)
- (2) alle (ex.) Flexride Fahrwerk / all (ex.)
- (3) für reduzierten Stellweg der Zahnstange / for reduced range of the steering rack POC / NJ0
- (4) für normalen Stellweg der Zahnstange / for normal range of the steering rack POC / NJ1
- (5) (ex.) 4x4 / (ch.) POC XJ6 / (ch.) POC XJ2 / (ch.) POC XJ4



	Ref. - No.			
31561	0350 618	ProKit Verbindungsstange / stabilizer link	(1)	L 303,5
33131	6606 030 SK	ProKit Axialgelenk ohne Endstück / axial joint without end		L 209
34959	0350 617	ProKit Verbindungsstange / stabilizer link	(2)	L 304
36595	0352 868	Querlenkerlager / control arm mount		Ø   22
37854	0350 621	Stabilisatorlager / stabilizer mount		Ø   25
37855	0350 622	Stabilisatorlager / stabilizer mount		Ø   23
39351	0352 520	Querlenker / control arm	(5)	
39352	0352 521	Querlenker / control arm	(5)	
39362	0352 866	Querlenkerlager / control arm mount		12x52x60
40915	1609 357	Lenkmanschettenatz / steering boot set	servo	
43792	1609 183	ProKit Axialgelenk ohne Endstück / axial joint without end	(3) E - servo	L 314
43794	1609 181	ProKit Axialgelenk ohne Endstück / axial joint without end	(4) E - servo	L 311
45095	1609 182 SK1	Lenkmanschette / steering boot	E - servo	
45096	1609 182	Lenkmanschettenatz / steering boot set	E - servo	

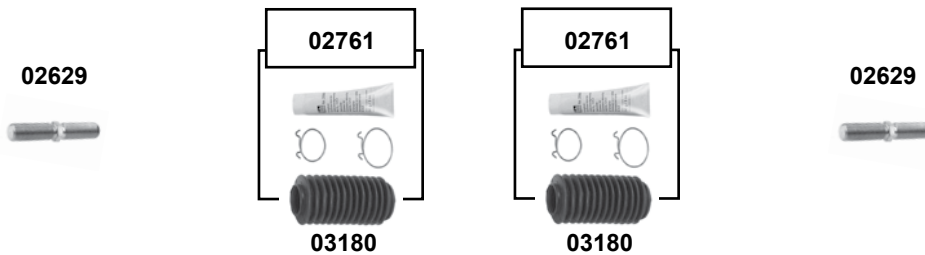


**Kadett C**  
(1973 → 1979)



**Kadett D**  
(1979 → 1982)

(ch.) → C 2500000, C 5000090



Vorderachse / Front axle

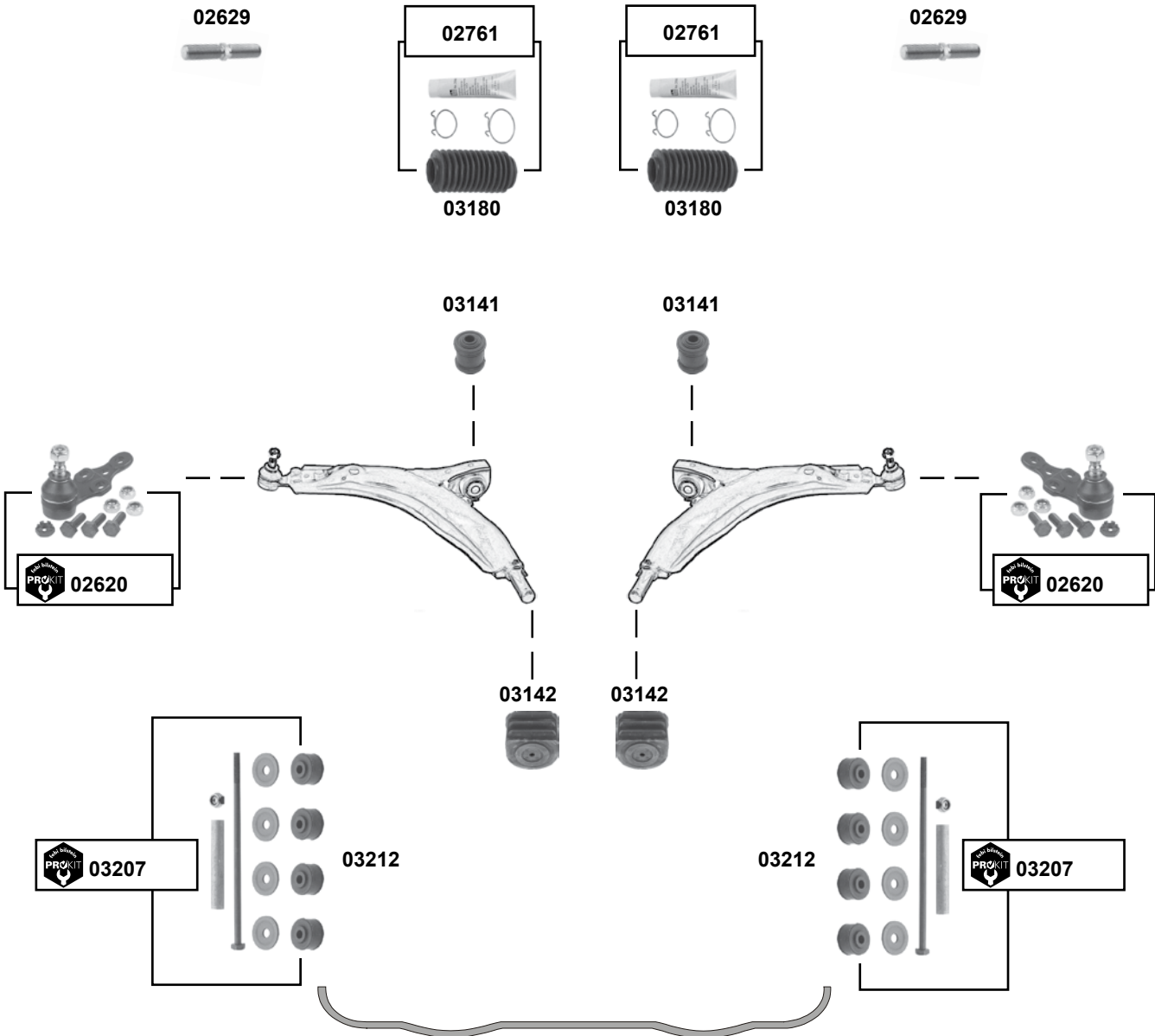
	Ref. - No.			
<b>02629</b>	0322 575	Einstellbolzen / adjusting bolt		M16x1,5x98,5
<b>02761</b>	0902 828 S1	Rep. Satz Lenkmanschette / rep. kit steering boot		
<b>03180</b>	0902 828	Lenkmanschette / steering boot		
<b>03212</b>	0350 153	Verbindungsstangenlager / stabilizer link bush		8,5x30x19



## Kadett D (1979 → 1984)

(ch.) C 2500001, C 5000091 →

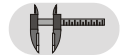
Vorderachse / Front axle



(1) (ch.) FD 2630572 / D 5109110 / CE 173724 →



Ref. - No.

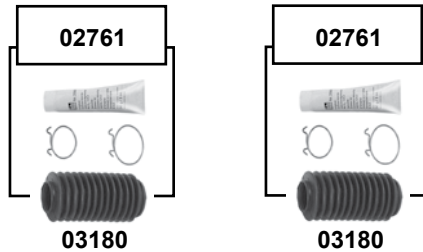


<b>02620</b>	1603 164	ProKit Traggelenk / ball joint	(1)	M12 x 1,5
<b>02629</b>	0322 575	Einstellbolzen / adjusting bolt		M16x1,5x98,5
<b>02761</b>	0902 828 S1	Rep. Satz Lenkmanschette / rep. kit steering boot		
<b>03141</b>	0352 349	Querlenkerlager / control arm mount		14,5x46x59
<b>03142</b>	0352 335	Querlenkerlager / control arm mount		21x56x54,5
<b>03180</b>	0902 828	Lenkmanschette / steering boot		
<b>03207</b>	1603 148	ProKit Stabilisatorlager / stabilizer mount		
<b>03212</b>	0350 153	Verbindungsstangenlager / stabilizer link bush	8,5x30x19	

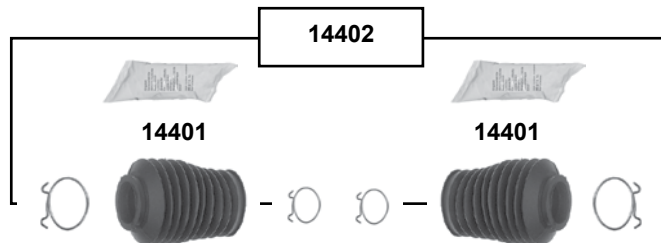


**Kadett E**  
(1984 → 1994)

man.



servo



Vorderachse / Front axle

	Ref. - No.			
<b>02629</b>	0322 575	Einstellbolzen / adjusting bolt		M16x1,5x98,5
<b>02633</b>	0322 125	Spurstange / tie rod		L 429
<b>02634</b>	0322 126	Spurstange / tie rod		L 429
<b>02635</b>	0324 039	ProKit Spurstangenendstück / tie rod end		M16x1,5 RHT
<b>02636</b>	0324 038	ProKit Spurstangenendstück / tie rod end		M16x1,5 LHT
<b>02761</b>	0902 828 S1	Rep. Satz Lenkmanschette / rep. kit steering boot		
<b>03180</b>	0902 828	Lenkmanschette / steering boot		
<b>14401</b>	1609 073 S1	Lenkmanschette / steering boot		
<b>14402</b>	1609 073 SK	Lenkmanschette / steering boot		

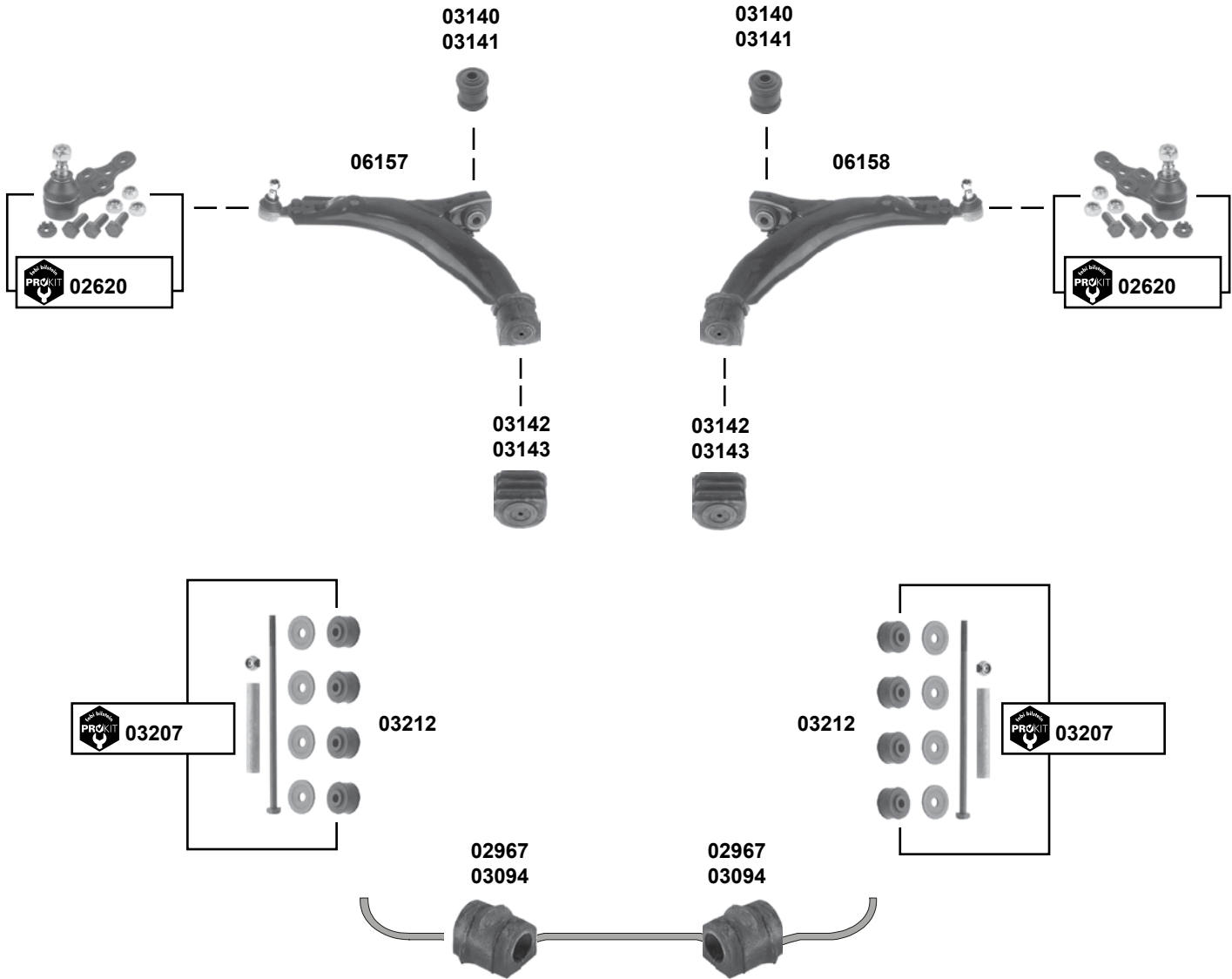
servo ZF  
servo ZF





## Kadett E (1984 → 1994)

Vorderachse / Front axle



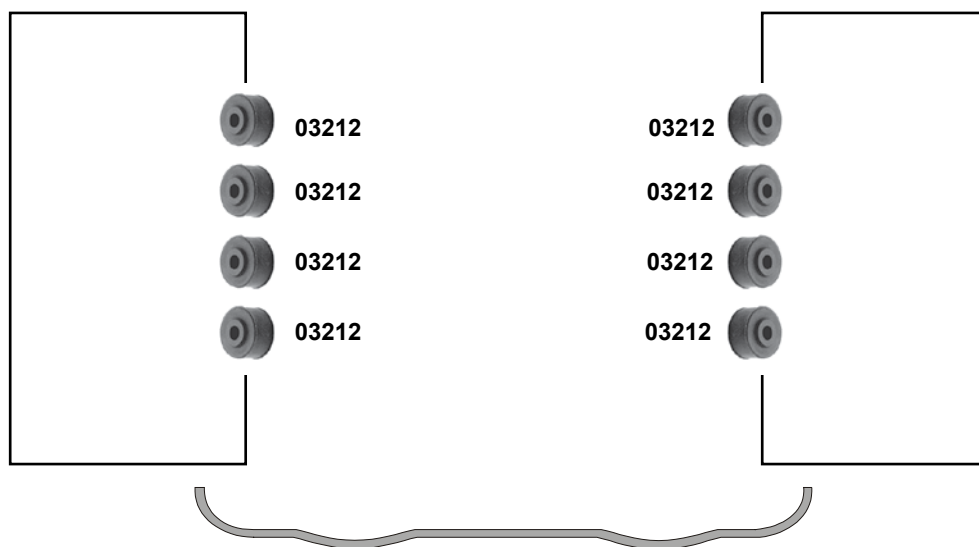
- (1) 1.8 E / SE Caravan, 2.0 Cabrio / Stufenheck / GSi / GTE
- (2) (ex.) 1.8 E / SE Caravan, 2.0 Cabrio / Stufenheck / GSi / GTE

	Ref. - No.			
<b>02620</b>	1603 164	ProKit Traggelenk / ball joint		M12 x 1,5
<b>02967</b>	0350 113	Stabilisatorlager / stabilizer mount		Ø   20
<b>03094</b>	0350 112	Stabilisatorlager / stabilizer mount		Ø   17,5
<b>03140</b>	0352 330	Querlenkerlager / control arm mount	(1)	59x43,5x14,5
<b>03141</b>	0352 349	Querlenkerlager / control arm mount	(2)	59x46x14,5
<b>03142</b>	0352 335	Querlenkerlager / control arm mount	(2)	21x56x54,5
<b>03143</b>	0352 338	Querlenkerlager / control arm mount	(1)	21x56x54,5
<b>03207</b>	1603 148	ProKit Stabilisatorlager / stabilizer mount		
<b>03212</b>	0350 153	Verbindungsstangenlager / stabilizer link bush		8,5x30x19
<b>06157</b>	5352 014	Querlenker / control arm	(2)	
<b>06158</b>	0352 172	Querlenker / control arm	(2)	



**Manta B**  
(1975 → 1981)

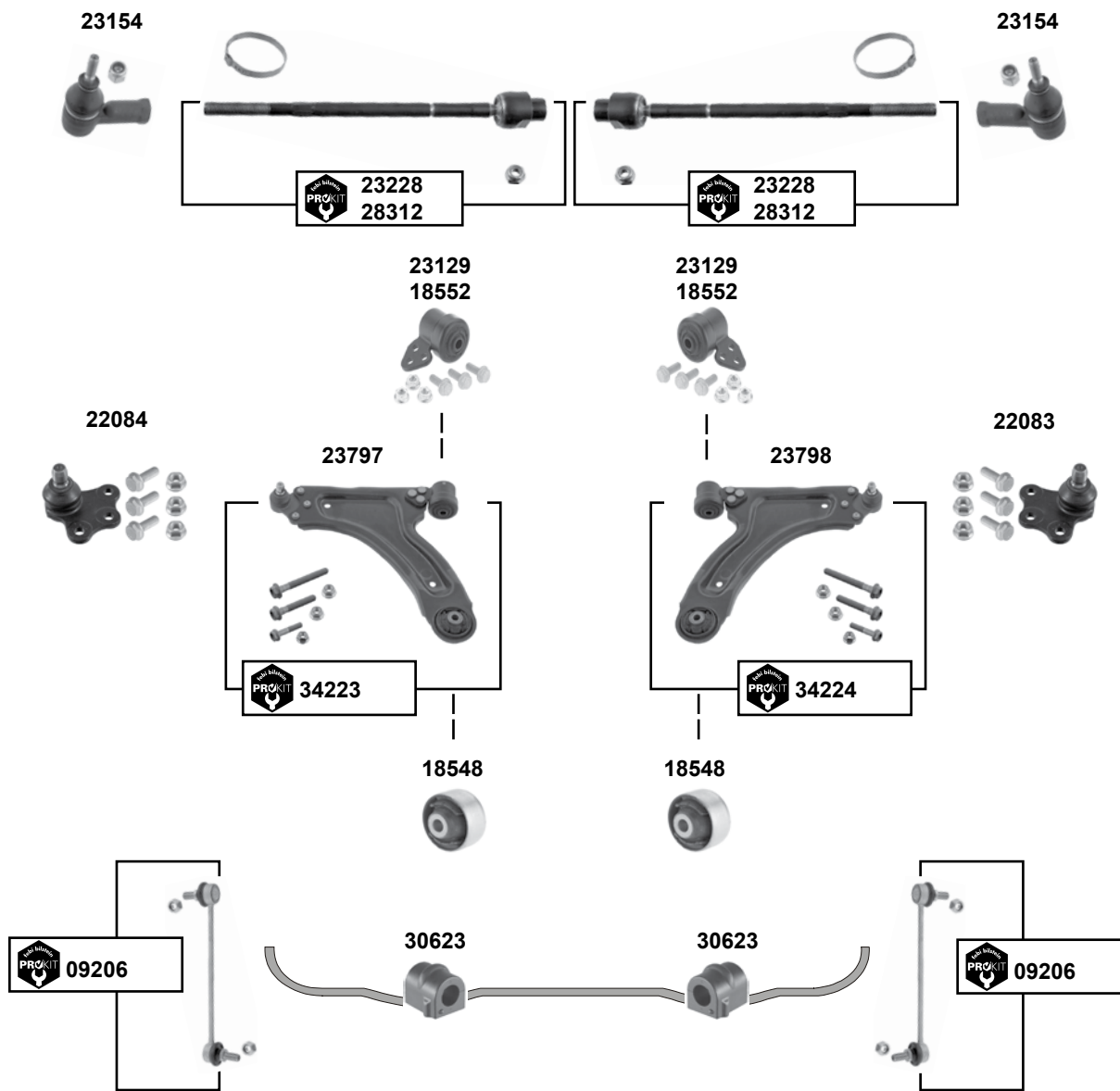
Vorderachse / Front axle





## Meriva A (2003 → 2010)

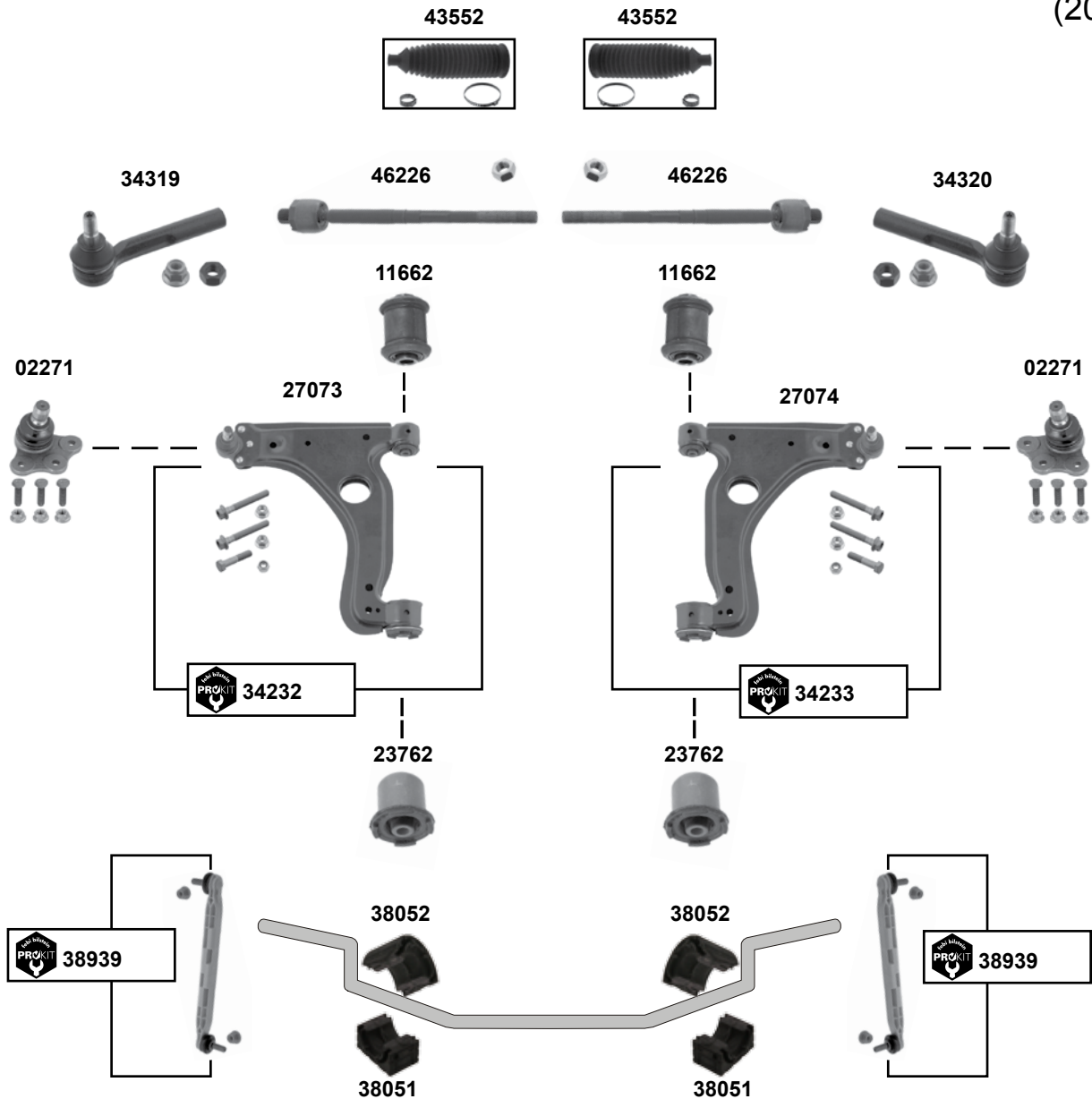
Vorderachse / Front axle



	Ref. - No.			
09206	0350 610	ProKit Verbindungsstange / stabilizer link		L 243,5
18548	0352 320	Gummilager / rubber mounting		12x60x27/46
18552	0352 378	Querlenkerlagersatz / control arm mount kit	(ex.) Z 1,6 LET	12x59x70
22083	5352 026	Traggelenk / ball joint		Ø A 16
22084	5352 025	Traggelenk / ball joint		Ø A 16
23129	0352 377	Gummilager / rubber mounting	Z 1,6 LET	12x49/50x70
23154	1603 240 SK	Spurstangenendstück / tie rod end	E- servo	M14 x 1,5
23228	1603 240	ProKit Spurstange / tie rod	E- servo	L 333
23797	5352 027	Querlenker / control arm	(ex.) OPC	
23798	5352 028	Querlenker / control arm	(ex.) OPC	
28312	1603 428	ProKit Spurstange / tie rod	(ex.) servo	L 332
30623	0350 161	Stabilisatorlager / stabilizer mount		
34223	5352 027 S1	ProKit Querlenker links / control arm left	(ex.) OPC + VXR	
34224	5352 028 S1	ProKit Querlenker rechts / control arm right	(ex.) OPC + VXR	



Meriva B  
(2010 →)



Vorderachse / Front axle



(1) Nur für TRW-Lenkung / TRW-steering only



Ref. - No.



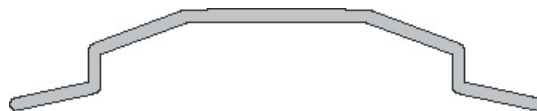
02271	0352 800	Traggelenk / ball joint	
11662	0352 364	Querlenkerlager / control arm mount	
23762	0352 324	Querlenkerlager / control arm mount	12x36,5x60 12x46x60
27073	5352 029	Querlenker / control arm	
27074	5352 030	Querlenker / control arm	
34232	5352 029 S1	ProKit Querlenker links / control arm left	
34233	5352 030 S1	ProKit Querlenker rechts / control arm right	
34319	1609 013	Spurstangenendstück / tie rod end	
34320	1609 012	Spurstangenendstück / tie rod end	
38051	0350 391	Stabilisatorlager, unten / stabilizer mount, lower	Ø   24-25,5
38052	0350 390	Stabilisatorlager, oben / stabilizer mount, upper	Ø   24-25,5
38939	0350 176	ProKit Verbindungsstange / stabilizer link	L 350
43552	1609 356	Lenkmanschettensatz / steering boot set	L 211
46226	1609 011 SK1	Axialgelenk / axial joint	L 276

(1)  
POC 1



**Mokka**  
(2013 →)

Vorderachse / Front axle



	Ref. - No.			
<b>40889</b>	0350 231	ProKit Verbindungsstange / stabilizer link		L 286
<b>40890</b>	0350 232	ProKit Verbindungsstange / stabilizer link		L 286
<b>44888</b>	1609 213	ProKit Axialgelenk / axial joint	E - servo	L 334



**Monterey A**  
(1992 → 1997)



14106



14107



14118

Vorderachse / Front axle

**Monterey B**  
(1998 → 2000)



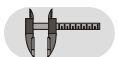
14106



14107



Ref. - No.



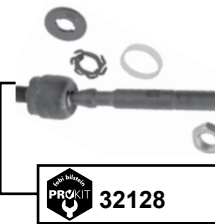
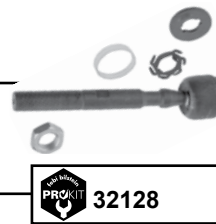
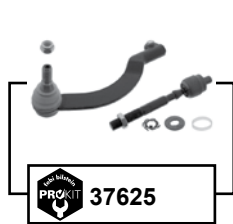
14106	0324 057	Spurstangenendstück / tie rod end
14107	0324 058	Spurstangenendstück / tie rod end
14118	0352 828	Traggelenk / ball joint

M14 x 1,5
M14 x 1,5
M18 x 1,5

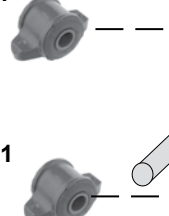
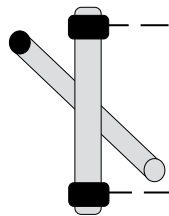


**Movano A**  
(1998 → 2010)

Vorderachse / Front axle



**oben / upper**



**unten / lower**

22468  
34164



26453  
36583



24262



24263



24262



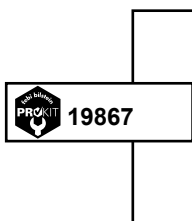
24263



26454  
36584



22468  
34164





**Movano A**  
(1998 → 2010)



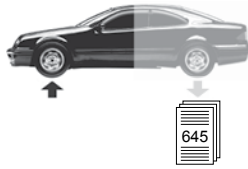
(1) ED (ch.) B809446 → / FD (ch.) BB35303 → / FD (ch.) J023003 →  
HD (ch.) B784591 → / JD (ch.) B794054 → / UD (ch.) B822153 →  
außer Fahrzeuge mit erhöhtem Bodenabstand / except vehicles with increased ground distance

(2) ED (ch.) → B810866 / FD (ch.) → BB57431 / HD (ch.) → B785825 / JD (ch.) → B794913 /  
UD (ch.) → B825494

(3) (ch.) → B810866 (ED) / (ch.) → BB57431 (ED) / (ch.) → B785825 (ED) / (ch.) → B794913 (ED) /  
(ch.) → B825494 (ED)

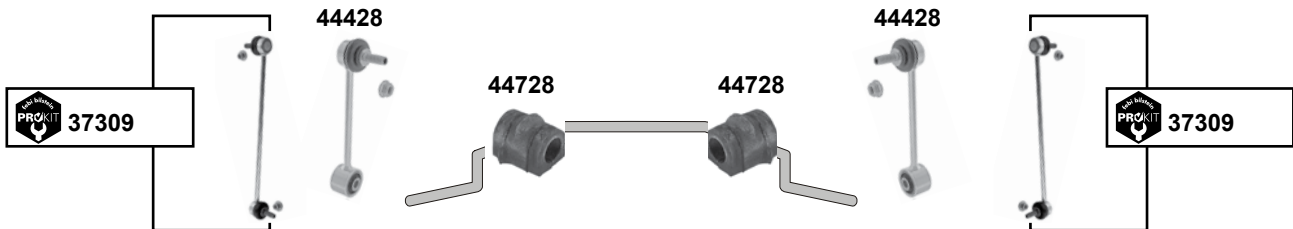
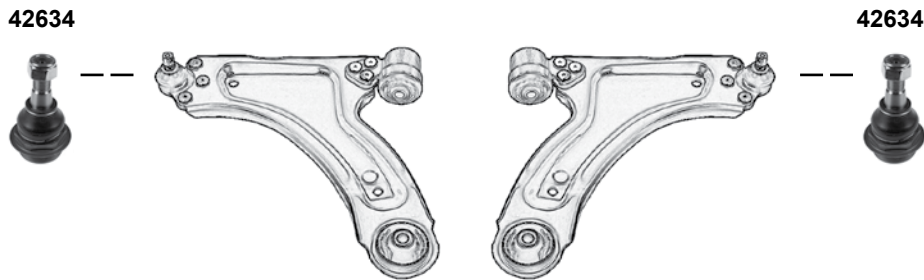
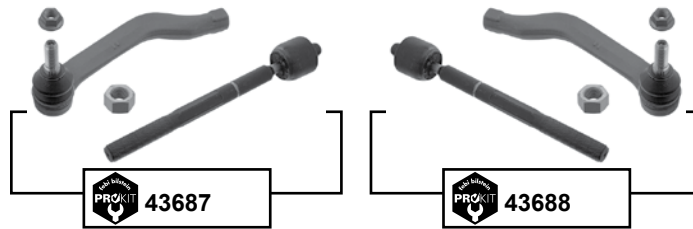
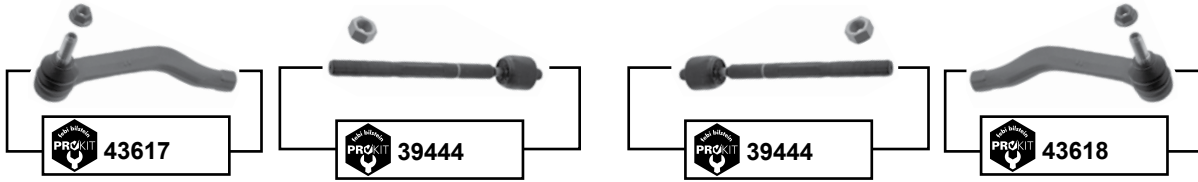
	Ref. - No.			
19866	4500 199	ProKit Verbindungsstange / stabilizer link		L 130
19867	4500 198	ProKit Verbindungsstange / stabilizer link		L 130
21493	4501 262	Spurstangenendstück / tie rod end		L 225
21494	4501 263	Spurstangenendstück / tie rod end		L 225
22468	4401 909	Traggelenk / ball joint		Ø A 22
22710	4500 254	Traggelenk / ball joint	→ 09/02	
24262	4500 094	Querlenkerlager / control arm mount		
24263	4500 095	Querlenkerlager / control arm mount		
26453	4418 212	Querlenker / control arm		
26454	4418 213	Querlenker / control arm		
27181	4500 091	Querlenkerlager oben / upper control arm mount		M10 x 1,5
31847	4401 910	Traggelenk / ball joint		Ø A15/101
32128	4501 261 SK	ProKit Spurstange / tie rod		L 174,5
34164	4418 631	Traggelenk / ball joint	(1)	Ø A 24
36583	4418 629	Querlenker / control arm	07 → 10 (1)	
36584	4418 630	Querlenker / control arm	07 → 10 (1)	
37625	4501 261 S1	ProKit Spurstange / tie rod	(3)	
37626	4501 261 S2	ProKit Spurstange / tie rod	(3)	
37627	4408 474 S1	ProKit Spurstange / tie rod	(2)	
37628	4408 474 S2	ProKit Spurstange / tie rod	(2)	





## Movano B

(2010 →)



- (1) alle mit Heckantrieb in Verbindung mit Doppelbereifung / all with rear drive combined with double tires
- (2) EV0, FV0, HV0, UV0, JV0  
Nur Fahrzeuge mit Frontantrieb mit einem Gesamtgewicht von 3300 u. 3500 kg / only vehicles with front wheel drive combined with a total weight of 3300 a. 3500 kg
- (3) Vorderradantrieb oder Heckantrieb ohne Doppelbereifung / front-wheel drive or rear-wheel drive without double tires



Ref. - No.

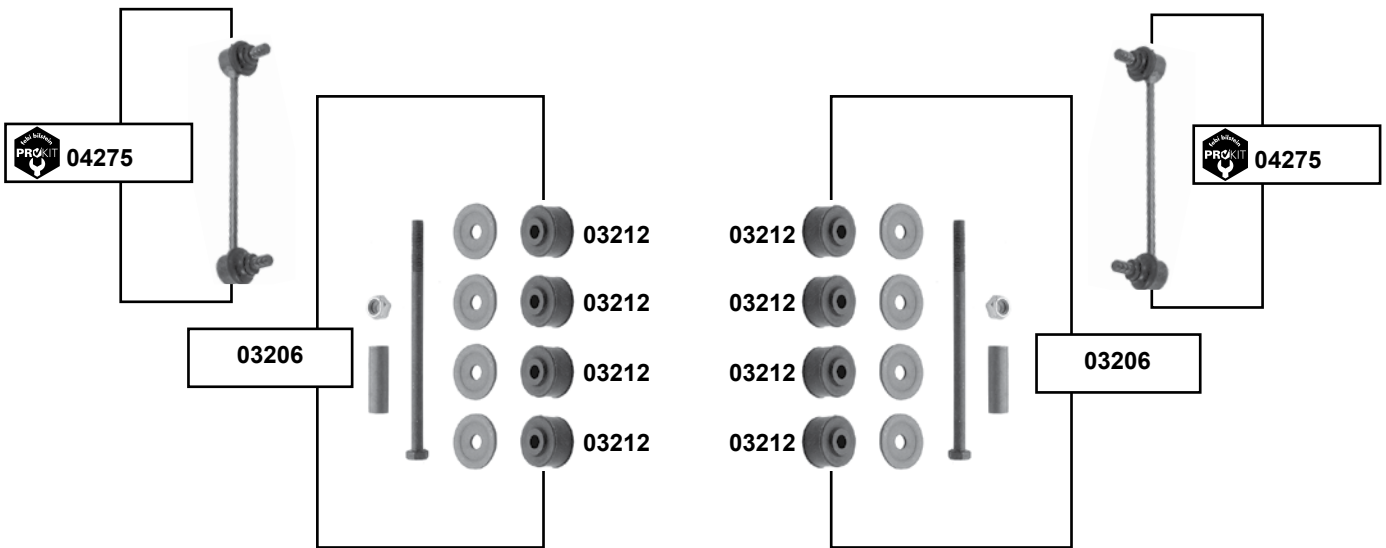


Ref. - No.	Part Name	Notes	Dimensions
37309	4419 291 ProKit Verbindungsstange / stabilizer link	(3)	L 330
39444	4420 098 SK ProKit Axialgelenk / axial joint		L 253
42634	4419 219 Traggelenk / ball joint	→ 22.07.10	
43617	4420 097 ProKit Spurstangenendstück / tie rod end	(1)	M18 x 1,5
43618	4420 098 ProKit Spurstangenendstück / tie rod end		M18 x 1,5
43687	4420 097 S1 ProKit Spurstange / tie rod	(2)	L 166
43688	4420 098 S1 ProKit Spurstange / tie rod		Ø   25,4
44428	4420 954 Verbindungsstange / stabilizer link		
44728	4419 323 Stabilisatorlager / stabilizer mount		

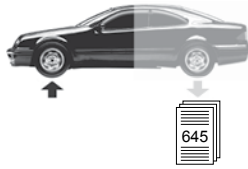


**Monza**  
(1978 → 1987)

Vorderachse / Front axle



	Ref. - No.			
<b>02642</b>	0324 044	Spurstangenendstück / tie rod end		M14x1,5 LHT
<b>02643</b>	0324 045	Spurstangenendstück / tie rod end		M14x1,5 RHT
<b>03206</b>	1603 147	Rep. Satz Stabilisatorlager / rep. kit stabilizer		
<b>03212</b>	0350 153	Verbindungsstangenlager / stabilizer link bush		8,5x30x19
<b>04275</b>	0350 602	ProKit Verbindungsstange / stabilizer link		L 195
<b>09158</b>	0920 367	Lenkhebel / steering arm		L 121 Ø I 18



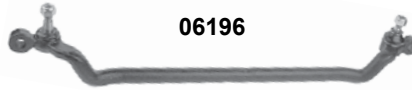
## Omega A (1986 → 1994)

Vorderachse / Front axle

09158  
22099

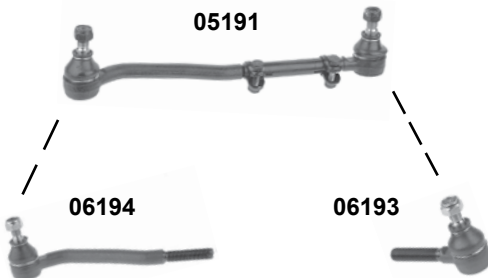


06195



06196

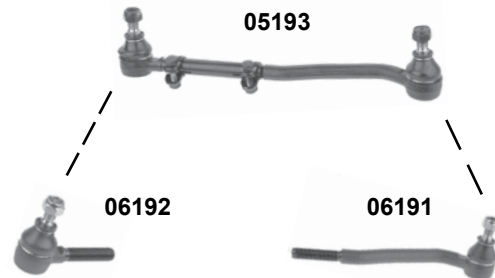
05191



06194

06193

05193



06192

06191



- (1) Omega 1.8, 2.0, 2.6, 3.0
- (2) Omega 2.3D, 2.3TD, 2.4
- (3) Omega 1.8, 2.0, 2.4

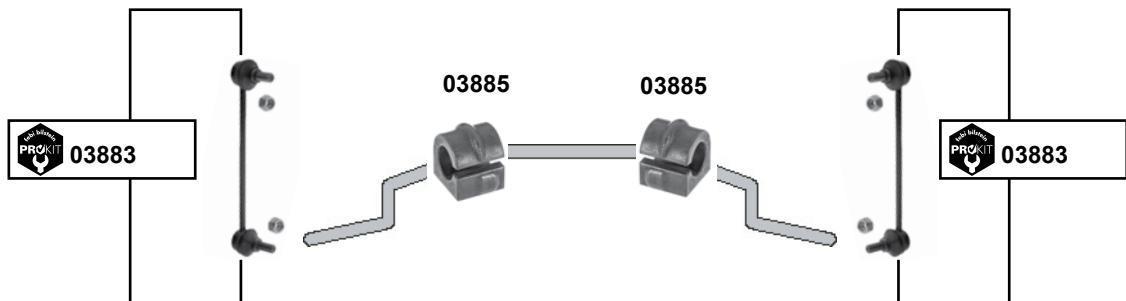
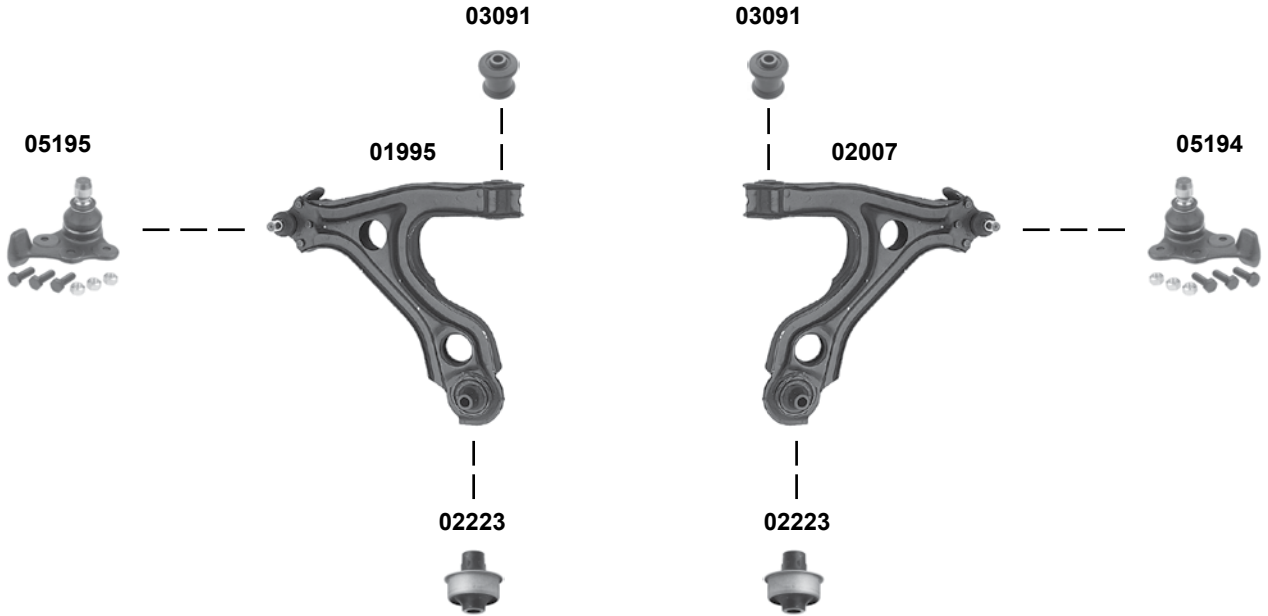


Ref. - No.



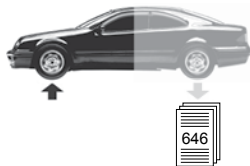
Ref. - No.	Description	Notes	Dimensions
05191	Spurstange / tie rod		L 347
05193	Spurstange / tie rod		L 347
06191	Spurstangenendstück / tie rod end	(ch.) H 1169261 →	M14x1,5 LHT
06192	Spurstangenendstück / tie rod end	(ch.) H 1169261 →	M14x1,5 RHT
06193	Spurstangenendstück / tie rod end	(ch.) H 1169261 →	M14x1,5 LHT
06194	Spurstangenendstück / tie rod end	(ch.) H 1169261 →	M14x1,5 RHT
06195	Spurstange / tie rod	(1) LHD	L 572
06196	Spurstange / tie rod	(2) LHD	L 572
09158	Lenkhebel / steering arm		L 121 Ø 18
22099	Lenkhebel / steering arm	(3)	L 110 Ø 18

**Omega A**  
(1986 → 1994)



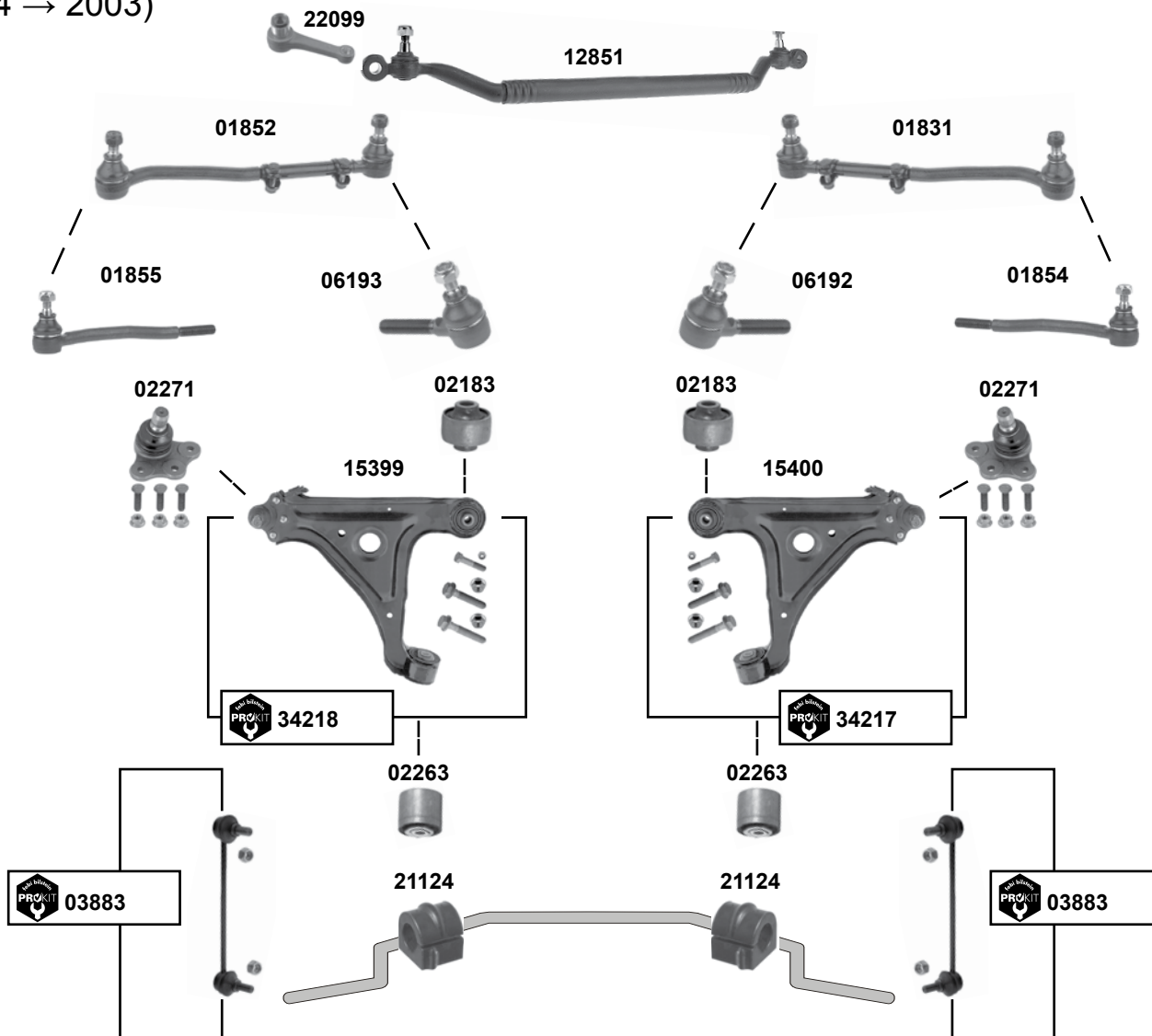
Vorderachse / Front axle

	Ref. - No.			
<b>01995</b>	0352 135	Querlenker / control arm		
<b>02007</b>	0352 136	Querlenker / control arm		
<b>02223</b>	0352 355	Querlenkerlager / control arm mount		16x60x69,5
<b>03091</b>	0352 341	Querlenkerlager / control arm mount		12x41/47x60
<b>03883</b>	0350 609	ProKit Verbindungsstange / stabilizer link		L 225
<b>03885</b>	0350 116	Stabilisatorlager / stabilizer mount		Ø I 22
<b>05194</b>	0352 827	Traggelenk / ball joint		Ø A 18
<b>05195</b>	0352 826	Traggelenk / ball joint		Ø A 18



## Omega B (1994 → 2003)

Vorderachse / Front axle



(1) (ch.) → X 1999999      alle / all  
(ch.) Y 2000000 →      (ex.) Sport

	Ref. - No.			
01831	0322 168	Spurstange / tie rod	(ch.) → X 1999999	L 354
01852	0322 194	Spurstange / tie rod	(ch.) → X 1999999	L 354
01854	0324 155	Spurstangenendstück / tie rod end	(ch.) → X 1999999	M14 x1,5 LHT
01855	0322 179	Spurstangenendstück / tie rod end	(ch.) → X 1999999	M14x1,5 RHT
02183	0352 303	Querlenkerlager / control arm mount	(ch.) → X 1999999	14x49x45,5
02263	0352 302	Querlenkerlager / control arm mount		14x58,5x56
02271	0352 800	Traggelenk / ball joint	(ch.) → W 1172238	Ø A 18
03883	0350 609	ProKit Verbindungsstange / stabilizer link		L 225
06192	0322 172	Spurstangenendstück / tie rod end		M14x1,5 RHT
06193	0322 171	Spurstangenendstück / tie rod end		M14x1,5 LHT
12851	0322 166	Spurstange / tie rod	(1) LHD	L 605
15399	0352 029	Querlenker / control arm		
15400	0352 028	Querlenker / control arm		
21124	0350 147	Stabilisatorlager / stabilizer mount		Ø I 23
22099	0920 355	Lenkhebel / steering arm		L 110 / Ø I 18
34217	0352 028 S1	ProKit Querlenker / control arm		
34218	0352 029 S1	ProKit Querlenker / control arm		



**Rekord E**  
(1977 → 1986)

Vorderachse / Front axle

09158



02642



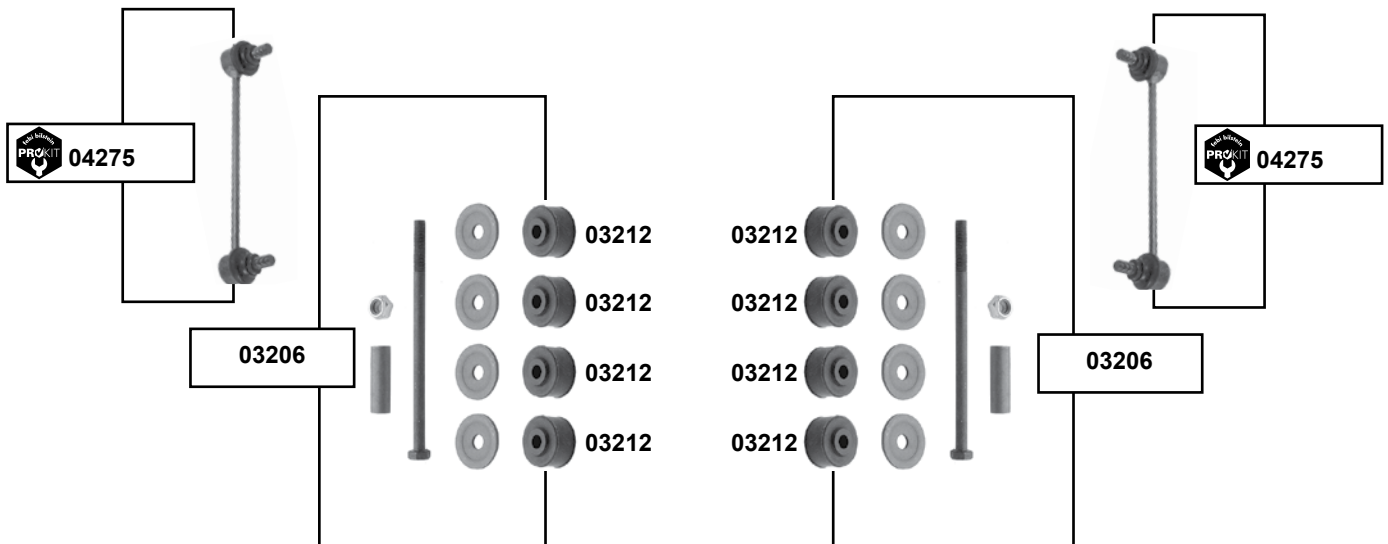
02643



02643



02642



Ref. - No.



02642	0324 044
02643	0324 045
03206	1603 147
03212	0350 153
04275	0350 602
09158	0920 367

Spurstangenendstück / tie rod end
Spurstangenendstück / tie rod end
Rep. Satz Stabilisatorlager / rep. kit stabilizer
Verbindungsstangenlager / stabilizer link bush
ProKit Verbindungsstange / stabilizer link
Lenkhebel / steering arm

M14x1,5 LHT
M14x1,5 RHT
8,5x30x19
L 195
L 121



## Senator A (1978 → 1987)

Vorderachse / Front axle

09158



02642



02643



02643



02642

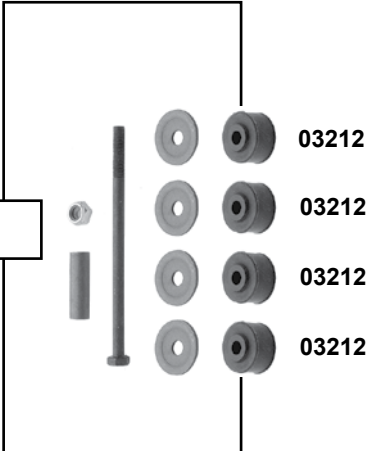


04275

04275

03206

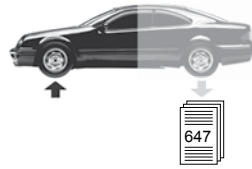
03206



03212  
03212  
03212  
03212

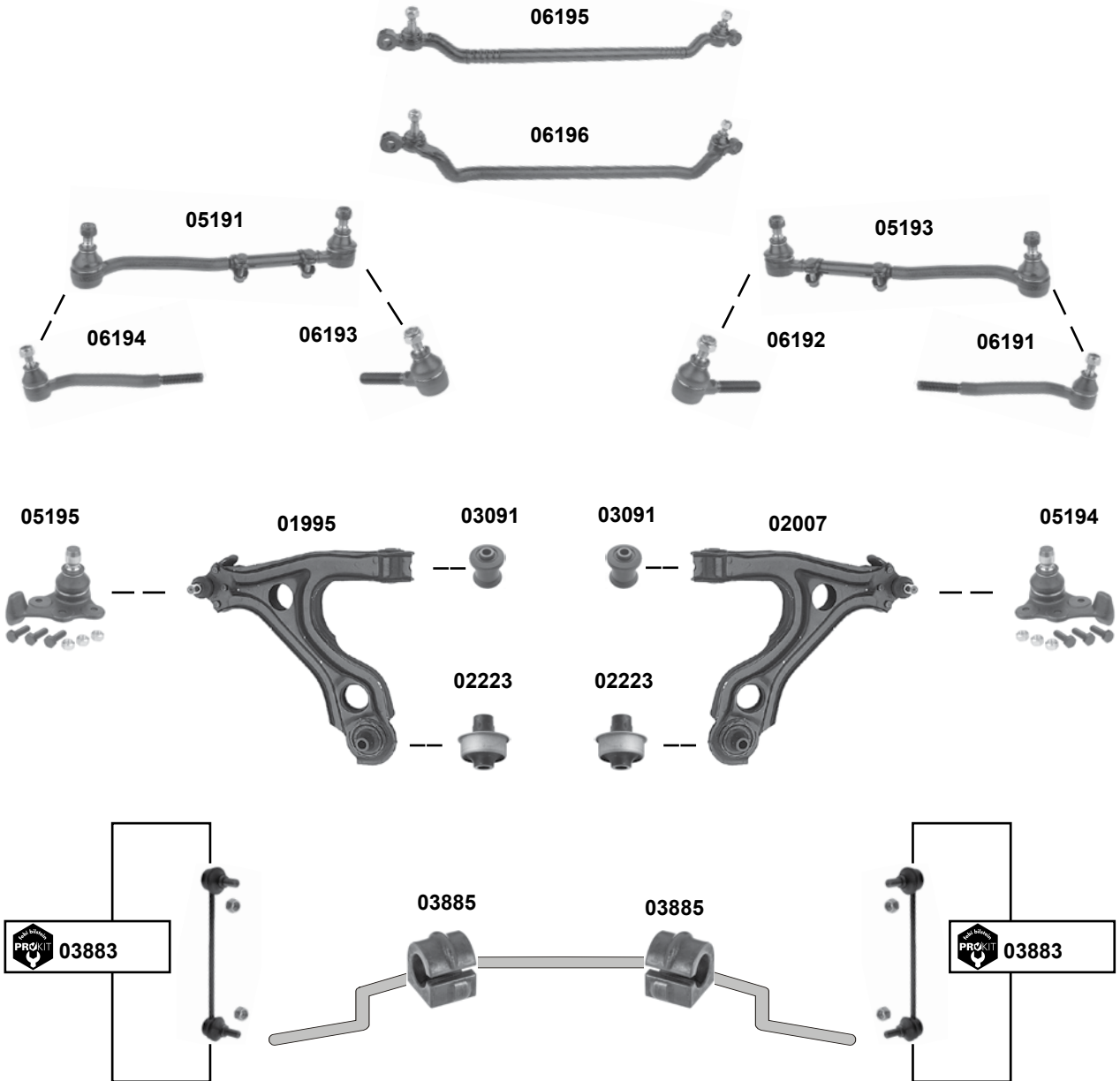
03212  
03212  
03212  
03212

	Ref. - No.			
02642	0324 044	Spurstangenendstück / tie rod end		M14x1,5 LHT
02643	0324 045	Spurstangenendstück / tie rod end		M14x1,5 RHT
03206	1603 147	Rep. Satz Stabilisatorlager / rep. kit stabilizer		
03212	0350 153	Verbindungsstangenlager / stabilizer link bush		8,5x30x19
04275	0350 602	ProKit Verbindungsstange / stabilizer link		L 195
09158	0920 367	Lenkhebel / steering arm		L 121



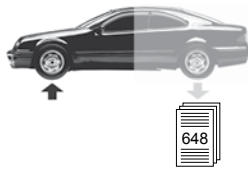
# Senator B (1986 → 1994)

Vorderachse / Front axle



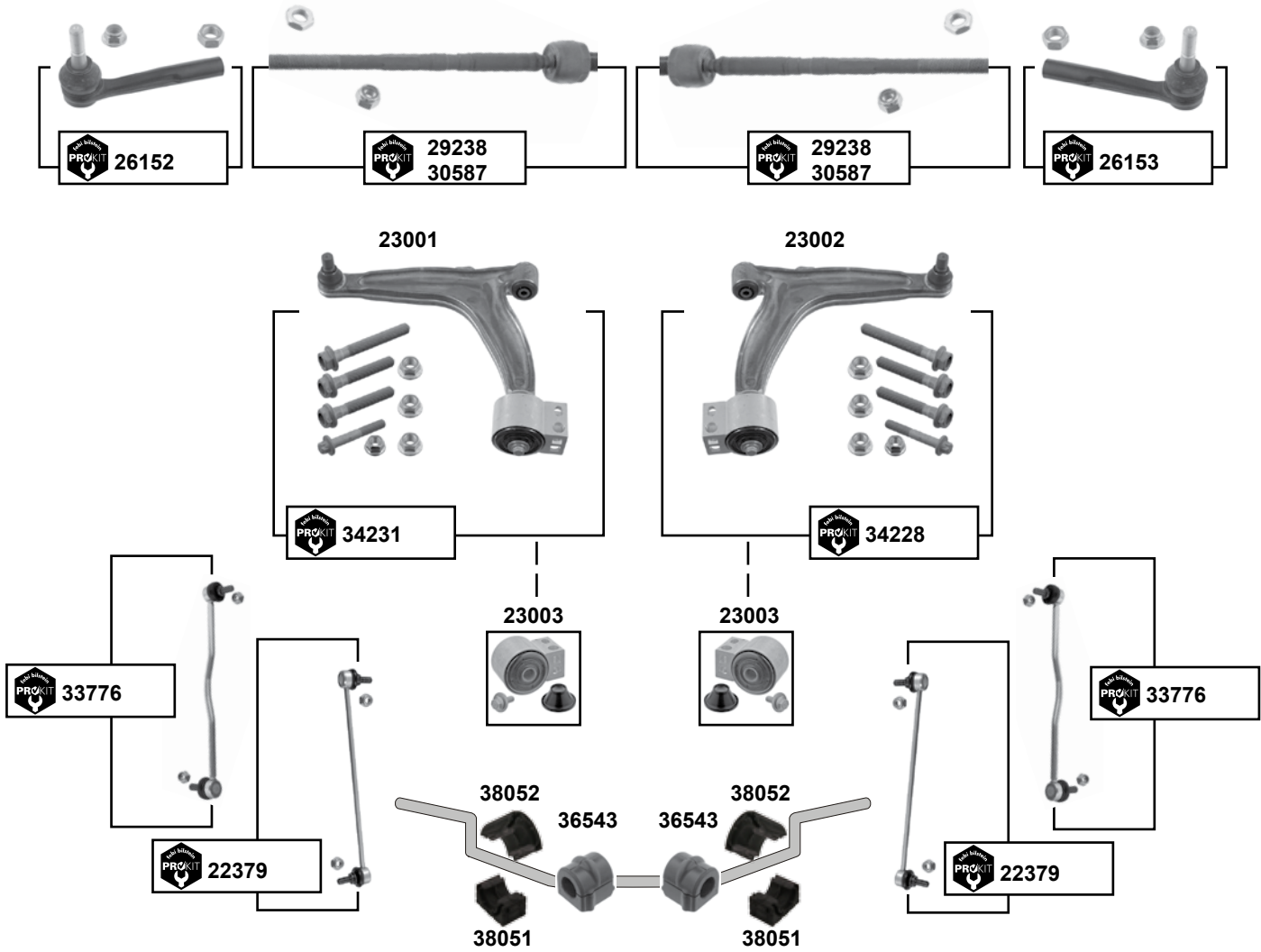
	Ref. - No.			
01995	0352 135	Querlenker / control arm		
02007	0352 136	Querlenker / control arm		
02223	0352 355	Querlenkerlager / control arm mount		16x60x69,5
03091	0352 341	Querlenkerlager / control arm mount		12x41/47x60
03883	0350 609	ProKit Verbindungsstange / stabilizer link		L 225
03885	0350 116	Stabilisatorlager / stabilizer mount		Ø I 22
05191	0322 173	Spurstange / tie rod		L 347
05193	0322 174	Spurstange / tie rod		L 347
05194	0352 827	Traggelenk / ball joint		Ø A 18
05195	0352 826	Traggelenk / ball joint		Ø A 18
06191	0322 176	Spurstangenendstück / tie rod end	(ch.) H 1169261 →	M14x1,5 LHT
06192	0322 172	Spurstangenendstück / tie rod end	(ch.) H 1169261 →	M14x1,5 RHT
06193	0322 171	Spurstangenendstück / tie rod end	(ch.) H 1169261 →	M14x1,5 LHT
06194	0322 175	Spurstangenendstück / tie rod end	(ch.) H 1169261 →	M14x1,5 RHT
06195	0322 148	Spurstange / tie rod	LHD	L 572
06196	0322 145	Spurstange / tie rod	LHD	L 572





## Signum (2003 → 2008)

Vorderachse / Front axle



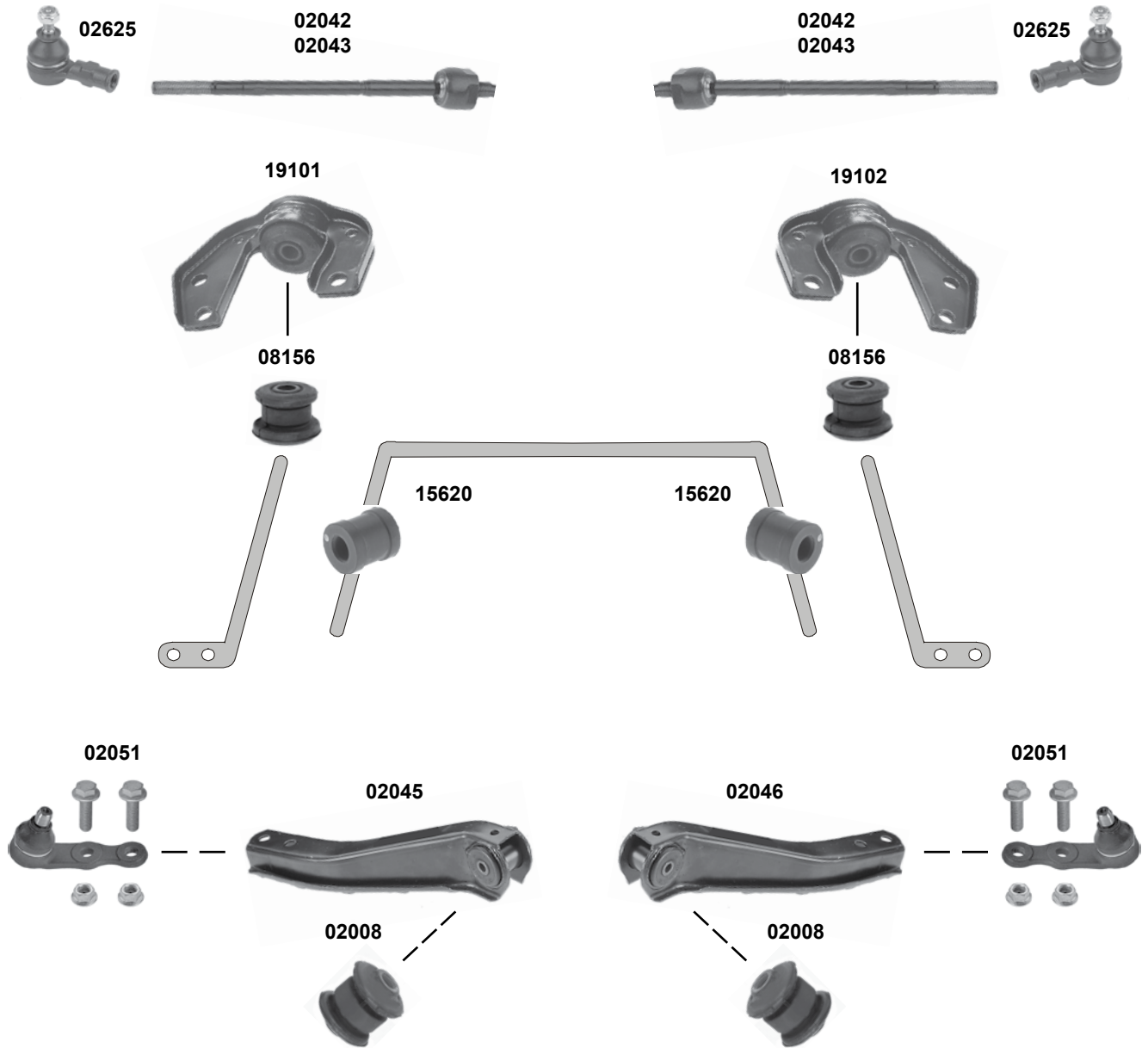
- (1) 18" → (ch.) 41000001 → 61039489      (2) (ex.) IDS+ alle/ all / IDS+ (ch.) → 31999999
- (3) nur Fahrzeuge mit IDS + Fahrwerk / vehicles with IDS + chassis only / (ch.) 41000001 →
- (4) → 05 / (ch.) → 51999999

	Ref. - No.			
22379	0350 615	ProKit Verbindungsstange / stabilizer link	(2)	L 355
23001	0352 051	Querlenker / control arm	Alu / alloy	
23002	0352 052	Querlenker / control arm	Alu / alloy	
23003	0352 319	Rep.Satz Querlenker / rep.kit control arm		
26152	1603 227	ProKit Spurstangenendstück / tie rod end		M14 x 1,5
26153	1603 228	ProKit Spurstangenendstück / tie rod end		M14 x 1,5
29238	1603 416 SK	ProKit Spurstange / tie rod	→ 17"	L 284
30587	1603 417 SK	ProKit Spurstange / tie rod	(1)	L 305
33776	0350 612	ProKit Verbindungsstange / stabilizer link	(3)	L 395
34228	0352 052 S1	ProKit Querlenker rechts / control arm right	(ex.) OPC/VXR	
34231	0352 051 S1	ProKit Querlenker links / control arm left	(ex.) OPC/VXR	
36543	0350 145	Stabilisatorlager / stabilizer mount	(4)	Ø I 23,3
38051	0350 391	Stabilisatorlager, unten / stabilizer mount, lower	(ch.) 61000001 →	Ø I 24
38052	0350 390	Stabilisatorlager, oben / stabilizer mount, upper	(ch.) 61000001 →	Ø I 24



**Tigra A**  
(1994 → 2000)

(ch.) → V 3023597, V 4166925, V 6066279



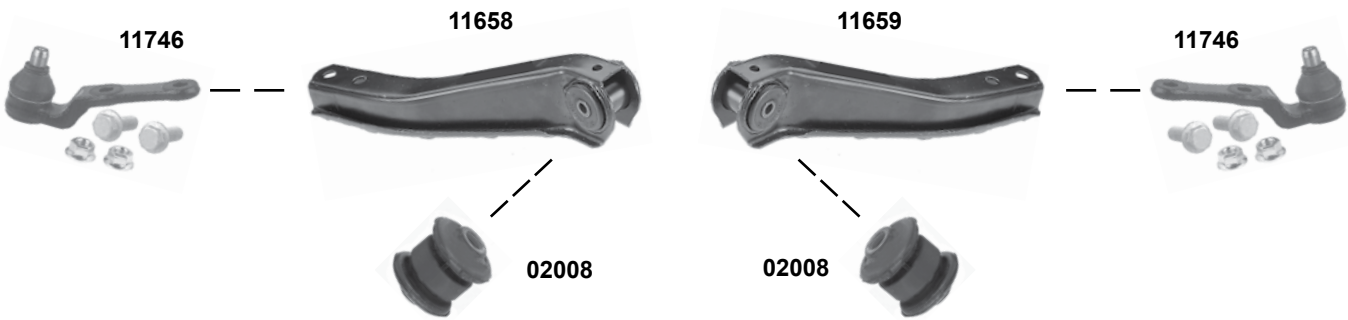
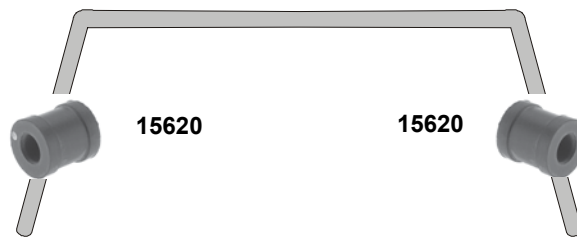
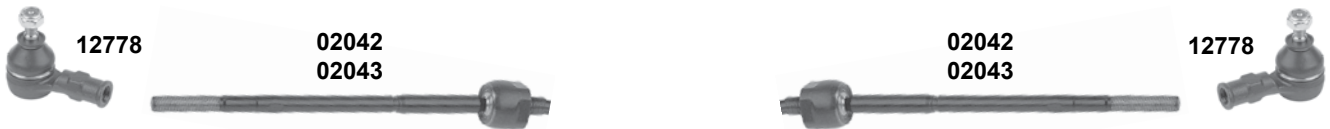
Vorderachse / Front axle

	Ref. - No.			
02008	0352 301	Querlenkerlager / control arm mount	man.  / E - servo	10x35x52
02042	1603 453 SK	Spurstange / tie rod		L 325
02043	0322 158	Spurstange / tie rod	servo	L 290
02045	0352 003	Querlenker / control arm		
02046	0352 002	Querlenker / control arm		
02051	1603 187	Traggelenk / ball joint		Ø A 15
02625	1603 645	Spurstangenendstück / tie rod end		M12x1,5 RHT
08156	0353 561	Zugstrebenlager / tension rod mount		14x36/50x40
15620	0350 127	Stabilisatorlager / stabilizer mount		Ø I 21,5
19101	0353 281	Halter / mount		
19102	0353 280	Halter / mount		

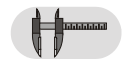


## Tigra A (1994 → 2000)

(ch.) V 3023598, V 4166926, V 6066280 →



Ref. - No.



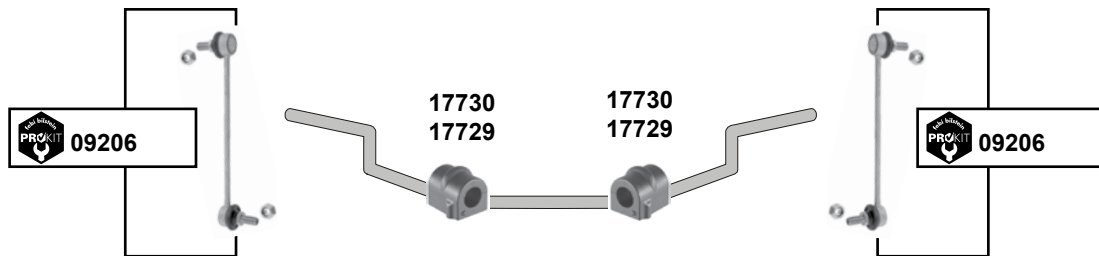
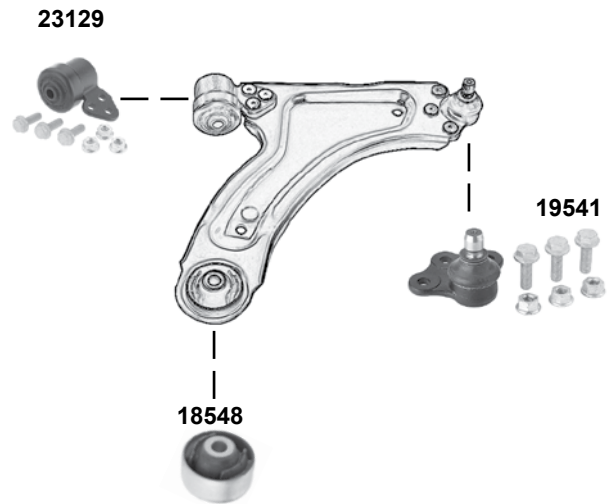
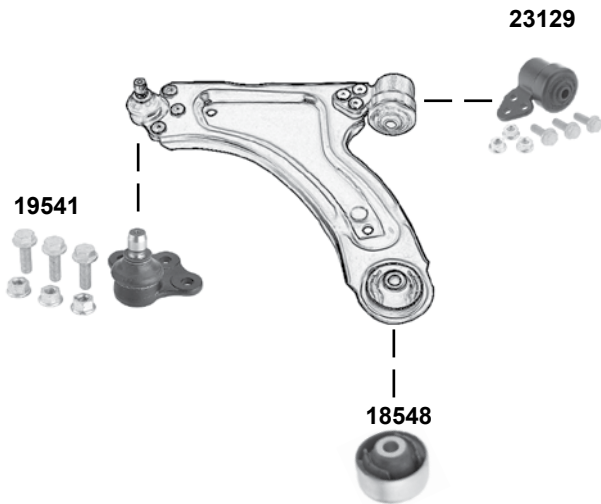
<b>02008</b>	0352 301	Querlenkerlager / control arm mount	man.  / E - servo	10x35x52
<b>02042</b>	1603 453 SK	Spurstange / tie rod		L 325
<b>02043</b>	0322 158	Spurstange / tie rod	servo	L 300
<b>11658</b>	5352 011	Querlenker / control arm		
<b>11659</b>	5352 012	Querlenker / control arm		
<b>11746</b>	1603 202	Traggelenk / ball joint		Ø A 15
<b>12778</b>	1603 455	Spurstangenendstück / tie rod end		M12x1,5 RHT
<b>15620</b>	0350 127	Stabilisatorlager / stabilizer mount		Ø I 21,5

Vorderachse / Front axle



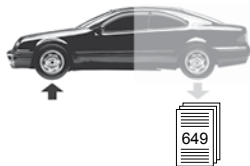
# Tigra B TwinTop

(2004 → 2009)



Vorderachse / Front axle

	Ref. - No.			
<b>02625</b>	1603 645	Spurstangenendstück / tie rod end		M12 x 1,5
<b>09206</b>	0350 610	ProKit Verbindungsstange / stabilizer link		L 243,5
<b>17729</b>	0350 130	Stabilisatorlager / stabilizer mount		Ø I 16
<b>17730</b>	0350 138	Stabilisatorlager / stabilizer mount		Ø I 18
<b>18548</b>	0352 320	Querlenkerlager / control arm mount		Ø A 59,5
<b>19541</b>	0352 803	Traggelenk / ball joint		
<b>23129</b>	0352 377	Querlenkerlager / control arm mount	(ch.) → 5E999999	



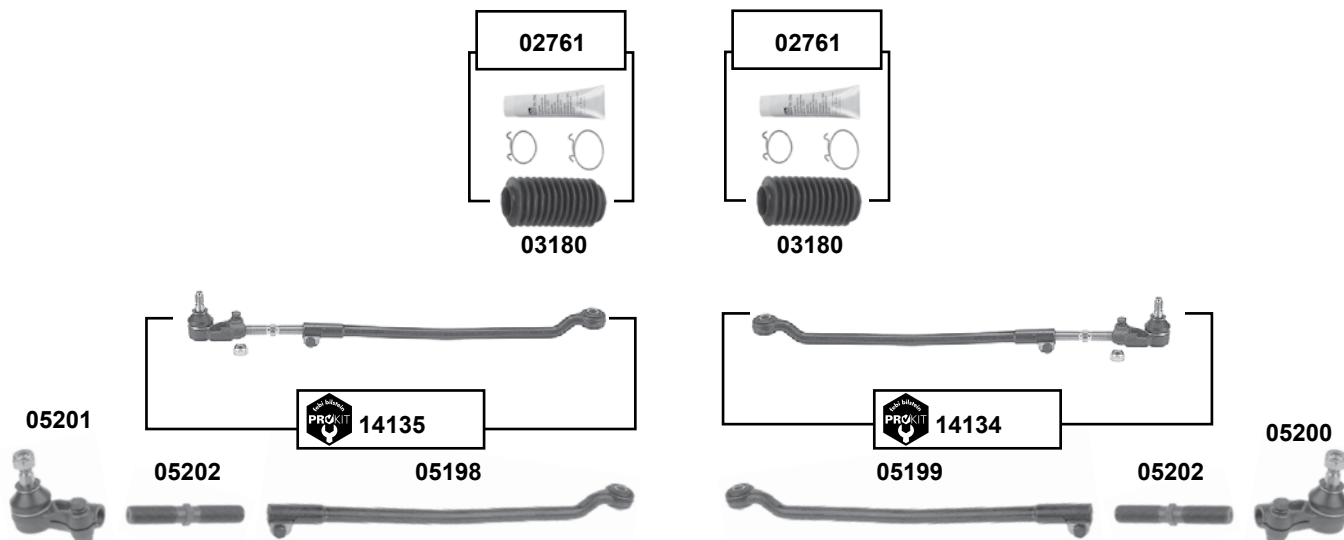
## Vectra A

(1988 → 1995)

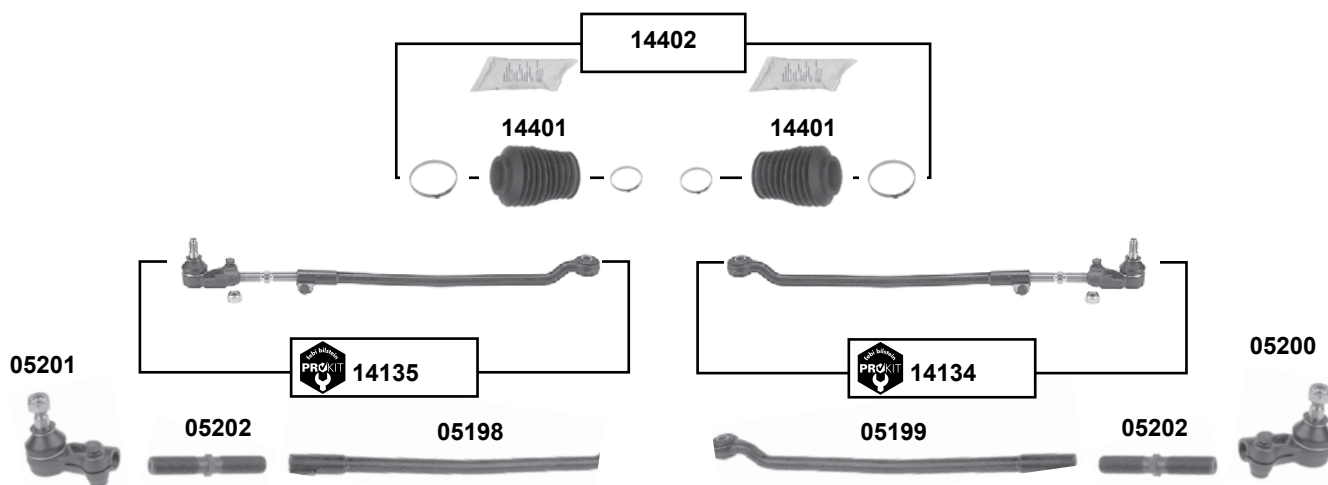
1.4 → 2.0 i (ex.)16 V

1.7 D / TD

man.



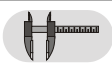
servo



- (1) (ch.) → M 1300367
- (ch.) → M 5396085
- (ch.) → NV 102027



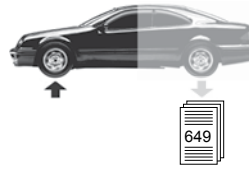
Ref. - No.



Part No.	Ref. - No.	Description	Quantity	Dimensions
02761	0902 828 S1	Rep. Satz Lenkmanschette / rep. kit steering boot	(1)	
03180	0902 828	Lenkmanschette / steering boot	(1)	
05198	0322 147	Spurstange / tie rod		L 434
05199	0322 146	Spurstange / tie rod		L 434
05200	0324 056	Spurstangenendstück / tie rod end		M16x2 LHT
05201	0324 055	Spurstangenendstück / tie rod end		M16x2 RHT
05202	0322 577	Einstellbolzen / adjusting bolt		M16x2x105,5
14134	0322 146 S1	ProKit Spurstange / tie rod		M16 x 2
14135	0322 147 S1	ProKit Spurstange / tie rod		M16 x 2
14401	1609 073 S1	Lenkmanschette / steering boot		M16 x 2
14402	1609 073 SK	Lenkmanschette / steering boot		

servo ZF  
servo ZF

Vorderachse / Front axle

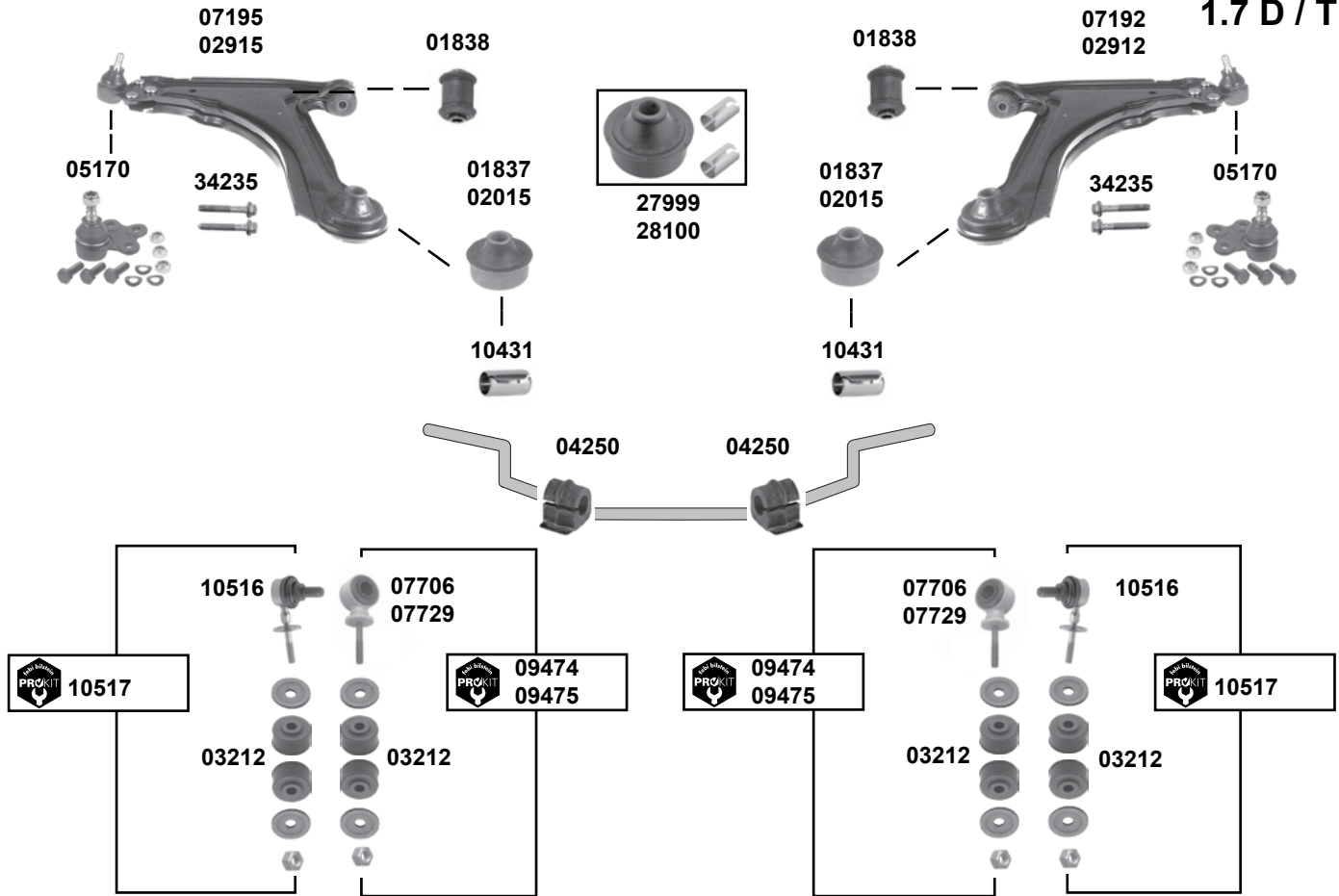


# Vectra A

(1988 → 1995)

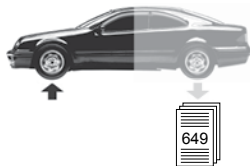
1.4 → 2.0 i (ex.) 16 V

1.7 D / TD



	(1) (ch.) → R 1049313	(2) (ch.) R 1049314 →	
	(ch.) → R 5112256		(ch.) R 5112257 →
	(ch.) → R 7540515		(ch.) R 7540516 →

	Ref. - No.			
01837	0352 348	Querlenkerlager / control arm mount	(1)	16x60x58
01838	0352 300	Querlenkerlager / control arm mount		12x39x60
02015	0352 356	Querlenkerlager / control arm mount	(2)	16x60x58
02912	5352 000	Querlenker / control arm	(2) inkl. 2x10431	
02915	5352 001	Querlenker / control arm	(2) inkl. 2x10431	
03212	0350 153	Verbindungsstangenlager / stabilizer link bush		8,5x30x19
04250	0350 078	Stabilisatorlager / stabilizer mount		Ø   20
05170	1603 167	Traggelenk / ball joint		M12 x 1,5
07192	0352 192	Querlenker / control arm	(1) inkl. 2x10431	
07195	0352 193	Querlenker / control arm	(1) inkl. 2x10431	
07706	0350 260	Verbindungsstange / stabilizer link		Ø   22
07729	0350 261	Verbindungsstange / stabilizer link		Ø   18
09474	0350 260 S1	ProKit Verbindungsstange / stabilizer link		
09475	0350 261 S1	ProKit Verbindungsstange / stabilizer link		
10431	0353 460	Hülse / sleeve		16,3x30
10516	0350 263	Verbindungsstange / stabilizer link		L 86
10517	0350 263 S1	ProKit Verbindungsstange / stabilizer link		L 86
27999	0352 356 S1	Querlenkerlager / control arm mount	(2)	16x60x58
28100	0352 348 S1	Querlenkerlager / control arm mount	(1)	16x60x58
34235	2026 745 S1	Schraubensatz für Querlenker / screw kit for control arm		

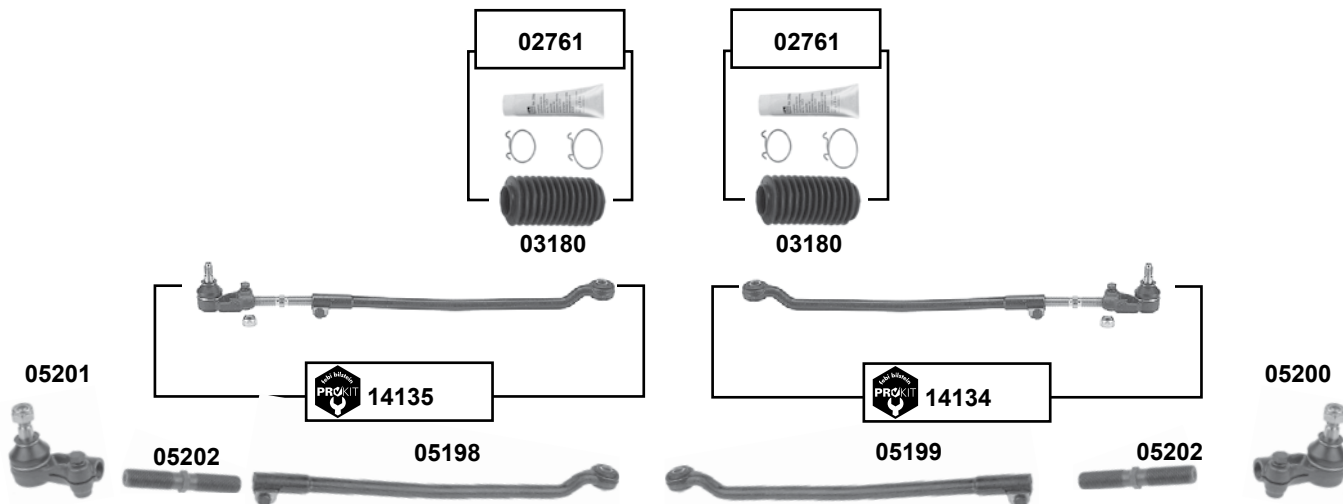


## Vectra A

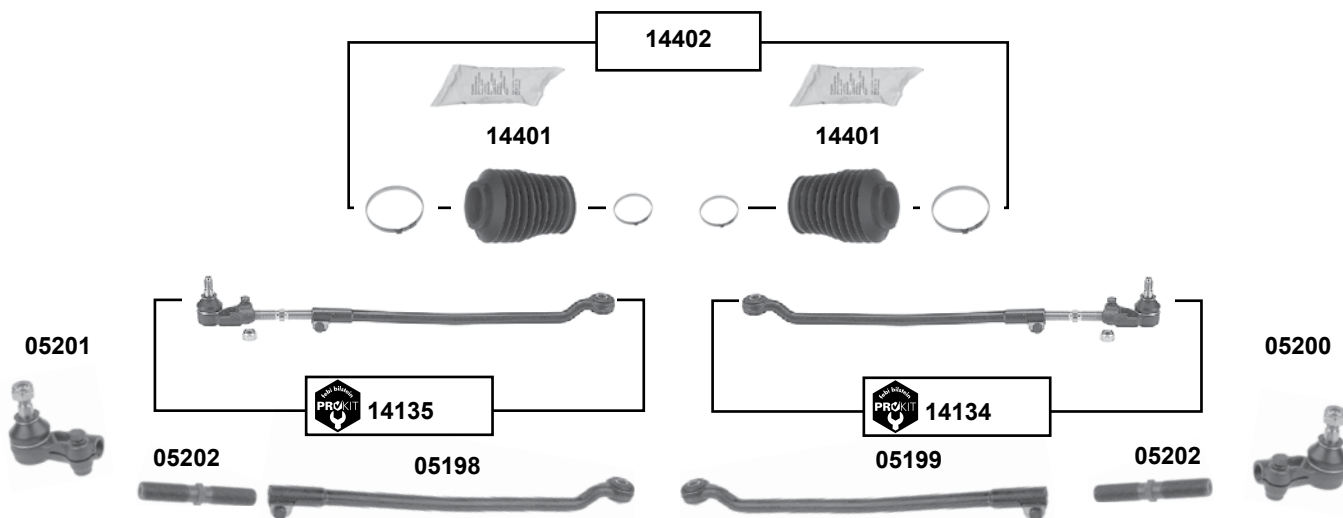
(1988 → 1995)

2.0 i 16V → 2.5 V6

man.



servo



- (1) (ch.) → M 1300367
- (ch.) → M 5396085
- (ch.) → NV 102027

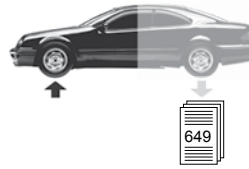


Ref. - No.



02761	0902 828 S1	Rep. Satz Lenkmanschette / rep. kit steering boot	(1)	
03180	0902 828	Lenkmanschette / steering boot	(1)	
05198	0322 147	Spurstange / tie rod		L 434
05199	0322 146	Spurstange / tie rod		L 434
05200	0324 056	Spurstangenendstück / tie rod end		M16x1,5 LHT
05201	0324 055	Spurstangenendstück / tie rod end		M16x1,5 RHT
05202	0322 577	Einstellbolzen / adjusting bolt		M16x2x105,5
14134	0322 146 S1	ProKit Spurstange / tie rod		M16 x 2
14135	0322 147 S1	ProKit Spurstange / tie rod		M16 x 2
14401	1609 073 S1	Lenkmanschette / steering boot		
14402	1609 073 SK	Lenkmanschette / steering boot		

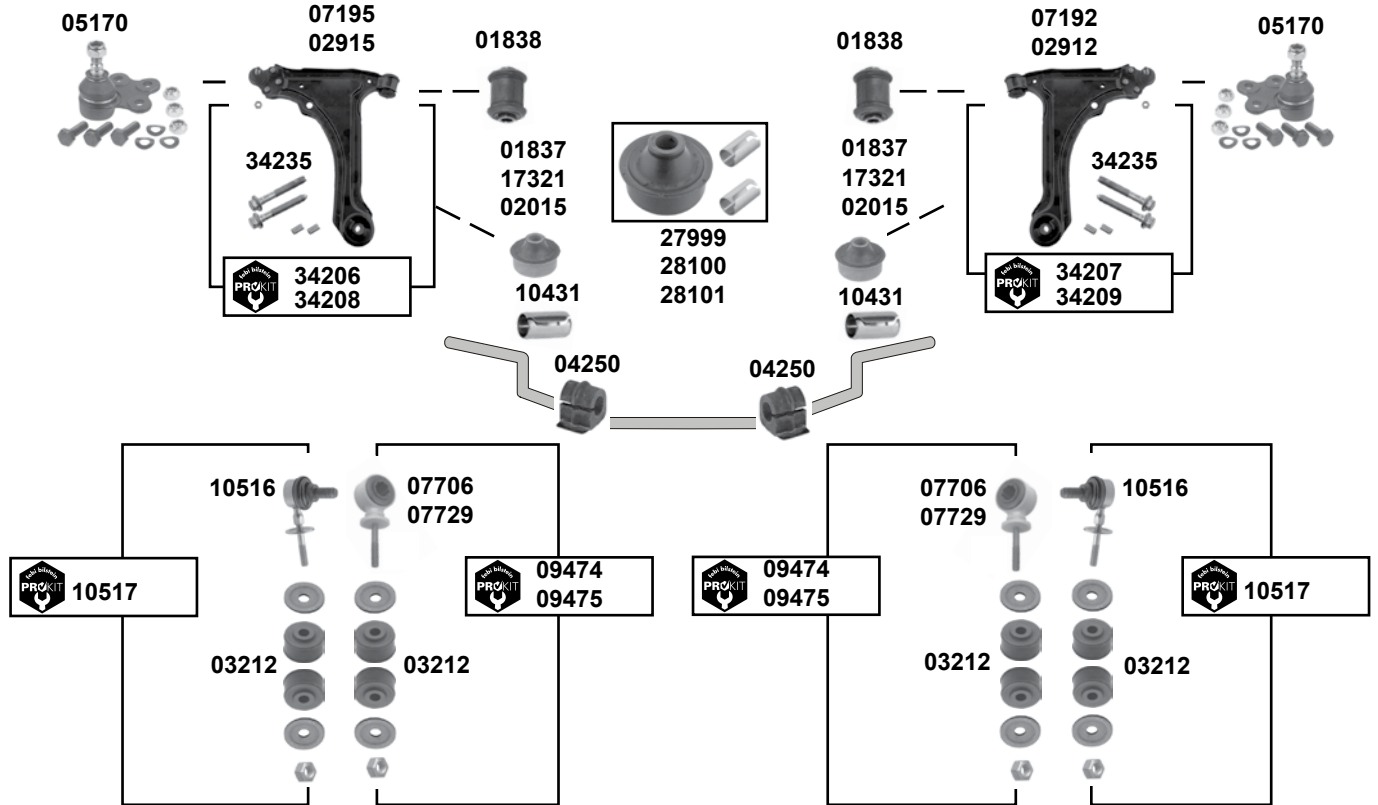
servo ZF  
servo ZF



# Vectra A

(1988 → 1995)

2.0 i 16V → 2.5 V6

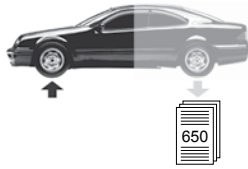


Vorderachse / Front axle

- |  |  |  |
|--|--|--|
|  | (1) (ch.) → NV 535971 / P 1001687 / P 5004910  | (3) (ch.) NV 535972 / P 1001688 / P 5004911 →  |
|  | (2) (ch.) R 75440516 / R 1049315 / R 5112257 → | (4) (ch.) → R 75440515 / R 1049314 / R 5112256 |

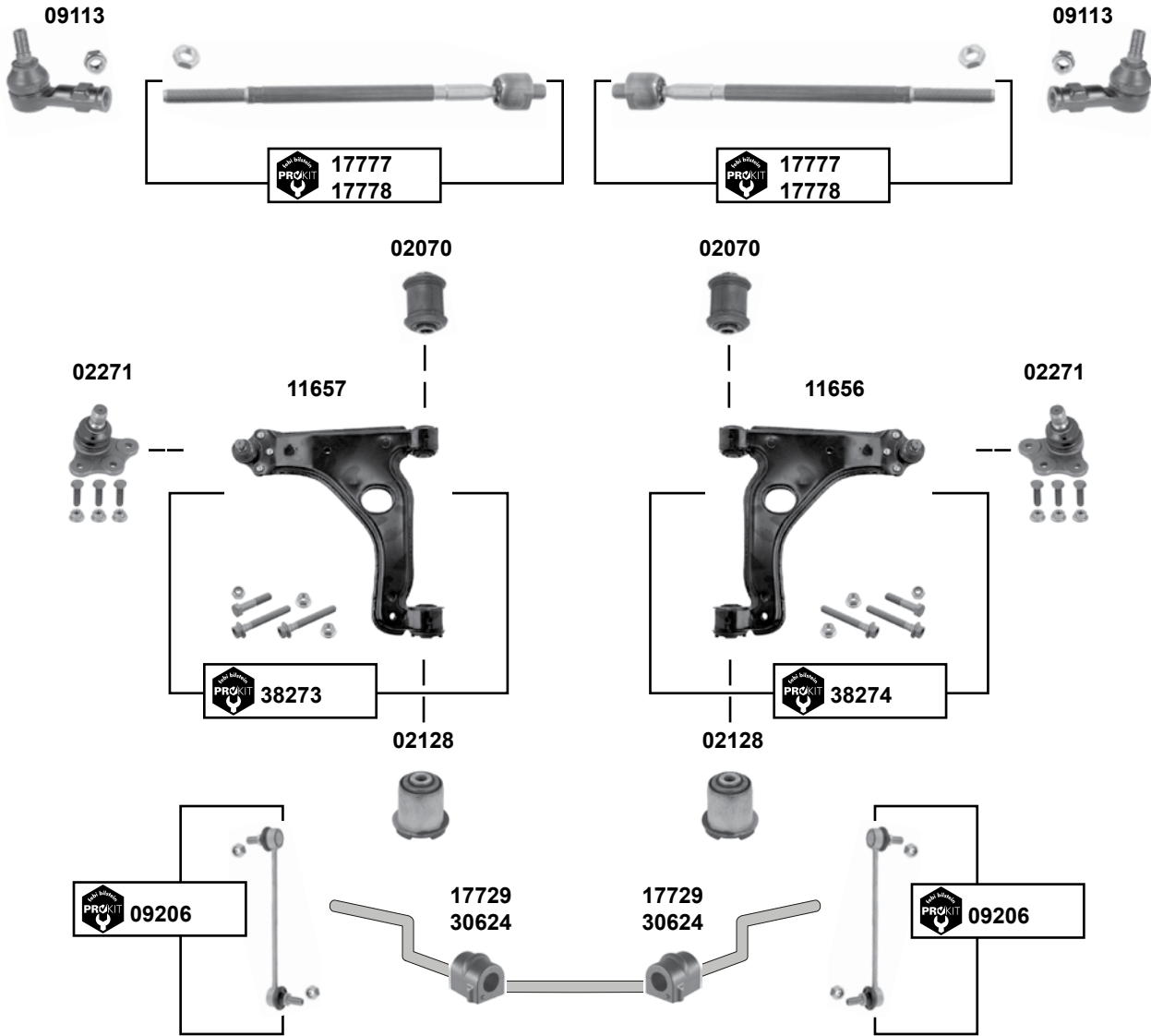
	Ref. - No.			
01837	0352 348	Querlenkerlager / control arm mount	(1) (ex.) 2.5 V6	16x60x58
01838	0352 300	Querlenkerlager / control arm mount	(1) (ex.) 2.5 V6	12x39x60
02015	0352 356	Querlenkerlager / control arm mount	(2) (ex.) 2.5 V6	16x60x58
02912	5352 000	Querlenker / control arm	(2) (ex.) 2.5 V6	
02915	5352 001	Querlenker / control arm	(2) (ex.) 2.5 V6	
03212	0350 153	Verbindungsstangenlager / stabilizer link bush		8,5x30x19
04250	0350 078	Stabilisatorlager / stabilizer mount		Ø   20
05170	1603 167	Traggelenk / ball joint	(ex.) 2.5 V6	M12 x 1,5
07192	0352 192	Querlenker / control arm	(4) (ex.) 2.5 V6	
07195	0352 193	Querlenker / control arm	(4) (ex.) 2.5 V6	
07706	0350 260	Verbindungsstange / stabilizer link		Ø   22
07729	0350 261	Verbindungsstange / stabilizer link		Ø   18
09474	0350 260 S1	ProKit Verbindungsstange / stabilizer link		
09475	0350 261 S1	ProKit Verbindungsstange / stabilizer link		
10431	0353 460	Hülse / sleeve		16,3x30
10516	0350 263	Verbindungsstange / stabilizer link		
10517	0350 263 S1	ProKit Verbindungsstange / stabilizer link		
17321	0352 352	Querlenkerlager / control arm mount	(3) (4) (ex.) 2.5 V6	Ø   12
27999	0352 356 S1	Querlenkerlager / control arm mount	(2) (ex.) 2.5 V6	16x60x58
28100	0352 348 S1	Querlenkerlager / control arm mount	(1) (ex.) 2.5 V6	16x60x58
28101	0352 352 S1	Querlenkerlager / control arm mount	(3) (4) (ex.) 2.5 V6	
34206	5352 001 S1	ProKit Querlenker links / control arm left	(2)	
34207	5352 000 S1	ProKit Querlenker rechts / control arm right	(2)	
34208	0352 193 S1	ProKit Querlenker links / control arm left	(4)	
34209	0352 192 S1	ProKit Querlenker rechts / control arm right	(4)	
34235	2026 745 S1	Schraubensatz für Querlenker / screw kit for control arm		





## Vectra B (1995 → 2002)

Vorderachse / Front axle



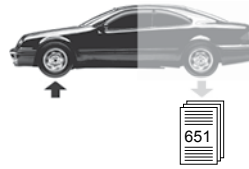
(1) (ch.) → W 1999999 / W 5999999 / W 7999999  
(ch.) XL 00001 → XL 99999

(2) (ex.) Sport (ch.) X 1000001, X 7000001 YL 00001 → // Sport (ch.) Y 1000001, Y 7000001 →

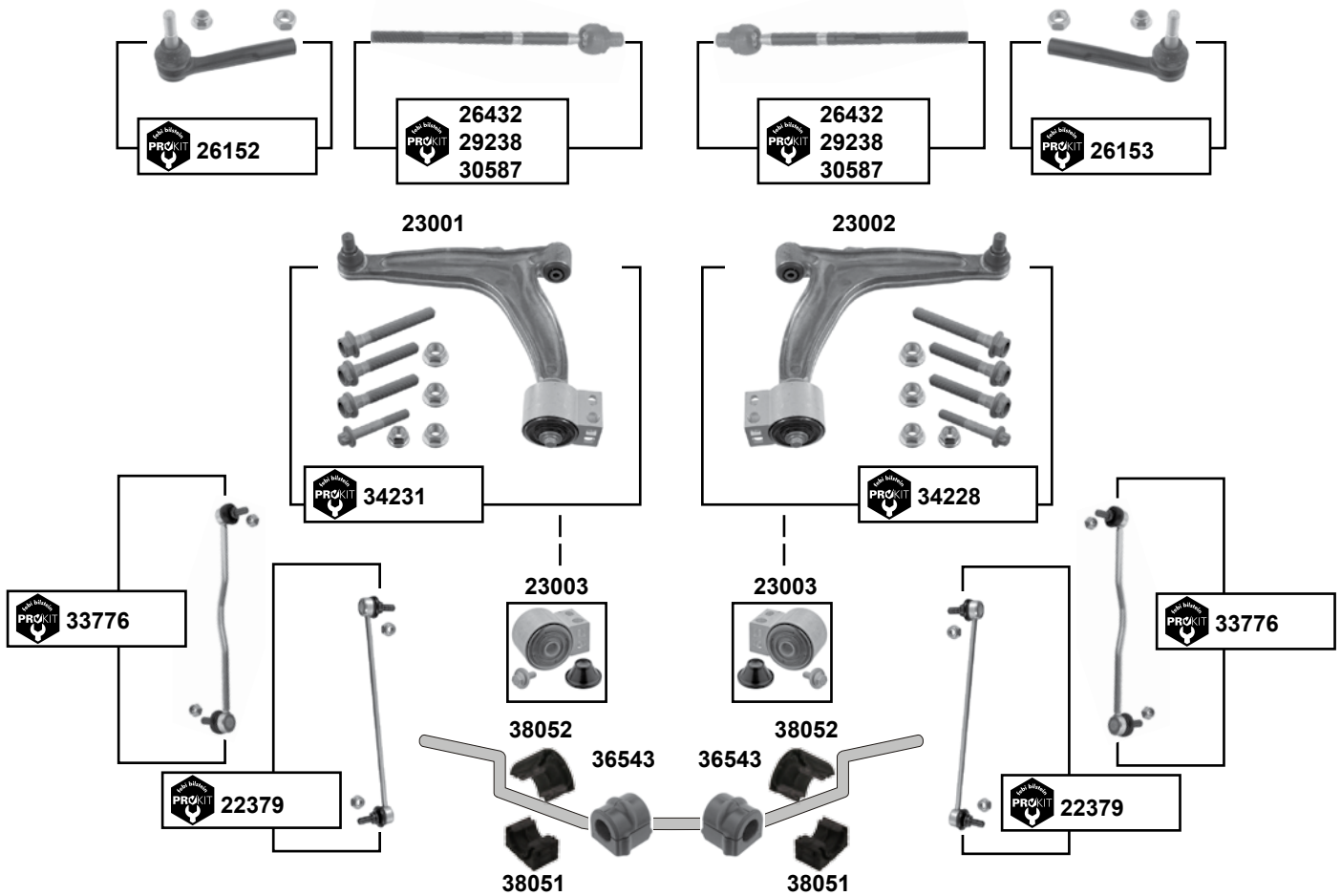


Ref. - No.			
09113	0324 063	Spurstangenendstück / tie rod end	M14 x 1,5
02070	0352 357	Querlenkerlager / control arm mount	12x36,5x60
02128	0352 358	Querlenkerlager / control arm mount	12x47,5x60
02271	0352 800	Traggelenk / ball joint	Ø A 18
09206	0350 610	ProKit Verbindungsstange / stabilizer link	L 243,5
11656	0352 030	Querlenker / control arm	
11657	5352 005	Querlenker / control arm	
17729	0350 130	Stabilisatorlager / stabilizer mount	Ø I 16
17777	1603 199 SK	ProKit Spurstange / tie rod	L 360
17778	1603 206 SK	ProKit Spurstange / tie rod	L 360
30624	0350 086	Stabilisatorlager / stabilizer mount	Ø I 17
38273	5352 005 S1	ProKit Querlenker / control arm	
38274	0352 030 S1	ProKit Querlenker / control arm	

(1) (ex.) Sport  
servo Saginaw  
servo ZF  
(2)



# Vectra C (2002 → 2008)



Vorderachse / Front axle

- |  |   |
|--|---|
| (1) Limousine: → 17"  / (ch.) 31032141, 3804656 →<br>Caravan : → 17"  alle / all                           | (3) Limousine: 18"  → / (ch.) → 61039489<br>Caravan : 18"  → alle / all         |
| (2) → (ch.) 31032140, 38040655 / (ex.) Caravan   | (4) (ex.) IDS+ alle/ all // IDS+<br>(ch.) → 31999999, 38999999 / Caravan: → 17" |
| (5) nur Fahrzeuge mit IDS + Fahrwerk / only vehicles with IDS + chassis / (ch.) 41000001, 48000001 →       |   |
| (6) → 05 / (ch.) → 410105077, 48008980<br>→ 05 / (ch.) 41010578 → 51999999, 48008981 → 58999999 / (ex.) HD |   |



Ref. - No.

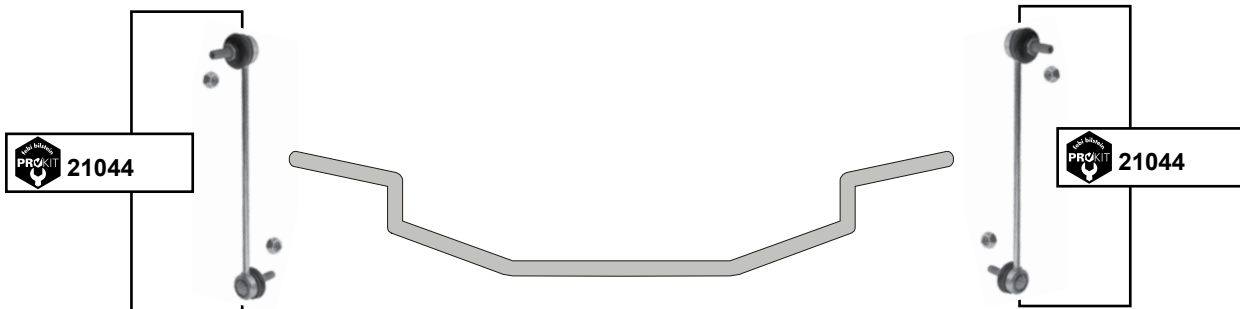
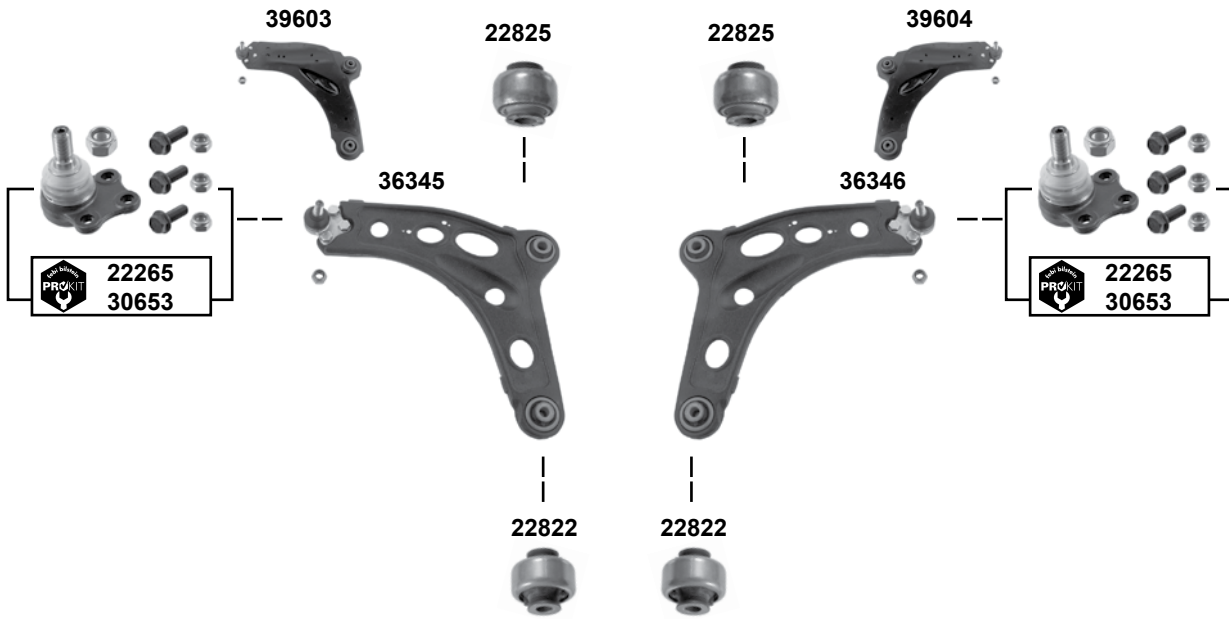
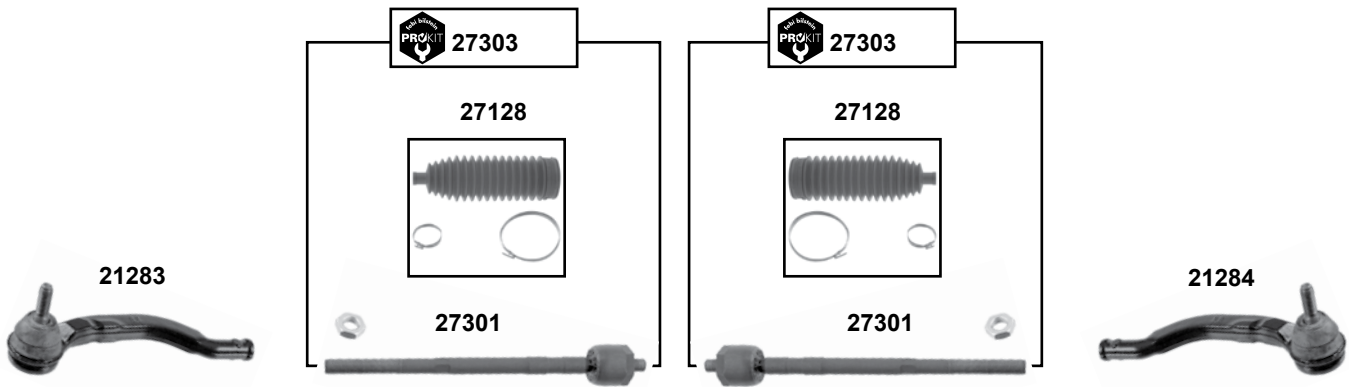


Ref. - No.	Description	Notes	Dimensions
22379	0350 615 ProKit Verbindungsstange / connecting rod	(4)	L 355
23001	0352 051 Querlenker / control arm	Alu / alloy	
23002	0352 052 Querlenker / control arm	Alu / alloy	
23003	0352 319 Rep.Satz Querlenker / rep.kit control arm		
26152	1603 227 ProKit Spurstangenendstück / tie rod end		M14 x 1,5
26153	1603 228 ProKit Spurstangenendstück / tie rod end		M14 x 1,5
26432	1603 415 SK ProKit Spurstange / tie rod	(2)	L 300
29238	1603 416 SK ProKit Spurstange / tie rod	(1)	L 300
30587	1603 417 SK ProKit Spurstange / tie rod	(3)	L 305
33776	0350 612 ProKit Verbindungsstange / stabilizer link	(5)	L 395
34228	0352 052 S1 ProKit Querlenker rechts / control arm right	(ex.) OPC / VXR	
34231	0352 051 S1 ProKit Querlenker links / control arm left	(ex.) OPC / VXR	
36543	0350 145 Stabilisatorlager / stabilizer mount	(6)	Ø   23,3
38051	0350 391 Stabilisatorlager, unten / stabilizer mount, lower	(ch.) 61000001 →	Ø   24
38052	0350 390 Stabilisatorlager, oben / stabilizer mount, upper	(ch.) 61000001 →	Ø   24



## Vivaro A (2001 → 2014)

Vorderachse / Front axle





**Vivaro A**  
(2001 → 2014)

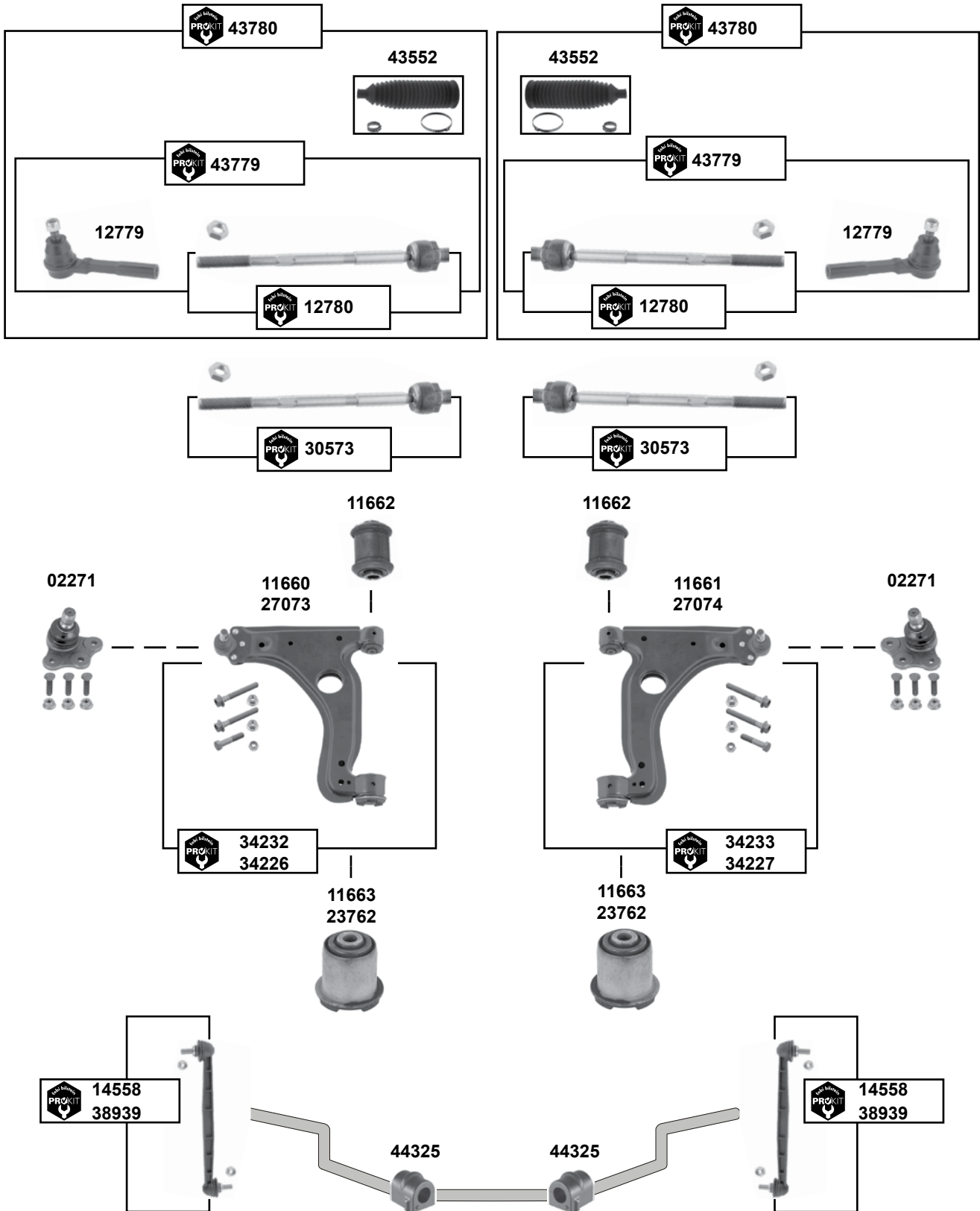
	(1) (ch.) C 7V621198, C 7V721613 →	(3) 07 → / (ch.) 7V600001 → / 7Y000001 →
	(2) (ch.) → C 7V621197, C 7V721612	(4) Blech / metal sheet ; → (ch.) 6V999999, 6Y699999

	Ref. - No.			
21044	4417 973	ProKit Verbindungsstange / stabilizer link		L 280
21283	4408 510	Spurstangenendstück / tie rod end		L 230
21284	4408 511	Spurstangenendstück / tie rod end		L 230
22265	4419 075	ProKit Traggelenk / ball joint	(2)	Ø I 10
22822	4418 223 SK3	Querlenkerlager / control arm mount		Ø A 58
22825	4418 223 SK2	Querlenkerlager / control arm mount		Ø A 55
27128	4408 476	Lenkmanschettensatz		L 205
27301	4408 474 SK	Spurstange / tie rod		L 265
27303	4408 474	ProKit Lenkmanschette / steering boot		
30653	4431 869	ProKit Traggelenk / ball joint	(1)	Ø I 12
36345	4421 647	Querlenker / control arm	(3)	
36346	4421 646	Querlenker / control arm	(3)	
39603	4418 223	Querlenker / control arm	(4)	
39604	4418 224	Querlenker / control arm	(4)	



Zafira A  
(1998 → 2005)

Vorderachse / Front axle





**Zafira A**  
(1998 → 2005)



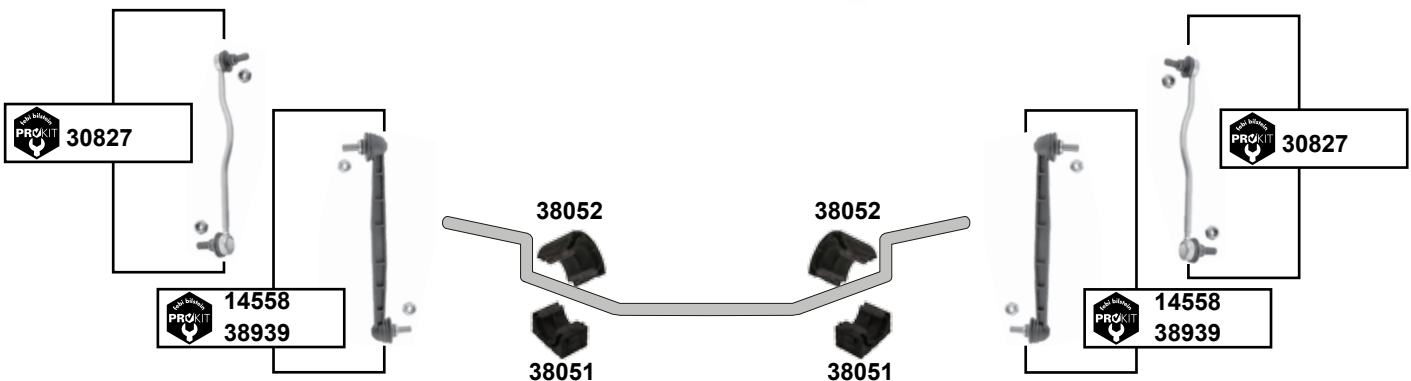
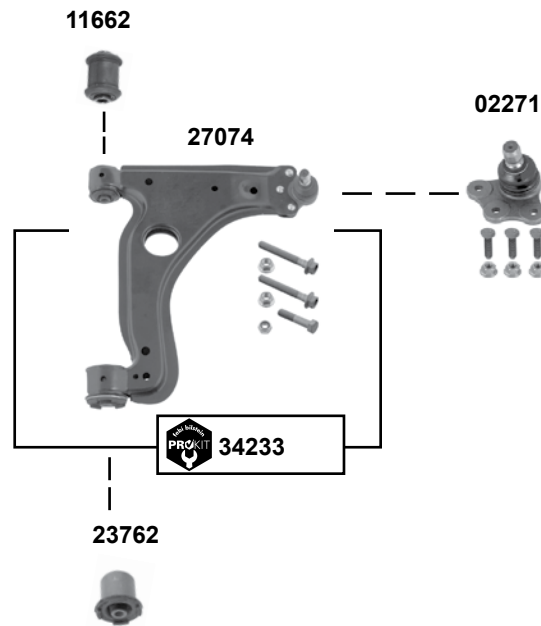
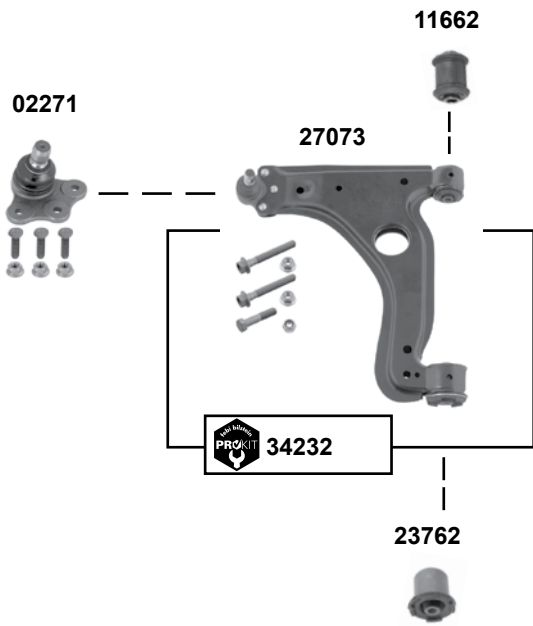
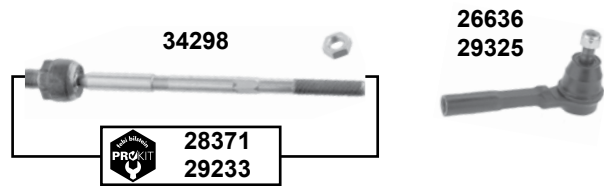
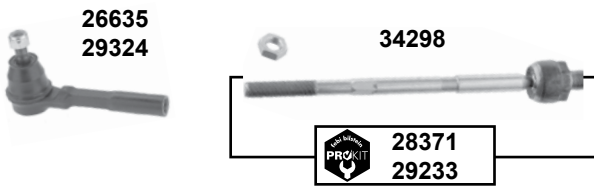
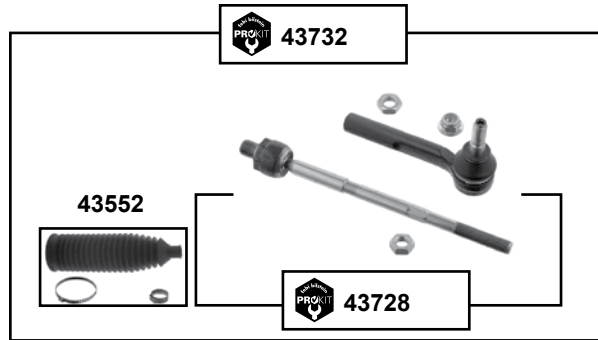
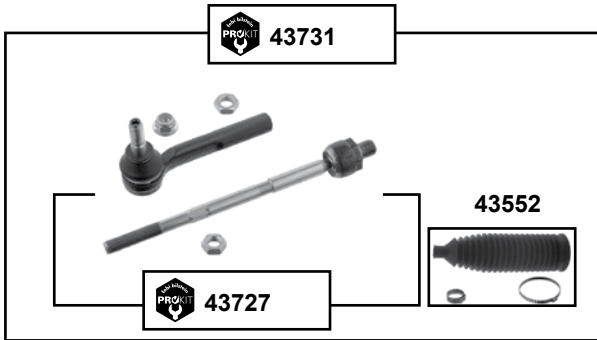
(1) Nur für TRW-Lenkung / TRW-steering only

	Ref. - No.			
02271	0352 800	Traggelenk / ball joint	(ch.) 42125090, 4G000001 →	Ø A 18
11660	5352 016	Querlenker / control arm	(ch.) → 42125089	
11661	5352 017	Querlenker / control arm	(ch.) → 42125089	
11662	0352 364	Querlenkerlager / control arm mount	(ch.) 42125090, 4G000001 →	12x36,5x60
11663	0352 365	Querlenkerlager / control arm mount	(ch.) → 42125089	12x45/48x60
12779	1603 542	Spurstangenendstück / tie rod end		M14x1,5 RHT
12780	1603 213	ProKit Spurstange / tie rod		L 300
14558	0350 614	ProKit Verbindungsstange / stabilizer link	<b>OLD</b>	L 300
23762	0352 324	Querlenker / control arm	(ch.) 42125090 →	12x46x60
27073	5352 029	Querlenker / control arm	(ch.) 42125090, 4G000001 →	
27074	5352 030	Querlenker / control arm	(ch.) 42125090, 4G000001 →	
30573	1603 644 SK	ProKit Spurstange / tie rod	(mot.) Z 2,0 LET	L 304
34226	5352 016 S1	ProKit Querlenker / control arm	→ (ch.) 42125089	
34227	5352 017 S1	ProKit Querlenker / control arm	→ (ch.) 42125089	
34232	5352 029 S1	ProKit Querlenker / control arm	(ch.) 42125090, 4G000001 →	
34233	5352 030 S1	ProKit Querlenker / control arm	(ch.) 42125090, 4G000001 →	
38939	0350 176	ProKit Verbindungsstange / stabilizer link	<b>NEW</b>	L 350
43552	1609 356	Lenkmanschettensatz / steering boot set	(1)	L 211
43779	1603 643 S5	ProKit Spurstange / tie rod	(1)	M18 x 1,5
43780	1603 643 S6	ProKit Spurstange / tie rod	(1)	M18 x 1,5
44325	0350 093	Stabilisatorlager / stabilizer mount	(1)	ØI 24



## Zafira B (2005 → 2011)

Vorderachse / Front axle





**Zafira B**  
(2005 → 2011)

- (1)** servo TRW // Z1,6 XEP, XER, XE1 alle/ all  
Z1,8 XER (ex.) ESP
- (2)** Fahrzeuge mit TRW 2. Generation Lenkung /  
vehicles with TRW 2. generation steering
- (3)** servo ZF, (ex.) 18" / (mot.) Y 1,6YNG / Z16YNG / Z16XNT / A16XNT / Z 1,7 DTR / Z17DTJ / A17DTJ /  
A17DTR / Z 1,8 XER / A18XER / Z 1,9 DT / Z 1,9 DTL / Z 1,9 DTH / Z 2,0 LER / Z 2,0 LEH
- (4)** Nur für TRW-Lenkung / TRW-steering only // (ch.) 72095157- (ch.) 7G066982-
- (5)** Z1,6 XEP, XER, XE1, A16XER alle/ all // Z1,8XER, A18XER (ex.) ESP
- (6)** (ch.) 72095157 - , (ch.) 7G066982 - Z1,6 XEP, XER, XE1, A16XER alle/ all // Z1,8XER, A18XER (ex.) ESP



	Ref. - No.			
02271	0352 800	Traggelenk / ball joint		Ø A 18
11662	0352 364	Querlenkerlager / control arm mount		12x36,5x60
14558	0350 614	ProKit Verbindungsstange / stabilizer link	(ex.) IDS+ / OLD	L 300
23762	0352 324	Querlenker / control arm		12x46x60
26635	1603 266	Spurstangenendstück / tie rod end	servo  ZF	M14 x 1,5
26636	1603 267	Spurstangenendstück / tie rod end	servo  ZF	M14 x 1,5
27073	5352 029	Querlenker / control arm		
27074	5352 030	Querlenker / control arm		
28371	1603 358 SK	ProKit Spurstange / tie rod	(3)	L 279
29233	1603 359 SK	ProKit Spurstange / tie rod	18"	L 279
29324	1603 289	Spurstangenendstück / tie rod end	(1) servo  TRW	M14 x 1,5
29325	1603 288	Spurstangenendstück / tie rod end	(1) servo  TRW	M14 x 1,5
30827	0350 613	ProKit Verbindungsstange / stabilizer link	IDS+	
34232	5352 029 S1	ProKit Querlenker links / control arm left		
34233	5352 030 S1	ProKit Querlenker rechts / control arm right		
34298	1603 642 SK	Spurstange / tie rod	(2)	
38051	0350 391	Stabilisatorlager, unten / stabilizer mount, lower		Ø I 24
38052	0350 390	Stabilisatorlager, oben / stabilizer mount, upper		Ø I 24
38939	0350 176	ProKit Verbindungsstange / stabilizer link	(ex.) IDS+ / NEW	L 350
43552	1609 356	Lenkmanschettensatz / steering boot set	(4)	L 211
43727	1603 643 S1	ProKit Spurstange / tie rod	(2) (5)	M18 x 1,5
43728	1603 643 S2	ProKit Spurstange / tie rod	(2) (5)	M18 x 1,5
43731	1603 643 S3	ProKit Spurstange / tie rod	(2) (6)	M18 x 1,5
43732	1603 643 S4	ProKit Spurstange / tie rod	(2) (6)	M18 x 1,5





## Zafira C (2012 →)

Vorderachse / Front axle

45095



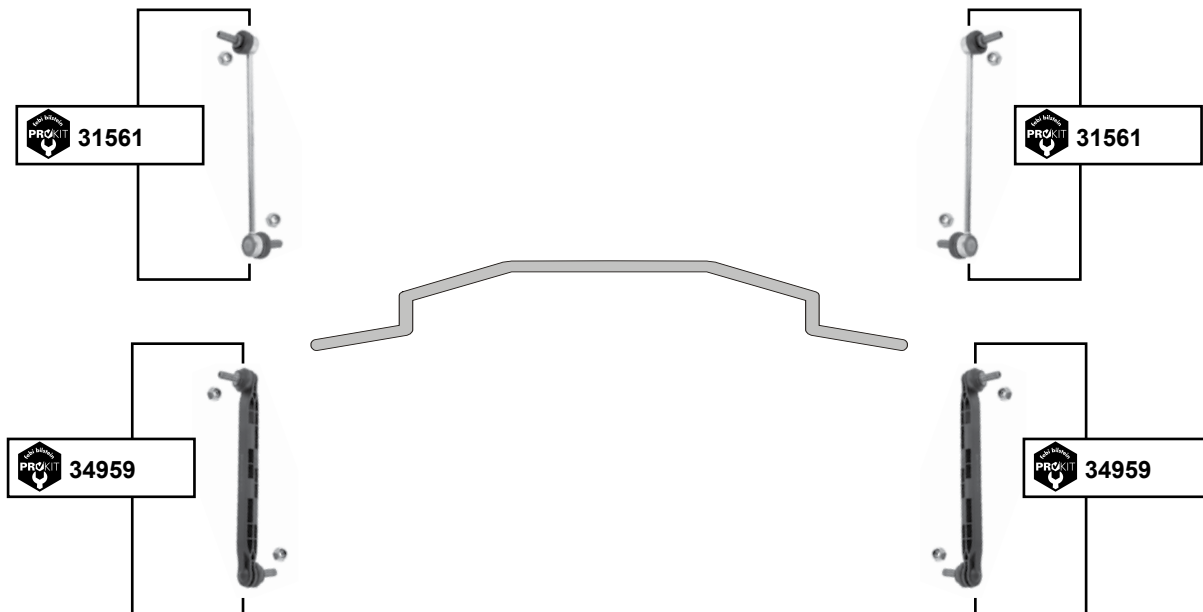
45095



45096



45096



(1)

(2) alle (ex.) Flexride Fahrwerk / all (ex.)



Ref. - No.



**31561**  
**34959**  
**45095**  
**45096**

0350 618  
0350 617  
1609 182 SK1  
1609 182

ProKit Verbindungsstange / stabilizer link  
ProKit Verbindungsstange / stabilizer link  
Lenkmanschette / steering boot  
Lenkmanschettensatz / steering boot set

(1)  
(2)  
E - servo   
E - servo

L 303,5  
L 304

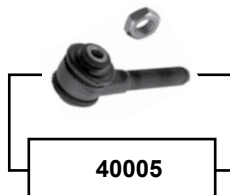


### LHD



19917

30876



40005



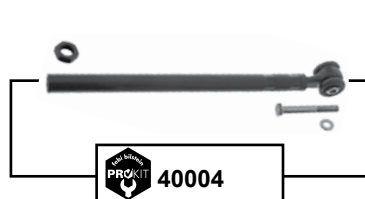
40004

### RHD

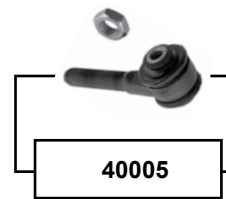


30876

19917



40004



40005



(1) RHD (ex.) servo O 07233 →  
servo alle / all

LHD (ex.) servo O 07141 →  
servo O 07112 →

(2) RHD (ex.) servo → O 07232  
servo alle / all

LHD (ex.) servo → O 07140  
servo → O 07111



Ref. - No.

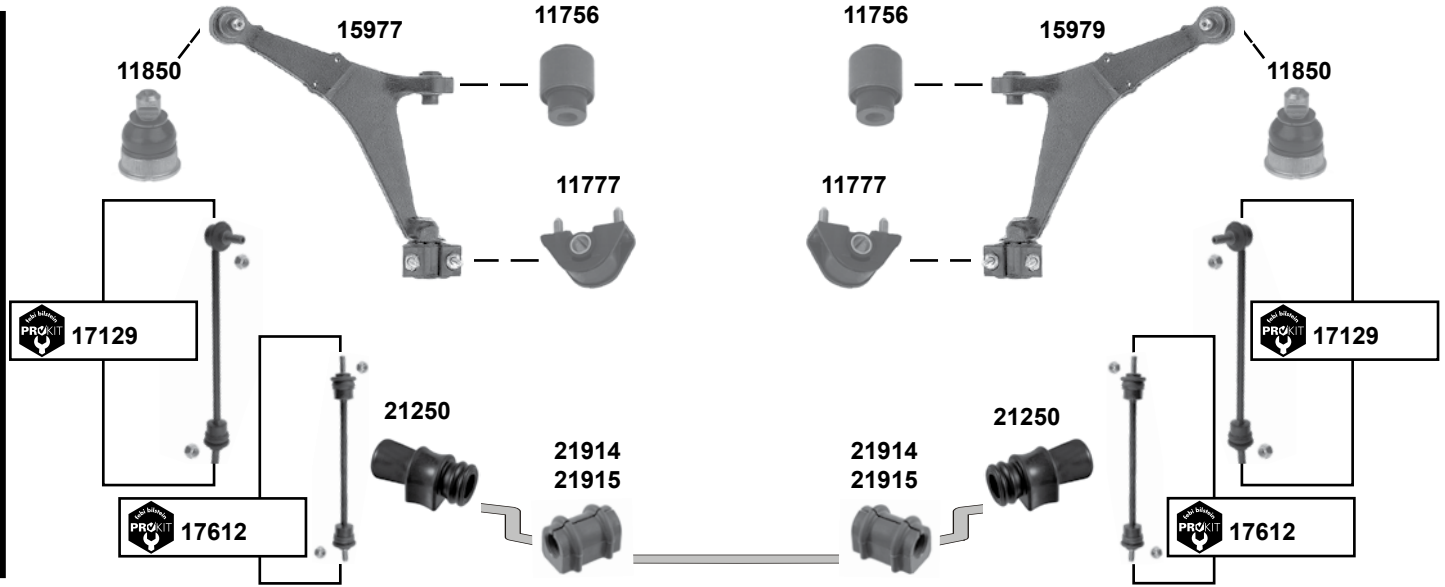


10659	3817.41	ProKit Spurstangenendstück / tie rod end		M10 x 1,25
10660	3817.42	ProKit Spurstangenendstück / tie rod end		M10 x 1,25
19917	4066.32	Lenkmanschette / steering boot		
30876	3817.47	Spurstange / tie rod	(1)	L 215
40004	3817.36 S1	ProKit Axialgelenk / axial joint	(2)	L 350
40005	3817.33	Spurstangenendstück / tie rod end	(2)	M14 x 1,5

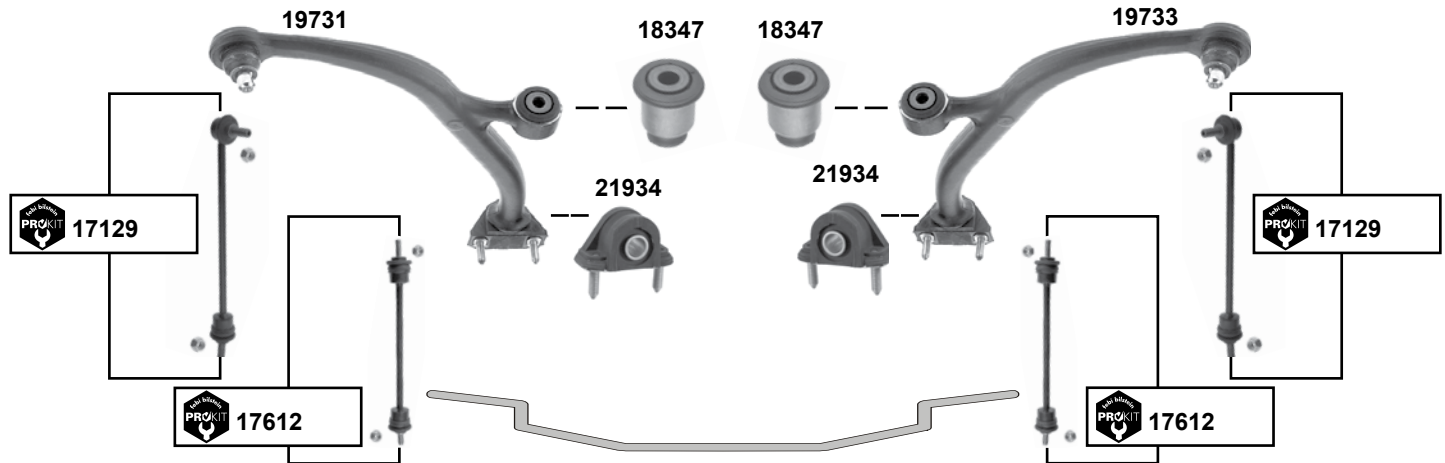


## 106 (1991 → 2005)

→ 55 kW (75 PS) (ex.) Sport



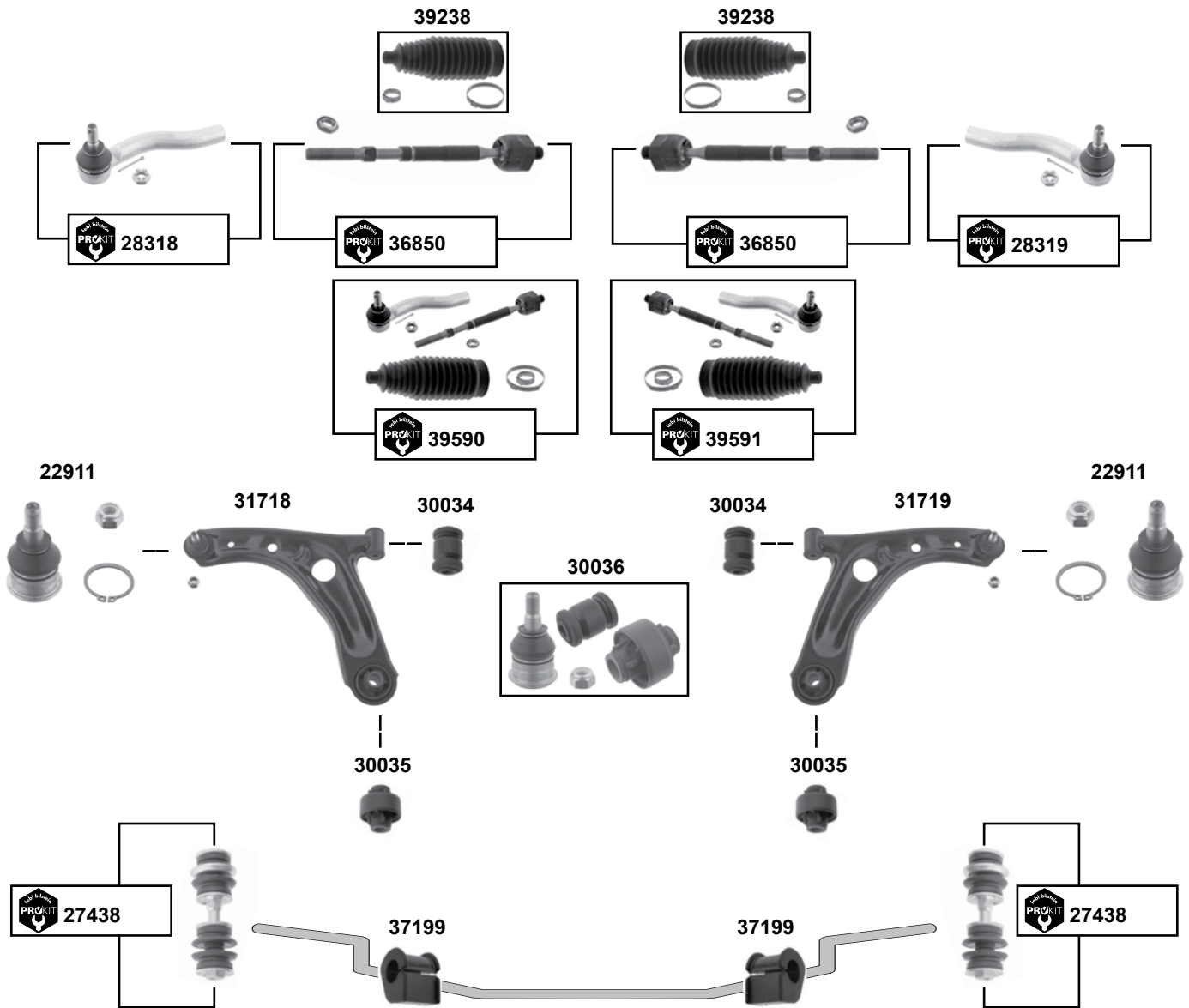
→ 55 kW (75 PS) Sport  
65 kW (88 PS) → alle/all



	Ref. - No.			
11756	3523.50	Querlenkerlager / control arm mount		12x34x48
11777	3523.51	Querlenkerlager / control arm mount		
11850	3640.36	Traggelenk / ball joint		Ø A 16
15977	3520.78	Querlenker / control arm		
15979	3520.79	Querlenker / control arm		
17129	5087.40	ProKit Verbindungsstange / connecting rod	05/95 →	L 300
17612	5087.33	ProKit Verbindungsstange / connecting rod	→ 05/95	L 300
18347	3523.52	Querlenkerlager / control arm mount		12x34x48
19731	3520.92	Querlenker / control arm		
19733	3520.93	Querlenker / control arm		
21250	5094.59	Stabilisatorlager / stabilizer mount		Ø I 19
21914	5094.56	Stabilisatorlager / stabilizer mount		Ø I 19
21915	5094.57	Stabilisatorlager / stabilizer mount		Ø I 21
21934	3523.53	Querlenkerlager / control arm mount		



**107**  
(2005 →)



Vorderachse / Front axle




Ref. - No.




Ref. - No.	Description	Dimensions
22911	Traggelenk / ball joint	M12 x 1,25
27438	ProKit Verbindungsstange / connecting rod	L 92
28318	ProKit Spurstangenendstück / tie rod end	M12 x 1,25
28319	ProKit Spurstangenendstück / tie rod end	M12 x 1,25
30034	Querlenkerlager / control arm mount	A Ø 33
30035	Querlenkerlager / control arm mount	A Ø 57,3
30036	Rep.Satz Querlenker / rep. kit control arm	
31718	Querlenker / control arm	M12 x 1,25
31719	Querlenker / control arm	M12 x 1,25
36850	ProKit Axialgelenk / axial joint	L 223
37199	Stabilisatorlager / stabilizer mount	Ø I 22
39238	Rep. Satz Lenkmanschette / rep. kit steering boot	L 170
39590	ProKit Spurstange / tie rod	
39591	ProKit Spurstange / tie rod	

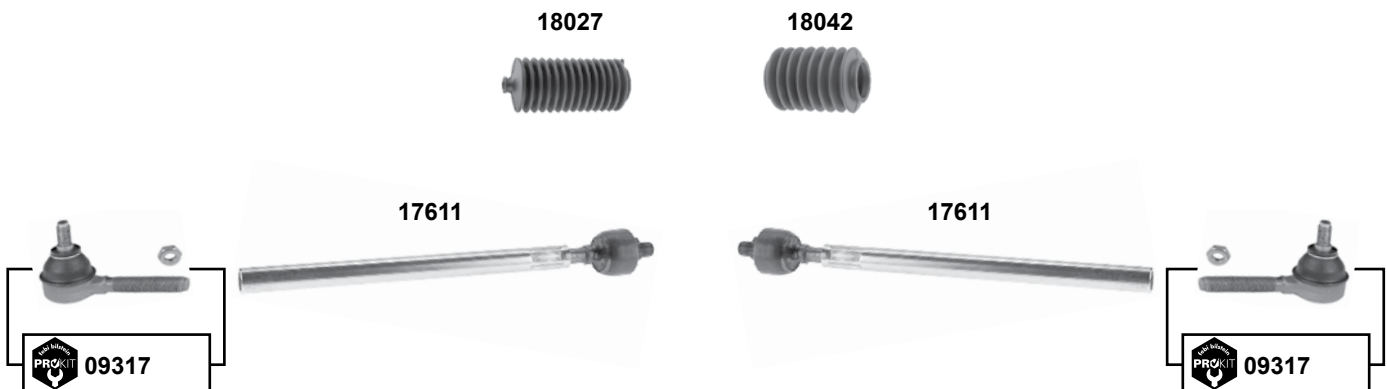


## 205 (1983 → 1996)

man. 



servo 



Ref. - No.



<b>09317</b>	3817.50	ProKit Spurstangenendstück / tie rod end	M10 x 1,25
<b>17611</b>	3812.95	Spurstange / tie rod	M14 x 1,5
<b>18027</b>	4066.20	Lenkmanschette / steering boot	
<b>18042</b>	4066.22	Lenkmanschette / steering boot	

Vorderachse / Front axle

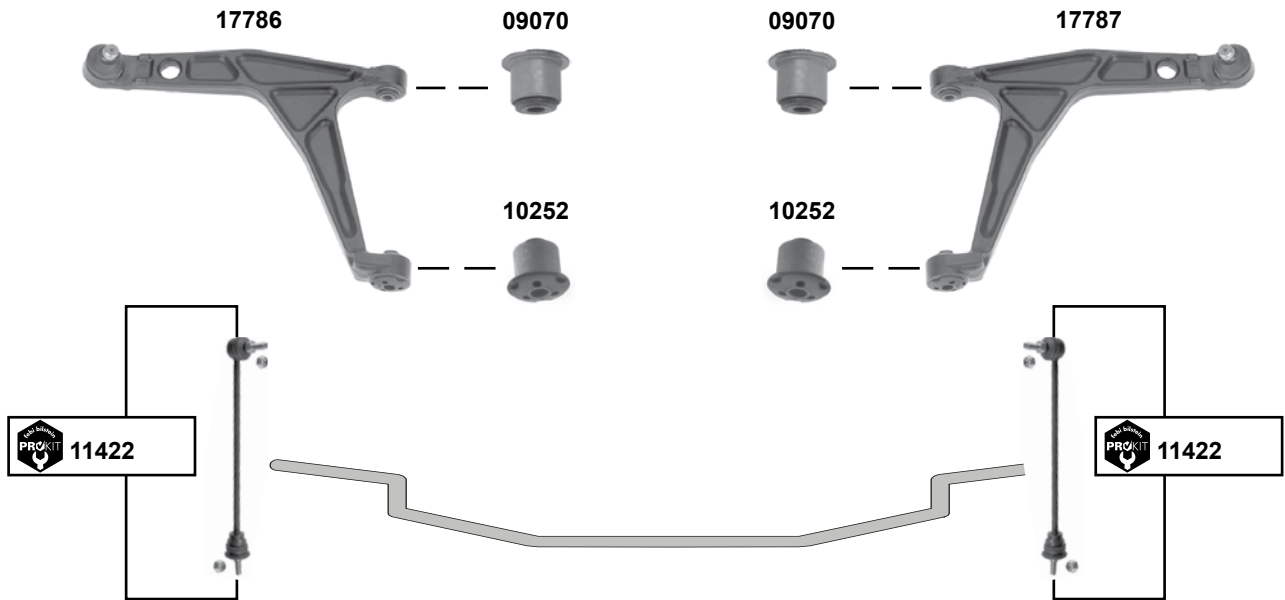


**205**  
(1983 → 1996)

**(ex.) Rallye / GTI / Turbo - Diesel**



**Rallye / GTI / Turbo - Diesel**



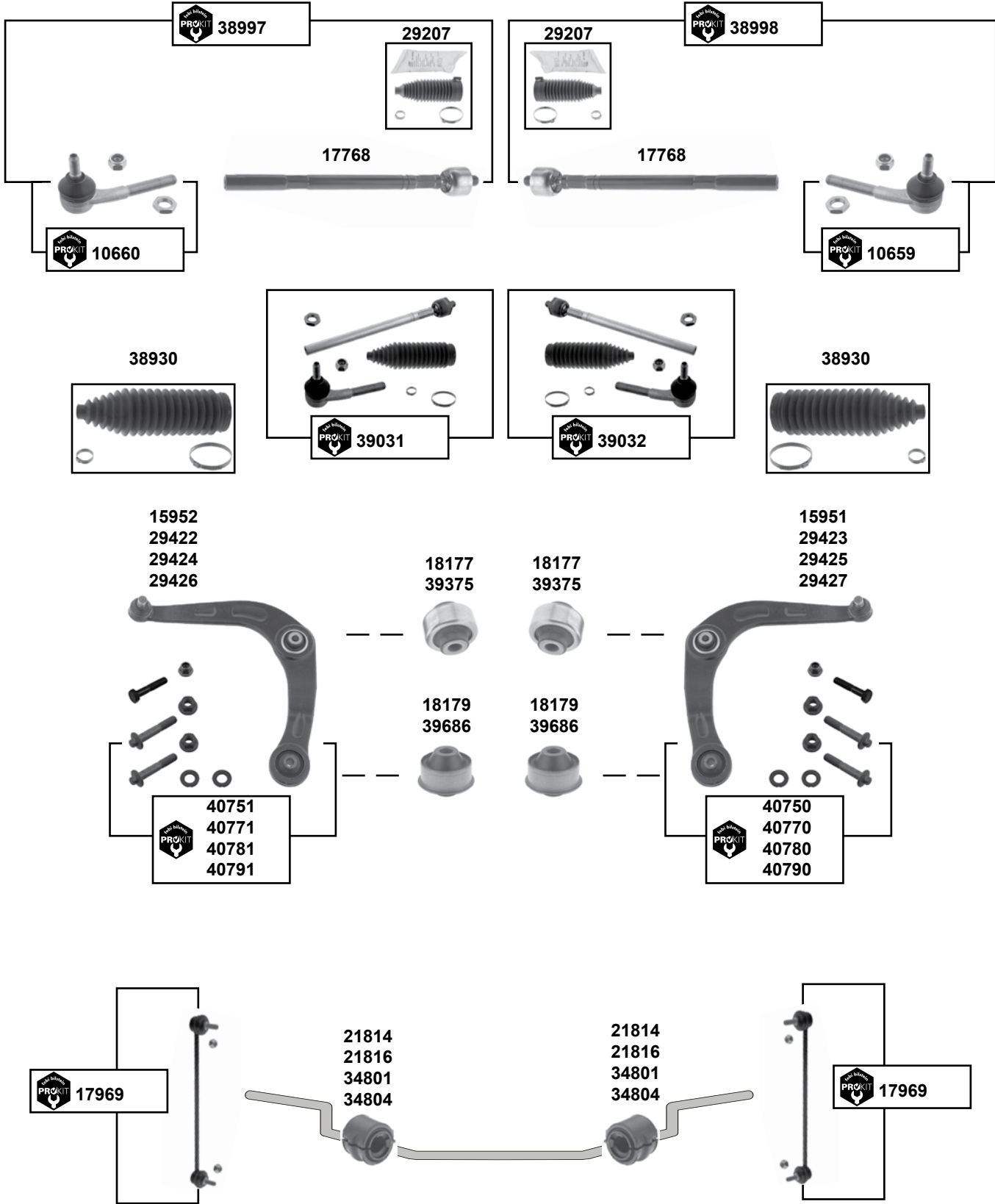
Vorderachse / Front axle

	Ref. - No.			
<b>09019</b>	3523.49	Stabilisatorlager / stabilizer mount		36x12x25
<b>09058</b>	3523.20	Querlenkerlager / control arm mount		10x28x34
<b>09070</b>	3523.31	Querlenkerlager / control arm mount		10x28x34
<b>10123</b>	3520.51	Querlenker / control arm		
<b>10127</b>	3521.34	Querlenker / control arm		
<b>10252</b>	3523.23	Querlenkerlager / control arm mount		31/42x12x38
<b>11422</b>	5087.32	ProKit Verbindungsstange / connecting rod		L 312
<b>17786</b>	3520.54	Querlenker / control arm		
<b>17787</b>	3521.37	Querlenker / control arm		



## 206 (1998 → 2006)

Vorderachse / Front axle





(1)	(mot.) 1,1 // 1,4 8V // 1,6 16V // 1,4 HDI // 1,9 D // 2,0 HDI 90 → O 09440
(2)	(mot.) 1,4 16V // 1,6 HDI außer/except GTI/S16
(3)	(mot.) 1,1 i / 1,4 i / 1,6 i / 1,9 D / 1,4 HDI / 2,0 HDI O 09441 →
(4)	(mot.) 1,6 16V → O 09506 // 2,0 S16 / 2,0 RC / 1,6 HDI
(5)	<b>3-Türer / 3-door (mot.)</b> 1,1 / 1,4 8V / 1,6 i / 1,4 HDI / 1,9 D / 2,0 HDI / <b>5-Türer / 5-door (mot.)</b> alle /all
(6)	(mot.) 1,1 / 1,4 8V / 1,9 D → O 09275
(7)	(mot.) 1,6 i / 1,6 16V → O 09122 / (mot.) 2,0 HDI → O 09085
(8)	(mot.) 1,9 (DW8/DW8B) ab / from O 09276 → / <b>1,6</b> (DV6TED4) / (mot.) 2,0 (DW10TD) ab / from O 09086 → (mot.) 1,1 (TU1JP) ab / from O 09276 / (mot.) 1,4 (TU3JP) ab / from 09276 → (mot.) 1,6 (TU5JP) ab / from O 09123 → / (mot.) 1,6 (TU5JP) ab / from O 09123/10584 → (mot.) 1,4 (ET3J) / (mot.) 2,0 (EW10J4) / 1,4 (TU3A) / 1,4 (DV4TD) ab / from O 09191
(9)	(mot.) 1,4 (TU3AF) // (mot.) 1,6 (TU5JP4) ab / from O 10584 → (mot.) 1,6 (TU5J4G) / 2,0 (EW10J4S) (mot.) 1,4 (TU3A) / 1,4 (DV4TD) / 1,6 (DV6TED4)
(10)	(mot.) DV6TED4 3TR/5TR (GTI/S16) / EW10J4 3TR / EW10JS4 3TR / (mot.) TU5JP4 3TR → O 09506 (mot.) TU5JP4 5TR → O 09530
(11)	(mot.) DV6TED4 / TU5JP4 / TU5JP4G / EW10J4 / EW10 J4S / DV4TD / ET3J4



Ref. - No.



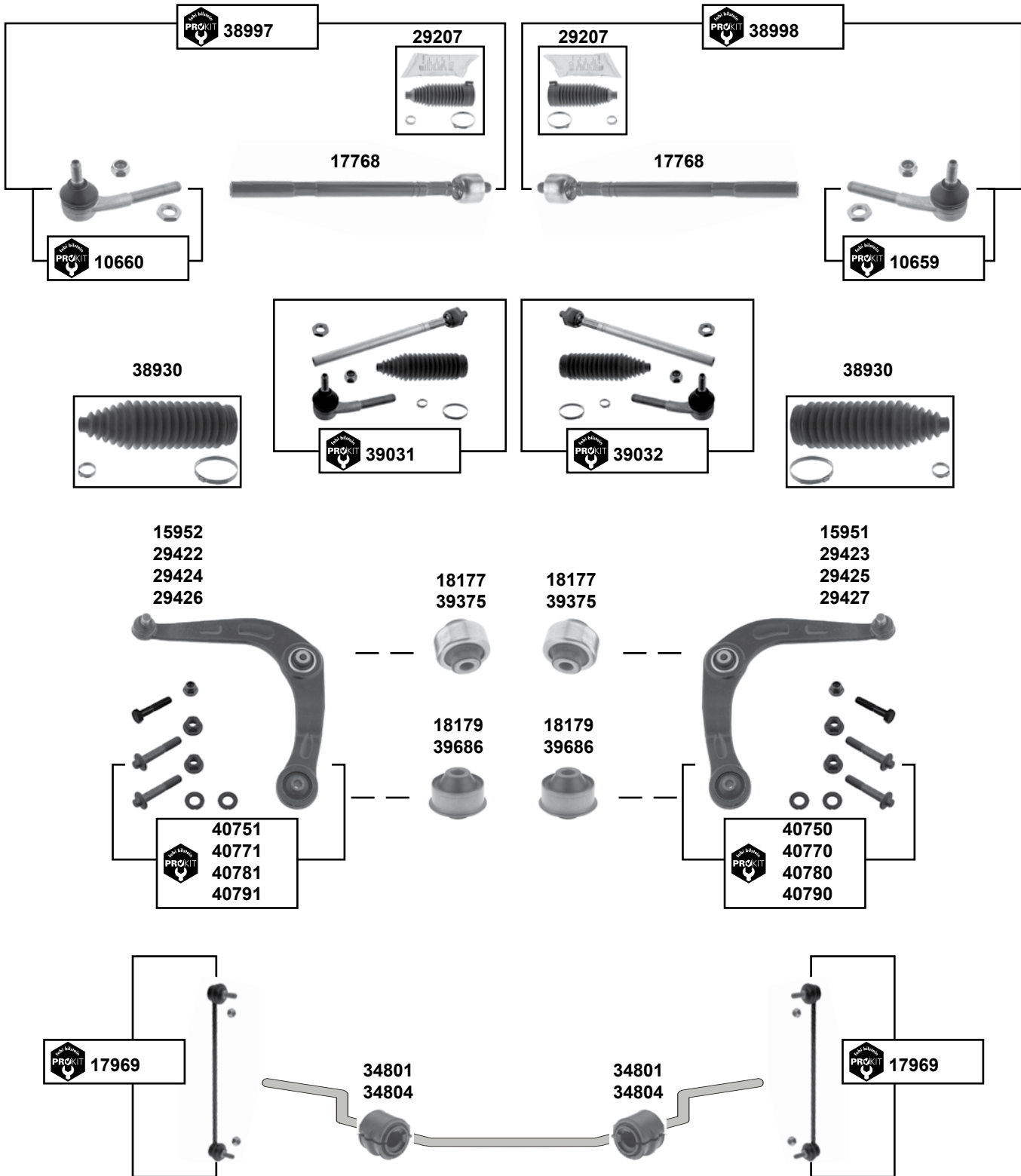
Ref. - No.	Description	Quantity	Notes	Dimensions
10659	3817.41 ProKit Spurstangenendstück / tie rod end			M10 x 1,25
10660	3817.42 ProKit Spurstangenendstück / tie rod end			M10 x 1,25
15951	3521.C8 Querlenker / control arm	(1)		
15952	3520.G8 Querlenker / control arm	(1)		
17768	3812.C5 Spurstange / tie rod			L 300
17969	5087.74 ProKit Verbindungsstange / connecting rod			L 335
18177	3523.76 Querlenkerlager / control arm mount	(5)		14x55x50,5
18179	3523.77 Querlenkerlager / control arm mount	(5)		Ø A 55
21814	5094.81 Stabilisatorlager / stabilizer mount	(6)		Ø I 18
21816	5094.80 Stabilisatorlager / stabilizer mount	(7)		Ø I 19
29207	4066.73 Rep. Satz Lenkmanschette / rep. kit steering boot	servo		
29422	3520.W0 Querlenker / control arm	(3)		
29423	3521.S1 Querlenker / control arm	(3)		
29424	3520.V6 Querlenker / control arm	(4)		
29425	3521.R7 Querlenker / control arm	(4)		
29426	3520.V7 Querlenker / control arm	(2)		
29427	3521.R9 Querlenker / control arm	(2)		
34801	5094.82 Stabilisatorlager / stabilizer mount	(8)		Ø I 20
34804	5094.95 Stabilisatorlager / stabilizer mount	(9)		Ø I 21
38930	4066.56 S1 Rep. Satz Lenkmanschette / rep. kit steering boot	(ex.) servo		L 208
38997	3812.C5 S1 ProKit Spurstange / tie rod	servo		
38998	3812.C5 S2 ProKit Spurstange / tie rod	servo		
39031	3812.C5 S3 ProKit Spurstange / tie rod	(ex.) servo		
39032	3812.C5 S4 ProKit Spurstange / tie rod	(ex.) servo		
39375	3523.AS Querlenkerlager / control arm mount	(10)		ØI 14,1 A 55,3
39686	3523.80 Querlenkerlager / control arm mount	(11)		ØI 14,3 A 55,5
40750	3521.C8 S1 ProKit Querlenker / control arm	(1)		
40751	3520.G8 S1 ProKit Querlenker / control arm	(1)		
40770	3521.R9 S1 ProKit Querlenker / control arm	(2)		
40771	3520.V7 S1 ProKit Querlenker / control arm	(2)		
40780	3521.R7 S1 ProKit Querlenker / control arm	(4)		
40781	3520.V6 S1 ProKit Querlenker / control arm	(4)		
40790	3521.S1 S1 ProKit Querlenker / control arm	(3)		
40791	3520.W0 S1 ProKit Querlenker / control arm	(3)		





## 206 SW (2002 → 2007)

Vorderachse / Front axle





## 206 SW (2002 → 2007)



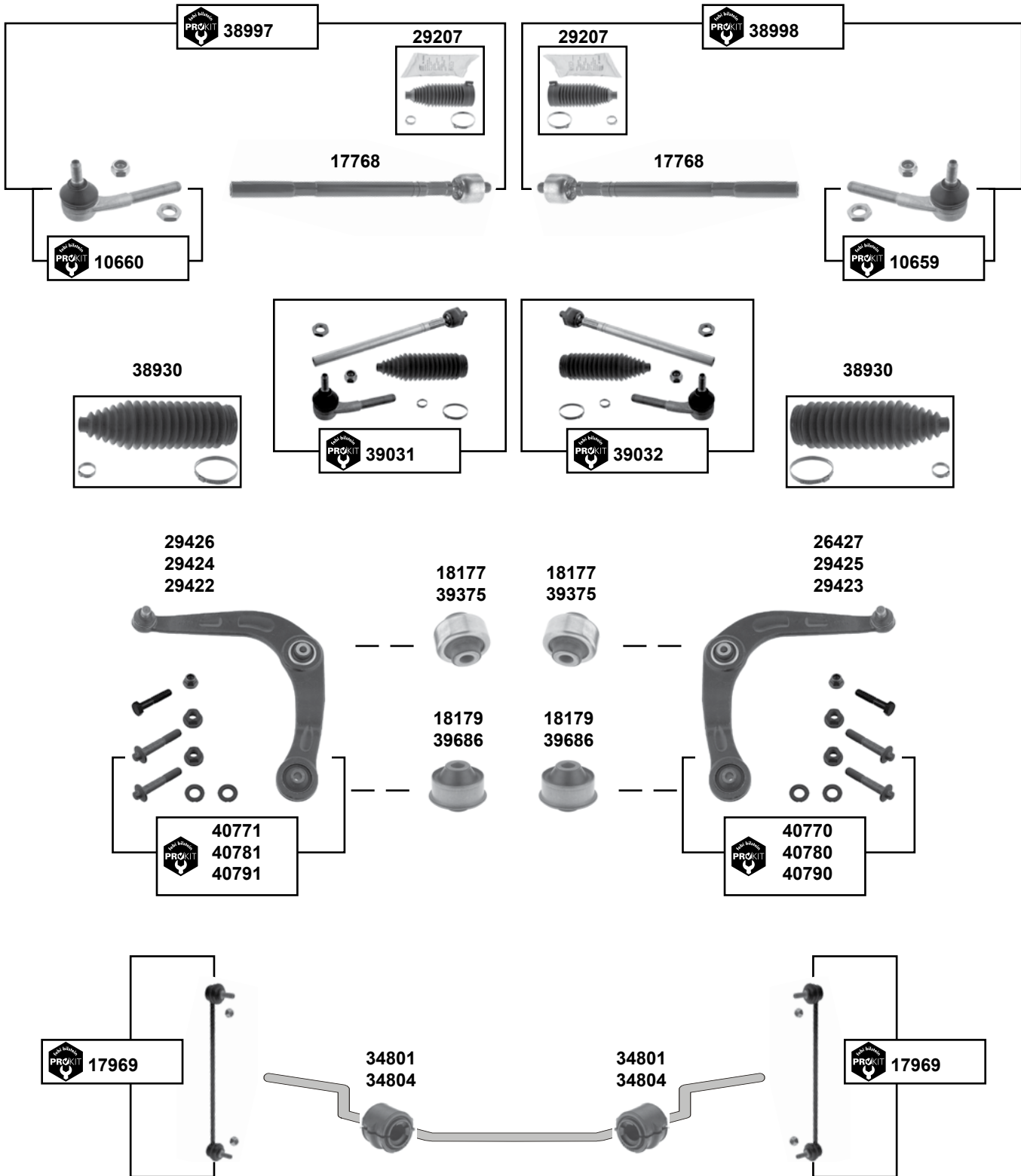
- (1) (mot.) 1,1 / 1,4 / 1,4 HDI / 2,0 HDI → O 09440
- (2) (mot.) 1,6 i O 09452 → / (mot.) DV6TED4 (ex.) GTI/S 16 / (mot.) ET3J4
- (3) (mot.) 1,1 / 1,4 8V / 1,4 16V / 1,4 HDI / 2,0 HDI O 09441 →
- (4) (mot.) 1,6 16V → O 09451 / 1,6 HDI / 2,0 16V
- (5) (mot.) 1,1 / 1,4 8V / 1,4 HDI / 2,0 HDI
- (6) (mot.) 1,4 (ET3J4)
- (7) (mot.) 1,6 (DV6TED) / 2,0 (DW10TD)
- (8) 07.02 → (mot.) DV6TED4 / EW10J4 / TU5JP4 O 09233-09451 → (ex.) ESCAPADE
- (9) (mot.) DV6TED4 / EW10J4 // TU5JP4 O 09233 →

	Ref. - No.			
10659	3817.41	ProKit Spurstangenendstück / tie rod end		M10 x 1,25
10660	3817.42	ProKit Spurstangenendstück / tie rod end		M10 x 1,25
15951	3521.C8	Querlenker / control arm	(1)	
15952	3520.G8	Querlenker / control arm	(1)	
17768	3812.C5	Axialgelenk / axial joint		L 300
17969	5087.74	ProKit Verbindungsstange / connecting rod		L 335
18177	3523.76	Querlenkerlager / control arm mount	(5)	14x55x50,5
18179	3523.77	Querlenkerlager / control arm mount	(5)	14x55,4x48,8
29207	4066.73	Rep. Satz Lenkmanschette / rep. kit steering boot	servo	
29422	3520.W0	Querlenker / control arm	(3)	
29423	3521.S1	Querlenker / control arm	(3)	
29424	3520.V6	Querlenker / control arm	(4)	
29425	3521.R7	Querlenker / control arm	(4)	
29426	3520.V7	Querlenker / control arm	(2)	
29427	3521.R9	Querlenker / control arm	(2)	
34801	5094.82	Stabilisatorlager / stabilizer mount	(6)	Ø I 20
34804	5094.95	Stabilisatorlager / stabilizer mount	(7)	Ø I 21
38930	4066.56 S1	Rep. Satz Lenkmanschette / rep. kit steering boot	(ex.) servo	L 208
38997	3812.C5 S1	ProKit Spurstange / tie rod	servo	
38998	3812.C5 S2	ProKit Spurstange / tie rod	servo	
39031	3812.C5 S3	ProKit Spurstange / tie rod	(ex.) servo	
39032	3812.C5 S4	ProKit Spurstange / tie rod	(ex.) servo	
39375	3523.AS	Querlenkerlager / control arm mount	(8)	ØI 14,1 A 55,3
39686	3523.80	Querlenkerlager / control arm mount	(9)	ØI 14,3 A 55,5
40750	3521.C8 S1	ProKit Querlenker / control arm	(1)	
40751	3520.G8 S1	ProKit Querlenker / control arm	(1)	
40770	3521.R9 S1	ProKit Querlenker / control arm	(2)	
40771	3520.V7 S1	ProKit Querlenker / control arm	(2)	
40780	3521.R7 S1	ProKit Querlenker / control arm	(4)	
40781	3520.V6 S1	ProKit Querlenker / control arm	(4)	
40790	3521.S1 S1	ProKit Querlenker / control arm	(3)	
40791	3520.W0 S1	ProKit Querlenker / control arm	(3)	



## 206 CC (2000 → 2007)

Vorderachse / Front axle





- (1) (mot.) 1,6 16V / O 09440 → // (mot.) 2,0 S16 → O 9440 // (mot.) 1,6 HDI
- (2) (mot.) 1,6 16V / O 09440 →
- (3) (mot.) 1,6 16V / 2,0 S16 → O 09439
- (4) (mot.) 1,6 (TU5JP4) / 2,0 (EW10J4) → O 10555
- (5) (mot.) 1,6 (DV6TED4) / 2,0 (EW10J4) O 10556 →
- (6) (mot.) EW10J4 → O 09440
- (7) (mot.) EW10J4 / DV6TED4 // TU5JP4 BVM O 09440 →



Ref. - No.

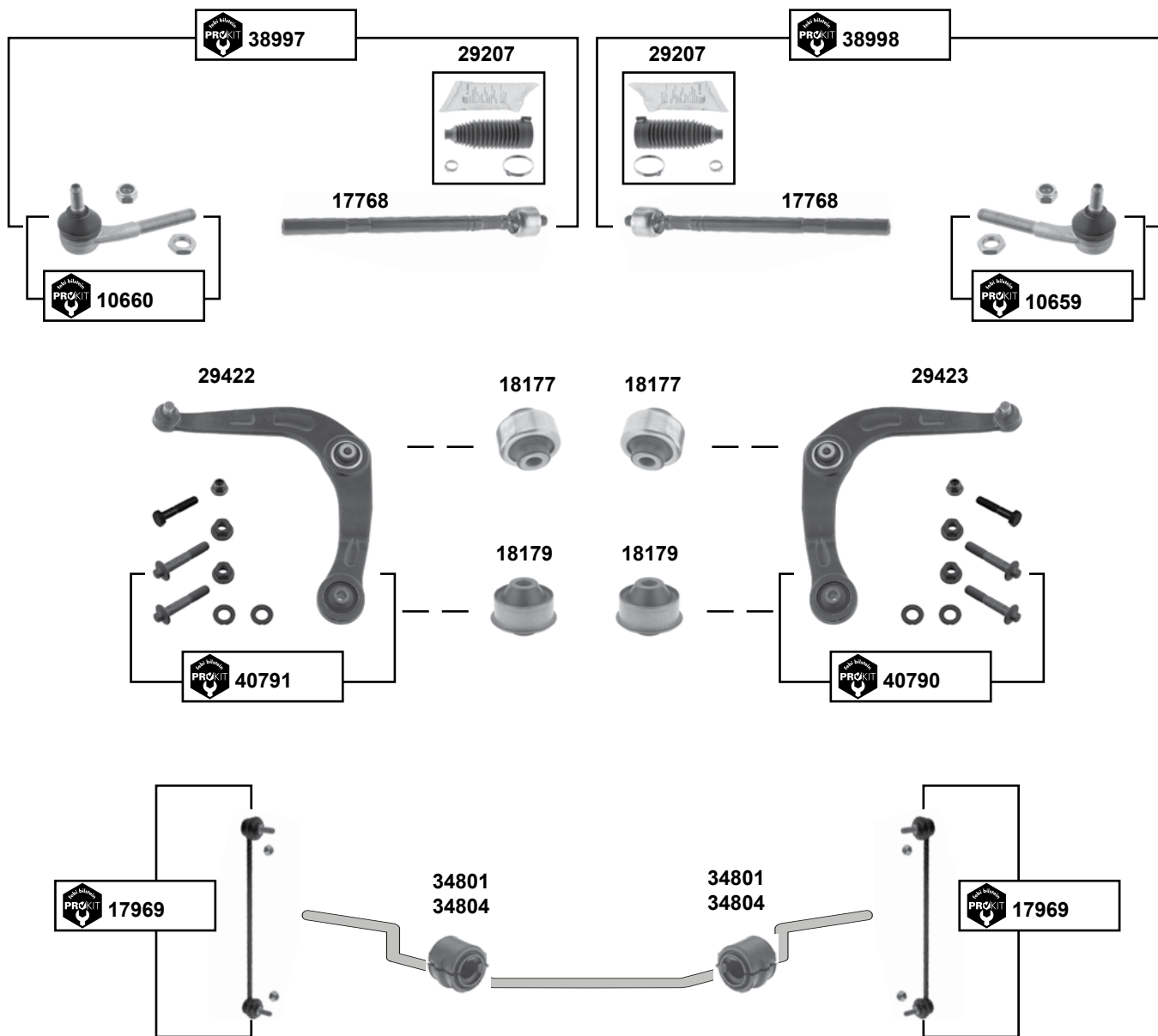


Ref. - No.	Description	Quantity	Notes	Dimensions
10659	3817.41 ProKit Spurstangenendstück / tie rod end			M10 x 1,25
10660	3817.42 ProKit Spurstangenendstück / tie rod end			M10 x 1,25
17768	3812.C5 Axialgelenk / axial joint			L 300
17969	5087.74 ProKit Verbindungsstange / connecting rod			L 335
18177	3523.76 Querlenkerlager / control arm mount			14x55x50,5
18179	3523.77 Querlenkerlager / control arm mount			14x55,4x48,8
29207	4066.73 Rep. Satz Lenkmanschette / rep. kit steering boot		servo	
29422	3520.W0 Querlenker / control arm	(2)		
29423	3521.S1 Querlenker / control arm	(2)		
29424	3520.V6 Querlenker / control arm	(3)		
29425	3521.R7 Querlenker / control arm	(3)		
29426	3520.V7 Querlenker / control arm	(1)		
29427	3521.R9 Querlenker / control arm	(1)		
34801	5094.82 Stabilisatorlager / stabilizer mount	(4)		Ø I 20
34804	5094.95 Stabilisatorlager / stabilizer mount	(5)		Ø I 21
38930	4066.56 S1 Rep. Satz Lenkmanschette / rep. kit steering boot	(ex.)	servo	L 208
38997	3812.C5 S1 ProKit Spurstange / tie rod	servo		
38998	3812.C5 S2 ProKit Spurstange / tie rod	servo		
39031	3812.C5 S3 ProKit Spurstange / tie rod	(ex.)	servo	
39032	3812.C5 S4 ProKit Spurstange / tie rod	(ex.)	servo	
39375	3523.AS Querlenkerlager / control arm mount	(6)		Ø I 14,1 A 55,3
39686	3523.80 Querlenkerlager / control arm mount	(7)		Ø I 14,3 A 55,5
40770	3521.C8 S1 ProKit Querlenker / control arm	(1)		
40771	3520.V7 S1 ProKit Querlenker / control arm	(1)		
40780	3521.R7 S1 ProKit Querlenker / control arm	(3)		
40781	3520.V6 S1 ProKit Querlenker / control arm	(3)		
40790	3521.S1 S1 ProKit Querlenker / control arm	(2)		
40791	3520.W0 S1 ProKit Querlenker / control arm	(2)		



**206 +**  
(2009 →)

Vorderachse / Front axle

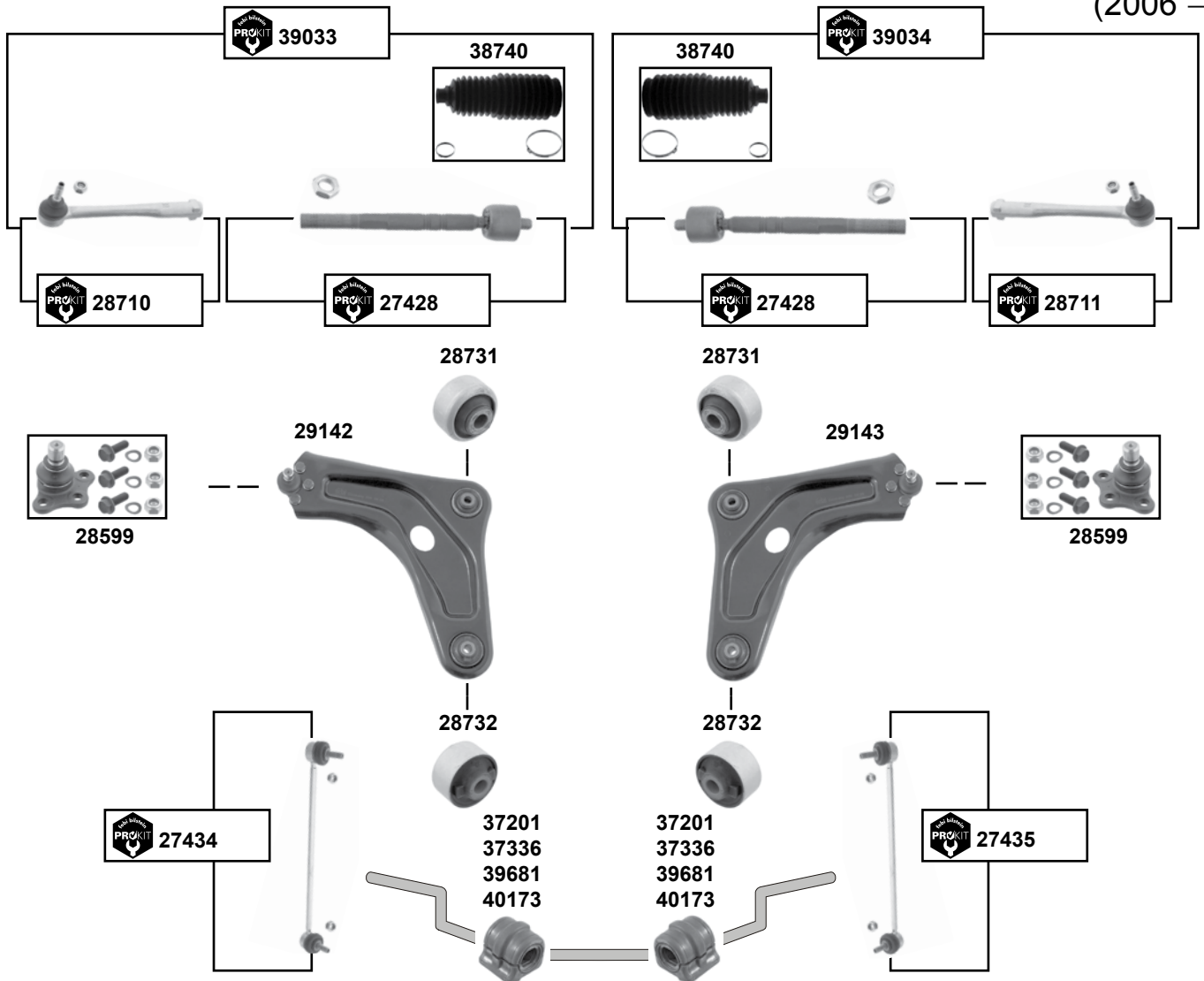


	Ref. - No.			
10659	3817.41	ProKit Spurstangenendstück / tie rod end		M10 x 1,25
10660	3817.42	ProKit Spurstangenendstück / tie rod end		M10 x 1,25
17768	3812.C5	Axialgelenk / axial joint		L 300
17969	5087.74	ProKit Verbindungsstange / connecting rod		L 335
18177	3523.76	Querlenkerlager / control arm mount		14x55x50,5
18179	3523.77	Querlenkerlager / control arm mount		14x55,4x48,8
29207	4066.73	Rep. Satz Lenkmanschette / rep. kit steering boot	servo	
29422	3520.W0	Querlenker / control arm		
29423	3521.S1	Querlenker / control arm		
34801	5094.82	Stabilisatorlager / stabilizer mount	O 11705 →	Ø   20
34804	5094.95	Stabilisatorlager / stabilizer mount	O 11705 →	Ø   21
38997	3812.C5 S1	ProKit Spurstange / tie rod		
38998	3812.C5 S2	ProKit Spurstange / tie rod		
40790	3521.S1 S1	ProKit Querlenker / control arm		
40791	3520.W0 S1	ProKit Querlenker / control arm		



207 / CC / SW  
(2006 →)

Vorderachse / Front axle



(1) (mot.) (DV6DTE) → O 12529 // (mot.) (EP6DT) O 11326 → // (ex.) EP6DTS



Ref. - No.

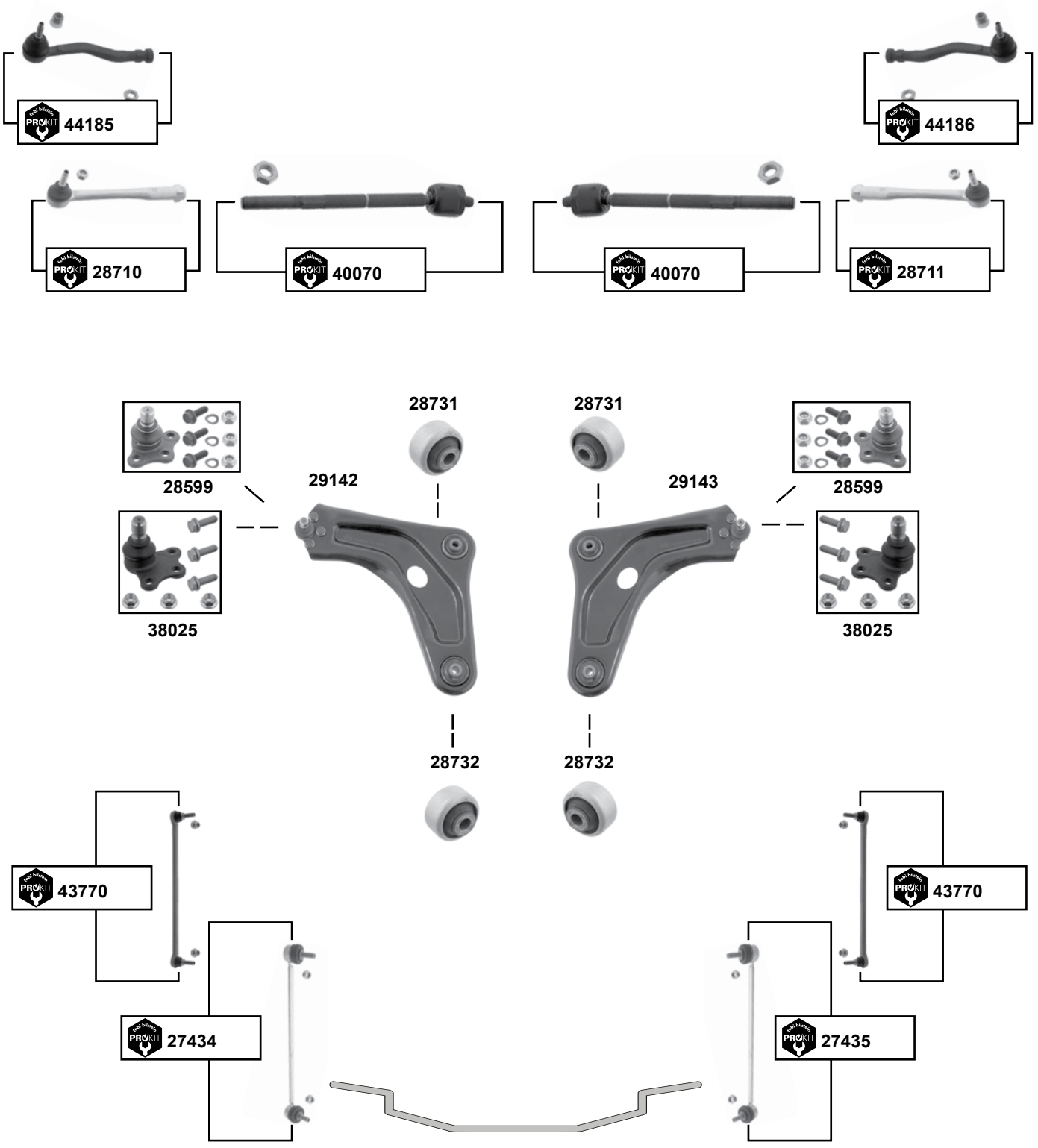


Ref. - No.	Description	Notes	Dimensions
27428	3812.E8 ProKit Axialgelenk / axial joint		L 213
27434	5087.69 ProKit Verbindungsstange / connecting rod		L 330 M10x1,5
27435	5087.68 ProKit Verbindungsstange / connecting rod		L 330 M10x1,5
28599	3640.62 Tragelenk / ball joint		
28710	3817.67 ProKit Spurstangenendstück / tie rod end		M10 x 1,25
28711	3817.68 ProKit Spurstangenendstück / tie rod end	SW / CC 07 →	M10 x 1,25
28731	3520.R7 S1 Querlenkerlager / control arm mount		Ø A 56,1
28732	3520.R7 S2 Querlenkerlager / control arm mount		Ø A 56,2
29142	3520.R7 Querlenker / control arm	(1)	
29143	3521.N8 Querlenker / control arm	(1)	
37201	5094.C1 Stabilisatorlager / stabilizer mount		Ø I 20
37336	5094.C2 Stabilisatorlager / stabilizer mount		Ø I 21
38740	4066.80 Rep. Satz Lenkmanschette / rep. kit steering boot		L 175
39033	3812.E8 S1 ProKit Spurstange / tie rod		
39034	3812.E8 S2 ProKit Spurstange / tie rod		
39681	5094.C5 Stabilisatorlager / stabilizer mount		Ø I 23
40173	5094.C3 Stabilisatorlager / stabilizer mount		Ø I 22



## 208 (2012 →)

Vorderachse / Front axle





- (1) mit Ø Bremsscheibe 266 mm / with Ø brake disc 266 mm
- (2) mit Ø Bremsscheibe 302 mm / with Ø brake disc 302 mm / Achsschenkel Ø82 / knuckle assembly Ø82
- (3) (ex.) (mot.) EP6CDT / EP6CDTX

	Ref. - No.			
27434	5087.69	ProKit Verbindungsstange / connecting rod	(2)	L 330 M10x1,5
27435	5087.68	ProKit Verbindungsstange / connecting rod	(2)	L 330 M10x1,5
28599	3640.62	Traggelenk / ball joint	(2)	
28710	3817.67	ProKit Spurstangenendstück / tie rod end	(mot.) EP6CDT	M10 x 1,25
28711	3817.68	ProKit Spurstangenendstück / tie rod end	(mot.) EP6CDT	M10 x 1,25
28731	3520.R7 S1	Querlenkerlager / control arm mount	(2)	Ø A 56,1
28732	3520.R7 S2	Querlenkerlager / control arm mount	(2)	Ø A 56,2
29142	3520.R7	Querlenker / control arm	(2)	
29143	3521.N8	Querlenker / control arm	(2)	
38025	3640.77 S1	Traggelenk / ball joint	(1)	M10 x 1,5
40070	16 080 253 80	ProKit Axialgelenk / axial joint	(3)	L 240M14x1,5
43770	5087.71	ProKit Verbindungsstange / connecting rod	(1) → O 13523	L 330 M10x1,5
44185	16 080 252 80	ProKit Spurstangenendstück / tie rod end	(ex.) EP6CDT	M 14 x 1,5
44186	16 080 251 80	ProKit Spurstangenendstück / tie rod end	(ex.) EP6CDT	M 14 x 1,5





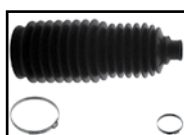
**301**  
(2012 →)

Vorderachse / Front axle

38740



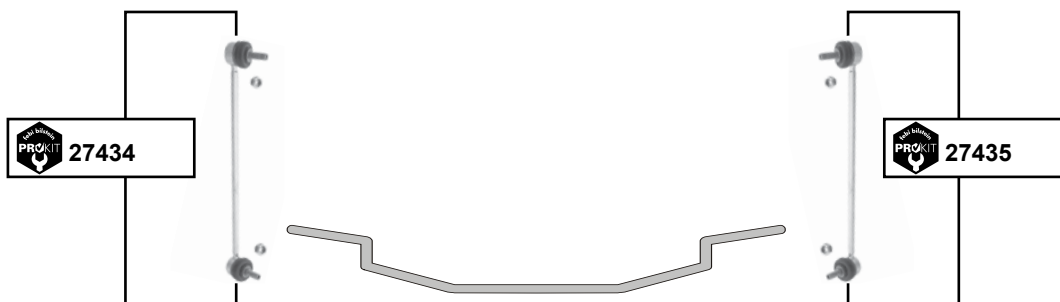
38740



38025



38025



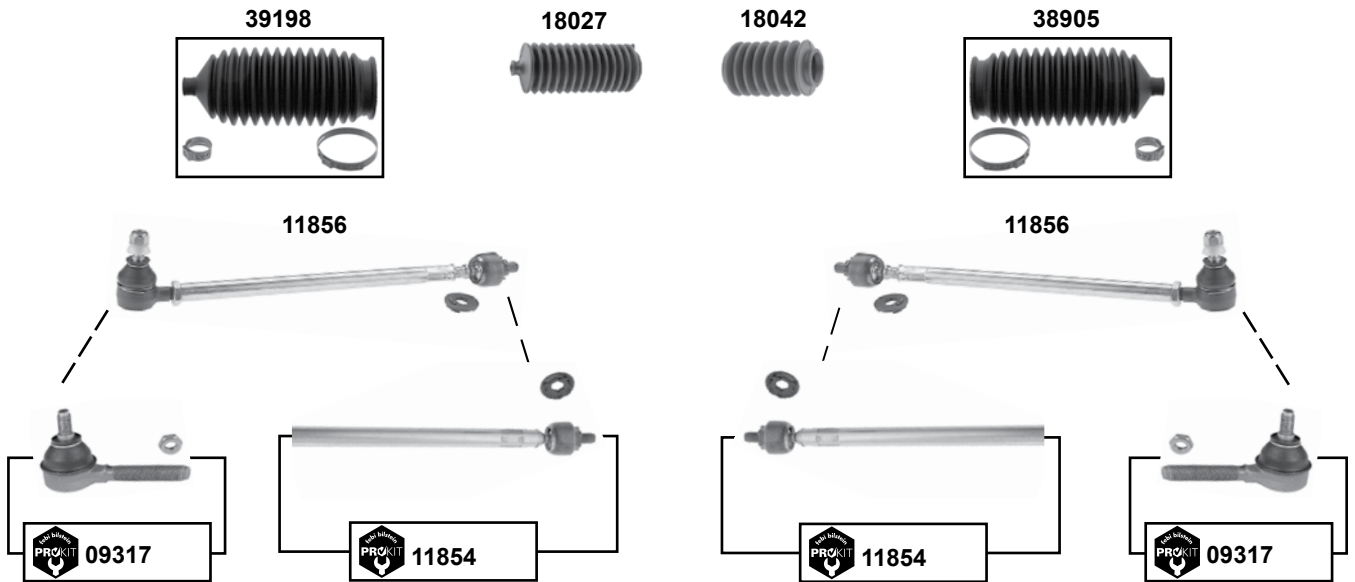
Ref. - No.



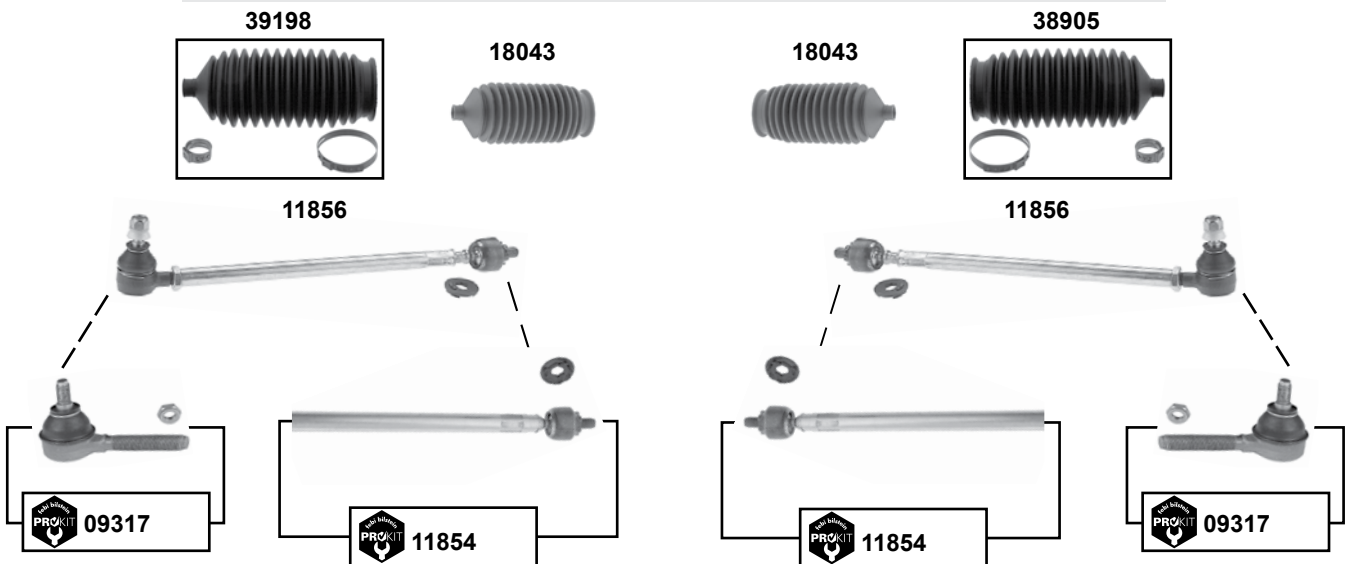
<b>27434</b>	5087.69	ProKit Verbindungsstange / connecting rod	L 330 M10x1,5
<b>27435</b>	5087.68	ProKit Verbindungsstange / connecting rod	L 330 M10x1,5
<b>38025</b>	3640.77 S1	Traggelenk / ball joint	M10 x 1,5
<b>38740</b>	4066.80	Rep. Satz Lenkmanschette / rep. kit steering boot	L 175



→ Modell 96



Modell 97 →



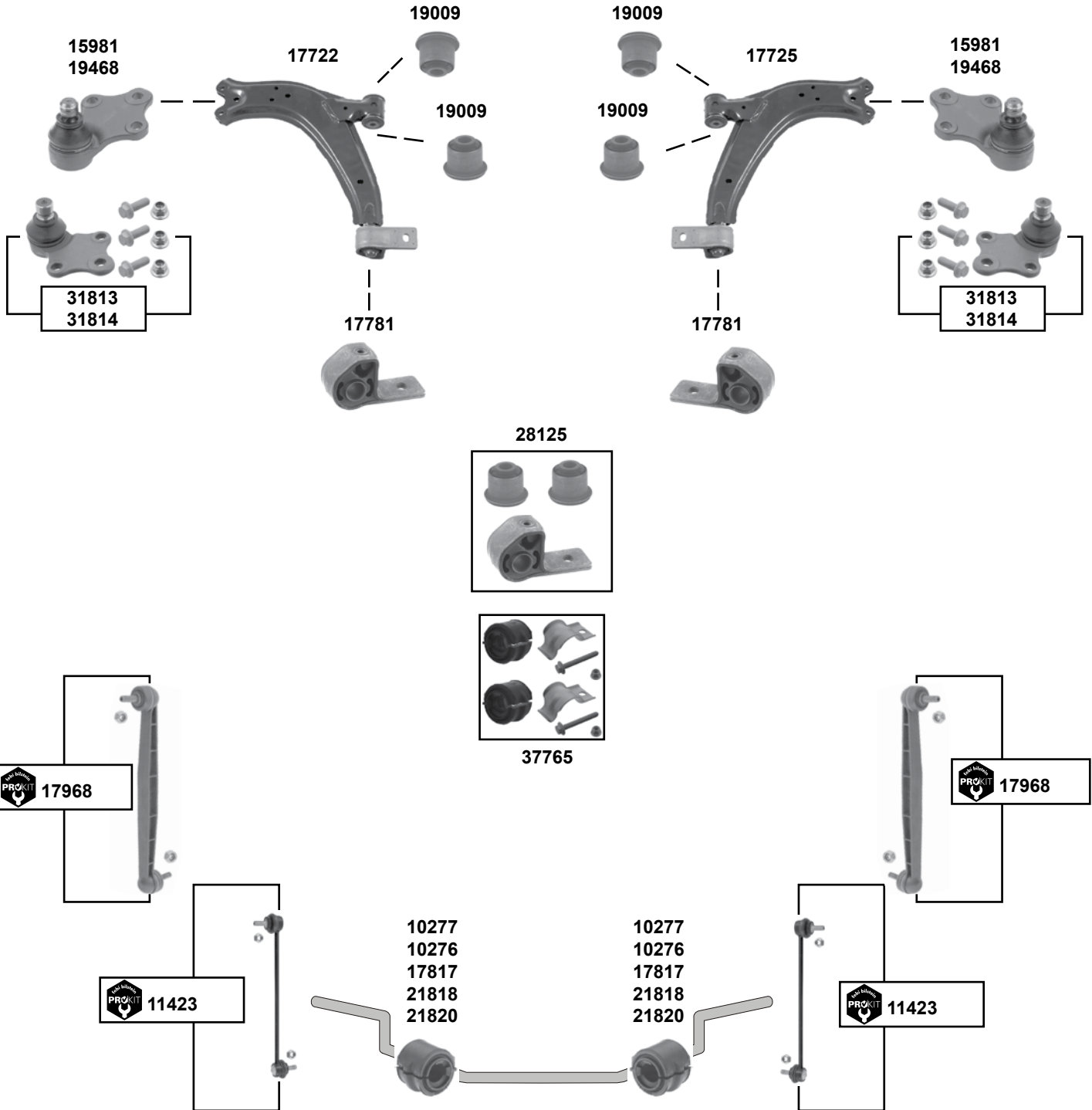
Vorderachse / Front axle

	Ref. - No.			
09317	3817.50	ProKit Spurstangenendstück / tie rod end		M10 x 1,25
11854	3812.92	ProKit Spurstange / tie rod		L 375
11856	3812.92 S1	Spurstange / tie rod		
18027	4066.20	Lenkmanschette / steering boot	(ex.) man.  O 06658 →	
18042	4066.22	Lenkmanschette / steering boot	(ex.) man.  O 06658 →	
18043	4066.43	Lenkmanschette / steering boot		
38905	4066.44	Rep. Satz Lenkmanschette / rep. kit steering boot	(ex.) servo  O 06657 →	L 196,6
39198	4066.43 S1	Rep. Satz Lenkmanschette / rep. kit steering boot	(ex.) servo  O 06657 →	L 154,5



## 306 (1993 → 2001)

Vorderachse / Front axle





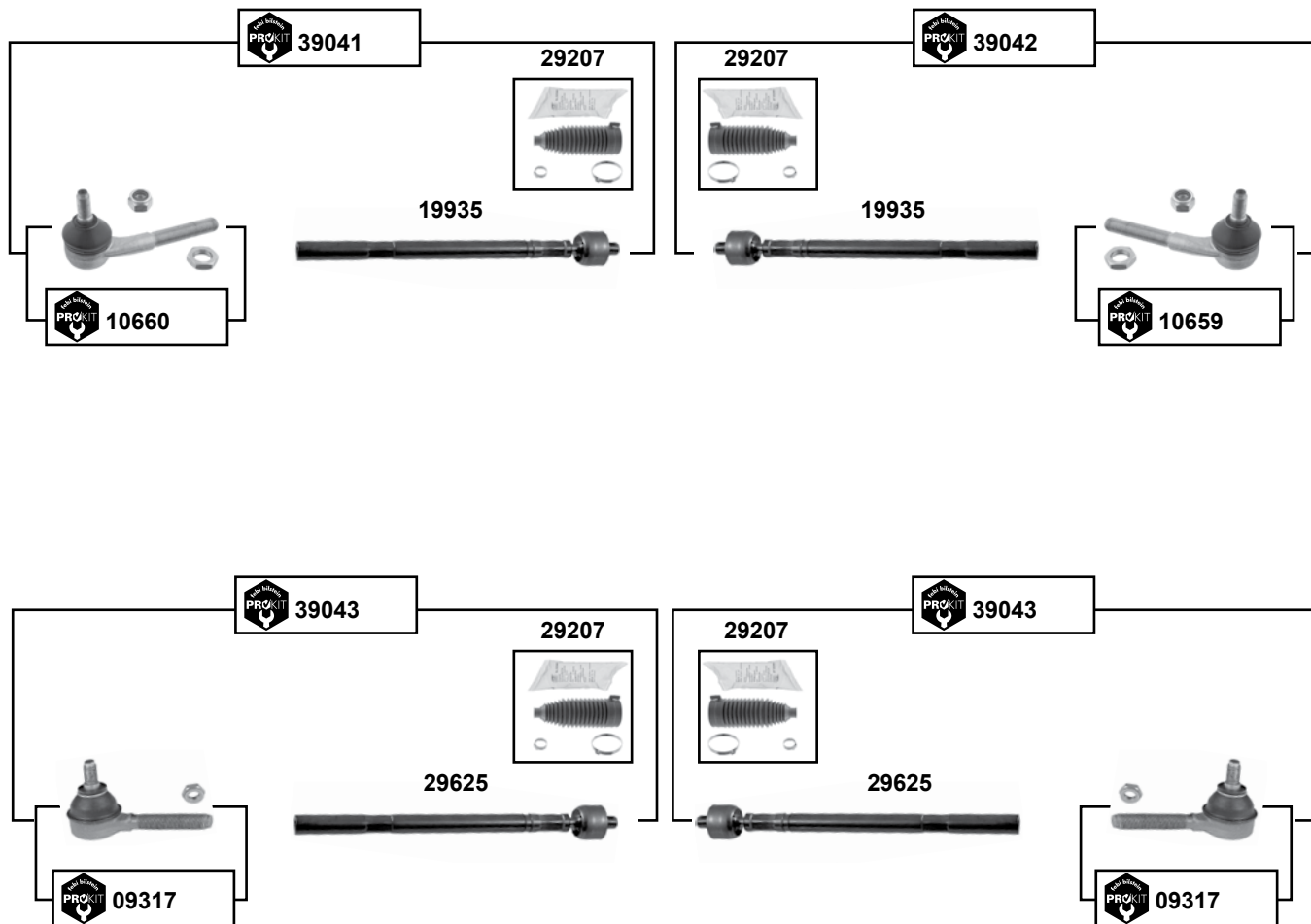
(1) → O 07905 / (ex.) (mot.) 1,9 D ; 2,0 HDI	(2) O 07906 → / (ex.) (mot.) 1,9 D ; 2,0 HDI
(3) 04/93 → 04/97 <b>Sport</b> 05/97 → 05/01 Benzin (mot.) TU, TU5JP, DW8, XU, XUD verstärkte Aufhängung reinforced suspension (mot.) DW10TD, XU, XUD, XU10J4R <b>Sport</b> (mot.) XU7JP, XU7JP4 O 08575 →	

	Ref. - No.			
10276	5094.63	Stabilisatorlager / stabilizer mount		Ø I 17
10277	5094.64	Stabilisatorlager / stabilizer mount		Ø I 18
11423	5087.61	ProKit Verbindungsstange / connecting rod	→ 06/94	L 300
15981	3640.37	Traggelenk / ball joint	(1)	Ø A 16
17722	3520.H5	Querlenker / control arm		
17725	3521.E5	Querlenker / control arm		
17781	3523.75	Querlenkerlager / control arm mount	(ex.) <b>Sport</b>	
17817	5094.65	Stabilisatorlager / stabilizer mount		Ø I 21
17968	5087.42	ProKit Verbindungsstange / connecting rod	06/94 →	L 300
19009	3520.H5 S1	Querlenkerlager / control arm mount	<b>Sport</b>	
19468	3640.48	Traggelenk / ball joint	(2)	Ø A 18
21818	5094.77	Stabilisatorlager / stabilizer mount		Ø I 22
21820	5094.66	Stabilisatorlager / stabilizer mount		Ø I 19
28125	3520.H5 S2	Querlenkerlager / control arm mount	(ex.) <b>Sport</b>	
31813	3640.37 S1	Rep. Satz Traggelenk / rep. kit ball joint	(2)	Ø A 16
31814	3640.48 S1	Rep. Satz Traggelenk / rep. kit ball joint	(1)	Ø A 18
37765	5094.65 S1	Stabilisatorlagersatz / stabilizer mount kit	(3)	



## 307 / CC / SW (2001 → 2007)

Vorderachse / Front axle



(1) → 2005 LHD = O → 1031087 / O → 1052276 / O → 10492UW / RHD = O → 10310

(2) → 05 LHD = O1031188 → / O1052377 → / O10493UW → RHD = O10311 →  
05 → 07 LHD = O → 10919 / O1092088 → / O109277 →

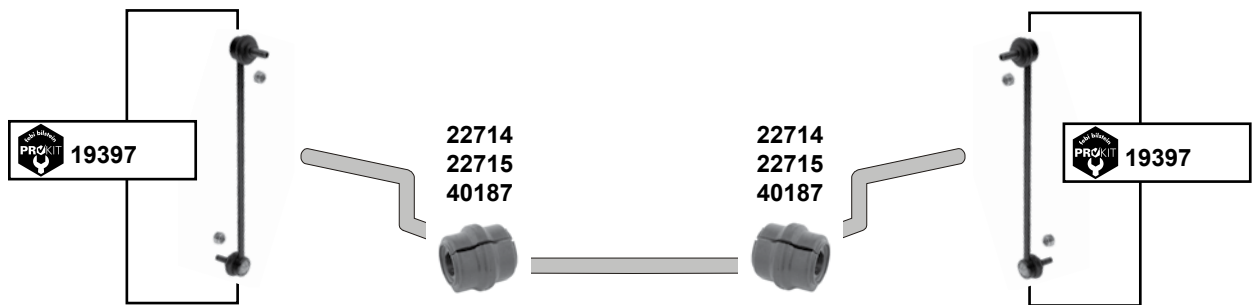
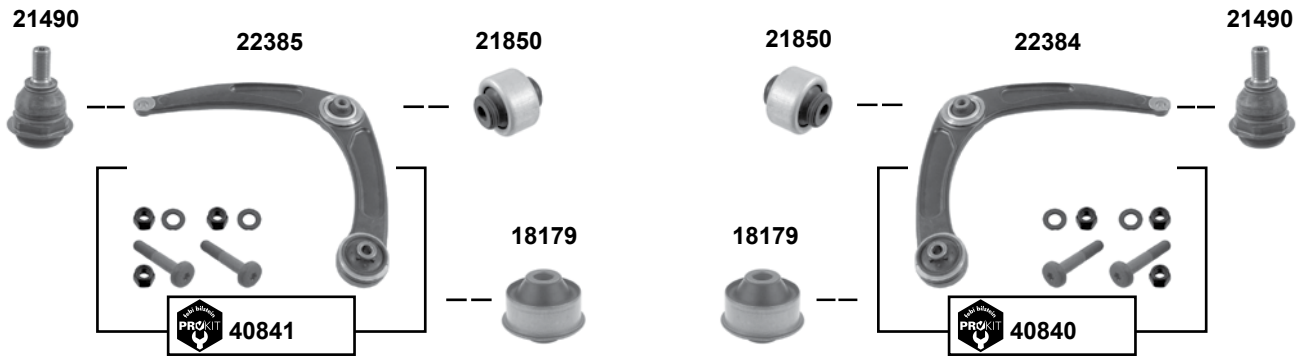
(3) SW 2002 → / CC 2003 →



	Ref. - No.			
09317	3817.50	ProKit Spurstangenendstück / tie rod end	(3) / O 10311 →	
10659	3817.41	ProKit Spurstangenendstück / tie rod end	(3) / O → 10310	M10 x 1,25
10660	3817.42	ProKit Spurstangenendstück / tie rod end	(3) / O → 10310	M10 x 1,25
19935	3812.E0	Spurstange / tie rod	(1) / (3)	L 340
29207	4066.73	Rep. Satz Lenkmanschette / rep. kit steering boot	(3) / servo	
29625	3812.E5	Spurstange / tie rod	(2) / (3)	L 359
39041	3812.E0 S4	ProKit Spurstange / tie rod	→ O 10310	
39042	3812.E0 S5	ProKit Spurstange / tie rod	→ O 10310	
39043	3812.E5 S3	ProKit Spurstange / tie rod	O 10311 →	



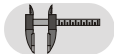
## 307 / CC / SW (2001 → 2007)



- |     |                 |   |
|-----|-----------------|---|
| (1) | Limousine Break | (mot.) EW10J4 / DW10TD / DW10ATED<br>(mot.) TU3JP / ET3J4 / TU5JP4  |
| (2) | Limousine       | (mot.) TU3JP / ET3J4 / TU5JP4 / DV4TD   |
| (3) | 307             | → 04/05 (mot.) DV6ATED4 / DV6TED4   |
|     | CC              | → 04/05 (mot.) EW10J4S O 09731 →  |
|     | SW              | → 04/05 (mot.) EW10J4 / DW10TD O 08827-10103 →<br>→ 04/05 (mot.) EW10A O 10290 →<br>→ 04/05 (mot.) DW10BTED4 O 09877 →<br>→ 04/05 (mot.) DW10ATED O 08974 → |



Ref. - No.

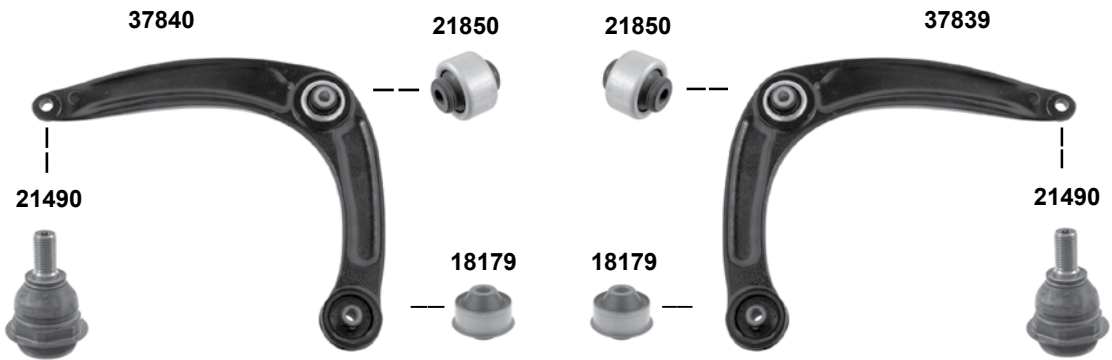
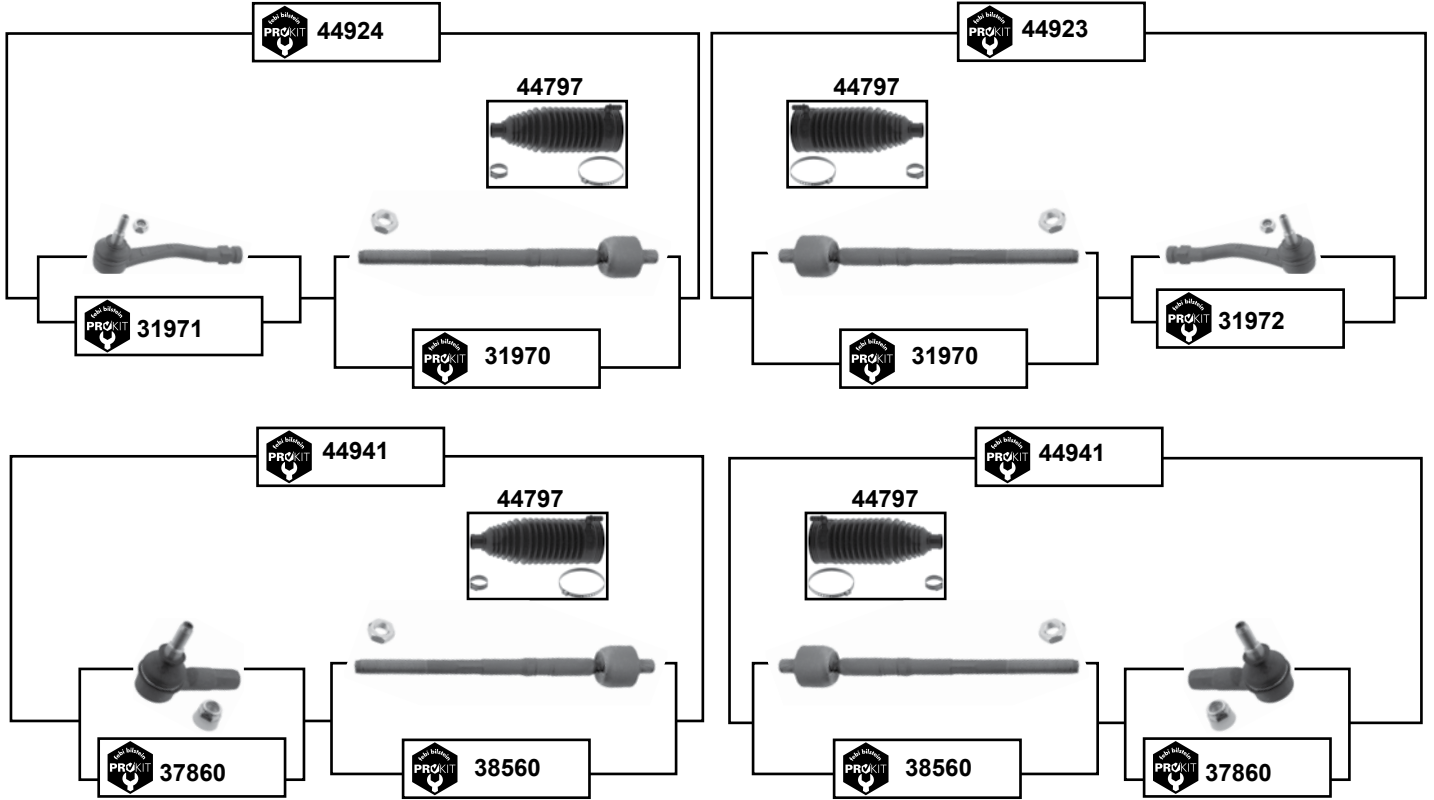


Ref. - No.	Description	Quantity	Notes
18179	3523.92 Querlenkerlager / control arm mount		
19397	5087.78 ProKit Verbindungsstange / connecting rod		
21490	3640.73 Traggelenk / ball joint		
21850	3523.91 Querlenkerlager / control arm mount		Ø A 55
22384	3521.P3 Querlenker / control arm		
22385	3520.S2 Querlenker / control arm		
22714	5094.87 Stabilisatorlager / stabilizer mount	(2)	Ø   21
22715	5094.E0 Stabilisatorlager / stabilizer mount	(1)	Ø   22
40187	5094.E3 Stabilisatorlager / stabilizer mount	(3)	Ø   23
40840	3521.P3 S1 ProKit Querlenker / control arm		
40841	3520.S2 S1 ProKit Querlenker / control arm		



## 308 / CC / SW (2007 → 2013)

Vorderachse / Front axle





## 308 / CC / SW (2007 → 2013)



(1) (mot.) EP6CDTX / O 12047 →

(2) (mot.) EP6CDTX O →12047

	Ref. - No.			
18179	3523.92	Querlenkerlager / control arm mount		A Ø 55
19397	98 049 474 80	ProKit Verbindungsstange / connecting rod		L 335
21490	3640.73	Traggelenk / ball joint		
21850	3523.91	Querlenkerlager / control arm mount		Ø A 55
31970	3812.F2	ProKit Axialgelenk / axial joint		L 272
31971	3817.89	ProKit Spurstangenendstück / tie rod end	(ex.) EP6CDTX	M10 x 1,5
31972	3817.88	ProKit Spurstangenendstück / tie rod end	(ex.) EP6CDTX	M10 x 1,5
37839	3521.R3	Querlenker / control arm		
37840	3520.V2	Querlenker / control arm		
37860	3817.73	ProKit Spurstangenendstück / tie rod end	(1)	M14 x 1,5
38560	3812.F8	ProKit Axialgelenk / axial joint	(1)	L 380
39682	5094.E2	Stabilisatorlager / stabilizer mount	→ O 11433	Ø I 22,5
39683	5094.F2	Stabilisatorlager / stabilizer mount		Ø I 23,5
40187	5094.E3	Stabilisatorlager / stabilizer mount		Ø I 23
44797	4066.82	Rep. Satz Lenkmanschette / rep. kit steering boot		L187,4
44923	3812.F2 S1	ProKit Spurstange / tie rod	(ex.) EP6CDTX	
44924	3812.F2 S2	ProKit Spurstange / tie rod	(ex.) EP6CDTX	
44941	3812.F8 S1	ProKit Spurstange / tie rod	(2)	



PEUGEOT

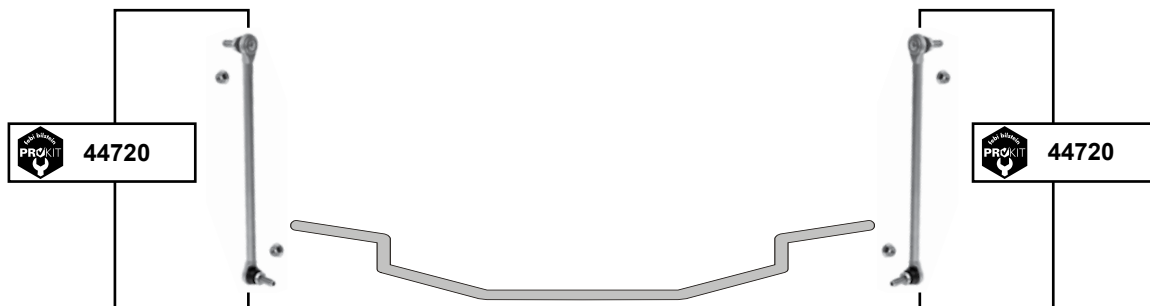


Car  
Division



308 II (T9)  
(2013 →)

Vorderachse / Front axle



Ref. - No.



44720

98 069 071 80

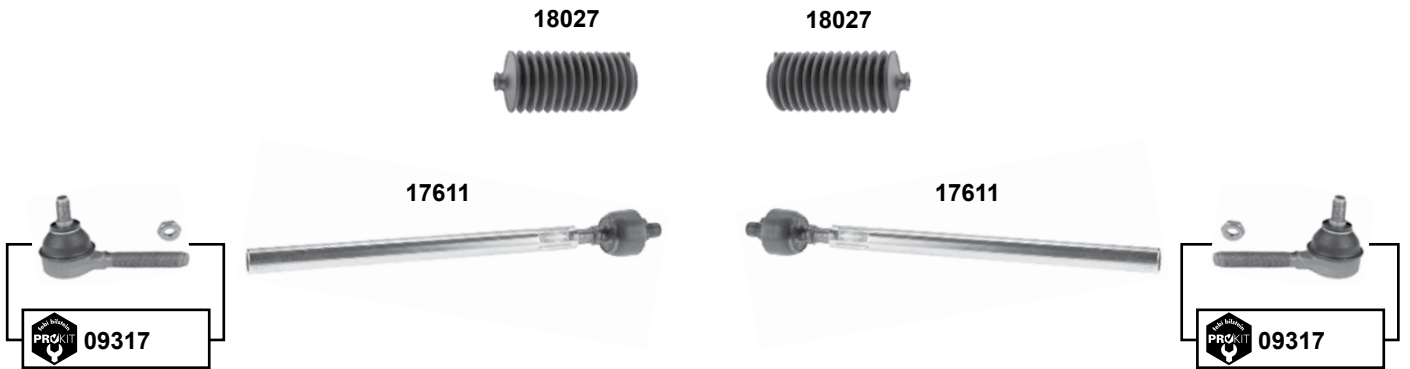
ProKit Verbindungsstange / connecting rod

M10 x 1,5



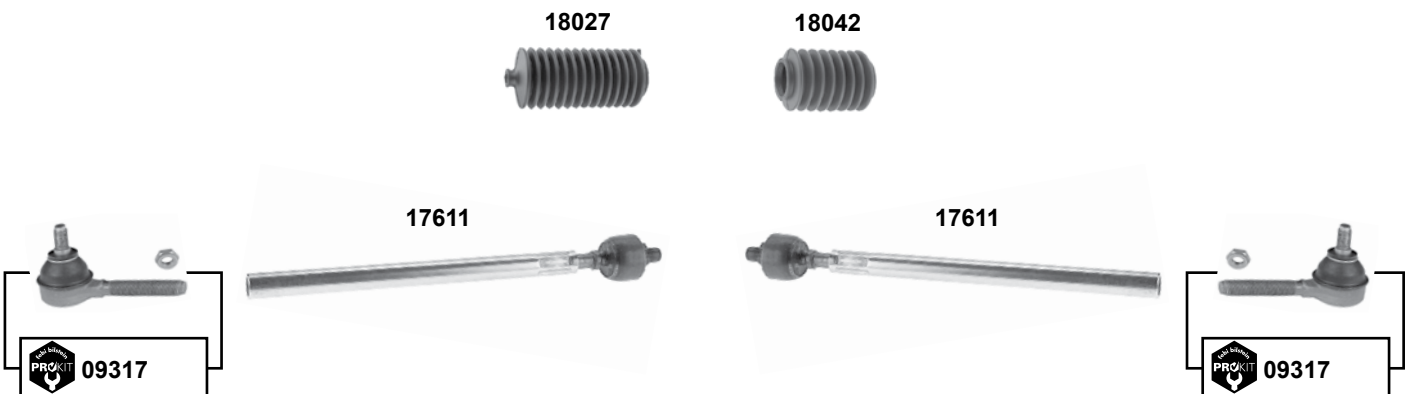
**309**  
(1986 → 1993)

man.



Vorderachse / Front axle

servo



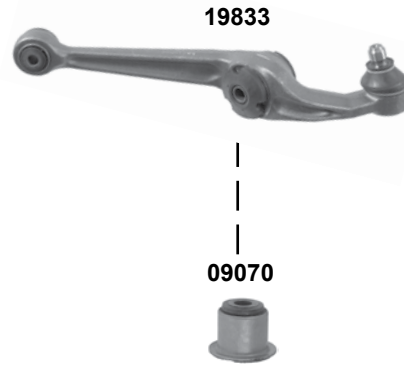
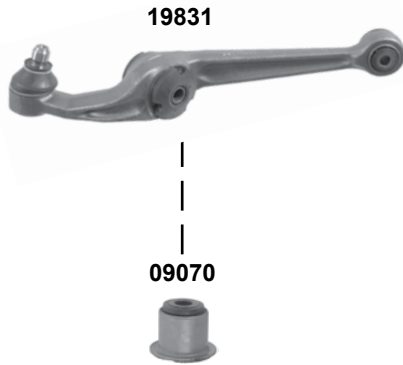
	Ref. - No.			
09317	3817.50	ProKit Spurstangenendstück / tie rod end		M10 x 1,25
17611	3812.95	Spurstange / tie rod		
18027	4066.20	Lenkmanschette / steering boot		
18042	4066.22	Lenkmanschette / steering boot		



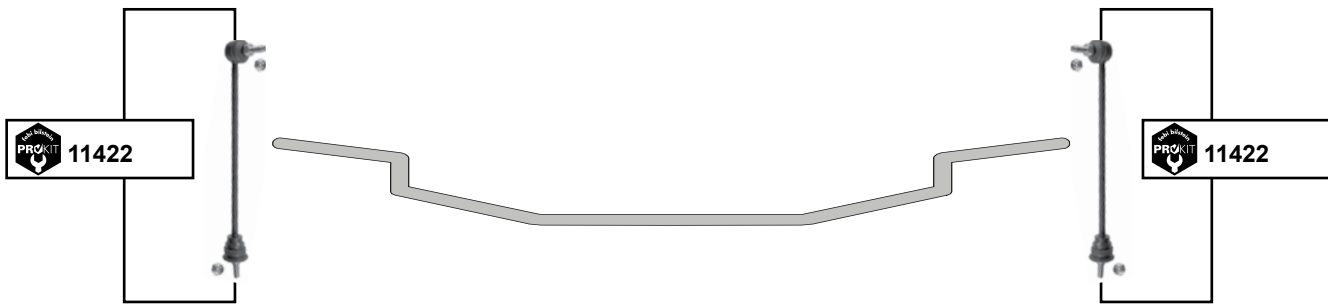
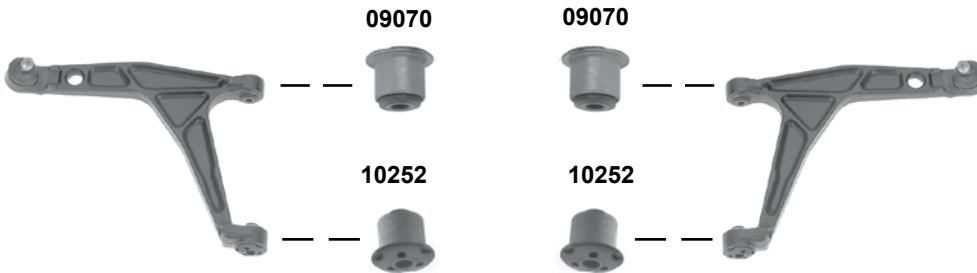
## 309

(1986 → 1993)

(ex.) GTI / (ex.) Turbo - Diesel



GTI  
Turbo - Diesel



(1) (ch.) S 2108018 → (mot.) E1, G1, J2, XU5M, XU5J, XU5JA, XU9J1, XU92C, XUD7, XUD9  
(mot.) TU alle / all



Ref. - No.



09070	3523.31	Querlenkerlager / control arm mount		12x36x25
10252	3523.23	Querlenkerlager / control arm mount		12x31/42x38
11422	5087.32	ProKit Verbindungsstange / connecting rod		L 312
19831	3520.60	Querlenker / control arm	(1)	
19833	3521.41	Querlenker / control arm	(1)	

Vorderachse / Front axle

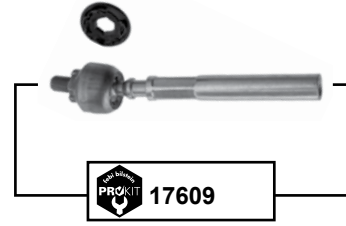


## 405

(1988 → 1996)

man.

19919

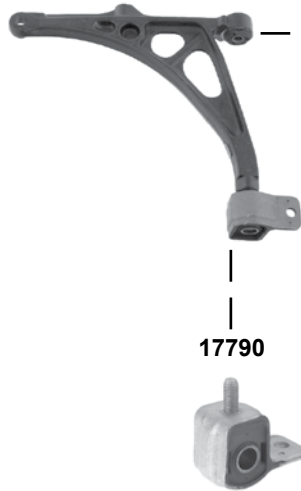


Vorderachse / Front axle

11829



11752

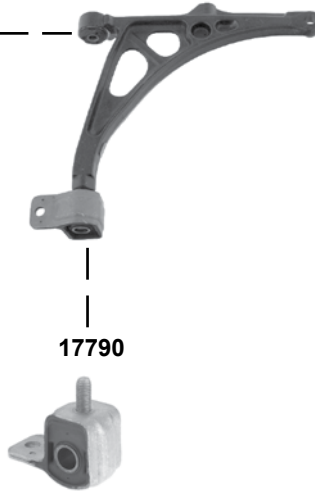


09373

09373



11751



11829



17790



17790



Ref. - No.



Ref. - No.	Description	Notes	Dimensions
09373	Querlenkerlager / control arm mount		12x33x38
11417	ProKit Traggelenk / ball joint	(ch.) → S 71358275	M12 x 1,5
11751	Querlenker / control arm	(ch.) 71358280 →	
11752	Querlenker / control arm	(ch.) 71358280 →	
11829	Traggelenk / ball joint	(ch.) S 71358276 →	M14 x 1,5
11851	ProKit Spurstangenendstück / tie rod end		M10 x 1,25
11855	ProKit Spurstangenendstück / tie rod end		M10 x 1,25
17609	ProKit Spurstange / tie rod	(ex.) 2.0 Turbo	L 180
17790	Querlenkerlager / control arm mount		
19919	Lenkmanschette / steering boot		



## 405

(1988 → 1996)

servo

18185  
19919  
19921

18185



11829

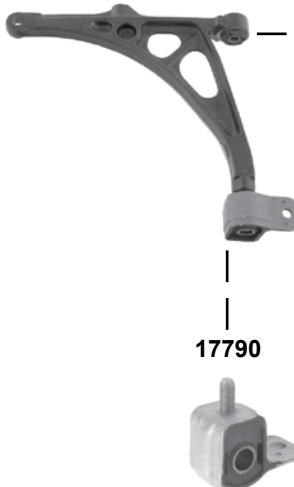
11752

09373

09373

11751

11829



17790

17790

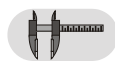


(1) (ex.) 2.0 Turbo 1988 → 1992 / links / left / gauche / izquierdo / sx

(2) (ex.) 2.0 Turbo 1993 → 1996

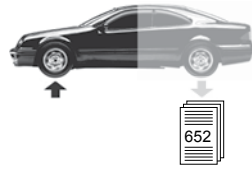


Ref. - No.



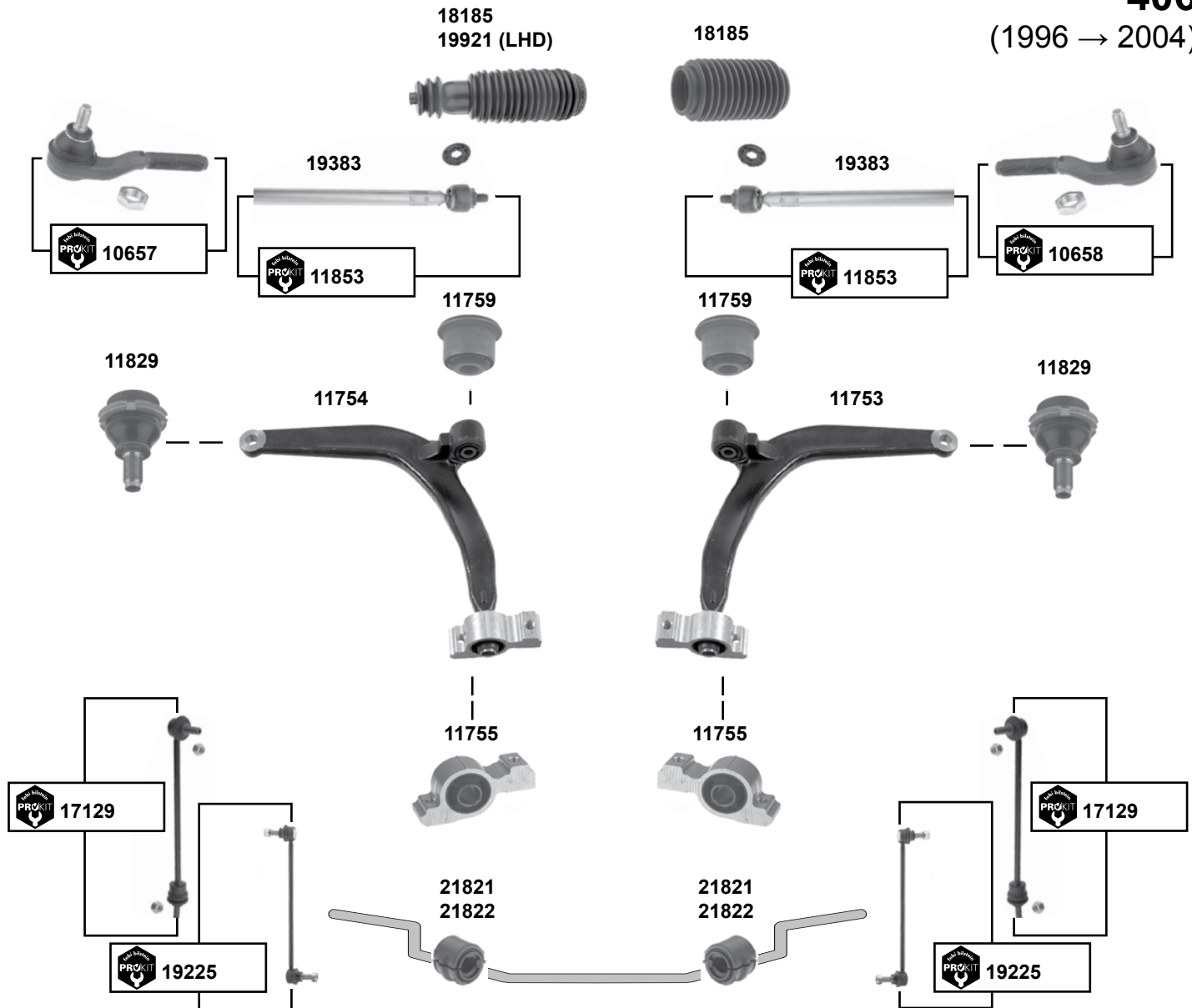
Ref. - No.	Description	Notes	Dimensions
09373	Querlenkerlager / control arm mount		12x33x38
11417	ProKit Traggelenk / ball joint	(ch.) → S 71358275	M12 x 1,5
11751	Querlenker / control arm	(ch.) 71358280 →	
11752	Querlenker / control arm	(ch.) 71358280 →	
11829	Traggelenk / ball joint	(ch.) S 71358276 →	M14 x 1,5
11851	ProKit Spurstangenendstück / tie rod end		M10 x 1,25
11855	ProKit Spurstangenendstück / tie rod end		M10 x 1,25
17609	ProKit Spurstange / tie rod	(ex.) 2.0 Turbo	L 180
17790	Querlenkerlager / control arm mount		
18185	Lenkmanschette / steering boot	(1)	
19919	Lenkmanschette / steering boot	(2)	
19921	Lenkmanschette / steering boot	2.0 Turbo	Ø I 18

Vorderachse / Front axle



## 406

(1996 → 2004)



Vorderachse / Front axle



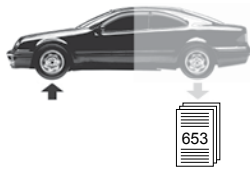
(1) Beachten Sie bitte die Abmessung / please pay attention to the dimension / respecter les dimensions / tenga en cuenta las medidas / fate attenzione alla misura



Ref. - No.

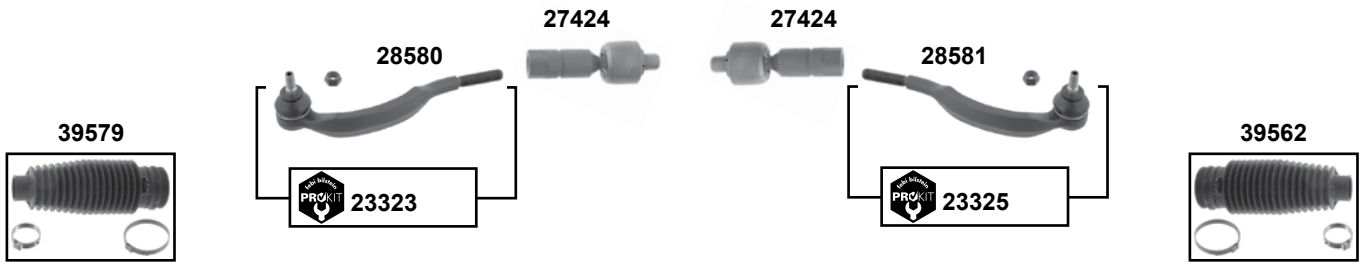


Part No.	Ref. - No.	Description	Dimensions / Notes
10657	3817.40	ProKit Spurstangenendstück / tie rod end	M10 x 1,25
10658	3817.39	ProKit Spurstangenendstück / tie rod end	M10 x 1,25
11753	3521.E1	Querlenker / control arm	
11754	3520.H1	Querlenker / control arm	
11755	3523.61	Querlenkerlager / control arm mount	
11759	3523.60	Querlenkerlager / control arm mount	
11829	3640.34	Traggelenk / ball joint	M14 x 1,5
11853	3812.A9	ProKit Spurstange / tie rod	(1) (ex.) variable servo.  L 330
17129	5087.40	ProKit Verbindungsstange / connecting rod	→ O 7664 L 300
18185	4066.30	Lenkmanschette / steering boot	(1) (ex.) variable servo.  L 120
19225	5087.60	ProKit Verbindungsstange / connecting rod	O 7665→
19383	3812.C4	Spurstange / tie rod	(1) variable servo.
19921	4066.42	Lenkmanschette / steering boot	(1) (ex.) variable servo.  Ø   18
21821	5094.74	Stabilisatorlager / stabilizer mount	Ø   23
21822	5094.75	Stabilisatorlager / stabilizer mount	Ø   24

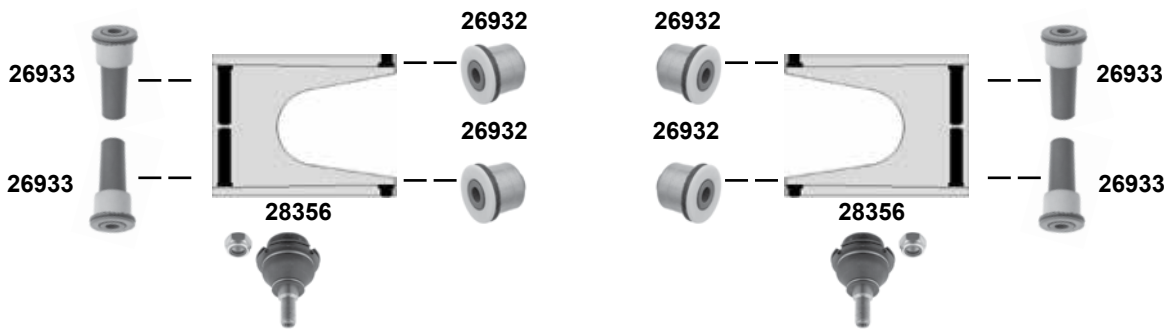


## 407 / Coupe (2004 →)

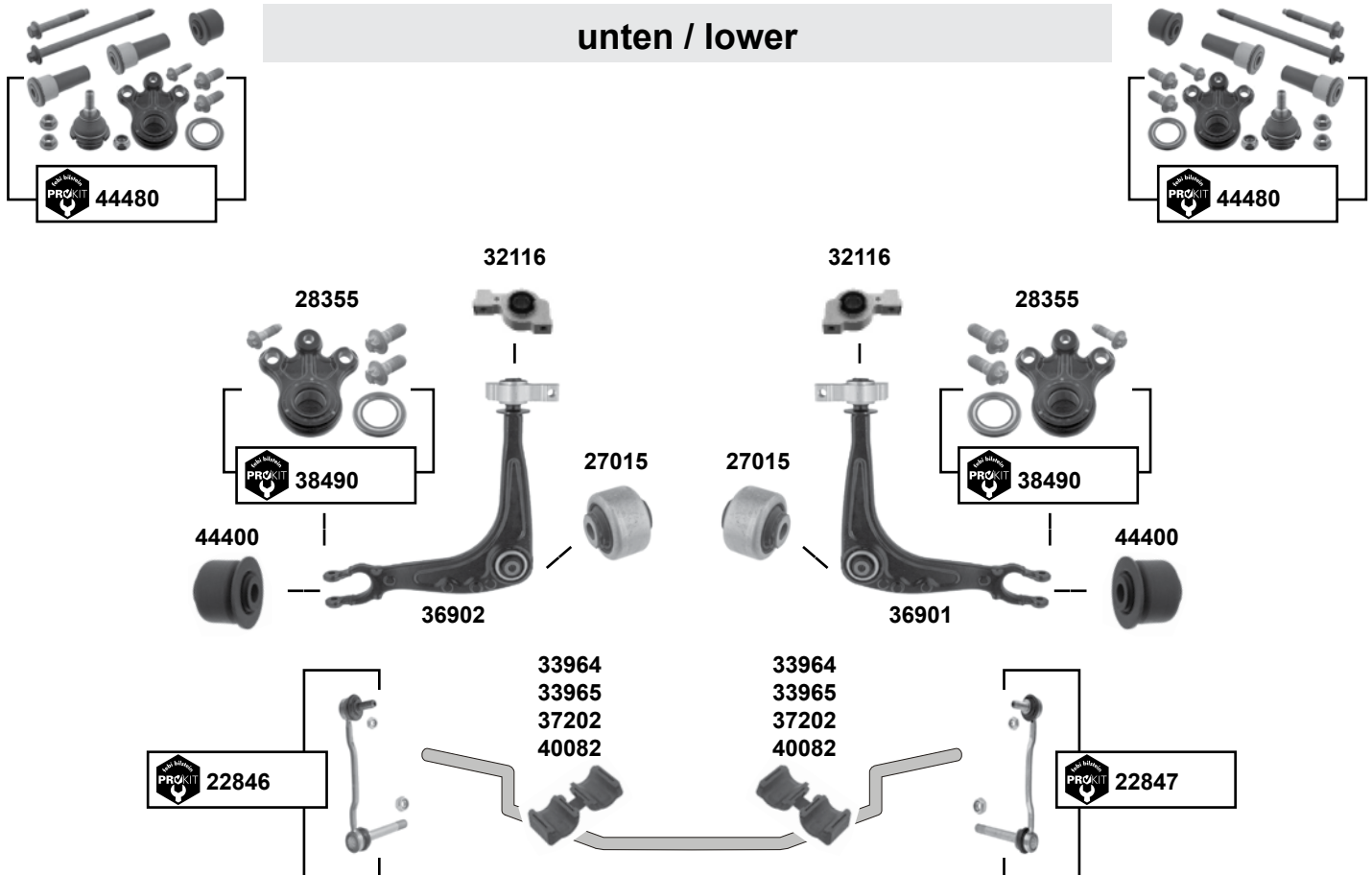
Vorderachse / Front axle

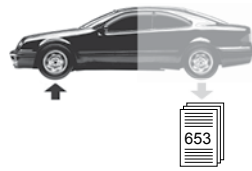


### oben / upper



### unten / lower





## 407 / Coupe (2004 →)

	Ref. - No.			
22846	5087.52	ProKit Verbindungsstange / connecting rod		
22847	5087.53	ProKit Verbindungsstange / connecting rod		
23323	3817.58	ProKit Spurstangenendstück / tie rod end	→ O 10597	
23325	3817.57	ProKit Spurstangenendstück / tie rod end	→ O 10597	
26932	3523.CA	Querlenkerlager / control arm mount		
26933	3523.AZ	Querlenkerlager / control arm mount		
27015	3523.AQ	Querlenkerlager / control arm mount		A Ø 56
27424	3812.E7	Spurstange / tie rod		L106 M16x1,5
28355	3640.72	Traggelenk / ball joint	O 10983 →	
28356	3640.74	Traggelenk / ball joint		M14 x 1,25
28580	3817.65	Spurstangenendstück / tie rod end	O 10598 →	
28581	3817.66	Spurstangenendstück / tie rod end	O 10598 →	
32116	3520.N6 S1	Querlenkerlager / control arm mount		M14 x 1,25
33964	5094.A1	Stabilisatorlager / stabilizer mount		Ø I 25
33965	5094.99	Stabilisatorlager / stabilizer mount		Ø I 24
36901	3521.J6	Querlenker / control arm	(ex.) variable Federung	M12 x 1,75
36902	3520.N6	Querlenker / control arm	(ex.) variable Federung	M12 x 1,75
37202	5094.A0	Stabilisatorlager / stabilizer mount	04 / 05 →	Ø I 24,5
38490	3640.69 S1	ProKit Traggelenk / ball joint	O 10983 →	M14/10x1,5
39562	4066.71	Rep. Satz Lenkmanschette / rep. kit steering boot		
39579	4066.72	Rep. Satz Lenkmanschette / rep. kit steering boot		Ø I 24/48
40082	5094.98	Stabilisatorlager / stabilizer mount		Ø I 23,5
44400	3656.04 S1	Achsschenkelager / knuckle assembly mount		A Ø 40
44480	3656.04 S2	ProKit Achsschenkelagersatz / knuckle Top Bearing Kit		





## 504

(1968 → 1982)

Vorderachse / Front axle



18027

18027



25231

25231



Ref. - No.



09317	3817.50
18027	4066.20
25231	3640.27

ProKit Spurstangenendstück / tie rod end
Lenkmanschette / steering boot
Traggelenk / ball joint

M10 x 1,25
M12 x 1,25



**505**  
(1979 → 1990)



25231



25231



Vorderachse / Front axle



Ref. - No.

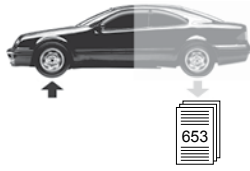


09317  
25231

3817.50  
3640.27

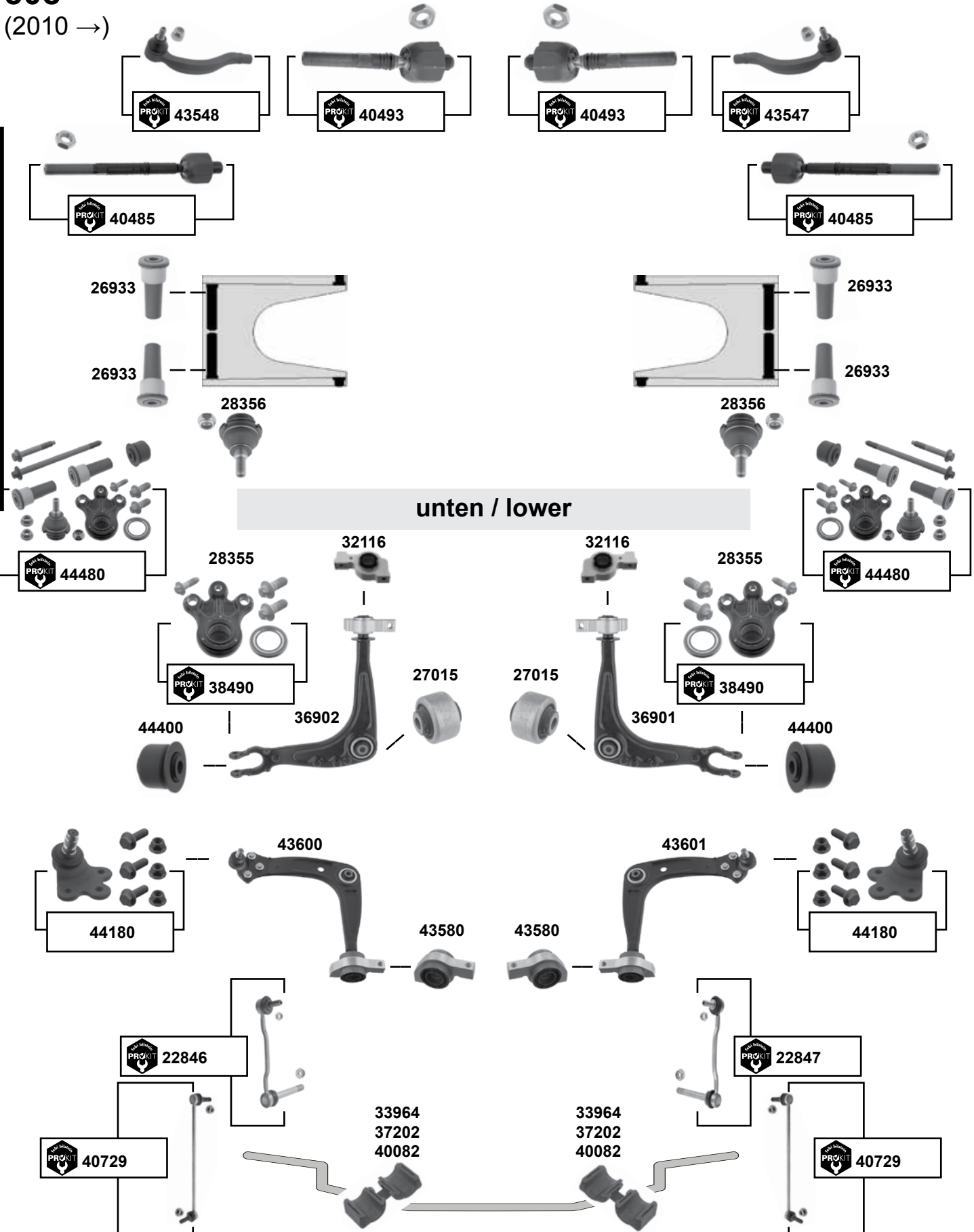
ProKit Spurstangenendstück / tie rod end  
Traggelenk / ball joint

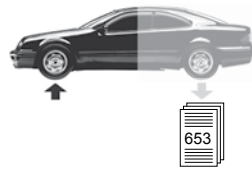
M10 x 1,25  
M12 x 1,25



## 508 (2010 →)

Vorderachse / Front axle

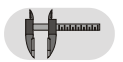




- (1) (ex.) McPherson Vorderachse / front axle
- (2) Vorderachse Typ VH10 / front suspension type VH10
- (3) McPherson Vorderachse / front axle (ex.) Break 4x4



Ref. - No.



Febi bilstein	Ref. - No.			
22846	5087.52	ProKit Verbindungsstange / connecting rod	(2)	
22847	5087.53	ProKit Verbindungsstange / connecting rod	(2)	
26933	3523.AZ	Querlenkerlager/ control arm mount	(2)	
27015	3523.AQ	Querlenkerlager / control arm mount		A Ø 56
28355	3640.69	Traggelenk / ball joint	(2)	M14 x 1,5
28356	3640.74	Traggelenk / ball joint	(2)	M14/42x1,5
32116	3520.N6 S1	Querlenkerlager / control arm mount	(2)	M14 x 1,25
33964	5094.A1	Stabilisatorlager / stabilizer mount	(3)	Ø I 25
36901	3521.J6	Querlenker / control arm	(1)	
36902	3520.N6	Querlenker / control arm	(1)	
37202	5094.A0	Stabilisatorlager / stabilizer mount		Ø I 24,5
38490	3640.69 S1	ProKit Traggelenk / ball joint	(2)	M14/10x1,5
40082	5094.98	Stabilisatorlager / stabilizer mount	(1)	Ø I 23,5
40493	3812.F3	ProKit Axialgelenk / axial joint	(2)	L 145
40485	3812.G3 SK	ProKit Axialgelenk / axial joint	(3)	L 225
40729	5087.76	ProKit Verbindungsstange / connecting rod	(3)	L 345
43547	16 099 483 80	ProKit Spurstangenendstück / tie rod end	(2)	M12 x 1,5
43548	16 099 482 80	ProKit Spurstangenendstück / tie rod end	(2)	M12 x 1,5
43580	3520.Y0 SK	Querlenkerlager / control arm mount	(3)	M12 x 1,75
43600	3520.Y0	Querlenker / control arm	(3)	
43601	3521.V1	Querlenker / control arm	(3)	
44180	3640.83	Traggelenk / ball joint	(3)	M12 x 1,5
44400	3656.04 S1	Achsschenkellager / knuckle assembly mount	(2)	Ø A 40
44480	3656.04 S2	ProKit Achsschenkellagersatz / knuckle top bearing kit	(2)	

# PEUGEOT



Car  
Division



## 604

(1977 → 1986)

Vorderachse / Front axle



25231



25231



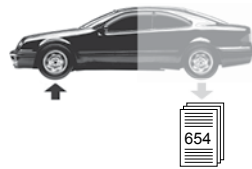
Ref. - No.



09317 3817.50  
25231 3640.27

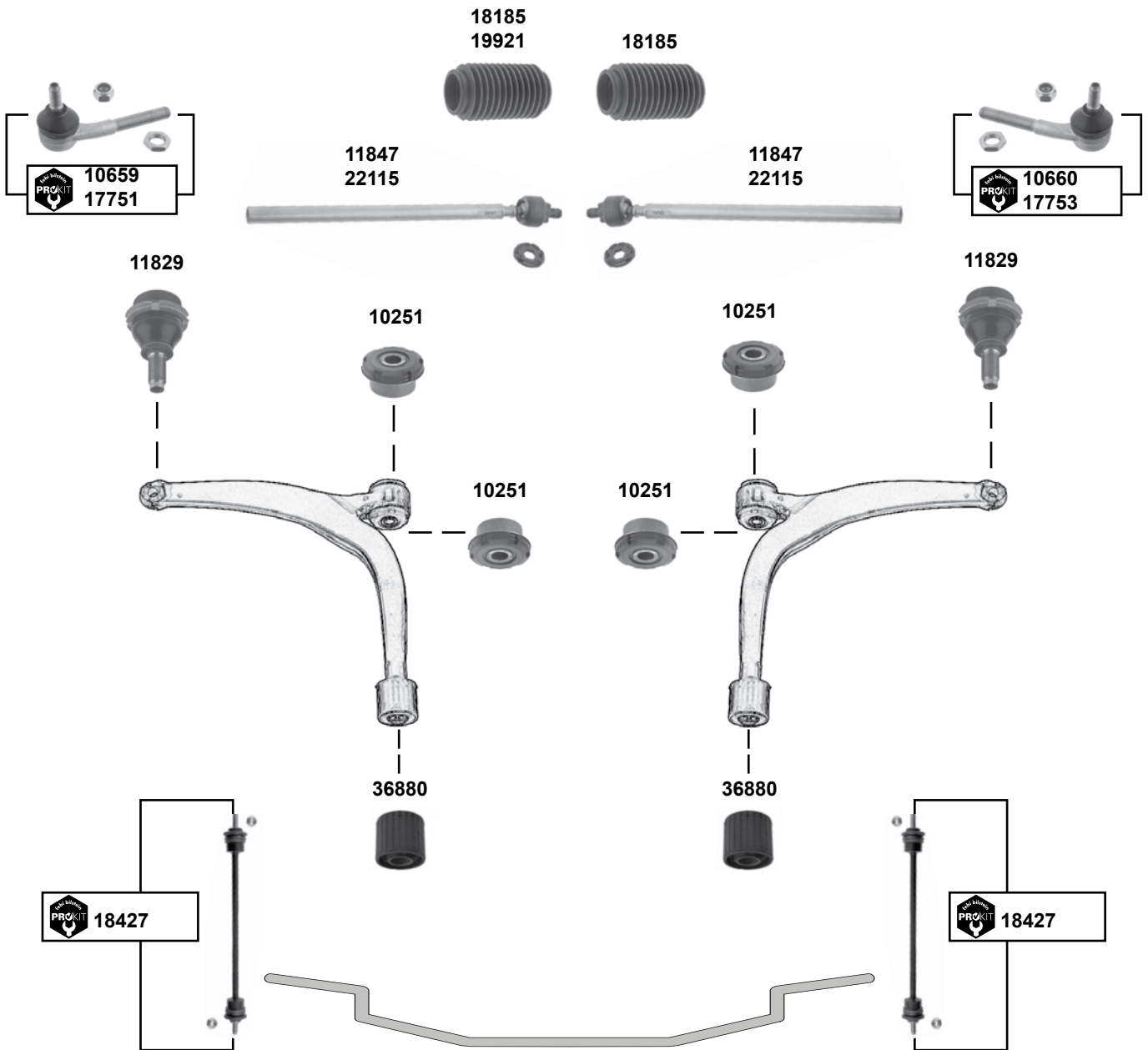
ProKit Spurstangenendstück / tie rod end  
Traggelenk / ball joint

M10 x 1,25  
M12 x 1,25



**605**  
(1990 → 2000)

Vorderachse / Front axle



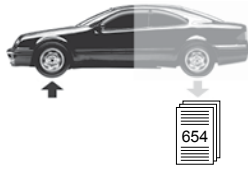
(1) → 09/99 ZPJ / ZPJ4  
XU10J2TE, XU (Abmessung beachten / note dimensions)



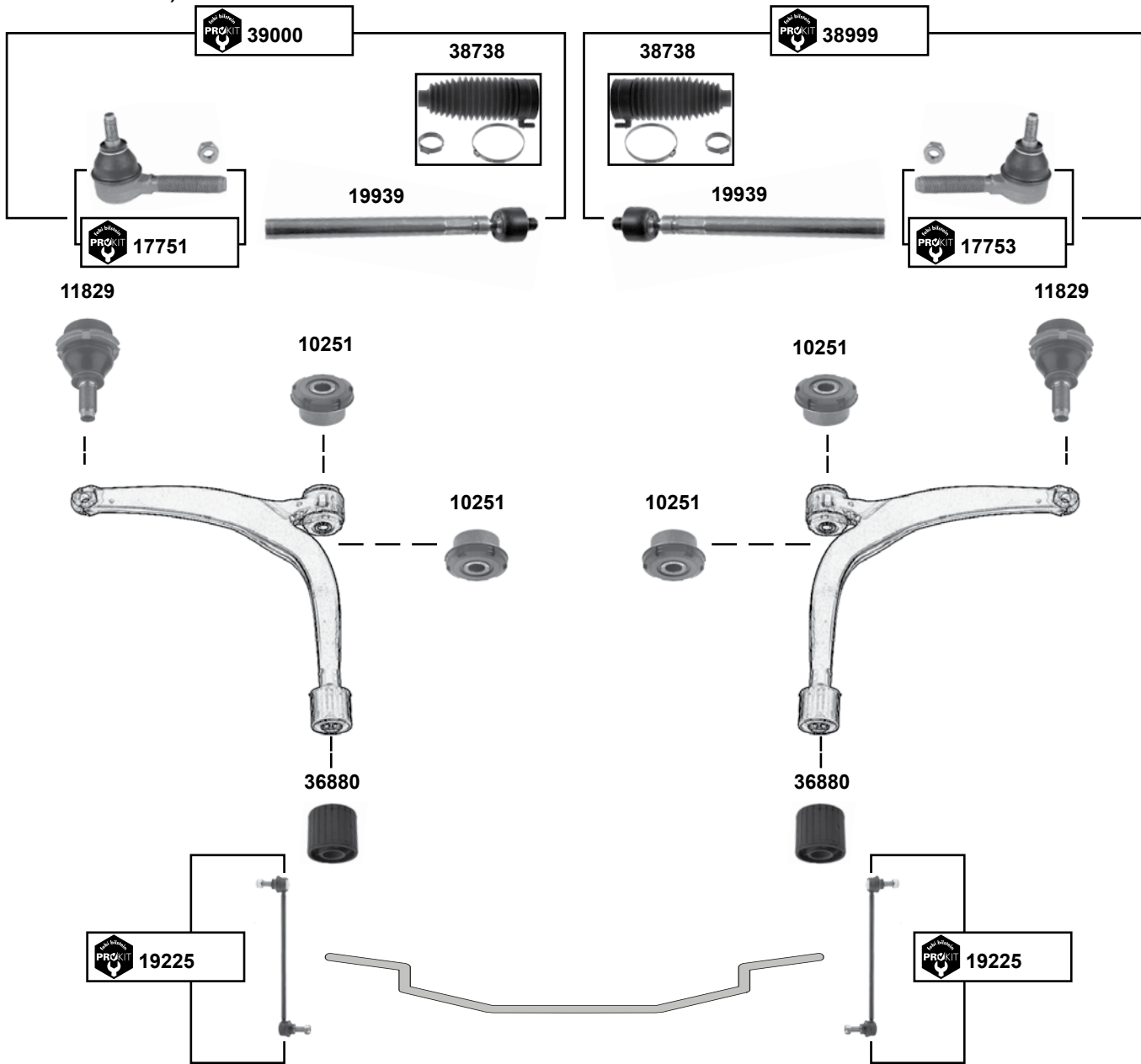
Ref. - No.



Ref. - No.	Description	Notes	Dimensions
10251	Querlenkerlager / control arm mount		40x14x25,5
10659	ProKit Spurstangenendstück / tie rod end	→ 94 / servo.	M10 x 1,25
10660	ProKit Spurstangenendstück / tie rod end	→ 94 / servo.	M10 x 1,25
11829	Traggelenk / ball joint		M14 x 1,5
11847	ProKit Spurstange / tie rod	→ 94 / servo.	Ø A 18
17751	ProKit Spurstangenendstück / tie rod end	94 →	M10 x 1,25
17753	ProKit Spurstangenendstück / tie rod end	94 →	M10 x 1,25
18185	Lenkmanschette / steering boot	servo.	
18427	ProKit Verbindungsstange / connecting rod		
19921	Lenkmanschette / steering boot		Ø I 18
22115	Spurstange / tie rod	94 →	Ø A 22
36880	Querlenkerlager / control arm mount	(1)	50x20x45



## 607 (2000 → 2010)



Vorderachse / Front axle

(1) 05/00 → 11/04 ES9J4S → O 09303  
EW10J4, EW12J4, DW10ATED FAP → O 09708  
DW10ATED  
DW12TED4



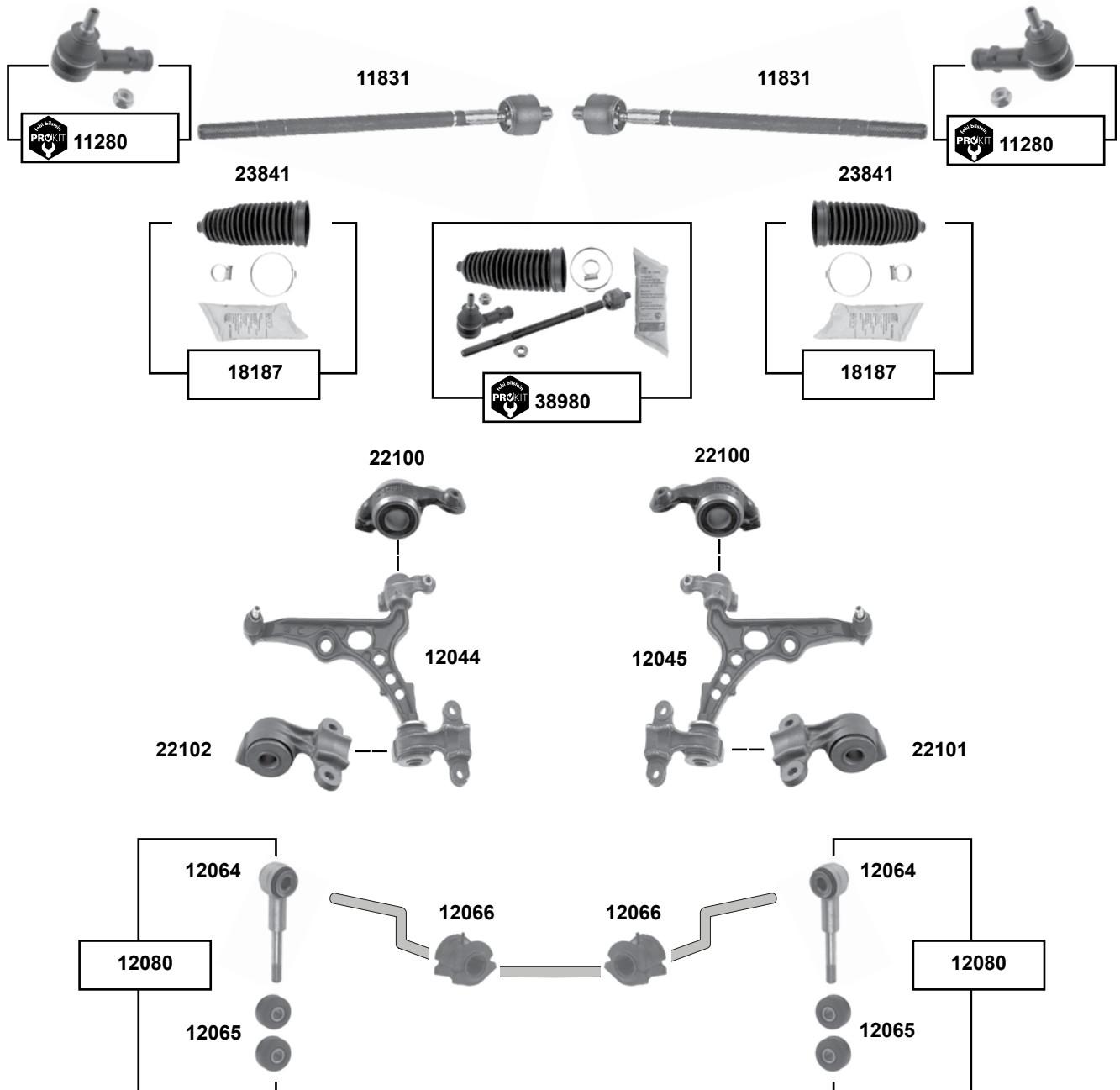
Ref. - No.



10251	3523.43	Querlenkerlager / control arm mount		40x14x25,5
11829	3640.34	Traggelenk / ball joint		M14 x 1,5
17751	3817.43	ProKit Spurstangenendstück / tie rod end		M10 x 1,25
17753	3817.44	ProKit Spurstangenendstück / tie rod end		
19225	5087.60	ProKit Verbindungsstange / connecting rod		
19939	3812.C7	Spurstange / tie rod		
36880	3523.96	Querlenkerlager / control arm mount	(1)	50x20x45
38738	4066.74	Rep. Satz Lenkmanschette / rep. kit steering boot		L 175
38999	3812.C7 S1	ProKit Spurstange / tie rod		
39000	3812.C7 S2	ProKit Spurstange / tie rod		



**806**  
(1994 → 2002)



Vorderachse / Front axle



Ref. - No.



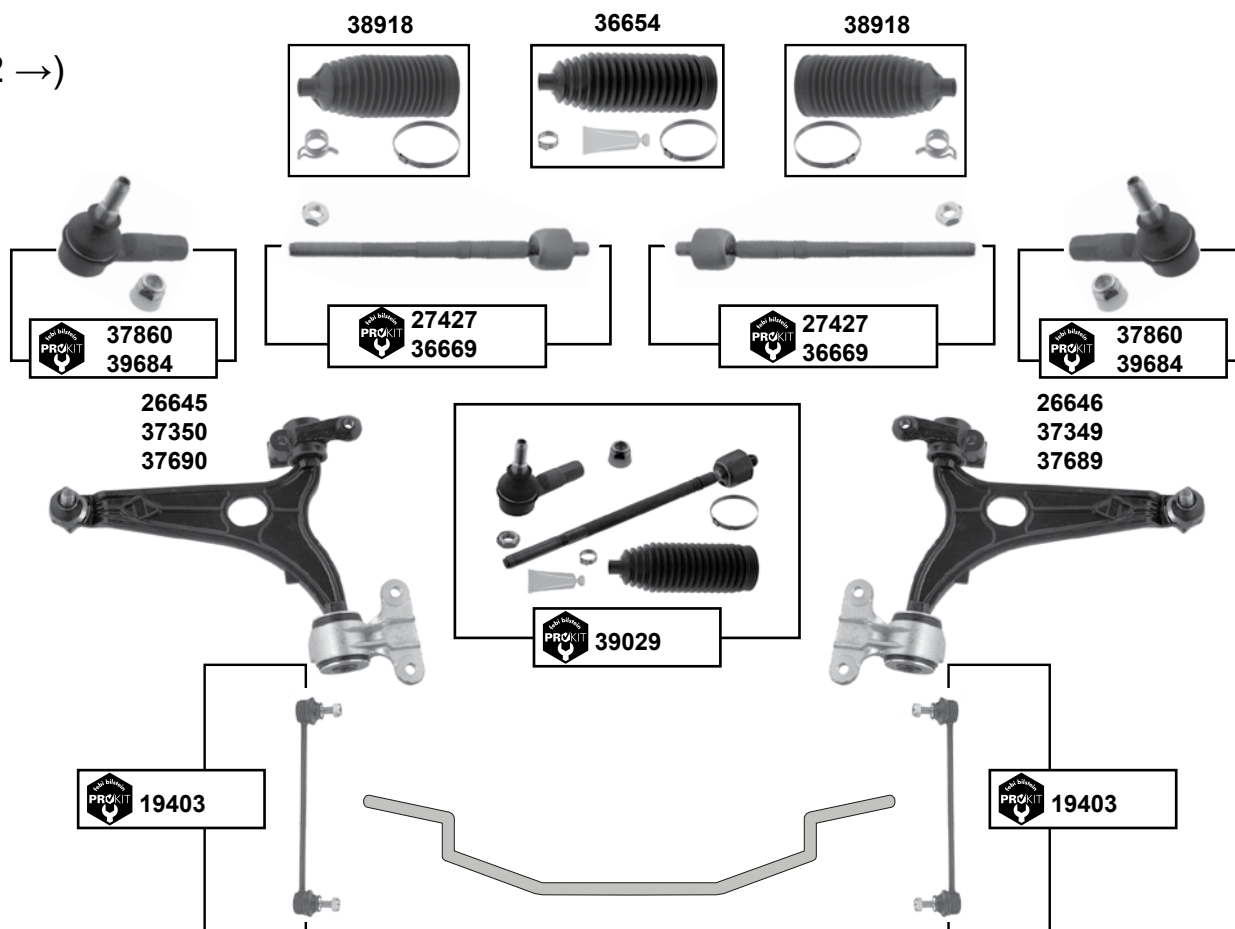
<b>11280</b>	4059.09	ProKit Spurstangenendstück / tie rod end	M12 x 1,25
<b>11831</b>	3812.A4	Axialgelenk / axial joint	L 320
<b>12044</b>	3520.P4	Querlenker / control arm	
<b>12045</b>	3521.K4	Querlenker / control arm	
<b>12064</b>	5087.35	Verbindungsstange / connecting rod	M12 x 1,25
<b>12065</b>	5093.15	Gummilager / rubber mount	12x38
<b>12066</b>	5094.69	Stabilisatorlager / stabilizer mount	Ø 124
<b>12080</b>	5087.35 S1	Rep. Satz Verbindungsstange / rep. kit connecting rod	
<b>18187</b>	4066.41	Rep. Satz Lenkmanschette / rep. kit steering boot	
<b>22100</b>	3520.G9 S1	Querlenkerlager / control arm mount	
<b>22101</b>	3521.C9 S1	Querlenkerlager / control arm mount	
<b>22102</b>	3520.G9 S2	Querlenkerlager / control arm mount	
<b>23841</b>	4066.41 SK	Lenkmanschette / steering boot	
<b>38980</b>	3812.A4 S1	ProKit Spurstange / tie rod	





## 807 (2002 →)

Vorderachse / Front axle



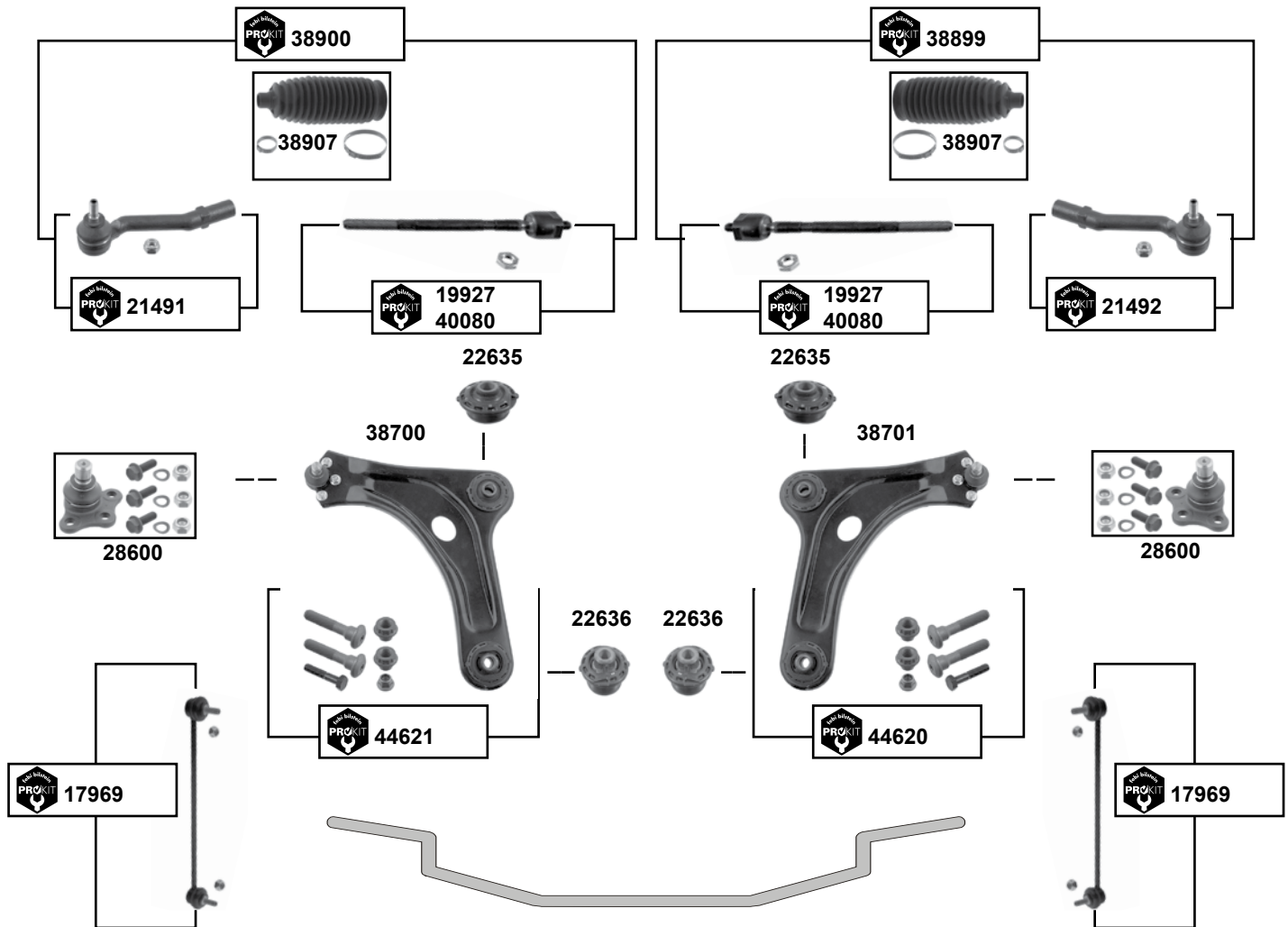
- (1) (ex.) 2,2 HDI / → O 10823
- (2) DW12BTED4 / DW10CTED4 E-hydr. O 12257 →
- (3) (mot.) DW12BTED4 → O 12256 / DW10CTED4 O 12257 →
- (4) (mot.) DW12BTED4, DW10CTED4
- (5) (mot.) DW10CTED4, DW12BTED4 E-hydr. → O 12256
- (6) (mot.) DW10CTED4, DW12BTED4
- (7) (mot.) DW10BTED4, DW10UTED4, EW10A, DW10CB, DW10ATED4, DW12TED4 O 10824 →
- (8) (mot.) DW10CB + E-hydr. O 12257 → / E-hydr. O 10549 → 12256 (ex.) DW12BTED4
- (9) (ex.) (mot.) DW12BTED4, DW10CTED4



	Ref. - No.			
19403	5087.51	ProKit Verbindungsstange / connecting rod		
26645	3520.P6	Querlenker / control arm	(1)	
26646	3521.K6	Querlenker / control arm	(1)	
27427	3812.E2	ProKit Spurstange / tie rod	(ex.) 2,0 HDI	L 315
36654	4066.83	Rep. Satz Lenkmanschette / rep. kit steering boot	(2)	L 185
36669	3812.F0	ProKit Axialgelenk mit Mutter / axial joint with nut	(3)	L 307
37349	16 075 107 80	Querlenker / control arm	(7)	M14 x 1,5
37350	16 075 106 80	Querlenker / control arm	(7)	M14 x 1,5
37689	3521.S0	Querlenker / control arm	(6)	M14 x 1,5
37690	3520.V8	Querlenker / control arm	(6)	M14 x 1,5
37860	3817.73	ProKit Spurstangenendstück / tie rod end	(4)	M14 x 1,5
38918	4066.79	Rep. Satz Lenkmanschette / rep. kit steering boot	(8)	L 176
39029	3812.F0 S1	ProKit Spurstange / tie rod	(5)	
39684	4059.12	ProKit Spurstangenendstück / tie rod end	(9)	



**1007**  
(2005 → 2010)



Vorderachse / Front axle

(1) (mot.) DV4TD, ET3J4, TU3A, TU3JP + LHD // TU5JP4 // RHD → O 10618

(2) 04/05 → // → O 11017 (ex.) DV6TED4

(3) (mot.) DV4TD, ET3J4, TU3A, TU3JP / TU5JP4 → O 10618

(4) (mot.) DV6TED4, / TU5JP4 O 10619 →

(5) alle / all → O 11017 (ex.) (mot.) DV6TED4



Ref. - No.







Part No.	Ref. - No.	Description	Notes	Dimensions
17969	5087.74	ProKit Verbindungsstange / connecting rod		L 335
19927	3812.E1	ProKit Spurstange / tie rod	→ O 10618	L 257
21491	3817.55	ProKit Spurstangenendstück / tie rod end		M14 x 1,5
21492	3817.56	ProKit Spurstangenendstück / tie rod end		M14 x 1,5
22635	3523.98	Querlenkerlager / control arm mounting		
22636	3523.AA	Querlenkerlager / control arm mounting		
28600	3640.66	Traggelenk / ball joint		
38700	3520.P1	Querlenker / control arm	(2)	
38701	3521.K1	Querlenker / control arm	(2)	
38899	3812.E1 S1	ProKit Spurstange / tie rod	(3)	
38900	3812.E1 S2	ProKit Spurstange / tie rod	(3)	
38907	4066.69	Rep. Satz Lenkmanschette / rep. kit steering boot	(1)	L 167,1
40080	3812.E6	ProKit Axialgelenk / axial joint	(4)	L 255
44620	3521.R2 S3	ProKit Querlenker / control arm	(5)	
44621	3520.V1 S3	ProKit Querlenker / control arm	(5)	

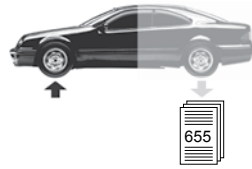


**2008**  
(2013 →)

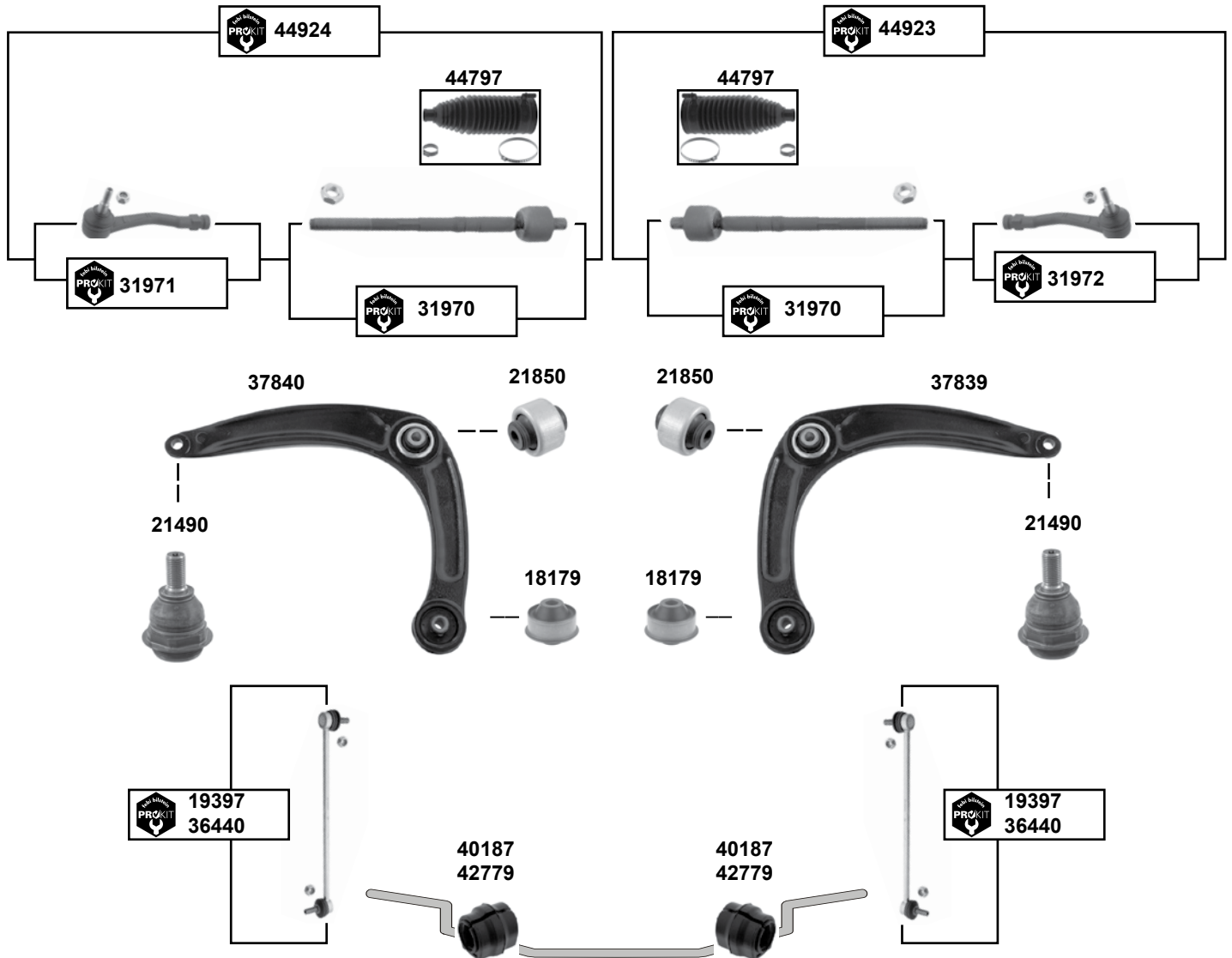
Vorderachse / Front axle



	Ref. - No.			
<b>40070</b>	16 080 253 80	ProKit Axialgelenk / axial joint		L 240M14x1,5
<b>44185</b>	16 080 252 80	ProKit Spurstangenendstück / tie rod end		M 14 x 1,5
<b>44186</b>	16 080 251 80	ProKit Spurstangenendstück / tie rod end		M 14 x 1,5



**3008**  
(2009 →)

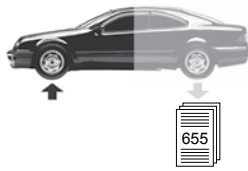


Vorderachse / Front axle



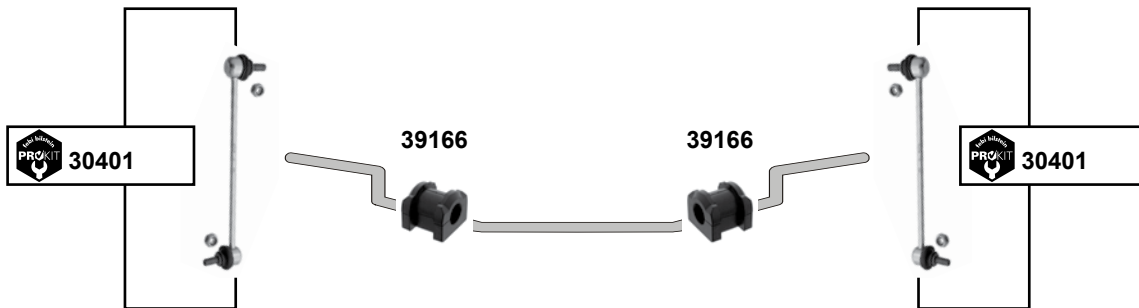
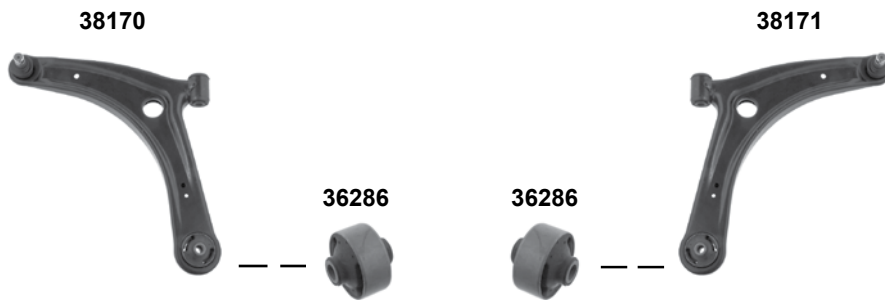
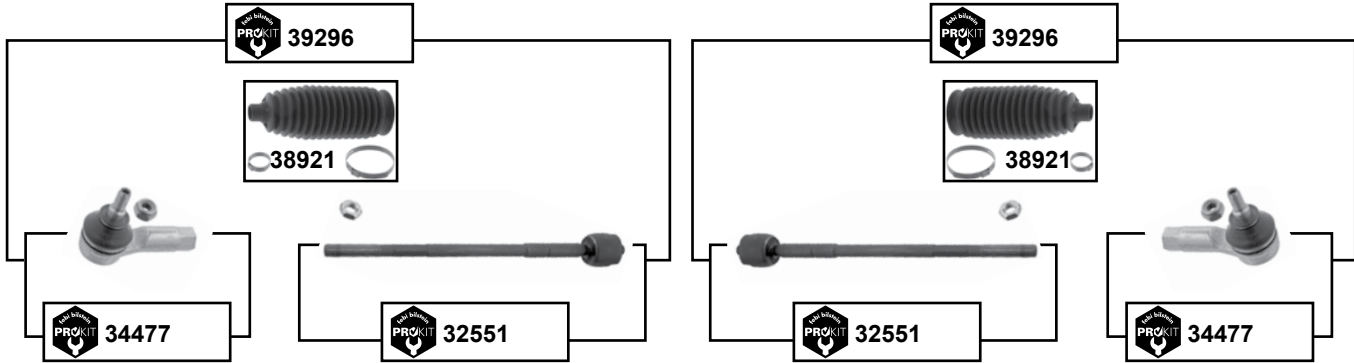
- (1) (ex.) Hybridantrieb / (ex.) hybrid drive
- (2) für Fahrzeuge mit Hybridantrieb / for vehicles with hybrid drive

	Ref. - No.			
18179	3523.92	Querlenkerlager / control arm mount		Ø A 55
19397	98 049 474 80	ProKit Verbindungsstange / connecting rod	(1)	L 335
21490	3640.73	Traggelenk / ball joint		
21850	3523.91	Querlenkerlager / control arm mount		Ø A 55
31970	3812.F2	ProKit Axialgelenk / axial joint		L 272
31971	3817.89	ProKit Spurstangenendstück / tie rod end		M10 x 1,5
31972	3817.88	ProKit Spurstangenendstück / tie rod end		M10 x 1,5
36440	98 049 474 80	ProKit Verbindungsstange / connecting rod	(2)	L 335
37839	3521.R3	Querlenker / control arm		
37840	3520.V2	Querlenker / control arm		
40187	5094.E3	Stabilisatorlager / stabilizer mount	(1)	Ø I 23
42779	5094.E7	Stabilisatorlager / stabilizer mount	(2)	Ø I 25
44797	4066.82	Rep. Satz Lenkmanschette / rep. kit steering boot		L 187,4
44923	3812.F2 S1	ProKit Spurstange / tie rod	DW10CTED4	
44924	3812.F2 S2	ProKit Spurstange / tie rod	DW10CTED4	



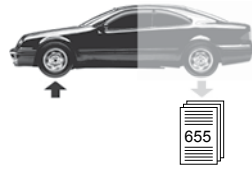
## 4007 (2007 →)

Vorderachse / Front axle



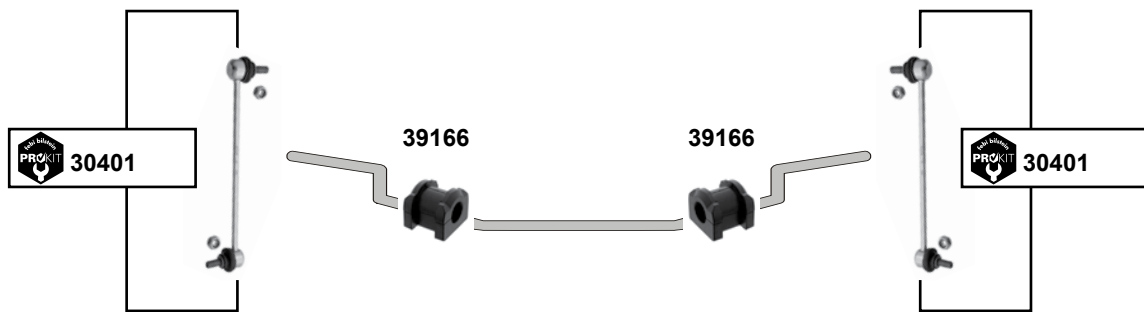
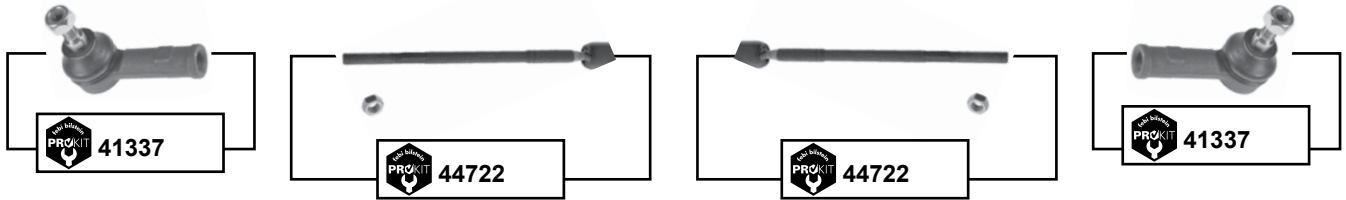
(1) (mot.) 2,4L MMC, DW12METED4 → O 12010

	Ref. - No.			
<b>30401</b>	5087.58	ProKit Verbindungsstange / connecting rod		L 265
<b>32551</b>	4001.69 S1	ProKit Axialgelenk / axial joint		
<b>34477</b>	3817.74	ProKit Spurstangenendstück / tie rod end		M10 x 1,25
<b>36286</b>	16 099 106 80	Querlenkerlager / control arm mounting		Ø A 60
<b>38170</b>	3520.X9	Querlenker / control arm		
<b>38171</b>	3521.V0	Querlenker / control arm		
<b>38921</b>	4066.84	Rep. Satz Lenkmanschette / rep. kit steering boot	(1)	L 172
<b>39166</b>	5094.C6	Stabilisatorlager / stabilizer mount		Ø I 21
<b>39296</b>	4001.69 S1	ProKit Spurstange / tie rod	(1)	



**4008**  
(2012 →)

Vorderachse / Front axle

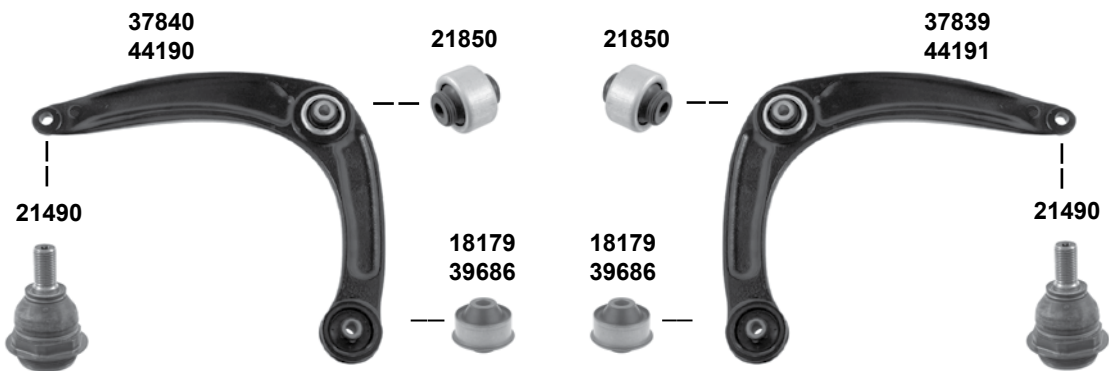
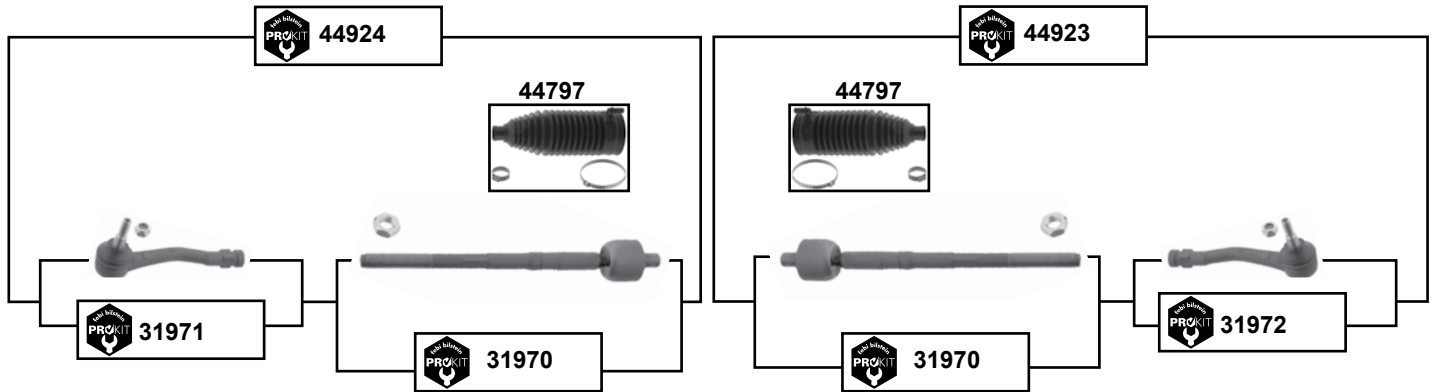


	Ref. - No.			
<b>30401</b>	5087.58	ProKit Verbindungsstange / connecting rod		L 265
<b>36286</b>	16 099 106 80	Querlenkerlager / control arm mounting	→ O 13510	Ø A 60
<b>38170</b>	3520.X9	Querlenker / control arm	→ O 13510	
<b>38171</b>	3521.V0	Querlenker / control arm	→ O 13510	
<b>39166</b>	5094.C6	Stabilisatorlager / stabilizer mount		Ø I 21
<b>41337</b>	16 075 024 80	ProKit Verbindungsstange / connecting rod		M10 x 1,25
<b>44722</b>	16 075 025 80	ProKit Axialgelenk / axial joint		M14 x 1,5



## 5008 (2009 →)

Vorderachse / Front axle





	Ref. - No.			
18179	3523.92	Querlenkerlager / control arm mount	→ O 13174	A Ø 55
19397	98 049 474 80	ProKit Verbindungsstange / connecting rod		L 335
21490	3640.73	Traggelenk / ball joint		
21850	3523.91	Querlenkerlager / control arm mount		Ø A 55,5
31970	3812.F2	ProKit Axialgelenk / axial joint		L 272
31971	3817.89	ProKit Spurstangenendstück / tie rod end		M10 x 1,5
31972	3817.88	ProKit Spurstangenendstück / tie rod end		M10 x 1,5
36440	98 049 474 80	ProKit Verbindungsstange / connecting rod	→ O 13110	L 335
37839	3521.R3	Querlenker / control arm	→ O 13173	
37840	3520.V2	Querlenker / control arm	→ O 13173	
39686	3523.80	Querlenkerlager / control arm mount	O 13175 →	Ø I14,3 A 55,5
40187	5094.E3	Stabilisatorlager / stabilizer mount		Ø I 23
44190	98 056 074 80	Querlenker / control arm	O 13174 →	
44191	98 056 073 80	Querlenker / control arm	O 13174 →	
44797	4066.82	Rep. Satz Lenkmanschette / rep. kit steering boot		L187,4
44923	3812.F2 S1	ProKit Spurstange / tie rod		
44924	3812.F2 S2	ProKit Spurstange / tie rod		
45150	98 056 074 80 S1	Querlenker / control arm	O 13174→13883	
45151	98 056 073 80 S1	Querlenker / control arm	O 13174→13883	





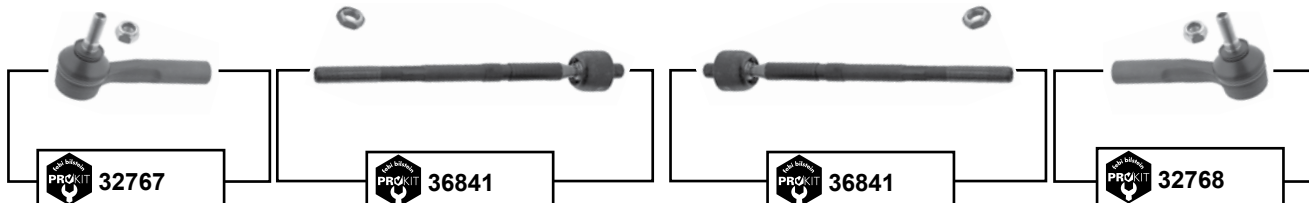
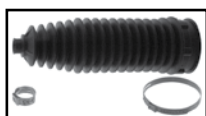
## Bipper / Tepee

(2008 →)

Vorderachse / Front axle

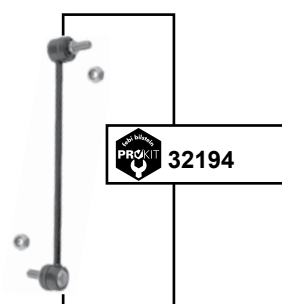
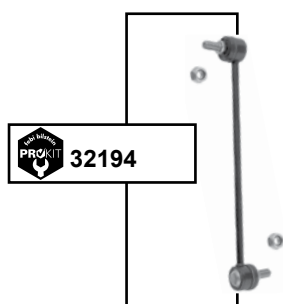
39237

39237



29144

29145



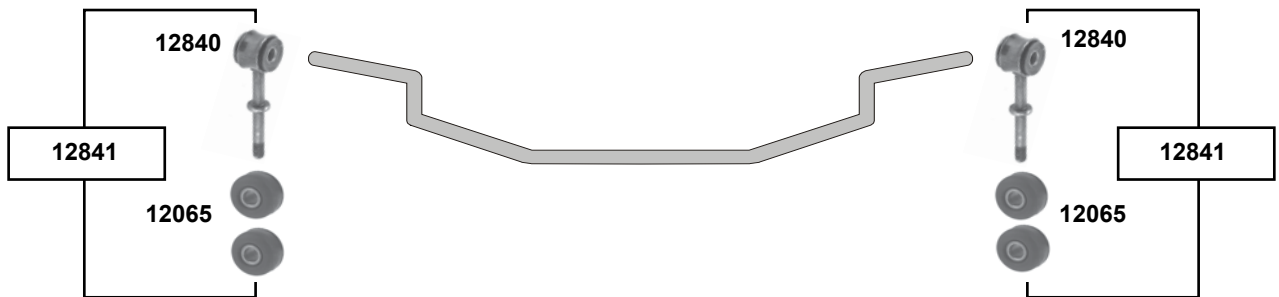
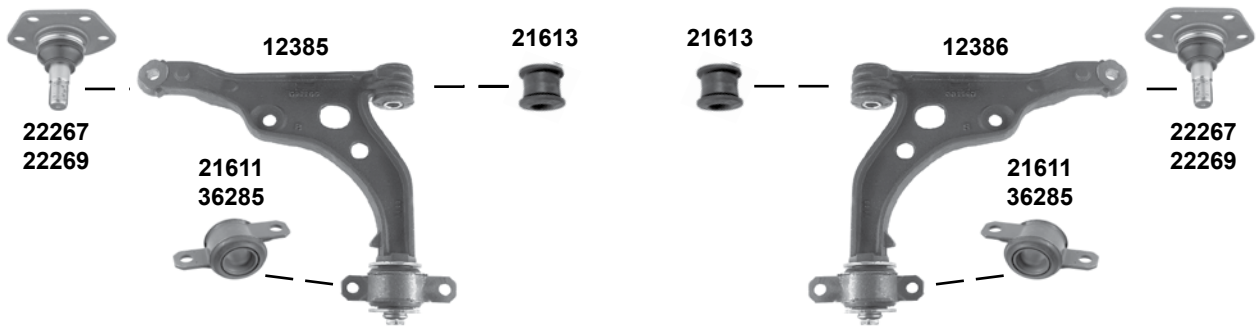
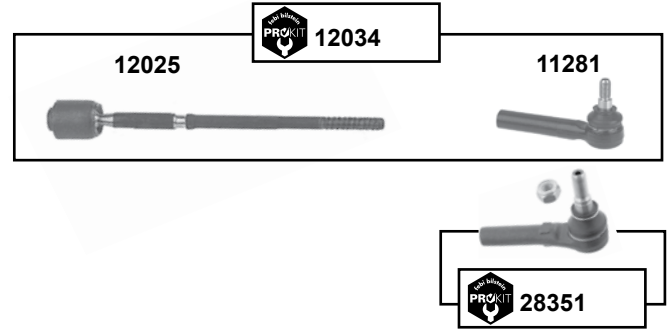
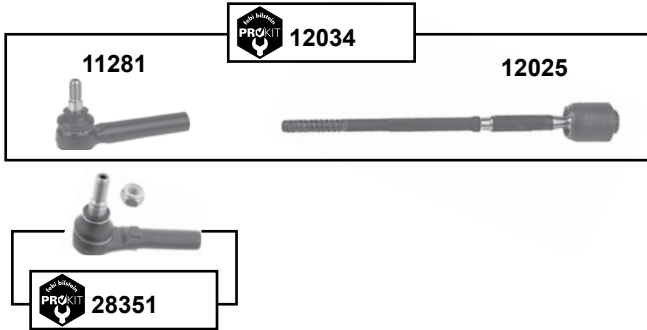
Ref. - No.



29144	3520.Y4	Querlenker / control arm	
29145	3521.V5	Querlenker / control arm	
32194	5087.70	ProKit Verbindungsstange / connecting rod	L 290
32767	3817.86	ProKit Spurstangenendstück / tie rod end	M10 x 1,25
32768	3817.87	ProKit Spurstangenendstück / tie rod end	M10 x 1,25
36977	5094.E5	Stabilisatorlager / stabilizer mount	Ø I 21
36841	4001.77 S1	ProKit Axialgelenk mit Mutter / axial joint with nut	L 288
39237	4066.95	Rep. Satz Lenkmanschette / rep. kit steering boot	
39290	4001.77 S2	ProKit Spurstange / tie rod	
39291	4001.77 S3	ProKit Spurstange / tie rod	
40490	5094.C8	Stabilisatorlager / stabilizer mount	Ø I 20



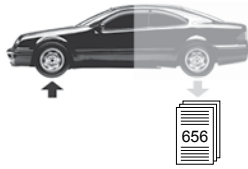
## Boxer I + II (1994 → 2006)



Vorderachse / Front axle

	(1)	(2)	(3) (ch.) 17175291 →
		(ex.)	(4) Boxer I 94 → 02 Boxer II 02 → 06 <b>alle / all</b> → (ch.) 17175290

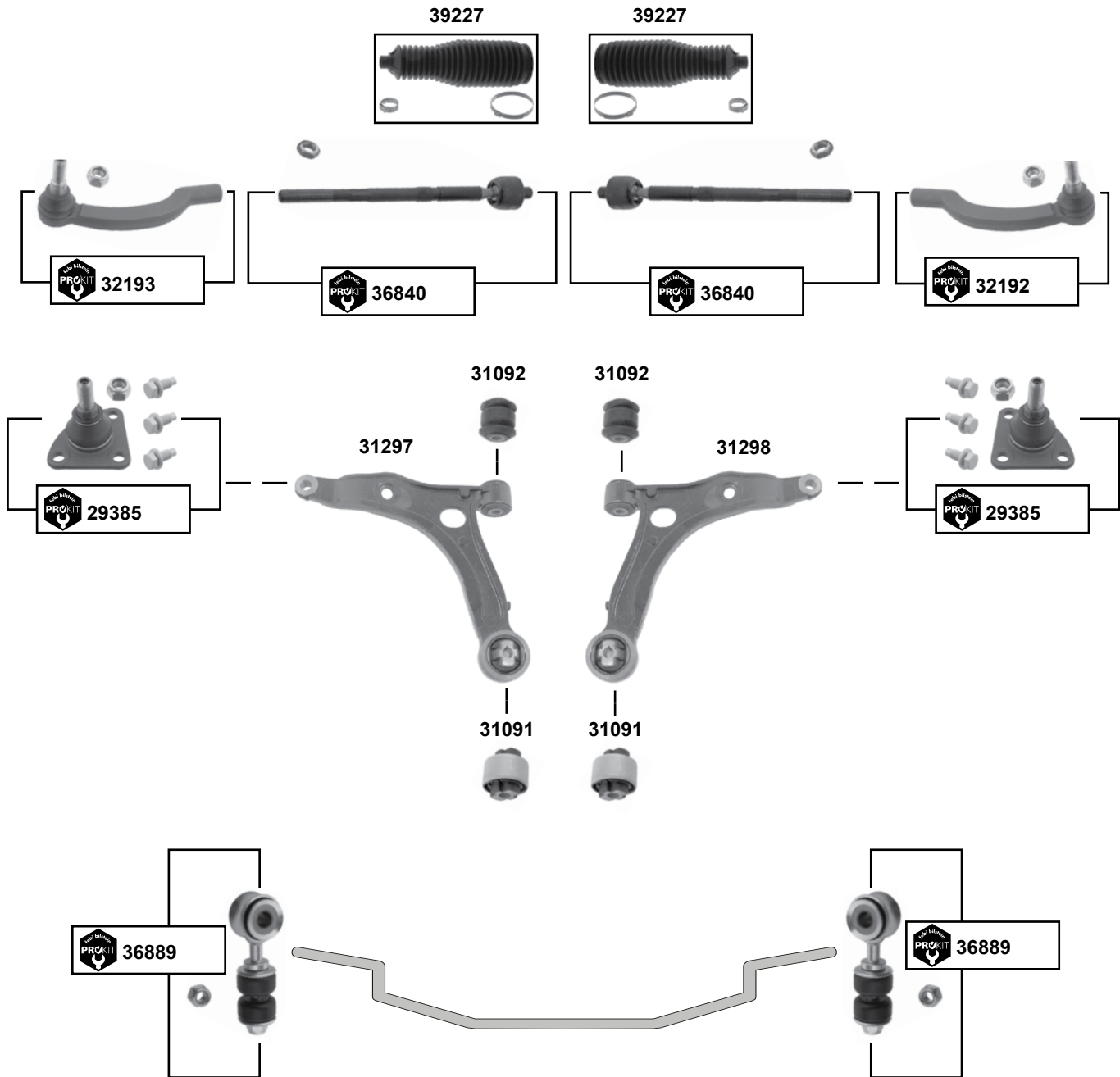
	Ref. - No.			
11281	4018.A3	Spurstangenendstück / tie rod end	(4)	M12 x 1,25 L 320
12025	4018.A4	Spurstange / tie rod		
12034	4006.24 S1	ProKit Spurstange / tie rod	servo	12x38
12065	5093.15	Gummilager / rubber mounting	servo	
12385	3520.N3	Querlenker / control arm	(2)	M12 x 1,25
12386	3521.J3	Querlenker / control arm	(2)	
12840	5087.37	Verbindungsstange / connecting rod		
12841	5087.37 S1	Rep. Satz Verbindungsstange / rep. kit connecting rod		
21611	3523.94	Querlenkerlager / control arm mount	02 → (ch.) → 17226522	
21613	3523.93	Querlenkerlager / control arm mount		
22267	3640.55	Traggelenk / ball joint	02/01 → (2)	
22269	3640.54	Traggelenk / ball joint	02/01 → (1)	
28351	4018.E0	ProKit Spurstangenendstück / tie rod end	02 → 06 / (3)	M14 x 1,5
36285	3523.AP	Querlenkerlager / control arm mount	02 → (ch.) 17226523 →	Ø A 77



## Boxer III

(2006 →)

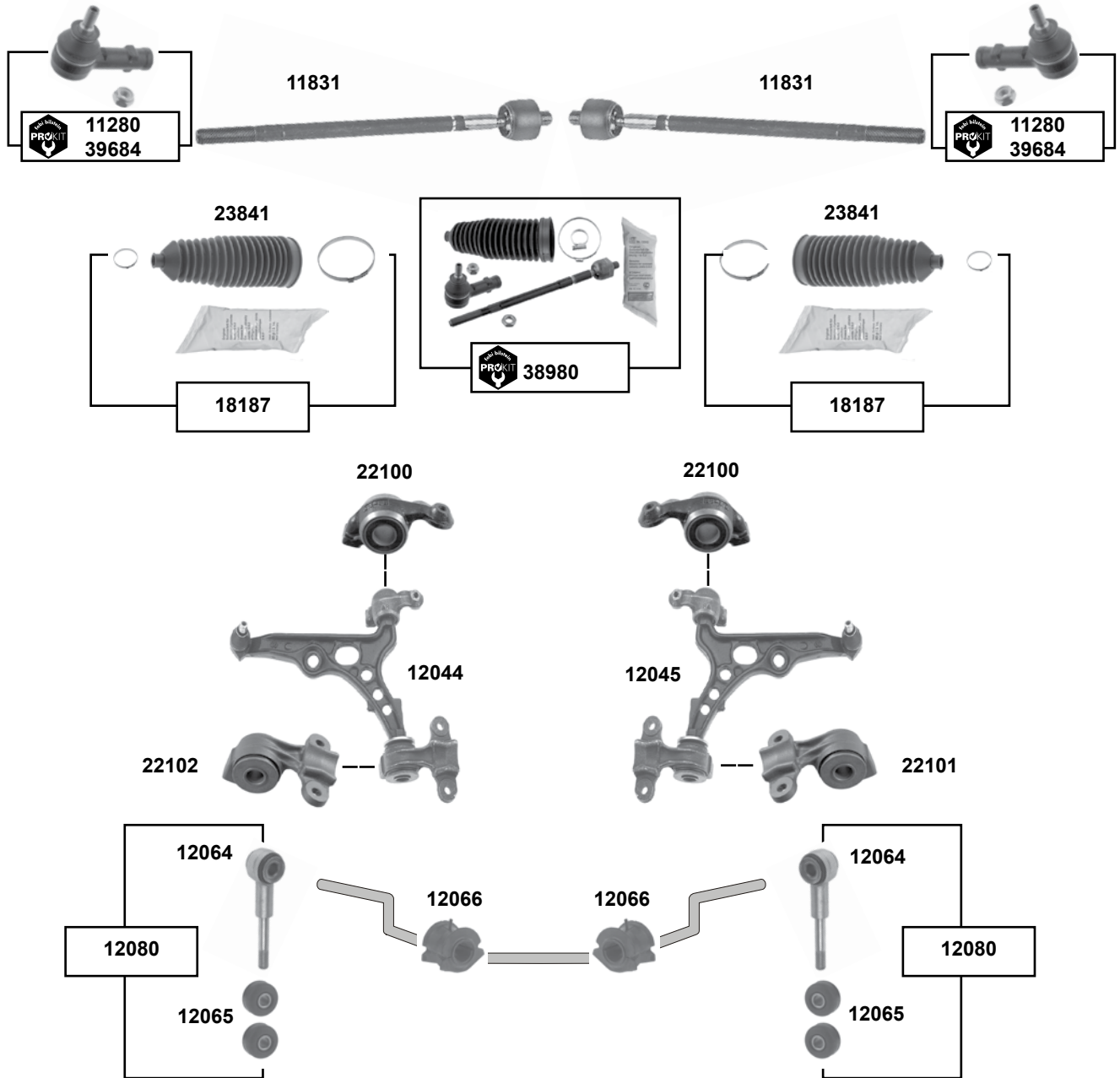
Vorderachse / Front axle



	Ref. - No.			
29385	3640.67	ProKit Trag gelenk / ball joint		M18 x 1,5
31091	3520.S0 S2	Querlenkerlager / control arm mount		Ø A 73,35 H76
31092	3520.S0 S1	Querlenkerlager / control arm mount		Ø A 57 H64,7
31297	3520.S0	Querlenker / control arm		
31298	3521.P1	Querlenker / control arm		
32192	3817.70	ProKit Spurstangenendstück / tie rod end		M14 x 1,5
32193	3817.77	ProKit Spurstangenendstück / tie rod end		M14 x 1,5
36840	4001.E4 S1	ProKit Axialgelenk mit Mutter / axial joint with nut		L 280
36889	5081.N9 S1	ProKit Verbindungsstange / connecting rod		L 112
39227	4066.86	Rep. Satz Lenkmanschette / rep. kit steering boot		



## Expert I + II (1996 → 2007)



Vorderachse / Front axle



Ref. - No.



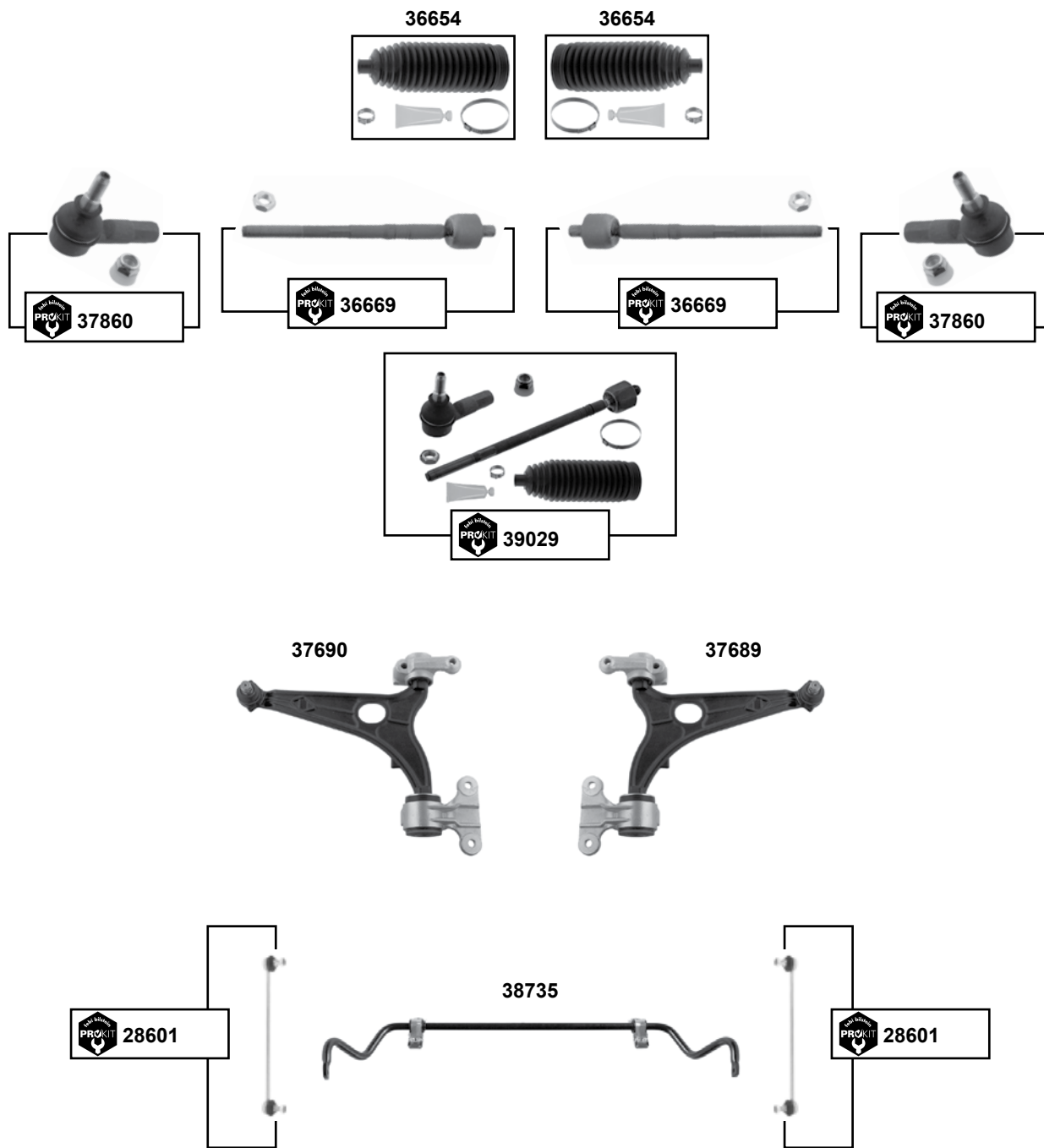
11280	4059.09	ProKit Spurstangenendstück / tie rod end	→ O 09792	M12 x 1,25 L 320
11831	3812.A4	Spurstange / tie rod		
12044	3520.P4	Querlenker / control arm		
12045	3521.K4	Querlenker / control arm		
12064	5087.35	Verbindungsstange / connecting rod		M12 x 1,25
12065	5093.15	Gummilager / rubber mounting		12x38
12066	5094.69	Stabilisatorlager / stabilizer mount		Ø 124
12080	5087.35 S1	Rep. Satz Verbindungsstange / rep. kit connecting rod		
18187	4066.41	Rep. Satz Lenkmanschette / rep. kit steering boot		
22100	3520.G9 S1	Querlenkerlager / control arm mount		
22101	3521.C9 S1	Querlenkerlager / control arm mount		
22102	3520.G9 S2	Querlenkerlager / control arm mount		
23841	4066.41 SK	Lenkmanschette / steering boot		
38980	3812.A4 S1	ProKit Spurstange / tie rod		
39684	4059.12	ProKit Spurstangenendstück / tie rod end	O 09793 →	



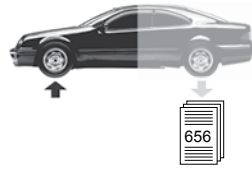
## Expert III / Tepee

(2007 →)

Vorderachse / Front axle

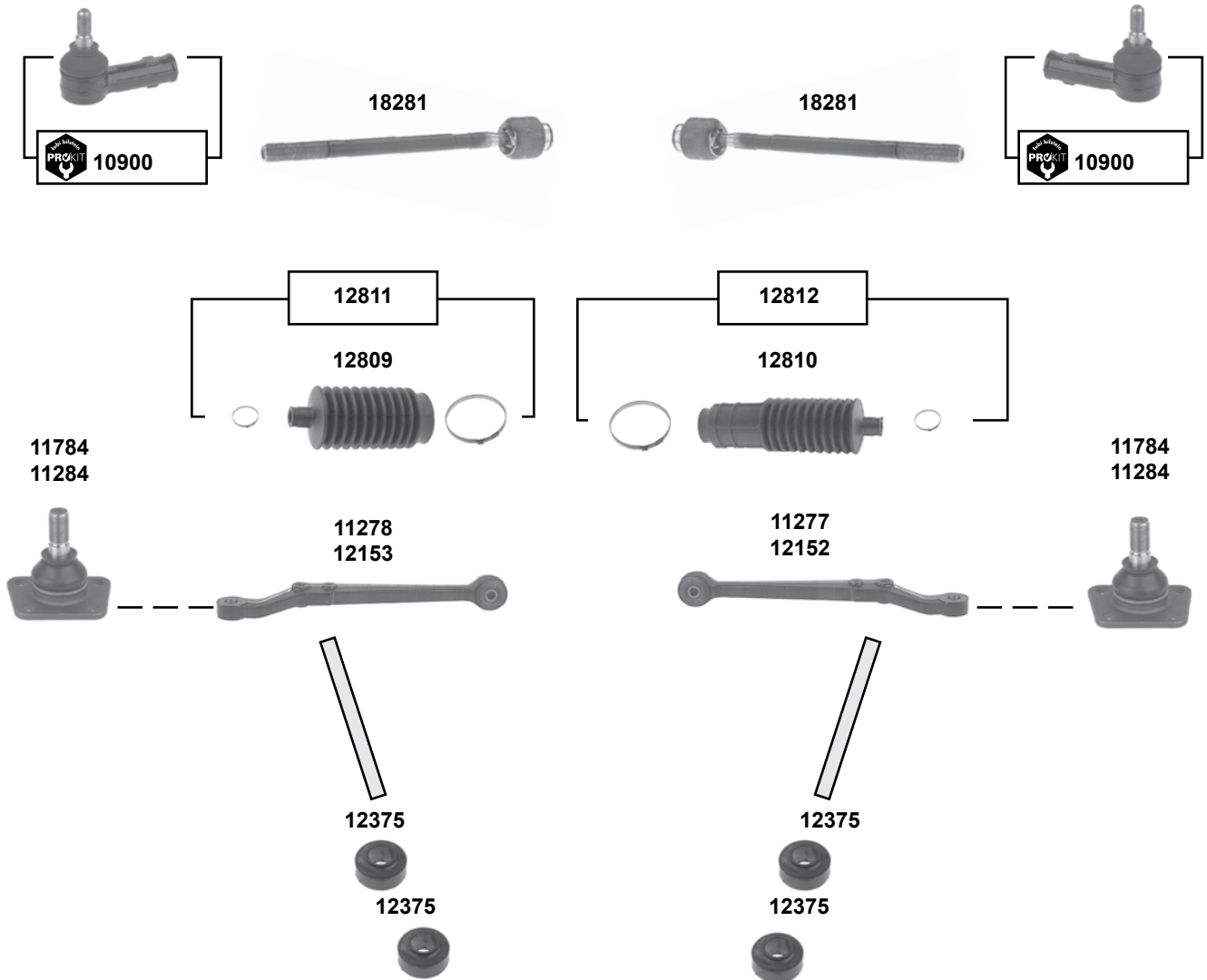


Ref. - No.	Part Description	Dimensions
28601	ProKit Verbindungsstange / connecting rod	L 263
36654	Rep. Satz Lenkmanschette / rep. kit steering boot	L 185
36669	ProKit Axialgelenk mit Mutter / axial joint with nut	L 307
37689	Querlenker / control arm	
37690	Querlenker / control arm	
37860	ProKit Spurstangenendstück / tie rod end	M14 x 1,5
38735	Stabilisator / stabilizer	L 1140
39029	ProKit Spurstange / tie rod	



## J5

(1982 → 1992)



Vorderachse / Front axle

(1)

(ex.)

(2) **J5:** 1,8B (mot.) XM7T 1,9D (mot.) XUD9, XUD9A 2,0B (mot.) XN1T, XN1P, XN1TA 2,5D (mot.) CRD93L, CRD93, CRD93LS  
**J5 4x4:** 2,0B (mot.) XN1T 2,5D (mot.) RD93L, CRD93, CRD93LS



Ref. - No.



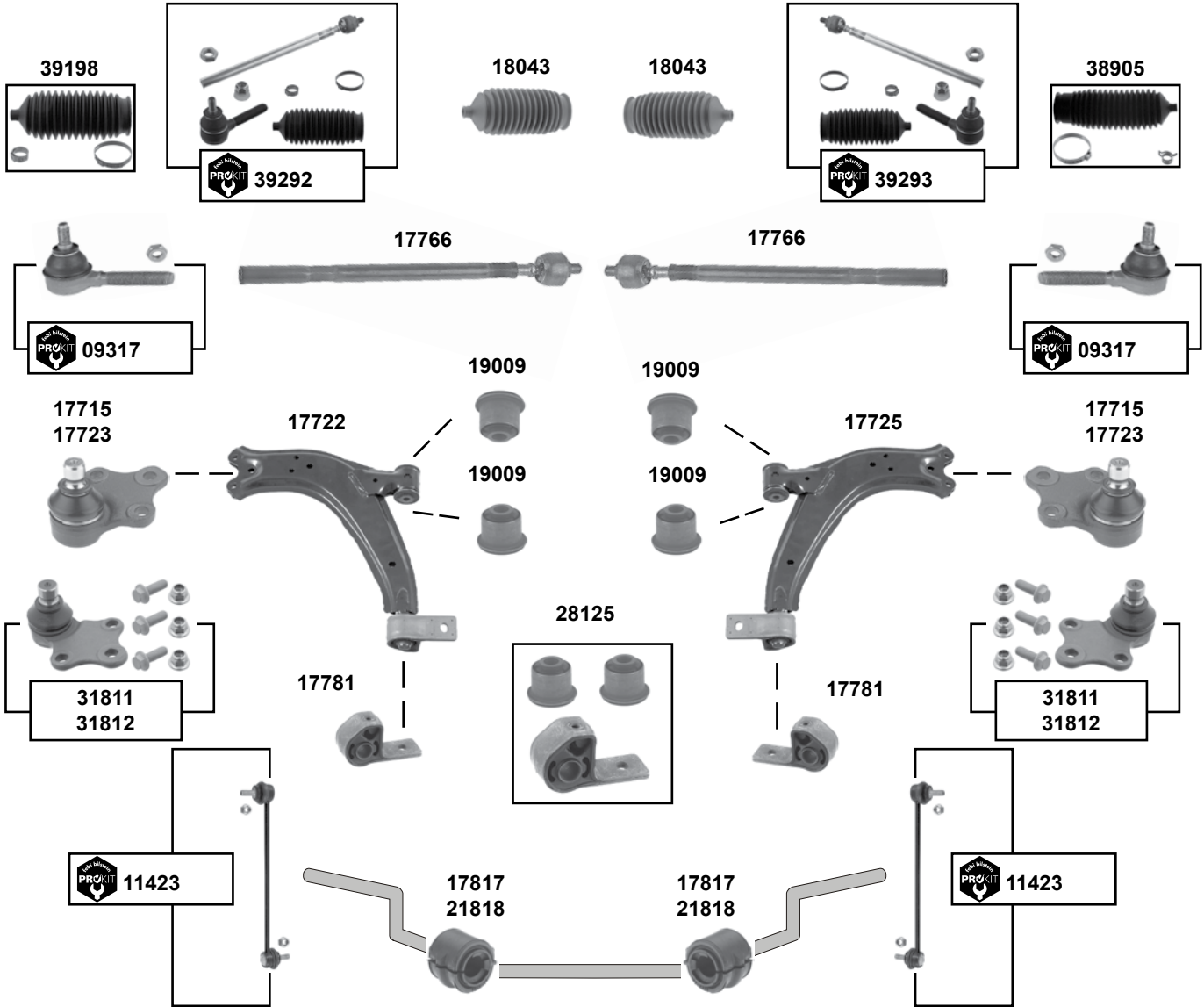
Ref. - No.	Description	Notes	Dimensions
10900	3817.11 ProKit Spurstangenendstück / tie rod end		M12 x 1,25
11277	3521.52 Querlenker / control arm	(1) (2) 01/86 →	
11278	3520.76 Querlenker / control arm	(1) (2) 01/86 →	
11284	3640.26 Traggelenk / ball joint	(ch.) S 244300 →	M16 x 1,5
11784	3640.17 Traggelenk / ball joint	(ch.) → S 244300	M14 x 1,5
12152	3521.53 Querlenker / control arm	(2)	
12153	3520.77 Querlenker / control arm	(2)	
12375	3561.08 Zugstrebenlager / tension rod mount		22x48x24,5
12809	4066.18 Lenkmanschette / steering boot	man.	
12810	4066.19 Lenkmanschette / steering boot	man.	
12811	4066.18 S1 Rep. Satz Lenkmanschette / rep. kit steering boot	man.	
12812	4066.19 S1 Rep. Satz Lenkmanschette / rep. kit steering boot	man.	
18281	3812.27 Spurstange / tie rod	man.	L 288



## Partner I (1996 → 2002)

man.

Vorderachse / Front axle



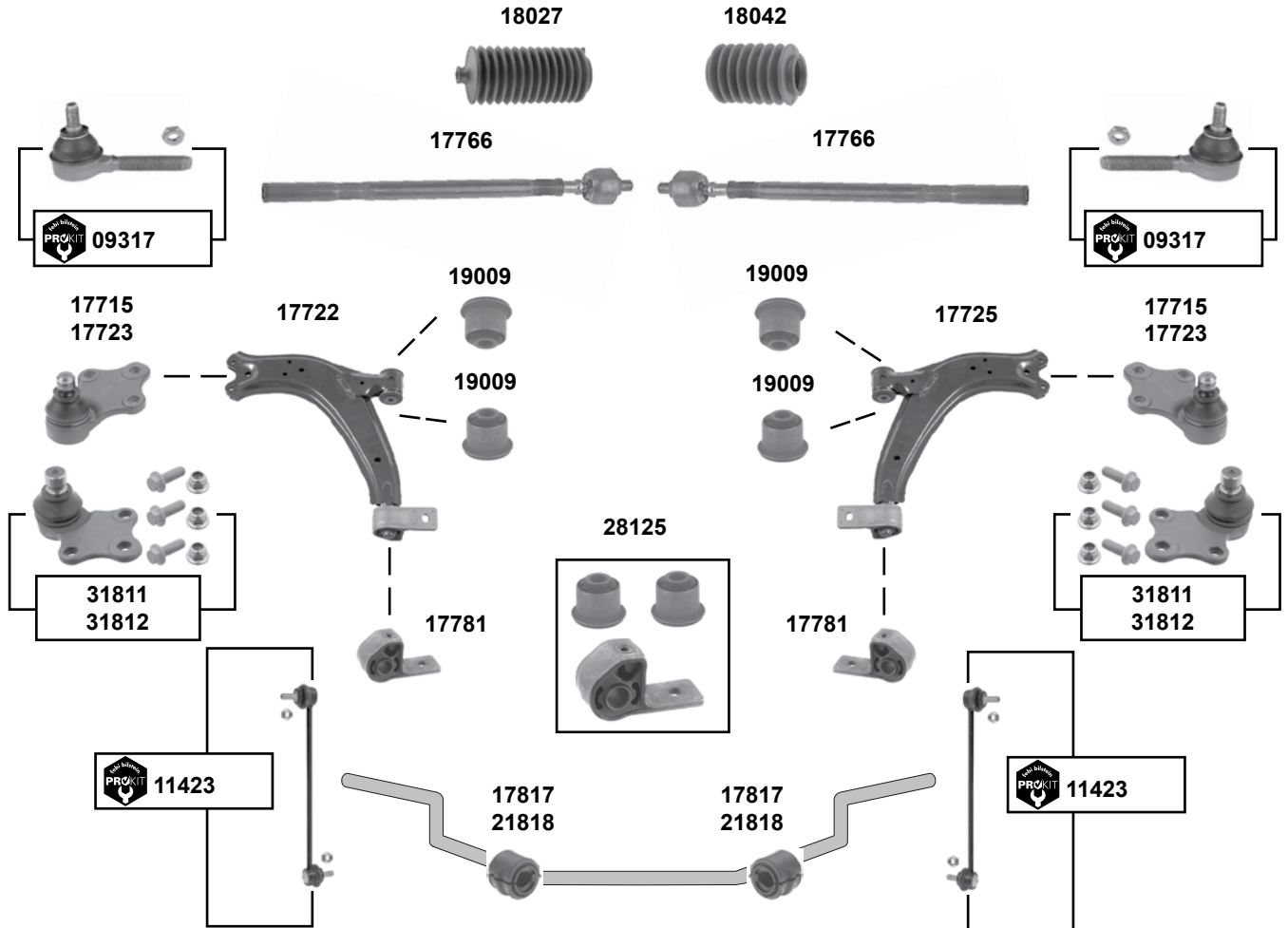
	Ref. - No.			
09317	3817.50	ProKit Spurstangenendstück / tie rod end		M10 x1,25
11423	5087.61	ProKit Verbindungsstange / connecting rod		L 300
17715	3640.51	Traggelenk / ball joint	(ex.) 2,0 HDI / O 07973 →	Ø A 18
17722	3520.H5	Querlenker / control arm	(ex.) 2,0 HDI	
17723	3640.42	Traggelenk / ball joint	(ex.) 2,0 HDI / → O 07972	Ø A 16
17725	3521.E5	Querlenker / control arm	(ex.) 2,0 HDI	
17766	3812.C0	Spurstange / tie rod	(ex.) 2,0 HDI	L 345
17781	3523.75	Querlenkerlager / control arm mount	(ex.) 2,0 HDI	
17817	5094.65	Stabilisatorlager / stabilizer mount		Ø I 21
18043	4066.43	Lenkmanschette / steering boot		
19009	3520.H5 S1	Querlenkerlager / control arm mount		
21818	5094.77	Stabilisatorlager / stabilizer mount		Ø I 22
28125	3520.H5 S2	Querlenkerlager / control arm mount	(ex.) HDI	
31811	3640.51 S1	Rep. Satz Traggelenk / rep. kit ball joint	(ex.) 2,0 HDI / O 07973 →	Ø A 18
31812	3640.42 S1	Rep. Satz Traggelenk / rep. kit ball joint	(ex.) 2,0 HDI / → O 07972	Ø A 16
38905	4066.44	Rep. Satz Lenkmanschette / rep. kit steering boot		L 196,6
39198	4066.43 S1	Rep. Satz Lenkmanschette / rep. kit steering boot	(mot.) DW10TD	L 154,5
39292	3812.C0 S1	ProKit Spurstange / tie rod		
39293	3812.C0 S2	ProKit Spurstange / tie rod		



**Partner I**  
(1996 → 2002)

servo

(ex.) 2.0 HDI



Vorderachse / Front axle



(1) (ex.) Multifunktionsdach / multifunctional roof



Ref. - No.



Ref. - No.	Description	Notes	Dimensions
09317	ProKit Spurstangenendstück / tie rod end		M10 x 1,25
11423	ProKit Verbindungsstange / connecting rod		L 300
17715	Traggelenk / ball joint	O 7973 →	Ø A 18
17722	Querlenker / control arm	(1)	
17723	Traggelenk / ball joint	→ O 7972	Ø A 16
17725	Querlenker / control arm	(1)	
17766	Spurstange / tie rod		L 345
17781	Querlenkerlager / control arm mount		
17817	Stabilisatorlager / stabilizer mount		Ø I 21
18027	Lenkmanschette / steering boot		
18042	Lenkmanschette / steering boot		
19009	Querlenkerlager / control arm mount		Ø I 22
21818	Stabilisatorlager / stabilizer mount		
28125	Querlenkerlager / control arm mount	(ex.) HDI	
31811	Rep. Satz Traggelenk / rep. kit ball joint	O 07973 →	Ø A 18
31812	Rep. Satz Traggelenk / rep. kit ball joint	→ O 07972	Ø A 16



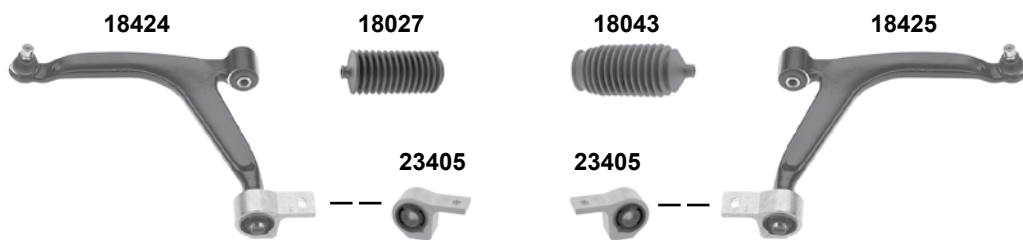
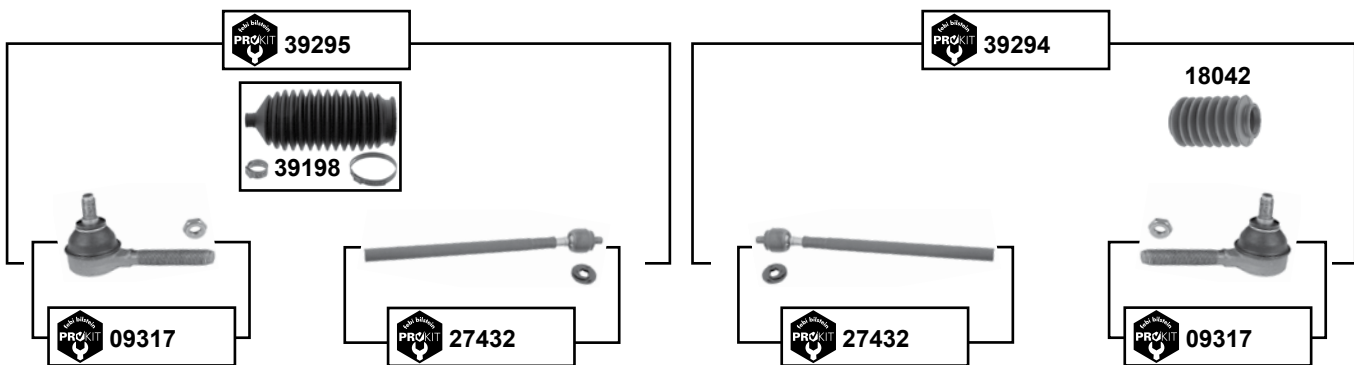


## Partner I (1996 → 2002)

servo

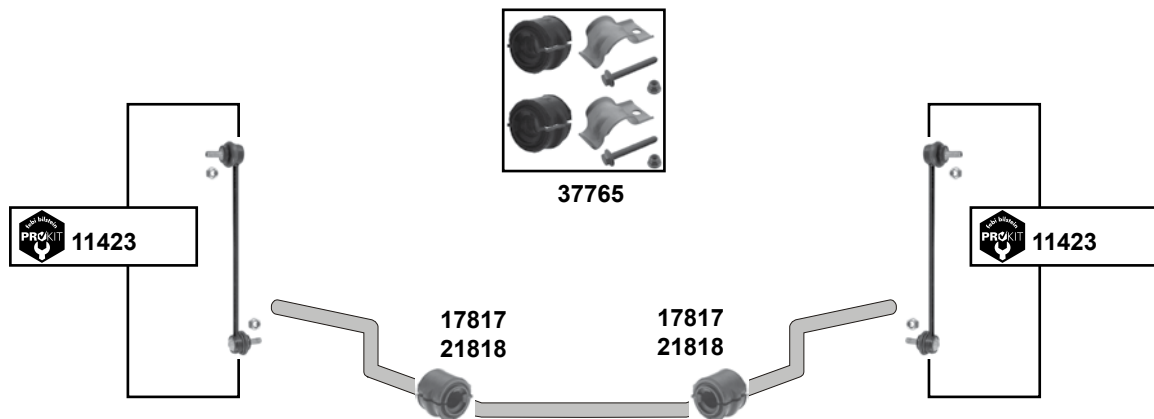
2.0 HDI

Vorderachse / Front axle





Partner I  
(1996 → 2002)



- (1) (mot.) DW10TD /  
(mot.) DW8B Multifunktionsdach / multifunctional roof / normale Aufhängung / normal suspension  
4X4 verstärkte Aufhängung vorne + hinten / reinforced suspension front + rear / O 08364 →
- (2) alle mit erhöhte Aufhängung / all with increased suspension  
Kurzlieferwagen 475, 600 normale Aufhängung / standard suspension / (ex.) DW10TD  
alle mit verstärkte Aufhängung → O 08364 / all with reinforced suspension → O 08364



Ref. - No.

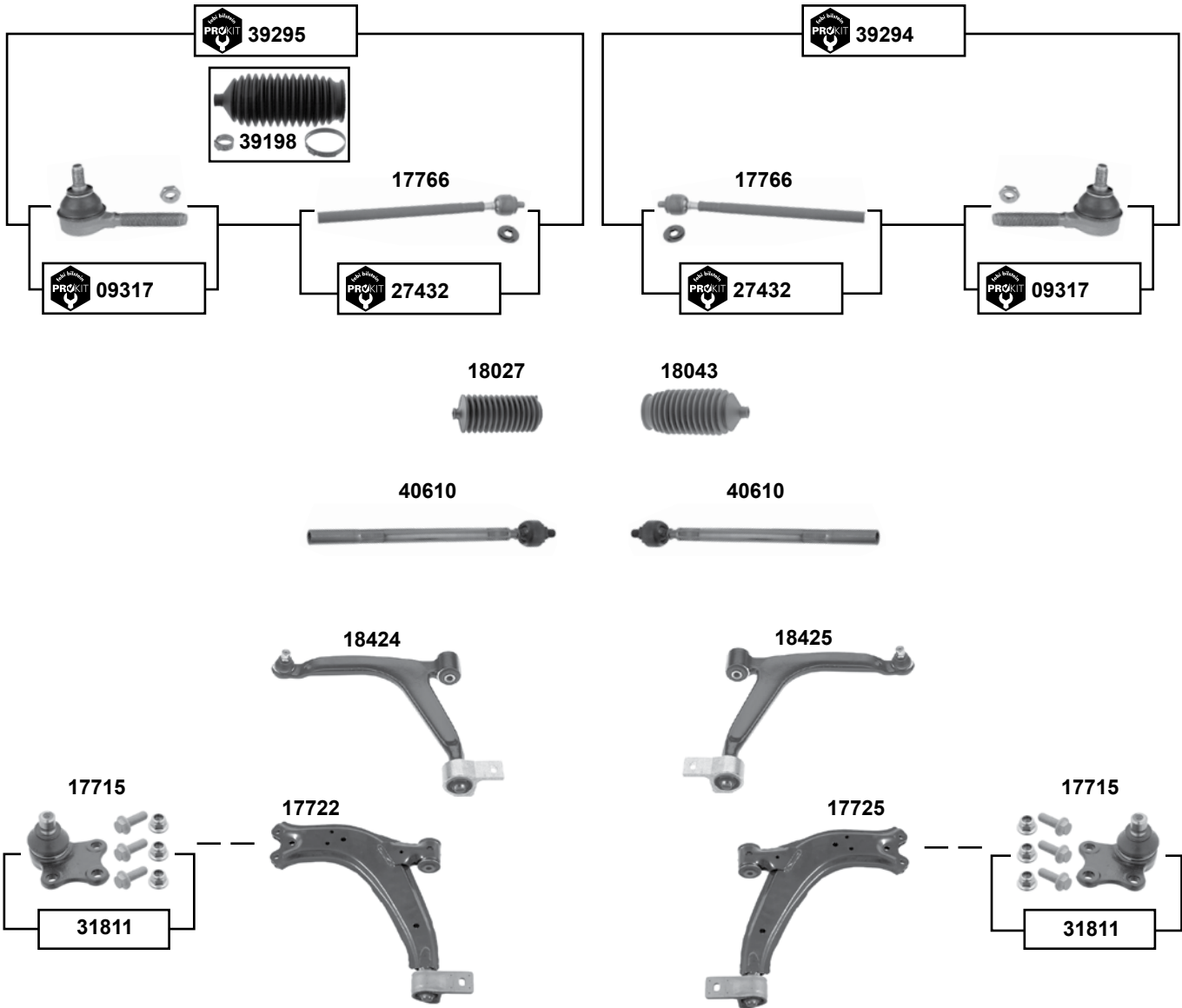


	Ref. - No.			
09317	3817.50	ProKit Spurstangenendstück / tie rod end		M10 x 1,25
11423	5087.61	ProKit Verbindungsstange / connecting rod		L 300
17817	5094.65	Stabilisatorlager / stabilizer mount		Ø   21
18027	4066.20	Lenkmanschette / steering boot		
18042	4066.22	Lenkmanschette / steering boot		
18043	4066.43	Lenkmanschette / steering boot		
18424	3520.V3	Querlenker / control arm	(1)	
18425	3521.R4	Querlenker / control arm	(1)	
21818	5094.77	Stabilisatorlager / stabilizer mount		Ø   22
23405	3523.83	Querlenkerlager / control arm mount		
27432	3812.C6	ProKit Spurstange / tie rod		
37765	5094.65 S1	Stabilisatorlagersatz / stabilizer mount kit	(2)	
39198	4066.43 S1	Rep. Satz Lenkmanschette / rep. kit steering boot	(ex.) servo	
39294	3812.C6 S2	ProKit Spurstange / tie rod	DW10TD → O 10830	
39295	3812.C6 S1	ProKit Spurstange / tie rod	DW10TD → O 10830	



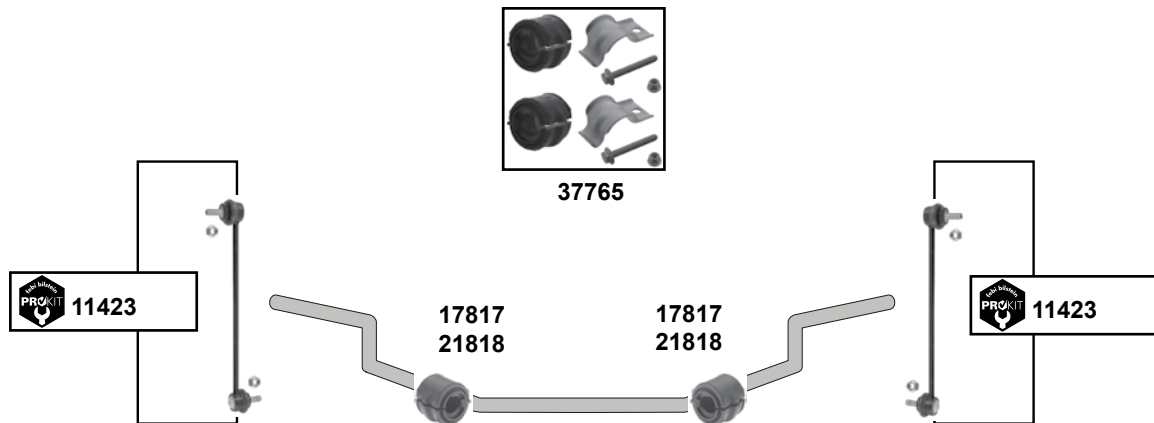
**Partner II**  
(2002 → 2008)

Vorderachse / Front axle





Partner II  
(2002 → 2008)



Vorderachse / Front axle

(1) man. / (ex.) 2,0 HDI / 1,6 HDI / 1,6 16V

(2) (mot.) 1,6 HDI / 1,6 HDI 90 / 2,0 HDI / 1,4 / 1,6 16V

(3) (mot.) 1,4

(4) ↓ 0,8t

(5) (ex.) HD

(6) (mot.) DW8B / TU1JP / TU3JP / TU5JP / TU3A

(7) (mot.) DW10TD → O 10016

(9) (mot.) DV6B / DV6ATED4 / DW10TD O 10017 →

(8) alle / all → O 10562 / (ex.) DW8B, DW10TD, DV6DTE M, Kurzliefervagen 800

(9) (mot.) DV6ATED4, DV6B, DW10TD



Ref. - No.



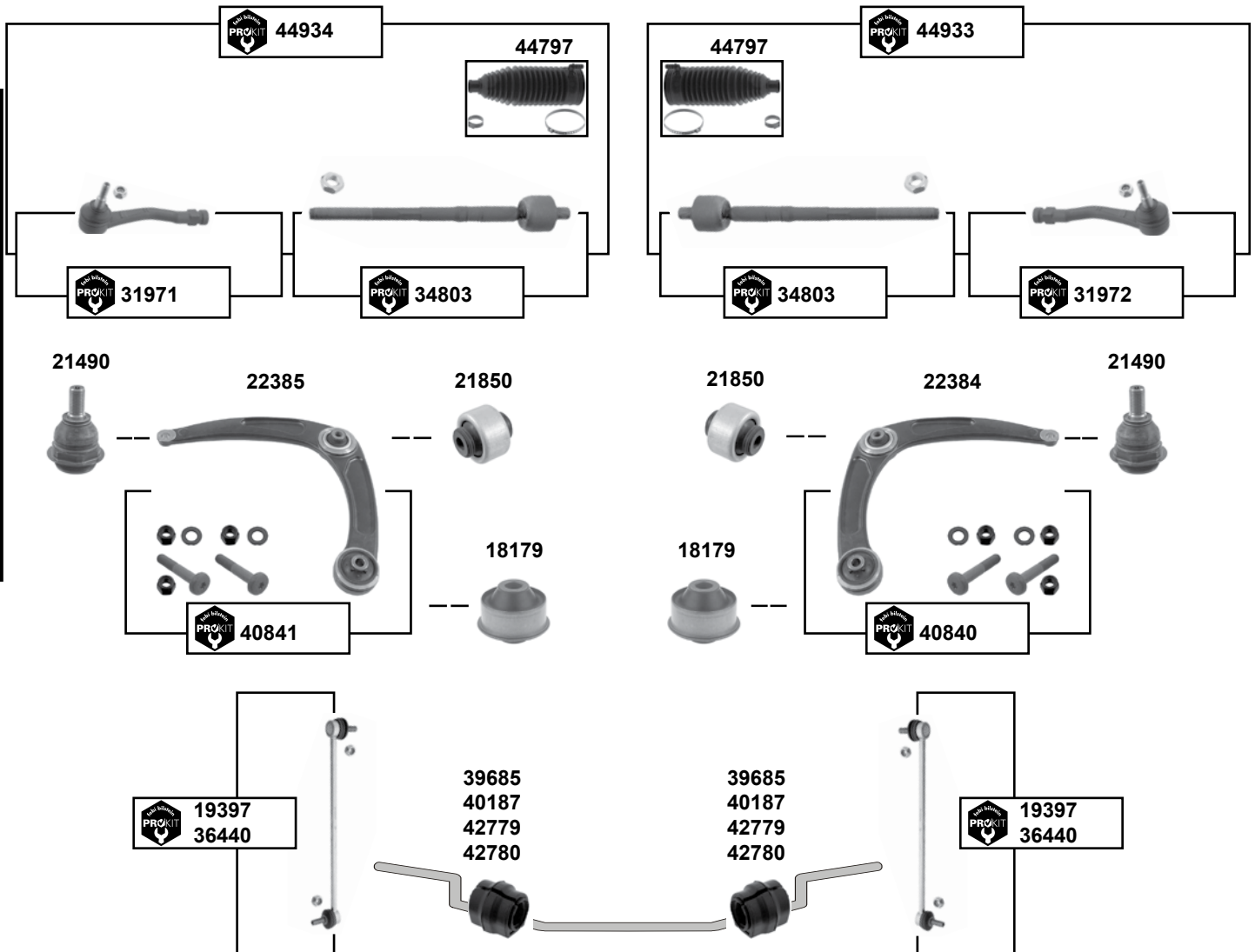
Ref. - No.	Description	Notes	Dimensions
09317	3817.50 ProKit Spurstangenendstück / tie rod end		M10 x 1,25
11423	5087.61 ProKit Verbindungsstange / connecting rod		L 300
17715	3640.51 Traggelenk / ball joint		Ø 16
17722	3520.H5 Querlenker / control arm	(1)	
17725	3521.E5 Querlenker / control arm	(3) (5)	
17766	3812.C0 Axialgelenk / axial joint	(3) (5)	
17817	5094.65 Stabilisatorlager / stabilizer mount	(6)	L 345
18027	4066.20 Lenkmanschette / steering boot		Ø 121
18043	4066.43 Lenkmanschette / steering boot		
18424	3520.V3 Querlenker / control arm	(2) (4)	
18425	3521.R4 Querlenker / control arm	(2) (4)	
21818	5094.77 Stabilisatorlager / stabilizer mount		Ø 122
27432	3812.C6 ProKit Spurstange / tie rod	(7)	
31811	3640.51 S1 Rep. Satz Traggelenk / rep. kit ball joint	(1)	Ø A 18
37765	5094.65 S1 Stabilisatorlagersatz / stabilizer mount kit	(8)	
39198	4066.43 S1 Rep. Satz Lenkmanschette / rep. kit steering boot	(9)	L 154,5
39294	3812.C6 S2 ProKit Spurstange / tie rod	DW10TD → O 10016	
39295	3812.C6 S1 ProKit Spurstange / tie rod	DW10TD → O 10016	
40610	3812.E4 Axialgelenk / axial joint	(9)	L 355



## Partner III / Tepee

(2008 →)

Vorderachse / Front axle



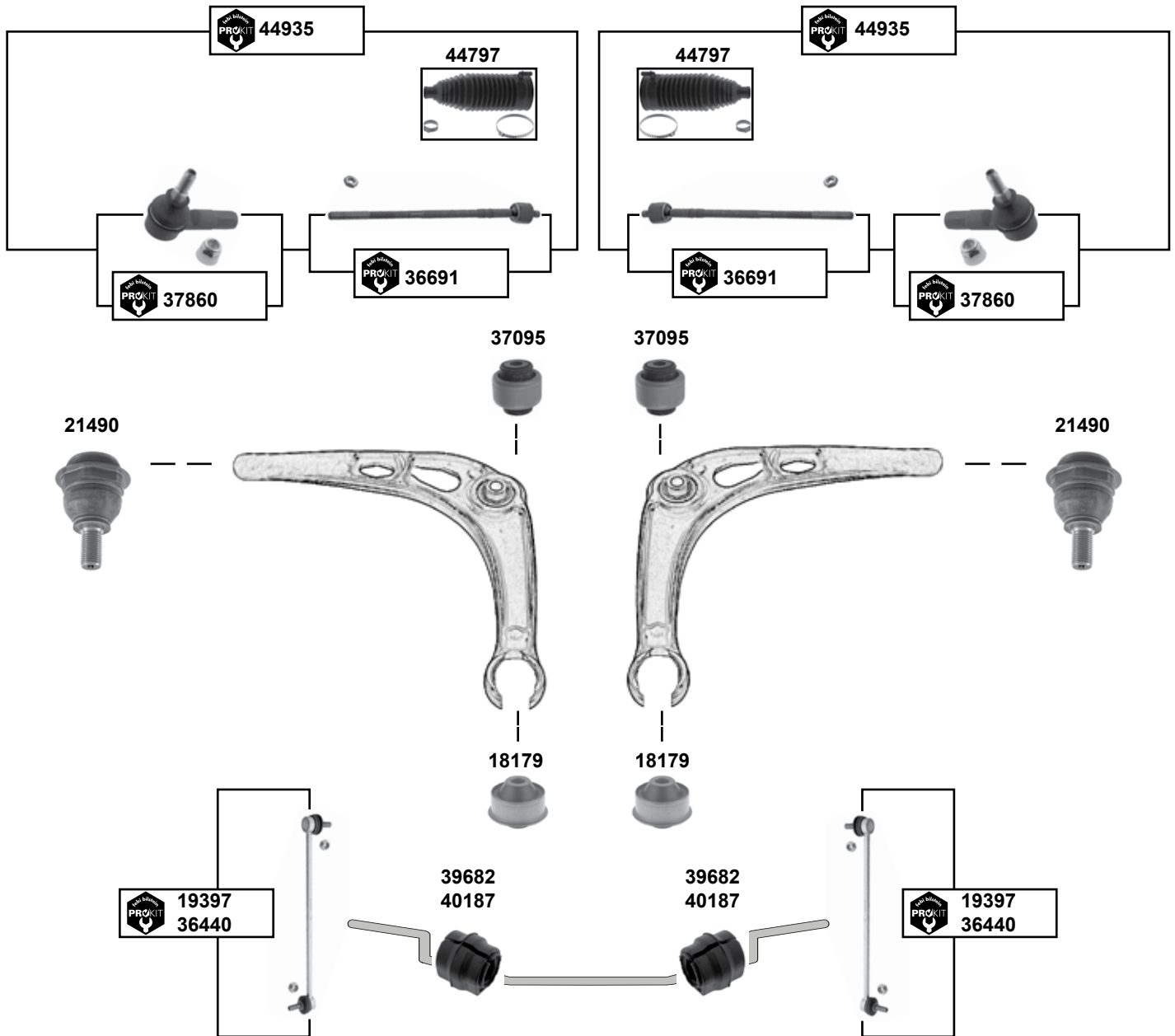
Ref. - No.



18179	3523.92	Querlenkerlager / control arm mount	Ø A 55
19397	98 049 474 80	ProKit Verbindungsstange / connecting rod	L 335
21490	3640.73	Traggelenk / ball joint	
21850	3523.91	Querlenkerlager / control arm mount	Ø A 55
22384	3521.P3	Querlenker / control arm	
22385	3520.S2	Querlenker / control arm	
31971	3817.89	ProKit Spurstangenendstück / tie rod end	M10 x 1,5
31972	3817.88	ProKit Spurstangenendstück / tie rod end	M10 x 1,5
34803	3812.F4	ProKit Axialgelenk / axial joint	L 280
36440	98 049 474 80	ProKit Verbindungsstange / connecting rod	
39685	5094.E6	Stabilisatorlager / stabilizer mount	Ø I 24,5
40187	5094.E3	Stabilisatorlager / stabilizer mount	Ø I 23
40840	3521.P3 S1	ProKit Querlenker / control arm	
40841	3520.S2 S1	ProKit Querlenker / control arm	
42779	5094.E7	Stabilisatorlager / stabilizer mount	Ø I 25
42780	5094.E4	Stabilisatorlager / stabilizer mount	Ø I 24
44797	4066.82	Rep. Satz Lenkmanschette / rep. kit steering boot	L187,4
44933	3812.F4 S1	ProKit Spurstange / tie rod	
44934	3812.F4 S2	ProKit Spurstange / tie rod	



RCZ  
(2010 →)



Vorderachse / Front axle



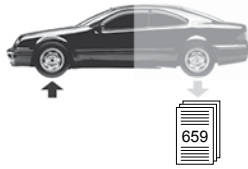
(1) Ø A Radlager 83 mm / Ø A wheel bearing 83 mm



Ref. - No.



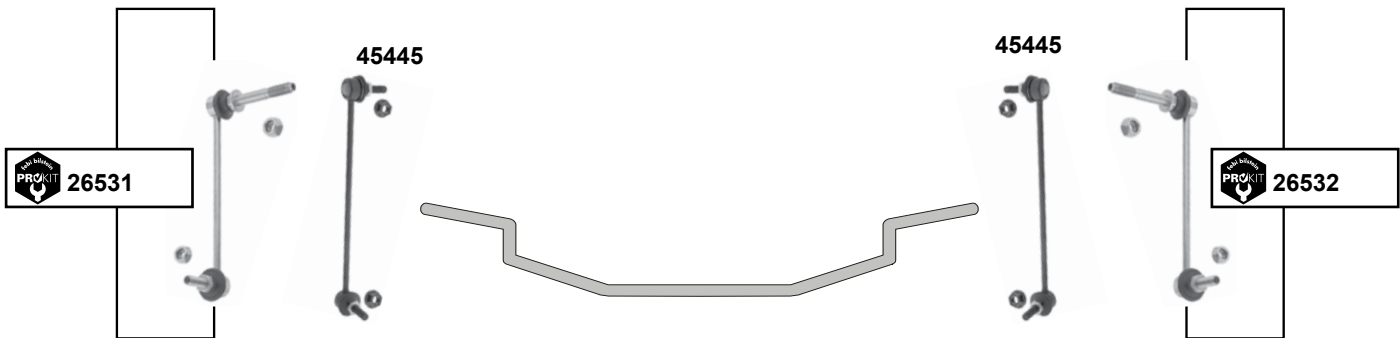
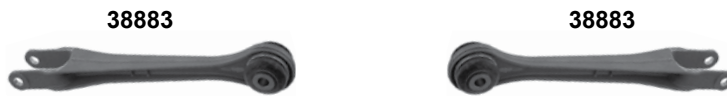
Ref. - No.	Description	Notes	Dimensions
18179	Querlenkerlager / control arm mount		Ø A 55
19397	ProKit Verbindungsstange / connecting rod		
21490	Traggelenk / ball joint		
36440	ProKit Verbindungsstange / connecting rod	→ O 13110	
36691	ProKit Axialgelenk mit Mutter / axial joint with nut		L 385
37095	Querlenkerlager / control arm mount		Ø A 55,5
37860	ProKit Spurstangenendstück / tie rod end	(1)	M14 x 1,5
39682	Stabilisatorlager / stabilizer mount		Ø I 22,5
40187	Stabilisatorlager / stabilizer mount		Ø I 23
44797	Rep. Satz Lenkmanschette / rep. kit steering boot		L187,4
44935	ProKit Spurstange / tie rod	(1)	



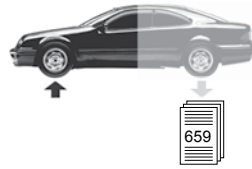
## 911 Carrera / Turbo (996)

(1998 → 2005)

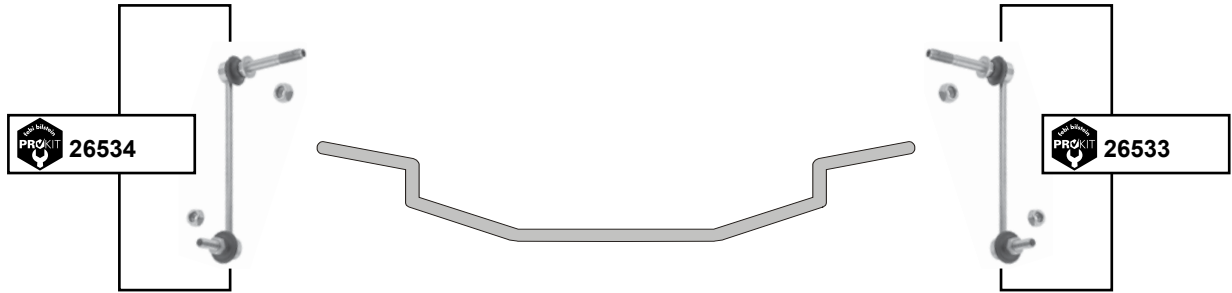
Vorderachse / Front axle



	Ref. - No.			
<b>26531</b>	996 343 069 04	ProKit Verbindungsstange / connecting rod	(ex.) Turbo	L 200
<b>26532</b>	996 343 070 04	ProKit Verbindungsstange / connecting rod	(ex.) Turbo	L 200
<b>38568</b>	996 341 053 16	Querlenker / control arm		
<b>38883</b>	996 341 043 06	Querlenker / control arm		
<b>38885</b>	996 347 322 03	Axialgelenk / axial joint		L 214
<b>38886</b>	996 347 131 04	ProKit Spurstangenendstück / tie rod end		
<b>45445</b>	996 343 073 05 S1	ProKit Verbindungsstange / connecting rod		L 284



**911 Carrera 2 / 2-S (997)**  
(2005 →)



Vorderachse / Front axle

	Ref. - No.			
<b>26533</b>	997 343 070 02	ProKit Verbindungsstange / connecting rod		L 200
<b>26534</b>	997 343 069 02	ProKit Verbindungsstange / connecting rod		L 200
<b>38883</b>	996 341 043 06	Querlenker / control arm	(ex.) 2-S	
<b>38886</b>	996 347 131 04	ProKit Spurstangenendstück / tie rod end	(ex.) 2-S	

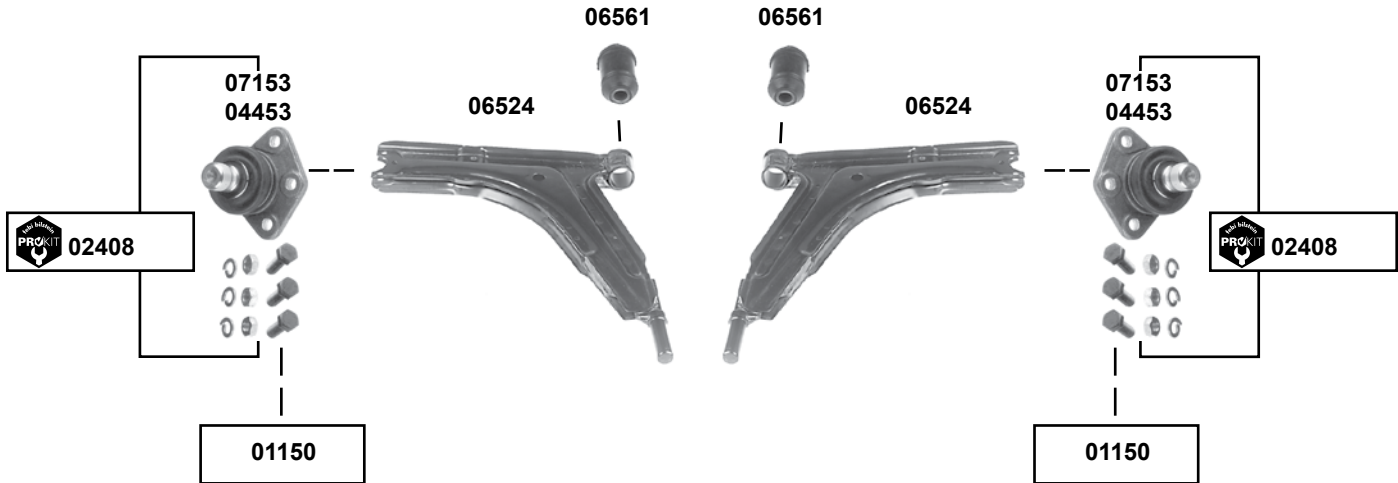




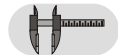
## 924

(1975 → 1989)

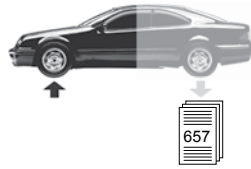
Vorderachse / Front axle



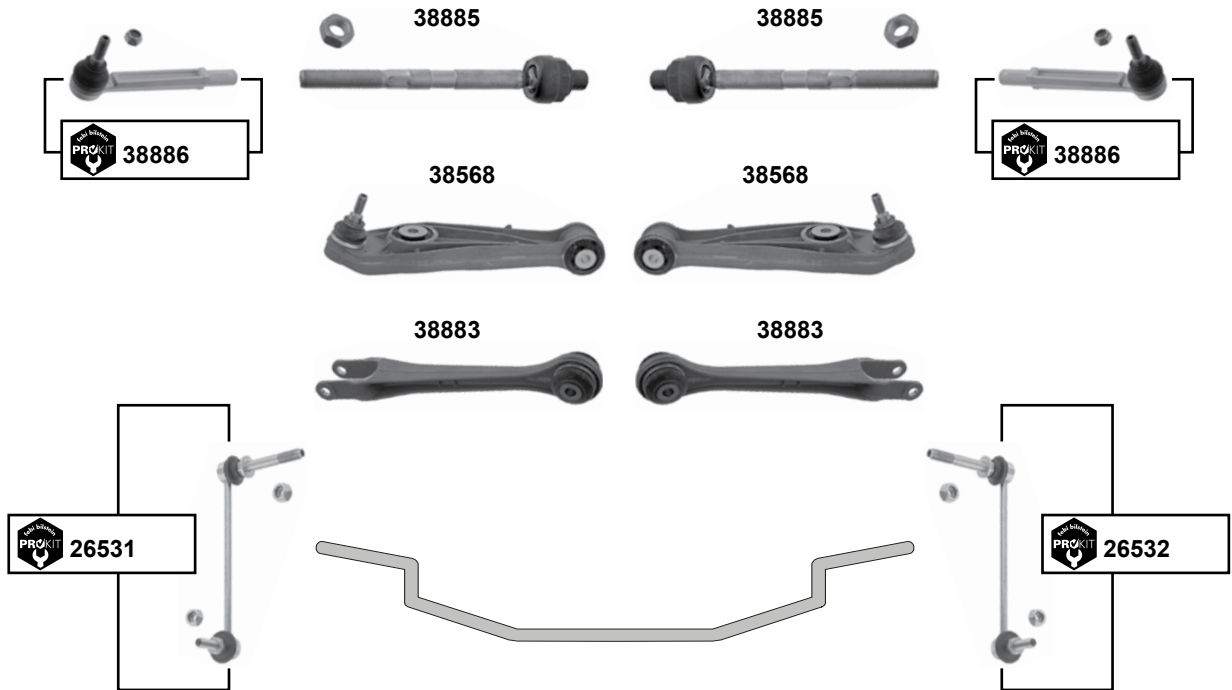
Ref. - No.



<b>01150</b>	171 407 365 F S1	Rep. Satz Traggelenk / rep. kit ball joint	
<b>02408</b>	171 407 365 C S1	ProKit Traggelenk / ball joint	
<b>02536</b>	171 419 832 C	Lenkmanschette / steering boot	
<b>02537</b>	191 419 831	Lenkmanschette / steering boot	
<b>04452</b>	171 419 812	ProKit Spurstangenendstück / tie rod end	
<b>04453</b>	171 407 365 F	Traggelenk / ball joint	M14x1,5 RHT Ø A 17
<b>06524</b>	171 407 153 D	Querlenker ohne Gummilager / control arm excl. rubber mounts	
<b>06561</b>	171 407 182 D	Querlenkerlager / control arm mount	12x32x61 Ø A 15
<b>07153</b>	171 407 365 C	Traggelenk / ball joint	
<b>08497</b>	171 419 832 C S1	Rep. Satz Lenkmanschette / rep. kit steering boot	
<b>08498</b>	191 419 831 S	Rep. Satz Lenkmanschette / rep. kit steering boot	

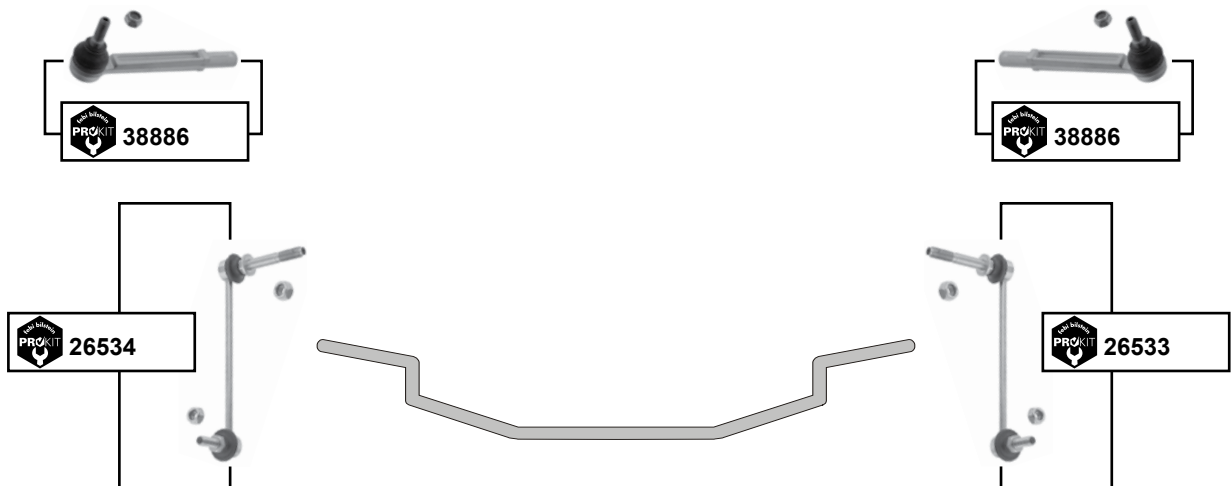


## Boxster (986) (1996 → 2004)



Vorderachse / Front axle

## Boxster (987) (2004 → 2012)

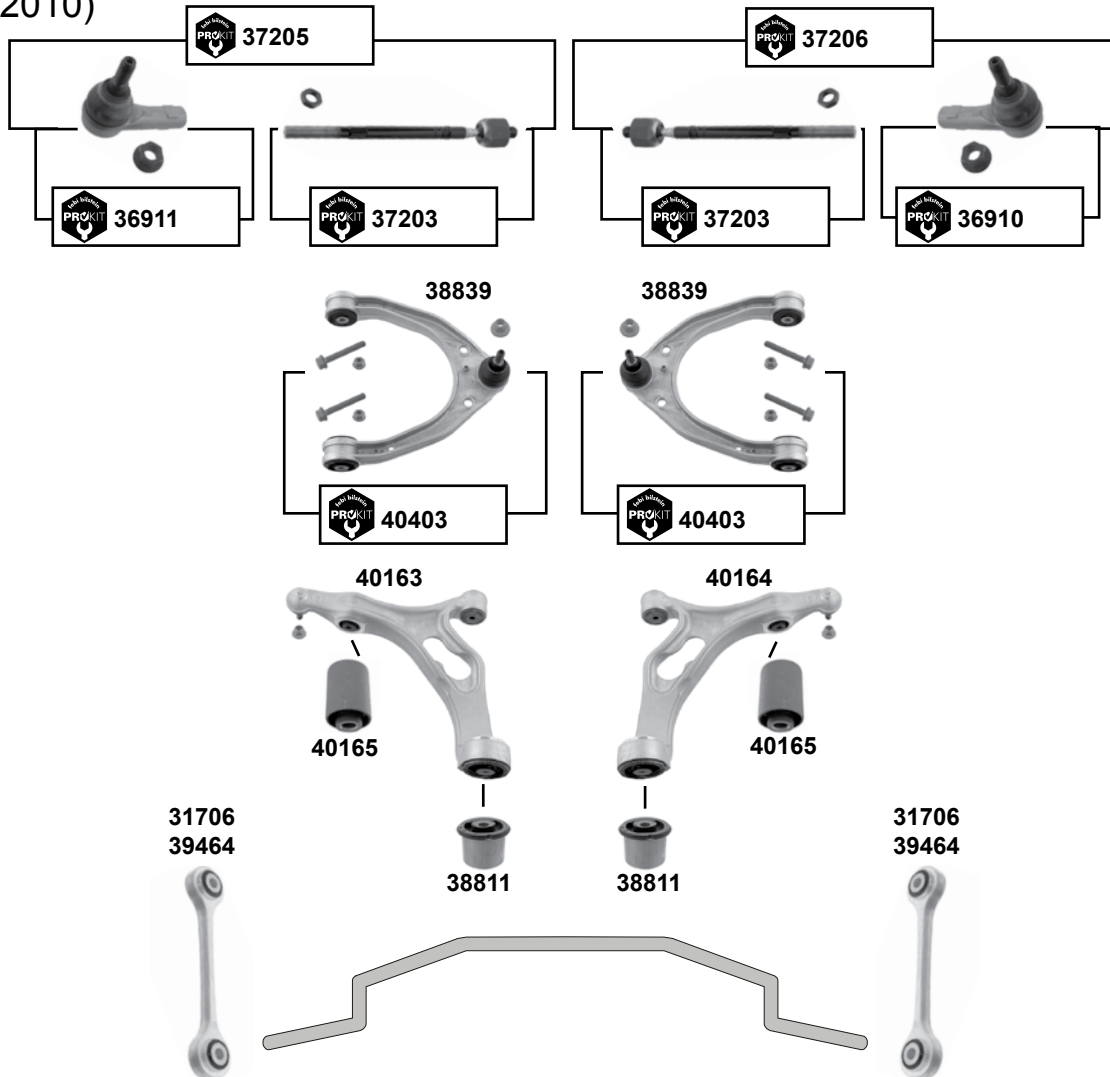


	Ref. - No.			
26531	996 343 069 04	ProKit Verbindungsstange / connecting rod		L 200
26532	996 343 070 04	ProKit Verbindungsstange / connecting rod		L 200
26533	997 343 070 02	ProKit Verbindungsstange / connecting rod		L 200
26534	997 343 069 02	ProKit Verbindungsstange / connecting rod		L 200
38568	996 341 053 16	Querlenker / control arm		
38883	996 341 043 06	Querlenker / control arm		
38885	996 347 322 03	Axialgelenk / axial joint		L 214
38886	996 347 131 04	ProKit Spurstangenendstück / tie rod end		



## Cayenne (955) S / GTS / Turbo

(2002 → 2010)



Vorderachse / Front axle

(1) (ex.) PR-E81 / E8A // 04 → 08 PR-1LK Scheibenbremse / brake disc 330x32 mm (ch.) → 9P8LA34847

(2) (ex.) PR-E81 / D5Z

(3) Cayenne Turbo: 3,0D, 4,5B  
Cayenne S / Cayenne GTS / Cayenne Turbo S: alle / all

(4) Cayenne S 3,2B, 4,5B Cayenne Turbo 4,5B → 12/06  
Cayenne GTS / Turbo: alle / all 06 → / O 955 341 017 33 / 955 341 018 33  
Cayenne S 3,6B, 4,8B 07 → / O 955 341 017 33 / 955 341 018 33



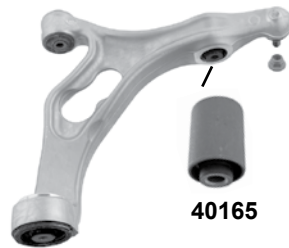
Ref. - No.



Ref. - No.	Description	Notes	Material
31706	Verbindungsstange / connecting rod	03 → / PR-0AB	L 244,2
36910	ProKit Spurstangenendstück / tie rod end	03 →	M16 x 1,5
36911	ProKit Spurstangenendstück / tie rod end	03 →	M16 x 1,5
37203	ProKit Axialgelenk / axial joint	(2) 03 →	L 320
37205	ProKit Spurstange / tie rod	(2) 03 →	
37206	ProKit Spurstange / tie rod	(2) 03 →	
38811	Querlenkerlager / control arm mounting	(4)	H 72 ØA 61
38839	Rep. Satz Querlenker / rep. kit control arm	→ 10	
39464	Verbindungsstange / connecting rod	PR-0AW	L 265
40163	Querlenker / control arm	(1)	Stahlguss
40164	Querlenker / control arm	(1)	Stahlguss
40165	Querlenkerlager / control arm mount	(3)	H 74 ØI 14
40403	ProKit Querlenker / control arm	→ 10	



**Cayenne (958) S / GTS / Turbo S**  
(2002 →)



**Cayenne S / Turbo S (A2)**  
(2002 →)



**Cayenne (9P)**  
(2002 → 2006)



- (1) Cayenne S / Turbo S (A2): alle / all  
Cayenne (958) GTS / Turbo S: alle / all  
Cayenne S (958): 3,0B, 3,0D, 3,0H, 3,6B, 4,8B 06/2010 →  
Cayenne (9): 4,5B



Ref. - No.



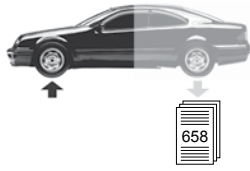
38811  
40165

955 341 242 04  
7L0 412 333 A

Querlenkerlager / control arm mount  
Querlenkerlager / control arm mount

4,5B  
(1)

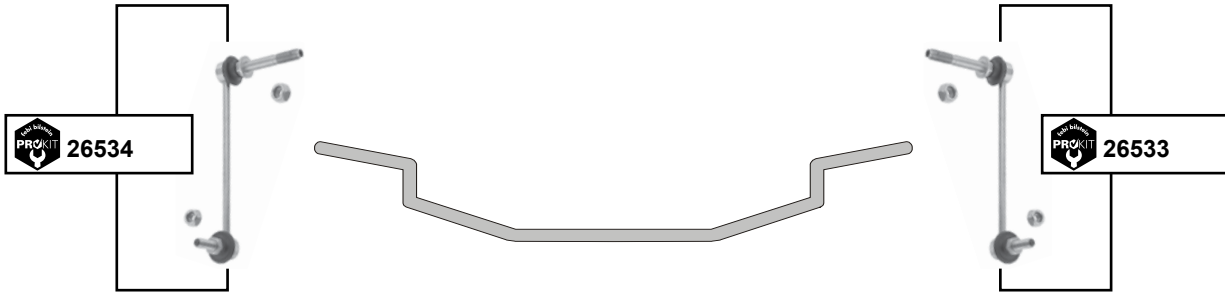
H 72 ØA 61  
H 74 ØI 14



## Cayman (987)

(2005 →)

Vorderachse / Front axle



## Panamera (970)

(2011 →)



Ref. - No.



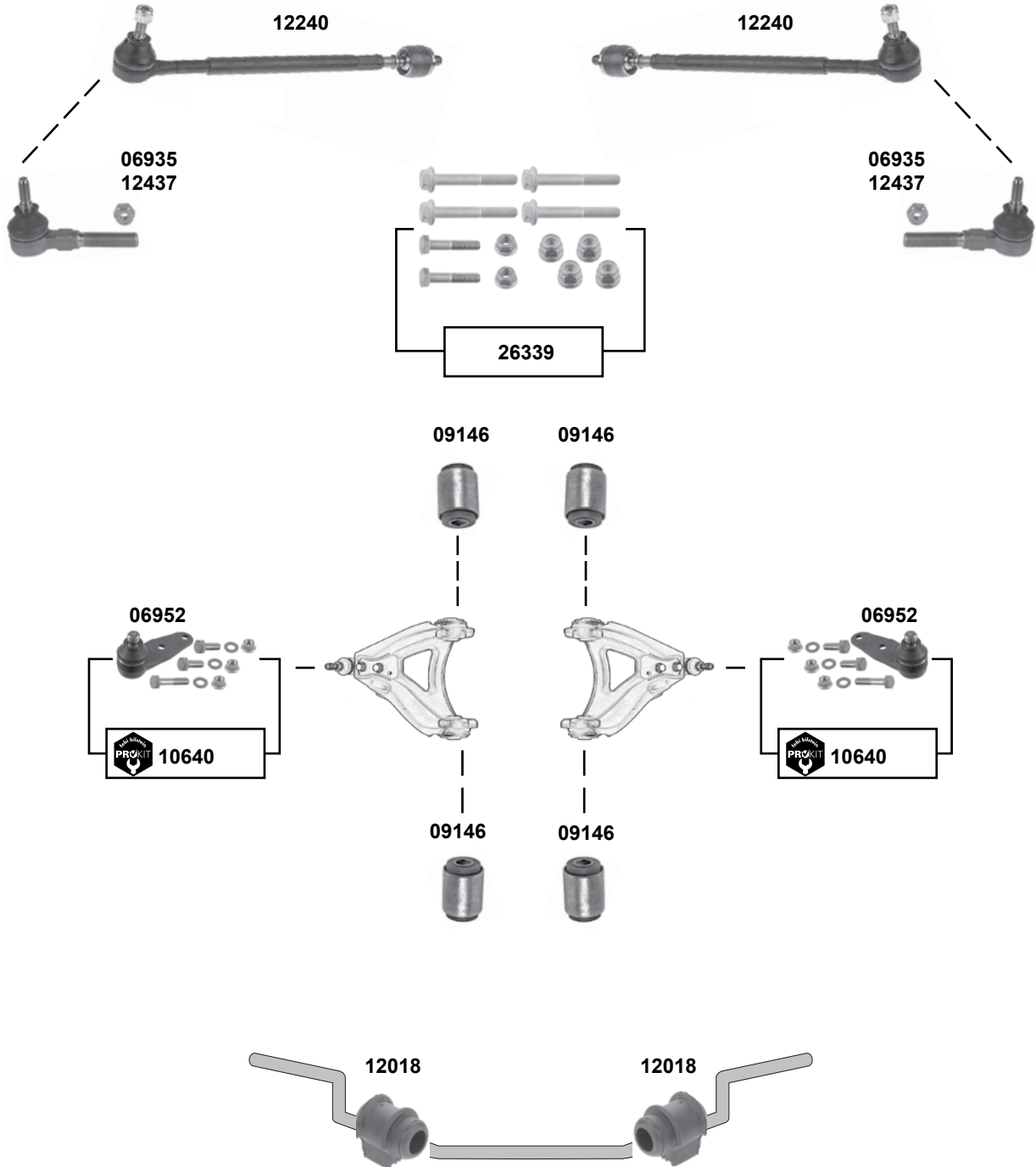
26533	997 343 070 02
26534	997 343 069 02
40165	7L0 412 333 A

ProKit Verbindungsstange / connecting rod
ProKit Verbindungsstange / connecting rod
Querlenkerlager / control arm mount

L 200
L 200
H 74 ØI 14



**R5**  
(1985 → 1990)



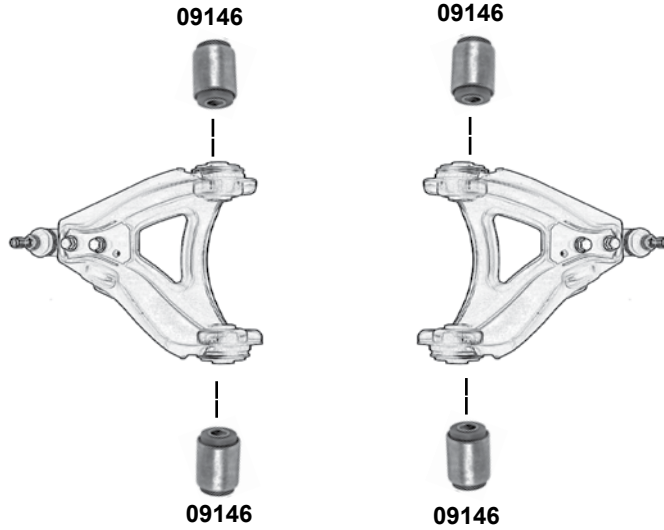
Vorderachse / Front axle

	Ref. - No.			
<b>06935</b>	77 01 461 141	Spurstangenendstück / tie rod end	<b>OLD</b>	M14 x 1,5
<b>06952</b>	77 01 468 883 S2	Traggelenk / ball joint		Ø A 16
<b>09146</b>	77 04 000 681	Querlenkerlager / control arm mount		12x32x46
<b>10640</b>	77 01 468 883	ProKit Traggelenk / ball joint		
<b>12018</b>	77 00 760 265	Stabilisatorlager / stabilizer mount		Ø I 23
<b>12240</b>	77 01 463 346	Spurstange / tie rod		
<b>12437</b>	77 01 469 231	Spurstangenendstück / tie rod end	<b>NEW</b>	M14 x 1,5
<b>26339</b>	77 00 763 538 S1	Schraubensatz / screw kit		



## R9

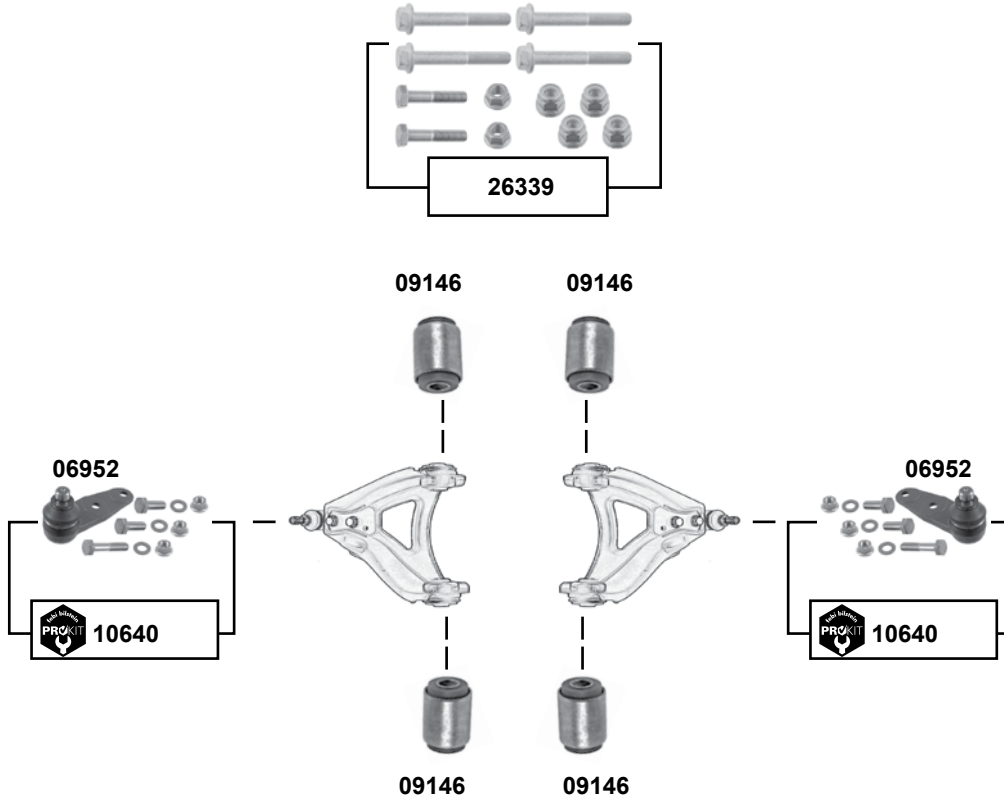
(1982 → 1989)



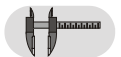
Vorderachse / Front axle

## R11

(1982 → 1989)



Ref. - No.



<b>06952</b>	77 01 468 883 S2
<b>09146</b>	77 04 000 681
<b>10640</b>	77 01 468 883
<b>26339</b>	77 00 763 538 S1

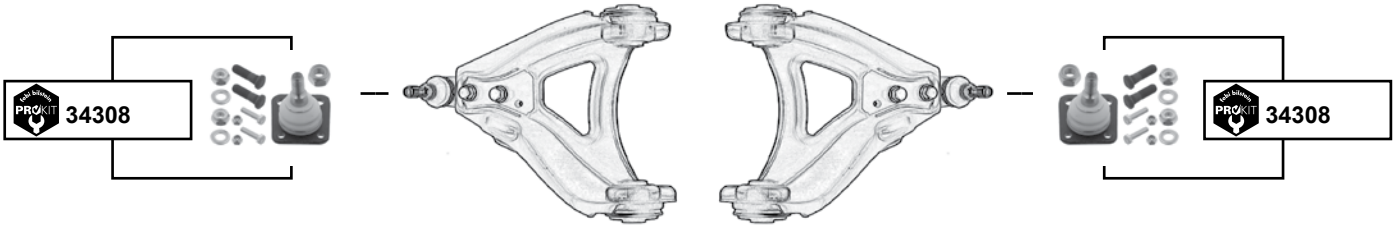
Traggelenk / ball joint
Querlenkerlager / control arm mount
ProKit Traggelenk / ball joint
Schraubensatz / screw kit

Ø A 16  
12x32x46

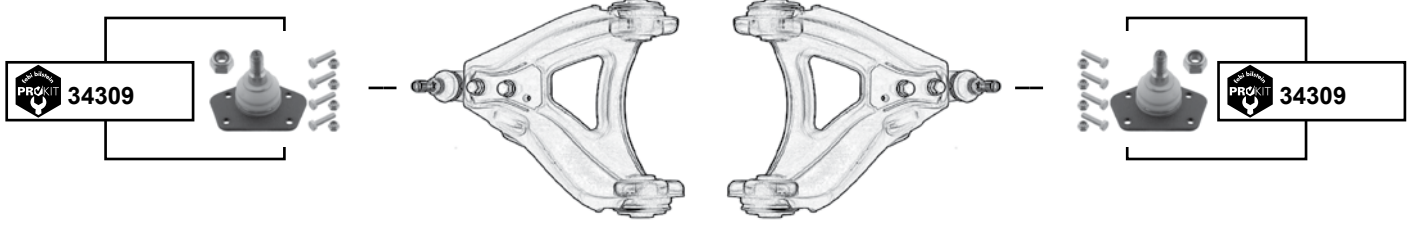


**R12**  
(1969 → 1980)

**oben / upper**



**unten / lower**



Vorderachse / Front axle

	Ref. - No.			
34308	77 01 468 820	ProKit Tragelenk / ball joint		
34309	77 01 468 821	ProKit Tragelenk / ball joint		

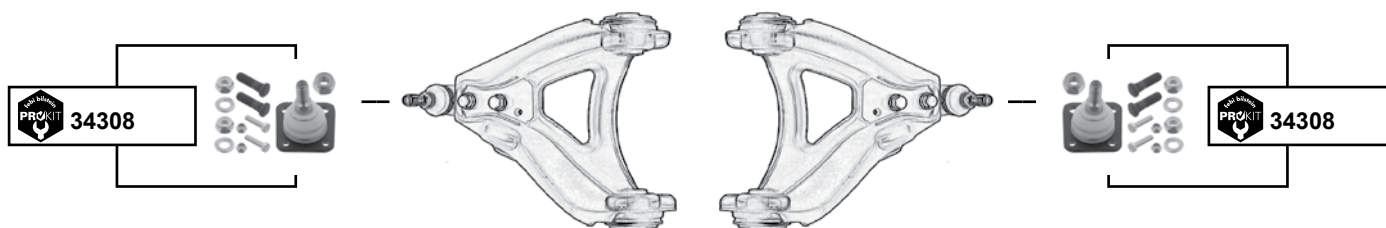




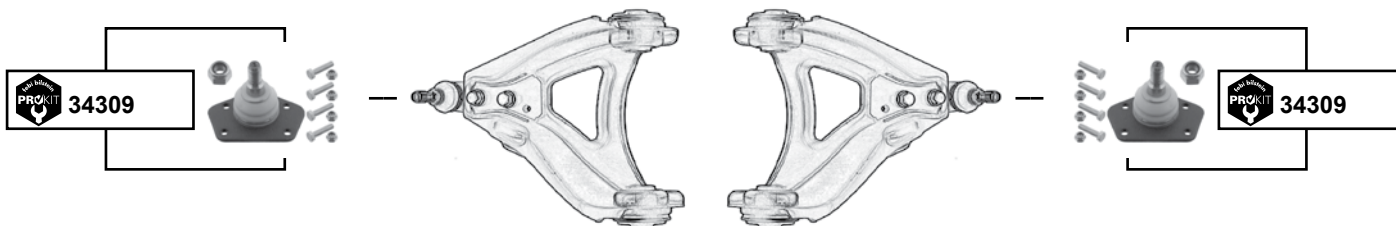
## R15 / R17 / R18

(1972 → 1986)

### oben / upper



### unten / lower



(1) R 15 / R17 72 → 80  
R 18 78 → 86



Ref. - No.



ProKit Traggenk / ball joint  
ProKit Traggenk / ball joint

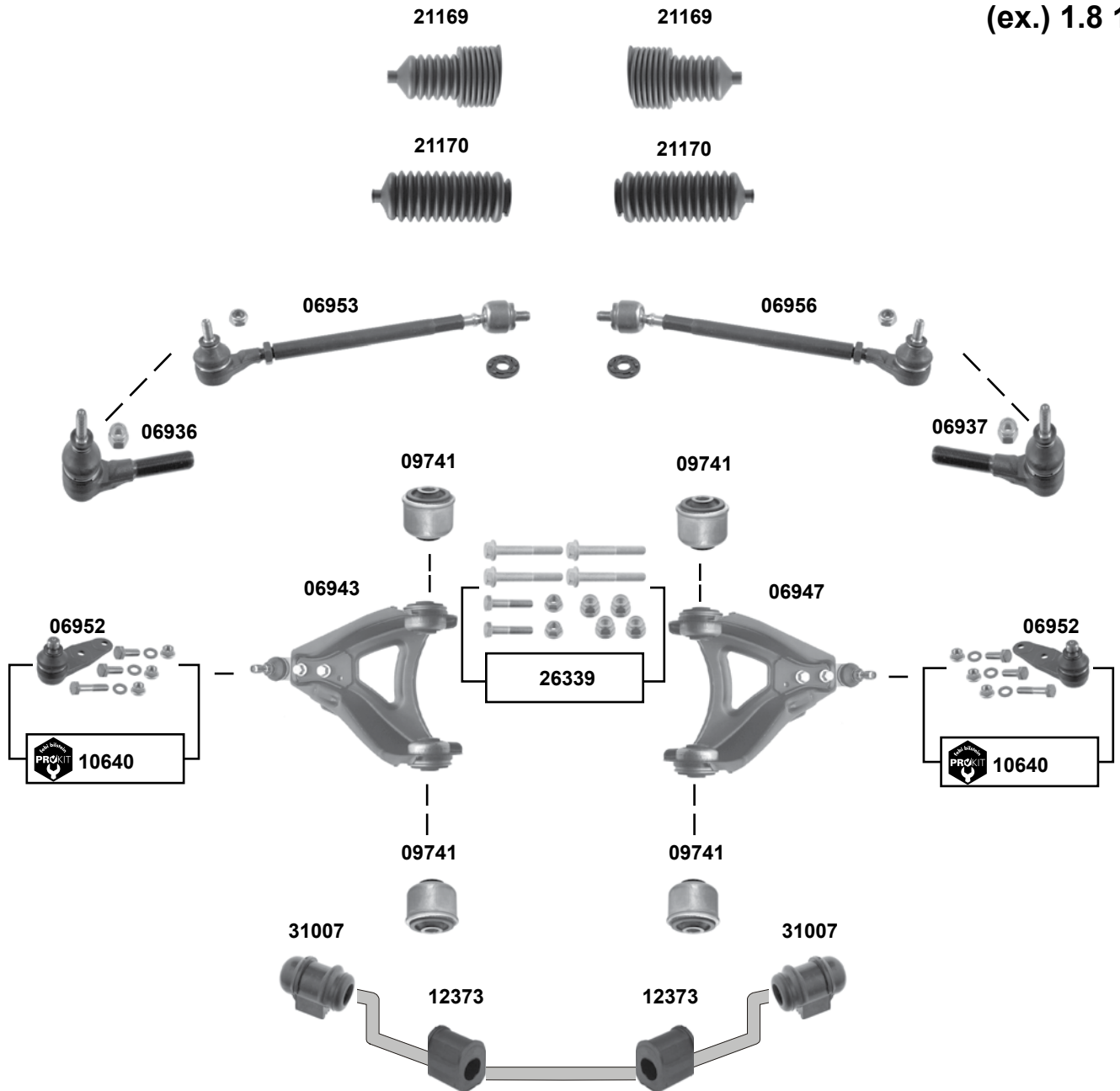


(1)  
(1)





**R19**  
(1989 → 1995)  
**(ex.) 1.8 16V**



Vorderachse / Front axle

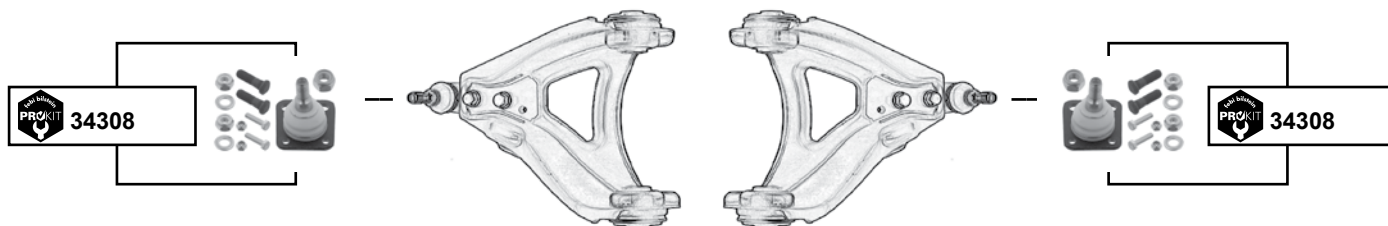
	Ref. - No.			
<b>06936</b>	60 00 030 047	Spurstangenendstück / tie rod end		M14 x 1,5
<b>06937</b>	60 00 030 048	Spurstangenendstück / tie rod end		M14 x 1,5
<b>06943</b>	82 00 737 134	Querlenker / control arm		
<b>06947</b>	82 00 737 135	Querlenker / control arm		
<b>06952</b>	77 01 468 883 S2	Traggelenk / ball joint		Ø A 16
<b>06953</b>	77 01 467 235 S1	Spurstange / tie rod		
<b>06956</b>	77 01 467 237 S1	Spurstange / tie rod		
<b>09741</b>	77 00 840 741	Querlenkerlager / control arm mount		12x45x46
<b>10640</b>	77 01 468 883	ProKit Traggelenk / ball joint		
<b>12373</b>	77 00 785 788	Stabilisatorlager / stabilizer mount		Ø I 22
<b>21169</b>	77 01 469 617	Lenkmanschette / steering boot		
<b>21170</b>	77 01 469 497	Lenkmanschette / steering boot		
<b>26339</b>	77 00 763 538 S1	Schraubensatz / screw kit		
<b>31007</b>	77 00 784 170	Stabilisatorlager / stabilizer mount		Ø I 18



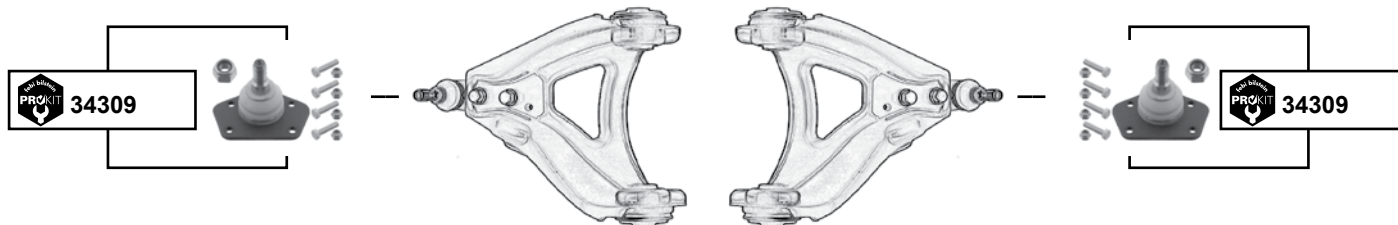


## R20 / R30 (1977 → 1983)

### oben / upper



### unten / lower

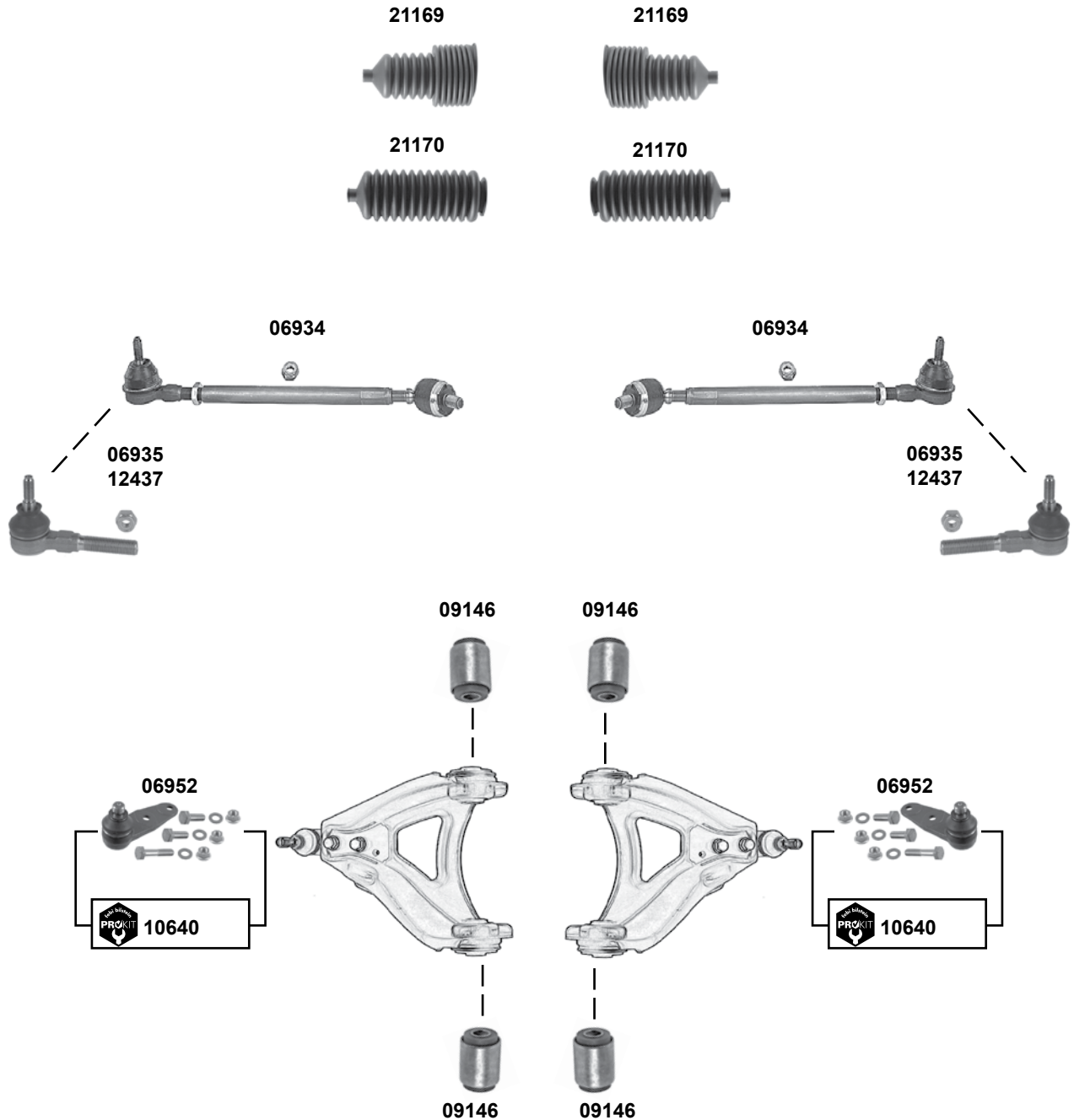




## R21

(1986 → 1994)

1.4 → 1.9



Vorderachse / Front axle

	Ref. - No.			
<b>06934</b>	77 01 464 015	Spurstange / tie rod	servo.	M14 x 1,5 Ø A 16 12x32x46
<b>06935</b>	77 01 461 141	Spurstangenendstück / tie rod end		
<b>06952</b>	77 01 468 883 S2	Traggelenk / ball joint	NEW	M14 x 1,5
<b>09146</b>	77 04 000 681	Querlenkerlager / control arm mount		
<b>10640</b>	77 01 468 883	ProKit Traggelenk / ball joint	Nevada / man.	
<b>12437</b>	77 01 469 231	Spurstangenendstück / tie rod end		
<b>21169</b>	77 01 469 617	Lenkmanschette / steering boot		
<b>21170</b>	77 01 469 497	Lenkmanschette / steering boot		



## R21

(1986 → 1994)

2.0 → 2.2

2.1 D → 2.1 TD

Vorderachse / Front axle

21169



21169



21170



21170



06968



06968



10303



10303



06933



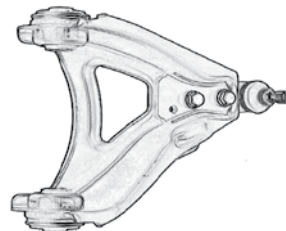
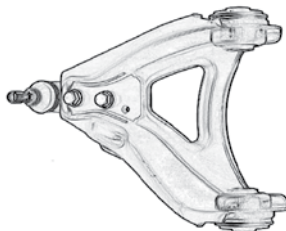
10169



06933



10169



10304



10304



Ref. - No.



06933	77 01 464 037 S1
06968	77 01 469 230
10303	77 00 754 515
10304	77 00 772 687
10169	77 01 464 037
21169	77 01 469 617
21170	77 01 469 497

Traggelenk / ball joint
Spurstangenendstück / tie rod end
Querlenkerlager / control arm mount
Querlenkerlager / control arm mount
ProKit Traggelenk / ball joint
Lenkmanschette / steering boot
Lenkmanschette / steering boot

Nevada / servo   
Nevada / man.

Ø A 18
M14 x 1,5
12x36x51
12x36x48,5



**R25**  
(1984 → 1993)

12437



12437



**oben / upper**

28302

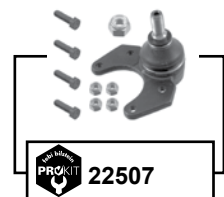
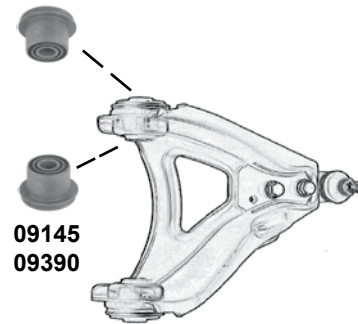
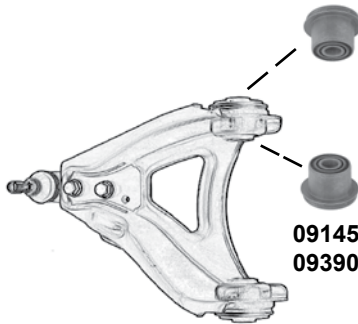
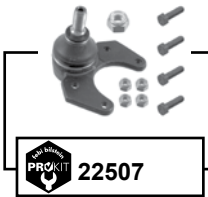
28302



**unten / lower**

09145  
09390

09145  
09390

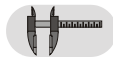


21655    10228

10228    21655



Ref. - No.

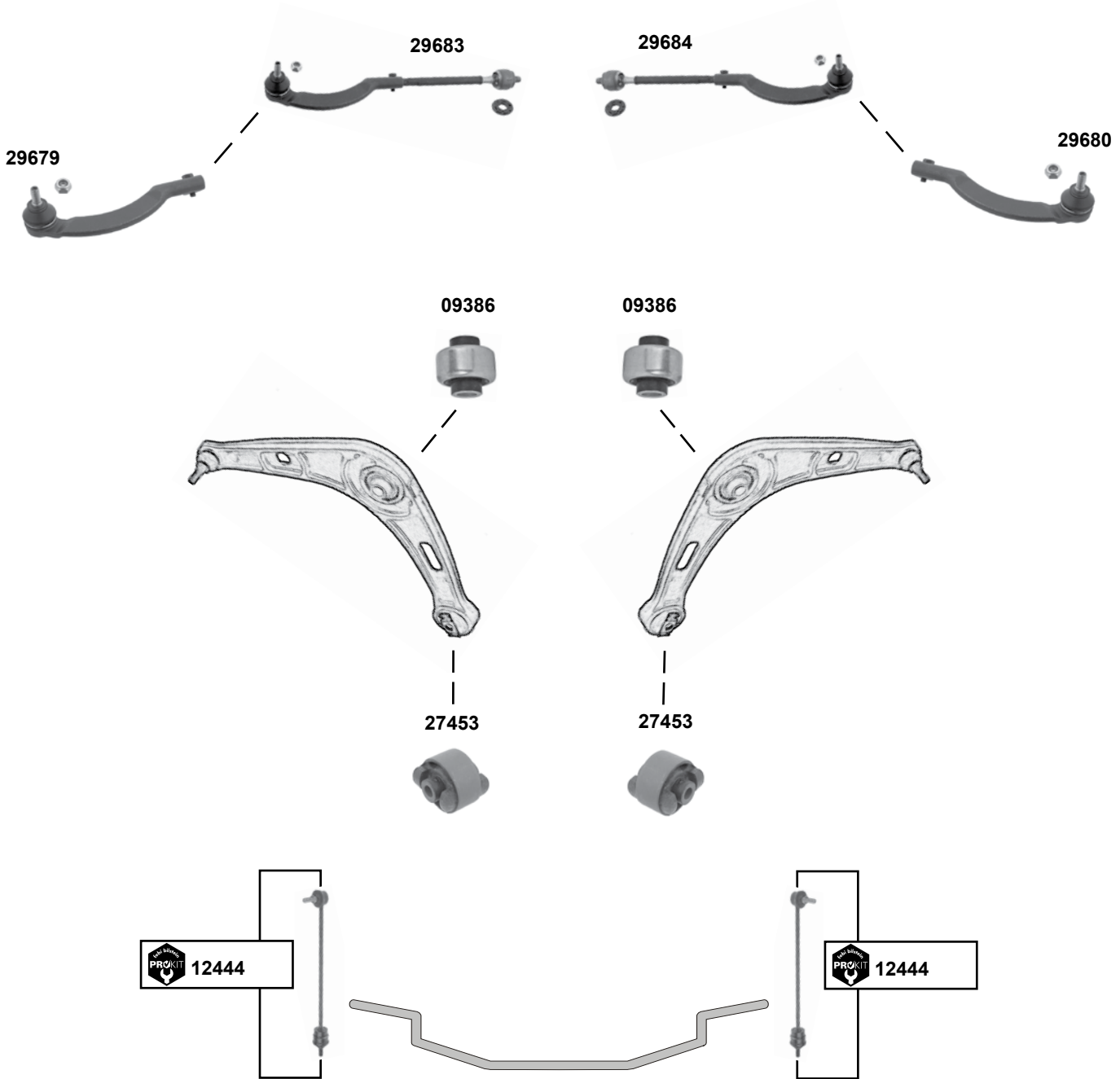


<b>09145</b>	77 00 781 463	Querlenkerlager / control arm mount	03/88 →
<b>09390</b>	77 04 002 466	Querlenkerlager / control arm mount	→ 03/88
<b>10228</b>	77 00 777 540	Querlenkerlager / control arm mount	→ 03/88
<b>12437</b>	77 01 469 231	Spurstangenendstück / tie rod end	
<b>21655</b>	77 00 781 441	Querlenkerlager / control arm mount	03/88 →
<b>22506</b>	77 01 469 228	ProKit Traggelenk / ball joint	
<b>22507</b>	77 01 465 689	ProKit Traggelenk / ball joint	
<b>28302</b>	77 04 001 734	Querlenkerlager / control arm mount	



## Avantime (2001 → 2003)

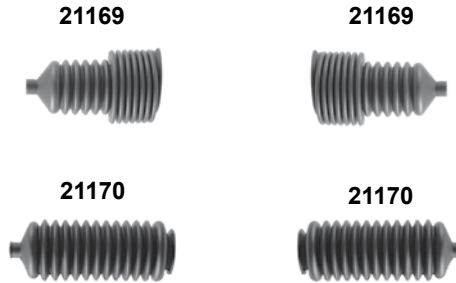
Vorderachse / Front axle



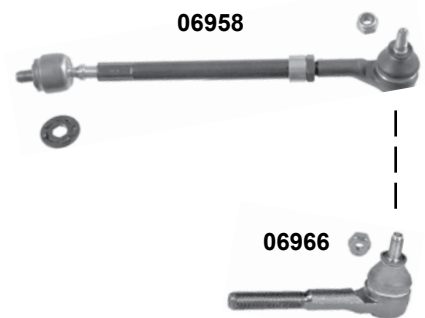
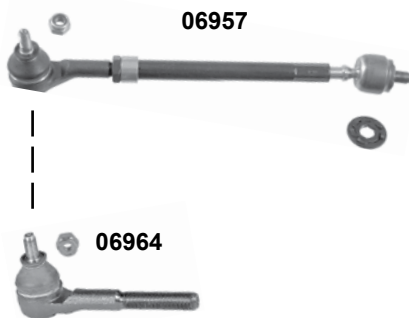
	Ref. - No.			
<b>09386</b>	77 00 822 503	Querlenkerlager / control arm mount		
<b>12444</b>	77 00 805 494	ProKit Verbindungsstange / connecting rod		L 390
<b>27453</b>	60 25 311 529	Querlenkerlager / control arm mount		
<b>29679</b>	60 25 370 229	Spurstangenendstück / tie rod end		M14 x 1,5
<b>29680</b>	60 25 370 230	Spurstangenendstück / tie rod end		M14 x 1,5
<b>29683</b>	60 25 370 493	Spurstange / tie rod		M14 x 1,5
<b>29684</b>	60 25 370 494	Spurstange / tie rod		M14 x 1,5



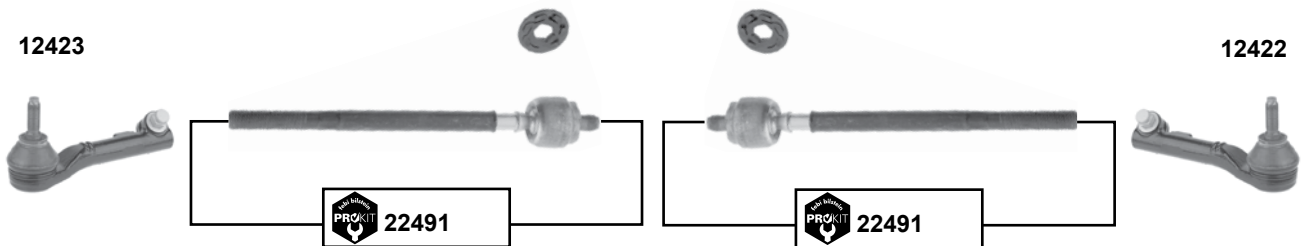
## Clio 1 (1985 → 1998)



→ 07/94



08/94 →



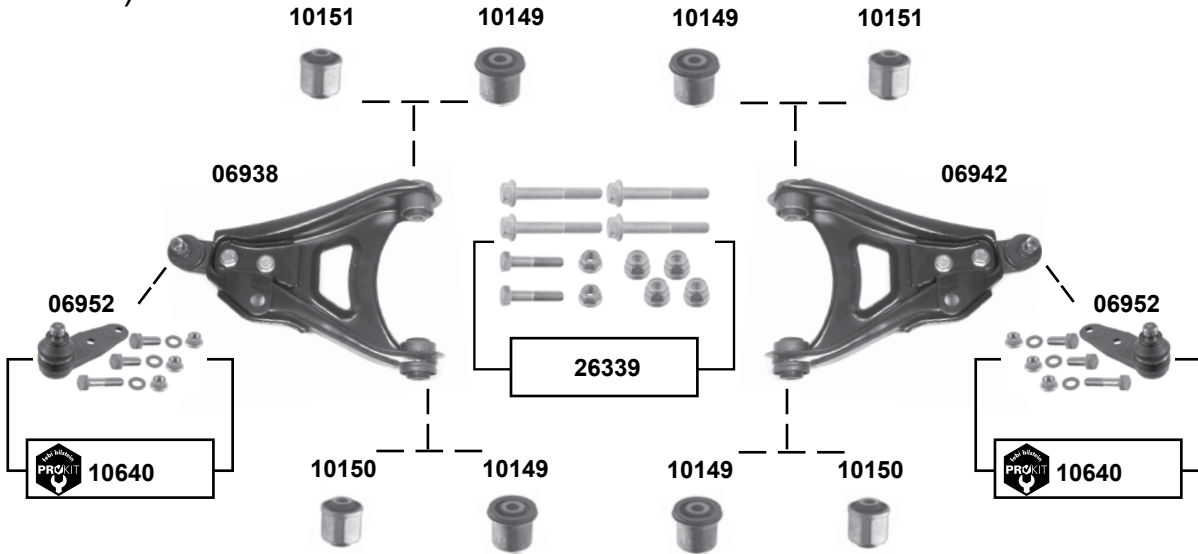
Vorderachse / Front axle

	Ref. - No.			
<b>06957</b>	77 01 467 271	Spurstange / tie rod	→ 07/94	
<b>06958</b>	77 01 467 272	Spurstange / tie rod	→ 07/94	
<b>06964</b>	60 00 003 065	Spurstangenendstück / tie rod end	→ 07/94	M14 x 1,5
<b>06966</b>	60 00 030 064	Spurstangenendstück / tie rod end	→ 07/94	M14 x 1,5
<b>12422</b>	77 01 041 312	Spurstangenendstück / tie rod end	08/94 →	
<b>12423</b>	77 01 041 311	Spurstangenendstück / tie rod end	08/94 →	
<b>21169</b>	77 01 469 617	Lenkmanschette / steering boot	servo	
<b>21170</b>	77 01 469 497	Lenkmanschette / steering boot	man.	
<b>22491</b>	77 01 469 778 SK	ProKit Spurstange / tie rod	08/94 →	

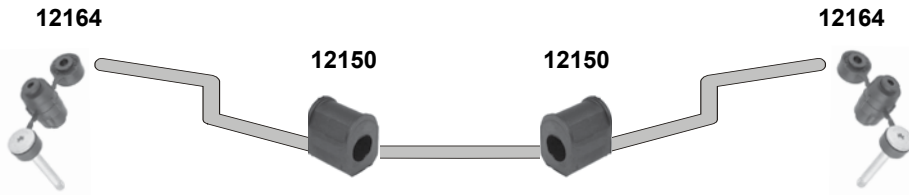




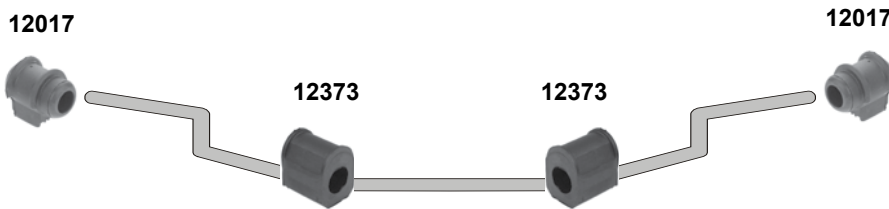
## Clio 1 (1985 → 1998)



für / to fit Stabi Ø A 22



für / to fit Stabi Ø A 23



(1) (ex.) S / RSi / RTi / 16V / Williams

(2) S / RSi / RTi / 16V

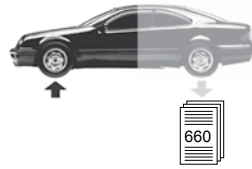


Ref. - No.

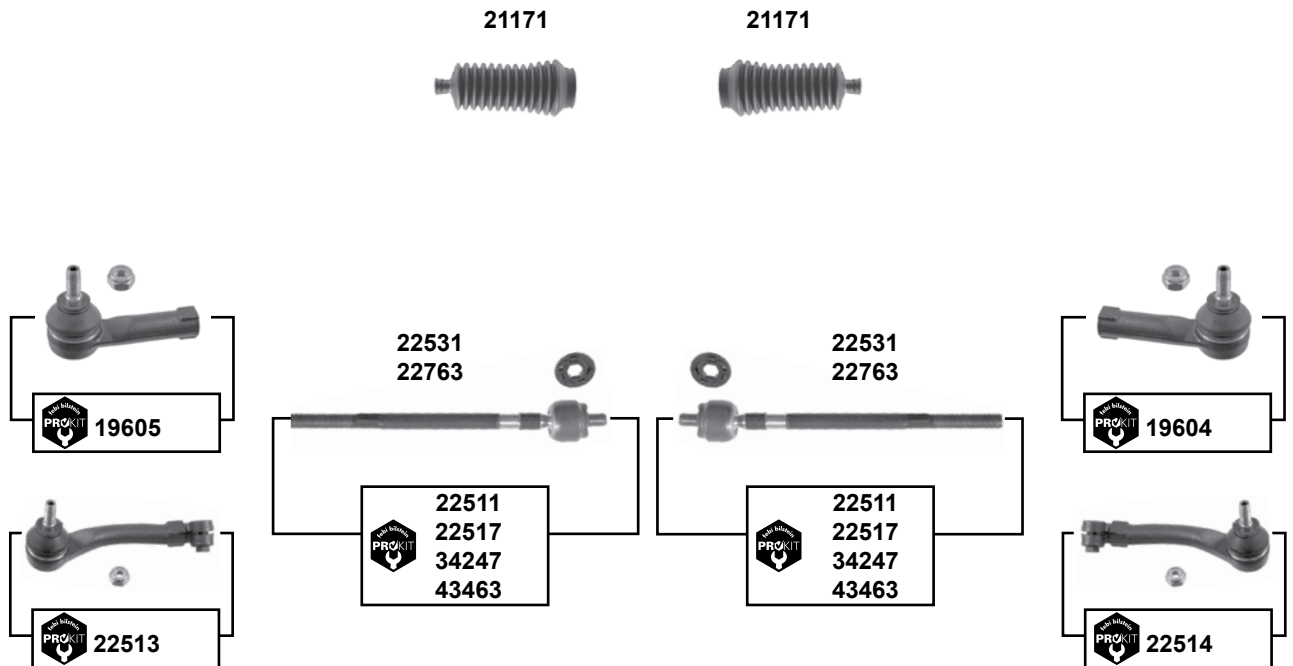


Part No.	Description	Quantity	Notes
06938	Querlenker / control arm	(1)	
06942	Querlenker / control arm	(1)	
06952	Traggelenk / ball joint		Ø A 16
10149	Querlenkerlager / control arm mount	(2)	40x12x46
10150	Querlenkerlager / control arm mount	(1)	40x12x46
10151	Querlenkerlager / control arm mount	(1)	40x12x46
10640	ProKit Traggelenk / ball joint		
12017	Stabilisatorlager / stabilizer mount		Ø I 23
12150	Stabilisatorlager / stabilizer mount		Ø I 22
12164	Stabilisatorlager / stabilizer mount		
12373	Stabilisatorlager / stabilizer mount		Ø I 23
26339	Schraubensatz / screw kit		

Vorderachse / Front axle

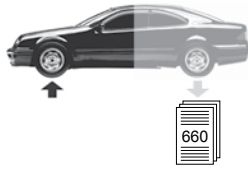


## Clio 2 / Symbol (1998 → 2005)



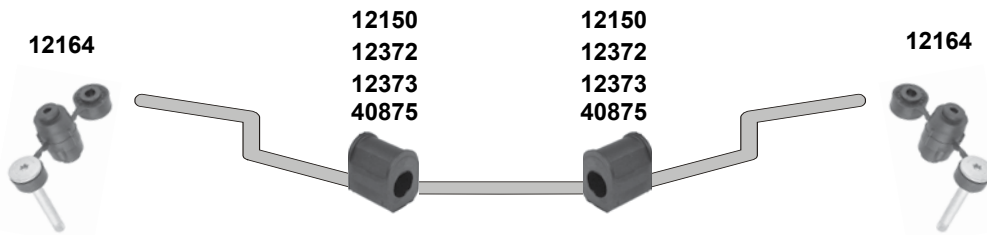
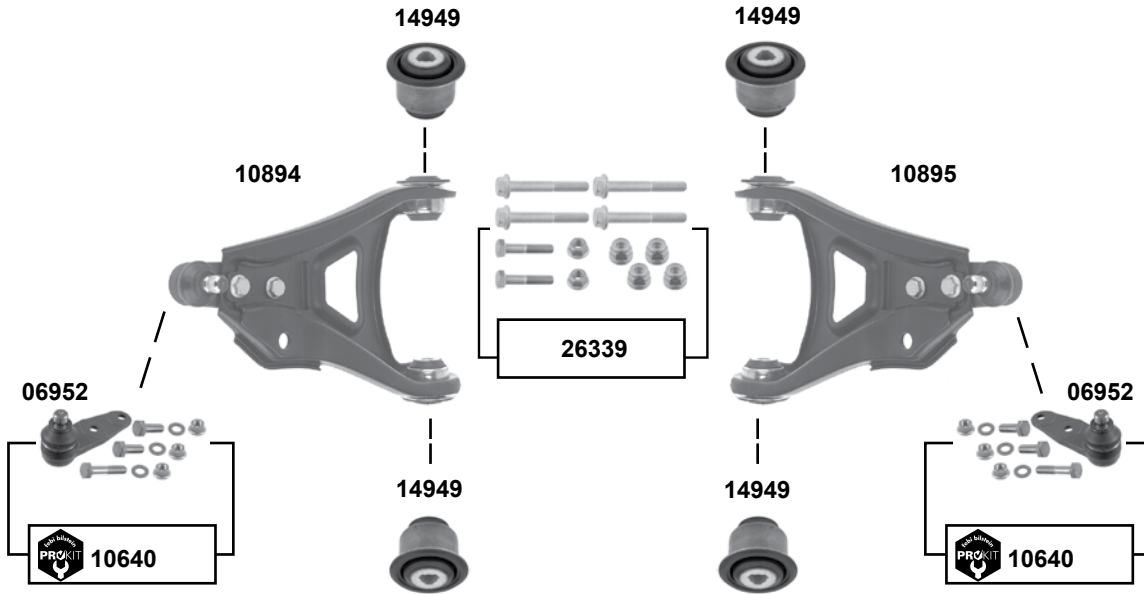
Vorderachse / Front axle

	Ref. - No.			
19604	77 01 047 813	ProKit Spurstangenendstück / tie rod end	12/99 → 05	M10 x 1,25
19605	77 01 047 812	ProKit Spurstangenendstück / tie rod end	12/99 → 05	M10 x 1,25
21171	77 01 469 496	Lenkmanschette / steering boot	SMI servo	
22511	77 01 472 113 SK	ProKit Axialgelenk / axial joint	man.  12/99 →	
22513	77 01 476 762	ProKit Spurstangenendstück / tie rod end	→ 12/99	
22514	77 01 476 763	ProKit Spurstangenendstück / tie rod end	→ 12/99	
22517	77 01 472 120 SK	ProKit Axialgelenk / axial joint	SMI servo  12/99 →	
22531	77 01 471 125 SK	Spurstange / tie rod	servo  → 12/99	
22763	77 01 472 734 SK	Spurstange / tie rod	TRW servo  12/99 →	
34247	77 01 471 124 SK	ProKit Axialgelenk / axial joint	98 → 12/99 / (ex.) servo	L 240
43463	77 01 471 143 SK	ProKit Axialgelenk / axial joint	TRW servo  → 12/99	L 240



## Clio 2 / Symbol (1998 → 2005)

Vorderachse / Front axle

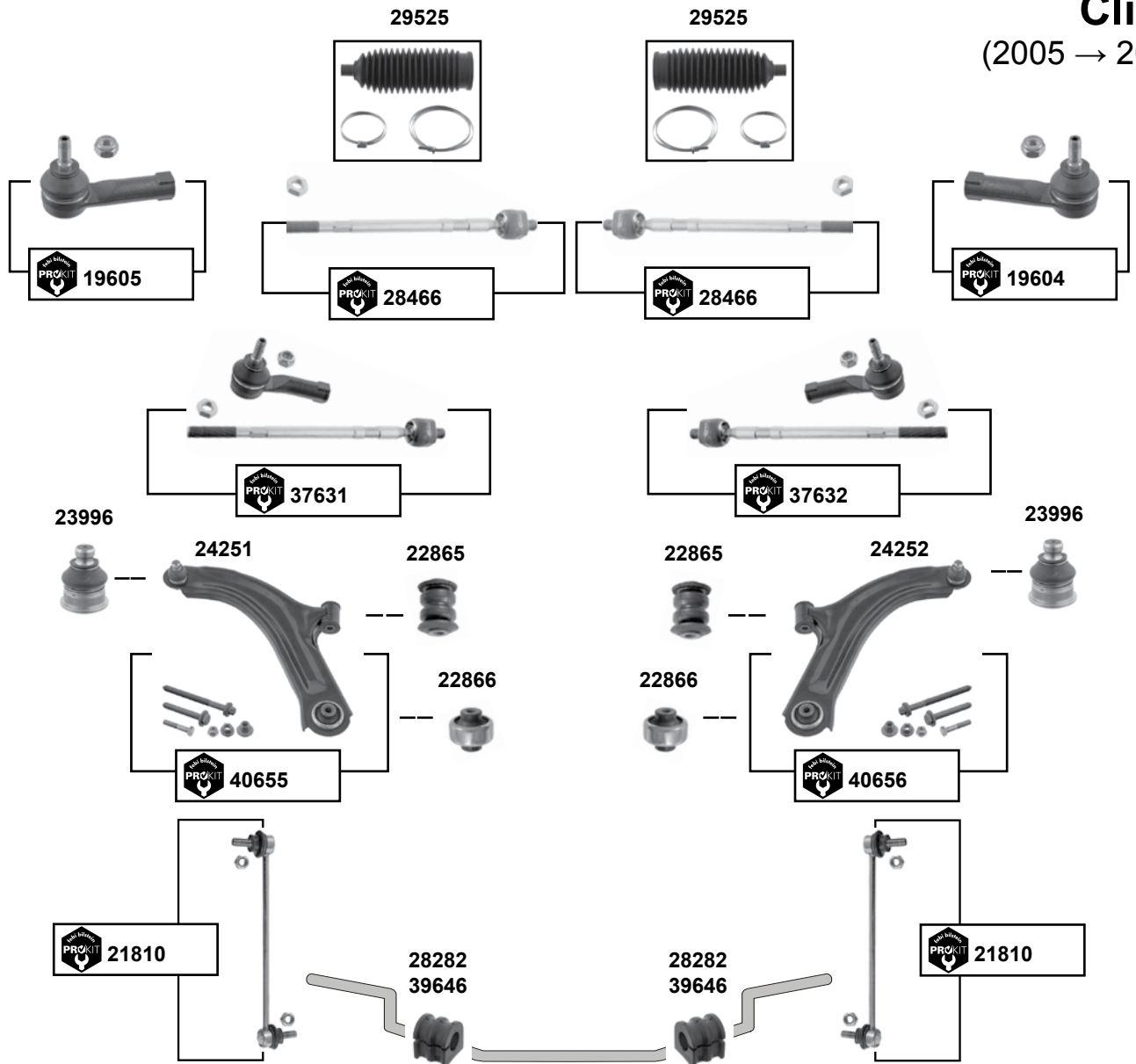


**(1)** CB15,C,G,N,S,T // CB0M // CB20,1,2

	Ref. - No.			
06952	77 01 468 883 S2	Traggelenk / ball joint		Ø A 16
10640	77 01 468 883	ProKit Traggelenk / ball joint		
10894	82 00 197 179	Querlenker / control arm		
10895	82 00 197 187	Querlenker / control arm		
12150	77 00 798 053	Stabilisatorlager / stabilizer mount		Ø I 22
12164	77 00 799 404	Stabilisatorlager / stabilizer mount		Ø I 24
12372	77 00 835 929	Stabilisatorlager / stabilizer mount		Ø I 23
12373	77 00 785 788	Stabilisatorlager / stabilizer mount		45,5x46
14949	82 00 651 161	Querlenkerlager / control arm mount		
26339	77 00 763 538 S1	Schraubensatz / screw kit	<b>(ex.) RS V6</b>	
40875	77 00 847 383	Stabilisatorlager / stabilizer mount	<b>(1)</b>	Ø I 23,5



## Clio 3 (2005 → 2012)



Vorderachse / Front axle



(1) Grandtour: KR00,2,4,9,A,E,G,H,J,P,S / KR10,6,7,A,B,C,H,N,T,U,V / KR21 08 →

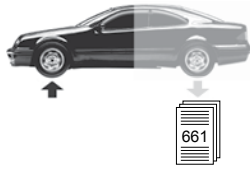
(2) nur / only: CRON / CR1D



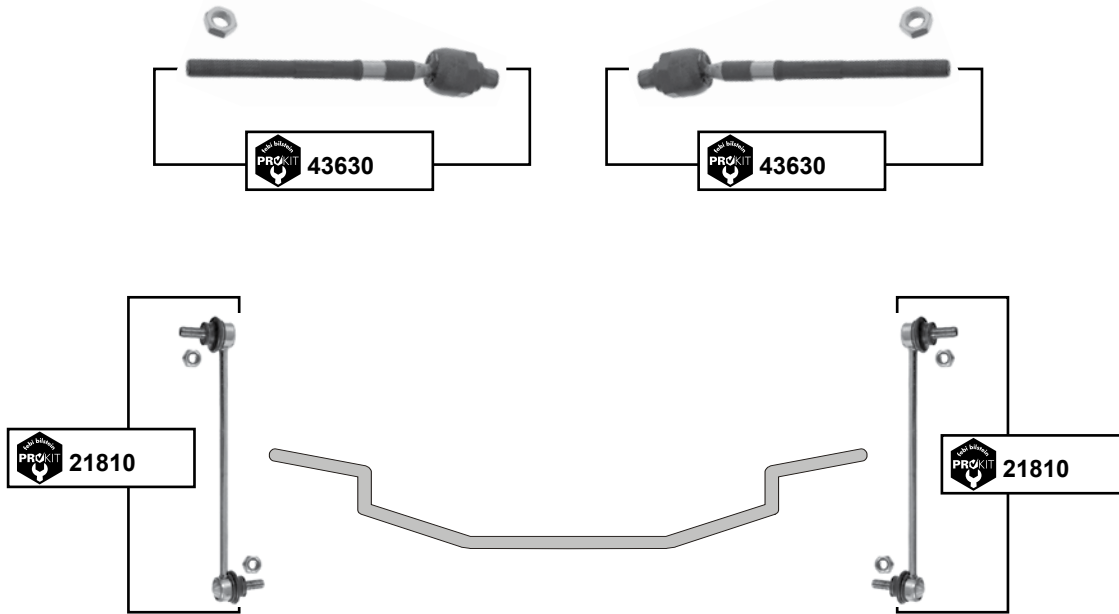
Ref. - No.



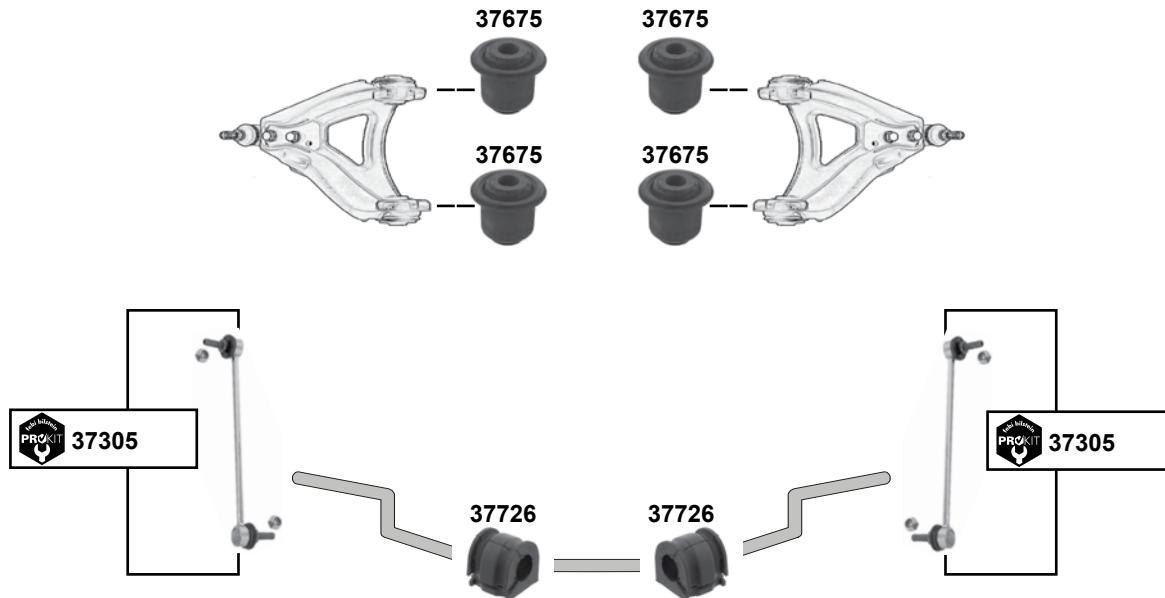
Part No.	Ref. - No.	Description	Notes	Dimensions
19604	77 01 047 813	ProKit Spurstangenendstück / tie rod end		M10 x 1,25
19605	77 01 047 812	ProKit Spurstangenendstück / tie rod end		M10 x 1,25
21810	82 00 127 308	ProKit Verbindungsstange / connecting rod		L 248
22865	82 00 183 569	Querlenkerlager / rubber mount		Ø A 40 H55
22866	82 00 183 570	Querlenkerlager / rubber mount		Ø A 68 H53
23996	40 16 047 93R	Traggelenk / ball joint		Ø A 18
24251	82 00 744 091	Querlenker / control arm		
24252	82 00 744 092	Querlenker / control arm		
28282	77 01 056 678	Stabilisatorlager / stabilizer mount	(2)	Ø I 19,5
28466	77 01 475 841 SK	ProKit Spurstange / tie rod	servo  SMI	L 310
29525	77 01 475 840	Lenkmanschette / steering boot		
37631	77 01 475 841 S1	ProKit Spurstange / tie rod		
37632	77 01 475 841 S2	ProKit Spurstange / tie rod		
39646	77 01 059 672	Stabilisatorlager / stabilizer mount	(1)	Ø I 20,5
40655	82 00 744 091 S1	ProKit Querlenker / control arm		
40656	82 00 744 092 S1	ProKit Querlenker / control arm		



## Clio 4 (2013 →)



## Duster (2010 →)



Ref. - No.



<b>21810</b>	82 00 127 308	ProKit Verbindungsstange / connecting rod	alle / all	L 248
<b>37305</b>	82 00 814 411	ProKit Verbindungsstange / connecting rod		L 294
<b>37675</b>	54 56 027 88R	Querlenkerlager / control arm mount		Ø A 40,5 / 37
<b>37726</b>	54 61 142 37R	Stabilisatorlager / stabilizer mount		Ø I 18,5
<b>43630</b>	48 52 110 71R SK	ProKit Axialgelenk / axial joint		L 232



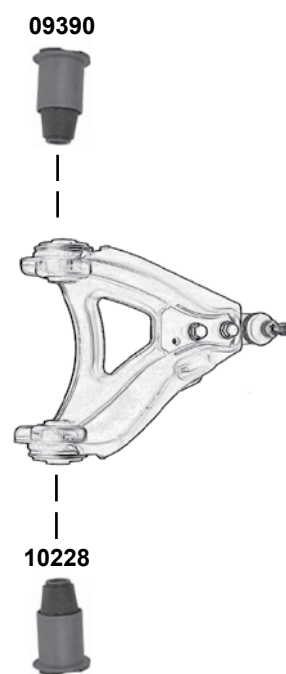
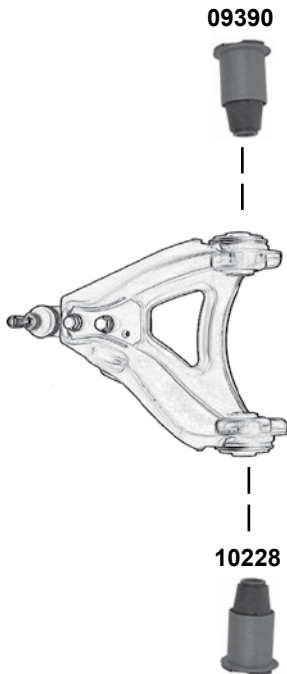
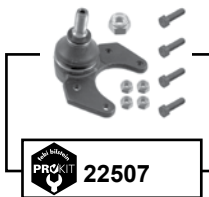
## Espace 1 (1984 → 1990)



oben / upper



unten / lower



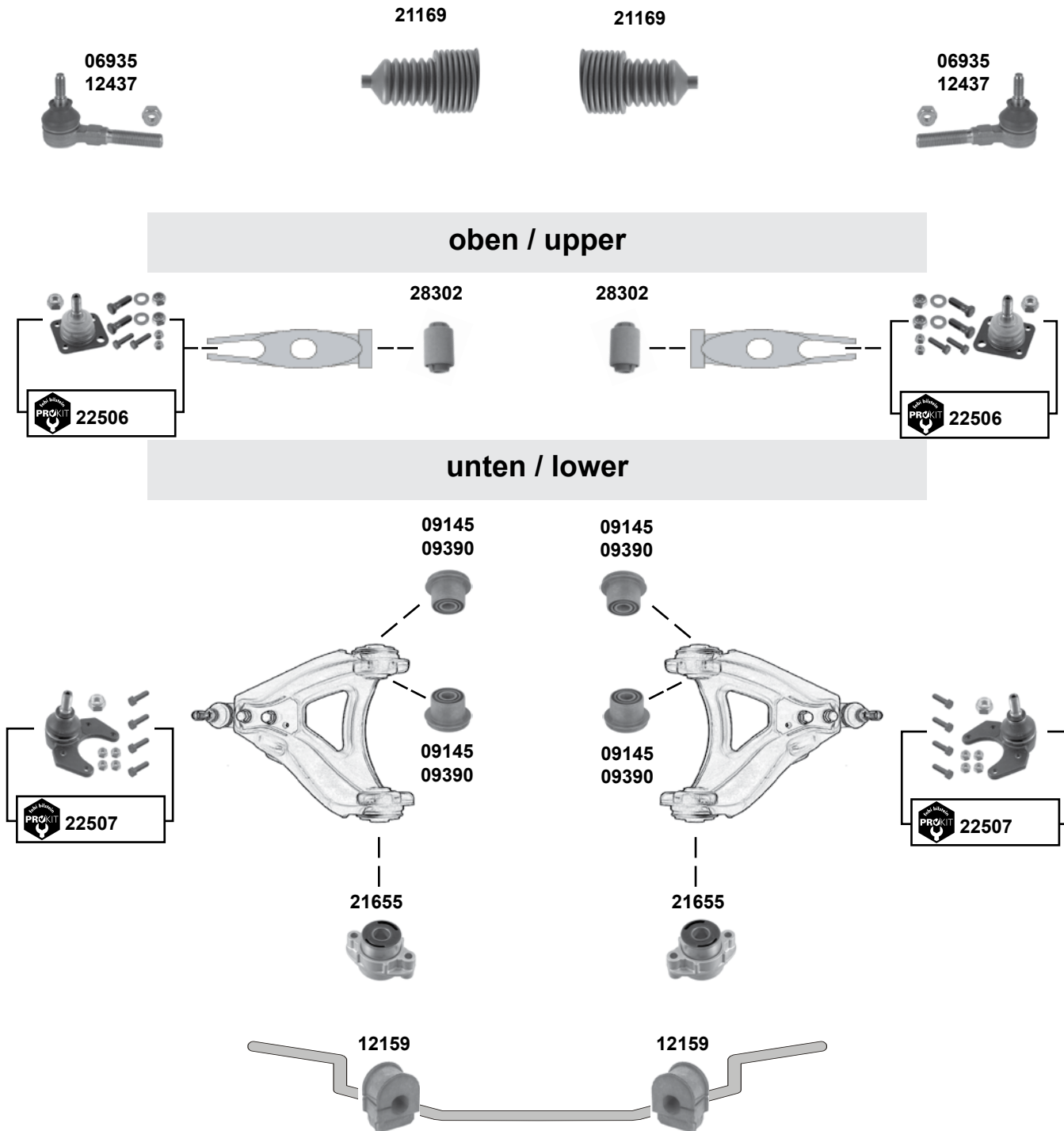
Vorderachse / Front axle

	Ref. - No.			
06935	77 01 461 141	Spurstangenendstück / tie rod end	OLD	M14 x 1,5
09390	77 04 002 466	Querlenkerlager / control arm mount		40x16x83
10228	77 00 777 540	Querlenkerlager / control arm mount		40x16x83
12437	77 01 469 231	Spurstangenendstück / tie rod end	NEW	M14 x 1,5
21169	77 01 469 617	Lenkmanschette / steering boot	servo	
22506	77 01 469 228	ProKit Traggelenk / ball joint		
22507	77 01 465 689	ProKit Traggelenk / ball joint		



## Espace 2 (1991 → 1996)

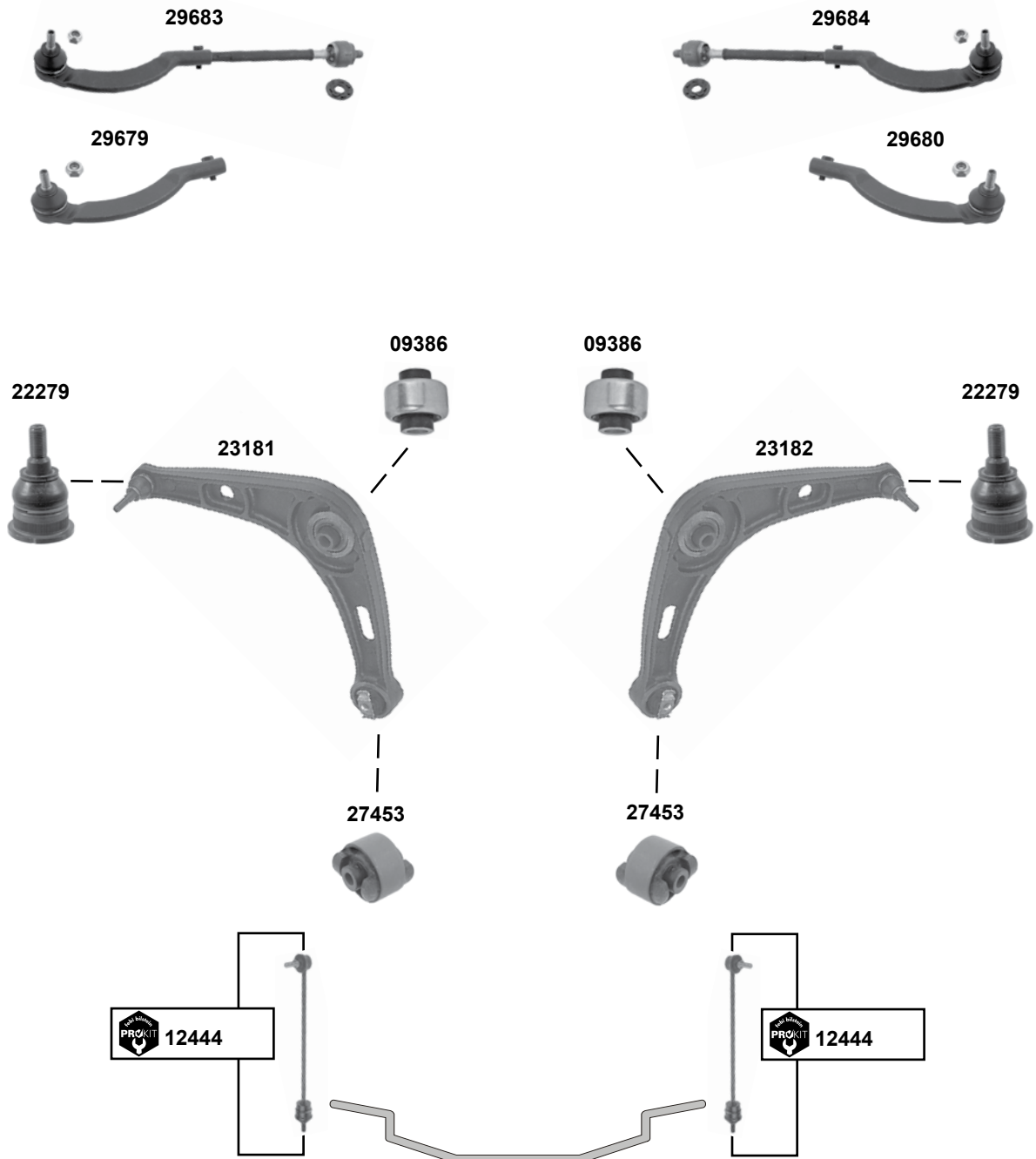
Vorderachse / Front axle



	Ref. - No.			
06935	77 01 461 141	Spurstangenendstück / tie rod end	OLD	M14 x 1,5
09145	77 00 781 463	Querlenkerlager / control arm mount		
09390	77 04 002 466	Querlenkerlager / control arm mount		
12159	77 00 797 821	Stabilisatorlager / stabilizer mount		Ø   22
12437	77 01 469 231	Spurstangenendstück / tie rod end	NEW	M14 x 1,5
21169	77 01 469 617	Lenkmanschette / steering boot	servo	
21655	77 00 781 441	Querlenkerlager / control arm mount		
22506	77 01 469 228	ProKit Traggelenk / ball joint		
22507	77 01 465 689	ProKit Traggelenk / ball joint		
28302	77 04 001 734	Querlenkerlager / control arm mount		



## Espace 3 (1997 → 2002)



Vorderachse / Front axle

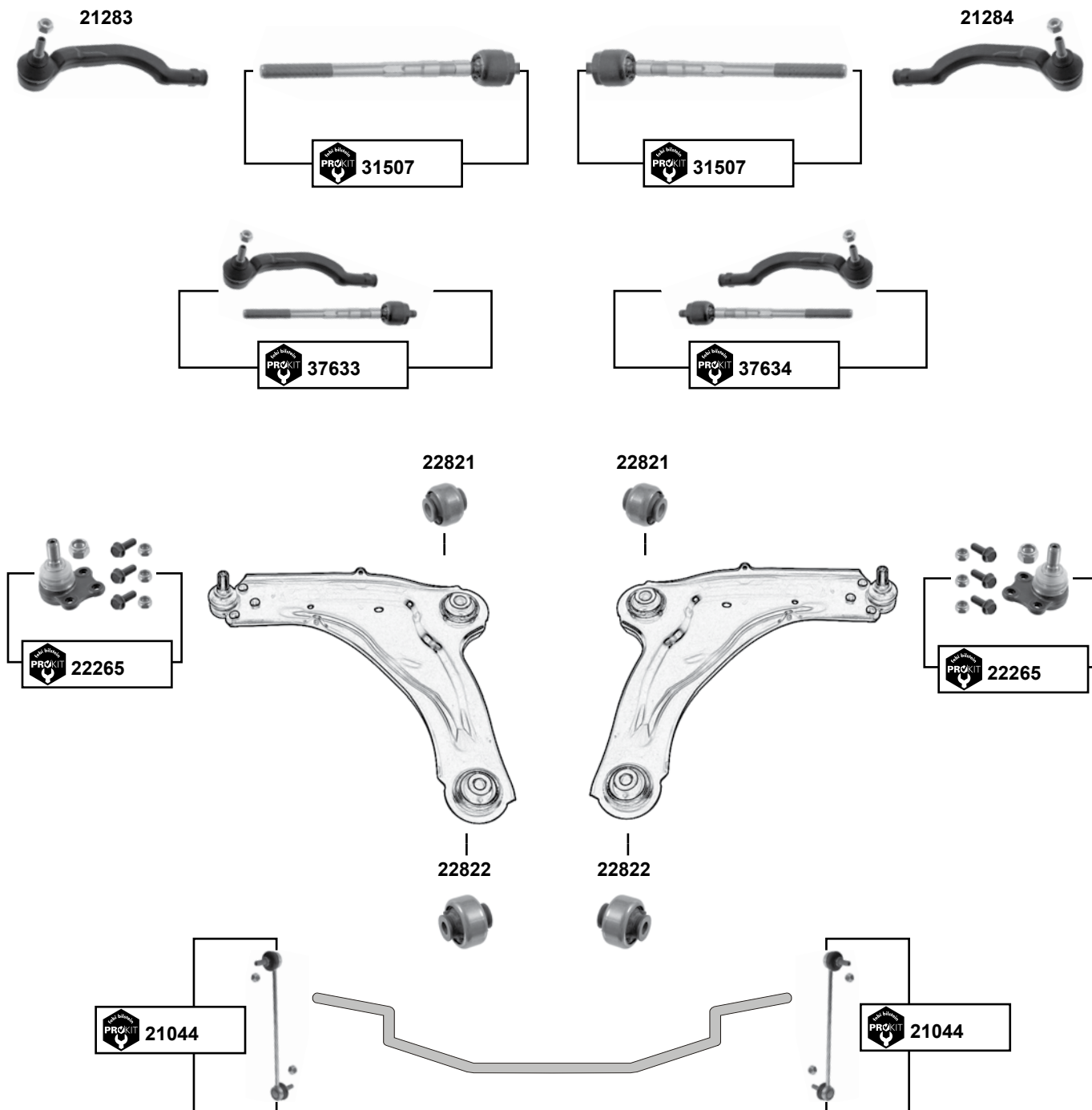
	Ref. - No.			
<b>09386</b>	77 00 822 503	Querlenkerlager / control arm mount		
<b>12444</b>	77 00 805 494	ProKit Verbindungsstange / connecting rod		L 390
<b>22279</b>	60 25 308 155	Traggelenk / ball joint		M12 x 1,0
<b>23181</b>	60 25 307 649	Querlenker / control arm		
<b>23182</b>	60 25 307 650	Querlenker / control arm		
<b>27453</b>	60 25 311 529	Querlenkerlager / control arm mount		
<b>29679</b>	60 25 370 229	Spurstangenendstück / tie rod end		M14 x 1,5
<b>29680</b>	60 25 370 230	Spurstangenendstück / tie rod end		M14 x 1,5
<b>29683</b>	60 25 370 493	Spurstange / tie rod		M14 x 1,5
<b>29684</b>	60 25 370 494	Spurstange / tie rod		M14 x 1,5





## Espace 4 (2002 → 2015)

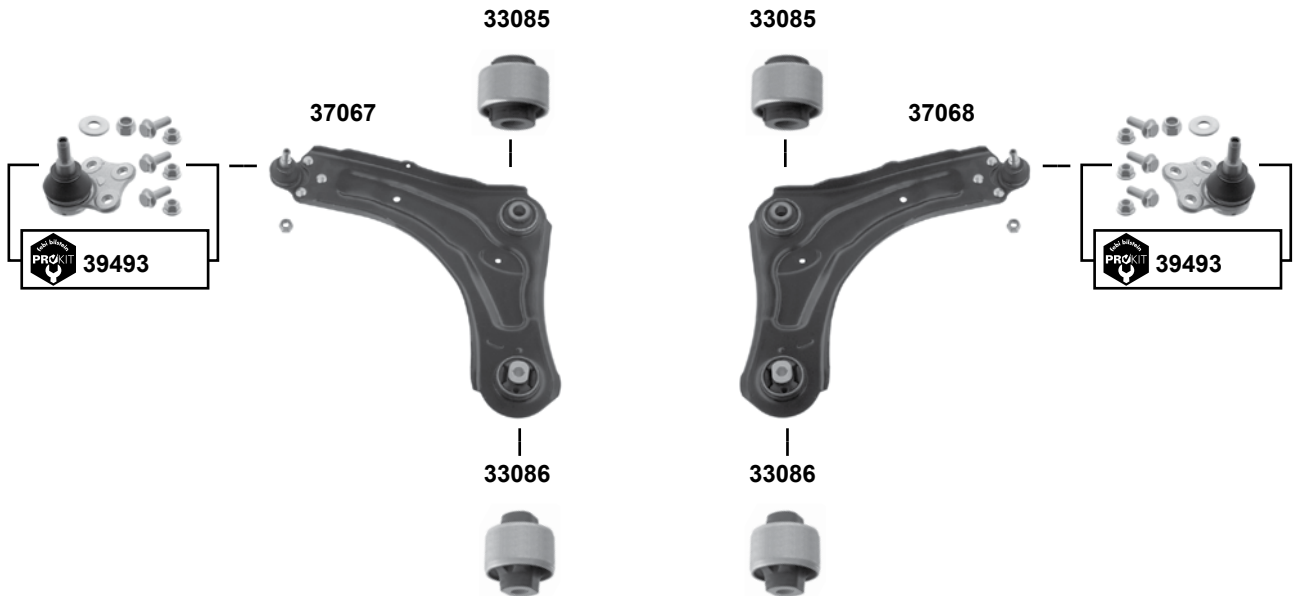
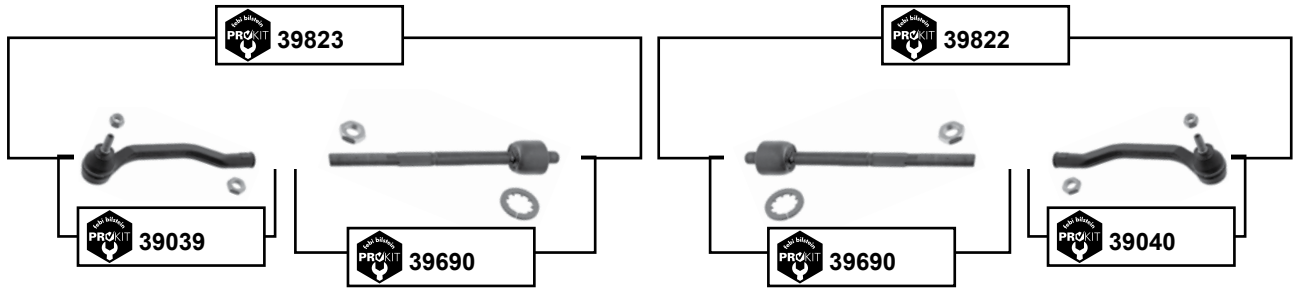
Vorderachse / Front axle



	Ref. - No.			
<b>21044</b>	82 00 661 217	ProKit Verbindungsstange / connecting rod		L 280
<b>21283</b>	77 01 049 282	Spurstangenendstück / tie rod end		M12 x 1,5
<b>21284</b>	77 01 049 283	Spurstangenendstück / tie rod end		M12 x 1,5
<b>22265</b>	77 01 478 029	ProKit Traggelenk / ball joint		
<b>22821</b>	82 00 002 868	Querlenkerlager / control arm mount		
<b>22822</b>	82 00 002 869	Querlenkerlager / control arm mount		
<b>31507</b>	77 01 478 522 SK	ProKit Spurstange / tie rod		L 247
<b>37633</b>	77 01 478 552 S1	ProKit Spurstange / tie rod		
<b>37634</b>	77 01 478 552 S2	ProKit Spurstange / tie rod		



## Fluence (2010 →)



Vorderachse / Front axle

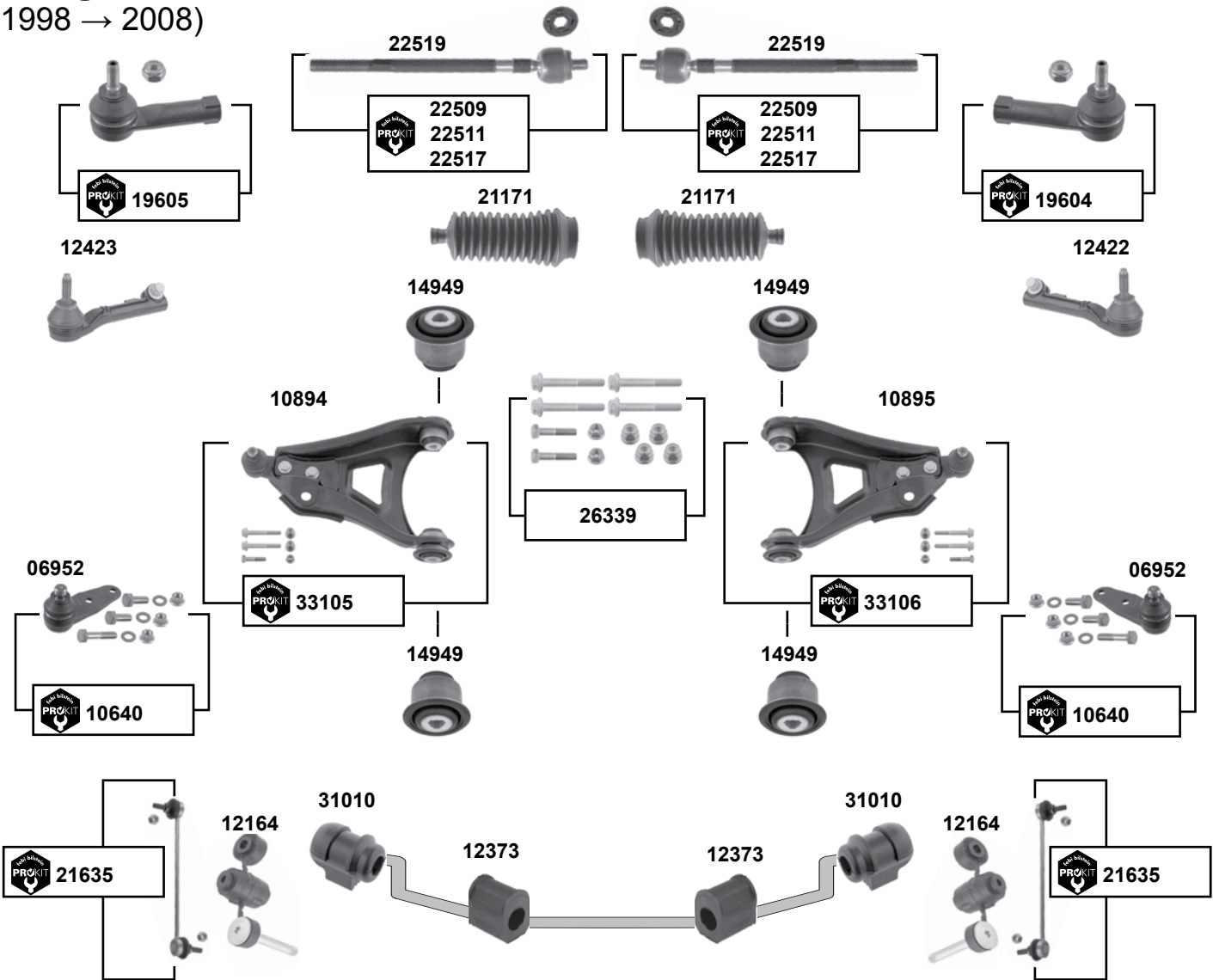
- (1) L301,2,4,5,6,7,B,C,D,F,G,H,J,K,L,M,P,R,S,T,V,W,Z
- (2) L301,2,4,5,6,7,A,B,C,D,E,F,G,H,J,K,L,M,P,R,S,T,V,W,Z

	Ref. - No.			
<b>33085</b>	54 56 000 05R	Querlenkerlager / control arm mount	(1)	Ø A 55
<b>33086</b>	54 56 000 04R	Querlenkerlager / control arm mount	(1)	Ø A 58
<b>37067</b>	54 50 140 55R	Querlenker / control arm	(2)	
<b>37068</b>	54 50 092 07R	Querlenker / control arm	(2)	
<b>39039</b>	48 52 027 10R	ProKit Spurstangenendstück / tie rod end		L 210
<b>39040</b>	48 52 046 80R	ProKit Spurstangenendstück / tie rod end		L 210
<b>39493</b>	40 16 090 60R	ProKit Traggelenk / ball joint		
<b>39690</b>	48 52 156 12 R SK	ProKit Axialgelenk / axial joint		L 214
<b>39822</b>	48 52 046 80R S1	ProKit Spurstange / tie rod		
<b>39823</b>	48 52 027 10R S1	ProKit Spurstange / tie rod		



## Kangoo 1 (1998 → 2008)

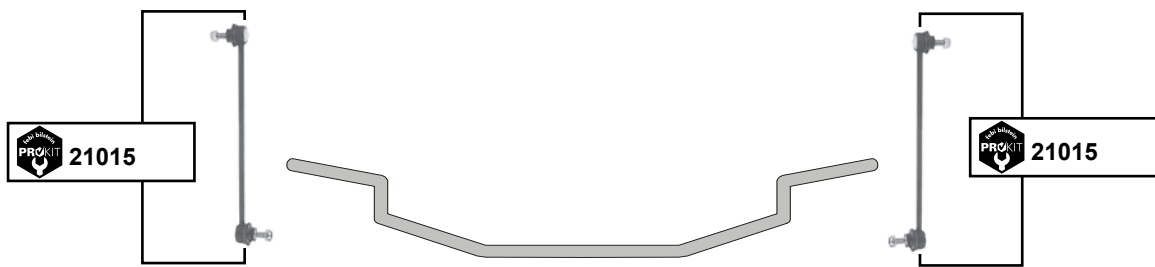
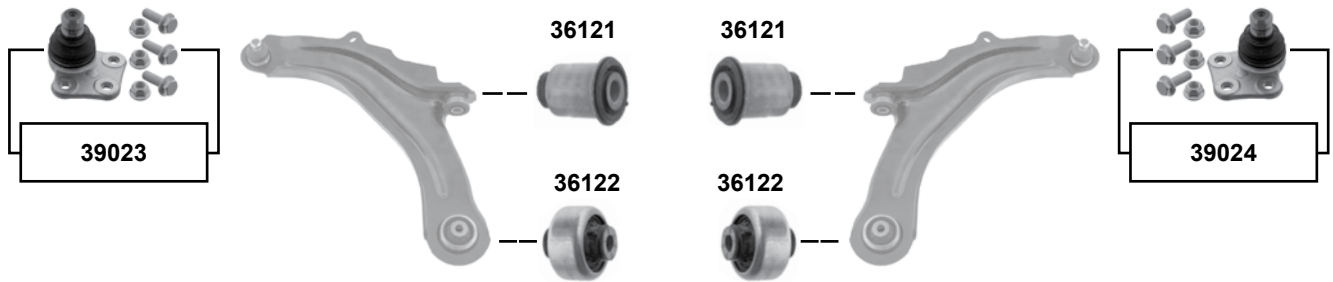
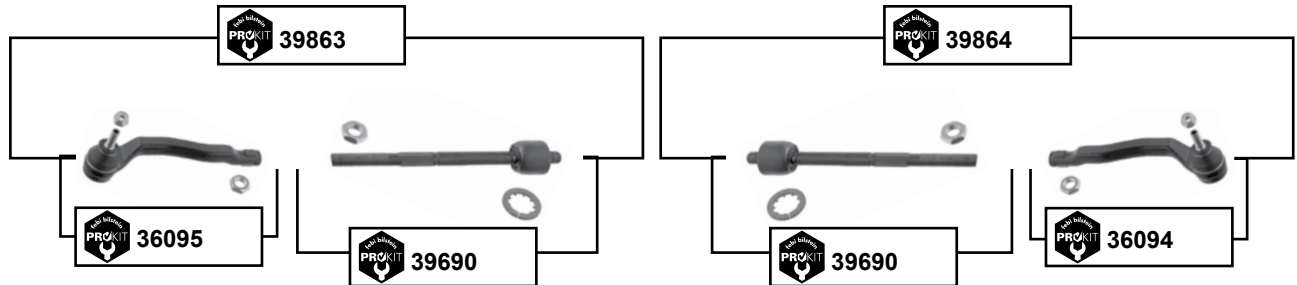
Vorderachse / Front axle



	Ref. - No.			
06952	77 01 468 883 S2	Traggelenk / ball joint	(ex.) 4x4	Ø A 16
10640	77 01 468 883	ProKit Traggelenk / ball joint	(ex.) 4x4	
10894	82 00 197 179	Querlenker / control arm	(ex.) 4x4	
10895	82 00 197 187	Querlenker / control arm	(ex.) 4x4	
12164	77 00 799 404	Stabilisatorlager / stabilizer mount	(ex.) 4x4	
12373	77 00 785 788	Stabilisatorlager / stabilizer mount		Ø I 23
12422	77 01 041 312	Spurstangenendstück / tie rod end	→ 02/99	M10 x 1,25
12423	77 01 041 311	Spurstangenendstück / tie rod end	→ 02/99	M10 x 1,25
14949	82 00 651 161	Querlenkerlager / control arm mount	(ex.) 4x4	45,5x46
19604	77 01 047 813	ProKit Spurstangenendstück / tie rod end	02/99 → 08	
19605	77 01 047 812	ProKit Spurstangenendstück / tie rod end	02/99 → 08	
21171	77 01 469 496	Lenkmanschette / steering boot	servo	SMI
21635	77 00 437 136	ProKit Verbindungsstange / connecting rod	4x4	
22509	77 01 470 763 SK	ProKit Axialgelenk / axial joint	→ 02/99 man.	
22511	77 01 472 113 SK	ProKit Axialgelenk / axial joint	02/99 → man.	
22517	77 01 472 120 SK	ProKit Axialgelenk / axial joint	02/99 → servo	
22519	77 01 470 764 SK	Spurstange / tie rod	→ 02/99 servo	
26339	77 00 763 538 S1	Schraubensatz / screw kit		
31010	77 00 314 855	Stabilisatorlager / stabilizer mount		Ø I 23
33105	82 00 197 179 S1	ProKit Querlenker / control arm		
33106	82 00 197 187 S1	ProKit Querlenker / control arm		



## Kangoo 2 (2008 →)

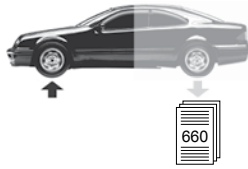


Vorderachse / Front axle



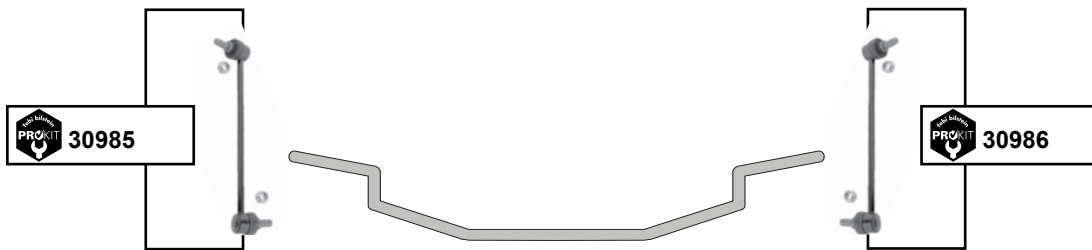
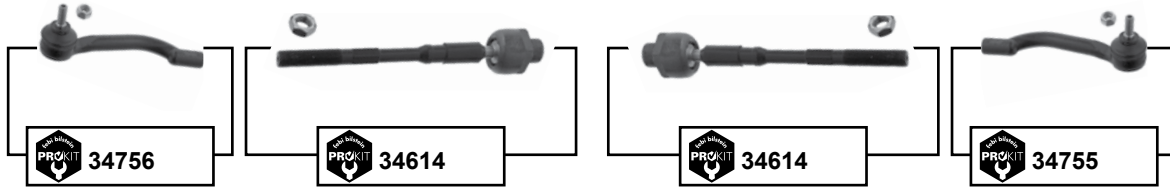
(1) FW00,1,4,5,A,B,C,D,E,F,G,H,K,L,N,P,U,W,Y,Z // KW00,1,4,5,A,B,C,D,E,F,G,H,K,L,N,P,U,V,W,Y

	Ref. - No.			
<b>21015</b>	82 00 669 065	ProKit Verbindungsstange / connecting rod		L 285
<b>36094</b>	77 01 478 408	ProKit Spurstangenendstück / tie rod end	(1)	L 200
<b>36095</b>	77 01 478 407	ProKit Spurstangenendstück / tie rod end	(1)	L 200
<b>36121</b>	82 00 586 564	Querlenkerlager / control arm mount	(1)	Ø A 40,3/33
<b>36122</b>	82 00 586 570	Querlenkerlager / control arm mount	(1)	Ø A 58
<b>39023</b>	82 00 586 561 S1	Traggelenk / ball joint	FW0 / KW0	Ø A 20
<b>39024</b>	82 00 586 567 S1	Traggelenk / ball joint		Ø A 20
<b>39690</b>	48 52 156 12R SK	ProKit Axialgelenk / axial joint		L 214
<b>39863</b>	77 01 478 407 S1	ProKit Spurstange / tie rod		
<b>39864</b>	77 01 478 408 S1	ProKit Spurstange / tie rod		



## Koleos (2008 →)

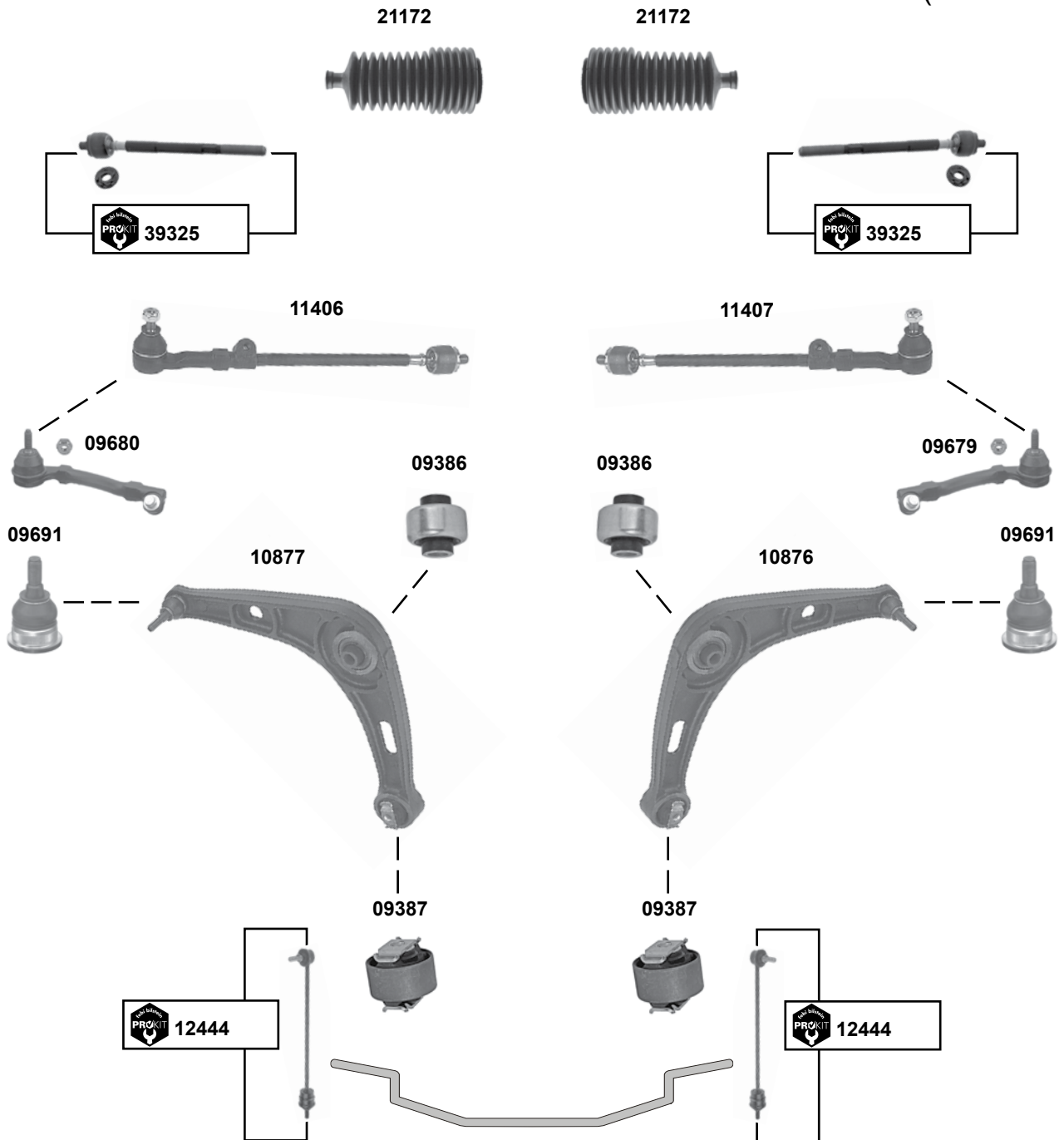
Vorderachse / Front axle



Ref. - No.			
<b>30985</b>	54 66 8J0 00A	ProKit Verbindungsstange / connecting rod	L 300
<b>30986</b>	54 61 8J0 00A	ProKit Verbindungsstange / connecting rod	L 300
<b>34614</b>	D8 52 1JG 00A	ProKit Axialgelenk / axial joint	L 233
<b>34666</b>	54 50 0JY 00A S1	Traggelenk / ball joint	Ø 20
<b>34755</b>	D8 52 0JY 00A	ProKit Spurstangenendstück / tie rod end	M10 x 1,25
<b>34756</b>	D8 64 0JY 00A	ProKit Spurstangenendstück / tie rod end	M10 x 1,25
<b>42630</b>	54 50 551 12R	Querlenker / control arm	
<b>42631</b>	54 50 404 45R	Querlenker / control arm	



## Laguna 1 (1996 → 2001)



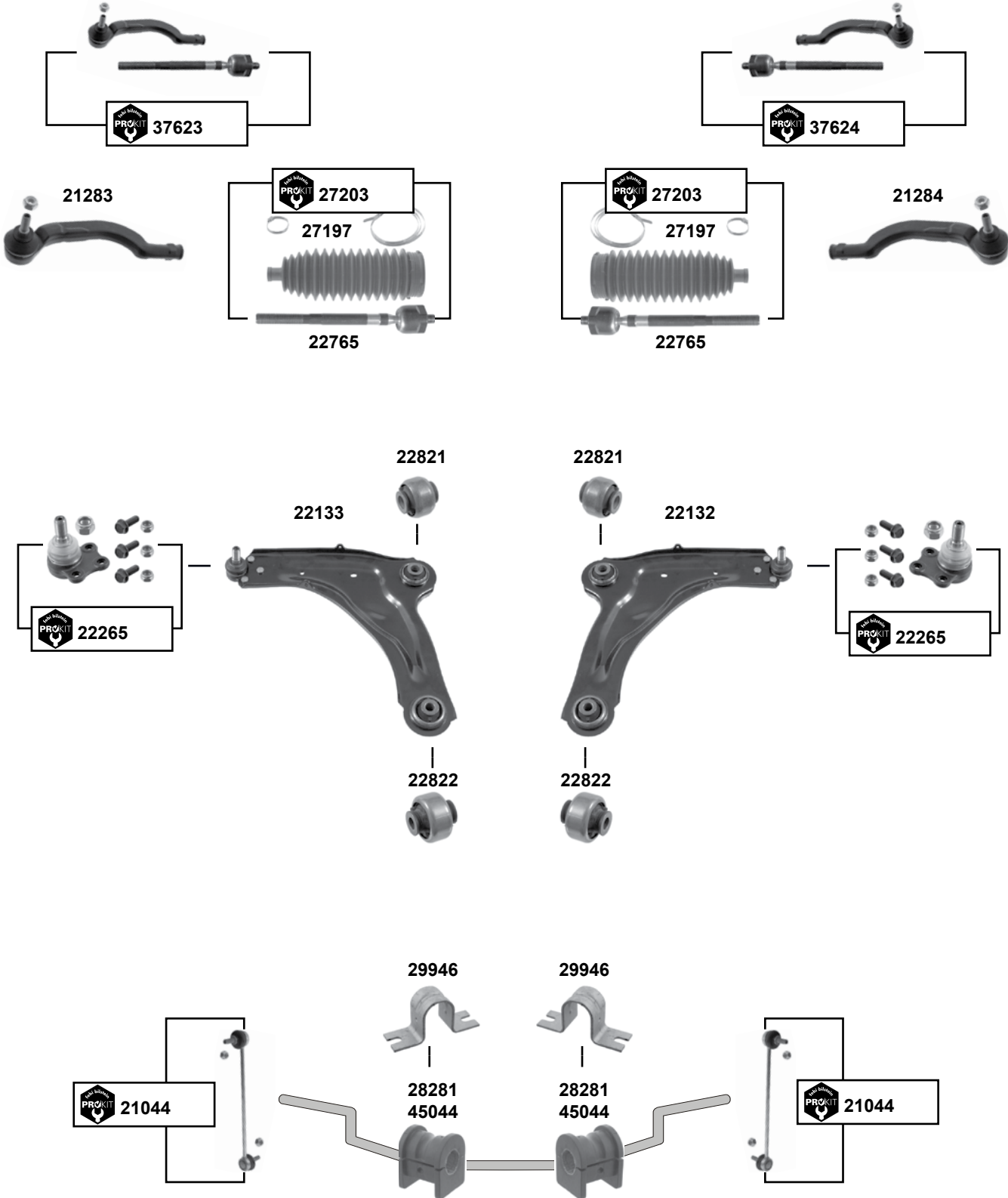
Vorderachse / Front axle

	Ref. - No.			
09386	77 00 822 503	Querlenkerlager / control arm mount		
09387	77 00 824 042	Querlenkerlager / control arm mount		12x59x55
09679	60 00 022 736	Spurstangenendstück / tie rod end		M14 x 1,5
09680	60 00 022 737	Spurstangenendstück / tie rod end		M14 x 1,5
09691	77 00 421 804	Traggelenk / ball joint		Ø A 16
10876	77 00 413 494	Querlenker / control arm		
10877	77 00 413 493	Querlenker / control arm		
11406	77 01 467 501	Spurstange / tie rod		
11407	77 01 467 502	Spurstange / tie rod		
12444	77 00 805 494	ProKit Verbindungsstange / connecting rod		L 390
21172	77 01 469 657	Lenkmanschette / steering boot		
39325	77 01 469 665 SK	ProKit Axialgelenk / axial joint		L 265



## Laguna 2 (2001 → 2007)

Vorderachse / Front axle





## Laguna 2 (2001 → 2007)



- (1) BG0F, G, W, Y, BG00, 1, 2, 9, BG10, KG0F, G, W, Y, 0, 1, 2, 9 (ch.) → MOD0504
- (2) BG0A,B,C,D,E,J,K,L,M,N,R,S,U,V / BG04,6,8 / BG1L,M / KG04,6,8,A,B,C,D,E,J,K,L,M,N,R,S,U,V / KG10
- (3) BG00, 1, 2, 9, F, G, W, Y, BG10, KG00, 1, 2, 9, F, G, W, Y (ch.) MOD0504 →
- (4) BG03,5,P,T,Z / BG12,3,4,A,G,H,K,N,ST,V,W,Y / KG03,5,P,T,V,W,Y / KG12,3,4,A,G,H,N,S,T,V,W,Y

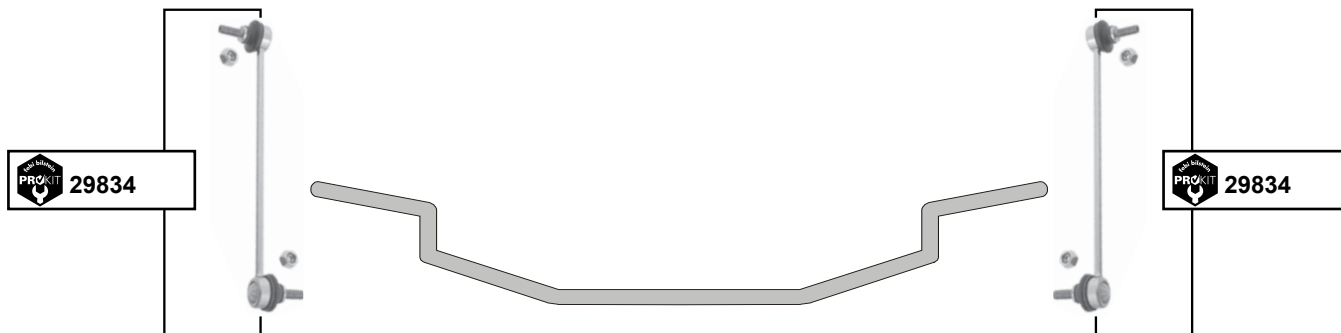
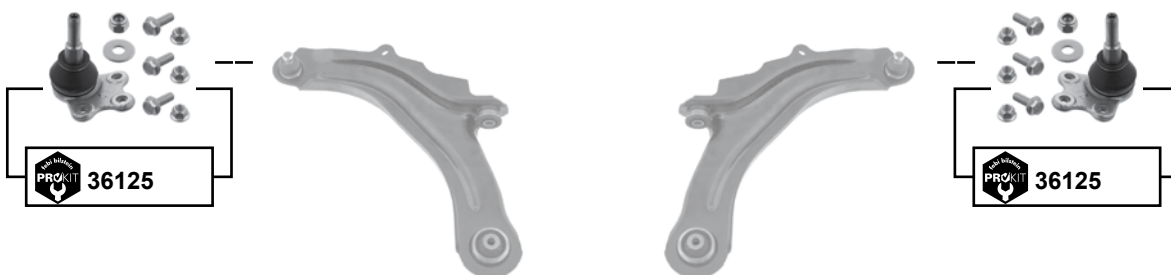
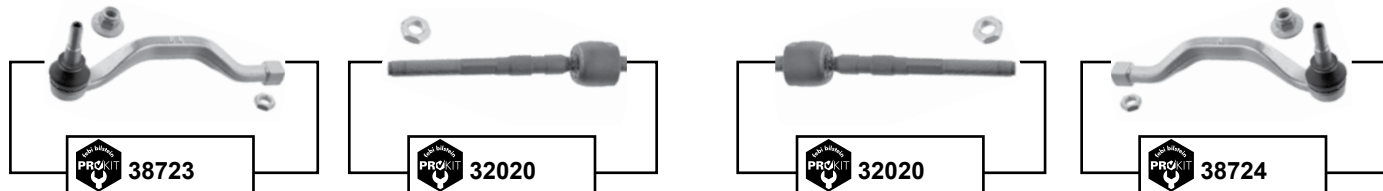
	Ref. - No.			
<b>21044</b>	82 00 661 217	ProKit Verbindungsstange / connecting rod		L 280
<b>21283</b>	77 01 049 282	Spurstangenendstück / tie rod end		M12 x 1,5
<b>21284</b>	77 01 049 283	Spurstangenendstück / tie rod end		M12 x 1,5
<b>22132</b>	82 00 602 613	Querlenker / control arm		
<b>22133</b>	82 00 602 612	Querlenker / control arm		
<b>22265</b>	77 01 478 029	ProKit Traggelenk / ball joint		
<b>22765</b>	77 01 472 766 SK	Spurstange / tie rod		L 216
<b>22821</b>	82 00 002 868	Querlenkerlager / control arm mount	(1) (2)	Ø   19,5
<b>22822</b>	82 00 002 869	Querlenkerlager / control arm mount		
<b>27197</b>	77 01 472 765	Lenkmanschettesatz / steering boot set		L 190
<b>27203</b>	77 01 472 766	ProKit Spurstange / tie rod		
<b>28281</b>	82 00 272 594	Sabilisatorlager / stabilizer mount		Ø   19,5
<b>29946</b>	82 00 272 596	Schelle / clamp		
<b>37623</b>	77 01 472 766 S1	ProKit Spurstange / tie rod		
<b>37624</b>	77 01 472 766 S2	ProKit Spurstange / tie rod		
<b>45044</b>	82 00 455 604	Stabilisatorlager / stabilizer mount	(3) (4)	Ø   21





## Laguna 3 (2007 →)

Vorderachse / Front axle



- (1) BT0 / BT1 / DT0 / DT1 / KT0 / KT1
- (2) BT00,1,3,4,5,6,8,9,A,C,D,E,F,G,H,J,K,M,N,P,T,R,U,W,Y  
 BT11,2,3,4,5,8,9,A,C,D,E,F,H,J,M,N,S,W  
 DT01,3,6,9,B,C,G,H,K,M,N,P,V,Y  
 DT11,2,3,5,8,9,C,D,E,F,M,N,U,W  
 KT01,3,8,9,A,C,D,F,G,H,J,K,M,N,P,R,W,Y  
 KT11,2,3,4,5,8,9,A,C,D,E,F,H,N,S

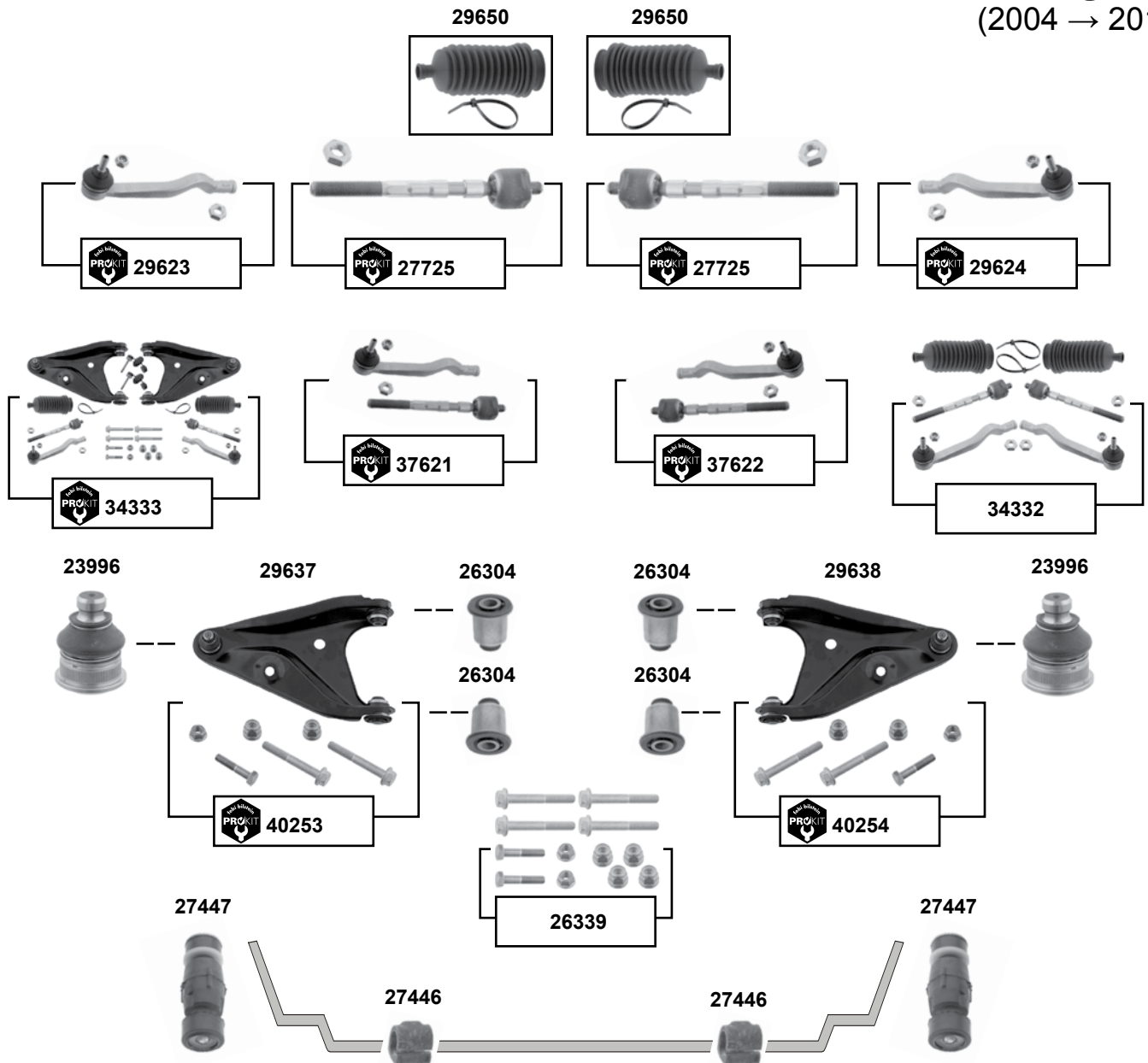


Ref. - No.			
<b>29834</b>	54 61 800 01R	ProKit Verbindungsstange / connecting rod	L 130
<b>32020</b>	48 52 100 01R SK	ProKit Spurstange / tie rod	L 190
<b>36125</b>	40 16 000 04R	ProKit Traggelenk / ball joint	(2)
<b>38723</b>	48 52 000 01R	ProKit Spurstangenendstück / tie rod end	(1) L 240
<b>38724</b>	48 52 000 02R	ProKit Spurstangenendstück / tie rod end	(1) L 240



## Logan 1 (2004 → 2013)

Vorderachse / Front axle

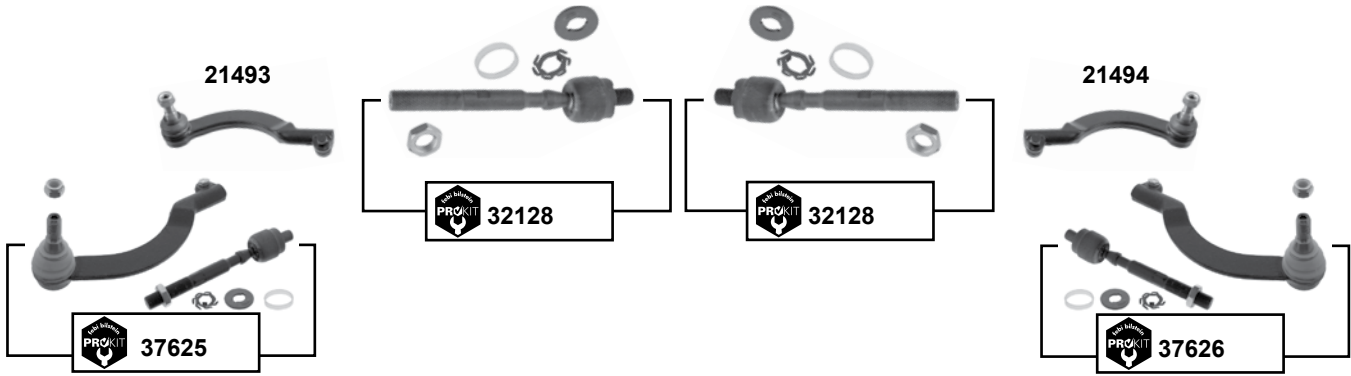


	Ref. - No.			
<b>23996</b>	82 00 298 455 S1	Traggelenk / ball joint		Ø A 18
<b>26304</b>	60 40 002 245	Querlenkerlager / control arm mount		H 42
<b>26339</b>	77 00 763 538 S1	Schraubensatz / screw kit		
<b>27446</b>	60 01 547 140	Stabilisatorlager / stabilizer mount		Ø I 23
<b>27447</b>	60 01 547 138	Stabilisatorlager / stabilizer mount		M8 x 1,25
<b>27725</b>	60 01 550 441	ProKit Spurstange / tie rod		M12 x 1
<b>29623</b>	60 01 550 442	ProKit Spurstangenendstück / tie rod end		L 213
<b>29624</b>	60 01 550 443	ProKit Spurstangenendstück / tie rod end		L 213
<b>29637</b>	60 01 550 446	Querlenker / control arm		
<b>29638</b>	60 01 550 447	Querlenker / control arm		
<b>29650</b>	60 01 547 607	Rep. Satz Lenkmanschette / rep. kit steering boot		L 187
<b>34332</b>	60 01 550 442 S1	Spurstangensatz / tie rod set		
<b>34333</b>	60 01 550 446 S1	ProKit Querlenkersatz / control arm kit		
<b>37621</b>	60 01 550 442 S2	ProKit Spurstange / tie rod		
<b>37622</b>	60 01 550 443 S2	ProKit Spurstange / tie rod		
<b>40253</b>	60 01 550 446 S2	ProKit Querlenker / control arm		
<b>40254</b>	60 01 550 447 S2	ProKit Querlenker / control arm		



## Master 2 (1998 → 2010)

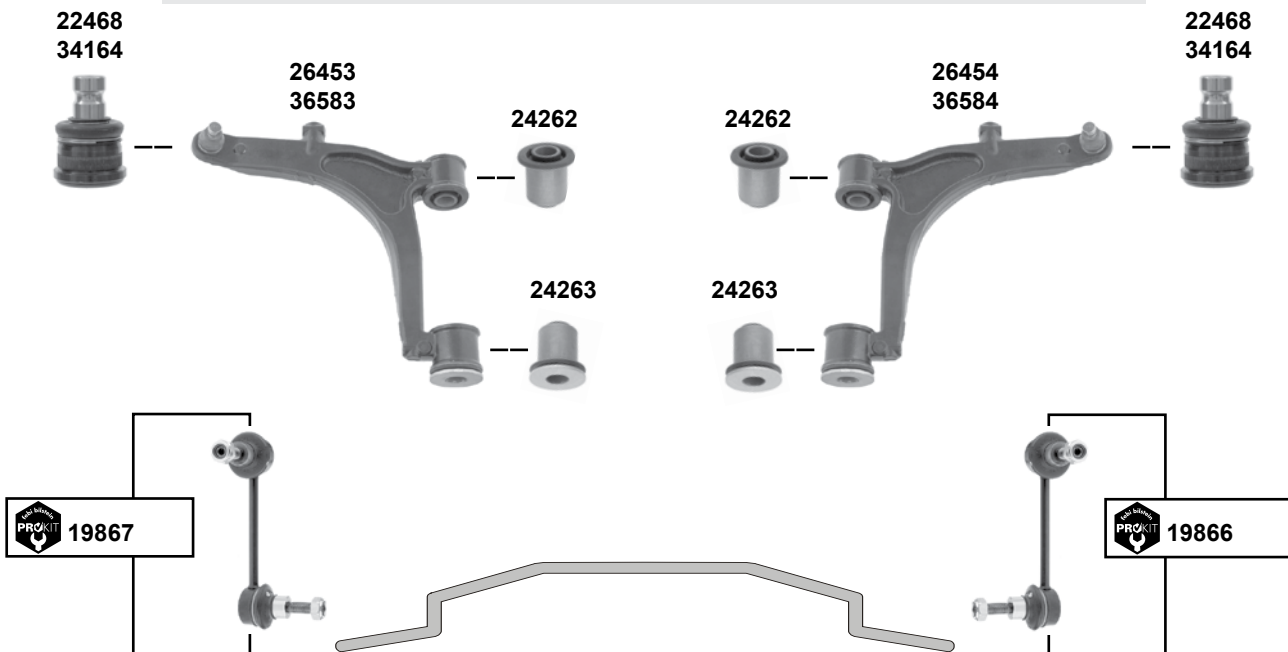
Vorderachse / Front axle



### oben / upper



### unten / lower





## Master 2 (1998 → 2010)

	Ref. - No.			
19866	82 00 713 523	ProKit Verbindungsstange / connecting rod		L 130
19867	82 00 713 522	ProKit Verbindungsstange / connecting rod		L 130
21493	77 01 470 363	Spurstangenendstück / tie rod end		M14 x 1,5
21494	77 01 470 364	Spurstangenendstück / tie rod end		M14 x 1,5
22468	77 01 056 969	Traggelenk / ball joint	98 → 09/07	Ø A 22
22710	77 00 312 851	Traggelenk / ball joint	→ 09/02	
24262	77 00 302 122	Querlenkerlager / control arm mount		Ø A 55,5
24263	77 00 302 123	Querlenkerlager / control arm mount		Ø A 55,5
26453	82 00 767 822	Querlenker / control arm	98 → 09/07	
26454	82 00 767 825	Querlenker / control arm	98 → 09/07	
27181	77 00 302 115	Querlenkerlager / control arm mount		
27179	77 00 302 116	Querlenkerlager / control arm mount		
31847	77 01 056 970	Traggelenk / ball joint		Ø A15/101
32128	77 01 470 362 SK	ProKit Spurstange / tie rod		L 174,5
34164	77 01 070 154	Traggelenk / ball joint	09/07 → 10	Ø A 24
36583	82 00 750 273	Querlenker / control arm	09/07 → 10	
36584	82 00 750 274	Querlenker / control arm	09/07 → 10	
37625	77 01 470 363 S1	ProKit Spurstange / tie rod		
37626	77 01 470 364 S1	ProKit Spurstange / tie rod		



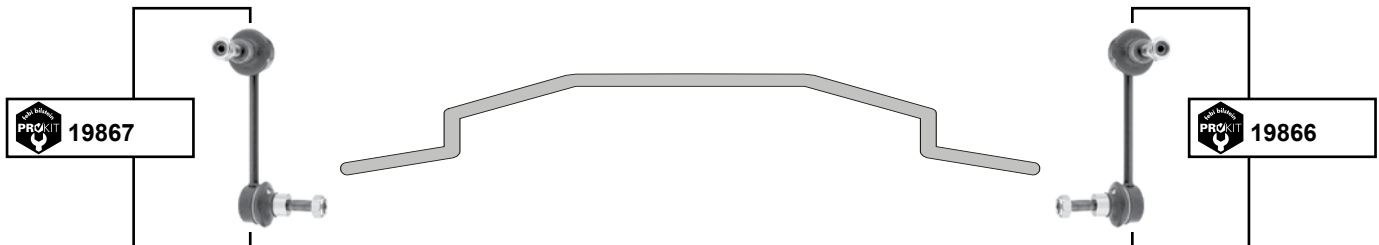
## Master 1 (1980 → 1998)



### oben / upper



### unten / lower

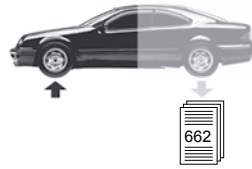


Ref. - No.

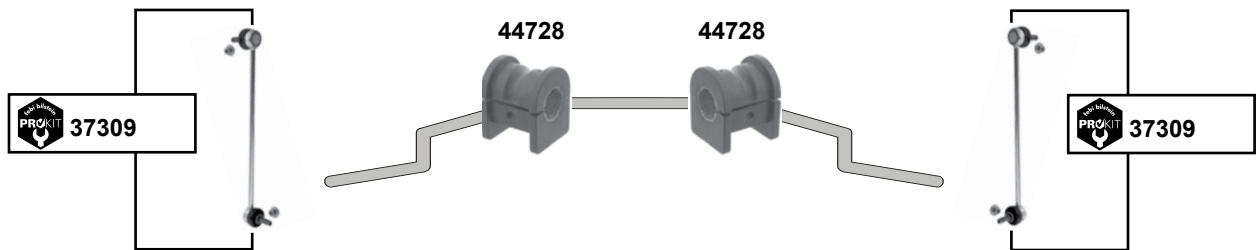
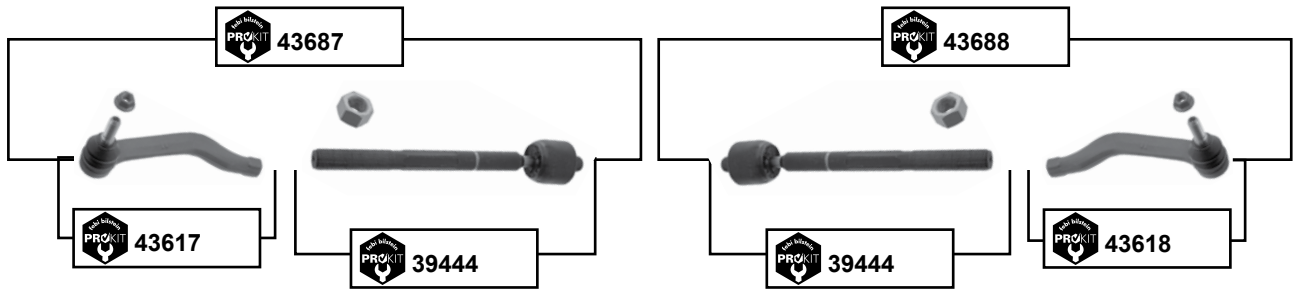


19866	82 00 713 523	ProKit Verbindungsstange / connecting rod	L 130
19867	82 00 713 522	ProKit Verbindungsstange / connecting rod	L 130
22169	77 01 462 427	Spurstangenendstück / tie rod end	L 100
22233	77 01 462 692	ProKit Traggelenk / ball joint	M16 x 1,5
22234	77 01 462 693	ProKit Traggelenk / ball joint	M16 x 1,5

Vorderachse / Front axle



## Master 3 (2010 →)



Vorderachse / Front axle



- (1) FV0A, B, C, D, E, F, G, H, J, K / UV0A, B, C, D, E, F, G, H, J, K, M  
nur Fahrzeuge mit Frontantrieb / only vehicles with front wheel drive
- (2) EV0A, B, C, D, E, F, G, H, J / JV0A, B, C, D, F, G, H, J



Ref. - No.



Ref. - No.	Description	Quantity	Length / Diameter
37309	ProKit Verbindungsstange / connecting rod	(1)	L 330
39444	ProKit Axialgelenk / axial joint	(2)	L 235
43617	ProKit Spurstangenendstück / tie rod end	(1)	L 235
43618	ProKit Spurstangenendstück / tie rod end	(1)	L 235
43687	ProKit Spurstange / tie rod	(1)	Ø   25,4
43688	ProKit Spurstange / tie rod	(1)	Ø   25,4
44728	Stabilisatorlager / stabilizer mount	(2)	Ø   25,4



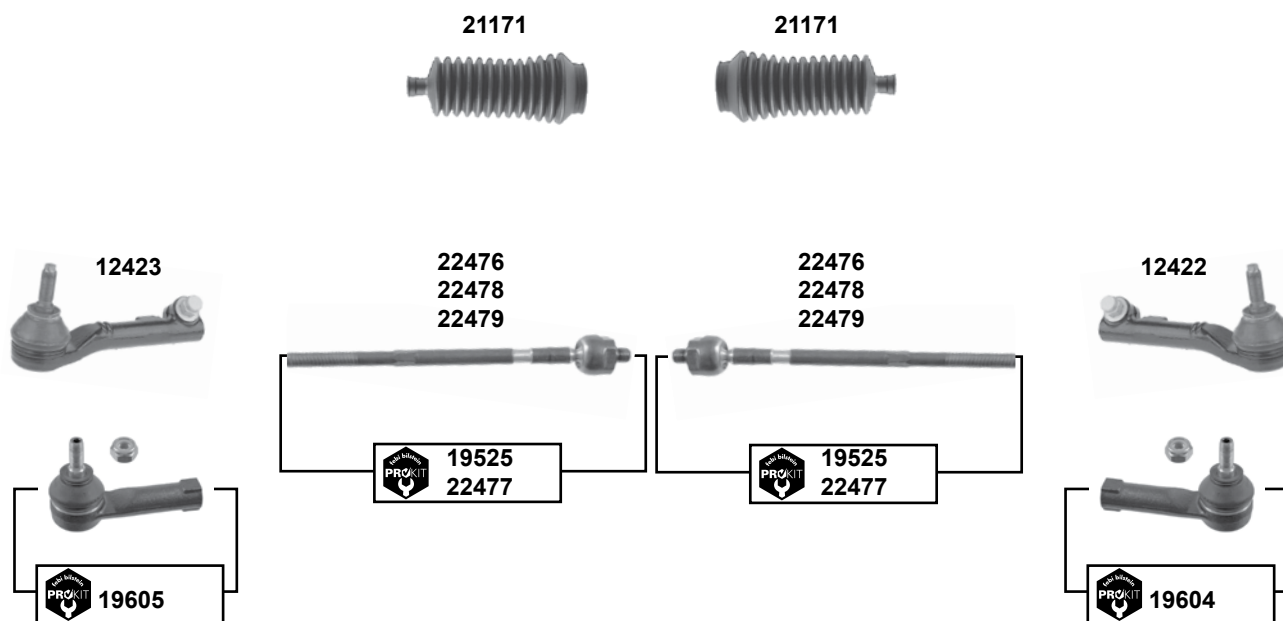
## Megane 1 / Coupé

(1996 → 2003)

(ex.) 1.9 DTI/DCI

(ex.) 2.0 16 V

Vorderachse / Front axle



	Ref. - No.			
12422	77 01 041 312	Spurstangenendstück / tie rod end	→ 02/99	M10 x 1,25
12423	77 01 041 311	Spurstangenendstück / tie rod end	→ 02/99	M10 x 1,25
19525	77 01 469 280 SK	ProKit Spurstange / tie rod	→ 02/99, TRW	
19604	77 01 047 813	ProKit Spurstangenendstück / tie rod end	SMI 02/99 →, TRW	M10 x 1,25
19605	77 01 047 812	ProKit Spurstangenendstück / tie rod end	SMI 02/99 →, TRW	M10 x 1,25
21171	77 01 469 496	Lenkmanschette / steering boot	servo	
22476	77 01 472 087 SK	Spurstange / tie rod	02/99 → TRW	
22477	77 01 469 502 SK	ProKit Spurstange / tie rod	96 → 08/98, SMI	
22478	77 01 471 885 SK	Spurstange / tie rod	08/98 → 02/99, SMI	
22479	77 01 471 844 SK	Spurstange / tie rod	03/99 → SMI	

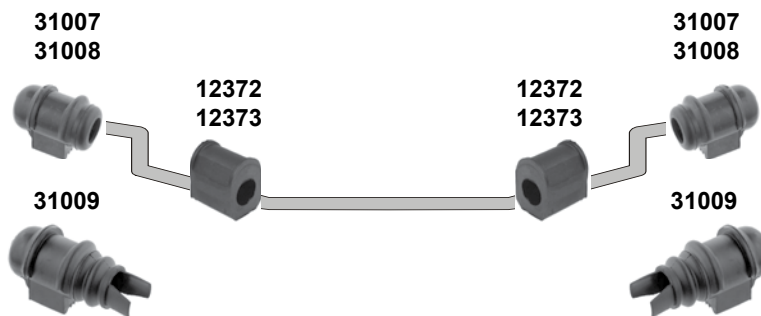
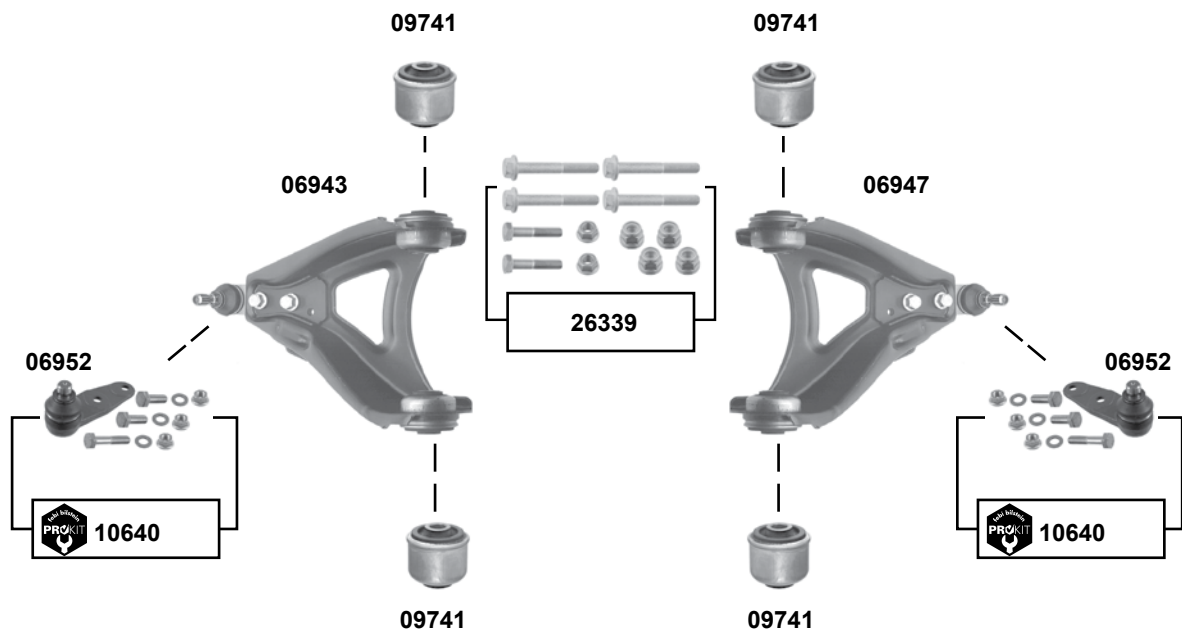


## Megane 1 / Coupé

(1996 → 2003)

(ex.) 1.9 DTI/DCI

(ex.) 2.0 16 V



Vorderachse / Front axle

	Ref. - No.			
06943	82 00 737 134	Querlenker / control arm		
06947	82 00 737 135	Querlenker / control arm		
06952	77 01 468 883 S2	Traggelenk / ball joint		Ø A 16
09741	77 00 840 741	Querlenkerlager / control arm mount		12x45x46
10640	77 01 468 883	ProKit Traggelenk / ball joint		
12372	77 00 835 929	Stabilisatorlager / stabilizer mount		Ø I 24
12373	77 00 785 788	Stabilisatorlager / stabilizer mount		Ø I 23
26339	77 00 763 538 S1	Schraubensatz / screw kit		
31007	77 00 784 170	Stabilisatorlager / stabilizer mount		Ø I 18
31008	77 00 784 171	Stabilisatorlager / stabilizer mount		Ø I 24
31009	82 00 150 759	Stabilisatorlager / stabilizer mount	(ex.) HD	Ø I 24,5





## Megane 1 / Scenic

(1996 → 2003)

1.9 DCI / DTI / 2,0 16V

Vorderachse / Front axle

21171

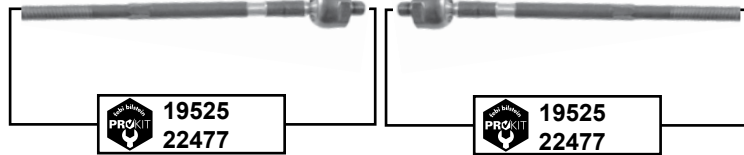


21171



22476  
22478  
22479

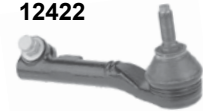
22476  
22478  
22479



12423

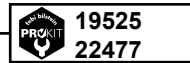
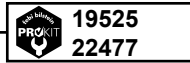


12422



19525  
22477

19525  
22477



19605



19604



Ref. - No.



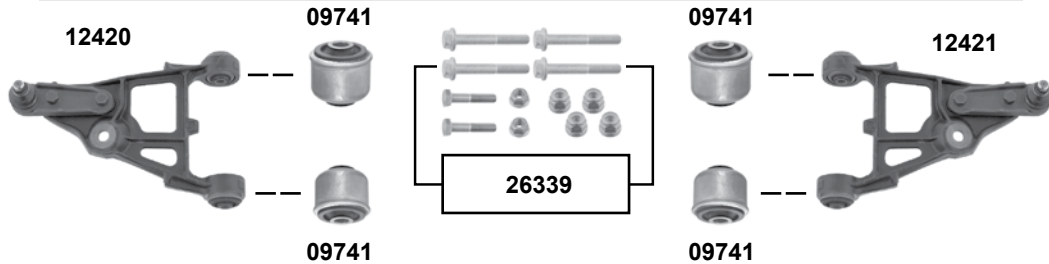
12422	77 01 041 312	Spurstangenendstück / tie rod end	→ 02/99	M10 x 1,25
12423	77 01 041 311	Spurstangenendstück / tie rod end	→ 02/99	M10 x 1,25
19525	77 01 469 280 SK	ProKit Spurstange / tie rod	→ 02/99; TRW	
19604	77 01 047 813	ProKit Spurstangenendstück / tie rod end	SMI 02/99 →, TRW	M10 x 1,25
19605	77 01 047 812	ProKit Spurstangenendstück / tie rod end	SMI 02/99 →, TRW	M10 x 1,25
21171	77 01 469 496	Lenkmanschette / steering boot	servo  SMI	
22476	77 01 472 087 SK	Spurstange / tie rod	02/99 →, TRW	
22477	77 01 469 502 SK	ProKit Spurstange / tie rod	96 → 08/98, SMI	
22478	77 01 471 885 SK	Spurstange / tie rod	08/98 → 02/99, SMI	
22479	77 01 471 844 SK	Spurstange / tie rod	03/99 →, SMI	



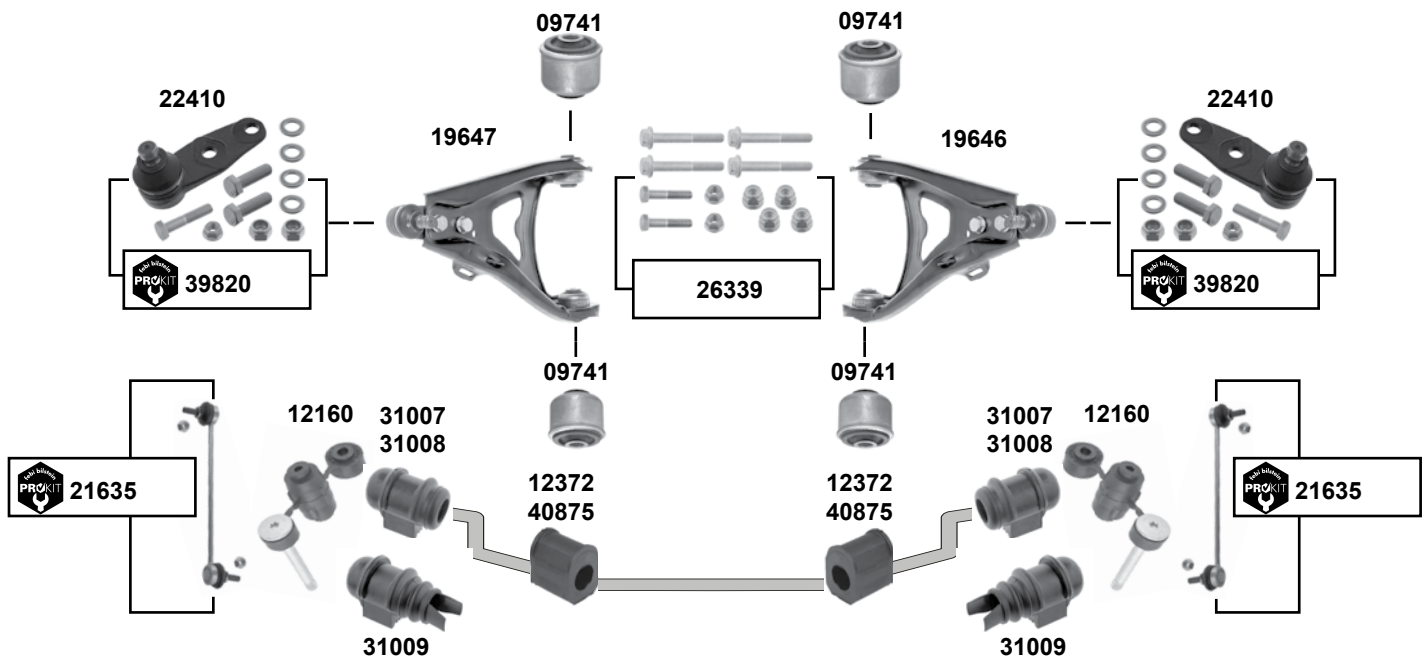
## Megane 1 / Scenic (1996 → 2003)

1.9 DCI / DTI / 2,0 16V

→ 08/97 (ex.) 4x4



09/97 → (ex.) 4x4



Vorderachse / Front axle



(1) Megane DA0H  
Scenic FA0Y,JA0G,J,N 03 → 05/98 // JA0F 03 → 05/98 // JA0K,Y 03 → 10/97



Ref. - No.

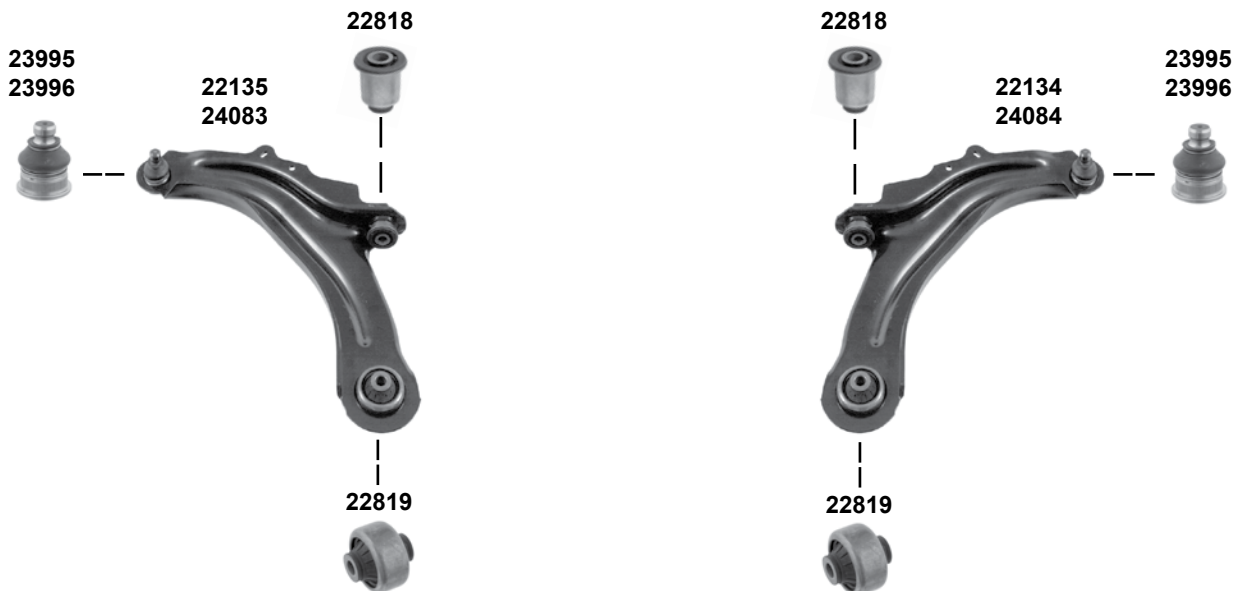
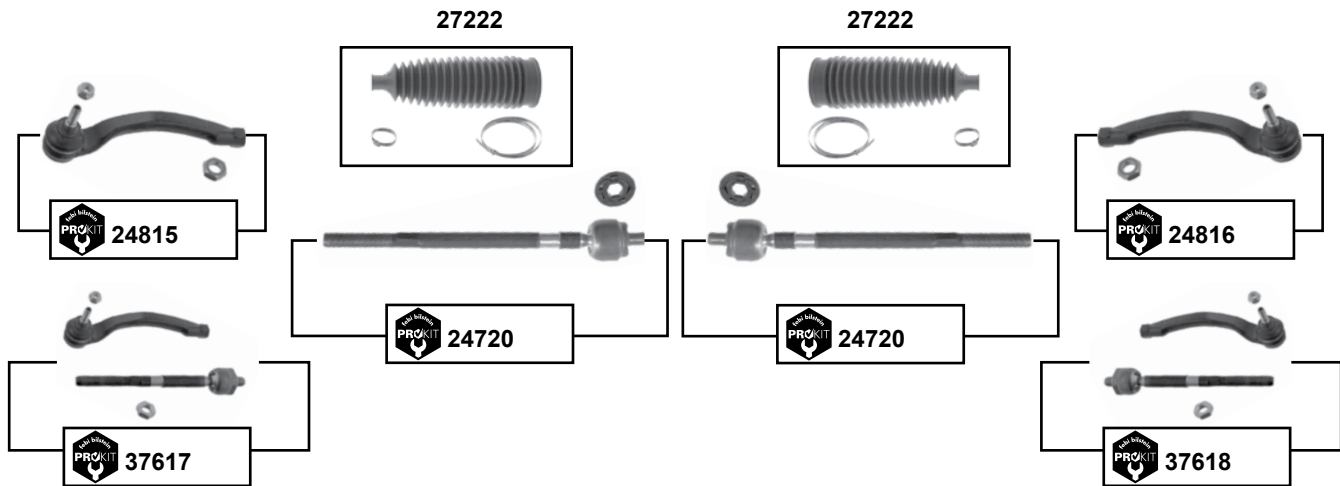


Ref. - No.	Description	Notes	Dimensions
09741	Querlenkerlager / control arm mount		12x45x46
12160	Stabilisatorlager / stabilizer mount	(ex.) 4x4	
12372	Stabilisatorlager / stabilizer mount	(ex.) 4x4	Ø   24
12420	Querlenker / control arm	→ 08/97	
12421	Querlenker / control arm	→ 08/97	
19646	Querlenker / control arm	09/97 →	
19647	Querlenker / control arm	09/97 →	
21635	ProKit Verbindungsstange / connecting rod	4x4	
22410	Traggelenk / ball joint		
26339	Schraubensatz / screw kit		
31007	Stabilisatorlager / stabilizer mount		Ø   18
31008	Stabilisatorlager / stabilizer mount		Ø   24
31009	Stabilisatorlager / stabilizer mount	(ex.) HD	Ø   24,5
39820	ProKit Traggelenk / ball joint		
40875	Stabilisatorlager / stabilizer mount	(1)	Ø   23,5



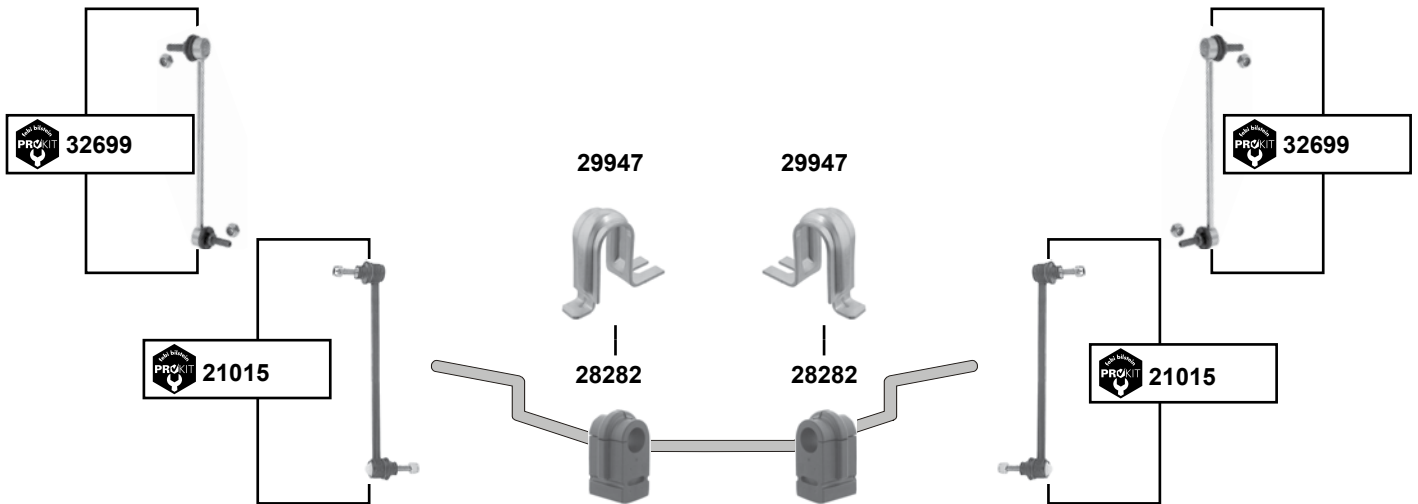
## Megane 2 (2002 → 2008)

Vorderachse / Front axle





## Megane 2 (2002 → 2008)



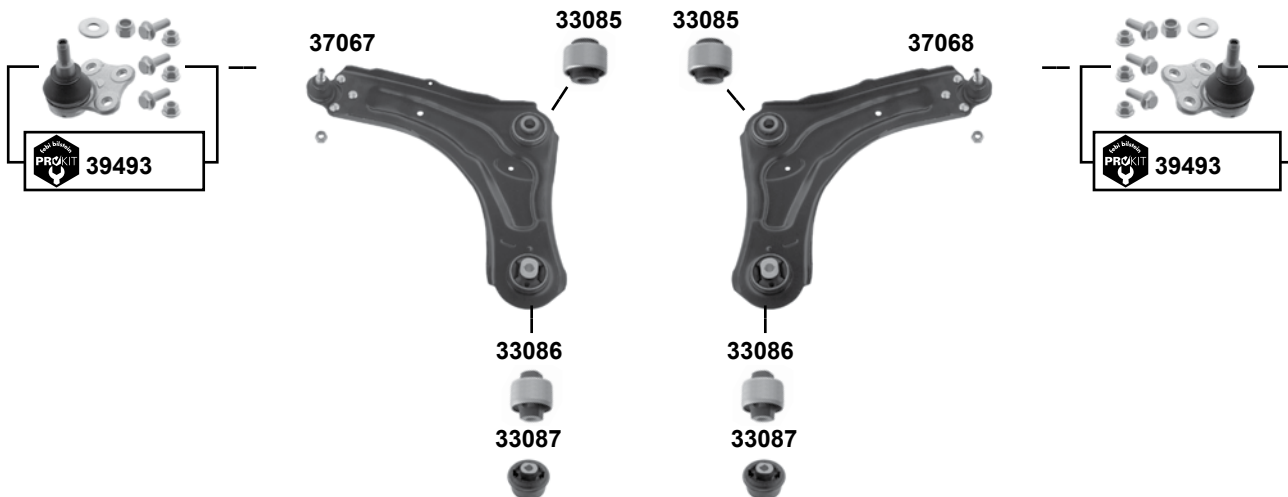
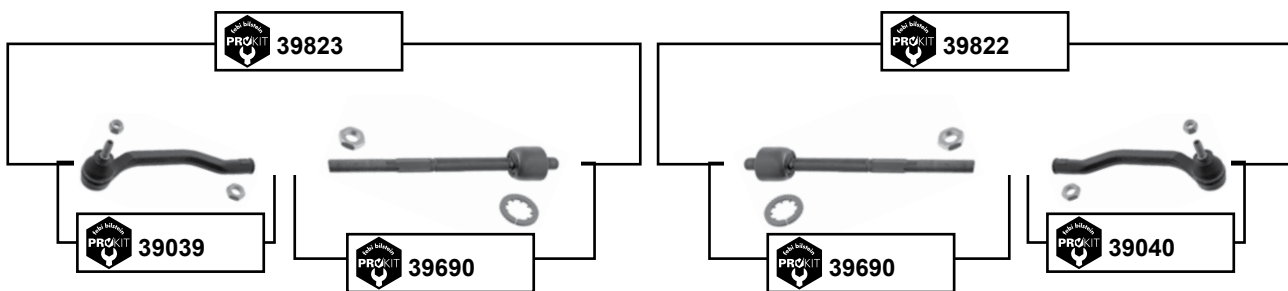
Vorderachse / Front axle

	Ref. - No.			
<b>21015</b>	82 00 669 065	ProKit Verbindungsstange / connecting rod	<b>(ex.) HD</b>	L 285
<b>22134</b>	82 00 255 761	Querlenker / control arm	→ 01/03	
<b>22135</b>	82 00 255 760	Querlenker / control arm	→ 01/03	
<b>22818</b>	82 00 242 025	Querlenkerlager / control arm mount		
<b>22819</b>	82 00 041 166	Querlenkerlager / control arm mount		
<b>23995</b>	82 00 255 761 S1	Traggelenk / ball joint	→ 01/03	Ø A 16
<b>23996</b>	40 16 047 93R	Traggelenk / ball joint	01/03 →	Ø A 18
<b>24083</b>	82 00 679 063	Querlenker / control arm	01/03 →	
<b>24084</b>	82 00 679 067	Querlenker / control arm	01/03 →	
<b>24720</b>	77 01 474 448 SK	ProKit Spurstange / tie rod		L 215
<b>24815</b>	77 01 474 795	ProKit Spurstangenendstück / tie rod end		
<b>24816</b>	77 01 474 796	ProKit Spurstangenendstück / tie rod end		
<b>27222</b>	77 01 474 447	Rep. Satz Lenkmanschette / rep. kit steering boot		L190
<b>28282</b>	77 01 056 678	Stabilisatorlager / stabilizer mount		Ø I 19,5
<b>29947</b>	77 01 056 095	Schelle / clamp		
<b>32699</b>	82 00 669 066	ProKit Verbindungsstange / connecting rod	<b>HD</b>	L 266
<b>37617</b>	77 01 474 795 S1	ProKit Spurstange / tie rod		
<b>37618</b>	77 07 474 796 S1	ProKit Spurstange / tie rod		



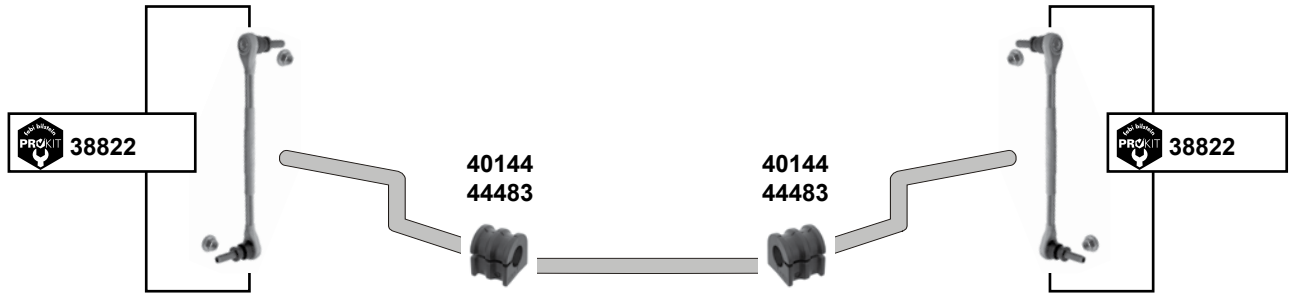
## Megane 3 (2008 →)

Vorderachse / Front axle





## Megane 3 (2008 →)

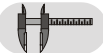


Vorderachse / Front axle

- (1) BZ03,9,A,B,C,D,F,G,H,J,K,L,N,U,Y / BZ1A,B,F,G,H,J,K,M,P,V,W  
DZ03,9,A,B,C,D,F,G,J,K,L,N,U,Y / DZ1A,B,E,F,G,H,K,M,P,S,V,W  
EZ03,9,B,D,F,J,K,L,U / EZ1G,P,S,T,U,V  
KZ03,9,A,B,C,D,F,G,H,J,K,N,U,Y / KZ1,A,B,F,G,M,P,S,V,W
- (2) BZ09,K,L,Y / DZ09,K,L,Y / EZ09,B,D,J,K,L / EZ1T / Hydraulisch / hydraulic
- (3) BZ03,A,B,C,D,F,G,H,J,N,U / BZ1A,B,F,G,H,J,K,M,P,V,W  
DZ03,A,B,C,D,F,G,J,N,U / DZ1A,B,E,F,G,H,K,M,P,S,V,W  
EZ03,F,J,U / EZ1G,P,S,U,V  
KZ03,9,A,B,C,D,F,G,H,J,K,N,U,Y / KZ1,A,B,F,G,M,P,S,V,W
- (4) BZ03,6,A,B,C,D,F,G,H,J,N,U / BZ1A,B,E,F,G,H,J,K,M;p;R,S,V,W,Y  
DZ03,A,B,c,D,F,G,J,N,U / DZ1A,B,E,F,G,H,J,K,M,P,S,U,V,W,Y  
EZ03,7,B,F,J,N,U / EZ1E,G,K,P,S,U,V,Q  
KZ03,9,A,B,C,D,F,G,H,J,N,U / KZ1A,B,F,G,M,P,R,S,U,V,W,Y
- (5) BZ00,3,6,9,A,B,C,D,F,G,H,J,K,L,N,T,U,Y / BZ11,2,4,6,A,B,E,F,G,H,J,K,M,P,R,S,T,U,V,W,Y / BZ20,7 /  
DZ00,3,9,A,B,C,D,F,G,J,K,L,N,U,Y / DZ11,4,6,A,B,E,F,G,H,J,K,M,P,S,T,U,V,W,Y / DZ20,7
- (6) KZ00,3,9,B,D,F,G,H,J,K,L,N,U / KZ11,2,4,A,G,M,P,R,S,T,U,V,W / KZ20,3,7 Sport
- (7) DZ17,N / EZ0K,L / EZ1T / KZ00,3,9,B,D,F,G,H,J,K,L,N,U / KZ11,2,4,6,A,B,F,G,M,P,R,S,T,U,V,W,Y (ex.) Sport
- (8) EZ00,3,7,9,B,D,F,J,N,U / EZ11,4,6,E,G,K,P;S,U,V,Y / KZ0A,C,Y



Ref. - No.



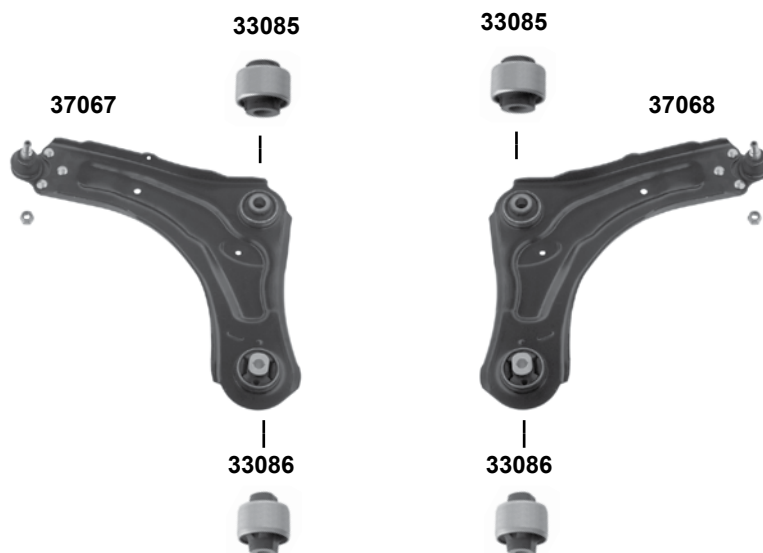
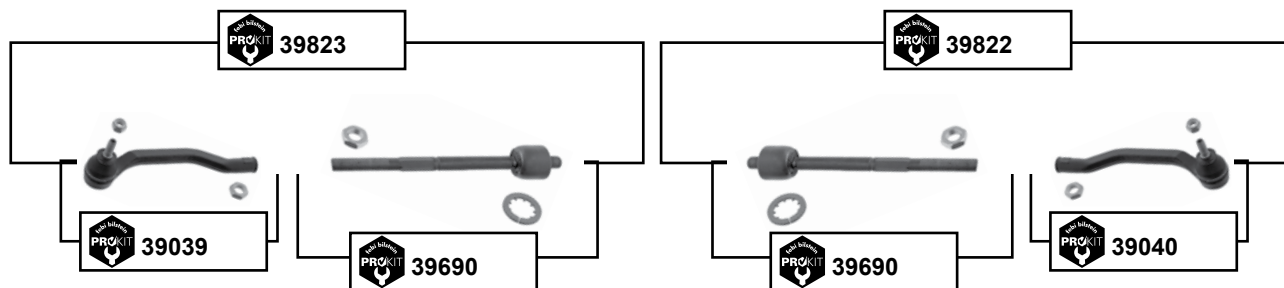
Ref. - No.	Description	Notes	Dimensions
33085	54 56 000 05R Querlenkerlager / control arm mount	(1)	Ø A 55
33086	54 56 000 04R Querlenkerlager / control arm mount	(3)	Ø A 58
33087	54 56 016 84R Querlenkerlager / control arm mount	(2)	Ø A 70/79,5
37067	54 50 140 55R Querlenker / control arm	(4)	
37068	54 50 092 07R Querlenker / control arm	(4)	
38822	54 61 800 02R ProKit Verbindungsstange / connecting rod		L 274
39039	48 52 027 10R ProKit Spurstangenendstück / tie rod end		L 210
39040	48 52 046 80R ProKit Spurstangenendstück / tie rod end		L 210
39493	40 16 090 60R ProKit Tragelenk / ball joint		
39690	48 52 156 12R SK ProKit Axialgelenk / axial joint		L 214
39822	48 52 046 80R S1 ProKit Spurstange / tie rod		
39823	48 52 027 10R S1 ProKit Spurstange / tie rod		
40144	54 61 200 05R Stabilisatorlager / stabilizer mount	(5) (6)	Ø I 20
44483	54 61 200 07R Stabilisatorlager / stabilizer mount	(7) (8)	Ø I 22



## Megane Generation

(2010 →)

Vorderachse / Front axle



(1) B301,3,A,B,C,D,E,F,G,J,K,L,M,P,R,S,T,V



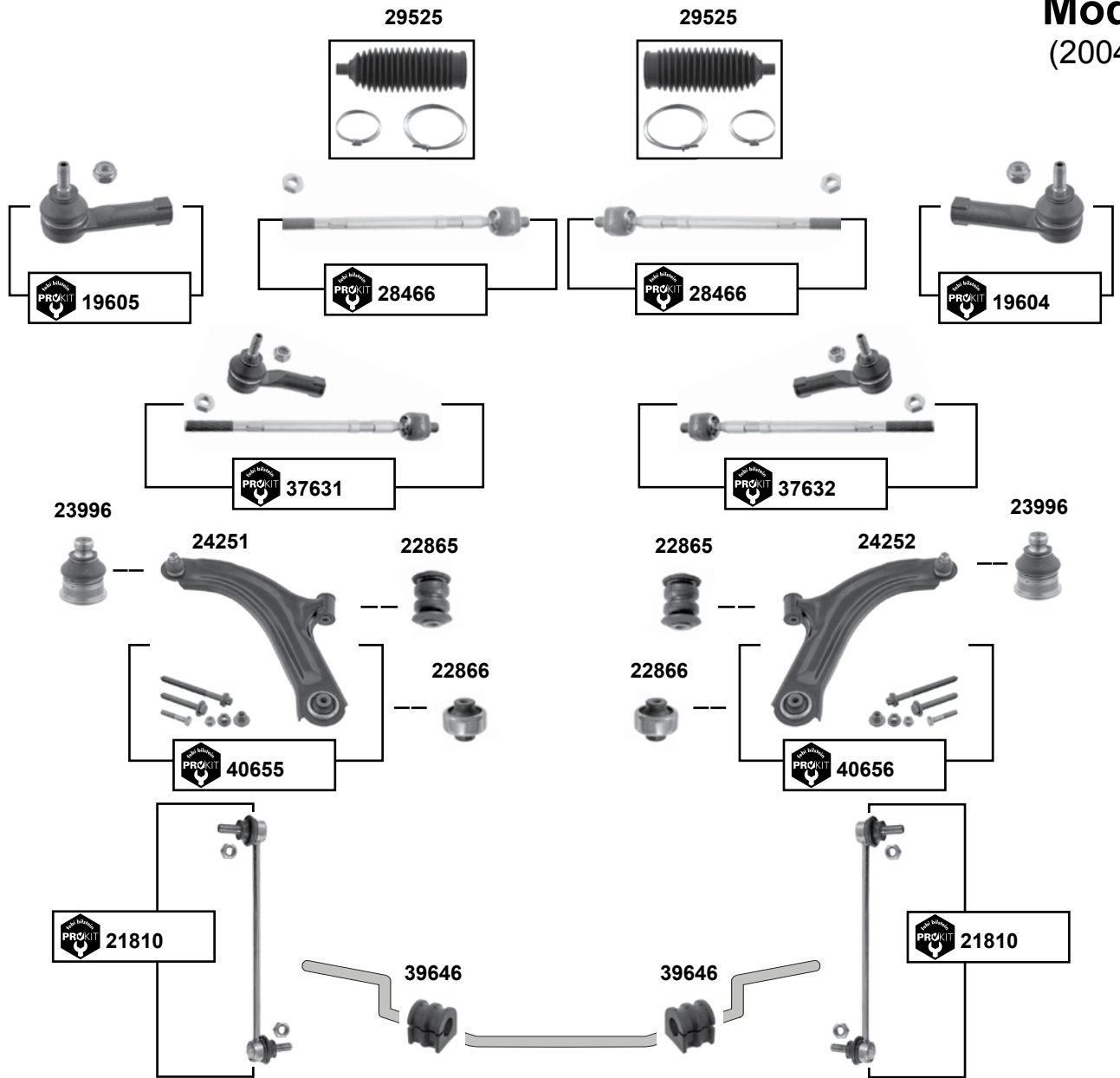
Ref. - No.



<b>33085</b>	54 56 000 05R	Querlenkerlager / control arm mount	(1)	Ø A 55
<b>33086</b>	54 56 000 04R	Querlenkerlager / control arm mount	(1)	Ø A 58
<b>37067</b>	54 50 140 55R	Querlenker / control arm	(1)	
<b>37068</b>	54 50 092 07R	Querlenker / control arm	(1)	
<b>39039</b>	48 52 027 10R	ProKit Spurstangenendstück / tie rod end		L 210
<b>39040</b>	48 52 046 80R	ProKit Spurstangenendstück / tie rod end		L 210
<b>39690</b>	48 52 156 12R SK	ProKit Axialgelenk / axial joint		L 214
<b>39822</b>	48 52 046 80R S1	ProKit Spurstange / tie rod		
<b>39823</b>	48 52 027 10R S1	ProKit Spurstange / tie rod		



## Modus (2004 →)



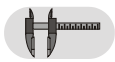
Vorderachse / Front axle



(1) FPOC,D,E,F,G,K,P / FP1B / JP16,7,B,C,D,E,F,G  
JP01,2,3,4,5,6,7,9,A,B,C,D,E,F,G,H,J,K,L,M,P,R,S,T,U,V,W,Y



Ref. - No.



Part No.	Ref. - No.	Description	Notes	Dimensions
19604	77 01 047 813	ProKit Spurstangenendstück / tie rod end		M10 x 1,25
19605	77 01 047 812	ProKit Spurstangenendstück / tie rod end		M10 x 1,25
21810	82 00 127 308	ProKit Verbindungsstange / connecting rod		L 248
22865	82 00 183 569	Querlenkerlager / rubber mount		Ø A 40 H55
22866	82 00 183 570	Querlenkerlager / rubber mount		Ø A 68 H53
23996	82 00 298 455 S1	Traggelenk / ball joint		Ø A 18
24251	82 00 744 091	Querlenker / control arm		
24252	82 00 744 092	Querlenker / control arm		
28466	77 01 475 841 SK	ProKit Spurstange / tie rod		L 310
29525	77 01 475 840	Lenkmanschette / steering boot		
37631	77 01 475 841 S1	ProKit Spurstange / tie rod		
37632	77 01 475 841 S2	ProKit Spurstange / tie rod		
39646	77 01 059 672	Stabilisatorlager / stabilizer mount		
40655	82 00 744 091 S1	ProKit Querlenker / control arm		
40656	82 00 744 092 S1	ProKit Querlenker / control arm		

servo SMI

(1)

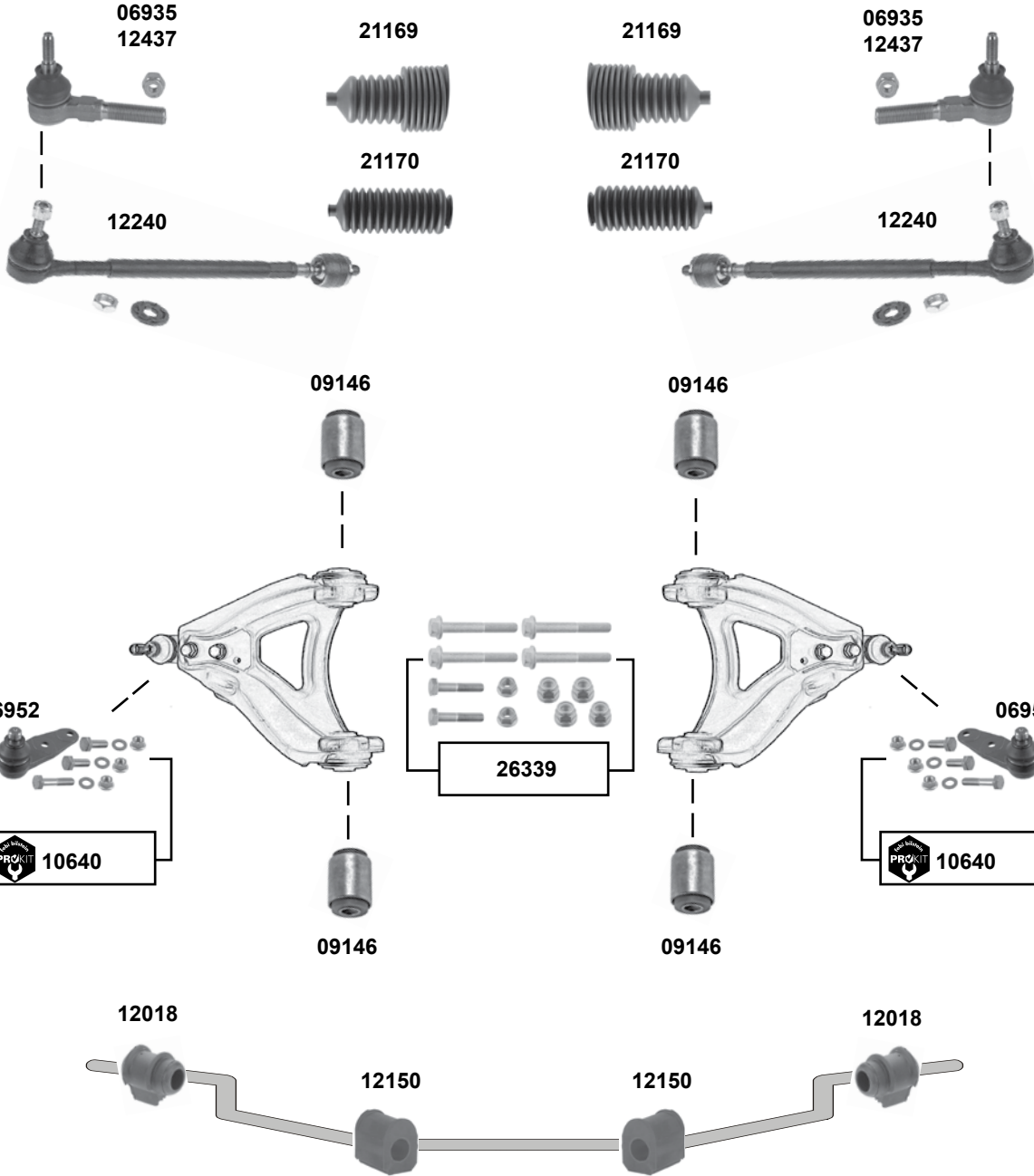
Ø I 20,5





## Rapid (1986 → 1998)

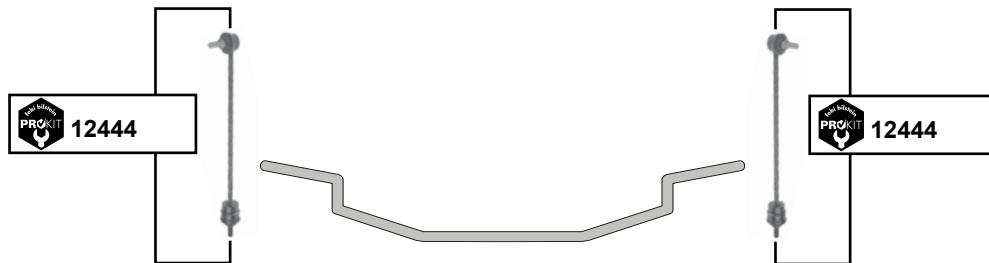
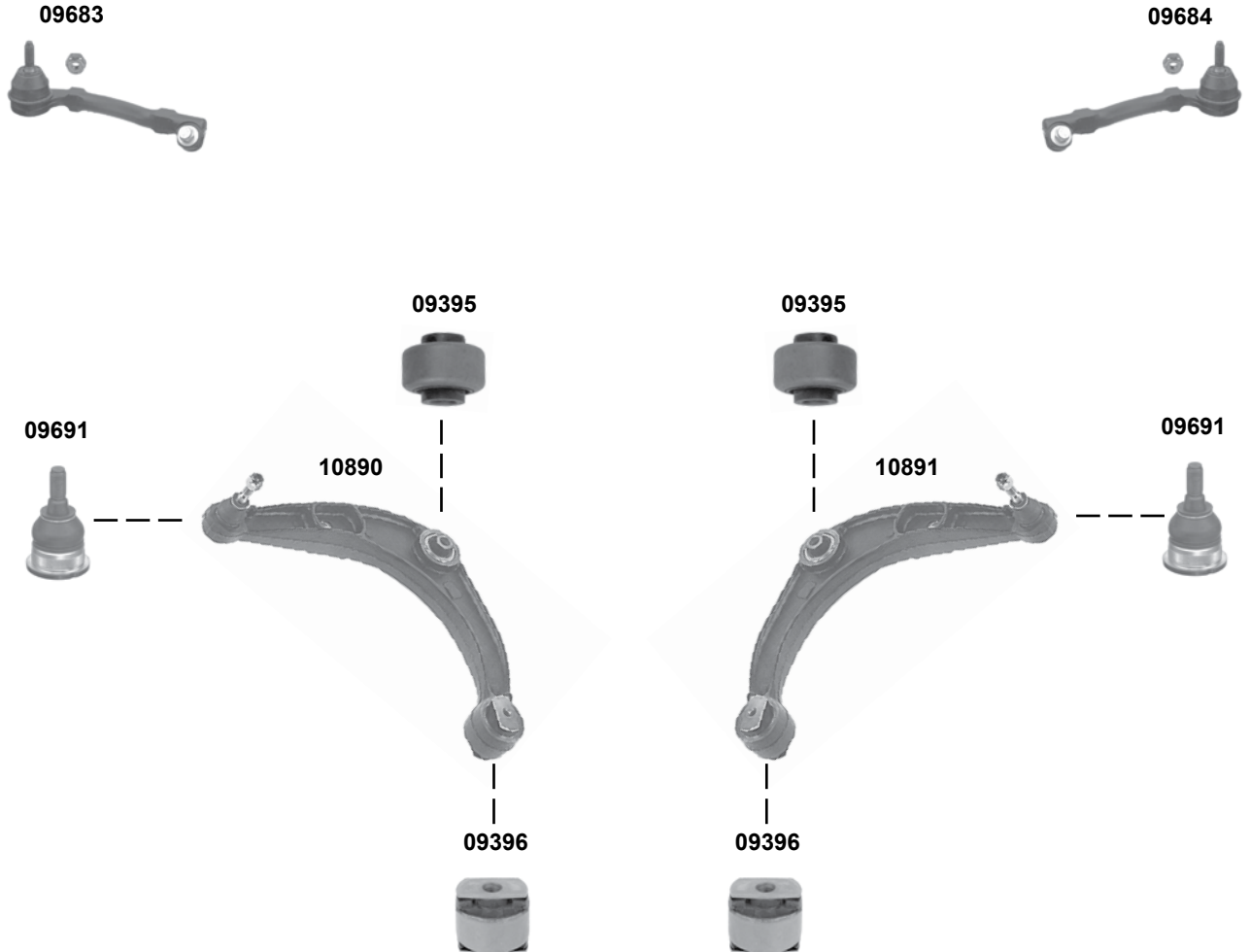
Vorderachse / Front axle



	Ref. - No.			
06935	77 01 461 141	Spurstangenendstück / tie rod end	OLD	Ø   23
06952	77 01 468 883 S2	Traggelenk / ball joint		Ø A 16
09146	77 04 000 681	Querlenkerlager / control arm mount		
10640	77 01 468 883	ProKit Traggelenk / ball joint		
12018	77 00 760 265	Stabilisatorlager / stabilizer mount		
12150	77 00 798 053	Stabilisatorlager / stabilizer mount		Ø   22
12240	77 01 463 346	Spurstange / tie rod		
12437	77 01 469 231	Spurstangenendstück / tie rod end		
21169	77 01 469 617	Lenkmanschette / steering boot		
21170	77 01 469 497	Lenkmanschette / steering boot		
26339	77 00 763 538 S1	Schraubensatz / screw kit	NEW servo man.	



## Safrane (1992 → 2000)



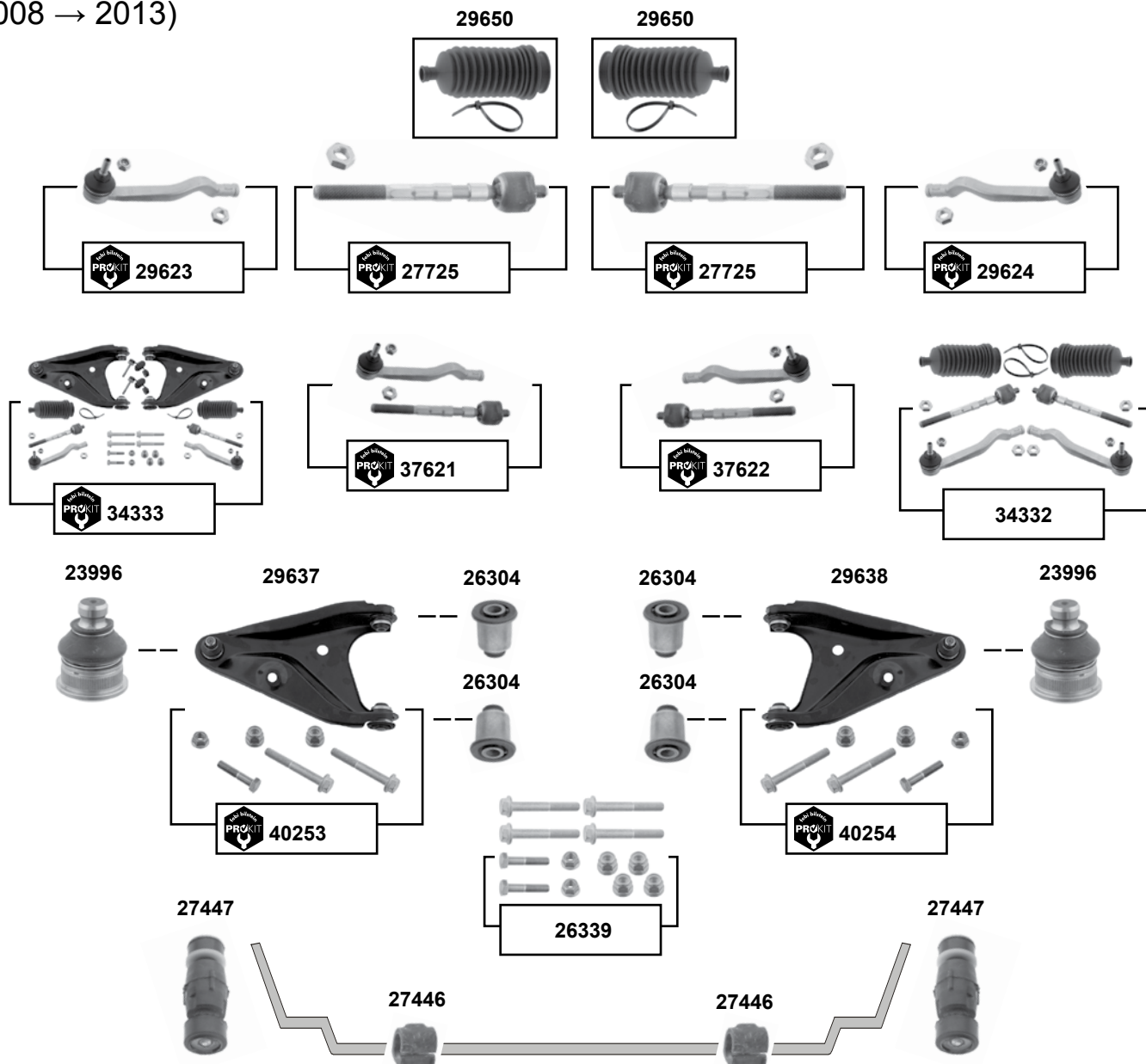
Vorderachse / Front axle

	Ref. - No.			
<b>09395</b>	77 00 806 239	Querlenkerlager / control arm mount		55x18x46
<b>09396</b>	77 00 806 238	Querlenkerlager / control arm mount		57,5x12,5x50
<b>09683</b>	60 00 022 714	Spurstangenendstück / tie rod end		M14 x 1,5
<b>09684</b>	60 00 022 715	Spurstangenendstück / tie rod end		M14 x 1,5
<b>09691</b>	77 00 421 804	ProKit Tragelenk / ball joint		Ø A 16
<b>10890</b>	77 00 807 580	Querlenker / control arm		
<b>10891</b>	77 00 807 581	Querlenker / control arm		
<b>12444</b>	77 00 805 494	ProKit Verbindungsstange / connecting rod		L 390



## Sandero 1 (2008 → 2013)

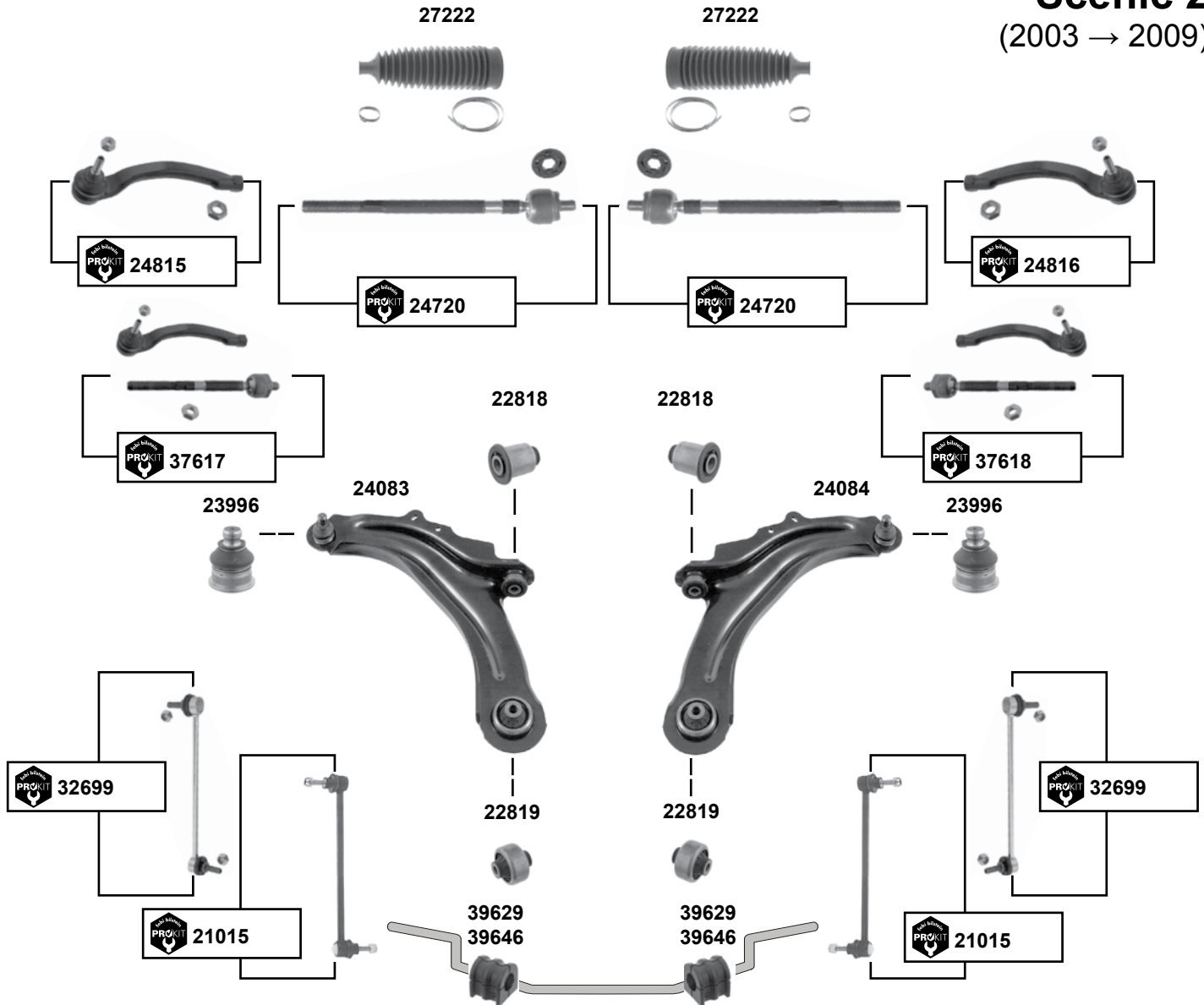
Vorderachse / Front axle



	Ref. - No.			
23996	82 00 298 455 S1	Traggelenk / ball joint		Ø A 18
26304	60 40 002 245	Querlenkerlager / control arm mount		H 42
26339	77 00 763 538 S1	Schraubensatz / screw kit		
27446	60 01 547 140	Stabilisatorlager / stabilizer mount		Ø I 23
27447	60 01 547 138	Stabilisatorlager / stabilizer mount		M8 x 1,25
27725	60 01 550 441	ProKit Spurstange / tie rod		
29623	60 01 550 442	ProKit Spurstangenendstück / tie rod end		L 213
29624	60 01 550 443	ProKit Spurstangenendstück / tie rod end		L 213
29637	60 01 550 446	Querlenker / control arm		
29638	60 01 550 447	Querlenker / control arm		
29650	60 01 547 607	Rep. Satz Lenkmanschette / rep. kit steering boot		L187
34332	60 01 550 442 S1	Spurstangensatz / tie rod set		
34333	60 01 550 446 S1	ProKit Querlenkersatz / control arm kit		
37621	60 01 550 442 S2	ProKit Spurstange / tie rod		
37622	60 01 550 443 S2	ProKit Spurstange / tie rod		
40253	60 01 550 446 S2	ProKit Querlenker / control arm		
40254	60 01 550 447 S2	ProKit Querlenker / control arm		



## Scenic 2 (2003 → 2009)



Vorderachse / Front axle

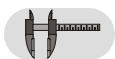


(1) JM02,5,BC,F,G,H,J,S,U,W,Y 03 → 09  
JM12,3,4,5,6,7,A,B,D,E,F,G,K,N,R,S,T,U,Y 03 → 09  
JM2C,N 03 → 09  
JM0T / JM1M 09/06 → 09

(2) JM2A,B,T,V,Y 03 → 09  
JM0T, JM1M 03 → 09/06



Ref. - No.



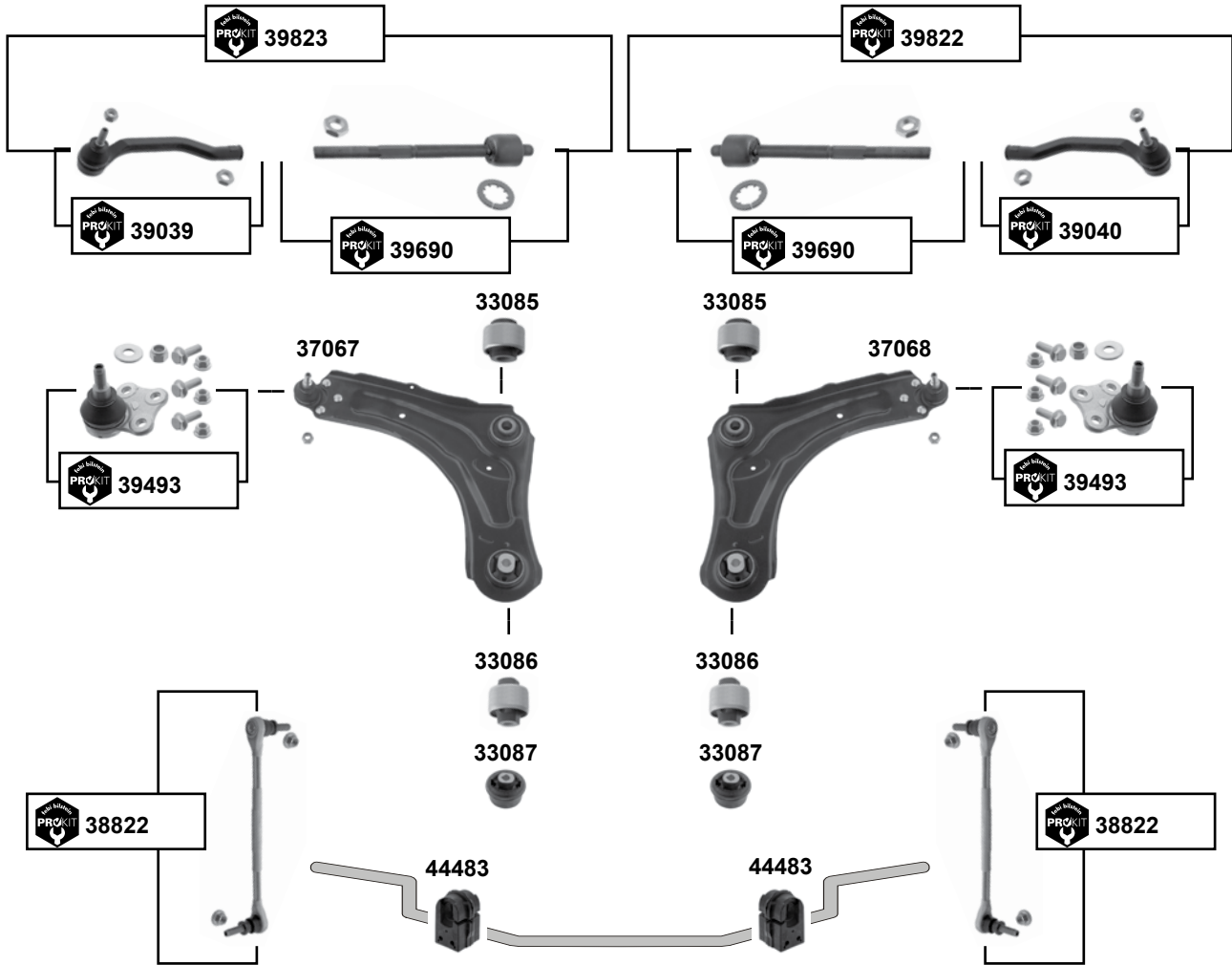
Ref. - No.	Description	Notes	Dimensions
21015	ProKit Verbindungsstange / connecting rod	(ex.) HD	L 285
22818	Querlenkerlager / control arm mount		Ø A 32
22819	Querlenkerlager / control arm mount		Ø A 58
23996	Traggelenk / ball joint		Ø A 18
24083	Querlenker / control arm		
24084	Querlenker / control arm		
24720	ProKit Spurstange / tie rod		L 215
24815	ProKit Spurstangenendstück / tie rod end		L 200
24816	ProKit Spurstangenendstück / tie rod end		L 200
27222	Rep. Satz Lenkmanschette / rep. kit steering boot		L190
32699	ProKit Verbindungsstange / connecting rod	HD	L 266
37617	ProKit Spurstange / tie rod		
37618	ProKit Spurstange / tie rod		
39629	Stabilisatorlager / stabilizer mount	(1)	Ø I 20,5
39646	Stabilisatorlager / stabilizer mount	(2)	Ø I 21,5



## Scenic 3

(2009 →)

Vorderachse / Front axle



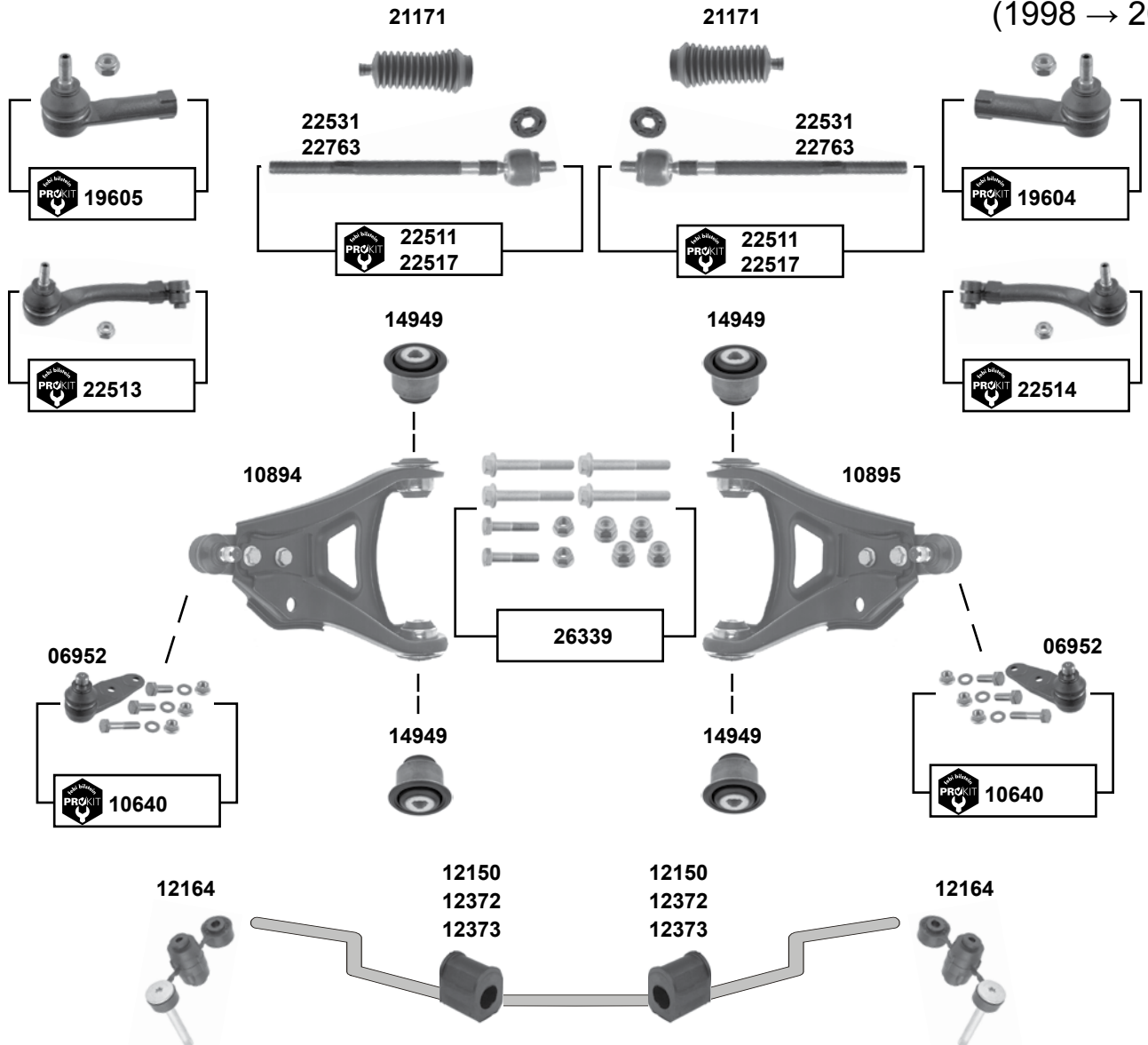
- |     |  |     |   |
|-----|--|-----|---|
| (1) | JZ00,2,3,7,9,A,B,D,F,G,J,L,N,U,Y<br>JZ1B,E,G,H,J,K,M,P,S,U,V,W,Y   | (2) | JZ02,3,A,B,D / JZ1B,G,H,M,U,Y<br>nur / only 15"  (ex.) Grand Scenic |
| (3) | JZ00,7,9,F,G,J,L,N,Y / JZ1E,J,K,P,S,V,W<br>JZ02,3,A,B,D,U / JZ1B,G,H,M,U,Y (ex.) 15"  (ex.) Grand Scenic / Grand Scenic alle / all |     |   |
| (4) | JZ02,3,A,B,D,U,JZ1B,G,H,M,U,Ynur / only 15" (ex.) Grand Scenic   |     |   |
| (5) | JZ00,2,3,7,9,A,B,D,F,G,J,L,N,U,Y / JZ11,2,4,6,B,E,G,H,J,K,M,P,S,U,V,W,Y  |     |   |



	Ref. - No.			
33085	54 56 000 05R	Querlenkerlager / control arm mount	(1)	Ø A 55
33086	54 56 000 04R	Querlenkerlager / control arm mount	(2)	Ø A 58
33087	54 56 016 84R	Querlenkerlager / control arm mount	(3)	Ø A 70/79,5
37067	54 50 140 55R	Querlenker / control arm	(4)	
37068	54 50 092 07R	Querlenker / control arm	(4)	
38822	54 61 800 02R	ProKit Verbindungsstange / connecting rod		L 274
39039	48 52 027 10R	ProKit Spurstangenendstück / tie rod end		L 210
39040	48 52 046 80R	ProKit Spurstangenendstück / tie rod end		L 210
39493	40 16 090 60R	ProKit Traggelenk / ball joint		
39690	48 52 156 12R SK	ProKit Axialgelenk / axial joint		L 214
39822	48 52 046 80R S1	ProKit Spurstange / tie rod		
39823	48 52 027 10R S1	ProKit Spurstange / tie rod		
44483	54 61 200 07R	Stabilisatorlager / stabilizer mount	(5)	Ø I 22

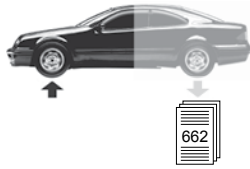


## Thalia (1998 → 2003)



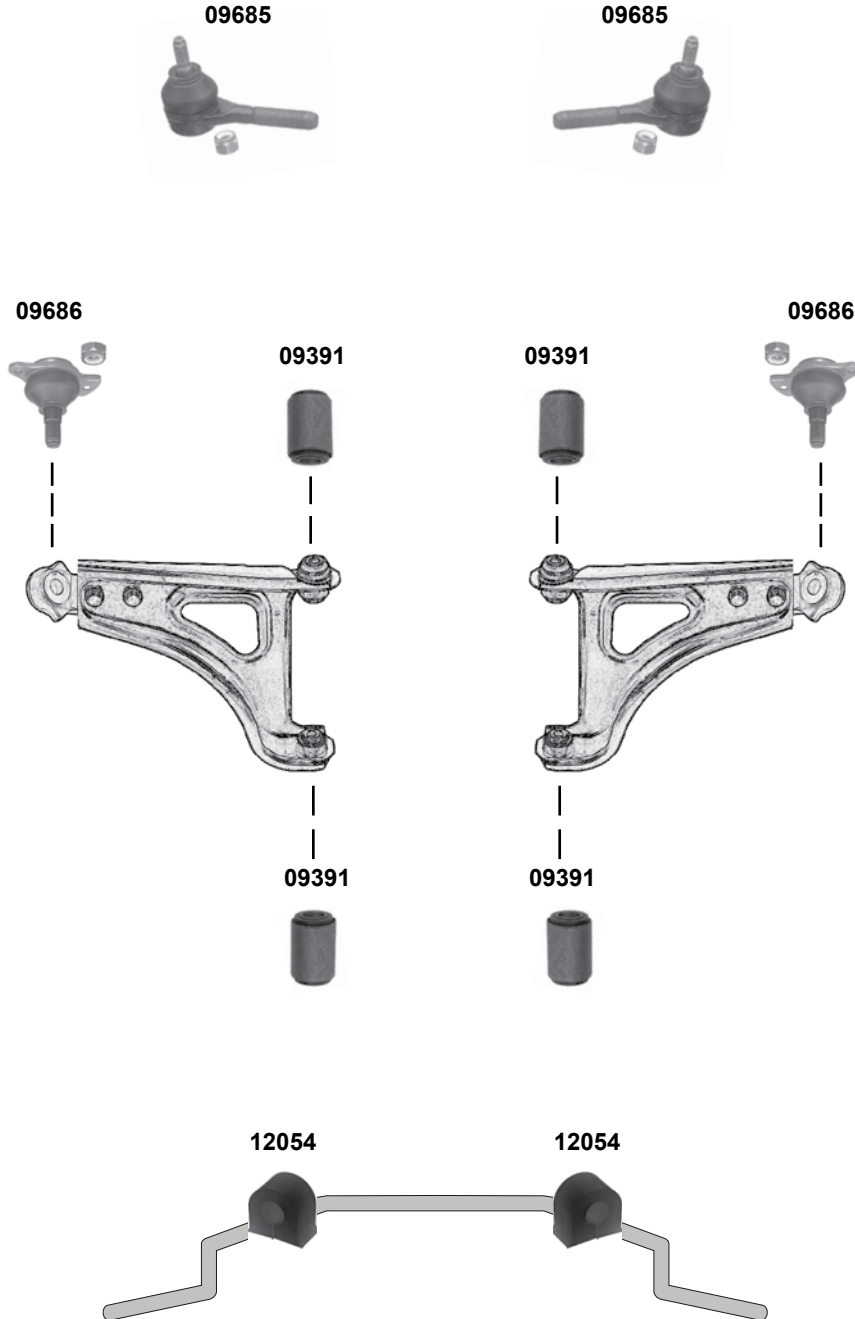
Vorderachse / Front axle

	Ref. - No.			
06952	77 01 468 883 S2	Traggelenk / ball joint		Ø A 16
10640	77 01 468 883	ProKit Traggelenk / ball joint		
10894	82 00 197 179	Querlenker / control arm		
10895	82 00 197 187	Querlenker / control arm		
12150	77 00 798 053	Stabilisatorlager / stabilizer mount		Ø I 22
12164	77 00 799 404	Stabilisatorlager / stabilizer mount		
12372	77 00 835 929	Stabilisatorlager / stabilizer mount		Ø I 24
12373	77 00 785 788	Stabilisatorlager / stabilizer mount		Ø I 23
14949	82 00 651 161	Querlenkerlager / control arm mount		45,5x46
19604	77 01 047 813	ProKit Spurstangenendstück / tie rod end	12/99 →	M10 x 1,25
19605	77 01 047 812	ProKit Spurstangenendstück / tie rod end	12/99 →	M10 x 1,25
21171	77 01 469 496	Lenkmanschette / steering boot	SMI servo	
22511	77 01 472 113 SK	ProKit Axialgelenk / axial joint	man.  12/99 →	
22513	77 01 476 762	ProKit Spurstangenendstück / tie rod end	→ 12/99	
22514	77 01 476 763	ProKit Spurstangenendstück / tie rod end	→ 12/99	
22517	77 01 472 120 SK	ProKit Axialgelenk / axial joint	SMI servo  12/99 →	
22531	77 01 471 125 SK	Spurstange / tie rod	servo  → 12/99	
22763	77 01 472 734 SK	Spurstange / tie rod	TRW servo  12/99 →	
26339	77 00 763 538 S1	Schraubensatz / screw kit		

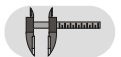


## Trafic 1 (1989 → 2001)

Vorderachse / Front axle



Ref. - No.



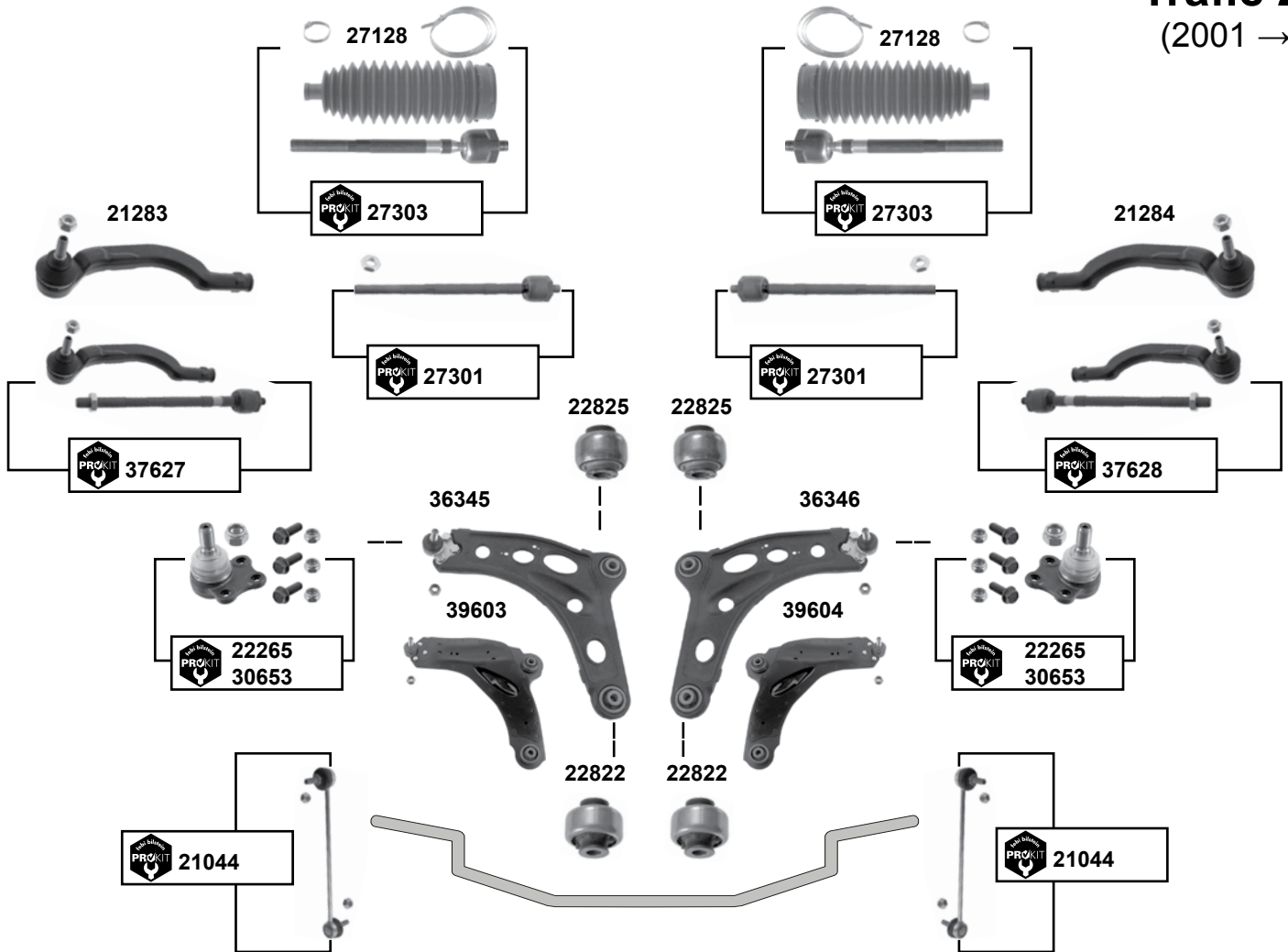
<b>09391</b>	77 01 349 064
<b>09685</b>	77 01 461 770
<b>09686</b>	77 01 461 667
<b>12054</b>	77 00 667 186

Querlenkerlager / control arm mount
Spurstangenendstück / tie rod end
Rep. Satz Traggelenk / rep. kit ball joint
Stabilisatorlager / stabilizer mount

36x18x58,5
M14 x 1,5
Ø A 18
Ø I 25,5



## Trafic 2 (2001 →)



(1) EL00,1,H,J,M,P,R,S,V / FL00,1,2,P,R,S,U,V,W / JL00,1,2,P,R,S,U,V,W : 01 →  
EL0L / FLOH,J,K,L,M,N / JLOH,K,L,M,N : 12/06 → (mit Stahlfelge / with steel rim)  
EL0L / FLOH,J,K,L,M,N / JLOH,K,L,M,N : 01 → (mit Alufelge / alu steel rim)

(2) EL0A,B,C,D / FL0A,B,C,G / JL0A,B,C,D,G : 01 →  
EL0L / FLOH,J,K,L,M,N / JLOH,J,K,L,M,N : 01 → 12/06 (mit Stahlfelge / with steel rim)

(3) EL0H,J,M,R,V / FL0R,U,V,W / JL0R,U,V,W 01 →  
EL0L / FLOC,H,J,K,L,M,N / JLOH,J,K,L,M,N 12/06 →



Ref. - No.



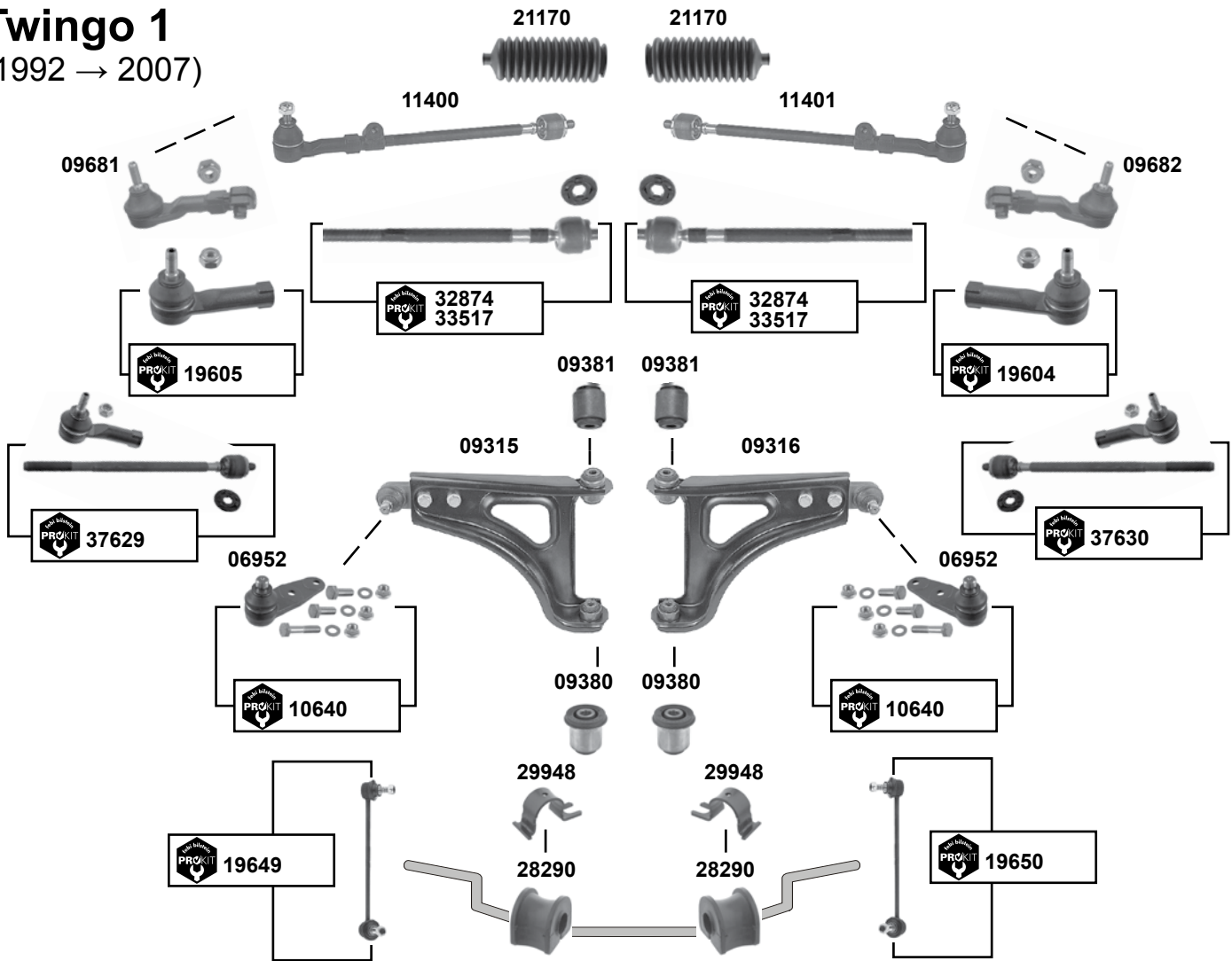
Ref. - No.	Description	Material	Dimensions
21044	ProKit Verbindungsstange / connecting rod		L 280
21283	Spurstangenendstück / tie rod end		M12 x 1,5
21284	Spurstangenendstück / tie rod end		M12 x 1,5
22265	ProKit Traggelenk / ball joint		Ø I 10
22822	Querlenkerlager / control arm mount		
22825	Querlenkerlager / control arm mount		
27128	Lenkmanschettenatz / steering boot set		
27301	ProKit Axialgelenk / axial joint		
27303	ProKit Axialgelenk / axial joint		
30653	ProKit Traggelenk / ball joint	(3)	Ø I 12
36345	Querlenker / control arm	(1) Stahlguß	
36346	Querlenker / control arm	(1) Stahlguß	
37627	ProKit Spurstange / tie rod		
37628	ProKit Spurstange / tie rod		
39603	Querlenker / control arm	(2) Stahlblech	
39604	Querlenker / control arm	(2) Stahlblech	





## Twingo 1 (1992 → 2007)

Vorderachse / Front axle



(1) C066,8 / S066,8 : 12/99 → 08 / C06C,D,G,H,K : 92 → 08



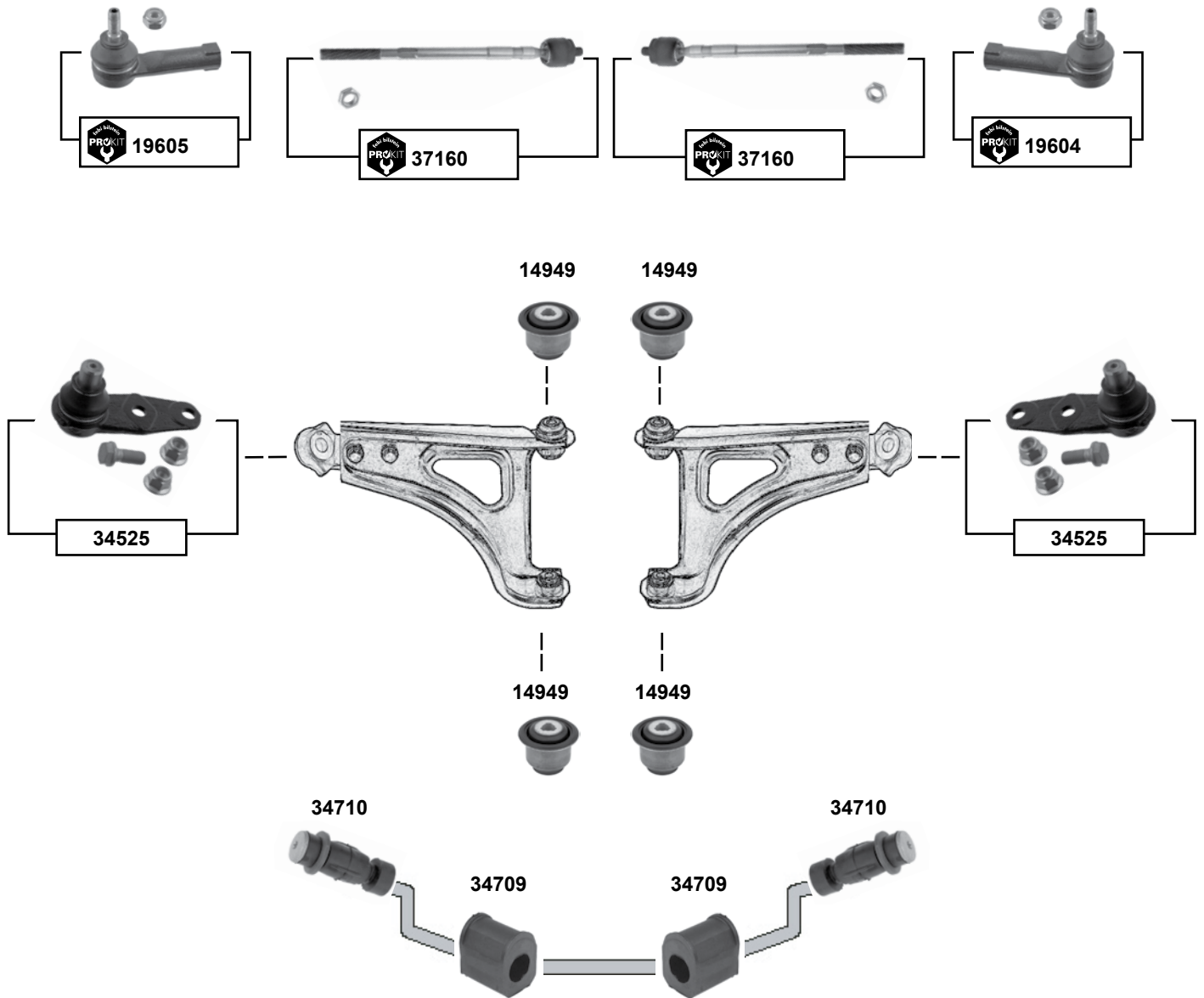
Ref. - No.



Ref. - No.	Description	Notes	Dimensions
06952	77 01 468 883 S2 Traggelenk / ball joint	09/92 →	
09315	82 00 737 125 Querlenker / control arm		
09316	82 00 737 126 Querlenker / control arm		
09380	77 00 831 364 Querlenkerlager / control arm mount		36x12x46
09381	77 00 819 929 Querlenkerlager / control arm mount		38x12x46
09681	60 00 022 730 Spurstangenendstück / tie rod end	→12/99	M14 x 1,5
09682	60 00 022 731 Spurstangenendstück / tie rod end	→12/99	M14 x 1,5
10640	77 01 468 883 ProKit Traggelenk / ball joint	09/92 →	
11400	77 01 467 218 Spurstange / tie rod	92 → 12/99	
11401	77 01 467 219 Spurstange / tie rod	92 → 12/99	
19604	77 01 047 813 ProKit Spurstangenendstück / tie rod end	(1)	M10 x 1,25
19605	77 01 047 812 ProKit Spurstangenendstück / tie rod end	(1)	M10 x 1,25
19649	82 00 040 618 ProKit Verbindungsstange / connecting rod		L 255
19650	82 00 050 191 ProKit Verbindungsstange / connecting rod		L 255
21170	77 01 469 497 Lenkmanschette / steering boot		
28290	82 00 024 373 Stabilisatorlager / stabilizer mount		Ø I 16
29948	82 00 040 642 Schelle / clamp		
32874	77 01 473 498 SK ProKit Axialgelenk / axial joint	12/99 → 07	L 316
33517	77 01 469 517 SK ProKit Axialgelenk / axial joint	92 → 12/99	L 291
37629	77 01 473 498 S1 ProKit Spurstange / tie rod	12/99 → 07	
37630	77 01 473 498 S2 ProKit Spurstange / tie rod	12/99 → 07	



## Twingo 2 (2007 → 2014)



Vorderachse / Front axle



(1) CN00,3,4,C,E,F,P,U / GN03,C,E  
CN01,A,B,K,V / GN01 nur / only ESP

(2) CN03,4,A,B,C,D,E,F,K,P,U,V / GN01,3,C,D,E  
CN00,1 09/08 →



Ref. - No.

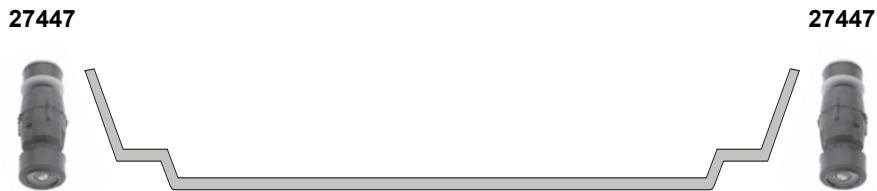
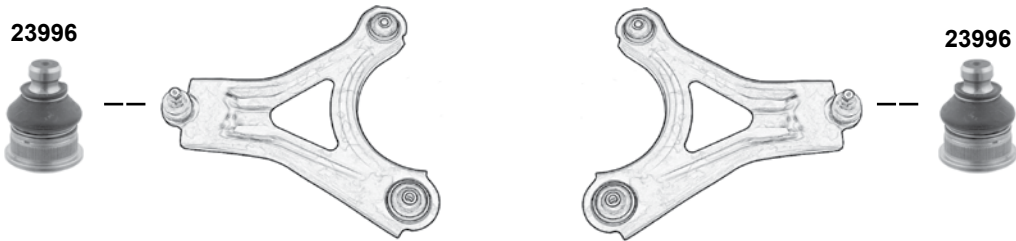


Part No.	Ref. - No.	Description	Notes	Dimensions
14949	82 00 651 161	Querlenkerlager / control arm mount		45,5x46
19604	77 01 047 813	ProKit Spurstangenendstück / tie rod end		M10 x 1,25
19605	77 01 047 812	ProKit Spurstangenendstück / tie rod end		M10 x 1,25
34525	82 00 942 396 S1	Rep. Satz Traggelenk / rep. kit ball joint	(ex.) CN03	Ø A 18
34709	82 00 554 863	Stabilisatorlager / stabilizer mount	(1)	Ø I 24
34710	82 00 891 487	Stabilisatorlager / stabilizer mount	(2)	M12 x 1,25
37160	77 01 477 878 SK	ProKit Axialgelenk / axial joint		L 303,5



## Twizy (2012 →)

Vorderachse / Front axle



Ref. - No.



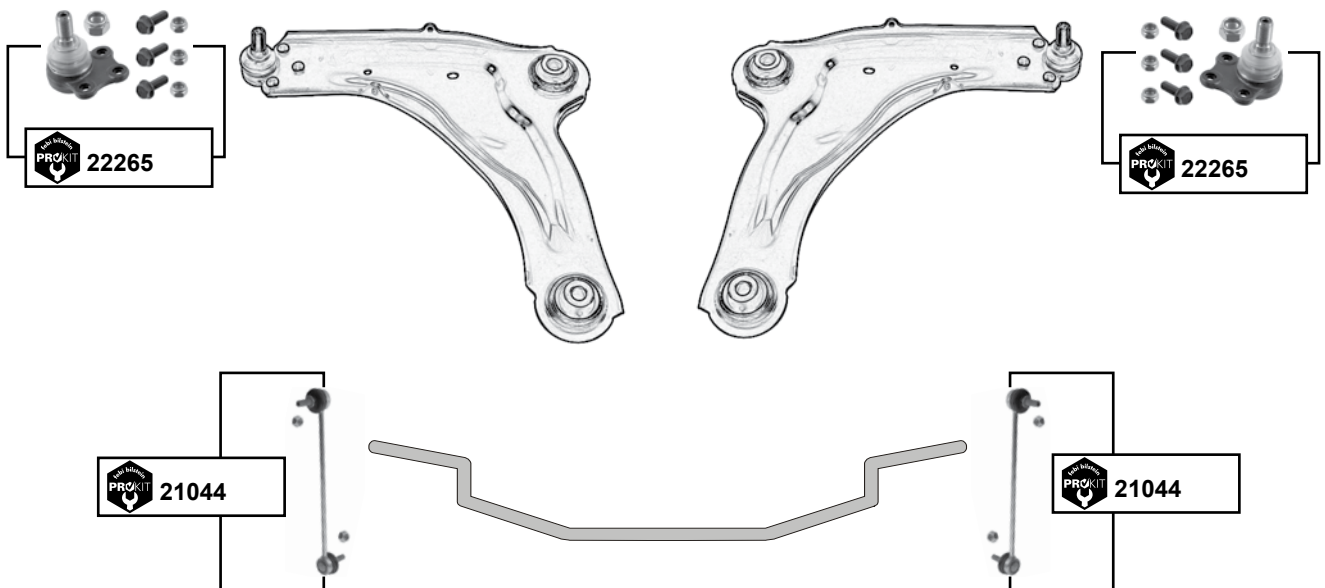
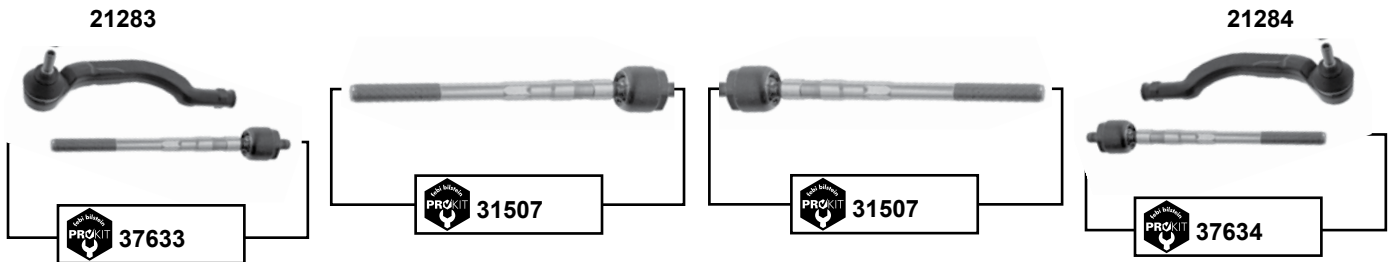
23996 40 16 047 93R  
27447 60 01 547 138

Traggelenk / ball joint  
Stabilisatorlager / stabilizer mount

Ø A 18  
M8 x 1,25



## Vel Satis (2002 →)

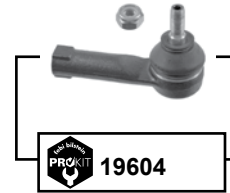
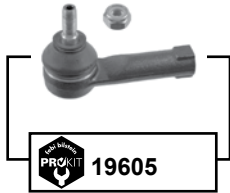


Vorderachse / Front axle

	Ref. - No.			
<b>21044</b>	82 00 661 217	ProKit Verbindungsstange / connecting rod		L 280
<b>21283</b>	77 01 049 282	Spurstangenendstück / tie rod end		M10 x 1,5
<b>21284</b>	77 01 049 283	Spurstangenendstück / tie rod end		M10 x 1,5
<b>22265</b>	77 01 478 029	ProKit Tragelenk / ball joint		
<b>31507</b>	77 01 478 522 SK	ProKit Spurstange / tie rod		L 247
<b>37633</b>	77 01 478 552 S1	ProKit Spurstange / tie rod		
<b>37634</b>	77 01 478 552 S2	ProKit Spurstange / tie rod		

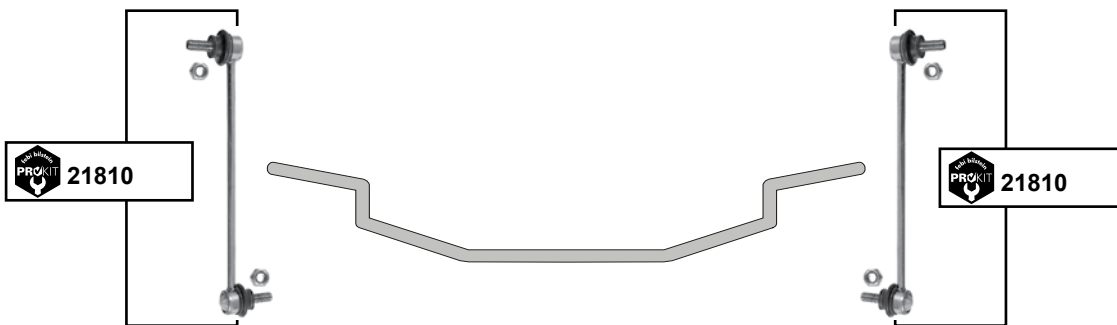


## Wind (2010 →)



Vorderachse / Front axle

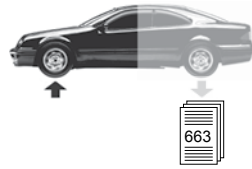
## Zoe (2012 →)



Ref. - No.



<b>19604</b>	77 01 047 813	ProKit Spurstangenendstück / tie rod end	M10 x 1,25
<b>19605</b>	77 01 047 812	ProKit Spurstangenendstück / tie rod end	M10 x 1,25
<b>21810</b>	82 00 127 308	ProKit Verbindungsstange / connecting rod	L 248
<b>43630</b>	48 52 110 71R SK	ProKit Axialgelenk / axial joint	L 232



**25**  
(11/99 →)



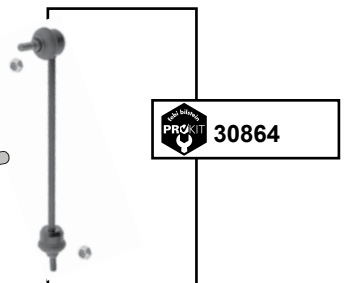
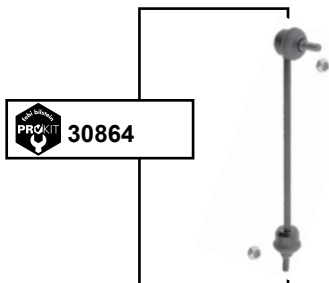
**75 (RJ)**  
(02/99 →)



30714

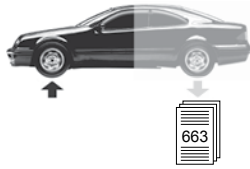


30715



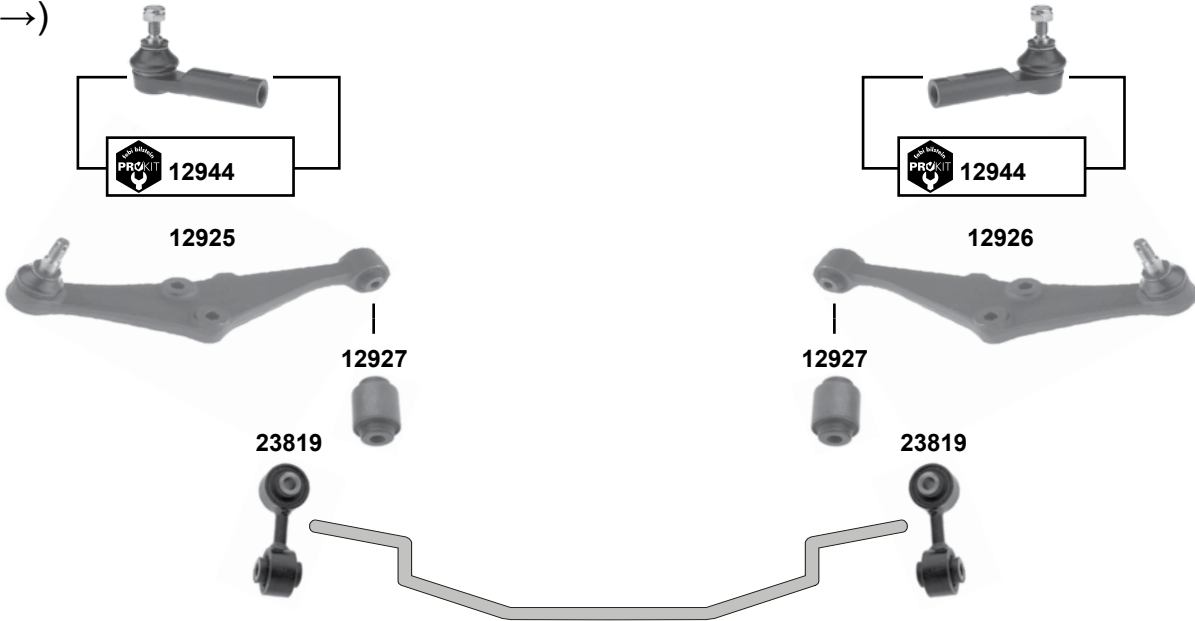
Vorderachse / Front axle

	Ref. - No.			
<b>12944</b>	GSJ 826	ProKit Spurstangenendstück / tie rod end		M14 x 1,5
<b>30714</b>	RBX 101771	Querlenkerlager / control arm mount		
<b>30715</b>	RBX 101761	Querlenkerlager / control arm mount		
<b>30731</b>	QJB100180	Spurstangenendstück / tie rod end		M14 x 1,5
<b>30732</b>	QJB100180	Spurstangenendstück / tie rod end		M14 x 1,5
<b>30864</b>	RBM100240	ProKit Verbindungsstange / connecting rod		L 309



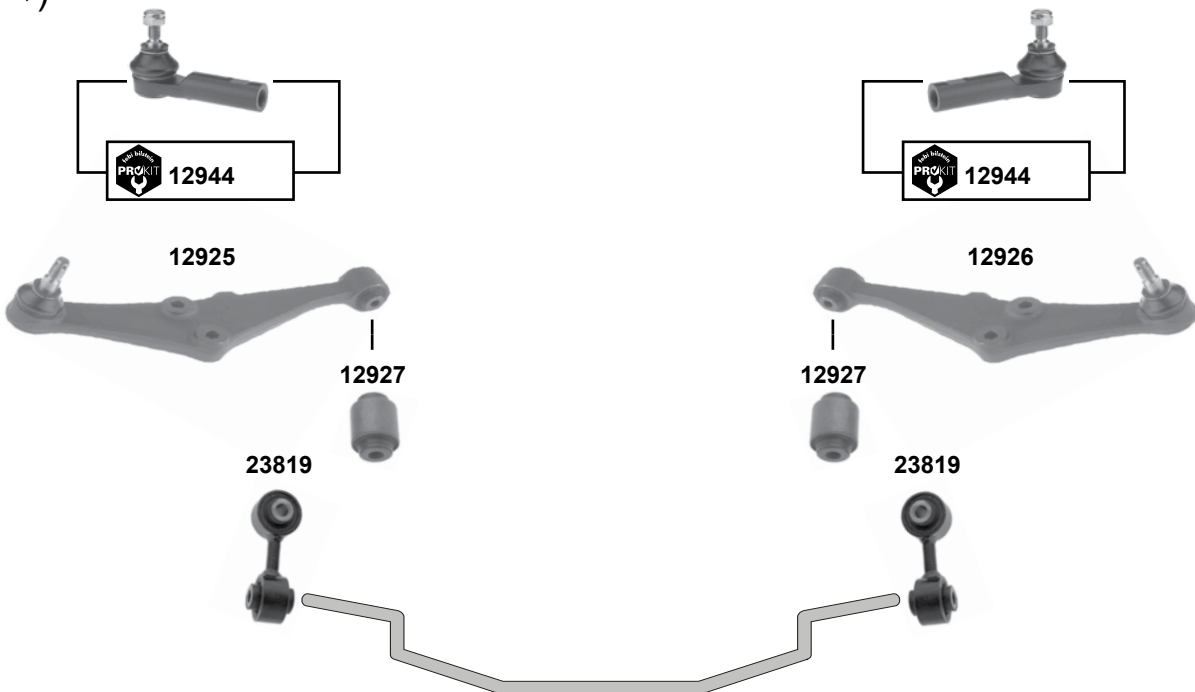
## 200 (3+5 Tüer/3+5 door saloons)

(10/92 →)



## 200 (Coupé / Cabrio)

(03/96 →)



(1) 3+5 Tüer / 3+5 door saloons **alle / all** → 02/96  
Coupé / Cabrio **alle / all** 03/96 → 11/99

(2) 3+5 Tüer / 3+5 door saloons → 03/00  
Coupé / Cabrio → 03/00

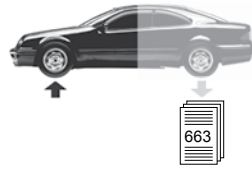


Ref. - No.



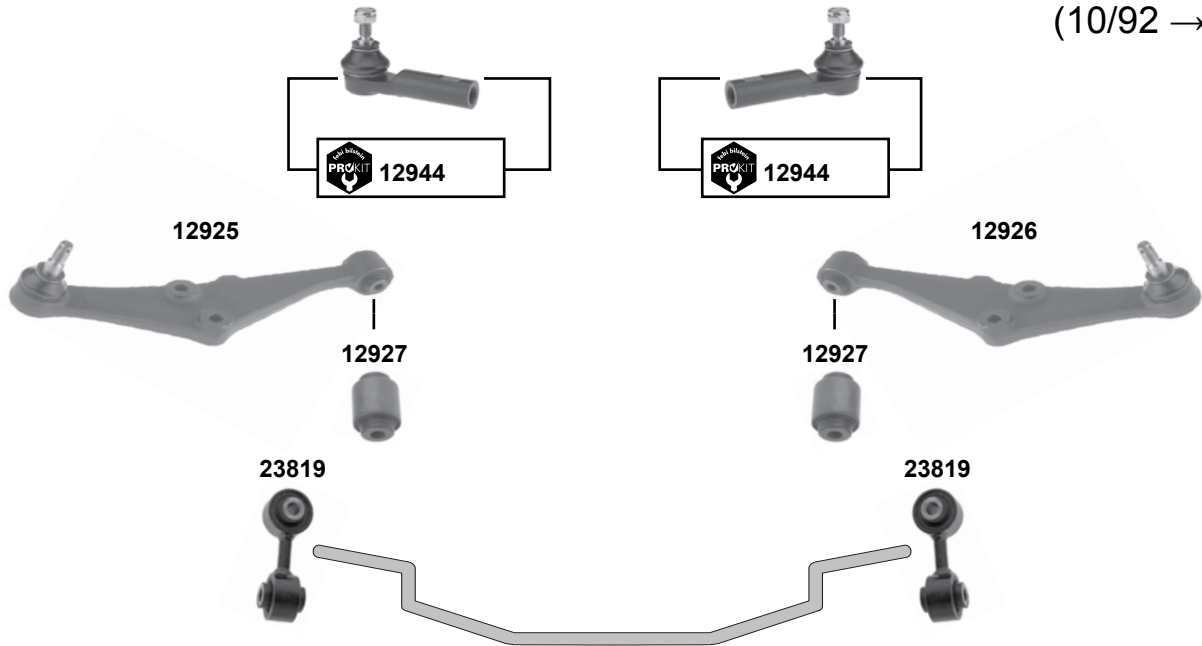
12925	GSJ 413	Querlenker / control arm		
12926	GSJ 414	Querlenker / control arm		
12927	EGP 1673	Querlenkerlager / control arm mount		
12944	GSJ 826	ProKit Spurstangenendstück / tie rod end	(1)	10x32x50
23819	EGP 1662	Verbindungsstange / connecting rod	(2)	M14 x 1,5 L 66

Vorderachse / Front axle



## 400

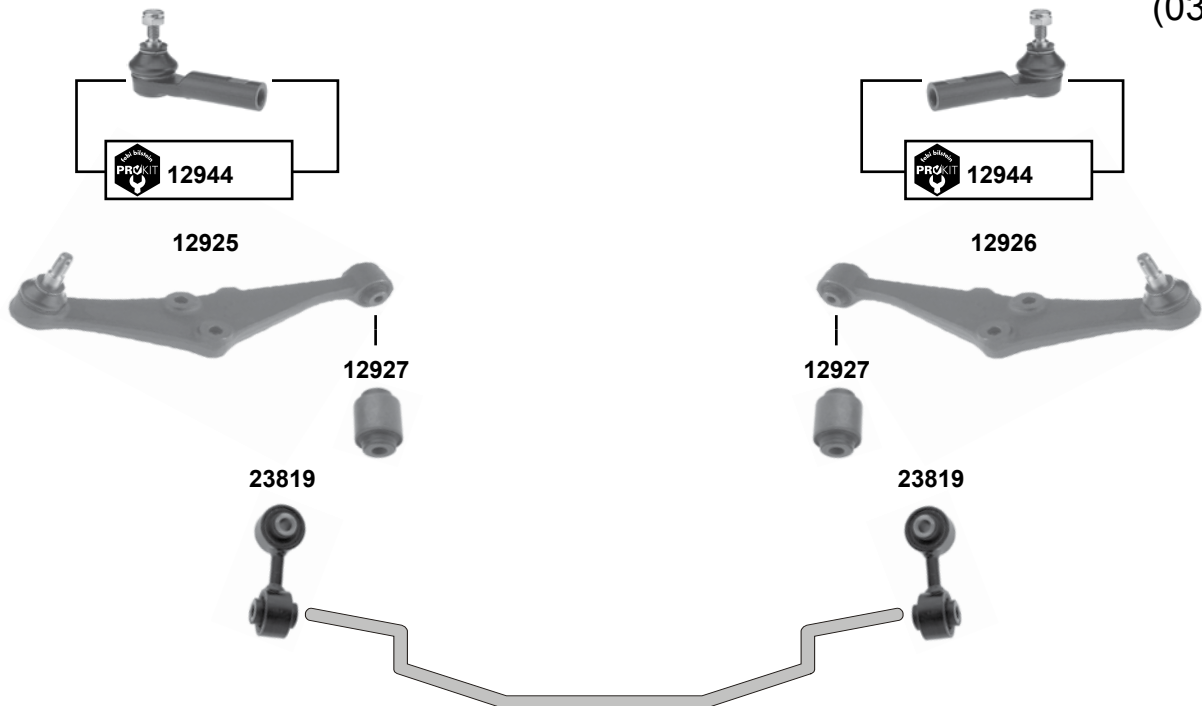
(10/92 → 02/96)



Vorderachse / Front axle

## 400

(03/96 →)

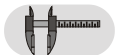


(1) 3+5 Tüer / 3+5 door saloons **alle / all** → 03/00  
Coupé / Cabrio **alle / all** → 03/00

(2) 3+5 Tüer / 3+5 door saloons → 03/00  
Coupé / Cabrio → 03/00



Ref. - No.



12925	GSJ 413	Querlenker / control arm
12926	GSJ 414	Querlenker / control arm
12927	EGP 1673	Querlenkerlager / control arm mount
12944	GSJ 826	ProKit Spurstangenendstück / tie rod end
23819	EGP 1662	Verbindungsstange / connecting rod

(1)  
(2)

10x32x50  
M14 x 1,5  
L 66





## 600 (10/92 →)



Vorderachse / Front axle

## Austin Metro (11/84 → 1990)



Ref. - No.

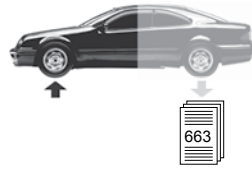


**12946** GSJ 407  
**14131** GSJ 734  
**15495** GSJ 1002

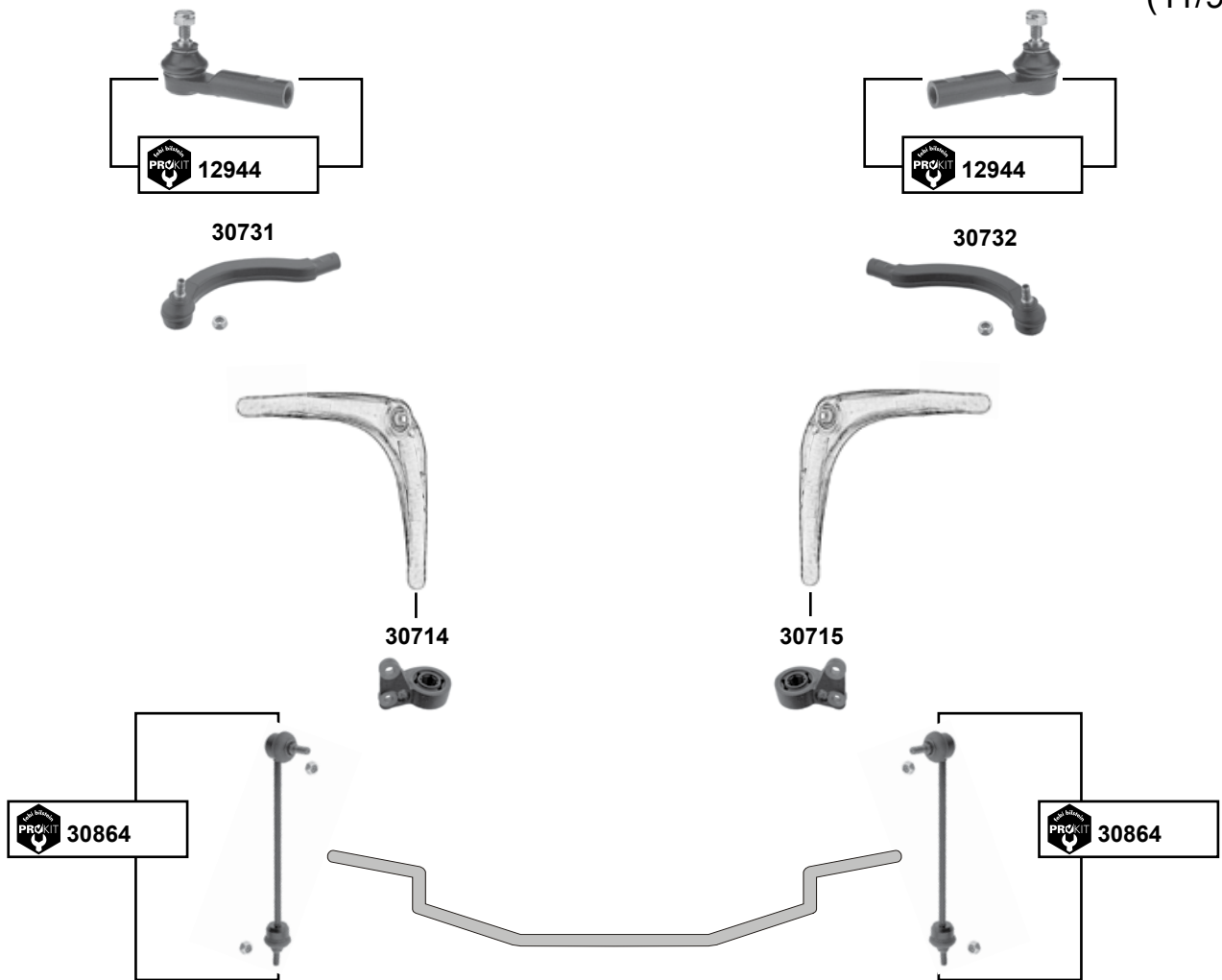
Spurstangenendstück / tie rod end  
ProKit Spurstangenendstück / tie rod end  
ProKit Tragelenk / ball joint

servo

M14 x 1,5



## MG ZR/ZT (11/99 →)



Vorderachse / Front axle

## Mini (1985 →)



	Ref. - No.			
<b>12944</b>	QJB 100120	ProKit Spurstangenendstück / tie rod end	ZR	
<b>14131</b>	GSJ 734	ProKit Spurstangenendstück / tie rod end	ZT 06/01 →	
<b>30714</b>	RBX 101771	Querlenkerlager / control arm mount	ZT 06/01 →	
<b>30715</b>	RBX 101761	Querlenkerlager / control arm mount	ZT 06/01 →	
<b>30731</b>	QJB100180	Spurstangenendstück / tie rod end	ZT 06/01 →	M14 x 1,5
<b>30732</b>	QJB100180	Spurstangenendstück / tie rod end	ZT 06/01 →	M14 x 1,5
<b>30864</b>	RBM100240	ProKit Verbindungsstange / connecting rod	ZT 06/01 →	L 309



## 9-3 I (1998 → 2002)



### oben / upper

10431



10431



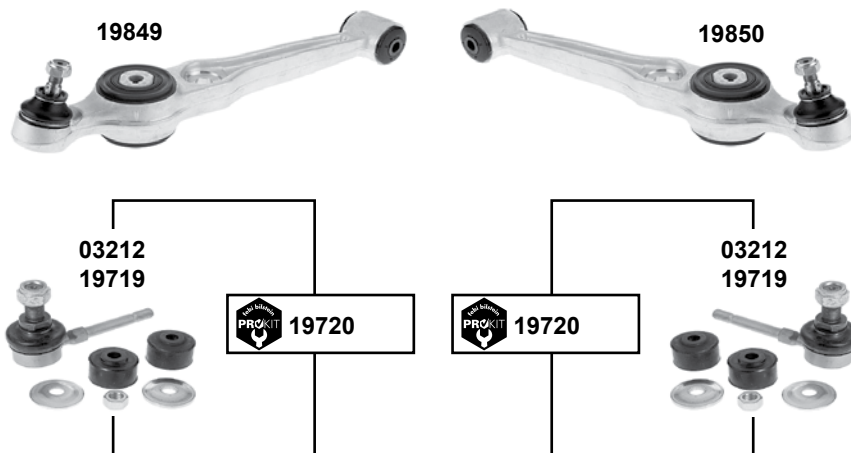
10431



10431



### unten / lower



(1) (ch.) → 22029908 , (ch.) → 27008847

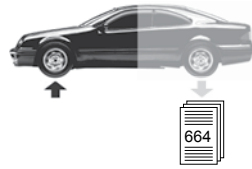


Ref. - No.

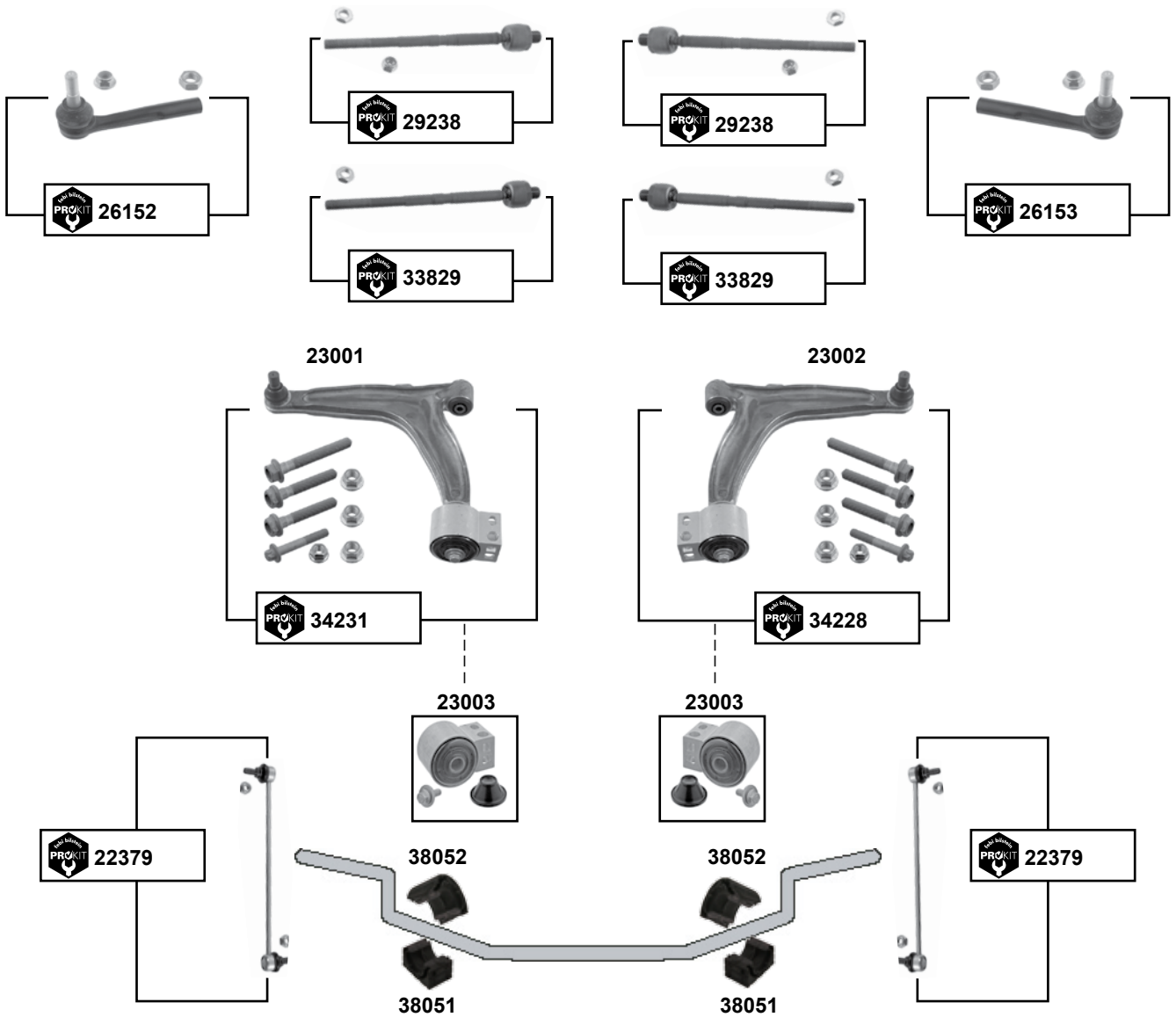


Ref. - No.	Description	Quantity	Notes
03212	Verbindungsstangenlager / connecting rod bearing	(1)	servo
05198	Spurstange / tie rod	(1)	servo
05199	Spurstange / tie rod	(1)	servo
05200	Spurstangenendstück / tie rod end		
05201	Spurstangenendstück / tie rod end		
05202	Einstellbolzen / adjusting bolt		
10431	Hülse / sleeve		
14134	ProKit Spurstange / tie rod	(1)	servo
14135	ProKit Spurstange / tie rod	(1)	servo
19719	Verbindungsstange / connecting rod		
19720	ProKit Verbindungsstange / connecting rod		
19849	Querlenker / control arm		
19850	Querlenker / control arm		

Vorderachse / Front axle



9-3 II  
(2002 → 2011)



Vorderachse / Front axle

(1) (mot.) Z 1,8 XE / Z 1,9 DT / Z 1,9 DTH → 06

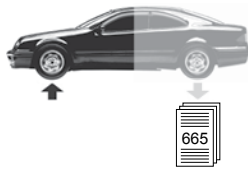
(2) B 284 (ex.) 4x4 / 06 →  
Z 1,8 XE, Z 1,9 DT, Z 1,9 DTH / 07 →  
Z 1,9 DTR / 08 →



Ref. - No.

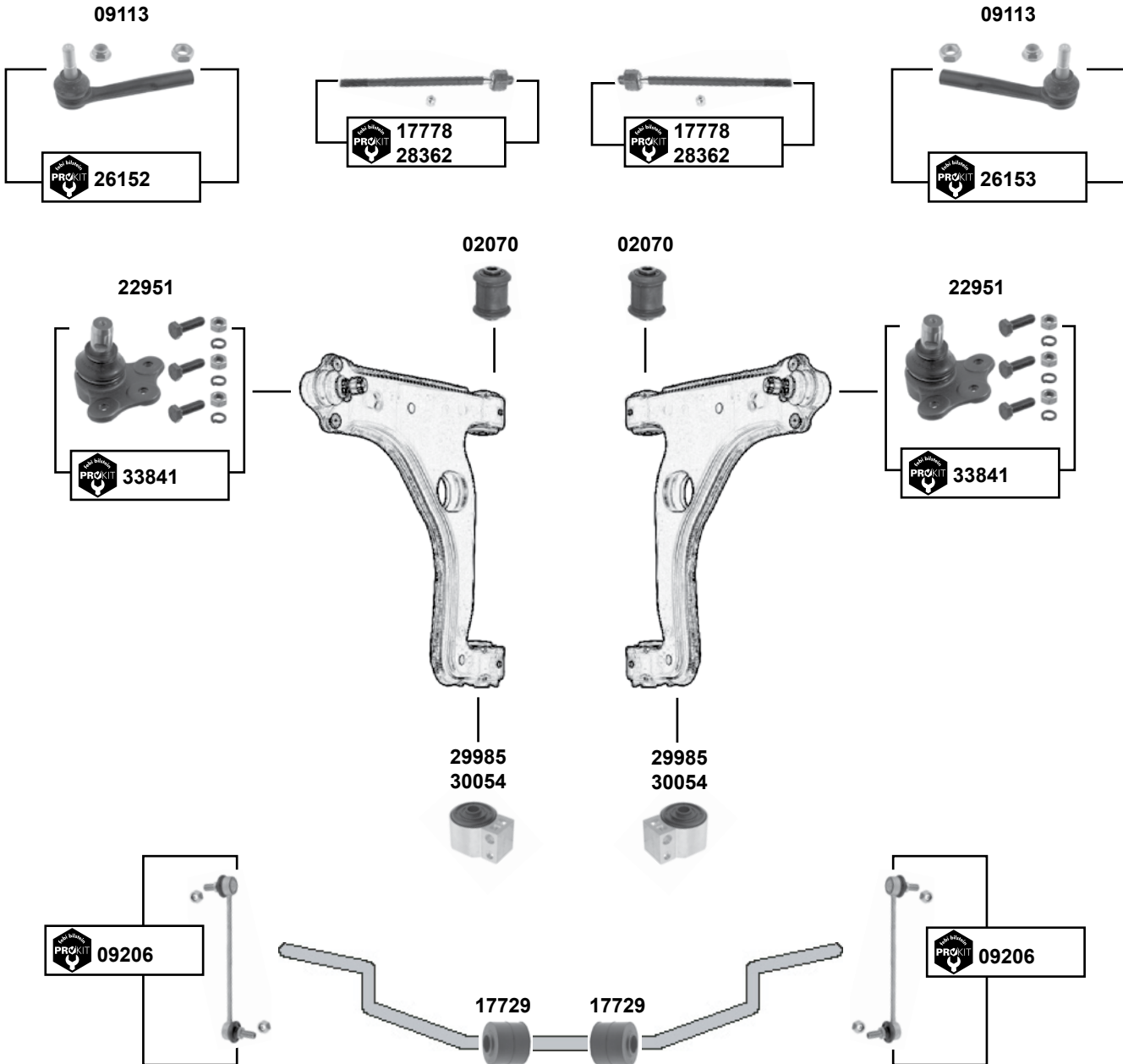


Ref. - No.	Description	Material	Dimensions
22379	ProKit Verbindungsstange / connecting rod		L355
23001	Querlenker / control arm	Alu / alloy	
23002	Querlenker / control arm	Alu / alloy	
23003	Rep. Satz Querlenker / rep. kit control arm		
26152	ProKit Spurstangenendstück / tie rod end		M14 x 1,5
26153	ProKit Spurstangenendstück / tie rod end		M14 x 1,5
29238	ProKit Axialgelenk / axial joint	(1)	
33829	ProKit Axialgelenk / axial joint	(2)	L 289
34228	ProKit Querlenker / control arm		
34231	ProKit Querlenker / control arm		
38051	Stabilisatorlager, unten / stabilizer mount, lower		Ø   24
38052	Stabilisatorlager, oben / stabilizer mount, upper		Ø   24



## 9-5 I (1998 → 2010)

Vorderachse / Front axle

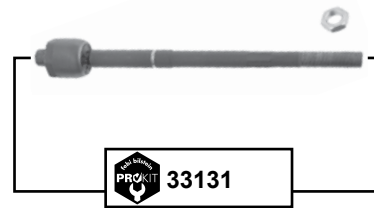
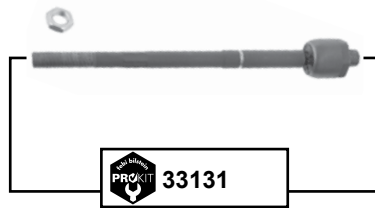


	Ref. - No.			
02070	45 66 899	Querlenkerlager / control arm mount		12x36,5x6
09113	48 36 540	Spurstangenendstück / tie rod end	servo  / → 01	M14 x 1,5
09206	52 36 823	ProKit Verbindungsstange / connecting rod		L 243,5
17729	90 468 567	Stabilisatorlager / stabilizer mount	(ch.) → 3034800	Ø I 10
17778	48 36 557	ProKit Axialgelenk / axial joint	servo  / → 01	L 360
22951	52 31 683	Traggelenk / ball joint	→ 01	Ø A 18
26152	93 172 254	ProKit Spurstangenendstück / tie rod end	servo  / 02 →	M14 x 1,5
26153	93 172 255	ProKit Spurstangenendstück / tie rod end	servo  / 02 →	M14 x 1,5
28362	93 194 335	ProKit Axialgelenk / axial joint	servo  / 02 →	L 301
29985	50 63 391	Querlenkerlager / control arm mount	→ 01	
30054	52 33 374	Querlenkerlager / control arm mount	02 →	
33841	52 37 516	ProKit Traggelenk / ball joint	02 →	



**9-5 II**  
(2010 → 2011)

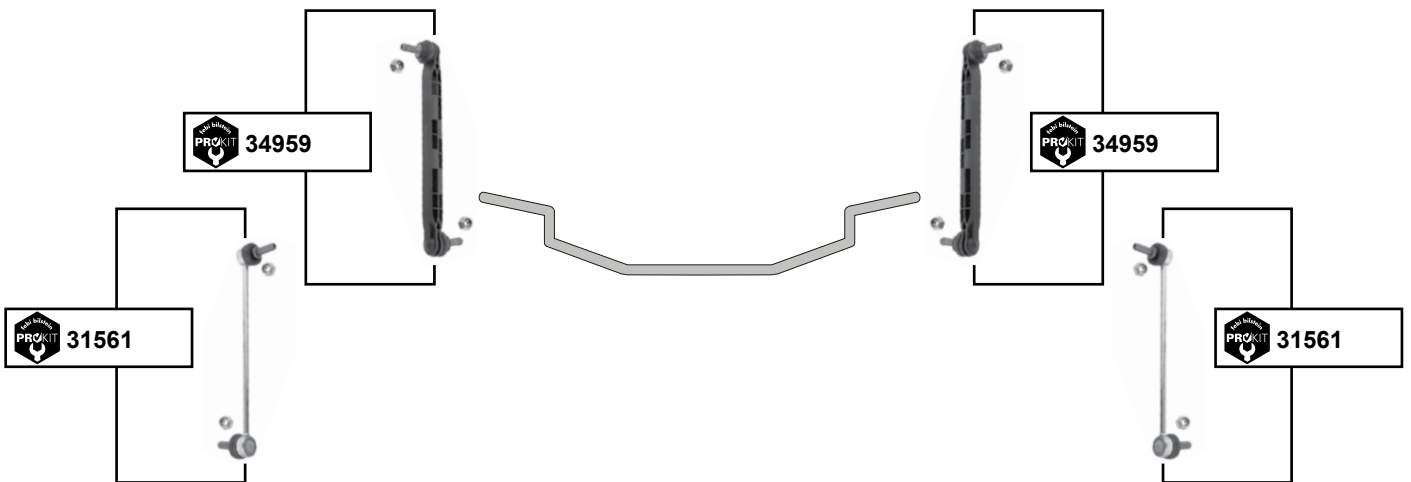
40915



39351



39352



Vorderachse / Front axle

	Ref. - No.			
31561	13 258 058	ProKit Verbindungsstange / connecting rod	(ex.) Sport	L 303,5
33131	13 271 996 SK	ProKit Axialgelenk / axial joint	(ex.) Sport	L 324
34959	13 219 141	ProKit Verbindungsstange / connecting rod	(ex.) Sport / EDC	L 304
39351	0352 520	Querlenker / control arm		
39352	0352 521	Querlenker / control arm		
40915	13271036	Lenkmanschettensatz / steering boot set	servo	

# SAAB



Car  
Division 



## 90

(08/74 → 09/87)

12951



12951



## 99

(08/74 → 09/84)

12951



12951



## 900 I

(11/78 → 09/93)

12963



22761



22761



12963



12951



12951




Ref. - No.



12951	89 93 321
12963	89 93 560
22761	89 88 941 SK

Traggelenk / ball joint
Spurstangenendstück / tie rod end
Spurstange / tie rod

900 I 01/85 →
11/86 →
servo 

M12 x 1,25
M14x2 RHT
L270



900 II

(09/93 → 02/98)



oben / upper

10431



10431



10431



10431



unten / lower

19849



19850



03212

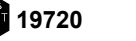
19719



19720



19720



03212

19719



(1) (ch.) S7014773 →, (ch.) S2012272 →



Ref. - No.



Ref. - No.	Description	Quantity	Dimensions
03212	Verbindungsstangenlager / connecting rod bearing		
05198	Spurstange / tie rod	servo	M16 x 2
05199	Spurstange / tie rod	servo	M16 x 2
05200	Spurstangenendstück / tie rod end		M16 x 2
05201	Spurstangenendstück / tie rod end		M16 x 2
05202	Einstellbolzen / adjusting bolt		M16 x 2
10431	Hülse / sleeve		15x16,3x30
14134	ProKit Spurstange / tie rod	servo	M16 x 2
14135	ProKit Spurstange / tie rod	servo	M16 x 2
19719	Verbindungsstange / connecting rod	(1)	
19720	ProKit Verbindungsstange / connecting rod	(1)	
19849	Querlenker / control arm	(1)	
19850	Querlenker / control arm	(1)	

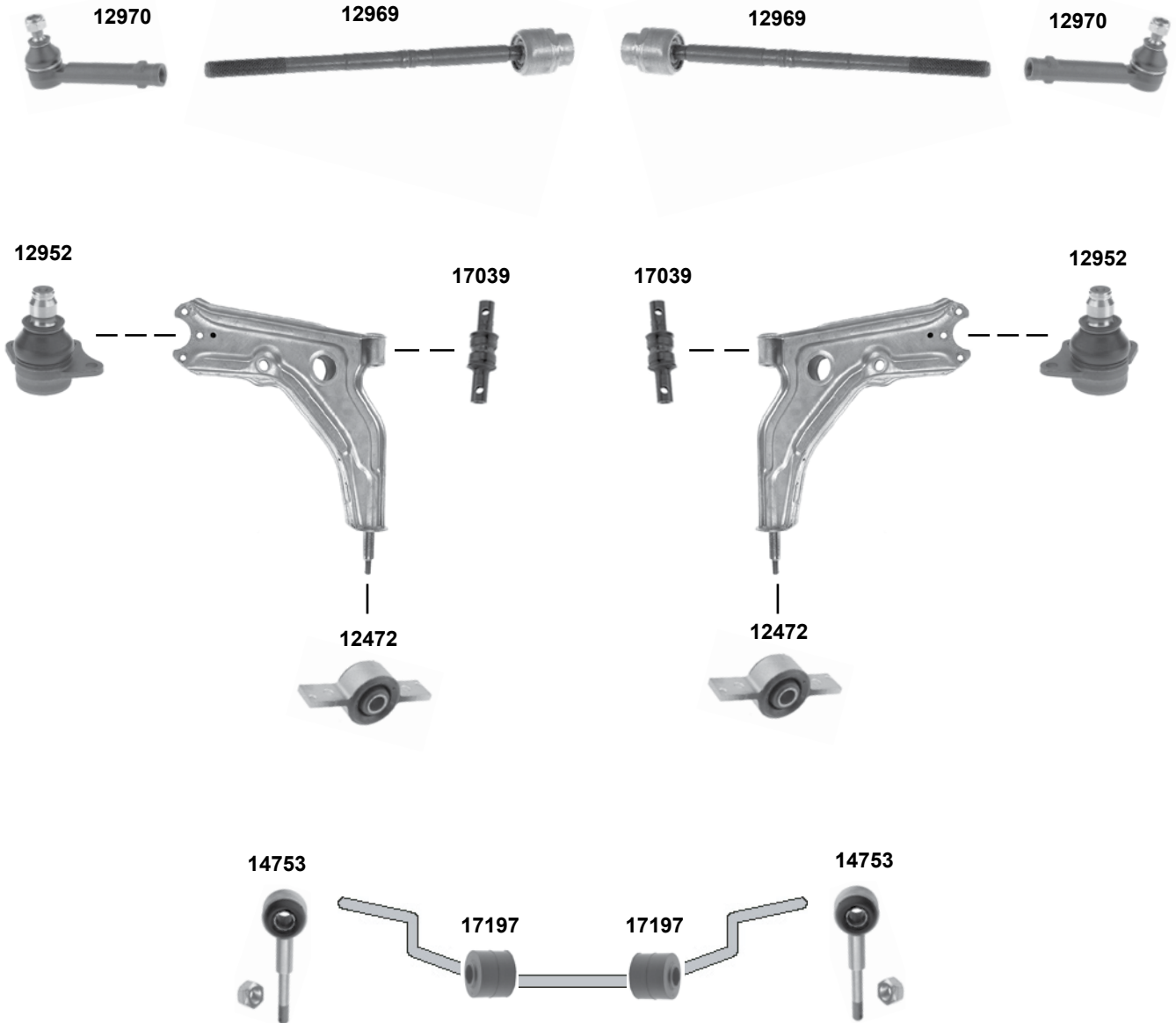










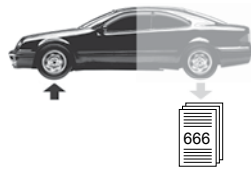
## 9000

(03/86 → 12/98)

Vorderachse / Front axle



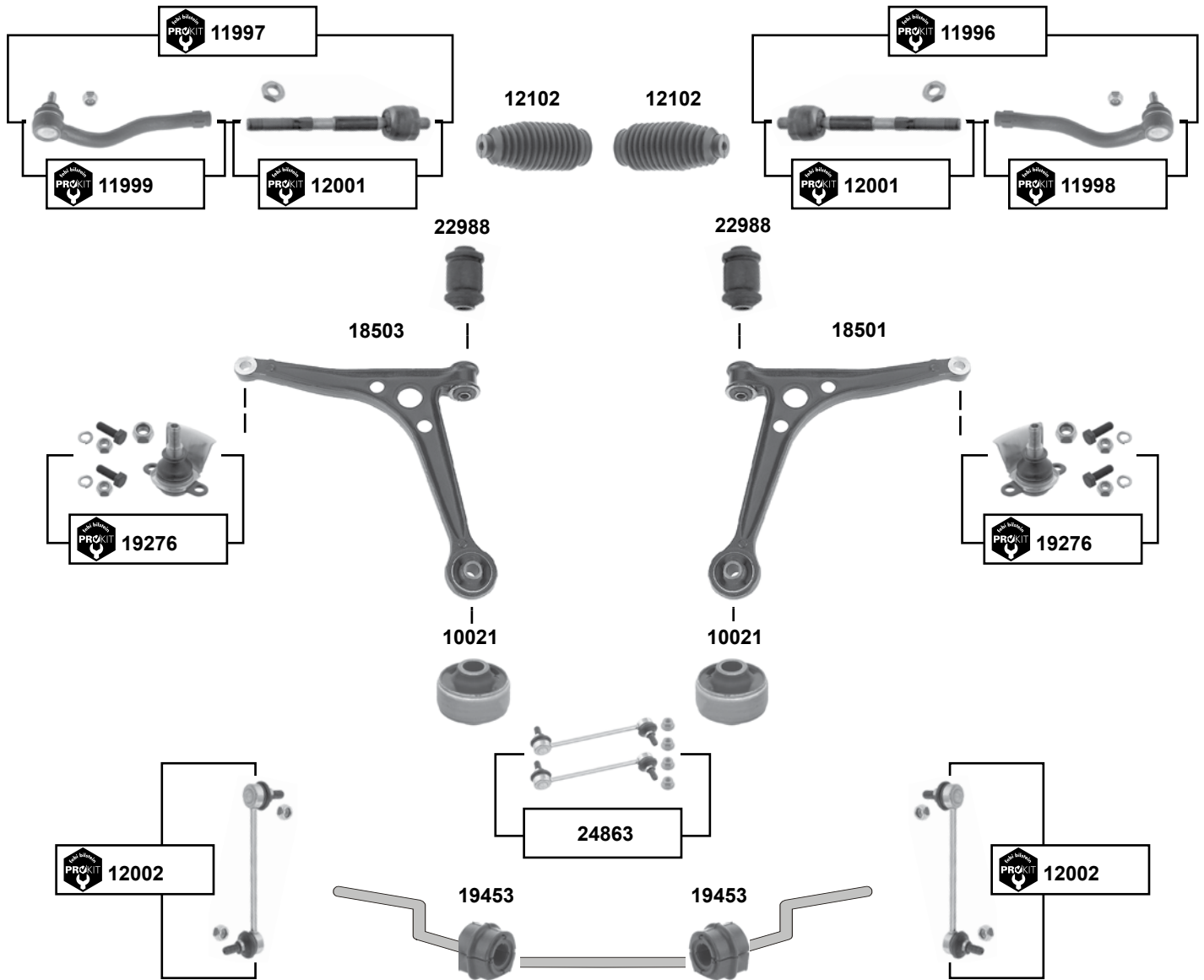
	Ref. - No.			
<b>12472</b>	89 65 253	Querlenkerlager / control arm	→ 91	
<b>12952</b>	89 72 135	Traggelenk / ball joint		M14 x 1,5
<b>12969</b>	89 62 250	Spurstange / tie rod		
<b>12970</b>	89 93 453	Spurstangenendstück / tie rod end	servo 	M12 x 1,5
<b>14753</b>	89 58 944	Verbindungsstange / connecting rod	servo 	
<b>17039</b>	89 61 476	Querlenkerlager / control arm mount		29/34x136
<b>17197</b>	89 53 986	Stabilisatorlager / stabilizer mount		Ø I 10



666

# Alhambra (7V8)

(1996 → 2010)



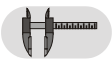
Vorderachse / Front axle



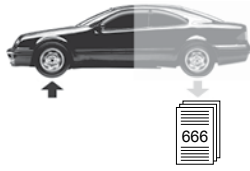
(1) ohne exzentrische Buchse für Spur-Sturz/-einstellung / without eccentric bushing for track-chamber/-gauge



Ref. - No.

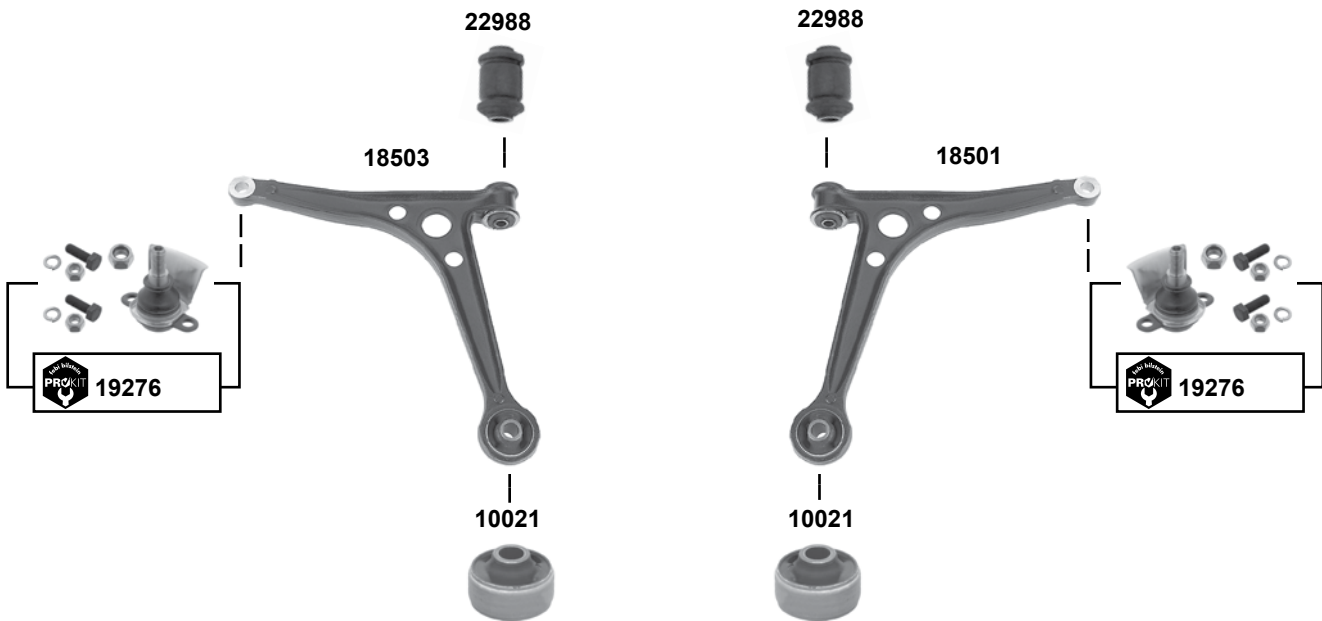
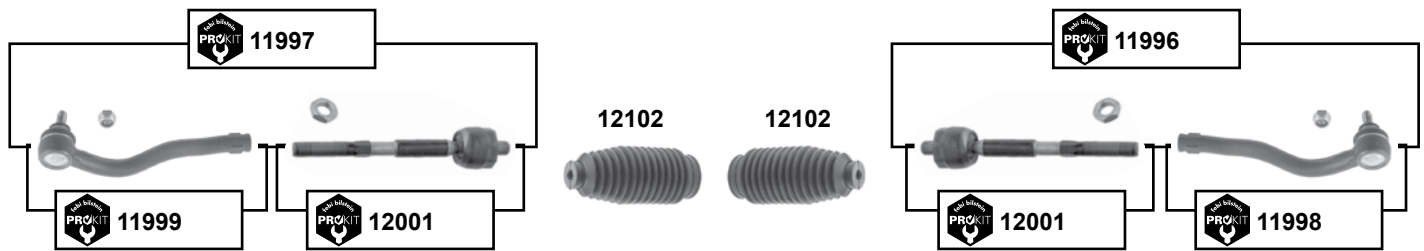


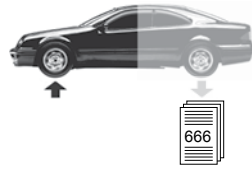
Ref. - No.	Description	Notes	Dimensions
10021	Querlenkerlager / control arm mount		18x60x50
11996	ProKit Spurstange mit Endstück / tie rod with end		
11997	ProKit Spurstange mit Endstück / tie rod with end		
11998	ProKit Spurstangenendstück / tie rod end		M12 x 1,5
11999	ProKit Spurstangenendstück / tie rod end		M12 x 1,5
12001	ProKit Spurstange / tie rod		
12002	ProKit Verbindungsstange / connecting rod	(ch.) 7-M-S-001830 →	L 205
12102	Lenkmanschette / steering boot	96 → 00	
18501	Querlenker / control arm	96 → 00	
18503	Querlenker / control arm	96 → 00	
19276	ProKit Traggelenk / ball joint	96 → 00	M14 x 1,5
19453	Stabilisatorlager / stabilizer mount	96 → 00	Ø I 17
22988	Querlenkerlager / control arm mount	96 → 00 (1)	Ø A 35
24863	Verbindungsstangensatz / connecting rod set		L 205



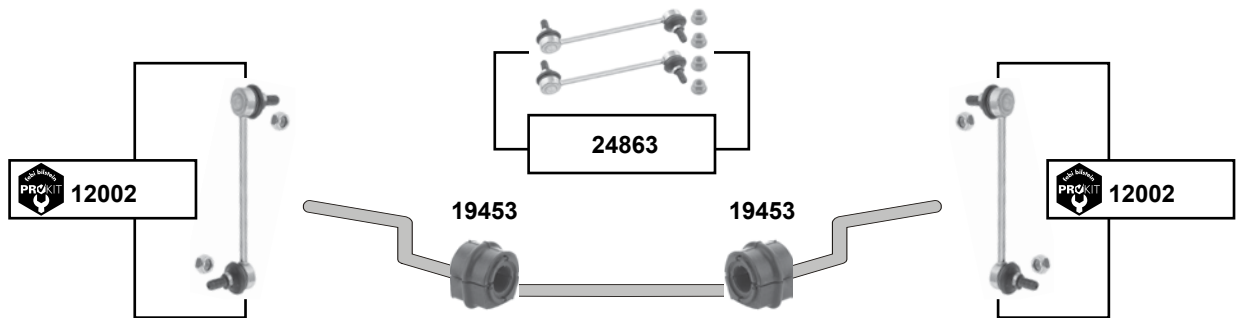
## Alhambra (7V9) (2001 → 2010)

Vorderachse / Front axle





**Alhambra (7V9)**  
(2001 → 2010)



Vorderachse / Front axle



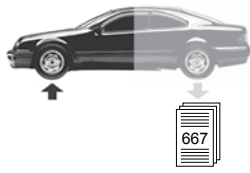
(1) ohne exzentrische Buchse für Spur-Sturz/-einstellung / without eccentric bushing for track-chamber/-gauge



Ref. - No.



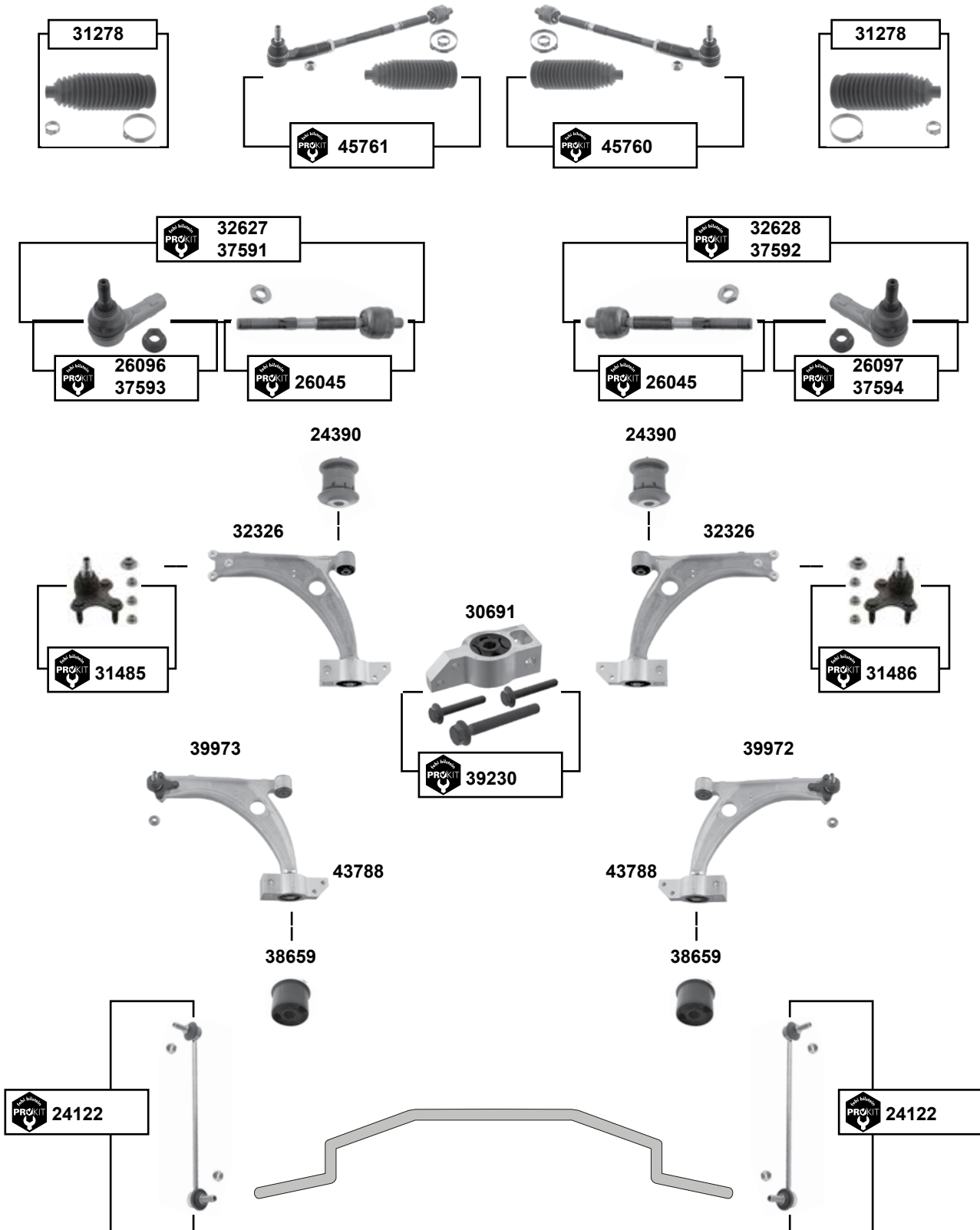
<b>10021</b>	7M0 407 181 A	Querlenkerlager / control arm mount		
<b>11996</b>	7M3 422 804 A	ProKit Spurstange mit Endstück / tie rod with end		18x60x50
<b>11997</b>	7M3 422 803 A	ProKit Spurstange mit Endstück / tie rod with end		
<b>11998</b>	7M3 422 818	ProKit Spurstangenendstück / tie rod end		M12 x 1,5
<b>11999</b>	7M3 422 817	ProKit Spurstangenendstück / tie rod end		M12 x 1,5
<b>12001</b>	7M3 422 810	ProKit Spurstange / tie rod		
<b>12002</b>	7M3 411 317 C	ProKit Verbindungsstange / connecting rod	→ 04 (ch.) → 7M-4-519000	L 205
<b>12102</b>	7M3 422 831	Lenkmanschette / steering boot		
<b>18501</b>	7M0 407 152 B	Querlenker / control arm		
<b>18503</b>	7M0 407 151 B	Querlenker / control arm		
<b>19276</b>	7M3 407 365 C	ProKit Traggelenk / ball joint		M14 x 1,5
<b>19453</b>	7M0 411 031	Stabilisatorlager / stabilizer mount		Ø I 17
<b>22988</b>	7M0 501 541	Querlenkerlager / control arm mount	(1)	Ø A 35
<b>24863</b>	7M3 498 317	Verbindungsstangensatz / connecting rod set	→ 05	L 205

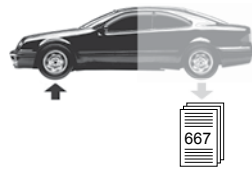


# Alhambra (710)

(2011 →)

Vorderachse / Front axle





**Alhambra (710)**  
(2011 →)



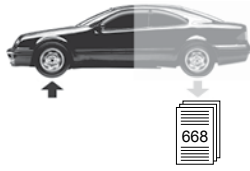
- (1) PR-F0A ; nicht für Sonderfahrzeuge / not for special purpose vehicles
- (2) (mot.) CDAA / CCZA, für Taxifahrzeuge / for taxis



Ref. - No.

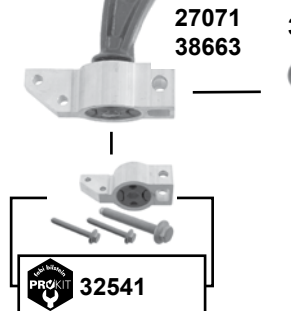
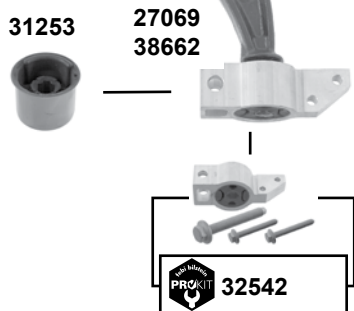
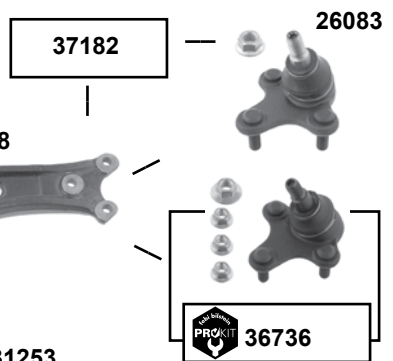
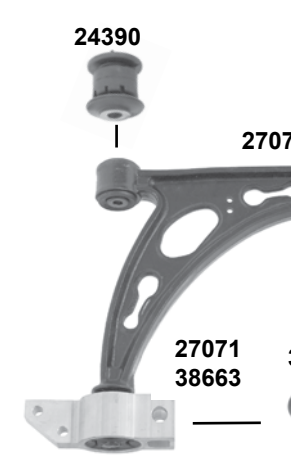
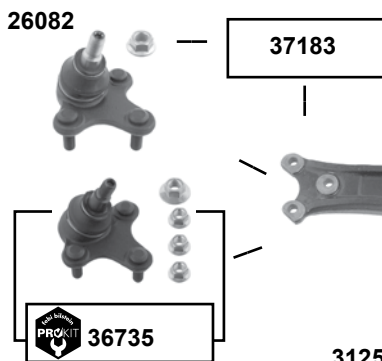
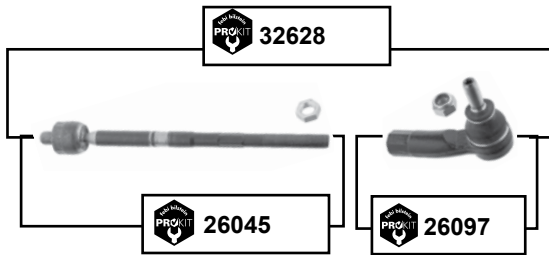
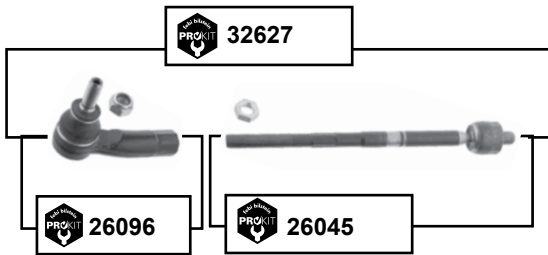


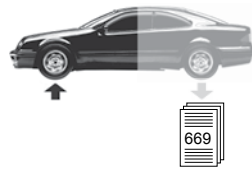
<b>24122</b>	1K0 411 315 R	ProKit Verbindungsstange / connecting rod		
<b>24390</b>	1K0 407 182	Querlenkerlager / control arm mount		Ø A 48 H 54
<b>26045</b>	1K0 423 810 A	ProKit Axialgelenk / axial joint		
<b>26096</b>	1K0 423 811 E	ProKit Spurstangenendstück / tie rod end	RHT	
<b>26097</b>	1K0 423 812 E	ProKit Spurstangenendstück / tie rod end	RHT	
<b>30691</b>	3C0 199 231 D	Querlenkerlager / control arm mount		
<b>31278</b>	1K0 423 831 A S1	Rep. Satz Lenkmanschette / rep. kit steering boot		Ø I 15,5 L190
<b>31485</b>	3C0 407 365 B S1	ProKit Traggelenk / ball joint		
<b>31486</b>	3C0 407 366 B S1	ProKit Traggelenk / ball joint		
<b>32326</b>	3C0 407 151 G	Querlenker / control arm	PR-F0A	
<b>32627</b>	1K0 423 810 A S1	ProKit Spurstange / tie rod	RHT	
<b>32628</b>	1K0 423 810 A S2	ProKit Spurstange / tie rod	RHT	
<b>37591</b>	1K0 423 811 K S1	ProKit Spurstange / tie rod	LHT	L 448
<b>37592</b>	1K0 423 812 K S1	ProKit Spurstange / tie rod	LHT	L 448
<b>37593</b>	1K0 423 811 K	ProKit Spurstangenendstück / tie rod end	LHT	M16 x 1,5
<b>37594</b>	1K0 423 812 K	ProKit Spurstangenendstück / tie rod end	LHT	M16 x 1,5
<b>38659</b>	1K0 407 183 G	Querlenkerlager / control arm mount	(2)	
<b>39230</b>	3C0 199 231 E S1	ProKit Querlenkerlagersatz / control arm mount kit		
<b>39972</b>	3C0 407 151 G S1	Querlenker / control arm	(1)	
<b>39973</b>	3C0 407 151 G S2	Querlenker / control arm	(1)	
<b>43788</b>	3C0 199 231 F	Querlenkerlager / control arm mount	(2)	
<b>45760</b>	1K0 423 810 A S4	ProKit Spurstange / tie rod	RHT	
<b>45761</b>	1K0 423 810 A S3	ProKit Spurstange / tie rod	RHT	



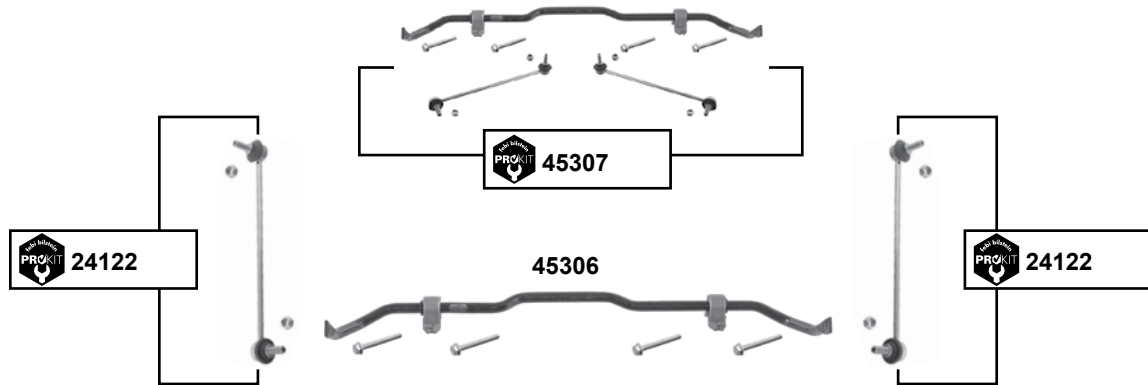
**Altea (5P)**  
(2004 →)

Vorderachse / Front axle





Altea (5P)  
(2004 →)



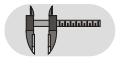
Vorderachse / Front axle



- (1) → (ch.) 5P-4-000 500 / (mot.) BJB / BKC / BKD / AZV / BXE
- (2) Stahl-Gussausführung / keine Mischverbauung mit der Blechausführung zulässig / cast iron execution / not mixable with metall execution
- (3) (ch.) 5P-7-000001 → / (ch.) → 5P-A-045000



Ref. - No.



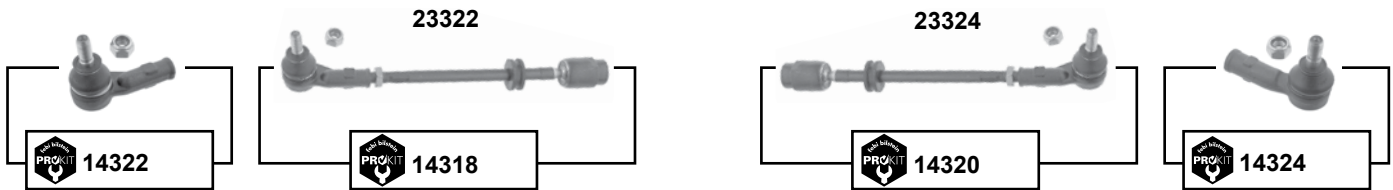
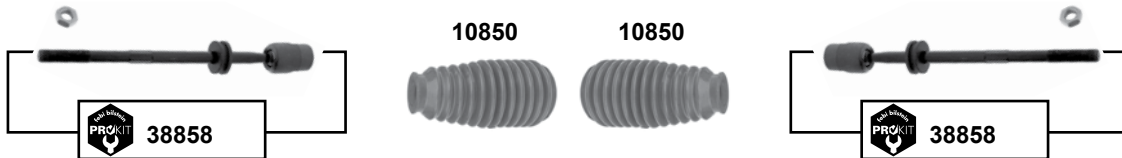
Ref. - No.	Description	Notes	Material
24122	1K0 411 315 R ProKit Verbindungsstange / connecting rod		
24390	1K0 407 182 Querlenkerlager / control arm mount		Ø A 48 H 54
26045	1K0 423 810 A ProKit Axialgelenk / axial joint		
26082	1K0 407 365 C Traggelenk / ball joint		
26083	1K0 407 366 C Traggelenk / ball joint		
26096	1K0 423 811 E ProKit Spurstangenendstück / tie rod end		
26097	1K0 423 812 E ProKit Spurstangenendstück / tie rod end		
27069	1K0 199 231 J Querlenkerlager mit Gehäuse / control arm mount with housing	→ 2006	
27071	1K0 199 232 J Querlenkerlager mit Gehäuse / control arm mount with housing	→ 2006	
27076	1K0 407 151 AC Querlenker, kpl. / control arm, cpl.	(1) (2)	
27078	1K0 407 152 AC Querlenker, kpl. / control arm, cpl.	(1) (2)	
31253	1K0 407 183 E Querlenkerlager / control arm mount	→ 2006	Ø A 63
31278	1K0 423 831 A S1 Rep. Satz Lenkmanschette / rep. kit steering boot		Ø I 15,5 L190
32541	1K0 199 232 J S1 ProKit Querlenkerlagersatz / control arm mounting kit	→ 2006	
32542	1K0 199 231 J S1 ProKit Querlenkerlagersatz / control arm mounting kit	→ 2006	
32627	1K0 423 810 A S1 ProKit Spurstange / tie rod		
32628	1K0 423 810 A S2 ProKit Spurstange / tie rod		
36735	1K0 407 365 C S1 ProKit Traggelenk / ball joint		
36736	1K0 407 366 C S1 ProKit Traggelenk / ball joint		
37182	1K0 407 152 AC S1 Rep. Satz Querlenker mit Traggelenk / control arm with ball joint		
37183	1K0 407 151 AC S1 Rep. Satz Querlenker mit Traggelenk / control arm with ball joint		
38180	1K0 407 152 BC S1 Rep. Satz Querlenker / rep. kit control arm		Stahl / steel
38181	1K0 407 151 BC S1 Rep. Satz Querlenker / rep. kit control arm		Stahl / steel
38662	1K0 199 231 K Querlenkerlager mit Gehäuse / control arm mount with housing		Aluminium
38663	1K0 199 232 K Querlenkerlager mit Gehäuse / control arm mount with housing		Aluminium
40103	1K0 407 151 AC S2 ProKit Querlenker / control arm	(3)	
40104	1K0 407 152 AC S2 ProKit Querlenker / control arm	(3)	
45306	1K0 411 303 BK S1 Stabilisatorsatz / stabilizer kit	PR-0AE	
45307	1K0 411 303 BK S2 ProKit Stabilisatorsatz / stabilizer kit	PR-0AE	
45760	1K0 423 810 A S4 ProKit Spurstange / tie rod		
45761	1K0 423 810 A S3 ProKit Spurstange / tie rod		



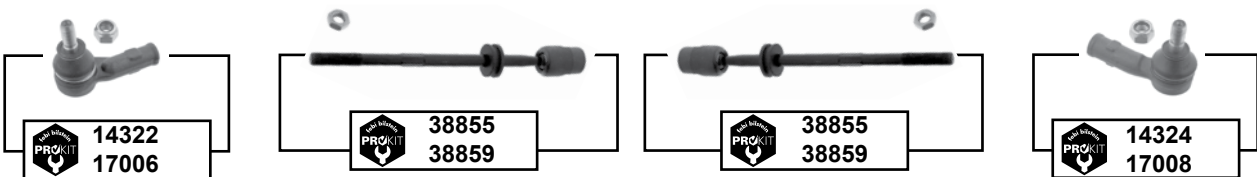
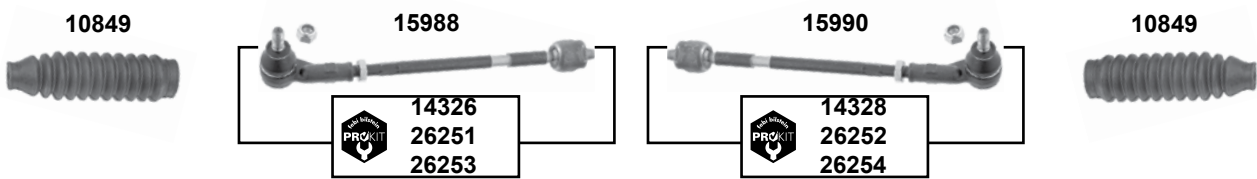


**Arosa (6H)**  
(1997 → 2004)

man.



servo



Vorderachse / Front axle



**Arosa (6H)**  
(1997 → 2004)

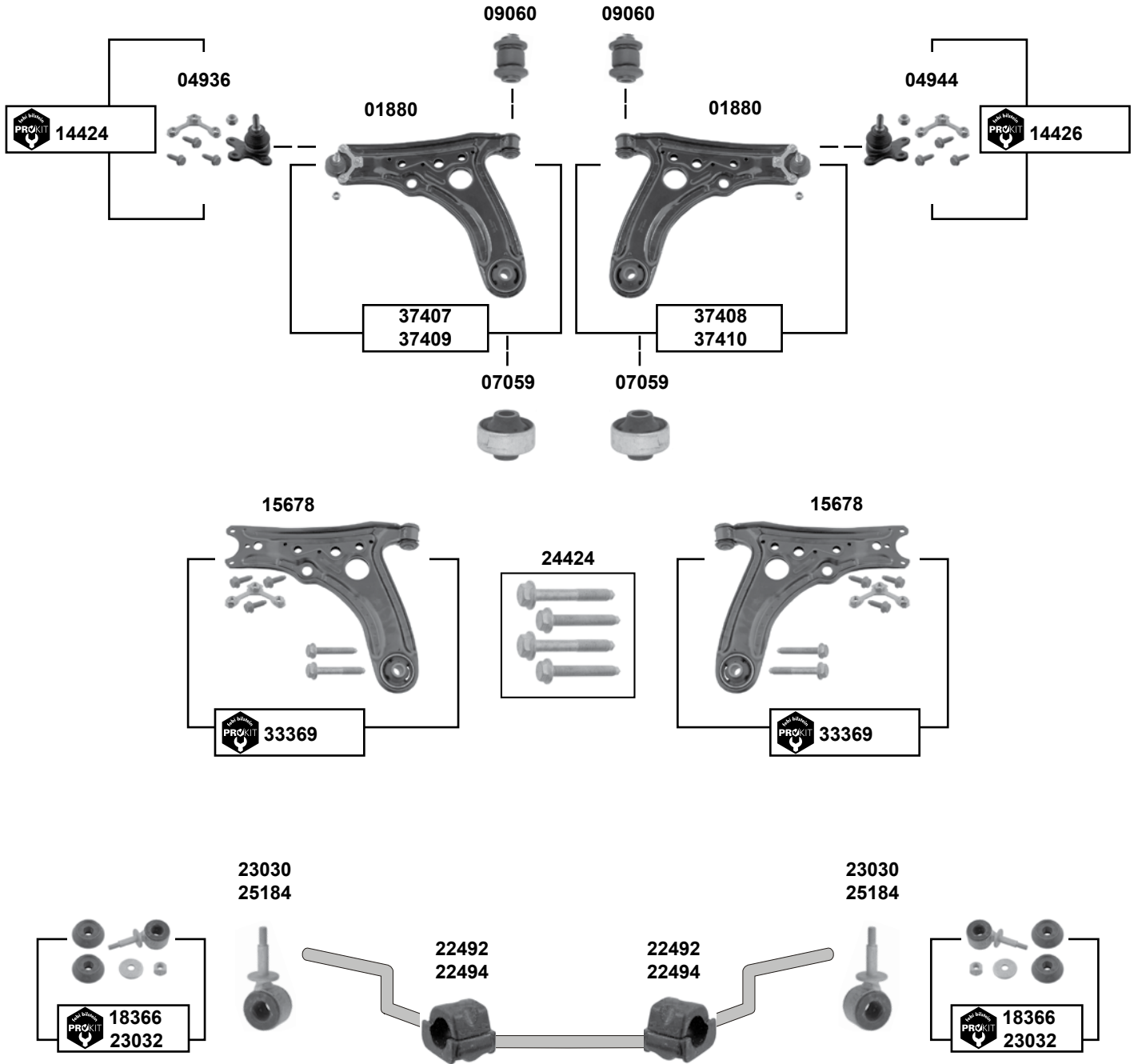
	(1) 1998 → 2003 = alle / all // 2003 → = 1,0/1,4 8V/1,7 SDi
	(2) (ch.) 6H-W-027 754 → / (ch.) → 6H-W-055 365 (3) (mot.) AFK, AQQ, AMF, AUB
	(4) (ch.) → 6H-W-055 365 / (mot.) AER, ALL, AEX, AKV, APQ, AKU

	Ref. - No.			
10849	6N0 422 831	Lenkmanschette / steering boot		
10850	6N0 419 831	Lenkmanschette / steering boot		
14318	6N0 419 803	ProKit Spurstange / tie rod	(ch.) → 6H-W-055 365	
14320	6N0 419 804	ProKit Spurstange / tie rod	(ch.) → 6H-W-055 365	
14322	6N0 422 811	ProKit Spurstangenendstück / tie rod end	(ch.) → 6H-W-027 753	M12 x 1,5
14324	6N0 422 812	ProKit Spurstangenendstück / tie rod end	(ch.) → 6H-W-027 753	M12 x 1,5
14326	6N0 422 803 A	ProKit Spurstange / tie rod	(ch.) → 6H-W-027 753	M12 x 1,5
14328	6N0 422 804 A	ProKit Spurstange / tie rod	(ch.) → 6H-W-027 753	M12 x 1,5
15988	6X0 422 803	Spurstange / tie rod	(1) (ch.) 6H-W-055 366 →	M12 x 1,5
15990	6X0 422 804	Spurstange / tie rod	(1) (ch.) 6H-W-055 366 →	M12 x 1,5
17006	6E0 419 811	ProKit Spurstangenendstück / tie rod end	(ch.) 6H-W-027 754 →	M12 x 1,5
17008	6E0 419 812	ProKit Spurstangenendstück / tie rod end	(ch.) 6H-W-027 754 →	M12 x 1,5
23322	6X0 419 803 A	Spurstange / tie rod	(ch.) 6H-W-055 366 →	
23324	6X0 419 804 A	Spurstange / tie rod	(ch.) 6H-W-055 366 →	
26251	6N0 422 803 C	ProKit Spurstange / tie rod	(3)	
26252	6N0 422 804 C	ProKit Spurstange / tie rod	(3)	
26253	6N0 422 803 D	ProKit Spurstange / tie rod	(2)	M12 x 1,5
26254	6N0 422 804 D	ProKit Spurstange / tie rod	(2)	M12 x 1,5
38855	6X0 422 810	ProKit Axialgelenk / axial joint	(ch.) 6H-W-055 366 →	
38858	6N0 419 810	ProKit Axialgelenk / axial joint	(4)	
38859	6N0 422 810 A	ProKit Axialgelenk / axial joint	(ch.) → 6H-W-027 753	



**Arosa (6H)**  
(1997 → 2004)

Vorderachse / Front axle





**Arosa (6H)**  
(1997 → 2004)

- (1)** 98 → 04 / **(ch.)** 6H-W-055 366 →
- (2)** **(mot.)** AER, AEX, AHT, AKK, AKV, ALD, ALL, ANV, ANW, APQ **(ch.)** → 6H-Y-028 000  
Einbauseite: V  
**(mot.)** AKU, AUC, AUD **(ch.)** → 6H-Y-028 000 / **(ch.)** 6H-1-000 001 →  
Einbauseite: V  
**(mot.)** AQQ **(ch.)** → 6H-Y-028000 Einbauseite: V  
**(mot.)** AFK, AMF **(ch.)** → 6H-Y-028 000 / **(ch.)** 6H-1-000 001 →  
Einbauseite: V  
**(mot.)** AUB Einbauseite: V
- (3)** **(mot.)** AER, AEX, AHT, AKK, AKV, ALD, ALL, ANV, ANW, APQ **(ch.)** → 6H-Y-028 000  
Einbauseite: V  
**(mot.)** AKU, AUC, AUD **(ch.)** → 6H-Y-028 000 / **(ch.)** 6H-1-000 001 →  
Einbauseite: V  
**(mot.)** AQQ **(ch.)** → 6H-Y-028000 Einbauseite: V  
**(mot.)** AFK, AMF **(ch.)** → 6H-Y-028 000 / **(ch.)** 6H-1-000 001 → Einbauseite: V  
front axle left  
**(mot.)** AUB Einbauseite: V

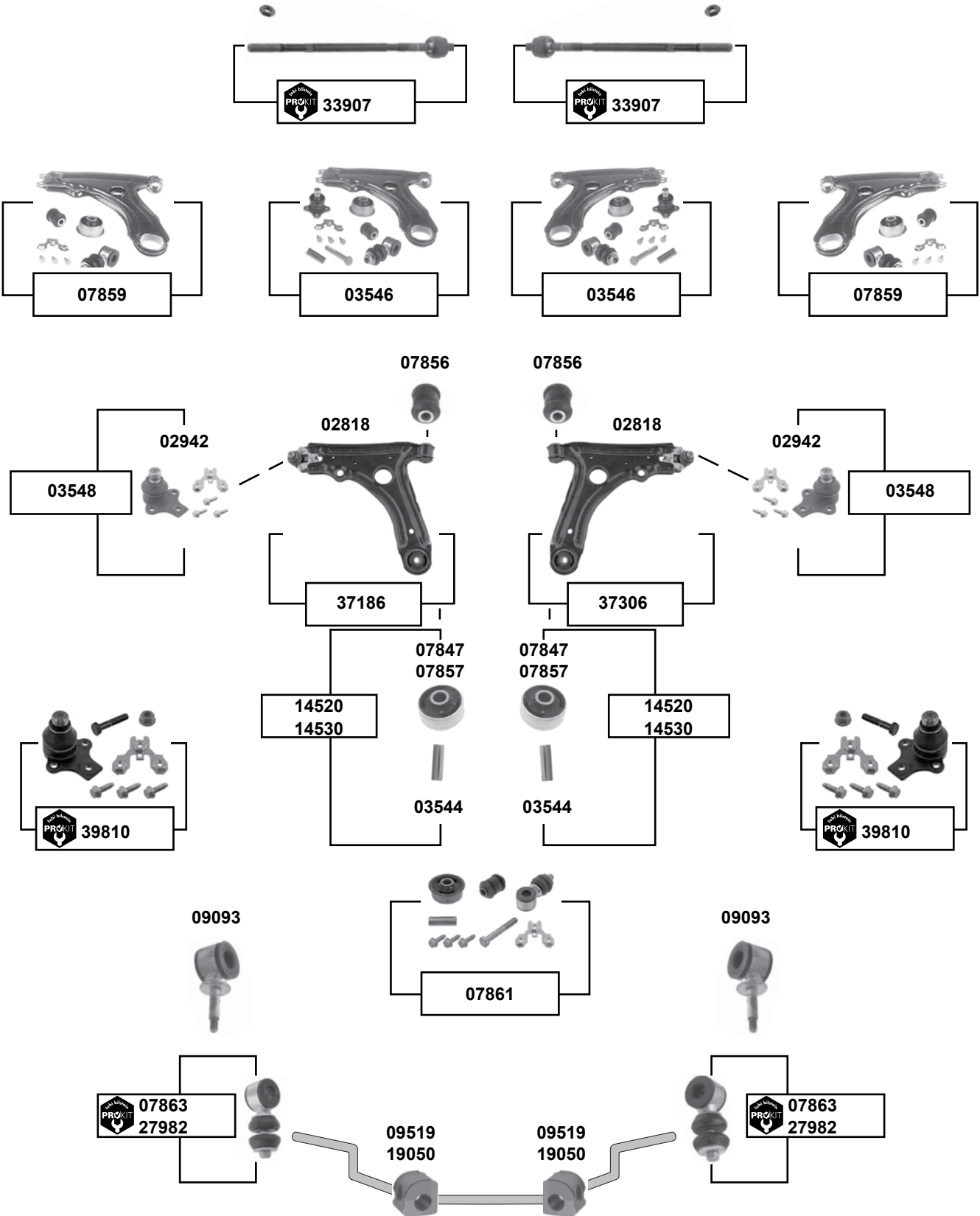


	Ref. - No.			
01880	6N0 407 151 B	Querlenker / control arm	<b>(ch.)</b> → 6H-W-055 365	
04936	6N0 407 365	Traggelenk / ball joint	<b>(2)</b>	M10 x 1
04944	6N0 407 365 A	Traggelenk / ball joint	<b>(3)</b>	M10 x 1
07059	6N0 407 181	Querlenkerlager / control arm mount		17x61x46
09060	6N0 407 182	Querlenkerlager / control arm mount		10x28x47
14424	6N0 407 365 S1	ProKit Traggelenk / ball joint		M10 x 1
14426	6N0 407 365 A S1	ProKit Traggelenk / ball joint		M10 x 1
15678	6X0 407 151 A	Querlenker / control arm	<b>(ch.)</b> 6H-W-055 366 →	
18366	6N0 411 315 C S1	ProKit Verbindungsstange / connecting rod		
24424	N 904 840 03 S3	Schraubensatz für Querlenker / screw kit for control arm		
22492	6X0 411 313	Stabilisatorlager / stabilizer mount		Ø   18
22494	6X0 411 313 A	Stabilisatorlager / stabilizer mount		Ø   20
23030	6N0 411 315 D	Verbindungsstange / connecting rod		
23032	6N0 411 315 D S1	ProKit Verbindungsstange / connecting rod	01 →	
25184	6N0 411 315	Verbindungsstange / connecting rod		
33369	6X0 407 151 A S1	ProKit Querlenker / control arm	<b>(1)</b>	
37407	6X0 407 151 A S2	Rep. Satz Querlenker / rep. kit control arm	<b>(ch.)</b> 6H-W-055 366 →	
37408	6X0 407 151 A S3	Rep. Satz Querlenker / rep. kit control arm	<b>(ch.)</b> 6H-W-055 366 →	
37409	6N0 407 151 B S1	Rep. Satz Querlenker / rep. kit control arm	<b>(ch.)</b> → 6H-W-055 365	
37410	6N0 407 151 B S2	Rep. Satz Querlenker / rep. kit control arm	<b>(ch.)</b> → 6H-W-055 365	



**Cordoba (6K)**  
(1993 → 1999)

Vorderachse / Front axle





**Cordoba (6K)**  
(1993 → 1999)



- (1) (ch.) → 6K-V-143400 alle / all / (ch.) 6K-V-143401 → 1.0 / 1.3 / 1.4 / 1.6 (55kw)
- (2) (ch.) 6K-V-143401 → 1,6 (74kw); Diesel
- (3) 93 → 94 (ch.) → 6K-ZR036 750 / → 6K-ZR546 756
- (4) 93 → 94 (ch.) → 6K-ZR040 000 / → 6K-ZR550 000
- (5) → 12/1994 (ch.) → 6K-ZR-040 000 / 6K-ZR-550 000

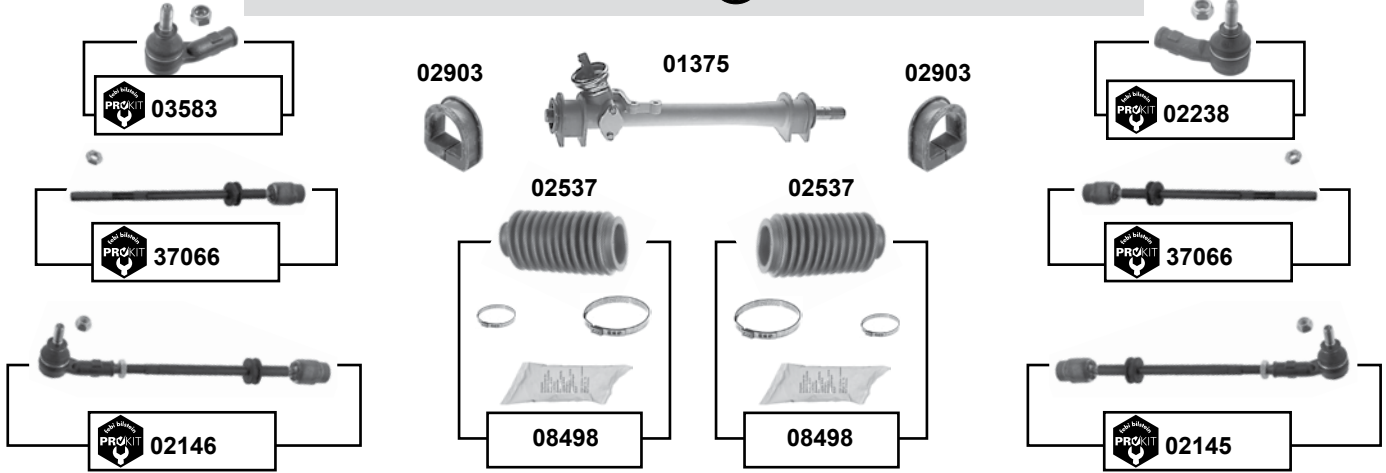
	Ref. - No.			
02818	191 407 151 B	Querlenker mit Gummilager / control arm incl. rubber mounts		
02942	357 407 365	Traggelenk / ball joint		Ø A 19
03544	191 407 190 A	Hülse / sleeve		50x17
03546	191 407 153 A S3	Rep. Satz Querlenker / rep. kit control arm		
03548	357 407 365 S1	Rep. Satz Traggelenk / rep. kit ball joint		
07847	191 407 181 D	Querlenkerlager / control arm mount	NEW	17x60x41
07856	357 407 182	Querlenkerlager / control arm mount		12x33x54
07857	191 407 181 B	Querlenkerlager / control arm mount	OLD	17x60x41
07859	191 407 153 A S2	Rep. Satz Querlenker / rep. kit control arm	→ 12/1994	
07861	191 407 153 S1	Montagesatz / mounting kit	(5)	
07863	191 411 315 B S1	ProKit Verbindungsstange / connecting rod	(4)	Metall
09093	191 411 315 B	Verbindungsstange / connecting rod	(5)	
09519	191 411 314	Stabilisatorlager / stabilizer mount	(1)	Ø I 17
14520	191 407 181 B S1	Querlenkerlager mit Hülse / control arm mount with sleeve	OLD	
14530	191 407 181 D S1	Querlenkerlager mit Hülse / control arm mount with sleeve	NEW	
19050	1H0 411 314	Stabilisatorlager / stabilizer mount	(2)	Ø I 19
27982	6K0 411 315 S1	ProKit Verbindungsstange / connecting rod		Ø I 16,5
33907	191 422 810 A	ProKit Axialgelenk / axial joint	(3) servo	
37186	191 407 151 B S1	Rep. Satz Querlenker / rep. kit control arm		
37306	191 407 151 B S2	Rep. Satz Querlenker / rep. kit control arm		
39810	357 407 365 S2	ProKit Traggelenk / ball joint		



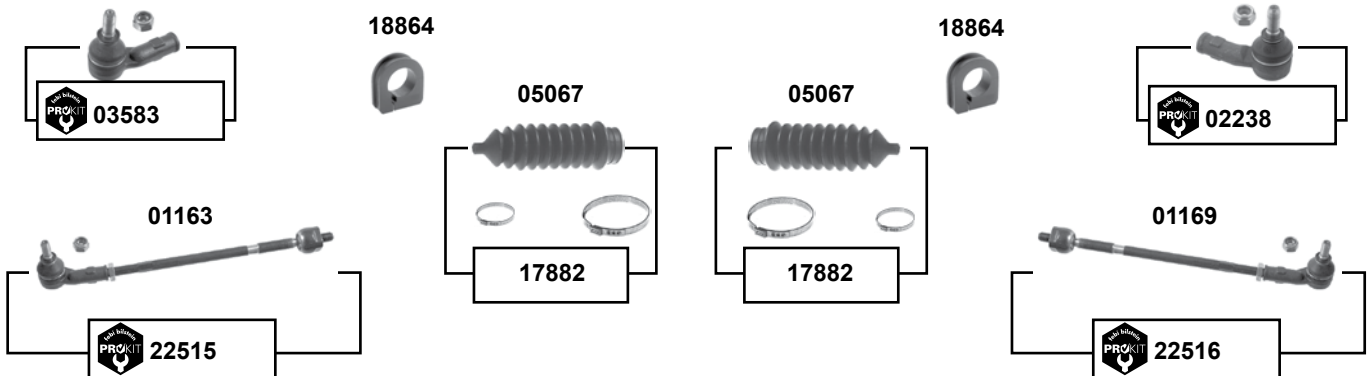
## Cordoba (6K)

(1993 → 1999)

man.



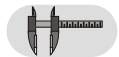
servo



(1) (ch.) 6K-ZR546757 → 6K-TR081919



Ref. - No.

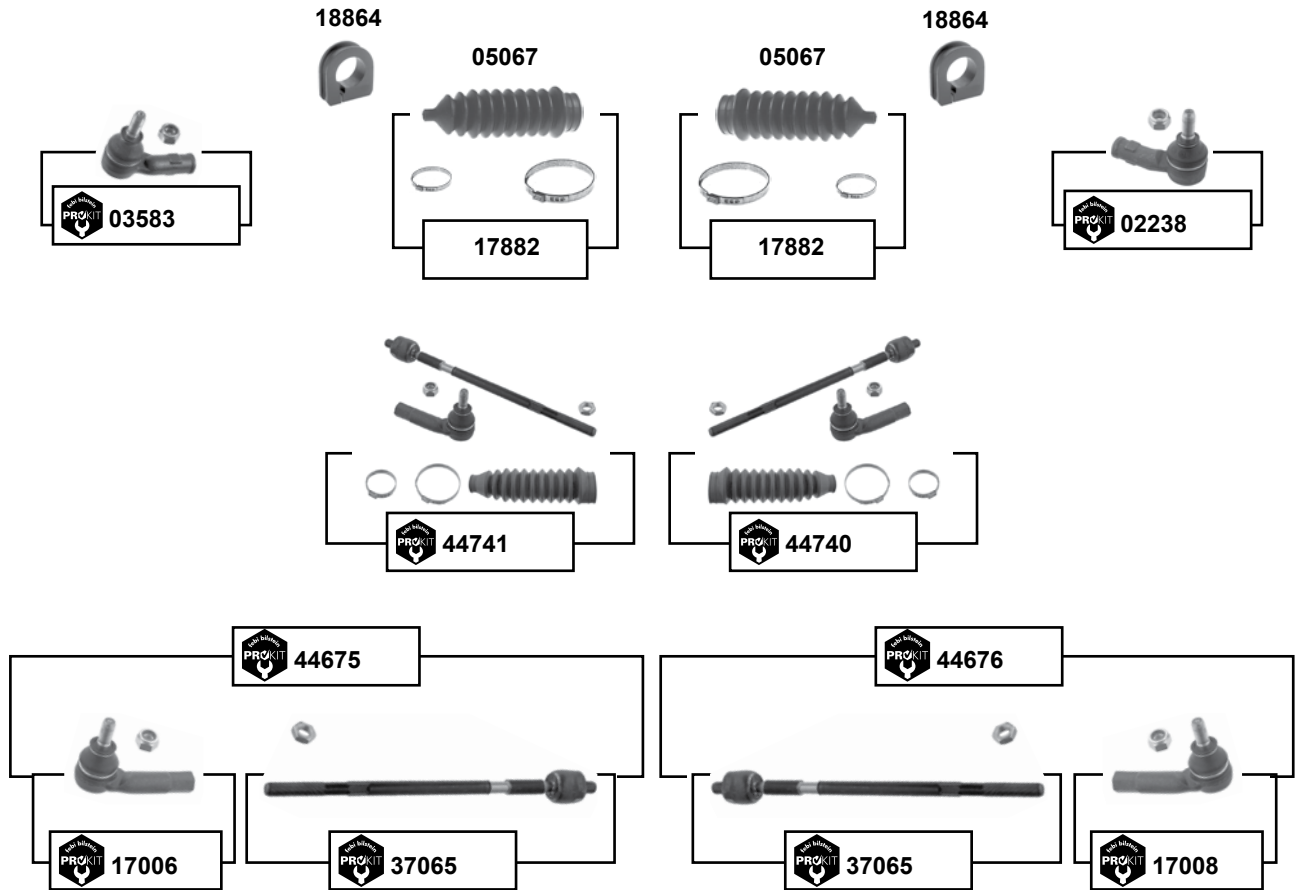


Ref. - No.	Description	Part No.	Quantity
01163	Spurstange / tie rod	(ch.) → 6K-ZR546756	M12 x 1,5
01169	Spurstange / tie rod	(ch.) → 6K-ZR546756	M12 x 1,5
01375	Lenkgetriebe / steering gear	LHD	
02145	ProKit Spurstange / tie rod		M12 x 1,5
02146	ProKit Spurstange / tie rod		M12 x 1,5
02238	ProKit Spurstangenendstück / tie rod end		M12 x 1,5
02537	Lenkmanschette / steering boot		
02903	Lenkgetriebelager / steering gear bearing		B 28
03583	ProKit Spurstangenendstück / tie rod end		M12 x 1,5
05067	Lenkmanschette / steering boot		
08498	Rep. Satz Lenkmanschette / rep. kit steering boot		
17882	Rep. Satz Lenkmanschette / rep. kit steering boot		
18864	Lenkgetriebelager / steering gear bearing	(ch.) → 6K-TR018 919	
22515	ProKit Spurstange / tie rod	(1)	
22516	ProKit Spurstange / tie rod	(1)	
37066	ProKit Spurstange / tie rod		M12 x 1,5

Vorderachse / Front axle



# Cordoba / Vario (6K) (1999 → 2002)



Vorderachse / Front axle

- (1) (ch.) → 6K-1-180000
- (2) (ch.) 6K-1-180001 →
- (3) (ch.) → 6K-X-400 001 / (ch.) 6K-TR130 000 → // Ausstattungsvariante / Equipment Variation : SX
- (4) (ch.) 6K-TR130 000 → / (ex.) Sport

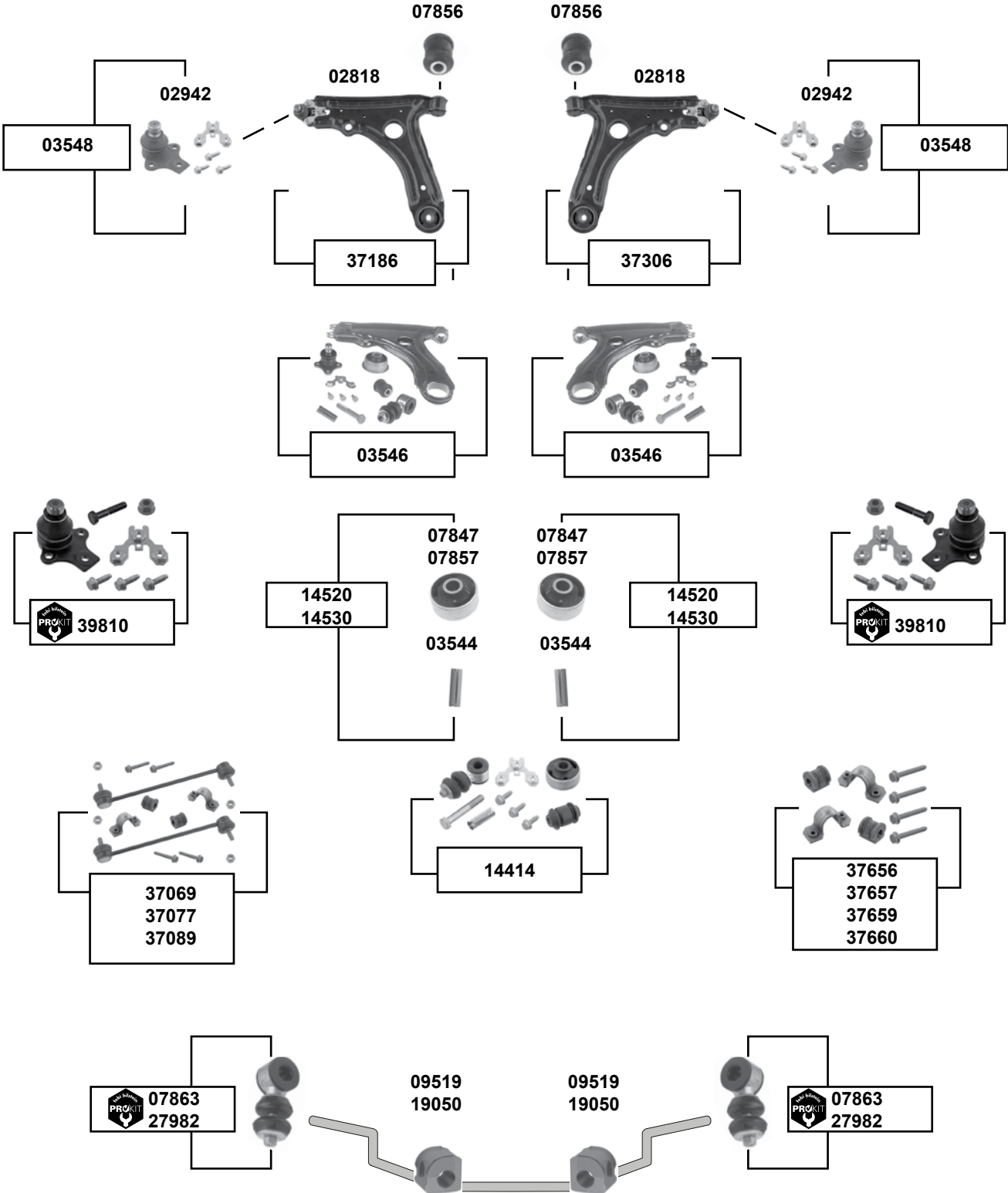
	Ref. - No.			
02238	191 419 812	ProKit Spurstangenendstück / tie rod end	(1)	M12 x 1,5
03583	191 419 811	ProKit Spurstangenendstück / tie rod end	(1)	M12 x 1,5
05067	1H0 422 831 B	Lenkmanschette / steering boot	(1)	
17006	6E0 419 811	ProKit Spurstangenendstück / tie rod end	(2)	
17008	6E0 419 812	ProKit Spurstangenendstück / tie rod end	(2)	M12 x 1,5
17882	1H0 422 831 B S1	Rep. Satz Lenkmanschette / rep. kit steering boot	(1)	
18864	1H0 422 884	Lenkgetriebelager / steering gear bearing		
37065	6K0 422 810 E	ProKit Axialgelenk / axial joint		
44675	6K0 422 803 E	ProKit Spurstange / tie rod	(3)	M12 x 1,5
44676	6K0 422 804 E	ProKit Spurstange / tie rod	(3)	M12 x 1,5
44740	6K0 422 804 E S1	ProKit Spurstange / tie rod	(4)	
44741	6K0 422 803 E S1	ProKit Spurstange / tie rod	(4)	





**Cordoba / Vario (6K)**  
(1999 → 2002)

Vorderachse / Front axle





**Cordoba / Vario (6K)**  
(1999 → 2002)



- (1) 1.0 / 1.4 (44 kW) **alle / all**  
1.6 (55 kW) **(ch.)** → 6K-X-430579
- (2) 1,6 (74kw); Diesel **(ch.)** 6K-V-143401 →
- (3) PR-0AQ / **(ch.)** 6L-8-157 035 →
- (4) PR-0AR / **(ch.)** 6L-8-157 035 →
- (5) **(ch.)** 6L-8-041 365 → / PR-0AR



Ref. - No.

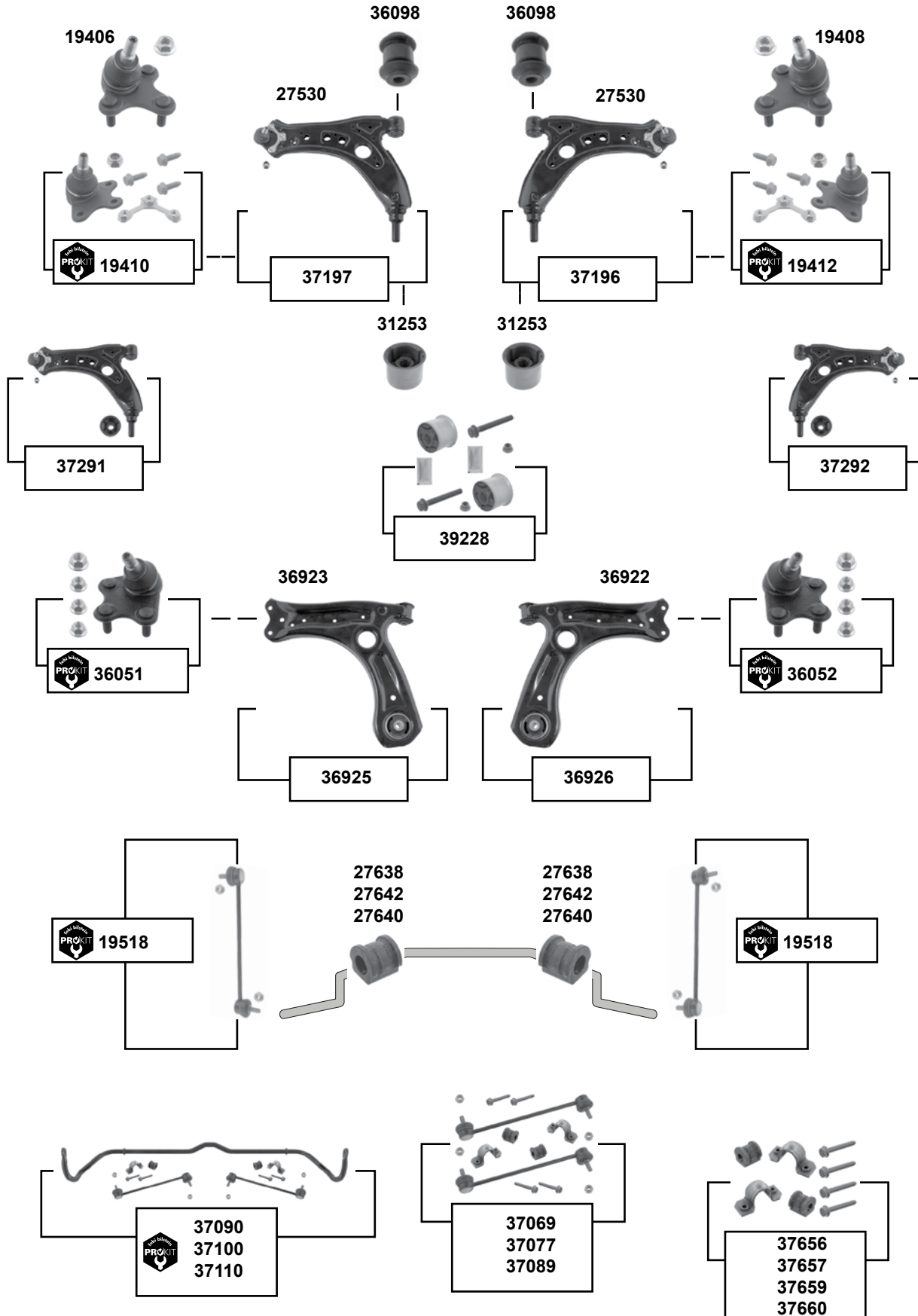


<b>02818</b>	191 407 151 B	Querlenker mit Gummilager / control arm incl. rubber mounts		
<b>02942</b>	357 407 365	Traggelenk / ball joint		Ø A 19
<b>03544</b>	191 407 190 A	Hülse / sleeve		50x17
<b>03546</b>	191 407 153 A S3	Rep. Satz Querlenker / rep. kit control arm		
<b>03548</b>	357 407 365 S1	Rep. Satz Traggelenk / rep. kit ball joint		
<b>07847</b>	191 407 181 D	Querlenkerlager / control arm mount	<b>NEW</b>	17x60x41
<b>07856</b>	357 407 182	Querlenkerlager / control arm mount		12x33x54
<b>07857</b>	191 407 181 B	Querlenkerlager / control arm mount	<b>OLD</b>	17x60x41
<b>07863</b>	191 411 315 B S1	ProKit Verbindungsstange / connecting rod		
<b>09519</b>	191 411 314	Stabilisatorlager / stabilizer mount	<b>(1)</b>	Ø   17
<b>14414</b>	191 407 153 S2	Montagesatz / mounting kit		
<b>14520</b>	191 407 181 B S1	Querlenkerlager mit Hülse / control arm mount with sleeve	<b>OLD</b>	
<b>14530</b>	191 407 181 D S1	Querlenkerlager mit Hülse / control arm mount with sleeve	<b>NEW</b>	
<b>19050</b>	1H0 411 314	Stabilisatorlager / stabilizer mount	<b>(2)</b>	Ø   19
<b>27982</b>	6K0 411 315 S1	ProKit Verbindungsstange / connecting rod		Ø   16,5
<b>37069</b>	6Q0 411 314 Q S1	Stabilisatorlagersatz / anti roll bar bush kit	<b>(4)</b>	
<b>37077</b>	6Q0 411 314 P S1	Stabilisatorlagersatz / anti roll bar bush kit	<b>(3)</b>	
<b>37089</b>	6Q0 411 314 R S2	Stabilisatorlagersatz / anti roll bar bush kit	PR-0AS	
<b>37186</b>	191 407 151 B S1	Rep. Satz Querlenker / rep. kit control arm		
<b>37306</b>	191 407 151 B S2	Rep. Satz Querlenker / rep. kit control arm		
<b>37656</b>	6Q0 411 314 R S3	Stabilisatorlagersatz / anti roll bar bush kit	<b>(2)</b>	Ø   18
<b>37657</b>	6Q0 411 314 P S2	Stabilisatorlagersatz / anti roll bar bush kit	PR-0AQ	Ø   16
<b>37659</b>	6Q0 411 314 R S4	Stabilisatorlagersatz / anti roll bar bush kit	PR-0AQ	Ø   18
<b>37660</b>	6Q0 411 314 Q S2	Stabilisatorlagersatz / anti roll bar bush kit	<b>(5)</b>	Ø   17
<b>39810</b>	357 407 365 S2	ProKit Traggelenk / ball joint		



**Cordoba / Vario (6L)**  
(2002 →)

Vorderachse / Front axle





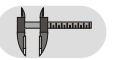
**Cordoba / Vario (6L)**  
(2002 →)



(1) 03 → / (ex.) Cupra R: BPX/BUK/BLZ  
(2) → 09 (ch.) → 6L-3-164 392 / PR-0AS



Ref. - No.



Ref. - No.	Description	Notes	Dimensions
19406	6Q0 407 365 M	Traggelenk / ball joint	
19408	6Q0 407 366 M	Traggelenk / ball joint	
19410	6Q0 407 365 M S1	ProKit Traggelenk / ball joint	→ 09 / (ch.) → 6L-8-185 000
19412	6Q0 407 366 M S1	ProKit Traggelenk / ball joint	→ 09 / (ch.) → 6L-8-185 000
19518	6Q0 411 315 Q	ProKit Verbindungsstange / connecting rod	03 →
27530	6Q0 407 151 L	Querlenker / control arm	→ 08 (ch.) → 6L-8-157 034
27638	6Q0 411 314 P	Stabilisatorlager / stabilizer mount	(ch.) 6L-3-164 393 →
27640	6Q0 411 314 Q	Stabilisatorlager / stabilizer mount	06 →
27642	6Q0 411 314 R	Stabilisatorlager / stabilizer mount	(ch.) → 6L-3-164 392
31253	1K0 407 183 E	Querlenkerlager / control arm mount	(1)
36051	6R0 407 365 A	ProKit Traggelenk / ball joint	(ch.) 6L-8-173 860 →
36052	6R0 407 366 A	ProKit Traggelenk / ball joint	(ch.) 6L-8-173 860 →
36098	6Q0 407 182 A	Querlenkerlager / control arm mount	(ch.) → 6L-8-157 034
36922	6R0 407 152 E	Querlenker / control arm	(ch.) 6L-8-173 860 →
36923	6R0 407 151 E	Querlenker / control arm	(ch.) 6L-8-173 860 →
36925	6R0 407 151 E S1	Rep. Satz Querlenker / rep. kit control arm	(ch.) 6L-8-173 860 →
36926	6R0 407 152 E S1	Rep. Satz Querlenker / rep. kit control arm	(ch.) 6L-8-173 860 →
37069	6Q0 411 314 Q S1	Stabilisatorlagersatz / anti roll bar bush kit	PR-0AR / (ch.) 6L-8-157 035 →
37077	6Q0 411 314 P S1	Stabilisatorlagersatz / anti roll bar bush kit	PR-0AQ / (ch.) 6L-8-157 035 →
37089	6Q0 411 314 R S2	Stabilisatorlagersatz / anti roll bar bush kit	PR-0AS
37090	6Q0 411 305 AL S2	ProKit Stabilisatorsatz / stabilizer kit	PR-0AQ / (ch.) 6L-8-157 035 →
37100	6Q0 411 305 AM S2	ProKit Stabilisatorsatz / stabilizer kit	PR-0AR / (ch.) 6L-8-157 035 →
37110	6Q0 411 305 AN S2	ProKit Stabilisatorsatz / stabilizer kit	PR-0AS
37196	6Q0 407 151 L S3	Rep. Satz Querlenker / rep. kit control arm	
37197	6Q0 407 151 L S2	Rep. Satz Querlenker / rep. kit control arm	
37291	6Q0 407 151 L S5	Rep. Satz Querlenker / rep. kit control arm	
37292	6Q0 407 151 L S4	Rep. Satz Querlenker / rep. kit control arm	
37656	6Q0 411 314 R S3	Stabilisatorlagersatz / anti roll bar bush kit	(2)
37657	6Q0 411 314 P S2	Stabilisatorlagersatz / anti roll bar bush kit	PR-0AQ
37659	6Q0 411 314 R S4	Stabilisatorlagersatz / anti roll bar bush kit	PR-0AS
37660	6Q0 411 314 Q S2	Stabilisatorlagersatz / anti roll bar bush kit	(ch.) 6L-8-041 365 → / PR-0AR
39228	1K0 407 183 E S1	Querlenkerlagersatz / control arm mounting kit	



**Cordoba / Vario (6L)**  
(2003 →)

für / to fit servo TRW

21700

21700



38622

38622

38621

38621



19816

19818



19812

32473

32473

19814



44343



44344

für / to fit servo KOYO

26173

26174



19812

30820

30820

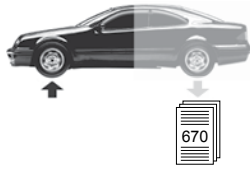
19814

Vorderachse / Front axle



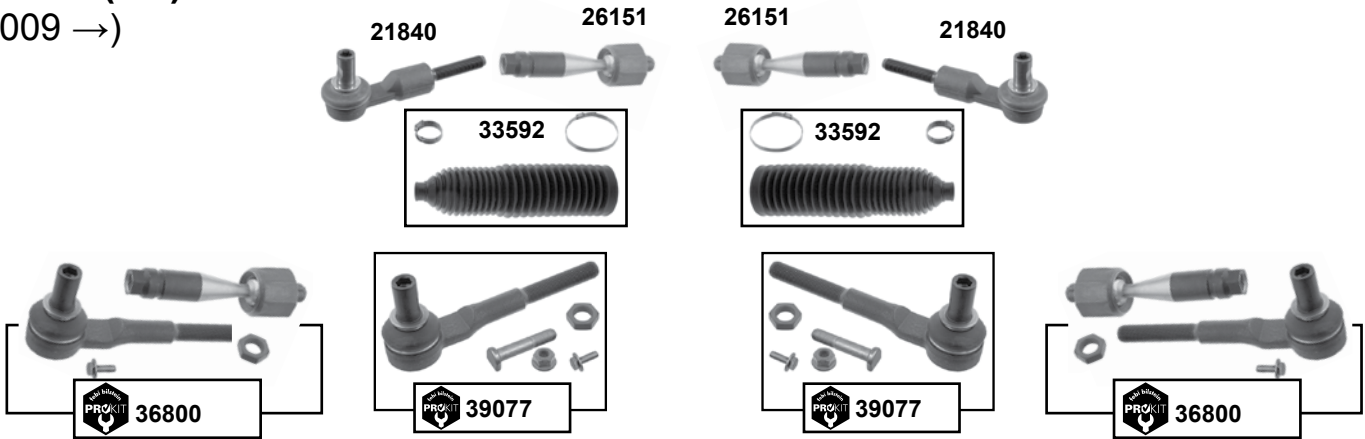
**Cordoba / Vario (6L)**  
(2003 →)

	Ref. - No.			
<b>19812</b>	6R0 423 811	ProKit Spurstangenendstück / tie rod end		
<b>19814</b>	6R0 423 812	ProKit Spurstangenendstück / tie rod end		
<b>19816</b>	6Q0 423 803 E	ProKit Spurstange / tie rod		
<b>19818</b>	6Q0 423 804 E	ProKit Spurstange / tie rod		
<b>21700</b>	6E0 419 831	Lenkmanschette / steering boot	(ch.) → 6L-3-162 980	
<b>26173</b>	6Q0 423 803 G	ProKit Spurstange / tie rod		
<b>26174</b>	6Q0 423 804 G	ProKit Spurstange / tie rod		
<b>30820</b>	6Q0 423 810 C	ProKit Axialgelenk / axial joint	03 → 05	M14 x 1,5
<b>32473</b>	6Q0 423 810 P	ProKit Axialgelenk / axial joint	03 →	M14 x 1,5
<b>38621</b>	6Q0 423 831 D	Lenkmanschette / steering boot	(ch.) 6L-3-162 980 →	
<b>38622</b>	6Q0 423 831 D S1	Rep. Satz Lenkmanschette / rep. kit steering boot	(ch.) 6L-3-162 980 →	
<b>44343</b>	6Q0 423 803 E S1	ProKit Spurstange / tie rod	(ch.) 6L-3-162 981 →	
<b>44344</b>	6Q0 423 804 E S1	ProKit Spurstange / tie rod	(ch.) 6L-3-162 981 →	

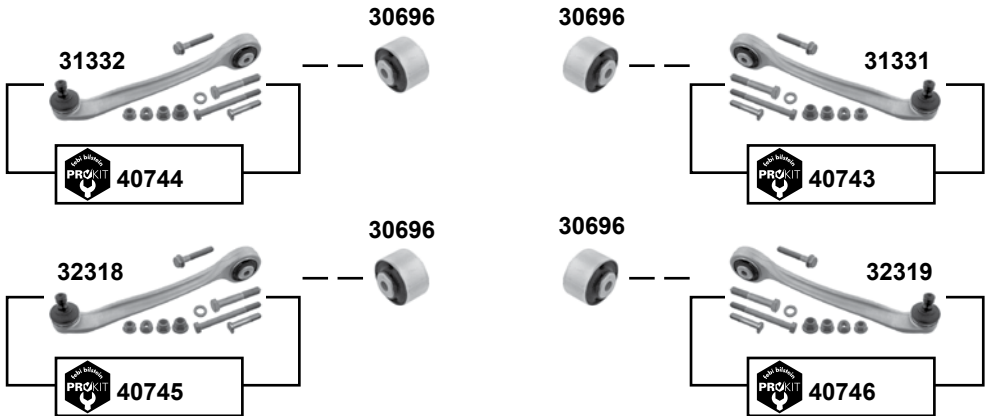


Exeo (3R)  
(2009 →)

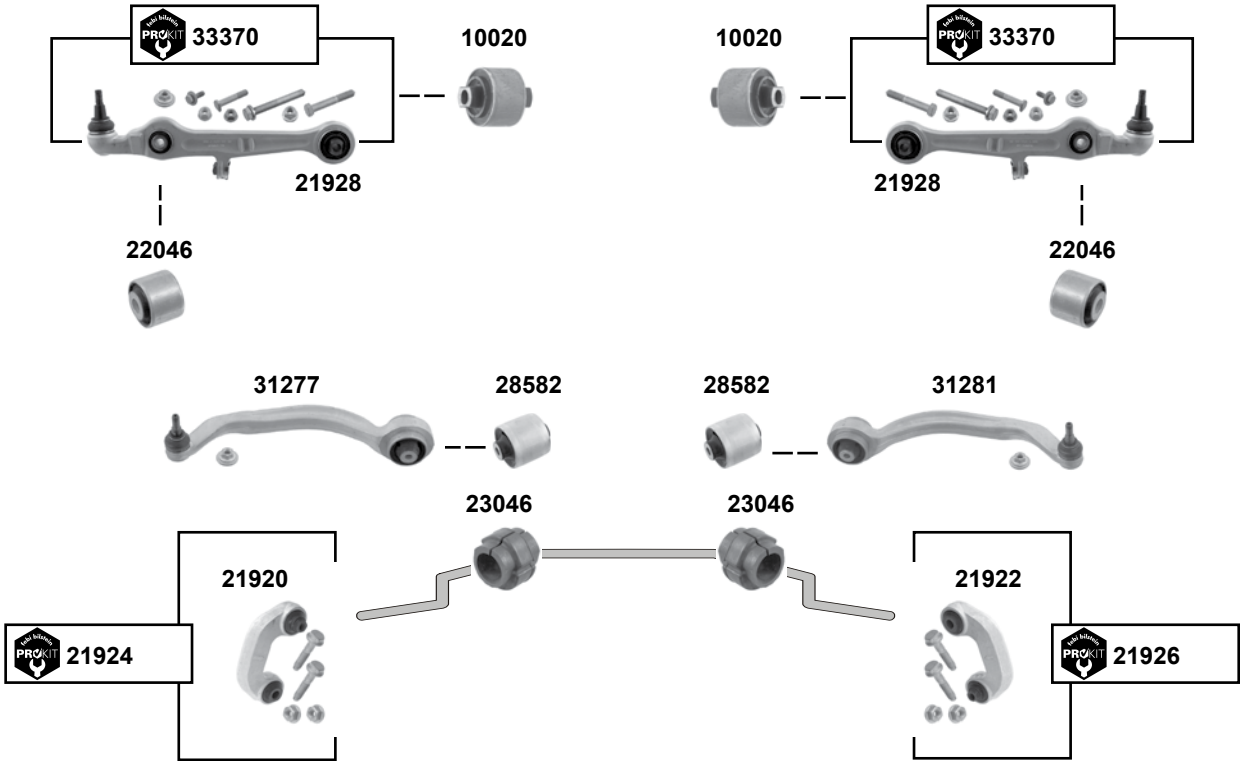
Vorderachse / Front axle

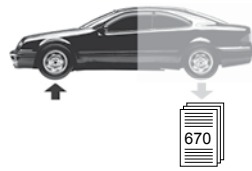


oben / upper

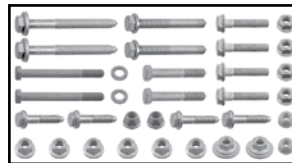


unten / lower





Exeo (3R)  
(2009 →)



39754  
39758

Vorderachse / Front axle



(1) Bitte paarweise tauschen / replace in pairs only



Ref. - No.



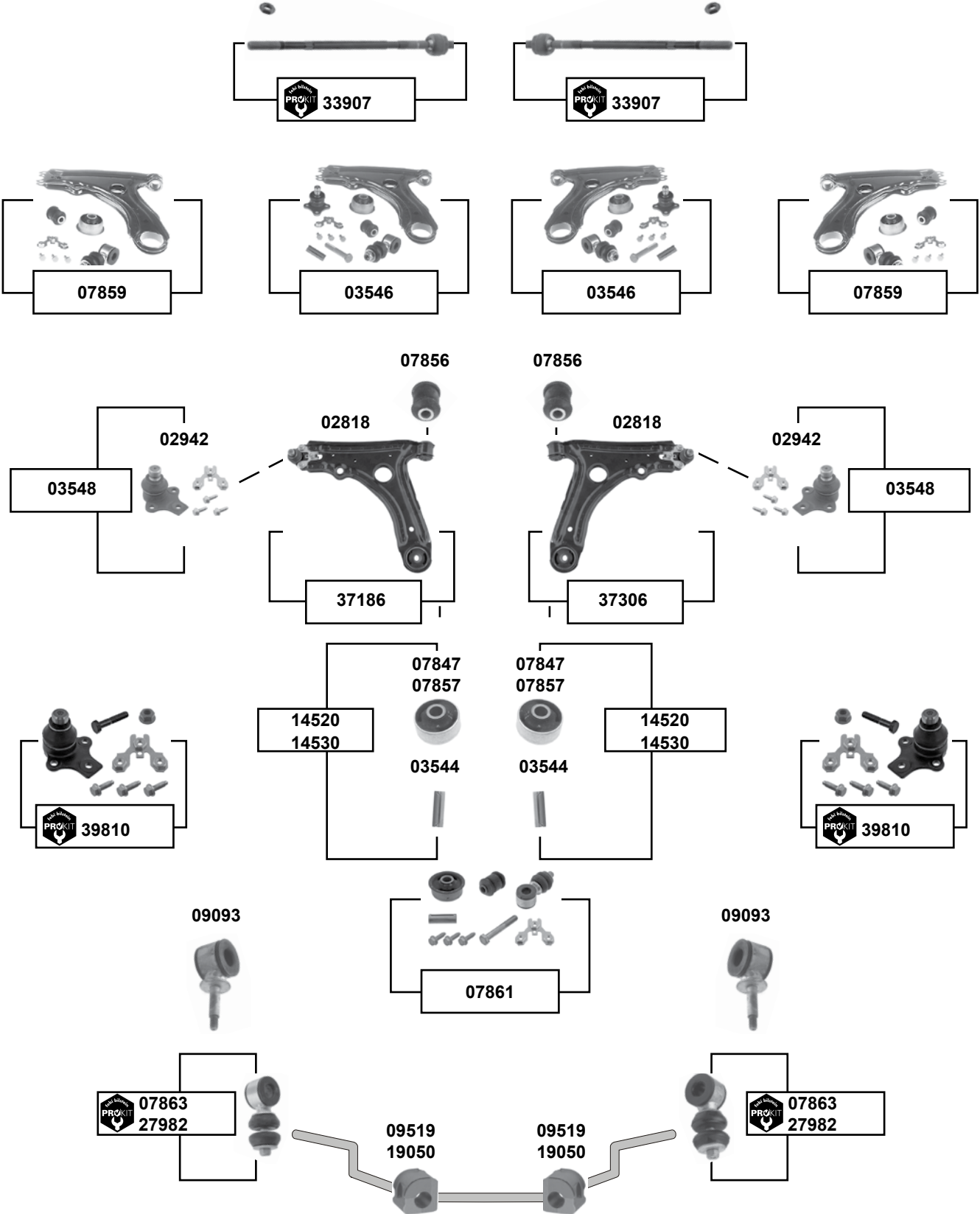
Ref. - No.	Description	Notes	Dimensions
10020	4D0 407 182 G Querlenkerlager / control arm mount		Ø A 50 H 60
21840	4F0 498 811 A SK Spurstangenendstück / tie rod end		
21920	8E0 411 317 Verbindungsstange / connecting rod		
21922	8E0 411 318 Verbindungsstange / connecting rod		
21924	8E0 411 317 S1 ProKit Verbindungsstange / connecting rod		
21926	8E0 411 318 S1 ProKit Verbindungsstange / connecting rod		
21928	8E0 407 151 R Querlenker, <u> vorne</u> / control arm, <u> front</u>	NEW	
22046	8E0 407 181 C Querlenkerlager / control arm mount		
23046	4D0 411 327 J Stabilisatorlager / stabilizer mount		Ø I 29
26151	8E0 422 821 C Spurstange beidseitig / tie rod both sides		
28582	4F0 407 183 E Querlenkerlager / control arm mount		Ø A 65,20
30696	8D0 407 515 C Querlenkerlager / control arm mount		
31277	8E0 407 693 AL Querlenker / control arm	(1)	M12 x 1,5
31281	8E0 407 694 AL Querlenker / control arm	(1)	M12 x 1,5
31331	8E0 407 510 P Querlenker / control arm		
31332	8E0 407 509 P Querlenker / control arm		
32318	8E0 407 505 P Querlenker / control arm	Aluminium	
32319	8E0 407 506 P Querlenker / control arm	Aluminium	
33370	8E0 407 151 R S1 ProKit Querlenker / control arm		
33592	8D0 419 831 K S1 Rep. Satz Lenkmanschette / rep. kit steering boot		
36800	8E0 422 821 C S1 ProKit Spurstange / tie rod		
39077	4F0 498 811 A S1 ProKit Spurstangenendstück / tie rod end		
39754	KIT 11 Montagesatz / mounting kit		
39758	KIT 12 Montagesatz / mounting kit		
40743	8E0 407 510 P S1 ProKit Querlenker / control arm		
40744	8E0 407 509 P S1 ProKit Querlenker / control arm		
40745	8E0 407 505 P S1 ProKit Querlenker / control arm		
40746	8E0 407 506 P S1 ProKit Querlenker / control arm		





**Ibiza (6K)**  
(1993 → 2002)

Vorderachse / Front axle





**Ibiza (6K)**  
(1993 → 2002)



- (1) (ch.) → 6K-ZR-040 000 / 6K-ZR-550 000
- (2) (ch.) → 6K-V-143400 **alle / all** / (ch.) 6K-V-143401 → 1.0 / 1.3 / 1.4 / 1.6 (55kw)
- (3) (ch.) 6K-V-143401 → 1,6 (74kw); Diesel
- (4) 93 → 94 (ch.) → 6K-ZR036 750 / → 6K-ZR546 756
- (5) → 12/1994 (ch.) → 6K-ZR-040 000 / 6K-ZR-550 000

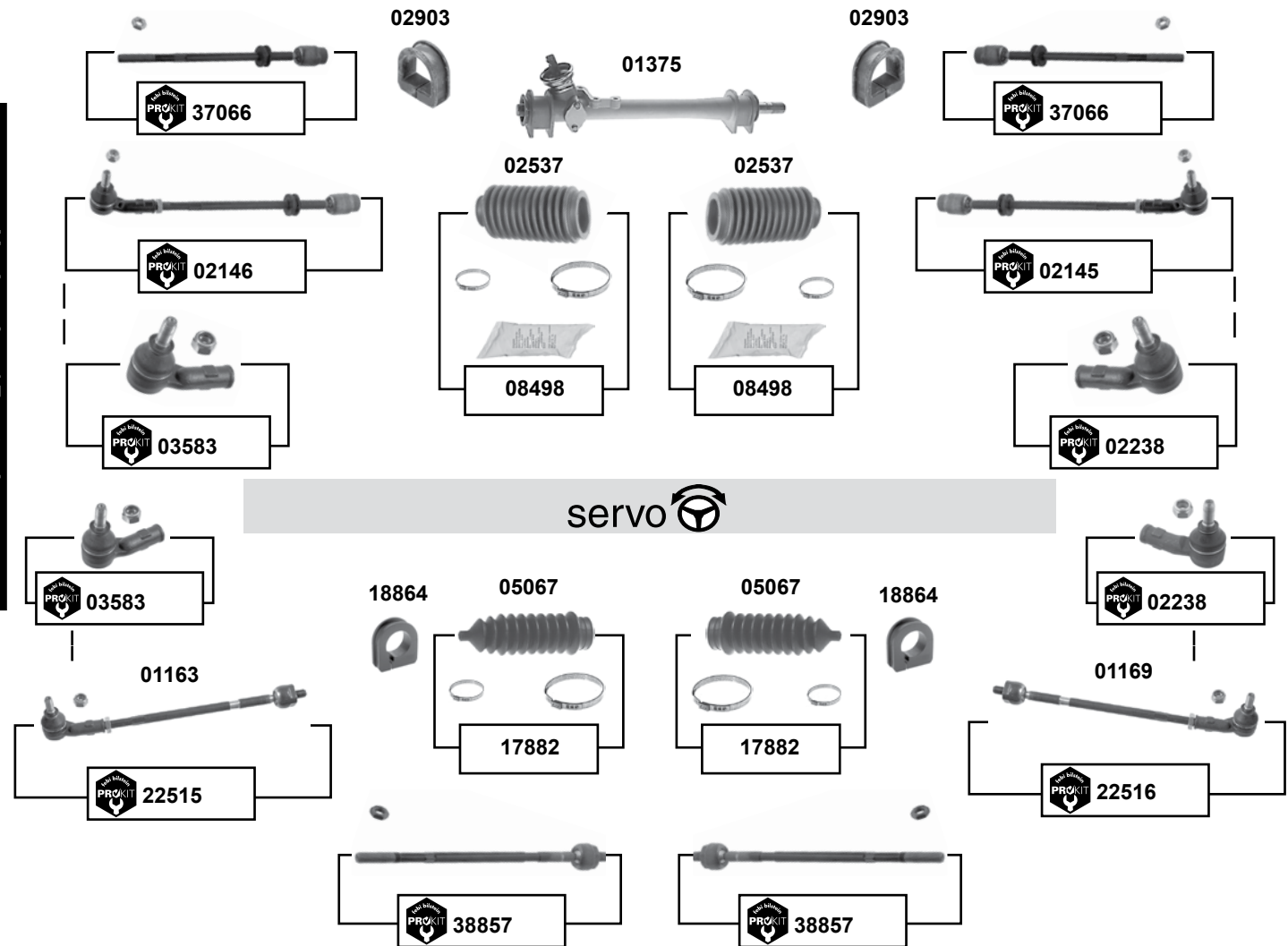
	Ref. - No.			
<b>02818</b>	191 407 151 B	Querlenker mit Gummilager / control arm incl. rubber mounts		
<b>02942</b>	357 407 365	Traggelenk / ball joint		Ø A 19
<b>03544</b>	191 407 190 A	Hülse / sleeve		50x17
<b>03546</b>	191 407 153 A S3	Rep. Satz Querlenker / rep. kit control arm		
<b>03548</b>	357 407 365 S1	Rep. Satz Traggelenk / rep. kit ball joint		
<b>07847</b>	191 407 181 D	Querlenkerlager / control arm mount	<b>NEW</b>	17x60x41
<b>07856</b>	357 407 182	Querlenkerlager / control arm mount		12x33x54
<b>07857</b>	191 407 181 B	Querlenkerlager / control arm mount	<b>OLD</b>	17x60x41
<b>07859</b>	191 407 153 A S2	Rep. Satz Querlenker / rep. kit control arm	→ 12/1994	
<b>07861</b>	191 407 153 S1	Montagesatz / mounting kit	<b>(5)</b>	
<b>07863</b>	191 411 315 B S1	ProKit Verbindungsstange / connecting rod	<b>(1)</b>	
<b>09093</b>	191 411 315 B	Verbindungsstange / connecting rod	<b>(5)</b>	
<b>09519</b>	191 411 314	Stabilisatorlager / stabilizer mount	<b>(2)</b>	Ø I 17
<b>14520</b>	191 407 181 B S1	Querlenkerlager mit Hülse / control arm mount with sleeve	<b>OLD</b>	
<b>14530</b>	191 407 181 D S1	Querlenkerlager mit Hülse / control arm mount with sleeve	<b>NEW</b>	
<b>19050</b>	1H0 411 314	Stabilisatorlager / stabilizer mount	<b>(3)</b>	
<b>27982</b>	6K0 411 315 S1	ProKit Verbindungsstange / connecting rod	<b>(ch.) 6K-V-143401 →</b>	Ø I 16,5
<b>33907</b>	191 422 810 A	ProKit Axialgelenk / axial joint	<b>(4) servo </b>	
<b>37186</b>	191 407 151 B S1	Rep. Satz Querlenker / rep. kit control arm		
<b>37306</b>	191 407 151 B S2	Rep. Satz Querlenker / rep. kit control arm		
<b>39810</b>	357 407 365 S2	ProKit Traggelenk / ball joint		



## Ibiza (6K) (1993 → 2002)

man.

Vorderachse / Front axle

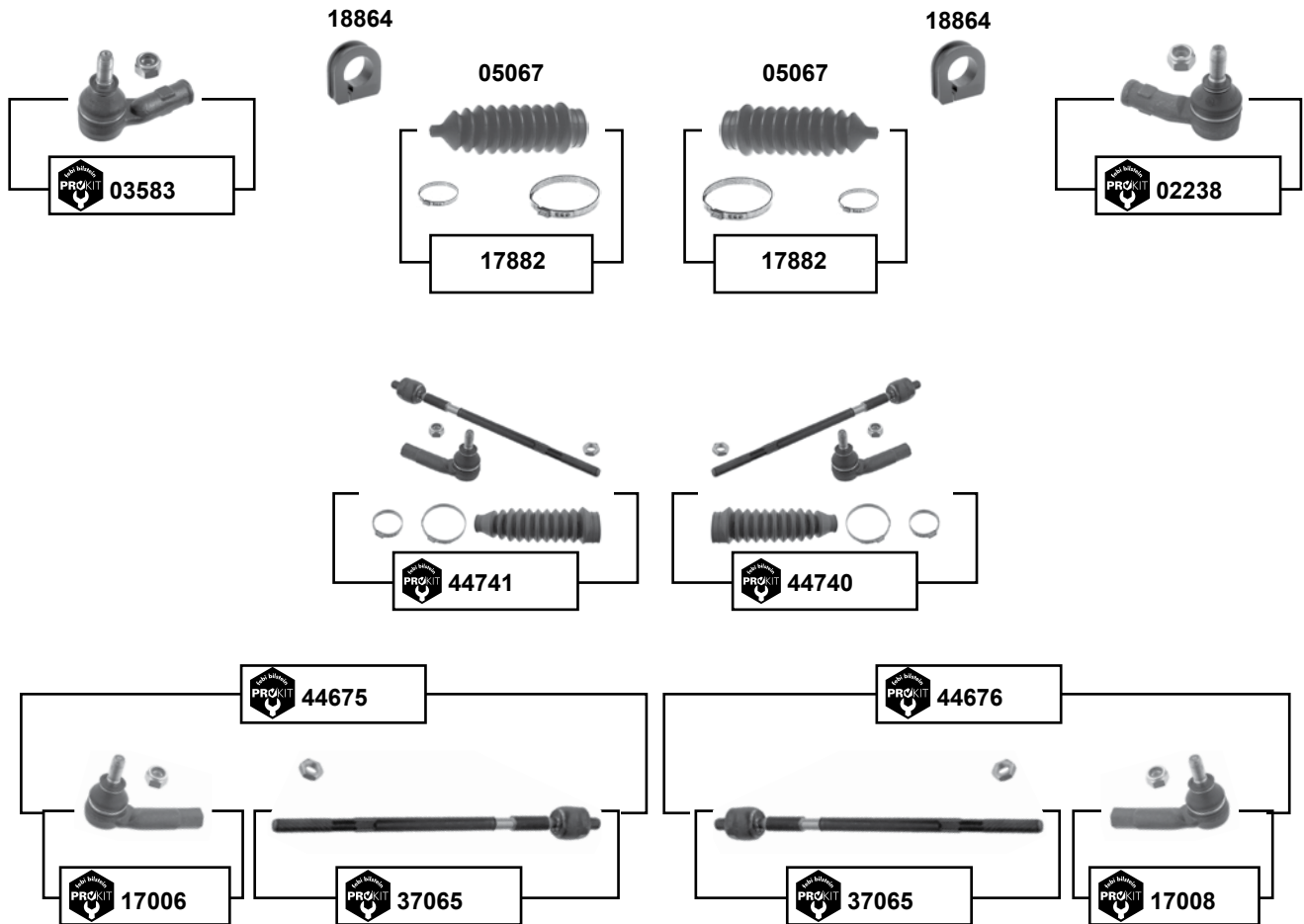


- (1) (ch.) 6K-ZR546757 → 6K-TR081919 →      (2) (ch.) → 6K-TR-081919 / → 1996
- (3) servo / (ch.) 6K-ZR036751 → / 6K-ZR546757 → / 6K-TR081919 → // → 1996

	Ref. - No.			
01163	191 422 803 A	Spurstange / tie rod	(ch.) → 6K-ZR546756	
01169	191 422 804 A	Spurstange / tie rod	(ch.) → 6K-ZR546756	
01375	191 419 063 C	Lenkgetriebe / steering gear	LHD	
02145	191 419 804	ProKit Spurstange / tie rod		
02146	191 419 803	ProKit Spurstange / tie rod		
02238	191 419 812	ProKit Spurstangenendstück / tie rod end	(2)	M12 x 1,5
02537	191 419 831	Lenkmanschette / steering boot		
02903	191 419 883	Lenkgetriebelager / steering gear bearing		
03583	191 419 811	ProKit Spurstangenendstück / tie rod end	(2)	M12 x 1,5
05067	1H0 422 831 B	Lenkmanschette / steering boot		
08498	191 419 831 S1	Rep. Satz Lenkmanschette / rep. kit steering boot		
17882	1H0 422 831 B S1	Rep. Satz Lenkmanschette / rep. kit steering boot		
18864	1H0 422 884	Lenkgetriebelager / steering gear bearing	(ch.) → 6K-TR081919	
22515	6K0 422 803	ProKit Spurstange / tie rod	(1)	
22516	6K0 422 804	ProKit Spurstange / tie rod	(1)	
37066	191 419 810 A	ProKit Spurstange / tie rod		M12 x 1,5
38857	6K0 422 810	ProKit Axialgelenk / axial joint	(3)	



## Ibiza (6K) (1999 → 2002)



Vorderachse / Front axle



(1) (ch.) → 6K-1-180000

(2) (ch.) 6K-1-180001 → Sport / servo

(3) (ch.) → 6K-X-400 001 / (ch.) 6K-TR130 000 → // Ausstattungsvariante / Equipment Variation : GTI



Ref. - No.

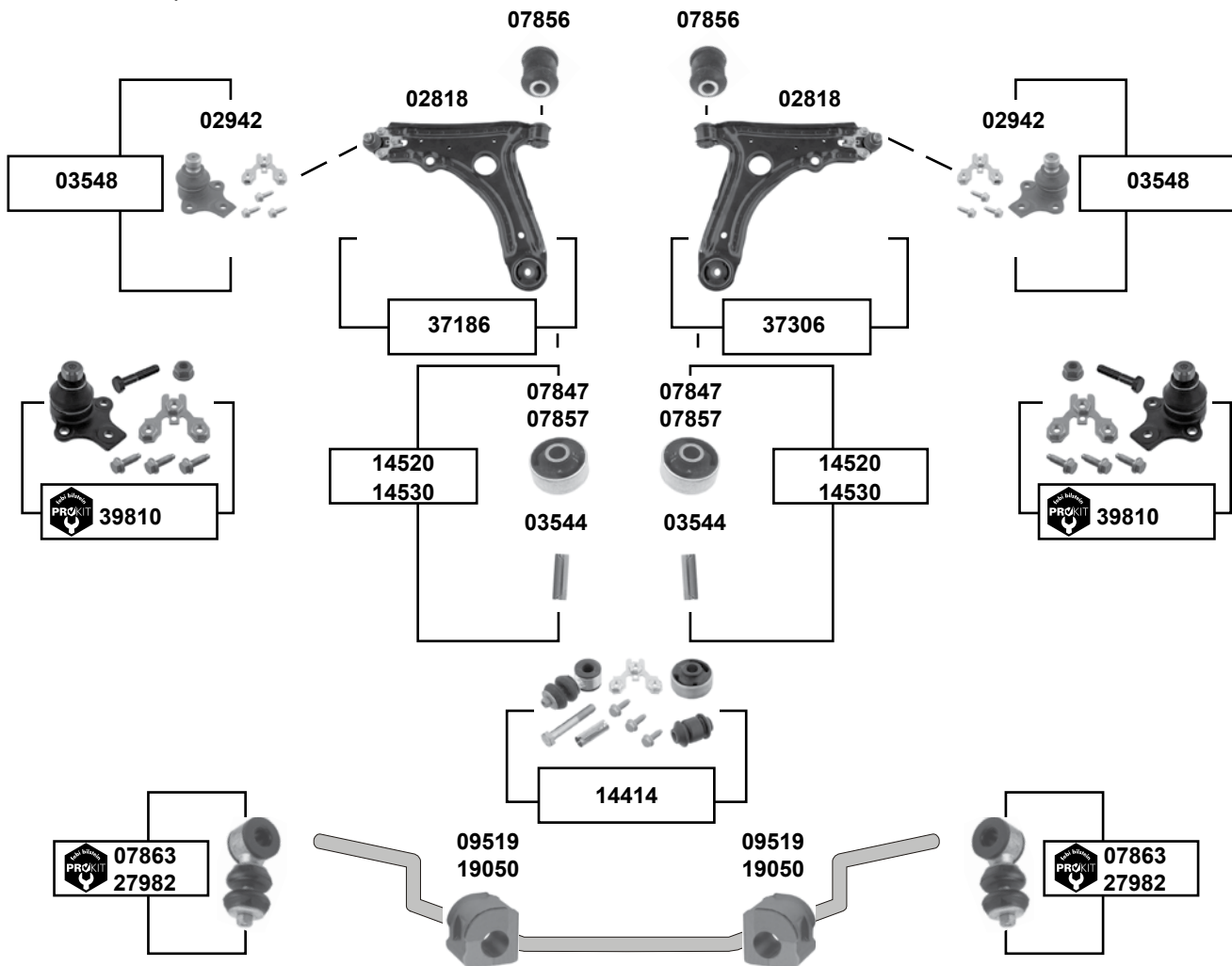


Part No.	Ref. - No.	Description	Quantity	Notes
02238	191 419 812	ProKit Spurstangenendstück / tie rod end	(1)	M12 x 1,5
03583	191 419 811	ProKit Spurstangenendstück / tie rod end	(1)	M12 x 1,5
05067	1H0 422 831 B	Lenkmanschette / steering boot	(1)	
17006	6E0 419 811	ProKit Spurstangenendstück / tie rod end	(2)	
17008	6E0 419 812	ProKit Spurstangenendstück / tie rod end	(2)	
17882	1H0 422 831 B S1	Rep. Satz Lenkmanschette / rep. kit steering boot	(1)	
18864	1H0 422 884	Lenkgetriebelager / steering gear bearing		
37065	6K0 422 810 E	ProKit Axialgelenk / axial joint		
44675	6K0 422 803 E	ProKit Spurstange / tie rod	(3)	M12 x 1,5
44676	6K0 422 804 E	ProKit Spurstange / tie rod	(3)	M12 x 1,5
44740	6K0 422 804 E S1	ProKit Spurstange / tie rod	(ch.) 6K-TR130 000 →	
44741	6K0 422 803 E S1	ProKit Spurstange / tie rod	(ch.) 6K-TR130 000 →	



## Ibiza (6K) (1999 → 2002)

Vorderachse / Front axle



(1) 1.0 / 1.4 (44 kW) **alle / all**  
1.6 (55 kW) (ch.) → 6K-X-430579

(2) (ch.) 6K-V-143401 → 1,6 (74kw) / 1,8 Diesel

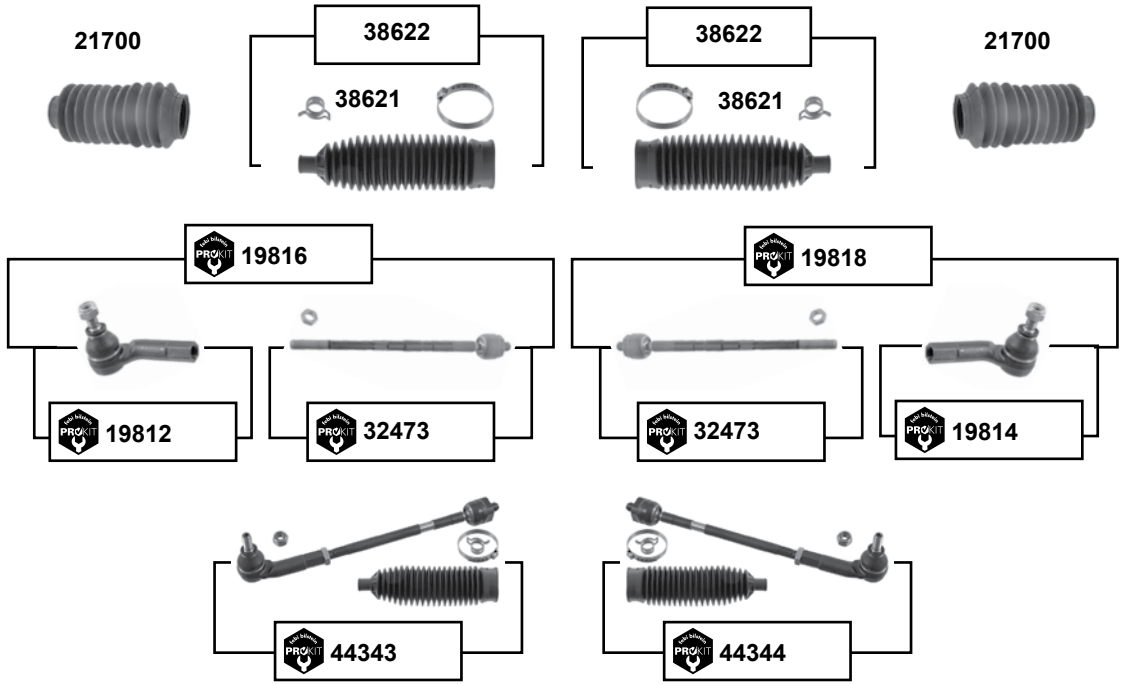


	Ref. - No.			
02818	191 407 151 B	Querlenker mit Gummilager / control arm incl. rubber mounts		
02942	357 407 365	Traggelenk / ball joint		Ø A 19 50x17
03544	191 407 190 A	Hülse / sleeve		
03548	357 407 365 S1	Rep. Satz Traggelenk / rep. kit ball joint		
07847	191 407 181 D	Querlenkerlager / control arm mount	<b>NEW</b>	17x60x41
07856	357 407 182	Querlenkerlager / control arm mount	<b>OLD</b>	12x33x54
07857	191 407 181 B	Querlenkerlager / control arm mount	<b>OLD</b>	17x60x41
07863	191 411 315 B S	ProKit Verbindungsstange / connecting rod	(1)	
09519	191 411 314	Stabilisatorlager / stabilizer mount	(1)	Ø I 17
14414	191 407 153 S2	Montagesatz / mounting kit		
14520	191 407 181 B S1	Querlenkerlager mit Hülse / control arm mount with sleeve	<b>OLD</b>	
14530	191 407 181 D S1	Querlenkerlager mit Hülse / control arm mount with sleeve	<b>NEW</b>	
19050	1H0 411 314	Stabilisatorlager / stabilizer mount	(2)	Ø I 19
27982	6K0 411 315 S1	ProKit Verbindungsstange / connecting rod	(2)	
37186	191 407 151 B S1	Rep. Satz Querlenker / rep. kit control arm		
37306	191 407 151 B S2	Rep. Satz Querlenker / rep. kit control arm		
39810	357 407 365 S2	ProKit Traggelenk / ball joint		

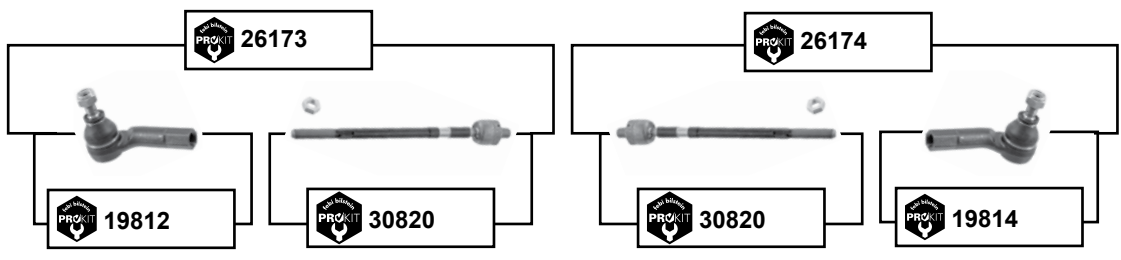


**Ibiza (6L)**  
(2002 →)

für / to fit **TRW**



für / to fit **KOYO**



Vorderachse / Front axle

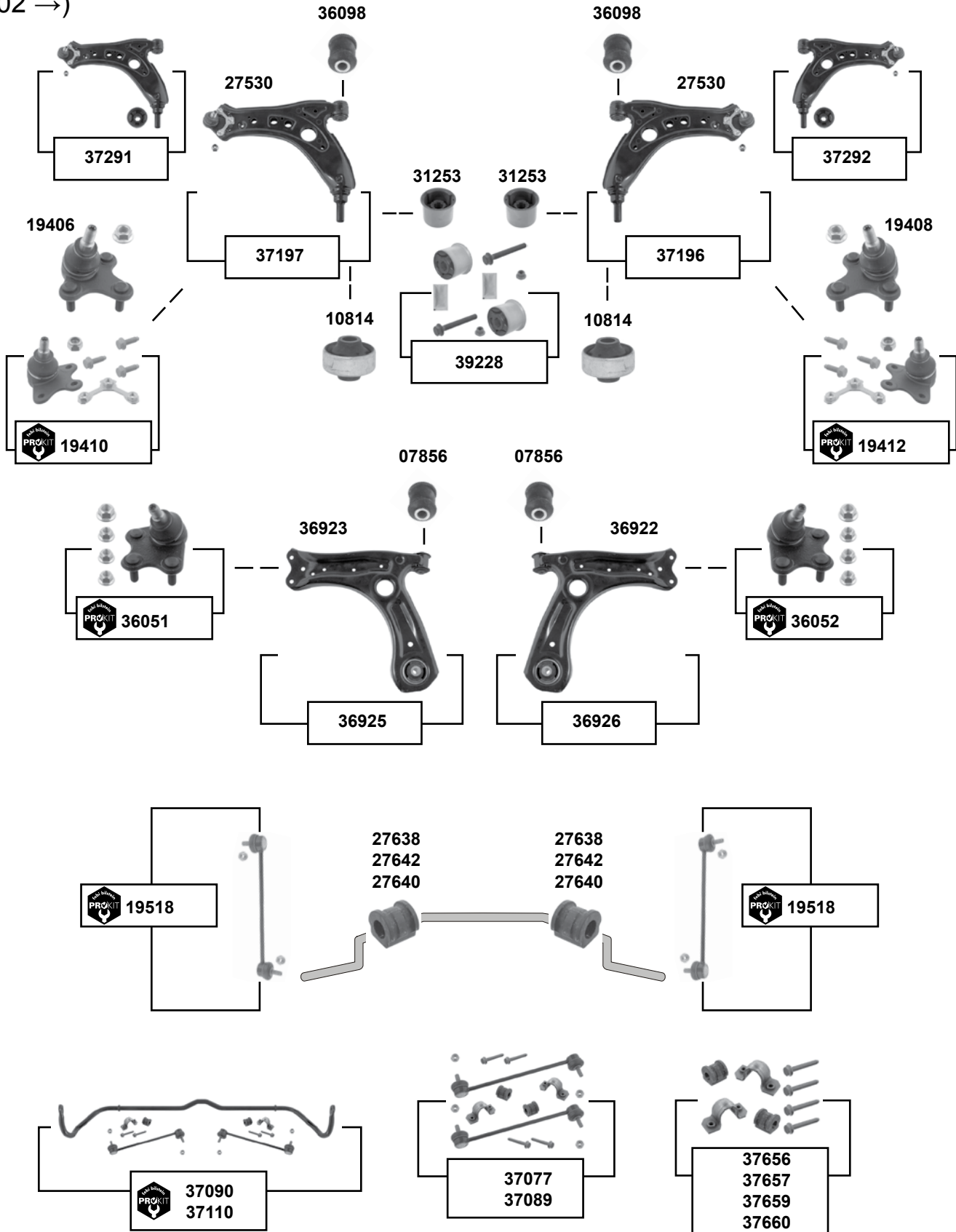
(1) Cupra R (6L) → 10 (mot.) BBU / BLZ / BPX

	Ref. - No.			
19812	6R0 423 811	ProKit Spurstangenendstück / tie rod end		
19814	6R0 423 812	ProKit Spurstangenendstück / tie rod end		
19816	6Q0 423 803 E	ProKit Spurstange / tie rod		
19818	6Q0 423 804 E	ProKit Spurstange / tie rod		
21700	6E0 419 831	Lenkmanschette / steering boot	(ch.) → 6L-3-162980	
26173	6Q0 423 803 G	ProKit Spurstange / tie rod		
26174	6Q0 423 804 G	ProKit Spurstange / tie rod		
30820	6Q0 423 810 C	ProKit Axialgelenk / axial joint	06 → 10	M14 x 1,5
32473	6Q0 423 810 P	ProKit Axialgelenk / axial joint	→ 10 (1)	M14 x 1,5
38621	6Q0 423 831 D	Lenkmanschette / steering boot	(ch.) 6L-3-162 980 →	
38622	6Q0 423 831 D S1	Rep. Satz Lenkmanschette / rep. kit steering boot	(ch.) 6L-3-162 980 →	
44343	6Q0 423 803 E S1	ProKit Spurstange / tie rod	(ch.) 6L-3-162 981 →	
44344	6Q0 423 804 E S1	ProKit Spurstange / tie rod	(ch.) 6L-3-162 981 →	



## Ibiza (6L) (2002 →)

Vorderachse / Front axle





**Ibiza (6L)**  
(2002 →)



- (1) (ch.) → 6L-8-157 034 / (ex.) CUPRA
- (2) (ch.) → 6L-3-164392
- (3) (ch.) 6L-3-164393 →
- (4) → 10 / (ex.) Cupra R: BPX/BUK/BLZ
- (5) 08 → 10 / (ex.) Cupra R (ch.) 6L-8-157 035 →
- (6) (ch.) 6L-8-157 035 → / PR-0AQ
- (7) → 09 (ch.) → 6L-3-164 392 / PR-0AQ

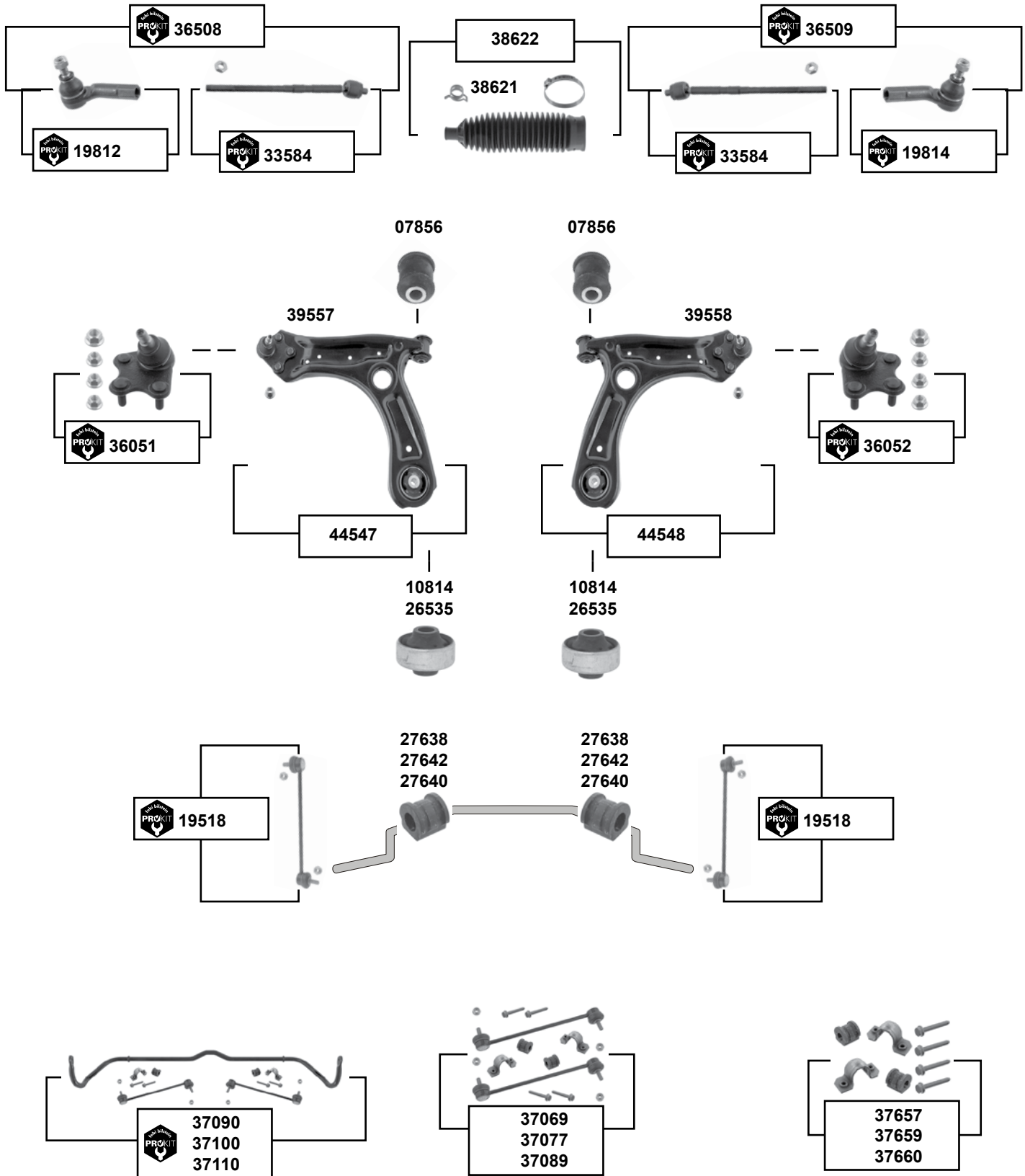
	Ref. - No.			
07856	357 407 182	Querlenkerlager / control arm mount		Ø A 33
10814	1J0 407 181	Querlenkerlager / control arm mount	(5)	Ø A 60 Ø I 13
19406	6Q0 407 365 M	Traggelenk / ball joint		
19408	6Q0 407 366 M	Traggelenk / ball joint		
19410	6Q0 407 365 M S1	ProKit Traggelenk / ball joint		
19412	6Q0 407 366 M S1	ProKit Traggelenk / ball joint		
19518	6Q0 411 315 Q	ProKit Verbindungsstange / connecting rod	→ 10	
27530	6Q0 407 151 L	Querlenker / control arm	(1)	
27638	6Q0 411 314 P	Stabilisatorlager / stabilizer mount	(3)	Ø I 16
27640	6Q0 411 314 Q	Stabilisatorlager / stabilizer mount	→ 10	Ø I 17
27642	6Q0 411 314 R	Stabilisatorlager / stabilizer mount	(2) PR-0AS	Ø I 18
31253	1K0 407 183 E	Querlenkerlager / control arm mount	(4)	
36051	6R0 407 365 A	ProKit Traggelenk / ball joint	(ch.) 6L-8-173 860 →	
36052	6R0 407 366 A	ProKit Traggelenk / ball joint	(ch.) 6L-8-173 860 →	
36098	6Q0 407 182 A	Querlenkerlager / control arm mount		Ø A 32
36922	6R0 407 152 E	Querlenker / control arm	(ch.) 6L-8-173 860 →	
36923	6R0 407 151 E	Querlenker / control arm	(ch.) 6L-8-173 860 →	
36925	6R0 407 151 E S1	Rep. Satz Querlenker / rep. kit control arm	(ch.) 6L-8-173 860 →	
36926	6R0 407 152 E S1	Rep. Satz Querlenker / rep. kit control arm	(ch.) 6L-8-173 860 →	
37077	6Q0 411 314 P S1	Stabilisatorlagersatz / anti roll bar bush kit	(6)	
37089	6Q0 411 314 R S2	Stabilisatorlagersatz / anti roll bar bush kit	PR-0AS	
37090	6Q0 411 305 AL S2	ProKit Stabilisatorsatz / stabilizer kit	(6)	
37110	6Q0 411 305 AN S2	ProKit Stabilisatorsatz / stabilizer kit	PR-0AS	
37196	6Q0 407 151 L S3	Rep. Satz Querlenker / rep. kit control arm	→ 09	
37197	6Q0 407 151 L S2	Rep. Satz Querlenker / rep. kit control arm	→ 09	
37291	6Q0 407 151 L S5	Rep. Satz Querlenker / rep. kit control arm	→ 09	
37292	6Q0 407 151 L S4	Rep. Satz Querlenker / rep. kit control arm	→ 09	
37656	6Q0 411 314 R S3	Stabilisatorlagersatz / anti roll bar bush kit	(7)	Ø I 18
37657	6Q0 411 314 P S2	Stabilisatorlagersatz / anti roll bar bush kit	PR-0AQ	Ø I 16
37659	6Q0 411 314 R S4	Stabilisatorlagersatz / anti roll bar bush kit	PR-0AS	Ø I 18
37660	6Q0 411 314 Q S2	Stabilisatorlagersatz / anti roll bar bush kit	PR-0AR	Ø I 17
39228	1K0 407 183 E S1	Querlenkerlagersatz / control arm mounting kit		





## Ibiza (6J) (2009 →)

Vorderachse / Front axle





Ibiza (6J)  
(2009 →)

Vorderachse / Front axle



(1) PR-G17,G18,G19,G20



Ref. - No.

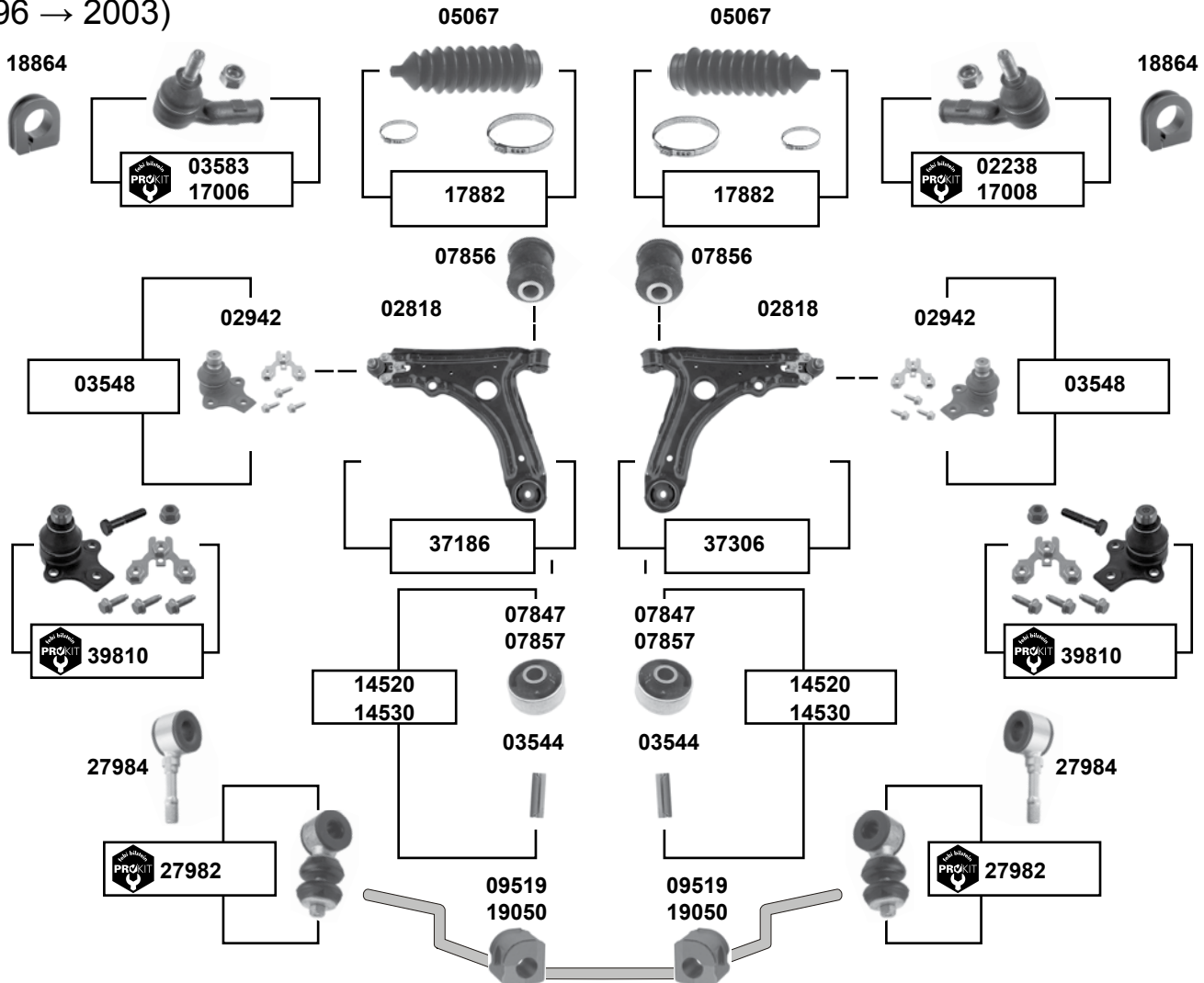


Ref. - No.	Description	Notes	Dimensions
07856	357 407 182	Querlenkerlager / control arm mount	
10814	1J0 407 181	Querlenkerlager / control arm mount	
19518	6Q0 411 315 Q	ProKit Verbindungsstange / connecting rod	
19812	6RD 423 811 B	ProKit Spurstangenendstück / tie rod end	
19814	6RD 423 812 B	ProKit Spurstangenendstück / tie rod end	
26535	8N0 407 181 B	Querlenkerlager / control arm mount	13x60x41
27638	6Q0 411 314 P	Stabilisatorlager / stabilizer mount	Ø I 16
27640	6Q0 411 314 Q	Stabilisatorlager / stabilizer mount	Ø I 17
27642	6Q0 411 314 R	Stabilisatorlager / stabilizer mount	Ø I 18
33584	6R0 423 810 A	ProKit Axialgelenk / axial joint	M14 x 1,5
36051	6R0 407 365 A	ProKit Traggelenk / ball joint	
36052	6R0 407 366 A	ProKit Traggelenk / ball joint	
36508	6R0 423 803 A	ProKit Spurstange, komplett / tie rod, complete	M12/14x1,5
36509	6R0 423 804 A	ProKit Spurstange, komplett / tie rod, complete	M12/14x1,5
37069	6Q0 411 314 Q S1	Stabilisatorlagersatz / anti roll bar bush kit	08 → / PR-0AR
37077	6Q0 411 314 P S1	Stabilisatorlagersatz / anti roll bar bush kit	08 → / PR-0AQ
37089	6Q0 411 314 R S2	Stabilisatorlagersatz / anti roll bar bush kit	08 → / PR-0AS
37090	6Q0 411 305 AL S2	ProKit Stabilisatorsatz / stabilizer kit	08 → / PR-0AQ
37100	6Q0 411 305 AM S2	ProKit Stabilisatorsatz / stabilizer kit	08 → / PR-0AR
37110	6Q0 411 305 AN S2	ProKit Stabilisatorsatz / stabilizer kit	08 → / PR-0AS
37657	6Q0 411 314 P S2	Stabilisatorlagersatz / anti roll bar bush kit	08 → / PR-0AQ
37659	6Q0 411 314 R S4	Stabilisatorlagersatz / anti roll bar bush kit	08 → / PR-0AS
37660	6Q0 411 314 Q S2	Stabilisatorlagersatz / anti roll bar bush kit	08 → / PR-0AR
38621	6Q0 423 831 D	Rep. Satz Lenkmanschette / rep. kit steering boot	PR-1N2 / 1AC / 1AT
38622	6Q0 423 831 D S1	Rep. Satz Lenkmanschette / rep. kit steering boot	PR-1N2 / 1AC / 1AT
39557	6R0 407 151 F	Querlenker / control arm	(1)
39558	6R0 407 152 F	Querlenker / control arm	(1)
44547	6R0 407 151 F S1	Querlenker, kpl. / control arm, cpl.	(1)
44548	6R0 407 152 F S1	Querlenker, kpl. / control arm, cpl.	(1)



## Inca (6K9)

(1996 → 2003)

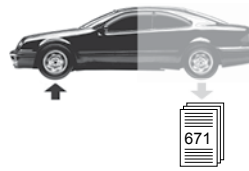


Ref. - No.

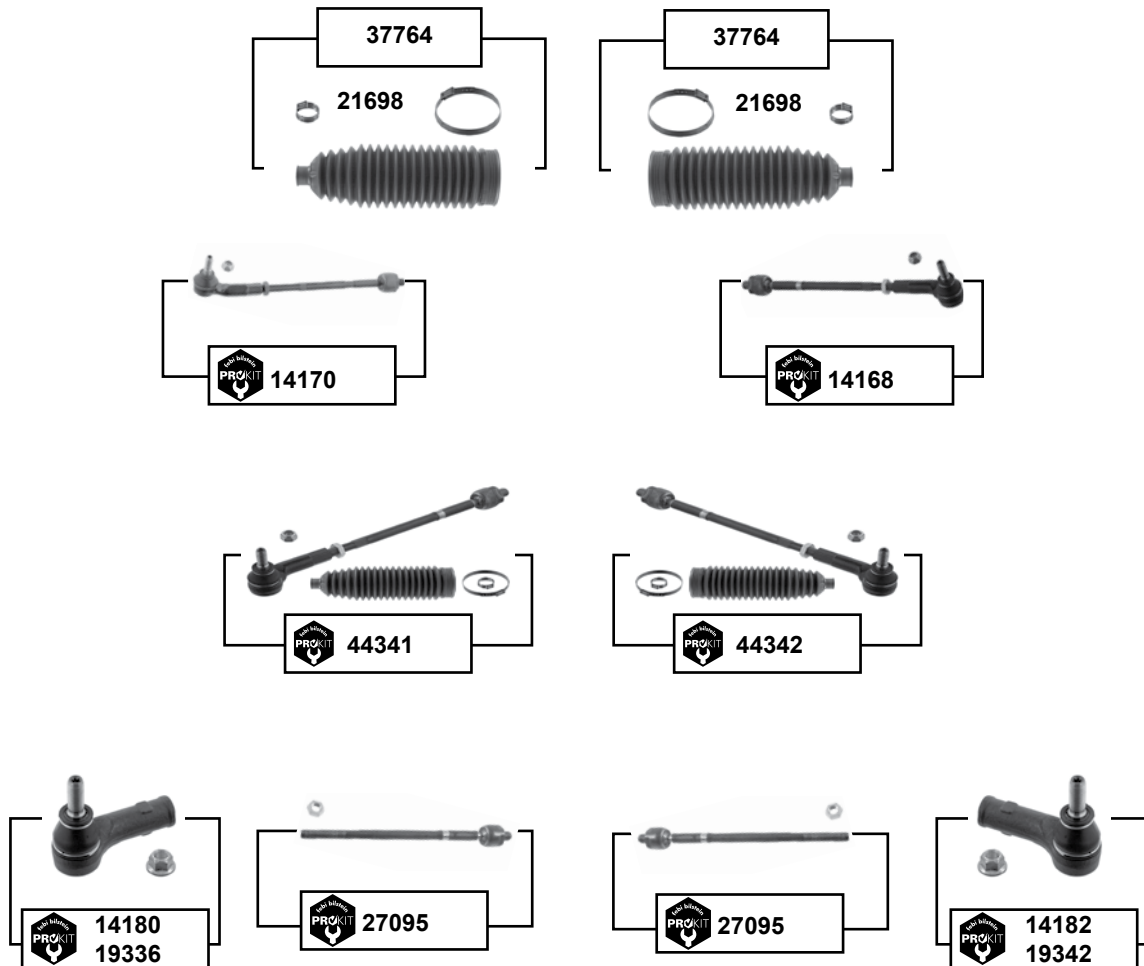


02238	191 419 812	ProKit Spurstangenendstück / tie rod end	(ch.) → 9K-1-013 000	M12 x 1,5
02818	191 407 151 B	Querlenker / control arm		
02942	357 407 365	Rep. Satz Traggelenk / rep. kit ball joint		Ø A 19
03544	191 407 190 A	Hülse / sleeve		50x17
03548	357 407 365 S1	Rep. Satz Traggelenk / rep. kit ball joint		
03583	191 419 811	ProKit Spurstangenendstück / tie rod end	(ch.) → 9K-1-013 000	M12 x 1,5
05067	1H0 422 831 B	Lenkmanschette / steering boot		
07847	191 407 181 D	Querlenkerlager / control arm mount	<b>NEW</b>	17x60x41
07856	357 407 182	Querlenkerlager / control arm mount	<b>OLD</b>	12x33x54
07857	191 407 181 B	Querlenkerlager / control arm mount	<b>OLD</b>	17x60x41
09519	191 411 314	Stabilisatorlager / stabilizer mount	(ch.) → 9K-V-012 500	Ø I 17
14520	191 407 181 B S1	Querlenkerlager mit Hülse / control arm mount with sleeve	<b>OLD</b>	
14530	191 407 181 D S1	Querlenkerlager mit Hülse / control arm mount with sleeve	<b>NEW</b>	
17006	6E0 419 811	ProKit Spurstangenendstück / tie rod end	(ch.) 9K-1-013 000 →	
17008	6E0 419 812	ProKit Spurstangenendstück / tie rod end	(ch.) 9K-1-013 000 →	
17882	1H0 422 831 B S1	Rep. Satz Lenkmanschette / rep. kit steering boot		
18864	1H0 422 884	Lenkgetriebelager / steering gear bearing		
19050	1H0 411 314	Stabilisatorlager / stabilizer mount	servo	
27982	6K0 411 315 S1	ProKit Verbindungsstange / connecting rod	(ch.) 9K-V-012 501 →	Ø I 19
27984	6K0 411 315	Verbindungsstange / connecting rod	(ch.) 9K-V-012 501 →	Ø I 16,5
37186	191 407 151 B S1	Rep. Satz Querlenker / rep kit control arm	(ch.) 9K-V-012 501 →	
37306	191 407 151 B S2	Rep. Satz Querlenker / rep kit control arm		
39810	357 407 365 S2	ProKit Traggelenk / ball joint		

Vorderachse / Front axle



**Leon (1M)**  
(1999 → 2005)



Vorderachse / Front axle



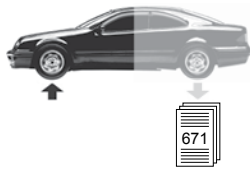
(1) ZF servo / (ex.) Cupra



Ref. - No.

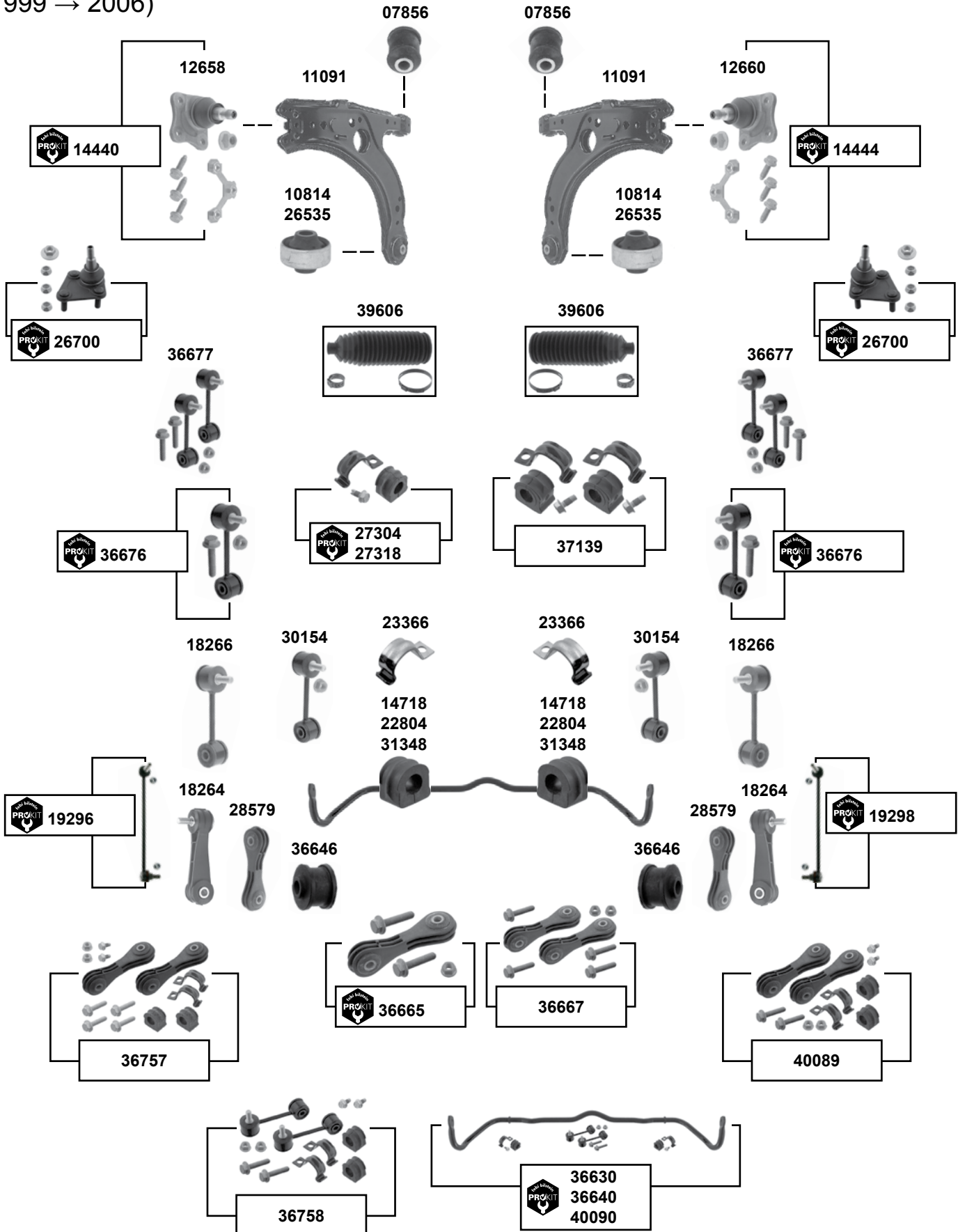


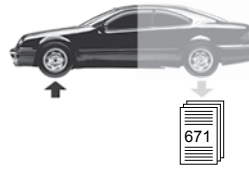
14168	1J0 422 804 H	ProKit Spurstange / tie rod	(ex.) Cupra	
14170	1J0 422 803 H	ProKit Spurstange / tie rod	(ex.) Cupra	
14180	1J0 422 811 B	ProKit Spurstangenendstück / tie rod end	(1)	M14 x 1,5
14182	1J0 422 812 B	ProKit Spurstangenendstück / tie rod end	(1)	M14 x 1,5
19336	8N0 422 811 A	ProKit Spurstangenendstück / tie rod end	Cupra	
19342	8N0 422 812 A	ProKit Spurstangenendstück / tie rod end	Cupra	
21698	1J0 422 831 B	Lenkmanschette / steering boot	(ex.) Cupra	
27095	1J0 422 810 B	ProKit Axialgelenk / axial joint		L 321
37764	1J0 422 831 B S1	Rep. Satz Lenkmanschette / rep. kit steering boot		
44341	1J0 422 803 H S1	ProKit Spurstange / tie rod		
44342	1J0 422 804 H S1	ProKit Spurstange / tie rod		



## Leon (1M) (1999 → 2006)

Vorderachse / Front axle

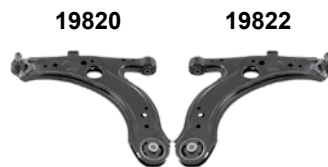




**Leon (1M)**  
(1999 → 2006)



**Rep. Sätze / rep. kits**



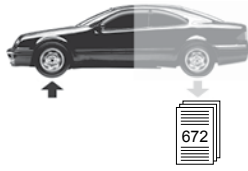
(1)	Ø A 21 (ch.) → 1M-X-010 000 PR-0AE	(3)	Stabi Ø A 23 01 → 06 (ch.) 1M-1-035 001 → (ex.) AJQ/ARY/AUE/ARL/BDE
(2)	00 → 01 (ch.) → 1M-1-035 000 02 → 04 (ch.) → 1M-4-136 650	(4)	Leon 4 00 → 06 alle /all Leon (ex. Leon 4) 02 → 06 (ex.) Ø A 23
(5)	00 → 05 / (ch.) 1M-4-136 650 →		
(6)	(ch.) 1M-1-035 001 → / PR-0AE / Ø A 23		
(7)	Ø Stabilisator / stabilizer 23 / PR- 0AE // (ch.) → 1M-4-136 650 / PR-0AS Ø Stabilisator / stabilizer 20		



Ref. - No.

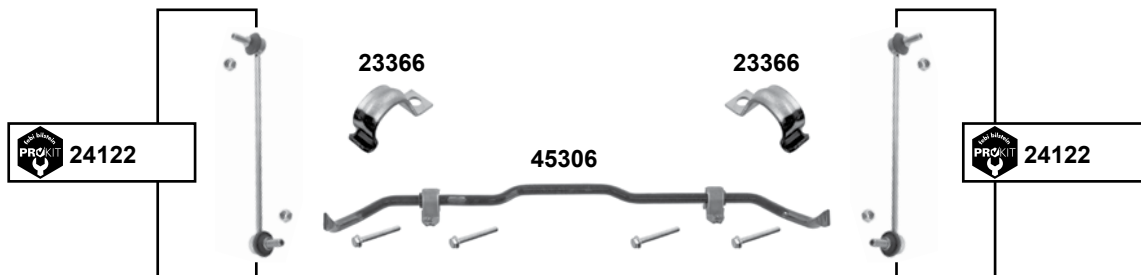
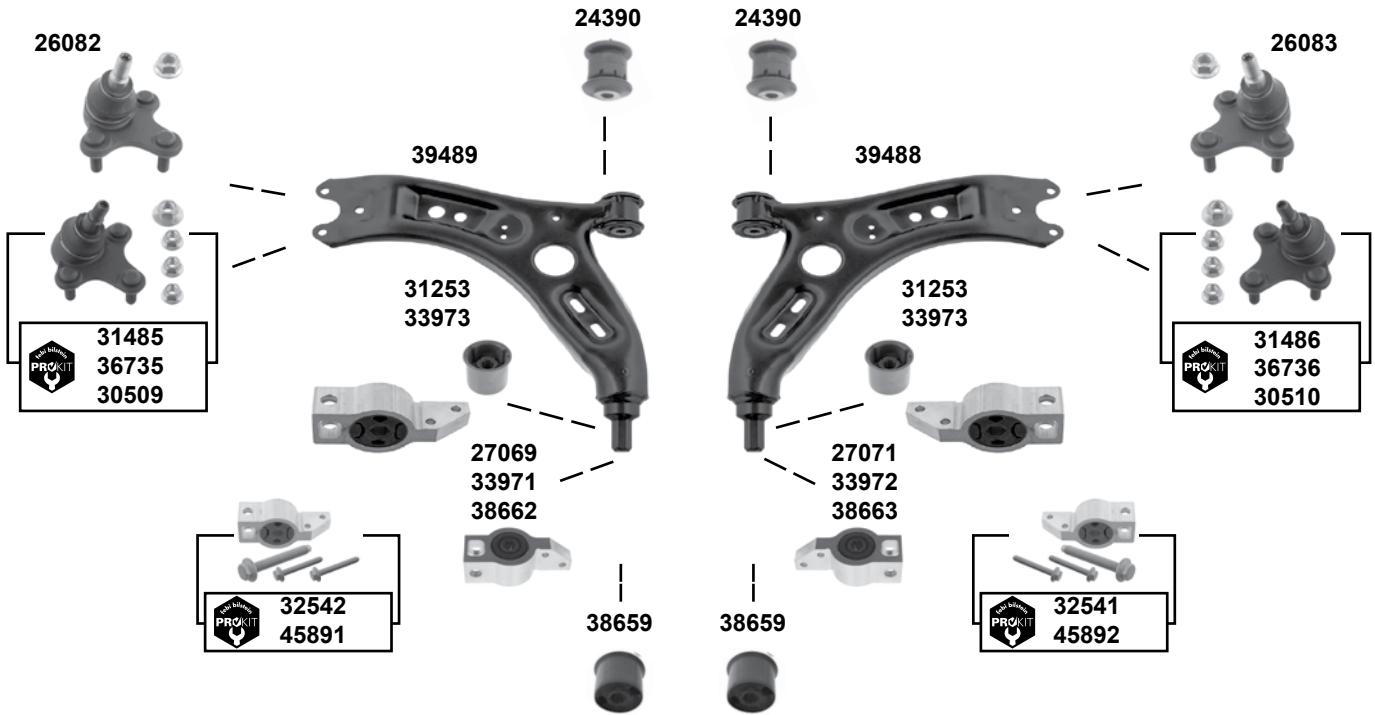


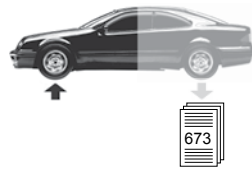
Ref. - No.	Description	Notes	Dimensions
07856	357 407 182 Querlenkerlager / control arm mount	(ex.) Cupra R	12x33x54
10814	1J0 407 181 Querlenkerlager / control arm mount	(ex.) Cupra R	13x60x41
11091	1J0 407 151 C Querlenker / control arm	(ex.) Cupra R / 00 → 06	
12658	1J0 407 365 H Traggelenk / ball joint		M12 x 1,5
12660	1J0 407 366 H Traggelenk / ball joint		M12 x 1,5
14440	1J0 407 365 H S1 ProKit Traggelenk / ball joint	(ex.) Cupra R	
14444	1J0 407 366 H S1 ProKit Traggelenk / ball joint	(ex.) Cupra R	
14718	1J0 411 314 T Stabilisatorlager / stabilizer mount	(7)	Ø I 23
18264	1J0 411 315 J Verbindungsstange / connecting rod	(1)	L 105
18266	1J0 411 315 G Verbindungsstange / connecting rod	(1)	L 105
19296	1J0 411 315 D ProKit Verbindungsstange / connecting rod	(4)	
19298	1J0 411 316 D ProKit Verbindungsstange / connecting rod	(4)	
19820	1J0 407 365 H S2 Querlenker / control arm	(ex.) Cupra R	
19822	1J0 407 366 H S2 Querlenker / control arm	(ex.) Cupra R	
22804	1J0 411 314 R Stabilisatorlager / stabilizer mount		
23366	1J0 411 336 D Schelle / clamp		
26535	8N0 407 181 B Querlenkerlager / control arm mount	02 → 06	13x60x41
26700	8N0 407 365 C ProKit Traggelenk / ball joint	Cupra R	
27304	1J0 411 314 R S1 ProKit Stabilisatorlagersatz / stabilizer mount kit	(2)	Ø I 18
27318	1J0 411 314 T S1 ProKit Stabilisatorlagersatz / stabilizer mount kit		Ø I 21
28579	1J0 411 315 K Verbindungsstange / connecting rod	(3)	L 105,5
30154	1J0 411 315 G S1 Verbindungsstange / connecting rod	(1)	L 105
31348	1J0 411 314 AC Stabilisatorlager / stabilizer mount	(5)	Ø I 18
36630	1J0 411 305 B S1 ProKit Stabilisatorsatz / stabilizer kit	→ 05 (ch.) → 1M-1-035 000	
36640	1J0 411 305 E S1 ProKit Stabilisatorsatz / stabilizer kit		
36646	1J0 411 327 A Verbindungsstangenlager / connecting rod mount	→ 05 (ch.) 1M-X-010 001 →	Ø A 29
36665	1J0 411 315 K S1 ProKit Verbindungsstange / connection rod	(ch.) 1M-1-035 001 →	L 105,5
36667	1J0 411 315 K S2 Verbindungsstangensatz / connecting rod set	(ch.) 1M-1-035 001 →	L 105,5
36676	1J0 411 315 G S1 ProKit Verbindungsstange / connection rod	→ 05 (ch.) → 1M-1-035 000	
36677	1J0 411 315 G S2 Verbindungsstange / connecting rod	→ 05 (ch.) → 1M-1-035 000	
36757	1J0 411 315 G S3 Stabilisatorlagersatz / anti roll bar bush kit	→ 05 (ch.) → 1M-1-035 000	Ø I 21
36758	1J0 411 315 G S4 Stabilisatorlagersatz / anti roll bar bush kit		Ø I 21
37139	1J0 411 314 AC S1 Stabilisatorlagersatz / anti roll bar bush kit	00 → 05	
39606	8N0 422 831 S1 Rep. Satz Lenkmanschette / rep. kit steering boot		
40089	1J0 411 314 T S2 Stabilisatorlagersatz / anti roll bar bush kit	(6)	
40090	1J0 411 305 E S2 ProKit Stabilisatorsatz / stabilizer kit	(6)	



## Leon (1P) (2005 →)

Vorderachse / Front axle





Leon (1P)  
(2005 →)



- (1) 06 → / PR-1LU/1LB/1LT / Scheibenbremse vorne / brake disc front
- (2) Leon / 4 (1P) 06 → (mot.) BWJ / CDLD / CDLA
- (3) 06 → / (ch.) → 3C-7-020 000
- (4) 06 → / (ch.) → 1P-6-102 599 alle /all // (ch.) 1P-6-102 599 → PR-1LU Scheibenbremse vorne / brake disc front
- (5) (ch.) → 1P-A-085 000 (mot.) BXF / BXE / BKD / BMM

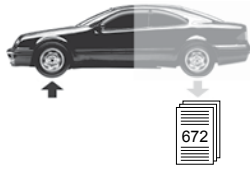


Ref. - No.



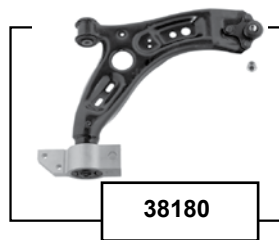
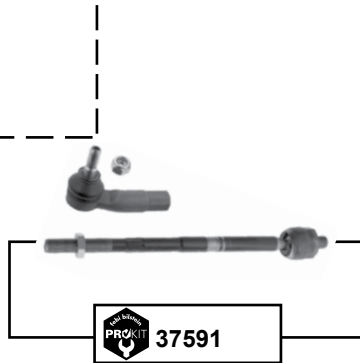
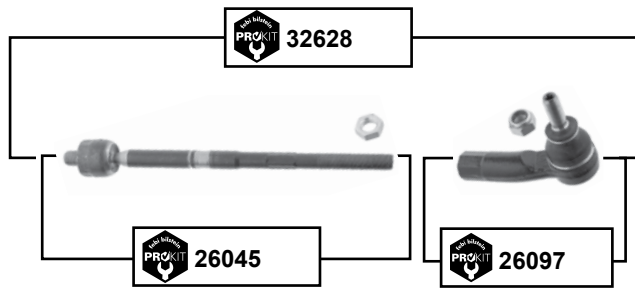
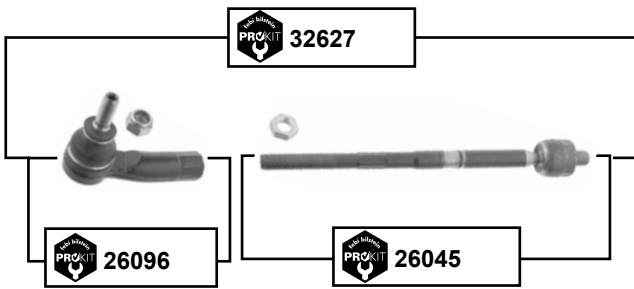
Ref. - No.	Description	Quantity	Material
23366	1J0 411 336 D Schelle / clamp		
24122	1K0 411 315 R ProKit Verbindungsstange / connecting rod	(3)	
24390	1K0 407 182 Querlenkerlager / control arm mount	06 →	Ø A 48 H 54
26082	1K0 407 365 C Traggelenk / ball joint	06 →	
26083	1K0 407 366 C Traggelenk / ball joint	06 →	
27069	1K0 199 231 J Querlenkerlager mit Gehäuse/ control arm mount with housing	→ 2006	
27071	1K0 199 232 J Querlenkerlager mit Gehäuse/ control arm mount with housing	→ 2006	
30509	3C0 407 365 B ProKit Traggelenk / ball joint	(4)	
30510	3C0 407 366 B ProKit Traggelenk / ball joint	(4)	
31253	1K0 407 183 E Querlenkerlager / control arm mount	06 →	Ø A 63
31485	3C0 407 365 A S1 ProKit Traggelenk / ball joint	(1)	
31486	3C0 407 366 A S1 ProKit Traggelenk / ball joint	(1)	
32541	1K0 199 232 J S1 ProKit Querlenkerlagersatz / control arm mounting kit		Alu Alu
32542	1K0 199 231 J S1 ProKit Querlenkerlagersatz / control arm mounting kit		
33971	1K0 199 231 N Querlenkerlager / control arm mount	(2) Aluminium	
33972	1K0 199 232 N Querlenkerlager / control arm mount	(2) Aluminium	
33973	8J0 407 183 Querlenkerlager / control arm mount	(2)	
36735	1K0 407 365 C S1 ProKit Traggelenk / ball joint		
36736	1K0 407 366 C S1 ProKit Traggelenk / ball joint		
38659	1K0 407 183 G Querlenkerlager / control arm mount	(5)	
38662	1K0 199 231 K Querlenkerlager mit Gehäuse / control arm mount with housing	(5) Aluminium	
38663	1K0 199 232 K Querlenkerlager mit Gehäuse / control arm mount with housing	(5) Aluminium	
39488	1K0 407 152 BC Querlenker mit Lagern / control arm with bushes	Stahl / steel	
39489	1K0 407 151 BC Querlenker mit Lagern / control arm with bushes	Stahl / steel	
45306	1K0 411 303 BK S1 Stabilisatorsatz / stabilizer kit	PR-0AD / OAE	
45307	1K0 411 303 BK S2 ProKit Stabilisatorsatz / stabilizer kit	PR-0AD / OAE	
45891	1K0 199 231 K S1 ProKit Querlenkerlagersatz / control arm mounting kit	(5)	
45892	1K0 199 232 K S1 ProKit Querlenkerlagersatz / control arm mounting kit	(5)	

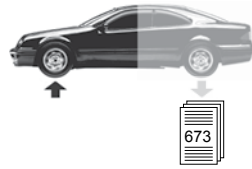




Leon (1P)  
(2005 →)

Vorderachse / Front axle





**Leon (1P)**  
(2005 →)



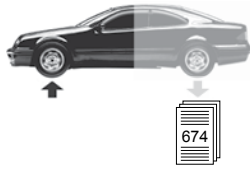
- (1) Leon / 4 (1P) 06 → 10 / → 1P-A-063 000  
Leon / 4 (1P) 11 → / PR-1N3 / PR-1N5 = E servo
- (2) PR-1N9 / (ch.) 1P-B-000 001 → / servo
- (3) → 11 PR-1N9 / servo



Ref. - No.

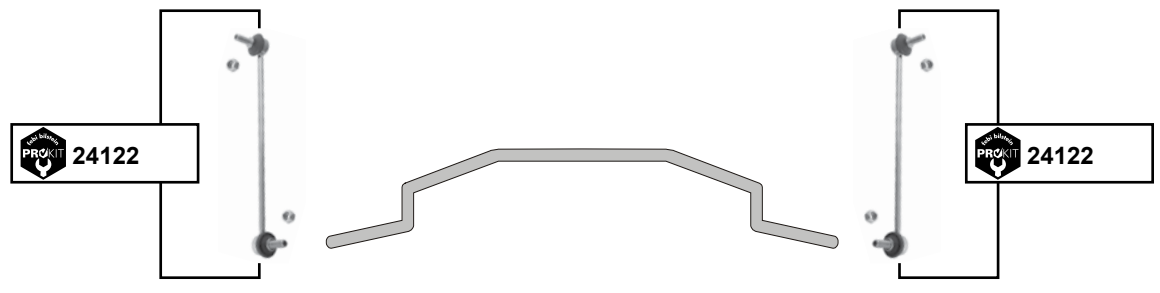
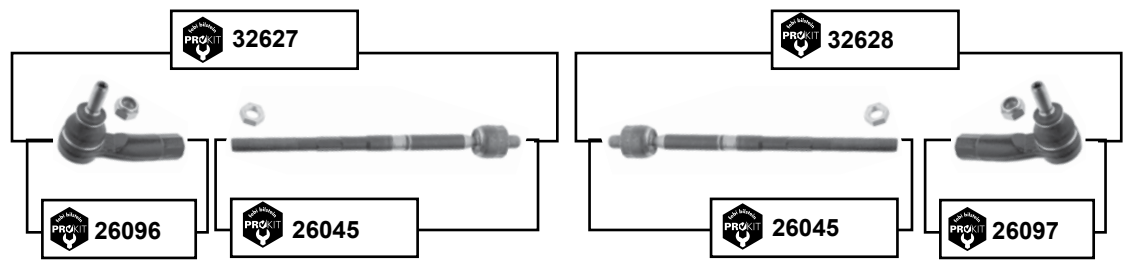
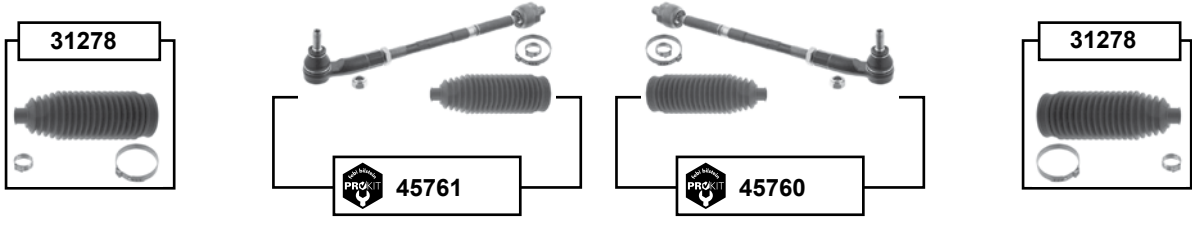


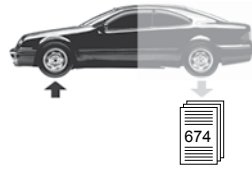
Ref. - No.	Description	Quantity	Material / Notes
26045	1K0 423 810 A ProKit Axialgelenk / axial joint	06 →	
26096	1K0 423 811 E ProKit Spurstangenendstück / tie rod end	06 →	
26097	1K0 423 812 E ProKit Spurstangenendstück / tie rod end	06 →	
31278	1K0 423 831 A S1 Rep. Satz Lenkmanschette / rep. kit steering boot		Ø   15,5 L190
32627	1K0 423 810 A S1 ProKit Spurstange links / tie rod left	(1)	
32628	1K0 423 810 A S2 ProKit Spurstange rechts / tie rod right	(1)	
37591	1K0 423 811 K S1 ProKit Spurstange / tie rod	(2)	L 448
37592	1K0 423 812 K S1 ProKit Spurstange / tie rod	(2)	L 448
37593	1K0 423 811 K ProKit Spurstangenendstück / tie rod end	(3)	M16 x 1,5
37594	1K0 423 812 K ProKit Spurstangenendstück / tie rod end	(3)	M16 x 1,5
38180	1K0 407 152 BC S1 Rep. Satz Querlenker / rep. kit control arm		Stahl / steel
38181	1K0 407 151 BC S1 Rep. Satz Querlenker / rep. kit control arm		Stahl / steel
45760	1K0 423 810 A S4 ProKit Spurstange / tie rod		PR-1N3 / PR-1N5
45761	1K0 423 810 A S3 ProKit Spurstange / tie rod		PR-1N3 / PR-1N5



Leon (5F)  
(2012 →)

Vorderachse / Front axle





**Leon (5F)**  
(2012 →)



(1) für Bremsscheibendicke / for brake disk thickness 25 mm /  
für Bremsscheibendurchmesser / for brake disk diameter 288 mm

	Ref. - No.			
<b>24122</b>	1K0 411 315 R	ProKit Verbindungsstange / connecting rod		
<b>24390</b>	1K0 407 182	Querlenkerlager / control arm mount		Ø A 48 H 54
<b>26045</b>	1K0 423 810 A	ProKit Axialgelenk / axial joint		
<b>26096</b>	1K0 423 811 E	ProKit Spurstangenendstück / tie rod end		
<b>26097</b>	1K0 423 812 E	ProKit Spurstangenendstück / tie rod end		
<b>31278</b>	1K0 423 831 A S1	Rep. Satz Lenkmanschette / rep. kit steering boot		Ø I 15,5 L190
<b>31485</b>	3C0 407 365 A S1	ProKit Traggelenk / ball joint		
<b>31486</b>	3C0 407 366 A S1	ProKit Traggelenk / ball joint		
<b>32627</b>	1K0 423 810 A S1	ProKit Spurstange / tie rod		
<b>32628</b>	1K0 423 810 A S2	ProKit Spurstange / tie rod		
<b>37593</b>	1K0 423 811 K	ProKit Spurstangenendstück / tie rod end		M16 x 1,5
<b>37594</b>	1K0 423 812 K	ProKit Spurstangenendstück / tie rod end		M16 x 1,5
<b>38403</b>	5Q0 407 183 E	Querlenkerlager / control arm mount	PR-1ZE, 1ZF, 1ZA, 1LG	Ø A 65
<b>40668</b>	5Q0 407 365 A S1	ProKit Traggelenk / ball joint	(1) PR-1ZE / 1ZP	
<b>40669</b>	5Q0 407 366 A S1	ProKit Traggelenk / ball joint	(1) PR-1ZE / 1ZP	
<b>45760</b>	1K0 423 810 A S4	ProKit Spurstange / tie rod		
<b>45761</b>	1K0 423 810 A S3	ProKit Spurstange / tie rod		

# SEAT

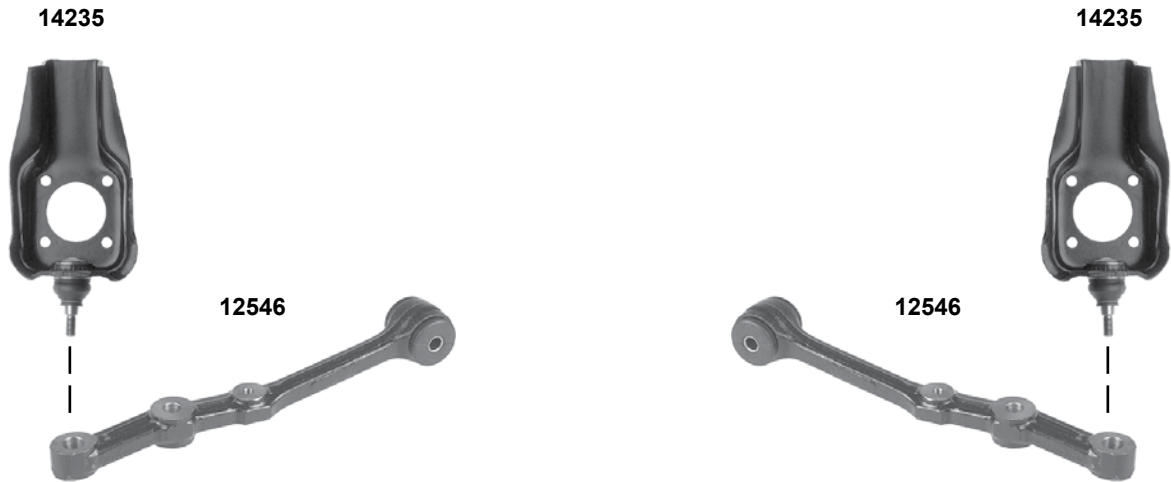


Car  
Division



## Marbella (1990 → 1997)

Vorderachse / Front axle



Ref. - No.

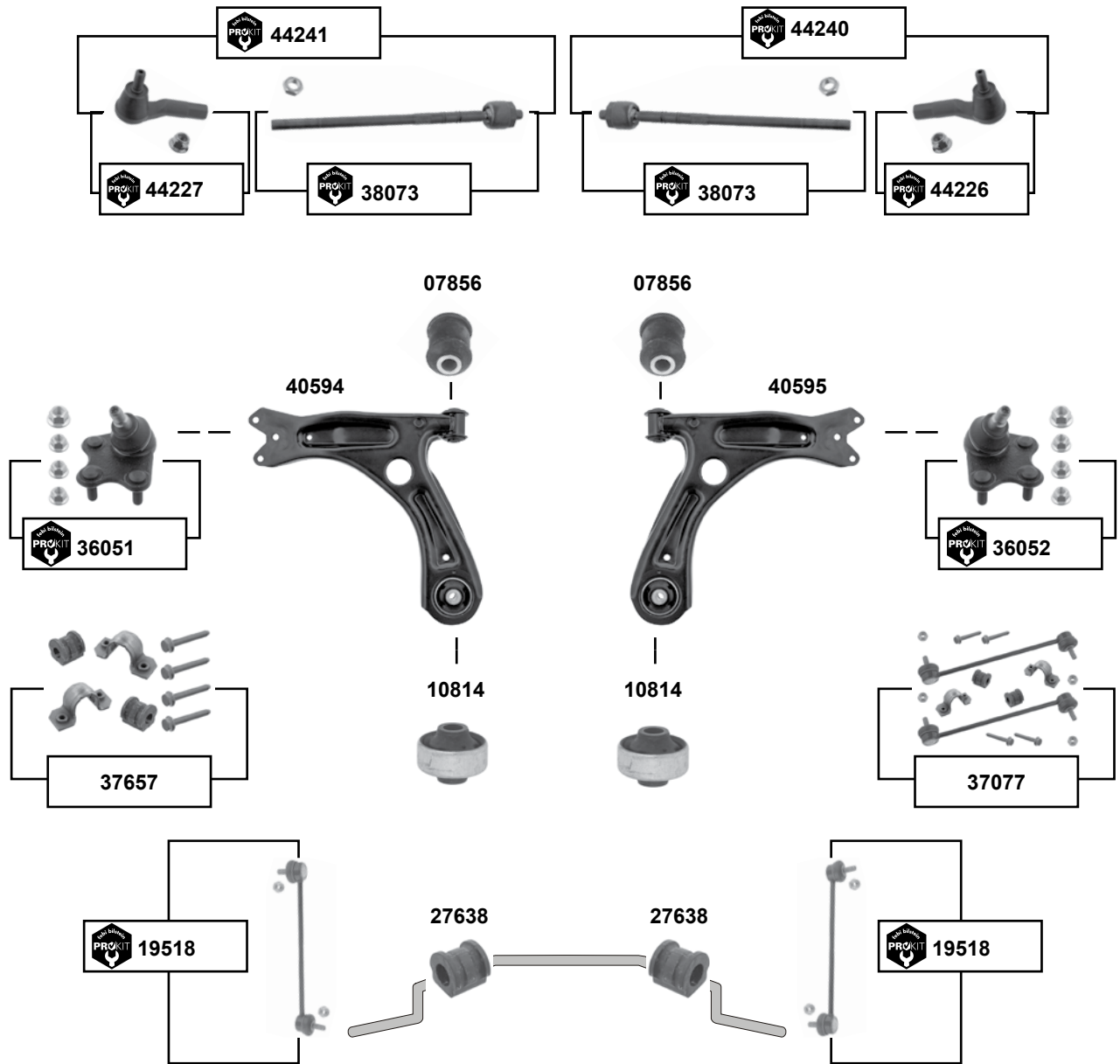


<b>12546</b>	SE028156110A	Querlenker / control arm
<b>12547</b>	SE141162410A	ProKit Spurstangenendstück / tie rod end
<b>12571</b>	SE141162449A	Spurstange / tie rod
<b>14235</b>	SE028140104A	Traggelenk / ball joint

M10 x 1,25  
L 280  
M10 x 1,25



Mii (KF)  
(2012 →)



Vorderachse / Front axle

	Ref. - No.			
<b>07856</b>	1J0 407 181	Querlenkerlager / control arm mount	PR-0AQ 08 → / PR-0AQ	Ø A 33
<b>10814</b>	1J0 407 181	Querlenkerlager hinten / control arm mount rear		Ø A 60 Ø I 13
<b>19518</b>	6Q0 411 315 Q	ProKit Verbindungsstange / connecting rod		
<b>27638</b>	6Q0 411 314 P	Stabilisatorlager / stabilizer mount		Ø I 16
<b>36051</b>	6R0 407 365 A	ProKit Traggelenk / ball joint		
<b>36052</b>	6R0 407 366 A	ProKit Traggelenk / ball joint		
<b>37077</b>	6Q0 411 314 P S1	Stabilisatorlagersatz / anti roll bar bush kit		
<b>37657</b>	6Q0 411 314 P S2	Stabilisatorlagersatz / anti roll bar bush kit		Ø I 16
<b>38073</b>	1S0 423 810 A	ProKit Axialgelenk / axial joint		
<b>40594</b>	1S0 407 151	Querlenker / control arm		Ø I 16
<b>40595</b>	1S0 407 152	Querlenker / control arm	M14 x 1,5	
<b>44240</b>	1S0 423 810 A S1	ProKit Spurstange / tie rod	Stahl / steel	
<b>44241</b>	1S0 423 810 A S2	ProKit Spurstange / tie rod	Stahl / steel	
<b>44226</b>	1S0 423 812 A	ProKit Spurstangenendstück / tie rod end		
<b>44227</b>	1S0 423 811 A	ProKit Spurstangenendstück / tie rod end		



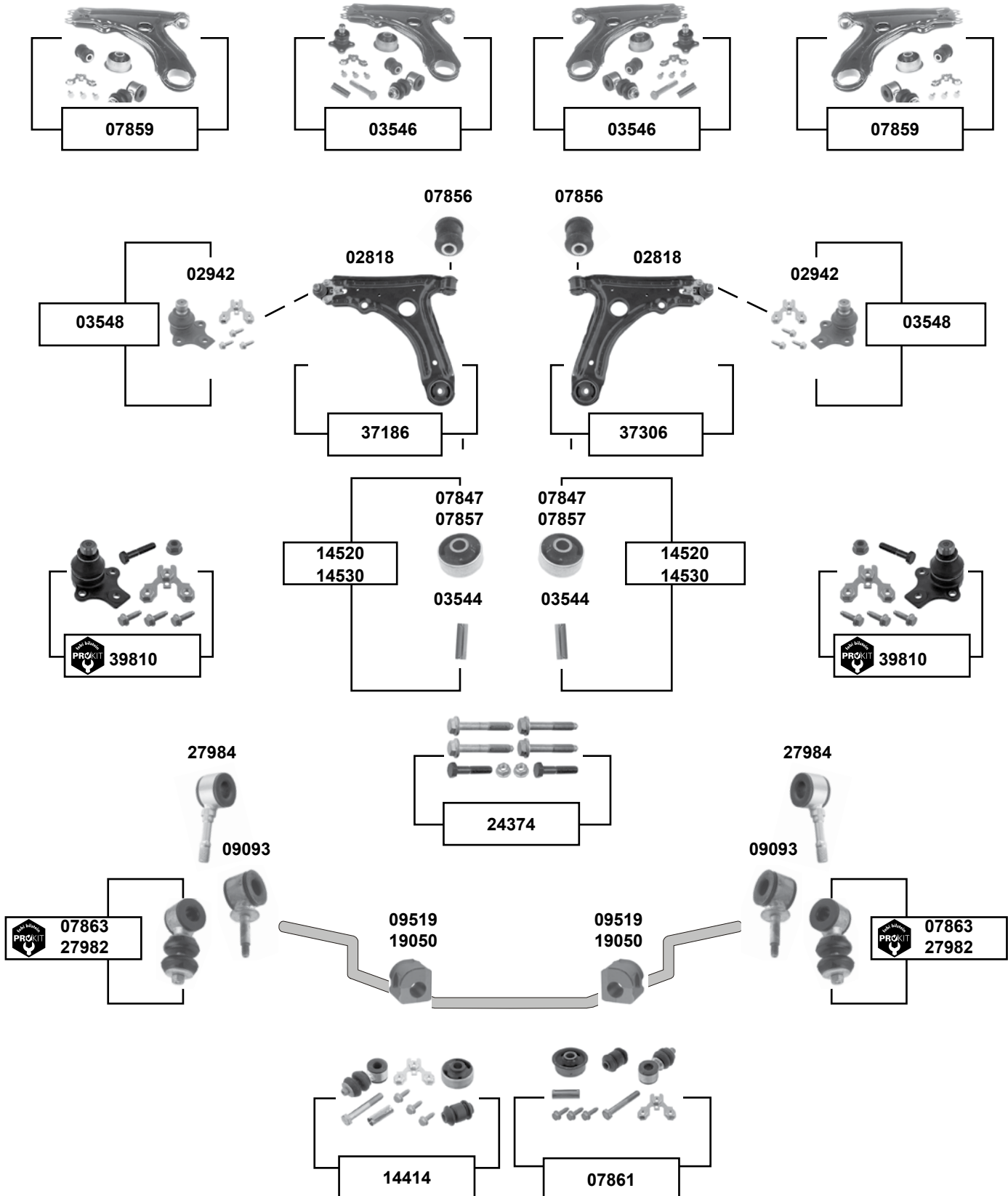
## Toledo (1L)

(1993 → 1999)

(ex.) 2.0 16V

man.

Vorderachse / Front axle





**Toledo (1L)**  
(1993 → 1999)  
(ex.) 2.0 16V

	(1) (ch.) → 1L-ZD-320 000
	(2) (ch.) → 1L-VR-025 500 <b>alle / all</b> (ch.) 1L-VR-025 501 → 1.6 (55KW) / 1.8 / 1.9 D / 1.9 TD
	(3) (ch.) 1L-VR-025 501 → 1.6 (74KW) / 1,9 TDi
	(4) 97 → 99 (ch.) 1L-VR025 501 →
	(5) → 12/1994 (ch.) → 1L-ZD320 000

	Ref. - No.			
02818	191 407 151 B	Querlenker mit Gummilager / control arm incl. rubber mounts		
02942	357 407 365	Traggelenk / ball joint		Ø A 19
03544	191 407 190 A	Hülse / sleeve		50x17
03546	191 407 153 A S3	Rep. Satz Querlenker / rep. kit control arm		
03548	357 407 365 S1	Rep. Satz Traggelenk / rep. kit ball joint		
07847	191 407 181 D	Querlenkerlager / control arm mount	<b>NEW</b>	17x60x41
07856	357 407 182	Querlenkerlager / control arm mount	(ex.) Cupra R	12x33x54
07857	191 407 181 B	Querlenkerlager / control arm mount	<b>OLD</b>	17x60x41
07859	191 407 153 A S2	Rep. Satz Querlenker / rep. kit control arm	→ 12/1994	
07861	191 407 153 S1	Montagesatz / mounting kit	(5)	
07863	191 411 315 B S1	ProKit Verbindungsstange / connecting rod	(1) 92 → 96	
09093	191 411 315 B	Verbindungsstange / connecting rod	(1)	
09519	191 411 314	Stabilisatorlager / stabilizer mount	(2)	Ø   17
14414	191 407 153 S2	Montagesatz / mounting kit	→ 12/1994	
14520	191 407 181 B S1	Querlenkerlager mit Hülse / control arm mount with sleeve	<b>OLD</b>	
14530	191 407 181 D S1	Querlenkerlager mit Hülse / control arm mount with sleeve	<b>NEW</b>	
19050	1H0 411 314	Stabilisatorlager / stabilizer mount	(3)	Ø   19
24374	N 904 840 03 S2	Rep. Satz Schraube / rep. kit screw		
27982	6K0 411 315 S1	ProKit Verbindungsstange / connecting rod	(4)	Ø   19
27984	6K0 411 315	Verbindungsstange / connecting rod	(4)	Ø   19
37186	191 407 151 B S1	Rep. Satz Querlenker / rep. kit control arm		
37306	191 407 151 B S2	Rep. Satz Querlenker / rep. kit control arm		
39810	357 407 365 S2	ProKit Traggelenk / ball joint		

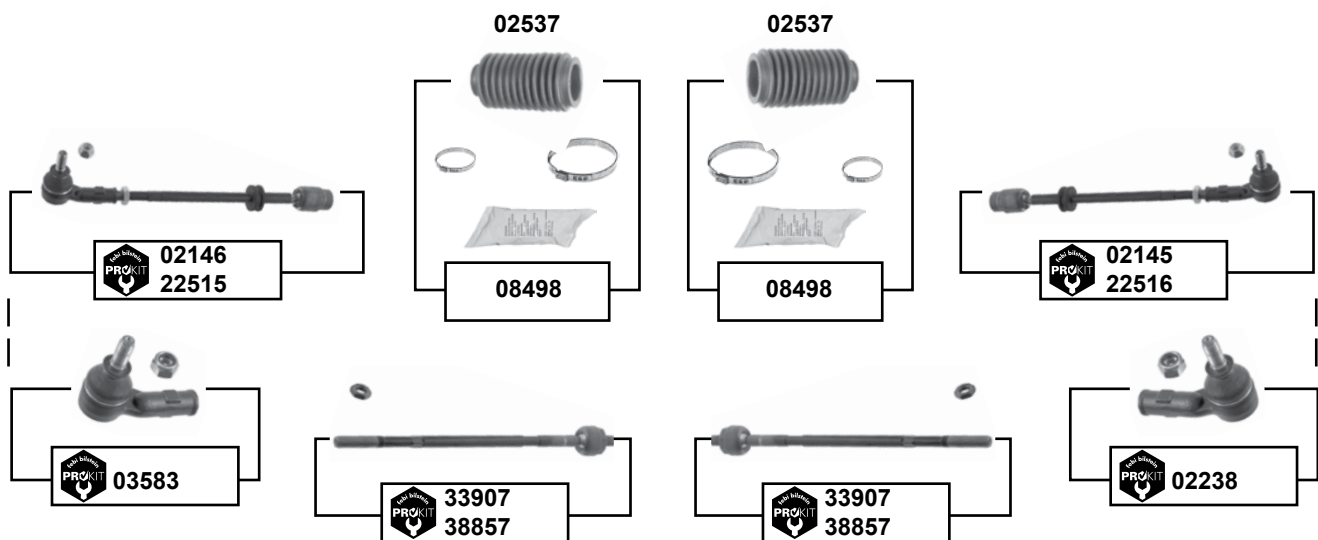




# Toledo (1L)

(1993 → 1999)

man.



- (1) servo (mot.) 1Z (ch.) → 1L-ZD073752  
 servo (mot.) 1F/1Y/2E/AAZ/ABN/ABS/ADZ/EZ/PL/RP (ch.) 1L-ZD307000 → 1L-ZD073752
- (2) 92 → 96 ⇒ → 1L-TR016 347 (mot.) alle/all  
 97 → ⇒ → 1L-VR003 794 (mot.) ABF
- (3) 92 (ch.) → 1L-ZD307 000
- (4) servo (ch.) → 1-LTR-016347 / → 1-LZD-307000



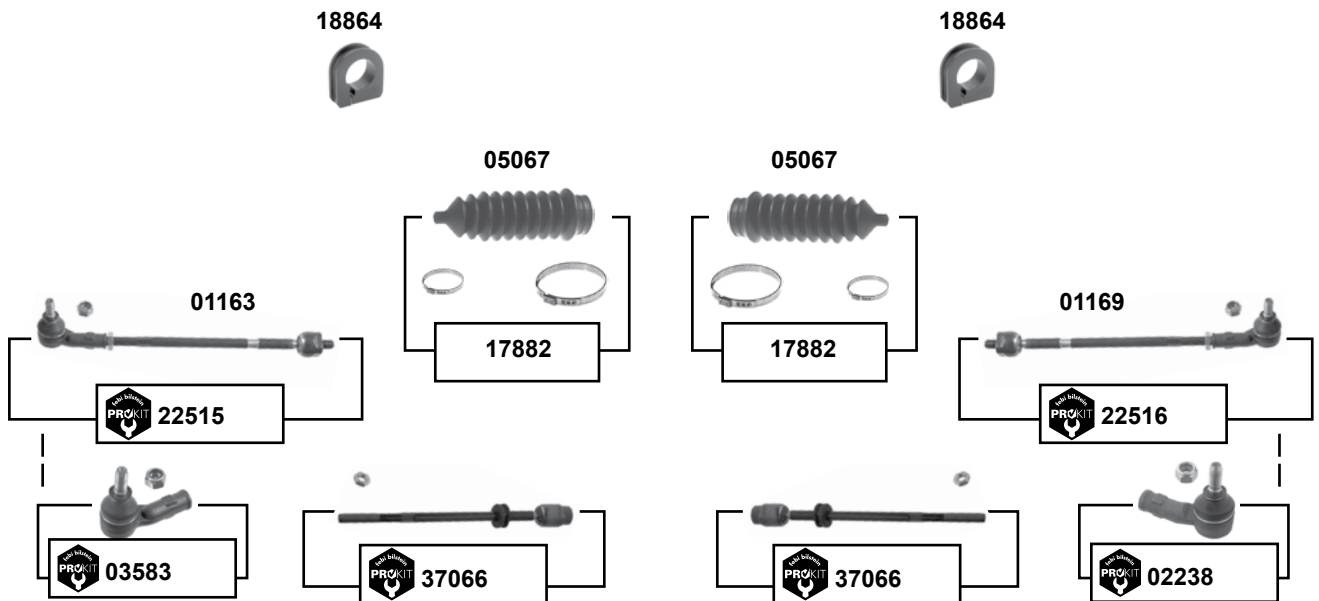
	Ref. - No.			
01375	191 419 063 C	Lenkgetriebe / steering gear	LHD (ch.) 1L-ZD073 753 →	
02145	191 419 804	ProKit Spurstange / tie rod		
02146	191 419 803	ProKit Spurstange / tie rod		
02238	191 419 812	ProKit Spurstangenendstück / tie rod end	(2)	M12 x 1,5
02537	191 419 831	Lenkmanschette / steering boot		
02903	191 419 883	Lenkgetriebelager / steering gear bearing		
03583	191 419 811	ProKit Spurstangenendstück / tie rod end	(2)	M12 x 1,5
07964	191 419 063 B	Lenkgetriebe / steering gear	LHD (ch.) → 1L-ZD073 752	
08498	191 419 831 S1	Rep. Satz Lenkmanschette / rep. kit steering boot		
22515	6K0 422 803	ProKit Spurstange / tie rod	(1)	
22516	6K0 422 804	ProKit Spurstange / tie rod	(1)	
33907	191 407 151 B S1	ProKit Axialgelenk / axial joint	(3)	
38857	6K0 422 810	ProKit Axialgelenk / axial joint	(4)	



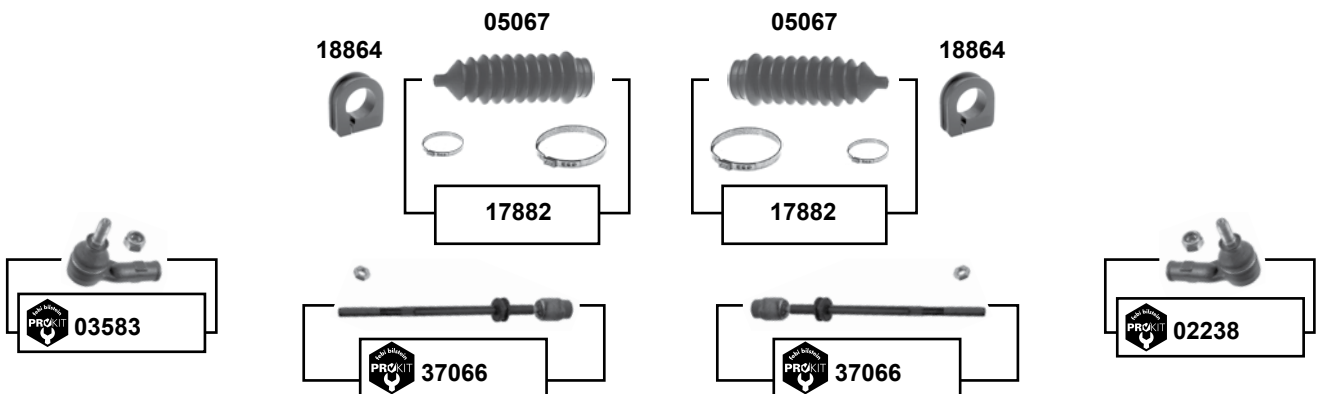
**Toledo (1L)**  
(1993 → 1999)  
(ex.) 2.0 16V

servo

(ch.) → 1L-ZD307 000



(ch.) 1L-ZD307 001 →



Vorderachse / Front axle

	Ref. - No.			
<b>01163</b>	191 422 803 A	Spurstange / tie rod		
<b>01169</b>	191 422 804 A	Spurstange / tie rod		
<b>02238</b>	191 419 812	ProKit Spurstangenendstück / tie rod end		M12 x 1,5
<b>03583</b>	191 419 811	ProKit Spurstangenendstück / tie rod end		M12 x 1,5
<b>05067</b>	1H0 422 831 B	Lenkmanschette / steering boot		
<b>17882</b>	1H0 422 831 B S1	Rep. Satz Lenkmanschette / rep. kit steering boot		
<b>18864</b>	1H0 422 884	Lenkgetriebelager / steering gear bearing		
<b>22515</b>	6K0 422 803	ProKit Spurstange / tie rod		
<b>22516</b>	6K0 422 804	ProKit Spurstange / tie rod		
<b>37066</b>	191 419 810	ProKit Axialgelenk / axial joint		M12x1,5



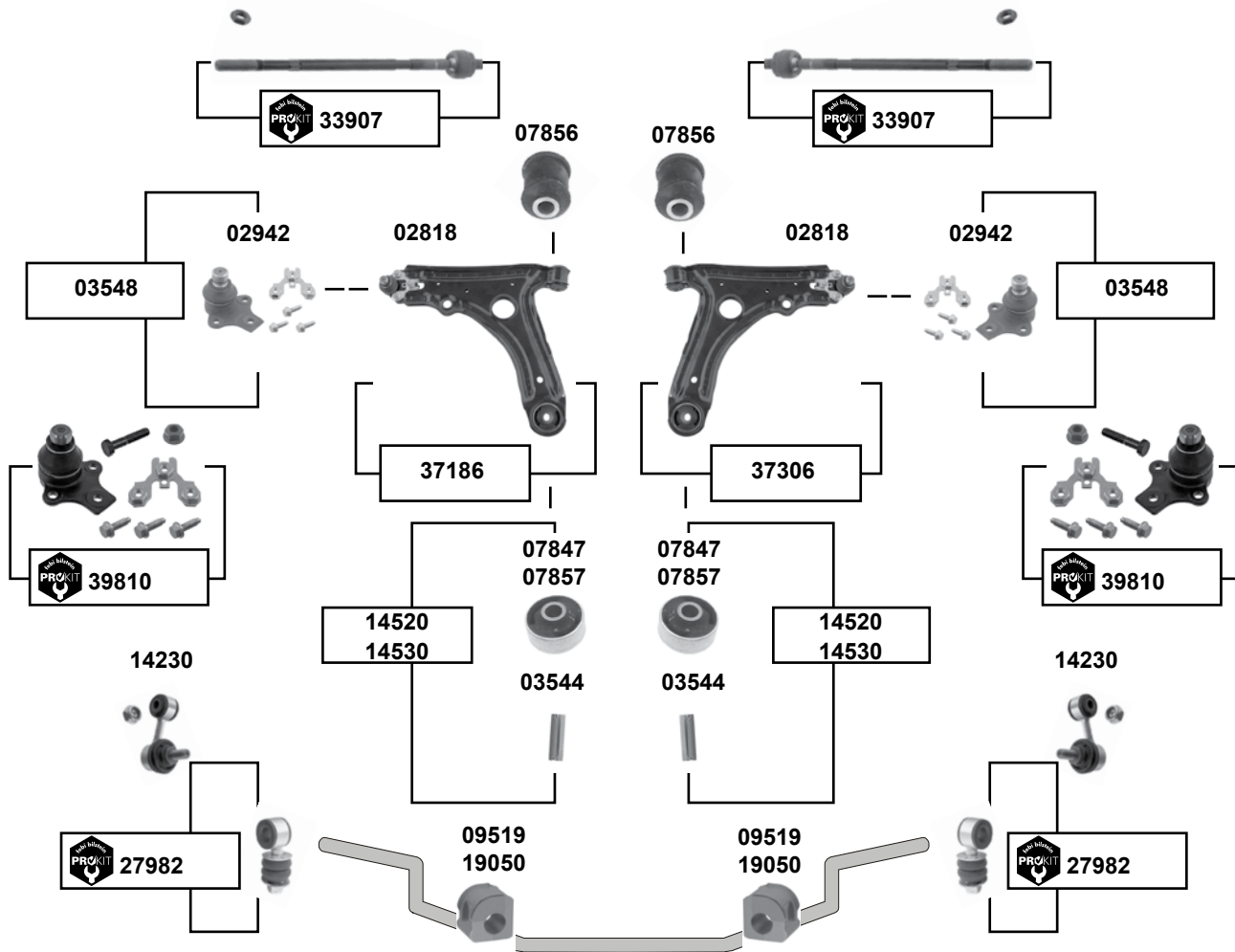
## Toledo (1L)

(1993 → 1999)

(ex.) 2.0 16V

servo

Vorderachse / Front axle



(1) (ch.) → 1L-VR-025500 **alle / all / (ch.)** 1L-VR-025501 → 1.6 (55KW) / 1.8 / 1.9 D / 1.9 TD

(2) (ch.) 1L-VR-025501 → 1.6 (74KW) / 1,9 TDi



Ref. - No.

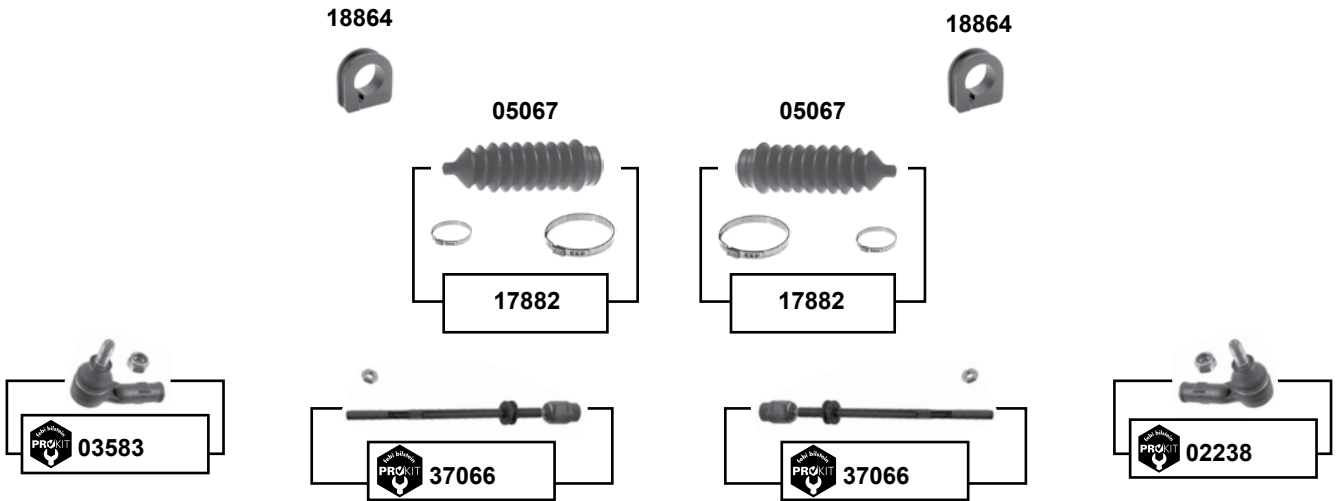


Part No.	Ref. - No.	Description	Status	Dimensions
02818	191 407 151 B	Querlenker mit Gummilager / control arm incl. rubber mounts		
02942	357 407 365	Traggelenk / ball joint		Ø A 19
03544	191 407 190 A	Hülse / sleeve		50x17
03548	357 407 365 S1	Rep. Satz Traggelenk / rep. kit ball joint		
07847	191 407 181 D	Querlenkerlager / control arm mount	<b>NEW</b>	17x60x41
07856	357 407 182	Querlenkerlager / control arm mount		12x33x54
07857	191 407 181 B	Querlenkerlager / control arm mount	<b>OLD</b>	17x60x41
09519	191 411 314	Stabilisatorlager / stabilizer mount	<b>(1)</b>	Ø I 17
14230	535 411 315	Verbindungsstange / connecting rod	2,0 16V	L 55
14520	191 407 181 B S1	Querlenkerlager mit Hülse / control arm mount with sleeve	<b>OLD</b>	
14530	191 407 181 D S1	Querlenkerlager mit Hülse / control arm mount with sleeve	<b>NEW</b>	
19050	1H0 411 314	Stabilisatorlager / stabilizer mount	<b>(2)</b>	Ø I 19
27982	6K0 411 315 S1	ProKit Verbindungsstange / connecting rod	<b>(1)</b>	Ø I 16,5
33907	191 422 810 A	ProKit Axialgelenk / axial joint	92 → 1L-ZD307 000	
37186	191 407 151 B S1	Rep. Satz Querlenker / rep. kit control arm		
37306	191 407 151 B S2	Rep. Satz Querlenker / rep. kit control arm		
39810	357 407 365 S2	ProKit Traggelenk / ball joint		



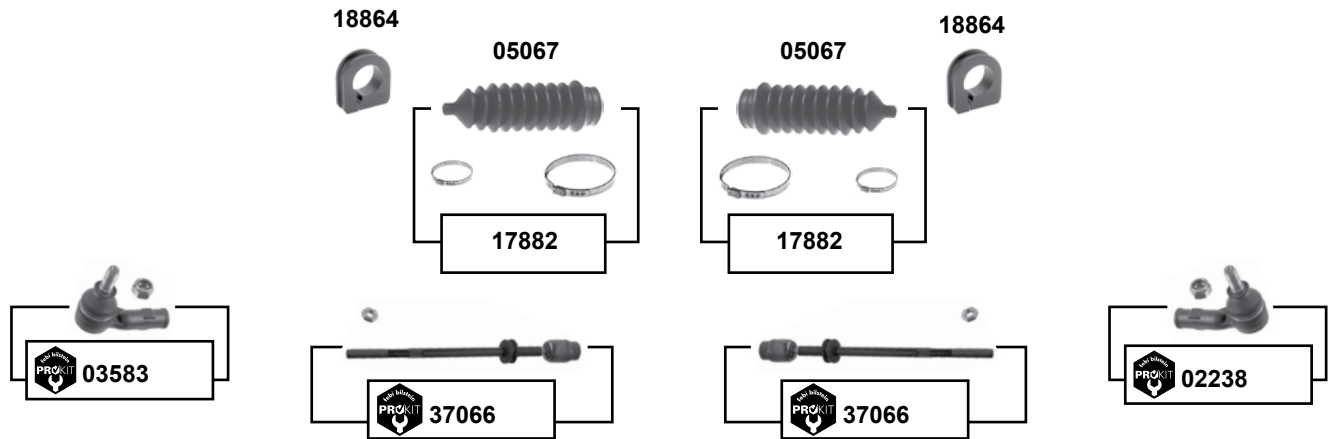
**Toledo (1L)**  
(1993 → 1999)  
2.0 16V

**(ch.) → 1L-VR003 794**



Vorderachse / Front axle

**(ch.) 1L-VR003 795 →**



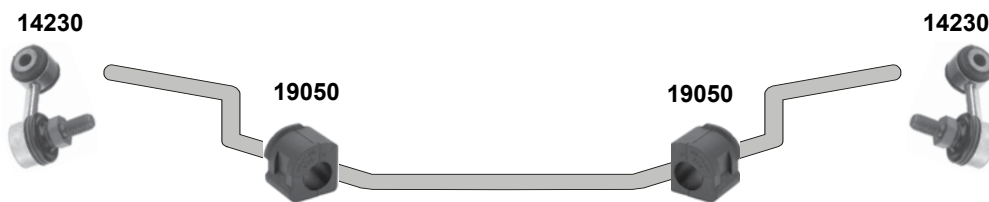
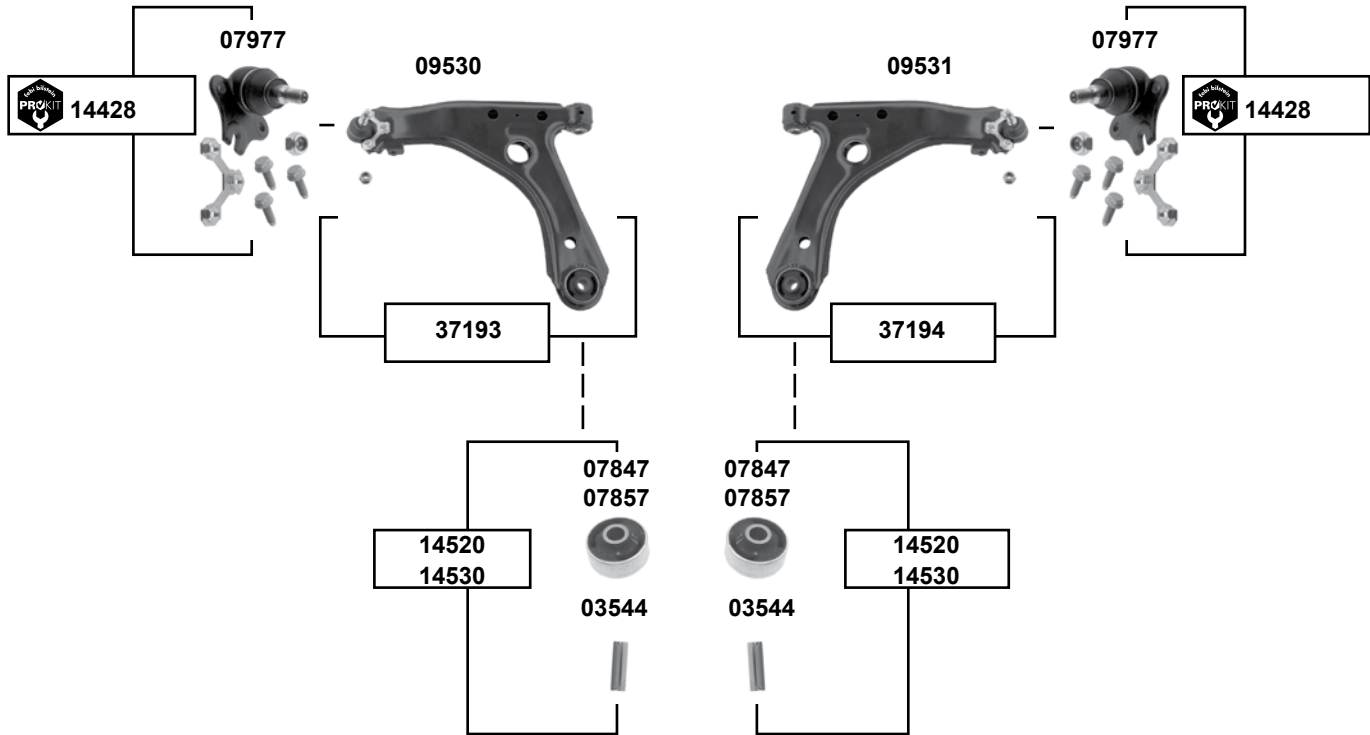
	Ref. - No.			
<b>02238</b>	191 419 812	ProKit Spurstangenendstück / tie rod end		M12 x 1,5
<b>03583</b>	191 419 811	ProKit Spurstangenendstück / tie rod end		M12 x 1,5
<b>05067</b>	1H0 422 831 B	Lenkmanschette / steering boot		
<b>17882</b>	1H0 422 831 B S1	Rep. Satz Lenkmanschette / rep. kit steering boot		
<b>18864</b>	1H0 422 884	Lenkgetriebelager / steering gear bearing		
<b>37066</b>	191 419 810	ProKit Axialgelenk / axial joint		M12 x 1,5



## Toledo (1L)

(1991 → 1999)  
2.0 16V

Vorderachse / Front axle

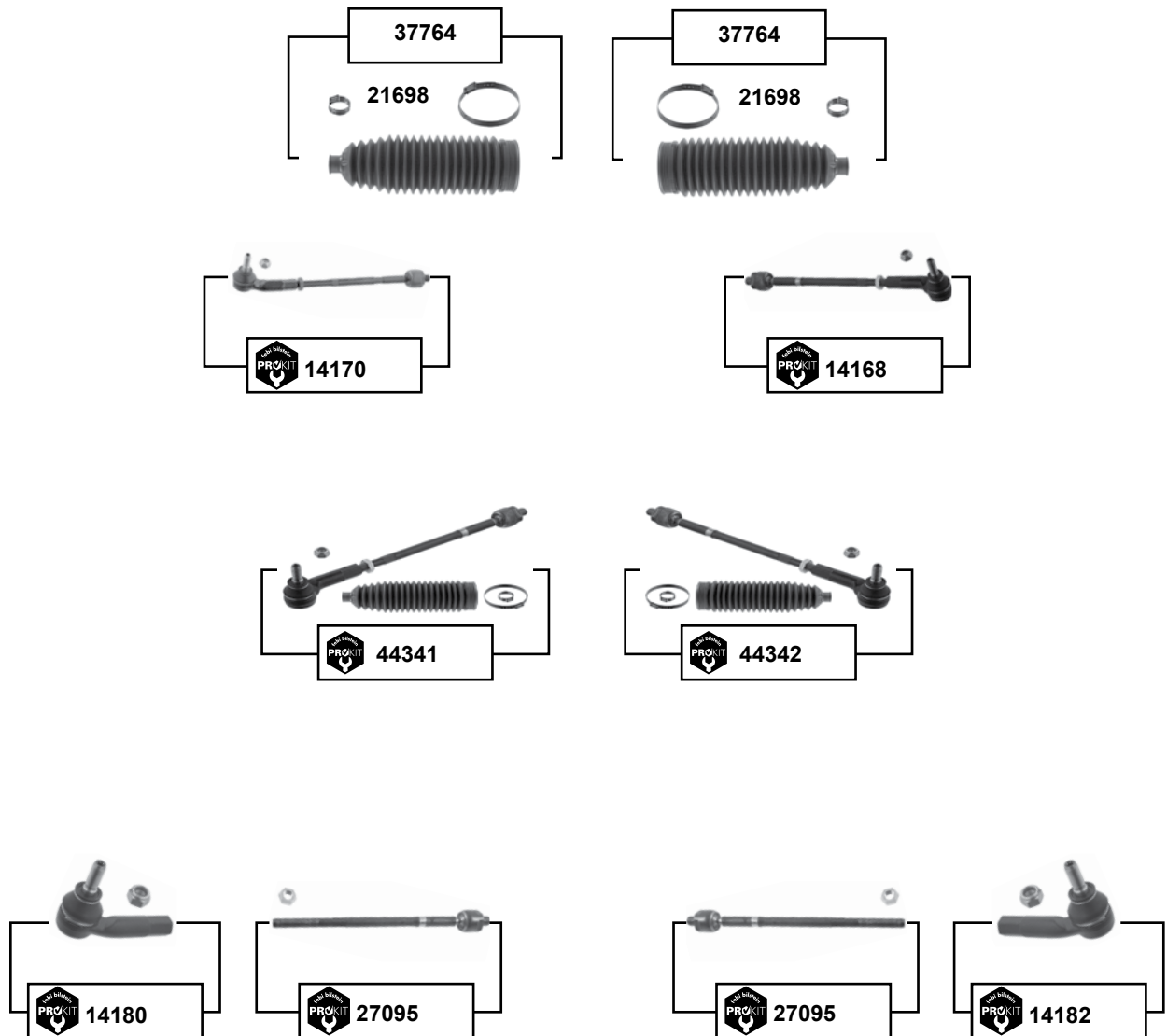


	Ref. - No.			
03544	191 407 190 A	Hülse / sleeve		50x17
07847	191 407 181 D	Querlenkerlager / control arm mount	NEW	12x33x54
07857	191 407 181 B	Querlenkerlager / control arm mount	OLD	17x60x41
07977	1H0 407 365	Traggelenk / ball joint		M12 x 1,5
09530	1H0 407 151 A	Querlenker / control arm		
09531	1H0 407 152	Querlenker / control arm		
14230	535 411 315	Verbindungsstange / connecting rod		
14428	1H0 407 365 S1	ProKit Traggelenk / ball joint		
14520	191 407 181 B S1	Querlenkerlager mit Hülse / control arm mount with sleeve	OLD	
14530	191 407 181 D S1	Querlenkerlager mit Hülse / control arm mount with sleeve	NEW	
19050	1H0 411 314	Stabilisatorlager / stabilizer mount	(ch.) 1L-VR 025 501 → Ø   19	
37193	1H0 407 151 A S1	Querlenker mit Traggelenk / control arm with ball joint	94 → 98	
37194	1H0 407 152 S1	Querlenker mit Traggelenk / control arm with ball joint	94 → 98	



**Toledo (1M)**  
(2000 → 2006)

Vorderachse / Front axle

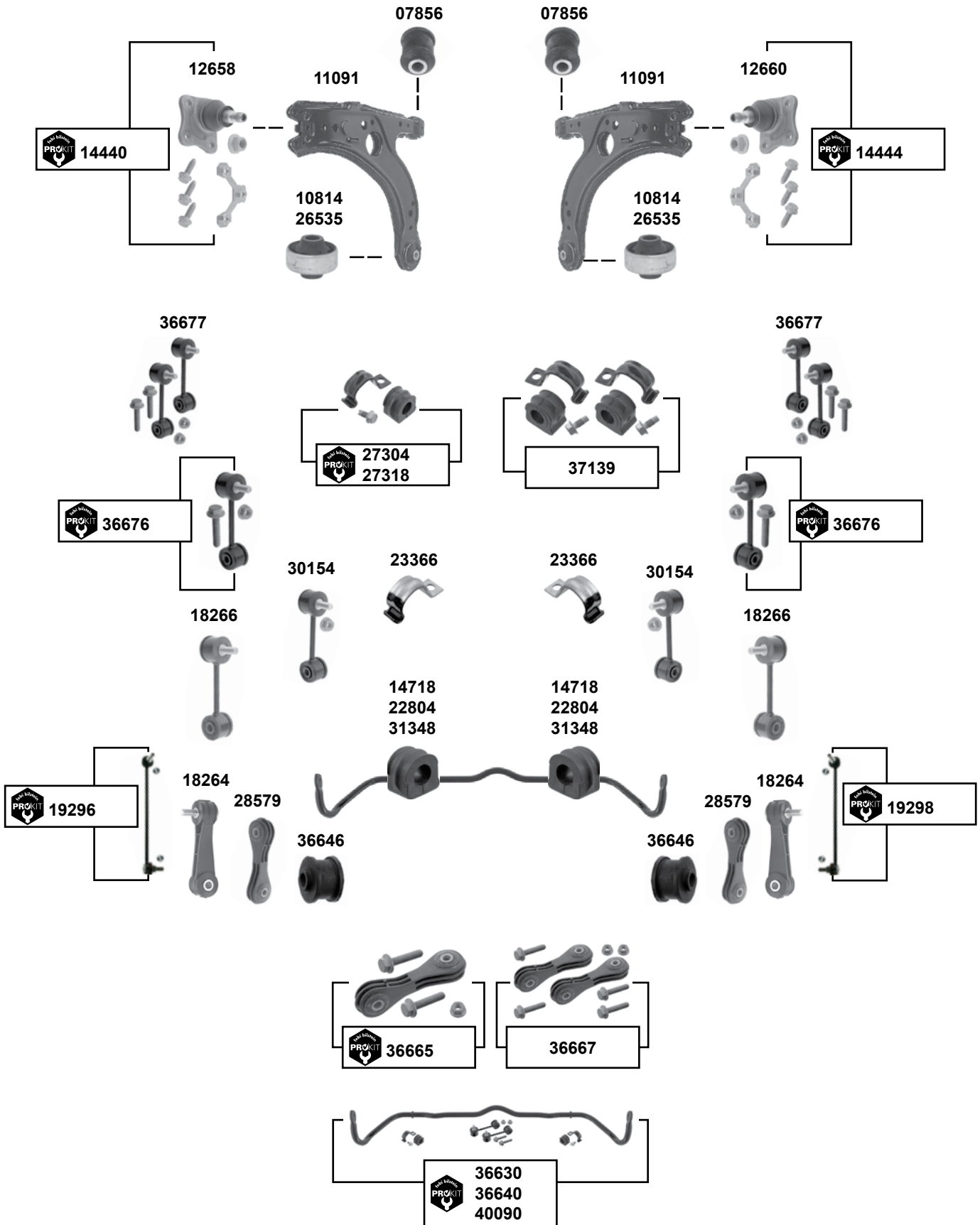


	Ref. - No.			
<b>14168</b>	1J0 422 804 H	ProKit Spurstange / tie rod	ZF servo	
<b>14170</b>	1J0 422 803 H	ProKit Spurstange / tie rod	ZF servo	
<b>14180</b>	1J0 422 811 B	ProKit Spurstangenendstück / tie rod end	ZF	M14 x 1,5
<b>14182</b>	1J0 422 812 B	ProKit Spurstangenendstück / tie rod end	ZF	M14 x 1,5
<b>21698</b>	1J0 422 831 B	Lenkmanschette / steering boot		
<b>27095</b>	1J0 422 810 B	ProKit Axialgelenk / axial joint		L 321
<b>37764</b>	1J0 422 831 B S1	Rep. Satz Lenkmanschette / rep. kit steering boot		
<b>44341</b>	1J0 422 803 H S1	ProKit Spurstange / tie rod		
<b>44342</b>	1J0 422 804 H S1	ProKit Spurstange / tie rod		



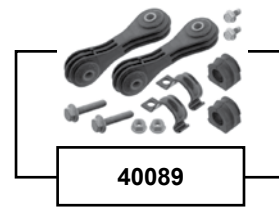
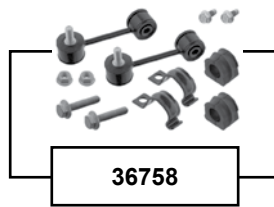
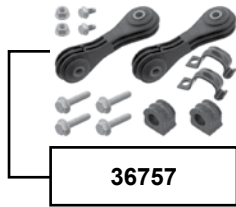
## Toledo (1M) (2000 → 2006)

Vorderachse / Front axle





**Toledo (1M)**  
(2000 → 2006)



**Rep. Sätze /  
rep. kits**

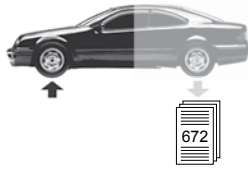


(1)	(ch.) → 1M-4-136650 / Stabi Ø A 21	alle / all	(2)	→ 05 (ch.) → 1M-1-035000
(3)	A 23 01 → 06 (ch.) 1M-1-035001 → (ex.) AJQ/ARY/AUE/ARL/BDE			
(4)	2002 → 2004 (ex.) Stabi Ø A 23			
(5)	99 → 01 (ch.) → 1M-1-035 000 / 02 → 04 (ch.) → 1M-4-136 650			
(6)	(ch.) 1M-1-035 001 → / PR-0AE / Ø A 23		(7)	(ch.) → 1M-X-010 000 PR-0AE

Vorderachse / Front axle

	Ref. - No.			
07856	357 407 182	Querlenkerlager / control arm mount	(ex.) Cupra R	12x33x54
10814	1J0 407 181	Querlenkerlager / control arm mount	(ex.) Cupra R / 99 → 04	13x60
11091	1J0 407 151 C	Querlenker / control arm	(ex.) Cupra R / 99 → 04	
12658	1J0 407 365 H	Traggelenk / ball joint		M12 x 1,5
12660	1J0 407 366 H	Traggelenk / ball joint		M12 x 1,5
14440	1J0 407 365 M S1	ProKit Traggelenk / ball joint		
14444	1J0 407 366 M S1	ProKit Traggelenk / ball joint		
14718	1J0 411 314 T	Stabilisatorlager / stabilizer mount		Ø   23
18264	1J0 411 315 J	Verbindungsstange / connecting rod	(2)	L 105
18266	1J0 411 315 G	Verbindungsstange / connecting rod	(7) Stabi Ø A 23	L 105
19296	1J0 411 315 D	ProKit Verbindungsstange / connecting rod	(4)	
19298	1J0 411 316 D	ProKit Verbindungsstange / connecting rod	(4)	
19820	1J0 407 365 H S2	Querlenker, kpl. / control arm, cpl.	99 → 01	
19822	1J0 407 366 H S2	Querlenker, kpl. / control arm, cpl.	99 → 01	
22804	1J0 411 314 R	Stabilisatorlager / stabilizer mount	<b>NEW / (1)</b>	Ø   18
23366	1J0 411 336 D	Schelle / clamp		
26535	8N0 407 181 B	Querlenkerlager / control arm mount	02 → 06	13x60x41
27304	1J0 411 314 R S1	ProKit Stabilisatorlagersatz / stabilizer mount kit	(5)	Ø   18
27318	1J0 411 314 T S1	ProKit Stabilisatorlagersatz / stabilizer mount kit		Ø   21
28579	1J0 411 315 K	Verbindungsstange / connecting rod	(3)	L 105,5
30154	1J0 411 315 G S1	Verbindungsstange / connecting rod	(2)	L 105 / M10
31348	1J0 411 314 AC	Stabilisatorlager / stabilizer mount	00 → 04	Ø   18
36630	1J0 411 305 B S1	ProKit Stabilisatorsatz / stabilizer kit	→ 05 (ch.) → 1M-1-035000	
36640	1J0 411 305 E S1	ProKit Stabilisatorsatz / stabilizer kit		
36646	1J0 411 327 A	Verbindungsstangenlager / connecting rod mount	→ 05 (ch.) 1M-X-010001→	Ø A 29
36665	1J0 411 315 K S1	ProKit Verbindungsstange / connection rod	(ch.) 1M-1-035 001→	L 105,5
36667	1J0 411 315 K S2	Verbindungsstangensatz / connecting rod set	(ch.) 1M-1-035 001→	L 105,5
36676	1J0 411 315 G S1	ProKit Verbindungsstange / connecting rod	(2)	
36677	1J0 411 315 G S2	Verbindungsstange / connecting rod	(2)	
36757	1J0 411 315 G S3	Stabilisatorlagersatz / anti roll bar bush kit	→ 05 (ch.) → 1M-1-035000	Ø   21
36758	1J0 411 315 G S4	Stabilisatorlagersatz / anti roll bar bush kit		Ø   21
37139	1J0 411 314 AC S1	Stabilisatorlagersatz / anti roll bar bush kit	00 → 05	
40089	1J0 411 314 T S2	Stabilisatorlagersatz / anti roll bar bush kit	(6)	
40090	1J0 411 305 E S2	ProKit Stabilisatorsatz / stabilizer kit	(6)	



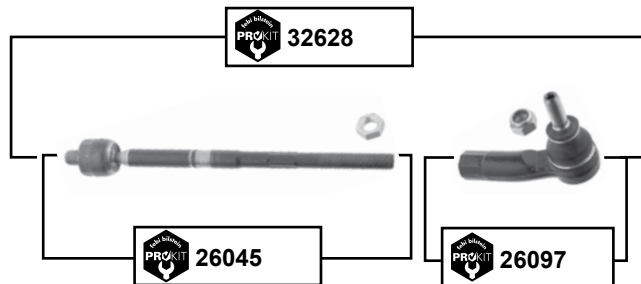
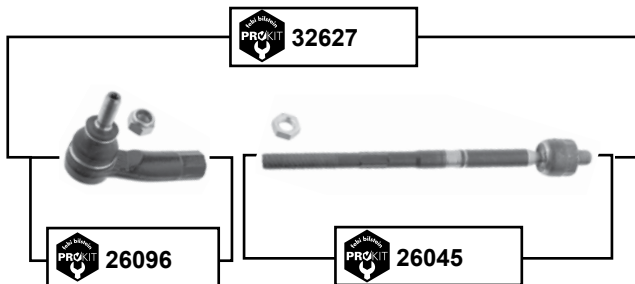


672

## Toledo (5P)

(2005 →)

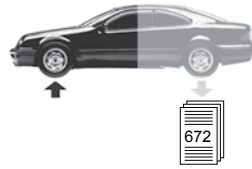
Vorderachse / Front axle



Ref. - No.

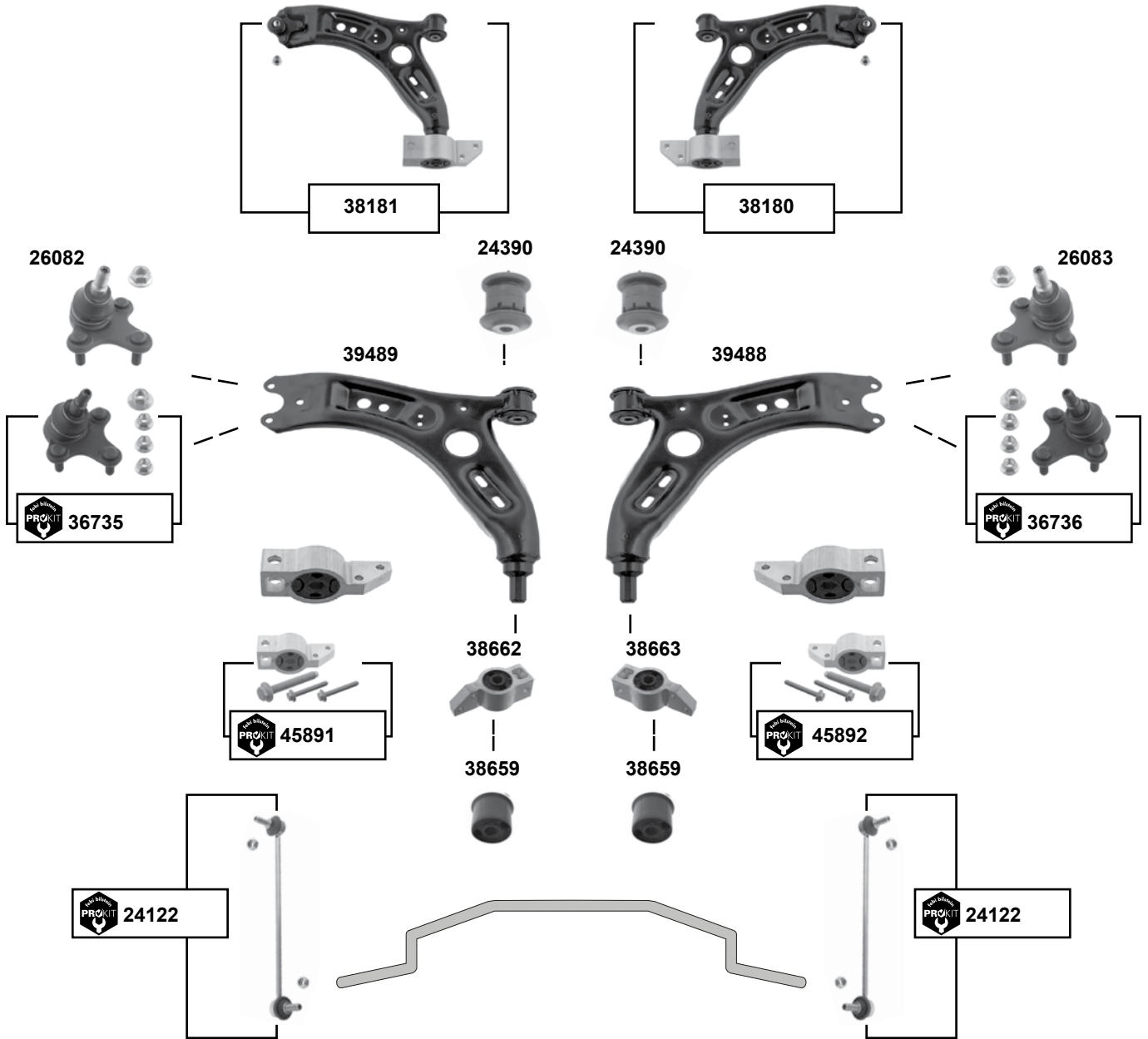


<b>26045</b>	1K0 423 810 A	ProKit Axialgelenk / axial joint	
<b>26096</b>	1K0 423 811 E	ProKit Spurstangenendstück / tie rod end	
<b>26097</b>	1K0 423 812 E	ProKit Spurstangenendstück / tie rod end	
<b>31278</b>	1K0 423 831 A S1	Rep. Satz Lenkmanschette / rep. kit steering boot	Ø   15,5 L190
<b>32627</b>	1K0 423 810 A S1	ProKit Spurstange links / tie rod left	
<b>32628</b>	1K0 423 810 A S2	ProKit Spurstange rechts / tie rod right	
<b>45760</b>	1K0 423 810 A S4	ProKit Spurstange / tie rod	
<b>45761</b>	1K0 423 810 A S3	ProKit Spurstange / tie rod	



Toledo (5P)  
(2005 →)

Vorderachse / Front axle

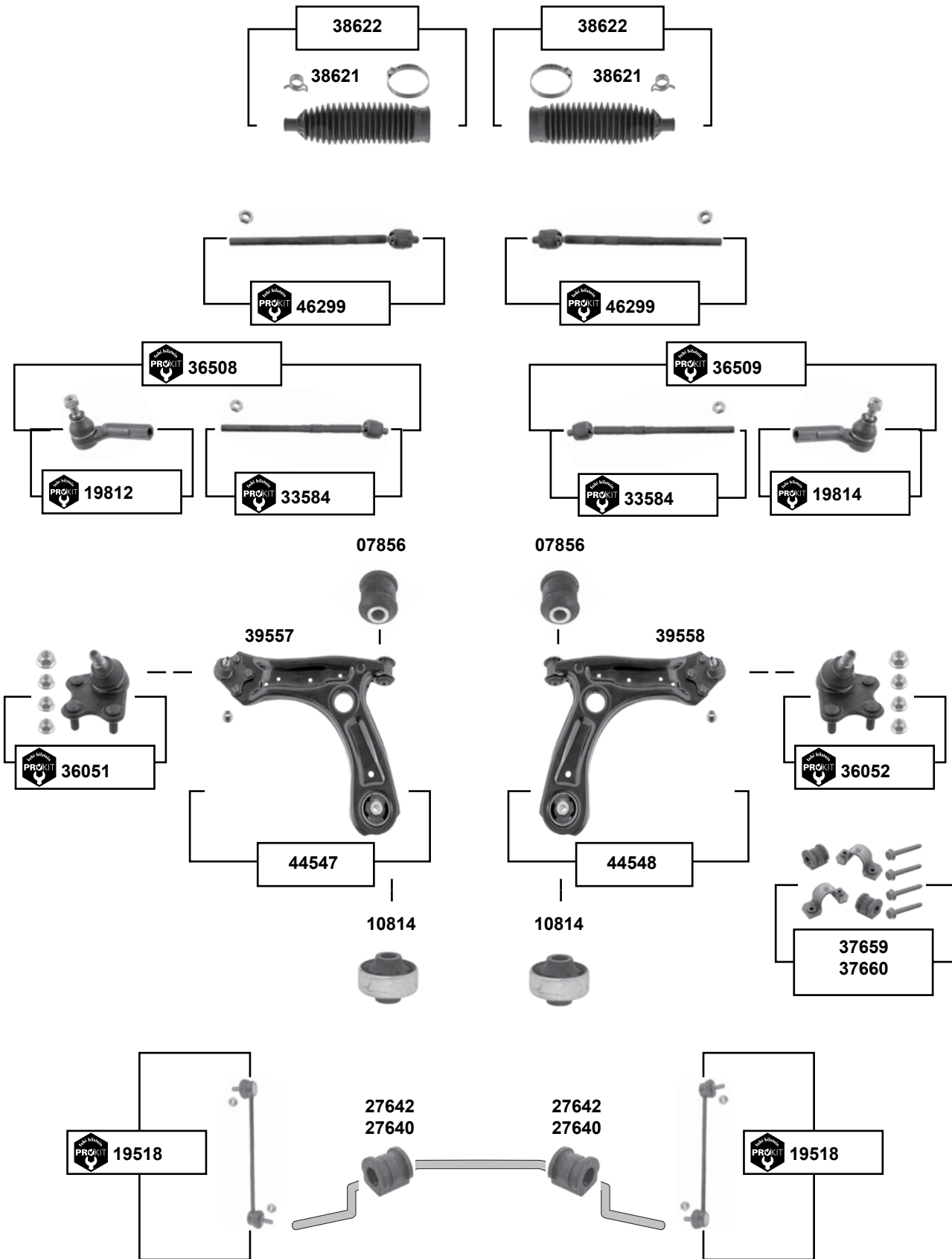


	Ref. - No.			
24122	1K0 411 315 R	ProKit Verbindungsstange / connecting rod		Ø A 48 H 54
24390	1K0 407 182	Querlenkerlager / control arm mount		
26082	1K0 407 365 C	Traggelenk / ball joint		
26083	1K0 407 366 C	Traggelenk / ball joint		
36735	1K0 407 365 C S1	ProKit Traggelenk / ball joint		
36736	1K0 407 366 C S1	ProKit Traggelenk / ball joint		
38180	1K0 407 152 BC S1	Rep. Satz Querlenker / rep. kit control arm	Stahl / steel	
38181	1K0 407 151 BC S1	Rep. Satz Querlenker / rep. kit control arm	Stahl / steel	
38659	1K0 407 183 G	Querlenkerlager / control arm mount		
38662	1K0 199 231 K	Querlenkerlager mit Gehäuse / control arm mount with housing	Aluminium	
38663	1K0 199 232 K	Querlenkerlager mit Gehäuse / control arm mount with housing	Aluminium	
39488	1K0 407 152 BC	Querlenker mit Lagern / control arm with bushes	Stahl / steel	
39489	1K0 407 151 BC	Querlenker mit Lagern / control arm with bushes	Stahl / steel	
45891	1K0 199 231 K S1	ProKit Querlenkerlagersatz / control arm mounting kit		
45892	1K0 199 232 K S1	ProKit Querlenkerlagersatz / control arm mounting kit		



## Toledo (KG3) (2012 →)

Vorderachse / Front axle





Toledo (KG3)  
(2012 →)

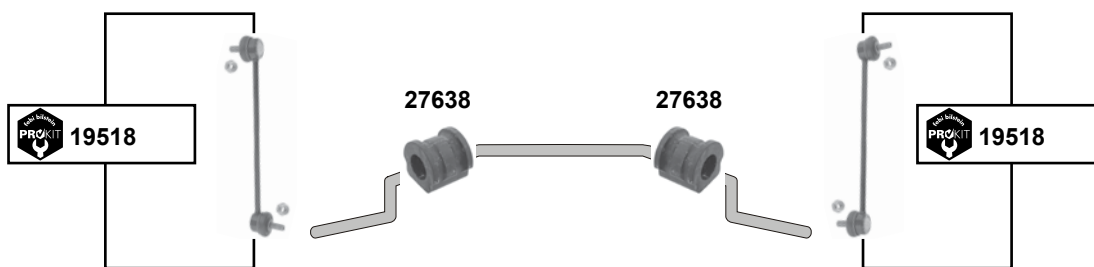
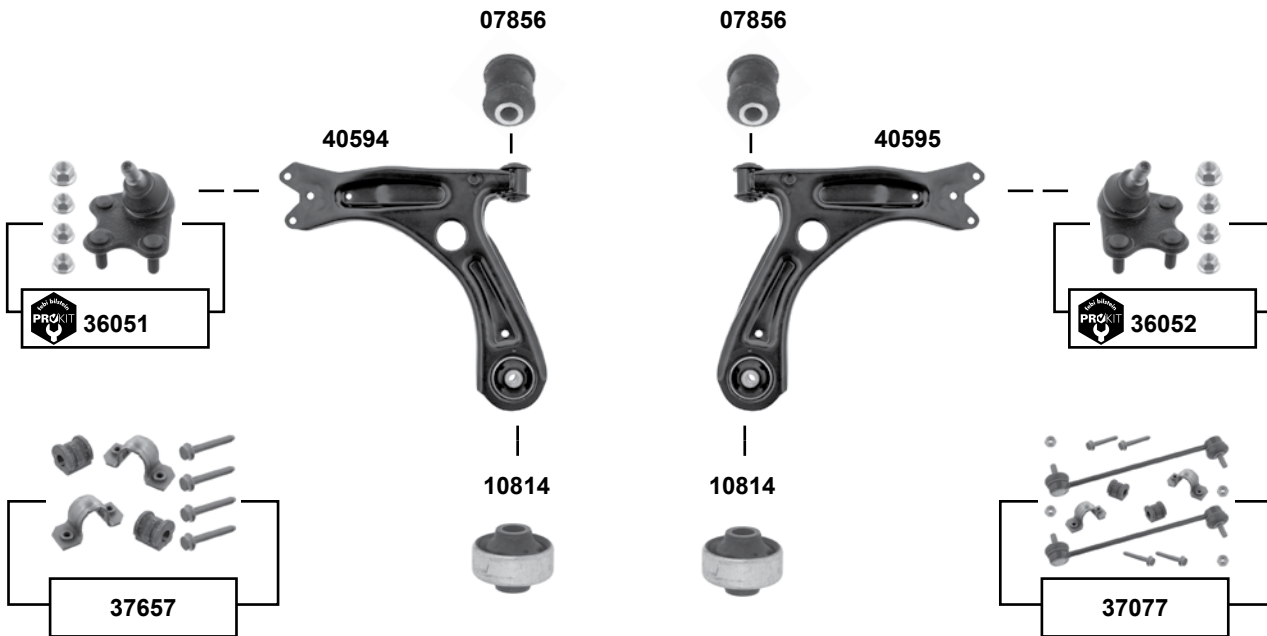
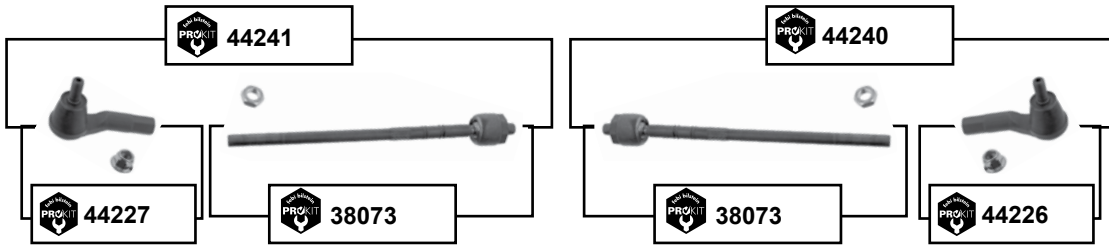
(1) PR-1N2 / PR-1AC / PR-1AT / PR-G0C / PR-G0K / PR-G1C // E-hydr.

	Ref. - No.			
07856	357 407 182	Querlenkerlager / control arm mount		Ø A 33
10814	1J0 407 181	Querlenkerlager / control arm mount		Ø A 60 Ø I 13
19518	6Q0 411 315 Q	ProKit Verbindungsstange / connecting rod		
19812	6R0 423 811	ProKit Spurstangenendstück / tie rod end	(1)	
19814	6R0 423 812	ProKit Spurstangenendstück / tie rod end	(1)	
27640	6Q0 411 314 Q	Stabilisatorlager / stabilizer mount	PR-0AR	Ø I 19
27642	6Q0 411 314 R	Stabilisatorlager / stabilizer mount	PR-0AS	Ø I 20
33584	6R0 423 810 A	ProKit Axialgelenk / axial joint	PR-1N2 E-hydr.	
36051	6R0 407 365 A	ProKit Traggelenk / ball joint		
36052	6R0 407 366 A	ProKit Traggelenk / ball joint		
36508	6R0 423 803 A	ProKit Spurstange, komplett / tie rod, complete	PR-1N2 E-hydr.	M12/14x1,5
36509	6R0 423 804 A	ProKit Spurstange, komplett / tie rod, complete	PR-1N2 E-hydr.	M12/14x1,5
37659	6Q0 411 314 R S4	Stabilisatorlagersatz / anti roll bar bush kit	PR-0AS	Ø I 20
37660	6Q0 411 314 Q S2	Stabilisatorlagersatz / anti roll bar bush kit	PR-0AR	Ø I 19
38621	6Q0 423 831 D	Lenkmanschette / steering boot	PR-1N2	
38622	6Q0 423 831 D S1	Rep. Satz Lenkmanschette / rep. kit steering boot	PR-1N2	
39557	6R0 407 151 F	Querlenker / control arm		
39558	6R0 407 152 F	Querlenker / control arm		
44547	6R0 407 151 F S1	Querlenker, <b>kpl.</b> / control arm, <b>cpl.</b>		
44548	6R0 407 152 F S1	Querlenker, <b>kpl.</b> / control arm, <b>cpl.</b>		
46299	6C0 423 810 C	ProKit Axialgelenk / axial joint	PR-1N2, 1N3	



## Citigo (NF) (2012 →)

Vorderachse / Front axle





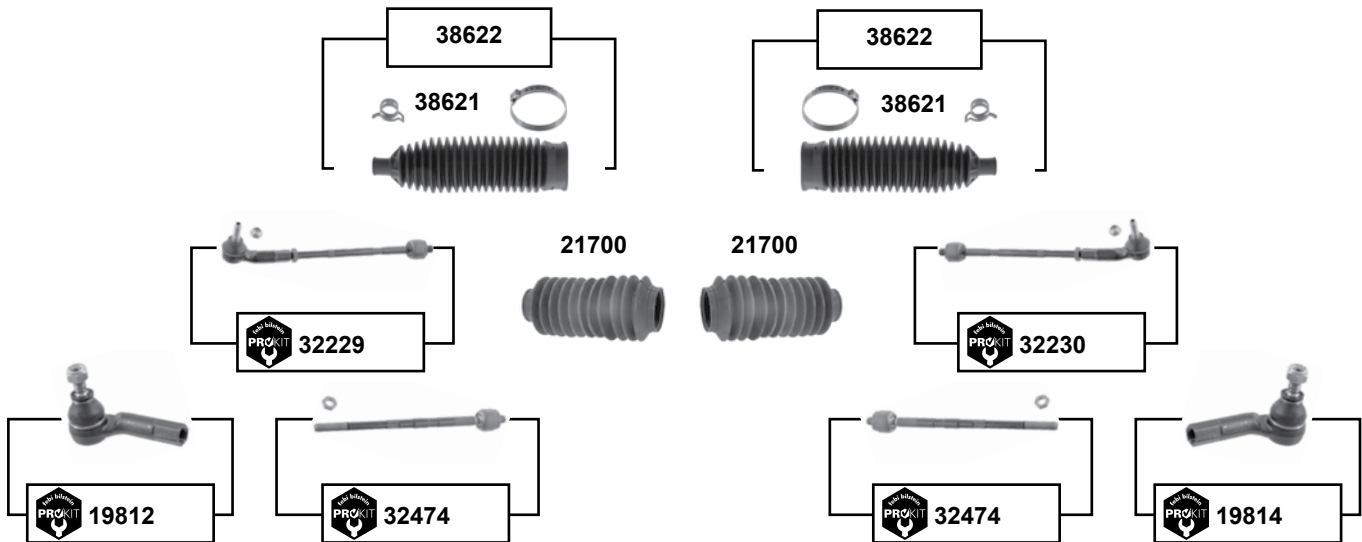
## Citigo (NF) (2012 →)

	Ref. - No.			
<b>07856</b>	1J0 407 181	Querlenkerlager / control arm mount		Ø A 33
<b>10814</b>	1J0 407 181	Querlenkerlager hinten / control arm mount rear		Ø A 60 Ø I 13
<b>19518</b>	6Q0 411 315 Q	ProKit Verbindungsstange / connecting rod		
<b>27638</b>	6Q0 411 314 P	Stabilisatorlager / stabilizer mount		Ø I 16
<b>36051</b>	6R0 407 365 A	ProKit Traggelenk / ball joint		
<b>36052</b>	6R0 407 366 A	ProKit Traggelenk / ball joint		
<b>37077</b>	6Q0 411 314 P S1	Stabilisatorlagersatz / anti roll bar bush kit	PR-0AQ	
<b>37657</b>	6Q0 411 314 P S2	Stabilisatorlagersatz / anti roll bar bush kit	08 → / PR-0AQ	Ø I 16
<b>38073</b>	1S0 423 810 A	ProKit Axialgelenk / axial joint		M14 x 1,5
<b>40594</b>	1S0 407 151	Querlenker / control arm		Stahl / steel
<b>40595</b>	1S0 407 152	Querlenker / control arm		Stahl / steel
<b>44240</b>	1S0 423 810 A S1	ProKit Spurstange / tie rod		
<b>44241</b>	1S0 423 810 A S2	ProKit Spurstange / tie rod		
<b>44226</b>	1S0 423 812 A	ProKit Spurstangenendstück / tie rod end		
<b>44227</b>	1S0 423 811 A	ProKit Spurstangenendstück / tie rod end		

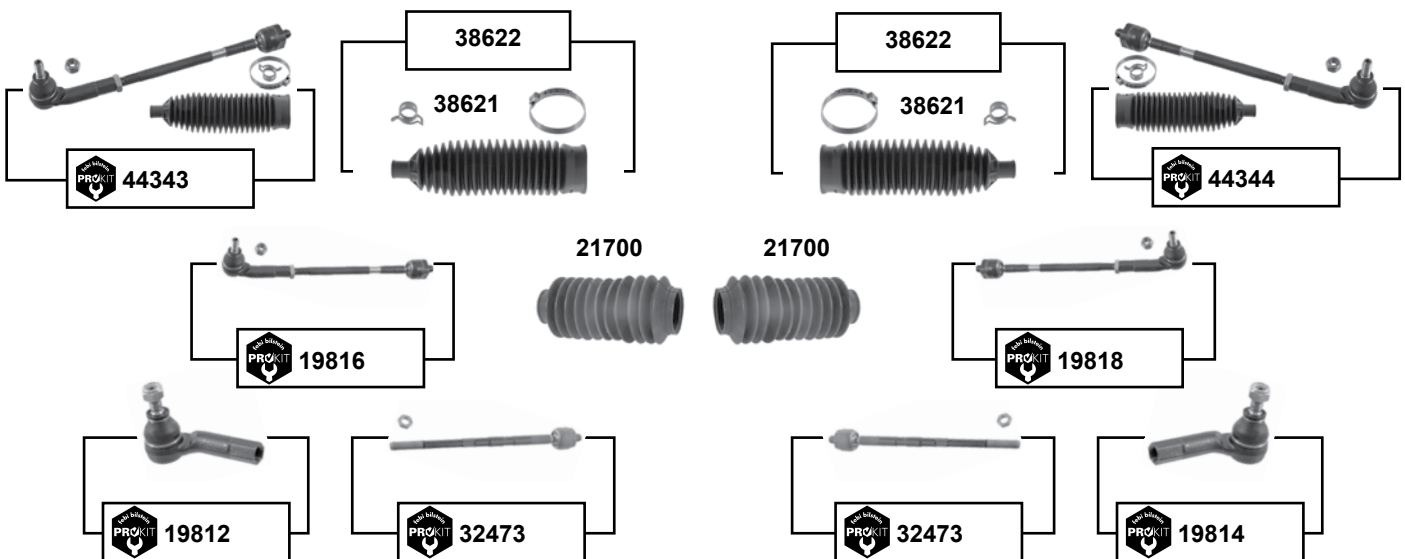


## Fabia (6Y) (2000 → 2008)

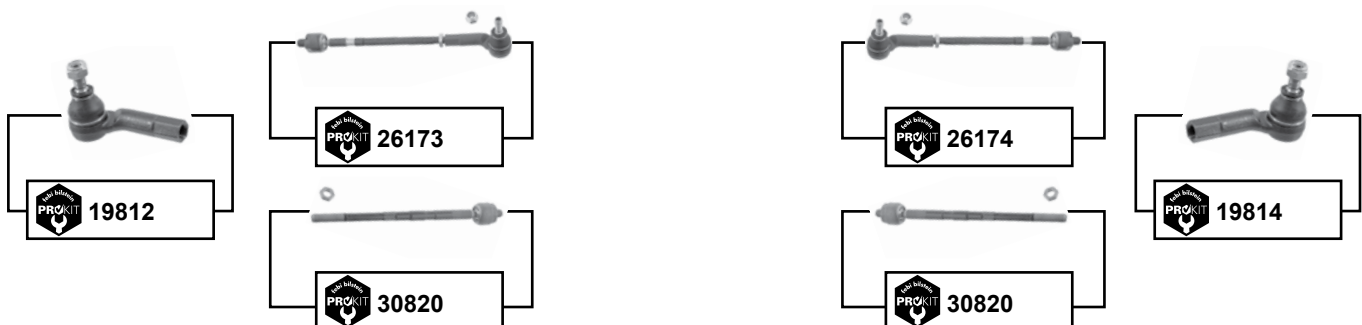
man.



für / to fit servo TRW



für / to fit servo KOYO



Vorderachse / Front axle



## Fabia (6Y) (2000 → 2008)



(1) (ch.) → 6Y-3-736552

(2) (ch.) 6Y-3-736553 → / PR-1N2, 1N5



Ref. - No.



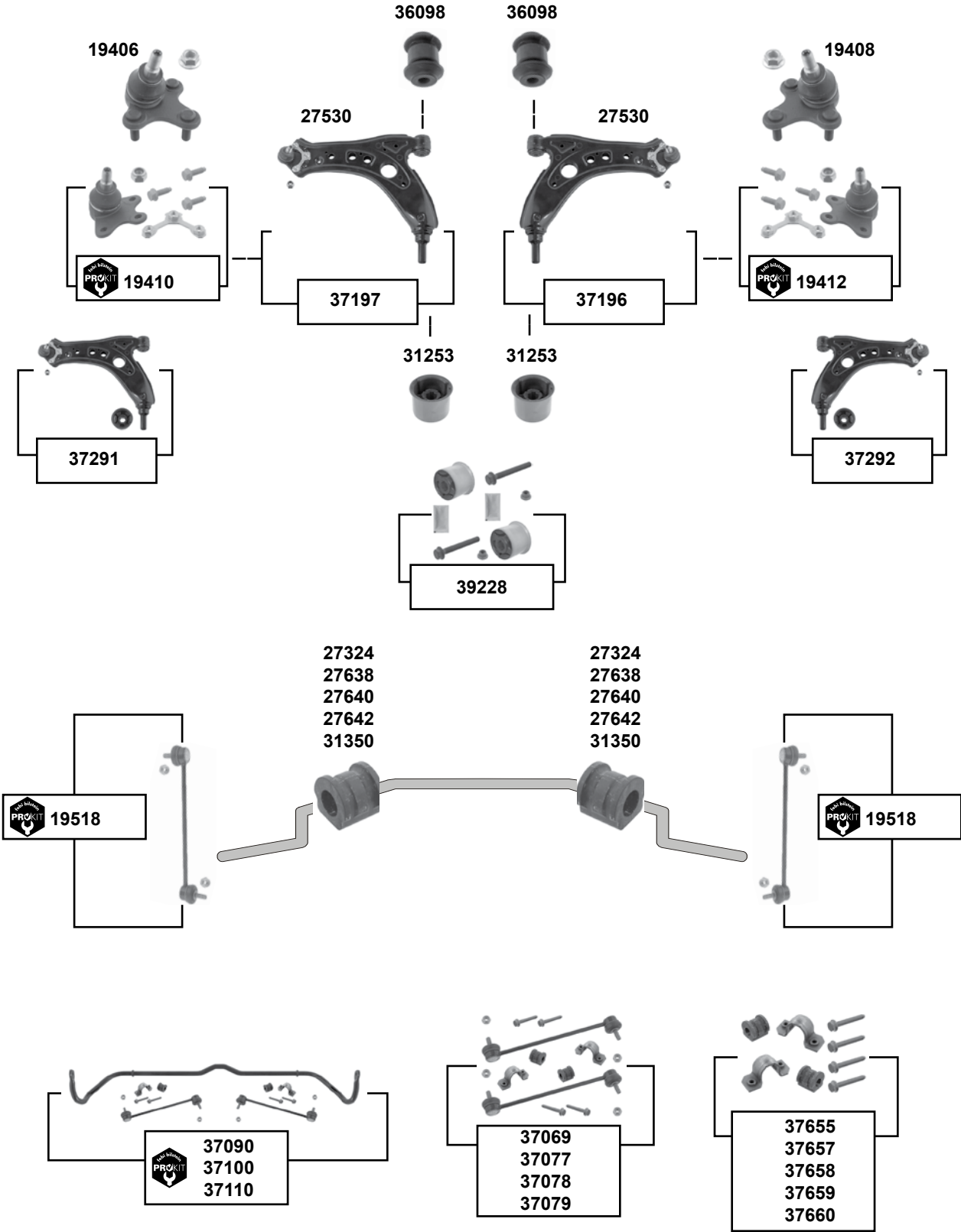
<b>19812</b>	6R0 423 811	ProKit Spurstangenendstück / tie rod end		
<b>19814</b>	6R0 423 812	ProKit Spurstangenendstück / tie rod end		
<b>19816</b>	6Q0 423 803 P	ProKit Spurstange / tie rod		
<b>19818</b>	6Q0 423 804 P	ProKit Spurstange / tie rod		
<b>21700</b>	6E0 419 831	Lenkmanschette / steering boot	(1)	
<b>26173</b>	6Q0 423 803 G	ProKit Spurstange / tie rod		
<b>26174</b>	6Q0 423 804 G	ProKit Spurstange / tie rod		
<b>30820</b>	6Q0 423 810 C	ProKit Axialgelenk / axial joint		M14 x 1,5
<b>32229</b>	6Q0 423 803 F	ProKit Spurstange / tie rod	2002 →	
<b>32230</b>	6Q0 419 804 F	ProKit Spurstange / tie rod		M12 x 1,5
<b>32473</b>	6Q0 423 810 P	ProKit Axialgelenk / axial joint		M14 x 1,5
<b>32474</b>	6Q0 419 810 B	ProKit Axialgelenk / axial joint		M14 x 1,5
<b>38621</b>	6Q0 423 831 D	Lenkmanschette / steering boot	(2)	
<b>38622</b>	6Q0 423 831 D S1	Rep. Satz Lenkmanschette / rep. kit steering boot	(2)	
<b>44343</b>	6Q0 423 803 P S1	ProKit Spurstange / tie rod	PR-1N2/1N5	
<b>44344</b>	6Q0 423 804 P S1	ProKit Spurstange / tie rod	PR-1N2/1N5	





## Fabia (6Y) (2000 → 2008)

Vorderachse / Front axle





## Fabia (6Y) (2000 → 2008)

(1)	(ch.) → 6Y-3-651 670		
(2)	(6Y) 03 → 08 (ch.) 6Y-3-651 671 → / (5J) 07 →		
(3)	(ch.) 6Y-3-651 671 →	(4)	(6Y) 00 → 08 / (5J) combi 07 →
(5)	<b>Modell (6Y)</b> → 2008 <b>Modell (5J)</b> 2007 → 2008 (ch.) → 5J-8A502 656 2007 → 2008 (ch.) → 5J-8B503 031 2007 → 2008 (ch.) → 5J-8K450 960 2007 → 2008 (ch.) → 5J-83172 973		
(6)	Fabia / combi (6Y) / 00 → 03 (ch.) → 6Y-3-651 670 (ex.) (mot.) BMD/BME/BKY		
(7)	<b>Modell (5J)</b> (ch.) → 5J-8A502 656 / (ch.) → 5J-8B503 031 / (ch.) → 5J-8K450 960 / (ch.) → 5J-83172 973 <b>Modell (6Y)</b> PR-1N0 / 1N2 / 1N4 / 1N5		
(8)	Fabia / combi (ch.) 5J-BB500 000 → / (ch.) 5J-BK500 000 → / (ch.) 5J-B3008 700 → PR-G02 / G03 / 0AQ für Fahrzeuge mit Standard Fahrwerk / for vehicles with standard chassis		
(9)	<b>Modell (5J)</b> PR-0AQ / für Fahrzeuge ohne tiefergelegtem Fahrwerk / for vehicles without lowered chassis		
(10)	<b>Modell (5J)</b> PR-0AR / für Fahrzeuge mit tiefergelegtem Fahrwerk / for vehicles with lowered chassis <b>Modell (6Y)</b> PR-0AR / (ch.) 6Y-3 651 671 → / → 07		
(11)	<b>Modell (5J)</b> 06 → PR-0AR / für Fahrzeuge mit tiefergelegtem Fahrwerk / for vehicles with lowered chassis <b>Modell (6Y)</b> PR-0AR / (ch.) 6Y-3-651 671 →		
(12)	<b>Modell (5J)</b> PR-0AS <b>Modell (6Y)</b> PR-0AS / (ch.) 6Y-3-651 671 →	(13)	<b>Modell (6Y)</b> PR-0AR (ch.) → 6Y-3-651 670
		(14)	<b>Modell (6Y)</b> PR-0AS (ch.) → 6Y-3-651 670

Vorderachse / Front axle



Ref. - No.

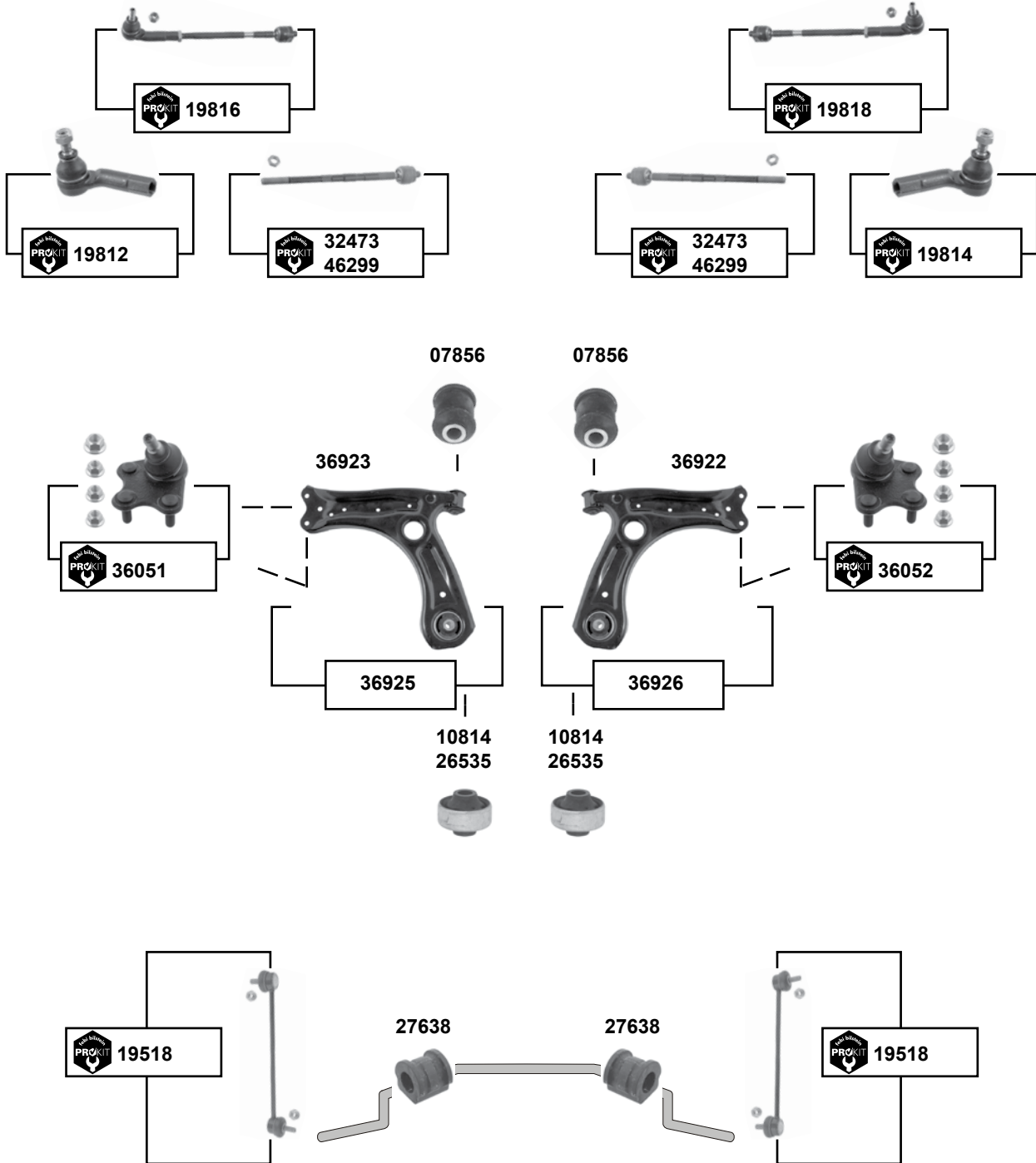


Ref. - No.	Description	Part No.	Dimensions
19406	6Q0 407 365 M Traggelenk / ball joint		
19408	6Q0 407 366 A Traggelenk / ball joint		
19410	6Q0 407 365 M S1 ProKit Traggelenk / ball joint	(7)	
19412	6Q0 407 366 A S1 ProKit Traggelenk / ball joint	(7)	
19518	6Q0 411 315 Q ProKit Verbindungsstange / connecting rod		
27324	6Q0 411 314 F Stabilisatorlager / stabilizer mount	(1)	Ø I 19,8
27530	6Q0 407 151 L Querlenker / control arm	(5)	
27638	6Q0 411 314 P Stabilisatorlager / stabilizer mount		Ø I 16
27640	6Q0 411 314 Q Stabilisatorlager / stabilizer mount	(2)	Ø I 17
27642	6Q0 411 314 R Stabilisatorlager / stabilizer mount	(3) PR-0AS	Ø I 18
31253	1K0 407 183 E Querlenkerlager / control arm mount	(4)	Ø A 63
31350	8Z0 411 314 B Stabilisatorlager / stabilizer mount	(6)	Ø I 20,8
36098	6Q0 407 182 A Querlenkerlager / control arm mount		Ø A 32
37069	6Q0 411 314 Q S1 Stabilisatorlagersatz / anti roll bar bush kit	(10)	
37077	6Q0 411 314 P S1 Stabilisatorlagersatz / anti roll bar bush kit	→ 06 (9)	
37078	6Q0 411 314 F S1 Stabilisatorlagersatz / anti roll bar bush kit	PR-0AR	
37079	8Z0 411 314 B S1 Stabilisatorlagersatz / anti roll bar bush kit	PR-0AS (ch.) → 6Y-3-651 670	
37090	6Q0 411 305 AL S2 ProKit Stabilisatorsatz / stabilizer kit	→ 06 (9)	
37100	6Q0 411 305 AM S2 ProKit Stabilisatorsatz / stabilizer kit	(10)	
37110	6Q0 411 305 AN S2 ProKit Stabilisatorsatz / stabilizer kit	PR-0AS	
37196	6Q0 407 151 L S3 Rep. Satz Querlenker / rep. kit control arm		
37197	6Q0 407 151 L S2 Rep. Satz Querlenker / rep. kit control arm		
37291	6Q0 407 151 L S5 Rep. Satz Querlenker / rep. kit control arm		
37292	6Q0 407 151 L S4 Rep. Satz Querlenker / rep. kit control arm		
37655	8Z0 411 314 B S2 Stabilisatorlagersatz / anti roll bar bush kit	(14)	Ø I 20,8
37657	6Q0 411 314 P S2 Stabilisatorlagersatz / anti roll bar bush kit	(8) HD	Ø I 16
37658	6Q0 411 314 F S2 Stabilisatorlagersatz / anti roll bar bush kit	(13)	Ø I 19,8
37659	6Q0 411 314 R S4 Stabilisatorlagersatz / anti roll bar bush kit	(12)	Ø I 18
37660	6Q0 411 314 Q S2 Stabilisatorlagersatz / anti roll bar bush kit	(11)	Ø I 17
39228	1K0 407 183 E S1 Querlenkerlagersatz / control arm mounting kit		



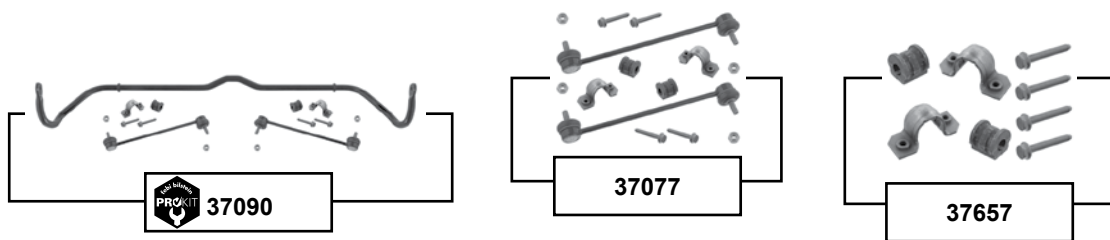
## Fabia II (5J) (2007 →)

Vorderachse / Front axle





## Fabia II (5J) (2007 →)



Vorderachse / Front axle

- (1)** → 10 (ch.) 5J-8A502 657 → / 5J-8B503 032 → / 5J-8K450 961 → / 5J-83172 974 →  
11 → alle / all
- (2)** (ch.) 5J-BB500 000 → / (ch.) 5J-BK500 000 → / (ch.) 5J-B3008 700 →  
PR-G02 / G03 / 0AQ / für Fahrzeuge mit Standard Fahrwerk / for vehicles with standard chassis
- (3)** → 09 (ch.) 5J-8A502 657 → / 5J-8B503 032 → / 5J-8K450 961 → / 5J-83172 974 →  
09 → 10 (ch.) → 5J-AG013 530
- (4)** (ch.) 5J-8A502 657 → / (ch.) 5J-8B503 032 → / (ch.) 5J-8K450 961 → / (ch.) 5J-83172 974 →
- (5)** (ch.) 5J-AG-013 530 → / (ch.) 5J-BB-500 580 → / (ch.) 5J-BK-502 478 → / (ch.) 5J-B3-056 973 →



Ref. - No.



Ref. - No.	Description	Quantity	Notes
07856	Querlenkerlager / control arm mount	08 →	Ø A 33
10814	Querlenkerlager hinten / control arm mount rear	(1)	Ø A 60 Ø I 13
19518	ProKit Verbindungsstange / connecting rod	08 →	
19812	ProKit Spurstangenendstück / tie rod end		
19814	ProKit Spurstangenendstück / tie rod end		
19816	ProKit Spurstange / tie rod		
19818	ProKit Spurstange / tie rod		
26535	Querlenkerlager / control arm mount	PR-G01/G07	H 41 Ø I 14
27638	Stabilisatorlager / stabilizer mount		Ø I 16
32473	ProKit Axialgelenk / axial joint		M14 x 1,5
36051	ProKit Traggelenk / ball joint	(4)	
36052	ProKit Traggelenk / ball joint	(4)	
36922	Querlenker / control arm	(3)	
36923	Querlenker / control arm	(3)	
36925	Rep. Satz Querlenker / rep. kit control arm	(5) 09 →	
36926	Rep. Satz Querlenker / rep. kit control arm	(5) 09 →	
37077	Stabilisatorlagersatz / anti roll bar bush kit	PR-0AQ	
37090	ProKit Stabilisatorsatz / stabilizer kit	PR-0AQ	
37657	Stabilisatorlagersatz / anti roll bar bush kit	(2) / HD	Ø I 16
46299	ProKit Axialgelenk / axial joint		



## Fabia III (NJ) (2014 →)

Vorderachse / Front axle



07856

07856

39557

39558

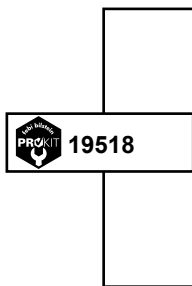


36051

36052

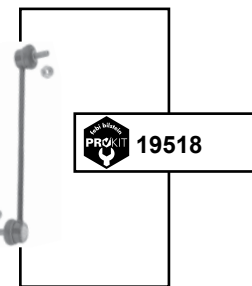
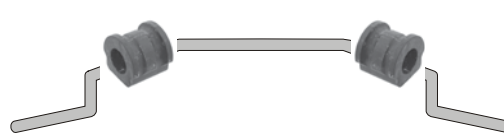
10814

10814



27638

27638



19518

19518



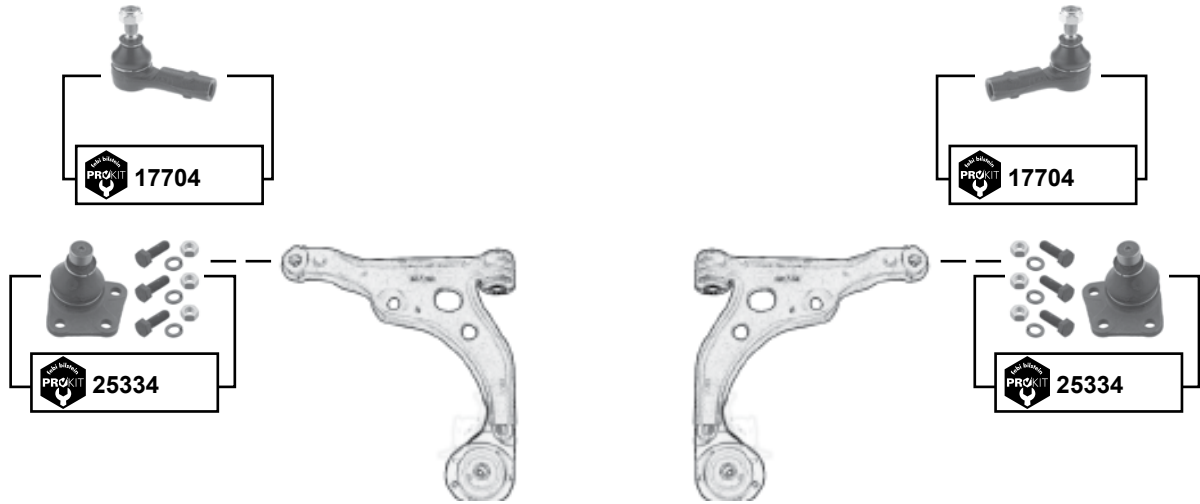
Ref. - No.



07856	357 407 182	Querlenkerlager / control arm mount	
10814	1J0 407 181	Querlenkerlager / control arm mount	Ø A 33 Ø A 60 Ø I 13
19518	6Q0 411 315 Q	ProKit Verbindungsstange / connection rod	
27638	6Q0 411 314 P	Stabilisatorlager / stabilizer mount	Ø I 18
36051	6R0 407 365 A	ProKit Traggelenk / ball joint	
36052	6R0 407 366 A	ProKit Traggelenk / ball joint	
39557	6R0 407 151 F	Querlenker / control arm	
39558	6R0 407 152 F	Querlenker / control arm	
46299	6C0 423 810 C	ProKit Axialgelenk / axial joint	

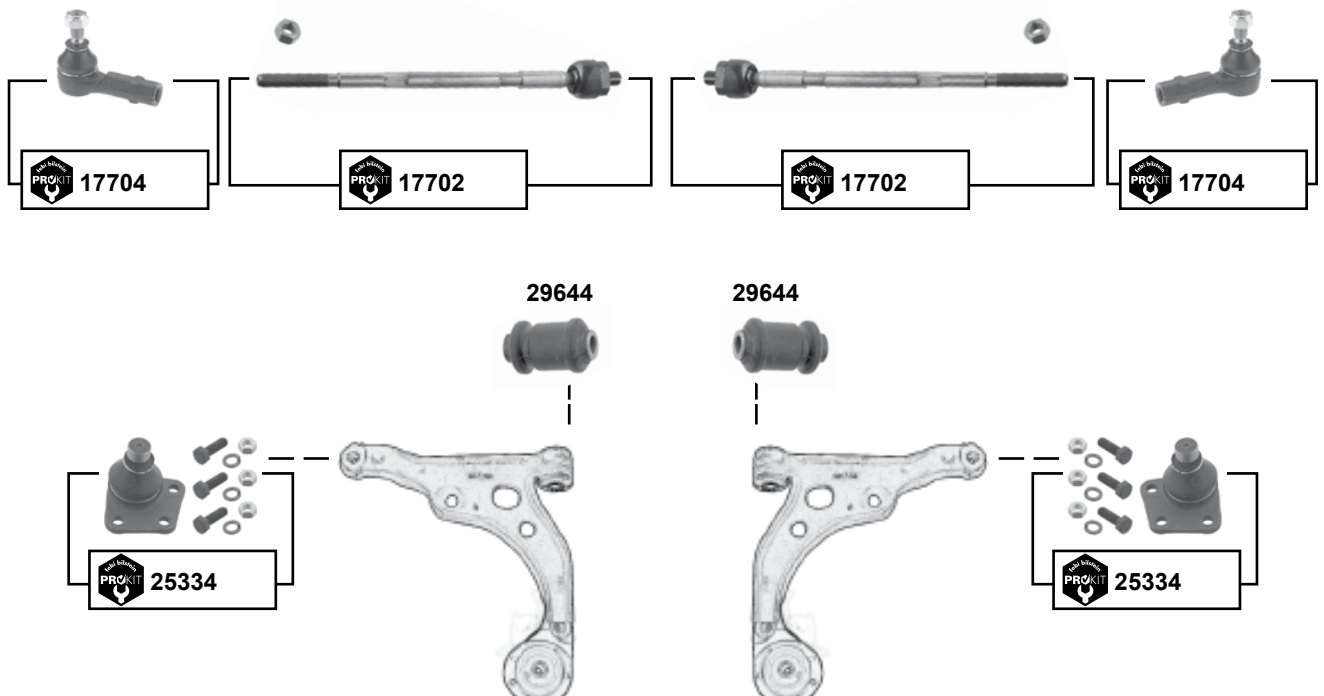


## Favorit 785 Forman (1991 → 1995)



Vorderachse / Front axle

## Felicia (4X) (6X) (2005) (1995 → 2001)



Ref. - No.

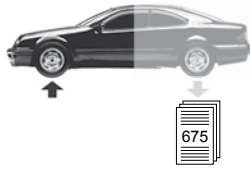


**17702** 6U0 422 807  
**17704** 6U0 422 811  
**25334** 6U0 407 365  
**29644** 6U0 407 182

ProKit Spurstange / tie rod  
 ProKit Spurstangenendstück / tie rod end  
 ProKit Traggelenk / ball joint  
 Querlenkerlager / control arm mount

servo   
 servo

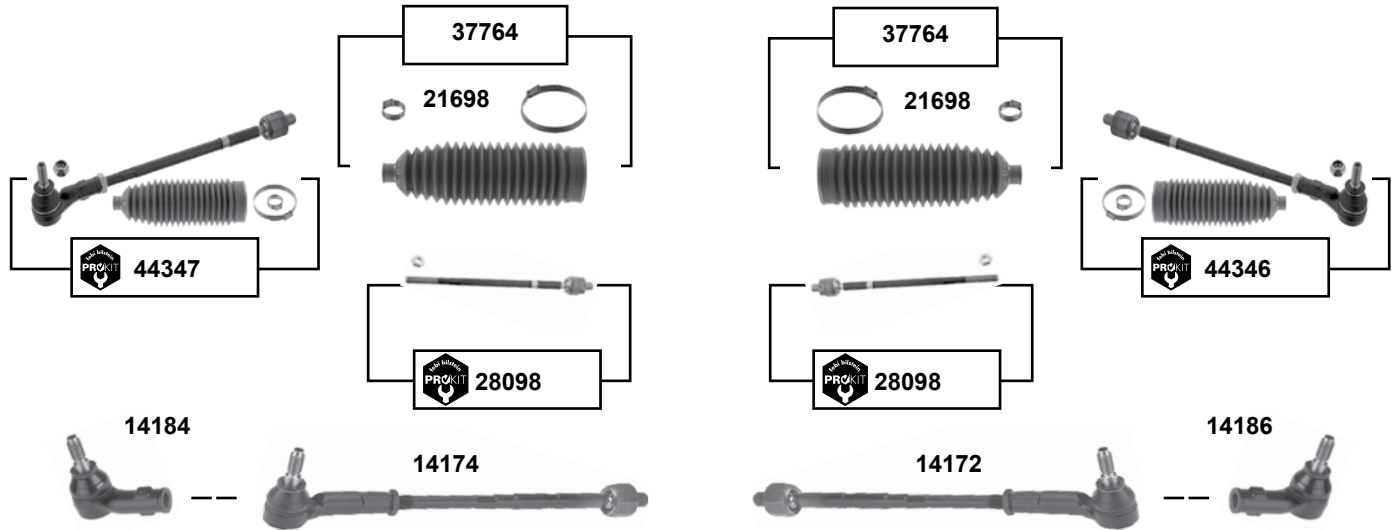
L 335  
 M12 x 1,5  
 Ø A 17  
 Ø A 31,5



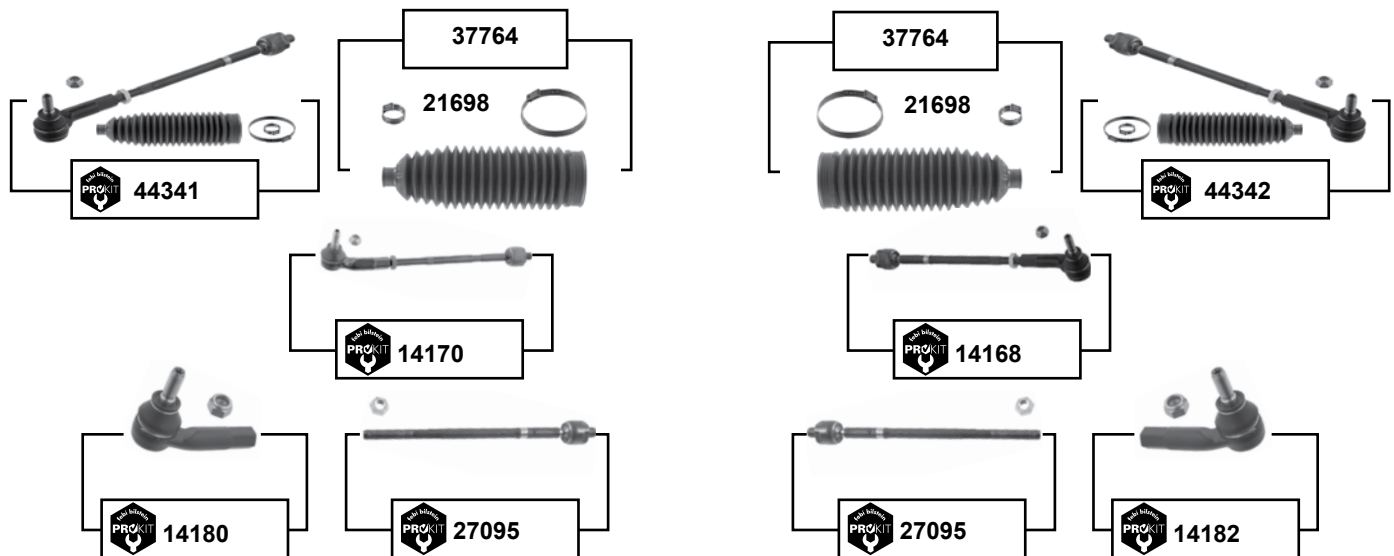
## Octavia (1U) (1997 → 2010)

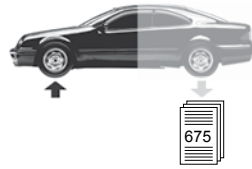
(ch.) → 1U-W-061 000

Vorderachse / Front axle



(ch.) 1U-W-061 001 →

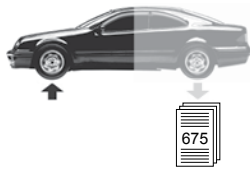




## Octavia (1U) (1997 → 2010)

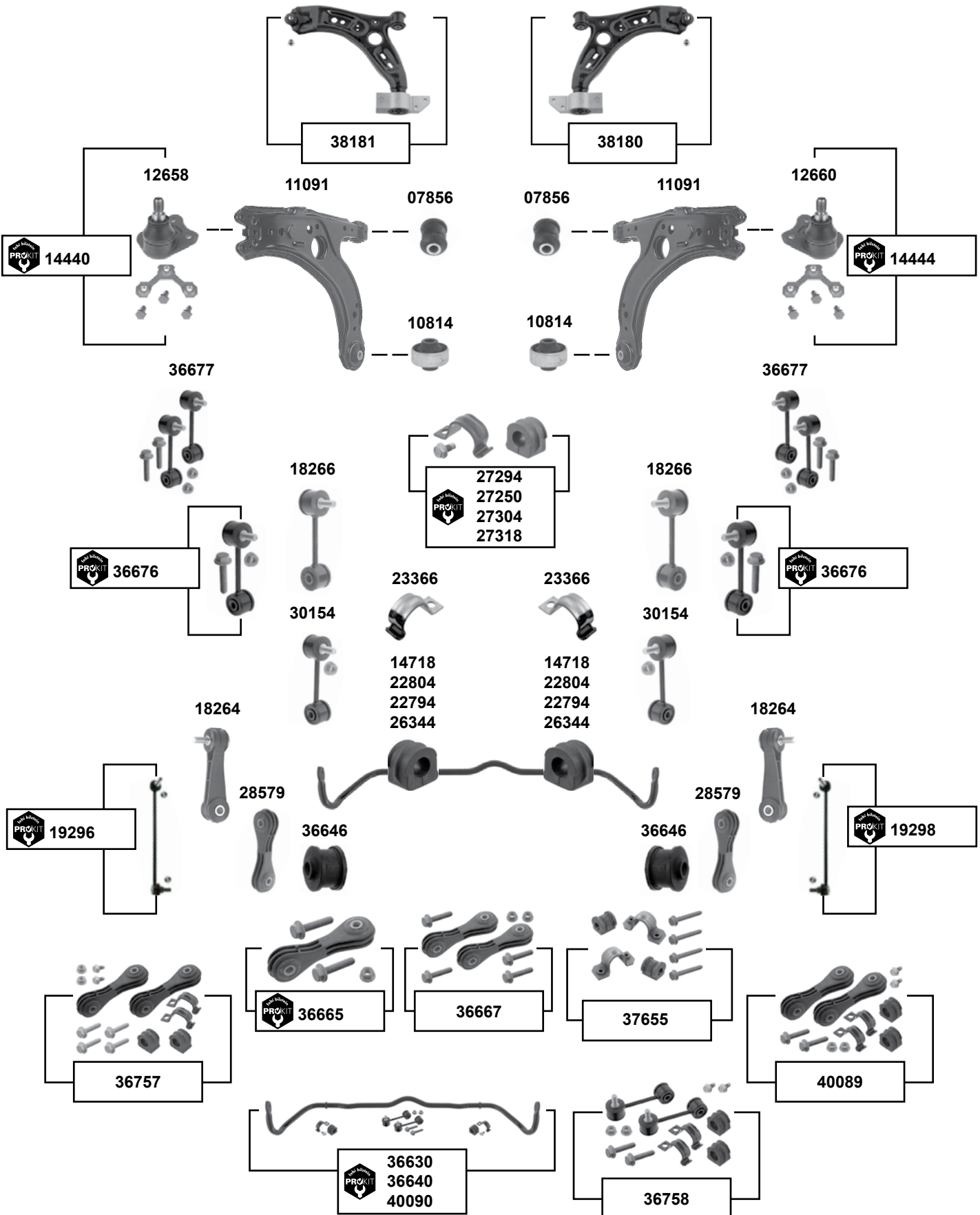
	Ref. - No.			
<b>14168</b>	1J0 422 804 H	ProKit Spurstange / tie rod		
<b>14170</b>	1J0 422 803 H	ProKit Spurstange / tie rod		
<b>14172</b>	1J0 422 804 A	Spurstange / tie rod		
<b>14174</b>	1J0 422 803 A	Spurstange / tie rod		
<b>14180</b>	1J0 422 811 B	ProKit Spurstangenendstück / tie rod end	(ch.) 1U-W-061001 →	M14 x 1,5
<b>14182</b>	1J0 422 812 B	ProKit Spurstangenendstück / tie rod end	(ch.) 1U-W-061001 →	M14 x 1,5
<b>14184</b>	1J0 422 811 A	Spurstangenendstück / tie rod end		M14 x 1,5
<b>14186</b>	1J0 422 812 A	Spurstangenendstück / tie rod end		M14 x 1,5
<b>21698</b>	1J0 422 831 B	Lenkmanschette / steering boot		
<b>27095</b>	1J0 422 810 B	ProKit Axialgelenk / axial joint		
<b>28098</b>	1J0 422 810 A	ProKit Axialgelenk / axial joint		
<b>37764</b>	1J0 422 831 B S1	Rep. Satz Lenkmanschette / rep. kit steering boot		
<b>44341</b>	1J0 422 803 H S1	ProKit Spurstange / tie rod		
<b>44342</b>	1J0 422 804 H S1	ProKit Spurstange / tie rod		
<b>44346</b>	1J0 422 804 A S1	ProKit Spurstange / tie rod		
<b>44347</b>	1J0 422 803 A S1	ProKit Spurstange / tie rod		

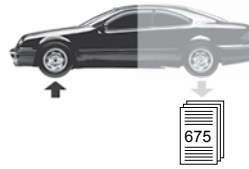




## Octavia (1U) (1997 → 2010)

Vorderachse / Front axle





Octavia (1U)  
(1997 → 2010)

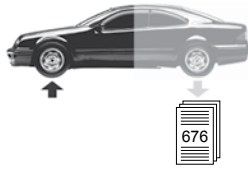
Rep Sätze /  
rep. kits



- (1) (ch.) → 1U-18438 500 / (ch.) → 1U-1-471 000
- (2) (ch.) 1U-4A022801 → / (ch.) 1U-42948655 → / (ch.) 1U-48756166 →
- (3) 01 → (ch.) 1U-18438 501 → / (ch.) 1U-1-471 001 → / (ch.) 1U-3A006 219 →
- (4) (ch.) → 1U-4A022800 / (ch.) → 1U-42948654 / (ch.) → 1U-48756165
- (5) (ch.) 1U-X-210 001 → / (ch.) → 1U-18-438 500
- (6) (ch.) 1U-12430 013 → / (ch.) 1U-18430 003 → / PR-0AE / Ø A 23

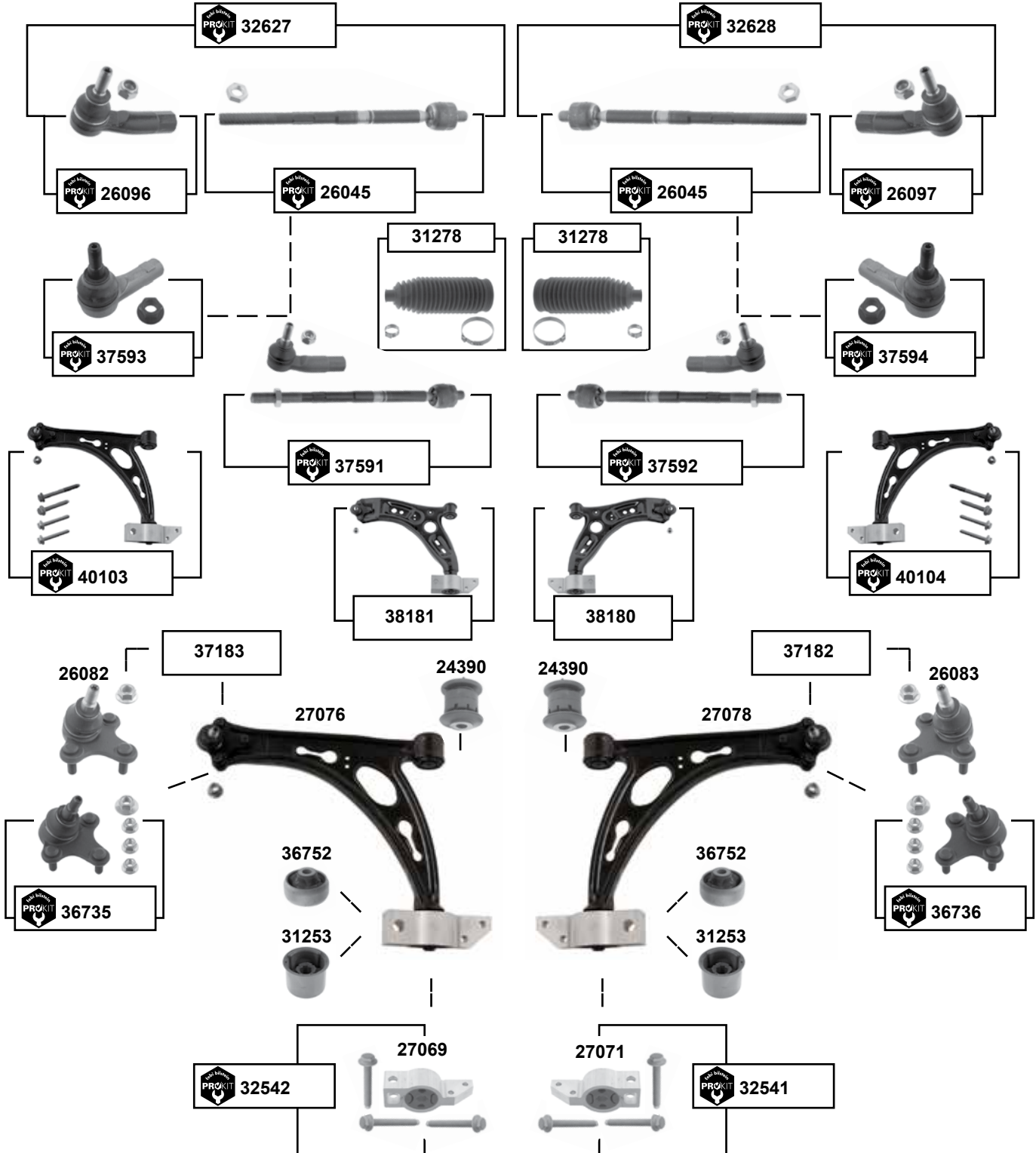
Vorderachse / Front axle

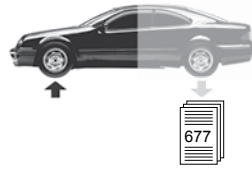
	Ref. - No.			
07856	357 407 182	Querlenkerlager / control arm mount	4x4 /combi	12 x 33 x 54
10814	1J0 407 181	Querlenkerlager / control arm mount		13 x 60 x 41
11091	1J0 407 151 C	Querlenker / control arm		
12658	1J0 407 365 H	Traggelenk / ball joint		M12 x 1,5
12660	1J0 407 366 H	Traggelenk / ball joint		M12 x 1,5
14440	1J0 407 365 H S1	ProKit Traggelenk / ball joint		
14444	1J0 407 366 H S	ProKit Traggelenk / ball joint		
14718	1J0 407 365 H S1	Stabilisatorlager / stabilizer mount		Ø I 21
18264	1J0 411 315 J	Verbindungsstange / connecting rod	Stabi Ø A 21	L 105
18266	1J0 411 315 G	Verbindungsstange / connecting rod		L 105
19296	1J0 411 315 D	ProKit Verbindungsstange / connecting rod		
19298	1J0 411 316 D	ProKit Verbindungsstange / connecting rod		
19820	1J0 407 365 H S2	Querlenker, kpl. / control arm, cpl.		
19822	1J0 407 366 H S2	Querlenker, kpl. / control arm, cpl.		
22794	1J0 411 314 P	Stabilisatorlager / stabilizer mount	(4)	Ø I 20
22804	1J0 411 314 R	Stabilisatorlager / stabilizer mount		Ø I 18
23366	1J0 411 336 D	Schelle / clamp		
26344	1J0 411 314 S	Stabilisatorlager / stabilizer mount	(2)	Ø I 17
27250	1J0 411 314 S S1	ProKit Stabilisatorlagersatz / stabilizer mount kit		Ø I 17
27294	1J0 411 314 P S1	ProKit Stabilisatorlagersatz / stabilizer mount kit		Ø I 20
27304	1J0 411 314 R S1	ProKit Stabilisatorlagersatz / stabilizer mount		Ø I 18
27318	1J0 411 314 T S1	ProKit Stabilisatorlagersatz / stabilizer mount kit		Ø I 21
28579	1J0 411 315 K	Verbindungsstange / connecting rod	(3) NEW	L 105,5
30154	1J0 411 315 G S1	Verbindungsstange / connecting rod	(1)	L 105
36630	1J0 411 305 B S1	ProKit Stabilisatorsatz / stabilizer kit		
36640	1J0 411 305 E S1	ProKit Stabilisatorsatz / stabilizer kit		
36646	1J0 411 327 A	Verbindungsstangenlager / connecting rod mount	(5)	Ø A 29
36665	1J0 411 315 K S1	ProKit Verbindungsstange / connecting rod		L 105,5
36667	1J0 411 315 K S2	Verbindungsstangensatz / connecting rod set		L 105,5
36676	1J0 411 315 G S1	Verbindungsstange / connecting rod	(ch.) → 1U-1-8438 500	
36677	1J0 411 315 G S2	ProKit Verbindungsstange / connecting rod	(ch.) → 1U-1-8438 500	
36757	1J0 411 315 G S3	Stabilisatorlagersatz / anti roll bar bush kit		Ø I 21
36758	1J0 411 315 G S4	Stabilisatorlagersatz / anti roll bar bush kit		Ø I 21
37655	8Z0 411 314 B S2	Stabilisatorlagersatz / anti roll bar bush kit		Ø I 20,8
38180	1K0 407 152 BC S1	Rep. Satz Querlenker / rep. kit control arm	Stahl / steel	
38181	1K0 407 151 BC S1	Rep. Satz Querlenker / rep. kit control arm	Stahl / steel	
40089	1J0 411 314 T S2	Stabilisatorlagersatz / anti roll bar bush kit	(6)	
40090	1J0 411 305 E S2	ProKit Stabilisatorsatz / stabilizer kit	(6)	



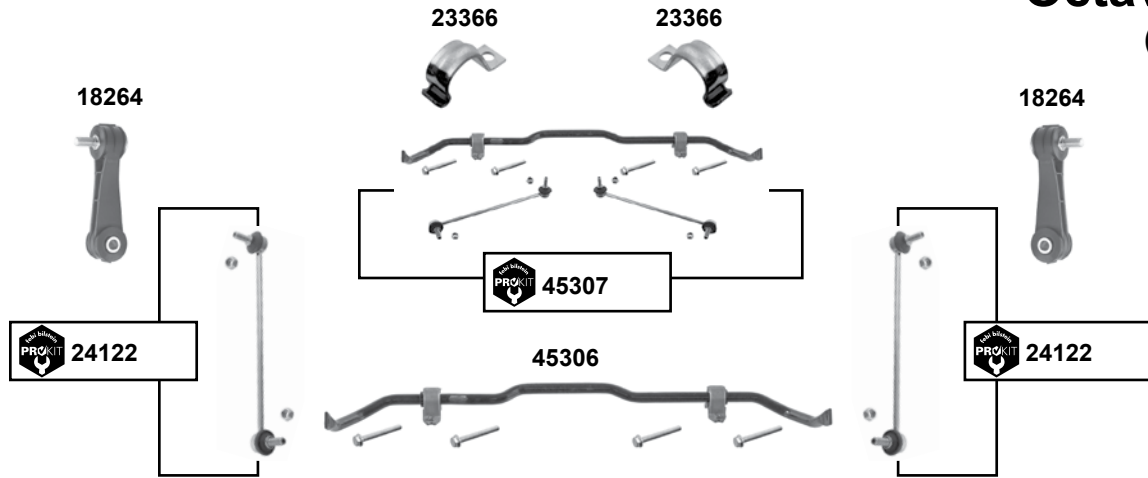
## Octavia (1Z) (2004 →)

Vorderachse / Front axle



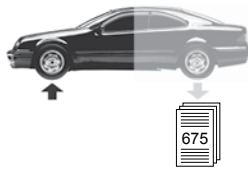


## Octavia (1Z) (2004 →)



- (1) Stahl-Gussausführung / keine Mischverbauung mit der Blechausführung zulässig / cast iron execution / not mixable with metall execution
- (2) (ch.) → 1Z-BA150648 / (ch.) → 1Z-BB153225 / (ch.) → 1Z-BD150229 / (ch.) → 1Z-B2091806 / (ch.) → 1Z-B8029834 // Gummimetalllager / rubber metal mount
- (3) (ch.) → 1Z-8A156300 / (ch.) → 1Z-8B160560 / (ch.) → 1Z-8C014469 / (ch.) → 1Z-8D150073 / (ch.) → 1Z-8K156426 / (ch.) → 1Z-82245091 / (ch.) → 1Z-88038538

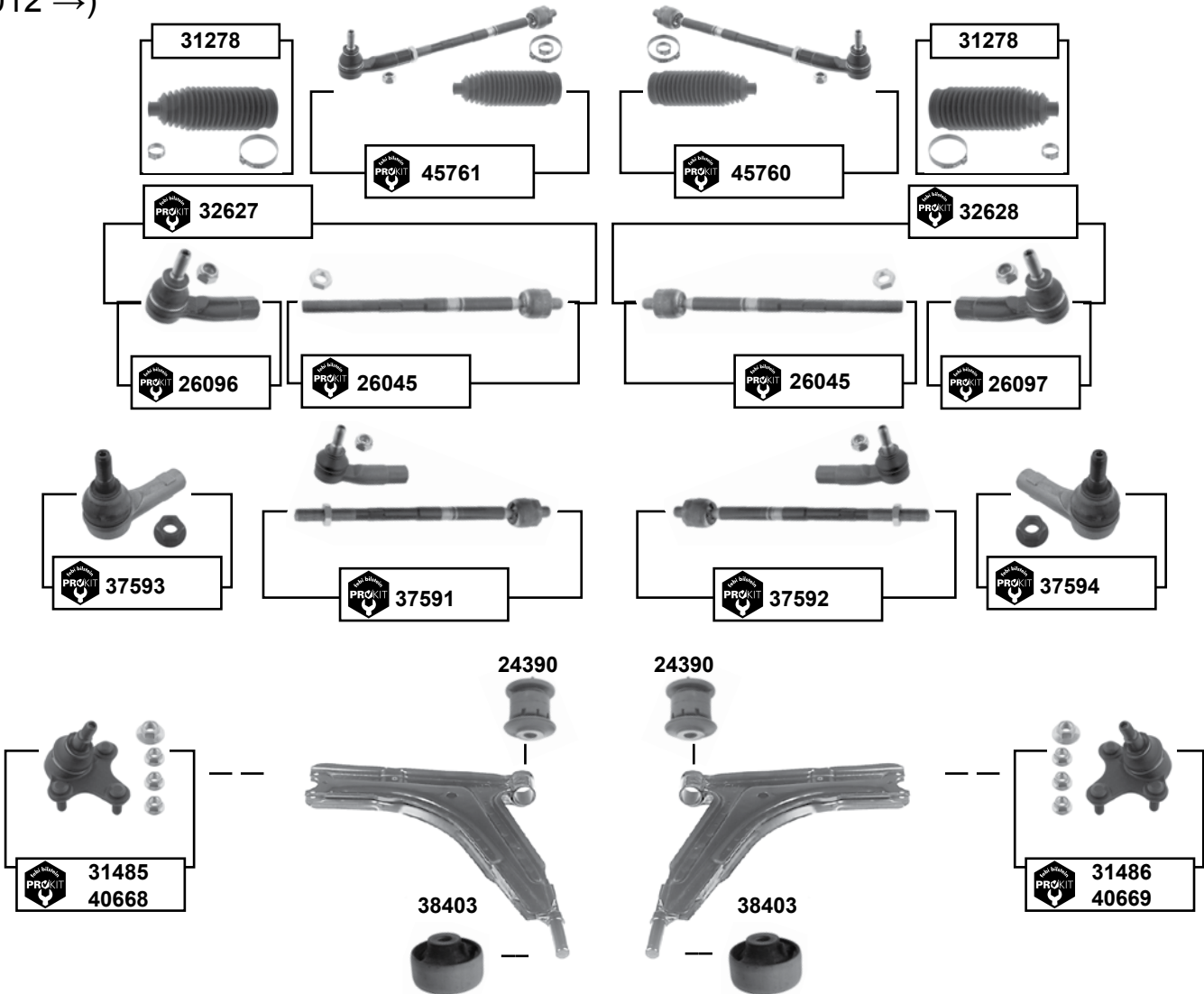
	Ref. - No.			
18264	1J0 411 315 J	Verbindungsstange / connecting rod	Stabi Ø A 21	L 105
23366	1J0 411 336 D	Schelle / clamp		
24122	1K0 411 315 R	ProKit Verbindungsstange / connecting rod		
24390	1K0 407 182	Querlenkerlager / control arm mount		Ø A 48 H 54
26045	1K0 423 810 A	ProKit Spurstange / tie rod		
26082	1K0 407 365 C	Traggelenk / ball joint		
26083	1K0 407 366 C	Traggelenk / ball joint		
26096	1K0 423 811 E	ProKit Spurstangenendstück / tie rod end		
26097	1K0 423 812 E	ProKit Spurstangenendstück / tie rod end		
27069	1K0 199 231 J	Querlenkerlager mit Gehäuse / control arm mount with housing		
27071	1K0 199 232 J	Querlenkerlager mit Gehäuse / control arm mount with housing		
27076	1K0 407 151 AC	Querlenker, kpl. / control arm, cpl.	(1) → 08	
27078	1K0 407 152 AC	Querlenker, kpl. / control arm, cpl.	(1) → 08	
31253	1K0 407 183 E	Querlenkerlager / control arm mount		Ø A 63
31278	1K0 423 831 A S1	Rep. Satz Lenkmanschette / rep. kit steering boot		Ø I 15,5 L190
32541	1K0 199 232 J S1	Querlenkerlager rechts / control arm mount left		
32542	1K0 199 231 J S1	Querlenkerlager links / control arm mount left		
32627	1K0 423 810 A S1	ProKit Spurstange links / tie rod left		
32628	1K0 423 810 A S2	ProKit Spurstange rechts / tie rod right		
36735	1K0 407 365 C S1	ProKit Traggelenk / ball joint		
36736	1K0 407 366 C S1	ProKit Traggelenk / ball joint		
36752	1K0 407 183 P	Querlenkerlager / control arm mount	(2)	Ø I 13
37182	1K0 407 152 AC S1	Rep. Satz Querlenker mit Traggelenk / control arm with ball joint	PR-8Q3	
37183	1K0 407 151 AC S1	Rep. Satz Querlenker mit Traggelenk / control arm with ball joint	PR-8Q3	
37591	1K0 423 811 K S1	ProKit Spurstange / tie rod		L 448
37592	1K0 423 812 K S1	ProKit Spurstange / tie rod		L 448
37593	1K0 423 811 K	ProKit Spurstangenendstück / tie rod end		M16 x 1,5
37594	1K0 423 812 K	ProKit Spurstangenendstück / tie rod end		M16 x 1,5
38180	1K0 407 152 BC S1	Rep. Satz Querlenker / rep. kit control arm	Stahl / steel	
38181	1K0 407 151 BC S1	Rep. Satz Querlenker / rep. kit control arm	Stahl / steel	
40103	1K0 407 151 AC S2	ProKit Querlenker / control arm	(3)	
40104	1K0 407 152 AC S2	ProKit Querlenker / control arm	(3)	
45306	1K0 411 303 BK S1	Stabilisatorsatz / stabilizer kit	PR-0AD / 0AE	
45307	1K0 411 303 BK S2	ProKit Stabilisatorsatz / stabilizer kit	PR-0AD / 0AE	



## Octavia (5E/NL3/NR3)

(2012 →)

Vorderachse / Front axle



**i** (1) für Bremsscheibendicke / for brake disk thickness 25 mm / für Bremsscheibendurchmesser / for brake disk diameter 288 mm

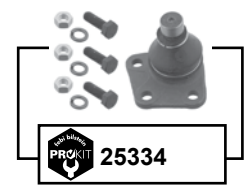
	Ref. - No.			
<b>24390</b>	1K0 407 182	Querlenkerlager / control arm mount		Ø A 48 H 54
<b>26045</b>	1K0 423 810 A	ProKit Axialgelenk / axial joint		
<b>26096</b>	1K0 423 811 E	ProKit Spurstangenendstück / tie rod end	PR-1N3/1N7 / RHT	
<b>26097</b>	1K0 423 812 E	ProKit Spurstangenendstück / tie rod end	PR-1N3/1N7 / RHT	
<b>31278</b>	1K0 423 831 A S1	Rep. Satz Lenkmanschette / rep. kit steering boot		Ø I 15,5 L190
<b>31485</b>	3C0 407 365 A S1	ProKit Traggelenk / ball joint	PR-1LG / 1ZA	
<b>31486</b>	3C0 407 366 A S1	ProKit Traggelenk / ball joint	PR-1LG / 1ZA	
<b>32627</b>	1K0 423 810 A S1	ProKit Spurstange / tie rod	PR-1N3/1N7 / RHT	
<b>32628</b>	1K0 423 810 A S2	ProKit Spurstange / tie rod	PR-1N3/1N7 / RHT	
<b>37591</b>	1K0 423 811 K S1	ProKit Spurstange / tie rod		L 448
<b>37592</b>	1K0 423 812 K S1	ProKit Spurstange / tie rod		L 448
<b>37593</b>	1K0 423 811 K	ProKit Spurstangenendstück / tie rod end		M16 x 1,5
<b>37594</b>	1K0 423 812 K	ProKit Spurstangenendstück / tie rod end		M16 x 1,5
<b>38403</b>	5Q0 407 183 E	Querlenkerlager / control arm mount	5E / NL3	Ø A 65
<b>40668</b>	5Q0 407 365 A S1	ProKit Traggelenk / ball joint	(1) PR-1ZE / 1ZP	
<b>40669</b>	5Q0 407 366 A S1	ProKit Traggelenk / ball joint	(1) PR-1ZE / 1ZP	
<b>45760</b>	1K0 423 810 A S4	ProKit Spurstange / tie rod	PR-1N3/1N7 / RHT	
<b>45761</b>	1K0 423 810 A S3	ProKit Spurstange / tie rod	PR-1N3/1N7 / RHT	



**Pick-Up (6U)**  
(1996 → 2001)



**29644**



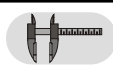
**29644**



Vorderachse / Front axle



**Ref. - No.**



<b>25334</b>	6U0 407 365
<b>29644</b>	6U0 407 182

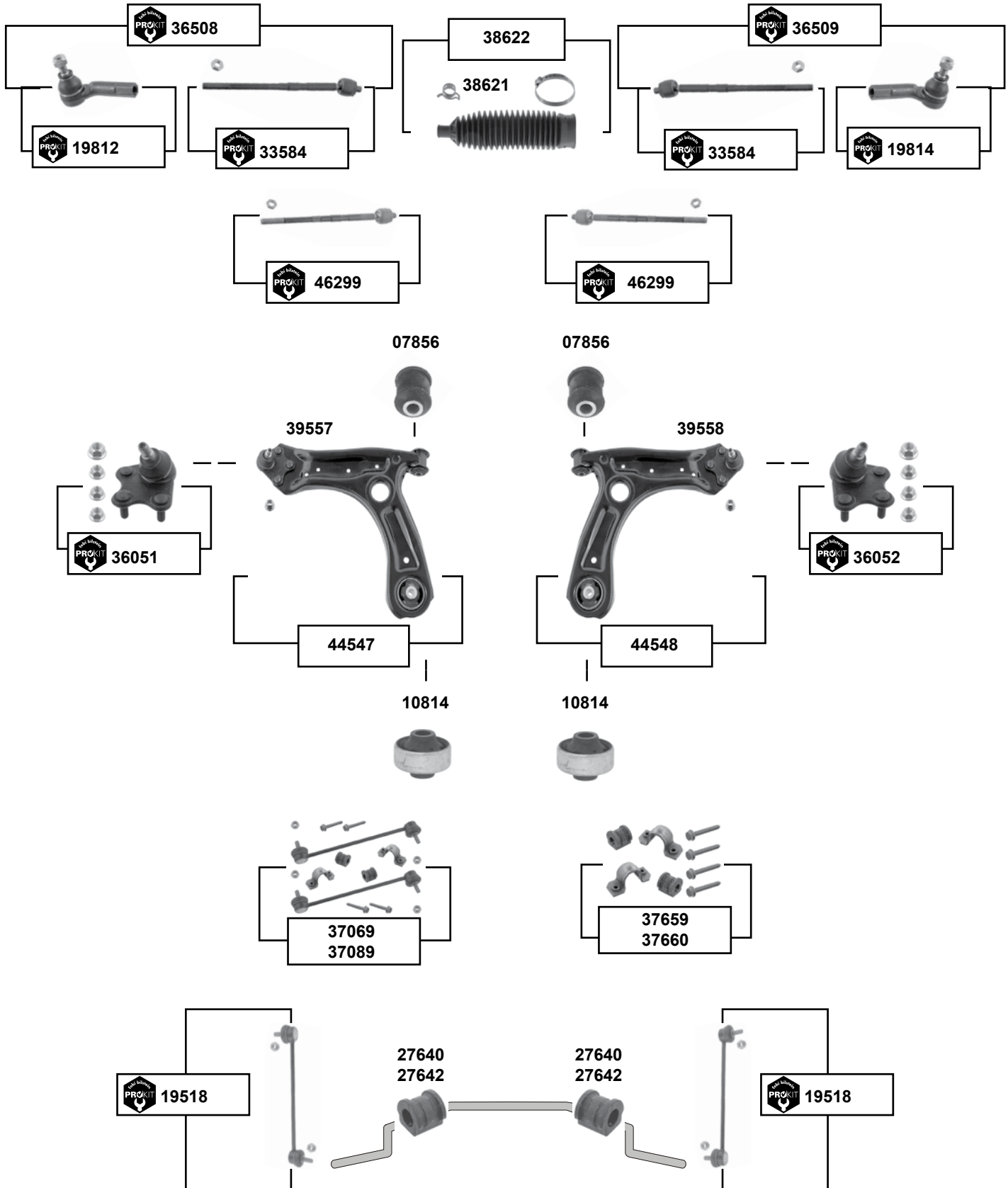
ProKit Tragelenk / ball joint
Querlenkerlager / control arm mount

Ø A 17
Ø A 31,5



## Rapid (NH/NK) (2012 →)

Vorderachse / Front axle





## Rapid (NH/NK) (2012 →)



(1) PR-1N2 / PR-1AC / PR-1AT / PR-G0C / PR-G0K / PR-G1C // E-hydr.



Ref. - No.



Febi bilstein	Ref. - No.			
07856	357 407 182	Querlenkerlager / control arm mount		Ø A 33
10814	1J0 407 181	Querlenkerlager / control arm mount		Ø A 60 Ø I 13
19518	6Q0 411 315 Q	ProKit Verbindungsstange / connecting rod		
19812	6R0 423 811	ProKit Spurstangenendstück / tie rod end	(1)	
19814	6R0 423 812	ProKit Spurstangenendstück / tie rod end	(1)	
27640	6Q0 411 314 Q	Stabilisatorlager / stabilizer mount	PR-0AR	Ø I 19
27642	6Q0 411 314 R	Stabilisatorlager / stabilizer mount	PR-0AS	Ø I 20
33584	6R0 423 810 A	ProKit Axialgelenk / axial joint	PR-1N2 E-hydr.	
36051	6R0 407 365 A	ProKit Traggelenk / ball joint		
36052	6R0 407 366 A	ProKit Traggelenk / ball joint		
36508	6R0 423 803 A	ProKit Spurstange, komplett / tie rod, complete	PR-1N2 E-hydr.	M12/14x1,5
36509	6R0 423 804 A	ProKit Spurstange, komplett / tie rod, complete	PR-1N2 E-hydr.	M12/14x1,5
37069	6Q0 411 314 Q S1	Stabilisatorlagersatz / anti roll bar bush kit	PR-0AR	
37089	6Q0 411 314 R S2	Stabilisatorlagersatz / anti roll bar bush kit	PR-0AS	
37659	6Q0 411 314 R S4	Stabilisatorlagersatz / anti roll bar bush kit	PR-0AS	Ø I 20
37660	6Q0 411 314 Q S2	Stabilisatorlagersatz / anti roll bar bush kit	PR-0AR	Ø I 19
38621	6Q0 423 831 D	Lenkmanschette / steering boot	PR-1N2	
38622	6Q0 423 831 D S1	Rep. Satz Lenkmanschette / rep. kit steering boot	PR-1N2	
39557	6R0 407 151 F	Querlenker / control arm		
39558	6R0 407 152 F	Querlenker / control arm		
44547	6R0 407 151 F S1	Querlenker, <b>kpl.</b> / control arm, <b>cpl.</b>		
44548	6R0 407 152 F S1	Querlenker, <b>kpl.</b> / control arm, <b>cpl.</b>		
46299	6C0 423 810 C	ProKit Axialgelenk / axial joint	PR-1N2, 1N3	

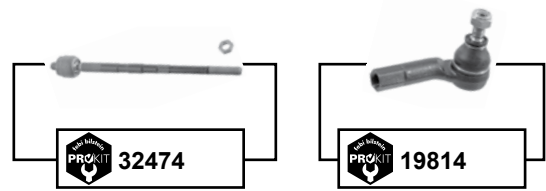
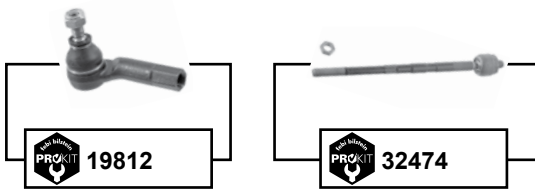




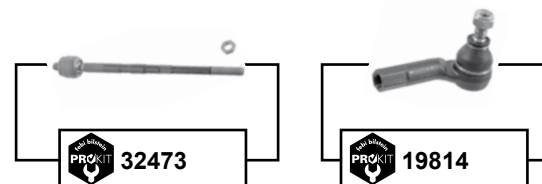
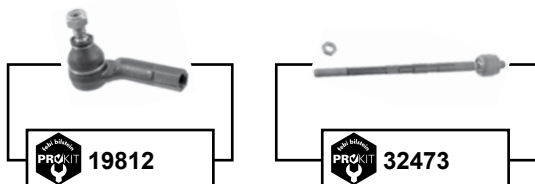
## Roomster (5J)

(2006 →)

man.



für / to fit servo TRW

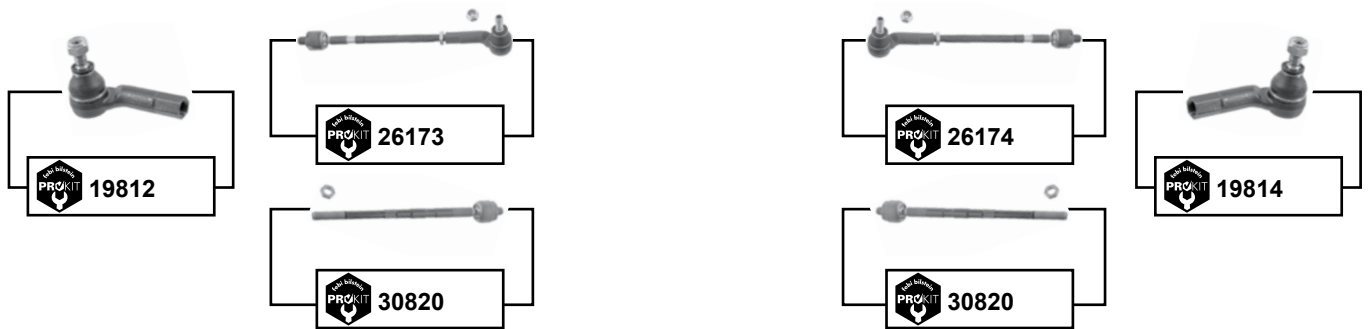


Vorderachse / Front axle



## Roomster (5J) (2006 →)

für / to fit KOYO



Vorderachse / Front axle

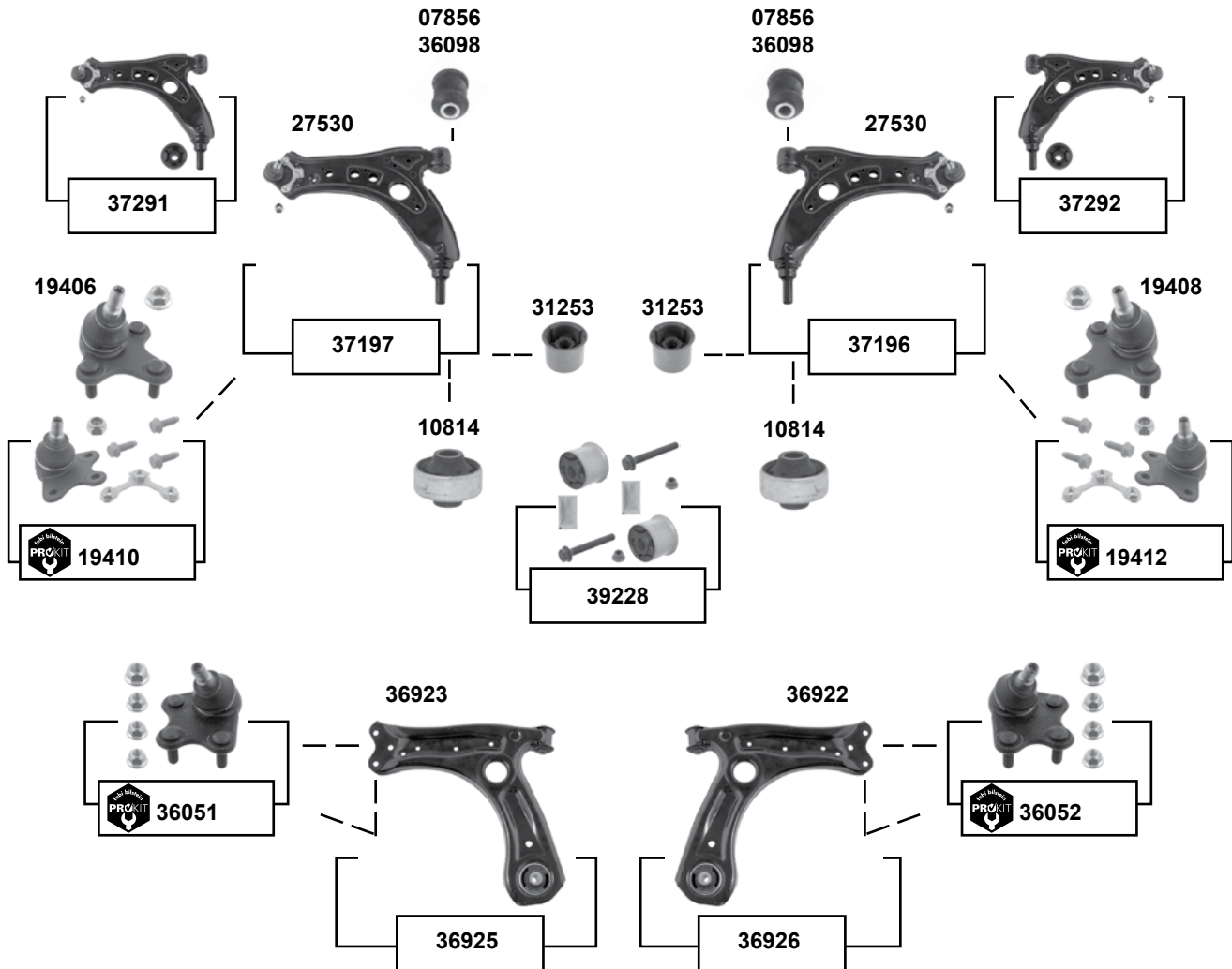
	Ref. - No.			
19812	6R0 423 811	ProKit Spurstangenendstück / tie rod end		
19814	6R0 423 812	ProKit Spurstangenendstück / tie rod end		
19816	6Q0 423 803 P	ProKit Spurstange / tie rod		
19818	6Q0 423 804 P	ProKit Spurstange / tie rod		
26173	6Q0 423 803 G	ProKit Spurstange / tie rod		
26174	6Q0 423 804 G	ProKit Spurstange / tie rod		
30820	6Q0 423 810 C	ProKit Spurstange / tie rod		
32473	6Q0 423 810 P	ProKit Axialgelenk / axial joint		M14 x 1,5
32474	6Q0 419 810 B	ProKit Axialgelenk / axial joint		M14 x 1,5
44343	6Q0 423 803 P S1	ProKit Spurstange / tie rod		
44344	6Q0 423 804PE S1	ProKit Spurstange / tie rod		



## Roomster (5J)

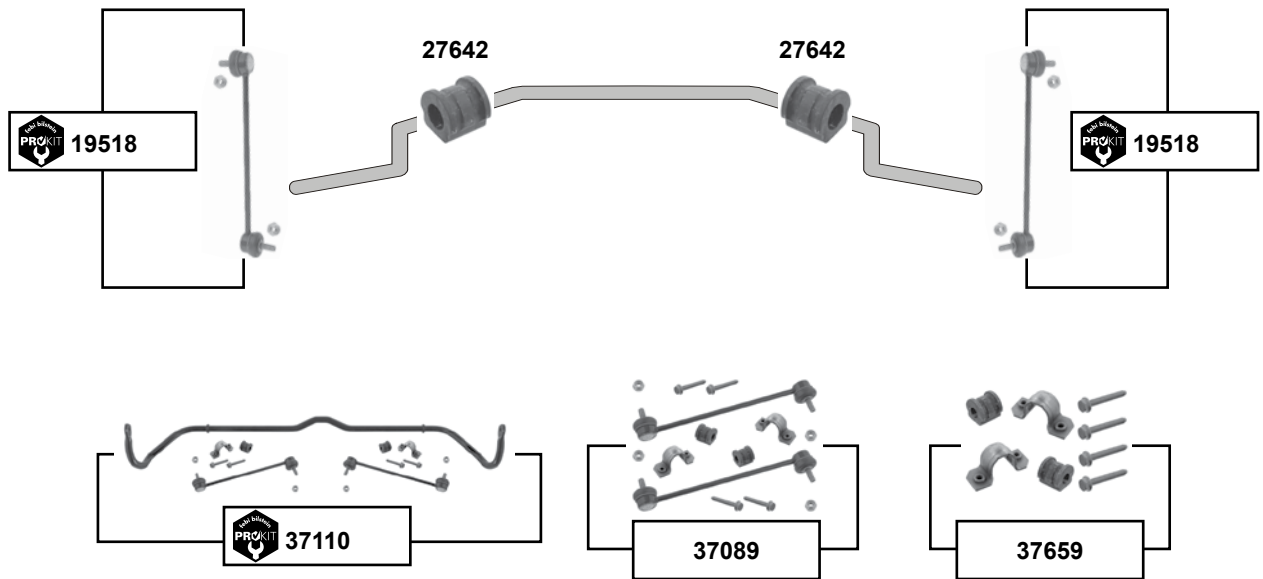
(2006 →)

Vorderachse / Front axle





## Roomster (5J) (2006 →)



Vorderachse / Front axle

- (1) 08 → 10 (ch.) 5J-8B600 705 → / (ch.) 5J-85069 021 → / 11 → alle / all
- (2) → 08 (ch.) → 5J-8B600 704 / (ch.) → 5J-85069 020
- (3) (ch.) → 5J-8B600 704 / (ch.) → 5J-85069 020
- (4) → 10 (ch.) → 5J-9B600 824 / (ch.) → 5J-95032 968
- (5) (ch.) 5J-8B600 787 → / (ch.) 5J-850 666 688 →
- (6) → 09 (ch.) 5J-CB-600 095 → / (ch.) 5J-C7-009 705 →
- (7) (ch.) → 5J-8B600 704 / (ch.) → 5J-85069 020



Ref. - No.

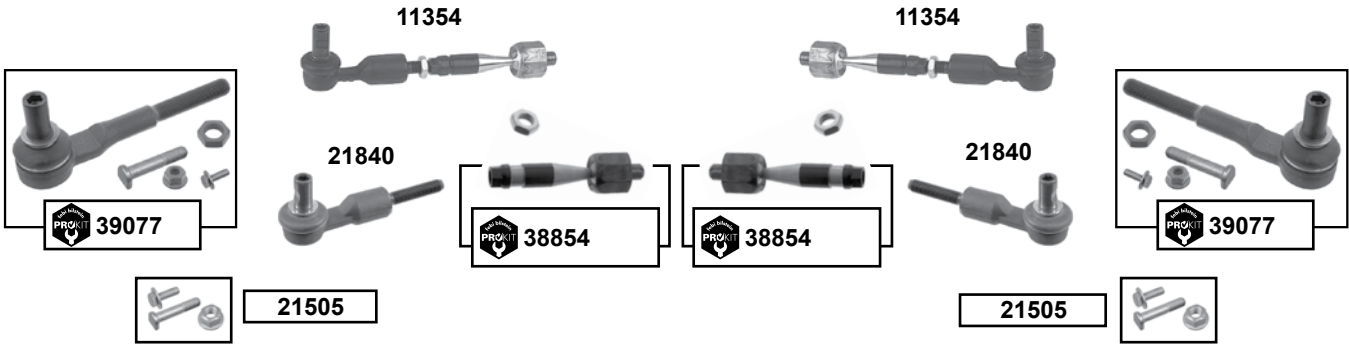


Ref. - No.	Description	Info	Dimensions
07856	357 407 182 Querlenkerlager / control arm mount	(1)	Ø A 33
10814	1J0 407 181 Querlenkerlager / control arm mount	(1)	
19406	6Q0 407 365 M Traggelenk / ball joint		
19408	6Q0 407 366 A Traggelenk / ball joint		
19410	6Q0 407 365 M S1 ProKit Traggelenk / ball joint	(3)	
19412	6Q0 407 366 A S1 ProKit Traggelenk / ball joint	(3)	
19518	6Q0 411 315 Q ProKit Verbindungsstange / connecting rod	(4)	
27530	6Q0 407 151 L Querlenker / control arm		
27642	6Q0 411 314 R Stabilisatorlager / stabilizer mount	PR-0AS	Ø I 18
31253	1K0 407 183 E Querlenkerlager / control arm mount	(2)	Ø A 63
36051	6R0 407 365 A ProKit Traggelenk / ball joint	(5)	
36052	6R0 407 366 A ProKit Traggelenk / ball joint	(5)	
36098	6Q0 407 182 A Querlenkerlager / control arm mount	(2)	Ø A 32
36922	6R0 407 152 E Querlenker / control arm	(5)	
36923	6R0 407 151 E Querlenker / control arm	(5)	
36925	6R0 407 151 E S1 Rep. Satz Querlenker / rep. kit control arm	(6)	
36926	6R0 407 152 E S1 Rep. Satz Querlenker / rep. kit control arm	(6)	
37089	6Q0 411 314 R S2 Stabilisatorlagersatz / anti roll bar bush kit	PR-0AS	
37110	6Q0 411 305 AN S2 ProKit Stabilisatorsatz / stabilizer kit	PR-0AS	
37196	6Q0 407 151 L S3 Rep. Satz Querlenker / rep. kit control arm		
37197	6Q0 407 151 L S2 Rep. Satz Querlenker / rep. kit control arm		
37291	6Q0 407 151 L S5 Rep. Satz Querlenker / rep. kit control arm		
37292	6Q0 407 151 L S4 Rep. Satz Querlenker / rep. kit control arm		
37659	6Q0 411 314 R S4 Stabilisatorlagersatz / anti roll bar bush kit	PR-0AS	Ø I 18
39228	1K0 407 183 E S1 Querlenkerlagersatz / control arm mounting kit	(7)	

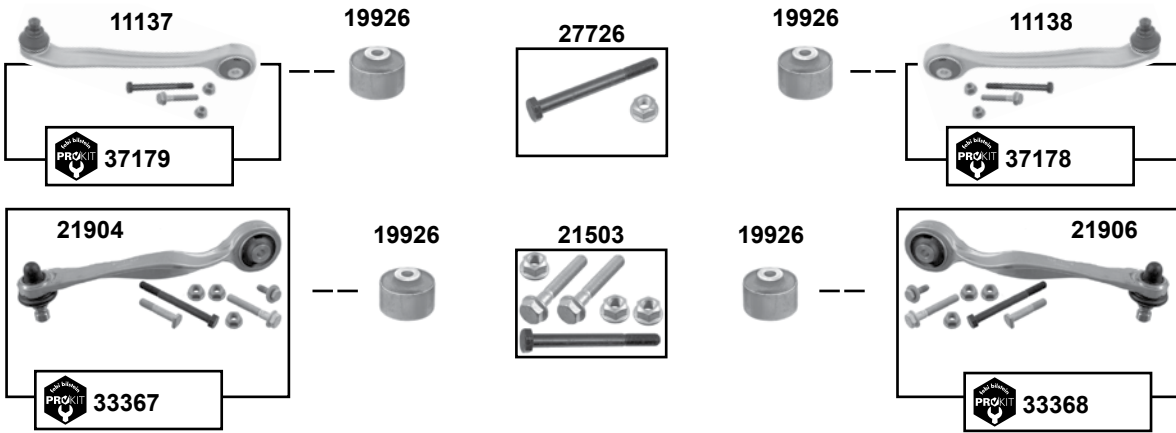


## Superb (3U) (2002 → 2008)

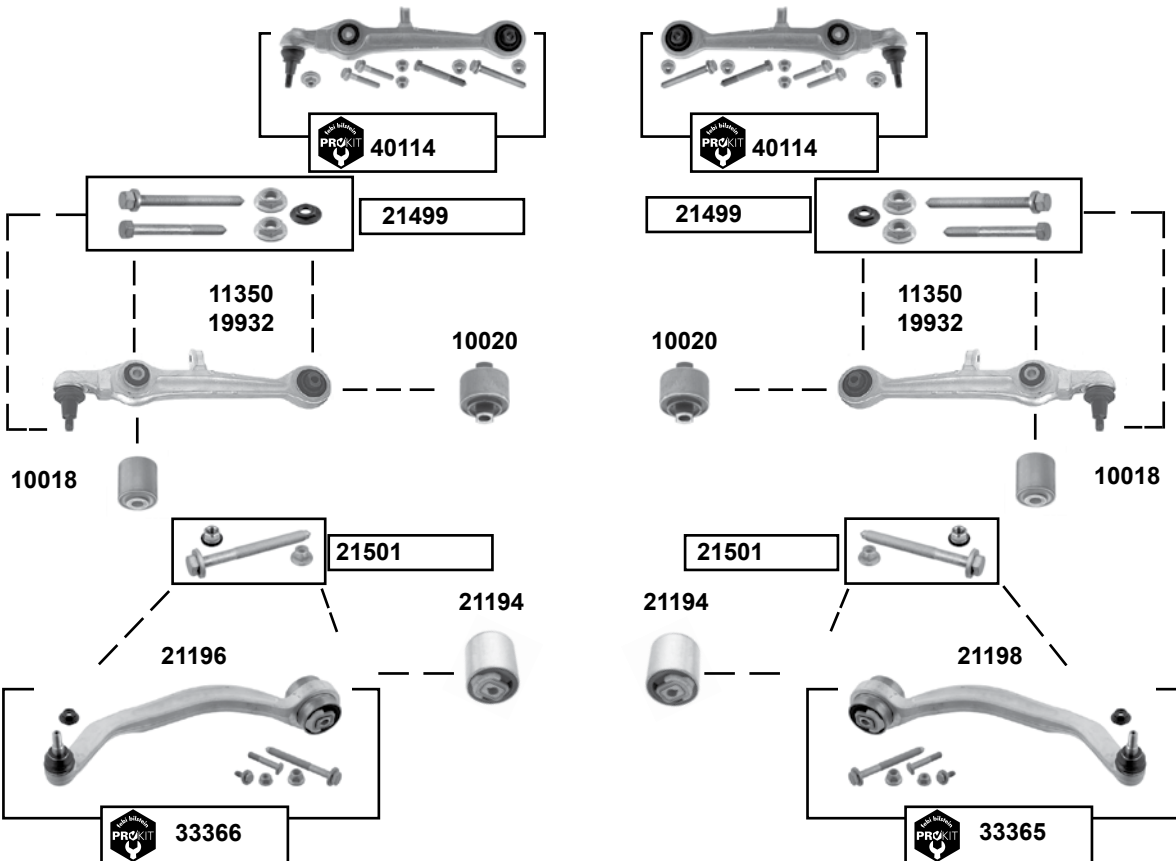
Vorderachse / Front axle



### oben / upper

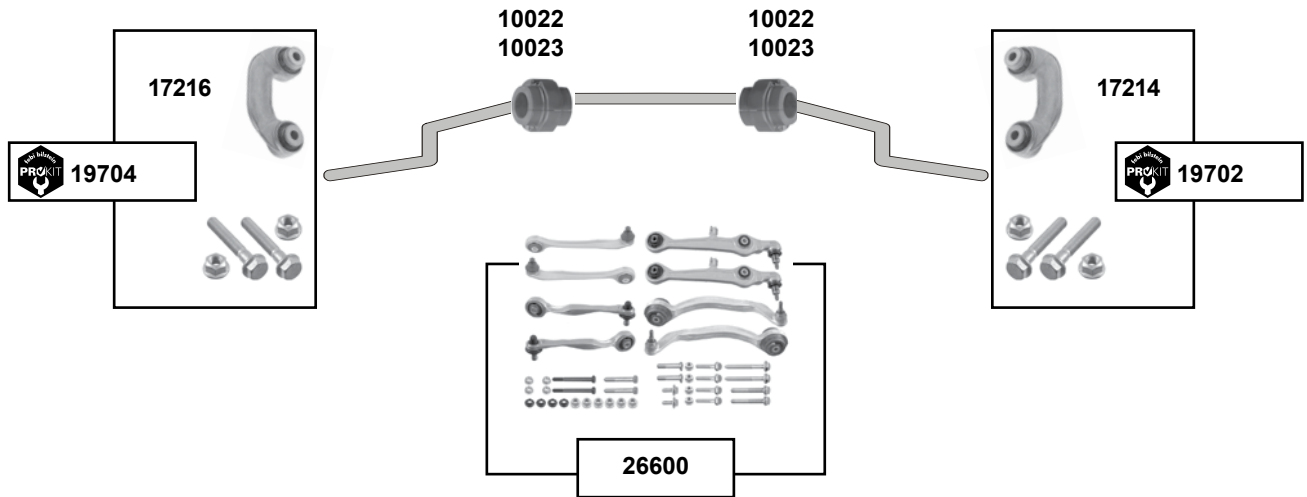


### unten / lower





## Superb (3U) (2002 → 2008)



Vorderachse / Front axle



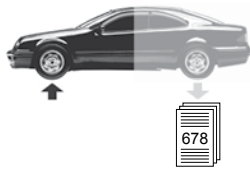
(1) (ch.) → 3U-6A300 290 // (ch.) → 32U-69116 637



Ref. - No.

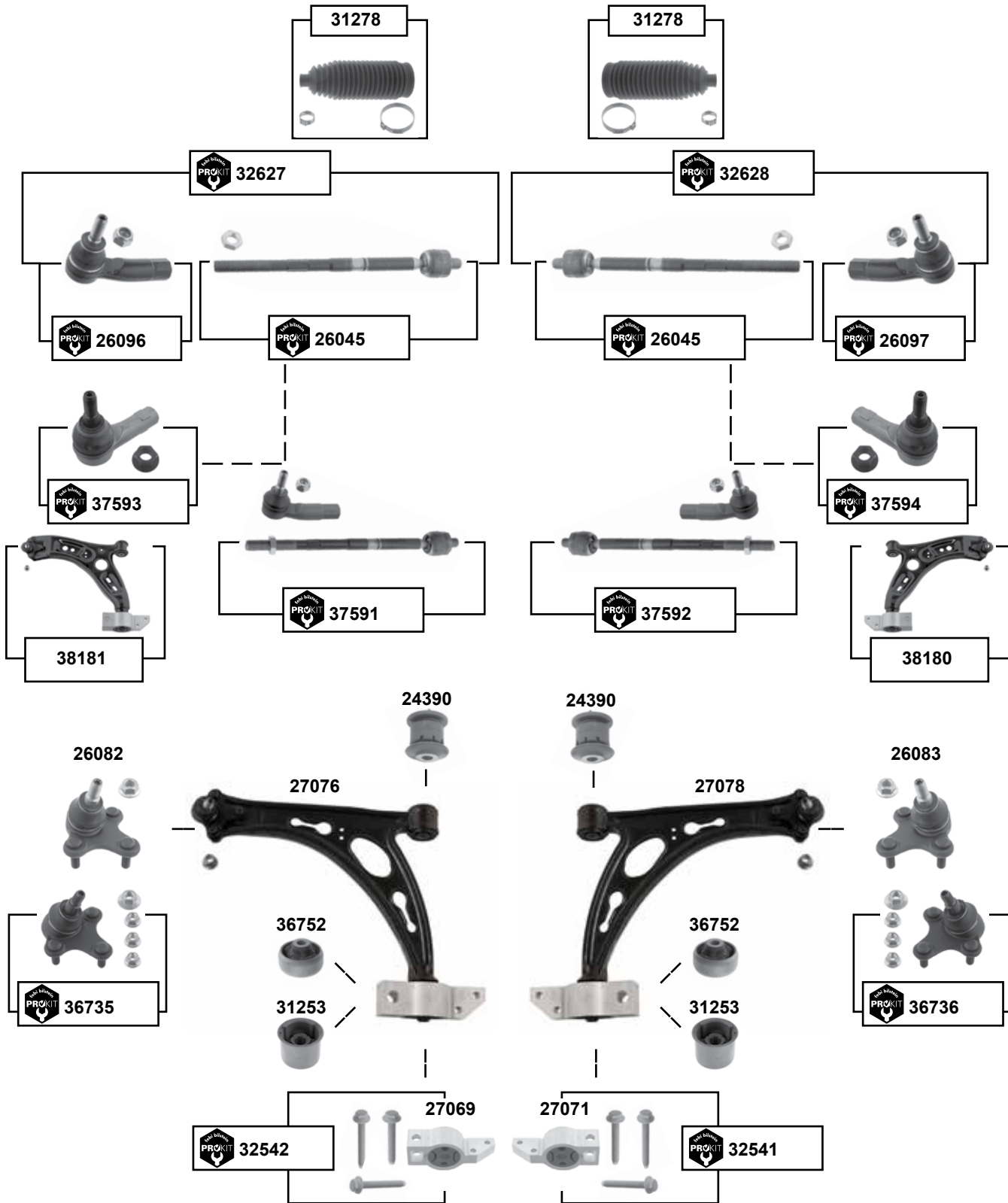


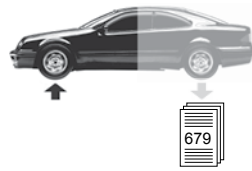
Ref. - No.	Description	Notes	Material
10018	4D0 407 181 H	Querlenkerlager / control arm mount	12x40x50
10020	4D0 407 182 G	Querlenkerlager / control arm mount	Ø   12 H 60
10022	4D0 411 327 G	Stabilisatorlager / stabilizer mount	Ø   25
10023	4D0 411 327 H	Stabilisatorlager / stabilizer mount	Ø   27
11137	8E0 407 505 A	Querlenker mit Gummilager / control arm with rubber mount	Alu
11138	8E0 407 506 A	Querlenker mit Gummilager / control arm with rubber mount	Alu
11350	4D0 407 151 P	Querlenker / control arm	
11354	4B0 419 801 M	Spurstange / tie rod	
17214	8D0 411 318 D	Verbindungsstange / connecting rod	(ex.) 4WD
17216	8D0 411 317 D	Verbindungsstange / connecting rod	(ex.) 4WD
19702	8D0 411 318 D S1	ProKit Verbindungsstange / connecting rod	
19704	8D0 411 317 D S1	ProKit Verbindungsstange / connecting rod	
19926	4B0 407 515	Querlenkerlager / control arm mount	(ch.) 3U-3-021 398 →
19932	4B3 407 151 K	Querlenker / control arm	(ch.) 3U-3-021 398 →
21194	4D0 407 183 AC	Querlenkerlager / control arm mount	
21196	8E0 407 693 AG	Querlenker, <u>hinten</u> / control arm, <u>rear</u>	Alu
21198	8E0 407 694 AG	Querlenker, <u>hinten</u> / control arm, <u>rear</u>	Alu
21499	-	Schraubensatz / screw kit	
21501	-	Schraubensatz / screw kit	
21503	-	Schraubensatz / screw kit	
21505	-	Schraubensatz / screw kit	
21840	4F0 498 811 A SK	Spurstangenendstück / tie rod end	
21904	8E0 407 509 A	Querlenker / control arm	
21906	8E0 407 510 A	Querlenker / control arm	
26600	8D0 498 998 B	Querlenkersatz / control arm kit	(ch.) → 3U-3-021 397
27726	N 034 790 8 S1	Montagesatz / mounting kit	
33365	8E0 407 694 AG S1	ProKit Querlenker / control arm	
33366	8E0 407 693 AG S1	ProKit Querlenker / control arm	
33367	8E0 407 509 A S1	ProKit Querlenker / control arm	
33368	8E0 407 510 A S1	ProKit Querlenker / control arm	
37178	8E0 407 506 A S1	ProKit Querlenker / control arm	
37179	8E0 407 505 A S2	ProKit Querlenker / control arm	
38854	4B0 419 810 M	ProKit Axialgelenk / axial joint	(1)
39077	4F0 498 811 A S1	ProKit Spurstangenendstück / tie rod end	
40114	4B3 407 151 K S1	ProKit Querlenker / control arm	(ch.) 3U-3-021 398 →



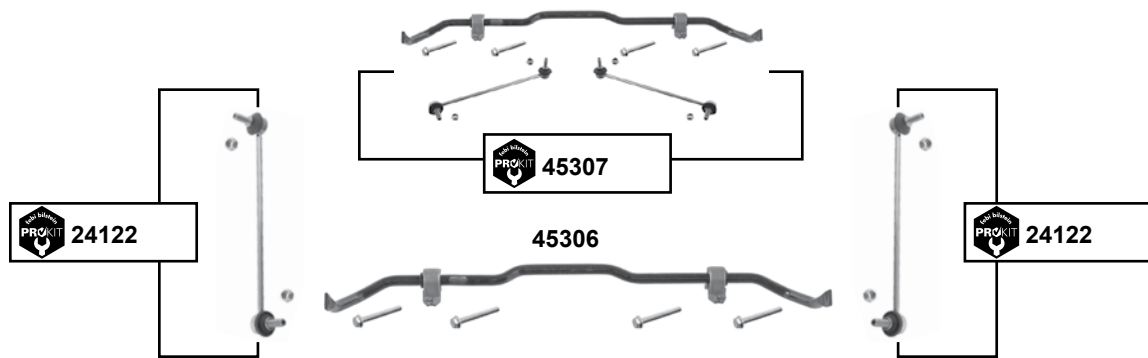
## Superb (3T) (2008 →)

Vorderachse / Front axle





Superb (3T)  
(2008 →)



Vorderachse / Front axle



(1) Gummimetalllager / rubber metal mount

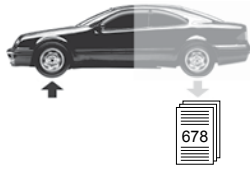


Ref. - No.



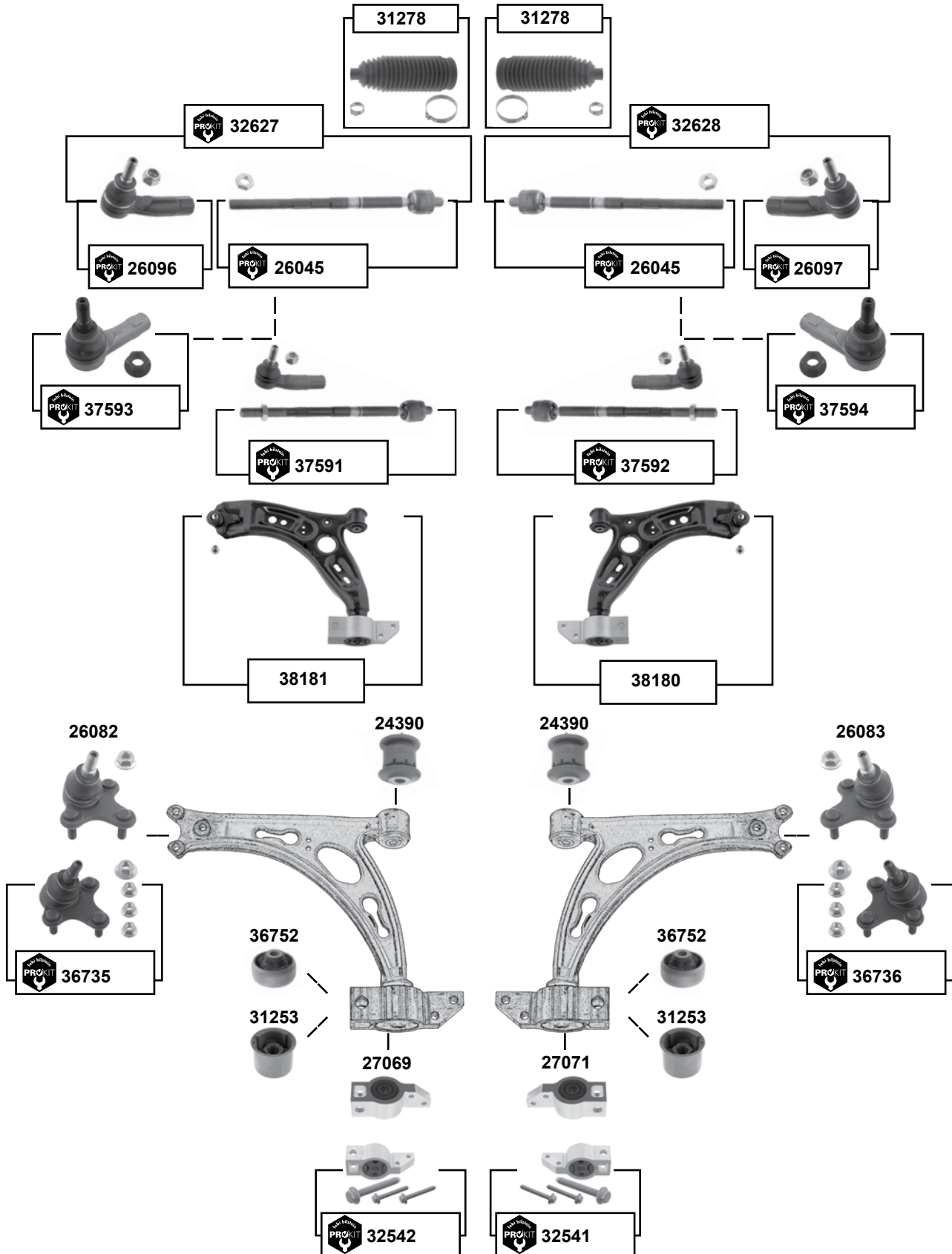
24122	1K0 411 315 R	ProKit Verbindungsstange / connecting rod		
24390	1K0 407 182	Querlenkerlager / control arm mount		Ø A 48 H 54
26045	1K0 423 810 A	ProKit Axialgelenk / axial joint		
26082	1K0 407 365 C	Traggelenk / ball joint		
26083	1K0 407 366 C	Traggelenk / ball joint		
26096	1K0 423 811 E	ProKit Spurstangenendstück / tie rod end		
26097	1K0 423 812 E	ProKit Spurstangenendstück / tie rod end		
27069	1K0 199 231 J	Querlenkerlager mit Gehäuse / control arm mount with housing		
27071	1K0 199 232 J	Querlenkerlager mit Gehäuse / control arm mount with housing		
27076	1K0 407 151 AC	Querlenker, kpl. / control arm, cpl.		
27078	1K0 407 152 AC	Querlenker, kpl. / control arm, cpl.		
31253	1K0 407 183 E	Querlenkerlager / control arm mount		Ø A 63
31278	1K0 423 831 A S1	Rep. Satz Lenkmanschette / rep. kit steering boot		Ø I 15,5 L190
32541	1K0 199 232 J S1	ProKit Querlenkerlagersatz / control arm mounting kit		
32542	1K0 199 231 J S1	ProKit Querlenkerlagersatz / control arm mounting kit		
32627	1K0 423 810 A S1	ProKit Spurstange / tie rod		
32628	1K0 423 810 A S2	ProKit Spurstange / tie rod		
36735	1K0 407 365 C S1	ProKit Traggelenk / ball joint		
36736	1K0 407 366 C S1	ProKit Traggelenk / ball joint		
36752	1K0 407 183 P	Querlenkerlager / control arm mount	(1)	Ø I 13
37591	1K0 423 811 K S1	ProKit Spurstange / tie rod		L 448
37592	1K0 423 812 K S1	ProKit Spurstange / tie rod		L 448
37593	1K0 423 811 K	ProKit Spurstangenendstück / tie rod end	→ 10	M16 x 1,5
37594	1K0 423 812 K	ProKit Spurstangenendstück / tie rod end	→ 10	M16 x 1,5
38180	1K0 407 152 BC S1	Rep. Satz Querlenker / rep. kit control arm	Stahl / steel	
38181	1K0 407 151 BC S1	Rep. Satz Querlenker / rep. kit control arm	Stahl / steel	
45306	1K0 411 303 BK S1	Stabilisatorsatz / stabilizer kit	PR-OAE	
45307	1K0 411 303 BK S2	ProKit Stabilisatorsatz / stabilizer kit	PR-OAE	

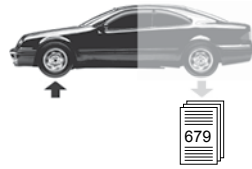




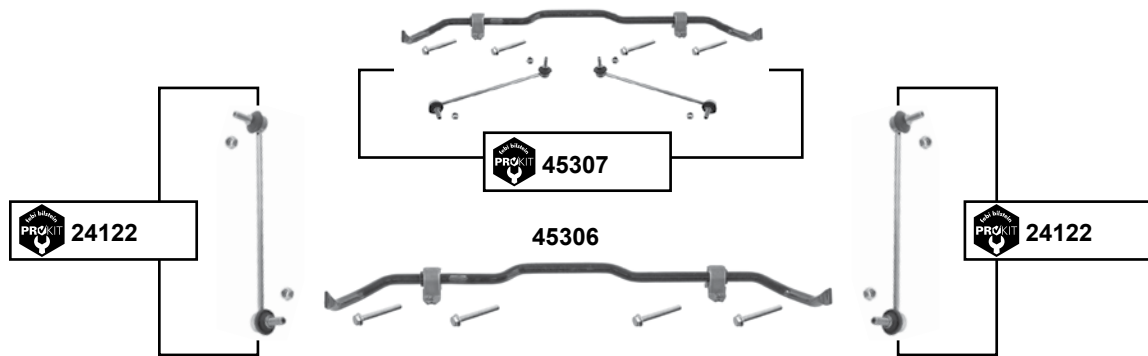
**Yeti 4x4 (5L)**  
(2010 →)

Vorderachse / Front axle





## Yeti 4x4 (5L) (2010 →)



Vorderachse / Front axle



(1) Gummimetalllager / rubber metal mount



Ref. - No.



<b>24122</b>	1K0 411 315 R	ProKit Verbindungsstange / connecting rod		
<b>24390</b>	1K0 407 182	Querlenkerlager / control arm mount		Ø A 48 H 54
<b>26045</b>	1K0 423 810 A	ProKit Axialgelenk / axial joint		
<b>26082</b>	1K0 407 365 C	Traggelenk / ball joint		
<b>26083</b>	1K0 407 366 C	Traggelenk / ball joint		
<b>26096</b>	1K0 423 811 E	ProKit Spurstangenendstück / tie rod end		
<b>26097</b>	1K0 423 812 E	ProKit Spurstangenendstück / tie rod end		
<b>27069</b>	1K0 199 231 J	Querlenkerlager mit Gehäuse / control arm mount with housing		
<b>27071</b>	1K0 199 232 J	Querlenkerlager mit Gehäuse / control arm mount with housing		
<b>31253</b>	1K0 407 183 E	Querlenkerlager / control arm mount		Ø A 63
<b>31278</b>	1K0 423 831 A S1	Rep. Satz Lenkmanschette / rep. kit steering boot		Ø I 15,5 L190
<b>32541</b>	1K0 199 232 J S1	ProKit Querlenkerlagersatz / control arm mounting kit		
<b>32542</b>	1K0 199 231 J S1	ProKit Querlenkerlagersatz / control arm mounting kit		
<b>32627</b>	1K0 423 810 A S1	ProKit Spurstange / tie rod		
<b>32628</b>	1K0 423 810 A S2	ProKit Spurstange / tie rod		
<b>36735</b>	1K0 407 365 C S1	ProKit Traggelenk / ball joint		
<b>36736</b>	1K0 407 366 C S1	ProKit Traggelenk / ball joint		
<b>36752</b>	1K0 407 183 P	Querlenkerlager / control arm mount	(1)	Ø I 13
<b>37591</b>	1K0 423 811 K S1	ProKit Spurstange / tie rod		L 448
<b>37592</b>	1K0 423 812 K S1	ProKit Spurstange / tie rod		L 448
<b>37593</b>	1K0 423 811 K	ProKit Spurstangenendstück / tie rod end		M16 x 1,5
<b>37594</b>	1K0 423 812 K	ProKit Spurstangenendstück / tie rod end		M16 x 1,5
<b>38180</b>	1K0 407 152 BC S1	Rep. Satz Querlenker / rep. kit control arm	Stahl / steel	
<b>38181</b>	1K0 407 151 BC S1	Rep. Satz Querlenker / rep. kit control arm	Stahl / steel	
<b>45306</b>	1K0 411 303 BK S1	Stabilisatorsatz / stabilizer kit	PR-0AE	
<b>45307</b>	1K0 411 303 BK S2	ProKit Stabilisatorsatz / stabilizer kit	PR-0AE	

SMART



Car  
Division

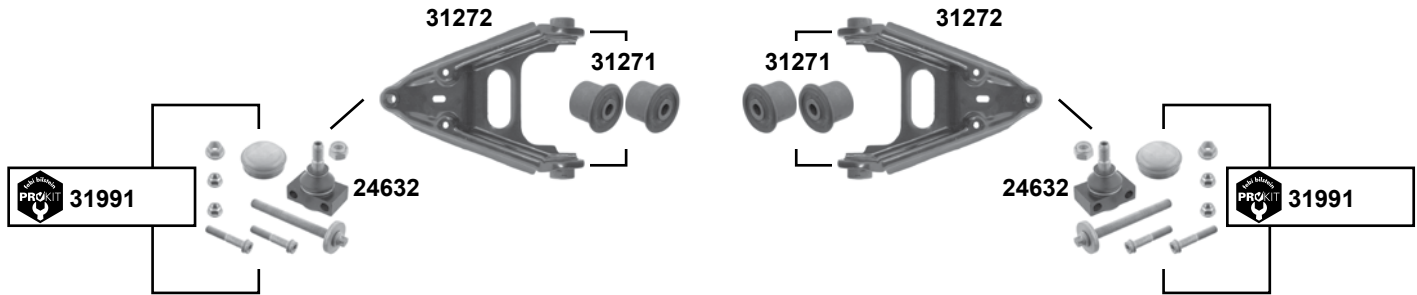


## City Coupé / Cabrio

(1998 → 2004)

Vorderachse / Front axle

27569



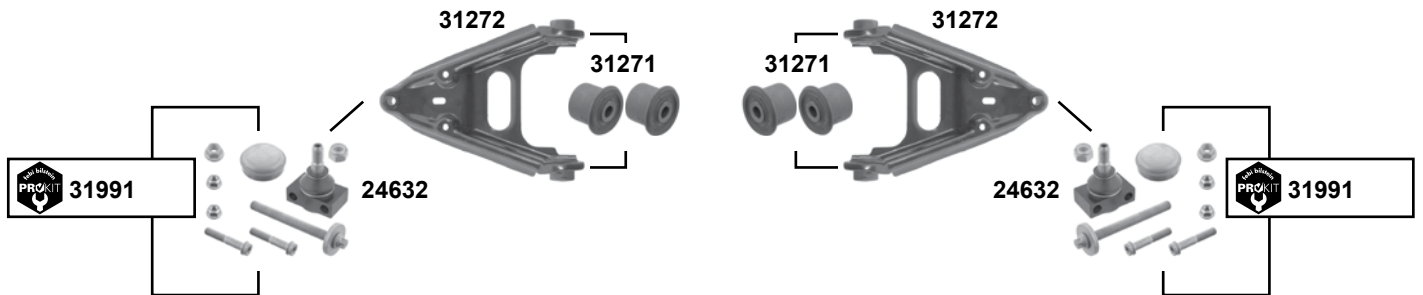
Ref. - No.



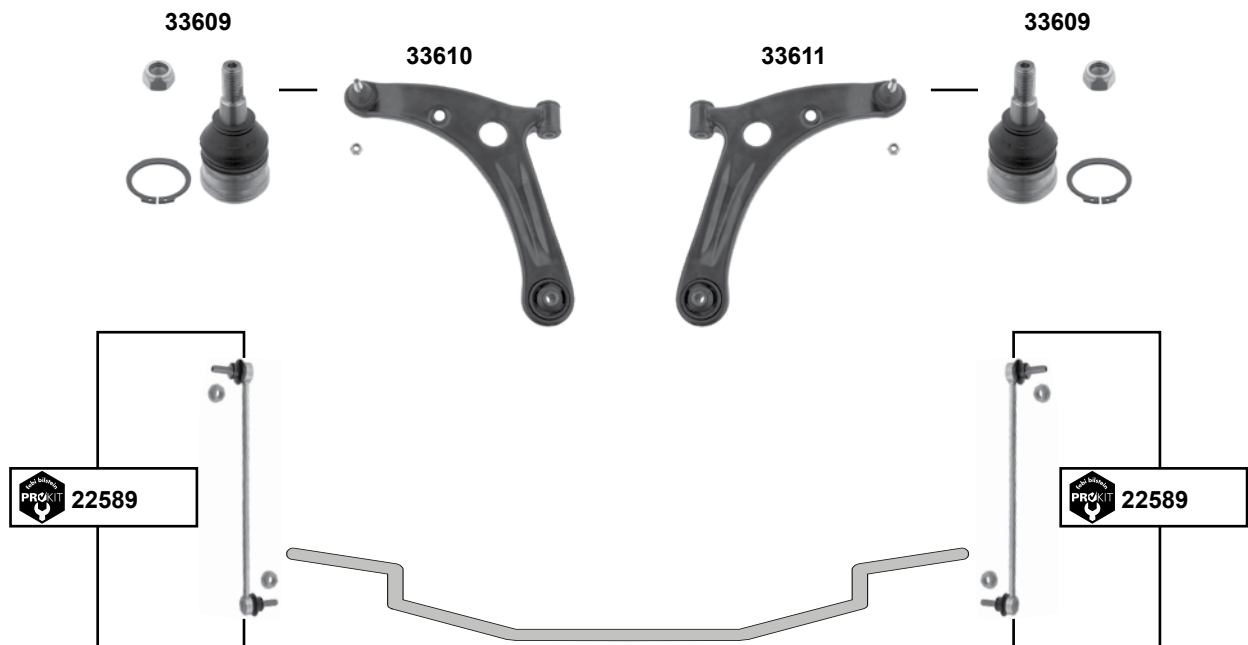
24632	0002271V009000	Traggelenk / ball joint
27569	0004873V002	Lenkungsdämpfer / steering-damper
31271	451 333 00 10	Querlenkerlagersatz / rubber mount
31272	0014141V002000000	Querlenker / control arm
31991	0015642V002000S2	ProKit Traggelenk / ball joint



## Crossblade (2002 →)



## Forfour (BM 454) (2004 →)



Vorderachse / Front axle



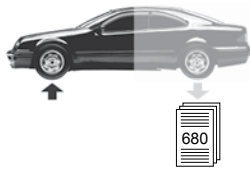
(1) (ex) : 1,1 / 1,5 Brabus



Ref. - No.



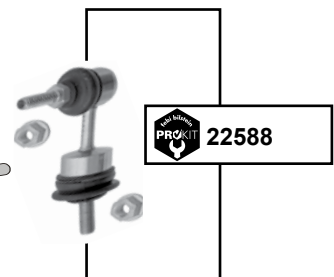
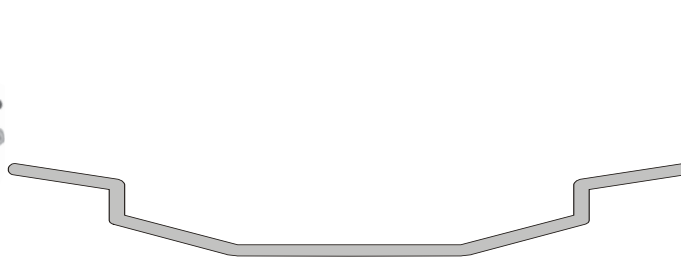
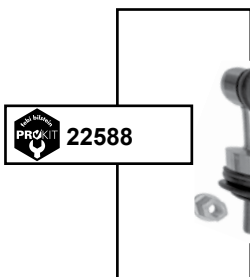
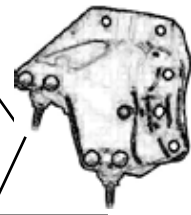
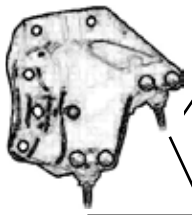
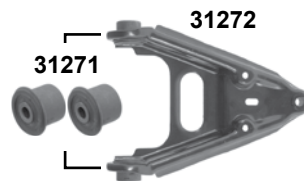
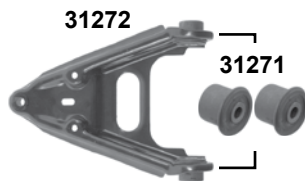
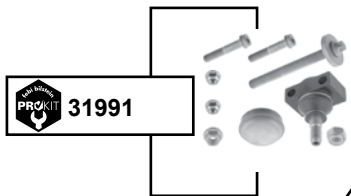
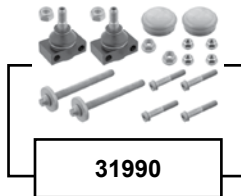
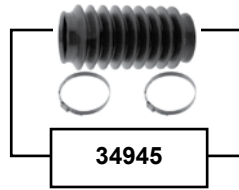
Ref. - No.	Description	Quantity	Tool
22589	454 320 00 10 S1 ProKit Verbindungsstange / connecting rod		L175
24632	2271V00900000 Traggelenk / ball joint		
31271	451 333 00 10 Querlenkerlagersatz / rubber mount		
31272	0014141V002000000 Querlenker / control arm		
31991	0015642V002000S2 Rep. Satz Traggelenk / rep. kit ball joint		
33609	454 333 01 27 ProKit Traggelenk / ball joint	(1)	M12 x 1,5
33610	454 330 07 07 Querlenker / control arm	(1)	M12 x 1,5
33611	454 330 08 07 Querlenker / control arm	(1)	M12 x 1,5



## Fortwo / Cabrio (BM 450)

(2004 →)

Vorderachse / Front axle

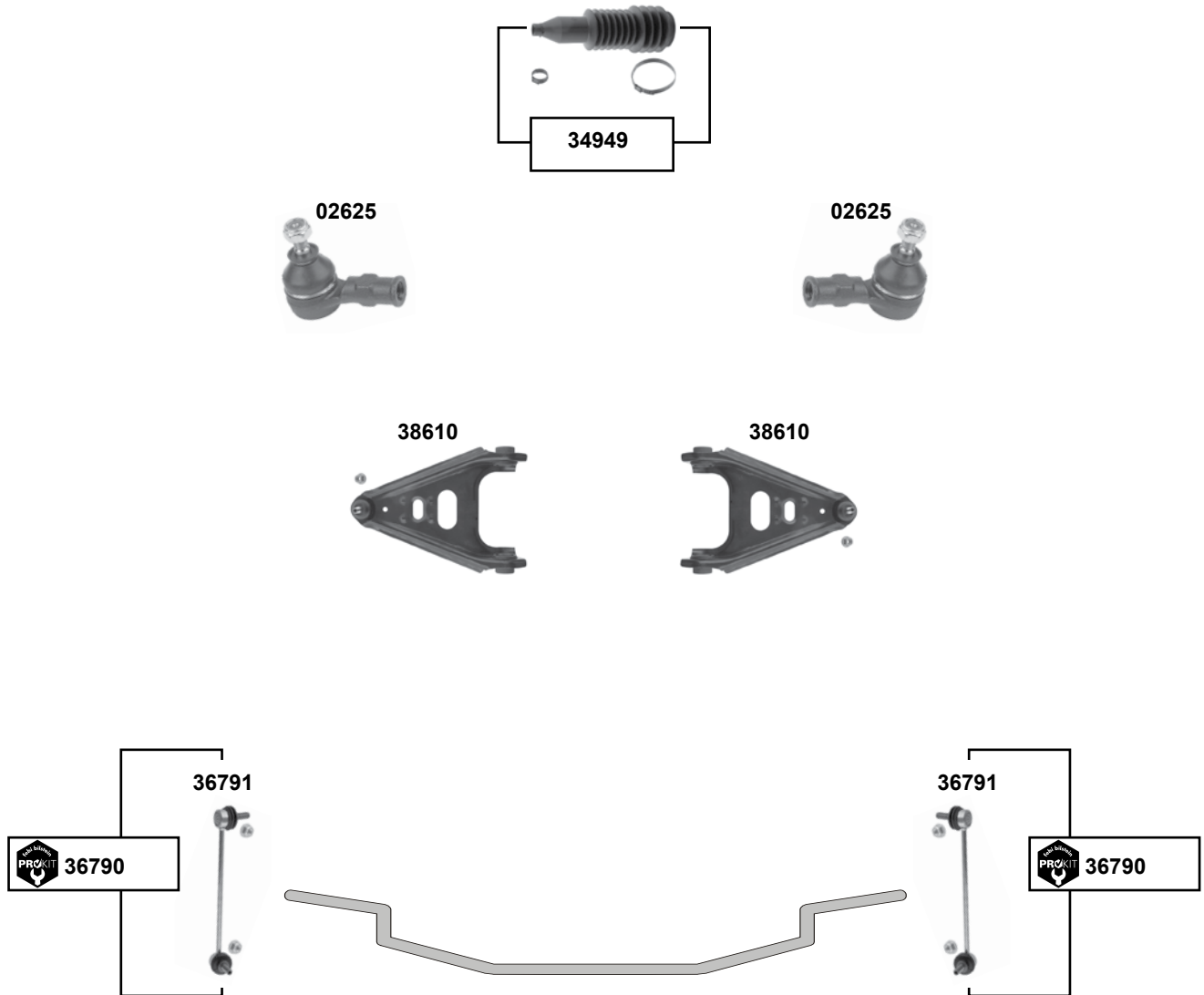


	Ref. - No.			
<b>22588</b>	5102V005	ProKit Verbindungsstange / connecting rod		L 135
<b>24632</b>	0002271V009000	Traggelenk / ball joint		
<b>31271</b>	451 333 00 10	Querlenkerlagersatz / rubber mount		
<b>31272</b>	0014141V002000000	Querlenker / control arm		
<b>31990</b>	0015642V002000000	Traggelenksatz / ball joint kit		
<b>31991</b>	0015642V002000S2	ProKit Traggelenk / ball joint		
<b>34945</b>	Q0004914V002000000S1	Rep. Satz Lenkmanschette / rep. kit steering boot		Ø   49 / L 136
<b>34949</b>	451 460 00 96	Rep. Satz Lenkmanschette / rep. kit steering boot	links / left	Ø   49,9 / 14,6 L 206
<b>36192</b>	Q0005374V001000000S1	Rep. Satz Lenkmanschette / rep. kit steering boot		Ø   49,9 / 14,6 L 136
<b>38549</b>	2271V007000005 S2	ProKit Traggelenk / ball joint		



# Fortwo / Cabrio / Coupé (BM 451) (2007 →)

Vorderachse / Front axle



(1) nur für mechanische Lenkung beidseitig / only for mechanical steering both side



Ref. - No.

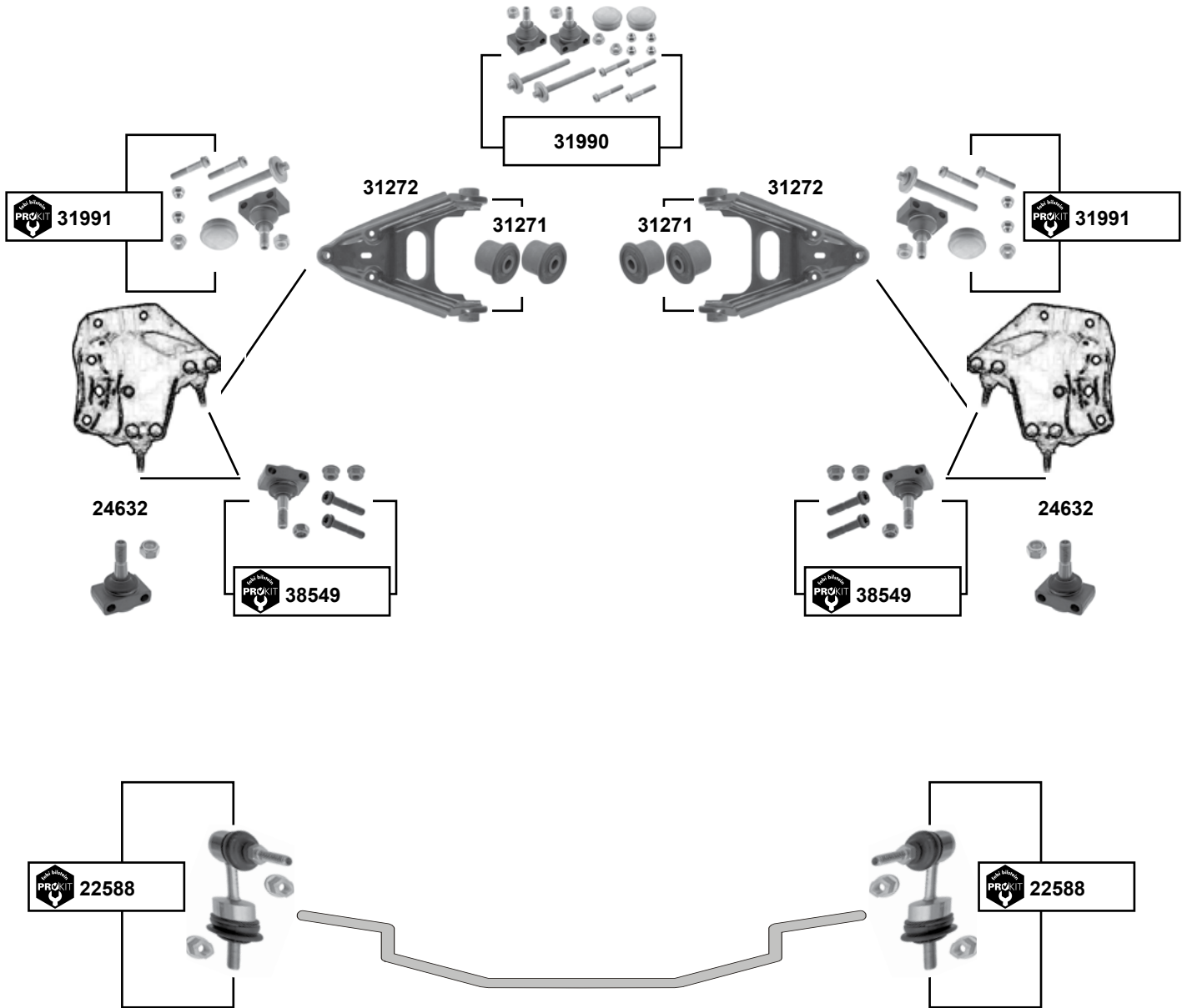


<b>02625</b>	451 338 01 37 S1	Spurstangenendstück / tie rod end		M12 x 1,5
<b>34949</b>	451 460 00 96	Rep. Satz Lenkmanschette / rep. kit steering boot	(1)	Ø   49,9 / 14,6 L206
<b>36790</b>	451 320 01 89 S1	ProKit Verbindungsstange / connecting rod		
<b>36791</b>	451 320 01 89	Verbindungsstange / connecting rod		
<b>38610</b>	451 330 00 10 S1	Querlenker / control arm		M12 x 1,5

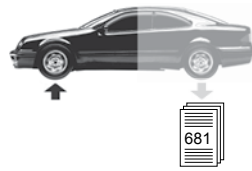


## Roadster (BM 452) (2003 → 2007)

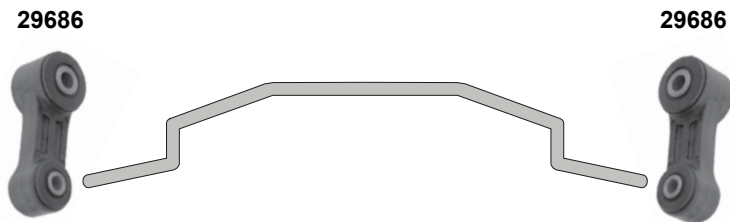
Vorderachse / Front axle



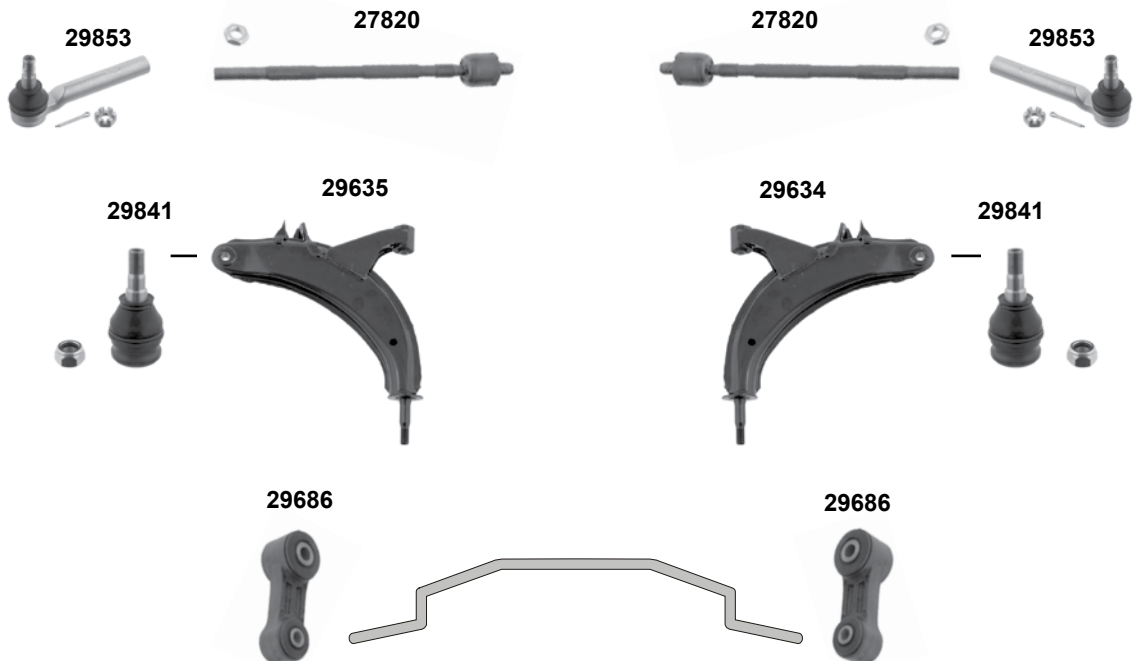
	Ref. - No.			
<b>22588</b>	5102V005	ProKit Verbindungsstange / connecting rod		L 135
<b>24632</b>	0002271V009000	Traggelenk / ball joint		
<b>31271</b>	451 333 00 10	Querlenkerlagersatz / rubber mount		
<b>31272</b>	0014141V002000000	Querlenker / control arm		
<b>31990</b>	0015642V002000000	Traggelenksatz / ball joint kit		
<b>31991</b>	0015642V002000S2	ProKit Traggelenk / ball joint		
<b>38549</b>	2271V007000005 S2	ProKit Traggelenk / ball joint		



## E 12 (D11) (1992 → 1998)



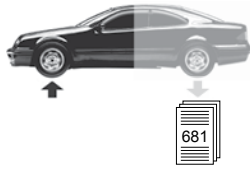
## Forester (S10) (1997 → 2002)



Vorderachse / Front axle

	Ref. - No.			
<b>27820</b>	34140FC00	Spurstange / tie rod	servo	L 292
<b>29634</b>	20200AA200	Querlenker / control arm		M16 x 1,25
<b>29635</b>	20200AA210	Querlenker / control arm		M16 x 1,25
<b>29686</b>	20420AA004	Verbindungsstange / connecting rod		L 67
<b>29841</b>	21067GA050	Traggelenk / ball joint		M12 x 1,25
<b>29853</b>	34141AA042	Spurstangenendstück / tie rod end		M12 x 1,25





## Forester (S11) (2002 → 2008)

Vorderachse / Front axle

29853



29853



29841



29635



29634



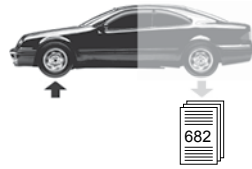
29841



Ref. - No.



<b>28199</b>	20470SA000	ProKit Verbindungsstange / connecting rod		L 60
<b>29634</b>	20200AA200	Querlenker / control arm		M16 x 1,25
<b>29635</b>	20200AA210	Querlenker / control arm		M16 x 1,25
<b>29841</b>	21067GA050	Traggelenk / ball joint		M12 x 1,25
<b>29853</b>	34141AA042	Spurstangenendstück / tie rod end		M12 x 1,25



## Forester (S12) (2008 →)

29853



29853



## Impreza (G10) (1992 → 2002)

30740



27820



27820



30739



29853



29853



29841



29635



29634



29841



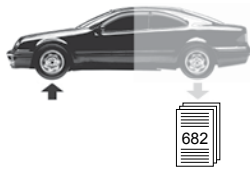
Ref. - No.



27820	34140FC00	Spurstange / tie rod
29634	20200AA200	Querlenker / control arm
29635	20200AA210	Querlenker / control arm
29841	21067GA050	Traggelenk / ball joint
29853	34141AA042	Spurstangenendstück / tie rod end
30739	31320GA190	Spurstangenendstück / tie rod end
30740	31320GA200	Spurstangenendstück / tie rod end

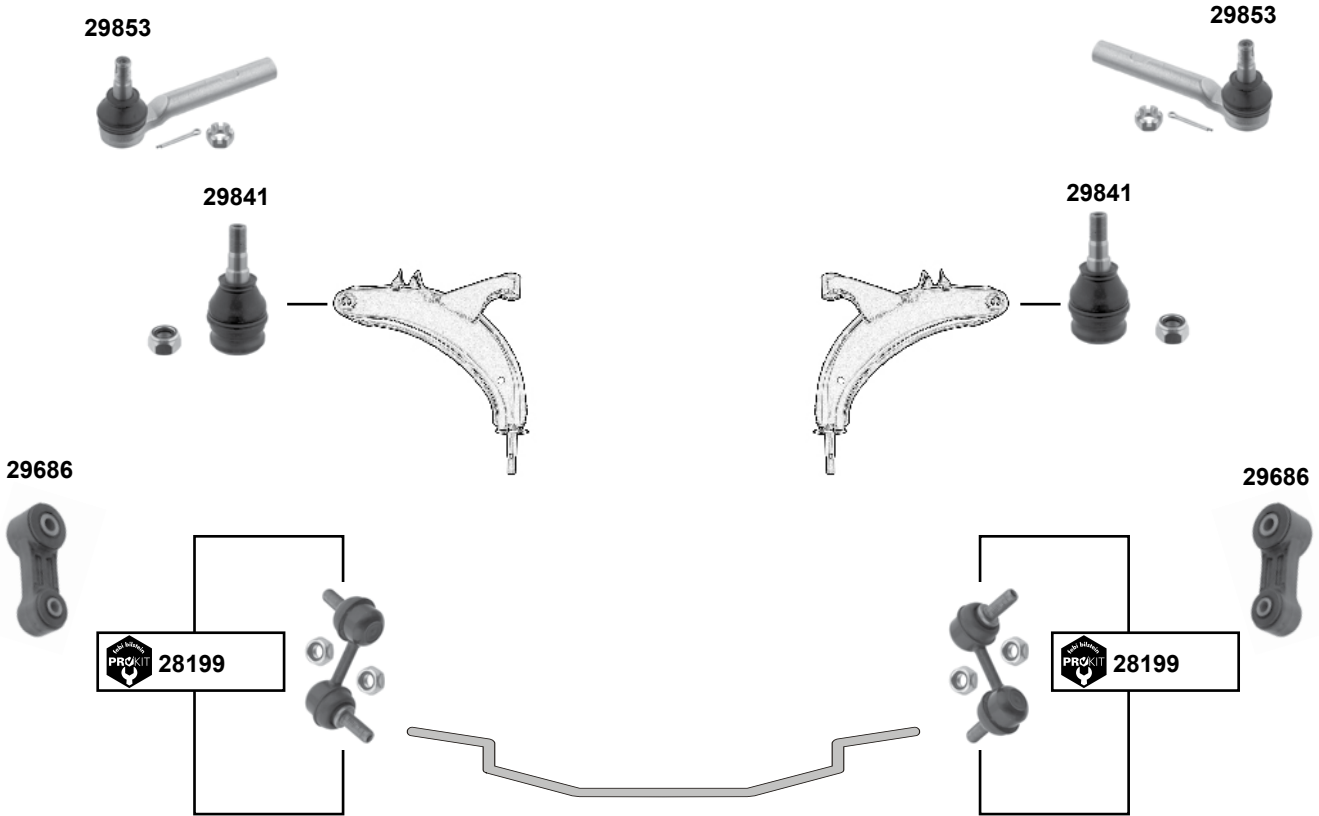
servo   
(ex.) servo   
(ex.) servo

L 292
M16 x 1,25
M16 x 1,25
M12 x 1,25
M12 x 1,25
M12 x 1,25
M12 x 1,25

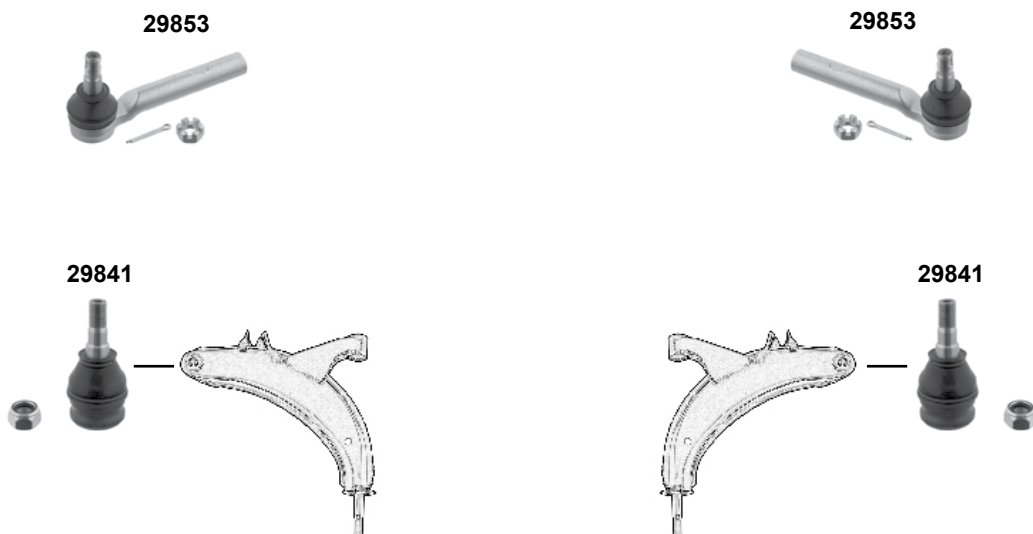


## Impreza (G11) (2000 → 2007)

Vorderachse / Front axle



## Impreza (G12) (2008 →)



Ref. - No.



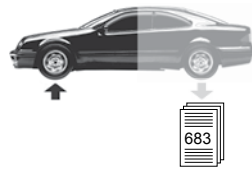
<b>28199</b>	20470SA000
<b>29686</b>	20420AA004
<b>29841</b>	21067GA050
<b>29853</b>	34141AA042

ProKit Verbindungsstange / connecting rod
Verbindungsstange / connecting rod
Traggelenk / ball joint
Spurstangenendstück / tie rod end

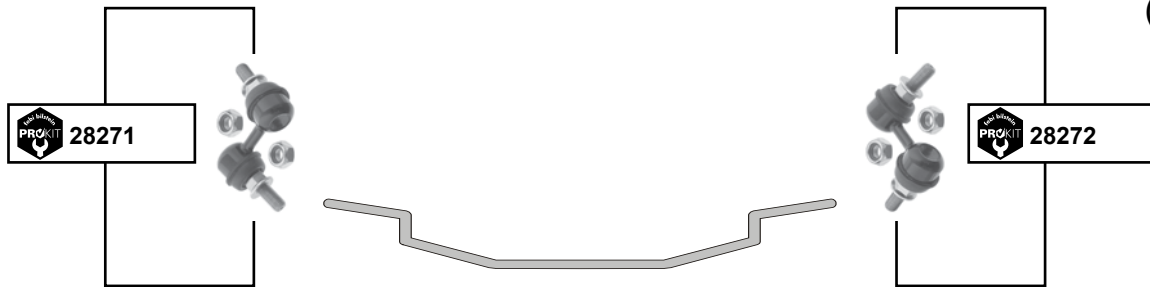
Limousine / sedan



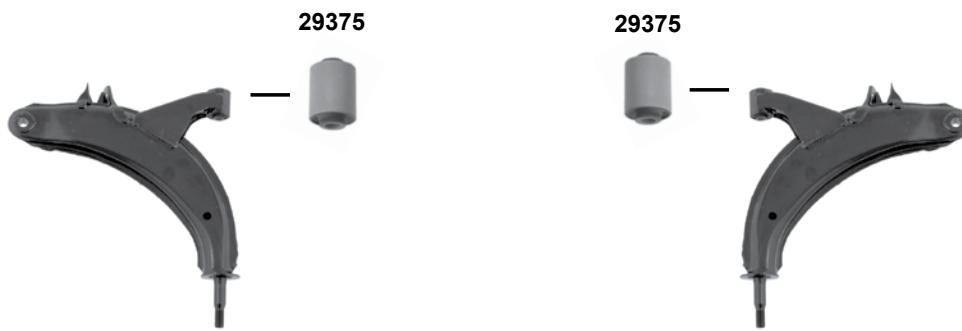
L 60
L 67
M12x1,25
M12x1,25



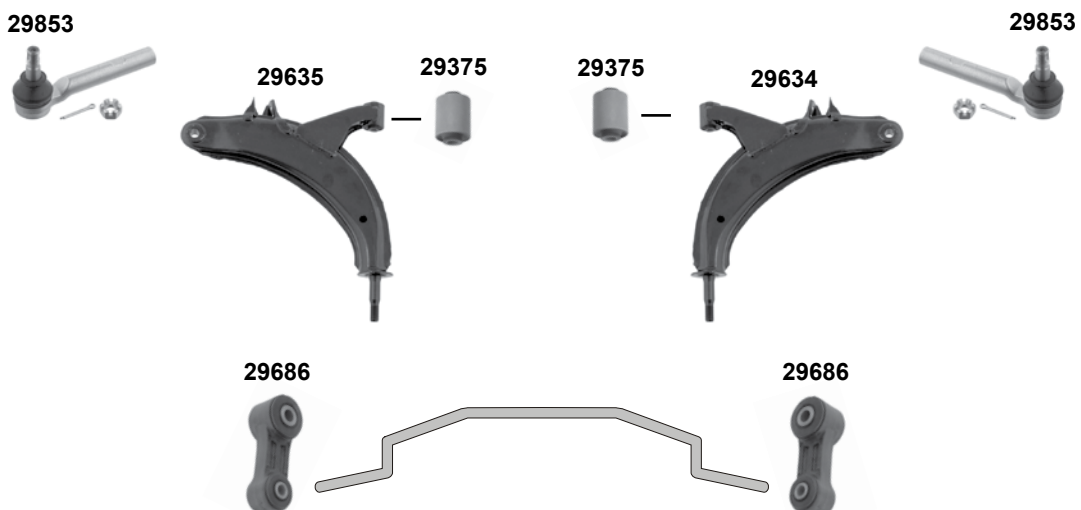
## Justy IV (M300) (2007 →)



## Legacy I (B10) (1989 → 1994)



## Legacy II (B11) (1993 → 1998)

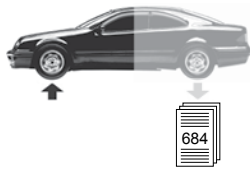


Ref. - No.

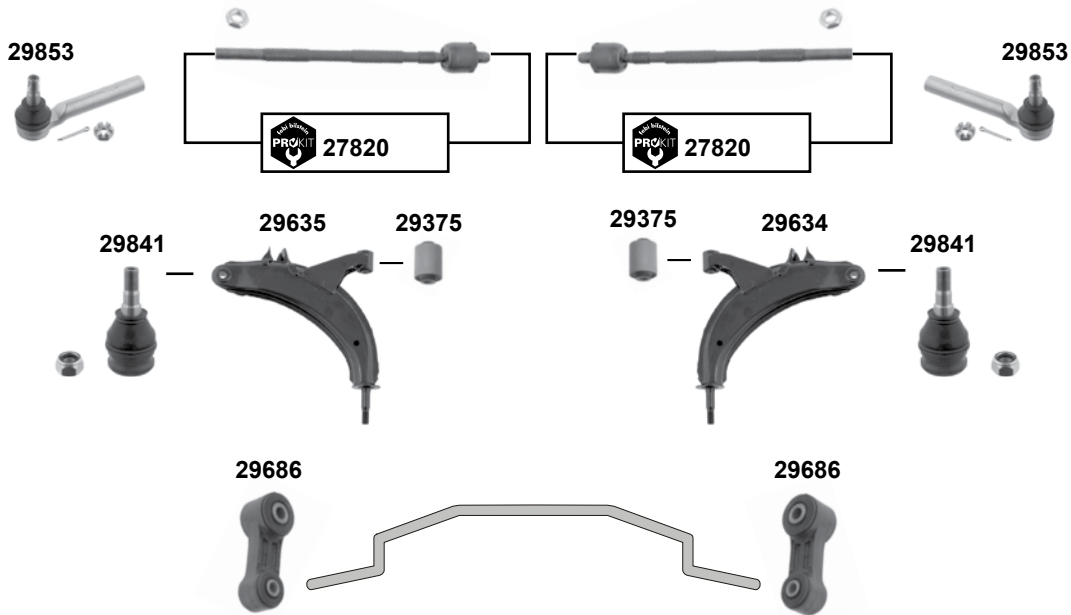


<b>28271</b>	48831B1010	ProKit Verbindungsstange / connecting rod	L 49
<b>28272</b>	48821B1010	ProKit Verbindungsstange / connecting rod	L 49
<b>29375</b>	20201AA000	Querlenkerlager / control arm mount	Ø A 38
<b>29634</b>	20200AA200	Querlenker / control arm	M16 x 1,25
<b>29635</b>	20200AA210	Querlenker / control arm	M16 x 1,25
<b>29686</b>	20420AA004	Verbindungsstange / connecting rod	L 67
<b>29853</b>	34141AA042	Spurstangenendstück / tie rod end	M12 x 1,25

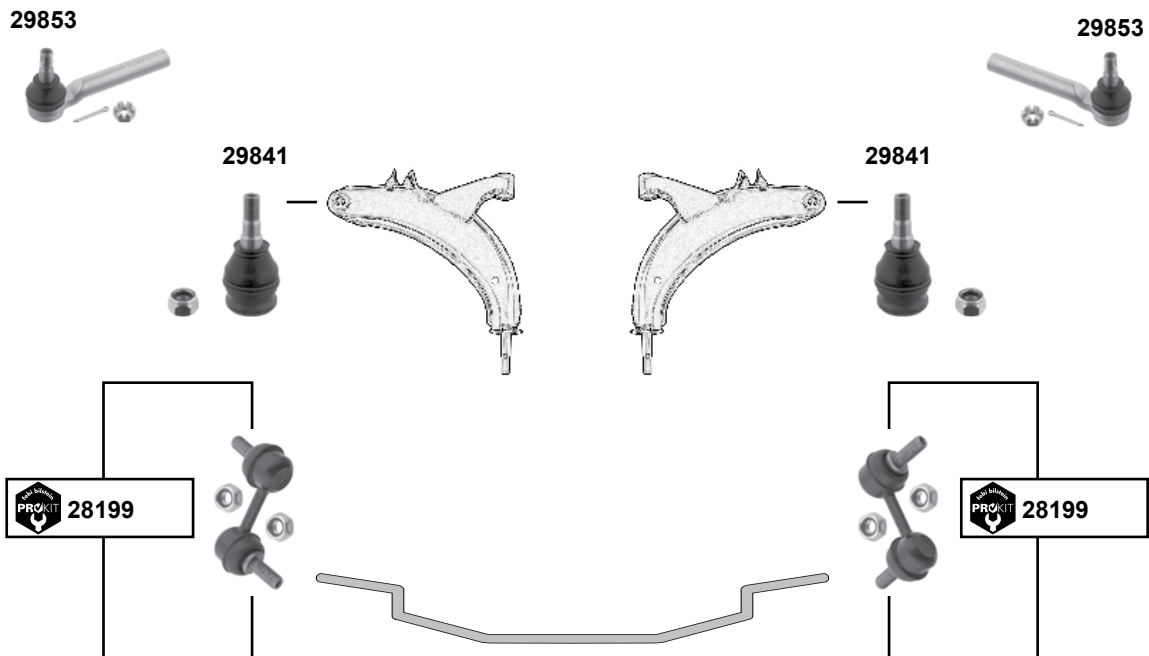




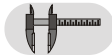
## Legacy III (B12) (1998 → 2003)



## Legacy IV (B13) (2003 → 2009)



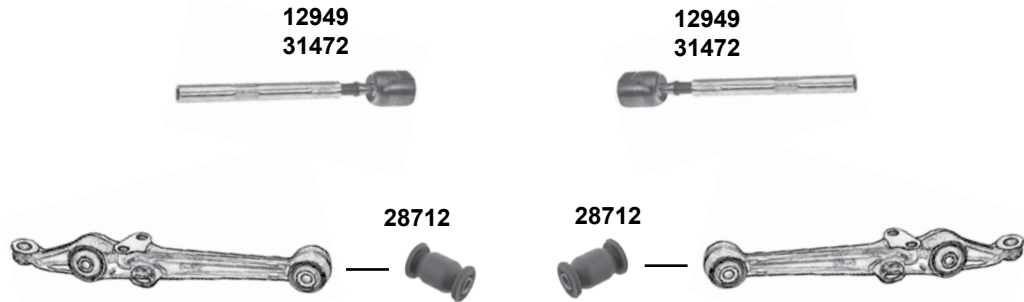
Ref. - No.



<b>27820</b>	34140FC000	ProKit Spurstange / tie rod		L 292
<b>28199</b>	20470SA000	ProKit Verbindungsstange / connecting rod		L 60
<b>29375</b>	20201AA000	Querlenkerlager / control arm mount		Ø A 38
<b>29634</b>	20200AA200	Querlenker / control arm		M16 x 1,25
<b>29635</b>	20200AA210	Querlenker / control arm		M16 x 1,25
<b>29686</b>	20420AA004	Verbindungsstange / connecting rod		L 67
<b>29841</b>	21067GA050	Traggelenk / ball joint		M12 x 1,25
<b>29853</b>	34141AA042	Spurstangenendstück / tie rod end	servo	M12 x 1,25

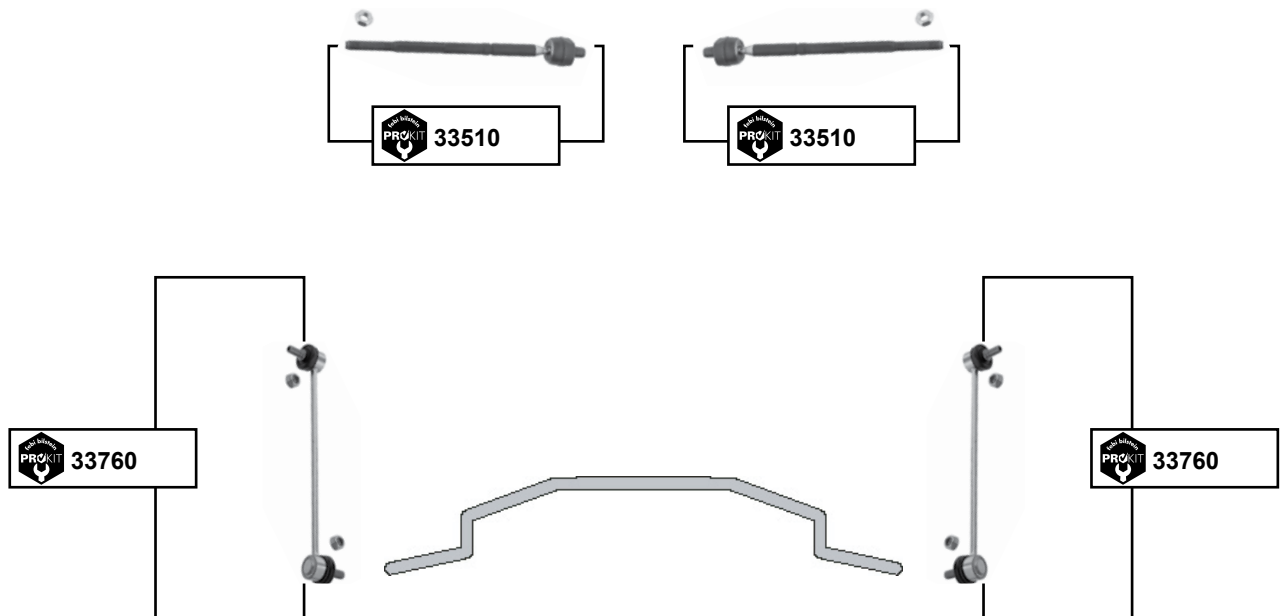


**Alto**  
(1980 →)



Vorderachse / Front axle

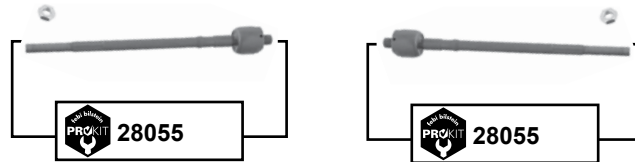
**Alto V**  
(2009 →)



	Ref. - No.			
<b>12949</b>	48830-84000-000	Spurstange / tie rod	01/84 → 12/93	L 222
<b>28712</b>	09319-10030-000	Querlenkerlager / control arm mount		Ø A 49
<b>31472</b>	48830-M70F00	Spurstange / tie rod	09/1994 → 01/2009	L 222
<b>33510</b>	48830M68K00	ProKit Axialgelenk / axial joint		L 290 / M12x1,25
<b>33760</b>	42420M68K00	ProKit Verbindungsstange / connecting rod		L 282

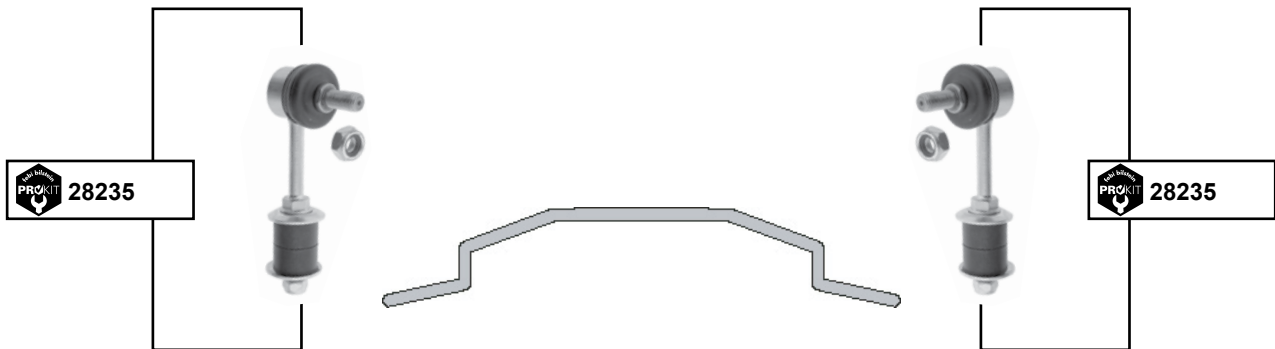


## Baleno (1995 → 2003)



Vorderachse / Front axle

## Carry (1999 →)



(1) Carry 11/80 → 10/85  
Carry S 10/85 → 03/99



Ref. - No.



**28055** 48830-60G00-000  
**28235** 42420-77A00-000  
**28712** 09319-10030-000

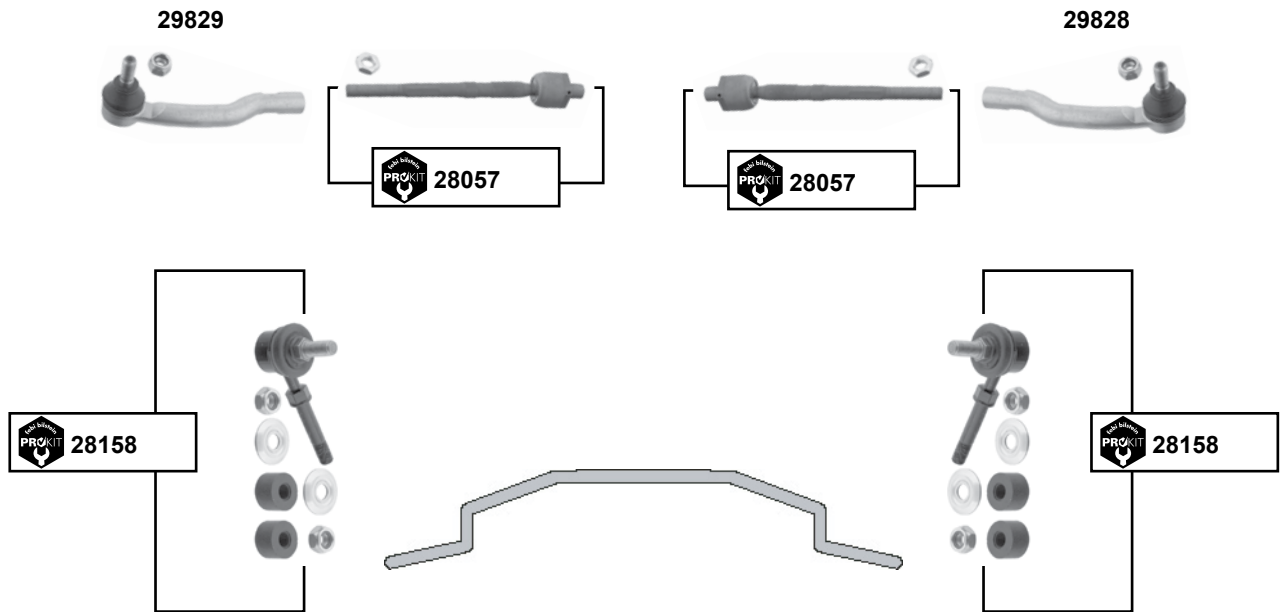
ProKit Axialgelenk / axial joint  
ProKit Verbindungsstange / connecting rod  
Querlenkerlager / control arm mount

(1)

L 306  
L 112  
Ø A 49

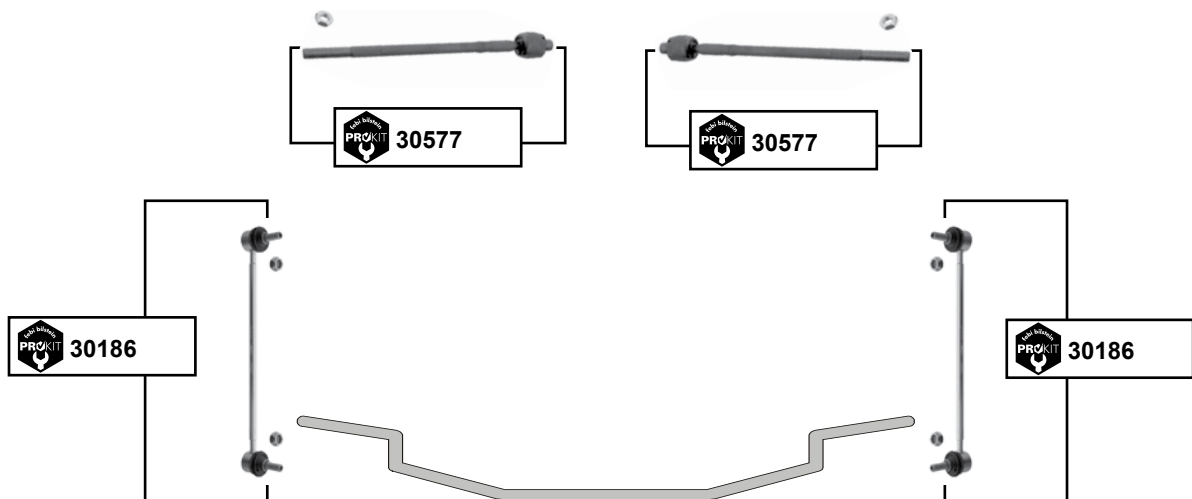


**Grand Vitara / XL**  
(1998 → 2005)



Vorderachse / Front axle

**Grand Vitara**  
(2005 →)



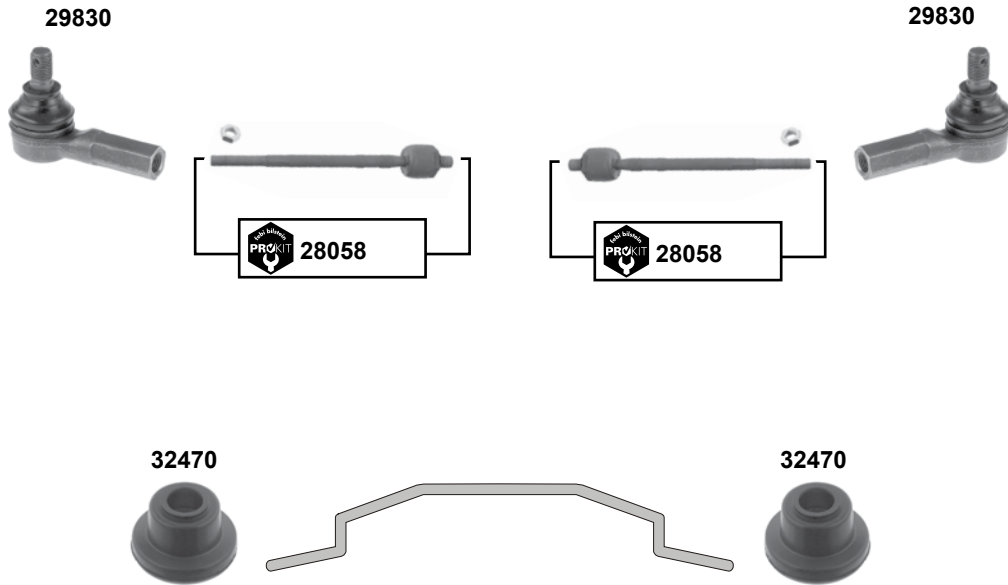
	Ref. - No.			
<b>28057</b>	48830-65D00-000	ProKit Axialgelenk / axial joint		L 227
<b>28158</b>	42420-65D00-000 S1	ProKit Verbindungsstange / connecting rod		L 90
<b>29828</b>	48810-65D01-000	Spurstangenstück / tie rod end		
<b>29829</b>	448820-65D01-000	Spurstangenstück / tie rod end		
<b>30186</b>	42420-65J00-000	ProKit Verbindungsstange / connecting rod		L 300
<b>30577</b>	48830-65J00-000	ProKit Axialgelenk / axial joint		L 343



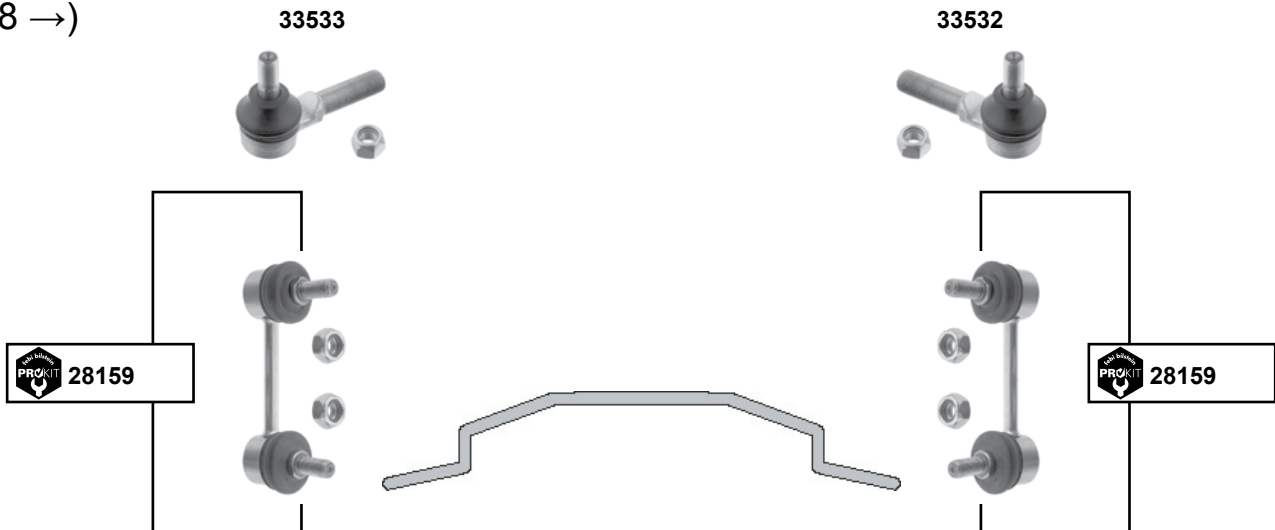


## Ignis (2003 →)

Vorderachse / Front axle



## Jimny (1998 →)



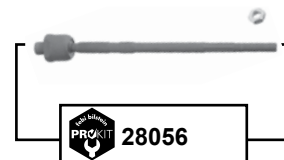
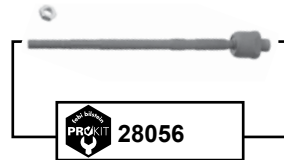
febi bilstein	Ref. - No.			
<b>28058</b>	48830-86G00-000	ProKit Axialgelenk / axial joint		L 263
<b>28159</b>	42420-81A10-000	ProKit Verbindungsstange / connecting rod		L 93
<b>29830</b>	48810-60810-000	Spurstangenstück / tie rod end	1,3 / 1,5	M12 x 1,25
<b>32470</b>	42451-76G00-000	Stabilisatorlager / stabilizer mounting		I Ø 20
<b>33532</b>	48810-81A00-000	Spurstangenendstück / tie rod end	09/98 → 08/05	M12 x 1,25
<b>33533</b>	48820-81A00-000	Spurstangenendstück / tie rod end	09/98 → 08/05	M12 x 1,25



**Splash**  
(2008 →)

Vorderachse / Front axle

29830



29830



29826



32140



32141



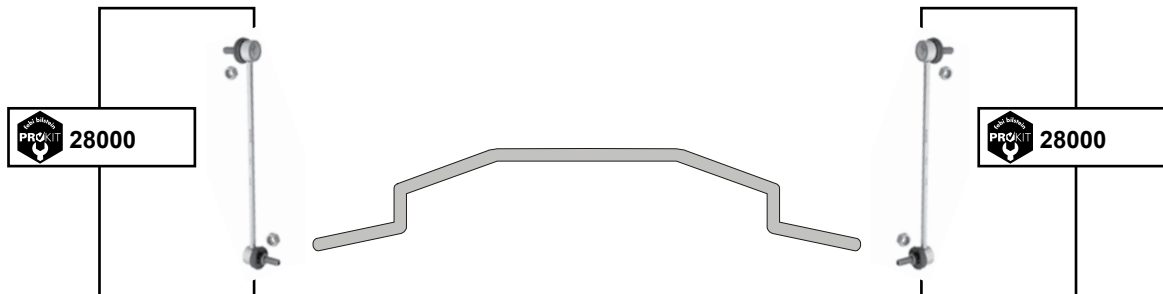
29826



29827



29827

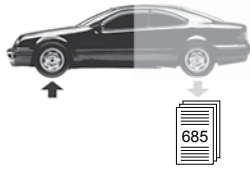


Ref. - No.



<b>28000</b>	42420-62J00-000	ProKit Verbindungsstange / connecting rod
<b>28056</b>	48830-63J00-000	ProKit Axialgelenk / axial joint
<b>29826</b>	45201-62J00-000 S1	Traggelenk / ball joint
<b>29827</b>	45540-62J00-000 S1	Querlenkerlager / control arm mount
<b>29830</b>	48810-60810-000	Spurstangenendstück / tie rod end
<b>32140</b>	45202-57KA0-000	Querlenkerlager / control arm mount
<b>32141</b>	45201-57KA0-000	Querlenkerlager / control arm mount

L 306  
Ø A 60,11  
M12x1,25



## Swift I + II (1983 → 2005)

Vorderachse / Front axle

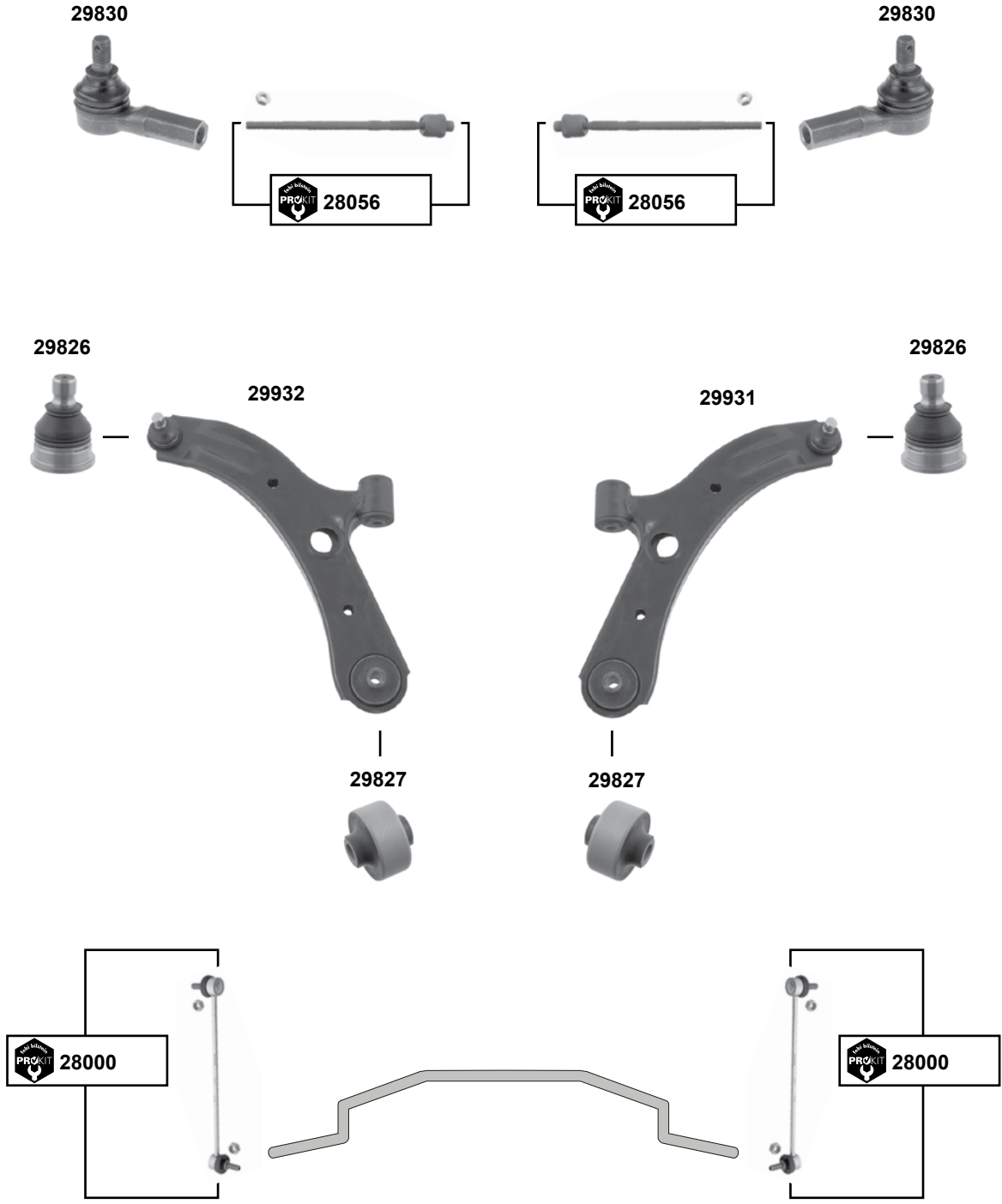


	Ref. - No.			
<b>12937</b>	48810-76G00-000	Spurstangenstück / tie rod end	01/84 →	M12 x 1,25
<b>12938</b>	45200-82000-000	Querlenker / control arm	Swift I → 12/89	
<b>29632</b>	45200-60812-000	Querlenker / control arm	Swift II → 05/01	L 290
<b>29633</b>	45200-60822-000	Querlenker / control arm	Swift II → 05/01	
<b>29840</b>	48830-60B00-000	Axialgelenk / axial joint	Swift II 89 → 01	



Swift III  
(2005 →)

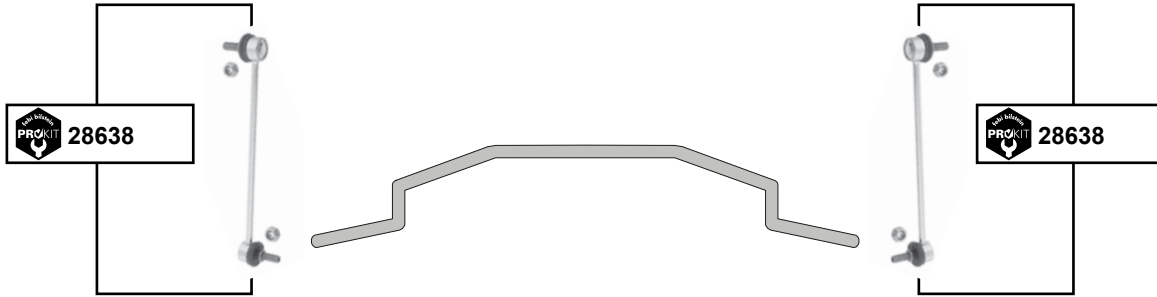
Vorderachse / Front axle



	Ref. - No.			
<b>28000</b>	42420-62J00-000	ProKit Verbindungsstange / connecting rod		L 300
<b>28056</b>	48830-63J00-000	ProKit Axialgelenk / axial joint		L 306
<b>29826</b>	45201-62J00-000 S1	Traggelenk / ball joint		
<b>29827</b>	45540-62J00-000 S1	Querlenkerlager / control arm mount		Ø A 60,11
<b>29830</b>	48810-60810-000	Spurstangenstück / tie rod end		M12 x 1,25
<b>29931</b>	45202-62J00-000	Querlenker / control arm		
<b>29932</b>	45201-62J00-000	Querlenker / control arm	(mot) 1,3 / 1,3D / 1,5	

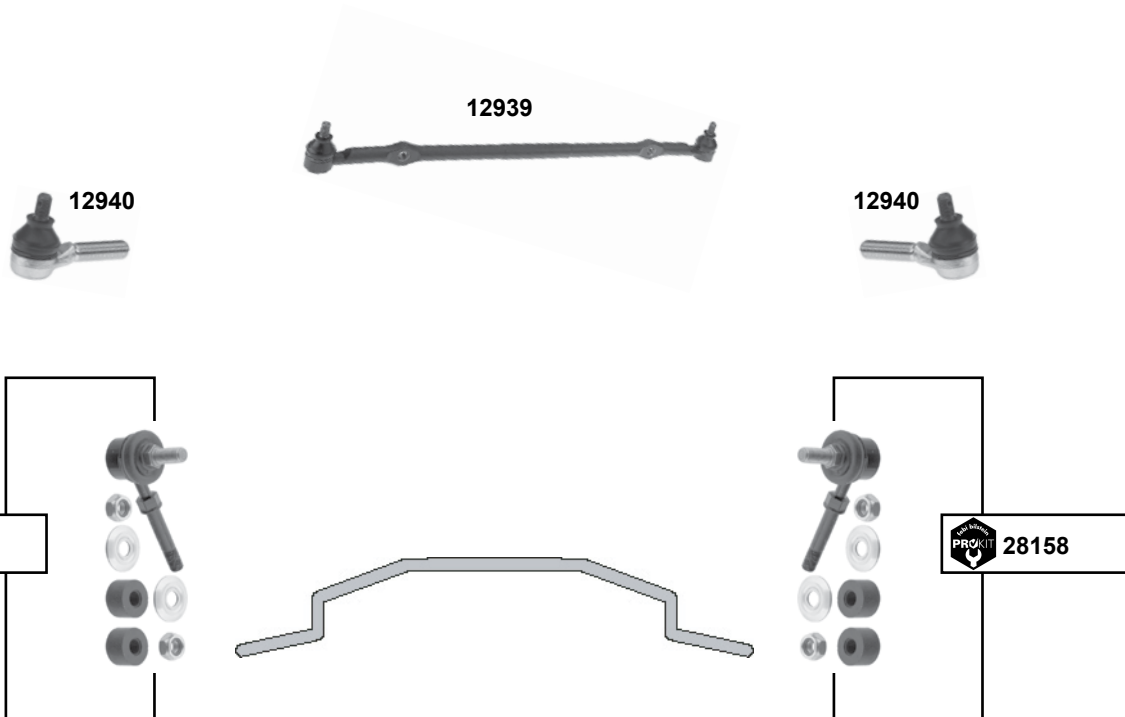


## SX-4 (2006 →)



Vorderachse / Front axle

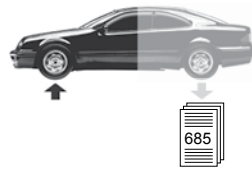
## Vitara (1988 → 1998)



Ref. - No.



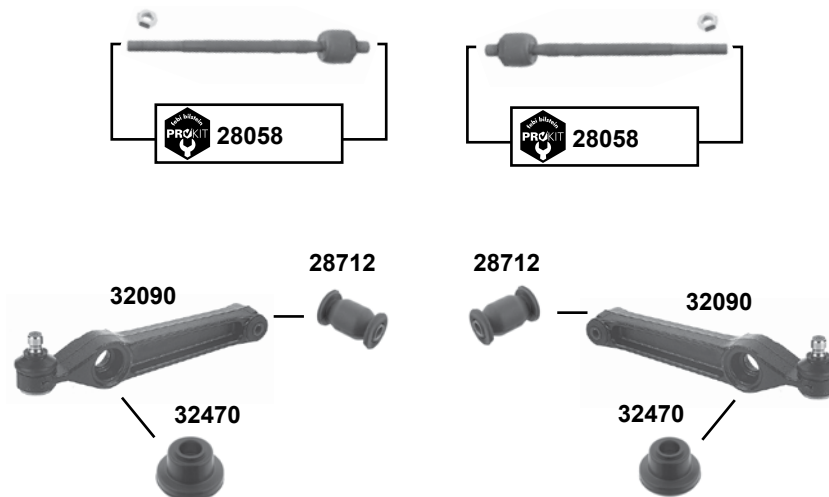
<b>12939</b>	48850-60A00-000	Spurstange / tie rod	
<b>12940</b>	48810-60A00	Spurstangenendstück / tie rod end	M12 x 1,25
<b>28158</b>	42420-65D00-000 S1	ProKit Verbindungsstange / connecting rod	L 90
<b>28638</b>	42420-80J00-000	ProKit Verbindungsstange / connecting rod	L 270



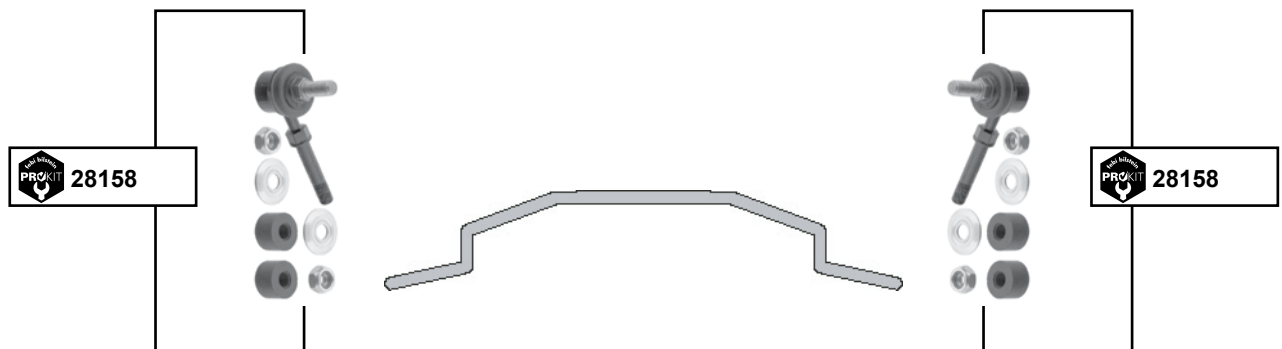
**Wagon R+**  
(1997 → 2003)



**Wagon R+II**  
(2000 → 2008)



**X-90**  
(1995 →)



	Ref. - No.			
<b>19501</b>	45200-75F21-000	Querlenker / control arm	(ch.) → 140196	
<b>28058</b>	48830-86G00-000	ProKit Axialgelenk / axial joint		L263
<b>28158</b>	42420-65D00-000 S1	ProKit Verbindungsstange / connecting rod		L 90
<b>28712</b>	09319-10030-000	Querlenkerlager / control arm mount		Ø A 49
<b>32090</b>	4500-84E00-000	Querlenker / control arm	(ch.) 140197 →	
<b>32470</b>	42451-76G00-000	Stabilisatorlager / stabilizer mounting		Ø I 20

TOYOTA



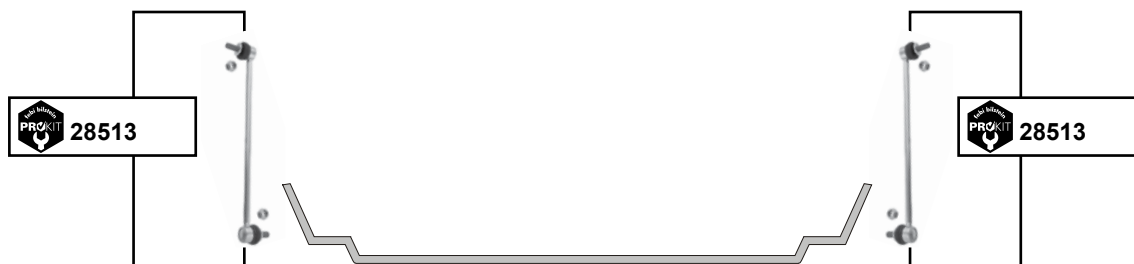
Car  
Division



## Alphard (GGH20)

(2008 →)

Vorderachse / Front axle



Ref. - No.



28513

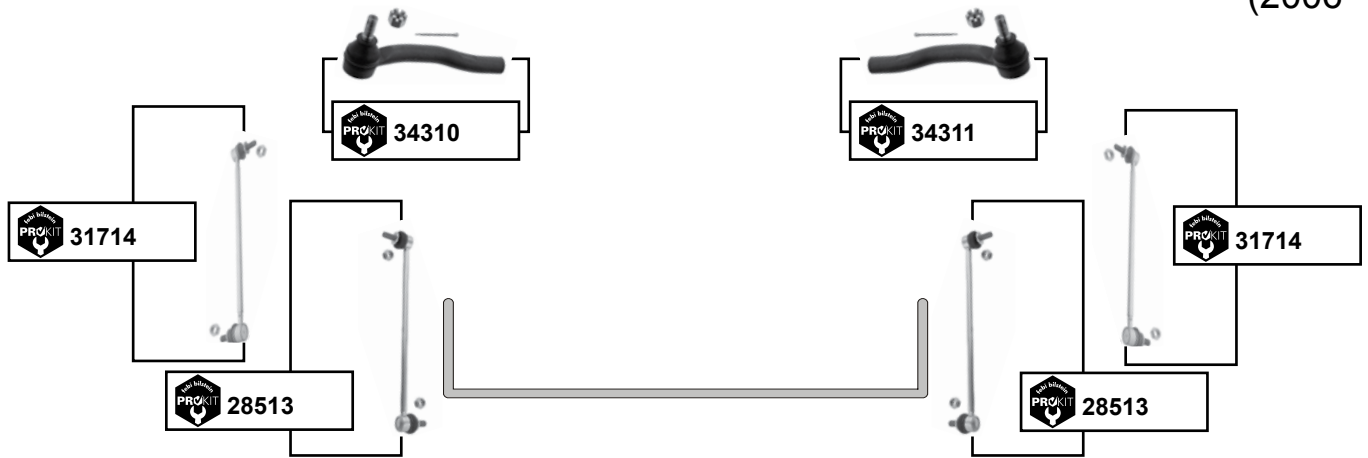
48820-42030

ProKit Verbindungsstange / connecting rod

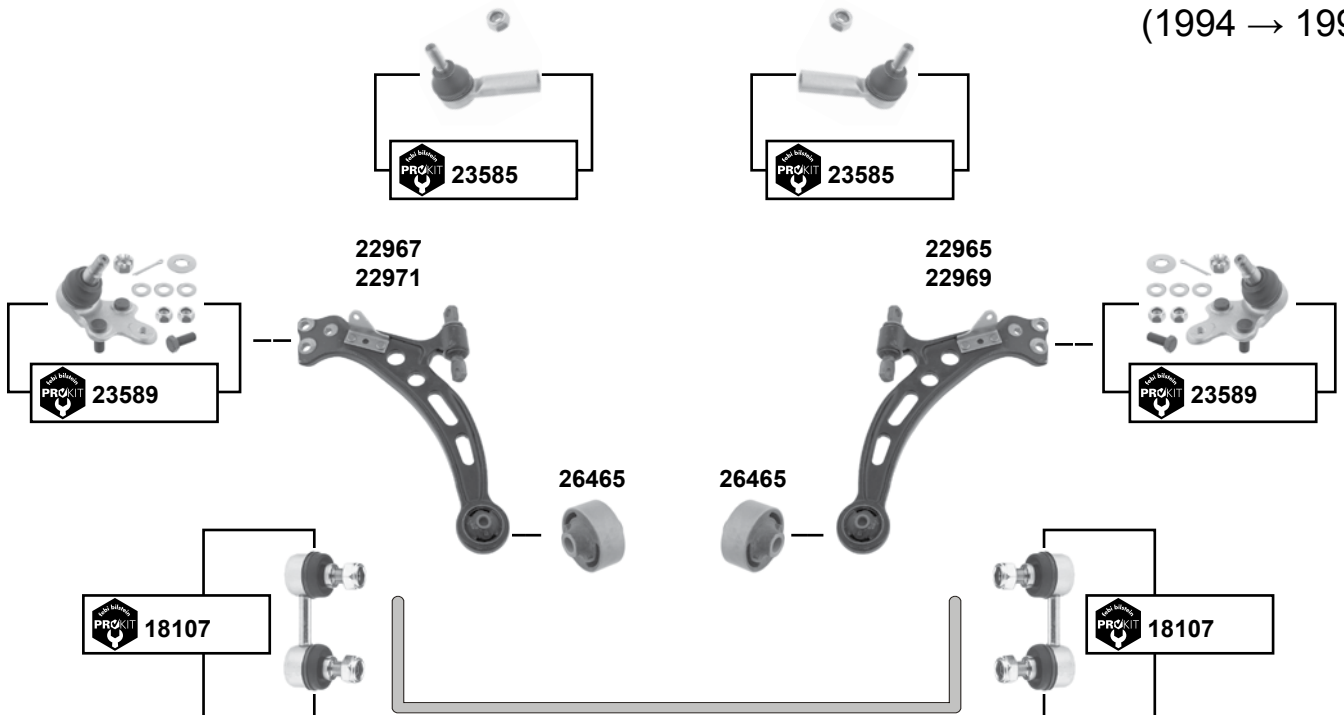
L 360,5



**Auris (\_E15\_)**  
(2006 →)



**Avalon (\_X10\_)**  
(1994 → 1999)



Vorderachse / Front axle



(1) **BM NRE150 / 02/07 →**

(2) **BM ADE150 / NDE150 / ZRE151 / ZZE150 / 10/06 →**



Ref. - No.



18107	48820-33010	ProKit Verbindungsstange / connecting rod	→ 08/96	L 60
22965	48068-33020	Querlenker / control arm	→ 08/96	
22967	48069-33020	Querlenker / control arm	→ 08/96	
22969	48068-33030	Querlenker / control arm	08/96 →	
22971	48069-33031	Querlenker / control arm	08/96 →	
23585	45046-29255	ProKit Spurstangenendstück / tie rod end		M12 x 1,25
23589	43330-39435	ProKit Tragelenk / ball joint		
26465	48655-07010	Querlenkerlager / control arm mount		
28513	48820-42030	ProKit Verbindungsstange / connecting rod	(2)	L 360,5
31714	48820-02070	ProKit Verbindungsstange / connecting rod	(1)	L 360
34310	45047-19215	ProKit Spurstangenendstück / tie rod end		M15 x 1,5
34311	45046-19415	ProKit Spurstangenendstück / tie rod end		M15 x 1,5



TOYOTA

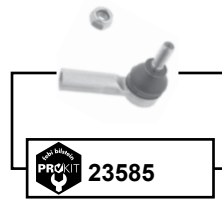


Car  
Division



## Avalon (\_X20\_)

(1999 →)



Vorderachse / Front axle

## Avalon (\_X30\_)

(2005 →)



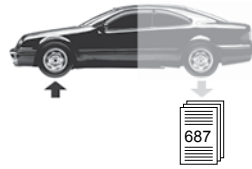
Ref. - No.



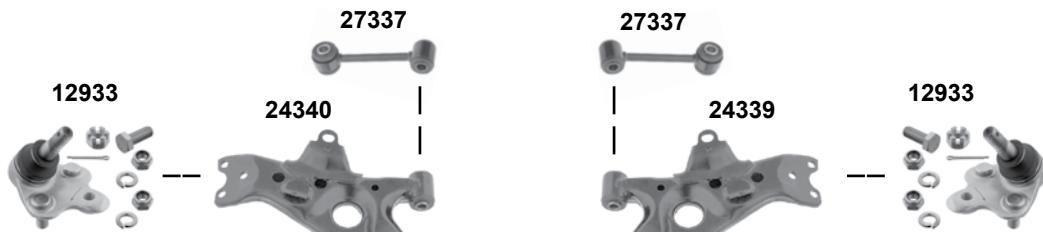
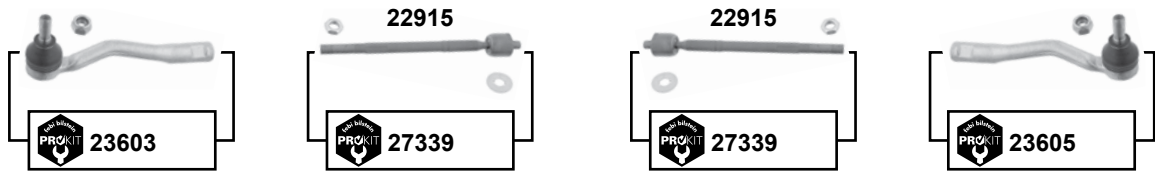
23585 45046-29255  
28592 48820-06040

ProKit Spurstangenendstück / tie rod end  
ProKit Verbindungsstange / connecting rod

M12 x 1,25  
L 260,1



# Avensis (\_T22\_) (1997 → 2003)

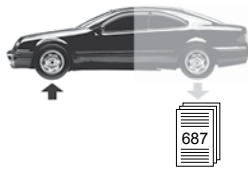


Vorderachse / Front axle



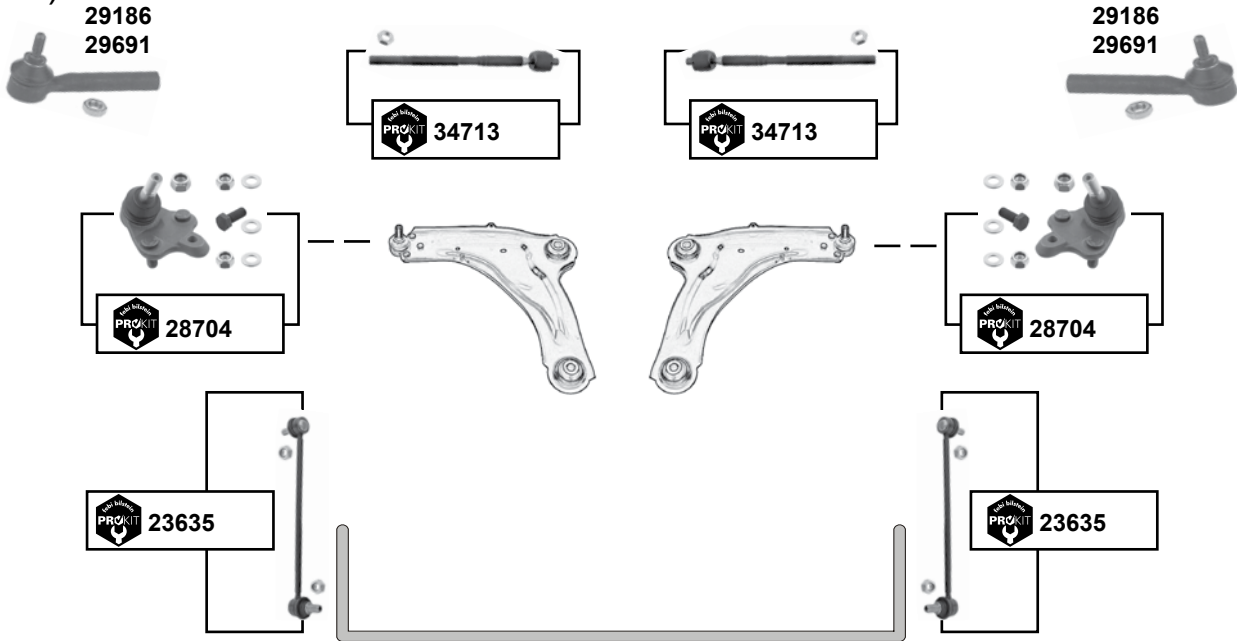
(1) AT22, AZT220, CDT220, CT220, ST220, ZZT22)

	Ref. - No.			
12933	43330-29315	Traggelenk / ball joint		
18134	48820-05012	ProKit Verbindungsstange / connecting rod		
18135	48810-05012	ProKit Verbindungsstange / connecting rod		
22915	45503-05050	Axialgelenk / axial joint	(1)	M16 x 1,5
23603	45047-09030	ProKit Spurstangenendstück / tie rod end		
23605	45046-29365	ProKit Spurstangenendstück / tie rod end		
24339	48068-05050	Querlenker / control arm	07/00 → 02/03	
24340	48069-05050	Querlenker / control arm	07/00 → 02/03	
27337	48650-20021	Verbindungsstange / connecting rod		
27338	48820-44020	ProKit Verbindungsstange / connecting rod		
27339	45503-49105	ProKit Spurstange / tie rod	Verso	L152
31106	48061-05010	Querlenkerlager / control arm		L 280



## Avensis (\_T25\_)

(2003 →)



Vorderachse / Front axle

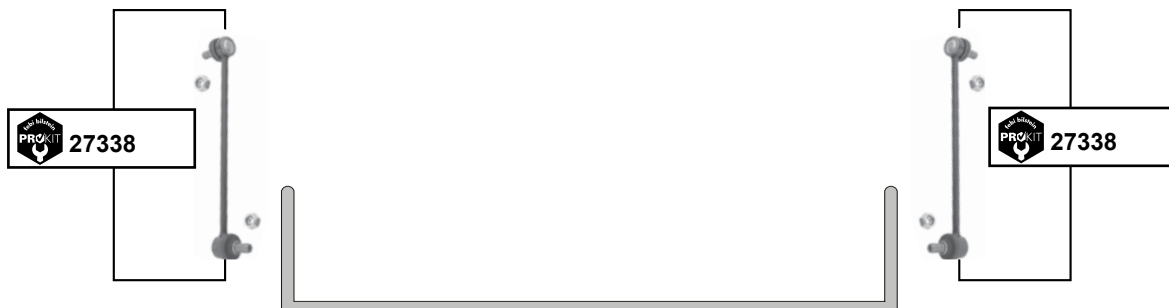
## Avensis (\_T27\_)

(2008 →)



## Avensis Verso (ACM/20)

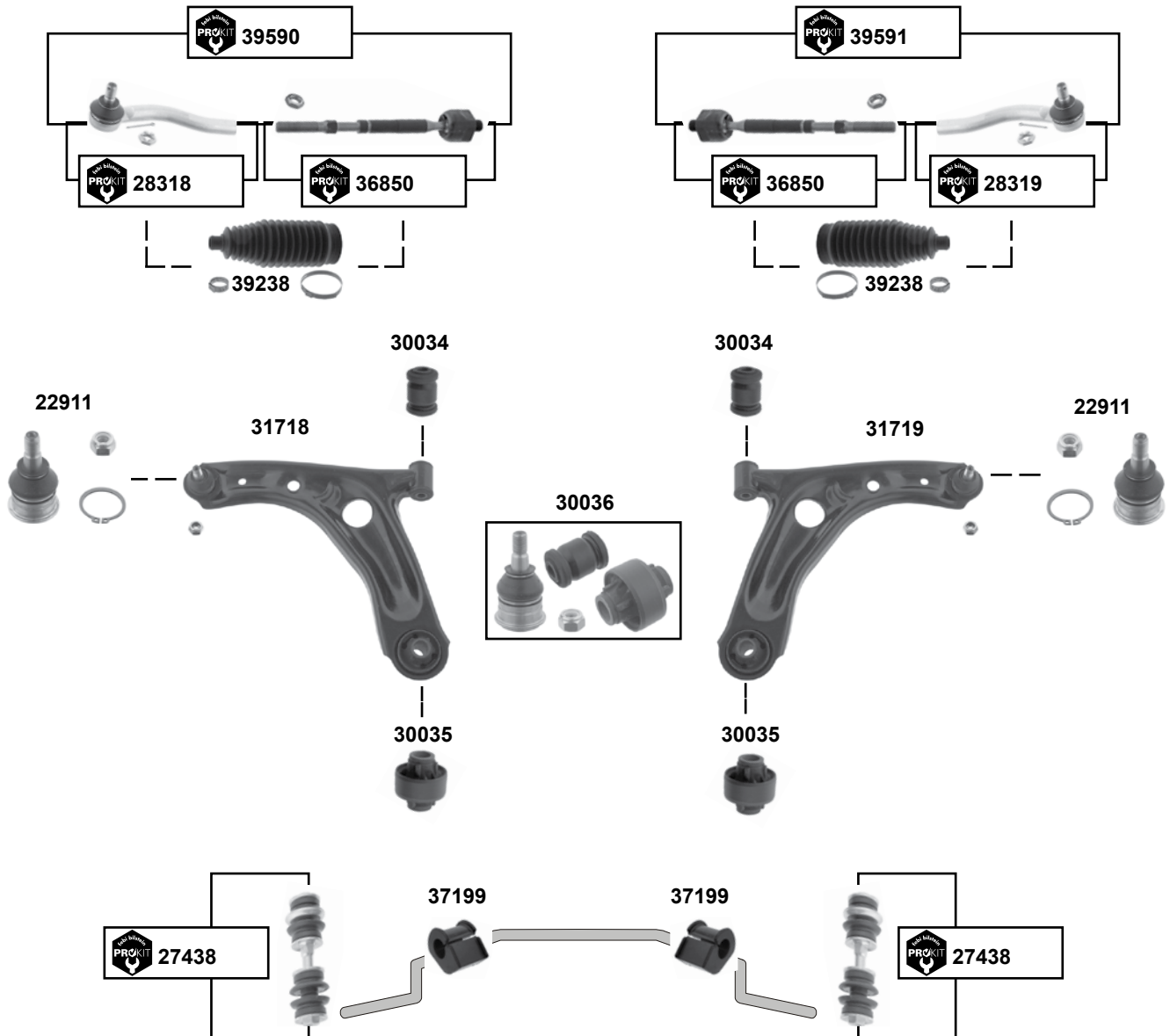
(2001 → 2005)



	Ref. - No.			
23635	48820-47010	ProKit Verbindungsstange / connecting rod		L 285
27338	48820-44020	ProKit Verbindungsstange / connecting rod		L 152
28704	43330-09210 S1	ProKit Trag gelenk / ball joint		M14 x 1,5
29186	45046-29425	Spurstangenendstück / tie rod end	(ex.) (mot.) 1,6 / 1,8	M12 x 1,25
29691	45046-09230	Spurstangenendstück / tie rod end	(mot.) 1,6 / 1,8	M12 x 1,25
31714	48820-02070	ProKit Verbindungsstange / connecting rod		L 360
34713	45503-0F010	ProKit Spurstange / tie rod		L 305



**Aygo (WNB10)**  
(2005 →)



Vorderachse / Front axle

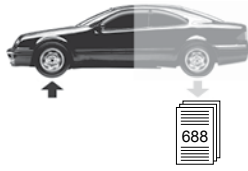


Ref. - No.



Ref. - No.	Description	Dimensions
22911	48069-0H010 S1 Traggelenk / ball joint	M12 x 1,25
27438	48819-70010 S1 ProKit Verbindungsstange / connecting rod	L 92
28318	45047-09125 ProKit Spurstangenendstück / tie rod end	M12 x 1,25
28319	45046-09295 ProKit Spurstangenendstück / tie rod end	M12 x 1,25
30034	48069-0H010 S2 Querlenkerlager / control arm mount	Ø A 33
30035	48069-0H010 S3 Querlenkerlager / control arm mount	Ø A 57,3
30036	48069-0H010 S4 Rep. Satz Querlenker / rep. kit control arm	M12 x 1,25
31718	48069-0H010 Querlenker / control arm	M12 x 1,25
31719	48068-0H010 Querlenker / control arm	M12 x 1,25
36850	45500-0H010 S1 ProKit Axialgelenk / axial joint	L 223
37199	48815-0H010 Stabilisatorlager / stabilizer mount	Ø I 22
39238	45535-09180 Lenkmanschetzensatz / steering boot set	L 170
39590	45500-0H010 S2 ProKit Axialgelenk / axial joint	
39591	45500-0H010 S3 ProKit Axialgelenk / axial joint	

07/05→

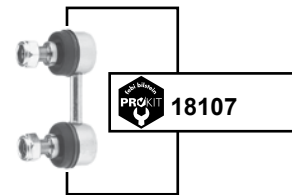
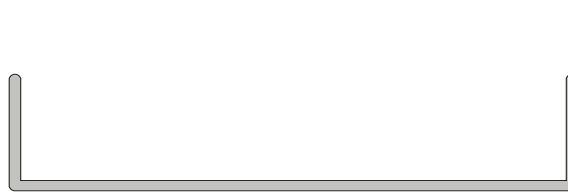
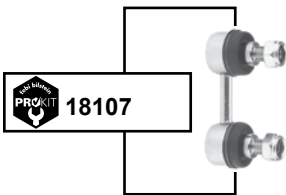
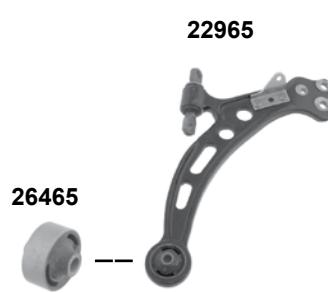
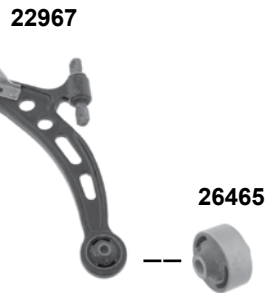
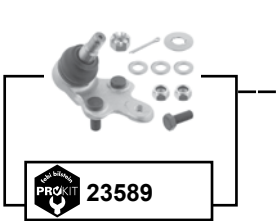
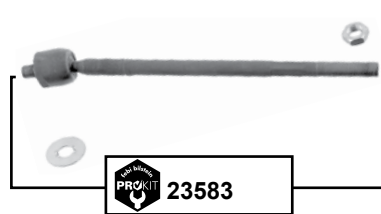
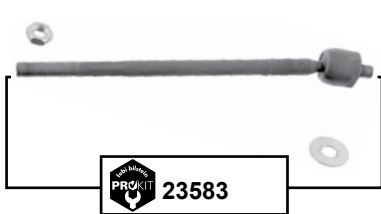


## Camry (\_V2\_) (1986 → 1991)



Vorderachse / Front axle

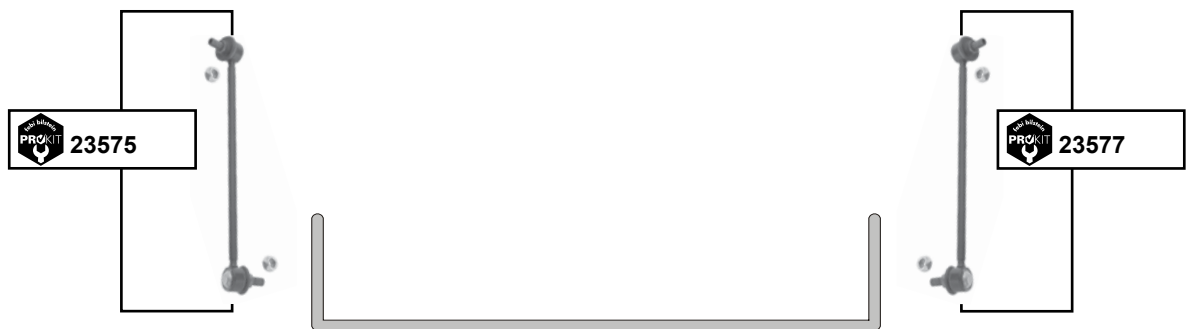
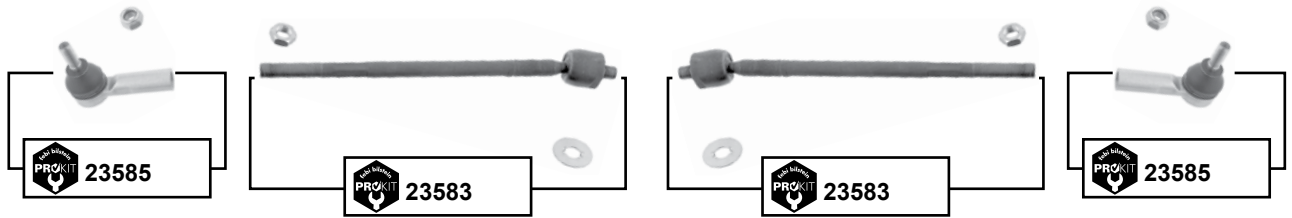
## Camry (\_V10\_) (1991 → 1996)



	Ref. - No.			
<b>12913</b>	45046-29305	ProKit Spurstangenendstück / tie rod end		M12 x 1,25
<b>18107</b>	48820-33010	ProKit Verbindungsstange / connecting rod		L 60
<b>22965</b>	48068-33020	Querlenker / control arm	→ 08/96	
<b>22967</b>	48069-33020	Querlenker / control arm	→ 08/96	
<b>23583</b>	45503-39135	ProKit Spurstange / tie rod		L 351
<b>23585</b>	45046-29255	ProKit Spurstangenendstück / tie rod end		M12 x 1,25
<b>23589</b>	43330-39435	ProKit Traggelenk / ball joint		
<b>26465</b>	48655-07010	Querlenkerlager / control arm mount		

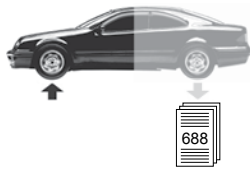


**Camry (\_V20\_)**  
(1996 → 2001)



Vorderachse / Front axle

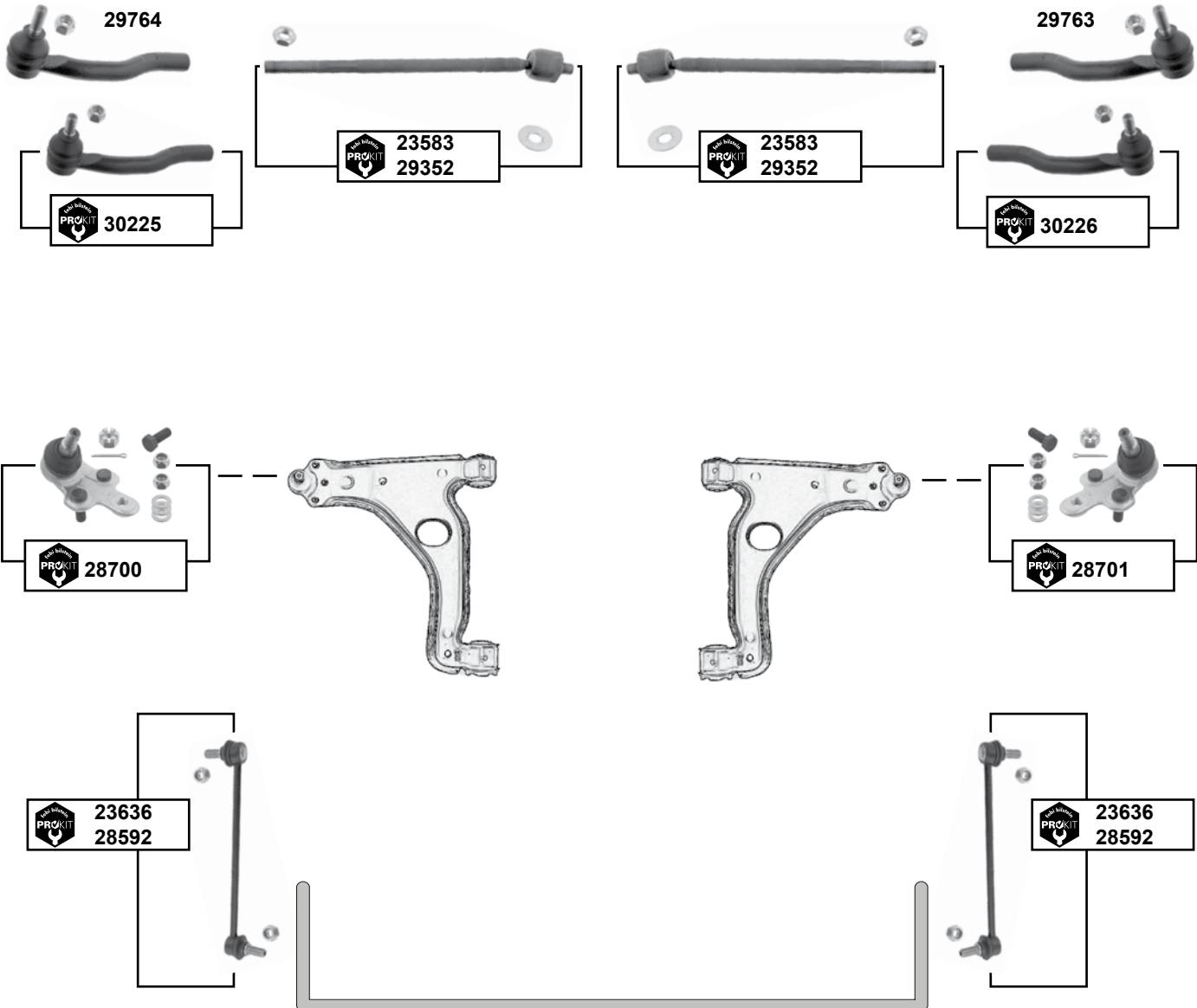
	Ref. - No.			
22969	48068-33030	Querlenker / control arm		
22971	48069-33031	Querlenker / control arm		
23575	48810-33010	ProKit Verbindungsstange / connecting rod		L 285
23577	48820-33020	ProKit Verbindungsstange / connecting rod		L 285
23583	45503-39135	ProKit Spurstange / tie rod		L 351
23585	45046-29255	ProKit Spurstangenendstück / tie rod end		M12 x 1,25
23589	43330-39435	ProKit Tragelenk / ball joint		



## Camry (\_V30/31\_)

(2001 → 2006)

Vorderachse / Front axle



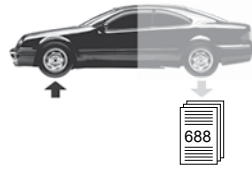
- (1) nur Produktion Japan / only production japan /  
 producion unique au Japon / sólo producció n japón / produzione unica giappone
- (2) nur Produktion NA / only production NA /  
 producion unique au NA / sólo producció n NA /  
 produzione unica NA



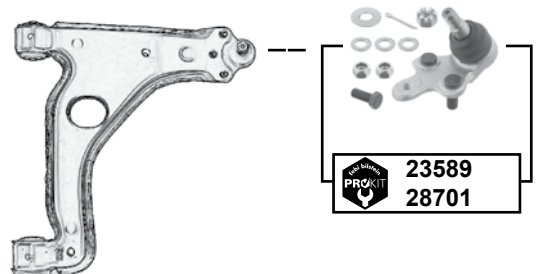
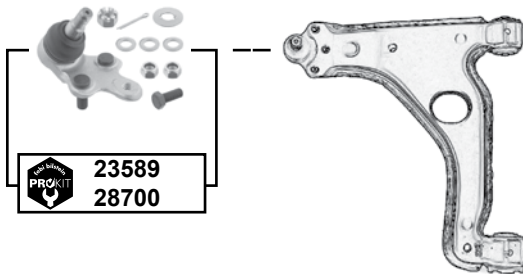
Ref. - No.



Ref. - No.	Description	Notes	Dimensions
23583	ProKit Spurstange / tie rod		L 351
23636	ProKit Verbindungsstange / connecting rod	(1)	L 260
28592	ProKit Verbindungsstange / connecting rod	(2)	L 260
28700	ProKit Traggelenk / ball joint		M14 x 1,5
28701	ProKit Traggelenk / ball joint		M14 x 1,5
29352	ProKit Spurstange / tie rod		L 238
29763	Spurstangenendstück rechts / tie rod end right	08/01 → 07/04	M15 x 1,5
29764	Spurstangenendstück links / tie rod end left	08/01 → 07/04	M15 x 1,5
30225	ProKit Spurstangenendstück / tie rod end	07/04 → 01/06	M15 x 1,5
30226	ProKit Spurstangenendstück / tie rod end	07/04 → 01/06	M15 x 1,5

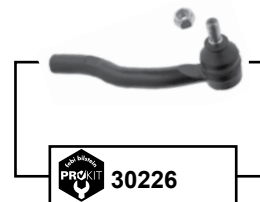


**Camry (\_V36\_)**  
(2002 → 2006)



Vorderachse / Front axle

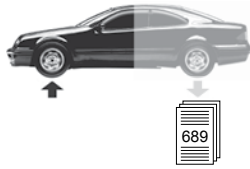
**Camry (\_V40\_)**  
(2006 →)



	Ref. - No.			
<b>23585</b>	45046-29255	ProKit Spurstangenendstück / tie rod end		M12 x 1,25
<b>23589</b>	43330-39435	ProKit Traggelenk / ball joint		
<b>28700</b>	43340-09010 S1	ProKit Traggelenk / ball joint		M14 x 1,5
<b>28701</b>	43330-09560 S1	ProKit Traggelenk / ball joint		M14 x 1,5
<b>30225</b>	45470-39225	ProKit Spurstangenendstück / tie rod end		M15 x 1,5
<b>30226</b>	45460-39635	ProKit Spurstangenendstück / tie rod end		M15 x 1,5



# TOYOTA



Car  
Division

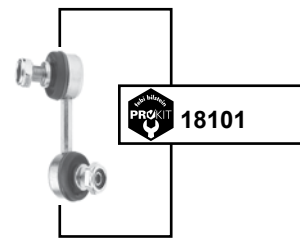
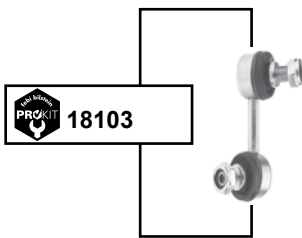


## Carina (\_T15\_) (1983 → 1987)



Vorderachse / Front axle

## Carina (\_T17\_) (1987 → 1992)



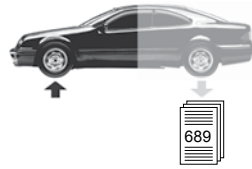
Ref. - No.



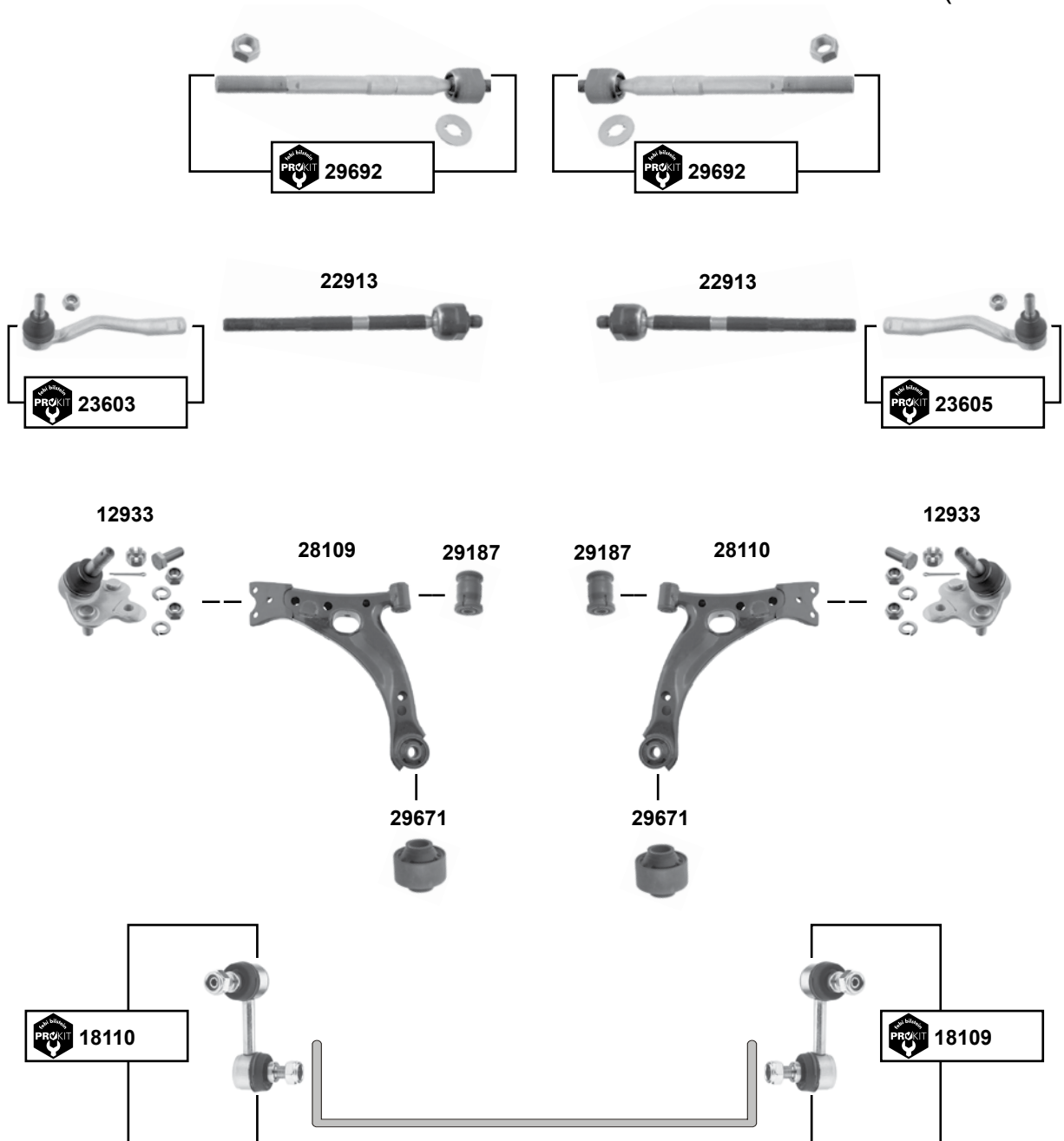
**12913** 45046-29305  
**18101** 48820-20030  
**18103** 48810-20010

ProKit Spurstangenendstück / tie rod end  
ProKit Verbindungsstange / connecting rod  
ProKit Verbindungsstange / connecting rod

M12 x 1,25

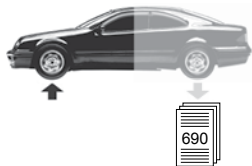


**Carina (\_T19\_)**  
(1992 → 1997)



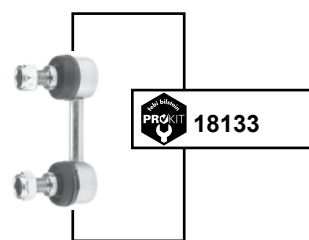
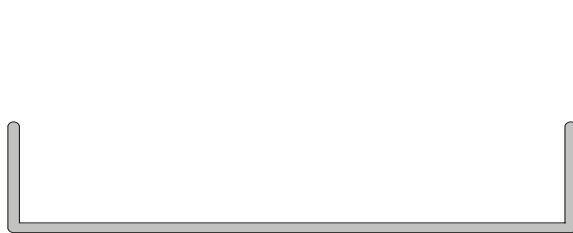
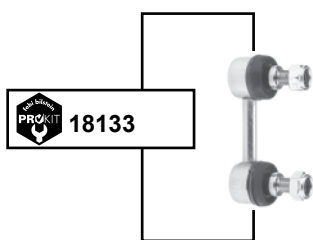
Vorderachse / Front axle

	Ref. - No.			
12933	43330-29315	Traggelenk / ball joint		M14 x 1,5
18109	48820-20040	ProKit Verbindungsstange / connecting rod		M10 x 1,25
18110	48810-20020	ProKit Verbindungsstange / connecting rod		M10 x 1,25
22913	45503-05010	Spurstange / tie rod		L 238
23603	45047-09030	ProKit Spurstangenendstück / tie rod end		
23605	45046-29365	ProKit Spurstangenendstück / tie rod end		
28109	48069-20260	Querlenker / control arm	servo.	
28110	48068-20260	Querlenker / control arm	→ 01/96	
29187	48069-20260 S1	Querlenkerlager / control arm mount	→ 01/96	Ø A 36,7
29671	48068-20260 S2	Querlenkerlager / control arm mount	→ 01/96	Ø A 60,5
29692	45503-05010	ProKit Spurstange / tie rod		



## Celica (\_T16\_)

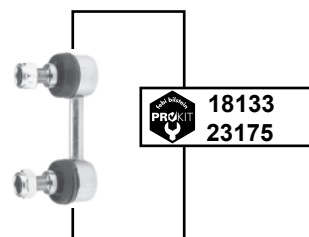
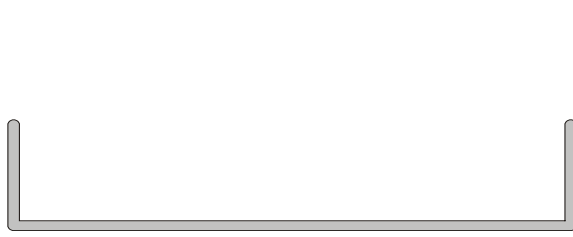
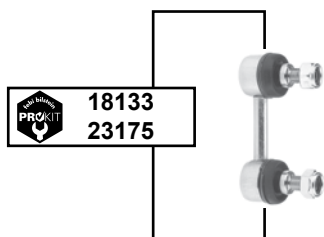
(1985 → 1989)



Vorderachse / Front axle

## Celica (\_T18\_)

(1989 → 1993)



Ref. - No.

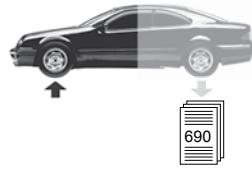


12913	45046-29305
18133	48820-20010
23175	48820-20021

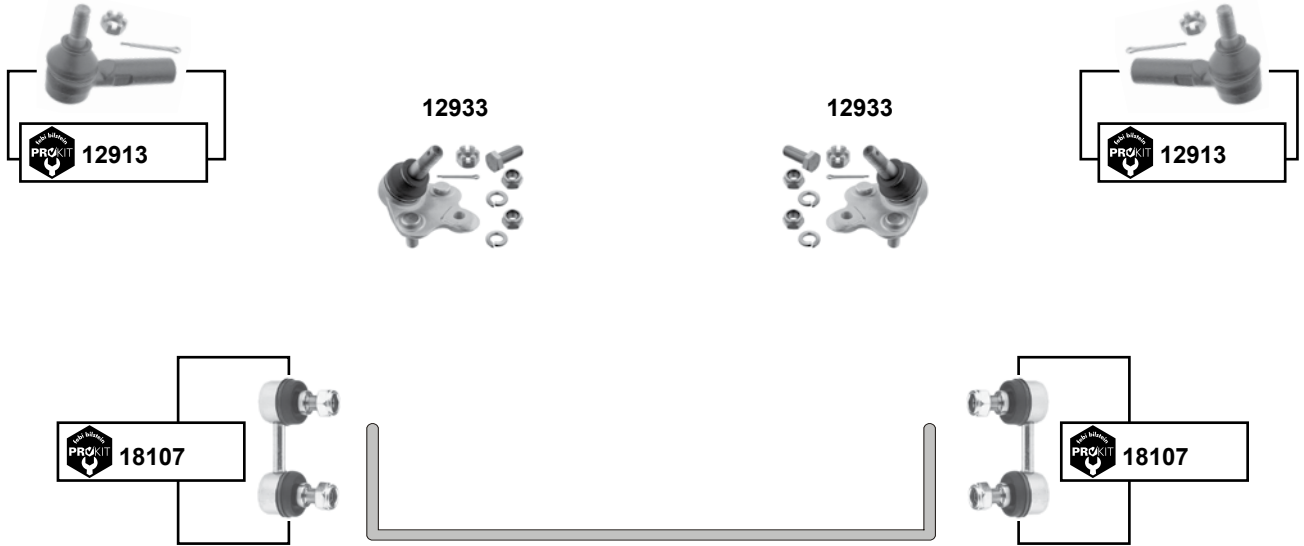
ProKit Spurstangenendstück / tie rod end
ProKit Verbindungsstange / connecting rod
ProKit Verbindungsstange / connecting rod

(ex.) 2.0 turbo  
2.0 turbo

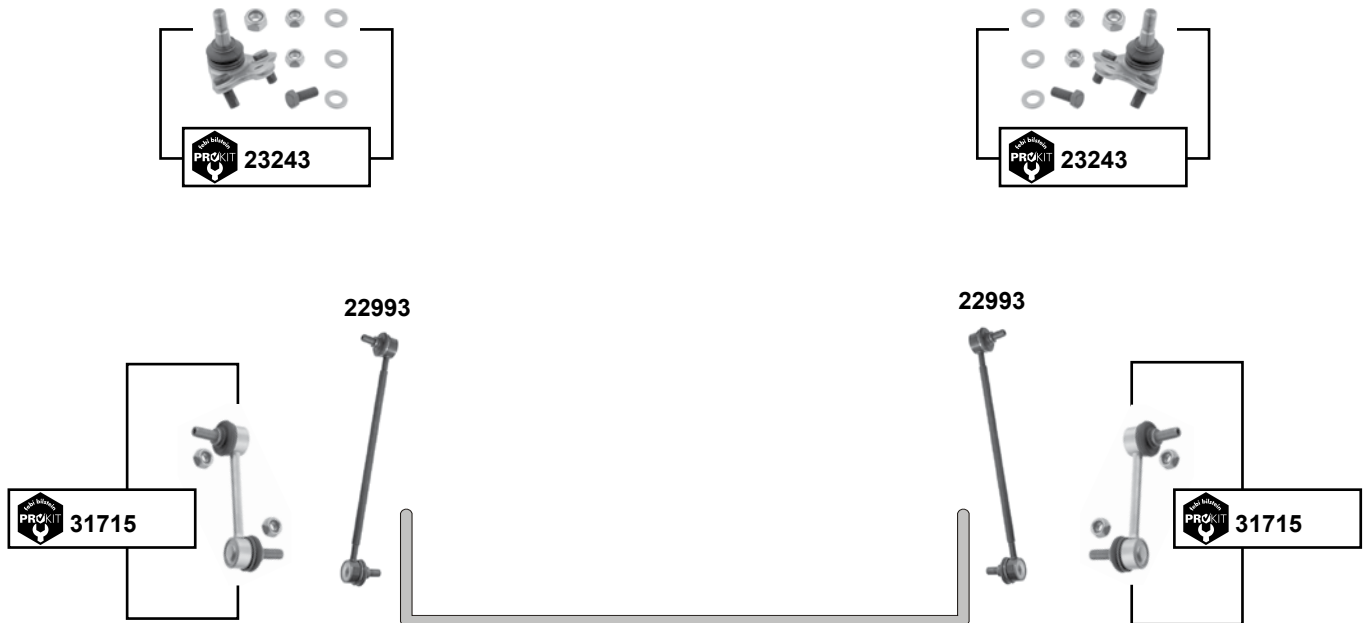
M12 x 1,25
L 55



**Celica (\_ T20\_)**  
(1993 → 1999)



**Celica (ZZT23)**  
(1999 → 2005)



Vorderachse / Front axle

	Ref. - No.			
<b>12913</b>	45046-29305	ProKit Spurstangenendstück / tie rod end		M12 x 1,25
<b>12933</b>	43330-29315	Traggelenk / ball joint		M14 x 1,5
<b>18107</b>	48820-33010	ProKit Verbindungsstange / connecting rod		L 60
<b>22993</b>	48820-32010	Verbindungsstange / connecting rod		L 285
<b>23243</b>	43330-19115	ProKit Traggelenk / ball joint		
<b>31715</b>	48820-24010	ProKit Verbindungsstange / connecting rod		L 111

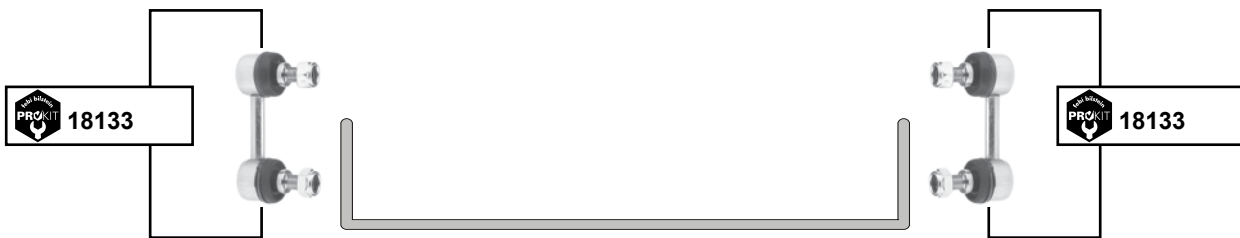
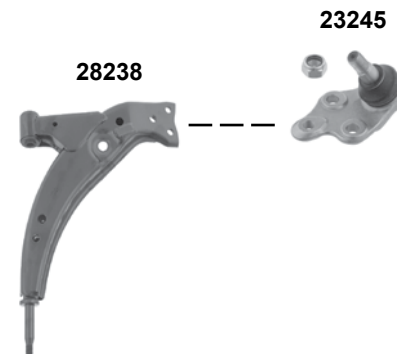
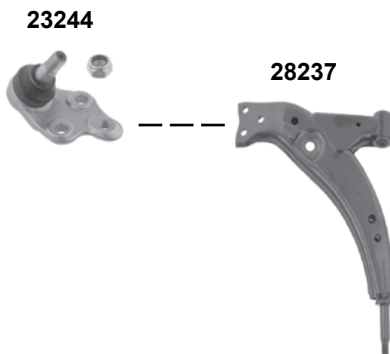


## Corolla (\_E8\_) (1983 → 1988)



Vorderachse / Front axle

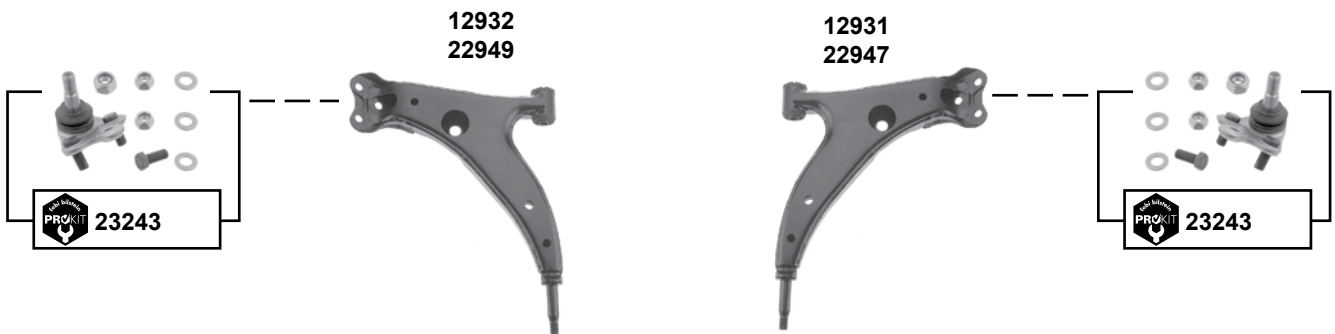
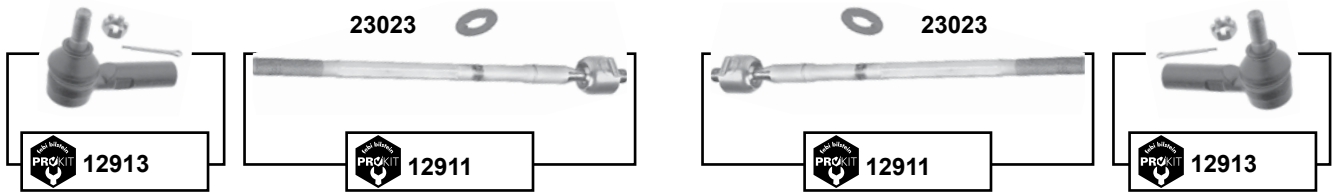
## Corolla (\_E9\_) (1987 → 1995)



	Ref. - No.			
<b>12913</b>	45046-29305	ProKit Spurstangenendstück / tie rod end		M12 x 1,25
<b>18133</b>	48820-20010	ProKit Verbindungsstange / connecting rod		
<b>23244</b>	43340-19016	Traggelenk / ball joint		
<b>23245</b>	43330-19066	Traggelenk / ball joint		
<b>28237</b>	48069-12110	Querlenker / control arm		M14 x 1,5
<b>28238</b>	48068-12110	Querlenker / control arm		M14 x 1,5



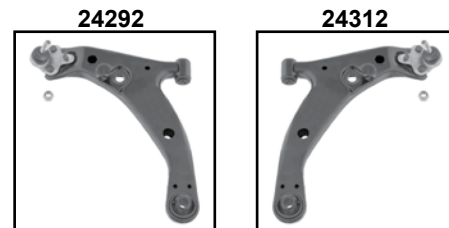
**Corolla (\_E10\_)**  
(1992 → 1997)



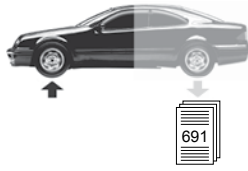
Vorderachse / Front axle



**Rep. Sätze / rep. kits**

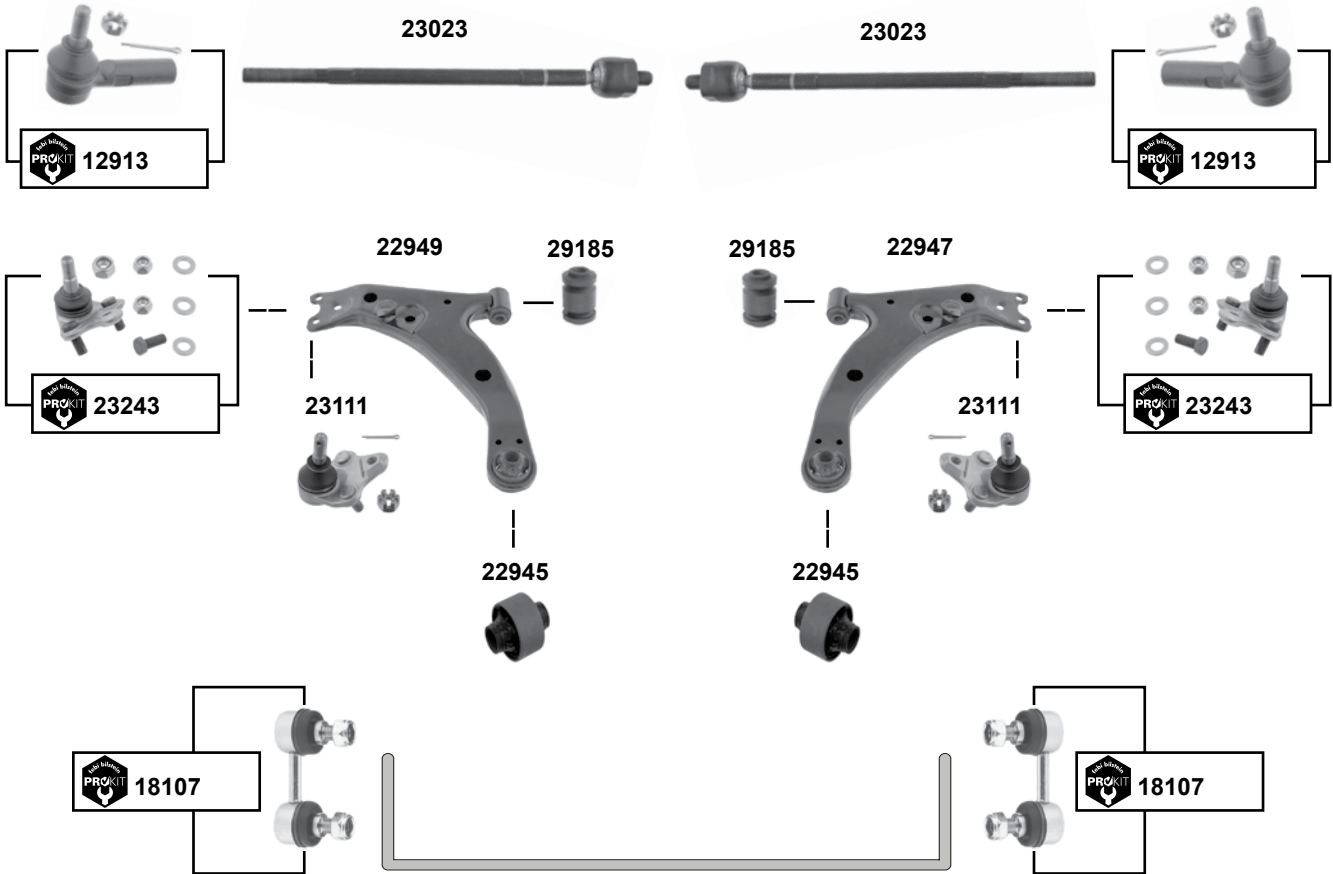


	Ref. - No.			
12911	45503-19205	ProKit Spurstange / tie rod		L 350
12913	45046-29305	ProKit Spurstangenendstück / tie rod end		M12 x 1,25
12931	48068-12140	Querlenker / control arm		
12932	48069-12140	Querlenker / control arm		
18107	48820-33010	ProKit Verbindungsstange / connecting rod		L 60
22947	48068-12191	Querlenker / control arm	06/95 →	
22949	48069-12191	Querlenker / control arm	06/95 →	
23023	45503-19215	Spurstange / tie rod		L 350
23175	48820-20021	ProKit Verbindungsstange / connecting rod		L 55
23243	43330-19115	ProKit Traggelenk / ball joint	08/91 → 11/01	
24292	48069-12191 S1	Rep. Satz Querlenker / rep. kit control arm	06/95 →	
24312	48068-12191 S1	Rep. Satz Querlenker / rep. kit control arm	06/95 →	



## Corolla (\_E11\_) (1997 → 2002)

Vorderachse / Front axle

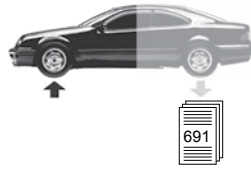


### Rep. Sätze / rep. kits

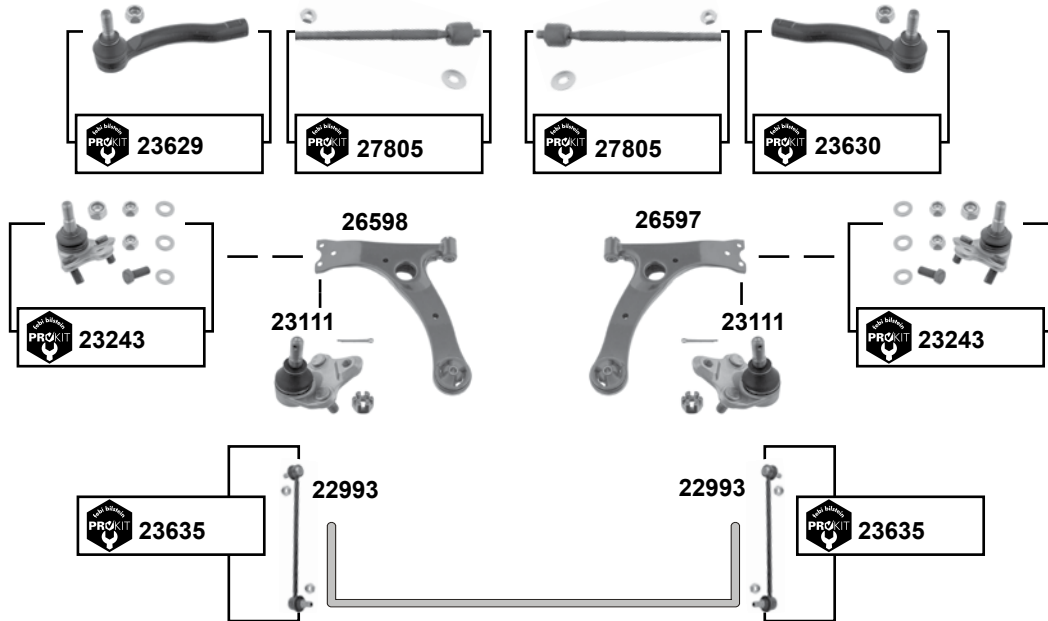


- (1) Sedan / Wagon (Hatchback/Liftback nur Produktion Japan / only production japan / producion unique au Japon / sólo producción japon / produzione unica giappone)
- (2) Hatchback / Liftback nur Produktion GB / only production GB / producion unique au GB / sólo producción GB / produzione unica GB) / 09.98 → 11.01

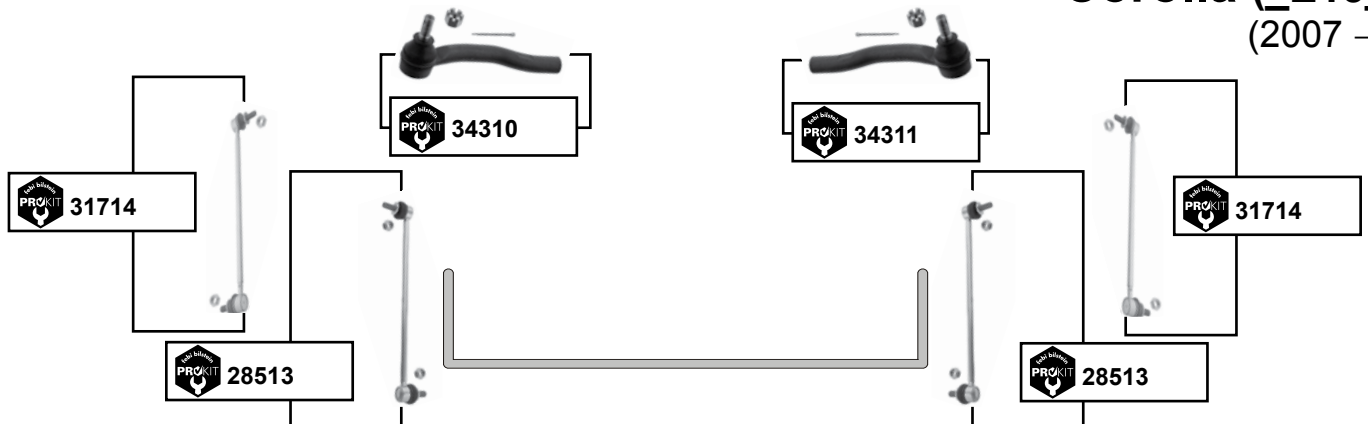
	Ref. - No.			
12913	45046-29305	ProKit Spurstangenendstück / tie rod end		M12 x 1,25
18107	48820-33010	ProKit Verbindungsstange / connecting rod		L 60
22945	48068-12191 S2	Querlenkerlager / control arm mount		
22947	48068-12191	Querlenker / control arm		
22949	48069-12191	Querlenker / control arm		
23023	45503-19215	Spurstange / tie rod		
23111	43330-09090	Traggelenk / ball joint	(2)	
23243	43330-19115	ProKit Traggelenk / ball joint	(1) 04/97 → 09/01	
24292	48069-12191 S1	Querlenker / control arm	(1)	
24312	48068-12191 S1	Querlenker / control arm	(1)	
29185	48068-12191 S3	Querlenkerlager / control arm mount		Ø A 35,4



## Corolla (\_E12\_) (2002 →)



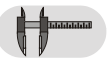
## Corolla (\_E15\_) (2007 →)



- (1) BM ZRE152 / 03/07 →
- (2) BM ZRE150/151;ADE150;ZZE150;NDE150 // 07/07 →
- (3) NZE121 08/00 → 08/07 / ZRE120 05/07 → / NZE141 04/07 →
- (4) NDE150/ZRE151/ZZE150 / 10/06 → / ZRE152 03/07 →
- (5) CDE120/10/01 → 10/06 / NDE120/05/04 →10/06 / CE120 / NZE120/121/  
ZZE12/08/00 → 08/07 / ZZE130/ 04/02 → NZE141 / 04/07 →



Ref. - No.



Part No.	Ref. - No.	Description	Notes	Length
22993	48820-32010	Verbindungsstange / connecting rod	(Modell) UK	L 285
23111	43330-09090	Traggelenk / ball joint	11/01 → 02/07	
23243	43330-19115	ProKit Traggelenk / ball joint	(5)	
23629	45047-19115	ProKit Spurstangenendstück / tie rod end	(3)	
23630	45046-19265	ProKit Spurstangenendstück / tie rod end	(3)	
23635	48820-47010	ProKit Verbindungsstange / connecting rod	(Modell) Japan	L 285
26597	48068-12260	Querlenker / control arm		
26598	48069-12260	Querlenker / control arm		
27805	45503-19255	ProKit Spurstange / tie rod	(Modell) 08/00→09/06	L 273
28513	48820-42030	ProKit Verbindungsstange / connecting rod	(1)	L 360,5
31714	48820-02070	ProKit Verbindungsstange / connecting rod	(2)	L 360
34310	45047-19215	ProKit Spurstangenendstück / tie rod end	(4)	M15 x 1,5
34311	45046-19415	ProKit Spurstangenendstück / tie rod end	(4)	M15 x 1,5

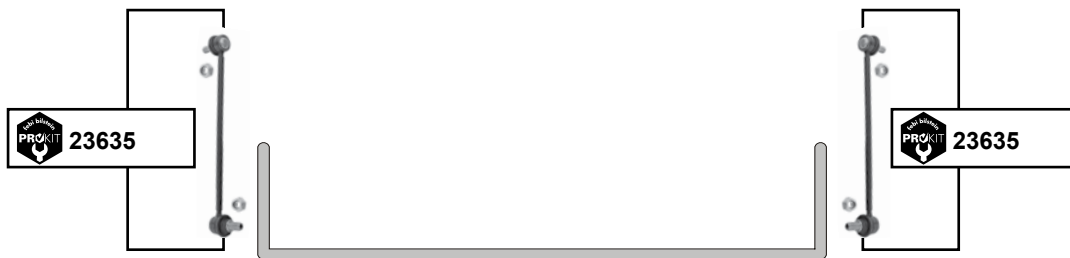
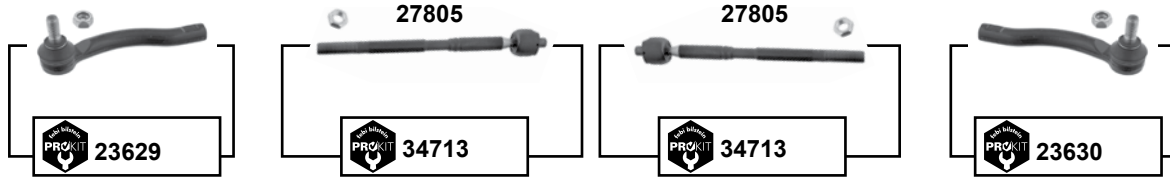




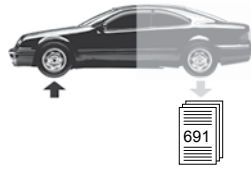
## Corolla Verso (\_E12\_)

(2001 → 2003)

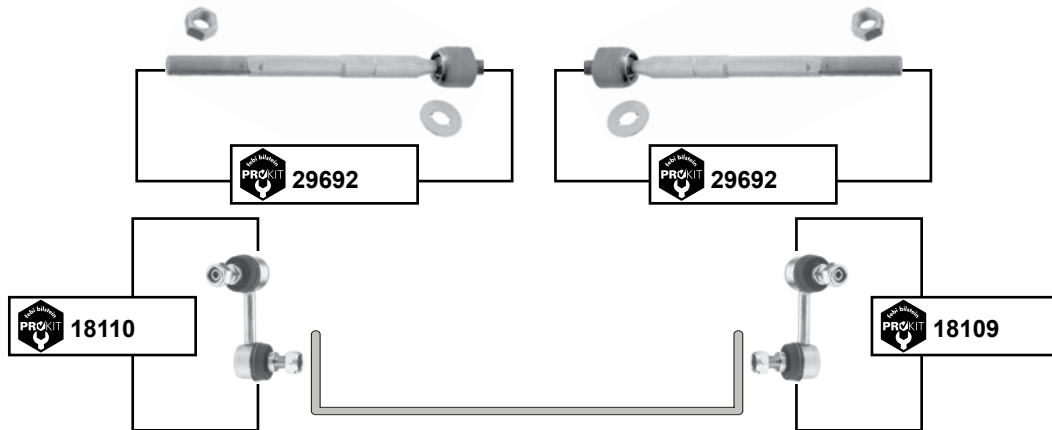
Vorderachse / Front axle



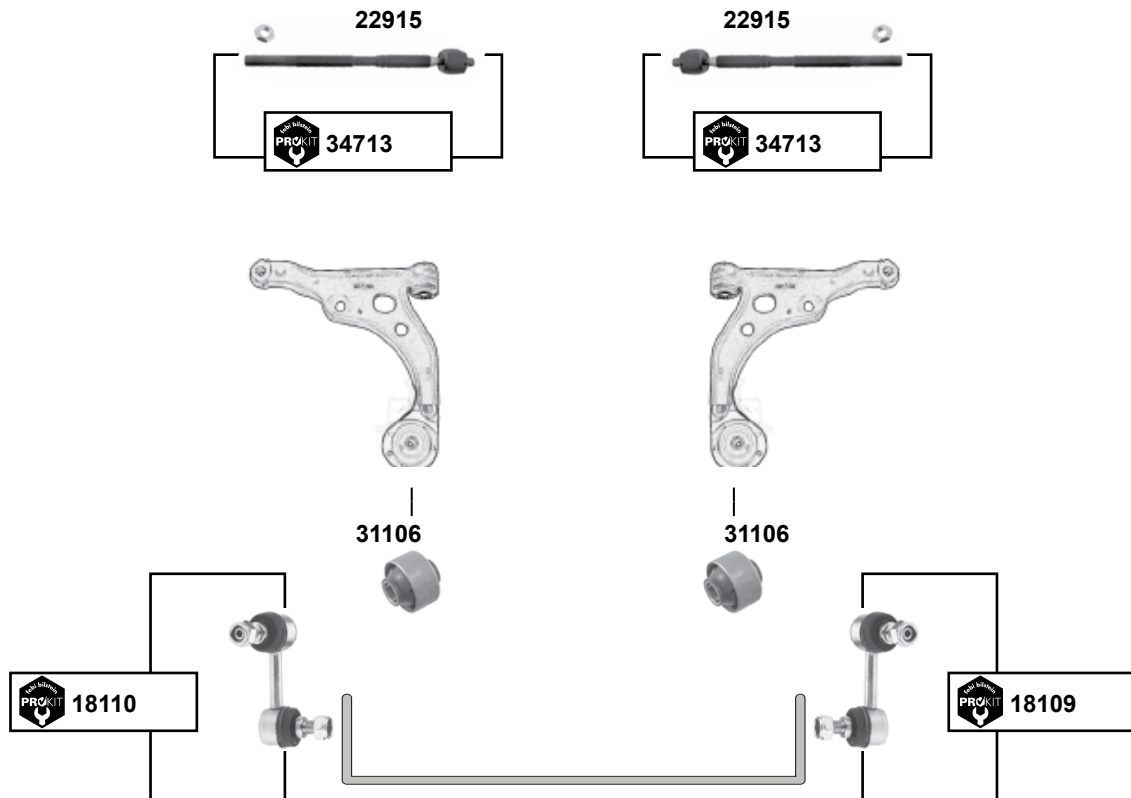
Ref. - No.	Part Description	Application	Length
<b>23243</b>	43330-19115 ProKit Traggelenk / ball joint	09/01 → 01/04	
<b>23629</b>	45047-19115 ProKit Spurstangenendstück / tie rod end	(Modell) 08/00 → 12/05	
<b>23630</b>	45046-19265 ProKit Spurstangenendstück / tie rod end	(Modell) 08/00 → 12/05	
<b>23635</b>	48820-47010 ProKit Verbindungsstange / connecting rod	(Modell) Japan	L 285
<b>26597</b>	48068-12260 Querlenker / control arm		
<b>26598</b>	48069-12260 Querlenker / control arm		
<b>27805</b>	45503-19255 Spurstange / tie rod	(modell) 08/00 → 09/06	L 273
<b>34713</b>	45503-0F010 ProKit Spurstange / tie rod	02/04 →	L 305



## Corona (AT190/210ST191/210) (1996 → 2001)



## Corona (AT220/CT220/ST210) (1997 → 2003)



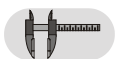
Vorderachse / Front axle



- (1) AT190 / CT190 / ST191 // 03/92 → 05/98  
 (2) AT210 / ST210 // 01/96 → 12/01



Ref. - No.



Ref. - No.	Description	Info	Dimensions
18109	ProKit Verbindungsstange / connecting rod	(1) (2)	M10 x 1,25
18110	ProKit Verbindungsstange / connecting rod	(1) (2)	M10 x 1,25
22915	Axialgelenk / axial joint	AT220/CT220/ST220	M16 x 1,5
29692	ProKit Spurstange / tie rod		L240,5
31106	Querlenker / control arm		
34713	ProKit Spurstange / tie rod	01/03 →	L 305

TOYOTA



Car  
Division



## Corona (AT151/CT150/ST15)

(1984 → 1987)



Vorderachse / Front axle

## Crown (GS151/JZS155)

(1995 → 2001)



(1) JZS175 // 09/99 → 12/03



Ref. - No.



12913 45046-29305  
34664 48820-22041

ProKit Spurstangenendstück / tie rod end  
ProKit Verbindungsstange / connecting rod

(1)

M12 x 1,25  
L 107



Dyna (LY100/YY100)  
(1995 → 2001)

23246



23246



Vorderachse / Front axle



## Echo / Verso (NCP 12/13/20)

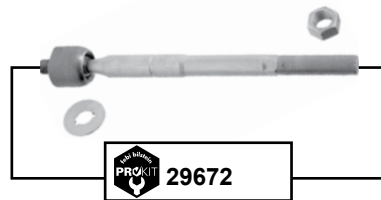
(1999 → 2005)

Vorderachse / Front axle



## Hiace III (\_H10\_)

(1989 → 1995)



(1) RZH102 / 103 / 104 / 105 / 112 / 113 / 114 / 115 / 125 / 135 / 153 / 154 / 172 / 174 / 184 / LH172 / 174 / 184 / LH10 / 11 / 125 / 135 / 15 // 08/93 → 02/06



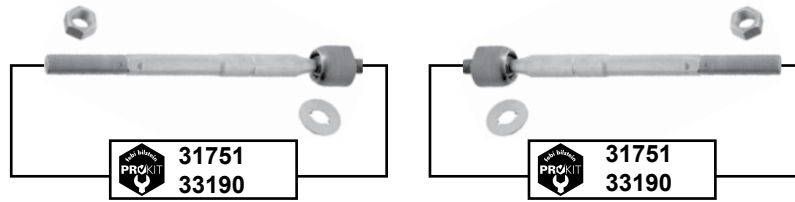
Ref. - No.



Ref. - No.	Description	Quantity	Dimensions
12913	ProKit Spurstangenendstück / tie rod end	(1)	M12 x 1,25
23246	Traggelenk / ball joint		M12 x 1,25
23641	ProKit Spurstangenendstück / tie rod end		M12 x 1,25
23643	ProKit Spurstangenendstück / tie rod end		M12 x 1,25
27262	ProKit Verbindungsstange / connecting rod		L 97,5
29672	ProKit Spurstange / tie rod		L 274,6



## Hiace IV (\_H1\_H2\_) (1995 →)



23246



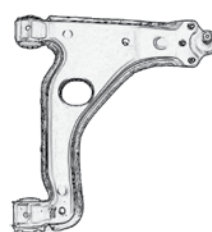
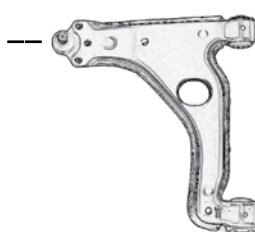
23246



## Hilux 2WD (N5) (1983 →)



23247



23247

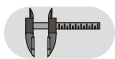


(1) LXH12/22 / RCH13/23 / KLH12/22 / 07/99 → 05/04

(2) LH166/176/08/98 → 08/04/LXH18/28/08/96 → 08/01/RCH18/19/28/29/08/96 → 05/06/KLH18/28/07/99 →

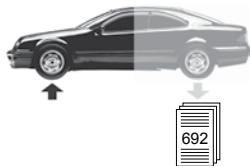


Ref. - No.



<b>23246</b>	43330-29515	Traggelenk / ball joint	(1)	
<b>23247</b>	43350-39075	Traggelenk / ball joint	08/83 → 06/01	
<b>27260</b>	45406-39185	ProKit Spurstangenendstück / tie rod end		L 204
<b>31751</b>	45503-29565	ProKit Spurstange / tie rod		
<b>33190</b>	45503-29575	ProKit Spurstange / tie rod	(2)	L 245

# TOYOTA



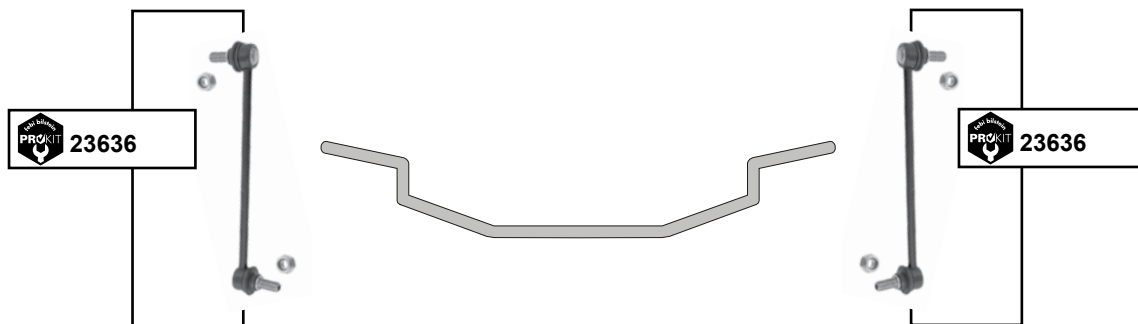
Car  
Division



## Highlander (U20)

(2001 →)

Vorderachse / Front axle



## Hilux (RN 125)

(1991 → 1993)



(1) KZN130 / LN130 / VZN130 / LN13 / RN12/13 / VZN120/130 / YN130 08/89 → 11/95



Ref. - No.

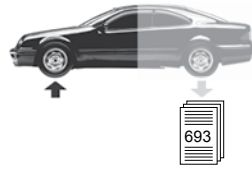


**23636** 48820-28050  
**34665** 48820-35010

ProKit Verbindungsstange / connecting rod  
ProKit Verbindungsstange / connecting rod

(1)

L 260  
L 92



**Land Cruiser (J7\_J8)**  
(1990 → 1996)

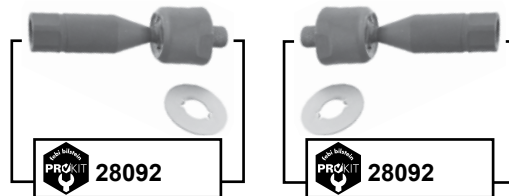


26736

26737



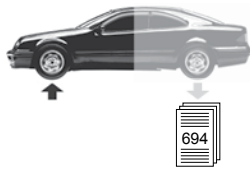
**Land Cruiser (J9)**  
(1996 → 2004)



Vorderachse / Front axle

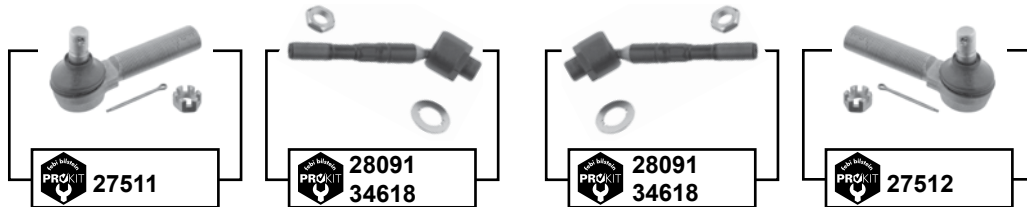
	Ref. - No.			
26736	48810-60010	Verbindungsstange / connecting rod		M12 x 1,25
26737	48820-60010	Verbindungsstange / connecting rod		M12 x 1,25
27511	45047-69085	ProKit Spurstangenkopf links / tie rod end left		L 70
27512	45046-69135	ProKit Spurstangenkopf rechts / tie rod end right		L 70
28092	45503-39075	ProKit Spurstange / tie rod		L 131
28591	48820-AD010	ProKit Verbindungsstange / connecting rod		L 192,6





# Land Cruiser (J10)

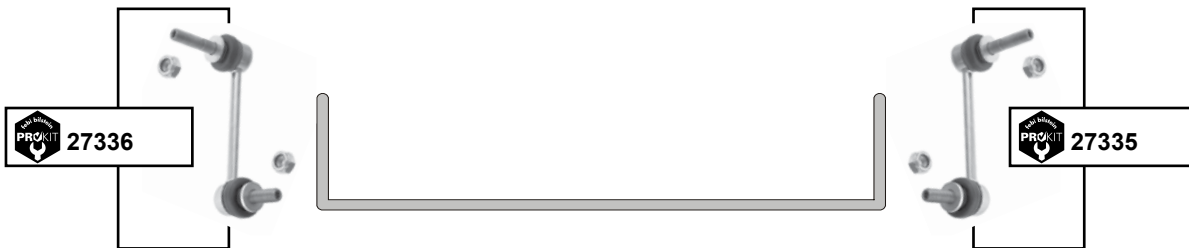
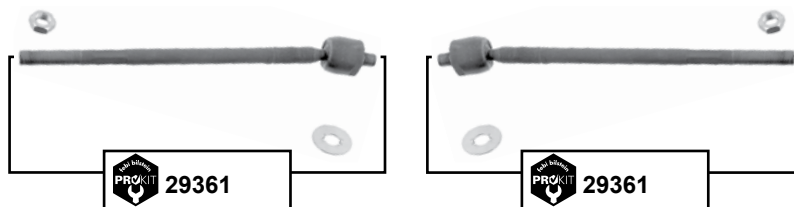
(1998 → 2002)



Vorderachse / Front axle

# Land Cruiser (J12)

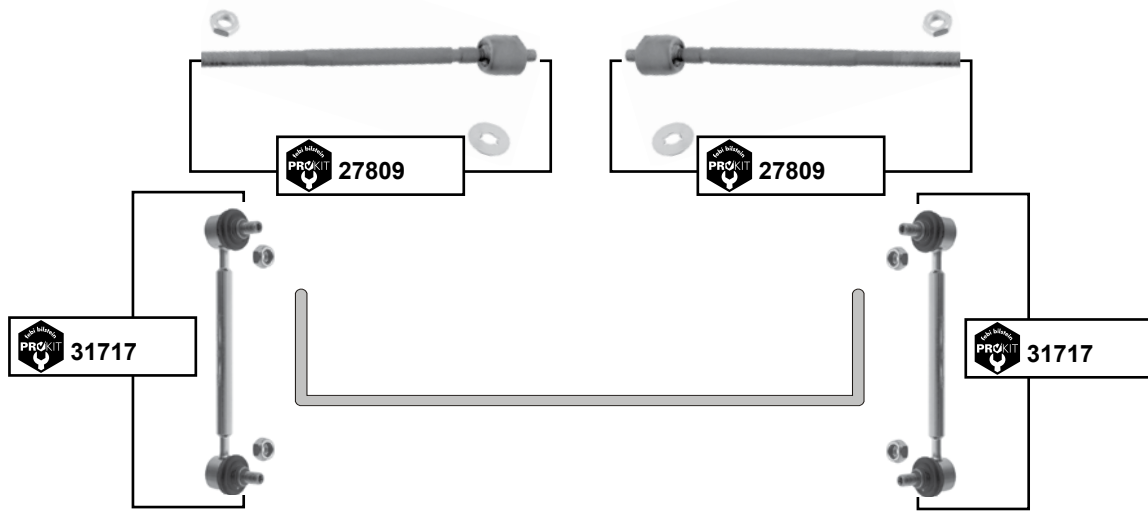
(2002 →)



	Ref. - No.			
<b>27335</b>	48820-60050	ProKit Verbindungsstange / connecting rod		L 140
<b>27336</b>	48810-60040	ProKit Verbindungsstange / connecting rod		L 140
<b>27511</b>	45047-69085	ProKit Spurstangenendstück / tie rod end		
<b>27512</b>	45046-69135	ProKit Spurstangenendstück / tie rod end		
<b>28091</b>	45503-69015	ProKit Spurstange / tie rod		L 214
<b>29361</b>	45503-39265	ProKit Spurstange / tie rod		L 261
<b>34618</b>	45503-69025	ProKit Spurstange / tie rod	08/02 → 08/07	L 208

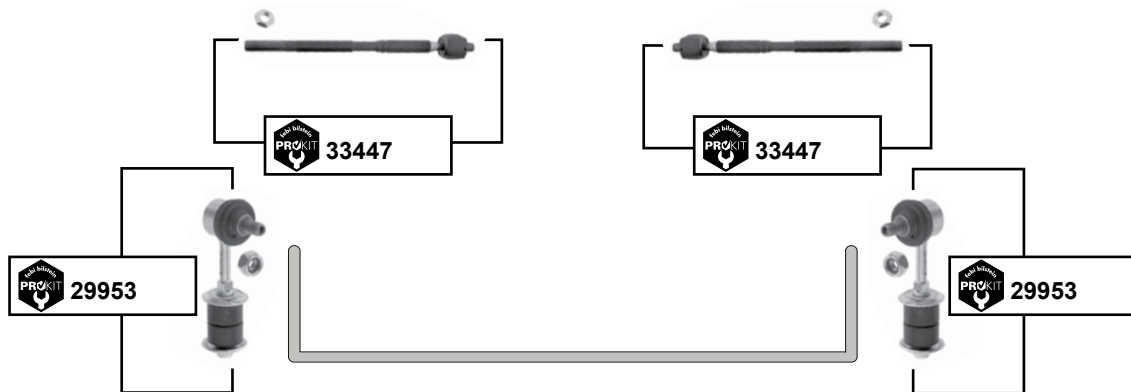


**MR 2 (ZZW20)**  
(1990 → 1999)



Vorderachse / Front axle

**MR 2 (ZZW30)**  
(1999 →)



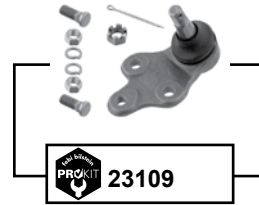
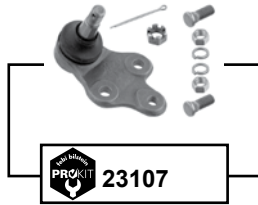
**Noah (ZRR70)**  
(2008 →)



	Ref. - No.			
<b>27809</b>	45503-19145	ProKit Spurstange / tie rod	servo	L 288
<b>29953</b>	48820-17050 S1	ProKit Verbindungsstange / connecting rod	→ 01/05	L 106
<b>30231</b>	45047-49025	Spurstangenendstück links / tie rod end left	→ 05	M15 x 1,5
<b>30232</b>	45046-49095	Spurstangenendstück rechts / tie rod end right	→ 05	M15 x 1,5
<b>31717</b>	48820-17040	ProKit Verbindungsstange / connecting rod		L 204
<b>33447</b>	45503-17040	ProKit Axialgelenk / axial joint	12/99 → 09/05	

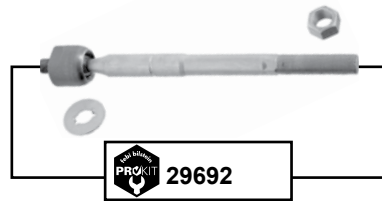


## Paseo (EL44) (1991 → 1994)



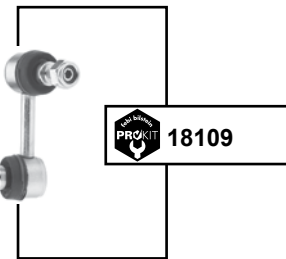
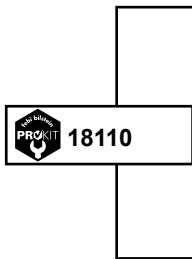
Vorderachse / Front axle

## Picnic (\_XM10\_) (1996 → 2001)



12933

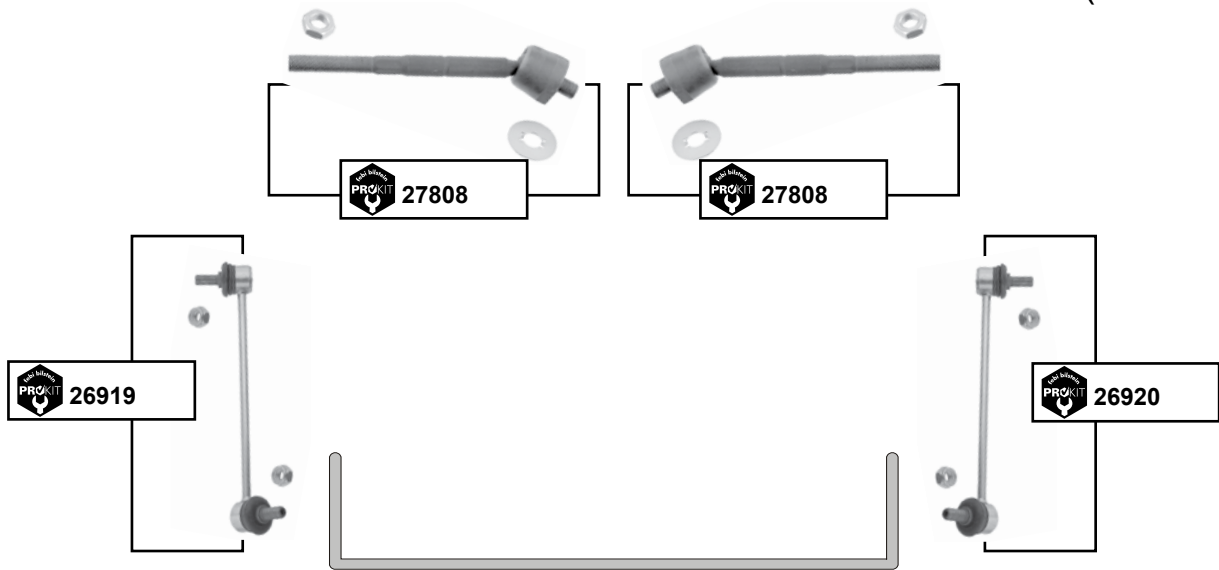
12933



	Ref. - No.			
12933	43330-29315	Traggelenk / ball joint		
18109	48820-20040	ProKit Verbindungsstange / connecting rod	09/96 → 04/00	
18110	48810-20020	ProKit Verbindungsstange / connecting rod	09/96 → 04/00	
23107	43340-19025	ProKit Traggelenk / ball joint		
23109	48810-28020	ProKit Traggelenk / ball joint		
29692	45503-29615	ProKit Spurstange / tie rod		L 240,5

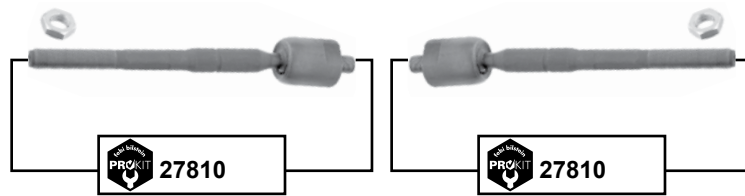


**Previa (R1)**  
(1990 → 2000)



Vorderachse / Front axle

**Previa (R3)**  
(2000 →)



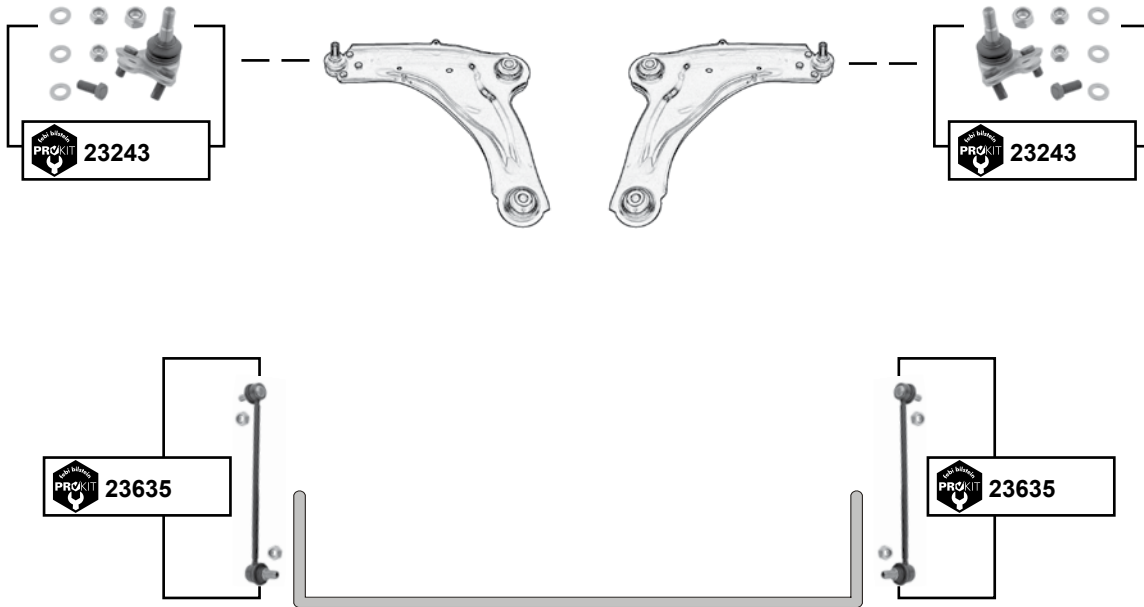
**Previa (\_R5\_)**  
(2006 →)



	Ref. - No.			
26919	48810-28020	ProKit Verbindungsstange / connecting rod		L 255
26920	48810-28030	ProKit Verbindungsstange / connecting rod		L 255
27808	45503-29295	ProKit Spurstange / tie rod		L 215
27810	45503-29765	ProKit Spurstange / tie rod		L 252
28513	48820-42030	ProKit Verbindungsstange / connecting rod	ACR50, GSR50	L 360,5

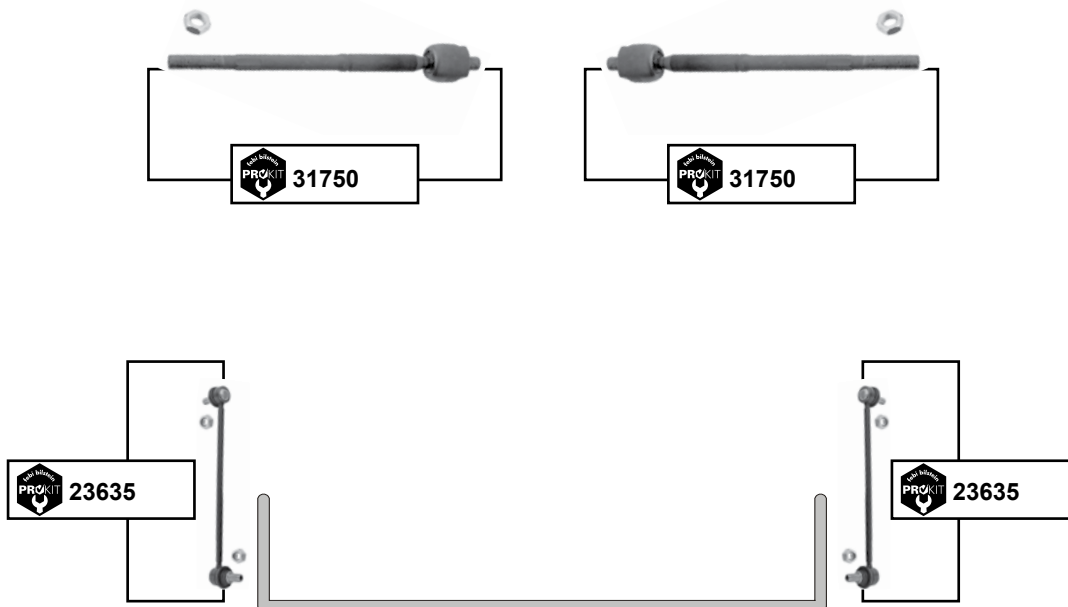


## Prius (NHW11) (2000 → 2003)



Vorderachse / Front axle

## Prius (NHW20) (2004 →)



Ref. - No.



23243	43330-19115
23635	48820-47010
31750	45503-47030

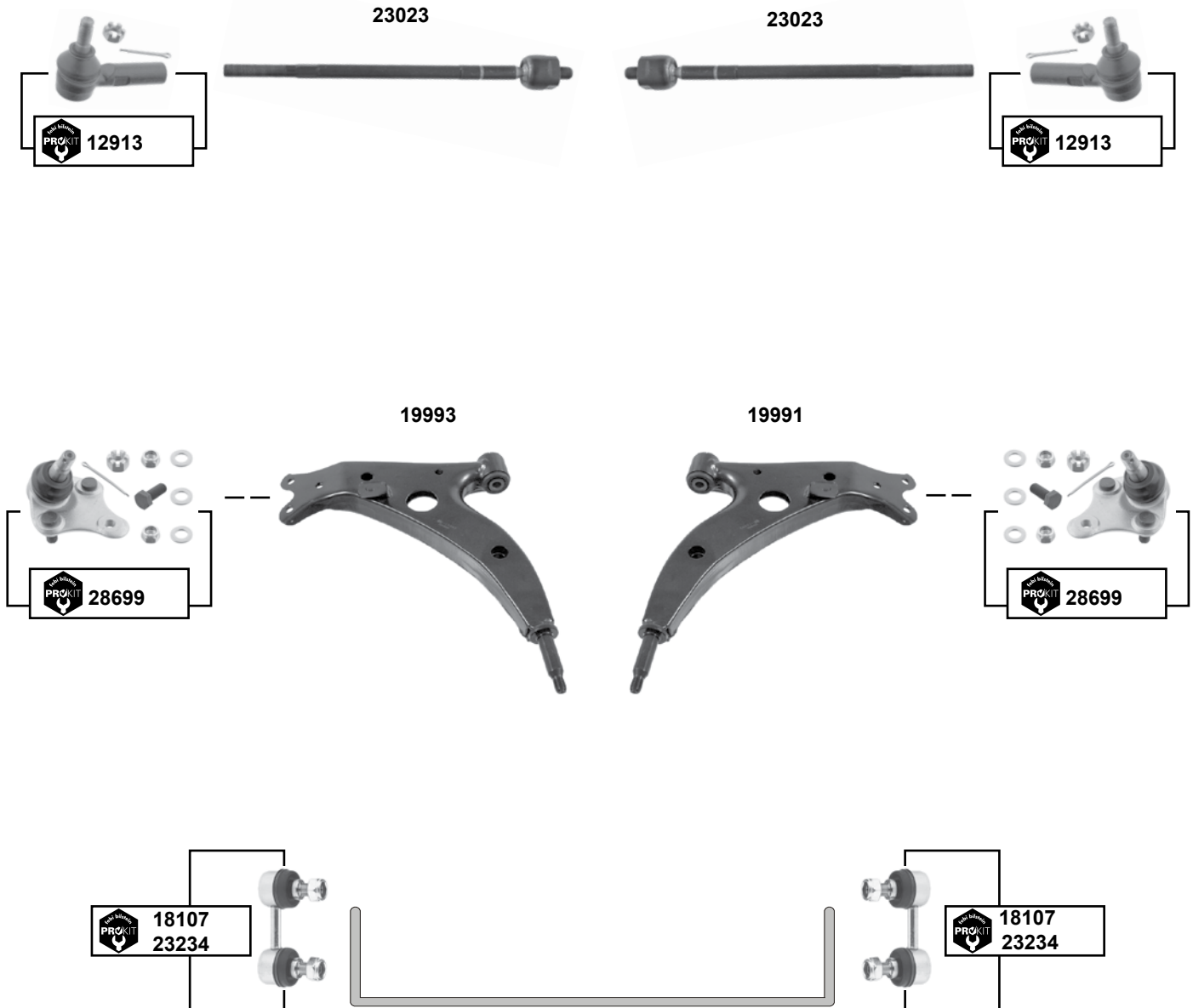
ProKit Traggelenk / ball joint
ProKit Verbindungsstange / connecting rod
ProKit Spurstange / tie rod

L 285
L 297



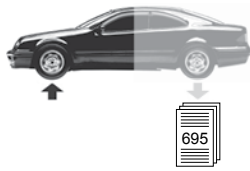
**RAV 4 I (\_SXA1/10/11/16\_)**  
(1994 → 2000)

Vorderachse / Front axle



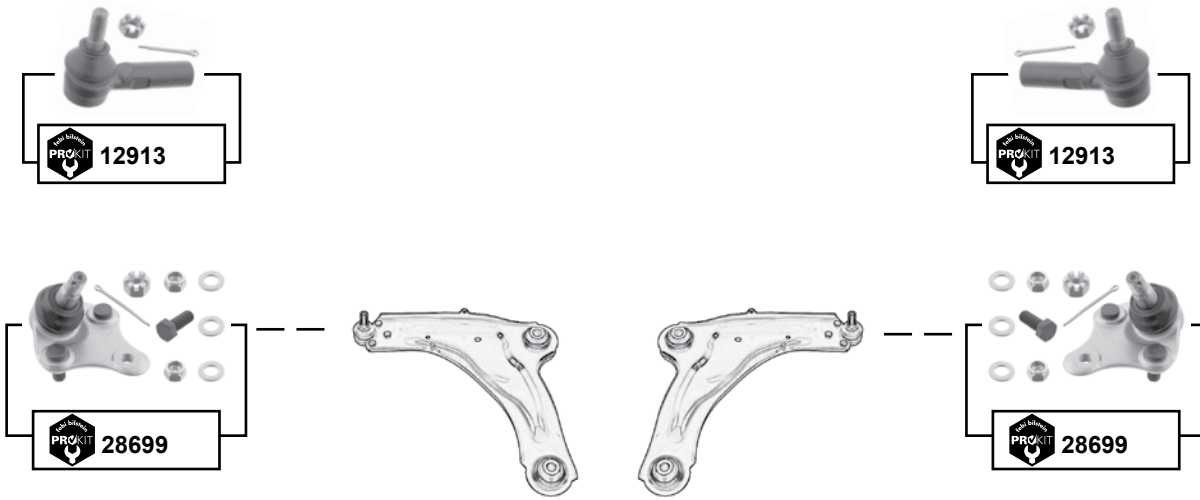
**(i)** (1) (SXA10) : 08/96 → 08/00  
(SXA11,16) : 04/95 → 08/00

	Ref. - No.		<b>(i)</b>	
<b>12913</b>	45046-29305	ProKit Spurstangenendstück / tie rod end	<b>(1)</b>	M12 x 1,25 L 60
<b>18107</b>	48820-33010	ProKit Verbindungsstange / connecting rod		
<b>19991</b>	48068-42022	Querlenker / control arm		
<b>19993</b>	48069-42022	Querlenker / control arm		
<b>23023</b>	45503-19215	Spurstange / tie rod		
<b>23234</b>	48820-42010	ProKit Verbindungsstange / connecting rod		
<b>28699</b>	43330-49025 S1	ProKit Traggelenk / ball joint		M12 x 1,25 M14 x 1,5



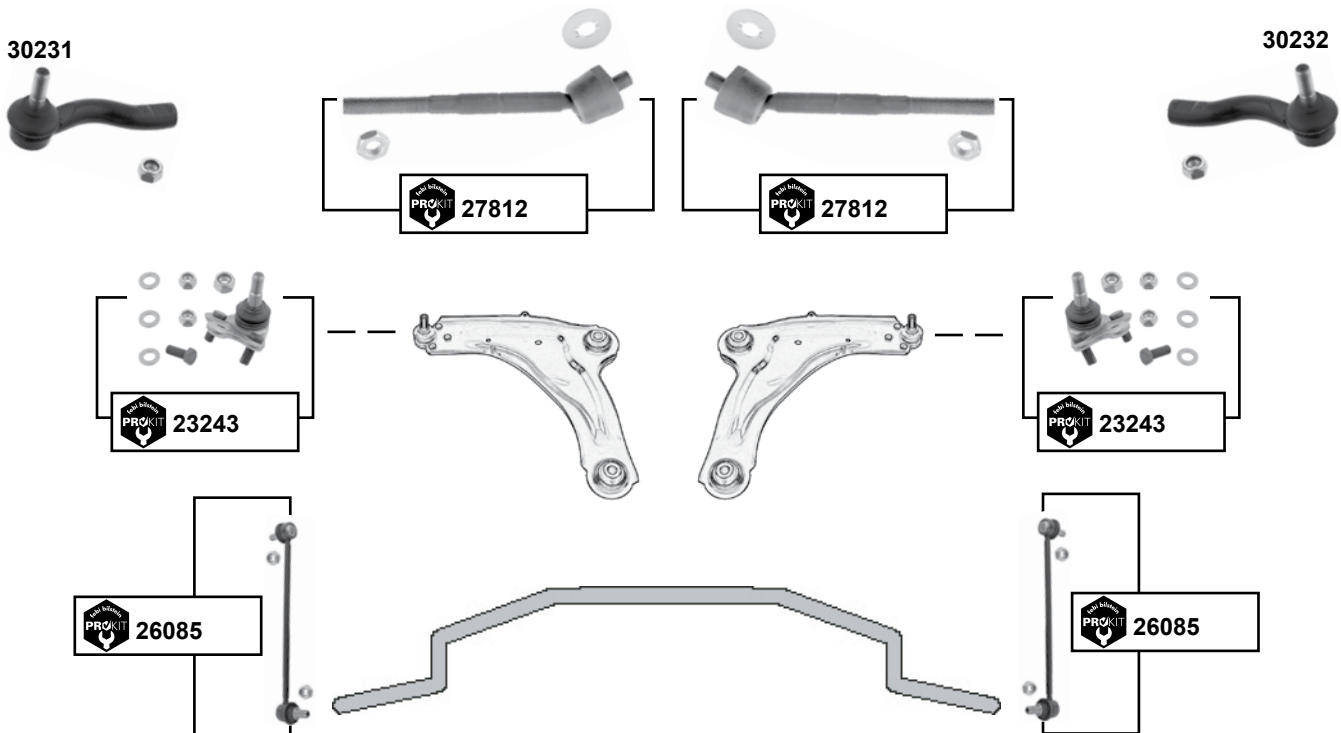
## RAV 4 I (\_BEA11\_)

(1997 → 2003)



## RAV 4 II (\_XA2\_)

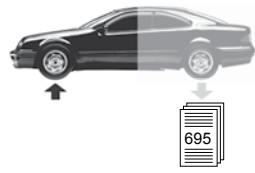
(2000 → 2005)



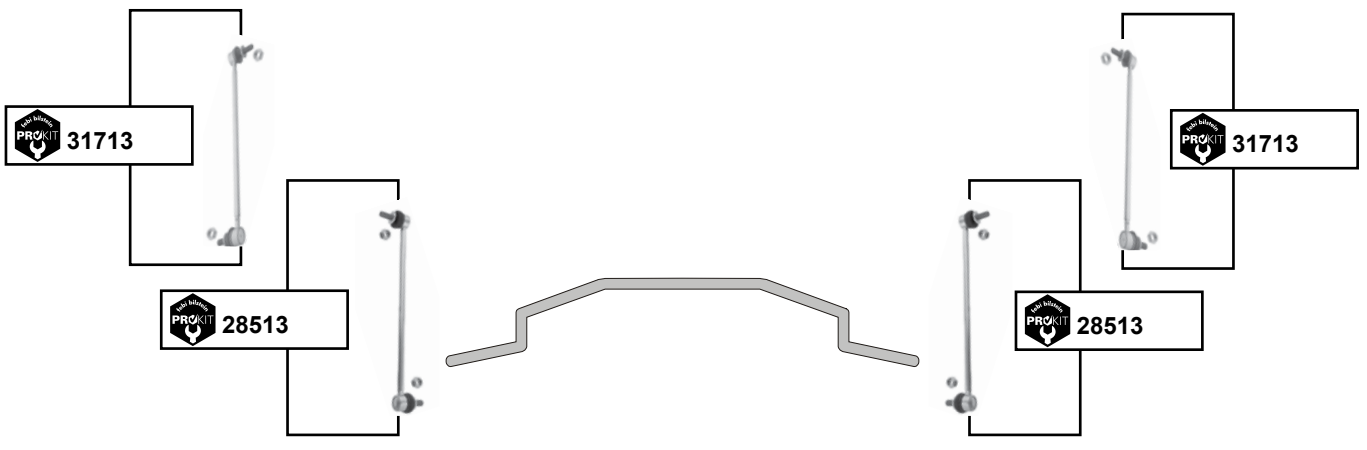
Ref. - No.



<b>12913</b>	45046-29305	ProKit Spurstangenendstück / tie rod end	08/00 → 11/05	L 260
<b>23243</b>	43330-19115	ProKit Traggelenk / ball joint		
<b>26085</b>	48820-42020	ProKit Verbindungsstange / connecting rod	→ 03	L 298
<b>27812</b>	45503-49055	ProKit Spurstange / tie rod		
<b>28699</b>	43330-49025 S1	ProKit Traggelenk / ball joint		M14 x 1,5
<b>30231</b>	45047-49025	Spurstangenendstück links / tie rod end left		M15 x 1,5
<b>30232</b>	45046-49095	Spurstangenendstück rechts / tie rod end right		M15 x 1,5



**RAV 4 III (\_A3\_)**  
(2005 →)



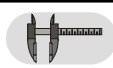
Vorderachse / Front axle



(1) BM ACA30, ALA30, GSA33 11/05 →



**Ref. - No.**



**28513**  
**31713**

48820-42030  
48820-0R010

ProKit Verbindungsstange / connecting rod  
ProKit Verbindungsstange / connecting rod

**(1)**  
BM ASA3\*

L 360,5  
L 360



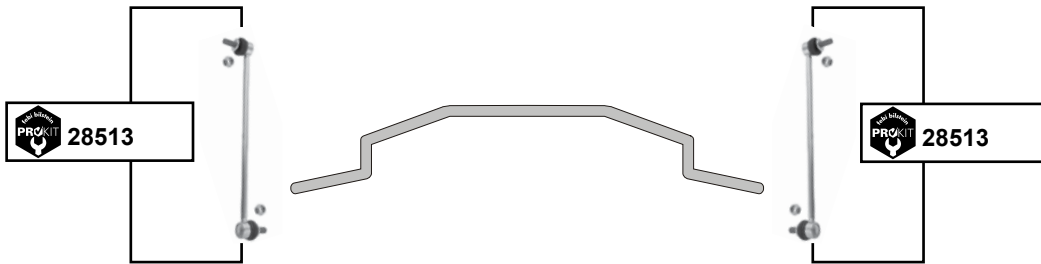
# TOYOTA



Car  
Division



## Rukus (2010 →)



Ref. - No.



<b>28513</b>	48820-42030
<b>34310</b>	45047-19215
<b>34311</b>	45046-19415

ProKit Verbindungsstange / connecting rod  
ProKit Spurstangenendstück / tie rod end  
ProKit Spurstangenendstück / tie rod end

AZE151 03/10 →

L 360,5  
M15 x 1,5  
M15 x 1,5

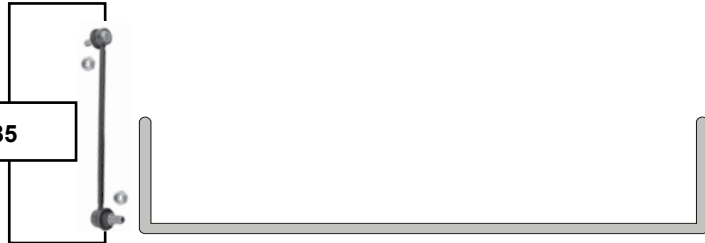


Scion (\_10\_)  
(1996 →)

30231



23635



30232



23635

Scion XA/XB (\_NCP\_)  
(2003 → 2006)



12913



27262

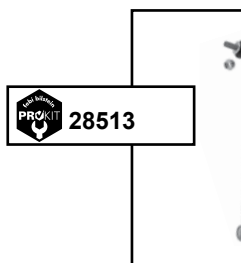


27262

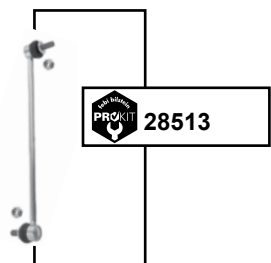


12913

Scion XB (\_AZE\_)  
(2007 →)



28513



28513

Vorderachse / Front axle

	Ref. - No.			
12913	45046-29305	ProKit Spurstangenendstück / tie rod end		L 285
23635	48820-47010	ProKit Verbindungsstange / connecting rod		L 97,5
27262	48819-52010 S1	ProKit Verbindungsstange / connecting rod	04/03 → 12/06	L 360,5
28513	48820-42030	ProKit Verbindungsstange / connecting rod	Scion xB 03/07 →	M15 x 1,5
30231	45047-49025	Spurstangenendstück / tie rod end	Scion TC 05/04 →	M15 x 1,5
30232	45046-49095	Spurstangenendstück / tie rod end	Scion TC 05/04 →	M15 x 1,5

# TOYOTA

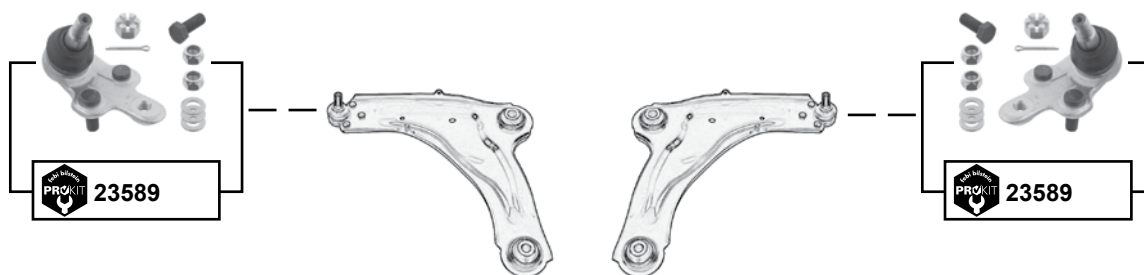


Car  
Division

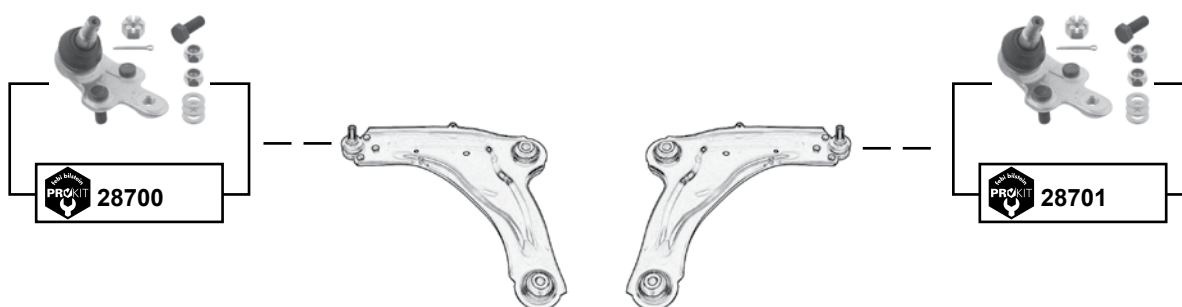


## Sienna (\_L\_) (1997 → 2000)

Vorderachse / Front axle



## Sienna (\_L\_) (2003 →)



Ref. - No.



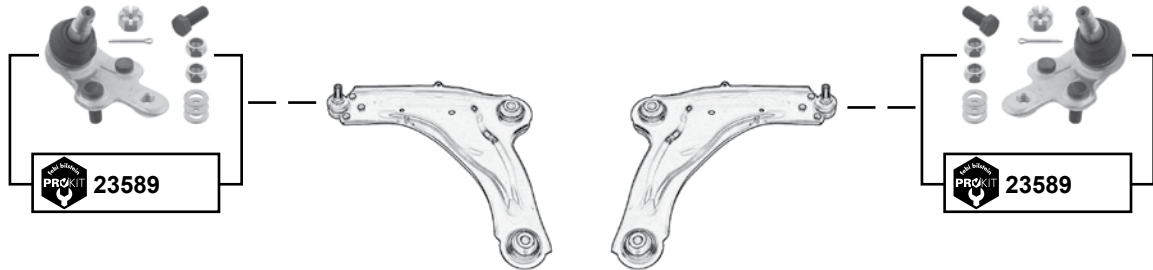
23589	43330-39435
28700	43330-09010 S1
28701	43330-09560 S1

ProKit Traggelenk / ball joint
ProKit Traggelenk / ball joint
ProKit Traggelenk / ball joint

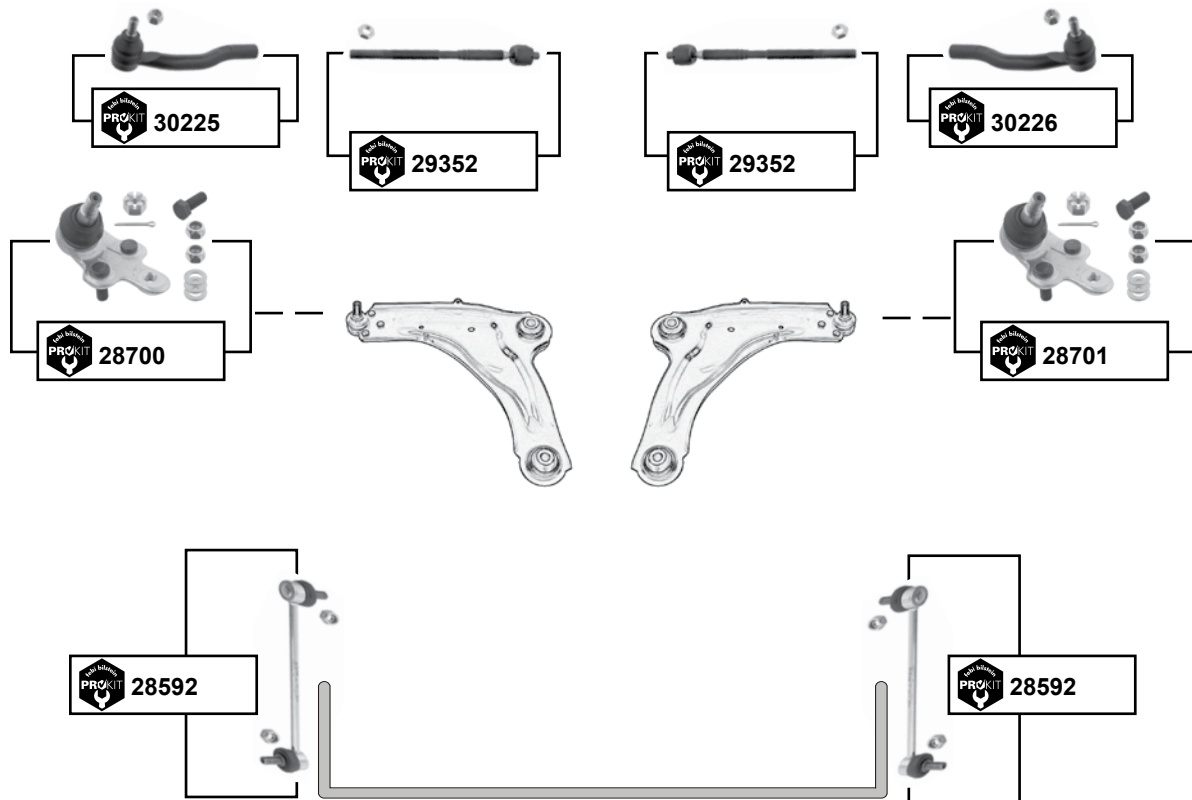
M14 x 1,5
M14 x 1,5



**Solara**  
(1998 → 2001)



**Solara**  
(2003 →)



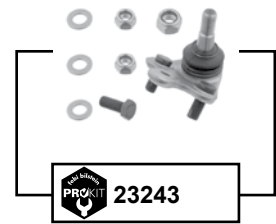
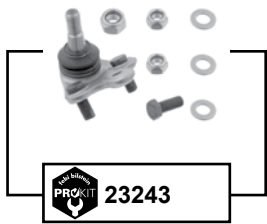
Vorderachse / Front axle

	Ref. - No.			
<b>23589</b>	43330-39435	ProKit Traggelenk / ball joint		
<b>28592</b>	48820-06040	ProKit Verbindungsstange / connecting rod		L 260,1
<b>28700</b>	43330-09010 S1	ProKit Traggelenk / ball joint		M14 x 1,5
<b>28701</b>	43330-09560 S1	ProKit Traggelenk / ball joint		M14 x 1,5
<b>29352</b>	45503-39225	ProKit Spurstange / tie rod		L 238
<b>30225</b>	45470-39225	ProKit Spurstangenendstück / tie rod end	07/03 → 03/05	M15 x 1,5
<b>30226</b>	45460-39635	ProKit Spurstangenendstück / tie rod end	07/03 → 03/05	M15 x 1,5



## Spacio (AE111) (1998 → 2001)

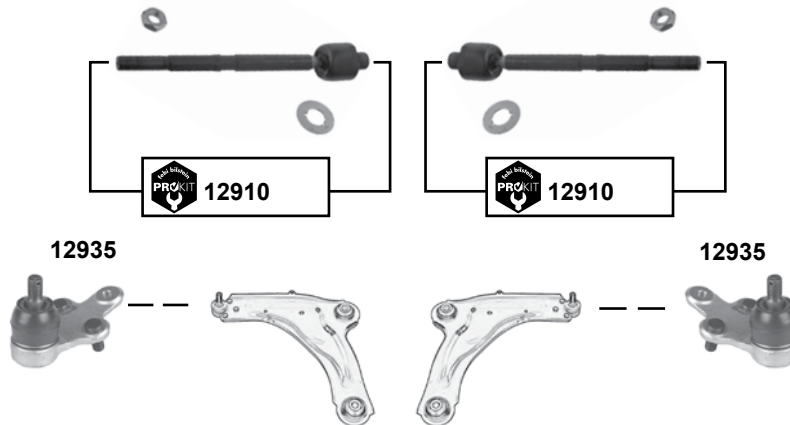
Vorderachse / Front axle



	Ref. - No.			
12913	45046-29305	ProKit Spurstangenendstück / tie rod end		M12 x 1,25
23243	43330-19115	ProKit Tragelenk / ball joint		



**Starlet (\_P7\_)**  
(1984 → 1989)



**Starlet (\_P8\_)**  
(1989 → 1996)



**Starlet (\_P9\_)**  
(1996 → 1999)



Vorderachse / Front axle

	Ref. - No.			
12910	45503-19075	ProKit Traggelenk / ball joint		
12935	43330-19075	Traggelenk / ball joint		
23107	43340-19025	ProKit Traggelenk / ball joint		
23109	48810-28020	ProKit Traggelenk / ball joint		

TOYOTA

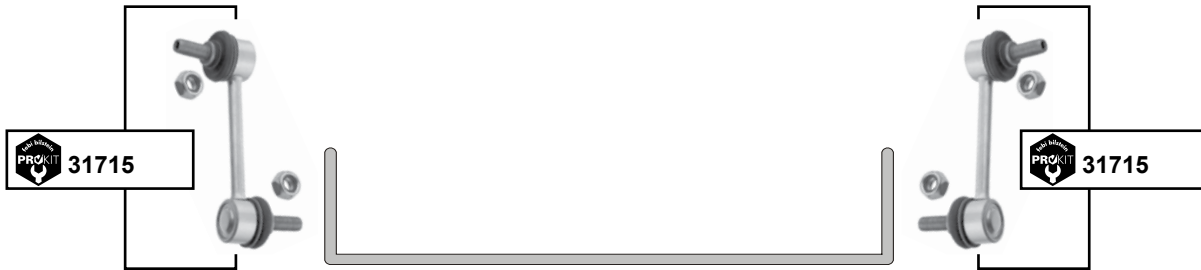


Car  
Division



**Supra (MA70) / ( JZA80)**  
(1991 → 1998)

Vorderachse / Front axle



Ref. - No.



31715

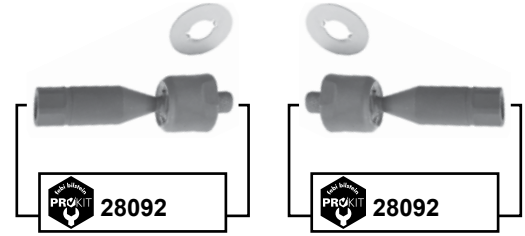
48820-24010

ProKit Verbindungsstange / connecting rod

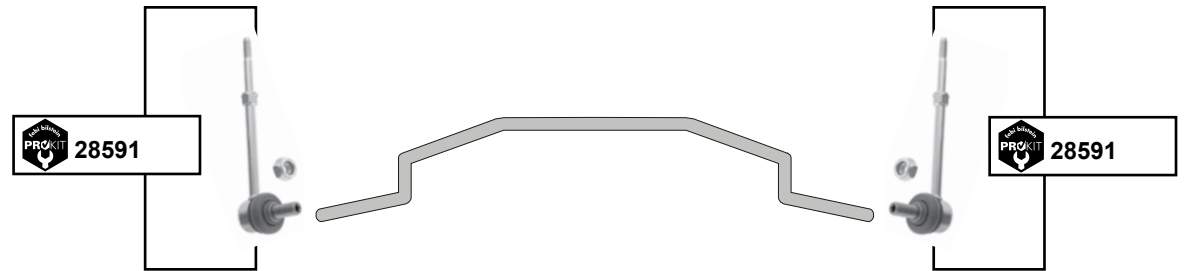
L 111



**Tacoma (\_RZ/VZ\_)**  
(1995 → 2004)



**Tacoma (\_RN22\_)**  
(2004 →)



Vorderachse / Front axle



Ref. - No.



**28092**  
**28591**

45503-39075  
48820-AD010

ProKit Spurstange / tie rod  
ProKit Verbindungsstange / connecting rod

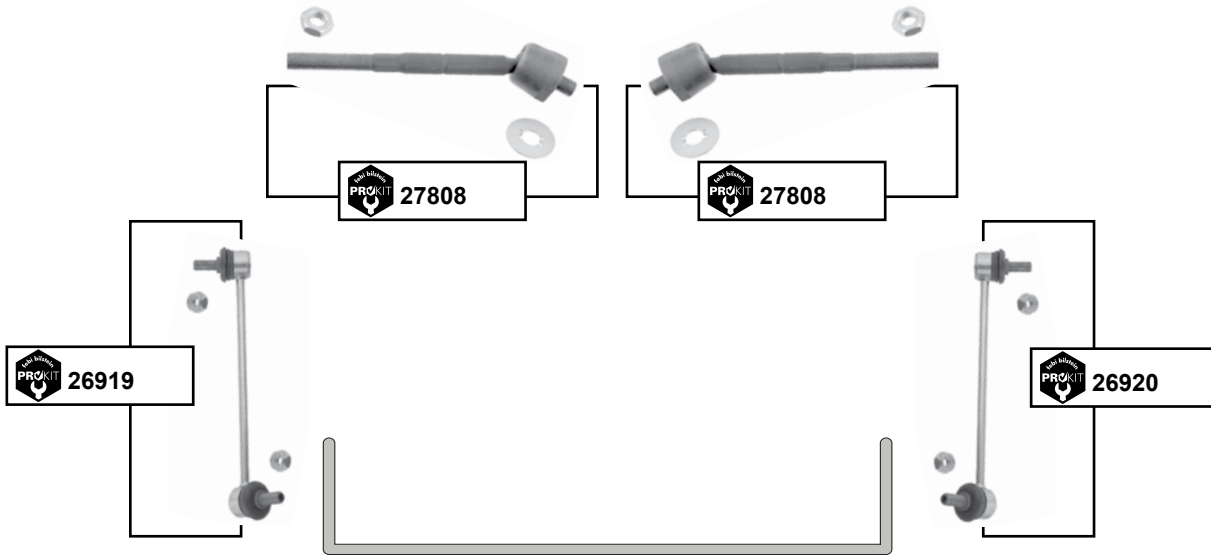
L 131  
L 192,6





## Tarago (\_R1\_)

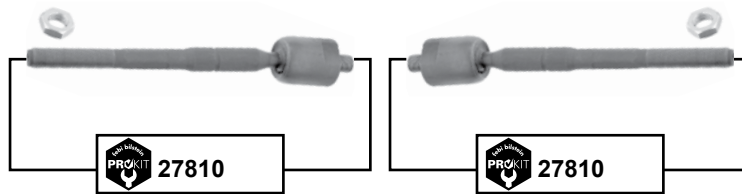
(1990 → 2000)



Vorderachse / Front axle

## Tarago (\_R3\_)

(2001 →)



## Tarago (\_R5\_)

(2006 →)



Ref. - No.



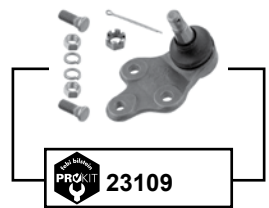
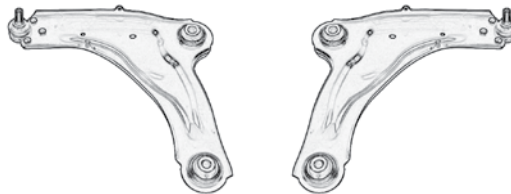
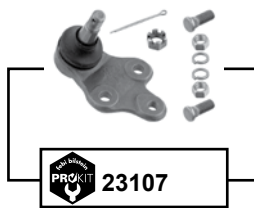
26919	48810-28020	ProKit Verbindungsstange / connecting rod		L 255
26920	48810-28030	ProKit Verbindungsstange / connecting rod		L 255
27808	45503-29295	ProKit Spurstange / tie rod		L 215
27810	45503-29765	ProKit Spurstange / tie rod		L 252
28513	48820-42030	ProKit Verbindungsstange / connecting rod	ACR50, GSR50	L 360,5



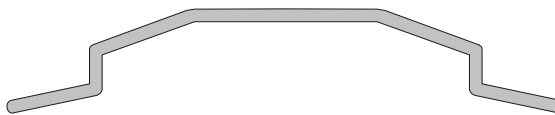
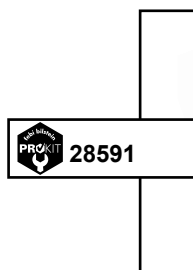
**Tercel (\_EL31\_)**  
(1986 → 1990)



**Tercel (\_EL40/42/53\_)**  
(1990 → 1999)



**Tundra (\_CK30/40\_)**  
(1999 → 2000)



Vorderachse / Front axle



Ref. - No.

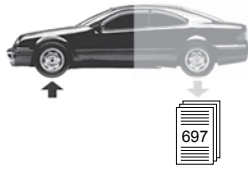


**12913**  
**23107**  
**23109**  
**28591**

45046-29305  
43340-19025  
48810-28020  
48820-AD010

ProKit Spurstangenendstück / tie rod end  
ProKit Traggelenk / ball joint  
ProKit Traggelenk / ball joint  
ProKit Verbindungsstange / connecting rod

M12 x 1,25  
L 192,6



## 4 Runner (\_N 130\_)

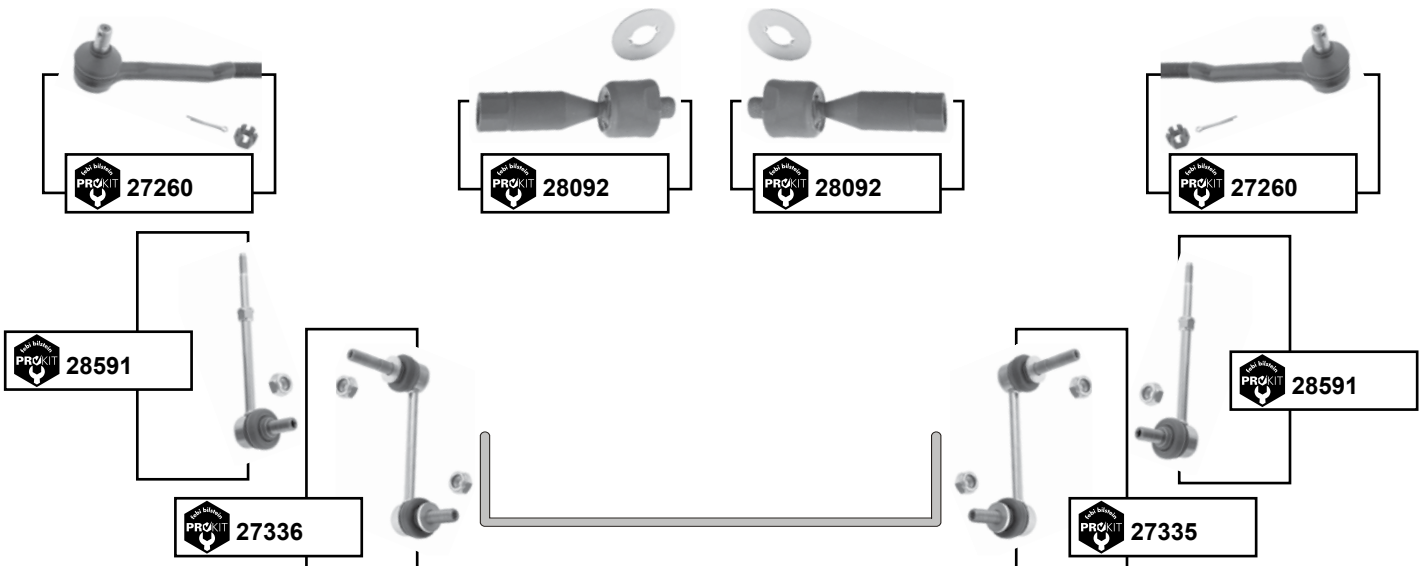
(1985 → 1995)



Vorderachse / Front axle

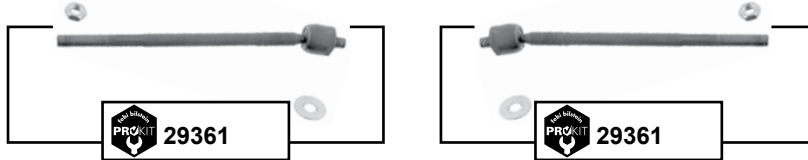
## 4 Runner

(1996 → 2004)



## 4 Runner (\_N21\_)

(2002 →)



- (1) LN5/RN5/7/8/90/VZN85/9// 08/83 → 01/95
- (2) LN13/RN12/13/VZN 120/130/YN130 08/89 → 11/95



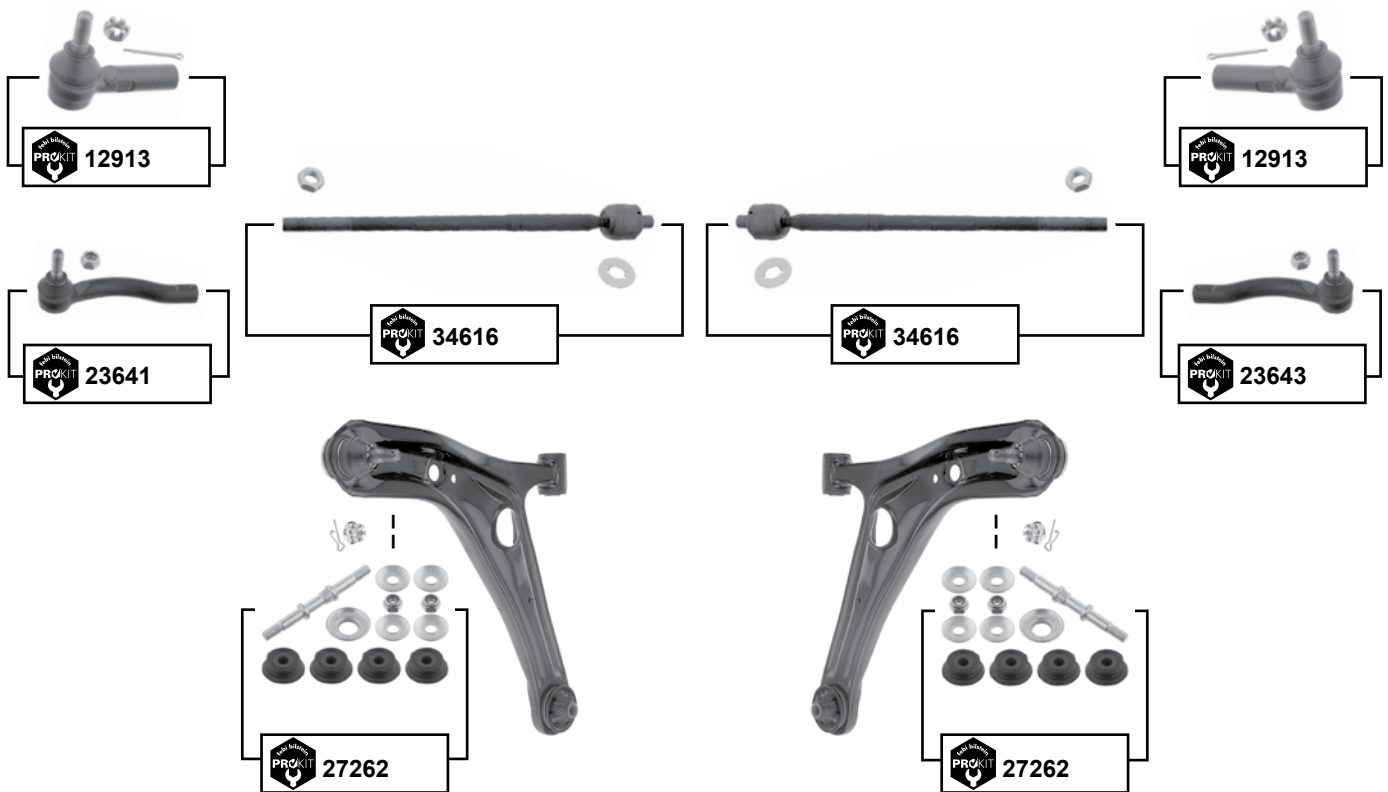
Ref. - No.



Ref. - No.	Description	Quantity	Length
23247	Traggelenk / ball joint	(1)	
27260	ProKit Spurstangenendstück/ tie rod end		L 204
27335	ProKit Verbindungsstange / connecting rod	02 →	L140
27336	ProKit Verbindungsstange / connecting rod	02 →	L140
28092	ProKit Spurstange / tie rod	95 → 02	L 131
28591	ProKit Verbindungsstange / connecting rod	95 → 02	L 192,6
29361	ProKit Spurstange / tie rod		L 261
34665	ProKit Verbindungsstange / connecting rod	(2)	L 92



Vios / Soluna Vios  
(2002 →)



Vorderachse / Front axle



(1) Vios / Soluna Vios (AXP4) 10/02 → 11/05  
Vios / Soluna Vios (NCP4) 12/02 → 09/07  
Vios / Soluna Vios (SCP4) 08/06 →

(2) Vios / Soluna Vios (AXP4) 04/04 → 08/06  
Vios / Soluna Vios (SCP4) 08/06 →



Ref. - No.



12913	45046-29305	ProKit Spurstangenendstück / tie rod end	(2)	M12 x 1,25
23641	45047-59026	ProKit Spurstangenendstück / tie rod end	AXP4 11/05 → 08/06	M12 x 1,25
23643	45046-59026	ProKit Spurstangenendstück / tie rod end	AXP4 11/05 → 08/06	M12 x 1,25
27262	48819-52010 S1	ProKit Verbindungsstange / connecting rod	(1)	
34616	45503-59055	ProKit Axialgelenk / tie rod	AXP4 11/05 → 08/06	L 341



## Wish (ANE11)

(2003 →)

30231

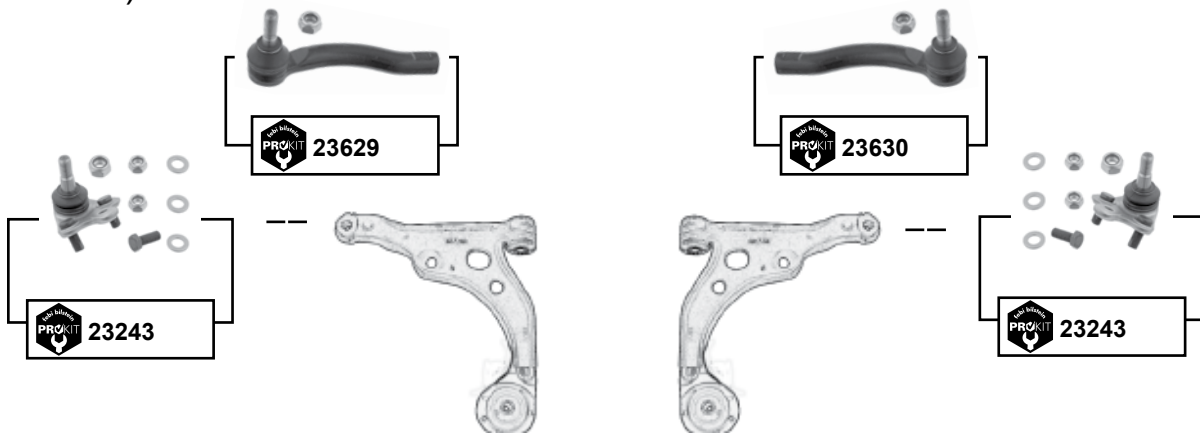


30232



## Wish (\_ZNE10\_)

(2008 → 2009)



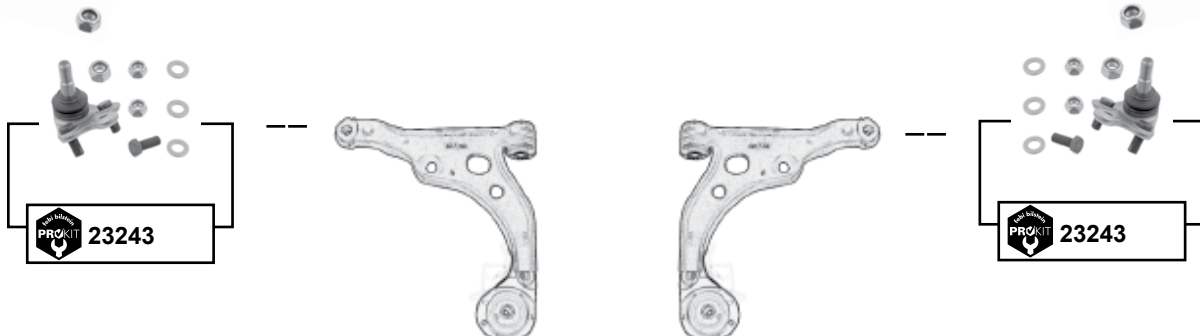
## Wish (\_ZGE10\_)

(2009 →)

30231



30232



(1) ZNE10 04/08 → 03/09  
ZGE20/21 / 09/09 →

(2) ANE11 12/03 →  
ZGE20/21/22 11/09 →



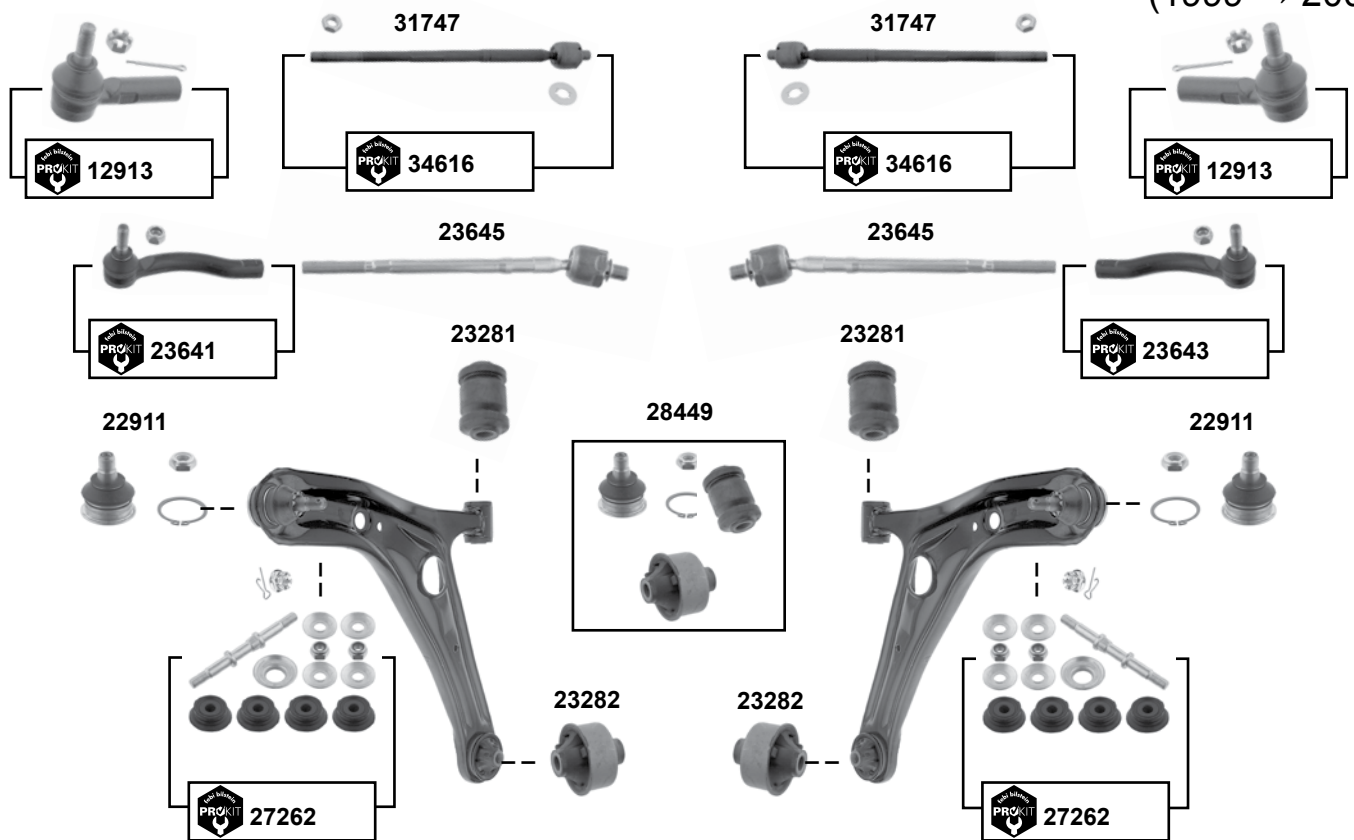
Ref. - No.



Ref. - No.	Part Description	Quantity	Thread
23243	ProKit Traggeleak / ball joint	(1)	M12 x 1,25
23629	ProKit Spurstangenendstück / tie rod end	(1)	M12 x 1,25
23630	ProKit Spurstangenendstück / tie rod end	(1)	M12 x 1,25
30231	Spurstangenendstück / tie rod end	(2)	M15 x 1,5
30232	Spurstangenendstück / tie rod end	(2)	M15 x 1,5

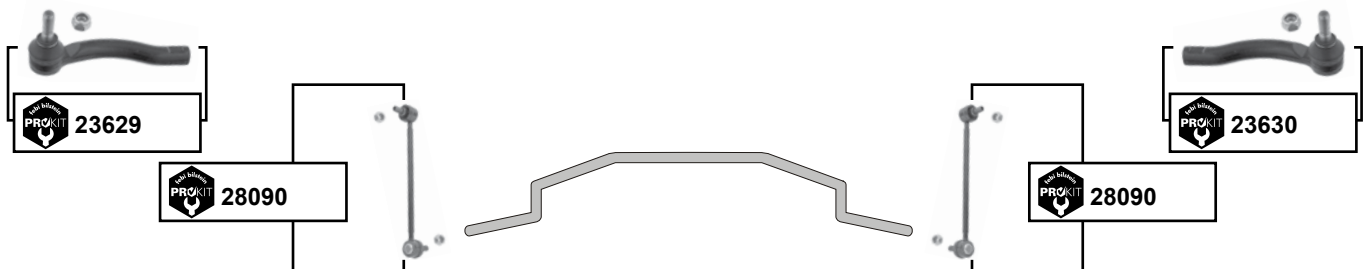


## Yaris / Yaris Verso (1999 → 2005)



Vorderachse / Front axle

## Yaris (2005 →)



Ref. - No.



Ref. - No.	Part Description	Application Period	Thread / Size
12913	45046-29305 ProKit Spurstangenendstück / tie rod end	NCP13 01/01 → 08/05	M12 x 1,25
22911	48068-59035 S1 Tragelenk / ball joint		
23281	48068-59035 S3 Querlenkerlager / control arm mount		
23282	48068-59035 S2 Querlenkerlager / control arm mount		
23629	45047-19115 ProKit Spurstangenendstück / tie rod end		M12 x 1,25
23630	45046-19265 ProKit Spurstangenendstück / tie rod end		M12 x 1,25
23641	45047-59026 ProKit Spurstangenendstück / tie rod end		M12 x 1,25
23643	45046-59026 ProKit Spurstangenendstück / tie rod end		M12 x 1,25
23645	45503-59045 Spurstange / tie rod	01/99 → 02/03	L 240
27262	48819-52010 S1 ProKit Verbindungsstange / connecting rod		L 97,5
28090	48820-0D010 ProKit Verbindungsstange / connecting rod		L 360
28449	48068-59035 S4 Rep.Satz Querlenker / rep.kit control arm		
31747	45503-0D030 Spurstange / tie rod	02/03 → 11/05	
34616	45503-59055 ProKit Axialgelenk / tie rod	01/01 → 08/05	L 341

passend für / to fit

**VAUXHALL**

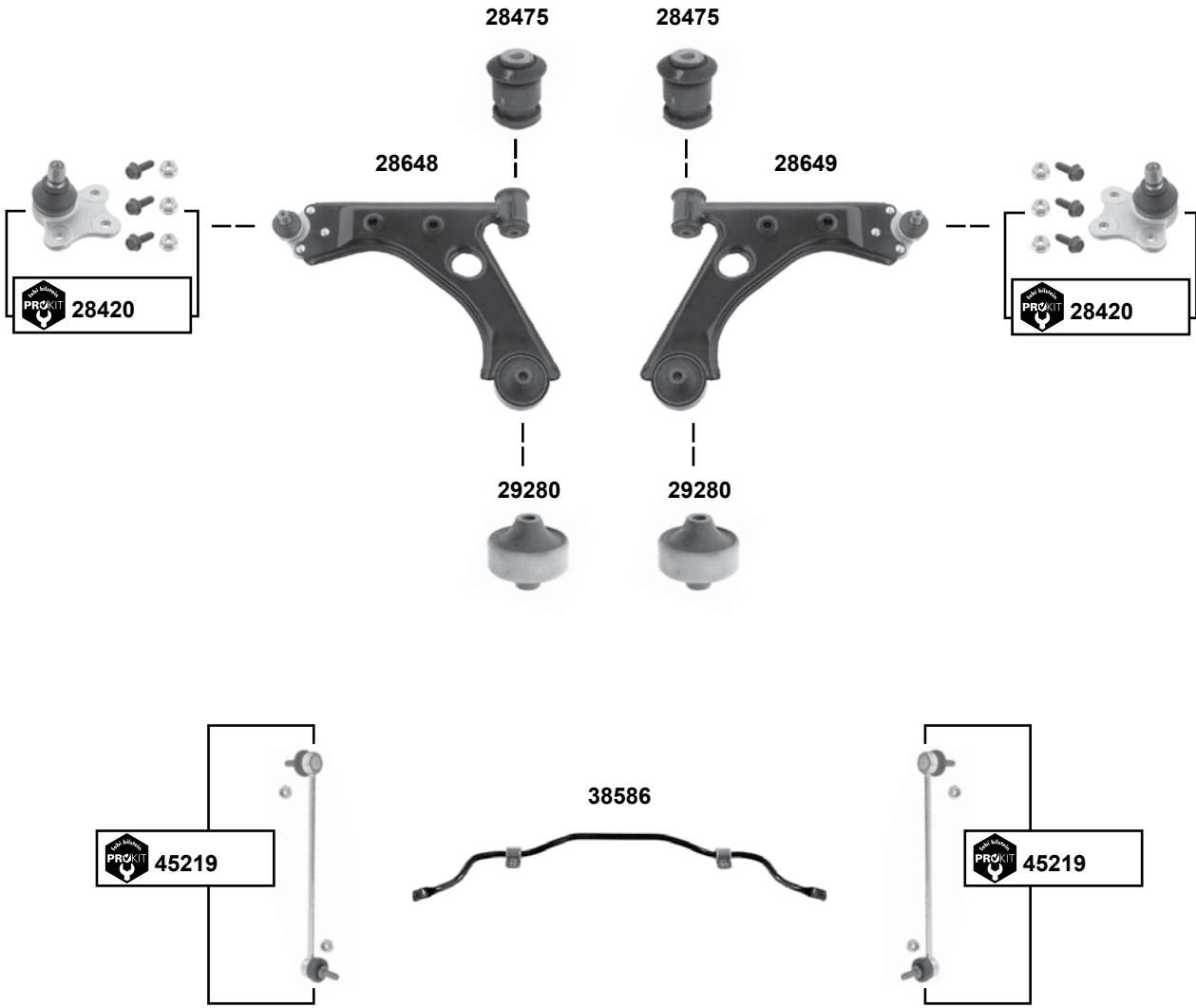


**Car  
Division**



**Adam**  
(2013 →)

Vorderachse / Front axle

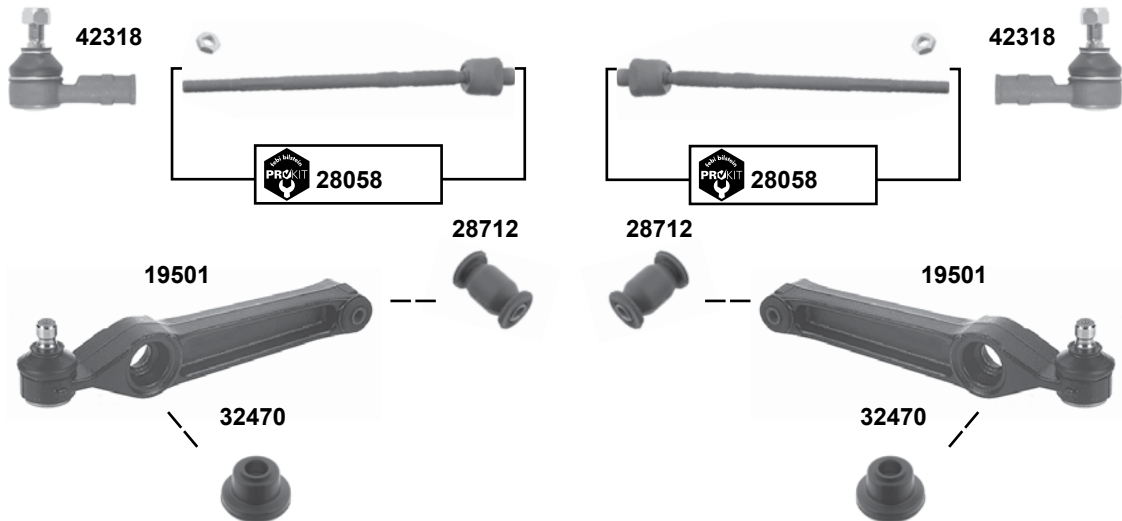


**i** (1) (ex.) B1,4NEH / LPG **Sport**

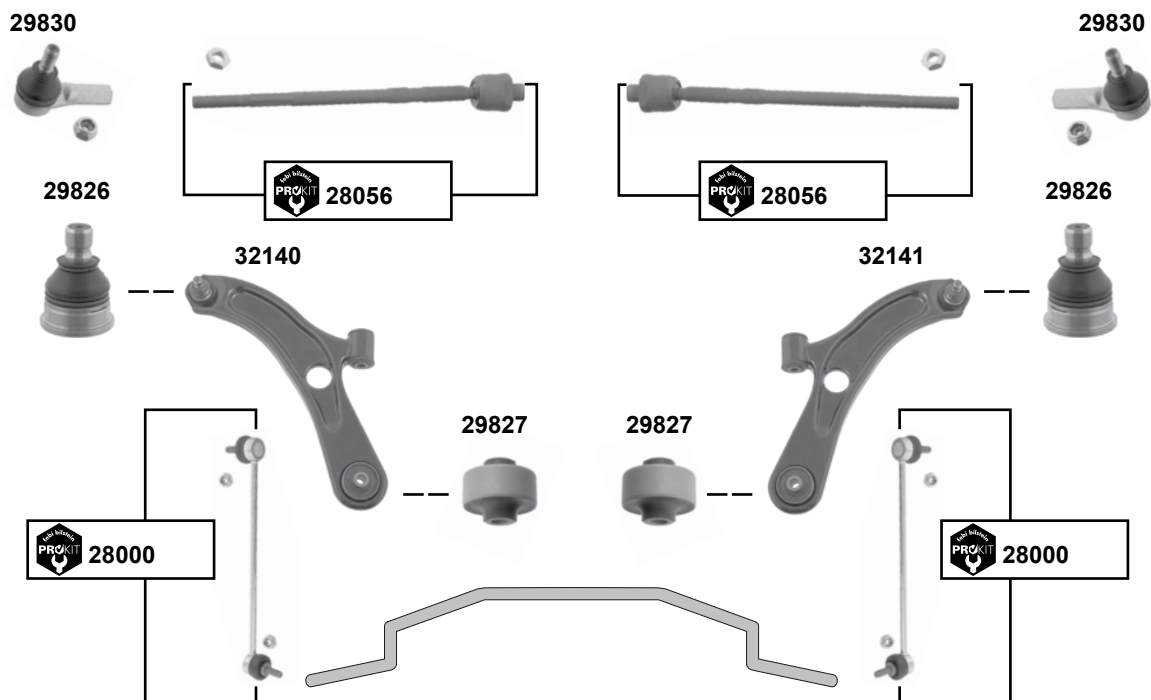
	Ref. - No.		<b>i</b>	
<b>28420</b>	93190907	ProKit Trag gelenk / ball joint	<b>(1)</b>	Ø 16/12x52x68  12x72x66 L 1045 L 310
<b>28475</b>	13260666	Querlenkerlager / control arm mount		
<b>28648</b>	55703230	Querlenker / control arm		
<b>28649</b>	55703231	Querlenker / control arm		
<b>29280</b>	13167940	Querlenkerlager / control arm mount		
<b>38586</b>	13343139	Stabilisatorsatz / stabilizer set		
<b>45219</b>	13391512	ProKit Verbindungsstange / connecting rod		



## Agila Mk I (2000 → 2007)



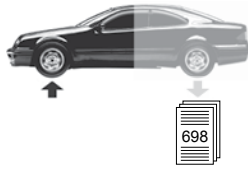
## Agila Mk II (2008 →)



Vorderachse / Front axle

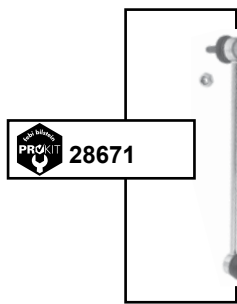
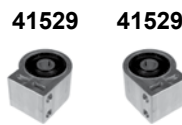
	Ref. - No.			
19501	09208987	Querlenker / control arm	(ch.) → 16075421	L 300
28000	93195093	ProKit Verbindungsstange / connecting rod		L 306
28056	93194002	ProKit Spurstange / tie rod		L 263
28058	09204752	ProKit Spurstange / tie rod	00 → 07	52x28
28712	09208989	Querlenkerlager / control arm mount		60x50
29826	93193130 S1	Traggelenk / ball joint		M12 x 1,25
29827	93193130 S2	Querlenkerlager / control arm mount		Ø A 48 / I 20
29830	93194035	Spurstangenendstück / tie rod end		M14 x 1,5
32140	93193131	Querlenker / control arm		
32141	93193130	Querlenker / control arm		
32470	09209466	Stabilisatorlager / stabilizer mount		
42318	09210351	Spurstangenendstück / tie rod end		





## Antara (2006 →)

Vorderachse / Front axle

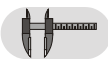


(1) (ch.) → AB999999, → A3999999

(2) (ch.) → 80999999, → AB999999, → A3999999



Ref. - No.



28347	96819161 SK
28671	96996450
28672	96996451
41529	96809676
41740	96819161
41741	96819162
41929	96626667

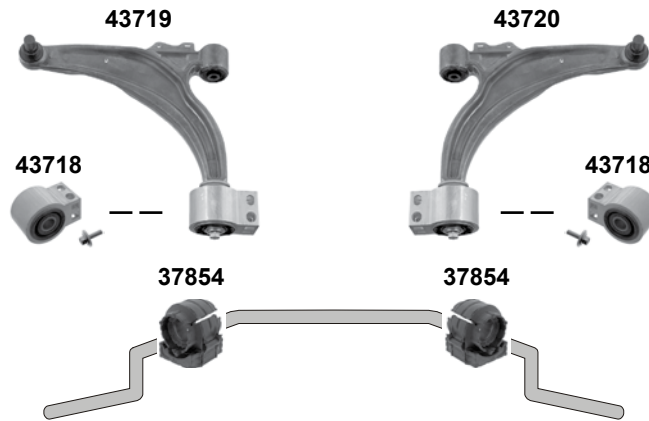
ProKit Traggelenk / ball joint
ProKit Verbindungsstange / connecting rod
ProKit Verbindungsstange / connecting rod
Querlenkerlager / control arm mount
Querlenker / control arm
Querlenker / control arm
ProKit Spurstangenendstück / tie rod end

(2)  
(1)  
(1)  
(2)

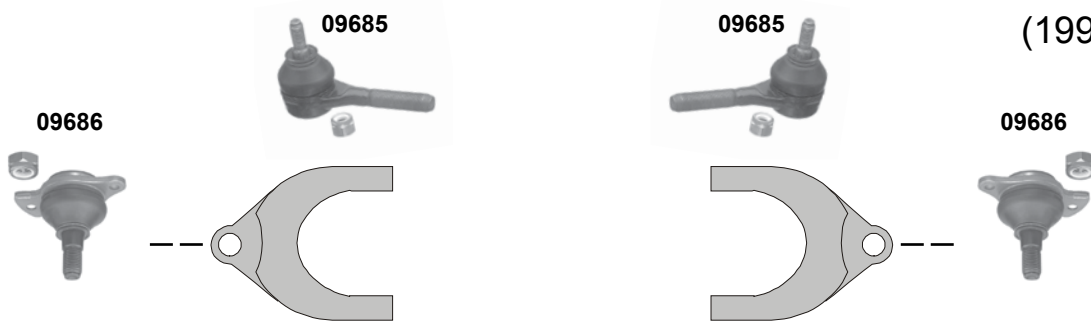
L 286  
L 286



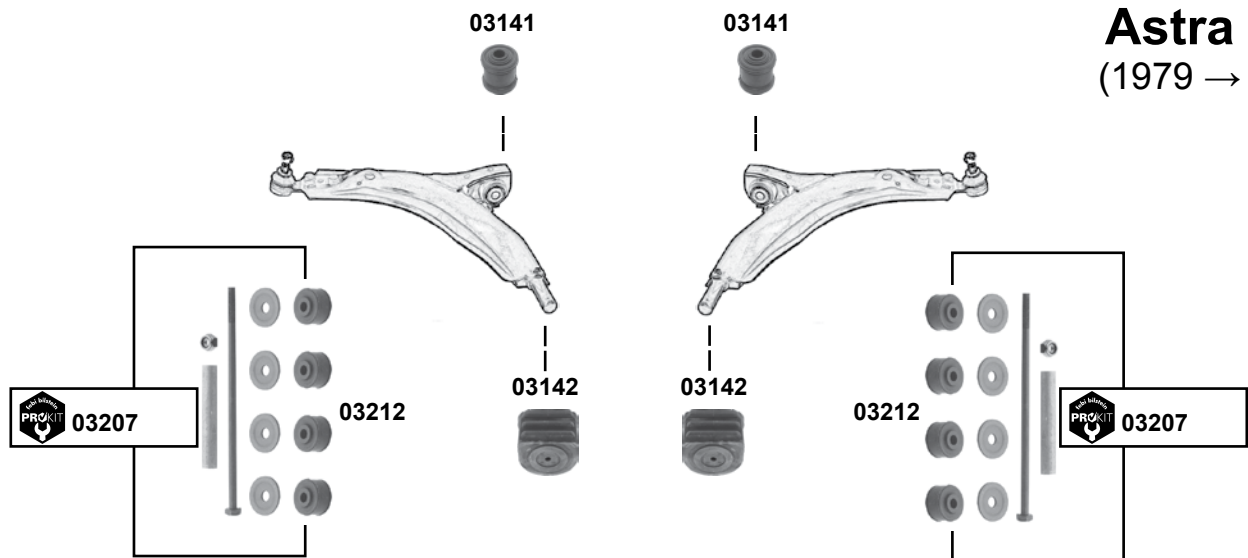
**Ampera**  
(2011 →)



**Arena**  
(1997 → 2001)



**Astra Mk I**  
(1979 → 1984)



(1) (ch.) FD 2630572 / D 5109110 / CE 173724 →



Ref. - No.



03141	90335966
03142	90235040
03207	90009367
03212	2875013
09685	4403 661
09686	09111641
37854	13281782
43718	13334021
43719	13334022
43720	13334023

Querlenkerlager / control arm mount
Querlenkerlager / control arm mount
ProKit Stabilisatorlager / stabilizer mount
Verbindungsstangenlager / connecting rod bearing
Spurstangenendstück / tie rod end
Traggelenk / ball joint
Stabilisatorlager / stabilizer mount
Querlenkerlager / control arm mount
Querlenker / control arm
Querlenker / control arm

(1)



14,5x46x59
21x56x54,5
8,5x30x19
M14 x 1,5
Ø   25
106 x80 x65

passend für / to fit

**VAUXHALL**

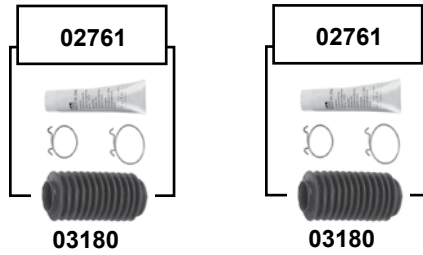


**Car  
Division**

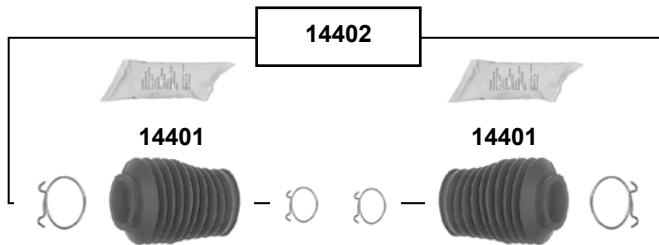


**Astra Mk II**  
(1984 → 1994)

man.



servo

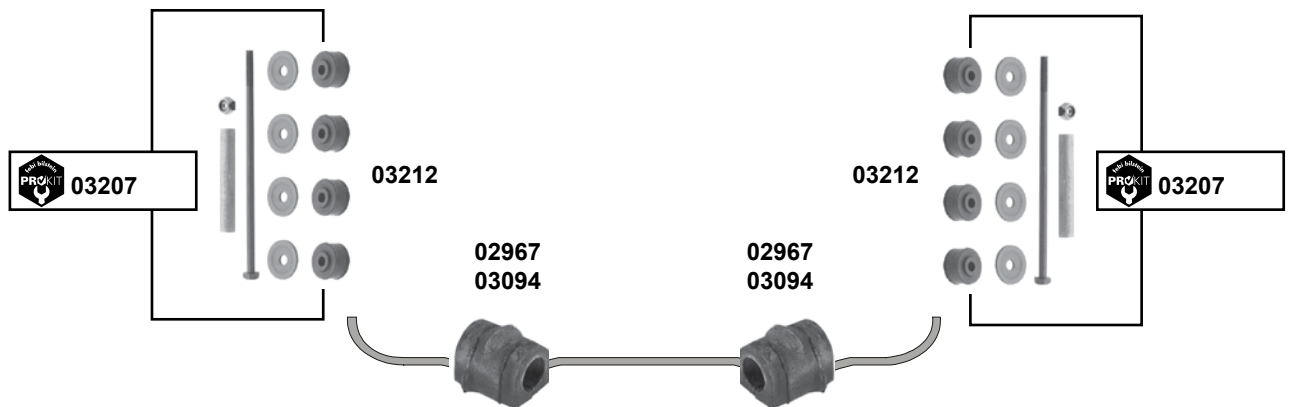
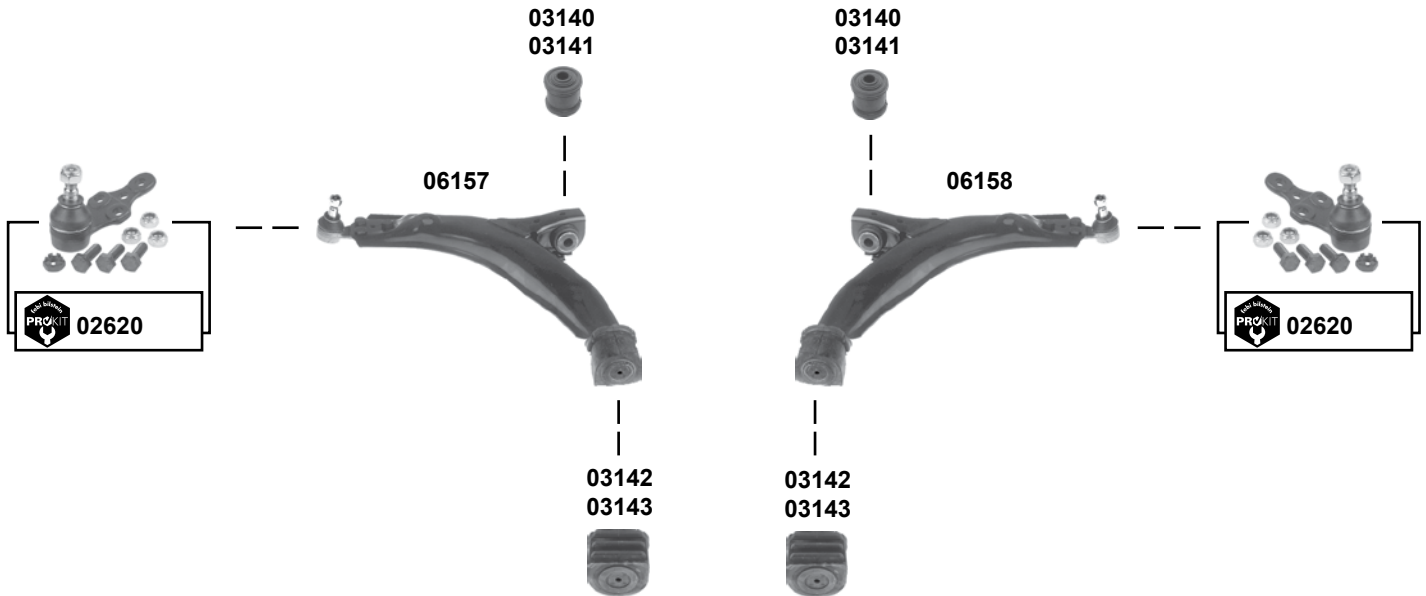


	Ref. - No.			
<b>02629</b>	90105358	Einstellbolzen / adjusting bolt	M16x1,5x98,5	
<b>02633</b>	90125567	Spurstange / tie rod		L 429
<b>02634</b>	90125568	Spurstange / tie rod		L 429
<b>02635</b>	90140007	ProKit Spurstangenendstück / tie rod end		M16x1,5 RHT
<b>02636</b>	90140006	ProKit Spurstangenendstück / tie rod end		M16x1,5 LHT
<b>02761</b>	90345195 S1	Rep. Satz Lenkmanschette / rep. kit steering boot		
<b>03180</b>	90345195	Lenkmanschette / steering boot		
<b>14401</b>	90398968 S1	Lenkmanschette / steering boot	LHD	servo  ZF
<b>14402</b>	90398968 SK	Lenkmanschette / steering boot	LHD	servo  ZF

Vorderachse / Front axle



**Astra Mk II**  
(1984 → 1994)



Vorderachse / Front axle



(1) 1.8 E / SE Caravan, 2.0 Cabrio / Stufenheck  
GSi / GTE

(2) (ex.) 1.8 E / SE Caravan, 2.0 Cabrio / Stufenheck  
GSi / GTE



Ref. - No.



Ref. - No.	Description	Quantity	Dimensions
02620	90272683 ProKit Traggelenk / ball joint		M12 x 1,5
02967	90235058 Stabilisatorlager / stabilizer mount		Ø I 20
03094	90216574 Stabilisatorlager / stabilizer mount		Ø I 17,5
03140	90193117 Querlenkerlager / control arm mount	(1)	59x43,5x14,5
03141	90335966 Querlenkerlager / control arm mount	(2)	59x46x14,5
03142	90235040 Querlenkerlager / control arm mount	(2)	21x56x54,5
03143	90235041 Querlenkerlager / control arm mount	(1)	21x56x54,5
03207	90009367 ProKit Stabilisatorlager / stabilizer mount		
03212	02875013 Verbindungsstangenlager / connecting rod bearing		8,5x30x19
06157	90375505 Querlenker / control arm	(2)	
06158	90375506 Querlenker / control arm	(2)	

passend für / to fit

**VAUXHALL**



**Car  
Division**



# Astra Mk III

(1991 → 1998)

(ch.) → R 2595225, R 5111734, R 8145949

Vorderachse / Front axle



Ref. - No.

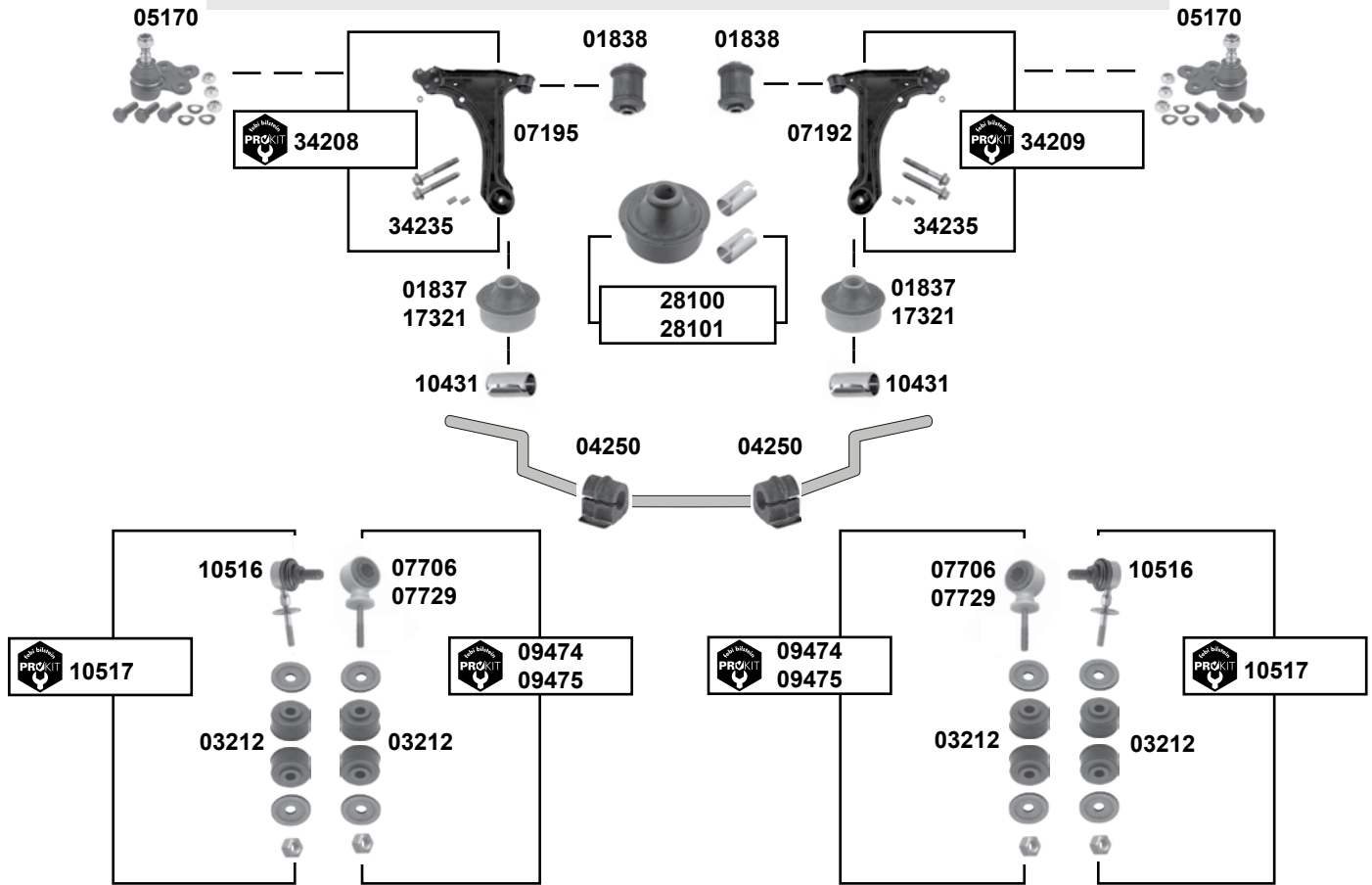


<b>05198</b>	90373521	Spurstange / tie rod	L 434
<b>05199</b>	90373522	Spurstange / tie rod	L 434
<b>05200</b>	90369705	Spurstangenendstück / tie rod end	M16x1,5 LHT
<b>05201</b>	90369704	Spurstangenendstück / tie rod end	M16x1,5 RHT
<b>05202</b>	90373523	Einstellbolzen / adjusting bol	M16x2x105,5
<b>14134</b>	90373522 S1	ProKit Spurstange / tie rod	
<b>14135</b>	90373521 S1	ProKit Spurstange / tie rod	



**Astra Mk III**  
(1991 → 1998)

(ch.) → R 2595225, R 5111734, R 8145949



Vorderachse / Front axle

	(1) (ch.) → P 2603822	(2) (ch.) P 2603823 → R 2595225
	(ch.) → P 8146889	
		(ch.) P 8146890 → R 8145949

	Ref. - No.			
01837	90268463	Querlenkerlager / control arm mount	(1)	16x60x58
01838	90373778	Querlenkerlager / control arm mount	(1)	12x39x60
03212	02875013	Verbindungsstangenlager / connecting rod bearing		8,5x30x19
04250	90447867	Stabilisatorlager / stabilizer mount		Ø   20
05170	90297863	Traggelenk / ball joint		M12 x 1,5
07192	90495160	Querlenker / control arm	(ex.) GSI	
07195	90495159	Querlenker / control arm	(ex.) GSI	
07706	90278579	Verbindungsstange / connecting rod		Ø   22
07729	90278577	Verbindungsstange / connecting rod		Ø   18
09474	90278579 S1	ProKit Verbindungsstange / connecting rod		
09475	90278577 S1	ProKit Verbindungsstange / connecting rod		
10431	90250709	Hülse / sleeve		16,3x30
10516	90495045	Verbindungsstange / connecting rod		L 86
10517	90495045 S1	ProKit Verbindungsstange / connecting rod		L 86
17321	90373264	Querlenkerlager / control arm mount	(2)	
28100	90268463 S1	Querlenkerlager / control arm mount	(1)	16x60x58
28101	90373264 S1	Querlenkerlager / control arm mount	(2)	16x60x58
34208	90495195 S1	ProKit Querlenker / control arm	(ex.) GSI	
34209	90495160 S1	ProKit Querlenker / control arm	(ex.) GSI	
34235	11092273 S1	Schraubensatz für Querlenker / screw kit for control arm		

passend für / to fit

**VAUXHALL**



**Car  
Division**



# Astra Mk III

(1991 → 1998)

(ch.) R 2595226, R 5111735, R 8145950 →

Vorderachse / Front axle



05201



05202



05198



05199



05202



05200



Ref. - No.

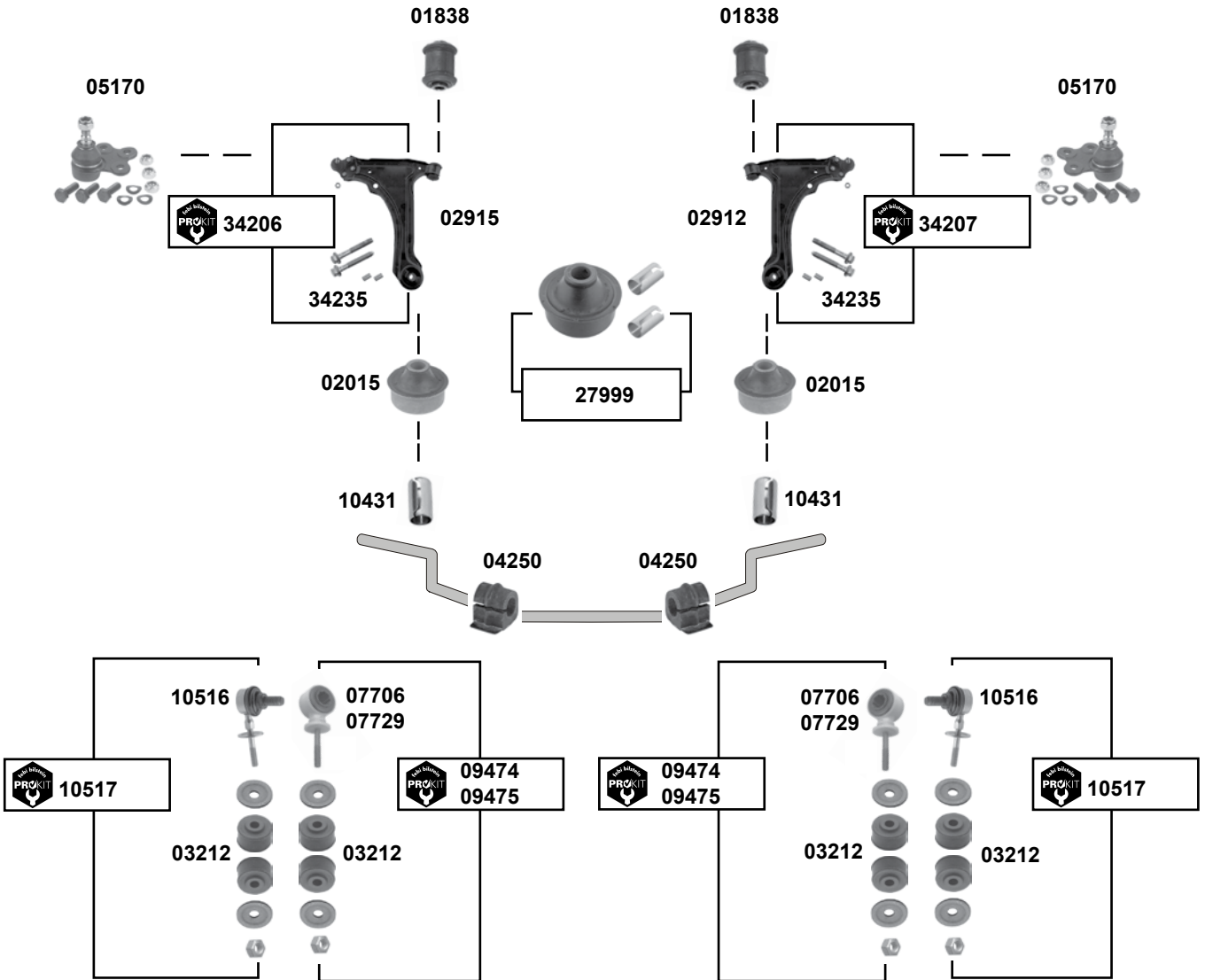


<b>05198</b>	90373521	Spurstange / tie rod	L 434
<b>05199</b>	90373522	Spurstange / tie rod	L 434
<b>05200</b>	90369705	Spurstangenendstück / tie rod end	M16x1,5 LHT
<b>05201</b>	90369704	Spurstangenendstück / tie rod end	M16x1,5 RHT
<b>05202</b>	90373523	Einstellbolzen / adjusting bolt	M16x2x105,5
<b>14134</b>	90373522 S1	ProKit Spurstange / tie rod	
<b>14135</b>	90373521 S1	ProKit Spurstange / tie rod	



**Astra Mk III**  
(1991 → 1998)

(ch.) R 2587416, R 5111735, R 8145950 →



Vorderachse / Front axle

	Ref. - No.			
01838	90373778	Querlenkerlager / control arm mount		12x39x60
02015	90495046	Querlenkerlager / control arm mount		16x60x58
02912	90495104	Querlenker / control arm	(ex.) GSI	
02915	90495103	Querlenker / control arm	(ex.) GSI	
03212	02875013	Verbindungsstangenlager / connecting rod bearing		8,5x30x19
04250	90447867	Stabilisatorlager / stabilizer mount		Ø   22
05170	90297863	Traggelenk / ball joint		M12 x 1,5
07706	90278579	Verbindungsstange / connecting rod		Ø   22
07729	90278577	Verbindungsstange / connecting rod		Ø   18
09474	90278579 S1	ProKit Verbindungsstange / connecting rod		
09475	90278577 S1	ProKit Verbindungsstange / connecting rod		
10431	90250709	Hülse / sleeve		16,3x30
10516	90495045	Verbindungsstange / connecting rod		L 86
10517	90495045 S1	ProKit Verbindungsstange / connecting rod		L 86
27999	90495046 S1	Querlenkerlager / control arm mount		16x60x58
34206	90495103 S1	ProKit Querlenker / control arm	(ex.) GSI	
34207	90495104 S1	ProKit Querlenker / control arm	(ex.) GSI	
34235	11092273 S1	Schraubensatz für Querlenker / screw kit for control arm		



passend für / to fit

**VAUXHALL**

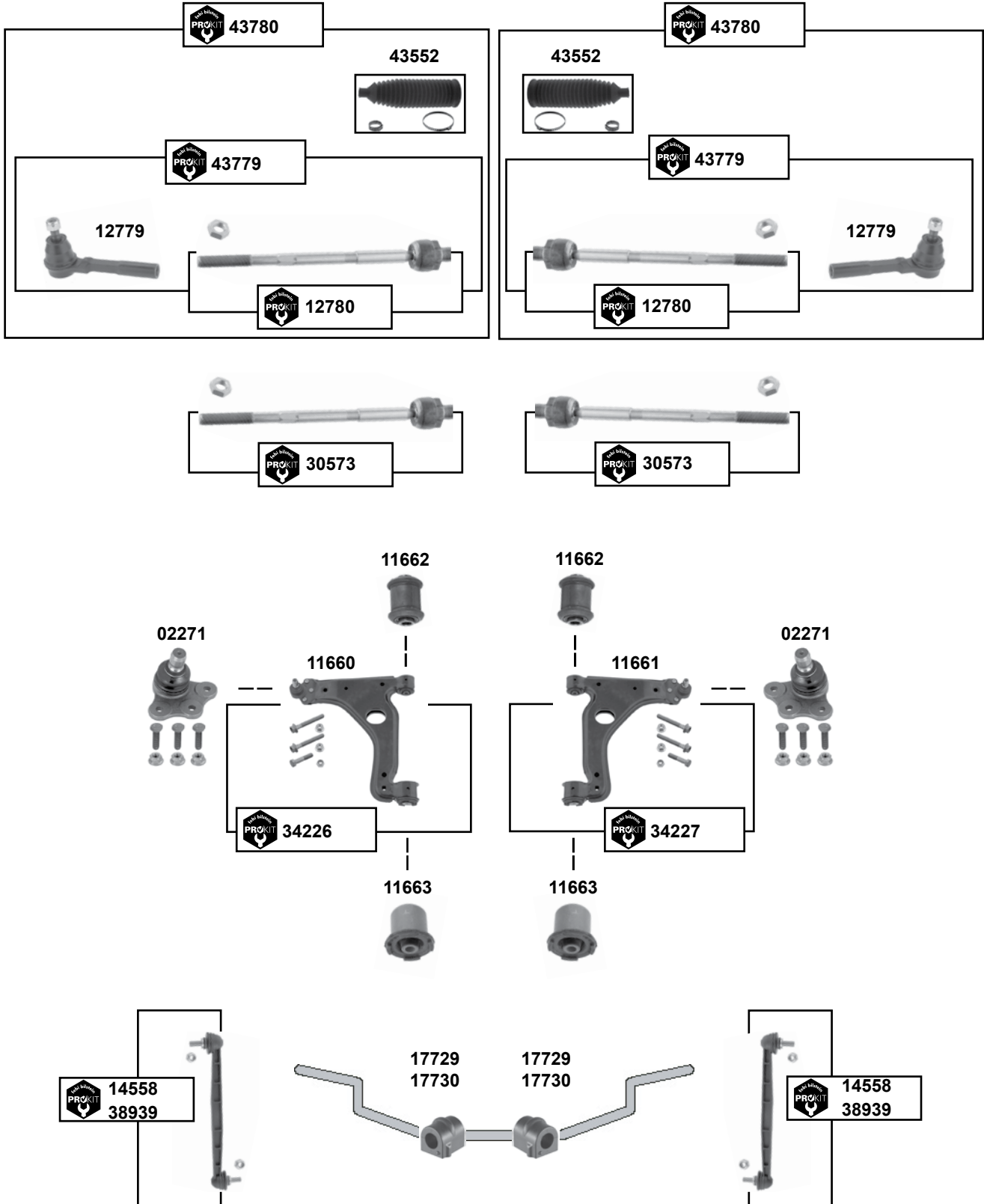


**Car  
Division**



# Astra Mk IV (1998 → 2004)

Vorderachse / Front axle





**Astra Mk IV**  
(1998 → 2004)

- (1) 1.2 (ch.) → X 2999999 / X 5999999 / X 6999999 / X 8999999
- (2) 1.2 (ch.) Y 2000001 / Y 5000001 / Y 6000001 / Y 8000001 → / 1.4 / 1.6 / 1.8 / 2.0 / 1.7 TD / DTI / 2.0 DI / DTI
- (3) Z1,4 XEP + **servo** elektronisch / electronic  
Coupe/Cabrio + **servo** TRW
- (4) Nur für TRW-Lenkung / TRW-steering only



Ref. - No.



	Ref. - No.			
<b>02271</b>	90512982	Traggelenk / ball joint		Ø A 18
<b>11660</b>	90498735	Querlenker / control arm		
<b>11661</b>	90498736	Querlenker / control arm		
<b>11662</b>	90498738	Querlenkerlager / control arm mount		12x36,5x60
<b>11663</b>	90498740	Querlenkerlager / control arm mount		12x45/48x60
<b>12779</b>	93186537	Spurstangenendstück / tie rod end	(ex.) OPC	M14x1,5 RHT
<b>12780</b>	26059293	ProKit Spurstange / tie rod	(ex.) OPC	L 300
<b>14558</b>	13169439	ProKit Verbindungsstange / connecting rod	<b>OLD</b>	L 300
<b>17729</b>	90468567	Stabilisatorlager / stabilizer mount	(1)	Ø I 16
<b>17730</b>	90538865	Stabilisatorlager / stabilizer mount	(2)	Ø I 18
<b>30573</b>	93191529 SK	ProKit Spurstange / tie rod	(3)	L 304
<b>34226</b>	90498735 S1	ProKit Querlenker / control arm		
<b>34227</b>	90498736 S1	ProKit Querlenker / control arm		
<b>38939</b>	13327928	ProKit Verbindungsstange / connecting rod	<b>NEW</b>	L 350
<b>43552</b>	93191260	Lenkmanschettensatz / steering boot set	(4)	L 211
<b>43779</b>	1603 643 S5	ProKit Spurstange / tie rod	(4)	M18 x 1,5
<b>43780</b>	1603 643 S6	ProKit Spurstange / tie rod	(4)	M18 x 1,5

passend für / to fit

**VAUXHALL**

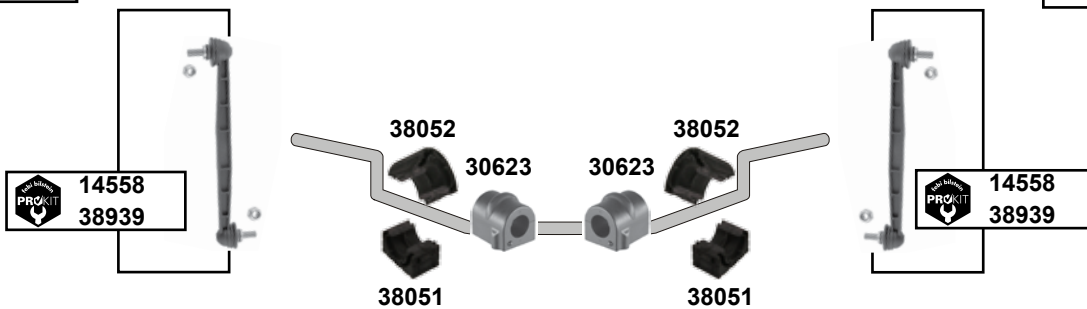
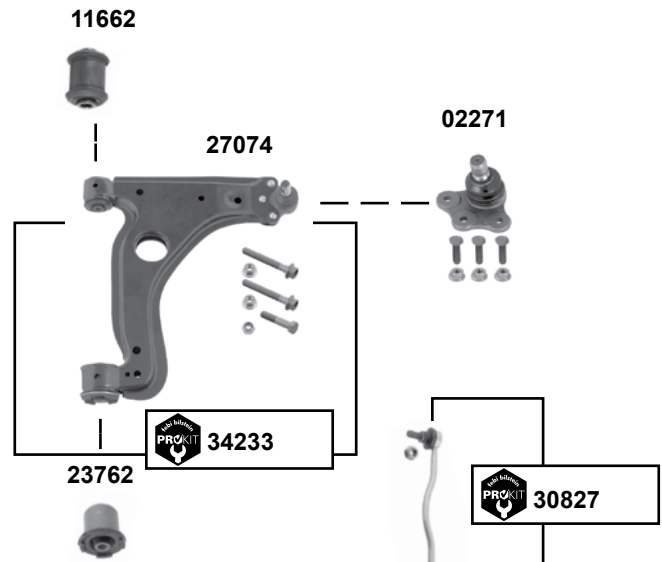
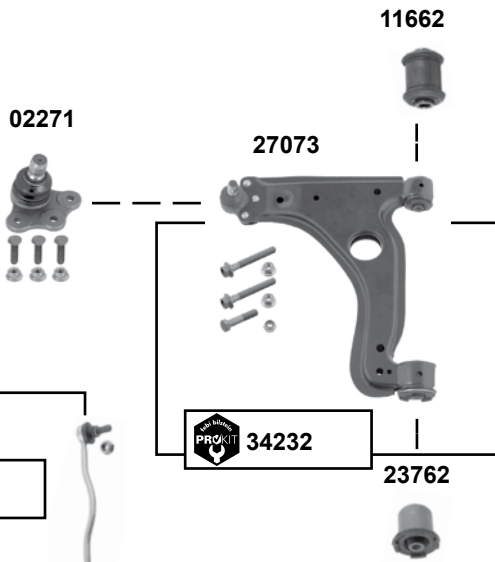
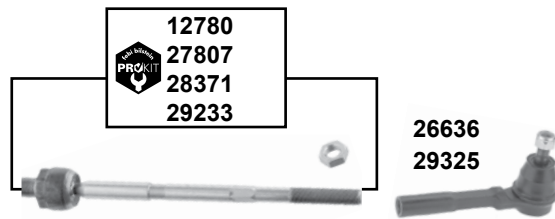
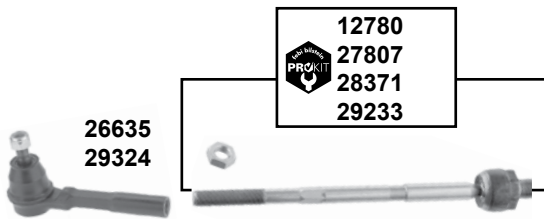
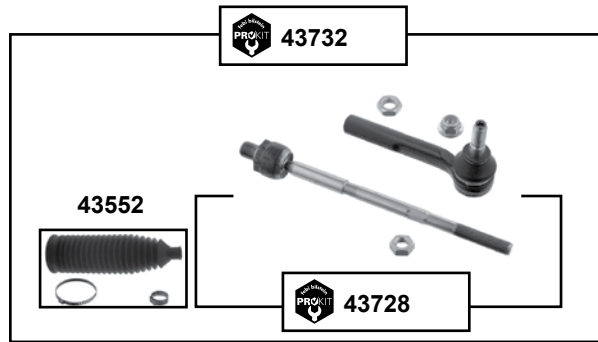
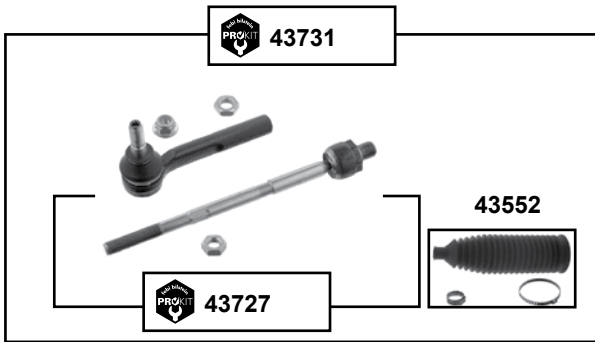


**Car  
Division**



# Astra Mk V (2004 → 2009)

Vorderachse / Front axle





**Astra Mk V**  
(2004 → 2009)

(1) servo  ZF (ex.) Sport	(2) servo  ZF Sport (ex.) 18/19"
(3) servo  ZF Sport + 18/19"	(4) TRW Generation II
(5) Schrägheck/Hatchback (ch.) → 52999999, 55999999, 58999999	
(6) (ch.) 72094720 - , (ch.) 75080481 - , (ch.) 78048189 - , (ch.) 8B000001 - , (ch.) 7G -	
(7) Nur für TRW-Lenkung / TRW-steering only (ch.) 72094720 , (ch.) 75080481 , (ch.) 78048189 , (ch.) 8B000001, (ch.) 7G-	



Ref. - No.



Febi bilstein	Ref. - No.			
02271	90512982	Traggelenk / ball joint		
11662	90498738	Querlenkerlager / control arm mount		12x36,5x60
12780	26059293	ProKit Spurstange / tie rod		L 279
14558	13169439	ProKit Verbindungsstange / connecting rod	(4) servo	L 300
23762	24439582	Querlenkerlager / control arm mount	(ex.) IDS+ / OLD	12x46x60
26635	93181232	Spurstangenendstück / tie rod end	servo  ZF	M14 x 1,5
26636	93181233	Spurstangenendstück / tie rod end	servo  ZF	M14 x 1,5
27073	24454477	Querlenker / control arm		
27074	22454478	Querlenker / control arm		
27807	93189668 SK	ProKit Spurstange / tie rod end	(1)	L 295
28371	93189669 SK	ProKit Spurstange / tie rod	(2)	L 279
29233	93189670 SK	ProKit Spurstange / tie rod	(3)	L 279
29324	93186333	Spurstangenendstück / tie rod end	servo  TRW	M14 x 1,5
29325	93186332	Spurstangenendstück / tie rod end	servo  TRW	M14 x 1,5
30623	13125492	Stabilisatorlager / stabilizer mounting	(5)	
30827	24461353	ProKit Verbindungsstange / connecting rod	IDS+	
34232	24454477 S1	ProKit Querlenker links / control arm left		
34233	24454478 S1	ProKit Querlenker rechts / control arm right		
38051	13204071	Stabilisatorlager, unten / stabilizer mount, lower	nur/only Cabrio	Ø I 24
38052	13204070	Stabilisatorlager, oben / stabilizer mount, upper	nur/only Cabrio	Ø I 24
38939	13327928	ProKit Verbindungsstange / connecting rod	(ex.) IDS+ / NEW	L 350
43552	93191260	Lenkmanschettensatz / steering boot set	(7)	L 211
43727	1603 643 S1	ProKit Spurstange / tie rod	(4)	M18 x 1,5
43728	1603 643 S2	ProKit Spurstange / tie rod	(4)	M18 x 1,5
43731	93191526 S3	ProKit Spurstange / tie rod	(4) (6)	M18 x 1,5
43732	93191526 S4	ProKit Spurstange / tie rod	(4) (6)	M18 x 1,5

passend für / to fit

**VAUXHALL**



**Car  
Division**



# Astra Mk VI (2009 → 2015)

Vorderachse / Front axle

45095



45095



45096



45096



**PROKIT** 44424



**PROKIT** 44424



**PROKIT** 44446



**PROKIT** 44338



**PROKIT** 44446



**PROKIT** 44156



**PROKIT** 44434



**PROKIT** 44156



**PROKIT** 44249



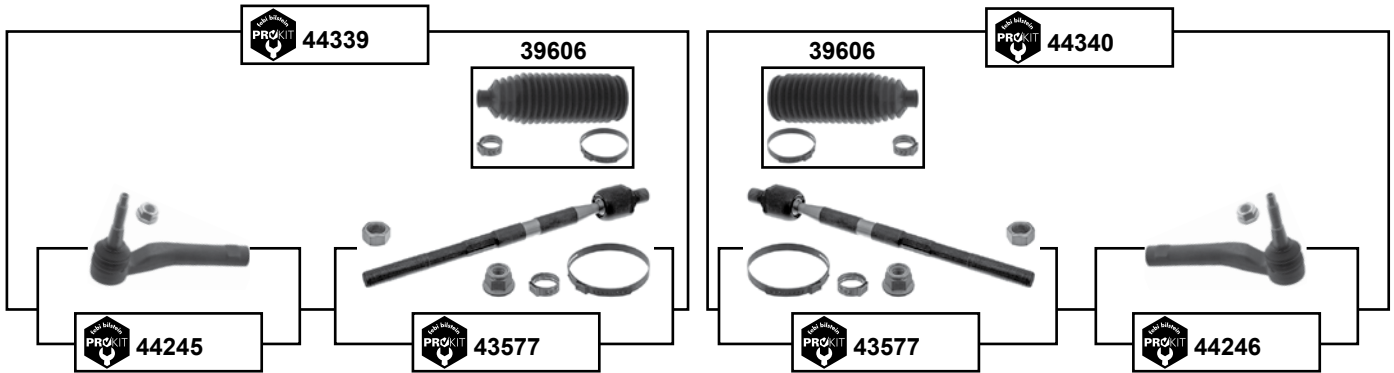
**PROKIT** 44447



**PROKIT** 44250



**Astra Mk VI**  
(2009 → 2015)



Vorderachse / Front axle

- (1) (ch.) → A3999999 / A8999999 / AG999999
- (2) 3-türer / doors mit / with servo
- (3) Coupe : Nur mit hydraulischer servo / combined with hydraulic servo
- (4) 5-türer / doors / servo / (ch.) C1000001 → , (ch.) B3000001 → , (ch.) B8000001 → , (ch.) BG000001 →
- (5) → (ch.) A3999999 / → (ch.) A8999999 / → (ch.) AG999999
- (6) 3-türer / doors E - servo
- (7) 5-türer / doors E - servo

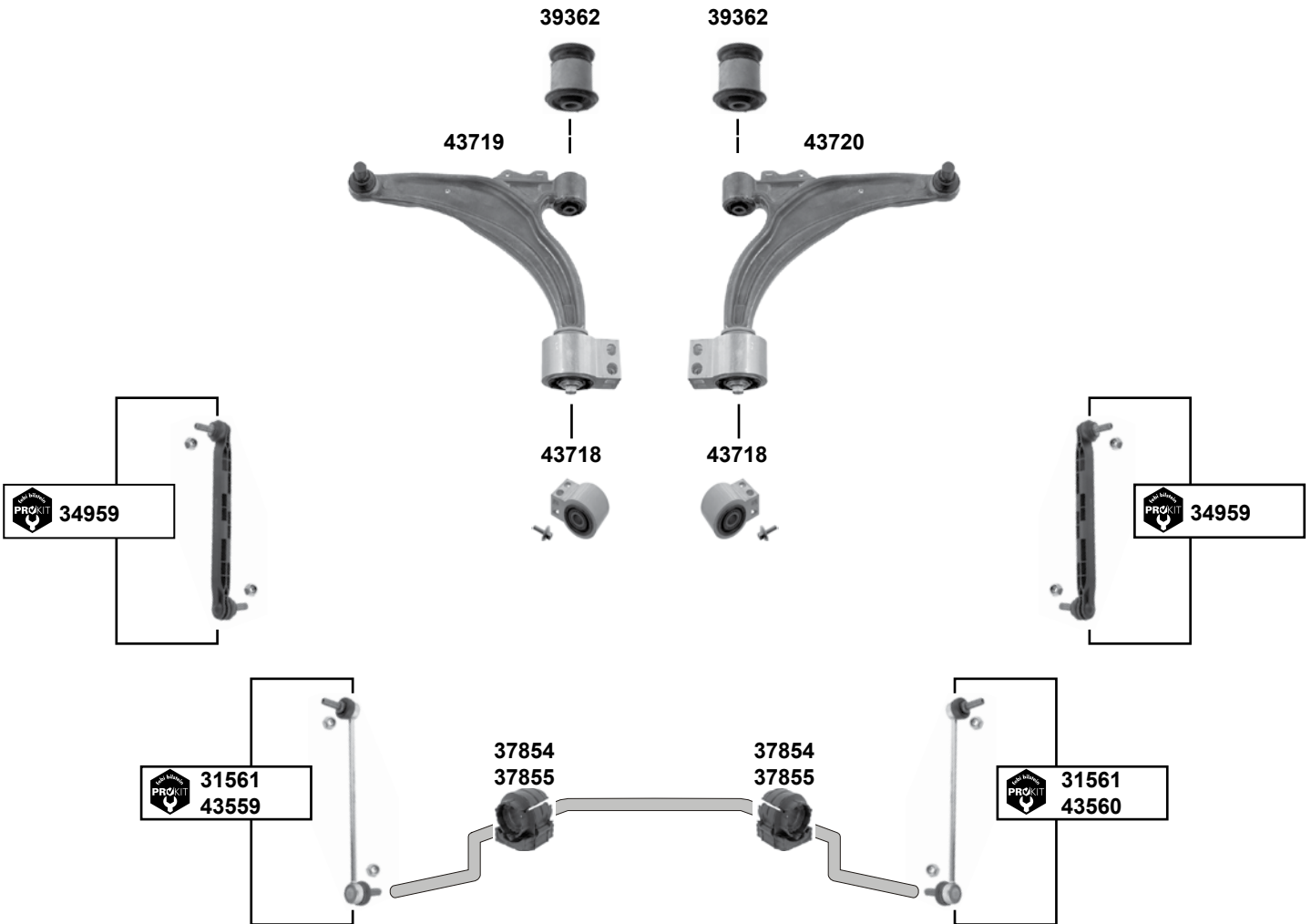


	Ref. - No.			
<b>39606</b>	13278357	Rep. Satz Lenkmanschette / rep. kit steering boot	servo	
<b>43577</b>	13314168	ProKit Axialgelenk / axial joint	(1) servo	L 294
<b>44156</b>	13354542	ProKit Axialgelenk / axial joint	Coupe E - servo	L 223
<b>44245</b>	13354538	ProKit Spurstangenendstück / tie rod end	(2)	M12 x 1,75
<b>44246</b>	13354540	ProKit Spurstangenendstück / tie rod end	(2)	M12 x 1,75
<b>44249</b>	13354542 S1	ProKit Spurstange / tie rod	(6)	
<b>44250</b>	13354542 S2	ProKit Spurstange / tie rod	(6)	
<b>44338</b>	13314168 S1	ProKit Spurstange / tie rod	(5) (7)	
<b>44339</b>	13314168 S2	ProKit Spurstange / tie rod	(2) (5)	L 396
<b>44340</b>	13314168 S3	ProKit Spurstange / tie rod	(2) (5)	L 396
<b>44424</b>	13337891	ProKit Axialgelenk / axial joint	(3)	L 228
<b>44434</b>	13337891 S1	ProKit Spurstange / tie rod	(3)	
<b>44446</b>	13278358	ProKit Axialgelenk / axial joint	(4)	L 284
<b>44447</b>	13278358 S1	ProKit Spurstange / tie rod	servo	
<b>45095</b>	13354440 SK1	Lenkmanschette / steering rack boot	E - servo	
<b>45096</b>	13354440	Lenkmanschettensatz / steering boot set	E - servo	



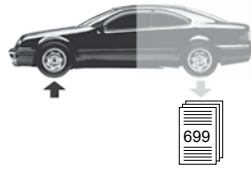
**Astra Mk VI**  
(2009 → 2015)

Vorderachse / Front axle



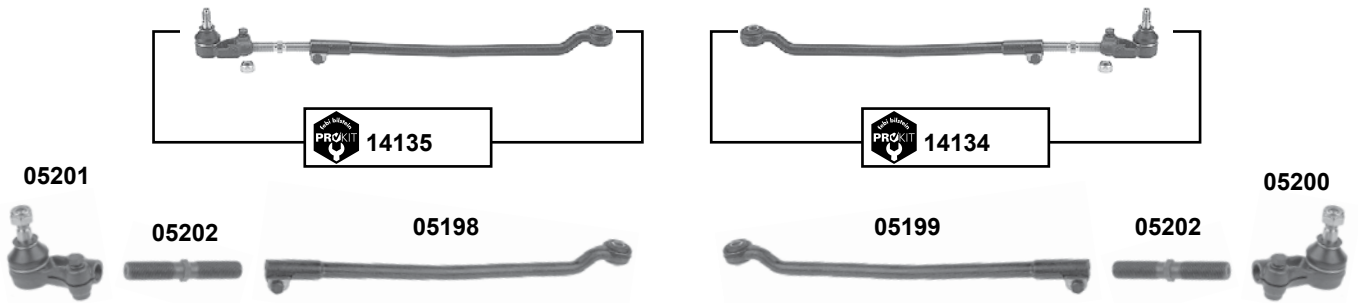
- (1)
- (2) alle (ex.) Flexride Fahrwerk / all (ex.)
- (3) (ch.) B8106940 - B8999999 / (ch.) BG140001 - BG999999  
(ch.) C0000001 → / (ch.) C1000001 → / (ch.) C3000001 → / (ch.) C8000001 / → (ch.) CG000001 →  
(ex.) Biturbo
- (4) (mot.) A 2,0 NFT 3-türer // alle / all 5-türer
- (5) A2,0DTR , A2,0DTH , Y2,0DTJ , Z2,0DTC nur 3-türer / 3-doors only
- (6) ( 5-türer / doors Schrägheck / Sufenheck / Caravan ) außer / except Biturbo

	Ref. - No.			
<b>31561</b>	13258052	ProKit Verbindungsstange / connecting rod	(1)	L 303,5
<b>34959</b>	13219141	ProKit Verbindungsstange / connecting rod	(2)	L 304
<b>37854</b>	13281782	Stabilisatorlager / stabilizer mount	(4)	Ø I 25
<b>37855</b>	13281784	Stabilisatorlager / stabilizer mount	(5)	Ø I 23
<b>39362</b>	13219090	Querlenkerlager / control arm mount	(6)	12x52x60
<b>43559</b>	13282834	ProKit Verbindungsstange / connecting rod	3-türer / doors	L 290
<b>43560</b>	13285628	ProKit Verbindungsstange / connecting rod	3-türer / doors	L 290
<b>43718</b>	13334021	Querlenkerlager / control arm mount	(6)	106x80x65
<b>43719</b>	13334022	Querlenker / control arm	(3)	
<b>43720</b>	13334023	Querlenker / control arm	(3)	

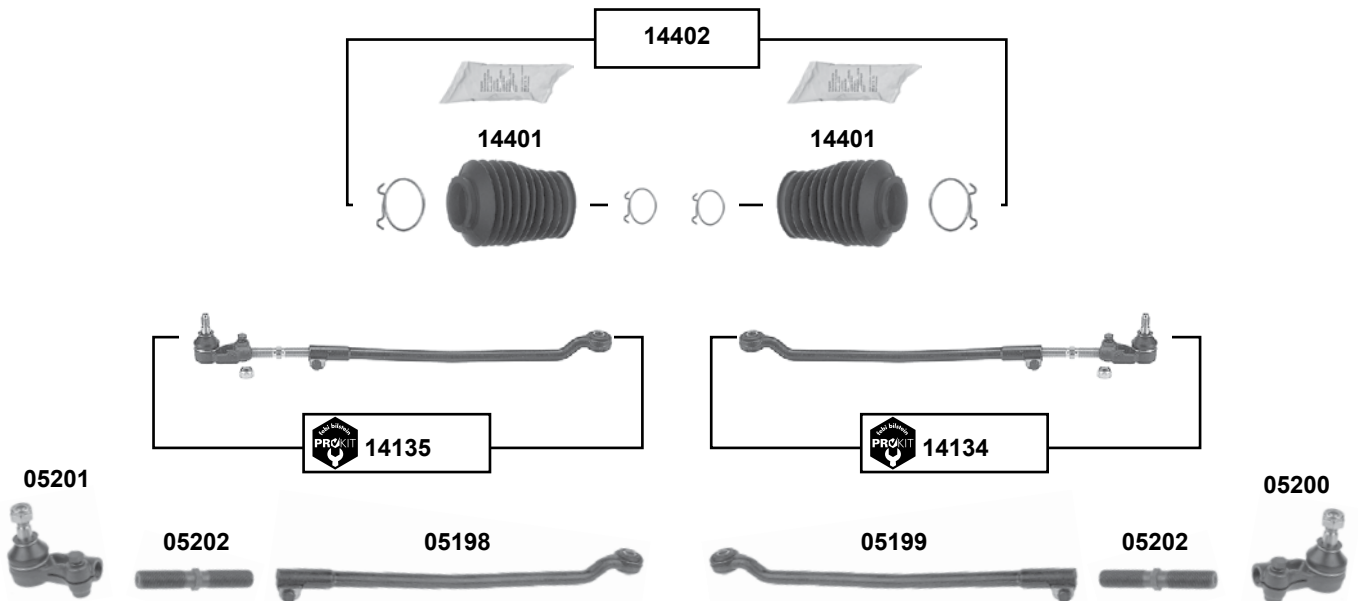


**Calibra**  
(1990 → 1997)

man.



servo

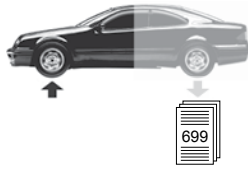


Vorderachse / Front axle

	Ref. - No.			
05198	90373521	Spurstange / tie rod		L 434
05199	90373522	Spurstange / tie rod		L 434
05200	90369705	Spurstangenendstück / tie rod end		M16x1,5 LHT
05201	90369704	Spurstangenendstück / tie rod end		M16x1,5 RHT
05202	90373523	Einstellbolzen / adjusting bolt		M16x2x105,5
14134	90373522 S1	ProKit Spurstange / tie rod		
14135	90373521 S1	ProKit Spurstange / tie rod		
14401	90398968 S1	Lenkmanschette / steering boot		
14402	90398968 SK	Lenkmanschette / steering boot		

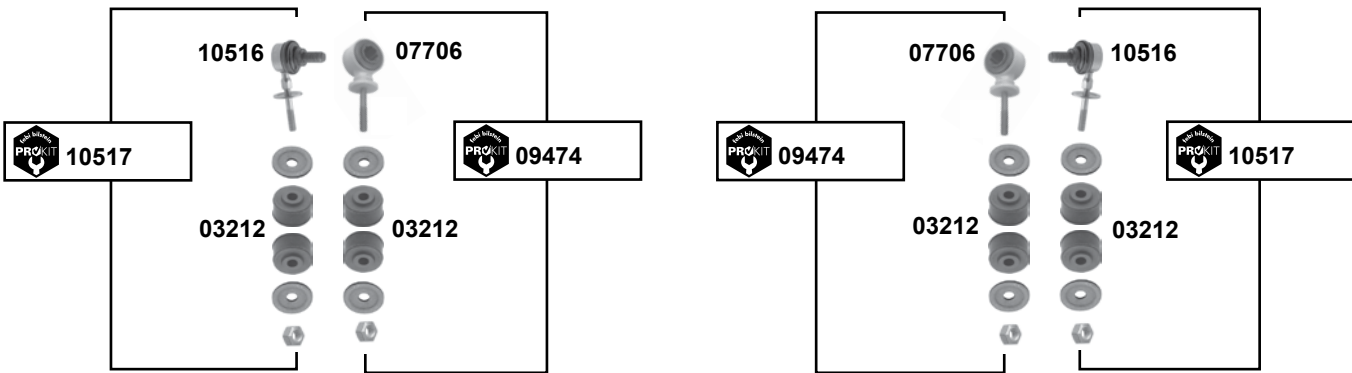
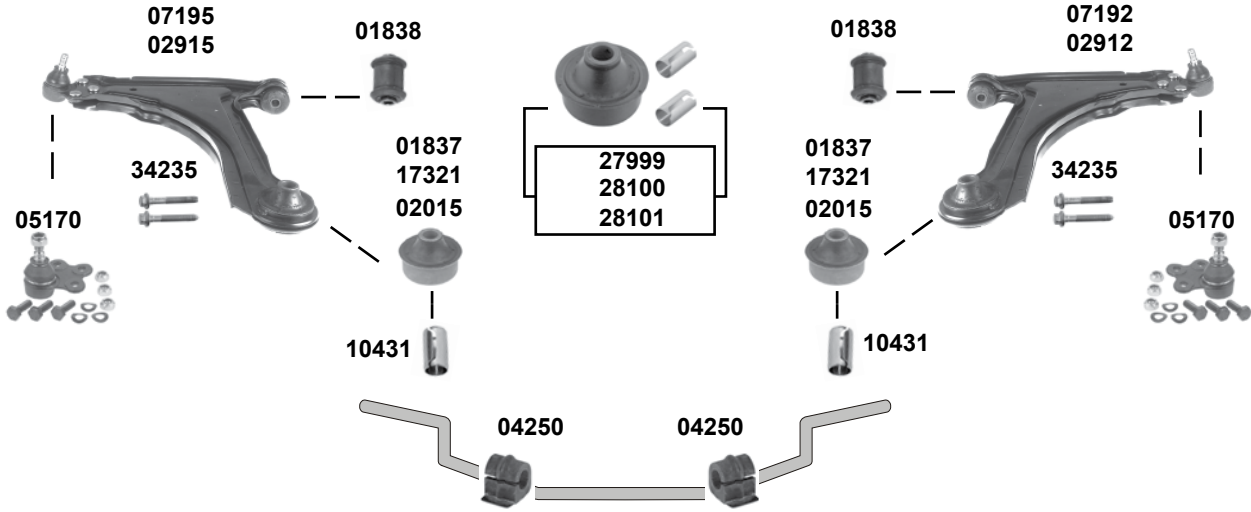
servo ZF  
servo ZF





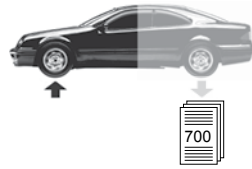
**Calibra**  
(1990 → 1997)

Vorderachse / Front axle



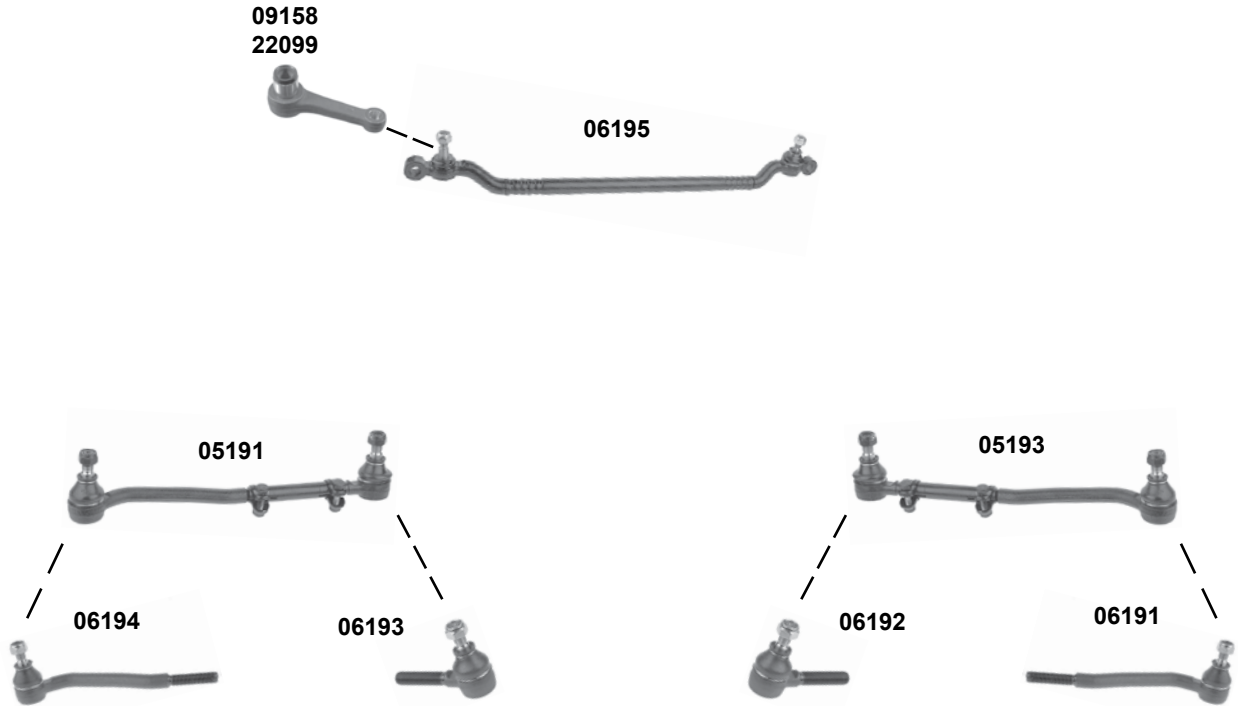
	(1) 2.0 i (85kW) (ch.) → R 9003127	(3) 2.0 i (85kW) (ch.) R 9003128
	(2) 2.0 i 16V → 2.5 V6 (ch.) → R 9003174	→ 2.0 i 16V → 2.5 V6 (ch.) R 9003175
	(4) 2.0 i (85kW) / 2.0 i 16V (ch.) R 9003128 →	

	Ref. - No.			
01837	90268463	Querlenkerlager / control arm mount	(1)	16x60x58
01838	90373778	Querlenkerlager / control arm mount	2.0 i (85 kW)	12x39x60
02015	90495046	Querlenkerlager / control arm mount	(3)	16x60x58
02912	90495104	Querlenker / control arm	(4)	
02915	90495103	Querlenker / control arm	(4)	
03212	02875013	Verbindungsstangenlager / connecting rod bearing		8,5x30x19
04250	90447867	Stabilisatorlager / stabilizer mount		Ø I 22
05170	90297863	Traggelenk / ball joint	(ex.) 2.5 V6	M12 x 1,5
07192	90495160	Querlenker / control arm	(1)	
07195	90495159	Querlenker / control arm	(1)	
07706	90278579	Verbindungsstange / connecting rod		Ø I 22
09474	90278579 S1	ProKit Verbindungsstange / rep. kit connecting rod		
10431	90250709	Hülse / sleeve		16,3x30
10516	90495045	Verbindungsstange / connecting rod		L 86
10517	90495045 S1	ProKit Verbindungsstange / connecting rod		L 86
17321	90373264	Querlenkerlager / control arm mount	(2)	
27999	90495046 S1	Querlenkerlager / control arm mount	(3)	16x60x58
28100	90268463 S1	Querlenkerlager / control arm mount	(1)	16x60x58
28101	90373264 S1	Querlenkerlager / control arm mount	(2)	
34235	11092273 S1	Schraubensatz für Querlenker / screw kit for control arm		



**Carlton**  
(1986 → 1994)

Vorderachse / Front axle



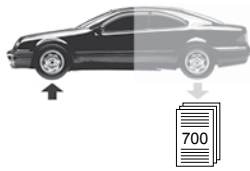
(1) (mot.) 1.8 / 2.0 / 2.4



Ref. - No.

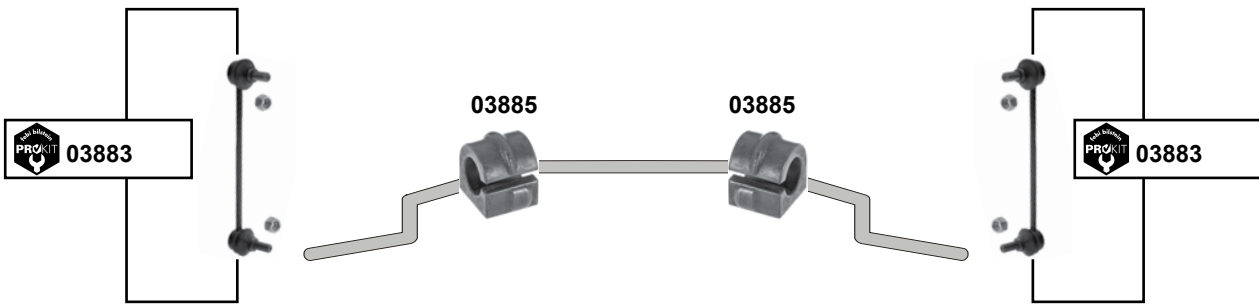
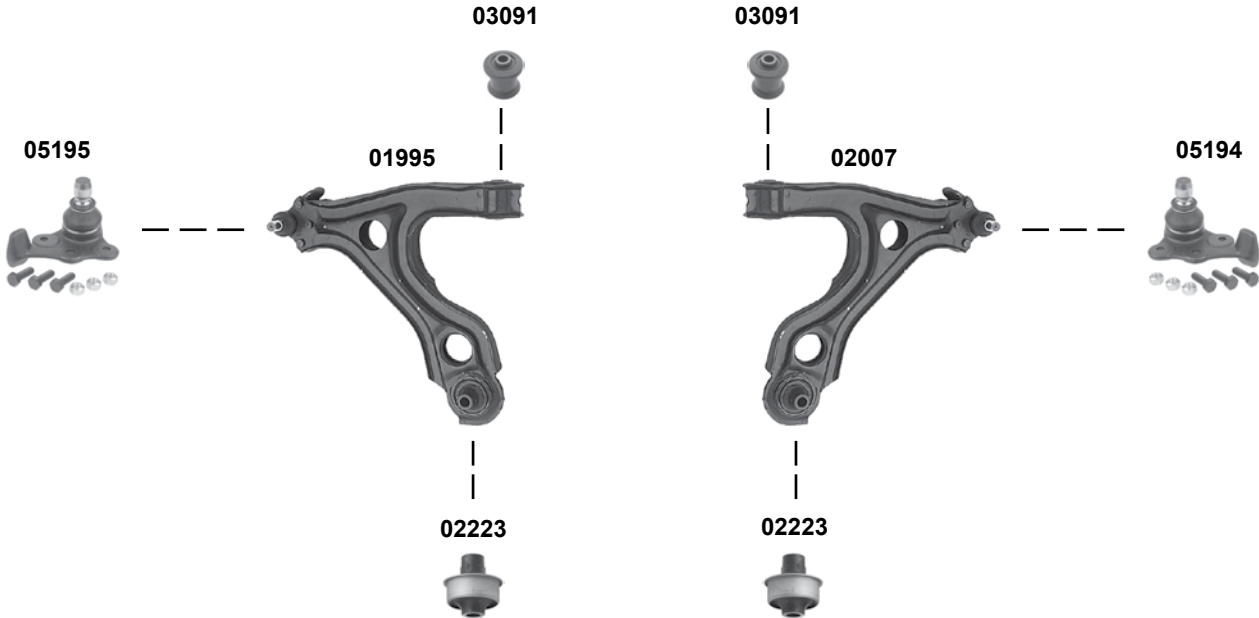


<b>05191</b>	90510641	Spurstange / tie rod		L 347
<b>05193</b>	90510642	Spurstange / tie rod		L 347
<b>06191</b>	90510644	Spurstangenendstück / tie rod end	(ch.) H1169261 →	M14x1,5 LHT
<b>06192</b>	90510640	Spurstangenendstück / tie rod end	(ch.) H1169261 →	M14x1,5 RHT
<b>06193</b>	90510639	Spurstangenendstück / tie rod end	(ch.) H1169261 →	M14x1,5 LHT
<b>06194</b>	90510643	Spurstangenendstück / tie rod end	(ch.) H1169261 →	M14x1,5 RHT
<b>06195</b>	90392553	Spurstange / tie rod		L 572
<b>09158</b>	90092492	Lenkhebel / steering arm		L 121 Ø 18
<b>22099</b>	09195731	Lenkhebel / steering arm	(1)	L 110 Ø 18



**Carlton**  
(1986 → 1994)

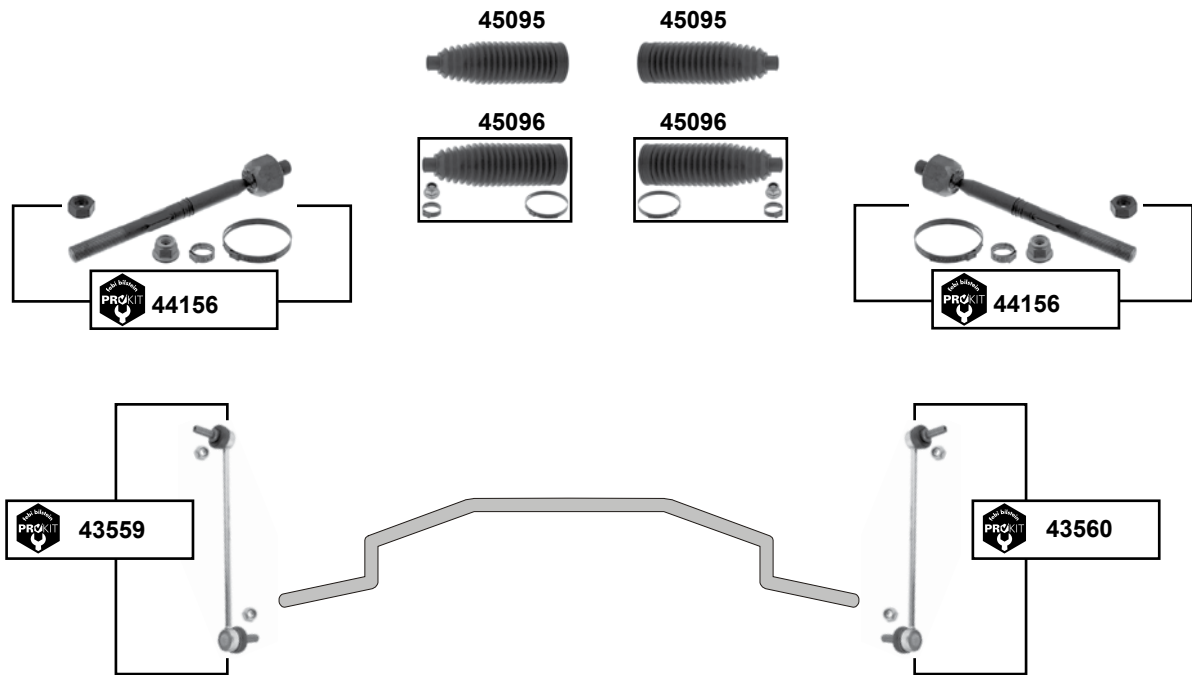
Vorderachse / Front axle



	Ref. - No.			
<b>01995</b>	90288387	Querlenker / control arm		
<b>02007</b>	90288388	Querlenker / control arm		
<b>02223</b>	90373854	Querlenkerlager / control arm mount		16x60x69,5
<b>03091</b>	90279193	Querlenkerlager / control arm mount		12x41/47x60
<b>03883</b>	90445137	ProKit Verbindungsstange / connecting rod		L 225
<b>03885</b>	90278624	Stabilisatorlager / stabilizer mount		Ø I 22
<b>05194</b>	90272195	Traggelenk / ball joint		Ø A 18
<b>05195</b>	90272194	Traggelenk / ball joint		Ø A 18

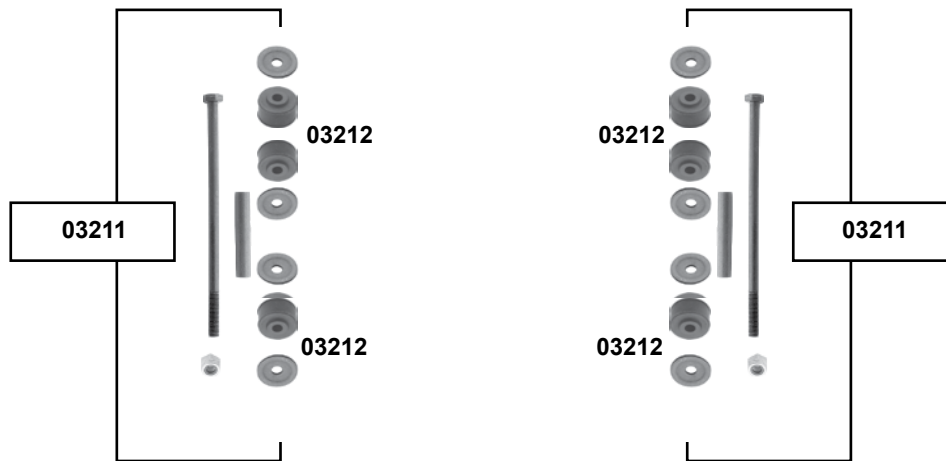


**Cascade**  
(2013 →)



Vorderachse / Front axle

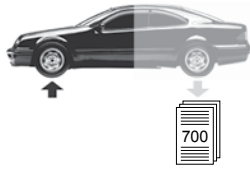
**Cavalier Mk II**  
(1981 → 1988)



	Ref. - No.			
<b>03211</b>	90009368	Rep. Satz Stabilisator / rep. kit stabilizer		
<b>03212</b>	2875013	Verbindungsstangenlager / connecting rod bearing		
<b>43559</b>	13282834	ProKit Verbindungsstange / connecting rod		L 290
<b>43560</b>	13285628	ProKit Verbindungsstange / connecting rod		L 290
<b>44156</b>	13354542	ProKit Axialgelenk / axial joint		L 223
<b>45095</b>	13354440 SK1	Lenkmanschette / steering rack boot	E - servo	
<b>45096</b>	13354440	Lenkmanschettensatz / steering boot set	E - servo	
			E - servo	

passend für / to fit

# VAUXHALL

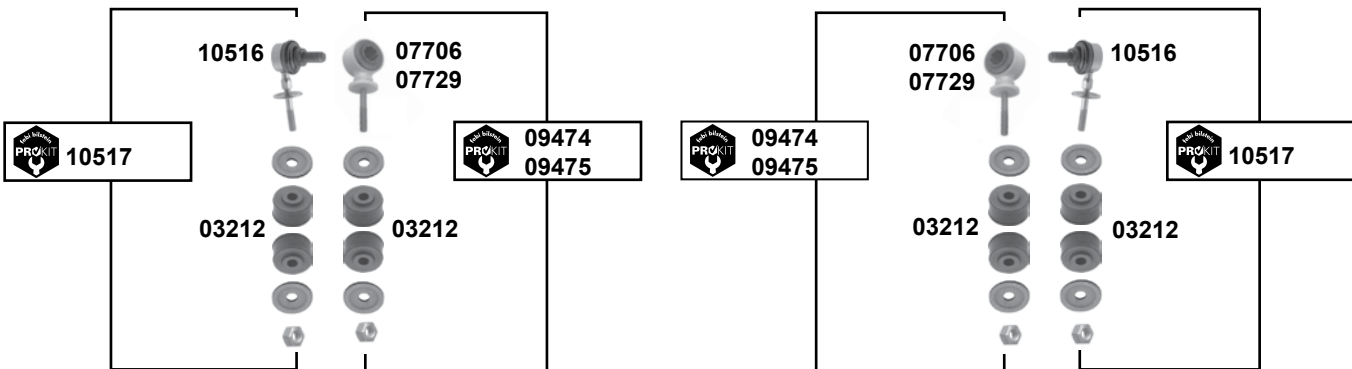
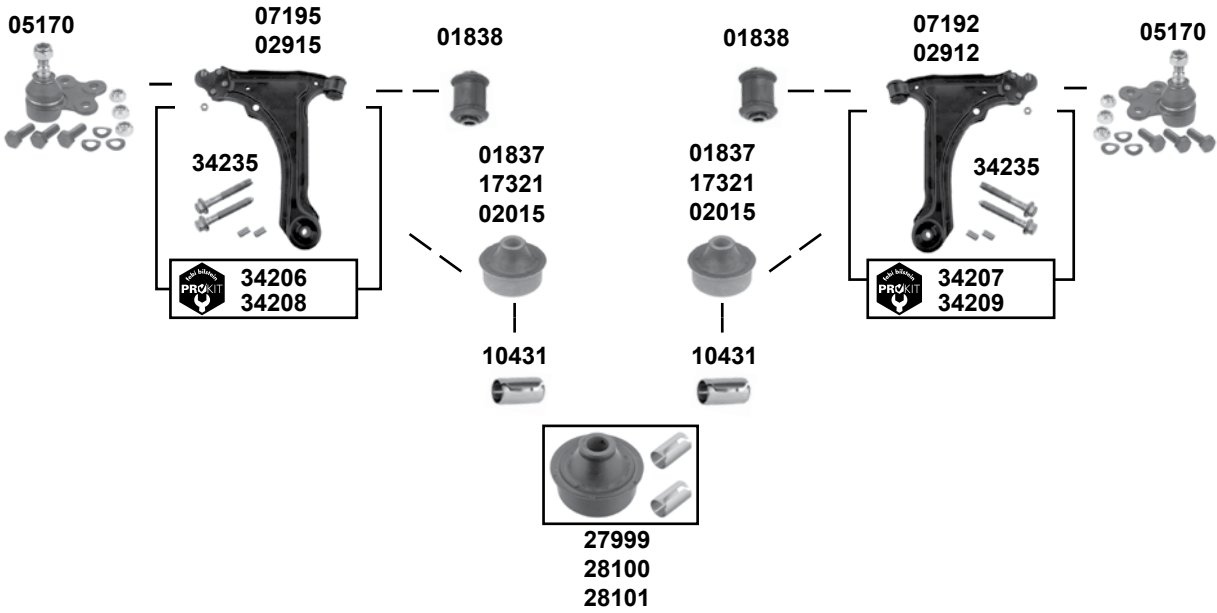


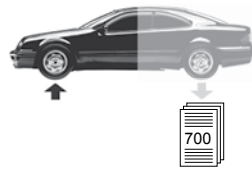
Car  
Division



## Cavalier Mk III (1988 → 1995) 1.4 → 2.0 i (ex.)16 V 1.7 D / TD

Vorderachse / Front axle

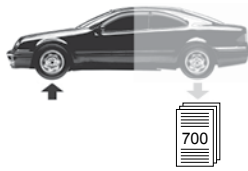




**Cavalier Mk III**  
(1988 → 1995)  
**1.4 → 2.0 i (ex.) 16 V**  
**1.7 D / TD**

	(1) (ch.) → NV 535971 / P 1001687 / P 5004910	(3) (ch.) NV 535972 / P 1001688 / P 5004911 →
	(2) (ch.) R 75440516 / R 1049315 / R 5112257 →	(4) (ch.) → R 75440515 / R 1049314 / R 5112256

	Ref. - No.			
01837	90268463	Querlenkerlager / control arm mount	(1) (ex.) 2.5 V6	16x60x58
01838	90373778	Querlenkerlager / control arm mount	(1) (ex.) 2.5 V6	12x39x60
02015	90495046	Querlenkerlager / control arm mount	(2) (ex.) 2.5 V6	16x60x58
02912	90495104	Querlenker / control arm	(2) (ex.) 2.5 V6	
02915	90495103	Querlenker / control arm	(2) (ex.) 2.5 V6	
03212	02875013	Verbindungsstangenlager / connecting rod bearing		8,5x30x19
04250	90447867	Stabilisatorlager / stabilizer mount		Ø   20
05170	90297863	Traggelenk / ball joint	(ex.) 2.5 V6	M12 x 1,5
07192	90495160	Querlenker / control arm	(4) (ex.) 2.5 V6	
07195	90495159	Querlenker / control arm	(4) (ex.) 2.5 V6	
07706	90278579	Verbindungsstange / connecting rod		Ø   22
07729	90278577	Verbindungsstange / connecting rod		Ø   18
09474	90278579 S1	ProKit Verbindungsstange / connecting rod		
09475	90278577 S1	ProKit Verbindungsstange / connecting rod		
10431	90250709	Hülse / sleeve		16,3x30
10516	90495045	Verbindungsstange / connecting rod		L 86
10517	90495045 S1	ProKit Verbindungsstange / connecting rod		L 86
17321	90373264	Querlenkerlager / control arm mount	(3) (4) (ex.) 2.5 V6	Ø   12
27999	90495046 S1	Querlenkerlager / control arm mount	(2) (ex.) 2.5 V6	16x60x58
28100	90268463 S1	Querlenkerlager / control arm mount	(1) (ex.) 2.5 V6	16x60x58
28101	90373264 S1	Querlenkerlager / control arm mount	(3) (4) (ex.) 2.5 V6	
34206	90495103 S1	ProKit Querlenker links / control arm left	(2)	
34207	90495104 S1	ProKit Querlenker rechts / control arm right	(2)	
34208	90495195 S1	ProKit Querlenker links / control arm left	(4)	
34209	90495160 S1	ProKit Querlenker rechts / control arm right	(4)	
34235	11092273 S1	Schraubensatz für Querlenker / screw kit for control arm		



# Cavalier Mk III

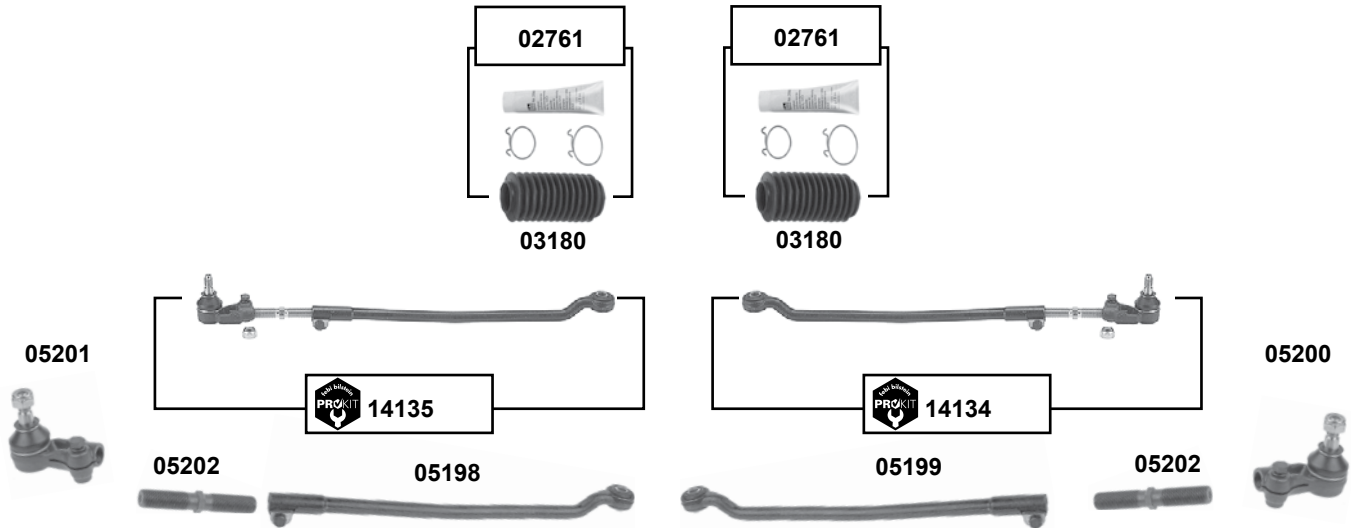
(1988 → 1995)

1.4 → 2.0 i (ex.)16 V

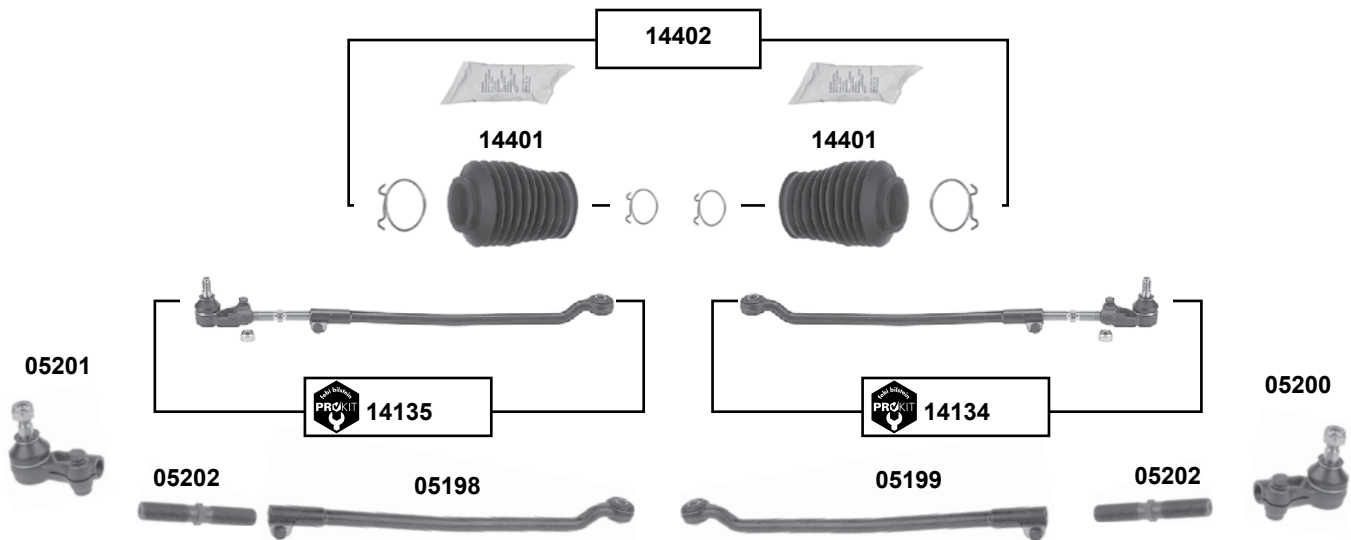
1.7 D / TD

man.

Vorderachse / Front axle



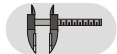
servo



(1) (ch.) → M 1300367 / M 5396085 / NV 102027

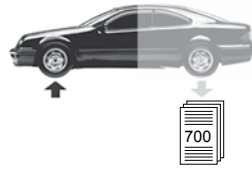


Ref. - No.



<b>02761</b>	90345195 S1	Rep. Satz Lenkmanschette / rep. kit steering boot	(1)	
<b>03180</b>	90345195	Lenkmanschette / steering boot	(1)	
<b>05198</b>	90373521	Spurstange / tie rod		L 434
<b>05199</b>	90373522	Spurstange / tie rod		L 434
<b>05200</b>	90369705	Spurstangenendstück / tie rod end		M16x2 LHT
<b>05201</b>	90369704	Spurstangenendstück / tie rod end		M16x2 RHT
<b>05202</b>	90373523	Einstellbolzen / adjusting bolt		M16x2x105,5
<b>14134</b>	90373522 S1	ProKit Spurstange / tie rod		M16 x 2
<b>14135</b>	90373521 S1	ProKit Spurstange / tie rod		M16 x 2
<b>14401</b>	90398968 S1	Lenkmanschette / steering boot		
<b>14402</b>	90398968 SK	Lenkmanschette / steering boot		

servo ZF  
servo ZF

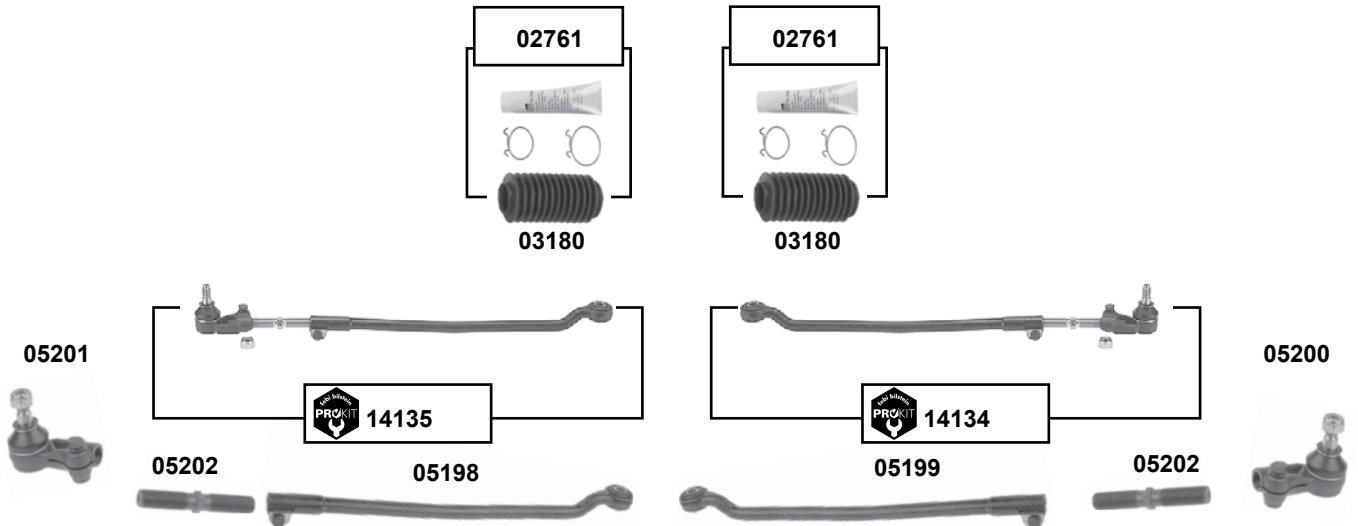


# Cavalier Mk III

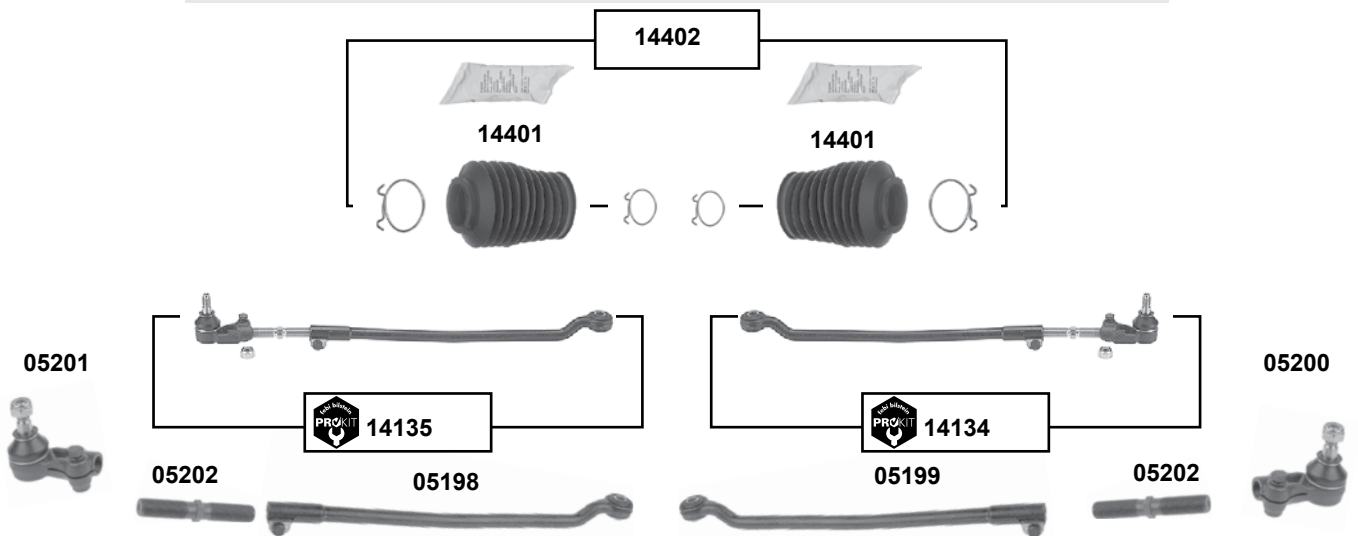
(1988 → 1995)

2.0 i 16V → 2.5 V6

man.



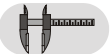
servo



(1) (ch.) → M 1300367 / M 5396085 / NV 102027



Ref. - No.



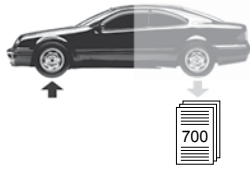
02761	90345195 S1	Rep. Satz Lenkmanschette / rep. kit steering boot	(1)	
03180	90345195	Lenkmanschette / steering boot	(1)	
05198	90373521	Spurstange / tie rod		L 434
05199	90373522	Spurstange / tie rod		L 434
05200	90369705	Spurstangenendstück / tie rod end		M16x1,5 LHT
05201	90369704	Spurstangenendstück / tie rod end		M16x1,5 RHT
05202	90373523	Einstellbolzen / adjusting bolt		M16x2x105,5
14134	90373522 S1	ProKit Spurstange / tie rod		M16 x 2
14135	90373521 S1	ProKit Spurstange / tie rod		M16 x 2
14401	90398968 S1	Lenkmanschette / steering boot		
14402	90398968 SK	Lenkmanschette / steering boot		

servo ZF  
servo ZF



passend für / to fit

**VAUXHALL**



**Car  
Division**

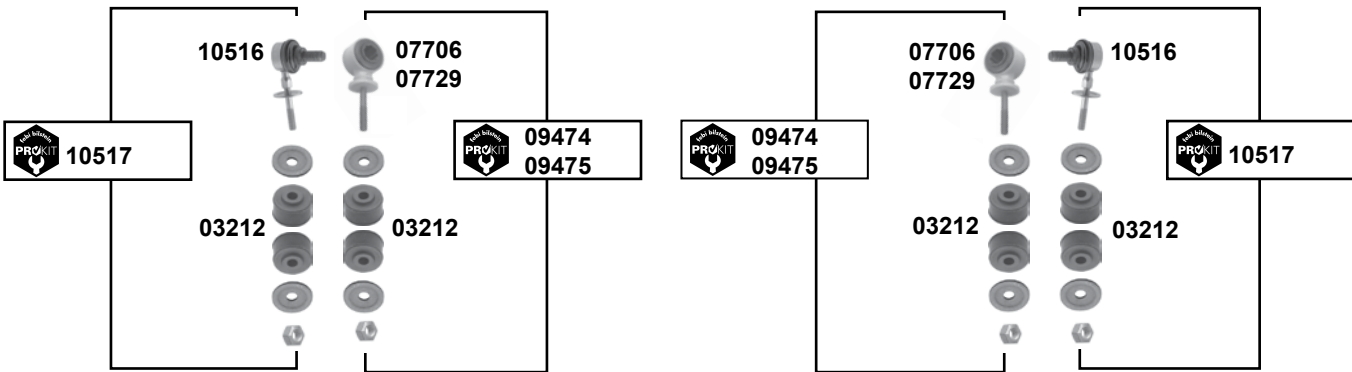
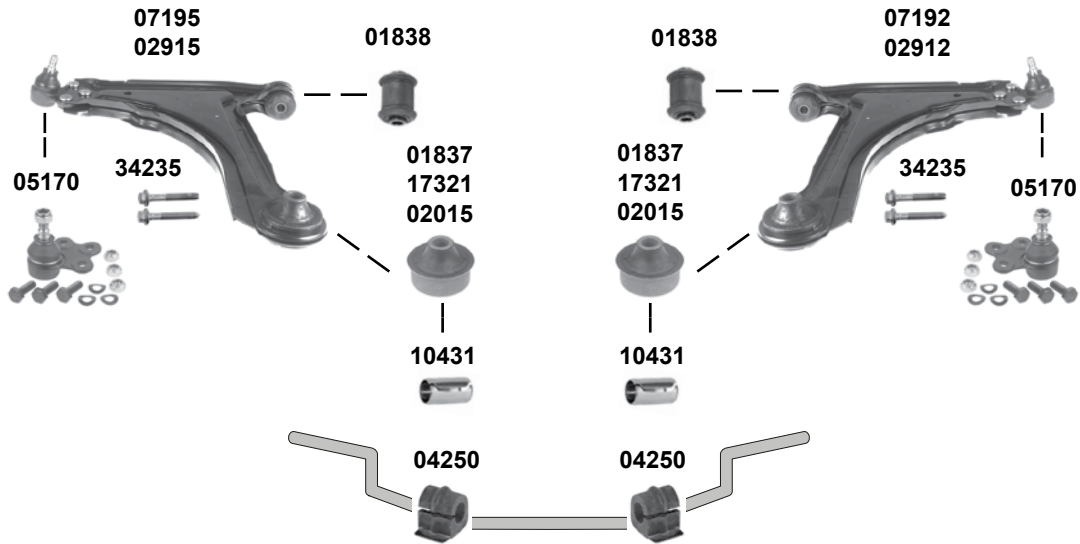


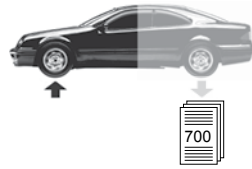
# Cavalier Mk III

(1988 → 1995)

2.0 i 16V → 2.5 V6

Vorderachse / Front axle





**Cavalier Mk III**  
(1988 → 1995)  
**2.0 i 16V → 2.5 V6**



**(1) (ch.)** → NV 535971 / P 1001687 / P 5004910

**(3) (ch.)** NV 535972 / P 1001688 / P 5004911 →

**(2) (ch.)** R 75440516 / R 1049315 / R 5112257 →

**(4) (ch.)** → R 75440515 / R 1049314 / R 5112256

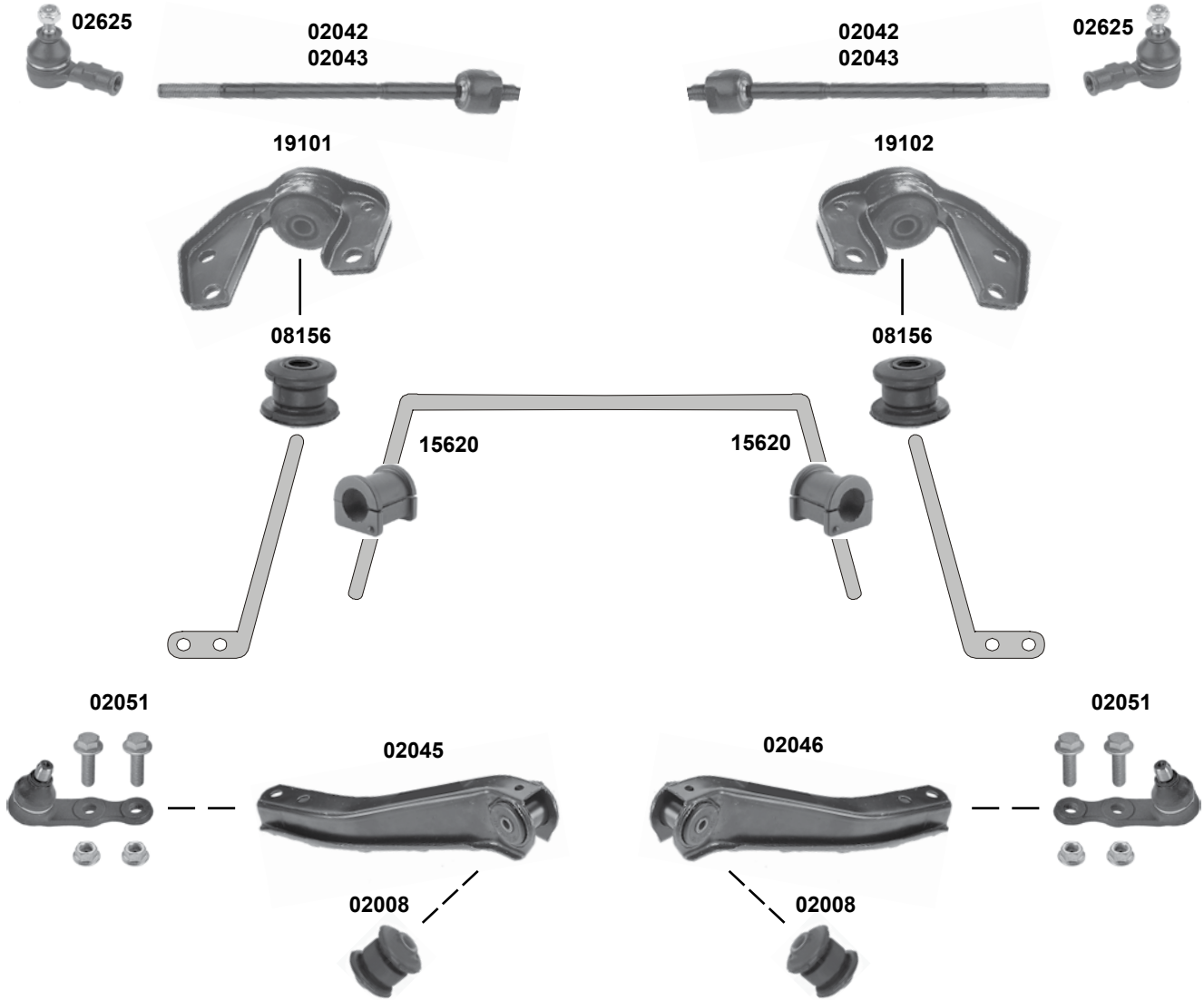
	Ref. - No.			
<b>01837</b>	90268463	Querlenkerlager / control arm mount	<b>(1) (ex.)</b> 2.5 V6	16x60x58
<b>01838</b>	90373778	Querlenkerlager / control arm mount	<b>(1) (ex.)</b> 2.5 V6	12x39x60
<b>02015</b>	90495046	Querlenkerlager / control arm mount	<b>(2) (ex.)</b> 2.5 V6	16x60x58
<b>02912</b>	90495104	Querlenker / control arm	<b>(2) (ex.)</b> 2.5 V6	
<b>02915</b>	90495103	Querlenker / control arm	<b>(2) (ex.)</b> 2.5 V6	
<b>03212</b>	02875013	Verbindungsstangenlager / connecting rod bearing		8,5x30x19
<b>04250</b>	90447867	Stabilisatorlager / stabilizer mount		Ø   20
<b>05170</b>	90297863	Traggelenk / ball joint	<b>(ex.)</b> 2.5 V6	M12 x 1,5
<b>07192</b>	90495160	Querlenker / control arm	<b>(4) (ex.)</b> 2.5 V6	
<b>07195</b>	90495159	Querlenker / control arm	<b>(4) (ex.)</b> 2.5 V6	
<b>07706</b>	90278579	Verbindungsstange / connecting rod		Ø   22
<b>07729</b>	90278577	Verbindungsstange / connecting rod		Ø   18
<b>09474</b>	90278579 S1	ProKit Verbindungsstange / connecting rod		
<b>09475</b>	90278577 S1	ProKit Verbindungsstange / connecting rod		
<b>10431</b>	90250709	Hülse / sleeve		16,3x30
<b>10516</b>	90495045	Verbindungsstange / connecting rod		
<b>10517</b>	90495045 S1	ProKit Verbindungsstange / connecting rod		
<b>17321</b>	90373264	Querlenkerlager / control arm mount	<b>(3) (4) (ex.)</b> 2.5 V6	Ø   12
<b>34235</b>	11092273 S1	Schraubensatz für Querlenker / screw kit for control arm		



**Corsa Mk I**  
(1993 → 2001)

(ch.) → V 3023597, V 4166925, V 6066279

Vorderachse / Front axle



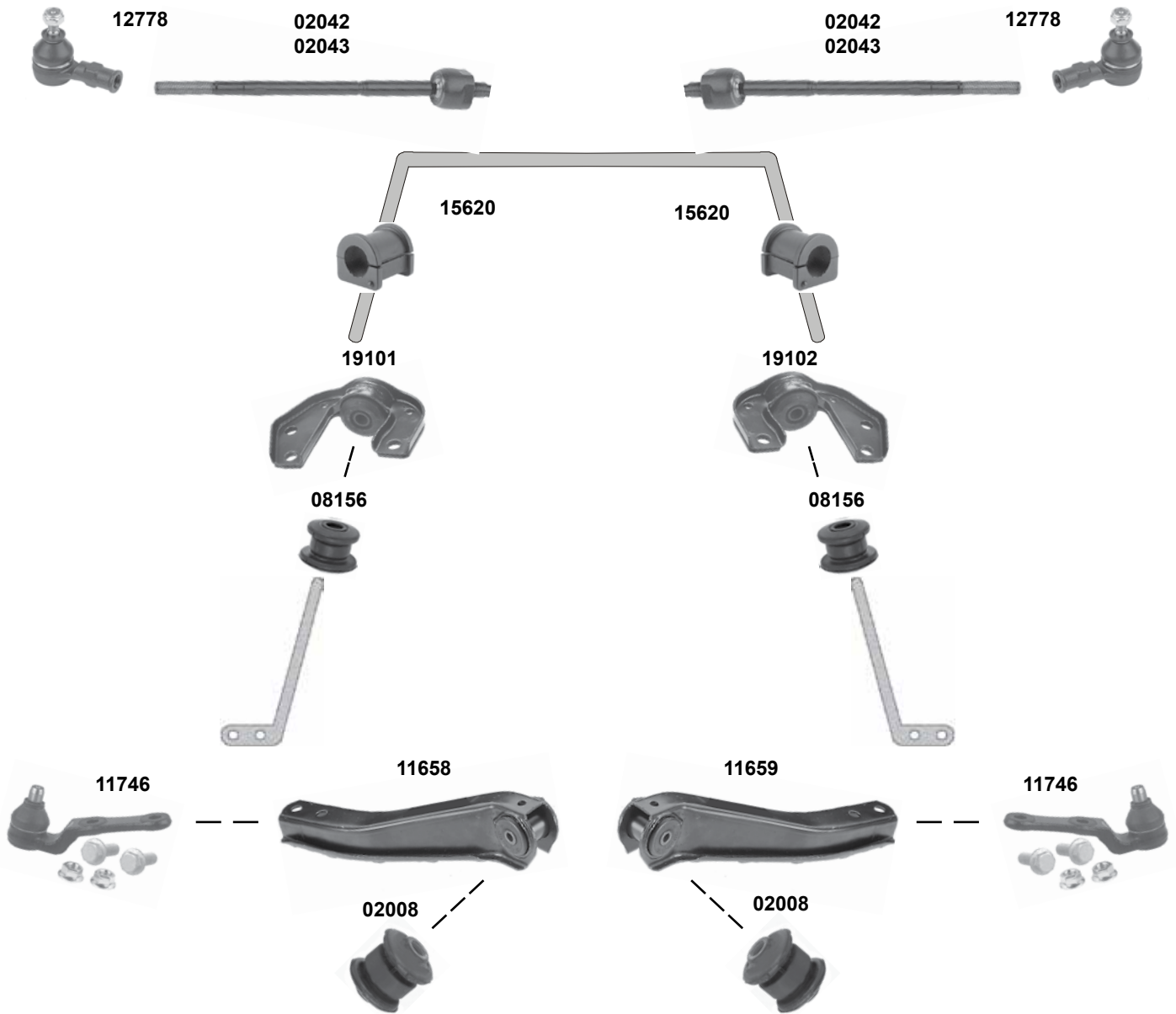
**i** (1) Combo (ch.) V 3037204 →

	Ref. - No.		<b>i</b>	
<b>02008</b>	90445097	Querlenkerlager / control arm mount		10x35x52
<b>02042</b>	93192445 SK	Spurstange / tie rod	man.  / E - servo	L 325
<b>02043</b>	26032284	Spurstange / tie rod	servo	L 290
<b>02045</b>	90511260	Querlenker / control arm		
<b>02046</b>	90511261	Querlenker / control arm		
<b>02051</b>	90444294	Traggelenk / ball joint		Ø A 15
<b>02625</b>	93192419	Spurstangenendstück / tie rod end		M12x1,5 RHT
<b>08156</b>	90445098	Zugstrebenlager / tension rod mount		14x36/50x40
<b>15620</b>	90447946	Stabilisatorlager / stabilizer mount		Ø I 21,5
<b>19101</b>	90445100	Halter / retainer	(1)	
<b>19102</b>	90445101	Halter / retainer	(1)	



**Corsa Mk I**  
(1993 → 2001)

(ch.) V 3023598, V 4166926, V 6066280 →



Vorderachse / Front axle

	Ref. - No.			
02008	90445097	Querlenkerlager / control arm mount	man.  / E - servo	10x35x52
02042	93192445 SK	Spurstange / tie rod		L 325
02043	26032284	Spurstange / tie rod	servo	L 290
08156	90445098	Zugstrebenlager / tie arm bush		14x36/50x40
11658	90542572	Querlenker / control arm		
11659	90542573	Querlenker / control arm		
11746	90542574	Traggelenk / ball joint		Ø A 15
12778	93192446	Spurstangenendstück / tie rod end		M12x1,5 RHT
15620	90447946	Stabilisatorlager / stabilizer mount		Ø I 21,5
19101	90445100	Halter / retainer		
19102	90445101	Halter / retainer		

passend für / to fit

# VAUXHALL

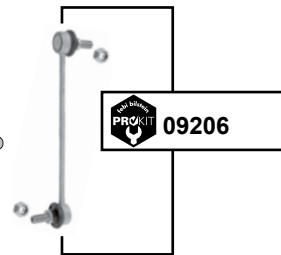
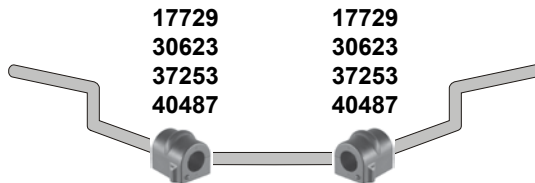
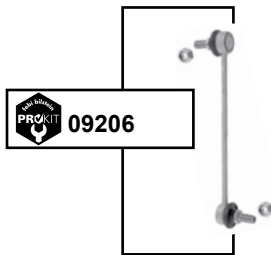
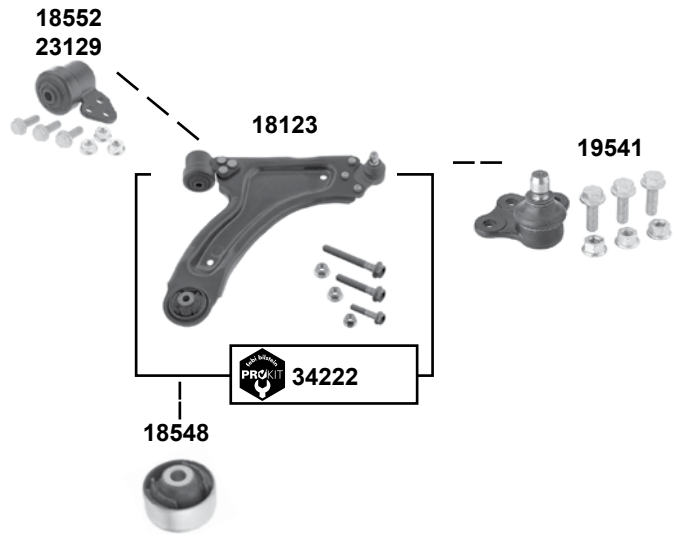
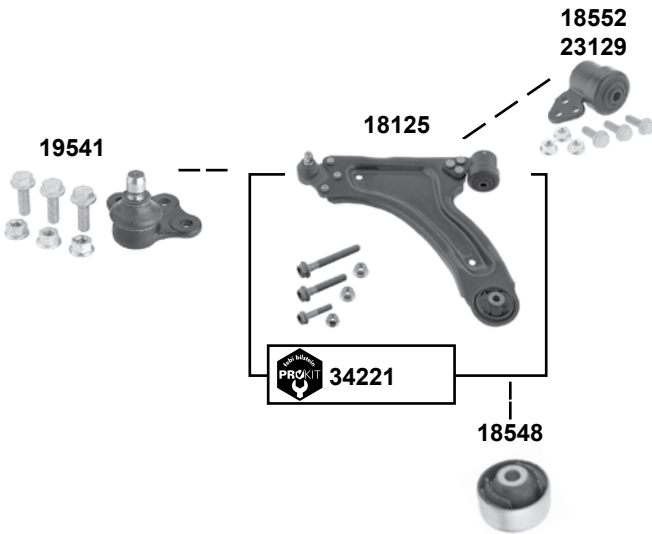
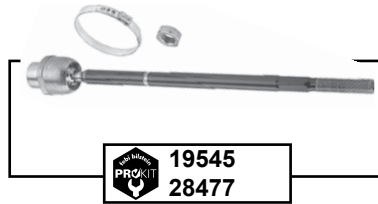


Car Division



## Corsa Mk II (2001 → 2006)

Vorderachse / Front axle





**Corsa Mk II**  
(2001 → 2006)

- |   |  |
|---|--|
| (1) (ch.) 33999999 →, (ch.) 34999999 →<br>(ch.) 36999999 →  | (2) (ch.) 43000001 →, (ch.) 44000001 →<br>(ch.) 46000001 → |
| (3) (ex.) Combo (mot.) 1,0 / 1,2 / Y 1,3 DT / Z 1,3 DT / 1,4 / Z 1,7 DTH alle / all (ex.) Sport / (ex.) HD                  |  |
| (4) (ex.) Combo (mot.) Z 1,0 XE / Z 1,2 XE /<br>für Fahrzeuge mit / for cars with HD (ex.) Sport (ch.) → 14999999, 16999999 |  |
| (5) (ex.) Combo (mot.) Z 1,4 XE<br>für Fahrzeuge mit / for cars with Sport oder /or HD (ch.) → 14999999, 16999999           |  |
| (6) Combo für alle Fahrzeuge (ex.) / Combo for all cars (ex.) HD  |  |
| (7) nur/only Combo (ch.) 43000001 →, 74000001 →   |  |
| (8) nur Combos mit Stabilisator Ø 22 mm / only Combos with stabilizer Ø 22 mm   |  |
| (9) (ex.) Z13DTJ / servo  |  |



	Ref. - No.			
02625	93192419	Spurstangenendstück / tie rod end	(1)	M12x1,5 RHT
09206	90496116	ProKit Verbindungsstange / connecting rod		L 243,5
17729	90468567	Stabilisatorlager / stabilizer mounting		Ø I 16
18123	13140038	Querlenker / control arm	(ex.) Sport / HD	
18125	13140037	Querlenker / control arm	(ex.) Sport / HD	
18548	13138151	Querlenkerlager / control arm mount		Ø A 59,5
18552	93188303	Querlenkerlager / control arm mount	(ex.) HD	Ø A 60/49
19541	09196394	Traggelenk / ball joint		
19545	93192421	ProKit Spurstange / tie rod	(1)	L 315
23129	93188302	Querlenkerlager / control arm mount	HD	Ø A 60/49
28477	93192420	ProKit Spurstange / tie rod	(2)	L 318
30623	13125492	Stabilisatorlager / stabilizer mounting	(7)	
34221	13140037 S1	ProKit Querlenker / control arm	(3) (4) (5) (6)	
34222	13140038 S1	ProKit Querlenker / control arm	(3) (4) (5) (6)	
37253	24403523	Stabilisatorlager / stabilizer mount	(ex.) HD	Ø I 15 L 43,5
40487	24406498	Stabilisatorlager / stabilizer mount	(8)	Ø 22
44437	93192418	ProKit Axialgelenk / axial joint	(9)	L 317

passend für / to fit

**VAUXHALL**



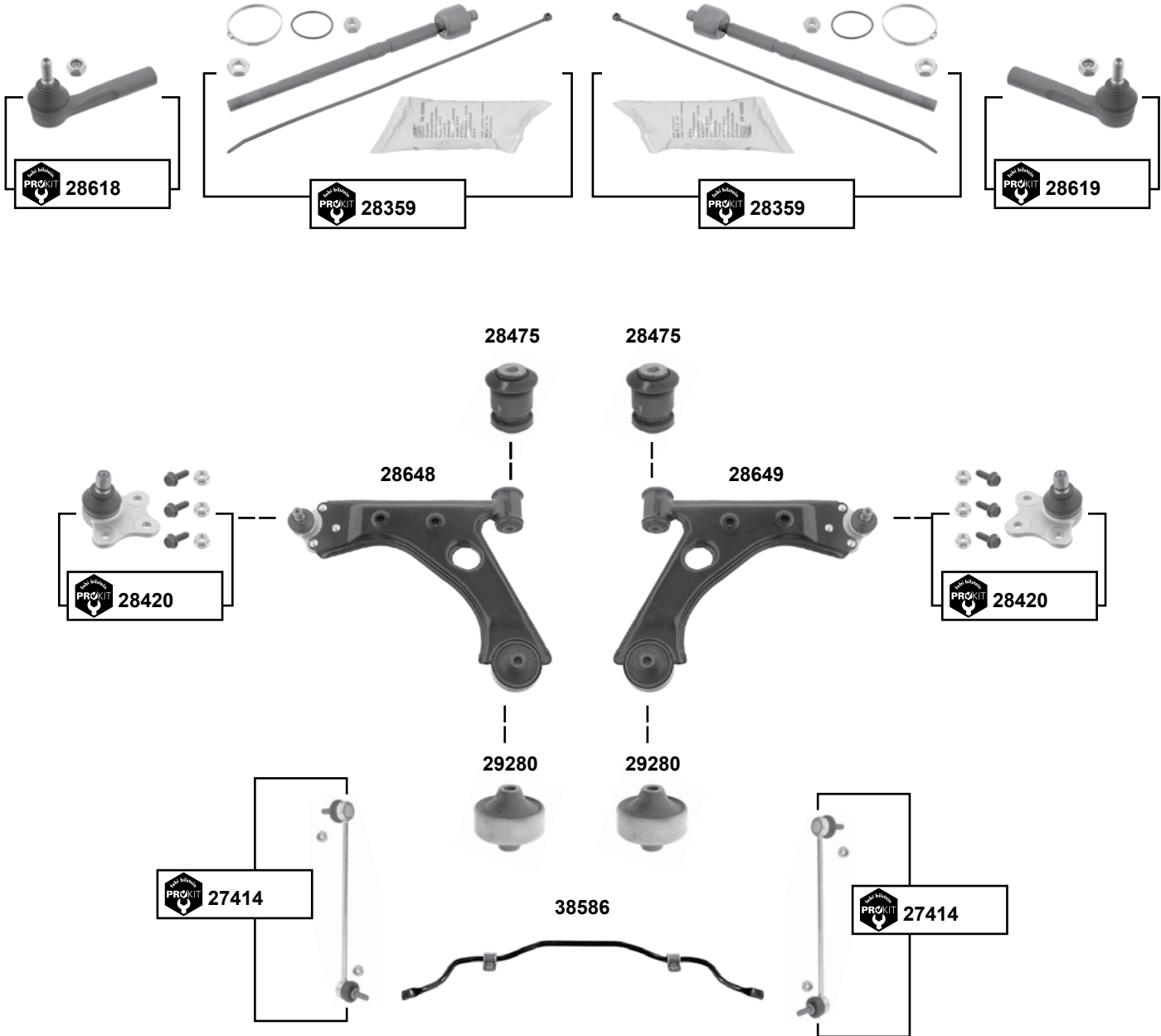
**Car  
Division**



# Corsa Mk III

(2006 → 2014)

Vorderachse / Front axle

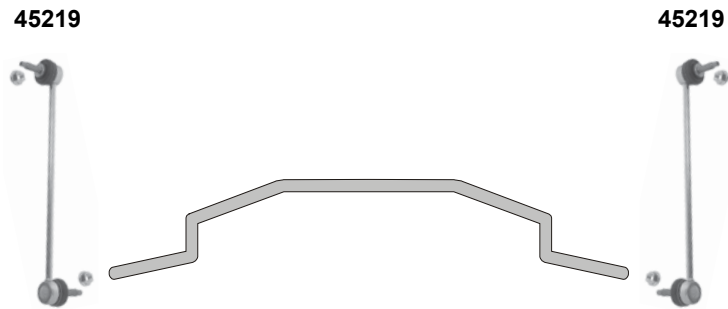
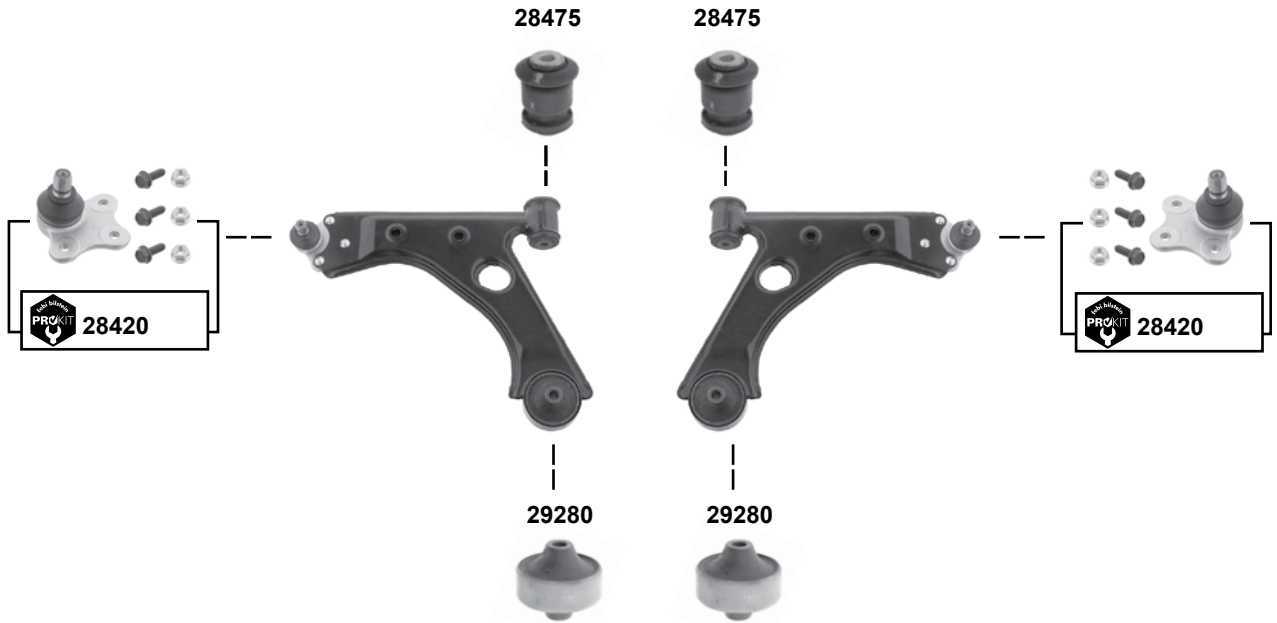


**i** (1) (ch.) → 94170397, 96065974

	Ref. - No.		<b>i</b>	
<b>27414</b>	13321280	ProKit Verbindungsstange / connecting rod		L 301
<b>28359</b>	93189022	ProKit Spurstange / tie rod		L 305
<b>28420</b>	93190907	ProKit Traggelenk / ball joint		Ø A 16
<b>28475</b>	13260666	Querlenkerlager / control arm mount		12x52x68
<b>28618</b>	93189023	ProKit Spurstangenendstück / tie rod end	(1)	M14 x 1,5
<b>28619</b>	93189024	ProKit Spurstangenendstück / tie rod end	(1)	M14 x 1,5
<b>28648</b>	55703230	Querlenker / control arm		
<b>28649</b>	55703231	Querlenker / control arm		
<b>29280</b>	13167940	Querlenkerlager / control arm mount		12x72x66
<b>38586</b>	13343139	Stabilisatorsatz / stabilizer set		L 1045



**Corso Mk IV**  
(2014 →)



Vorderachse / Front axle

	Ref. - No.			
<b>28420</b>	93190907	ProKit Tragelenk / ball joint		Ø A 16
<b>28475</b>	13260666	Querlenkerlager / control arm mount		12x52x68
<b>29280</b>	13167940	Querlenkerlager / control arm mount		12x72x66
<b>45219</b>	13391512	Verbindungsstange / stabilizer link		L 310



passend für / to fit

**VAUXHALL**



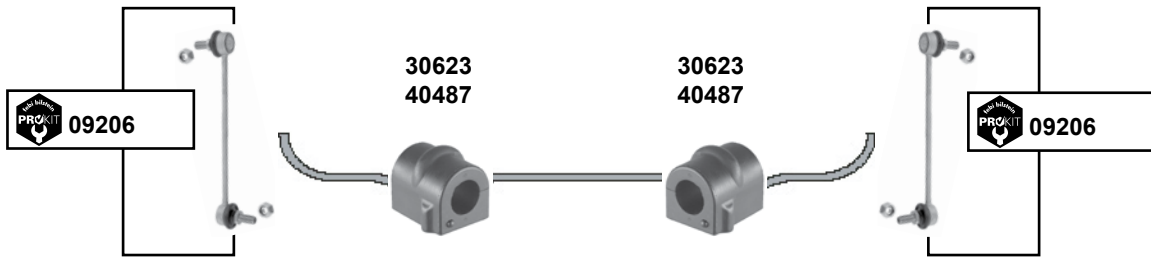
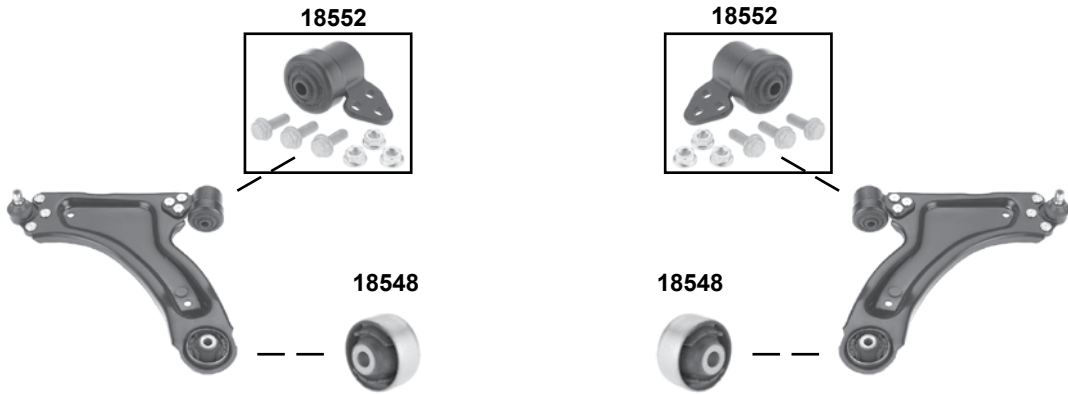
**Car  
Division**



# Combo Mk II

(2001 → 2010)

Vorderachse / Front axle

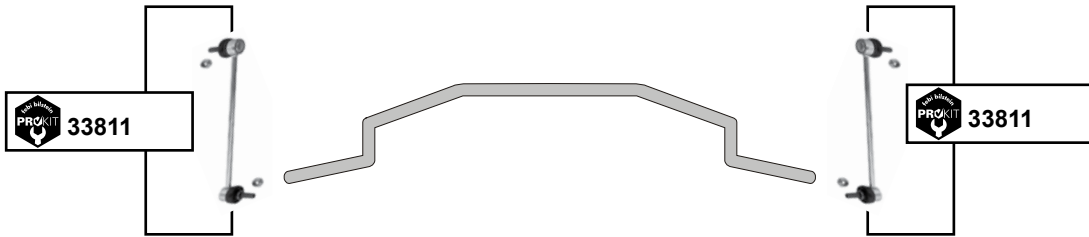


- (1) F06 (ch.) 43000001, 74000001→
- (2) F06 (ch.) → 33999999 / F25 alle / all

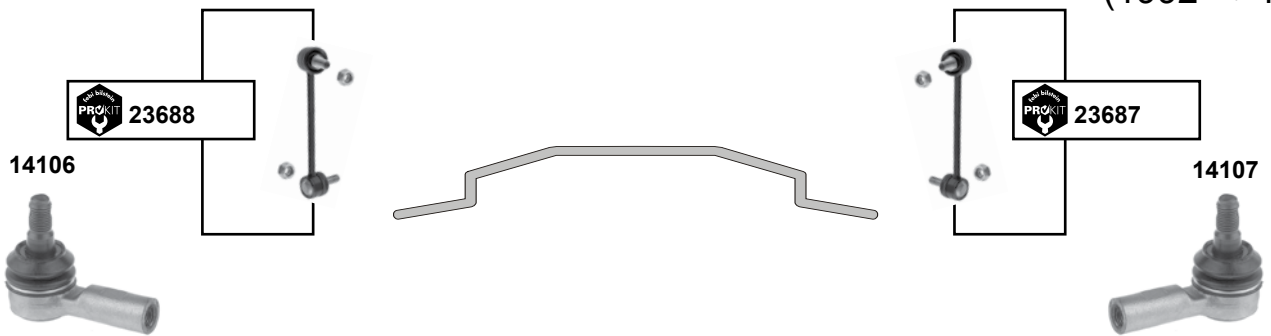
	Ref. - No.			
<b>09206</b>	90496116	ProKit Verbindungsstange / connecting rod		L 243,5
<b>18548</b>	13138151	Querlenkerlager / control arm mount		13x61x46
<b>18552</b>	93188303	Rep. Satz Querlenkerlager / rep. kit control arm mount		12x59x70
<b>30623</b>	13125492	Stabilisatorlager / stabilizer mount	(1)	Ø   21
<b>40487</b>	24406498	Stabilisatorlager / stabilizer mount	(2)	Ø 22



**Combo Mk III**  
(2011 →)



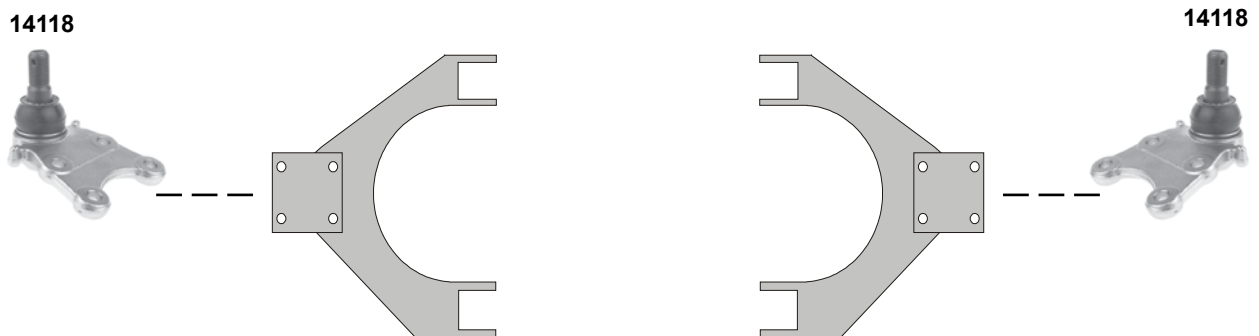
**Frontera Mk I**  
(1992 → 1998)



oben / upper



unten / lower



Vorderachse / Front axle

	Ref. - No.			
14106	97020953	Spurstangenendstück / tie rod end		M14 x 1,5
14107	97020954	Spurstangenendstück / tie rod end		M14 x 1,5
14117	94459453	Traggelenk / ball joint	(ch.) → SV 720102	M18 x 1,5
14118	94459465	Traggelenk / ball joint		M18 x 1,5
23687	97018227	ProKit Verbindungsstange / connecting rod	(ch.) SV 720103 →	L 150
23688	97018228	ProKit Verbindungsstange / connecting rod	(ch.) SV 720103 →	L 150
26125	94374424	Traggelenk / ball joint	(ch.) SV 720103 →	M14 x 1,5
33811	95511247	ProKit Verbindungsstange / connecting rod		L 297

passend für / to fit

**VAUXHALL**



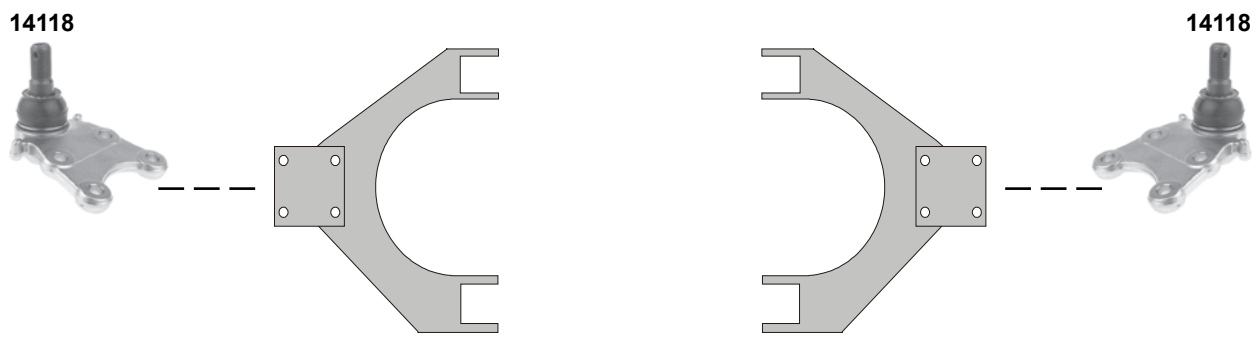
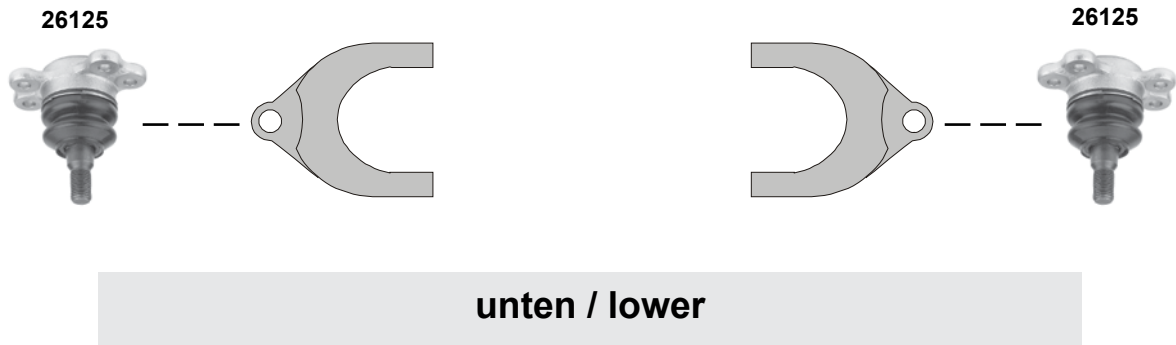
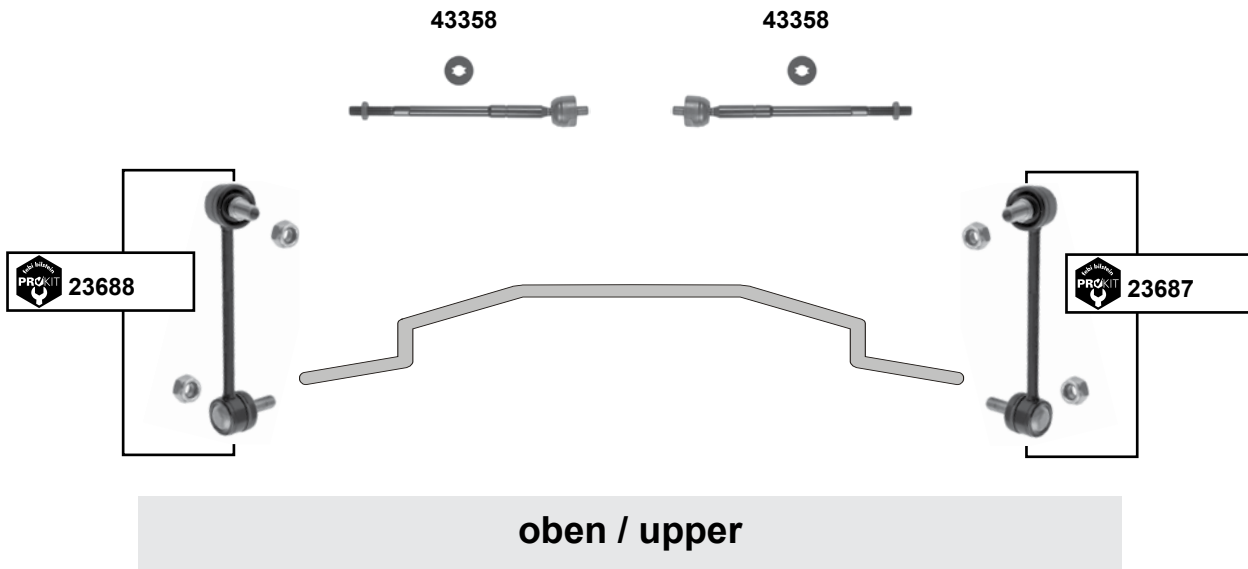
**Car  
Division**



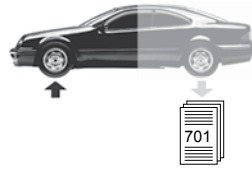
# Frontera Mk II

(1998 → 2004)

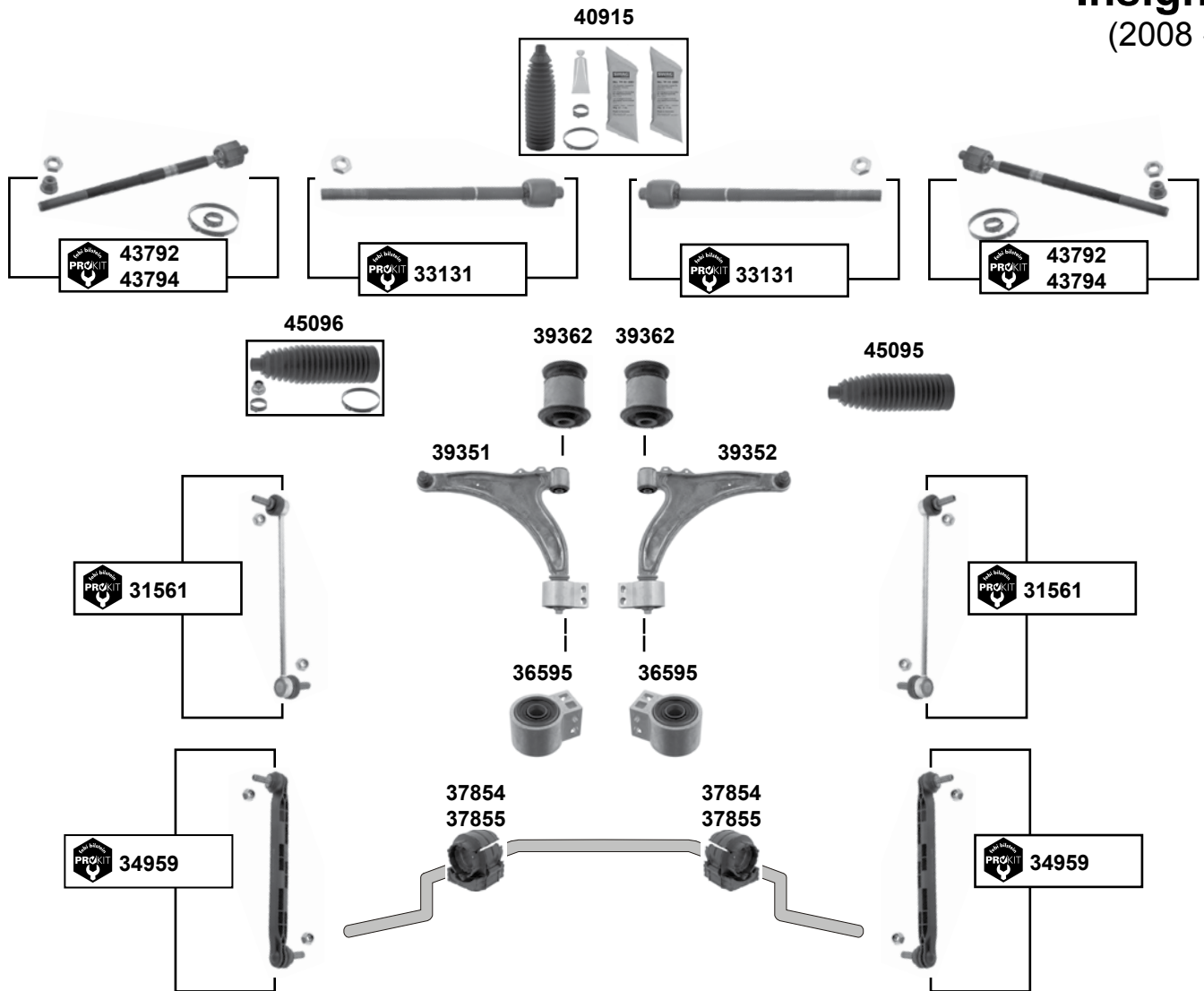
Vorderachse / Front axle



	Ref. - No.			
14118	94459465	Traggelenk / ball joint		M18 x 1,5
23687	97018227	ProKit Verbindungsstange / connecting rod		L 150
23688	97018228	ProKit Verbindungsstange / connecting rod		L 150
26125	94374424	Traggelenk / ball joint		M14 x 1,5
43358	97184819	Axialgelenk / axial joint		L 312



**Insignia**  
(2008 →)



Vorderachse / Front axle

- (1)
- (2) **alle (ex.)** Flexride Fahrwerk / **all (ex.)**
- (3) für reduzierten Stellweg der Zahnstange / for reduced range of the steering rack POC / NJ0
- (4) für normalen Stellweg der Zahnstange / for normal range of the steering rack POC / NJ1
- (5) **(ex.)** 4x4 / **(ch.)** POC XJ6 / **(ch.)** POC XJ2 / **(ch.)** POC XJ4

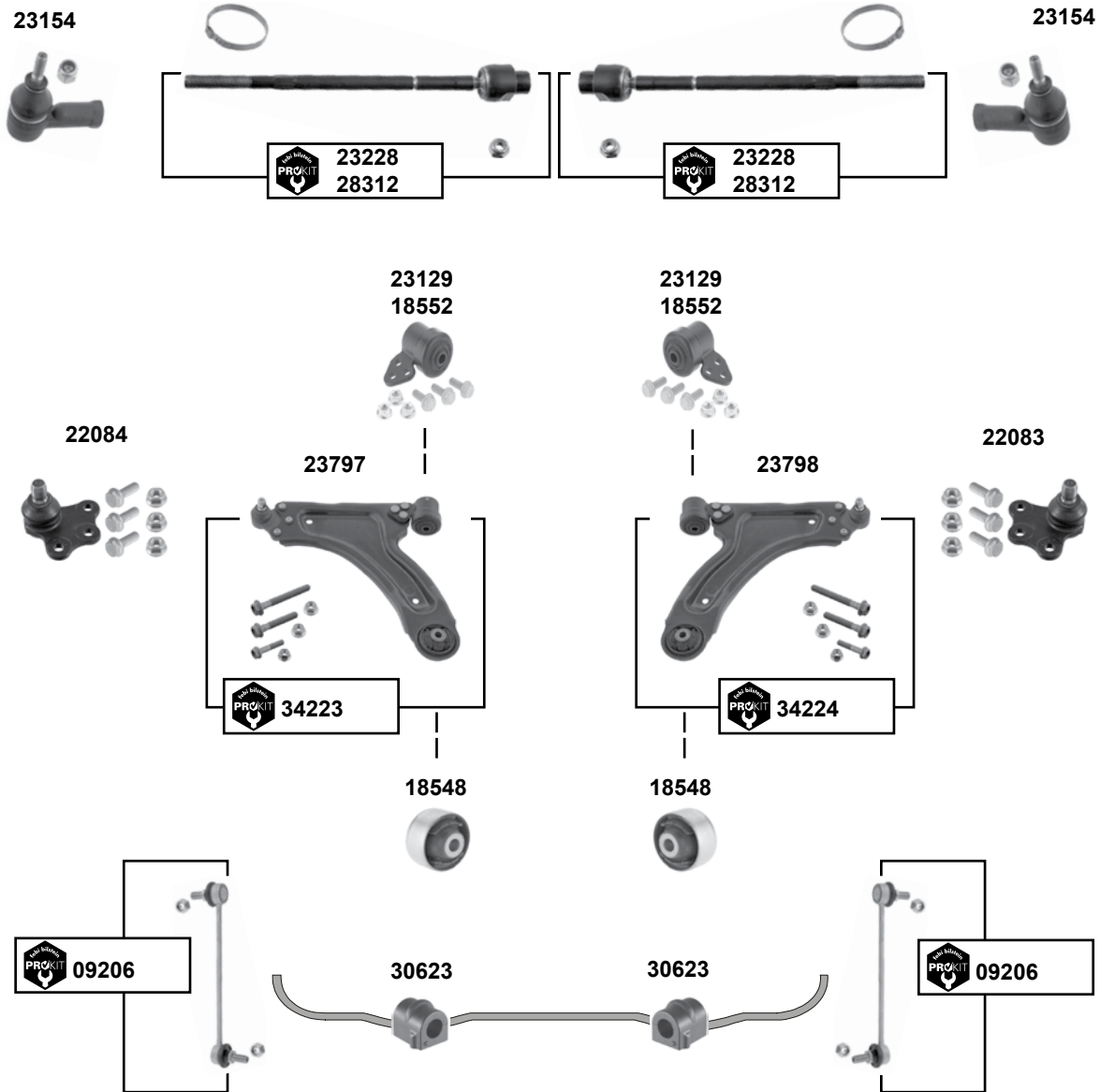


	Ref. - No.			
<b>31561</b>	13258052	ProKit Verbindungsstange / connecting rod	(1)	L 303,5
<b>33131</b>	13271996 SK	ProKit Axialgelenk ohne Endstück / axial joint without end	(2)	L 209
<b>34959</b>	13219141	ProKit Verbindungsstange / connecting rod	(2)	L 304
<b>36595</b>	13257785	Querlenkerlager / control arm mount		Ø   22
<b>37854</b>	13281782	Stabilisatorlager / stabilizer mount		Ø   25
<b>37855</b>	13281784	Stabilisatorlager / stabilizer mount		Ø   23
<b>39351</b>	22792990	Querlenker / control arm	(5)	
<b>39352</b>	22792991	Querlenker / control arm	(5)	
<b>39362</b>	13219090	Querlenkerlager / control arm mount		12x52x60
<b>40915</b>	13271036	Lenkmanschettensatz / steering boot set	servo	
<b>43792</b>	13332653	ProKit Axialgelenk ohne Endstück / axial joint without end	(3) E - servo	L 314
<b>43794</b>	13332651	ProKit Axialgelenk ohne Endstück / axial joint without end	(4) E - servo	L 311
<b>45095</b>	13354440 SK1	Lenkmanschette / steering rack boot	E - servo	
<b>45096</b>	13354440	Lenkmanschettensatz / steering boot set	E - servo	



**Meriva Mk I**  
(2003 → 2010)

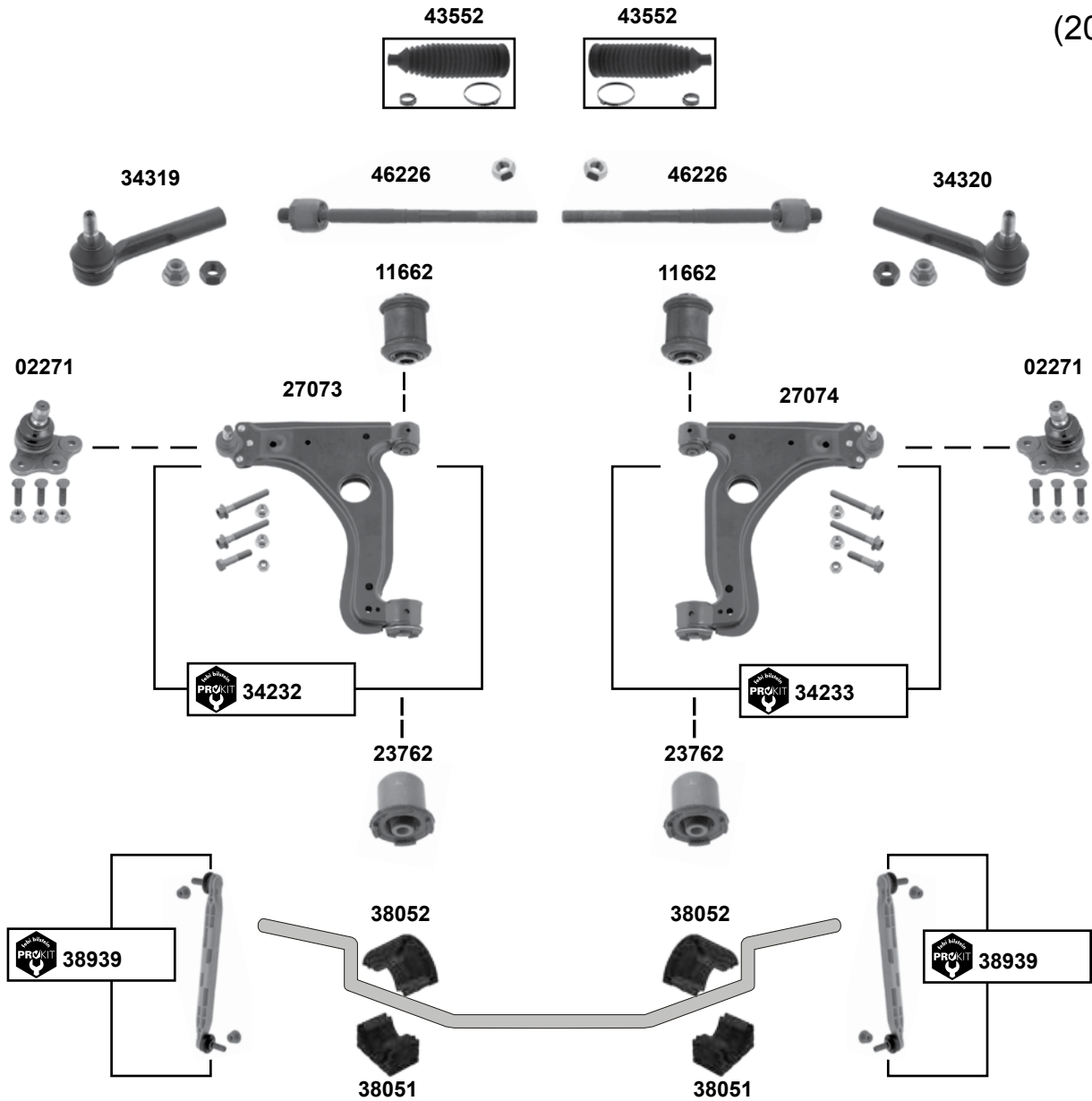
Vorderachse / Front axle



	Ref. - No.			
<b>09206</b>	90496116	ProKit Verbindungsstange / connecting rod		L 243,5
<b>18548</b>	13138151	Gummilager / rubber mount		12x60x27/46
<b>18552</b>	93188303	Querlenkerlagersatz / control arm mount kit	(ex.) Z 1,6 LET	12x59x70
<b>22083</b>	93190906	Traggelenk / ball joint		Ø A 16
<b>22084</b>	93174598	Traggelenk / ball joint		Ø A 16
<b>23129</b>	93188302	Gummilager / rubber mount	Z 1,6 LET	12x49/50x70
<b>23154</b>	26102923 SK	Spurstangenendstück / tie rod end	E- servo	M14 x 1,5
<b>23228</b>	26102923	ProKit Spurstange / tie rod	E- servo	L 333
<b>23797</b>	93388568	Querlenker / control arm	(ex.) OPC	
<b>23798</b>	93388569	Querlenker / control arm	(ex.) OPC	
<b>28312</b>	93192415	ProKit Spurstange / tie rod	(ex.) servo	L 332
<b>30623</b>	13125492	Stabilisatorlager / stabilizer mounting		
<b>34223</b>	93388568 S1	ProKit Querlenker links / control arm left	(ex.) OPC + VXR	
<b>34224</b>	93388569 S1	ProKit Querlenker rechts / control arm right	(ex.) OPC + VXR	



**Meriva Mk II**  
(2010 →)



Vorderachse / Front axle



(1) Nur für TRW-Lenkung / TRW-steering only



Ref. - No.



Ref. - No.			
02271	90512982	Traggelenk / ball joint	
11662	90498738	Querlenkerlager / control arm mount	
23762	24439582	Querlenkerlager / control arm mount	12x36,5x60 12x46x60
27073	24454477	Querlenker / control arm	
27074	22454478	Querlenker / control arm	
34232	24454477 S1	ProKit Querlenker links / control arm left	
34233	24454478 S1	ProKit Querlenker rechts / control arm right	
34319	93196780	Spurstangenendstück / tie rod end	
34320	93196779	Spurstangenendstück / tie rod end	
38051	13204071	Stabilisatorlager, unten / stabilizer mount, lower	Ø   24-25,5
38052	13204070	Stabilisatorlager, oben / stabilizer mount, upper	Ø   24-25,5
38939	13327928	ProKit Verbindungsstange / connecting rod	L 350
43552	93191260	Lenkmanschettensatz / steering boot set	L 211
46226	93196778 SK1	Axialgelenk / axial joint	L276

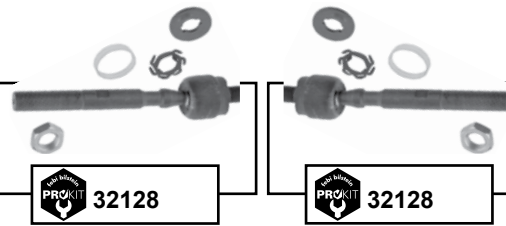
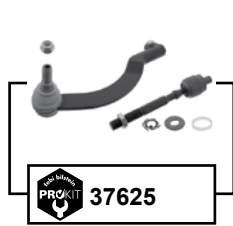
(1)  
POC 1



## Movano Mk I

(1998 → 2010)

Vorderachse / Front axle



### oben / upper



### unten / lower

22468  
34164

22468  
34164

26453  
36583

26454  
36584

24262

24262

24263

24263

PRUKIT 19867

PRUKIT 19866



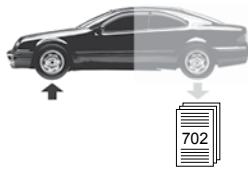
**Movano Mk I**  
(1998 → 2010)



- (1) ED (ch.) B809446 → / FD (ch.) BB35303 → / FD (ch.) J023003 → / HD (ch.) B784591 → /  
JD (ch.) B794054 → / UD (ch.) B822153 → /  
außer Fahrzeuge mit erhöhtem Bodenabstand / except vehicles with increased ground distance
- (2) ED (ch.) → B810866 / FD (ch.) → BB57431 / HD (ch.) → B785825 / JD (ch.) → B794913 /  
UD (ch.) → B825494
- (3) (ch.) → B810866 (ED) / (ch.) → BB54731 (ED) / (ch.) → B785825 (ED) / (ch.) → B794913(ED) /  
(ch.) → B825494 (ED)

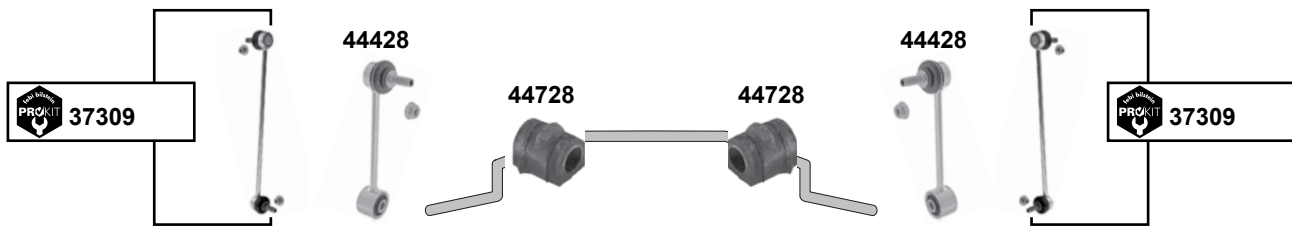
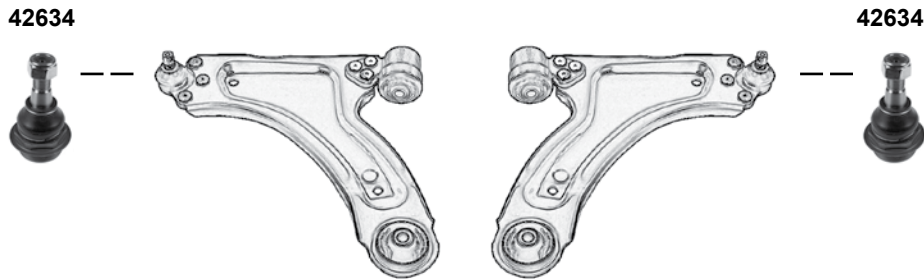
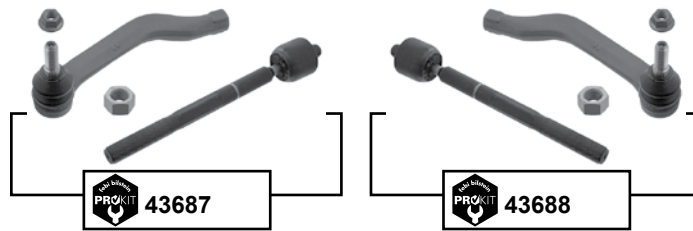
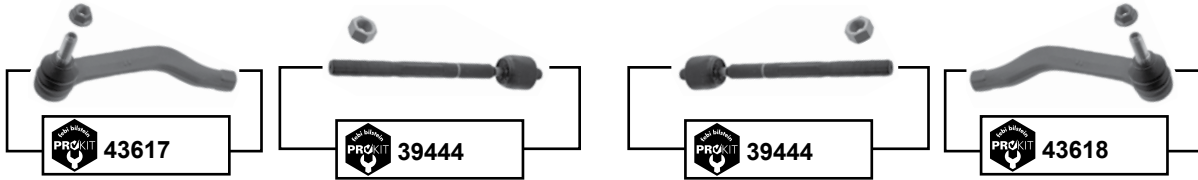
	Ref. - No.			
19866	09160499	ProKit Verbindungsstange / connecting rod		L 130
19867	09160498	ProKit Verbindungsstange / connecting rod		L 130
21493	09161562	Spurstangenendstück / tie rod end		L 225
21494	09161563	Spurstangenendstück / tie rod end		L 225
22468	09109909	Traggelenk / ball joint		Ø A 22
22710	09160554	Traggelenk / ball joint	→ 09/02	
24262	09160394	Querlenkerlager / control arm mount		
24263	09160395	Querlenkerlager / control arm mount		
26453	93192689	Querlenker / control arm		
26454	93192690	Querlenker / control arm		
27181	09160391	Querlenkerlager oben / upper control arm mount		M10 x 1,5
31847	09109910	Traggelenk / ball joint		Ø A15/101
32128	09161561 SK	ProKit Spurstange / tie rod		L 174,5
34164	93194857	Traggelenk / ball joint lower right+left	(1)	Ø A 24
36583	93194853	Querlenker / control arm	(1) 07 → 10	
36584	93194855	Querlenker / control arm	(1) 07 → 10	
37625	09161561 S1	ProKit Spurstange / tie rod	(3)	
37626	09161561 S2	ProKit Spurstange / tie rod	(3)	
37627	91160037 S1	ProKit Spurstange / tie rod	(2)	
37628	91160037 S2	ProKit Spurstange / tie rod	(2)	





# Movano Mk II

(2010 →)



(1) alle mit Heckantrieb in Verbindung mit Doppelbereifung / all with Rear Drive combined with Double Tires

(2) EV0 , FV0 , HV0 , UV0 , JV0

Nur Fahrzeuge mit Frontantrieb mit einem Gesamtgewicht von 3300 u. 3500 kg / only vehicles with front wheel drive combined with a total weight of 3300 a. 3500 kg

(3) Vorderradantrieb oder Heckantrieb ohne Doppelbereifung / front-wheel drive or rear-wheel drive without double tires

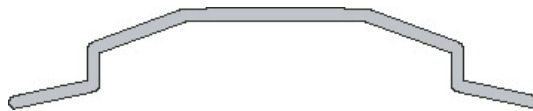
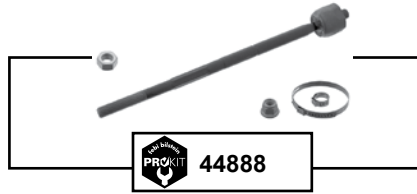


Ref. - No.			
<b>37309</b>	93197325	ProKit Verbindungsstange / connecting rod	(3) → 22.07.10
<b>39444</b>	93167687 SK	ProKit Axialgelenk / axial joint	
<b>42634</b>	93197233	Traggelenk / ball joint	L 330 L 253
<b>43617</b>	93167688	ProKit Spurstangenendstück / tie rod end	
<b>43618</b>	93167689	ProKit Spurstangenendstück / tie rod end	M18 x 1,5 M18 x 1,5
<b>43687</b>	93167688 S1	ProKit Spurstange / tie rod	(1)
<b>43688</b>	93167689 S1	ProKit Spurstange / tie rod	
<b>44428</b>	93168675	Verbindungsstange / connecting rod	(2)
<b>44728</b>	93197327	Stabilisatorlager / stabilizer mount	

Vorderachse / Front axle



**Mokka**  
(2013 →)



Vorderachse / Front axle



Ref. - No.



**40889**  
**40890**  
**44888**

0350 231  
0350 232  
95952929

ProKit Verbindungsstange / connecting rod  
ProKit Verbindungsstange / connecting rod  
ProKit Axialgelenk / axial joint

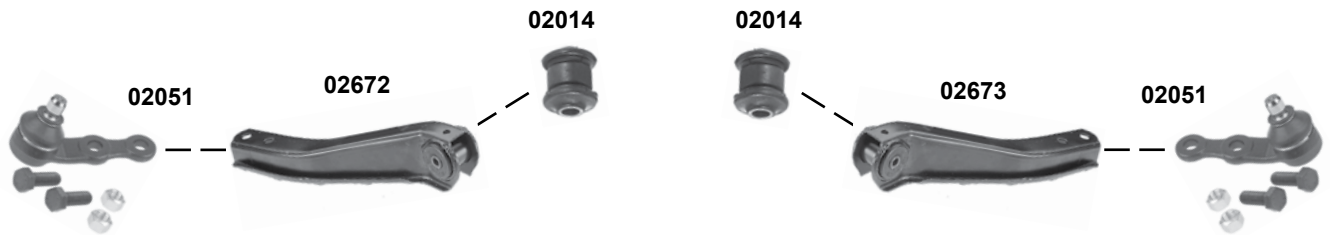
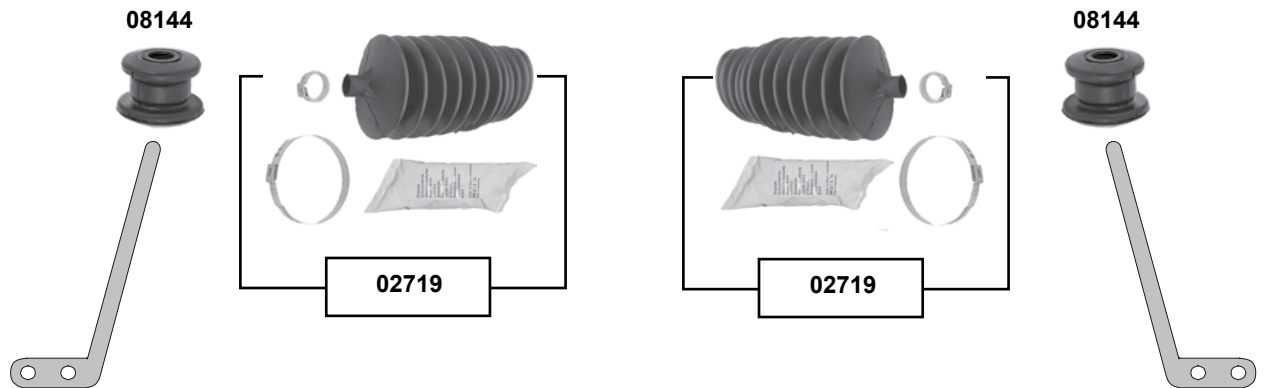
E - servo

L 286  
L 286  
L 334

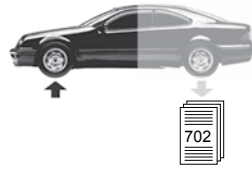


**Nova**  
(1982 → 1993)

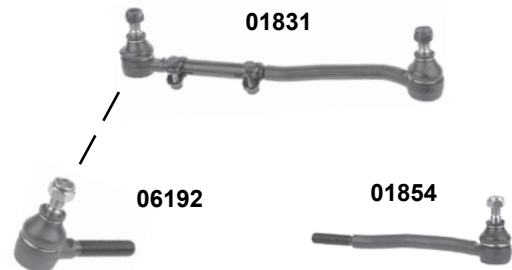
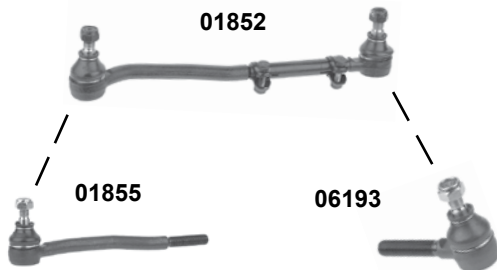
Vorderachse / Front axle



	Ref. - No.			
<b>02014</b>	90170152	Querlenkerlager / control arm mount		10x35x52
<b>02051</b>	90444294	Traggelenk / ball joint		Ø A 15
<b>02624</b>	26010028	Spurstange / tie rod		L 300
<b>02625</b>	93192419	Spurstangenendstück / tie rod end		M12x1,5 RHT
<b>02672</b>	90166390	Querlenker / control arm		
<b>02673</b>	90166391	Querlenker / control arm		
<b>02719</b>	07840451	Rep. Satz Lenkmanschette / rep. kit steering boot		
<b>08144</b>	90135359	Zugstrebenlager / tension rod mount		14x32/45x36



**Omega**  
(1994 → 2003)



Vorderachse / Front axle



(1) (ch.) → X 1999999  
(ch.) Y 2000000 →

alle / all  
(ex.) Sport



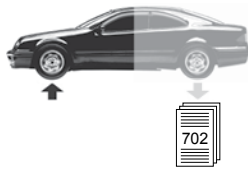
Ref. - No.



Ref. - No.	Description	Notes	Dimensions
01831	Spurstange / tie rod	(ch.) → X 1999999	L 354
01852	Spurstange / tie rod	(ch.) → X 1999999	L 354
01854	Spurstangenendstück / tie rod end	(ch.) → X 1999999	M14x1,5 LHT
01855	Spurstangenendstück / tie rod end	(ch.) → X 1999999	M14x1,5 RHT
06192	Spurstangenendstück / tie rod end		M14x1,5 RHT
06193	Spurstangenendstück / tie rod end		M14x1,5 LHT
12851	Spurstange / tie rod	(1) LHD	L 605
22099	Lenkhebel / steering arm		L 110 / Ø 18

passend für / to fit

**VAUXHALL**



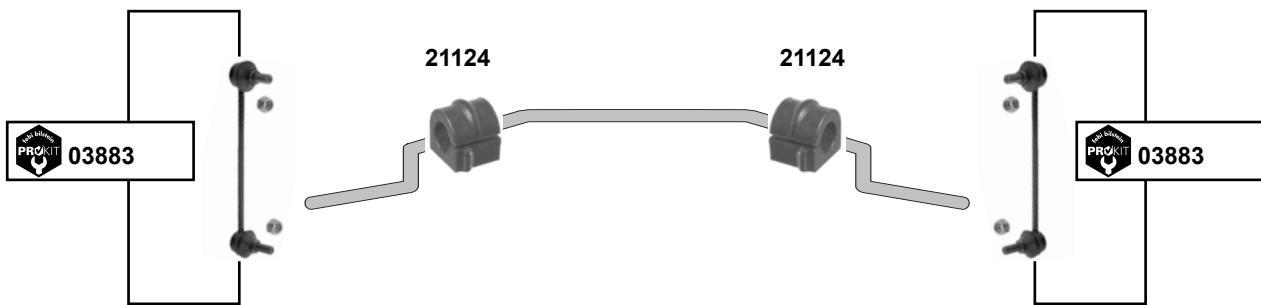
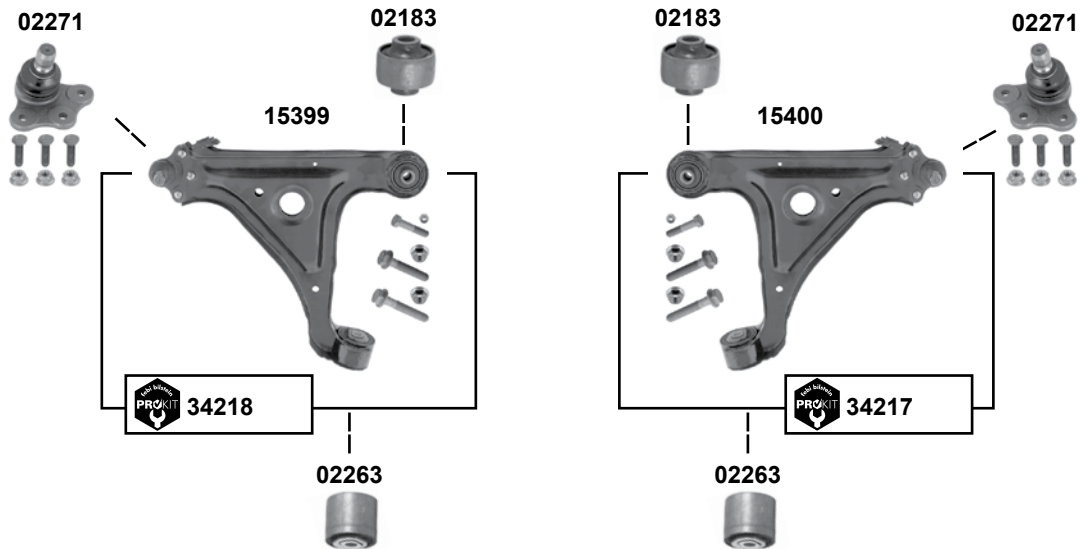
**Car  
Division**



# Omega

(1994 → 2003)

Vorderachse / Front axle



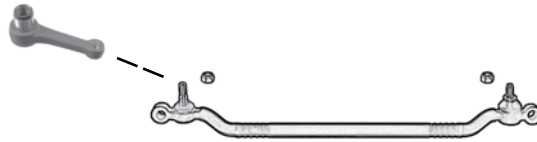
	Ref. - No.			
<b>02183</b>	09156605	Querlenkerlager / control arm mount	<b>(ch.)</b> → W 1172238	14x49x45,5
<b>02263</b>	90576775	Querlenkerlager / control arm mount		14x58,5x56
<b>02271</b>	90512982	Traggelenk / ball joint		Ø A 18
<b>03883</b>	90445137	ProKit Verbindungsstange / connecting rod		L 225
<b>15399</b>	90576788	Querlenker / control arm		
<b>15400</b>	90576789	Querlenker / control arm		
<b>21124</b>	90445625	Stabilisatorlager / stabilizer mounting		Ø I 23
<b>34217</b>	90576789 S1	ProKit Querlenker / control arm		
<b>34218</b>	90576788 S1	ProKit Querlenker / control arm		



**Royale**  
(1978 → 1987)

Vorderachse / Front axle

09158



02642



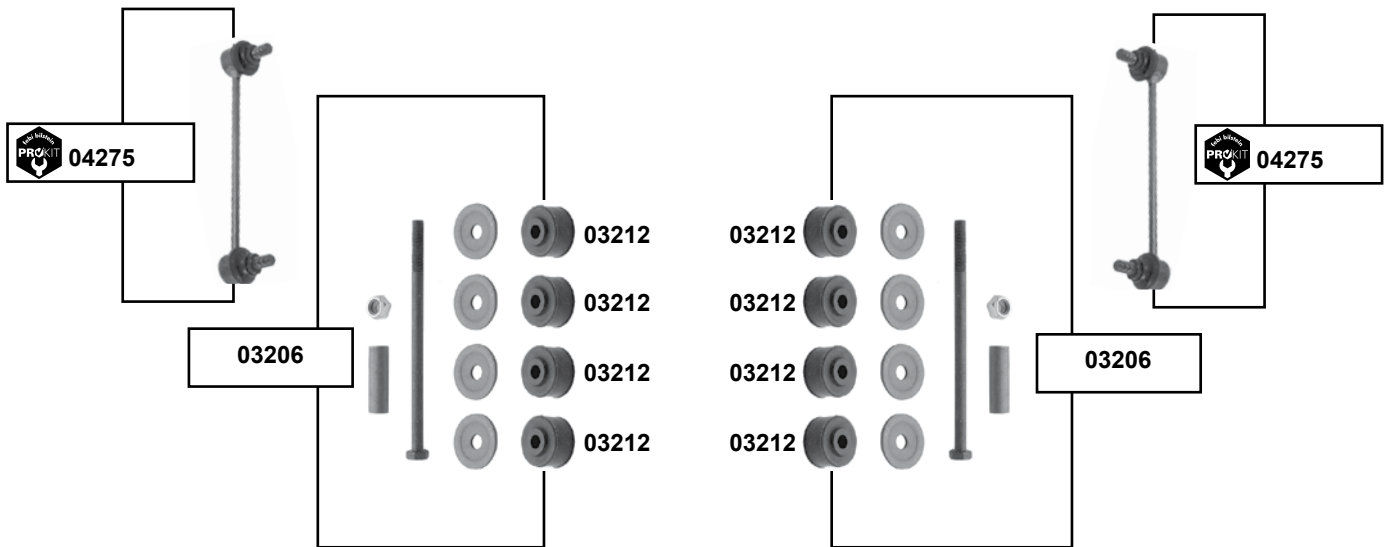
02643



02643



02642



Ref. - No.

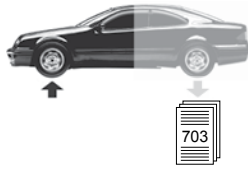


**02642**  
**02643**  
**03206**  
**03212**  
**04275**  
**09158**

90188427  
90188428  
90009369  
02875013  
90236577  
90092492

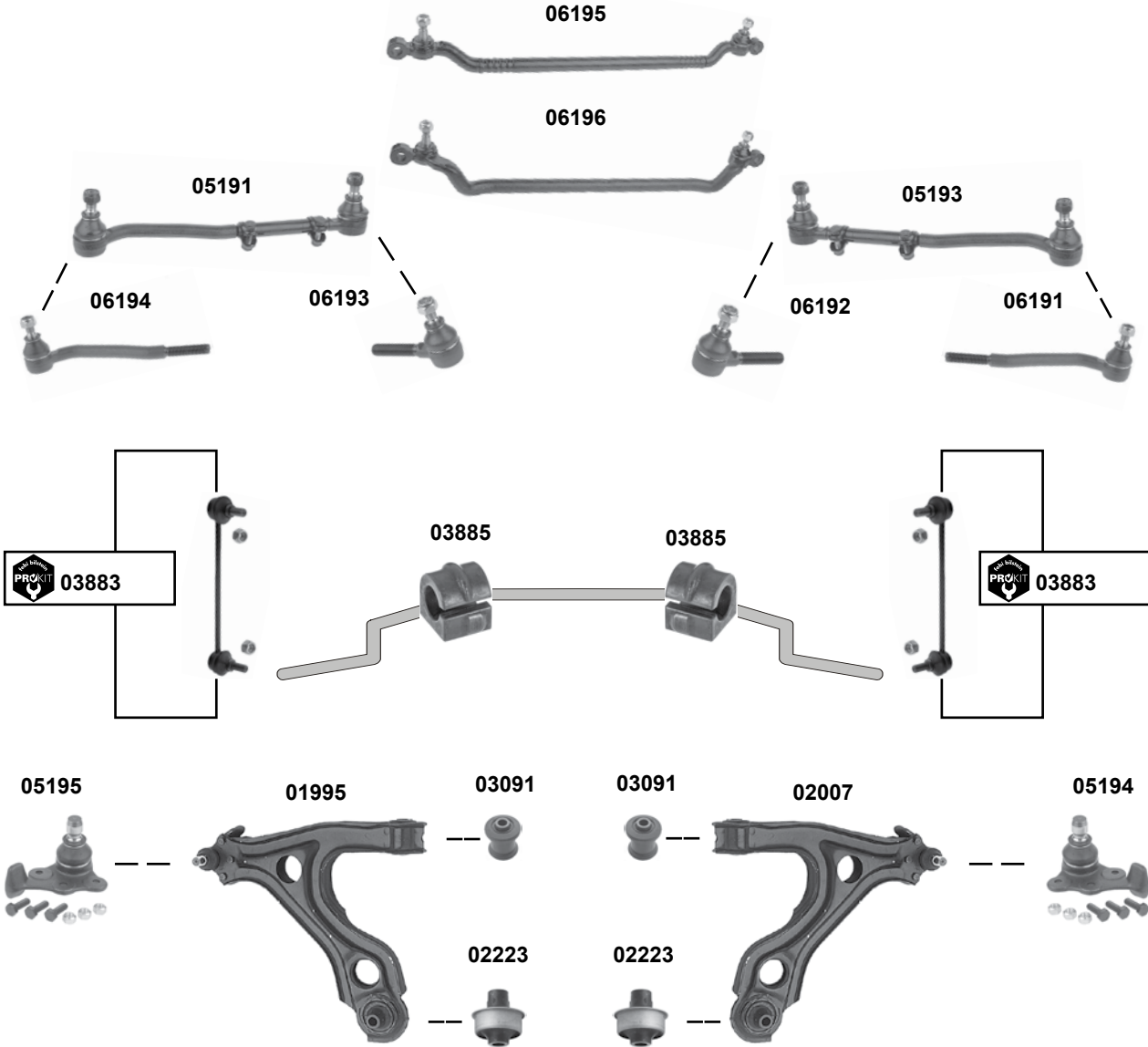
Spurstangenendstück / tie rod end  
Spurstangenendstück / tie rod end  
Rep. Satz Stabilisatorlager / rep. kit stabilizer mount  
Verbindungsstangenlager / connecting rod bearing  
ProKit Verbindungsstange / connecting rod  
Lenkhebel / steering arm

M14x1,5 LHT  
M14x1,5 RHT  
8,5x30x19  
L 195  
L 121 Ø 18

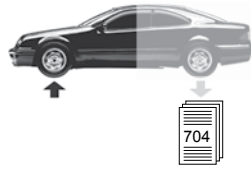


**Senator Mk II**  
(1986 → 1994)

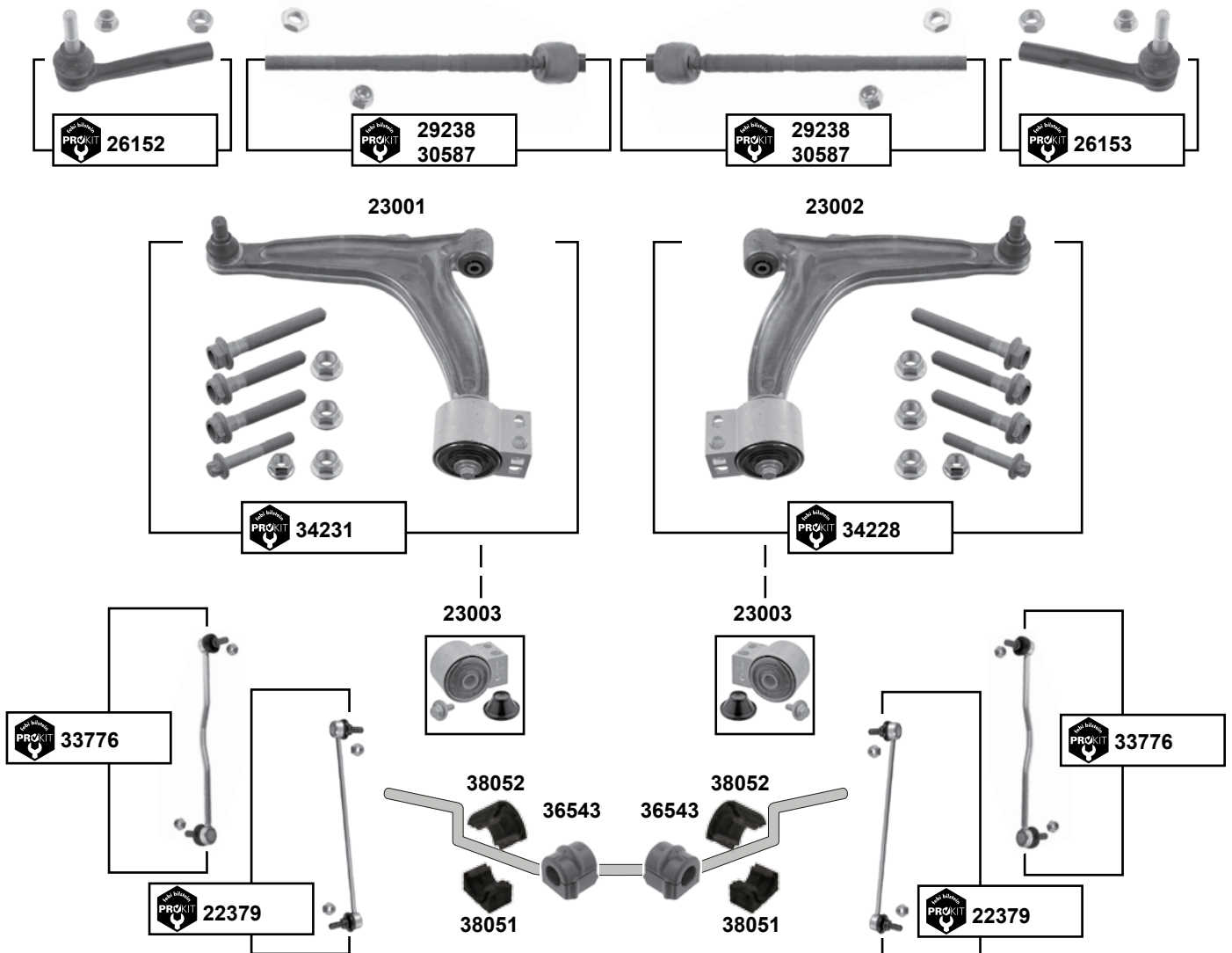
Vorderachse / Front axle



	Ref. - No.			
<b>01995</b>	90288387	Querlenker / control arm		
<b>02007</b>	90288388	Querlenker / control arm		
<b>02223</b>	90373854	Querlenkerlager / control arm mount		16x60x69,5
<b>03091</b>	90279193	Querlenkerlager / control arm mount		12x41/47x60
<b>03883</b>	90445137	ProKit Verbindungsstange / connecting rod		L 225
<b>03885</b>	90278624	Stabilisatorlager / stabilizer mount		Ø I 22
<b>05191</b>	90510641	Spurstange / tie rod		L 347
<b>05193</b>	90510642	Spurstange / tie rod		L 347
<b>05194</b>	90272195	Traggelenk / ball joint		Ø A 18
<b>05195</b>	90272194	Traggelenk / ball joint		Ø A 18
<b>06191</b>	90510644	Spurstangenendstück / tie rod end	(ch.) H 1169261 →	M14x1,5 LHT
<b>06192</b>	90510640	Spurstangenendstück / tie rod end	(ch.) H 1169261 →	M14x1,5 RHT
<b>06193</b>	90510639	Spurstangenendstück / tie rod end	(ch.) H 1169261 →	M14x1,5 LHT
<b>06194</b>	90510643	Spurstangenendstück / tie rod end	(ch.) H 1169261 →	M14x1,5 RHT
<b>06195</b>	90392553	Spurstange / tie rod	LHD	L 572
<b>06196</b>	90369125	Spurstange / tie rod	LHD	L 572



**Signum**  
(2002 → 2008)



Vorderachse / Front axle

- (1) 18" → (ch.) 41000001 → 61039489      (2) (ex.) IDS + alle/ all / IDS+ (ch.) → 31999999
- (3) nur Fahrzeuge mit IDS + Fahrwerk / vehicles with IDS + chassis / (ch.) 41000001 →
- (4) → 05 / (ch.) → 51999999 /      Ø A 25,2



Ref. - No.



febi bilstein	Ref. - No.			
22379	13237130	ProKit Verbindungsstange / connecting rod	(2)	L 355
23001	24413015	Querlenker / control arm	Alu / alloy	
23002	24413016	Querlenker / control arm	Alu / alloy	
23003	93171448	Rep. Satz Querlenker / rep. kit control arm		
26152	93172254	ProKit Spurstangenendstück / tie rod end		M14 x 1,5
26153	93172255	ProKit Spurstangenendstück / tie rod end		M14 x 1,5
29238	93191672 SK	ProKit Spurstange / tie rod	→ 17"	L 284
30587	93191673 SK	ProKit Spurstange / tie rod	(1)	L 305
33776	13116332	ProKit Verbindungsstange / connecting rod	(3)	L.395
34228	24413016 S1	ProKit Querlenker rechts / control arm right	(ex.) OPC / VXR	
34231	24413015 S1	ProKit Querlenker links / control arm left	(ex.) OPC / VXR	
36543	09191188	Stabilisatorlager / stabilizer mount	(4)	
38051	13204071	Stabilisatorlager, unten / stabilizer mount, lower	(ch.) 61000001 →	Ø I 24
38052	13204070	Stabilisatorlager, oben / stabilizer mount, upper	(ch.) 61000001 →	Ø I 24

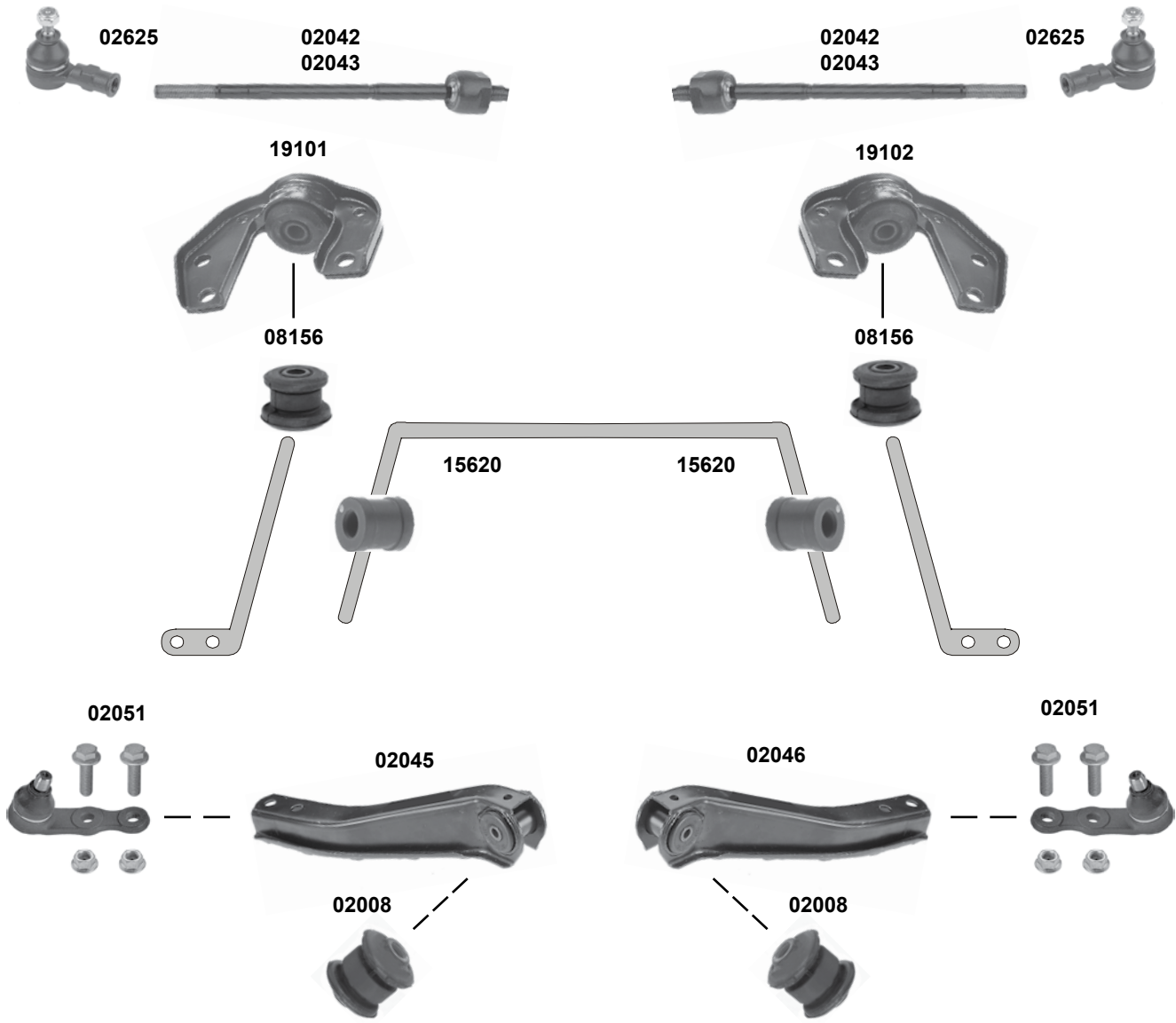




**Tigra**  
(1994 → 2000)

(ch.) → V 3023597, V 4166925, V 6066279

Vorderachse / Front axle

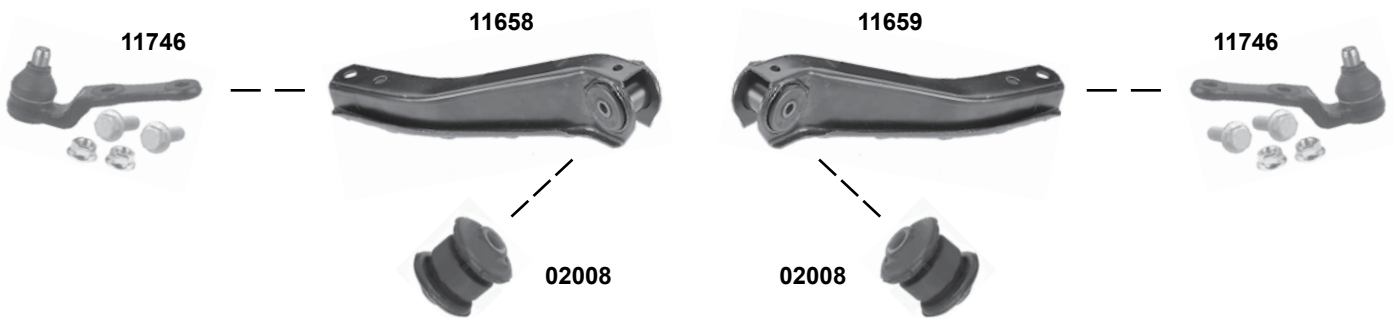
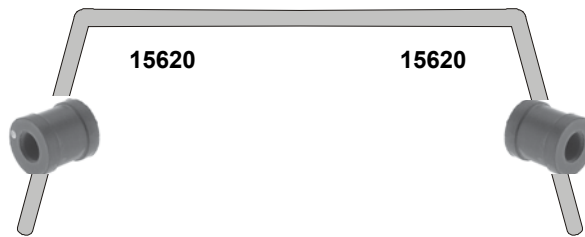


	Ref. - No.			
<b>02008</b>	90445097	Querlenkerlager / control arm mount	man.  / E - servo	10x35x52
<b>02042</b>	93192445 SK	Spurstange / tie rod		L 325
<b>02043</b>	26032284	Spurstange / tie rod	servo	L 290
<b>02045</b>	90511260	Querlenker / control arm		
<b>02046</b>	90511261	Querlenker / control arm		
<b>02051</b>	90444294	Traggelenk / ball joint		Ø A 15
<b>02625</b>	93192419	Spurstangenendstück / tie rod end		M12x1,5 RHT
<b>08156</b>	90445098	Zugstrebenlager / tension rod mount		14x36/50x40
<b>15620</b>	90447946	Stabilisatorlager / stabilizer mount		Ø I 21,5
<b>19101</b>	90445100	Halter / retainer		
<b>19102</b>	90445101	Halter / retainer		



**Tigra**  
(1994 → 2000)

(ch.) V 3023598, V 4166926, V 6066280 →



Vorderachse / Front axle

	Ref. - No.			
<b>02008</b>	90445097	Querlenkerlager / control arm mount		10x35x52
<b>02042</b>	93192445 SK	Spurstange / tie rod	man.  / E - servo	L 325
<b>02043</b>	26032284	Spurstange / tie rod	servo	L 300
<b>11658</b>	90542572	Querlenker / control arm		
<b>11659</b>	90542573	Querlenker / control arm		
<b>11746</b>	90542574	Traggelenk / ball joint		Ø A 15
<b>12778</b>	93192446	Spurstangenendstück / tie rod end		M12x1,5 RHT
<b>15620</b>	90447946	Stabilisatorlager / stabilizer mount		Ø I 21,5

passend für / to fit

**VAUXHALL**



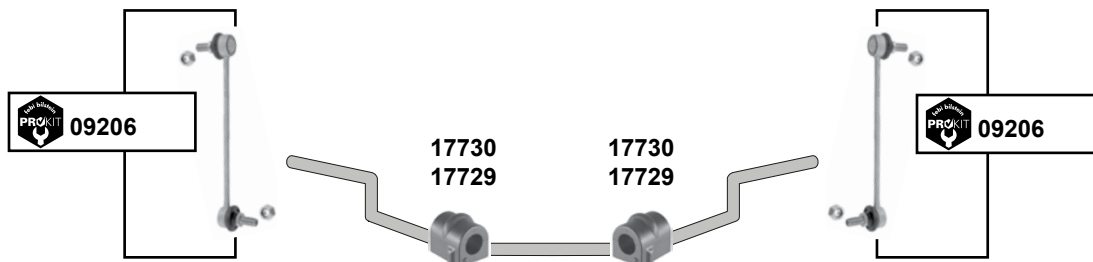
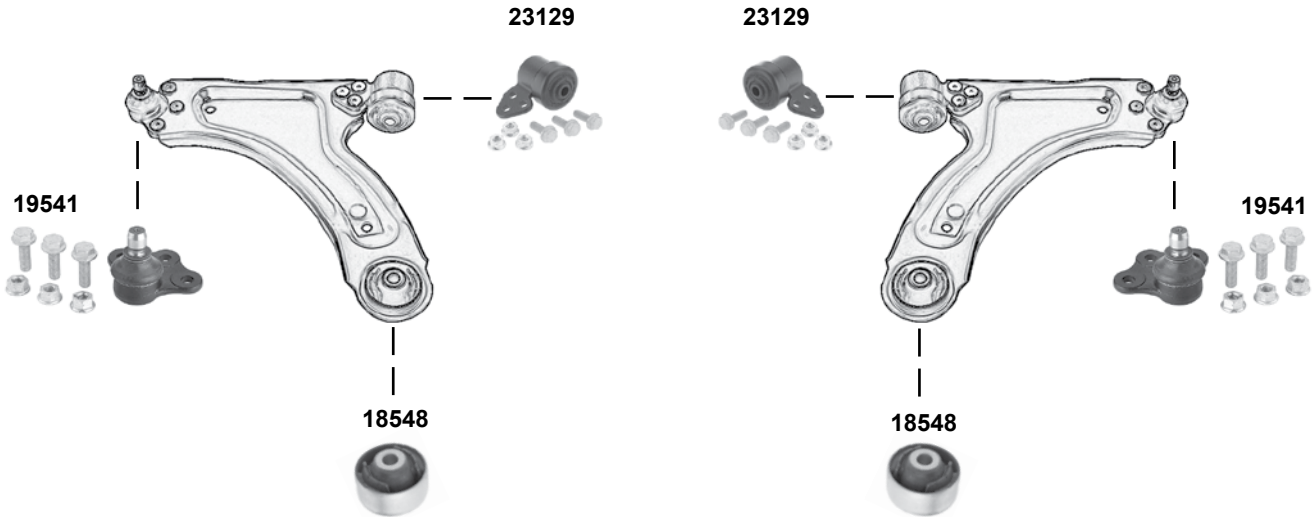
**Car  
Division**



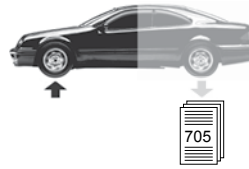
# Tigra TwinTop

(2004 → 2009)

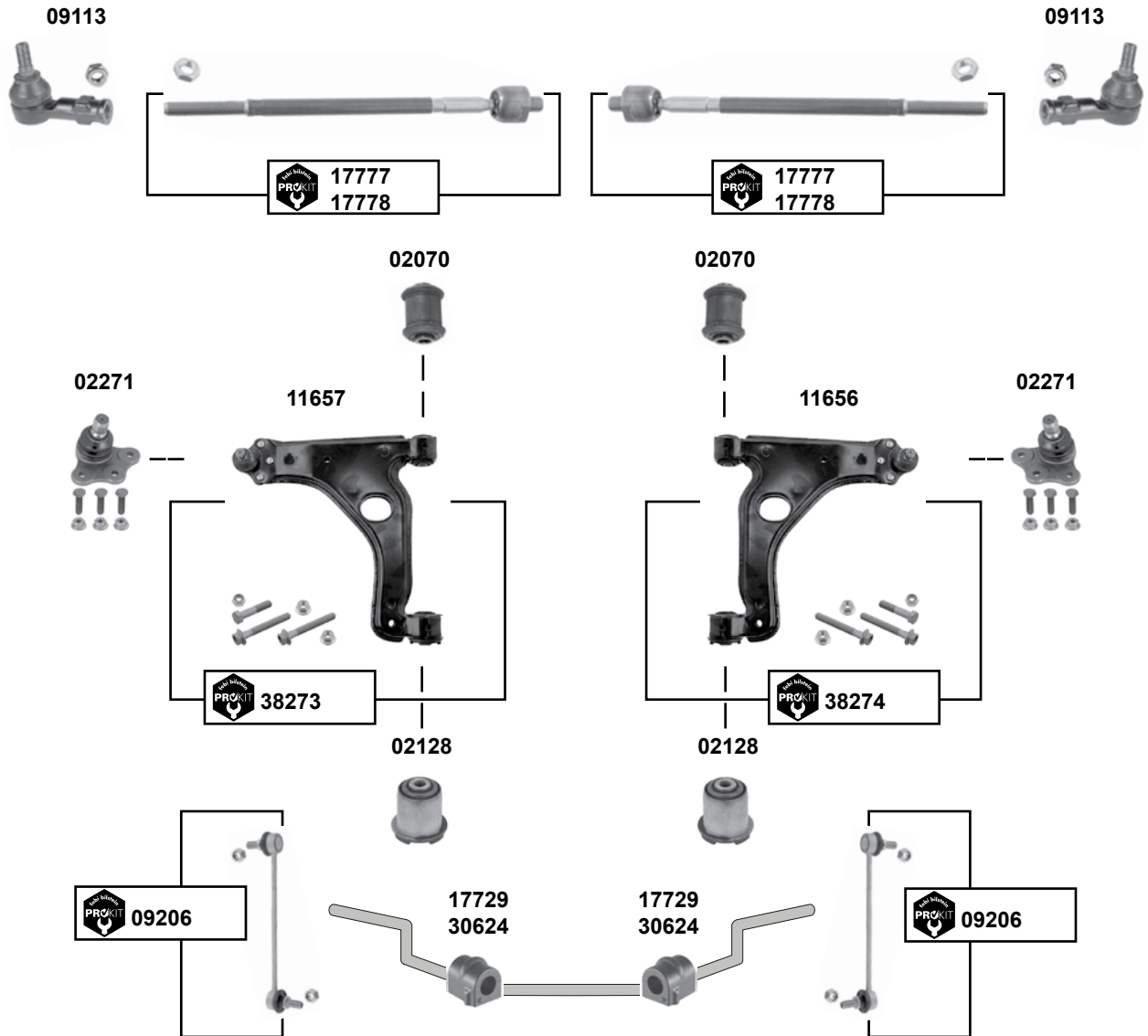
Vorderachse / Front axle



Ref. - No.			
<b>02625</b>	93192419	Spurstangenendstück / tie rod end	M12 x 1,5 L 243,5 Ø I 16 Ø I 18 Ø A 59,5
<b>09206</b>	90496116	ProKit Verbindungsstange / connecting rod	
<b>17729</b>	90468567	Stabilisatorlager / stabilizer mounting	
<b>17730</b>	90538865	Stabilisatorlager / stabilizer mounting	
<b>18548</b>	13138151	Querlenkerlager / control arm mount	
<b>19541</b>	09196394	Traggelenk / ball joint	
<b>23129</b>	93188302	Querlenkerlager / control arm mount	
			(ch.) → 5E999999



# Vectra Mk I (1995 → 2002)



Vorderachse / Front axle

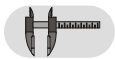


(1) (ch.) → W 1999999 / W 5999999 / W 7999999  
(ch.) XL 000001 → XL 999999

(2) (ex.) Sport (ch.) X 1000001, X 7000001 YL 000001 → // Sport (ch.) Y 1000001, Y 7000001 →



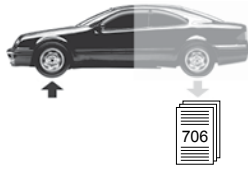
Ref. - No.



Part No.	Ref. - No.	Description	Notes	Dimensions
02070	90468636	Querlenkerlager / control arm mount		12x36,5x60
02128	90468638	Querlenkerlager / control arm mount		12x47,5x60
02271	90512982	Traggelenk / ball joint		Ø A 18
09113	90512775	Spurstangenendstück / tie rod end		M14 x 1,5
09206	90496116	ProKit Verbindungsstange / connecting rod		L 243,5
11656	09228477	Querlenker / control arm		
11657	90496039	Querlenker / control arm		
17729	90468567	Stabilisatorlager / stabilizer mount		Ø I 16
17777	26055219 SK	ProKit Spurstange / tie rod	(1) (ex.) Sport	L 360
17778	90540319 S1	ProKit Spurstange / tie rod	servo Saginaw	L 360
30624	09191649	Stabilisatorlager / stabilizer mount	servo ZF	L 360
38273	90496039 S1	ProKit Querlenker / control arm	(2)	Ø I 17
38274	09228477 S1	ProKit Querlenker / control arm		

passend für / to fit

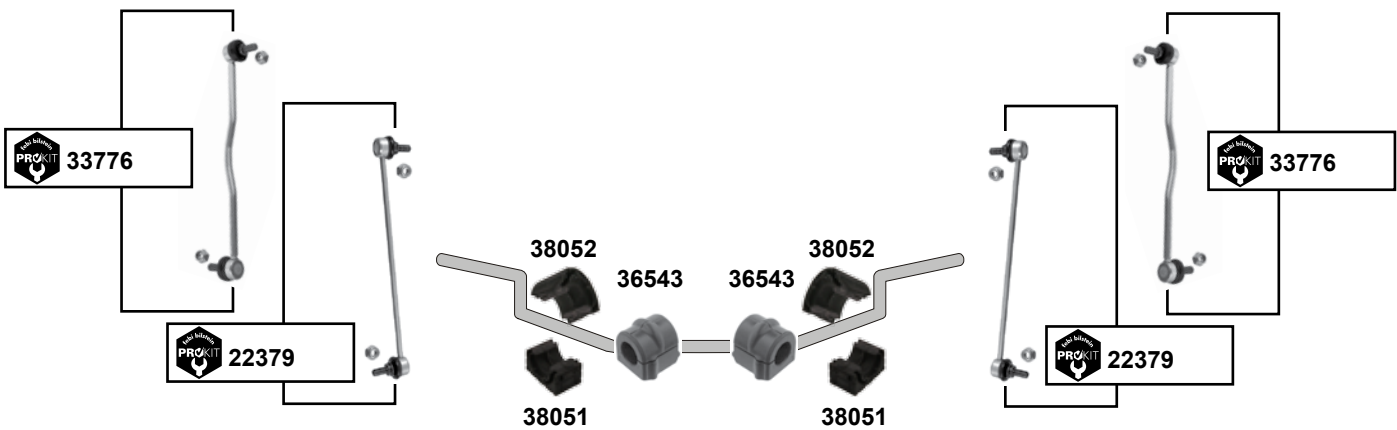
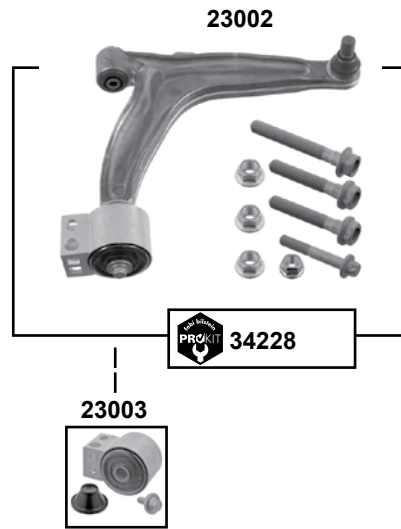
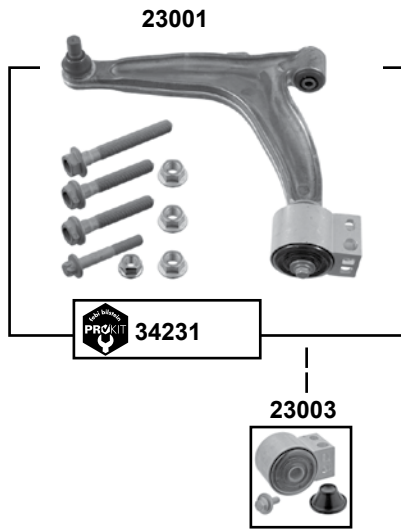
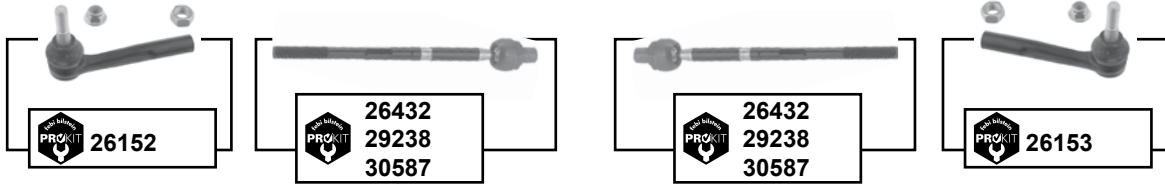
**VAUXHALL**



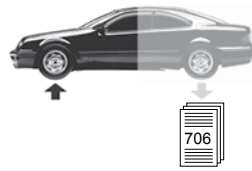
**Car  
Division**



# Vectra Mk II (2002 → 2008)



Vorderachse / Front axle



**Vectra Mk II**  
(2002 → 2008)

Vorderachse / Front axle

	(1) Limousine: → 17"  / (ch.) 31032141, 3804656 → Caravan : → 17"  alle / all	(3) Limousine: 18"  → / (ch.) → 61039489 Caravan : 18"  → alle / all
	(2) → (ch.) 31032140, 38040655 / (ex.) Caravan	(4) (ex.) IDS+ alle/ all // IDS+ (ch.) → 31999999, 38999999 / Caravan: → 17"
	(5) nur Fahrzeuge mit IDS + Fahrwerk / vehicles with IDS +chassis only / (ch.) 41000001,48000001 →	
	(6) → 05 / (ch.) → 410105077, 48008980 → 05 / (ch.) 41010578 → 51999999, 48008981 → 58999999 / (ex.) HD	

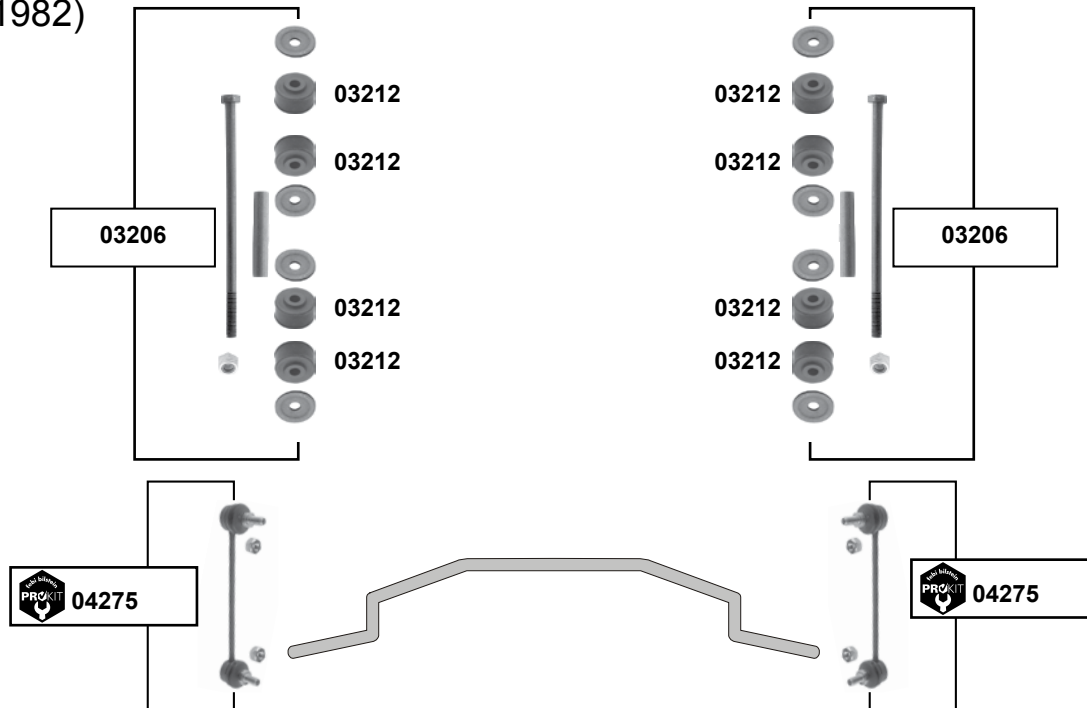
	Ref. - No.			
<b>22379</b>	13237130	ProKit Verbindungsstange / connecting rod	(4)	L 355
<b>23001</b>	24413015	Querlenker / control arm	Alu / alloy	
<b>23002</b>	24413016	Querlenker / control arm	Alu / alloy	
<b>23003</b>	93171448	Rep. Satz Querlenker / rep. kit control arm		
<b>26152</b>	93172254	ProKit Spurstangenendstück / tie rod end		M14 x 1,5
<b>26153</b>	93172255	ProKit Spurstangenendstück / tie rod end		M14 x 1,5
<b>26432</b>	93191671 SK	ProKit Spurstange / tie rod	(2)	L 300
<b>29283</b>	93191672 SK	ProKit Spurstange / tie rod	(1)	L 300
<b>30587</b>	93191673 SK	ProKit Spurstange / tie rod	(3)	L 305
<b>33776</b>	13116332	ProKit Verbindungsstange / connecting rod	(5)	L 395
<b>34228</b>	24413016 S1	ProKit Querlenker rechts / control arm right	(ex.) OPC / VXR	
<b>34231</b>	24413015 S1	ProKit Querlenker links / control arm left	(ex.) OPC / VXR	
<b>36543</b>	09191188	Stabilisatorlager / stabilizer mount	(6)	Ø   23,3
<b>38051</b>	13204071	Stabilisatorlager, unten / stabilizer mount, lower	(ch.) 61000001 →	Ø   24
<b>38052</b>	13204070	Stabilisatorlager, oben / stabilizer mount, upper	(ch.) 61000001 →	Ø   24



## Viceroy

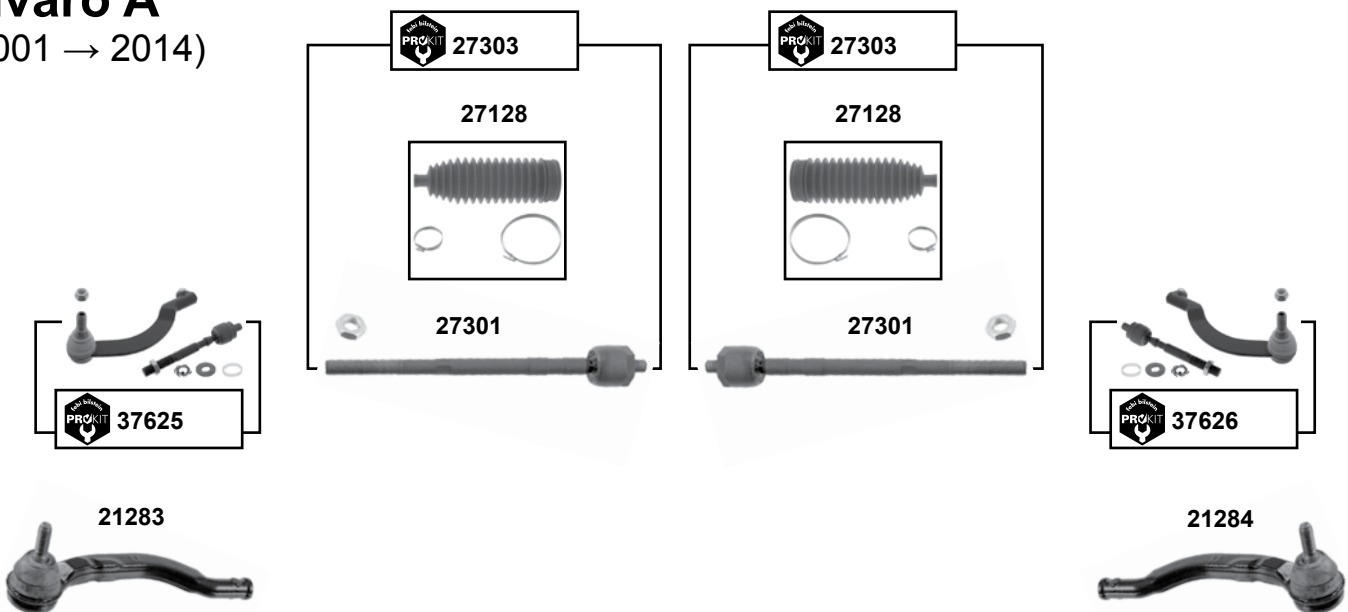
(1980 → 1982)

Vorderachse / Front axle



## Vivaro A

(2001 → 2014)



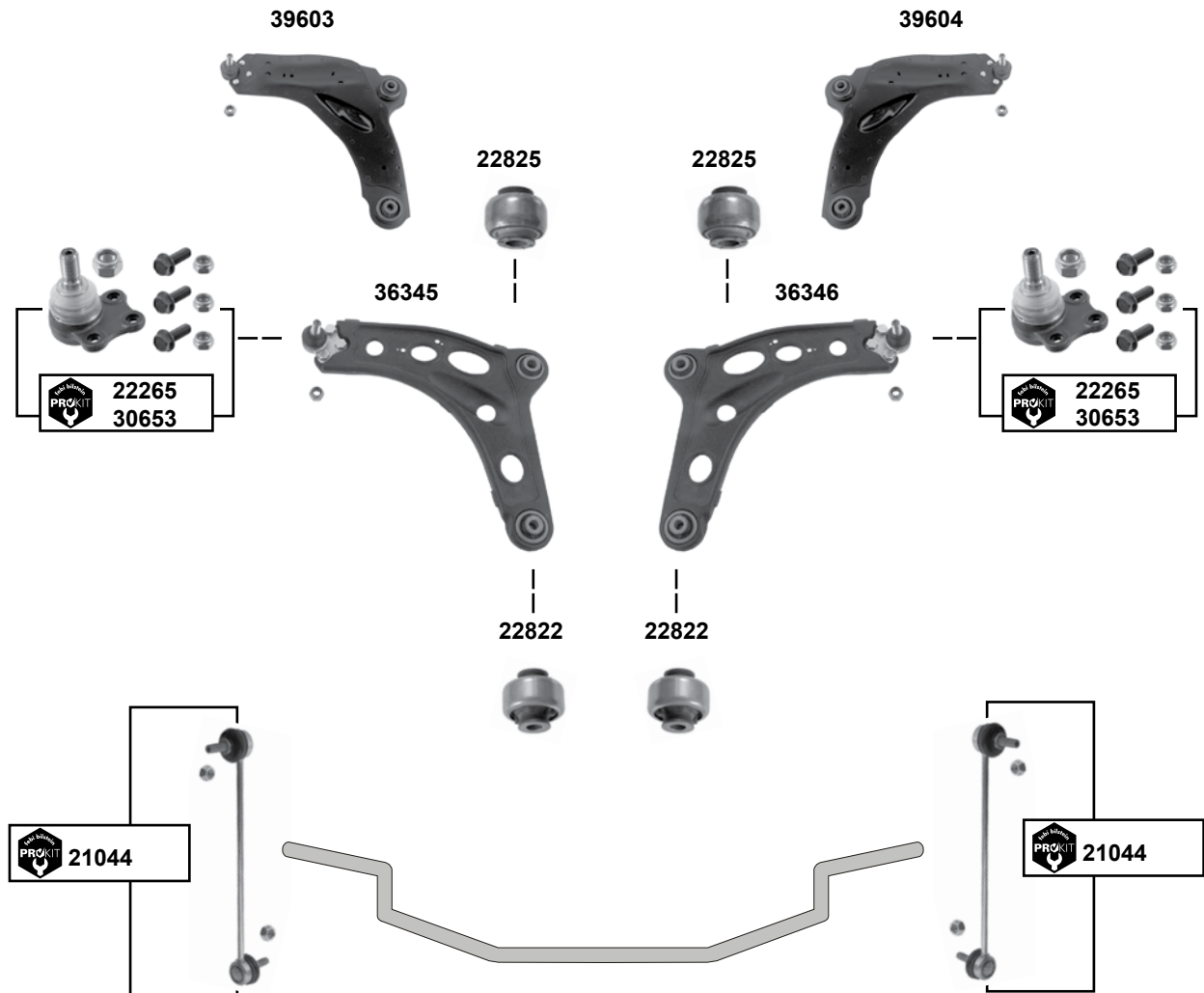
Ref. - No.



<b>03206</b>	90009369	Rep. Satz Stabilisatorlager / rep. kit stabilizer	
<b>03212</b>	02875013	Verbindungsstangenlager / connecting rod bearing	8,5x30x19
<b>04275</b>	90236577	ProKit Verbindungsstange / connecting rod	L 195
<b>21283</b>	91160043	Spurstangenendstück / tie rod end	L 230
<b>21284</b>	91160044	Spurstangenendstück / tie rod end	L 230
<b>27128</b>	91160038	Lenkmanschettensatz / steering boot set	L 205
<b>27301</b>	91160037 SK	Spurstange / tie rod	L 245
<b>27303</b>	91160037	ProKit Spurstange / tie rod	L 245
<b>37625</b>	09161561 S1	ProKit Spurstange / tie rod	
<b>37626</b>	09161561 S2	ProKit Spurstange / tie rod	



**Vivaro A**  
(2001 → 2014)



Vorderachse / Front axle



(1) (ch.) C 7V621198, C 7V721613 →

(3) 07 → / (ch.) 7V600001 → / 7Y000001 →

(2) (ch.) → C 7V621197, C 7V721612

(4) Blech / metal sheet ; → (ch.) 6V999999, 6Y699999



Ref. - No.



<b>21044</b>	93858917	ProKit Verbindungsstange / connecting rod		L 280
<b>22265</b>	93196923	ProKit Traggelenk / ball joint	(2)	Ø I 10
<b>22822</b>	93858141 SK3	Querlenkerlager / control arm mount		Ø A 58
<b>22825</b>	93858141 SK2	Querlenkerlager / control arm mount		Ø A 55
<b>30653</b>	93161884	ProKit Traggelenk / ball joint	(1)	Ø I 12
<b>36345</b>	93862136	Querlenker / control arm	(3)	
<b>36346</b>	93862135	Querlenker / control arm	(3)	
<b>39603</b>	93858141	Querlenker / control arm	(4)	
<b>39604</b>	93858142	Querlenker / control arm	(4)	



passend für / to fit

**VAUXHALL**

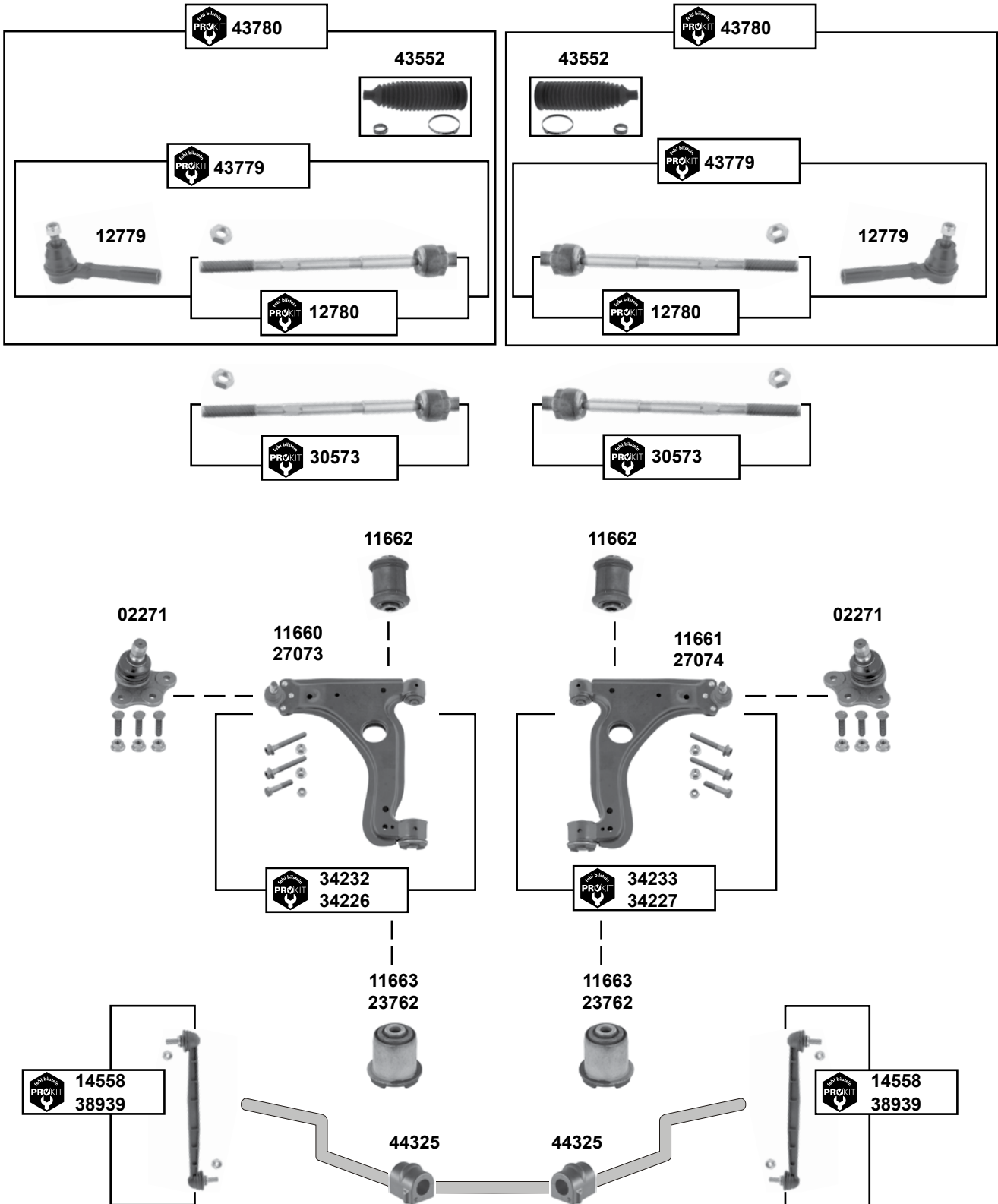


**Car  
Division**



# Zafira Mk I (1998 → 2005)

Vorderachse / Front axle





**Zafira Mk I**  
(1998 → 2005)



(1) Nur für TRW-Lenkung / TRW-steering only

	Ref. - No.			
02271	90512982	Traggelenk / ball joint	(ch.) 42125090, 4G000001 →	Ø A 18
11660	90498735	Querlenker / control arm	(ch.) → 42125089	
11661	90498736	Querlenker / control arm	(ch.) → 42125089	
11662	90498738	Querlenkerlager / control arm mount	(ch.) 42125090, 4G000001 →	12x36,5x60
11663	90498740	Querlenkerlager / control arm mount	(ch.) → 42125089	12x45/48x60
12779	93186537	Spurstangenendstück / tie rod end		M14x1,5 RHT
12780	26059293	ProKit Spurstange / tie rod		L 300
14558	13169439	ProKit Verbindungsstange / connecting rod	<b>OLD</b>	L 300
23762	24439582	Querlenkerlager / control arm mount	(ch.) 42125090 →	12x46x603
27073	24454477	Querlenker / control arm	(ch.) 42125090, 4G000001 →	
27074	22454478	Querlenker / control arm	(ch.) 42125090, 4G000001 →	
30573	93191529 SK	ProKit Spurstange / tie rod	(mot.) Z 2,0 LET	L 304
34226	90498735 S1	ProKit Querlenker / control arm	(ch.) → 42125089	
34227	90498736 S1	ProKit Querlenker / control arm	(ch.) → 42125089	
34232	24454477 S1	ProKit Querlenker / control arm	(ch.) 42125090, 4G000001 →	
34233	24454478 S1	ProKit Querlenker / control arm	(ch.) 42125090, 4G000001 →	
38939	13327928	ProKit Verbindungsstange / connecting rod	<b>NEW</b>	L 350
43552	1609 356	Lenkmanschettensatz / steering boot set	(1)	L 211
43779	93191526 S5	ProKit Spurstange / tie rod	(1)	M18 x 1,5
43780	93191526 S6	ProKit Spurstange / tie rod	(1)	M18 x 1,5
44325	0350 093	Stabilisatorlager / stabilizer mount	(1)	Ø1 24

passend für / to fit

**VAUXHALL**

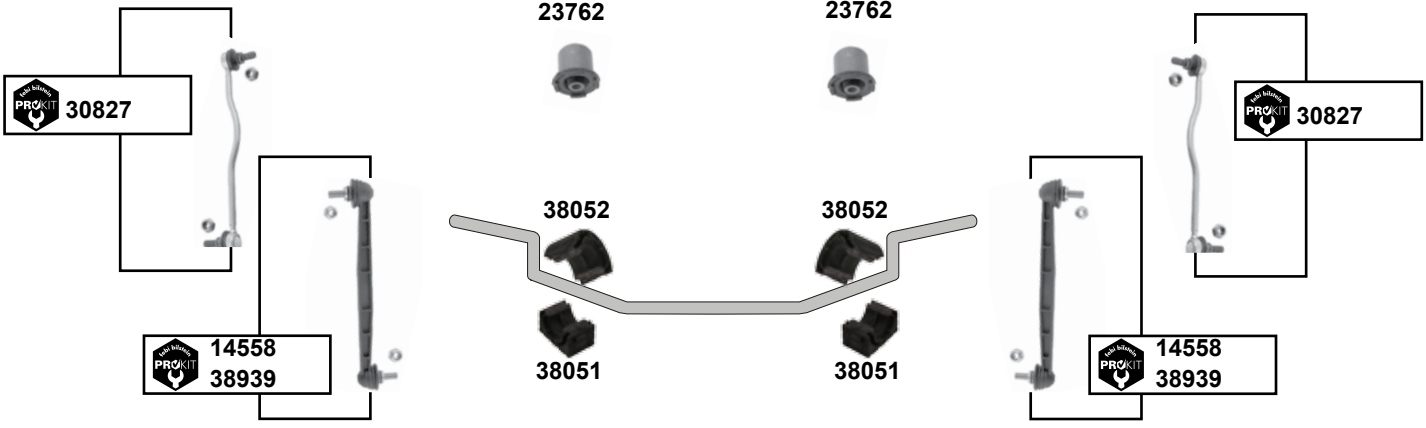
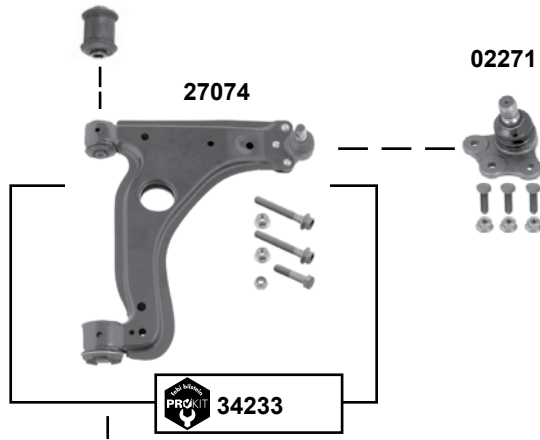
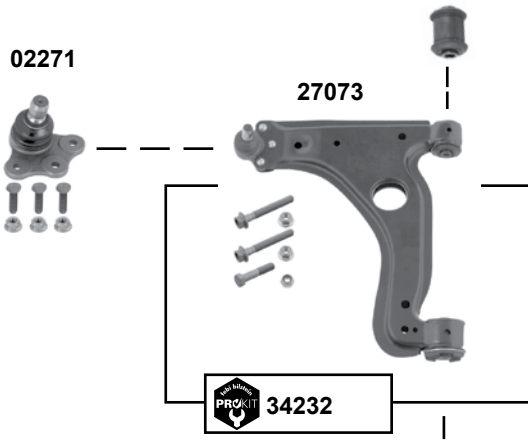
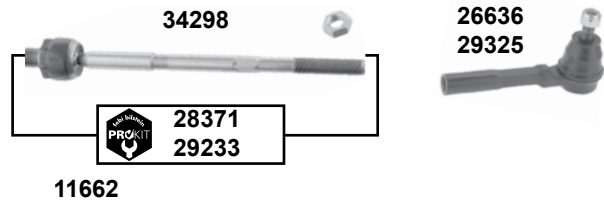
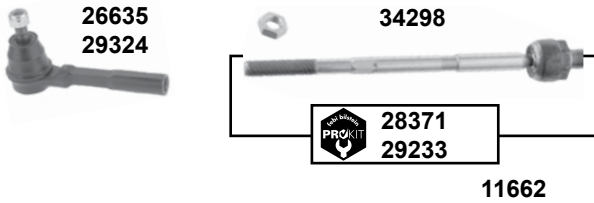
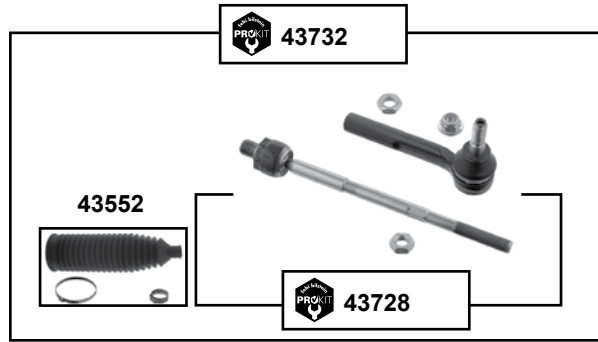
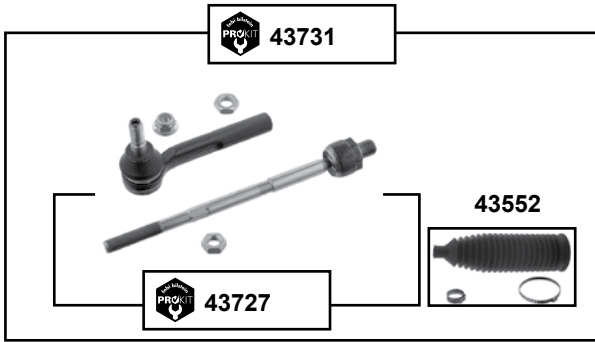


**Car  
Division**



# Zafira Mk II (2005 → 2011)

Vorderachse / Front axle





# Zafira Mk II

(2005 → 2011)

- |   |  |
|---|--|
| <b>(1)</b> servo <b>TRW</b> // Z1,6 XEP, XER, XE1 <b>alle/ all</b><br>Z1,8 XER (ex.) ESP  | <b>(2)</b> Fahrzeuge mit TRW 2. Generation Lenkung /<br>vehicles with TRW 2. generation steering |
| <b>(3)</b> servo <b>ZF, (ex.) 18"</b> / <b>(mot.)</b> Y 1,6YNG / Z16YNG / Z16XNT / A16XNT / Z 1,7 DTR / Z17DTJ / A17DTJ /<br>A17DTR / Z 1,8 XER / A18XER / Z 1,9 DT / Z 1,9 DTL / Z 1,9 DTH / Z 2,0 LER / Z 2,0 LEH |  |
| <b>(4)</b> Nur für TRW-Lenkung / TRW-steering only // <b>(ch.)</b> 72095157- <b>(ch.)</b> 7G066982-   |  |
| <b>(5)</b> Z1,6 XEP, XER, XE1, A16XER <b>alle/ all</b> // Z1,8XER, A18XER <b>(ex.)</b> ESP  |  |
| <b>(6)</b> <b>(ch.)</b> 72095157 - , <b>(ch.)</b> 7G066982 - Z1,6 XEP, XER, XE1, A16XER <b>alle/ all</b> // Z1,8XER, A18XER <b>(ex.)</b> ESP  |  |



	Ref. - No.			
<b>02271</b>	90512982	Traggelenk / ball joint		Ø A 18
<b>11662</b>	90498738	Querlenkerlager / control arm mount		12x36,5x60
<b>14558</b>	13169439	ProKit Verbindungsstange / connecting rod	<b>(ex.)</b> IDS+ / <b>OLD</b>	L 300
<b>23762</b>	24439582	Querlenker / control arm		12x46x60
<b>26635</b>	93181232	Spurstangenendstück / tie rod end		M14 x 1,5
<b>26636</b>	93181233	Spurstangenendstück / tie rod end		M14 x 1,5
<b>27073</b>	24454477	Querlenker / control arm		
<b>27074</b>	22454478	Querlenker / control arm		
<b>28371</b>	93189669 SK	ProKit Spurstange / tie rod	<b>(3)</b>	L 279
<b>29233</b>	93189670 SK	ProKit Spurstange / tie rod	18"	L 279
<b>29324</b>	93186333	Spurstangenendstück / tie rod end	<b>(1)</b> servo <b>TRW</b>	M14 x 1,5
<b>29325</b>	93186332	Spurstangenendstück / tie rod end	<b>(1)</b> servo <b>TRW</b>	M14 x 1,5
<b>30827</b>	24461353	ProKit Verbindungsstange / connecting rod	IDS+	
<b>34232</b>	24454477 S1	ProKit Querlenker links / control arm left		
<b>34233</b>	24454478 S1	ProKit Querlenker rechts / control arm right		
<b>34298</b>	93191521 SK	Spurstange / tie rod	<b>(2)</b>	
<b>38051</b>	13204071	Stabilisatorlager, unten / stabilizer mount, lower		Ø I 24
<b>38052</b>	13204070	Stabilisatorlager, oben / stabilizer mount, upper		Ø I 24
<b>38939</b>	13327928	ProKit Verbindungsstange / connecting rod	<b>(ex.)</b> IDS+ / <b>NEW</b>	L 350
<b>43552</b>	93191260	Lenkmanschettensatz / steering boot set	<b>(4)</b>	L 211
<b>43727</b>	93191526 S1	ProKit Spurstange / tie rod	<b>(2) (5)</b>	M18 x 1,5
<b>43728</b>	93191526 S2	ProKit Spurstange / tie rod	<b>(2) (5)</b>	M18 x 1,5
<b>43731</b>	93191526 S3	ProKit Spurstange / tie rod	<b>(2) (6)</b>	M18 x 1,5
<b>43732</b>	93191526 S4	ProKit Spurstange / tie rod	<b>(2) (6)</b>	M18 x 1,5

passend für / to fit

**VAUXHALL**



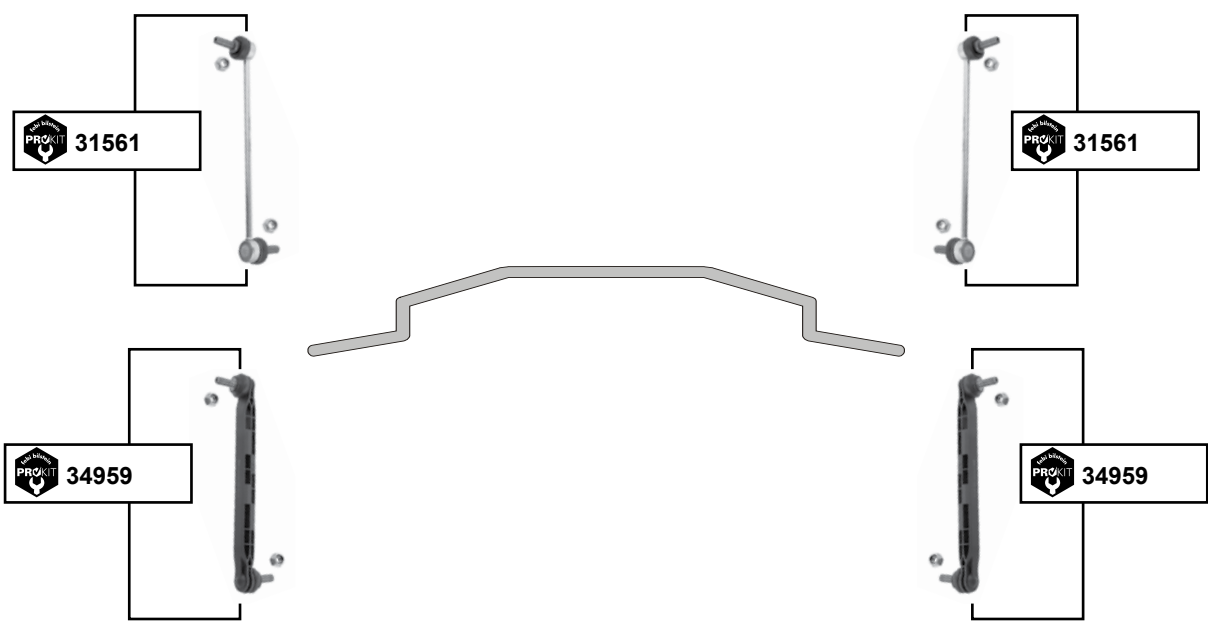
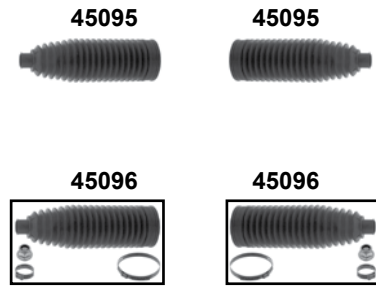
**Car  
Division**



# Zafira Mk III

(2012 →)

Vorderachse / Front axle

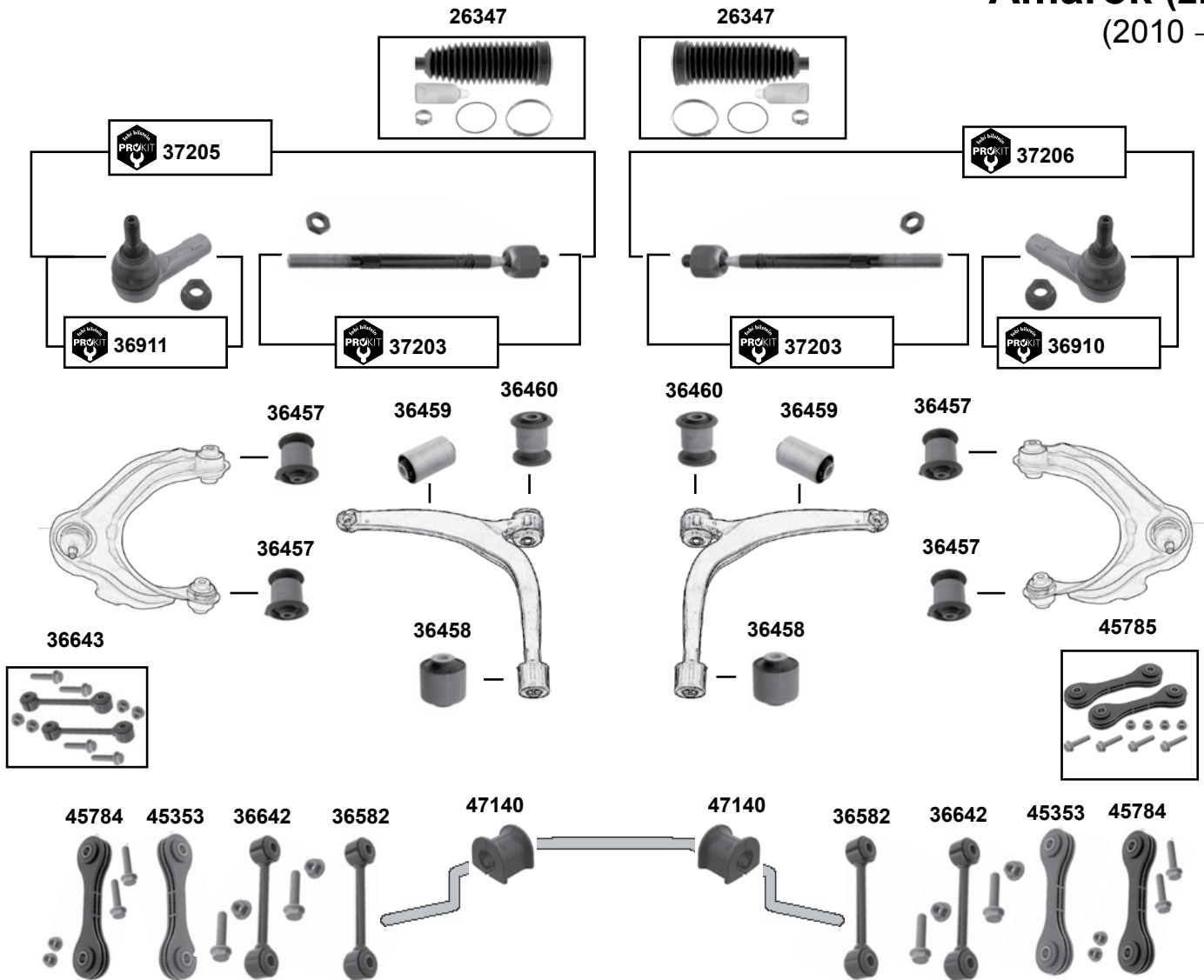


- (1)
- (2) alle (ex.) Flexride Fahrwerk / all (ex.)

	Ref. - No.			
<b>31561</b>	13258052	ProKit Verbindungsstange / connecting rod	(1)	L 303,5
<b>34959</b>	13219141	ProKit Verbindungsstange / connecting rod	(2)	L 304
<b>45095</b>	13354440 SK1	Lenkmanschette / steering rack boot	E - servo	
<b>45096</b>	13354440	Lenkmanschettenatz / steering boot set	E - servo	



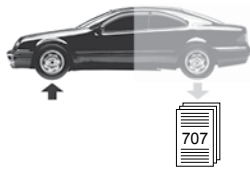
## Amarok (2H) (2010 →)



Vorderachse / Front axle

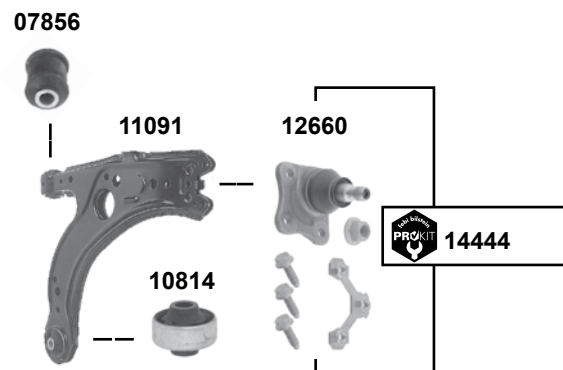
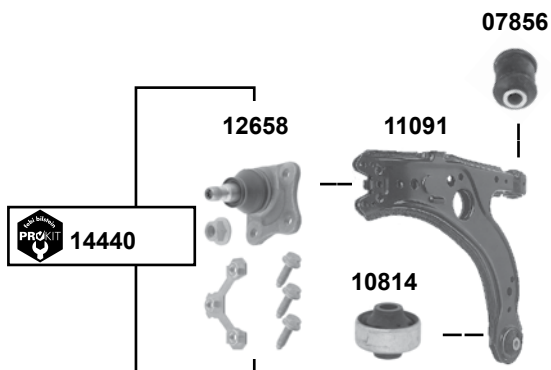
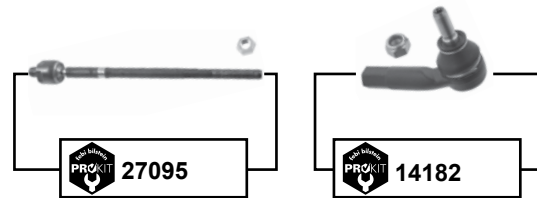
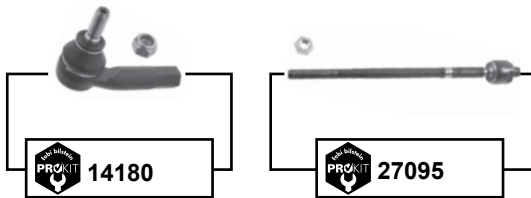
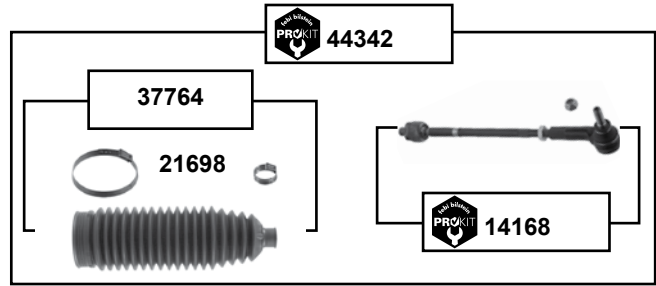
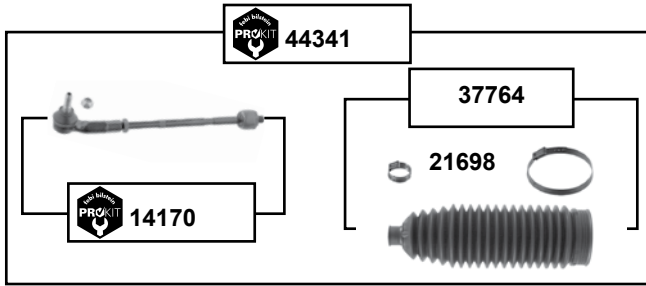
- (1) Amarok / 4 motion 2H (mot.) CDBA, CDCA, CFPA, CNEA, CNFA, CSHA 03/12 →  
Amarok / 4 motion (S1B) alle / all // Amarok / 4 motion 2H (mot.) CNFB
- (2) (mot.) CNFB, CFPA, CNEA, CSHA, CDBA, CNFA, CUBA → 06/2015 // (mot.) CDCA

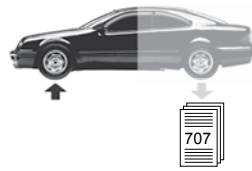
	Ref. - No.			
26347	7L0 422 831 A S1	Rep. Satz Lenkmanschette / rep. kit steering boot		
36457	2H0 407 077 A	Querlenkerlager / control arm mount		Ø A 60
36458	2H0 407 182 A	Querlenkerlager / control arm mount		Ø A 60 H 64,5
36459	2H0 412 333 A	Querlenkerlager / control arm mount		Ø I 14,3 H84,2
36460	2H0 407 183 A	Querlenkerlager / control arm mount		Ø A 60 H 60
36582	2H0 411 317	Verbindungsstange / connecting rod	→ 03/12	Ø I 12,02
36642	2H0 411 317 S1	Verbindungsstange / connecting rod	→ 03/12	L 180
36643	2H0 411 317 S2	Verbindungsstangensatz / connecting rod set	→ 03/12	L 180
36910	7L0 422 818 D	ProKit Spurstangenendstück / tie rod end		M16 x 1,5
36911	7L0 422 817 D	ProKit Spurstangenendstück / tie rod end		M16 x 1,5
37203	7L0 422 810 D	ProKit Axialgelenk / axial joint		L 320
37205	7L0 422 803 D	ProKit Spurstange / tie rod		L 434
37206	7L0 422 804 D	ProKit Spurstange / tie rod		L 434
45353	2H0 411 317 B	Verbindungsstange / connecting rod	(1)	
45784	2H0 411 317 B S1	Verbindungsstange / connecting rod	(1)	
45785	2H0 411 317 B S2	Verbindungsstangensatz / connecting rod set	(1)	
47140	2H0 411 313 C	Stabilisatorlager / stabilizer mount	(2)	



## Bora (1J) (1999 → 2005)

Vorderachse / Front axle





## Bora (1J) (1999 → 2005)

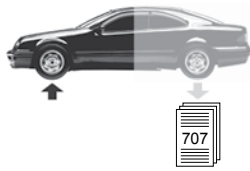


- (1) Bora (**mot.**) AEH, AGN, AGP, AGR, AGU, AGZ, AHF, AHW, AJM, AKL, AKQ, ALH, APE, APF, APK, AQM, AQN, AQP, AQY, ARL, ARX, ASV, ASZ, ATD, ATN, AUE, AUM, AUQ, AUS, AUY, AVH, AVU, AXP, AXR, AZD, AZG, AZH, AZJ, BAD, BCA, BCB, BFQ  
Bora Variant, Bora 4 motion, Bora Variant 4 motion **alle / all**

- (2) Bora Variant 4 motion (**mot.**) ARX 00 → 01

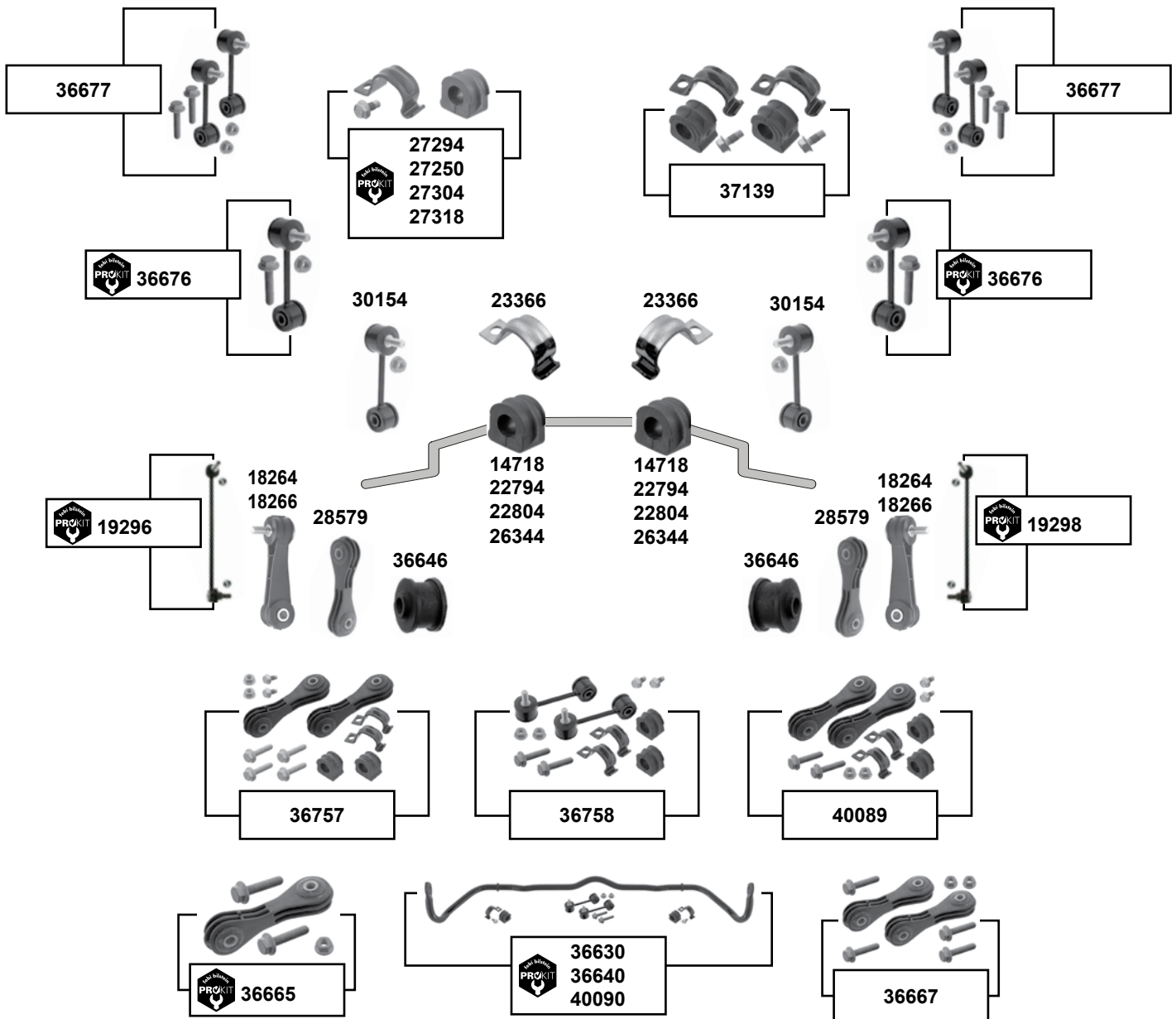
	Ref. - No.			
07856	357 407 182	Querlenkerlager / control arm mount		12x33x54
10814	1J0 407 181	Querlenkerlager / control arm mount		13x60x41
11091	1J0 407 151 C	Querlenker / control arm		
12658	1J0 407 365 H	Traggelenk / ball joint		M12 x 1,5
12660	1J0 407 366 H	Traggelenk / ball joint		M12 x 1,5
14168	1J0 422 804 H	ProKit Spurstange / tie rod	ZF	
14170	1J0 422 803 H	ProKit Spurstange / tie rod	ZF	
14180	1J0 422 811 B	ProKit Spurstangenendstück / tie rod end		M14 x 1,5
14182	1J0 422 812 B	ProKit Spurstangenendstück / tie rod end		M14 x 1,5
14184	1J0 422 811 A	Spurstangenendstück / tie rod end		M14 x 1,5
14186	1J0 422 812 A	Spurstangenendstück / tie rod end		M14 x 1,5
14440	1J0 407 365 H S1	ProKit Traggelenk / ball joint		
14444	1J0 407 366 H S1	ProKit Traggelenk / ball joint		
21698	1J0 422 831 B	Lenkmanschette / steering boot	(ex.) R32	
27095	1J0 422 810 B	ProKit Axialgelenk / axial joint		L 321
37764	1J0 422 831 B S1	Rep. Satz Lenkmanschette / rep. kit steering boot	ZF	
39810	357 407 365 S2	ProKit Traggelenk / ball joint	(2)	
44341	1J0 422 803 H S1	ProKit Spurstange / tie rod	(1)	12 x 1,5
44342	1J0 422 804 H S1	ProKit Spurstange / tie rod	(1)	12 x 1,5

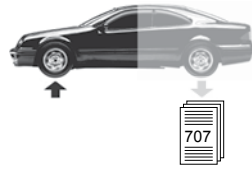




## Bora (1J) (1999 → 2005)

Vorderachse / Front axle





**Bora (1J)**  
(1999 → 2005)

## Rep. Sätze / rep. kits

19820



19822



- |   |   |
|---|---|
| (1) variant (ex.) 4motiton 01 → 05 (ch.) 1J-1-480 001 →                                       | (2) 99 (ch.) → 1J-X-999 000 / 01 → (ch.) 1J-Y-000 001 → |
| (3) → 00 (ch.) → 1J-Y-800 000 / 01 → (ch.) 1J-1-000 001 →                                     |   |
| (4) 99 → 01 alle / all / 04 → 05 (ch.) 01J-4-220 01 →   | (5) (ch.) → 1J-X-999 000 / (ch.) 1J-Y-000 001 →         |
| (6) (ch.) 1J-Y-000 001 → / (ch.) → 1J-1-480 000 / (ch.) → 1J-Y-800 000 / (ch.) → 1J-X-999 000 |   |
| (7) (ch.) → 1J-Y-800 000 / (ch.) → 1J-1-480 000 / (ch.) 1J-1-480 001 →                        |   |
| (8) (ch.) 1J-1-480 001 → / PR-0AE / Ø A 23  |   |
| (9) 00 → 01 (ch.) 1J-Y-000 001 → (ch.) 1J-1-480 000 alle/all                                  |   |



Ref. - No.



Ref. - No.	Description	Notes	Dimensions
14718	1J0 411 314 T Stabilisatorlager / stabilizer mount	(ch.) → 1J-4-220 000	Ø   21
18264	1J0 411 315 J Verbindungsstange / connecting rod		L 105
18266	1J0 411 315 G Verbindungsstange / stabilizer link	(9)	L 105
19296	1J0 411 315 D ProKit Verbindungsstange / connecting rod	4motion	
19298	1J0 411 316 D ProKit Verbindungsstange / connecting rod	4motion	
19820	1J0 407 365 H S2 Querlenker, kpl. / control arm, cpl.		
19822	1J0 407 366 H S2 Querlenker, kpl. / control arm, cpl.		
22794	1J0 411 314 P Stabilisatorlager / stabilizer mount	(ch.) → 1J-4-220 000	Ø   20
22804	1J0 411 314 R Stabilisatorlager / stabilizer mount	R32	Ø   18
23366	1J0 411 336 D Schelle / clamp		
26344	1J0 411 314 S Stabilisatorlager / stabilizer mount	(ch.) 1J-4-220 001 →	Ø   17
27250	1J0 411 314 S S1 ProKit Stabilisatorlagersatz / stabilizer mount kit	(4)	Ø   17
27294	1J0 411 314 P S1 ProKit Stabilisatorlagersatz / stabilizer mount kit	(3)	Ø   20
27304	1J0 411 314 R S1 ProKit Stabilisatorlagersatz / stabilizer mount kit	(2)	Ø   18
27318	1J0 411 314 T S1 ProKit Stabilisatorlagersatz / stabilizer mount kit	(ch.) 1J-Y-000 001 →	Ø   21
28579	1J0 411 315 K Verbindungsstange / connecting rod	(1)	L 105
30154	1J0 411 315 G S1 Verbindungsstange / connecting rod		L 105
36630	1J0 411 305 B S1 ProKit Stabilisatorsatz / stabilizer kit	(ch.) → 1J-X-999 000	
36640	1J0 411 305 E S1 ProKit Stabilisatorsatz / stabilizer kit	(5)	
36646	1J0 411 327 A Verbindungsstangenlager / connecting rod mount	(6)	Ø A 29
36665	1J0 411 315 K S1 ProKit Verbindungsstange / connecting rod	(ch.) 1J-1-000 001 →	L 105,5
36667	1J0 411 315 K S2 Verbindungsstangensatz / connecting rod set	(ch.) 1J-1-000 001 →	L 105,5
36676	1J0 411 315 G S1 ProKit Verbindungsstange / connecting rod	(7)	
36677	1J0 411 315 G S2 Verbindungsstange / stabiliser link	(7)	
36757	1J0 411 315 G S3 Stabilisatorlagersatz / anti roll bar bush kit	(ch.) → 1J-X-999 000	Ø   21
36758	1J0 411 315 G S4 Stabilisatorlagersatz / anti roll bar bush kit	(5)	Ø   21
37139	1J0 411 314 AC S1 Stabilisatorlagersatz / anti roll bar bush kit		
40089	1J0 411 314 T S2 Stabilisatorlagersatz / anti roll bar bush kit	(8)	
40090	1J0 411 305 E S2 ProKit Stabilisatorsatz / stabilizer kit	(8)	



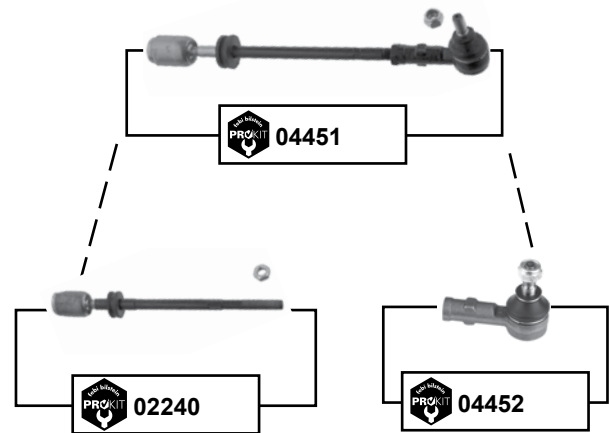
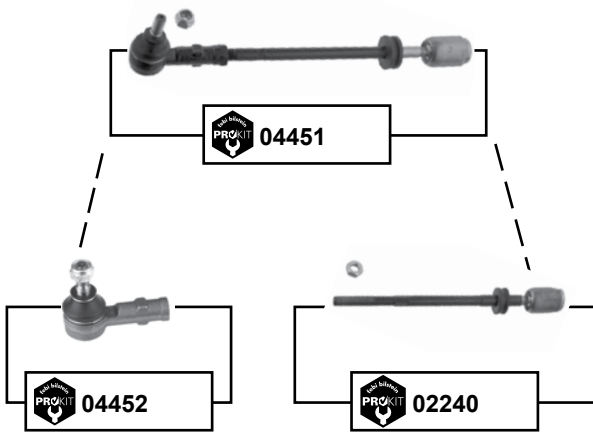
## Caddy (14) (1983 → 1992)

Vorderachse / Front axle

02537



02536



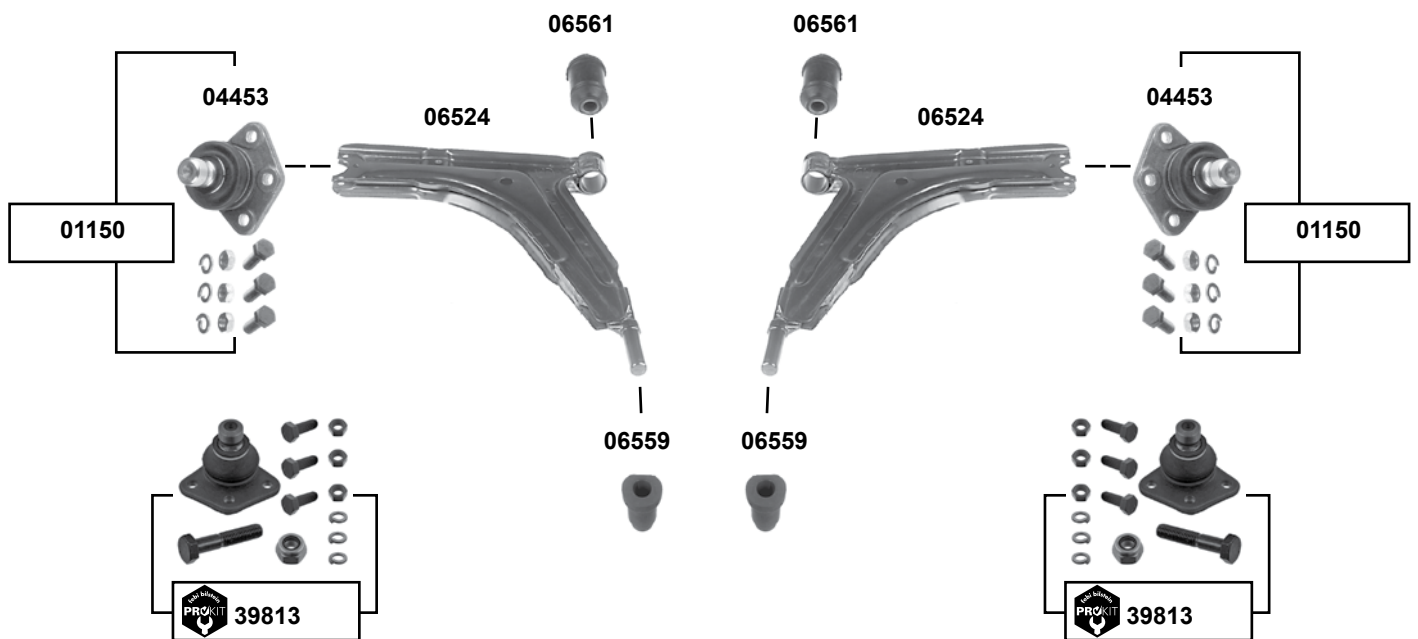
Ref. - No.



<b>02240</b>	171 419 821	ProKit Axialgelenk / axial joint	M14x1,5 RHT
<b>02536</b>	171 419 832 C	Lenkmanschette / steering boot	
<b>02537</b>	191 419 831	Lenkmanschette / steering boot	
<b>04451</b>	171 419 804	ProKit Spurstange / tie rod	
<b>04452</b>	171 419 812	ProKit Spurstangenendstück / tie rod end	M14x1,5 RHT
<b>08497</b>	171 419 832 C S1	Rep. Satz Lenkmanschette / rep. kit steering boot	
<b>08498</b>	191 419 831 S	Rep. Satz Lenkmanschette / rep. kit steering boot	



## Caddy (14) (1983 → 1992)



Vorderachse / Front axle

	Ref. - No.			
<b>01150</b>	171 407 365 F S1	Rep. Satz Traggelenk / rep. kit ball joint		
<b>04453</b>	171 407 365 F	Traggelenk / ball joint		Ø A 17
<b>06561</b>	171 407 182 D	Querlenkerlager / control arm mount		12x32x61
<b>06524</b>	171 407 153 D	Querlenker ohne Gummilager / control arm excl. rubber mounts		
<b>06559</b>	171 407 181 A	Querlenkerlager / control arm mount		16x38x55
<b>39813</b>	171 407 365 F S2	ProKit Traggelenk / ball joint		



## Caddy (9K) (1996 → 2003)

18864



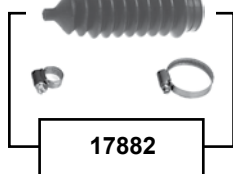
18864



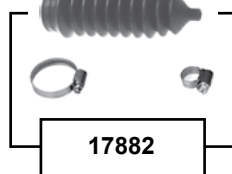
(ch.) → 9K-1-523000



05067



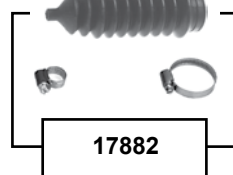
05067



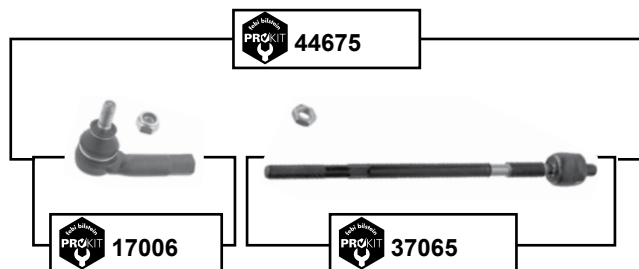
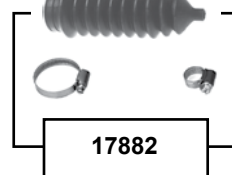
(ch.) 9K-1-523001 →



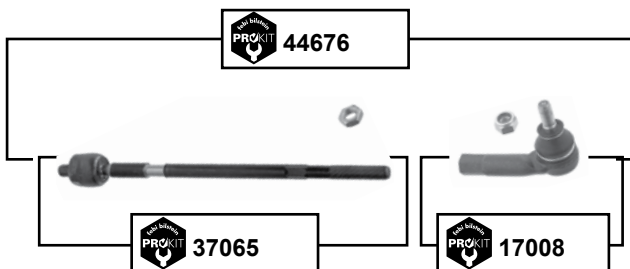
05067



05067



ProKit 44675



ProKit 44676



(1) Reifenabmessung / Tyre Size 185/60 R14H



Ref. - No.

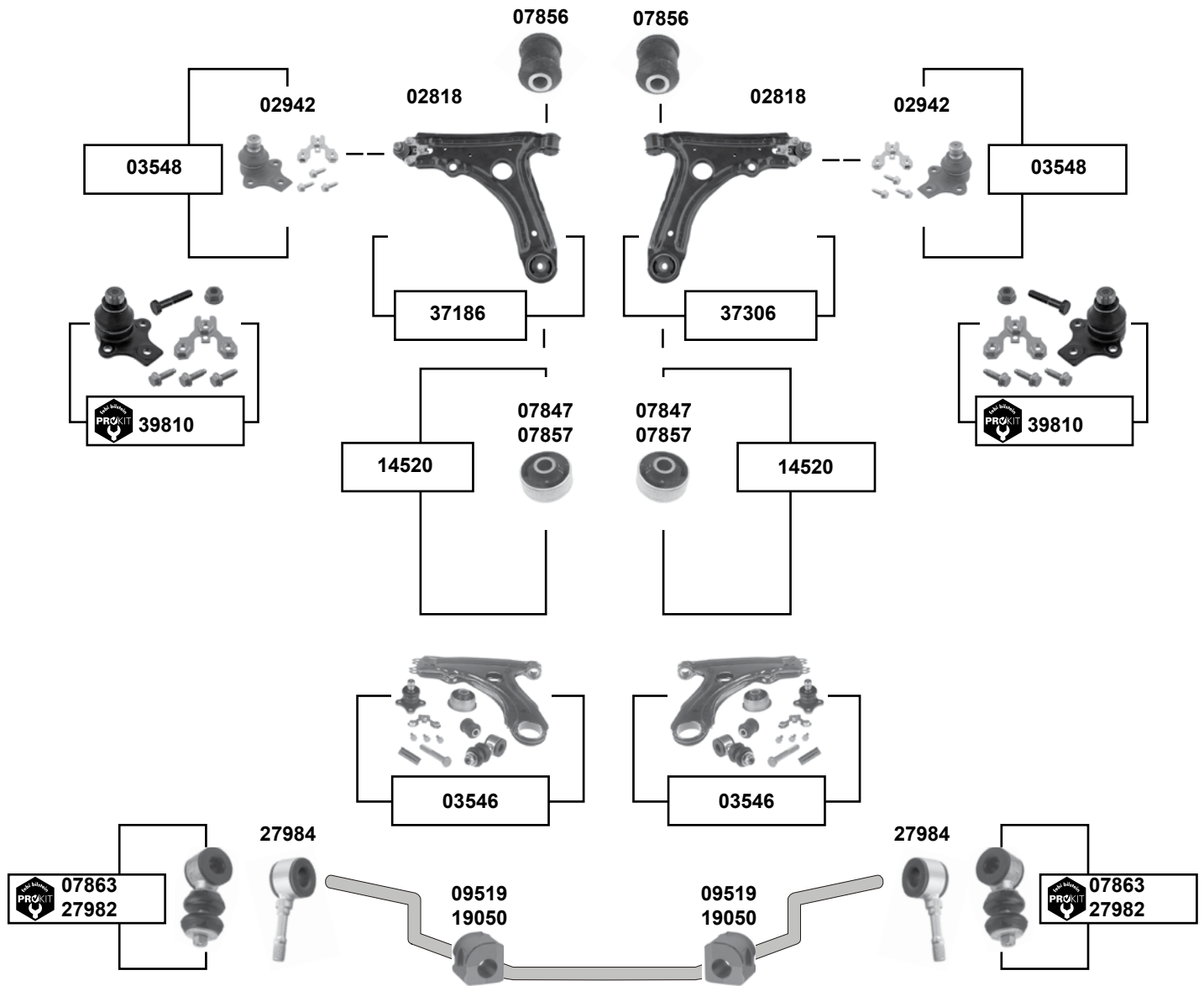


Ref. - No.	Description	Quantity	Thread
02238	ProKit Spurstangenendstück / tie rod end		M12 x 1,5
03583	ProKit Spurstangenendstück / tie rod end		M12 x 1,5
05067	Lenkmanschette / steering boot		
17006	ProKit Spurstangenendstück / tie rod end		
17008	ProKit Spurstangenendstück / tie rod end		
17882	Rep. Satz Lenkmanschette / rep. kit steering boot		
18864	Lenkgetriebelager / steering gear bearing		
37065	ProKit Axialgelenk / axial joint		
44675	ProKit Spurstange / tie rod	(1)	M12 x 1,5
44676	ProKit Spurstange / tie rod	(1)	M12 x 1,5
44740	ProKit Spurstange / tie rod	(1)	
44741	ProKit Spurstange / tie rod	(1)	

Vorderachse / Front axle

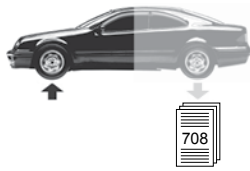


## Caddy (9K) (1996 → 2003)



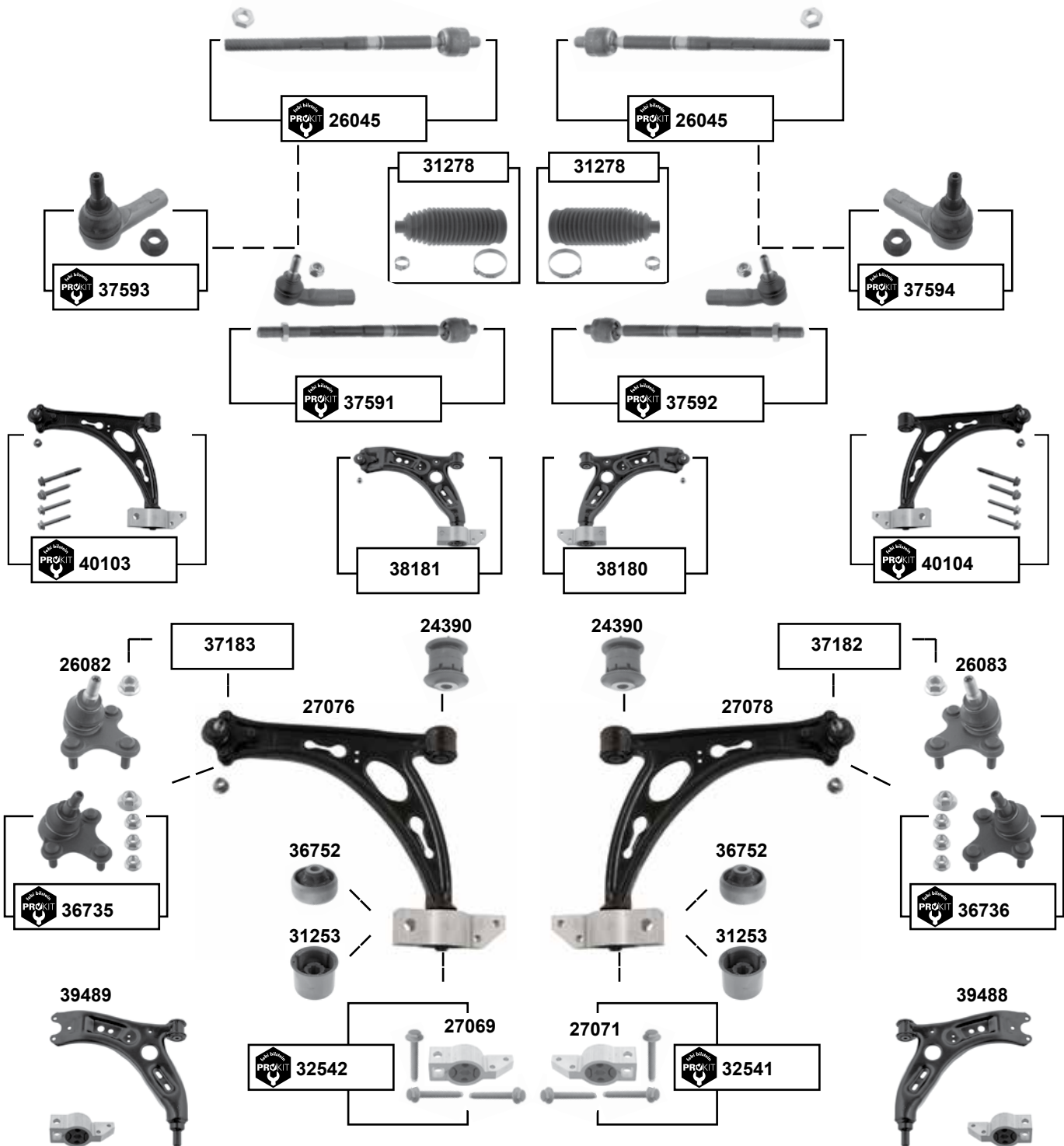
Vorderachse / Front axle

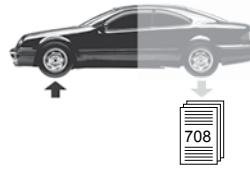
	Ref. - No.			
<b>02818</b>	191 407 151 B	Querlenker mit Gummilager / control arm incl. rubber mounts		
<b>02942</b>	357 407 365	Traggelenk / ball joint		Ø A 19
<b>03546</b>	191 407 153 A S3	Rep. Satz Querlenker / rep. kit control arm		
<b>03548</b>	357 407 365 S1	Rep. Satz Traggelenk / rep. kit ball joint		
<b>07847</b>	191 407 181 D	Querlenkerlager / control arm mount		
<b>07856</b>	357 407 182	Querlenkerlager / control arm mount	<b>NEW</b>	17x60x41
<b>07857</b>	191 407 181 B	Querlenkerlager / control arm mount	<b>OLD</b>	12x33x54
<b>07863</b>	191 411 315 B S1	ProKit Verbindungsstange / connecting rod	(ch.) → 9K-V-525700	17x60x41
<b>09519</b>	191 411 314	Stabilisatorlager / stabilizer mount	(ch.) → 9K-V-525700	Ø I 17
<b>14520</b>	191 407 181 B S1	Querlenkerlager mit Hülse / control arm mount with sleeve	<b>OLD</b>	Ø I 19
<b>19050</b>	1H0 411 314	Stabilisatorlager / stabilizer mount		Ø I 19
<b>27982</b>	6K0 411 315 S1	ProKit Verbindungsstange / connecting rod	(ch.) 9K-V-525701 →	Ø I 16,5
<b>27984</b>	6K0 411 315	ProKit Verbindungsstange / connecting rod	(ch.) 9K-V-525701 →	Ø I 16,5
<b>37186</b>	191 407 151 B S1	Rep. Satz Querlenker / rep. kit control arm		
<b>37306</b>	191 407 151 B S2	Rep. Satz Querlenker / rep. kit control arm		
<b>39810</b>	357 407 365 S2	ProKit Traggelenk / ball joint		



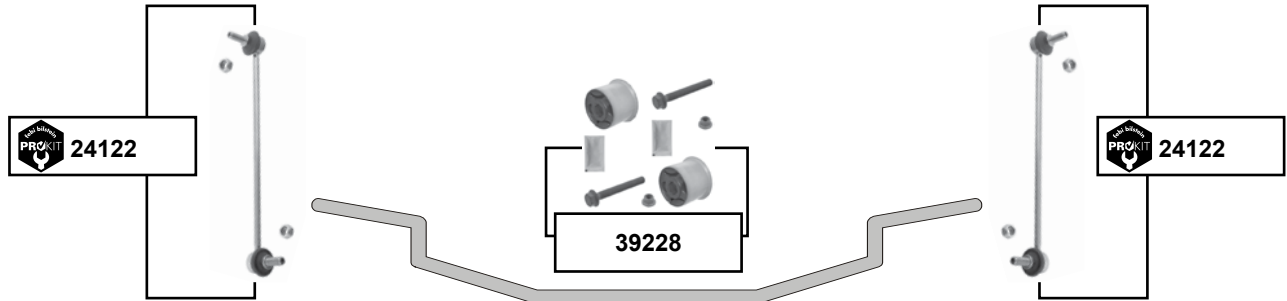
## Caddy (2K) (2004 → 2011)

Vorderachse / Front axle





## Caddy (2K) (2004 → 2011)



- (1) Stahl-Gussausführung / keine Mischverbauung mit der Blechausführung zulässig / cast iron execution / not mixable with metall execution
- (2) → 10 / PR- K4A / (ch.) → 2K-A 004 784 / (ch.) → 2K-4-016 000  
Caddy Maxi 06 → 10 / PR- A9K, A9M, G0C, G1A / (ch.) → 2K-A-004 784
- (3) 2K → 10 / 2C 10 →
- (4) Gummimetalllager / rubber metal mount
- (5) (ch.) → 2K-4 016 000 / (ch.) → 2K-A-004 784 / (ch.) 2K-9 000 001 →  
PR-0E2, A9K, A9M, E02, G0C
- (6) Caddy 3 (mot.) (ch.) 2K-4-016 001 →  
Caddy 3 (mot.) BDJ, BJB, BLS, BMM, BSE, BSF, BST, BSU, BSX, BUD Caddy Maxi (mot.) BLS, BMM, BSE,  
BSF, BSX →  
Caddy 3 (mot.) BGU  
Caddy 3 4 motion alle / all (ch.) → 2K-9-150 000 (ch.) → 2K-A-004 784

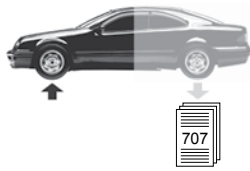


Ref. - No.



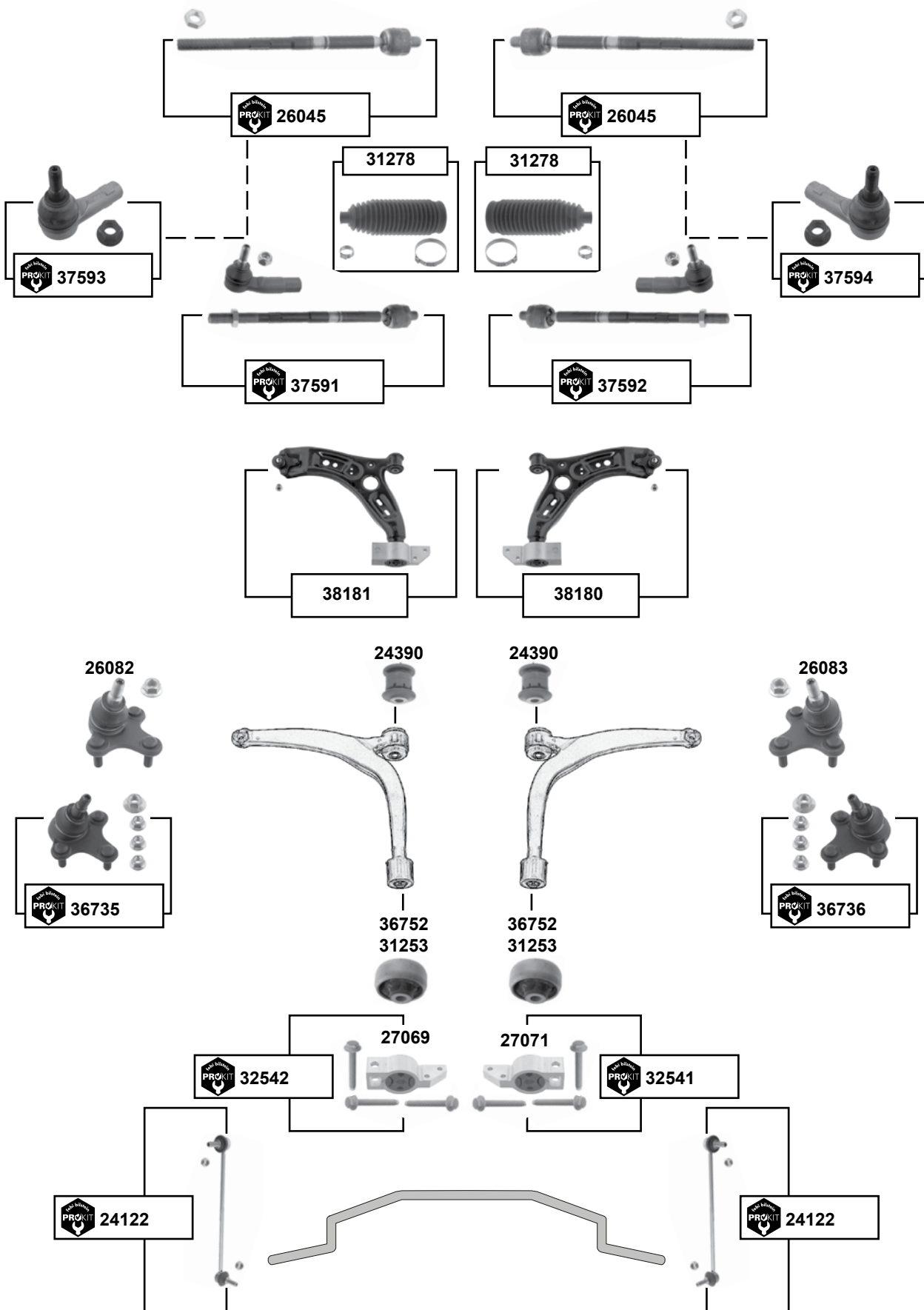
Ref. - No.	Description	Quantity	Material
24122	1K0 411 315 R ProKit Verbindungsstange / connecting rod		
24390	1K0 407 182 Querlenkerlager / control arm mount		Ø A 48 H 54
26045	1K0 423 810 A ProKit Spurstange / tie rod		
26082	1K0 407 365 C Traggelenk / ball joint		
26083	1K0 407 366 C Traggelenk / ball joint		
27069	1K0 199 231 J Querlenkerlager mit Gehäuse / control arm mount with housing		
27071	1K0 199 232 J Querlenkerlager mit Gehäuse / control arm mount with housing		
27076	1K0 407 151 AC Querlenker, kpl. / control arm, cpl.	(1)	
27078	1K0 407 152 AC Querlenker, kpl. / control arm, cpl.	(1)	
31253	1K0 407 183 E Querlenkerlager / control arm mount		Ø A 63
31278	1K0 423 831 A S1 Rep. Satz Lenkmanschette / rep.kit steering boot		Ø I 15,5 L190
32541	1K0 199 232 J S1 Querlenkerlager rechts / control arm mount right		
32542	1K0 199 231 J S1 Querlenkerlager links / control arm mount left		
36735	1K0 407 365 C S1 ProKit Traggelenk / ball joint	(3)	
36736	1K0 407 366 C S1 ProKit Traggelenk / ball joint	(3)	
36752	1K0 407 183 P Querlenkerlager / control arm mount	(4)	PR-0E1/0E2 Ø I 13
37182	1K0 407 152 AC S1 Rep. Satz Querlenker mit Traggelenk / control arm with ball joint	(2)	
37183	1K0 407 151 AC S1 Rep. Satz Querlenker mit Traggelenk / control arm with ball joint	(2)	
37591	1K0 423 811 K S1 ProKit Spurstange / tie rod		L 448
37592	1K0 423 812 K S1 ProKit Spurstange / tie rod		L 448
37593	1K0 423 811 K ProKit Spurstangenendstück / tie rod end		M16 x 1,5
37594	1K0 423 812 K ProKit Spurstangenendstück / tie rod end		M16 x 1,5
38180	1K0 407 152 BC S1 Rep. Satz Querlenker / rep. kit control arm		Stahl / steel
38181	1K0 407 151 BC S1 Rep. Satz Querlenker / rep. kit control arm		Stahl / steel
39228	1K0 407 183 E S1 Querlenkerlagersatz / control arm mounting kit		
39488	1K0 407 152 BC Querlenker / control arm	(6)	
39489	1K0 407 151 BC Querlenker / control arm	(6)	
40103	1K0 407 151 AC S2 ProKit Querlenker / control arm	(1) (4) (5)	
40104	1K0 407 152 AC S2 ProKit Querlenker / control arm	(1) (4) (5)	

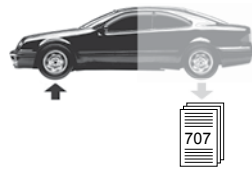




## Caddy (2C) (2010 →)

Vorderachse / Front axle





## Caddy (2C) (2010 →)



- (1) PR-0E2 (mot.) CFHC, CFHE, CFHF
- (2) (mot.) BSF, BSX, CAYD, CAYE, CBZA, CBZB, CFHC, CFHE, CFHF, CHGA, CLCA
- (3) (mot.) BSF, BSX, CAYD, CAYE, CBZA, CBZB, CFHC, CFHE, CFHF, CFJA, CHGA, CLCA
- (4) Caddy 4 (mot.) BSF, BSX, CAYD, CAYE, CBZA, CBZB, CFHC, CFHE, CLCA  
Caddy Maxi (mot.) BSX, CAYD, CBZB, CFHC, CFHE, CLCA  
Caddy 4 4 motion, Caddy 4 4 motion, Caddy Maxi 4 motion, Caddy Maxi 4 motion alle / all



Ref. - No.



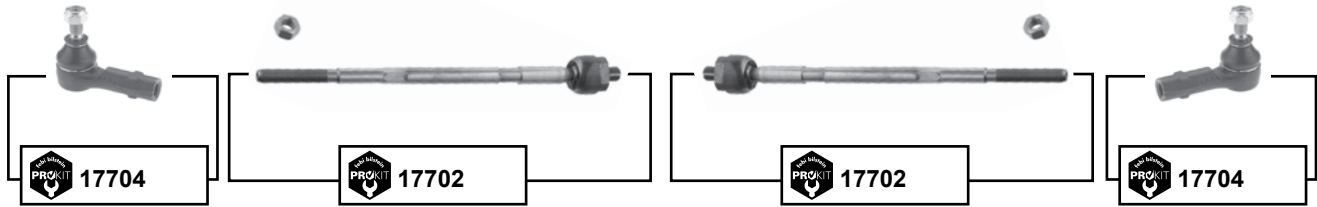
Ref. - No.	Description	Notes	Dimensions
24122	1K0 411 315 P ProKit Verbindungsstange / connecting rod		
26045	1K0 423 810 A ProKit Spurstange / tie rod		
24390	1K0 407 182 Querlenkerlager / control arm mount		Ø A40 H54
26082	1K0 407 365 C Traggelenk / ball joint		
26083	1K0 407 366 C Traggelenk / ball joint		
27069	1K0 199 231 J Querlenkerlager mit Gehäuse / control arm mount with housing	PR-0E2	
27071	1K0 199 232 J Querlenkerlager mit Gehäuse / control arm mount with housing	PR-0E2	
31253	1K0 407 183 E Querlenkerlager / control arm mount	(1)	
31278	1K0 423 831 A S1 Rep. Satz Lenkmanschette / rep. kit steering boot		Ø I 15,5 L190
32541	1K0 199 232 J S1 Querlenkerlager rechts / control arm mount right		
32542	1K0 199 231 J S1 Querlenkerlager rechts / control arm mount right		
36735	1K0 407 365 C S1 ProKit Traggelenk / ball joint	(2)	
36736	1K0 407 366 C S1 ProKit Traggelenk / ball joint	(2)	
36752	1K0 407 183 P Querlenkerlager / control arm mount	PR-0E2	Ø I13 B50
37591	1K0 423 811 K S1 ProKit Spurstange / tie rod		L 448
37592	1K0 423 812 K S1 ProKit Spurstange / tie rod		L 448
37593	1K0 423 811 K ProKit Spurstangenendstück / tie rod end	(3)	M16 x 1,5
37594	1K0 423 812 K ProKit Spurstangenendstück / tie rod end	(3)	M16 x 1,5
38180	1K0 407 152 BC S1 Rep. Satz Querlenker / rep. kit control arm	(4) Stahl / steel	
38181	1K0 407 151 BC S1 Rep. Satz Querlenker / rep. kit control arm	(4) Stahl / steel	



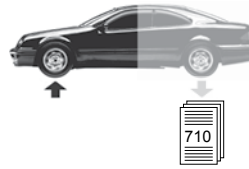
## Caddy Pickup (9U)

(1997 → 2003)

Vorderachse / Front axle

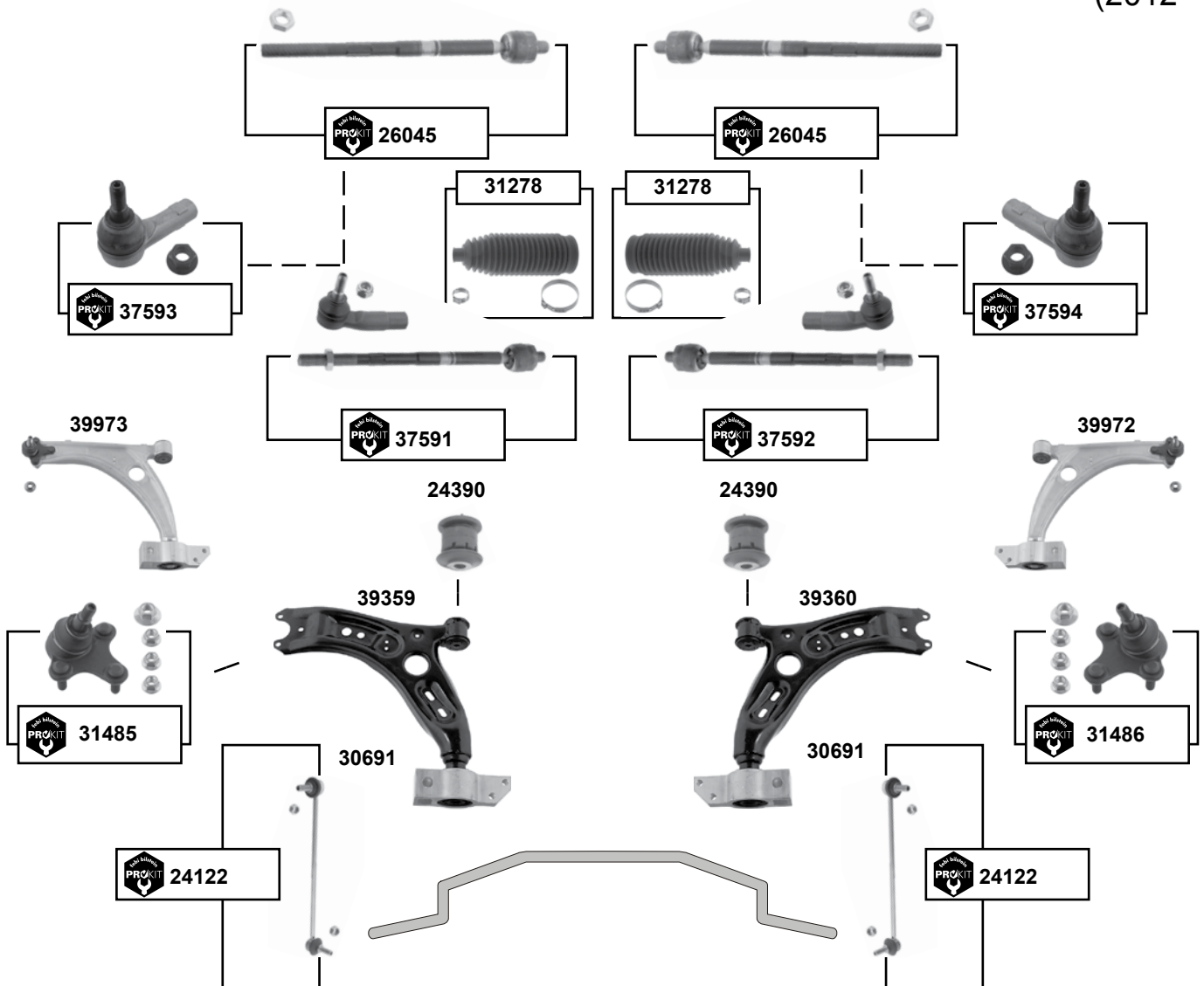


	Ref. - No.			
<b>17702</b>	6U0 422 807	ProKit Spurstange / tie rod	servo	L 335
<b>17704</b>	6U0 422 811	ProKit Spurstangenendstück / tie rod end	servo	M12 x 1,5
<b>25334</b>	6U0 407 365	ProKit Traggelenk / ball joint		Ø A 17
<b>29644</b>	6U0 407 182	Querlenkerlager / control arm mount		Ø A 31,5



**CC (3C)**  
(2012 →)

Vorderachse / Front axle



(1) (mot.) BWS, CBFA, CCZB, CDA A, CDAB, CFFA, CFFB, CFGB, CKMA, CLLA

(2) (mot.) CFFA, CFFB, CFGB, CFGC, CLLA / PR 1LA/1LB  
(mot.) CBFA, CCTA, CCZB, CDA A, CDAB, CKMA, CNNA, CTHD /PR 1LA/1LB/1LK  
CC 4 motion alle / all PR-1LA/1LB



Ref. - No.



Ref. - No.	Description	Quantity	Notes
24122	1K0 411 315 R ProKit Verbindungsstange / connecting rod		
24390	1K0 407 182 Querlenkerlager / control arm mount		Ø A40 H54
26045	1K0 423 810 A ProKit Spurstange / tie rod		
31278	1K0 423 831 A S1 Rep. Satz Lenkmanschette / rep. kit steering boot		Ø I 15,5
30691	3C0 199 231 D Querlenkerlager / control arm mount		
31485	3C0 407 365 A S1 ProKit Tragelenk / ball joint		M12 x 1,5
31486	3C0 407 366 A S1 ProKit Tragelenk / ball joint		M12 x 1,5
37591	1K0 423 811 K S1 ProKit Spurstange / tie rod		L 448
37592	1K0 423 812 K S1 ProKit Spurstange / tie rod		L 448
37593	1K0 423 811 K ProKit Spurstangenendstück / tie rod end	(1)	M16 x 1,5
37594	1K0 423 812 K ProKit Spurstangenendstück / tie rod end	(1)	M16 x 1,5
39359	5N0 407 151 Querlenker / control arm		PR-1ZG/1ZM
39360	5N0 407 152 Querlenker / control arm		PR-1ZG/1ZM
39972	3C0 407 151 G S1 Querlenker / control arm	(2)	
39973	3C0 407 151 G S2 Querlenker / control arm	(2)	

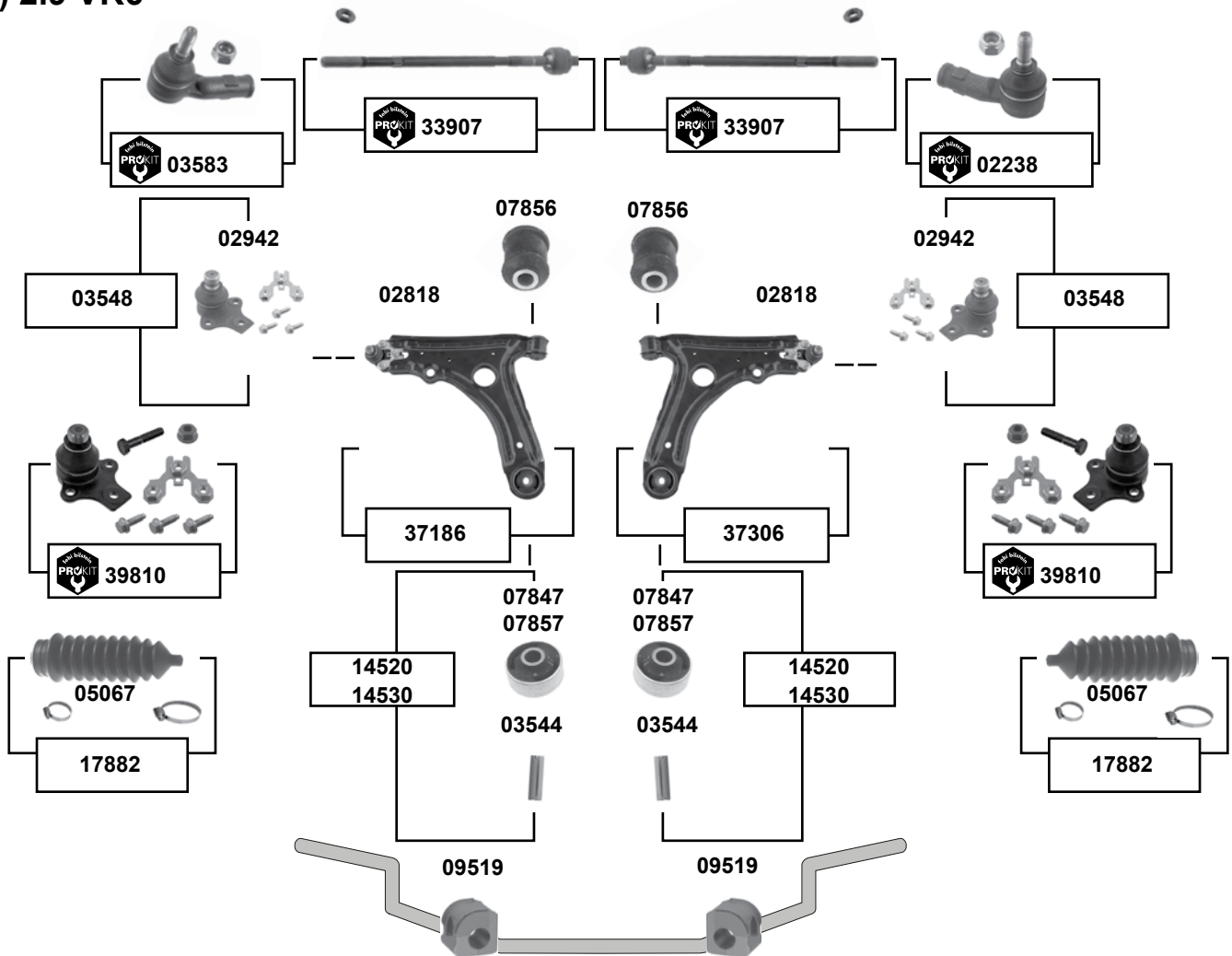


## Corrado (50)

(1989 → 1995)

(ex.) 2.9 VR6

Vorderachse / Front axle



(1) (ex.) Fahrzeuge mit 205 / 50 Bereifung / (ex.) cars with 205 / 50 tyres



Ref. - No.



02238	191 419 812	ProKit Spurstangenendstück / tie rod end		M12 x 1,5
02818	191 407 151 B	Querlenker / control arm		
02942	357 407 365	Traggelenk / ball joint		Ø A 19 50x17
03544	191 407 190 A	Hülse / sleeve		
03548	357 407 365 S1	Rep. Satz Traggelenk / rep. kit ball joint		
03583	191 419 811	ProKit Spurstangenendstück / tie rod end		M12 x 1,5
05067	1H0 422 831 B	Lenkmanschette / steering boot		
07847	191 407 181 D	Querlenkerlager / control arm mount	NEW	17x60x41
07856	357 407 182	Querlenkerlager / control arm mount	OLD	12x33x54
07857	191 407 181 B	Querlenkerlager / control arm mount	OLD	17x60x41
09519	191 411 314	Stabilisatorlager / stabilizer mount	NEW	Ø I 17
14520	191 407 181 B S1	Querlenkerlager mit Hülse / control arm mount with sleeve		
14530	191 407 181 D S1	Querlenkerlager mit Hülse / control arm mount with sleeve		
17882	1H0 422 831 B S1	Rep. Satz Lenkmanschette / rep. kit steering boot		
33907	191 422 810 A	ProKit Spurstange / tie rod		
37186	191 407 151 B S1	Rep. Satz Querlenker / rep. kit control arm		
37306	191 407 151 B S2	Rep. Satz Querlenker / rep. kit control arm		
39810	357 407 365 S2	ProKit Traggelenk / ball joint		

(1) servo. TRW

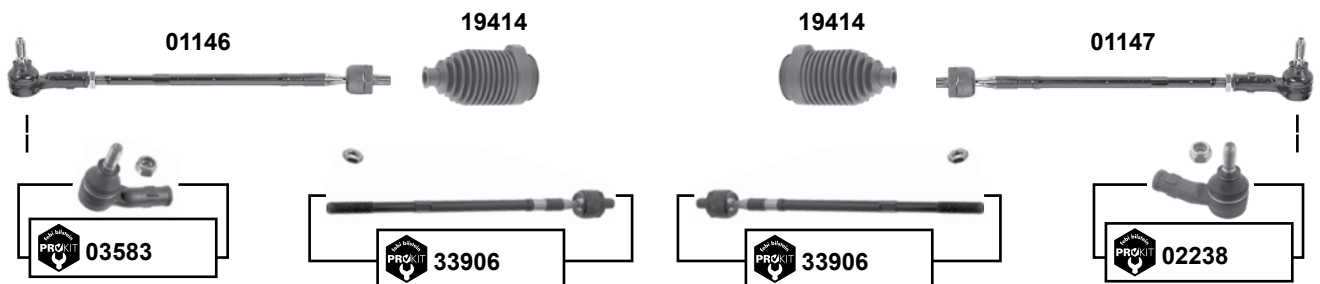


## Corrado (50)

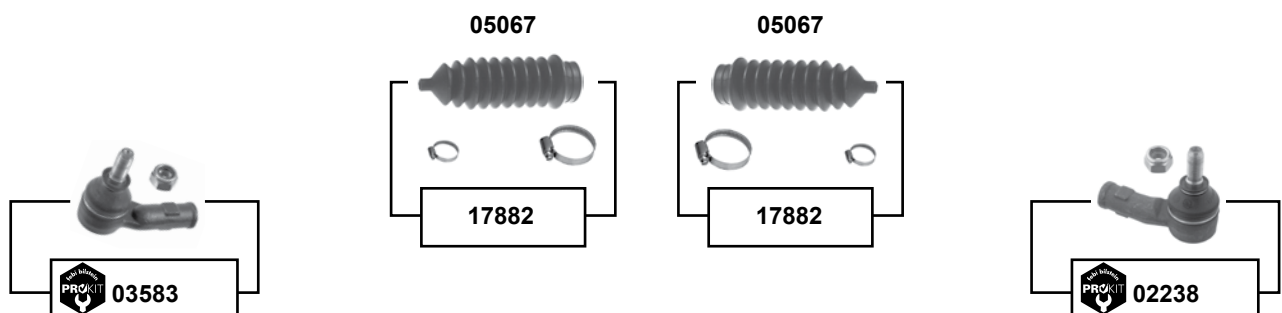
(1989 → 1995)

2.9 VR6

für / to fit servo ZF



für / to fit servo TRW



Vorderachse / Front axle

	Ref. - No.			
01146	1H0 422 803 B	Spurstange / tie rod		
01147	1H0 422 804 B	Spurstange / tie rod		
02238	191 419 812	ProKit Spurstangenendstück / tie rod end		M12 x 1,5 M12 x 1,5
03583	191 419 811	ProKit Spurstangenendstück / tie rod end		
05067	1H0 422 831 B	Lenkmanschette / steering boot		
17882	1H0 422 831 B S1	Rep. Satz Lenkmanschette / rep. kit steering boot		
19414	357 422 831 B	Lenkmanschette / steering boot		
33906	1H0 422 810 B	ProKit Spurstange / tie rod	LHD / RHD	

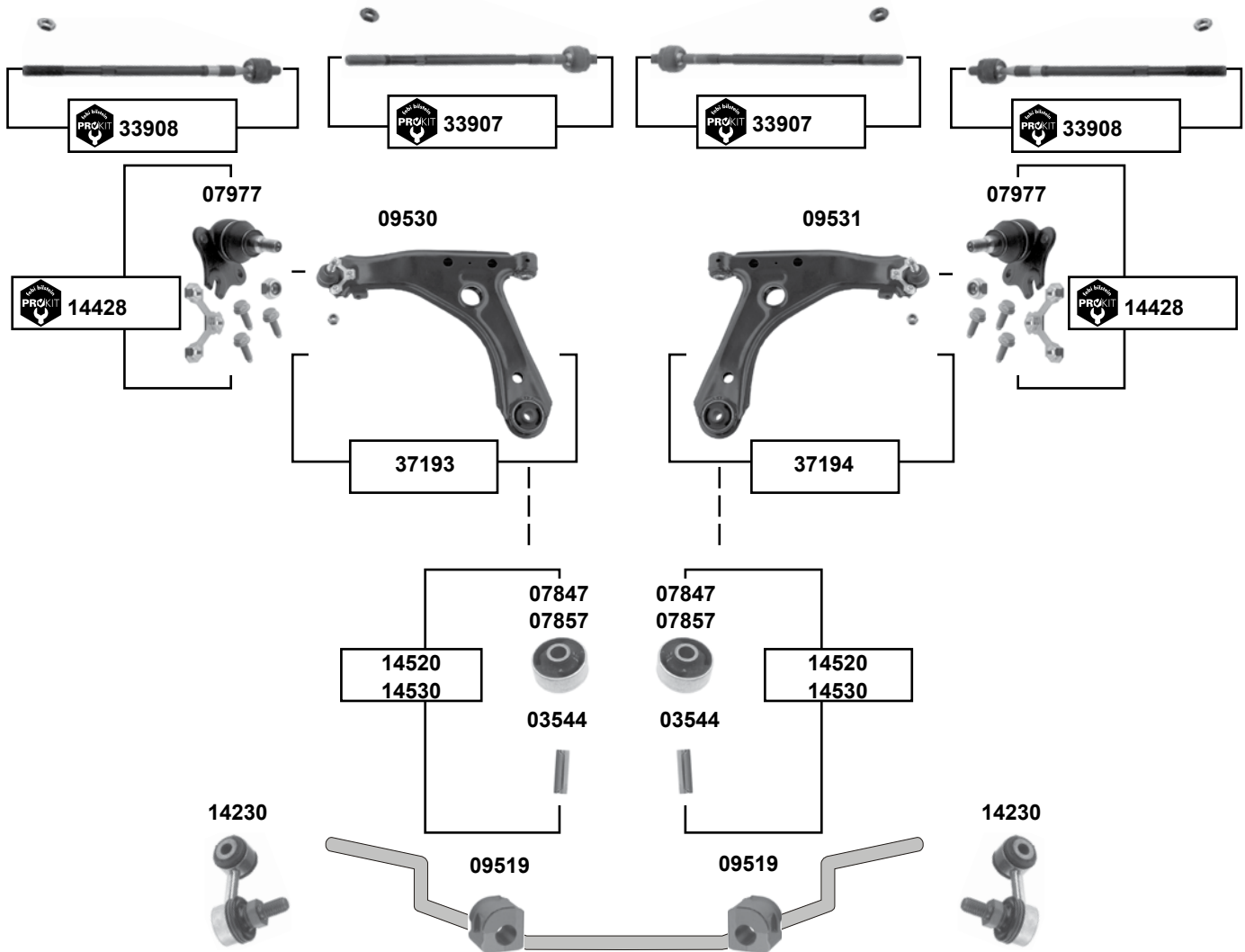


## Corrado (50)

(1989 → 1995)

2.9 VR6

Vorderachse / Front axle



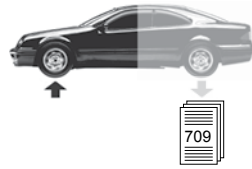
(1) (ex.) Fahrzeuge mit 205 / 50 Bereifung / (ex.) cars with 205 / 50 tyres



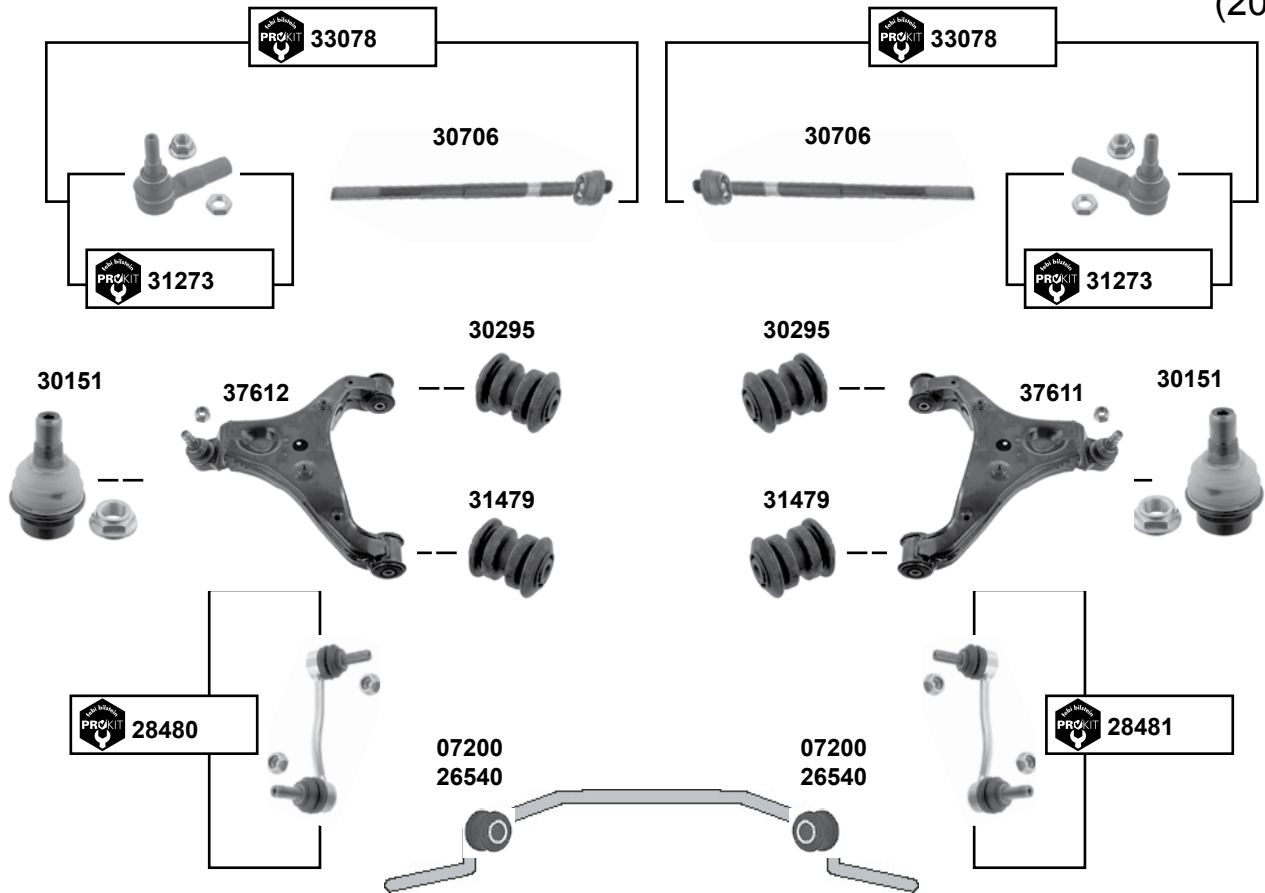
Ref. - No.



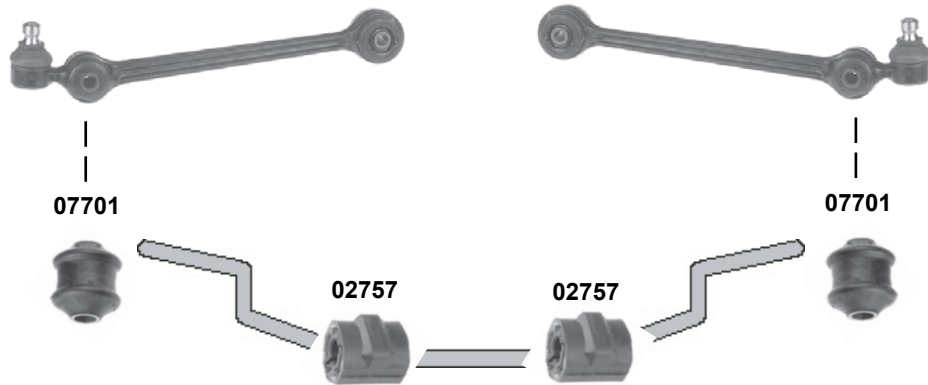
Part No.	Ref. - No.	Description	Notes	Dimensions
03544	191 407 190 A	Hülse / sleeve		50x17
07847	191 407 181 D	Querlenkerlager / control arm mount	NEW	17x60x41
07857	191 407 181 B	Querlenkerlager / control arm mount	OLD	17x60x41
07977	1H0 407 365	Traggelenk / ball joint		M12 x 1,5
09519	191 411 314	Stabilisatorlager / stabilizer mount		Ø I 17
09530	1H0 407 151 A	Querlenker / control arm		
09531	1H0 407 152	Querlenker / control arm		
14230	535 411 315	Verbindungsstange / connecting rod		
14428	1H0 407 365 S1	ProKit Traggelenk / ball joint		
14520	191 407 181 B S1	Querlenkerlager mit Hülse / control arm mount with sleeve	OLD	
14530	191 407 181 D S1	Querlenkerlager mit Hülse / control arm mount with sleeve	NEW	
33907	191 422 810 A	ProKit Spurstange / tie rod		
33908	1H0 422 810	ProKit Axialgelenk / axial joint	(1) servo.  TRW	M14 x 1,5
37193	1H0 407 151 A S1	Querlenker mit Traggelenk / control arm with ball joint	91 → 95	
37194	1H0 407 152 S1	Querlenker mit Traggelenk / control arm with ball joint	91 → 95	



## Crafter (2E) (2006 →)



Vorderachse / Front axle



## Derby 1 (1975 → 1981) Derby 2 (1982 → 1994)

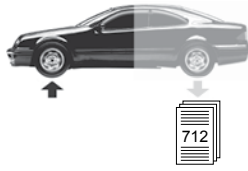


Ref. - No.



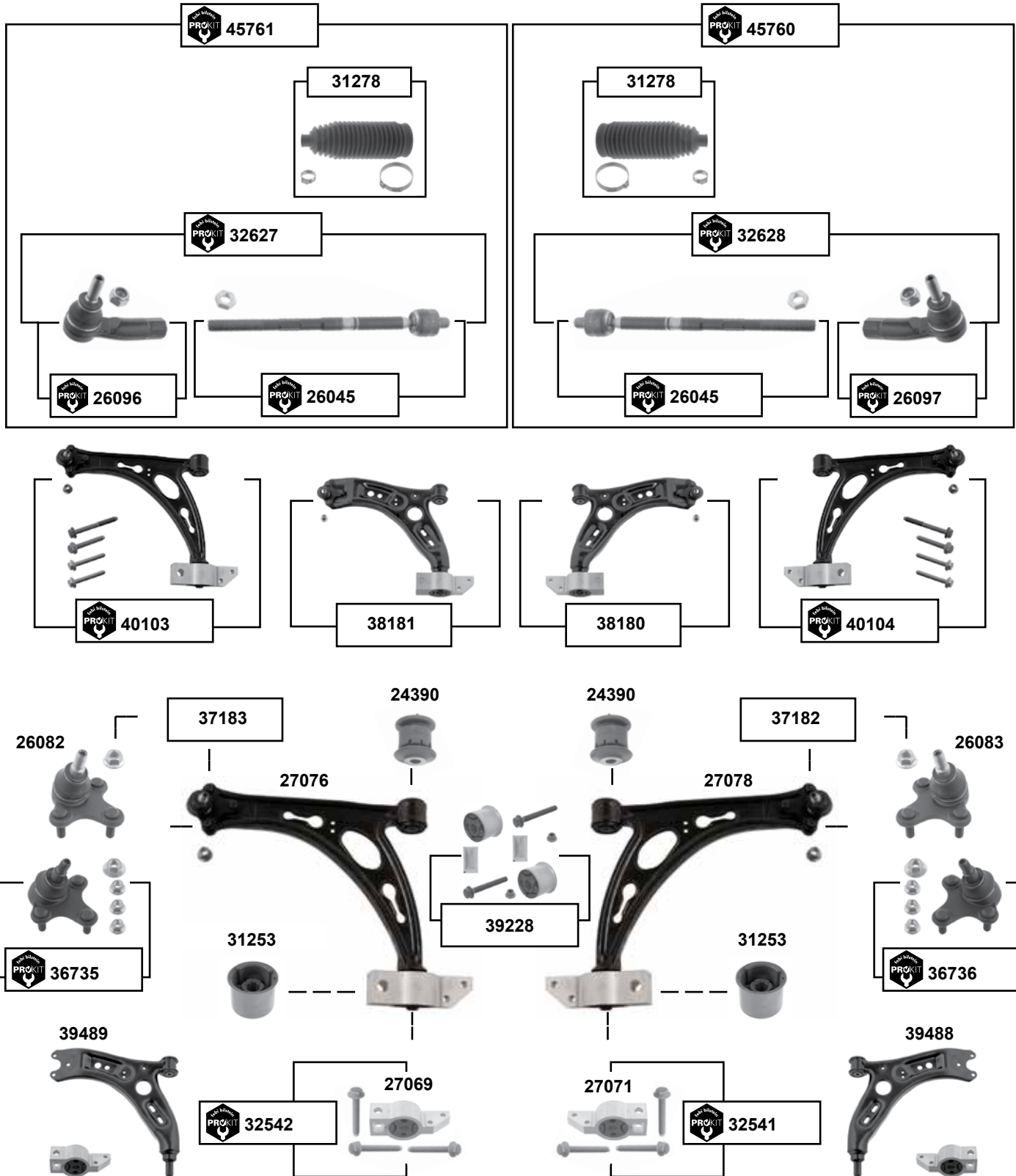
Part No.	Ref. - No.	Description	Dimensions
02757	867 411 313	Stabilisatorlager / stabilizer mount	Ø I 16,5
07200	2D0 511 413	Stabilisatorlager / stabilizer mount	12x26x26
07701	861 407 183	Stabilisatorlager / stabilizer mount	
26540	7H0 411 313	Stabilisatorlager / stabilizer mount	
28480	2E0 411 317 C	ProKit Verbindungsstange / connecting rod	L 138,1
28481	2E0 411 318 C	ProKit Verbindungsstange / connecting rod	L 138,1
30151	2E0 407 151 M S1	Traggelenk / ball joint	
30295	2E0 407 523	Querlenkerlager / control arm mount	Ø A 59
30706	2E0 713 491 SK	Spurstange / tie rod	L 400
31273	2E0 498 104	ProKit Spurstangenendstück / tie rod end	M16 x 1,5
31479	2E0 407 523 A	Querlenkerlager / control arm mount	
33078	2E0 713 491 S1	ProKit Spurstange / tie rod	L 400
37611	2E0 407 152 L	Querlenker / control arm	
37612	2E0 407 151 L	Querlenker / control arm	

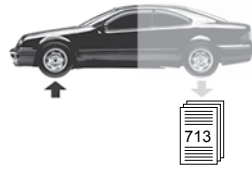




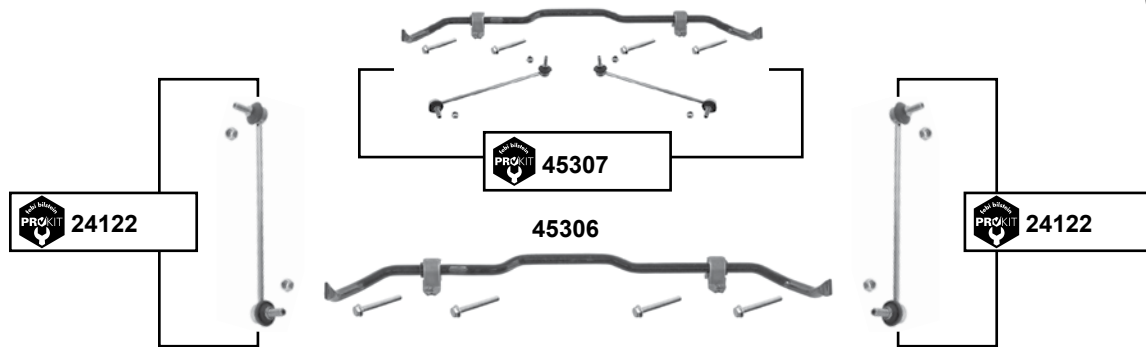
## Eos (1F) (2006 →)

Vorderachse / Front axle





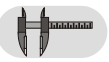
## Eos (1F) (2006 →)



- (1)** Stahl-Gussausführung / keine Mischverbauung mit der Blechausführung zulässig / cast iron execution / not mixable with metall execution
- (2)** Eos Cabrio : nicht für / not for PR-1ZD, 1ZE, 1LJ, 1ZA / (ch.) → 1F-9-040 000 10 → / PR-1LA
- (3)** PR-0AD / 0AE / (ch.) 1F-9-002 396 →
- (4)** Eos Cabriolet (mot.) BPY, BUB, BWA, CAVD, CAWB, CAXA, CBAB, CCTA, CCZA, CCZB, CDVA 06/2009 → Eos Cabriolet (mot.) CAVD, CAXA, CBFA, CCZA, CCZB, CTHD
- (5)** Eos Cabriolet (mot.) BPY, BUB, BWA, CAVD, CAWB, CAXA, CBAB, CCTA, CCZA, CCZB, CDVA 06/2009 → Eos Cabriolet (mot.) BLF, BMM, BVY, BVZ



Ref. - No.

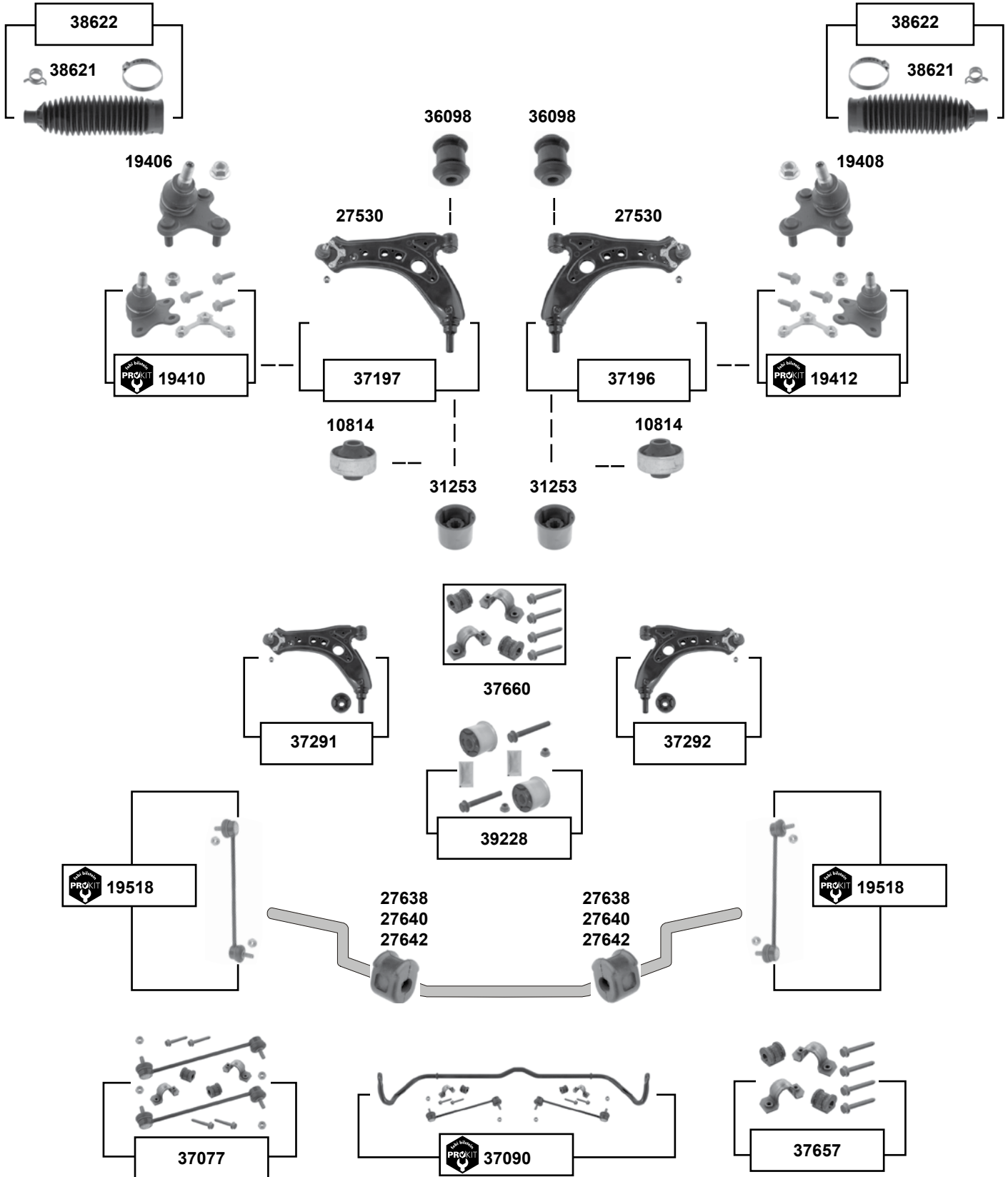


Ref. - No.	Description	Quantity	Material
24122	ProKit Verbindungsstange / connecting rod		
24390	Querlenkerlager / control arm mount		
26045	ProKit Spurstange / tie rod		Ø A48 H54
26082	Traggelenk / ball joint		
26083	Traggelenk / ball joint		
26096	ProKit Spurstangenendstück / tie rod end		
26097	ProKit Spurstangenendstück / tie rod end		
27069	Querlenkerlager mit Gehäuse / control arm mount with housing		
27071	Querlenkerlager mit Gehäuse / control arm mount with housing		
27076	Querlenker / control arm	(1)	
27078	Querlenker / control arm	(1)	
31253	Querlenkerlager / control arm mount		Ø A 63
31278	Rep. Satz Lenkmanschette / rep. kit steering boot		Ø I 15,5 L190
32541	Querlenkerlager / control arm mount		
32542	Querlenkerlager / control arm mount		
32627	ProKit Spurstange links / tie rod left		
32628	ProKit Spurstange rechts / tie rod right		
36735	ProKit Traggelenk / ball joint		
36736	ProKit Traggelenk / ball joint		
37182	Rep. Satz Querlenker mit Traggelenk / control arm with ball joint	(2)	
37183	Rep. Satz Querlenker mit Traggelenk / control arm with ball joint	(2)	
38180	Rep. Satz Querlenker / rep. kit control arm		Stahl / steel
38181	Rep. Satz Querlenker / rep. kit control arm		Stahl / steel
39228	Querlenkerlagersatz / control arm mounting kit		
39488	Querlenker / control arm	(4)	
39489	Querlenker / control arm	(4)	
40103	ProKit Querlenker / control arm	(5)	
40104	ProKit Querlenker / control arm	(5)	
45306	Stabilisatorsatz / stabilizer kit	(3)	
45307	ProKit Stabilisatorsatz / stabilizer kit	(3)	
45760	ProKit Spurstange / tie rod		
45761	ProKit Spurstange / tie rod		



## Fox (5Z) (2004 →)

Vorderachse / Front axle





## Fox (5Z) (2004 →)

	<b>(1)</b> (ch.) 5Z-70040 000 → (ch.) 5Z-74068 000 →	<b>(2)</b> Fox 05 → / PR-1ZF / 1ZN / 0AQ Crossfox 07 → / PR-1ZF / 0AQ
	<b>(3)</b> (mot.) AQZ, CCNA, BAH, BLH, CCRA (ch.) 5Z-94092 001 → / PR 1BA	
	<b>(4)</b> (mot.) AQZ, BAH, BJE (ch.) 5Z-54072 197 → / PR-0AS+1BD / Ø Stabilisator / stabilizer 20 (mot.) ASY, BNX, BPA, CCNA, CCRA / PR-0AS+1BD / Ø Stabilisator / stabilizer 20	
	<b>(5)</b> (mot.) CHFB PR-1ZN/1ZF/0AR	

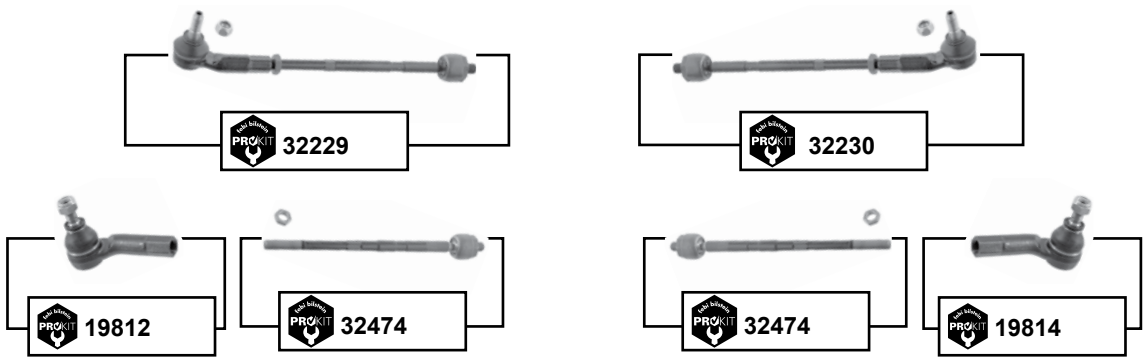
	Ref. - No.			
10814	1J0 407 181	Querlenkerlager / control arm mount	<b>(3)</b>	3x60x41
19406	6Q0 407 365 A	Traggelenk / ball joint	<b>(1)</b>	
19408	6Q0 407 366 A	Traggelenk / ball joint	<b>(1)</b>	
19410	6Q0 407 365 A S1	ProKit Traggelenk / ball joint	PR-1ZN / 1ZF	
19412	6Q0 407 366 A S1	ProKit Traggelenk / ball joint	PR-1ZN / 1ZF	
19518	6Q0 411 315 Q	ProKit Verbindungsstange / connecting rod	05 →	
27530	6Q0 407 151 L	Querlenker / control arm		
27638	6Q0 411 314 P	Stabilisatorlager / stabilizer mount		Ø I 16
27640	6Q0 411 314 Q	Stabilisatorlager / stabilizer mount	05 →	Ø I 17
27642	6Q0 411 314 Q	Stabilisatorlager / stabilizer mount	<b>(4)</b>	
31253	1K0 407 183 E	Querlenkerlager / control arm mount	05 →	Ø A 63
36098	6Q0 407 182 A	Querlenkerlager / control arm mount		Ø A 32
37077	6Q0 411 314 P S1	Stabilisatorlagersatz / anti roll bar bush kit	05 → / PR-0AQ	
37090	6Q0 411 305 AL S2	ProKit Stabilisatorsatz / stabilizer kit	05 → / PR-0AQ	
37196	6Q0 407 151 L S3	Rep. Satz Querlenker / rep. kit control arm	05 →	
37197	6Q0 407 151 L S2	Rep. Satz Querlenker / rep. kit control arm	05 →	
37291	6Q0 407 151 L S5	Rep. Satz Querlenker / rep. kit control arm	05 →	
37292	6Q0 407 151 L S4	Rep. Satz Querlenker / rep. kit control arm	05 →	
37657	6Q0 411 314 P S2	Stabilisatorlagersatz / anti roll bar bush kit	<b>(2)</b>	Ø I 16
37660	6Q0 411 314 Q S2	Stabilisatorlagersatz / stabilizer mount kit	<b>(5)</b>	Ø I 17
38621	6Q0 423 831 D	Lenkmanschette / steering boot	PR-1N2	
38622	6Q0 423 831 D S1	Rep. Satz Lenkmanschette / rep. kit steering boot	PR-1N2	
39228	1K0 407 183 E S1	Querlenkerlagersatz / control arm mounting kit		



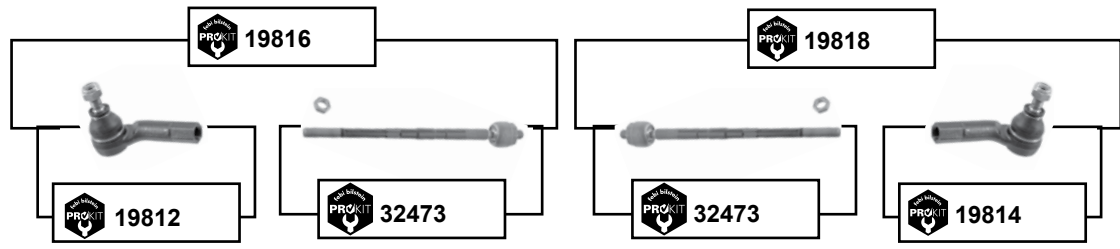
## Fox (5Z) (2004 →)

Vorderachse / Front axle

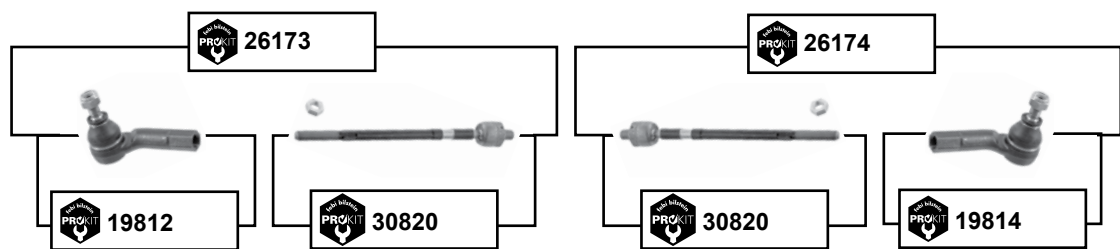
man.



für / to fit servo TRW



für / to fit servo KOYO



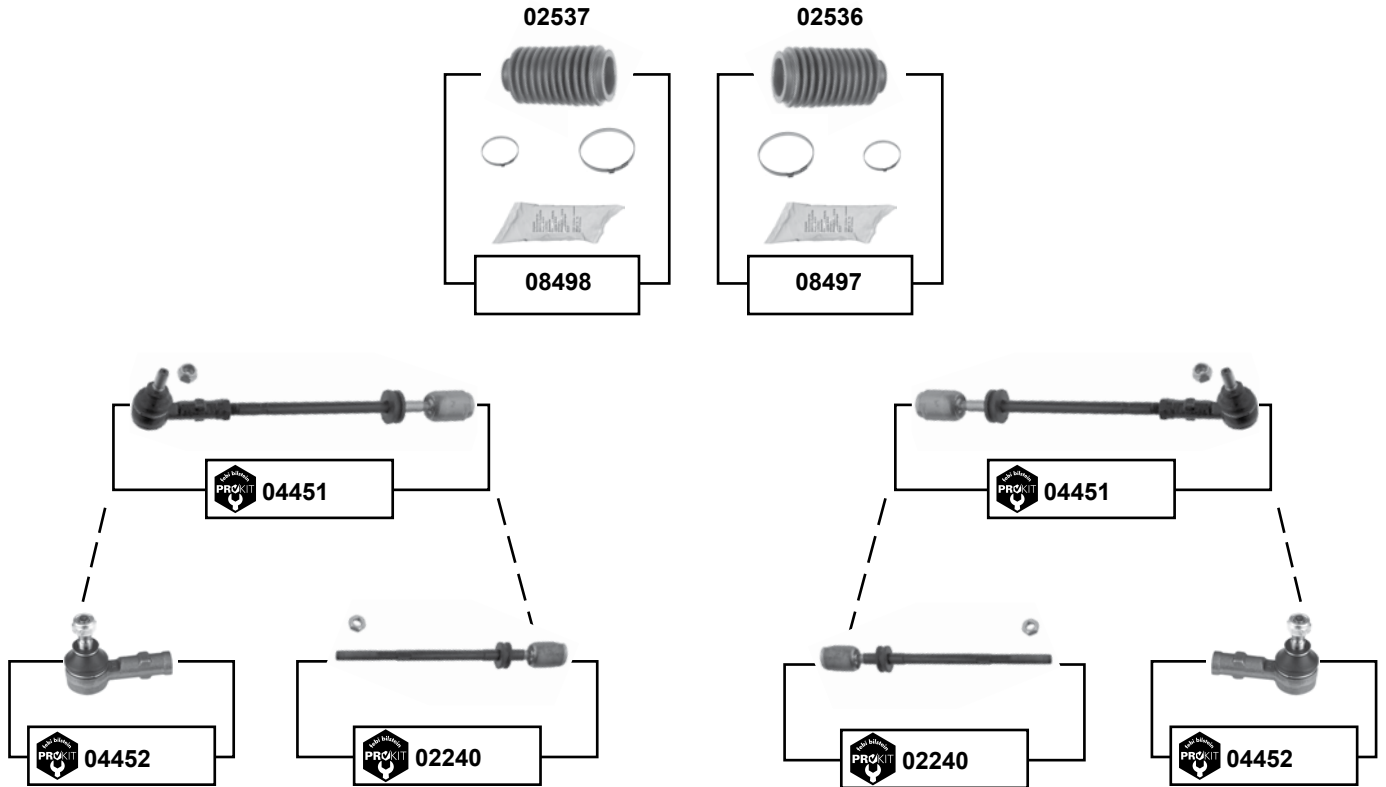
(1) 05 → 07 (ch.) → 5Z-7000 800 / ch.) → 5Z-74047 547

	Ref. - No.			
19812	6R0 423 811	ProKit Spurstangenendstück / tie rod end		
19814	6R0 423 812	ProKit Spurstangenendstück / tie rod end		
19816	6Q0 423 803 P	ProKit Spurstange / tie rod		
19818	6Q0 423 804 P	ProKit Spurstange / tie rod		
26173	6Q0 423 803 G	ProKit Spurstange / tie rod		
26174	6Q0 423 804 G	ProKit Spurstange / tie rod		
30820	6Q0 423 810 C	ProKit Spurstange / tie rod	(1) LHD	M14 x 1,5
32229	6Q0 419 803 F	ProKit Spurstange / tie rod		M12 x 1,5
32230	6Q0 419 804 F	ProKit Spurstange / tie rod		M12 x 1,5
32473	6Q0 423 810 P	ProKit Spurstange / tie rod	05 →	M14 x 1,5
32474	6Q0 419 810 B	ProKit Spurstange / tie rod		M14 x 1,5

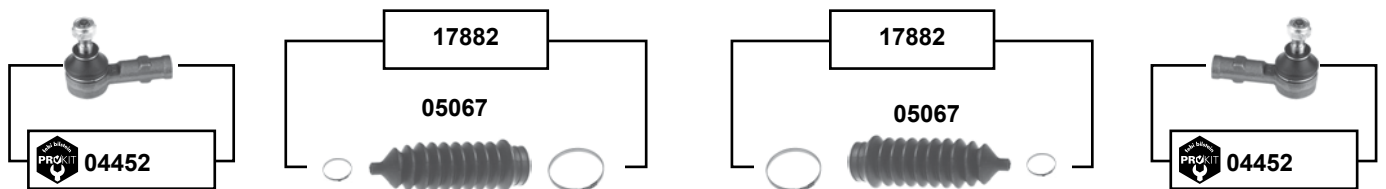


## Golf 1 (17) / Cabrio (15) (1975 → 1984) / (1979 → 1993)

man.



servo



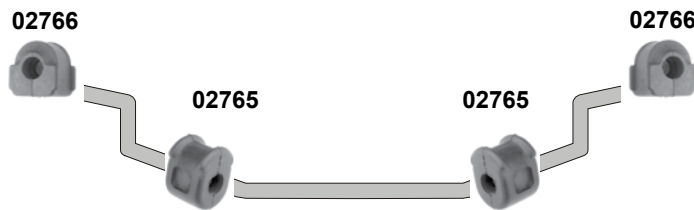
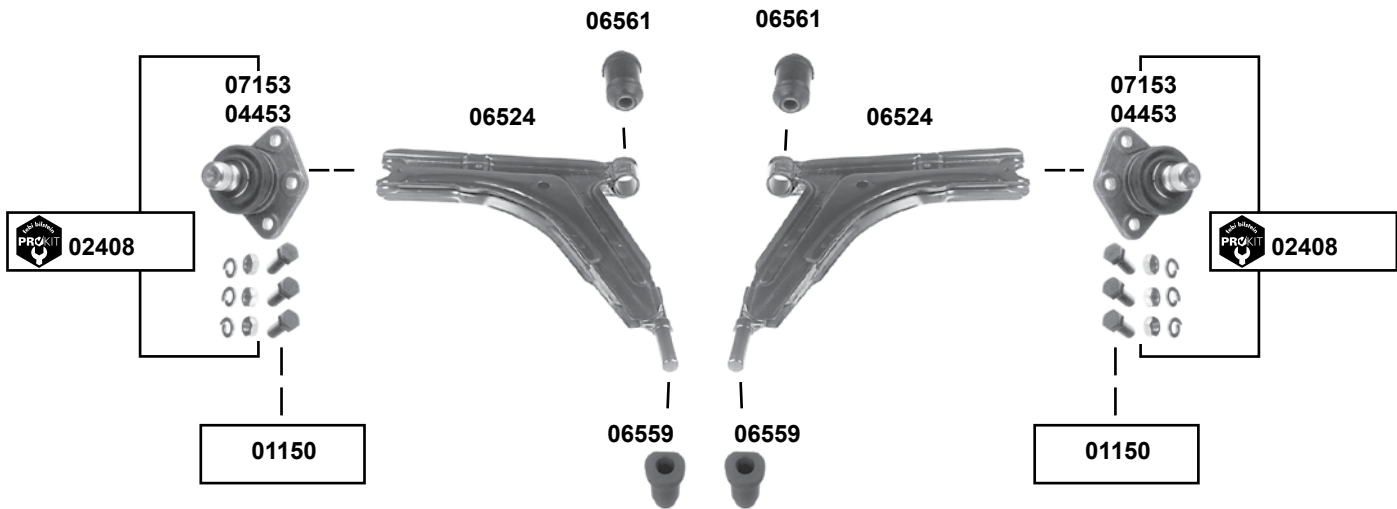
Vorderachse / Front axle

	Ref. - No.			
02240	171 419 821	ProKit Axialgelenk / axial joint		M14x1,5 RHT
02536	171 419 832 C	Lenkmanschette / steering boot		
02537	191 419 831	Lenkmanschette / steering boot		
04451	171 419 804	ProKit Spurstange / tie rod		
04452	171 419 812	ProKit Spurstangenendstück / tie rod end		M14x1,5 RHT
05067	1H0 422 831 B	Lenkmanschette / steering boot		
08497	171 419 832 C S1	Rep. Satz Lenkmanschette / rep. kit steering boot		
08498	191 419 831 S	Rep. Satz Lenkmanschette / rep. kit steering boot		
17882	1H0 422 831 B S1	Rep. Satz Lenkmanschette / rep. kit steering boot		



## Golf 1 (17) / Cabrio (15) (1975 → 1984) / (1979 → 1993)

Vorderachse / Front axle

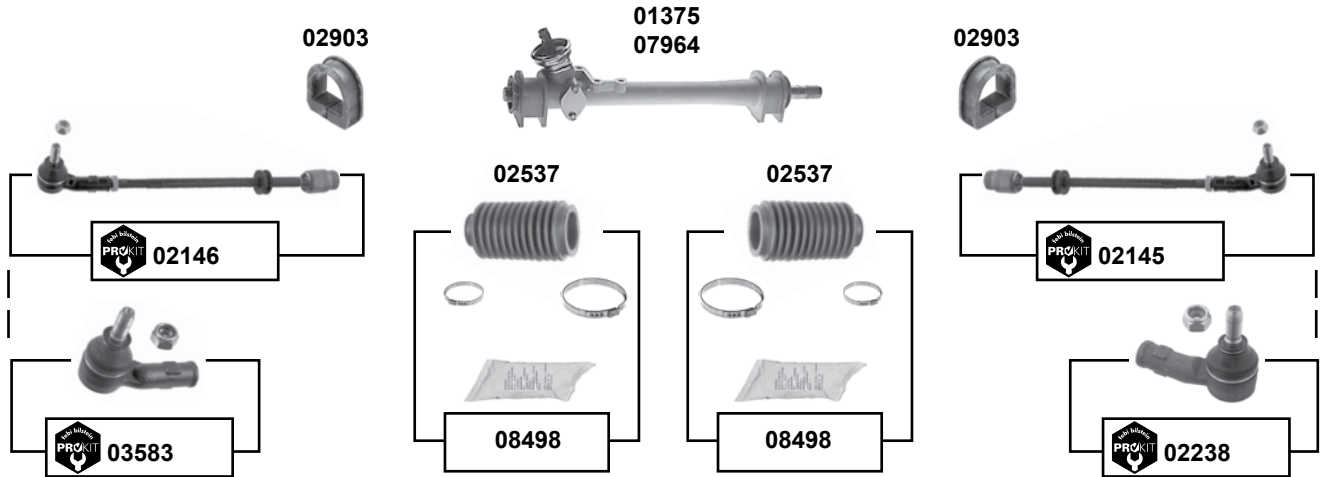


	Ref. - No.			
<b>01150</b>	171 407 365 F S1	Rep. Satz Traggelenk / rep. kit ball joint	(ch.) 178 3173 584 →	
<b>02408</b>	171 407 365 C S1	ProKit Traggelenk / ball joint	(ch.) → 178 3173 583	
<b>02765</b>	171 411 313	Stabilisatorlager / stabilizer mount		Ø I 15
<b>02766</b>	171 411 314 A	Stabilisatorlager / stabilizer mount		Ø I 15
<b>04453</b>	171 407 365 F	Traggelenk / ball joint	(ch.) 178 3173 584 →	Ø A 17
<b>06524</b>	171 407 153 D	Querlenker ohne Gummilager / control arm excl. rubber mounts		
<b>06559</b>	171 407 181 A	Querlenkerlager / control arm mount		16x38x55
<b>06561</b>	171 407 182 D	Querlenkerlager / control arm mount		12x32x61
<b>07153</b>	171 407 365 C	Traggelenk / ball joint	(ch.) → 178 3173 583	Ø A 15
<b>39813</b>	171 407 365 F S2	ProKit Traggelenk / ball joint		

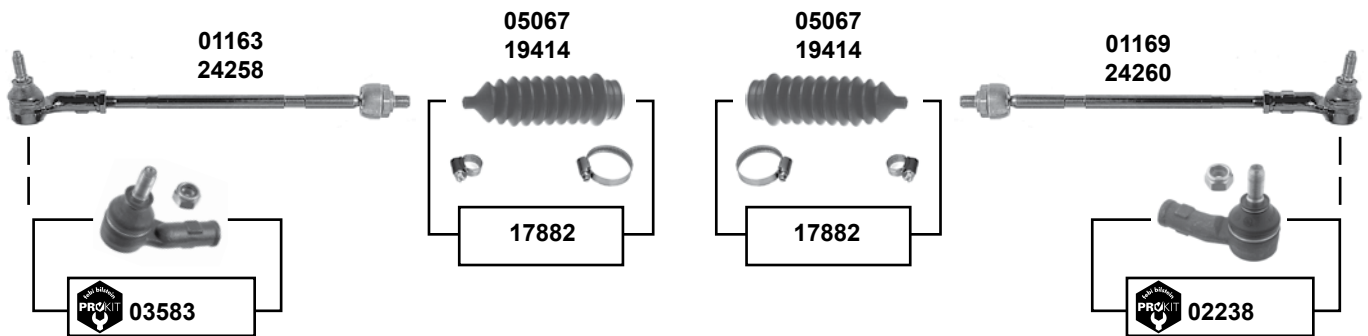


## Golf 2 (19/1G) (1984 → 1992)

man.



servo



Vorderachse / Front axle



(1) (ch.) 1G-MW-339 716 / 1G-MB-125 000 →

(2) (ch.) → 1G-MW-339 715 / 1G-MB 124 999



Ref. - No.



01163	191 422 803 A	Spurstange / tie rod
01169	191 422 804 A	Spurstange / tie rod
01375	191 419 063 C	Lenkgetriebe / steering gear
02145	191 419 804	ProKit Spurstange / tie rod
02146	191 419 803	ProKit Spurstange / tie rod
02537	191 419 831	Lenkmanschette / steering boot
02238	191 419 812	ProKit Spurstangenendstück / tie rod end
02903	191 419 883	Lenkgetriebelager / steering gear bearing
03583	191 419 811	ProKit Spurstangenendstück / tie rod end
05067	1H0 422 831 B	Lenkmanschette / steering boot
07964	191 419 063 B	Lenkgetriebe / steering gear
08498	191 419 831 S	Rep. Satz Lenkmanschette / rep. kit steering boot
17882	1H0 422 831 B S1	Rep. Satz Lenkmanschette / rep. kit steering boot
19414	357 422 831 B	Lenkmanschette / steering boot
24258	191 422 803 C	Spurstange / tie rod
24260	191 422 804 C	Spurstange / tie rod

(1) LHD  
TRW servo   
TRW servo

(ch.) 19-E-300 000 → M12 x 1,5

(ch.) 19-E-300 000 → M12 x 1,5

TRW servo   
(2) LHD

ZF servo   
ZF servo   
ZF servo

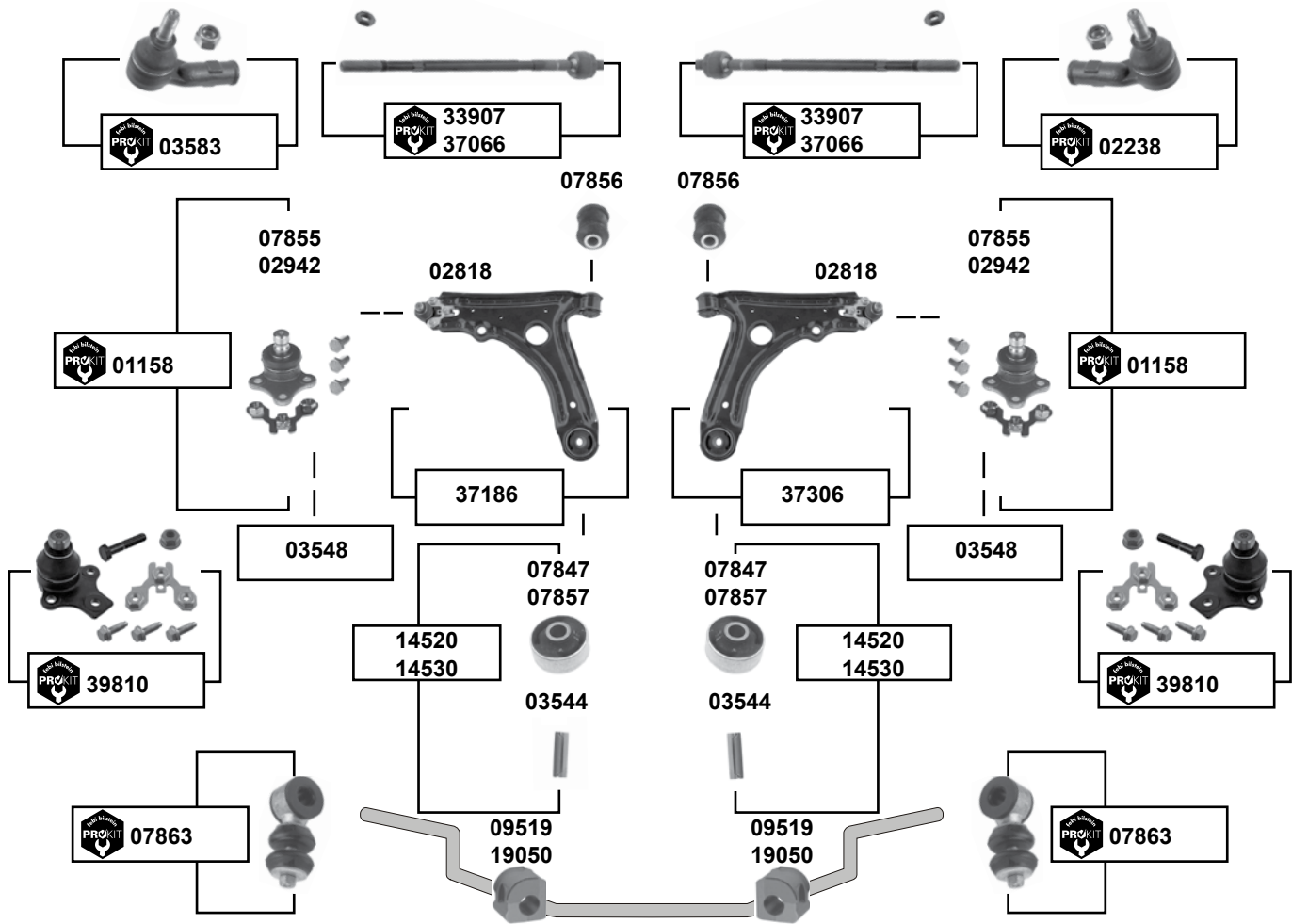




## Golf 2 (19/1G)

(1984 → 1992)

Vorderachse / Front axle



(1) 84 → 89 alle / all // 90 → 92 (ex.) (mot.) ABF / 2,0 16V

(2) (ch.) 19-JB000 001 → / (ch.) 1-JW000 001 →



Ref. - No.



01158	191 407 365 S1	ProKit Traggelenk / ball joint	(ch.) → H-999 999	
02238	191 419 812	ProKit Spurstangenendstück / tie rod end		M12 x 1,5
02818	191 407 151 B	Querlenker mit Gummilagern / control arm incl. rubber mounts		
02942	357 407 365	Traggelenk / ball joint	(ch.) J-000 001 →	Ø A 19 50x17
03544	191 407 190 A	Hülse / sleeve	(ch.) J-000 001 →	
03548	357 407 365 S1	Rep. Satz Traggelenk / rep. kit ball joint		M12 x 1,5
03583	191 419 811	ProKit Spurstangenendstück / tie rod end		17x60x41
07847	191 407 181 D	Querlenkerlager / control arm mount	(ch.) → H-999 999	Ø A 17
07855	191 407 365	Traggelenk / ball joint		12x33x54
07856	357 407 182	Querlenkerlager / control arm mount		17x60x41
07857	191 407 181 B	Querlenkerlager / control arm mount		
07863	191 411 315 B S1	ProKit Verbindungsstange / connecting rod		Metall
09519	191 411 314	Stabilisatorlager / stabilizer mount	(1)	Ø I 17
14520	191 407 181 B S1	Querlenkerlager mit Hülse / control arm mount with sleeve	(ex.) G60	
14530	191 407 181 D S1	Querlenkerlager mit Hülse / control arm mount with sleeve		Ø I 19
19050	1H0 411 314	Stabilisatorlager / stabilizer mount		
33907	191 422 810 A	ProKit Axialgelenk / axial joint	servo.	
37066	191 419 810	ProKit Axialgelenk / axial joint	(ex.) servo.	M12 x 1,5
37186	191 407 151 B S1	Rep. Satz Querlenker / rep. kit control arm		
37306	191 407 151 B S2	Rep. Satz Querlenker / rep. kit control arm		
39810	357 407 365 S2	ProKit Traggelenk / ball joint	(2)	

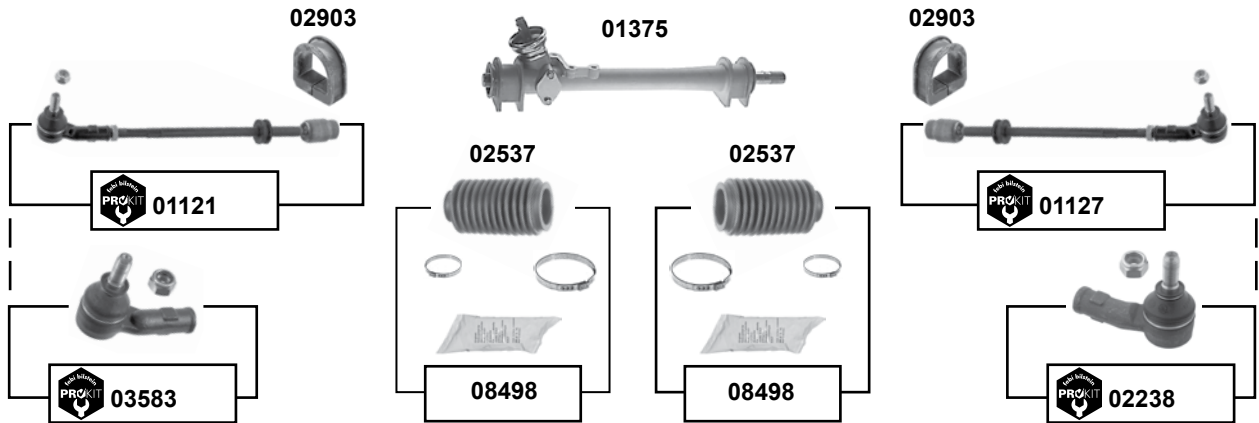


## Golf 3 (1H)

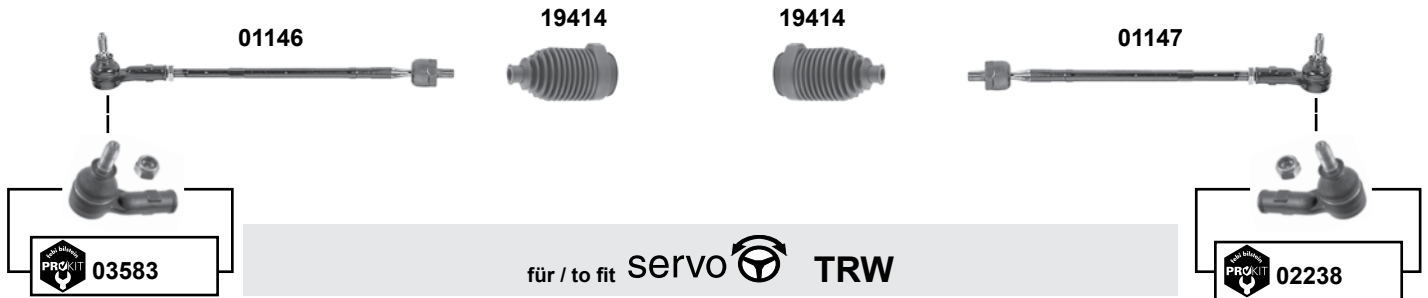
(1992 → 1999)

Golf 3 Limousine (ex.) 16V / VR6 / GTI

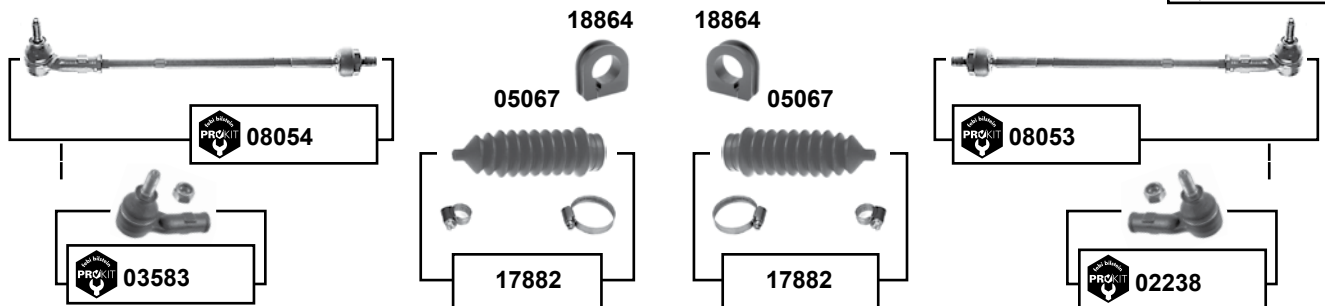
man.



für / to fit servo ZF



für / to fit servo TRW



Ref. - No.



Ref. - No.	Part Description	Notes	Dimensions
01121	1H0 419 803 ProKit Spurstange / tie rod	LHD	M12 x 1,5
01127	1H0 419 804 ProKit Spurstange / tie rod		
01146	1H0 422 803 B Spurstange / tie rod		
01147	1H0 422 804 B Spurstange / tie rod		
01375	191 419 063 C Lenkgetriebe / steering gear		
02238	191 419 812 ProKit Spurstangenendstück / tie rod end		
02537	191 419 831 Lenkmanschette / steering boot		
02903	191 419 883 Lenkgetriebelager / steering gear bearing		
03583	191 419 811 ProKit Spurstangenendstück / tie rod end		M12 x 1,5
05067	1H0 422 831 B Lenkmanschette / steering boot		
08053	1H0 422 804 ProKit Spurstange / tie rod		
08054	1H0 422 803 ProKit Spurstange / tie rod		
08498	191 419 831 S Rep. Satz Lenkmanschette / rep. kit steering boot		
17882	1H0 422 831 B S1 Rep. Satz Lenkmanschette / rep. kit steering boot		
18864	1H0 422 884 Lenkgetriebelager / steering gear bearing		
19414	357 422 831 B Lenkmanschette / steering boot		

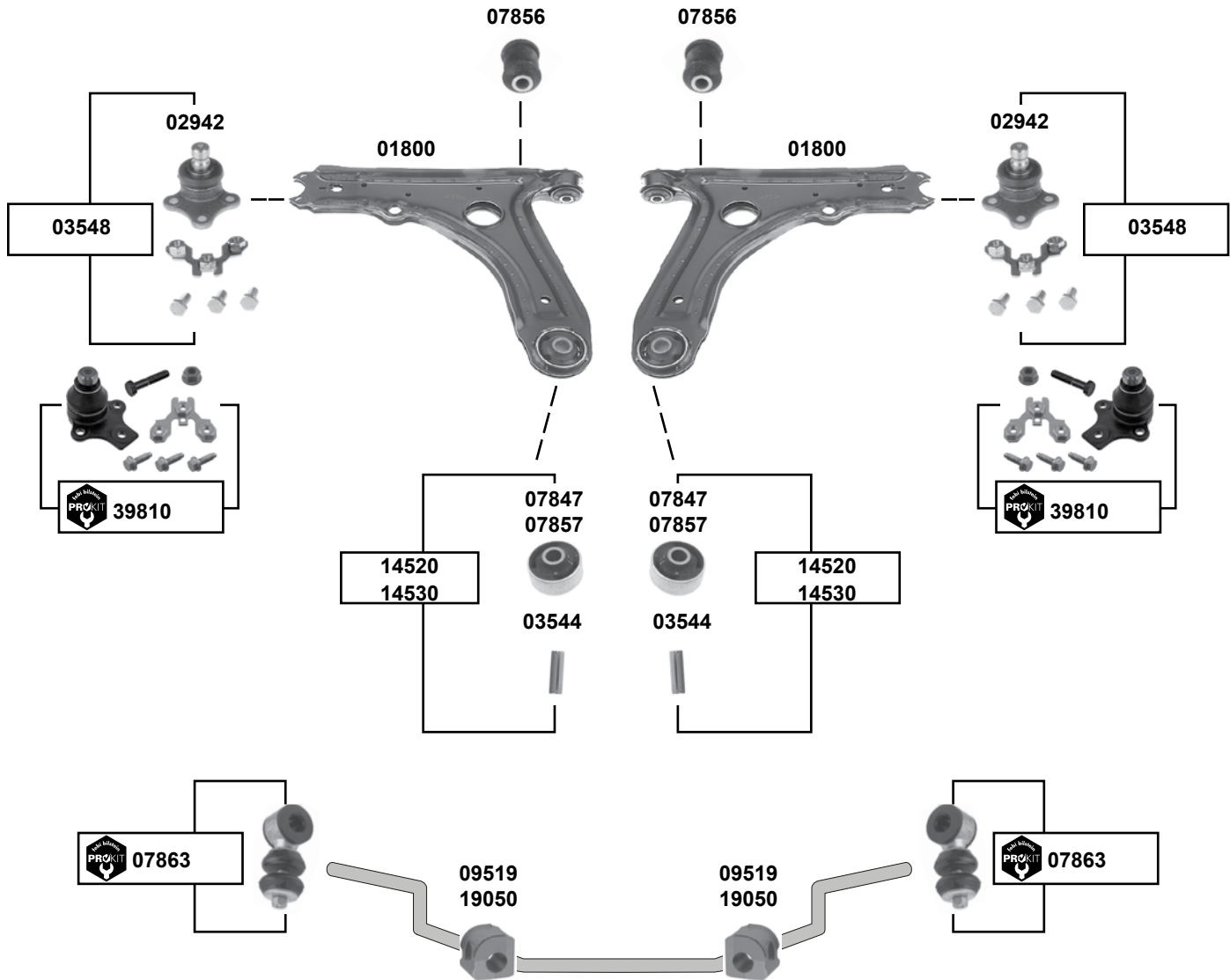


## Golf 3 (1H)

(1992 → 1999)

Golf 3 Limousine (ex.) 16V / VR6 / GTI

Vorderachse / Front axle



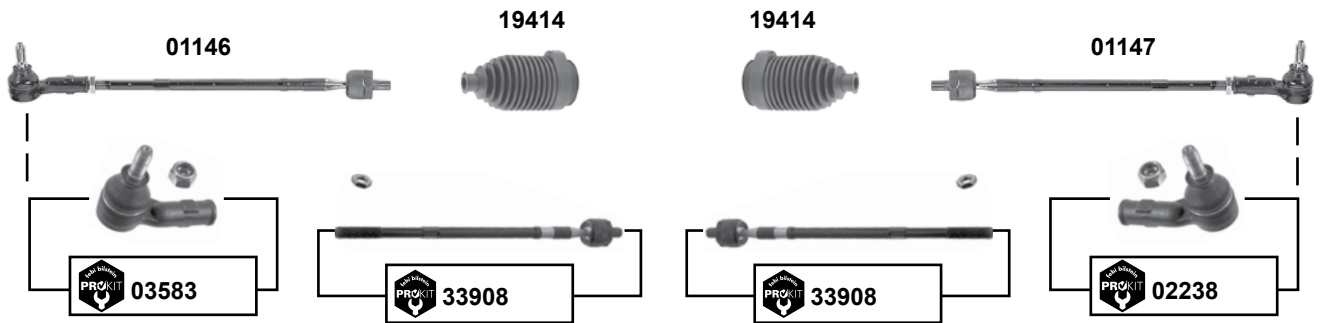
	Ref. - No.			
<b>01800</b>	1H0 407 151	Querlenker / control arm		
<b>02942</b>	357 407 365	Traggelenk / ball joint		Ø A 19
<b>03544</b>	191 407 190 A	Hülse / sleeve		50x17
<b>03548</b>	357 407 365 S1	Rep. Satz Traggelenk / rep. kit ball joint		
<b>07847</b>	191 407 181 D	Querlenkerlager / control arm mount	<b>NEW</b>	17x60x41
<b>07856</b>	357 407 182	Querlenkerlager / control arm mount	<b>OLD</b>	12x33x54
<b>07857</b>	191 407 181 B	Querlenkerlager / control arm mount	→ 98	17x60x41
<b>07863</b>	191 411 315 B S1	ProKit Verbindungsstange / connecting rod	<b>(ex.) 2.0</b>	Metall
<b>09519</b>	191 411 314	Stabilisatorlager / stabilizer mount	<b>OLD</b>	Ø I 17
<b>14520</b>	191 407 181 B S1	Querlenkerlager mit Hülse / control arm mount with sleeve	<b>NEW</b>	
<b>14530</b>	191 407 181 D S1	Querlenkerlager mit Hülse / control arm mount with sleeve		
<b>19050</b>	1H0 411 314	Stabilisatorlager / stabilizer mount		Ø I 19
<b>39810</b>	357 407 365 S2	ProKit Traggelenk / ball joint		



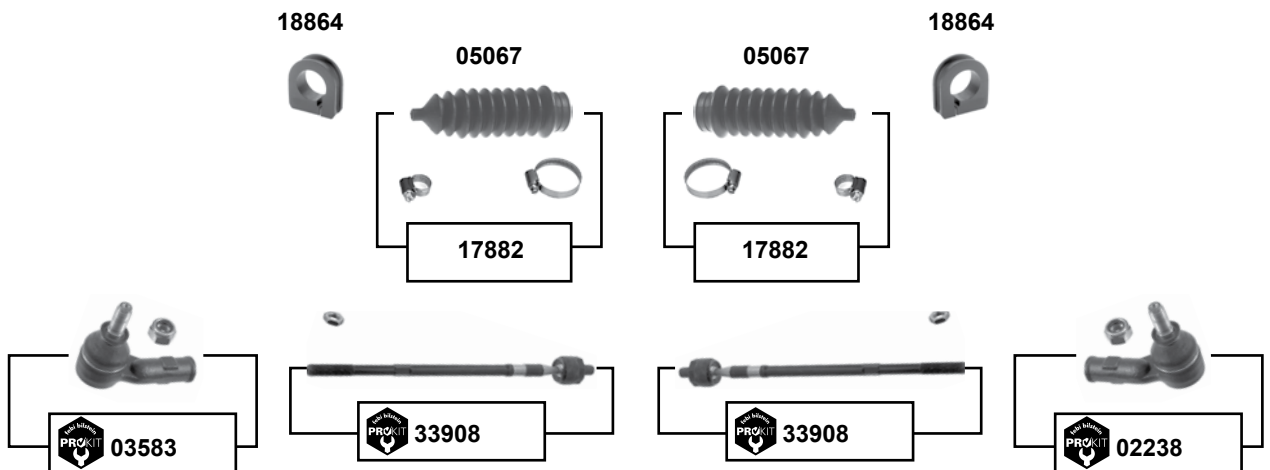
## Golf 3 (1H) (1992 → 1999)

Golf 3 Limousine 16V / VR6 / GTI

für / to fit servo ZF



für / to fit servo TRW



Vorderachse / Front axle

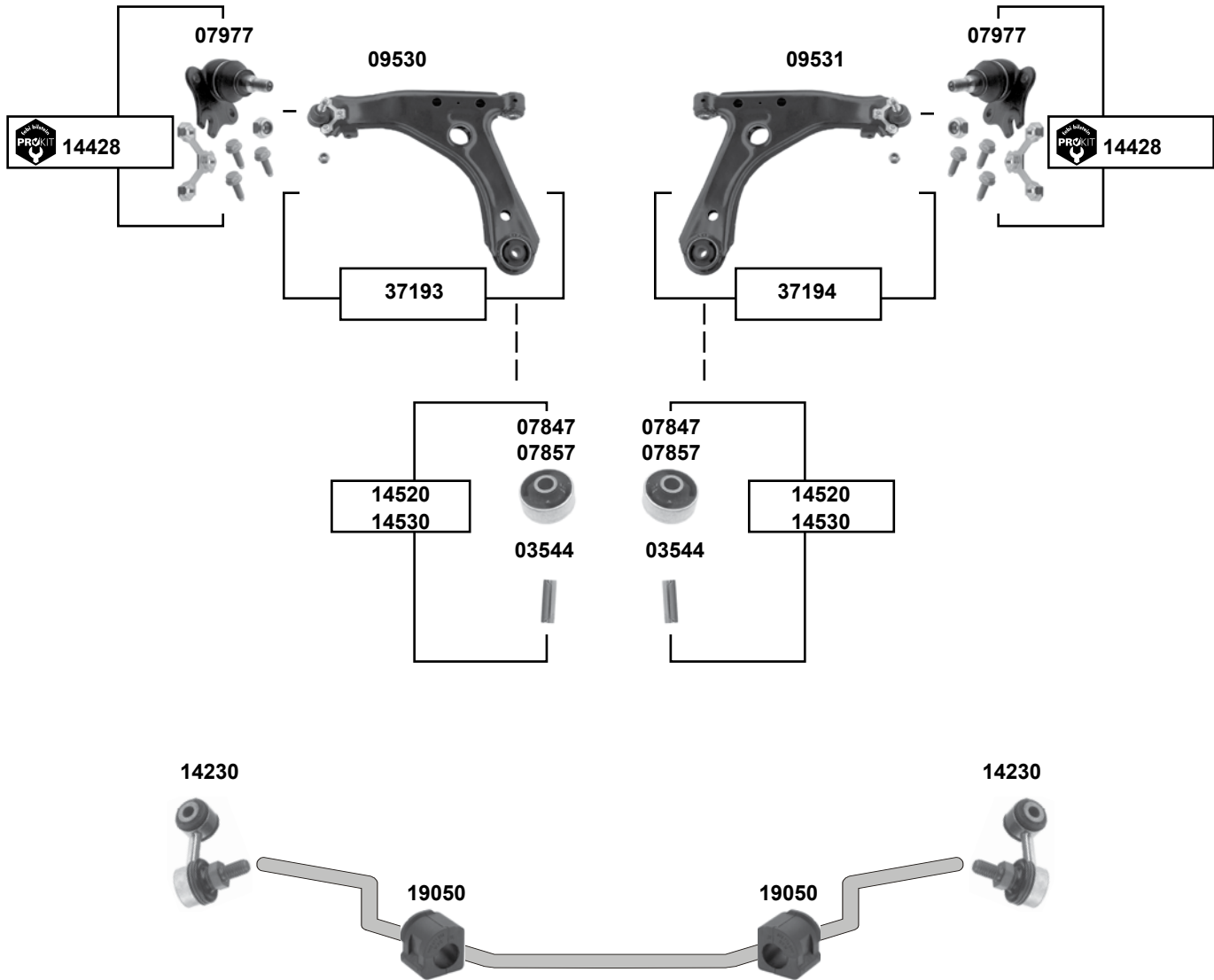
	Ref. - No.			
01146	1H0 422 803 B	Spurstange / tie rod		
01147	1H0 422 804 B	Spurstange / tie rod		
02238	191 419 812	ProKit Spurstangenendstück / tie rod end		M12 x 1,5
03583	191 419 811	ProKit Spurstangenendstück / tie rod end		M12 x 1,5
05067	1H0 422 831 B	Lenkmanschette / steering boot		
17882	1H0 422 831 B S1	Rep. Satz Lenkmanschette / rep. kit steering boot		
18864	1H0 422 884	Lenkgetriebebelager / steering gear bearing		
19414	357 422 831 B	Lenkmanschette / steering boot		
33908	1H0 422 810	ProKit Axialgelenk / axial joint		M14 x 1,5



## Golf 3 (1H) (1992 → 1999)

Golf 3 Limousine 16V / VR6 / GTI

Vorderachse / Front axle



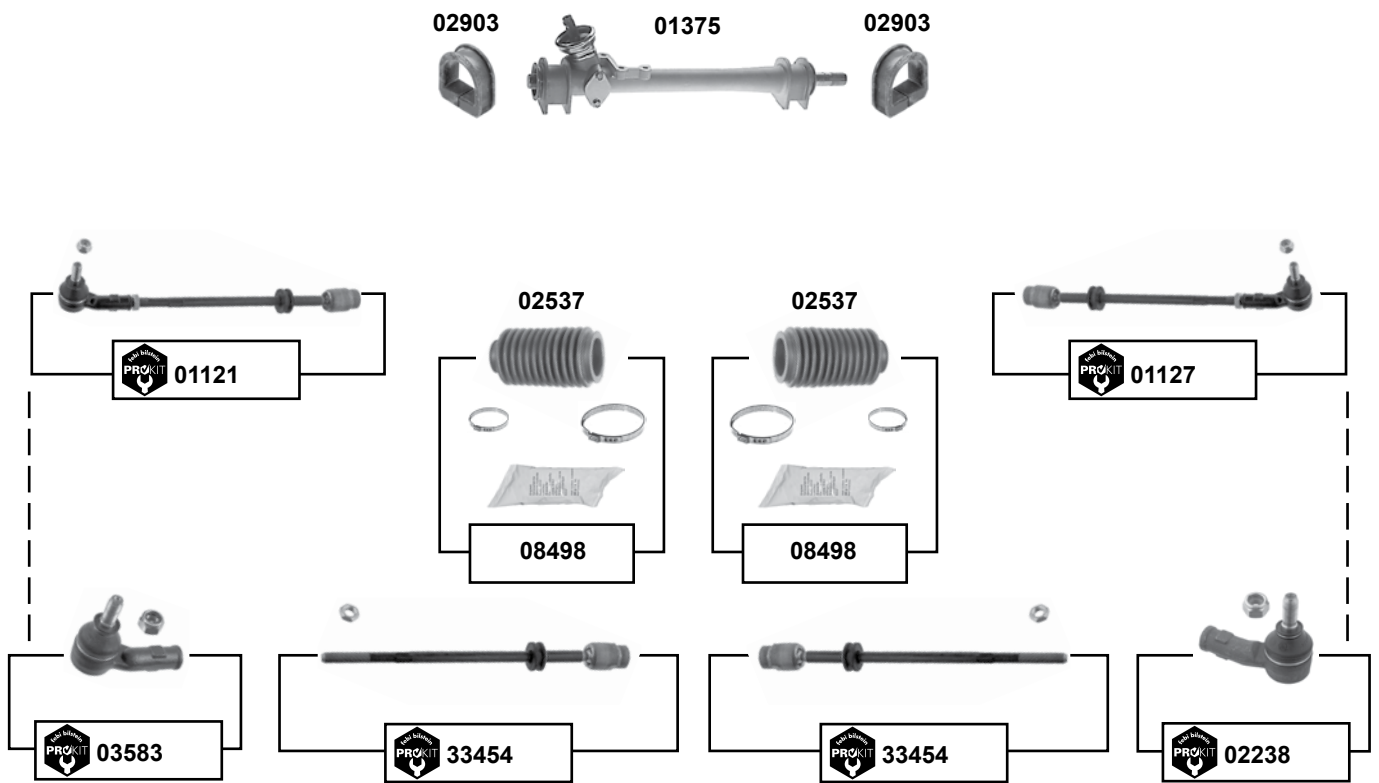
	Ref. - No.			
03544	191 407 190 A	Hülse / sleeve		50x17
07847	191 407 181 D	Querlenkerlager / control arm mount	NEW	17x60x41
07857	191 407 181 B	Querlenkerlager / control arm mount	OLD	17x60x41
09530	1H0 407 151 A	Querlenker / control arm		
09531	1H0 407 152	Querlenker / control arm		
07977	1H0 407 365	Traggelenk / ball joint		M12 x 1,5
14230	535 411 315	Verbindungsstange / connecting rod		L 55
14428	1H0 407 365 S1	ProKit Traggelenk / ball joint		
14520	191 407 181 B S1	Querlenkerlager mit Hülse / control arm mount with sleeve	OLD	
14530	191 407 181 D S1	Querlenkerlager mit Hülse / control arm mount with sleeve	NEW	
19050	1H0 411 314	Stabilisatorlager / stabilizer mount		Ø I 19
37193	1H0 407 151 A S1	Querlenker mit Traggelenk / control arm with ball joint	→ 97	
37194	1H0 407 152 S1	Querlenker mit Traggelenk / control arm with ball joint	→ 97	



## Golf 3 Variant (1H) (1992 → 1999)

man.

Vorderachse / Front axle



	Ref. - No.			
01121	1H0 419 803	ProKit Spurstange / tie rod	LHD	M12 x 1,5
01127	1H0 419 804	ProKit Spurstange / tie rod		
01375	191 419 063 C	Lenkgetriebe / steering gear		
02238	191 419 812	ProKit Spurstangenendstück / tie rod end		M12 x 1,5
02537	191 419 831	Lenkmanschette / steering boot		
02903	191 419 883	Lenkgetriebelager / steering gear bearing		
03583	191 419 811	ProKit Spurstangenendstück / tie rod end		M12 x 1,5
08498	191 419 831 S	Rep. Satz Lenkmanschette / rep. kit steering boot		
33454	1H0 419 810	ProKit Spurstange / tie rod		

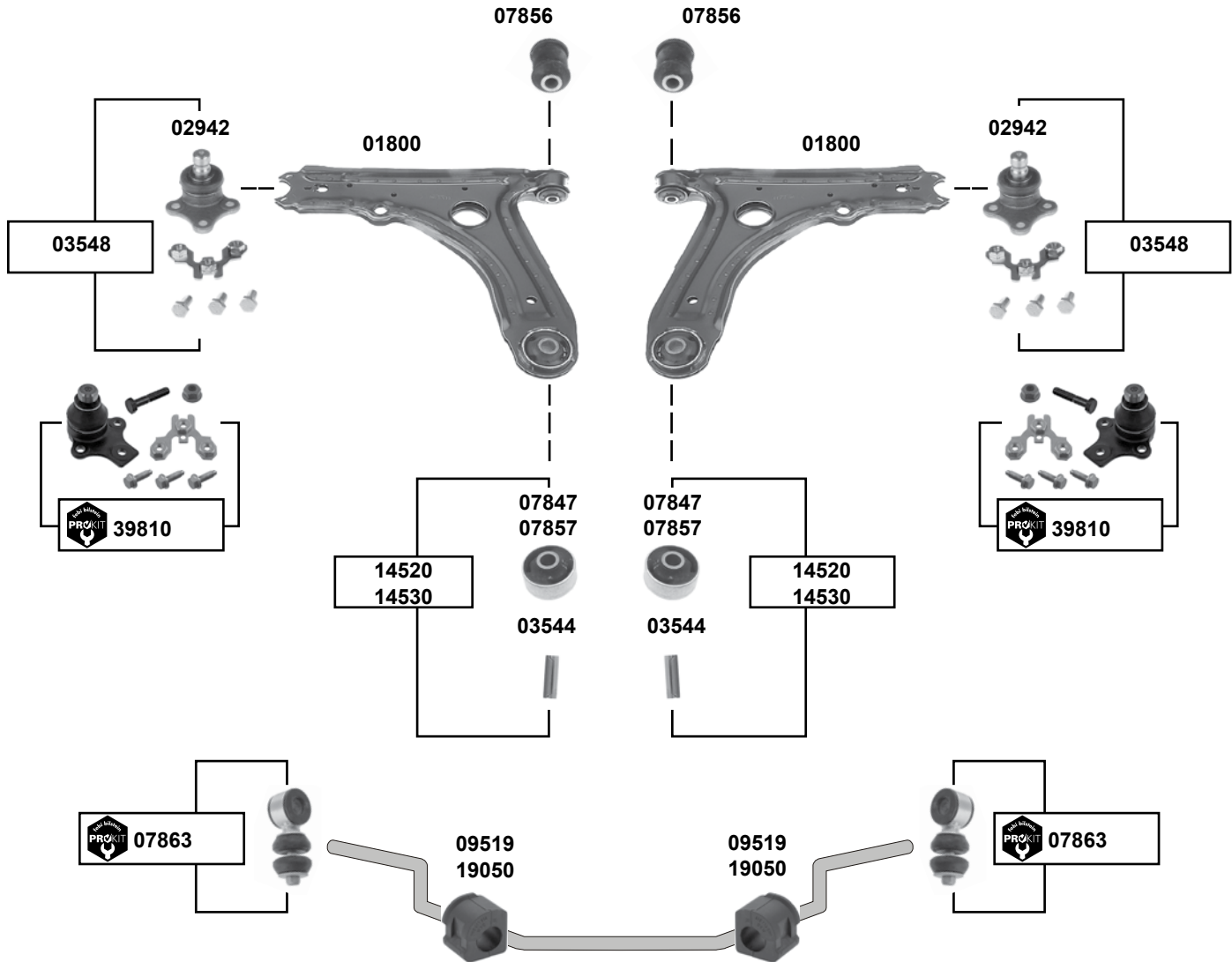


## Golf 3 Variant (1H)

(1992 → 1999)

man.

Vorderachse / Front axle



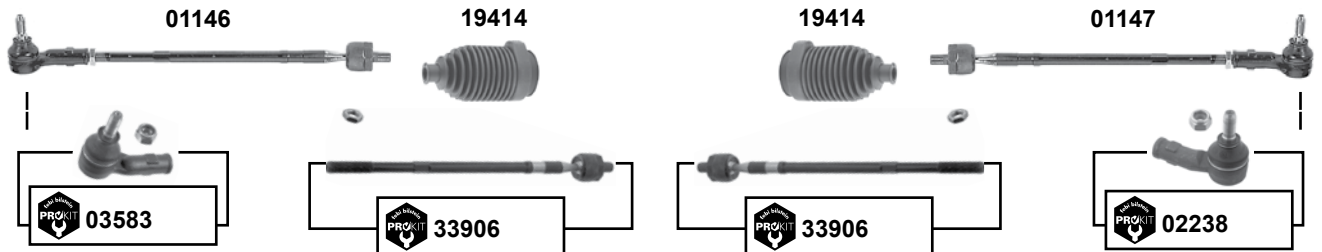
	Ref. - No.			
01800	1H0 407 151	Querlenker / control arm		
02942	357 407 365	Traggelenk / ball joint		Ø A 19 50x17
03544	191 407 190 A	Hülse / sleeve		
03548	357 407 365 S1	Rep. Satz Traggelenk / rep. kit ball joint		
07847	191 407 181 D	Querlenkerlager / control arm mount	NEW	17x60x41
07856	357 407 182	Querlenkerlager / control arm mount	OLD	12x33x54
07857	191 407 181 B	Querlenkerlager / control arm mount	(ex.) 2.0	Ø I 17
07863	191 411 315 B S1	ProKit Verbindungsstange / connecting rod	OLD	
09519	191 411 314	Stabilisatorlager / stabilizer mount	NEW	Ø I 19
14520	191 407 181 B S1	Querlenkerlager mit Hülse / control arm mount with sleeve		
14530	191 407 181 D S1	Querlenkerlager mit Hülse / control arm mount with sleeve		
19050	1H0 411 314	Stabilisatorlager / stabilizer mount		
39810	357 407 365 S2	ProKit Traggelenk / ball joint		



## Golf 3 Variant (1H) (1992 → 1999)

für / to fit ZF

(ex.) 1.9 TDI (81kW)

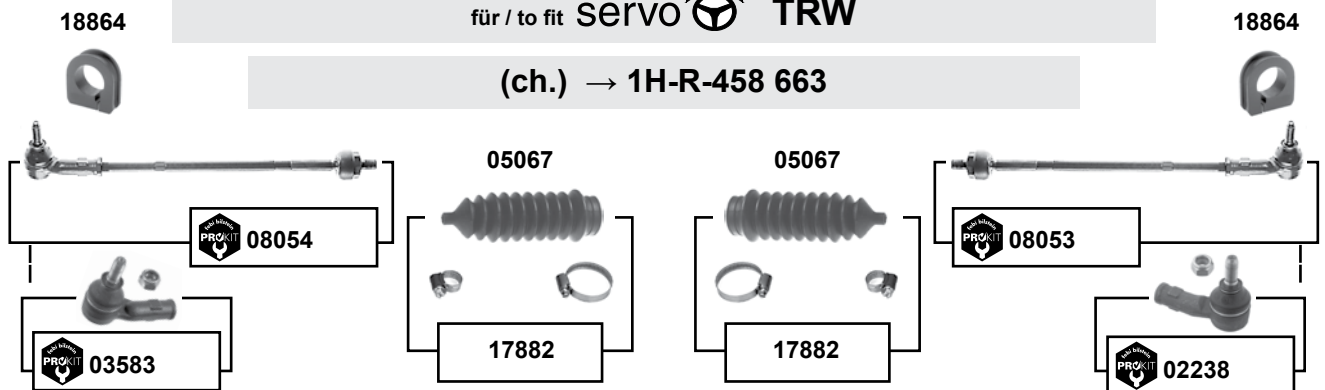


1.9 TDI (81kW)

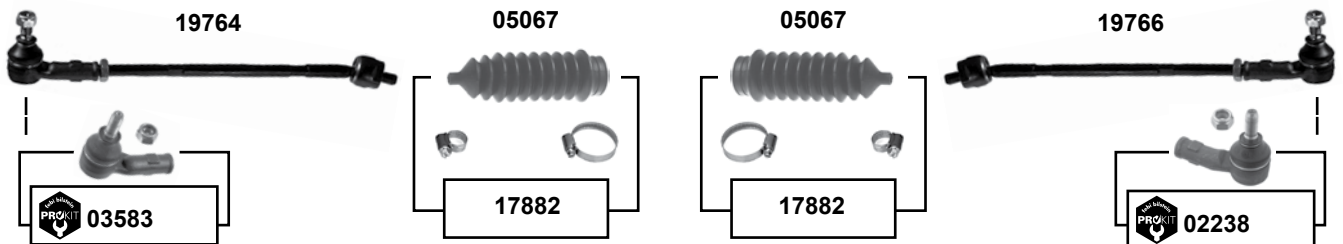


für / to fit TRW

(ch.) → 1H-R-458 663



(ch.) 1H-R-458 664 →



Ref. - No.



01146	1H0 422 803 B	Spurstange / tie rod	
01147	1H0 422 804 B	Spurstange / tie rod	
02238	191 419 812	ProKit Spurstangenendstück / tie rod end	M12 x 1,5
03583	191 419 811	ProKit Spurstangenendstück / tie rod end	M12 x 1,5
05067	1H0 422 831 B	Lenkmanschette / steering boot	
08053	1H0 422 804	ProKit Spurstange / tie rod	
08054	1H0 422 803	ProKit Spurstange / tie rod	
17882	1H0 422 831 B S1	Rep. Satz Lenkmanschette / rep. kit steering boot	
18864	1H0 422 884	Lenkgetriebelager / steering gear bearing	
19414	357 422 831 B	Lenkmanschette / steering boot	
19764	1H0 422 803 D	Spurstange / tie rod	
19766	1H0 422 804 D	Spurstange / tie rod	
33906	1H0 422 810 B	ProKit Spurstange / tie rod	

ZF servo / LHD / RHD



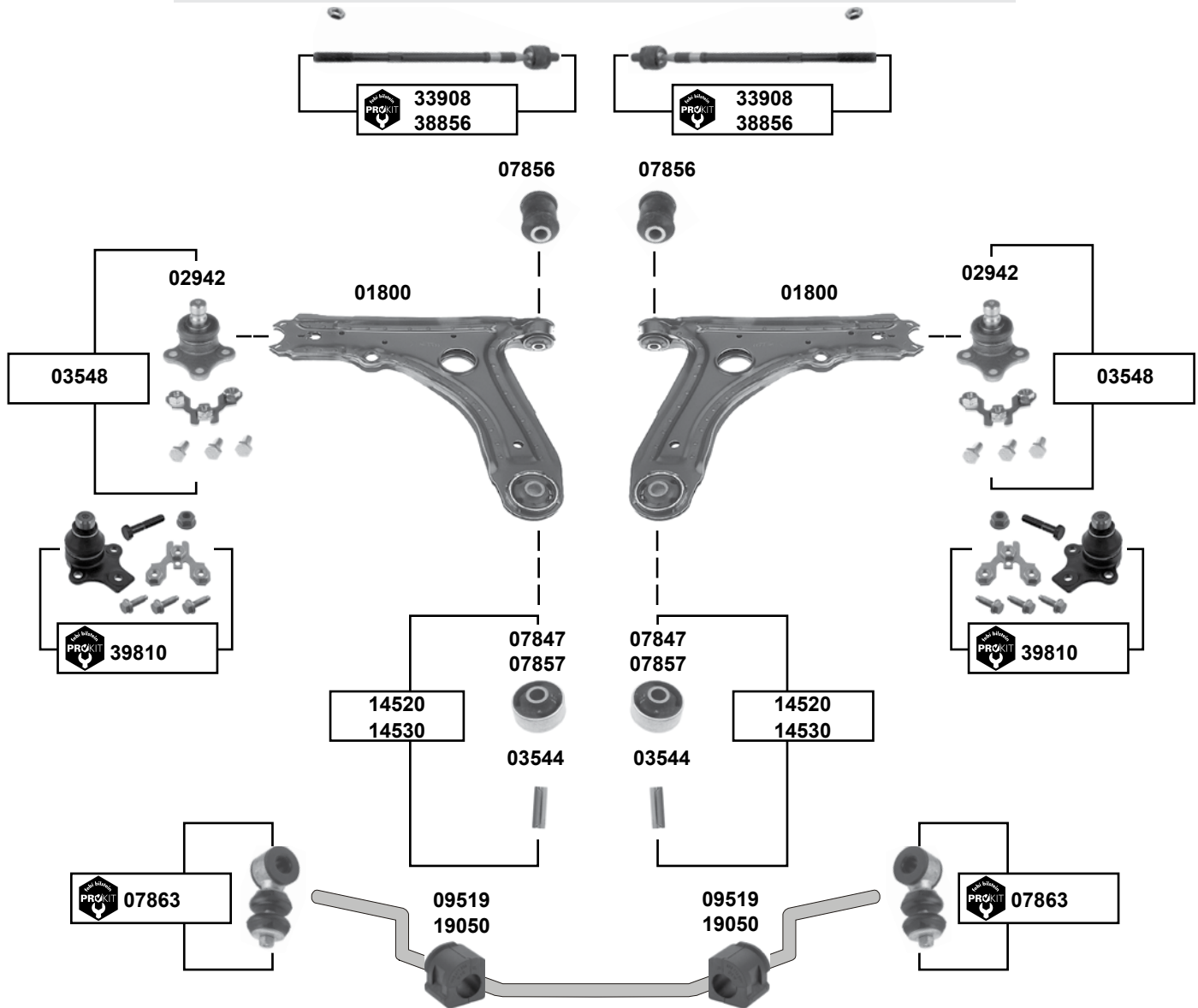


## Golf 3 Variant (1H)

(1992 → 1999)

servo

Vorderachse / Front axle



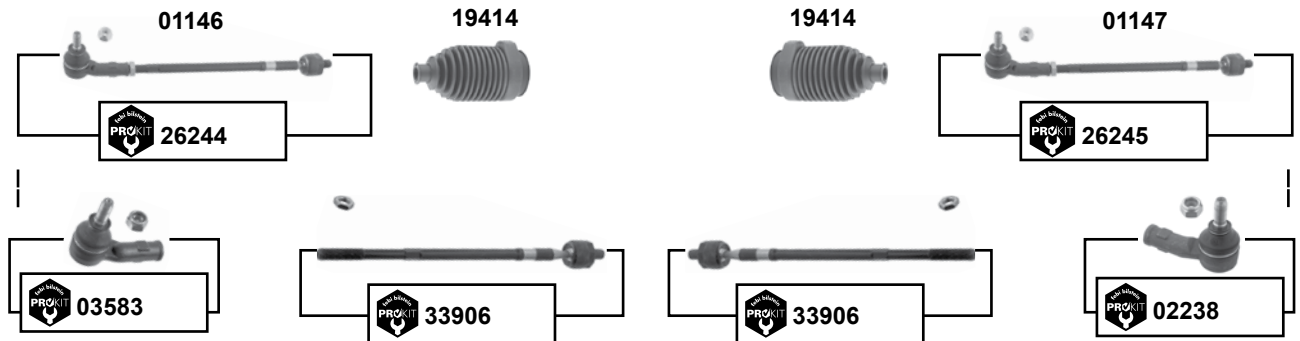
	Ref. - No.			
01800	1H0 407 151	Querlenker / control arm		
02942	357 407 365	Traggelenk / ball joint		Ø A 19
03544	191 407 190 A	Hülse / sleeve		50x17
03548	357 407 365 S1	Rep. Satz Traggelenk / rep. kit ball joint		
07847	191 407 181 D	Querlenkerlager / control arm mount	<b>NEW</b>	17x60x41
07856	357 407 182	Querlenkerlager / control arm mount	<b>OLD</b>	12x33x54
07857	191 407 181 B	Querlenkerlager / control arm mount	<b>OLD</b>	17x60x41
07863	191 411 315 B S1	ProKit Verbindungsstange / connecting rod		
09519	191 411 314	Stabilisatorlager / stabilizer mount		Ø I 17
14520	191 407 181 B S1	Querlenkerlager mit Hülse / control arm mount with sleeve	<b>OLD</b>	
14530	191 407 181 D S1	Querlenkerlager mit Hülse / control arm mount with sleeve	<b>NEW</b>	
19050	1H0 411 314	Stabilisatorlager / stabilizer mount		Ø I 19
33908	1H0 422 810	ProKit Axialgelenk / axial joint		
38856	1H0 422 810 D	ProKit Axialgelenk / axial joint		
39810	357 407 365 S2	ProKit Traggelenk / ball joint		

(ch.) 1G-R-458 664 →

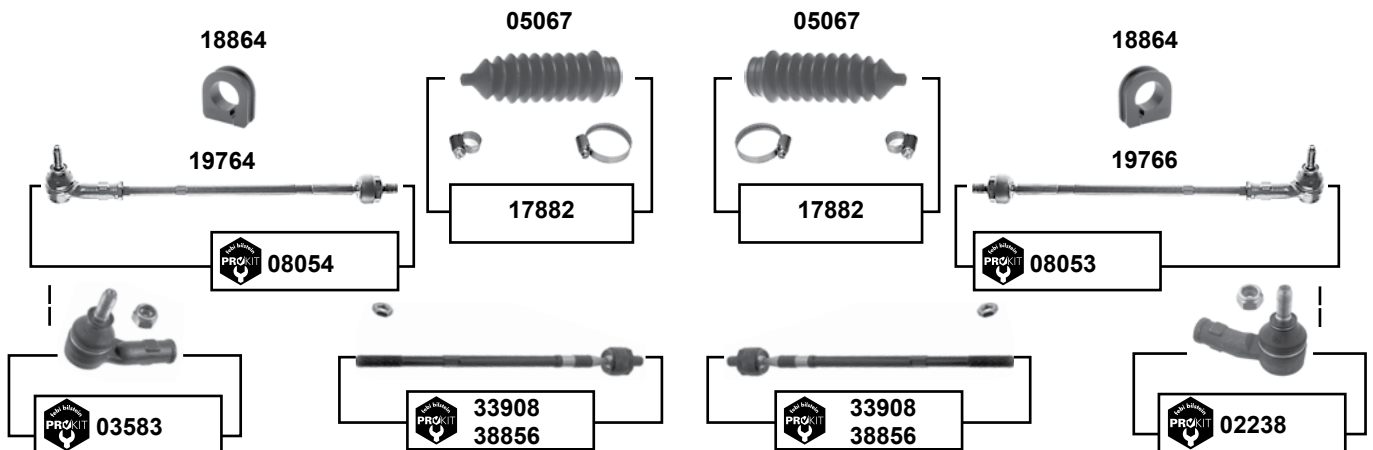


## Golf 3 Cabrio (1E) (1994 → 2002)

für / to fit servo ZF



für / to fit servo TRW



(1) ZF servo / LHD / RHD / (ch.) → 1E-R-030 000

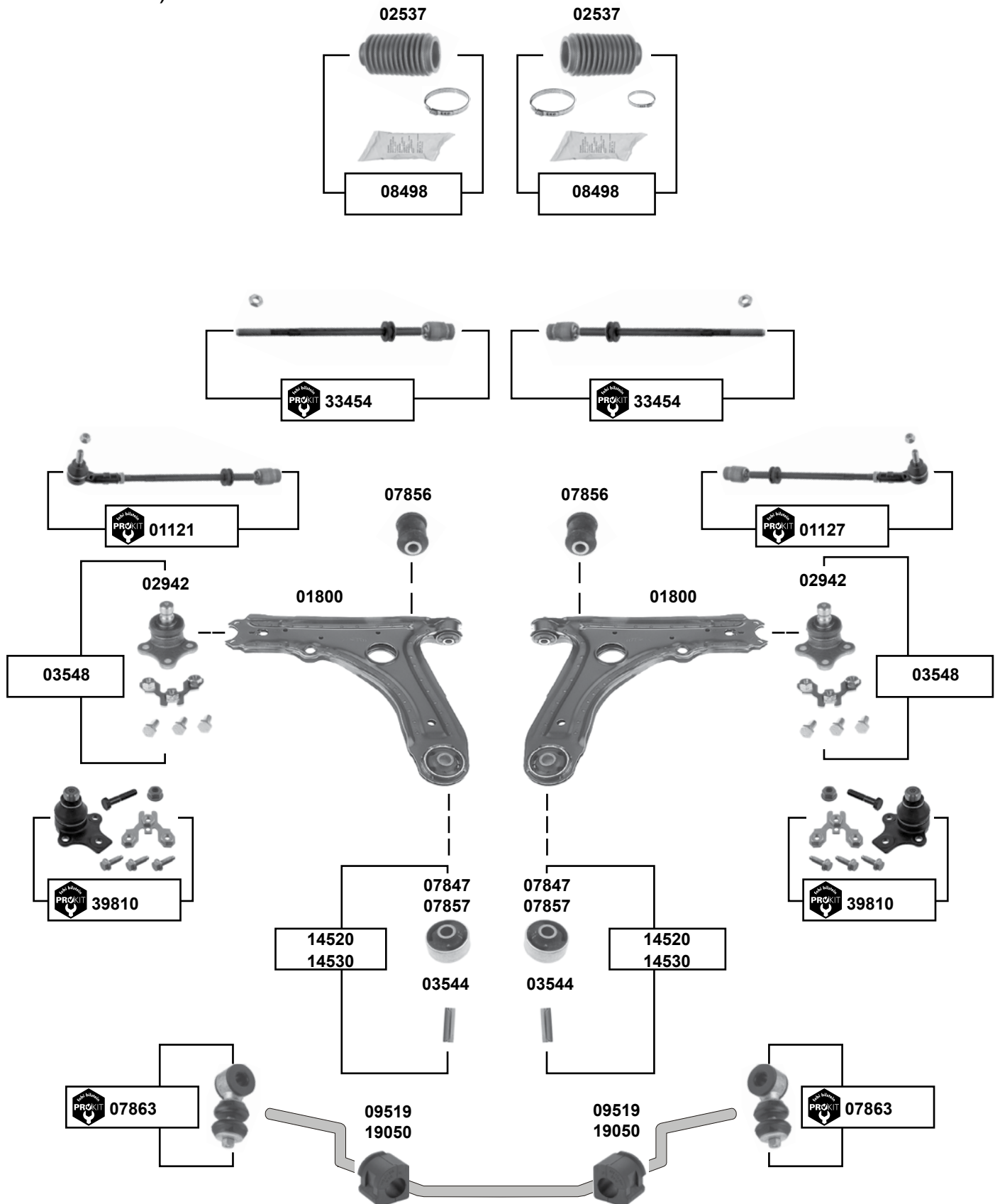
	Ref. - No.			
01146	1H0 422 803 B	Spurstange / tie rod	(ch.) → 1E-R-030 000	
01147	1H0 422 804 B	Spurstange / tie rod	(ch.) → 1E-R-030 000	
02238	191 419 812	ProKit Spurstangenendstück / tie rod end		M12 x 1,5
03583	191 419 811	ProKit Spurstangenendstück / tie rod end		M12 x 1,5
05067	1H0 422 831 B	Lenkmanschette / steering boot		
08053	1H0 422 804	ProKit Spurstange / tie rod		M12 x 1,5
08054	1H0 422 803	ProKit Spurstange / tie rod		M12 x 1,5
17882	1H0 422 831 B S1	Rep. Satz Lenkmanschette / rep. kit steering boot		
18864	1H0 422 884	Lenkgetriebelager / steering gear bearing		
19414	357 422 831 B	Lenkmanschette / steering boot	(ex.) Diesel	
19764	1H0 422 803 D	Spurstange / tie rod	(ch.) 1E-S-000 001 →	
19766	1H0 422 804 D	Spurstange / tie rod	(ch.) 1E-S-000 001 →	
26244	1H0 422 803 E	ProKit Spurstange / tie rod	(ch.) 1E-S-000 001 →	
26245	1H0 422 804 E	ProKit Spurstange / tie rod	(ch.) 1E-S-000 001 →	
33906	1H0 422 810 B	ProKit Spurstange / tie rod	(1)	
33908	1H0 422 810	ProKit Axialgelenk / axial joint	(ch.) → 1E-R-030 000	M14 x 1,5
38856	1H0 422 810 D	ProKit Axialgelenk / axial joint	(ch.) 1E-S-000 001 →	



## Golf 3 Cabrio (1E)

(1994 → 2002)

Vorderachse / Front axle





## Golf 3 Cabrio (1E) (1994 → 2002)



(1) 1.9 TDI (ch.) 1E-V-006001 →

(2) (mot.) ADZ, 2E

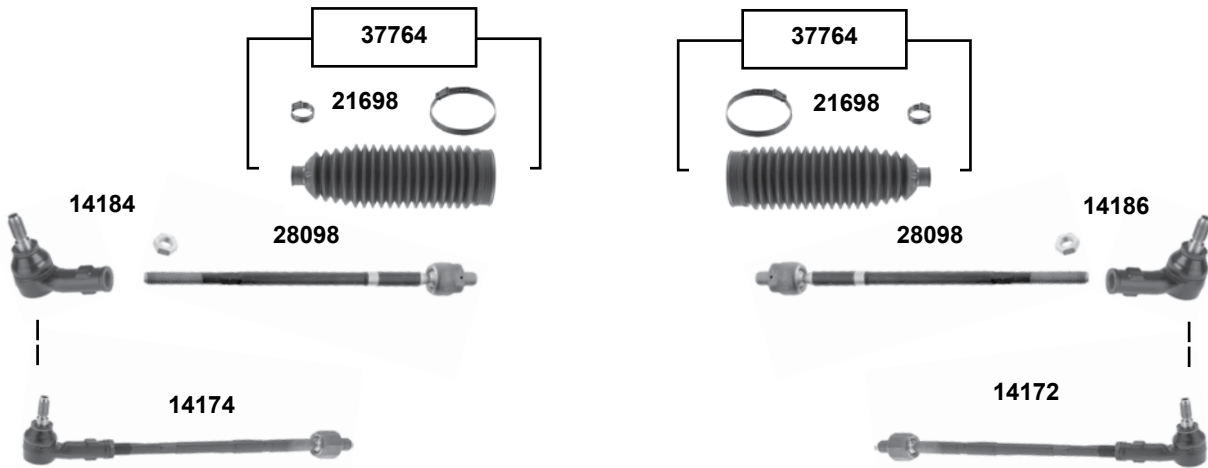
(3) (mot.) 2E / PR-1N0

	Ref. - No.			
01121	1H0 419 803	ProKit Spurstange / tie rod	(2) (ex.) servo	
01127	1H0 419 804	ProKit Spurstange / tie rod	(2) (ex.) servo	
01800	1H0 407 151	Querlenker / control arm		
02537	191 419 831	Lenkmanschette / steering boot	(2) servo	
02942	357 407 365	Traggelenk / ball joint		
03544	191 407 190 A	Hülse / sleeve		Ø A 19 50x17
03548	357 407 365 S1	Rep. Satz Traggelenk / rep. kit ball joint		
07847	191 407 181 D	Querlenkerlager / control arm mount	<b>NEW</b>	17x60x41
07856	357 407 182	Querlenkerlager / control arm mount	<b>OLD</b>	12x33x54
07857	191 407 181 B	Querlenkerlager / control arm mount	<b>OLD</b>	17x60x41
07863	191 411 315 B S1	ProKit Verbindungsstange / connecting rod		Metall
08498	191 419 831 S	Rep. Satz Lenkmanschette / rep. kit steering boot	(2) servo	
09519	191 411 314	Stabilisatorlager / stabilizer mount	(1)	Ø I 17
14520	191 407 181 B S1	Querlenkerlager mit Hülse / control arm mount with sleeve	<b>OLD</b>	
14530	191 407 181 D S1	Querlenkerlager mit Hülse / control arm mount with sleeve	<b>NEW</b>	
19050	1H0 411 314	Stabilisatorlager / stabilizer mount		Ø I 19
33454	1H0 419 810	ProKit Spurstange / tie rod	(3) (ex.) servo	
39810	357 407 365 S2	ProKit Traggelenk / ball joint		

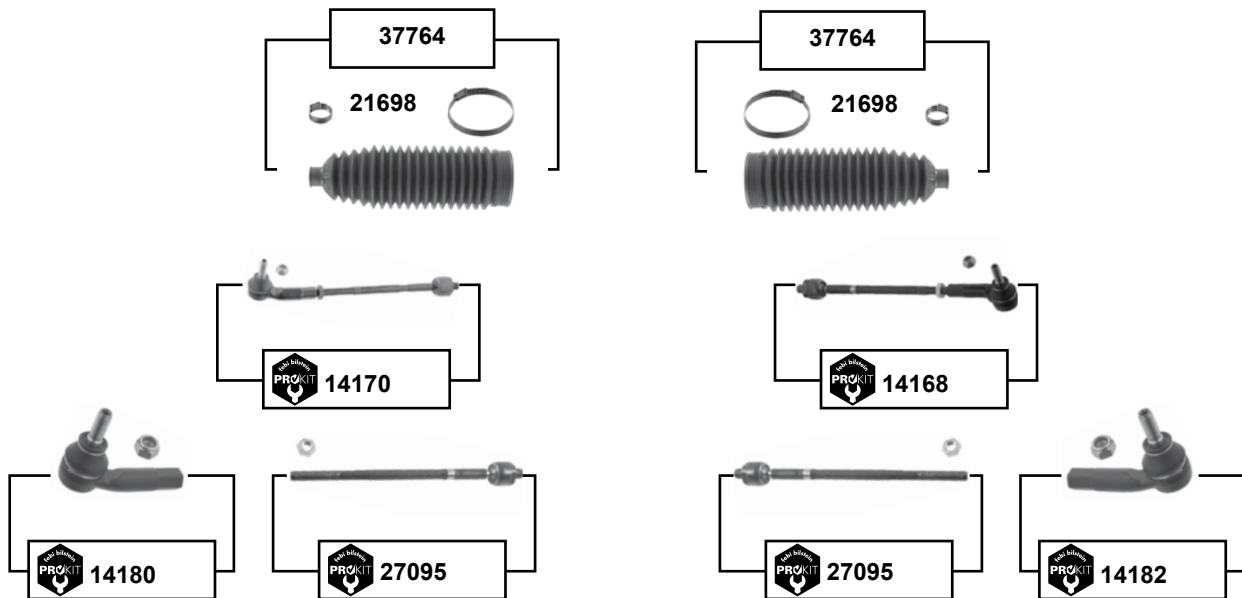


## Golf 4 (ex.) 4 Motion (1J) (1998 → 2004)

(ch.) → 1J-WP-050 831 / 1J-WD-039 149 / 1J-WB-027 483 / 1J-WW-062 358



(ch.) 1J-WP-050 832 / 1J-WD-039 150 / 1J-WB-027 484 / 1J-WW-062 359 →



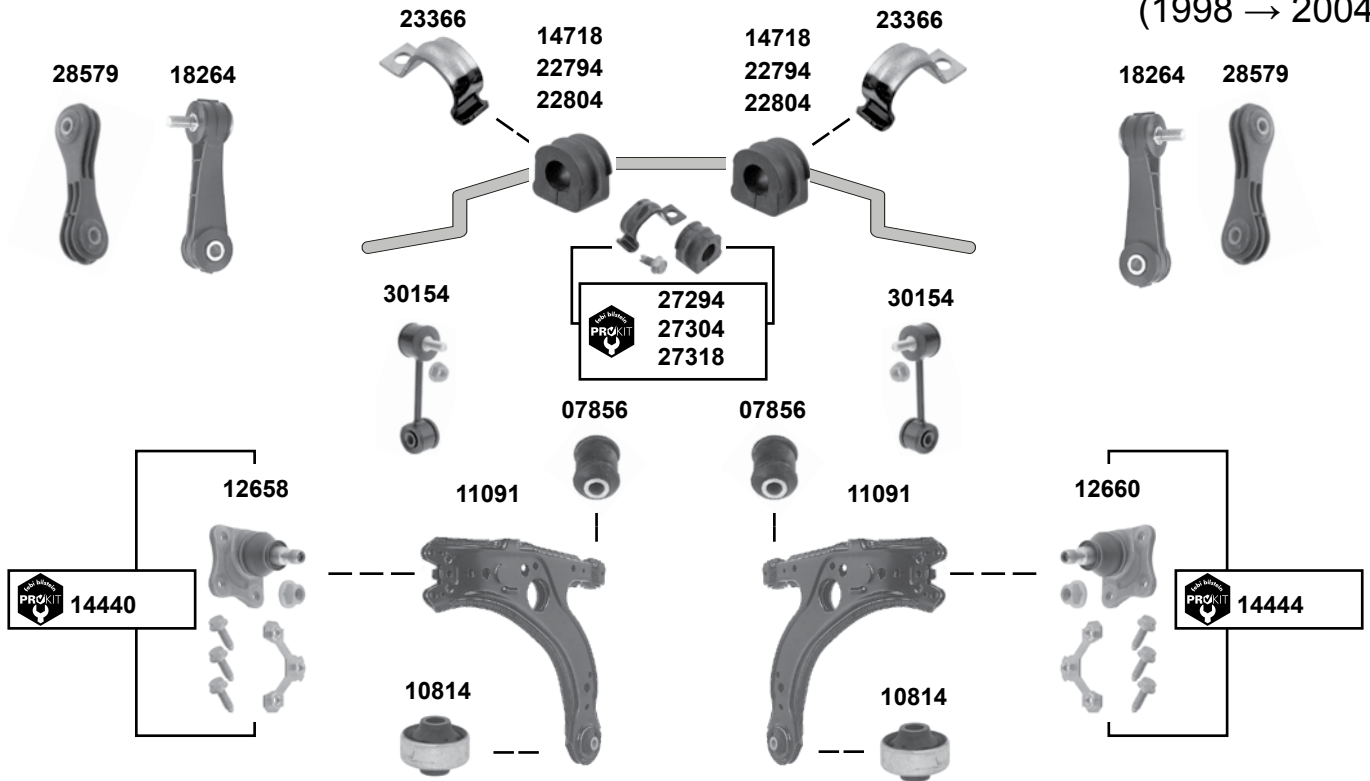
Ref. - No.



14168	1J0 422 804 H	ProKit Spurstange / tie rod	ZF	
14170	1J0 422 803 H	ProKit Spurstange / tie rod	ZF	
14172	1J0 422 804 A	Spurstange / tie rod		
14174	1J0 422 803 A	Spurstange / tie rod		
14180	1J0 422 811 B	ProKit Spurstangenendstück / tie rod end		M14 x 1,5
14182	1J0 422 812 B	ProKit Spurstangenendstück / tie rod end		M14 x 1,5
14184	1J0 422 811 A	Spurstangenendstück / tie rod end		M14 x 1,5
14186	1J0 422 812 A	Spurstangenendstück / tie rod end		M14 x 1,5
21698	1J0 422 831 B	Lenkmanschette / steering boot		
27095	1J0 422 810 B	ProKit Axialgelenk / axial joint		L 321
28098	1J0 422 810 A	Spurstange / tie rod		
37764	1J0 422 831 B S1	Rep. Satz Lenkmanschette / rep. kit steering boot		



## Golf 4 (ex.) 4 Motion (1J) (1998 → 2004)



Vorderachse / Front axle



### Rep. Sätze / rep. kits



19820



19822

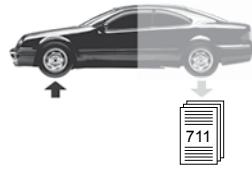
(1) 99 → 01 (ch.) → 1J-1-480 000

(2) 01 → 04 (ch.) 1J-1-480 001 → / GTI 25 J 02 → 04

(3) 98 → 00 (ch.) → 1J-Y-900 000 f Ø A 20,7+21+18 / 01 → 04 alle / all

	Ref. - No.			
07856	357 407 182	Querlenkerlager / control arm mount		12x33x54
10814	1J0 407 181	Querlenkerlager / control arm mount		13x60x41
11091	1J0 407 151 C	Querlenker / control arm		
12658	1J0 407 365 H	Traggelenk / ball joint		M12 x 1,5
12660	1J0 407 366 H	Traggelenk / ball joint		M12 x 1,5
14440	1J0 407 365 H S1	ProKit Traggelenk / ball joint		
14444	1J0 407 366 H S1	ProKit Traggelenk / ball joint		
14718	1J0 411 314 T	Stabilisatorlager / stabilizer mount		Ø   21
18264	1J0 411 315 J	Verbindungsstange / connecting rod		L 105
19820	1J0 407 365 H S2	Querlenker, kpl. / control arm, cpl.		
19822	1J0 407 366 H S2	Querlenker, kpl. / control arm, cpl.		
22794	1J0 411 314 P	Stabilisatorlager / stabilizer mount		Ø   20
22804	1J0 411 314 R	Stabilisatorlager / stabilizer mount		Ø   18
23366	1J0 411 336 D	Schelle / clamp		
27294	1J0 411 314 P S1	ProKit Stabilisatorlagersatz / stabilizer mount		Ø   20
27304	1J0 411 314 R S1	ProKit Stabilisatorlagersatz / stabilizer mount	(3)	
27318	1J0 411 314 T S1	ProKit Stabilisatorlagersatz / stabilizer mount		Ø   21
28579	1J0 411 315 K	Verbindungsstange / connecting rod	(2)	L 105
30154	1J0 411 315 G S1	Verbindungsstange / connecting rod	(1)	L 105 / M10

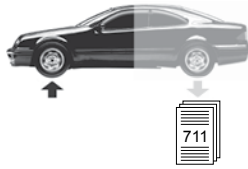




## Golf 4 4 Motion (1J) (1998 → 2004)

	Ref. - No.			
14168	1J0 422 804 H	ProKit Spurstange / tie rod	(ex.) R32	
14170	1J0 422 803 H	ProKit Spurstange / tie rod	(ex.) R32	
14172	1J0 422 804 A	Spurstange / tie rod		
14174	1J0 422 803 A	Spurstange / tie rod		
14180	1J0 422 811 B	ProKit Spurstangenendstück / tie rod end	(ex.) R32	M14 x 1,5
14182	1J0 422 812 B	ProKit Spurstangenendstück / tie rod end	(ex.) R32	M14 x 1,5
14184	1J0 422 811 A	Spurstangenendstück / tie rod end		M14 x 1,5
14186	1J0 422 812 A	Spurstangenendstück / tie rod end		M14 x 1,5
19336	8N0 422 811 A	ProKit Spurstangenendstück / tie rod end	R32	
19342	8N0 422 812 A	ProKit Spurstangenendstück / tie rod end	R32	
21698	1J0 422 831 B	Lenkmanschette / steering boot	(ex.) R32	
27095	1J0 422 810 B	ProKit Spurstange / tie rod		L 321
28098	1J0 422 810 A	Spurstange / tie rod		
37764	1J0 422 831 B S1	Rep. Satz Lenkmanschette / rep. kit steering boot		

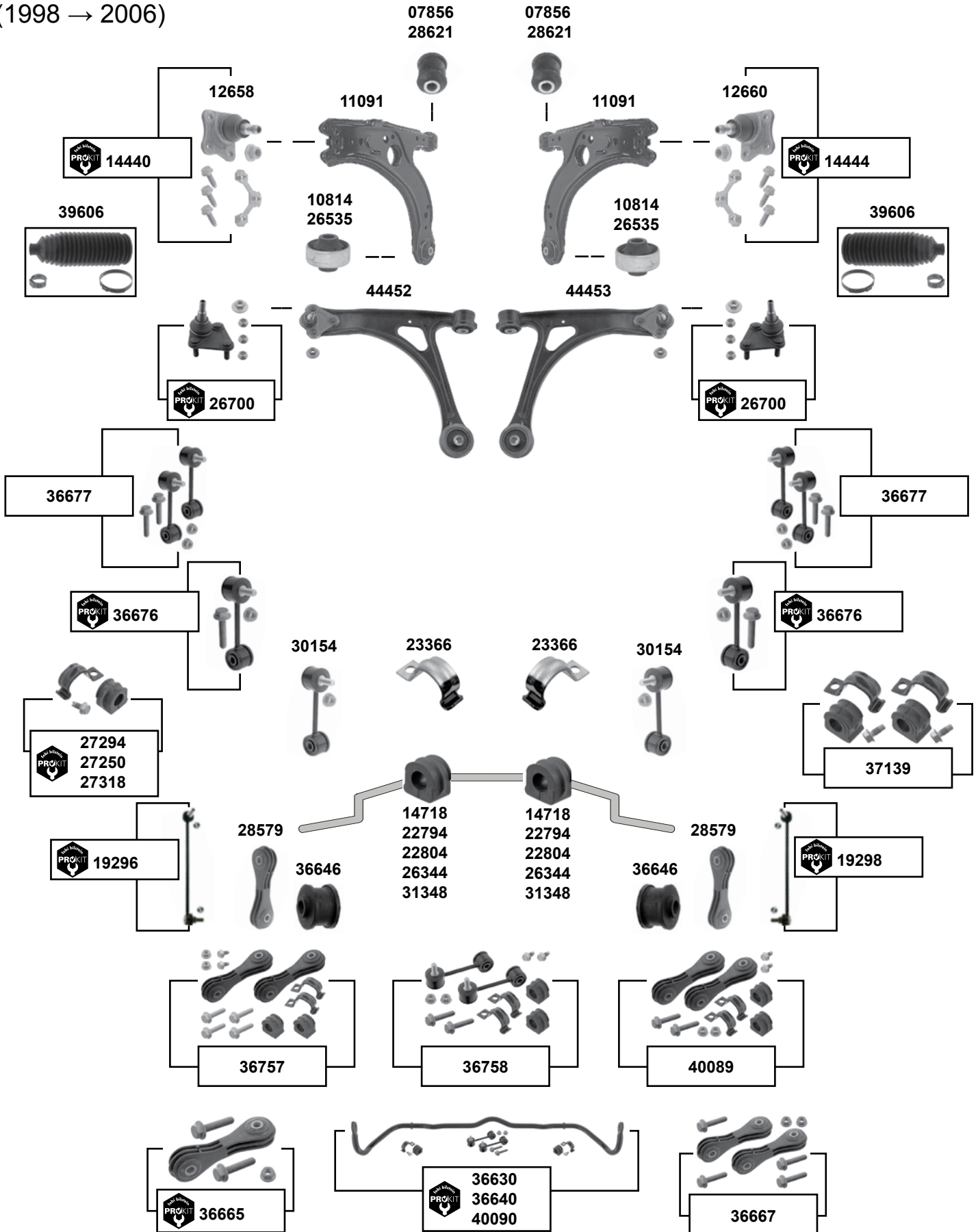


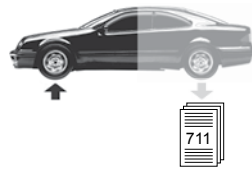


## Golf 4 4 Motion (1J)

(1998 → 2006)

Vorderachse / Front axle





## Golf 4 4 Motion (1J) (1998 → 2006)

### Rep. Sätze / rep. kits



19820



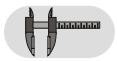
19822



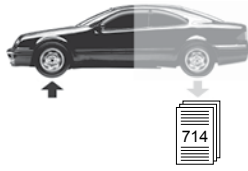
- (1) (ch.) → 1J-1-480 000 / (ch.) → 1J-Y-900 000
- (2) (ch.) 1J-1-000 001 → / (ch.) 1J-1-480 001 →
- (3) (ch.) 1J-1-480 001 → / PR-0AE / Ø A 23
- (4) (ch.) → 1J-4-060 000 / PR-0AE / Ø Stabilisator / stabilizer 20  
Ø Stabilisator / stabilizer 23 / PR-0AE



Ref. - No.

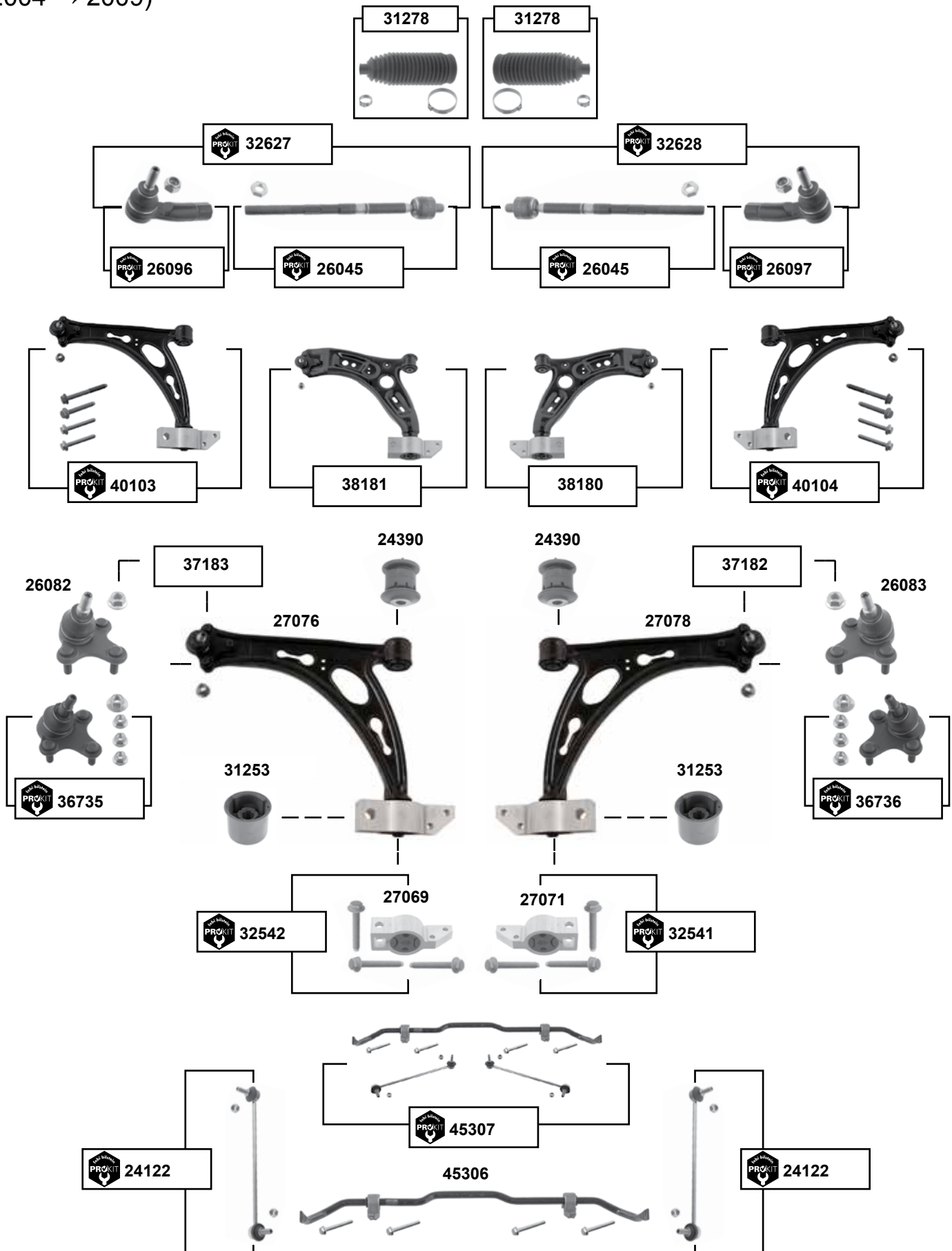


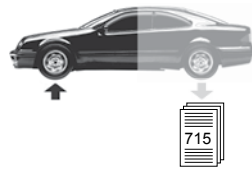
07856	357 407 182	Querlenkerlager / control arm mount	(ex.) R32	12x33x54
10814	1J0 407 181	Querlenkerlager / control arm mount	(ex.) R32	13x60x41
11091	1J0 407 151 C	Querlenker / control arm	(ex.) R32	
12658	1J0 407 365 H	Traggelenk / ball joint	(ex.) R32	M12 x 1,5
12660	1J0 407 366 H	Traggelenk / ball joint	(ex.) R32	M12 x 1,5
14440	1J0 407 365 H S1	ProKit Traggelenk / ball joint	(ex.) R32	
14444	1J0 407 366 H S1	ProKit Traggelenk / ball joint	(ex.) R32	
14718	1J0 411 314 T	Stabilisatorlager / stabilizer mount	(4)	Ø   21
19296	1J0 411 315 D	Verbindungsstange / connecting rod		
19298	1J0 411 316 D	Verbindungsstange / connecting rod		
19820	1J0 407 365 H S2	Querlenker, kpl. / control arm, cpl.	(ex.) R32	
19822	1J0 407 366 H S2	Querlenker, kpl. / control arm, cpl.	(ex.) R32	
22794	1J0 411 314 P	Stabilisatorlager / stabilizer mount	(ch.) → 1J-4-220 000	Ø   20
22804	1J0 411 314 R	Stabilisatorlager / stabilizer mount	R32	Ø   18
23366	1J0 411 336 D	Schelle / clamp		
26344	1J0 411 314 S	Stabilisatorlager / stabilizer mount	(ch.) 1J-4-220 001 →	Ø   17
26535	8N0 407 181 B	Querlenkerlager / control arm mount	02 → 06	
26700	8N0 407 365 C	Traggelenk / ball joint	R32	
27294	1J0 411 314 P S1	Stabilisatorlagersatz / rep. kit stabilizer mount	→ 04 (ch.) → 1J-4-220 000	Ø   20
27250	1J0 411 314 S S1	Stabilisatorlagersatz / rep. kit stabilizer mount	→ 04	Ø   17
27318	1J0 411 314 T S1	Stabilisatorlagersatz / rep. kit stabilizer mount	→ 04	Ø   21
28579	1J0 411 315 K	Verbindungsstange / connecting rod		L 105
28621	8N0 407 182 A	Querlenkerlager / control arm mount	R32 / 03 → 06	Ø A 54
30154	1J0 411 315 G S1	Verbindungsstange / connection rod		L 105
31348	1J0 411 314 AC	Stabilisatorlager / stabilizer mount	PR-0AS	Ø   18
36630	1J0 411 305 B S1	ProKit Stabilisatorsatz / stabilizer kit		
36640	1J0 411 305 E S1	ProKit Stabilisatorsatz / stabilizer kit	(ch.) → 1J-X-800 000	
36646	1J0 411 327 A	Verbindungsstangenlager / connecting rod mount	(1)	Ø A 29
36665	1J0 411 315 K S1	ProKit Verbindungsstange / connection rod	(2)	L 105,5
36667	1J0 411 315 K S2	Verbindungsstangensatz / connecting rod set	(2)	L 105,5
36676	1J0 411 315 G S1	ProKit Verbindungsstange / connection rod	(1)	
36677	1J0 411 315 G S2	Verbindungsstange / stabiliser link	(1)	
36757	1J0 411 315 G S3	Stabilisatorlagersatz / anti roll bar bush kit		Ø   21
36758	1J0 411 315 G S4	Stabilisatorlagersatz / anti roll bar bush kit	(ch.) → 1J-X-800 000	Ø   21
37139	1J0 411 314 AC S1	Stabilisatorlagersatz / anti roll bar bush kit		
39606	8N0 422 831 S1	Rep. Satz Lenkmanschette / rep. kit steering boot	02 → 06	
40089	1J0 411 314 T S2	Stabilisatorlagersatz / anti roll bar bush kit	(3)	
40090	1J0 411 305 E S2	ProKit Stabilisatorsatz / stabilizer kit	(3)	
44452	8N0 407 151 D S1	Querlenker / control arm	Gummi / rubber	
44453	8N0 407 152 D S1	Querlenker / control arm	Gummi / rubber	



## Golf 5 / Plus (1K) (2004 → 2009)

Vorderachse / Front axle

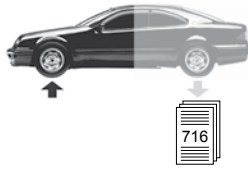




## Golf 5 / Plus (1K) (2004 → 2009)

	(1) Stahl-Gussausführung / keine Mischverbauung mit der Blechausführung zulässig / cast iron execution / not mixable with metall execution
	(2) Golf 5 plus (1K) 05 → 09
	(3) Golf 5 Plus 05 → 08 PR-8Q6 / (ch.) → 1K-6-590 000 / (ch.) → 1K-9-855 000 Golf 5 / 4 motion → 09 nicht für / not for PR-8Q0, 8Q1, 8Q3, 8Q6 / (ch.) → 1K-6-061 500 Golf 5 Variant / 4 motion 07 → 09 PR-8Q3, 8Q6
	(4) PR-8Q1, 8Q3, 8Q6 (ch.) → 1K-5-600 000 (ch.) 1K-6-000 001 → (ch.) → 1K-6-061 500 (ch.) 1K-6-020 501 → (ch.) → 1K-6-020 500 (ch.) 1K-6-190 001 → (ch.) → 1K-6-250 000 (ch.) 1K-6-020 500 → (ch.) → 1K-6-590 000 (ch.) 1K-7-000 001 → (ch.) → 1K-9-855 000 (ch.) 1K-8-000 001 → (ch.) → 1K-9-955 000 (ch.) 1K-8-500 001 →

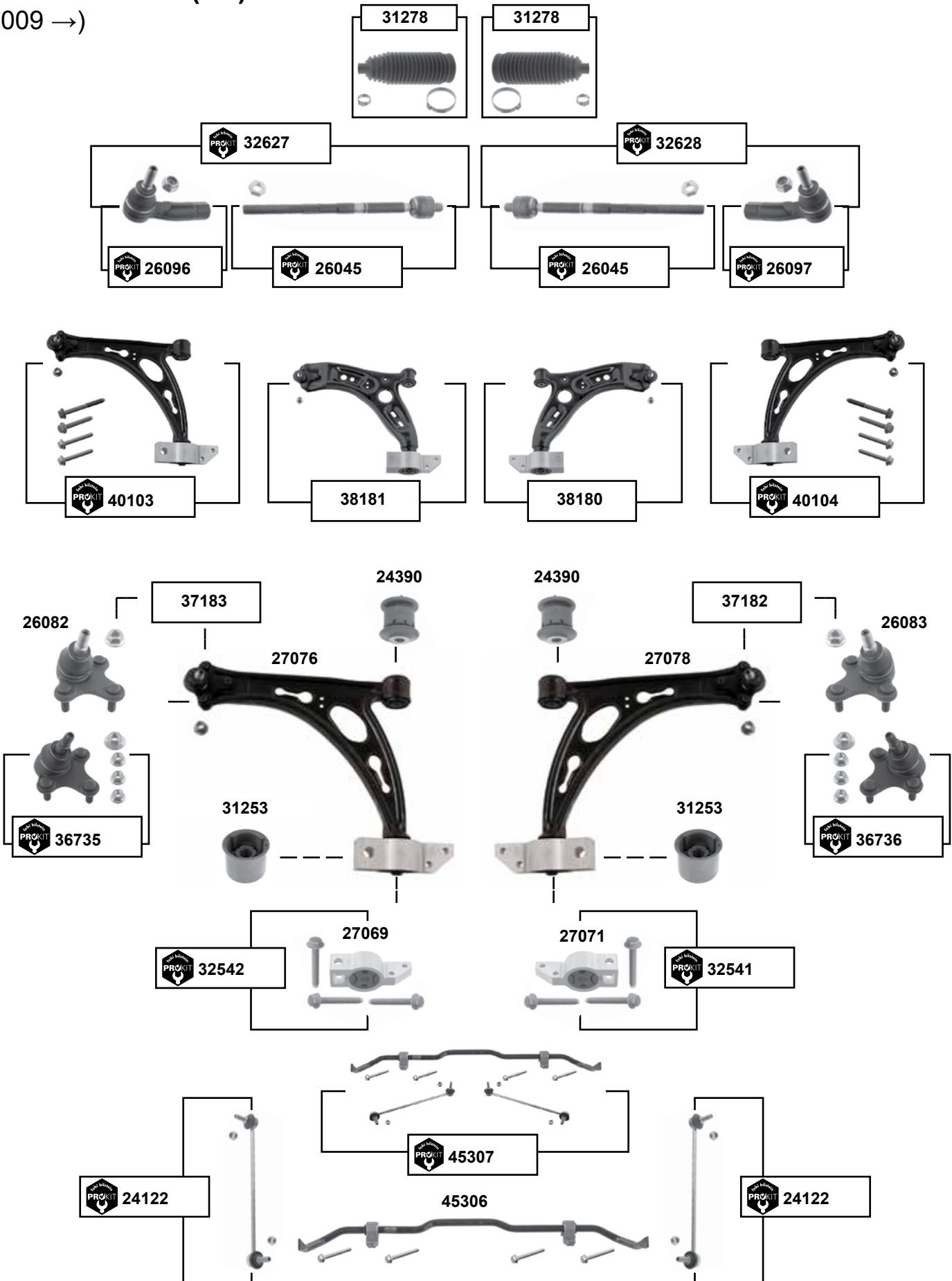
	Ref. - No.			
24122	1K0 411 315 R	ProKit Verbindungsstange / connecting rod	(2)	
24390	1K0 407 182	Querlenkerlager / control arm mount	(2)	Ø A 40 H 54
26045	1K0 423 810 A	ProKit Spurstange / tie rod	(2)	
26082	1K0 407 365 C	Traggelenk / ball joint	(2)	
26083	1K0 407 366 C	Traggelenk / ball joint	(2)	
26096	1K0 423 811 E	ProKit Spurstangenendstück / tie rod end	(2)	
26097	1K0 423 812 E	ProKit Spurstangenendstück / tie rod end	(2)	
27069	1K0 199 231 J	Querlenkerlager mit Gehäuse / control arm mount with housing		
27071	1K0 199 232 J	Querlenkerlager mit Gehäuse / control arm mount with housing		
27076	1K0 407 151 AC	Querlenker, kpl. / control arm, cpl.	(1) (2)	
27078	1K0 407 152 AC	Querlenker, kpl. / control arm, cpl.	(1) (2)	
31253	1K0 407 183 E	Querlenkerlager / control arm mount	(2)	Ø A 63
31278	1K0 423 831 A	Rep. Satz Lenkmanschette / rep. kit steering boot		Ø 15,5 L190
32541	1K0 199 232 J S1	ProKit Querlenkerlagersatz / control arm mounting kit		
32542	1K0 199 231 J S1	ProKit Querlenkerlagersatz / control arm mounting kit		
32627	1K0 423 810 A S1	ProKit Spurstange links / tie rod left	(2)	
32628	1K0 423 810 A S2	ProKit Spurstange rechts / tie rod right	(2)	
36735	1K0 407 365 C S1	ProKit Traggelenk / ball joint		
36736	1K0 407 366 C S1	ProKit Traggelenk / ball joint		
37182	1K0 407 152 AC S1	Rep. Satz Querlenker mit Traggelenk / control arm with ball joint	(3)	
37183	1K0 407 151 AC S1	Rep. Satz Querlenker mit Traggelenk / control arm with ball joint	(3)	
38180	1K0 407 152 BC S1	Rep. Satz Querlenker / rep. kit control arm		Stahl / steel
38181	1K0 407 151 BC S1	Rep. Satz Querlenker / rep. kit control arm		Stahl / steel
40103	1K0 407 151 AC S2	ProKit Querlenker / control arm	(1) (4)	
40104	1K0 407 152 AC S2	ProKit Querlenker / control arm	(1) (4)	
45306	1K0 411 303 BK S1	Stabilisatorsatz / stabilizer kit		PR-0AD / 0AE
45307	1K0 411 303 BK S2	ProKit Stabilisatorsatz / stabilizer kit		PR-0AD / 0AE

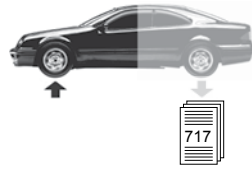


## Golf 6 / Plus (1K)

(2009 →)

Vorderachse / Front axle





## Golf 6 / Plus (1K) (2009 →)



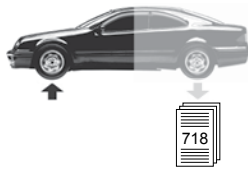
- (1) Stahl-Gussausführung / keine Mischverbauung mit der Blechausführung zulässig / cast iron execution / not mixable with metall execution
- (2) Golf 6 plus (1K) 09 → 11
- (3) **(ex.)** Fahrschulwagen / **(ex.)** cars for driving school
- (4) Golf 6 Variant / Variant 4 motion / PR-8Q3, 8Q4  
Golf 6 / 4 motion / PR-F0A, F4J, F6M, C6Q / **(ch.)** → 1K-9P422 726 / **(ch.)** → 1K-9U016 920 / **(ch.)** → 1K-9W415 461 / PR-2H1
- (5) PR-2H1, C6Q, F0A, F4J, F6M / **(ch.)** → 1K9-P434 947 / **(ch.)** → 1K9-W441 280



Ref. - No.

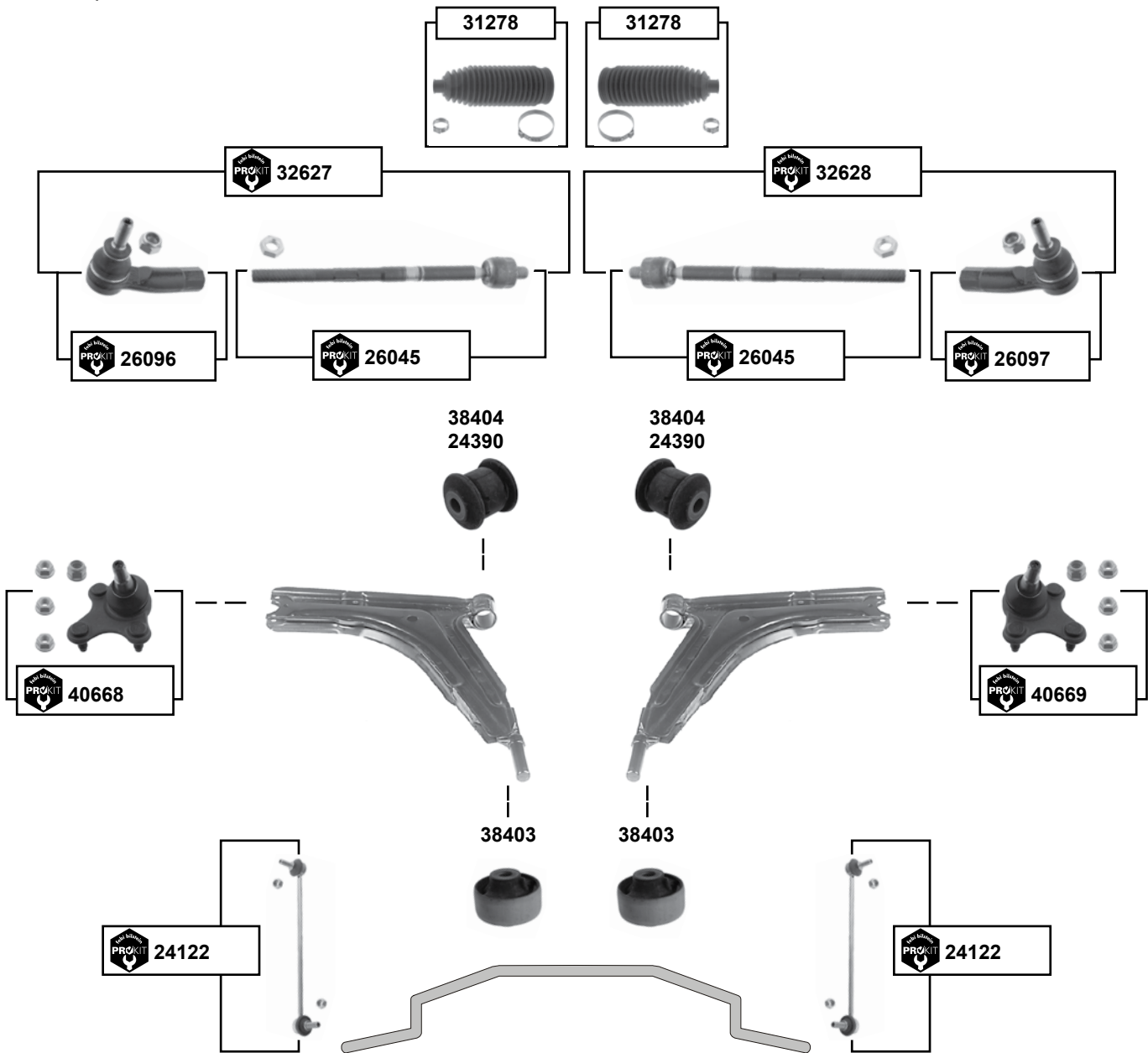


Ref. - No.	Description	Quantity	Notes
24122	1K0 411 315 R ProKit Verbindungsstange / connecting rod	(2)	
24390	1K0 407 182 Querlenkerlager / control arm mount	(2)	Ø A 48 H 54
26045	1K0 423 810 A ProKit Spurstange / tie rod	(2)	
26082	1K0 407 365 C Traggelenk / ball joint	(2)	
26083	1K0 407 366 C Traggelenk / ball joint	(2)	
26096	1K0 423 811 E ProKit Spurstangenendstück / tie rod end	(2)	
26097	1K0 423 812 E ProKit Spurstangenendstück / tie rod end	(2)	
27069	1K0 199 231 J Querlenkerlager mit Gehäuse / control arm mount with housing	(3)	
27071	1K0 199 232 J Querlenkerlager mit Gehäuse / control arm mount with housing	(3)	
27076	1K0 407 151 AC Querlenker, kpl. / control arm, cpl.	(1)	
27078	1K0 407 152 AC Querlenker, kpl. / control arm, cpl.	(1)	
31253	1K0 407 183 E Querlenkerlager / control arm mount		Ø A 63
31278	1K0 423 831 A Rep. Satz Lenkmanschette / rep. kit steering boot		Ø I 15,5 L190
32541	1K0 199 232 J S1 ProKit Querlenkerlagersatz / control arm mounting kit	(3)	
32542	1K0 199 231 J S1 ProKit Querlenkerlagersatz / control arm mounting kit	(3)	
32627	1K0 423 810 A S1 ProKit Spurstange links / tie rod left	(2)	
32628	1K0 423 810 A S2 ProKit Spurstange rechts / tie rod right	(2)	
36735	1K0 407 365 C S1 ProKit Traggelenk / ball joint		Cabrio 11 →
36736	1K0 407 366 C S1 ProKit Traggelenk / ball joint		Cabrio 11 →
37182	1K0 407 152 AC S1 Rep. Satz Querlenker mit Traggelenk / control arm with ball joint	(4)	
37183	1K0 407 151 AC S1 Rep. Satz Querlenker mit Traggelenk / control arm with ball joint	(4)	
38180	1K0 407 152 BC S1 Rep. Satz Querlenker / rep. kit control arm		Stahl / steel
38181	1K0 407 151 BC S1 Rep. Satz Querlenker / rep. kit control arm		Stahl / steel
40103	1K0 407 151 AC S2 ProKit Querlenker / control arm	(1) (5)	
40104	1K0 407 152 AC S2 ProKit Querlenker / control arm	(1) (5)	
45306	1K0 411 303 BK S1 Stabilisatorsatz / stabilizer kit		PR-0AD / 0AE
45307	1K0 411 303 BK S2 ProKit Stabilisatorsatz / stabilizer kit		PR-0AD / 0AE



## Golf 7 (5G) (2012 →)

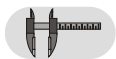
Vorderachse / Front axle



(1) für Bremsscheibendicke / for brake disk thickness 25 mm /  
für Bremsscheibendurchmesser / for brake disk diameter 288 mm



Ref. - No.

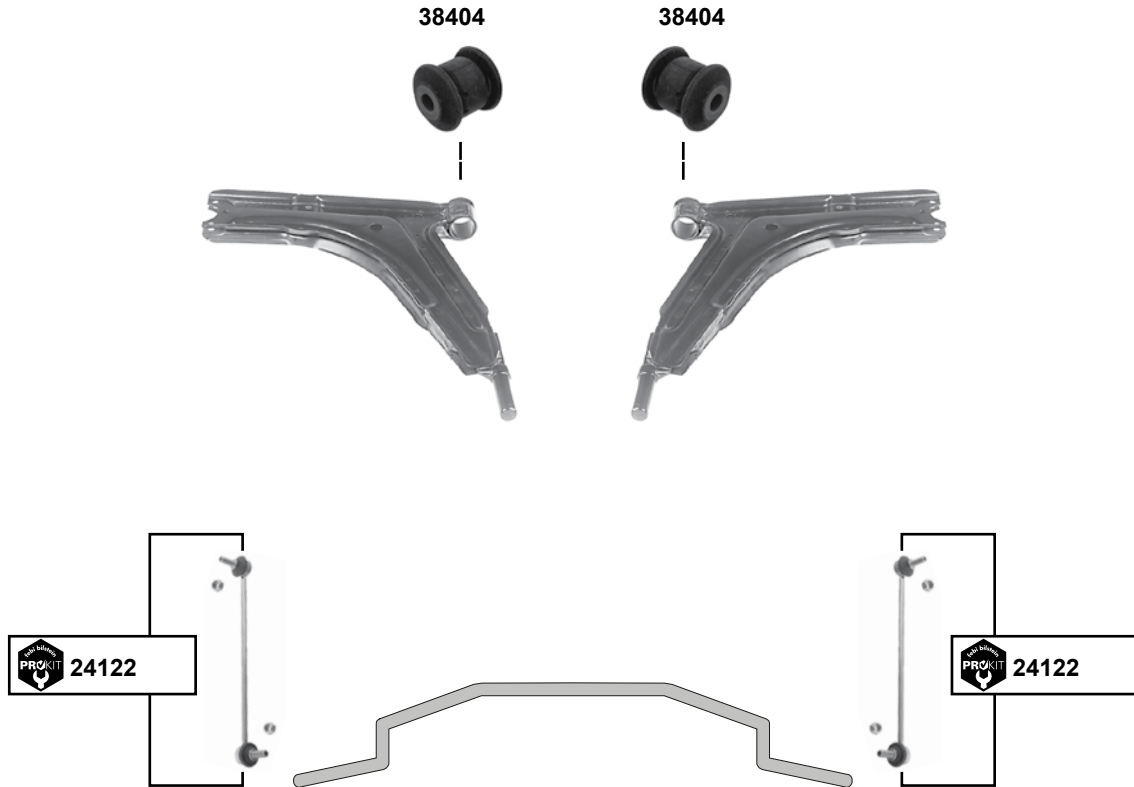


24122	1K0 411 315 R	ProKit Verbindungsstange / connecting rod	
24390	1K0 407 182	Querlenkerlager / control arm mount	Ø A48 H54
26045	1K0 423 810 A	ProKit Spurstange / tie rod	
26096	1K0 423 811 E	ProKit Spurstangenendstück / tie rod end	
26097	1K0 423 812 E	ProKit Spurstangenendstück / tie rod end	
31278	1K0 423 831 A	Rep. Satz Lenkmanschette / rep. kit steering boot	Ø I 15,5 L190
32627	1K0 423 810 A S1	ProKit Spurstange links / tie rod left	
32628	1K0 423 810 A S2	ProKit Spurstange rechts / tie rod right	
38403	5Q0 407 183 E	Querlenkerlager / control arm mount	Ø A 65
38404	5Q0 407 182	Querlenkerlager / control arm mount	L53,8 Ø A 40
40668	5Q0 407 365 A S1	ProKit Traggelenk / ball joint	(1) PR-1ZE / 1ZP
40669	5Q0 407 366 A S1	ProKit Traggelenk / ball joint	(1) PR-1ZE / 1ZP



**Golf 7 Sportsvan**  
(2014 →)

Vorderachse / Front axle



Ref. - No.



**24122** 5Q0 411 315 R  
**38404** 5Q0 407 182

ProKit Verbindungsstange / connecting rod  
Querlenkerlager / control arm mount

L53,8 Ø A 40





## Jetta 1 (16) (1975 → 1984)

man.

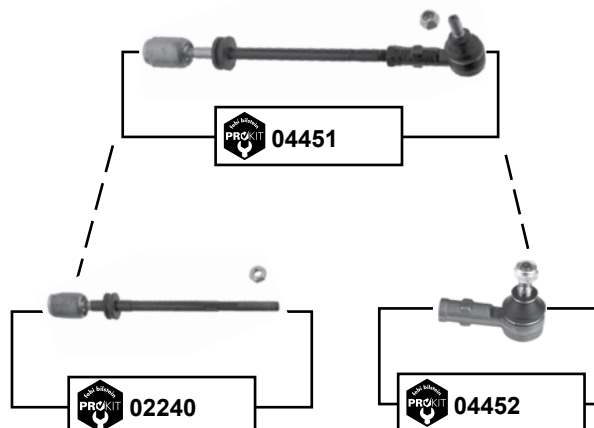
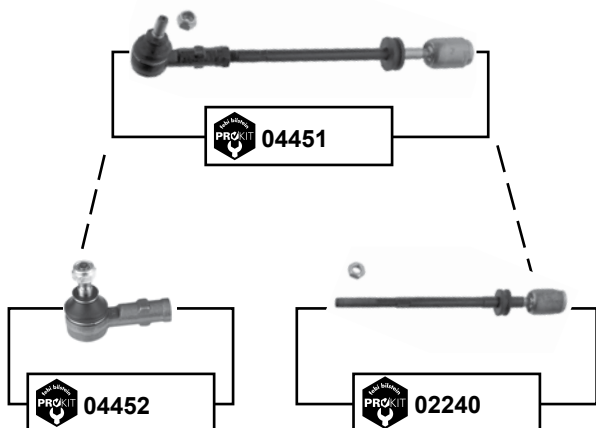
02537

02536

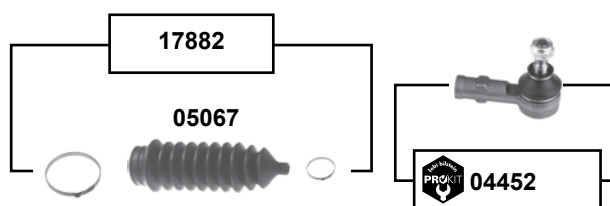
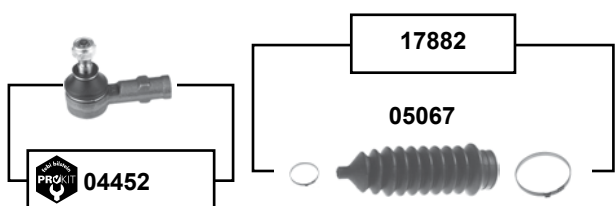


08498

08497



servo



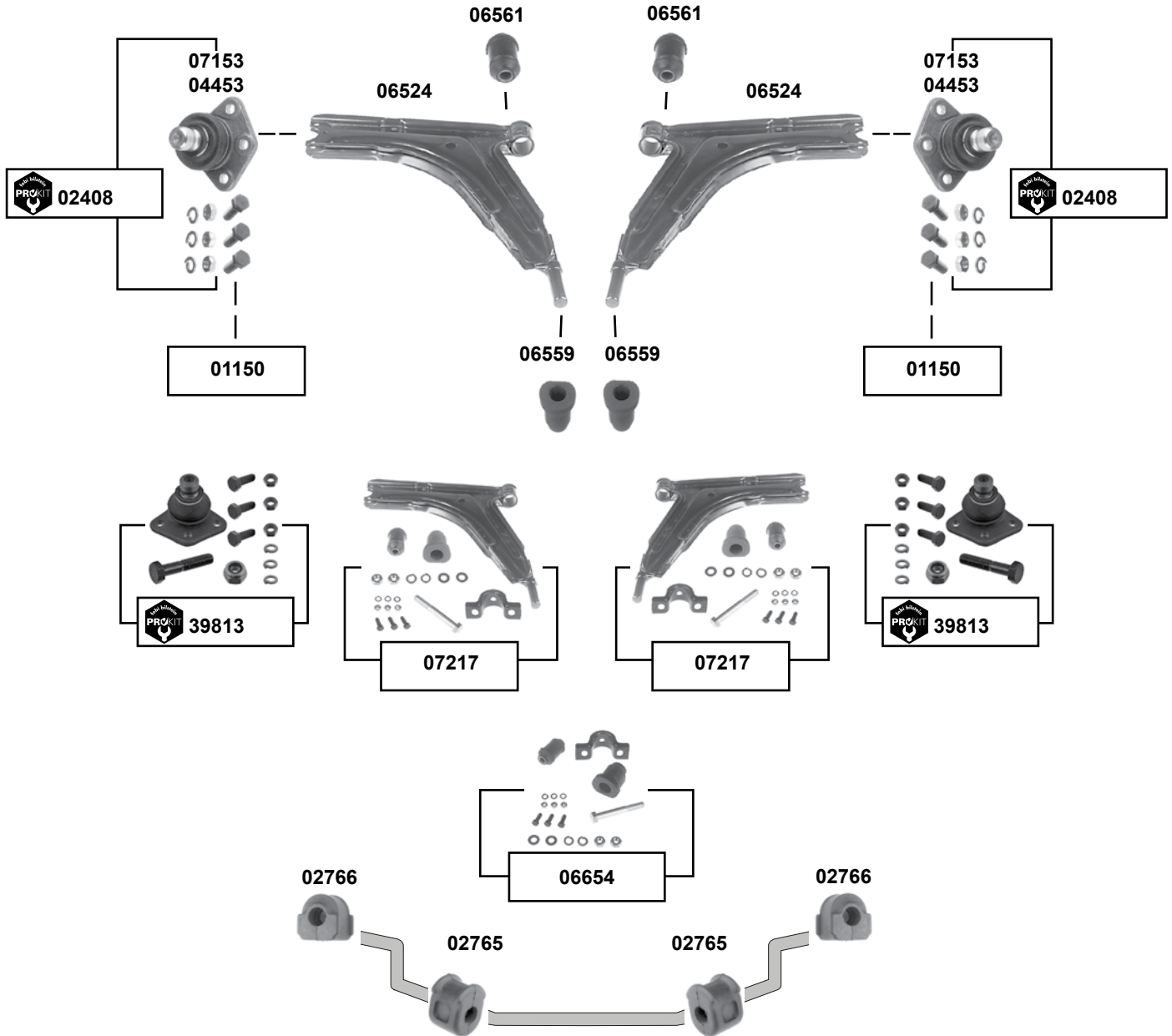
Ref. - No.



02240	171 419 821	ProKit Axialgelenk / axial joint		M14x1,5 RHT
02536	171 419 832 C	Lenkmanschette / steering boot		
02537	191 419 831	Lenkmanschette / steering boot		M14x1,5 RHT
04451	171 419 804	ProKit Spurstange / tie rod		
04452	171 419 812	ProKit Spurstangenendstück / tie rod end		
05067	1H0 422 831 B	Lenkmanschette / steering boot		
08497	171 419 832 C S1	Rep. Satz Lenkmanschette / rep. kit steering boot		
08498	191 419 831 S	Rep. Satz Lenkmanschette / rep. kit steering boot		
17882	1H0 422 831 B S1	Rep. Satz Lenkmanschette / rep. kit steering boot		



## Jetta 1 (16) (1975 → 1984)



Vorderachse / Front axle

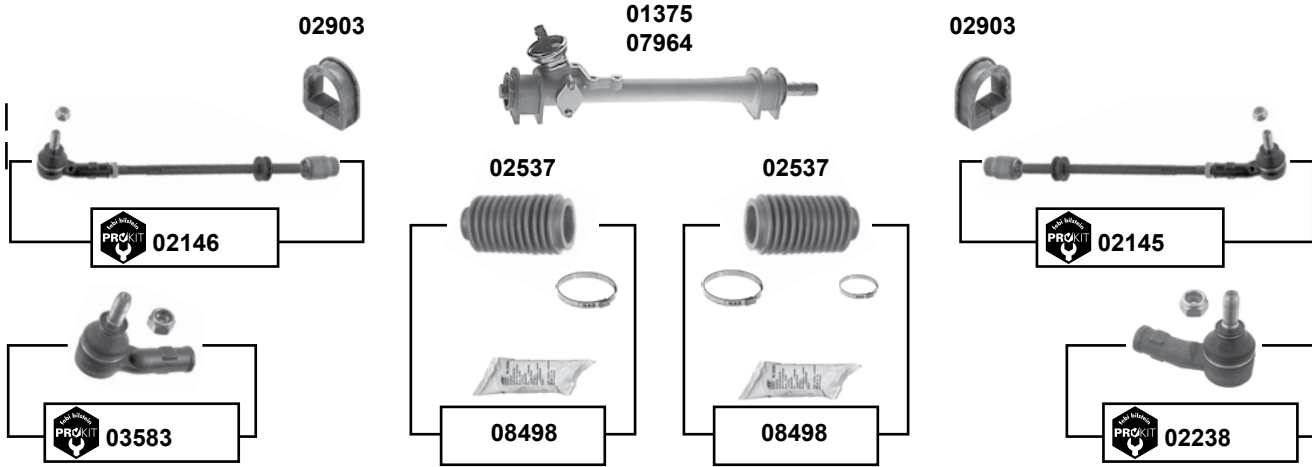
	Ref. - No.			
01150	171 407 365 F S1	Rep. Satz Traggelenk / rep. kit ball joint	(ch.) 178 3173 584 →	
02408	171 407 365 C S1	ProKit Traggelenk / ball joint	(ch.) → 178 3173 583	
02765	171 411 313	Stabilisatorlager / stabilizer mount		Ø I 15
02766	171 411 314 A	Stabilisatorlager / stabilizer mount		Ø I 15
04453	171 407 365 F	Traggelenk / ball joint	(ch.) 178 3173 584 →	Ø A 17
06524	171 407 153 D	Querlenker ohne Gummilager / control arm excl. rubber mounts		
06559	171 407 181 A	Querlenkerlager / control arm mount		16x38x55
06561	171 407 182 D	Querlenkerlager / control arm mount		12x32x61
06654	171 407 153 D S4	Montagesatz / mounting kit		
07153	171 407 365 C	Traggelenk / ball joint	(ch.) → 178 3173 583	Ø A 15
07217	171 407 153 D S3	Rep. Satz Querlenker / rep. kit control arm		
39813	171 407 365 F S2	ProKit Traggelenk / ball joint		



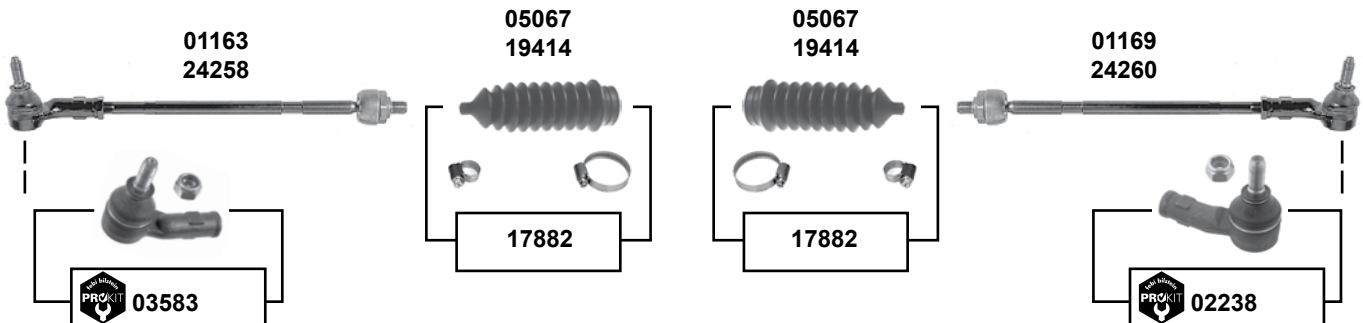
## Jetta 2 (16/1G) (1984 → 1992)

man.

Vorderachse / Front axle



servo





## Jetta 2 (16/1G) (1984 → 1992)



(1) (ch.) 1G-MW-339 716 / 1G-MB-125 000 →

(2) (ch.) → 1G-MW-339 715 / 1G-MB 124 999



Ref. - No.



Febi Bilstein Ref. - No.	Description	Notes	Dimensions
01163	Spurstange / tie rod		
01169	Spurstange / tie rod		
01375	Lenkgetriebe / steering gear	(1) LHD	
02145	ProKit Spurstange / tie rod	TRW servo	
02146	ProKit Spurstange / tie rod	TRW servo	
02238	ProKit Spurstangenendstück / tie rod end	(ch.) 16-E-300 001 →	M12 x 1,5
02537	Lenkmanschette / steering boot		
02903	Lenkgetriebelager / steering gear bearing		
03583	ProKit Spurstangenendstück / tie rod end	(ch.) 16-E-300 001 →	M12 x 1,5
05067	Lenkmanschette / steering boot	TRW servo	
07964	Lenkgetriebe / steering gear	(2) LHD	
08498	Rep. Satz Lenkmanschette / rep. kit steering boot		
17882	Rep. Satz Lenkmanschette / rep. kit steering boot		
19414	Lenkmanschette / steering boot	servo  ZF	
24258	Spurstange / tie rod	ZF servo	
24260	Spurstange / tie rod	ZF servo	





## Jetta 2 (16/1G) (1984 → 1992)



(1) (ch.) 19-JB000 001 → / (ch.) 1-JW000 001 →

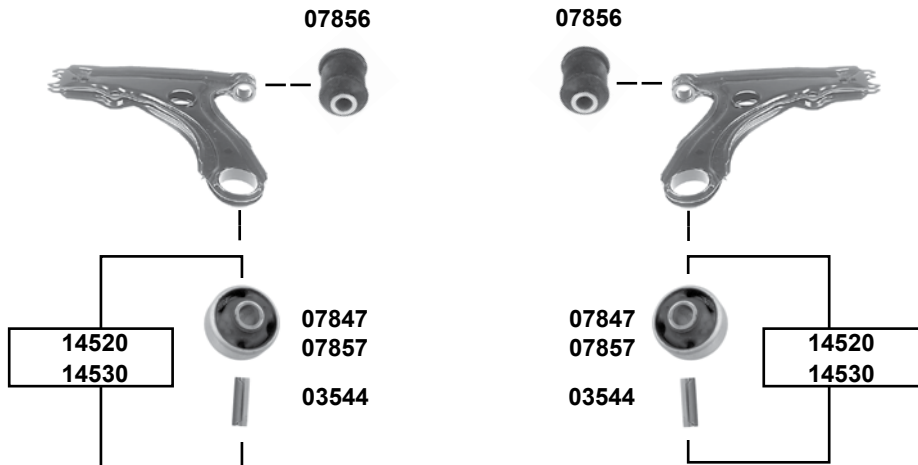
	Ref. - No.			
01158	191 407 365 S1	ProKit Traggelenk / ball joint	(ch.) → H-999 999	
03544	191 407 190 A	Hülse / sleeve		50x17
02818	191 407 151 B	Querlenker mit Gummilager / control arm incl. rubber mounts		
02942	357 407 365	Traggelenk / ball joint	(ch.) J-000 001 →	Ø A 19
03548	357 407 365 S1	Rep. Satz Traggelenk / rep. kit ball joint	(ch.) J-000 001 →	
07847	191 407 181 D	Querlenkerlager / control arm mount	NEW	17x60x41
07855	191 407 365	Traggelenk / ball joint	(ch.) → H-999 999	Ø A 17
07856	357 407 182	Querlenkerlager / control arm mount		12x33x54
07857	191 407 181 B	Querlenkerlager / control arm mount	OLD	17x60x41
07863	191 411 315 B S1	ProKit Verbindungsstange / connecting rod	(ex.) G60	
09519	191 411 314	Stabilisatorlager / stabilizer mount	(ex.) G60	Ø I 17
14520	191 407 181 B S1	Querlenkerlager mit Hülse / control arm mount with sleeve		
14530	191 407 181 D S1	Querlenkerlager mit Hülse / control arm mount with sleeve		
19050	1H0 411 314	Stabilisatorlager / stabilizer mount		Ø I 19
33907	191 422 810 A	ProKit Axialgelenk / axial joint	servo.	
37066	191 419 810	ProKit Axialgelenk / axial joint	(ex.) servo.	M12x1,5
37186	191 407 151 B S1	Rep. Satz Querlenker / rep. kit control arm		
37306	191 407 151 B S2	Rep. Satz Querlenker / rep. kit control arm		
39810	357 407 365 S2	ProKit Traggelenk / ball joint	(1)	



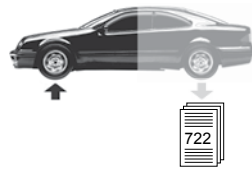
## Jetta 2 Syncro

(1984 → 1992)

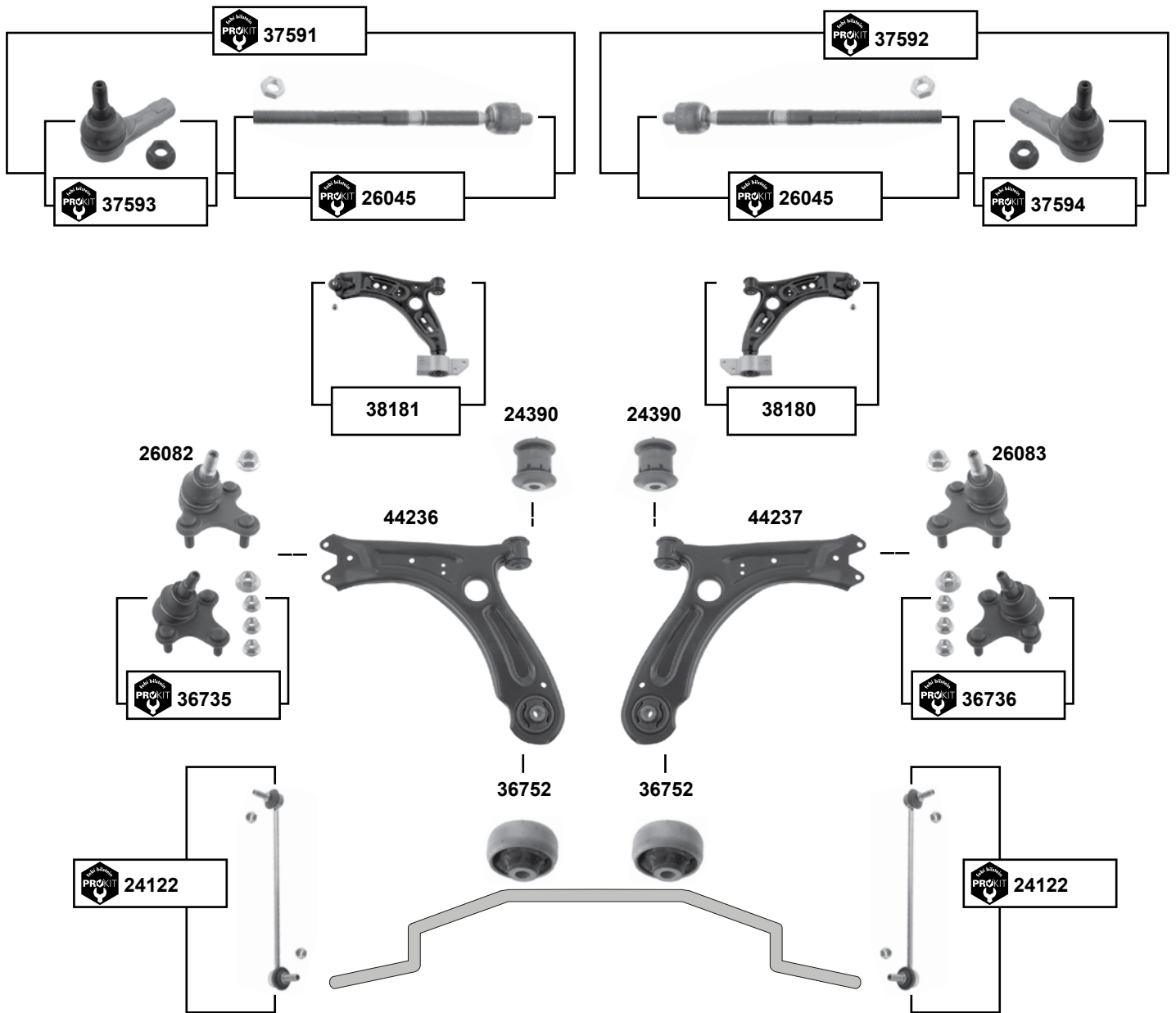
Vorderachse / Front axle



	Ref. - No.			
<b>03544</b>	191 407 190 A	Hülse / sleeve		50x17
<b>07847</b>	191 407 181 E	Querlenkerlager / control arm mount	<b>NEW</b>	17x60x41
<b>07856</b>	357 407 182	Querlenkerlager / control arm mount		12x33x54
<b>07857</b>	191 407 181 B	Querlenkerlager / control arm mount	<b>OLD</b>	17x60x41
<b>07863</b>	191 411 315 B S1	ProKit Verbindungsstange / connecting rod		
<b>09519</b>	191 411 314	Stabilisatorlager / stabilizer mount		Ø   17
<b>14520</b>	191 407 181 B S1	Querlenkerlager / control arm mount	<b>OLD</b>	
<b>14530</b>	191 407 181 E S1	Querlenkerlager / control arm mount	<b>NEW</b>	
<b>19050</b>	1H0 411 314	Stabilisatorlager / stabilizer mount		Ø 19

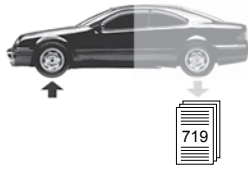


## Jetta (16) (2011 →)



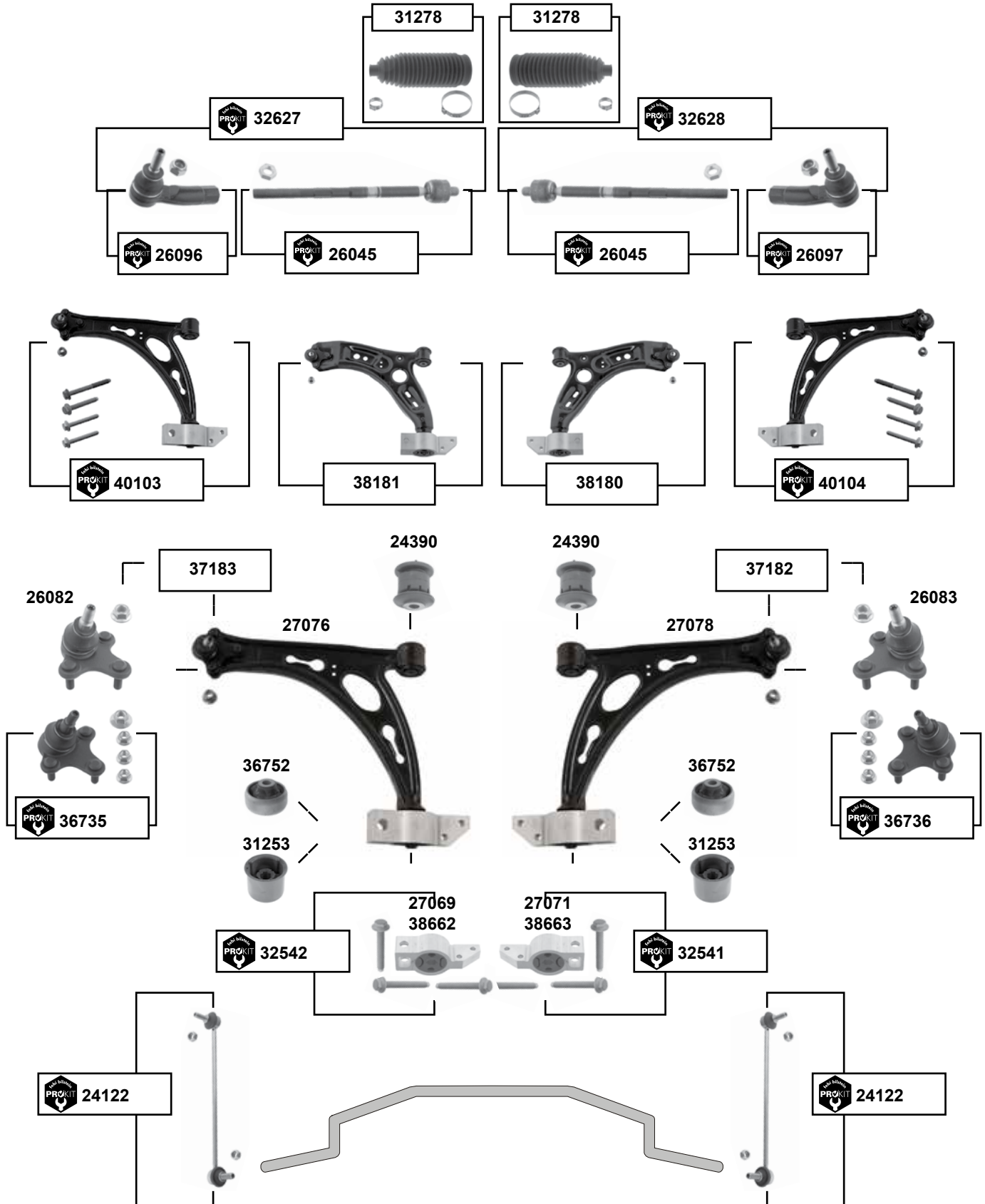
	Ref. - No.			
<b>24122</b>	1K0 411 315 R	ProKit Verbindungsstange / connecting rod		
<b>24390</b>	1K0 407 182	Querlenkerlager / control arm mount		Ø A 40 H 54
<b>26045</b>	1K0 423 810 A	ProKit Spurstange / tie rod		
<b>26082</b>	1K0 407 365 C	Traggelenk / ball joint		
<b>26083</b>	1K0 407 366 C	Traggelenk / ball joint		
<b>36735</b>	1K0 407 365 C S1	ProKit Traggelenk / ball joint		
<b>36736</b>	1K0 407 366 C S1	ProKit Traggelenk / ball joint		
<b>36752</b>	1K0 407 183 P	Querlenkerlager / control arm mount		Ø I 13 B 50
<b>37591</b>	1K0 423 811 K S1	ProKit Spurstange / tie rod		L 448
<b>37592</b>	1K0 423 812 K S1	ProKit Spurstange / tie rod		L 448
<b>37593</b>	1K0 423 811 K	ProKit Spurstangenendstück / tie rod end		M16 x 1,5
<b>37594</b>	1K0 423 812 K	ProKit Spurstangenendstück / tie rod end		M16 x 1,5
<b>38180</b>	1K0 407 152 BC S1	Rep. Satz Querlenker / rep. kit control arm	Stahl / steel	
<b>38181</b>	1K0 407 151 BC S1	Rep. Satz Querlenker / rep. kit control arm	Stahl / steel	
<b>44236</b>	5C0 407 151 B	Querlenker / control arm	Stahl / steel	
<b>44237</b>	5C0 407 152 B	Querlenker / control arm	Stahl / steel	

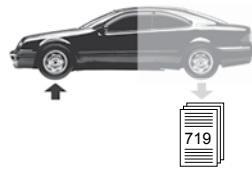




## Jetta (1K) (2006 → 2010)

Vorderachse / Front axle





## Jetta (1K) (2006 → 2010)



(1) Stahl-Gussausführung / keine Mischverbauung mit der Blechausführung zulässig /  
cast iron execution / not mixable with metall execution



Ref. - No.



<b>24122</b>	1K0 411 315 R	ProKit Verbindungsstange / connecting rod		
<b>24390</b>	1K0 407 182	Querlenkerlager / control arm mount		Ø A48 H54
<b>26045</b>	1K0 423 810 A	ProKit Spurstange / tie rod		
<b>26082</b>	1K0 407 365 C	Traggelenk / ball joint		
<b>26083</b>	1K0 407 366 C	Traggelenk / ball joint		
<b>26096</b>	1K0 423 811 E	ProKit Spurstangenendstück / tie rod end		
<b>26097</b>	1K0 423 812 E	ProKit Spurstangenendstück / tie rod end		
<b>27069</b>	1K0 199 231 J	Querlenkerlager mit Gehäuse / control arm mount with housing		
<b>27071</b>	1K0 199 232 J	Querlenkerlager mit Gehäuse / control arm mount with housing		
<b>27076</b>	1K0 407 151 AC	Querlenker, kpl. / control arm, cpl.	(1)	
<b>27078</b>	1K0 407 152 AC	Querlenker, kpl. / control arm, cpl.	(1)	
<b>31253</b>	1K0 407 183 E	Querlenkerlager / control arm mount		Ø A 63
<b>31278</b>	1K0 423 831 A	Rep. Satz Lenkmanschette / rep. kit steering boot		Ø l 15,5 L190
<b>32541</b>	1K0 199 232 J S1	ProKit Querlenkerlagersatz / control arm mounting kit		
<b>32542</b>	1K0 199 231 J S1	ProKit Querlenkerlagersatz / control arm mounting kit		
<b>32627</b>	1K0 423 810 A S1	ProKit Spurstange links / tie rod left		
<b>32628</b>	1K0 423 810 A S2	ProKit Spurstange rechts / tie rod right		
<b>36735</b>	1K0 407 365 C S1	ProKit Traggelenk / ball joint		
<b>36736</b>	1K0 407 366 C S1	ProKit Traggelenk / ball joint		
<b>36752</b>	1K0 407 183 P	Querlenkerlager / control arm mount	(1)	Ø l 13
<b>37182</b>	1K0 407 152 AC S1	Rep. Satz Querlenker mit Traggelenk / control arm with ball joint	PR-8Q3	
<b>37183</b>	1K0 407 151 AC S1	Rep. Satz Querlenker mit Traggelenk / control arm with ball joint	PR-8Q3	
<b>38180</b>	1K0 407 152 BC S1	Rep. Satz Querlenker / rep. kit control arm	Stahl / steel	
<b>38181</b>	1K0 407 151 BC S1	Rep. Satz Querlenker / rep. kit control arm	Stahl / steel	
<b>38662</b>	1K0 199 231 K	Querlenkerlager mit Gehäuse / control arm mount with housing	Aluminium	
<b>38663</b>	1K0 199 232 K	Querlenkerlager mit Gehäuse / control arm mount with housing	Aluminium	
<b>40103</b>	1K0 407 151 AC S2	ProKit Querlenker / control arm		
<b>40104</b>	1K0 407 152 AC S2	ProKit Querlenker / control arm		

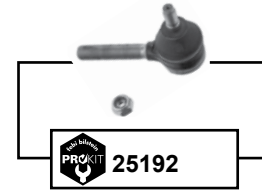


## Käfer

(1200, 1300, 1302, 1303, 1500)

(1947 → 1986)

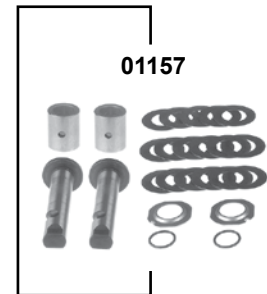
(ex.)



(ch.) → 2 921 552



(ch.) 2 921 553 → 115 999 000



Ref. - No.



<b>01153</b>	111 498 021/2	Rep. Satz Achsbolzen / rep. kit king pin		
<b>01154</b>	111 498 021	Rep. Satz Achsbolzen / rep. kit king pin		
<b>01155</b>	111 498 051 A/2	Rep. Satz Bundbolzen / rep. kit collar bolt	= 2x febi 01157	
<b>01156</b>	111 498 051	Rep. Satz Bundbolzen / rep. kit collar bolt		
<b>01157</b>	111 498 051 A	Rep. Satz Bundbolzen / rep. kit collar bolt		
<b>25190</b>	131 415 811	ProKit Spurstangenendstück / tie rod end	(ex.) 1500	M 14x1,5 LHT
<b>25192</b>	131 415 812	ProKit Spurstangenendstück / tie rod end	(ex.) 1500	M 14x1,5 RHT

Vorderachse / Front axle



## Käfer

(1200,1300,1302,1303,1500)  
(1947→1986)

**Typ 1 1200 → 1500 (ch.) 116 000 001 →**

**oben / upper**



**unten / lower**

04444



04444



(1961 → 1975)

**Typ 3 1500 / 1600**

**oben / upper**

01793



01793



**unten / lower**

01794



01794



(1) (ch.) → 112 3200 000  
(ch.) → 133 3200 000

Mod. 1302  
Mod. 1303



Ref. - No.



<b>01791</b>	131 405 361 F	ProKit Führungsgelenk / guide joint
<b>01792</b>	131 405 371 G	ProKit Traggelenk / ball point
<b>01793</b>	311 405 361 B	Führungsgelenk / ball joint
<b>01794</b>	311 405 371 C	Führungsgelenk / ball joint
<b>04444</b>	113 407 361 E	Traggelenk / ball joint

(1)

Ø A 38,3  
Ø A 38,3  
M20 x 1,5  
M20 x 1,5



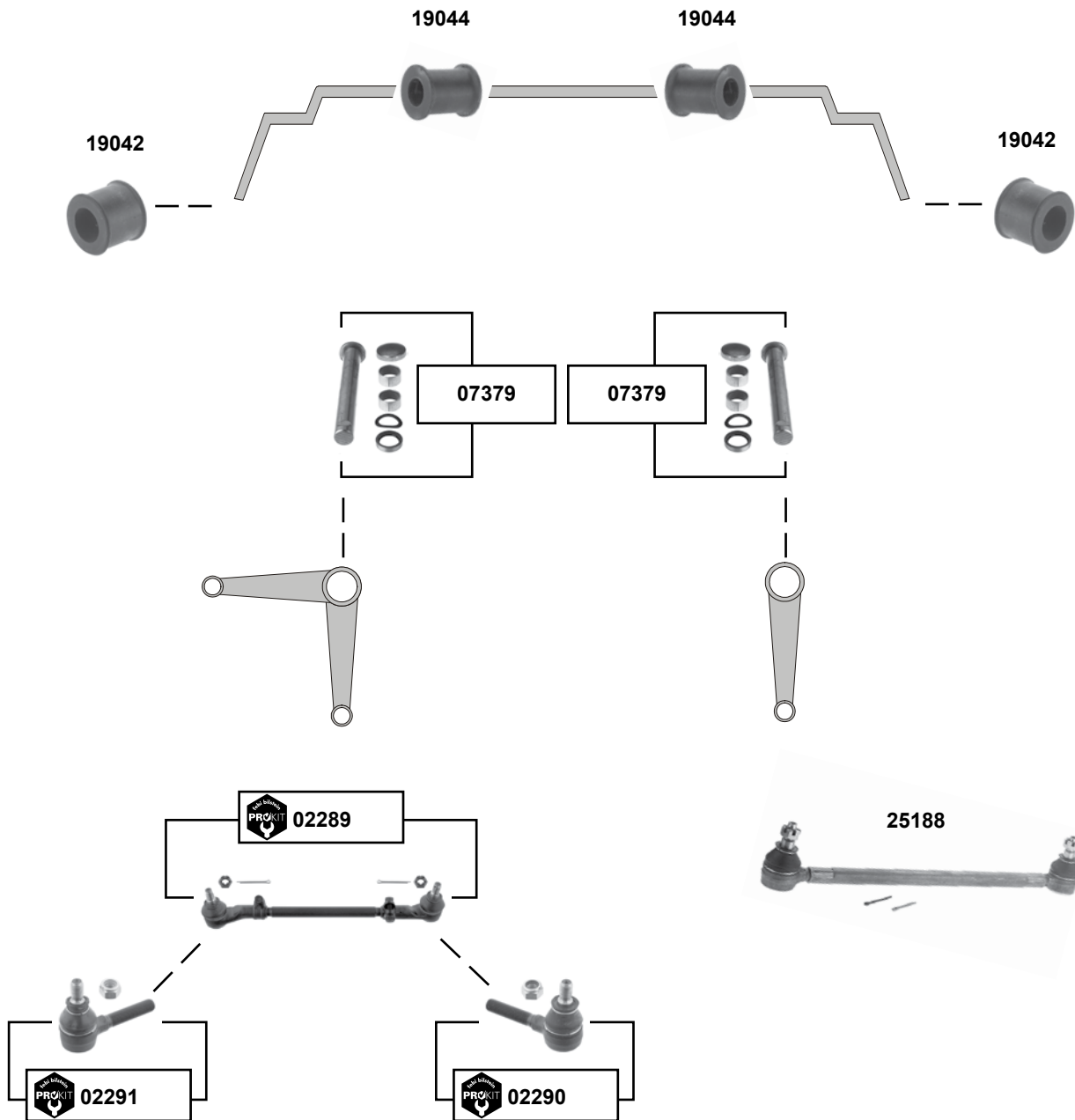
## LT (28/29) (21)

(1976 → 1996)

### Einzelradaufhängung

### Independent Wheel Suspension

Vorderachse / Front axle



Ref. - No.				
<b>02289</b>	281 415 801 D	ProKit Spurstange / tie rod	(ch.) 288 2519 374 →	M14 x 1,5 M14 x 1,5 24x192
<b>02290</b>	281 415 812	ProKit Spurstangenendstück / tie rod end		
<b>02291</b>	281 415 811	ProKit Spurstangenendstück / tie rod end		
<b>07379</b>	281 498 171 A	Rep. Satz Lenkhebelwelle / rep. kit steering arm shaft		
<b>19042</b>	281 411 045	Gummilager / rubber mount		
<b>19044</b>	281 411 041	Stabilisatorlager / stabilizer mounting		
<b>25188</b>	281 415 802 A	Spurstange / tie rod		Ø I 21 L 360



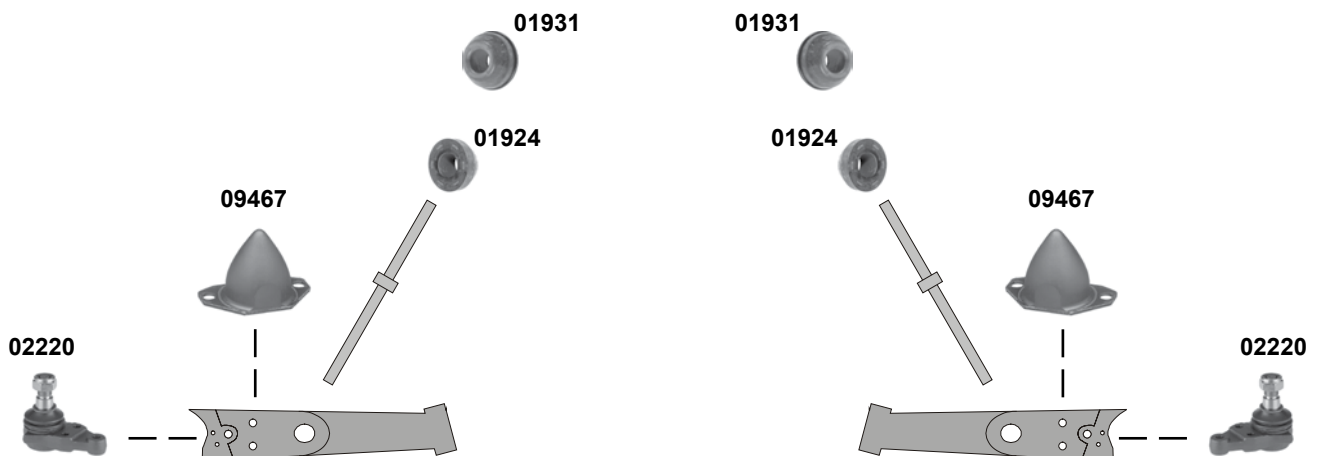
**LT (28/29) (21)**  
(1976 → 1996)

**Einzelradaufhängung**  
**Independent Wheel Suspension**

## oben / upper



## unten / lower



	Ref. - No.			
<b>01924</b>	281 407 180	Zugstrebenlager / tension rod mount		30x66x40
<b>01931</b>	281 407 179	Zugstrebenlager / tension rod mount		30x66x40
<b>02220</b>	281 407 187 B	Traggelenk / ball joint		M20 x 1,5
<b>02221</b>	281 407 361	Traggelenk / ball joint		M18 x 1,5
<b>05059</b>	281 407 077	Querlenkerlager / control arm mount		20x38x58
<b>09467</b>	281 407 091 B	Anschlagpuffer / buffer		120x68x20

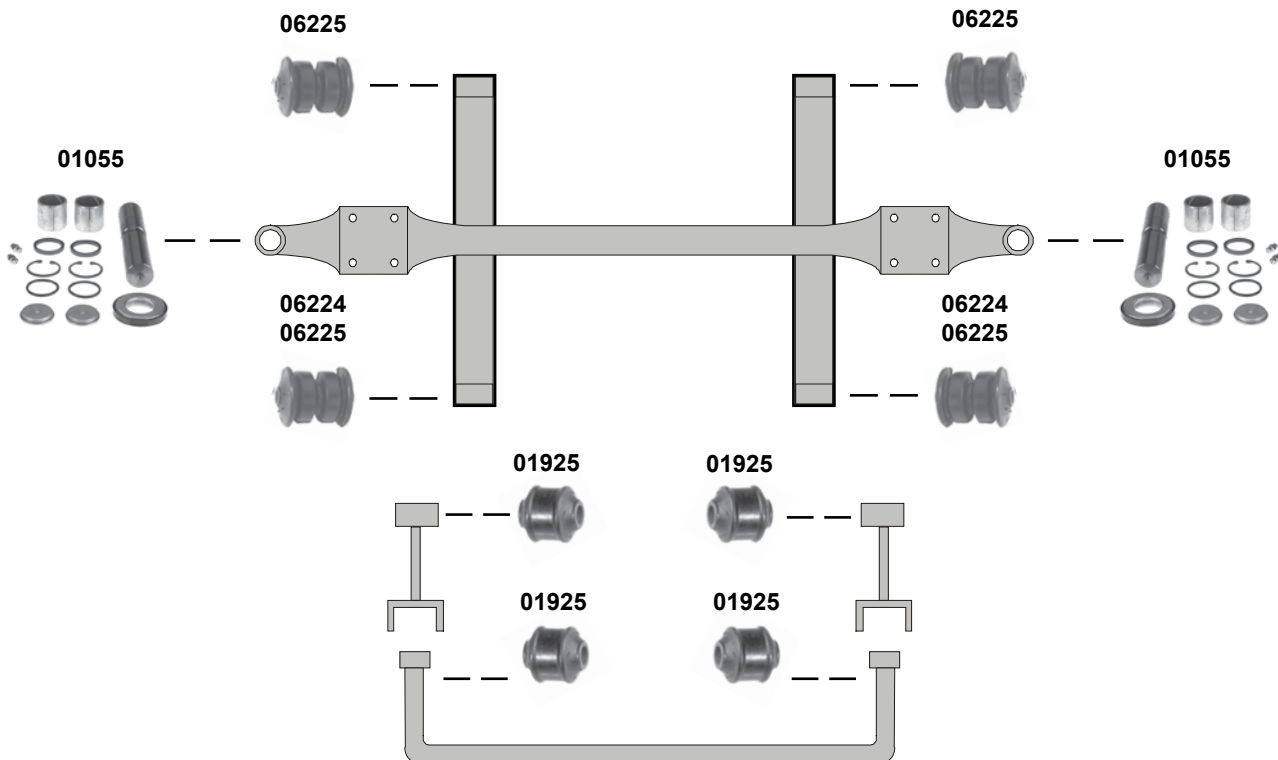
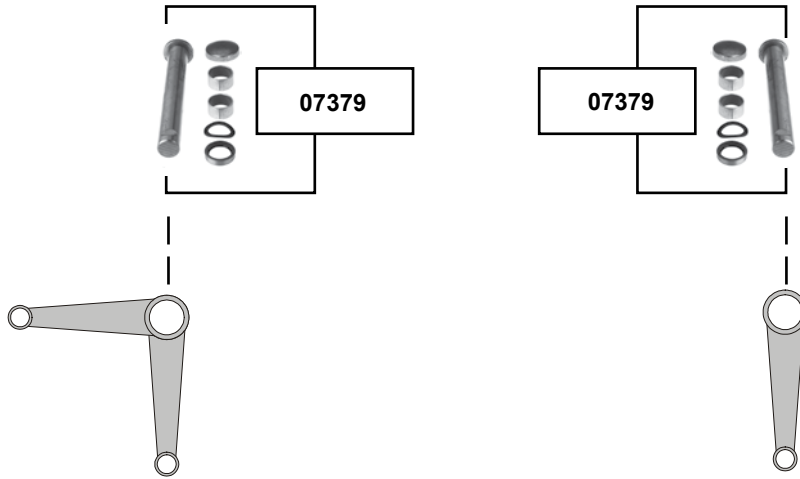


## LT (28/29) (21)

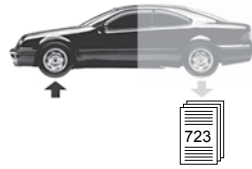
(1976 → 1996)

### Starrachse Rigid Axle

Vorderachse / Front axle



	Ref. - No.			
<b>01055</b>	291 498 173 A	Rep. Satz Achsbolzen / rep. satz king pin		25x131,5
<b>01925</b>	291 411 045	Stabilisatorlager / stabilizer mount		12x37,5x40
<b>06224</b>	291 511 181	Blattfederlager / leaf-spring bearing		12x49x75
<b>06225</b>	291 511 171 C	Blattfederlager / leaf-spring bearing		14x52x75
<b>07379</b>	281 498 171 A	Rep. Satz Lenkhebelwelle / rep. kit steering arm shaft	(ch.) 288 2519 374 →	24x192

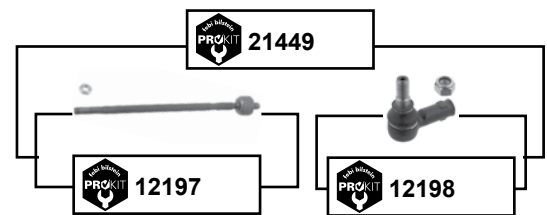
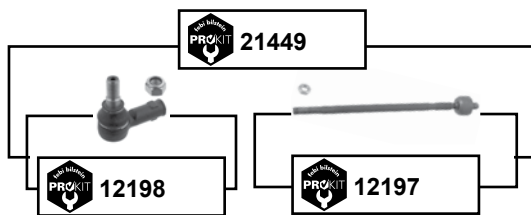


## LT 28 / LT 35 (1997 → 2003)

26325



26325



Vorderachse / Front axle

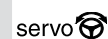


Ref. - No.



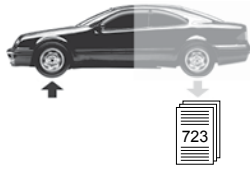
**12197** 2D0 422 811  
**12198** 2D0 422 803  
**21449** 901 460 02 05  
**26325** 2D0 498 831

Spurstangenendstück / tie rod end  
 Spurstange / tie rod  
 ProKit Spurstange / tie rod  
 Rep. Satz Lenkmanschette / rep. kit steering boot



M14 x 1,5  
 M16 x 1,5

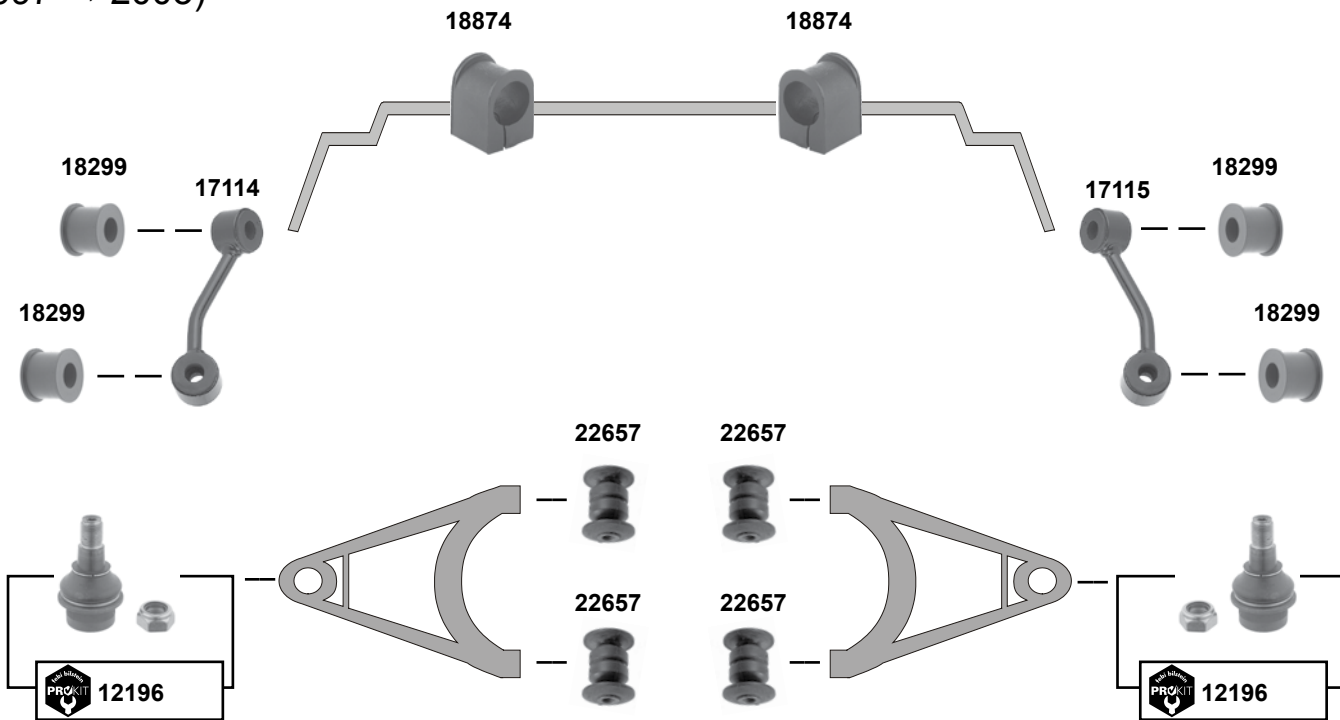




## LT 28 / LT 35

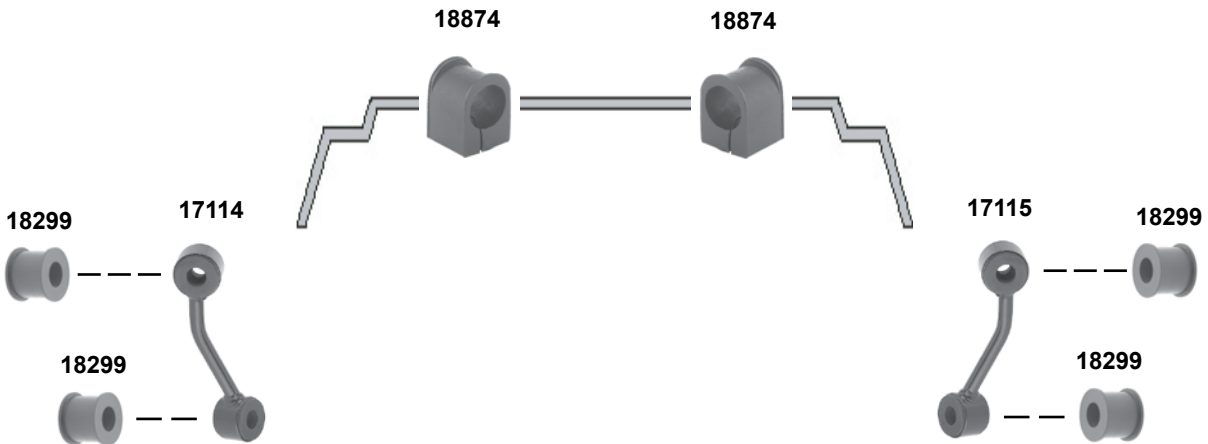
(1997 → 2003)

Vorderachse / Front axle



## LT 46

(1997 → 2007)

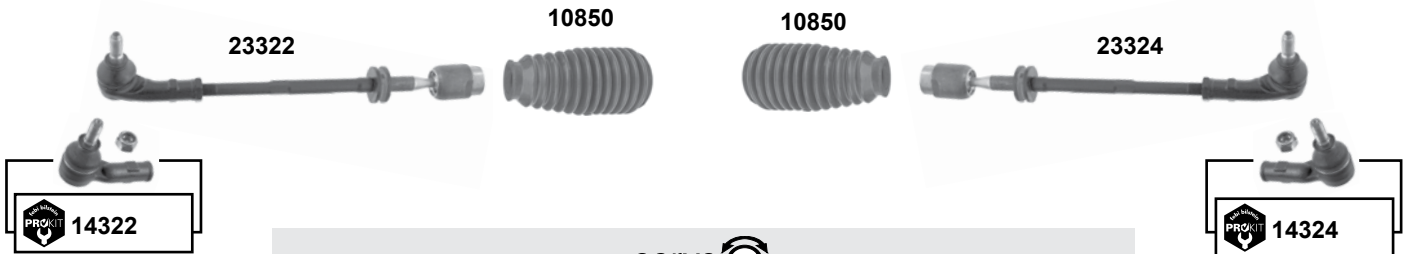


	Ref. - No.			
12196	2D0 407 361 B	ProKit Traggelenk / ball joint		M20 x 1,5
17114	2D0 411 051 S1	Verbindungsstange / connecting rod		
17115	2D0 411 052 S1	Verbindungsstange / connecting rod		
18299	2D0 411 041 A	Gummilager / rubber mount		
18874	2D0 411 041 B	Stabilisatorlager / stabilizer mount		
22657	2D0 407 140	Querlenkerlager / rubber mount	→ 07 / 4x4	Ø 125

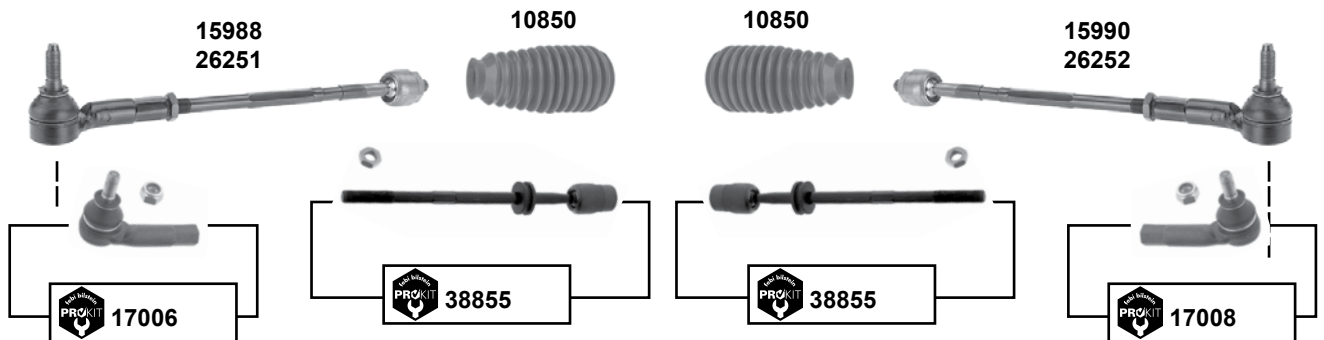


## Lupo (6X) (1999 → 2006)

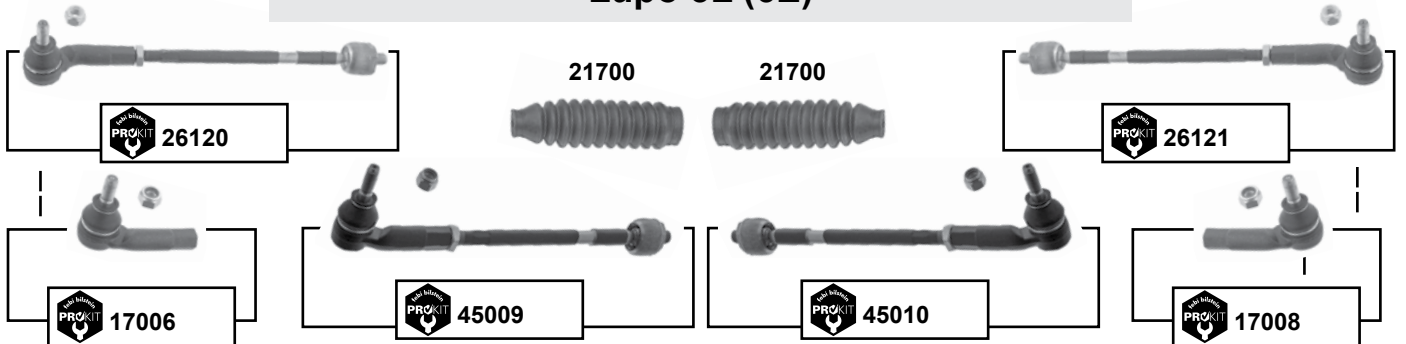
man.



servo



## Lupo 3L (6E)



(1) Lupo 6X / 6E → 06 / (ex.) servo

(2) (ex.) (mot.) AFK, AQQ, AMF, AUB

(3) (mot.) AFK, AQQ, AMF, AUB

(4) servo / PR-1N1 / PR-1N5



Ref. - No.

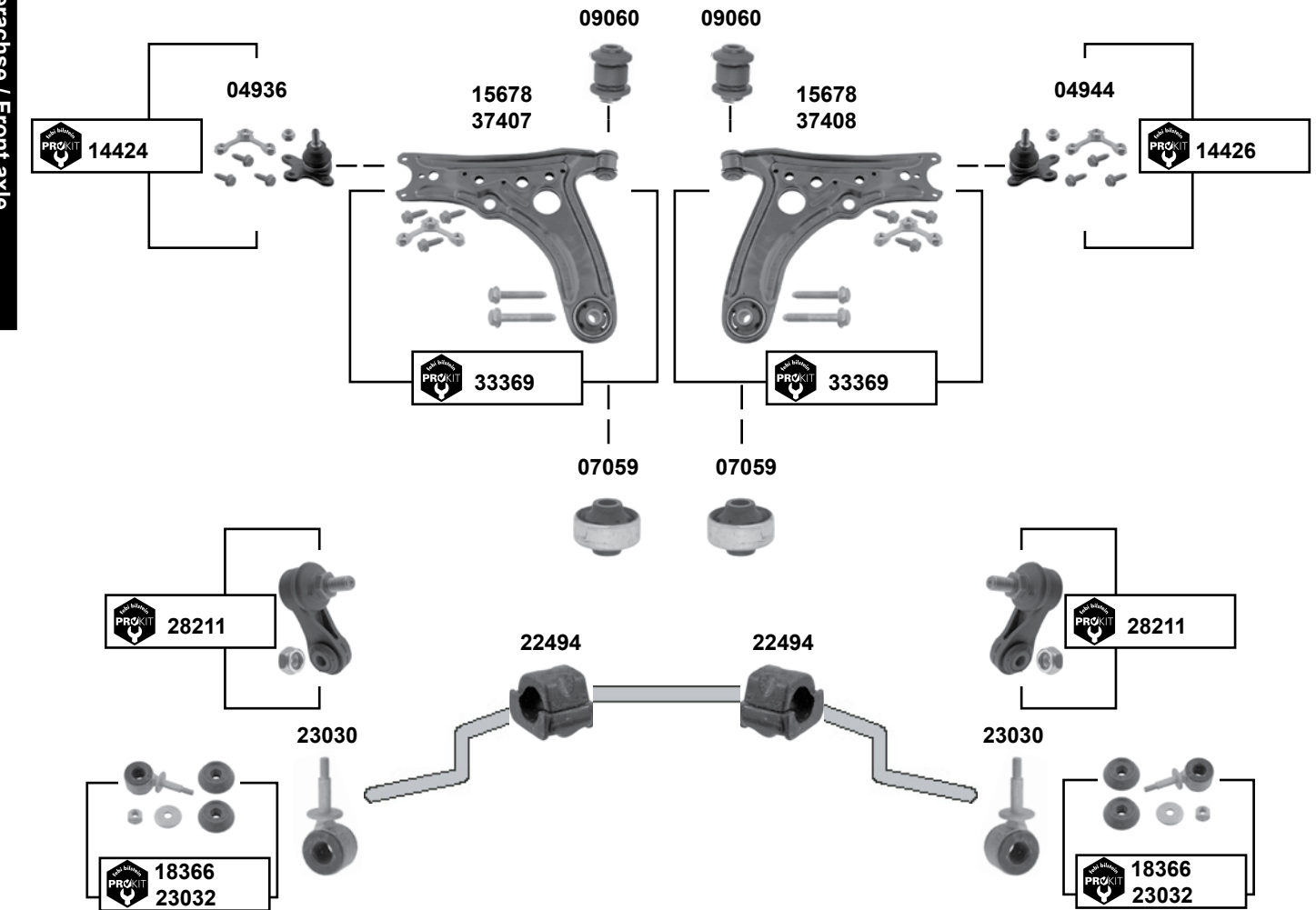


Ref. - No.	Description	Quantity	Notes
10850	6N0 419 831 Lenkmanschette / steering boot	(2)	
14322	6N0 422 811 ProKit Spurstangenendstück / tie rod end	(2) servo	M12 x 1,5
14324	6N0 422 812 ProKit Spurstangenendstück / tie rod end	(2) servo	M12 x 1,5
15988	6X0 422 803 Spurstange / tie rod	(2)	
15990	6X0 422 804 Spurstange / tie rod	(2)	
17006	6E0 419 811 ProKit Spurstangenendstück / tie rod end	(2)	M12 x 1,5
17008	6X0 422 812 ProKit Spurstangenendstück / tie rod end	(2)	M12 x 1,5
21700	6E0 419 831 Lenkmanschette / steering boot	(2)	
23322	6X0 419 803 A Spurstange / tie rod	(1)	
23324	6X0 419 804 A Spurstange / tie rod	(1)	
26120	6E0 419 803 A ProKit Spurstange / tie rod	PR-1N0 / 1N6	
26121	6E0 419 804 A ProKit Spurstange / tie rod	PR-1N0 / 1N6	
26251	6N0 422 803 C Spurstange / tie rod	(3)	
26252	6N0 422 804 C Spurstange / tie rod	(3)	
38855	6X0 422 810 ProKit Axialgelenk / axial joint	(4)	
45009	6E0 422 803 ProKit Spurstange / tie rod	PR-1N1 / 1N5	
45010	6E0 422 804 ProKit Spurstange / tie rod	PR-1N1 / 1N5	



## Lupo (6X) (1999 → 2006)

Vorderachse / Front axle



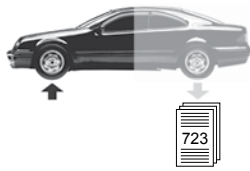


## Lupo (6X) (1999 → 2006)

- (1)** → 03 Stabilisator / stabilizer Ø 18 mm / 04 → **(mot.)** ALD / AUC / AUB / AUD / VBBY / AHW / AMF / AJKU
- (2)** Stabilisator / stabilizer Ø 20/22 mm
- (3)** Stabilisator / stabilizer Ø 18 mm
- (4)** **(mot.)** ANY, AYZ (3L TDI) ARR, (1,4 FSI) Stabilisator / stabilizer Ø 18 mm
- (5)** **(ex.)** FSI = **(mot.)** ARR / **(ex.)** 3L TDI
- (6)** **(mot.)** AER, AHT, AKQ, ALL, ANV, APE Einbauseite: V  
**(mot.)** AHW, AKU, ALD, AUC, AUD / PR-1LB/1LM/1ZC/1ZN / für Bremsscheibendurchmesser (mm) / for brakedisk diameter (mm): 239 / für Bremsscheibendicke (mm) / for brake disk thickness (mm) 18 / Einbauseite: V  
**(mot.)** AHW, AKU, ALD, AUC, AUD, BBY / PR-1ZE/1ZJ/1ZK / für Bremsscheibendurchmesser (mm) / for brakedisk diameter (mm): 256 / für Bremsscheibendicke (mm) / for brake disk thickness (mm) 20 / Einbauseite: V  
**(mot.)** AFK, AQQ / PR-1ZE/1ZK / für Bremsscheibendurchmesser (mm) / for brakedisk diameter (mm): 256 / für Bremsscheibendicke (mm) / for brake disk thickness (mm) 20 / Einbauseite: V  
front axle right  
**(mot.)** AMF, AUB / PR-1ZE/1ZJ/1ZK / für Bremsscheibendurchmesser (mm) / for brakedisk diameter (mm): 256 / für Bremsscheibendicke (mm) / for brake disk thickness (mm) 20 / Einbauseite: V  
side: front axle right  
**(mot.)** AMF, AUB, AVY PR-1LM/1ZN / für Bremsscheibendurchmesser (mm) / for brakedisk diameter (mm): 239 / für Bremsscheibendicke (mm) / for brake disk thickness (mm) 18 / Einbauseite: V  
front axle left  
**(mot.)** AUA, BBY **(ex.)** PR-1LB/1LM/1ZC/1ZN / für Bremsscheibendurchmesser (mm) / for brakedisk diameter (mm): 239 / für Bremsscheibendicke (mm) / for brake disk thickness (mm) 18 / Einbauseite: Vorderachse links /

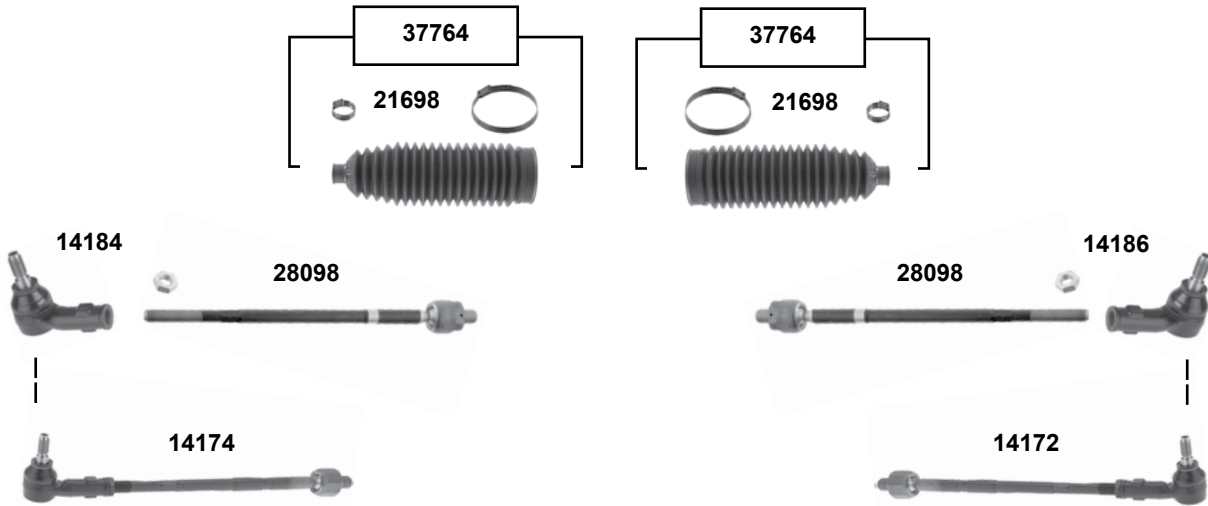


	Ref. - No.			
04936	6N0 407 365	Traggelenk / ball joint	<b>(6)</b>	M10 x 1
04944	6N0 407 365 A	Traggelenk / ball joint	<b>(6)</b>	M10 x 1
07059	6N0 407 181	Querlenkerlager / control arm mount	<b>(ex.)</b> 3L TDI	17x61x46
09060	6N0 407 182	Querlenkerlager / control arm mount	<b>(ex.)</b> 3L TDI	Ø A 28
14424	6N0 407 365 S1	ProKit Traggelenk / ball joint	<b>(ex.)</b> 3L TDI	
14426	6N0 407 365 A S1	ProKit Traggelenk / ball joint	<b>(ex.)</b> 3L TDI	
15678	6X0 407 151 A	Querlenker / control arm	<b>(ex.)</b> 3L TDI	
18366	6N0 411 315 C S1	ProKit Verbindungsstange / connecting rod	<b>(1)</b>	
22494	6X0 411 313 A	Stabilager / stabilizer mounting	<b>(3)</b>	
23030	6N0 411 315 D	Verbindungsstange / connecting rod		
23032	6N0 411 315 D S1	ProKit Verbindungsstange / connecting rod	<b>(2)</b>	
28211	6E0 411 315	ProKit Verbindungsstange / connecting rod	<b>(4)</b>	
33369	6X0 407 151 A S1	ProKit Querlenker / control arm	<b>(5)</b>	
37407	6X0 407 151 A S2	Rep. Satz Querlenker / rep. kit control arm	PR-1LB,1LM,1ZC,1ZN	
37408	6X0 407 151 A S3	Rep. Satz Querlenker / rep. kit control arm	PR-1LB,1LM,1ZC,1ZN	

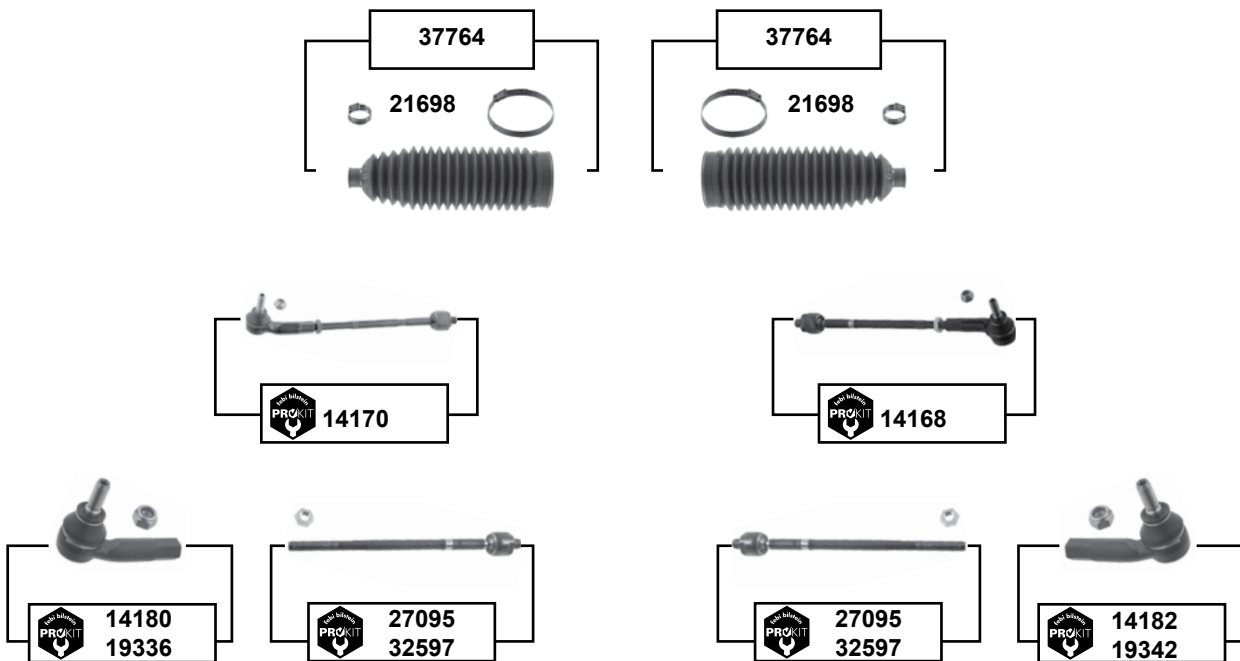


## New Beetle (1C/9C) (1999 → 2010)

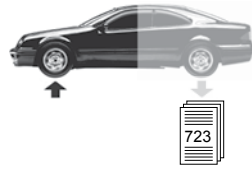
(ch.) → 1C-W-0047 125



(ch.) 1C-W-0047 126 →

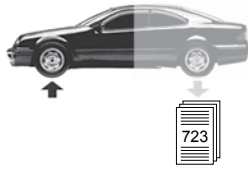


Vorderachse / Front axle



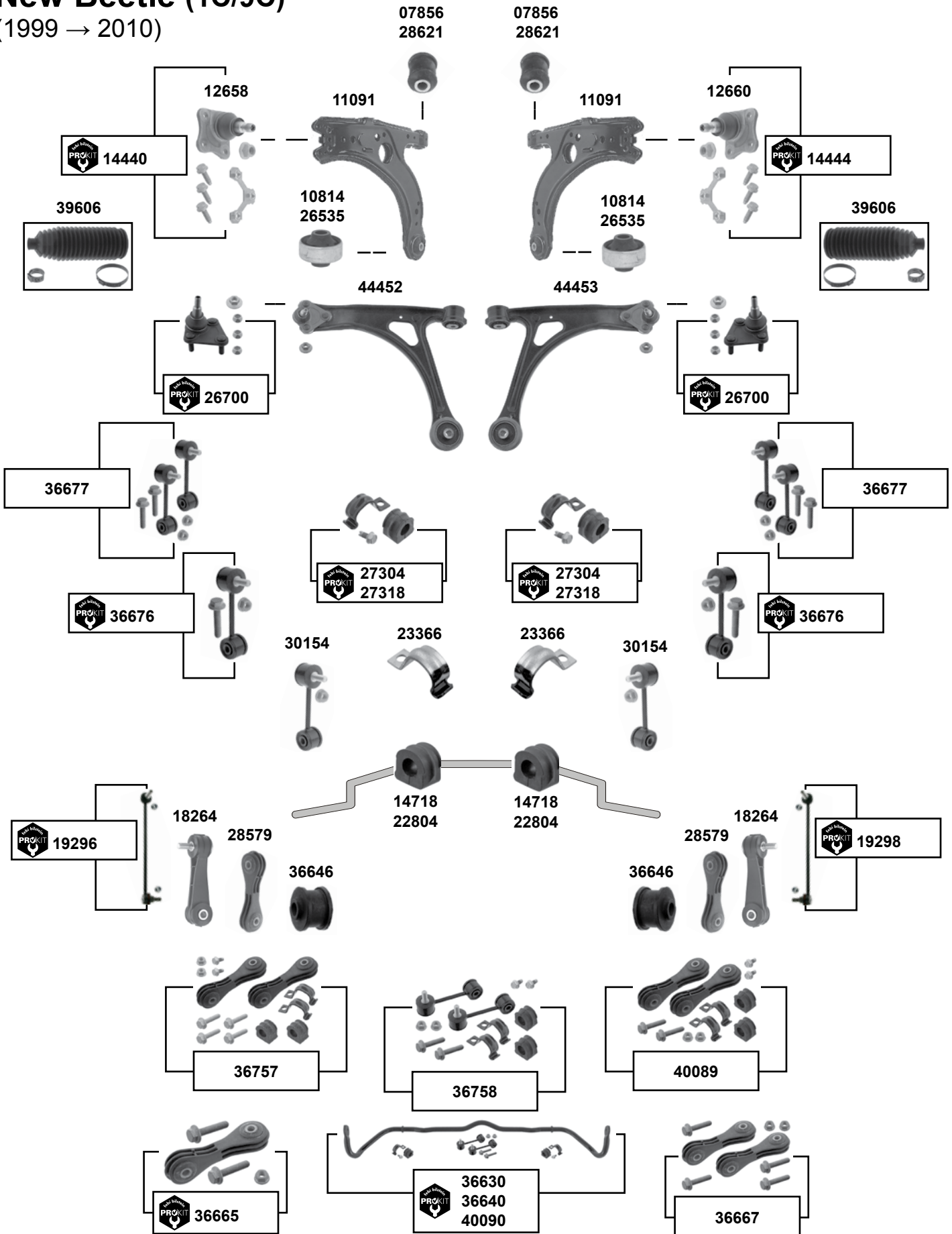
## New Beetle (1C/9C) (1999 → 2010)

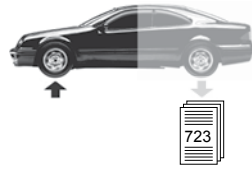
	Ref. - No.			
14168	1J0 422 804 H	ProKit Spurstange / tie rod	(ex.) RSi	
14170	1J0 422 803 H	ProKit Spurstange / tie rod	(ex.) RSi	
14172	1J0 422 804 A	Spurstange / tie rod		
14174	1J0 422 804 A	Spurstange / tie rod		
14180	1J0 422 811 B	ProKit Spurstangenendstück / tie rod end	ZF	M14 x 1,5
14182	1J0 422 812 B	ProKit Spurstangenendstück / tie rod end	ZF	M14 x 1,5
14184	1J0 422 811 A	Spurstangenendstück / tie rod end		M14 x 1,5
14186	1J0 422 811 A	Spurstangenendstück / tie rod end		M14 x 1,5
19336	8N0 422 811 A	ProKit Spurstangenendstück / tie rod end	RSi	M14 x 1,5
19342	8N0 422 812 A	ProKit Spurstangenendstück / tie rod end	RSi	
21698	1J0 422 831 B	Lenkmanschette / steering boot	(ex.) RSi	
27095	1J0 422 810 B	ProKit Spurstange / tie rod	(ex.) RSi	L 321
28098	1J0 422 810 A	Spurstange / tie rod		
32597	8N0 422 810 C	ProKit Spurstange / tie rod	RSi	M16 x 1,5
37764	1J0 422 831 B S1	Rep. Satz Lenkmanschette / rep. kit steering boot		



## New Beetle (1C/9C) (1999 → 2010)

Vorderachse / Front axle





## New Beetle (1C/9C) (1999 → 2010)



### Rep. Sätze / rep. kits

19820

19822



(1) (ch.) → 1C-X-499 000 / 9C-X-999 000	(2) (ch.) 1C-Y-400 000 → / (ch.) → 1C-1-451 000
(3) (1C / 9C) → 10 / cabrio 03 → 10	
(4) 01 → 10 (ch.) 1C-1-451-001 → / (ch.) 9C-1-636 001 → / cabrio (1Y) 03 → 10	
(5) 03 → alle / all / 04 (ch.) 1C-4-400 001 → / 9C-4-400 001 →	
(6) → 05 / (ch.) → 1C-X-499 000 / (ch.) → 9C-X-999 000	
(7) (ch.) → 1C-9-512 683 / (ch.) 1C-Y-400 001 → / (ch.) → 9C-9-557 246 / (ch.) 9C-Y-600 001 →	
(8) Cabrio → 03 / (ch.) → 1Y-9-408 477	
(9) → 05 (ch.) 1C-Y-400 001 → / (ch.) → 1C-1-451 000	
(10) 1C (ch.) 1C-1-451 001 → / 9C → 05 (ch.) 9C-1-636 001 → / Cabrio 03 →	
(11) 1C: (ch.) 1C-1-451 001 → / (ch.) → 1C-7-512 081 / (ch.) → 1C-9-512 683 9C: (ch.) 9C-1-636 001 → / (ch.) → 9C-9-557 246 / (ch.) → 9C-9-555 760 // Cabrio (ch.) → 1Y-7-413 420	

	Ref. - No.			
07856	357 407 182	Querlenkerlager / control arm mount	(ex.) RSI	12x33x54
10814	1J0 407 181	Querlenkerlager / control arm mount	(3) (ex.) RSI	13x60x41
11091	1J0 407 151 C	Querlenker / control arm	(3) (ex.) RSI	
12658	1J0 407 365 H	Traggelenk / ball joint		M12 x 1,5
12660	1J0 407 366 H	Traggelenk / ball joint		M12 x 1,5
14440	1J0 407 365 H S1	ProKit Traggelenk / ball joint		
14444	1J0 407 366 H S1	ProKit Traggelenk / ball joint		
14718	1J0 411 314 T	Stabilisatorlager / stabilizer mount		Ø I 21
18264	1J0 411 315 J	Verbindungsstange / connecting rod	(1)	L 105
19296	1J0 411 315 D	ProKit Verbindungsstange / connecting rod	4motion	
19298	1J0 411 316 D	ProKit Verbindungsstange / connecting rod	4motion	
19820	1J0 407 365 H S2	Querlenker, kpl. / control arm, cpl.	(ex.) R32	
19822	1J0 407 366 H S2	Querlenker, kpl. / control arm, cpl.	(ex.) R32	
22804	1J0 411 314 R	Stabilisatorlager / stabilizer mount		Ø I 18
23366	1J0 411 336 D	Schelle / clamp		
26535	8N0 407 181 B	Querlenkerlager / control arm mount	00 → 01	14x60x41
26700	8N0 407 365 C	Traggelenk beidseitig / ball joint both sides	RSI	
27304	1J0 411 314 R S1	ProKit Stabilisatorlagersatz / stabilizer mount	→ 01	Ø I 18
27318	1J0 411 314 T S1	ProKit Stabilisatorlagersatz / stabilizer mount	(5)	Ø I 21
28579	1J0 411 315 K	Verbindungsstange / connecting rod	(4)	L 105,5
28621	8N0 407 182 A	Querlenkerlager / control arm mount	RSI / → 01	Ø A 54
30154	1J0 411 315 G S1	Verbindungsstange / connecting rod	(2)	L 105 / M10
36630	1J0 411 305 B S1	ProKit Stabilisatorsatz / stabilizer kit	(6)	
36640	1J0 411 305 E S1	ProKit Stabilisatorsatz / stabilizer kit	(7) (8)	
36646	1J0 411 327 A	Verbindungsstangenlager / connecting rod mount	(9)	Ø A 29
36665	1J0 411 315 K S1	ProKit Verbindungsstange / connecting rod	(10)	L 105,5
36667	1J0 411 315 K S2	Verbindungsstangensatz / connecting rod set	(10)	L 105,5
36676	1J0 411 315 G S1	Verbindungsstange / stabiliser link	(2)	
36677	1J0 411 315 G S2	ProKit Verbindungsstange / connecting rod	(2)	
36757	1J0 411 315 G S3	Stabilisatorlagersatz / anti roll bar bush kit	(6)	Ø I 21
36758	1J0 411 315 G S4	Stabilisatorlagersatz / anti roll bar bush kit	(7) (8)	Ø I 21
39606	8N0 422 831 S1	Rep. Satz Lenkmanschette / rep. kit steering boot	00 → 01	
40089	1J0 411 314 T S2	Stabilisatorlagersatz / anti roll bar bush kit	(11) PR-0AE	Ø A 23
40090	1J0 411 305 E S2	ProKit Stabilisatorsatz / stabilizer kit	(11)	Ø A 23
44452	8N0 407 151 D S1	Querlenker / control arm	Gummi / rubber	
44453	8N0 407 152 D S1	Querlenker / control arm	Gummi / rubber	

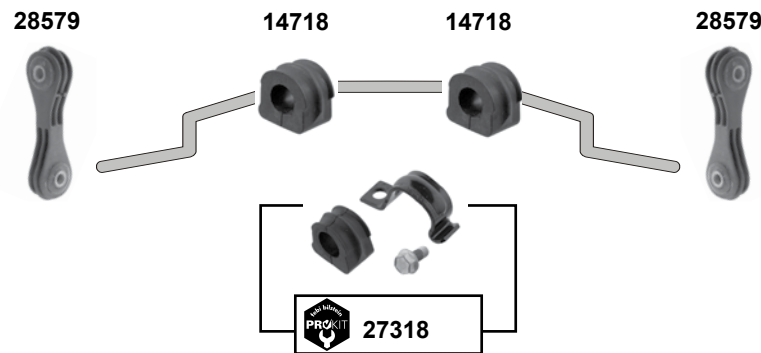
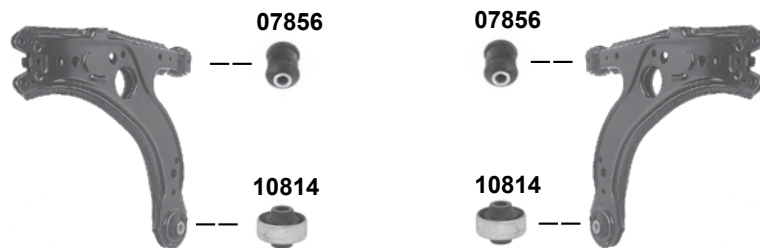




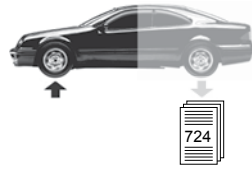
## New Beetle Cabrio (1Y)

(2003 → 2010)

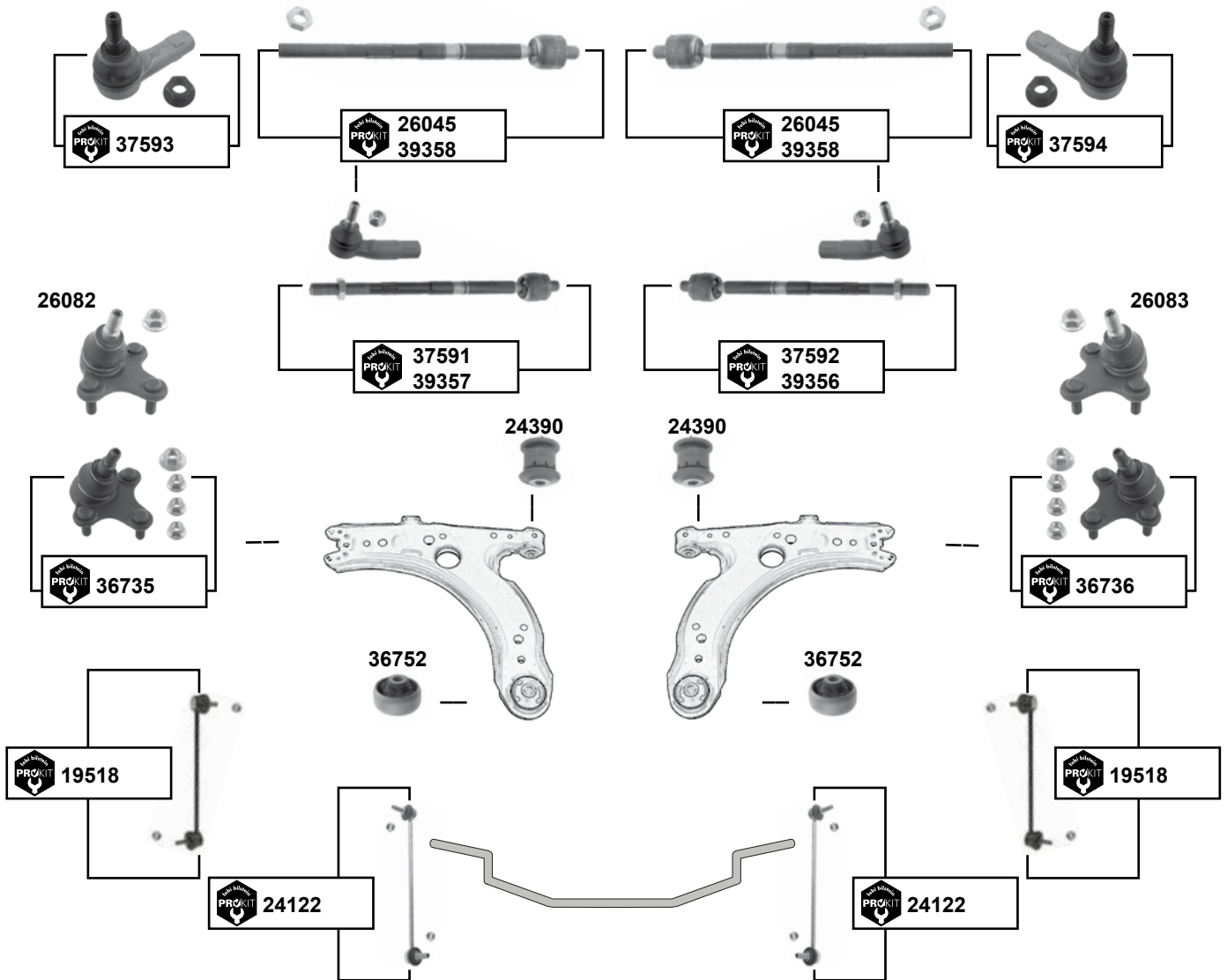
Vorderachse / Front axle



	Ref. - No.			
<b>07856</b>	357 407 182	Querlenkerlager / control arm mount		12x33x54
<b>10814</b>	1J0 407 181	Querlenkerlager / control arm mount		13x60x41
<b>14718</b>	1J0 411 314 T	Stabilisatorlager / stabilizer mount		Ø   21
<b>27318</b>	1J0 411 314 T S1	ProKit Stabilisatorlagersatz / stabilizer mount kit		
<b>28579</b>	1J0 411 315 K	Verbindungsstange / connecting rod	für / to fit Stabi 23	L 105



## New Beetle (5C1) (2012 →)



Vorderachse / Front axle



(1) Gummimetalllager / rubber metal mount



Ref. - No.



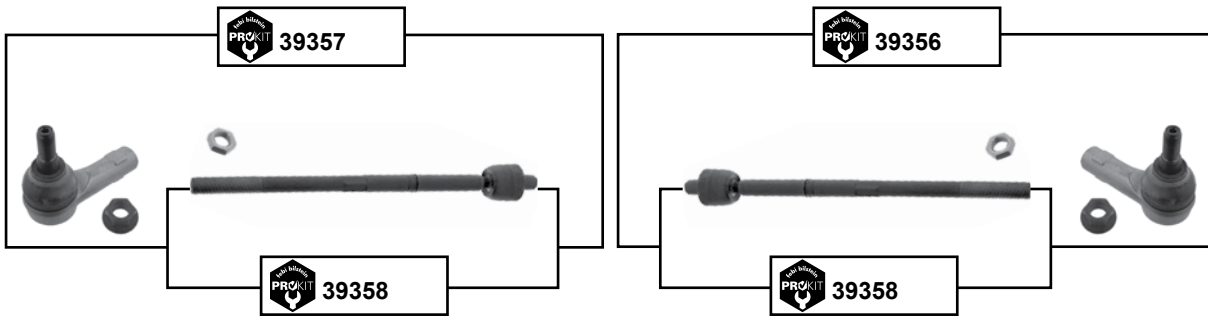
19518	6Q0 411 315 Q	ProKit Verbindungsstange / connecting rod		
24122	1K0 411 315 R	ProKit Verbindungsstange / connecting rod		
24390	1K0 407 182	Querlenkerlager / control arm mount		Ø A48 H54
26045	1K0 423 810 A	ProKit Spurstange / tie rod		
26082	1K0 407 365 C	Traggelenk / ball joint		
26083	1K0 407 366 C	Traggelenk / ball joint		
36735	1K0 407 365 C S1	ProKit Traggelenk / ball joint		
36736	1K0 407 366 C S1	ProKit Traggelenk / ball joint		
36752	1K0 407 183 P	Querlenkerlager / control arm mount	(1) (ch.) 16-C-500 001 →	Ø I 13
37591	1K0 423 811 K S1	ProKit Spurstange / tie rod	PR-1N3 / servo	L 448
37592	1K0 423 812 K S1	ProKit Spurstange / tie rod	PR-1N3 / servo	L 448
37593	1K0 423 811 K	ProKit Spurstangenendstück / tie rod end	PR-1N3 / servo	M16 x 1,5
37594	1K0 423 812 K	ProKit Spurstangenendstück / tie rod end	PR-1N3 / servo	M16 x 1,5
39356	561 423 810 S1	ProKit Spurstange / tie rod	PR-1N1/1N3 / servo	
39357	561 423 810 S2	ProKit Spurstange / tie rod	PR-1N1/1N3 / servo	
39358	561 423 810	ProKit Axialgelenk / axial joint	Servotronic / PR-1N3	M16 x 1,5



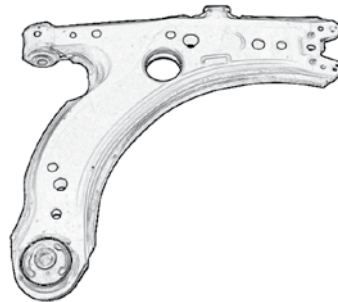
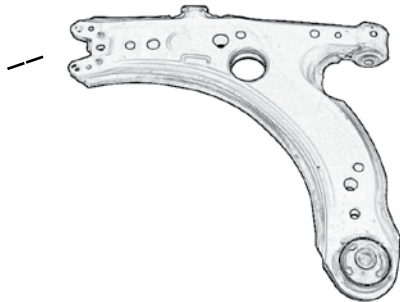
## New Beetle Cabrio (5C7)

(2013 →)

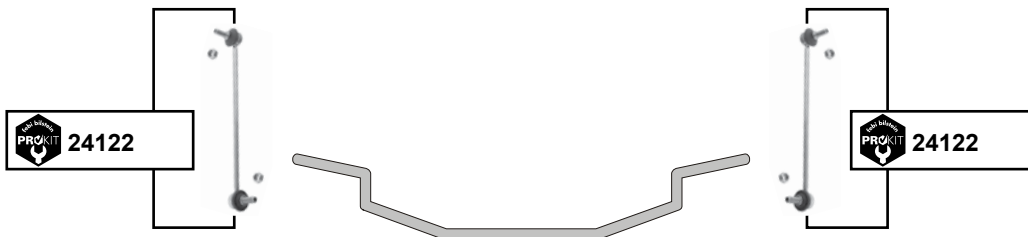
Vorderachse / Front axle



26082



26083



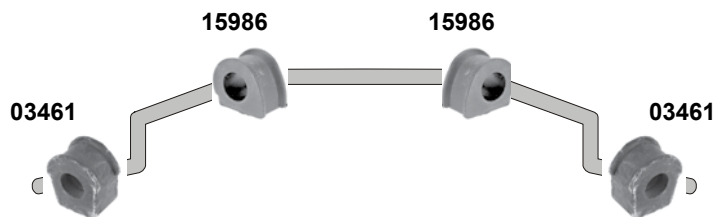
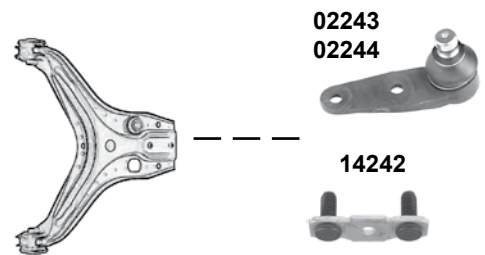
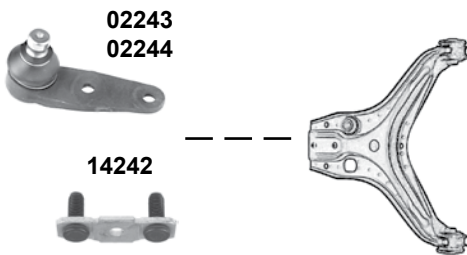
Ref. - No.



<b>24122</b>	1K0 411 315 R	ProKit Verbindungsstange / connecting rod		
<b>26082</b>	1K0 407 365 C	Traggelenk / ball joint		
<b>26083</b>	1K0 407 366 C	Traggelenk / ball joint		
<b>39356</b>	561 423 810 S1	ProKit Spurstange / tie rod	PR-1N1/1N3 / servo	
<b>39357</b>	561 423 810 S2	ProKit Spurstange / tie rod	PR-1N1/1N3 / servo	
<b>39358</b>	561 423 810	ProKit Axialgelenk / axial joint	Servotronic / PR-1N3	M16 x 1,5



## Passat 1(32) (1974 → 1980)



Vorderachse / Front axle

	Ref. - No.			
<b>02234</b>	811 419 812	ProKit Spurstangenendstück / tie rod end		M10 x 1
<b>02243</b>	823 407 365 C	Traggelenk / ball joint	(ch.) → 328 2002 000	Ø A 15
<b>02244</b>	823 407 365 E	Traggelenk / ball joint	(ch.) 328 2002 001 →	Ø A 17
<b>03461</b>	823 411 313 A	Stabilisatorlager / stabilizer mount		Ø I 12,5
<b>14242</b>	811 407 175 A	Sicherungsblech / lock washer		
<b>15986</b>	823 411 327 B	Stabilisatorlager / stabilizer mount		



## Passat 2 (32)

(1981 → 1988)

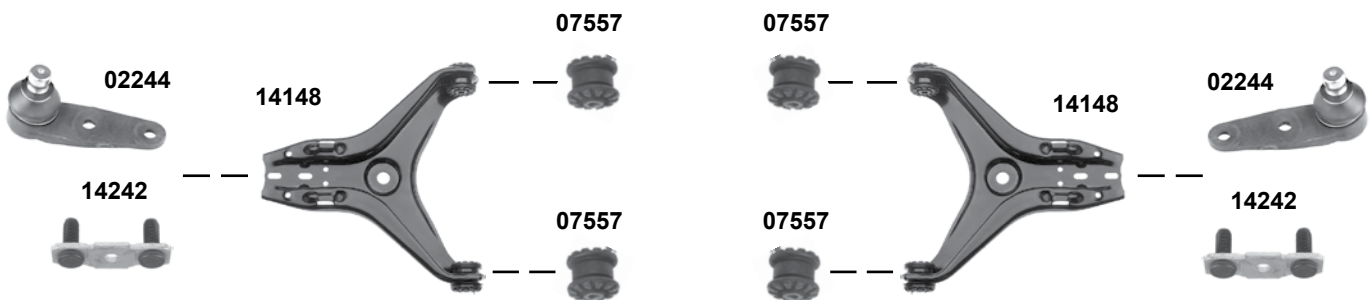
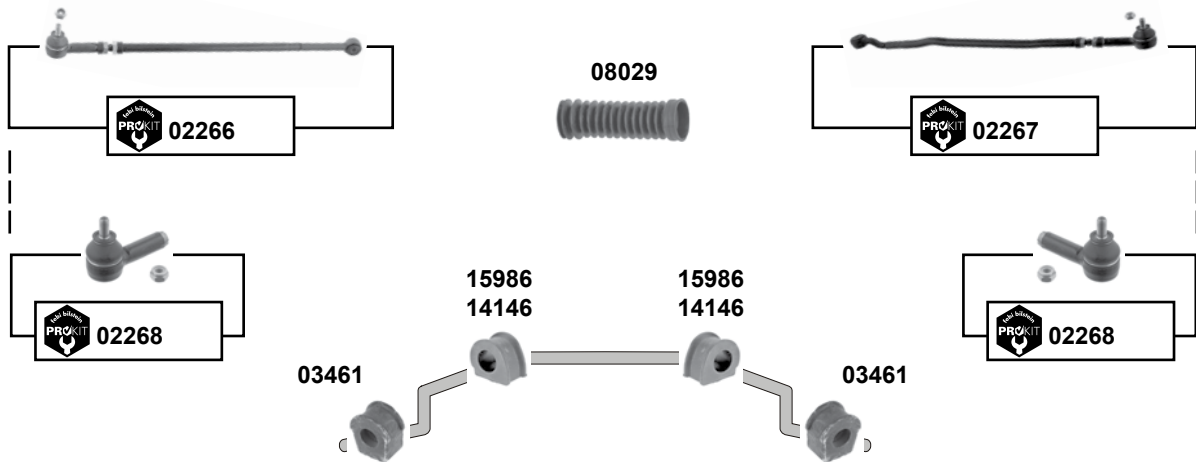
(ex.) Syncro

man.

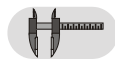
(ch.) → 32-B-040 821



(ch.) 32-B-040 822 →



Ref. - No.



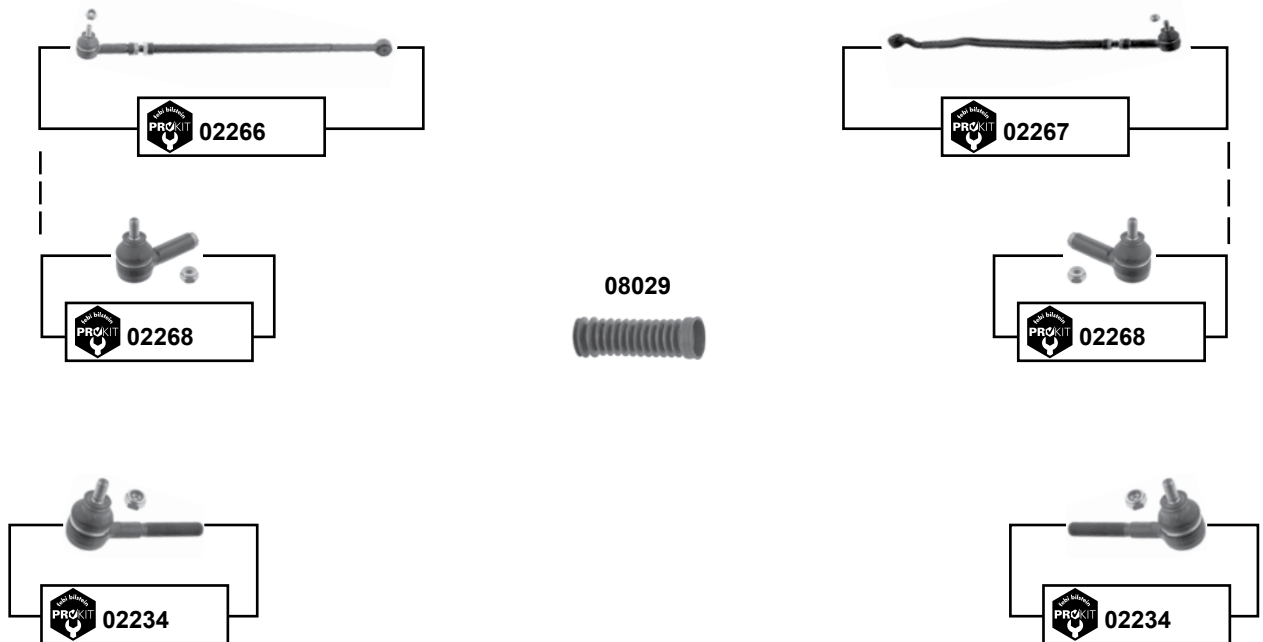
<b>02234</b>	811 419 812	ProKit Spurstangenendstück / tie rod end	(ch.) → 32-B-040821	M10 x 1
<b>02244</b>	823 407 365 E	Traggelenk / ball joint		Ø A 17
<b>02266</b>	811 419 801 E	ProKit Spurstange / tie rod		LHD
<b>02267</b>	811 419 802 J	ProKit Spurstange / tie rod	(ch.) → 32-G-275000	LHD
<b>02268</b>	811 419 812 A	ProKit Spurstangenendstück / tie rod end	(ch.) 32-B-040822 →	M10 x 1
<b>03461</b>	823 411 313 A	Stabilisatorlager / stabilizer mount		Ø I 12,5
<b>07557</b>	811 407 181 A	Querlenkerlager / control arm mount		10x38x44
<b>08029</b>	811 419 831 B	Lenkmanschette / steering boot		L 150
<b>14146</b>	811 411 327 A	Stabilisatorlager / stabilizer mount	(ch.) 32-F-390001 →	Ø I 20
<b>14148</b>	893 407 147 G	Querlenker / control arm		
<b>14242</b>	811 407 175 A	Sicherungsblech / lock washer		
<b>15986</b>	823 411 327 B	Stabilisatorlager / stabilizer mount	(ch.) → 32-F-390000	Ø I 19

Vorderachse / Front axle



## Passat 2 (32) (1981 → 1988) (ex.) Syncro

servo



Vorderachse / Front axle

	Ref. - No.			
<b>02234</b>	811 419 812	ProKit Spurstangenendstück / tie rod end	(ch.) → 32-B-040 821	M10 x 1
<b>02266</b>	811 419 801 E	ProKit Spurstange / tie rod		
<b>02267</b>	811 419 802 J	ProKit Spurstange / tie rod	(ch.) → 32-G-275 000	
<b>02268</b>	811 419 812 A	ProKit Spurstangenendstück / tie rod end	(ch.) 32-B-040 822 →	M10 x 1
<b>08029</b>	811 419 831 B	Lenkmanschette / steering boot		L 150



## Passat 2 (32)

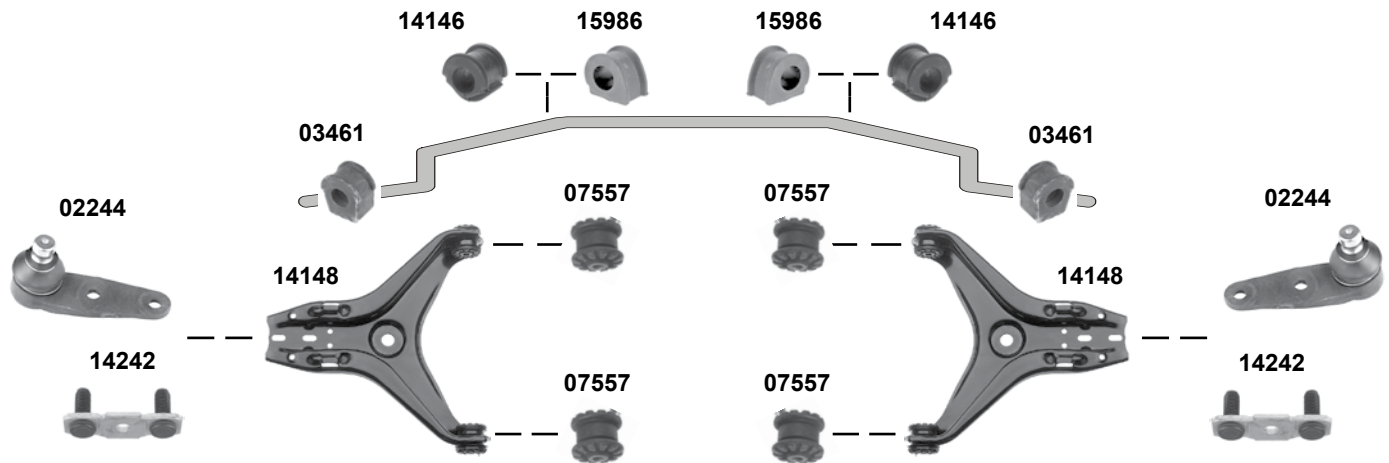
(1981 → 1988)

(ex.) Syncro

servo

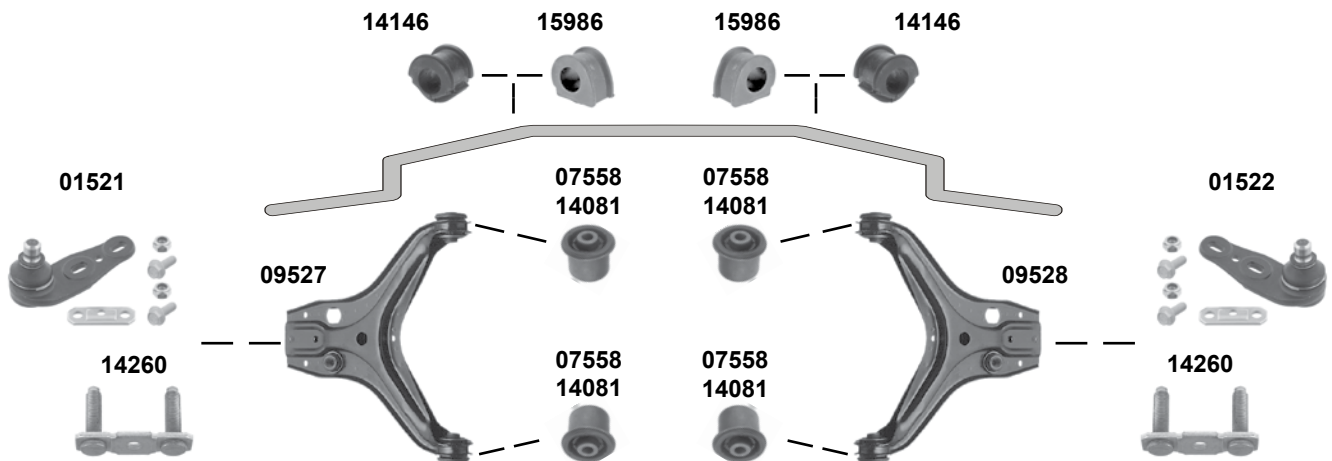
4 cyl. (ch.) → 32-E-150 000

5 cyl. (ch.) → 32-D-099 298



4 cyl. (ch.) 32-E-150 001 →

5 cyl. (ch.) 32-D-099 299 →



Ref. - No.



Part No.	Ref. - No.	Description	Notes	Dimensions
01521	855 407 365 A	Traggelenk / ball joint		Ø A 17
01522	855 407 366 A	Traggelenk / ball joint		Ø A 17
02244	823 407 365 E	Traggelenk / ball joint		Ø A 17
03461	823 411 313 A	Stabilisatorlager / stabilizer mount		Ø I 12,5
07557	811 407 181 A	Querlenkerlager / control arm mount		10x38x44
07558	857 407 181	Querlenkerlager / control arm mount	OLD	10x37,5x44
09527	893 407 147 C	Querlenker / control arm		
09528	893 407 148 C	Querlenker / control arm		
14081	8A0 407 181	Querlenkerlager / control arm mount	NEW	10x37x44
14146	811 411 327 A	Stabilisatorlager / stabilizer mount	(ch.) 32-F-390 001 →	Ø I 20
14148	893 407 147 G	Querlenker / control arm		
14242	811 407 175 A	Sicherungsblech / lock washer		
14260	857 407 175	Sicherungsblech / lock washer		
15986	823 411 327 B	Stabilisatorlager / stabilizer mount	(ch.) → 32-F-390 000	

Vorderachse / Front axle



## Passat 2 (32) (1981 → 1988) Syncro



Vorderachse / Front axle



Ref. - No.



02268  
08029

811 419 812 A  
811 419 831 B

ProKit Spurstangenendstück / tie rod end  
Lenkmanschette / steering boot

M10 x 1  
L 150



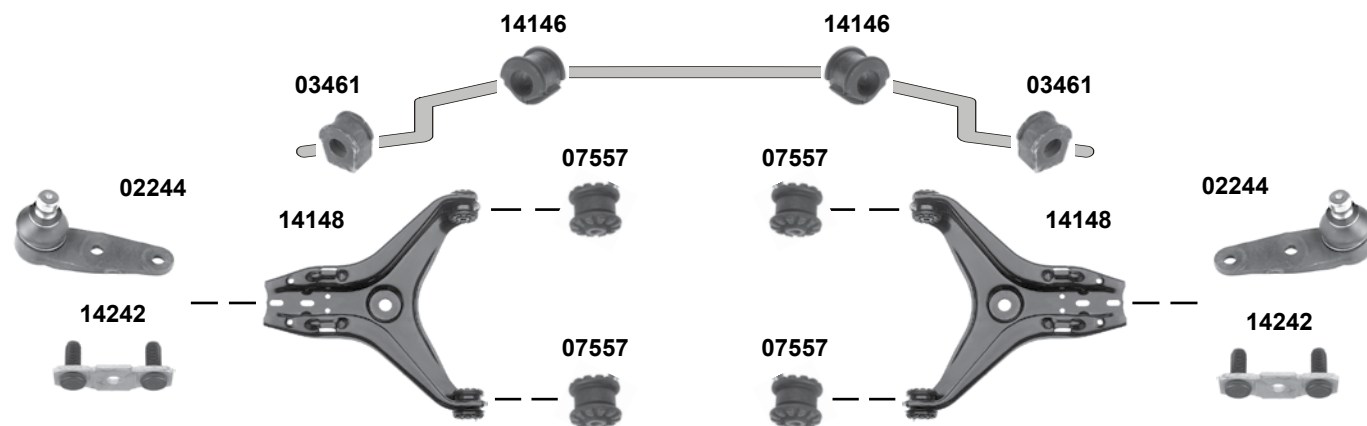


## Passat 2 (32)

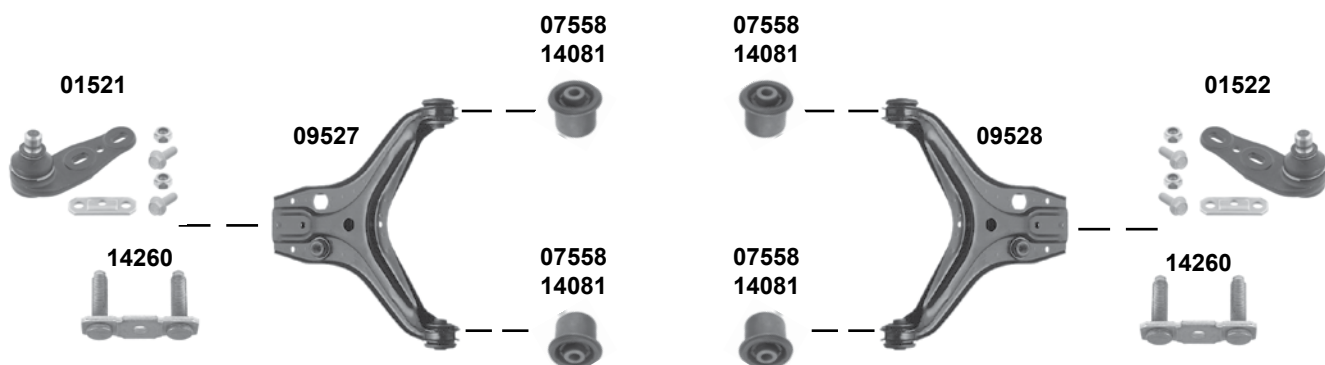
(1981 → 1988)

Syncro

4 cyl. man. (ex.) ABS



4 cyl. man. + ABS  
4 cyl. servo   
5 cyl. alle / all



Ref. - No.



Part No.	Ref. - No.	Description	Notes	Dimensions
01521	855 407 365 A	Traggelenk / ball joint	(ex.) 4 cyl. + ABS	Ø A 17
01522	855 407 366 A	Traggelenk / ball joint	(ex.) 4 cyl. + ABS	Ø A 17
02244	823 407 365 E	Traggelenk / ball joint		Ø A 17
03461	823 411 313 A	Stabilisatorlager / stabilizer mount		Ø I 12,5
07557	811 407 181 A	Querlenkerlager / control arm mount		10x38x44
07558	857 407 181	Querlenkerlager / control arm mount	OLD	10x37,5x44
09527	893 407 147 C	Querlenker / control arm		
09528	893 407 148 C	Querlenker / control arm		
14081	8A0 407 181	Querlenkerlager / control arm mount	NEW	10x37x44
14146	811 411 327 A	Stabilisatorlager / stabilizer mount	(ch.) 32-F-390 001 →	Ø I 20
14148	893 407 147 G	Querlenker / control arm		
14242	811 407 175 A	Sicherungsblech / lock washer		
14260	857 407 175	Sicherungsblech / lock washer		

Vorderachse / Front axle



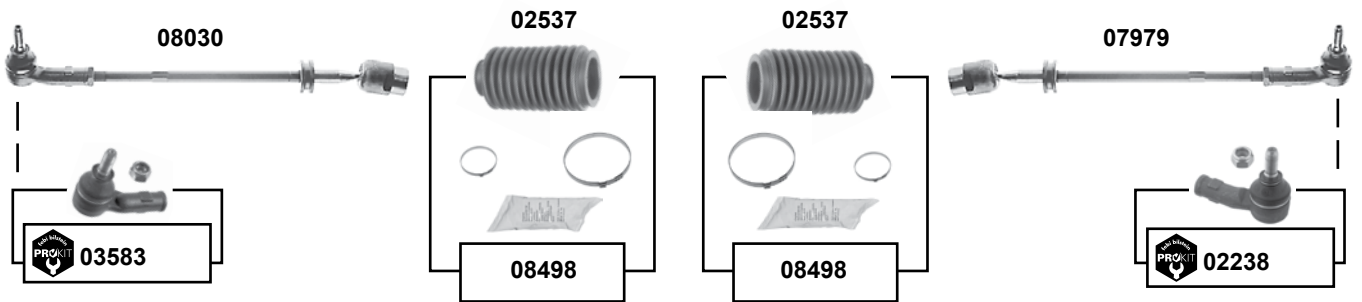
## Passat 3 (31/3A)

(1988 → 1997)

(ex.) 2.0 16V / VR6 / 1.9 TDI (81 kW)

man.

Vorderachse / Front axle



	Ref. - No.			
<b>02238</b>	191 419 812	ProKit Spurstangenendstück / tie rod end		M12 x 1,5
<b>02537</b>	191 419 831	Lenkmanschette / steering boot		
<b>03583</b>	191 419 811	ProKit Spurstangenendstück / tie rod end		M12 x 1,5
<b>07979</b>	357 419 804	Spurstange / tie rod		
<b>08030</b>	357 419 803	Spurstange / tie rod		
<b>08498</b>	191 419 831 S	Rep. Satz Lenkmanschette / rep. kit steering boot		



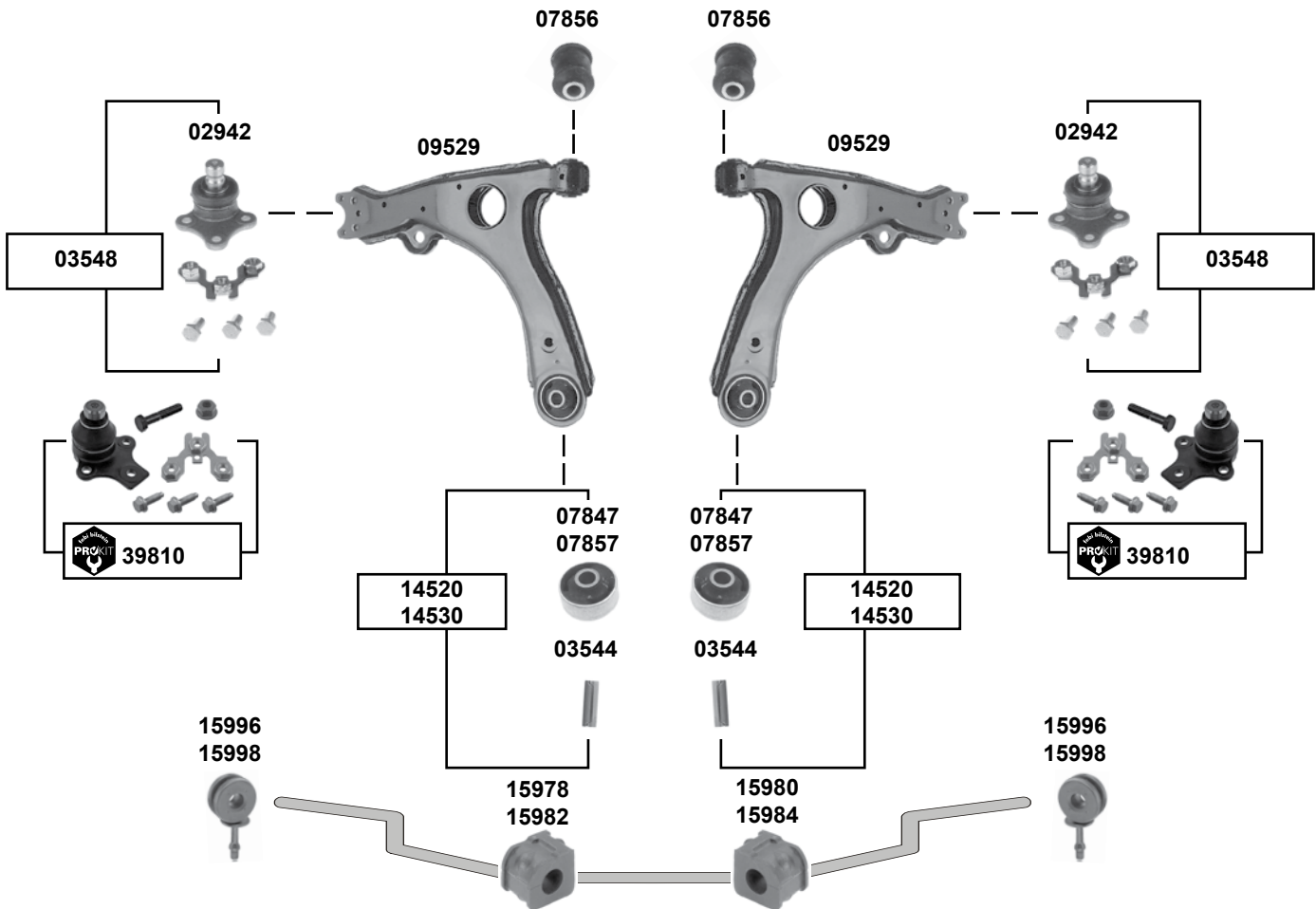
## Passat 3 (31/3A)

(1988 → 1997)

(ex.) 2.0 16V / VR6 / 1.9 TDI (81 kW)

man.

Vorderachse / Front axle



- (1) Modell 88 → 93 Limousine → 66 kW
- (2) Modell 88 → 93 Limousine 74 kW →  
Modell 94 → 97 **alle/ all**  
Modell 88 → 93 Variant

	Ref. - No.			
02942	357 407 365	Traggelenk / ball joint		Ø A 19
03544	91 407 190 A	Hülse / sleeve		50x17
03548	357 407 365 S1	Rep. Satz Traggelenk / rep. kit ball joint		
07847	191 407 181 D	Querlenkerlager / control arm mount	NEW	17x60x41
07856	357 407 182	Querlenkerlager / control arm mount		12x33x54
07857	191 407 181 B	Querlenkerlager / control arm mount	OLD	17x60x41
09529	357 407 151	Querlenker / control arm		
14520	191 407 181 B S1	Querlenkerlager mit Hülse / control arm mount with sleeve	OLD	
14530	191 407 181 D S1	Querlenkerlager mit Hülse / control arm mount with sleeve	NEW	
15978	357 411 313	Stabilisatorlager / stabilizer mount	(1)	Ø   21
15980	357 411 314	Stabilisatorlager / stabilizer mount	(1)	Ø   21
15982	357 411 313 A	Stabilisatorlager / stabilizer mount	(2)	Ø   22,7
15984	357 411 314 A	Stabilisatorlager / stabilizer mount	(2)	Ø   22,7
15996	357 411 315 C	Verbindungsstange / connecting rod	(1)	Ø   18
15998	357 411 315 D	Verbindungsstange / connecting rod	(2)	Ø   19
39810	357 407 365 S2	ProKit Traggelenk / ball joint		



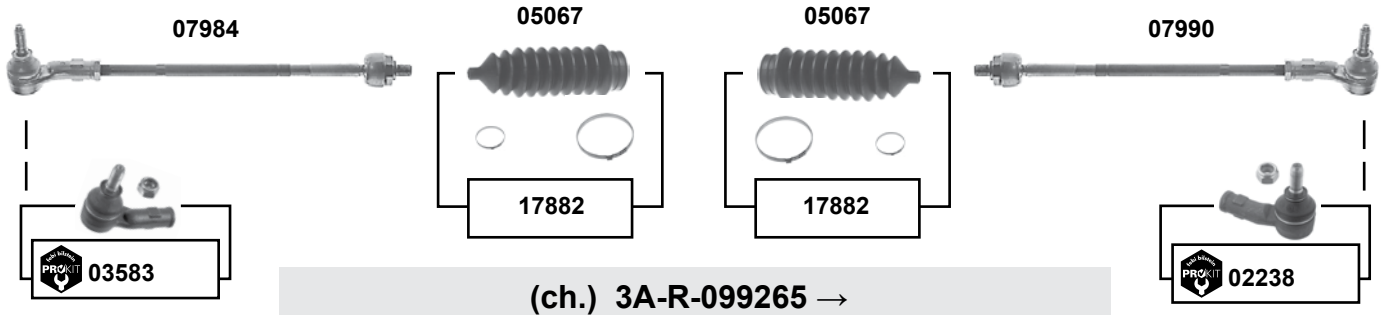
## Passat 3 (31/3A)

(1988 → 1997)

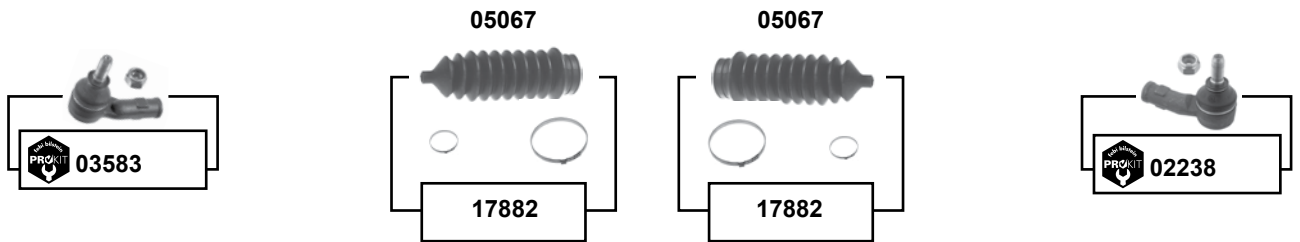
(ex.) 2.0 16V / VR6 / 1.9 TDI (81 kW)

für / to fit servo TRW

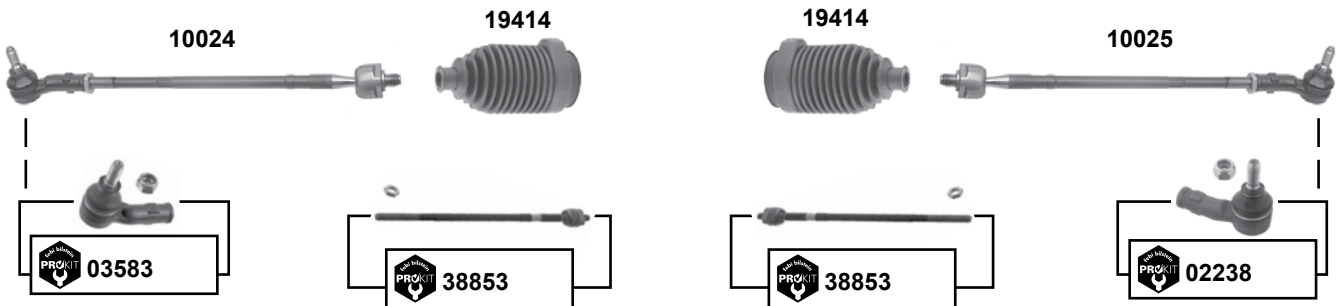
(ch.) → 3A-R-099264



(ch.) 3A-R-099265 →



für / to fit servo ZF



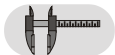
(1) 1988 → 1992 (ch.) → 31-N-080 000  
1993 → 1994 (ch.) → 3A-R-099 264



(2) 1988 → 1996 servo   
1993 → 1997 (ch.) → 3A-R-099 264 servo



Ref. - No.



02238	191 419 812	ProKit Spurstangenendstück / tie rod end	(1)	M12 x 1,5
03583	191 419 811	ProKit Spurstangenendstück / tie rod end	(1)	M12 x 1,5
05067	1H0 422 831 B	Lenkmanschette / steering boot		
07984	357 422 803	Spurstange / tie rod		
07990	357 422 804	Spurstange / tie rod		
10024	357 422 803 A	Spurstange / tie rod		
10025	357 422 804 A	Spurstange / tie rod		
17882	1H0 422 831 B S1	Rep. Satz Lenkmanschette / rep. kit steering boot		
19414	357 422 831 B	Lenkmanschette / steering boot		
38853	357 422 810 A	ProKit Axialgelenk / axial joint	(2)	



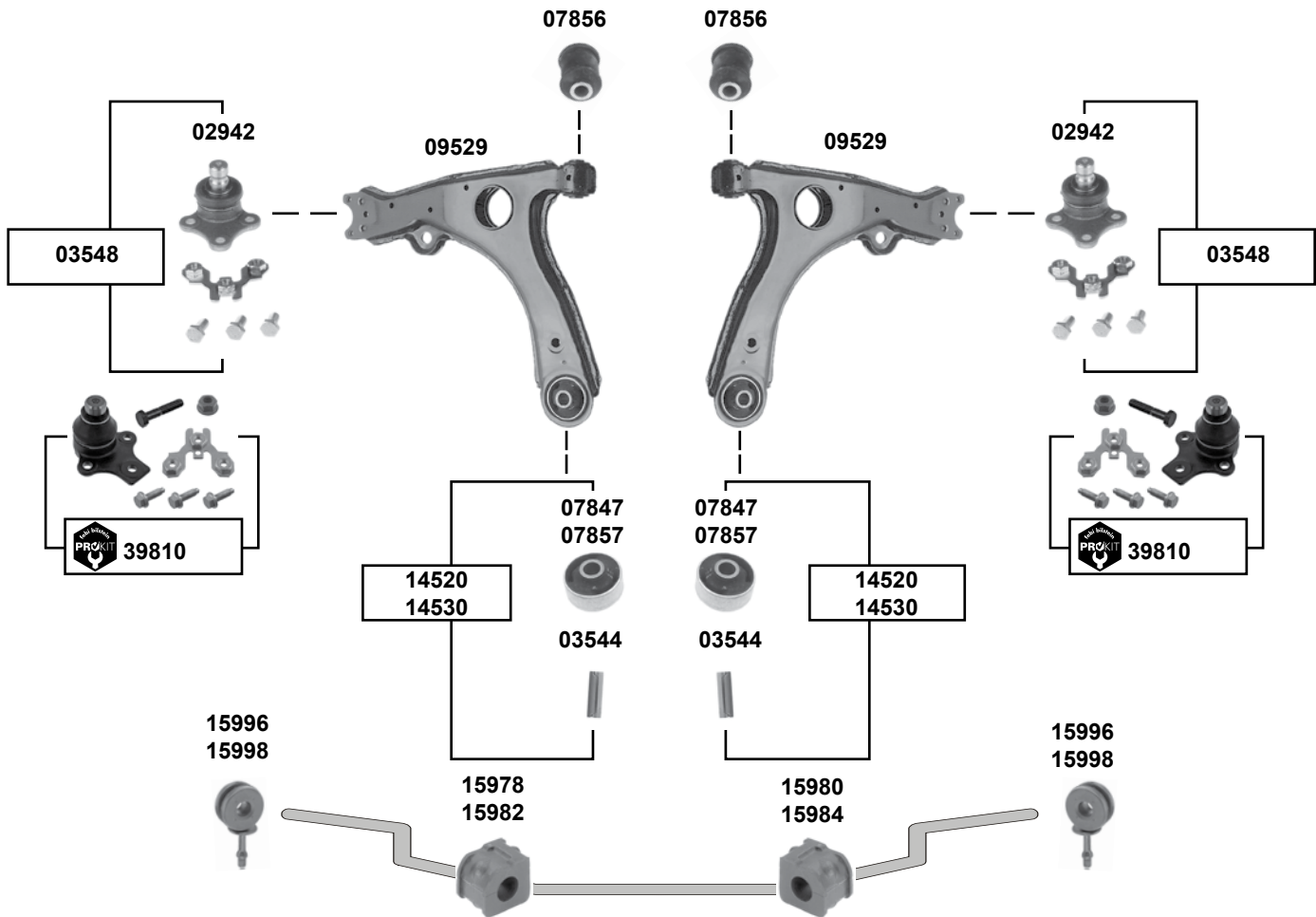
## Passat 3 (31/3A)

(1988 → 1997)

(ex.) 2.0 16V / VR6 / 1.9 TDI (81 kW)

servo

Vorderachse / Front axle

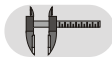


(1) Modell 88 → 93 Limousine → 66 kW

(2) Modell 88 → 93 Limousine 74 kW →  
 Modell 94 → 97 **alle/ all**  
 Modell 88 → 93 Variant



Ref. - No.



Ref. - No.	Description	Status	Dimensions
02942	Traggelenk / ball joint		Ø A 19
03544	Hülse / sleeve		50x17
03548	Rep. Satz Traggelenk / rep. kit ball joint		
07847	Querlenkerlager / control arm mount	NEW	17x60x41
07856	Querlenkerlager / control arm mount	OLD	12x33x54
07857	Querlenkerlager / control arm mount	OLD	17x60x41
09529	Querlenker / control arm		
14520	Querlenkerlager mit Hülse / control arm mount with sleeve	OLD	
14530	Querlenkerlager mit Hülse / control arm mount with sleeve	NEW	
15978	Stabilisatorlager / stabilizer mount	(1)	Ø   21
15980	Stabilisatorlager / stabilizer mount	(1)	Ø   21
15982	Stabilisatorlager / stabilizer mount	(2)	Ø   22,7
15984	Stabilisatorlager / stabilizer mount	(2)	Ø   22,7
15996	Verbindungsstange / connecting rod	(1)	Ø   18
15998	Verbindungsstange / connecting rod	(2)	Ø   19
39810	ProKit Traggelenk / ball joint		



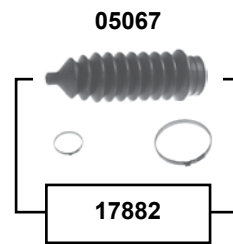
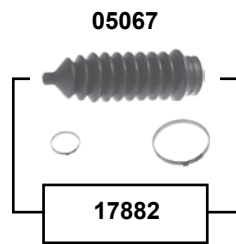
## Passat 3 (31/3A)

(1988 → 1997)

2.0 16V / VR6 / 1.9 TDI (81 kW)

für / to fit TRW

(ch.) → 3A-R-099264



für / to fit ZF

(ch.) → 31-N-255989



Vorderachse / Front axle

	Ref. - No.			
02238	191 419 812	ProKit Spurstangenendstück / tie rod end		M12 x 1,5
03583	191 419 811	ProKit Spurstangenendstück / tie rod end		M12 x 1,5
05067	1H0 422 831 B	Lenkmanschette / steering boot		
17882	1H0 422 831 B S1	Rep. Satz Lenkmanschette / rep. kit steering boot		
19414	357 422 831 B	Lenkmanschette / steering boot		

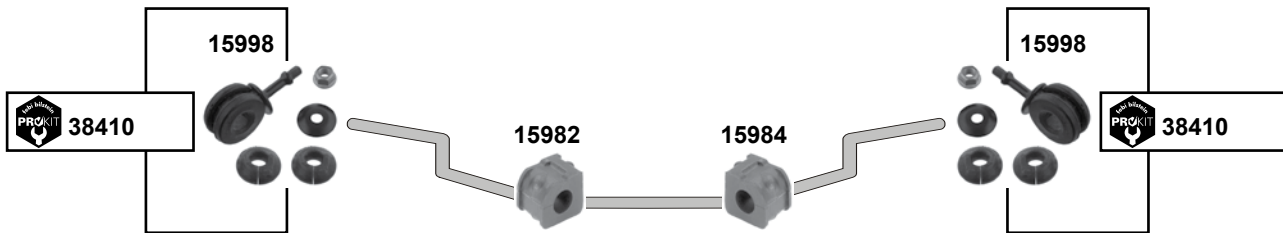
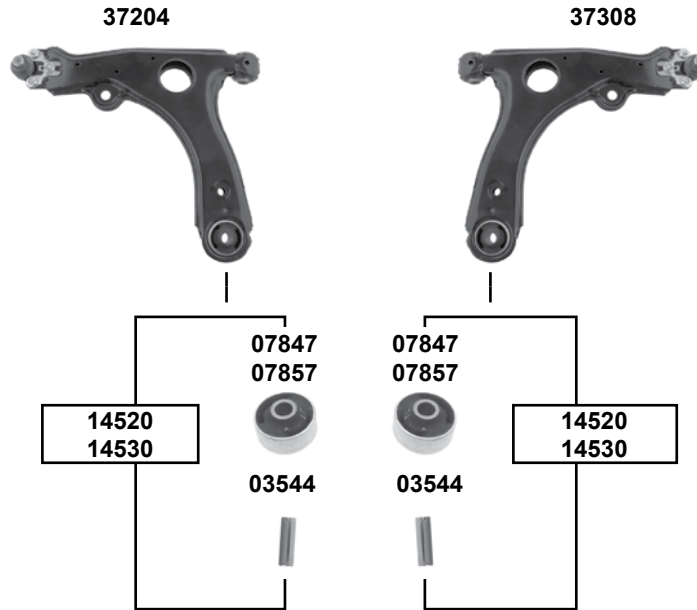


## Passat 3 (31/3A)

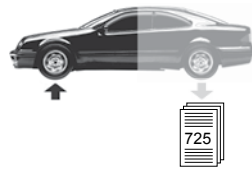
(1988 → 1997)

2.0 16V / VR6 / 1.9 TDI (81 kW)

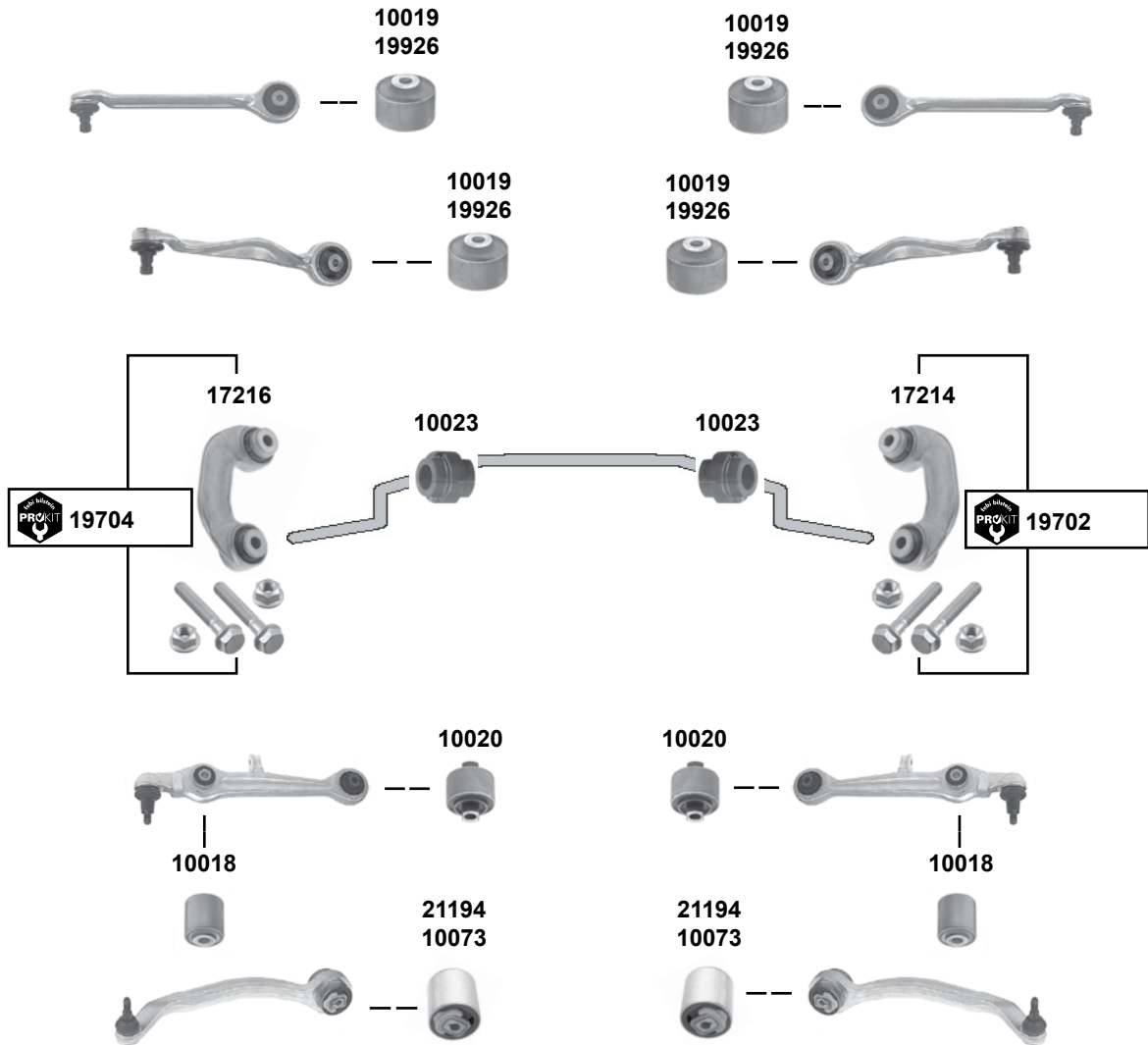
Vorderachse / Front axle



	Ref. - No.			
<b>03544</b>	191 407 190 A	Hülse / sleeve		50x17
<b>07847</b>	191 407 181 D	Querlenkerlager / control arm mount	<b>NEW</b>	17x60x41
<b>07857</b>	191 407 181 B	Querlenkerlager / control arm mount	<b>OLD</b>	17x60x41
<b>14520</b>	191 407 181 B S1	Querlenkerlager mit Hülse / control arm mount with sleeve	<b>OLD</b>	
<b>14530</b>	191 407 181 D S1	Querlenkerlager mit Hülse / control arm mount with sleeve	<b>NEW</b>	
<b>15982</b>	357 411 313 A	Stabilisatorlager / stabilizer mount		Ø   22,7
<b>15984</b>	357 411 314 A	Stabilisatorlager / stabilizer mount		Ø   22,7
<b>15998</b>	357 411 315 D	Verbindungsstange / connecting rod		Ø   20
<b>37204</b>	357 407 151 S1	Querlenker / control arm	→ 93 (ch.) → 31-N-255 989	
<b>37308</b>	357 407 151 S2	Querlenker / control arm	→ 93 (ch.) → 31-N-255 989	
<b>38410</b>	357 411 315 D S1	ProKit Verbindungsstange / connecting rod		Ø   20



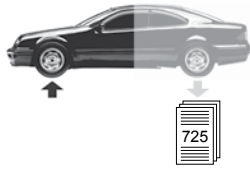
## Passat 4 4motion (3B2 / 3B5 / 3B6) (1997 → 2005)



Vorderachse / Front axle

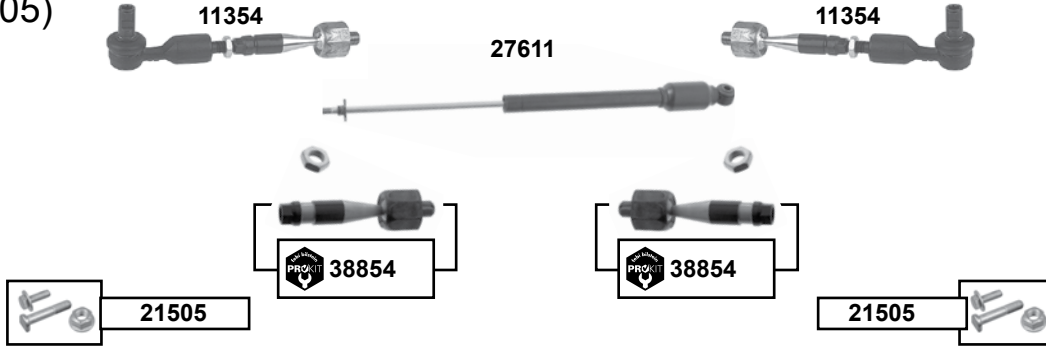
	Ref. - No.			
10018	4D0 407 181 H	Querlenkerlager / control arm mount		12x40x50
10019	4D0 407 515 C	Querlenkerlager / control arm mount	(ch.) → 3B-XE-113 734	10x46x40
10020	4D0 407 182 E	Querlenkerlager / control arm mount		12x50x60
10023	4D0 411 327 H	Stabilisatorlager / stabilizer mount		Ø   27
10073	4D0 407 183 AC	Querlenkerlager / control arm mount	OLD	12x65x80
17214	8D0 411 318 D	Verbindungsstange rechts / connecting rod right		
17216	8D0 411 317 D	Verbindungsstange links / connecting rod left		
19702	8D0 411 318 D S1	ProKit Verbindungsstange / connecting rod		
19704	8D0 411 317 D S1	ProKit Verbindungsstange / connecting rod		
19926	4B0 407 515	Querlenkerlager / control arm mount	(ch.) 3B-XE-113 734 →	10x46x40
21194	4D0 407 183 AC	Querlenkerlager / control arm mount	NEW	



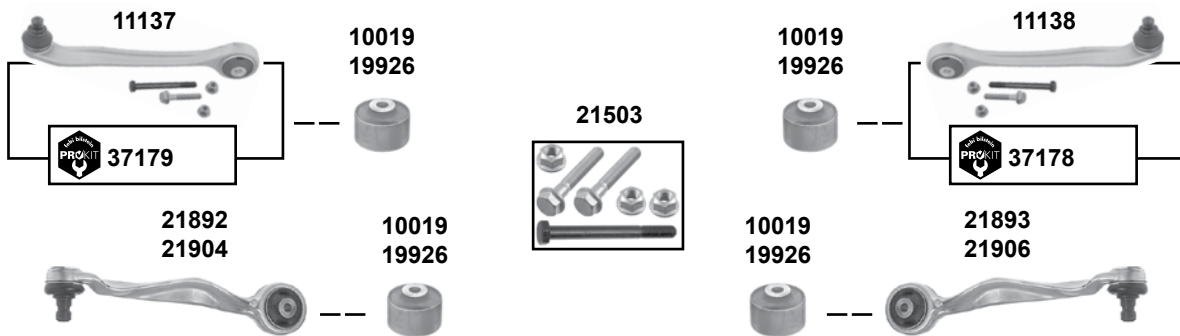


## Passat 4 (3B) (1997 → 2005)

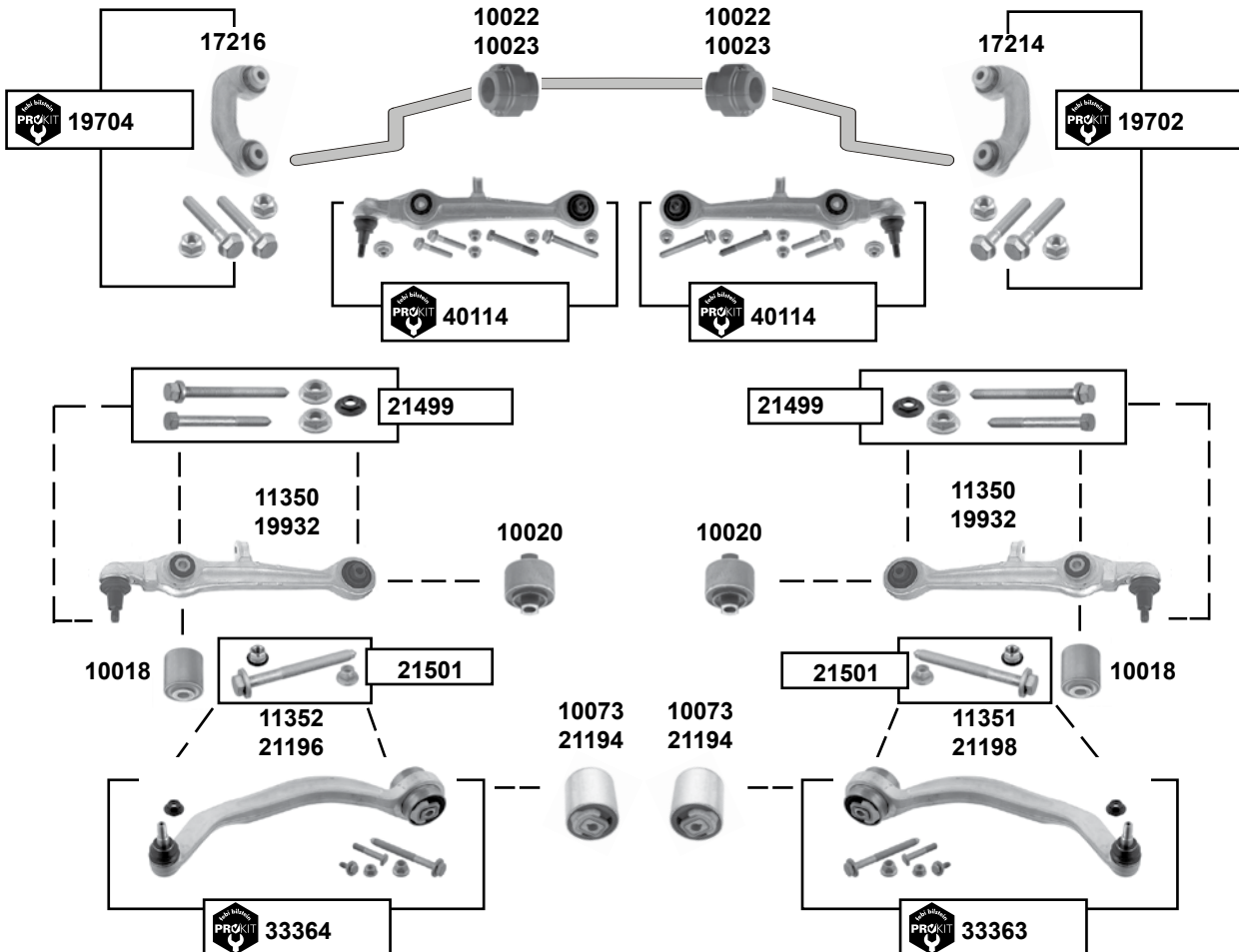
Vorderachse / Front axle

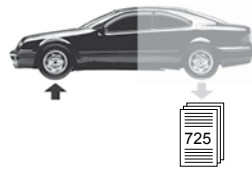


### oben / upper



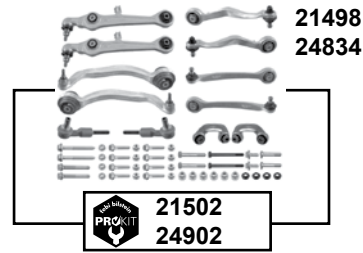
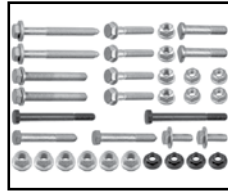
### unten / lower





## Passat 4 (3B) (1997 → 2005)

21497  
21500  
24900  
24832  
26600



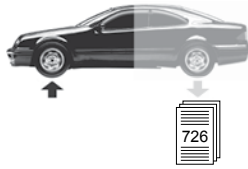
- (1) (ch.) → 3B-VE-083 008 (ch.) → 3B-VP-102 593 (4) (ex.) 1,9 TDi (96 kw) /
- (2) (ch.) 3B-VE-083 009 → / (ch.) 3B-VP-102 594 → (5) (ch.) 3B-3-072 000 →
- (3) (ex.) (mot.) AVF/AWX/ATJ / 97 → 03 (ch.) 3B-VE-083 009 → 3B-3-072 000 / (ch.) 3B-VP-102 594 → 3B-3-072 000



Ref. - No.



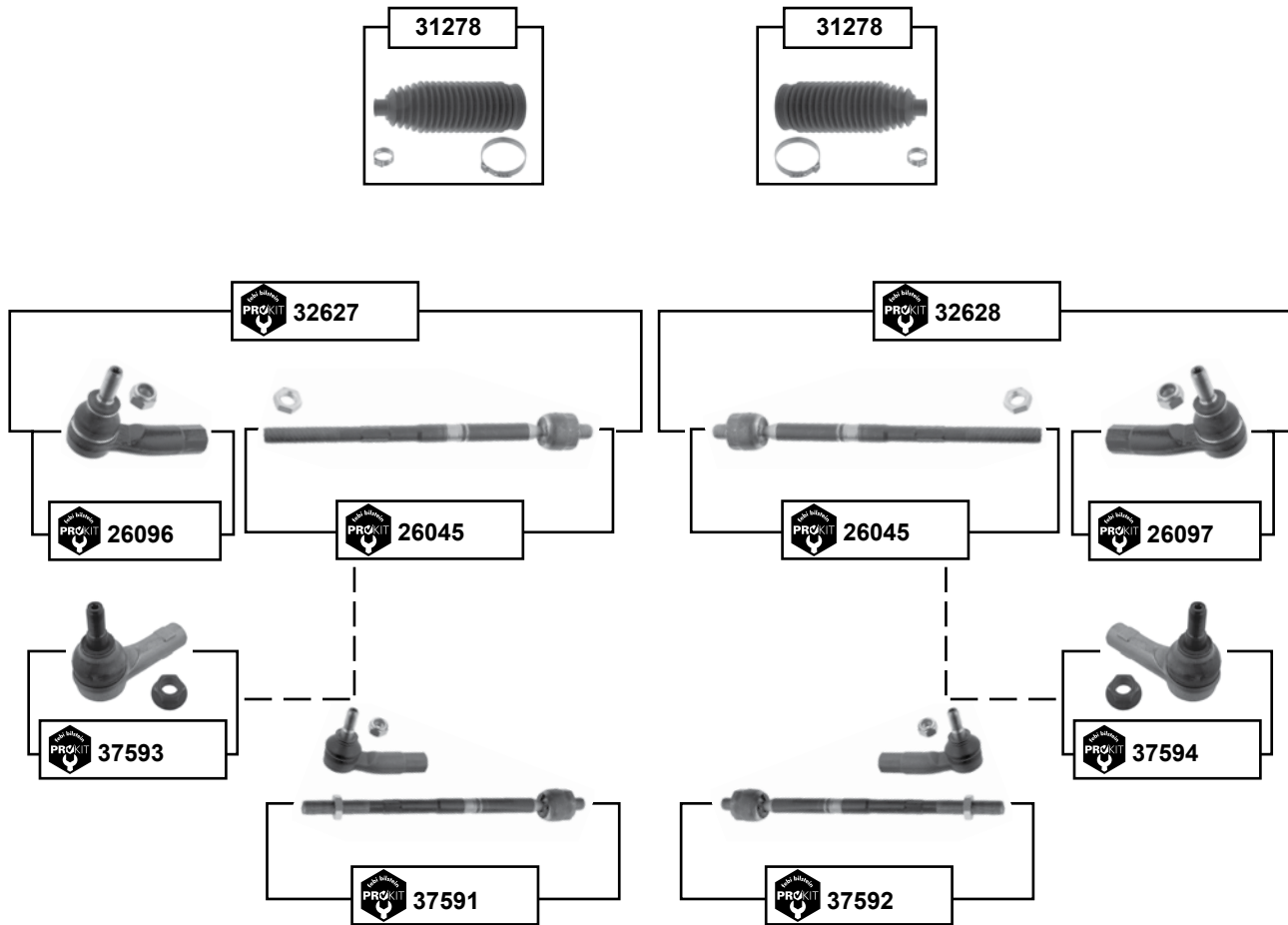
Ref. - No.	Description	Notes	Material
10018	4D0 407 181 H	Querlenkerlager / control arm mount	12x40x50
10019	4D0 407 515 C	Querlenkerlager / control arm mount	10x46x40
10020	4D0 407 182 G	Querlenkerlager / control arm mount	12x50x60
10022	4D0 411 327 G	Stabilisatorlager / stabilizer mount	Ø I 25
10023	4D0 411 327 H	Stabilisatorlager / stabilizer mount	Ø I 27
10073	4D0 407 183 P	Querlenkerlager / control arm mount	12x65x80
11137	8E0 407 505 A	Querlenker, <u>vorne</u> / control arm, <u>front</u>	Alu
11138	8E0 407 506 A	Querlenker, <u>vorne</u> / control arm, <u>front</u>	Alu
11350	4D0 407 151 P	Querlenker, <u>vorne</u> / control arm, <u>front</u>	(ch.) → 3B-3-071999
11351	8E0 407 694 E	Querlenker, <u>hinten</u> / control arm, <u>rear</u>	97 → 00
11352	8E0 407 693 E	Querlenker, <u>hinten</u> / control arm, <u>rear</u>	97 → 00
11354	4B0 419 801 M	Spurstange / tie rod	(ch.) → 3B-X-400000
17214	8D0 411 318 D	Verbindungsstange / connecting rod	L 90
17216	8D0 411 317 D	Verbindungsstange / connecting rod	L 90
19702	8D0 411 318 D S1	ProKit Verbindungsstange / connecting rod	
19704	8D0 411 317 D S1	ProKit Verbindungsstange / connecting rod	
19926	4B0 407 515	Querlenkerlager / control arm mount	(ch.) 3B-XE-113 735 →
19932	4B3 407 151 K	Querlenker / control arm	(4) (ch.) 3B-3-072000 →
21194	4D0 407 183 AC	Querlenkerlager / control arm mounting	01 →
21196	8E0 407 693 AG	Querlenker, <u>hinten</u> / control arm, <u>rear</u>	Variant / 4motion 03 → 05
21198	8E0 407 694 AG	Querlenker, <u>hinten</u> / control arm, <u>rear</u>	Variant / 4motion 03 → 05
21497	-	Schraubensatz / screw kit	(3)
21499	-	Schraubensatz / screw kit	(3)
21498	-	Schraubensatz / screw kit	(3)
21500	8D0 498 998	Rep. Satz Querlenker / rep. kit control arm	(3)
21501	-	Schraubensatz / screw kit	
21502	8D0 498 998 S1	ProKit Querlenker / control arm	(3)
21503	-	Schraubensatz / screw kit	
21505	-	Schraubensatz / screw kit	
21892	8D0 407 509 G	Querlenker, <u>hinten</u> / control arm, <u>rear</u>	(1)
21893	8D0 407 510 G	Querlenker, <u>hinten</u> / control arm, <u>rear</u>	(1)
21904	8E0 407 509 A	Querlenker / control arm	(2)
21906	8E0 407 510 A	Querlenker / control arm	(2)
24832	-	Schraubensatz / screw kit	(5)
24834	-	Schraubensatz / screw kit	(5)
24900	4B3 498 998	Rep. Satz Querlenker / rep. kit control arm	(5)
24902	4B3 498 998 S1	ProKit Querlenker / control arm	(5)
26600	8D0 498 998 B	Rep. Satz Querlenker / rep. kit control arm	(3)
27611	4D0 425 021 D	Lenkungsdämpfer / steering-damper	
33363	8E0 407 694 E S1	ProKit Querlenker / control arm	97 → 00
33364	8E0 407 693 E S1	ProKit Querlenker / control arm	97 → 00
37178	8E0 407 506 A S1	ProKit Querlenker / control arm	
37179	8E0 407 505 A S2	ProKit Querlenker / control arm	
38854	4B0 419 810 M	ProKit Axialgelenk / axial joint	
40114	4B3 407 151 K S1	ProKit Querlenker / control arm	(ch.) 3U-3-021398 / 3B-3-072001 →



## Passat 5 / CC (3C)

(2005 →)(2009 →)(2011 →)

Vorderachse / Front axle



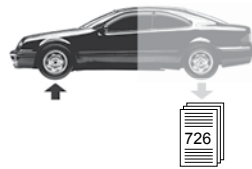
(1) Passat 5 / variant / 4motion (3C) 06 → 11  
 Passat (Typ 36) / variant / 4motion 11 →  
 Passat CC (3C) 09 →



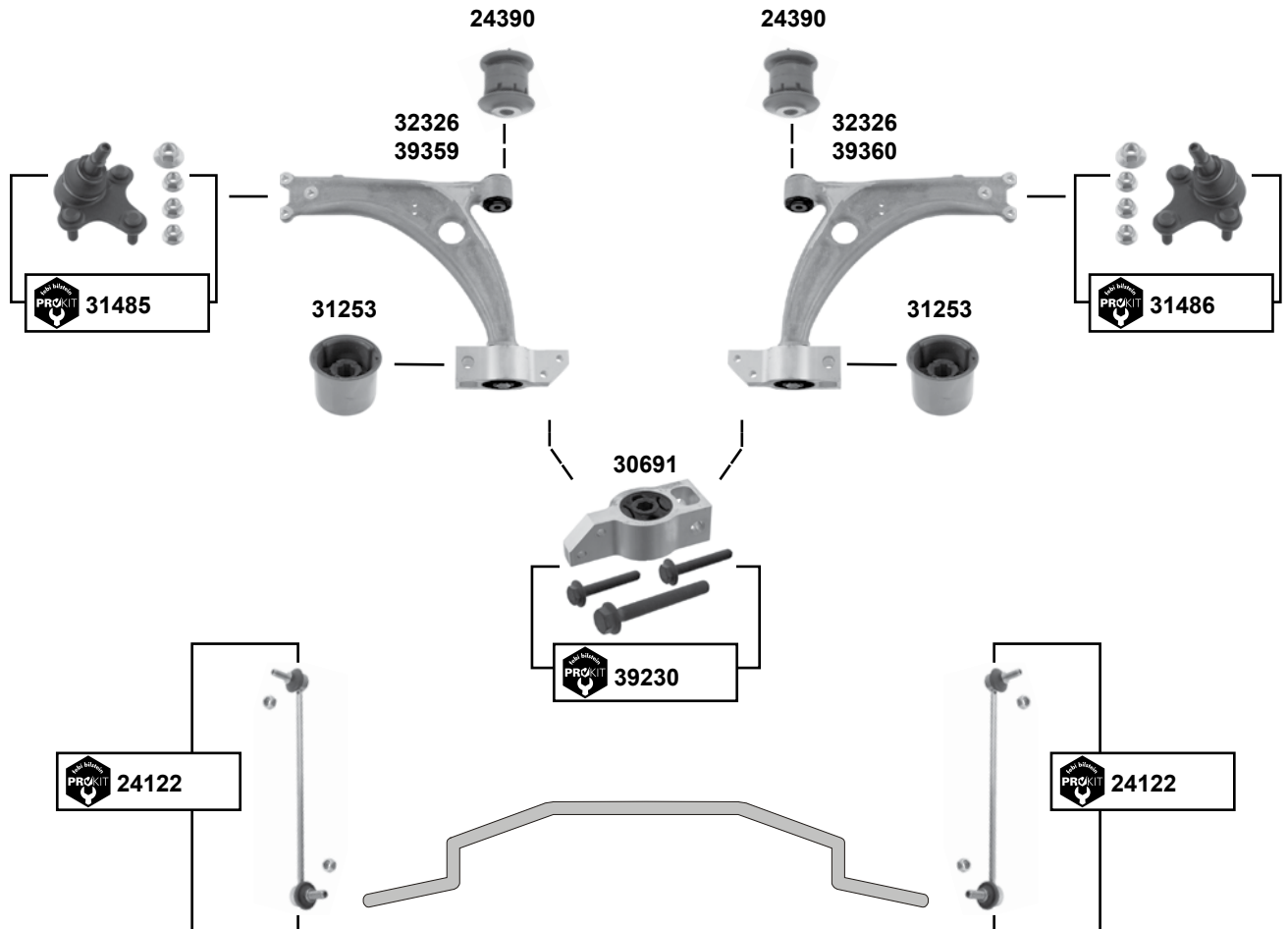
Ref. - No.



Ref. - No.	Description	Quantity	Dimensions
26045	ProKit Spurstange / tie rod	(1)	
26096	ProKit Spurstangenendstück / tie rod end		M16 x 1,5
26097	ProKit Spurstangenendstück / tie rod end		M16 x 1,5
31278	Rep. Satz Lenkmanschette / rep. kit steering boot		
32627	ProKit Spurstange links / tie rod left		
32628	ProKit Spurstange rechts / tie rod right		
37591	ProKit Spurstange / tie rod		L 448
37592	ProKit Spurstange / tie rod		L 448
37593	ProKit Spurstangenendstück / tie rod end		M16 x 1,5
37594	ProKit Spurstangenendstück / tie rod end		M16 x 1,5



## Passat 5 / CC (3C) (2005 →) (2009 →) (2011 →)

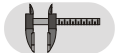


Vorderachse / Front axle

- (1) Passat 5 / variant / 4motion : 06 → 11  
Passat CC : 09 → (ex.) PR-1ZG/1ZM
- (2) Passat 5 / variant / 4motion (3C) 06 → 11  
Passat (Typ 36) / variant / 4motion 11 →  
Passat CC (3C) 09 →
- (3) Passat CC PR-1ZG/1ZM



Ref. - No.

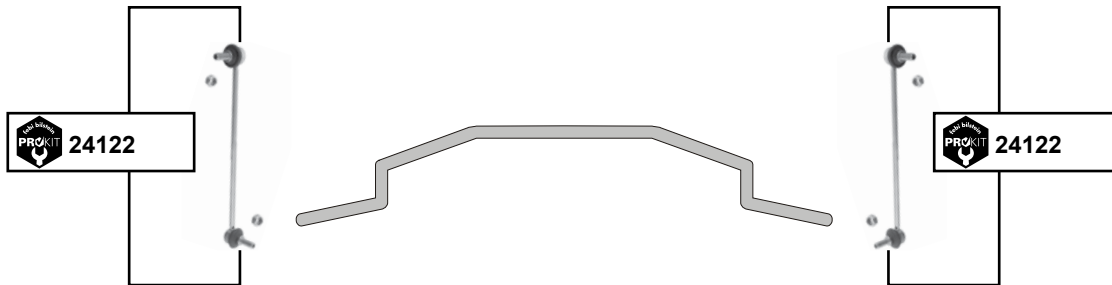
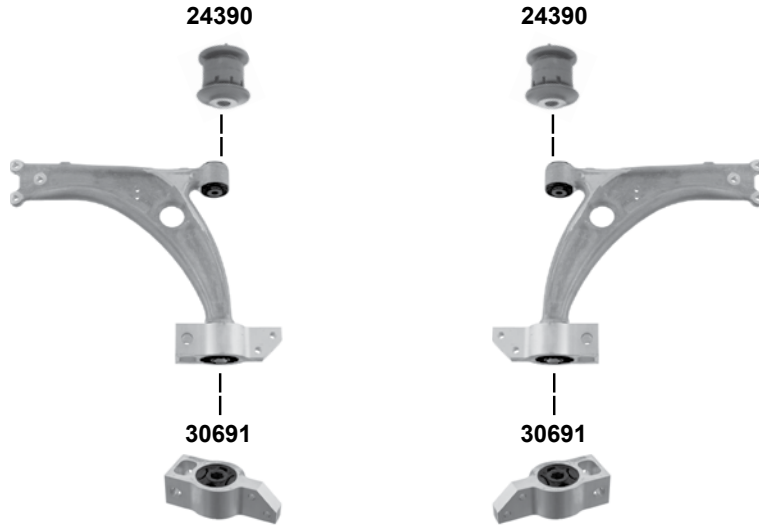


Ref. - No.	Description	Quantity	Material
24122	1K0 411 315 R ProKit Verbindungsstange / connecting rod	(2)	
24390	1K0 407 182 Querlenkerlager / control arm mount	(2)	Ø A 48 H 54
30691	3C0 199 231 D Querlenkerlager / control arm mount	(1)	
31253	1K0 407 183 E Querlenkerlager / control arm mount	(2)	Ø A 63
31485	3C0 407 365 A S1 Rep. Satz Traggelenk / rep. kit ball joint	(1)	M12 x 1,5
31486	3C0 407 366 A S1 Rep. Satz Traggelenk / rep. kit ball joint	(1)	M12 x 1,5
32326	3C0 407 151 G Querlenker / control arm	(1) Alu	
39230	3C0 199 231 E S1 ProKit Querlenkerlagersatz / control arm mount kit		
39359	5N0 407 151 Querlenker / control arm	(3) Stahl / steel	
39360	5N0 407 152 Querlenker / control arm	(3) Stahl / steel	

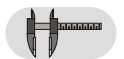


## Passat (Typ 36) (2011 →)

Vorderachse / Front axle



Ref. - No.

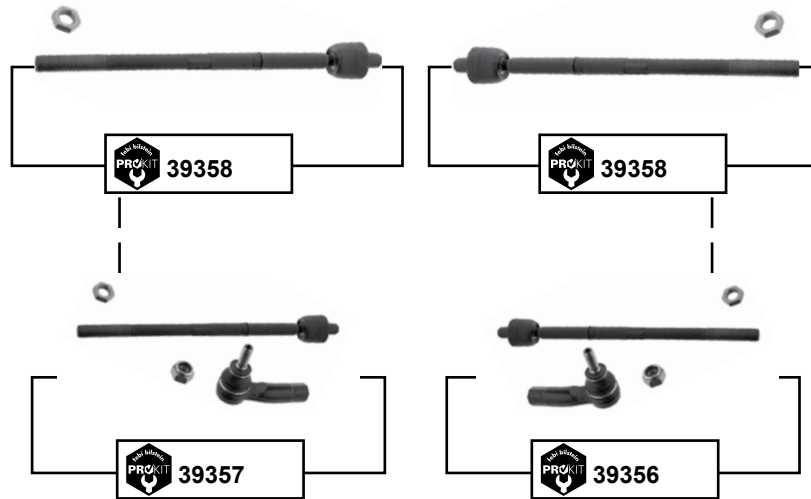


24122	1K0 411 315 R
24390	1K0 407 182
30691	3C0 199 231 D

ProKit Verbindungsstange / connecting rod
Querlenkerlager / control arm mount
Querlenkerlager / control arm mount

Ø A40 H54

## Passat 6 (A32) (2011 →)



Vorderachse / Front axle

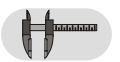


(1) Gummimetalllager / rubber metal mount

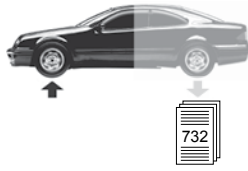
(2) PR-1ZG/1ZM



Ref. - No.

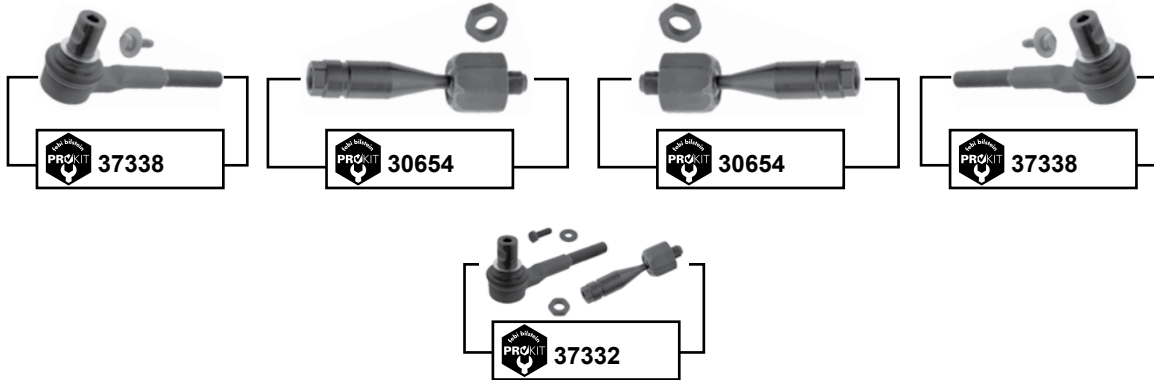


Ref. - No.	Description	Notes	Dimensions
36752	Querlenkerlager / control arm mount	(1)	Ø   13
39356	ProKit Spurstange / tie rod	PR-1N1/1N3 / servo	M16 x 1,5
39357	ProKit Spurstange / tie rod	PR-1N1/1N3 / servo	
39358	ProKit Axialgelenk / axial joint	Servotronic / PR-1N3	
39359	Querlenker / control arm	(2) Stahl / steel	
39360	Querlenker / control arm	(2) Stahl / steel	

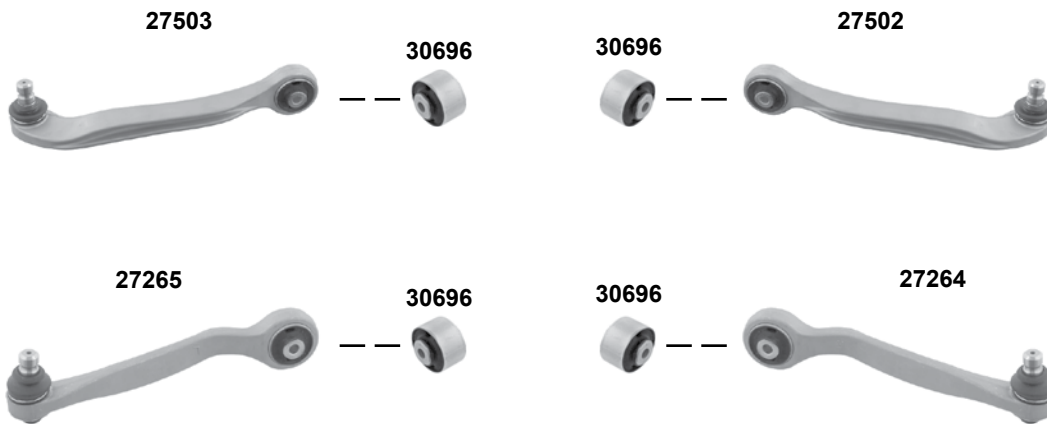


## Phaeton (3D)

(2002 →)



### oben / upper



### unten / lower



Ref. - No.



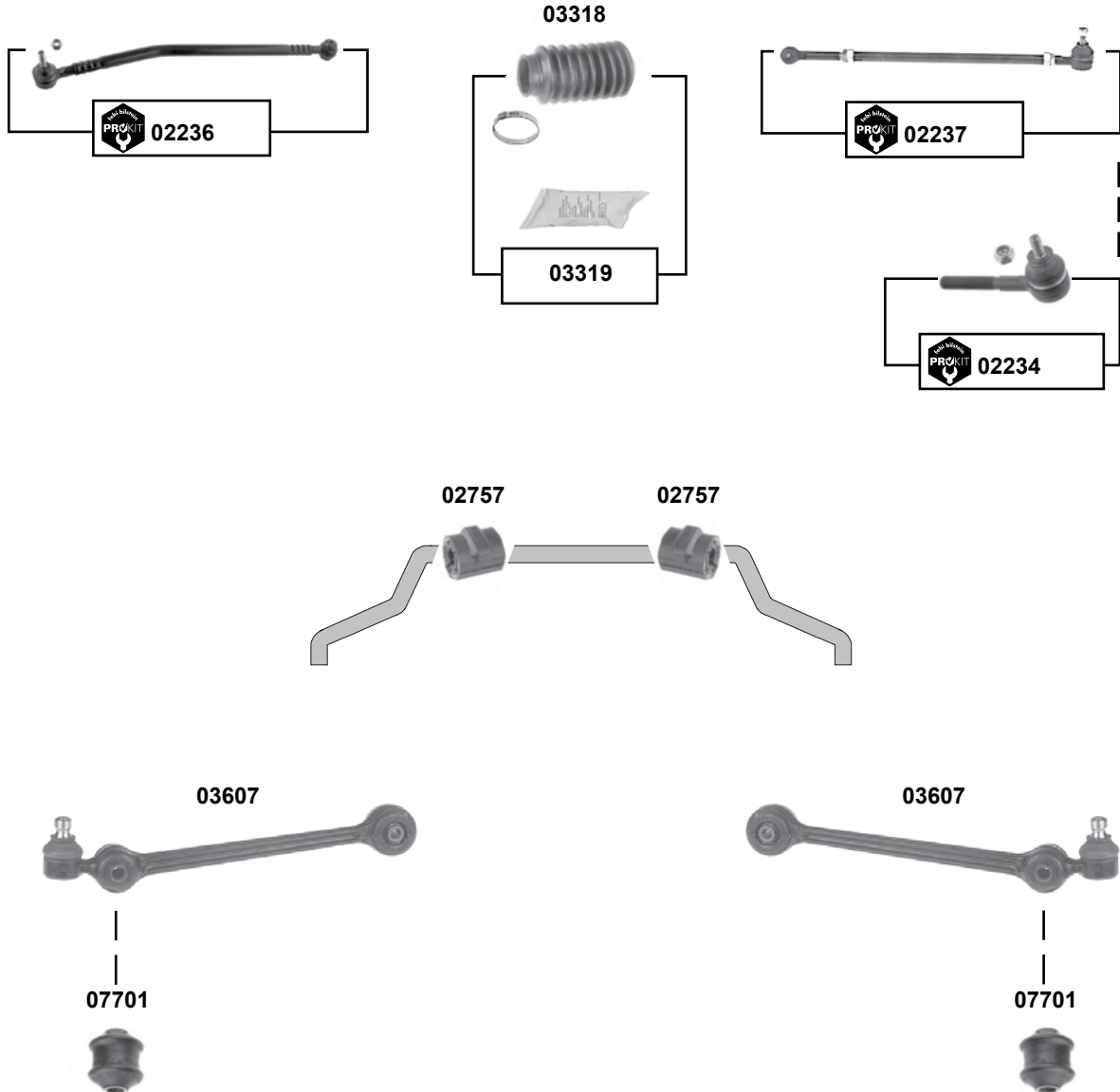
<b>27502</b>	4E0 407 506 B	Querlenker / control arm
<b>27503</b>	4E0 407 505 B	Querlenker / control arm
<b>27264</b>	4E0 407 510 B	Querlenker / control arm
<b>27265</b>	4E0 407 509 B	Querlenker / control arm
<b>29450</b>	4E0 407 182 C	Querlenkerlager / control arm mounting
<b>30654</b>	4E0 419 810 C	ProKit Axialgelenk / axial joint
<b>30696</b>	8D0 407 515 C	Querlenkerlager / control arm mounting
<b>37332</b>	4E0 419 801 E S2	ProKit Spurstange mit Schraube / tie rod with screw
<b>37338</b>	4E0 419 811 E S1	ProKit Spurstangenendstück / tie rod end

Ø A 55  
M16 x 1,5

Vorderachse / Front axle



## Polo 1 / 2 (80/86/87) (1975 → 1994) (ex.) G40



Vorderachse / Front axle

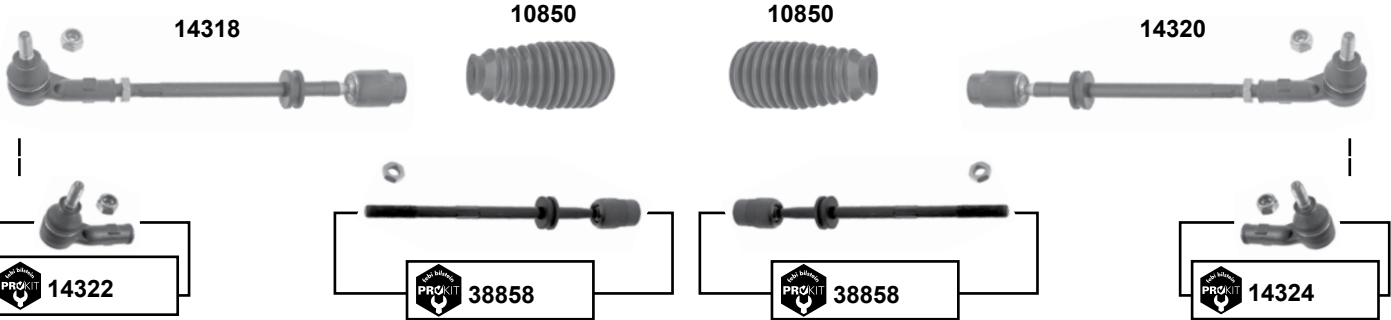
	Ref. - No.			
<b>02234</b>	811 419 812	ProKit Spurstangenendstück / tie rod end		M10 x 1
<b>02236</b>	871 419 801 A	ProKit Spurstange / tie rod	LHD / (ch.) -D-000 001 →	
<b>02237</b>	871 419 802	ProKit Spurstange / tie rod	LHD / (ch.) -D-000 001 →	
<b>02757</b>	867 411 313	Stabilisatorlager / stabilizer mount		Ø   16,5
<b>03318</b>	861 419 831 B S1	Rep. Satz Lenkmanschette / rep. kit steering boot	(ch.) F 86A 0000 001 →	
<b>03319</b>	861 419 831 B	Lenkmanschette / steering boot	(ch.) F 86A 0000 001 →	
<b>03607</b>	861 407 151 B	Querlenker / control arm	(ch.) 869 2523 523 →	
<b>07701</b>	861 407 183	Stabilisatorlager / stabilizer mount		12x34x44,5





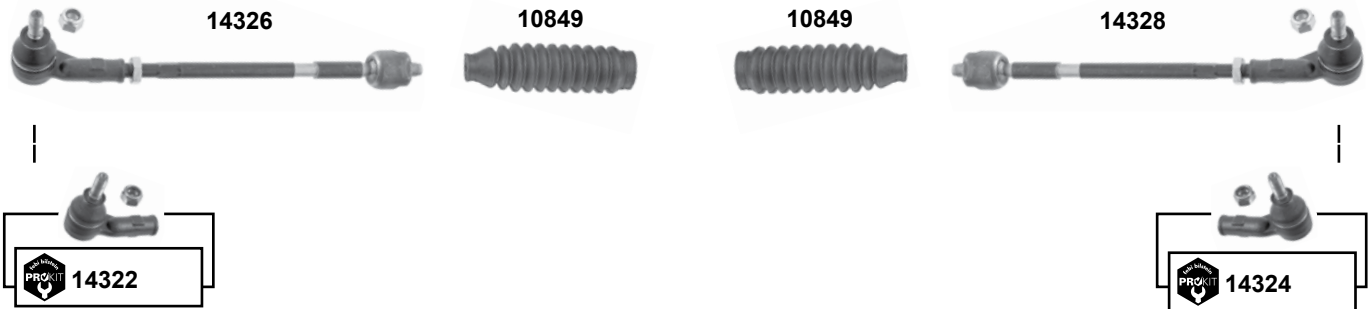
## Polo 3 (6N1) (1995 → 2000)

man.

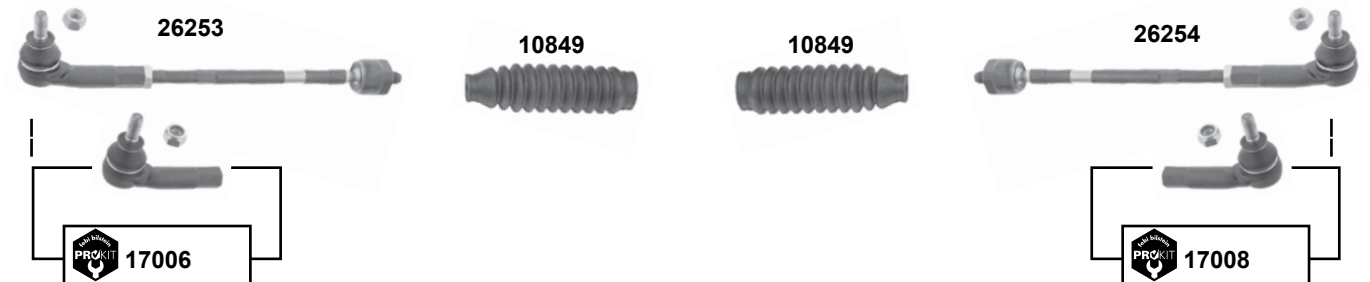


servo

(ch.) → 6N-WW-078 256 / 6N-WX-078 256 / 6N-XY-156 681 (LHD) / 6N-WY-172 198 (RHD)



(ch.) 6N-WW-078 257 / 6N-WX-078 257 / 6N-XY-156 682 (LHD) / 6N-WY-172 199 (RHD) →



Ref. - No.



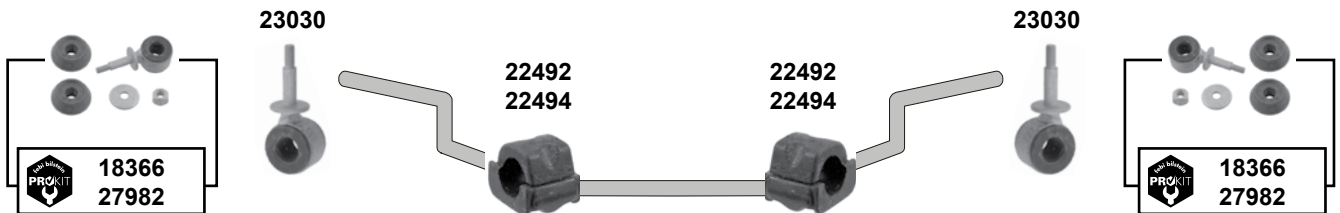
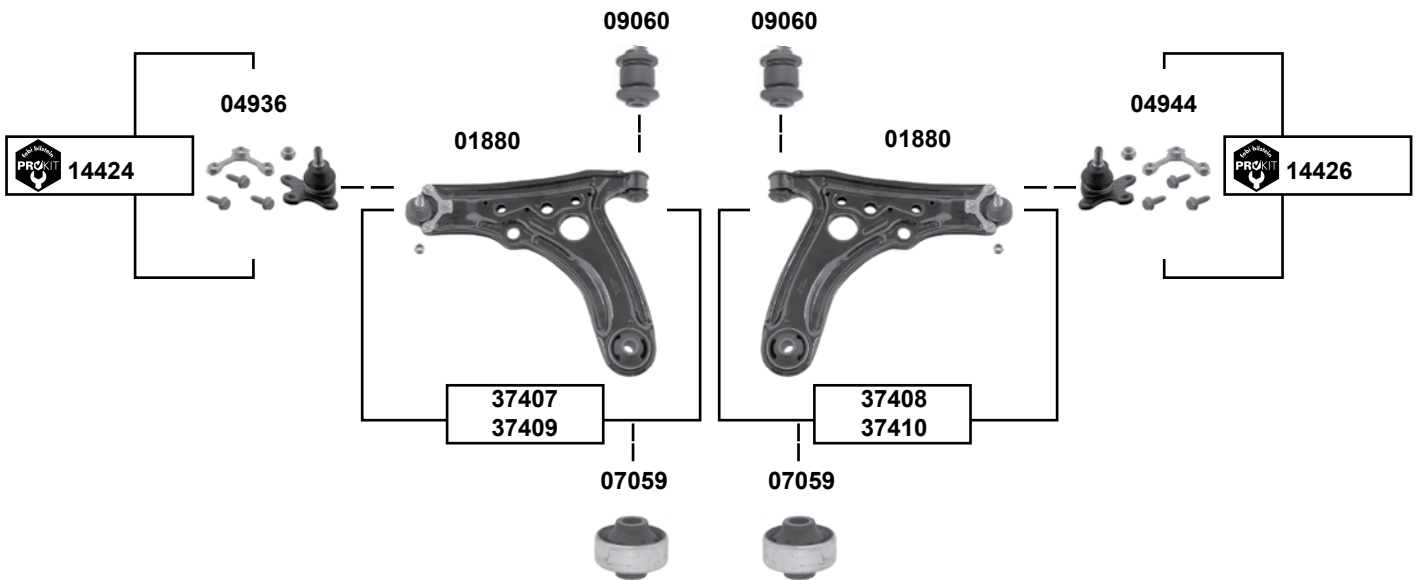
10849	6N0 422 831	Lenkmanschette / steering boot		
10850	6N0 419 831	Lenkmanschette / steering boot		
14318	6N0 419 803	Spurstange / tie rod		
14320	6N0 419 804	Spurstange / tie rod		
14322	6N0 422 811	ProKit Spurstangenendstück / tie rod end	servo	M12 x 1,5
14324	6N0 422 812	ProKit Spurstangenendstück / tie rod end	servo	M12 x 1,5
14326	6N0 422 803 A	Spurstange / tie rod		
14328	6N0 422 804 A	Spurstange / tie rod		
17006	6E0 419 811	ProKit Spurstangenendstück / tie rod end		M12 x 1,5
17008	6X0 422 812	ProKit Spurstangenendstück / tie rod end		M12 x 1,5
26253	6N0 422 803 D	Spurstange / tie rod		M12 x 1,5
26254	6N0 422 804 D	Spurstange / tie rod		M12 x 1,5
38858	6N0 419 810	ProKit Axialgelenk / axial joint		M12 x 1,5

(ch.) → 6N-Y-050 000

Vorderachse / Front axle



## Polo 3 (6N1) (1995 → 2000)



(1) für Bremsscheibendurchmesser (mm) / for brake disk diameter (mm): 239

(2) Stabilisator / stabilizer Ø 20/22 mm



Ref. - No.

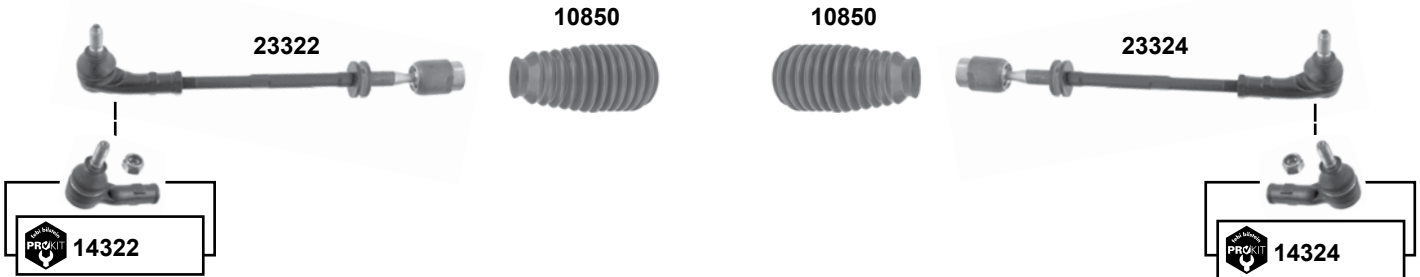


Part No.	Ref. - No.	Description	Notes	Dimensions
01880	6N0 407 151 B	Querlenker / control arm		
04936	6N0 407 365	Traggelenk / ball joint		M10 x 1
04944	6N0 407 365	Traggelenk / ball joint		M10 x 1
07059	6N0 407 181	Querlenkerlager / control arm mount		17x61x46
09060	6N0 407 182	Querlenkerlager / control arm mount		10x28x47
14424	6N0 407 365 S1	ProKit Traggelenk / ball joint		M10 x 1
14426	6N0 407 365 A S1	ProKit Traggelenk / ball joint		M10 x 1
18366	6N0 411 315 C S1	ProKit Verbindungsstange / connecting rod	(ch.) → 6K-V-047 501	
22492	6X0 411 313	Stabilager / stabilizer mounting		Ø   18
22494	6X0 411 313 A	Stabilager / stabilizer mounting		Ø   20
23030	6N0 411 315 D	Verbindungsstange / connecting rod	(2)	
27982	6K0 411 315 S1	ProKit Verbindungsstange / connecting rod	(ch.) 6K-V-047 501 →	Ø   16,5
37407	6X0 407 151 A S2	Rep. Satz Querlenker / rep. kit control arm	PR-1LB, 1LM, 1ZC, 1ZN	
37408	6X0 407 151 A S3	Rep. Satz Querlenker / rep. kit control arm	PR-1LB, 1LM, 1ZC, 1ZN	
37409	6N0 407 151 B S1	Rep. Satz Querlenker / rep. kit control arm	(1)	
37410	6N0 407 151 B S2	Rep. Satz Querlenker / rep. kit control arm	(1)	



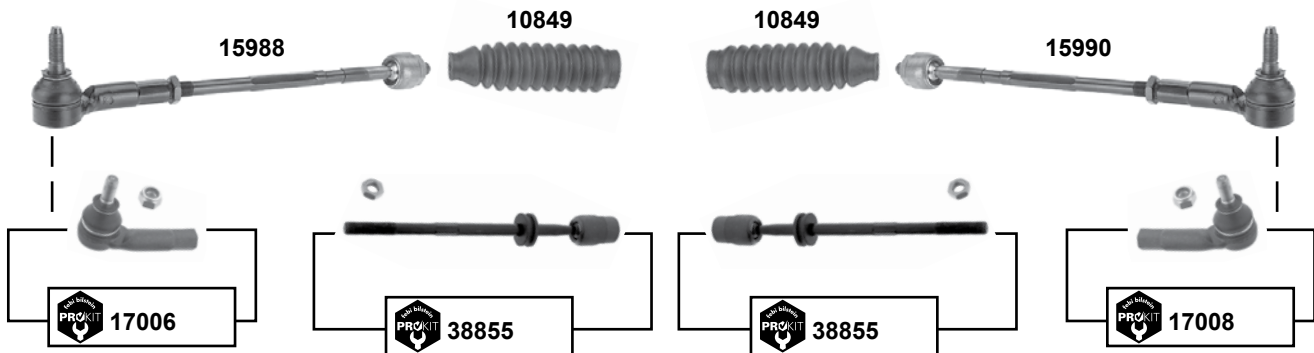
## Polo 3 (6N2) (2000 → 2002)

man.

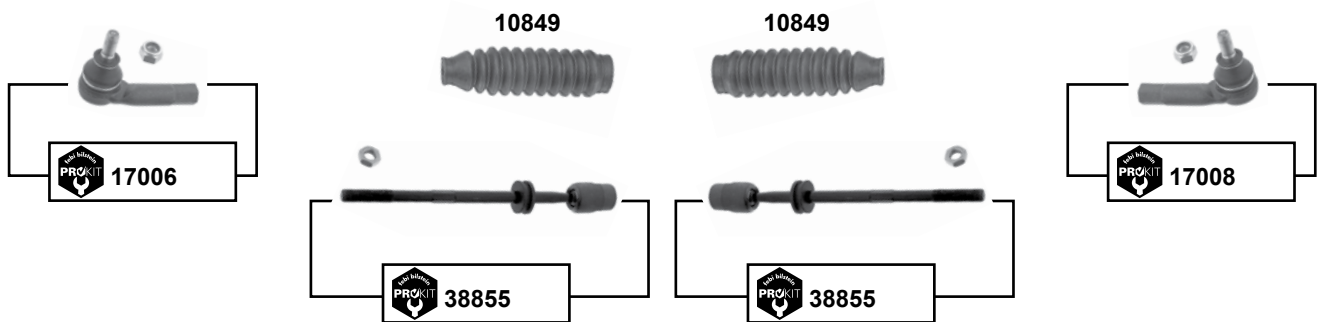


servo

→ 47 Kw (64 PS)



55 Kw (75PS) →



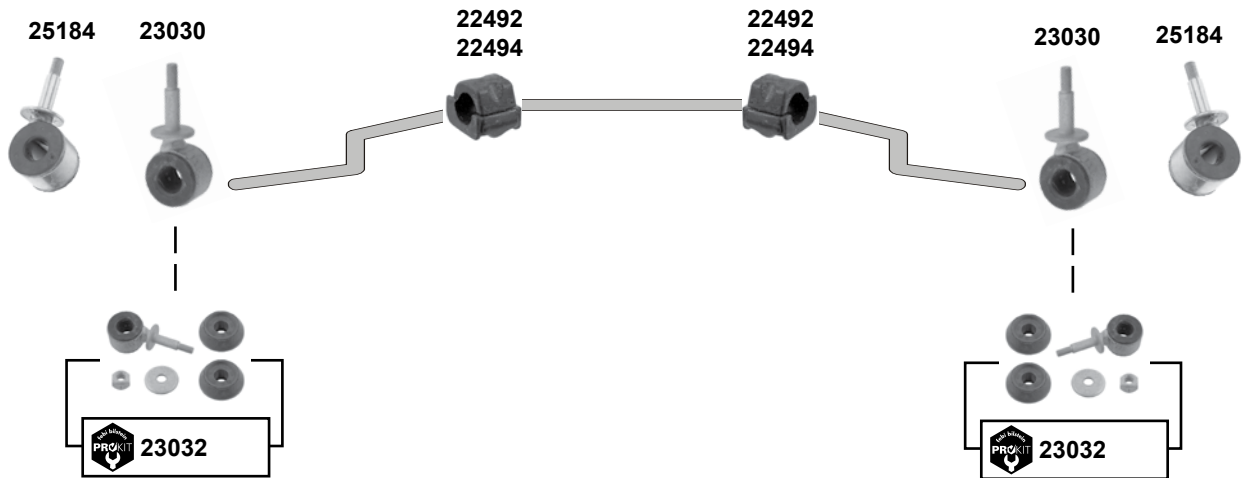
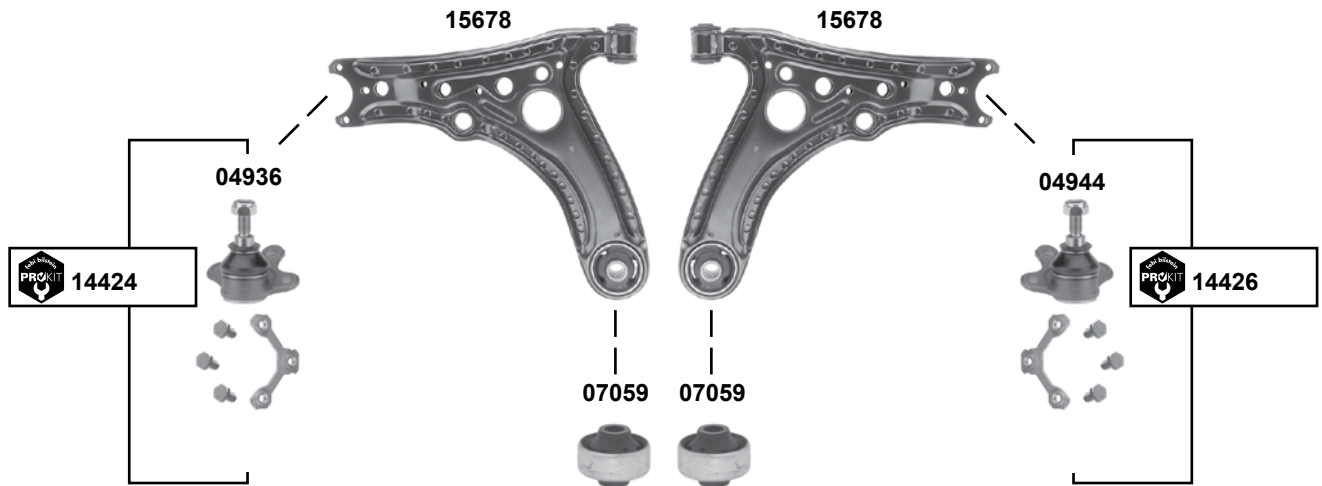
Ref. - No.



10849	6N0 422 831	Lenkmanschette / steering boot		
10850	6N0 419 831	Lenkmanschette / steering boot		
14322	6N0 422 811	ProKit Spurstangenendstück / tie rod end	servo	M12 x 1,5
14324	6N0 422 812	ProKit Spurstangenendstück / tie rod end	servo	M12 x 1,5
15988	6X0 422 803	Spurstange / tie rod		
15990	6X0 422 804	Spurstange / tie rod		
17006	6E0 419 811	ProKit Spurstangenendstück / tie rod end		M12 x 1,5
17008	6X0 422 812	ProKit Spurstangenendstück / tie rod end		M12 x 1,5
23322	6X0 419 803 A	Spurstange / tie rod	(mot.) ALD/AUC	
23324	6X0 419 804 A	Spurstange / tie rod		
38855	6X0 422 810	ProKit Axialgelenk / axial joint	servo  / PR-1N1/1N5	



## Polo 3 (6N2) (2000 → 2002)



Vorderachse / Front axle



- (1) Stabilisator / stabilizer Ø 18 mm / (ch.) 6N-Y-500 001→
- (2) Stabilisator / stabilizer Ø 20/22 mm



Ref. - No.

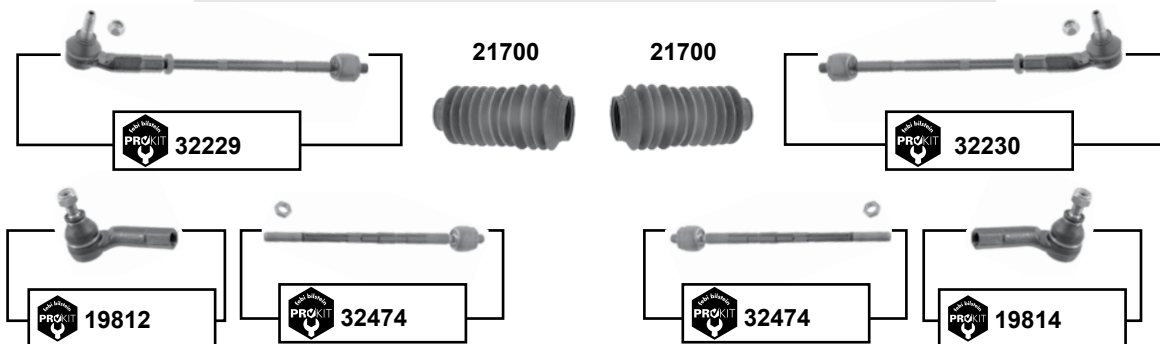


Ref. - No.	Description	Quantity	Dimensions
04936	6N0 407 365 Traggelenk / ball joint		M10 x 1
04944	6N0 407 365 A Traggelenk / ball joint		M10 x 1
07059	6N0 407 181 Querlenkerlager / control arm mount		17x61x46
14424	6N0 407 365 S1 ProKit Traggelenk / ball joint		M10 x 1
14426	6N0 407 365 A S1 ProKit Traggelenk / ball joint		M10 x 1
15678	6X0 407 151 A Querlenker / control arm		
22492	6X0 411 313 Stabilager / stabilizer mounting		Ø   18
22494	6X0 411 313 A Stabilager / stabilizer mounting		Ø   20
23030	6N0 411 315 D Verbindungsstange / connecting rod	(2)	
23032	6N0 411 315 D S1 ProKit Verbindungsstange / connecting rod	(2)	
25184	6N0 411 315 C Verbindungsstange / connecting rod	(1)	

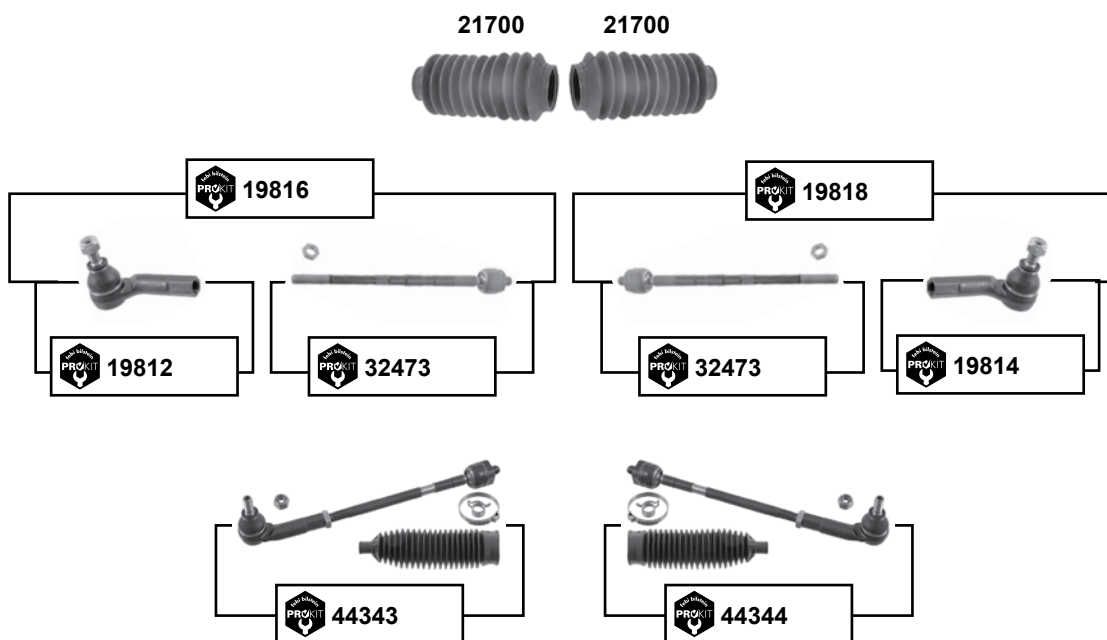


## Polo 4 (9N) (2002 → 2010)

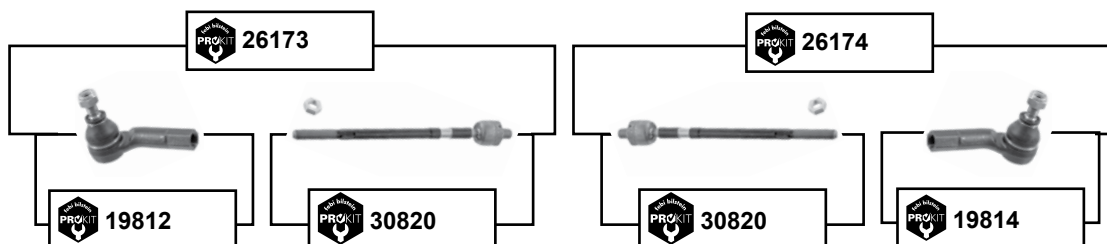
man.



für / to fit servo TRW



für / to fit servo KOYO



Vorderachse / Front axle



## Polo 4 (9N) (2002 → 2010)

	(1) (ch.) 9N-2000001 → 9N-3-190000
	(2) man.  (ch.) → 9N-3Y201497    servo  TRW: (ch.) → 9N-3D150674
	(3) servo  TRW: (ch.) → 9N-3Y201497    man.  (ch.) → 9N-3D150674
	(4) 02 → 07 (ch.) → 9N-7B006 318 / (ch.) → 9N-7D045 484 / (ch.) → 9N-7Y123 244

	Ref. - No.			
19812	6R0 423 811	ProKit Spurstangenendstück / tie rod end	(2)	
19814	6R0 423 812	ProKit Spurstangenendstück / tie rod end	(2)	
19816	6Q0 423 803 P	ProKit Spurstange / tie rod	(1)	
19818	6Q0 423 804 P	ProKit Spurstange / tie rod	(1)	
21700	6E0 419 831	Lenkmanschette / steering boot	(3)	
26173	6Q0 423 803 G	ProKit Spurstange / tie rod		
26174	6Q0 423 804 G	ProKit Spurstange / tie rod		
30820	6Q0 423 810 C	ProKit Spurstange / tie rod	(4)	M14 x 1,5
32229	6Q0 419 803 F	ProKit Spurstange / tie rod		M12 x 1,5
32230	6Q0 419 804 F	ProKit Spurstange / tie rod		M12 x 1,5
32473	6Q0 423 810 P	ProKit Spurstange / tie rod	→ 10	M14 x 1,5
32474	6Q0 419 810 B	ProKit Spurstange / tie rod		M14 x 1,5
44343	6Q0 423 803 P S1	ProKit Spurstange / tie rod	PR-1N2/1N5	
44344	6Q0 423 804 P S1	ProKit Spurstange / tie rod	PR-1N2/1N5	



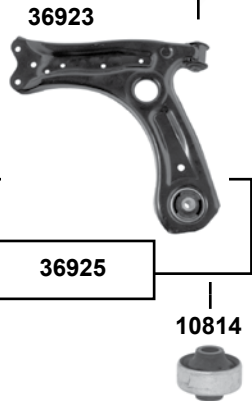
## Polo 4 (9N) (2002 → 2010)

Vorderachse / Front axle



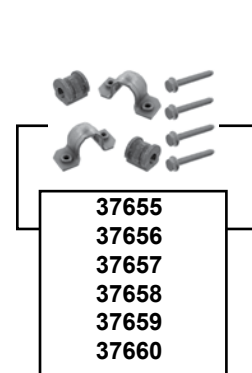
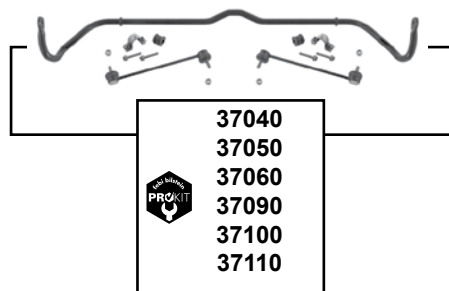
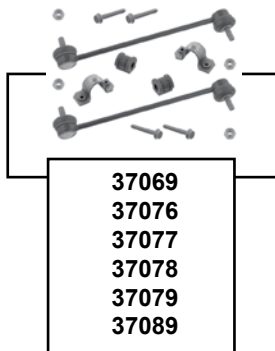
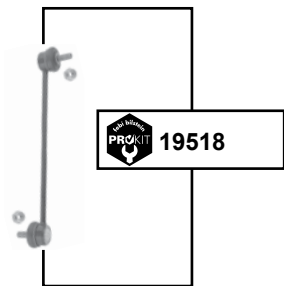
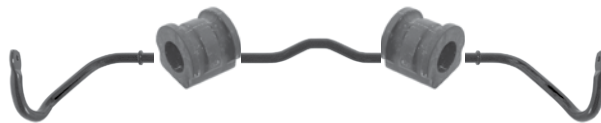
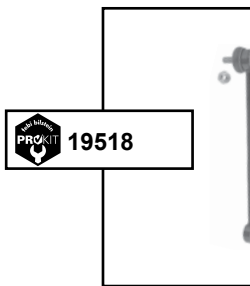
07856

07856



27324  
27638  
27640  
27642  
31350

27324  
27638  
27640  
27642  
31350





## Polo 4 (9N) (2002 → 2010)

(1)	09 → 10 / (ch.) 9N-9-050001 → / (mot.) BBM / BZG / BUD / BTS / BJX / BBU / BNM / BNV / BWB / BMS / ASY / ATD / AXR / BMT / ASZ / BLT	
(2)	(ch.) 9N-9-175001 → (mot.) BLM / BAH / BBX	(3) → 03 / (ch.) → 9N-3-150 000
(4)	02 → 03 / (ch.) → 9N-3D-170 762 / (ch.) → 9N-3Y-245 376	
(5)	(ch.) 9N-9Y035 001 → / (ch.) 9N-9B031 001 → / (ch.) 9N-9U022 151 → / PR-1LQ/1LR/1ZF/1ZG/1ZJ/1LN/1ZH	
(6)	→ 05 / (ch.) → 9N-3-150 000 / PR-0AQ	(9) → 05 / (ch.) 9N-3-150 001 → / PR-0AQ
(7)	→ 05 / (ch.) → 9N-3-150 000 / PR-0AR	(10) → 05 / (ch.) 9N-3-150 001 → / PR-0AR
(8)	→ 05 / (ch.) → 9N-3D-170 762 / 9N-3Y-245 376	(11) → 05 / (ch.) 9N-3-150 001 → / PR-0AS
(12)	05 → 09 (ch.) 9N-9Y035 001 → / (ch.) 9N-9B031 001 → / (ch.) 9N-9U022 151 →	
(13)	PR-0AS / (ch.) 9N-3D170 763 → / (ch.) 9N-3Y245 377 →	
(14)	→ 05 PR-0AR / (ch.) → 9N-3-150 000	(15) → 05 PR-0AQ / (ch.) → 9N-3-150 000
(16)	PR-0AS / (ch.) → 9N-3D170 762 / (ch.) → 9N-3Y245 376	
(17)	(ch.) 9N-9Y035 001 → / (ch.) 9N-9B031 001 → / (ch.) 9N-9U022 151 →	



Ref. - No.



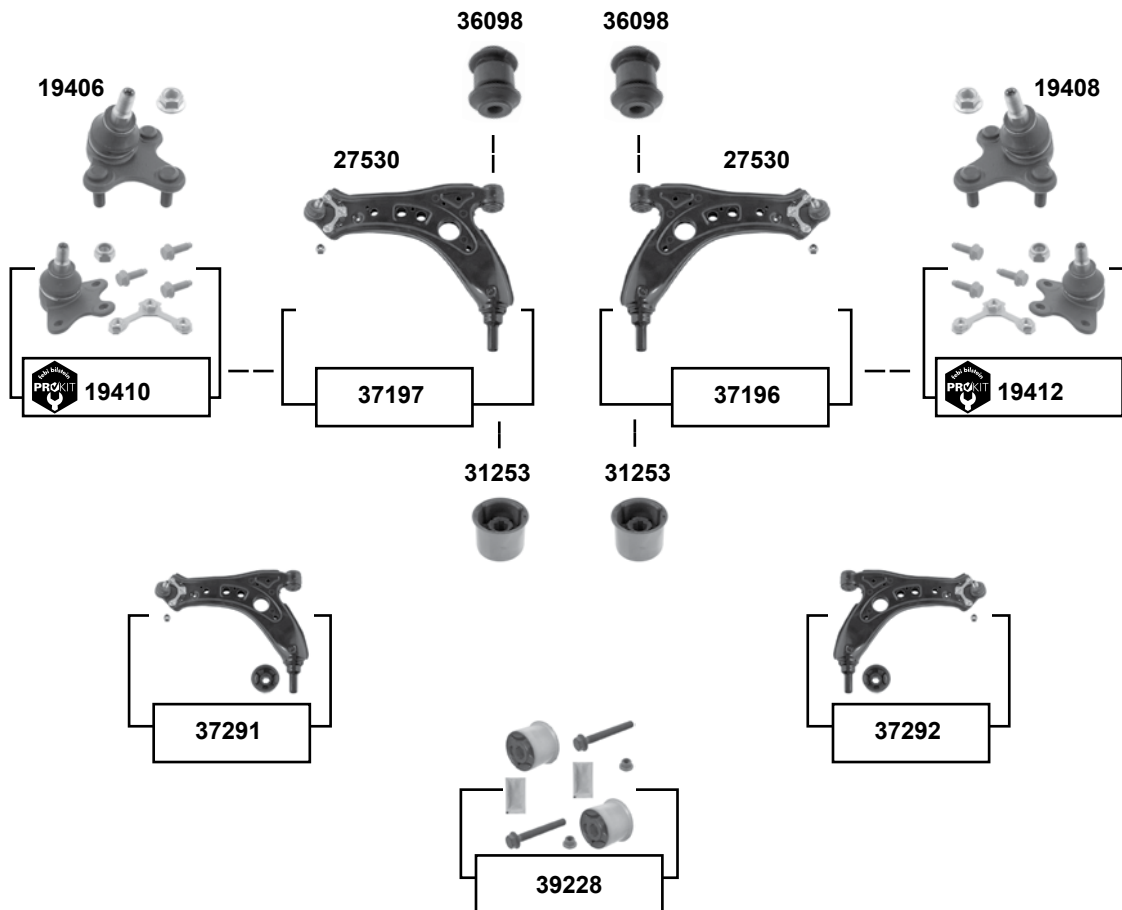
Ref. - No.	Description	Notes	Dimensions
07856	357 407 182	Querlenkerlager / control arm mount	(1) Ø A 33
10814	1J0 407 181	Querlenkerlager hinten / control arm mount rear	(1) (2) Ø A 60 Ø I 13
19518	6Q0 411 315 Q	ProKit Verbindungsstange / connecting rod	Limousine (Sedan) 04 → 07
19812	6R0 423 811	ProKit Spurstangenendstück / tie rod end	(2)
19814	6R0 423 812	ProKit Spurstangenendstück / tie rod end	(2)
27324	6Q0 411 314 F	Stabilisatorlager / stabilizer mount	(3) Ø I 19,8
27638	6Q0 411 314 P	Stabilisatorlager / stabilizer mount	Ø I 16
27640	6Q0 411 314 Q	Stabilisatorlager / stabilizer mount	Ø I 17
27642	6Q0 411 314 R	Stabilisatorlager / stabilizer mount	PR-0AS Ø I 18
31350	8Z0 411 314 B	Stabilisatorlager / stabilizer mount	(4) Ø I 20,8
32229	6Q0 419 803 F	ProKit Spurstange / tie rod	M12 x 1,5
32230	6Q0 419 804 F	ProKit Spurstange / tie rod	M12 x 1,5
32474	6Q0 419 810 B	ProKit Spurstange / tie rod	M14 x 1,5
36051	6R0 407 365 A	ProKit Traggelenk / ball joint	(5)
36052	6R0 407 366 A	ProKit Traggelenk / ball joint	(5)
36922	6R0 407 152 E	Querlenker / control arm	(12)
36923	6R0 407 151 E	Querlenker / control arm	(12)
36925	6R0 407 151 E S1	Rep. Satz Querlenker / rep. kit control arm	(17)
36926	6R0 407 152 E S1	Rep. Satz Querlenker / rep. kit control arm	(17)
37040	6Q0 411 305 AL S1	ProKit Stabilisatorsatz / stabilizer kit	(6)
37050	6Q0 411 305 AM S1	ProKit Stabilisatorsatz / stabilizer kit	(7)
37060	6Q0 411 305 AN S1	ProKit Stabilisatorsatz / stabilizer kit	(8) PR-0AS
37069	6Q0 411 314 Q S1	Stabilisatorlagersatz / anti roll bar bush kit	(10)
37076	6Q0 411 314 R S1	Stabilisatorlagersatz / anti roll bar bush kit	(6)
37077	6Q0 411 314 P S1	Stabilisatorlagersatz / anti roll bar bush kit	(9)
37078	6Q0 411 314 F S1	Stabilisatorlagersatz / anti roll bar bush kit	(7)
37079	8Z0 411 314 B S1	Stabilisatorlagersatz / anti roll bar bush kit	(8) PR-0AS
37089	6Q0 411 314 R S2	Stabilisatorlagersatz / anti roll bar bush kit	(11)
37090	6Q0 411 305 AL S2	ProKit Stabilisatorsatz / stabilizer kit	(9)
37100	6Q0 411 305 AM S2	ProKit Stabilisatorsatz / stabilizer kit	(10)
37110	6Q0 411 305 AN S2	ProKit Stabilisatorsatz / stabilizer kit	(11)
37655	8Z0 411 314 B S2	Stabilisatorlagersatz / anti roll bar bush kit	(16) Ø I 20,8
37656	6Q0 411 314 R S3	Stabilisatorlagersatz / anti roll bar bush kit	(15) Ø I 18
37657	6Q0 411 314 P S2	Stabilisatorlagersatz / anti roll bar bush kit	→ 09 PR-0AQ Ø I 16
37658	6Q0 411 314 F S2	Stabilisatorlagersatz / anti roll bar bush kit	(14) Ø I 19,8
37659	6Q0 411 314 R S4	Stabilisatorlagersatz / anti roll bar bush kit	(13) Ø I 18
37660	6Q0 411 314 Q S2	Stabilisatorlagersatz / anti roll bar bush kit	PR-0AR Ø I 17





## Polo 4 (9N) (2002 → 2010)

Vorderachse / Front axle



- (1) → 2009 / → 9N-9-050 000 (mot.) BBM / BZG / BUD / BTS / BJX / BBU / BNM / BNV / BWB / BMS / ASY / ATD / AXR / BMT / ASZ / BLT  
→ 2009 / → 9N-9-175 000 (mot.) BLU/BAH/BBX
- (2) (ch.) → 9N-9Y035 000 / (ch.) → 9N-9B031 000 / (ch.) → 9N-9U022 150 / PR-1LM/1ZN
- (3) Polo → 09 / Crosspolo 05 → 09
- (4) Polo 4 nicht für / not for PR-1N0  
Crosspolo 05 → 09 (ch.) → 9N-9Y035 000 (ch.) → 9N-9B031 000 (ch.) → 9N-9U022 150  
nicht für / not for PR-1LM/1ZN



Ref. - No.



Ref. - No.	Description	Notes
19406	6Q0 407 365 A	Traggelenk / ball joint
19408	6Q0 407 366 A	Traggelenk / ball joint
19410	6Q0 407 365 A S1	ProKit Traggelenk / ball joint
19412	6Q0 407 366 A S1	ProKit Traggelenk / ball joint
27530	6Q0 407 151 L	Querlenker / control arm
31253	1K0 407 183 E	Querlenkerlager / control arm mount
36098	6Q0 407 182 A	Querlenkerlager / control arm mount
37196	6Q0 407 151 L S3	Rep. Satz Querlenker / rep. kit control arm
37197	6Q0 407 151 L S2	Rep. Satz Querlenker / rep. kit control arm
37291	6Q0 407 151 L S5	Rep. Satz Querlenker / rep. kit control arm
37292	6Q0 407 151 L S4	Rep. Satz Querlenker / rep. kit control arm
39228	1K0 407 183 E S1	Querlenkerlagersatz / control arm mounting kit

(ch.) 9N-2-000001 →  
(ch.) 9N-2-000001 →  
(2)  
(2)  
(1)  
  
05 → 09  
(3)  
(3)  
(4)  
(4)

Ø A 63  
Ø A 32



## Polo (6C) (2009 →)

Vorderachse / Front axle

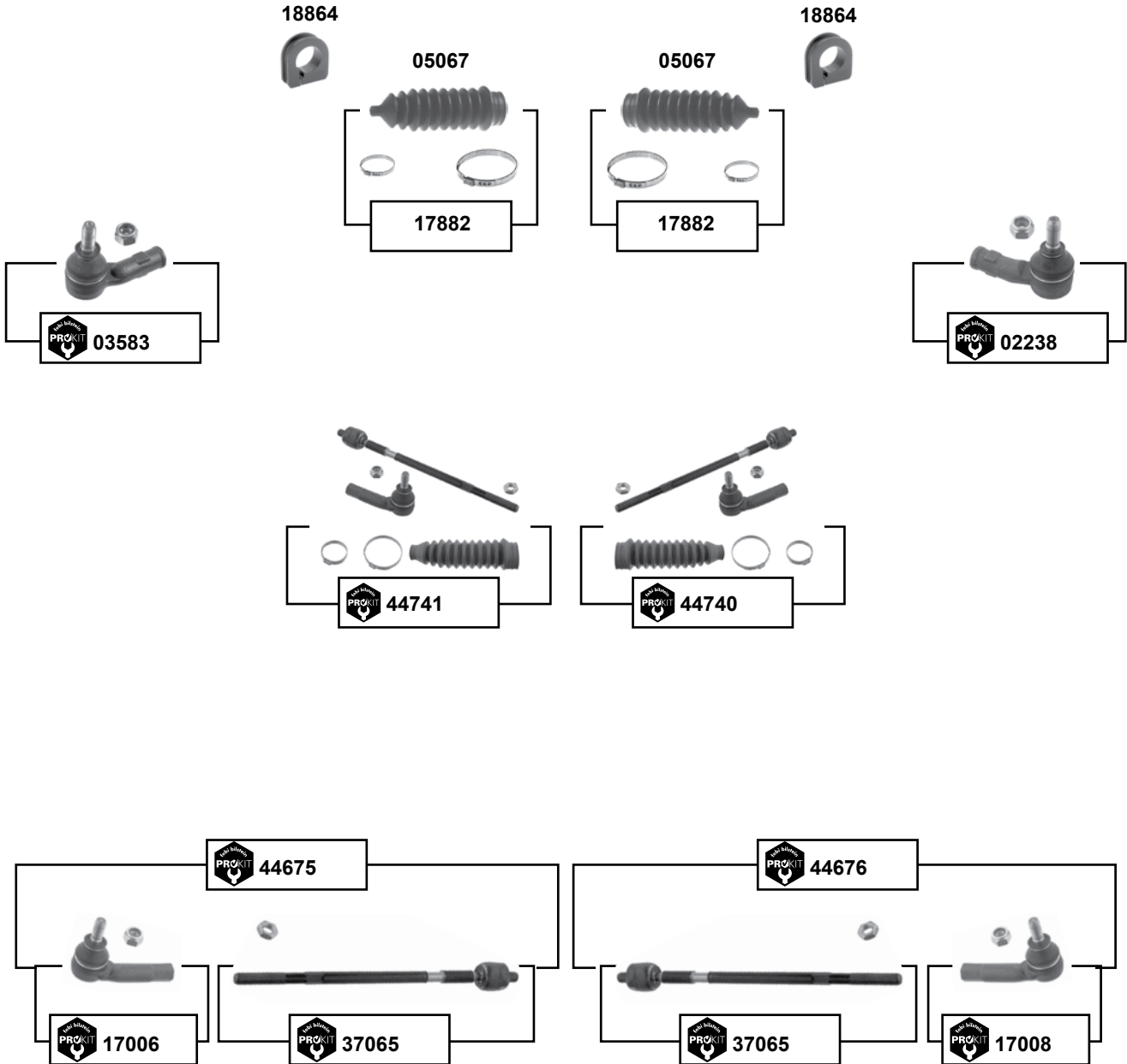




## Polo Classic / Variant (6K)

(1996 → 2002)

Vorderachse / Front axle





## Polo Classic / Variant (6K) (1996 → 2002)



- (1) (ch.) → 6K-1-536000 Sport
- (2) (ch.) → 6K-1-536000 (ex.) Sport
- (3) (ch.) 6K-1-536000 → Sport
- (4) (ch.) 6K-1-536000 → (ex.) Sport



Ref. - No.



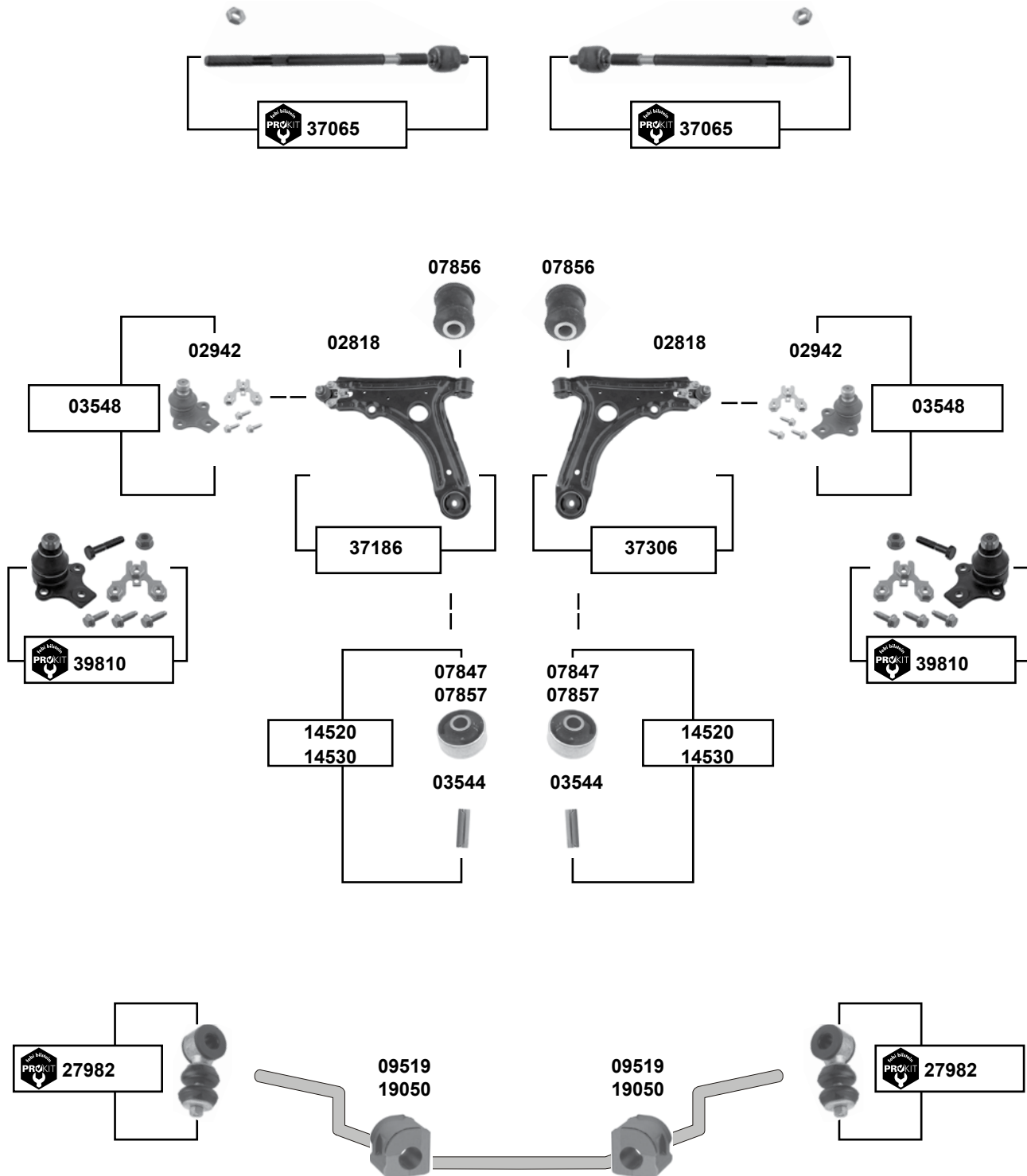
febi bilstein	Ref. - No.			
02238	191 419 812	ProKit Spurstangenendstück / tie rod end	(1) (2)	
03583	191 419 811	ProKit Spurstangenendstück / tie rod end	(1) (2)	
05067	1H0 422 831 B	Lenkmanschette / steering boot	(2)	
17006	6E0 419 811	ProKit Spurstangenendstück / tie rod end	(3) (4)	
17008	6E0 419 812	ProKit Spurstangenendstück / tie rod end	(3) (4)	
17882	1H0 422 831 B S1	Rep. Satz Lenkmanschette / rep. kit steering boot	(2)	
18864	1H0 422 884	Lenkgetriebelager / steering gear bearing		
37065	6K0 422 810 E	ProKit Axialgelenk / axial joint		
44675	6K0 422 803 E	ProKit Spurstange / tie rod		M12 x 1,5
44676	6K0 422 804 E	ProKit Spurstange / tie rod		M12 x 1,5
44740	6K0 422 804 E S1	ProKit Spurstange / tie rod	(ex.) Sport	
44741	6K0 422 803 E S1	ProKit Spurstange / tie rod	(ex.) Sport	



## Polo Classic / Variant (6K)

(1996 → 2002)

Vorderachse / Front axle





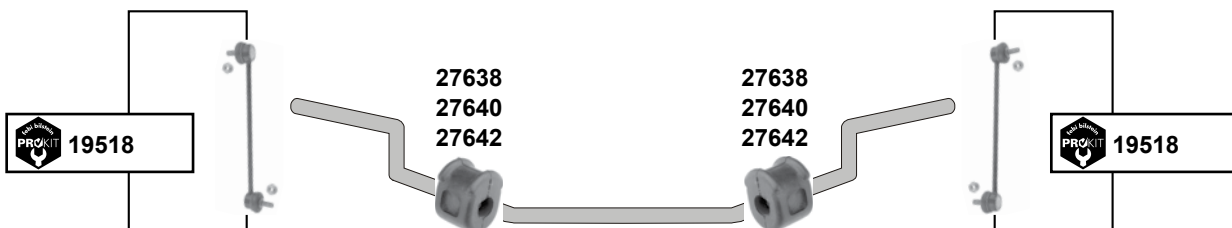
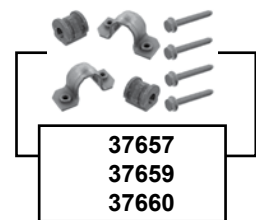
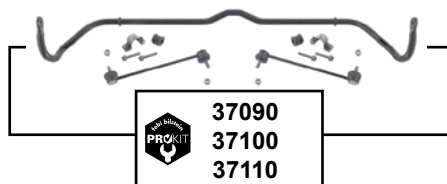
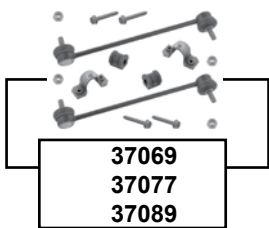
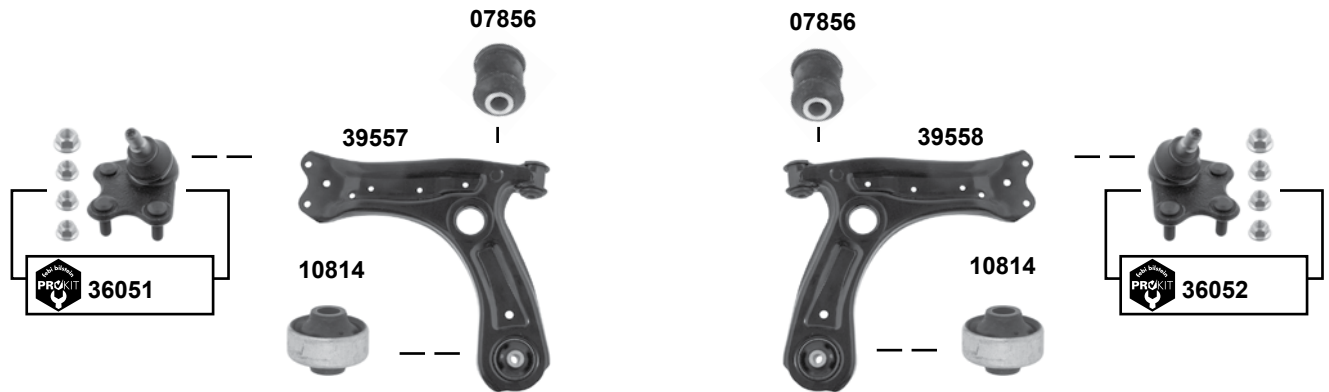
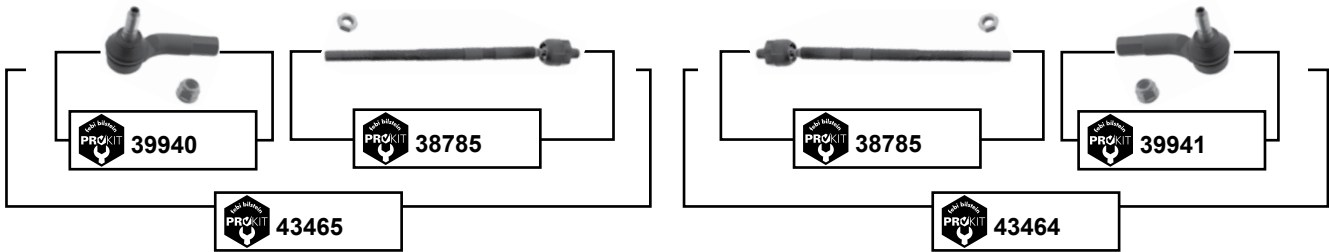
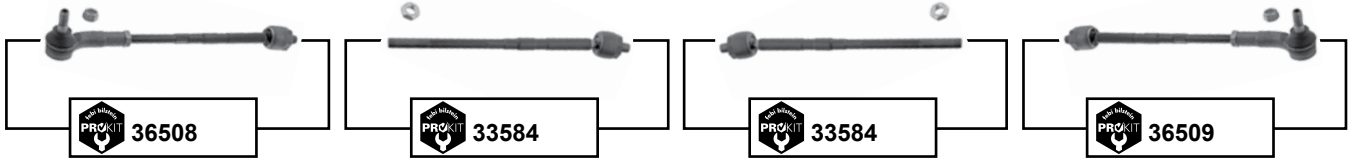
## Polo Classic / Variant (6K) (1996 → 2002)

	Ref. - No.			
<b>02818</b>	191 407 151 B	Querlenker mit Gummilager / control arm incl. rubber mounts		
<b>02942</b>	357 407 365	Traggelenk / ball joint		Ø A 19
<b>03544</b>	191 407 190 A	Hülse / sleeve		50x17
<b>03548</b>	357 407 365 S1	Rep. Satz Traggelenk / rep. kit ball joint		
<b>07847</b>	191 407 181 D	Querlenkerlager / control arm mount	<b>NEW</b>	17x60x41
<b>07856</b>	357 407 182	Querlenkerlager / control arm mount		12x33x54
<b>07857</b>	191 407 181 B	Querlenkerlager / control arm mount	<b>OLD</b>	17x60x41
<b>09519</b>	191 411 314	Stabilisatorlager / stabilizer mount		Ø I 17
<b>14520</b>	191 407 181 B S1	Querlenkerlager mit Hülse / control arm mount with sleeve	<b>OLD</b>	
<b>14530</b>	191 407 181 D S1	Querlenkerlager mit Hülse / control arm mount with sleeve	<b>NEW</b>	
<b>19050</b>	1H0 411 314	Stabilisatorlager / stabilizer mount		Ø I 19
<b>27982</b>	6K0 411 315 S1	ProKit Verbindungsstange / connecting rod		Ø I 16,5
<b>37065</b>	6K0 422 810 E	ProKit Axialgelenk / axial joint		M12 x 1,5
<b>37186</b>	191 407 151 B S1	Rep. Satz Querlenker / rep. kit control arm		
<b>37306</b>	191 407 151 B S2	Rep. Satz Querlenker / rep. kit control arm		
<b>39810</b>	357 407 365 S2	ProKit Traggelenk / ball joint		



## Polo (6R) (2009 →)

Vorderachse / Front axle





## Polo (6R) (2009 →)



(1) PR-LN / 1LR / 1ZC / 1ZD / 1ZG / ZJ

	Ref. - No.			
<b>07856</b>	357 407 182	Querlenkerlager / control arm mount		Ø A 33
<b>10814</b>	1J0 407 181	Querlenkerlager hinten / control arm mount rear		Ø A 60 Ø I 13
<b>19518</b>	6Q0 411 315 Q	ProKit Verbindungsstange / connecting rod		
<b>27638</b>	6Q0 411 314 P	Stabilisatorlager / stabilizer mount	(ex.) GTI	Ø I 16
<b>27640</b>	6Q0 411 314 Q	Stabilisatorlager / stabilizer mount		Ø I 17
<b>27642</b>	6Q0 411 314 R	Stabilisatorlager / stabilizer mount		Ø I 18
<b>33584</b>	6R0 423 810 A	Spurstange / tie rod	PR-0AS	M14 x 1,5
<b>36051</b>	6R0 407 365 A	ProKit Traggelenk / ball joint	PR-1N2	
<b>36052</b>	6R0 407 366 A	ProKit Traggelenk / ball joint	(1)	
<b>36508</b>	6R0 423 803 A	ProKit Spurstange, komplett / tie rod, complete	PR-1N2 E-hydr.	M12/14x1,5
<b>36509</b>	6R0 423 804 A	ProKit Spurstange, komplett / tie rod, complete	PR-1N2 E-hydr.	M12/14x1,5
<b>37069</b>	6Q0 411 314 Q S1	Stabilisatorlagersatz / anti roll bar bush kit	PR-0AR	
<b>37077</b>	6Q0 411 314 P S1	Stabilisatorlagersatz / anti roll bar bush kit	PR-0AQ	
<b>37089</b>	6Q0 411 314 R S2	Stabilisatorlagersatz / anti roll bar bush kit	PR-0AS	
<b>37090</b>	6Q0 411 305 AL S2	ProKit Stabilisatorsatz / stabilizer kit	PR-0AQ	
<b>37100</b>	6Q0 411 305 AM S2	ProKit Stabilisatorsatz / stabilizer kit	PR-0AR	
<b>37110</b>	6Q0 411 305 AN S2	ProKit Stabilisatorsatz / stabilizer kit	PR-0AS	
<b>37657</b>	6Q0 411 314 P S2	Stabilisatorlagersatz / anti roll bar bush kit	PR-0AQ	Ø I 16
<b>37659</b>	6Q0 411 314 R S4	Stabilisatorlagersatz / anti roll bar bush kit	PR-0AS	Ø I 18
<b>37660</b>	6Q0 411 314 Q S2	Stabilisatorlagersatz / anti roll bar bush kit	PR-0AR	Ø I 17
<b>38785</b>	8Z0 423 810 F	ProKit Axialgelenk / axial joint	PR-1N4 servo	
<b>39557</b>	6R0 407 151 F	Querlenker / control arm		
<b>39558</b>	6R0 407 152 F	Querlenker / control arm		
<b>39940</b>	6R0 423 811 A S1	ProKit Spurstangenendstück / tie rod end	PR-1N4 servo	M14 x 1,5
<b>39941</b>	6R0 423 812 A S1	ProKit Spurstangenendstück / tie rod end	PR-1N4 servo	M14 x 1,5
<b>43464</b>	6R0 423 804 D	ProKit Spurstange / tie rod	PR-1N4 servo	
<b>43465</b>	6R0 423 803 D	ProKit Spurstange / tie rod	PR-1N4 servo	





## Santana (32)

(1981 → 1988)

man.

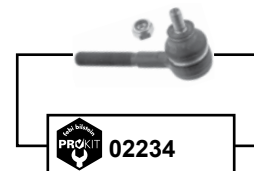
(ch.) → 32-B-040 821



(ch.) 32-B-040 822 →



servo



Ref. - No.

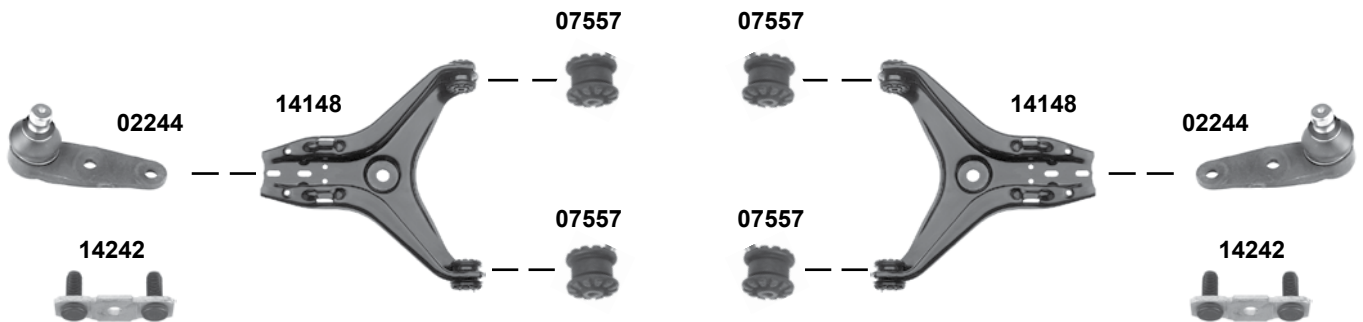
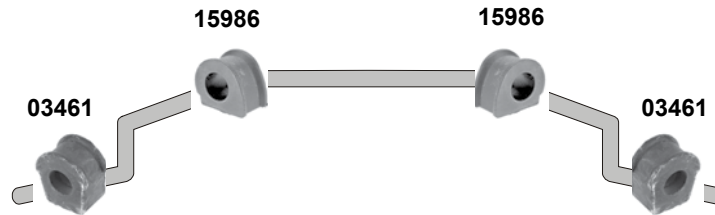


02234	811 419 812	ProKit Spurstangenendstück / tie rod end	(ch.) → 32-B-040821	M10 x 1
02266	811 419 801 E	ProKit Spurstange / tie rod	LHD	
02267	811 419 802 J	ProKit Spurstange / tie rod	LHD / (ch.) → 32-G-275000	
02268	811 419 812 A	ProKit Spurstangenendstück / tie rod end	(ch.) 32-B-040822 →	M10 x 1
08029	811 419 831 B	Lenkmanschette / steering boot		



## Santana (32) (1981 → 1988)

Vorderachse / Front axle



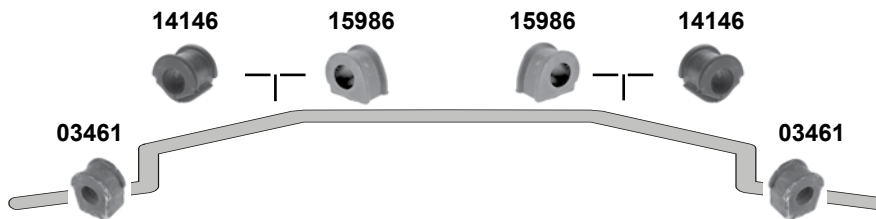
	Ref. - No.			
<b>02244</b>	823 407 365 E	Traggelenk / ball joint		Ø A 17
<b>03461</b>	823 411 313 A	Stabilisatorlager / stabilizer mount		Ø I 12,5
<b>07557</b>	811 407 181 A	Querlenkerlager / control arm mount		10x38x44
<b>14148</b>	893 407 147 G	Querlenker / control arm		
<b>14242</b>	811 407 175 A	Sicherungsblech / lock washer		
<b>15986</b>	823 411 327 B	Stabilisatorlager / stabilizer mount	(ch.) → 32-F-390000	Ø I 19



## Santana (32) (1981 → 1988)

servo

4 cyl. (ch.) → 32-E-150 000  
5 cyl. (ch.) → 32-D-099 298



Ref. - No.



<b>02244</b>	823 407 365 E	Traggelenk / ball joint		Ø A 17
<b>03461</b>	823 411 313 A	Stabilisatorlager / stabilizer mount		Ø I 12,5
<b>07557</b>	811 407 181 A	Querlenkerlager / control arm mount		10x38x44
<b>14146</b>	811 411 327 A	Stabilisatorlager / stabilizer mount	(ch.) 32-F-390 001 →	Ø I 20
<b>14148</b>	893 407 147 G	Querlenker / control arm		
<b>14242</b>	811 407 175 A	Sicherungsblech / lock washer		
<b>15986</b>	823 411 327 B	Stabilisatorlager / stabilizer mount	(ch.) → 32-F-390 000	

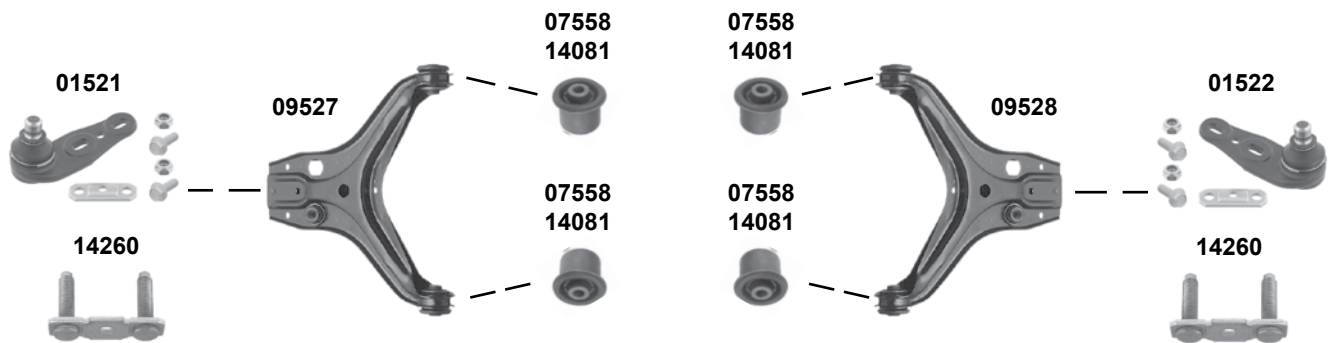
Vorderachse / Front axle



## Santana (32) (1981 → 1988)

servo

4 cyl. (ch.) 32-E-150 001 →  
5 cyl. (ch.) 32-D-099 299 →



Vorderachse / Front axle

	Ref. - No.			
01521	855 407 365 A	Traggelenk / ball joint		Ø A 17
01522	855 407 366 A	Traggelenk / ball joint		Ø A 17
07558	857 407 181	Querlenkerlager / control arm mount	OLD	10x37,5x44
09527	893 407 147 C	Querlenker / control arm		
09528	893 407 148 C	Querlenker / control arm		
14081	8A0 407 181	Querlenkerlager / control arm mount	NEW	10x37x44
14146	811 411 327 A	Stabilisatorlager / stabilizer mount	(ch.) 32-F-390 001 →	Ø I 20
14260	857 407 175	Sicherungsblech / lock washer		
15986	823 411 327 B	Stabilisatorlager / stabilizer mount	(ch.) → 32-F-390 000	



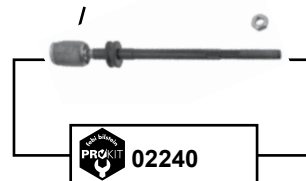
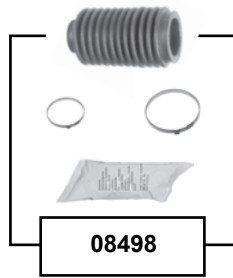
## Scirocco 1+2 (53)

(1975 → 1992)

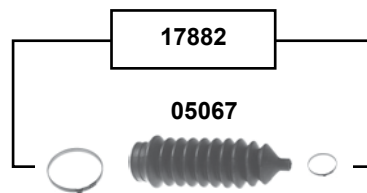
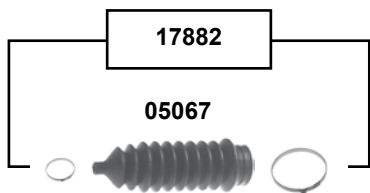
man.

02537

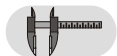
02536



servo



Ref. - No.

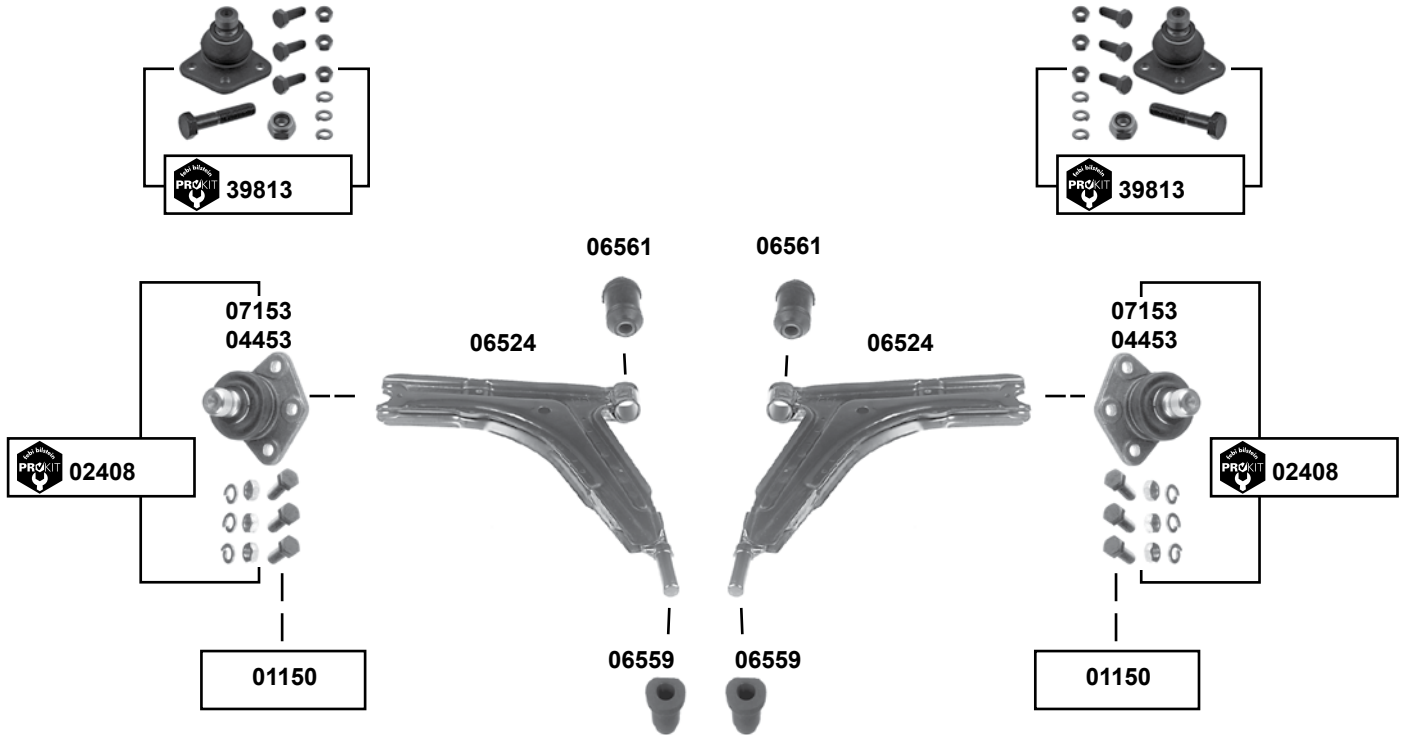


<b>02240</b>	171 419 821	ProKit Axialgelenk / axial joint		M14x1,5 RHT
<b>02536</b>	171 419 832 C	Lenkmanschette / steering boot		
<b>02537</b>	191 419 831	Lenkmanschette / steering boot		M14x1,5 RHT
<b>04451</b>	171 419 804	ProKit Spurstange / tie rod		
<b>04452</b>	171 419 812	ProKit Spurstangenendstück / tie rod end		
<b>05067</b>	1H0 422 831 B	Lenkmanschette / steering boot		
<b>08497</b>	171 419 832 C S1	Rep. Satz Lenkmanschette / rep. kit steering boot		
<b>08498</b>	191 419 831 S1	Rep. Satz Lenkmanschette / rep. kit steering boot		
<b>17882</b>	1H0 422 831 B S1	Rep. Satz Lenkmanschette / rep. kit steering boot		

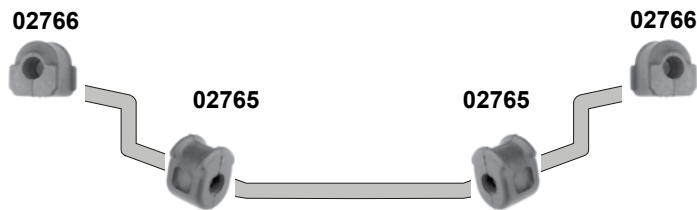
Vorderachse / Front axle



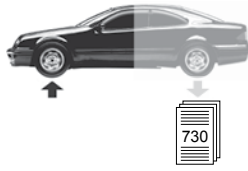
## Scirocco 1+2 (53) (1975 → 1992)



Vorderachse / Front axle



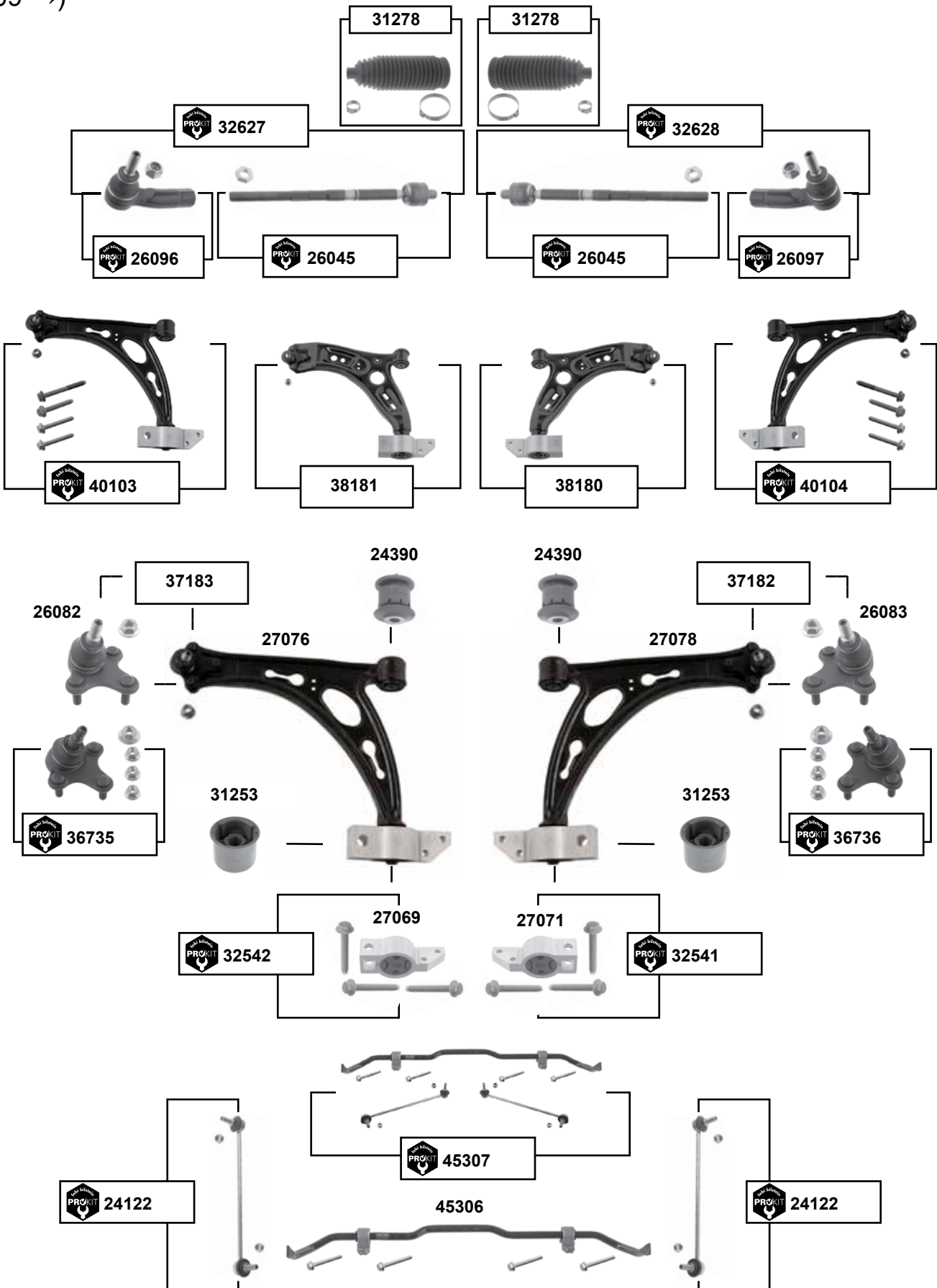
	Ref. - No.			
<b>01150</b>	171 407 365 F S1	Rep. Satz Traggelenk / rep. kit ball joint	(ch.) 538 2028 903 →	
<b>02408</b>	171 407 365 C S1	ProKit Traggelenk / ball joint	(ch.) → 538 2028 902	
<b>02765</b>	171 411 313	Stabilisatorlager / stabilizer mount		Ø I 15
<b>02766</b>	171 411 314 A	Stabilisatorlager / stabilizer mount		Ø I 15
<b>04453</b>	171 407 365 F	Traggelenk / ball joint	(ch.) 538 2028 903 →	Ø A 17
<b>06524</b>	171 407 153 D	Querlenker ohne Gummilager / control arm excl. rubber mounts		
<b>06559</b>	171 407 181 A	Querlenkerlager / control arm mount		16x38x55
<b>06561</b>	171 407 182 D	Querlenkerlager / control arm mount		12x32x61
<b>07153</b>	171 407 365 C	Traggelenk / ball joint	(ch.) → 538 2028 902	Ø A 15
<b>39813</b>	171 407 365 F S2	ProKit Traggelenk / ball joint		

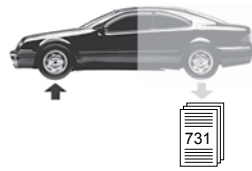


## Scirocco 3 (13)

(2009 →)

Vorderachse / Front axle





## Scirocco 3 (13) (2009 →)



(1) Stahl-Gussausführung / keine Mischverbauung mit der Blechausführung zulässig /  
cast iron execution / not mixable with metall execution

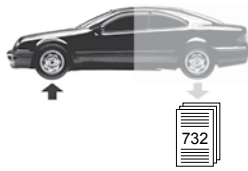


Ref. - No.



24122	1K0 411 315 R	ProKit Verbindungsstange / connecting rod		
24390	1K0 407 182	Querlenkerlager / control arm mount		Ø A 48 H 54
26045	1K0 423 810 A	ProKit Spurstange / tie rod		
26082	1K0 407 365 C	Traggelenk / ball joint		
26083	1K0 407 366 C	Traggelenk / ball joint		
26096	1K0 423 811 E	ProKit Spurstangenendstück / tie rod end		
26097	1K0 423 812 E	ProKit Spurstangenendstück / tie rod end		
27069	1K0 199 231 J	Querlenkerlager mit Gehäuse / control arm mount with housing		
27071	1K0 199 232 J	Querlenkerlager mit Gehäuse / control arm mount with housing		
27076	1K0 407 151 AC	Querlenker, kpl. / control arm, cpl.	(1)	
27078	1K0 407 152 AC	Querlenker, kpl. / control arm, cpl.	(1)	
31253	1K0 407 183 E	Querlenkerlager / control arm mount		Ø A 63
31278	1K0 423 831 A S1	Rep. Satz Lenkmanschette / rep. kit steering boot		Ø I 15,5 L190
32541	1K0 199 232 J S1	ProKit Querlenkerlagersatz / control arm mounting kit		Alu
32542	1K0 199 231 J S1	ProKit Querlenkerlagersatz / control arm mounting kit		Alu
32627	1K0 423 810 A S1	ProKit Spurstange links / tie rod left		
32628	1K0 423 810 A S2	ProKit Spurstange rechts / tie rod right		
36735	1K0 407 365 C S1	ProKit Traggelenk / ball joint		
36736	1K0 407 366 C S1	ProKit Traggelenk / ball joint		
37182	1K0 407 152 AC S1	Rep. Satz Querlenker mit Traggelenk / control arm with ball joint	(ch.) → 13A-402 632	
37183	1K0 407 151 AC S1	Rep. Satz Querlenker mit Traggelenk / control arm with ball joint	PR-8Q3	
38180	1K0 407 152 BC S1	Rep. Satz Querlenker / rep. kit control arm	Stahl / steel	
38181	1K0 407 151 BC S1	Rep. Satz Querlenker / rep. kit control arm	Stahl / steel	
40103	1K0 407 151 AC S2	ProKit Querlenker / control arm	(1)	
40104	1K0 407 152 AC S2	ProKit Querlenker / control arm	(1)	
45306	1K0 411 303 BK S1	Stabilisatorsatz / stabilizer kit	PR-0AD / 0AE	
45307	1K0 411 303 BK S2	ProKit Stabilisatorsatz / stabilizer kit	PR-0AD / 0AE	

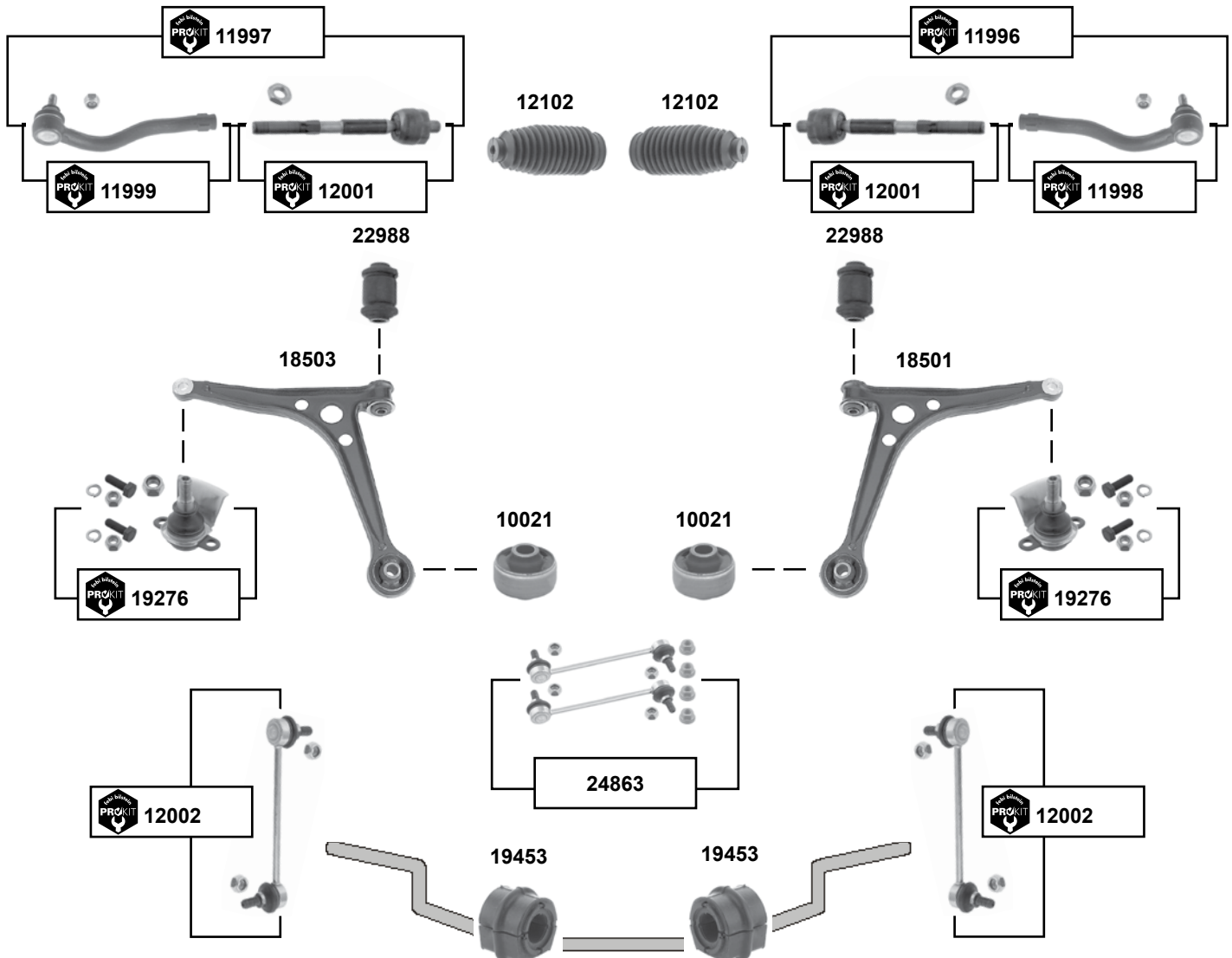




## Sharan (7M8/7M9/7M6)

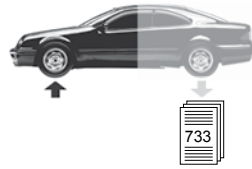
(1995 →)

Vorderachse / Front axle

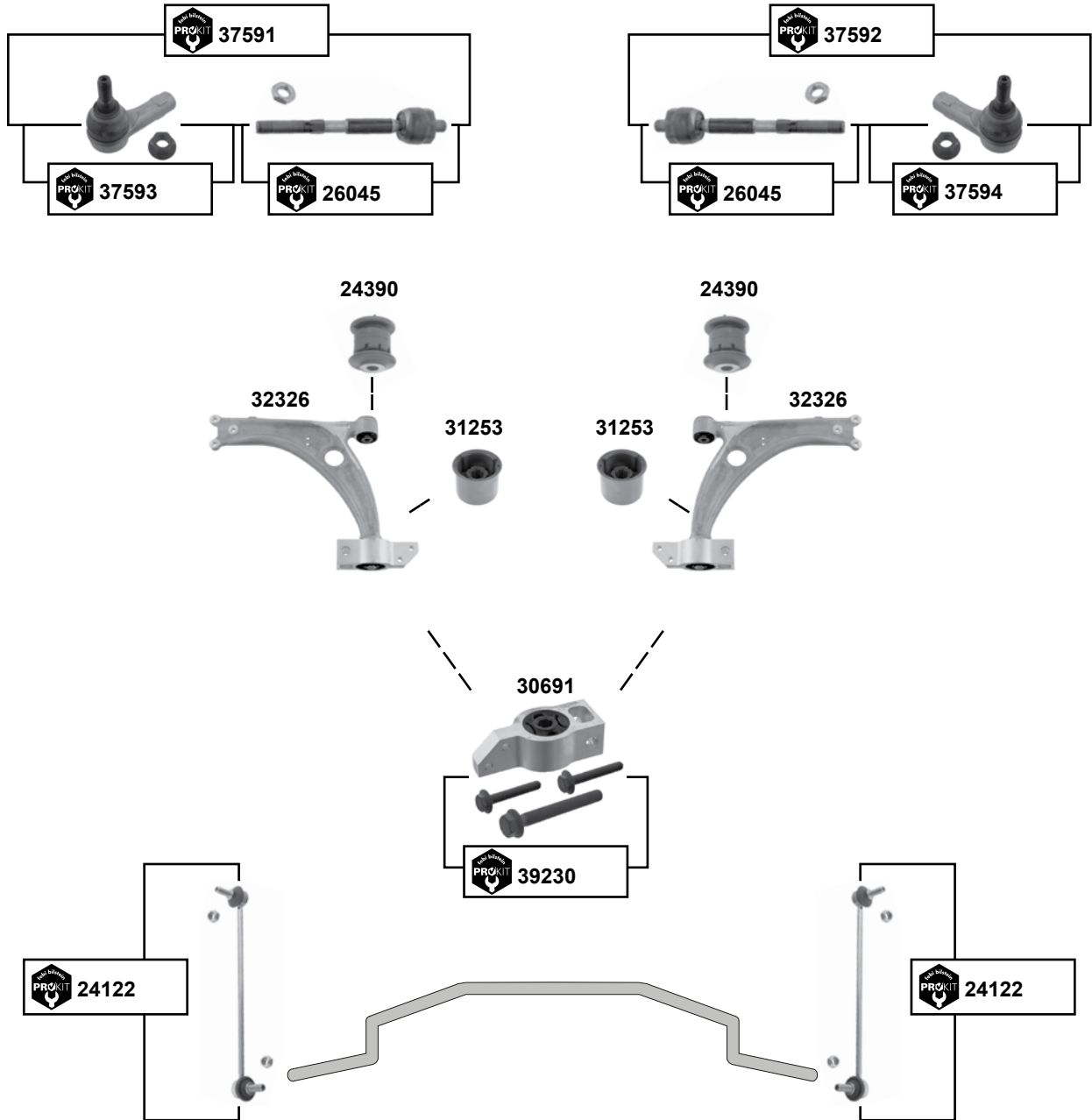


**(1)** syncro (7M) 96 → 00 / 4motion (7M) 01 → 10  
ohne exzentrische Buchse für Spur-Sturz/-einstellung / without eccentric bushing for track-chamber/-gauge

	Ref. - No.			
10021	7M0 407 181 A	Querlenkerlager / control arm mount		18x60x50
11996	7M3 422 804 A	ProKit Spurstange / tie rod	(1)	
11997	7M3 422 803 A	ProKit Spurstange / tie rod	(1)	
11998	7M3 422 818	ProKit Spurstangenendstück / tie rod end	(1)	M12 x 1,5
11999	7M3 422 817	ProKit Spurstangenendstück / tie rod end	(1)	M12 x 1,5
12001	7M3 422 810	ProKit Spurstange / tie rod	(1)	
12002	7M3 411 317 C	ProKit Verbindungsstange / connecting rod		L 205
12102	7M3 422 831	Lenkmanschette / steering boot	(1)	
18501	7M0 407 152 B	Querlenker / control arm	(1)	
18503	7M0 407 151 B	Querlenker / control arm	(1)	
19276	7M3 407 365 C	ProKit Traggelenk / ball joint	(1)	
19453	7M0 411 031	Stabilisatorlager / stabilizer mount	→ 10	Ø I 17
22988	7M0 501 541	Querlenkerlager / control arm mount	(1)	
24863	7M3 498 317	Verbindungsstangensatz / connecting rod set		L 205

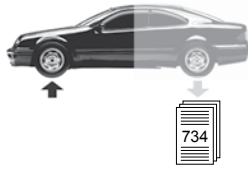


## Sharan (7N) (2011 →)



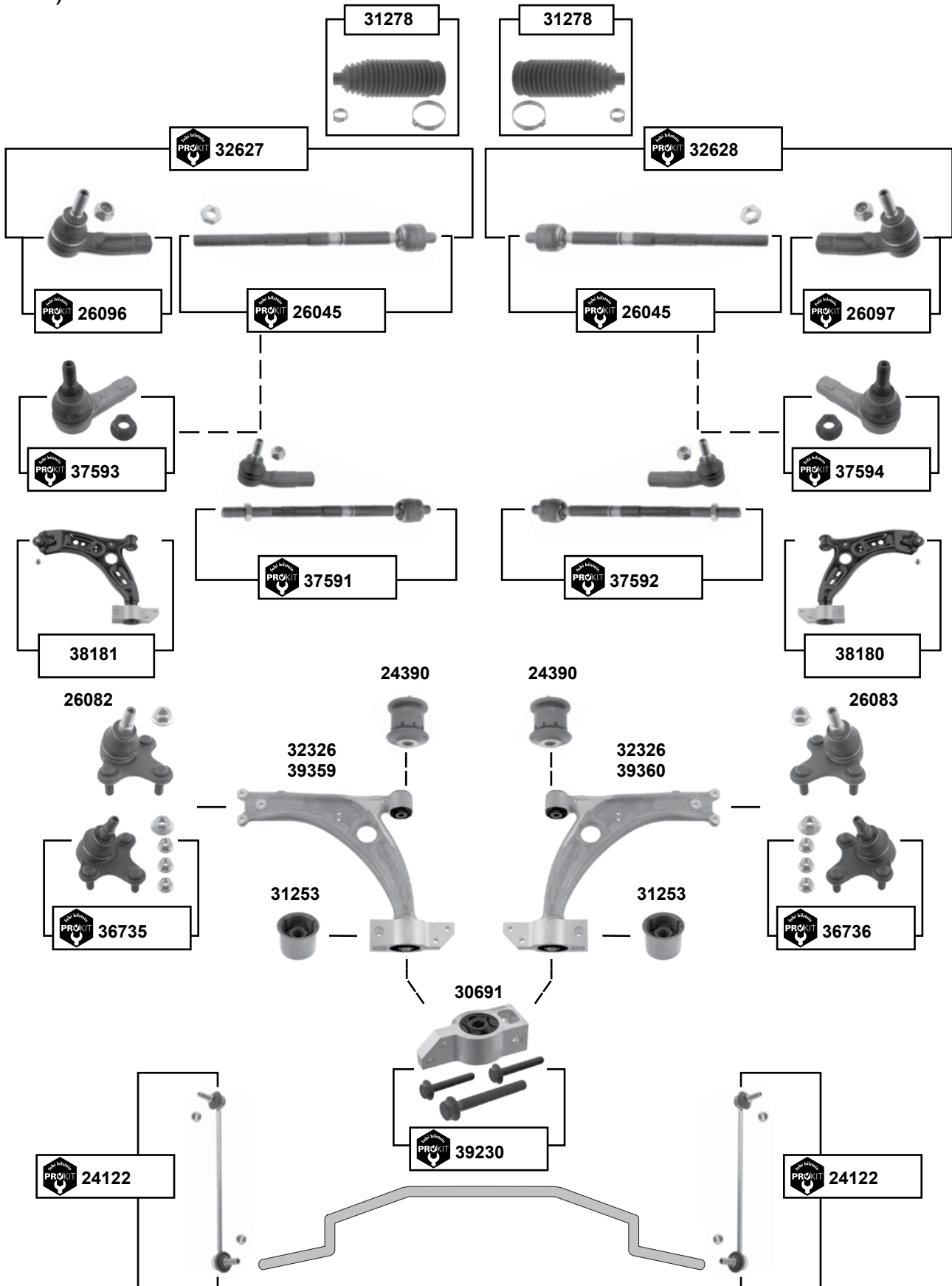
Vorderachse / Front axle

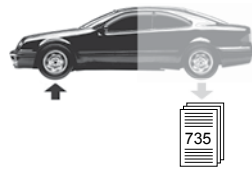
	Ref. - No.			
24122	1K0 411 315 R	ProKit Verbindungsstange / connecting rod	(ex.) Taxiausführung	
24390	1K0 407 182	Querlenkerlager / control arm mount		Ø A 48 H 54
26045	1K0 423 810 A	ProKit Spurstange / tie rod		
30691	3C0 199 231 D	Querlenkerlager / control arm mount		
31253	1K0 407 183 E	Querlenkerlager / control arm mount		Ø A 63
32326	3C0 407 151 G	Querlenker / control arm		
37591	1K0 423 811 K S1	ProKit Spurstange / tie rod		L 448
37592	1K0 423 812 K S1	ProKit Spurstange / tie rod		L 448
37593	1K0 423 811 K	ProKit Spurstangenendstück / tie rod end		M16 x 1,5
37594	1K0 423 812 K	ProKit Spurstangenendstück / tie rod end		M16 x 1,5
39230	3C0 199 231 E S1	ProKit Querlenkerlagersatz / control arm mount kit		



## Tiguan (5N) (2008 →)

Vorderachse / Front axle





## Tiguan (5N) (2008 →)



(1) → 10 / (ch.) → 5N-A-000 001

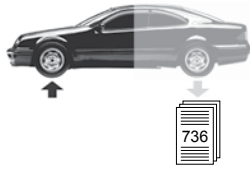
(2) 10 → / (ch.) 5N-A-000 001 →



Ref. - No.

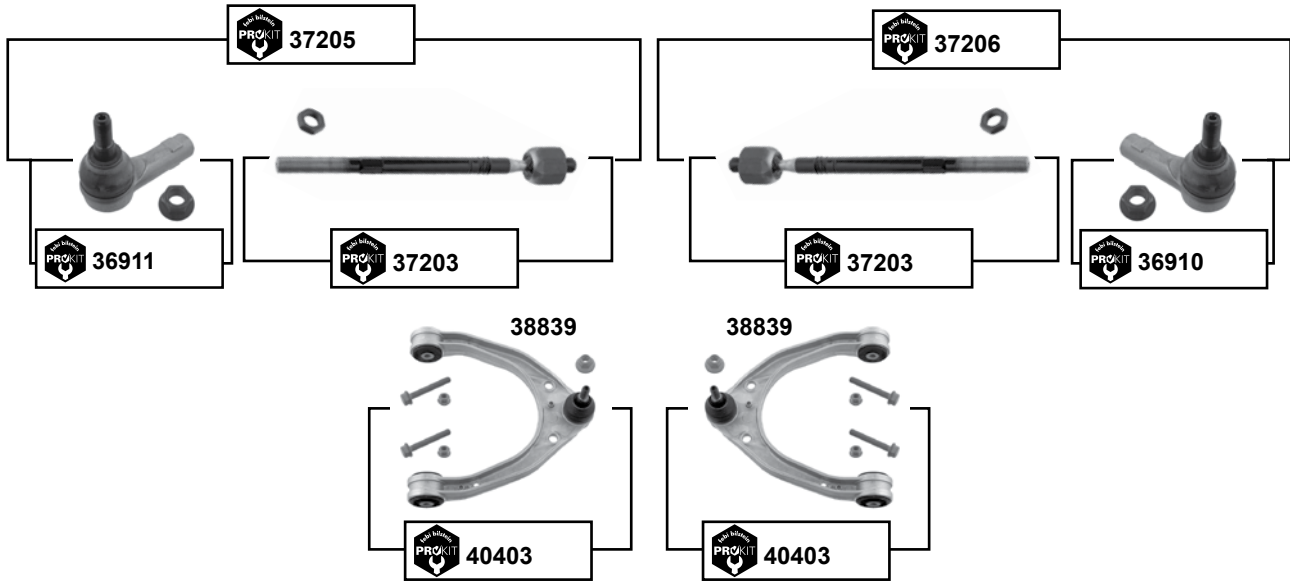


<b>24122</b>	1K0 411 315 R	ProKit Verbindungsstange / connecting rod		
<b>24390</b>	1K0 407 182	Querlenkerlager / control arm mount		Ø A 48 H 54
<b>26045</b>	1K0 423 810 A	ProKit Spurstange / tie rod		
<b>26082</b>	1K0 407 365 C	Traggelenk / ball joint		
<b>26083</b>	1K0 407 366 C	Traggelenk / ball joint		
<b>26096</b>	1K0 423 811 E	ProKit Spurstangenendstück / tie rod end		M12 x 1,5
<b>26097</b>	1K0 423 812 E	ProKit Spurstangenendstück / tie rod end		M12 x 1,5
<b>30691</b>	3C0 199 231 D	Querlenkerlager / control arm mount		
<b>31253</b>	1K0 407 183 E	Querlenkerlager / control arm mount		Ø A 63
<b>31278</b>	1K0 423 831 A S1	Rep. Satz Lenkmanschette / rep. kit steering boot		Ø I 15,5 L190
<b>32326</b>	3C0 407 151 G	Querlenker / control arm	(1) Alu	
<b>32627</b>	1K0 423 810 A S1	ProKit Spurstange links / tie rod left		
<b>32628</b>	1K0 423 810 A S2	ProKit Spurstange rechts / tie rod right		
<b>36735</b>	1K0 407 365 C S1	ProKit Traggelenk / ball joint		
<b>36736</b>	1K0 407 366 C S1	ProKit Traggelenk / ball joint		
<b>37591</b>	1K0 423 811 K S1	ProKit Spurstange / tie rod		L 448
<b>37592</b>	1K0 423 812 K S1	ProKit Spurstange / tie rod		L 448
<b>37593</b>	1K0 423 811 K	ProKit Spurstangenendstück / tie rod end		M16 x 1,5
<b>37594</b>	1K0 423 812 K	ProKit Spurstangenendstück / tie rod end		M16 x 1,5
<b>38180</b>	1K0 407 152 BC S1	Rep. Satz Querlenker / rep. kit control arm	Stahl / steel	
<b>38181</b>	1K0 407 151 BC S1	Rep. Satz Querlenker / rep. kit control arm	Stahl / steel	
<b>39230</b>	3C0 199 231 E S1	ProKit Querlenkerlagersatz / control arm mount kit		
<b>39359</b>	5N0 407 151	Querlenker / control arm	(2) Stahl / steel	
<b>39360</b>	5N0 407 152	Querlenker / control arm	(2) Stahl / steel	

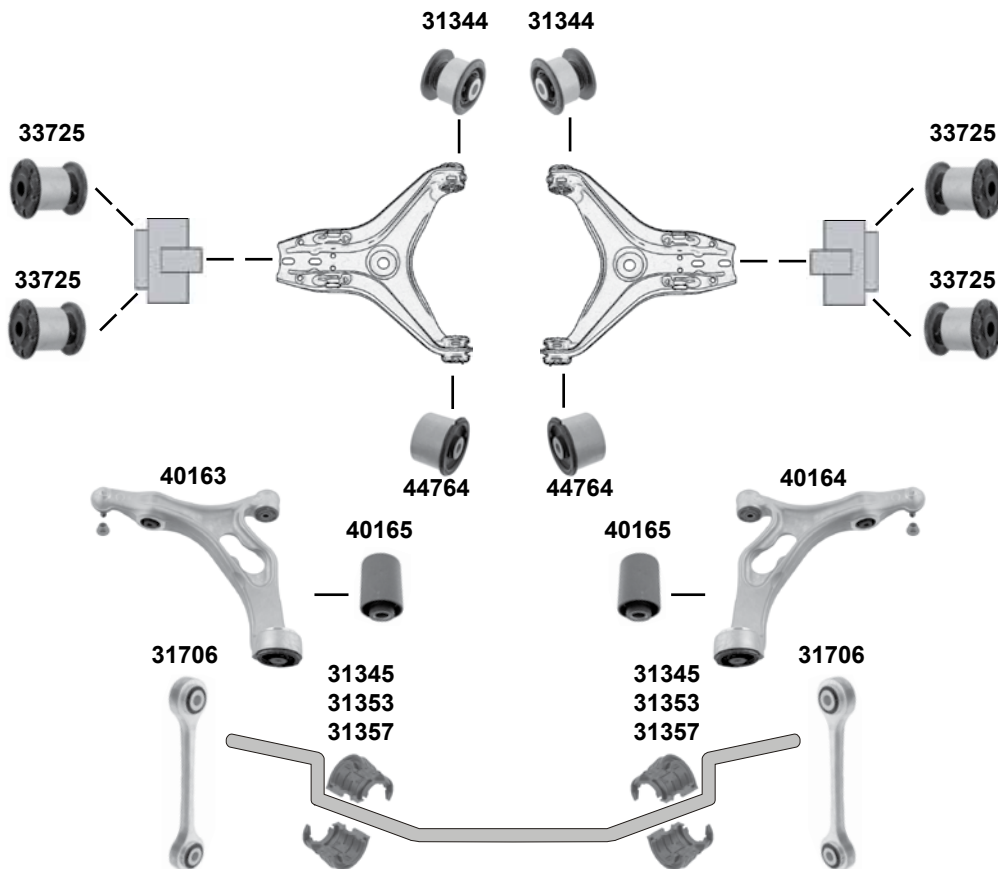


## Touareg (7L) (2003 → 2010)

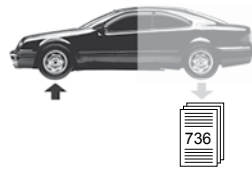
### oben / upper



### unten / lower



Vorderachse / Front axle

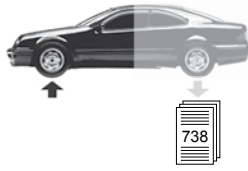


## Touareg (7L) (2003 → 2010)



- (1) (ch.) → 7L-9D003 602 PR-1LB, 1LC, 1LE, 1LF
- (2) 01/10 → PR-0K0, 0K1 / servo → 05/10
- (3) 11/2002 → 05/2008 PR-0AB, PR-0AG / 12/2006 → 05/2010 PR-1BK
- (4) 11/2002 → 05/2008 PR-1BK, PR-1BE, PR-0AB /  
12/2006 → 05/2010 PR-1BE, PR-1BK /  
01/2010 → PR-1BK, PR-1BY
- (5) PR-1BK/2MA für Fahrzeuge mit elektrischer Dämpferregulierung / for vehicles with electronic suspension control  
Gummi / rubber

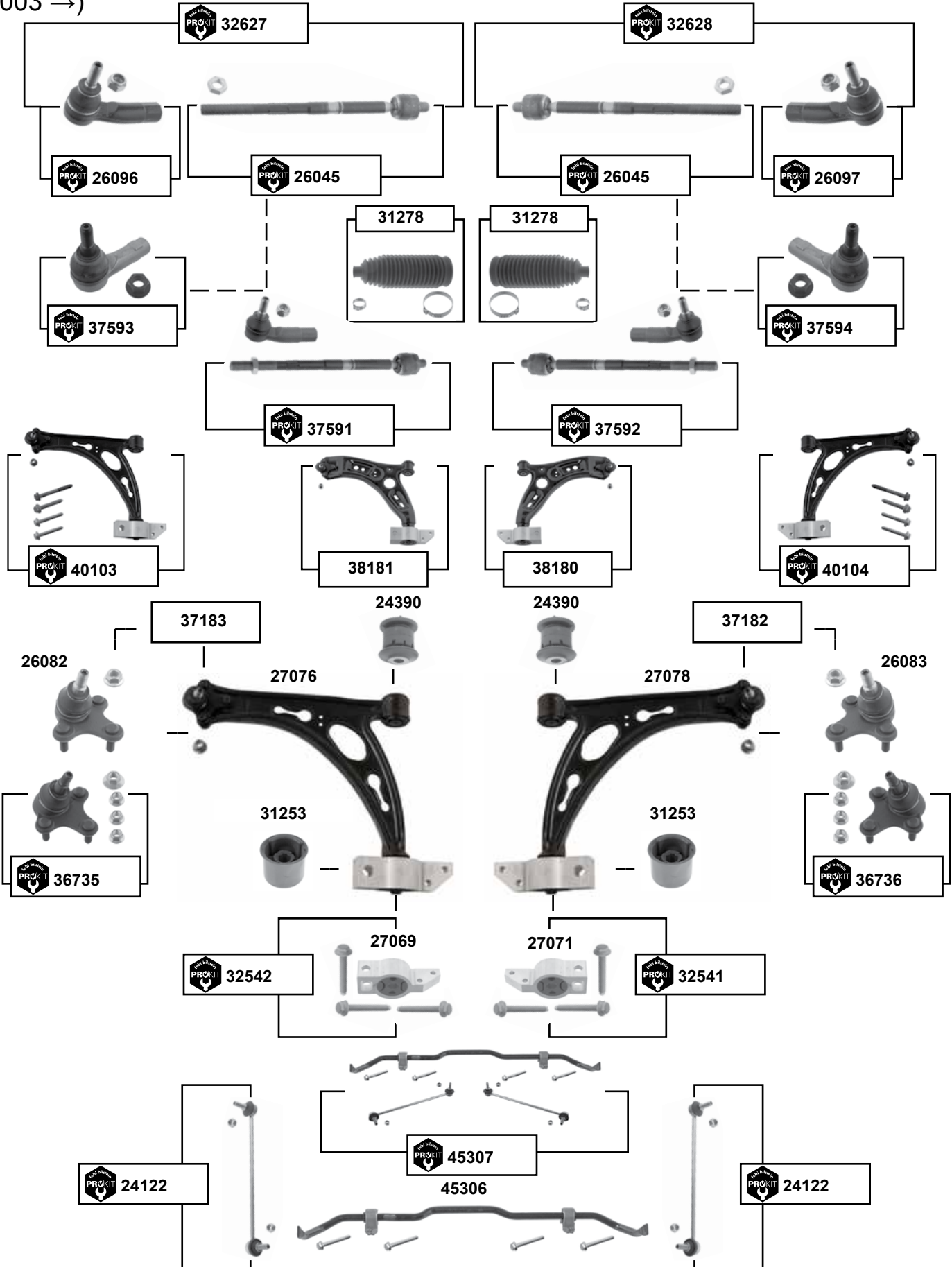
	Ref. - No.			
<b>31344</b>	7L0 407 077	Querlenkerlager / control arm mount		Ø A 40
<b>31345</b>	7L8 411 313 B	Stabilisatorlager, unten + oben / stabilizer mount, lower + upper	<b>(5)</b>	Ø A 38
<b>31353</b>	7L0 411 313 G	Stabilisatorlager, unten + oben / stabilizer mount, lower + upper	<b>(3)</b>	
<b>31357</b>	7L0 411 313 J	Stabilisatorlager, unten + oben / stabilizer mount, lower + upper	<b>(4)</b>	
<b>31706</b>	7L0 411 317	Verbindungsstange / connecting rod		L 244,2 / 197
<b>33725</b>	7L0 407 183 A	Querlenkerlager / control arm mount		Ø A 40
<b>36910</b>	7L0 422 818 D	ProKit Spurstangenendstück / tie rod end		M16 x 1,5
<b>36911</b>	7L0 422 817 D	ProKit Spurstangenendstück / tie rod end		M16 x 1,5
<b>37203</b>	7L0 422 810 D	ProKit Axialgelenk / axial joint		L 320
<b>37205</b>	7L0 422 803 D	ProKit Spurstange / tie rod	<b>(2)</b>	L 434
<b>37206</b>	7L0 422 804 D	ProKit Spurstange / tie rod	<b>(2)</b>	L 434
<b>38839</b>	7L0 407 021 B S1	Rep. Satz Querlenker / rep. kit control arm		
<b>40403</b>	7L0 407 021 B S2	ProKit Querlenker / control arm		
<b>40163</b>	7L0 407 151 H S1	Querlenker / control arm	<b>(1)</b>	Stahlguss
<b>40164</b>	7L0 407 152 H S1	Querlenker / control arm	<b>(1)</b>	Stahlguss
<b>40165</b>	7L0 412 333 A	Querlenkerlager / control arm mount		Ø A 46,5
<b>44764</b>	7L0 407 182 G	Querlenkerlager / control arm mount		Ø A 72,05

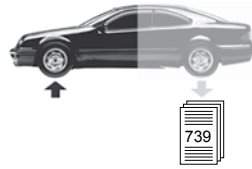


## Touran (1T)

(2003 →)

Vorderachse / Front axle



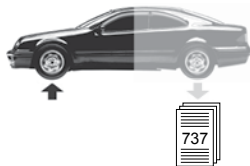


## Touran (1T) (2003 →)

	(1) Stahl-Gussausführung / keine Mischverbauung mit der Blechausführung zulässig / cast iron execution / not mixable with metall execution
	(2) Touran / Crosstouran (ch.) → 1T-A-000 001
	(3) (ch.) → 1T-A-150 000
	(4) Touran / Crosstouran PR-0AF+2H1 / 0AE+2H1 für Fahrzeuge mit Drive-Select / for vehicles with drive select

	Ref. - No.			
24122	1K0 411 315 R	ProKit Verbindungsstange / connecting rod		
24390	1K0 407 182	Querlenkerlager / control arm mount		Ø A 48 H 54
26045	1K0 423 810 A	ProKit Spurstange / tie rod		
26082	1K0 407 365 C	Traggelenk / ball joint		
26083	1K0 407 366 C	Traggelenk / ball joint		
26096	1K0 423 811 G	ProKit Spurstangenendstück / tie rod end		M12 x 1,5
26097	1K0 423 812 E	ProKit Spurstangenendstück / tie rod end		M12 x 1,5
27069	1K0 199 231 J	Querlenkerlager mit Gehäuse / control arm mount with housing		
27071	1K0 199 232 J	Querlenkerlager mit Gehäuse / control arm mount with housing		
27076	1K0 407 151 AC	Querlenker, kpl. / control arm, cpl.	→ 10 / (1)	
27078	1K0 407 152 AC	Querlenker, kpl. / control arm, cpl.	→ 10 / (1)	
31253	1K0 407 183 E	Querlenkerlager / control arm mount		Ø A 63
31278	1K0 423 831 A S1	Rep. Satz Lenkmanschette / rep. kit steering boot		Ø I 15,5 L190
32541	1K0 199 232 J S1	ProKit Querlenkerlagersatz / control arm mounting kit		
32542	1K0 199 231 J S1	ProKit Querlenkerlagersatz / control arm mounting kit		
32627	1K0 423 810 A S1	ProKit Spurstange links / tie rod left		
32628	1K0 423 810 A S2	ProKit Spurstange rechts / tie rod right		
36735	1K0 407 365 C S1	ProKit Traggelenk / ball joint		
36736	1K0 407 366 C S1	ProKit Traggelenk / ball joint		
37182	1K0 407 152 AC S1	Rep. Satz Querlenker mit Traggelenk / control arm with ball joint	(2)	
37183	1K0 407 151 AC S1	Rep. Satz Querlenker mit Traggelenk / control arm with ball joint	(2)	
37591	1K0 423 811 K S1	ProKit Spurstange / tie rod		L 448
37592	1K0 423 812 K S1	ProKit Spurstange / tie rod		L 448
37593	1K0 423 811 K	ProKit Spurstangenendstück / tie rod end		M16 x 1,5
37594	1K0 423 812 K	ProKit Spurstangenendstück / tie rod end		M16 x 1,5
38180	1K0 407 152 BC S1	Rep. Satz Querlenker / rep. kit control arm	Stahl / steel	
38181	1K0 407 151 BC S1	Rep. Satz Querlenker / rep. kit control arm	Stahl / steel	
40103	1K0 407 151 AC S2	ProKit Querlenker / control arm	(1) (3)	
40104	1K0 407 152 AC S2	ProKit Querlenker / control arm	(1) (3)	
45306	1K0 411 303 BK S1	Stabilisatorsatz / stabilizer kit	(4)	
45307	1K0 411 303 BK S2	ProKit Stabilisatorsatz / stabilizer kit	(4)	

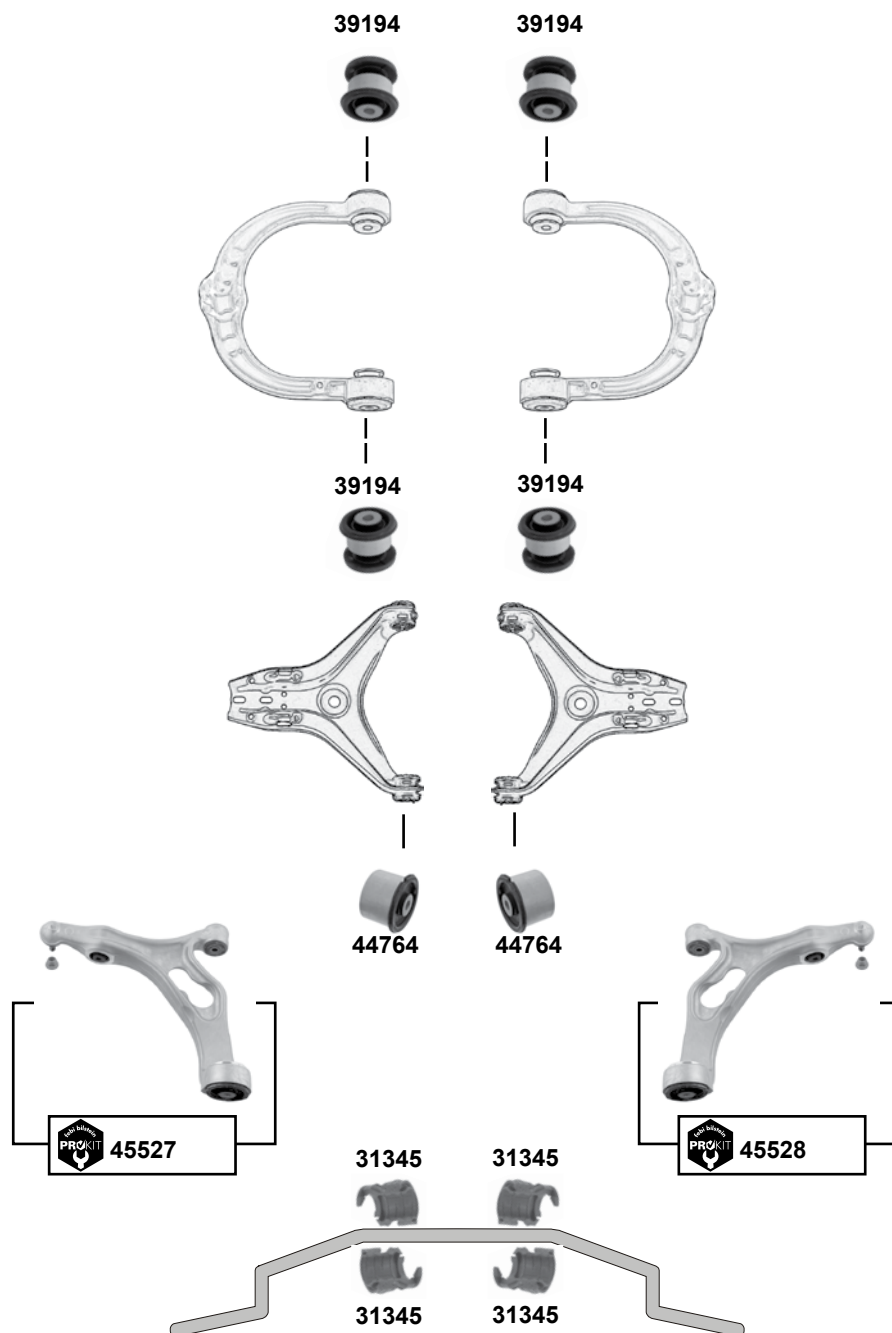




## Touareg (7P)

(2010 →)

Vorderachse / Front axle



- (1) PR-1BK/1BY für Fahrzeuge mit elektrischer Dämpferregulierung / for vehicles with electronic suspension control / **HD**  
 PR-1BA/1BB/1BE  
 PR-2MA für Fahrzeuge mit elektrischer Dämpferregulierung / for vehicles with electronic suspension control  
 Gummi / rubber



Ref. - No.

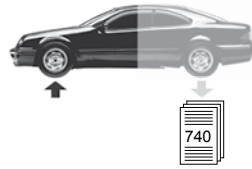


<b>31345</b>	7L8 411 313 B
<b>39194</b>	7P0 407 077
<b>44764</b>	7L0 407 182 G
<b>45527</b>	7L8 407 151 K S1
<b>45528</b>	7L8 407 152 K S1

Stabilisatorlager / stabilizer mount
Querlenkerlager / control arm mount
Querlenkerlager / control arm mount
ProKit Querlenker / control arm
ProKit Querlenker / control arm

(1)

Ø I 10 / A 52
Ø A 72,05
Alu
Alu



## Transporter Typ 3 (24) (1980 → 1992)

07924



01118



01118



01128



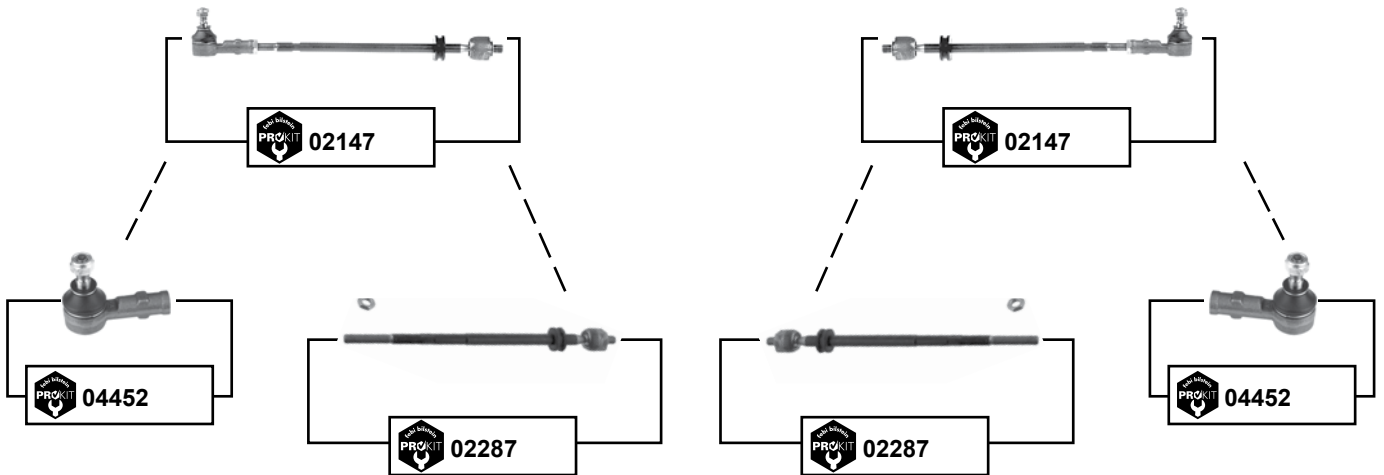
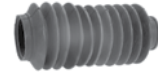
01118



01118

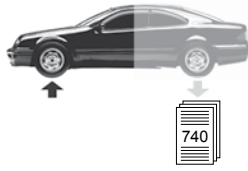


01128



Vorderachse / Front axle

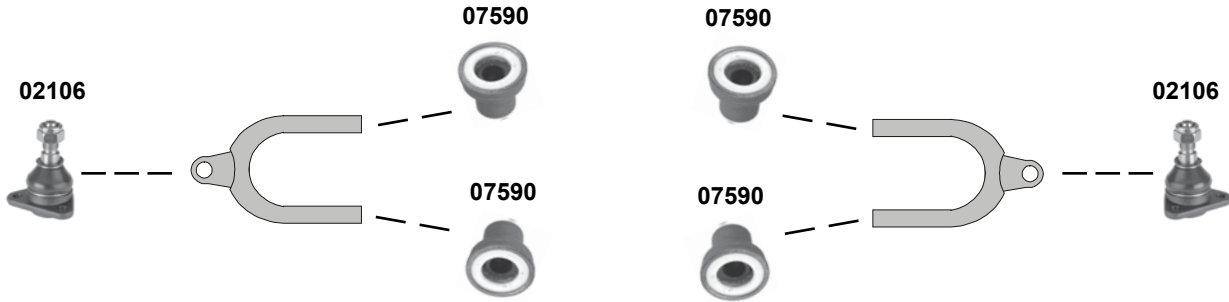
	Ref. - No.			
01118	251 419 081	Lenkgetriebelager / steering gear bearing		Ø A 27,5
01128	251 419 831 A	Lenkmanschette / steering boot		
02147	251 419 803	ProKit Spurstange / tie rod		
02287	251 419 803 S1	ProKit Axialgelenk / axial joint		M14x1,5 RHT
04452	171 419 812	ProKit Spurstangenendstück / tie rod end		M14x1,5 RHT
07924	251 419 417 B			



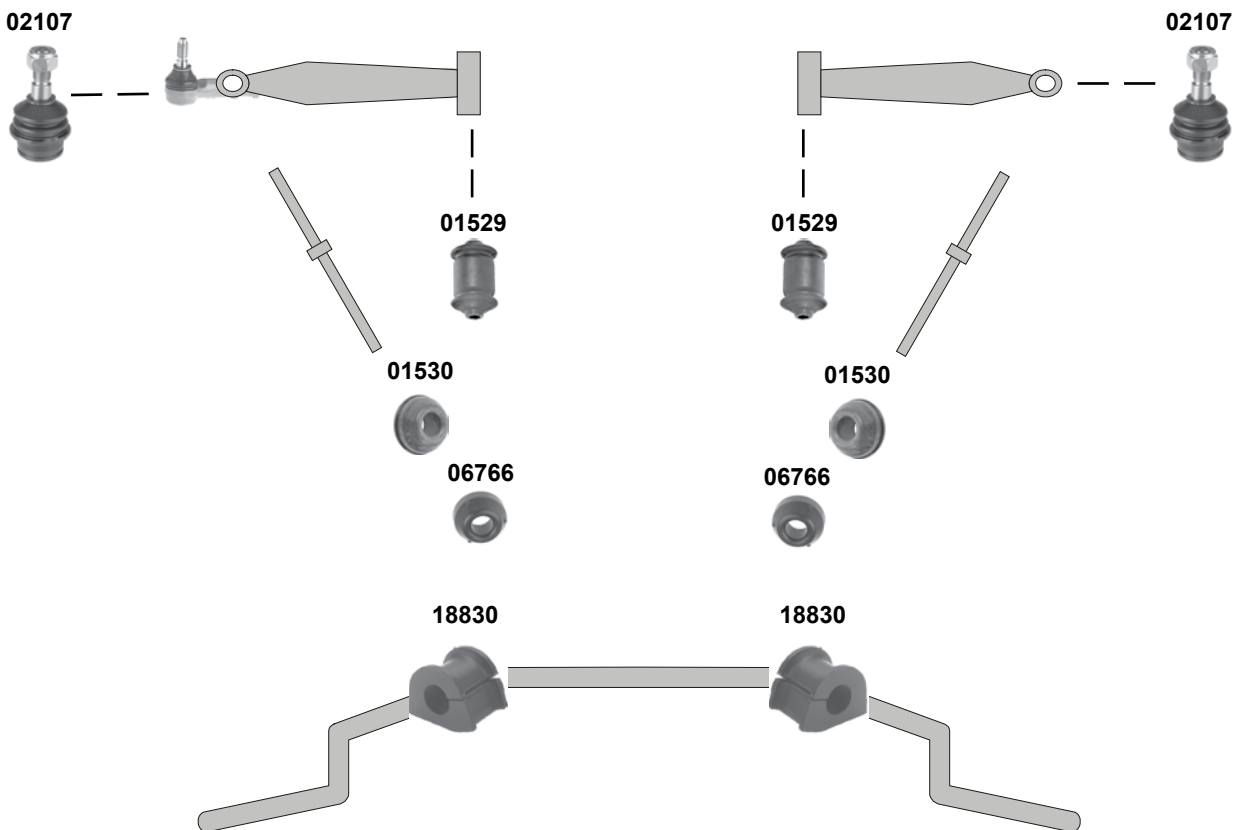
## Transporter Typ 3 (24)

(1980 → 1992)

### oben / upper



### unten / lower



Ref. - No.



<b>01529</b>	251 407 183
<b>01530</b>	251 407 179
<b>02106</b>	251 407 361
<b>02107</b>	251 407 187
<b>06766</b>	251 407 175
<b>07590</b>	251 407 077
<b>18830</b>	251 411 041 C

Querlenkerlager / control arm mount
Zugstrebenlager / tension rod mount
Traggelenk / ball joint
Traggelenk / ball joint
Zugstrebenlager / tension rod mount
Querlenkerlager / control arm mount
Stabilisatorlager / stabilizer mount

12x43,5x85
26x66x39,5
M16 x 1,5
18,7x35,5x54



## Transporter T4 (70) (1991 → 1995)

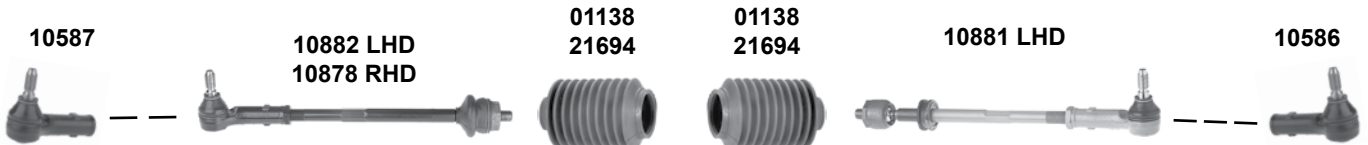
alle/all

27612

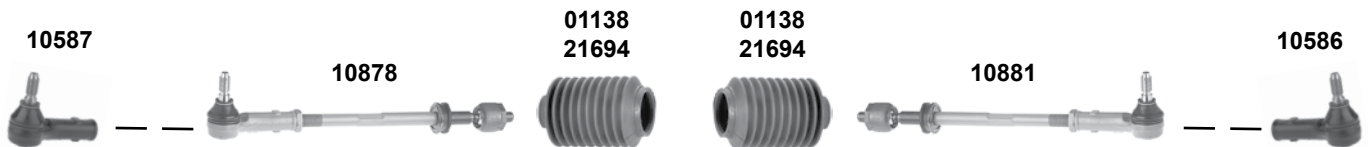


(ch.) → 70-M-096 448

man.

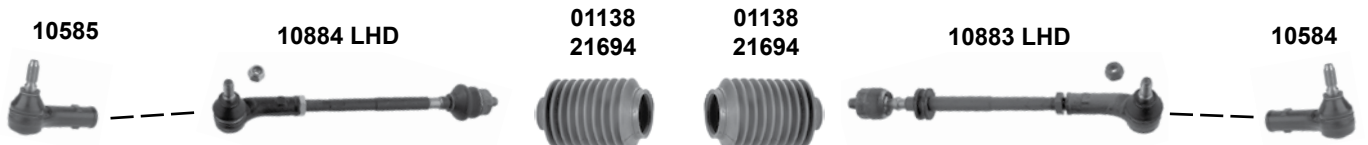


servo

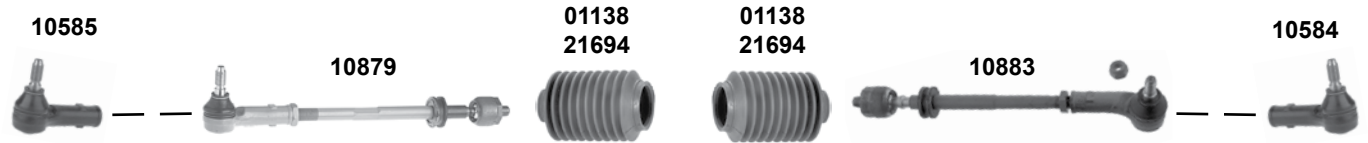


(ch.) 70-M-096 449 → 70-S-002 791

man.



servo



Ref. - No.



Part No.	Ref. - No.	Description	Status	Thread
01138	701 419 831	Lenkmanschette / steering boot	OLD	M12 x 1,5
10584	701 419 812 A	Spurstangenendstück / tie rod end		
10585	701 419 811 B	Spurstangenendstück / tie rod end		
10586	701 419 812	Spurstangenendstück / tie rod end		
10587	701 419 811 A	Spurstangenendstück / tie rod end		
10878	702 419 803 A	Spurstange / tie rod		
10879	702 419 803 B	Spurstange / tie rod		
10881	701 419 804 C	Spurstange / tie rod		
10882	701 419 803 C	Spurstange / tie rod		
10883	701 419 804 D	Spurstange / tie rod		
10884	701 419 803 D	Spurstange / tie rod	NEW	M12 x 1,5
21694	7D0 419 831	Lenkmanschette / steering boot		
27612	701 425 021	Lenkungs­dämpfer / steering-damper		



## Transporter T4 (70)

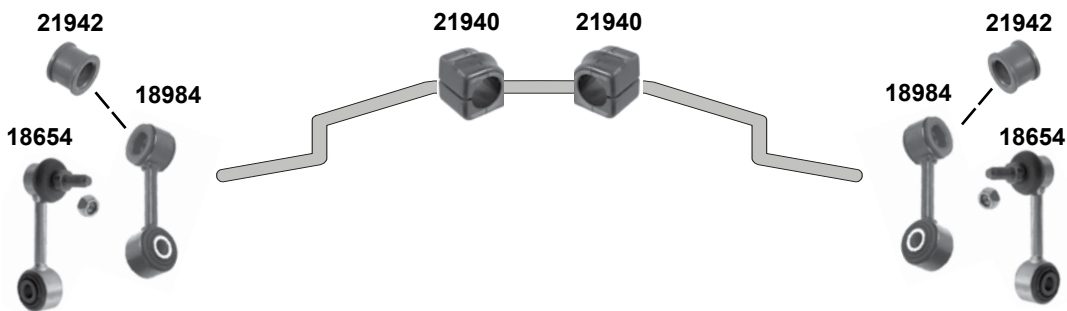
(1991 → 1995)

(ch.) → 70-S-002 791

### oben / upper



### unten / lower



Ref. - No.



Part No.	Ref. - No.	Description	Notes	Dimensions
02395	701 407 077 A	Querlenkerlager / control arm mount		12x39x60
04913	701 407 183	Querlenkerlager / control arm mount		14x35x60
05027	701 407 087	Querlenkerlager / control arm mount		12x35x60
10577	701 407 187 B	ProKit Traggelenk / ball joint		M16 x 1,5
10578	701 407 361 B	Traggelenk / ball joint		M16 x 1,5
10852	7D0 407 140	Querlenkerlager / control arm mount	OLD	14x50x60
18654	701 411 049 B	Verbindungsstange / connecting rod		Ø I 27
18866	701 407 303	Anschlagpuffer für Querlenker / buffer for control arm		
18984	7D0 411 049	Verbindungsstange / connecting rod	(ex.) Ø Stabi 27	
21940	701 411 041	Stabilisatorlager / stabilizer mounting		Ø I 23
21942	7D0 411 045	Gummilager / rubber mount		
23364	7D0 407 140 A	Querlenkerlager / control arm mount	NEW	14x50x60

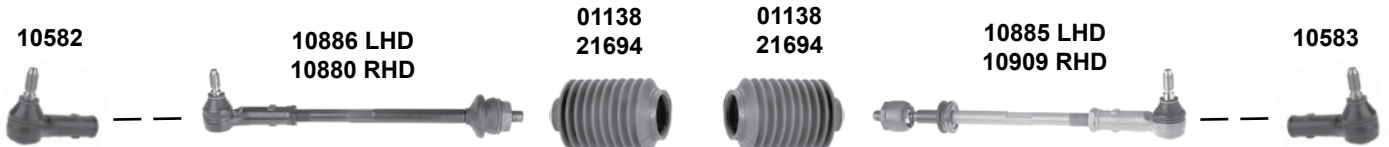
Vorderachse / Front axle



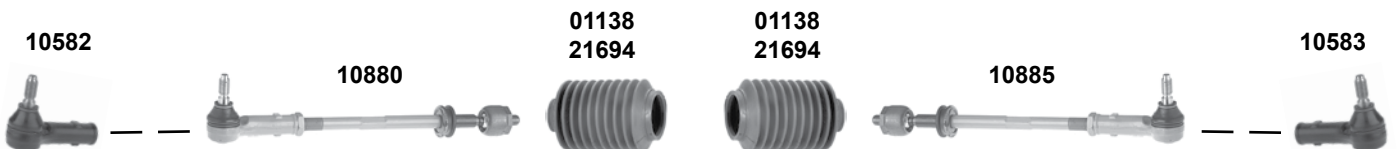
## Transporter T4 (7D) (1995 → 2003)

(ch.) 70-S-002 792 → 70-T-199 999

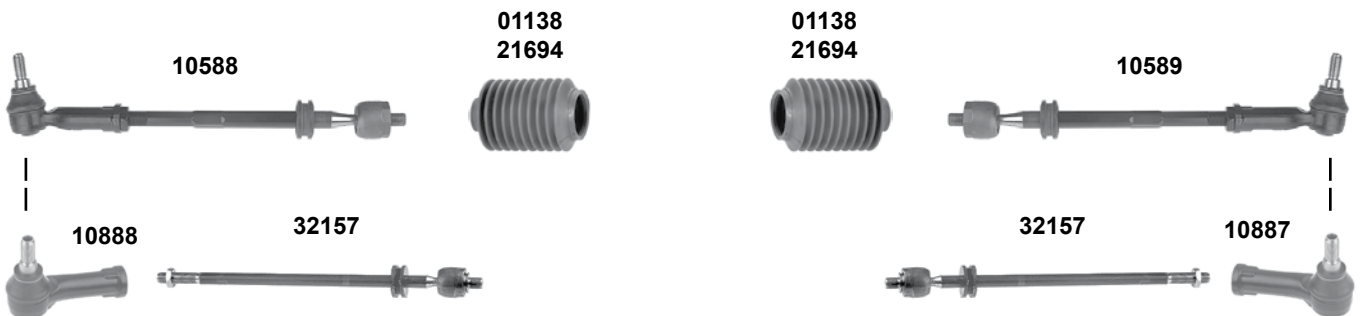
man.



servo



(ch.) 70-T-200 000 →



Ref. - No.



01138	701 419 831	Lenkmanschette / steering boot	OLD	
10582	701 419 811 C	Spurstangenendstück / tie rod end		M12 x 1,5
10583	701 419 812 B	Spurstangenendstück / tie rod end		M12 x 1,5
10588	702 419 803 D	Spurstange / tie rod		
10589	701 419 804 F	Spurstange / tie rod		
10880	702 419 803 C	Spurstange / tie rod		
10885	701 419 804 E	Spurstange / tie rod		
10886	701 419 803 E	Spurstange / tie rod		
10887	701 419 812 D	Spurstangenendstück / tie rod end		M12 x 1,5
10888	701 419 811 E	Spurstangenendstück / tie rod end		M12 x 1,5
10909	702 419 804 C	Spurstange / tie rod		
21694	7D0 419 831	Lenkmanschette / steering boot	NEW	
32157	701 419 810 B	Spurstange / tie rod		

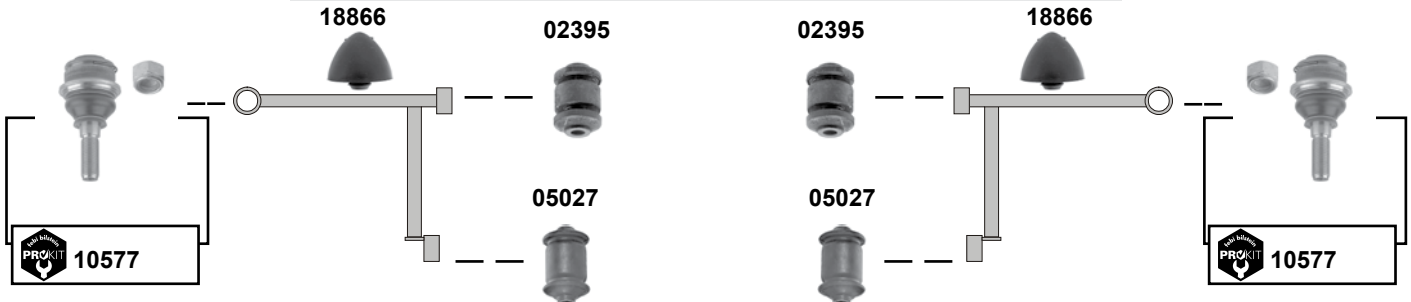


## Transporter T4 (7D)

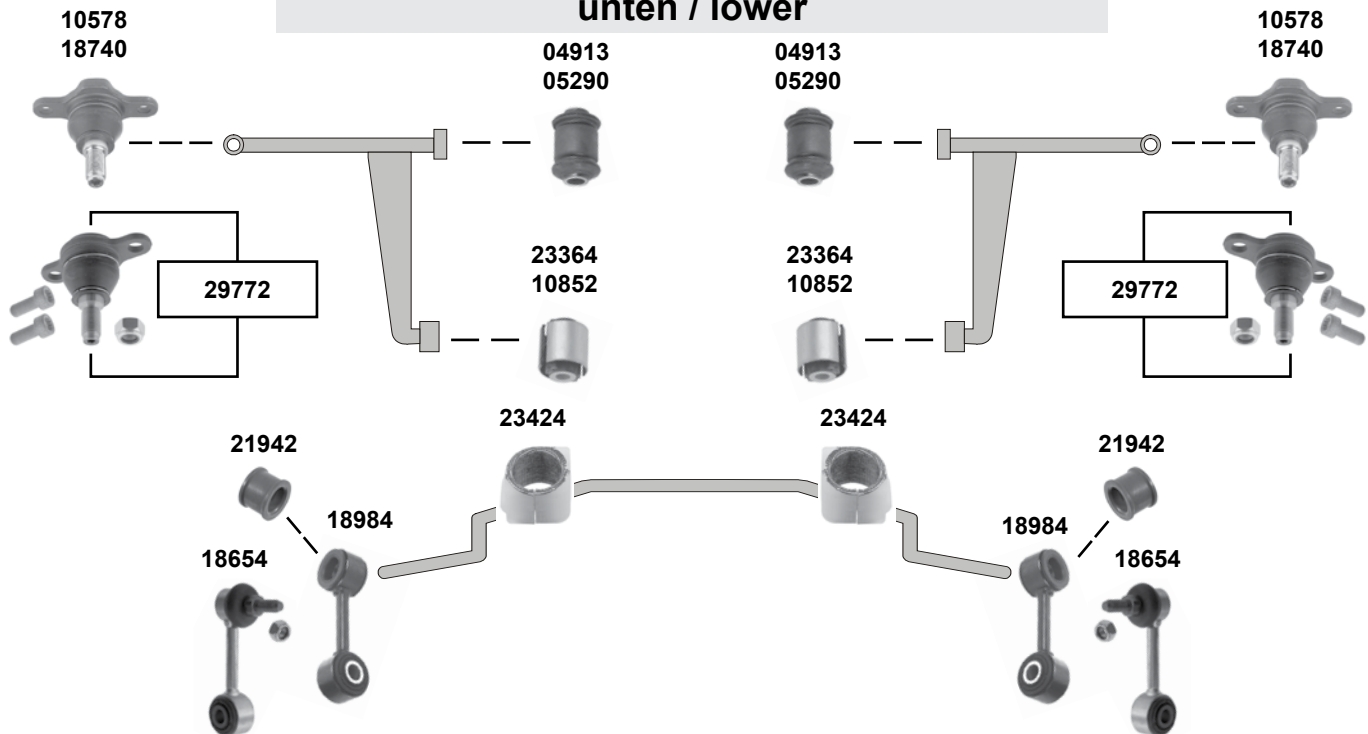
(1995 → 2003)

Vorderachse / Front axle

### oben / upper



### unten / lower



(1) 95 → 98  
99 → 03 (mot.) AAC / ABL / ACV / AET / AES / AEU / AHY / AJA / AJT / AMV / APL / AUF / AXG / AYY

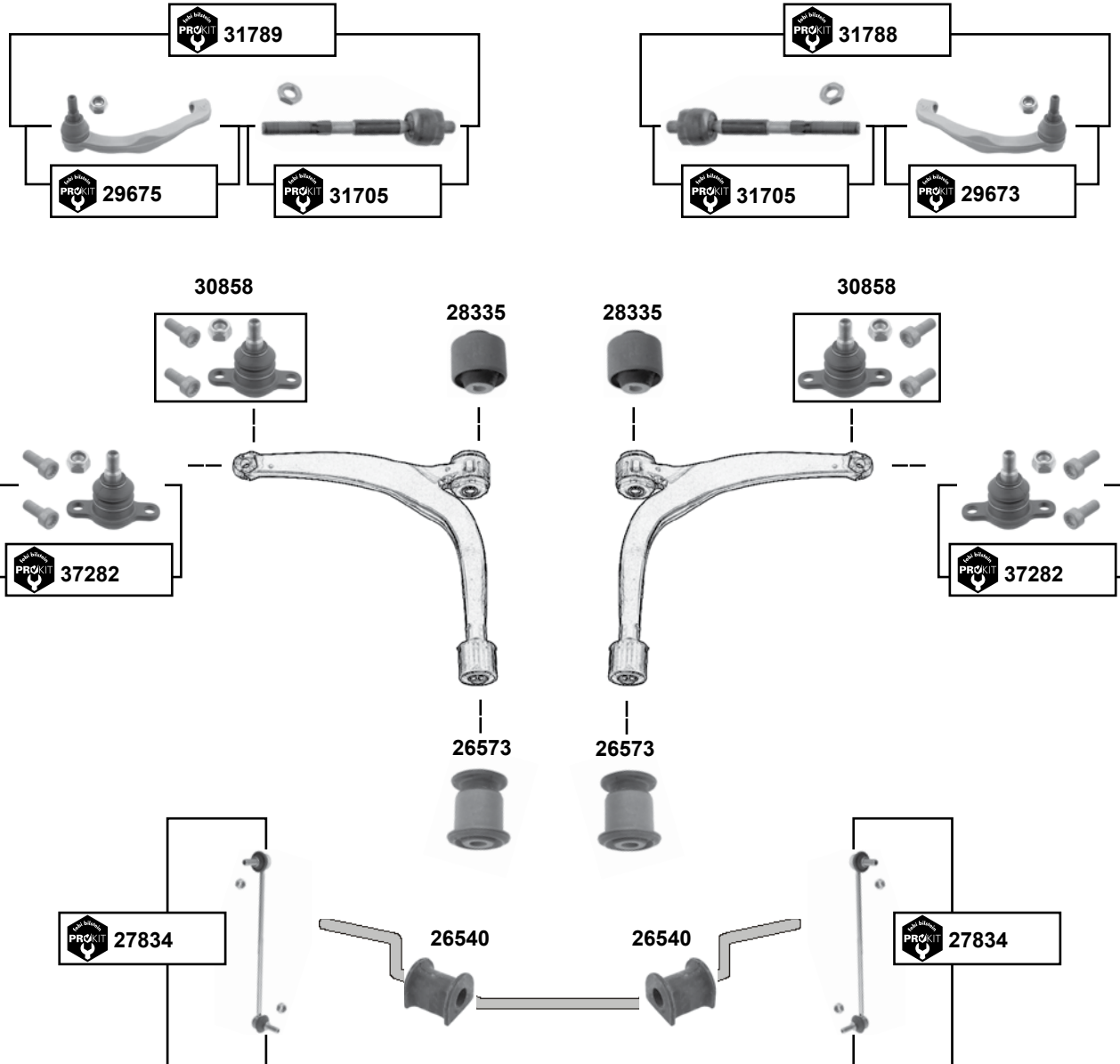


Ref. - No.



02395	701 407 077 A	Querlenkerlager / control arm mount		12x39x60
04913	701 407 183	Querlenkerlager / control arm mount	(ch.) → 70-T-199 999	14x35x60
05027	701 407 087	Querlenkerlager / control arm mount		12x35x60
05290	7D0 407 183	Querlenkerlager / control arm mount	(ch.) 70-T-200 000 →	14x41x60
10577	701 407 187 B	ProKit Traggelenk / ball joint		M16 x 1,5
10578	701 407 361 B	Traggelenk / ball joint	(ch.) → 70-T-199 999	M16 x 1,5
10852	7D0 407 140	Querlenkerlager / control arm mount	OLD	14x50x60
18654	701 411 049 B	Verbindungsstange / connecting rod		Ø   27
18740	7D0 407 361	Traggelenk / ball joint	(ch.) 70-T-200 000 →	
18866	701 407 303	Anschlagpuffer für Querlenker / buffer for control arm		
18984	7D0 411 049	Verbindungsstange / connecting rod		Ø   23
21942	7D0 411 045	Gummilager / rubber mount		
23364	7D0 407 140 A	Querlenkerlager / control arm mount		Ø   27
23424	701 411 041 D	Stabilisatorlager / stabilizer mount	NEW (1)	14x50x60
29772	7D0 407 361 S1	Rep. Satz Traggelenk / rep. kit ball joint	(ch.) 70-T-200 000 →	

## Transporter T5 (7H/7J) (2003 →)



Vorderachse / Front axle



(1) (ex.) zulässiges Gesamtgewicht 3,2 Tonnen / (ex.) maximum total weight 3,2 tons

(2) 7H / 7J → 09 // 7E / 7F 09 →



Ref. - No.



Ref. - No.	Description	Notes	Dimensions
26540	7H0 411 313 Stabilisatorlager / stabilizer mounting		
26573	7H0 407 183 Querlenkerlager / control arm mount		Ø A 52
27834	7H5 411 317 A ProKit Verbindungsstange / connecting rod		L 260
28335	7H0 407 182 A Querlenkerlager / control arm mount		Ø A 60
29673	7H0 422 818 D ProKit Spurstangenendstück / tie rod end		M14 x 1,5
29675	7H0 422 817 D ProKit Spurstangenendstück / tie rod end		M14 x 1,5
30858	7H0 407 361 A S1 Rep. Satz Traggelenk / rep. kit ball joint	(1)	M14 x 1,5
31705	7H0 419 810 F ProKit Spurstange / tie rod		M16 x 1,5
31788	7H0 419 804 F ProKit Spurstange komplett rechts / tie rod complete right		
31789	7H0 419 803 F ProKit Spurstange komplett links / tie rod complete left		
37282	7H8 407 361 A S1 ProKit Traggelenk / ball joint	(2)	





## Typ 3 (1500 / 1600) (1961 → 1968)

(ex.)



Vorderachse / Front axle

### oben / upper

01793



01793



### unten / lower

01794



01794



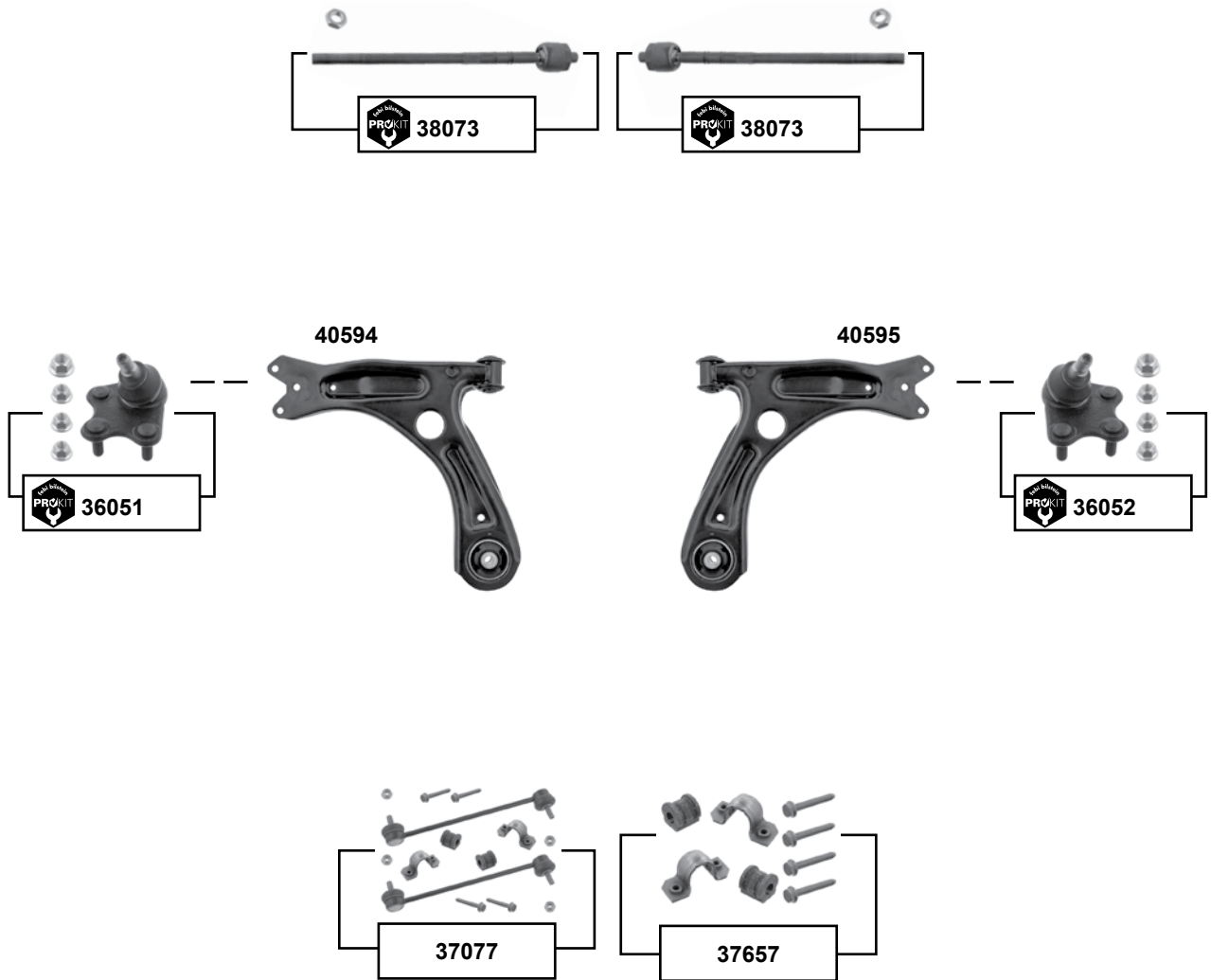
Ref. - No.



01793	311 405 361 B	Führungsgelenk / ball joint	Modell 63 →	M20 x 1,5
01794	311 405 371 C	Traggelenk / ball joint	Modell 63 →	Ø A 18
25190	131 415 811	ProKit Spurstangenendstück / tie rod end	(ex.) 1500	M14x1,5 LHT
25192	131 415 812	ProKit Spurstangenendstück / tie rod end	(ex.) 1500	M14x1,5 RHT



## up! (121) / e-up! (BL1) (2011 →) / (2013 →)



Vorderachse / Front axle

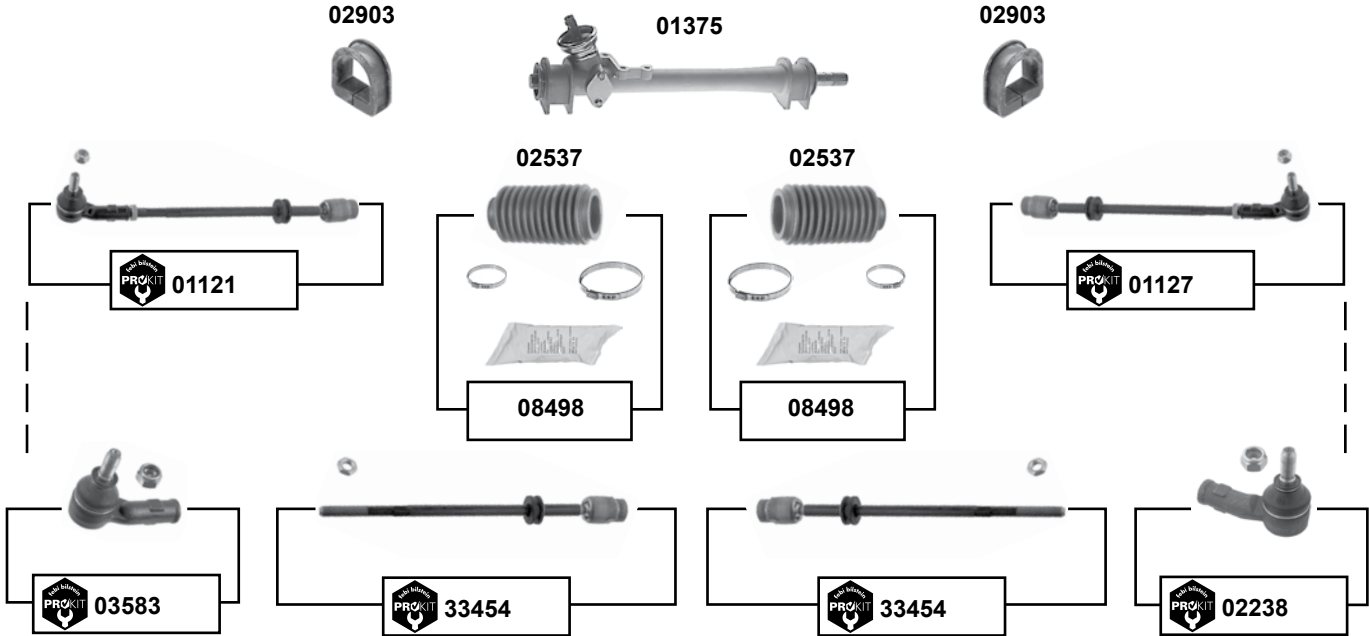
	Ref. - No.			
<b>36051</b>	6R0 407 365 A	ProKit Traggelenk / ball joint	PR-0AQ PR-0AQ	Ø   16
<b>36052</b>	6R0 407 366 A	ProKit Traggelenk / ball joint		
<b>37657</b>	6Q0 411 314 P S2	Stabilisatorlagersatz / anti roll bar bush kit	PR-0AQ PR-0AQ	M14 x 1,5 Stahl / steel
<b>37077</b>	6Q0 411 314 P S1	Stabilisatorlagersatz / anti roll bar bush kit		
<b>38073</b>	1S0 423 810 A	ProKit Axialgelenk / axial joint		M14 x 1,5 Stahl / steel
<b>40594</b>	1S0 407 151	Querlenker / control arm		Stahl / steel
<b>40595</b>	1S0 407 152	Querlenker / control arm		Stahl / steel



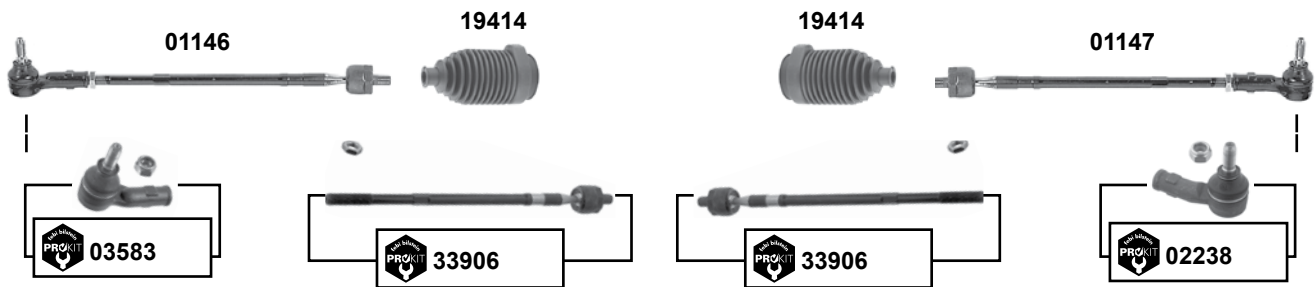
## Vento (1H) (1992 → 1999) (ex.) VR6 / GT

Vorderachse / Front axle

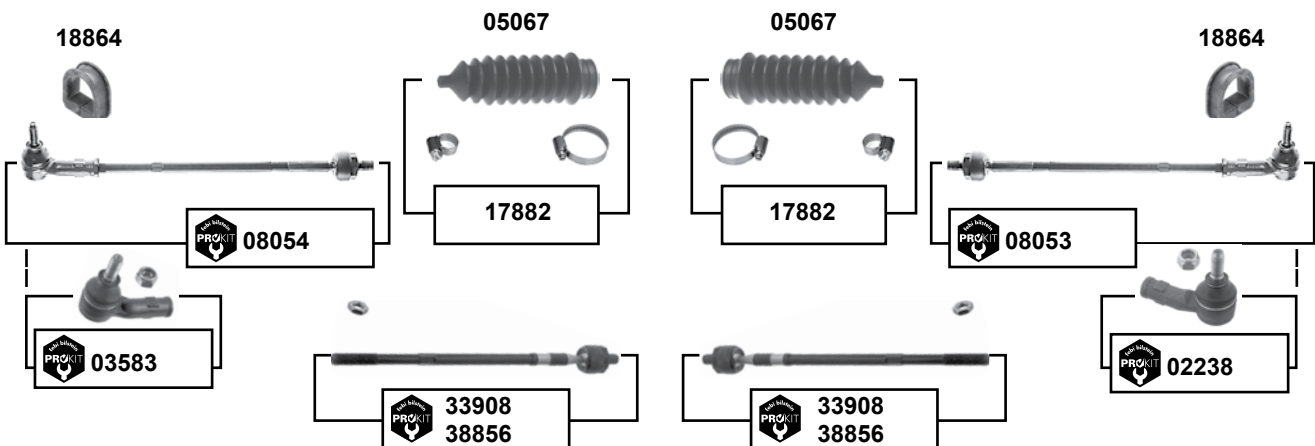
### man.



### servo ZF



### servo TRW





**Vento (1H)**  
(1992 → 1999)  
(ex.) VR6 / GT



(1) ZF servo / LHD / RHD

(2) TRW servo (ch.) 1G-R-458 664



Ref. - No.

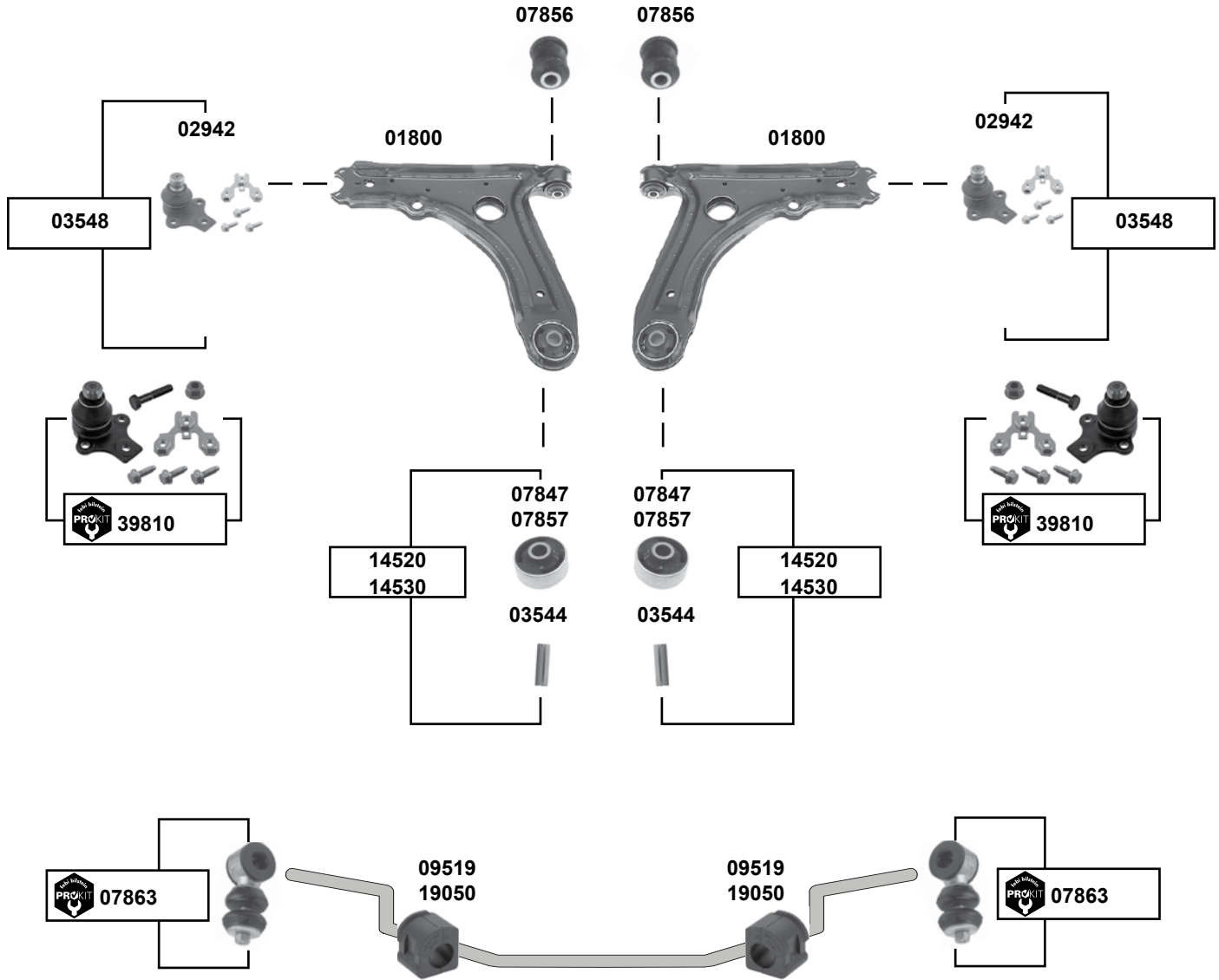


Ref. - No.	Description	Notes	Dimensions
01121	1H0 419 803	ProKit Spurstange / tie rod	
01127	1H0 419 804	ProKit Spurstange / tie rod	
01146	1H0 422 803 B	Spurstange / tie rod	
01147	1H0 422 804 B	Spurstange / tie rod	
01375	191 419 063 C	Lenkgetriebe / steering gear	LHD
02238	191 419 812	ProKit Spurstangenendstück / tie rod end	M12 x 1,5
02537	191 419 831	Lenkmanschette / steering boot	
02903	191 419 883	Lenkgetriebelager / steering gear bearing	
03583	191 419 811	ProKit Spurstangenendstück / tie rod end	M12 x 1,5
05067	1H0 422 831 B	Lenkmanschette / steering boot	
08053	1H0 422 804	ProKit Spurstange / tie rod	
08054	1H0 422 803	ProKit Spurstange / tie rod	
08498	191 419 831 S1	Rep. Satz Lenkmanschette / rep. kit steering boot	
17882	1H0 422 831 B S1	Rep. Satz Lenkmanschette / rep. kit steering boot	
18864	1H0 422 884	Lenkgetriebelager / steering gear bearing	
19414	357 422 831 B	Lenkmanschette / steering boot	
33454	1H0 419 810	ProKit Axialgelenk / axial joint	
33906	1H0 422 810 B	ProKit Axialgelenk / axial joint	(1)
33908	1H0 422 810	ProKit Axialgelenk / axial joint	
38856	1H0 422 810 D	ProKit Axialgelenk / axial joint	(2)



## Vento (1H) (1992 → 1999) (ex.) VR6 / GT

Vorderachse / Front axle



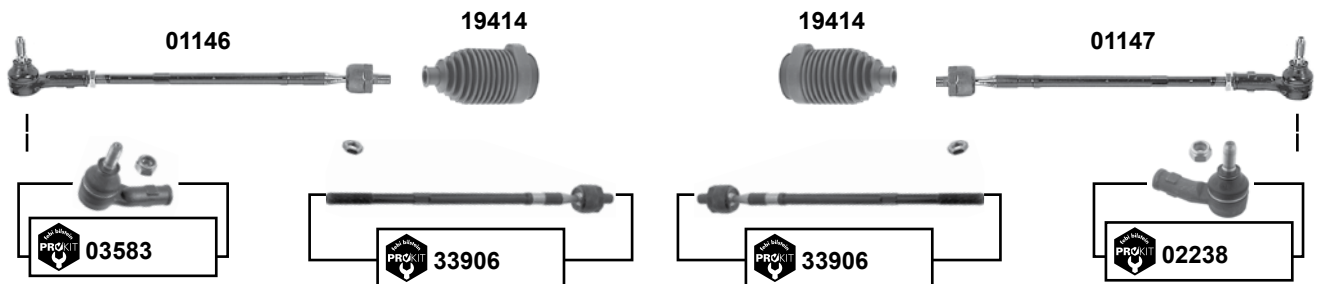
	Ref. - No.			
<b>01800</b>	1H0 407 151	Querlenker / control arm		
<b>02942</b>	357 407 365	Traggelenk / ball joint		Ø A 19 50x17
<b>03544</b>	191 407 190 A	Hülse / sleeve		
<b>03548</b>	357 407 365 S1	Rep. Satz Traggelenk / rep. kit ball joint		
<b>07847</b>	191 407 181 D	Querlenkerlager / control arm mount	<b>NEW</b>	17x60x41
<b>07856</b>	357 407 182	Querlenkerlager / control arm mount	<b>OLD</b>	12x33x54
<b>07857</b>	191 407 181 B	Querlenkerlager / control arm mount	<b>OLD</b>	17x60x41
<b>07863</b>	191 411 315 B S1	ProKit Verbindungsstange / connecting rod		
<b>09519</b>	191 411 314	Stabilisatorlager / stabilizer mount	<b>(ex.) 2.0</b>	Ø I 17
<b>14520</b>	191 407 181 B S1	Querlenkerlager mit Hülse / control arm mount with sleeve	<b>OLD</b>	
<b>14530</b>	191 407 181 D S1	Querlenkerlager mit Hülse / control arm mount with sleeve	<b>NEW</b>	
<b>19050</b>	1H0 411 314	Stabilisatorlager / stabilizer mount		Ø I 19
<b>39810</b>	357 407 365 S2	ProKit Traggelenk / ball joint		



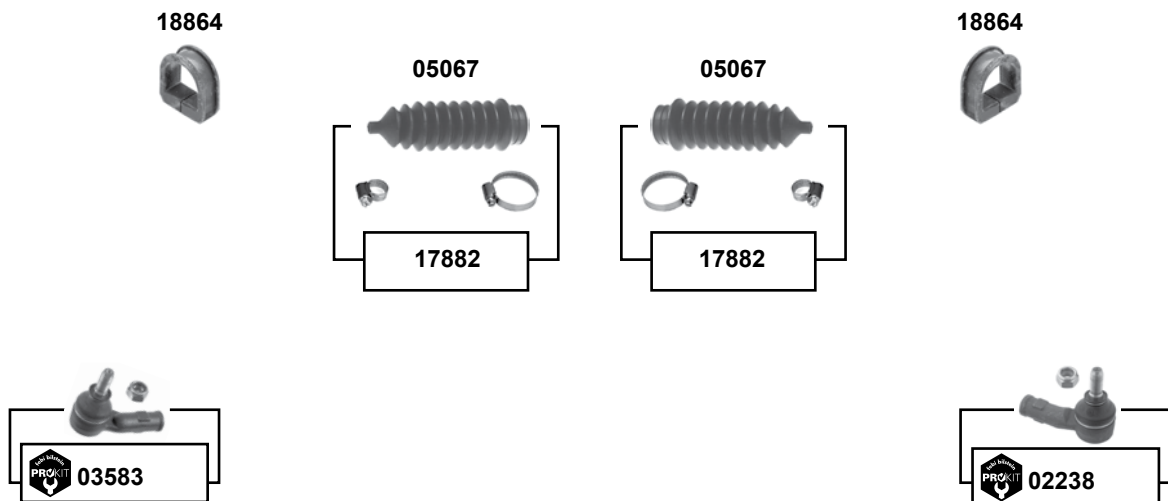
## Vento (1H) (1992 → 1999)

VR6 / GT

servo ZF



servo TRW



Vorderachse / Front axle

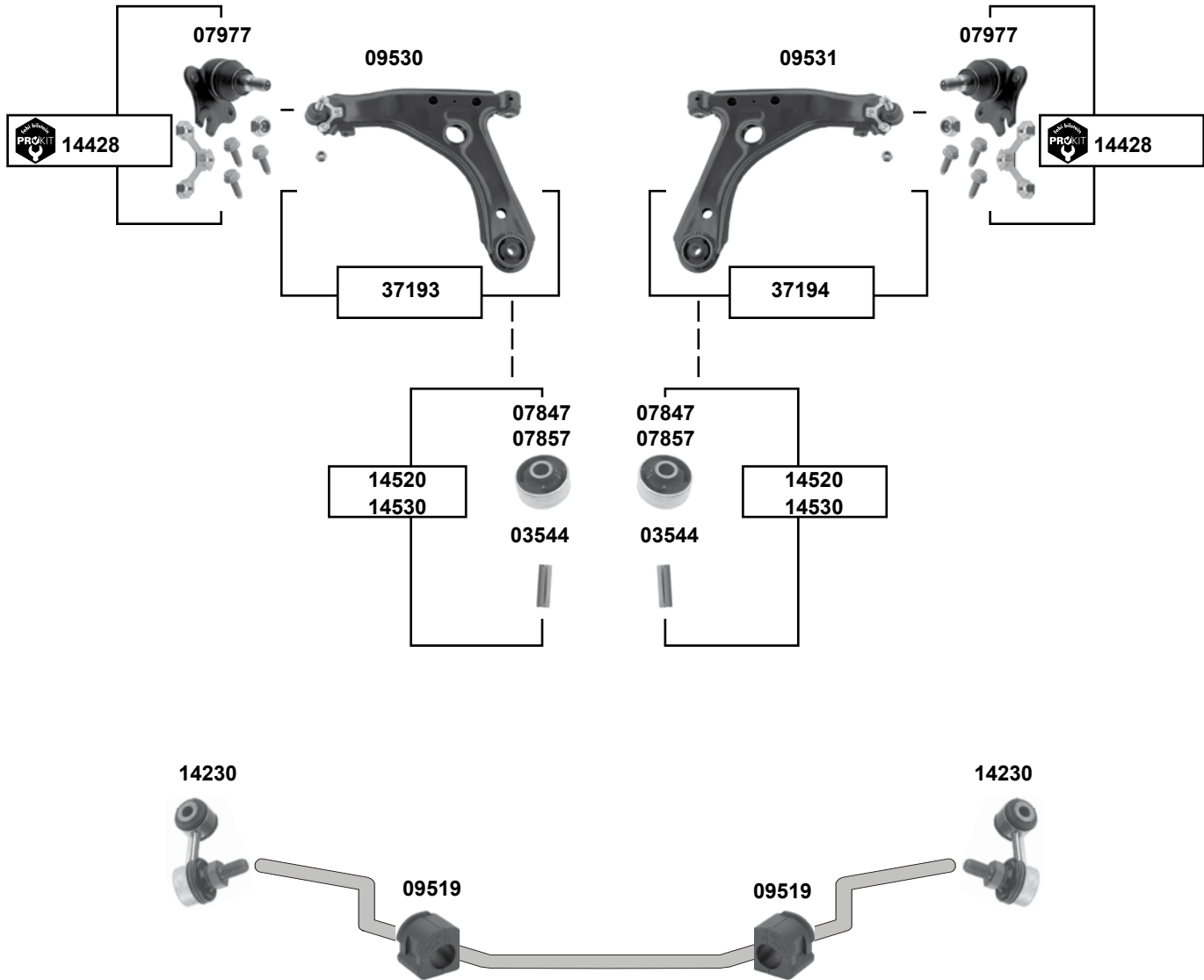
	Ref. - No.			
01146	1H0 422 803 B	Spurstange / tie rod		
01147	1H0 422 804 B	Spurstange / tie rod		
02238	191 419 812	ProKit Spurstangenendstück / tie rod end		M12 x 1,5 M12 x 1,5
03583	191 419 811	ProKit Spurstangenendstück / tie rod end		
05067	1H0 422 831 B	Lenkmanschette / steering boot		
17882	1H0 422 831 B S1	Rep. Satz Lenkmanschette / rep. kit steering boot		
18864	1H0 422 884	Lenkgetriebebelager / steering gear bearing		
19414	357 422 831 B	Lenkmanschette / steering boot		
33906	1H0 422 810 B	ProKit Spurstange / tie rod	LHD / RHD	



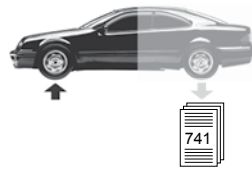
## Vento (1H) (1992 → 1999)

### VR6 / GT

Vorderachse / Front axle

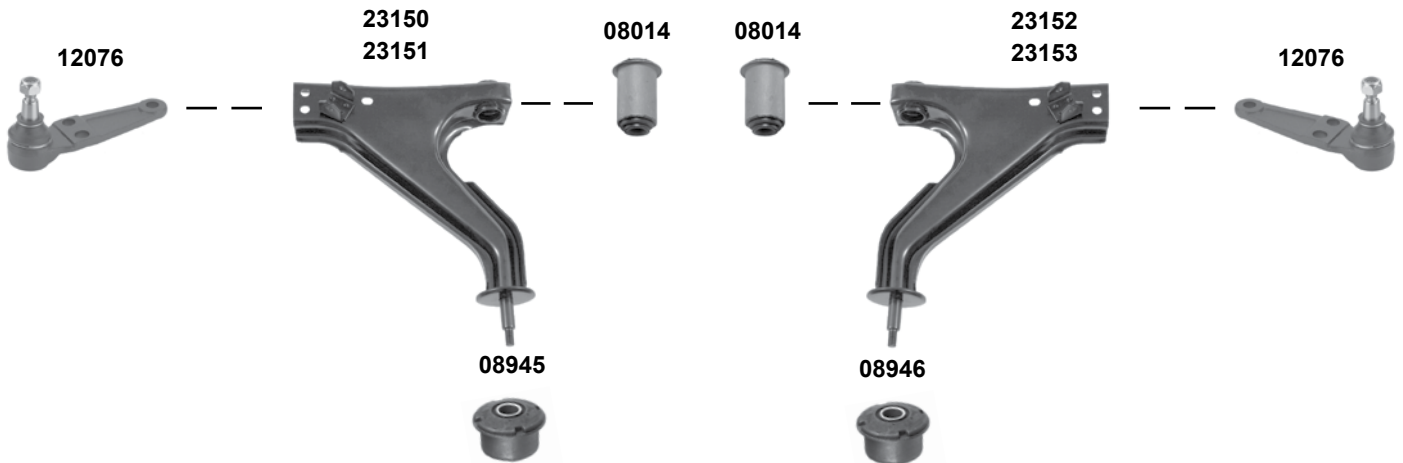
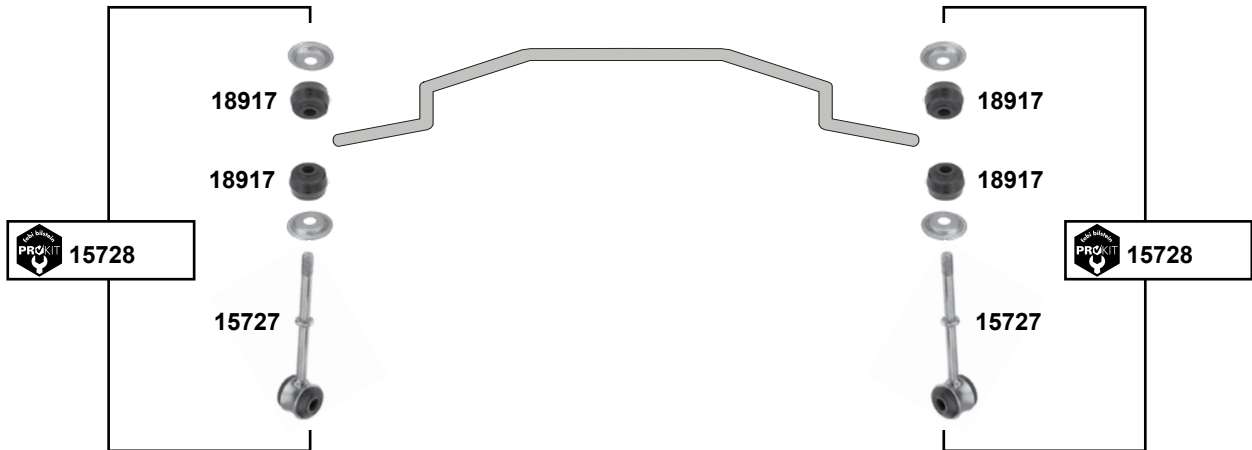


	Ref. - No.			
03544	191 407 190 A	Hülse / sleeve		50x17
07847	191 407 181 D	Querlenkerlager / control arm mount	<b>NEW</b>	17x60x41
07857	191 407 181 B	Querlenkerlager / control arm mount	<b>OLD</b>	17x60x41
07977	1H0 407 365	Traggelenk / ball joint		M12 x 1,5
09519	191 411 314	Stabilisatorlager / stabilizer mount	(ex.) GTI/16V/VR6	Ø I 17
09530	1H0 407 151 A	Querlenker / control arm		
09531	1H0 407 152	Querlenker / control arm		
14230	535 411 315	Verbindungsstange / connecting rod		L 55
14428	1H0 407 365 S	ProKit Traggelenk / ball joint		
14520	191 407 181 B S1	Querlenkerlager mit Hülse / control arm mount with sleeve	<b>OLD</b>	
14530	191 407 181 D S1	Querlenkerlager mit Hülse / control arm mount with sleeve	<b>NEW</b>	
37193	1H0 407 151 A S1	Querlenker mit Traggelenk / control arm with ball joint	→ 98	
37194	1H0 407 152 S1	Querlenker mit Traggelenk / control arm with ball joint	→ 98	



240 → 260  
(1979 → 1993)

man.

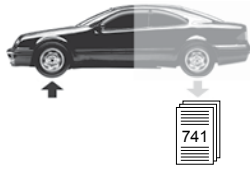


Vorderachse / Front axle

	Ref. - No.			
08014	1205825	Querlenkerlager / control arm mount		12x34,5x65
08945	1359812	Querlenkerlager / control arm mount		18x54,5x45
08946	1273778	Querlenkerlager / control arm mount		18x54,5x45
12076	274117	Traggelenk / ball joint		M12 x 1,75 L 140
15727	1206667	Koppelstange / connecting rod		
15728	1206667 S1	ProKit Verbindungsstange / connecting rod		
18917	1205991	Gummilager / rubber mount		10x32,5x22,5
23150	1205680	Querlenker / control arm		
23151	1205680 S1	Querlenker / control arm	mit Lager / with bearing	
23152	1205686	Querlenker / control arm		
23153	1205686 S1	Querlenker / control arm	mit Lager / with bearing	



# VOLVO

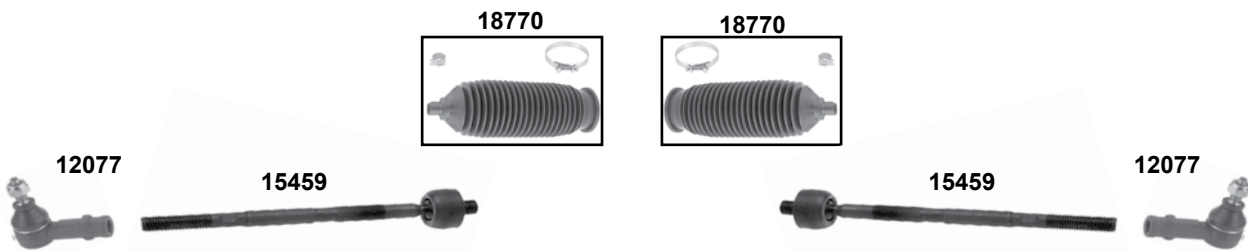


Car  
Division



**240 → 260**  
(1979 → 1993)

CAM



ZF

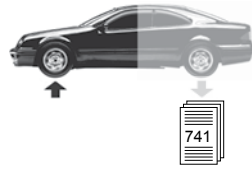


Ref. - No.



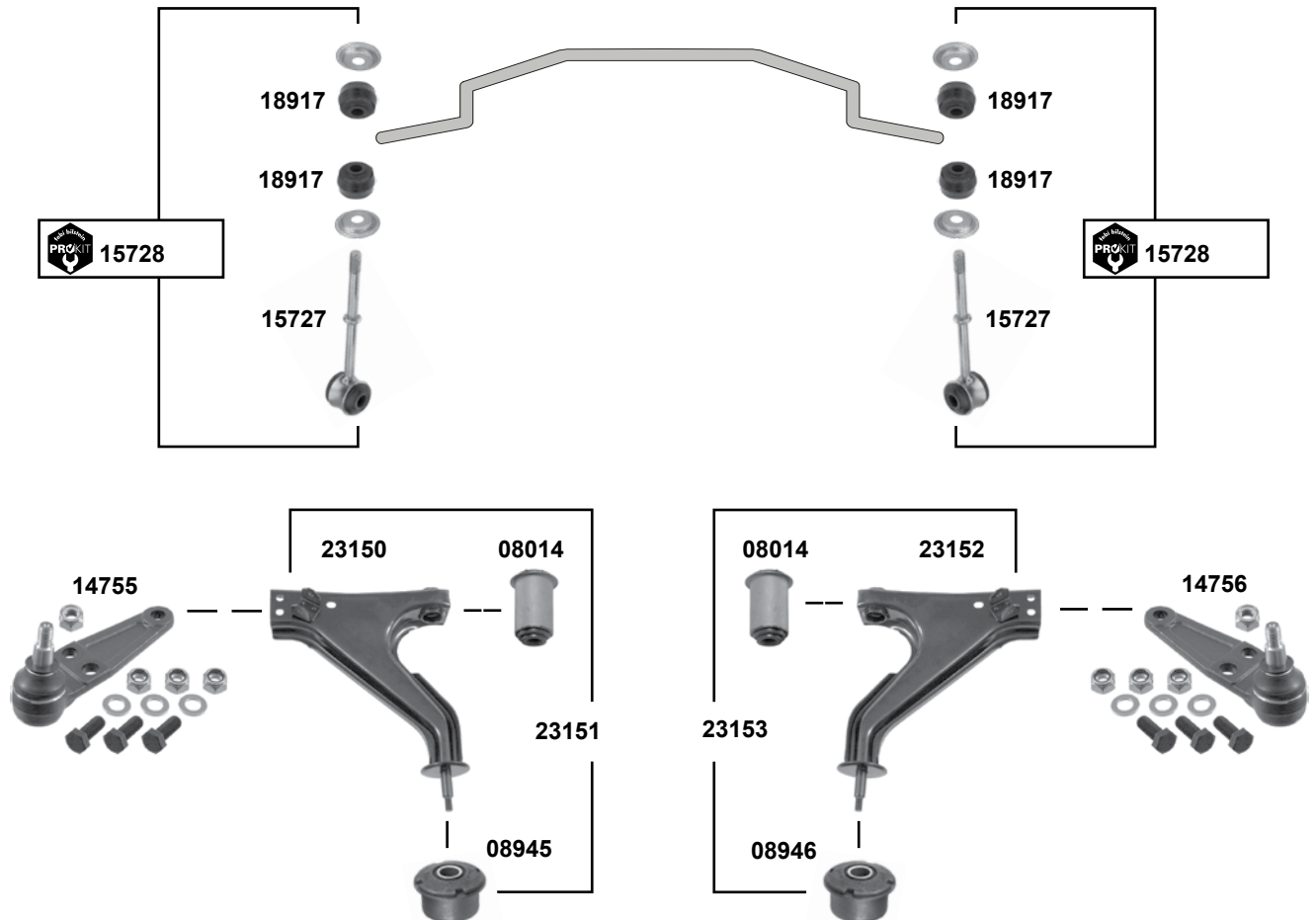
<b>12077</b>	3516944	Spurstangenendstück / tie rod end	88 →	M12 x 1,5
<b>14000</b>	1228425	Lenkmanschette / steering boot		L 285
<b>15459</b>	9140505	Spurstange / tie rod		
<b>18770</b>	270597 S1	Rep. Satz Lenkmanschette / rep. kit steering boot		

Vorderachse / Front axle



**240 → 260**  
(1979 → 1993)

servo



Vorderachse / Front axle



(1) fertig montiert / already pressed / prémonté / completamente montado / premontato

	Ref. - No.			
08014	1205825	Querlenkerlager / control arm mount		12x34,5x65
08945	1359812	Querlenkerlager / control arm mount		18x54,5x45
08946	1273778	Querlenkerlager / control arm mount		18x54,5x45
14755	274118	Traggelenk / ball joint		M12 x 1,25
14756	274119	Traggelenk / ball joint		M12 x 1,25
15727	1206667	Verbindungsstange / connecting rod		L 140
15728	1206667 S1	ProKit Verbindungsstange / connecting rod		
18917	1205991	Gummilager / rubber mount		10x32,5x2,5
23150	1205680	Querlenker / control arm		
23151	1205680 S1	Rep. Satz Querlenker / rep. kit control arm	(1)	
23152	1205686	Querlenker / control arm		
23153	1205686 S1	Rep. Satz Querlenker / rep. kit control arm	(1)	

# VOLVO



Car  
Division

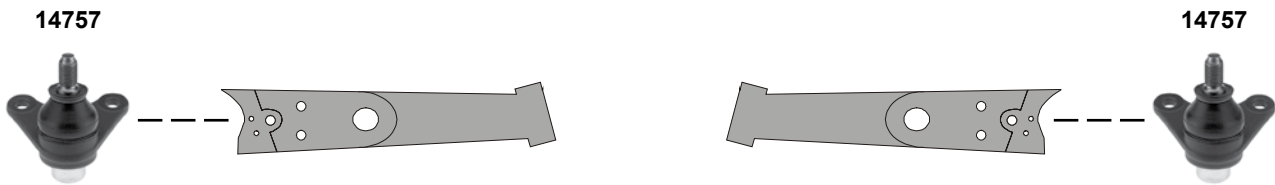


**340 → 360**  
(1975 → 1990)

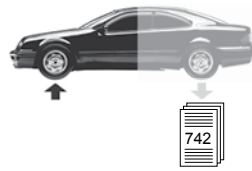
Vorderachse / Front axle



**alle / all**

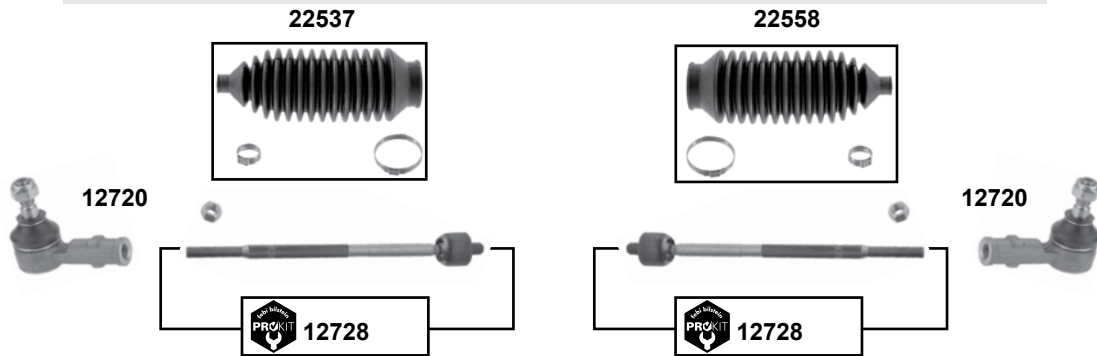


	Ref. - No.			
<b>04452</b>	3211955	ProKit Spurstangenendstück / tie rod end		M12 x 1,5
<b>14757</b>	3211956	Traggelenk / ball joint		
<b>22537</b>	3343641	Rep. Satz Lenkmanschette / rep. kit steering boot	man.	
<b>22558</b>	3343642	Rep. Satz Lenkmanschette / rep. kit steering boot		

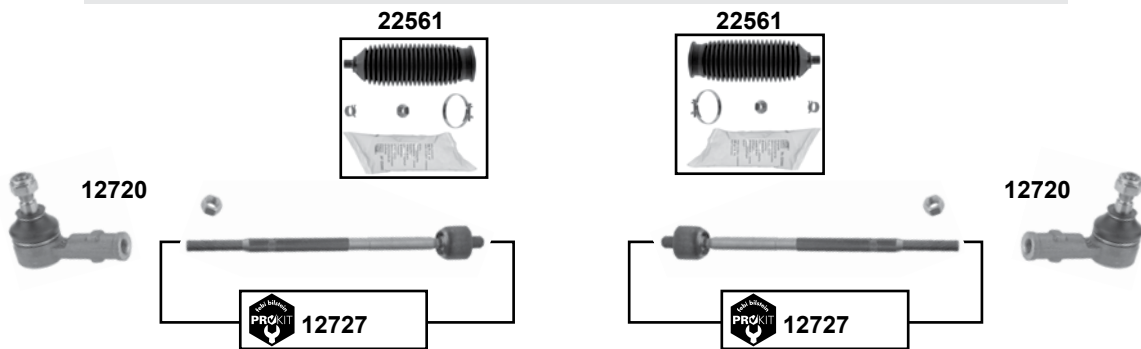


**440 → 460**  
(1988 → 1995)

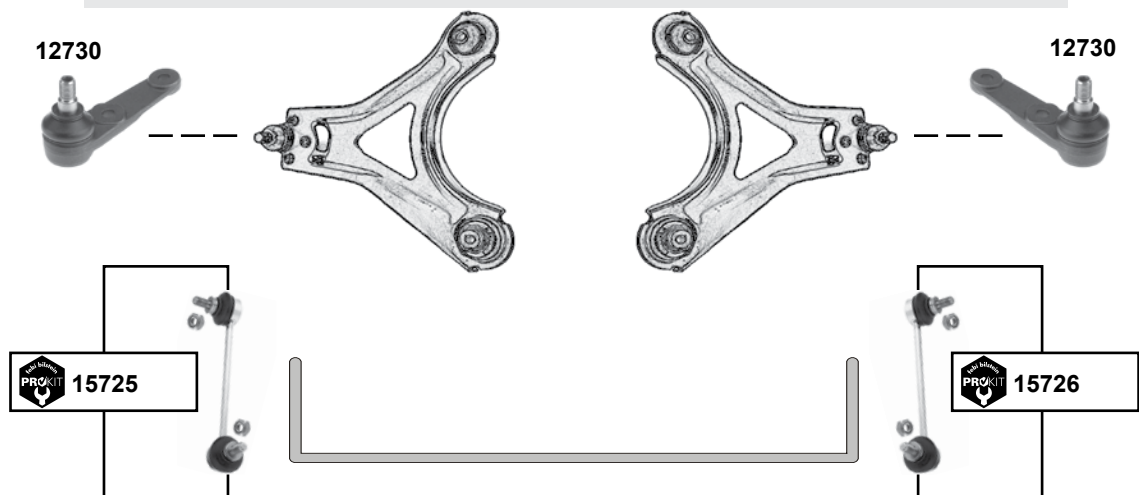
man.



servo

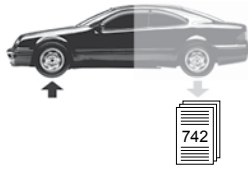


alle / all



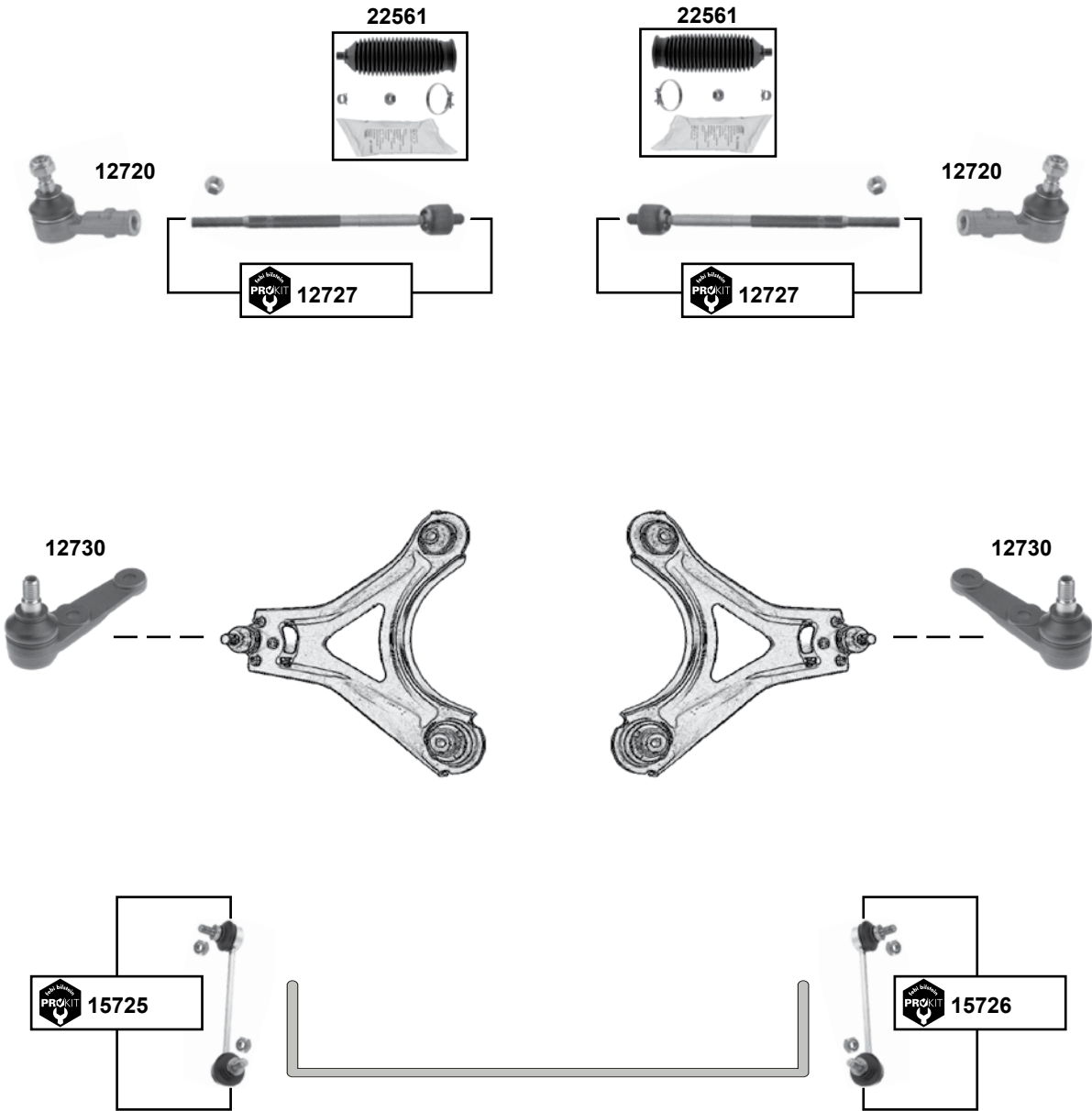
Vorderachse / Front axle

	Ref. - No.			
12720	3480012	Spurstangenendstück / tie rod end		M12 x 1,25
12727	3342824	ProKit Spurstange / tie rod		L 289
12728	3410369	ProKit Spurstange / tie rod		L 286
12730	3270523	Traggelenk / ball joint		M12 x 1,25
15725	3467713	ProKit Verbindungsstange / connecting rod		L 160
15726	3467714	ProKit Verbindungsstange / connecting rod		L 160
22537	3343641	Rep. Satz Lenkmanschette / rep. kit steering boot		
22558	3343642	Rep. Satz Lenkmanschette / rep. kit steering boot		
22561	3342893 S1	Rep. Satz Lenkmanschette / rep. kit steering boot		



## 480 (1986 → 1994)

Vorderachse / Front axle



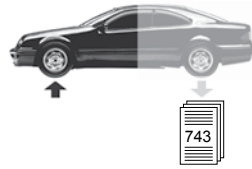
(1) Kunststoff / plastic / plastique / plástico / plastica



Ref. - No.

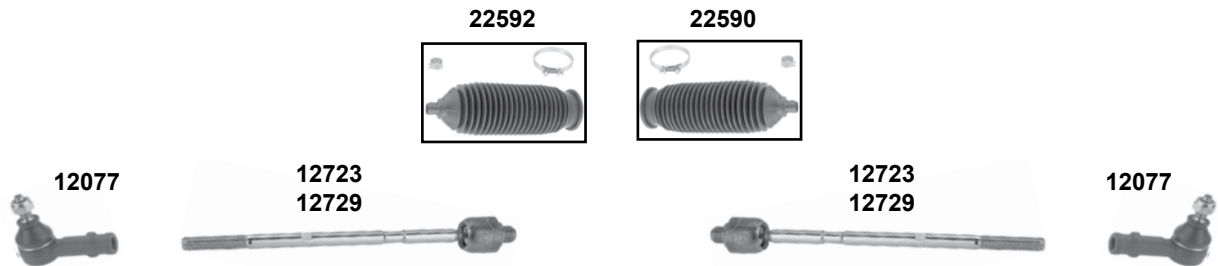


12720	3480012	Spurstangenendstück / tie rod end		M12 x 1,25
12727	3342824	ProKit Spurstange / tie rod		L 289
12730	3270523	Traggelenk / ball joint		
15725	3467713	ProKit Verbindungsstange / connecting rod		L 160
15726	3467714	ProKit Verbindungsstange / connecting rod		L 160
22561	3342893 S1	Rep. Satz Lenkmanschette / rep. kit steering boot	(1) servo	

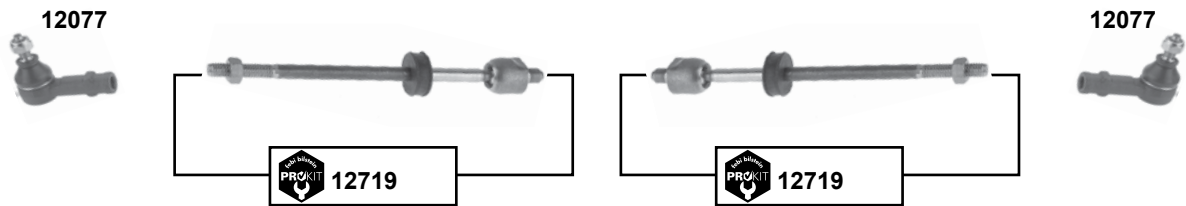


**740 → 760**  
(1985 → 1992)

**CAM**



**ZF**



**TRW**

740 Mod. 85 →  
760 Mod. → 87



Vorderachse / Front axle



(1) 744 (ch.) → 294 099 / 764 (ch.) → 58 499  
745 (ch.) → 176 799 / 765 (ch.) → 23 499

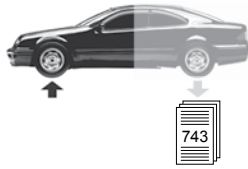
(2) 744 (ch.) 294 100 → / 764 (ch.) 58 500 →  
745 (ch.) 176 800 → / 764 (ch.) 23 500 →



Ref. - No.

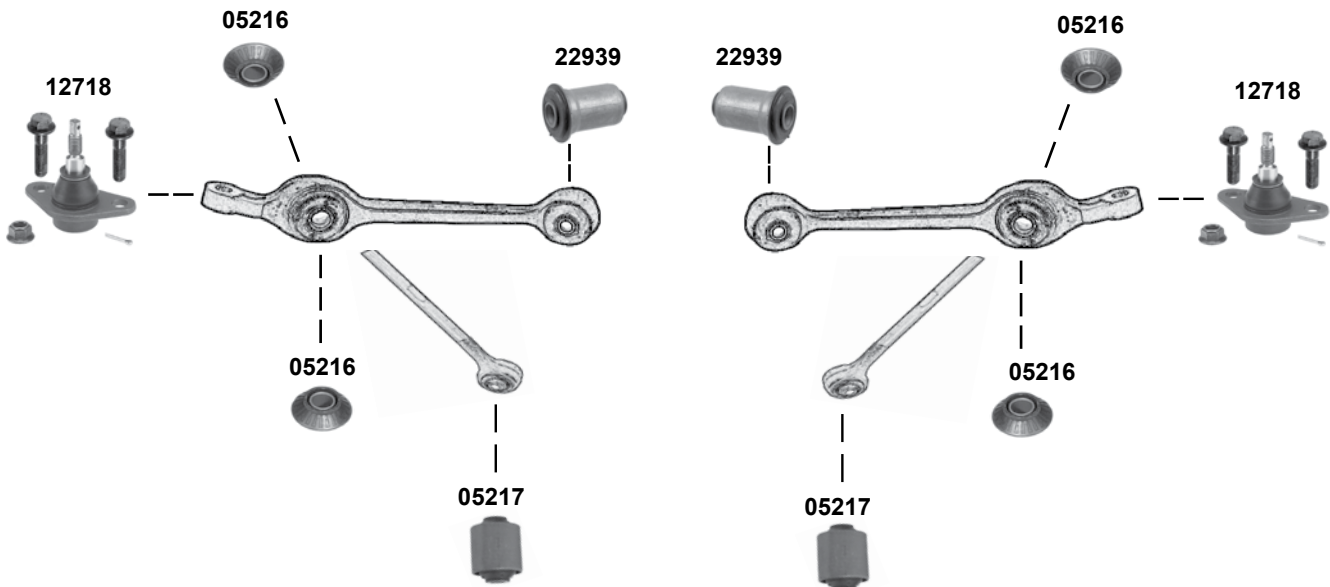
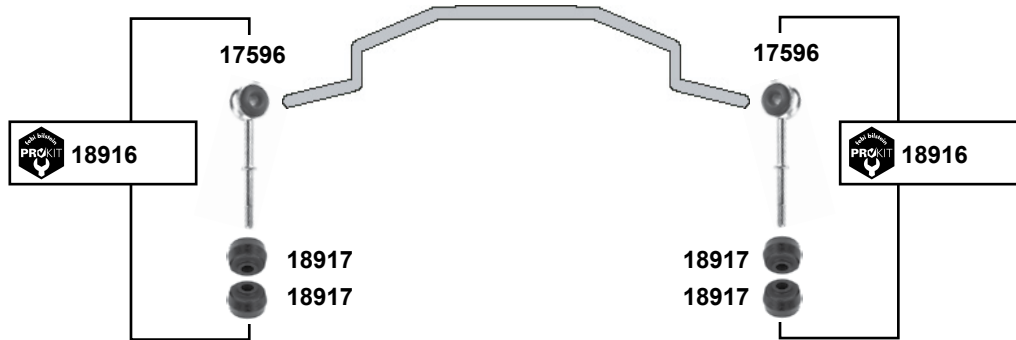


12077	3516944	Spurstangenendstück / tie rod end		M12 x 1,5
12719	271389	ProKit Spurstange / tie rod		L 310 M16x1,5
12723	1359347	Spurstange / tie rod	(1)	L 310 M18x1,5
12729	9140504	Spurstange / tie rod	(2)	L 310 M14x1,5
22528	270475 S1	Rep. Satz Lenkmanschette / rep. kit steering boot	Gummi / rubber	
22590	271470	Rep. Satz Lenkmanschette / rep. kit steering boot	(1)	
22592	271469	Rep. Satz Lenkmanschette / rep. kit steering boot	(1)	



**740 → 760**  
(1985 → 1992)

Vorderachse / Front axle



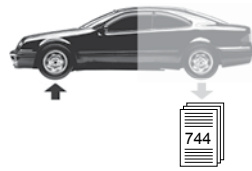
(1) Stahl-Querlenker / steel control arm / pour bras de suspension en acier / para el brazo oscilante transversal de acero / per braccio in acciaio



Ref. - No.



<b>05216</b>	1359599	Zugstrebenlager / tension rod bearing	(1)	17x51x27
<b>05217</b>	1329655	Zugstrebenlager / tension rod bearing		14x47x67,5
<b>12718</b>	270477	Traggelenk / ball joint		
<b>17596</b>	9157725	Verbindungsstange / connecting rod		L 140
<b>18916</b>	9157725	ProKit Verbindungsstange / connecting rod		
<b>18917</b>	1205991	Verbindungsstangenlager / connecting rod bearing		10x32,5x22,5
<b>22939</b>	1273235	Querlenkerlager / control arm mount		13x34/37x65



**780**  
(1987 → 1990)

**CAM**

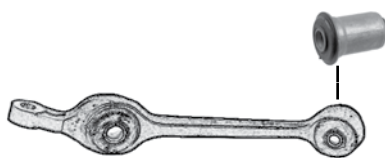
18770  
22592



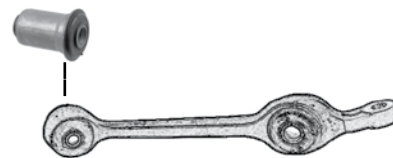
18770  
22590



22939



22939



Vorderachse / Front axle

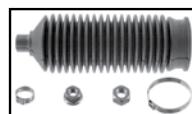
**850**  
(1991 → 1996)

**TRW**

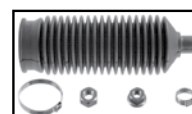


**40567**

22557



22557



**40568**

12747



12726



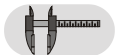
12726



12748

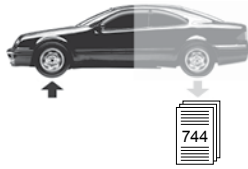


Ref. - No.



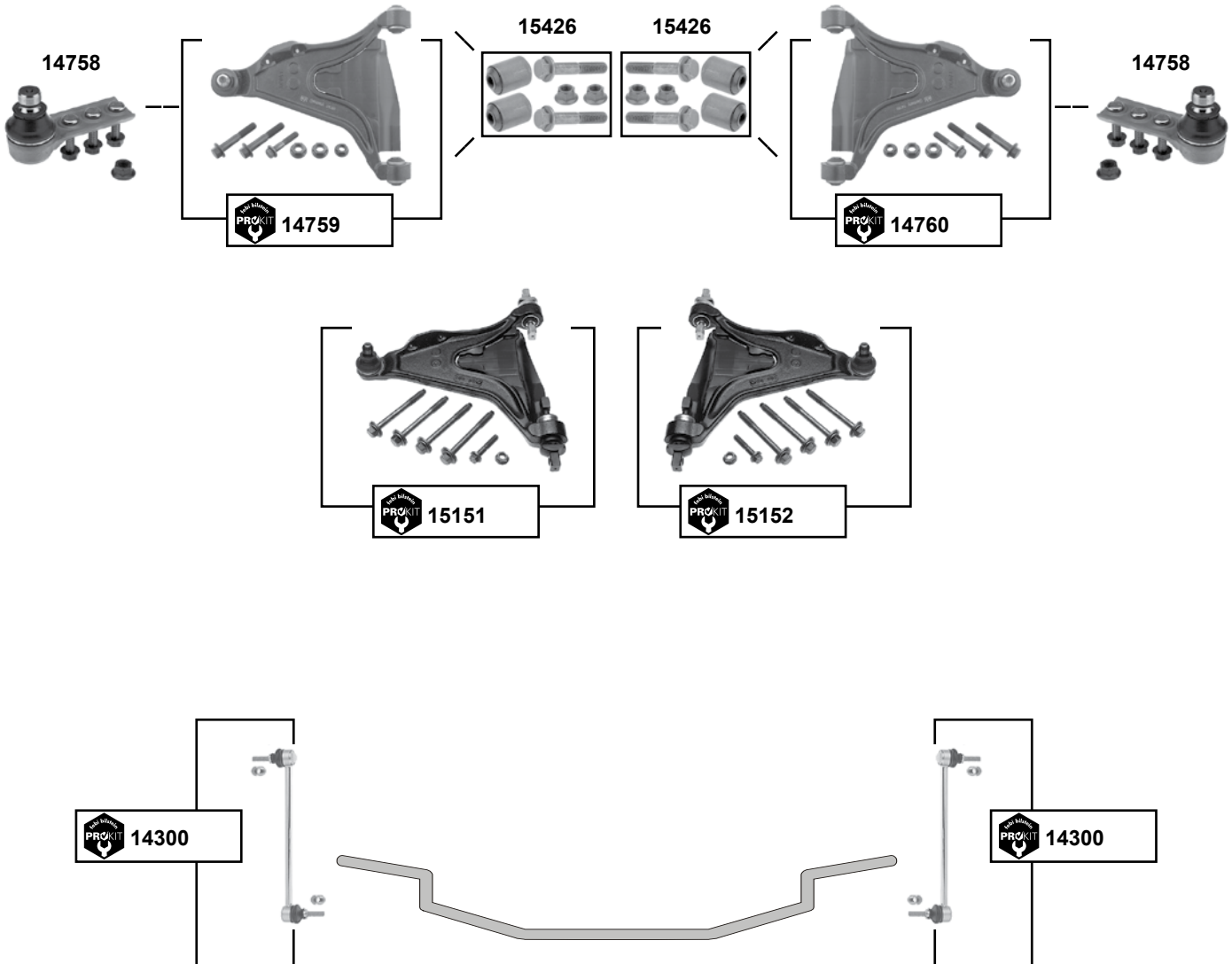
12726	3546266	Spurstange / tie rod		L 195
12747	271598	Spurstangenendstück / tie rod end		M14 x 2
12748	271599	Spurstangenendstück / tie rod end		M14 x 2
18770	270597 S1	Rep. Satz Lenkmanschette / rep. kit steering boot	(ch.) → 2018	
22557	271601 SK	Rep. Satz Lenkmanschette / rep. kit steering boot		
22590	271470	Rep. Satz Lenkmanschette / rep. kit steering boot	(ch.) 2018 →	
22592	271469	Rep. Satz Lenkmanschette / rep. kit steering boot	(ch.) 2018 →	
22939	1273235	Querlenkerlager / control arm mount		13x34/37x65
40567	3546266 S1	ProKit Spurstange / tie rod		
40568	3546266 S2	ProKit Spurstange / tie rod		





## 850 (1991 → 1996)

Vorderachse / Front axle



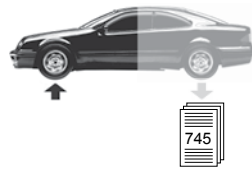
(1) (ch.) → 131536 / AWD / 4-türer / 4-doors  
(ch.) → 37527 5-türer / 5-doors



Ref. - No.



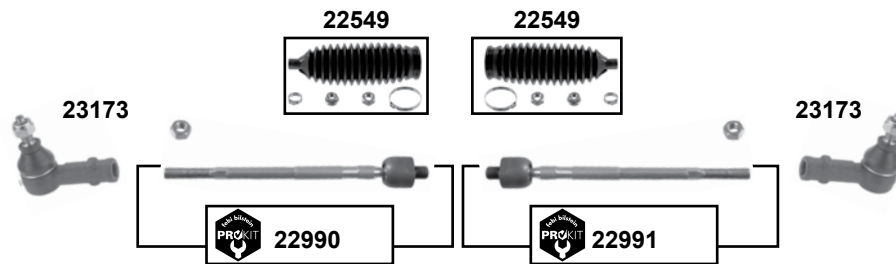
Ref. - No.	Description	Notes	Length
14300	30714686 ProKit Verbindungsstange / connecting rod		L 300
14758	271591 Traggelenk / ball joint	(ex.) Diesel / (1)	
14759	8628495 ProKit Querlenker / control arm	(ex.) Diesel / AWD	
14760	8628496 ProKit Querlenker / control arm	(ex.) Diesel / AWD	
15151	8628497 ProKit Querlenker / control arm	Diesel / AWD	
15152	8628498 ProKit Querlenker / control arm	Diesel / AWD	
15426	271631 Rep. Satz Querlenkerlager / rep. kit control arm mount	(ex.) Diesel / AWD	



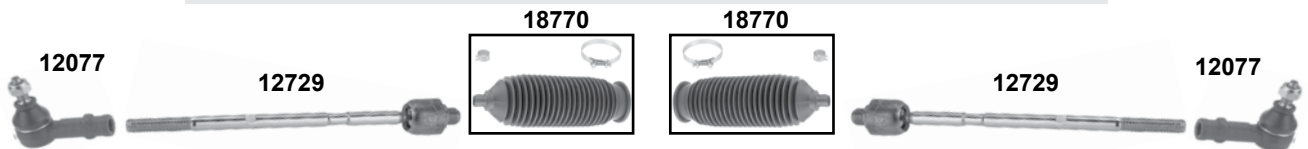
**940 → 960**  
(1991 → 1998)

**KOYO**

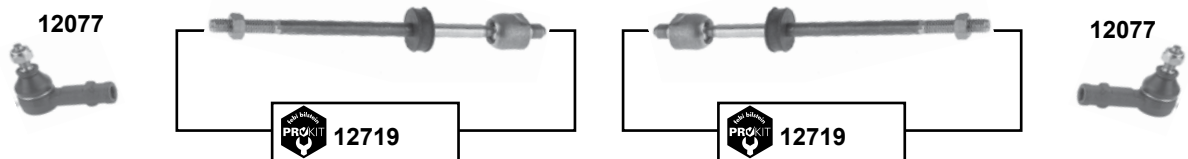
→ **Modell 93**



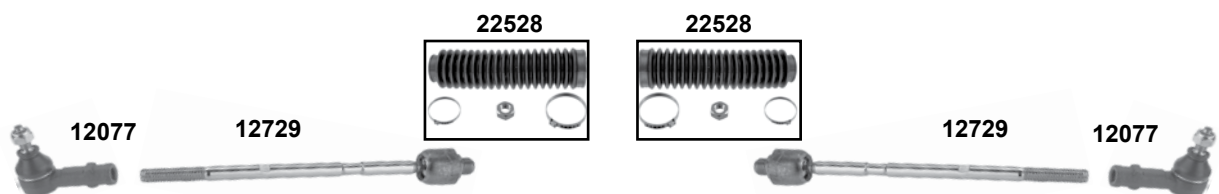
**CAM**



**ZF**



**TRW**   
→ **Modell 94**

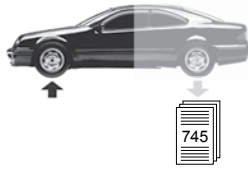


**Modell 95** →



Vorderachse / Front axle

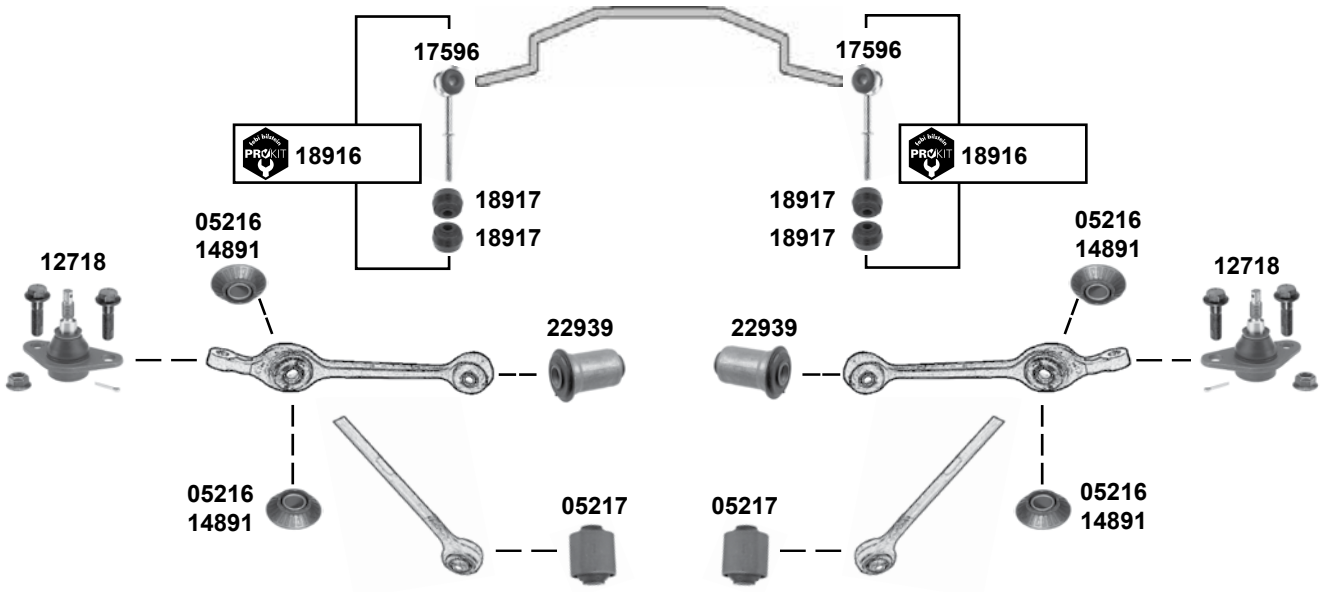
	Ref. - No.			
12077	3516944	Spurstangenendstück / tie rod end		M12 x 1,5
12719	271389	ProKit Spurstange / tie rod		L 310
12729	9140504	Spurstange / tie rod		L 310
12747	271598	Spurstangenendstück / tie rod end		M14 x 2
12748	271599	Spurstangenendstück / tie rod end		M14 x 2
14913	9140788	Spurstange / tie rod		L 240
18770	270597 S1	Rep. Satz Lenkmanschette / rep. kit steering boot	Gummi / rubber	
22528	270475 S1	Rep. Satz Lenkmanschette / rep. kit steering boot		
22549	271699	Rep. Satz Lenkmanschette / rep. kit steering boot		
22990	6819455	ProKit Spurstange / tie rod		L 310
22991	6819454	ProKit Spurstange / tie rod		L 310
23173	271701	Spurstangenendstück / tie rod end		M12 x 1,75



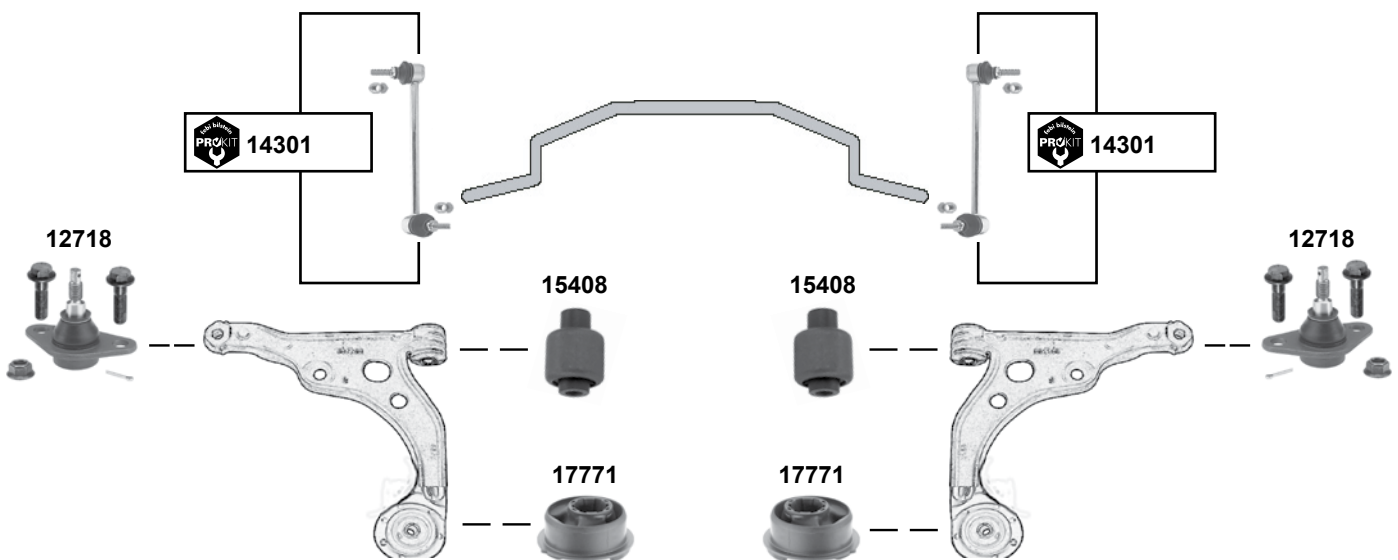
## 940 → 960 (1991 → 1998)

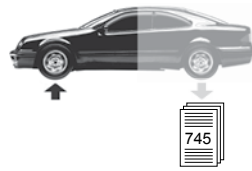
### 940 alle / all 960 → Modell 94

Vorderachse / Front axle



### 960 Modell 95 →



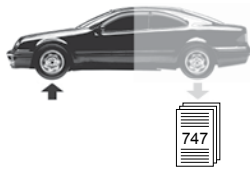


**940 → 960**  
(1991 → 1998)



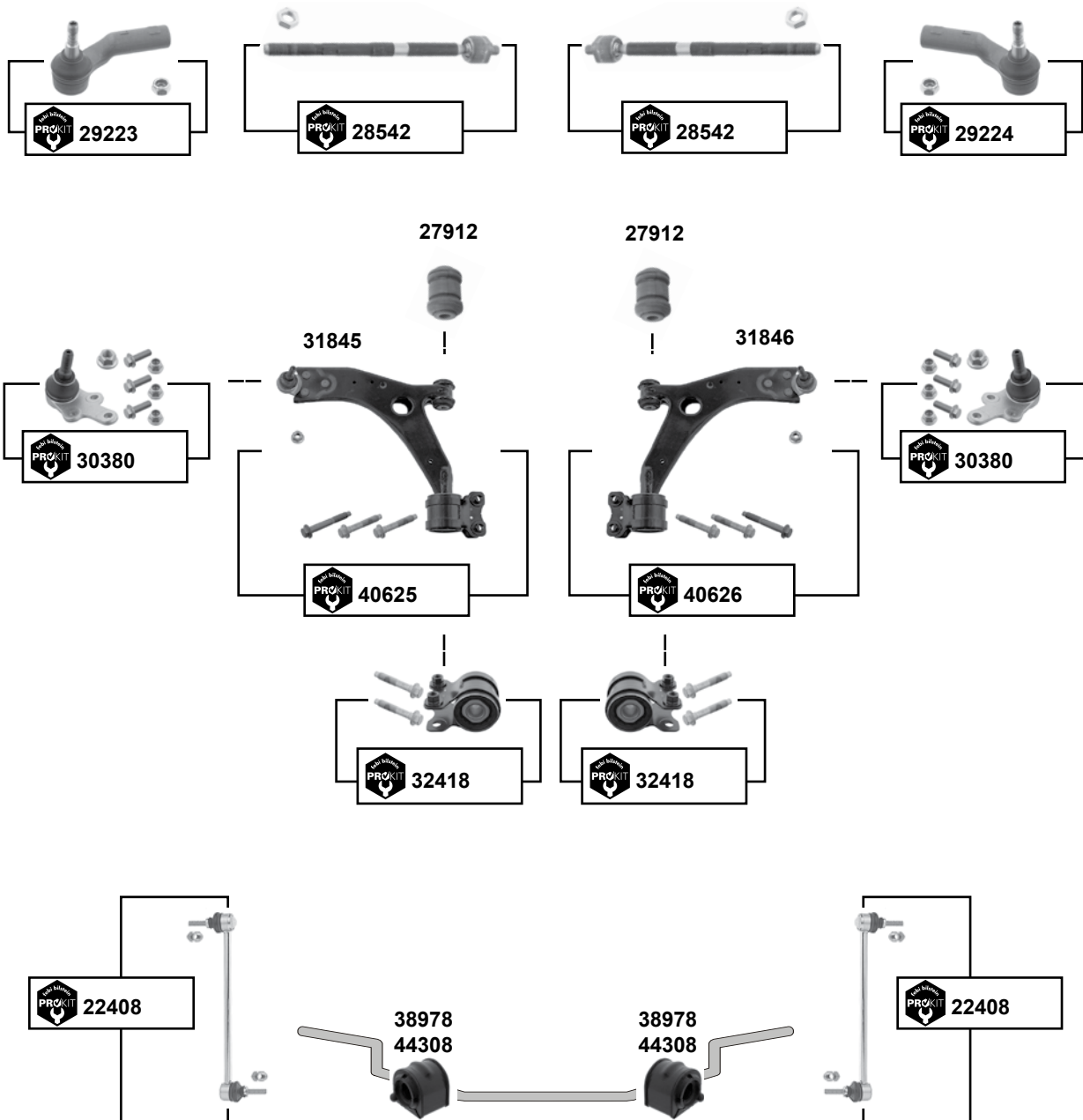
(1) Stahl-Querlenker / steel control arm / pour bras de suspension en acier / para el brazo oscilante transversal de acero / per braccio in acciaio

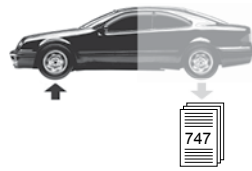
	Ref. - No.			
<b>05216</b>	1359599	Zugstrebenlager / tension rod bearing	<b>(ex.)</b> Zugstrebe / tie arm L 388,5	17x51x27
<b>05217</b>	1329655	Zugstrebenlager / tension rod bearing		14x47x67,5
<b>12718</b>	270477	Traggelenk / ball joint		
<b>14301</b>	272991	ProKit Verbindungsstange / connecting rod		L 245
<b>14891</b>	6819057	Zugstrebenlager / tension rod bearing	Zugstrebe / tie arm L 388,5	17x52x27
<b>15408</b>	6819537	Querlenkerlager / control arm mount		12x40x39/65
<b>17596</b>	9157725	Verbindungsstange / connecting rod	<b>(1)</b>	L 140
<b>17771</b>	9191537	Querlenkerlager / control arm mount		
<b>18916</b>	9157725 S1	ProKit Verbindungsstange / connecting rod	<b>(1)</b>	L 140
<b>18917</b>	1205991	Gummilager / rubber mount		
<b>22939</b>	1273235	Gummilager / rubber mount		13x34/37x65



## C 30 (2005 →)

Vorderachse / Front axle





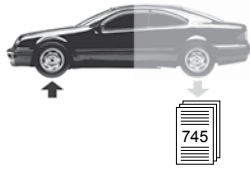
- (1) B 5..., D 5..., D 4204 T (ch.) 190000 → Sport  
(ex.) B 4164 S3 → (ch.) 189999 Sport  
D 5204 T, B5244 S4, B5254 T3, D 5244 T8/T9 In Verbindung mit Fahrgestell Dynamic /  
combined with chassis Dynamic
- (2) B 4204 S3, B4184 S8/S11, B4164 S3, D 4164 T in Verbindung mit Fahrgestell Dynamic /  
combined with chassis Dynamic  
alle / all in V  
B 4164 S3 Sport  
B 4204 S3/S4, D 4164 T/T2 (ch.) 190000 → i Sport



Ref. - No.

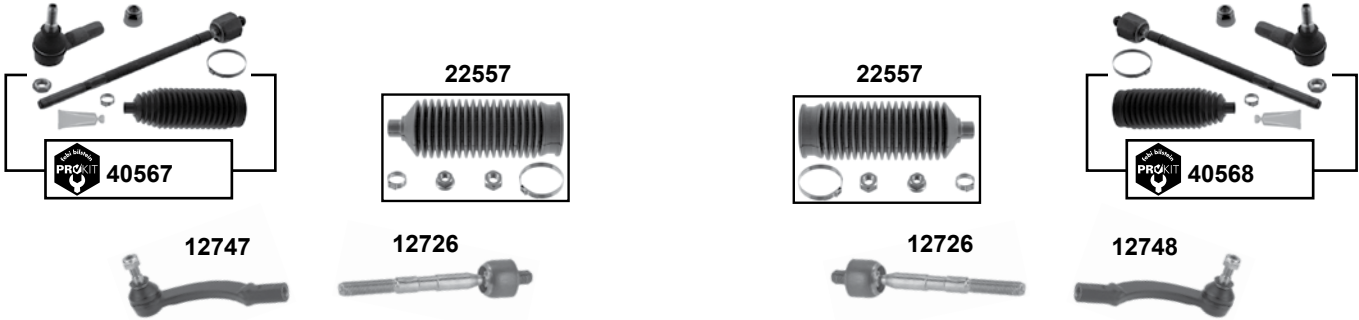


Febi bilstein	Ref. - No.			
22408	8623576	ProKit Verbindungsstange / connecting rod		L 298
27912	31277464 S2	Querlenkerlager / control arm mount		
28542	31201817	ProKit Spurstange / tie rod		L 294,5
29223	31201413	ProKit Spurstangenendstück / tie rod end		M16 x 1,5
29224	31201412	ProKit Spurstangenendstück / tie rod end		M16 x 1,5
30380	31277463 SK	ProKit Traggelenk / ball joint		Ø A 21
31845	31277463	Querlenker / control arm		
31846	31277462	Querlenker / control arm		
32418	31277464 S3	ProKit Querlenkerlager / control arm mount		
38978	30666266	Stabilisatorlager / stabilizer mount	(1)	Ø I 18
40625	1 570 285 S1	ProKit Querlenker / control arm		
40626	1 570 284 S1	ProKit Querlenker / control arm		
44308	30748803	Stabilisatorlager / stabilizer mount	(2)	Ø I 18

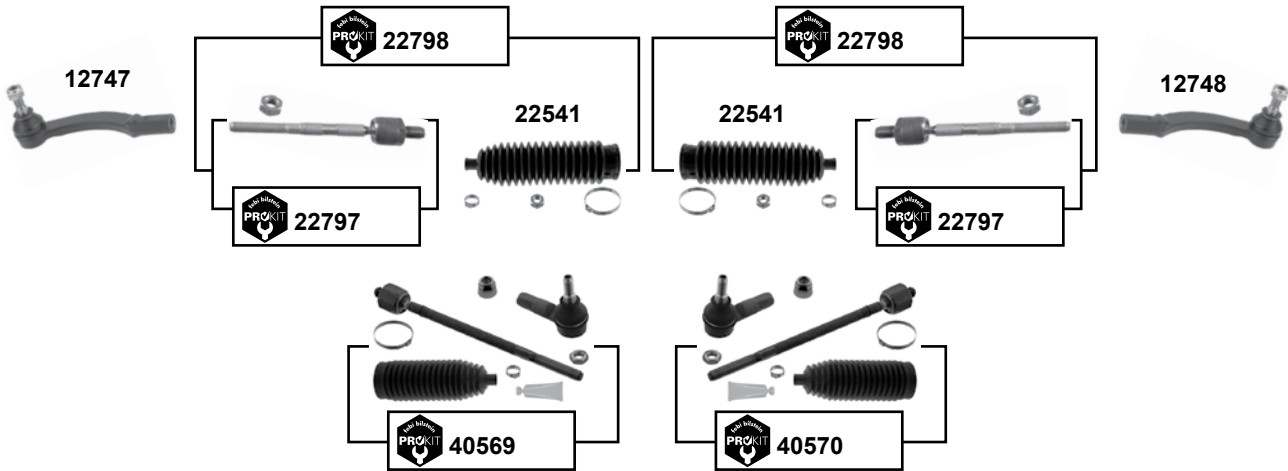


## C 70 I (1997 → 2000)

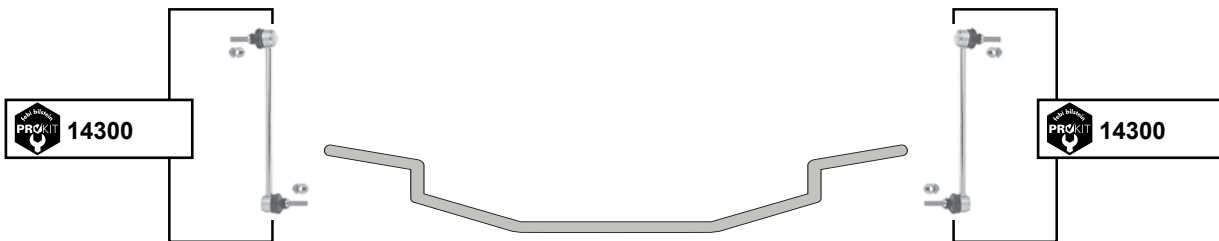
### TRW



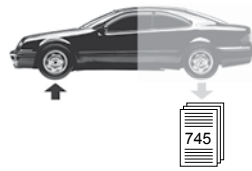
### SMI



### alle / all



Vorderachse / Front axle



- (1) Kunststoff / plastic / plastique / plástico / plastica
- (2) LHD → (ch.) 572014, 549830 / RHD → (ch.) 585074, 563168
- (3) LHD (ch.) 572015, 549831 → / RHD (ch.) 585075, 563169 →

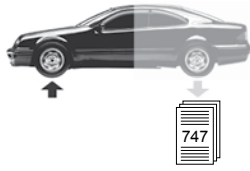


Ref. - No.



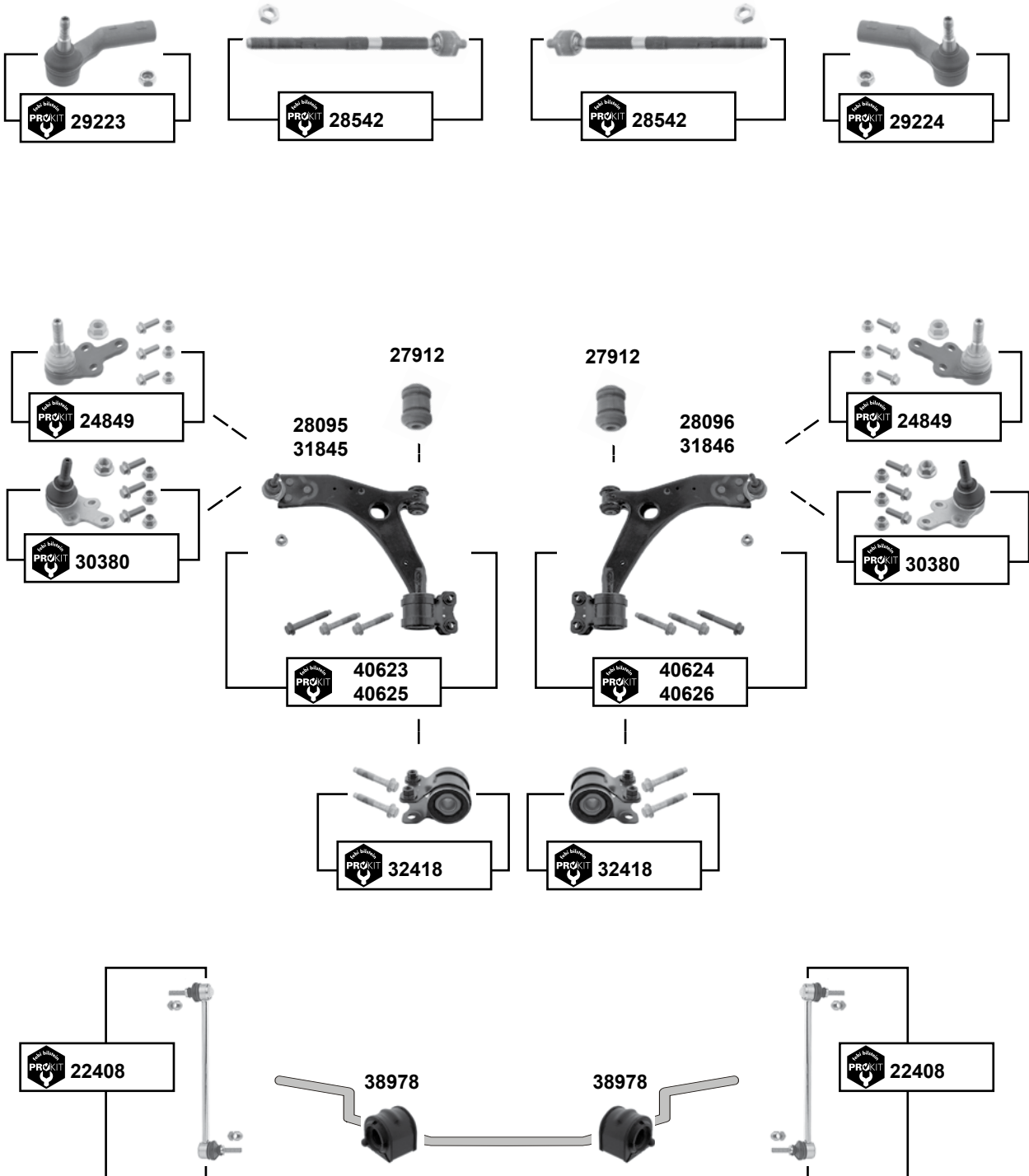
Febi bilstein	Ref. - No.			
12726	3546266	Spurstange / tie rod		L 190 M14x1,5
12747	271598	Spurstangenendstück / tie rod end		M12 x 1,75
12748	271599	Spurstangenendstück / tie rod end		M12 x 1,75
14300	30714686	ProKit Verbindungsstange / connecting rod		L 300
22541	9191409	Rep. Satz Lenkmanschette / rep. kit steering boot	(1)	
22557	271601 SK	Rep. Satz Lenkmanschette / rep. kit steering boot		
22797	9191410 SK	ProKit Spurstange / tie rod	(ex.) 4x4	L 200 M16x1,5
22798	9191410	ProKit Spurstange / tie rod	(ex.) 4x4	L 200 M16x1,5
40567	3546266 S1	ProKit Spurstange / tie rod	(2)	
40568	3546266 S2	ProKit Spurstange / tie rod	(2)	
40569	9191410 S2	ProKit Spurstange / tie rod	(3)	
40570	9191410 S3	ProKit Spurstange / tie rod	(3)	

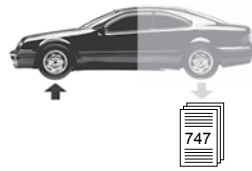




## C 70 II (2006 →)

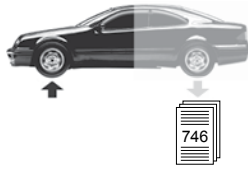
Vorderachse / Front axle





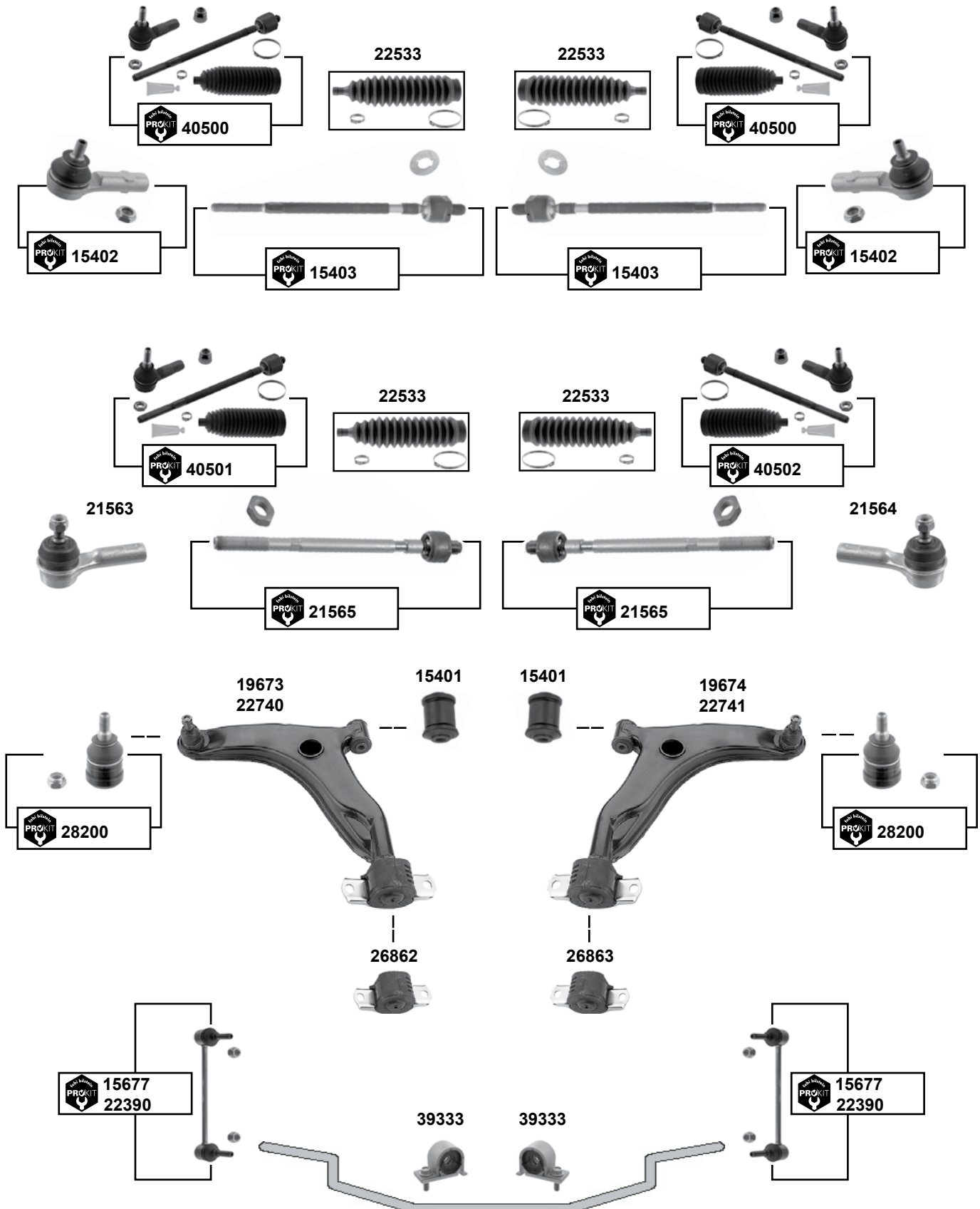
- (1) mit Traggelenk 18mm (febi 24849) / with ball joint 18mm (febi 24849)
- (2) mit Traggelenk 21mm (febi 30380) / with ball joint 21mm (febi 30380)
- (3) In Verbindung mit Fahrgestell Comfort / combined with chassis comfort

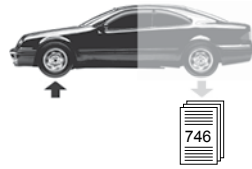
	Ref. - No.			
<b>22408</b>	8623576	ProKit Verbindungsstange / connecting rod		L 298
<b>24849</b>	31212979 SK	ProKit Traggelenk / ball joint	(ch.) → 2742	Ø A 18
<b>27912</b>	31277464 S2	Querlenkerlager / control arm mount		
<b>28095</b>	31212979	Querlenker / control arm	(ch.) → 2742	
<b>28096</b>	31212980	Querlenker / control arm	(ch.) → 2742	
<b>28542</b>	31201817	ProKit Spurstange / tie rod		L 107
<b>29223</b>	31201413	ProKit Spurstangenendstück / tie rod end		M16 x 1,5
<b>29224</b>	31201412	ProKit Spurstangenendstück / tie rod end		M16 x 1,5
<b>30380</b>	31277463 SK	ProKit Traggelenk / ball joint	(ch.) 2743 →	Ø A 21
<b>31845</b>	31277463	Querlenker / control arm	(ch.) 2743 →	
<b>31846</b>	31277462	Querlenker / control arm	(ch.) 2743 →	
<b>32418</b>	31277464 S3	ProKit Querlenkerlager / control arm mount		
<b>38978</b>	30666266	Stabilisatorlager / stabilizer mount		Ø i 18
<b>40623</b>	31277464 S4	ProKit Querlenker / control arm	(1) (ch.) → 2742	
<b>40624</b>	31277465 S4	ProKit Querlenker / control arm	(1) (ch.) → 2742	
<b>40625</b>	31277463 S1	ProKit Querlenker / control arm	(2) (ch.) 2743 →	
<b>40626</b>	31277463 S1	ProKit Querlenker / control arm	(2) (ch.) 2743 →	



## S 40 I / V 40 I (1995 → 2003)

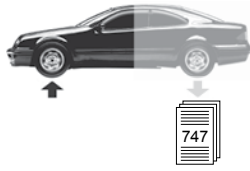
Vorderachse / Front axle





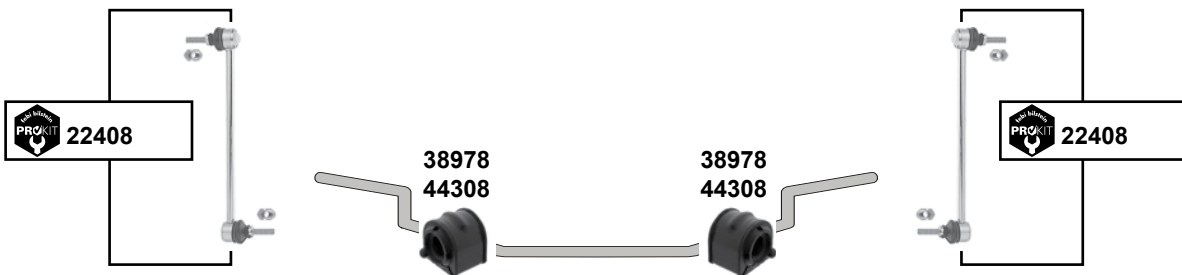
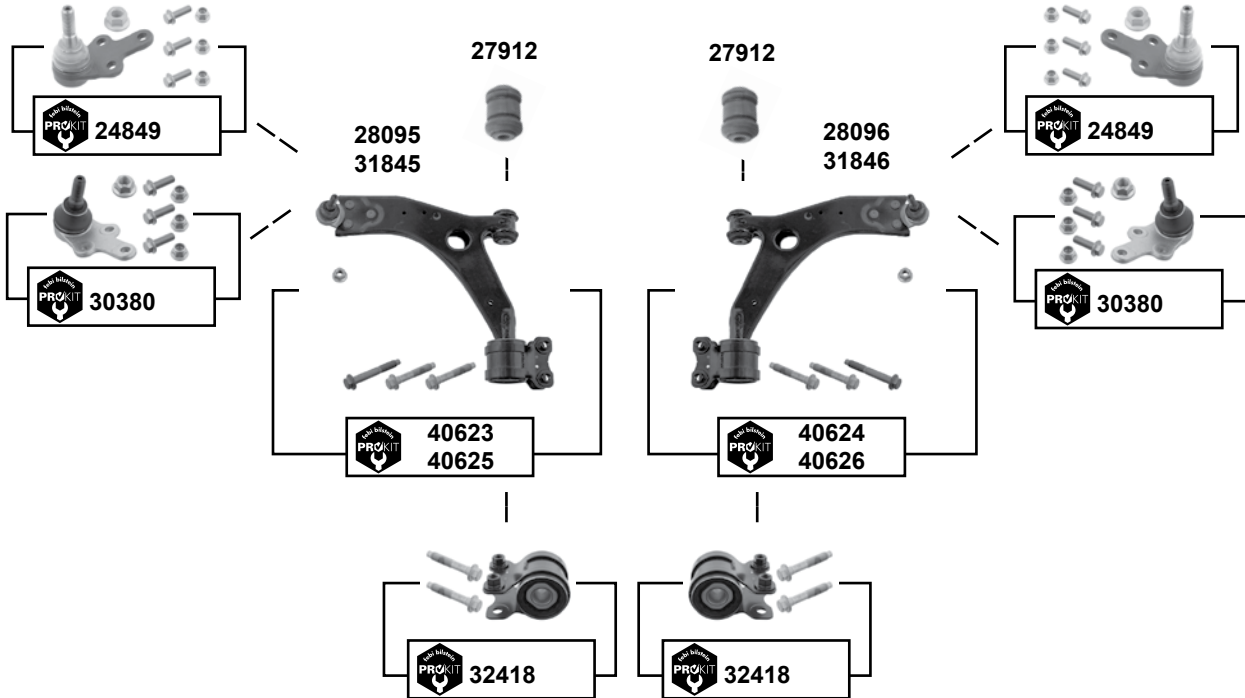
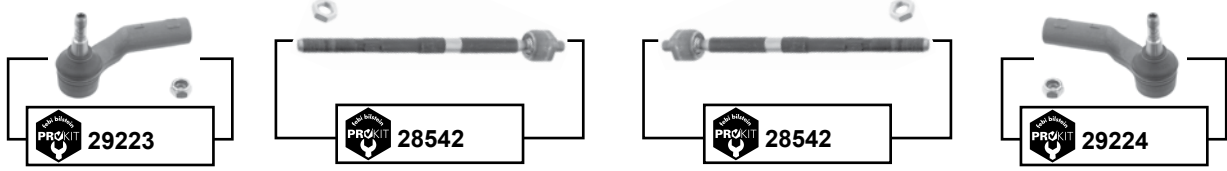
## S 40 I / V 40 I (1995 → 2003)

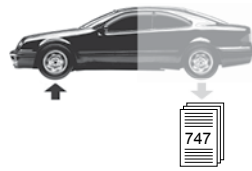
	Ref. - No.			
<b>15401</b>	30818467	Querlenkerlager / control arm mount		12x36x60
<b>15402</b>	30875012	ProKit Spurstangenendstück / tie rod end	→ 00	M12 x 1,25
<b>15403</b>	3345797	ProKit Spurstange / tie rod	→ 00	L 300
<b>15677</b>	30884358	ProKit Verbindungsstange / connecting rod	→ 00	L 200
<b>19673</b>	30887025	Querlenker / control arm	→ 00	
<b>19674</b>	30887033	Querlenker / control arm	→ 00	
<b>21563</b>	274225	Spurstangenendstück / tie rod end	01 →	L 90
<b>21564</b>	274226	Spurstangenendstück / tie rod end	01 →	L 90
<b>21565</b>	274224	ProKit Spurstange / tie rod	01 →	L 340
<b>22390</b>	30884179	ProKit Verbindungsstange / connecting rod	01 →	L 267
<b>22533</b>	3345796	Rep. Satz Lenkmanschette / rep. kit steering boot		
<b>22740</b>	30887653	Querlenker / control arm	01 →	
<b>22741</b>	30887654	Querlenker / control arm	01 →	
<b>26862</b>	30872510	Querlenkerlager / control arm bearing		
<b>26863</b>	30872511	Querlenkerlager / control arm bearing		
<b>28200</b>	30863990	ProKit Traggelenk / ball joint	→ 00	
<b>39333</b>	30620989 S1	Stabilisatorlagersatz / stabilizer mount kit		Ø 15
<b>40500</b>	3345797 S1	ProKit Spurstange / tie rod	→ 00	
<b>40501</b>	274224 S1	ProKit Spurstange / tie rod	01 →	
<b>40502</b>	274224 S2	ProKit Spurstange / tie rod	01 →	



## S 40 II / V 50 (2004 → 2012)

Vorderachse / Front axle



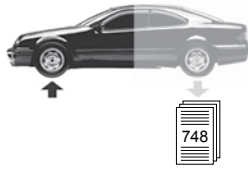


## S 40 II / V 50 (2004 → 2012)



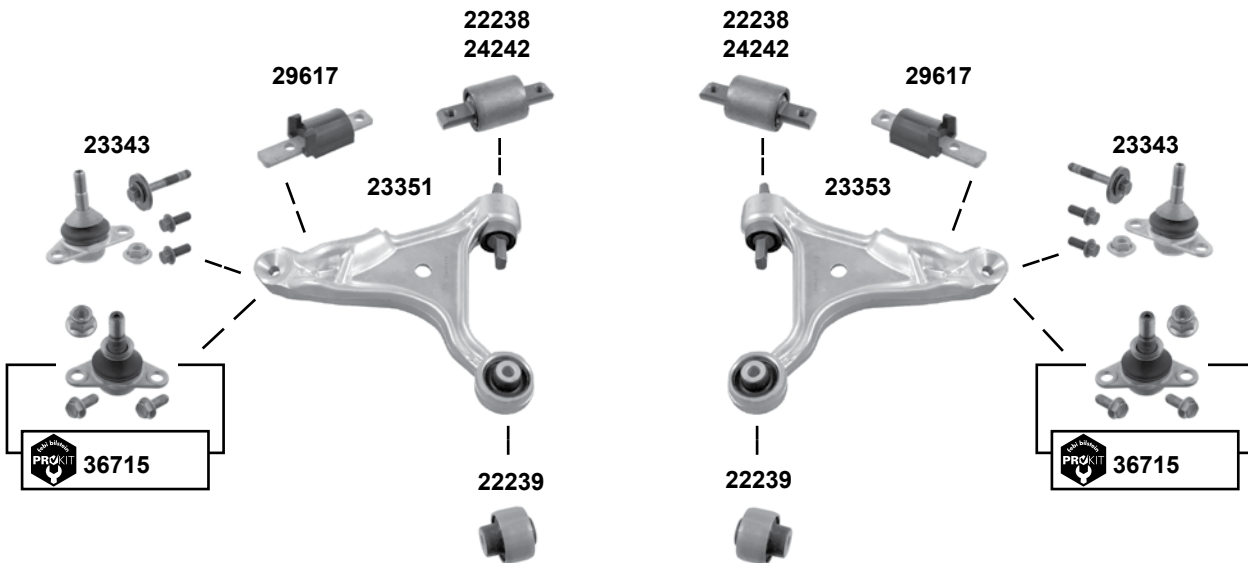
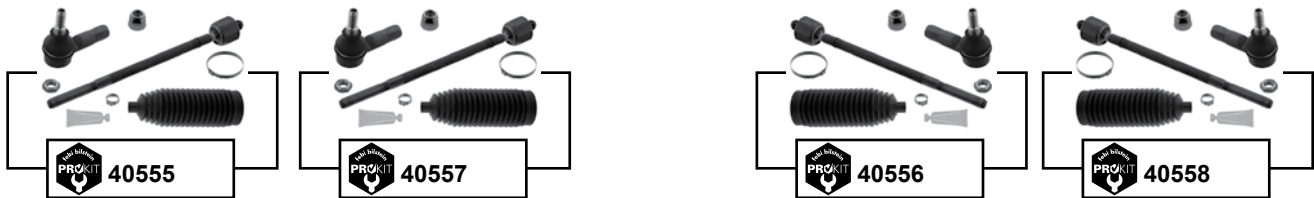
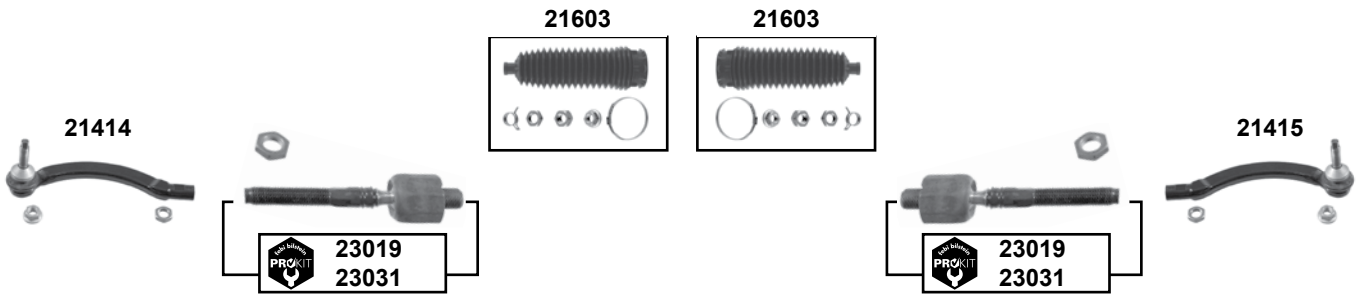
- (1) S 40 (ch.) → 209290 / V 50 (ch.) → 214682
- (2) S 40 (ch.) 209291 → / V 50 (ch.) 214683 →
- (3) mit Traggelenk 18mm (febi 24849) / with ball joint 18mm (febi 24849)
- (4) mit Traggelenk 21mm (febi 30380) / with ball joint 21mm (febi 30380)
- (5) In Verbindung mit Fahrgestell Comfort / combined with chassis comfort  
Schaltgetriebe MTX75 in V Transmission MTX75 combined with  
D 5244 T8 In Verbindung mit Fahrgestell Dynamic / combined with chassis Dynamic
- (6) In Verbindung mit Fahrgestell Comfort / combined with chassis comfort

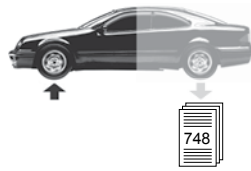
	Ref. - No.			
<b>22408</b>	8623576	ProKit Verbindungsstange / connecting rod		L 298
<b>24849</b>	31212979 SK	ProKit Traggelenk / ball joint	(1)	Ø A 18
<b>27912</b>	31277464 S2	Querlenkerlager / control arm mount		
<b>28095</b>	31212979	Querlenker / control arm	(1)	
<b>28096</b>	31212980	Querlenker / control arm	(1)	
<b>28542</b>	31201817	ProKit Spurstange / tie rod		L 294,5
<b>29223</b>	31201413	ProKit Spurstangenendstück / tie rod end		M16 x 1,5
<b>29224</b>	31201412	ProKit Spurstangenendstück / tie rod end		M10 x 1,5
<b>30380</b>	31277463 SK	ProKit Traggelenk / ball joint	(2)	Ø A 21
<b>31845</b>	31277463	Querlenker / control arm	(2)	
<b>31846</b>	31277462	Querlenker / control arm	(2)	
<b>32418</b>	31277464 S3	ProKit Querlenkerlager / control arm mount		
<b>38978</b>	30666266	Stabilisatorlager / stabilizer mount	(5)	Ø I 18
<b>40623</b>	31277464 S4	ProKit Querlenker / control arm	(1) (3)	
<b>40624</b>	31277465 S4	ProKit Querlenker / control arm	(1) (3)	
<b>40625</b>	31277463 S1	ProKit Querlenker / control arm	(2) (4)	
<b>40626</b>	31277463 S1	ProKit Querlenker / control arm	(2) (4)	
<b>44308</b>	30748803	Stabilisatorlager / stabilizer mount	(6)	Ø I 18



## S 60 I (2000 → 2010)

Vorderachse / Front axle





(1) ZF / Mod.04 → / (ex.) B5254T4 / LHD

(2) SMI / Mod.→ 03 / (ex.) B5254T4 / LHD

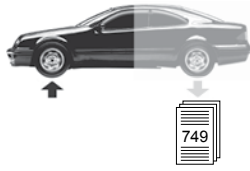


Ref. - No.



<b>19379</b>	31212692	ProKit Verbindungsstange / connecting rod		L 335
<b>21414</b>	30761719	Spurstangenendstück / tie rod end	(ex.) B5254T4	M14 x 1,5
<b>21415</b>	30761718	Spurstangenendstück / tie rod end	(ex.) B5254T4	M14 x 1,5
<b>21603</b>	272418	Rep. Satz Lenkmanschette / rep. kit steering boot	LHD	
<b>22238</b>	9443882	Gummilager / rubber mount	wahlweise / alternatively	Ø I 48x123
<b>22239</b>	8630604	Gummilager / rubber mount	(ch.) → 626501 / Alu/alloy	14x53x29/50
<b>23019</b>	274179	ProKit Spurstange / tie rod	SMI  / Mod.→ 03	L 148
<b>23031</b>	274353	ProKit Spurstange / tie rod	ZF  / Mod.04 →	L 141
<b>23343</b>	274548	Traggelenk / ball joint	(ch.) → 626501	
<b>23351</b>	30635229	Querlenker / control arm	(ch.) → 626501	
<b>23353</b>	30635230	Querlenker / control arm	(ch.) → 626501	
<b>24242</b>	9465971	Gummilager / rubber mount	wahlweise / alternatively	Ø I 48x123
<b>29617</b>	31212191	Anschlagpuffer / buffer	schwarz / black	100x31x27
<b>36715</b>	31201485	ProKit Traggelenk / ball joint	(ch.) 626502 →	M14 x 1,5
<b>40555</b>	274353 S1	ProKit Spurstange / tie rod	(1)	
<b>40556</b>	274353 S2	ProKit Spurstange / tie rod	(1)	
<b>40557</b>	274179 S1	ProKit Spurstange / tie rod	(2)	
<b>40558</b>	274179 S2	ProKit Spurstange / tie rod	(2)	

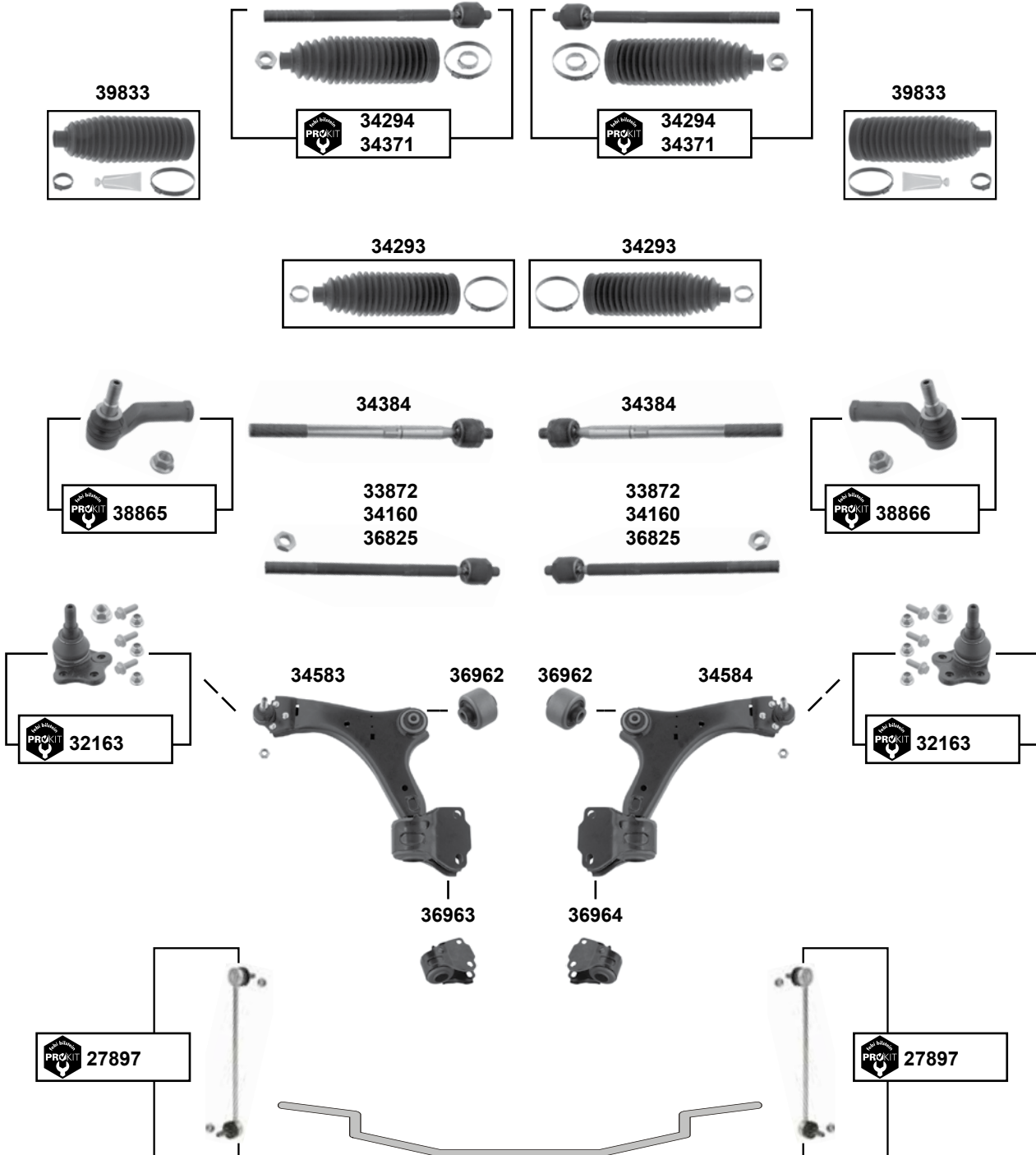


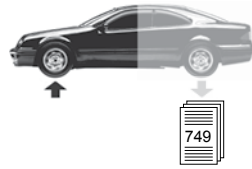


## S 60 II / V 60

(2010 →)

Vorderachse / Front axle



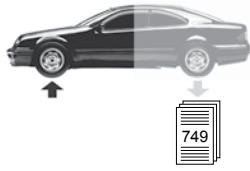


**S 60 II / V 60**  
(2010 →)



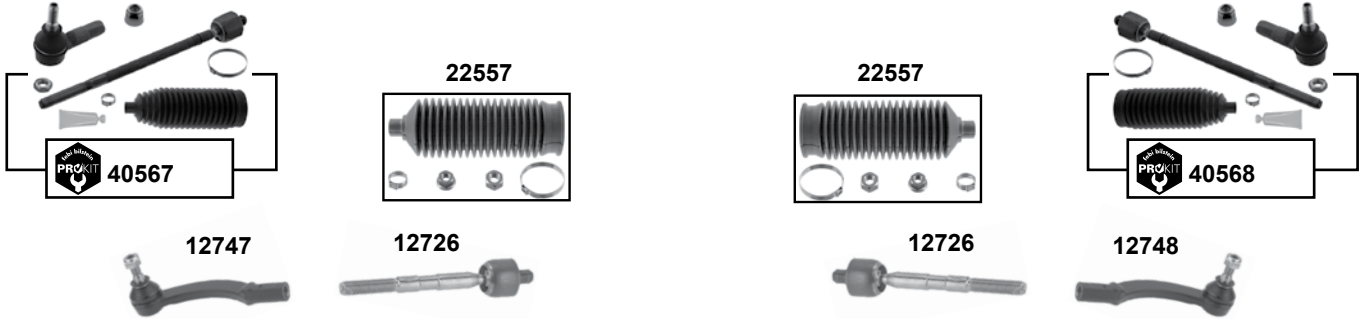
- (1) S 60 II (ch.) 7321 → / V 60 (ch.) 1274 →
- (2) S 60 II → (ch.) 7320 / V 60 → (ch.) 1273
- (3) S 60 II (ex.) 4x4 alle/all → (ch.) 75999 / V 60 (ex.) 4x4 alle/all → (ch.) 35000
- (4) S 60 II E-servo (ch.) 7321 → / V 60 E-servo (ch.) 1274 →

	Ref. - No.			
<b>27897</b>	30648461	ProKit Verbindungsstange / connecting rod		L300
<b>32163</b>	31317661 SK	ProKit Traggelenk / ball joint	(ex.) 4x4	M14 x 1,5
<b>33872</b>	31280409 SK	Axialgelenk / axial joint	(2) (ex.) E-servo	M16x1,5/18x1,5
<b>34160</b>	31280408 SK	Axialgelenk / axial joint	(2) E-servo	M16x1,5/18x1,5
<b>34293</b>	30776251	Rep. Satz Lenkmanschette / rep. kit steering boot	(ex.) E-servo	
<b>34294</b>	31280409	ProKit Axialgelenk / axial joint	(2) (ex.) E-servo	
<b>34371</b>	31280658 SK2	ProKit Axialgelenk / axial joint	(1) (ex.) E-servo	
<b>34384</b>	31280658 SK1	Axialgelenk / axial joint	(1) (ex.) E-servo	
<b>34583</b>	31317661	Querlenker / control arm	(3)	
<b>34584</b>	31317662	Querlenker / control arm	(3)	
<b>36825</b>	30776255 SK	Axialgelenk / axial joint	(4)	M18x1,5/16x1,5
<b>36962</b>	31317661 SK 1	Querlenkerlager / control arm mount	(ex.) 4x4	Ø A 60
<b>36963</b>	31387571	Querlenkerlager / control arm mount	(ex.) 4x4	
<b>36964</b>	31387572	Querlenkerlager / control arm mount	(ex.) 4x4	
<b>38865</b>	31302344	ProKit Spurstangenendstück / tie rod end		M14x2/18x1,5
<b>38866</b>	31302345	ProKit Spurstangenendstück / tie rod end		M14x2/18x1,5
<b>39833</b>	30776252	Rep. Satz Lenkmanschette / rep. kit steering boot	E-servo	

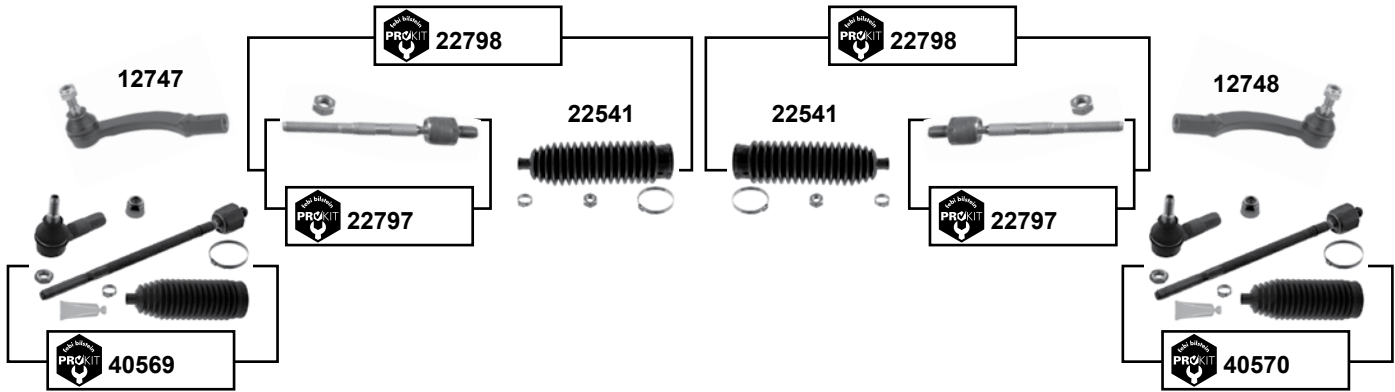


## S 70 I / V 70 I (1997 → 2000)

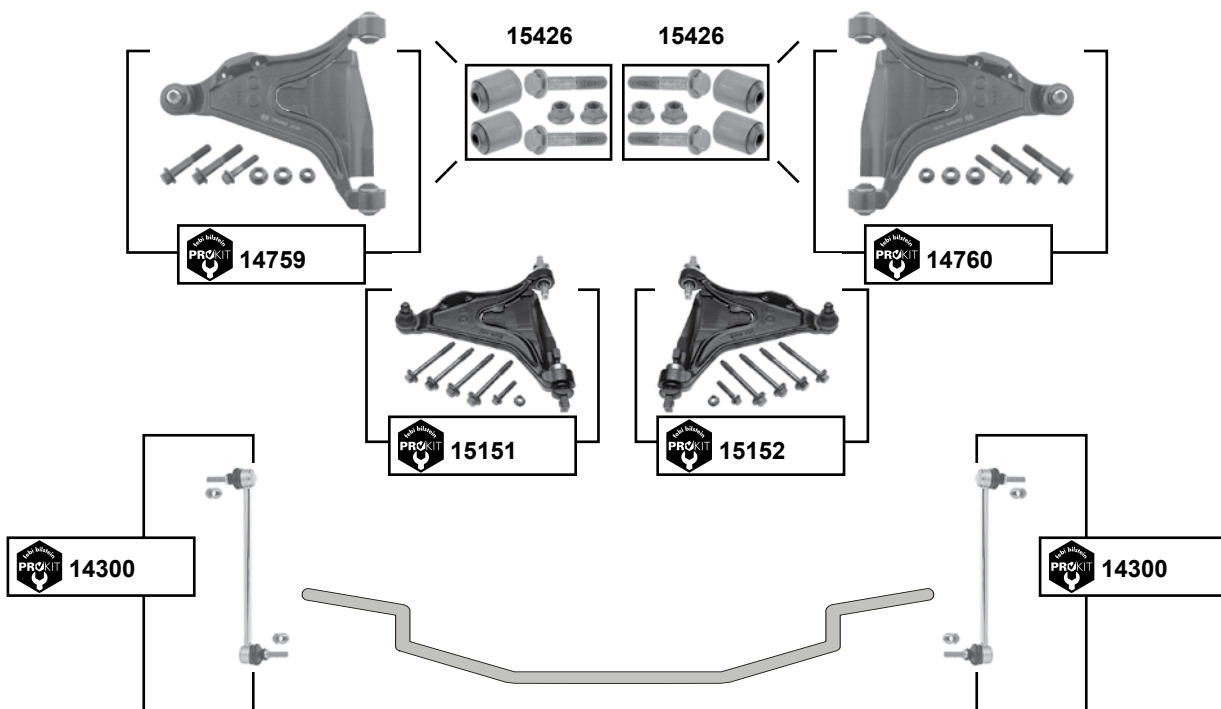
### TRW



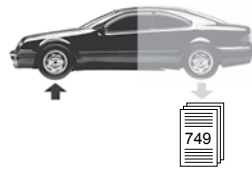
### SMI



### alle / all



Vorderachse / Front axle



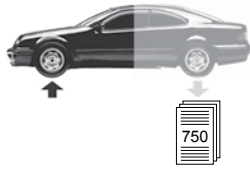
**S 70 I / V 70 I**  
(1997 → 2000)



- (1) S 70 (ch.) → 572014      V 70 (ch.) → 549830
- (2) Kunststoff / plastic / plastique / plástico / plastica
- (3) LHD → (ch.) 572014, 549830 / RHD → (ch.) 585074, 563168
- (4) LHD (ch.) 572015, 549831 → / RHD (ch.) 585075, 563169 →

	Ref. - No.			
<b>12726</b>	3546266	Spurstange / tie rod		L 195 M14x2
<b>12747</b>	271598	Spurstangenendstück / tie rod end	(ex.) B5254T4	M14 x 2
<b>12748</b>	271599	Spurstangenendstück / tie rod end	(ex.) B5254T4	M14 x 2
<b>14300</b>	30714686	ProKit Verbindungsstange / connecting rod		L 300
<b>14759</b>	8628495	ProKit Querlenker / control arm	(ex.) Turbo / (ex.) Diesel	
<b>14760</b>	8628496	ProKit Querlenker / control arm	(ex.) Turbo / (ex.) Diesel	
<b>15151</b>	8628497	ProKit Querlenker / control arm	Turbo / Diesel	
<b>15152</b>	8628498	ProKit Querlenker / control arm	Turbo / Diesel	
<b>15426</b>	271631	Rep. Satz Querlenkerlager / rep. kit control arm mount	(ex.) Turbo / (ex.) Diesel	
<b>22541</b>	9191409	Rep. Satz Lenkmanschette / rep. kit steering boot	→ 02/00 (2)	
<b>22557</b>	271601 SK	Rep. Satz Lenkmanschette / rep. kit steering boot	(1)	
<b>22797</b>	9191410 SK	ProKit Spurstange / tie rod		L 200 M14x2
<b>22798</b>	9191410	ProKit Spurstange / tie rod		L 200 M14x2
<b>40567</b>	3546266 S1	ProKit Spurstange / tie rod	(3)	
<b>40568</b>	3546266 S2	ProKit Spurstange / tie rod	(3)	
<b>40569</b>	9191410 S2	ProKit Spurstange / tie rod	(4)	
<b>40570</b>	9191410 S3	ProKit Spurstange / tie rod	(4)	

# VOLVO

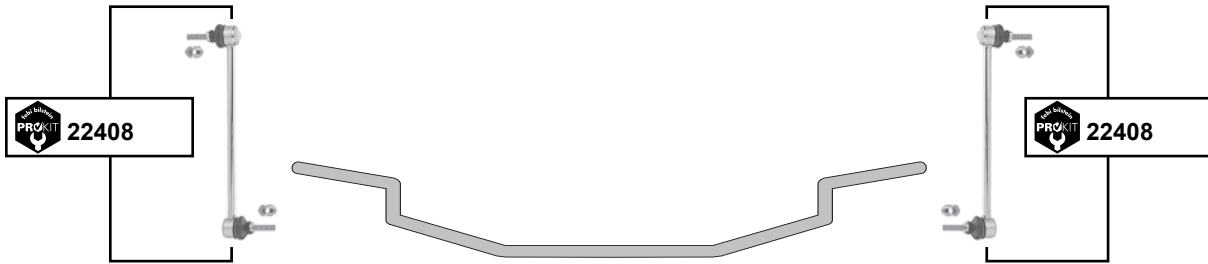


Car  
Division



## V 40 II (2012 →)

Vorderachse / Front axle



Ref. - No.

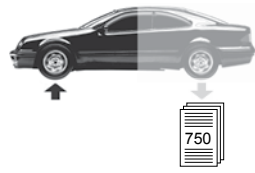


22408  
38814

8623576  
31317779

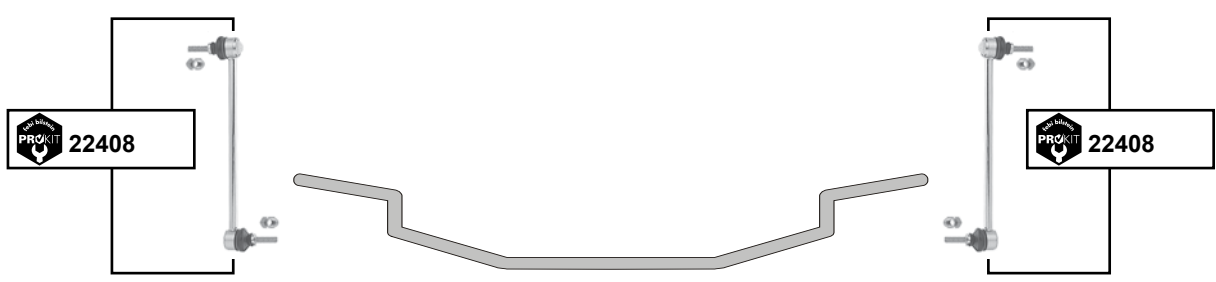
ProKit Verbindungsstange / connecting rod  
ProKit Axialgelenk / axial joint

L 298  
L 294



**V 40 Cross Country**  
(2012 →)

Vorderachse / Front axle



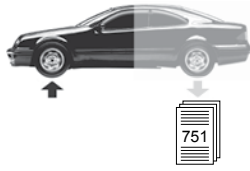
Ref. - No.



22408	8623576
38814	31317779

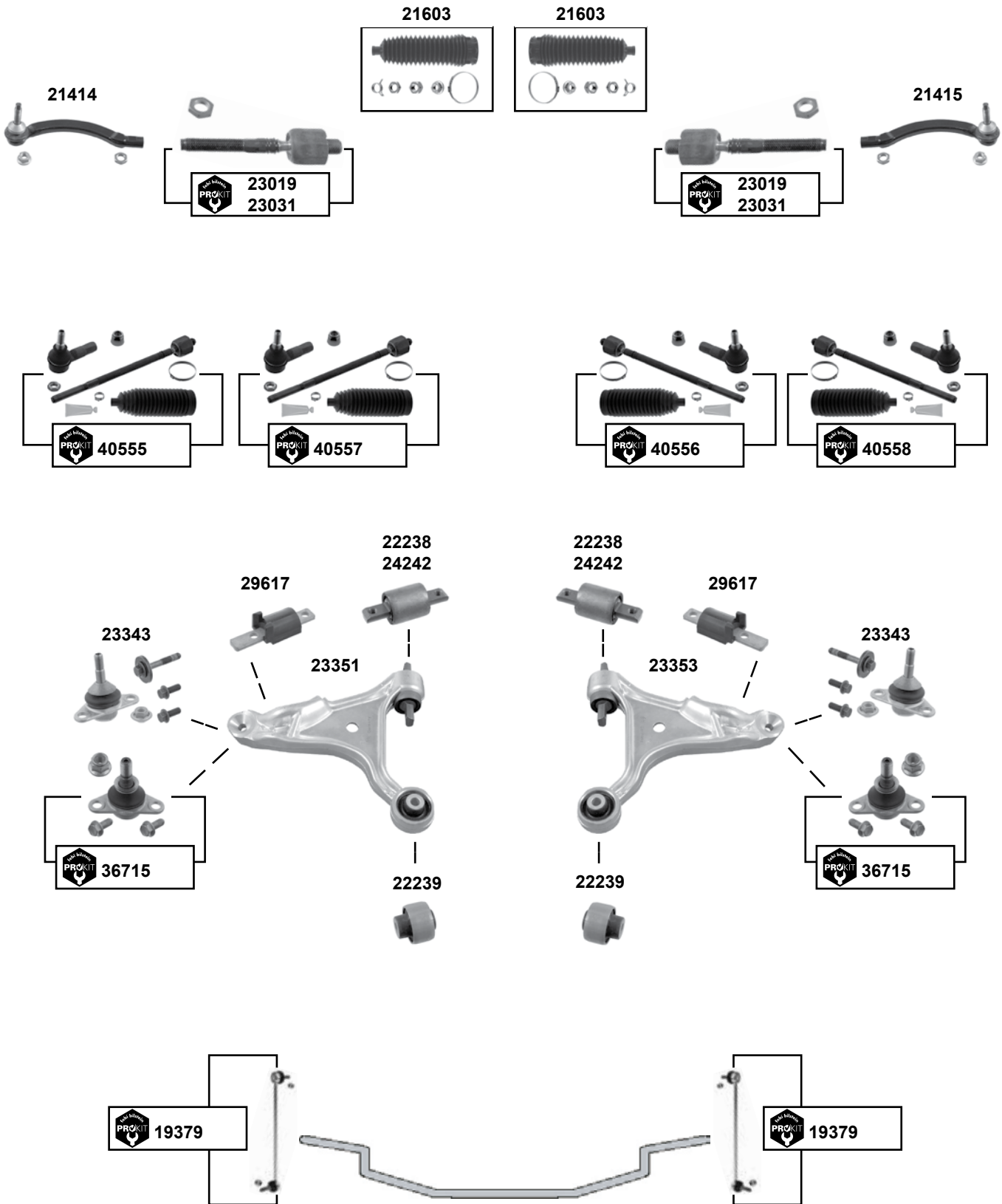
ProKit Verbindungsstange / connecting rod
ProKit Axialgelenk / axial joint

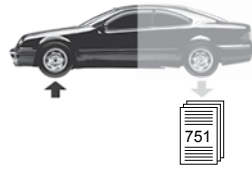
L 298
L 294



## V 70 II (2000 → 2007)

Vorderachse / Front axle

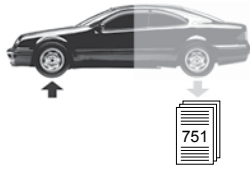




- (1) (ch.) → FC1 647148 / (ch.) → FC2 645617
- (2) (ex.) AWD (4x4) / → FC1 (ch.) 647148, 645617
- (3) (ch.) → FC1 647149 / (ch.) FC2 645618 →
- (4) ZF / Mod.04 → / (ex.) B5254T4 / LHD
- (5) SMI / Mod.→ 03 / (ex.) B5254T4 / LHD

	Ref. - No.			
19379	31212692	ProKit Verbindungsstange / connecting rod		L 335
21414	30761719	Spurstangenendstück / tie rod end	(ex.) B5254T4	M14 x 1,5
21415	30761718	Spurstangenendstück / tie rod end	(ex.) B5254T4	M14 x 1,5
21603	272418	Rep. Satz Lenkmanschette / rep. kit steering boot	LHD	
22238	9443882	Gummilager / rubber mount	wahlweise/alternatively	Ø I 48x123
22239	8630604	Gummilager / rubber mount	Alu/alloy / (2)	14x53x29/50
23019	274179	ProKit Spurstange / tie rod	SMI  / → Mod.03	L148
23031	274353	ProKit Spurstange / tie rod	ZF  / Mod.04 →	L141
23343	274548	Traggelenk / ball joint	(1)	
23351	30635229	Querlenker / control arm	(1)	
23353	30635230	Querlenker / control arm	(1)	
24242	9465971	Gummilager / rubber mount	wahlweise/alternatively	Ø I 48x123
29617	31212191	Anschlagpuffer / buffer	schwarz / black	100x31x27
36715	31201485	ProKit Traggelenk / ball joint	(3)	M14 x 1,5
40555	274353 S1	ProKit Spurstange / tie rod	(4)	
40556	274353 S2	ProKit Spurstange / tie rod	(4)	
40557	274179 S1	ProKit Spurstange / tie rod	(5)	
40558	274179 S2	ProKit Spurstange / tie rod	(5)	





**V 70 XC II / XC 70 II**

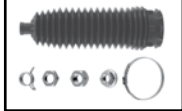
(2000 → 2007)

Vorderachse / Front axle

**39833**



**21603**



**21603**



**39833**



**21414**



**23019**  
**23031**



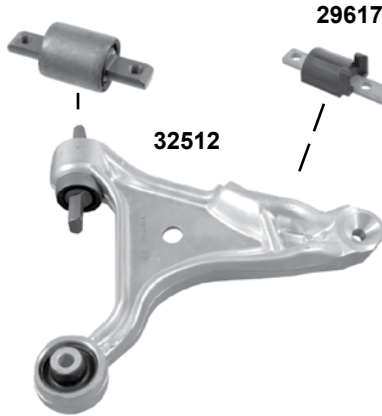
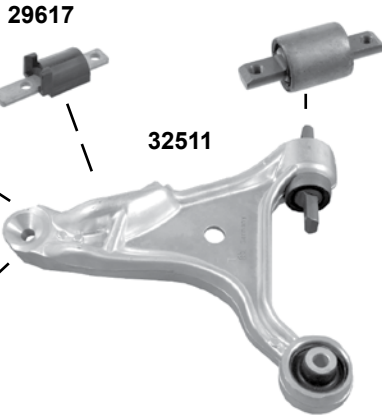
**23019**  
**23031**

**21415**



**22238**

**22238**



**29617**

**29617**

**23343**

**23343**

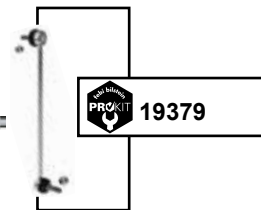
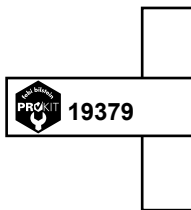
**32511**

**32512**



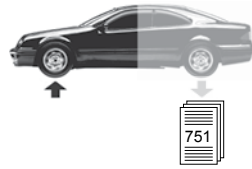
**36715**

**36715**



**19379**

**19379**

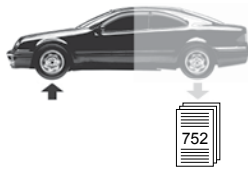


**V 70 XC II / XC 70 II**  
(2000 → 2007)

- (1) XC 70 II (ch.) → 269745
- (2) nur für geschwindigkeitsabhängige Servolenkung / only for speed depending power steering
- (3) XC 70 II ZF / Mod.04 → / (ex.) B5254T4 / LHD
- (4) V 70 XC II ZF / Mod.04 → / LHD
- (5) XC 70 II SMI / Mod.→ 03 / (ex.) B5254T4 / LHD
- (6) V 70 XC II SMI / Mod.→ 03 / LHD



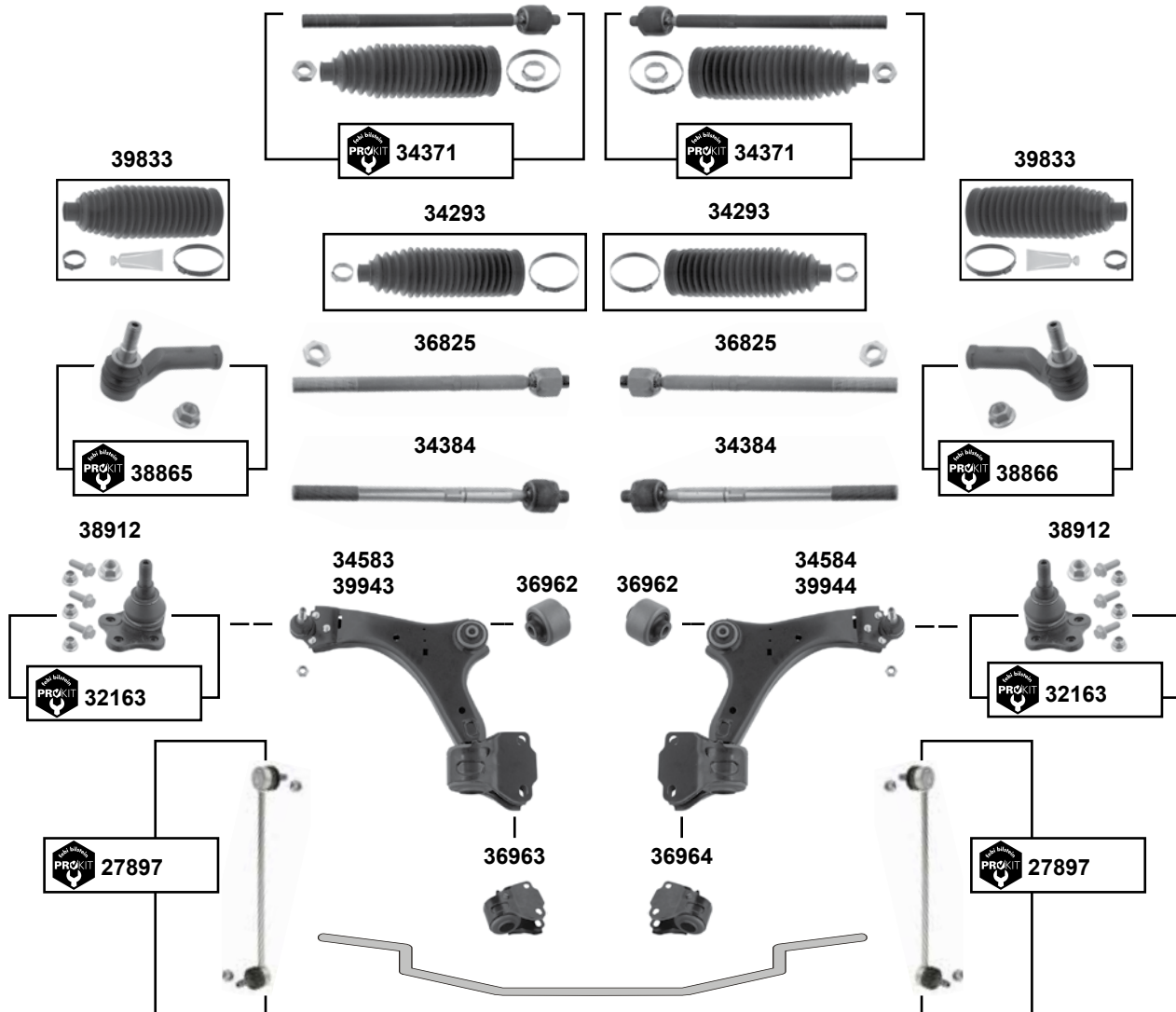
	Ref. - No.			
<b>19379</b>	31212692	ProKit Verbindungsstange / connecting rod		L 335
<b>21414</b>	30761718	Spurstangenendstück / tie rod end	XC 70 II (ex.) B5254T4	
<b>21415</b>	30761718	Spurstangenendstück / tie rod end	XC 70 II (ex.) B5254T4	
<b>21603</b>	272418	Rep.Satz Lenkmanschette / rep.kit steering boot	LHD	
<b>22238</b>	9443882	Gummilager / rubber mount		Ø   48x123
<b>23019</b>	274179	ProKit Spurstange / tie rod	SMI  / → Mod.03	L 148
<b>23031</b>	274353	ProKit Spurstange / tie rod	ZF  / Mod.04 →	L 141
<b>23343</b>	274548	Traggelenk / ball joint	(1)	
<b>29617</b>	31212191	Anschlagpuffer / buffer	schwarz / black	100x31x27
<b>32511</b>	30635231	Querlenker / control arm		
<b>32512</b>	30635232	Querlenker / control arm		
<b>36715</b>	31201485	ProKit Traggelenk / ball joint	XC 70 II (ch.) 269746 →	M14 x 1,5
<b>39833</b>	30776252	Rep. Satz Lenkmanschette / rep. kit steering boot	(2) XC 70 II	
<b>40555</b>	274353 S1	ProKit Spurstange / tie rod	(3) (4)	
<b>40556</b>	274353 S2	ProKit Spurstange / tie rod	(3) (4)	
<b>40557</b>	274179 S1	ProKit Spurstange / tie rod	(5) (6)	
<b>40558</b>	274179 S2	ProKit Spurstange / tie rod	(5) (6)	



## V 70 III / XC 70 III

(2008 →)

Vorderachse / Front axle



(1) (ex.) XC 70 / V 70 III 4x4

(2) V 70 III (ex.) 4x4 → (ch.) 213026

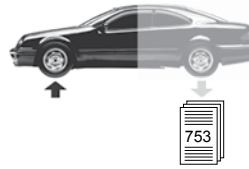
(3) nur für geschwindigkeitsabhängige Servolenkung / only for speed depending power steering



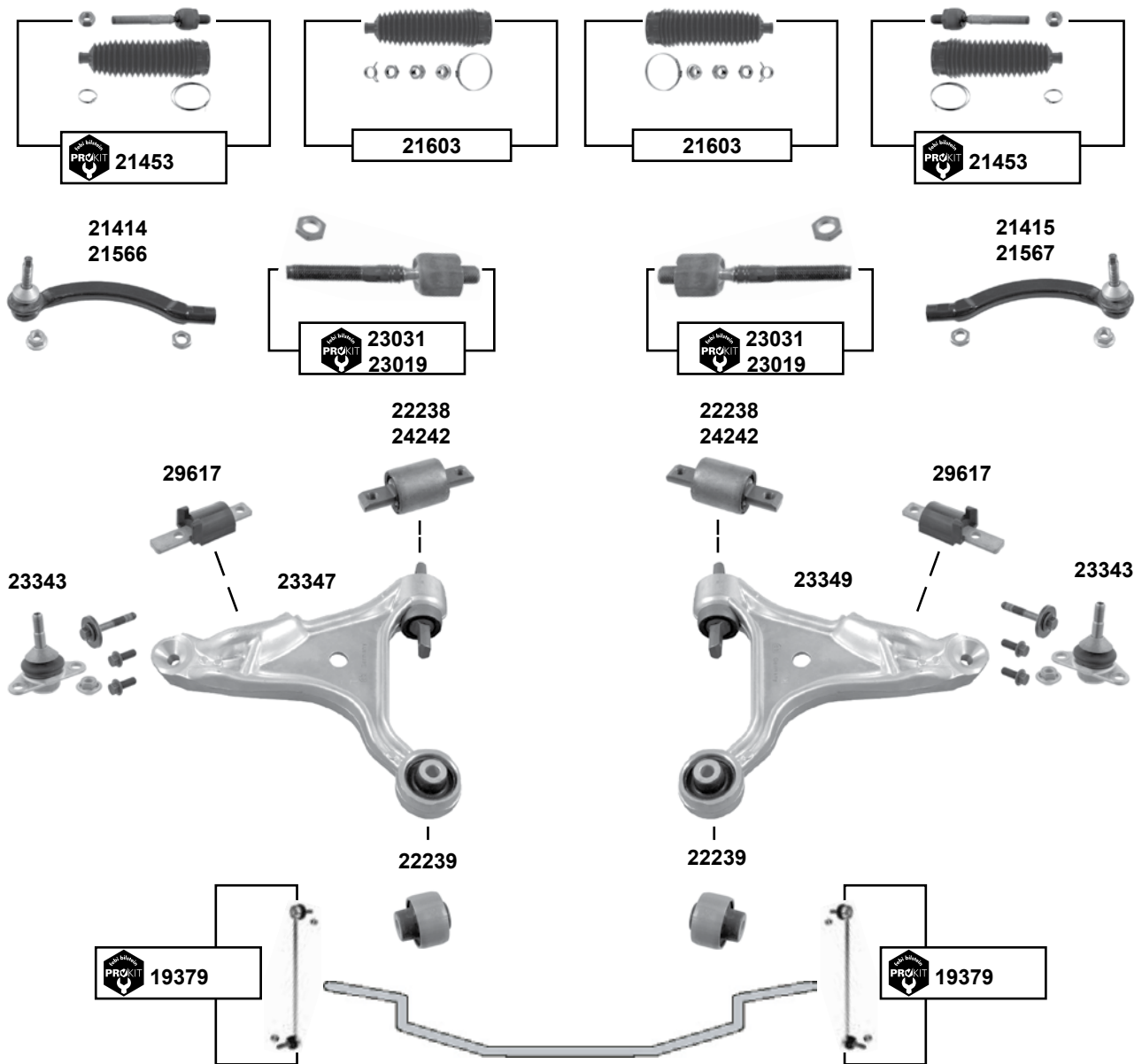
Ref. - No.



Part No.	Ref. - No.	Description	Notes	Dimensions
27897	30648461	ProKit Verbindungsstange / connecting rod		L300
32163	31317661 SK	ProKit Traggelenk / ball joint		M14 x 1,5
34293	30776251	Rep. Satz Lenkmanschette / rep. kit steering boot	(1)	
34371	31280658 SK 2	ProKit Axialgelenk / axial joint	(ex.) E-servo	
34384	31280658 SK 1	Axialgelenk / axial joint	(ex.) E-servo	
34583	31317661	Querlenker / control arm	(ex.) E-servo	
34584	31317662	Querlenker / control arm	(2)	
36825	30776255 SK	Axialgelenk / axial joint	(2)	
36962	31317661 SK 1	Querlenkerlager / control arm mount	E-servo	M18 x 1,5
36963	31387571	Querlenkerlager / control arm mount	V 70 III	Ø A 60
36964	31387572	Querlenkerlager / control arm mount	V 70 III	
38865	31302344	ProKit Spurstangenendstück / tie rod end	(ex.) 4x4	L 112
38866	31302345	ProKit Spurstangenendstück / tie rod end	(ex.) 4x4	L 112
38912	31317665 SK	Traggelenk / ball joint	XC 70 III	Ø 22
39833	30776252	Rep. Satz Lenkmanschette / rep. kit steering boot	(3) V 70 III	
39943	31317663	Querlenker / control arm	XC 70 III	
39944	31317664	Querlenker / control arm	XC 70 III	

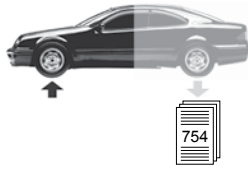


**S 80 I**  
(1999 → 2007)



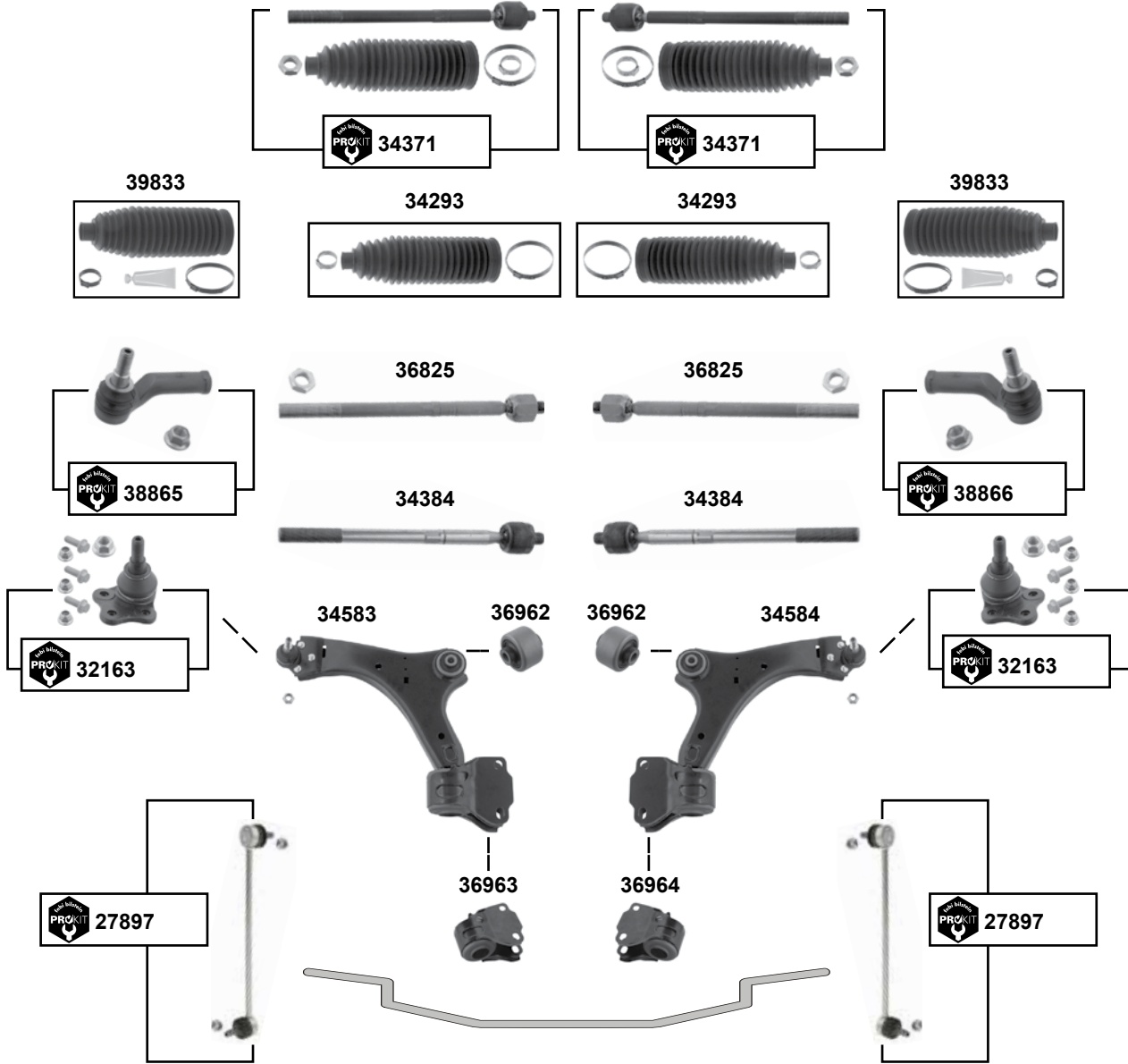
Vorderachse / Front axle

	Ref. - No.			
<b>19379</b>	31212692	ProKit Verbindungsstange / connecting rod		L 335
<b>21414</b>	30761719	Spurstangenendstück / tie rod end	00 → (ex.) B5254T4	M14 x 1,5
<b>21415</b>	30761718	Spurstangenendstück / tie rod end	00 → (ex.) B5254T4	M14 x 1,5
<b>21453</b>	272428	ProKit Spurstange / tie rod	Mod. 99	M14 x 2
<b>21566</b>	272416	Spurstangenendstück / tie rod end	Mod. 99	M14 x 2
<b>21567</b>	272417	Spurstangenendstück / tie rod end	Mod. 99	M14 x 2
<b>21603</b>	272418	Rep. Satz Lenkmanschette / rep. kit steering boot		
<b>22238</b>	9443882	Gummilager / rubber mount	<b>LHD</b>	Ø   48x123
<b>22239</b>	8630604	Gummilager / rubber mount	wahlweise/alternatively	14x53x29/50
<b>23019</b>	274179	ProKit Spurstange / tie rod	Alu/alloy	
<b>23031</b>	274353	ProKit Spurstange / tie rod	SMI  / Mod.00 → 03	L 148
<b>23343</b>	274548	Traggelenk / ball joint	ZF  / Mod.04 →	L 141
<b>23347</b>	30635227	Querlenker / control arm		
<b>23349</b>	30635228	Querlenker / control arm		
<b>24242</b>	9465971	Gummilager / rubber mount	wahlweise/alternatively	Ø   48x123
<b>29617</b>	31212191	Anschlagpuffer / buffer	schwarz / black	100x31x27



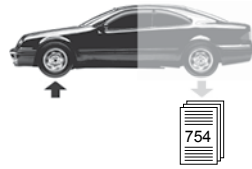
## S 80 II (2007→)

Vorderachse / Front axle



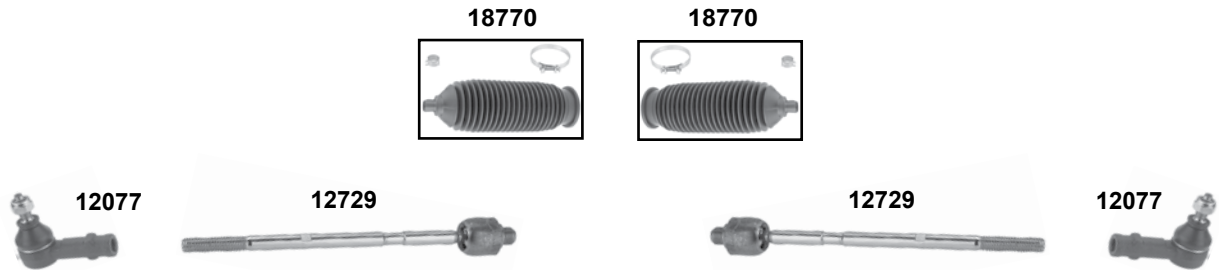
(1) S 80 II (ex.) 4x4 (ch.) → 151013

	Ref. - No.			
27897	30648461	ProKit Verbindungsstange / connecting rod		L300
32163	31317661 SK	ProKit Tragelenk / ball joint	(ex.) 4x4	M14 x 1,5
34293	30776251	Rep. Satz Lenkmanschette / rep. kit steering boot	(ex.) E-servo	
34371	31280658 SK 2	ProKit Axialgelenk / axial joint	(ex.) E-servo	
34384	31280658 SK 1	Axialgelenk / axial joint	(ex.) E-servo	
34583	31317661	Querlenker / control arm	(1)	
34584	31317662	Querlenker / control arm	(1)	
36825	30776255 SK	Axialgelenk / axial joint	E-servo	M18 x 1,5
36962	31317661 SK 1	Querlenkerlager / control arm mount	(ex.) 4x4	Ø A 60
36963	31387571	Querlenkerlager / control arm mount	(ex.) 4x4	
36964	31387572	Querlenkerlager / control arm mount	(ex.) 4x4	
38865	31302344	ProKit Spurstangenendstück / tie rod end		L 112
38866	31302345	ProKit Spurstangenendstück / tie rod end		L 112
39833	30776252	Rep. Satz Lenkmanschette / rep. kit steering boot	E-servo	

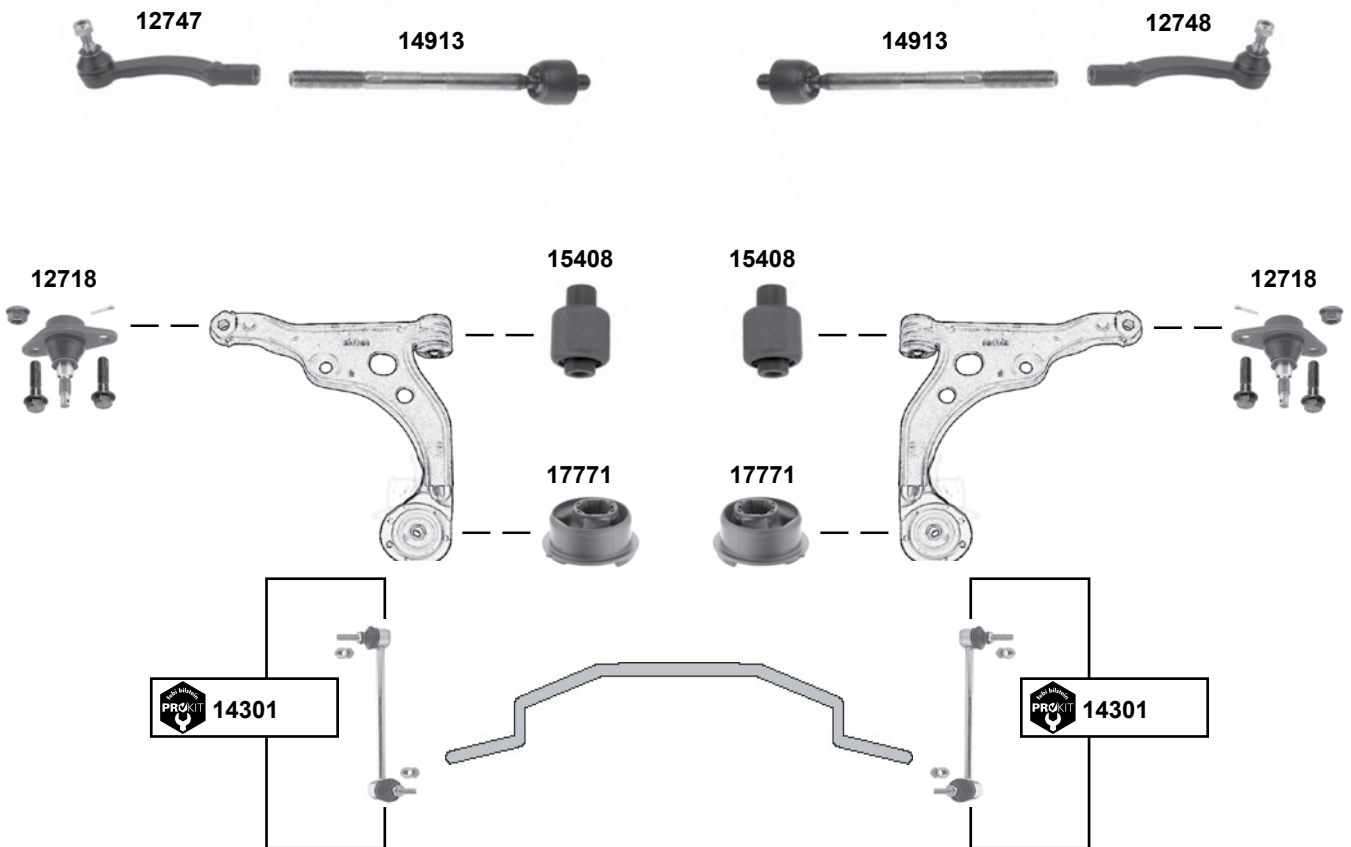


**S 90 / V 90**  
(1997 → 1998)

**CAM**

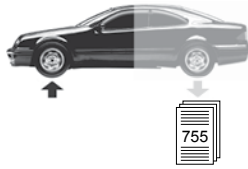


**TRW**



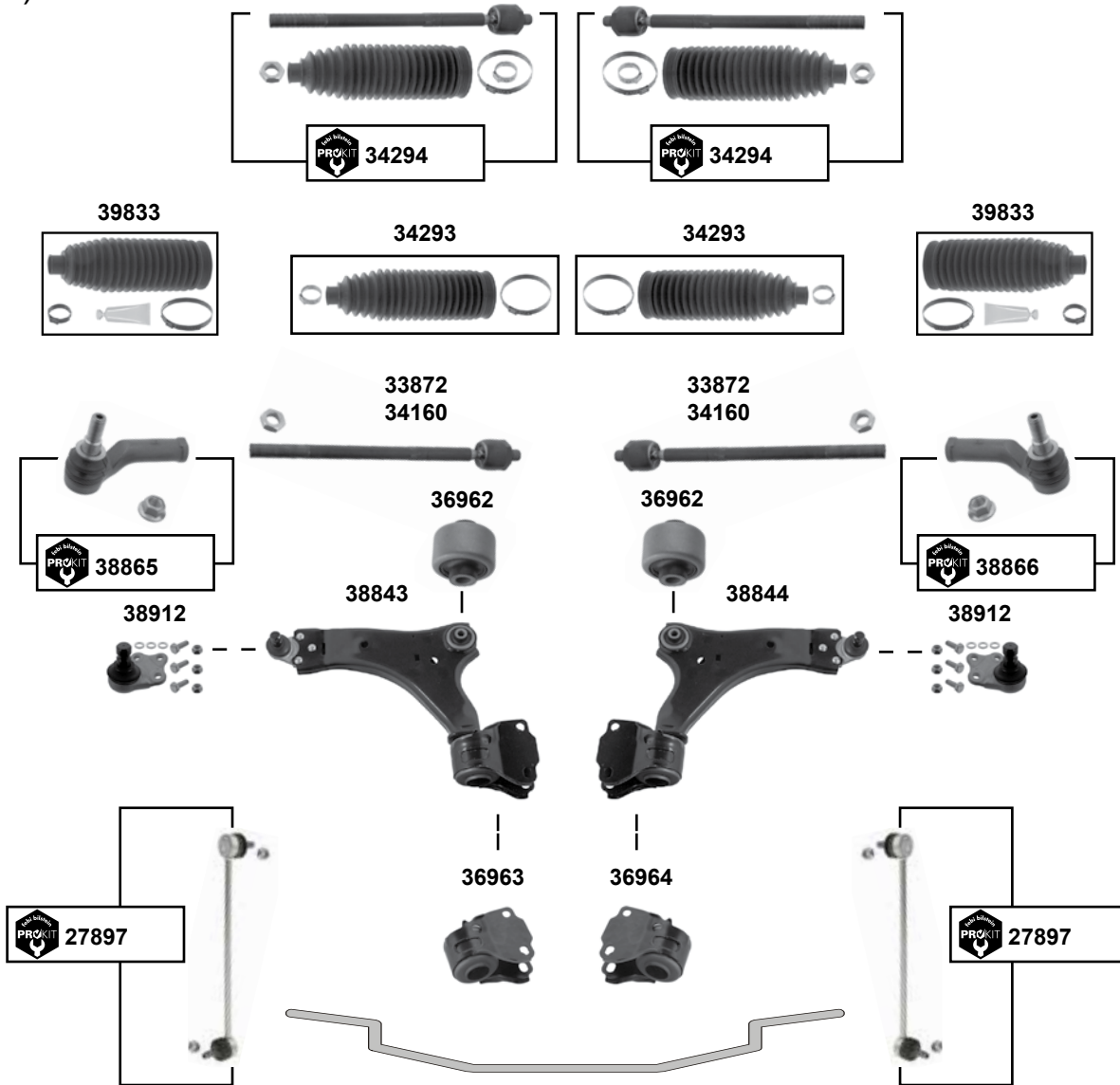
Vorderachse / Front axle

	Ref. - No.			
12077	3516944	Spurstangenendstück / tie rod end		M12 x 1,5
12718	270477	Traggelenk / ball joint		
12729	9140504	Spurstange / tie rod		L 310
12747	271598	Spurstangenendstück / tie rod end		M14 x 2
12748	271599	Spurstangenendstück / tie rod end		M14 x 2
14301	272991	ProKit Verbindungsstange / connecting rod		L 245
14913	9140788	Spurstange / tie rod		L 240
15408	6819537	Querlenkerlager / control arm mount		12x40x39/65
17771	9191537	Querlenkerlager / control arm mount		
18770	270597 S1	Rep. Satz Lenkmanschette / rep. kit steering boot		



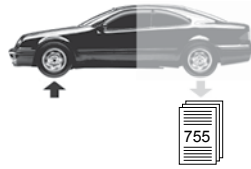
## XC 60 (2010 →)

Vorderachse / Front axle

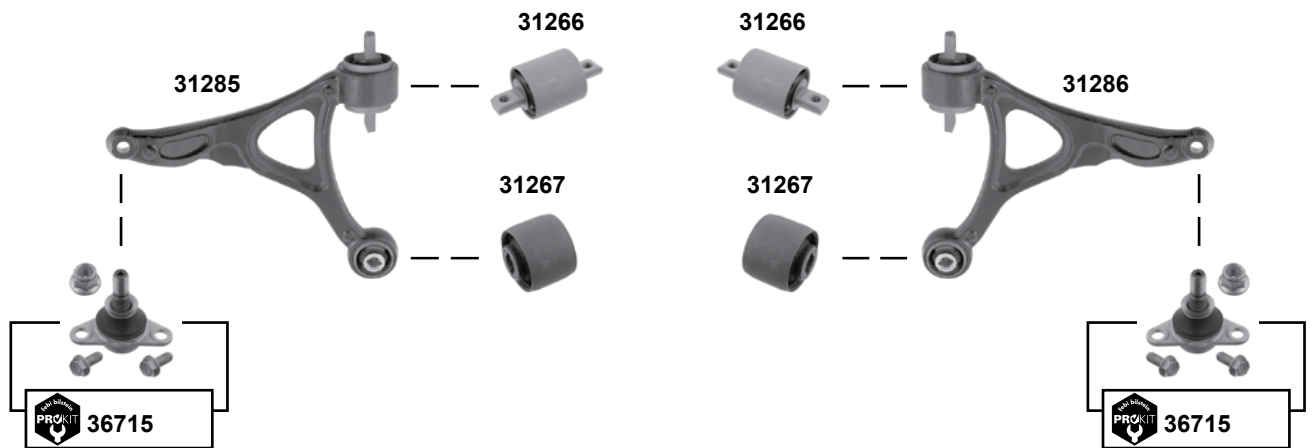
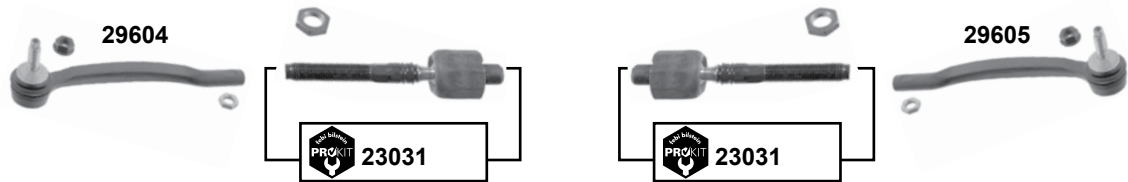


- (1) Modelle ohne elektronische Servolenkung / models without electronical power steering
- (2) Modelle mit elektronischer Servolenkung / models with electronical power steering

	Ref. - No.			
27897	30648461	ProKit Verbindungsstange / connecting rod		L300
33872	31280409 SK	Axialgelenk / axial joint	(1)	L350
34160	31280408 SK	Axialgelenk / axial joint	(2)	L318
34293	30776251	Rep. Satz Lenkmanschette / rep. kit steering boot	(1)	
34294	31280409	ProKit Axialgelenk / axial joint	(1)	
36962	31317661 SK1	Querlenkerlager / control arm mount	(ex.) 4x4	60x38x60
36963	31387571	Querlenkerlager / control arm mount		
36964	31387572	Querlenkerlager / control arm mount		
38843	31317665	Querlenker / control arm		
38844	31317666	Querlenker / control arm		
38865	31302344	ProKit Spurstangenendstück / tie rod end		L 112
38866	31302345	ProKit Spurstangenendstück / tie rod end		L 112
38912	31317665 SK	Traggelenk / ball joint		Ø 22
39833	30776252	Rep. Satz Lenkmanschette / rep. kit steering boot	(2)	



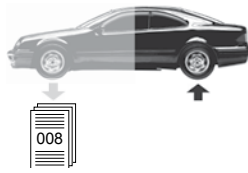
**XC 90 I**  
(2002 → 2014)



Vorderachse / Front axle

	Ref. - No.			
<b>19379</b>	31212692	ProKit Verbindungsstange / connecting rod	ZF	L335
<b>23031</b>	274353	ProKit Spurstange / tie rod	ZF	L141
<b>29604</b>	31201228	Spurstangenendstück / tie rod end		
<b>29605</b>	31201229	Spurstangenendstück / tie rod end		
<b>31266</b>	30639368	Querlenkerlager / control arm mount		10x58x123
<b>31267</b>	31304040	Querlenkerlager / control arm mount		20x98x280
<b>31285</b>	31201004	Querlenker / control arm		
<b>31286</b>	31201005	Querlenker / control arm		
<b>36715</b>	31201485	ProKit Traggelenk / ball joint		M14 x 1,5

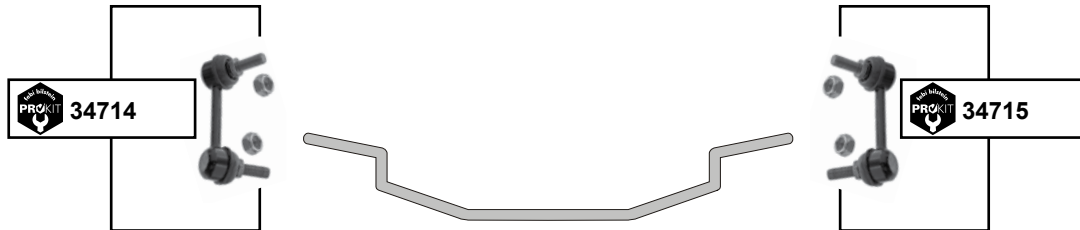




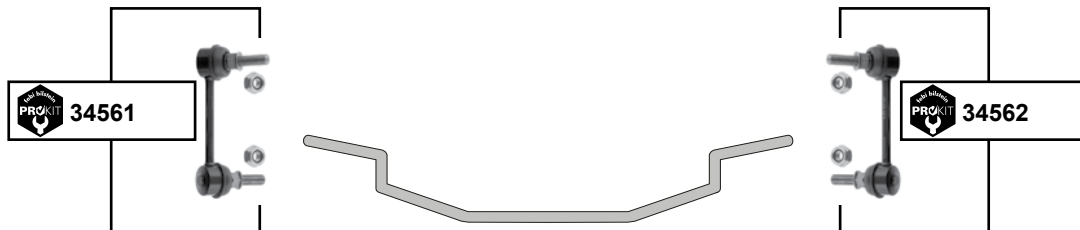
## Micra (K11) (1992 → 2003)



## Murano (Z50) (2004 → 2008)



## Murano (Z51) (2008 →)



Hinterachse / Rear axle



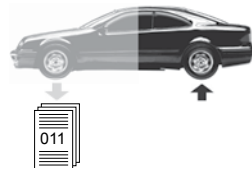
- (1) 06/08 → (mot.) 3,5 Benzin (VQ35DE), (mot.) 2,5 Diesel (YD25)
- (2) 11/04 → 06/08 (mot.) VQ35DE



Ref. - No.



Ref. - No.	Part Description	Quantity	Length
15425	56261-4F725 ProKit Verbindungsstange / connecting rod		L 90
34561	56261-1AA0B ProKit Verbindungsstange / connecting rod	(1)	L 105
34562	56261-1AA0A ProKit Verbindungsstange / connecting rod	(1)	L 105
34714	54668-CA010 ProKit Verbindungsstange / connecting rod	(2)	L 85
34715	54618-CA010 ProKit Verbindungsstange / connecting rod	(2)	L 85



**NV400 (X62)**  
(1997 → 2004)



**Pathfinder (R50)**  
(1997 → 2004)



Hinterachse / Rear axle



(1) Alle mit Heckantrieb und Doppelbereifung / all with rear drive and double tires



Ref. - No.



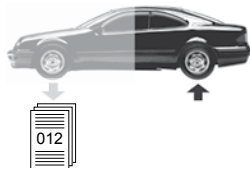
**31139**  
**44428**

56260-0W001  
56261-00Q0B

ProKit Verbindungsstange / connecting rod  
Verbindungsstange / connecting rod

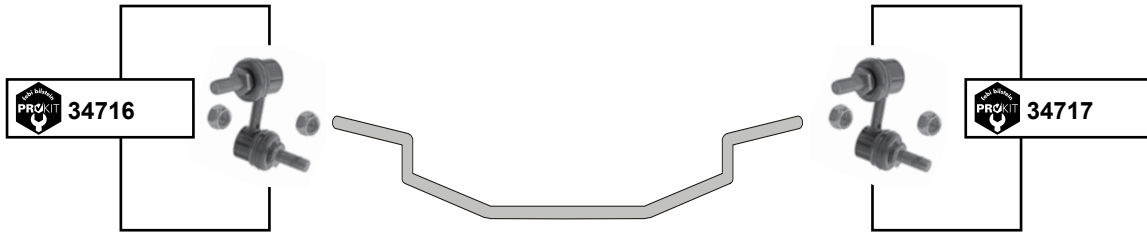
(1)

L 210  
L 166



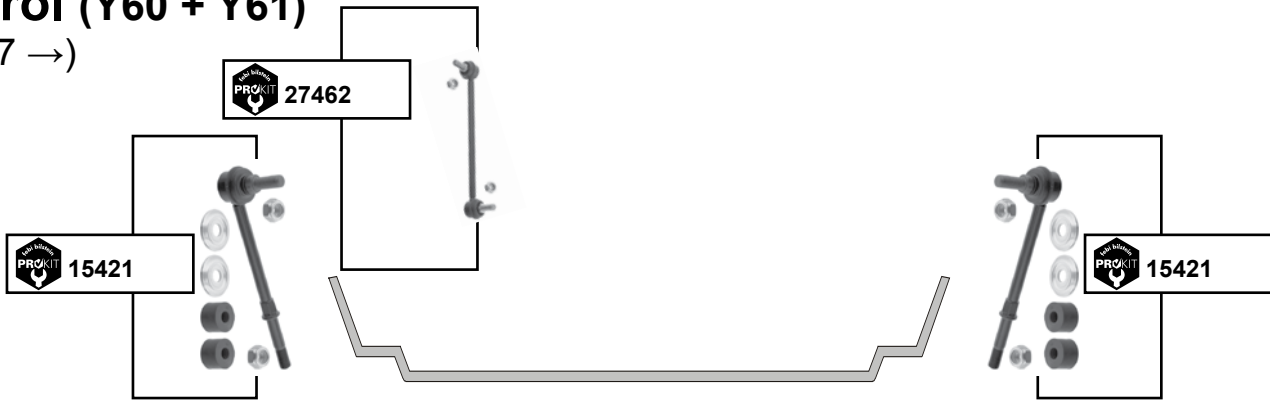
## Pathfinder (R51)

(2005 →)



## Patrol (Y60 + Y61)

(1987 →)



## Primera (P10 / W10)

(1990 → 1998)



## Primera (P12 / WP12)

(2002 →)



Hinterachse / Rear axle



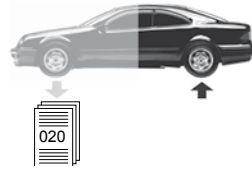
(1) 01/05 → (mot.) YD25DDTi, (mot.) VQ40DE, (mot.) V9X



Ref. - No.



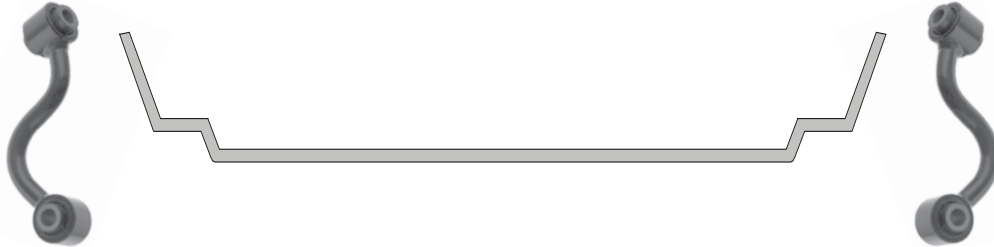
Ref. - No.	Description	Notes	Length
15420	56261-86J25 ProKit Verbindungsstange / connecting rod		L 115
15421	56260-01J10 ProKit Verbindungsstange / connecting rod	→ 10/02	L 161
27462	56260-VB010 ProKit Verbindungsstange links / connecting rod left	Y 61 → 11/06	L 235
32567	56261-AV611 ProKit Verbindungsstange / connecting rod		L 90,5
34716	56261-EA510 ProKit Verbindungsstange / connecting rod	(1)	L 65
34717	56261-EA500 ProKit Verbindungsstange / connecting rod	(1)	L 65



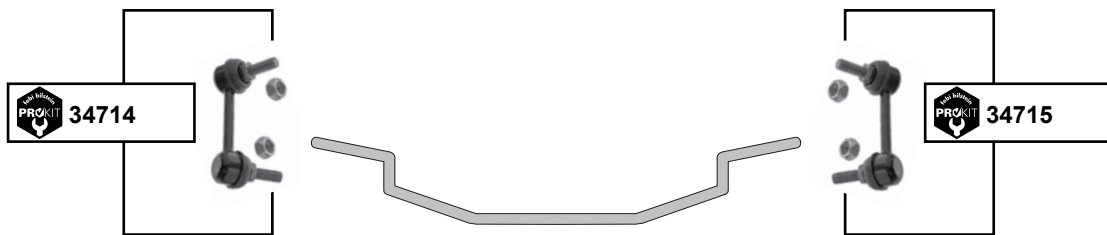
**Qashqai (J10E/JJ10E)**  
(2006 →)

32574

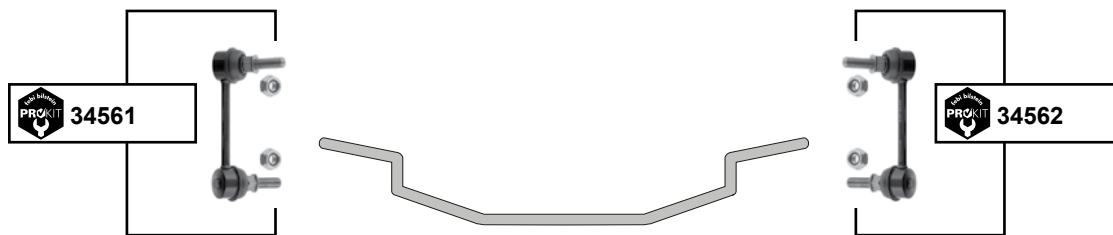
32573



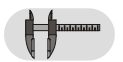
**Teana (J31)**  
(2007 →)



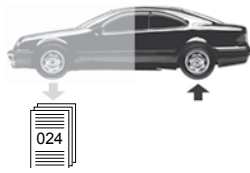
**Teana (J32R)**  
(2009 →)



- (1) Qashqai (JJ10E) 08/08 →
- (2) Teana (J32R) 03/10 → (mot.) 2,5 Benzin (QR25DE)
- (3) Teana (J31) 05/07 → (mot.) QR20DE, VQ23DE



	Ref. - No.			
32573	55618-JD00A	Verbindungsstange / connecting rod	(1)	L 142,5
32574	55619-JD00A	Verbindungsstange / connecting rod	(1)	L 142,5
34561	56261-1AA0B	ProKit Verbindungsstange / connecting rod	(2)	L 105
34562	56261-1AA0A	ProKit Verbindungsstange / connecting rod	(2)	L 105
34714	54668-CA010	ProKit Verbindungsstange / connecting rod	(3)	L 85
34715	54618-CA010	ProKit Verbindungsstange / connecting rod	(3)	L 85



## Terrano II (R20)

(1993 →)



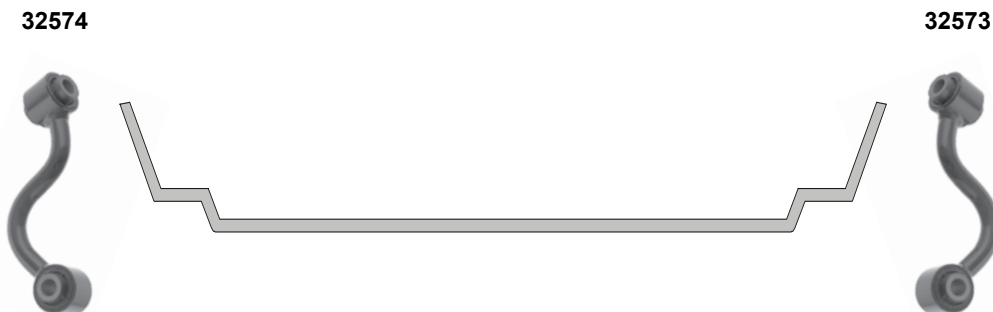
## X-Trail (T30)

(2001 → 2007)



## X-Trail (T31 / T31R)

(2007 →)



Hinterachse / Rear axle



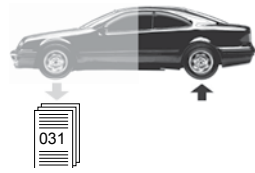
Ref. - No.



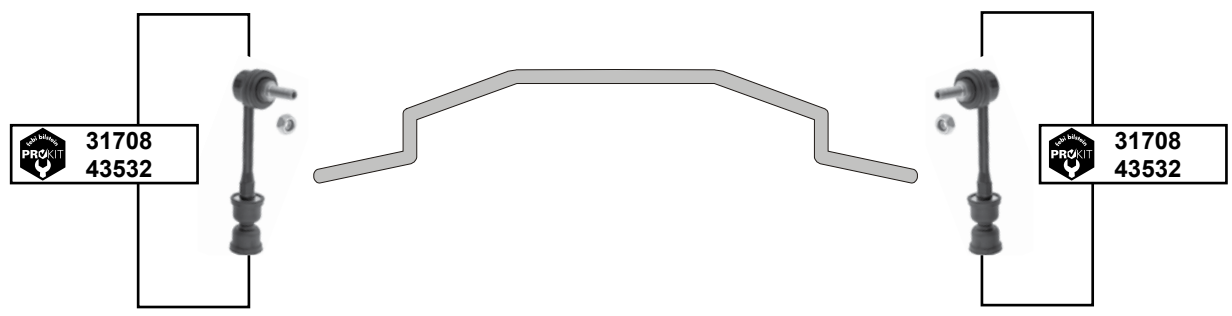
<b>24016</b>	56260-0F001
<b>27305</b>	56261-EQ000
<b>32573</b>	55 61 8JY 00B
<b>32574</b>	55 61 9JY 00B

ProKit Verbindungsstange / connecting rod
ProKit Verbindungsstange / connecting rod
Verbindungsstange / connecting rod
Verbindungsstange / connecting rod

L 208
L 115 / 10 x 1,25
L 142,5
L 142,5



**Antara**  
(2006 →)



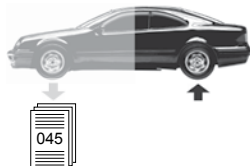
Hinterachse / Rear axle



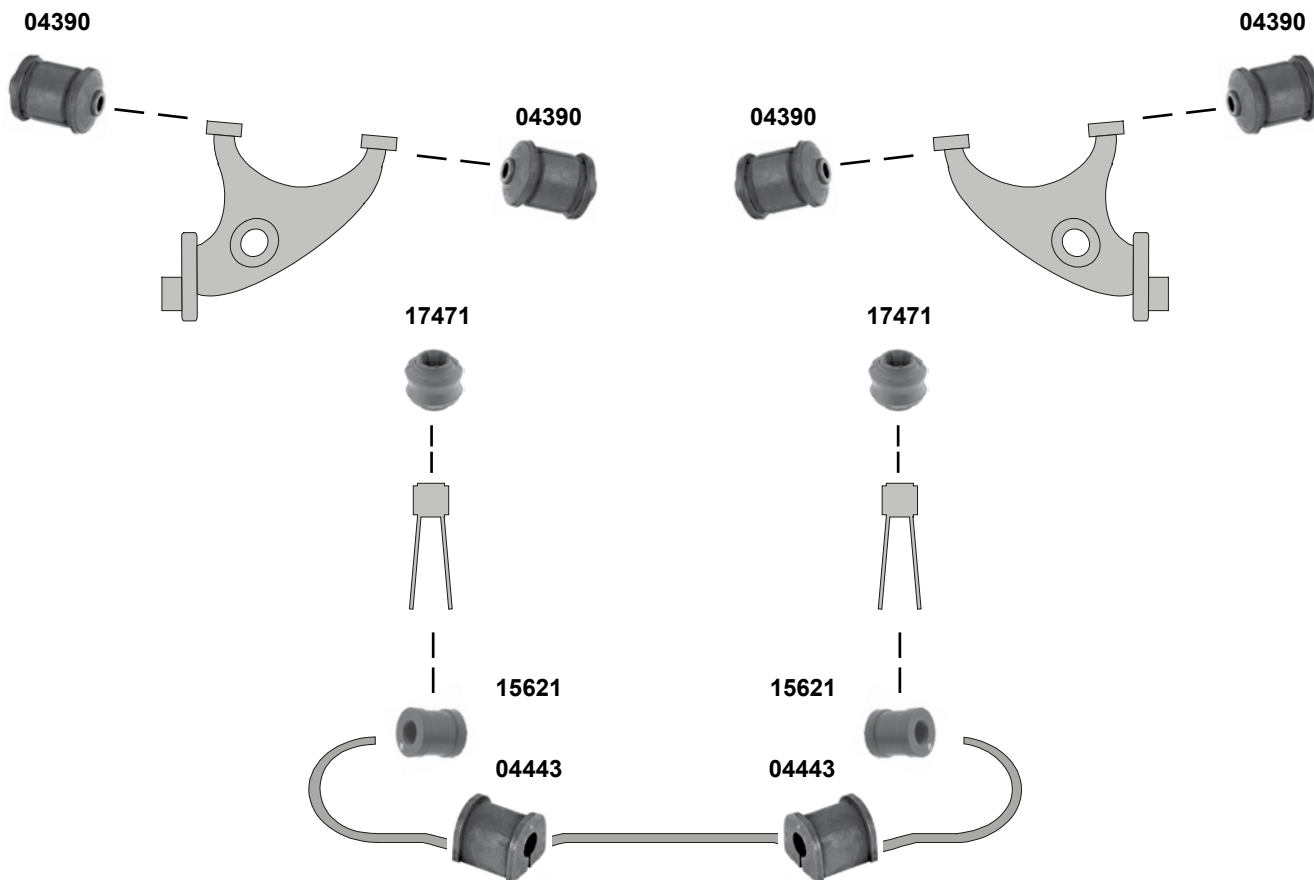
(1) (ch.) → AB999999, → A3999999

(2) (ch.) BB000001 →, B3000001 →

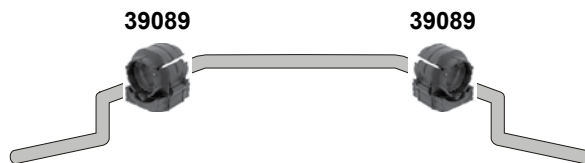
	Ref. - No.			
31708	4817 539	ProKit Verbindungsstange / connecting rod	(1)	L 167
43532	4808 136	ProKit Verbindungsstange / connecting rod	(2)	L 106,5



## Calibra (1990 → 1997)



## Insignia (2008 →)



Hinterachse / Rear axle

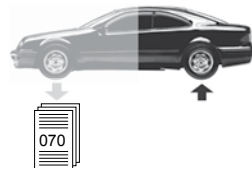
- (1) Schrägheck/Stufenheck:  
Standardchassis / standard chassis alle/all  
tiefergelegtes chassis / lowered chassis nur/only Diesel D-1000001 →  
**HD (ex.)** A14NET, A16LET, A20XER, Diesel D1000001 →  
Sportstourer: **HD** nur/only Diesel D-1000001 →



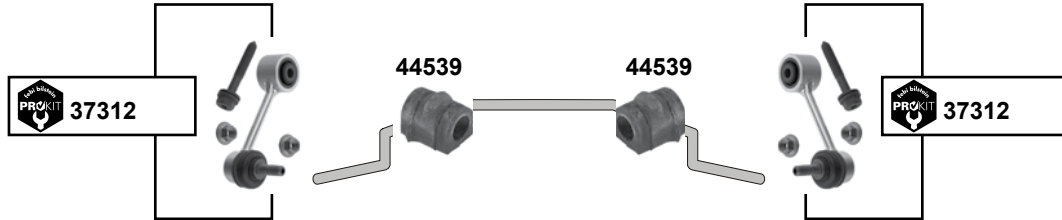
Ref. - No.



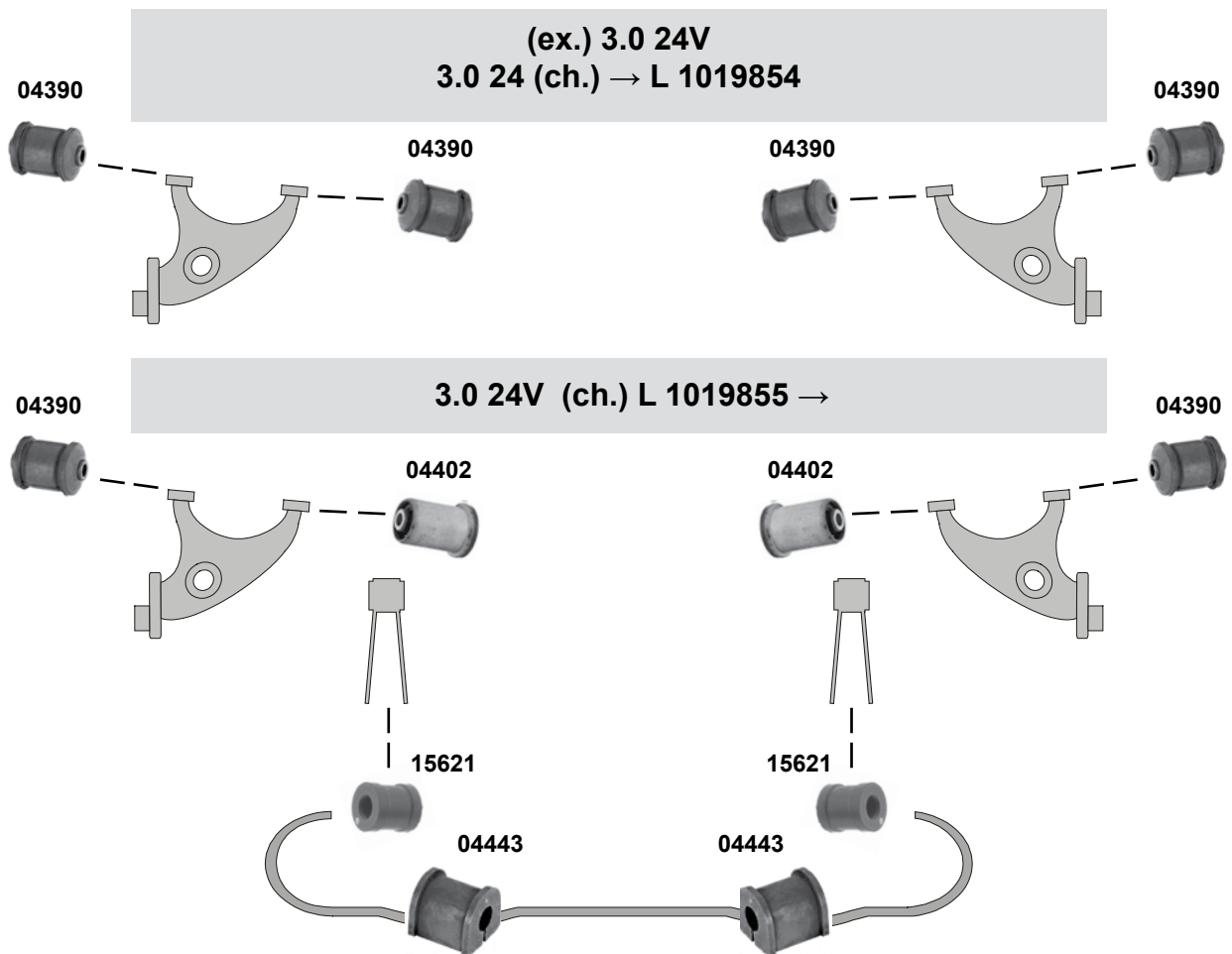
Ref. - No.	Description	Quantity	Dimensions
39089	Stabilisatorlager / stabilizer mount	(1) (ex.) 4x4	Ø   20
04390	Schräglenkerlager / semi-trailing arm bush		12x45x71
04443	Stabilisatorlager / stabilizer mount		Ø   14
15621	Stabilisatorlager / stabilizer mount		13x26x28
17471	Verbindungsstangenlager / connecting rod bearing		



**Movano B**  
(2010 →)



**Omega A**  
(1986 → 1994)



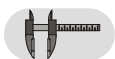
Hinterachse / Rear axle



- (1) nur Fahrzeuge mit Frontantrieb / only vehicles with front wheel drive
- (2) Vorderradantrieb + Hinterradantrieb mit Einzelbereifung / front wheel drive + rear-wheel drive with single tires

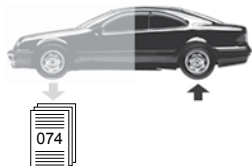


Ref. - No.

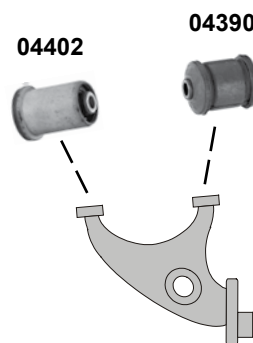
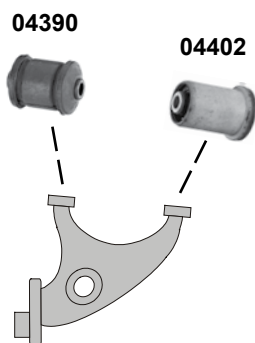
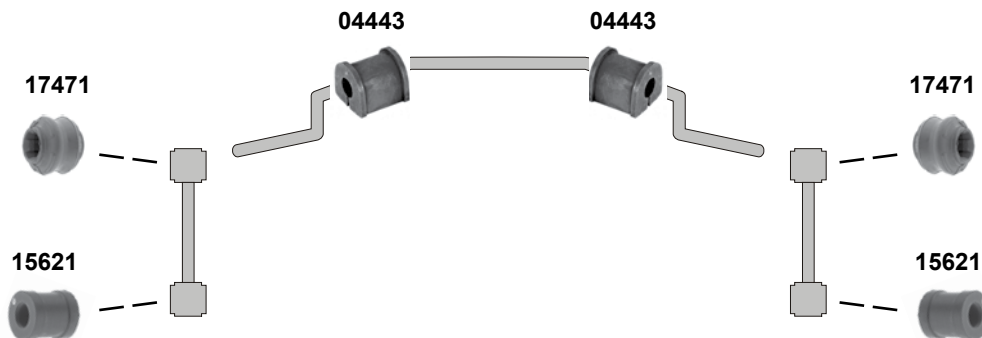


Ref. - No.	Description	Quantity	Dimensions
04390	Schräglenkerlager / semi-trailing arm bush		12x45x71
04402	Schräglenkerlager / semi-trailing arm bush		12x43x71
04443	Stabilisatorlager / stabilizer mount		Ø   14
15621	Stabilisatorlager / stabilizer mount		13x26x28
37312	ProKit Verbindungsstange / connecting rod	(2)	L 105,5
44539	Stabilisatorlager / stabilizer mount	(1)	Ø 28





## Omega B (1994 → 2003)



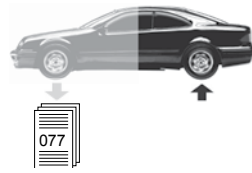
Hinterachse / Rear axle



Ref. - No.



<b>04390</b>	0423 313	Schräglenkerlager / semi-trailing arm bush Arm	12x45x71
<b>04402</b>	0423 315	Schräglenkerlager / semi-trailing arm bush Arm	12x43x71
<b>04443</b>	0444 153	Stabilisatorlager / stabilizer mount	Ø 1 14
<b>15621</b>	0444 336	Stabilisatorlager / stabilizer mount	13x26x28
<b>17471</b>	0444 347	Verbindungsstangenlager / connecting rod bearing	29/32x29

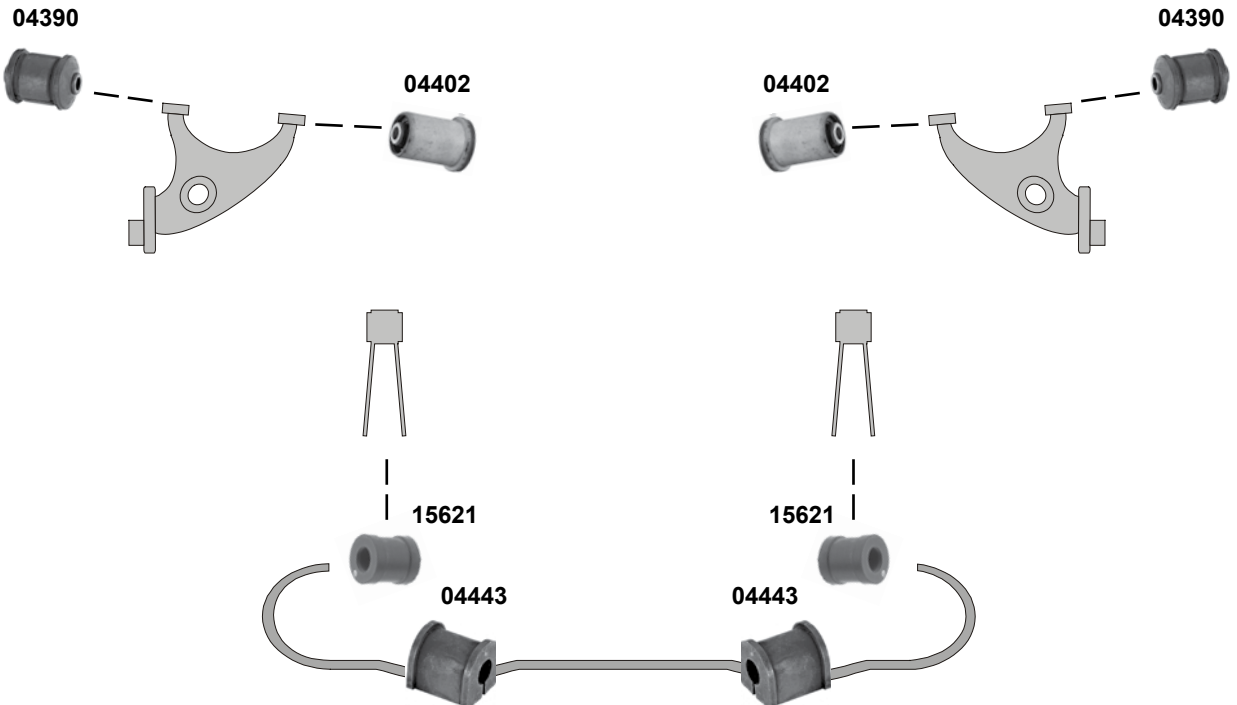


**Senator B**  
(1986 → 1994)

(ch.) → L 1019854 / 5155054

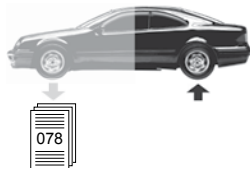


(ch.) L 1019855 / 5155055 →

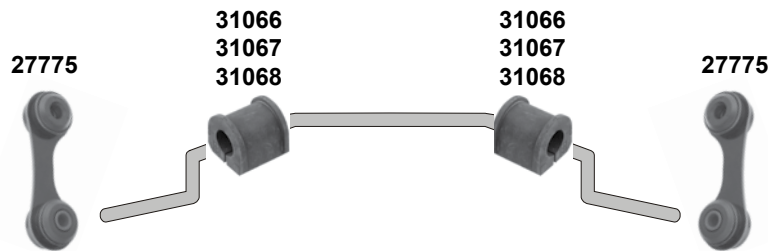
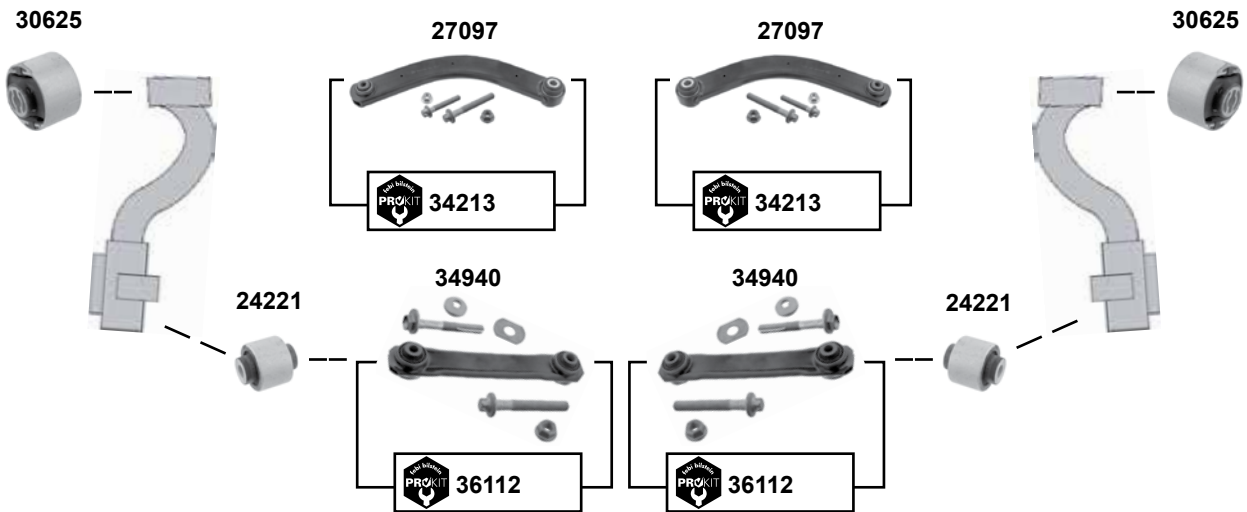


Hinterachse / Rear axle

	Ref. - No.			
04390	0423 313	Schräglenkerlager / semi-trailing arm bush		12x45x71
04402	0423 315	Schräglenkerlager / semi-trailing arm bush		12x43x71
04443	0444 153	Stabilisatorlager / stabilizer mount		Ø 1 14
15621	0444 336	Stabilisatorlager / stabilizer mount		13x26x28

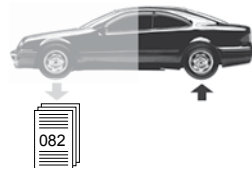


## Signum (2002 → 2008)

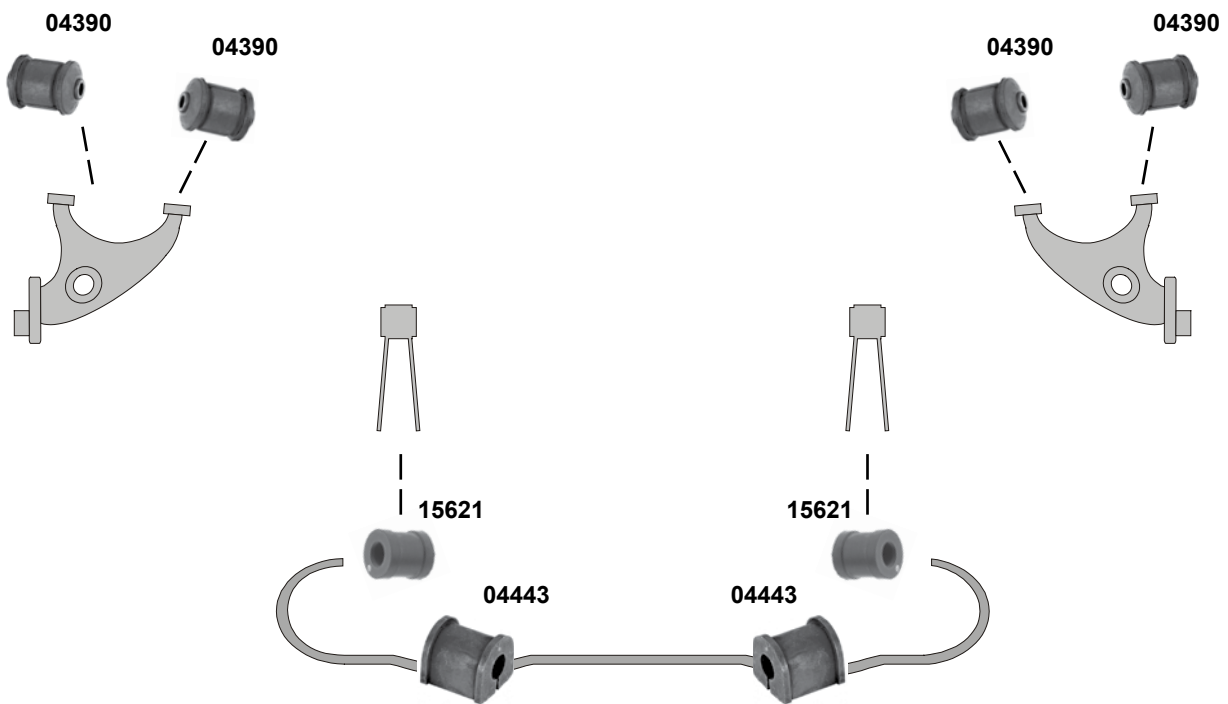


Hinterachse / Rear axle

	Ref. - No.			
24221	0423 320	Querlenkerlager / control arm mount		12x45,5x52
27097	0423 035	Querlenker / control arm		L 380
27775	0444 275	Verbindungsstange / connecting rod		L 86
30625	0423 319	Querlenkerlager / control arm mount		
31066	0444 160	Stabilisatorlager / stabilizer mount		Ø   17
31067	0444 161	Stabilisatorlager / stabilizer mount		Ø   18
31068	0444 162	Stabilisatorlager / stabilizer mount		Ø   19
34213	0423 035 S1	ProKit Querlenker / control arm		
34940	0423 032	Querlenker / control arm		
36112	0423 032 S1	ProKit Querlenker / control arm		



**Vectra A**  
(1988 → 1995)  
**2.0 i 16V (110 / 115 kw)**



Hinterachse / Rear axle



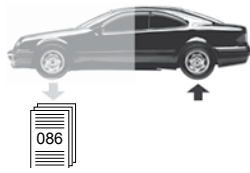
(1) (ch.) → N 1999999 / N 5999999 / NV 999999  
(2) (ch.) P 1000001 / P 5000001 / P 7100001 →



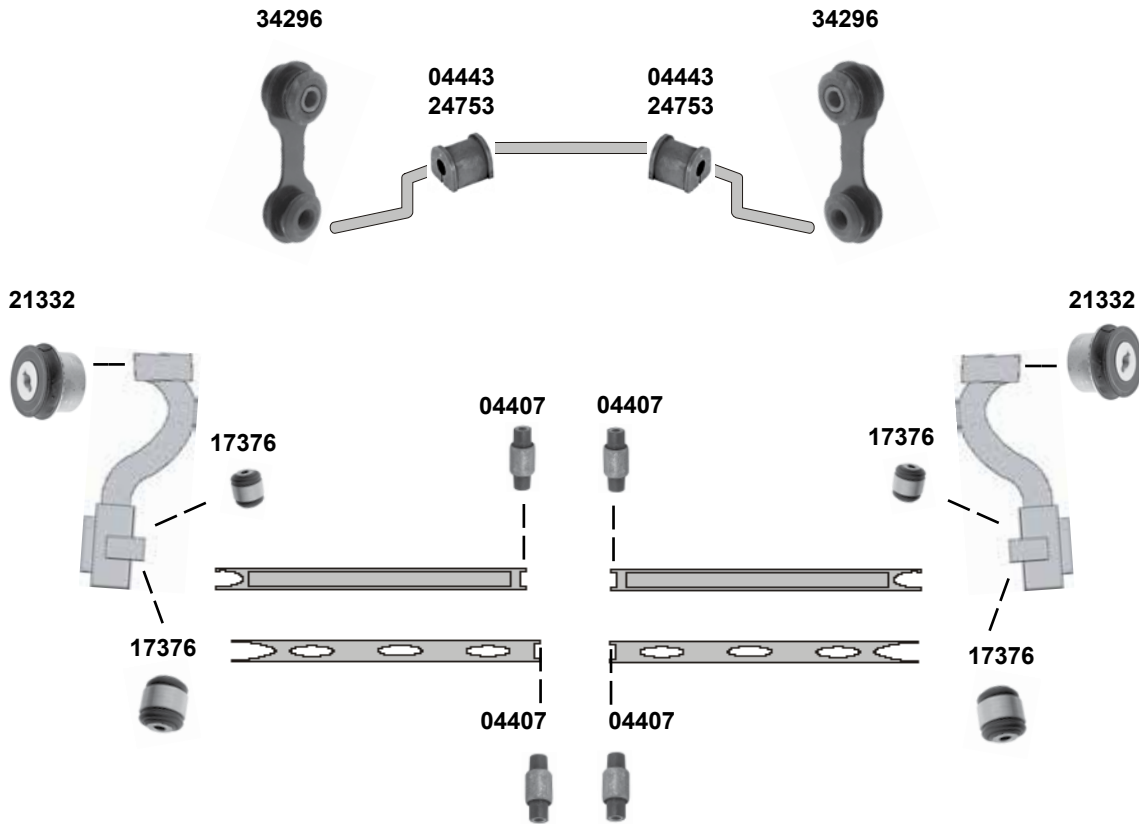
Ref. - No.



Ref. - No.	Description	Quantity	Dimensions
04390	Schrägenkerlager / semi-trailing arm bush	(1)	12x45x71
04443	Stabilisatorlager / stabilizer mount	(2)	Ø 14
15621	Stabilisatorlager / stabilizer mount	(2)	13x26x28



## Vectra B (1995 → 2002)

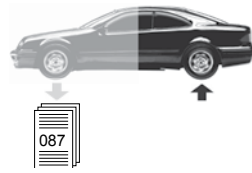


- (1) 1.6 (ch.) → W 1999999 / W 5999999 / W 7999999
- (2) 1.6 (ch.) X 1000001 / X 7000001 →  
 1.7 (mot.) X17TD  
 1.8 (mot.) X18XE  
 (mot.) X18XE1 (ch.) → W 1999999 / W 5999999 / W 7999999  
 (mot.) Z18XE (ch.) X 1000001 / X 7000001 →  
 (mot.) Z18XEL (ex.) Sportfahrwerk / sports chassis
- 2.0 (mot.) X20XEV  
 (mot.) X20DTH / DTL / 20NEJ / C20SEL  
 (ch.) → W 1999999 / W 5999999 / W 7999999
- 2.2 (mot.) C22SEL  
 (mot.) Z22SE (ex.) Sportfahrwerk / sports chassis
- 2.5 (mot.) X25XE
- (3) 1.6 (ex.) Z 1.6 XE (ch.) X 1000001 / X7000001 / XL0000001 →  
 Fahrzeuge **ohne** Tieferlegung / vehicles **without** lowered chassis
- (4) X 1.6 XEL, Y 1.6 XE, Z 1.6 XE (ch.) Y 1000001 / Y7000001 / XL 0000001 →  
 Fahrzeuge **mit** Tieferlegung / vehicles **with** lowered chassis
- (5) 1.8 / 2.0 Benzin (ex.) 2.0 NEJ  
 2.0 TD / 2.2 Benzin+Diesel / 2.5 / 2.6
- (6) 2.0 NEJ (ex.) Ägypten / (ex.) egypt

Hinterachse / Rear axle

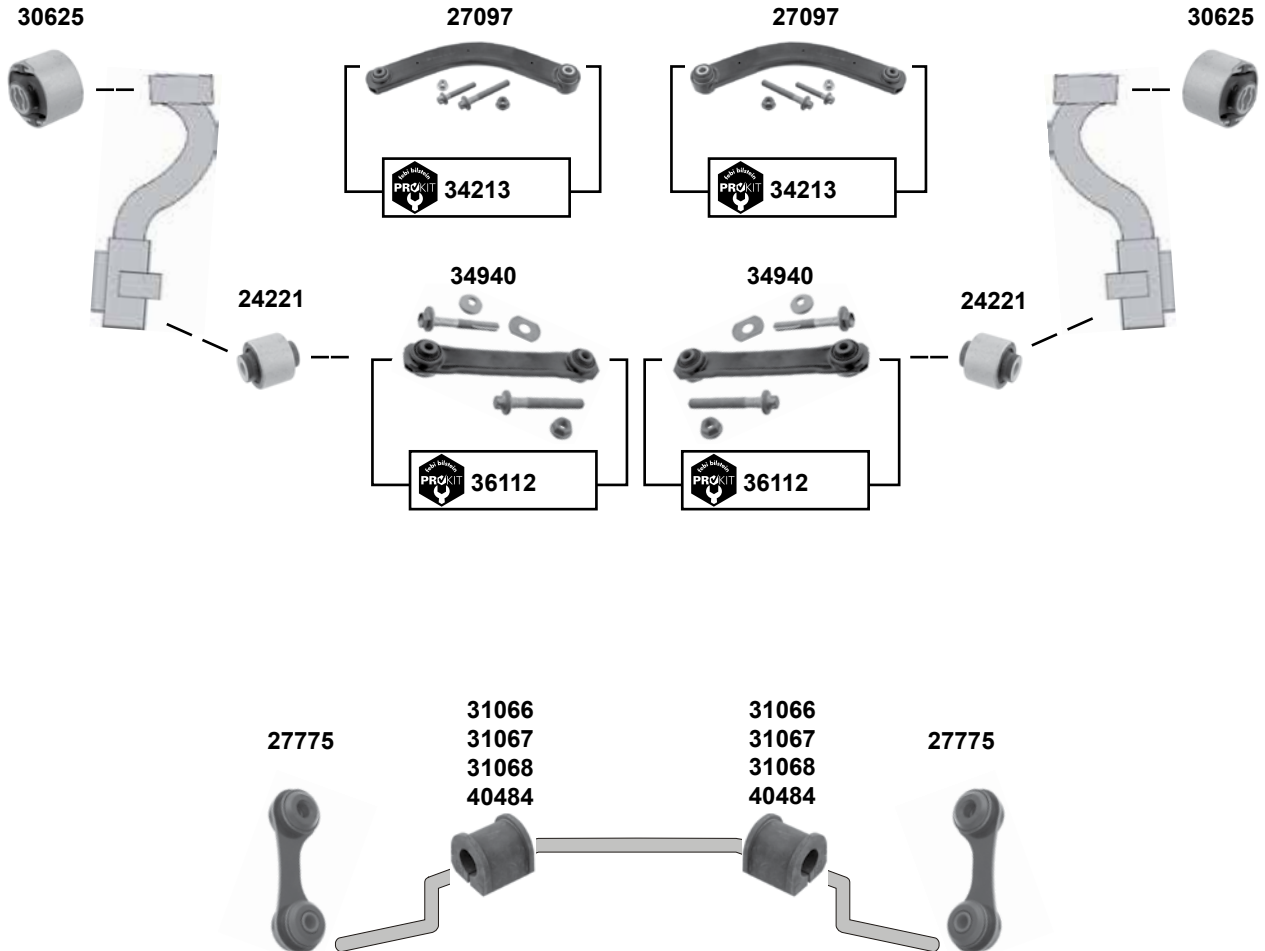


	Ref. - No.			
04407	0423 316	Querlenkerlager / control arm mount		12x35x89
04443	0444 153	Stabilisatorlager / stabilizer mount	(1)	Ø   14
17376	0423 121	Querlenkerlager / control arm mount		12x45x52
21332	0423 302	Querlenkerlager / control arm mount		
24753	0444 200	Stabilisatorlager / stabilizer mount	(2)	
34296	0444 291	Verbindungsstange / connecting rod	(3) (4) (5) (6)	



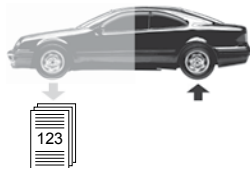
# Vectra C

(2002 → 2008)



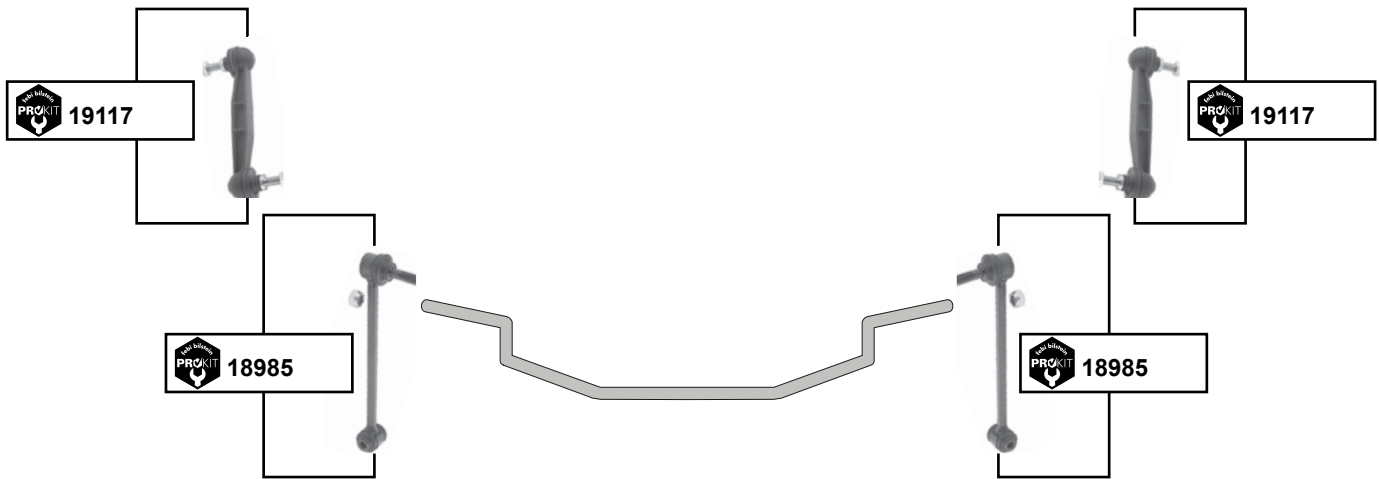
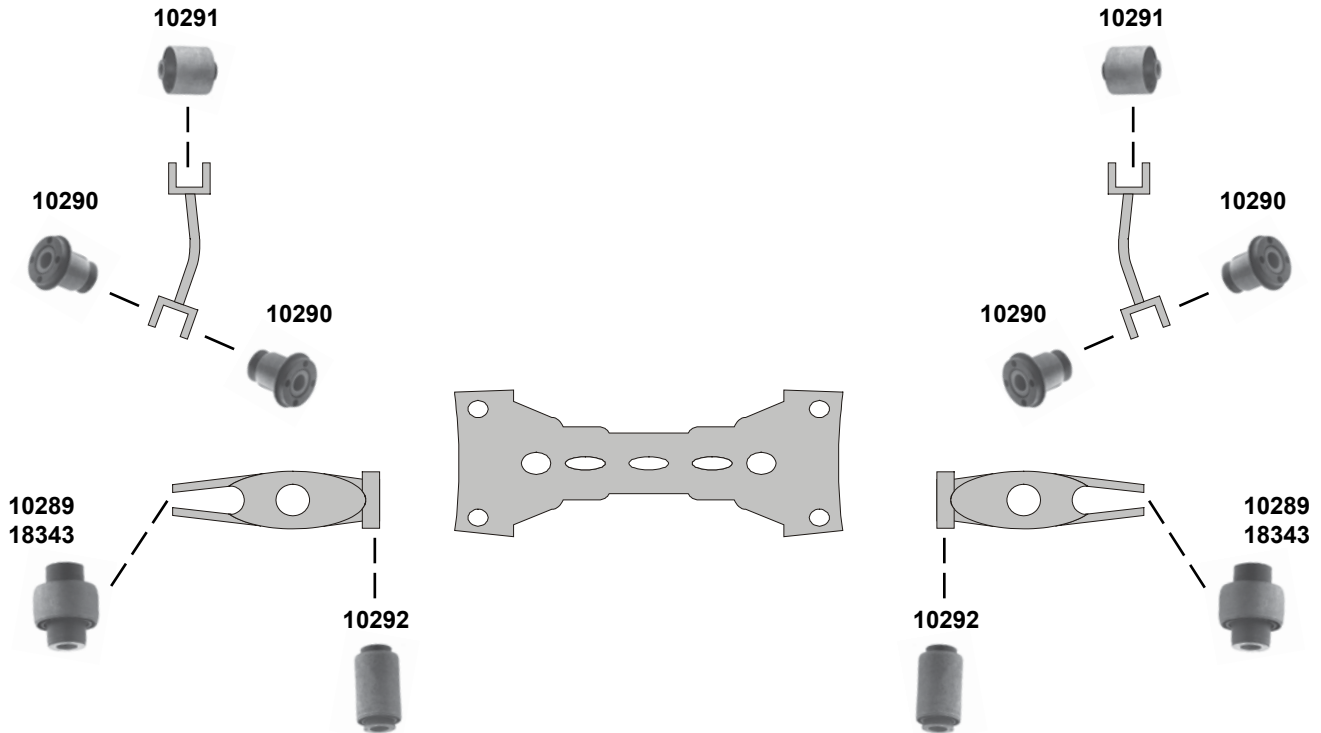
Hinterachse / Rear axle

	Ref. - No.			
24221	0423 320	Querlenkerlager / control arm mount		12x45,5x52
27097	0423 035	Querlenker / control arm		L 380
27775	0444 275	Verbindungsstange / connecting rod		L 86
30625	0423 319	Querlenkerlager / control arm mount		
31066	0444 160	Stabilisatorlager / stabilizer mount		Ø   17
31067	0444 161	Stabilisatorlager / stabilizer mount		Ø   18
31068	0444 162	Stabilisatorlager / stabilizer mount		Ø   19
34213	0423 035 S1	ProKit Querlenker / control arm		
34940	0423 032	Querlenker / control arm		
36112	0423 032 S1	ProKit Querlenker / control arm		
40484	0444 163	Stabilisatorlager / stabilizer mount	(ex.) Sport	Ø   16



## 406

(1996 → 2004)

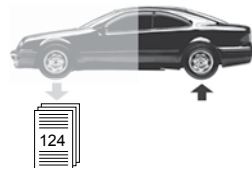


Hinterachse / Rear axle

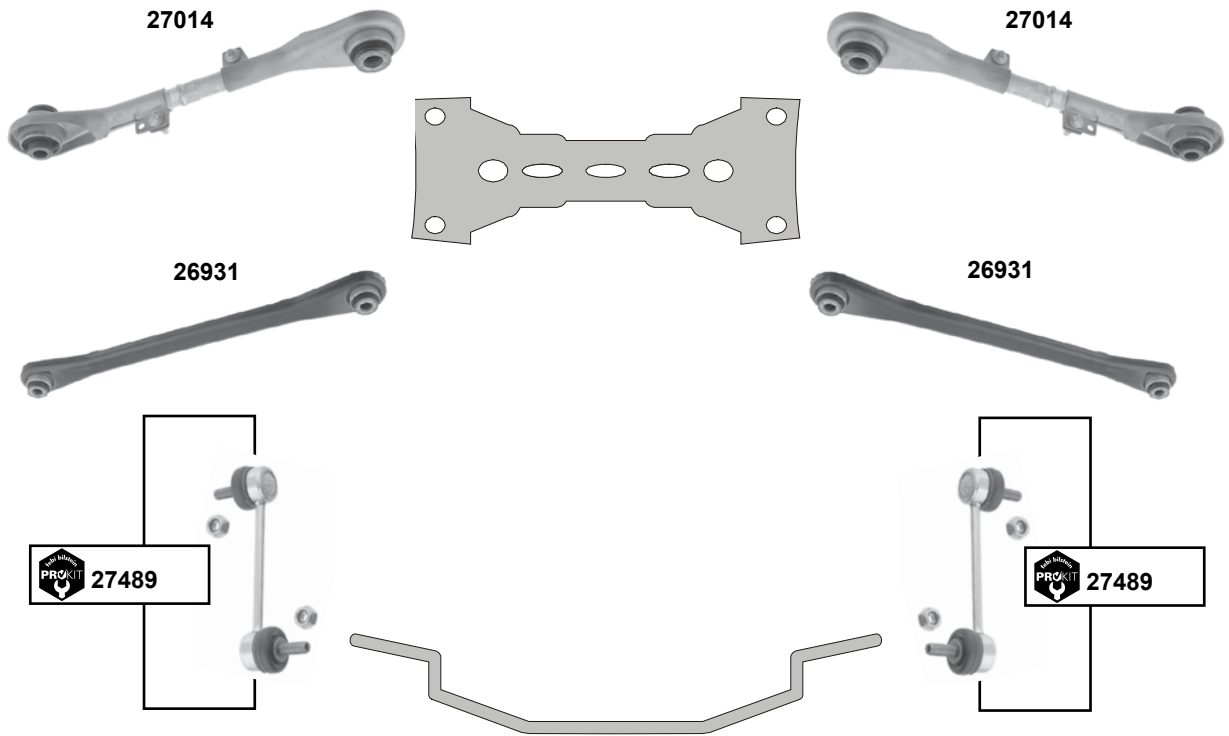


(1) → O 7665 (ex.) Coupé

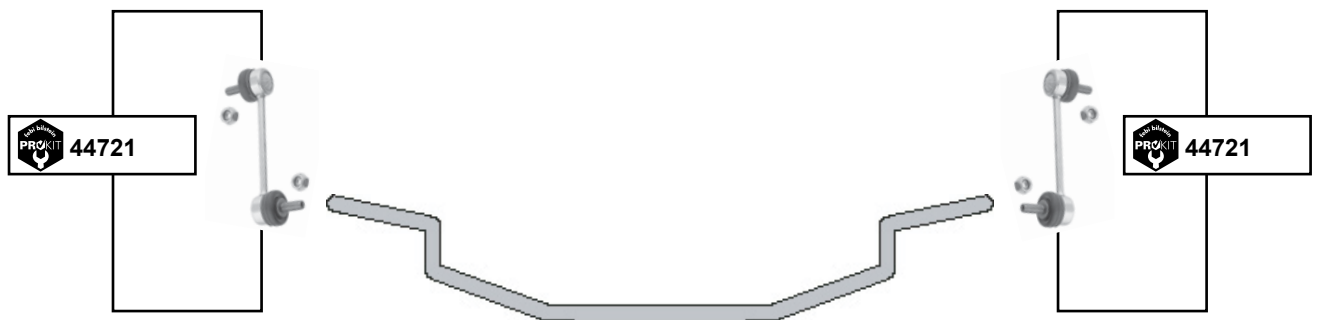
	Ref. - No.			
10289	3640.41	Querlenkerlager / control arm mount	O 7665 →  (1)	14x45x57
10290	5131.78	Längslenkerlager / trailing arm bush		12x27/41x41
10291	5131.99	Längslenkerlager / trailing arm bush		14x56x46/65
10292	5131.80	Querlenkerlager / control arm mount		12x32x48/60
18343	3640.35	Querlenkerlager / control arm mount		
18985	5178.39	ProKit Verbindungsstange / connecting rod		
19117	5178.38	ProKit Verbindungsstange / connecting rod		



**407**  
(2004 →)



**508**  
(2010 →)



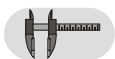
Hinterachse / Rear axle



(1) DW10CTED4 // nur / only Hybrid



Ref. - No.



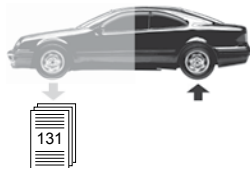
26931	5175.CF
27014	5178.47
27489	5178.52
44721	5178.57

Querstrebe / cross rod
Querstrebe / cross rod
ProKit Verbindungsstange / connecting rod
ProKit Verbindungsstange / connecting rod

(1)

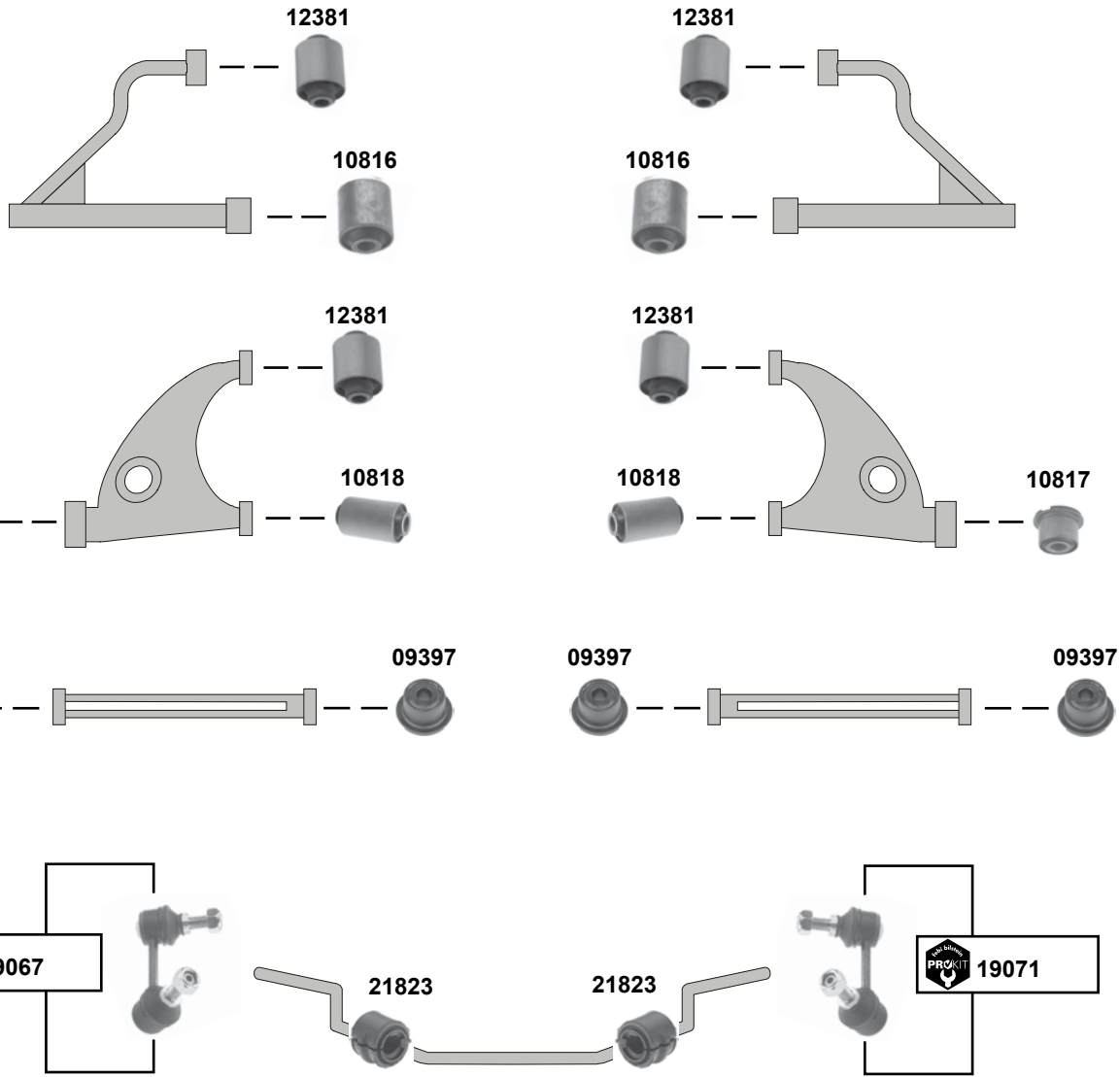
L 495
L 141
M10 x 1,5





## 605 / 607

(1990 →)



Hinterachse / Rear axle



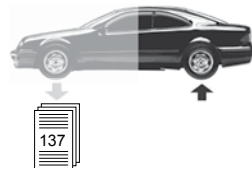
(1) 607 mit variabler Federung / with variable suspension



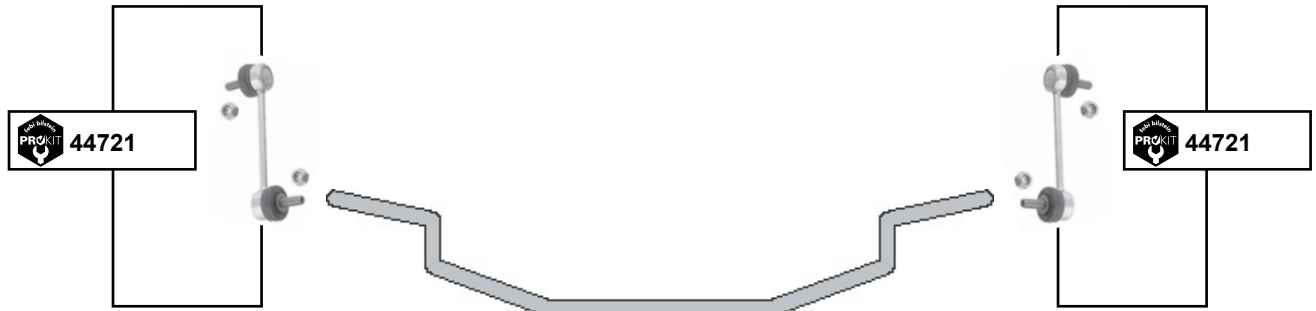
Ref. - No.



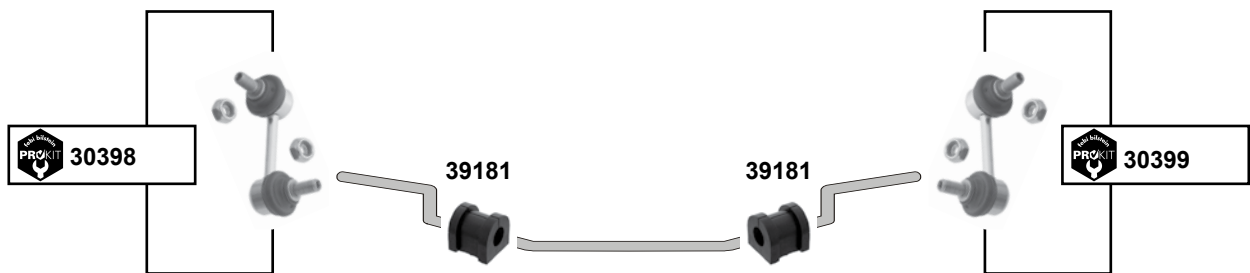
<b>09397</b>	3332.07	Zugstrebenlager / tie-arm bush		12x32x25
<b>10816</b>	5131.54	Querlenkerlager / control arm mount		12x36x45
<b>10817</b>	5131.55	Querlenkerlager / control arm mount		14x34x30
<b>10818</b>	5131.56	Querlenkerlager / control arm mount		12x32x60
<b>12381</b>	5131.53	Querlenkerlager / control arm mount		12x40x40/60
<b>19067</b>	5178.43	ProKit Verbindungsstange / connecting rod		
<b>19071</b>	5178.44	ProKit Verbindungsstange / connecting rod		
<b>21823</b>	5172.47	Stabilisatorlager / stabilizer mount	(1)	Ø   25



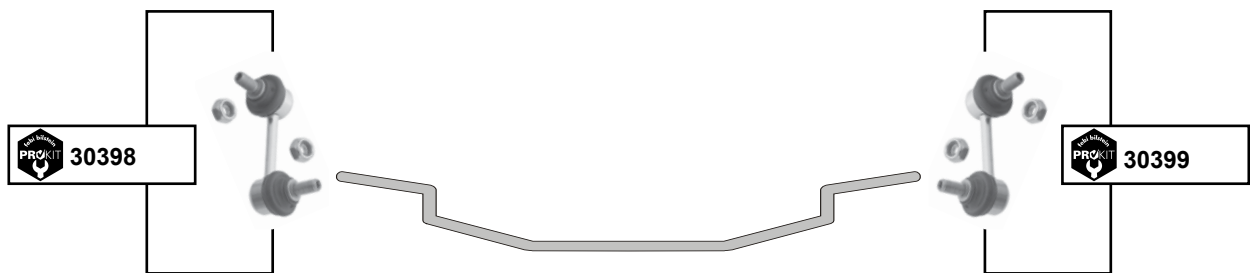
**3008**  
(06/09 →)



**4007**  
(2007 →)



**4008**  
(2012 →)



Hinterachse / Rear axle



(1) DW10CTED4 // nur / only Hybrid O 12397 →



Ref. - No.

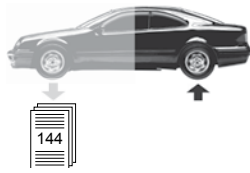


**30398** 5178.48  
**30399** 5178.49  
**39181** 5172.58  
**44721** 5178.57

ProKit Verbindungsstange / connecting rod  
ProKit Verbindungsstange / connecting rod  
Stabilisatorlager / stabilizer mount  
ProKit Verbindungsstange / connecting rod

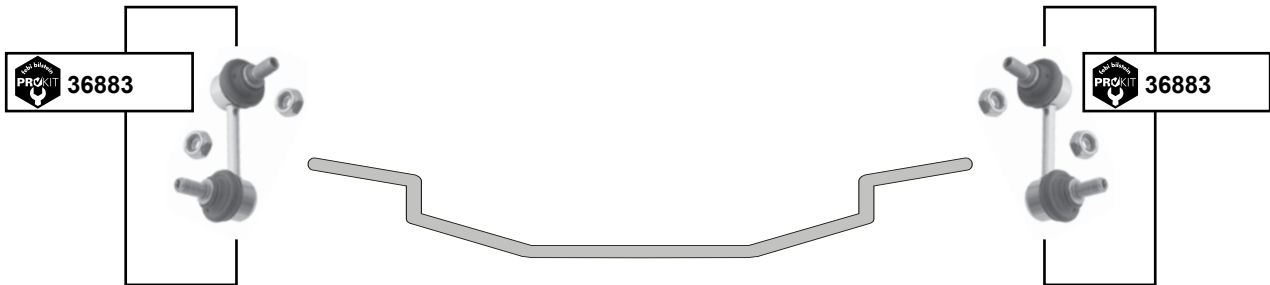
(ex.) 2,0L MMC  
(1)

L 80  
L 80  
Ø | 19,5  
M10 x 1,5



## Boxer III

(2006 →)



## J5

(1982 → 1994)



Hinterachse / Rear axle



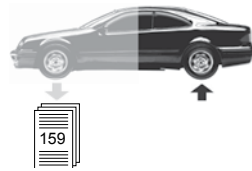
Ref. - No.



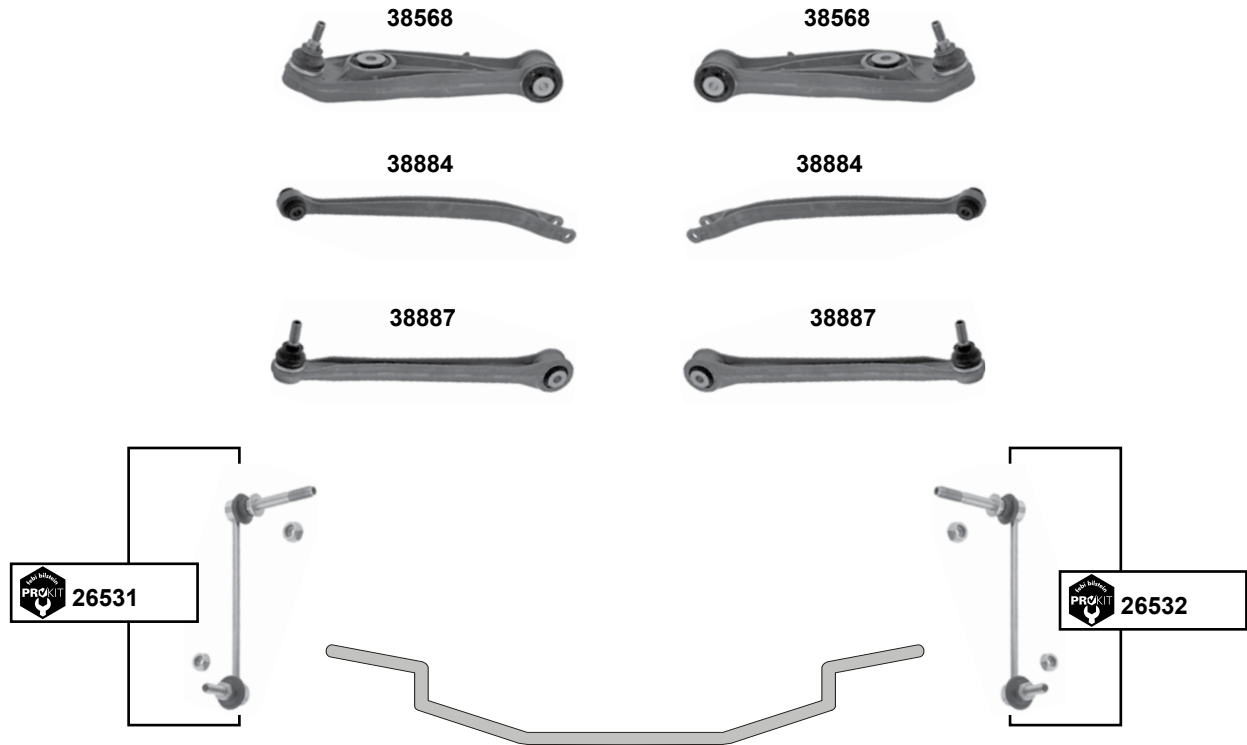
12344 5131.46  
36883 5170.F5 S1

Blattfederlager / leaf-spring bearing  
ProKit Verbindungsstange / connecting rod

16x38x72  
L 100



## Boxster (986) (1996 → 2004)



## Boxster (987) (2004 → 2012)



Hinterachse / Rear axle



(1) 987 (ch.) → 986U7 03033 / (ch.) → 986U7 22298



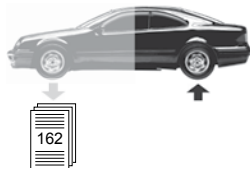
Ref. - No.



<b>26531</b>	996 343 069 04	ProKit Verbindungsstange / connecting rod	(1)
<b>26532</b>	996 343 070 04	ProKit Verbindungsstange / connecting rod	
<b>38568</b>	996 341 053 16	Querlenker / control arm	
<b>38884</b>	986 331 043 07	Querlenker / control arm	
<b>38887</b>	997 331 045 04	Querlenker / control arm	

L 200  
L 200

# PORSCHE



Car  
Division 



## Cayman (987) (2005 →)



Hinterachse / Rear axle



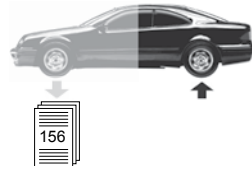
Ref. - No.



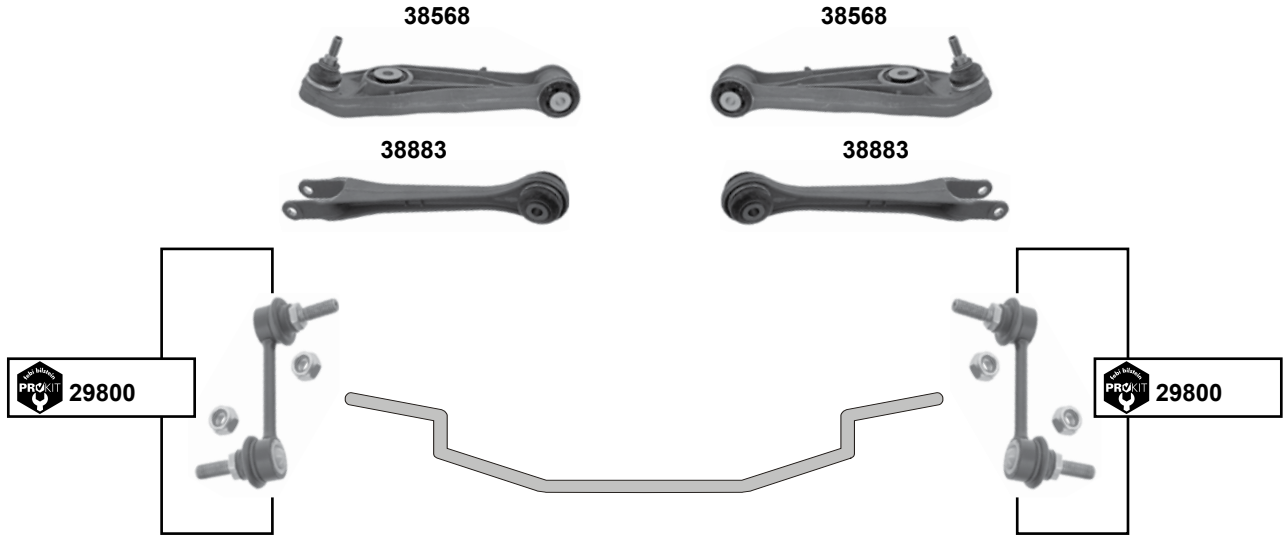
**38568** 996 341 053 16  
**38887** 997 331 045 04

Querlenker / control arm  
Querlenker / control arm

(ch.) → 986U7 74551



**911 Carrera / Turbo (996)**  
(1998 → 2005)



**911 Carrera 2 (997)**  
(2005 →)



Hinterachse / Rear axle



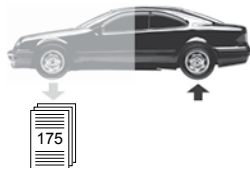
- (1) 996 alle / all
- (2) 997 (ch.) → 996S7 02239 / (ch.) → 996S7 51332 / (ch.) → 996S7 35222 / (ch.) → 996S7 62833  
(ch.) → 996S7 02240 / (ch.) → 996S7 51333 / (ch.) → 996S7 35223 / (ch.) → 996S7 62837



Ref. - No.

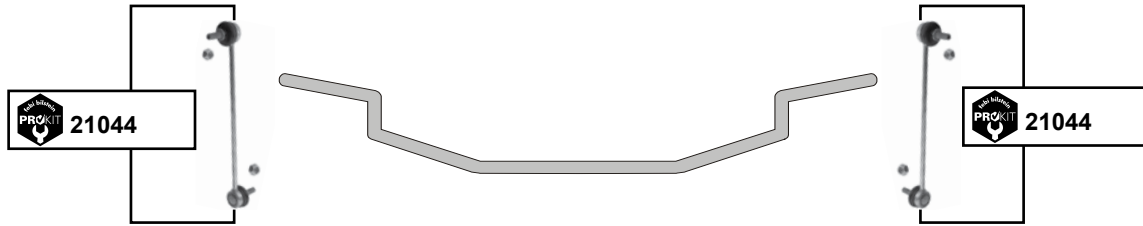


<b>29800</b>	996 333 069 04	ProKit Verbindungsstange / connecting rod	(ex.) GT2 / GT3	L 99,5
<b>38568</b>	996 341 053 16	Querlenker / control arm	(1) (2)	
<b>38883</b>	996 341 043 06	Querlenker / control arm		
<b>38887</b>	997 331 045 04	Querlenker / control arm		



## Clio 2 / RS V6

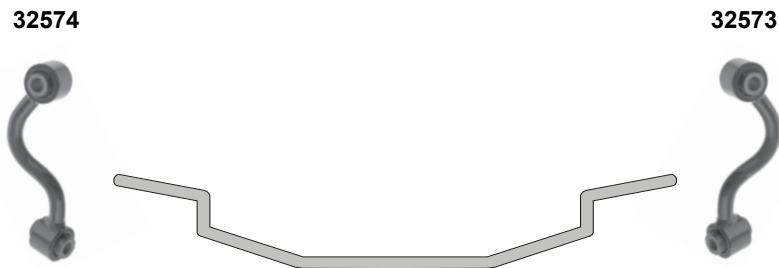
(1998 → 2005)



## Koleos

(2008 →)

Hinterachse / Rear axle



Ref. - No.

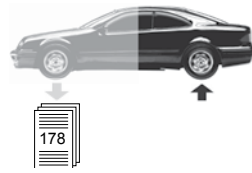


<b>21044</b>	82 00 661 217
<b>32573</b>	55 61 8JY 00B
<b>32574</b>	55 61 9JY 00B

ProKit Verbindungsstange / connecting rod
Verbindungsstange / connecting rod
Verbindungsstange / connecting rod

nur / only RS V6

L 280
L 142,5
L 142,5



**Duster**  
(2010 →)



**36435**



**36436**



**36396**



**36396**



**36395**



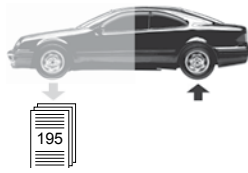
**36395**



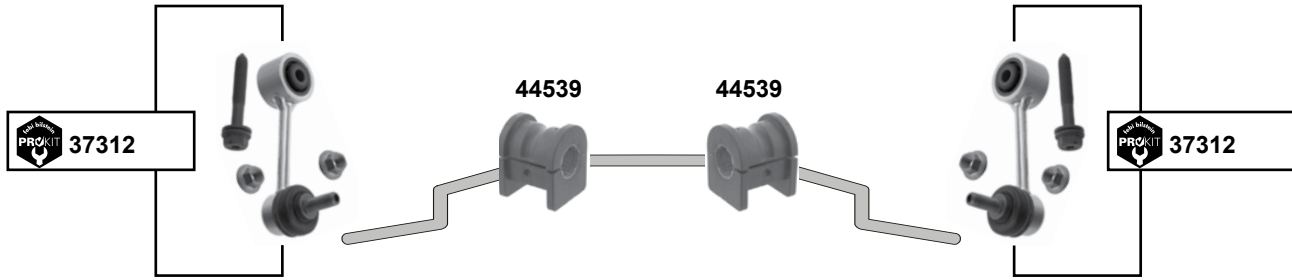
Hinterachse / Rear axle

	Ref. - No.			
<b>36435</b>	82 00 841 004	Querstrebe / cross rod	nur / only 4x4	L 294
<b>36436</b>	82 00 839 107	Querstrebe / cross rod	nur / only 4x4	
<b>36395</b>	82 00 839 119	Querstrebe / cross rod	nur / only 4x4	
<b>36396</b>	82 00 839 124	Querstrebe / cross rod	nur / only 4x4	
<b>37305</b>	82 00 814 411	ProKit Verbindungsstange / connecting rod	nur / only 4x4	

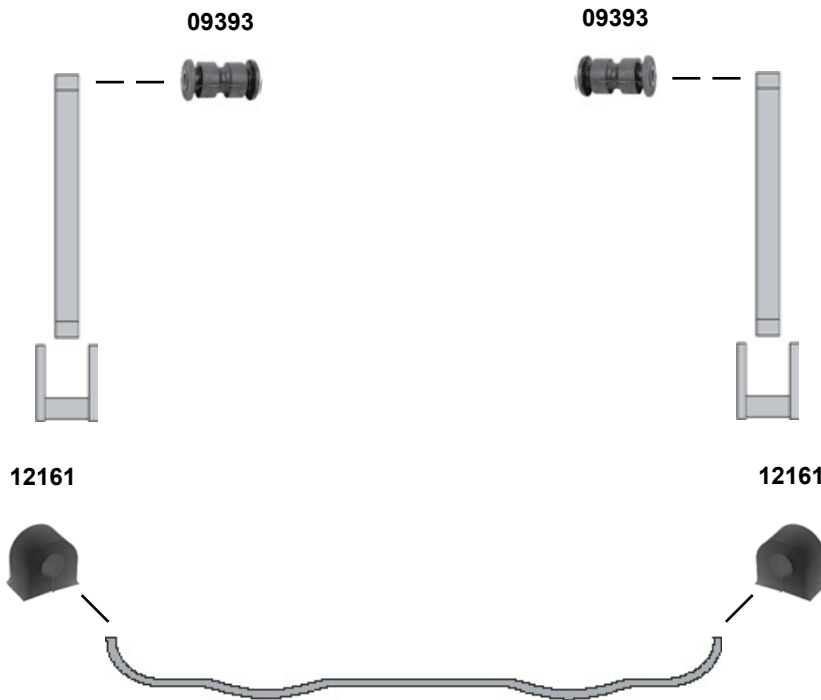




## Master 3 (2010 →)



## Traffic 1 (1989 → 2001)



Hinterachse / Rear axle



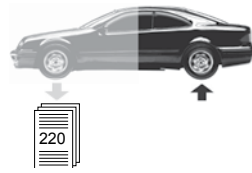
(1) EV0,FV0,HV0,JV0,UV0 Nur Fahrzeuge mit Frontantrieb / only vehicles with front wheel drive



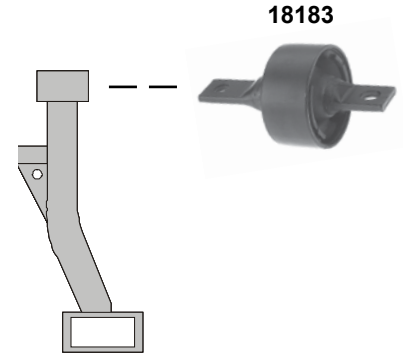
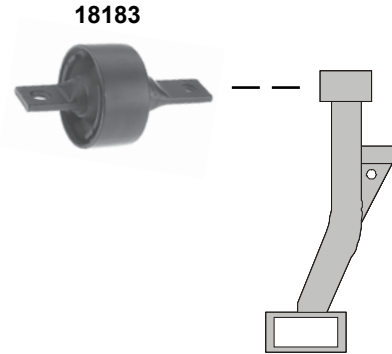
Ref. - No.



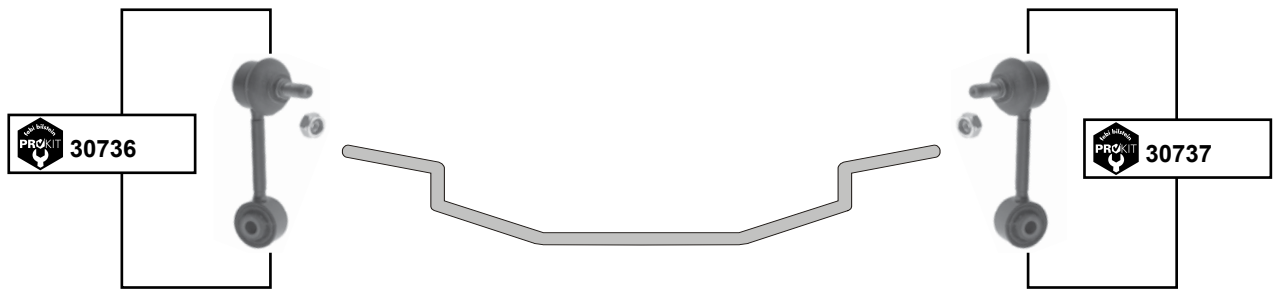
<b>09393</b>	77 00 730 733	Blattfederlager / leaf spring bearing	(ex.) TC	
<b>12161</b>	77 04 001 091	Stabilisatorlager / stabilizer mount	T5	
<b>37312</b>	55 11 000 19R S1	ProKit Verbindungsstange / connecting rod	(1)	L 105,5
<b>44539</b>	54 61 354 90R	Stabilisatorlager / stabilizer mount	(1)	Ø 28



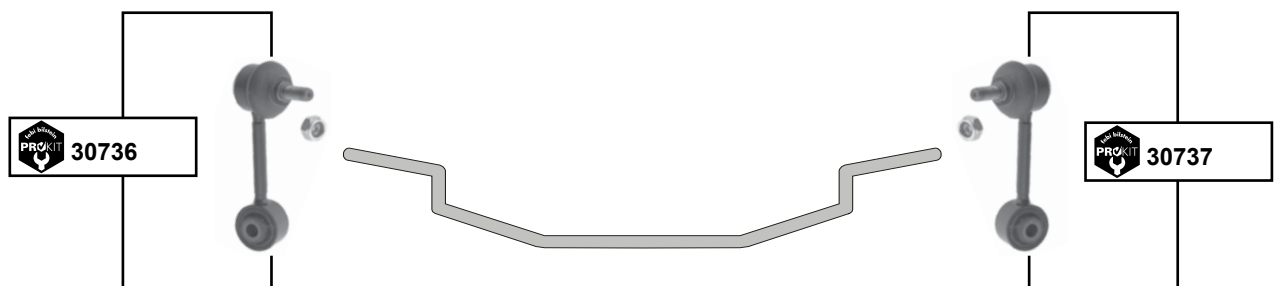
**200 + 400**  
(1992 →)



**75 (RJ)**  
(1999 →)



**MG ZT**  
(2001 →)



Hinterachse / Rear axle



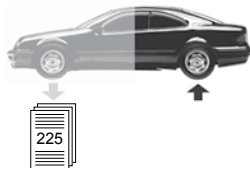
Ref. - No.



<b>18183</b>	RGX 100980
<b>30736</b>	RGD 100572
<b>30737</b>	RGD 100562

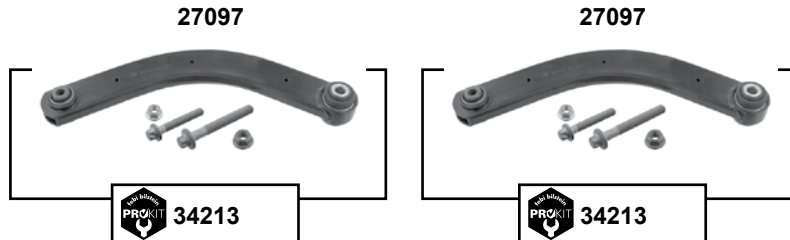
Querlenkerlager / control arm mount
ProKit Verbindungsstange / connecting rod
ProKit Verbindungsstange / connecting rod

L 105
L 105

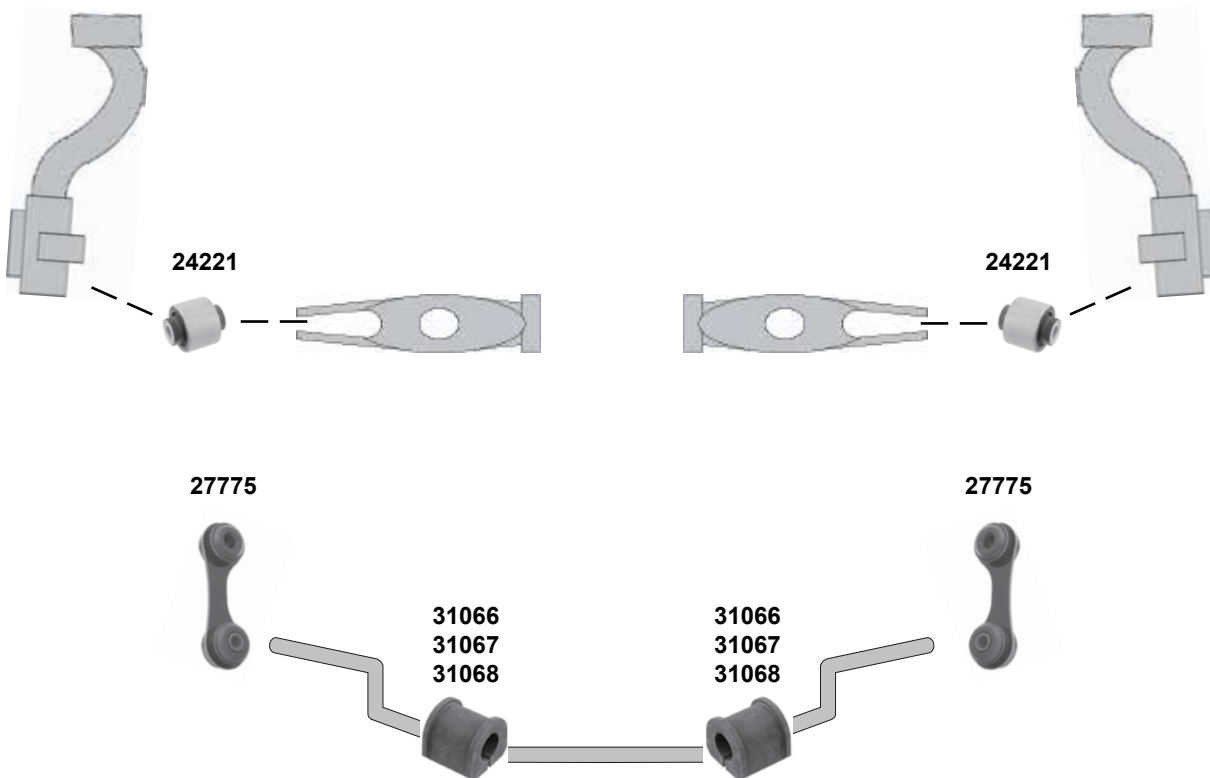


## 9-3 II (2002 →)

### oben / upper

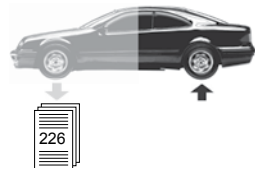


### unten / lower

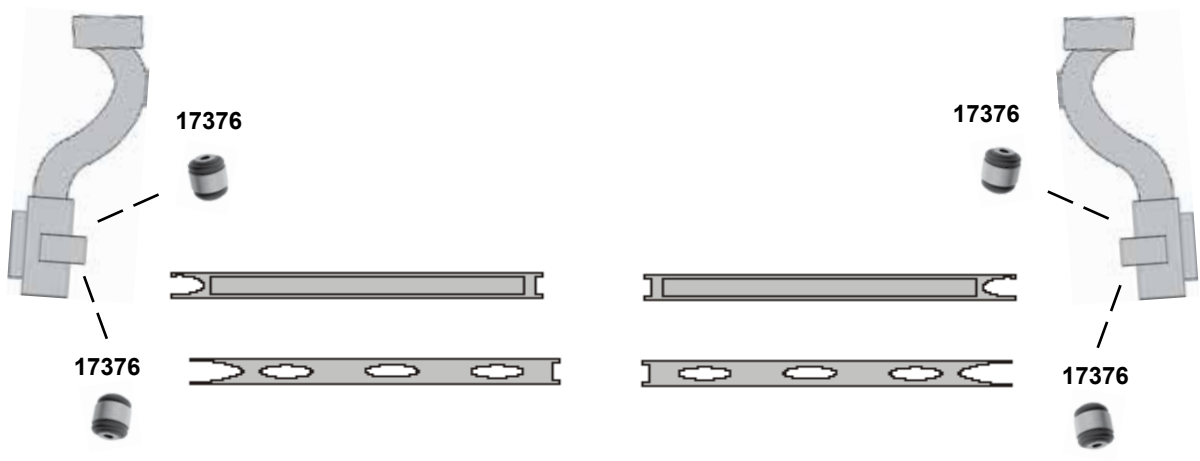


Hinterachse / Rear axle

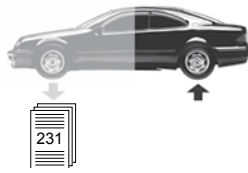
	Ref. - No.			
<b>24221</b>	24 469 643	Querlenkerlager / control arm mount		12x45,5x52
<b>27097</b>	13 230 274	Querlenker / control arm		L 380
<b>27775</b>	13 104 120	Verbindungsstange / connecting rod		L 86
<b>31066</b>	24 457 385	Stabilisatorlager / stabilizer mount		Ø   17
<b>31067</b>	24 457 386	Stabilisatorlager / stabilizer mount		Ø   18
<b>31068</b>	24 457 343	Stabilisatorlager / stabilizer mount		Ø   19
<b>34213</b>	13 230 274 S1	ProKit Führungslenker / guide link		L 380



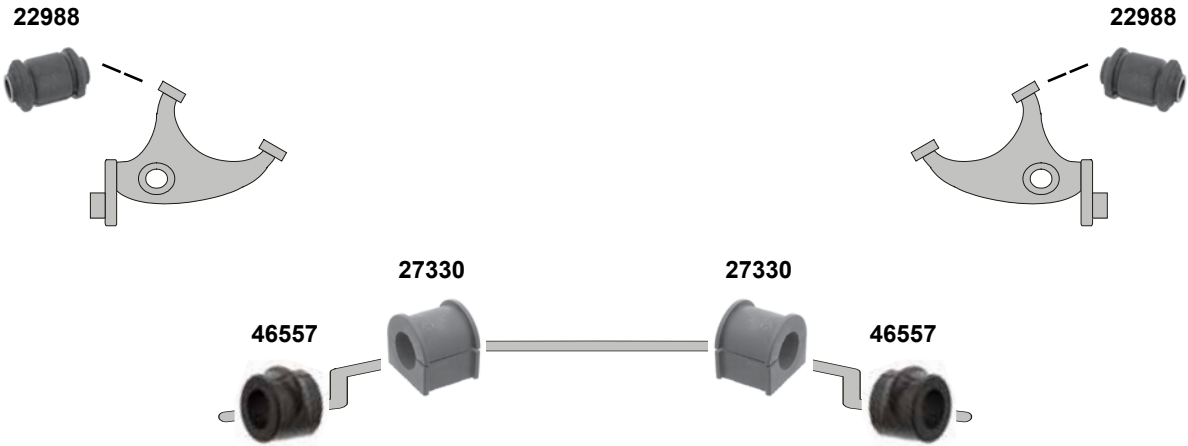
**9-5 I**  
(1997 → 2010)



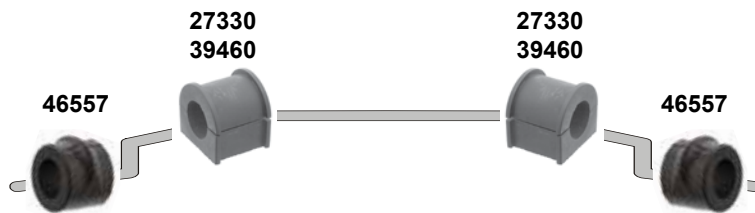
Hinterachse / Rear axle



## Alhambra (7V8) (1996 → 2010)



## Alhambra (7V9) (2001 → 2010)



Hinterachse / Rear axle

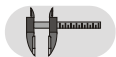
(1) 06/2000 → 11/2008 für Fahrzeuge mit Komfortfahrwerk / for vehicles with comfort suspension  
06/2000 → **Sport** für Fahrzeuge mit Komfortfahrwerk / for vehicles with comfort suspension

(2) 7V8 (ex.) **Sport**  
7V9 (ex.) **Sport (ex.) HD**

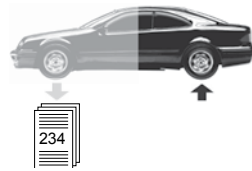
(3) 7V9 (ex.) **Sport / PR-1BA / 1BB / 1BJ / 1BR**



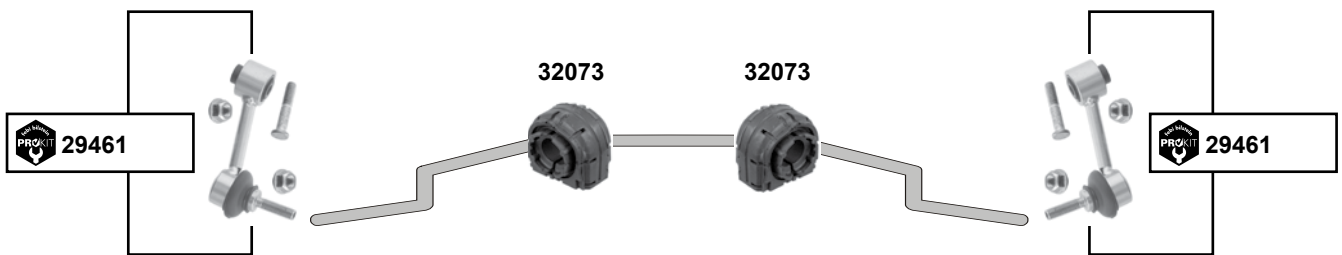
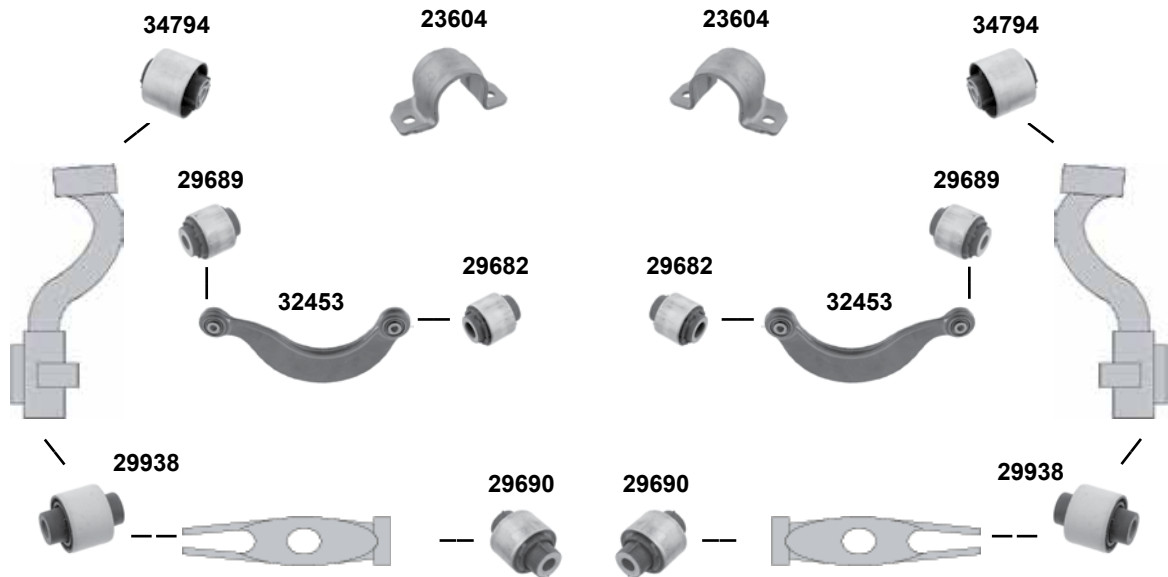
Ref. - No.



Ref. - No.	Description	Quantity	Notes	Dimensions
22988	Querlenkerlager außen / control arm mount outer			Ø A 35 L 35
27330	Stabilisatorlager / stabilizer mount	(3)		Ø   21
39460	Stabilisatorlager / stabilizer mount	(1) PR-1BH		Ø   22
46557	Stabilisatorlager / stabilizer mount	(2)		Ø   21



# Alhambra (710) (2011 →)



Hinterachse / Rear axle



(1) PR-1X0+0BB / 1X1+0BC

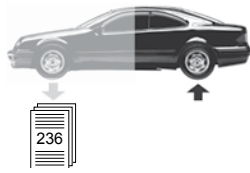


Ref. - No.

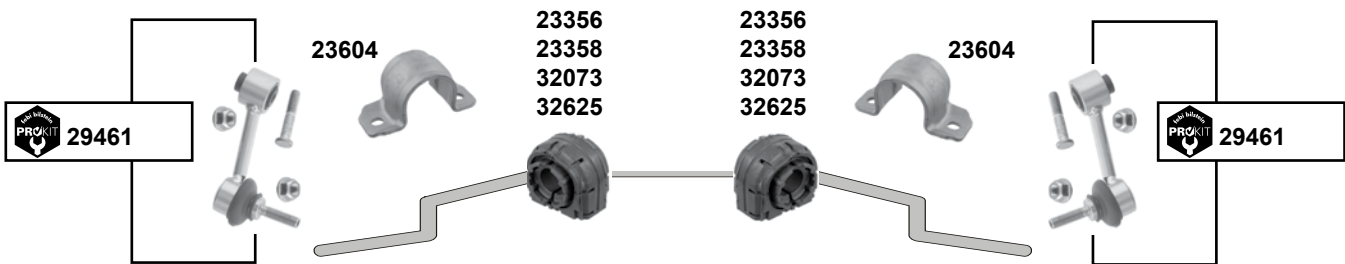
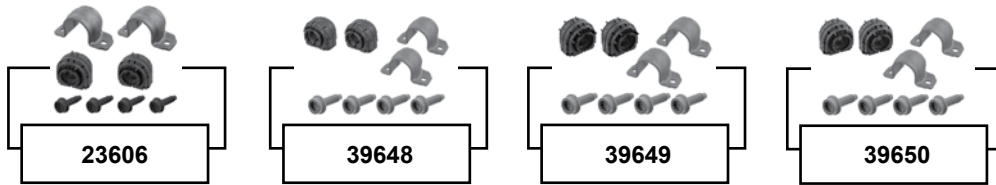
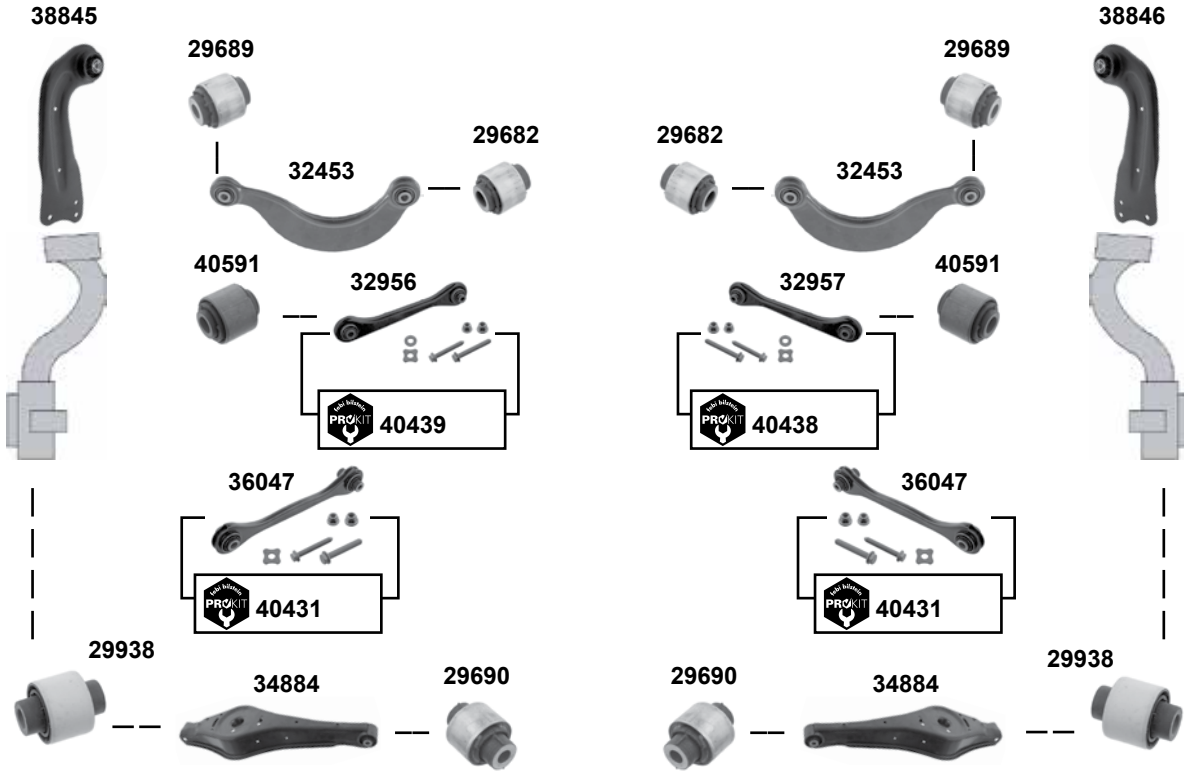


Part No.	Description	Dimensions
23604	Klemmschelle / clamping clip	
29461	ProKit Verbindungsstange / connecting rod	L 95,5
29682	Querlenkerlager oben / control arm mount upper	Ø A 38 H 45
29689	Querlenkerlager oben / control arm mount upper	Ø A 38,5 H45
29690	Querlenkerlager unten / control arm mount lower	Ø A 42 H 60
29938	Querlenkerlager außen / control arm mount outer	Ø A 37 H 50
32073	Stabilisatorlager hinten / stabilizer mount rear	Ø A 19,6
32453	Querlenker oben / control arm upper	
34794	Querlenkerlager / control arm mount	Ø I 12 H 64

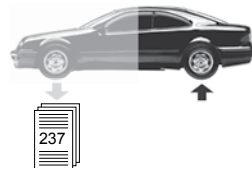
(1)



**Altea (5P)**  
(2004 →)



Hinterachse / Rear axle



**Altea (5P)**  
(2004 →)

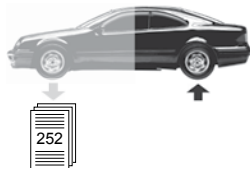


- (1) nur paarweise tauschen / replace in pairs only  
(2) PR-0BF / (ch.) 5P-7-000 001 →

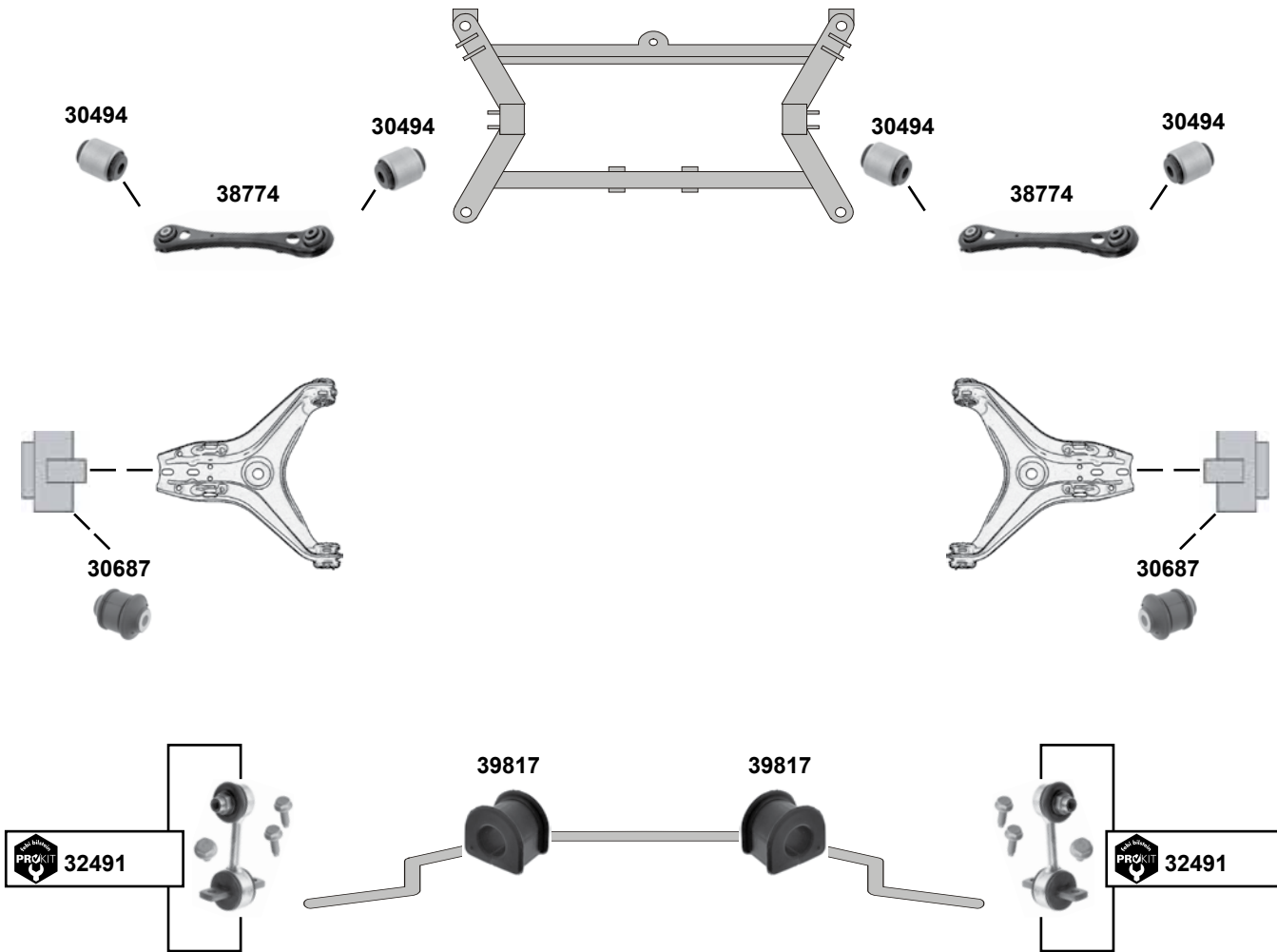
	Ref. - No.			
23356	1K0 511 327 AP	Stabilisatorlager / stabilizer mount	(1)	Ø I 18,5
23358	1K0 511 327 AR	Stabilisatorlager / stabilizer mount	(1) 07 →	Ø A 20,7
23604	1K0 511 439 E	Klemmschelle / clamping clip		
23606	1K0 511 327 AP S1	Stabilisatorlagersatz / anti roll bar bush kit	(1)	Ø I 18,5
29461	1K0 505 465 K S1	ProKit Verbindungsstange / connecting rod		L 95,5
29682	1K0 505 203 A	Querlenkerlager oben / control arm mount upper		Ø A38 H45
29689	1K0 505 279 A	Querlenkerlager oben / control arm mount upper		Ø A 38,5H45
29690	1K0 505 171 C	Querlenkerlager unten / control arm mount lower		Ø A 42 H60
29938	1K0 505 553 A	Querlenkerlager außen / control arm mount outer		Ø A 37 H50
32073	1K0 511 327 AQ	Stabilisatorlager / stabilizer mount	(1)	Ø A 19,6
32453	1K0 505 323 N	Querlenker oben / control arm upper		
32625	1K0 511 327 AS	Stabilisatorlager / stabilizer mount	(1)	Ø A 21,7
32956	1K0 501 529 F	Querlenker mit Gummilagern / control arm with rubber mounts	→ 10	
32957	1K0 501 530 C	Querlenker mit Gummilagern / control arm with rubber mounts	→ 10	
34884	1K0 505 311 AB	Querlenker / control arm		
36047	1K0 501 529 J	Querlenker mit Gummilagern / control arm with rubber mounts	(ch.) 5P-9-506 750→	Stahl
38845	1K0 505 223 K	Querlenker / control arm		Blech
38846	1K0 505 224 K	Querlenker / control arm		Blech
39648	1K0 511 327 AR S1	Stabilisatorlagersatz / anti roll bar bush kit	(1) PR-0BE	
39649	1K0 511 327 AS S1	Stabilisatorlagersatz / anti roll bar bush kit	(1) (2)	
39650	1K0 511 327 AQ S1	Stabilisatorlagersatz / anti roll bar bush kit	(1) PR-0BD	
40431	1K0 501 529 J S1	ProKit Querlenker / control arm	05/09 →	
40438	1K0 501 530 C S1	ProKit Querlenker / control arm	(ch.) → 5P-9-508 000	
40439	1K0 501 529 F S1	ProKit Querlenker / control arm	(ch.) → 5P-9-508 000	
40591	1K0 505 543 A	Querlenkerlager / control arm mount		

Hinterachse / Rear axle



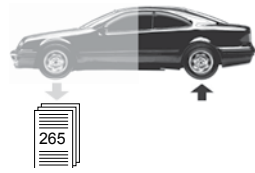


## Exeo (3R) (2009 →)

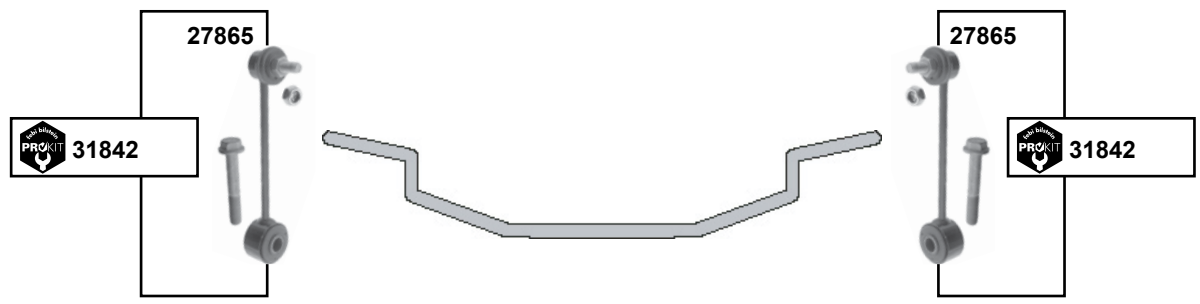


Hinterachse / Rear axle

	Ref. - No.			
<b>30494</b>	8E0 501 541 S	Querlenkerlager / control arm mount		Ø A 36,5 B46
<b>30687</b>	8E0 505 203 D	Gummilager / rubber mount		Ø A 36,5 B46
<b>32491</b>	8E0 505 465 AF S1	ProKit Verbindungsstange / connecting rod		
<b>38774</b>	8E0 501 529 P	Querlenker / control arm		
<b>39817</b>	8E0 511 327 A	Stabilisatorlager / stabilizer mount		Ø I 17



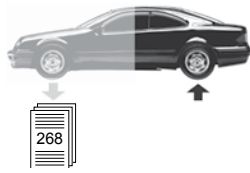
**Leon (1M)**  
(1999 → 2006)



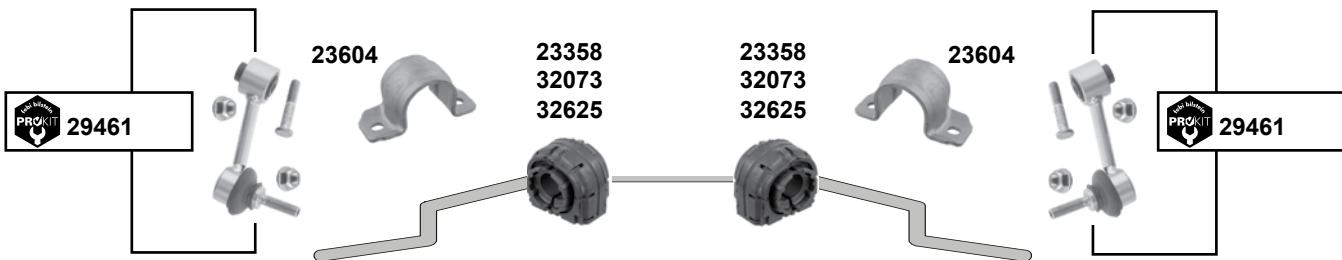
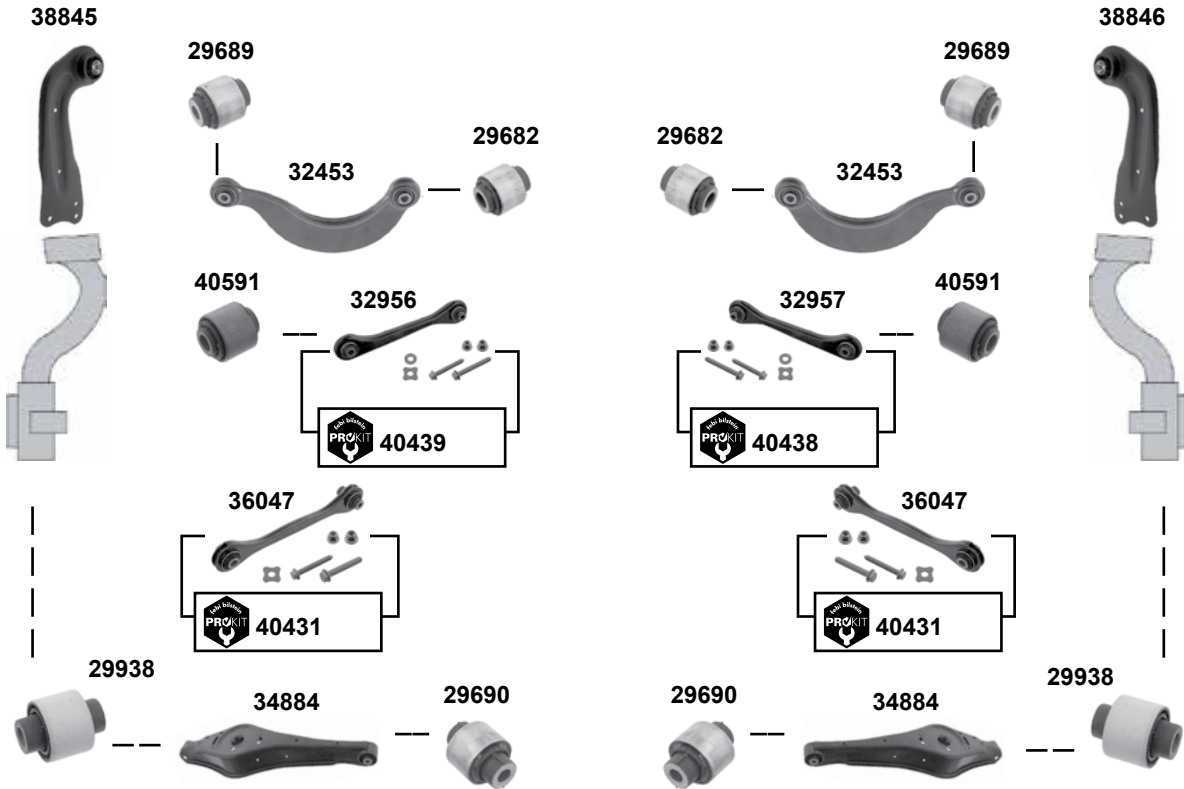
Hinterachse / Rear axle

Ref. - No.	Part Description	Year Range	Length
27865	Verbindungsstange / connecting rod	2000 →	L 208,4
31842	ProKit Verbindungsstange / connecting rod	2000 →	L 208,4

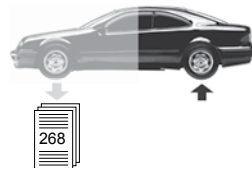
Der Einbau darf nur durch geschultes Fachpersonal erfolgen. / The installation may exclusively be performed by trained specialist staff.



**Leon (1P) / Toledo (5P)**  
(2006 →) / (2004 →)



Hinterachse / Rear axle



## Leon (1P) / Toledo (5P) (2006 →) / (2004 →)

(1) Leon / 4 (1P) 06 → / Toledo 3 / 4 (5P) 05 → 09

(2) Leon / 4 (1P) 06 → 10 / Toledo 3 (5P) 05 → 09

(3) Leon / 4 06 →

(4) Leon 05 → (ch.) 1P-9-510 700 → / Toledo alle / all

(5) nur paarweise tauschen / replace in pairs only

(6) Leon 05 → / Toledo → 09

(7) Leon (ch.) 1P-9-520 000 →

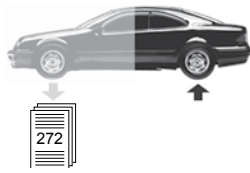
(8) Leon (ch.) → 1P-9-520 000 / Toledo → 09



Ref. - No.



Ref. - No.	Description	Quantity	Notes	Dimensions / Material
23358	1K0 511 327 AR Stabilisatorlager / stabilizer mount	(3) (5)		Ø A 20,7
23604	1K0 511 439 E Klemmschelle / clamping clip	(1)		
29461	1K0 505 465 K S1 ProKit Verbindungsstange / connecting rod	(1)		L 95,5
29682	1K0 505 203 A Querlenkerlager oben / control arm mount upper			Ø A 38 H 45
29689	1K0 505 279 A Querlenkerlager oben / control arm mount upper	(1)		Ø A 38,5H45
29690	1K0 505 171 C Querlenkerlager unten / control arm mount lower			Ø A 42 H 60
29938	1K0 505 553 A Querlenkerlager außen / control arm mount outer	(1)		Ø A 37 H 50
32073	1K0 511 327 AQ Stabilisatorlager / stabilizer mount	(5)		Ø A 19,6
32453	1K0 505 323 N Querlenker oben / control arm upper	(1)		
32625	1K0 511 327 AS Stabilisatorlager / stabilizer mount	(5)		Ø A 21,7
32956	1K0 501 529 F Querlenker mit Gummilagern / control arm with rubber mounts	(2)		
32957	1K0 501 530 C Querlenker mit Gummilagern / control arm with rubber mounts	(2)		
34884	1K0 505 311 AB Querlenker / control arm	(6)		
36047	1K0 501 529 J Querlenker mit Gummilagern / control arm with rubber mounts	(4)		Stahl
38845	1K0 505 223 K Querlenker / control arm	(6)		Blech
38846	1K0 505 224 K Querlenker / control arm	(6)		Blech
39648	1K0 511 327 AR S1 Stabilisatorlagersatz / anti roll bar bush kit	(5)	Leon / PR-0BE	
39649	1K0 511 327 AS S1 Stabilisatorlagersatz / anti roll bar bush kit	(5)	Leon / PR-0BF	
39650	1K0 511 327 AQ S1 Stabilisatorlagersatz / anti roll bar bush kit	(5)	Toledo / PR-0BD	
40431	1K0 501 529 J S1 ProKit Querlenker / control arm	(7)		
40438	1K0 501 530 C S1 ProKit Querlenker / control arm	(8)		
40439	1K0 501 529 F S1 ProKit Querlenker / control arm	(8)		
40591	1K0 505 543 A Querlenkerlager / control arm mount			



## Leon (5F) (2012 →)

29938



32453



29938



32453



43733  
45860



43733  
45859



43733  
45859



43733  
45860



Hinterachse / Rear axle



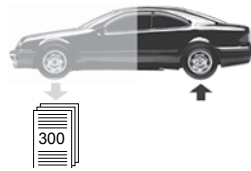
- (1) Einzelradaufhängung / independent wheel suspension
- (2) Multi-link Achse / multilink axle



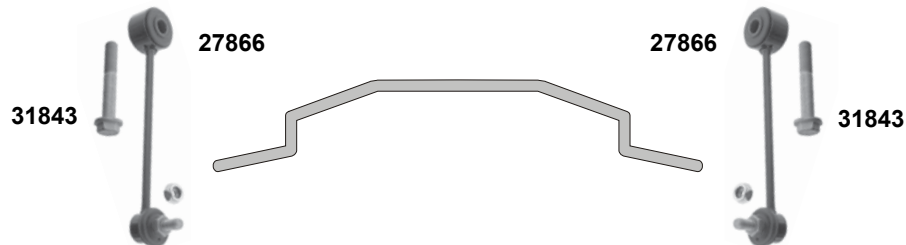
Ref. - No.



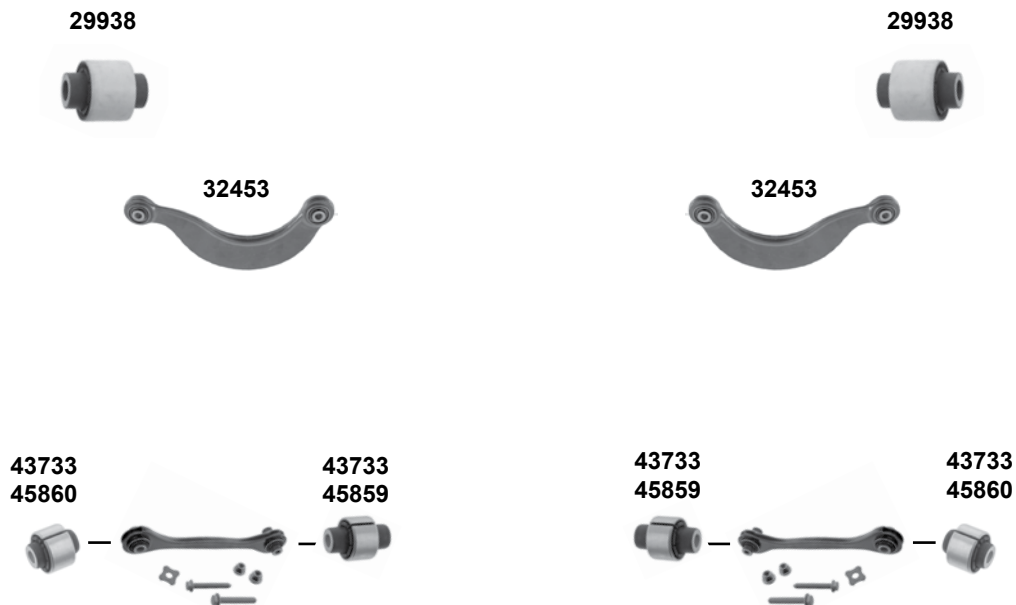
Ref. - No.	Description	Quantity	Dimensions
29938	Querlenkerlager / control arm mount		Ø A 37 H 50
32453	Querlenker oben / control arm upper		
43733	Querlenkerlager / control arm mount	(2) PR-0N4	
45859	Spurstangenlager / tie rod bush	(1) PR-0N4	
45860	Spurstangenlager / tie rod bush	(2) PR-0N4	



**Octavia 4x4 (1U)**  
(1997 → 2004)



**Octavia (5E/NL3/NR3)**  
(2012 →)



Hinterachse / Rear axle



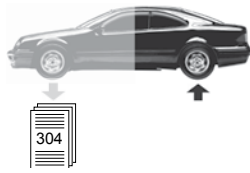
- (1) Einzelradaufhängung / independent wheel suspension
- (2) Multi-link Achse / multilink axle



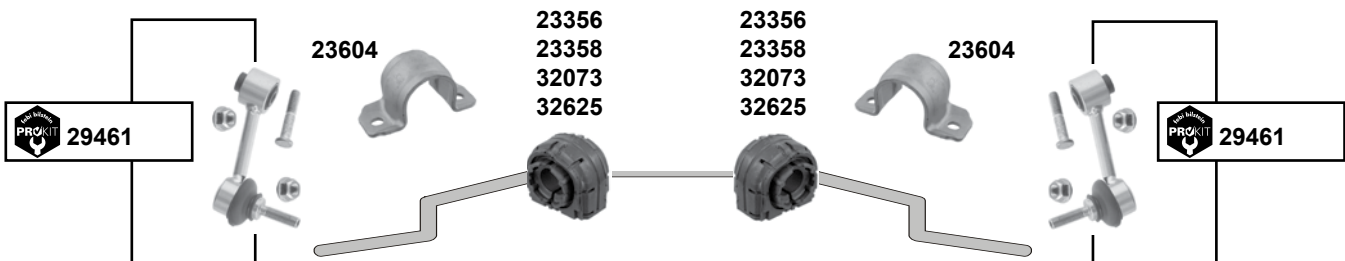
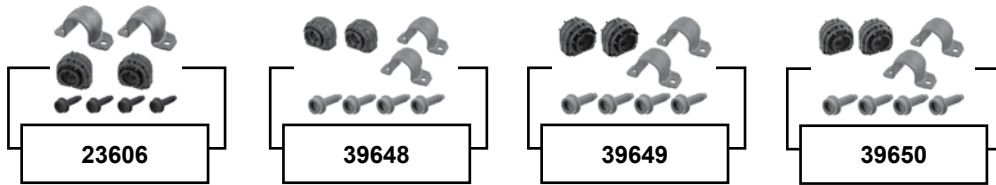
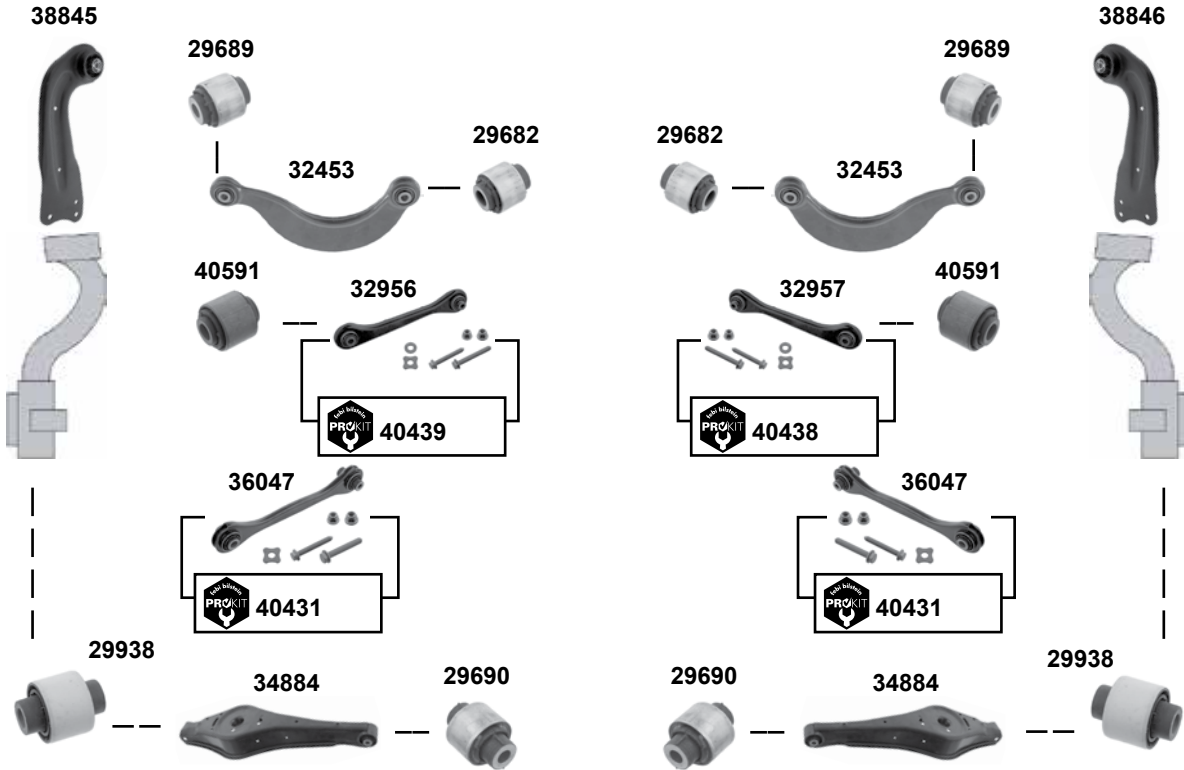
Ref. - No.



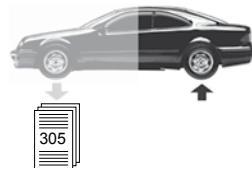
Ref. - No.	Part Description	Dimensions
<b>27866</b>	1J0 505 466 C Verbindungsstange / connecting rod	L 194,5
<b>29938</b>	1K0 505 553 A Querlenkerlager / control arm mount	Ø A 37 H 50
<b>31843</b>	1J0 505 466 C S1 Verbindungsstange / connecting rod	
<b>32453</b>	1K0 505 323 N Querlenker oben / control arm upper	
<b>43733</b>	5Q0 505 171 Querlenkerlager / control arm mount	(2) PR-0N4
<b>45859</b>	5Q0 501 129 B Spurstangenlager / tie rod bush	(1) PR-0N4
<b>45860</b>	5Q0 505 543 B Spurstangenlager / tie rod bush	(2) PR-0N4



## Octavia (1Z) (2004 →)



Hinterachse / Rear axle

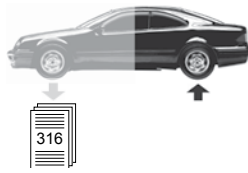

**Octavia (1Z)**  
 (2004 →)


- (1) → 09 (ch.) → 1Z-9A151 059 / (ch.) → 1Z-9C010 104 / (ch.) → 1Z-9D015 004 / (ch.) → 1Z-9K153 480 / (ch.) → 1Z-92066 810 / (ch.) → 1Z-98019 774
- (2) nur paarweise tauschen / replace in pairs only
- (3) (ch.) 1Z-8A156 300 → / (ch.) 1Z-8B160 560 → / (ch.) 1Z-8C014 469 → / (ch.) 1Z-8D150 073 → / (ch.) 1Z-8K156 426 → / (ch.) 1Z-82245 091 → / (ch.) 1Z-88038 538 →

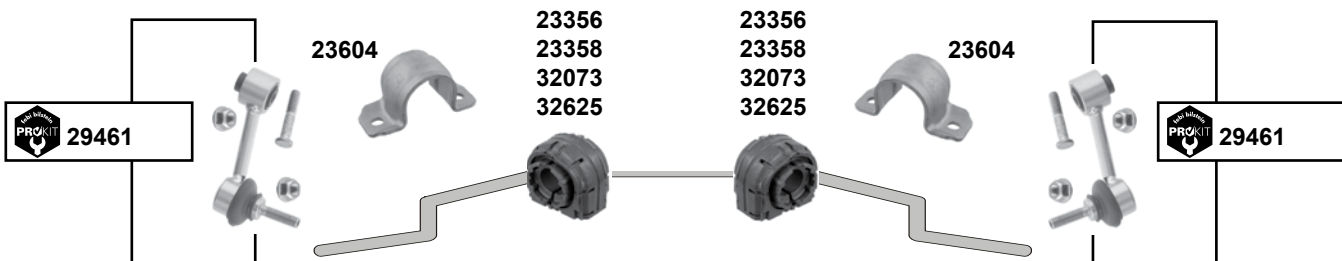
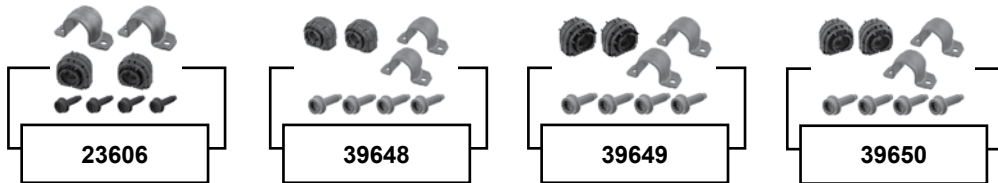
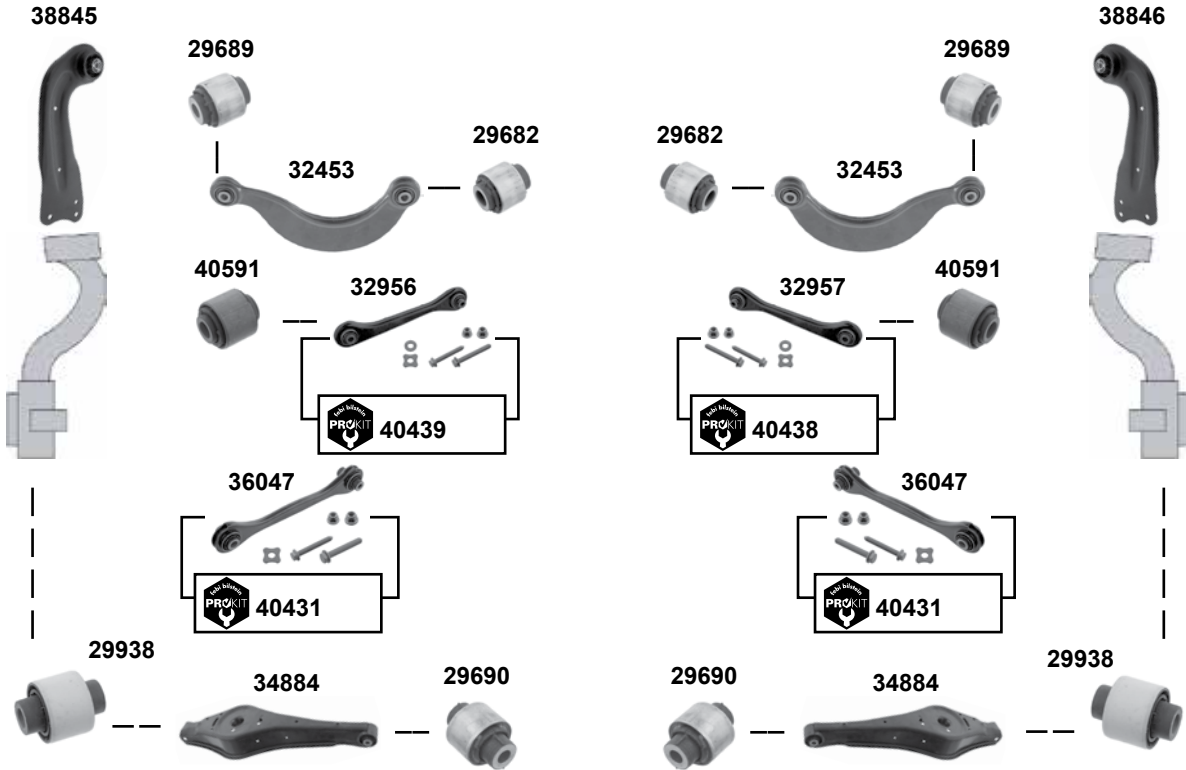
	Ref. - No.			
<b>23356</b>	1K0 511 327 AP	Stabilisatorlager / stabilizer mount	(2) → 07	Ø I 18,5
<b>23358</b>	1K0 511 327 AR	Stabilisatorlager / stabilizer mount	(2)	Ø A 20,7
<b>23604</b>	1K0 511 439 E	Klemmschelle / Clamp		
<b>23606</b>	1K0 511 327 AP S1	Stabilisatorlagersatz / anti roll bar bush kit	(2)	Ø I 18,5
<b>29461</b>	1K0 505 465 K S1	ProKit Verbindungsstange / connecting rod		L 95,5
<b>29682</b>	1K0 505 203 A	Querlenkerlager oben / control arm mount upper		Ø A 38 H 45
<b>29689</b>	1K0 505 279 A	Querlenkerlager oben / control arm mount upper		Ø A 38,5 H 45
<b>29690</b>	1K0 505 171 C	Querlenkerlager unten / control arm mount lower		Ø A 42 H 60
<b>29938</b>	1K0 505 553 A	Querlenkerlager außen / control arm mount outer		Ø A 37 H 50
<b>32073</b>	1K0 511 327 AQ	Stabilisatorlager hinten / stabilizer mount rear	(2)	Ø A 19,6
<b>32453</b>	1K0 505 323 N	Querlenker oben / control arm upper		
<b>32625</b>	1K0 511 327 AS	Stabilisatorlager hinten / stabilizer mount rear	(2)	Ø A 21,7
<b>32956</b>	1K0 501 529 F	Querlenker mit Gummilagern / control arm with rubber mounts	(1)	
<b>32957</b>	1K0 501 530 C	Querlenker mit Gummilagern / control arm with rubber mounts	(1)	
<b>34884</b>	1K0 505 311 AB	Querlenker / control arm		
<b>36047</b>	1K0 501 529 J	Querlenker mit Gummilagern / control arm with rubber mounts	(3)	Stahl
<b>38845</b>	1K0 505 223 K	Querlenker / control arm		Blech
<b>38846</b>	1K0 505 224 K	Querlenker / control arm		Blech
<b>39648</b>	1K0 511 327 AR S1	Stabilisatorlagersatz / anti roll bar bush kit	(2) PR-0BE	
<b>39649</b>	1K0 511 327 AS S1	Stabilisatorlagersatz / anti roll bar bush kit	(2) PR-0BF, 0BL	
<b>39650</b>	1K0 511 327 AQ S1	Stabilisatorlagersatz / anti roll bar bush kit	(2) PR-0BD	
<b>40431</b>	1K0 501 529 J S1	ProKit Querlenker / control arm	05/09 →	
<b>40438</b>	1K0 501 530 C S1	ProKit Querlenker / control arm	→ 05/09	
<b>40439</b>	1K0 501 529 F S1	ProKit Querlenker / control arm	→ 05/09	
<b>40591</b>	1K0 505 543 A	Querlenkerlager / control arm mount		

Hinterachse / Rear axle

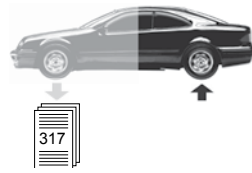




**Superb (3T) / Yeti (5L)**  
(2008 →) / (2010 →)



Hinterachse / Rear axle



**Superb (3T) / Yeti (5L)**  
(2008 →) / (2010 →)

- (1)** Superb / combi (3T) → 09 (ch.) → 3T-9K300 275 / → 09 (ch.) → 3T-99039 240  
Yeti / 4x4 (5L) 10 → (ch.) → 5L-A-6006 169
- (2)** Yeti / 4x4 10 →
- (3)** Suberb 2 / combi (3T) 08 →
- (4)** Superb 08 → (ch.) 3T-AK300 014 → / (ch.) 3T-A9006 854 →
- (5)** nur paarweise tauschen / replace in pairs only
- (6)** Superb PR-0BF, 0BG, 0BL



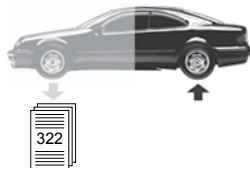
Ref. - No.



Hinterachse / Rear axle

Ref. - No.	Description	Quantity	Notes
23356	1K0 511 327 AP Stabilisatorlager / stabilizer mount	(5)	
23358	1K0 511 327 AR Stabilisatorlager / stabilizer mount	(3) (5)	
23604	1K0 511 439 E Klemmschelle / clamping clip	(2)	
23606	1K0 511 327 AP S1 Stabilisatorlagersatz / anti roll bar bush kit	(5)	
29461	1K0 505 465 K S1 ProKit Verbindungsstange / connecting rod	(2)	
29682	1K0 505 203 A Querlenkerlager oben / control arm mount upper		
29689	1K0 505 279 A Querlenkerlager oben / control arm mount upper	(2)	
29690	1K0 505 171 C Querlenkerlager unten / control arm mount lower		
29938	1K0 505 553 A Querlenkerlager außen / control arm mount outer		
32073	1K0 511 327 AQ Stabilisatorlager hinten / stabilizer mount rear	(5)	
32453	1K0 505 323 N Querlenker oben / control arm upper	(2) (3)	
32625	1K0 511 327 AS Stabilisatorlager hinten / stabilizer mount rear	(5)	
32956	1K0 501 529 F Querlenker mit Gummilagern / control arm with rubber mounts	(1)	
32957	1K0 501 530 C Querlenker mit Gummilagern / control arm with rubber mounts	(1)	
34884	1K0 505 311 AB Querlenker / control arm		
36047	1K0 501 529 J Querlenker mit Gummilagern / control arm with rubber mounts	(4)	
38845	1K0 505 223 K Querlenker / control arm		
38846	1K0 505 224 K Querlenker / control arm		
39648	1K0 511 327 AR S1 Stabilisatorlagersatz / anti roll bar bush kit	(5) 3T / PR-0BE	
39649	1K0 511 327 AS S1 Stabilisatorlagersatz / anti roll bar bush kit	(5) (6)	
39650	1K0 511 327 AQ S1 Stabilisatorlagersatz / anti roll bar bush kit	(5) Yeti PR-0BD	
40431	1K0 501 529 J S1 ProKit Querlenker / control arm	05/09 →	
40438	1K0 501 530 C S1 ProKit Querlenker / control arm	Superb → 05/09	
40439	1K0 501 529 F S1 ProKit Querlenker / control arm	Superb → 05/09	
40591	1K0 505 543 A Querlenkerlager / control arm mount		

SMART

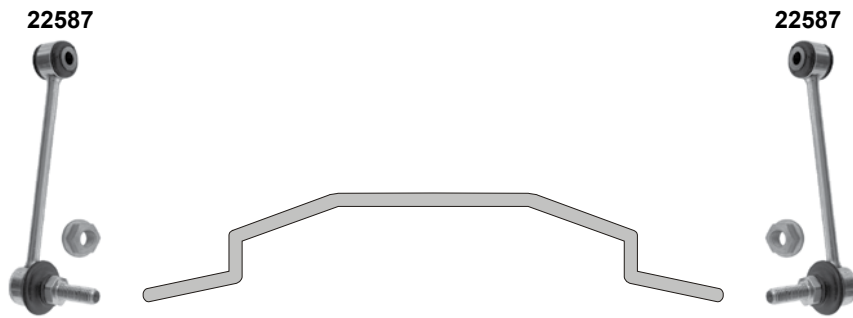


Car  
Division



## Fortwo (BM 450)

(1998 →)



Hinterachse / Rear axle



Ref. - No.

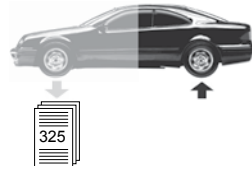


22587

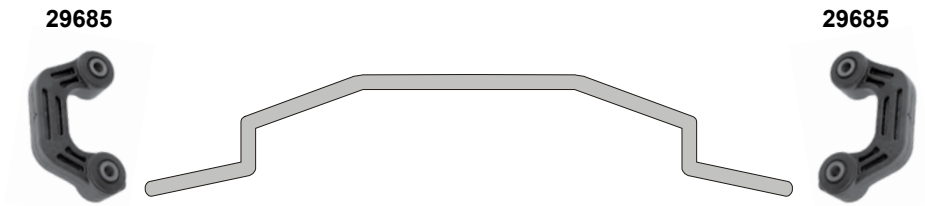
0001802V004

Verbindungsstange / connecting rod

L174



**Forester (S10)**  
(1997 → 2002)



**Forester (S11)**  
(2002 → 2008)



Hinterachse / Rear axle



Ref. - No.

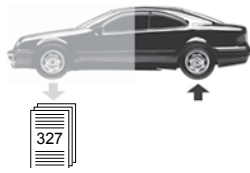


**29685**  
**32495**

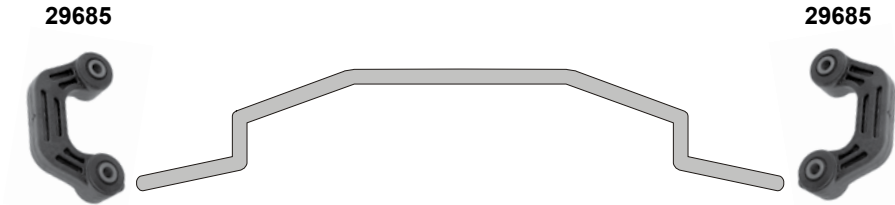
20481AA001  
20470SA010

Verbindungsstange / connecting rod  
ProKit Verbindungsstange / connecting rod

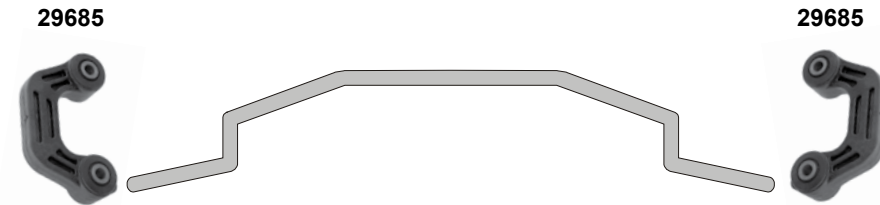
L 100  
L 70



## Impreza (G10) (1992 → 2000)



## Impreza (G11) (2000 → 2007)



Hinterachse / Rear axle



- (1) (ex.) 2,0 WRX STi ( EJ207) / (ex.) 2,5 WRX STi (EJ257)
- (2) 2,0 WRX STi ( EJ207) / 2,5 WRX STi (EJ257)



Ref. - No.

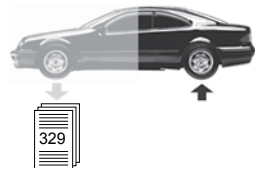


**29685** 20481AA001  
**32495** 20470SA011

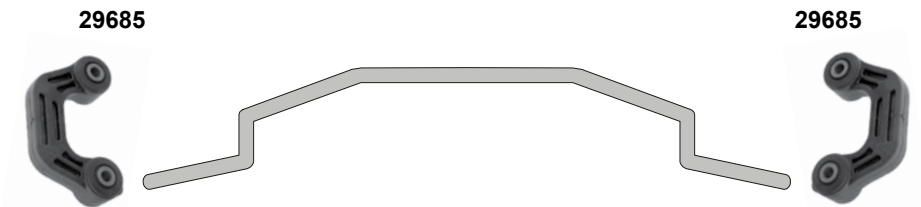
Verbindungsstange / connecting rod  
ProKit Verbindungsstange / connecting rod

(1)  
(2)

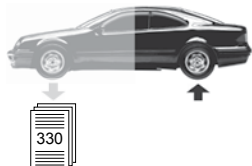
L 100  
L 70



## Legacy II (B11) (1993 → 1998)



Hinterachse / Rear axle



## Legacy III (B12)

(1998 → 2003)

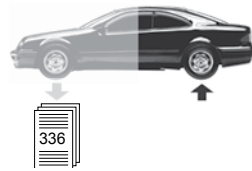


## Legacy IV (B13)

(2003 → 2009)



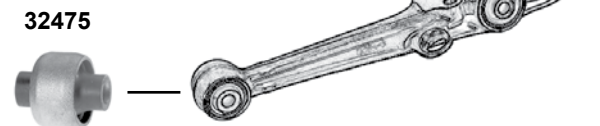
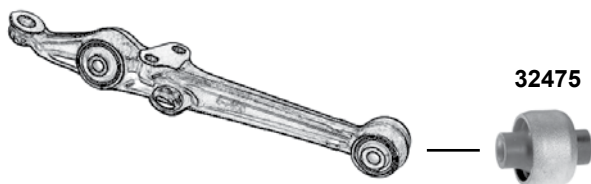
Hinterachse / Rear axle



**Swift II**  
(1989 → 2001)



**Wagon R+**  
(2000 →)



Hinterachse / Rear axle

	Ref. - No.			
29376	46300-60B10-000	Querlenker / control arm		L 420
29760	46201-60B11-000	Querlenker / control arm		
29761	46202-60B11-000	Querlenker / control arm		
32475	46201-83E20-000S2	Querlenkerlager / control arm mount		52x12x40



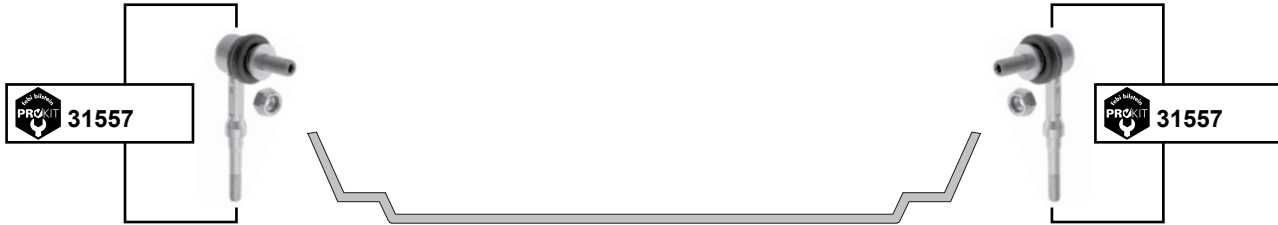
TOYOTA



Car  
Division



## Auris (ADE157) (2008 →)



## Avalon (MCX10) (1994 →)



Hinterachse / Rear axle



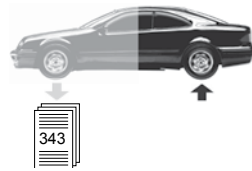
Ref. - No.



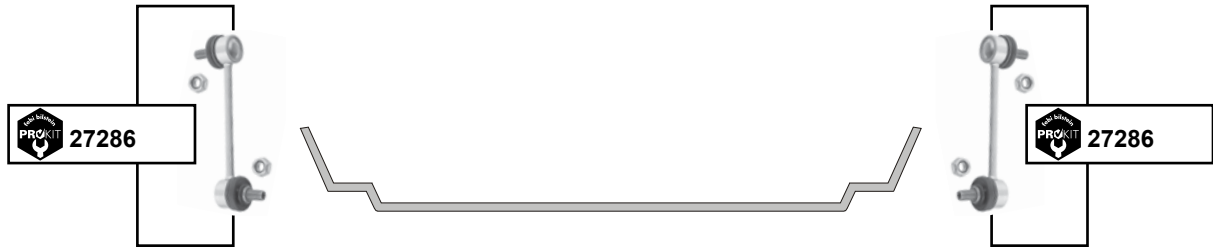
23579 48830-33010  
31557 48830-05030

ProKit Verbindungsstange / connecting  
ProKit Verbindungsstange / connecting

L 65,5



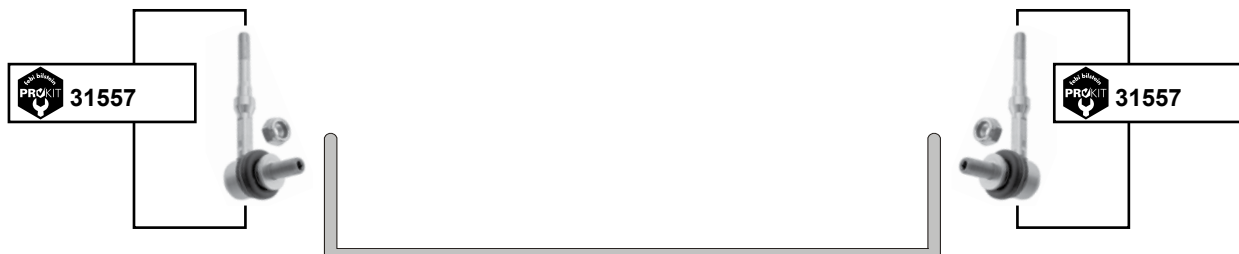
### Avensis (\_T22\_) (1997 → 2003)



### Avensis (\_T25\_) (2003 →)



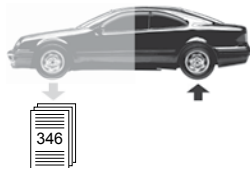
### Avensis (\_T27\_) (2008 →)



Hinterachse / Rear axle

	Ref. - No.			
<b>27286</b>	48830-05020	ProKit Verbindungsstange / connecting rod		L 140
<b>27331</b>	48840-21010	ProKit Verbindungsstange / connecting rod		L 105
<b>27332</b>	48830-21020	ProKit Verbindungsstange / connecting rod		L 105
<b>31557</b>	48830-05030	ProKit Verbindungsstange / connecting rod		L 65,5

TOYOTA



Car  
Division



## Camry (\_V2\_)

(1986 → 2001)



## Camry (\_V30\_)

(2001 → 2006)



## Camry (\_V36\_)

(2002 → 2006)



Hinterachse / Rear axle



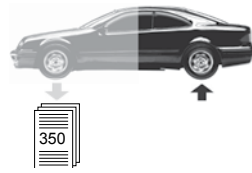
Ref. - No.



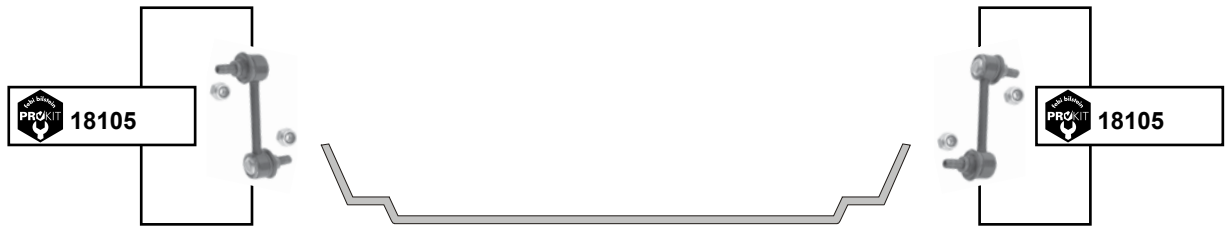
**18105** 48830-20010  
**23579** 48830-33010  
**26520** 48830-48010

ProKit Verbindungsstange / connecting rod  
ProKit Verbindungsstange / connecting rod  
ProKit Verbindungsstange / connecting rod

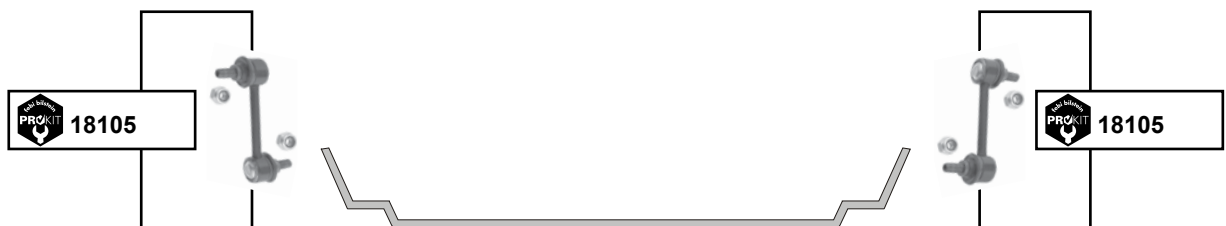
L 103  
M10 x 1,25  
L 235



## Carina 2 (\_T17\_) (1987 → 1992)

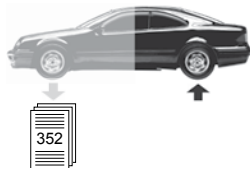


## Carina E (\_T19\_) (1992 → 1997)



Hinterachse / Rear axle

TOYOTA



Car  
Division



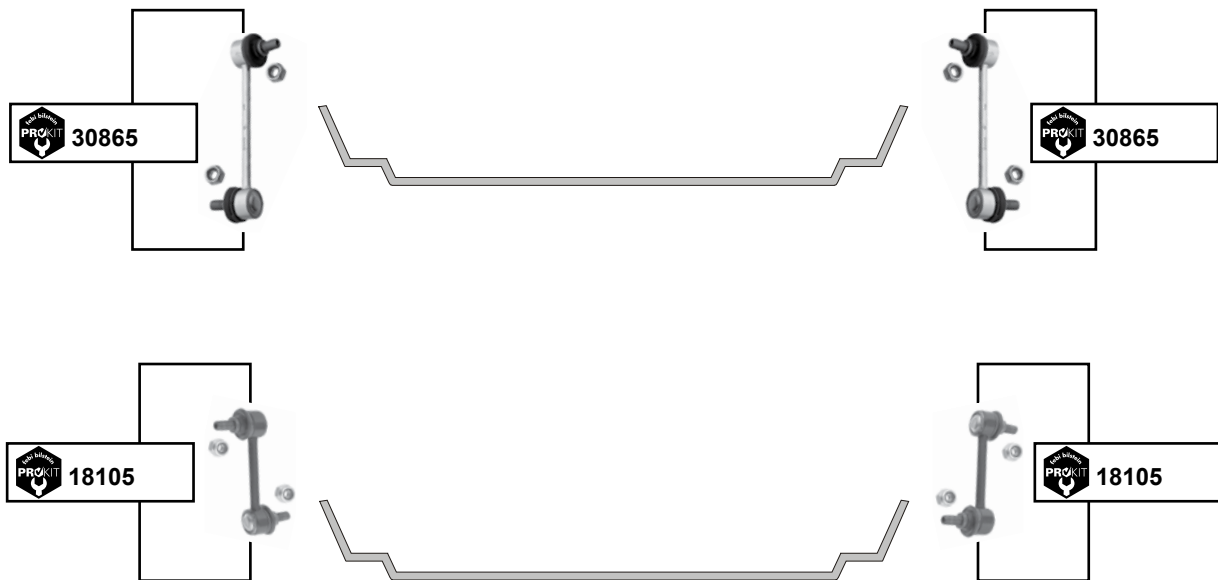
## Celica (T16 / T18 / T20)

(1985 → 1999)



## Corolla

(1987 →)



Hinterachse / Rear axle



(1) 1,8 mod. E10 / 95 → 01 / 4WD



Ref. - No.

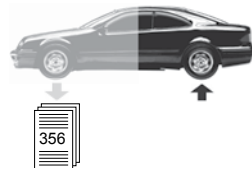


**18105** 48830-20010  
**30856** 48830-12050

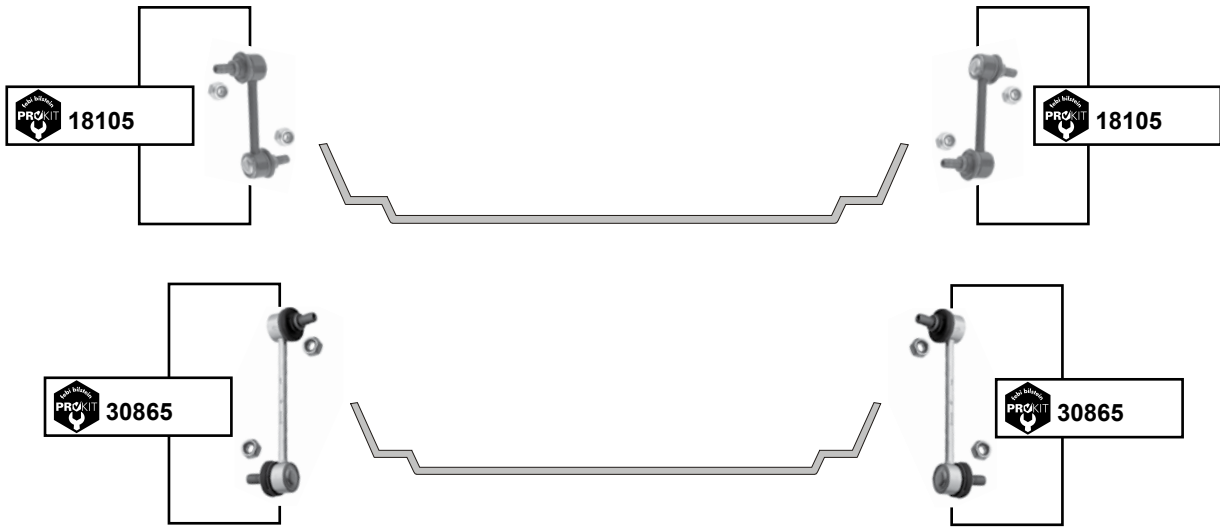
ProKit Verbindungsstange / connecting rod  
ProKit Verbindungsstange / connecting rod

(ex.) 1,8 4WD / → 97  
(1)

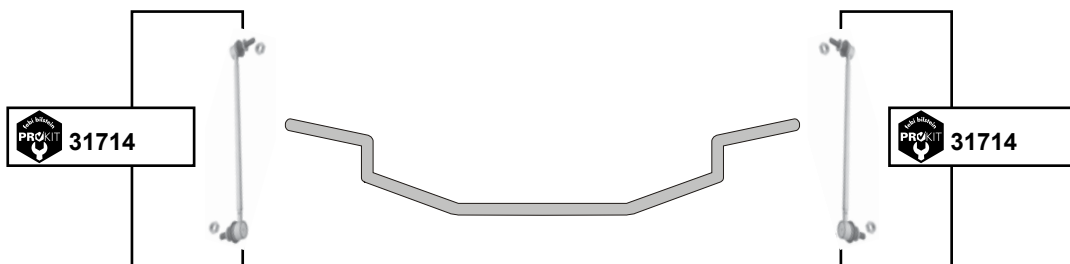
L 103  
L 150



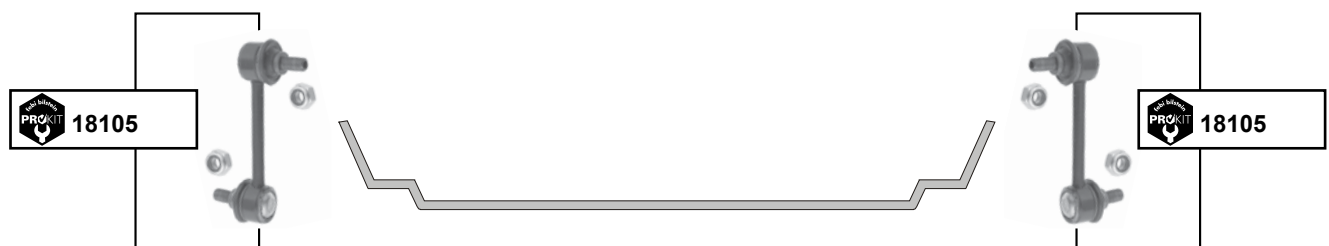
**Corolla (E11)**  
(1997 → 2002)



**Corolla Verso (\_E12\_)**  
(2001 → 2003)



**Corona (AT220/CT220/ST210)**  
(1997 → 2003)



Hinterachse / Rear axle

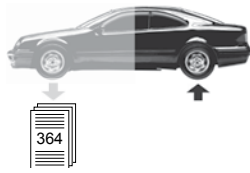


Ref. - No.



<b>18105</b>	48830-20010	ProKit Verbindungsstange / connecting rod	L 103
<b>30865</b>	48830-12050	ProKit Verbindungsstange / connecting rod	L 150
<b>31714</b>	48820-02070	ProKit Verbindungsstange / connecting rod	L 360

TOYOTA

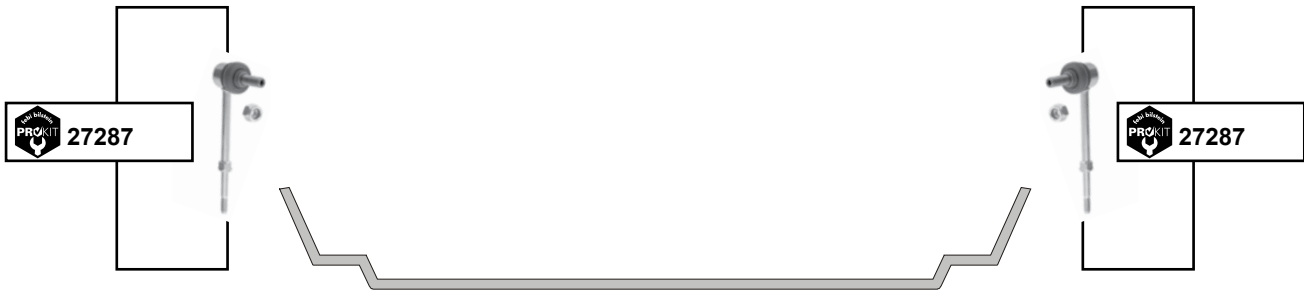


Car Division 



## FJ Cruiser ( US )

(2006 →)



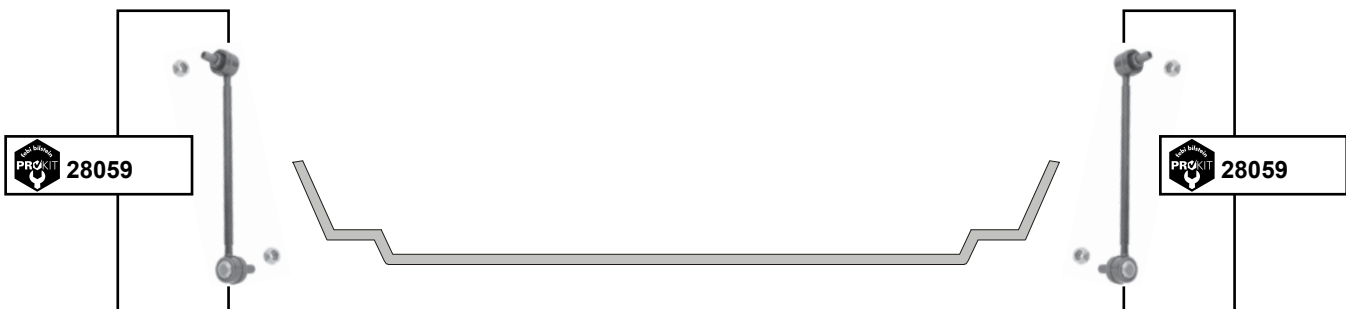
## Highlander (U20)

(2001 →)







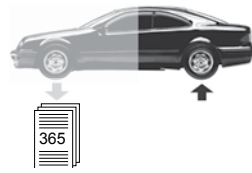
## Highlander (U25)

(2001 → 2003)



Hinterachse / Rear axle

	Ref. - No.			
26520	48830-48010	ProKit Verbindungsstange / connecting rod		
27287	48830-60030	ProKit Verbindungsstange / connecting rod		L 175
28059	48830-32040	ProKit Verbindungsstange / connecting rod		L 250



**Kluger (\_U28\_)**  
(2003 →)



**Land Cruiser (\_J7\_)**  
(1999 → 2009)



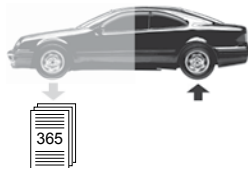
**Land Cruiser (\_J8\_)**  
(1990 → 1998)



Hinterachse / Rear axle

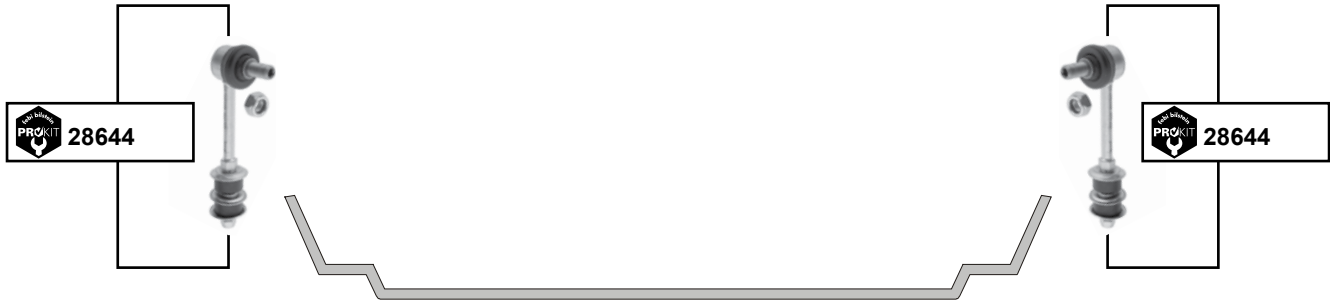
	Ref. - No.			
<b>26520</b>	48830-48010	ProKit Verbindungsstange / connecting rod		L 153
<b>34661</b>	48802-60060	Verbindungsstange / connecting rod	92 → 96	L 83
<b>34662</b>	48802-60090 S1	Verbindungsstange / connecting rod		L 110





## Land Cruiser (\_J9\_)

(1996 →)



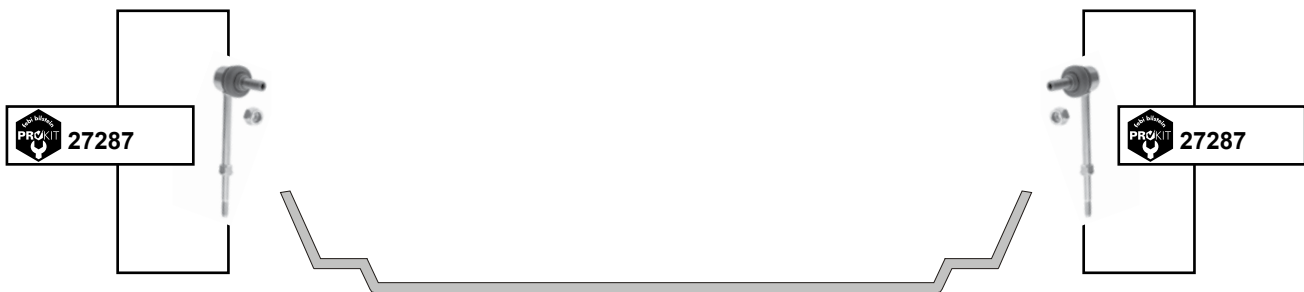
## Land Cruiser (\_J10\_)

(1998 → 2007)



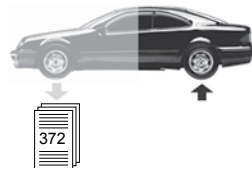
## Land Cruiser (\_J12\_)

(2002 →)



Hinterachse / Rear axle

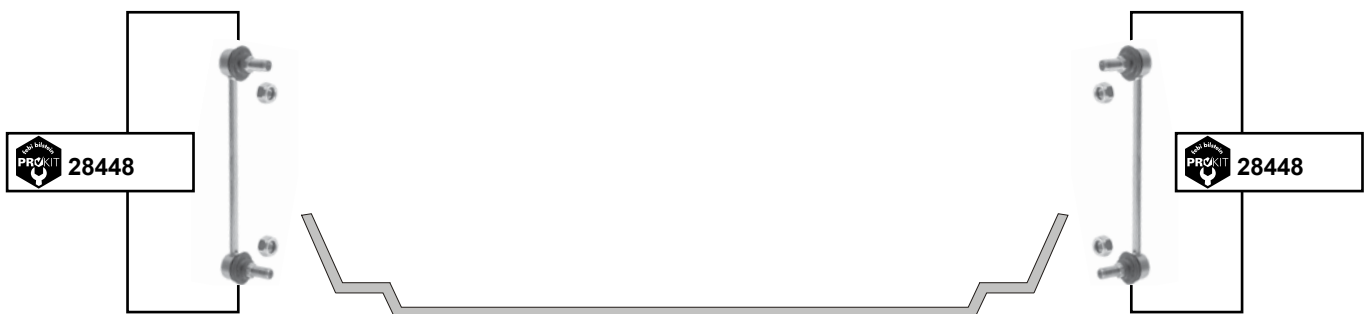
	Ref. - No.			
27287	48830-60030	ProKit Verbindungsstange / connecting rod	→ 04	L 175
28644	48830-35020 S1	ProKit Verbindungsstange / connecting rod		L 153
34662	48802-60090 S1	Verbindungsstange / connecting rod		L 110



**MR 2 (\_W2\_)**  
(1989 → 1999)



**MR 2 (\_W3\_)**  
(1999 → 2005)



**Rav 4 II / Rav 4 III**  
(2000 → 2005) (2005 → )



Hinterachse / Rear axle

	Ref. - No.			
<b>28448</b>	48830-17070	ProKit Verbindungsstange / connecting rod		L 198,8
<b>28628</b>	48840-42010	ProKit Verbindungsstange / connecting rod	Rav 4 II	L 100
<b>28629</b>	48830-42010	ProKit Verbindungsstange / connecting rod	Rav 4 II	L 100
<b>31558</b>	48830-0R010	Verbindungsstange / connecting rod	Rav 4 III	L 47
<b>31716</b>	48830-17050	ProKit Verbindungsstange / connecting rod		L 204

TOYOTA



Car  
Division



## Scion TC

(2004 →)



## Solara (\_V20\_)

(1998 → 2001)



Hinterachse / Rear axle



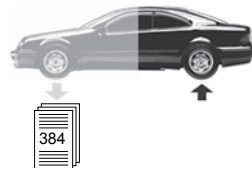
Ref. - No.



23579	48830-33010
27331	48840-21010
27332	48830-21020

ProKit Verbindungsstange / connecting rod
ProKit Verbindungsstange / connecting rod
ProKit Verbindungsstange / connecting rod

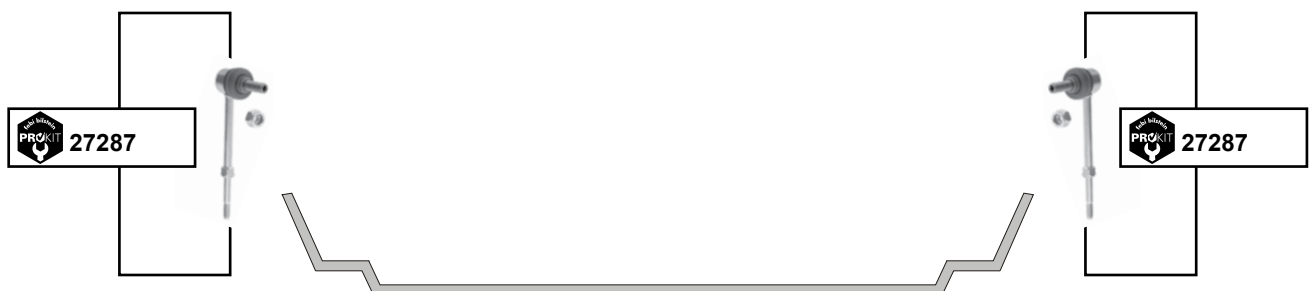
L 165
L 105
L 105



**4 Runner (\_ZN18\_)**  
(1995 → 2002)



**4 Runner (\_RN21\_)**  
(2002 → 2004)



Hinterachse / Rear axle



Ref. - No.



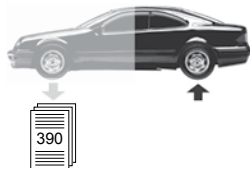
**27287**  
**28644**

48830-60030  
48830-35020 S1

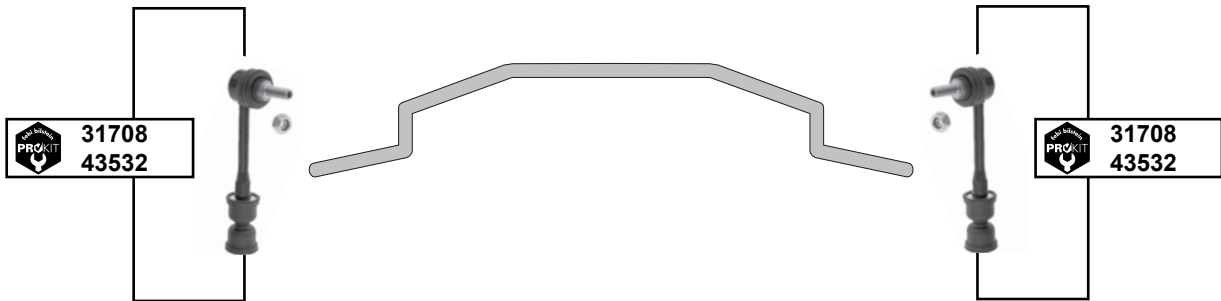
ProKit Verbindungsstange / connecting rod  
ProKit Verbindungsstange / connecting rod

02 → 04

L 175  
L 153



**Antara**  
(2006 →)



Hinterachse / Rear axle



(1) (ch.) → AB999999, → A3999999

(2) (ch.) BB000001 →, B3000001 →



Ref. - No.

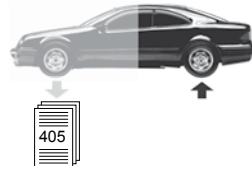


**31708** 96996460  
**43532** 22737680

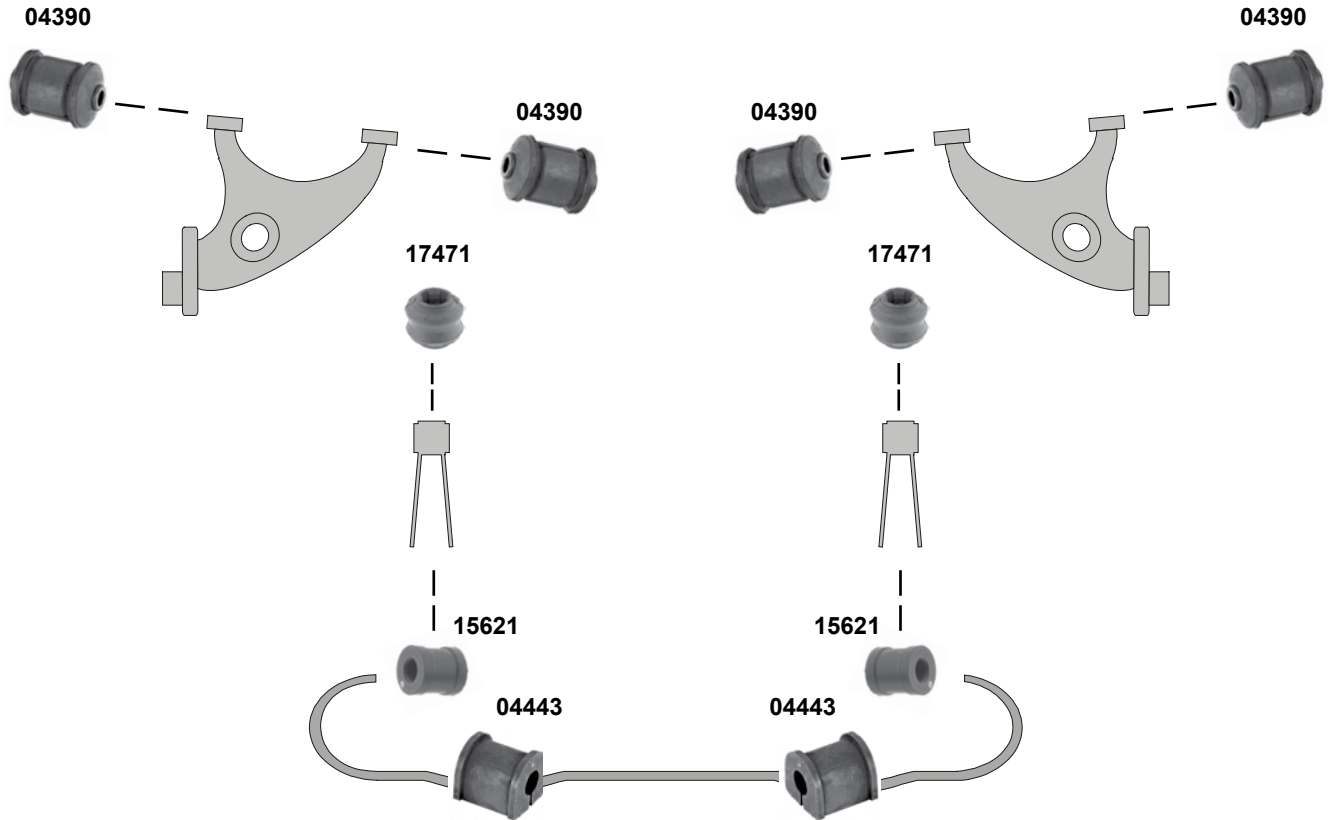
ProKit Verbindungsstange / connecting rod  
ProKit Verbindungsstange / connecting rod

(1)  
(2)

L 167  
L 106,5

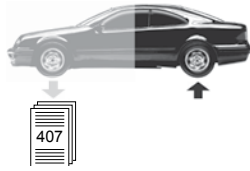


**Calibra**  
(1990 → 1997)



Hinterachse / Rear axle

	Ref. - No.			
<b>04390</b>	90223456	Schrägenkerlager / semi-trailing arm bush		12x45x71
<b>04443</b>	90373771	Stabilisatorlager / stabilizer mount		Ø   14
<b>15621</b>	90343305	Stabilisatorlager / stabilizer mount		13x26x28
<b>17471</b>	90343847	Verbindungsstangenlager / connecting rod bearing		

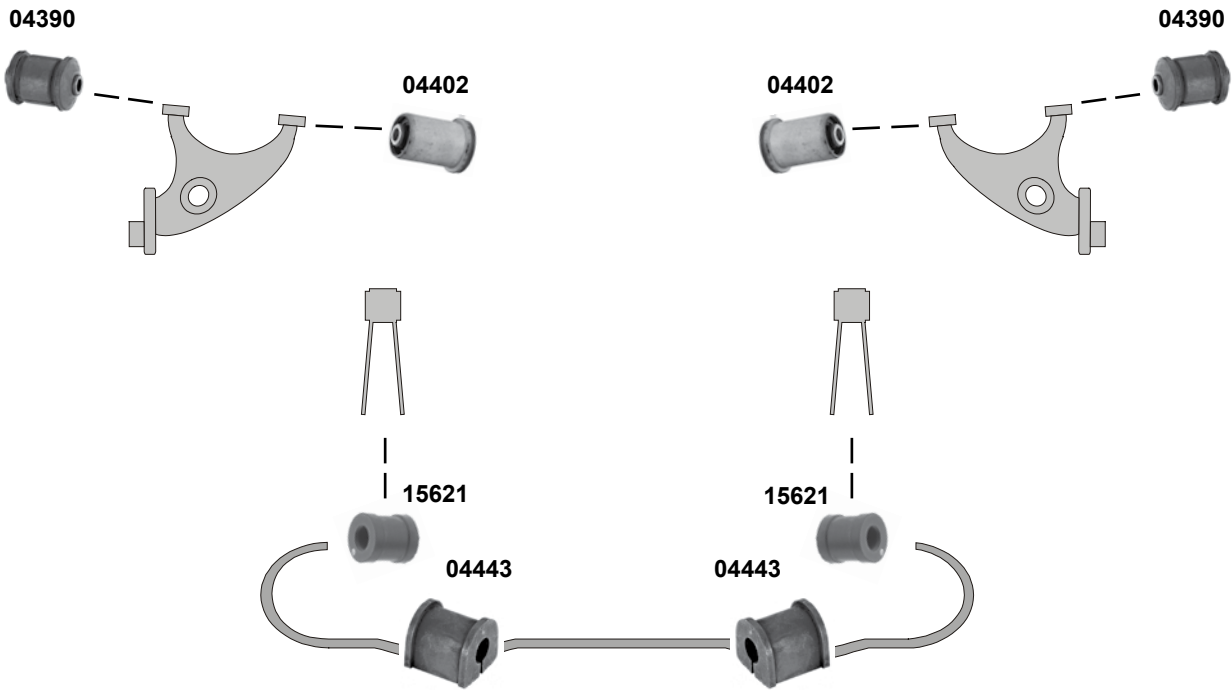


**Carlton Mk III**  
(1986 → 1994)

(ex.) 3.0 24V  
3.0 24 (ch.) → L 1019854

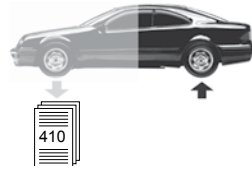


3.0 24V (ch.) L 1019855 →



Hinterachse / Rear axle

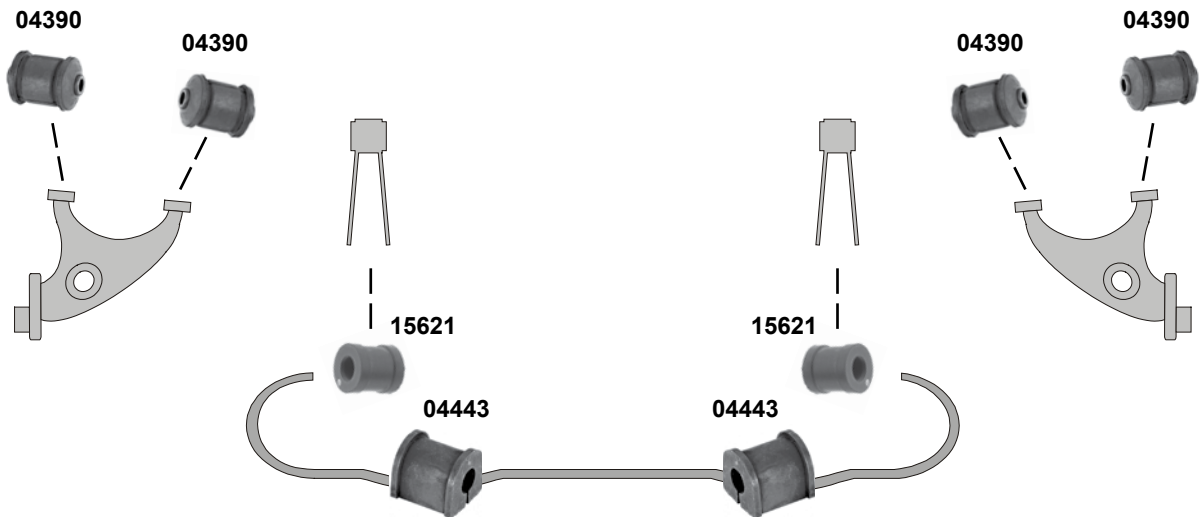
	Ref. - No.			
04390	90223456	Schräglenkerlager / semi-trailing arm bush		12x45x71
04402	90334925	Schräglenkerlager / semi-trailing arm bush		12x43x71
04443	90373771	Stabilisatorlager / stabilizer mount		Ø 1 14
15621	90343305	Stabilisatorlager / stabilizer mount		13x26x28



## Cavalier Mk III

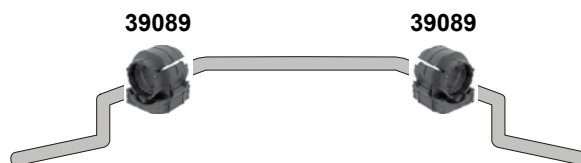
(1988 → 1995)

2.0 i 16V (110 / 115 kw)



## Insignia

(2008 →)



- (1) (ch.) → N 1999999 / N 5999999 / NV 999999
- (2) (ch.) P 1000001 / P 5000001 / P 7100001 →
- (3) Schrägheck/Stufenheck:  
Standardchassis / standard chassis alle/all  
tiefergelegtes chassis / lowered chassis nur/only Diesel D-1000001 →  
**HD (ex.)** A14NET, A16LET, A20XER, Diesel D1000001 →  
Sportstourer: **HD** nur/only Diesel D-1000001 →

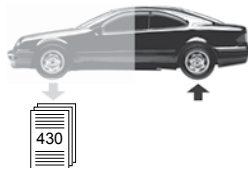


Ref. - No.



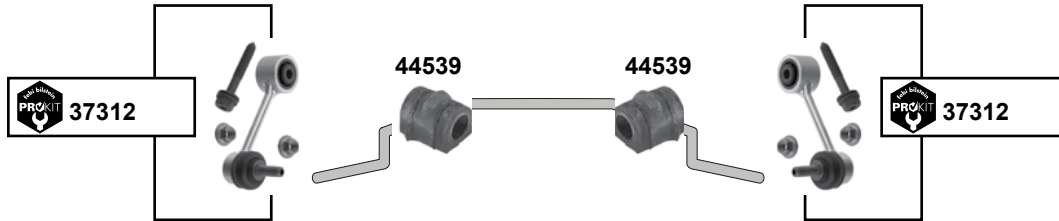
Ref. - No.	Description	Quantity	Notes
04390	Schräglenklerlager / semi-trailing arm bush	(1)	12x45x71
04443	Stabilisatorlager / stabilizer mount	(2)	Ø   14
15621	Stabilisatorlager / stabilizer mount	(2)	13x26x28
39089	Stabilisatorlager / stabilizer mount	(3) (ex.) 4x4	Ø   20





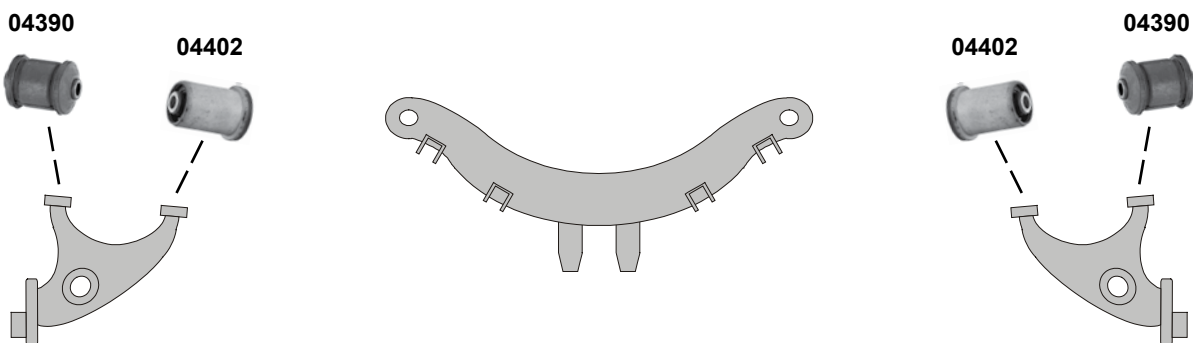
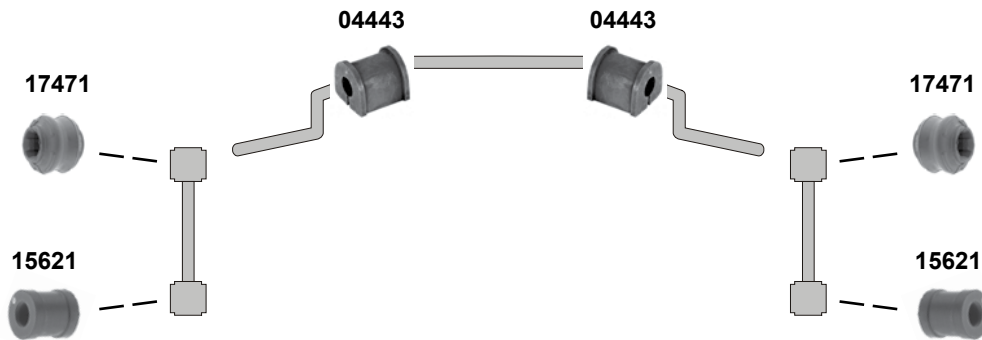
## Movano Mk II

(2010 →)



## Omega

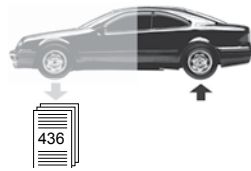
(1994 → 2003)



Hinterachse / Rear axle

- (1) Vorderradantrieb + Hinterradantrieb mit Einzelbereifung / front wheel drive + rear-wheel drive with single tires
- (2) nur Fahrzeuge mit Frontantrieb / only vehicles with front wheel drive

	Ref. - No.			
04390	90223456	Schräglager / semi-trailing arm bush		12x45x71
04402	90334925	Schräglager / semi-trailing arm bush		12x43x71
04443	90373771	Stabilisatorlager / stabilizer mount		Ø   14
15621	90343305	Stabilisatorlager / stabilizer mount		13x26x28
17471	90343847	Verbindungsstangenlager / connecting rod bearing		29/32x29
37312	93197332 S1	ProKit Verbindungsstange / connecting rod	(1)	L 105,5
44539	93197335	Stabilisatorlager / stabilizer mount	(2)	Ø 28

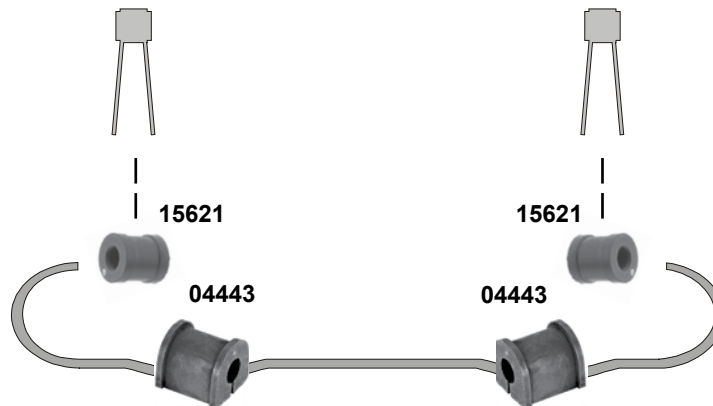


**Senator Mk II**  
(1986 → 1994)

(ch.) → L 1019854 / 5155054

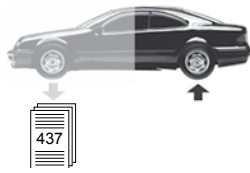


(ch.) L 1019855 / 5155055 →

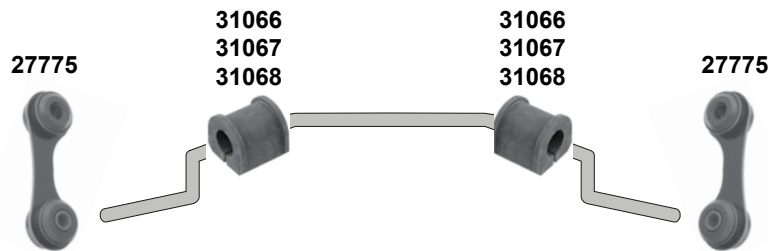
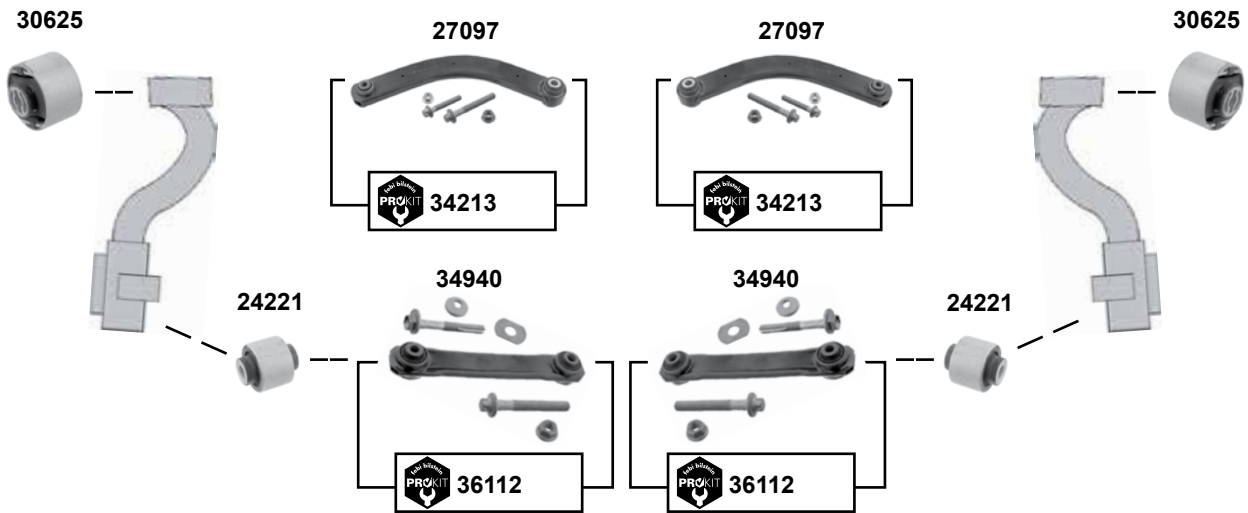


Hinterachse / Rear axle

	Ref. - No.			
04390	90223456	Schräglenkerlager / semi-trailing arm bush		12x45x71
04402	90334925	Schräglenkerlager / semi-trailing arm bush		12x43x71
04443	90373771	Stabilisatorlager / stabilizer mount		Ø 14
15621	90343305	Stabilisatorlager / stabilizer mount		13x26x28

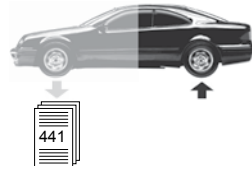


## Signum (2002 → 2008)

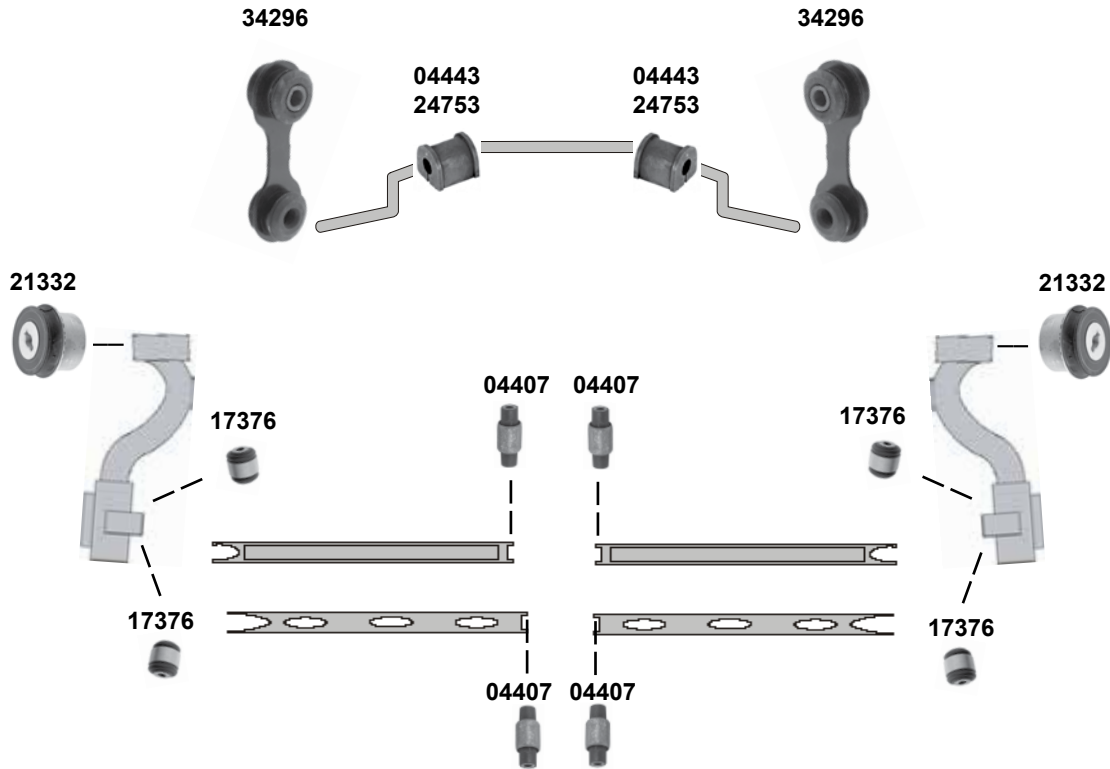


Hinterachse / Rear axle

	Ref. - No.			
24221	24469643	Querlenkerlager / control arm mount		12x45,5x52
27097	0423 035	Querlenker / control arm		L 380
27775	13104120	Verbindungsstange / connecting rod		L 86
30625	24452034	Querlenkerlager / control arm mount		
31066	24457385	Stabilisatorlager / stabilizer mount		Ø   17
31067	24457386	Stabilisatorlager / stabilizer mount		Ø   18
31068	24457843	Stabilisatorlager / stabilizer mount		Ø   19
34213	13230274 S1	ProKit Querlenker / control arm		
34940	13204112	Querlenker / control arm		
36112	13204112 S1	ProKit Querlenker / control arm		



**Vectra Mk I**  
(1995 → 2002)

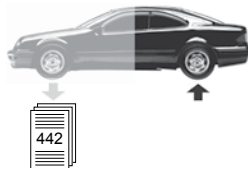


- (1) 1.6 (ch.) → W 1999999 / W 5999999 / W 7999999
- (2) 1.6 (ch.) X 1000001 / X 7000001 →
  - 1.7 (mot.) X17TD
  - 1.8 (mot.) X18XE
  - (mot.) X18XE1 (ch.) → W 1999999 / W 5999999 / W 7999999
  - (mot.) Z18XE (ch.) X 1000001 / X 7000001 →
  - (mot.) Z18XEL (ex.) Sportfahrwerk / sports chassis
  - 2.0 (mot.) X20XEV
  - (mot.) X20DTH / DTL / 20NEJ / C20SEL
  - (ch.) → W 1999999 / W 5999999 / W 7999999
  - 2.2 (mot.) C22SEL
  - (mot.) Z22SE (ex.) Sportfahrwerk / sports chassis
  - 2.5 (mot.) X25XE
- (3) 1.6 (ex.) Z1.6 XE (ch.) X 1000001 / X7000001 / XL0000001 →  
Fahrzeuge **ohne** Tieferlegung / vehicles **without** lowered chassis
- (4) X 1.6 XEL / Y 1.6 XE / Z 1.6 XE (ch.) Y1000001 / Y7000001 / XL0000001 →  
Fahrzeuge **mit** Tieferlegung / vehicles **with** lowered chassis
- (5) 1.8, 2.0 Benzin (ex.) 2.0 NEJ / 2.0 TD / 2.2 Benzin+Diesel / 2.5 / 2.6
- (6) 2.0 NEJ (ex.) Ägypten / (ex.) egypt

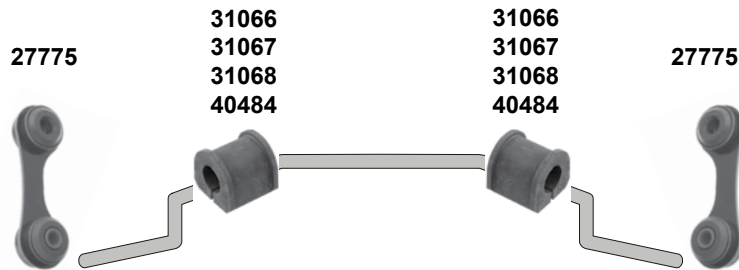
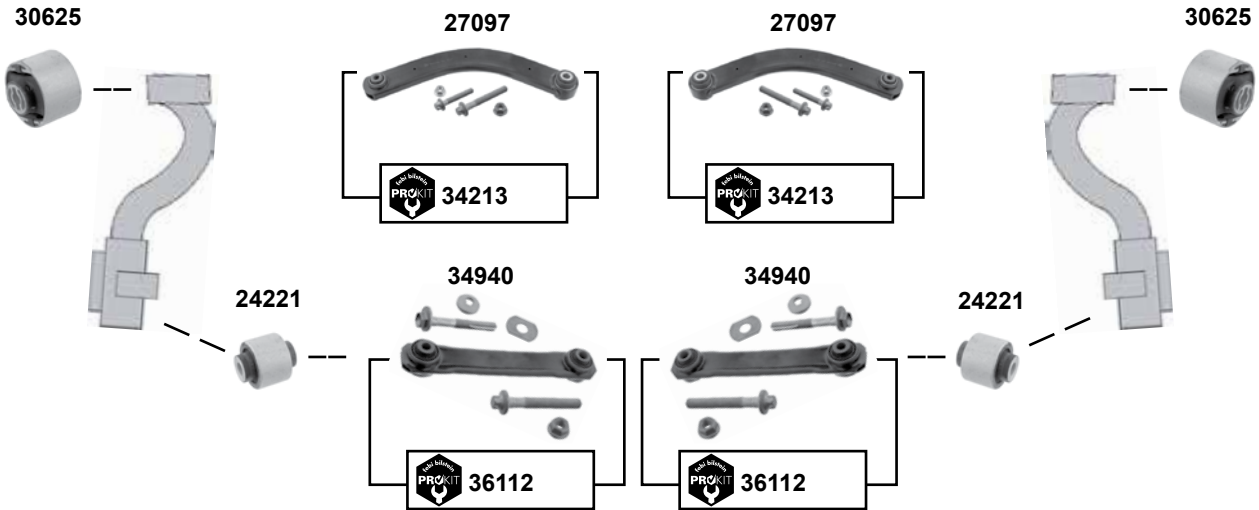


Hinterachse / Rear axle

	Ref. - No.			
04407	90496686	Querlenkerlager / control arm mount		12x35x89
04443	90373771	Stabilisatorlager / stabilizer mount	(1)	Ø   14
17376	90496700	Querlenkerlager / control arm mount		12x45x52
21332	09191309	Querlenkerlager / control arm mount		
24753	90496706	Stabilisatorlager / stabilizer mount	(2)	
34296	90496711	Verbindungsstange / connecting rod	(3) (4) (5) (6)	

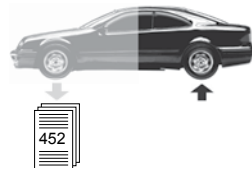


## Vectra Mk II (2002 → 2008)

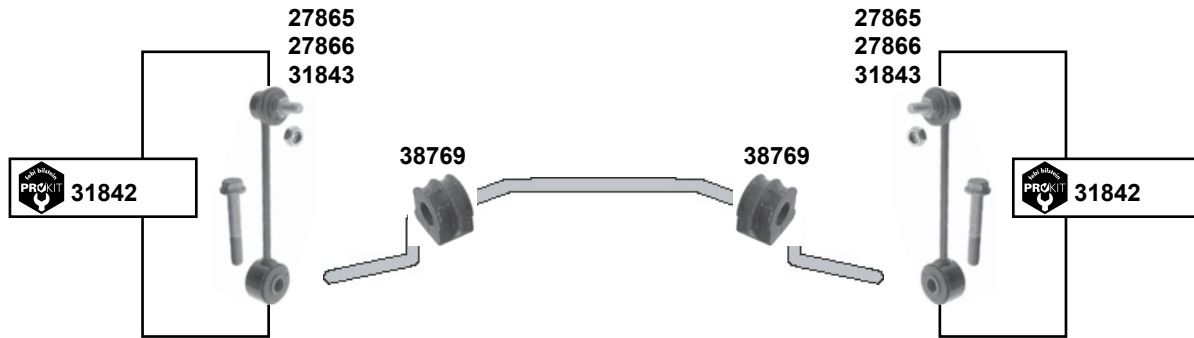


Hinterachse / Rear axle

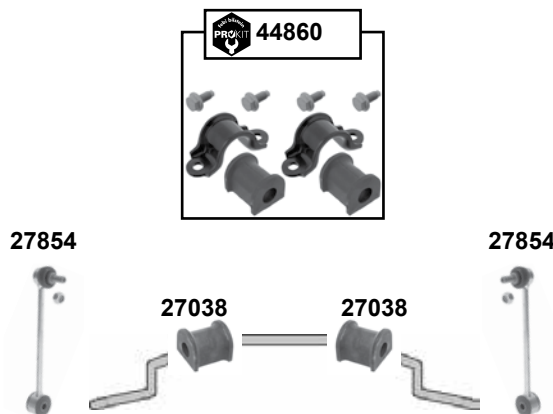
	Ref. - No.			
24221	24469643	Querlenkerlager / control arm mount		12x45,5x52
27097	0423 035	Querlenker / control arm		L 380
27775	13104120	Verbindungsstange / connecting rod		L 86
30625	24452034	Querlenkerlager / control arm mount		
31066	24457385	Stabilisatorlager / stabilizer mount		Ø   17
31067	24457386	Stabilisatorlager / stabilizer mount		Ø   18
31068	24457843	Stabilisatorlager / stabilizer mount		Ø   19
34213	13230274 S1	ProKit Querlenker / control arm		
34940	13204112	Querlenker / control arm		
36112	13204112 S1	ProKit Querlenker / control arm		
40484	13131963	Stabilisatorlager / stabilizer mount	(ex.) Sport	Ø   16



## Bora (1J) (1999 → 2005)



## Caddy (2C) (2010 →)



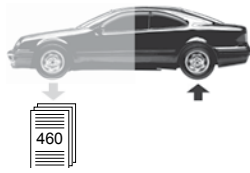
- (1) (ex.) Schlechtwegeausführung / rough road equipment
- (2) Schlechtwegeausführung / rough road equipment
- (3) Bora 4 motion / Bora Variant 4 motion (mot.) AGN, AGZ,AJM, AQP,ARX, AUE,AUY, AZH → 01  
Ø Stabilisator / stabilizer 13, 14, 15  
Bora 4 motion (mot.) AGR, AQN,ARL, ASZ,ATD, AZJ, BDE /  
Bora Variant 4 motion (mot.) AQN, ARL,ASZ, ATD  
AZJ, BDE 00 → (ch.) 1J-3-000 001 → / PR 0BL/0BS Ø Stabilisator / stabilizer 13, 14
- (4) Durchmesser Stabilisator / Stabilisator Diameter : 20



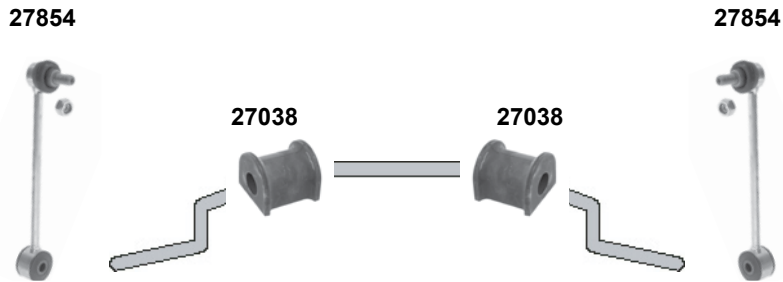
Ref. - No.



Ref. - No.	Description	Quantity	Dimension
27038	Stabilisatorlager / stabilizer mount	(4)	Ø1 19
27854	Verbindungsstange / connecting rod		L 240
27865	Verbindungsstange / connecting rod	(1)	L 175
27866	Verbindungsstange / connecting rod	(2)	L 194,5
31842	ProKit Verbindungsstange / connecting rod	(1)	
31843	Verbindungsstange / connecting rod	(2)	
38769	Stabilisatorlager / stabilizer mount	(3)	
44860	ProKit Stabilisatorlagersatz / anti roll bar bush kit	(4)	Ø1 19



## Caddy (2K) (2004 →)



Hinterachse / Rear axle

(1) Durchmesser Stabilisator / Stabilisator Diameter : 20  
Caddy 3 ( 2KA) alle / all // Caddy 3 (2KB) 1,4b (mot.) BCA, BUD) 1,6B (mot.) BGU, BSE, BSF) 1,9D (mot.)  
BJB, BLS, BSU 2,0D (mot.) BMM, BST 2,06 (mot.) BSX



Ref. - No.



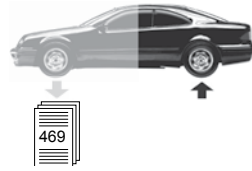
**27038**  
**27854**  
**44860**

2K0 511 413 D  
2K0 505 465 E  
2K0 511 413 D S1

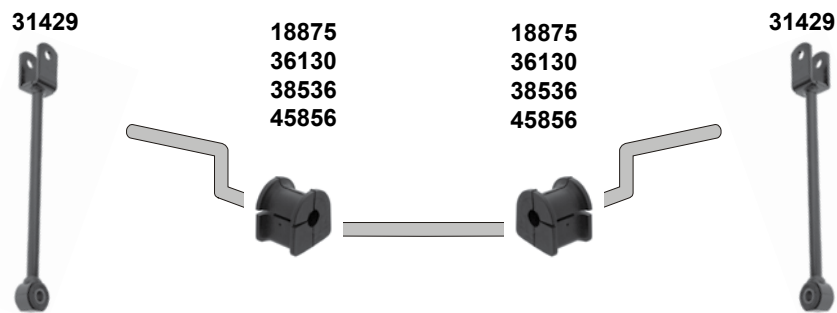
Stabilisatorlager / stabilizer mount  
Verbindungsstange / connecting rod  
ProKit Stabilisatorlagersatz / anti roll bar bush kit

(1)

L 240  
ØI 19



## Crafter (2E) (2006 →)



Hinterachse / Rear axle



- (1) 04/2006 → 07/2011 PR-0BC  
04/2006 → (ch.) 2F-C-015 000 / (ch.) 2E-C-040 000 // PR-0BC
- (2) (mot.) BJL, BJM, BJK
- (3) (ch.) 2E-C-000 001 → / PR-0BC

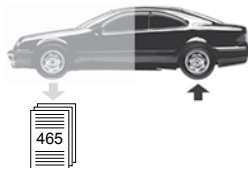


Ref. - No.

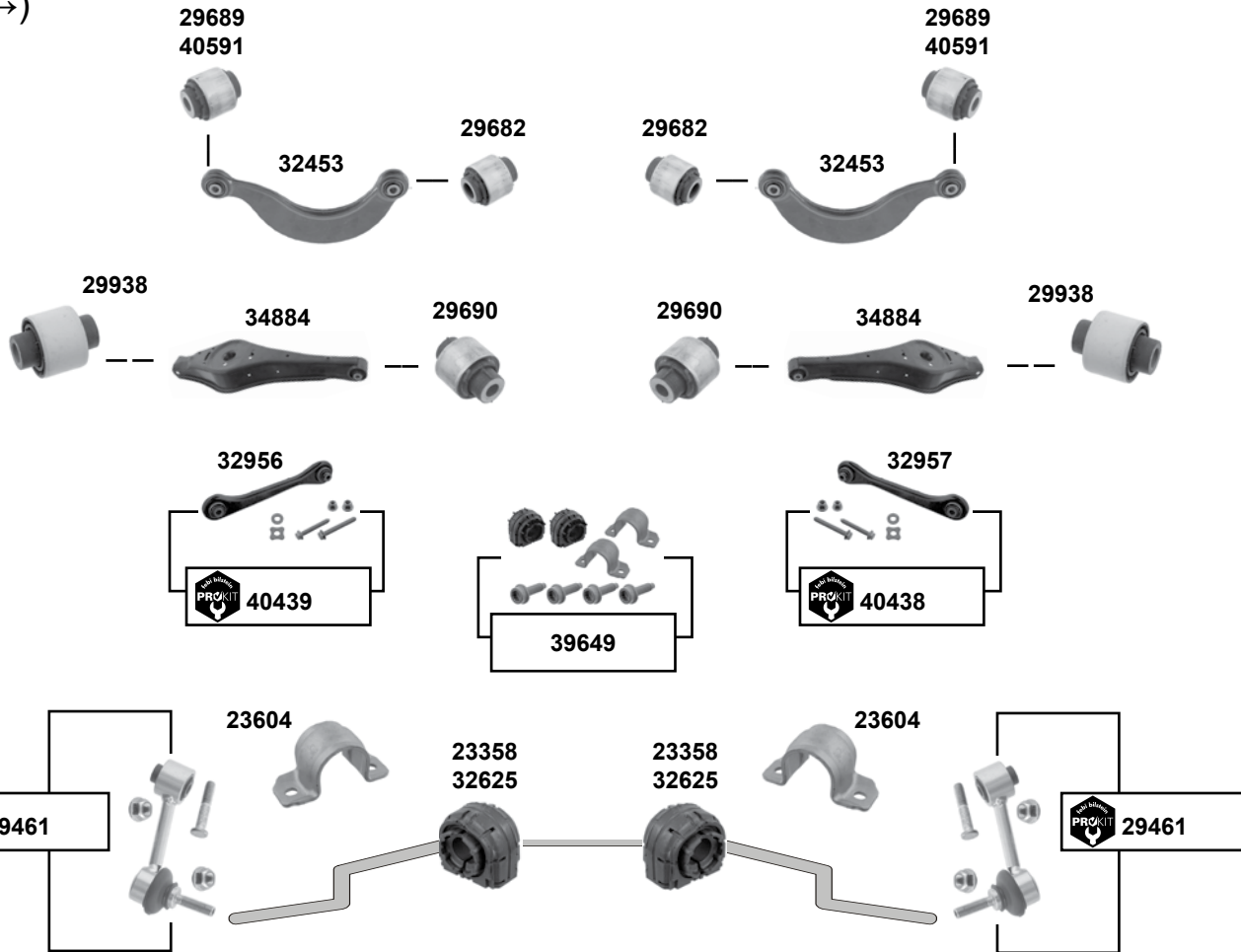


Ref. - No.	Description	Quantity	Dimensions
<b>18875</b>	2D0 511 413 B Stabilisatorlager / stabilizer mount	(2)	L 300 Ø I 12
<b>31429</b>	2E0 511 051 F Verbindungsstange / stabiliser link	PR-0BC	Ø I 30
<b>36130</b>	2D0 511 413 C Stabilisatorlager / stabilizer mount	(1)	Ø I 15,5
<b>38536</b>	2E0 511 413 G Stabilisatorlager / stabilizer mount	(3)	Ø I 19
<b>45856</b>	2E0 511 413 M Stabilisatorlager / stabilizer mount		





## CC (3C) (2012 →)



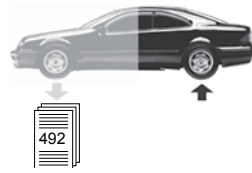
- (1)** CC 4 motion (mot.) BWS, CNNA / PR-1JP/UA4/UC1 / Ø Stabilisator / stabilizer 21,7  
CC (mot.) CNNA, CCZB, CCTA, CBFA, CDAA, CDAB, CTHD, CKMA, CZDA / PR-1VH / Ø Stabilisator / stabilizer 21,7
- (2)** CC, CC 4 motion (mot.) BWS, CNNA Ø Stabilisator / stabilizer 21,7 / nur paarweise tauschen / replace in pairs only



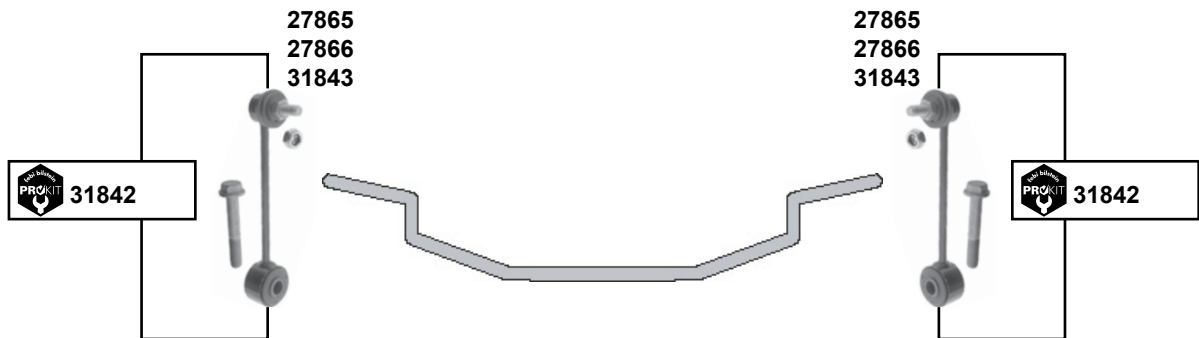
Ref. - No.



<b>23358</b>	1K0 511 327 AR	Stabilisatorlager / stabilizer mount		Ø I 20,7
<b>23604</b>	1K0 511 439 E	Befestigungsbügel / attachment bracket		
<b>29461</b>	1K0 505 465 K S1	ProKit Verbindungsstange / stabilizer link		L 95,5
<b>29682</b>	1K0 505 203 A	Querlenkerlager oben / control arm mount upper		Ø A 38 H 45
<b>29689</b>	1K0 505 279 A	Querlenkerlager oben / control arm mount upper	→ 05/12	Ø A 38,5 H 45
<b>29690</b>	1K0 505 171 C	Querlenkerlager unten / control arm mount lower		Ø A 42 H 60
<b>29938</b>	1K0 505 553 A	Querlenkerlager außen / control arm mount outer		Ø A 37 H 50
<b>32453</b>	1K0 505 323 N	Querlenker oben / control arm upper		
<b>32625</b>	1K0 511 327 AS	Stabilisatorlager / stabilizer mount	<b>(1)</b>	Ø A 21,7
<b>32956</b>	1K0 501 529 F	Querlenker mit Gummilagern / control arm with rubber mounts		
<b>32957</b>	1K0 501 530 C	Querlenker mit Gummilagern / control arm with rubber mounts		
<b>34884</b>	1K0 505 311 AB	Querlenker / control arm		
<b>39649</b>	1K0 511 327 AS S1	Stabilisatorlagersatz / anti roll bar bush kit	<b>(2)</b>	
<b>40438</b>	1K0 501 530 C S1	ProKit Querlenker / control arm		
<b>40439</b>	1K0 501 529 F S1	ProKit Querlenker / control arm		
<b>40591</b>	1K0 505 543 A	Querlenkerlager / control arm bush		ØI 14 ØA 45



# Golf 4 4motion / Bora 4 4motion (1J) (1998 → 2006)



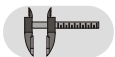
Hinterachse / Rear axle



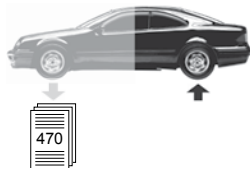
- (1) (ex.) Schlechtwegeausführung / rough road equipment
- (2) Schlechtwegeausführung / rough road equipment



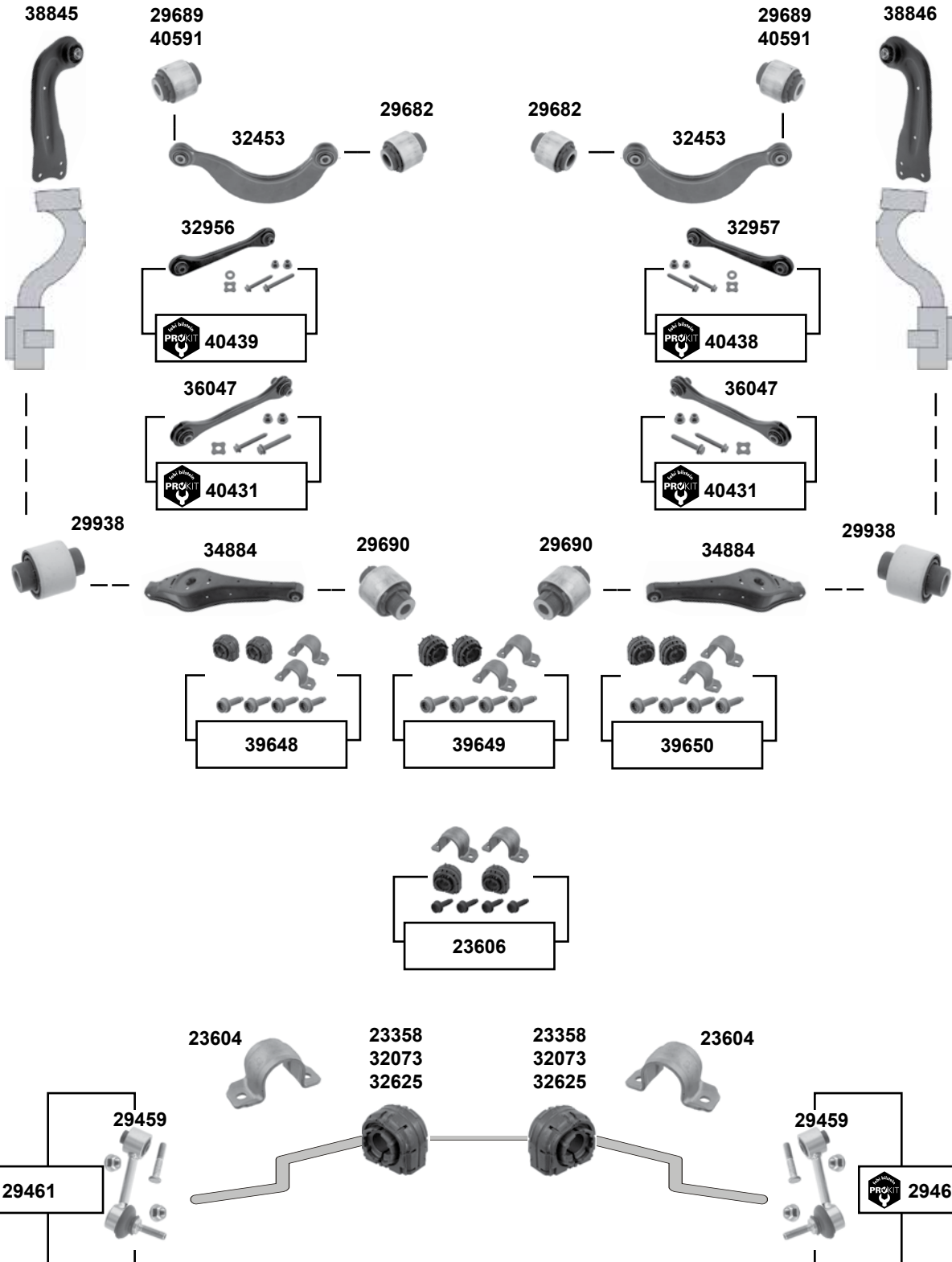
Ref. - No.



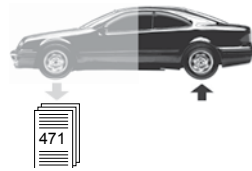
<b>27865</b>	1J0 505 466 B	Verbindungsstange / connecting rod	(1)	L 175
<b>27866</b>	1J0 505 466 C	Verbindungsstange / connecting rod	(2)	L 194,5
<b>31842</b>	1J0 505 466 B S1	ProKit Verbindungsstange / connecting rod	(1)	
<b>31843</b>	1J0 505 466 C S1	Verbindungsstange / connecting rod	(2)	



## Eos (1F) (2006 →)



Hinterachse / Rear axle

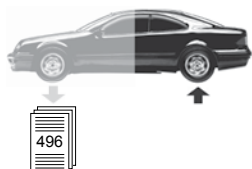


## Eos (1F) (2006 →)



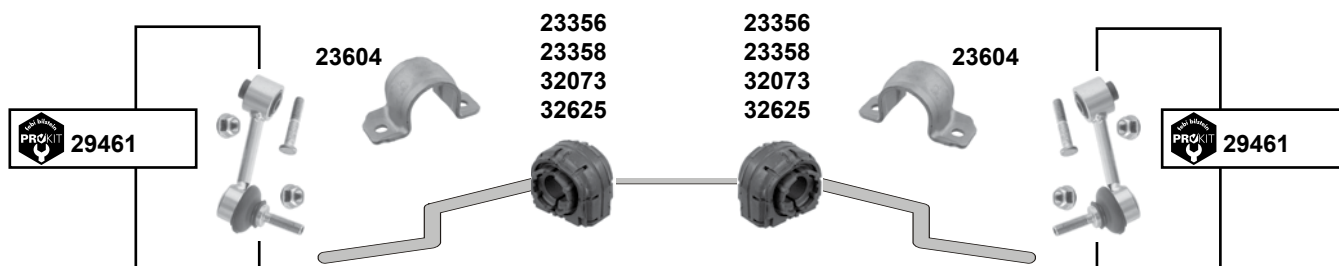
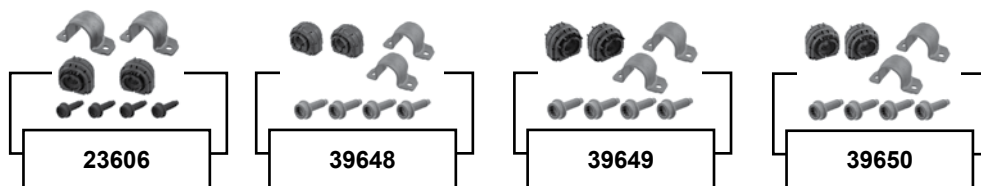
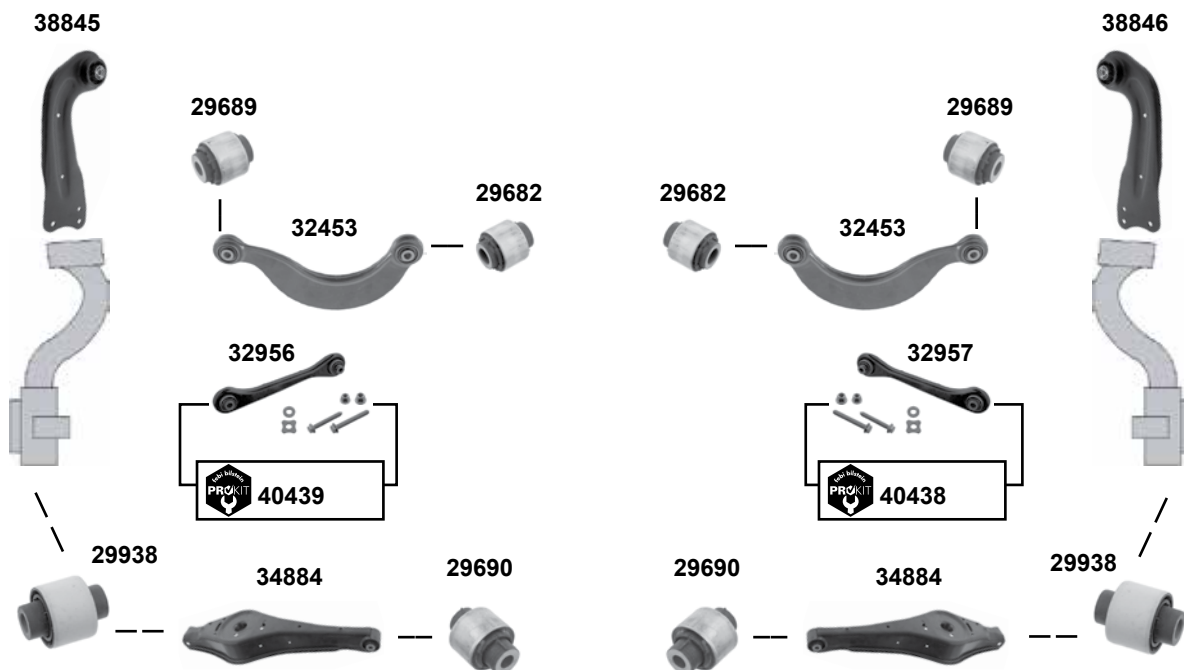
- (1) → 09 → 1F-9-016 326 / Blech / metal sheet
- (2) (ch.) 1F-9-016 325 →
- (3) nur paarweise tauschen / replace in pairs only
- (4) (ch.) → 1F-9-016 325
- (5) Eos Cabrio (mot.) CCZB / PR-0BC / 0BH Ø Stabilisator / stabilizer 18,5 / 19

	Ref. - No.			
23358	1K0 511 327 AR	Stabilisatorlager / stabilizer mount	(3)	Ø A 20,7
23604	1K0 511 439 E	Klemmschelle / clamping clip		
23606	1K0 511 327 AP S1	Stabilisatorlagersatz / anti roll bar bush kit	(3) (5)	Ø I 18,5
29459	1K0 505 465 AA	Verbindungsstange / connecting rod		
29461	1K0 505 465 K S1	ProKit Verbindungsstange / connecting rod		L 95,5
29682	1K0 505 203 A	Querlenkerlager oben / control arm mount upper		Ø A 38 H 45
29689	1K0 505 279 A	Querlenkerlager oben / control arm mount upper		Ø A 38,5 H 45
29690	1K0 505 171 C	Querlenkerlager unten / control arm mount lower		Ø A 42 H 60
29938	1K0 505 553 A	Querlenkerlager außen / control arm mount outer		Ø A 37 H 50
32073	1K0 511 327 AQ	Stabilisatorlager hinten / stabilizer mount rear	(3)	Ø A 19,6
32453	1K0 505 323 N	Querlenker oben / control arm upper		
32625	1K0 511 327 AS	Stabilisatorlager / stabilizer mount	(3)	Ø A 21,7
32956	1K0 501 529 F	Querlenker mit Gummilagern / control arm with rubber mounts	(1)	
32957	1K0 501 530 C	Querlenker mit Gummilagern / control arm with rubber mounts	(1)	
34884	1K0 505 311 AB	Querlenker / control arm		
36047	1K0 501 529 J	Querlenker mit Gummilagern / control arm with rubber mounts	(2)	Stahl
38845	1K0 505 223 K	Querlenker / control arm		Blech
38846	1K0 505 224 K	Querlenker / control arm		Blech
39648	1K0 511 327 AR S1	Stabilisatorlagersatz / anti roll bar bush kit	(3) → 10 PR-0BE	
39649	1K0 511 327 AS S1	Stabilisatorlagersatz / anti roll bar bush kit	(3) PR-0BF	
39650	1K0 511 327 AQ S1	Stabilisatorlagersatz / anti roll bar bush kit	(3) PR-0BD	
40431	1K0 501 529 J S1	ProKit Querlenker / control arm	(2)	
40438	1K0 501 530 C S1	ProKit Querlenker / control arm	(4)	
40439	1K0 501 529 F S1	ProKit Querlenker / control arm	(4)	
40591	1K0 505 543 A	Querlenkerlager / control arm bush		Ø I 14 ØA 45

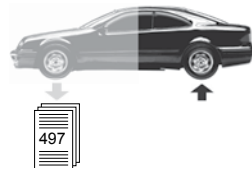


## Golf 5 / Plus / 4motion (1K)

(2004 → 2009)



Hinterachse / Rear axle

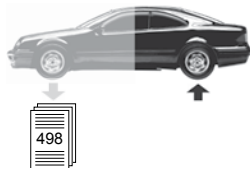


## Golf 5 / Plus / 4motion (1K) (2004 → 2009)



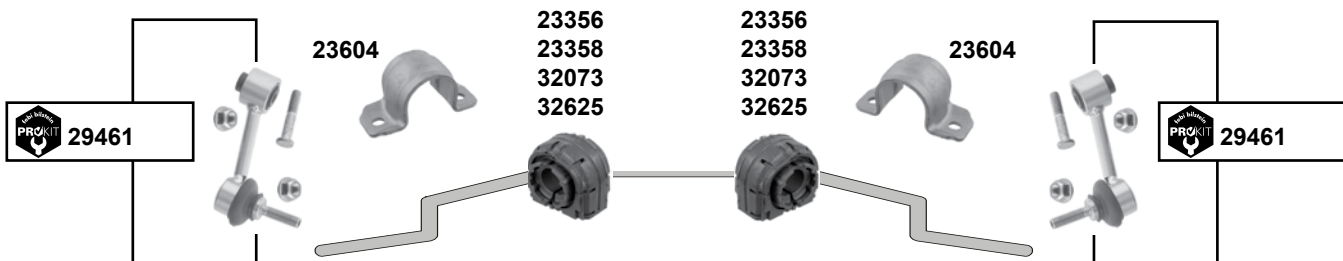
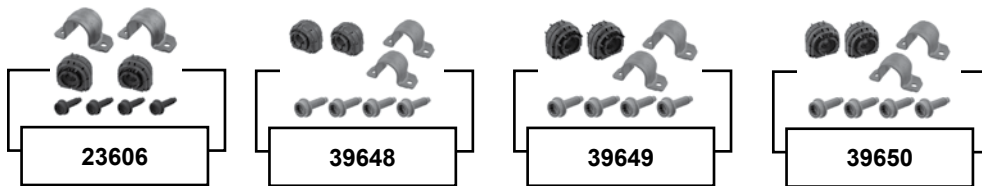
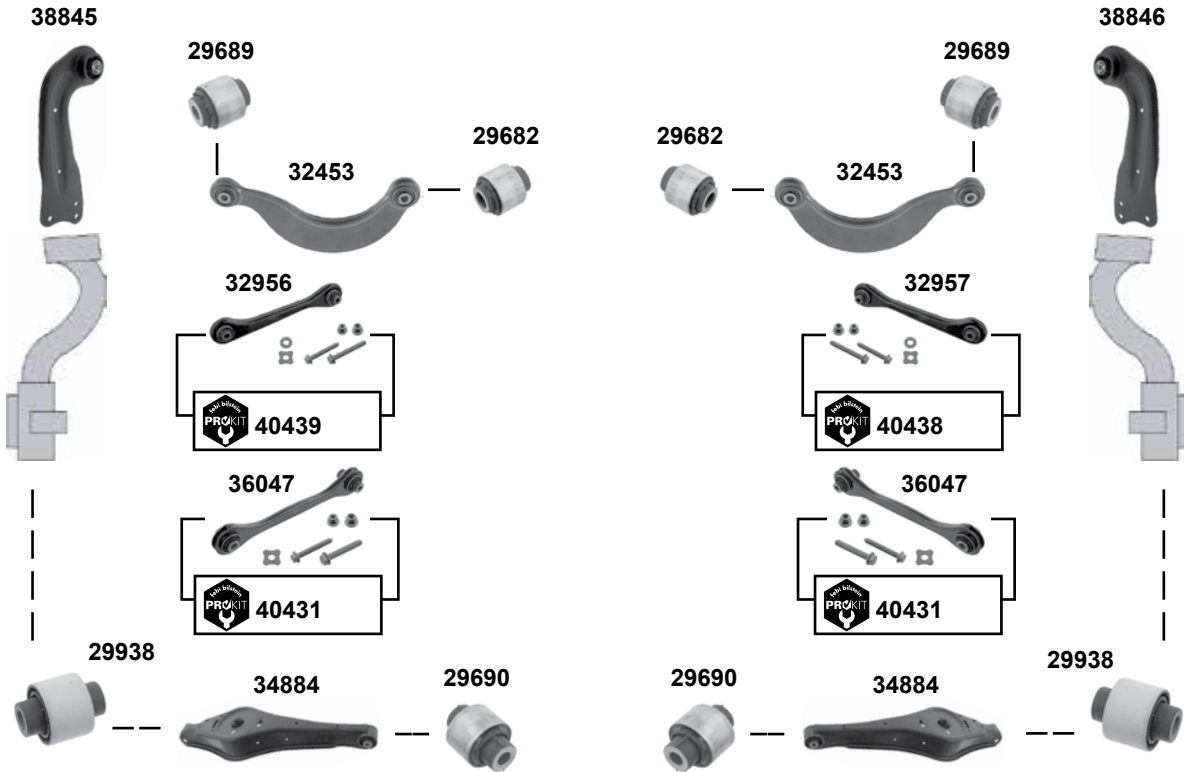
- (1) Golf 5 plus (1K) 05 → 09
- (2) 07 → 09 (ch.) → 1K-9-295 790 / 07 → 09 (ch.) → 1K-9U016 920 / 05 → 09 (ch.) → 1K-9-855 000
- (3) Golf 5 / variant / 4motion 04 → 09
- (4) nur paarweise tauschen / replace in pairs only
- (5) (ch.) → 1K--9-400000

	Ref. - No.			
23356	1K0 511 327 AP	Stabilisatorlager / stabilizer mount	(4)	Ø I 18,5
23358	1K0 511 327 AR	Stabilisatorlager / stabilizer mount	(1) (3) (4)	Ø A 20,7
23604	1K0 511 439 E	Klemmschelle / clamping clip	(1) (3)	
23606	1K0 511 327 AP S1	Stabilisatorlagersatz / anti roll bar bush kit	(4)	Ø I 18,5
29461	1K0 505 465 K S1	ProKit Verbindungsstange / connecting rod	(1) (3)	L 95,5
29682	1K0 505 203 A	Querlenkerlager oben / control arm mount upper		Ø A 38 H 45
29689	1K0 505 279 A	Querlenkerlager oben / control arm mount upper	(1) (3)	Ø A 38,5 H 45
29690	1K0 505 171 C	Querlenkerlager unten / control arm mount lower		Ø A 42
29938	1K0 505 553 A	Querlenkerlager außen / control arm mount outer	(1) (3)	Ø A 37 H 50
32073	1K0 511 327 AQ	Stabilisatorlager / stabilizer mount	(4)	Ø A 19,6
32453	1K0 505 323 N	Querlenker oben / control arm upper	(1)	
32625	1K0 511 327 AS	Stabilisatorlager / stabilizer mount	(4)	Ø A 21,7
32956	1K0 501 529 F	Querlenker / control arm	(2) (3)	Blech
32957	1K0 501 530 C	Querlenker / control arm	(2) (3)	Blech
34884	1K0 505 311 AB	Querlenker / control arm		
38845	1K0 505 223 K	Querlenker / control arm		Blech
38846	1K0 505 224 K	Querlenker / control arm		Blech
39648	1K0 511 327 AR S1	Stabilisatorlagersatz / anti roll bar bush kit	(4) PR-0BE	
39649	1K0 511 327 AS S1	Stabilisatorlagersatz / anti roll bar bush kit	(4) PR-0BF	
39650	1K0 511 327 AQ S1	Stabilisatorlagersatz / anti roll bar bush kit	(4) (5) PR-0BD	
40438	1K0 501 530 C S1	ProKit Querlenker / control arm		
40439	1K0 501 529 F S1	ProKit Querlenker / control arm		

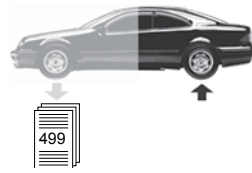


## Golf 6 / Golf 6 plus (1K)

(2009 →)



Hinterachse / Rear axle



## Golf 6 / Golf 6 plus (1K) (2009 →)

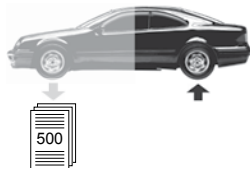


- (1) (ex.) variant 09 → (ch.) → 1K-9-400 000
- (2) Golf 6 / variant / 4motion 09 → / Golf 6 plus 09 → 11
- (3) Golf 6 09 → (ch.) → 1K-9P422 726 / 1K-9W415 461
- (4) nur paarweise tauschen / replace in pairs only
- (5) PR-0BF, 0BL, 0BM, 0BN
- (6) (ch.) 1K-9W415 461 →
- (7) (ch.) → 1K-9W415 461

	Ref. - No.			
23356	1K0 511 327 AP	Stabilisatorlager / stabilizer mount	(4)	Ø I 18,5
23358	1K0 511 327 AR	Stabilisatorlager / stabilizer mount	(4)	Ø A 20,7
23604	1K0 511 439 E	Klemmschelle / clamp	(2)	
23606	1K0 511 327 AP S1	Stabilisatorlagersatz / anti roll bar bush kit	(4)	Ø I 18,5
29461	1K0 505 465 K S1	ProKit Verbindungsstange / connecting rod	(2)	L 95,5
29682	1K0 505 203 A	Querlenkerlager oben / control arm mount upper		Ø A 38 H45
29689	1K0 505 279 A	Querlenkerlager oben / control arm mount upper		Ø A 38,5 H45
29690	1K0 505 171 C	Querlenkerlager unten / control arm mount lower		Ø A 42 H60
29938	1K0 505 553 A	Querlenkerlager außen / control arm mount outer	→ 11	Ø A 37 H50
32073	1K0 511 327 AQ	Stabilisatorlager hinten / stabilizer mount rear	(1) (4)	Ø A 19,6
32453	1K0 505 323 N	Querlenker oben / control arm upper		
32625	1K0 511 327 AS	Stabilisatorlager / stabilizer mount	(4)	Ø A 21,7
32956	1K0 501 529 F	Querlenker mit Gummilagern / control arm with rubber mounts	(3)	Blech
32957	1K0 501 530 C	Querlenker mit Gummilagern / control arm with rubber mounts	(3)	Blech
34884	1K0 505 311 AB	Querlenker / control arm		
36047	1K0 501 529 J	Querlenker mit Gummilagern / control arm with rubber mounts		Stahl
38845	1K0 505 223 K	Querlenker / control arm		Blech
38846	1K0 505 224 K	Querlenker / control arm		Blech
39648	1K0 511 327 AR S1	Stabilisatorlagersatz / anti roll bar bush kit	(4) PR-0BE	
39649	1K0 511 327 AS S1	Stabilisatorlagersatz / anti roll bar bush kit	(4) (5)	
39650	1K0 511 327 AQ S1	Stabilisatorlagersatz / anti roll bar bush kit	(4) PR-0BD	
40431	1K0 501 529 J S1	ProKit Querlenker / control arm	(6)	
40438	1K0 501 530 C S1	ProKit Querlenker / control arm	(7)	
40439	1K0 501 529 F S1	ProKit Querlenker / control arm	(7)	

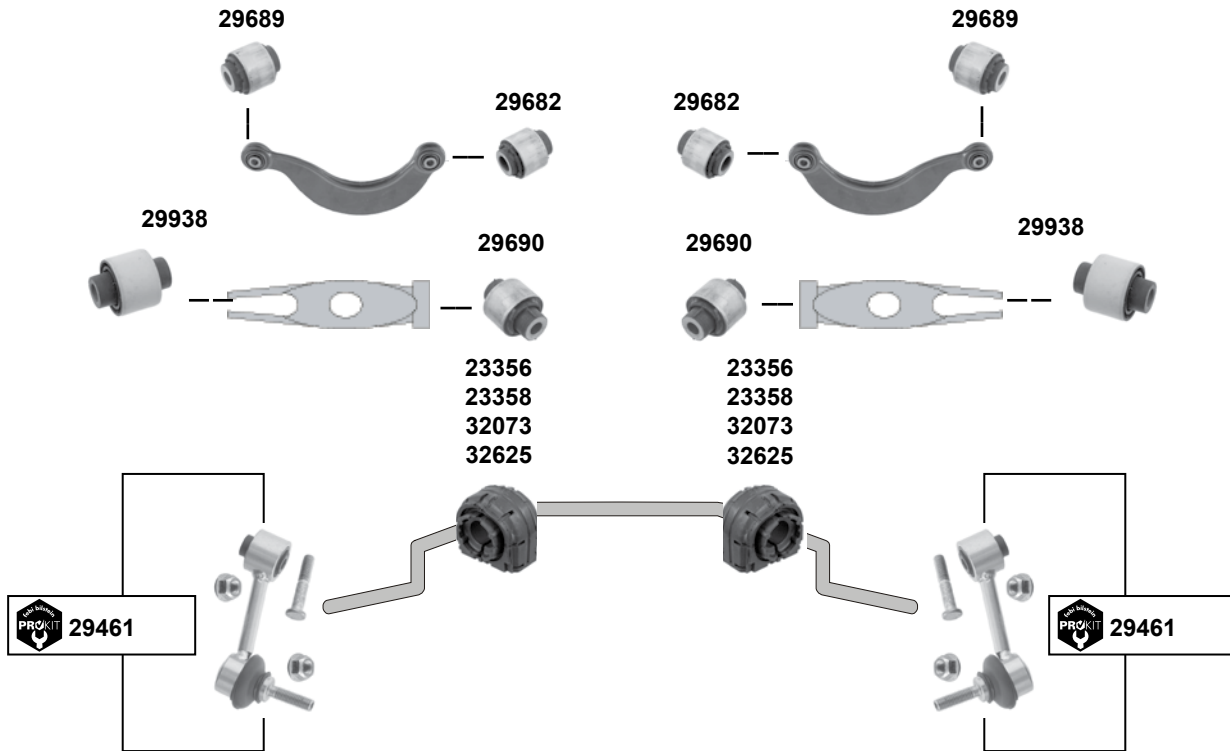
Hinterachse / Rear axle





## Golf 6 Cabrio (51)

(2011 →)



## Golf 7 (5G)

(2012 →)



(1) nur paarweise tauschen / replace in pairs only

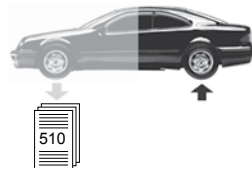


Ref. - No.

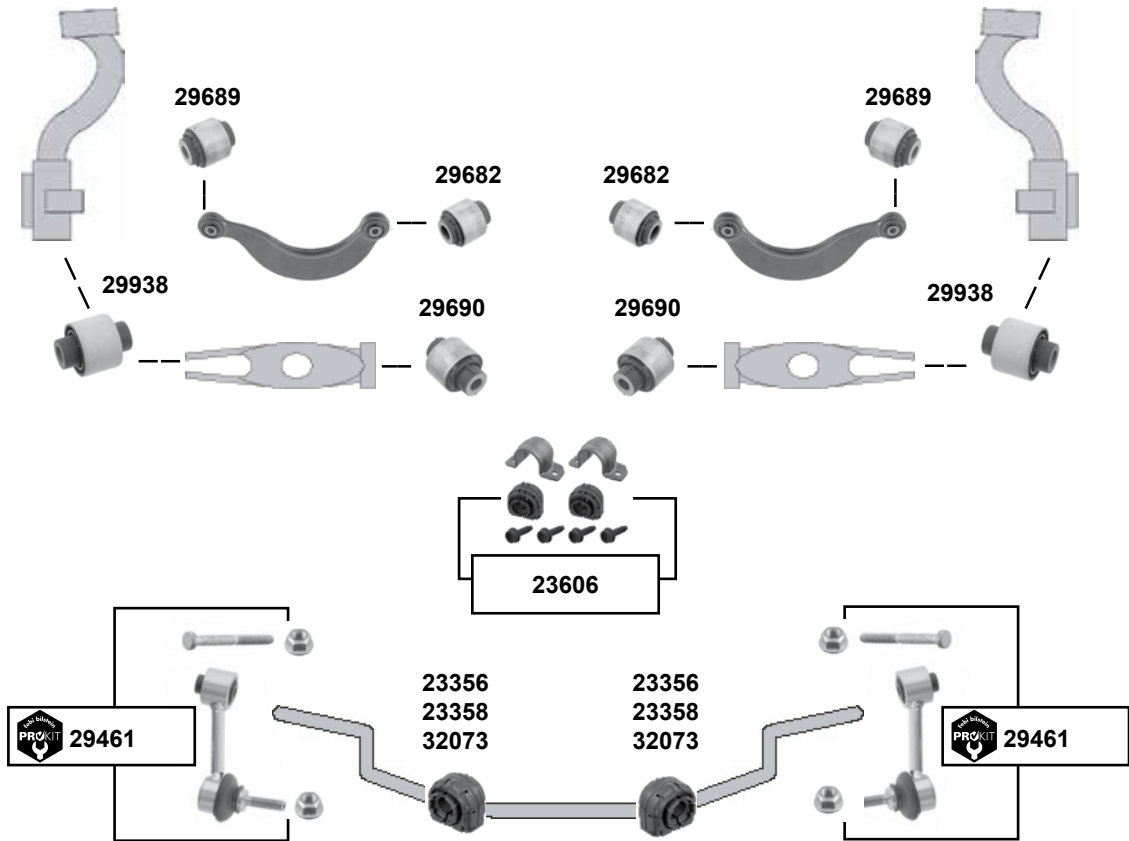


Ref. - No.	Description	Quantity	Dimensions
23356	Stabilisatorlager / stabilizer mount		Ø I 18,5
23358	Stabilisatorlager / stabilizer mount	(1)	Ø A 20,7
29461	ProKit Verbindungsstange / connecting rod		L 95,5
29682	Querlenkerlager oben / control arm mount upper		Ø A 38 H45
29689	Querlenkerlager oben / control arm mount upper		Ø A 38,5
29690	Querlenkerlager unten / control arm mount lower		Ø A 42
29938	Querlenkerlager außen / control arm mount outer		Ø A 37 H50
32073	Stabilisatorlager hinten / stabilizer mount rear	(1)	Ø A 19,6
32453	Querlenker oben / control arm upper		
32625	Stabilisatorlager / stabilizer mount	(1)	Ø A 21,7

Hinterachse / Rear axle



## Jetta 3 / syncro (1K) (2006 → 2010)



(1) nur paarweise tauschen / replace in pairs only

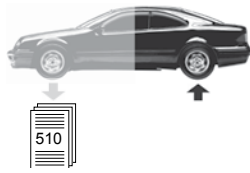
Beachten Sie bitte die Abmessung / please pay attention to the dimension



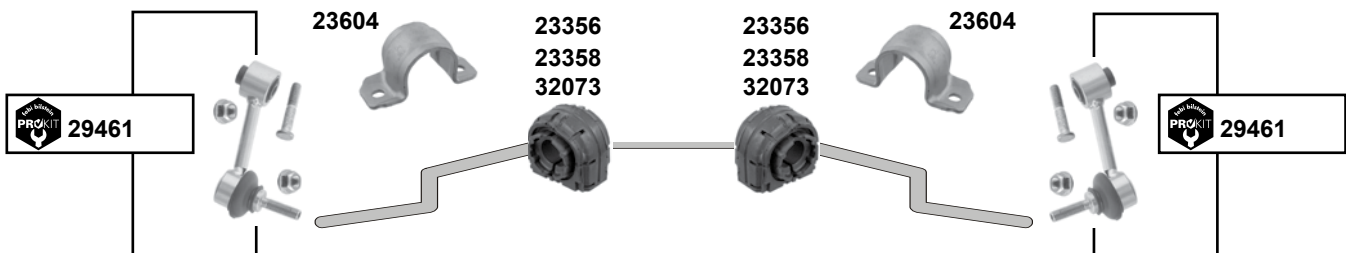
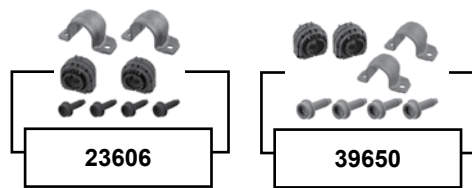
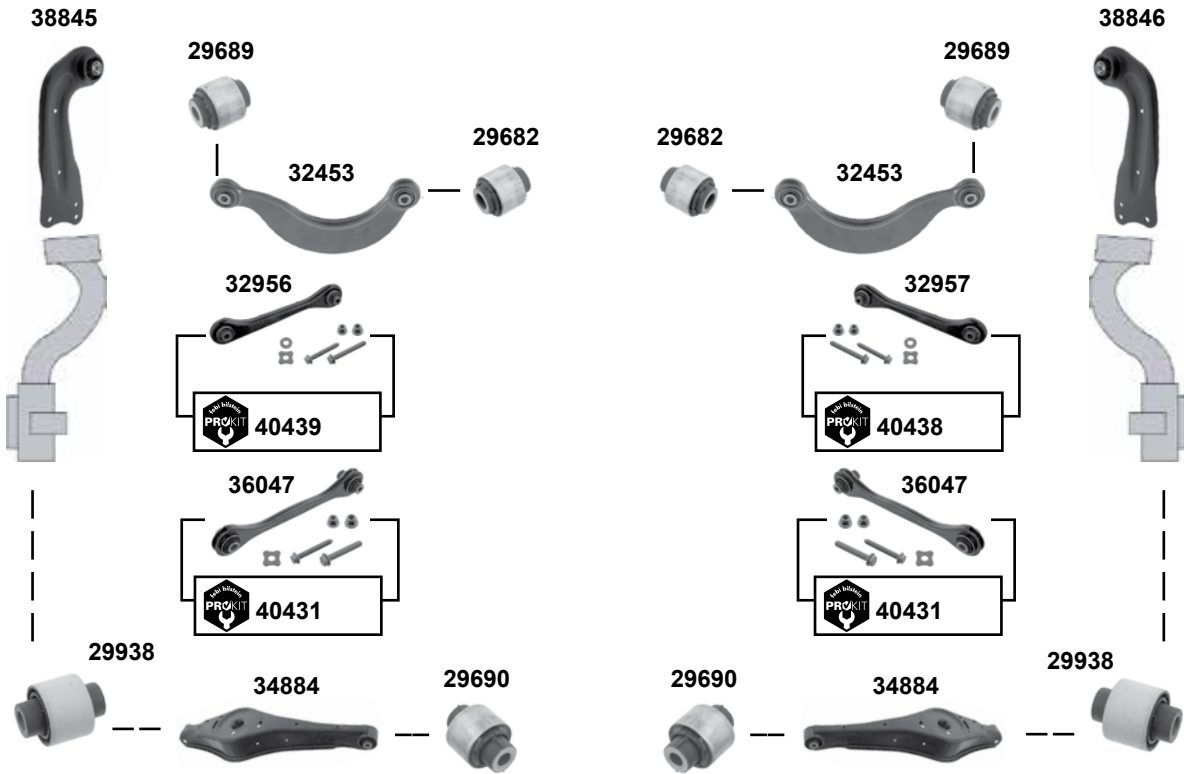
Ref. - No.



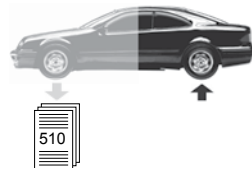
Ref. - No.	Description	Quantity	Notes	Dimensions
<b>23356</b>	1K0 511 327 AP Stabilisatorlager / stabilizer mount	(1)		Ø   18,5
<b>23358</b>	1K0 511 327 AR Stabilisatorlager / stabilizer mount	(1)		Ø   20,7
<b>23606</b>	1K0 511 327 AP S1 Stabilisatorlagersatz / anti roll bar bush kit	paarweise tauschen		Ø   18,5
<b>29461</b>	1K0 505 465 K S1 ProKit Verbindungsstange / connecting rod			
<b>29682</b>	1K0 505 203 A Querlenkerlager oben / control arm mount upper	→ 2008		Ø A 38 H45
<b>29689</b>	1K0 505 279 A Querlenkerlager oben / control arm mount upper	→ 2008		Ø A 38,5
<b>29690</b>	1K0 505 171 C Querlenkerlager unten / control arm mount lower			Ø A 42
<b>29938</b>	1K0 505 553 A Querlenkerlager außen / control arm mount outer			Ø A 37 H50
<b>32073</b>	1K0 511 327 AQ Stabilisatorlager / stabilizer mount	(1)		Ø   15/17



## Jetta (1K) (2006 →)



Hinterachse / Rear axle



## Jetta (1K) (2006 →)

- (1)** nur paarweise tauschen / replace in pairs only
- (2)** → 09 / (ch.) → 1K-9-091 375
- (3)** → 10/2010 / (ch.) 1K-9-091 376 → / 04/2010 →
- (4)** (ch.) 1K-9-091 376 →
- (5)** (ch.) → 1K-9-091 375

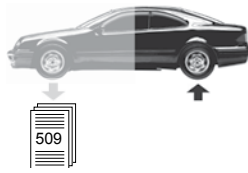


Ref. - No.



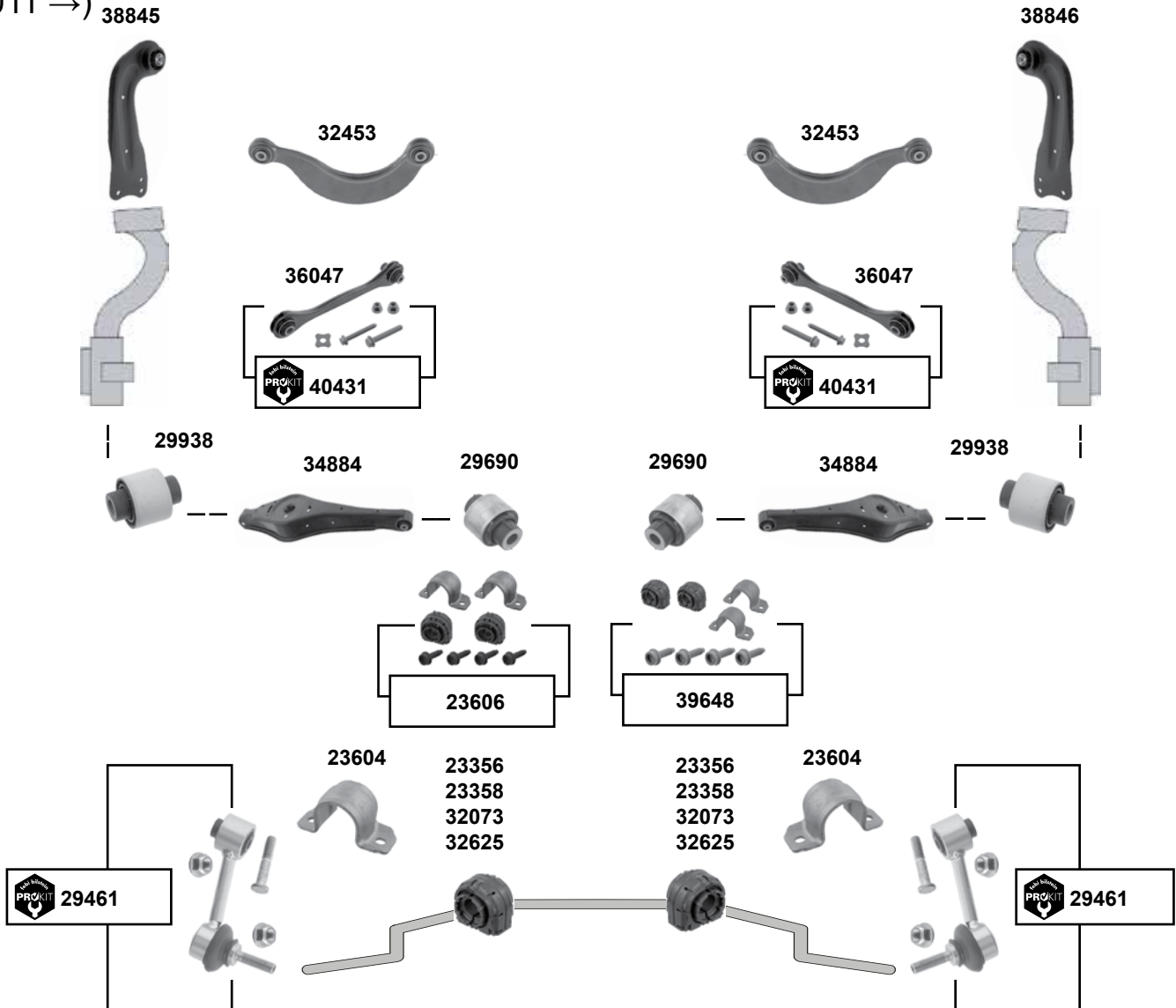
Ref. - No.	Description	Quantity	Material
23356	1K0 511 327 AP Stabilisatorlager / stabilizer mount	(1)	18,5x2,5
23358	1K0 511 327 AR Stabilisatorlager / stabilizer mount	(1)	20,7x2,8
23604	1K0 511 439 E Klemmschelle / clamping clip		
23606	1K0 511 327 AP S1 Stabilisatorlagersatz / anti roll bar bush kit	(1)	Ø I 18,5
29461	1K0 505 465 K S1 ProKit Verbindungsstange / connecting rod		L 95,5
29682	1K0 505 203 A Querlenkerlager oben / control arm mount upper	→ 2008	Ø A 38 H 45
29689	1K0 505 279 A Querlenkerlager oben / control arm mount upper	→ 2008	Ø A 38,5 H 45
29690	1K0 505 171 C Querlenkerlager unten / control arm mount lower		Ø A 42 H
29938	1K0 505 553 A Querlenkerlager außen / control arm mount outer		Ø A 37 H 50
32073	1K0 511 327 AQ Stabilisatorlager hinten / stabilizer mount rear	(1)	Ø I 15
32453	1K0 505 323 N Querlenker oben / control arm upper		Metall
32956	1K0 501 529 F Querlenker mit Gummilagern / control arm with rubber mounts	(2)	
32957	1K0 501 530 C Querlenker mit Gummilagern / control arm with rubber mounts	(2)	
34884	1K0 505 311 AB Querlenker / control arm		
36047	1K0 501 529 J Querlenker mit Gummilagern / control arm with rubber mounts	(3)	Stahl
38845	1K0 505 223 K Querlenker / control arm		Blech
38846	1K0 505 224 K Querlenker / control arm		Blech
39650	1K0 511 327 AQ S1 Stabilisatorlagersatz / anti roll bar bush kit	(1) PR-0BJ	
40431	1K0 501 529 J S1 ProKit Querlenker / control arm	(4)	
40438	1K0 501 530 C S1 ProKit Querlenker / control arm	(5)	
40439	1K0 501 529 F S1 ProKit Querlenker / control arm	(5)	

Hinterachse / Rear axle



## Jetta (16)

(2011 →) 38845



Hinterachse / Rear axle



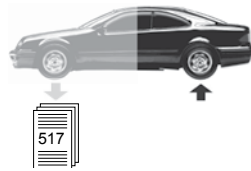
(1) nur paarweise tauschen / replace in pairs only



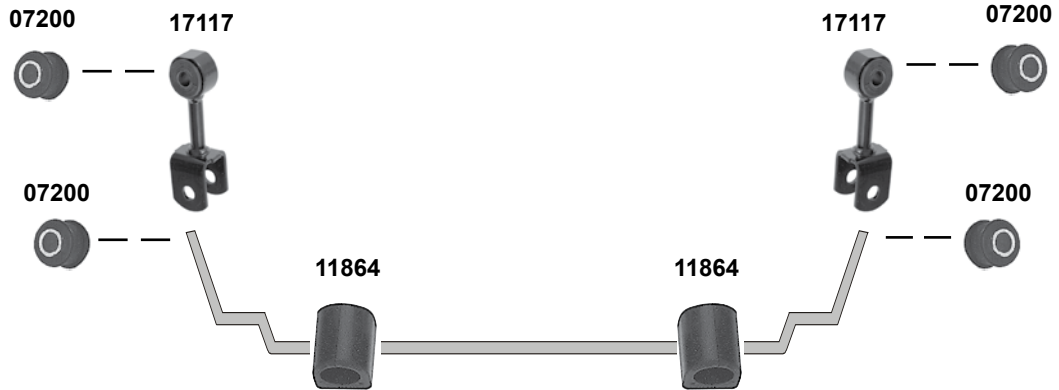
Ref. - No.



Ref. - No.	Description	Quantity	Dimensions / Material
23356	Stabilisatorlager / stabilizer mount	(1)	18,5x2,5
23358	Stabilisatorlager / stabilizer mount	(1)	20,7x2,8
23604	Klemmschelle / clamping clip		
23606	Stabilisatorlagersatz / anti roll bar bush kit	(1)	Ø I 18,5 L 95,5
29461	ProKit Verbindungsstange / connecting rod		
29690	Querlenkerlager unten / control arm mount lower		Ø A 42 H
29938	Querlenkerlager außen / control arm mount outer		Ø A 37 H 50
32073	Stabilisatorlager / stabilizer mount	(1)	Ø I 15/17
32453	Querlenker oben / control arm upper		
32625	Stabilisatorlager / stabilizer mount	(1)	Ø A 21,7
34884	Querlenker / control arm		
36047	Querlenker mit Gummilagern / control arm with rubber mounts		Stahl
38845	Querlenker / control arm		Blech
38846	Querlenker / control arm		Blech
39648	Stabilisatorlagersatz / anti roll bar bush kit	(1)	
40431	ProKit Querlenker / control arm	PR-0N4	



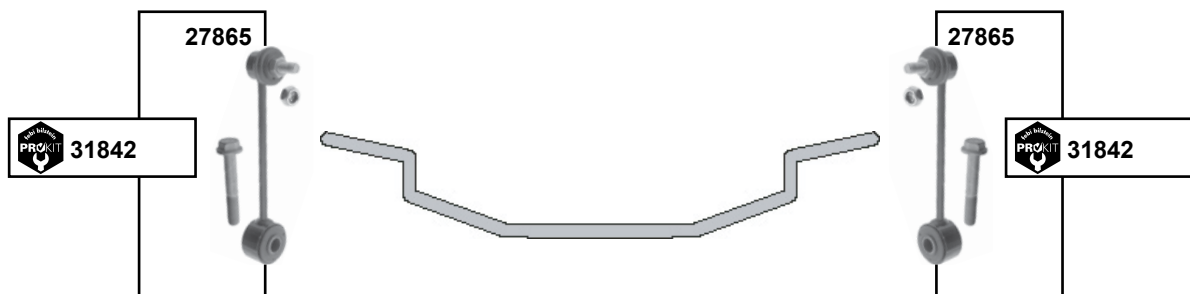
## LT 28 / LT 35 (2D) (1997 → 2007)



## LT 46 (1997 → 2007)

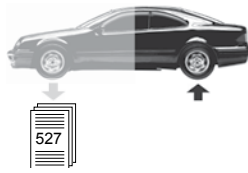


## New Beetle (1C/9C) (1999 → 2010)



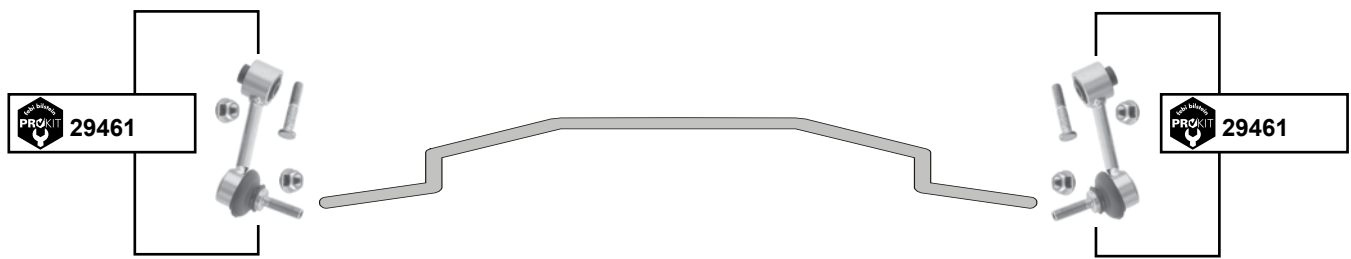
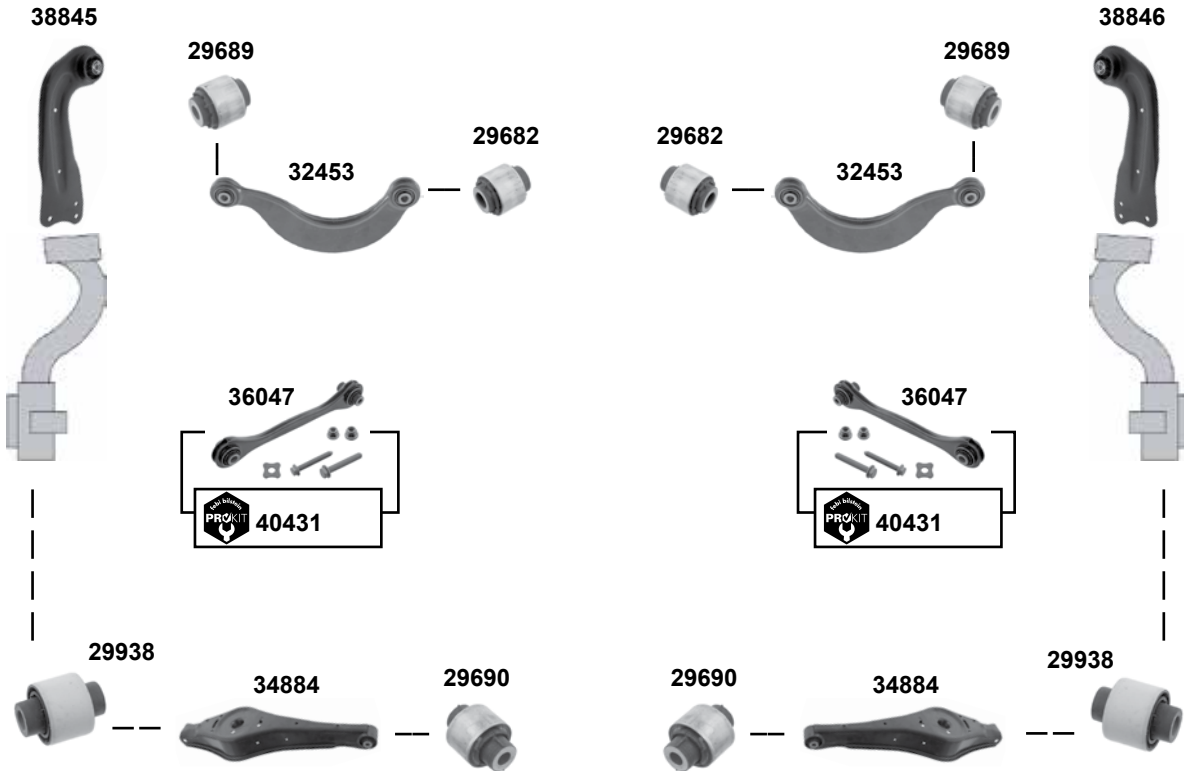
Hinterachse / Rear axle

	Ref. - No.			
<b>07200</b>	2D0 511 413	Stabilisatorlager / stabilizer mount		12x26x26
<b>11864</b>	2D0 511 413 A	Stabilisatorlager / stabilizer mount		Ø   23
<b>17117</b>	2D0 511 329	Verbindungsstange / connecting rod		
<b>27865</b>	1 J0 505 466 B	Verbindungsstange / connecting rod	RSI	L 208,4
<b>31842</b>	1 J0 505 466 B S1	ProKit Verbindungsstange / connecting rod	RSI	L 208,4



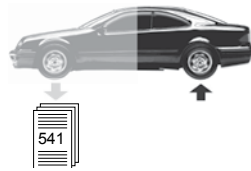
## New Beetle (5C)

(2010 →)



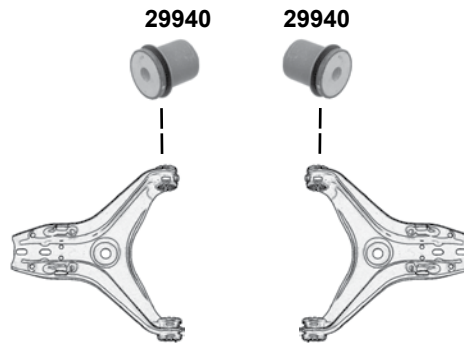
Hinterachse / Rear axle

	Ref. - No.			
29461	1K0 505 465 K S1	ProKit Verbindungsstange / connecting rod		L 95,5
29682	1K0 505 203 A	Querlenkerlager oben / control arm mount upper		Ø A 38 H 45
29689	1K0 505 279 A	Querlenkerlager oben / control arm mount upper		Ø A 38,5H45
29690	1K0 505 171 C	Querlenkerlager unten / control arm mount lower		Ø A 42 H 60
29938	1K0 505 553 A	Querlenkerlager außen / control arm mount outer		Ø A 37 H 50
32453	1K0 505 323 N	Querlenker oben / control arm upper		
34884	1K0 505 311 AB	Querlenker / control arm		
36047	1K0 501 529 J	Querlenker mit Gummilagern / control arm with rubber mounts	PR-0N4	Stahl
38845	1K0 505 223 K	Querlenker / control arm		Blech
38846	1K0 505 224 K	Querlenker / control arm		Blech
40431	1K0 501 529 J S1	ProKit Querlenker / control arm	PR-0N4	

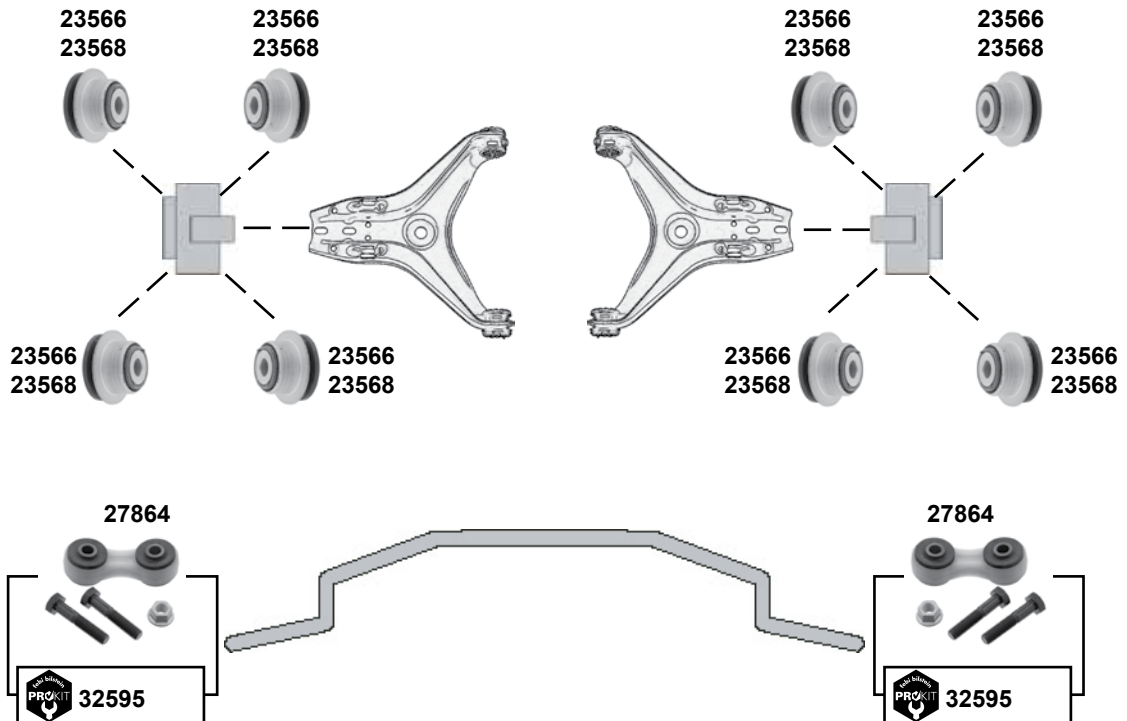


## Passat 4 / 4motion / variant (3B) (1998 → 2005)

### oben / upper



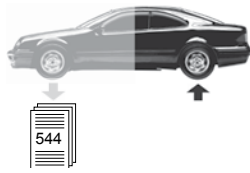
### unten / lower



Hinterachse / Rear axle

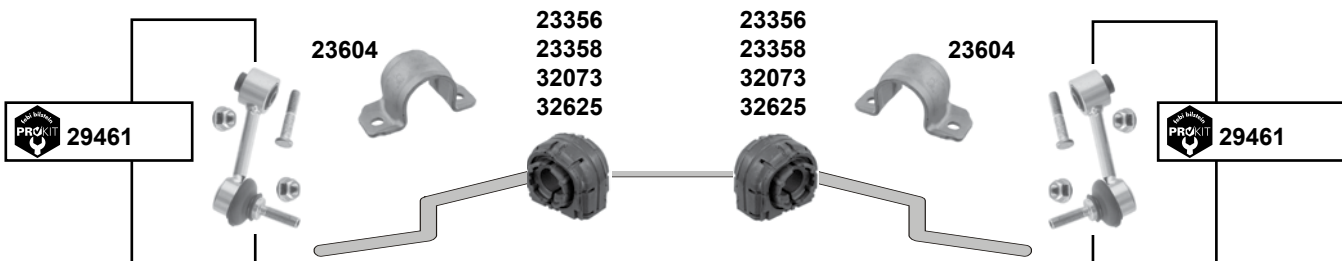
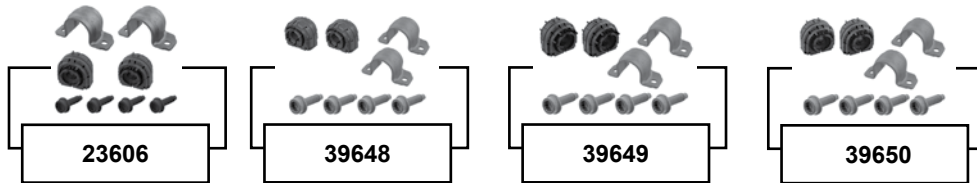
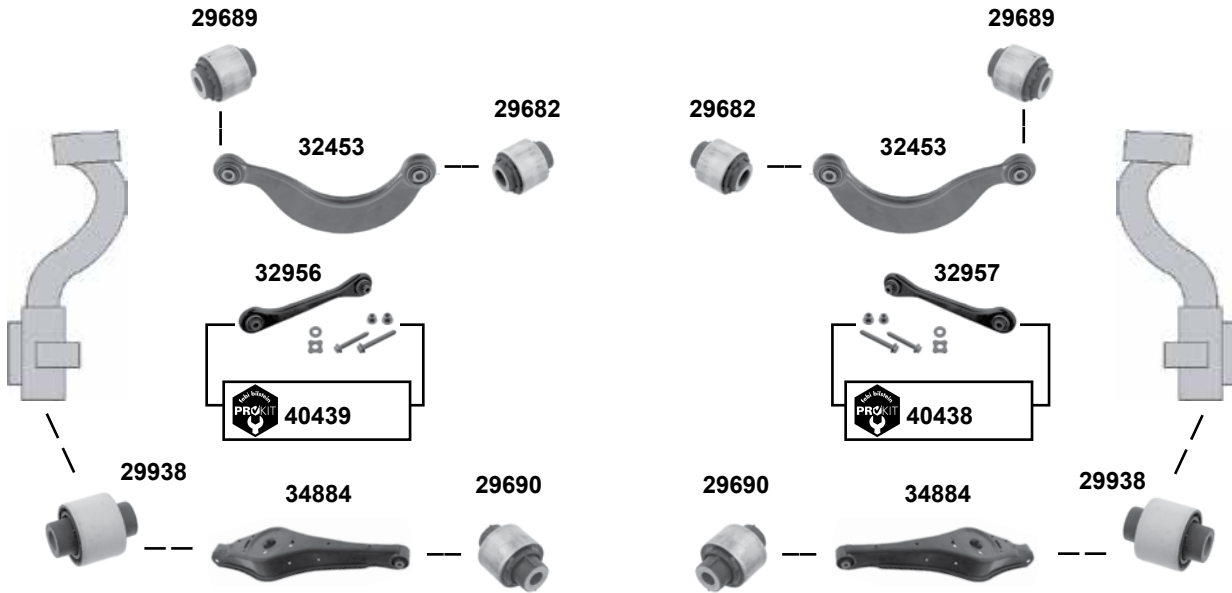
	Ref. - No.			
<b>23566</b>	8E0 505 172 B	Querlenkerlager / control arm mount	W8	
<b>23568</b>	8E0 505 172 A	Querlenkerlager / control arm mount	(ex.) W8	
<b>27864</b>	8E0 505 465 D	Verbindungsstange / connecting rod		L 98
<b>29940</b>	8E0 505 185 C	Querlenkerlager / control arm mount	2000 →	
<b>32595</b>	8E0 505 465 D S1	ProKit Verbindungsstange / connecting rod		L 98



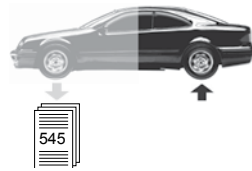


## Passat 5 / 4motion (3C)

(2006 →)



Hinterachse / Rear axle

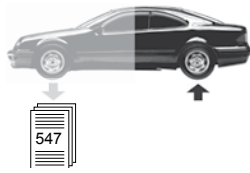


## Passat 5 / 4motion (3C) (2006 →)



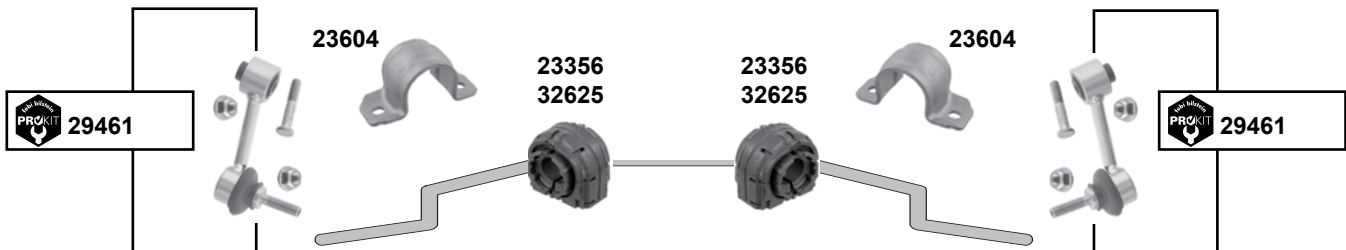
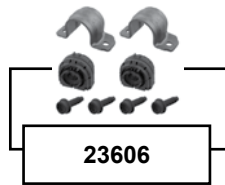
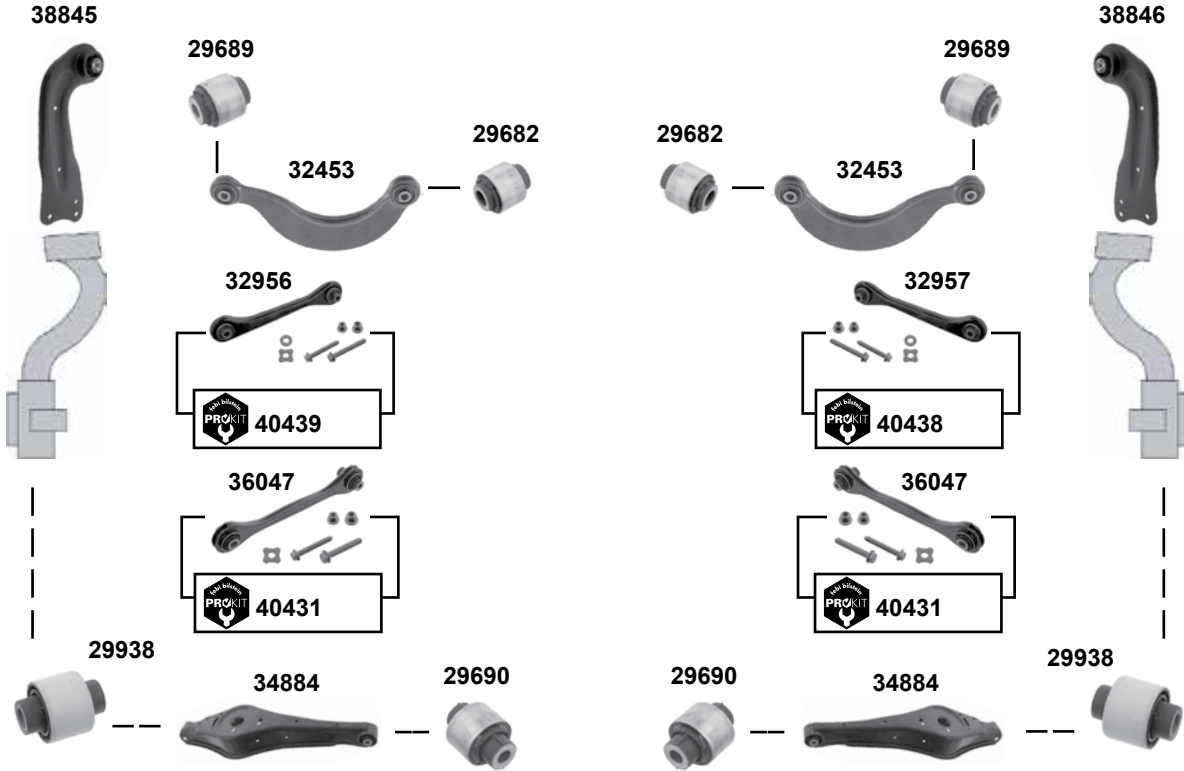
- (1) Passat 5 / variant / 4motion (3C) → 11 / Passat (Typ 36) / variant / 4motion 11 →
- (2) nur paarweise tauschen / replace in pairs only
- (3) (ch.) → 3C-6-050 000 / (ex.) Sport
- (4) PR-0BF, 0BE, 0BM  
(ch.) 3C-6-050 001 → / PR-1JB, 1JC, 1JK / Sport / HD

	Ref. - No.			
23356	1K0 511 327 AP	Stabilisatorlager / stabilizer mount	(2)	Ø I 18,5
23358	1K0 511 327 AR	Stabilisatorlager / stabilizer mount	(2)	Ø A 20,7
23604	1K0 511 439 E	Klemmschelle / Clamp	(1)	
23606	1K0 511 327 AP S1	Stabilisatorlagersatz / anti roll bar bush kit	(2)	
29461	1K0 505 465 K S1	ProKit Verbindungsstange / connecting rod	(1)	L 95,5
29682	1K0 505 203 A	Querlenkerlager oben / control arm mount upper		Ø A 38 H 45
29689	1K0 505 279 A	Querlenkerlager oben / control arm mount upper		Ø A 38,5 H 45
29690	1K0 505 171 C	Querlenkerlager unten / control arm mount lower		Ø A 42 H 60
29938	1K0 505 553 A	Querlenkerlager außen / control arm mount outer	→ 11	Ø A 37 H 50
32073	1K0 511 327 AQ	Stabilisatorlager hinten / stabilizer mount rear	(2)	Ø A 19,6
32453	1K0 505 323 N	Querlenker oben / control arm upper	→ 11	
32625	1K0 511 327 AS	Stabilisatorlager / stabilizer mount	(2)	Ø A 21,7
32956	1K0 501 529 F	Querlenker mit Gummilagern / control arm with rubber mounts	(1)	Blech
32957	1K0 501 530 C	Querlenker mit Gummilagern / control arm with rubber mounts	(1)	Blech
34884	1K0 505 311 AB	Querlenker / control arm		
39648	1K0 511 327 AR S1	Stabilisatorlagersatz / anti roll bar bush kit	(2) PR-0BE	
39649	1K0 511 327 AS S1	Stabilisatorlagersatz / anti roll bar bush kit	(2) (4)	
39650	1K0 511 327 AQ S1	Stabilisatorlagersatz / anti roll bar bush kit	(2) (3)	
40438	1K0 501 530 C S1	ProKit Querlenker / control arm		
40439	1K0 501 529 F S1	ProKit Querlenker / control arm		

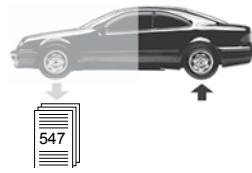


## Passat 6 / 4motion

(2012 →)



Hinterachse / Rear axle



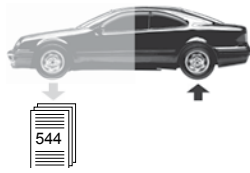
## Passat 6 / 4motion (2012 →)



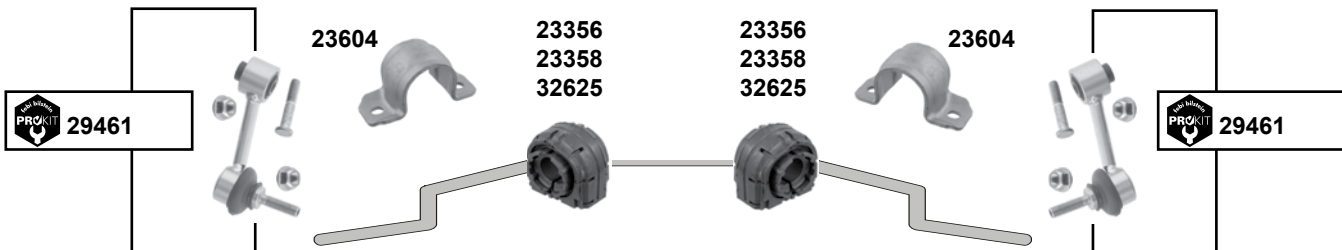
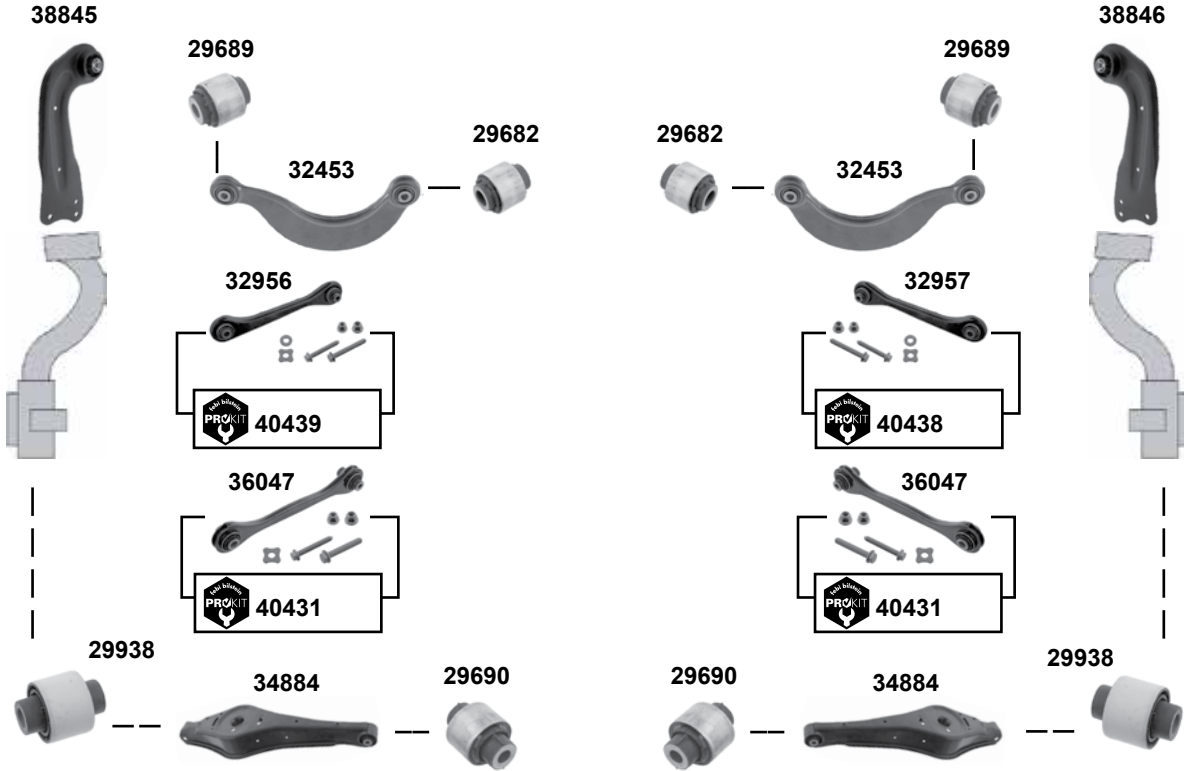
(1) nur paarweise tauschen / replace in pairs only

(2) PR-1JB, 1JC, 1JK, UA5, UC7, UC8 Sport / HD

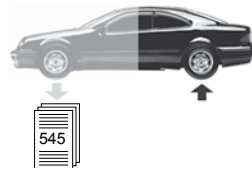
	Ref. - No.			
23356	1K0 511 327 AP	Stabilisatorlager / stabilizer mount	(1)	Ø I 18,5
23604	1K0 511 439 E	Klemmschelle / clamping clip		
23606	1K0 511 327 AP S1	Stabilisatorlagersatz / anti roll bar bush kit	(1)	Ø I 18,5
29461	1K0 505 465 K S1	ProKit Verbindungsstange / connecting rod		L 95,5
29682	1K0 505 203 A	Querlenkerlager oben / control arm mount upper		Ø A 38 H 45
29689	1K0 505 279 A	Querlenkerlager oben / control arm mount upper		Ø A 38,5H 45
29690	1K0 505 171 C	Querlenkerlager unten / control arm mount lower		Ø A 42
29938	1K0 505 553 A	Querlenkerlager außen / control arm mount outer		Ø A 37 H 50
32453	1K0 505 323 N	Querlenker oben / control arm upper	(1)	
32625	1K0 511 327 AS	Stabilisatorlager / stabilizer mount	(1)	Ø A 21,7
32956	1K0 501 529 F	Querlenker / control arm		Blech
32957	1K0 501 530 C	Querlenker / control arm		Blech
34884	1K0 505 311 AB	Querlenker / control arm		
36047	1K0 501 529 J	Querlenker mit Gummilagern / control arm with rubber mounts		Stahl
38845	1K0 505 223 K	Querlenker / control arm		Blech
38846	1K0 505 224 K	Querlenker / control arm		Blech
39649	1K0 511 327 AS S1	Stabilisatorlagersatz / anti roll bar bush kit	(1) (2)	
40431	1K0 501 529 J S1	ProKit Querlenker / control arm		
40438	1K0 501 530 C S1	ProKit Querlenker / control arm		
40439	1K0 501 529 F S1	ProKit Querlenker / control arm		



## Passat CC (3C) Scirocco (13) (2009 →)



Hinterachse / Rear axle

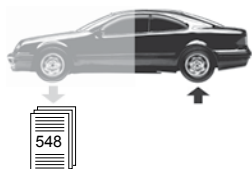


## Passat CC (3C) Scirocco (13) (2009 →)



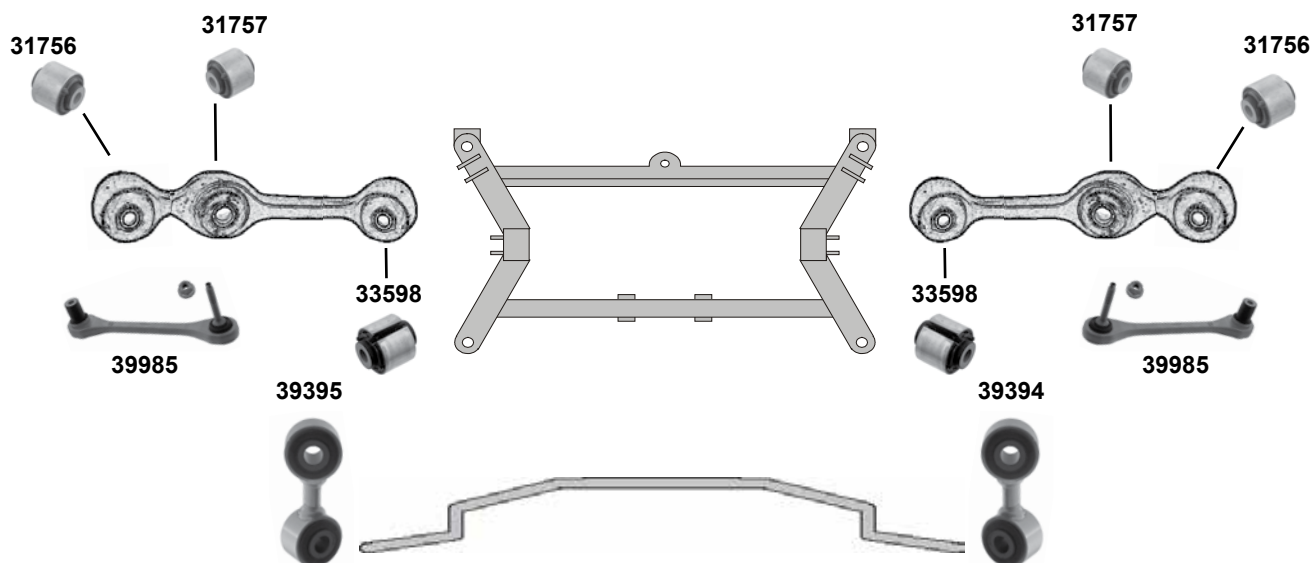
- (1) Passat CC / 4motion (3C) 09 → / Scirocco (13) / 09 (ch.) → 13-9-014-734
- (2) Passat (Typ 36) / variant / 4motion 11 → / Passat CC (3C) / Scirocco (13) 09 →
- (3) nur paarweise tauschen / replace in pairs only
- (4) Passat CC (ch.) → 3C-AE501 676 / (ch.) → 3C-AG500 003 // Scirocco PR-0BF, 0BM
- (5) Scirocco (ch.) 13-9-014 734 →
- (6) Scirocco (ch.) → 13-9-014 734

	Ref. - No.			
23356	1K0 511 327 AP	Stabilisatorlager / stabilizer mount	(3)	Ø I 18,5mm
23358	1K0 511 327 AR	Stabilisatorlager / stabilizer mount	(3)	Ø A 20,7
23604	1K0 511 439 E	Klemmschelle / clamp		
23606	1K0 511 327 AP S1	Stabilisatorlagersatz / anti roll bar bush kit	(3)	Ø I 18,5
29461	1K0 505 465 K S1	ProKit Verbindungsstange / connecting rod	(2)	L 95,5
29682	1K0 505 203 A	Querlenkerlager oben / control arm mount upper		Ø A 38 H 45
29689	1K0 505 279 A	Querlenkerlager oben / control arm mount upper		Ø A 38,5 H 45
29690	1K0 505 171 C	Querlenkerlager unten / control arm mount lower		Ø A 42 H 60
29938	1K0 505 553 A	Querlenkerlager außen / control arm mount outer		Ø A 37 H 50
32453	1K0 505 323 N	Querlenker oben / control arm upper	(2)	
32625	1K0 511 327 AS	Stabilisatorlager / stabilizer mount	(3)	Ø A 21,7
32956	1K0 501 529 F	Querlenker mit Gummilagern / control arm with rubber mounts	(1)	Blech
32957	1K0 501 530 C	Querlenker mit Gummilagern / control arm with rubber mounts	(1)	Blech
34884	1K0 505 311 AB	Querlenker / control arm		
36047	1K0 501 529 J	Querlenker mit Gummilagern / control arm with rubber mounts	Scirocco	Stahl
38845	1K0 505 223 K	Querlenker / control arm	Scirocco	Blech
38846	1K0 505 224 K	Querlenker / control arm	Scirocco	Blech
39648	1K0 511 327 AR S1	Stabilisatorlagersatz / anti roll bar bush kit	(3) PR-0BE	
39649	1K0 511 327 AS S1	Stabilisatorlagersatz / anti roll bar bush kit	(3) (4)	
40431	1K0 501 529 J S1	ProKit Querlenker / control arm	(5)	
40438	1K0 501 530 C S1	ProKit Querlenker / control arm	(6)	
40439	1K0 501 529 F S1	ProKit Querlenker / control arm	(6)	



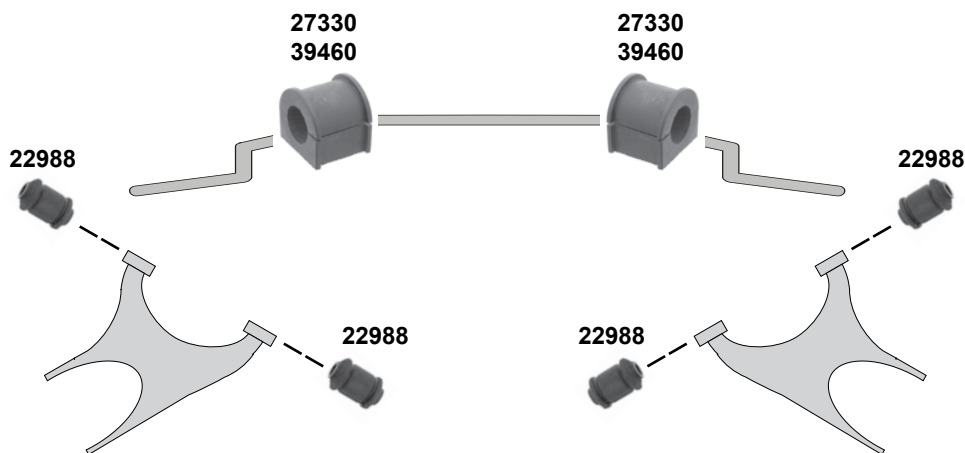
## Phaeton (3D)

(2002 →)



## Sharan (7M)

(1995 →)



Hinterachse / Rear axle



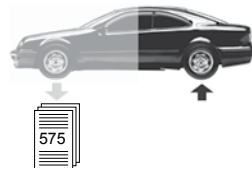
- (1) 09/1995 → 05/2000 Sport  
 03/2000 → 03/2010 Sport für Fahrzeuge mit Standard Fahrwerk / for vehicles with standard chassis  
 04/2000 → 03/2010 für Fahrzeuge mit Standard Fahrwerk / for vehicles with standard chassis



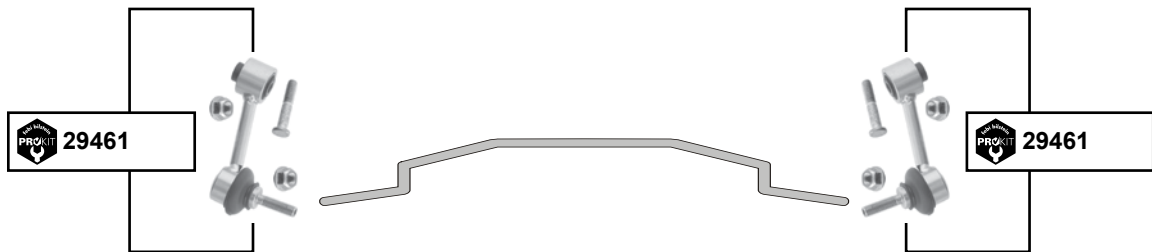
Ref. - No.



Ref. - No.	Description	Notes	Dimensions
27330	Stabilisatorlager / stabilizer mount	(ex.) Sport (ex.) PR-1BH	Ø   21
22988	Querlenkerlager / control arm mount		Ø   14 H 60
31756	Querlenkerlager / control arm mount		Ø   12 H 46
31757	Querlenkerlager / control arm mount		Ø   13 H 50
33598	Querlenkerlager / control arm mount		Ø   12 H 46
39394	Verbindungsstange / connecting rod		Ø   12 H 28
39395	Verbindungsstange / connecting rod		Ø   12 H 28
39460	Stabilisatorlager / stabilizer mount	(1) PR-1BE/1BH	Ø   22
39985	Querlenker / control arm	(ch.) 3D-4-008 501 →	M12 x 1,5



## Sharan (7N) (2011 →)

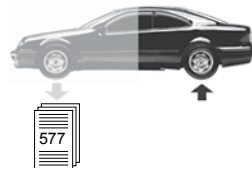


Hinterachse / Rear axle

	Ref. - No.			
<b>23604</b>	1K0 511 439 E	Klemmschelle / clamp		
<b>29461</b>	1K0 505 465 K S1	ProKit Verbindungsstange / connecting rod		L 95,5
<b>29682</b>	1K0 505 203 A	Querlenkerlager oben / control arm mount upper		ØA38H45
<b>29689</b>	1K0 505 279 A	Querlenkerlager oben / control arm mount upper		ØA 38,5H45
<b>32453</b>	1K0 505 323 N	Querlenker oben / control arm upper		





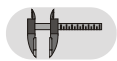


## Tiguan (5N) (2008 →)

- (1)** Tiguan / 4motion (5N) **(ch.)** → 5N-9G003 567 / **(ch.)** → 5N-9W058 242 / **(ch.)** → 5N-9W522 914
- (2)** 08 → 09 **(ch.)** → 5N-9G003 567 / **(ch.)** → 5N-9W058 242 / **(ch.)** → 5N-9G003 878  
09 → **(ch.)** 5N-9G010 000 → / **(ch.)** 5N-9W120 000 → / **(ch.)** 5N-9W550 000 →
- (3)** nur paarweise tauschen / replace in pairs only
- (4)** **(ch.)** → 5N-9G003 567 / **(ch.)** → 5N-9W058 242 / **(ch.)** → 5N-9G003 878  
**(ch.)** 5N-9G010 000 → / **(ch.)** 5N-9W120 000 → / **(ch.)** 5N-9W550 000 →
- (5)** **(ch.)** 5N-9G003 567 → **(ch.)** 5N-9W058 242 → **(ch.)** 5N-9W522 914 → / **(ch.)** → 5N-B-600 000
- (6)** **(ch.)** → 5N-9W522 914

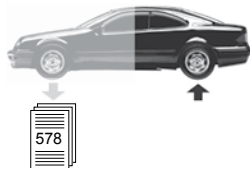


Ref. - No.



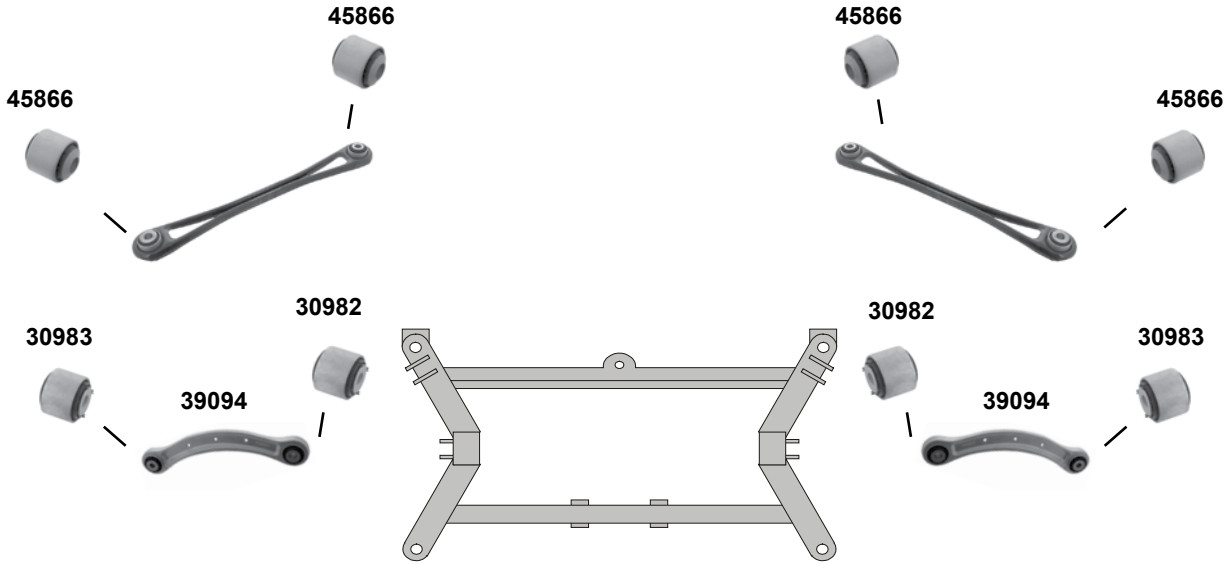
Ref. - No.	Description	Notes	Dimensions
<b>23356</b>	1K0 511 327 AP Stabilisatorlager / stabilizer mount		Ø I 18,5
<b>23358</b>	1K0 511 327 AR Stabilisatorlager / stabilizer mount	<b>(2) (3)</b>	Ø A 20,7
<b>23604</b>	1K0 511 439 E Klemmschelle / clamping clip		
<b>23606</b>	1K0 511 327 AP S1 Stabilisatorlagersatz / anti roll bar bush kit	<b>(3)</b>	Ø I 18,5
<b>29461</b>	1K0 505 465 K S1 ProKit Verbindungsstange / connecting rod		L 95,5
<b>29682</b>	1K0 505 203 A Querlenkerlager oben / control arm mount upper		Ø A 38 H45
<b>29689</b>	1K0 505 279 A Querlenkerlager oben / control arm mount upper		Ø A 38,5 H45
<b>29690</b>	1K0 505 171 C Querlenkerlager unten / control arm mount lower		Ø A 42 H60
<b>29938</b>	1K0 505 553 A Querlenkerlager außen / control arm mount outer		Ø A 37 H50
<b>32073</b>	1K0 511 327 AQ Stabilisatorlager hinten / stabilizer mount rear	<b>(3)</b>	Ø A 19,6
<b>32453</b>	1K0 505 323 N Querlenker oben / control arm upper		
<b>32625</b>	1K0 511 327 AS Stabilisatorlager / stabilizer mount	<b>(3)</b>	Ø A 21,7
<b>32956</b>	1K0 501 529 F Querlenker mit Gummilagern / control arm with rubber mounts	<b>(1) → 09</b>	Blech
<b>32957</b>	1K0 501 530 C Querlenker mit Gummilagern / control arm with rubber mounts	<b>(1) → 09</b>	Blech
<b>34884</b>	1K0 505 311 AB Querlenker / control arm		
<b>36047</b>	1K0 501 529 J Querlenker mit Gummilagern / control arm with rubber mounts	<b>(5)</b>	Stahl
<b>39648</b>	1K0 511 327 AR S1 Stabilisatorlagersatz / anti roll bar bush kit	<b>(3) (4) PR-0BE</b>	
<b>39649</b>	1K0 511 327 AS S1 Stabilisatorlagersatz / anti roll bar bush kit	<b>(3) PR-0BE</b>	
<b>39650</b>	1K0 511 327 AQ S1 Stabilisatorlagersatz / anti roll bar bush kit	<b>(3) → 09/PR-0BE</b>	
<b>40431</b>	1K0 501 529 J S1 ProKit Querlenker / control arm	<b>(1) → 09</b>	
<b>40438</b>	1K0 501 530 C S1 ProKit Querlenker / control arm	<b>(6)</b>	
<b>40439</b>	1K0 501 529 F S1 ProKit Querlenker / control arm	<b>(6)</b>	

Hinterachse / Rear axle

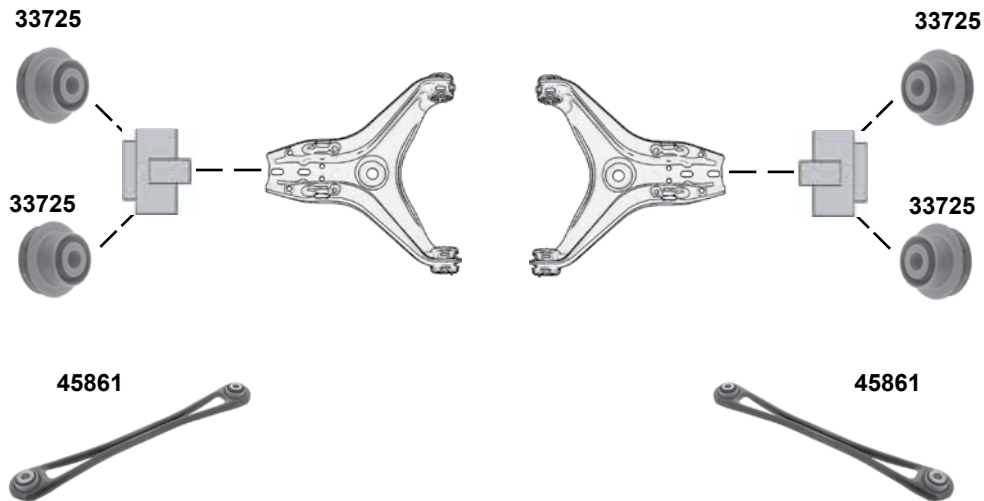


## Touareg (7L) (2003 →)

### oben / upper

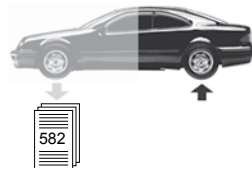


### unten / lower



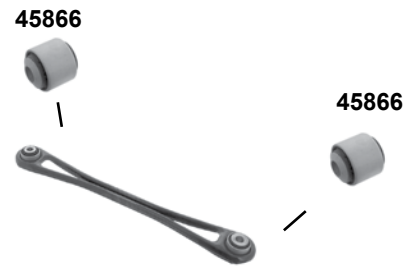
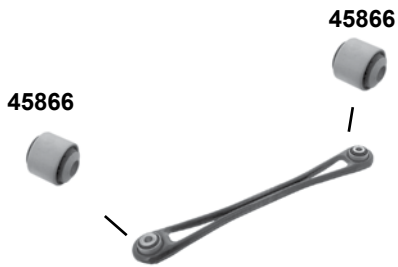
Hinterachse / Rear axle

	Ref. - No.			
<b>30982</b>	7L0 505 554	Querlenkerlager innen / control arm mount inner	Aluminium Blech / sheet	Ø A 44 H40 Ø A 44,5 H4 Ø A 40 H60
<b>30983</b>	7L0 505 553	Querlenkerlager außen / control arm mount outer		
<b>33725</b>	7L0 407 183 A	Querlenkerlager / control arm mount		
<b>39094</b>	7L0 505 323 A	Querlenker / control arm		
<b>45861</b>	7L8 501 529 A	Querlenker / control arm		
<b>45866</b>	7L0 501 537 B	Querlenkerlager / control arm mount		



**Touareg (7P)**  
(2010 →)

**oben / upper**



Hinterachse / Rear axle



(1) Für Fahrzeuge mit Komfortfahrwerk / for vehicles with comfort suspension // PR-1BW



**Ref. - No.**

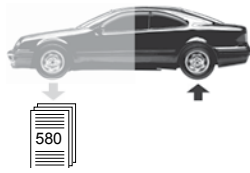


**39193** 7P0 511 413 A  
**45866** 7L0 501 537 B

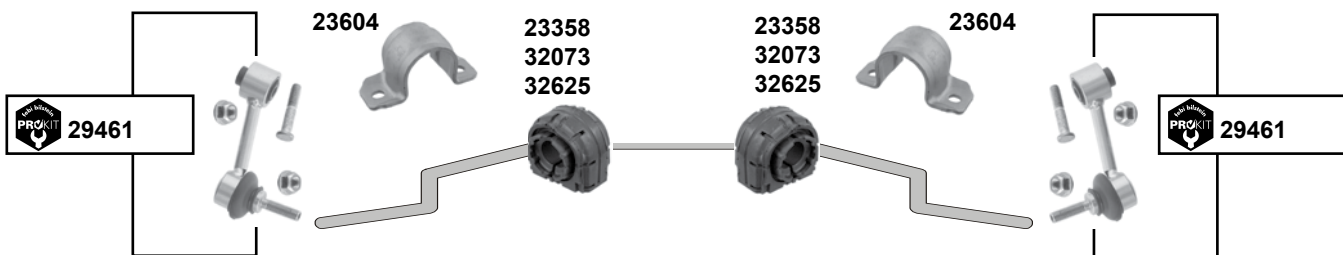
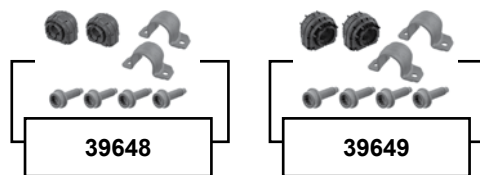
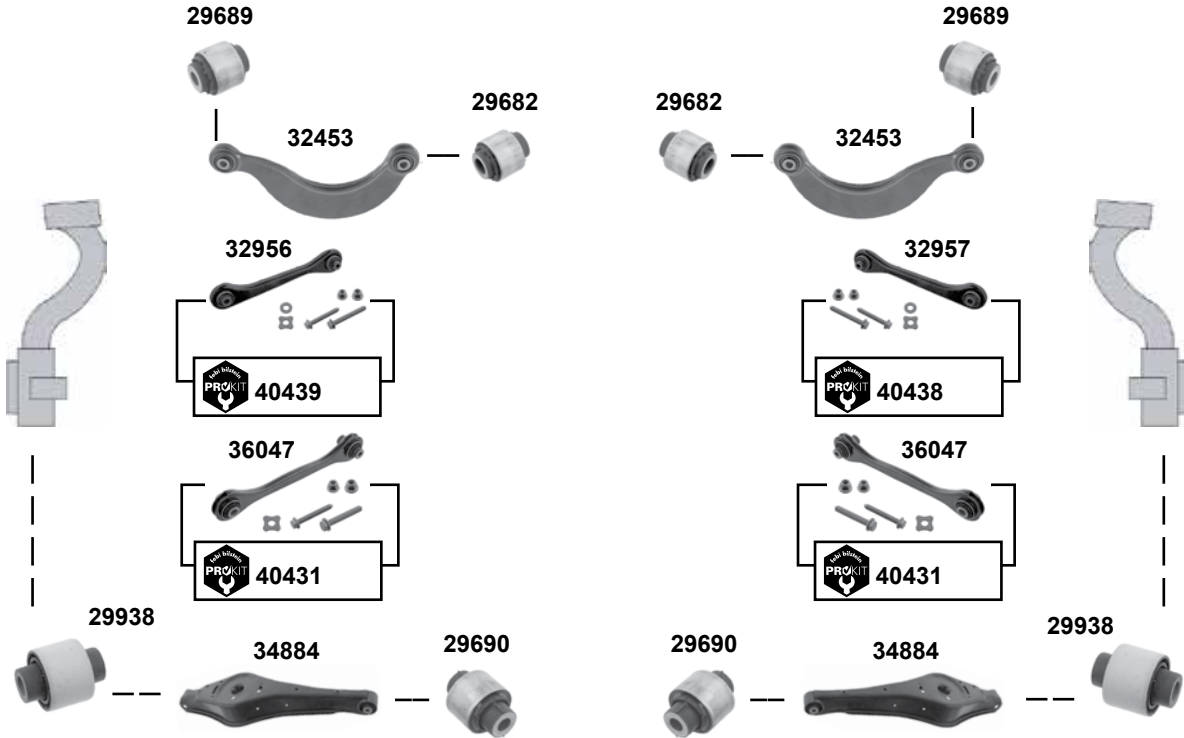
Stabilisatorlager / stabilizer mount  
Querlenkerlager / control arm mount

(1)

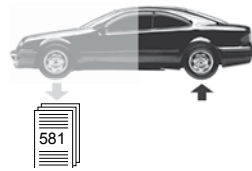
Ø 23,6



## Touran (1T) (2003 →)



Hinterachse / Rear axle

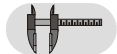


## Touran (1T) (2003 →)

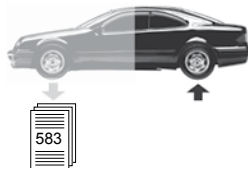
- (1)** (ch.) → 1T-9-068 180 / (ch.) → 1T-9-090 000
- (2)** 03 → (ex.) mot. BSX/CDGA = Erdgas / gas // 08 → 10 (ch.) 1T-8 085 001 → 1T-A-060 000 / BSX/CDGA
- (3)** nur paarweise tauschen / replace in pairs only
- (4)** 06 → (ch.) → 1T-8-085 001 / → (ch.) 1T-A-060 000
- (5)** (ch.) 1T-7-000 001 → / PR-2H0
- (6)** (ch.) 1T-9-068 180 → / (ch.) 1T-9-090 000 →



Ref. - No.

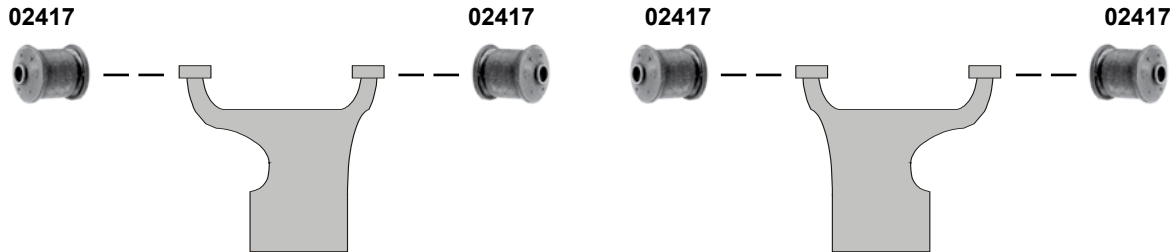


	Ref. - No.			
<b>23358</b>	1K0 511 327 AR	Stabilisatorlager / stabilizer mount	<b>(2) (3)</b>	Ø A 20,7
<b>23604</b>	1K0 511 439 E	Klemmschelle / Clamp		
<b>29461</b>	1K0 505 465 K S1	ProKit Verbindungsstange / connecting rod		
<b>29682</b>	1K0 505 203 A	Querlenkerlager oben / control arm mount upper		Ø A 38 H 45
<b>29689</b>	1K0 505 279 A	Querlenkerlager oben / control arm mount upper		Ø A 38,5 H 45
<b>29690</b>	1K0 505 171 C	Querlenkerlager unten / control arm mount lower		Ø A 42 H 60
<b>29938</b>	1K0 505 553 A	Querlenkerlager außen / control arm mount outer		Ø A 37 H 50
<b>32073</b>	1K0 511 327 AQ	Stabilisatorlager hinten / stabilizer mount rear		Ø I 15/17
<b>32453</b>	1K0 505 323 N	Querlenker oben / control arm upper		
<b>32625</b>	1K0 511 327 AS	Stabilisatorlager / stabilizer mount	<b>(3)</b>	Ø A 21,7
<b>32956</b>	1K0 501 529 F	Querlenker mit Gummilagern / control arm with rubber mounts	<b>(1)</b>	
<b>32957</b>	1K0 501 530 C	Querlenker mit Gummilagern / control arm with rubber mounts	<b>(1)</b>	
<b>34884</b>	1K0 505 311 AB	Querlenker / control arm		
<b>36047</b>	1K0 501 529 J	Querlenker mit Gummilagern / control arm with rubber mounts	<b>(ch.) 1T-9-090 001 →</b>	Stahl
<b>39648</b>	1K0 511 327 AR S1	Stabilisatorlagersatz / anti roll bar bush kit	<b>(3) (4) PR-0BE</b>	
<b>39649</b>	1K0 511 327 AS S1	Stabilisatorlagersatz / anti roll bar bush kit	<b>(3) (5)</b>	
<b>40431</b>	1K0 501 529 J S1	ProKit Querlenker / control arm	<b>(6)</b>	
<b>40438</b>	1K0 501 530 C S1	ProKit Querlenker / control arm	<b>(1)</b>	
<b>40439</b>	1K0 501 529 F S1	ProKit Querlenker / control arm	<b>(1)</b>	



## Transporter Typ 3 (24)

(1980 → 1992)



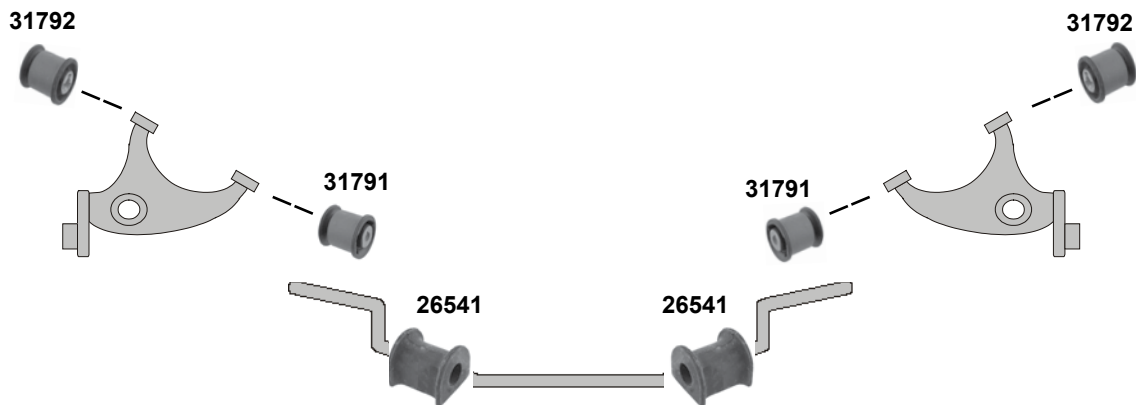
## Transporter T4 / Multivan

(1990 → 2003)



## Transporter T5 / Multivan

(2003 →)



Hinterachse / Rear axle



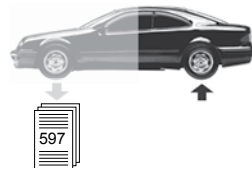
(1) (ex.) zulässiges Gesamtgewicht 3.2 t / (ex.) maximum load 3.2 t (PR-0WR)



Ref. - No.

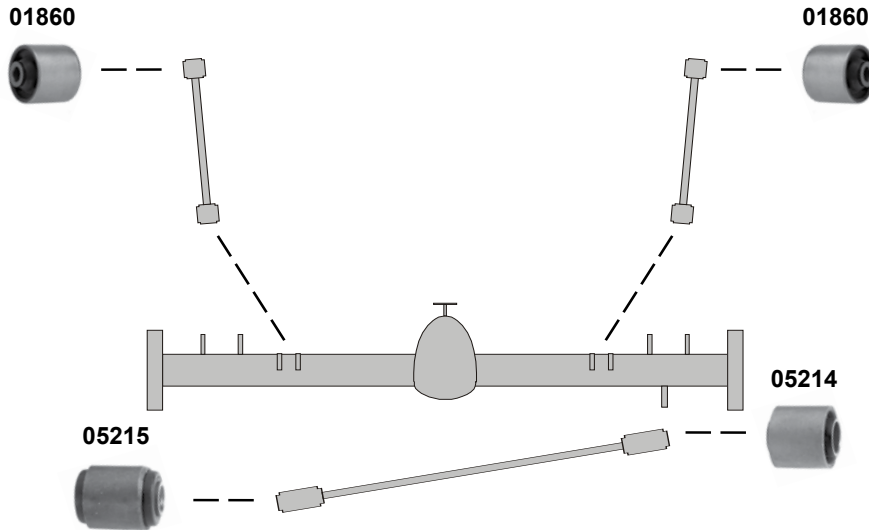


02417	251 501 131 A	Querlenkerlager / control arm mount		12x47x75
26541	7H0 511 414	Stabilisatorlager / stabilizer mount		Ø 24
31791	7H0 501 132 A	Achslenklerlager / axle link mount	(1)	Ø 14 H 75
31792	7H0 501 131 A	Achslenklerlager / axle link mount	(1)	Ø 14 H 75
36005	701 501 131	Querlenkerlager / control arm mount		Ø 14 H 75

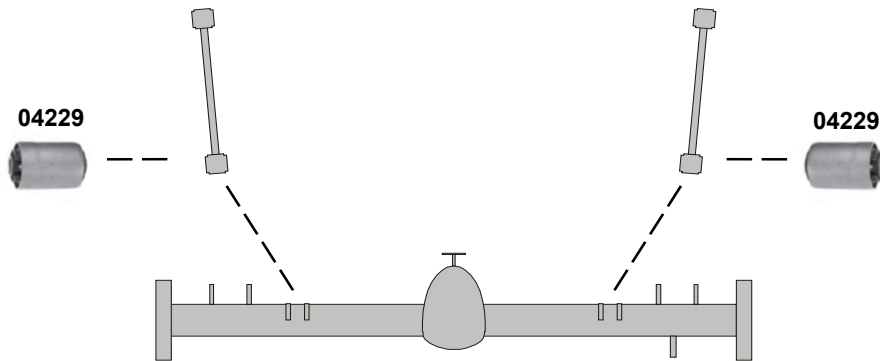


**240 → 260**  
(1981 → 1992)

**Starrachse / rigid axle: oben / upper**



**Starrachse / rigid axle: unten / lower**



Hinterachse / Rear axle



- (1) 242 (ch.) 205101 → / 244 (ch.) 675001 →
- 245 (ex.) Turbo (ch.) 362901 →
- 262 / 264 (ch.) 122298 →
- 265 (ch.) 30465 →



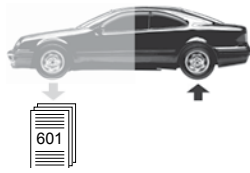
Ref. - No.



<b>01860</b>	1273622	Gummilager / rubber mount	(1)	12x48x37/50
<b>04229</b>	1229165	Gummilager / rubber mount		Ø A 57
<b>05214</b>	1330427	Gummilager / rubber mount		Ø A 40,5
<b>05215</b>	1330973	Gummilager / rubber mount		Ø A 40



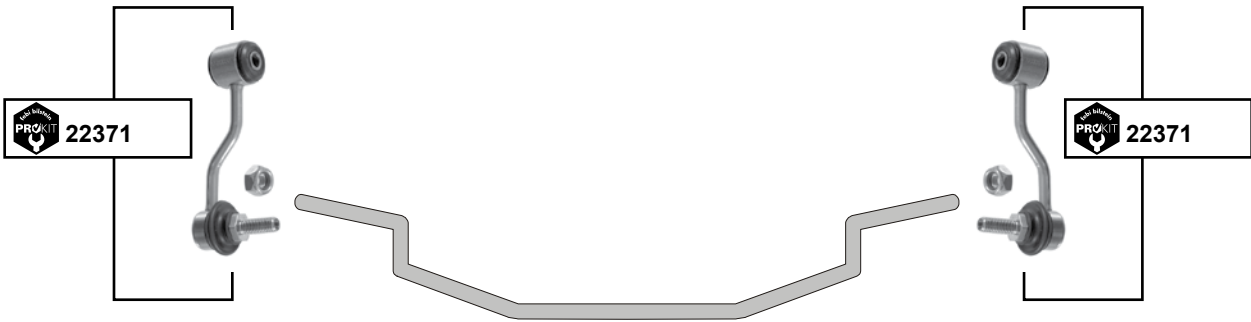
# VOLVO



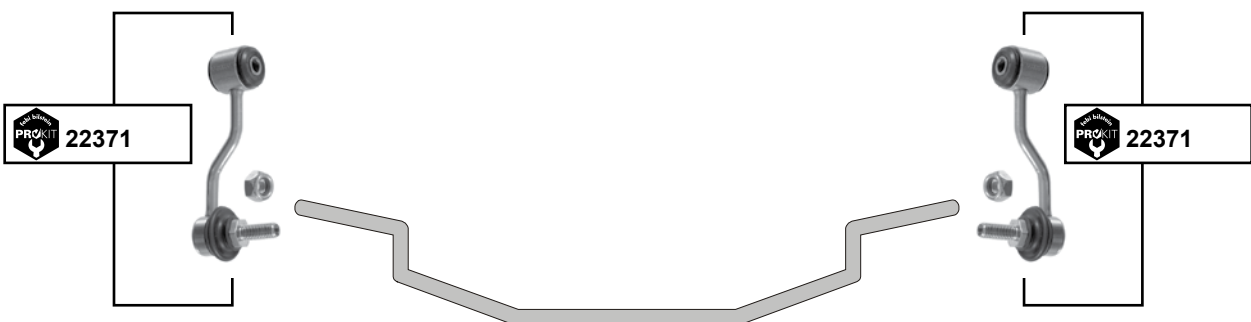
Car  
Division



**440 → 460**  
(1988 → 1995)



**480**  
(1986 → 1994)



Hinterachse / Rear axle



Ref. - No.

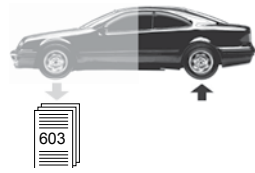


22371

3434868

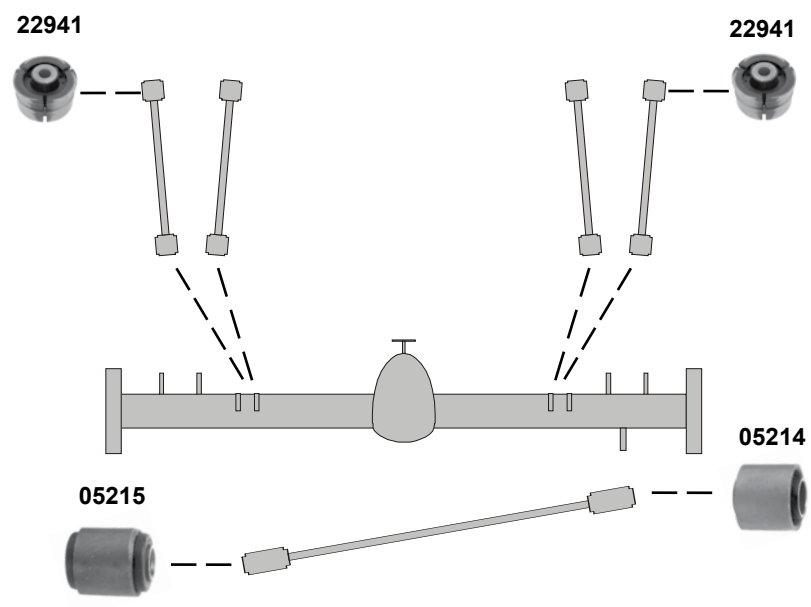
ProKit Verbindungsstange / connecting rod

L 100







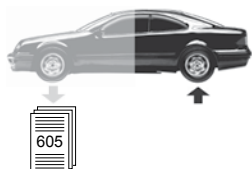
**740 → 760**  
(1985 → 1992)

**Starrachse / Rigid axle**



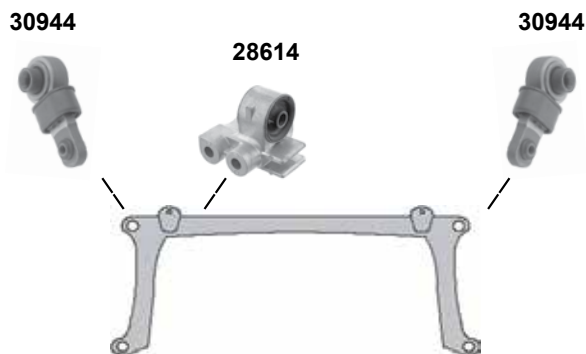
Hinterachse / Rear axle

	Ref. - No.			
<b>05214</b>	1330427	Gummilager / rubber mount		Ø A 40,5
<b>05215</b>	1330973	Gummilager / rubber mount		Ø A 40
<b>22941</b>	1273628	Gummilager / rubber mount	5türlich / 5 door	12x56x35

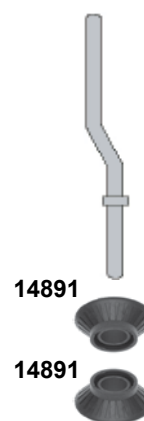
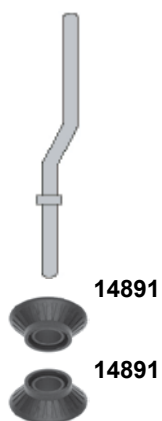


**850**  
(1991 → 1997)

## Vorderradantrieb / Front Wheel Drive



## Allrad / 4 Wheel Drive (AWD)



Hinterachse / Rear axle



Ref. - No.

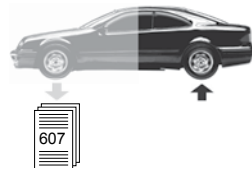


**14891** 6819057  
**28614** 9181013  
**30944** 3516122

Zugstrebenlager / tie arm bush  
Halterung / Support  
Gelenk für Hinterachskörper / joint for rear subframe

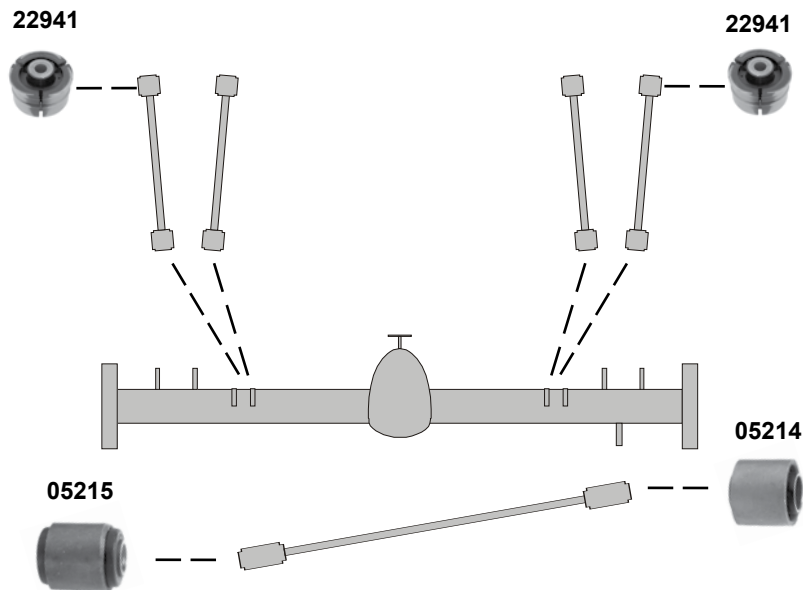
(ex.) 4WD

17x52x26,5



**940 → 960**  
(1991 → 1998)

**Starrachse / Rigid axle**



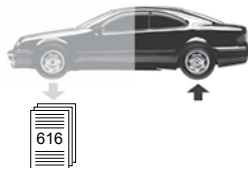
**C 70 I**  
(1997 → 2005)

28614

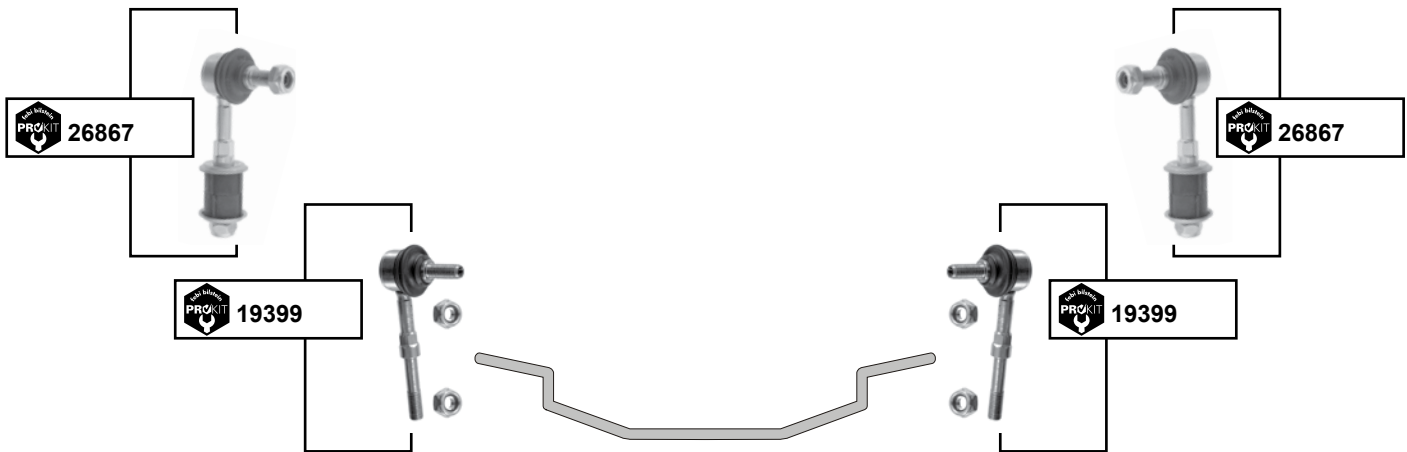
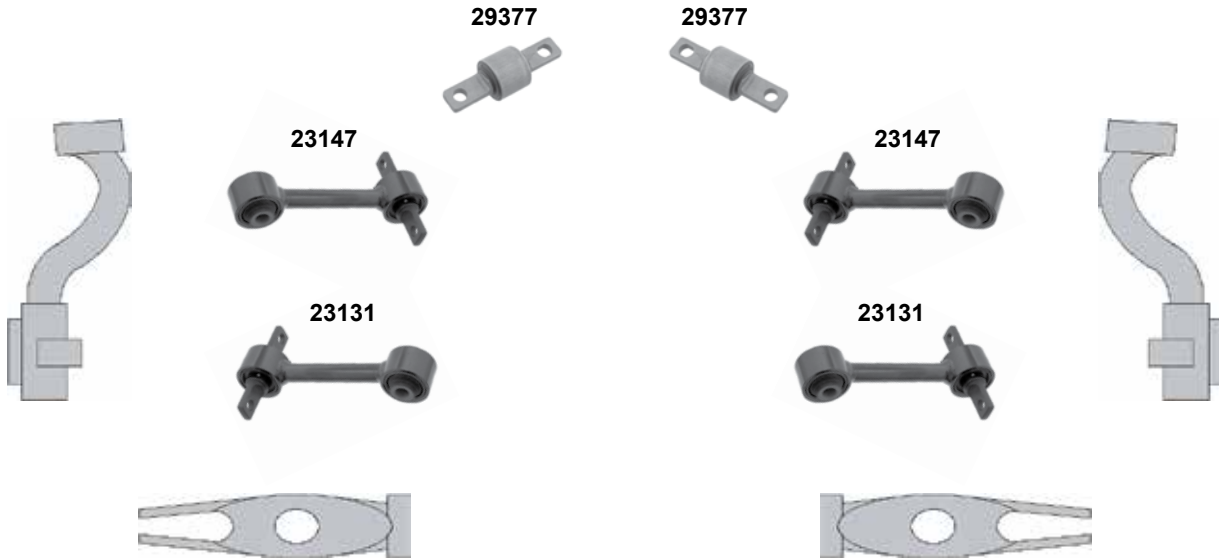


Hinterachse / Rear axle

	Ref. - No.			
05214	1330427	Gummilager / rubber mount	5türig / 5 door → Mod.93 (ex.) 4WD	Ø A 40,5
05215	1330973	Gummilager / rubber mount		Ø A 40
22941	1273628	Gummilager / rubber mount		12x56/63x35
28614	9181013	Halterung / support		

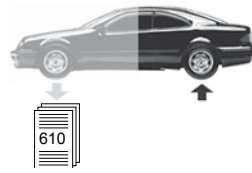


## S 40 I / V 40 I (1995 → 2003)



Hinterachse / Rear axle

	Ref. - No.			
<b>19399</b>	30884359	ProKit Verbindungsstange / connecting rod		L 102,5
<b>23131</b>	30620785	Achsstrebe unten / axle rod lower		
<b>23147</b>	30620786	Achsstrebe oben / axle rod upper	modell 1998 →	
<b>26867</b>	30884359 S1	ProKit Verbindungsstange kompl. / connecting rod compl.	modell → 1998	
<b>29377</b>	30818096 S1	Querlenkerlager oben / control arm mount upper		



**C 30 / C 70 II / S 40 II / V 50**  
(2004 →)

23047



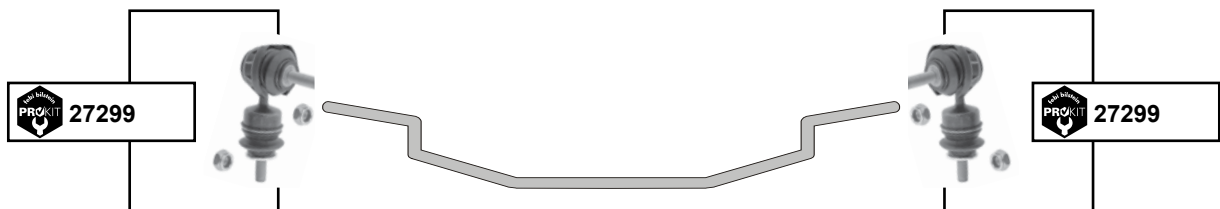
23047



24211

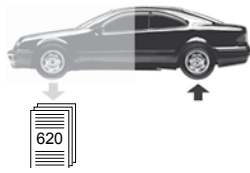


24211

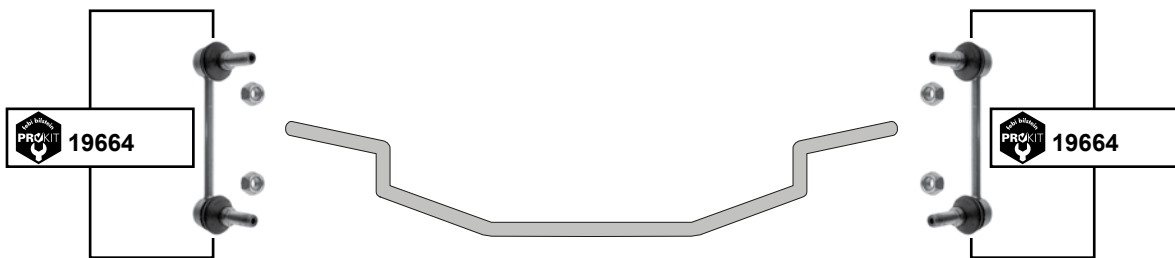
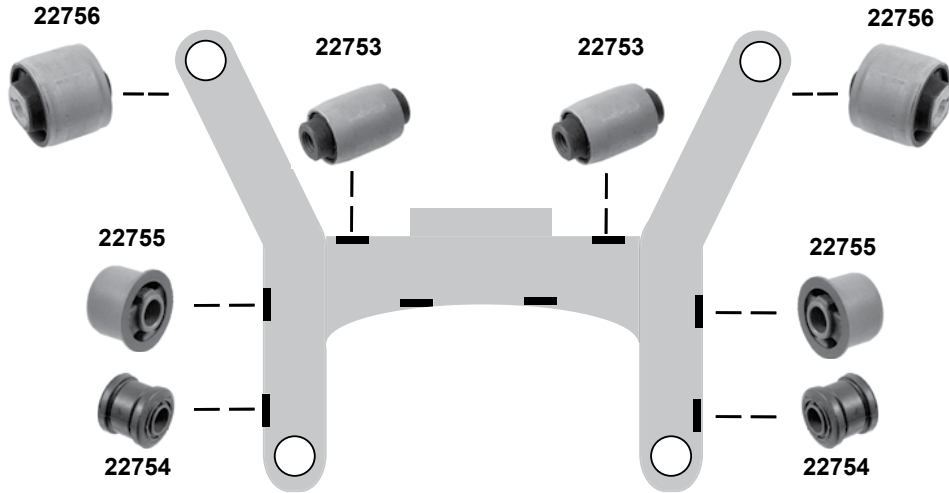


Hinterachse / Rear axle

	Ref. - No.			
<b>23047</b>	31277305	Querstrebe / cross rod	(ex.) 4x4 / AWD	L 76,5
<b>24211</b>	30683067	Querstrebe / cross rod	(ex.) 4x4 / AWD	
<b>27299</b>	31212548	ProKit Verbindungsstange / connecting rod	(ex.) C30	
<b>30000</b>	30683067 S1	ProKit Querstrebe / cross rod	(ex.) 4x4 / AWD	
<b>30004</b>	31277305 S1	ProKit Querstrebe / cross rod	(ex.) 4x4 / AWD	

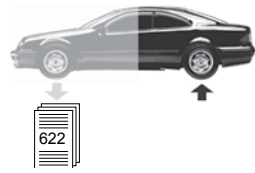


## S 60 I (2000 → 2010)

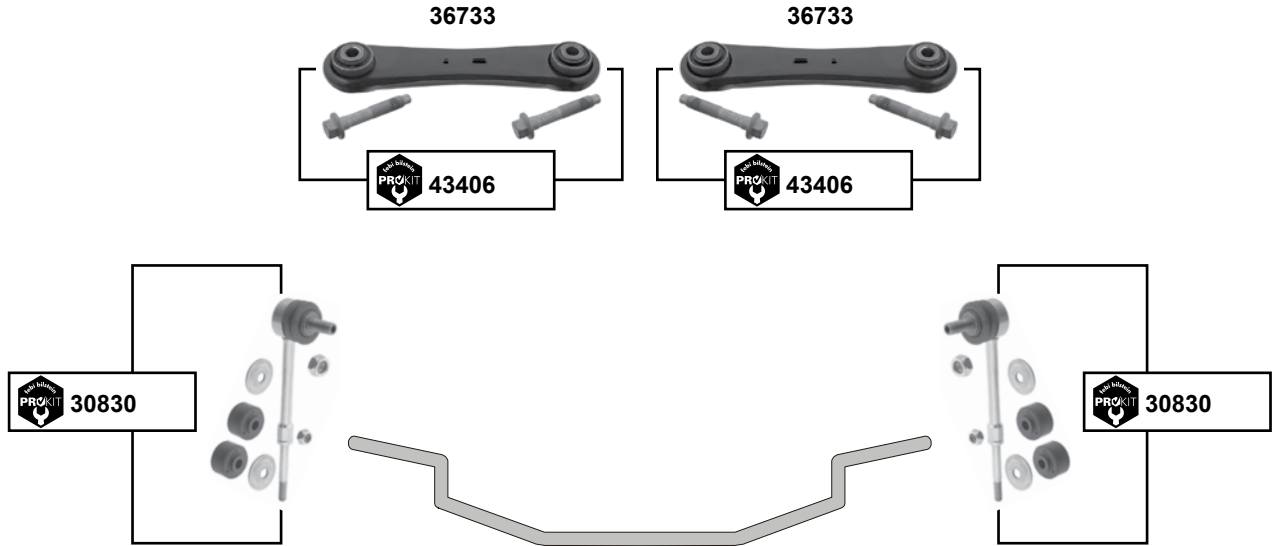


Hinterachse / Rear axle

	Ref. - No.			
<b>19664</b>	31201603	ProKit Verbindungsstange / connecting rod		L 140
<b>22749</b>	9127363	Gummilager / rubber mount		12x34x28/34
<b>22753</b>	9492181	Gummilager / rubber mount		12x40x50/70
<b>22754</b>	9173761	Gummilager / rubber mount		20x43/47x48
<b>22755</b>	31277899	Gummilager / rubber mount		20x53/62x50
<b>22756</b>	31277893	Gummilager / rubber mount		12x60x45/60



**S 60 II / V 60**  
(2010 →)



**S 70 I**  
(1997 → 2000)

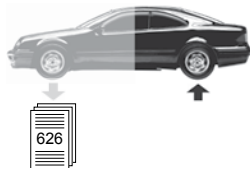


Hinterachse / Rear axle

	Ref. - No.			
28614	9181013	Halterung / Support	(ex.) 4WD	L 196
30830	30760678	ProKit Verbindungsstange / connecting rod		
36733	31262930	Hinterachsstrebe / rear axle rod		
43406	31262930 S1	ProKit Querstrebe / cross rod		



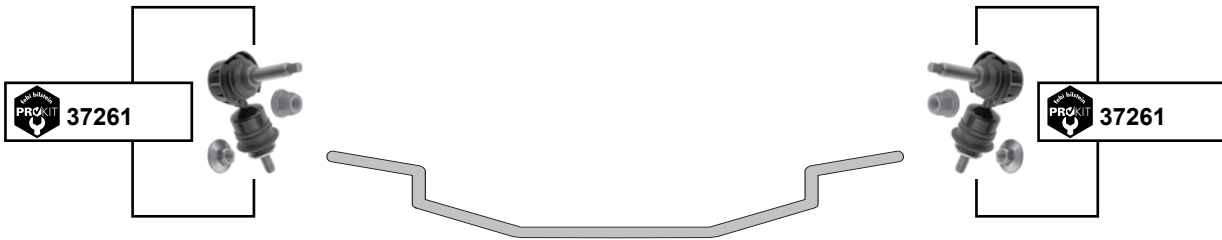
**VOLVO**



**Car  
Division**



**V 40 II**  
(2012 →)



**V 40 Cross Country**  
(2012 →)



Hinterachse / Rear axle



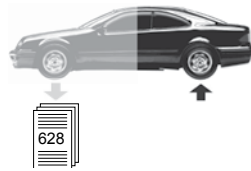
Ref. - No.



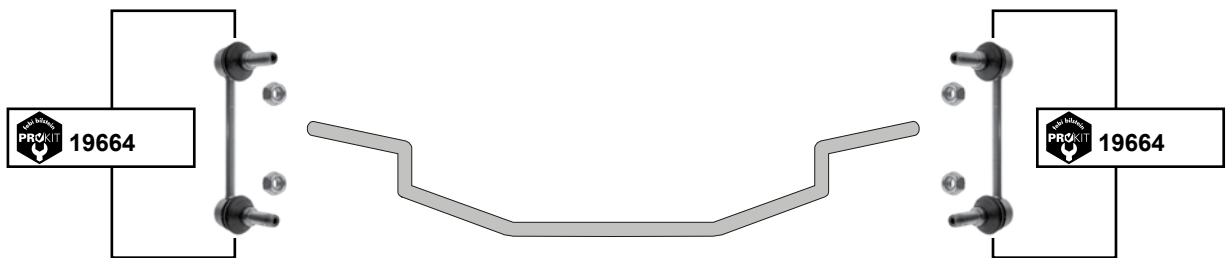
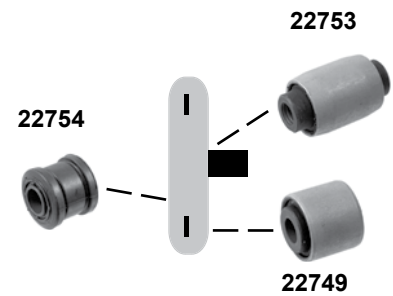
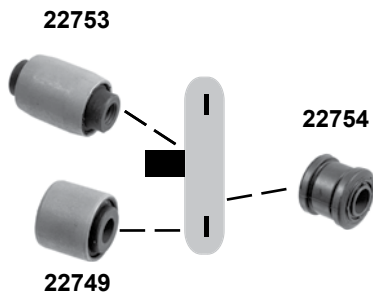
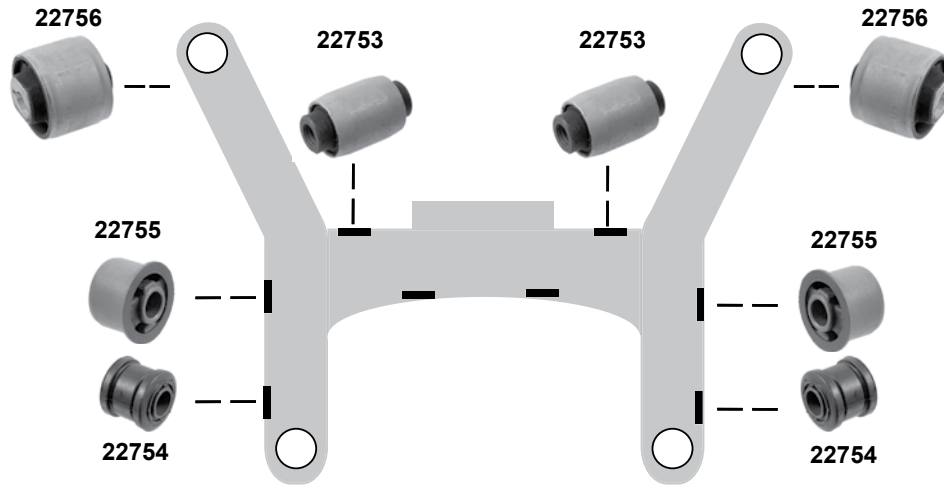
37261

31317271 S1

ProKit Verbindungsstange / connecting rod



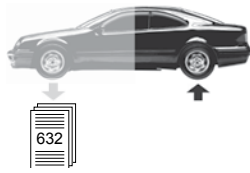
**V 70 II / V 70 XC / XC 70 II**  
(2001 → 2007)



Hinterachse / Rear axle

	Ref. - No.			
<b>19664</b>	31201603	ProKit Verbindungsstange / connecting rod		L140
<b>22749</b>	9127363	Gummilager / rubber mount		12x34x28/34
<b>22753</b>	9492181	Gummilager / rubber mount		12x40x50/70
<b>22754</b>	9173761	Gummilager / rubber mount		20x43/47x48
<b>22755</b>	31277899	Gummilager / rubber mount		20x53/62x50
<b>22756</b>	31277893	Gummilager / rubber mount		12x60x45/60

# VOLVO

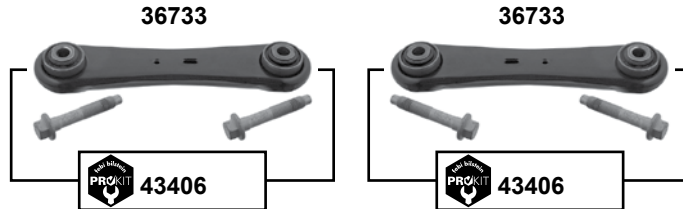


Car  
Division



## V 70 III / XC 70 III

(2007 →)



Hinterachse / Rear axle



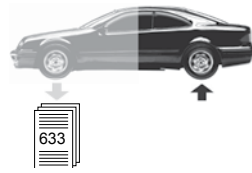
(1) V 70 III: (mot.) B 5254 T8 (ch.) 67701 → (ex.) Sport



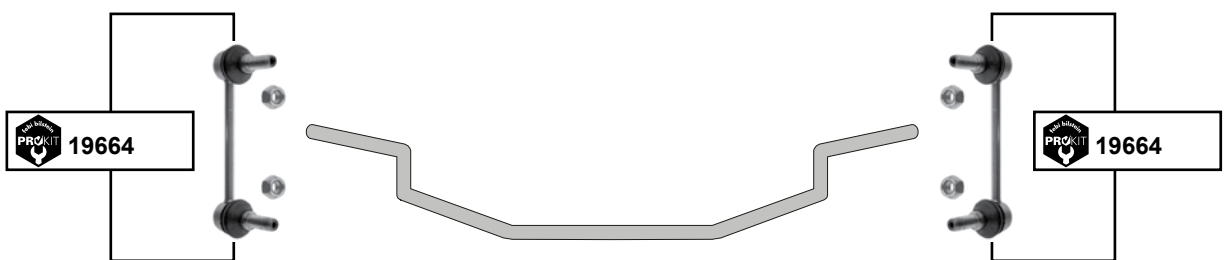
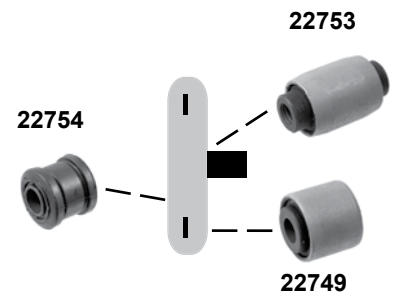
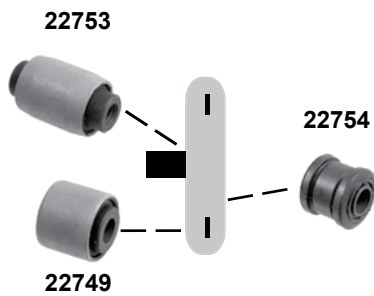
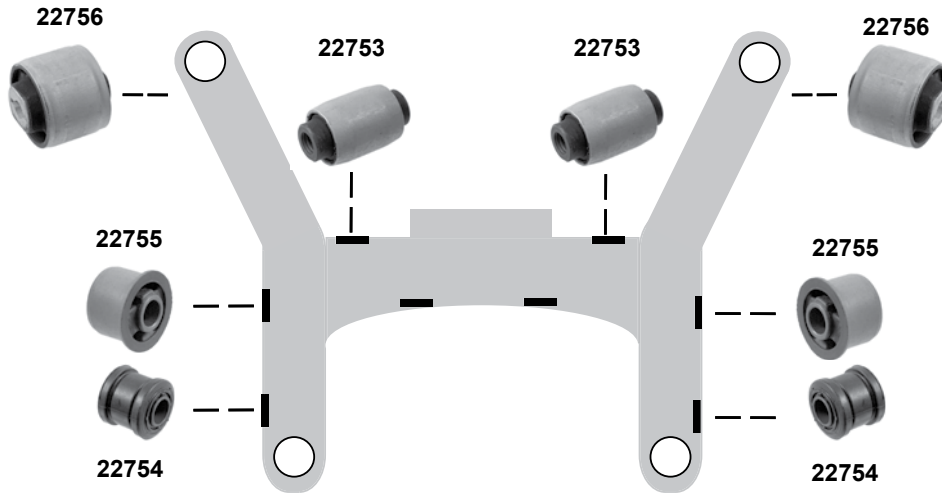
Ref. - No.







30830	30760678	ProKit Verbindungsstange / connecting rod		
36733	31262930	Hinterachsstrebe / rear axle rod	(1)	L 196
43406	31262930 S1	ProKit Querstrebe / cross rod	(1)	

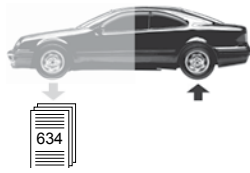


**S 80 I**  
(1998 → 2007)

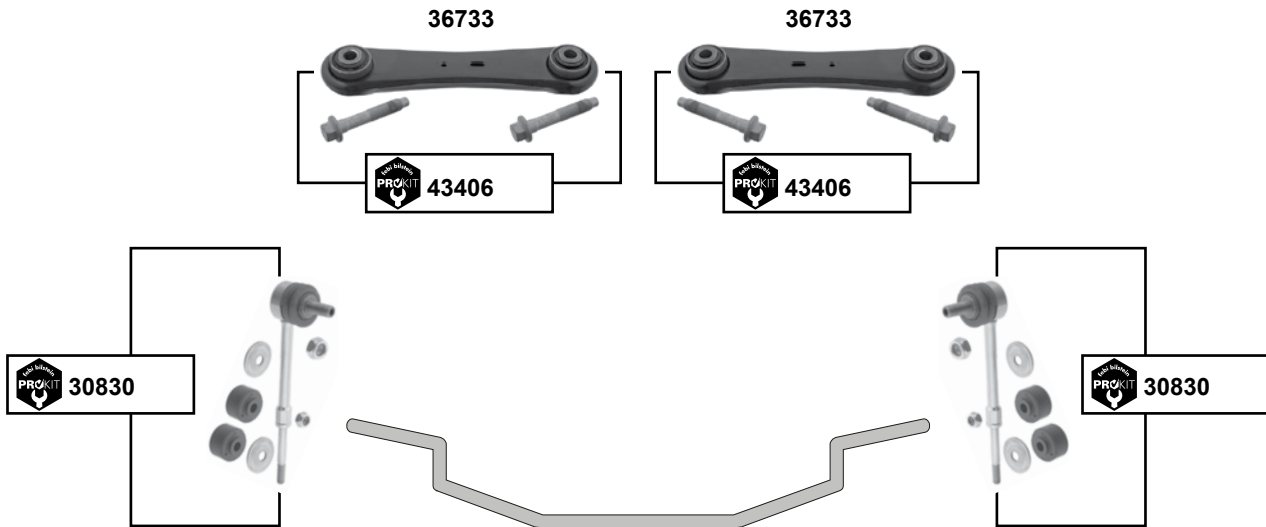


Hinterachse / Rear axle

	Ref. - No.			
<b>19664</b>	31201603	ProKit Verbindungsstange / connecting rod		L 140
<b>22749</b>	9127363	Gummilager / rubber mount		12x34x28/34
<b>22753</b>	9492181	Gummilager / rubber mount		12x40x50/70
<b>22754</b>	9173761	Gummilager / rubber mount		20x43/47x48
<b>22755</b>	31277899	Gummilager / rubber mount		20x53/62x50
<b>22756</b>	31277893	Gummilager / rubber mount		12x60x45/60

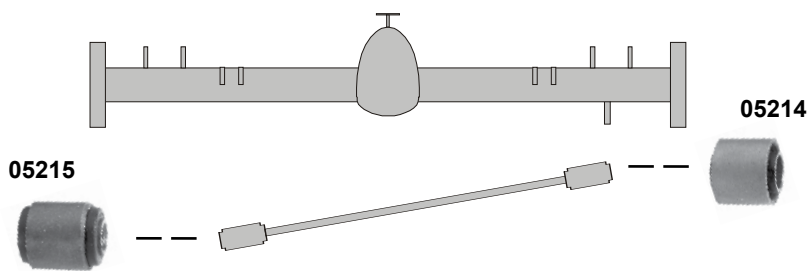


## S 80 II (2006 →)



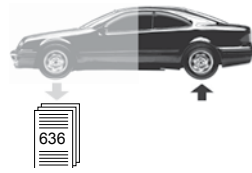
## S 90 / V 90 (1997 → 1998)

### Starrachse / Rigid axle

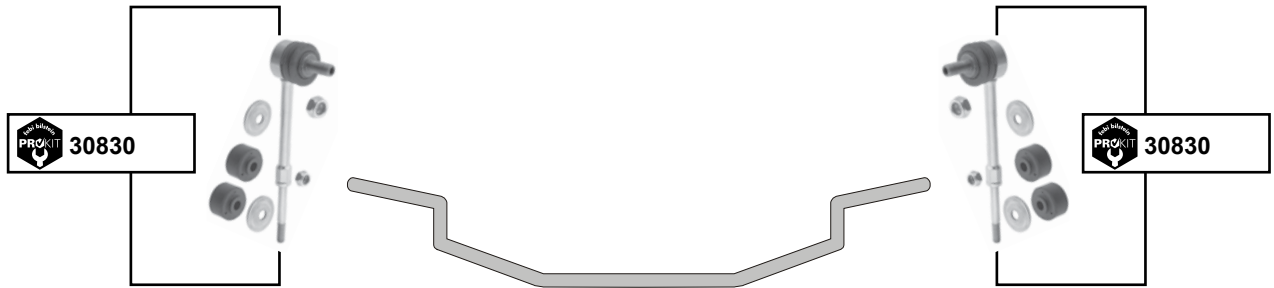


Hinterachse / Rear axle

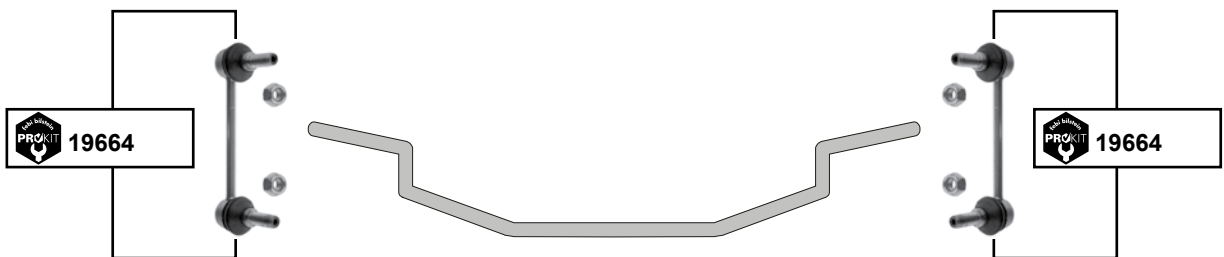
Ref. - No.			
05214	1330427	Gummilager / rubber mount	Ø A 40,5
05215	1330973	Gummilager / rubber mount	Ø A 40
30830	30760678	ProKit Verbindungsstange / connecting rod	
36733	31262930	Hinterachsstrebe / rear axle rod	L 196
43406	31262930 S1	ProKit Querstrebe / cross rod	



**XC 60**  
(2008 →)



**XC 90 I**  
(2002 → 2014)



Hinterachse / Rear axle



Ref. - No.



**19664**  
**30830**

31201603  
30760678

ProKit Verbindungsstange / connecting rod  
ProKit Verbindungsstange / connecting rod

L 140

Ref. - No.

Car  
Division

Ref. - No.



Ref. - No.



## NISSAN

D8521-JD00B	<b>34614</b>	20, 27
D8521-JG00A	<b>34614</b>	20, 27
40110-B9500	<b>15270</b>	5, 23, 25
40110-T3060	<b>15270</b>	5, 23, 25
40110-T6000	<b>15270</b>	5, 23, 25
40110-T6025	<b>15270</b>	5, 23, 25
40110-00QAA	<b>31847</b>	4
40110-00QAB	<b>31847</b>	4
40110-01G25	<b>15270</b>	5, 23, 25
40160-00QAB	<b>22710</b>	4
40160-00QAC	<b>22468</b>	4
40160-00QAD	<b>22468</b>	4
40160-00Q0A	<b>30653</b>	15
40160-00Q0B	<b>34164</b>	4
40160-00Q0C	<b>22265</b>	15
40160-50W00	<b>15269</b>	5, 23
40160-50W01	<b>15269</b>	5, 23
40160-50W25	<b>15269</b>	5, 23
40160-93G25	<b>15269</b>	5, 23
48203-00QAE	<b>27128</b>	15
48510-4A00C	<b>33510</b>	13
48520-AX600	<b>30528</b>	9
48520-BM400	<b>32023</b>	2
48520-BM425	<b>32023</b>	2
48520-0P725	<b>26536</b>	26
48520-00AQL	<b>21284</b>	15
48520-00QAH	<b>21493</b>	4
48520-00QAH S1	<b>37625</b>	4
48520-00QAJ	<b>21494</b>	4
48520-00QAJ S1	<b>37626</b>	4
48520-00QAK	<b>21283</b>	15
48520-00QAL	<b>21284</b>	15
48520-00QAM	<b>27303</b>	15
48520-00QAM SK	<b>27301</b>	15
48520-00QAM S1	<b>37627</b>	15
48520-00QAM S2	<b>37628</b>	15
48520-00QAN	<b>19605</b>	6, 14
48520-00QAP	<b>19604</b>	6, 14
48520-00Q0E	<b>43618</b>	11
48520-00Q0E S1	<b>43688</b>	11
48520-00Q0F	<b>43617</b>	11

48520-00Q0F S1	<b>43687</b>	11
48520-01B25	<b>12796</b>	8
48520-17B25	<b>12796</b>	8
48520-31G25	<b>15266</b>	5, 23, 24
48520-4F125	<b>12797</b>	8
48520-6F625	<b>12797</b>	8
48520-7F000	<b>15266</b>	5, 23, 24
48520-73J25	<b>12798</b>	2, 16, 17, 18, 19, 20, 21, 26
48520-9C025	<b>12798</b>	2, 16, 17, 18, 19, 20, 21, 26
48521-D0100	<b>15168</b>	8
48521-EA000	<b>33453</b>	10, 12
48521-0W025	<b>34720</b>	12
48521-00QAA	<b>22511</b>	6, 14
48521-00QAA SK	<b>22511</b>	6, 14
48521-00QAF	<b>32128</b>	4
48521-00QAG	<b>22517</b>	6, 14
48521-00QAG SK	<b>22517</b>	6, 14
48521-00Q0B	<b>32128</b>	4
48521-00Q0B SK	<b>32128</b>	4
48521-00Q0E SK	<b>39444</b>	11
48521-35F00	<b>15168</b>	8
48521-50Y00	<b>15169</b>	17, 21
48521-70A00	<b>15168</b>	8
48521-70A06	<b>15168</b>	8
48521-8H325	<b>33452</b>	26
48521-8H328	<b>33452</b>	26
48521-8H385	<b>33452</b>	26
48521-8H386	<b>33452</b>	26
48527-JD01A	<b>34755</b>	20
48527-1U61A	<b>30530</b>	9
48640-AX600	<b>30527</b>	9
48647-JD01A	<b>34756</b>	20
48647-1U61A	<b>30529</b>	9, 11
54423-00QAA	<b>24263</b>	4
54450-00QAA	<b>27181</b>	4
54476-01B00	<b>17990</b>	8
54500-AX600	<b>22750</b>	9
54500-BM400	<b>26278</b>	2
54500-BM410	<b>26278</b>	2
54500-BN300	<b>26278</b>	2
54500-F4600	<b>26278</b>	2


**Ref. - No.**


54500-JD000 S1	<b>34666</b>	20
54500-0M010	<b>17201</b>	2
54500-0M020	<b>17201</b>	2
54500-0M060	<b>17201</b>	2
54500-00QAC	<b>26454</b>	4
54500-00QAD	<b>26454</b>	4
54500-00QAE	<b>26454</b>	4
54500-00QAH	<b>10895</b>	6, 14
54500-00QAH S1	<b>26339</b>	6, 14
54500-00Q0E	<b>36584</b>	4
54500-2F500	<b>14149</b>	18
54500-21B00	<b>12957</b>	8
54500-4F102	<b>14151</b>	8
54500-4F105	<b>14151</b>	8
54500-4M400	<b>26278</b>	2
54500-4M410	<b>26278</b>	2
54500-4M500	<b>26278</b>	2
54500-5M000	<b>26278</b>	2
54500-52Y10	<b>15465</b>	1, 21
54500-52Y15	<b>15465</b>	1, 21
54500-52Y60	<b>15465</b>	1, 21
54500-52Y70	<b>15465</b>	1, 21
54500-69Y10	<b>15465</b>	1, 21
54500-86J00	<b>12959</b>	16
54501-AX600	<b>22747</b>	9
54501-BC41A	<b>22747</b>	9
54501-BC42A	<b>22747</b>	9
54501-BM400	<b>26277</b>	2
54501-BM410	<b>26277</b>	2
54501-BN300	<b>26277</b>	2
54501-F4600	<b>26277</b>	2
54501-0M010	<b>17203</b>	2
54501-0M020	<b>17203</b>	2
54501-0M060	<b>17203</b>	2
54501-00QAC	<b>26453</b>	4
54501-00QAD	<b>26453</b>	4
54501-00QAE	<b>26453</b>	4
54501-00QAH	<b>10894</b>	6, 14
54501-00QAH S1	<b>10640</b>	6, 14
54501-00QAH S2	<b>06952</b>	6, 14
54501-00Q0E	<b>36583</b>	4
54501-2F500	<b>14150</b>	18
54501-21B00	<b>12958</b>	8

**Ref. - No.**


54501-4F102	<b>14152</b>	8
54501-4F105	<b>14152</b>	8
54501-4M400	<b>26277</b>	2
54501-4M410	<b>26277</b>	2
54501-4M500	<b>26277</b>	2
54501-52Y10	<b>15467</b>	1, 21
54501-52Y15	<b>15467</b>	1, 21
54501-52Y60	<b>15467</b>	1, 21
54501-52Y70	<b>15467</b>	1, 21
54501-69Y10	<b>15467</b>	1, 21
54501-86J00	<b>12960</b>	16
54502-00QAA	<b>39604</b>	15
54502-00QAA SK2	<b>22825</b>	15
54502-00QAA SK3	<b>22822</b>	15
54502-00QAB	<b>39604</b>	15
54502-00QAB SK2	<b>22825</b>	15
54502-00QAB SK3	<b>22822</b>	15
54502-00Q0A	<b>36346</b>	15
54502-00Q0B	<b>39604</b>	15
54502-00Q0B SK2	<b>22825</b>	15
54502-00Q0B SK3	<b>22822</b>	15
54502-00Q0C	<b>36346</b>	15
54502-00Q0D	<b>36346</b>	15
54502-00Q0E	<b>36346</b>	15
54503-00QAA	<b>39603</b>	15
54503-00QAA SK2	<b>22825</b>	15
54503-00QAA SK3	<b>22822</b>	15
54503-00QAB	<b>39603</b>	15
54503-00QAB SK2	<b>22825</b>	15
54503-00QAB SK3	<b>22822</b>	15
54503-00Q0A	<b>36345</b>	15
54503-00Q0B	<b>39603</b>	15
54503-00Q0B SK2	<b>22825</b>	15
54503-00Q0B SK3	<b>22822</b>	15
54503-00Q0C	<b>36345</b>	15
54503-00Q0D	<b>36345</b>	15
54503-00Q0E	<b>36345</b>	15
54524-AV600	<b>24418</b>	19
54524-AV601	<b>24418</b>	19
54524-2F010	<b>12961</b>	16, 18
54525-AV600	<b>24417</b>	19
54525-AV601	<b>24417</b>	19
54525-2F010	<b>12962</b>	16, 18



Ref. - No.

Car  
Division 

Ref. - No.



Ref. - No.



54535-01B00	<b>17991</b>	8
54560-AX600	<b>22865</b>	9
54560-00QAB	<b>14949</b>	6, 14
54570-AX600	<b>22867</b>	9
54570-00QAA	<b>24262</b>	4
54613-JD04A	<b>34067</b>	20
54613-JD17A	<b>34068</b>	20
54616-00QAA	<b>12164</b>	6, 14
54616-00QAC	<b>21044</b>	15
54616-4A00B	<b>33760</b>	13
54618-AU000	<b>21815</b>	19
54618-AX600	<b>21810</b>	9
54618-CA010	<b>34715</b>	638, 641
54618-D5000	<b>15415</b>	2, 16, 17, 21
54618-D5010	<b>15415</b>	2, 16, 17, 21
54618-EA010	<b>34121</b>	10, 12
54618-JD00A	<b>30986</b>	10, 20, 22, 27
54618-0E000	<b>31166</b>	7
54618-0F000	<b>23171</b>	24
54618-0W000	<b>32888</b>	12
54618-0W001	<b>32888</b>	12
54618-00QAA	<b>19866</b>	4
54618-00QAB	<b>19867</b>	4
54618-1AA0A	<b>30986</b>	10, 20, 22, 27
54618-2F010	<b>23724</b>	16, 18
54618-2Y000	<b>21812</b>	7
54618-3W400	<b>32888</b>	12
54618-4M400	<b>21808</b>	2
54618-4U000	<b>27464</b>	3
54618-50Y00	<b>15415</b>	2, 16, 17, 21
54618-8H300	<b>27360</b>	26
54618-86J00	<b>23724</b>	16, 18
54618-86J25	<b>23724</b>	16, 18
54618-9C000	<b>23516</b>	20, 26
54618-9C002	<b>23515</b>	20, 26
54618-90J11	<b>23724</b>	16, 18
54619-00Q0A	<b>21044</b>	15
54668-AU000	<b>21813</b>	19
54668-CA010	<b>34714</b>	638, 641
54668-EA010	<b>34120</b>	10, 12
54668-JD00A	<b>30985</b>	10, 20, 22, 27
54668-1AA0A	<b>30985</b>	10, 20, 22, 27
54668-2Y000	<b>21811</b>	7

54668-4U000	<b>27463</b>	3
54668-8H300	<b>27359</b>	26
54668-9C000	<b>23516</b>	20, 26
55618-JD00A	<b>32573</b>	641, 642
55619-JD00A	<b>32574</b>	641, 642
56260-VB010	<b>27462</b>	640
56260-0F001	<b>24016</b>	642
56260-0W001	<b>31139</b>	639
56260-01J10	<b>15421</b>	13, 640
56261-AV610	<b>32567</b>	640
56261-AV611	<b>32567</b>	640
56261-AW000	<b>32567</b>	640
56261-EA500	<b>34717</b>	640
56261-EA510	<b>34716</b>	640
56261-EQ000	<b>27305</b>	642
56261-00Q0C	<b>44428</b>	639
56261-1AA0A	<b>34562</b>	638, 641
56261-1AA0B	<b>34561</b>	638, 641
56261-4F702	<b>15425</b>	638
56261-4F725	<b>15425</b>	638
56261-50J00	<b>15420</b>	640
56261-86J00	<b>15420</b>	640
56261-86J25	<b>15420</b>	640
56261-90J01	<b>15420</b>	640
-	<b>12373</b>	14
-	<b>21171</b>	14
-	<b>12150</b>	14
-	<b>22514</b>	14
-	<b>22513</b>	14
-	<b>22531</b>	14
-	<b>12372</b>	14
-	<b>22763</b>	14

**OPEL**

0310 821	<b>14117</b>	56
0310 823	<b>26125</b>	56, 57
0322 002	<b>01852</b>	74
0322 003	<b>01831</b>	74
0322 078	<b>02624</b>	49
0322 079	<b>05198</b>	35, 45, 82, 84
0322 079 S1	<b>14135</b>	35, 45, 82, 84
0322 080	<b>05199</b>	35, 45, 82, 84
0322 125	<b>02633</b>	33, 61



Ref. - No.



0322 126	<b>02634</b>	33, 61
0322 136	<b>06196</b>	72, 77
0322 140	<b>06195</b>	72, 77
0322 142	<b>05191</b>	72, 77
0322 143	<b>05193</b>	72, 77
0322 145	<b>06196</b>	72, 77
0322 146	<b>05199</b>	35, 45, 82, 84
0322 146 S1	<b>14134</b>	35, 45, 82, 84
0322 147	<b>05198</b>	35, 45, 82, 84
0322 147 S1	<b>14135</b>	35, 45, 82, 84
0322 148	<b>06195</b>	72, 77
0322 149	<b>02624</b>	49
0322 150	<b>06194</b>	72, 77
0322 151	<b>06193</b>	72, 74, 77
0322 152	<b>06191</b>	72, 77
0322 154	<b>06192</b>	72, 74, 77
0322 155	<b>02042</b>	50, 51, 79, 80
0322 158	<b>02043</b>	50, 51, 79, 80
0322 159	<b>01852</b>	74
0322 160	<b>01831</b>	74
0322 166	<b>12851</b>	74
0322 168	<b>01831</b>	74
0322 169	<b>01852</b>	74
0322 171	<b>06193</b>	72, 74, 77
0322 172	<b>06192</b>	72, 74, 77
0322 173	<b>05191</b>	72, 77
0322 174	<b>05193</b>	72, 77
0322 175	<b>06194</b>	72, 77
0322 176	<b>06191</b>	72, 77
0322 177	<b>06193</b>	72, 74, 77
0322 178	<b>06192</b>	72, 74, 77
0322 179	<b>01855</b>	74
0322 180	<b>01854</b>	74
0322 194	<b>01852</b>	74
0322 575	<b>02629</b>	33, 59, 60, 61
0322 576	<b>05202</b>	35, 45, 82, 84
0322 577	<b>05202</b>	35, 45, 82, 84
0324 038	<b>02636</b>	33, 61
0324 039	<b>02635</b>	33, 61
0324 042	<b>02625</b>	49, 50, 53, 79, 81
0324 044	<b>02642</b>	48, 71, 75, 76
0324 045	<b>02643</b>	48, 71, 75, 76
0324 050	<b>02625</b>	49, 50, 53, 79, 81

Ref. - No.



0324 053	<b>05201</b>	35, 45, 82, 84
0324 054	<b>05200</b>	35, 45, 82, 84
0324 055	<b>05201</b>	35, 45, 82, 84
0324 056	<b>05200</b>	35, 45, 82, 84
0324 057	<b>14106</b>	56, 67
0324 058	<b>14107</b>	56, 67
0324 059	<b>01855</b>	74
0324 060	<b>01854</b>	74
0324 061	<b>06193</b>	72, 74, 77
0324 062	<b>06192</b>	72, 74, 77
0324 063	<b>09113</b>	86
0324 066	<b>12778</b>	51, 80
0324 117	<b>02642</b>	48, 71, 75, 76
0324 118	<b>02643</b>	48, 71, 75, 76
0324 155	<b>01854</b>	74
0324 186 SK	<b>17778</b>	86
0350 078	<b>04250</b>	36, 37, 46, 83, 85
0350 086	<b>30624</b>	86
0350 087	<b>44325</b>	91
0350 093	<b>44325</b>	91
0350 104	<b>37253</b>	53
0350 112	<b>03094</b>	62
0350 113	<b>02967</b>	62
0350 116	<b>03885</b>	73, 77
0350 123	<b>04250</b>	36, 37, 46, 83, 85
0350 127	<b>15620</b>	50, 51, 79, 80
0350 130	<b>17729</b>	39, 53, 81, 86
0350 138	<b>17730</b>	39, 81
0350 143	<b>40487</b>	47, 53
0350 145	<b>36543</b>	78, 87
0350 147	<b>21124</b>	74
0350 153	<b>03212</b>	34, 36, 37, 46, 48, 59, 60, 62, 63, 71, 75, 76, 83, 85
0350 160	<b>36543</b>	78, 87
0350 161	<b>30623</b>	41, 47, 53, 64
0350 175	<b>27414</b>	54
0350 176	<b>38939</b>	39, 41, 65, 91, 93
0350 181	<b>38586</b>	28, 54
0350 198	<b>33811</b>	48
0350 207	<b>38586</b>	28, 54
0350 231	<b>40889</b>	66
0350 232	<b>40890</b>	66

Ref. - No.

Car  
Division 

Ref. - No.



Ref. - No.



0350 233	<b>45219</b>	28, 55
0350 260	<b>07706</b>	36, 37, 46, 83, 85
0350 260 S1	<b>09474</b>	36, 37, 46, 83, 85
0350 261	<b>07729</b>	36, 37, 83, 85
0350 261 S1	<b>09475</b>	36, 37, 46, 83, 85
0350 263	<b>10516</b>	36, 37, 46, 83, 85
0350 263 S1	<b>10517</b>	36, 37, 46, 83, 85
0350 390	<b>38052</b>	41, 65, 78, 87, 93
0350 391	<b>38051</b>	41, 65, 78, 87, 93
0350 600	<b>03883</b>	73, 74, 77
0350 602	<b>04275</b>	48, 71, 75, 76
0350 603	<b>22379</b>	78, 87
0350 607	<b>23688</b>	56, 57
0350 608	<b>23687</b>	56, 57
0350 609	<b>03883</b>	73, 74, 77
0350 610	<b>09206</b>	47, 53, 64, 81, 86
0350 611	<b>14558</b>	39, 41, 91, 93
0350 611	<b>38939</b>	39, 41, 65, 91, 93
0350 612	<b>33776</b>	78, 87
0350 613	<b>30827</b>	41, 93
0350 614	<b>14558</b>	39, 41, 91, 93
0350 614	<b>38939</b>	39, 41, 65, 91, 93
0350 615	<b>22379</b>	78, 87
0350 616	<b>27414</b>	54
0350 617	<b>34959</b>	44, 58, 94
0350 618	<b>31561</b>	44, 58, 94
0350 621	<b>37854</b>	32, 44, 58
0350 622	<b>37855</b>	44, 58
0352 002	<b>02046</b>	50, 79
0352 003	<b>02045</b>	50, 79
0352 028	<b>15400</b>	74
0352 028 S1	<b>34217</b>	74
0352 029	<b>15399</b>	74
0352 029 S1	<b>34218</b>	74
0352 030	<b>11656</b>	86
0352 030 S1	<b>38274</b>	86
0352 041	<b>18125</b>	53
0352 041 S1	<b>34221</b>	53
0352 042	<b>18123</b>	53
0352 042 S1	<b>34222</b>	53
0352 043	<b>02672</b>	49
0352 044	<b>02673</b>	49
0352 050	<b>39351</b>	58

0352 051	<b>23001</b>	78, 87
0352 051 S1	<b>34231</b>	78, 87
0352 052	<b>23002</b>	78, 87
0352 052 S1	<b>34228</b>	78, 87
0352 061	<b>18125</b>	53
0352 061 S1	<b>34221</b>	53
0352 063	<b>18123</b>	53
0352 063 S1	<b>34222</b>	53
0352 067	<b>28420</b>	28, 54, 55
0352 071	<b>39352</b>	58
0352 076	<b>07192</b>	36, 46, 83, 85
0352 076 S1	<b>34209</b>	36, 85
0352 077	<b>07195</b>	36, 46, 83, 85
0352 077 S1	<b>34208</b>	36, 85
0352 080	<b>39352</b>	58
0352 085	<b>22084</b>	64
0352 086	<b>22083</b>	64
0352 087	<b>28420</b>	28, 54, 55
0352 110	<b>43719</b>	32, 44
0352 115	<b>43720</b>	32, 44
0352 123	<b>06157</b>	62
0352 124	<b>06158</b>	62
0352 132	<b>01995</b>	73, 77
0352 134	<b>02007</b>	73, 77
0352 135	<b>01995</b>	73, 77
0352 136	<b>02007</b>	73, 77
0352 144	<b>02912</b>	37, 46, 83, 85
0352 144 S1	<b>34207</b>	37, 85
0352 147	<b>06157</b>	62
0352 148	<b>06158</b>	62
0352 169	<b>06157</b>	62
0352 172	<b>06158</b>	62
0352 181	<b>02045</b>	50, 79
0352 182	<b>02046</b>	50, 79
0352 192	<b>07192</b>	36, 46, 83, 85
0352 192 S1	<b>34209</b>	36, 85
0352 193	<b>07195</b>	36, 46, 83, 85
0352 193 S1	<b>34208</b>	36, 85
0352 196	<b>15400</b>	74
0352 196 S1	<b>34217</b>	74
0352 197	<b>15399</b>	74
0352 197 S1	<b>34218</b>	74
0352 300	<b>01838</b>	36, 37, 46, 83, 85


**Ref. - No.**


0352 301	<b>02008</b>	50, 51, 79, 80
0352 302	<b>02263</b>	74
0352 303	<b>02183</b>	74
0352 309	<b>18552</b>	47, 53, 64
0352 310	<b>18548</b>	47, 53, 64, 81
0352 319	<b>23003</b>	78, 87
0352 320	<b>18548</b>	47, 53, 64, 81
0352 324	<b>23762</b>	41, 65, 91, 93
0352 327	<b>02014</b>	49
0352 330	<b>03140</b>	62
0352 334	<b>03141</b>	60, 62
0352 335	<b>03142</b>	60, 62
0352 338	<b>03143</b>	62
0352 341	<b>03091</b>	73, 77
0352 342	<b>02223</b>	73, 77
0352 343	<b>02223</b>	73, 77
0352 346	<b>01838</b>	36, 37, 46, 83, 85
0352 347	<b>01837</b>	36, 46, 83, 85
0352 348	<b>01837</b>	36, 46, 83, 85
0352 348 S1	<b>28100</b>	36, 46, 83, 85
0352 349	<b>03141</b>	60, 62
0352 351	<b>01838</b>	36, 37, 46, 83, 85
0352 352	<b>17321</b>	36, 46, 85
0352 352 S1	<b>28101</b>	36, 46, 85
0352 355	<b>02223</b>	73, 77
0352 356	<b>02015</b>	37, 46, 83, 85
0352 356 S1	<b>27999</b>	37, 46, 83, 85
0352 357	<b>02070</b>	86
0352 358	<b>02128</b>	86
0352 364	<b>11662</b>	39, 41, 65, 91, 93
0352 365	<b>11663</b>	39, 91
0352 366	<b>18552</b>	47, 53, 64
0352 366	<b>23129</b>	53, 64, 81
0352 377	<b>18552</b>	47, 53, 64
0352 377	<b>23129</b>	53, 64, 81
0352 378	<b>18552</b>	47, 53, 64
0352 380	<b>28475</b>	28, 54, 55
0352 457	<b>02183</b>	74
0352 458	<b>02263</b>	74
0352 491	<b>43718</b>	32, 44
0352 492	<b>43719</b>	32, 44
0352 493	<b>43720</b>	32, 44
0352 494	<b>43718</b>	32, 44

**Ref. - No.**


0352 519	<b>36595</b>	58
0352 520	<b>39351</b>	58
0352 521	<b>39352</b>	58
0352 800	<b>02271</b>	39, 41, 65, 74, 86, 91, 93
0352 803	<b>19541</b>	53, 81
0352 826	<b>05195</b>	73, 77
0352 827	<b>05194</b>	73, 77
0352 828	<b>14118</b>	56, 57, 67
0352 829	<b>02271</b>	39, 41, 65, 74, 86, 91, 93
0352 864	<b>29280</b>	28, 54, 55
0352 866	<b>39362</b>	44, 58
0352 868	<b>36595</b>	58
0352 869	<b>39351</b>	58
0352 870	<b>39352</b>	58
0352 872	<b>39352</b>	58
0352 947	<b>28475</b>	28, 54, 55
0353 280	<b>19102</b>	50, 79
0353 281	<b>19101</b>	50, 79
0353 460	<b>10431</b>	36, 37, 46, 83, 85
0353 560	<b>08144</b>	49
0353 561	<b>08156</b>	50, 79
0423 002	<b>34940</b>	648, 651
0423 002 S1	<b>36112</b>	648, 651
0423 008	<b>27097</b>	648, 651
0423 008 S1	<b>34213</b>	648, 651
0423 032	<b>34940</b>	648, 651
0423 032 S1	<b>36112</b>	648, 651
0423 033	<b>27097</b>	648, 651
0423 033 S1	<b>34213</b>	648, 651
0423 035	<b>27097</b>	648, 651
0423 035 S1	<b>34213</b>	648, 651
0423 121	<b>17376</b>	650
0423 302	<b>21332</b>	650
0423 313	<b>04390</b>	644, 645, 646, 647, 649
0423 315	<b>04402</b>	645, 646, 647
0423 316	<b>04407</b>	650
0423 318	<b>21332</b>	650
0423 319	<b>30625</b>	648, 651
0423 320	<b>24221</b>	648, 651
0444 091	<b>39089</b>	644

Ref. - No.

Car  
Division

Ref. - No.



0444 153	<b>04443</b>	644, 645, 646, 647, 649, 650
0444 160	<b>31066</b>	648, 651
0444 161	<b>31067</b>	648, 651
0444 162	<b>31068</b>	648, 651
0444 163	<b>40484</b>	651
0444 199	<b>04443</b>	644, 645, 646, 647, 649, 650
0444 200	<b>24753</b>	650
0444 275	<b>27775</b>	648, 651
0444 291	<b>34296</b>	650
0444 325	<b>15621</b>	644, 645, 646, 647, 649
0444 336	<b>15621</b>	644, 645, 646, 647, 649
0444 347	<b>17471</b>	644, 646
0900 905	<b>43358</b>	57
0902 010	<b>39606</b>	43
0902 825	<b>03180</b>	33, 59, 60, 61, 82, 84
0902 825 S1	<b>02761</b>	33, 59, 60, 61, 82, 84
0902 826	<b>02719</b>	49
0902 828	<b>03180</b>	33, 59, 60, 61, 82, 84
0902 828 S1	<b>02761</b>	33, 59, 60, 61, 82, 84
0920 005	<b>43577</b>	43
0920 005 S1	<b>44338</b>	43
0920 005 S2	<b>44339</b>	43
0920 005 S3	<b>44340</b>	43
0920 007	<b>44446</b>	43
0920 007 S1	<b>44447</b>	43
0920 352	<b>22099</b>	72, 74
0920 355	<b>22099</b>	72, 74
0920 367	<b>09158</b>	71, 72, 75, 76
0920 368	<b>22099</b>	72, 74
0920 373	<b>14106</b>	56, 67
0920 374	<b>14107</b>	56, 67
1603 003	<b>30573</b>	39, 91
1603 008	<b>19545</b>	53
1603 009	<b>02625</b>	49, 50, 53, 79, 81
1603 016 SK	<b>23228</b>	64

Ref. - No.



1603 017	<b>28477</b>	53
1603 120	<b>02620</b>	60, 62
1603 121	<b>05170</b>	34, 36, 37, 46, 83, 85
1603 128	<b>02051</b>	49, 50, 79
1603 147	<b>03206</b>	48, 71, 75, 76
1603 148	<b>03207</b>	60, 62
1603 149	<b>03211</b>	34
1603 161	<b>02051</b>	49, 50, 79
1603 163	<b>05170</b>	34, 36, 37, 46, 83, 85
1603 164	<b>02620</b>	60, 62
1603 167	<b>05170</b>	34, 36, 37, 46, 83, 85
1603 187	<b>02051</b>	49, 50, 79
1603 198 S1	<b>17778</b>	86
1603 199 SK	<b>17777</b>	86
1603 202	<b>11746</b>	51, 80
1603 206 SK	<b>17778</b>	86
1603 213	<b>12780</b>	39, 41, 91
1603 213 S1	<b>43727</b>	41, 93
1603 213 S6	<b>43780</b>	39, 91
1603 214	<b>12779</b>	39, 91
1603 215	<b>12779</b>	39, 91
1603 216	<b>12780</b>	39, 41, 91
1603 216 S1	<b>43727</b>	41, 93
1603 216 S6	<b>43780</b>	39, 91
1603 227	<b>26152</b>	78, 87
1603 228	<b>26153</b>	78, 87
1603 229	<b>26432</b>	87
1603 239	<b>28312</b>	64
1603 240	<b>23154</b>	64
1603 244	<b>29238</b>	78, 87
1603 252 SK	<b>30587</b>	78, 87
1603 256	<b>12780</b>	39, 41, 91
1603 256 S1	<b>43727</b>	41, 93
1603 256 S6	<b>43780</b>	39, 91
1603 257	<b>29325</b>	41, 93
1603 258	<b>29324</b>	41, 93
1603 264 SK	<b>27807</b>	41
1603 265 SK	<b>28371</b>	41, 93
1603 266	<b>26635</b>	41, 93
1603 267	<b>26636</b>	41, 93


**Ref. - No.**


1603 268	<b>29233</b>	41, 93
1603 286 SK	<b>09113</b>	86
1603 287	<b>34298</b>	93
1603 288	<b>29325</b>	41, 93
1603 289	<b>29324</b>	41, 93
1603 290 SK	<b>30587</b>	78, 87
1603 302 SK	<b>12780</b>	39, 41, 91
1603 302 SK2	<b>43727</b>	41, 93
1603 302 SK7	<b>43780</b>	39, 91
1603 303	<b>34298</b>	93
1603 357 SK	<b>27807</b>	41
1603 358 SK	<b>28371</b>	41, 93
1603 359 SK	<b>29233</b>	41, 93
1603 384	<b>29238</b>	78, 87
1603 415 SK	<b>26432</b>	87
1603 416 SK	<b>29238</b>	78, 87
1603 417 SK	<b>30587</b>	78, 87
1603 428	<b>28312</b>	64
1603 429 SK	<b>23228</b>	64
1603 430	<b>23154</b>	64
1603 453 SK	<b>02042</b>	50, 51, 79, 80
1603 455	<b>12778</b>	51, 80
1603 542	<b>12779</b>	39, 91
1603 543	<b>28359</b>	54
1603 544	<b>28618</b>	54
1603 545	<b>28619</b>	54
1603 642 SK	<b>34298</b>	93
1603 643	<b>12780</b>	39, 41, 91
1603 643 SK	<b>12780</b>	39, 41, 91
1603 643 SK2	<b>43727</b>	41, 93
1603 643 SK7	<b>43780</b>	39, 91
1603 643 S1	<b>43727</b>	41, 93
1603 643 S6	<b>43780</b>	39, 91
1603 644 SK	<b>30573</b>	39, 91
1603 645	<b>02625</b>	49, 50, 53, 79, 81
1603 844	<b>28477</b>	53
1603 845	<b>19545</b>	53
1609 011	<b>46226</b>	65
1609 011 SK1	<b>46226</b>	65
1609 012	<b>34320</b>	65
1609 013	<b>34319</b>	65
1609 028	<b>45096</b>	43, 47, 58, 94
1609 028 SK1	<b>45095</b>	43, 47, 58, 94

**Ref. - No.**


1609 045 SK	<b>14402</b>	33, 45, 61, 82, 84
1609 053	<b>30587</b>	78, 87
1609 073 SK	<b>14402</b>	33, 45, 61, 82, 84
1609 073 S1	<b>14401</b>	33, 45, 61, 82, 84
1609 137	<b>44245</b>	43
1609 164	<b>44246</b>	43
1609 169	<b>44424</b>	43
1609 169 S1	<b>44434</b>	43
1609 181	<b>43794</b>	58
1609 182	<b>45096</b>	43, 47, 58, 94
1609 182 SK1	<b>45095</b>	43, 47, 58, 94
1609 183	<b>43792</b>	58
1609 185	<b>44245</b>	43
1609 186	<b>44246</b>	43
1609 187	<b>44156</b>	43, 47
1609 187 S1	<b>44249</b>	43
1609 187 S2	<b>44250</b>	43
1609 213	<b>44888</b>	66
1609 356	<b>43552</b>	39, 41, 65, 91, 93
1609 357	<b>40915</b>	58
350 176	<b>14558</b>	39, 41, 91, 93
4401 852	<b>26453</b>	69
4401 853	<b>26454</b>	69
4401 909	<b>22468</b>	69
4401 940	<b>26453</b>	69
4401 941	<b>26454</b>	69
4403 641	<b>09686</b>	32
4403 661	<b>09685</b>	32
4404 047	<b>26453</b>	69
4404 048	<b>26454</b>	69
4408 474	<b>27303</b>	89
4408 474 SK	<b>27301</b>	89
4408 474 S1	<b>37627</b>	69
4408 474 S2	<b>37628</b>	69
4408 476	<b>27128</b>	89
4408 510	<b>21283</b>	89
4408 511	<b>21284</b>	89
4408 904	<b>21044</b>	89
4408 958	<b>39603</b>	89
4408 958 SK	<b>22265</b>	89
4408 958 SK2	<b>22825</b>	89
4408 958 SK3	<b>22822</b>	89
4408 959	<b>39604</b>	89

Ref. - No.

Car  
Division

Ref. - No.



Ref. - No.



4408 959 SK	<b>22265</b>	89
4408 959 SK2	<b>22825</b>	89
4408 959 SK3	<b>22822</b>	89
4412 934	<b>39603</b>	89
4412 934 SK2	<b>22825</b>	89
4412 934 S3	<b>22822</b>	89
4412 936	<b>39604</b>	89
4412 936 SK2	<b>22825</b>	89
4412 936 S3	<b>22822</b>	89
4417 177	<b>36345</b>	89
4417 178	<b>36346</b>	89
4417 973	<b>21044</b>	89
4418 192	<b>19867</b>	69
4418 193	<b>19866</b>	69
4418 212	<b>26453</b>	69
4418 213	<b>26454</b>	69
4418 223	<b>39603</b>	89
4418 223 SK2	<b>22825</b>	89
4418 223 SK3	<b>22822</b>	89
4418 224	<b>39604</b>	89
4418 224 SK2	<b>22825</b>	89
4418 224 SK3	<b>22822</b>	89
4418 225	<b>36345</b>	89
4418 226	<b>36346</b>	89
4418 629	<b>26453</b>	69
4418 629	<b>36583</b>	69
4418 630	<b>36584</b>	69
4418 630	<b>26454</b>	69
4418 780 SK	<b>32128</b>	69
4419 075	<b>22265</b>	89
4419 219	<b>42634</b>	70
4419 291	<b>37309</b>	70
4419 304 S1	<b>37312</b>	645
4419 308	<b>44539</b>	645
4419 323	<b>44728</b>	70
4420 096 SK	<b>39444</b>	70
4420 096 SK1	<b>43687</b>	70
4420 096 SK2	<b>43688</b>	70
4420 097	<b>43617</b>	70
4420 097 S1	<b>43687</b>	70
4420 098	<b>43618</b>	70
4420 098 S1	<b>43688</b>	70
4420 954	<b>44428</b>	70

4421 646	<b>36346</b>	89
4421 647	<b>36345</b>	89
4431 869	<b>30653</b>	89
4500 091	<b>27181</b>	69
4500 092	<b>26453</b>	69
4500 093	<b>26454</b>	69
4500 094	<b>24262</b>	69
4500 095	<b>24263</b>	69
4500 198	<b>19867</b>	69
4500 199	<b>19866</b>	69
4500 254	<b>22710</b>	69
4500 255	<b>22468</b>	69
4501 261 SK	<b>32128</b>	69
4501 261 S1	<b>37625</b>	69
4501 261 S2	<b>37626</b>	69
4501 262	<b>21493</b>	69
4501 263	<b>21494</b>	69
4701 744	<b>42318</b>	29
4701 745	<b>28058</b>	29
4703 866	<b>28712</b>	29
4705 172	<b>19501</b>	29
4705 409	<b>32470</b>	29
4705 655	<b>42318</b>	29
4705 716	<b>42318</b>	29
4705 742	<b>32090</b>	29
4706 664	<b>28712</b>	29
4706 665	<b>32090</b>	29
4707 280	<b>32090</b>	29
4708 299	<b>32141</b>	30
4708 299 S1	<b>29826</b>	30
4708 299 S2	<b>29827</b>	30
4708 300	<b>32140</b>	30
4708 300 S1	<b>29826</b>	30
4708 300 S2	<b>29827</b>	30
4709 161	<b>28056</b>	30
4709 195	<b>29830</b>	30
4709 702	<b>28000</b>	30
4801 837	<b>43532</b>	643
4803 429	<b>41929</b>	31
4804 642	<b>31708</b>	643
4806 300 SK	<b>28347</b>	31
4806 301	<b>41741</b>	31
4806 301 SK	<b>28347</b>	31


**Ref. - No.**


4806 304	<b>28671</b>	31
4806 305	<b>28672</b>	31
4808 136	<b>43532</b>	643
4810 831	<b>41740</b>	31
4810 831 SK	<b>28347</b>	31
4812 870	<b>41741</b>	31
4812 870 SK	<b>28347</b>	31
4817 539	<b>31708</b>	643
4817 776	<b>41529</b>	31
4817 777	<b>41740</b>	31
4817 777 SK	<b>28347</b>	31
4817 778	<b>41741</b>	31
4817 778 SK	<b>28347</b>	31
4817 869	<b>41529</b>	31
5352 000	<b>02912</b>	37, 46, 83, 85
5352 000 S1	<b>34207</b>	37, 85
5352 001	<b>02915</b>	37, 46, 83, 85
5352 001 S1	<b>34206</b>	37, 85
5352 004	<b>11656</b>	86
5352 004 S1	<b>38274</b>	86
5352 005	<b>11657</b>	86
5352 005 S1	<b>38273</b>	86
5352 007	<b>15399</b>	74
5352 007 S1	<b>34218</b>	74
5352 008	<b>15400</b>	74
5352 008 S1	<b>34217</b>	74
5352 011	<b>11658</b>	51, 80
5352 012	<b>11659</b>	51, 80
5352 014	<b>06157</b>	62
5352 016	<b>11660</b>	39, 91
5352 016 S1	<b>34226</b>	39, 90, 91
5352 017	<b>11661</b>	38, 39, 91
5352 017 S1	<b>34227</b>	39, 90, 91
5352 019	<b>23688</b>	56, 57
5352 020	<b>23687</b>	56, 57
5352 025	<b>22084</b>	64
5352 026	<b>22083</b>	64
5352 027	<b>23797</b>	64
5352 027 S1	<b>34223</b>	64
5352 028	<b>23798</b>	64
5352 028 S1	<b>34224</b>	64
5352 029	<b>27073</b>	41, 65, 91, 93
5352 029 S1	<b>34232</b>	41, 65, 90, 91, 93

**Ref. - No.**


5352 030	<b>27074</b>	41, 65, 91, 93
5352 030 S1	<b>34233</b>	41, 65, 90, 91, 93
5352 038	<b>28649</b>	28, 54
5352 039	<b>28648</b>	28, 54
6606 030 SK	<b>33131</b>	58

**PEUGEOT**

0591.10	<b>27438</b>	97
13057 82080	<b>12066</b>	133, 145
1414.80	<b>30034</b>	97
1415.80	<b>30035</b>	97
14 401 772 80	<b>38735</b>	146
16 070 184 80	<b>33964</b>	125, 129
16 071 423 80	<b>40485</b>	129
16 071 423 80 SK	<b>40485</b>	129
16 075 024 80	<b>41337</b>	139
16 075 106 80	<b>37350</b>	134
16 075 107 80	<b>37349</b>	134
16 080 251 80	<b>44186</b>	109, 136
16 080 252 80	<b>44185</b>	109, 136
16 080 253 80	<b>40070</b>	109, 136
16 086 520 80	<b>38740</b>	107, 110
16 099 106 80	<b>36286</b>	138, 139
16 099 482 80	<b>43548</b>	129
16 099 483 80	<b>43547</b>	129
16 109 762 80	<b>39227</b>	144
3332.07	<b>09397</b>	654
3520.A6	<b>11752</b>	121, 122
3520.A7	<b>11752</b>	121, 122
3520.A8	<b>17722</b>	113, 148, 149, 153
3520.A9	<b>17722</b>	113, 148, 149, 153
3520.C0	<b>11754</b>	123
3520.C5	<b>12044</b>	133, 145
3520.C6	<b>17722</b>	113, 148, 149, 153
3520.C7	<b>17722</b>	113, 148, 149, 153
3520.E0	<b>17722</b>	113, 148, 149, 153
3520.E1	<b>17722</b>	113, 148, 149, 153
3520.E4	<b>17722</b>	113, 148, 149, 153
3520.E6	<b>17722</b>	113, 148, 149, 153
3520.E7	<b>17722</b>	113, 148, 149, 153
3520.E8	<b>17722</b>	113, 148, 149, 153
3520.E9	<b>17722</b>	113, 148, 149, 153
3520.F1	<b>17722</b>	113, 148, 149, 153



Ref. - No.

Car  
Division 

Ref. - No.



Ref. - No.



3520.F2	<b>17722</b>	113, 148, 149, 153
3520.F3	<b>17722</b>	113, 148, 149, 153
3520.F5	<b>17722</b>	113, 148, 149, 153
3520.F6	<b>17722</b>	113, 148, 149, 153
3520.F7	<b>17722</b>	113, 148, 149, 153
3520.F8	<b>17722</b>	113, 148, 149, 153
3520.G8	<b>15952</b>	101, 103
3520.G8	<b>40751</b>	101, 103
3520.G8 S1	<b>40751</b>	101, 103
3520.G9	<b>12044</b>	133, 145
3520.G9 S	<b>22102</b>	133, 145
3520.G9 S1	<b>22100</b>	133, 145
3520.G9 S2	<b>22102</b>	133, 145
3520.H1	<b>11754</b>	123
3520.H3	<b>17722</b>	113, 148, 149, 153
3520.H3 S2	<b>28125</b>	113, 148, 149
3520.H4 S2	<b>28125</b>	113, 148, 149
3520.H5	<b>17722</b>	113, 148, 149, 153
3520.H5 S1	<b>19009</b>	113, 148, 149
3520.H5 S2	<b>28125</b>	113, 148, 149
3520.H7	<b>40781</b>	101, 103, 105
3520.H7	<b>29424</b>	101, 103, 105
3520.H9	<b>18424</b>	151, 153
3520.J3	<b>18424</b>	151, 153
3520.J4	<b>18424</b>	151, 153
3520.K4	<b>11752</b>	121, 122
3520.K8	<b>22385</b>	115, 154
3520.K8	<b>40841</b>	115, 154
3520.K8 S1	<b>40841</b>	115, 154
3520.L0	<b>12385</b>	143
3520.L3	<b>44621</b>	135
3520.L3	<b>38700</b>	135
3520.L3 S3	<b>44621</b>	135
3520.L4	<b>44621</b>	135
3520.L4	<b>38700</b>	135
3520.L4 S3	<b>44621</b>	135
3520.L7	<b>29422</b>	101, 103, 105, 106
3520.L7	<b>40791</b>	101, 103, 105, 106
3520.L8	<b>29426</b>	101, 103, 105
3520.L8	<b>40771</b>	101, 103, 105
3520.L9	<b>44621</b>	135
3520.L9	<b>38700</b>	135
3520.L9 S3	<b>44621</b>	135

3520.N1	<b>38700</b>	135
3520.N1	<b>44621</b>	135
3520.N1 S3	<b>44621</b>	135
3520.N3	<b>12385</b>	143
3520.N5	<b>40841</b>	115, 154
3520.N5 S1	<b>40841</b>	115, 154
3520.N6	<b>36902</b>	124, 125, 129
3520.N6 SK	<b>32116</b>	125, 129
3520.N9	<b>12044</b>	133, 145
3520.P1	<b>44621</b>	135
3520.P1	<b>38700</b>	135
3520.P2	<b>40781</b>	101, 103, 105
3520.P2	<b>29424</b>	101, 103, 105
3520.P4	<b>12044</b>	133, 145
3520.P6	<b>26645</b>	134
3520.P8	<b>12044</b>	133, 145
3520.P9	<b>38700</b>	135
3520.P9	<b>44621</b>	135
3520.P9 S3	<b>44621</b>	135
3520.Q0	<b>38700</b>	135
3520.Q2	<b>31718</b>	97
3520.Q2 S1	<b>22911</b>	97
3520.Q2 S2	<b>30034</b>	97
3520.Q2 S3	<b>30035</b>	97
3520.Q2 S4	<b>30036</b>	97
3520.Q3	<b>18424</b>	151, 153
3520.Q5	<b>18424</b>	151, 153
3520.Q9	<b>29142</b>	107, 109
3520.Q9	<b>44621</b>	135
3520.Q9 S3	<b>44621</b>	135
3520.R0	<b>44621</b>	135
3520.R0	<b>38700</b>	135
3520.R0 S3	<b>44621</b>	135
3520.R1	<b>38700</b>	135
3520.R1	<b>44621</b>	135
3520.R1 S3	<b>44621</b>	135
3520.R2	<b>38700</b>	135
3520.R2	<b>44621</b>	135
3520.R2 S3	<b>44621</b>	135
3520.R3	<b>38700</b>	135
3520.R3	<b>44621</b>	135
3520.R3 S3	<b>44621</b>	135
3520.R4	<b>38700</b>	135


**Ref. - No.**


3520.R4	<b>44621</b>	135
3520.R4 S3	<b>44621</b>	135
3520.R5	<b>38700</b>	135
3520.R5	<b>44621</b>	135
3520.R5 S3	<b>44621</b>	135
3520.R6	<b>38700</b>	135
3520.R6	<b>44621</b>	135
3520.R7	<b>29142</b>	107, 109
3520.R7 S1	<b>28731</b>	107, 109
3520.R7 S2	<b>28732</b>	107, 109
3520.R8	<b>37690</b>	134, 146
3520.S0	<b>31297</b>	144
3520.S0 S1	<b>31092</b>	144
3520.S0 S2	<b>31091</b>	144
3520.S1	<b>31297</b>	144
3520.S1 S1	<b>31092</b>	144
3520.S1 S2	<b>31091</b>	144
3520.S2	<b>40841</b>	115, 154
3520.S2	<b>22385</b>	115, 154
3520.S2 S1	<b>40841</b>	115, 154
3520.S3	<b>29426</b>	101, 103, 105
3520.S3 S1	<b>40771</b>	101, 103, 105
3520.S4	<b>40751</b>	101, 103
3520.S4	<b>15952</b>	101, 103
3520.S4 S1	<b>40751</b>	101, 103
3520.S5	<b>37350</b>	134
3520.T0	<b>40841</b>	115, 154
3520.T0	<b>22385</b>	115, 154
3520.T0 S1	<b>40841</b>	115, 154
3520.V0	<b>38170</b>	138, 139
3520.V1	<b>38700</b>	135
3520.V1	<b>44621</b>	135
3520.V1 S2	<b>38700</b>	135
3520.V1 S3	<b>44621</b>	135
3520.V2	<b>37840</b>	117, 137, 141
3520.V3	<b>18424</b>	151, 153
3520.V6	<b>29424</b>	101, 103, 105
3520.V6 S1	<b>40781</b>	101, 103, 105
3520.V7	<b>29426</b>	101, 103, 105
3520.V7 S1	<b>40771</b>	101, 103, 105
3520.V8	<b>37690</b>	134, 146
3520.W0	<b>29422</b>	101, 103, 105, 106
3520.W0 S1	<b>40791</b>	101, 103, 105, 106

**Ref. - No.**


3520.W3	<b>29144</b>	142
3520.W4	<b>37350</b>	134
3520.X0	<b>37350</b>	134
3520.X9	<b>38170</b>	138, 139
3520.Y0	<b>43600</b>	129
3520.Y0	<b>43580</b>	129
3520.Y0 SK	<b>43580</b>	129
3520.Y4	<b>29144</b>	142
3520.48	<b>10123</b>	99
3520.50	<b>10123</b>	99
3520.51	<b>10123</b>	99
3520.54	<b>17786</b>	99
3520.60	<b>19831</b>	120
3520.76	<b>11278</b>	147
3520.77	<b>12153</b>	147
3520.78	<b>15977</b>	96
3520.79	<b>15979</b>	96
3520.80	<b>19731</b>	96
3520.81	<b>19733</b>	96
3520.92	<b>19731</b>	96
3520.93	<b>19733</b>	96
3520.95	<b>12385</b>	143
3520.98	<b>17722</b>	113, 148, 149, 153
3520.99	<b>17722</b>	113, 148, 149, 153
3521.A1	<b>17725</b>	113, 148, 149, 153
3521.A2	<b>17725</b>	113, 148, 149, 153
3521.A3	<b>17725</b>	113, 148, 149, 153
3521.A5	<b>17725</b>	113, 148, 149, 153
3521.A6	<b>17725</b>	113, 148, 149, 153
3521.A7	<b>17725</b>	113, 148, 149, 153
3521.A8	<b>17725</b>	113, 148, 149, 153
3521.C8	<b>40750</b>	101, 103
3521.C8	<b>15951</b>	101, 103
3521.C8 S1	<b>40750</b>	101, 103
3521.C9	<b>12045</b>	133, 145
3521.C9 S	<b>22101</b>	133, 145
3521.C9 S1	<b>22101</b>	133, 145
3521.E1	<b>11753</b>	123
3521.E3	<b>17725</b>	113, 148, 149, 153
3521.E4	<b>17725</b>	113, 148, 149, 153
3521.E5	<b>17725</b>	113, 148, 149, 153
3521.E7	<b>29425</b>	101, 103, 105
3521.E7	<b>40780</b>	101, 103, 105

Ref. - No.

Car  
Division 

Ref. - No.



Ref. - No.



3521.E9	<b>18425</b>	151, 153
3521.F3	<b>18425</b>	151, 153
3521.F4	<b>18425</b>	151, 153
3521.G4	<b>11751</b>	121, 122
3521.G8	<b>40840</b>	115, 154
3521.G8	<b>22384</b>	115, 154
3521.G8 S1	<b>40840</b>	115, 154
3521.H0	<b>37349</b>	134
3521.H1	<b>26646</b>	134
3521.H2	<b>12386</b>	143
3521.H5	<b>38701</b>	135
3521.H5	<b>44620</b>	135
3521.H5 S3	<b>44620</b>	135
3521.H6	<b>44620</b>	135
3521.H6	<b>38701</b>	135
3521.H6 S3	<b>44620</b>	135
3521.H9	<b>40790</b>	101, 103, 105, 106
3521.H9	<b>29423</b>	101, 103, 105, 106
3521.J0	<b>29427</b>	101, 103, 105
3521.J0	<b>40770</b>	101, 103, 105
3521.J1	<b>38701</b>	135
3521.J1	<b>44620</b>	135
3521.J1 S3	<b>44620</b>	135
3521.J2	<b>38701</b>	135
3521.J2	<b>44620</b>	135
3521.J2 S3	<b>44620</b>	135
3521.J3	<b>12386</b>	143
3521.J5	<b>40840</b>	115, 154
3521.J5 S1	<b>40840</b>	115, 154
3521.J6	<b>36901</b>	124, 125, 129
3521.J6 SK	<b>32116</b>	125, 129
3521.J9	<b>12045</b>	133, 145
3521.K1	<b>38701</b>	135
3521.K1	<b>44620</b>	135
3521.K1 S3	<b>44620</b>	135
3521.K2	<b>40780</b>	101, 103, 105
3521.K2	<b>29425</b>	101, 103, 105
3521.K3	<b>22384</b>	115, 154
3521.K3	<b>40840</b>	115, 154
3521.K3 S1	<b>40840</b>	115, 154
3521.K4	<b>12045</b>	133, 145
3521.K6	<b>26646</b>	134
3521.K8	<b>38701</b>	135

3521.K8	<b>44620</b>	135
3521.K8 S3	<b>44620</b>	135
3521.L0	<b>12045</b>	133, 145
3521.L1	<b>38701</b>	135
3521.L1	<b>44620</b>	135
3521.L1 S3	<b>44620</b>	135
3521.L3	<b>31719</b>	97
3521.L3 S1	<b>22911</b>	97
3521.L3 S2	<b>30034</b>	97
3521.L3 S3	<b>30035</b>	97
3521.L3 S4	<b>30036</b>	97
3521.L4	<b>18425</b>	151, 153
3521.L6	<b>18425</b>	151, 153
3521.N0	<b>29143</b>	107, 109
3521.N1	<b>44620</b>	135
3521.N1	<b>38701</b>	135
3521.N1 S3	<b>44620</b>	135
3521.N2	<b>44620</b>	135
3521.N2	<b>38701</b>	135
3521.N2 S3	<b>44620</b>	135
3521.N3	<b>38701</b>	135
3521.N3	<b>44620</b>	135
3521.N3 S3	<b>44620</b>	135
3521.N4	<b>38701</b>	135
3521.N4	<b>44620</b>	135
3521.N4 S3	<b>44620</b>	135
3521.N5	<b>44620</b>	135
3521.N5	<b>38701</b>	135
3521.N5 S3	<b>44620</b>	135
3521.N6	<b>38701</b>	135
3521.N6	<b>44620</b>	135
3521.N6 S3	<b>44620</b>	135
3521.N7	<b>38701</b>	135
3521.N7	<b>44620</b>	135
3521.N7 S3	<b>44620</b>	135
3521.N8	<b>29143</b>	107, 109
3521.N9	<b>37689</b>	134, 146
3521.P1	<b>31298</b>	144
3521.P1 S1	<b>31092</b>	144
3521.P1 S2	<b>31091</b>	144
3521.P2	<b>31298</b>	144
3521.P2 S1	<b>31092</b>	144
3521.P2 S2	<b>31091</b>	144


**Ref. - No.**


3521.P3	<b>40840</b>	115, 154
3521.P3	<b>22384</b>	115, 154
3521.P3 S1	<b>40840</b>	115, 154
3521.P4	<b>29427</b>	101, 103, 105
3521.P4 S1	<b>40770</b>	101, 103, 105
3521.P5	<b>15951</b>	101, 103
3521.P5	<b>40750</b>	101, 103
3521.P5 S1	<b>40750</b>	101, 103
3521.P6	<b>37349</b>	134
3521.Q1	<b>40840</b>	115, 154
3521.Q1	<b>22384</b>	115, 154
3521.Q1 S1	<b>40840</b>	115, 154
3521.R1	<b>38171</b>	138, 139
3521.R2	<b>44620</b>	135
3521.R2	<b>38701</b>	135
3521.R2 S2	<b>38701</b>	135
3521.R2 S3	<b>44620</b>	135
3521.R3	<b>37839</b>	117, 137, 141
3521.R4	<b>18425</b>	151, 153
3521.R7	<b>29425</b>	101, 103, 105
3521.R7 S1	<b>40780</b>	101, 103, 105
3521.R9	<b>29427</b>	101, 103, 105
3521.R9 S1	<b>40770</b>	101, 103, 105
3521.S0	<b>37689</b>	134, 146
3521.S1	<b>29423</b>	101, 103, 105, 106
3521.S1 S1	<b>40790</b>	101, 103, 105, 106
3521.S6	<b>29145</b>	142
3521.S7	<b>37349</b>	134
3521.T2	<b>37349</b>	134
3521.V0	<b>38171</b>	138, 139
3521.V1	<b>43601</b>	129
3521.V1	<b>43580</b>	129
3521.V1 SK	<b>43580</b>	129
3521.V5	<b>29145</b>	142
3521.31	<b>10127</b>	99
3521.33	<b>10127</b>	99
3521.34	<b>10127</b>	99
3521.37	<b>17787</b>	99
3521.41	<b>19833</b>	120
3521.52	<b>11277</b>	147
3521.53	<b>11277</b>	147
3521.53	<b>12152</b>	147
3521.65	<b>12385</b>	143

**Ref. - No.**


3521.68	<b>17725</b>	113, 148, 149, 153
3521.69	<b>17725</b>	113, 148, 149, 153
3521.76	<b>11751</b>	121, 122
3521.77	<b>11751</b>	121, 122
3521.78	<b>17725</b>	113, 148, 149, 153
3521.79	<b>17725</b>	113, 148, 149, 153
3521.80	<b>11753</b>	123
3521.85	<b>12045</b>	133, 145
3521.86	<b>17725</b>	113, 148, 149, 153
3521.87	<b>17725</b>	113, 148, 149, 153
3521.90	<b>17725</b>	113, 148, 149, 153
3521.91	<b>17725</b>	113, 148, 149, 153
3521.94	<b>17725</b>	113, 148, 149, 153
3521.95	<b>17725</b>	113, 148, 149, 153
3521.96	<b>17725</b>	113, 148, 149, 153
3521.97	<b>17725</b>	113, 148, 149, 153
3521.98	<b>17725</b>	113, 148, 149, 153
3521.99	<b>17725</b>	113, 148, 149, 153
3523.AA	<b>22636</b>	135
3523.AG	<b>18177</b>	101, 103, 105, 106
3523.AJ	<b>21850</b>	115, 117, 137, 141, 154
3523.AL	<b>26933</b>	125, 129
3523.AP	<b>36285</b>	143
3523.AQ	<b>27015</b>	125, 129
3523.AS	<b>39375</b>	101, 103, 105
3523.AT	<b>22636</b>	135
3523.AV	<b>26932</b>	125
3523.AW	<b>26933</b>	125, 129
3523.AZ	<b>26933</b>	125, 129
3523.CA	<b>26932</b>	125
3523.CC	<b>28732</b>	107, 109
3523.CE	<b>28731</b>	107, 109
3523.CJ	<b>39686</b>	101, 103, 105, 141
3523.CS	<b>36286</b>	138, 139
3523.CW	<b>37095</b>	155
3523.20	<b>09058</b>	99
3523.23	<b>10252</b>	99
3523.27	<b>09019</b>	99
3523.31	<b>09070</b>	99, 120
3523.40	<b>09373</b>	121, 122
3523.42	<b>17790</b>	121, 122
3523.43	<b>10251</b>	131, 132

Ref. - No.

Car  
Division 

Ref. - No.



3523.45	<b>36880</b>	131
3523.49	<b>09019</b>	99
3523.50	<b>11756</b>	96
3523.51	<b>11777</b>	96
3523.52	<b>18347</b>	96
3523.53	<b>21934</b>	96
3523.60	<b>11759</b>	123
3523.61	<b>11755</b>	123
3523.62	<b>17781</b>	113, 148, 149
3523.64	<b>18347</b>	96
3523.75	<b>17781</b>	113, 148, 149
3523.76	<b>18177</b>	101, 103, 105, 106
3523.77	<b>18179</b>	101, 103, 105, 106, 115, 117, 137, 141, 154, 155
3523.79	<b>39375</b>	101, 103, 105
3523.80	<b>39686</b>	101, 103, 105, 141
3523.83	<b>23405</b>	151
3523.89	<b>17790</b>	121, 122
3523.90	<b>36880</b>	131
3523.91	<b>21850</b>	115, 117, 137, 141, 154
3523.92	<b>18179</b>	101, 103, 105, 106, 115, 117, 137, 141, 154, 155
3523.93	<b>21613</b>	143
3523.94	<b>21611</b>	143
3523.96	<b>36880</b>	131
3523.98	<b>22635</b>	135
3561.08	<b>12375</b>	147
3640.15	<b>25231</b>	126, 127, 130
3640.17	<b>11784</b>	147
3640.20	<b>11417</b>	121, 122
3640.21	<b>11417</b>	121, 122
3640.25	<b>25231</b>	126, 127, 130
3640.26	<b>11284</b>	147
3640.27	<b>25231</b>	126, 127, 130
3640.28	<b>11829</b>	121, 122, 123, 131, 132
3640.30	<b>15981</b>	113
3640.30 S1	<b>31813</b>	113
3640.31 S1	<b>31813</b>	113
3640.33	<b>22269</b>	143

Ref. - No.



3640.34	<b>11829</b>	121, 122, 123, 131, 132
3640.35	<b>18343</b>	652
3640.36	<b>11850</b>	96
3640.37	<b>15981</b>	113
3640.37 S1	<b>31813</b>	113
3640.38	<b>17723</b>	148, 149
3640.38 S1	<b>31812</b>	148, 149
3640.41	<b>10289</b>	652
3640.42	<b>17723</b>	148, 149
3640.42 S1	<b>31812</b>	148, 149
3640.43	<b>17723</b>	148, 149
3640.43 S1	<b>31812</b>	148, 149
3640.44 S1	<b>31813</b>	113
3640.48	<b>19468</b>	113
3640.48 S1	<b>31814</b>	113
3640.49	<b>19468</b>	113
3640.49 S1	<b>31814</b>	113
3640.50	<b>17715</b>	148, 149, 153
3640.50 S1	<b>31811</b>	148, 149, 153
3640.51	<b>17715</b>	148, 149, 153
3640.51 S1	<b>31811</b>	148, 149, 153
3640.53	<b>21490</b>	115, 117, 137, 141, 154, 155
3640.54	<b>22269</b>	143
3640.55	<b>22267</b>	143
3640.57	<b>28356</b>	125, 129
3640.58	<b>28355</b>	125, 129
3640.58	<b>38490</b>	125, 129
3640.59	<b>28600</b>	135
3640.60	<b>21490</b>	115, 117, 137, 141, 154, 155
3640.61	<b>28599</b>	107, 109
3640.62	<b>28599</b>	107, 109
3640.66	<b>28600</b>	135
3640.67	<b>29385</b>	144
3640.68	<b>21490</b>	115, 117, 137, 141, 154, 155
3640.69	<b>28355</b>	125, 129
3640.69	<b>38490</b>	125, 129
3640.69 S1	<b>38490</b>	125, 129
3640.70	<b>21490</b>	115, 117, 137, 141, 154, 155


**Ref. - No.**


3640.71	<b>11829</b>	121, 122, 123, 131, 132
3640.72	<b>38490</b>	125, 129
3640.72	<b>28355</b>	125, 129
3640.73	<b>21490</b>	115, 117, 137, 141, 154, 155
3640.74	<b>28356</b>	125, 129
3640.76	<b>29385</b>	144
3640.77	<b>38025</b>	109, 110
3640.77 S1	<b>38025</b>	109, 110
3640.83	<b>44180</b>	129
3656.04	<b>44480</b>	125, 129
3656.04	<b>44400</b>	124, 125, 128, 129
3656.04 S1	<b>44400</b>	124, 125, 128, 129
3656.04 S2	<b>44480</b>	125, 129
3657.04	<b>44480</b>	125, 129
3657.04	<b>44400</b>	124, 125, 128, 129
3657.04 S1	<b>44400</b>	124, 125, 128, 129
3657.04 S2	<b>44480</b>	125, 129
3717.42	<b>39041</b>	114
3812.A4	<b>38980</b>	133, 145
3812.A4	<b>11831</b>	133, 145
3812.A4 S1	<b>38980</b>	133, 145
3812.A6	<b>22115</b>	131
3812.A9	<b>11853</b>	123
3812.C0	<b>39292</b>	148
3812.C0	<b>39293</b>	148
3812.C0	<b>17766</b>	148, 149, 153
3812.C0 S1	<b>39292</b>	148
3812.C0 S2	<b>39293</b>	148
3812.C1	<b>19383</b>	123
3812.C3	<b>19383</b>	123
3812.C4	<b>19383</b>	123
3812.C5	<b>17768</b>	101, 103, 105, 106
3812.C5	<b>38998</b>	101, 103, 105, 106
3812.C5	<b>38997</b>	101, 103, 105, 106
3812.C5	<b>39031</b>	101, 103, 105
3812.C5	<b>39032</b>	101, 103, 105
3812.C5 S1	<b>38997</b>	101, 103, 105, 106
3812.C5 S2	<b>38998</b>	101, 103, 105, 106
3812.C5 S3	<b>39031</b>	101, 103, 105
3812.C5 S4	<b>39032</b>	101, 103, 105
3812.C6	<b>39294</b>	151, 153

**Ref. - No.**


3812.C6	<b>39295</b>	151, 153
3812.C6	<b>27432</b>	151, 153
3812.C6 S1	<b>39295</b>	151, 153
3812.C6 S2	<b>39294</b>	151, 153
3812.C7	<b>39000</b>	132
3812.C7	<b>38999</b>	132
3812.C7	<b>19939</b>	132
3812.C7 S1	<b>38999</b>	132
3812.C7 S2	<b>39000</b>	132
3812.E0	<b>39041</b>	114
3812.E0	<b>19935</b>	114
3812.E0	<b>39042</b>	114
3812.E0 S4	<b>39041</b>	114
3812.E0 S5	<b>39042</b>	114
3812.E1	<b>38899</b>	135
3812.E1	<b>38900</b>	135
3812.E1	<b>19927</b>	135
3812.E1 S1	<b>38899</b>	135
3812.E1 S2	<b>38900</b>	135
3812.E2	<b>27427</b>	134
3812.E3	<b>27424</b>	125
3812.E4	<b>40610</b>	152, 153
3812.E5	<b>39043</b>	114
3812.E5	<b>29625</b>	114
3812.E5 S3	<b>39043</b>	114
3812.E6	<b>40080</b>	135
3812.E7	<b>27424</b>	125
3812.E8	<b>39033</b>	107
3812.E8	<b>39034</b>	107
3812.E8	<b>27428</b>	107
3812.E8 S1	<b>39033</b>	107
3812.E8 S2	<b>39034</b>	107
3812.F0	<b>36669</b>	134, 146
3812.F0	<b>39029</b>	134, 146
3812.F0 S1	<b>39029</b>	134, 146
3812.F2	<b>31970</b>	117, 137, 141
3812.F2	<b>44923</b>	117, 137, 141
3812.F2 S1	<b>44923</b>	117, 137, 141
3812.F3	<b>40493</b>	129
3812.F4	<b>44934</b>	154
3812.F4 S2	<b>44934</b>	154
3812.F7	<b>36691</b>	155
3812.F8	<b>38560</b>	117

Ref. - No.

Car  
Division

Ref. - No.



Ref. - No.



3812.G3	<b>40485</b>	129
3812.G3 SK	<b>40485</b>	129
3812.27	<b>18281</b>	147
3812.32	<b>17611</b>	98, 119
3812.38	<b>17611</b>	98, 119
3812.92	<b>11854</b>	111
3812.92 S	<b>11856</b>	111
3812.92 S1	<b>11856</b>	111
3812.95	<b>17611</b>	98, 119
3812.97	<b>17611</b>	98, 119
3812.98	<b>17609</b>	121, 122
3812.99	<b>11847</b>	131
3817.A5	<b>37860</b>	117, 134, 146, 155
3817.11	<b>10900</b>	147
3817.14	<b>10659</b>	95, 101, 103, 105, 106, 114, 131
3817.16	<b>10660</b>	95, 101, 103, 105, 106, 114, 131
3817.18	<b>09317</b>	98, 111, 114, 119, 126, 127, 130, 148, 149, 151, 153
3817.21	<b>11851</b>	121, 122
3817.22	<b>11855</b>	121, 122
3817.26	<b>11851</b>	121, 122
3817.27	<b>11855</b>	121, 122
3817.27 S1	<b>11855</b>	121, 122
3817.30	<b>10659</b>	95, 101, 103, 105, 106, 114, 131
3817.31	<b>10660</b>	95, 101, 103, 105, 106, 114, 131
3817.32	<b>40005</b>	95
3817.33	<b>40005</b>	95
3817.35	<b>40004</b>	95
3817.36 S1	<b>40004</b>	95
3817.37	<b>17751</b>	131, 132
3817.38	<b>17753</b>	131, 132
3817.39	<b>10658</b>	123
3817.40	<b>10657</b>	123
3817.41	<b>39042</b>	114
3817.41	<b>39032</b>	101, 103, 105
3817.41	<b>38998</b>	101, 103, 105, 106
3817.41	<b>10659</b>	95, 101, 103, 105, 106, 114, 131

3817.41 S2	<b>38998</b>	101, 103, 105, 106
3817.41 S4	<b>39032</b>	101, 103, 105
3817.41 S5	<b>39042</b>	114
3817.42	<b>38997</b>	101, 103, 105, 106
3817.42	<b>39031</b>	101, 103, 105
3817.42	<b>10660</b>	95, 101, 103, 105, 106, 114, 131
3817.42 S1	<b>38997</b>	101, 103, 105, 106
3817.42 S3	<b>39031</b>	101, 103, 105
3817.42 S4	<b>39041</b>	114
3817.43	<b>39000</b>	132
3817.43	<b>17751</b>	131, 132
3817.43 S2	<b>39000</b>	132
3817.44	<b>38999</b>	132
3817.44	<b>17753</b>	131, 132
3817.44 S1	<b>38999</b>	132
3817.47	<b>30876</b>	95
3817.48	<b>11851</b>	121, 122
3817.49	<b>11855</b>	121, 122
3817.50	<b>39295</b>	151, 153
3817.50	<b>39043</b>	114
3817.50	<b>09317</b>	98, 111, 114, 119, 126, 127, 130, 148, 149, 151, 153
3817.50	<b>39293</b>	148
3817.50	<b>39292</b>	148
3817.50	<b>39294</b>	151, 153
3817.50 S1	<b>39295</b>	151, 153
3817.50 S1	<b>39292</b>	148
3817.50 S2	<b>39294</b>	151, 153
3817.50 S2	<b>39293</b>	148
3817.50 S3	<b>39043</b>	114
3817.55	<b>21491</b>	135
3817.55	<b>38900</b>	135
3817.55 S2	<b>38900</b>	135
3817.56	<b>38899</b>	135
3817.56	<b>21492</b>	135
3817.56 S1	<b>38899</b>	135
3817.57	<b>23325</b>	125
3817.58	<b>23323</b>	125
3817.63	<b>28318</b>	97
3817.63	<b>39590</b>	97
3817.63 S2	<b>39590</b>	97



Ref. - No.



3817.64	<b>28319</b>	97
3817.64	<b>39591</b>	97
3817.64 S3	<b>39591</b>	97
3817.65	<b>28580</b>	125
3817.66	<b>28581</b>	125
3817.67	<b>39033</b>	107
3817.67	<b>28710</b>	107, 109
3817.67 S1	<b>39033</b>	107
3817.67 S2	<b>39034</b>	107
3817.68	<b>28711</b>	107, 109
3817.68	<b>39034</b>	107
3817.70	<b>32192</b>	144
3817.73	<b>39029</b>	134, 146
3817.73	<b>37860</b>	117, 134, 146, 155
3817.73 S1	<b>39029</b>	134, 146
3817.74	<b>39296</b>	138
3817.74	<b>34477</b>	138
3817.74 S1	<b>39296</b>	138
3817.75	<b>31972</b>	117, 137, 141, 154
3817.75	<b>44923</b>	117, 137, 141
3817.76	<b>44934</b>	154
3817.76	<b>31971</b>	117, 137, 141, 154
3817.77	<b>32193</b>	144
3817.80	<b>43548</b>	129
3817.81	<b>43547</b>	129
3817.86	<b>39290</b>	142
3817.86	<b>32767</b>	142
3817.86 S2	<b>39290</b>	142
3817.87	<b>32768</b>	142
3817.87	<b>39291</b>	142
3817.87 S3	<b>39291</b>	142
3817.88	<b>44923</b>	117, 137, 141
3817.88	<b>31972</b>	117, 137, 141, 154
3817.89	<b>44934</b>	154
3817.89	<b>31971</b>	117, 137, 141, 154
4001.E4	<b>36840</b>	144
4001.E4 S1	<b>36840</b>	144
4001.33	<b>36850</b>	97
4001.33	<b>39591</b>	97
4001.33	<b>39590</b>	97
4001.33 S1	<b>36850</b>	97
4001.33 S1	<b>39590</b>	97
4001.33 S2	<b>39590</b>	97

Ref. - No.



4001.33 S3	<b>39591</b>	97
4001.69	<b>39296</b>	138
4001.69 S1	<b>32551</b>	138
4001.69 S1	<b>39296</b>	138
4001.77	<b>39290</b>	142
4001.77	<b>39291</b>	142
4001.77	<b>36841</b>	142
4001.77 S1	<b>36841</b>	142
4001.77 S2	<b>39290</b>	142
4001.77 S3	<b>39291</b>	142
4006.24	<b>12025</b>	143
4006.24 S	<b>12034</b>	143
4006.24 S1	<b>12034</b>	143
4018.A3	<b>11281</b>	143
4018.A4	<b>12025</b>	143
4018.E0	<b>28351</b>	143
4018.H4	<b>11281</b>	143
4059.09	<b>11280</b>	133, 145
4059.09	<b>38980</b>	133, 145
4059.09 S1	<b>38980</b>	133, 145
4059.12	<b>39684</b>	134, 145
4060.22	<b>39294</b>	151, 153
4060.43	<b>39295</b>	151, 153
4066.A3	<b>39238</b>	97
4066.A3	<b>39591</b>	97
4066.A3	<b>39590</b>	97
4066.A3 S2	<b>39590</b>	97
4066.A3 S3	<b>39591</b>	97
4066.18	<b>12809</b>	147
4066.18 S	<b>12811</b>	147
4066.18 S1	<b>12811</b>	147
4066.19	<b>12810</b>	147
4066.19 S	<b>12812</b>	147
4066.19 S1	<b>12812</b>	147
4066.20	<b>18027</b>	98, 111, 119, 126, 149, 151, 153
4066.22	<b>18042</b>	98, 111, 119, 149, 151
4066.22 S2	<b>39294</b>	151, 153
4066.30	<b>18185</b>	122, 123, 131
4066.32	<b>19917</b>	95
4066.37	<b>19919</b>	121, 122
4066.41	<b>18187</b>	133, 145



Ref. - No.

Car  
Division 

Ref. - No.



4066.41	<b>38980</b>	133, 145
4066.41 SK	<b>23841</b>	133, 145
4066.41 S1	<b>38980</b>	133, 145
4066.42	<b>19921</b>	122, 123, 131
4066.43	<b>18043</b>	111, 148, 151, 153
4066.43	<b>39292</b>	148
4066.43	<b>39198</b>	111, 148, 151, 153
4066.43 S1	<b>39292</b>	148
4066.43 S1	<b>39198</b>	111, 148, 151, 153
4066.43 S1	<b>39295</b>	151, 153
4066.44	<b>39293</b>	148
4066.44	<b>38905</b>	111, 148
4066.44 S1	<b>39293</b>	148
4066.52	<b>18042</b>	98, 111, 119, 149, 151
4066.56	<b>38930</b>	101, 103, 105
4066.56	<b>39032</b>	101, 103, 105
4066.56	<b>39031</b>	101, 103, 105
4066.56 S1	<b>38930</b>	101, 103, 105
4066.56 S3	<b>39031</b>	101, 103, 105
4066.56 S4	<b>39032</b>	101, 103, 105
4066.57	<b>29207</b>	101, 103, 105, 106, 114
4066.64	<b>29207</b>	101, 103, 105, 106, 114
4066.64	<b>38738</b>	132
4066.69	<b>38899</b>	135
4066.69	<b>38907</b>	135
4066.69	<b>38900</b>	135
4066.69 S1	<b>38899</b>	135
4066.69 S2	<b>38900</b>	135
4066.71	<b>39562</b>	125
4066.72	<b>39579</b>	125
4066.73	<b>39042</b>	114
4066.73	<b>38998</b>	101, 103, 105, 106
4066.73	<b>29207</b>	101, 103, 105, 106, 114
4066.73	<b>39043</b>	114
4066.73	<b>39041</b>	114
4066.73	<b>38997</b>	101, 103, 105, 106
4066.73 S1	<b>38997</b>	101, 103, 105, 106
4066.73 S2	<b>38998</b>	101, 103, 105, 106
4066.73 S3	<b>39043</b>	114

Ref. - No.



4066.73 S4	<b>39041</b>	114
4066.73 S5	<b>39042</b>	114
4066.74	<b>38999</b>	132
4066.74	<b>38738</b>	132
4066.74	<b>39000</b>	132
4066.74 S1	<b>38999</b>	132
4066.74 S2	<b>39000</b>	132
4066.79	<b>38918</b>	134
4066.80	<b>38740</b>	107, 110
4066.80	<b>39034</b>	107
4066.80	<b>39033</b>	107
4066.80 S1	<b>39033</b>	107
4066.80 S2	<b>39034</b>	107
4066.82	<b>44923</b>	117, 137, 141
4066.82	<b>44797</b>	117, 137, 141, 154, 155
4066.82	<b>44934</b>	154
4066.83	<b>36654</b>	134, 146
4066.83	<b>39029</b>	134, 146
4066.83 S1	<b>39029</b>	134, 146
4066.84	<b>38921</b>	138
4066.84	<b>39296</b>	138
4066.84 S1	<b>39296</b>	138
4066.85	<b>44797</b>	117, 137, 141, 154, 155
4066.85	<b>44923</b>	117, 137, 141
4066.85	<b>44934</b>	154
4066.86	<b>39227</b>	144
4066.92	<b>44934</b>	154
4066.92	<b>44923</b>	117, 137, 141
4066.92	<b>44797</b>	117, 137, 141, 154, 155
4066.93	<b>44797</b>	117, 137, 141, 154, 155
4066.93	<b>44934</b>	154
4066.93	<b>44923</b>	117, 137, 141
4066.95	<b>39290</b>	142
4066.95	<b>39237</b>	142
4066.95	<b>39291</b>	142
4066.95 S2	<b>39290</b>	142
4066.95 S3	<b>39291</b>	142
5081.L0	<b>38735</b>	146
5081.N9	<b>36889</b>	144


**Ref. - No.**


5081.N9 S1	<b>36889</b>	144
5081.Q3	<b>38735</b>	146
5087.23	<b>11422</b>	99, 120
5087.30	<b>18427</b>	131
5087.32	<b>11422</b>	99, 120
5087.33	<b>17612</b>	96
5087.34	<b>11423</b>	113, 148, 149, 151, 153
5087.35	<b>12064</b>	133, 145
5087.35 S	<b>12080</b>	133, 145
5087.35 S1	<b>12080</b>	133, 145
5087.37	<b>12840</b>	143
5087.37 S	<b>12841</b>	143
5087.37 S1	<b>12841</b>	143
5087.39	<b>11423</b>	113, 148, 149, 151, 153
5087.40	<b>17129</b>	96, 123
5087.41	<b>18427</b>	131
5087.42	<b>17968</b>	113
5087.45	<b>17969</b>	101, 103, 105, 106, 135
5087.46	<b>11423</b>	113, 148, 149, 151, 153
5087.48	<b>19225</b>	123, 132
5087.49	<b>18427</b>	131
5087.50	<b>19397</b>	115, 117, 137, 141, 154, 155
5087.51	<b>19403</b>	134
5087.52	<b>22846</b>	125, 129
5087.53	<b>22847</b>	125, 129
5087.54	<b>27434</b>	107, 109, 110
5087.55	<b>27435</b>	107, 109, 110
5087.56	<b>28601</b>	146
5087.57	<b>36440</b>	137, 141, 154, 155
5087.58	<b>30401</b>	138, 139
5087.59	<b>17969</b>	101, 103, 105, 106, 135
5087.60	<b>19225</b>	123, 132
5087.61	<b>11423</b>	113, 148, 149, 151, 153
5087.62	<b>19397</b>	115, 117, 137, 141, 154, 155

**Ref. - No.**


5087.64	<b>19397</b>	115, 117, 137, 141, 154, 155
5087.65	<b>32194</b>	142
5087.66	<b>17969</b>	101, 103, 105, 106, 135
5087.68	<b>27435</b>	107, 109, 110
5087.69	<b>27434</b>	107, 109, 110
5087.70	<b>32194</b>	142
5087.71	<b>43770</b>	109
5087.74	<b>17969</b>	101, 103, 105, 106, 135
5087.76	<b>40729</b>	129
5087.77	<b>19397</b>	115, 117, 137, 141, 154, 155
5087.78	<b>19397</b>	115, 117, 137, 141, 154, 155
5087.79	<b>32194</b>	142
5091.10 S1	<b>27438</b>	97
5093.15	<b>12065</b>	133, 143, 145
5094.A0	<b>37202</b>	125, 129
5094.A1	<b>33964</b>	125, 129
5094.A7	<b>27438</b>	97
5094.A7 S1	<b>27438</b>	97
5094.A8	<b>37199</b>	97
5094.C1	<b>37201</b>	107
5094.C2	<b>37336</b>	107
5094.C3	<b>40173</b>	107
5094.C4	<b>39682</b>	117, 155
5094.C5	<b>39681</b>	107
5094.C6	<b>39166</b>	138, 139
5094.C8	<b>40490</b>	142
5094.E0	<b>22715</b>	115
5094.E2	<b>39682</b>	117, 155
5094.E3	<b>40187</b>	115, 117, 137, 141, 154, 155
5094.E4	<b>42780</b>	154
5094.E5	<b>36977</b>	142
5094.E6	<b>39685</b>	154
5094.E7	<b>42779</b>	137, 154
5094.F2	<b>39683</b>	117
5094.F3	<b>40082</b>	125, 129
5094.56	<b>21914</b>	96
5094.57	<b>21915</b>	96

Ref. - No.

Car  
Division

Ref. - No.



Ref. - No.



5094.59	<b>21250</b>	96
5094.63	<b>10276</b>	113
5094.64	<b>10277</b>	113
5094.65	<b>17817</b>	113, 148, 149, 151, 153
5094.65 S1	<b>37765</b>	113, 151, 153
5094.66	<b>21820</b>	113
5094.69	<b>12066</b>	133, 145
5094.74	<b>21821</b>	123
5094.75	<b>21822</b>	123
5094.77	<b>21818</b>	113, 148, 149, 151, 153
5094.80	<b>21816</b>	101
5094.81	<b>21814</b>	101
5094.82	<b>34801</b>	101, 103, 105, 106
5094.87	<b>22714</b>	115
5094.88	<b>22715</b>	115
5094.89	<b>40187</b>	115, 117, 137, 141, 154, 155
5094.95	<b>34804</b>	101, 103, 105, 106
5094.98	<b>40082</b>	125, 129
5094.99	<b>33965</b>	125
5097.39 S1	<b>37765</b>	113, 151, 153
5131.53	<b>12381</b>	654
5131.54	<b>10816</b>	654
5131.55	<b>10817</b>	654
5131.56	<b>10818</b>	654
5131.78	<b>10290</b>	652
5131.79	<b>10291</b>	652
5131.80	<b>10292</b>	652
5131.99	<b>10291</b>	652
5170.F5	<b>36883</b>	656
5170.F5 S1	<b>36883</b>	656
5170.F6	<b>36883</b>	656
5170.F6 S1	<b>36883</b>	656
5172.29	<b>21823</b>	654
5172.47	<b>21823</b>	654
5172.58	<b>39181</b>	655
5175.CF	<b>26931</b>	653
5178.17	<b>19067</b>	654
5178.18	<b>19071</b>	654
5178.21	<b>19067</b>	654
5178.22	<b>19071</b>	654

5178.30	<b>19067</b>	654
5178.31	<b>19071</b>	654
5178.38	<b>19117</b>	652
5178.39	<b>18985</b>	652
5178.43	<b>19067</b>	654
5178.44	<b>19071</b>	654
5178.46	<b>27489</b>	653
5178.47	<b>27014</b>	653
5178.48	<b>30398</b>	655
5178.49	<b>30399</b>	655
5178.52	<b>27489</b>	653
5178.57	<b>44721</b>	653, 655
6822.R9	<b>27438</b>	97
6822.S0	<b>27438</b>	97
6822.TV	<b>27438</b>	97
6925.B2	<b>40004</b>	95
6933.14	<b>40004</b>	95
6947.78	<b>40004</b>	95
96 147 514	<b>17612</b>	96
96 032 460 86	<b>11847</b>	131
96 719 188 80	<b>37095</b>	155
96 829 541 80	<b>43770</b>	109
96 857 197 80	<b>39682</b>	117, 155
96 857 198 80	<b>42779</b>	137, 154
96 857 199 80	<b>39683</b>	117
96 857 200 80	<b>42780</b>	154
96 872 667 80	<b>39685</b>	154
96 872 668 80	<b>42779</b>	137, 154
97 507 980	<b>10900</b>	147
98 049 474 80	<b>36440</b>	137, 141, 154, 155
98 056 073 80	<b>44191</b>	141
98 056 074 80	<b>44190</b>	141
98 069 071 80	<b>44720</b>	118
98 071 300 80	<b>27489</b>	653
98 090 457 80	<b>44720</b>	118

**PORSCHE**

986 331 043 04	<b>38884</b>	657
986 331 043 05	<b>38884</b>	657
986 331 043 06	<b>38884</b>	657
986 331 043 07	<b>38884</b>	657
996 331 045 05	<b>38887</b>	657, 658, 659
996 331 045 06	<b>38887</b>	657, 658, 659


**Ref. - No.**


996 331 045 07	<b>38887</b>	657, 658, 659
996 331 045 08	<b>38887</b>	657, 658, 659
996 331 045 10	<b>38887</b>	657, 658, 659
996 331 045 12	<b>38887</b>	657, 658, 659
997 331 045 04	<b>38887</b>	657, 658, 659
996 333 069 02	<b>29800</b>	659
996 333 069 03	<b>29800</b>	659
996 333 069 04	<b>29800</b>	659
955 341 013 31 S1	<b>40163</b>	160
955 341 017 30 S1	<b>40163</b>	160
955 341 017 32 S1	<b>40163</b>	160
955 341 017 33 S1	<b>40163</b>	160
955 341 018 30 S1	<b>40164</b>	160
955 341 018 31 S1	<b>40164</b>	160
955 341 018 32 S1	<b>40164</b>	160
955 341 018 33 S1	<b>40164</b>	160
955 341 027 00 S1	<b>38839</b>	160
955 341 027 00 S2	<b>40403</b>	160
955 341 027 01 S1	<b>38839</b>	160
955 341 027 01 S2	<b>40403</b>	160
955 341 027 02 S1	<b>38839</b>	160
955 341 027 02 S2	<b>40403</b>	160
996 341 043 03	<b>38883</b>	156, 157, 159, 659
996 341 043 06	<b>38883</b>	156, 157, 159, 659
996 341 053 05	<b>38568</b>	156, 159, 657, 658, 659
996 341 053 06	<b>38568</b>	156, 159, 657, 658, 659
996 341 053 07	<b>38568</b>	156, 159, 657, 658, 659
996 341 053 14	<b>38568</b>	156, 159, 657, 658, 659
996 341 053 16	<b>38568</b>	156, 159, 657, 658, 659
996 341 053 17	<b>38568</b>	156, 159, 657, 658, 659
955 341 242 03	<b>38811</b>	160, 161
955 341 242 04	<b>38811</b>	160, 161
996 341 941 00	<b>38568</b>	156, 159, 657, 658, 659
955 343 069 00	<b>31706</b>	160
955 343 069 10	<b>39464</b>	160
996 343 069 02	<b>26531</b>	156, 159, 657

**Ref. - No.**


996 343 069 03	<b>26531</b>	156, 159, 657
996 343 069 04	<b>26531</b>	156, 159, 657
997 343 069 00	<b>26534</b>	157, 159, 162
997 343 069 01	<b>26534</b>	157, 159, 162
997 343 069 02	<b>26534</b>	157, 159, 162
996 343 070 02	<b>26532</b>	156, 159, 657
996 343 070 03	<b>26532</b>	156, 159, 657
996 343 070 04	<b>26532</b>	156, 159, 657
997 343 070 00	<b>26533</b>	157, 159, 162
997 343 070 01	<b>26533</b>	157, 159, 162
997 343 070 02	<b>26533</b>	157, 159, 162
996 343 073 03 S1	<b>45445</b>	156
996 343 073 04 S1	<b>45445</b>	156
996 343 073 05 S1	<b>45445</b>	156
955 343 243 01	<b>40165</b>	160, 161, 162
955 347 010 22	<b>37203</b>	160
955 347 031 20	<b>37205</b>	160
955 347 031 20 SK	<b>37203</b>	160
955 347 031 21 SK	<b>37203</b>	160
955 347 031 21	<b>37205</b>	160
955 347 031 22	<b>37205</b>	160
955 347 031 22 SK	<b>37203</b>	160
955 347 032 20	<b>37206</b>	160
955 347 032 21	<b>37206</b>	160
955 347 032 22	<b>37206</b>	160
955 347 131 20	<b>36911</b>	160
955 347 131 21	<b>36911</b>	160
955 347 131 22	<b>36911</b>	160
996 347 131 03	<b>38886</b>	156, 157, 159
996 347 131 04	<b>38886</b>	156, 157, 159
947 347 132 20	<b>36910</b>	160
955 347 132 21	<b>36910</b>	160
955 347 132 22	<b>36910</b>	160
996 347 322 03	<b>38885</b>	156, 159
944 347 333 00	<b>04452</b>	158
171 407 153 D	<b>06524</b>	158
171 407 182 D	<b>06561</b>	158
171 407 365 C	<b>07153</b>	158
171 407 365 C S1	<b>02408</b>	158
171 407 365 D	<b>07153</b>	158
171 407 365 F	<b>04453</b>	158
171 407 365 G	<b>04453</b>	158
171 407 365 G S1	<b>01150</b>	158

Ref. - No.

Car  
Division 

Ref. - No.



Ref. - No.



171 419 831 C	<b>02537</b>	158
171 419 832 C	<b>02536</b>	158

**RENAULT**

-	<b>42630</b>	186
-	<b>42631</b>	186
-	<b>42631</b>	186
-	<b>42630</b>	186
D8 52 0JY 00A	<b>34755</b>	186
D8 52 1JG 00A	<b>34614</b>	186
D8 64 0JY 00A	<b>34756</b>	186
40 16 000 04R	<b>36125</b>	190
40 16 047 93R	<b>23996</b>	177, 191, 201, 205, 208, 209, 216
40 16 090 60R	<b>39493</b>	183, 203, 210
48 52 000 01R	<b>38723</b>	190
48 52 000 02R	<b>38724</b>	190
48 52 004 10R	<b>29624</b>	191, 208
48 52 007 80R	<b>43618</b>	195
48 52 007 80R S1	<b>43688</b>	195
48 52 027 10R	<b>39039</b>	183, 203, 204, 210
48 52 027 10R S1	<b>39823</b>	183, 203, 204, 210
48 52 028 67R	<b>29623</b>	191, 208
48 52 046 80R	<b>39040</b>	183, 203, 204, 210
48 52 046 80R S1	<b>39822</b>	183, 203, 204, 210
48 52 067 30R	<b>43617</b>	195
48 52 067 30R S1	<b>43687</b>	195
48 52 100 01R	<b>32020</b>	190
48 52 100 01R SK	<b>32020</b>	190
48 52 110 71R	<b>43630</b>	178, 218
48 52 110 71R SK	<b>43630</b>	178, 218
48 52 123 73R	<b>39444</b>	195
48 52 123 73R SK	<b>39444</b>	195
48 52 156 12R	<b>39690</b>	183, 185, 203, 204, 210
48 52 156 12R SK	<b>39690</b>	183, 185, 203, 204, 210
48 52 159 61R	<b>39690</b>	183, 185, 203, 204, 210
50 00 387 023	<b>22234</b>	194
50 00 387 653	<b>22234</b>	194
50 00 387 654	<b>22233</b>	194
50 55 384 809	<b>22233</b>	194

54 50 0JY 00A S1	<b>34666</b>	186
54 50 042 69R	<b>29638</b>	191, 208
54 50 092 07R	<b>37068</b>	183, 203, 204, 210
54 50 113 62R	<b>29637</b>	191, 208
54 50 140 55R	<b>37067</b>	183, 203, 204, 210
54 56 000 04R	<b>33086</b>	183, 203, 204, 210
54 56 000 05R	<b>33085</b>	183, 203, 204, 210
54 56 016 84R	<b>33087</b>	203, 210
54 56 027 88R	<b>37675</b>	178
54 61 142 37R	<b>37726</b>	178
54 61 200 05R	<b>40144</b>	203
54 61 200 07R	<b>44483</b>	203, 210
54 61 354 90R	<b>44539</b>	662
54 61 8JD 00A	<b>30986</b>	186
54 61 800 01R	<b>29834</b>	190
54 61 800 02R	<b>38822</b>	203, 210
54 61 800 04R	<b>37309</b>	195
54 66 8JD 00A	<b>30985</b>	186
55 11 000 19R S1	<b>37312</b>	662
55 11 078 94R	<b>36436</b>	661
55 11 079 16R	<b>21810</b>	177, 178, 205, 218
55 61 8JY 00B	<b>32573</b>	660
55 61 9JY 00B	<b>32574</b>	660
60 00 022 714	<b>09683</b>	207
60 00 022 715	<b>09684</b>	207
60 00 022 720	<b>12423</b>	173, 184, 196, 198
60 00 022 721	<b>12422</b>	173, 184, 196, 198
60 00 022 730	<b>09681</b>	214
60 00 022 731	<b>09682</b>	214
60 00 022 736	<b>09679</b>	187
60 00 022 737	<b>09680</b>	187
60 00 022 752	<b>12423</b>	173, 184, 196, 198
60 00 022 753	<b>12422</b>	173, 184, 196, 198
60 00 025 363	<b>21172</b>	187
60 00 025 546	<b>21171</b>	175, 184, 196, 198, 211
60 00 025 597	<b>21172</b>	187
60 00 030 047	<b>06936</b>	167
60 00 030 048	<b>06937</b>	167
60 00 030 064	<b>06966</b>	173
60 00 030 065	<b>06964</b>	173
60 01 547 138	<b>27447</b>	191, 208, 216
60 01 547 140	<b>27446</b>	191, 208


**Ref. - No.**


60 01 547 519	<b>29638</b>	191, 208
60 01 547 520	<b>29637</b>	191, 208
60 01 547 606	<b>27725</b>	191, 208
60 01 547 607	<b>29650</b>	191, 208
60 01 547 610	<b>29623</b>	191, 208
60 01 547 611	<b>29624</b>	191, 208
60 01 550 441	<b>27725</b>	191, 208
60 01 550 442	<b>29623</b>	191, 208
60 01 550 442 S1	<b>34332</b>	191, 208
60 01 550 442 S2	<b>37621</b>	191, 208
60 01 550 443	<b>29624</b>	191, 208
60 01 550 443 S2	<b>37622</b>	191, 208
60 01 550 446	<b>29637</b>	191, 208
60 01 550 446 S1	<b>34333</b>	191, 208
60 01 550 446 S2	<b>40253</b>	191, 208
60 01 550 447	<b>29638</b>	191, 208
60 01 550 447 S2	<b>40254</b>	191, 208
60 01 550 909	<b>29637</b>	191, 208
60 01 550 910	<b>29638</b>	191, 208
60 20 022 736	<b>09679</b>	187
60 20 022 737	<b>09680</b>	187
60 25 305 572	<b>23181</b>	181
60 25 305 573	<b>23182</b>	181
60 25 306 471	<b>27453</b>	172, 181
60 25 307 649	<b>23181</b>	181
60 25 307 650	<b>23182</b>	181
60 25 308 155	<b>22279</b>	181
60 25 311 529	<b>27453</b>	172, 181
60 25 370 229	<b>29679</b>	172, 181
60 25 370 230	<b>29680</b>	172, 181
60 25 370 493	<b>29683</b>	172, 181
60 25 370 494	<b>29684</b>	172, 181
60 40 002 105	<b>22265</b>	182, 189, 213, 217
60 40 002 245	<b>26304</b>	191, 208
60 40 096 299	<b>26304</b>	191, 208
60 40 205 623	<b>33087</b>	203, 210
77 00 302 115	<b>27181</b>	193
77 00 302 116	<b>27179</b>	193
77 00 302 118	<b>26453</b>	193
77 00 302 119	<b>26454</b>	193
77 00 302 122	<b>24262</b>	193
77 00 302 123	<b>24263</b>	193
77 00 302 165	<b>19867</b>	193, 194

**Ref. - No.**


77 00 302 439	<b>24262</b>	193
77 00 302 440	<b>24263</b>	193
77 00 307 343	<b>19866</b>	193, 194
77 00 309 070	<b>19867</b>	193, 194
77 00 309 071	<b>19866</b>	193, 194
77 00 309 189	<b>26453</b>	193
77 00 309 190	<b>26454</b>	193
77 00 312 851	<b>22710</b>	193
77 00 312 852	<b>22468</b>	193
77 00 313 944	<b>10894</b>	176, 184, 211
77 00 313 945	<b>10895</b>	176, 184, 211
77 00 314 855	<b>31010</b>	184
77 00 413 493	<b>10877</b>	187
77 00 413 494	<b>10876</b>	187
77 00 418 693	<b>09691</b>	187, 207
77 00 419 236	<b>14949</b>	176, 184, 211, 215
77 00 419 249	<b>14949</b>	176, 184, 211, 215
77 00 421 804	<b>09691</b>	187, 207
77 00 424 399	<b>14949</b>	176, 184, 211, 215
77 00 424 459	<b>14949</b>	176, 184, 211, 215
77 00 425 227	<b>10894</b>	176, 184, 211
77 00 425 228	<b>10895</b>	176, 184, 211
77 00 428 666	<b>31009</b>	197, 199
77 00 430 765	<b>19647</b>	199
77 00 430 766	<b>19646</b>	199
77 00 430 766 S1	<b>22410</b>	199
77 00 430 766 S2	<b>39820</b>	199
77 00 434 177	<b>10640</b>	163, 164, 167, 169, 174, 176, 184, 197, 206, 211, 214
77 00 436 302	<b>06943</b>	167, 197
77 00 436 303	<b>06947</b>	167, 197
77 00 437 136	<b>21635</b>	184, 199
77 00 667 186	<b>12054</b>	212
77 00 678 649	<b>21170</b>	167, 169, 170, 173, 206, 214
77 00 678 697	<b>21170</b>	167, 169, 170, 173, 206, 214
77 00 706 007	<b>21169</b>	167, 169, 170, 173, 179, 180, 206
77 00 754 515	<b>10303</b>	170
77 00 760 264	<b>12017</b>	174
77 00 760 265	<b>12018</b>	163, 206

Ref. - No.

Car  
Division

Ref. - No.



Ref. - No.



77 00 763 538 S1	<b>26339</b>	163, 164, 167, 174, 176, 184, 191, 197, 199, 206, 208, 211
77 00 765 840	<b>10228</b>	171, 179
77 00 772 687	<b>10304</b>	170
77 00 777 540	<b>10228</b>	171, 179
77 00 781 034	<b>06943</b>	167, 197
77 00 781 035	<b>06947</b>	167, 197
77 00 781 095	<b>21169</b>	167, 169, 170, 173, 179, 180, 206
77 00 781 097	<b>21170</b>	167, 169, 170, 173, 206, 214
77 00 781 441	<b>21655</b>	171, 180
77 00 781 463	<b>09145</b>	171, 180
77 00 781 464	<b>21655</b>	171, 180
77 00 783 447	<b>10640</b>	163, 164, 167, 169, 174, 176, 184, 197, 206, 211, 214
77 00 784 170	<b>31007</b>	167, 197, 199
77 00 784 171	<b>31008</b>	197, 199
77 00 785 788	<b>12373</b>	167, 174, 176, 184, 197, 211
77 00 789 478	<b>09741</b>	167, 197, 199
77 00 794 386	<b>06938</b>	174
77 00 794 387	<b>06942</b>	174
77 00 797 821	<b>12159</b>	180
77 00 798 053	<b>12150</b>	174, 176, 206, 211
77 00 799 064	<b>10150</b>	174
77 00 799 065	<b>10151</b>	174
77 00 799 066	<b>10149</b>	174
77 00 799 404	<b>12164</b>	174, 176, 184, 211
77 00 800 976	<b>12150</b>	174, 176, 206, 211
77 00 805 494	<b>12444</b>	172, 181, 187, 207
77 00 806 238	<b>09396</b>	207
77 00 806 239	<b>09395</b>	207
77 00 807 194	<b>09691</b>	187, 207
77 00 807 580	<b>10890</b>	207
77 00 807 581	<b>10891</b>	207
77 00 818 051	<b>06943</b>	167, 197
77 00 818 052	<b>06947</b>	167, 197
77 00 819 415	<b>21170</b>	167, 169, 170, 173, 206, 214
77 00 819 928	<b>09380</b>	214

77 00 819 929	<b>09381</b>	214
77 00 820 028	<b>09315</b>	214
77 00 820 029	<b>09316</b>	214
77 00 822 503	<b>09386</b>	172, 181, 187
77 00 823 097	<b>10877</b>	187
77 00 823 098	<b>10876</b>	187
77 00 824 042	<b>09387</b>	187
77 00 829 322	<b>09691</b>	187, 207
77 00 831 364	<b>09380</b>	214
77 00 831 368	<b>06943</b>	167, 197
77 00 831 369	<b>06947</b>	167, 197
77 00 834 916	<b>12420</b>	199
77 00 834 917	<b>12421</b>	199
77 00 835 929	<b>12372</b>	176, 197, 199, 211
77 00 840 741	<b>09741</b>	167, 197, 199
77 00 847 382	<b>12160</b>	199
77 00 847 383	<b>40875</b>	176, 199
77 01 041 311	<b>12423</b>	173, 184, 196, 198
77 01 041 312	<b>12422</b>	173, 184, 196, 198
77 01 047 415	<b>19605</b>	175, 177, 184, 196, 198, 205, 211, 214, 215, 218
77 01 047 416	<b>19604</b>	175, 177, 184, 196, 198, 205, 211, 214, 215, 218
77 01 047 812	<b>19605</b>	175, 177, 184, 196, 198, 205, 211, 214, 215, 218
77 01 047 813	<b>19604</b>	175, 177, 184, 196, 198, 205, 211, 214, 215, 218
77 01 049 282	<b>21283</b>	182, 189, 213, 217
77 01 049 283	<b>21284</b>	182, 189, 213, 217
77 01 056 095	<b>29947</b>	201
77 01 056 678	<b>28282</b>	177, 201
77 01 056 969	<b>22468</b>	193
77 01 059 672	<b>39646</b>	177, 205, 209
77 01 059 966	<b>39629</b>	209
77 01 070 154	<b>34164</b>	193
77 01 349 064	<b>09391</b>	212
77 01 455 905	<b>34309</b>	165, 166, 168
77 01 455 906	<b>34308</b>	165, 166, 168
77 01 460 886	<b>34309</b>	165, 166, 168


**Ref. - No.**


77 01 461 141	<b>06935</b>	163, 169, 179, 180, 206
77 01 461 667	<b>09686</b>	212
77 01 461 770	<b>09685</b>	212
77 01 462 182	<b>10640</b>	163, 164, 167, 169, 174, 176, 184, 197, 206, 211, 214
77 01 462 182 S	<b>06952</b>	163, 164, 167, 169, 174, 176, 184, 197, 206, 211, 214
77 01 462 427	<b>22169</b>	194
77 01 462 692	<b>22233</b>	194
77 01 462 693	<b>22234</b>	194
77 01 463 229	<b>22506</b>	171, 179, 180
77 01 463 230	<b>22507</b>	171, 179, 180
77 01 463 346	<b>12240</b>	163, 206
77 01 464 015	<b>06934</b>	169
77 01 464 019	<b>06968</b>	170
77 01 464 037	<b>10169</b>	170
77 01 464 037 S	<b>06933</b>	170
77 01 464 037 S1	<b>06933</b>	170
77 01 464 441	<b>06968</b>	170
77 01 465 689	<b>22507</b>	171, 179, 180
77 01 467 218	<b>11400</b>	214
77 01 467 219	<b>11401</b>	214
77 01 467 235	<b>06953</b>	167
77 01 467 235 S	<b>06953</b>	167
77 01 467 235 S1	<b>06953</b>	167
77 01 467 237	<b>06956</b>	167
77 01 467 237 S	<b>06956</b>	167
77 01 467 237 S1	<b>06956</b>	167
77 01 467 271	<b>06957</b>	173
77 01 467 272	<b>06958</b>	173
77 01 467 273	<b>06964</b>	173
77 01 467 274	<b>06966</b>	173
77 01 467 501	<b>11406</b>	187
77 01 467 502	<b>11407</b>	187
77 01 468 411	<b>10640</b>	163, 164, 167, 169, 174, 176, 184, 197, 206, 211, 214
77 01 468 411 S	<b>06952</b>	163, 164, 167, 169, 174, 176, 184, 197, 206, 211, 214

**Ref. - No.**


77 01 468 820	<b>34308</b>	165, 166, 168
77 01 468 821	<b>34309</b>	165, 166, 168
77 01 468 883	<b>10640</b>	163, 164, 167, 169, 174, 176, 184, 197, 206, 211, 214
77 01 468 883 S	<b>06952</b>	163, 164, 167, 169, 174, 176, 184, 197, 206, 211, 214
77 01 468 883 S2	<b>06952</b>	163, 164, 167, 169, 174, 176, 184, 197, 206, 211, 214
77 01 469 228	<b>22506</b>	171, 179, 180
77 01 469 230	<b>06968</b>	170
77 01 469 231	<b>12437</b>	163, 169, 171, 179, 180, 206
77 01 469 251	<b>39325</b>	187
77 01 469 280	<b>19525</b>	196, 198
77 01 469 280 SK	<b>19525</b>	196, 198
77 01 469 496	<b>21171</b>	175, 184, 196, 198, 211
77 01 469 497	<b>21170</b>	167, 169, 170, 173, 206, 214
77 01 469 502	<b>22477</b>	196, 198
77 01 469 502 SK	<b>22477</b>	196, 198
77 01 469 517	<b>33517</b>	214
77 01 469 517 SK	<b>33517</b>	214
77 01 469 617	<b>21169</b>	167, 169, 170, 173, 179, 180, 206
77 01 469 657	<b>21172</b>	187
77 01 469 665	<b>39325</b>	187
77 01 469 665 SK	<b>39325</b>	187
77 01 469 777	<b>22491</b>	173
77 01 469 777 SK	<b>22491</b>	173
77 01 469 778	<b>22491</b>	173
77 01 469 778 SK	<b>22491</b>	173
77 01 470 362	<b>32128</b>	193
77 01 470 362 SK	<b>32128</b>	193
77 01 470 363	<b>21493</b>	193
77 01 470 363 S1	<b>37625</b>	193
77 01 470 364	<b>21494</b>	193
77 01 470 364 S1	<b>37626</b>	193
77 01 470 763	<b>22509</b>	184
77 01 470 763 SK	<b>22509</b>	184



Ref. - No.

Car  
Division 

Ref. - No.



Ref. - No.



77 01 470 764	<b>22519</b>	184
77 01 470 764 SK	<b>22519</b>	184
77 01 470 765	<b>12423</b>	173, 184, 196, 198
77 01 470 766	<b>12422</b>	173, 184, 196, 198
77 01 471 124	<b>34247</b>	175
77 01 471 124 SK	<b>34247</b>	175
77 01 471 125	<b>22531</b>	175, 211
77 01 471 125 SK	<b>22531</b>	175, 211
77 01 471 126	<b>22513</b>	175, 211
77 01 471 127	<b>22514</b>	175, 211
77 01 471 143	<b>43463</b>	175
77 01 471 143 SK	<b>43463</b>	175
77 01 471 144	<b>43463</b>	175
77 01 471 145	<b>22513</b>	175, 211
77 01 471 146	<b>22514</b>	175, 211
77 01 471 844	<b>22479</b>	196, 198
77 01 471 844 SK	<b>22479</b>	196, 198
77 01 471 885	<b>22478</b>	196, 198
77 01 471 885 SK	<b>22478</b>	196, 198
77 01 472 038	<b>10640</b>	163, 164, 167, 169, 174, 176, 184, 197, 206, 211, 214
77 01 472 038 S	<b>06952</b>	163, 164, 167, 169, 174, 176, 184, 197, 206, 211, 214
77 01 472 087	<b>22476</b>	196, 198
77 01 472 087 SK	<b>22476</b>	196, 198
77 01 472 113	<b>22511</b>	175, 184, 211
77 01 472 113 SK	<b>22511</b>	175, 184, 211
77 01 472 120	<b>22517</b>	175, 184, 211
77 01 472 120 SK	<b>22517</b>	175, 184, 211
77 01 472 734	<b>22763</b>	175, 211
77 01 472 734 SK	<b>22763</b>	175, 211
77 01 472 735	<b>22763</b>	175, 211
77 01 472 765	<b>27197</b>	189
77 01 472 766	<b>27203</b>	189
77 01 472 766 SK	<b>22765</b>	189
77 01 472 766 S1	<b>37623</b>	189
77 01 472 766 S2	<b>37624</b>	189
77 01 472 843	<b>19605</b>	175, 177, 184, 196, 198, 205, 211, 214, 215, 218
77 01 473 333	<b>27303</b>	213

77 01 473 333 SK	<b>27301</b>	213
77 01 473 333 S1	<b>37627</b>	213
77 01 473 333 S2	<b>37628</b>	213
77 01 473 334	<b>27128</b>	213
77 01 473 498	<b>32874</b>	214
77 01 473 498 SK	<b>32874</b>	214
77 01 473 498 S1	<b>37629</b>	214
77 01 473 498 S2	<b>37630</b>	214
77 01 474 076	<b>31507</b>	182, 217
77 01 474 447	<b>27222</b>	201, 209
77 01 474 448	<b>24720</b>	201, 209
77 01 474 448 SK	<b>24720</b>	201, 209
77 01 474 492	<b>19605</b>	175, 177, 184, 196, 198, 205, 211, 214, 215, 218
77 01 474 493	<b>19604</b>	175, 177, 184, 196, 198, 205, 211, 214, 215, 218
77 01 474 641	<b>19605</b>	175, 177, 184, 196, 198, 205, 211, 214, 215, 218
77 01 474 642	<b>19604</b>	175, 177, 184, 196, 198, 205, 211, 214, 215, 218
77 01 474 795	<b>24815</b>	201, 209
77 01 474 795 S1	<b>37617</b>	201, 209
77 01 474 796	<b>24816</b>	201, 209
77 01 474 796 S1	<b>37618</b>	201, 209
77 01 475 840	<b>29525</b>	177, 205
77 01 475 841	<b>28466</b>	177, 205
77 01 475 841 SK	<b>28466</b>	177, 205
77 01 475 841 S1	<b>37631</b>	177, 205
77 01 475 841 S2	<b>37632</b>	177, 205
77 01 475 842	<b>19605</b>	175, 177, 184, 196, 198, 205, 211, 214, 215, 218
77 01 475 843	<b>19604</b>	175, 177, 184, 196, 198, 205, 211, 214, 215, 218
77 01 476 576	<b>22265</b>	182, 189, 213, 217
77 01 476 760	<b>12423</b>	173, 184, 196, 198
77 01 476 761	<b>12422</b>	173, 184, 196, 198
77 01 476 762	<b>22513</b>	175, 211


**Ref. - No.**


77 01 476 763	<b>22514</b>	175, 211
77 01 477 385	<b>30653</b>	213
77 01 477 878	<b>37160</b>	215
77 01 477 878 SK	<b>37160</b>	215
77 01 478 029	<b>22265</b>	182, 189, 213, 217
77 01 478 406	<b>39690</b>	183, 185, 203, 204, 210
77 01 478 407	<b>36095</b>	185
77 01 478 407 S1	<b>39863</b>	185
77 01 478 408	<b>36094</b>	185
77 01 478 408 S1	<b>39864</b>	185
77 01 478 551	<b>27203</b>	189
77 01 478 552	<b>31507</b>	182, 217
77 01 478 552 SK	<b>31507</b>	182, 217
77 01 478 552 S1	<b>37633</b>	182, 217
77 01 478 552 S2	<b>37634</b>	182, 217
77 01 478 762	<b>32128</b>	193
77 01 834 570	<b>12423</b>	173, 184, 196, 198
77 01 834 571	<b>12422</b>	173, 184, 196, 198
77 04 000 681	<b>09146</b>	163, 164, 169, 206
77 04 001 734	<b>28302</b>	171, 180
77 04 002 466	<b>09390</b>	171, 179, 180
77 04 002 468	<b>10228</b>	171, 179
82 00 002 868	<b>22821</b>	182, 189
82 00 002 869	<b>22822</b>	182, 189, 213
82 00 002 870	<b>21044</b>	182, 189, 213, 217, 660
82 00 024 373	<b>28290</b>	214
82 00 026 654	<b>22133</b>	189
82 00 026 655	<b>22132</b>	189
82 00 040 618	<b>19649</b>	214
82 00 040 642	<b>29948</b>	214
82 00 041 166	<b>22819</b>	201, 209
82 00 049 624	<b>22825</b>	213
82 00 050 191	<b>19650</b>	214
82 00 054 003	<b>39603</b>	213
82 00 127 308	<b>21810</b>	177, 178, 205, 218
82 00 150 759	<b>31009</b>	197, 199
82 00 166 159	<b>21015</b>	185, 201, 209
82 00 166 160	<b>32699</b>	201, 209
82 00 183 569	<b>22865</b>	177, 205
82 00 183 570	<b>22866</b>	177, 205
82 00 197 179	<b>10894</b>	176, 184, 211

**Ref. - No.**


82 00 197 179 S1	<b>33105</b>	184
82 00 197 187	<b>10895</b>	176, 184, 211
82 00 197 187 S1	<b>33106</b>	184
82 00 242 025	<b>22818</b>	201, 209
82 00 247 898	<b>39603</b>	213
82 00 247 898 S	<b>22265</b>	182, 189, 213, 217
82 00 247 900	<b>39604</b>	213
82 00 255 760	<b>22135</b>	201
82 00 255 761	<b>22134</b>	201
82 00 255 761 S	<b>23995</b>	201
82 00 255 761 S1	<b>23995</b>	201
82 00 270 055	<b>26453</b>	193
82 00 270 058	<b>26454</b>	193
82 00 272 594	<b>28281</b>	189
82 00 272 596	<b>29946</b>	189
82 00 273 728	<b>22133</b>	189
82 00 273 729	<b>22132</b>	189
82 00 277 960	<b>27447</b>	191, 208, 216
82 00 298 454	<b>24083</b>	201, 209
82 00 298 455	<b>24084</b>	201, 209
82 00 298 455 S	<b>23996</b>	177, 191, 201, 205, 208, 209, 216
82 00 298 455 S1	<b>23996</b>	177, 191, 201, 205, 208, 209, 216
82 00 346 941	<b>24251</b>	177, 205
82 00 346 942	<b>24252</b>	177, 205
82 00 389 134	<b>22133</b>	189
82 00 389 134 S	<b>22265</b>	182, 189, 213, 217
82 00 389 135	<b>22132</b>	189
82 00 395 007	<b>36345</b>	213
82 00 395 034	<b>36346</b>	213
82 00 452 715	<b>22133</b>	189
82 00 452 716	<b>22132</b>	189
82 00 457 208	<b>24083</b>	201, 209
82 00 457 209	<b>24084</b>	201, 209
82 00 554 863	<b>34709</b>	215
82 00 565 072	<b>39603</b>	213
82 00 565 079	<b>39604</b>	213
82 00 586 561 S1	<b>39023</b>	185
82 00 586 564	<b>36121</b>	185
82 00 586 567 S1	<b>39024</b>	185
82 00 586 570	<b>36122</b>	185
82 00 602 612	<b>22133</b>	189

Ref. - No.

Car  
Division 

Ref. - No.



Ref. - No.



82 00 602 613	<b>22132</b>	189
82 00 603 492	<b>34710</b>	215
82 00 605 381	<b>21810</b>	177, 178, 205, 218
82 00 615 057	<b>24251</b>	177, 205
82 00 615 058	<b>24252</b>	177, 205
82 00 626 959	<b>36345</b>	213
82 00 626 961	<b>36346</b>	213
82 00 651 161	<b>14949</b>	176, 184, 211, 215
82 00 651 163	<b>09741</b>	167, 197, 199
82 00 651 164	<b>09381</b>	214
82 00 651 168	<b>09380</b>	214
82 00 661 217	<b>21044</b>	182, 189, 213, 217, 660
82 00 669 065	<b>21015</b>	185, 201, 209
82 00 669 066	<b>32699</b>	201, 209
82 00 679 063	<b>24083</b>	201, 209
82 00 679 067	<b>24084</b>	201, 209
82 00 696 347	<b>22866</b>	177, 205
82 00 711 554	<b>14949</b>	176, 184, 211, 215
82 00 713 522	<b>19867</b>	193, 194
82 00 713 523	<b>19866</b>	193, 194
82 00 714 446	<b>19649</b>	214
82 00 714 448	<b>19650</b>	214
82 00 737 123	<b>10894</b>	176, 184, 211
82 00 737 125	<b>09315</b>	214
82 00 737 126	<b>09316</b>	214
82 00 737 129	<b>10895</b>	176, 184, 211
82 00 737 132	<b>19647</b>	199
82 00 737 133	<b>19646</b>	199
82 00 737 134	<b>06943</b>	167, 197
82 00 737 135	<b>06947</b>	167, 197
82 00 744 091	<b>24251</b>	177, 205
82 00 744 091 S1	<b>40655</b>	177, 205
82 00 744 092	<b>24252</b>	177, 205
82 00 744 092 S1	<b>40656</b>	177, 205
82 00 750 273	<b>36583</b>	193
82 00 750 274	<b>36584</b>	193
82 00 767 822	<b>26453</b>	193
82 00 767 825	<b>26454</b>	193
82 00 814 411	<b>37305</b>	178, 661
82 00 820 918	<b>29638</b>	191, 208
82 00 820 930	<b>29637</b>	191, 208
82 00 839 107	<b>36436</b>	661

82 00 839 119	<b>36395</b>	661
82 00 839 124	<b>36396</b>	661
82 00 841 004	<b>36435</b>	661
82 00 852 550	<b>37726</b>	178
82 00 876 657	<b>36346</b>	213
82 00 876 659	<b>36345</b>	213
82 00 891 487	<b>34710</b>	215
82 00 942 396 S1	<b>34525</b>	215
82 01 079 463	<b>21810</b>	177, 178, 205, 218

**ROVER**

EGP 1662	<b>23819</b>	220, 221
EGP 1673	<b>12927</b>	220, 221
FAM 8157	<b>14131</b>	222, 223
GSJ 100	<b>14131</b>	222, 223
GSJ 1002	<b>15495</b>	222
GSJ 286	<b>12925</b>	220, 221
GSJ 287	<b>12926</b>	220, 221
GSJ 288	<b>12944</b>	219, 220, 221, 223
GSJ 291	<b>14131</b>	222, 223
GSJ 404	<b>15495</b>	222
GSJ 407	<b>12946</b>	222
GSJ 413	<b>12925</b>	220, 221
GSJ 414	<b>12926</b>	220, 221
GSJ 734	<b>14131</b>	222, 223
GSJ 826	<b>12944</b>	219, 220, 221, 223
QJB 100120	<b>12944</b>	219, 220, 221, 223
QJB 100180	<b>30732</b>	219, 223
QJB100190	<b>30731</b>	219, 223
RBM 100240	<b>30864</b>	219, 223
RBX 101761	<b>30715</b>	219, 223
RBX 101771	<b>30714</b>	219, 223
RGD 100561	<b>30737</b>	663
RGD 100562	<b>30737</b>	663
RGD 100571	<b>30736</b>	663
RGD 100572	<b>30736</b>	663
RGX 10007	<b>18183</b>	663
RGX 100980	<b>18183</b>	663

**SAAB**

12 786 412	<b>23003</b>	225
12 787 821	<b>26152</b>	225, 226
12 787 822	<b>26153</b>	225, 226


**Ref. - No.**


12 796 013	<b>23001</b>	225
12 796 013 S1	<b>34231</b>	225
12 796 014	<b>23002</b>	225
12796014 S1	<b>34228</b>	225
12 799 199	<b>23001</b>	225
12 799 199 S1	<b>34231</b>	225
12 799 200	<b>23002</b>	225
12799200 S1	<b>34228</b>	225
12 801 423	<b>26152</b>	225, 226
12 801 424	<b>26153</b>	225, 226
13 104 120	<b>27775</b>	664
13 105 744	<b>27097</b>	664
13 105 744 S1	<b>34213</b>	664
13 204 070	<b>38052</b>	225
13 204 071	<b>38051</b>	225
13 204 115	<b>27097</b>	664
13 204 115 S1	<b>34213</b>	664
13 219 141	<b>34959</b>	227
13 230 274	<b>27097</b>	664
13 230 274 S1	<b>34213</b>	664
13 237 130	<b>22379</b>	225
13 258 058	<b>31561</b>	227
13 271 036	<b>40915</b>	227
13 271 996 SK	<b>33131</b>	227
13 318 886	<b>39351</b>	227
13 318 887	<b>39352</b>	227
24 413 015 S1	<b>34231</b>	225
24 417 251	<b>22379</b>	225
24 457 385	<b>31066</b>	664
24 457 386	<b>31067</b>	664
24 457 843	<b>31068</b>	664
24 469 643	<b>24221</b>	664
42 42 673	<b>05198</b>	224, 229
42 42 673 S1	<b>14135</b>	224, 229
42 42 681	<b>05199</b>	224, 229
42 42 681 S1	<b>14134</b>	224, 229
42 42 731	<b>05202</b>	224, 229
42 42 749	<b>05201</b>	224, 229
42 42 756	<b>05200</b>	224, 229
42 46 062	<b>10431</b>	224, 229
42 46 112	<b>03212</b>	224, 229
45 43 450	<b>19849</b>	224, 229
45 43 468	<b>19850</b>	224, 229

**Ref. - No.**


45 44 599	<b>19719</b>	224, 229
45 44 599 S1	<b>19720</b>	224, 229
45 66 899	<b>02070</b>	226
45 67 244	<b>17376</b>	665
46 86 606	<b>09206</b>	226
46 86 820	<b>17729</b>	226
48 35 740	<b>22951</b>	226
48 36 540	<b>09113</b>	226
48 36 557	<b>17778</b>	226
49 08 109	<b>29985</b>	226
50 63 391	<b>29985</b>	226
52 31 683	<b>22951</b>	226
52 33 374	<b>30054</b>	226
52 35 585	<b>28362</b>	226
52 35 650	<b>26152</b>	225, 226
52 35 668	<b>26153</b>	225, 226
52 36 823	<b>09206</b>	226
52 37 516	<b>33841</b>	226
52 39 314	<b>26152</b>	225, 226
52 39 322	<b>26153</b>	225, 226
52 39 330	<b>28362</b>	226
89 05 416	<b>12951</b>	228
89 24 177	<b>12963</b>	228
89 53 986	<b>17197</b>	230
89 57 045	<b>12952</b>	230
89 57 839	<b>12970</b>	230
89 58 944	<b>14753</b>	230
89 61 476	<b>17039</b>	230
89 62 250	<b>12969</b>	230
89 65 253	<b>12472</b>	230
89 72 135	<b>12952</b>	230
89 85 160	<b>12963</b>	228
89 85 384	<b>12951</b>	228
89 85 388	<b>12951</b>	228
89 88 941 SK	<b>22761</b>	228
89 93 321	<b>12951</b>	228
89 93 354	<b>12963</b>	228
89 93 388	<b>12951</b>	228
89 93 396	<b>12963</b>	228
89 93 453	<b>12970</b>	230
89 93 560	<b>12963</b>	228
89 94 212 S1	<b>12952</b>	230
90 468 567	<b>17729</b>	226

Ref. - No.

Car  
Division 

Ref. - No.



Ref. - No.



93 172 254	<b>26152</b>	225, 226
93 172 255	<b>26153</b>	225, 226
93 175 520	<b>29238</b>	225
93 185 278	<b>22951</b>	226
93 187 434	<b>29238</b>	225
93 187 485 SK	<b>33829</b>	225
93 191 672 SK	<b>29238</b>	225
93 191 674 SK	<b>33829</b>	225
93 194 335	<b>28362</b>	226

**SEAT**

KIT 11	<b>39754</b>	253
KIT 12	<b>39758</b>	253
N 904 840 03 S2	<b>24374</b>	276, 277
SE028140104A	<b>14235</b>	274
SE028156110A	<b>12546</b>	274
SE141162410A	<b>12547</b>	274
SE141162449A	<b>12571</b>	274
1K0 199 231 G	<b>27069</b>	237, 269
1K0 199 231 G S1	<b>32542</b>	237, 268, 269
1K0 199 231 H	<b>38662</b>	237, 269, 287
1K0 199 231 H S1	<b>45891</b>	268, 269, 287
1K0 199 231 J	<b>27069</b>	237, 269
1K0 199 231 J SK	<b>31253</b>	237, 249, 261, 269
1K0 199 231 J S1	<b>32542</b>	237, 268, 269
1K0 199 231 K	<b>38662</b>	237, 269, 287
1K0 199 231 K S1	<b>45891</b>	268, 269, 287
1K0 199 231 K SK	<b>38659</b>	234, 235, 268, 269, 287
1K0 199 231 N	<b>33971</b>	269
1K0 199 231 N S1	<b>33973</b>	269
1K0 199 231 P	<b>27069</b>	237, 269
3C0 199 231 A S1	<b>39230</b>	235
3C0 199 231 B S1	<b>39230</b>	235
3C0 199 231 D S1	<b>39230</b>	235
3C0 199 231 E S1	<b>39230</b>	235
3C0 199 231 F	<b>43788</b>	234, 235
3C0 199 231 F SK	<b>38659</b>	234, 235, 268, 269, 287
8J0 199 231 SK	<b>33973</b>	269
1K0 199 232 G	<b>27071</b>	237, 269
1K0 199 232 G S1	<b>32541</b>	237, 268, 269
1K0 199 232 H	<b>38663</b>	237, 269, 287

1K0 199 232 H S1	<b>45892</b>	268, 269, 287
1K0 199 232 J	<b>27071</b>	237, 269
1K0 199 232 J SK	<b>31253</b>	237, 249, 261, 269
1K0 199 232 J S1	<b>32541</b>	237, 268, 269
1K0 199 232 K	<b>38663</b>	237, 269, 287
1K0 199 232 K SK	<b>38659</b>	234, 235, 268, 269, 287
1K0 199 232 K S1	<b>45892</b>	268, 269, 287
1K0 199 232 N	<b>33972</b>	269
1K0 199 232 N S1	<b>33973</b>	269
1K0 199 232 P	<b>27071</b>	237, 269
1H0 407 151 A	<b>09530</b>	282
1H0 407 151 A S1	<b>37193</b>	282
1J0 407 151 A	<b>11091</b>	267, 285
1J0 407 151 A S1	<b>19820</b>	267, 285
1J0 407 151 A S2	<b>19822</b>	267, 285
1J0 407 151 B	<b>11091</b>	267, 285
1J0 407 151 B S2	<b>19822</b>	267, 285
1J0 407 151 B S1	<b>19820</b>	267, 285
1J0 407 151 C	<b>11091</b>	267, 285
1J0 407 151 C S1	<b>19820</b>	267, 285
1J0 407 151 C S2	<b>19822</b>	267, 285
1K0 407 151 AA	<b>39489</b>	268, 269, 287
1K0 407 151 AA S1	<b>38181</b>	237, 271, 287
1K0 407 151 AB	<b>39489</b>	268, 269, 287
1K0 407 151 AC S2	<b>40103</b>	237
1K0 407 151 AC S1	<b>37183</b>	236, 237
1K0 407 151 AC	<b>27076</b>	237
1K0 407 151 AE	<b>39489</b>	268, 269, 287
1K0 407 151 AE S1	<b>38181</b>	237, 271, 287
1K0 407 151 AH S1	<b>38181</b>	237, 271, 287
1K0 407 151 AH	<b>39489</b>	268, 269, 287
1K0 407 151 AL	<b>40103</b>	237
1K0 407 151 BC	<b>39489</b>	268, 269, 287
1K0 407 151 BC S1	<b>38181</b>	237, 271, 287
1K0 407 151 BD	<b>39489</b>	268, 269, 287
1K0 407 151 M	<b>27076</b>	237
1K0 407 151 M S2	<b>40103</b>	237
1K0 407 151 M S1	<b>37183</b>	236, 237
1K0 407 151 N	<b>39489</b>	268, 269, 287
1K0 407 151 N S1	<b>38181</b>	237, 271, 287
1K0 407 151 P	<b>39489</b>	268, 269, 287
1K0 407 151 P S1	<b>38181</b>	237, 271, 287


**Ref. - No.**


1K0 407 151 Q	<b>39489</b>	268, 269, 287
1K0 407 151 Q S1	<b>38181</b>	237, 271, 287
1K0 407 151 T	<b>27076</b>	237
1S0 407 151	<b>40594</b>	275
191 407 151 B	<b>02818</b>	243, 247, 255, 258, 264, 277, 280
191 407 151 B S2	<b>37306</b>	243, 247, 255, 258, 264, 277, 280
191 407 151 B S1	<b>37186</b>	243, 247, 255, 258, 264, 277, 280
3C0 407 151 A S2	<b>39973</b>	234, 235
3C0 407 151 A S1	<b>39972</b>	234, 235
3C0 407 151 B S2	<b>39973</b>	234, 235
3C0 407 151 B S1	<b>39972</b>	234, 235
3C0 407 151 E S1	<b>39972</b>	234, 235
3C0 407 151 E S2	<b>39973</b>	234, 235
3C0 407 151 G S2	<b>39973</b>	234, 235
3C0 407 151 G S1	<b>39972</b>	234, 235
6N0 407 151	<b>01880</b>	241
6N0 407 151 A	<b>15678</b>	241
6N0 407 151 A S1	<b>33369</b>	241
6N0 407 151 A S3	<b>37408</b>	241
6N0 407 151 A S2	<b>37407</b>	241
6N0 407 151 B	<b>01880</b>	241
6N0 407 151 B S1	<b>37409</b>	241
6N0 407 151 B S2	<b>37410</b>	241
6N0 407 151 S1	<b>37409</b>	241
6N0 407 151 S2	<b>37410</b>	241
6Q0 407 151 D	<b>27530</b>	249, 261
6Q0 407 151 D S3	<b>37196</b>	249, 261
6Q0 407 151 D S5	<b>37291</b>	249, 261
6Q0 407 151 D S4	<b>37292</b>	249, 261
6Q0 407 151 D S2	<b>37197</b>	249, 261
6Q0 407 151 E	<b>27530</b>	249, 261
6Q0 407 151 E S5	<b>37291</b>	249, 261
6Q0 407 151 E S3	<b>37196</b>	249, 261
6Q0 407 151 E S2	<b>37197</b>	249, 261
6Q0 407 151 E S4	<b>37292</b>	249, 261
6Q0 407 151 L	<b>27530</b>	249, 261
6Q0 407 151 L S2	<b>37197</b>	249, 261
6Q0 407 151 L S3	<b>37196</b>	249, 261
6Q0 407 151 L S5	<b>37291</b>	249, 261
6Q0 407 151 L S4	<b>37292</b>	249, 261

**Ref. - No.**


6Q0 407 151 L S1	<b>36098</b>	249, 261
6R0 407 151	<b>36923</b>	249, 261
6R0 407 151 A	<b>39557</b>	263, 289
6R0 407 151 A S1	<b>44547</b>	262, 263, 288, 289
6R0 407 151 E	<b>36923</b>	249, 261
6R0 407 151 E S1	<b>36925</b>	249, 261
6R0 407 151 F	<b>39557</b>	263, 289
6R0 407 151 F S1	<b>44547</b>	262, 263, 288, 289
6R0 407 151 S1	<b>36925</b>	249, 261
6X0 407 151	<b>15678</b>	241
6X0 407 151 A	<b>15678</b>	241
6X0 407 151 A S3	<b>37408</b>	241
6X0 407 151 A S1	<b>33369</b>	241
6X0 407 151 A S2	<b>37407</b>	241
6X0 407 151 S1	<b>33369</b>	241
6X0 407 151 S2	<b>37407</b>	241
6X0 407 151 S3	<b>37408</b>	241
7M0 407 151 B	<b>18503</b>	231, 233
8E0 407 151 E	<b>21928</b>	253
8E0 407 151 E S1	<b>33370</b>	253
8E0 407 151 K	<b>21928</b>	253
8E0 407 151 K S1	<b>33370</b>	253
8E0 407 151 L	<b>21928</b>	253
8E0 407 151 L S1	<b>33370</b>	253
8E0 407 151 M	<b>21928</b>	253
8E0 407 151 M S1	<b>33370</b>	253
8E0 407 151 N	<b>21928</b>	253
8E0 407 151 N S1	<b>33370</b>	253
8E0 407 151 R	<b>21928</b>	253
8E0 407 151 R S1	<b>33370</b>	253
1H0 407 152	<b>09531</b>	282
1H0 407 152 S1	<b>37194</b>	282
1K0 407 152 AA	<b>39488</b>	268, 269, 287
1K0 407 152 AA S1	<b>38180</b>	236, 237, 271, 287
1K0 407 152 AB	<b>39488</b>	268, 269, 287
1K0 407 152 AB S1	<b>38180</b>	236, 237, 271, 287
1K0 407 152 AC	<b>27078</b>	237
1K0 407 152 AC S2	<b>40104</b>	237
1K0 407 152 AC S1	<b>37182</b>	236, 237
1K0 407 152 AE S1	<b>38180</b>	236, 237, 271, 287
1K0 407 152 AE	<b>39488</b>	268, 269, 287
1K0 407 152 AF S1	<b>38180</b>	236, 237, 271, 287
1K0 407 152 AH	<b>39488</b>	268, 269, 287

Ref. - No.

Car  
Division 

Ref. - No.



Ref. - No.



1K0 407 152 AH S1	<b>38180</b>	236, 237, 271, 287
1K0 407 152 AL	<b>40104</b>	237
1K0 407 152 BC	<b>39488</b>	268, 269, 287
1K0 407 152 BC S1	<b>38180</b>	236, 237, 271, 287
1K0 407 152 BD	<b>39488</b>	268, 269, 287
1K0 407 152 M	<b>27078</b>	237
1K0 407 152 M S2	<b>40104</b>	237
1K0 407 152 M S1	<b>37182</b>	236, 237
1K0 407 152 N	<b>39488</b>	268, 269, 287
1K0 407 152 N S1	<b>38180</b>	236, 237, 271, 287
1K0 407 152 P	<b>39488</b>	268, 269, 287
1K0 407 152 P S1	<b>38180</b>	236, 237, 271, 287
1K0 407 152 Q	<b>39488</b>	268, 269, 287
1K0 407 152 Q S1	<b>38180</b>	236, 237, 271, 287
1K0 407 152 T	<b>27078</b>	237
1S0 407 152	<b>40595</b>	275
6R0 407 152	<b>36922</b>	249, 261
6R0 407 152 A	<b>39558</b>	263, 289
6R0 407 152 A S1	<b>44548</b>	263, 289
6R0 407 152 E	<b>36922</b>	249, 261
6R0 407 152 E S1	<b>36926</b>	249, 261
6R0 407 152 F	<b>39558</b>	263, 289
6R0 407 152 F S1	<b>44548</b>	263, 289
6R0 407 152 S1	<b>36926</b>	249, 261
7M0 407 152 B	<b>18501</b>	231, 233
191 407 153 A	<b>02818</b>	243, 247, 255, 258, 264, 277, 280
191 407 153 A S2	<b>07859</b>	242, 243, 254, 255, 276, 277
191 407 153 A S3	<b>03546</b>	242, 243, 246, 247, 254, 255, 276, 277
191 407 153 SO	<b>07861</b>	242, 243, 254, 255, 276, 277
191 407 153 S XN	<b>03546</b>	242, 243, 246, 247, 254, 255, 276, 277
191 407 153 S XO	<b>07859</b>	242, 243, 254, 255, 276, 277
191 407 153 S1	<b>07861</b>	242, 243, 254, 255, 276, 277
191 407 153 S2	<b>14414</b>	247, 258, 277
1J0 407 181	<b>10814</b>	261, 263, 267, 275, 285, 289

1J0 407 181 A	<b>10814</b>	261, 263, 267, 275, 285, 289
191 407 181 A	<b>07857</b>	243, 247, 255, 258, 264, 277, 280, 282
191 407 181 AS	<b>14520</b>	242, 243, 246, 247, 254, 255, 258, 264, 276, 277, 280, 282
191 407 181 B	<b>07857</b>	243, 247, 255, 258, 264, 277, 280, 282
191 407 181 BS	<b>14520</b>	242, 243, 246, 247, 254, 255, 258, 264, 276, 277, 280, 282
191 407 181 B S1	<b>14520</b>	242, 243, 246, 247, 254, 255, 258, 264, 276, 277, 280, 282
191 407 181 D	<b>07847</b>	243, 247, 255, 258, 264, 277, 280, 282
191 407 181 E	<b>07847</b>	243, 247, 255, 258, 264, 277, 280, 282
357 407 181	<b>07847</b>	243, 247, 255, 258, 264, 277, 280, 282
6N0 407 181	<b>07059</b>	241
6R0 407 181 B	<b>26535</b>	263, 267, 285
7M0 407 181 A	<b>10021</b>	231, 233
8E0 407 181 C	<b>22046</b>	253
8N0 407 181 B	<b>26535</b>	263, 267, 285
1K0 407 182	<b>24390</b>	237, 269, 273, 287
1K0 407 182 A	<b>24390</b>	237, 269, 273, 287
191 407 182	<b>07856</b>	243, 247, 255, 258, 261, 263, 264, 267, 275, 277, 280, 285, 289
357 407 182	<b>07856</b>	243, 247, 255, 258, 261, 263, 264, 267, 275, 277, 280, 285, 289
4D0 407 182 E	<b>10020</b>	253
4D0 407 182 G	<b>10020</b>	253
5Q0 407 182 A	<b>24390</b>	237, 269, 273, 287
6N0 407 182	<b>09060</b>	241
6Q0 407 182 A	<b>36098</b>	249, 261
1K0 407 183 E	<b>31253</b>	237, 249, 261, 269
1K0 407 183 E S1	<b>39228</b>	249, 261


**Ref. - No.**


1K0 407 183 G	<b>38659</b>	234, 235, 268, 269, 287
4D0 407 183 L	<b>28582</b>	253
4F0 407 183 A	<b>28582</b>	253
4F0 407 183 B	<b>28582</b>	253
4F0 407 183 E	<b>28582</b>	253
5Q0 407 183 E	<b>38403</b>	273
5Q0 407 183 G	<b>38403</b>	273
6Q0 407 183	<b>31253</b>	237, 249, 261, 269
6Q0 407 183 A	<b>31253</b>	237, 249, 261, 269
6Q0 407 183 A S1	<b>39228</b>	249, 261
6Q0 407 183 B	<b>31253</b>	237, 249, 261, 269
6Q0 407 183 B S1	<b>39228</b>	249, 261
6Q0 407 183 S1	<b>39228</b>	249, 261
8J0 407 183	<b>33973</b>	269
1H0 407 365	<b>07977</b>	282
1H0 407 365 S	<b>14428</b>	282
1H0 407 365 S1	<b>14428</b>	282
1J0 407 365	<b>14440</b>	267, 285
1J0 407 365 A	<b>14440</b>	267, 285
1J0 407 365 A	<b>12658</b>	267, 285
1J0 407 365 C	<b>12658</b>	267, 285
1J0 407 365 C	<b>14440</b>	267, 285
1J0 407 365 CS	<b>14440</b>	267, 285
1J0 407 365 C S1	<b>14440</b>	267, 285
1J0 407 365 D	<b>12658</b>	267, 285
1J0 407 365 H	<b>12658</b>	267, 285
1J0 407 365 H S1	<b>14440</b>	267, 285
1J0 407 365 J	<b>12658</b>	267, 285
1J0 407 365 J S1	<b>14440</b>	267, 285
1K0 407 365 B	<b>26082</b>	237, 269, 287
1K0 407 365 B S1	<b>36735</b>	237, 269, 287
1K0 407 365 C	<b>26082</b>	237, 269, 287
1K0 407 365 C S1	<b>36735</b>	237, 269, 287
1K0 407 365 E	<b>26082</b>	237, 269, 287
1K0 407 365 E S1	<b>36735</b>	237, 269, 287
3C0 407 365 A	<b>30509</b>	269
3C0 407 365 A S1	<b>31485</b>	235, 269, 273
3C0 407 365 B	<b>30509</b>	269
3C0 407 365 B S1	<b>31485</b>	235, 269, 273
357 407 365	<b>02942</b>	243, 247, 255, 258, 264, 277, 280

**Ref. - No.**


357 407 365 A	<b>02942</b>	243, 247, 255, 258, 264, 277, 280
357 407 365 A S2	<b>39810</b>	243, 247, 255, 258, 264, 277, 280
357 407 365 K PL	<b>03548</b>	243, 247, 255, 258, 264, 277, 280
357 407 365 S	<b>03548</b>	243, 247, 255, 258, 264, 277, 280
357 407 365 S1	<b>03548</b>	243, 247, 255, 258, 264, 277, 280
357 407 365 S2	<b>39810</b>	243, 247, 255, 258, 264, 277, 280
5Q0 407 365 A S1	<b>40668</b>	273
6N0 407 365	<b>04936</b>	241
6N0 407 365 A	<b>04944</b>	241
6N0 407 365 A S	<b>14426</b>	241
6N0 407 365 A S1	<b>14426</b>	241
6N0 407 365 S	<b>14424</b>	241
6N0 407 365 S1	<b>14424</b>	241
6Q0 407 365 A	<b>19406</b>	249, 261
6Q0 407 365 A S1	<b>19410</b>	249, 261
6Q0 407 365 D	<b>19406</b>	249, 261
6Q0 407 365 E	<b>19406</b>	249, 261
6Q0 407 365 M	<b>19406</b>	249, 261
6Q0 407 365 M S1	<b>19410</b>	249, 261
6R0 407 365	<b>36051</b>	249, 261, 263, 275, 289
6R0 407 365 A	<b>36051</b>	249, 261, 263, 275, 289
6R0 407 365 B	<b>36051</b>	249, 261, 263, 275, 289
7M0 407 365 A	<b>19276</b>	231, 233
7M3 407 365 A	<b>19276</b>	231, 233
7M3 407 365 C	<b>19276</b>	231, 233
8N0 407 365 A	<b>26700</b>	267
8N0 407 365 B	<b>26700</b>	267
8N0 407 365 C	<b>26700</b>	267
8Z0 407 365 A S1	<b>14440</b>	267, 285
1J0 407 366 A	<b>12660</b>	267, 285
1J0 407 366 AS	<b>14444</b>	267, 285
1J0 407 366 C	<b>12660</b>	267, 285
1J0 407 366 C S1	<b>14444</b>	267, 285
1J0 407 366 CS	<b>14444</b>	267, 285



Ref. - No.

Car  
Division 

Ref. - No.



Ref. - No.



1J0 407 366 D	<b>12660</b>	267, 285
1J0 407 366 H	<b>12660</b>	267, 285
1J0 407 366 H S1	<b>14444</b>	267, 285
1J0 407 366 J	<b>12660</b>	267, 285
1J0 407 366 J S1	<b>14444</b>	267, 285
1K0 407 366 B	<b>26083</b>	237, 269, 287
1K0 407 366 B S1	<b>36736</b>	237, 269, 287
1K0 407 366 C	<b>26083</b>	237, 269, 287
1K0 407 366 C S1	<b>36736</b>	237, 269, 287
1K0 407 366 E	<b>26083</b>	237, 269, 287
1K0 407 366 E S1	<b>36736</b>	237, 269, 287
3C0 407 366 A	<b>30510</b>	269
3C0 407 366 A S1	<b>31486</b>	235, 269, 273
3C0 407 366 B	<b>30510</b>	269
3C0 407 366 B S1	<b>31486</b>	235, 269, 273
5Q0 407 366 A S1	<b>40669</b>	273
6Q0 407 366 A	<b>19408</b>	249, 261
6Q0 407 366 A S1	<b>19412</b>	249, 261
6Q0 407 366 D	<b>19408</b>	249, 261
6Q0 407 366 E	<b>19408</b>	249, 261
6Q0 407 366 M	<b>19408</b>	249, 261
6Q0 407 366 M S1	<b>19412</b>	249, 261
6R0 407 366	<b>36052</b>	249, 261, 263, 275, 289
6R0 407 366 A	<b>36052</b>	249, 261, 263, 275, 289
6R0 407 366 B	<b>36052</b>	249, 261, 263, 275, 289
8N0 407 366 A	<b>26700</b>	267
8Z0 407 366 A S1	<b>14444</b>	267, 285
8D0 407 505 D	<b>32318</b>	253
8D0 407 505 D S1	<b>40745</b>	253
8D0 407 505 E	<b>32318</b>	253
8D0 407 505 E S1	<b>40745</b>	253
8D0 407 505 L	<b>32318</b>	253
8D0 407 505 L S1	<b>40745</b>	253
8E0 407 505 C	<b>32318</b>	253
8E0 407 505 C S1	<b>40745</b>	253
8E0 407 505 P	<b>32318</b>	253
8E0 407 505 P S1	<b>40745</b>	253
8D0 407 506 D	<b>32319</b>	253
8D0 407 506 D S1	<b>40746</b>	253
8D0 407 506 E	<b>32319</b>	253

8D0 407 506 E S1	<b>40746</b>	253
8D0 407 506 L	<b>32319</b>	253
8D0 407 506 L S1	<b>40746</b>	253
8E0 407 506 C	<b>32319</b>	253
8E0 407 506 C S1	<b>40746</b>	253
8E0 407 506 P	<b>32319</b>	253
8E0 407 506 P S1	<b>40746</b>	253
8D0 407 509	<b>31332</b>	253
8D0 407 509 A	<b>31332</b>	253
8D0 407 509 A S1	<b>40744</b>	253
8D0 407 509 F	<b>31332</b>	253
8D0 407 509 F S1	<b>40744</b>	253
8D0 407 509 S1	<b>40744</b>	253
8E0 407 509 C	<b>31332</b>	253
8E0 407 509 C S1	<b>40744</b>	253
8E0 407 509 P	<b>31332</b>	253
8E0 407 509 P S1	<b>40744</b>	253
8D0 407 510	<b>31331</b>	253
8D0 407 510 A	<b>31331</b>	253
8D0 407 510 A S1	<b>40743</b>	253
8D0 407 510 F	<b>31331</b>	253
8D0 407 510 F S1	<b>40743</b>	253
8D0 407 510 S1	<b>40743</b>	253
8E0 407 510 C	<b>31331</b>	253
8E0 407 510 C S1	<b>40743</b>	253
8E0 407 510 P	<b>31331</b>	253
8E0 407 510 P S1	<b>40743</b>	253
8D0 407 515 A	<b>30696</b>	253
8D0 407 515 B	<b>30696</b>	253
8D0 407 515 C	<b>30696</b>	253
8E0 407 693 AA	<b>31277</b>	253
8E0 407 693 AC	<b>31277</b>	253
8E0 407 693 AF	<b>31277</b>	253
8E0 407 693 AJ	<b>31277</b>	253
8E0 407 693 AK	<b>31277</b>	253
8E0 407 693 AL	<b>31277</b>	253
8E0 407 693 AM	<b>31277</b>	253
8E0 407 693 N	<b>31277</b>	253
8E0 407 693 T	<b>31277</b>	253
8E0 407 694 AA	<b>31281</b>	253
8E0 407 694 AC	<b>31281</b>	253
8E0 407 694 AF	<b>31281</b>	253
8E0 407 694 AJ	<b>31281</b>	253


**Ref. - No.**


8E0 407 694 AK	<b>31281</b>	253
8E0 407 694 AL	<b>31281</b>	253
8E0 407 694 AM	<b>31281</b>	253
8E0 407 694 N	<b>31281</b>	253
8E0 407 694 T	<b>31281</b>	253
7M0 411 031	<b>19453</b>	231, 233
1K0 411 303 AL S1	<b>45306</b>	237, 268, 269
1K0 411 303 AL S2	<b>45307</b>	237, 269
1K0 411 303 BJ S2	<b>45307</b>	237, 269
1K0 411 303 BJ S1	<b>45306</b>	237, 268, 269
1K0 411 303 BK S1	<b>45306</b>	237, 268, 269
1K0 411 303 BK S2	<b>45307</b>	237, 269
1J0 411 305 B S1	<b>36630</b>	267, 285
1J0 411 305 E S1	<b>36640</b>	267, 285
1J0 411 305 E S2	<b>40090</b>	267, 285
6Q0 411 305 AC S2	<b>37110</b>	249, 261, 263
6Q0 411 305 AL S2	<b>37090</b>	249, 261, 263
6Q0 411 305 AM S2	<b>37100</b>	249, 263
6Q0 411 305 AN S2	<b>37110</b>	249, 261, 263
6N0 411 313	<b>22492</b>	241
6N0 411 313 A	<b>22494</b>	241
6X0 411 313	<b>22492</b>	241
6X0 411 313 A	<b>22494</b>	241
1H0 411 314	<b>19050</b>	243, 247, 255, 258, 264, 277, 280, 282
1J0 411 314 AC S1	<b>37139</b>	267, 284, 285
1J0 411 314 AC	<b>31348</b>	267, 285
1J0 411 314 G	<b>14718</b>	267, 285
1J0 411 314 M	<b>22804</b>	267, 285
1J0 411 314 N	<b>22804</b>	267, 285
1J0 411 314 R	<b>22804</b>	267, 285
1J0 411 314 R S1	<b>27304</b>	267, 285
1J0 411 314 T	<b>14718</b>	267, 285
1J0 411 314 T S2	<b>40089</b>	267, 285
1J0 411 314 T S1	<b>27318</b>	267, 285
191 411 314	<b>09519</b>	243, 247, 255, 258, 264, 277, 280
6Q0 411 314 E	<b>27642</b>	249, 261, 263, 289
6Q0 411 314 E S2	<b>37089</b>	247, 249, 261, 263
6Q0 411 314 E S4	<b>37659</b>	246, 247, 248, 249, 260, 261, 262, 263, 288, 289

**Ref. - No.**


6Q0 411 314 E S3	<b>37656</b>	246, 247, 248, 249, 260, 261
6Q0 411 314 J	<b>27638</b>	249, 261, 263, 275
6Q0 411 314 J S1	<b>37077</b>	247, 249, 261, 263, 275
6Q0 411 314 J S2	<b>37657</b>	246, 247, 248, 249, 260, 261, 262, 263, 275
6Q0 411 314 L	<b>27638</b>	249, 261, 263, 275
6Q0 411 314 L S1	<b>37077</b>	247, 249, 261, 263, 275
6Q0 411 314 L S2	<b>37657</b>	246, 247, 248, 249, 260, 261, 262, 263, 275
6Q0 411 314 M	<b>27640</b>	249, 261, 263, 289
6Q0 411 314 M S2	<b>37660</b>	246, 247, 248, 249, 260, 261, 262, 263, 288, 289
6Q0 411 314 M S1	<b>37069</b>	247, 249, 263
6Q0 411 314 N	<b>27642</b>	249, 261, 263, 289
6Q0 411 314 N S4	<b>37659</b>	246, 247, 248, 249, 260, 261, 262, 263, 288, 289
6Q0 411 314 N S3	<b>37656</b>	246, 247, 248, 249, 260, 261
6Q0 411 314 N S2	<b>37089</b>	247, 249, 261, 263
6Q0 411 314 P	<b>27638</b>	249, 261, 263, 275
6Q0 411 314 P S1	<b>37077</b>	247, 249, 261, 263, 275
6Q0 411 314 P S2	<b>37657</b>	246, 247, 248, 249, 260, 261, 262, 263, 275
6Q0 411 314 Q	<b>27640</b>	249, 261, 263, 289
6Q0 411 314 Q S2	<b>37660</b>	246, 247, 248, 249, 260, 261, 262, 263, 288, 289
6Q0 411 314 Q S1	<b>37069</b>	247, 249, 263
6Q0 411 314 R	<b>27642</b>	249, 261, 263, 289
6Q0 411 314 R S3	<b>37656</b>	246, 247, 248, 249, 260, 261
6Q0 411 314 R S4	<b>37659</b>	246, 247, 248, 249, 260, 261, 262, 263, 288, 289

Ref. - No.

Car  
Division 

Ref. - No.



Ref. - No.



6Q0 411 314 R S2	<b>37089</b>	247, 249, 261, 263
8N0 411 314 B	<b>22804</b>	267, 285
1J0 411 315 C	<b>18264</b>	267, 285
1J0 411 315 D	<b>19296</b>	267, 285
1J0 411 315 E	<b>18266</b>	266, 267, 284, 285
1J0 411 315 E S1	<b>36676</b>	267, 285
1J0 411 315 E S3	<b>36757</b>	267, 285
1J0 411 315 E S4	<b>36758</b>	267, 285
1J0 411 315 E S2	<b>36677</b>	266, 267, 284, 285
1J0 411 315 G	<b>18266</b>	266, 267, 284, 285
1J0 411 315 G S4	<b>36758</b>	267, 285
1J0 411 315 G S3	<b>36757</b>	267, 285
1J0 411 315 G S1	<b>30154</b>	266, 267, 284, 285
1J0 411 315 G S2	<b>36677</b>	266, 267, 284, 285
1J0 411 315 G S1	<b>36676</b>	267, 285
1J0 411 315 H	<b>28579</b>	267, 285
1J0 411 315 H S1	<b>36665</b>	267, 285
1J0 411 315 H S2	<b>36667</b>	267, 285
1J0 411 315 J	<b>18264</b>	267, 285
1J0 411 315 K	<b>28579</b>	267, 285
1J0 411 315 K S2	<b>36667</b>	267, 285
1J0 411 315 K S1	<b>36665</b>	267, 285
1K0 411 315 B	<b>24122</b>	235, 237, 269, 273, 287
1K0 411 315 D	<b>24122</b>	235, 237, 269, 273, 287
1K0 411 315 G	<b>24122</b>	235, 237, 269, 273, 287
1K0 411 315 J	<b>24122</b>	235, 237, 269, 273, 287
1K0 411 315 K	<b>24122</b>	235, 237, 269, 273, 287
1K0 411 315 N	<b>24122</b>	235, 237, 269, 273, 287
1K0 411 315 P	<b>24122</b>	235, 237, 269, 273, 287
1K0 411 315 R	<b>24122</b>	235, 237, 269, 273, 287
191 411 315	<b>07863</b>	243, 247, 255, 276, 277
191 411 315 B	<b>09093</b>	242, 243, 254, 255, 276, 277

191 411 315 BS	<b>07863</b>	243, 247, 255, 276, 277
191 411 315 B S1	<b>07863</b>	243, 247, 255, 276, 277
5Q0 411 315 A	<b>24122</b>	235, 237, 269, 273, 287
535 411 315	<b>14230</b>	280, 282
6K0 411 315	<b>27984</b>	264, 277
6K0 411 315 S1	<b>27982</b>	243, 247, 255, 264, 276, 277, 280
6N0 411 315 A	<b>23030</b>	241
6N0 411 315 A S1	<b>23032</b>	241
6N0 411 315 B	<b>23030</b>	241
6N0 411 315 D	<b>23030</b>	241
6N0 411 315 D S1	<b>23032</b>	241
6Q0 411 315 A	<b>19518</b>	249, 261, 263, 275, 289
6Q0 411 315 B	<b>19518</b>	249, 261, 263, 275, 289
6Q0 411 315 C	<b>19518</b>	249, 261, 263, 275, 289
6Q0 411 315 D	<b>19518</b>	249, 261, 263, 275, 289
6Q0 411 315 E	<b>19518</b>	249, 261, 263, 275, 289
6Q0 411 315 F	<b>19518</b>	249, 261, 263, 275, 289
6Q0 411 315 G	<b>19518</b>	249, 261, 263, 275, 289
6Q0 411 315 H	<b>19518</b>	249, 261, 263, 275, 289
6Q0 411 315 J	<b>19518</b>	249, 261, 263, 275, 289
6Q0 411 315 L	<b>19518</b>	249, 261, 263, 275, 289
6Q0 411 315 M	<b>19518</b>	249, 261, 263, 275, 289
6Q0 411 315 N	<b>19518</b>	249, 261, 263, 275, 289
6Q0 411 315 P	<b>19518</b>	249, 261, 263, 275, 289
6Q0 411 315 Q	<b>19518</b>	249, 261, 263, 275, 289


**Ref. - No.**


6R0 411 315	<b>19518</b>	249, 261, 263, 275, 289
6R0 411 315 A	<b>19518</b>	249, 261, 263, 275, 289
1J0 411 316 D	<b>19298</b>	267, 285
7M0 411 317 C	<b>12002</b>	231, 233
7M0 411 317 D	<b>12002</b>	231, 233
7M3 411 317	<b>12002</b>	231, 233
7M3 411 317 A	<b>12002</b>	231, 233
7M3 411 317 B	<b>12002</b>	231, 233
7M3 411 317 C	<b>12002</b>	231, 233
7M3 411 317 E	<b>12002</b>	231, 233
8E0 411 317	<b>21920</b>	253
8E0 411 317 S1	<b>21924</b>	253
8E0 411 318	<b>21922</b>	253
8E0 411 318 S1	<b>21926</b>	253
1J0 411 327 A	<b>36646</b>	267, 285
4D0 411 327 J	<b>23046</b>	253
1J0 411 336 B	<b>23366</b>	267, 269, 285
1J0 411 336 C	<b>23366</b>	267, 269, 285
1J0 411 336 D	<b>23366</b>	267, 269, 285
191 419 063	<b>07964</b>	278
191 419 063 B	<b>07964</b>	278
191 419 063 C	<b>01375</b>	244, 256, 278
191 419 063 CX	<b>01375</b>	244, 256, 278
191 419 803	<b>02146</b>	244, 256, 278
191 419 803 A	<b>02146</b>	244, 256, 278
191 419 803 A SK	<b>37066</b>	244, 256, 279, 281
191 419 803 SK	<b>37066</b>	244, 256, 279, 281
6N0 419 803	<b>14318</b>	239
6N0 419 803 SK	<b>38858</b>	239
6X0 419 803 A	<b>23322</b>	239
191 419 804	<b>02145</b>	244, 256, 278
191 419 804 A	<b>02145</b>	244, 256, 278
191 419 804 A SK	<b>37066</b>	244, 256, 279, 281
191 419 804 SK	<b>37066</b>	244, 256, 279, 281
6N0 419 804	<b>14320</b>	239
6N0 419 804 SK	<b>38858</b>	239
6X0 419 804 A	<b>23324</b>	239
191 419 810	<b>37066</b>	244, 256, 279, 281
191 419 810 A	<b>37066</b>	244, 256, 279, 281
6N0 419 810	<b>38858</b>	239

**Ref. - No.**


191 419 811	<b>03583</b>	244, 245, 256, 257, 264, 278, 279, 281
4F0 419 811 C	<b>21840</b>	253
4F0 419 811 C	<b>39077</b>	253
6E0 419 811	<b>17006</b>	239, 245, 257, 264
191 419 812	<b>02238</b>	244, 245, 256, 257, 264, 278, 279, 281
6E0 419 812	<b>17008</b>	239, 245, 257, 264
171 419 831 B	<b>08498</b>	244, 256, 278
171 419 831 B	<b>02537</b>	244, 256, 278
171 419 831 C	<b>08498</b>	244, 256, 278
171 419 831 C	<b>02537</b>	244, 256, 278
191 419 831	<b>02537</b>	244, 256, 278
191 419 831 S1	<b>08498</b>	244, 256, 278
6E0 419 831	<b>21700</b>	251, 259
6N0 419 831	<b>10850</b>	239
8D0 419 831 K S1	<b>33592</b>	253
8E0 419 831 S1	<b>33592</b>	253
191 419 883	<b>02903</b>	244, 256, 278
1J0 422 803 B	<b>14170</b>	265, 283
1J0 422 803 B S1	<b>44341</b>	265, 283
1J0 422 803 B SK	<b>27095</b>	265, 283
1J0 422 803 E	<b>14170</b>	265, 283
1J0 422 803 E S1	<b>44341</b>	265, 283
1J0 422 803 H	<b>14170</b>	265, 283
1J0 422 803 H SK	<b>27095</b>	265, 283
1J0 422 803 H S1	<b>44341</b>	265, 283
191 422 803	<b>01163</b>	244, 256, 279
191 422 803 A	<b>01163</b>	244, 256, 279
191 422 803 A SK	<b>33907</b>	243, 255, 278, 280
191 422 803 SK	<b>33907</b>	243, 255, 278, 280
6K0 422 803	<b>22515</b>	244, 256, 278, 279
6K0 422 803 B	<b>44675</b>	245, 257
6K0 422 803 B S1	<b>44741</b>	245, 257
6K0 422 803 E	<b>44675</b>	245, 257
6K0 422 803 E S1	<b>44741</b>	245, 257
6K0 422 803 E SK	<b>37065</b>	245, 257
6K0 422 803 SK	<b>38857</b>	256, 278
6N0 422 803	<b>14326</b>	239
6N0 422 803 A	<b>14326</b>	239
6N0 422 803 A SK	<b>38859</b>	238, 239
6N0 422 803 C	<b>26251</b>	239
6N0 422 803 D	<b>26253</b>	239

Ref. - No.

Car  
Division 

Ref. - No.



Ref. - No.



6N0 422 803 SK	<b>38859</b>	238, 239
6X0 422 803	<b>15988</b>	239
6X0 422 803 SK	<b>38855</b>	238, 239
7M0 422 803 F	<b>11997</b>	231, 233
7M0 422 803 G	<b>11997</b>	231, 233
7M3 422 803	<b>11997</b>	231, 233
7M3 422 803 A	<b>11997</b>	231, 233
1J0 422 804 B	<b>14168</b>	265, 283
1J0 422 804 B S1	<b>44342</b>	265, 283
1J0 422 804 B SK	<b>27095</b>	265, 283
1J0 422 804 E	<b>14168</b>	265, 283
1J0 422 804 E S1	<b>44342</b>	265, 283
1J0 422 804 H	<b>14168</b>	265, 283
1J0 422 804 H S1	<b>44342</b>	265, 283
1J0 422 804 H SK	<b>27095</b>	265, 283
191 422 804	<b>01169</b>	244, 256, 279
191 422 804 A	<b>01169</b>	244, 256, 279
191 422 804 A SK	<b>33907</b>	243, 255, 278, 280
191 422 804 SK	<b>33907</b>	243, 255, 278, 280
6K0 422 804	<b>22516</b>	244, 256, 278, 279
6K0 422 804 B	<b>44676</b>	245, 257
6K0 422 804 B S1	<b>44740</b>	245, 257
6K0 422 804 E	<b>44676</b>	245, 257
6K0 422 804 E SK	<b>37065</b>	245, 257
6K0 422 804 E S1	<b>44740</b>	245, 257
6K0 422 804 SK	<b>38857</b>	256, 278
6N0 422 804	<b>14328</b>	239
6N0 422 804 A	<b>14328</b>	239
6N0 422 804 A SK	<b>38859</b>	238, 239
6N0 422 804 C	<b>26252</b>	239
6N0 422 804 D	<b>26254</b>	239
6N0 422 804 SK	<b>38859</b>	238, 239
6X0 422 804	<b>15990</b>	238, 239
6X0 422 804 SK	<b>38855</b>	238, 239
7M0 422 804 F	<b>11996</b>	231, 233
7M0 422 804 G	<b>11996</b>	231, 233
7M3 422 804	<b>11996</b>	231, 233
7M3 422 804 A	<b>11996</b>	231, 233
1J0 422 810 B	<b>27095</b>	265, 283
191 422 810 A	<b>33907</b>	243, 255, 278, 280
6K0 422 810	<b>38857</b>	256, 278
6K0 422 810 E	<b>37065</b>	245, 257
6N0 422 810 A	<b>38859</b>	238, 239

6X0 422 810	<b>38855</b>	238, 239
1J0 422 811 B	<b>14180</b>	265, 283
1J0 422 811 E	<b>14180</b>	265, 283
3A0 422 811	<b>03583</b>	244, 245, 256, 257, 264, 278, 279, 281
6K0 422 811	<b>17006</b>	239, 245, 257, 264
6N0 422 811	<b>14322</b>	239
6X0 422 811	<b>17006</b>	239, 245, 257, 264
8N0 422 811	<b>19336</b>	265
8N0 422 811 A	<b>19336</b>	265
1J0 422 812 B	<b>14182</b>	265, 283
1J0 422 812 E	<b>14182</b>	265, 283
3A0 422 812	<b>02238</b>	244, 245, 256, 257, 264, 278, 279, 281
6K0 422 812	<b>17008</b>	239, 245, 257, 264
6N0 422 812	<b>14324</b>	239
6X0 422 812	<b>17008</b>	239, 245, 257, 264
8N0 422 812	<b>19342</b>	265
8N0 422 812 A	<b>19342</b>	265
7M0 422 817	<b>11999</b>	231, 233
7M0 422 817 A	<b>11999</b>	231, 233
7M0 422 817 B	<b>11999</b>	231, 233
7M3 422 817	<b>11999</b>	231, 233
7M0 422 818	<b>11998</b>	231, 233
7M0 422 818 A	<b>11998</b>	231, 233
7M0 422 818 B	<b>11998</b>	231, 233
7M3 422 818	<b>11998</b>	231, 233
8E0 422 821	<b>26151</b>	253
8E0 422 821 C	<b>26151</b>	253
8E0 422 821 C S1	<b>36800</b>	253
1H0 422 831	<b>05067</b>	244, 245, 256, 257, 264, 279, 281
1H0 422 831	<b>17882</b>	244, 245, 256, 257, 264, 279, 281
1H0 422 831 B	<b>05067</b>	244, 245, 256, 257, 264, 279, 281
1H0 422 831 B S1	<b>17882</b>	244, 245, 256, 257, 264, 279, 281
1J0 422 831	<b>37764</b>	265, 283
1J0 422 831	<b>21698</b>	265, 283
1J0 422 831 B	<b>21698</b>	265, 283
1J0 422 831 B	<b>37764</b>	265, 283
1J0 422 831 B S1	<b>37764</b>	265, 283


**Ref. - No.**


175 422 831	<b>05067</b>	244, 245, 256, 257, 264, 279, 281
175 422 831	<b>17882</b>	244, 245, 256, 257, 264, 279, 281
191 422 831	<b>05067</b>	244, 245, 256, 257, 264, 279, 281
191 422 831	<b>17882</b>	244, 245, 256, 257, 264, 279, 281
357 422 831	<b>05067</b>	244, 245, 256, 257, 264, 279, 281
357 422 831	<b>17882</b>	244, 245, 256, 257, 264, 279, 281
357 422 831 A	<b>17882</b>	244, 245, 256, 257, 264, 279, 281
357 422 831 A	<b>05067</b>	244, 245, 256, 257, 264, 279, 281
6N0 422 831	<b>10849</b>	239
7M0 422 831 B	<b>12102</b>	231, 233
7M3 422 831	<b>12102</b>	231, 233
8N0 422 831 S1	<b>39606</b>	267
1H0 422 884	<b>18864</b>	244, 245, 256, 257, 264, 279, 281
6Q0 423 803 B	<b>19816</b>	251, 259
6Q0 423 803 B SK	<b>32473</b>	251, 259
6Q0 423 803 B S1	<b>44343</b>	251, 259
6Q0 423 803 C	<b>26173</b>	251, 259
6Q0 423 803 E	<b>19816</b>	251, 259
6Q0 423 803 E SK	<b>32473</b>	251, 259
6Q0 423 803 E S1	<b>44343</b>	251, 259
6Q0 423 803 G	<b>26173</b>	251, 259
6Q0 423 803 P	<b>19816</b>	251, 259
6Q0 423 803 P SK	<b>32473</b>	251, 259
6Q0 423 803 P S1	<b>44343</b>	251, 259
6R0 423 803	<b>36508</b>	263, 289
6R0 423 803 A	<b>36508</b>	263, 289
6R0 423 803 A SK	<b>33584</b>	263, 289
6R0 423 803 B SK	<b>33584</b>	263, 289
6R0 423 803 C SK	<b>33584</b>	263, 289
6R0 423 803 D SK	<b>33584</b>	263, 289
6R0 423 803 SK	<b>33584</b>	263, 289
6Q0 423 804 B	<b>19818</b>	251, 259
6Q0 423 804 B S1	<b>44344</b>	251, 259
6Q0 423 804 B SK	<b>32473</b>	251, 259

**Ref. - No.**


6Q0 423 804 C	<b>26174</b>	251, 259
6Q0 423 804 E	<b>19818</b>	251, 259
6Q0 423 804 E S1	<b>44344</b>	251, 259
6Q0 423 804 E SK	<b>32473</b>	251, 259
6Q0 423 804 G	<b>26174</b>	251, 259
6Q0 423 804 P	<b>19818</b>	251, 259
6Q0 423 804 P SK	<b>32473</b>	251, 259
6Q0 423 804 P S1	<b>44344</b>	251, 259
6R0 423 804	<b>36509</b>	263, 289
6R0 423 804 A	<b>36509</b>	263, 289
6R0 423 804 A SK	<b>33584</b>	263, 289
6R0 423 804 B SK	<b>33584</b>	263, 289
6R0 423 804 C SK	<b>33584</b>	263, 289
6R0 423 804 D SK	<b>33584</b>	263, 289
6R0 423 804 SK	<b>33584</b>	263, 289
1K0 423 810 A	<b>26045</b>	235, 237, 271, 273, 286
1K0 423 810 A S1	<b>32627</b>	235, 237, 271, 273, 286
1K0 423 810 A S4	<b>45760</b>	235, 237, 271, 273, 286
1K0 423 810 A S3	<b>45761</b>	235, 237, 271, 273, 286
1K0 423 810 A S2	<b>32628</b>	235, 237, 271, 273, 286
1S0 423 810 A	<b>38073</b>	275
1S0 423 810 A S1	<b>44240</b>	275
1S0 423 810 A S2	<b>44241</b>	275
3C0 423 810 A	<b>26045</b>	235, 237, 271, 273, 286
6C0 423 810 A	<b>46299</b>	289
6C0 423 810 B	<b>46299</b>	289
6C0 423 810 C	<b>46299</b>	289
6Q0 423 810 B	<b>32473</b>	251, 259
6Q0 423 810 C	<b>30820</b>	251, 259
6Q0 423 810 E	<b>32473</b>	251, 259
6Q0 423 810 P	<b>32473</b>	251, 259
6R0 423 810	<b>33584</b>	263, 289
6R0 423 810 A	<b>33584</b>	263, 289
6R0 423 810 B	<b>33584</b>	263, 289
1K0 423 811 A	<b>26096</b>	235, 237, 271, 273, 286
1K0 423 811 C	<b>37593</b>	235, 271, 273

Ref. - No.

Car  
Division 

Ref. - No.



Ref. - No.



1K0 423 811 C S2	<b>37591</b>	235, 271
1K0 423 811 E	<b>26096</b>	235, 237, 271, 273, 286
1K0 423 811 G	<b>37593</b>	235, 271, 273
1K0 423 811 G S2	<b>37591</b>	235, 271
1K0 423 811 J	<b>26096</b>	235, 237, 271, 273, 286
1K0 423 811 K	<b>37593</b>	235, 271, 273
1K0 423 811 K S1	<b>37591</b>	235, 271
1S0 423 811 A	<b>44227</b>	275
3C0 423 811 B	<b>26096</b>	235, 237, 271, 273, 286
6Q0 423 811	<b>19812</b>	251, 259, 263, 289
6Q0 423 811 C	<b>19812</b>	251, 259, 263, 289
6Q0 423 811 C SK	<b>30820</b>	251, 259
6RD 423 811 A	<b>19812</b>	251, 259, 263, 289
6RD 423 811 B	<b>19812</b>	251, 259, 263, 289
6R0 423 811	<b>19812</b>	251, 259, 263, 289
1K0 423 812 A	<b>26097</b>	234, 235, 237, 271, 273, 286
1K0 423 812 C	<b>37594</b>	234, 235, 271, 273
1K0 423 812 C S2	<b>37592</b>	235, 271
1K0 423 812 E	<b>26097</b>	234, 235, 237, 271, 273, 286
1K0 423 812 G	<b>37594</b>	234, 235, 271, 273
1K0 423 812 G S2	<b>37592</b>	235, 271
1K0 423 812 J	<b>26097</b>	234, 235, 237, 271, 273, 286
1K0 423 812 K	<b>37594</b>	234, 235, 271, 273
1K0 423 812 K S1	<b>37592</b>	235, 271
1S0 423 812 A	<b>44226</b>	275
3C0 423 812 B	<b>26097</b>	234, 235, 237, 271, 273, 286
6Q0 423 812	<b>19814</b>	251, 259, 263, 289
6Q0 423 812 C SK	<b>30820</b>	251, 259
6RD 423 812 A	<b>19814</b>	251, 259, 263, 289
6RD 423 812 B	<b>19814</b>	251, 259, 263, 289
6R0 423 812	<b>19814</b>	251, 259, 263, 289
1K0 423 831 A S1	<b>31278</b>	235, 237, 271, 273, 286
6Q0 423 831	<b>21700</b>	251, 259
6Q0 423 831 D	<b>38622</b>	251, 259, 263, 289
6Q0 423 831 D	<b>38621</b>	251, 259, 263, 289

6Q0 423 831 D S1	<b>38622</b>	251, 259, 263, 289
7M3 498 317	<b>24863</b>	231, 233
4F0 498 811 A	<b>39077</b>	253
4F0 498 811 A S1	<b>39077</b>	253
4F0 498 811 A SK	<b>21840</b>	253
5Q0 501 129 B	<b>45859</b>	674
1K0 501 529 E	<b>32956</b>	669, 673
1K0 501 529 E S1	<b>40439</b>	669, 673
1K0 501 529 F	<b>32956</b>	669, 673
1K0 501 529 F S1	<b>40439</b>	669, 673
1K0 501 529 F SK	<b>40591</b>	668, 669, 672, 673
1K0 501 529 H	<b>36047</b>	669, 673
1K0 501 529 H	<b>32956</b>	669, 673
1K0 501 529 H S1	<b>40439</b>	669, 673
1K0 501 529 H S1	<b>40438</b>	669, 673
1K0 501 529 H SK	<b>40591</b>	668, 669, 672, 673
1K0 501 529 J	<b>36047</b>	669, 673
1K0 501 529 J SK	<b>40591</b>	668, 669, 672, 673
1K0 501 529 J S1	<b>40431</b>	669, 673
5Q0 501 529 C SK	<b>45859</b>	674
5Q0 501 529 C SK	<b>45860</b>	674
8E0 501 529 F	<b>38774</b>	670
8E0 501 529 G	<b>38774</b>	670
8E0 501 529 K	<b>38774</b>	670
8E0 501 529 P	<b>38774</b>	670
1K0 501 530 B	<b>32957</b>	669, 673
1K0 501 530 B S1	<b>40438</b>	669, 673
1K0 501 530 C	<b>32957</b>	669, 673
1K0 501 530 C S1	<b>40438</b>	669, 673
1K0 501 530 C SK	<b>40591</b>	668, 669, 672, 673
7M0 501 541	<b>22988</b>	231, 233, 666
8E0 501 541 J	<b>30494</b>	670
8E0 501 541 Q	<b>30494</b>	670
8E0 501 541 S	<b>30494</b>	670
1K0 505 171 B	<b>29690</b>	667, 669, 673
1K0 505 171 C	<b>29690</b>	667, 669, 673
5Q0 505 171	<b>43733</b>	674
1K0 505 173 C	<b>29690</b>	667, 669, 673
1K0 505 203 A	<b>29682</b>	667, 669, 673
1K0 505 223 E	<b>38846</b>	669, 673
1K0 505 223 E	<b>38845</b>	669, 673
1K0 505 223 H	<b>38845</b>	669, 673
1K0 505 223 K	<b>38845</b>	669, 673


**Ref. - No.**


1K0 505 224 E	<b>38846</b>	669, 673
1K0 505 224 E	<b>38845</b>	669, 673
1K0 505 224 H	<b>38846</b>	669, 673
1K0 505 224 K	<b>38846</b>	669, 673
1K0 505 279 A	<b>29689</b>	667, 669, 673
1K0 505 311 AA SK	<b>29690</b>	667, 669, 673
1K0 505 311 AA	<b>34884</b>	669, 673
1K0 505 311 AB	<b>34884</b>	669, 673
1K0 505 311 AB SK	<b>29690</b>	667, 669, 673
1K0 505 311 AH SK	<b>29690</b>	667, 669, 673
1K0 505 311 H	<b>34884</b>	669, 673
1K0 505 311 J	<b>34884</b>	669, 673
1K0 505 311 S	<b>34884</b>	669, 673
1K0 505 311 S SK	<b>29690</b>	667, 669, 673
1K0 505 311 T	<b>34884</b>	669, 673
5Q0 505 311 C SK	<b>43733</b>	674
5Q0 505 311 D SK	<b>43733</b>	674
7N0 505 311 SK	<b>29690</b>	667, 669, 673
1K0 505 323 D	<b>32453</b>	667, 669, 673
1K0 505 323 D SK	<b>29689</b>	667, 669, 673
1K0 505 323 D SK	<b>29682</b>	667, 669, 673
1K0 505 323 G	<b>32453</b>	667, 669, 673
1K0 505 323 G SK	<b>29682</b>	667, 669, 673
1K0 505 323 G SK	<b>29689</b>	667, 669, 673
1K0 505 323 H	<b>32453</b>	667, 669, 673
1K0 505 323 H SK	<b>29682</b>	667, 669, 673
1K0 505 323 H SK	<b>29689</b>	667, 669, 673
1K0 505 323 M	<b>32453</b>	667, 669, 673
1K0 505 323 N	<b>32453</b>	667, 669, 673
1K0 505 323 N SK	<b>29689</b>	667, 669, 673
1K0 505 323 N SK	<b>29682</b>	667, 669, 673
1K0 505 323 P	<b>32453</b>	667, 669, 673
5Q0 505 323 C	<b>32453</b>	667, 669, 673
5Q0 505 323 C SK	<b>29682</b>	667, 669, 673
5Q0 505 323 C SK	<b>29689</b>	667, 669, 673
5Q0 505 323 D	<b>32453</b>	667, 669, 673
1K0 505 465 AA S1	<b>29461</b>	667, 669, 673
1K0 505 465 C S1	<b>29461</b>	667, 669, 673
1K0 505 465 D S1	<b>29461</b>	667, 669, 673
1K0 505 465 H S1	<b>29461</b>	667, 669, 673
1K0 505 465 J S1	<b>29461</b>	667, 669, 673
1K0 505 465 K S1	<b>29461</b>	667, 669, 673
1K0 505 465 L S1	<b>29461</b>	667, 669, 673

**Ref. - No.**


8E0 505 465 AC S1	<b>32491</b>	670
8E0 505 465 AF S1	<b>32491</b>	670
8E0 505 465 K S1	<b>32491</b>	670
8E0 505 465 T S1	<b>32491</b>	670
1J0 505 466 B S1	<b>31842</b>	671
3C0 505 541	<b>34794</b>	667
1K0 505 543 A	<b>40591</b>	668, 669, 672, 673
5Q0 505 543 B	<b>45860</b>	674
1K0 505 553	<b>29938</b>	667, 669, 673, 674
1K0 505 553 A	<b>29938</b>	667, 669, 673, 674
3C0 505 553	<b>29938</b>	667, 669, 673, 674
1K0 511 327 AP S1	<b>23606</b>	669
1K0 511 327 AQ S1	<b>39650</b>	669, 673
1K0 511 327 AQ	<b>32073</b>	667, 669, 673
1K0 511 327 AR S1	<b>39648</b>	669, 673
1K0 511 327 AR	<b>23358</b>	669, 673
1K0 511 327 AS	<b>32625</b>	669, 673
1K0 511 327 AS S1	<b>39649</b>	669, 673
8E0 511 327 A	<b>39817</b>	670
7M0 511 413 B	<b>39460</b>	666
7M0 511 414 B	<b>46557</b>	666
1K0 511 439 E	<b>23604</b>	667, 669, 673

**ŠKODA**

KIT 03	<b>21499</b>	315
KIT 04	<b>21501</b>	315
KIT 05	<b>21503</b>	315
KIT 06	<b>21505</b>	315
N 034 790 7 S1	<b>27726</b>	315
N 034 790 8 S1	<b>27726</b>	315
1K0 199 231 G	<b>27069</b>	305, 317, 319
1K0 199 231 G S1	<b>32542</b>	305, 317, 319
1K0 199 231 J	<b>27069</b>	305, 317, 319
1K0 199 231 J S1	<b>32542</b>	305, 317, 319
1K0 199 231 J SK	<b>31253</b>	295, 305, 313, 317, 319
1K0 199 231 P	<b>27069</b>	305, 317, 319
1K0 199 232 G	<b>27071</b>	305, 317, 319
1K0 199 232 G S1	<b>32541</b>	305, 317, 319
1K0 199 232 J	<b>27071</b>	305, 317, 319
1K0 199 232 J S1	<b>32541</b>	305, 317, 319
1K0 199 232 J SK	<b>31253</b>	295, 305, 313, 317, 319



Ref. - No.

Car  
Division

Ref. - No.



Ref. - No.



1K0 199 232 P	<b>27071</b>	305, 317, 319
007 350 278 N	<b>17702</b>	299
1J0 407 151 A	<b>11091</b>	303
1J0 407 151 A S2	<b>19822</b>	303
1J0 407 151 A S1	<b>19820</b>	303
1J0 407 151 B	<b>11091</b>	303
1J0 407 151 B S2	<b>19822</b>	303
1J0 407 151 B S1	<b>19820</b>	303
1J0 407 151 C	<b>11091</b>	303
1J0 407 151 C S1	<b>19820</b>	303
1J0 407 151 C S2	<b>19822</b>	303
1K0 407 151 AA S1	<b>38181</b>	303, 305, 317, 319
1K0 407 151 AC S2	<b>40103</b>	305
1K0 407 151 AC S1	<b>37183</b>	304, 305
1K0 407 151 AC	<b>27076</b>	305, 317
1K0 407 151 AE S1	<b>38181</b>	303, 305, 317, 319
1K0 407 151 AH S1	<b>38181</b>	303, 305, 317, 319
1K0 407 151 AL	<b>40103</b>	305
1K0 407 151 BC S1	<b>38181</b>	303, 305, 317, 319
1K0 407 151 M	<b>27076</b>	305, 317
1K0 407 151 M S1	<b>37183</b>	304, 305
1K0 407 151 M S2	<b>40103</b>	305
1K0 407 151 N S1	<b>38181</b>	303, 305, 317, 319
1K0 407 151 P S1	<b>38181</b>	303, 305, 317, 319
1K0 407 151 Q S1	<b>38181</b>	303, 305, 317, 319
1K0 407 151 T	<b>27076</b>	305, 317
1S0 407 151	<b>40594</b>	290, 291
4B0 407 151	<b>19932</b>	315
4B3 407 151 A	<b>19932</b>	315
4B3 407 151 A S1	<b>40114</b>	315
4B3 407 151 C	<b>19932</b>	315
4B3 407 151 C S1	<b>40114</b>	315
4B3 407 151 K	<b>19932</b>	315
4B3 407 151 K S1	<b>40114</b>	315
4D0 407 151 P	<b>11350</b>	315
6Q0 407 151 D	<b>27530</b>	295, 313
6Q0 407 151 D S4	<b>37292</b>	295, 313
6Q0 407 151 D S3	<b>37196</b>	295, 313
6Q0 407 151 D S5	<b>37291</b>	295, 313
6Q0 407 151 D S2	<b>37197</b>	295, 313
6Q0 407 151 E	<b>27530</b>	295, 313
6Q0 407 151 E S3	<b>37196</b>	295, 313
6Q0 407 151 E S2	<b>37197</b>	295, 313

6Q0 407 151 E S5	<b>37291</b>	295, 313
6Q0 407 151 E S4	<b>37292</b>	295, 313
6Q0 407 151 L	<b>27530</b>	295, 313
6Q0 407 151 L S1	<b>36098</b>	295, 313
6Q0 407 151 L S2	<b>37197</b>	295, 313
6Q0 407 151 L S4	<b>37292</b>	295, 313
6Q0 407 151 L S3	<b>37196</b>	295, 313
6Q0 407 151 L S5	<b>37291</b>	295, 313
6R0 407 151	<b>36923</b>	297, 313
6R0 407 151 A	<b>39557</b>	298, 309
6R0 407 151 A S1	<b>44547</b>	308, 309
6R0 407 151 E	<b>36923</b>	297, 313
6R0 407 151 E S1	<b>36925</b>	297, 313
6R0 407 151 F	<b>39557</b>	298, 309
6R0 407 151 F S1	<b>44547</b>	308, 309
6R0 407 151 S1	<b>36925</b>	297, 313
8D0 407 151 E	<b>11350</b>	315
8D0 407 151 F	<b>11350</b>	315
1K0 407 152 AA S1	<b>38180</b>	303, 305, 317, 319
1K0 407 152 AB S1	<b>38180</b>	303, 305, 317, 319
1K0 407 152 AC S1	<b>37182</b>	304, 305
1K0 407 152 AC	<b>27078</b>	305, 317
1K0 407 152 AC S2	<b>40104</b>	305
1K0 407 152 AE S1	<b>38180</b>	303, 305, 317, 319
1K0 407 152 AF S1	<b>38180</b>	303, 305, 317, 319
1K0 407 152 AH S1	<b>38180</b>	303, 305, 317, 319
1K0 407 152 AL	<b>40104</b>	305
1K0 407 152 BC S1	<b>38180</b>	303, 305, 317, 319
1K0 407 152 M	<b>27078</b>	305, 317
1K0 407 152 M S2	<b>40104</b>	305
1K0 407 152 M S1	<b>37182</b>	304, 305
1K0 407 152 N S1	<b>38180</b>	303, 305, 317, 319
1K0 407 152 P S1	<b>38180</b>	303, 305, 317, 319
1K0 407 152 Q S1	<b>38180</b>	303, 305, 317, 319
1K0 407 152 T	<b>27078</b>	305, 317
1S0 407 152	<b>40595</b>	290, 291
6R0 407 152	<b>36922</b>	297, 313
6R0 407 152 A	<b>39558</b>	298, 309
6R0 407 152 A S1	<b>44548</b>	309
6R0 407 152 E	<b>36922</b>	297, 313
6R0 407 152 E S1	<b>36926</b>	297, 313
6R0 407 152 F	<b>39558</b>	298, 309
6R0 407 152 F S1	<b>44548</b>	309


**Ref. - No.**


6R0 407 152 S1	<b>36926</b>	297, 313
1J0 407 181	<b>10814</b>	291, 297, 298, 303, 309, 313
1J0 407 181 A	<b>10814</b>	291, 297, 298, 303, 309, 313
180 407 181	<b>10814</b>	291, 297, 298, 303, 309, 313
4D0 407 181 F	<b>10018</b>	315
4D0 407 181 H	<b>10018</b>	315
6R0 407 181 B	<b>26535</b>	297
1KD 407 182	<b>24390</b>	305, 306, 317, 319
1K0 407 182	<b>24390</b>	305, 306, 317, 319
1K0 407 182 A	<b>24390</b>	305, 306, 317, 319
180 407 182	<b>07856</b>	291, 297, 298, 303, 309, 313
191 407 182	<b>07856</b>	291, 297, 298, 303, 309, 313
357 407 182	<b>07856</b>	291, 297, 298, 303, 309, 313
4D0 407 182 E	<b>10020</b>	315
4D0 407 182 G	<b>10020</b>	315
5Q0 407 182	<b>24390</b>	305, 306, 317, 319
5Q0 407 182 A	<b>24390</b>	305, 306, 317, 319
6Q0 407 182 A	<b>36098</b>	295, 313
6U0 407 182	<b>29644</b>	299, 307
1K0 407 183 E	<b>31253</b>	295, 305, 313, 317, 319
1K0 407 183 E S1	<b>39228</b>	295, 313
1K0 407 183 M	<b>36752</b>	305, 317, 319
1K0 407 183 P	<b>36752</b>	305, 317, 319
4D0 407 183 AB	<b>21194</b>	315
4D0 407 183 AC	<b>21194</b>	315
4D0 407 183 P	<b>21194</b>	315
4D0 407 183 Q	<b>21194</b>	315
4D0 407 183 S	<b>21194</b>	315
5C0 407 183 A	<b>36752</b>	305, 317, 319
5Q0 407 183 E	<b>38403</b>	306
5Q0 407 183 G	<b>38403</b>	306
6Q0 407 183	<b>31253</b>	295, 305, 313, 317, 319
6Q0 407 183 A	<b>31253</b>	295, 305, 313, 317, 319
6Q0 407 183 A S1	<b>39228</b>	295, 313

**Ref. - No.**


6Q0 407 183 B	<b>31253</b>	295, 305, 313, 317, 319
6Q0 407 183 B S1	<b>39228</b>	295, 313
6Q0 407 183 S1	<b>39228</b>	295, 313
1J0 407 365 A	<b>14440</b>	303
1J0 407 365 A	<b>12658</b>	303
1J0 407 365 AS	<b>14440</b>	303
1J0 407 365 C	<b>12658</b>	303
1J0 407 365 C	<b>14440</b>	303
1J0 407 365 C S1	<b>14440</b>	303
1J0 407 365 CS	<b>14440</b>	303
1J0 407 365 D	<b>12658</b>	303
1J0 407 365 H	<b>12658</b>	303
1J0 407 365 H S1	<b>14440</b>	303
1J0 407 365 J	<b>12658</b>	303
1J0 407 365 J S1	<b>14440</b>	303
1KD 407 365	<b>26082</b>	305, 317, 319
1KD 407 365 S1	<b>36735</b>	305, 317, 319
1K0 407 365 B	<b>26082</b>	305, 317, 319
1K0 407 365 B S1	<b>36735</b>	305, 317, 319
1K0 407 365 C	<b>26082</b>	305, 317, 319
1K0 407 365 C S1	<b>36735</b>	305, 317, 319
1K0 407 365 E	<b>26082</b>	305, 317, 319
1K0 407 365 E S1	<b>36735</b>	305, 317, 319
3C0 407 365 B S1	<b>31485</b>	306
5Q0 407 365 A S1	<b>40668</b>	306
6Q0 407 365 A	<b>19406</b>	295, 313
6Q0 407 365 A S1	<b>19410</b>	295, 313
6Q0 407 365 D	<b>19406</b>	295, 313
6Q0 407 365 E	<b>19406</b>	295, 313
6Q0 407 365 M	<b>19406</b>	295, 313
6Q0 407 365 M S1	<b>19410</b>	295, 313
6R0 407 365	<b>36051</b>	291, 297, 298, 309, 313
6R0 407 365 A	<b>36051</b>	291, 297, 298, 309, 313
6U0 407 365	<b>25334</b>	299, 307
8Z0 407 365 A S1	<b>14440</b>	303
1J0 407 366 A	<b>12660</b>	303
1J0 407 366 AS	<b>14444</b>	303
1J0 407 366 C	<b>12660</b>	303
1J0 407 366 CS	<b>14444</b>	303
1J0 407 366 C S1	<b>14444</b>	303

Ref. - No.

Car  
Division

Ref. - No.



Ref. - No.



1J0 407 366 D	<b>12660</b>	303
1J0 407 366 H	<b>12660</b>	303
1J0 407 366 H S1	<b>14444</b>	303
1J0 407 366 J	<b>12660</b>	303
1J0 407 366 J S1	<b>14444</b>	303
1KD 407 366	<b>26083</b>	305, 317, 319
1KD 407 366 S1	<b>36736</b>	305, 317, 319
1K0 407 366 B	<b>26083</b>	305, 317, 319
1K0 407 366 B S1	<b>36736</b>	305, 317, 319
1K0 407 366 C	<b>26083</b>	305, 317, 319
1K0 407 366 C S1	<b>36736</b>	305, 317, 319
1K0 407 366 E	<b>26083</b>	305, 317, 319
1K0 407 366 E S1	<b>36736</b>	305, 317, 319
3C0 407 366 B S1	<b>31486</b>	306
5Q0 407 366 A S1	<b>40669</b>	306
6Q0 407 366 A	<b>19408</b>	295, 313
6Q0 407 366 A S1	<b>19412</b>	295, 313
6Q0 407 366 D	<b>19408</b>	295, 313
6Q0 407 366 E	<b>19408</b>	295, 313
6Q0 407 366 M	<b>19408</b>	295, 313
6Q0 407 366 M S1	<b>19412</b>	295, 313
6R0 407 366	<b>36052</b>	291, 297, 298, 309, 313
6R0 407 366 A	<b>36052</b>	291, 297, 298, 309, 313
8Z0 407 366 A S1	<b>14444</b>	303
4Z7 407 505	<b>11137</b>	315
4Z7 407 505 A	<b>11137</b>	315
4Z7 407 505 A S2	<b>37179</b>	315
4Z7 407 505 S2	<b>37179</b>	315
8D0 407 505 B	<b>11137</b>	315
8D0 407 505 B S2	<b>37179</b>	315
8D0 407 505 F	<b>11137</b>	315
8D0 407 505 F S2	<b>37179</b>	315
8D0 407 505 H	<b>11137</b>	315
8D0 407 505 H S2	<b>37179</b>	315
8D0 407 505 K	<b>11137</b>	315
8D0 407 505 K S2	<b>37179</b>	315
8E0 407 505 A	<b>11137</b>	315
8E0 407 505 A S2	<b>37179</b>	315
4Z7 407 506	<b>11138</b>	315
4Z7 407 506 A	<b>11138</b>	315
4Z7 407 506 A S1	<b>37178</b>	315

4Z7 407 506 S1	<b>37178</b>	315
8D0 407 506 B	<b>11138</b>	315
8D0 407 506 B S1	<b>37178</b>	315
8D0 407 506 F	<b>11138</b>	315
8D0 407 506 F S1	<b>37178</b>	315
8D0 407 506 H	<b>11138</b>	315
8D0 407 506 H S1	<b>37178</b>	315
8D0 407 506 K	<b>11138</b>	315
8D0 407 506 K S1	<b>37178</b>	315
8E0 407 506 A	<b>11138</b>	315
8E0 407 506 A S1	<b>37178</b>	315
4D0 407 509 F	<b>21904</b>	315
4D0 407 509 F S1	<b>33367</b>	315
4D0 407 509 G	<b>21904</b>	315
4D0 407 509 G S1	<b>33367</b>	315
4D0 407 509 H	<b>21904</b>	315
4D0 407 509 H S1	<b>33367</b>	315
4D0 407 509 J	<b>21904</b>	315
4D0 407 509 J S1	<b>33367</b>	315
8D0 407 509 C	<b>21904</b>	315
8D0 407 509 C S1	<b>33367</b>	315
8D0 407 509 E	<b>21904</b>	315
8D0 407 509 E S1	<b>33367</b>	315
8E0 407 509 A	<b>21904</b>	315
8E0 407 509 A S1	<b>33367</b>	315
4D0 407 510 F	<b>21906</b>	315
4D0 407 510 F S1	<b>33368</b>	315
4D0 407 510 G	<b>21906</b>	315
4D0 407 510 G S1	<b>33368</b>	315
4D0 407 510 H	<b>21906</b>	315
4D0 407 510 H S1	<b>33368</b>	315
4D0 407 510 J	<b>21906</b>	315
4D0 407 510 J S1	<b>33368</b>	315
8D0 407 510 C	<b>21906</b>	315
8D0 407 510 C S1	<b>33368</b>	315
8D0 407 510 E	<b>21906</b>	315
8D0 407 510 E S1	<b>33368</b>	315
8E0 407 510 A	<b>21906</b>	315
8E0 407 510 A S1	<b>33368</b>	315
4B0 407 515	<b>19926</b>	315
8E0 407 693	<b>21196</b>	315
8E0 407 693 AG S1	<b>33366</b>	315
8E0 407 693 AG	<b>21196</b>	315


**Ref. - No.**


8E0 407 693 E	<b>21196</b>	315
8E0 407 693 E S1	<b>33366</b>	315
8E0 407 693 K	<b>21196</b>	315
8E0 407 693 K S1	<b>33366</b>	315
8E0 407 693 P	<b>21196</b>	315
8E0 407 693 Q	<b>21196</b>	315
8E0 407 693 Q S1	<b>33366</b>	315
8E0 407 693 S1	<b>33366</b>	315
8E0 407 694	<b>21198</b>	315
8E0 407 694 AG S1	<b>33365</b>	315
8E0 407 694 AG	<b>21198</b>	315
8E0 407 694 E	<b>21198</b>	315
8E0 407 694 E S1	<b>33365</b>	315
8E0 407 694 K	<b>21198</b>	315
8E0 407 694 K S1	<b>33365</b>	315
8E0 407 694 P	<b>21198</b>	315
8E0 407 694 P S1	<b>33365</b>	315
8E0 407 694 Q	<b>21198</b>	315
8E0 407 694 Q S1	<b>33365</b>	315
8E0 407 694 S1	<b>33365</b>	315
6U0 407 807	<b>25334</b>	299, 307
1K0 411 303 AL S2	<b>45307</b>	305, 317, 319
1K0 411 303 AL S1	<b>45306</b>	305, 317, 319
1K0 411 303 BJ S2	<b>45307</b>	305, 317, 319
1K0 411 303 BJ S1	<b>45306</b>	305, 317, 319
1K0 411 303 BK S1	<b>45306</b>	305, 317, 319
1K0 411 303 BK S2	<b>45307</b>	305, 317, 319
1J0 411 305 B S1	<b>36630</b>	303
1J0 411 305 E S1	<b>36640</b>	303
1J0 411 305 E S2	<b>40090</b>	303
6Q0 411 305 AC S2	<b>37110</b>	295, 313
6Q0 411 305 AL S2	<b>37090</b>	295, 297
6Q0 411 305 AM S2	<b>37100</b>	295
6Q0 411 305 AN S2	<b>37110</b>	295, 313
1J0 411 314 G	<b>14718</b>	303
1J0 411 314 M	<b>22804</b>	303
1J0 411 314 N	<b>22804</b>	303
1J0 411 314 P	<b>22794</b>	303
1J0 411 314 P S1	<b>27294</b>	303
1J0 411 314 R	<b>22804</b>	303
1J0 411 314 R S1	<b>27304</b>	303
1J0 411 314 S	<b>26344</b>	303
1J0 411 314 S S1	<b>27250</b>	303

**Ref. - No.**


1J0 411 314 T	<b>14718</b>	303
1J0 411 314 T S1	<b>27318</b>	303
1J0 411 314 T S2	<b>40089</b>	303
6Q0 411 314 E	<b>27642</b>	295, 309, 313
6Q0 411 314 E S2	<b>37089</b>	309, 313
6Q0 411 314 E S4	<b>37659</b>	294, 295, 308, 309, 313
6Q0 411 314 F	<b>27324</b>	295
6Q0 411 314 F S1	<b>37078</b>	295
6Q0 411 314 F S2	<b>37658</b>	294, 295
6Q0 411 314 J	<b>27638</b>	291, 295, 297, 298
6Q0 411 314 J S2	<b>37657</b>	291, 294, 295, 297
6Q0 411 314 J S1	<b>37077</b>	291, 295, 297
6Q0 411 314 L	<b>27638</b>	291, 295, 297, 298
6Q0 411 314 L S2	<b>37657</b>	291, 294, 295, 297
6Q0 411 314 L S1	<b>37077</b>	291, 295, 297
6Q0 411 314 M	<b>27640</b>	295, 309
6Q0 411 314 M S2	<b>37660</b>	294, 295, 308, 309
6Q0 411 314 M S1	<b>37069</b>	295, 309
6Q0 411 314 N	<b>27642</b>	295, 309, 313
6Q0 411 314 N S4	<b>37659</b>	294, 295, 308, 309, 313
6Q0 411 314 N S2	<b>37089</b>	309, 313
6Q0 411 314 P	<b>27638</b>	291, 295, 297, 298
6Q0 411 314 P S2	<b>37657</b>	291, 294, 295, 297
6Q0 411 314 P S1	<b>37077</b>	291, 295, 297
6Q0 411 314 Q	<b>27640</b>	295, 309
6Q0 411 314 Q S2	<b>37660</b>	294, 295, 308, 309
6Q0 411 314 Q S1	<b>37069</b>	295, 309
6Q0 411 314 R	<b>27642</b>	295, 309, 313
6Q0 411 314 R S2	<b>37089</b>	309, 313
6Q0 411 314 R S4	<b>37659</b>	294, 295, 308, 309, 313
8N0 411 314 B	<b>22804</b>	303
8Z0 411 314 B	<b>31350</b>	295
8Z0 411 314 B S2	<b>37655</b>	294, 295, 302, 303
8Z0 411 314 B S1	<b>37079</b>	295
1J0 411 315 C	<b>18264</b>	303, 305
1J0 411 315 D	<b>19296</b>	303
1J0 411 315 E	<b>18266</b>	302, 303
1J0 411 315 E S3	<b>36757</b>	303
1J0 411 315 E S2	<b>36677</b>	302, 303
1J0 411 315 E S4	<b>36758</b>	303

Ref. - No.

Car  
Division 

Ref. - No.



Ref. - No.



1J0 411 315 E S1	<b>36676</b>	303
1J0 411 315 G	<b>18266</b>	302, 303
1J0 411 315 G S2	<b>36677</b>	302, 303
1J0 411 315 G S1	<b>30154</b>	302, 303
1J0 411 315 G S3	<b>36757</b>	303
1J0 411 315 G S4	<b>36758</b>	303
1J0 411 315 G S1	<b>36676</b>	303
1J0 411 315 H	<b>28579</b>	303
1J0 411 315 H S2	<b>36667</b>	303
1J0 411 315 H S1	<b>36665</b>	303
1J0 411 315 J	<b>18264</b>	303, 305
1J0 411 315 K	<b>28579</b>	303
1J0 411 315 K S1	<b>36665</b>	303
1J0 411 315 K S2	<b>36667</b>	303
1K0 411 315 B	<b>24122</b>	305, 317, 319
1K0 411 315 D	<b>24122</b>	305, 317, 319
1K0 411 315 G	<b>24122</b>	305, 317, 319
1K0 411 315 J	<b>24122</b>	305, 317, 319
1K0 411 315 K	<b>24122</b>	305, 317, 319
1K0 411 315 N	<b>24122</b>	305, 317, 319
1K0 411 315 P	<b>24122</b>	305, 317, 319
1K0 411 315 R	<b>24122</b>	305, 317, 319
6Q0 411 315 A	<b>19518</b>	291, 295, 297, 298, 309, 313
6Q0 411 315 B	<b>19518</b>	291, 295, 297, 298, 309, 313
6Q0 411 315 C	<b>19518</b>	291, 295, 297, 298, 309, 313
6Q0 411 315 D	<b>19518</b>	291, 295, 297, 298, 309, 313
6Q0 411 315 E	<b>19518</b>	291, 295, 297, 298, 309, 313
6Q0 411 315 F	<b>19518</b>	291, 295, 297, 298, 309, 313
6Q0 411 315 G	<b>19518</b>	291, 295, 297, 298, 309, 313
6Q0 411 315 H	<b>19518</b>	291, 295, 297, 298, 309, 313
6Q0 411 315 J	<b>19518</b>	291, 295, 297, 298, 309, 313
6Q0 411 315 L	<b>19518</b>	291, 295, 297, 298, 309, 313

6Q0 411 315 M	<b>19518</b>	291, 295, 297, 298, 309, 313
6Q0 411 315 N	<b>19518</b>	291, 295, 297, 298, 309, 313
6Q0 411 315 P	<b>19518</b>	291, 295, 297, 298, 309, 313
6Q0 411 315 Q	<b>19518</b>	291, 295, 297, 298, 309, 313
6R0 411 315	<b>19518</b>	291, 295, 297, 298, 309, 313
6R0 411 315 A	<b>19518</b>	291, 295, 297, 298, 309, 313
1J0 411 316 D	<b>19298</b>	303
8D0 411 317 D	<b>17216</b>	315
8D0 411 317 D S1	<b>19704</b>	315
8D0 411 318 D	<b>17214</b>	315
8D0 411 318 D S1	<b>19702</b>	315
1J0 411 327 A	<b>36646</b>	303
4D0 411 327 F	<b>10023</b>	315
4D0 411 327 G	<b>10022</b>	315
4D0 411 327 H	<b>10023</b>	315
1J0 411 336 B	<b>23366</b>	303, 305
1J0 411 336 C	<b>23366</b>	303, 305
1J0 411 336 D	<b>23366</b>	303, 305
8D0 411 506 K	<b>17216</b>	315
4B0 419 801 B SK	<b>38854</b>	315
4B0 419 801 E SK	<b>38854</b>	315
4B0 419 801 M	<b>11354</b>	315
4B0 419 801 M SK	<b>38854</b>	315
4D0 419 801 B SK	<b>38854</b>	315
4D0 419 801 D SK	<b>38854</b>	315
4D0 419 801 E SK	<b>38854</b>	315
4D0 419 801 G SK	<b>38854</b>	315
4D0 419 801 L SK	<b>38854</b>	315
6Q0 419 803 B SK	<b>32474</b>	293, 311
6Q0 419 803 D	<b>32229</b>	293
6Q0 419 803 F	<b>32229</b>	293
6Q0 419 803 F SK	<b>32474</b>	293, 311
6Q0 419 803 SK	<b>32474</b>	293, 311
6Q0 419 804 B	<b>32230</b>	293
6Q0 419 804 B SK	<b>32474</b>	293, 311
6Q0 419 804 D	<b>32230</b>	293
6Q0 419 804 F	<b>32230</b>	293


**Ref. - No.**


6Q0 419 804 F SK	<b>32474</b>	293, 311
6Q0 419 804 SK	<b>32474</b>	293, 311
4B0 419 810 M	<b>38854</b>	315
6Q0 419 810	<b>32474</b>	293, 311
6Q0 419 810 B	<b>32474</b>	293, 311
6Q0 419 810 F	<b>32474</b>	293, 311
4F0 419 811 C	<b>21840</b>	315
4F0 419 811 C	<b>39077</b>	315
4F0 419 811 D	<b>21840</b>	315
4F0 419 811 D	<b>39077</b>	315
6Q0 419 811 C	<b>19812</b>	293, 297, 309, 311
6Q0 419 812 C	<b>19814</b>	293, 297, 309, 311
6E0 419 831	<b>21700</b>	293
115 420 240	<b>25334</b>	299, 307
115 420 241	<b>25334</b>	299, 307
1J0 422 803	<b>14174</b>	301
1J0 422 803 A	<b>14174</b>	301
1J0 422 803 A SK	<b>28098</b>	301
1J0 422 803 A S1	<b>44347</b>	301
1J0 422 803 B	<b>14170</b>	301
1J0 422 803 B S1	<b>44341</b>	301
1J0 422 803 B SK	<b>27095</b>	301
1J0 422 803 C	<b>14174</b>	301
1J0 422 803 C S1	<b>44347</b>	301
1J0 422 803 E	<b>14170</b>	301
1J0 422 803 E S1	<b>44341</b>	301
1J0 422 803 H	<b>14170</b>	301
1J0 422 803 H S1	<b>44341</b>	301
1J0 422 803 H SK	<b>27095</b>	301
1J0 422 803 SK	<b>28098</b>	301
1J0 422 803 S1	<b>44347</b>	301
1J0 422 804	<b>14172</b>	301
1J0 422 804 A	<b>14172</b>	301
1J0 422 804 A SK	<b>28098</b>	301
1J0 422 804 A S1	<b>44346</b>	301
1J0 422 804 B	<b>14168</b>	301
1J0 422 804 B SK	<b>27095</b>	301
1J0 422 804 B S1	<b>44342</b>	301
1J0 422 804 C	<b>14172</b>	301
1J0 422 804 C S1	<b>44346</b>	301
1J0 422 804 E	<b>14168</b>	301
1J0 422 804 E S1	<b>44342</b>	301
1J0 422 804 H	<b>14168</b>	301

**Ref. - No.**


1J0 422 804 H SK	<b>27095</b>	301
1J0 422 804 H S1	<b>44342</b>	301
1J0 422 804 SK	<b>28098</b>	301
1J0 422 804 S1	<b>44346</b>	301
6U0 422 807	<b>17702</b>	299
1J0 422 810	<b>28098</b>	301
1J0 422 810 A	<b>28098</b>	301
1J0 422 810 B	<b>27095</b>	301
1J0 422 811	<b>14184</b>	301
1J0 422 811 A	<b>14184</b>	301
1J0 422 811 B	<b>14180</b>	301
1J0 422 811 C	<b>14184</b>	301
6RD 422 811	<b>19812</b>	293, 297, 309, 311
6U0 422 811	<b>17704</b>	299
1J0 422 812	<b>14186</b>	301
1J0 422 812 A	<b>14186</b>	301
1J0 422 812 B	<b>14182</b>	301
1J0 422 812 C	<b>14186</b>	301
6RD 422 812	<b>19814</b>	293, 297, 309, 311
4D0 422 821 A	<b>38854</b>	315
1J0 422 831	<b>37764</b>	301
1J0 422 831	<b>21698</b>	301
1J0 422 831 B	<b>21698</b>	301
1J0 422 831 B	<b>37764</b>	301
1J0 422 831 B S1	<b>37764</b>	301
6Q0 423 803 B	<b>19816</b>	293, 297, 311
6Q0 423 803 B S1	<b>44343</b>	293, 311
6Q0 423 803 B SK	<b>32473</b>	293, 297, 311
6Q0 423 803 C	<b>26173</b>	293, 311
6Q0 423 803 E	<b>19816</b>	293, 297, 311
6Q0 423 803 E SK	<b>32473</b>	293, 297, 311
6Q0 423 803 E S1	<b>44343</b>	293, 311
6Q0 423 803 G	<b>26173</b>	293, 311
6Q0 423 803 P	<b>19816</b>	293, 297, 311
6Q0 423 803 P SK	<b>32473</b>	293, 297, 311
6Q0 423 803 P S1	<b>44343</b>	293, 311
6R0 423 803 A	<b>36508</b>	309
6R0 423 803 A SK	<b>33584</b>	309
6R0 423 803 B SK	<b>33584</b>	309
6R0 423 803 C SK	<b>33584</b>	309
6R0 423 803 D SK	<b>33584</b>	309
6R0 423 803 SK	<b>33584</b>	309
6Q0 423 804 B	<b>19818</b>	293, 297, 311

Ref. - No.

Car  
Division 

Ref. - No.



Ref. - No.



6Q0 423 804 B SK	<b>32473</b>	293, 297, 311
6Q0 423 804 B S1	<b>44344</b>	293, 311
6Q0 423 804 C	<b>26174</b>	293, 311
6Q0 423 804 E	<b>19818</b>	293, 297, 311
6Q0 423 804 E SK	<b>32473</b>	293, 297, 311
6Q0 423 804 E S1	<b>44344</b>	293, 311
6Q0 423 804 G	<b>26174</b>	293, 311
6Q0 423 804 P	<b>19818</b>	293, 297, 311
6Q0 423 804 P S1	<b>44344</b>	293, 311
6Q0 423 804 P SK	<b>32473</b>	293, 297, 311
6R0 423 804 A	<b>36509</b>	309
6R0 423 804 A SK	<b>33584</b>	309
6R0 423 804 B SK	<b>33584</b>	309
6R0 423 804 C SK	<b>33584</b>	309
6R0 423 804 D SK	<b>33584</b>	309
6R0 423 804 SK	<b>33584</b>	309
1K0 423 810 A	<b>26045</b>	305, 306, 317, 319
1K0 423 810 A S1	<b>32627</b>	305, 306, 317, 319
1K0 423 810 A S2	<b>32628</b>	305, 306, 317, 319
1K0 423 810 A S4	<b>45760</b>	306
1K0 423 810 A S3	<b>45761</b>	306
1S0 423 810 A	<b>38073</b>	291
1S0 423 810 A S1	<b>44240</b>	291
1S0 423 810 A S2	<b>44241</b>	291
3C0 423 810 A	<b>26045</b>	305, 306, 317, 319
6C0 423 810 A	<b>46299</b>	297, 298, 309
6C0 423 810 B	<b>46299</b>	297, 298, 309
6C0 423 810 C	<b>46299</b>	297, 298, 309
6Q0 423 810 B	<b>32473</b>	293, 297, 311
6Q0 423 810 C	<b>30820</b>	293, 311
6Q0 423 810 E	<b>32473</b>	293, 297, 311
6Q0 423 810 P	<b>32473</b>	293, 297, 311
6R0 423 810	<b>33584</b>	309
6R0 423 810 A	<b>33584</b>	309
6R0 423 810 B	<b>33584</b>	309
1K0 423 811 A	<b>26096</b>	305, 306, 317, 319
1K0 423 811 C	<b>37593</b>	305, 306, 317, 319
1K0 423 811 C S2	<b>37591</b>	305, 306, 317, 319
1K0 423 811 E	<b>26096</b>	305, 306, 317, 319
1K0 423 811 G	<b>37593</b>	305, 306, 317, 319
1K0 423 811 G S2	<b>37591</b>	305, 306, 317, 319
1K0 423 811 K	<b>37593</b>	305, 306, 317, 319
1K0 423 811 K S1	<b>37591</b>	305, 306, 317, 319

1S0 423 811 A	<b>44227</b>	291
6Q0 423 811 C SK	<b>30820</b>	293, 311
6RD 423 811 A	<b>19812</b>	293, 297, 309, 311
6RD 423 811 B	<b>19812</b>	293, 297, 309, 311
6R0 423 811	<b>19812</b>	293, 297, 309, 311
1K0 423 812 A	<b>26097</b>	305, 306, 317, 319
1K0 423 812 C	<b>37594</b>	305, 306, 317, 319
1K0 423 812 C S2	<b>37592</b>	305, 306, 317, 319
1K0 423 812 E	<b>26097</b>	305, 306, 317, 319
1K0 423 812 G	<b>37594</b>	305, 306, 317, 319
1K0 423 812 G S2	<b>37592</b>	305, 306, 317, 319
1K0 423 812 K	<b>37594</b>	305, 306, 317, 319
1K0 423 812 K S1	<b>37592</b>	305, 306, 317, 319
1S0 423 812 A	<b>44226</b>	291
6Q0 423 812	<b>19814</b>	293, 297, 309, 311
6Q0 423 812 C SK	<b>30820</b>	293, 311
6RD 423 812 A	<b>19814</b>	293, 297, 309, 311
6RD 423 812 B	<b>19814</b>	293, 297, 309, 311
6R0 423 812	<b>19814</b>	293, 297, 309, 311
1K0 423 831 A S1	<b>31278</b>	305, 306, 317, 319
6Q0 423 831	<b>21700</b>	293
6Q0 423 831 D	<b>38622</b>	293, 309
6Q0 423 831 D	<b>38621</b>	293, 309
6Q0 423 831 D S1	<b>38622</b>	293, 309
4F0 498 811 A	<b>39077</b>	315
4F0 498 811 A S1	<b>39077</b>	315
4F0 498 811 A SK	<b>21840</b>	315
8D0 498 998 B	<b>26600</b>	315
5Q0 501 129 B	<b>45859</b>	675
1K0 501 529 E	<b>32956</b>	677, 679
1K0 501 529 E S1	<b>40439</b>	677, 679
1K0 501 529 F	<b>32956</b>	677, 679
1K0 501 529 F SK	<b>40591</b>	676, 677, 678, 679
1K0 501 529 F S1	<b>40439</b>	677, 679
1K0 501 529 H	<b>32956</b>	677, 679
1K0 501 529 H	<b>32957</b>	677, 679
1K0 501 529 H S1	<b>40439</b>	677, 679
1K0 501 529 H S1	<b>40438</b>	677, 679
1K0 501 529 H SK	<b>40591</b>	676, 677, 678, 679
1K0 501 529 J	<b>36047</b>	677, 679
1K0 501 529 J S1	<b>40431</b>	677, 679
1K0 501 529 J SK	<b>40591</b>	676, 677, 678, 679
5Q0 501 529 C SK	<b>45859</b>	675


**Ref. - No.**


5Q0 501 529 C SK	<b>45860</b>	675
1K0 501 530 B	<b>32957</b>	677, 679
1K0 501 530 B S1	<b>40438</b>	677, 679
1K0 501 530 C	<b>32957</b>	677, 679
1K0 501 530 C S1	<b>40438</b>	677, 679
1K0 501 530 C SK	<b>40591</b>	676, 677, 678, 679
1K0 505 171 B	<b>29690</b>	677, 679
1K0 505 171 C	<b>29690</b>	677, 679
5Q0 505 171	<b>43733</b>	675
1K0 505 173 C	<b>29690</b>	677, 679
1K0 505 203 A	<b>29682</b>	677, 679
1K0 505 223 E	<b>38846</b>	677, 679
1K0 505 223 E	<b>38845</b>	677, 679
1K0 505 223 H	<b>38845</b>	677, 679
1K0 505 223 K	<b>38845</b>	677, 679
1K0 505 224 E	<b>38846</b>	677, 679
1K0 505 224 E	<b>38845</b>	677, 679
1K0 505 224 H	<b>38846</b>	677, 679
1K0 505 224 K	<b>38846</b>	677, 679
1K0 505 279 A	<b>29689</b>	677, 679
1K0 505 311 AA SK	<b>29690</b>	677, 679
1K0 505 311 AA	<b>34884</b>	677, 679
1K0 505 311 AB	<b>34884</b>	677, 679
1K0 505 311 AB SK	<b>29690</b>	677, 679
1K0 505 311 AH SK	<b>29690</b>	677, 679
1K0 505 311 H	<b>34884</b>	677, 679
1K0 505 311 S	<b>34884</b>	677, 679
1K0 505 311 S SK	<b>29690</b>	677, 679
5Q0 505 311 C SK	<b>43733</b>	675
5Q0 505 311 D SK	<b>43733</b>	675
1K0 505 323 D	<b>32453</b>	677, 679
1K0 505 323 D SK	<b>29682</b>	677, 679
1K0 505 323 D SK	<b>29689</b>	677, 679
1K0 505 323 G	<b>32453</b>	677, 679
1K0 505 323 G SK	<b>29689</b>	677, 679
1K0 505 323 G SK	<b>29682</b>	677, 679
1K0 505 323 H	<b>32453</b>	677, 679
1K0 505 323 H SK	<b>29689</b>	677, 679
1K0 505 323 H SK	<b>29682</b>	677, 679
1K0 505 323 M	<b>32453</b>	677, 679
1K0 505 323 N	<b>32453</b>	677, 679
1K0 505 323 N SK	<b>29682</b>	677, 679
1K0 505 323 N SK	<b>29689</b>	677, 679

**Ref. - No.**


1K0 505 323 P	<b>32453</b>	677, 679
5Q0 505 323 C	<b>32453</b>	677, 679
5Q0 505 323 C SK	<b>29689</b>	677, 679
5Q0 505 323 C SK	<b>29682</b>	677, 679
5Q0 505 323 D	<b>32453</b>	677, 679
1K0 505 465 AA S1	<b>29461</b>	677, 679
1K0 505 465 C S1	<b>29461</b>	677, 679
1K0 505 465 D S1	<b>29461</b>	677, 679
1K0 505 465 H S1	<b>29461</b>	677, 679
1K0 505 465 J S1	<b>29461</b>	677, 679
1K0 505 465 K S1	<b>29461</b>	677, 679
1K0 505 465 L S1	<b>29461</b>	677, 679
1J0 505 466 C	<b>27866</b>	675
1J0 505 466 C	<b>31843</b>	675
1J0 505 466 C S1	<b>31843</b>	675
1K0 505 543 A	<b>40591</b>	676, 677, 678, 679
5Q0 505 543 B	<b>45860</b>	675
1K0 505 553	<b>29938</b>	675, 677, 679
1K0 505 553 A	<b>29938</b>	675, 677, 679
3C0 505 553	<b>29938</b>	675, 677, 679
1K0 511 327 AE	<b>23356</b>	677, 679
1K0 511 327 AP S1	<b>23606</b>	677, 679
1K0 511 327 AP	<b>23356</b>	677, 679
1K0 511 327 AQ S1	<b>39650</b>	677, 679
1K0 511 327 AQ	<b>32073</b>	677, 679
1K0 511 327 AR S1	<b>39648</b>	677, 679
1K0 511 327 AR	<b>23358</b>	677, 679
1K0 511 327 AS	<b>32625</b>	677, 679
1K0 511 327 AS S1	<b>39649</b>	677, 679
1K0 511 439 E	<b>23604</b>	677, 679

**SMART**

0001802V004	<b>22587</b>	680
0001802V004000000	<b>22587</b>	680
0002271V003000005	<b>24632</b>	320, 321, 322, 324
0002271V003000005 S1	<b>38549</b>	322, 324
0002271V007000000 S1	<b>24632</b>	320, 321, 322, 324
0002271V007000005 S1	<b>24632</b>	320, 321, 322, 324
0002271V007000005 S1	<b>38549</b>	322, 324
0004873V002	<b>27569</b>	320
0004873V002000000	<b>27569</b>	320
0004879V001000000 S1	<b>24632</b>	320, 321, 322, 324
0004879V001000000 S2	<b>38549</b>	322, 324



Ref. - No.

Car  
Division 

Ref. - No.



Ref. - No.



0004879V003000000 S1	<b>24632</b>	320, 321, 322, 324
0004879V003000000 S2	<b>38549</b>	322, 324
0004880V001000000 S1	<b>24632</b>	320, 321, 322, 324
0004880V001000000 S1	<b>38549</b>	322, 324
0004914V002000000 S1	<b>34945</b>	322
0005102V004	<b>22588</b>	322, 324
0005102V004000000	<b>22588</b>	322, 324
0005102V005	<b>22588</b>	322, 324
0005102V005000000	<b>22588</b>	322, 324
0005374V001 S1	<b>36192</b>	322
0005376V001000000 S1	<b>34949</b>	322, 323
0007001V006	<b>31272</b>	320, 321, 322, 324
0007001V006000000	<b>31272</b>	320, 321, 322, 324
0007001V006000000 S1	<b>31271</b>	320, 321, 322, 324
0007001V007	<b>31272</b>	320, 321, 322, 324
0007001V007000000	<b>31272</b>	320, 321, 322, 324
0007001V007000000 S1	<b>31271</b>	320, 321, 322, 324
0014141V001	<b>31272</b>	320, 321, 322, 324
0014141V001 S1	<b>31271</b>	320, 321, 322, 324
0014141V001000000	<b>31272</b>	320, 321, 322, 324
0014141V001000000 S1	<b>31271</b>	320, 321, 322, 324
0014141V002	<b>31272</b>	320, 321, 322, 324
0014141V002 S1	<b>31271</b>	320, 321, 322, 324
0014141V002000000	<b>31272</b>	320, 321, 322, 324
0014141V002000000 S1	<b>31271</b>	320, 321, 322, 324
0015642V001	<b>24632</b>	320, 321, 322, 324
0015642V001 S1	<b>38549</b>	322, 324
0015642V00100000 S1	<b>38549</b>	322, 324
0015642V001000000	<b>24632</b>	320, 321, 322, 324
0015642V002000000	<b>31991</b>	320, 321, 322, 324
0015642V002000000	<b>31990</b>	322, 324
0015642V002000000 S1	<b>24632</b>	320, 321, 322, 324
0015642V002000000 S2	<b>31991</b>	320, 321, 322, 324
0015642V002000000 S3	<b>38549</b>	322, 324
14141V001	<b>31272</b>	320, 321, 322, 324
14141V001 S1	<b>31271</b>	320, 321, 322, 324
14141V001000000	<b>31272</b>	320, 321, 322, 324
14141V001000000 S1	<b>31271</b>	320, 321, 322, 324
14141V002	<b>31272</b>	320, 321, 322, 324
14141V002 S1	<b>31271</b>	320, 321, 322, 324
14141V002000000	<b>31272</b>	320, 321, 322, 324
14141V002000000 S1	<b>31271</b>	320, 321, 322, 324
15642V001	<b>24632</b>	320, 321, 322, 324

15642V001 S1	<b>38549</b>	322, 324
15642V001000000	<b>24632</b>	320, 321, 322, 324
1802V004000000	<b>22587</b>	680
2271V007	<b>24632</b>	320, 321, 322, 324
2271V007 S1	<b>38549</b>	322, 324
2271V007000005	<b>24632</b>	320, 321, 322, 324
2271V007000005 S1	<b>24632</b>	320, 321, 322, 324
2271V007000005 S2	<b>38549</b>	322, 324
450 333 00 14	<b>31271</b>	320, 321, 322, 324
451 320 01 89	<b>36791</b>	323
451 320 01 89 S1	<b>36790</b>	323
451 330 00 10 S1	<b>38610</b>	323
451 338 00 37 SK1	<b>02625</b>	323
451 338 01 37 SK1	<b>02625</b>	323
451 460 00 96	<b>34949</b>	322, 323
454 320 00 10 S1	<b>22589</b>	321
454 330 07 07	<b>33610</b>	321
454 330 07 07 S1	<b>33609</b>	321
454 330 08 07	<b>33611</b>	321
454 330 08 07 S1	<b>33609</b>	321
454 333 01 27	<b>33609</b>	321
5102V005	<b>22588</b>	322, 324
5102V005000000	<b>22588</b>	322, 324
7001V006	<b>31272</b>	320, 321, 322, 324
7001V006000000	<b>31272</b>	320, 321, 322, 324
7001V007	<b>31272</b>	320, 321, 322, 324
7001V007000000	<b>31272</b>	320, 321, 322, 324

**SUBARU**

20200AA200	<b>29634</b>	325, 326, 327, 329, 330
20200AA210	<b>29635</b>	325, 326, 327, 329, 330
20201AA000	<b>29375</b>	329, 330
20201AA070	<b>29375</b>	329, 330
20420AA002	<b>29686</b>	325, 328, 329, 330
20420AA003	<b>29686</b>	325, 328, 329, 330
20420AA004	<b>29686</b>	325, 328, 329, 330
20470AE000	<b>28439</b>	684
20470AE001	<b>28439</b>	684
20470AE010	<b>28439</b>	684
20470FE000	<b>28199</b>	326, 328, 330
20470SA000	<b>28199</b>	326, 328, 330


**Ref. - No.**


20470SA001	<b>28199</b>	326, 328, 330
20470SA010	<b>32495</b>	681, 682
20470SA011	<b>32495</b>	681, 682
20481AA000	<b>29685</b>	681, 682, 683
20481AA001	<b>29685</b>	681, 682, 683
21067GA050	<b>29841</b>	325, 326, 327, 328, 330
31320GA190	<b>30739</b>	327
31320GA200	<b>30740</b>	327
34140FC000	<b>27820</b>	325, 327, 330
34141AA041	<b>29853</b>	325, 326, 327, 328, 329, 330
34141AA042	<b>29853</b>	325, 326, 327, 328, 329, 330
48821B1010	<b>28272</b>	329
48831B1010	<b>28271</b>	329

**SUZUKI**

09319-10030	<b>28712</b>	331, 339
09319-10030-000	<b>28712</b>	331, 339
42420-M68K0	<b>33760</b>	331
42420-M68K0-000	<b>33760</b>	331
42420-60A00	<b>28158</b>	333, 338, 339
42420-62J00	<b>28000</b>	335, 337
42420-62J00-000	<b>28000</b>	335, 337
42420-65D00	<b>28158</b>	333, 338, 339
42420-65D00-000 S1	<b>28158</b>	333, 338, 339
42420-65J00	<b>30186</b>	333
42420-65J00-000	<b>30186</b>	333
42420-77A00	<b>28235</b>	332
42420-77A00-000	<b>28235</b>	332
42420-80J00	<b>28638</b>	338
42420-80J00-000	<b>28638</b>	338
42420-81A10	<b>28159</b>	334
42420-81A10-000	<b>28159</b>	334
42420-85C00	<b>28158</b>	333, 338, 339
42451-76G00	<b>32470</b>	334, 339
42451-76G00-000	<b>32470</b>	334, 339
45200-60810-000	<b>29632</b>	336
45200-60812	<b>29632</b>	336
45200-60812-000	<b>29632</b>	336
45200-60820	<b>29633</b>	336
45200-60820-000	<b>29633</b>	336

**Ref. - No.**


45200-60822	<b>29633</b>	336
45200-60822-000	<b>29633</b>	336
45200-75F00	<b>19501</b>	339
45200-75F20	<b>19501</b>	339
45200-75F21-000	<b>19501</b>	339
45200-82000	<b>12938</b>	336
45200-82000-000	<b>12938</b>	336
45200-83E00	<b>32090</b>	339
45200-83E00-000	<b>32090</b>	339
45200-84E00	<b>32090</b>	339
45200-84E00-000	<b>32090</b>	339
45201-57KA0-000	<b>32141</b>	335
45201-57K00-000	<b>32141</b>	335
45201-62J00	<b>29932</b>	337
45201-62J00 S1	<b>29826</b>	335, 337
45201-62J00-000	<b>29932</b>	337
45201-62J00-000 S1	<b>29826</b>	335, 337
45201-63J00	<b>29932</b>	337
45201-63J00 S1	<b>29826</b>	335, 337
45201-63J00-000	<b>29932</b>	337
45201-63J00-000 S1	<b>29826</b>	335, 337
45201-72K00	<b>29932</b>	337
45201-72K00-000	<b>29932</b>	337
45201-72K00-000	<b>32141</b>	335
45201-72K01	<b>29932</b>	337
45201-72K01-000	<b>29932</b>	337
45202-57KA0	<b>32140</b>	335
45202-57KA0-000	<b>32140</b>	335
45202-57K00	<b>32140</b>	335
45202-57K00-000	<b>32140</b>	335
45202-62J00	<b>29931</b>	337
45202-62J00-000	<b>29931</b>	337
45202-63J00	<b>29931</b>	337
45202-63J00 S1	<b>29826</b>	335, 337
45202-63J00-000	<b>29931</b>	337
45202-63J00-000 S1	<b>29826</b>	335, 337
45202-72K00	<b>29931</b>	337
45202-72K00	<b>32140</b>	335
45202-72K00-000	<b>29931</b>	337
45202-72K00-000	<b>32140</b>	335
45202-72K01	<b>32140</b>	335
45202-72K01	<b>29931</b>	337
45202-72K01-000	<b>32140</b>	335

Ref. - No.

Car  
Division

Ref. - No.



Ref. - No.



45202-72K01-000	<b>29931</b>	337
45261-77A10	<b>28712</b>	331, 339
45261-77A10-000	<b>28712</b>	331, 339
45262-54L00	<b>29827</b>	335, 337
45262-54L00-000	<b>29827</b>	335, 337
45262-79J00	<b>29827</b>	335, 337
45262-79J00-000	<b>29827</b>	335, 337
45540-57K00	<b>29827</b>	335, 337
45540-57K00-000	<b>29827</b>	335, 337
45540-62J00 S1	<b>29827</b>	335, 337
45540-62J00-000	<b>29827</b>	335, 337
45540-62J00-000 S1	<b>29827</b>	335, 337
46201-60B11	<b>29760</b>	685
46201-60B11-000	<b>29760</b>	685
46201-83E00 S2	<b>32475</b>	685
46201-83E00-000 S2	<b>32475</b>	685
46201-83E20 S2	<b>32475</b>	685
46201-83E20-000 S2	<b>32475</b>	685
46201-86G00 S2	<b>32475</b>	685
46201-86G00-000 S2	<b>32475</b>	685
46202-60B11	<b>29761</b>	685
46202-60B11-000	<b>29761</b>	685
46202-83E00 S2	<b>32475</b>	685
46202-83E00-000 S2	<b>32475</b>	685
46202-83E20 S2	<b>32475</b>	685
46202-83E20-000 S2	<b>32475</b>	685
46202-86G00 S2	<b>32475</b>	685
46202-86G00-000 S2	<b>32475</b>	685
46300-60B00	<b>29376</b>	685
46300-60B00-000	<b>29376</b>	685
46300-60B01	<b>29376</b>	685
46300-60B01-000	<b>29376</b>	685
46300-60B10	<b>29376</b>	685
46300-60B10-000	<b>29376</b>	685
46300-70C02	<b>29376</b>	685
46300-70C02-000	<b>29376</b>	685
48810-60A00	<b>12940</b>	338
48810-60B00	<b>12937</b>	336
48810-60J00-000	<b>29830</b>	334, 335, 337
48810-60810-000	<b>29830</b>	334, 335, 337
48810-63J00	<b>29830</b>	334, 335, 337
48810-63J00-000	<b>29830</b>	334, 335, 337
48810-65D00	<b>29828</b>	333

48810-65D00-000	<b>29828</b>	333
48810-65D01-000	<b>29828</b>	333
48810-76G00	<b>12937</b>	336
48810-76G00-000	<b>12937</b>	336
48810-81A00	<b>33532</b>	334
48810-81A00-000	<b>33532</b>	334
48810-82000	<b>12937</b>	336
48820-65D00	<b>29829</b>	333
48820-65D00-000	<b>29829</b>	333
48820-65D01-000	<b>29829</b>	333
48820-81A00	<b>33533</b>	334
48820-81A00-000	<b>33533</b>	334
48830M68K00	<b>33510</b>	331
48830-M70F00	<b>31472</b>	331
48830-60B00	<b>29840</b>	336
48830-60B00-000	<b>29840</b>	336
48830-60G00	<b>28055</b>	332
48830-60G00-000	<b>28055</b>	332
48830-63J00	<b>28056</b>	335, 337
48830-63J00-000	<b>28056</b>	335, 337
48830-65D00	<b>28057</b>	333
48830-65D00-000	<b>28057</b>	333
48830-65J00	<b>30577</b>	333
48830-65J00-000	<b>30577</b>	333
48830-83E00	<b>28058</b>	334, 339
48830-83E00-000	<b>28058</b>	334, 339
48830-84000	<b>12949</b>	331
48830-84000-000	<b>12949</b>	331
48830-86G00	<b>28058</b>	334, 339
48830-86G00-000	<b>28058</b>	334, 339
48850-60A00	<b>12939</b>	338
48850-60A00-000	<b>12939</b>	338
48850-85C00	<b>12939</b>	338

**TOYOTA**

43330-09050	<b>23589</b>	341, 346, 347, 349, 376, 377
43330-09090	<b>23111</b>	356, 357
43330-09160	<b>28701</b>	348, 349, 376, 377
43330-09210 S1	<b>28704</b>	344
43330-09560 S1	<b>28701</b>	348, 349, 376, 377
43330-19045	<b>12935</b>	379
43330-19065	<b>23245</b>	354


**Ref. - No.**


43330-19066	<b>23245</b>	354
43330-19075	<b>12935</b>	379
43330-19085	<b>23109</b>	368, 379, 383
43330-19095	<b>23243</b>	353, 355, 356, 357, 358, 370, 372, 378, 386
43330-19115	<b>23243</b>	353, 355, 356, 357, 358, 370, 372, 378, 386
43330-29265	<b>12933</b>	343, 351, 353, 368
43330-29295	<b>23246</b>	361, 362, 363
43330-29315	<b>12933</b>	343, 351, 353, 368
43330-29375	<b>12933</b>	343, 351, 353, 368
43330-29515	<b>23246</b>	361, 362, 363
43330-39285	<b>23589</b>	341, 346, 347, 349, 376, 377
43330-39435	<b>23589</b>	341, 346, 347, 349, 376, 377
43330-49025 S1	<b>28699</b>	371, 372
43340-09010 S1	<b>28700</b>	348, 349, 376, 377
43340-19015	<b>23244</b>	354
43340-19016	<b>23244</b>	354
43340-19025	<b>23107</b>	368, 379, 383
43350-39035	<b>23247</b>	363, 384
43350-39075	<b>23247</b>	363, 384
45046-09020	<b>23585</b>	341, 342, 346, 347, 349
45046-09050	<b>23605</b>	343, 351
45046-09100	<b>23605</b>	343, 351
45046-09230	<b>29691</b>	344
45046-09295	<b>39591</b>	345
45046-09295	<b>28319</b>	345
45046-09295 S3	<b>39591</b>	345
45046-19175	<b>12913</b>	346, 350, 352, 353, 354, 355, 356, 360, 362, 371, 372, 375, 378, 383, 385, 387
45046-19265	<b>23630</b>	357, 358, 386, 387
45046-19415	<b>34311</b>	341, 357, 374
45046-29255	<b>23585</b>	341, 342, 346, 347, 349

**Ref. - No.**


45046-29305	<b>12913</b>	346, 350, 352, 353, 354, 355, 356, 360, 362, 371, 372, 375, 378, 383, 385, 387
45046-29365	<b>23605</b>	343, 351
45046-29425	<b>29186</b>	344
45046-49095	<b>30232</b>	367, 372, 375, 386
45046-59025	<b>23643</b>	362, 385, 387
45046-59026	<b>23643</b>	362, 385, 387
45046-69135	<b>27512</b>	365, 366
45047-09010	<b>23603</b>	343, 351
45047-09030	<b>23603</b>	343, 351
45047-09125	<b>28318</b>	345
45047-09125	<b>39590</b>	345
45047-09125 S2	<b>39590</b>	345
45047-19115	<b>23629</b>	357, 358, 386, 387
45047-19215	<b>34310</b>	341, 357, 374
45047-29125	<b>23603</b>	343, 351
45047-49025	<b>30231</b>	367, 372, 375, 386
45047-59025	<b>23641</b>	362, 385, 387
45047-59026	<b>23641</b>	362, 385, 387
45047-69085	<b>27511</b>	365, 366
45406-39135	<b>27260</b>	363, 384
45406-39185	<b>27260</b>	363, 384
45460-39615	<b>29763</b>	348
45460-39635	<b>30226</b>	348, 349, 377
45470-39215	<b>29764</b>	348
45470-39225	<b>30225</b>	348, 349, 377
45500-0H010	<b>36850</b>	345
45500-0H010	<b>39590</b>	345
45500-0H010	<b>39591</b>	345
45500-0H010 S1	<b>36850</b>	345
45500-0H010 S1	<b>39590</b>	345
45500-0H010 S2	<b>39590</b>	345
45500-0H010 S3	<b>39591</b>	345
45503-0D030	<b>31747</b>	387
45503-0F010	<b>34713</b>	344, 358, 359
45503-05010	<b>22913</b>	351
45503-05020	<b>22915</b>	343, 359
45503-05050	<b>22915</b>	343, 359
45503-09230	<b>29352</b>	348, 377
45503-12130	<b>27805</b>	357, 358
45503-17040	<b>33447</b>	367

Ref. - No.

Car  
Division 

Ref. - No.



Ref. - No.



45503-19075	<b>12910</b>	379
45503-19145	<b>27809</b>	367
45503-19205	<b>12911</b>	355
45503-19215	<b>23023</b>	355, 356, 371
45503-19255	<b>27805</b>	357, 358
45503-29255	<b>29672</b>	362
45503-29295	<b>27808</b>	369, 382
45503-29355	<b>23583</b>	346, 347, 348
45503-29365	<b>23023</b>	355, 356, 371
45503-29385	<b>12911</b>	355
45503-29435	<b>29692</b>	351, 359, 368
45503-29565	<b>31751</b>	363
45503-29575	<b>33190</b>	363
45503-29615	<b>29692</b>	351, 359, 368
45503-29765	<b>27810</b>	369, 382
45503-39055	<b>23583</b>	346, 347, 348
45503-39075	<b>28092</b>	365, 381, 384
45503-39135	<b>23583</b>	346, 347, 348
45503-39225	<b>29352</b>	348, 377
45503-39235	<b>29361</b>	366, 384
45503-39265	<b>29361</b>	366, 384
45503-47030	<b>31750</b>	370
45503-49055	<b>27812</b>	372
45503-49105	<b>27339</b>	343
45503-59045	<b>23645</b>	387
45503-59055	<b>34616</b>	385, 387
45503-69015	<b>28091</b>	366
45503-69025	<b>34618</b>	366
45535-09180	<b>39238</b>	345
45535-09180	<b>39590</b>	345
45535-09180	<b>39591</b>	345
45535-09180 S2	<b>39590</b>	345
45535-09180 S3	<b>39591</b>	345
48061-05010	<b>31106</b>	343, 359
48068-0H010	<b>31719</b>	345
48068-0H010 S1	<b>22911</b>	345, 387
48068-0H010 S2	<b>30034</b>	345
48068-0H010 S3	<b>30035</b>	345
48068-0H010 S4	<b>30036</b>	345
48068-02010	<b>22947</b>	355, 356
48068-02010 S1	<b>24312</b>	355, 356
48068-05050	<b>24339</b>	343
48068-12110	<b>28238</b>	354

48068-12130	<b>12931</b>	355
48068-12140	<b>12931</b>	355
48068-12170	<b>22947</b>	355, 356
48068-12170 S1	<b>24312</b>	355, 356
48068-12171	<b>22947</b>	355, 356
48068-12171 S1	<b>24312</b>	355, 356
48068-12180	<b>22947</b>	355, 356
48068-12180 S1	<b>24312</b>	355, 356
48068-12181	<b>22947</b>	355, 356
48068-12181 S1	<b>24312</b>	355, 356
48068-12190	<b>22947</b>	355, 356
48068-12190 S2	<b>22945</b>	356
48068-12190 S3	<b>29185</b>	356
48068-12191	<b>22947</b>	355, 356
48068-12191 S1	<b>24312</b>	355, 356
48068-12191 S2	<b>22945</b>	356
48068-12191 S3	<b>29185</b>	356
48068-12260	<b>26597</b>	357, 358
48068-20260	<b>28110</b>	351
48068-20260 S1	<b>29187</b>	351
48068-20260 S2	<b>29671</b>	351
48068-33010	<b>22965</b>	341, 346
48068-33020	<b>22965</b>	341, 346
48068-33030	<b>22969</b>	341, 347
48068-42022	<b>19991</b>	371
48068-59035	<b>28449</b>	387
48068-59035 S1	<b>22911</b>	345, 387
48068-59035 S2	<b>23282</b>	387
48068-59035 S3	<b>23281</b>	387
48068-59035 S4	<b>28449</b>	387
48069-0H010	<b>31718</b>	345
48069-0H010 S1	<b>22911</b>	345, 387
48069-0H010 S2	<b>30034</b>	345
48069-0H010 S3	<b>30035</b>	345
48069-0H010 S4	<b>30036</b>	345
48069-02010	<b>22949</b>	355, 356
48069-02010 S1	<b>24292</b>	355, 356
48069-05050	<b>24340</b>	343
48069-12110	<b>28237</b>	354
48069-12130	<b>12932</b>	355
48069-12140	<b>12932</b>	355
48069-12160	<b>22949</b>	355, 356
48069-12160 S1	<b>24292</b>	355, 356


**Ref. - No.**


48069-12170	<b>22949</b>	355, 356
48069-12170 S1	<b>24292</b>	355, 356
48069-12171	<b>22949</b>	355, 356
48069-12171 S1	<b>24292</b>	355, 356
48069-12180	<b>22949</b>	355, 356
48069-12180 S1	<b>24292</b>	355, 356
48069-12181	<b>22949</b>	355, 356
48069-12181 S1	<b>24292</b>	355, 356
48069-12190	<b>22949</b>	355, 356
48069-12190 S1	<b>24292</b>	355, 356
48069-12191	<b>22949</b>	355, 356
48069-12191 S1	<b>24292</b>	355, 356
48069-12260	<b>26598</b>	357, 358
48069-20260	<b>28109</b>	351
48069-20260 S1	<b>29187</b>	351
48069-20260 S2	<b>29671</b>	351
48069-33010	<b>22967</b>	341, 346
48069-33020	<b>22967</b>	341, 346
48069-33030	<b>22971</b>	341, 347
48069-33031	<b>22971</b>	341, 347
48069-42022	<b>19993</b>	371
48069-59035	<b>28449</b>	387
48069-59035 S1	<b>22911</b>	345, 387
48069-59035 S4	<b>28449</b>	387
48650-20020	<b>27337</b>	343
48650-20021	<b>27337</b>	343
48654-0H010	<b>30034</b>	345
48654-12070	<b>29185</b>	356
48654-12120	<b>22945</b>	356
48654-20150	<b>29187</b>	351
48655-0H010	<b>30035</b>	345
48655-07010	<b>26465</b>	341, 346
48655-20140	<b>31106</b>	343, 359
48802-60060	<b>34661</b>	693
48802-60090 S1	<b>34662</b>	693, 694
48810-0K010	<b>27336</b>	366, 384
48810-0K020	<b>27336</b>	366, 384
48810-05012	<b>18135</b>	343
48810-20010	<b>18103</b>	350
48810-20020	<b>18110</b>	351, 359, 368
48810-28010	<b>26919</b>	369, 382
48810-28020	<b>26919</b>	369, 382
48810-33010	<b>23575</b>	347

**Ref. - No.**


48810-44010	<b>18110</b>	351, 359, 368
48810-60010	<b>26736</b>	365
48810-60040	<b>27336</b>	366, 384
48815-0H010	<b>37199</b>	345
48817-0D010	<b>27438</b>	345
48817-0D010 S1	<b>27438</b>	345
48817-30010	<b>34662</b>	693, 694
48817-52010	<b>27262</b>	362, 375, 385, 387
48819-52010	<b>27262</b>	362, 375, 385, 387
48819-52010 S1	<b>27262</b>	362, 375, 385, 387
48819-70010	<b>27438</b>	345
48819-70010 S1	<b>27438</b>	345
48820-AD010	<b>28591</b>	365, 381, 383, 384
48820-0D010	<b>28090</b>	387
48820-0K030	<b>27335</b>	366, 384
48820-0K040	<b>27335</b>	366, 384
48820-0R010	<b>31713</b>	373
48820-02020	<b>22993</b>	353, 357
48820-02070	<b>31714</b>	341, 344, 357
48820-05012	<b>18134</b>	343
48820-06040	<b>28592</b>	342, 348, 377
48820-17020	<b>31717</b>	367
48820-17030	<b>31717</b>	367
48820-17040	<b>31717</b>	367
48820-17050 S1	<b>29953</b>	367
48820-20010	<b>18133</b>	352, 354
48820-20021	<b>23175</b>	352, 355
48820-20030	<b>18101</b>	350
48820-20040	<b>18109</b>	351, 359, 368
48820-22041	<b>34664</b>	360
48820-24010	<b>31715</b>	353, 380
48820-28010	<b>26920</b>	369, 382
48820-28030	<b>26920</b>	369, 382
48820-28050	<b>23636</b>	348, 364
48820-32010	<b>22993</b>	353, 357
48820-33010	<b>18107</b>	341, 346, 353, 355, 356, 371
48820-33020	<b>23577</b>	347
48820-35010	<b>34665</b>	364, 384
48820-35030	<b>28591</b>	365, 381, 383, 384
48820-42010	<b>23234</b>	371
48820-42020	<b>26085</b>	372

Ref. - No.

Car  
Division 

Ref. - No.



48820-42030	<b>28513</b>	340, 341, 357, 369, 373, 374, 375, 382
48820-44010	<b>18109</b>	351, 359, 368
48820-44020	<b>27338</b>	343, 344
48820-47010	<b>23635</b>	344, 357, 358, 370, 375
48820-60010	<b>26737</b>	365
48820-60050	<b>27335</b>	366, 384
48830-0R010	<b>31558</b>	695
48830-05020	<b>27286</b>	687
48830-05030	<b>31557</b>	686, 687
48830-06020	<b>23579</b>	686, 688, 696
48830-06030	<b>26520</b>	688, 692, 693
48830-12050	<b>30865</b>	691
48830-12060	<b>18105</b>	688, 689, 690, 691
48830-12070	<b>31557</b>	686, 687
48830-17070	<b>28448</b>	695
48830-20010	<b>18105</b>	688, 689, 690, 691
48830-21020	<b>27332</b>	687, 696
48830-32010	<b>18105</b>	688, 689, 690, 691
48830-32020	<b>18105</b>	688, 689, 690, 691
48830-32040	<b>28059</b>	692
48830-33010	<b>23579</b>	686, 688, 696
48830-35020 S1	<b>28644</b>	694, 697
48830-42010	<b>28629</b>	695
48830-48010	<b>26520</b>	688, 692, 693
48830-60030	<b>27287</b>	692, 694, 697
48840-21010	<b>27331</b>	687, 696
48840-42010	<b>28628</b>	695
90177-W0002	<b>27438</b>	345
90179-08062	<b>34662</b>	693, 694
90948-02126	<b>34662</b>	693, 694
90948-02127	<b>34662</b>	693, 694
90948-02178	<b>27262</b>	362, 375, 385, 387
90948-02179	<b>27262</b>	362, 375, 385, 387
94182-10800	<b>27262</b>	362, 375, 385, 387

**VAUXHALL**

02875013	<b>03212</b>	393, 395, 397, 406, 409, 411, 415, 435, 444
0423 008	<b>27097</b>	704, 706
0423 033	<b>27097</b>	704, 706

Ref. - No.



0423 035	<b>27097</b>	704, 706
06655341	<b>15621</b>	699, 700, 701, 702, 703
07840451	<b>02719</b>	432
07840452	<b>02625</b>	416, 419, 432, 438, 440
07840453	<b>02624</b>	432
09109852	<b>26453</b>	429
09109853	<b>26454</b>	429
09109909	<b>22468</b>	429
09109940	<b>26453</b>	429
09109941	<b>26454</b>	429
09111641	<b>09686</b>	391
09111661	<b>09685</b>	391
09112047	<b>26453</b>	429
09112048	<b>26454</b>	429
09118127	<b>12779</b>	399, 447
09118128	<b>12780</b>	399, 401, 447
09118128 S1	<b>43727</b>	401, 449
09118128 S6	<b>43780</b>	399, 447
09156605	<b>02183</b>	434
09160391	<b>27181</b>	429
09160392	<b>26453</b>	429
09160393	<b>26454</b>	429
09160394	<b>24262</b>	429
09160395	<b>24263</b>	429
09160498	<b>19867</b>	429
09160499	<b>19866</b>	429
09160554	<b>22710</b>	429
09160555	<b>22468</b>	429
09161561 SK	<b>32128</b>	429
09161561 S1	<b>37625</b>	429, 444
09161561 S2	<b>37626</b>	429, 444
09161562	<b>21493</b>	429
09161563	<b>21494</b>	429
09191188	<b>36543</b>	437, 442, 443
09191309	<b>21332</b>	705
09191649	<b>30624</b>	441
09193088	<b>01852</b>	433
09193094	<b>01831</b>	433
09195731	<b>22099</b>	407, 433
09196394	<b>19541</b>	419, 440
09196409	<b>30573</b>	399, 447



Ref. - No.



09199576	<b>18552</b>	419, 422, 426
09199961	<b>23129</b>	419, 426, 440
09199961	<b>18552</b>	419, 422, 426
09204751	<b>42318</b>	389
09204752	<b>28058</b>	389
09208987	<b>19501</b>	389
09208989	<b>28712</b>	389
09209466	<b>32470</b>	389
09210168	<b>42318</b>	389
09210351	<b>42318</b>	389
09212533	<b>28712</b>	389
09223176	<b>44325</b>	447
09228477	<b>11656</b>	441
09228477 S1	<b>38274</b>	441
13104120	<b>27775</b>	704, 706
13105744	<b>27097</b>	704, 706
13105744 S1	<b>34213</b>	704, 706
13116332	<b>33776</b>	437, 443
13125492	<b>30623</b>	401, 419, 422, 426
13131232	<b>36543</b>	437, 442, 443
13131963	<b>40484</b>	706
13138151	<b>18548</b>	419, 422, 426, 440
13140037	<b>18125</b>	419
13140037 S1	<b>34221</b>	419
13140038	<b>18123</b>	419
13140038 S1	<b>34222</b>	419
13167940	<b>29280</b>	388, 420, 421
13169439	<b>14558</b>	399, 401, 447, 449
13169439	<b>38939</b>	399, 401, 427, 447, 449
13204070	<b>38052</b>	401, 427, 437, 443, 449
13204071	<b>38051</b>	401, 427, 437, 443, 449
13204112	<b>34940</b>	704, 706
13204112 S1	<b>36112</b>	704, 706
13204115	<b>27097</b>	704, 706
13204115 S1	<b>34213</b>	704, 706
13219090	<b>39362</b>	404, 425
13219141	<b>34959</b>	404, 425, 450
13230274	<b>27097</b>	704, 706
13230274 S1	<b>34213</b>	704, 706
13237130	<b>22379</b>	437, 443

Ref. - No.



13257785	<b>36595</b>	425
13258052	<b>31561</b>	404, 425, 450
13260666	<b>28475</b>	388, 420, 421
13271036	<b>40915</b>	425
13271996 SK	<b>33131</b>	425
13273604	<b>39351</b>	425
13273605	<b>39352</b>	425
13278357	<b>39606</b>	403
13278358	<b>44446</b>	403
13278358 S1	<b>44447</b>	403
13280211	<b>39352</b>	425
13281782	<b>37854</b>	391, 404, 425
13281784	<b>37855</b>	404, 425
13281790	<b>39089</b>	701
13286689	<b>45096</b>	403, 409, 425, 450
13286689 SK1	<b>45095</b>	403, 409, 425, 450
13314168	<b>43577</b>	403
13314168 S1	<b>44338</b>	403
13314168 S2	<b>44339</b>	403
13314168 S3	<b>44340</b>	403
13318884	<b>39351</b>	425
13318885	<b>39352</b>	425
13318886	<b>39351</b>	425
13318887	<b>39352</b>	425
13321280	<b>27414</b>	420
13321338	<b>43719</b>	391, 404
13321339	<b>43720</b>	391, 404
13327928	<b>14558</b>	399, 401, 447, 449
13327928	<b>38939</b>	399, 401, 427, 447, 449
13332651	<b>43794</b>	425
13332653	<b>43792</b>	425
13334021	<b>43718</b>	391, 404
13334022	<b>43719</b>	391, 404
13334023	<b>43720</b>	391, 404
13337880	<b>44245</b>	403
13337882	<b>44246</b>	403
13337891	<b>44424</b>	403
13337891 S1	<b>44434</b>	403
13343139	<b>38586</b>	388, 420
13354440	<b>45096</b>	403, 409, 425, 450
13354440 SK1	<b>45095</b>	403, 409, 425, 450
13354538	<b>44245</b>	403



Ref. - No.

Car  
Division 

Ref. - No.



Ref. - No.



13354540	<b>44246</b>	403
13354542	<b>44156</b>	403, 409
13354542 S1	<b>44249</b>	403
13354542 S2	<b>44250</b>	403
13360017	<b>39351</b>	425
13360018	<b>39352</b>	425
13360020	<b>39352</b>	425
13391512	<b>45219</b>	388, 421
20835938	<b>43718</b>	391, 404
20911128	<b>43532</b>	698
22454478	<b>27074</b>	401, 427, 447, 449
22737680	<b>43532</b>	698
22792989	<b>36595</b>	425
22792990	<b>39351</b>	425
22792991	<b>39352</b>	425
24403523	<b>37253</b>	419
24406498	<b>40487</b>	419, 422
24413015	<b>23001</b>	437, 443
24 413 015 S1	<b>34231</b>	437, 443
24413016	<b>23002</b>	437, 443
24413016 S1	<b>34228</b>	437, 443
24417251	<b>22379</b>	437, 443
24428548	<b>34940</b>	704, 706
24428548 S1	<b>36112</b>	704, 706
24428977	<b>18125</b>	419
24428977 S1	<b>34221</b>	419
24428978	<b>18123</b>	419
24428978 S1	<b>34222</b>	419
24428982	<b>18552</b>	419, 422, 426
24430103	<b>18548</b>	419, 422, 426, 440
24439582	<b>23762</b>	401, 427, 447, 449
24452034	<b>30625</b>	704, 706
24454477	<b>27073</b>	401, 427, 447, 449
24454477 S1	<b>34232</b>	401, 427, 446, 447, 449
24454478 S1	<b>34233</b>	401, 427, 446, 447, 449
24457385	<b>31066</b>	704, 706
24457386	<b>31067</b>	704, 706
24457843	<b>31068</b>	704, 706
24461353	<b>30827</b>	401, 449
24469643	<b>24221</b>	704, 706
25995127	<b>41529</b>	390

25995128	<b>41740</b>	390
25995128 SK	<b>28347</b>	390
25995129	<b>41741</b>	390
25995129 SK	<b>28347</b>	390
26010028	<b>02624</b>	432
26011925	<b>02625</b>	416, 419, 432, 438, 440
26030411	<b>02042</b>	416, 417, 438, 439
26032284	<b>02043</b>	416, 417, 438, 439
26055219 SK	<b>17777</b>	441
26059293	<b>12780</b>	399, 401, 447
26059293 S1	<b>43727</b>	401, 449
26059293 S6	<b>43780</b>	399, 447
26059294	<b>12779</b>	399, 447
26065265	<b>12778</b>	417, 439
26087867	<b>19545</b>	419
26087868	<b>02625</b>	416, 419, 432, 438, 440
26102922	<b>28312</b>	426
26102923	<b>23154</b>	426
26110429 SK	<b>23228</b>	426
26110430	<b>28477</b>	419
55700753	<b>27414</b>	420
55700770	<b>38586</b>	388, 420
55703230	<b>28648</b>	388, 420
55703231	<b>28649</b>	388, 420
55703232	<b>28475</b>	388, 420, 421
90009367	<b>03207</b>	393
90009368	<b>03211</b>	409
90009369	<b>03206</b>	435, 444
90090811	<b>03180</b>	392, 412, 413
90090811 S1	<b>02761</b>	392, 412, 413
90092492	<b>09158</b>	407, 435
90092805	<b>22099</b>	407, 433
90105358	<b>02629</b>	392
90125567	<b>02633</b>	392
90125568	<b>02634</b>	392
90135359	<b>08144</b>	432
90140006	<b>02636</b>	392
90140007	<b>02635</b>	392
90166390	<b>02672</b>	432
90166391	<b>02673</b>	432
90166394	<b>02051</b>	416, 432, 438



Ref. - No.



90170152	<b>02014</b>	432
90188427	<b>02642</b>	435
90188428	<b>02643</b>	435
90188878 SK	<b>14402</b>	392, 405, 412, 413
90193117	<b>03140</b>	393
90216574	<b>03094</b>	393
90223456	<b>04390</b>	699, 700, 701, 702, 703
90235040	<b>03142</b>	393
90235041	<b>03143</b>	393
90235058	<b>02967</b>	393
90235332	<b>01995</b>	408, 436
90235333	<b>02007</b>	408, 436
90236577	<b>04275</b>	435, 444
90250709	<b>10431</b>	395, 397, 406, 411, 415
90268463	<b>01837</b>	395, 406, 411, 415
90268463 S1	<b>28100</b>	395, 406, 411
90272194	<b>05195</b>	408, 436
90272195	<b>05194</b>	408, 436
90272683	<b>02620</b>	393
90278577	<b>07729</b>	395, 397, 411, 415
90278577 S1	<b>09475</b>	395, 397, 411, 415
90278579	<b>07706</b>	395, 397, 406, 411, 415
90278579 S1	<b>09474</b>	395, 397, 406, 411, 415
90278624	<b>03885</b>	408, 436
90279193	<b>03091</b>	408, 436
90279437	<b>02223</b>	408, 436
90288207	<b>02223</b>	408, 436
90288232	<b>01838</b>	395, 397, 406, 411, 415
90288387	<b>01995</b>	408, 436
90288388	<b>02007</b>	408, 436
90289915	<b>05202</b>	394, 396, 405, 412, 413
90295324	<b>02051</b>	416, 432, 438
90295625	<b>06195</b>	407, 436
90297863	<b>05170</b>	395, 397, 406, 411, 415
90304225	<b>04250</b>	395, 397, 406, 411, 415

Ref. - No.



90304625	<b>05198</b>	394, 396, 405, 412, 413
90304625 S1	<b>14135</b>	394, 396, 405, 412, 413
90304626	<b>05199</b>	394, 396, 405, 412, 413
90334027	<b>05191</b>	407, 436
90334028	<b>05193</b>	407, 436
90334031	<b>06194</b>	407, 436
90334032	<b>06191</b>	407, 436
90334035	<b>06193</b>	407, 433, 436
90334036	<b>06192</b>	407, 433, 436
90334925	<b>04402</b>	700, 702, 703
90335966	<b>03141</b>	393
90343305	<b>15621</b>	699, 700, 701, 702, 703
90343847	<b>17471</b>	699, 702
90345195	<b>03180</b>	392, 412, 413
90345195 S1	<b>02761</b>	392, 412, 413
90350447	<b>05201</b>	394, 396, 405, 412, 413
90350448	<b>05200</b>	394, 396, 405, 412, 413
90369125	<b>06196</b>	436
90369704	<b>05201</b>	394, 396, 405, 412, 413
90369705	<b>05200</b>	394, 396, 405, 412, 413
90373263	<b>01838</b>	395, 397, 406, 411, 415
90373264	<b>17321</b>	395, 406, 411, 415
90373264 S1	<b>28101</b>	395, 406, 411
90373521	<b>05198</b>	394, 396, 405, 412, 413
90373521 S1	<b>14135</b>	394, 396, 405, 412, 413
90373522	<b>05199</b>	394, 396, 405, 412, 413
90373522 S1	<b>14134</b>	394, 396, 405, 412, 413
90373523	<b>05202</b>	394, 396, 405, 412, 413

Ref. - No.

Car  
Division

Ref. - No.



90373771	<b>04443</b>	699, 700, 701, 702, 703, 705
90373778	<b>01838</b>	395, 397, 406, 411, 415
90373854	<b>02223</b>	408, 436
90375505	<b>06157</b>	393
90375506	<b>06158</b>	393
90392553	<b>06195</b>	407, 436
90398968 SK	<b>14402</b>	392, 405, 412, 413
90398968 S1	<b>14401</b>	392, 405, 412, 413
90444294	<b>02051</b>	416, 432, 438
90445097	<b>02008</b>	416, 417, 438, 439
90445098	<b>08156</b>	416, 438
90445100	<b>19101</b>	416, 438
90445101	<b>19102</b>	416, 438
90445118	<b>02045</b>	416, 438
90445119	<b>02046</b>	416, 438
90445137	<b>03883</b>	408, 434, 436
90445565	<b>02263</b>	434
90445571	<b>02183</b>	434
90445625	<b>21124</b>	434
90445644	<b>01852</b>	433
90445646	<b>01831</b>	433
90445669	<b>15399</b>	434
90445669 S1	<b>34218</b>	434
90445670	<b>15400</b>	434
90445670 S1	<b>34217</b>	434
90447867	<b>04250</b>	395, 397, 406, 411, 415
90447946	<b>15620</b>	416, 417, 438, 439
90468012	<b>22099</b>	407, 433
90468567	<b>17729</b>	399, 419, 440, 441
90468636	<b>02070</b>	441
90468638	<b>02128</b>	441
90468930	<b>03883</b>	408, 434, 436
90473226	<b>07195</b>	395, 406, 411, 415
90473226 S1	<b>34208</b>	395, 411
90473227	<b>07192</b>	395, 406, 411, 415
90473227 S1	<b>34209</b>	395, 411
90473811	<b>01855</b>	433
90473812	<b>01854</b>	433
90487561	<b>02271</b>	399, 401, 427, 434, 441, 447, 449

Ref. - No.



90495045	<b>10516</b>	395, 397, 406, 411, 415
90495045 S1	<b>10517</b>	395, 397, 406, 411, 415
90495046	<b>02015</b>	397, 406, 411, 415
90495046 S1	<b>27999</b>	397, 406, 411
90495103	<b>02915</b>	397, 406, 411, 415
90495103 S1	<b>34206</b>	397, 411
90495104	<b>02912</b>	397, 406, 411, 415
90495104 S1	<b>34207</b>	397, 411
90495159	<b>07195</b>	395, 406, 411, 415
90495160	<b>07192</b>	395, 406, 411, 415
90495160 S1	<b>34209</b>	395, 411
90495195 S1	<b>34208</b>	395, 411
90495585	<b>21332</b>	705
90496014	<b>06193</b>	407, 433, 436
90496015	<b>06192</b>	407, 433, 436
90496039	<b>11657</b>	441
90496039 S1	<b>38273</b>	441
90496040	<b>11656</b>	441
90496040 S1	<b>38274</b>	441
90496116	<b>09206</b>	419, 422, 426, 440, 441
90496686	<b>04407</b>	705
90496700	<b>17376</b>	705
90496706	<b>24753</b>	705
90496711	<b>34296</b>	705
90497307	<b>15399</b>	434
90497307 S1	<b>34218</b>	434
90497308	<b>15400</b>	434
90497308 S1	<b>34217</b>	434
90498181 SK	<b>17778</b>	441
90498735	<b>11660</b>	399, 447
90498735 S1	<b>34226</b>	399, 446, 447
90498736	<b>11661</b>	399, 447
90498736 S1	<b>34227</b>	399, 446, 447
90498738	<b>11662</b>	399, 401, 427, 447, 449
90498740	<b>11663</b>	399, 447
90498745	<b>14558</b>	399, 401, 447, 449
90498745	<b>38939</b>	399, 401, 427, 447, 449
90510639	<b>06193</b>	407, 433, 436



Ref. - No.



90510640	<b>06192</b>	407, 433, 436
90510641	<b>05191</b>	407, 436
90510642	<b>05193</b>	407, 436
90510643	<b>06194</b>	407, 436
90510644	<b>06191</b>	407, 436
90510647	<b>12851</b>	433
90510649	<b>01852</b>	433
90510650	<b>01831</b>	433
90510651	<b>06193</b>	407, 433, 436
90510652	<b>06192</b>	407, 433, 436
90510653	<b>01855</b>	433
90510654	<b>01854</b>	433
90511260	<b>02045</b>	416, 438
90511261	<b>02046</b>	416, 438
90512775	<b>09113</b>	441
90512982	<b>02271</b>	399, 401, 427, 434, 441, 447, 449
90538865	<b>17730</b>	399, 440
90540319 S1	<b>17778</b>	441
90542572	<b>11658</b>	417, 439
90542573	<b>11659</b>	417, 439
90542574	<b>11746</b>	417, 439
90576775	<b>02263</b>	434
90576788	<b>15399</b>	434
90576788 S1	<b>34218</b>	434
90576789	<b>15400</b>	434
90576789 S1	<b>34217</b>	434
90581043	<b>44325</b>	447
91160037	<b>27303</b>	444
91160037 SK	<b>27301</b>	444
91160037 S1	<b>37627</b>	429
91160037 S2	<b>37628</b>	429
91160038	<b>27128</b>	444
91160043	<b>21283</b>	444
91160044	<b>21284</b>	444
91166461	<b>39604</b>	445
91166461 SK	<b>22265</b>	445
91166461 SK2	<b>22825</b>	445
91166461 SK3	<b>22822</b>	445
91166462	<b>39603</b>	445
91166462 SK	<b>22265</b>	445
91166462 SK2	<b>22825</b>	445
91166462 SK3	<b>22822</b>	445

Ref. - No.



91167000	<b>21044</b>	445
93161884	<b>30653</b>	445
93167687 SK	<b>39444</b>	430
93167687 SK1	<b>43687</b>	430
93167687 SK2	<b>43688</b>	430
93167688	<b>43617</b>	430
93167688 S1	<b>43687</b>	430
93167689	<b>43618</b>	430
93167689 S1	<b>43688</b>	430
93168675	<b>44428</b>	430
93169261	<b>01852</b>	433
93169283	<b>01854</b>	433
93171448	<b>23003</b>	437, 443
93172254	<b>26152</b>	437, 443
93172255	<b>26153</b>	437, 443
93172256	<b>26432</b>	443
93174598	<b>22084</b>	426
93174599	<b>22083</b>	426
93175520	<b>29238</b>	437
93178160 SK	<b>30587</b>	437, 443
93179557	<b>12780</b>	399, 401, 447
93179557 S1	<b>43727</b>	401, 449
93179557 S6	<b>43780</b>	399, 447
93179559	<b>29324</b>	401, 449
93181229 SK	<b>27807</b>	401
93181230 SK	<b>28371</b>	401, 448, 449
93181232	<b>26635</b>	401, 449
93181233	<b>26636</b>	401, 449
93181662	<b>29233</b>	401, 448, 449
93186321 SK	<b>09113</b>	441
93186330	<b>34298</b>	449
93186332	<b>29325</b>	401, 449
93186333	<b>29324</b>	401, 449
93186537	<b>12779</b>	399, 447
93187434	<b>29238</b>	437
93187435 SK	<b>30587</b>	437, 443
93188302	<b>18552</b>	419, 422, 426
93188302	<b>23129</b>	419, 426, 440
93188303	<b>18552</b>	419, 422, 426
93188808	<b>28420</b>	388, 420, 421
93189022	<b>28359</b>	420
93189023	<b>28618</b>	420
93189024	<b>28619</b>	420

Ref. - No.

Car  
Division

Ref. - No.



Ref. - No.



93189451	<b>34298</b>	449
93189668 SK	<b>27807</b>	401
93189669 SK	<b>28371</b>	401, 448, 449
93189670 SK	<b>29233</b>	401, 448, 449
93190905	<b>22084</b>	426
93190906	<b>22083</b>	426
93190907	<b>28420</b>	388, 420, 421
93191260	<b>43552</b>	399, 401, 427, 447, 449
93191521 SK	<b>34298</b>	449
93191526	<b>12780</b>	399, 401, 447
93191526 SK	<b>12780</b>	399, 401, 447
93191526 SK2	<b>43727</b>	401, 449
93191526 SK7	<b>43780</b>	399, 447
93191526 S1	<b>43727</b>	401, 449
93191526 S6	<b>43780</b>	399, 447
93191529 SK	<b>30573</b>	399, 447
93191671 SK	<b>26432</b>	443
93191672 SK	<b>29238</b>	437
93191673 SK	<b>30587</b>	437, 443
93192415	<b>28312</b>	426
93192416 SK	<b>23228</b>	426
93192417	<b>23154</b>	426
93192419	<b>02625</b>	416, 419, 432, 438, 440
93192420	<b>28477</b>	419
93192421	<b>19545</b>	419
93192445 SK	<b>02042</b>	416, 417, 438, 439
93192446	<b>12778</b>	417, 439
93192673	<b>19867</b>	429
93192674	<b>19866</b>	429
93193130	<b>32141</b>	389
93193130 S1	<b>29826</b>	389
93193130 S2	<b>29827</b>	389
93193131	<b>32140</b>	389
93193131 S1	<b>29826</b>	389
93193131 S2	<b>29827</b>	389
93194002	<b>28056</b>	389
93194035	<b>29830</b>	389
93194853	<b>36583</b>	429
93194855	<b>36584</b>	429
93195093	<b>28000</b>	389
93196241 SK	<b>32128</b>	429

93196778 SK1	<b>46226</b>	427
93196779	<b>34320</b>	427
93196780	<b>34319</b>	427
93196923	<b>22265</b>	445
93197233	<b>42634</b>	430
93197325	<b>37309</b>	430
93197327	<b>44728</b>	430
93197332 S1	<b>37312</b>	702
93197335	<b>44539</b>	702
93388568	<b>23797</b>	426
93388568 S1	<b>34223</b>	426
93388569	<b>23798</b>	426
93388569 S1	<b>34224</b>	426
93851117	<b>39603</b>	445
93851117 SK2	<b>22825</b>	445
93851117 S3	<b>22822</b>	445
93851118	<b>39604</b>	445
93851118 SK2	<b>22825</b>	445
93851118 S3	<b>22822</b>	445
93853465	<b>36346</b>	445
93858141	<b>39603</b>	445
93858141 SK2	<b>22825</b>	445
93858141 SK3	<b>22822</b>	445
93858142	<b>39604</b>	445
93858142 SK2	<b>22825</b>	445
93858917	<b>21044</b>	445
93862135	<b>36346</b>	445
93862136	<b>36345</b>	445
94374424	<b>26125</b>	423, 424
94459453	<b>14117</b>	423
94459465	<b>14118</b>	423, 424
94459480	<b>14106</b>	423
94459481	<b>14107</b>	423
95507451	<b>30587</b>	437, 443
95511247	<b>33811</b>	423
95942519	<b>40889</b>	431
95942520	<b>40890</b>	431
95952929	<b>44888</b>	431
96626150	<b>31708</b>	698
96626235	<b>41740</b>	390
96626236	<b>41741</b>	390
96626236 SK	<b>28347</b>	390
96626247	<b>28671</b>	390


**Ref. - No.**


96626248	<b>28672</b>	390
96626667	<b>41929</b>	390
96809676	<b>41529</b>	390
96819161	<b>41740</b>	390
96819161 SK	<b>28347</b>	390
96819162	<b>41741</b>	390
96819162 SK	<b>28347</b>	390
96996460	<b>31708</b>	698
97018227	<b>23687</b>	423, 424
97018228	<b>23688</b>	423, 424
97020953	<b>14106</b>	423
97020954	<b>14107</b>	423
97125013	<b>23687</b>	423, 424
97125014	<b>23688</b>	423, 424
97184819	<b>43358</b>	424
99262535 SK	<b>28347</b>	390

**VOLKSWAGEN**

KIT 01	<b>21497</b>	543
KIT 02	<b>21498</b>	543
KIT 03	<b>21499</b>	543
KIT 04	<b>21501</b>	543
KIT 05	<b>21503</b>	543
KIT 06	<b>21505</b>	543
KIT 09	<b>24832</b>	543
KIT 10	<b>24834</b>	543
1K0 199 231 G	<b>27069</b>	461, 463, 471, 497, 499, 511, 573, 581
1K0 199 231 G S1	<b>32542</b>	461, 463, 471, 573, 581
1K0 199 231 H	<b>38662</b>	511
1K0 199 231 J	<b>27069</b>	461, 463, 471, 497, 499, 511, 573, 581
1K0 199 231 J SK	<b>31253</b>	461, 462, 463, 471, 473, 497, 499, 511, 545, 558, 573, 575, 577, 581
1K0 199 231 J S1	<b>32542</b>	461, 463, 471, 573, 581
1K0 199 231 K	<b>38662</b>	511
1K0 199 231 P	<b>27069</b>	461, 463, 471, 497, 499, 511, 573, 581

**Ref. - No.**


2K0 199 231	<b>27069</b>	461, 463, 471, 497, 499, 511, 573, 581
3C0 199 231 A	<b>30691</b>	465, 545, 546, 575, 577
3C0 199 231 A S1	<b>39230</b>	545, 575, 577
3C0 199 231 B	<b>30691</b>	465, 545, 546, 575, 577
3C0 199 231 B S1	<b>39230</b>	545, 575, 577
3C0 199 231 D	<b>30691</b>	465, 545, 546, 575, 577
3C0 199 231 D S1	<b>39230</b>	545, 575, 577
3C0 199 231 E	<b>30691</b>	465, 545, 546, 575, 577
3C0 199 231 E S1	<b>39230</b>	545, 575, 577
1K0 199 232 G	<b>27071</b>	461, 463, 471, 497, 499, 511, 573, 581
1K0 199 232 G S1	<b>32541</b>	461, 463, 471, 573, 581
1K0 199 232 H	<b>38663</b>	511
1K0 199 232 J	<b>27071</b>	461, 463, 471, 497, 499, 511, 573, 581
1K0 199 232 J S1	<b>32541</b>	461, 463, 471, 573, 581
1K0 199 232 J SK	<b>31253</b>	461, 462, 463, 471, 473, 497, 499, 511, 545, 558, 573, 575, 577, 581
1K0 199 232 K	<b>38663</b>	511
1K0 199 232 P	<b>27071</b>	461, 463, 471, 497, 499, 511, 573, 581
2K0 199 232	<b>27071</b>	461, 463, 471, 497, 499, 511, 573, 581
311 405 361 B	<b>01793</b>	590
311 405 361 C	<b>01793</b>	590
311 405 371 C	<b>01794</b>	590
7L0 407 021 A S1	<b>38839</b>	578, 579
7L0 407 021 A S2	<b>40403</b>	579
7L0 407 021 B S1	<b>38839</b>	578, 579
7L0 407 021 B S2	<b>40403</b>	579
7L0 407 021 S1	<b>38839</b>	578, 579
7L0 407 021 S2	<b>40403</b>	579
2H0 407 077 A	<b>36457</b>	451
251 407 077	<b>07590</b>	584

Ref. - No.

Car  
Division 

Ref. - No.



251 407 077 B	<b>07590</b>	584
7L0 407 077	<b>31344</b>	578, 579
7P0 407 077	<b>39194</b>	582
701 407 077	<b>02395</b>	586, 588
701 407 077 A	<b>02395</b>	586, 588
701 407 087	<b>05027</b>	586, 588
7D0 407 140	<b>23364</b>	586, 588
7D0 407 140	<b>10852</b>	586, 588
7D0 407 140 A	<b>23364</b>	586, 588
701 407 140 B	<b>23364</b>	586, 588
701 407 140 B	<b>10852</b>	586, 588
701 407 140 C	<b>10852</b>	586, 588
701 407 140 C	<b>23364</b>	586, 588
811 407 147 B	<b>14148</b>	530, 532, 534, 567, 568
857 407 147 A	<b>09527</b>	532, 534, 569
893 407 147 C	<b>09527</b>	532, 534, 569
893 407 147 E	<b>09527</b>	532, 534, 569
893 407 147 G	<b>14148</b>	530, 532, 534, 567, 568
857 407 148 A	<b>09528</b>	532, 534, 569
857 407 148 C	<b>09528</b>	532, 534, 569
893 407 148 C	<b>09528</b>	532, 534, 569
893 407 148 E	<b>09528</b>	532, 534, 569
1H0 407 151	<b>01800</b>	480, 594
1H0 407 151 A	<b>09530</b>	468, 482, 536, 538, 596
1H0 407 151 A S1	<b>37193</b>	468, 482, 596
1J0 407 151 A	<b>11091</b>	453, 525
1J0 407 151 A S1	<b>19820</b>	455, 491, 495, 525
1J0 407 151 A S2	<b>19822</b>	455, 525
1J0 407 151 B	<b>11091</b>	453, 525
1J0 407 151 B S2	<b>19822</b>	455, 525
1J0 407 151 B S1	<b>19820</b>	455, 491, 495, 525
1J0 407 151 C	<b>11091</b>	453, 525
1J0 407 151 C S2	<b>19822</b>	455, 525
1J0 407 151 C S1	<b>19820</b>	455, 491, 495, 525
1K0 407 151 AA	<b>39489</b>	461, 471
1K0 407 151 AA S1	<b>38181</b>	461, 463, 471, 497, 499, 509, 511, 573, 577, 581
1K0 407 151 AB	<b>39489</b>	461, 471

Ref. - No.



1K0 407 151 AC S2	<b>40103</b>	461, 471, 497, 499, 511, 573, 581
1K0 407 151 AC	<b>27076</b>	461, 471, 573, 581
1K0 407 151 AC S1	<b>37183</b>	460, 461, 470, 471, 496, 497, 498, 499, 510, 511, 572, 573, 580, 581
1K0 407 151 AE	<b>39489</b>	461, 471
1K0 407 151 AE S1	<b>38181</b>	461, 463, 471, 497, 499, 509, 511, 573, 577, 581
1K0 407 151 AH	<b>39489</b>	461, 471
1K0 407 151 AH S1	<b>38181</b>	461, 463, 471, 497, 499, 509, 511, 573, 577, 581
1K0 407 151 AL	<b>40103</b>	461, 471, 497, 499, 511, 573, 581
1K0 407 151 BC	<b>39489</b>	461, 471
1K0 407 151 BC S1	<b>38181</b>	461, 463, 471, 497, 499, 509, 511, 573, 577, 581
1K0 407 151 BD	<b>39489</b>	461, 471
1K0 407 151 M	<b>27076</b>	461, 471, 573, 581
1K0 407 151 M S2	<b>40103</b>	461, 471, 497, 499, 511, 573, 581
1K0 407 151 M S1	<b>37183</b>	460, 461, 470, 471, 496, 497, 498, 499, 510, 511, 572, 573, 580, 581
1K0 407 151 N	<b>39489</b>	461, 471
1K0 407 151 N S1	<b>38181</b>	461, 463, 471, 497, 499, 509, 511, 573, 577, 581
1K0 407 151 P	<b>39489</b>	461, 471
1K0 407 151 P S1	<b>38181</b>	461, 463, 471, 497, 499, 509, 511, 573, 577, 581
1K0 407 151 Q	<b>39489</b>	461, 471
1K0 407 151 Q S1	<b>38181</b>	461, 463, 471, 497, 499, 509, 511, 573, 577, 581
1K0 407 151 T	<b>27076</b>	461, 471, 573, 581
1S0 407 151	<b>40594</b>	591


**Ref. - No.**


191 407 151 B	<b>02818</b>	459, 466, 478, 563
191 407 151 B S2	<b>37306</b>	459, 466, 478, 507, 563
191 407 151 B S1	<b>37186</b>	459, 466, 478, 507, 563
2E0 407 151 L	<b>37612</b>	469
2E0 407 151 L S1	<b>30151</b>	469
2E0 407 151 M	<b>37612</b>	469
2E0 407 151 M S1	<b>30151</b>	469
3C0 407 151 A	<b>32326</b>	545, 575, 577
3C0 407 151 A S2	<b>39973</b>	465
3C0 407 151 A S1	<b>39972</b>	465
3C0 407 151 B	<b>32326</b>	545, 575, 577
3C0 407 151 B S1	<b>39972</b>	465
3C0 407 151 B S2	<b>39973</b>	465
3C0 407 151 E	<b>32326</b>	545, 575, 577
3C0 407 151 E S2	<b>39973</b>	465
3C0 407 151 E S1	<b>39972</b>	465
3C0 407 151 G	<b>32326</b>	545, 575, 577
3C0 407 151 G S1	<b>39972</b>	465
3C0 407 151 G S2	<b>39973</b>	465
357 407 151	<b>09529</b>	536, 538
357 407 151 S1	<b>37204</b>	540
357 407 151 S2	<b>37308</b>	540
4B0 407 151	<b>19932</b>	543
4B3 407 151 A	<b>19932</b>	543
4B3 407 151 A S1	<b>40114</b>	543
4B3 407 151 C	<b>19932</b>	543
4B3 407 151 C S1	<b>40114</b>	543
4B3 407 151 K	<b>19932</b>	543
4B3 407 151 K S1	<b>40114</b>	543
4D0 407 151 A	<b>11350</b>	543
4D0 407 151 B	<b>11350</b>	543
4D0 407 151 C	<b>11350</b>	543
4D0 407 151 E	<b>11350</b>	543
4D0 407 151 G	<b>11350</b>	543
4D0 407 151 H	<b>11350</b>	543
4D0 407 151 J	<b>11350</b>	543
4D0 407 151 P	<b>11350</b>	543
5C0 407 151 A	<b>44236</b>	509
5C0 407 151 B	<b>44236</b>	509
5N0 407 151	<b>39359</b>	465, 545, 547, 577
6N0 407 151	<b>01880</b>	551

**Ref. - No.**


6N0 407 151 A	<b>15678</b>	521, 553
6N0 407 151 A S1	<b>33369</b>	521
6N0 407 151 A S2	<b>37407</b>	521, 551
6N0 407 151 A S3	<b>37408</b>	521, 551
6N0 407 151 B	<b>01880</b>	551
6N0 407 151 B S2	<b>37410</b>	551
6N0 407 151 B S1	<b>37409</b>	551
6N0 407 151 S1	<b>37409</b>	551
6N0 407 151 S2	<b>37410</b>	551
6Q0 407 151 D	<b>27530</b>	473, 558
6Q0 407 151 D S3	<b>37196</b>	473, 558
6Q0 407 151 D S5	<b>37291</b>	473, 558
6Q0 407 151 D S2	<b>37197</b>	473, 558
6Q0 407 151 D S4	<b>37292</b>	473, 558
6Q0 407 151 E	<b>27530</b>	473, 558
6Q0 407 151 E S2	<b>37197</b>	473, 558
6Q0 407 151 E S3	<b>37196</b>	473, 558
6Q0 407 151 E S5	<b>37291</b>	473, 558
6Q0 407 151 E S4	<b>37292</b>	473, 558
6Q0 407 151 L	<b>27530</b>	473, 558
6Q0 407 151 L S4	<b>37292</b>	473, 558
6Q0 407 151 L S5	<b>37291</b>	473, 558
6Q0 407 151 L S3	<b>37196</b>	473, 558
6Q0 407 151 L S1	<b>36098</b>	473, 558
6Q0 407 151 L S2	<b>37197</b>	473, 558
6R0 407 151	<b>36923</b>	557
6R0 407 151 A	<b>39557</b>	565
6R0 407 151 E	<b>36923</b>	557
6R0 407 151 E S1	<b>36925</b>	557
6R0 407 151 F	<b>39557</b>	565
6R0 407 151 S1	<b>36925</b>	557
6X0 407 151	<b>15678</b>	521, 553
6X0 407 151 A	<b>15678</b>	521, 553
6X0 407 151 A S2	<b>37407</b>	521, 551
6X0 407 151 A S1	<b>33369</b>	521
6X0 407 151 A S3	<b>37408</b>	521, 551
6X0 407 151 S1	<b>33369</b>	521
6X0 407 151 S2	<b>37407</b>	521, 551
6X0 407 151 S3	<b>37408</b>	521, 551
7L0 407 151 C S1	<b>40163</b>	578, 579
7L0 407 151 D S1	<b>40163</b>	578, 579
7L0 407 151 E S1	<b>40163</b>	578, 579
7L0 407 151 H S1	<b>40163</b>	578, 579



Ref. - No.

Car  
Division

Ref. - No.



Ref. - No.



7L8 407 151 K S1	<b>45527</b>	582
7M0 407 151 B	<b>18503</b>	574
7P0 407 151 C S1	<b>45527</b>	582
7P0 407 151 D S1	<b>45527</b>	582
7P0 407 151 E S1	<b>45527</b>	582
8D0 407 151 E	<b>11350</b>	543
8D0 407 151 F	<b>11350</b>	543
8N0 407 151 A S1	<b>44452</b>	494, 495, 524, 525
8N0 407 151 D S1	<b>44452</b>	494, 495, 524, 525
861 407 151 B	<b>03607</b>	549
1H0 407 152	<b>09531</b>	468, 482, 596
1H0 407 152 S1	<b>37194</b>	468, 482, 596
1K0 407 152 AA	<b>39488</b>	461, 471
1K0 407 152 AA S1	<b>38180</b>	461, 462, 463, 470, 471, 496, 497, 498, 499, 509, 510, 511, 572, 573, 577, 581
1K0 407 152 AB S1	<b>38180</b>	461, 462, 463, 470, 471, 496, 497, 498, 499, 509, 510, 511, 572, 573, 577, 581
1K0 407 152 AB	<b>39488</b>	461, 471
1K0 407 152 AC	<b>27078</b>	461, 471, 573, 581
1K0 407 152 AC S2	<b>40104</b>	461, 471, 497, 499, 511, 573, 581
1K0 407 152 AC S1	<b>37182</b>	460, 461, 470, 471, 496, 497, 498, 499, 510, 511, 572, 573, 580, 581
1K0 407 152 AE S1	<b>38180</b>	461, 462, 463, 470, 471, 496, 497, 498, 499, 509, 510, 511, 572, 573, 577, 581
1K0 407 152 AE	<b>39488</b>	461, 471
1K0 407 152 AF S1	<b>38180</b>	461, 462, 463, 470, 471, 496, 497, 498, 499, 509, 510, 511, 572, 573, 577, 581
1K0 407 152 AH	<b>39488</b>	461, 471
1K0 407 152 AH S1	<b>38180</b>	461, 462, 463, 470, 471, 496, 497, 498, 499, 509, 510, 511, 572, 573, 577, 581

1K0 407 152 AL	<b>40104</b>	461, 471, 497, 499, 511, 573, 581
1K0 407 152 BC	<b>39488</b>	461, 471
1K0 407 152 BC S1	<b>38180</b>	461, 462, 463, 470, 471, 496, 497, 498, 499, 509, 510, 511, 572, 573, 577, 581
1K0 407 152 BD	<b>39488</b>	461, 471
1K0 407 152 M	<b>27078</b>	461, 471, 573, 581
1K0 407 152 M S1	<b>37182</b>	460, 461, 470, 471, 496, 497, 498, 499, 510, 511, 572, 573, 580, 581
1K0 407 152 M S2	<b>40104</b>	461, 471, 497, 499, 511, 573, 581
1K0 407 152 N	<b>39488</b>	461, 471
1K0 407 152 N S1	<b>38180</b>	461, 462, 463, 470, 471, 496, 497, 498, 499, 509, 510, 511, 572, 573, 577, 581
1K0 407 152 P	<b>39488</b>	461, 471
1K0 407 152 P S1	<b>38180</b>	461, 462, 463, 470, 471, 496, 497, 498, 499, 509, 510, 511, 572, 573, 577, 581
1K0 407 152 Q	<b>39488</b>	461, 471
1K0 407 152 Q S1	<b>38180</b>	461, 462, 463, 470, 471, 496, 497, 498, 499, 509, 510, 511, 572, 573, 577, 581
1K0 407 152 T	<b>27078</b>	461, 471, 573, 581
1S0 407 152	<b>40595</b>	591
2E0 407 152 L	<b>37611</b>	469
2E0 407 152 L S1	<b>30151</b>	469
2E0 407 152 M	<b>37611</b>	469
2E0 407 152 M S1	<b>30151</b>	469
5C0 407 152 A	<b>44237</b>	509
5C0 407 152 B	<b>44237</b>	509
5N0 407 152	<b>39360</b>	465, 545, 547, 577
6R0 407 152	<b>36922</b>	557
6R0 407 152 A	<b>39558</b>	565
6R0 407 152 E	<b>36922</b>	557
6R0 407 152 E S1	<b>36926</b>	557


**Ref. - No.**


6R0 407 152 F	<b>39558</b>	565
6R0 407 152 S1	<b>36926</b>	557
7L0 407 152 C S1	<b>40164</b>	578, 579
7L0 407 152 D S1	<b>40164</b>	578, 579
7L0 407 152 E S1	<b>40164</b>	578, 579
7L0 407 152 H S1	<b>40164</b>	578, 579
7L8 407 152 K S1	<b>45528</b>	582
7M0 407 152 B	<b>18501</b>	574
7P0 407 152 C S1	<b>45528</b>	582
7P0 407 152 D S1	<b>45528</b>	582
7P0 407 152 E S1	<b>45528</b>	582
8N0 407 152 A S1	<b>44453</b>	494, 495, 524, 525
8N0 407 152 D S1	<b>44453</b>	494, 495, 524, 525
171 407 153 D	<b>06524</b>	457, 476, 571
191 407 153 A	<b>02818</b>	459, 466, 478, 563
191 407 153 A S3	<b>03546</b>	459
191 407 153 S XN	<b>03546</b>	459
357 407 153	<b>09529</b>	536, 538
357 407 153 S1	<b>37204</b>	540
357 407 153 S2	<b>37308</b>	540
251 407 175	<b>06766</b>	584
251 407 175 A	<b>06766</b>	584
811 407 175 A	<b>14242</b>	529, 530, 532, 534, 567, 568
857 407 175	<b>14260</b>	532, 534, 569
251 407 179	<b>01530</b>	584
1J0 407 181	<b>10814</b>	453, 473, 525, 557, 565
1J0 407 181 A	<b>10814</b>	453, 473, 525, 557, 565
171 407 181	<b>06559</b>	457, 476, 571
171 407 181 A	<b>06559</b>	457, 476, 571
180 407 181	<b>10814</b>	453, 473, 525, 557, 565
191 407 181 A	<b>07857</b>	459, 466, 468, 478, 480, 482, 536, 538, 540, 563, 594, 596
191 407 181 AS	<b>14520</b>	455, 459, 466, 468, 478, 480, 482, 484, 486, 488, 506, 508, 536, 538, 540, 562, 563, 594, 596

**Ref. - No.**


191 407 181 B	<b>07857</b>	459, 466, 468, 478, 480, 482, 536, 538, 540, 563, 594, 596
191 407 181 B S1	<b>14520</b>	455, 459, 466, 468, 478, 480, 482, 484, 486, 488, 506, 508, 536, 538, 540, 562, 563, 594, 596
191 407 181 BS	<b>14520</b>	455, 459, 466, 468, 478, 480, 482, 484, 486, 488, 506, 508, 536, 538, 540, 562, 563, 594, 596
191 407 181 D	<b>07847</b>	459, 466, 468, 478, 480, 482, 536, 538, 540, 563, 594, 596
191 407 181 D S1	<b>14530</b>	466, 468, 478, 480, 482, 484, 486, 488, 506, 508, 536, 538, 540, 562, 563, 594, 596
191 407 181 DS	<b>14530</b>	466, 468, 478, 480, 482, 484, 486, 488, 506, 508, 536, 538, 540, 562, 563, 594, 596
191 407 181 E	<b>07847</b>	459, 466, 468, 478, 480, 482, 536, 538, 540, 563, 594, 596
191 407 181 E S1	<b>14530</b>	466, 468, 478, 480, 482, 484, 486, 488, 506, 508, 536, 538, 540, 562, 563, 594, 596
191 407 181 ES	<b>14530</b>	466, 468, 478, 480, 482, 484, 486, 488, 506, 508, 536, 538, 540, 562, 563, 594, 596
357 407 181	<b>07847</b>	459, 466, 468, 478, 480, 482, 536, 538, 540, 563, 594, 596
357 407 181 S	<b>14530</b>	466, 468, 478, 480, 482, 484, 486, 488, 506, 508, 536, 538, 540, 562, 563, 594, 596
4D0 407 181 F	<b>10018</b>	541, 543
4D0 407 181 H	<b>10018</b>	541, 543
6N0 407 181	<b>07059</b>	521, 551, 553

Ref. - No.

Car  
Division 

Ref. - No.



7M0 407 181 A	<b>10021</b>	574
8A0 407 181	<b>14081</b>	532, 534, 569
8N0 407 181 B	<b>26535</b>	525
811 407 181	<b>07557</b>	530, 532, 534, 567, 568
811 407 181 A	<b>07557</b>	530, 532, 534, 567, 568
857 407 181	<b>07558</b>	532, 534, 569
857 407 181	<b>14081</b>	532, 534, 569
1KD 407 182	<b>24390</b>	461, 463, 465, 471, 527, 545, 546, 573, 575, 577, 581
1K0 407 182	<b>24390</b>	461, 463, 465, 471, 527, 545, 546, 573, 575, 577, 581
1K0 407 182 A	<b>24390</b>	461, 463, 465, 471, 527, 545, 546, 573, 575, 577, 581
171 407 182 D	<b>06561</b>	457, 476, 571
180 407 182	<b>07856</b>	453, 459, 466, 478, 480, 525, 536, 538, 557, 563, 565, 594
191 407 182	<b>07856</b>	453, 459, 466, 478, 480, 525, 536, 538, 557, 563, 565, 594
2H0 407 182 A	<b>36458</b>	451
357 407 182	<b>07856</b>	453, 459, 466, 478, 480, 525, 536, 538, 557, 563, 565, 594
4D0 407 182 E	<b>10020</b>	541, 543
4D0 407 182 G	<b>10020</b>	541, 543
4E0 407 182 B	<b>29450</b>	548
4E0 407 182 C	<b>29450</b>	548
5Q0 407 182	<b>24390</b>	461, 463, 465, 471, 527, 545, 546, 573, 575, 577, 581
5Q0 407 182	<b>38404</b>	500, 501
5Q0 407 182 A	<b>24390</b>	461, 463, 465, 471, 527, 545, 546, 573, 575, 577, 581
6N0 407 182	<b>09060</b>	521, 551
6Q0 407 182 A	<b>36098</b>	473, 558
6U0 407 182	<b>29644</b>	464

Ref. - No.



7H0 407 182 A	<b>28335</b>	589
7L0 407 182 D	<b>44764</b>	578, 579, 582
7L0 407 182 F	<b>44764</b>	578, 579, 582
7L0 407 182 G	<b>44764</b>	578, 579, 582
8N0 407 182 A	<b>28621</b>	525
1K0 407 183 E	<b>31253</b>	461, 462, 463, 471, 473, 497, 499, 511, 545, 558, 573, 575, 577, 581
1K0 407 183 E S1	<b>39228</b>	461, 470, 471, 472, 473, 558
1K0 407 183 M	<b>36752</b>	461, 462, 463, 509, 511, 527, 547
1K0 407 183 P	<b>36752</b>	461, 462, 463, 509, 511, 527, 547
2H0 407 183 A	<b>36460</b>	451
251 407 183	<b>01529</b>	584
251 407 183 B	<b>01529</b>	584
4D0 407 183 AB	<b>21194</b>	541, 543
4D0 407 183 AC	<b>21194</b>	541, 543
4D0 407 183 M	<b>10073</b>	541, 543
4D0 407 183 N	<b>10073</b>	541, 543
4D0 407 183 P	<b>10073</b>	541, 543
4D0 407 183 P	<b>21194</b>	541, 543
4D0 407 183 Q	<b>21194</b>	541, 543
4D0 407 183 S	<b>21194</b>	541, 543
5C0 407 183 A	<b>36752</b>	461, 462, 463, 509, 511, 527, 547
5Q0 407 183 D	<b>38403</b>	500
5Q0 407 183 E	<b>38403</b>	500
5Q0 407 183 G	<b>38403</b>	500
6Q0 407 183	<b>31253</b>	461, 462, 463, 471, 473, 497, 499, 511, 545, 558, 573, 575, 577, 581
6Q0 407 183 A	<b>31253</b>	461, 462, 463, 471, 473, 497, 499, 511, 545, 558, 573, 575, 577, 581
6Q0 407 183 A S1	<b>39228</b>	461, 470, 471, 472, 473, 558


**Ref. - No.**


6Q0 407 183 B	<b>31253</b>	461, 462, 463, 471, 473, 497, 499, 511, 545, 558, 573, 575, 577, 581
6Q0 407 183 B S1	<b>39228</b>	461, 470, 471, 472, 473, 558
6Q0 407 183 S1	<b>39228</b>	461, 470, 471, 472, 473, 558
7D0 407 183	<b>05290</b>	588
7H0 407 183	<b>26573</b>	589
7L0 407 183 A	<b>33725</b>	579, 736
701 407 183	<b>04913</b>	586, 588
701 407 183 C	<b>05290</b>	588
861 407 183	<b>07701</b>	549
251 407 187	<b>02107</b>	584
251 407 187 B	<b>02107</b>	584
701 407 187 A	<b>10577</b>	586, 588
701 407 187 B	<b>10577</b>	586, 588
191 407 190 A	<b>03544</b>	466, 468, 478, 480, 482, 507, 508, 536, 538, 540, 563, 594, 596
251 407 361	<b>02106</b>	584
7D0 407 361	<b>18740</b>	588
7D0 407 361 S1	<b>29772</b>	588
7H0 407 361 A S1	<b>30858</b>	589
7H0 407 361 S1	<b>30858</b>	589
7H8 407 361 A S1	<b>37282</b>	589
7H8 407 361 S1	<b>37282</b>	589
701 407 361	<b>10578</b>	586, 588
701 407 361 B	<b>10578</b>	586, 588
1H0 407 365	<b>07977</b>	468, 482, 596
1H0 407 365 S	<b>14428</b>	468, 482, 596
1H0 407 365 S1	<b>14428</b>	468, 482, 596
1J0 407 365 A	<b>12658</b>	453, 525
1J0 407 365 AS	<b>14440</b>	453, 525
1J0 407 365 C	<b>14440</b>	453, 525
1J0 407 365 C	<b>12658</b>	453, 525
1J0 407 365 CS	<b>14440</b>	453, 525
1J0 407 365 C S1	<b>14440</b>	453, 525
1J0 407 365 D	<b>12658</b>	453, 525
1J0 407 365 H	<b>12658</b>	453, 525
1J0 407 365 H S1	<b>14440</b>	453, 525

**Ref. - No.**


1J0 407 365 J	<b>12658</b>	453, 525
1J0 407 365 J S1	<b>14440</b>	453, 525
1KD 407 365	<b>26082</b>	461, 463, 471, 527, 528, 573, 577, 581
1KD 407 365 S1	<b>36735</b>	461, 463, 471, 497, 499, 509, 511, 527, 573, 577, 581
1K0 407 365 B	<b>26082</b>	461, 463, 471, 527, 528, 573, 577, 581
1K0 407 365 B S1	<b>36735</b>	461, 463, 471, 497, 499, 509, 511, 527, 573, 577, 581
1K0 407 365 C	<b>26082</b>	461, 463, 471, 527, 528, 573, 577, 581
1K0 407 365 C S1	<b>36735</b>	461, 463, 471, 497, 499, 509, 511, 527, 573, 577, 581
1K0 407 365 E	<b>26082</b>	461, 463, 471, 527, 528, 573, 577, 581
1K0 407 365 E S1	<b>36735</b>	461, 463, 471, 497, 499, 509, 511, 527, 573, 577, 581
171 407 365 C	<b>07153</b>	476, 571
171 407 365 CK PL	<b>02408</b>	476, 571
171 407 365 C S1	<b>02408</b>	476, 571
171 407 365 CS	<b>02408</b>	476, 571
171 407 365 D	<b>07153</b>	476, 571
171 407 365 DK PL	<b>02408</b>	476, 571
171 407 365 F	<b>04453</b>	457, 476, 571
171 407 365 FK PL	<b>01150</b>	457, 476, 571
171 407 365 F S1	<b>01150</b>	457, 476, 571
171 407 365 FS	<b>01150</b>	457, 476, 571
171 407 365 F S2	<b>39813</b>	457, 476, 503, 571
171 407 365 G	<b>04453</b>	457, 476, 571
171 407 365 GK PL	<b>01150</b>	457, 476, 571
171 407 365 G S2	<b>39813</b>	457, 476, 503, 571
191 407 365	<b>07855</b>	478
191 407 365 A	<b>07855</b>	478
191 407 365 B	<b>07855</b>	478
191 407 365 KP L	<b>01158</b>	478
191 407 365 S	<b>01158</b>	478
191 407 365 S1	<b>01158</b>	478
3C0 407 365 A S1	<b>31485</b>	465, 545

Ref. - No.

Car  
Division

Ref. - No.



Ref. - No.



3C0 407 365 B S1	<b>31485</b>	465, 545
357 407 365	<b>02942</b>	459, 466, 478, 480, 536, 538, 563, 594
357 407 365 A	<b>02942</b>	459, 466, 478, 480, 536, 538, 563, 594
357 407 365 A S2	<b>39810</b>	453, 459, 466, 478, 480, 484, 486, 489, 507, 536, 538, 563, 594
357 407 365 KP L	<b>03548</b>	459, 466, 478, 480, 536, 538, 563, 594
357 407 365 S	<b>03548</b>	459, 466, 478, 480, 536, 538, 563, 594
357 407 365 S1	<b>03548</b>	459, 466, 478, 480, 536, 538, 563, 594
357 407 365 S2	<b>39810</b>	453, 459, 466, 478, 480, 484, 486, 489, 507, 536, 538, 563, 594
5Q0 407 365 A S1	<b>40668</b>	500
5U0 407 365 A	<b>36051</b>	557, 565, 591
5Z0 407 365 B	<b>19406</b>	473, 558
6N0 407 365	<b>04936</b>	521, 551, 553
6N0 407 365 A	<b>04944</b>	521, 551, 553
6N0 407 365 A S1	<b>14426</b>	521, 551, 553
6N0 407 365 A S	<b>14426</b>	521, 551, 553
6N0 407 365 S	<b>14424</b>	521, 551, 553
6N0 407 365 S1	<b>14424</b>	521, 551, 553
6Q0 407 365 A	<b>19406</b>	473, 558
6Q0 407 365 A S1	<b>19410</b>	473, 558
6Q0 407 365 D	<b>19406</b>	473, 558
6Q0 407 365 E	<b>19406</b>	473, 558
6Q0 407 365 M	<b>19406</b>	473, 558
6Q0 407 365 M S1	<b>19410</b>	473, 558
6R0 407 365	<b>36051</b>	557, 565, 591
6R0 407 365 A	<b>36051</b>	557, 565, 591
6R0 407 365 B	<b>36051</b>	557, 565, 591
6U0 407 365	<b>25334</b>	464
7M0 407 365 A	<b>19276</b>	574
7M3 407 365 A	<b>19276</b>	574
7M3 407 365 C	<b>19276</b>	574
8N0 407 365 A	<b>26700</b>	525
8N0 407 365 B	<b>26700</b>	525

8N0 407 365 C	<b>26700</b>	525
8Z0 407 365 A S1	<b>14440</b>	453, 525
823 407 365 A	<b>02243</b>	529
823 407 365 C	<b>02243</b>	529
823 407 365 E	<b>02244</b>	529, 530, 532, 534, 567, 568
855 407 365 A	<b>01521</b>	532, 534, 569
855 407 365 B	<b>01521</b>	532, 534, 569
1J0 407 366 A	<b>12660</b>	453, 525
1J0 407 366 AS	<b>14444</b>	453, 525
1J0 407 366 C	<b>12660</b>	453, 525
1J0 407 366 CS	<b>14444</b>	453, 525
1J0 407 366 C S1	<b>14444</b>	453, 525
1J0 407 366 D	<b>12660</b>	453, 525
1J0 407 366 H	<b>12660</b>	453, 525
1J0 407 366 H S1	<b>14444</b>	453, 525
1J0 407 366 J	<b>12660</b>	453, 525
1J0 407 366 J S1	<b>14444</b>	453, 525
1KD 407 366	<b>26083</b>	461, 463, 471, 527, 528, 573, 577, 581
1KD 407 366 S1	<b>36736</b>	461, 463, 471, 497, 499, 509, 511, 527, 573, 577, 581
1K0 407 366 B	<b>26083</b>	461, 463, 471, 527, 528, 573, 577, 581
1K0 407 366 B S1	<b>36736</b>	461, 463, 471, 497, 499, 509, 511, 527, 573, 577, 581
1K0 407 366 C	<b>26083</b>	461, 463, 471, 527, 528, 573, 577, 581
1K0 407 366 C S1	<b>36736</b>	461, 463, 471, 497, 499, 509, 511, 527, 573, 577, 581
1K0 407 366 E	<b>26083</b>	461, 463, 471, 527, 528, 573, 577, 581
1K0 407 366 E S1	<b>36736</b>	461, 463, 471, 497, 499, 509, 511, 527, 573, 577, 581
3C0 407 366 A S1	<b>31486</b>	465, 545
3C0 407 366 B S1	<b>31486</b>	465, 545
5Q0 407 366 A S1	<b>40669</b>	500
5U0 407 366 A	<b>36052</b>	557, 565, 591
5Z0 407 366 B	<b>19408</b>	473, 558


**Ref. - No.**


6Q0 407 366 A	<b>19408</b>	473, 558
6Q0 407 366 A S1	<b>19412</b>	473, 558
6Q0 407 366 D	<b>19408</b>	473, 558
6Q0 407 366 E	<b>19408</b>	473, 558
6Q0 407 366 M	<b>19408</b>	473, 558
6Q0 407 366 M S1	<b>19412</b>	473, 558
6R0 407 366	<b>36052</b>	557, 565, 591
6R0 407 366 A	<b>36052</b>	557, 565, 591
6R0 407 366 B	<b>36052</b>	557, 565, 591
8N0 407 366 A	<b>26700</b>	525
8Z0 407 366 A S1	<b>14444</b>	453, 525
855 407 366 A	<b>01522</b>	532, 534, 569
855 407 366 B	<b>01522</b>	532, 534, 569
4E0 407 505 B	<b>27503</b>	548
4E0 407 505 E	<b>27503</b>	548
4Z7 407 505	<b>11137</b>	543
4Z7 407 505 A	<b>11137</b>	543
4Z7 407 505 A S2	<b>37179</b>	543
4Z7 407 505 S2	<b>37179</b>	543
8D0 407 505 B	<b>11137</b>	543
8D0 407 505 B S2	<b>37179</b>	543
8D0 407 505 F	<b>11137</b>	543
8D0 407 505 F S2	<b>37179</b>	543
8D0 407 505 H	<b>11137</b>	543
8D0 407 505 H S2	<b>37179</b>	543
8D0 407 505 K	<b>11137</b>	543
8D0 407 505 K S2	<b>37179</b>	543
8E0 407 505 A	<b>11137</b>	543
8E0 407 505 A S2	<b>37179</b>	543
4E0 407 506 B	<b>27502</b>	548
4E0 407 506 E	<b>27502</b>	548
4Z7 407 506	<b>11138</b>	543
4Z7 407 506 A	<b>11138</b>	543
4Z7 407 506 A S1	<b>37178</b>	543
4Z7 407 506 S1	<b>37178</b>	543
8D0 407 506 B	<b>11138</b>	543
8D0 407 506 B S1	<b>37178</b>	543
8D0 407 506 F	<b>11138</b>	543
8D0 407 506 F S1	<b>37178</b>	543
8D0 407 506 H	<b>11138</b>	543
8D0 407 506 H S1	<b>37178</b>	543
8D0 407 506 K	<b>11138</b>	543
8D0 407 506 K S1	<b>37178</b>	543

**Ref. - No.**


8E0 407 506 A	<b>11138</b>	543
8E0 407 506 A S1	<b>37178</b>	543
4D0 407 509 F	<b>21904</b>	543
4D0 407 509 G	<b>21904</b>	543
4D0 407 509 H	<b>21904</b>	543
4D0 407 509 J	<b>21904</b>	543
4E0 407 509 B	<b>27265</b>	548
4E0 407 509 E	<b>27265</b>	548
4E0 407 509 G	<b>27265</b>	548
4E0 407 509 K	<b>27265</b>	548
8D0 407 509 C	<b>21904</b>	543
8D0 407 509 E	<b>21904</b>	543
8D0 407 509 G	<b>21892</b>	543
8E0 407 509 A	<b>21904</b>	543
4D0 407 510 F	<b>21906</b>	543
4D0 407 510 G	<b>21906</b>	543
4D0 407 510 H	<b>21906</b>	543
4D0 407 510 J	<b>21906</b>	543
4E0 407 510 B	<b>27264</b>	548
4E0 407 510 E	<b>27264</b>	548
4E0 407 510 G	<b>27264</b>	548
4E0 407 510 K	<b>27264</b>	548
8D0 407 510 C	<b>21906</b>	543
8D0 407 510 E	<b>21906</b>	543
8D0 407 510 G	<b>21893</b>	543
8E0 407 510 A	<b>21906</b>	543
4B0 407 515	<b>19926</b>	541, 543
4D0 407 515 C	<b>10019</b>	541, 543
8D0 407 515 A	<b>30696</b>	548
8D0 407 515 B	<b>30696</b>	548
8D0 407 515 C	<b>30696</b>	548
2E0 407 523	<b>30295</b>	469
2E0 407 523 A	<b>31479</b>	469
4D0 407 693 AC	<b>11352</b>	543
4D0 407 693 AC S1	<b>33364</b>	543
4D0 407 693 AD	<b>11352</b>	543
4D0 407 693 AD S1	<b>33364</b>	543
4D0 407 693 E	<b>11352</b>	543
4D0 407 693 E S1	<b>33364</b>	543
4D0 407 693 H	<b>11352</b>	543
4D0 407 693 H S1	<b>33364</b>	543
4D0 407 693 K	<b>11352</b>	543
4D0 407 693 K S1	<b>33364</b>	543

Ref. - No.

Car  
Division 

Ref. - No.



Ref. - No.



4D0 407 693 M	<b>11352</b>	543
4D0 407 693 M S1	<b>33364</b>	543
4D0 407 693 N	<b>11352</b>	543
4D0 407 693 N S1	<b>33364</b>	543
8E0 407 693	<b>21196</b>	543
8E0 407 693 AG	<b>21196</b>	543
8E0 407 693 E	<b>11352</b>	543
8E0 407 693 E	<b>21196</b>	543
8E0 407 693 E S1	<b>33364</b>	543
8E0 407 693 K	<b>21196</b>	543
8E0 407 693 P	<b>21196</b>	543
8E0 407 693 Q	<b>21196</b>	543
4D0 407 694 AC S1	<b>33363</b>	543
4D0 407 694 AC	<b>11351</b>	543
4D0 407 694 AD	<b>11351</b>	543
4D0 407 694 AD S1	<b>33363</b>	543
4D0 407 694 E	<b>11351</b>	543
4D0 407 694 E S1	<b>33363</b>	543
4D0 407 694 H	<b>11351</b>	543
4D0 407 694 H S1	<b>33363</b>	543
4D0 407 694 K	<b>11351</b>	543
4D0 407 694 K S1	<b>33363</b>	543
4D0 407 694 M	<b>11351</b>	543
4D0 407 694 M S1	<b>33363</b>	543
4D0 407 694 N	<b>11351</b>	543
4D0 407 694 N S1	<b>33363</b>	543
8E0 407 694	<b>21198</b>	543
8E0 407 694 AG	<b>21198</b>	543
8E0 407 694 E	<b>11351</b>	543
8E0 407 694 E	<b>21198</b>	543
8E0 407 694 E S1	<b>33363</b>	543
8E0 407 694 K	<b>21198</b>	543
8E0 407 694 P	<b>21198</b>	543
8E0 407 694 Q	<b>21198</b>	543
6U0 407 807	<b>25334</b>	464
701 411 019 B	<b>18654</b>	586, 588
7M0 411 031	<b>19453</b>	574
251 411 041 C	<b>18830</b>	584
701 411 041	<b>21940</b>	586
701 411 041 D	<b>23424</b>	588
7D0 411 045	<b>21942</b>	586, 588
701 411 045	<b>21942</b>	586, 588
7D0 411 049	<b>18984</b>	586, 588

701 411 049	<b>18984</b>	586, 588
701 411 049 B	<b>18654</b>	586, 588
1K0 411 303 AL S1	<b>45306</b>	471, 496, 497, 498, 499, 572, 573, 580, 581
1K0 411 303 AL S2	<b>45307</b>	471, 497, 499, 573, 581
1K0 411 303 BJ S1	<b>45306</b>	471, 496, 497, 498, 499, 572, 573, 580, 581
1K0 411 303 BJ S2	<b>45307</b>	471, 497, 499, 573, 581
1K0 411 303 BK S2	<b>45307</b>	471, 497, 499, 573, 581
1K0 411 303 BK S1	<b>45306</b>	471, 496, 497, 498, 499, 572, 573, 580, 581
1J0 411 305 B S1	<b>36630</b>	455, 495, 525
1J0 411 305 E S2	<b>40090</b>	455, 495, 525
1J0 411 305 E S1	<b>36640</b>	455, 495, 525
6Q0 411 305 AC S2	<b>37110</b>	557, 565
6Q0 411 305 AC S1	<b>37060</b>	557
6Q0 411 305 AL S2	<b>37090</b>	473, 557, 565
6Q0 411 305 AL S1	<b>37040</b>	557
6Q0 411 305 AM S2	<b>37100</b>	557, 565
6Q0 411 305 AM S1	<b>37050</b>	557
6Q0 411 305 AN S2	<b>37110</b>	557, 565
6Q0 411 305 AN S1	<b>37060</b>	557
171 411 313	<b>02765</b>	476, 571
2H0 411 313 B	<b>47140</b>	451
2H0 411 313 C	<b>47140</b>	451
357 411 313	<b>15978</b>	536, 538
357 411 313 A	<b>15982</b>	536, 538, 540
6N0 411 313	<b>22492</b>	551, 553
6N0 411 313 A	<b>22494</b>	521, 551, 553
6X0 411 313	<b>22492</b>	551, 553
6X0 411 313 A	<b>22494</b>	521, 551, 553
7H0 411 313	<b>26540</b>	589
7L0 411 313 G	<b>31353</b>	579
7L0 411 313 J	<b>31357</b>	579
7L0 411 313 K	<b>31345</b>	579, 582
7L8 411 313 B	<b>31345</b>	579, 582


**Ref. - No.**


823 411 313 A	<b>03461</b>	529, 530, 532, 534, 567, 568
861 411 313 E	<b>02757</b>	549
867 411 313	<b>02757</b>	549
1H0 411 314	<b>19050</b>	459, 478, 480, 482, 563, 594
1J0 411 314 AC S1	<b>37139</b>	454, 455, 494, 495
1J0 411 314 AC	<b>31348</b>	495
1J0 411 314 G	<b>14718</b>	455, 495, 525
1J0 411 314 M	<b>22804</b>	455, 495, 525
1J0 411 314 N	<b>22804</b>	455, 495, 525
1J0 411 314 P	<b>22794</b>	455, 495
1J0 411 314 P S1	<b>27294</b>	455, 491, 495
1J0 411 314 R	<b>22804</b>	455, 495, 525
1J0 411 314 R S1	<b>27304</b>	455, 491, 525
1J0 411 314 S	<b>26344</b>	455, 495
1J0 411 314 S S1	<b>27250</b>	455, 495
1J0 411 314 T	<b>14718</b>	455, 495, 525
1J0 411 314 T S1	<b>27318</b>	455, 491, 495, 525, 526
1J0 411 314 T S2	<b>40089</b>	455, 495, 525
171 411 314	<b>02766</b>	476, 571
171 411 314 A	<b>02766</b>	476, 571
191 411 314	<b>09519</b>	459, 466, 468, 478, 480, 563, 594, 596
357 411 314	<b>15980</b>	536, 538
357 411 314 A	<b>15984</b>	536, 538, 540
6Q0 411 314 E	<b>27642</b>	473, 557, 565
6Q0 411 314 E S3	<b>37656</b>	556, 557
6Q0 411 314 E S4	<b>37659</b>	556, 557, 564, 565
6Q0 411 314 E S1	<b>37076</b>	557
6Q0 411 314 E S2	<b>37089</b>	557, 565
6Q0 411 314 F	<b>27324</b>	557
6Q0 411 314 F S2	<b>37658</b>	556, 557
6Q0 411 314 F S1	<b>37078</b>	557
6Q0 411 314 J	<b>27638</b>	473, 557, 565
6Q0 411 314 J S2	<b>37657</b>	473, 556, 557, 564, 565, 591
6Q0 411 314 J S1	<b>37077</b>	472, 473, 557, 565, 591
6Q0 411 314 L	<b>27638</b>	473, 557, 565
6Q0 411 314 L S1	<b>37077</b>	472, 473, 557, 565, 591

**Ref. - No.**


6Q0 411 314 L S2	<b>37657</b>	473, 556, 557, 564, 565, 591
6Q0 411 314 M	<b>27640</b>	473, 557, 565
6Q0 411 314 M S1	<b>37069</b>	557, 565
6Q0 411 314 M S2	<b>37660</b>	473, 556, 557, 564, 565
6Q0 411 314 N	<b>27642</b>	473, 557, 565
6Q0 411 314 N S1	<b>37076</b>	557
6Q0 411 314 N S2	<b>37089</b>	557, 565
6Q0 411 314 N S4	<b>37659</b>	556, 557, 564, 565
6Q0 411 314 N S3	<b>37656</b>	556, 557
6Q0 411 314 P	<b>27638</b>	473, 557, 565
6Q0 411 314 P S1	<b>37077</b>	472, 473, 557, 565, 591
6Q0 411 314 P S2	<b>37657</b>	473, 556, 557, 564, 565, 591
6Q0 411 314 Q	<b>27640</b>	473, 557, 565
6Q0 411 314 Q S2	<b>37660</b>	473, 556, 557, 564, 565
6Q0 411 314 Q S1	<b>37069</b>	557, 565
6Q0 411 314 R	<b>27642</b>	473, 557, 565
6Q0 411 314 R S2	<b>37089</b>	557, 565
6Q0 411 314 R S4	<b>37659</b>	556, 557, 564, 565
6Q0 411 314 R S3	<b>37656</b>	556, 557
6Q0 411 314 R S1	<b>37076</b>	557
8N0 411 314 B	<b>22804</b>	455, 495, 525
8Z0 411 314 B	<b>31350</b>	557
8Z0 411 314 B S2	<b>37655</b>	556, 557
8Z0 411 314 B S1	<b>37079</b>	557
1J0 411 315	<b>18264</b>	455, 525
1J0 411 315 C	<b>18264</b>	455, 525
1J0 411 315 D	<b>19296</b>	455, 525
1J0 411 315 E	<b>18266</b>	455
1J0 411 315 E S1	<b>36676</b>	455, 495, 525
1J0 411 315 E S4	<b>36758</b>	455, 495, 525
1J0 411 315 E S3	<b>36757</b>	455, 495, 525
1J0 411 315 E S2	<b>36677</b>	454, 455, 494, 495, 524, 525
1J0 411 315 G	<b>18266</b>	455
1J0 411 315 G S1	<b>30154</b>	454, 455, 491, 494, 495, 524, 525
1J0 411 315 G S1	<b>36676</b>	455, 495, 525



Ref. - No.

Car  
Division

Ref. - No.



Ref. - No.



1J0 411 315 G S2	<b>36677</b>	454, 455, 494, 495, 524, 525
1J0 411 315 G S3	<b>36757</b>	455, 495, 525
1J0 411 315 G S4	<b>36758</b>	455, 495, 525
1J0 411 315 H	<b>28579</b>	455, 525
1J0 411 315 H S1	<b>36665</b>	455, 495, 525
1J0 411 315 H S2	<b>36667</b>	454, 455, 494, 495, 524, 525
1J0 411 315 J	<b>18264</b>	455, 525
1J0 411 315 K	<b>28579</b>	455, 525
1J0 411 315 K S1	<b>36665</b>	455, 495, 525
1J0 411 315 K S2	<b>36667</b>	454, 455, 494, 495, 524, 525
1K0 411 315 B	<b>24122</b>	461, 463, 465, 471, 527, 528, 545, 546, 573, 575, 577, 581
1K0 411 315 D	<b>24122</b>	461, 463, 465, 471, 527, 528, 545, 546, 573, 575, 577, 581
1K0 411 315 G	<b>24122</b>	461, 463, 465, 471, 527, 528, 545, 546, 573, 575, 577, 581
1K0 411 315 J	<b>24122</b>	461, 463, 465, 471, 527, 528, 545, 546, 573, 575, 577, 581
1K0 411 315 K	<b>24122</b>	461, 463, 465, 471, 527, 528, 545, 546, 573, 575, 577, 581
1K0 411 315 N	<b>24122</b>	461, 463, 465, 471, 527, 528, 545, 546, 573, 575, 577, 581
1K0 411 315 P	<b>24122</b>	461, 463, 465, 471, 527, 528, 545, 546, 573, 575, 577, 581
1K0 411 315 R	<b>24122</b>	461, 463, 465, 471, 527, 528, 545, 546, 573, 575, 577, 581
191 411 315	<b>07863</b>	459, 478, 480, 594
191 411 315 BS	<b>07863</b>	459, 478, 480, 594
191 411 315 B S1	<b>07863</b>	459, 478, 480, 594
357 411 315	<b>15996</b>	536, 538
357 411 315 A	<b>15998</b>	536, 538, 540
357 411 315 A S1	<b>38410</b>	540

357 411 315 C	<b>15996</b>	536, 538
357 411 315 D	<b>15998</b>	536, 538, 540
357 411 315 D S1	<b>38410</b>	540
5Q0 411 315 A	<b>24122</b>	461, 463, 465, 471, 527, 528, 545, 546, 573, 575, 577, 581
535 411 315	<b>14230</b>	468, 482, 596
6E0 411 315	<b>28211</b>	521
6K0 411 315	<b>27984</b>	459
6K0 411 315 S1	<b>27982</b>	459, 551, 563
6N0 411 315	<b>25184</b>	553
6N0 411 315 A	<b>23030</b>	521, 551, 553
6N0 411 315 A S1	<b>23032</b>	521, 553
6N0 411 315 B	<b>23030</b>	521, 551, 553
6N0 411 315 C	<b>25184</b>	553
6N0 411 315 C S1	<b>18366</b>	521, 551
6N0 411 315 D	<b>23030</b>	521, 551, 553
6N0 411 315 D S1	<b>23032</b>	521, 553
6N0 411 315 S1	<b>18366</b>	521, 551
6Q0 411 315 A	<b>19518</b>	473, 527, 557, 565
6Q0 411 315 B	<b>19518</b>	473, 527, 557, 565
6Q0 411 315 C	<b>19518</b>	473, 527, 557, 565
6Q0 411 315 D	<b>19518</b>	473, 527, 557, 565
6Q0 411 315 E	<b>19518</b>	473, 527, 557, 565
6Q0 411 315 F	<b>19518</b>	473, 527, 557, 565
6Q0 411 315 G	<b>19518</b>	473, 527, 557, 565
6Q0 411 315 H	<b>19518</b>	473, 527, 557, 565
6Q0 411 315 J	<b>19518</b>	473, 527, 557, 565
6Q0 411 315 L	<b>19518</b>	473, 527, 557, 565
6Q0 411 315 M	<b>19518</b>	473, 527, 557, 565
6Q0 411 315 N	<b>19518</b>	473, 527, 557, 565
6Q0 411 315 P	<b>19518</b>	473, 527, 557, 565
6Q0 411 315 Q	<b>19518</b>	473, 527, 557, 565
6R0 411 315	<b>19518</b>	473, 527, 557, 565
6R0 411 315 A	<b>19518</b>	473, 527, 557, 565
1J0 411 316 D	<b>19298</b>	455, 525
2E0 411 317 C	<b>28480</b>	469
2H0 411 317	<b>36582</b>	451
2H0 411 317 B	<b>45353</b>	451
2H0 411 317 B S2	<b>45785</b>	451
2H0 411 317 B S1	<b>45784</b>	451
2H0 411 317 S1	<b>36642</b>	451
2H0 411 317 S2	<b>36643</b>	451


**Ref. - No.**


7H0 411 317	<b>27834</b>	589
7H0 411 317 A	<b>27834</b>	589
7H5 411 317	<b>27834</b>	589
7H5 411 317 A	<b>27834</b>	589
7H5 411 317 B	<b>27834</b>	589
7H5 411 317 D	<b>27834</b>	589
7L0 411 317	<b>31706</b>	579
7M0 411 317 C	<b>12002</b>	574
7M0 411 317 D	<b>12002</b>	574
7M3 411 317	<b>12002</b>	574
7M3 411 317 A	<b>12002</b>	574
7M3 411 317 B	<b>12002</b>	574
7M3 411 317 C	<b>12002</b>	574
7M3 411 317 E	<b>12002</b>	574
8D0 411 317 D	<b>17216</b>	541, 543
8D0 411 317 D S1	<b>19704</b>	541, 543
2E0 411 318 C	<b>28481</b>	469
8D0 411 318 D	<b>17214</b>	541, 543
8D0 411 318 D S1	<b>19702</b>	541, 543
1J0 411 327 A	<b>36646</b>	455, 495, 525
4D0 411 327 E	<b>10022</b>	543
4D0 411 327 F	<b>10023</b>	541, 543
4D0 411 327 G	<b>10022</b>	543
4D0 411 327 H	<b>10023</b>	541, 543
811 411 327 A	<b>14146</b>	530, 532, 534, 568, 569
823 411 327 B	<b>15986</b>	529, 530, 532, 567, 568, 569
1J0 411 336 B	<b>23366</b>	455, 525
1J0 411 336 C	<b>23366</b>	455, 525
1J0 411 336 D	<b>23366</b>	455, 525
8D0 411 506 K	<b>17216</b>	541, 543
2H0 412 333 A	<b>36459</b>	451
7L0 412 333	<b>40165</b>	578, 579
7L0 412 333 A	<b>40165</b>	578, 579
111 415 417	<b>07924</b>	583
131 415 811	<b>25190</b>	590
131 415 812	<b>25192</b>	590
191 419 063	<b>07964</b>	477
191 419 063 B	<b>07964</b>	477
191 419 063 C	<b>01375</b>	477, 479, 593
191 419 063 CX	<b>01375</b>	477, 479, 593
251 419 081	<b>01118</b>	583

**Ref. - No.**


251 419 417 B	<b>07924</b>	583
4B0 419 801 B	<b>11354</b>	543
4B0 419 801 B SK	<b>38854</b>	543
4B0 419 801 E	<b>11354</b>	543
4B0 419 801 E SK	<b>38854</b>	543
4B0 419 801 M	<b>11354</b>	543
4B0 419 801 M SK	<b>38854</b>	543
4D0 419 801 B	<b>11354</b>	543
4D0 419 801 B SK	<b>38854</b>	543
4D0 419 801 D	<b>11354</b>	543
4D0 419 801 D SK	<b>38854</b>	543
4D0 419 801 E	<b>11354</b>	543
4D0 419 801 E SK	<b>38854</b>	543
4D0 419 801 G	<b>11354</b>	543
4D0 419 801 G SK	<b>38854</b>	543
4D0 419 801 L	<b>11354</b>	543
4D0 419 801 L SK	<b>38854</b>	543
4E0 419 801 C	<b>37332</b>	548
4E0 419 801 C S2	<b>37332</b>	548
4E0 419 801 D	<b>37332</b>	548
4E0 419 801 D S2	<b>37332</b>	548
4E0 419 801 E	<b>37332</b>	548
4E0 419 801 E S2	<b>37332</b>	548
4E0 419 801 E SK	<b>30654</b>	548
811 419 801 C	<b>02266</b>	530, 531, 566
811 419 801 E	<b>02266</b>	530, 531, 566
871 419 801 A	<b>02236</b>	549
811 419 802 J	<b>02267</b>	530, 531, 566
871 419 802	<b>02237</b>	549
1H0 419 803	<b>01121</b>	479, 593
1H0 419 803 SK	<b>33454</b>	483, 489, 593
191 419 803	<b>02146</b>	477
191 419 803 A	<b>02146</b>	477
191 419 803 A SK	<b>37066</b>	478, 507
191 419 803 SK	<b>37066</b>	478, 507
2H0 419 803	<b>37205</b>	451, 579
2H0 419 803 SK	<b>37203</b>	451, 579
251 419 803	<b>02147</b>	583
251 419 803 A	<b>02147</b>	583
251 419 803 SK	<b>02287</b>	583
357 419 803	<b>08030</b>	535
357 419 803 A	<b>08030</b>	535
6E0 419 803 A	<b>26120</b>	519

Ref. - No.

Car  
Division

Ref. - No.



Ref. - No.



6N0 419 803	<b>14318</b>	550
6N0 419 803 SK	<b>38858</b>	550
6Q0 419 803 B SK	<b>32474</b>	474, 555, 557
6Q0 419 803 D	<b>32229</b>	474, 555, 557
6Q0 419 803 F	<b>32229</b>	474, 555, 557
6Q0 419 803 F SK	<b>32474</b>	474, 555, 557
6Q0 419 803 SK	<b>32474</b>	474, 555, 557
6X0 419 803 A	<b>23322</b>	519, 552
7H0 419 803 B	<b>31789</b>	589
7H0 419 803 B SK	<b>31705</b>	589
7H0 419 803 C	<b>31789</b>	589
7H0 419 803 C SK	<b>31705</b>	589
7H0 419 803 D	<b>31789</b>	589
7H0 419 803 E	<b>31789</b>	589
7H0 419 803 F	<b>31789</b>	589
7H0 419 803 F SK	<b>31705</b>	589
701 419 803 A	<b>10882</b>	585
701 419 803 C	<b>10882</b>	585
701 419 803 D	<b>10884</b>	585
701 419 803 E	<b>10886</b>	587
702 419 803	<b>10878</b>	585
702 419 803 A	<b>10878</b>	585
702 419 803 B	<b>10879</b>	585
702 419 803 C	<b>10880</b>	587
702 419 803 D	<b>10588</b>	587
1H0 419 804	<b>01127</b>	479, 593
1H0 419 804 SK	<b>33454</b>	483, 489, 593
171 419 804	<b>04451</b>	456, 475, 570
171 419 804 A	<b>04451</b>	456, 475, 570
171 419 804 SK	<b>02240</b>	456, 475, 570
175 419 804	<b>04451</b>	456, 475, 570
191 419 804	<b>02145</b>	477
191 419 804 A	<b>02145</b>	477
191 419 804 A SK	<b>37066</b>	478, 507
191 419 804 SK	<b>37066</b>	478, 507
2H0 419 804	<b>37206</b>	451, 579
2H0 419 804 SK	<b>37203</b>	451, 579
357 419 804	<b>07979</b>	535
6E0 419 804 A	<b>26121</b>	519
6N0 419 804	<b>14320</b>	550
6N0 419 804 SK	<b>38858</b>	550
6Q0 419 804 B	<b>32230</b>	474, 555, 557
6Q0 419 804 B SK	<b>32474</b>	474, 555, 557

6Q0 419 804 D	<b>32230</b>	474, 555, 557
6Q0 419 804 F	<b>32230</b>	474, 555, 557
6Q0 419 804 F SK	<b>32474</b>	474, 555, 557
6Q0 419 804 SK	<b>32474</b>	474, 555, 557
6X0 419 804 A	<b>23324</b>	519, 552
7H0 419 804 B	<b>31788</b>	589
7H0 419 804 B SK	<b>31705</b>	589
7H0 419 804 C	<b>31788</b>	589
7H0 419 804 C SK	<b>31705</b>	589
7H0 419 804 D	<b>31788</b>	589
7H0 419 804 D SK	<b>31705</b>	589
7H0 419 804 E	<b>31788</b>	589
7H0 419 804 E SK	<b>31705</b>	589
7H0 419 804 F	<b>31788</b>	589
7H0 419 804 F SK	<b>31705</b>	589
701 419 804 A	<b>10881</b>	585
701 419 804 C	<b>10881</b>	585
701 419 804 D	<b>10883</b>	585
701 419 804 E	<b>10885</b>	587
701 419 804 F	<b>10589</b>	587
702 419 804 C	<b>10909</b>	587
1H0 419 810	<b>33454</b>	483, 489, 593
171 419 810	<b>02240</b>	456, 475, 570
191 419 810	<b>37066</b>	478, 507
191 419 810 A	<b>37066</b>	478, 507
2H0 419 810 SK	<b>37203</b>	451, 579
251 419 810	<b>02287</b>	583
4E0 419 810 M	<b>38854</b>	543
4E0 419 810 A	<b>30654</b>	548
4E0 419 810 C	<b>30654</b>	548
6N0 419 810	<b>38858</b>	550
6Q0 419 810	<b>32474</b>	474, 555, 557
6Q0 419 810 B	<b>32474</b>	474, 555, 557
6Q0 419 810 F	<b>32474</b>	474, 555, 557
7H0 419 810 B	<b>31705</b>	589
7H0 419 810 C	<b>31705</b>	589
7H0 419 810 D	<b>31705</b>	589
7H0 419 810 D SK	<b>31705</b>	589
7H0 419 810 E	<b>31705</b>	589
7H0 419 810 E SK	<b>31705</b>	589
7H0 419 810 F	<b>31705</b>	589
701 419 810 B	<b>32157</b>	587
171 419 811	<b>04452</b>	456, 475, 570, 583



Ref. - No.		
171 419 811 A	<b>04452</b>	456, 475, 570, 583
191 419 811	<b>03583</b>	458, 466, 467, 477, 478, 479, 481, 535, 537, 539, 561, 593, 595
251 419 811	<b>04452</b>	456, 475, 570, 583
321 419 811 A	<b>02234</b>	529, 530, 531, 549, 566
4E0 419 811 C S1	<b>37338</b>	548
4E0 419 811 D S1	<b>37338</b>	548
4E0 419 811 E S1	<b>37338</b>	548
5Z1 419 811	<b>19812</b>	474, 555, 557
6E0 419 811	<b>17006</b>	458, 519, 550, 552, 561
6Q0 419 811 C	<b>19812</b>	474, 555, 557
701 419 811	<b>10585</b>	585
701 419 811 A	<b>10587</b>	585
701 419 811 B	<b>10585</b>	585
701 419 811 C	<b>10582</b>	587
701 419 811 E	<b>10888</b>	587
823 419 811	<b>02234</b>	529, 530, 531, 549, 566
171 419 812	<b>04452</b>	456, 475, 570, 583
191 419 812	<b>02238</b>	458, 466, 467, 477, 478, 479, 481, 535, 537, 539, 561, 593, 595
5Z1 419 812	<b>19814</b>	474, 555, 557
6E0 419 812	<b>17008</b>	458, 519, 550, 552, 561
6Q0 419 812 C	<b>19814</b>	474, 555, 557
701 419 812	<b>10586</b>	585
701 419 812 A	<b>10584</b>	585
701 419 812 B	<b>10583</b>	587
701 419 812 D	<b>10887</b>	587
811 419 812	<b>02234</b>	529, 530, 531, 549, 566
811 419 812 A	<b>02268</b>	530, 531, 533, 566
811 419 812 B	<b>02268</b>	530, 531, 533, 566
861 419 812	<b>02234</b>	529, 530, 531, 549, 566
1H0 419 821 A	<b>33454</b>	483, 489, 593
4E0 419 821 A	<b>30654</b>	548

Ref. - No.		
4E0 419 821 A SK	<b>30654</b>	548
4E0 419 821 SK	<b>30654</b>	548
171 419 831 B	<b>02537</b>	456, 475, 477, 479, 535, 570, 593
171 419 831 B	<b>08498</b>	456, 475, 477, 479, 535, 570, 593
171 419 831 C	<b>08498</b>	456, 475, 477, 479, 535, 570, 593
171 419 831 C	<b>02537</b>	456, 475, 477, 479, 535, 570, 593
191 419 831	<b>02537</b>	456, 475, 477, 479, 535, 570, 593
191 419 831 S1	<b>08498</b>	456, 475, 477, 479, 535, 570, 593
251 419 831 A	<b>01128</b>	583
6E0 419 831	<b>21700</b>	519, 555
6N0 419 831	<b>10850</b>	519, 550, 552
7D0 419 831	<b>21694</b>	585, 587
701 419 831	<b>01138</b>	585, 587
811 419 831 B	<b>08029</b>	530, 531, 533, 566
861 419 831 B	<b>03319</b>	549
861 419 831 B S1	<b>03318</b>	549
861 419 831 BS	<b>03318</b>	549
171 419 832 A	<b>02536</b>	456, 475, 570
171 419 832 C	<b>02536</b>	456, 475, 570
171 419 832 C S1	<b>08497</b>	456, 475, 570
171 419 832 CS	<b>08497</b>	456, 475, 570
191 419 883	<b>02903</b>	477, 479, 593
115 420 240	<b>25334</b>	464
115 420 241	<b>25334</b>	464
1GD 422 803	<b>24258</b>	477
1H0 422 803	<b>08054</b>	479, 593
1H0 422 803 A SK	<b>33908</b>	468, 481, 486, 487, 593
1H0 422 803 B	<b>01146</b>	467, 479, 481, 593, 595
1H0 422 803 B SK	<b>33906</b>	467, 485, 487, 593, 595
1H0 422 803 C	<b>01146</b>	467, 479, 481, 593, 595
1H0 422 803 C SK	<b>33906</b>	467, 485, 487, 593, 595
1H0 422 803 D SK	<b>38856</b>	486, 487, 593

Ref. - No.

Car  
Division 

Ref. - No.



Ref. - No.



1H0 422 803 SK	<b>33908</b>	468, 481, 486, 487, 593
1J0 422 803	<b>14174</b>	523
1J0 422 803 A	<b>14174</b>	523
1J0 422 803 A SK	<b>28098</b>	523
1J0 422 803 B	<b>14170</b>	453, 523
1J0 422 803 B S1	<b>44341</b>	453
1J0 422 803 B SK	<b>27095</b>	453, 523
1J0 422 803 C	<b>14174</b>	523
1J0 422 803 E	<b>14170</b>	453, 523
1J0 422 803 E S1	<b>44341</b>	453
1J0 422 803 H	<b>14170</b>	453, 523
1J0 422 803 H S1	<b>44341</b>	453
1J0 422 803 H SK	<b>27095</b>	453, 523
1J0 422 803 SK	<b>28098</b>	523
191 422 803	<b>01163</b>	477
191 422 803 A	<b>01163</b>	477
191 422 803 A SK	<b>33907</b>	466, 468, 478, 507
191 422 803 C	<b>24258</b>	477
191 422 803 SK	<b>33907</b>	466, 468, 478, 507
357 422 803	<b>07984</b>	537
357 422 803 A	<b>10024</b>	537
357 422 803 A SK	<b>38853</b>	537
6E0 422 803	<b>45009</b>	519
6K0 422 803 B	<b>44675</b>	458, 561
6K0 422 803 B S1	<b>44741</b>	458, 561
6K0 422 803 E	<b>44675</b>	458, 561
6K0 422 803 E S1	<b>44741</b>	458, 561
6K0 422 803 E SK	<b>37065</b>	458, 561, 563
6N0 422 803	<b>14326</b>	550
6N0 422 803 A	<b>14326</b>	550
6N0 422 803 C	<b>26251</b>	519
6N0 422 803 D	<b>26253</b>	550
6X0 422 803	<b>15988</b>	519, 552
6X0 422 803 SK	<b>38855</b>	519, 552
7L0 422 803 B	<b>37205</b>	451, 579
7L0 422 803 B SK	<b>37203</b>	451, 579
7L0 422 803 C	<b>37205</b>	451, 579
7L0 422 803 C SK	<b>37203</b>	451, 579
7L0 422 803 D	<b>37205</b>	451, 579
7L0 422 803 D SK	<b>37203</b>	451, 579
7M0 422 803 F	<b>11997</b>	574
7M0 422 803 G	<b>11997</b>	574

7M3 422 803	<b>11997</b>	574
7M3 422 803 A	<b>11997</b>	574
8N0 422 803 C SK	<b>32597</b>	523
1GD 422 804	<b>24260</b>	477
1H0 422 804	<b>08053</b>	479, 593
1H0 422 804 A SK	<b>33908</b>	468, 481, 486, 487, 593
1H0 422 804 B	<b>01147</b>	467, 479, 481, 593, 595
1H0 422 804 B SK	<b>33906</b>	467, 485, 487, 593, 595
1H0 422 804 C	<b>01147</b>	467, 479, 481, 593, 595
1H0 422 804 C SK	<b>33906</b>	467, 485, 487, 593, 595
1H0 422 804 D SK	<b>38856</b>	486, 487, 593
1H0 422 804 SK	<b>33908</b>	468, 481, 486, 487, 593
1J0 422 804	<b>14172</b>	523
1J0 422 804 A	<b>14172</b>	523
1J0 422 804 A SK	<b>28098</b>	523
1J0 422 804 B	<b>14168</b>	453, 523
1J0 422 804 B SK	<b>27095</b>	453, 523
1J0 422 804 B S1	<b>44342</b>	453
1J0 422 804 C	<b>14172</b>	523
1J0 422 804 E	<b>14168</b>	453, 523
1J0 422 804 E S1	<b>44342</b>	453
1J0 422 804 H	<b>14168</b>	453, 523
1J0 422 804 H S1	<b>44342</b>	453
1J0 422 804 H SK	<b>27095</b>	453, 523
1J0 422 804 SK	<b>28098</b>	523
191 422 804	<b>01169</b>	477
191 422 804 A	<b>01169</b>	477
191 422 804 A SK	<b>33907</b>	466, 468, 478, 507
191 422 804 C	<b>24260</b>	477
191 422 804 SK	<b>33907</b>	466, 468, 478, 507
357 422 804	<b>07990</b>	537
357 422 804 A	<b>10025</b>	537
357 422 804 A SK	<b>38853</b>	537
6E0 422 804	<b>45010</b>	519
6K0 422 804 B	<b>44676</b>	458, 561
6K0 422 804 B S1	<b>44740</b>	458, 561
6K0 422 804 E	<b>44676</b>	458, 561


**Ref. - No.**


6K0 422 804 E SK	<b>37065</b>	458, 561, 563
6K0 422 804 E S1	<b>44740</b>	458, 561
6N0 422 804	<b>14328</b>	550
6N0 422 804 A	<b>14328</b>	550
6N0 422 804 C	<b>26252</b>	519
6N0 422 804 D	<b>26254</b>	550
6X0 422 804	<b>15990</b>	519, 552
6X0 422 804 SK	<b>38855</b>	519, 552
7L0 422 804 B	<b>37206</b>	451, 579
7L0 422 804 B SK	<b>37203</b>	451, 579
7L0 422 804 C	<b>37206</b>	451, 579
7L0 422 804 C SK	<b>37203</b>	451, 579
7L0 422 804 D	<b>37206</b>	451, 579
7L0 422 804 D SK	<b>37203</b>	451, 579
7M0 422 804 F	<b>11996</b>	574
7M0 422 804 G	<b>11996</b>	574
7M3 422 804	<b>11996</b>	574
7M3 422 804 A	<b>11996</b>	574
7M3 422 804 SK	<b>12001</b>	574
8N0 422 804 C SK	<b>32597</b>	523
6U0 422 807	<b>17702</b>	464
1H0 422 810	<b>33908</b>	468, 481, 486, 487, 593
1H0 422 810 A	<b>33908</b>	468, 481, 486, 487, 593
1H0 422 810 B	<b>33906</b>	467, 485, 487, 593, 595
1H0 422 810 D	<b>38856</b>	486, 487, 593
1J0 422 810	<b>28098</b>	523
1J0 422 810 A	<b>28098</b>	523
1J0 422 810 B	<b>27095</b>	453, 523
191 422 810 A	<b>33907</b>	466, 468, 478, 507
357 422 810 A	<b>38853</b>	537
6K0 422 810 E	<b>37065</b>	458, 561, 563
6X0 422 810	<b>38855</b>	519, 552
7L0 422 810 D	<b>37203</b>	451, 579
7M3 422 810	<b>12001</b>	574
8N0 422 810 C	<b>32597</b>	523
1J0 422 811	<b>14184</b>	453, 523
1J0 422 811 A	<b>14184</b>	453, 523
1J0 422 811 B	<b>14180</b>	453, 523
1J0 422 811 C	<b>14184</b>	453, 523
1J0 422 811 E	<b>14180</b>	453, 523

**Ref. - No.**


3A0 422 811	<b>03583</b>	458, 466, 467, 477, 478, 479, 481, 535, 537, 539, 561, 593, 595
6K0 422 811	<b>17006</b>	458, 519, 550, 552, 561
6N0 422 811	<b>14322</b>	519, 550, 552
6RD 422 811	<b>19812</b>	474, 555, 557
6U0 422 811	<b>17704</b>	464
6X0 422 811	<b>17006</b>	458, 519, 550, 552, 561
8N0 422 811	<b>19336</b>	523
8N0 422 811 A	<b>19336</b>	523
1J0 422 812	<b>14186</b>	453, 523
1J0 422 812 A	<b>14186</b>	453, 523
1J0 422 812 B	<b>14182</b>	453, 523
1J0 422 812 C	<b>14186</b>	453, 523
1J0 422 812 E	<b>14182</b>	453, 523
3A0 422 812	<b>02238</b>	458, 466, 467, 477, 478, 479, 481, 535, 537, 539, 561, 593, 595
6K0 422 812	<b>17008</b>	458, 519, 550, 552, 561
6N0 422 812	<b>14324</b>	519, 550, 552
6RD 422 812	<b>19814</b>	474, 555, 557
6X0 422 812	<b>17008</b>	458, 519, 550, 552, 561
8N0 422 812	<b>19342</b>	523
8N0 422 812 A	<b>19342</b>	523
2H0 422 817	<b>36911</b>	451, 579
7H0 422 817 A	<b>29675</b>	589
7H0 422 817 B	<b>29675</b>	589
7H0 422 817 C	<b>29675</b>	589
7H0 422 817 D	<b>29675</b>	589
7L0 422 817 B	<b>36911</b>	451, 579
7L0 422 817 C	<b>36911</b>	451, 579
7L0 422 817 D	<b>36911</b>	451, 579
7M0 422 817	<b>11999</b>	574
7M0 422 817 A	<b>11999</b>	574
7M0 422 817 B	<b>11999</b>	574
7M3 422 817	<b>11999</b>	574
2H0 422 818	<b>36910</b>	451, 579

Ref. - No.

Car  
Division 

Ref. - No.



Ref. - No.



7H0 422 818 A	<b>29673</b>	589
7H0 422 818 B	<b>29673</b>	589
7H0 422 818 C	<b>29673</b>	589
7H0 422 818 D	<b>29673</b>	589
7L0 422 818 B	<b>36910</b>	451, 579
7L0 422 818 C	<b>36910</b>	451, 579
7L0 422 818 D	<b>36910</b>	451, 579
7M0 422 818	<b>11998</b>	574
7M0 422 818 A	<b>11998</b>	574
7M0 422 818 B	<b>11998</b>	574
7M3 422 818	<b>11998</b>	574
4D0 422 821 A	<b>38854</b>	543
1H0 422 831	<b>17882</b>	458, 466, 467, 475, 477, 479, 481, 537, 539, 561, 570, 593, 595
1H0 422 831	<b>05067</b>	458, 466, 467, 475, 477, 479, 481, 537, 539, 561, 570, 593, 595
1H0 422 831 A	<b>19414</b>	467, 477, 479, 481, 537, 539, 593, 595
1H0 422 831 B	<b>05067</b>	458, 466, 467, 475, 477, 479, 481, 537, 539, 561, 570, 593, 595
1H0 422 831 B S1	<b>17882</b>	458, 466, 467, 475, 477, 479, 481, 537, 539, 561, 570, 593, 595
1J0 422 831	<b>21698</b>	453, 523
1J0 422 831	<b>37764</b>	453, 490, 493, 523
1J0 422 831 B	<b>37764</b>	453, 490, 493, 523
1J0 422 831 B	<b>21698</b>	453, 523
1J0 422 831 B S1	<b>37764</b>	453, 490, 493, 523
175 422 831	<b>05067</b>	458, 466, 467, 475, 477, 479, 481, 537, 539, 561, 570, 593, 595
175 422 831	<b>17882</b>	458, 466, 467, 475, 477, 479, 481, 537, 539, 561, 570, 593, 595

191 422 831	<b>17882</b>	458, 466, 467, 475, 477, 479, 481, 537, 539, 561, 570, 593, 595
191 422 831	<b>05067</b>	458, 466, 467, 475, 477, 479, 481, 537, 539, 561, 570, 593, 595
357 422 831	<b>05067</b>	458, 466, 467, 475, 477, 479, 481, 537, 539, 561, 570, 593, 595
357 422 831	<b>17882</b>	458, 466, 467, 475, 477, 479, 481, 537, 539, 561, 570, 593, 595
357 422 831 A	<b>17882</b>	458, 466, 467, 475, 477, 479, 481, 537, 539, 561, 570, 593, 595
357 422 831 A	<b>05067</b>	458, 466, 467, 475, 477, 479, 481, 537, 539, 561, 570, 593, 595
357 422 831 B	<b>19414</b>	467, 477, 479, 481, 537, 539, 593, 595
6N0 422 831	<b>10849</b>	550, 552
7L0 422 831 A S1	<b>26347</b>	451
7M0 422 831 B	<b>12102</b>	574
7M3 422 831	<b>12102</b>	574
8N0 422 831 S1	<b>39606</b>	495, 525
2D0 422 833	<b>21449</b>	517
1H0 422 884	<b>18864</b>	458, 479, 481, 485, 561, 593, 595
6Q0 423 803 B	<b>19816</b>	474, 555
6Q0 423 803 B SK	<b>32473</b>	474, 555
6Q0 423 803 B S1	<b>44343</b>	555
6Q0 423 803 C	<b>26173</b>	474, 555
6Q0 423 803 E	<b>19816</b>	474, 555
6Q0 423 803 E S1	<b>44343</b>	555
6Q0 423 803 E SK	<b>32473</b>	474, 555
6Q0 423 803 G	<b>26173</b>	474, 555
6Q0 423 803 P	<b>19816</b>	474, 555


**Ref. - No.**


6Q0 423 803 P SK	<b>32473</b>	474, 555
6Q0 423 803 P S1	<b>44343</b>	555
6R0 423 803	<b>36508</b>	565
6R0 423 803 A	<b>36508</b>	565
6R0 423 803 A SK	<b>33584</b>	565
6R0 423 803 B	<b>43465</b>	565
6R0 423 803 B SK	<b>33584</b>	565
6R0 423 803 C	<b>43465</b>	565
6R0 423 803 C SK	<b>33584</b>	565
6R0 423 803 C SK	<b>38785</b>	565
6R0 423 803 D	<b>43465</b>	565
6R0 423 803 D SK	<b>38785</b>	565
6R0 423 803 D SK	<b>33584</b>	565
6R0 423 803 SK	<b>33584</b>	565
6Q0 423 804 B	<b>19818</b>	474, 555
6Q0 423 804 B S1	<b>44344</b>	555
6Q0 423 804 B SK	<b>32473</b>	474, 555
6Q0 423 804 C	<b>26174</b>	474, 555
6Q0 423 804 E	<b>19818</b>	474, 555
6Q0 423 804 E SK	<b>32473</b>	474, 555
6Q0 423 804 E S1	<b>44344</b>	555
6Q0 423 804 G	<b>26174</b>	474, 555
6Q0 423 804 P	<b>19818</b>	474, 555
6Q0 423 804 P S1	<b>44344</b>	555
6Q0 423 804 P SK	<b>32473</b>	474, 555
6R0 423 804	<b>36509</b>	565
6R0 423 804 A	<b>36509</b>	565
6R0 423 804 A SK	<b>33584</b>	565
6R0 423 804 B	<b>43464</b>	565
6R0 423 804 B SK	<b>33584</b>	565
6R0 423 804 C	<b>43464</b>	565
6R0 423 804 C SK	<b>33584</b>	565
6R0 423 804 C SK	<b>38785</b>	565
6R0 423 804 D	<b>43464</b>	565
6R0 423 804 D SK	<b>33584</b>	565
6R0 423 804 D SK	<b>38785</b>	565
6R0 423 804 SK	<b>33584</b>	565
1K0 423 810 A	<b>26045</b>	461, 463, 465, 471, 527, 544, 573, 575, 577, 581
1K0 423 810 A S3	<b>45761</b>	471
1K0 423 810 A S4	<b>45760</b>	471

**Ref. - No.**


1K0 423 810 A S2	<b>32628</b>	471, 544, 573, 577, 581
1K0 423 810 A S1	<b>32627</b>	471, 544, 573, 577, 581
1S0 423 810 A	<b>38073</b>	591
3C0 423 810 A	<b>26045</b>	461, 463, 465, 471, 527, 544, 573, 575, 577, 581
561 423 810	<b>39358</b>	527, 528, 547
561 423 810 S1	<b>39356</b>	527, 528, 547
561 423 810 S2	<b>39357</b>	527, 528, 547
6C0 423 810 A	<b>46299</b>	559
6C0 423 810 B	<b>46299</b>	559
6C0 423 810 C	<b>46299</b>	559
6Q0 423 810 B	<b>32473</b>	474, 555
6Q0 423 810 C	<b>30820</b>	474, 555
6Q0 423 810 E	<b>32473</b>	474, 555
6Q0 423 810 P	<b>32473</b>	474, 555
6R0 423 810	<b>33584</b>	565
6R0 423 810 A	<b>33584</b>	565
6R0 423 810 B	<b>33584</b>	565
6R0 423 810 C	<b>38785</b>	565
6R0 423 810 D	<b>38785</b>	565
1K0 423 811 A	<b>26096</b>	471, 544, 573, 577, 581
1K0 423 811 C	<b>37593</b>	461, 463, 465, 509, 527, 544, 575, 577, 581
1K0 423 811 C S2	<b>37591</b>	461, 463, 465, 509, 527, 544, 575, 577, 581
1K0 423 811 E	<b>26096</b>	471, 544, 573, 577, 581
1K0 423 811 G	<b>37593</b>	461, 463, 465, 509, 527, 544, 575, 577, 581
1K0 423 811 G S2	<b>37591</b>	461, 463, 465, 509, 527, 544, 575, 577, 581
1K0 423 811 J	<b>26096</b>	471, 544, 573, 577, 581



Ref. - No.

Car  
Division 

Ref. - No.



Ref. - No.



1K0 423 811 K	<b>37593</b>	461, 463, 465, 509, 527, 544, 575, 577, 581
1K0 423 811 K S1	<b>37591</b>	461, 463, 465, 509, 527, 544, 575, 577, 581
3C0 423 811 B	<b>26096</b>	471, 544, 573, 577, 581
6Q0 423 811	<b>19812</b>	474, 555, 557
6Q0 423 811 C SK	<b>30820</b>	474, 555
6RD 423 811 A	<b>19812</b>	474, 555, 557
6RD 423 811 B	<b>19812</b>	474, 555, 557
6R0 423 811	<b>19812</b>	474, 555, 557
6R0 423 811 A S1	<b>39940</b>	565
1K0 423 812 A	<b>26097</b>	471, 544, 573, 577, 581
1K0 423 812 C	<b>37594</b>	461, 463, 465, 509, 527, 544, 575, 577, 581
1K0 423 812 C S2	<b>37592</b>	461, 463, 465, 509, 527, 544, 575, 577, 581
1K0 423 812 E	<b>26097</b>	471, 544, 573, 577, 581
1K0 423 812 G	<b>37594</b>	461, 463, 465, 509, 527, 544, 575, 577, 581
1K0 423 812 G S2	<b>37592</b>	461, 463, 465, 509, 527, 544, 575, 577, 581
1K0 423 812 J	<b>26097</b>	471, 544, 573, 577, 581
1K0 423 812 K	<b>37594</b>	461, 463, 465, 509, 527, 544, 575, 577, 581
1K0 423 812 K S1	<b>37592</b>	461, 463, 465, 509, 527, 544, 575, 577, 581
3C0 423 812 B	<b>26097</b>	471, 544, 573, 577, 581
6Q0 423 812	<b>19814</b>	474, 555, 557
6Q0 423 812 C SK	<b>30820</b>	474, 555
6RD 423 812 A	<b>19814</b>	474, 555, 557

6RD 423 812 B	<b>19814</b>	474, 555, 557
6R0 423 812	<b>19814</b>	474, 555, 557
6R0 423 812 A S1	<b>39941</b>	565
1K0 423 831 A S1	<b>31278</b>	461, 463, 465, 471, 544, 573, 577, 581
5C0 423 831 S1	<b>31278</b>	461, 463, 465, 471, 544, 573, 577, 581
6Q0 423 831	<b>21700</b>	519, 555
6Q0 423 831 D	<b>38622</b>	473
6Q0 423 831 D	<b>38621</b>	473
6Q0 423 831 D S1	<b>38622</b>	473
4D0 425 021	<b>27611</b>	543
4D0 425 021 A	<b>27611</b>	543
4D0 425 021 B	<b>27611</b>	543
4D0 425 021 C	<b>27611</b>	543
4D0 425 021 D	<b>27611</b>	543
701 425 021	<b>27612</b>	585
2E0 498 104	<b>31273</b>	469
2E0 498 104 A	<b>31273</b>	469
2E0 498 104 S1	<b>33078</b>	469
7M3 498 317	<b>24863</b>	574
4B3 498 998	<b>24900</b>	543
4B3 498 998 S1	<b>24902</b>	543
8D0 498 998	<b>21500</b>	543
8D0 498 998 B	<b>26600</b>	543
8D0 498 998 S1	<b>21502</b>	543
701 501 131	<b>36005</b>	740
1K0 501 529 E	<b>32956</b>	710, 713, 715, 717, 721, 727, 729, 731, 735, 739
1K0 501 529 E S1	<b>40439</b>	710, 713, 715, 717, 721, 727, 729, 731, 735, 739
1K0 501 529 F	<b>32956</b>	710, 713, 715, 717, 721, 727, 729, 731, 735, 739
1K0 501 529 F SK	<b>40591</b>	710, 713
1K0 501 529 F S1	<b>40439</b>	710, 713, 715, 717, 721, 727, 729, 731, 735, 739
1K0 501 529 H	<b>32957</b>	710, 713, 715, 717, 721, 727, 729, 731, 735, 739


**Ref. - No.**


1K0 501 529 H	<b>32956</b>	710, 713, 715, 717, 721, 727, 729, 731, 735, 739
1K0 501 529 H SK	<b>40591</b>	710, 713
1K0 501 529 H S1	<b>40438</b>	710, 713, 715, 717, 721, 727, 729, 731, 735, 739
1K0 501 529 H S1	<b>40439</b>	710, 713, 715, 717, 721, 727, 729, 731, 735, 739
1K0 501 529 J	<b>36047</b>	713, 717, 721, 722, 724, 729, 731, 735, 739
1K0 501 529 J S1	<b>40431</b>	713, 717, 721, 722, 724, 729, 731, 735, 739
1K0 501 529 J SK	<b>40591</b>	710, 713
4E0 501 529 C S1	<b>39985</b>	732
4E0 501 529 D S1	<b>39985</b>	732
4E0 501 529 G S1	<b>39985</b>	732
7L0 501 529 C	<b>45861</b>	736
7L0 501 529 D	<b>45861</b>	736
7L8 501 529	<b>45861</b>	736
7L8 501 529 A	<b>45861</b>	736
7L8 501 529 A SK	<b>30983</b>	736
7L8 501 529 A SK	<b>45866</b>	736, 737
1K0 501 530 B	<b>32957</b>	710, 713, 715, 717, 721, 727, 729, 731, 735, 739
1K0 501 530 B S1	<b>40438</b>	710, 713, 715, 717, 721, 727, 729, 731, 735, 739
1K0 501 530 C	<b>32957</b>	710, 713, 715, 717, 721, 727, 729, 731, 735, 739
1K0 501 530 C SK	<b>40591</b>	710, 713
1K0 501 530 C S1	<b>40438</b>	710, 713, 715, 717, 721, 727, 729, 731, 735, 739
7L0 501 537 B	<b>45866</b>	736, 737
7M0 501 541	<b>22988</b>	574, 732
1K0 505 171 B	<b>29690</b>	724, 735
1K0 505 171 C	<b>29690</b>	724, 735

**Ref. - No.**


1K0 505 173 C	<b>29690</b>	724, 735
1K0 505 203 A	<b>29682</b>	710, 713, 724, 733
4E0 505 203 A	<b>33598</b>	732
1K0 505 223 E	<b>38846</b>	713, 715, 717, 721, 722, 724, 729, 731
1K0 505 223 E	<b>38845</b>	713, 715, 717, 721, 722, 724, 729, 731
1K0 505 223 H	<b>38845</b>	713, 715, 717, 721, 722, 724, 729, 731
1K0 505 223 K	<b>38845</b>	713, 715, 717, 721, 722, 724, 729, 731
1K0 505 224 E	<b>38846</b>	713, 715, 717, 721, 722, 724, 729, 731
1K0 505 224 E	<b>38845</b>	713, 715, 717, 721, 722, 724, 729, 731
1K0 505 224 H	<b>38846</b>	713, 715, 717, 721, 722, 724, 729, 731
1K0 505 224 K	<b>38846</b>	713, 715, 717, 721, 722, 724, 729, 731
1K0 505 279 A	<b>29689</b>	710, 713, 724, 733
1K0 505 311 AA	<b>34884</b>	710, 713, 715, 717, 721, 722, 724, 727, 729, 731, 735, 739
1K0 505 311 AA SK	<b>29690</b>	724, 735
1K0 505 311 AB	<b>34884</b>	710, 713, 715, 717, 721, 722, 724, 727, 729, 731, 735, 739
1K0 505 311 AB SK	<b>29690</b>	724, 735
1K0 505 311 AH SK	<b>29690</b>	724, 735
1K0 505 311 H	<b>34884</b>	710, 713, 715, 717, 721, 722, 724, 727, 729, 731, 735, 739
1K0 505 311 S	<b>34884</b>	710, 713, 715, 717, 721, 722, 724, 727, 729, 731, 735, 739
1K0 505 311 S SK	<b>29690</b>	724, 735
7N0 505 311 SK	<b>29690</b>	724, 735
1K0 505 323 D	<b>32453</b>	717, 718, 724, 735
1K0 505 323 D SK	<b>29682</b>	710, 713, 724, 733
1K0 505 323 D SK	<b>29689</b>	710, 713, 724, 733
1K0 505 323 G	<b>32453</b>	717, 718, 724, 735
1K0 505 323 G SK	<b>29682</b>	710, 713, 724, 733
1K0 505 323 G SK	<b>29689</b>	710, 713, 724, 733

Ref. - No.

Car  
Division

Ref. - No.



Ref. - No.



1K0 505 323 H	<b>32453</b>	717, 718, 724, 735
1K0 505 323 H SK	<b>29682</b>	710, 713, 724, 733
1K0 505 323 H SK	<b>29689</b>	710, 713, 724, 733
1K0 505 323 M	<b>32453</b>	717, 718, 724, 735
1K0 505 323 N	<b>32453</b>	717, 718, 724, 735
1K0 505 323 N SK	<b>29689</b>	710, 713, 724, 733
1K0 505 323 N SK	<b>29682</b>	710, 713, 724, 733
1K0 505 323 P	<b>32453</b>	717, 718, 724, 735
4E0 505 323 Q SK	<b>33598</b>	732
5Q0 505 323 C	<b>32453</b>	717, 718, 724, 735
5Q0 505 323 C SK	<b>29689</b>	710, 713, 724, 733
5Q0 505 323 C SK	<b>29682</b>	710, 713, 724, 733
5Q0 505 323 D	<b>32453</b>	717, 718, 724, 735
7L0 505 323 A	<b>39094</b>	736
7L0 505 323 A SK	<b>30982</b>	736
7L0 505 323 A SK	<b>30983</b>	736
7L0 505 375 A	<b>39094</b>	736
7L0 505 397 SK	<b>45866</b>	736, 737
7L0 505 398 SK	<b>45866</b>	736, 737
1K0 505 465 AA S1	<b>29461</b>	710, 713, 718, 724
1K0 505 465 AA	<b>29459</b>	713
1K0 505 465 C	<b>29459</b>	713
1K0 505 465 C S1	<b>29461</b>	710, 713, 718, 724
1K0 505 465 D	<b>29459</b>	713
1K0 505 465 D S1	<b>29461</b>	710, 713, 718, 724
1K0 505 465 H	<b>29459</b>	713
1K0 505 465 H S1	<b>29461</b>	710, 713, 718, 724
1K0 505 465 J	<b>29459</b>	713
1K0 505 465 J S1	<b>29461</b>	710, 713, 718, 724
1K0 505 465 K	<b>29459</b>	713
1K0 505 465 K S1	<b>29461</b>	710, 713, 718, 724
1K0 505 465 L	<b>29459</b>	713
1K0 505 465 L S1	<b>29461</b>	710, 713, 718, 724
1K0 505 465 R	<b>29459</b>	713
1K0 505 465 R S1	<b>29461</b>	710, 713, 718, 724
2K0 505 465 B	<b>27854</b>	707, 708
2K0 505 465 C	<b>27854</b>	707, 708
2K0 505 465 E	<b>27854</b>	707, 708
2K5 505 465 A	<b>27854</b>	707, 708
8E0 505 465 C	<b>27864</b>	725
8E0 505 465 D	<b>27864</b>	725
1J0 505 466 B S1	<b>31842</b>	707, 711
1J0 505 466 C	<b>27866</b>	707, 711

1J0 505 466 C	<b>31843</b>	707, 711
1J0 505 466 C S1	<b>31843</b>	707, 711
1K0 505 543 A	<b>40591</b>	710, 713
4E0 505 547 B	<b>39395</b>	732
4E0 505 547 M	<b>39395</b>	732
4E0 505 548 B	<b>39394</b>	732
4E0 505 548 M	<b>39394</b>	732
1K0 505 553	<b>29938</b>	724, 735
1K0 505 553 A	<b>29938</b>	724, 735
3C0 505 553	<b>29938</b>	724, 735
7L0 505 553	<b>30983</b>	736
7L0 505 554	<b>30982</b>	736
2E0 511 051 F	<b>31429</b>	709
1K0 511 327 AE	<b>23356</b>	717
1K0 511 327 AP	<b>23356</b>	717
1K0 511 327 AP S1	<b>23606</b>	719
1K0 511 327 AQ	<b>32073</b>	717, 727, 739
1K0 511 327 AQ S1	<b>39650</b>	713, 715, 717, 721, 727, 735
1K0 511 327 AR	<b>23358</b>	710, 713, 717, 718, 727, 735
1K0 511 327 AR S1	<b>39648</b>	713, 715, 717, 722, 727, 731, 735, 739
1K0 511 327 AS S1	<b>39649</b>	710, 713, 715, 717, 727, 729, 731, 735, 739
1K0 511 327 AS	<b>32625</b>	717, 722, 727, 735
8D0 511 327 C	<b>38769</b>	707
2D0 511 413	<b>07200</b>	469
2D0 511 413 C	<b>36130</b>	709
2E0 511 413 G	<b>38536</b>	709
2E0 511 413 M	<b>45856</b>	709
2K0 511 413 A S1	<b>44860</b>	707, 708
2K0 511 413 C S1	<b>44860</b>	707, 708
2K0 511 413 D S1	<b>44860</b>	707, 708
7M0 511 413 B	<b>39460</b>	732
7P0 511 413 A	<b>39193</b>	737
7H5 511 414	<b>26541</b>	740
1K0 511 439 E	<b>23604</b>	710
2E0 713 410	<b>30706</b>	469
2E0 713 491	<b>30706</b>	469
2E0 713 491 SK	<b>30706</b>	469
2E0 713 491 S1	<b>33078</b>	469



Ref. - No.



2E0 713 501	<b>31273</b>	469
<b>VOLVO</b>		
1205658	<b>12077</b>	598, 603, 607, 635
1205680	<b>23150</b>	597, 599
1205680 S1	<b>23151</b>	597, 599
1205686	<b>23152</b>	597, 599
1205686 S1	<b>23153</b>	597, 599
1205811	<b>12076</b>	597
1205825	<b>08014</b>	597, 599
1205991	<b>18917</b>	597, 599, 604, 609
1206667	<b>15727</b>	597, 599
1206667 S1	<b>15728</b>	597, 599
1228425	<b>14000</b>	598
1228800	<b>14756</b>	599
1229165	<b>04229</b>	741
1229297	<b>05216</b>	604, 609
1229391	<b>17596</b>	604, 609
1229573	<b>12718</b>	604, 609, 635
1229628	<b>04229</b>	741
1229636	<b>22941</b>	743, 745
1229715	<b>05215</b>	741, 743, 745, 754
1273126	<b>12723</b>	603
1273136	<b>12076</b>	597
1273139	<b>14755</b>	599
1273140	<b>14756</b>	599
1273143	<b>14755</b>	599
1273235	<b>22939</b>	604, 605, 609
1273622	<b>01860</b>	741
1273628	<b>22941</b>	743, 745
1273778	<b>08946</b>	597, 599
1273819	<b>12718</b>	604, 609, 635
1329655	<b>05217</b>	604, 609
1330427	<b>05214</b>	741, 743, 745, 754
1330819	<b>12076</b>	597
1330820	<b>14756</b>	599
1330821	<b>14755</b>	599
1330973	<b>05215</b>	741, 743, 745, 754
1359347	<b>12723</b>	603
1359590	<b>12718</b>	604, 609, 635
1359599	<b>05216</b>	604, 609
1359812	<b>08945</b>	597, 599
1387356	<b>12719</b>	603, 607

Ref. - No.



1387451	<b>15459</b>	598
1387463	<b>12729</b>	603, 607, 635
1387860	<b>14300</b>	606, 613, 625
270475 S1	<b>22528</b>	603, 607
270477	<b>12718</b>	604, 609, 635
270597 SK	<b>18770</b>	598, 605, 607, 635
271389	<b>12719</b>	603, 607
271469	<b>22592</b>	603, 605
271470	<b>22590</b>	603, 605
271554	<b>22592</b>	603, 605
271555	<b>22590</b>	603, 605
271591	<b>14758</b>	606
271598	<b>12747</b>	605, 607, 613, 625, 635
271598 S1	<b>40567</b>	605, 613, 625
271598 S2	<b>40569</b>	613, 625
271599	<b>12748</b>	605, 607, 613, 625, 635
271599 S1	<b>40568</b>	605, 613, 625
271599 S2	<b>40570</b>	613, 625
271601 SK	<b>22557</b>	605, 613, 625
271628	<b>14759</b>	606, 625
271629	<b>14760</b>	606, 625
271631	<b>15426</b>	606, 625
271699	<b>22549</b>	607
271700	<b>22549</b>	607
271701	<b>23173</b>	607
271901	<b>14759</b>	606, 625
271902	<b>14760</b>	606, 625
272273	<b>15151</b>	606, 625
272336	<b>15151</b>	606, 625
272337	<b>15152</b>	606, 625
272416	<b>21566</b>	633
272417	<b>21567</b>	633
272418	<b>21603</b>	621, 629, 631, 633
272428	<b>21453</b>	633
272991	<b>14301</b>	609, 635
274117	<b>12076</b>	597
274118	<b>14755</b>	599
274119	<b>14756</b>	599
274175	<b>21414</b>	621, 629, 631, 633
274175 S1	<b>40555</b>	621, 629, 631
274175 S2	<b>40557</b>	621, 629, 631

Ref. - No.

Car  
Division

Ref. - No.



Ref. - No.



274176	<b>21415</b>	621, 629, 631, 633
274176 S1	<b>40556</b>	621, 629, 631
274176 S2	<b>40558</b>	621, 629, 631
274179	<b>23019</b>	621, 629, 631, 633
274179 S1	<b>40557</b>	621, 629, 631
274179 S2	<b>40558</b>	621, 629, 631
274186	<b>23343</b>	621, 629, 631, 633
274193	<b>23343</b>	621, 629, 631, 633
274224	<b>21565</b>	617
274224 S1	<b>40501</b>	617
274224 S2	<b>40502</b>	617
274225	<b>21563</b>	617
274226	<b>21564</b>	617
274303	<b>19379</b>	621, 629, 631, 633, 637
274351	<b>29604</b>	637
274352	<b>29605</b>	637
274353	<b>23031</b>	621, 629, 631, 633, 637
274353 S1	<b>40555</b>	621, 629, 631
274353 S2	<b>40556</b>	621, 629, 631
274377	<b>36715</b>	621, 629, 631, 637
274456	<b>19379</b>	621, 629, 631, 633, 637
274496	<b>21414</b>	621, 629, 631, 633
274496 S1	<b>40555</b>	621, 629, 631
274496 S2	<b>40557</b>	621, 629, 631
274497	<b>21415</b>	621, 629, 631, 633
274497 S1	<b>40556</b>	621, 629, 631
274497 S2	<b>40558</b>	621, 629, 631
274498	<b>29604</b>	637
274499	<b>29605</b>	637
274500	<b>29224</b>	611, 615, 619
274500	<b>29223</b>	611, 615, 619
274501	<b>29223</b>	611, 615, 619
274501	<b>29224</b>	611, 615, 619
274502	<b>28542</b>	611, 615, 619
274523	<b>36715</b>	621, 629, 631, 637
274524	<b>23343</b>	621, 629, 631, 633
274544	<b>23343</b>	621, 629, 631, 633
274548	<b>23343</b>	621, 629, 631, 633
274573	<b>36715</b>	621, 629, 631, 637
2772274	<b>15152</b>	606, 625

30620785	<b>23131</b>	746
30620786	<b>23147</b>	746
30620989 S1	<b>39333</b>	617
30620990 S1	<b>39333</b>	617
30635227	<b>23347</b>	633
30635228	<b>23349</b>	633
30635229	<b>23351</b>	621, 629
30635230	<b>23353</b>	621, 629
30635231	<b>32511</b>	631
30635232	<b>32512</b>	631
30639368	<b>31266</b>	637
30639780	<b>31285</b>	637
30639781	<b>31286</b>	637
30645845	<b>31285</b>	637
30645846	<b>31286</b>	637
30645847	<b>31267</b>	637
30647920	<b>19664</b>	748, 751, 753, 755
30648461	<b>27897</b>	623, 632, 634, 636
30666266	<b>38978</b>	611, 615, 619
30666300	<b>24211</b>	747
30666300 S1	<b>30000</b>	747
30678440 SK3	<b>32418</b>	611, 615, 619
30681487	<b>38843</b>	636
30681487 SK	<b>38912</b>	632, 636
30681488	<b>38844</b>	636
30681488 SK	<b>38912</b>	632, 636
30681614	<b>31285</b>	637
30681615	<b>31286</b>	637
30683067	<b>24211</b>	747
30683067 S1	<b>30000</b>	747
30683232	<b>27299</b>	747
30683248	<b>39943</b>	632
30683249	<b>39944</b>	632
30714422	<b>28095</b>	615, 619
30714466	<b>27299</b>	747
30714678	<b>19664</b>	748, 751, 753, 755
30714685	<b>19379</b>	621, 629, 631, 633, 637
30714686	<b>14300</b>	606, 613, 625
30714977	<b>29617</b>	621, 629, 631, 633
30730829	<b>28095</b>	615, 619
30730830	<b>28096</b>	615, 619
30736864	<b>36733</b>	749, 752, 754


**Ref. - No.**


30736864 S1	<b>43406</b>	749, 752, 754
30748230	<b>28096</b>	615, 619
30748231	<b>28095</b>	615, 619
30748803	<b>44308</b>	611, 619
30760069	<b>36733</b>	749, 752, 754
30760069 S1	<b>43406</b>	749, 752, 754
30760279	<b>31846</b>	611, 615, 619
30760279 SK	<b>30380</b>	611, 615, 619
30760280	<b>31845</b>	611, 615, 619
30760280 SK	<b>30380</b>	611, 615, 619
30760678	<b>30830</b>	749, 752, 754, 755
30760720	<b>34583</b>	623, 632, 634
30760806	<b>29604</b>	637
30760807	<b>29605</b>	637
30761718	<b>21415</b>	621, 629, 631, 633
30761718 S1	<b>40556</b>	621, 629, 631
30761718 S2	<b>40558</b>	621, 629, 631
30761719	<b>21414</b>	621, 629, 631, 633
30761719 S1	<b>40555</b>	621, 629, 631
30761719 S2	<b>40557</b>	621, 629, 631
30776248	<b>38866</b>	623, 632, 634, 636
30776249	<b>38865</b>	623, 632, 634, 636
30776250 SK1	<b>34384</b>	623, 632, 634
30776250 SK2	<b>34371</b>	622, 623, 632, 634
30776251	<b>34293</b>	623, 632, 634, 636
30776252	<b>39833</b>	622, 623, 630, 631, 632, 634, 636
30776255 SK	<b>36825</b>	623, 632, 634
30776283	<b>28542</b>	611, 615, 619
30776323	<b>29604</b>	637
30776324	<b>29605</b>	637
30776425 SK	<b>36825</b>	623, 632, 634
30818091	<b>23131</b>	746
30818092	<b>23131</b>	746
30818096 S1	<b>29377</b>	746
30818097 S1	<b>29377</b>	746
30818467	<b>15401</b>	617
30821650	<b>19673</b>	617
30821650 S1	<b>28200</b>	617
30821651	<b>19674</b>	617
30821651 S1	<b>28200</b>	617
30852103	<b>19399</b>	746
30852103 S1	<b>26867</b>	746

**Ref. - No.**


30863990	<b>28200</b>	617
30864208	<b>19673</b>	617
30864208 S1	<b>28200</b>	617
30864209	<b>19674</b>	617
30864209 S1	<b>28200</b>	617
30870695	<b>15402</b>	617
30871770	<b>15677</b>	617
30872510	<b>26862</b>	617
30872511	<b>26863</b>	617
30873100	<b>15677</b>	617
30875012	<b>15402</b>	617
30875012 S1	<b>40500</b>	617
30883988	<b>19673</b>	617
30883988 S1	<b>28200</b>	617
30883989	<b>19674</b>	617
30883989 S1	<b>28200</b>	617
30884179	<b>22390</b>	617
30884358	<b>15677</b>	617
30884359	<b>19399</b>	746
30884359 S1	<b>26867</b>	746
30884360	<b>23147</b>	746
30887025	<b>19673</b>	617
30887025 S1	<b>28200</b>	617
30887033	<b>19674</b>	617
30887033 S1	<b>28200</b>	617
30887469	<b>19673</b>	617
30887469 S1	<b>28200</b>	617
30887470	<b>19674</b>	617
30887470 S1	<b>28200</b>	617
30887653	<b>22740</b>	617
30887654	<b>22741</b>	617
30889962	<b>19673</b>	617
30889962 S1	<b>28200</b>	617
30889963	<b>19674</b>	617
30889963 S1	<b>28200</b>	617
31200448	<b>34583</b>	623, 632, 634
31200563	<b>34583</b>	623, 632, 634
31200775	<b>34584</b>	623, 632, 634
31200775 SK	<b>32163</b>	623, 632, 634
31200776	<b>34583</b>	623, 632, 634
31200776 SK	<b>32163</b>	623, 632, 634
31201003	<b>31267</b>	637
31201004	<b>31285</b>	637

Ref. - No.

Car  
Division 

Ref. - No.



Ref. - No.



31201005	<b>31286</b>	637
31201180	<b>31846</b>	611, 615, 619
31201180 SK	<b>30380</b>	611, 615, 619
31201181	<b>31845</b>	611, 615, 619
31201181 SK	<b>30380</b>	611, 615, 619
31201228	<b>29604</b>	637
31201229	<b>29605</b>	637
31201412	<b>29224</b>	611, 615, 619
31201413	<b>29223</b>	611, 615, 619
31201485	<b>36715</b>	621, 629, 631, 637
31201602	<b>19379</b>	621, 629, 631, 633, 637
31201603	<b>19664</b>	748, 751, 753, 755
31201817	<b>28542</b>	611, 615, 619
31202228	<b>39943</b>	632
31202229	<b>39944</b>	632
31212191	<b>29617</b>	621, 629, 631, 633
31212503	<b>23047</b>	747
31212503 S1	<b>30004</b>	747
31212548	<b>27299</b>	747
31212692	<b>19379</b>	621, 629, 631, 633, 637
31212730	<b>14300</b>	606, 613, 625
31212781	<b>34584</b>	623, 632, 634
31212781 SK	<b>32163</b>	623, 632, 634
31212782	<b>34583</b>	623, 632, 634
31212782 SK	<b>32163</b>	623, 632, 634
31212979	<b>28095</b>	615, 619
31212979 SK1	<b>24849</b>	615, 619
31212980	<b>28096</b>	615, 619
31212980 SK1	<b>24849</b>	615, 619
31262037	<b>31846</b>	611, 615, 619
31262037 SK	<b>30380</b>	611, 615, 619
31262039	<b>31845</b>	611, 615, 619
31262039 SK	<b>30380</b>	611, 615, 619
31262127	<b>36733</b>	749, 752, 754
31262127 S1	<b>43406</b>	749, 752, 754
31262930	<b>36733</b>	749, 752, 754
31262930 S1	<b>43406</b>	749, 752, 754
31277305	<b>23047</b>	747
31277305 S1	<b>30004</b>	747
31277343	<b>34583</b>	623, 632, 634
31277343 SK	<b>32163</b>	623, 632, 634

31277344	<b>34584</b>	623, 632, 634
31277344 SK	<b>32163</b>	623, 632, 634
31277345	<b>39943</b>	632
31277345 SK	<b>38912</b>	632, 636
31277346	<b>39944</b>	632
31277346 SK	<b>38912</b>	632, 636
31277462	<b>31846</b>	611, 615, 619
31277462 SK	<b>30380</b>	611, 615, 619
31277462 SK2	<b>27912</b>	611, 615, 619
31277462 SK3	<b>32418</b>	611, 615, 619
31277462 S1	<b>40626</b>	611, 615, 619
31277463	<b>31845</b>	611, 615, 619
31277463 SK	<b>30380</b>	611, 615, 619
31277463 SK2	<b>27912</b>	611, 615, 619
31277463 SK3	<b>32418</b>	611, 615, 619
31277463 S1	<b>40625</b>	611, 615, 619
31277464	<b>28095</b>	615, 619
31277464 SK1	<b>24849</b>	615, 619
31277464 SK2	<b>27912</b>	611, 615, 619
31277464 SK3	<b>32418</b>	611, 615, 619
31277464 S1	<b>40623</b>	615, 619
31277465	<b>28096</b>	615, 619
31277465 SK1	<b>24849</b>	615, 619
31277465 SK2	<b>27912</b>	611, 615, 619
31277465 SK3	<b>32418</b>	611, 615, 619
31277465 S4	<b>40624</b>	615, 619
31277525	<b>38843</b>	636
31277525 SK	<b>38912</b>	632, 636
31277526	<b>38844</b>	636
31277526 SK	<b>38912</b>	632, 636
31277652	<b>22408</b>	611, 615, 619, 626, 627
31277893	<b>22756</b>	748, 751, 753
31277899	<b>22755</b>	748, 751, 753
31280000	<b>38865</b>	623, 632, 634, 636
31280001	<b>38866</b>	623, 632, 634, 636
31280002 SK1	<b>34384</b>	623, 632, 634
31280002 SK2	<b>34371</b>	622, 623, 632, 634
31280408 SK	<b>34160</b>	623, 636
31280409	<b>34294</b>	622, 623, 636
31280409 SK	<b>33872</b>	623, 636
31280658 SK1	<b>34384</b>	623, 632, 634
31280658 SK2	<b>34371</b>	622, 623, 632, 634


**Ref. - No.**


31302344	<b>38865</b>	623, 632, 634, 636
31302345	<b>38866</b>	623, 632, 634, 636
31304040	<b>31267</b>	637
31317271 S1	<b>37261</b>	750
31317661	<b>34583</b>	623, 632, 634
31317661 SK	<b>32163</b>	623, 632, 634
31317661 SK1	<b>36962</b>	623, 632, 634, 636
31317662	<b>34584</b>	623, 632, 634
31317662 SK	<b>32163</b>	623, 632, 634
31317662 SK1	<b>36962</b>	623, 632, 634, 636
31317663	<b>39943</b>	632
31317663 SK	<b>38912</b>	632, 636
31317664	<b>39944</b>	632
31317664 SK	<b>38912</b>	632, 636
31317665	<b>38843</b>	636
31317665 SK	<b>38912</b>	632, 636
31317666	<b>38844</b>	636
31317666 SK	<b>38912</b>	632, 636
31317779	<b>38814</b>	626, 627
31340273	<b>22408</b>	611, 615, 619, 626, 627
31387571	<b>36963</b>	623, 632, 634, 636
31387572	<b>36964</b>	623, 632, 634, 636
3211955	<b>04452</b>	600
3211956	<b>14757</b>	600
3265974	<b>04452</b>	600
3268631	<b>14757</b>	600
3268834	<b>22537</b>	600, 601
3268835	<b>22558</b>	600, 601
3270523	<b>12730</b>	601, 602
3342824	<b>12727</b>	601, 602
3342893 S1	<b>22561</b>	601, 602
3343234	<b>12720</b>	601, 602
3343641	<b>22537</b>	600, 601
3343642	<b>22558</b>	600, 601
3345796	<b>22533</b>	617
3345797	<b>15403</b>	617
3345797 S1	<b>40500</b>	617
3410364	<b>12720</b>	601, 602
3410369	<b>12728</b>	601
3410412	<b>12727</b>	601, 602
3410519	<b>12730</b>	601, 602
3411022	<b>22558</b>	600, 601

**Ref. - No.**


3416129	<b>15725</b>	601, 602
3416130	<b>15726</b>	601, 602
3434868	<b>22371</b>	742
3448334	<b>12720</b>	601, 602
3465482	<b>12730</b>	601, 602
3467713	<b>15725</b>	601, 602
3467714	<b>15726</b>	601, 602
3480012	<b>12720</b>	601, 602
3516122	<b>30944</b>	744
3516944	<b>12077</b>	598, 603, 607, 635
3524221	<b>29617</b>	621, 629, 631, 633
3530202	<b>28614</b>	744, 745, 746, 749
3530230	<b>17596</b>	604, 609
3530388	<b>22939</b>	604, 605, 609
3546266	<b>12726</b>	605, 613, 625
3546266 S1	<b>40567</b>	605, 613, 625
3546266 S2	<b>40568</b>	605, 613, 625
3546267	<b>12747</b>	605, 607, 613, 625, 635
3546267 S1	<b>40567</b>	605, 613, 625
3546267 S2	<b>40569</b>	613, 625
3546268	<b>12748</b>	605, 607, 613, 625, 635
3546268 S1	<b>40568</b>	605, 613, 625
3546268 S2	<b>40570</b>	613, 625
3546524	<b>14758</b>	606
410369	<b>12728</b>	601
410519	<b>12730</b>	601, 602
675807	<b>05214</b>	741, 743, 745, 754
6819057	<b>14891</b>	609, 744
6819253	<b>14301</b>	609, 635
6819287	<b>17771</b>	609, 635
6819454	<b>22991</b>	607
6819455	<b>22990</b>	607
6819537	<b>15408</b>	609, 635
8623576	<b>22408</b>	611, 615, 619, 626, 627
8623955	<b>23347</b>	633
8623956	<b>23349</b>	633
8626031	<b>14300</b>	606, 613, 625
8628495	<b>14759</b>	606, 625
8628496	<b>14760</b>	606, 625
8628497	<b>15151</b>	606, 625






**Ref. - No.**


<b>01118</b>	251 419 081	583
<b>01121</b>	1H0 419 803	479, 593
<b>01127</b>	1H0 419 804	479, 593
<b>01128</b>	251 419 831 A	583
<b>01138</b>	701 419 831	585, 587
<b>01146</b>	1H0 422 803 B	467, 479, 481, 593, 595
<b>01147</b>	1H0 422 804 B	467, 479, 481, 593, 595
<b>01150</b>	171 407 365 G S1	158
<b>01150</b>	171 407 365 F S1	457, 476, 571
<b>01158</b>	191 407 365 S1	478
<b>01163</b>	191 422 803 A	244, 256, 279
<b>01163</b>	191 422 803 A	477
<b>01169</b>	191 422 804 A	244, 256, 279
<b>01169</b>	191 422 804 A	477
<b>01375</b>	191 419 063 C	244, 256, 278
<b>01375</b>	191 419 063 C	477, 479, 593
<b>01521</b>	855 407 365 A	532, 534, 569
<b>01522</b>	855 407 366 A	532, 534, 569
<b>01529</b>	251 407 183	584
<b>01530</b>	251 407 179	584
<b>01793</b>	311 405 361 B	590
<b>01794</b>	311 405 371 C	590
<b>01800</b>	1H0 407 151	480, 594
<b>01831</b>	0322 168	74
<b>01831</b>	90510650	433
<b>01837</b>	0352 348	36, 46, 83, 85
<b>01837</b>	90268463	395, 406, 411, 415
<b>01838</b>	0352 300	36, 37, 46, 83, 85
<b>01838</b>	90373778	395, 397, 406, 411, 415
<b>01852</b>	0322 194	74
<b>01852</b>	93169261	433
<b>01854</b>	0324 155	74
<b>01854</b>	93169283	433
<b>01855</b>	0322 179	74
<b>01855</b>	90510653	433
<b>01860</b>	1273622	741
<b>01880</b>	6N0 407 151 B	241
<b>01880</b>	6N0 407 151 B	551
<b>01995</b>	0352 135	73, 77
<b>01995</b>	90288387	408, 436


**Ref. - No.**


<b>02007</b>	0352 136	73, 77
<b>02007</b>	90288388	408, 436
<b>02008</b>	0352 301	50, 51, 79, 80
<b>02008</b>	90445097	416, 417, 438, 439
<b>02014</b>	0352 327	49
<b>02014</b>	90170152	432
<b>02015</b>	0352 356	37, 46, 83, 85
<b>02015</b>	90495046	397, 406, 411, 415
<b>02042</b>	1603 453 SK	50, 51, 79, 80
<b>02042</b>	93192445 SK	416, 417, 438, 439
<b>02043</b>	0322 158	50, 51, 79, 80
<b>02043</b>	26032284	416, 417, 438, 439
<b>02045</b>	0352 003	50, 79
<b>02045</b>	90511260	416, 438
<b>02046</b>	0352 002	50, 79
<b>02046</b>	90511261	416, 438
<b>02051</b>	1603 187	49, 50, 79
<b>02051</b>	90444294	416, 432, 438
<b>02070</b>	0352 357	86
<b>02070</b>	45 66 899	226
<b>02070</b>	90468636	441
<b>02106</b>	251 407 361	584
<b>02107</b>	251 407 187	584
<b>02128</b>	0352 358	86
<b>02128</b>	90468638	441
<b>02145</b>	191 419 804	244, 256, 278
<b>02145</b>	191 419 804	477
<b>02146</b>	191 419 803	244, 256, 278
<b>02146</b>	191 419 803	477
<b>02147</b>	251 419 803	583
<b>02183</b>	0352 303	74
<b>02183</b>	09156605	434
<b>02223</b>	0352 355	73, 77
<b>02223</b>	90373854	408, 436
<b>02234</b>	811 419 812	529, 530, 531, 549, 566
<b>02236</b>	871 419 801 A	549
<b>02237</b>	871 419 802	549
<b>02238</b>	191 419 812	244, 245, 256, 257, 264, 278, 279, 281



Ref. - No.

Car  
Division

Ref. - No.



Ref. - No.



<b>02238</b>	191 419 812	458, 466, 467, 477, 478, 479, 481, 535, 537, 539, 561, 593, 595
<b>02240</b>	171 419 810	456, 475, 570
<b>02243</b>	823 407 365 C	529
<b>02244</b>	823 407 365 E	529, 530, 532, 534, 567, 568
<b>02263</b>	0352 302	74
<b>02263</b>	90576775	434
<b>02266</b>	811 419 801 E	530, 531, 566
<b>02267</b>	811 419 802 J	530, 531, 566
<b>02268</b>	811 419 812 A	530, 531, 533, 566
<b>02271</b>	0352 800	39, 41, 65, 74, 86, 91, 93
<b>02271</b>	90512982	399, 401, 427, 434, 441, 447, 449
<b>02287</b>	251 419 810	583
<b>02395</b>	701 407 077 A	586, 588
<b>02408</b>	171 407 365 C S1	158
<b>02408</b>	171 407 365 C S1	476, 571
<b>02536</b>	171 419 832 C	158
<b>02536</b>	171 419 832 C	456, 475, 570
<b>02537</b>	171 419 831 C	158
<b>02537</b>	191 419 831	244, 256, 278
<b>02537</b>	191 419 831	456, 475, 477, 479, 535, 570, 593
<b>02620</b>	1603 164	60, 62
<b>02620</b>	90272683	393
<b>02624</b>	0322 149	49
<b>02624</b>	26010028	432
<b>02625</b>	1603 645	49, 50, 53, 79, 81
<b>02625</b>	451 338 01 37 SK1	323
<b>02625</b>	93192419	416, 419, 432, 438, 440
<b>02629</b>	0322 575	33, 59, 60, 61
<b>02629</b>	90105358	392
<b>02633</b>	0322 125	33, 61
<b>02633</b>	90125567	392
<b>02634</b>	0322 126	33, 61
<b>02634</b>	90125568	392
<b>02635</b>	0324 039	33, 61
<b>02635</b>	90140007	392

<b>02636</b>	0324 038	33, 61
<b>02636</b>	90140006	392
<b>02642</b>	0324 044	48, 71, 75, 76
<b>02642</b>	90188427	435
<b>02643</b>	0324 045	48, 71, 75, 76
<b>02643</b>	90188428	435
<b>02672</b>	0352 043	49
<b>02672</b>	90166390	432
<b>02673</b>	0352 044	49
<b>02673</b>	90166391	432
<b>02719</b>	0902 826	49
<b>02719</b>	07840451	432
<b>02757</b>	867 411 313	549
<b>02761</b>	0902 828 S1	33, 59, 60, 61, 82, 84
<b>02761</b>	90345195 S1	392, 412, 413
<b>02765</b>	171 411 313	476, 571
<b>02766</b>	171 411 314 A	476, 571
<b>02818</b>	191 407 151 B	243, 247, 255, 258, 264, 277, 280
<b>02818</b>	191 407 151 B	459, 466, 478, 563
<b>02903</b>	191 419 883	244, 256, 278
<b>02903</b>	191 419 883	477, 479, 593
<b>02912</b>	5352 000	37, 46, 83, 85
<b>02912</b>	90495104	397, 406, 411, 415
<b>02915</b>	5352 001	37, 46, 83, 85
<b>02915</b>	90495103	397, 406, 411, 415
<b>02942</b>	357 407 365	243, 247, 255, 258, 264, 277, 280
<b>02942</b>	357 407 365	459, 466, 478, 480, 536, 538, 563, 594
<b>02967</b>	0350 113	62
<b>02967</b>	90235058	393
<b>03091</b>	0352 341	73, 77
<b>03091</b>	90279193	408, 436
<b>03094</b>	0350 112	62
<b>03094</b>	90216574	393
<b>03140</b>	0352 330	62
<b>03140</b>	90193117	393
<b>03141</b>	0352 349	60, 62
<b>03141</b>	90335966	393
<b>03142</b>	0352 335	60, 62
<b>03142</b>	90235040	393


**Ref. - No.**


<b>03143</b>	0352 338	62
<b>03143</b>	90235041	393
<b>03180</b>	0902 828	33, 59, 60, 61, 82, 84
<b>03180</b>	90345195	392, 412, 413
<b>03206</b>	1603 147	48, 71, 75, 76
<b>03206</b>	90009369	435, 444
<b>03207</b>	1603 148	60, 62
<b>03207</b>	90009367	393
<b>03211</b>	1603 149	34
<b>03211</b>	90009368	409
<b>03212</b>	0350 153	34, 36, 37, 46, 48, 59, 60, 62, 63, 71, 75, 76, 83, 85
<b>03212</b>	42 46 112	224, 229
<b>03212</b>	02875013	393, 395, 397, 406, 409, 411, 415, 435, 444
<b>03318</b>	861 419 831 B S1	549
<b>03319</b>	861 419 831 B	549
<b>03461</b>	823 411 313 A	529, 530, 532, 534, 567, 568
<b>03544</b>	191 407 190 A	466, 468, 478, 480, 482, 507, 508, 536, 538, 540, 563, 594, 596
<b>03546</b>	191 407 153 A S3	242, 243, 246, 247, 254, 255, 276, 277
<b>03546</b>	191 407 153 A S3	459
<b>03548</b>	357 407 365 S1	243, 247, 255, 258, 264, 277, 280
<b>03548</b>	357 407 365 S1	459, 466, 478, 480, 536, 538, 563, 594
<b>03583</b>	191 419 811	244, 245, 256, 257, 264, 278, 279, 281
<b>03583</b>	191 419 811	458, 466, 467, 477, 478, 479, 481, 535, 537, 539, 561, 593, 595
<b>03607</b>	861 407 151 B	549
<b>03883</b>	0350 609	73, 74, 77
<b>03883</b>	90445137	408, 434, 436
<b>03885</b>	0350 116	73, 77


**Ref. - No.**


<b>03885</b>	90278624	408, 436
<b>04229</b>	1229165	741
<b>04250</b>	0350 078	36, 37, 46, 83, 85
<b>04250</b>	90447867	395, 397, 406, 411, 415
<b>04275</b>	0350 602	48, 71, 75, 76
<b>04275</b>	90236577	435, 444
<b>04390</b>	0423 313	644, 645, 646, 647, 649
<b>04390</b>	90223456	699, 700, 701, 702, 703
<b>04402</b>	0423 315	645, 646, 647
<b>04402</b>	90334925	700, 702, 703
<b>04407</b>	0423 316	650
<b>04407</b>	90496686	705
<b>04443</b>	0444 153	644, 645, 646, 647, 649, 650
<b>04443</b>	90373771	699, 700, 701, 702, 703, 705
<b>04451</b>	171 419 804	456, 475, 570
<b>04452</b>	944 347 333 00	158
<b>04452</b>	3211955	600
<b>04452</b>	171 419 812	456, 475, 570, 583
<b>04453</b>	171 407 365 F	158
<b>04453</b>	171 407 365 F	457, 476, 571
<b>04913</b>	701 407 183	586, 588
<b>04936</b>	6N0 407 365	241
<b>04936</b>	6N0 407 365	521, 551, 553
<b>04944</b>	6N0 407 365 A	241
<b>04944</b>	6N0 407 365 A	521, 551, 553
<b>05027</b>	701 407 087	586, 588
<b>05067</b>	1H0 422 831 B	244, 245, 256, 257, 264, 279, 281
<b>05067</b>	1H0 422 831 B	458, 466, 467, 475, 477, 479, 481, 537, 539, 561, 570, 593, 595
<b>05170</b>	1603 167	34, 36, 37, 46, 83, 85
<b>05170</b>	90297863	395, 397, 406, 411, 415
<b>05191</b>	0322 173	72, 77
<b>05191</b>	90510641	407, 436



Ref. - No.

Car Division



Ref. - No.



Ref. - No.



<b>05193</b>	0322 174	72, 77
<b>05193</b>	90510642	407, 436
<b>05194</b>	0352 827	73, 77
<b>05194</b>	90272195	408, 436
<b>05195</b>	0352 826	73, 77
<b>05195</b>	90272194	408, 436
<b>05198</b>	0322 147	35, 45, 82, 84
<b>05198</b>	42 42 673	224, 229
<b>05198</b>	90373521	394, 396, 405, 412, 413
<b>05199</b>	0322 146	35, 45, 82, 84
<b>05199</b>	42 42 681	224, 229
<b>05199</b>	90373522	394, 396, 405, 412, 413
<b>05200</b>	0324 056	35, 45, 82, 84
<b>05200</b>	42 42 756	224, 229
<b>05200</b>	90369705	394, 396, 405, 412, 413
<b>05201</b>	0324 055	35, 45, 82, 84
<b>05201</b>	42 42 749	224, 229
<b>05201</b>	90369704	394, 396, 405, 412, 413
<b>05202</b>	0322 577	35, 45, 82, 84
<b>05202</b>	42 42 731	224, 229
<b>05202</b>	90373523	394, 396, 405, 412, 413
<b>05214</b>	1330427	741, 743, 745, 754
<b>05215</b>	1330973	741, 743, 745, 754
<b>05216</b>	1359599	604, 609
<b>05217</b>	1329655	604, 609
<b>05290</b>	7D0 407 183	588
<b>06157</b>	5352 014	62
<b>06157</b>	90375505	393
<b>06158</b>	0352 172	62
<b>06158</b>	90375506	393
<b>06191</b>	0322 176	72, 77
<b>06191</b>	90510644	407, 436
<b>06192</b>	0322 172	72, 74, 77
<b>06192</b>	90510640	407, 433, 436
<b>06193</b>	0322 171	72, 74, 77
<b>06193</b>	90510639	407, 433, 436
<b>06194</b>	0322 175	72, 77
<b>06194</b>	90510643	407, 436

<b>06195</b>	0322 148	72, 77
<b>06195</b>	90392553	407, 436
<b>06196</b>	0322 145	72, 77
<b>06196</b>	90369125	436
<b>06524</b>	171 407 153 D	158
<b>06524</b>	171 407 153 D	457, 476, 571
<b>06559</b>	171 407 181 A	457, 476, 571
<b>06561</b>	171 407 182 D	158
<b>06561</b>	171 407 182 D	457, 476, 571
<b>06766</b>	251 407 175	584
<b>06933</b>	77 01 464 037 S1	170
<b>06934</b>	77 01 464 015	169
<b>06935</b>	77 01 461 141	163, 169, 179, 180, 206
<b>06936</b>	60 00 030 047	167
<b>06937</b>	60 00 030 048	167
<b>06938</b>	77 00 794 386	174
<b>06942</b>	77 00 794 387	174
<b>06943</b>	82 00 737 134	167, 197
<b>06947</b>	82 00 737 135	167, 197
<b>06952</b>	54501-00QAH S2	6, 14
<b>06952</b>	77 01 468 883 S2	163, 164, 167, 169, 174, 176, 184, 197, 206, 211, 214
<b>06953</b>	77 01 467 235 S1	167
<b>06956</b>	77 01 467 237 S1	167
<b>06957</b>	77 01 467 271	173
<b>06958</b>	77 01 467 272	173
<b>06964</b>	60 00 030 065	173
<b>06966</b>	60 00 030 064	173
<b>06968</b>	77 01 469 230	170
<b>07059</b>	6N0 407 181	241
<b>07059</b>	6N0 407 181	521, 551, 553
<b>07153</b>	171 407 365 C	158
<b>07153</b>	171 407 365 C	476, 571
<b>07192</b>	0352 192	36, 46, 83, 85
<b>07192</b>	90495160	395, 406, 411, 415
<b>07195</b>	0352 193	36, 46, 83, 85
<b>07195</b>	90495159	395, 406, 411, 415
<b>07200</b>	2D0 511 413	469
<b>07557</b>	811 407 181 A	530, 532, 534, 567, 568
<b>07558</b>	857 407 181	532, 534, 569


**Ref. - No.**


<b>07590</b>	251 407 077	584
<b>07701</b>	861 407 183	549
<b>07706</b>	0350 260	36, 37, 46, 83, 85
<b>07706</b>	90278579	395, 397, 406, 411, 415
<b>07729</b>	0350 261	36, 37, 83, 85
<b>07729</b>	90278577	395, 397, 411, 415
<b>07847</b>	191 407 181 D	243, 247, 255, 258, 264, 277, 280, 282
<b>07847</b>	191 407 181 D	459, 466, 468, 478, 480, 482, 536, 538, 540, 563, 594, 596
<b>07855</b>	191 407 365	478
<b>07856</b>	357 407 182	243, 247, 255, 258, 261, 263, 264, 267, 275, 277, 280, 285, 289
<b>07856</b>	357 407 182	291, 297, 298, 303, 309, 313
<b>07856</b>	357 407 182	453, 459, 466, 478, 480, 525, 536, 538, 557, 563, 565, 594
<b>07857</b>	191 407 181 B	243, 247, 255, 258, 264, 277, 280, 282
<b>07857</b>	191 407 181 B	459, 466, 468, 478, 480, 482, 536, 538, 540, 563, 594, 596
<b>07859</b>	191 407 153 A S2	242, 243, 254, 255, 276, 277
<b>07861</b>	191 407 153 S1	242, 243, 254, 255, 276, 277
<b>07863</b>	191 411 315 B S1	243, 247, 255, 276, 277
<b>07863</b>	191 411 315 B S1	459, 478, 480, 594
<b>07924</b>	251 419 417 B	583
<b>07964</b>	191 419 063 B	278
<b>07964</b>	191 419 063 B	477
<b>07977</b>	1H0 407 365	282
<b>07977</b>	1H0 407 365	468, 482, 596
<b>07979</b>	357 419 804	535
<b>07984</b>	357 422 803	537
<b>07990</b>	357 422 804	537
<b>08014</b>	1205825	597, 599


**Ref. - No.**


<b>08029</b>	811 419 831 B	530, 531, 533, 566
<b>08030</b>	357 419 803	535
<b>08053</b>	1H0 422 804	479, 593
<b>08054</b>	1H0 422 803	479, 593
<b>08144</b>	0353 560	49
<b>08144</b>	90135359	432
<b>08156</b>	0353 561	50, 79
<b>08156</b>	90445098	416, 438
<b>08497</b>	171 419 832 C S1	456, 475, 570
<b>08498</b>	191 419 831 S1	244, 256, 278
<b>08498</b>	191 419 831 S1	456, 475, 477, 479, 535, 570, 593
<b>08945</b>	1359812	597, 599
<b>08946</b>	1273778	597, 599
<b>09019</b>	3523.49	99
<b>09058</b>	3523.20	99
<b>09060</b>	6N0 407 182	241
<b>09060</b>	6N0 407 182	521, 551
<b>09070</b>	3523.31	99, 120
<b>09093</b>	191 411 315 B	242, 243, 254, 255, 276, 277
<b>09113</b>	1603 286 SK	86
<b>09113</b>	48 36 540	226
<b>09113</b>	93186321 SK	441
<b>09145</b>	77 00 781 463	171, 180
<b>09146</b>	77 04 000 681	163, 164, 169, 206
<b>09158</b>	0920 367	71, 72, 75, 76
<b>09158</b>	90092492	407, 435
<b>09206</b>	0350 610	47, 53, 64, 81, 86
<b>09206</b>	52 36 823	226
<b>09206</b>	90496116	419, 422, 426, 440, 441
<b>09315</b>	82 00 737 125	214
<b>09316</b>	82 00 737 126	214
<b>09317</b>	3817.50	98, 111, 114, 119, 126, 127, 130, 148, 149, 151, 153
<b>09373</b>	3523.40	121, 122
<b>09380</b>	82 00 651 168	214
<b>09381</b>	82 00 651 164	214
<b>09386</b>	77 00 822 503	172, 181, 187
<b>09387</b>	77 00 824 042	187
<b>09390</b>	77 04 002 466	171, 179, 180



Ref. - No.

Car  
Division

Ref. - No.



Ref. - No.



09391	77 01 349 064	212
09395	77 00 806 239	207
09396	77 00 806 238	207
09397	3332.07	654
09474	0350 260 S1	36, 37, 46, 83, 85
09474	90278579 S1	395, 397, 406, 411, 415
09475	0350 261 S1	36, 37, 46, 83, 85
09475	90278577 S1	395, 397, 411, 415
09519	191 411 314	243, 247, 255, 258, 264, 277, 280
09519	191 411 314	459, 466, 468, 478, 480, 563, 594, 596
09527	893 407 147 C	532, 534, 569
09528	893 407 148 C	532, 534, 569
09529	357 407 151	536, 538
09530	1H0 407 151 A	282
09530	1H0 407 151 A	468, 482, 536, 538, 596
09531	1H0 407 152	282
09531	1H0 407 152	468, 482, 596
09679	60 00 022 736	187
09680	60 00 022 737	187
09681	60 00 022 730	214
09682	60 00 022 731	214
09683	60 00 022 714	207
09684	60 00 022 715	207
09685	4403 661	32
09685	77 01 461 770	212
09685	09111661	391
09686	4403 641	32
09686	77 01 461 667	212
09686	09111641	391
09691	77 00 421 804	187, 207
09741	82 00 651 163	167, 197, 199
10018	4D0 407 181 H	315
10018	4D0 407 181 H	541, 543
10019	4D0 407 515 C	541, 543
10020	4D0 407 182 G	253
10020	4D0 407 182 G	315
10020	4D0 407 182 G	541, 543
10021	7M0 407 181 A	231, 233
10021	7M0 407 181 A	574

10022	4D0 411 327 G	315
10022	4D0 411 327 G	543
10023	4D0 411 327 H	315
10023	4D0 411 327 H	541, 543
10024	357 422 803 A	537
10025	357 422 804 A	537
10073	4D0 407 183 P	541, 543
10123	3520.51	99
10127	3521.34	99
10149	77 00 799 066	174
10150	77 00 799 064	174
10151	77 00 799 065	174
10169	77 01 464 037	170
10228	77 00 777 540	171, 179
10251	3523.43	131, 132
10252	3523.23	99
10276	5094.63	113
10277	5094.64	113
10289	3640.41	652
10290	5131.78	652
10291	5131.99	652
10292	5131.80	652
10303	77 00 754 515	170
10304	77 00 772 687	170
10431	0353 460	36, 37, 46, 83, 85
10431	42 46 062	224, 229
10431	90250709	395, 397, 406, 411, 415
10516	0350 263	36, 37, 46, 83, 85
10516	90495045	395, 397, 406, 411, 415
10517	0350 263 S1	36, 37, 46, 83, 85
10517	90495045 S1	395, 397, 406, 411, 415
10577	701 407 187 B	586, 588
10578	701 407 361 B	586, 588
10582	701 419 811 C	587
10583	701 419 812 B	587
10584	701 419 812 A	585
10585	701 419 811 B	585
10586	701 419 812	585
10587	701 419 811 A	585
10588	702 419 803 D	587


**Ref. - No.**


<b>10589</b>	701 419 804 F	587
<b>10640</b>	54501-00QAH S1	6, 14
<b>10640</b>	77 01 468 883	163, 164, 167, 169, 174, 176, 184, 197, 206, 211, 214
<b>10657</b>	3817.40	123
<b>10658</b>	3817.39	123
<b>10659</b>	3817.41	95, 101, 103, 105, 106, 114, 131
<b>10660</b>	3817.42	95, 101, 103, 105, 106, 114, 131
<b>10814</b>	1J0 407 181	261, 263, 267, 275, 285, 289
<b>10814</b>	1J0 407 181	291, 297, 298, 303, 309, 313
<b>10814</b>	1J0 407 181	453, 473, 525, 557, 565
<b>10816</b>	5131.54	654
<b>10817</b>	5131.55	654
<b>10818</b>	5131.56	654
<b>10849</b>	6N0 422 831	239
<b>10849</b>	6N0 422 831	550, 552
<b>10850</b>	6N0 419 831	239
<b>10850</b>	6N0 419 831	519, 550, 552
<b>10852</b>	7D0 407 140	586, 588
<b>10876</b>	77 00 413 494	187
<b>10877</b>	77 00 413 493	187
<b>10878</b>	702 419 803 A	585
<b>10879</b>	702 419 803 B	585
<b>10880</b>	702 419 803 C	587
<b>10881</b>	701 419 804 C	585
<b>10882</b>	701 419 803 C	585
<b>10883</b>	701 419 804 D	585
<b>10884</b>	701 419 803 D	585
<b>10885</b>	701 419 804 E	587
<b>10886</b>	701 419 803 E	587
<b>10887</b>	701 419 812 D	587
<b>10888</b>	701 419 811 E	587
<b>10890</b>	77 00 807 580	207
<b>10891</b>	77 00 807 581	207
<b>10894</b>	54501-00QAH	6, 14
<b>10894</b>	82 00 197 179	176, 184, 211
<b>10895</b>	54500-00QAH	6, 14


**Ref. - No.**


<b>10895</b>	82 00 197 187	176, 184, 211
<b>10900</b>	3817.11	147
<b>10909</b>	702 419 804 C	587
<b>11091</b>	1J0 407 151 C	267, 285
<b>11091</b>	1J0 407 151 C	303
<b>11091</b>	1J0 407 151 C	453, 525
<b>11137</b>	8E0 407 505 A	315
<b>11137</b>	8E0 407 505 A	543
<b>11138</b>	8E0 407 506 A	315
<b>11138</b>	8E0 407 506 A	543
<b>11277</b>	3521.52	147
<b>11278</b>	3520.76	147
<b>11280</b>	4059.09	133, 145
<b>11281</b>	4018.A3	143
<b>11284</b>	3640.26	147
<b>11350</b>	4D0 407 151 P	315
<b>11350</b>	4D0 407 151 P	543
<b>11351</b>	8E0 407 694 E	543
<b>11352</b>	8E0 407 693 E	543
<b>11354</b>	4B0 419 801 M	315
<b>11354</b>	4B0 419 801 M	543
<b>11400</b>	77 01 467 218	214
<b>11401</b>	77 01 467 219	214
<b>11406</b>	77 01 467 501	187
<b>11407</b>	77 01 467 502	187
<b>11417</b>	3640.21	121, 122
<b>11422</b>	5087.32	99, 120
<b>11423</b>	5087.61	113, 148, 149, 151, 153
<b>11656</b>	0352 030	86
<b>11656</b>	09228477	441
<b>11657</b>	5352 005	86
<b>11657</b>	90496039	441
<b>11658</b>	5352 011	51, 80
<b>11658</b>	90542572	417, 439
<b>11659</b>	5352 012	51, 80
<b>11659</b>	90542573	417, 439
<b>11660</b>	5352 016	39, 91
<b>11660</b>	90498735	399, 447
<b>11661</b>	5352 017	38, 39, 91
<b>11661</b>	90498736	399, 447
<b>11662</b>	0352 364	39, 41, 65, 91, 93





Ref. - No.

Car  
Division 

Ref. - No.



Ref. - No.



11662	90498738	399, 401, 427, 447, 449
11663	0352 365	39, 91
11663	90498740	399, 447
11746	1603 202	51, 80
11746	90542574	417, 439
11751	3521.G4	121, 122
11752	3520.K4	121, 122
11753	3521.E1	123
11754	3520.H1	123
11755	3523.61	123
11756	3523.50	96
11759	3523.60	123
11777	3523.51	96
11784	3640.17	147
11829	3640.71	121, 122, 123, 131, 132
11831	3812.A4	133, 145
11847	3812.99	131
11850	3640.36	96
11851	3817.48	121, 122
11853	3812.A9	123
11854	3812.92	111
11855	3817.49	121, 122
11856	3812.92 S1	111
11996	7M3 422 804 A	231, 233
11996	7M3 422 804 A	574
11997	7M3 422 803 A	231, 233
11997	7M3 422 803 A	574
11998	7M3 422 818	231, 233
11998	7M3 422 818	574
11999	7M3 422 817	231, 233
11999	7M3 422 817	574
12001	7M3 422 810	574
12002	7M3 411 317 E	231, 233
12002	7M3 411 317 E	574
12017	77 00 760 264	174
12018	77 00 760 265	163, 206
12025	4018.A4	143
12034	4006.24 S1	143
12044	3520.P4	133, 145
12045	3521.K4	133, 145
12054	77 00 667 186	212

12064	5087.35	133, 145
12065	5093.15	133, 143, 145
12066	5094.69	133, 145
12076	274117	597
12077	3516944	598, 603, 607, 635
12080	5087.35 S1	133, 145
12102	7M3 422 831	231, 233
12102	7M3 422 831	574
12150	-	14
12150	77 00 798 053	174, 176, 206, 211
12152	3521.53	147
12153	3520.77	147
12159	77 00 797 821	180
12160	77 00 847 382	199
12164	54616-00QAA	6, 14
12164	77 00 799 404	174, 176, 184, 211
12240	77 01 463 346	163, 206
12372	-	14
12372	77 00 835 929	176, 197, 199, 211
12373	-	14
12373	77 00 785 788	167, 174, 176, 184, 197, 211
12375	3561.08	147
12381	5131.53	654
12385	3520.N3	143
12386	3521.J3	143
12420	77 00 834 916	199
12421	77 00 834 917	199
12422	77 01 476 761	173, 184, 196, 198
12423	77 01 476 760	173, 184, 196, 198
12437	77 01 469 231	163, 169, 171, 179, 180, 206
12444	77 00 805 494	172, 181, 187, 207
12472	89 65 253	230
12546	SE028156110A	274
12547	SE141162410A	274
12571	SE141162449A	274
12658	1J0 407 365 H	267, 285
12658	1J0 407 365 H	303
12658	1J0 407 365 H	453, 525
12660	1J0 407 366 H	267, 285
12660	1J0 407 366 H	303
12660	1J0 407 366 H	453, 525


**Ref. - No.**


<b>12718</b>	270477	604, 609, 635
<b>12719</b>	271389	603, 607
<b>12720</b>	3480012	601, 602
<b>12723</b>	1359347	603
<b>12726</b>	3546266	605, 613, 625
<b>12727</b>	3342824	601, 602
<b>12728</b>	3410369	601
<b>12729</b>	9140504	603, 607, 635
<b>12730</b>	3270523	601, 602
<b>12747</b>	271598	605, 607, 613, 625, 635
<b>12748</b>	271599	605, 607, 613, 625, 635
<b>12778</b>	1603 455	51, 80
<b>12778</b>	93192446	417, 439
<b>12779</b>	1603 542	39, 91
<b>12779</b>	93186537	399, 447
<b>12780</b>	1603 643	39, 41, 91
<b>12780</b>	93191526	399, 401, 447
<b>12796</b>	48520-17B25	8
<b>12797</b>	48520-6F625	8
<b>12798</b>	48520-73J25	2, 16, 17, 18, 19, 20, 21, 26
<b>12809</b>	4066.18	147
<b>12810</b>	4066.19	147
<b>12811</b>	4066.18 S1	147
<b>12812</b>	4066.19 S1	147
<b>12840</b>	5087.37	143
<b>12841</b>	5087.37 S1	143
<b>12851</b>	0322 166	74
<b>12851</b>	90510647	433
<b>12910</b>	45503-19075	379
<b>12911</b>	45503-19205	355
<b>12913</b>	45046-29305	346, 350, 352, 353, 354, 355, 356, 360, 362, 371, 372, 375, 378, 383, 385, 387
<b>12925</b>	GSJ 413	220, 221
<b>12926</b>	GSJ 414	220, 221
<b>12927</b>	EGP 1673	220, 221
<b>12931</b>	48068-12140	355
<b>12932</b>	48069-12140	355
<b>12933</b>	43330-29315	343, 351, 353, 368


**Ref. - No.**


<b>12935</b>	43330-19075	379
<b>12937</b>	48810-76G00-000	336
<b>12938</b>	45200-82000-000	336
<b>12939</b>	48850-60A00-000	338
<b>12940</b>	48810-60A00	338
<b>12944</b>	QJB 100120	219, 220, 221, 223
<b>12946</b>	GSJ 407	222
<b>12949</b>	48830-84000-000	331
<b>12951</b>	89 93 321	228
<b>12952</b>	89 72 135	230
<b>12957</b>	54500-21B00	8
<b>12958</b>	54501-21B00	8
<b>12959</b>	54500-86J00	16
<b>12960</b>	54501-86J00	16
<b>12961</b>	54524-2F010	16, 18
<b>12962</b>	54525-2F010	16, 18
<b>12963</b>	89 93 560	228
<b>12969</b>	89 62 250	230
<b>12970</b>	89 93 453	230
<b>14000</b>	1228425	598
<b>14081</b>	8A0 407 181	532, 534, 569
<b>14106</b>	0324 057	56, 67
<b>14106</b>	97020953	423
<b>14107</b>	0324 058	56, 67
<b>14107</b>	97020954	423
<b>14117</b>	0310 821	56
<b>14117</b>	94459453	423
<b>14118</b>	0352 828	56, 57, 67
<b>14118</b>	94459465	423, 424
<b>14131</b>	GSJ 734	222, 223
<b>14134</b>	0322 146 S1	35, 45, 82, 84
<b>14134</b>	42 42 681 S1	224, 229
<b>14134</b>	90373522 S1	394, 396, 405, 412, 413
<b>14135</b>	0322 147 S1	35, 45, 82, 84
<b>14135</b>	42 42 673 S1	224, 229
<b>14135</b>	90373521 S1	394, 396, 405, 412, 413
<b>14146</b>	811 411 327 A	530, 532, 534, 568, 569
<b>14148</b>	893 407 147 G	530, 532, 534, 567, 568
<b>14149</b>	54500-2F500	18



<b>14150</b>	54501-2F500	18
<b>14151</b>	54500-4F105	8
<b>14152</b>	54501-4F105	8
<b>14168</b>	1J0 422 804 H	265, 283
<b>14168</b>	1J0 422 804 H	301
<b>14168</b>	1J0 422 804 H	453, 523
<b>14170</b>	1J0 422 803 H	265, 283
<b>14170</b>	1J0 422 803 H	301
<b>14170</b>	1J0 422 803 H	453, 523
<b>14172</b>	1J0 422 804 A	301
<b>14172</b>	1J0 422 804 A	523
<b>14174</b>	1J0 422 803 A	301
<b>14174</b>	1J0 422 803 A	523
<b>14180</b>	1J0 422 811 B	265, 283
<b>14180</b>	1J0 422 811 B	301
<b>14180</b>	1J0 422 811 B	453, 523
<b>14182</b>	1J0 422 812 B	265, 283
<b>14182</b>	1J0 422 812 B	301
<b>14182</b>	1J0 422 812 B	453, 523
<b>14184</b>	1J0 422 811 A	301
<b>14184</b>	1J0 422 811 A	453, 523
<b>14186</b>	1J0 422 812 A	301
<b>14186</b>	1J0 422 812 A	453, 523
<b>14230</b>	535 411 315	280, 282
<b>14230</b>	535 411 315	468, 482, 596
<b>14235</b>	SE028140104A	274
<b>14242</b>	811 407 175 A	529, 530, 532, 534, 567, 568
<b>14260</b>	857 407 175	532, 534, 569
<b>14300</b>	31212730	606, 613, 625
<b>14301</b>	272991	609, 635
<b>14318</b>	6N0 419 803	239
<b>14318</b>	6N0 419 803	550
<b>14320</b>	6N0 419 804	239
<b>14320</b>	6N0 419 804	550
<b>14322</b>	6N0 422 811	239
<b>14322</b>	6N0 422 811	519, 550, 552
<b>14324</b>	6N0 422 812	239
<b>14324</b>	6N0 422 812	519, 550, 552
<b>14326</b>	6N0 422 803 A	239
<b>14326</b>	6N0 422 803 A	550
<b>14328</b>	6N0 422 804 A	239
<b>14328</b>	6N0 422 804 A	550

<b>14401</b>	1609 073 S1	33, 45, 61, 82, 84
<b>14401</b>	90398968 S1	392, 405, 412, 413
<b>14402</b>	1609 073 SK	33, 45, 61, 82, 84
<b>14402</b>	90398968 SK	392, 405, 412, 413
<b>14414</b>	191 407 153 S2	247, 258, 277
<b>14424</b>	6N0 407 365 S1	241
<b>14424</b>	6N0 407 365 S1	521, 551, 553
<b>14426</b>	6N0 407 365 A S1	241
<b>14426</b>	6N0 407 365 A S1	521, 551, 553
<b>14428</b>	1H0 407 365 S1	282
<b>14428</b>	1H0 407 365 S1	468, 482, 596
<b>14440</b>	1J0 407 365 H S1	267, 285
<b>14440</b>	1J0 407 365 H S1	303
<b>14440</b>	1J0 407 365 H S1	453, 525
<b>14444</b>	1J0 407 366 H S1	267, 285
<b>14444</b>	1J0 407 366 H S1	303
<b>14444</b>	1J0 407 366 H S1	453, 525
<b>14520</b>	191 407 181 B S1	242, 243, 246, 247, 254, 255, 258, 264, 276, 277, 280, 282
<b>14520</b>	191 407 181 B S1	455, 459, 466, 468, 478, 480, 482, 484, 486, 488, 506, 508, 536, 538, 540, 562, 563, 594, 596
<b>14530</b>	191 407 181 D S1	466, 468, 478, 480, 482, 484, 486, 488, 506, 508, 536, 538, 540, 562, 563, 594, 596
<b>14558</b>	0350 614	39, 41, 91, 93
<b>14558</b>	350 176	39, 41, 91, 93
<b>14558</b>	13169439	399, 401, 447, 449
<b>14558</b>	13327928	399, 401, 447, 449
<b>14718</b>	1J0 411 314 T	267, 285
<b>14718</b>	1J0 411 314 T	303
<b>14718</b>	1J0 411 314 T	455, 495, 525
<b>14753</b>	89 58 944	230
<b>14755</b>	274118	599
<b>14756</b>	274119	599
<b>14757</b>	3211956	600
<b>14758</b>	271591	606
<b>14759</b>	8628495	606, 625
<b>14760</b>	8628496	606, 625
<b>14891</b>	6819057	609, 744


**Ref. - No.**


<b>14913</b>	9140788	607, 635
<b>14949</b>	54560-00QAB	6, 14
<b>14949</b>	82 00 651 161	176, 184, 211, 215
<b>15151</b>	8628497	606, 625
<b>15152</b>	8628498	606, 625
<b>15168</b>	48521-70A06	8
<b>15169</b>	48521-50Y00	17, 21
<b>15266</b>	48520-7F000	5, 23, 24
<b>15269</b>	40160-93G25	5, 23
<b>15270</b>	40110-01G25	5, 23, 25
<b>15399</b>	0352 029	74
<b>15399</b>	90576788	434
<b>15400</b>	0352 028	74
<b>15400</b>	90576789	434
<b>15401</b>	30818467	617
<b>15402</b>	30875012	617
<b>15403</b>	3345797	617
<b>15408</b>	6819537	609, 635
<b>15415</b>	54618-50Y00	2, 16, 17, 21
<b>15420</b>	56261-86J25	640
<b>15421</b>	56260-01J10	13, 640
<b>15425</b>	56261-4F725	638
<b>15426</b>	271631	606, 625
<b>15459</b>	9140505	598
<b>15465</b>	54500-52Y70	1, 21
<b>15467</b>	54501-52Y70	1, 21
<b>15495</b>	GSJ 1002	222
<b>15620</b>	0350 127	50, 51, 79, 80
<b>15620</b>	90447946	416, 417, 438, 439
<b>15621</b>	0444 336	644, 645, 646, 647, 649
<b>15621</b>	90343305	699, 700, 701, 702, 703
<b>15677</b>	30884358	617
<b>15678</b>	6X0 407 151 A	241
<b>15678</b>	6X0 407 151 A	521, 553
<b>15725</b>	3467713	601, 602
<b>15726</b>	3467714	601, 602
<b>15727</b>	1206667	597, 599
<b>15728</b>	1206667 S1	597, 599
<b>15951</b>	3521.C8	101, 103
<b>15952</b>	3520.G8	101, 103
<b>15977</b>	3520.78	96


**Ref. - No.**


<b>15978</b>	357 411 313	536, 538
<b>15979</b>	3520.79	96
<b>15980</b>	357 411 314	536, 538
<b>15981</b>	3640.37	113
<b>15982</b>	357 411 313 A	536, 538, 540
<b>15984</b>	357 411 314 A	536, 538, 540
<b>15986</b>	823 411 327 B	529, 530, 532, 567, 568, 569
<b>15988</b>	6X0 422 803	239
<b>15988</b>	6X0 422 803	519, 552
<b>15990</b>	6X0 422 804	238, 239
<b>15990</b>	6X0 422 804	519, 552
<b>15996</b>	357 411 315 C	536, 538
<b>15998</b>	357 411 315 D	536, 538, 540
<b>17006</b>	6E0 419 811	239, 245, 257, 264
<b>17006</b>	6E0 419 811	458, 519, 550, 552, 561
<b>17008</b>	6E0 419 812	239, 245, 257, 264
<b>17008</b>	6E0 419 812	458, 519, 550, 552, 561
<b>17039</b>	89 61 476	230
<b>17129</b>	5087.40	96, 123
<b>17197</b>	89 53 986	230
<b>17201</b>	54500-0M060	2
<b>17203</b>	54501-0M060	2
<b>17214</b>	8D0 411 318 D	315
<b>17214</b>	8D0 411 318 D	541, 543
<b>17216</b>	8D0 411 317 D	315
<b>17216</b>	8D0 411 317 D	541, 543
<b>17321</b>	0352 352	36, 46, 85
<b>17321</b>	90373264	395, 406, 411, 415
<b>17376</b>	0423 121	650
<b>17376</b>	45 67 244	665
<b>17376</b>	90496700	705
<b>17471</b>	0444 347	644, 646
<b>17471</b>	90343847	699, 702
<b>17596</b>	9157725	604, 609
<b>17609</b>	3812.98	121, 122
<b>17611</b>	3812.95	98, 119
<b>17612</b>	5087.33	96
<b>17702</b>	6U0 422 807	299
<b>17702</b>	6U0 422 807	464
<b>17704</b>	6U0 422 811	299



<b>17704</b>	6U0 422 811	464
<b>17715</b>	3640.51	148, 149, 153
<b>17722</b>	3520.H5	113, 148, 149, 153
<b>17723</b>	3640.42	148, 149
<b>17725</b>	3521.E5	113, 148, 149, 153
<b>17729</b>	0350 130	39, 53, 81, 86
<b>17729</b>	90 468 567	226
<b>17729</b>	90468567	399, 419, 440, 441
<b>17730</b>	0350 138	39, 81
<b>17730</b>	90538865	399, 440
<b>17751</b>	3817.43	131, 132
<b>17753</b>	3817.44	131, 132
<b>17766</b>	3812.C0	148, 149, 153
<b>17768</b>	3812.C5	101, 103, 105, 106
<b>17771</b>	9191537	609, 635
<b>17777</b>	1603 199 SK	86
<b>17777</b>	26055219 SK	441
<b>17778</b>	1603 206 SK	86
<b>17778</b>	48 36 557	226
<b>17778</b>	90540319 S1	441
<b>17781</b>	3523.75	113, 148, 149
<b>17786</b>	3520.54	99
<b>17787</b>	3521.37	99
<b>17790</b>	3523.89	121, 122
<b>17817</b>	5094.65	113, 148, 149, 151, 153
<b>17882</b>	1H0 422 831 B S1	244, 245, 256, 257, 264, 279, 281
<b>17882</b>	1H0 422 831 B S1	458, 466, 467, 475, 477, 479, 481, 537, 539, 561, 570, 593, 595
<b>17968</b>	5087.42	113
<b>17969</b>	5087.74	101, 103, 105, 106, 135
<b>17990</b>	54476-01B00	8
<b>17991</b>	54535-01B00	8
<b>18027</b>	4066.20	98, 111, 119, 126, 149, 151, 153
<b>18042</b>	4066.22	98, 111, 119, 149, 151
<b>18043</b>	4066.43	111, 148, 151, 153
<b>18101</b>	48820-20030	350

<b>18103</b>	48810-20010	350
<b>18105</b>	48830-20010	688, 689, 690, 691
<b>18107</b>	48820-33010	341, 346, 353, 355, 356, 371
<b>18109</b>	48820-20040	351, 359, 368
<b>18110</b>	48810-20020	351, 359, 368
<b>18123</b>	0352 063	53
<b>18123</b>	13140038	419
<b>18125</b>	0352 061	53
<b>18125</b>	13140037	419
<b>18133</b>	48820-20010	352, 354
<b>18134</b>	48820-05012	343
<b>18135</b>	48810-05012	343
<b>18177</b>	3523.76	101, 103, 105, 106
<b>18179</b>	3523.92	101, 103, 105, 106, 115, 117, 137, 141, 154, 155
<b>18183</b>	RGX 100980	663
<b>18185</b>	4066.30	122, 123, 131
<b>18187</b>	4066.41	133, 145
<b>18264</b>	1J0 411 315 J	267, 285
<b>18264</b>	1J0 411 315 J	303, 305
<b>18264</b>	1J0 411 315 J	455, 525
<b>18266</b>	1J0 411 315 G	266, 267, 284, 285
<b>18266</b>	1J0 411 315 G	302, 303
<b>18266</b>	1J0 411 315 G	455
<b>18281</b>	3812.27	147
<b>18343</b>	3640.35	652
<b>18347</b>	3523.52	96
<b>18366</b>	6N0 411 315 C S1	521, 551
<b>18424</b>	3520.V3	151, 153
<b>18425</b>	3521.R4	151, 153
<b>18427</b>	5087.49	131
<b>18501</b>	7M0 407 152 B	231, 233
<b>18501</b>	7M0 407 152 B	574
<b>18503</b>	7M0 407 151 B	231, 233
<b>18503</b>	7M0 407 151 B	574
<b>18548</b>	0352 320	47, 53, 64, 81
<b>18548</b>	13138151	419, 422, 426, 440
<b>18552</b>	0352 378	47, 53, 64
<b>18552</b>	93188303	419, 422, 426
<b>18654</b>	701 411 049 B	586, 588
<b>18740</b>	7D0 407 361	588


**Ref. - No.**


<b>18770</b>	270597 SK	598, 605, 607, 635
<b>18830</b>	251 411 041 C	584
<b>18864</b>	1H0 422 884	244, 245, 256, 257, 264, 279, 281
<b>18864</b>	1H0 422 884	458, 479, 481, 485, 561, 593, 595
<b>18916</b>	9157725 S1	604, 609
<b>18917</b>	1205991	597, 599, 604, 609
<b>18984</b>	7D0 411 049	586, 588
<b>18985</b>	5178.39	652
<b>19009</b>	3520.H5 S1	113, 148, 149
<b>19050</b>	1H0 411 314	243, 247, 255, 258, 264, 277, 280, 282
<b>19050</b>	1H0 411 314	459, 478, 480, 482, 563, 594
<b>19067</b>	5178.43	654
<b>19071</b>	5178.44	654
<b>19101</b>	0353 281	50, 79
<b>19101</b>	90445100	416, 438
<b>19102</b>	0353 280	50, 79
<b>19102</b>	90445101	416, 438
<b>19117</b>	5178.38	652
<b>19225</b>	5087.60	123, 132
<b>19276</b>	7M3 407 365 C	231, 233
<b>19276</b>	7M3 407 365 C	574
<b>19296</b>	1J0 411 315 D	267, 285
<b>19296</b>	1J0 411 315 D	303
<b>19296</b>	1J0 411 315 D	455, 525
<b>19298</b>	1J0 411 316 D	267, 285
<b>19298</b>	1J0 411 316 D	303
<b>19298</b>	1J0 411 316 D	455, 525
<b>19336</b>	8N0 422 811 A	265
<b>19336</b>	8N0 422 811 A	523
<b>19342</b>	8N0 422 812 A	265
<b>19342</b>	8N0 422 812 A	523
<b>19379</b>	31201602	621, 629, 631, 633, 637
<b>19383</b>	3812.C4	123
<b>19397</b>	5087.78	115, 117, 137, 141, 154, 155
<b>19399</b>	30884359	746
<b>19403</b>	5087.51	134
<b>19406</b>	6Q0 407 365 M	249, 261


**Ref. - No.**


<b>19406</b>	6Q0 407 365 M	295, 313
<b>19406</b>	6Q0 407 365 M	473, 558
<b>19408</b>	6Q0 407 366 M	249, 261
<b>19408</b>	6Q0 407 366 M	295, 313
<b>19408</b>	6Q0 407 366 M	473, 558
<b>19410</b>	6Q0 407 365 M S1	249, 261
<b>19410</b>	6Q0 407 365 M S1	295, 313
<b>19410</b>	6Q0 407 365 M S1	473, 558
<b>19412</b>	6Q0 407 366 M S1	249, 261
<b>19412</b>	6Q0 407 366 M S1	295, 313
<b>19412</b>	6Q0 407 366 M S1	473, 558
<b>19414</b>	357 422 831 B	467, 477, 479, 481, 537, 539, 593, 595
<b>19453</b>	7M0 411 031	231, 233
<b>19453</b>	7M0 411 031	574
<b>19468</b>	3640.48	113
<b>19501</b>	4705 172	29
<b>19501</b>	45200-75F21-000	339
<b>19501</b>	09208987	389
<b>19518</b>	6R0 411 315 A	249, 261, 263, 275, 289
<b>19518</b>	6R0 411 315 A	291, 295, 297, 298, 309, 313
<b>19518</b>	6R0 411 315 A	473, 527, 557, 565
<b>19525</b>	77 01 469 280 SK	196, 198
<b>19541</b>	0352 803	53, 81
<b>19541</b>	09196394	419, 440
<b>19545</b>	1603 845	53
<b>19545</b>	93192421	419
<b>19604</b>	48520-00QAP	6, 14
<b>19604</b>	77 01 047 813	175, 177, 184, 196, 198, 205, 211, 214, 215, 218
<b>19605</b>	48520-00QAN	6, 14
<b>19605</b>	77 01 047 812	175, 177, 184, 196, 198, 205, 211, 214, 215, 218
<b>19646</b>	82 00 737 133	199
<b>19647</b>	82 00 737 132	199
<b>19649</b>	82 00 714 446	214
<b>19650</b>	82 00 714 448	214
<b>19664</b>	31201603	748, 751, 753, 755
<b>19673</b>	30887025	617



Ref. - No.

Car  
Division

Ref. - No.



Ref. - No.



19674	30887033	617
19702	8D0 411 318 D S1	315
19702	8D0 411 318 D S1	541, 543
19704	8D0 411 317 D S1	315
19704	8D0 411 317 D S1	541, 543
19719	45 44 599	224, 229
19720	45 44 599 S1	224, 229
19731	3520.92	96
19733	3520.93	96
19812	6RD 423 811 B	251, 259, 263, 289
19812	6RD 423 811 B	293, 297, 309, 311
19812	6RD 423 811 B	474, 555, 557
19814	6RD 423 812 B	251, 259, 263, 289
19814	6RD 423 812 B	293, 297, 309, 311
19814	6RD 423 812 B	474, 555, 557
19816	6Q0 423 803 P	251, 259
19816	6Q0 423 803 P	293, 297, 311
19816	6Q0 423 803 P	474, 555
19818	6Q0 423 804 P	251, 259
19818	6Q0 423 804 P	293, 297, 311
19818	6Q0 423 804 P	474, 555
19820	1J0 407 151 C S1	267, 285
19820	1J0 407 151 C S1	303
19820	1J0 407 151 C S1	455, 491, 495, 525
19822	1J0 407 151 C S2	267, 285
19822	1J0 407 151 C S2	303
19822	1J0 407 151 C S2	455, 525
19831	3520.60	120
19833	3521.41	120
19849	45 43 450	224, 229
19850	45 43 468	224, 229
19866	54618-00QAA	4
19866	4418 193	69
19866	82 00 713 523	193, 194
19866	93192674	429
19867	54618-00QAB	4
19867	4418 192	69
19867	82 00 713 522	193, 194
19867	93192673	429
19917	4066.32	95
19919	4066.37	121, 122
19921	4066.42	122, 123, 131
19926	4B0 407 515	315

19926	4B0 407 515	541, 543
19927	3812.E1	135
19932	4B3 407 151 K	315
19932	4B3 407 151 K	543
19935	3812.E0	114
19939	3812.C7	132
19991	48068-42022	371
19993	48069-42022	371
21015	82 00 669 065	185, 201, 209
21044	54616-00QAC	15
21044	4417 973	89
21044	82 00 661 217	182, 189, 213, 217, 660
21044	93858917	445
21124	0350 147	74
21124	90445625	434
21169	77 01 469 617	167, 169, 170, 173, 179, 180, 206
21170	77 01 469 497	167, 169, 170, 173, 206, 214
21171	-	14
21171	77 01 469 496	175, 184, 196, 198, 211
21172	77 01 469 657	187
21194	4D0 407 183 AC	315
21194	4D0 407 183 AC	541, 543
21196	8E0 407 693 AG	315
21196	8E0 407 693 AG	543
21198	8E0 407 694 AG	315
21198	8E0 407 694 AG	543
21250	5094.59	96
21283	48520-00QAK	15
21283	4408 510	89
21283	77 01 049 282	182, 189, 213, 217
21283	91160043	444
21284	48520-00QAL	15
21284	4408 511	89
21284	77 01 049 283	182, 189, 213, 217
21284	91160044	444
21332	0423 302	650
21332	09191309	705
21414	30761719	621, 629, 631, 633
21415	30761718	621, 629, 631, 633


**Ref. - No.**


<b>21449</b>	2D0 422 833	517
<b>21453</b>	272428	633
<b>21490</b>	3640.73	115, 117, 137, 141, 154, 155
<b>21491</b>	3817.55	135
<b>21492</b>	3817.56	135
<b>21493</b>	48520-00QAH	4
<b>21493</b>	4501 262	69
<b>21493</b>	77 01 470 363	193
<b>21493</b>	09161562	429
<b>21494</b>	48520-00QAJ	4
<b>21494</b>	4501 263	69
<b>21494</b>	77 01 470 364	193
<b>21494</b>	09161563	429
<b>21497</b>	KIT 01	543
<b>21498</b>	KIT 02	543
<b>21499</b>	KIT 03	315
<b>21499</b>	KIT 03	543
<b>21500</b>	8D0 498 998	543
<b>21501</b>	KIT 04	315
<b>21501</b>	KIT 04	543
<b>21502</b>	8D0 498 998 S1	543
<b>21503</b>	KIT 05	315
<b>21503</b>	KIT 05	543
<b>21505</b>	KIT 06	315
<b>21505</b>	KIT 06	543
<b>21563</b>	274225	617
<b>21564</b>	274226	617
<b>21565</b>	274224	617
<b>21566</b>	272416	633
<b>21567</b>	272417	633
<b>21603</b>	272418	621, 629, 631, 633
<b>21611</b>	3523.94	143
<b>21613</b>	3523.93	143
<b>21635</b>	77 00 437 136	184, 199
<b>21655</b>	77 00 781 441	171, 180
<b>21694</b>	7D0 419 831	585, 587
<b>21698</b>	1J0 422 831 B	265, 283
<b>21698</b>	1J0 422 831 B	301
<b>21698</b>	1J0 422 831 B	453, 523
<b>21700</b>	6E0 419 831	251, 259
<b>21700</b>	6E0 419 831	293
<b>21700</b>	6E0 419 831	519, 555


**Ref. - No.**


<b>21808</b>	54618-4M400	2
<b>21810</b>	54618-AX600	9
<b>21810</b>	82 01 079 463	177, 178, 205, 218
<b>21811</b>	54668-2Y000	7
<b>21812</b>	54618-2Y000	7
<b>21813</b>	54668-AU000	19
<b>21814</b>	5094.81	101
<b>21815</b>	54618-AU000	19
<b>21816</b>	5094.80	101
<b>21818</b>	5094.77	113, 148, 149, 151, 153
<b>21820</b>	5094.66	113
<b>21821</b>	5094.74	123
<b>21822</b>	5094.75	123
<b>21823</b>	5172.47	654
<b>21840</b>	4F0 498 811 A SK	253
<b>21840</b>	4F0 498 811 A SK	315
<b>21850</b>	3523.91	115, 117, 137, 141, 154
<b>21892</b>	8D0 407 509 G	543
<b>21893</b>	8D0 407 510 G	543
<b>21904</b>	8E0 407 509 A	315
<b>21904</b>	8E0 407 509 A	543
<b>21906</b>	8E0 407 510 A	315
<b>21906</b>	8E0 407 510 A	543
<b>21914</b>	5094.56	96
<b>21915</b>	5094.57	96
<b>21920</b>	8E0 411 317	253
<b>21922</b>	8E0 411 318	253
<b>21924</b>	8E0 411 317 S1	253
<b>21926</b>	8E0 411 318 S1	253
<b>21928</b>	8E0 407 151 R	253
<b>21934</b>	3523.53	96
<b>21940</b>	701 411 041	586
<b>21942</b>	7D0 411 045	586, 588
<b>22046</b>	8E0 407 181 C	253
<b>22083</b>	0352 086	64
<b>22083</b>	93190906	426
<b>22084</b>	0352 085	64
<b>22084</b>	93190905	426
<b>22099</b>	0920 355	72, 74
<b>22099</b>	09195731	407, 433
<b>22100</b>	3520.G9 S1	133, 145





Ref. - No.

Car Division



Ref. - No.



Ref. - No.



<b>22101</b>	3521.C9 S1	133, 145
<b>22102</b>	3520.G9 S2	133, 145
<b>22115</b>	3812.A6	131
<b>22132</b>	82 00 602 613	189
<b>22133</b>	82 00 602 612	189
<b>22134</b>	82 00 255 761	201
<b>22135</b>	82 00 255 760	201
<b>22169</b>	77 01 462 427	194
<b>22233</b>	77 01 462 692	194
<b>22234</b>	77 01 462 693	194
<b>22238</b>	9443882	621, 629, 631, 633
<b>22239</b>	8630604	621, 629, 633
<b>22265</b>	40160-00Q0C	15
<b>22265</b>	4419 075	89
<b>22265</b>	77 01 478 029	182, 189, 213, 217
<b>22265</b>	93196923	445
<b>22267</b>	3640.55	143
<b>22269</b>	3640.54	143
<b>22279</b>	60 25 308 155	181
<b>22371</b>	3434868	742
<b>22379</b>	0350 615	78, 87
<b>22379</b>	13 237 130	225
<b>22379</b>	13237130	437, 443
<b>22384</b>	3521.P3	115, 154
<b>22385</b>	3520.S2	115, 154
<b>22390</b>	30884179	617
<b>22408</b>	31340273	611, 615, 619, 626, 627
<b>22410</b>	77 00 430 766 S1	199
<b>22468</b>	40160-00QAD	4
<b>22468</b>	4401 909	69
<b>22468</b>	77 01 056 969	193
<b>22468</b>	09109909	429
<b>22476</b>	77 01 472 087 SK	196, 198
<b>22477</b>	77 01 469 502 SK	196, 198
<b>22478</b>	77 01 471 885 SK	196, 198
<b>22479</b>	77 01 471 844 SK	196, 198
<b>22491</b>	77 01 469 778 SK	173
<b>22492</b>	6X0 411 313	241
<b>22492</b>	6X0 411 313	551, 553
<b>22494</b>	6X0 411 313 A	241
<b>22494</b>	6X0 411 313 A	521, 551, 553
<b>22506</b>	77 01 469 228	171, 179, 180

<b>22507</b>	77 01 465 689	171, 179, 180
<b>22509</b>	77 01 470 763 SK	184
<b>22511</b>	48521-00QAA SK	6, 14
<b>22511</b>	77 01 472 113 SK	175, 184, 211
<b>22513</b>	-	14
<b>22513</b>	77 01 476 762	175, 211
<b>22514</b>	-	14
<b>22514</b>	77 01 476 763	175, 211
<b>22515</b>	6K0 422 803	244, 256, 278, 279
<b>22516</b>	6K0 422 804	244, 256, 278, 279
<b>22517</b>	48521-00QAG SK	6, 14
<b>22517</b>	77 01 472 120 SK	175, 184, 211
<b>22519</b>	77 01 470 764 SK	184
<b>22528</b>	270475 S1	603, 607
<b>22531</b>	-	14
<b>22531</b>	77 01 471 125 SK	175, 211
<b>22533</b>	3345796	617
<b>22537</b>	3343641	600, 601
<b>22541</b>	9191409	613, 625
<b>22549</b>	271699	607
<b>22557</b>	271601 SK	605, 613, 625
<b>22558</b>	3343642	600, 601
<b>22561</b>	3342893 S1	601, 602
<b>22587</b>	0001802V004	680
<b>22588</b>	5102V005	322, 324
<b>22589</b>	454 320 00 10 S1	321
<b>22590</b>	271470	603, 605
<b>22592</b>	271469	603, 605
<b>22635</b>	3523.98	135
<b>22636</b>	3523.AA	135
<b>22710</b>	40160-00QAB	4
<b>22710</b>	4500 254	69
<b>22710</b>	77 00 312 851	193
<b>22710</b>	09160554	429
<b>22714</b>	5094.87	115
<b>22715</b>	5094.E0	115
<b>22740</b>	30887653	617
<b>22741</b>	30887654	617
<b>22747</b>	54501-BC42A	9
<b>22749</b>	9127363	748, 751, 753
<b>22750</b>	54500-AX600	9
<b>22753</b>	9492181	748, 751, 753
<b>22754</b>	9173761	748, 751, 753


**Ref. - No.**


<b>22755</b>	31277899	748, 751, 753
<b>22756</b>	31277893	748, 751, 753
<b>22761</b>	89 88 941 SK	228
<b>22763</b>	-	14
<b>22763</b>	77 01 472 734 SK	175, 211
<b>22765</b>	77 01 472 766 SK	189
<b>22794</b>	1J0 411 314 P	303
<b>22794</b>	1J0 411 314 P	455, 495
<b>22797</b>	9191410 SK1	613, 625
<b>22798</b>	9191410	613, 625
<b>22804</b>	1J0 411 314 R	267, 285
<b>22804</b>	1J0 411 314 R	303
<b>22804</b>	1J0 411 314 R	455, 495, 525
<b>22818</b>	82 00 242 025	201, 209
<b>22819</b>	82 00 041 166	201, 209
<b>22821</b>	82 00 002 868	182, 189
<b>22822</b>	54503-00Q0B SK3	15
<b>22822</b>	4418 223 SK3	89
<b>22822</b>	82 00 002 869	182, 189, 213
<b>22822</b>	93858141 SK3	445
<b>22825</b>	54503-00Q0B SK2	15
<b>22825</b>	4418 223 SK2	89
<b>22825</b>	82 00 049 624	213
<b>22825</b>	93858141 SK2	445
<b>22846</b>	5087.52	125, 129
<b>22847</b>	5087.53	125, 129
<b>22865</b>	54560-AX600	9
<b>22865</b>	82 00 183 569	177, 205
<b>22866</b>	82 00 183 570	177, 205
<b>22867</b>	54570-AX600	9
<b>22911</b>	3520.Q2 S1	97
<b>22911</b>	48068-59035 S1	345, 387
<b>22913</b>	45503-05010	351
<b>22915</b>	45503-05050	343, 359
<b>22939</b>	1273235	604, 605, 609
<b>22941</b>	1273628	743, 745
<b>22945</b>	48068-12191 S2	356
<b>22947</b>	48068-12191	355, 356
<b>22949</b>	48069-12191	355, 356
<b>22951</b>	52 31 683	226
<b>22965</b>	48068-33020	341, 346
<b>22967</b>	48069-33020	341, 346
<b>22969</b>	48068-33030	341, 347


**Ref. - No.**


<b>22971</b>	48069-33031	341, 347
<b>22988</b>	7M0 501 541	231, 233, 666
<b>22988</b>	7M0 501 541	574, 732
<b>22990</b>	6819455	607
<b>22991</b>	6819454	607
<b>22993</b>	48820-32010	353, 357
<b>23001</b>	0352 051	78, 87
<b>23001</b>	12 796 013	225
<b>23001</b>	24413015	437, 443
<b>23002</b>	0352 052	78, 87
<b>23002</b>	12 796 014	225
<b>23002</b>	24413016	437, 443
<b>23003</b>	0352 319	78, 87
<b>23003</b>	12 786 412	225
<b>23003</b>	93171448	437, 443
<b>23019</b>	274179	621, 629, 631, 633
<b>23023</b>	45503-19215	355, 356, 371
<b>23030</b>	6N0 411 315 D	241
<b>23030</b>	6N0 411 315 D	521, 551, 553
<b>23031</b>	274353	621, 629, 631, 633, 637
<b>23032</b>	6N0 411 315 D S1	241
<b>23032</b>	6N0 411 315 D S1	521, 553
<b>23046</b>	4D0 411 327 J	253
<b>23047</b>	31277305	747
<b>23107</b>	43340-19025	368, 379, 383
<b>23109</b>	43330-19085	368, 379, 383
<b>23111</b>	43330-09090	356, 357
<b>23129</b>	0352 377	53, 64, 81
<b>23129</b>	93188302	419, 426, 440
<b>23131</b>	30620785	746
<b>23147</b>	30620786	746
<b>23150</b>	1205680	597, 599
<b>23151</b>	1205680 S1	597, 599
<b>23152</b>	1205686	597, 599
<b>23153</b>	1205686 S1	597, 599
<b>23154</b>	1603 430	64
<b>23154</b>	93192417	426
<b>23171</b>	54618-0F000	24
<b>23173</b>	271701	607
<b>23175</b>	48820-20021	352, 355
<b>23181</b>	60 25 307 649	181
<b>23182</b>	60 25 307 650	181



Ref. - No.

Car  
Division 

Ref. - No.



Ref. - No.



<b>23228</b>	1603 429 SK	64
<b>23228</b>	93192416 SK	426
<b>23234</b>	48820-42010	371
<b>23243</b>	43330-19115	353, 355, 356, 357, 358, 370, 372, 378, 386
<b>23244</b>	43340-19016	354
<b>23245</b>	43330-19066	354
<b>23246</b>	43330-29515	361, 362, 363
<b>23247</b>	43350-39075	363, 384
<b>23281</b>	48068-59035 S3	387
<b>23282</b>	48068-59035 S2	387
<b>23322</b>	6X0 419 803 A	239
<b>23322</b>	6X0 419 803 A	519, 552
<b>23323</b>	3817.58	125
<b>23324</b>	6X0 419 804 A	239
<b>23324</b>	6X0 419 804 A	519, 552
<b>23325</b>	3817.57	125
<b>23343</b>	274548	621, 629, 631, 633
<b>23347</b>	30635227	633
<b>23349</b>	30635228	633
<b>23351</b>	30635229	621, 629
<b>23353</b>	30635230	621, 629
<b>23356</b>	1K0 511 327 AP	677, 679
<b>23356</b>	1K0 511 327 AP	717
<b>23358</b>	1K0 511 327 AR	669, 673
<b>23358</b>	1K0 511 327 AR	677, 679
<b>23358</b>	1K0 511 327 AR	710, 713, 717, 718, 727, 735
<b>23364</b>	7D0 407 140 A	586, 588
<b>23366</b>	1J0 411 336 D	267, 269, 285
<b>23366</b>	1J0 411 336 D	303, 305
<b>23366</b>	1J0 411 336 D	455, 525
<b>23405</b>	3523.83	151
<b>23424</b>	701 411 041 D	588
<b>23515</b>	54618-9C002	20, 26
<b>23516</b>	54668-9C000	20, 26
<b>23575</b>	48810-33010	347
<b>23577</b>	48820-33020	347
<b>23579</b>	48830-33010	686, 688, 696
<b>23583</b>	45503-39135	346, 347, 348
<b>23585</b>	45046-29255	341, 342, 346, 347, 349

<b>23589</b>	43330-39435	341, 346, 347, 349, 376, 377
<b>23603</b>	45047-09030	343, 351
<b>23604</b>	1K0 511 439 E	667, 669, 673
<b>23604</b>	1K0 511 439 E	677, 679
<b>23604</b>	1K0 511 439 E	710
<b>23605</b>	45046-29365	343, 351
<b>23606</b>	1K0 511 327 AP S1	669
<b>23606</b>	1K0 511 327 AP S1	677, 679
<b>23606</b>	1K0 511 327 AP S1	719
<b>23629</b>	45047-19115	357, 358, 386, 387
<b>23630</b>	45046-19265	357, 358, 386, 387
<b>23635</b>	48820-47010	344, 357, 358, 370, 375
<b>23636</b>	48820-28050	348, 364
<b>23641</b>	45047-59026	362, 385, 387
<b>23643</b>	45046-59026	362, 385, 387
<b>23645</b>	45503-59045	387
<b>23687</b>	0350 608	56, 57
<b>23687</b>	97018227	423, 424
<b>23688</b>	0350 607	56, 57
<b>23688</b>	97018228	423, 424
<b>23724</b>	54618-86J25	16, 18
<b>23762</b>	0352 324	41, 65, 91, 93
<b>23762</b>	24439582	401, 427, 447, 449
<b>23797</b>	5352 027	64
<b>23797</b>	93388568	426
<b>23798</b>	5352 028	64
<b>23798</b>	93388569	426
<b>23819</b>	EGP 1662	220, 221
<b>23841</b>	4066.41 SK	133, 145
<b>23995</b>	82 00 255 761 S1	201
<b>23996</b>	40 16 047 93R	177, 191, 201, 205, 208, 209, 216
<b>24016</b>	56260-0F001	642
<b>24083</b>	82 00 679 063	201, 209
<b>24084</b>	82 00 679 067	201, 209
<b>24122</b>	1K0 411 315 R	235, 237, 269, 273, 287
<b>24122</b>	1K0 411 315 R	305, 317, 319
<b>24122</b>	1K0 411 315 R	461, 463, 465, 471, 527, 528, 545, 546, 573, 575, 577, 581


**Ref. - No.**


<b>24211</b>	30683067	747
<b>24221</b>	0423 320	648, 651
<b>24221</b>	24 469 643	664
<b>24221</b>	24469643	704, 706
<b>24242</b>	9465971	621, 629, 633
<b>24251</b>	82 00 744 091	177, 205
<b>24252</b>	82 00 744 092	177, 205
<b>24258</b>	191 422 803 C	477
<b>24260</b>	191 422 804 C	477
<b>24262</b>	54570-00QAA	4
<b>24262</b>	4500 094	69
<b>24262</b>	77 00 302 122	193
<b>24262</b>	09160394	429
<b>24263</b>	54423-00QAA	4
<b>24263</b>	4500 095	69
<b>24263</b>	77 00 302 123	193
<b>24263</b>	09160395	429
<b>24292</b>	48069-12191 S1	355, 356
<b>24312</b>	48068-12191 S1	355, 356
<b>24339</b>	48068-05050	343
<b>24340</b>	48069-05050	343
<b>24374</b>	N 904 840 03 S2	276, 277
<b>24390</b>	1K0 407 182	237, 269, 273, 287
<b>24390</b>	1K0 407 182	305, 306, 317, 319
<b>24390</b>	1K0 407 182	461, 463, 465, 471, 527, 545, 546, 573, 575, 577, 581
<b>24417</b>	54525-AV601	19
<b>24418</b>	54524-AV601	19
<b>24632</b>	2271V007000005 S1	320, 321, 322, 324
<b>24720</b>	77 01 474 448 SK	201, 209
<b>24753</b>	0444 200	650
<b>24753</b>	90496706	705
<b>24815</b>	77 01 474 795	201, 209
<b>24816</b>	77 01 474 796	201, 209
<b>24832</b>	KIT 09	543
<b>24834</b>	KIT 10	543
<b>24849</b>	31277464 SK1	615, 619
<b>24863</b>	7M3 498 317	231, 233
<b>24863</b>	7M3 498 317	574
<b>24900</b>	4B3 498 998	543
<b>24902</b>	4B3 498 998 S1	543
<b>25184</b>	6N0 411 315 C	553


**Ref. - No.**


<b>25190</b>	131 415 811	590
<b>25192</b>	131 415 812	590
<b>25231</b>	3640.27	126, 127, 130
<b>25334</b>	6U0 407 365	299, 307
<b>25334</b>	6U0 407 365	464
<b>26045</b>	1K0 423 810 A	235, 237, 271, 273, 286
<b>26045</b>	1K0 423 810 A	305, 306, 317, 319
<b>26045</b>	1K0 423 810 A	461, 463, 465, 471, 527, 544, 573, 575, 577, 581
<b>26082</b>	1K0 407 365 C	237, 269, 287
<b>26082</b>	1K0 407 365 C	305, 317, 319
<b>26082</b>	1K0 407 365 C	461, 463, 471, 527, 528, 573, 577, 581
<b>26083</b>	1K0 407 366 C	237, 269, 287
<b>26083</b>	1K0 407 366 C	305, 317, 319
<b>26083</b>	1K0 407 366 C	461, 463, 471, 527, 528, 573, 577, 581
<b>26085</b>	48820-42020	372
<b>26096</b>	1K0 423 811 J	235, 237, 271, 273, 286
<b>26096</b>	1K0 423 811 E	305, 306, 317, 319
<b>26096</b>	1K0 423 811 J	471, 544, 573, 577, 581
<b>26097</b>	1K0 423 812 J	234, 235, 237, 271, 273, 286
<b>26097</b>	1K0 423 812 E	305, 306, 317, 319
<b>26097</b>	1K0 423 812 J	471, 544, 573, 577, 581
<b>26120</b>	6E0 419 803 A	519
<b>26121</b>	6E0 419 804 A	519
<b>26125</b>	0310 823	56, 57
<b>26125</b>	94374424	423, 424
<b>26151</b>	8E0 422 821 C	253
<b>26152</b>	1603 227	78, 87
<b>26152</b>	93 172 254	225, 226
<b>26152</b>	93172254	437, 443
<b>26153</b>	1603 228	78, 87
<b>26153</b>	93 172 255	225, 226
<b>26153</b>	93172255	437, 443
<b>26173</b>	6Q0 423 803 G	251, 259
<b>26173</b>	6Q0 423 803 G	293, 311



<b>26173</b>	6Q0 423 803 G	474, 555
<b>26174</b>	6Q0 423 804 G	251, 259
<b>26174</b>	6Q0 423 804 G	293, 311
<b>26174</b>	6Q0 423 804 G	474, 555
<b>26251</b>	6N0 422 803 C	239
<b>26251</b>	6N0 422 803 C	519
<b>26252</b>	6N0 422 804 C	239
<b>26252</b>	6N0 422 804 C	519
<b>26253</b>	6N0 422 803 D	239
<b>26253</b>	6N0 422 803 D	550
<b>26254</b>	6N0 422 804 D	239
<b>26254</b>	6N0 422 804 D	550
<b>26277</b>	54501-4M410	2
<b>26278</b>	54500-4M410	2
<b>26304</b>	60 40 002 245	191, 208
<b>26339</b>	54500-00QAH S1	6, 14
<b>26339</b>	77 00 763 538 S1	163, 164, 167, 174, 176, 184, 191, 197, 199, 206, 208, 211
<b>26344</b>	1J0 411 314 S	303
<b>26344</b>	1J0 411 314 S	455, 495
<b>26347</b>	7L0 422 831 A S1	451
<b>26432</b>	1603 415 SK	87
<b>26432</b>	93191671 SK	443
<b>26453</b>	54501-00QAE	4
<b>26453</b>	4418 212	69
<b>26453</b>	82 00 767 822	193
<b>26453</b>	09109852	429
<b>26454</b>	54500-00QAE	4
<b>26454</b>	4418 213	69
<b>26454</b>	82 00 767 825	193
<b>26454</b>	09109853	429
<b>26465</b>	48655-07010	341, 346
<b>26520</b>	48830-48010	688, 692, 693
<b>26531</b>	996 343 069 04	156, 159, 657
<b>26532</b>	996 343 070 04	156, 159, 657
<b>26533</b>	997 343 070 02	157, 159, 162
<b>26534</b>	997 343 069 02	157, 159, 162
<b>26535</b>	8N0 407 181 B	263, 267, 285
<b>26535</b>	8N0 407 181 B	525
<b>26536</b>	48520-0P725	26
<b>26540</b>	7H0 411 313	589
<b>26541</b>	7H5 511 414	740

<b>26573</b>	7H0 407 183	589
<b>26597</b>	48068-12260	357, 358
<b>26598</b>	48069-12260	357, 358
<b>26600</b>	8D0 498 998 B	315
<b>26600</b>	8D0 498 998 B	543
<b>26635</b>	1603 266	41, 93
<b>26635</b>	93181232	401, 449
<b>26636</b>	1603 267	41, 93
<b>26636</b>	93181233	401, 449
<b>26645</b>	3520.P6	134
<b>26646</b>	3521.K6	134
<b>26700</b>	8N0 407 365 C	267
<b>26700</b>	8N0 407 365 C	525
<b>26736</b>	48810-60010	365
<b>26737</b>	48820-60010	365
<b>26862</b>	30872510	617
<b>26863</b>	30872511	617
<b>26867</b>	30884359 S1	746
<b>26919</b>	48810-28020	369, 382
<b>26920</b>	48820-28030	369, 382
<b>26931</b>	5175.CF	653
<b>26932</b>	3523.CA	125
<b>26933</b>	3523.AZ	125, 129
<b>27014</b>	5178.47	653
<b>27015</b>	3523.AQ	125, 129
<b>27069</b>	1K0 199 231 J	237, 269
<b>27069</b>	1K0 199 231 J	305, 317, 319
<b>27069</b>	1K0 199 231 J	461, 463, 471, 497, 499, 511, 573, 581
<b>27071</b>	1K0 199 232 J	237, 269
<b>27071</b>	1K0 199 232 J	305, 317, 319
<b>27071</b>	1K0 199 232 J	461, 463, 471, 497, 499, 511, 573, 581
<b>27073</b>	5352 029	41, 65, 91, 93
<b>27073</b>	24454477	401, 427, 447, 449
<b>27074</b>	5352 030	41, 65, 91, 93
<b>27074</b>	22454478	401, 427, 447, 449
<b>27076</b>	1K0 407 151 AC	237
<b>27076</b>	1K0 407 151 AC	305, 317
<b>27076</b>	1K0 407 151 AC	461, 471, 573, 581
<b>27078</b>	1K0 407 152 AC	237
<b>27078</b>	1K0 407 152 AC	305, 317
<b>27078</b>	1K0 407 152 AC	461, 471, 573, 581


**Ref. - No.**


<b>27095</b>	1J0 422 803 H SK	265, 283
<b>27095</b>	1J0 422 804 H SK	265, 283
<b>27095</b>	1J0 422 810 B	265, 283
<b>27095</b>	1J0 422 803 H SK	301
<b>27095</b>	1J0 422 804 H SK	301
<b>27095</b>	1J0 422 810 B	301
<b>27095</b>	1J0 422 803 H SK	453, 523
<b>27095</b>	1J0 422 804 H SK	453, 523
<b>27095</b>	1J0 422 810 B	453, 523
<b>27097</b>	0423 035	648, 651
<b>27097</b>	13 230 274	664
<b>27097</b>	0423 035	704, 706
<b>27128</b>	48203-00QAE	15
<b>27128</b>	4408 476	89
<b>27128</b>	77 01 473 334	213
<b>27128</b>	91160038	444
<b>27179</b>	77 00 302 116	193
<b>27181</b>	54450-00QAA	4
<b>27181</b>	4500 091	69
<b>27181</b>	77 00 302 115	193
<b>27181</b>	09160391	429
<b>27197</b>	77 01 472 765	189
<b>27203</b>	77 01 478 551	189
<b>27222</b>	77 01 474 447	201, 209
<b>27250</b>	1J0 411 314 S S1	303
<b>27250</b>	1J0 411 314 S S1	455, 495
<b>27260</b>	45406-39185	363, 384
<b>27262</b>	48819-52010 S1	362, 375, 385, 387
<b>27264</b>	4E0 407 510 E	548
<b>27265</b>	4E0 407 509 E	548
<b>27286</b>	48830-05020	687
<b>27287</b>	48830-60030	692, 694, 697
<b>27294</b>	1J0 411 314 P S1	303
<b>27294</b>	1J0 411 314 P S1	455, 491, 495
<b>27299</b>	31212548	747
<b>27301</b>	48520-00QAM SK	15
<b>27301</b>	4408 474 SK	89
<b>27301</b>	77 01 473 333 SK	213
<b>27301</b>	91160037 SK	444
<b>27303</b>	48520-00QAM	15
<b>27303</b>	4408 474	89
<b>27303</b>	77 01 473 333	213
<b>27303</b>	91160037	444


**Ref. - No.**


<b>27304</b>	1J0 411 314 R S1	267, 285
<b>27304</b>	1J0 411 314 R S1	303
<b>27304</b>	1J0 411 314 R S1	455, 491, 525
<b>27305</b>	56261-EQ000	642
<b>27318</b>	1J0 411 314 T S1	267, 285
<b>27318</b>	1J0 411 314 T S1	303
<b>27318</b>	1J0 411 314 T S1	455, 491, 495, 525, 526
<b>27324</b>	6Q0 411 314 F	295
<b>27324</b>	6Q0 411 314 F	557
<b>27331</b>	48840-21010	687, 696
<b>27332</b>	48830-21020	687, 696
<b>27335</b>	48820-60050	366, 384
<b>27336</b>	48810-60040	366, 384
<b>27337</b>	48650-20021	343
<b>27338</b>	48820-44020	343, 344
<b>27339</b>	45503-49105	343
<b>27359</b>	54668-8H300	26
<b>27360</b>	54618-8H300	26
<b>27414</b>	0350 175	54
<b>27414</b>	13321280	420
<b>27424</b>	3812.E7	125
<b>27427</b>	3812.E2	134
<b>27428</b>	3812.E8	107
<b>27432</b>	3812.C6	151, 153
<b>27434</b>	5087.69	107, 109, 110
<b>27435</b>	5087.68	107, 109, 110
<b>27438</b>	5091.10 S1	97
<b>27438</b>	48819-70010 S1	345
<b>27446</b>	60 01 547 140	191, 208
<b>27447</b>	82 00 277 960	191, 208, 216
<b>27453</b>	60 25 311 529	172, 181
<b>27462</b>	56260-VB010	640
<b>27463</b>	54668-4U000	3
<b>27464</b>	54618-4U000	3
<b>27489</b>	98 071 300 80	653
<b>27502</b>	4E0 407 506 E	548
<b>27503</b>	4E0 407 505 E	548
<b>27511</b>	45047-69085	365, 366
<b>27512</b>	45046-69135	365, 366
<b>27530</b>	6Q0 407 151 L	249, 261
<b>27530</b>	6Q0 407 151 L	295, 313
<b>27530</b>	6Q0 407 151 L	473, 558



Ref. - No.

Car  
Division 

Ref. - No.



Ref. - No.



<b>27569</b>	0004873V002000000	320
<b>27611</b>	4D0 425 021 D	543
<b>27612</b>	701 425 021	585
<b>27638</b>	6Q0 411 314 P	249, 261, 263, 275
<b>27638</b>	6Q0 411 314 P	291, 295, 297, 298
<b>27638</b>	6Q0 411 314 P	473, 557, 565
<b>27640</b>	6Q0 411 314 Q	249, 261, 263, 289
<b>27640</b>	6Q0 411 314 Q	295, 309
<b>27640</b>	6Q0 411 314 Q	473, 557, 565
<b>27642</b>	6Q0 411 314 R	249, 261, 263, 289
<b>27642</b>	6Q0 411 314 R	295, 309, 313
<b>27642</b>	6Q0 411 314 R	473, 557, 565
<b>27725</b>	60 01 550 441	191, 208
<b>27726</b>	N 034 790 8 S1	315
<b>27775</b>	0444 275	648, 651
<b>27775</b>	13 104 120	664
<b>27775</b>	13104120	704, 706
<b>27805</b>	45503-19255	357, 358
<b>27807</b>	1603 357 SK	41
<b>27807</b>	93189668 SK	401
<b>27808</b>	45503-29295	369, 382
<b>27809</b>	45503-19145	367
<b>27810</b>	45503-29765	369, 382
<b>27812</b>	45503-49055	372
<b>27820</b>	34140FC000	325, 327, 330
<b>27834</b>	7H5 411 317 A	589
<b>27854</b>	2K5 505 465 A	707, 708
<b>27864</b>	8E0 505 465 D	725
<b>27866</b>	1J0 505 466 C	675
<b>27866</b>	1J0 505 466 C	707, 711
<b>27897</b>	30648461	623, 632, 634, 636
<b>27912</b>	31277464 SK2	611, 615, 619
<b>27982</b>	6K0 411 315 S1	243, 247, 255, 264, 276, 277, 280
<b>27982</b>	6K0 411 315 S1	459, 551, 563
<b>27984</b>	6K0 411 315	264, 277
<b>27984</b>	6K0 411 315	459
<b>27999</b>	0352 356 S1	37, 46, 83, 85
<b>27999</b>	90495046 S1	397, 406, 411
<b>28000</b>	4709 702	30
<b>28000</b>	42420-62J00-000	335, 337
<b>28000</b>	93195093	389
<b>28055</b>	48830-60G00-000	332

<b>28056</b>	4709 161	30
<b>28056</b>	48830-63J00-000	335, 337
<b>28056</b>	93194002	389
<b>28057</b>	48830-65D00-000	333
<b>28058</b>	4701 745	29
<b>28058</b>	48830-86G00-000	334, 339
<b>28058</b>	09204752	389
<b>28059</b>	48830-32040	692
<b>28090</b>	48820-0D010	387
<b>28091</b>	45503-69015	366
<b>28092</b>	45503-39075	365, 381, 384
<b>28095</b>	31277464	615, 619
<b>28096</b>	31277465	615, 619
<b>28098</b>	1J0 422 810 A	301
<b>28098</b>	1J0 422 810 A	523
<b>28100</b>	0352 348 S1	36, 46, 83, 85
<b>28100</b>	90268463 S1	395, 406, 411
<b>28101</b>	0352 352 S1	36, 46, 85
<b>28101</b>	90373264 S1	395, 406, 411
<b>28109</b>	48069-20260	351
<b>28110</b>	48068-20260	351
<b>28125</b>	3520.H5 S2	113, 148, 149
<b>28158</b>	42420-65D00-000 S1	333, 338, 339
<b>28159</b>	42420-81A10-000	334
<b>28199</b>	20470SA001	326, 328, 330
<b>28200</b>	30863990	617
<b>28211</b>	6E0 411 315	521
<b>28235</b>	42420-77A00-000	332
<b>28237</b>	48069-12110	354
<b>28238</b>	48068-12110	354
<b>28271</b>	48831B1010	329
<b>28272</b>	48821B1010	329
<b>28281</b>	82 00 272 594	189
<b>28282</b>	77 01 056 678	177, 201
<b>28290</b>	82 00 024 373	214
<b>28302</b>	77 04 001 734	171, 180
<b>28312</b>	1603 428	64
<b>28312</b>	93192415	426
<b>28318</b>	3817.63	97
<b>28318</b>	45047-09125	345
<b>28319</b>	3817.64	97
<b>28319</b>	45046-09295	345
<b>28335</b>	7H0 407 182 A	589


**Ref. - No.**


<b>28347</b>	4810 831 SK	31
<b>28347</b>	96819161 SK	390
<b>28351</b>	4018.E0	143
<b>28355</b>	3640.69	125, 129
<b>28356</b>	3640.74	125, 129
<b>28359</b>	1603 543	54
<b>28359</b>	93189022	420
<b>28362</b>	93 194 335	226
<b>28371</b>	1603 358 SK	41, 93
<b>28371</b>	93189669 SK	401, 448, 449
<b>28420</b>	0352 087	28, 54, 55
<b>28420</b>	93190907	388, 420, 421
<b>28439</b>	20470AE001	684
<b>28448</b>	48830-17070	695
<b>28449</b>	48068-59035 S4	387
<b>28466</b>	77 01 475 841 SK	177, 205
<b>28475</b>	0352 947	28, 54, 55
<b>28475</b>	13260666	388, 420, 421
<b>28477</b>	1603 844	53
<b>28477</b>	93192420	419
<b>28480</b>	2E0 411 317 C	469
<b>28481</b>	2E0 411 318 C	469
<b>28513</b>	48820-42030	340, 341, 357, 369, 373, 374, 375, 382
<b>28542</b>	31201817	611, 615, 619
<b>28579</b>	1J0 411 315 K	267, 285
<b>28579</b>	1J0 411 315 K	303
<b>28579</b>	1J0 411 315 K	455, 525
<b>28580</b>	3817.65	125
<b>28581</b>	3817.66	125
<b>28582</b>	4F0 407 183 E	253
<b>28591</b>	48820-AD010	365, 381, 383, 384
<b>28592</b>	48820-06040	342, 348, 377
<b>28599</b>	3640.62	107, 109
<b>28600</b>	3640.66	135
<b>28601</b>	5087.56	146
<b>28614</b>	9181013	744, 745, 746, 749
<b>28618</b>	1603 544	54
<b>28618</b>	93189023	420
<b>28619</b>	1603 545	54
<b>28619</b>	93189024	420
<b>28621</b>	8N0 407 182 A	525
<b>28628</b>	48840-42010	695


**Ref. - No.**


<b>28629</b>	48830-42010	695
<b>28638</b>	42420-80J00-000	338
<b>28644</b>	48830-35020 S1	694, 697
<b>28648</b>	5352 039	28, 54
<b>28648</b>	55703230	388, 420
<b>28649</b>	5352 038	28, 54
<b>28649</b>	55703231	388, 420
<b>28671</b>	4806 304	31
<b>28671</b>	96626247	390
<b>28672</b>	4806 305	31
<b>28672</b>	96626248	390
<b>28699</b>	43330-49025 S1	371, 372
<b>28700</b>	43340-09010 S1	348, 349, 376, 377
<b>28701</b>	43330-09560 S1	348, 349, 376, 377
<b>28704</b>	43330-09210 S1	344
<b>28710</b>	3817.67	107, 109
<b>28711</b>	3817.68	107, 109
<b>28712</b>	4703 866	29
<b>28712</b>	09319-10030-000	331, 339
<b>28712</b>	09208989	389
<b>28731</b>	3520.R7 S1	107, 109
<b>28732</b>	3520.R7 S2	107, 109
<b>29142</b>	3520.R7	107, 109
<b>29143</b>	3521.N8	107, 109
<b>29144</b>	3520.Y4	142
<b>29145</b>	3521.V5	142
<b>29185</b>	48068-12191 S3	356
<b>29186</b>	45046-29425	344
<b>29187</b>	48069-20260 S1	351
<b>29207</b>	4066.73	101, 103, 105, 106, 114
<b>29223</b>	31201413	611, 615, 619
<b>29224</b>	31201412	611, 615, 619
<b>29233</b>	1603 359 SK	41, 93
<b>29233</b>	93189670 SK	401, 448, 449
<b>29238</b>	1603 416 SK	78, 87
<b>29238</b>	93 191 672 SK	225
<b>29238</b>	93191672 SK	437
<b>29280</b>	0352 864	28, 54, 55
<b>29280</b>	13167940	388, 420, 421
<b>29324</b>	1603 289	41, 93
<b>29324</b>	93186333	401, 449
<b>29325</b>	1603 288	41, 93





Ref. - No.

Car  
Division 

Ref. - No.



Ref. - No.



<b>29325</b>	93186332	401, 449
<b>29352</b>	45503-39225	348, 377
<b>29361</b>	45503-39265	366, 384
<b>29375</b>	20201AA000	329, 330
<b>29376</b>	46300-60B10-000	685
<b>29377</b>	30818096 S1	746
<b>29385</b>	3640.76	144
<b>29422</b>	3520.W0	101, 103, 105, 106
<b>29423</b>	3521.S1	101, 103, 105, 106
<b>29424</b>	3520.V6	101, 103, 105
<b>29425</b>	3521.R7	101, 103, 105
<b>29426</b>	3520.V7	101, 103, 105
<b>29427</b>	3521.R9	101, 103, 105
<b>29450</b>	4E0 407 182 C	548
<b>29459</b>	1K0 505 465 AA	713
<b>29461</b>	1K0 505 465 AA S1	667, 669, 673
<b>29461</b>	1K0 505 465 AA S1	677, 679
<b>29461</b>	1K0 505 465 AA S1	710, 713, 718, 724
<b>29525</b>	77 01 475 840	177, 205
<b>29604</b>	31201228	637
<b>29605</b>	31201229	637
<b>29617</b>	31212191	621, 629, 631, 633
<b>29623</b>	60 01 550 442	191, 208
<b>29624</b>	60 01 550 443	191, 208
<b>29625</b>	3812.E5	114
<b>29632</b>	45200-60812-000	336
<b>29633</b>	45200-60822-000	336
<b>29634</b>	20200AA200	325, 326, 327, 329, 330
<b>29635</b>	20200AA210	325, 326, 327, 329, 330
<b>29637</b>	54 50 113 62R	191, 208
<b>29638</b>	54 50 042 69R	191, 208
<b>29644</b>	6U0 407 182	299, 307
<b>29644</b>	6U0 407 182	464
<b>29650</b>	60 01 547 607	191, 208
<b>29671</b>	48068-20260 S2	351
<b>29672</b>	45503-29255	362
<b>29673</b>	7H0 422 818 D	589
<b>29675</b>	7H0 422 817 D	589
<b>29679</b>	60 25 370 229	172, 181
<b>29680</b>	60 25 370 230	172, 181
<b>29682</b>	1K0 505 203 A	667, 669, 673

<b>29682</b>	1K0 505 203 A	677, 679
<b>29682</b>	1K0 505 203 A	710, 713, 724, 733
<b>29683</b>	60 25 370 493	172, 181
<b>29684</b>	60 25 370 494	172, 181
<b>29685</b>	20481AA001	681, 682, 683
<b>29686</b>	20420AA004	325, 328, 329, 330
<b>29689</b>	1K0 505 279 A	667, 669, 673
<b>29689</b>	1K0 505 279 A	677, 679
<b>29689</b>	1K0 505 279 A	710, 713, 724, 733
<b>29690</b>	1K0 505 171 C	667, 669, 673
<b>29690</b>	1K0 505 171 C	677, 679
<b>29690</b>	1K0 505 171 C	724, 735
<b>29691</b>	45046-09230	344
<b>29692</b>	45503-29615	351, 359, 368
<b>29760</b>	46201-60B11-000	685
<b>29761</b>	46202-60B11-000	685
<b>29763</b>	45460-39615	348
<b>29764</b>	45470-39215	348
<b>29772</b>	7D0 407 361 S1	588
<b>29800</b>	996 333 069 04	659
<b>29826</b>	4708 299 S1	30
<b>29826</b>	45201-62J00-000 S1	335, 337
<b>29826</b>	93193130 S1	389
<b>29827</b>	4708 299 S2	30
<b>29827</b>	45540-62J00-000 S1	335, 337
<b>29827</b>	93193130 S2	389
<b>29828</b>	48810-65D01-000	333
<b>29829</b>	48820-65D01-000	333
<b>29830</b>	4709 195	30
<b>29830</b>	48810-60810-000	334, 335, 337
<b>29830</b>	93194035	389
<b>29834</b>	54 61 800 01R	190
<b>29840</b>	48830-60B00-000	336
<b>29841</b>	21067GA050	325, 326, 327, 328, 330
<b>29853</b>	34141AA042	325, 326, 327, 328, 329, 330
<b>29931</b>	45202-72K01-000	337
<b>29932</b>	45201-72K01-000	337
<b>29938</b>	1K0 505 553 A	667, 669, 673, 674
<b>29938</b>	1K0 505 553 A	675, 677, 679
<b>29938</b>	1K0 505 553 A	724, 735
<b>29946</b>	82 00 272 596	189


**Ref. - No.**


<b>29947</b>	77 01 056 095	201
<b>29948</b>	82 00 040 642	214
<b>29953</b>	48820-17050 S1	367
<b>29985</b>	50 63 391	226
<b>30000</b>	30683067 S1	747
<b>30004</b>	31277305 S1	747
<b>30034</b>	3520.Q2 S2	97
<b>30034</b>	48069-0H010 S2	345
<b>30035</b>	3520.Q2 S3	97
<b>30035</b>	48069-0H010 S3	345
<b>30036</b>	3520.Q2 S4	97
<b>30036</b>	48069-0H010 S4	345
<b>30054</b>	52 33 374	226
<b>30151</b>	2E0 407 151 M S1	469
<b>30154</b>	1J0 411 315 G S1	266, 267, 284, 285
<b>30154</b>	1J0 411 315 G S1	302, 303
<b>30154</b>	1J0 411 315 G S1	454, 455, 491, 494, 495, 524, 525
<b>30186</b>	42420-65J00-000	333
<b>30225</b>	45470-39225	348, 349, 377
<b>30226</b>	45460-39635	348, 349, 377
<b>30231</b>	45047-49025	367, 372, 375, 386
<b>30232</b>	45046-49095	367, 372, 375, 386
<b>30295</b>	2E0 407 523	469
<b>30380</b>	31277463 SK	611, 615, 619
<b>30398</b>	5178.48	655
<b>30399</b>	5178.49	655
<b>30401</b>	5087.58	138, 139
<b>30494</b>	8E0 501 541 S	670
<b>30509</b>	3C0 407 365 B	269
<b>30510</b>	3C0 407 366 B	269
<b>30527</b>	48640-AX600	9
<b>30528</b>	48520-AX600	9
<b>30529</b>	48647-1U61A	9, 11
<b>30530</b>	48527-1U61A	9
<b>30573</b>	1603 644 SK	39, 91
<b>30573</b>	93191529 SK	399, 447
<b>30577</b>	48830-65J00-000	333
<b>30587</b>	1603 417 SK	78, 87
<b>30587</b>	93191673 SK	437, 443
<b>30623</b>	0350 161	41, 47, 53, 64
<b>30623</b>	13125492	401, 419, 422, 426
<b>30624</b>	0350 086	86


**Ref. - No.**


<b>30624</b>	09191649	441
<b>30625</b>	0423 319	648, 651
<b>30625</b>	24452034	704, 706
<b>30653</b>	40160-00Q0A	15
<b>30653</b>	4431 869	89
<b>30653</b>	77 01 477 385	213
<b>30653</b>	93161884	445
<b>30654</b>	4E0 419 821 A	548
<b>30691</b>	3C0 199 231 E	465, 545, 546, 575, 577
<b>30696</b>	8D0 407 515 C	253
<b>30696</b>	8D0 407 515 C	548
<b>30706</b>	2E0 713 410	469
<b>30714</b>	RBX 101771	219, 223
<b>30715</b>	RBX 101761	219, 223
<b>30731</b>	QJB100190	219, 223
<b>30732</b>	QJB 100180	219, 223
<b>30736</b>	RGD 100572	663
<b>30737</b>	RGD 100562	663
<b>30739</b>	31320GA190	327
<b>30740</b>	31320GA200	327
<b>30820</b>	6Q0 423 810 C	251, 259
<b>30820</b>	6Q0 423 810 C	293, 311
<b>30820</b>	6Q0 423 810 C	474, 555
<b>30827</b>	0350 613	41, 93
<b>30827</b>	24461353	401, 449
<b>30830</b>	30760678	749, 752, 754, 755
<b>30858</b>	7H0 407 361 A S1	589
<b>30864</b>	RBM 100240	219, 223
<b>30865</b>	48830-12050	691
<b>30876</b>	3817.47	95
<b>30944</b>	3516122	744
<b>30982</b>	7L0 505 554	736
<b>30983</b>	7L0 505 553	736
<b>30985</b>	54668-JD00A	10, 20, 22, 27
<b>30985</b>	54 66 8JD 00A	186
<b>30986</b>	54618-JD00A	10, 20, 22, 27
<b>30986</b>	54 61 8JD 00A	186
<b>31007</b>	77 00 784 170	167, 197, 199
<b>31008</b>	77 00 784 171	197, 199
<b>31009</b>	82 00 150 759	197, 199
<b>31010</b>	77 00 314 855	184
<b>31066</b>	0444 160	648, 651



Ref. - No.

Car  
Division

Ref. - No.



Ref. - No.



<b>31066</b>	24 457 385	664
<b>31066</b>	24457385	704, 706
<b>31067</b>	0444 161	648, 651
<b>31067</b>	24 457 386	664
<b>31067</b>	24457386	704, 706
<b>31068</b>	0444 162	648, 651
<b>31068</b>	24 457 843	664
<b>31068</b>	24457843	704, 706
<b>31091</b>	3520.S0 S2	144
<b>31092</b>	3520.S0 S1	144
<b>31106</b>	48061-05010	343, 359
<b>31139</b>	56260-0W001	639
<b>31166</b>	54618-0E000	7
<b>31253</b>	1K0 407 183 E	237, 249, 261, 269
<b>31253</b>	1K0 407 183 E	295, 305, 313, 317, 319
<b>31253</b>	1K0 407 183 E	461, 462, 463, 471, 473, 497, 499, 511, 545, 558, 573, 575, 577, 581
<b>31266</b>	30639368	637
<b>31267</b>	31304040	637
<b>31271</b>	450 333 00 14	320, 321, 322, 324
<b>31272</b>	0014141V002000000	320, 321, 322, 324
<b>31273</b>	2E0 498 104 A	469
<b>31277</b>	8E0 407 693 AL	253
<b>31278</b>	1K0 423 831 A S1	235, 237, 271, 273, 286
<b>31278</b>	1K0 423 831 A S1	305, 306, 317, 319
<b>31278</b>	1K0 423 831 A S1	461, 463, 465, 471, 544, 573, 577, 581
<b>31281</b>	8E0 407 694 AL	253
<b>31285</b>	31201004	637
<b>31286</b>	31201005	637
<b>31297</b>	3520.S0	144
<b>31298</b>	3521.P1	144
<b>31331</b>	8E0 407 510 P	253
<b>31332</b>	8E0 407 509 P	253
<b>31344</b>	7L0 407 077	578, 579
<b>31345</b>	7L8 411 313 B	579, 582
<b>31348</b>	1J0 411 314 AC	267, 285
<b>31348</b>	1J0 411 314 AC	495
<b>31350</b>	8Z0 411 314 B	295

<b>31350</b>	8Z0 411 314 B	557
<b>31353</b>	7L0 411 313 G	579
<b>31357</b>	7L0 411 313 J	579
<b>31429</b>	2E0 511 051 F	709
<b>31472</b>	48830-M70F00	331
<b>31479</b>	2E0 407 523 A	469
<b>31485</b>	3C0 407 365 B S1	235, 269, 273
<b>31485</b>	3C0 407 365 B S1	306
<b>31485</b>	3C0 407 365 B S1	465, 545
<b>31486</b>	3C0 407 366 B S1	235, 269, 273
<b>31486</b>	3C0 407 366 B S1	306
<b>31486</b>	3C0 407 366 B S1	465, 545
<b>31507</b>	77 01 478 552 SK	182, 217
<b>31557</b>	48830-05030	686, 687
<b>31558</b>	48830-0R010	695
<b>31561</b>	0350 618	44, 58, 94
<b>31561</b>	13 258 058	227
<b>31561</b>	13258052	404, 425, 450
<b>31705</b>	7H0 419 810 F	589
<b>31706</b>	955 343 069 00	160
<b>31706</b>	7L0 411 317	579
<b>31708</b>	4817 539	643
<b>31708</b>	96996460	698
<b>31713</b>	48820-0R010	373
<b>31714</b>	48820-02070	341, 344, 357
<b>31715</b>	48820-24010	353, 380
<b>31717</b>	48820-17040	367
<b>31718</b>	3520.Q2	97
<b>31718</b>	48069-0H010	345
<b>31719</b>	3521.L3	97
<b>31719</b>	48068-0H010	345
<b>31747</b>	45503-0D030	387
<b>31750</b>	45503-47030	370
<b>31751</b>	45503-29565	363
<b>31788</b>	7H0 419 804 F	589
<b>31789</b>	7H0 419 803 F	589
<b>31811</b>	3640.51 S1	148, 149, 153
<b>31812</b>	3640.42 S1	148, 149
<b>31813</b>	3640.37 S1	113
<b>31814</b>	3640.48 S1	113
<b>31842</b>	1J0 505 466 B S1	671
<b>31842</b>	1J0 505 466 B S1	707, 711
<b>31843</b>	1J0 505 466 C S1	675


**Ref. - No.**


<b>31843</b>	1J0 505 466 C S1	707, 711
<b>31845</b>	31277463	611, 615, 619
<b>31846</b>	31277462	611, 615, 619
<b>31847</b>	40110-00QAB	4
<b>31970</b>	3812.F2	117, 137, 141
<b>31971</b>	3817.89	117, 137, 141, 154
<b>31972</b>	3817.88	117, 137, 141, 154
<b>31990</b>	0015642V002000000	322, 324
<b>31991</b>	0015642V002000000 S2	320, 321, 322, 324
<b>32020</b>	48 52 100 01R SK	190
<b>32023</b>	48520-BM425	2
<b>32073</b>	1K0 511 327 AQ	667, 669, 673
<b>32073</b>	1K0 511 327 AQ	677, 679
<b>32073</b>	1K0 511 327 AQ	717, 727, 739
<b>32090</b>	4707 280	29
<b>32090</b>	45200-84E00-000	339
<b>32116</b>	3520.N6 SK	125, 129
<b>32128</b>	48521-00Q0B SK	4
<b>32128</b>	4501 261 SK	69
<b>32128</b>	77 01 470 362 SK	193
<b>32128</b>	09161561 SK	429
<b>32140</b>	4708 300	30
<b>32140</b>	45202-57KA0-000	335
<b>32140</b>	93193131	389
<b>32141</b>	4708 299	30
<b>32141</b>	45201-57KA0-000	335
<b>32141</b>	93193130	389
<b>32157</b>	701 419 810 B	587
<b>32163</b>	31317661 SK	623, 632, 634
<b>32192</b>	3817.70	144
<b>32193</b>	3817.77	144
<b>32194</b>	5087.79	142
<b>32229</b>	6Q0 419 803 F	293
<b>32229</b>	6Q0 419 803 F	474, 555, 557
<b>32230</b>	6Q0 419 804 F	293
<b>32230</b>	6Q0 419 804 F	474, 555, 557
<b>32318</b>	8E0 407 505 P	253
<b>32319</b>	8E0 407 506 P	253
<b>32326</b>	3C0 407 151 G	545, 575, 577
<b>32418</b>	31277464 SK3	611, 615, 619
<b>32453</b>	5Q0 505 323 C	667, 669, 673
<b>32453</b>	5Q0 505 323 C	677, 679
<b>32453</b>	5Q0 505 323 C	717, 718, 724, 735


**Ref. - No.**


<b>32470</b>	4705 409	29
<b>32470</b>	42451-76G00-000	334, 339
<b>32470</b>	09209466	389
<b>32473</b>	6Q0 423 810 P	251, 259
<b>32473</b>	6Q0 423 810 P	293, 297, 311
<b>32473</b>	6Q0 423 810 P	474, 555
<b>32474</b>	6Q0 419 810 B	293, 311
<b>32474</b>	6Q0 419 810 B	474, 555, 557
<b>32475</b>	46201-83E20-000 S2	685
<b>32491</b>	8E0 505 465 AF S1	670
<b>32495</b>	20470SA011	681, 682
<b>32511</b>	30635231	631
<b>32512</b>	30635232	631
<b>32541</b>	1K0 199 232 J S1	237, 268, 269
<b>32541</b>	1K0 199 232 J S1	305, 317, 319
<b>32541</b>	1K0 199 232 J S1	461, 463, 471, 573, 581
<b>32542</b>	1K0 199 231 J S1	237, 268, 269
<b>32542</b>	1K0 199 231 J S1	305, 317, 319
<b>32542</b>	1K0 199 231 J S1	461, 463, 471, 573, 581
<b>32551</b>	4001.69 S1	138
<b>32567</b>	56261-AV611	640
<b>32573</b>	55618-JD00A	641, 642
<b>32573</b>	55 61 8JY 00B	660
<b>32574</b>	55619-JD00A	641, 642
<b>32574</b>	55 61 9JY 00B	660
<b>32597</b>	8N0 422 810 C	523
<b>32625</b>	1K0 511 327 AS	669, 673
<b>32625</b>	1K0 511 327 AS	677, 679
<b>32625</b>	1K0 511 327 AS	717, 722, 727, 735
<b>32627</b>	1K0 423 810 A S1	235, 237, 271, 273, 286
<b>32627</b>	1K0 423 810 A S1	305, 306, 317, 319
<b>32627</b>	1K0 423 810 A S1	471, 544, 573, 577, 581
<b>32628</b>	1K0 423 810 A S2	235, 237, 271, 273, 286
<b>32628</b>	1K0 423 810 A S2	305, 306, 317, 319
<b>32628</b>	1K0 423 810 A S2	471, 544, 573, 577, 581
<b>32699</b>	82 00 669 066	201, 209
<b>32767</b>	3817.86	142



Ref. - No.

Car  
Division

Ref. - No.



Ref. - No.



<b>32768</b>	3817.87	142
<b>32874</b>	77 01 473 498 SK	214
<b>32888</b>	54618-0W001	12
<b>32956</b>	1K0 501 529 F	669, 673
<b>32956</b>	1K0 501 529 F	677, 679
<b>32956</b>	1K0 501 529 F	710, 713, 715, 717, 721, 727, 729, 731, 735, 739
<b>32957</b>	1K0 501 530 C	669, 673
<b>32957</b>	1K0 501 530 C	677, 679
<b>32957</b>	1K0 501 530 C	710, 713, 715, 717, 721, 727, 729, 731, 735, 739
<b>33078</b>	2E0 713 491 S1	469
<b>33085</b>	54 56 000 05R	183, 203, 204, 210
<b>33086</b>	54 56 000 04R	183, 203, 204, 210
<b>33087</b>	54 56 016 84R	203, 210
<b>33105</b>	82 00 197 179 S1	184
<b>33106</b>	82 00 197 187 S1	184
<b>33131</b>	6606 030 SK	58
<b>33131</b>	13 271 996 SK	227
<b>33131</b>	13271996 SK	425
<b>33190</b>	45503-29575	363
<b>33363</b>	8E0 407 694 E S1	543
<b>33364</b>	8E0 407 693 E S1	543
<b>33365</b>	8E0 407 694 AG S1	315
<b>33366</b>	8E0 407 693 AG S1	315
<b>33367</b>	8E0 407 509 A S1	315
<b>33368</b>	8E0 407 510 A S1	315
<b>33369</b>	6X0 407 151 A S1	241
<b>33369</b>	6X0 407 151 A S1	521
<b>33370</b>	8E0 407 151 R S1	253
<b>33447</b>	45503-17040	367
<b>33452</b>	48521-8H386	26
<b>33453</b>	48521-EA000	10, 12
<b>33454</b>	1H0 419 810	483, 489, 593
<b>33510</b>	48510-4A00C	13
<b>33510</b>	48830M68K00	331
<b>33517</b>	77 01 469 517 SK	214
<b>33532</b>	48810-81A00-000	334
<b>33533</b>	48820-81A00-000	334
<b>33584</b>	6R0 423 810 A	263, 289
<b>33584</b>	6R0 423 810 A	309

<b>33584</b>	6R0 423 810 A	565
<b>33592</b>	8D0 419 831 K S1	253
<b>33598</b>	4E0 505 203 A	732
<b>33609</b>	454 333 01 27	321
<b>33610</b>	454 330 07 07	321
<b>33611</b>	454 330 08 07	321
<b>33725</b>	7L0 407 183 A	579, 736
<b>33760</b>	54616-4A00B	13
<b>33760</b>	42420-M68K0-000	331
<b>33776</b>	0350 612	78, 87
<b>33776</b>	13116332	437, 443
<b>33811</b>	0350 198	48
<b>33811</b>	95511247	423
<b>33829</b>	93 191 674 SK	225
<b>33841</b>	52 37 516	226
<b>33872</b>	31280409 SK	623, 636
<b>33906</b>	1H0 422 810 B	467, 485, 487, 593, 595
<b>33907</b>	191 422 810 A	243, 255, 278, 280
<b>33907</b>	191 422 810 A	466, 468, 478, 507
<b>33908</b>	1H0 422 810	468, 481, 486, 487, 593
<b>33964</b>	5094.A1	125, 129
<b>33965</b>	5094.99	125
<b>33971</b>	1K0 199 231 N	269
<b>33972</b>	1K0 199 232 N	269
<b>33973</b>	8J0 407 183	269
<b>34067</b>	54613-JD04A	20
<b>34068</b>	54613-JD17A	20
<b>34120</b>	54668-EA010	10, 12
<b>34121</b>	54618-EA010	10, 12
<b>34160</b>	31280408 SK	623, 636
<b>34164</b>	40160-00Q0B	4
<b>34164</b>	77 01 070 154	193
<b>34206</b>	5352 001 S1	37, 85
<b>34206</b>	90495103 S1	397, 411
<b>34207</b>	5352 000 S1	37, 85
<b>34207</b>	90495104 S1	397, 411
<b>34208</b>	0352 193 S1	36, 85
<b>34208</b>	90495195 S1	395, 411
<b>34209</b>	0352 192 S1	36, 85
<b>34209</b>	90495160 S1	395, 411
<b>34213</b>	0423 035 S1	648, 651


**Ref. - No.**


<b>34213</b>	13 230 274 S1	664
<b>34213</b>	13230274 S1	704, 706
<b>34217</b>	0352 028 S1	74
<b>34217</b>	90576789 S1	434
<b>34218</b>	0352 029 S1	74
<b>34218</b>	90576788 S1	434
<b>34221</b>	0352 061 S1	53
<b>34221</b>	13140037 S1	419
<b>34222</b>	0352 063 S1	53
<b>34222</b>	13140038 S1	419
<b>34223</b>	5352 027 S1	64
<b>34223</b>	93388568 S1	426
<b>34224</b>	5352 028 S1	64
<b>34224</b>	93388569 S1	426
<b>34226</b>	5352 016 S1	39, 90, 91
<b>34226</b>	90498735 S1	399, 446, 447
<b>34227</b>	5352 017 S1	39, 90, 91
<b>34227</b>	90498736 S1	399, 446, 447
<b>34228</b>	0352 052 S1	78, 87
<b>34228</b>	12796014 S1	225
<b>34228</b>	24413016 S1	437, 443
<b>34231</b>	0352 051 S1	78, 87
<b>34231</b>	24 413 015 S1	225
<b>34231</b>	24 413 015 S1	437, 443
<b>34232</b>	5352 029 S1	41, 65, 90, 91, 93
<b>34232</b>	24454477 S1	401, 427, 446, 447, 449
<b>34233</b>	5352 030 S1	41, 65, 90, 91, 93
<b>34233</b>	24454478 S1	401, 427, 446, 447, 449
<b>34247</b>	77 01 471 124 SK	175
<b>34293</b>	30776251	623, 632, 634, 636
<b>34294</b>	31280409	622, 623, 636
<b>34296</b>	0444 291	650
<b>34296</b>	90496711	705
<b>34298</b>	1603 642 SK	93
<b>34298</b>	93191521 SK	449
<b>34308</b>	77 01 468 820	165, 166, 168
<b>34309</b>	77 01 468 821	165, 166, 168
<b>34310</b>	45047-19215	341, 357, 374
<b>34311</b>	45046-19415	341, 357, 374
<b>34319</b>	1609 013	65
<b>34319</b>	93196780	427


**Ref. - No.**


<b>34320</b>	1609 012	65
<b>34320</b>	93196779	427
<b>34332</b>	60 01 550 442 S1	191, 208
<b>34333</b>	60 01 550 446 S1	191, 208
<b>34371</b>	31280658 SK2	622, 623, 632, 634
<b>34384</b>	31280658 SK1	623, 632, 634
<b>34477</b>	3817.74	138
<b>34525</b>	82 00 942 396 S1	215
<b>34561</b>	56261-1AA0B	638, 641
<b>34562</b>	56261-1AA0A	638, 641
<b>34583</b>	31317661	623, 632, 634
<b>34584</b>	31317662	623, 632, 634
<b>34614</b>	D8521-JD00B	20, 27
<b>34614</b>	D8 52 1JG 00A	186
<b>34616</b>	45503-59055	385, 387
<b>34618</b>	45503-69025	366
<b>34661</b>	48802-60060	693
<b>34662</b>	48802-60090 S1	693, 694
<b>34664</b>	48820-22041	360
<b>34665</b>	48820-35010	364, 384
<b>34666</b>	54500-JD000 S1	20
<b>34666</b>	54 50 0JY 00A S1	186
<b>34709</b>	82 00 554 863	215
<b>34710</b>	82 00 891 487	215
<b>34713</b>	45503-0F010	344, 358, 359
<b>34714</b>	54668-CA010	638, 641
<b>34715</b>	54618-CA010	638, 641
<b>34716</b>	56261-EA510	640
<b>34717</b>	56261-EA500	640
<b>34720</b>	48521-0W025	12
<b>34755</b>	48527-JD01A	20
<b>34755</b>	D8 52 0JY 00A	186
<b>34756</b>	48647-JD01A	20
<b>34756</b>	D8 64 0JY 00A	186
<b>34794</b>	3C0 505 541	667
<b>34801</b>	5094.82	101, 103, 105, 106
<b>34804</b>	5094.95	101, 103, 105, 106
<b>34884</b>	1K0 505 311 AB	669, 673
<b>34884</b>	1K0 505 311 AB	677, 679
<b>34884</b>	1K0 505 311 AB	710, 713, 715, 717, 721, 722, 724, 727, 729, 731, 735, 739
<b>34940</b>	0423 032	648, 651



Ref. - No.

Car  
Division

Ref. - No.



Ref. - No.



<b>34940</b>	13204112	704, 706
<b>34945</b>	0004914V002000000 S1	322
<b>34949</b>	451 460 00 96	322, 323
<b>34959</b>	0350 617	44, 58, 94
<b>34959</b>	13 219 141	227
<b>34959</b>	13219141	404, 425, 450
<b>36005</b>	701 501 131	740
<b>36047</b>	1K0 501 529 J	669, 673
<b>36047</b>	1K0 501 529 J	677, 679
<b>36047</b>	1K0 501 529 J	713, 717, 721, 722, 724, 729, 731, 735, 739
<b>36051</b>	6R0 407 365 A	249, 261, 263, 275, 289
<b>36051</b>	6R0 407 365 A	291, 297, 298, 309, 313
<b>36051</b>	6R0 407 365 A	557, 565, 591
<b>36052</b>	6R0 407 366 A	249, 261, 263, 275, 289
<b>36052</b>	6R0 407 366 A	291, 297, 298, 309, 313
<b>36052</b>	6R0 407 366 A	557, 565, 591
<b>36094</b>	77 01 478 408	185
<b>36095</b>	77 01 478 407	185
<b>36098</b>	6Q0 407 182 A	249, 261
<b>36098</b>	6Q0 407 182 A	295, 313
<b>36098</b>	6Q0 407 182 A	473, 558
<b>36112</b>	0423 032 S1	648, 651
<b>36112</b>	13204112 S1	704, 706
<b>36121</b>	82 00 586 564	185
<b>36122</b>	82 00 586 570	185
<b>36125</b>	40 16 000 04R	190
<b>36130</b>	2D0 511 413 C	709
<b>36192</b>	0005374V001 S1	322
<b>36285</b>	3523.AP	143
<b>36286</b>	16 099 106 80	138, 139
<b>36345</b>	54503-00Q0E	15
<b>36345</b>	4421 647	89
<b>36345</b>	82 00 876 659	213
<b>36345</b>	93862136	445
<b>36346</b>	54502-00Q0E	15
<b>36346</b>	4421 646	89
<b>36346</b>	82 00 876 657	213

<b>36346</b>	93862135	445
<b>36395</b>	82 00 839 119	661
<b>36396</b>	82 00 839 124	661
<b>36435</b>	82 00 841 004	661
<b>36436</b>	55 11 078 94R	661
<b>36440</b>	98 049 474 80	137, 141, 154, 155
<b>36457</b>	2H0 407 077 A	451
<b>36458</b>	2H0 407 182 A	451
<b>36459</b>	2H0 412 333 A	451
<b>36460</b>	2H0 407 183 A	451
<b>36508</b>	6R0 423 803 A	263, 289
<b>36508</b>	6R0 423 803 A	309
<b>36508</b>	6R0 423 803 A	565
<b>36509</b>	6R0 423 804 A	263, 289
<b>36509</b>	6R0 423 804 A	309
<b>36509</b>	6R0 423 804 A	565
<b>36543</b>	0350 145	78, 87
<b>36543</b>	09191188	437, 442, 443
<b>36582</b>	2H0 411 317	451
<b>36583</b>	54501-00Q0E	4
<b>36583</b>	4418 629	69
<b>36583</b>	82 00 750 273	193
<b>36583</b>	93194853	429
<b>36584</b>	54500-00Q0E	4
<b>36584</b>	4418 630	69
<b>36584</b>	82 00 750 274	193
<b>36584</b>	93194855	429
<b>36595</b>	0352 868	58
<b>36595</b>	13257785	425
<b>36630</b>	1J0 411 305 B S1	267, 285
<b>36630</b>	1J0 411 305 B S1	303
<b>36630</b>	1J0 411 305 B S1	455, 495, 525
<b>36640</b>	1J0 411 305 E S1	267, 285
<b>36640</b>	1J0 411 305 E S1	303
<b>36640</b>	1J0 411 305 E S1	455, 495, 525
<b>36642</b>	2H0 411 317 S1	451
<b>36643</b>	2H0 411 317 S2	451
<b>36646</b>	1J0 411 327 A	267, 285
<b>36646</b>	1J0 411 327 A	303
<b>36646</b>	1J0 411 327 A	455, 495, 525
<b>36654</b>	4066.83	134, 146
<b>36665</b>	1J0 411 315 K S1	267, 285
<b>36665</b>	1J0 411 315 K S1	303


**Ref. - No.**


<b>36665</b>	1J0 411 315 K S1	455, 495, 525
<b>36667</b>	1J0 411 315 K S2	267, 285
<b>36667</b>	1J0 411 315 K S2	303
<b>36667</b>	1J0 411 315 K S2	454, 455, 494, 495, 524, 525
<b>36669</b>	3812.F0	134, 146
<b>36676</b>	1J0 411 315 G S1	267, 285
<b>36676</b>	1J0 411 315 G S1	303
<b>36676</b>	1J0 411 315 G S1	455, 495, 525
<b>36677</b>	1J0 411 315 G S2	266, 267, 284, 285
<b>36677</b>	1J0 411 315 G S2	302, 303
<b>36677</b>	1J0 411 315 G S2	454, 455, 494, 495, 524, 525
<b>36691</b>	3812.F7	155
<b>36715</b>	31201485	621, 629, 631, 637
<b>36733</b>	31262930	749, 752, 754
<b>36735</b>	1K0 407 365 C S1	237, 269, 287
<b>36735</b>	1K0 407 365 C S1	305, 317, 319
<b>36735</b>	1K0 407 365 C S1	461, 463, 471, 497, 499, 509, 511, 527, 573, 577, 581
<b>36736</b>	1K0 407 366 C S1	237, 269, 287
<b>36736</b>	1K0 407 366 C S1	305, 317, 319
<b>36736</b>	1K0 407 366 C S1	461, 463, 471, 497, 499, 509, 511, 527, 573, 577, 581
<b>36752</b>	1K0 407 183 P	305, 317, 319
<b>36752</b>	1K0 407 183 P	461, 462, 463, 509, 511, 527, 547
<b>36757</b>	1J0 411 315 G S3	267, 285
<b>36757</b>	1J0 411 315 G S3	303
<b>36757</b>	1J0 411 315 G S3	455, 495, 525
<b>36758</b>	1J0 411 315 G S4	267, 285
<b>36758</b>	1J0 411 315 G S4	303
<b>36758</b>	1J0 411 315 G S4	455, 495, 525
<b>36790</b>	451 320 01 89 S1	323
<b>36791</b>	451 320 01 89	323
<b>36800</b>	8E0 422 821 C S1	253
<b>36825</b>	30776255 SK	623, 632, 634
<b>36840</b>	4001.E4 S1	144
<b>36841</b>	4001.77 S1	142
<b>36850</b>	4001.33 S1	97
<b>36850</b>	45500-0H010 S1	345


**Ref. - No.**


<b>36880</b>	3523.96	131
<b>36883</b>	5170.F5 S1	656
<b>36889</b>	5081.N9 S1	144
<b>36901</b>	3521.J6	124, 125, 129
<b>36902</b>	3520.N6	124, 125, 129
<b>36910</b>	955 347 132 22	160
<b>36910</b>	7L0 422 818 D	451, 579
<b>36911</b>	955 347 131 22	160
<b>36911</b>	7L0 422 817 D	451, 579
<b>36922</b>	6R0 407 152 E	249, 261
<b>36922</b>	6R0 407 152 E	297, 313
<b>36922</b>	6R0 407 152 E	557
<b>36923</b>	6R0 407 151 E	249, 261
<b>36923</b>	6R0 407 151 E	297, 313
<b>36923</b>	6R0 407 151 E	557
<b>36925</b>	6R0 407 151 E S1	249, 261
<b>36925</b>	6R0 407 151 E S1	297, 313
<b>36925</b>	6R0 407 151 E S1	557
<b>36926</b>	6R0 407 152 E S1	249, 261
<b>36926</b>	6R0 407 152 E S1	297, 313
<b>36926</b>	6R0 407 152 E S1	557
<b>36962</b>	31317661 SK1	623, 632, 634, 636
<b>36963</b>	31387571	623, 632, 634, 636
<b>36964</b>	31387572	623, 632, 634, 636
<b>36977</b>	5094.E5	142
<b>37040</b>	6Q0 411 305 AL S1	557
<b>37050</b>	6Q0 411 305 AM S1	557
<b>37060</b>	6Q0 411 305 AN S1	557
<b>37065</b>	6K0 422 810 E	245, 257
<b>37065</b>	6K0 422 810 E	458, 561, 563
<b>37066</b>	191 419 810 A	244, 256, 279, 281
<b>37066</b>	191 419 810 A	478, 507
<b>37067</b>	54 50 140 55R	183, 203, 204, 210
<b>37068</b>	54 50 092 07R	183, 203, 204, 210
<b>37069</b>	6Q0 411 314 Q S1	247, 249, 263
<b>37069</b>	6Q0 411 314 Q S1	295, 309
<b>37069</b>	6Q0 411 314 Q S1	557, 565
<b>37076</b>	6Q0 411 314 R S1	557
<b>37077</b>	6Q0 411 314 P S1	247, 249, 261, 263, 275
<b>37077</b>	6Q0 411 314 P S1	291, 295, 297
<b>37077</b>	6Q0 411 314 P S1	472, 473, 557, 565, 591





Ref. - No.

Car Division



Ref. - No.



Ref. - No.



<b>37078</b>	6Q0 411 314 F S1	295
<b>37078</b>	6Q0 411 314 F S1	557
<b>37079</b>	8Z0 411 314 B S1	295
<b>37079</b>	8Z0 411 314 B S1	557
<b>37089</b>	6Q0 411 314 R S2	247, 249, 261, 263
<b>37089</b>	6Q0 411 314 R S2	309, 313
<b>37089</b>	6Q0 411 314 R S2	557, 565
<b>37090</b>	6Q0 411 305 AL S2	249, 261, 263
<b>37090</b>	6Q0 411 305 AL S2	295, 297
<b>37090</b>	6Q0 411 305 AL S2	473, 557, 565
<b>37095</b>	3523.CW	155
<b>37100</b>	6Q0 411 305 AM S2	249, 263
<b>37100</b>	6Q0 411 305 AM S2	295
<b>37100</b>	6Q0 411 305 AM S2	557, 565
<b>37110</b>	6Q0 411 305 AN S2	249, 261, 263
<b>37110</b>	6Q0 411 305 AN S2	295, 313
<b>37110</b>	6Q0 411 305 AN S2	557, 565
<b>37139</b>	1J0 411 314 AC S1	267, 284, 285
<b>37139</b>	1J0 411 314 AC S1	454, 455, 494, 495
<b>37160</b>	77 01 477 878 SK	215
<b>37178</b>	8E0 407 506 A S1	315
<b>37178</b>	8E0 407 506 A S1	543
<b>37179</b>	8E0 407 505 A S2	315
<b>37179</b>	8E0 407 505 A S2	543
<b>37182</b>	1K0 407 152 AC S1	236, 237
<b>37182</b>	1K0 407 152 AC S1	304, 305
<b>37182</b>	1K0 407 152 AC S1	460, 461, 470, 471, 496, 497, 498, 499, 510, 511, 572, 573, 580, 581
<b>37183</b>	1K0 407 151 AC S1	236, 237
<b>37183</b>	1K0 407 151 AC S1	304, 305
<b>37183</b>	1K0 407 151 AC S1	460, 461, 470, 471, 496, 497, 498, 499, 510, 511, 572, 573, 580, 581
<b>37186</b>	191 407 151 B S1	243, 247, 255, 258, 264, 277, 280
<b>37186</b>	191 407 151 B S1	459, 466, 478, 507, 563
<b>37193</b>	1H0 407 151 A S1	282
<b>37193</b>	1H0 407 151 A S1	468, 482, 596
<b>37194</b>	1H0 407 152 S1	282

<b>37194</b>	1H0 407 152 S1	468, 482, 596
<b>37196</b>	6Q0 407 151 L S3	249, 261
<b>37196</b>	6Q0 407 151 L S3	295, 313
<b>37196</b>	6Q0 407 151 L S3	473, 558
<b>37197</b>	6Q0 407 151 L S2	249, 261
<b>37197</b>	6Q0 407 151 L S2	295, 313
<b>37197</b>	6Q0 407 151 L S2	473, 558
<b>37199</b>	5094.A8	97
<b>37199</b>	48815-0H010	345
<b>37201</b>	5094.C1	107
<b>37202</b>	5094.A0	125, 129
<b>37203</b>	955 347 010 22	160
<b>37203</b>	7L0 422 810 D	451, 579
<b>37204</b>	357 407 151 S1	540
<b>37205</b>	955 347 031 22	160
<b>37205</b>	7L0 422 803 D	451, 579
<b>37206</b>	955 347 032 22	160
<b>37206</b>	7L0 422 804 D	451, 579
<b>37253</b>	0350 104	53
<b>37253</b>	24403523	419
<b>37261</b>	31317271 S1	750
<b>37282</b>	7H8 407 361 A S1	589
<b>37291</b>	6Q0 407 151 L S5	249, 261
<b>37291</b>	6Q0 407 151 L S5	295, 313
<b>37291</b>	6Q0 407 151 L S5	473, 558
<b>37292</b>	6Q0 407 151 L S4	249, 261
<b>37292</b>	6Q0 407 151 L S4	295, 313
<b>37292</b>	6Q0 407 151 L S4	473, 558
<b>37305</b>	82 00 814 411	178, 661
<b>37306</b>	191 407 151 B S2	243, 247, 255, 258, 264, 277, 280
<b>37306</b>	191 407 151 B S2	459, 466, 478, 507, 563
<b>37308</b>	357 407 151 S2	540
<b>37309</b>	4419 291	70
<b>37309</b>	54 61 800 04R	195
<b>37309</b>	93197325	430
<b>37312</b>	4419 304 S1	645
<b>37312</b>	55 11 000 19R S1	662
<b>37312</b>	93197332 S1	702
<b>37332</b>	4E0 419 801 E S2	548
<b>37336</b>	5094.C2	107
<b>37338</b>	4E0 419 811 E S1	548


**Ref. - No.**


<b>37349</b>	16 075 107 80	134
<b>37350</b>	16 075 106 80	134
<b>37407</b>	6X0 407 151 A S2	241
<b>37407</b>	6X0 407 151 A S2	521, 551
<b>37408</b>	6X0 407 151 A S3	241
<b>37408</b>	6X0 407 151 A S3	521, 551
<b>37409</b>	6N0 407 151 B S1	241
<b>37409</b>	6N0 407 151 B S1	551
<b>37410</b>	6N0 407 151 B S2	241
<b>37410</b>	6N0 407 151 B S2	551
<b>37591</b>	1K0 423 811 K S1	235, 271
<b>37591</b>	1K0 423 811 K S1	305, 306, 317, 319
<b>37591</b>	1K0 423 811 K S1	461, 463, 465, 509, 527, 544, 575, 577, 581
<b>37592</b>	1K0 423 812 K S1	235, 271
<b>37592</b>	1K0 423 812 K S1	305, 306, 317, 319
<b>37592</b>	1K0 423 812 K S1	461, 463, 465, 509, 527, 544, 575, 577, 581
<b>37593</b>	1K0 423 811 K	235, 271, 273
<b>37593</b>	1K0 423 811 K	305, 306, 317, 319
<b>37593</b>	1K0 423 811 K	461, 463, 465, 509, 527, 544, 575, 577, 581
<b>37594</b>	1K0 423 812 K	234, 235, 271, 273
<b>37594</b>	1K0 423 812 K	305, 306, 317, 319
<b>37594</b>	1K0 423 812 K	461, 463, 465, 509, 527, 544, 575, 577, 581
<b>37611</b>	2E0 407 152 L	469
<b>37612</b>	2E0 407 151 L	469
<b>37617</b>	77 01 474 795 S1	201, 209
<b>37618</b>	77 01 474 796 S1	201, 209
<b>37621</b>	60 01 550 442 S2	191, 208
<b>37622</b>	60 01 550 443 S2	191, 208
<b>37623</b>	77 01 472 766 S1	189
<b>37624</b>	77 01 472 766 S2	189
<b>37625</b>	48520-00QAH S1	4
<b>37625</b>	4501 261 S1	69
<b>37625</b>	77 01 470 363 S1	193
<b>37625</b>	09161561 S1	429, 444
<b>37626</b>	48520-00QAJ S1	4


**Ref. - No.**


<b>37626</b>	4501 261 S2	69
<b>37626</b>	77 01 470 364 S1	193
<b>37626</b>	09161561 S2	429, 444
<b>37627</b>	48520-00QAM S1	15
<b>37627</b>	4408 474 S1	69
<b>37627</b>	77 01 473 333 S1	213
<b>37627</b>	91160037 S1	429
<b>37628</b>	48520-00QAM S2	15
<b>37628</b>	4408 474 S2	69
<b>37628</b>	77 01 473 333 S2	213
<b>37628</b>	91160037 S2	429
<b>37629</b>	77 01 473 498 S1	214
<b>37630</b>	77 01 473 498 S2	214
<b>37631</b>	77 01 475 841 S1	177, 205
<b>37632</b>	77 01 475 841 S2	177, 205
<b>37633</b>	77 01 478 552 S1	182, 217
<b>37634</b>	77 01 478 552 S2	182, 217
<b>37655</b>	8Z0 411 314 B S2	294, 295, 302, 303
<b>37655</b>	8Z0 411 314 B S2	556, 557
<b>37656</b>	6Q0 411 314 R S3	246, 247, 248, 249, 260, 261
<b>37656</b>	6Q0 411 314 R S3	556, 557
<b>37657</b>	6Q0 411 314 P S2	246, 247, 248, 249, 260, 261, 262, 263, 275
<b>37657</b>	6Q0 411 314 P S2	291, 294, 295, 297
<b>37657</b>	6Q0 411 314 P S2	473, 556, 557, 564, 565, 591
<b>37658</b>	6Q0 411 314 F S2	294, 295
<b>37658</b>	6Q0 411 314 F S2	556, 557
<b>37659</b>	6Q0 411 314 R S4	246, 247, 248, 249, 260, 261, 262, 263, 288, 289
<b>37659</b>	6Q0 411 314 R S4	294, 295, 308, 309, 313
<b>37659</b>	6Q0 411 314 R S4	556, 557, 564, 565
<b>37660</b>	6Q0 411 314 Q S2	246, 247, 248, 249, 260, 261, 262, 263, 288, 289
<b>37660</b>	6Q0 411 314 Q S2	294, 295, 308, 309
<b>37660</b>	6Q0 411 314 Q S2	473, 556, 557, 564, 565
<b>37675</b>	54 56 027 88R	178



<b>37689</b>	3521.S0	134, 146
<b>37690</b>	3520.V8	134, 146
<b>37726</b>	54 61 142 37R	178
<b>37764</b>	1J0 422 831 B S1	265, 283
<b>37764</b>	1J0 422 831 B S1	301
<b>37764</b>	1J0 422 831 B S1	453, 490, 493, 523
<b>37765</b>	5094.65 S1	113, 151, 153
<b>37839</b>	3521.R3	117, 137, 141
<b>37840</b>	3520.V2	117, 137, 141
<b>37854</b>	0350 621	32, 44, 58
<b>37854</b>	13281782	391, 404, 425
<b>37855</b>	0350 622	44, 58
<b>37855</b>	13281784	404, 425
<b>37860</b>	3817.73	117, 134, 146, 155
<b>38025</b>	3640.77 S1	109, 110
<b>38051</b>	0350 391	41, 65, 78, 87, 93
<b>38051</b>	13 204 071	225
<b>38051</b>	13204071	401, 427, 437, 443, 449
<b>38052</b>	0350 390	41, 65, 78, 87, 93
<b>38052</b>	13 204 070	225
<b>38052</b>	13204070	401, 427, 437, 443, 449
<b>38073</b>	1S0 423 810 A	275
<b>38073</b>	1S0 423 810 A	291
<b>38073</b>	1S0 423 810 A	591
<b>38170</b>	3520.X9	138, 139
<b>38171</b>	3521.V0	138, 139
<b>38180</b>	1K0 407 152 BC S1	236, 237, 271, 287
<b>38180</b>	1K0 407 152 BC S1	303, 305, 317, 319
<b>38180</b>	1K0 407 152 BC S1	461, 462, 463, 470, 471, 496, 497, 498, 499, 509, 510, 511, 572, 573, 577, 581
<b>38181</b>	1K0 407 151 BC S1	237, 271, 287
<b>38181</b>	1K0 407 151 BC S1	303, 305, 317, 319
<b>38181</b>	1K0 407 151 BC S1	461, 463, 471, 497, 499, 509, 511, 573, 577, 581
<b>38273</b>	5352 005 S1	86
<b>38273</b>	90496039 S1	441
<b>38274</b>	0352 030 S1	86
<b>38274</b>	09228477 S1	441

<b>38403</b>	5Q0 407 183 E	273
<b>38403</b>	5Q0 407 183 E	306
<b>38403</b>	5Q0 407 183 E	500
<b>38404</b>	5Q0 407 182	500, 501
<b>38410</b>	357 411 315 D S1	540
<b>38490</b>	3640.69 S1	125, 129
<b>38536</b>	2E0 511 413 G	709
<b>38549</b>	2271V007000005 S2	322, 324
<b>38560</b>	3812.F8	117
<b>38568</b>	996 341 053 16	156, 159, 657, 658, 659
<b>38586</b>	0350 181	28, 54
<b>38586</b>	13343139	388, 420
<b>38610</b>	451 330 00 10 S1	323
<b>38621</b>	6Q0 423 831 D	251, 259, 263, 289
<b>38621</b>	6Q0 423 831 D	293, 309
<b>38621</b>	6Q0 423 831 D	473
<b>38622</b>	6Q0 423 831 D S1	251, 259, 263, 289
<b>38622</b>	6Q0 423 831 D S1	293, 309
<b>38622</b>	6Q0 423 831 D S1	473
<b>38659</b>	1K0 407 183 G	234, 235, 268, 269, 287
<b>38662</b>	1K0 199 231 K	237, 269, 287
<b>38662</b>	1K0 199 231 K	511
<b>38663</b>	1K0 199 232 K	237, 269, 287
<b>38663</b>	1K0 199 232 K	511
<b>38700</b>	3520.V1 S2	135
<b>38701</b>	3521.R2 S2	135
<b>38723</b>	48 52 000 01R	190
<b>38724</b>	48 52 000 02R	190
<b>38735</b>	14 401 772 80	146
<b>38738</b>	4066.74	132
<b>38740</b>	4066.80	107, 110
<b>38769</b>	8D0 511 327 C	707
<b>38774</b>	8E0 501 529 P	670
<b>38785</b>	6R0 423 810 D	565
<b>38811</b>	955 341 242 04	160, 161
<b>38814</b>	31317779	626, 627
<b>38822</b>	54 61 800 02R	203, 210
<b>38839</b>	955 341 027 02 S1	160
<b>38839</b>	7L0 407 021 B S1	578, 579
<b>38843</b>	31317665	636
<b>38844</b>	31317666	636


**Ref. - No.**


<b>38845</b>	1K0 505 223 K	669, 673
<b>38845</b>	1K0 505 223 K	677, 679
<b>38845</b>	1K0 505 223 K	713, 715, 717, 721, 722, 724, 729, 731
<b>38846</b>	1K0 505 224 K	669, 673
<b>38846</b>	1K0 505 224 K	677, 679
<b>38846</b>	1K0 505 224 K	713, 715, 717, 721, 722, 724, 729, 731
<b>38853</b>	357 422 810 A	537
<b>38854</b>	4B0 419 810 M	315
<b>38854</b>	4B0 419 810 M	543
<b>38855</b>	6X0 422 810	238, 239
<b>38855</b>	6X0 422 810	519, 552
<b>38856</b>	1H0 422 810 D	486, 487, 593
<b>38857</b>	6K0 422 810	256, 278
<b>38858</b>	6N0 419 810	239
<b>38858</b>	6N0 419 810	550
<b>38859</b>	6N0 422 810 A	238, 239
<b>38865</b>	31302344	623, 632, 634, 636
<b>38866</b>	31302345	623, 632, 634, 636
<b>38883</b>	996 341 043 06	156, 157, 159, 659
<b>38884</b>	986 331 043 07	657
<b>38885</b>	996 347 322 03	156, 159
<b>38886</b>	996 347 131 04	156, 157, 159
<b>38887</b>	997 331 045 04	657, 658, 659
<b>38899</b>	3812.E1 S1	135
<b>38900</b>	3812.E1 S2	135
<b>38905</b>	4066.44	111, 148
<b>38907</b>	4066.69	135
<b>38912</b>	31317665 SK	632, 636
<b>38918</b>	4066.79	134
<b>38921</b>	4066.84	138
<b>38930</b>	4066.56 S1	101, 103, 105
<b>38939</b>	0350 176	39, 41, 65, 91, 93
<b>38939</b>	13327928	399, 401, 427, 447, 449
<b>38978</b>	30666266	611, 615, 619
<b>38980</b>	3812.A4 S1	133, 145
<b>38997</b>	3812.C5 S1	101, 103, 105, 106
<b>38998</b>	3812.C5 S2	101, 103, 105, 106
<b>38999</b>	3812.C7 S1	132
<b>39000</b>	3812.C7 S2	132
<b>39023</b>	82 00 586 561 S1	185


**Ref. - No.**


<b>39024</b>	82 00 586 567 S1	185
<b>39029</b>	3812.F0 S1	134, 146
<b>39031</b>	3812.C5 S3	101, 103, 105
<b>39032</b>	3812.C5 S4	101, 103, 105
<b>39033</b>	3812.E8 S1	107
<b>39034</b>	3812.E8 S2	107
<b>39039</b>	48 52 027 10R	183, 203, 204, 210
<b>39040</b>	48 52 046 80R	183, 203, 204, 210
<b>39041</b>	3812.E0 S4	114
<b>39042</b>	3812.E0 S5	114
<b>39043</b>	3812.E5 S3	114
<b>39077</b>	4F0 498 811 A S1	253
<b>39077</b>	4F0 498 811 A S1	315
<b>39089</b>	0444 091	644
<b>39089</b>	13281790	701
<b>39094</b>	7L0 505 323 A	736
<b>39166</b>	5094.C6	138, 139
<b>39181</b>	5172.58	655
<b>39193</b>	7P0 511 413 A	737
<b>39194</b>	7P0 407 077	582
<b>39198</b>	4066.43 S1	111, 148, 151, 153
<b>39227</b>	16 109 762 80	144
<b>39228</b>	1K0 407 183 E S1	249, 261
<b>39228</b>	1K0 407 183 E S1	295, 313
<b>39228</b>	1K0 407 183 E S1	461, 470, 471, 472, 473, 558
<b>39230</b>	3C0 199 231 E S1	235
<b>39230</b>	3C0 199 231 E S1	545, 575, 577
<b>39237</b>	4066.95	142
<b>39238</b>	4066.A3	97
<b>39238</b>	45535-09180	345
<b>39290</b>	4001.77 S2	142
<b>39291</b>	4001.77 S3	142
<b>39292</b>	3812.C0 S1	148
<b>39293</b>	3812.C0 S2	148
<b>39294</b>	3812.C6 S2	151, 153
<b>39295</b>	3812.C6 S1	151, 153
<b>39296</b>	4001.69 S1	138
<b>39325</b>	77 01 469 665 SK	187
<b>39333</b>	30620989 S1	617
<b>39351</b>	0352 520	58
<b>39351</b>	13 318 886	227
<b>39351</b>	22792990	425



<b>39352</b>	0352 521	58
<b>39352</b>	13 318 887	227
<b>39352</b>	22792991	425
<b>39356</b>	561 423 810 S1	527, 528, 547
<b>39357</b>	561 423 810 S2	527, 528, 547
<b>39358</b>	561 423 810	527, 528, 547
<b>39359</b>	5N0 407 151	465, 545, 547, 577
<b>39360</b>	5N0 407 152	465, 545, 547, 577
<b>39362</b>	0352 866	44, 58
<b>39362</b>	13219090	404, 425
<b>39375</b>	3523.AS	101, 103, 105
<b>39394</b>	4E0 505 548 M	732
<b>39395</b>	4E0 505 547 M	732
<b>39444</b>	48521-00Q0E SK	11
<b>39444</b>	4420 096 SK	70
<b>39444</b>	48 52 123 73R SK	195
<b>39444</b>	93167687 SK	430
<b>39460</b>	7M0 511 413 B	666
<b>39460</b>	7M0 511 413 B	732
<b>39464</b>	955 343 069 10	160
<b>39488</b>	1K0 407 152 BC	268, 269, 287
<b>39488</b>	1K0 407 152 BC	461, 471
<b>39489</b>	1K0 407 151 BC	268, 269, 287
<b>39489</b>	1K0 407 151 BC	461, 471
<b>39493</b>	40 16 090 60R	183, 203, 210
<b>39557</b>	6R0 407 151 F	263, 289
<b>39557</b>	6R0 407 151 F	298, 309
<b>39557</b>	6R0 407 151 F	565
<b>39558</b>	6R0 407 152 F	263, 289
<b>39558</b>	6R0 407 152 F	298, 309
<b>39558</b>	6R0 407 152 F	565
<b>39562</b>	4066.71	125
<b>39579</b>	4066.72	125
<b>39590</b>	4001.33 S2	97
<b>39590</b>	45500-0H010 S2	345
<b>39591</b>	4001.33 S3	97
<b>39591</b>	45500-0H010 S3	345
<b>39603</b>	54503-00Q0B	15
<b>39603</b>	4418 223	89
<b>39603</b>	82 00 565 072	213
<b>39603</b>	93858141	445
<b>39604</b>	54502-00Q0B	15
<b>39604</b>	4418 224	89

<b>39604</b>	82 00 565 079	213
<b>39604</b>	93858142	445
<b>39606</b>	0902 010	43
<b>39606</b>	8N0 422 831 S1	267
<b>39606</b>	13278357	403
<b>39606</b>	8N0 422 831 S1	495, 525
<b>39629</b>	77 01 059 966	209
<b>39646</b>	77 01 059 672	177, 205, 209
<b>39648</b>	1K0 511 327 AR S1	669, 673
<b>39648</b>	1K0 511 327 AR S1	677, 679
<b>39648</b>	1K0 511 327 AR S1	713, 715, 717, 722, 727, 731, 735, 739
<b>39649</b>	1K0 511 327 AS S1	669, 673
<b>39649</b>	1K0 511 327 AS S1	677, 679
<b>39649</b>	1K0 511 327 AS S1	710, 713, 715, 717, 727, 729, 731, 735, 739
<b>39650</b>	1K0 511 327 AQ S1	669, 673
<b>39650</b>	1K0 511 327 AQ S1	677, 679
<b>39650</b>	1K0 511 327 AQ S1	713, 715, 717, 721, 727, 735
<b>39681</b>	5094.C5	107
<b>39682</b>	5094.E2	117, 155
<b>39683</b>	5094.F2	117
<b>39684</b>	4059.12	134, 145
<b>39685</b>	5094.E6	154
<b>39686</b>	3523.80	101, 103, 105, 141
<b>39690</b>	48 52 156 12R SK	183, 185, 203, 204, 210
<b>39754</b>	KIT 11	253
<b>39758</b>	KIT 12	253
<b>39810</b>	357 407 365 S2	243, 247, 255, 258, 264, 277, 280
<b>39810</b>	357 407 365 S2	453, 459, 466, 478, 480, 484, 486, 489, 507, 536, 538, 563, 594
<b>39813</b>	171 407 365 F S2	457, 476, 503, 571
<b>39817</b>	8E0 511 327 A	670
<b>39820</b>	77 00 430 766 S2	199
<b>39822</b>	48 52 046 80R S1	183, 203, 204, 210
<b>39823</b>	48 52 027 10R S1	183, 203, 204, 210


**Ref. - No.**


<b>39833</b>	30776252	622, 623, 630, 631, 632, 634, 636
<b>39863</b>	77 01 478 407 S1	185
<b>39864</b>	77 01 478 408 S1	185
<b>39940</b>	6R0 423 811 A S1	565
<b>39941</b>	6R0 423 812 A S1	565
<b>39943</b>	31317663	632
<b>39944</b>	31317664	632
<b>39972</b>	3C0 407 151 G S1	234, 235
<b>39972</b>	3C0 407 151 G S1	465
<b>39973</b>	3C0 407 151 G S2	234, 235
<b>39973</b>	3C0 407 151 G S2	465
<b>39985</b>	4E0 501 529 G S1	732
<b>40004</b>	3817.36 S1	95
<b>40005</b>	3817.33	95
<b>40070</b>	16 080 253 80	109, 136
<b>40080</b>	3812.E6	135
<b>40082</b>	5094.98	125, 129
<b>40089</b>	1J0 411 314 T S2	267, 285
<b>40089</b>	1J0 411 314 T S2	303
<b>40089</b>	1J0 411 314 T S2	455, 495, 525
<b>40090</b>	1J0 411 305 E S2	267, 285
<b>40090</b>	1J0 411 305 E S2	303
<b>40090</b>	1J0 411 305 E S2	455, 495, 525
<b>40103</b>	1K0 407 151 AC S2	237
<b>40103</b>	1K0 407 151 AC S2	305
<b>40103</b>	1K0 407 151 AC S2	461, 471, 497, 499, 511, 573, 581
<b>40104</b>	1K0 407 152 AC S2	237
<b>40104</b>	1K0 407 152 AC S2	305
<b>40104</b>	1K0 407 152 AC S2	461, 471, 497, 499, 511, 573, 581
<b>40114</b>	4B3 407 151 K S1	315
<b>40114</b>	4B3 407 151 K S1	543
<b>40144</b>	54 61 200 05R	203
<b>40163</b>	955 341 017 33 S1	160
<b>40163</b>	7L0 407 151 H S1	578, 579
<b>40164</b>	955 341 018 33 S1	160
<b>40164</b>	7L0 407 152 H S1	578, 579
<b>40165</b>	955 343 243 01	160, 161, 162
<b>40165</b>	7L0 412 333 A	578, 579
<b>40173</b>	5094.C3	107


**Ref. - No.**


<b>40187</b>	5094.E3	115, 117, 137, 141, 154, 155
<b>40253</b>	60 01 550 446 S2	191, 208
<b>40254</b>	60 01 550 447 S2	191, 208
<b>40403</b>	955 341 027 02 S2	160
<b>40403</b>	7L0 407 021 B S2	579
<b>40431</b>	1K0 501 529 J S1	669, 673
<b>40431</b>	1K0 501 529 J S1	677, 679
<b>40431</b>	1K0 501 529 J S1	713, 717, 721, 722, 724, 729, 731, 735, 739
<b>40438</b>	1K0 501 529 H S1	669, 673
<b>40438</b>	1K0 501 530 C S1	669, 673
<b>40438</b>	1K0 501 529 H S1	677, 679
<b>40438</b>	1K0 501 530 C S1	677, 679
<b>40438</b>	1K0 501 529 H S1	710, 713, 715, 717, 721, 727, 729, 731, 735, 739
<b>40438</b>	1K0 501 530 C S1	710, 713, 715, 717, 721, 727, 729, 731, 735, 739
<b>40439</b>	1K0 501 529 F S1	669, 673
<b>40439</b>	1K0 501 529 F S1	677, 679
<b>40439</b>	1K0 501 529 F S1	710, 713, 715, 717, 721, 727, 729, 731, 735, 739
<b>40484</b>	0444 163	651
<b>40484</b>	13131963	706
<b>40485</b>	3812.G3 SK	129
<b>40487</b>	0350 143	47, 53
<b>40487</b>	24406498	419, 422
<b>40490</b>	5094.C8	142
<b>40493</b>	3812.F3	129
<b>40500</b>	3345797 S1	617
<b>40501</b>	274224 S1	617
<b>40502</b>	274224 S2	617
<b>40555</b>	274353 S1	621, 629, 631
<b>40556</b>	274353 S2	621, 629, 631
<b>40557</b>	274179 S1	621, 629, 631
<b>40558</b>	274179 S2	621, 629, 631
<b>40567</b>	3546266 S1	605, 613, 625
<b>40568</b>	3546266 S2	605, 613, 625
<b>40569</b>	9191410 S2	613, 625



Ref. - No.

Car  
Division

Ref. - No.



Ref. - No.



40570	9191410 S3	613, 625
40591	1K0 505 543 A	668, 669, 672, 673
40591	1K0 505 543 A	676, 677, 678, 679
40591	1K0 505 543 A	710, 713
40594	1S0 407 151	275
40594	1S0 407 151	290, 291
40594	1S0 407 151	591
40595	1S0 407 152	275
40595	1S0 407 152	290, 291
40595	1S0 407 152	591
40610	3812.E4	152, 153
40623	31277464 S1	615, 619
40624	31277465 S4	615, 619
40625	31277463 S1	611, 615, 619
40626	31277462 S1	611, 615, 619
40655	82 00 744 091 S1	177, 205
40656	82 00 744 092 S1	177, 205
40668	5Q0 407 365 A S1	273
40668	5Q0 407 365 A S1	306
40668	5Q0 407 365 A S1	500
40669	5Q0 407 366 A S1	273
40669	5Q0 407 366 A S1	306
40669	5Q0 407 366 A S1	500
40729	5087.76	129
40743	8E0 407 510 P S1	253
40744	8E0 407 509 P S1	253
40745	8E0 407 505 P S1	253
40746	8E0 407 506 P S1	253
40750	3521.C8 S1	101, 103
40751	3520.G8 S1	101, 103
40770	3521.R9 S1	101, 103, 105
40771	3520.V7 S1	101, 103, 105
40780	3521.R7 S1	101, 103, 105
40781	3520.V6 S1	101, 103, 105
40790	3521.S1 S1	101, 103, 105, 106
40791	3520.W0 S1	101, 103, 105, 106
40840	3521.P3 S1	115, 154
40841	3520.S2 S1	115, 154
40875	77 00 847 383	176, 199
40889	0350 231	66
40889	95942519	431
40890	0350 232	66
40890	95942520	431

40915	1609 357	58
40915	13 271 036	227
40915	13271036	425
41337	16 075 024 80	139
41529	4817 869	31
41529	96809676	390
41740	4810 831	31
41740	96819161	390
41741	4812 870	31
41741	96819162	390
41929	4803 429	31
41929	96626667	390
42318	4705 716	29
42318	09210351	389
42630	-	186
42631	-	186
42634	4419 219	70
42634	93197233	430
42779	5094.E7	137, 154
42780	5094.E4	154
43358	0900 905	57
43358	97184819	424
43406	31262930 S1	749, 752, 754
43463	77 01 471 143 SK	175
43464	6R0 423 804 D	565
43465	6R0 423 803 D	565
43532	4808 136	643
43532	22737680	698
43547	16 099 483 80	129
43548	16 099 482 80	129
43552	1609 356	39, 41, 65, 91, 93
43552	93191260	399, 401, 427, 447, 449
43577	0920 005	43
43577	13314168	403
43580	3520.Y0 SK	129
43600	3520.Y0	129
43601	3521.V1	129
43617	48520-00Q0F	11
43617	4420 097	70
43617	48 52 067 30R	195
43617	93167688	430
43618	48520-00Q0E	11


**Ref. - No.**


<b>43618</b>	4420 098	70
<b>43618</b>	48 52 007 80R	195
<b>43618</b>	93167689	430
<b>43630</b>	48 52 110 71R SK	178, 218
<b>43687</b>	48520-00Q0F S1	11
<b>43687</b>	4420 097 S1	70
<b>43687</b>	48 52 067 30R S1	195
<b>43687</b>	93167688 S1	430
<b>43688</b>	48520-00Q0E S1	11
<b>43688</b>	4420 098 S1	70
<b>43688</b>	48 52 007 80R S1	195
<b>43688</b>	93167689 S1	430
<b>43718</b>	0352 491	32, 44
<b>43718</b>	13334021	391, 404
<b>43719</b>	0352 492	32, 44
<b>43719</b>	13334022	391, 404
<b>43720</b>	0352 493	32, 44
<b>43720</b>	13334023	391, 404
<b>43727</b>	1603 643 S1	41, 93
<b>43727</b>	93191526 S1	401, 449
<b>43733</b>	5Q0 505 171	674
<b>43733</b>	5Q0 505 171	675
<b>43770</b>	5087.71	109
<b>43780</b>	1603 643 S6	39, 91
<b>43780</b>	93191526 S6	399, 447
<b>43788</b>	3C0 199 231 F	234, 235
<b>43792</b>	1609 183	58
<b>43792</b>	13332653	425
<b>43794</b>	1609 181	58
<b>43794</b>	13332651	425
<b>44156</b>	1609 187	43, 47
<b>44156</b>	13354542	403, 409
<b>44180</b>	3640.83	129
<b>44185</b>	16 080 252 80	109, 136
<b>44186</b>	16 080 251 80	109, 136
<b>44190</b>	98 056 074 80	141
<b>44191</b>	98 056 073 80	141
<b>44226</b>	1S0 423 812 A	275
<b>44226</b>	1S0 423 812 A	291
<b>44227</b>	1S0 423 811 A	275
<b>44227</b>	1S0 423 811 A	291
<b>44236</b>	5C0 407 151 B	509
<b>44237</b>	5C0 407 152 B	509


**Ref. - No.**


<b>44240</b>	1S0 423 810 A S1	275
<b>44240</b>	1S0 423 810 A S1	291
<b>44241</b>	1S0 423 810 A S2	275
<b>44241</b>	1S0 423 810 A S2	291
<b>44245</b>	1609 185	43
<b>44245</b>	13354538	403
<b>44246</b>	1609 186	43
<b>44246</b>	13354540	403
<b>44249</b>	1609 187 S1	43
<b>44249</b>	13354542 S1	403
<b>44250</b>	1609 187 S2	43
<b>44250</b>	13354542 S2	403
<b>44308</b>	30748803	611, 619
<b>44325</b>	0350 093	91
<b>44325</b>	09223176	447
<b>44338</b>	0920 005 S1	43
<b>44338</b>	13314168 S1	403
<b>44339</b>	0920 005 S2	43
<b>44339</b>	13314168 S2	403
<b>44340</b>	0920 005 S3	43
<b>44340</b>	13314168 S3	403
<b>44341</b>	1J0 422 803 H S1	265, 283
<b>44341</b>	1J0 422 803 H S1	301
<b>44341</b>	1J0 422 803 H S1	453
<b>44342</b>	1J0 422 804 H S1	265, 283
<b>44342</b>	1J0 422 804 H S1	301
<b>44342</b>	1J0 422 804 H S1	453
<b>44343</b>	6Q0 423 803 P S1	251, 259
<b>44343</b>	6Q0 423 803 P S1	293, 311
<b>44343</b>	6Q0 423 803 P S1	555
<b>44344</b>	6Q0 423 804 P S1	251, 259
<b>44344</b>	6Q0 423 804 P S1	293, 311
<b>44344</b>	6Q0 423 804 P S1	555
<b>44346</b>	1J0 422 804 A S1	301
<b>44347</b>	1J0 422 803 A S1	301
<b>44400</b>	3656.04 S1	124, 125, 128, 129
<b>44424</b>	1609 169	43
<b>44424</b>	13337891	403
<b>44428</b>	56261-00Q0C	639
<b>44428</b>	4420 954	70
<b>44428</b>	93168675	430
<b>44434</b>	1609 169 S1	43
<b>44434</b>	13337891 S1	403





Ref. - No.

Car Division



Ref. - No.



Ref. - No.



44446	0920 007	43
44446	13278358	403
44447	0920 007 S1	43
44447	13278358 S1	403
44452	8N0 407 151 D S1	494, 495, 524, 525
44453	8N0 407 152 D S1	494, 495, 524, 525
44480	3656.04 S2	125, 129
44483	54 61 200 07R	203, 210
44539	4419 308	645
44539	54 61 354 90R	662
44539	93197335	702
44547	6R0 407 151 F S1	262, 263, 288, 289
44547	6R0 407 151 F S1	308, 309
44548	6R0 407 152 F S1	263, 289
44548	6R0 407 152 F S1	309
44620	3521.R2 S3	135
44621	3520.V1 S3	135
44675	6K0 422 803 E	245, 257
44675	6K0 422 803 E	458, 561
44676	6K0 422 804 E	245, 257
44676	6K0 422 804 E	458, 561
44720	98 069 071 80	118
44721	5178.57	653, 655
44728	4419 323	70
44728	93197327	430
44740	6K0 422 804 E S1	245, 257
44740	6K0 422 804 E S1	458, 561
44741	6K0 422 803 E S1	245, 257
44741	6K0 422 803 E S1	458, 561
44764	7L0 407 182 G	578, 579, 582
44797	4066.82	117, 137, 141, 154, 155
44860	2K0 511 413 D S1	707, 708
44888	1609 213	66
44888	95952929	431
44923	3812.F2 S1	117, 137, 141
44934	3812.F4 S2	154
45009	6E0 422 803	519
45010	6E0 422 804	519
45095	1609 182 SK1	43, 47, 58, 94
45095	13354440 SK1	403, 409, 425, 450
45096	1609 182	43, 47, 58, 94
45096	13354440	403, 409, 425, 450

45219	0350 233	28, 55
45219	13391512	388, 421
45306	1K0 411 303 BK S1	237, 268, 269
45306	1K0 411 303 BK S1	305, 317, 319
45306	1K0 411 303 BK S1	471, 496, 497, 498, 499, 572, 573, 580, 581
45307	1K0 411 303 BK S2	237, 269
45307	1K0 411 303 BK S2	305, 317, 319
45307	1K0 411 303 BK S2	471, 497, 499, 573, 581
45353	2H0 411 317 B	451
45445	996 343 073 05 S1	156
45527	7L8 407 151 K S1	582
45528	7L8 407 152 K S1	582
45760	1K0 423 810 A S4	235, 237, 271, 273, 286
45760	1K0 423 810 A S4	306
45760	1K0 423 810 A S4	471
45761	1K0 423 810 A S3	235, 237, 271, 273, 286
45761	1K0 423 810 A S3	306
45761	1K0 423 810 A S3	471
45784	2H0 411 317 B S1	451
45785	2H0 411 317 B S2	451
45856	2E0 511 413 M	709
45859	5Q0 501 129 B	674
45859	5Q0 501 129 B	675
45860	5Q0 505 543 B	674
45860	5Q0 505 543 B	675
45861	7L8 501 529 A	736
45866	7L0 501 537 B	736, 737
45891	1K0 199 231 K S1	268, 269, 287
45892	1K0 199 232 K S1	268, 269, 287
46226	1609 011 SK1	65
46226	93196778 SK1	427
46299	6C0 423 810 C	289
46299	6C0 423 810 C	297, 298, 309
46299	6C0 423 810 C	559
46557	7M0 511 414 B	666
47140	2H0 411 313 C	451