

## Steering and Suspension



- febi ProKit – guarantees complete kits with all the parts required for a repair.

# INDIVIDUALLY STRONG, UNBEATABLE AS A TEAM

The bilstein group is a family-run, independent group of companies providing a single strong umbrella under which the prestigious product brands febi, SWAG and Blue Print are united.

As a leading specialist in the global automotive aftermarket, the bilstein group offers spare parts and repair solutions to fit all popular makes of cars and commercial vehicles.

The range, which is exceptional in its breadth and depth, comprises approximately 47,000 different products and is supplemented by practice-oriented services. The bilstein group can therefore meet even the highest requirements.



## Solutions „Made in Germany“ – At home all over the world

With a product line of over 30,000 different parts for cars and commercial vehicles, febi bilstein offers a complete and constantly growing range of professional vehicle repair products for all current vehicle makes and models.

### Focusing on our customers' interests

As a strong partner to the vehicle trade and workshops, our top priorities are quality assurance and service. This is why you will only find products of tested original equipment quality at febi bilstein.

### Looking to the future

As a supplier and manufacturer, we use the know-how we have acquired over many years and state-of-the-art manufacturing technologies in order to meet the growing expectations of the market at all times. For this reason we are continually investing in the expansion of our in-house production, testing equipment and machinery at febi bilstein. Only this way are we able to fulfil both our own requirements and our partners' expectations in terms of credible quality assurance.

### febi bilstein added value

- Original equipment quality
- Manufacturing expertise
- Just in time delivery in more than 140 countries





# Find every part: quick and convenient

- You know the vehicle type and the vehicle manufacturer's reference number:

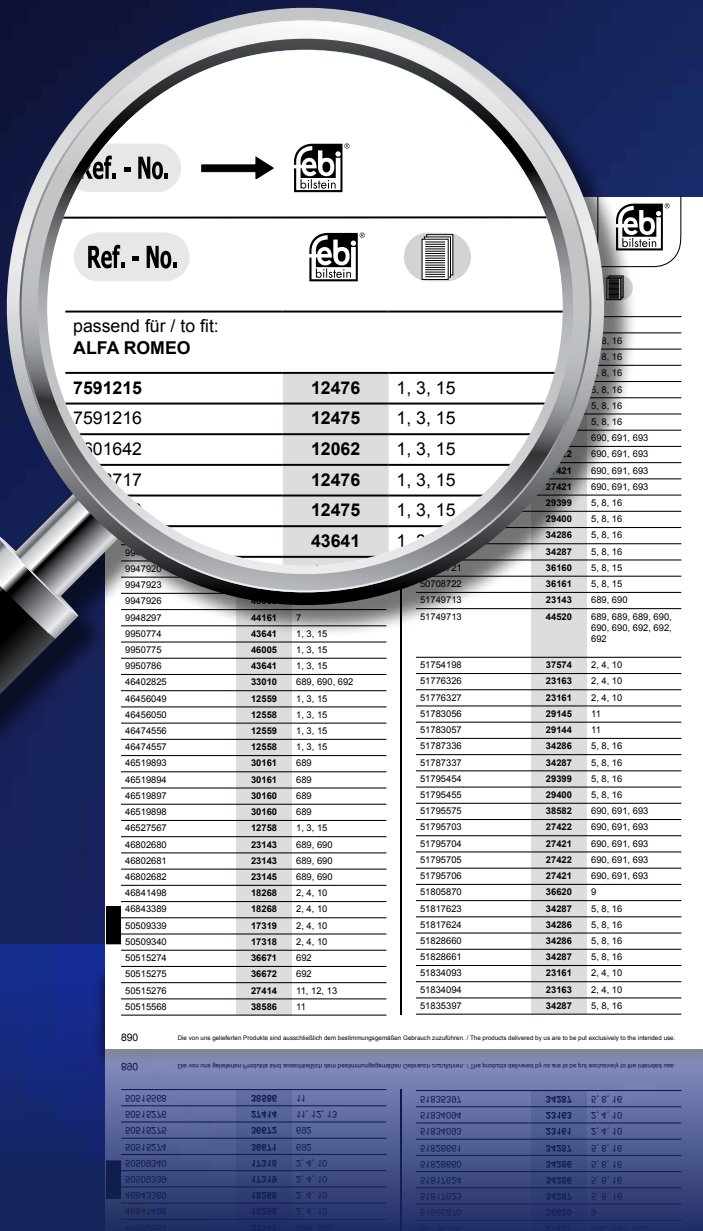
Reference number → febi number → Page number

- The positioning of the reference numbers corresponds to the vehicle manufacturers' sorting sequence:

febi number → Reference number → Page number

- This list is sorted by febi number in ascending order.

**Note:** On the catalogue cover, you will find a list of symbols and abbreviations with explanations in different languages.



front axle rear axle

### Alfa - Romeo

145 / 146 (930)	1	689
147 (937)	2	689
155 (167)	3	
156 (932)	4	690
159 (939)	5	690
164	6	
166 (936)	7	691
Brera	8	691
Giulietta (BM 940)	9	692
Giulietta MY	9	
GT (936)	10	692
Mito (955)	11	
Mito MY	12, 13	
GTV / Spider (916)	14, 15	693
Spider Nuovo (939)	16	693

### Audi

50 (86)	17	
80 (82/83/84)	17	
80 / 90 (81)	18 - 23	
80 / 90 (89/8A)	24 - 27	694
80 (8C)	28 - 31	
100 / 200 (43)	32	
100 / 200 (44)	33	
80 Quattro / 80 Avant Quattro		694
Coupé Quattro		695
100 / 200 (44)	34	696
200 Quattro / 200 Avant Quattro		696
100 / A6 (4A)	35, 36	697
A6 Quattro / A6 Avant Quattro (4A)		697
V8 Quattro (44/4C)	37	
A1 (8X)	38, 39	698
A2 (8Z)	40	
A2 (8Z)	41	
A3 (8L)	42 - 45	699
A3 Quattro (8L)	46 - 51	
A3 (8V)	52	702
A3 (8P)	53 - 55	700, 701
A4 / A4 Quattro (8D)	56 - 59	703
A4 / A4 Quattro (8E)	60 - 63	704
A4 / Quattro (8E)	64 - 67	
A4 / Quattro (8H)	68 - 71	704
A4 (8K) / A5 (8T)	72 - 75	705
A5 Cabrio (8F)	76 - 79	706
A6 / A6 Quattro (4B)	80 - 83	707
A6 / Quattro (4F)	84, 85	708
A6 / Quattro (4G)	86, 87	709
A6 Allroad Quattro (4G)	88, 89	709
A7 Sportback (4G)	90, 91	709
A8 / A8 Quattro (4D)	92 - 95	710
A8 / S8 Quattro (4E)	96, 97	710
A8 / Quattro (4H)	98, 99	711
Coupé (85)	100 - 102	
Coupé (85)	103 - 105	
Coupé (8B)	106 - 108	
Coupé (8B)	109	
Cabrio (8G)	110	

front axle rear axle

### Audi

Quattro (85)	111	
Q3 (8U)	112, 113	712, 713
Q5 (8R)	114 - 116	714
Q5 (8R)	117	
Q7 (4L)	118, 119	715
TT quattro		714
TT (8N)	120, 121	
TT (8J)	122, 123	716, 717, 718
TT (FV)	124	719

### BMW

1 'er (E81/E82/E87/LCI/E88)	125 - 127	720, 721
1 'er (F20/F21)	128, 129	722
2 'er (F22/F23)	130, 131	722
3 'er (E21)	132	723
3 'er (E30)	133 - 135	723
3 'er (E30)	136 - 138	723
3 'er (E36)	139 - 141	724, 725
3'er (E36) Compact 316 i 323 ti	142	
3 'er (E46)	143 - 145	725 - 727
3 'er (E90/LCI/E91/LCI/E92/LCI)	146, 147	728, 729
3 'er (E90/LCI/E91/LCI)	148, 149	
3 'er (E92/LCI)	150	
3 'er (E92/LCI)	151	
3 'er Cabriolet (E93/E93 LCI)	152, 153	
3 'er (F30/F31/F32)	154, 155	730
4 'er Coupe (F32/33/F36)	156	731
4 'er (F32/F33/F36)	157	
5 'er (E12)		732
5 'er (E28)	158, 159	732
5 'er (E34)	160, 161	733
5 'er (E39)	162 - 165	734, 735
5 'er (E60/E61/LCI)	166, 167	736 - 738
5 'er (E60/E61/LCI)	167	739
5 'er (F07 GT/LCI)	168, 169	740
5 'er (F10/LCI/F11/LCI/F18)	170, 171	740
6 'er (E24)	172, 173	741
6 'er (E63/E63LCI/E64/64LCI)	174, 175	742, 743
6 'er (F06/F12/F13)	176, 177	744
7 'er (E32)	178, 179	745, 746
7 'er (E38)	180	747
7 'er (E65/E66)	181, 182, 183	748, 749
7 'er (F01/F01LCI/F02/F02LCI/F04)	184, 185	750
8 'er (E31)	186, 187	750
X1 (E84)	188 - 190	751
X1 (E84)	191, 192	751
X3 I (E83/LCI)	193, 194	752
X3 II (F25)	195	753
X5 I (E53)	195 - 197	754, 755
X5 II (E70/E70LCI)	198, 199	756
X5 III(F15)	200	757
X6 I (E71/E72 Hybrid)	200, 201	
Z1	202, 203	758
Z3 / Z3 Coupé	204, 205	758
Z4 I (E85/E86)	206	759
Z4 II (E89)	207	760
Z8	208	761

	front axle	rear axle
<b>Chevrolet</b>		
Aveo	209	
Captiva	210	762
Cruze	211	
Epica	212	
Espero	212	
Evanda	212	
Kalos	213	
Lacetti	214	
Leganza	214	762
Lanos	215	
Matiz	215	
Nexia	216	
Nubira	217	762
Orlando	218	
Rezzo	218	
Spark	219	
Tacuma	219	
Volt	220	

<b>Chrysler</b>		
300 C	221	
Crossfire	221	
Dodge	222	
Dodge Sprinter	223	763
Sebring	224	
Voyager IV (RG)	224	

<b>Citroën</b>		
AX	225, 226	
Berlingo I + II	227 - 229	
Berlingo III	230	
BX	231	
C1	232, 233	
C2	234, 235	
C3 I	236, 237	
C3 II	238 - 240	
C3 III	241	
C3 Picasso	242, 243	
C3 Pluriel	244	
C4 Aircross	245	764
C4 I	246, 247	
C4 II (B7)	248, 249	
C4 I Grand Picasso	250	
C4 I Picasso	251	
C4 II Picasso / Grand Picasso	252	
C5 I + II	253	
C5 III	254, 255	764
C6	256, 257	765
C8	258	
C15	259	
C25	260	
C-Crosser	261	764
C-Elysee	261	
DS3	262, 363	
DS4	264, 265	
DS5	266	765
Evasion	267	

	front axle	rear axle
<b>Citroën</b>		
Jumper I	268	
Jumper II	269	
Jumper III	270	766
Jumpy I + II	271	
Jumpy III	272	
Nemo	273	
Saxo	274	
Saxo	275	
Visa	276	
Xantia I + II	277	
XM I + II	278	
Xsara I + II	279	
Xsara Picasso	280	
ZX	281	

<b>Dacia</b>		
Dacia (1300 Kombi)	282	
Dacia (1310 Kombi)	282	
Duster	283	767
Dokker	284	
Lodgy	284	
Logan 1	285	
Sandero 1	286	
Aveo	287	
Captiva	287	768
Epica	287	
Espero	288	
Evanda	289	
Kalos	290	
Lacetti	291	
Lanos	292	
Leganza	293	768
Matiz	293	
Nexia	294	
Nubira	295	768
Rezzo	296	
Spark	296	

<b>Daewoo</b>		
Applause I	297	
Charade IV	297	769
Cuore IV / V	297	
Cuore VI	298	
Gran Move	298	769
Move	299	
Sirion I	299	
Sirion II	300	
Terios	300	
YRV	300	

<b>Fiat</b>		
500 Nuova / Abarth (312)	301	
500 MY	301	
Barchetta (183)	302	770
Brava / Bravo I (182)	303, 304	770
Bravo II Nuova (198)	305	
Bravo Nuova MY	305	

front axle rear axle

## Fiat

Cinquecento (170)	305	771
Coupé (FA/175)	306, 307	
Croma (154)	308	
Croma (194)	309	771
Doblo / Doblo Rest. (119)	310, 311	772
Doblo Cargo (223)	310, 311	772
Ducato (290)	312	
Ducato (230)	313	
Ducato Rest. (244)	314	
Ducato Nuovo (250)	315	772
Ducato Nuovo MY	316	
Fiorino (147)	316	
Fiorino Nuovo (225)	317	
Freemont (JC)	318	773
Grande Punto (199)	319	
Idea	320	
Linea (323)	321	
Marea (185)	322	773
Multipla (186)	323	774
Palio (178)	324	774
Panda I (141A)	326	
Panda II (169)	327	
Panda MY (169)	328	
Panda Classic (312)	328	
Punto I (176)	329	775
Punto II (188)	330	
Punto Evo	331	
Punto Nuova MY (199)	331	
Punto MY	332	
Qubo Nuovo (225)	333	
Scudo (220)	334	
Scudo Nuovo (270)	335	
Sedici / Sedici MY	336	
Seicento (187)	336	775
Siena (178)	337	
Stilo (192)	338	
Stilo SW (192)	339	
Strada (178E)	339	
Talento (290)	340	
Tipo / Tempra (160)	341, 342	
Ulysse I (220)	343	
Ulysse II Nuovo (179AX)	344	
Uno (146)	345, 346	

## Ford

B-Max 12	347	
Cortina	347	
Cougar	348	776
Escort 81	349	
Escort 86	350, 351	
Escort 91 / Escort 95	352 - 354	776
Fiesta 76	355	
Fiesta 84	355	
Fiesta 89	356 - 358	
Fiesta 89	359 - 361	
Fiesta 96	362, 363	
Fiesta Courier 96	364, 365	

front axle rear axle

## Ford

Fiesta 02	366, 367	
Fiesta 08	368	
Fiesta 13	369	
Focus 98	370, 371	777
Focus 04	372, 373	778
Focus 08	374, 375	779
Focus 11	376, 377	780
Focus C-Max 03	378, 379	781
Focus C-Max 07	380, 381	782
Focus C-Max 11	382	783
Focus Cabriolet 06	383	780
Fusion 02	384, 385	
Galaxy 95/00	386	783, 784
Galaxy 06	387	784
Granada	388	
Granada 85	389, 390	
Ikon	391	
KA 97	392, 393	
KA 08	394	
Kuga 08	395	785
Kuga 13	396	785
Maverick	397	786
Maverick 01	398	
Mondeo 93	398, 399	786
Mondeo 97	400, 401	786
Mondeo 01	402	787
Mondeo 01	403	
Mondeo 07	404	788
Orion 83	405	
Orion 86	406, 407	
Orion 91	408, 409	
Probe 91 / Probe 93	410	789
Puma 97	411	
Scorpio 85	412, 413	
Scorpio 95	414	
Sierra 83	415, 416	
Sierra 87	417, 418	
S-Max 06	419	789
Street KA	420	790
Tourneo Connect 02	420	
Tourneo Custom 13	421	
Tourneo Courier 14	421	
Transit Custom 13	422	
Transit 66 Transit 84	422	
Transit 86	423 - 425	
Transit 92	426, 427	
Transit 95	428	
Transit 00	429	790
Transit 06	430	790
Transit Connect 02	431	
Transit Connect 13	432	
Transit Courier 14	432	

## Honda

Accord III (CA)	433	
Accord IV (CB1/CB3/CB7)	434	
Accord V (CC / CE / CF)	435	



	front axle	rear axle
<b>Honda</b>		
Accord VII (CG / CH)	436	791
Accord VIII	437	791
Accord IX	437	791
Civic (EC / ED / EE)	438	792
Civic (EG / EH)	439	
Civic Coupé IV (EJ)	440	
Civic V (MA / MB)	440	792
Civic Coupé V (EJ / EK / EM)	441	792
Civic VI / Coupe	442	793, 794
Civic VII (FD)	443	793
Concerto (HW)	443	
CR-V (RD)	444	795
CR-V II	445	795
CR-V III	446	795
CRX (ED / EE)	447	796
CRX (EG / EH)	448	796
FR-V	449	
HR-V	449	
Jazz II	450	
Jazz III	451	
Legend III	451	
Logo	451	
Prelude IV	451	796
3,5 RL	452	
Stream	452	
Shuttle	453	

	front axle	rear axle
<b>Hyundai</b>		
Accent	454, 455	797
Atos / Atos Prime I	456	
Atos Prime II	456	
Centennial	457	
Coupe (RD)	457	797
Coupe (GK)	457	797
Elantra	458	798
Excel	458, 459	
Getz	459	
Grandeur	460	798
H1	460, 461	798, 799
H 100	461	
i-10	461	
i-20	462	
iX20	462	
i-30 / i 30cw	463	799
IX55	463	799
Lantra	464	
Lantra II	464	800
Lavita	465	
Libero	465	
Matrix	466	800
Pony	467	
S-Coupe	468	
Santa Fe	469	800
Santa Fe (CM)	470	800
Santro	471	
Sonata I	471	
Sonata II	472	

	front axle	rear axle
<b>Hyundai</b>		
Sonata EF	472	801
Sonata NF	473	801
Trajet	474	
Tucson	474	801
Verna	475, 476	802
XG25 / XG30	477	802
X-Type	478	
X-Type Estate	479	

	front axle	rear axle
<b>Kia</b>		
Avella	480	
Carens I	480	
Carens II	481	803
Carens III	481	803
Carnival I	482	
Carnival II	482	803
Cerato (LD)	482	804
Cerato II (TD)	483	
Cee'd	483	803
Magentis	484	804
Mentor	485	805
Opirus	485	805
Optima	486	805
Picanto	487	
Pregio	488	
Pride	488	
Rio I	489	
Rio II	490	
Sephia	491	
Shuma	491	806
Spectra	491	806
Sportage (K00)	492	
Sportage (JE)	492	806
Sorento	493	806
Venga	493	

	front axle	rear axle
<b>Lancia</b>		
Dedra (835)	494, 495	806
Kappa (3.0 V6)		807
Delta II (836)	496	
Delta I (831)	497	
Delta III (844)	497	
Lybra (839 AX) / SW (839BX)	498	807
Musa (350)	498	
Phedra (179)	499	
Thema/SW (834)	500	808
Thesis (841 AX)	501	808
Y (840 A)	502	809
Ypsilon (843)	503	
Ypsilon (846)	503	
Y 10 (156)	504	
Zeta (220)	505	

	front axle	rear axle
<b>Land Rover</b>		
Defender 90/110	506	
Discovery II	506	810
Discovery III	507, 508	810

front axle rear axle

### Land Rover

Discovery IV	509	810
Freelander I	510	
Freelander II (LR2)	511	811
LR4 IV (LA)	512	
Range Rover II	512	
Range Rover III	513	811
Range Rover Sport	514	812

### Lexus

ES250 (_VZV21_)	515	813
ES300 (_V10_)	515	813
ES300 (_V20_)	516	813
ES300 (V30/31)	517	814
ES350 (GSV40)	517	
GS300, 400, 430 (JZS160, UZS16)	518	814
GX470 (J120)	518	814
LX470 (UZJ100)		815
LX450 (J80)	518	
HS250H (ANF10)	519	
IS200/300 (GXE10/JCE10)	519	
LX470 (J80)	520	
RX300 (CU15)	520	815
RX300, 330, 350, 400H	521	816
SC430 (UZZ40)		816
SC300/400 (JZZ31/ UZZ30)	522	

### Mazda

2 (DY / DE)	523	
3 (BK)	524	817
3 (BL)	525	817
5 (CR)	526	818
5 (CW)	526	
6 (GG / GY)	527	818
6 (GH)	528	818
121 (DA)	528	
121 (DB)	528	
121 (JASM / JBSM)	529	
323 (BF/BW)	530	
323 (BG)	531	
323 (BA)	532	819
323 (BJ)	533	819
626 (GC / GD / GV)	534	
626 (GE / GW / GF)	535	819, 820
CX-7 (ER)	536	820
Demio (DW)	536	
MPV-2 (LW)	537	
MX-3 (EC)	538	820
MX-5 (NA)	538	821
MX-5 (NB)	539	821
MX-5 (NC)	539	822
MX-6 (GE)	539	
Premacy (CP)	540	822
RX- 7 (FD)	541	
RX- 8 (FE / SE)	541	823,
Tribute (EP)	542	
Xedos 6 (CA)	542	

front axle rear axle

### Mercedes-Benz

BM 105 (Ponton)	543	
BM 110 / 111	543	
BM 110/111 („Heckflosse“)	544	
BM 114 („ /8 “)	545, 546	824
BM 115 („ /8 “)	547, 548	824
BM 120 / 121 (Ponton)	549	824
BM 128 / 180 (Ponton)	550	824
BM 123	551 - 552	825
BM 124	553 - 568	826, 827
190 (BM 201)	569 - 574	528, 529
207D 210D (BM 601)	575, 576	830
307D 310D (BM 602)	577 - 580	830
407D 410D (BM 611)	581, 582	831
A-Klasse (BM 168)	583	831
A-Klasse (BM 169)	584, 585	832
A-Klasse (BM 176)	586	832
B-Klasse (BM 242 / 246)	587	833
B-Klasse (BM 245)	588	833
C-Klasse (BM 202)	589 - 591	834,835
C-Klasse (BM 203)	592 - 595	836,837
C-Klasse (BM 204)	596, 597	838
CL (BM 215)	598, 599	839
CL (BM 216)	600	840
CL (BM 217)	601	841
CLC (BM 203)	602, 603	842, 843
CLK (BM 208)	604, 605	844, 845
CLK (BM 209)	606, 607	846, 647
Citan (BM 415)	608	
CLS (BM 218)	609	848
CLS (BM 219)	610, 611	849, 850
E-Klasse Coupe / Cabrio (BM 207)	612, 613	851
E-Klasse (BM 210)	614 - 617	852, 853
E-Klasse (BM 211)	618 - 621	854, 855
E-Klasse (BM 212)	622 , 623	856
G-Klasse (BM 460 463)	624	
GL-Klasse (BM 164)	625	857
GL (BM 166)		858
GLA (BM 156)	626	859
GLK (BM 204)	627	860
Maybach (BM 240)		861
ML-Klasse (BM 163)	628, 629	862
ML-Klasse (BM 164)	630	863
ML (BM 166)		864
MB 100 (BM 631)	631	
R-Klasse (BM 251)	632	865
S-Klasse (BM 108/109)	633, 634	
S-Klasse (BM 116)	635, 636	866
S-Klasse (BM 126)	637, 638	866
S-Klasse (BM 140)	639	867, 868
S-Klasse (BM 220)	641 - 643	869
S-Klasse (BM 221)	644	870
SL (BM 113)	645, 646	
SL (BM 107)	647 - 650	871
SL (BM 129)	651, 652	872, 873
SL (BM 230)	653, 654	874, 875
SL (BM 231)		876
SLK (BM 170)	655 - 657	877, 878

front axle rear axle

## Mercedes-Benz

SLK (BM 171)	658, 659	879, 880
SLK (BM 172)	660	881
Sprinter (BM 901 904)	661	882
Sprinter I (BM 905)	662	883
Sprinter II (BM 906)	663	883
Vito/V-Klasse (BM 638)	664	884
Vito/Viano (BM 639)	665	884
Vaneo (BM 414)	666	

## Mini

Cooper / One (R50,R52,R53)	667	
Mini II	668, 669	885

## Mitsubishi

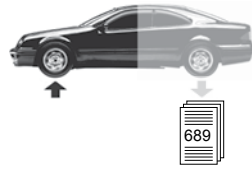
ASX	670	886
3000 GT	670	
Carisma	671	886
Colt II	672	
Colt III	672	
Colt IV / V	673	886
Colt VI	673	
Grandis	674	
Eclipse I	674	
Eclipse II	674	
Galant III VI	675	
Galant V Galant VI	675	
Lancer III	676	
Lancer IV	676	
Lancer V	677	887
Lancer VI	677	887
Lancer VII	678	887
Lancer VIII	679	887
L 200	680	
L 300	681	
Outlander I	682	888
Outlander II	682	888
Pajero I	683	
Pajero II	684	888
Pajero III	684	888
Pajero IV	685	888
Pajero Pinin	685	
Pajero Sport	686	889
Pajero VI	687	
Sigma	687	
Space Runner II	687	
Space Star	688	889
Space Wagon I + II	688	

front axle  
Page 1 - 688

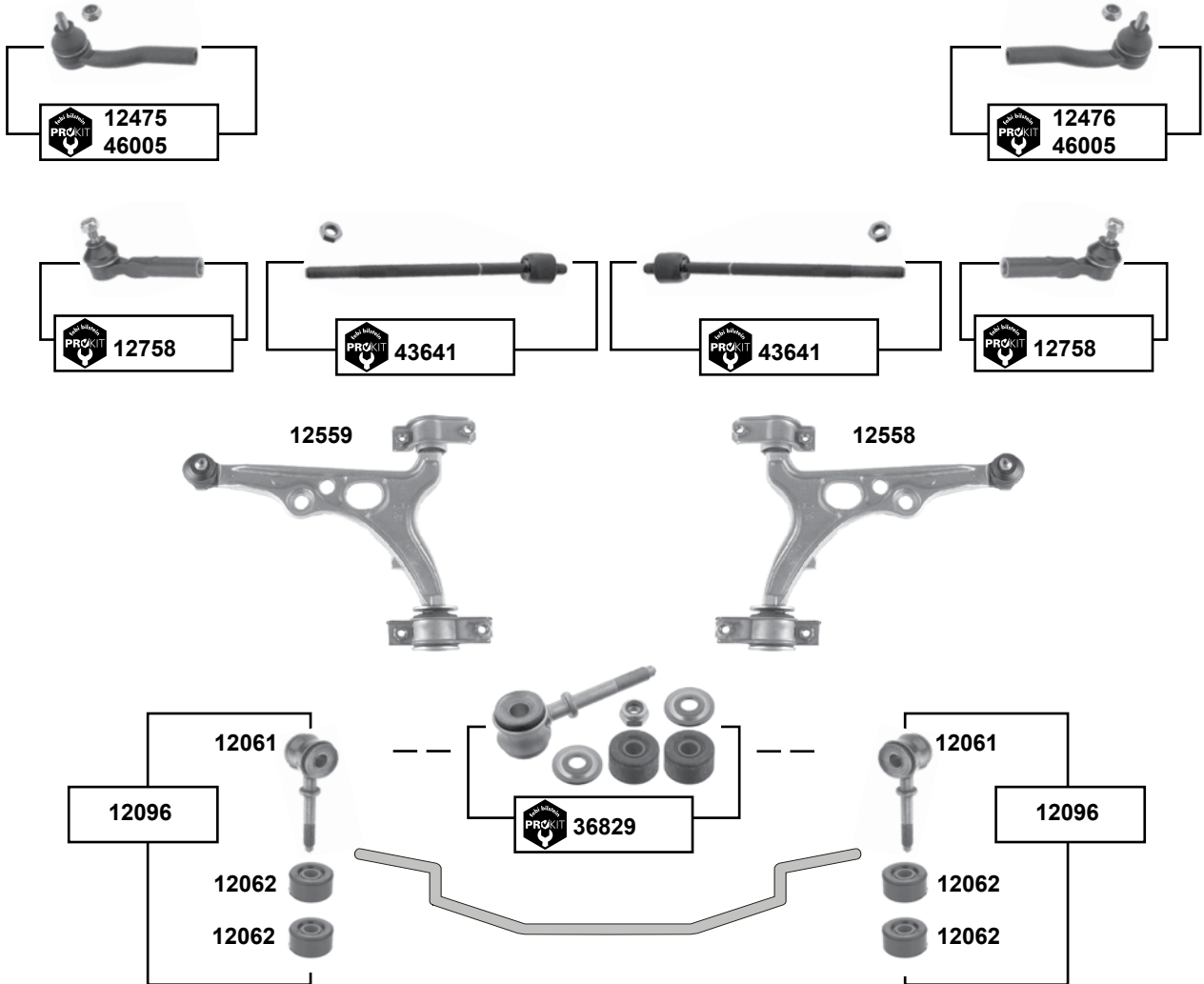
rear axle  
Page 689 - 889

febi number  
Page 890 - 988

ref. number  
Page 989 - 1033



## 145 / 146 (930) (1994 → 2000)



Vorderachse / Front axle

(1) 145: 1,4, 1,6 T.S. **Sport** ; 1,8 T.S. (DAT → 12/1996), 1,9, 2,0 T.S. (DAT → 12/1996)  
146: 1,4, 1,6 T.S. **Sport** ; 1,8 T.S. (DAT → 12/1996), 1,9, 2,0 T.S. (DAT → 12/1996)



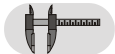
(2) 145: 1,4, 1,6 T.S. **Sport** ; 1,8 T.S. (DAT 12/1996 →) ; 2,0 T.S. 16V (DAT 15/05/1995 →)  
146: 1,4, 1,6 T.S. **Sport** ; 1,8 T.S. (DAT 12/1996 →) ; 2,0 T.S. 16V (DAT 15/05/1995 →)

(3) 1,4 76kW / 1,6 88kW . **Sport** // 1,8 / 1,9D 77kW / 2,0

(4) 145: 1,9D alle / all 146: 1,9D AR32302 **LHD**



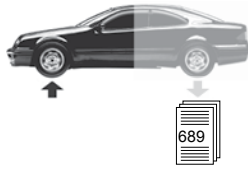
Ref. - No.



12061	60570627	Verbindungsstange / stabilizer link		
12062	7601642	Verbindungsstangenlager / stabilizer link bush		Ø A 31
12096	60570627 S1	Rep. Satz Verbindungsstange / rep. kit stabilizer link		M10 x 1,25
12475	9947437	ProKit Spurstangenendstück / tie rod end	(1)	M12 x 1,25
12476	9947438	ProKit Spurstangenendstück / tie rod end	(1)	M12 x 1,25
12558	46474557	Querlenker / control arm	→ 00	Stahl / steel
12559	46474556	Querlenker / control arm	→ 00	Stahl / steel
12758	9947714	ProKit Spurstangenendstück / tie rod end	(2)	M10 x 1,25
36829	60570627 S2	ProKit Verbindungsstange / stabilizer link		M10 x 1,25
43641	9947718	ProKit Axialgelenk / axial joint	(3)	L 292
46005	9947926	ProKit Spurstangenendstück / tie rod end	(4)	

passend für / to fit

**ALFA ROMEO**

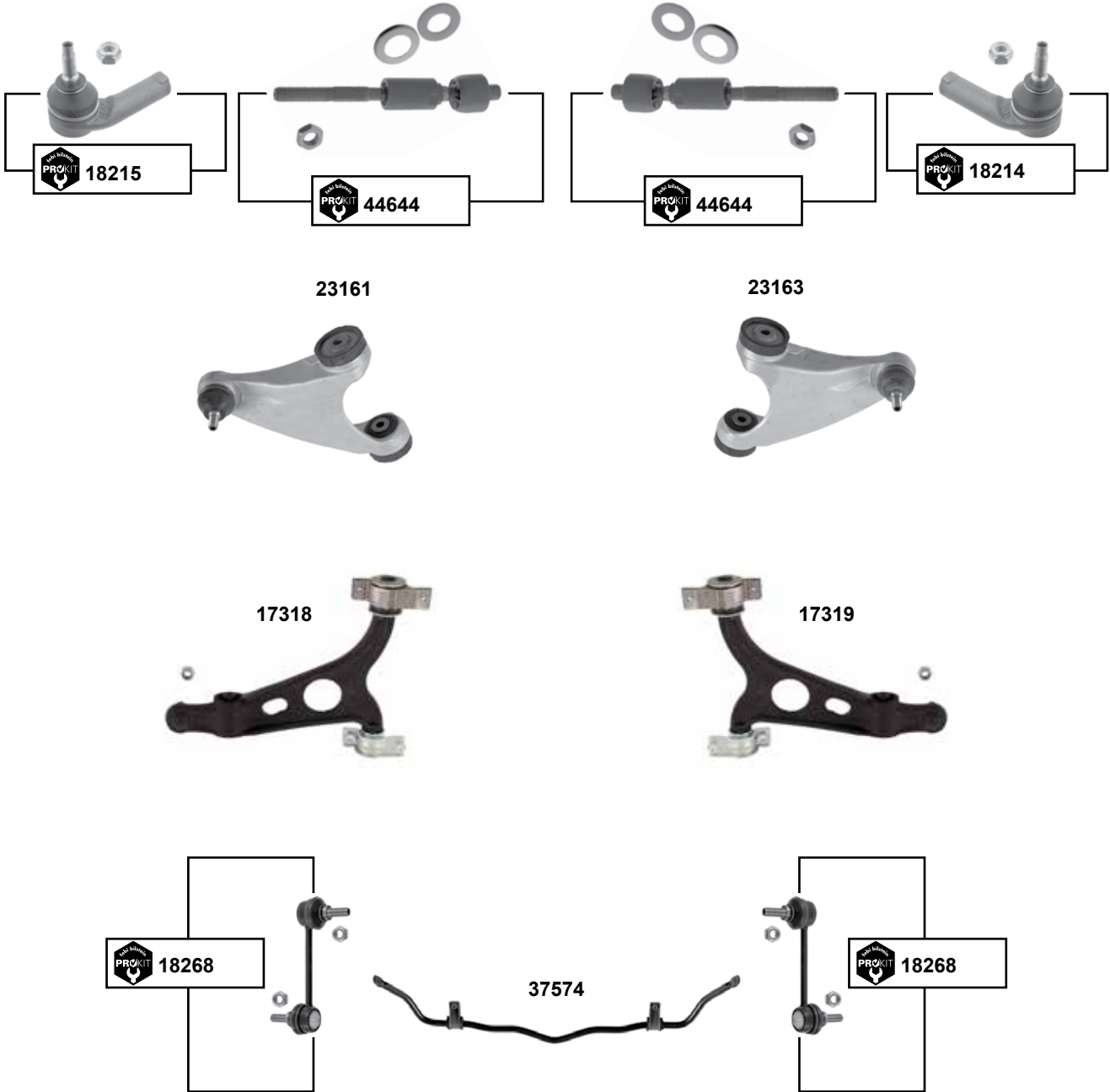


**Car  
Division**



**147 (937)**  
(2001 → 2010)

Vorderachse / Front axle

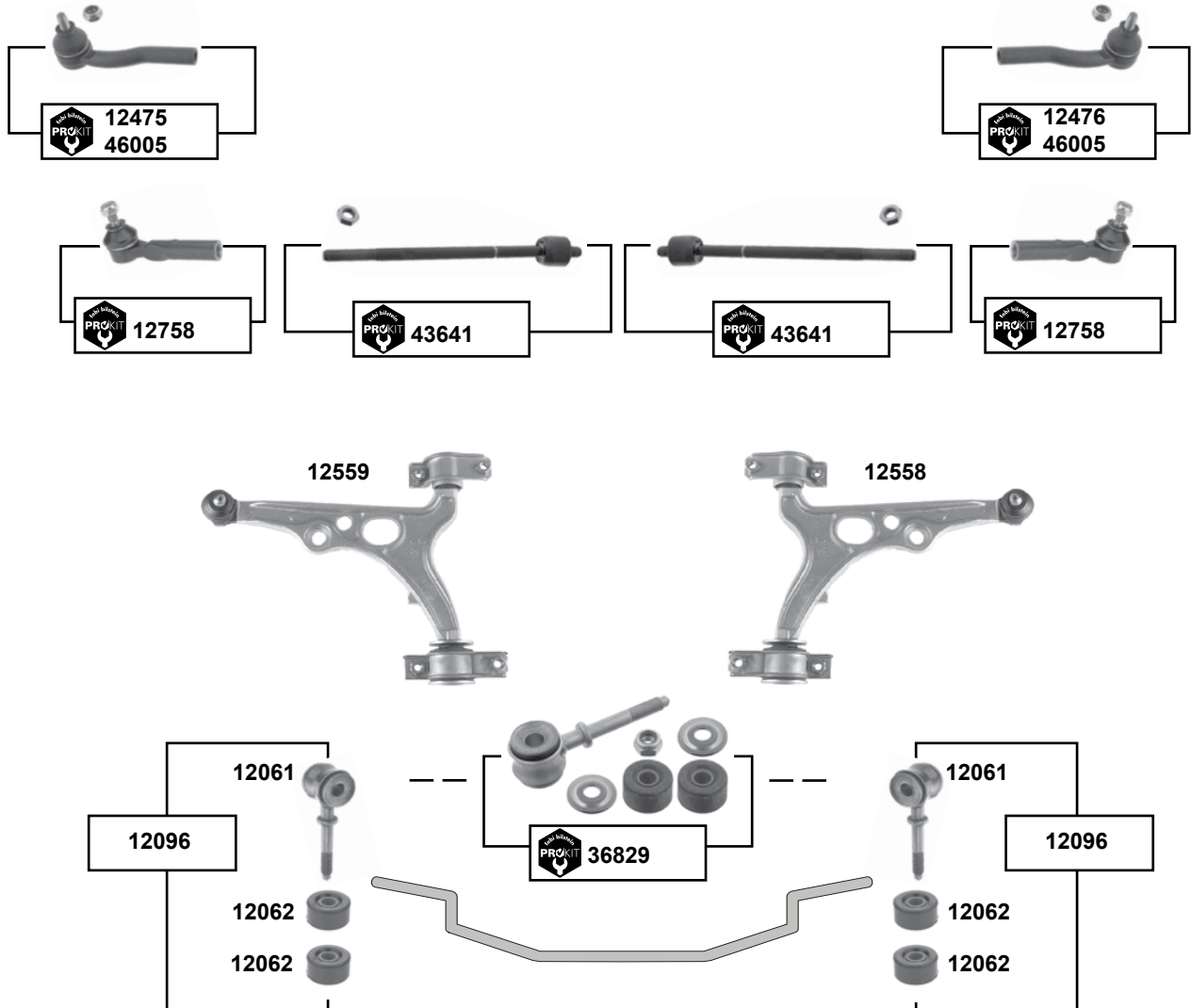


**i** (1) alle / all (ex.) 1,9 81kW / 2,0 121kW / 3,2

	Ref. - No.		<b>i</b>	
<b>17318</b>	50509340	Querlenker unten / control arm lower		
<b>17319</b>	50509339	Querlenker unten / control arm lower		
<b>18214</b>	9947920	ProKit Spurstangenendstück / tie rod end		M10 x 1,25
<b>18215</b>	9947919	ProKit Spurstangenendstück / tie rod end		M10 x 1,25
<b>18268</b>	46843389	ProKit Verbindungsstange / stabilizer link		
<b>23161</b>	51834093	Querlenker oben / control arm upper		
<b>23163</b>	51834094	Querlenker oben / control arm upper		
<b>37574</b>	51754198	Stabilisatorsatz mit Lagern / stabilizer set with bearings	(ex.) 3,2 GTA	L 1045
<b>44644</b>	9947923	ProKit Axialgelenk / axial joint	(1)	L 203



**155 (167)**  
(1992 → 1997)



- (1)** 1,6 T.S., 1,7 T.S., 1,8 T.S. 95kW, 104kW, 1,8 T.S. 93kW DAT → 15/03/1995, 1,9, 2,0 T.S. DAT → 15/03/1995, 2,0 8V
- (2)** 1,8 T.S. (DAT 15/05/1995 →)  
2,0 T.S. 16V (DAT 15/05/1995 →) (VIN 0134700 →)
- (3)** 2,0 110kW, 137kW, 140kW (DAT 05/1995 →)  
2,5 92kW, 120kW, 121kW (DAT 05/1995 →)
- (4)** 2,0B (mot.) AR67203) 2,5B alle / all 2,5D (mot.) VM07B, VM31B



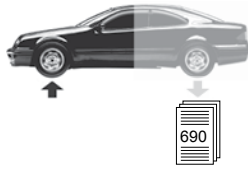
Ref. - No.



febi bilstein	Ref. - No.			
12061	60570627	Verbindungsstange / stabilizer link		M10 x 1,5
12062	7601642	Verbindungsstangenlager / stabilizer link bush		
12096	60570627 S1	Rep. Satz Verbindungsstange / rep. kit stabilizer link		M10 x 1,25
12475	9947437	ProKit Spurstangenendstück / tie rod end	(1)	M12 x 1,25
12476	9947438	ProKit Spurstangenendstück / tie rod end	(1)	M12 x 1,25
12558	46474557	Querlenker / control arm		Stahl / steel
12559	46474556	Querlenker / control arm		Stahl / steel
12758	9947714	ProKit Spurstangenendstück / tie rod end	(2)	M10 x 1,25
36829	60570627 S2	ProKit Verbindungsstange / stabilizer link		M10 x 1,25
43641	9947718	ProKit Axialgelenk / axial joint	(3)	L 292
46005	9947926	ProKit Spurstangenendstück / tie rod end	(4)	

passend für / to fit

**ALFA ROMEO**

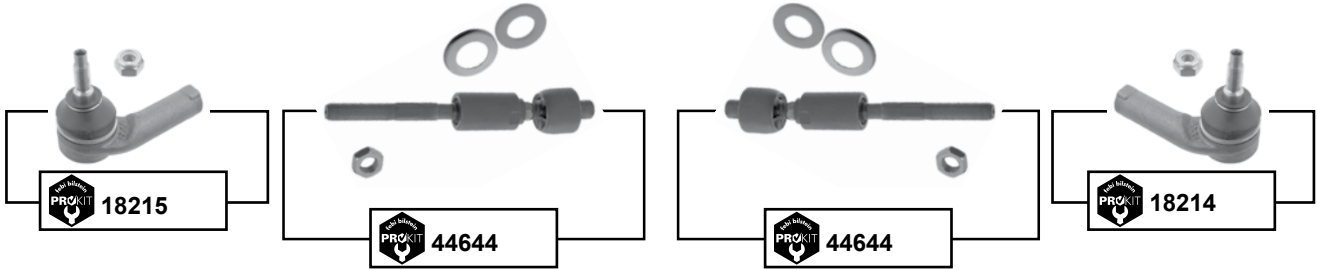


**Car  
Division**



**156 (932)**  
(1997 → 2006)

Vorderachse / Front axle



**23161**



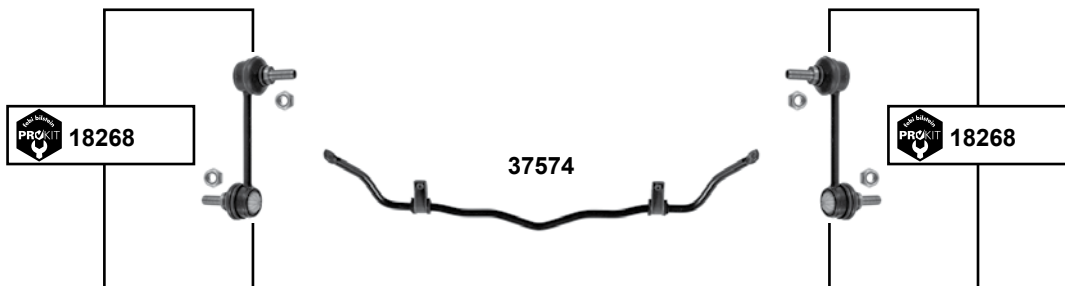
**23163**



**17318**



**17319**



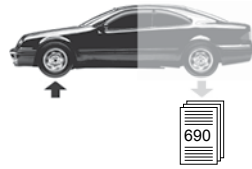
(1) alle / all (ex.) 1,6 82kW / 1,9D 93kW, 100kW / 2,4 129kW



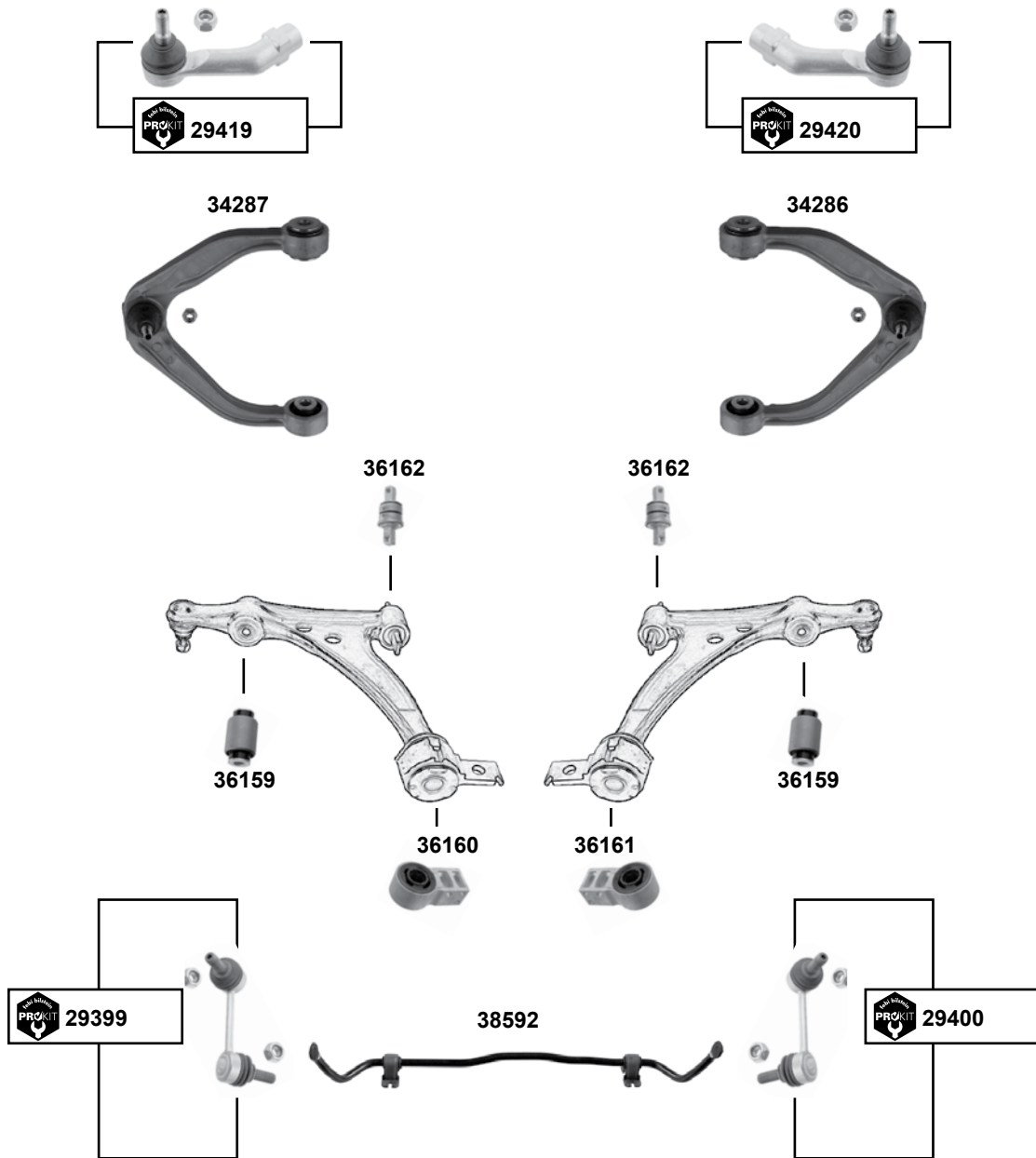
Ref. - No.



<b>17318</b>	50509340	Querlenker / control arm		
<b>17319</b>	50509339	Querlenker / control arm		
<b>18214</b>	9947920	ProKit Spurstangenendstück / tie rod end		M10 x 1,25
<b>18215</b>	9947919	ProKit Spurstangenendstück / tie rod end		M10 x 1,25
<b>18268</b>	46843389	ProKit Verbindungsstange / stabilizer link		
<b>23161</b>	51834093	Querlenker oben / control arm upper		
<b>23163</b>	51834094	Querlenker oben / control arm upper		
<b>37574</b>	51754198	Stabilisatorsatz mit Lagern / stabilizer set with bearings	(ex.) 3,2 GTA	L 1045
<b>44644</b>	9947923	ProKit Axialgelenk / axial joint	(1)	L 203



**159 (939)**  
(2005 → 2011)



Vorderachse / Front axle



(1) → 08 (mot.) 1,9 / 2,2 DAT → 15/04/2006  
2,4 DAT → 15/04/2006 / 147kW



Ref. - No.



Ref. - No.	Description	Quantity	Length
29399	50704361 ProKit Verbindungsstange / stabilizer link	(1)	L 102
29400	50704362 ProKit Verbindungsstange / stabilizer link		L 102
29419	77363706 ProKit Spurstangenendstück / tie rod end		L 96,5
29420	77363707 ProKit Spurstangenendstück / tie rod end		L 96,5
34286	50704948 Querlenker / control arm		
34287	50704947 Querlenker / control arm		
36159	51842925 S2 Querlenkerlager / control arm mount		
36160	50708721 Querlenkerlager / control arm mount		
36161	50708722 Querlenkerlager / control arm mount		
36162	51842925 S1 Querlenkerlager / control arm mount		
38592	50704867 Stabilisatorsatz mit Lagern / stabilizer set with bearings	(1)	L 1000



passend für / to fit

# ALFA ROMEO



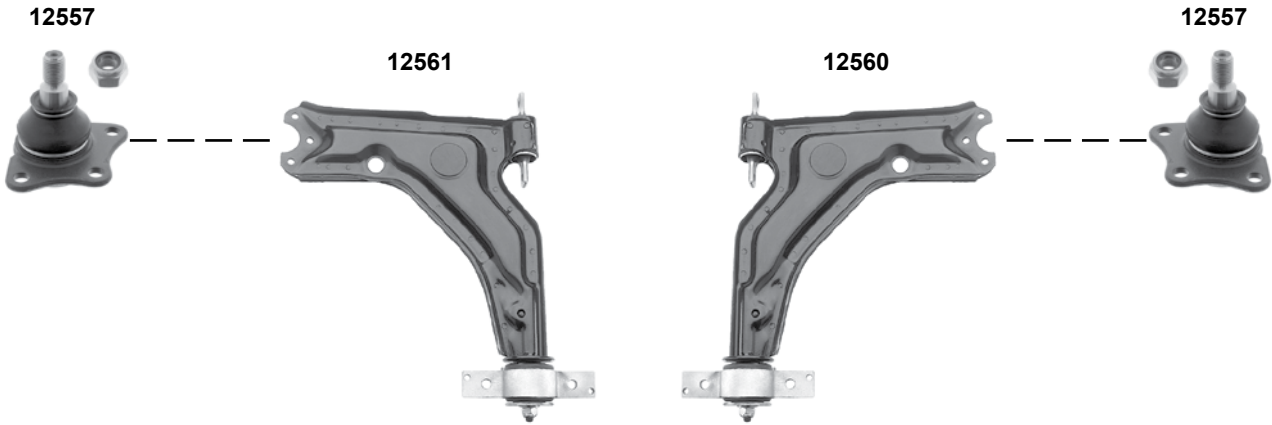
Car  
Division



## 164

(1987 → 1998)

Vorderachse / Front axle



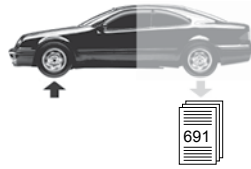
(1) 2,0B (mot.) ARO6416, ARO6420, AR64103 2,5D (ch.) 6255074 →



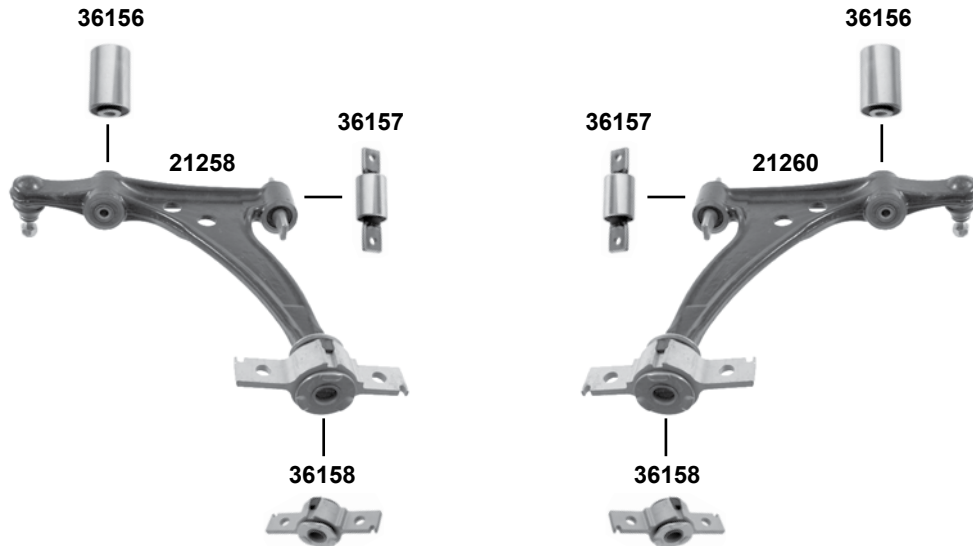
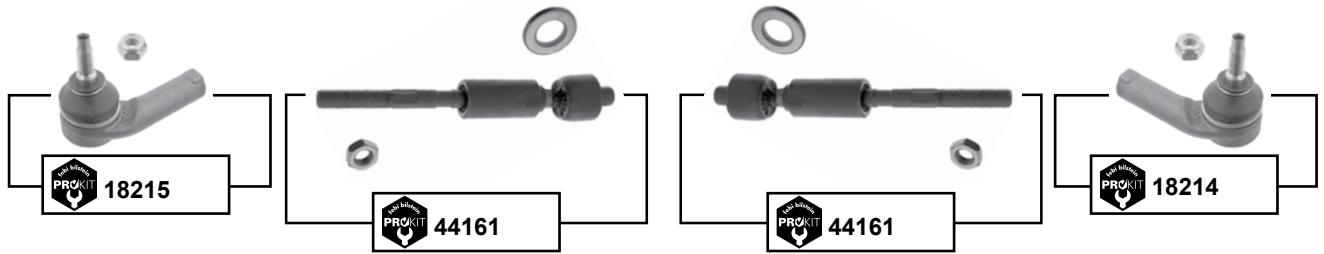
Ref. - No.



12556	60511622	ProKit Spurstangenendstück / tie rod end	→ 97	
12557	60510360	Traggelenk / ball joint		M12 x 1,25
12560	60588844	Querlenker / control arm	(1)	
12561	60588843	Querlenker / control arm	(1)	
40544	82412746	Stabilisatorlager / stabilizer mount		Ø   18

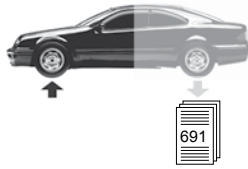


**166 (936)**  
(1998 → 2007)



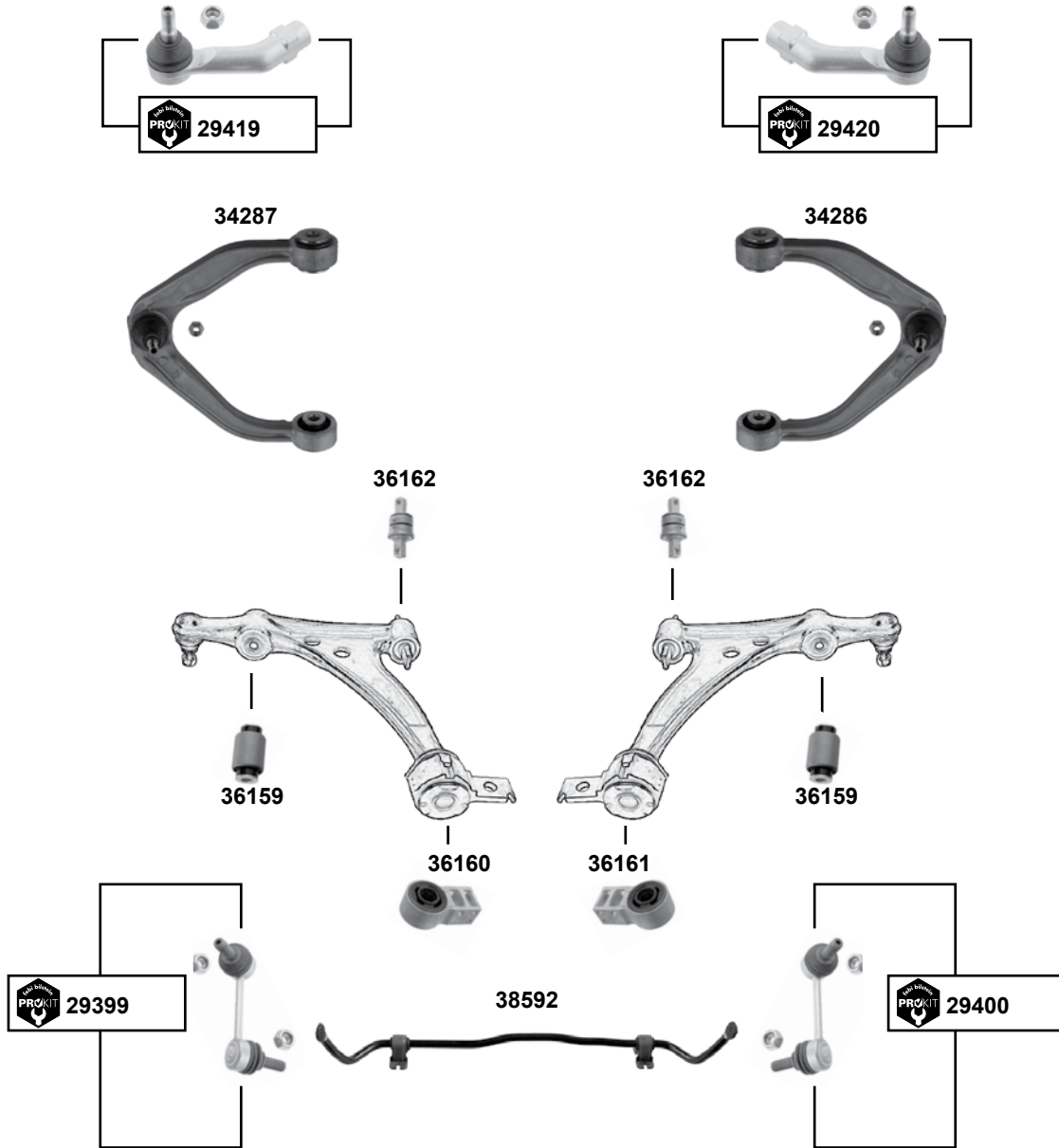
Vorderachse / Front axle

	Ref. - No.			
<b>18214</b>	9947920	ProKit Spurstangenendstück / tie rod end		M10 x 1,25
<b>18215</b>	9947919	ProKit Spurstangenendstück / tie rod end		M10 x 1,25
<b>21204</b>	60630757	ProKit Verbindungsstange / stabilizer link		
<b>21258</b>	60695895	Querlenker / control arm		
<b>21260</b>	60695896	Querlenker / control arm		
<b>36156</b>	60695895 S1	Querlenkerlager / control arm mount		Ø   12 / A 42
<b>36157</b>	60695895 S2	Querlenkerlager / control arm mount		Ø   10 / A 39
<b>36158</b>	60695895 S3	Querlenkerlager / control arm mount		Ø   20 / A 62
<b>44161</b>	9948297	ProKit Axialgelenk / axial joint	(ex.) (mot.) 2,4D	L 234,7



## Brera (2006 → 2010)

Vorderachse / Front axle



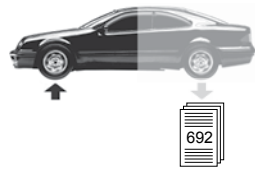
(1) (mot.) 2,2 DAT → 15/04/2006  
(mot.) 2,4 DAT → 15/04/2006 / 147kW



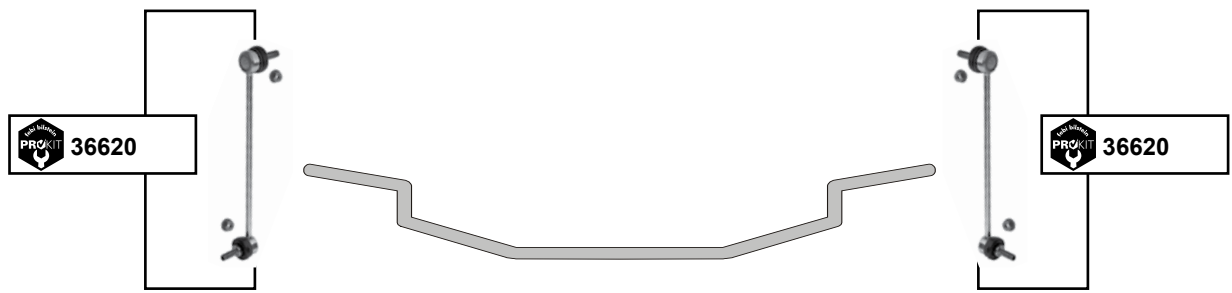
Ref. - No.



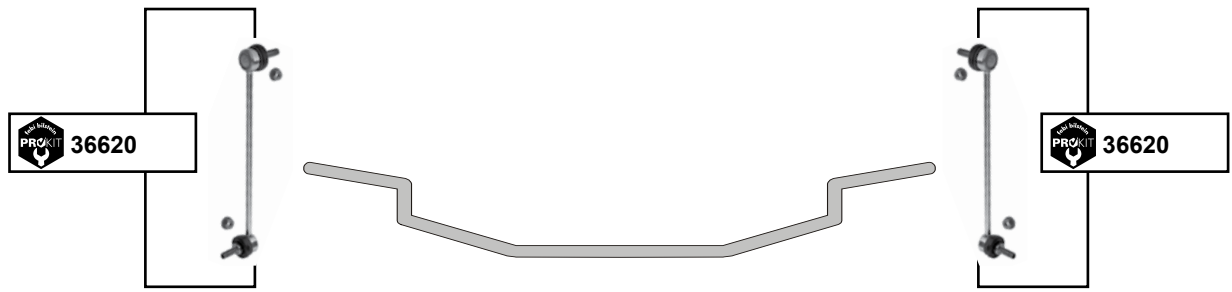
Ref. - No.			
29399	50704361	ProKit Verbindungsstange / stabilizer link	L 102
29400	50704362	ProKit Verbindungsstange / stabilizer link	L 102
29419	77363706	ProKit Spurstangenendstück / tie rod end	L 96,5
29420	77363707	ProKit Spurstangenendstück / tie rod end	L 96,5
34286	50704948	Querlenker / control arm	
34287	50704947	Querlenker / control arm	
36159	51842925 S2	Querlenkerlager / control arm mount	
36160	50708721	Querlenkerlager / control arm mount	
36161	50708722	Querlenkerlager / control arm mount	
36162	51842925 S1	Querlenkerlager / control arm mount	
38592	50704867	Stabilisatorsatz mit Lagern / stabilizer set with bearings	(1) L 1000



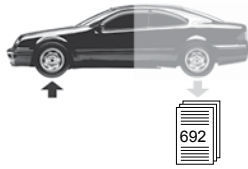
## Giulietta (BM 940) (2010 → 2013)



## Giulietta MY (2013 →)

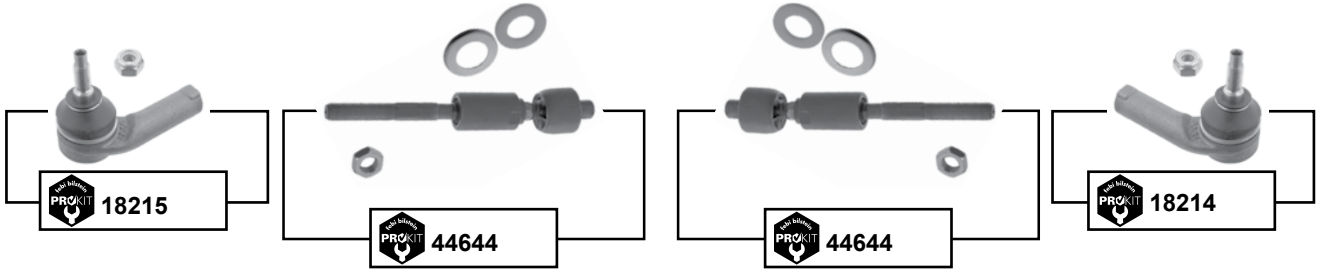


Vorderachse / Front axle



## GT (936) (2003 → 2010)

Vorderachse / Front axle



23161



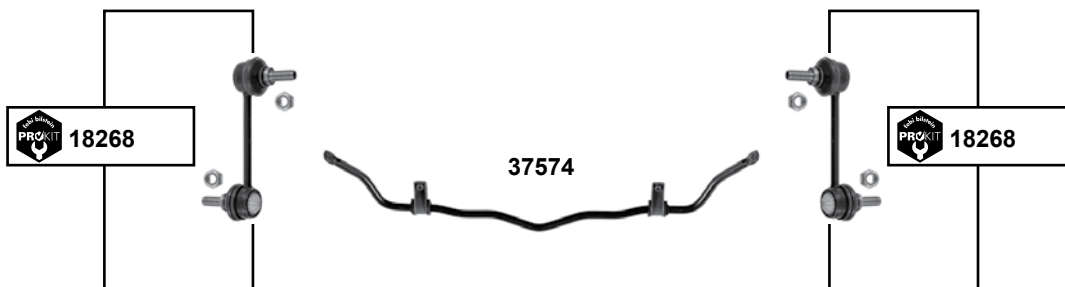
23163



17318



17319



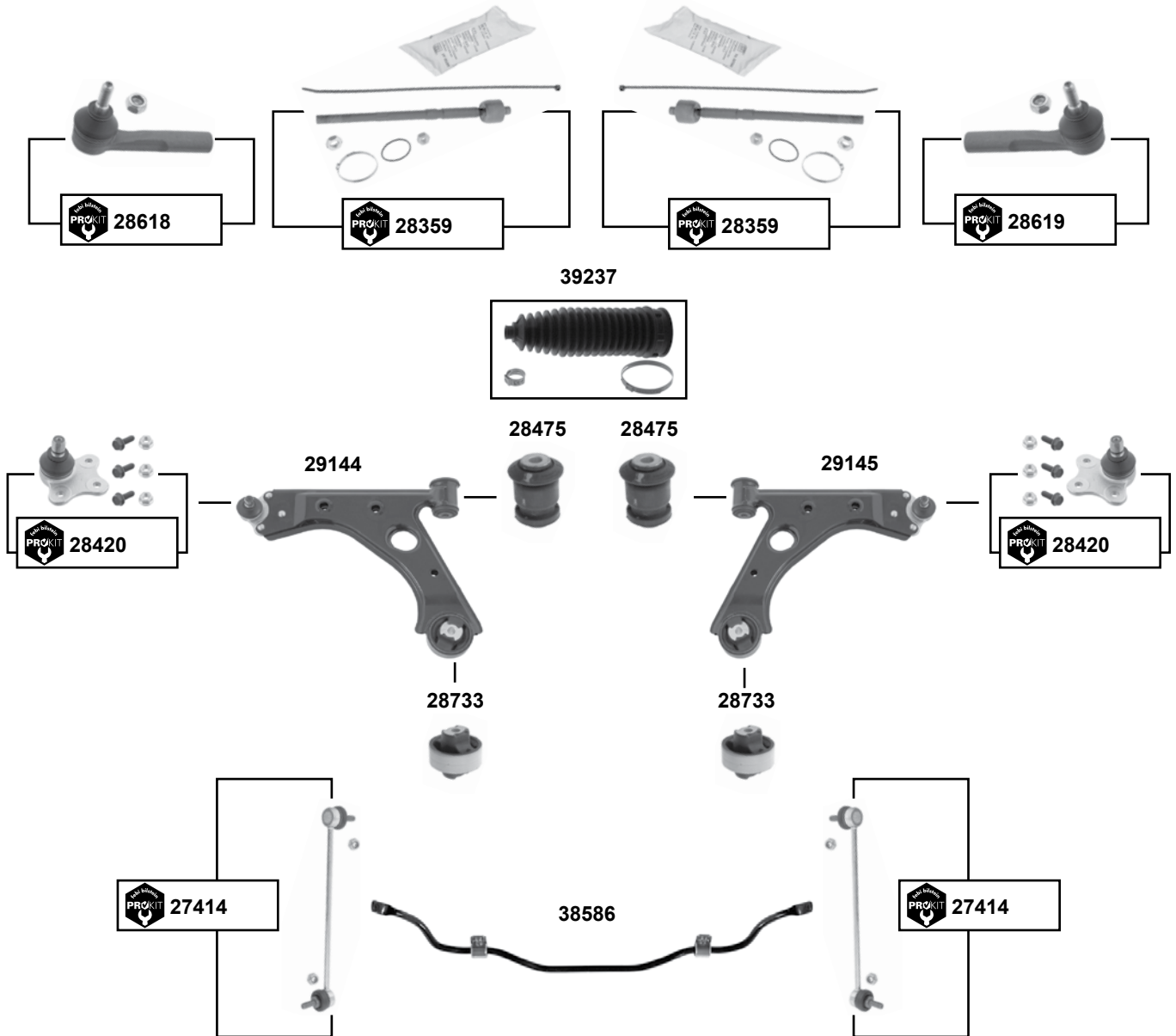
**(1)** (ex.) 3,2 GTA, 1,9 JTD      **(2)** alle / all (ex.) 2,0 119kW / 3,2

	Ref. - No.			
17318	50509340	Querlenker unten / control arm lower		
17319	50509339	Querlenker unten / control arm lower		
18214	9947920	ProKit Spurstangenendstück / tie rod end		M10 x 1,25
18215	9947919	ProKit Spurstangenendstück / tie rod end		M10 x 1,25
18268	46843389	ProKit Verbindungsstange / stabilizer link		
23161	51834093	Querlenker oben / control arm upper		
23163	51834094	Querlenker oben / control arm upper		
37574	51754198	Stabilisatorsatz mit Lagern / stabilizer set with bearings	(1)	L 1045
44644	9947923	ProKit Axialgelenk / axial joint	(2)	L 203



## Mito (955) (2008 → 2011)

Vorderachse / Front axle



(1) (mot.) 0,9 / 1,3 JTDM / 1,4 77kW, 88kW, 99kW, 110kW, 119kW / 1,6 JTDM



Ref. - No.



Ref. - No.	Part Description	Notes	Accessories
27414	50515276 ProKit Verbindungsstange / stabilizer link		
28359	51861102 SK ProKit Axialgelenk / axial joint		
28420	51895366 SK 1 ProKit Tragelenk / ball joint		
28475	55703232 Querlenkerlager vorne / control arm mount front		(ex.) Xenon-Scheinwerfer
28618	77363829 ProKit Spurstangenendstück / tie rod end		
28619	77363830 ProKit Spurstangenendstück / tie rod end		
28733	55700751 Querlenkerlager hinten / control arm mount rear		(ex.) Xenon-Scheinwerfer
29144	51783057 Querlenker / control arm		(ex.) Xenon-Scheinwerfer
29145	51783056 Querlenker / control arm		(ex.) Xenon-Scheinwerfer
38586	50515569 Stabilisatorsatz mit Lagern / stabilizer set with bearings		(1)
39237	77363828 Rep. Satz Lenkmanschette / rep. kit steering boot		L 1045 L 200

passend für / to fit

**ALFA ROMEO**



**Car  
Division**



# Mito MY

(2011 → 2013)

Vorderachse / Front axle

39237



39237



Ref. - No.



27414 50515276  
39237 77363828

ProKit Verbindungsstange / stabilizer link  
Rep. Satz Lenkmanschette / rep. kit steering boot

L 301  
L 200



**Mito MY**  
(2013 →)

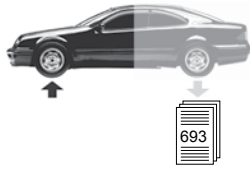


Vorderachse / Front axle



passend für / to fit

# ALFA ROMEO



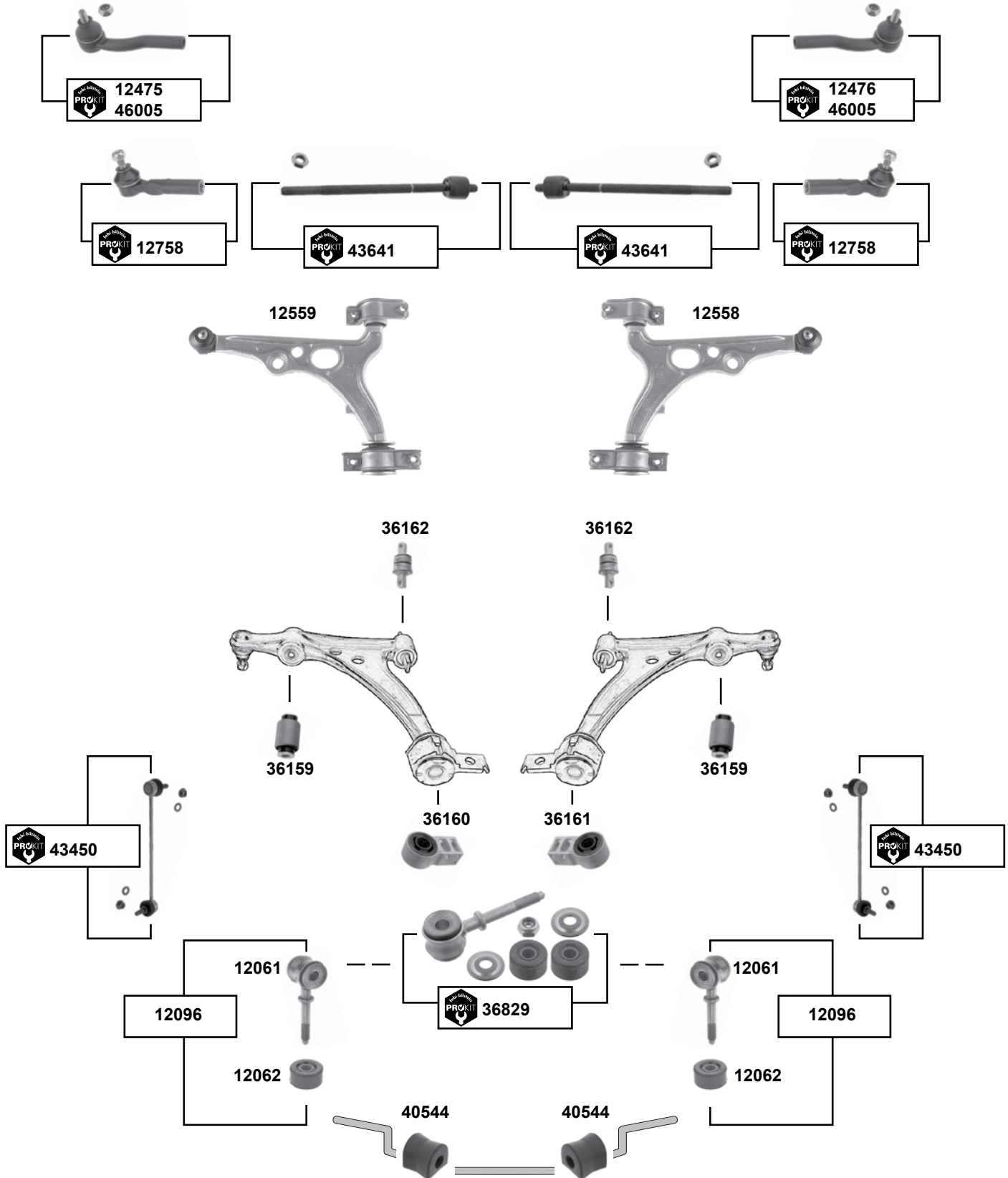
Car  
Division

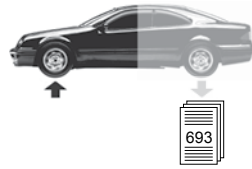


## GTV / Spider (916)

(1995 →)

Vorderachse / Front axle



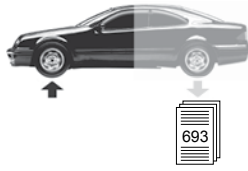


**GTV / Spider (916)**  
(1995 →)



- (1) GTV: → 05 / 1,8, 2,0 // Spider: 95 → 98 / alle / all // Spider: 98 → 06 1,8 / 2,0 / 3,0
- (2) GTV: → 05 // Spider : 98 → 06
- (3) 1.8 16V T.S. // 2.0 JTS // 2.0 16V T.S. (DAT 15/05/1995 →)
- (4) 2,0 16V T.S (DAT → 15/03/1995)
- (5) GTV: → 05 1,8 / 2,0 // Spider : → 06 1,8 / 2,0 / 3,0 141kW
- (6) GTV: → 05 1,8 106kW / 2,0 114kW, 121kW, 110kW, 148kW (DAT 05/1998 →) / 3,0 160kW, 162kW (DAT 05/1998 →) / 3,2 176kW  
Spider: → 06 1,8 106kW / 2,0 114kW, 121kW, 148kW, 110kW (DAT 05/1998 →) / 3,0 141kW (DAT 05/1998 →) / 3,0 160kW, 162kW / 3,2 176kW
- (7) 2,0B AR16202 3,0B alle / all 3,2B alle / all **LHD**

	Ref. - No.			
<b>12061</b>	60570627	Verbindungsstange / stabilizer link		
<b>12062</b>	7601642	Verbindungsstangenlager / stabilizer link bush		
<b>12096</b>	60570627 S1	Rep. Satz Verbindungsstange / rep. kit stabilizer link		
<b>12475</b>	9947437	ProKit Spurstangenendstück / tie rod end	(4)	M10 x 1,25
<b>12476</b>	9947438	ProKit Spurstangenendstück / tie rod end	(4)	M12 x 1,25
<b>12558</b>	46474557	Querlenker / control arm	(2)	Stahl / steel
<b>12559</b>	46474556	Querlenker / control arm	(2)	Stahl / steel
<b>12758</b>	9947714	ProKit Spurstangenendstück / tie rod end	(3)	M10 x 1,25
<b>36159</b>	51842925 S2	Querlenkerlager / control arm mount	Spider 07→	
<b>36160</b>	50708721	Querlenkerlager / control arm mount	Spider 07→	
<b>36161</b>	50708722	Querlenkerlager / control arm mount	Spider 07→	
<b>36162</b>	51842925 S1	Querlenkerlager / control arm mount	Spider 07→	
<b>36829</b>	60570627 S2	ProKit Verbindungsstange / stabilizer link	(1)	M10 x 1,25
<b>40544</b>	82412746	Stabilisatorlager / stabilizer mount	(5)	Ø I 18
<b>43450</b>	60614514	ProKit Verbindungsstange / stabilizer link	(2) alle / all (ex.) 1,8	
<b>43641</b>	9947718	ProKit Axialgelenk / axial joint	(6)	L 292
<b>46005</b>	9947926	ProKit Spurstangenendstück / tie rod end	(7)	



## Spider Nuovo (939) (2006 → 2010)



34287



34286

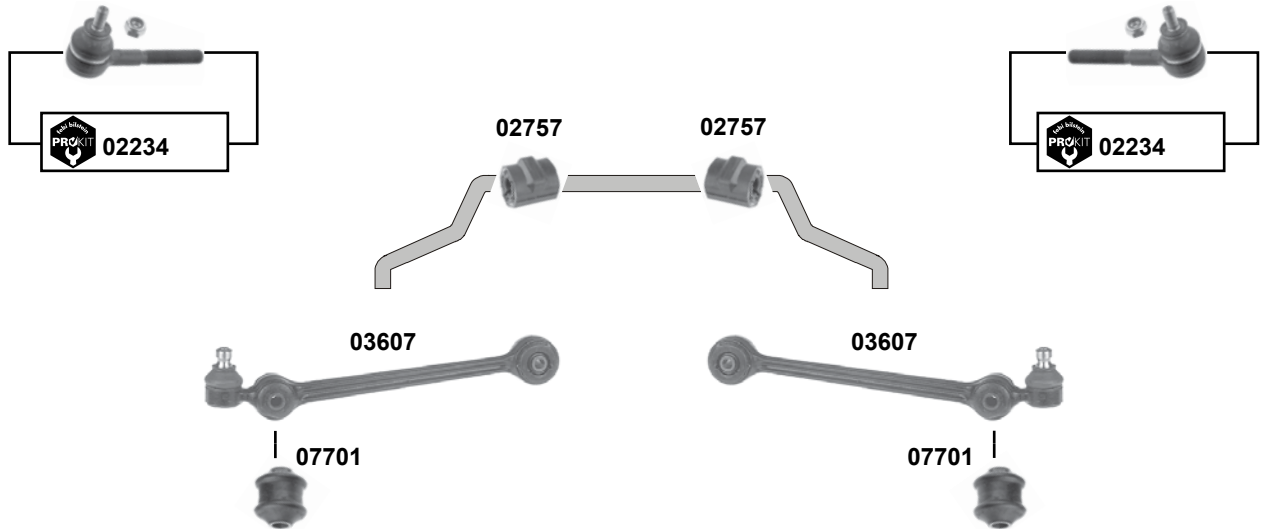


Vorderachse / Front axle

	Ref. - No.			
29399	50704361	ProKit Verbindungsstange / stabilizer link		L 102
29400	50704362	ProKit Verbindungsstange / stabilizer link		L 102
29419	77363706	ProKit Spurstangenendstück / tie rod end		L 96,5
29420	77363707	ProKit Spurstangenendstück / tie rod end		L 96,5
34286	50704948	Querlenker / control arm		
34287	50704947	Querlenker / control arm		
38592	50704867	Stabilisatorsatz mit Lagern / stabilizer set with bearings	(mot.) 2,2 DAT → 15/04/2006	L 1000

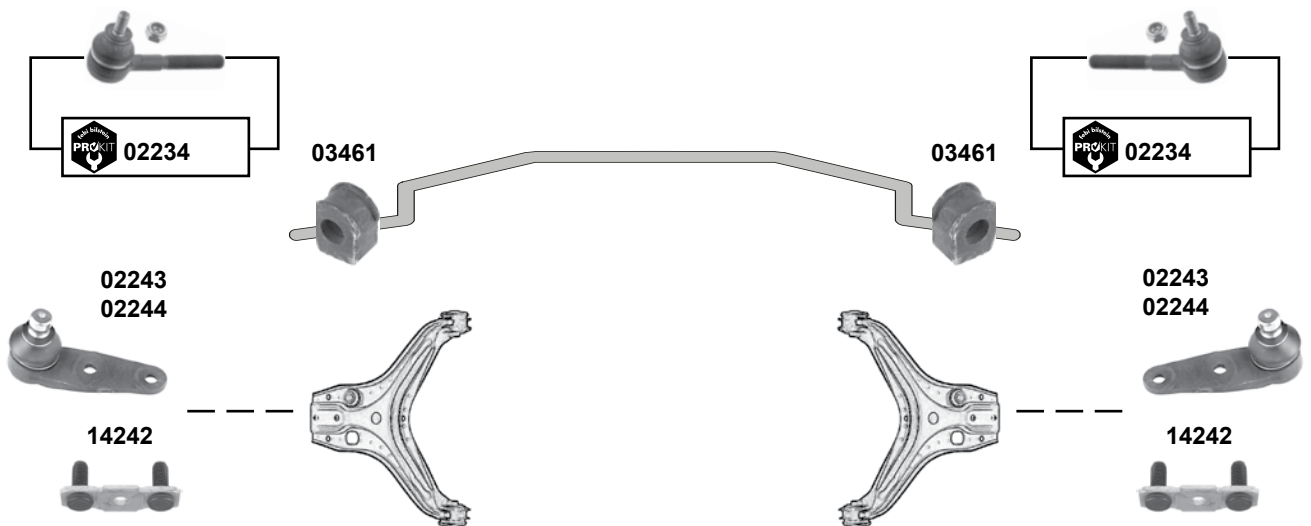


**50 (86)**  
(1975 → 1978)



Vorderachse / Front axle

**80 (82/83/84)**  
(1974 → 1978)



Ref. - No.



<b>02234</b>	811 419 812	ProKit Spurstangenendstück / tie rod end		M10 x 1
<b>02243</b>	823 407 365 C	Traggelenk / ball joint	73 → 77	Ø A 15
<b>02244</b>	823 407 365 E	Traggelenk / ball joint	78	Ø A 17
<b>02757</b>	867 411 313	Stabilisatorlager / stabilizer mount		Ø I 16,5
<b>03461</b>	823 411 313 A	Stabilisatorlager / stabilizer mount		Ø I 12,5
<b>03607</b>	861 407 151 B	Querlenker / control arm	(ch.) 8692523523 →	
<b>07701</b>	861 407 183	Stabilisatorlager / stabilizer mount		M12 x 34
<b>14242</b>	811 407 175 A	Sicherungsblech / lock washer		



**80 / 90 (81)**

(1979 → 1987)

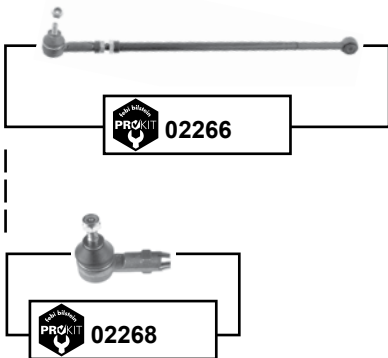
(ex.) Quattro

man.

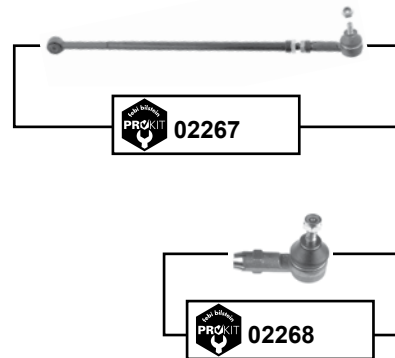
(ch.) → 81-A-073 588



(ch.) → 81-A-073 588



08029



(1) (ch.) → 81/85-G-160 000



Ref. - No.



**02234**  
**02266**  
**02267**  
**02268**  
**08029**

811 419 812  
811 419 801 E  
811 419 802 J  
811 419 812 A  
811 419 831 B

ProKit Spurstangenendstück / tie rod end  
ProKit Spurstange / tie rod  
ProKit Spurstange / tie rod  
ProKit Spurstangenendstück / tie rod end  
Lenkmanschette / steering boot

LHD  
LHD / (1)

M10 x 1  
M10 x 1  
M10 x 1  
M10 x 1  
L 150

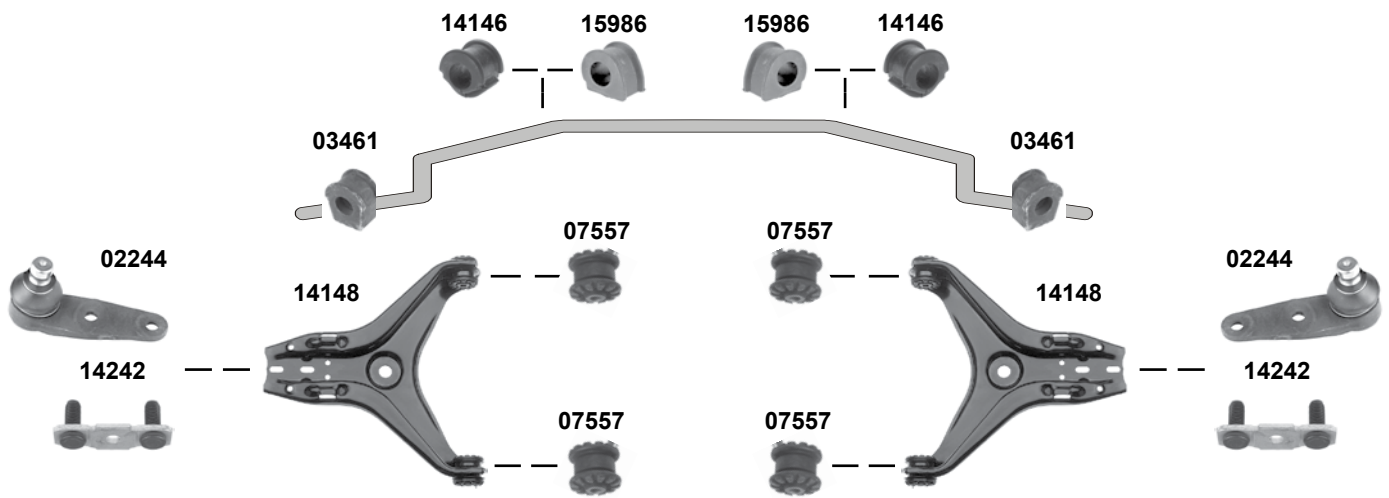


**80 / 90 (81)**  
(1979 → 1987)

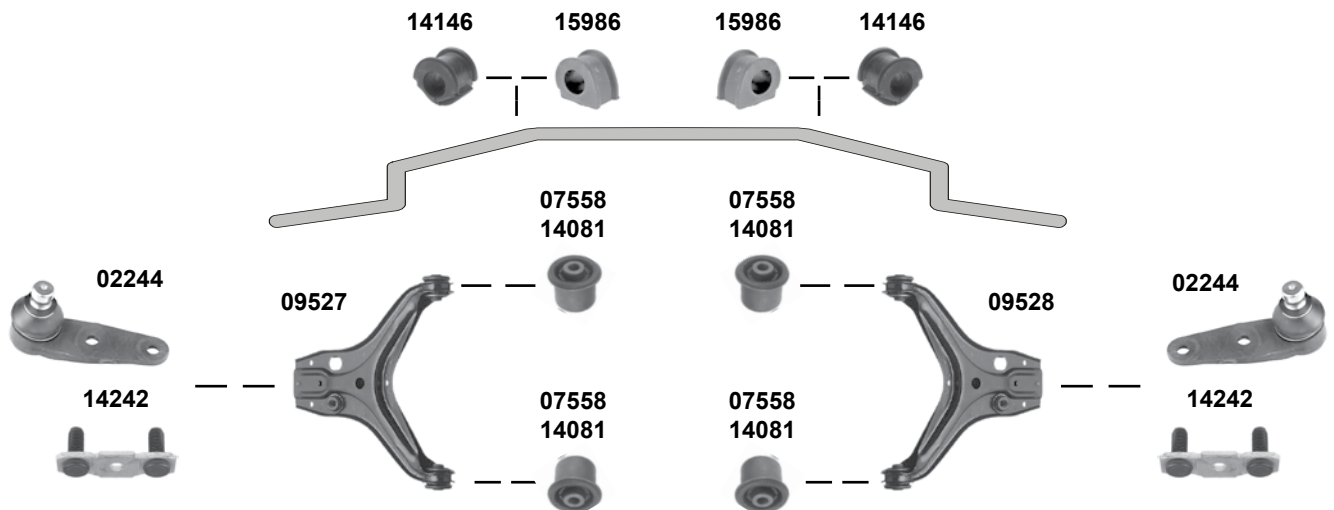
(ex.) Quattro

man.

**4 cyl. alle / all**  
**5 cyl. (ch.) → 81-D-077 973**



**5 cyl. (ch.) 81-D-077 974 →**



Vorderachse / Front axle



Ref. - No.



Ref. - No.	Description	Notes	Dimensions
02244	Traggelenk / ball joint	(ex.) Quattro	Ø A 17
03461	Stabilisatorlager / stabilizer mount		Ø A 12,5
07557	Querlenkerlager / control arm mount		M10 x 38
07558	Querlenkerlager / control arm mount		M10 x 37,5
09527	Querlenker / control arm		
09528	Querlenker / control arm		
14081	Querlenkerlager / control arm mount		M10 x 37
14146	Stabilisatorlager / stabilizer mount	(ch.) 81-F-150000 →	Ø I 20
14148	Querlenker / control arm		
14242	Sicherungsblech / lock washer		
15986	Stabilisatorlager / stabilizer mount	(ch.) → 81-D-077973	Ø I 19



**80 / 90 (81)**

(1979 → 1987)

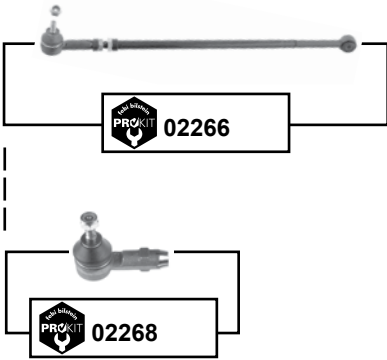
(ex.) Quattro

servo

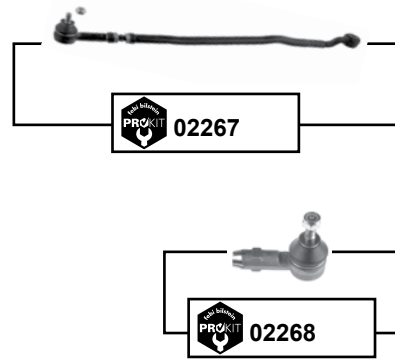
(ch.) → 81-A-073 588



(ch.) 81-A-073 589 →



08029



(1) (ch.) → 81/85-G-160 000



Ref. - No.



**02234**  
**02266**  
**02267**  
**02268**  
**08029**

811 419 812  
811 419 801 E  
811 419 802 J  
811 419 812 A  
811 419 831 B

ProKit Spurstangenendstück / tie rod end  
ProKit Spurstange / tie rod  
ProKit Spurstange / tie rod  
ProKit Spurstangenendstück / tie rod end  
Lenkmanschette / steering boot

LHD  
LHD / (1)

M10 x 1  
M10 x 1  
L 150

Vorderachse / Front axle

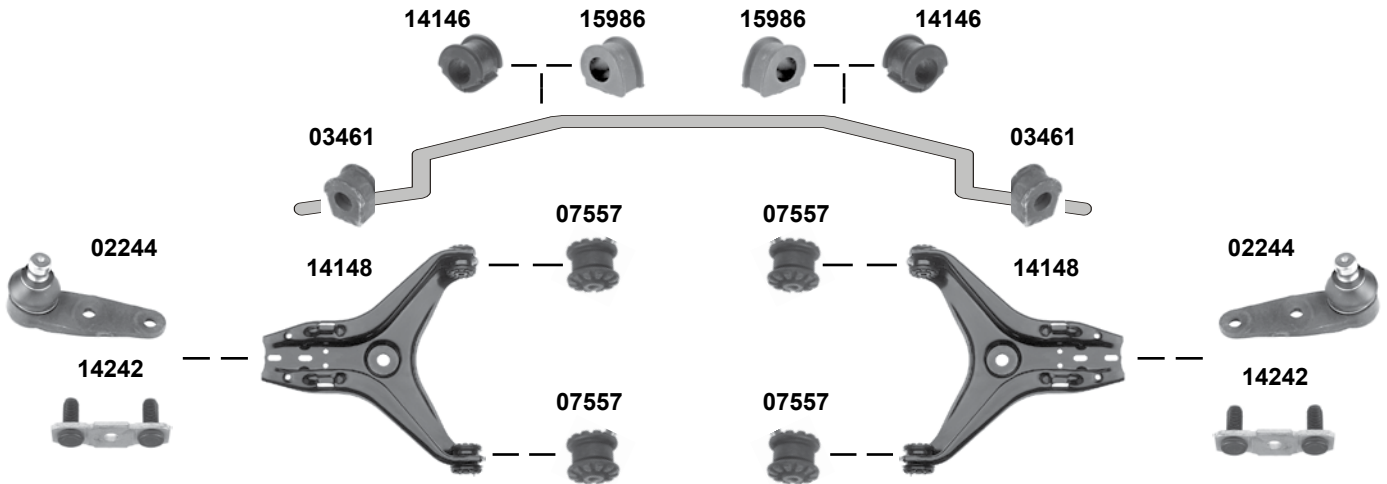


**80 / 90 (81)**  
(1979 → 1987)

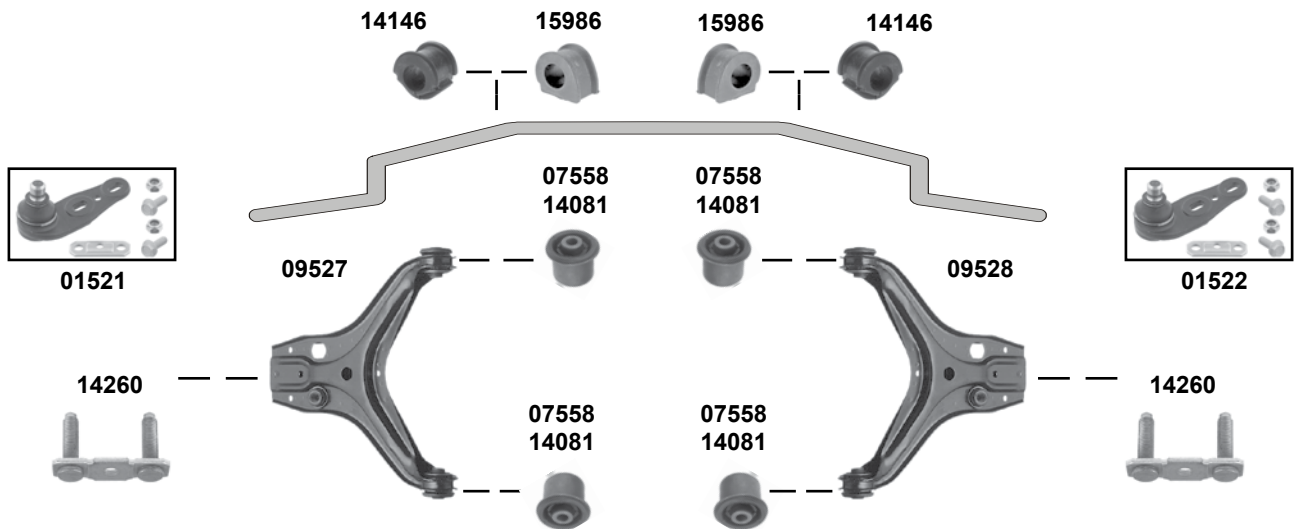
(ex.) Quattro

servo

(ch.) → 81-D-077 973



(ch.) 81-D-077 974 →



Vorderachse / Front axle



Ref. - No.

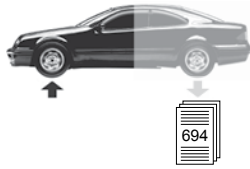


Ref. - No.	Description	Notes	Dimensions
01521	Traggelenk / ball joint		Ø A 17
01522	Traggelenk / ball joint		Ø A 17
02244	Traggelenk / ball joint		Ø A 17
03461	Stabilisatorlager / stabilizer mount		Ø I 12,5
07557	Querlenkerlager / control arm mount		M10 x 38
07558	Querlenkerlager / control arm mount	OLD	M10 x 37,5
09527	Querlenker / control arm		
09528	Querlenker / control arm		
14081	Querlenkerlager / control arm mount	NEW	M10 x 37
14146	Stabilisatorlager / stabilizer mount	(ch.) 81-F-150000 →	Ø I 20
14148	Querlenker / control arm		
14242	Sicherungsblech / lock washer		
14260	Sicherungsblech / lock washer		
15986	Stabilisatorlager / stabilizer mount	(ch.) → 81-D-077973	Ø I 19



passend für / to fit

**AUDI**



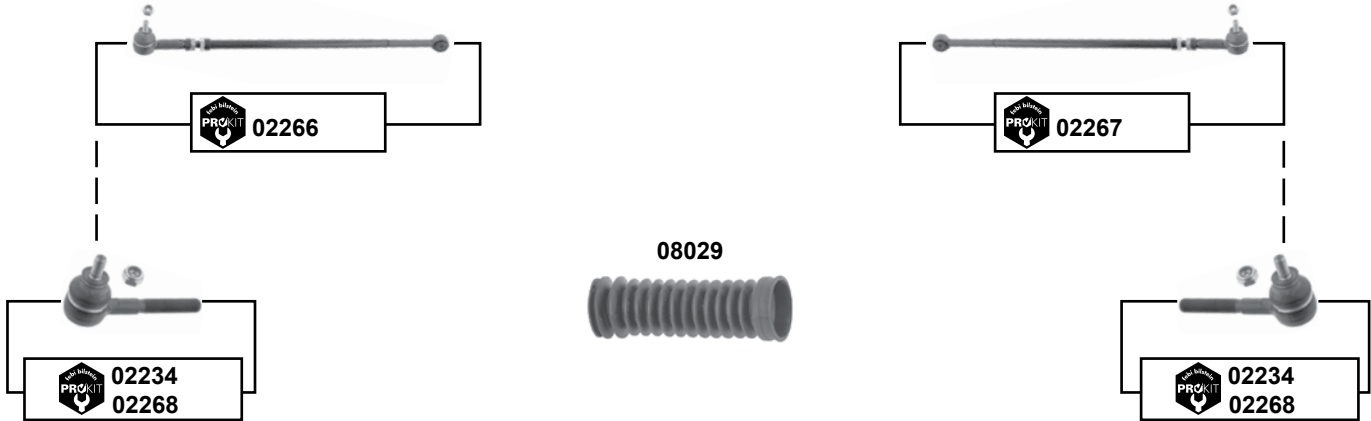
**Car  
Division**



**80 / 90 (81)**  
(1983 → 1987)

**Quattro**

man.



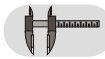
servo



(1) (ch.) → 81/85-G-160 000



Ref. - No.

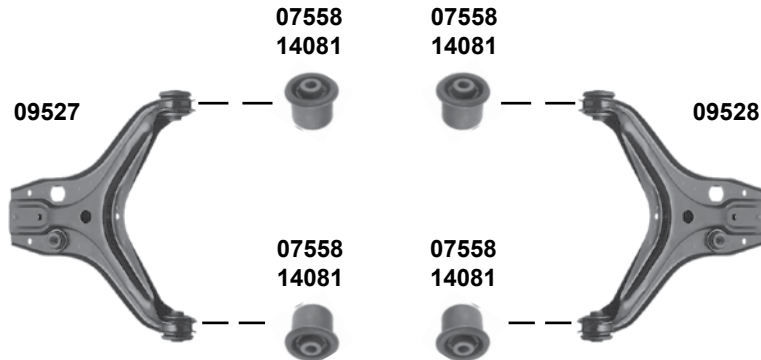


<b>02234</b>	811 419 812	ProKit Spurstangenendstück / tie rod end	(ch.) → 81-B-095 000	M10 x 1
<b>02266</b>	811 419 801 E	ProKit Spurstange / tie rod	LHD	
<b>02267</b>	811 419 802 J	ProKit Spurstange / tie rod	LHD / (1)	
<b>02268</b>	811 419 812 A	ProKit Spurstangenendstück / tie rod end		M10 x 1
<b>08029</b>	811 419 831 B	Lenkmanschette / steering boot		L 150

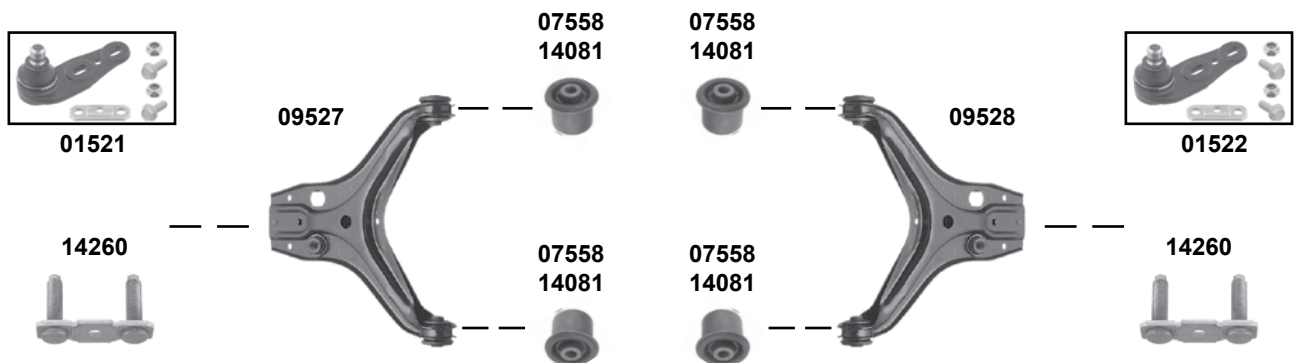


**80 / 90 (81)**  
(1983 → 1987)  
**(ex.) Quattro**

**4 cyl. man.**



**4 cyl. servo**   
**5 cyl. alle / all**



Vorderachse / Front axle

	Ref. - No.			
<b>01521</b>	855 407 365 A	Traggelenk / ball joint	<b>OLD</b>	Ø A 17
<b>01522</b>	855 407 366 A	Traggelenk / ball joint		Ø A 17
<b>07558</b>	857 407 181	Querlenkerlager / control arm mount	<b>NEW</b>	M10 x 37,5
<b>09527</b>	893 407 147 C	Querlenker / control arm		M10 x 37
<b>09528</b>	893 407 148 C	Querlenker / control arm		
<b>14081</b>	8A0 407 181	Querlenkerlager / control arm mount		
<b>14260</b>	857 407 175	Sicherungsblech / lock washer		

passend für / to fit

**AUDI**



**Car  
Division**



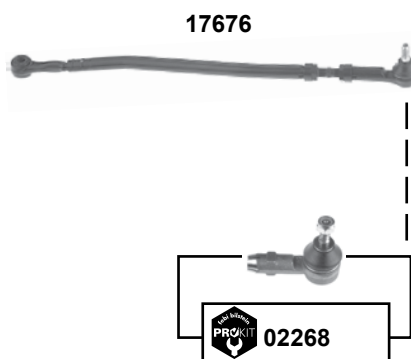
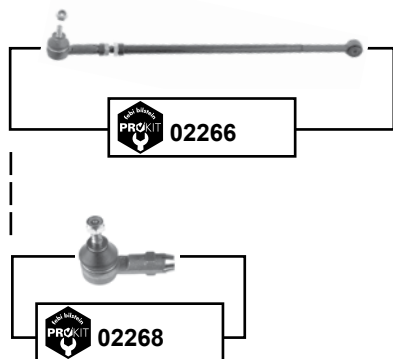
**80 / 90 (89/8A)**

(1987 → 1992)

(ex.) Quattro

man. 

Vorderachse / Front axle



Ref. - No.



<b>02266</b>	811 419 801 E
<b>02268</b>	811 419 812 A
<b>08029</b>	811 419 831 B
<b>17676</b>	893 419 802

ProKit Spurstange / tie rod
ProKit Spurstangenendstück / tie rod end
Lenkmanschette / steering boot
Spurstange / tie rod

LHD
LHD

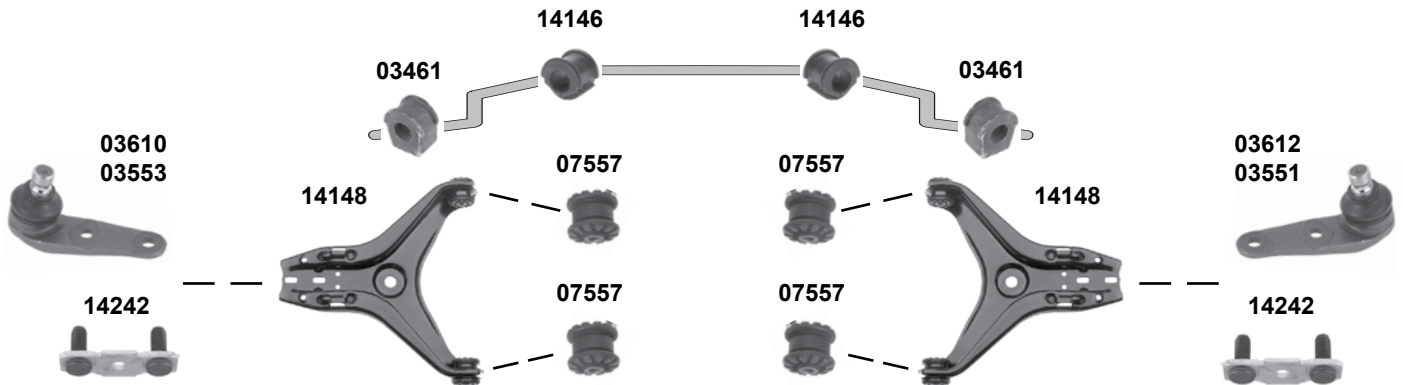
M10 x 1



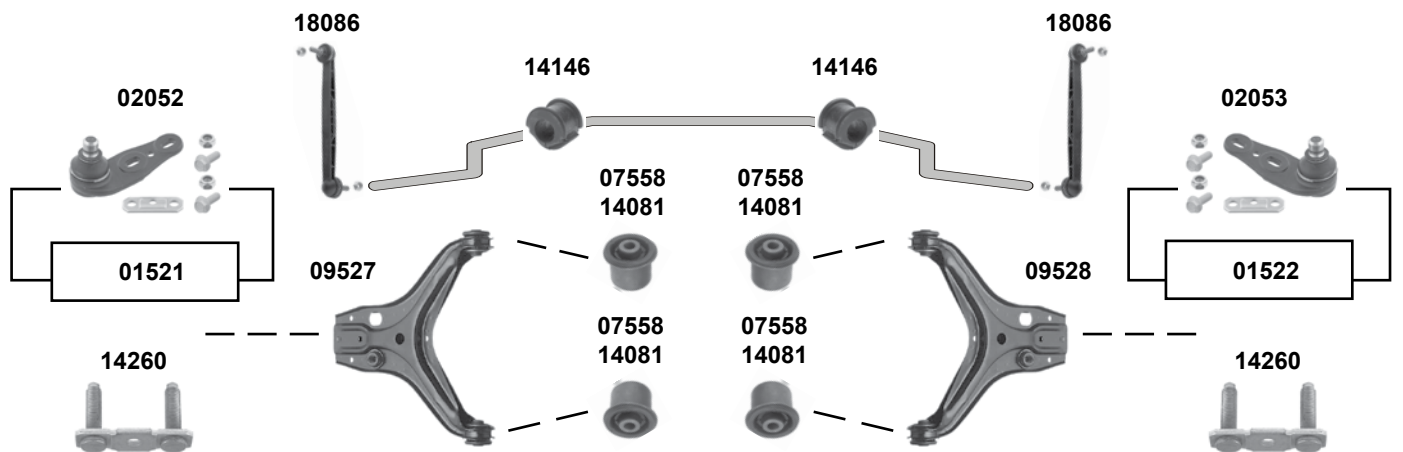
**80 / 90 (89/8A)**  
(1987 → 1992)  
(ex.) Quattro

man.

4 cyl.



5 cyl.



Vorderachse / Front axle

	Ref. - No.			
01521	855 407 365 A	Traggelenk / ball joint	(ch.) → 89-J-373 598	Ø A 17
01522	855 407 366 A	Traggelenk / ball joint	(ch.) → 89-J-373 598	Ø A 17
02052	893 407 365 F	Traggelenk / ball joint	(ch.) 89-J-373 599 →	Ø A 19
02053	893 407 366 F	Traggelenk / ball joint	(ch.) 89-J-373 599 →	Ø A 19
03461	823 411 313 A	Stabilisatorlager / stabilizer mount		Ø I 12,5
03551	893 407 366 A	Traggelenk / ball joint	(ch.) 89-J-373 599 →	Ø A 19
03553	893 407 365 A	Traggelenk / ball joint	(ch.) 89-J-373 599 →	Ø A 19
03610	855 407 365	Traggelenk / ball joint	(ch.) → 89-J-373 598	Ø A 17
03612	855 407 366	Traggelenk / ball joint	(ch.) → 89-J-373 598	Ø A 17
07557	811 407 181 A	Querlenkerlager / control arm mount		M10 x 38
07558	857 407 181	Querlenkerlager / control arm mount	<b>OLD</b>	M10 x 37,5
09527	893 407 147 C	Querlenker / control arm		
09528	893 407 148 C	Querlenker / control arm		
14081	8A0 407 181	Querlenkerlager / control arm mount	<b>NEW</b>	M10 x 37
14146	811 411 327 A	Stabilisatorlager / stabilizer mount	(ch.) → 8A-L-038 757	Ø I 20
14148	893 407 147 G	Querlenker / control arm		
14242	811 407 175 A	Sicherungsblech / lock washer		
14260	857 407 175	Sicherungsblech / lock washer		
18086	8A0 407 465	Verbindungsstange / stabilizer link	(ch.) 8A-L-038 758 →	L 269,5

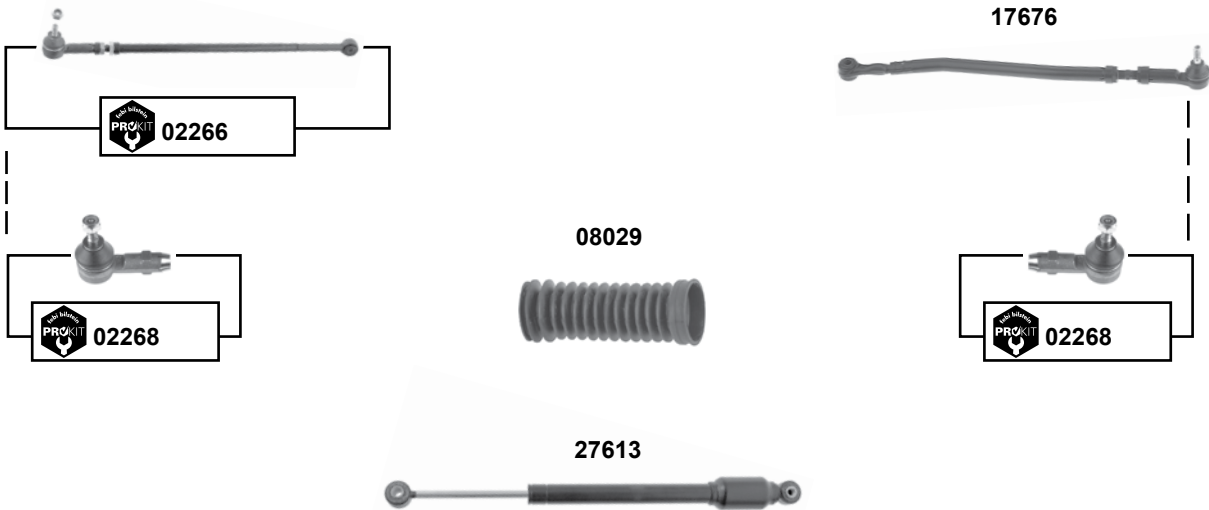


**80 / 90 (89/8A)**  
(1987 → 1992)

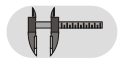
man.



servo



Ref. - No.



**02266**  
**02268**  
**08029**  
**17676**  
**27613**

811 419 801 E  
811 419 812 A  
811 419 831 B  
893 419 802  
8A1 425 021

ProKit Spurstange / tie rod  
ProKit Spurstangenendstück / tie rod end  
Lenkmanschette / steering boot  
Spurstange / tie rod  
Lenkungsdämpfer / steering-damper

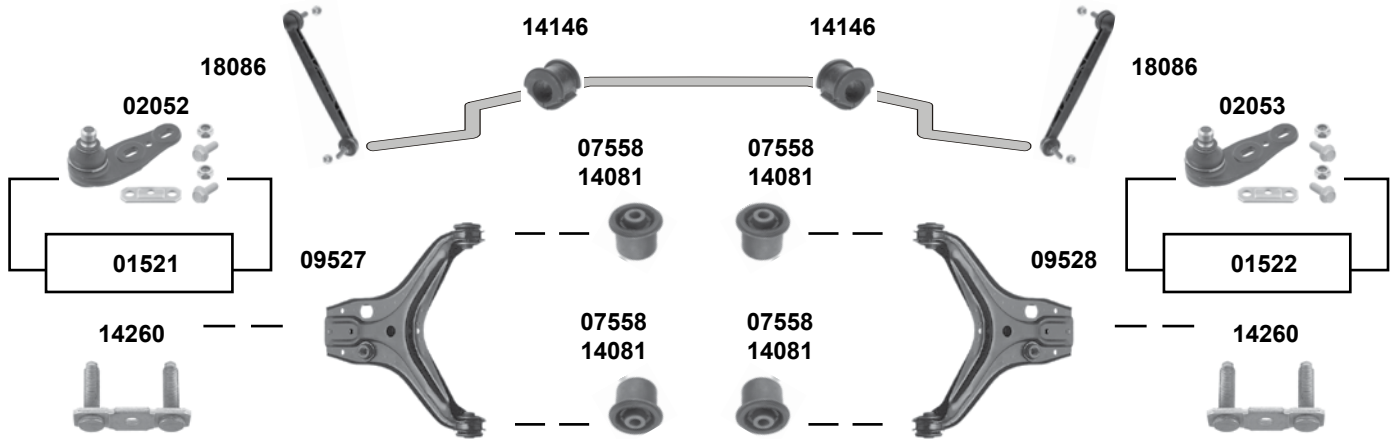
LHD  
  
LHD  
(ch.) 89-H-3000 000 →

M10 x 1  
L 150

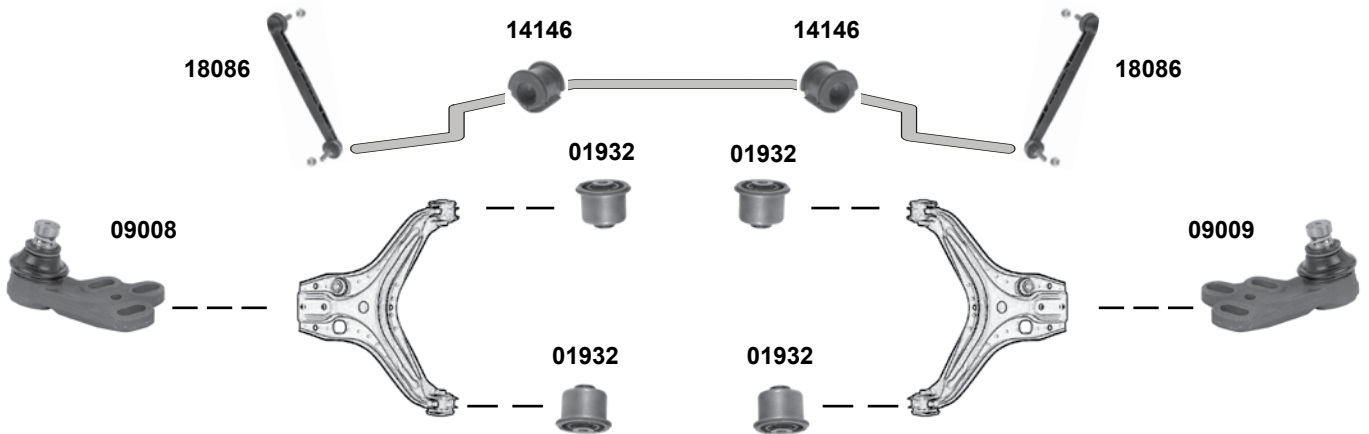


**80 / 90 (89/8A)**  
(1987 → 1992)

(ex.) 2.3 20V (7A)



2.3 20V (7A)



Vorderachse / Front axle

	Ref. - No.			
01521	855 407 365 A	Traggelenk / ball joint	(ch.) → 89-J-373598	Ø A 17
01522	855 407 366 A	Traggelenk / ball joint	(ch.) → 89-J-373598	Ø A 17
01932	893 407 181	Querlenkerlager / control arm mount		M10 x 44
02052	893 407 365 F	Traggelenk / ball joint	(ch.) 89-J-373599 →	Ø A 19
02053	893 407 366 F	Traggelenk / ball joint	(ch.) 89-J-373599 →	Ø A 19
07558	857 407 181	Querlenkerlager / control arm mount	<b>OLD</b>	M10 x 37,5
09008	893 407 365 E	Traggelenk / ball joint		Ø A 19
09009	893 407 366 E	Traggelenk / ball joint		Ø A 19
09527	893 407 147 C	Querlenker / control arm		
09528	893 407 148 C	Querlenker / control arm		
14081	8A0 407 181	Querlenkerlager / control arm mount	<b>NEW</b>	M10 x 37
14146	811 411 327 A	Stabilisatorlager / stabilizer mount	(ch.) → 8A-L-038757	Ø I 20
14260	857 407 175	Sicherungsblech / lock washer		
18086	8A0 407 465	Verbindungsstange / stabilizer link	(ch.) 8A-L-038 758 →	L 269,5

passend für / to fit

**AUDI**



**Car  
Division**



**80 (8C)**  
(1992 → 1996)

**(ex.) Quattro**

Vorderachse / Front axle



08029



17676



27613



Ref. - No.



<b>02266</b>	811 419 801 E
<b>02268</b>	811 419 812 A
<b>08029</b>	811 419 831 B
<b>17676</b>	893 419 802
<b>27613</b>	8A1 425 021

ProKit Spurstange / tie rod
ProKit Spurstangenendstück / tie rod end
Lenkmanschette / steering boot
Spurstange / tie rod
Lenkungsdämpfer / steering-damper

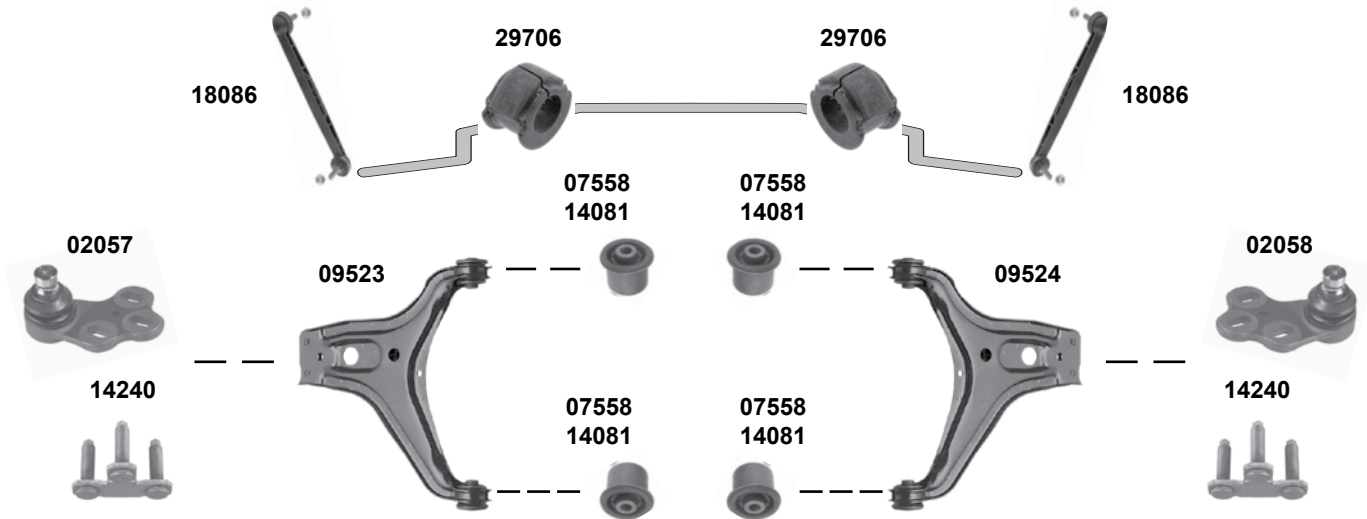
LHD
LHD

M10 x 1
L 150



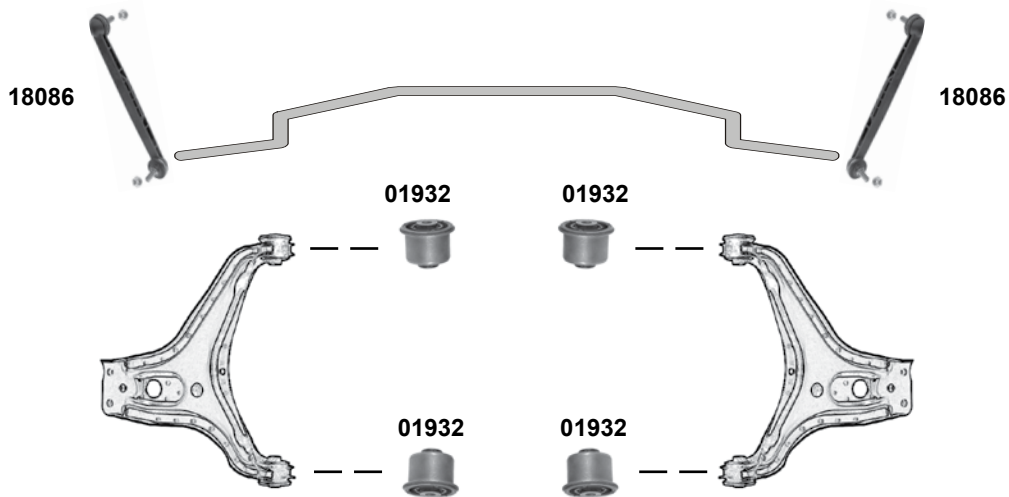
**80 (8C)**  
(1992 → 1996)  
(ex.) Quattro

**(ex.) 2.8 V6 (AAH) (ch.) 8C-N-000 352 → 8C-N-175 591**



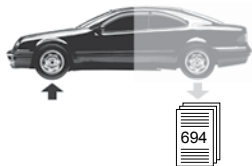
Vorderachse / Front axle

**2.8 V6 (AAH) (ch.) 8C-N-000 352 → 8C-N-175 591**



	Ref. - No.			
<b>01932</b>	893 407 181	Querlenkerlager / control arm mount	<b>OLD</b>	M10 x 44
<b>02057</b>	8A0 407 365	Traggelenk / ball joint		Ø A 19
<b>02058</b>	8A0 407 366	Traggelenk / ball joint	<b>NEW</b>	Ø A 19
<b>07558</b>	857 407 181	Querlenkerlager / control arm mount		M10 x 37,5
<b>09523</b>	895 407 147 A	Querlenker / control arm		M10 x 37
<b>09524</b>	895 407 148 A	Querlenker / control arm		
<b>14081</b>	8A0 407 181	Querlenkerlager / control arm mount		
<b>14240</b>	8A0 407 175	Sicherungsblech / lock washer		
<b>18086</b>	8A0 407 465	Verbindungsstange / stabilizer link		L 269,5
<b>29706</b>	893 411 327 E	Stabilisatorlager / stabilizer mount		Ø I 23,5



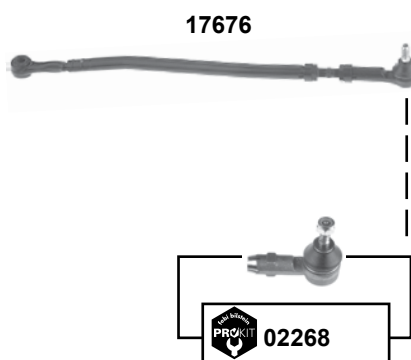
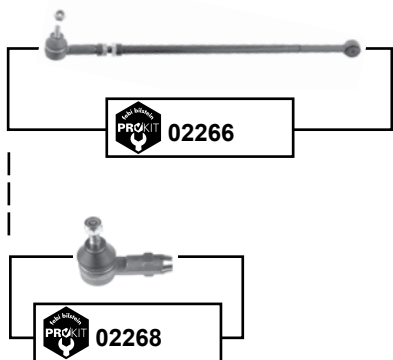


**80 (8C)**

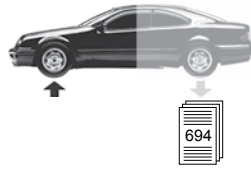
(1992 → 1996)

**Quattro / RS2 Quattro**

Vorderachse / Front axle



	Ref. - No.			
<b>02266</b>	811 419 801 E	ProKit Spurstange / tie rod	LHD	
<b>02268</b>	811 419 812 A	ProKit Spurstangenendstück / tie rod end		M10 x 1
<b>08029</b>	811 419 831 B	Lenkmanschette / steering boot		L 150
<b>17676</b>	893 419 802	Spurstange / tie rod	LHD	
<b>27613</b>	8A1 425 021	Lenkungsdämpfer / steering-damper		



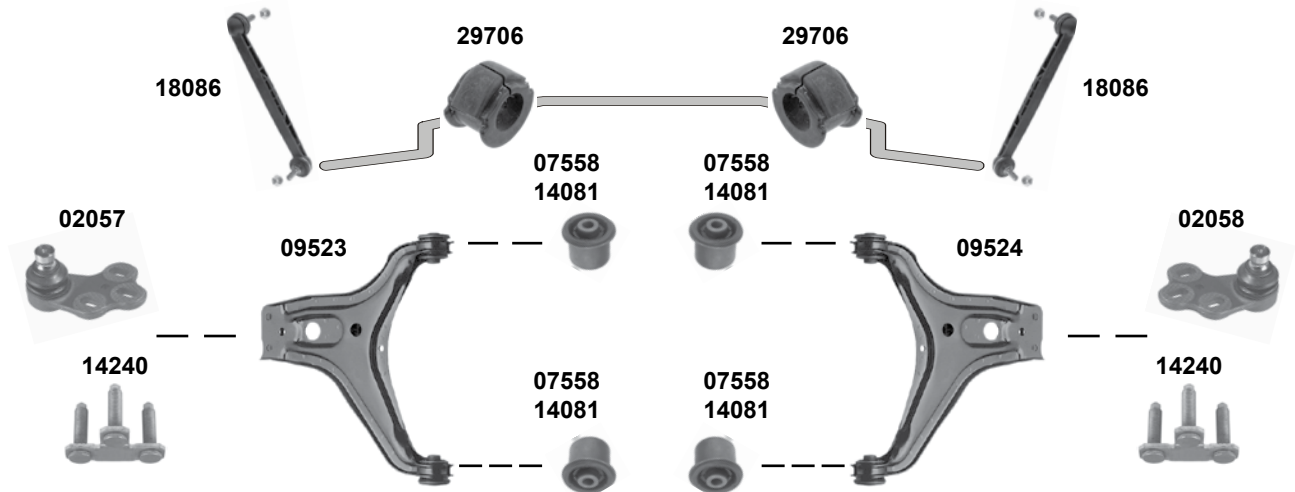
**80 (8C)**

(1992 → 1996)

**Quattro / RS2 Quattro**

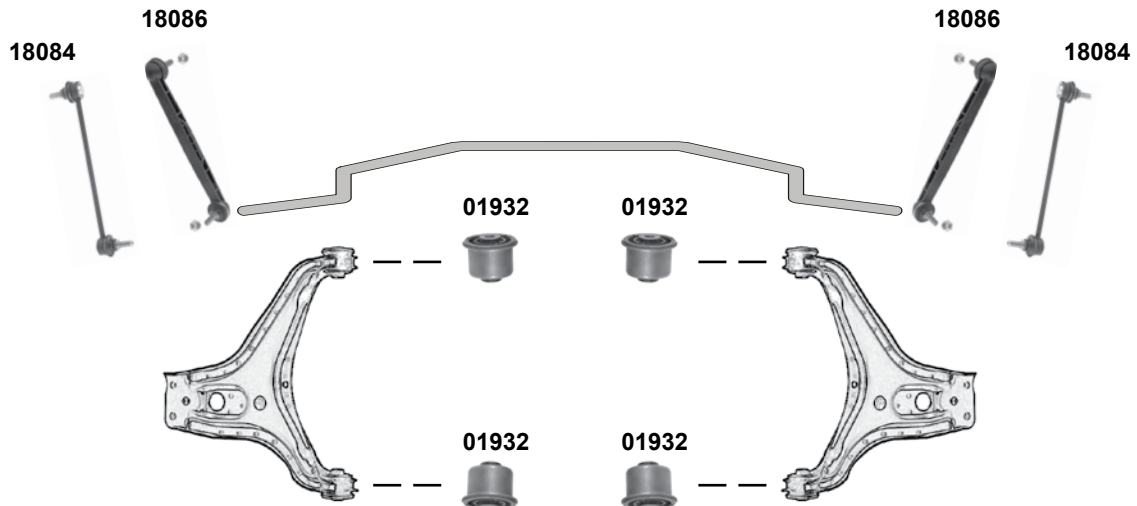
(ex.) 2.2 20V (ABY) (ch.) → 8C-R-125 000

(ex.) RS2 Quattro



2.2 20V (ABY) (ch.) → 8C-R-125 000

**RS2 Quattro**



Vorderachse / Front axle



Ref. - No.



Ref. - No.	Description	Notes	Dimensions
01932	Querlenkerlager / control arm mount		M10 x 44
02057	Traggelenk / ball joint		Ø A 19
02058	Traggelenk / ball joint		Ø A 19
07558	Querlenkerlager / control arm mount	OLD	M10 x 37,5
09523	Querlenker / control arm		
09524	Querlenker / control arm		
14081	Querlenkerlager / control arm mount	NEW	M10 x 37
14240	Sicherungsblech / lock washer		
18084	Verbindungsstange / stabilizer link	RS2 Quattro	L 269,5
18086	Verbindungsstange / stabilizer link	(ex.) RS2 Quattro	L 269,5
29706	Stabilisatorlager / stabilizer mount		Ø I 23,5

passend für / to fit

**AUDI**



**Car  
Division**



**100 / 200 (43)**  
(1977 → 1982)

Vorderachse / Front axle

**27606**



**07538**



**07538**



**01926**



**07538**



**01926**



**07538**



**Ref. - No.**



**01926** 431 407 183 A  
**07538** 431 407 181 F  
**27606** 4A0 425 021

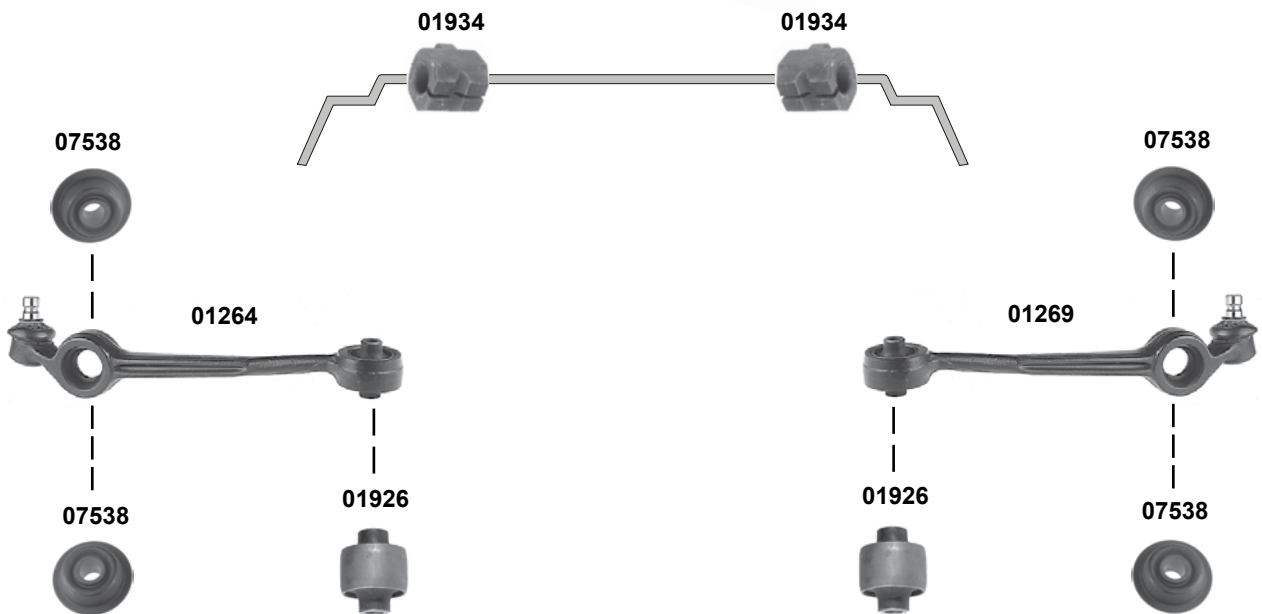
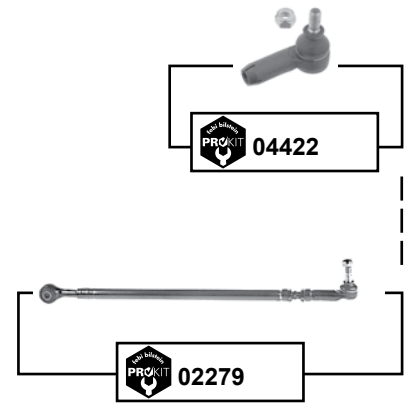
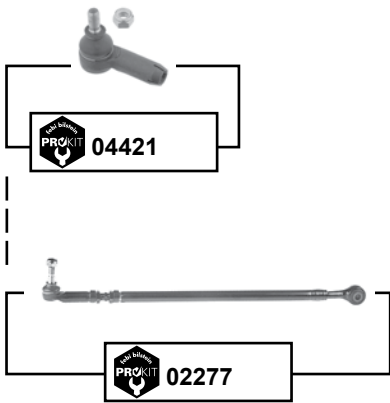
Querlenkerlager / control arm mount  
Stabilisatorlager / stabilizer mount  
Lenkungsdämpfer / steering-damper

(ch.) 46-C-007001 →

12x46,5x58  
16,3x58,5x24

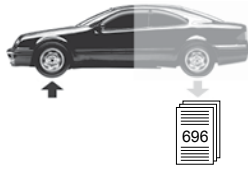


**100 / 200 (44)**  
(1983 → 1991)  
(ex.) Quattro



Vorderachse / Front axle

	Ref. - No.			
01264	437 407 151 A	Querlenker / control arm	(ch.) → 44-M-017 381	Ø A 18
01269	437 407 152 A	Querlenker / control arm	(ch.) → 44-M-017 381	Ø A 18
01926	431 407 183 A	Querlenkerlager / control arm mount		M12x46,5x58
01934	443 411 327	Stabilisatorlager / stabilizer mount	(ch.) 44-H-180001 →	Ø I 21
01935	431 419 831	Lenkmanschette / steering boot		L 570
02277	443 419 801 E	ProKit Spurstange / tie rod		
02279	443 419 802 E	ProKit Spurstange / tie rod		
04421	443 419 811 D	ProKit Spurstangenendstück / tie rod end		M12 x 1,5
04422	443 419 812 D	ProKit Spurstangenendstück / tie rod end		M12 x 1,5
07538	431 407 181 F	Stabilisatorlager / stabilizer mount		16,3x58,5x24
27606	4A0 425 021	Lenkungs­dämpfer / steering-damper		

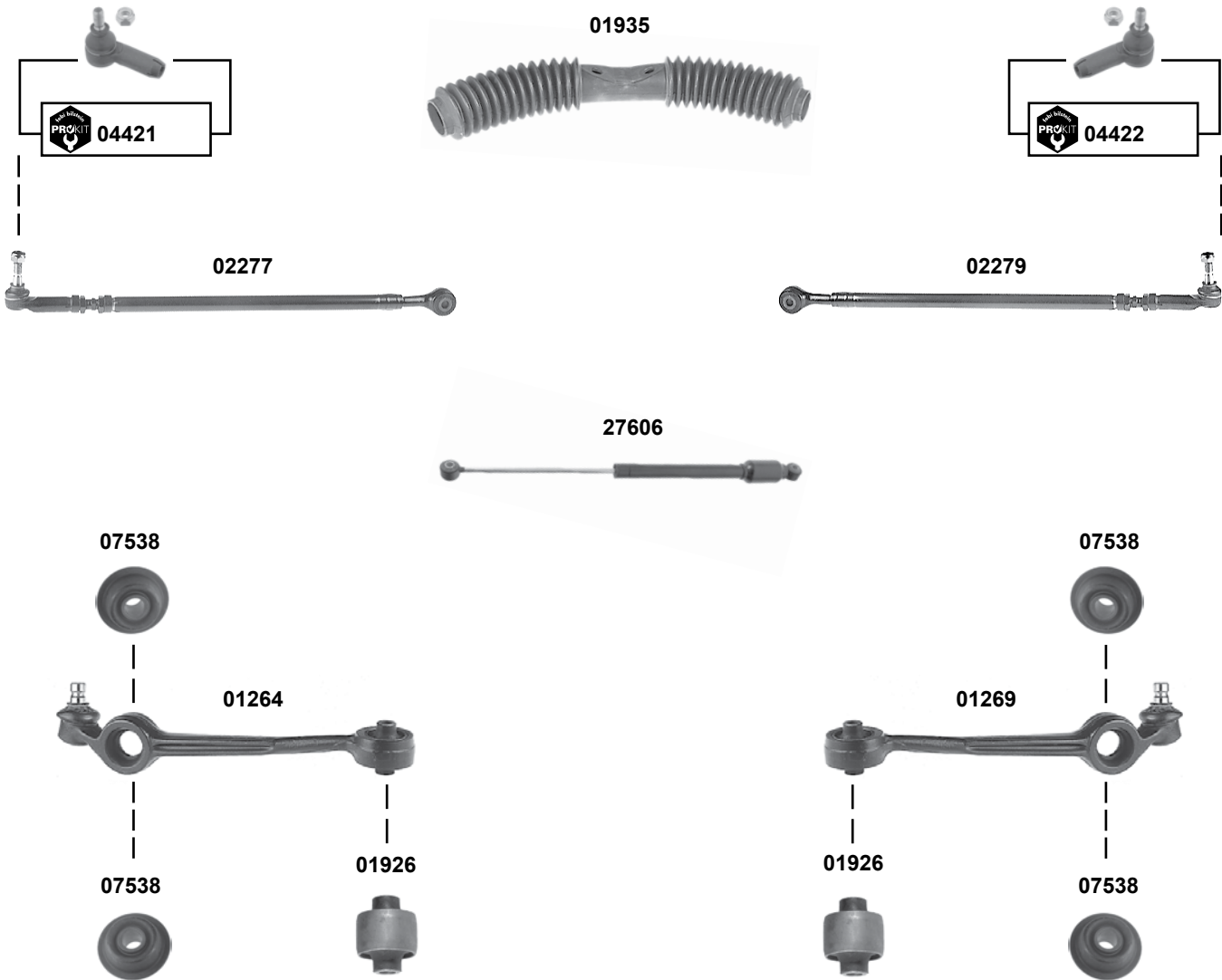


## 100 / 200 (44)

(1983 → 1991)

### Quattro

Vorderachse / Front axle



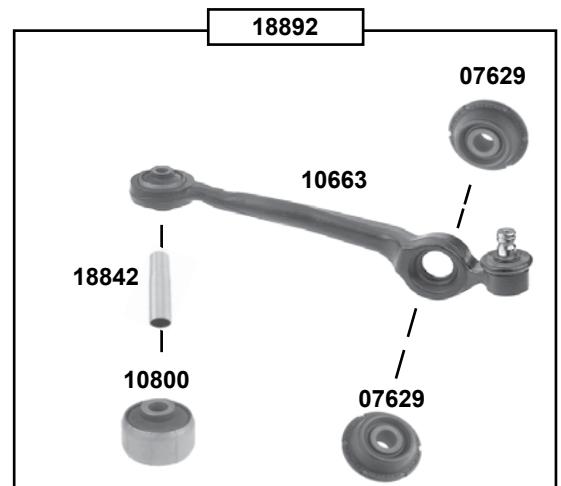
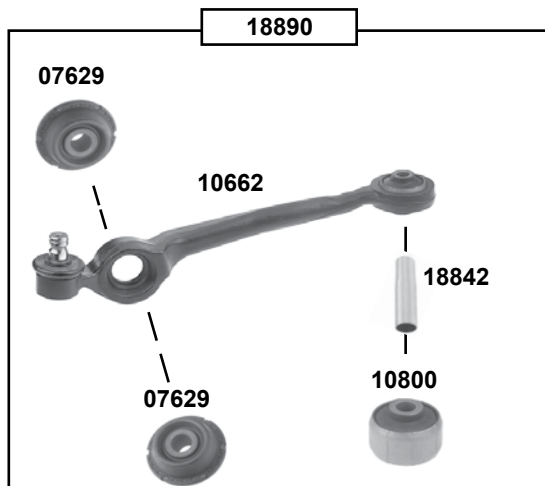
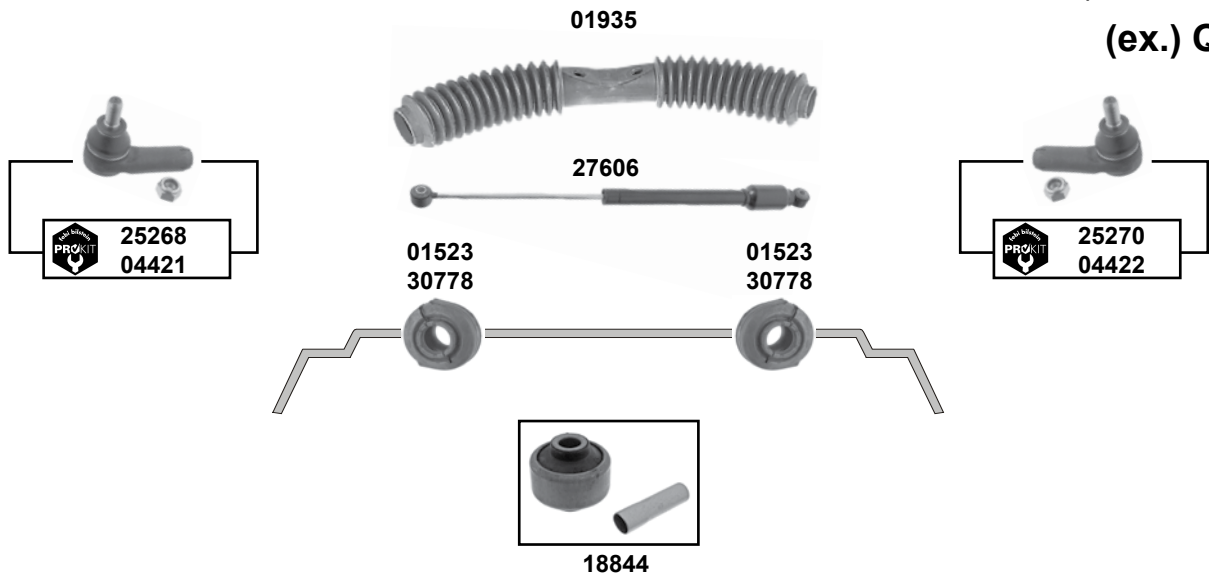
Ref. - No.



<b>01264</b>	437 407 151 A	Querlenker / control arm	(ch.) → 44-L-111 380	Ø A 18
<b>01269</b>	437 407 152 A	Querlenker / control arm	(ch.) → 44-L-111 380	Ø A 18
<b>01926</b>	431 407 183 A	Querlenkerlager / control arm mount		M12 x 46,5 L 570
<b>01935</b>	431 419 831	Lenkmanschette / steering boot		
<b>02277</b>	443 419 801 E	Spurstange / tie rod		
<b>02279</b>	443 419 802 E	Spurstange / tie rod		
<b>04421</b>	443 419 811 D	ProKit Spurstangenendstück / tie rod end		M12 x 1,5
<b>04422</b>	443 419 812 D	ProKit Spurstangenendstück / tie rod end		M12 x 1,5
<b>07538</b>	431 407 181 F	Stabilisatorlager / stabilizer mount		16,3x58,5x24
<b>27606</b>	4A0 425 021	Lenkungsämpfer / steering-damper		



**100 / A6 (4A)**  
(1991 → 1997)  
**(ex.) Quattro**



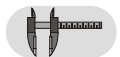
Vorderachse / Front axle



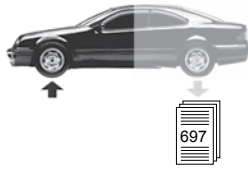
(1) Limousine 2.0 16V / 2.3 / 2.6 / 2.8 / (ex.) Sport / 2.4D / 2.5TDi (ex.) Sport  
Avant 1.6 / 2.0 N



Ref. - No.



Ref. - No.	Description	Notes	Dimensions
01523	4A0 411 327 A Stabilisatorlager / stabilizer mount		Ø I 25
01935	431 419 831 Lenkmanschette / steering boot		L 570
04421	443 419 811 D ProKit Spurstangenendstück / tie rod end	(1)	M12 x 1,5
04422	443 419 812 D ProKit Spurstangenendstück / tie rod end	(ch.) 4A-P-001984 →	M12 x 1,5
07629	4A0 407 181 A Stabilisatorlager / stabilizer mount	(ch.) 4A-P-001984 →	M12 x 1,5
10662	4A0 407 151 Querlenker / control arm		Ø I 16,2
10663	4A0 407 152 Querlenker / control arm		Ø I 15 Ø A 19
10800	4A0 407 183 D Querlenkerlager / control arm mount		Ø I 15 Ø A 19
18842	4A0 399 413 A Hülse / sleeve		15x54,5x48
18844	4A0 407 183 D S1 Querlenkerlager / control arm mount		14,5x56
18890	4A0 407 151 S Rep. Satz Querlenker / rep. kit control arm		
18892	4A0 407 152 S Rep. Satz Querlenker / rep. kit control arm		
25268	4A0 419 811 A ProKit Spurstangenendstück / tie rod end	(ch.) → 4A-P-001983	M12 x 1,5
25270	4A0 419 812 A ProKit Spurstangenendstück / tie rod end	(ch.) → 4A-P-001983	M12 x 1,5
27606	4A0 425 021 Lenkungsämpfer / steering-damper		
30778	4A0 411 327 F Stabilisatorlager / stabilizer mount		Ø I 24

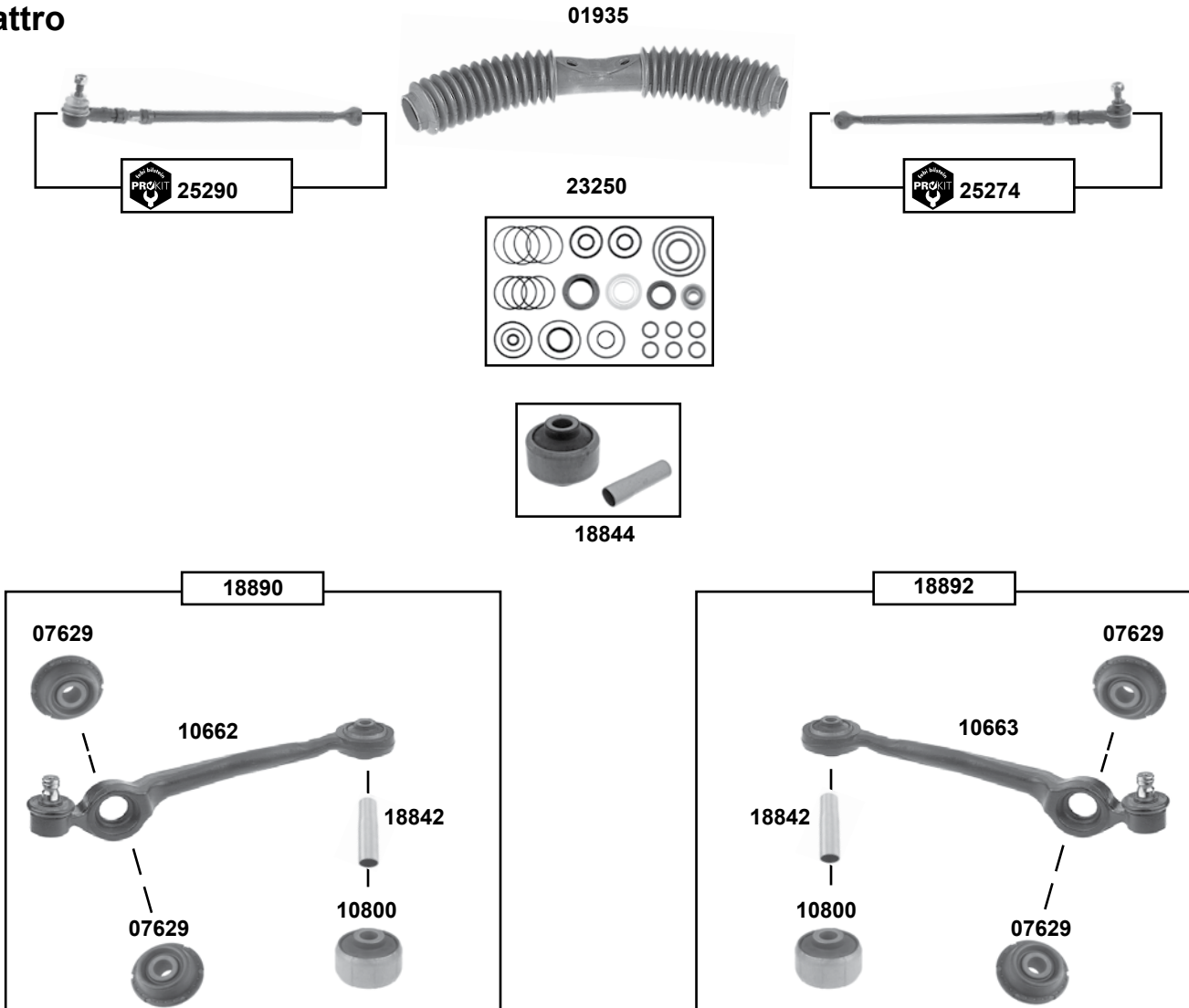


## 100 / A6 (4A)

(1991 → 1997)

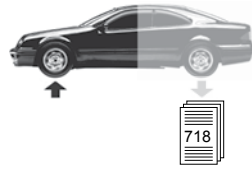
### Quattro

Vorderachse / Front axle



**i** (1) 100 / avant / quattro 91 → 94  
A6 / S6 / avant / quattro 95 → 97 / S6 plus quattro 97

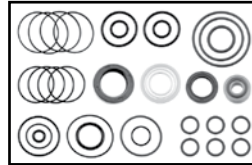
	Ref. - No.		<b>i</b>	
01935	431 419 831	Lenkmanschette / steering boot		L 570
07629	4A0 407 181 A	Stabilisatorlager / stabilizer mount		26,2x63x26
10662	4A0 407 151	Querlenker / control arm	(1)	Stahlguß
10663	4A0 407 152	Querlenker / control arm	(1)	Stahlguß
10800	4A0 407 183 D	Querlenkerlager / control arm mount		15x54,5x48
18842	4A0 399 413 A	Hülse / sleeve		14,5x56
18844	4A0 407 183 D S1	Querlenkerlager / control arm mount		
18890	4A0 407 151 S1	Rep. Satz Querlenker / rep. kit control arm		
18892	4A0 407 152 S1	Rep. Satz Querlenker / rep. kit control arm		
23250	4A1 498 020	Dichtungssatz Servolenkung / gasket set power steering	(ex.)	Servotronic
25274	4A0 419 802 A	ProKit Spurstange / tie rod		M12 x 1,5
25290	4A0 419 801 A	ProKit Spurstange / tie rod		M12 x 1,5



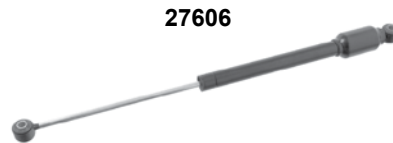
## V8 Quattro (44/4C) (1989 → 1994)



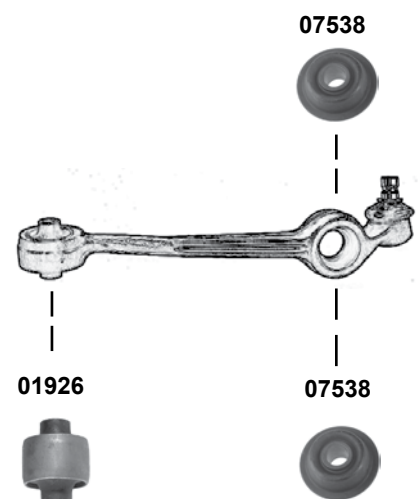
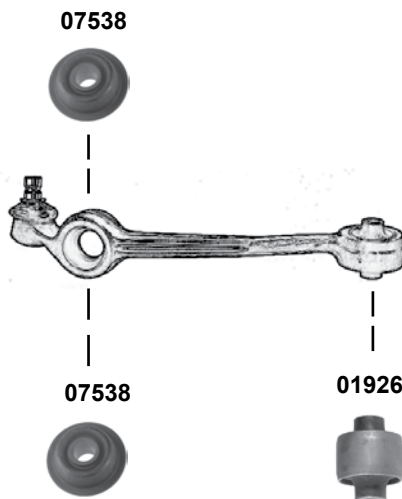
23250



01935



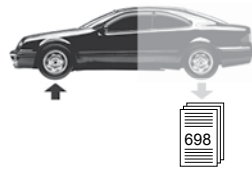
27606



	Ref. - No.			
01926	431 407 183 A	Querlenkerlager / control arm mount	(ch.) → 4C-M-020000	12x46,5x58
01935	431 419 831	Lenkmanschette / steering boot		L 570
04421	443 419 811 D	ProKit Spurstangenendstück / tie rod end		M12 x 1,5
04422	443 419 812 D	ProKit Spurstangenendstück / tie rod end		M12 x 1,5
07538	431 407 181 F	Stabilisatorlager / stabilizer mount	(ch.) → 4C-M-020000	16,3x58,5x24
23250	4A1 498 020	Dichtungssatz Servolenkung / gasket set power steering	(ex.) Servotronic	
27606	4A0 425 021	Lenkungsdämpfer / steering-damper		







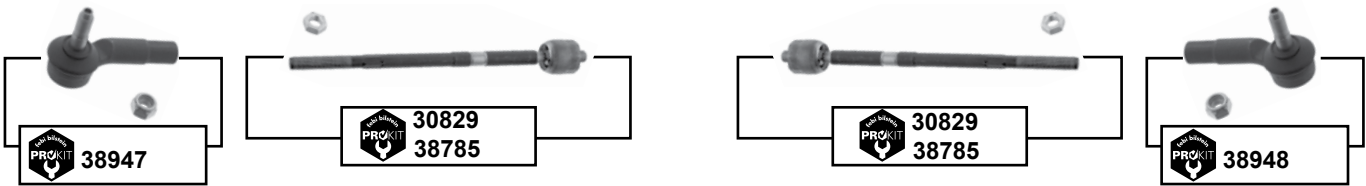
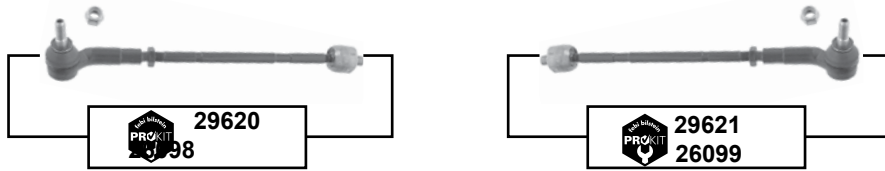
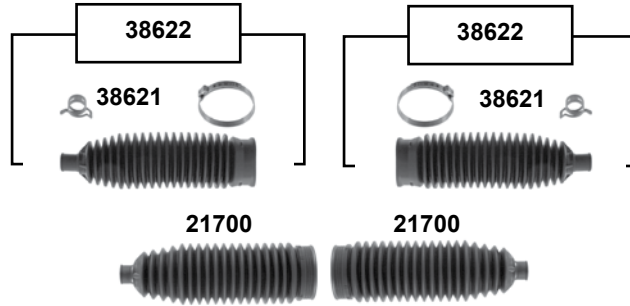
	(1) (ex.) (mot.) CHZB, CUSB, CXMA, DAJB, CFHD, CWZA	(2) Stahl / steel PR-G22,G23,G26,G27,G28,G29,G31,G32
	(3) (mot.) CZCA, CZEA, CWZA	(4) (ex.) (mot.) CTJA, CHZB, DAJB,
	(5) (ex.) (mot.) CTJA, CHZB, CUSB, CXMA, CZCA, CZEA, DAJB, CWZA	(6) (ex.) (mot.) CHZB, CUSB, CXMA, DAJB
	(7) PR-0AR (ex.) (mot.) CZCA, CZEA	(8) (ex.) (mot.) CHZB, CUSB, CXMA, CZCA, CZEA, DAJB, CWZA
	(9) Ø Stabilisator 20 / Ø stabiliser 201	

	Ref. - No.			
07856	357 407 182	Querlenkerlager / control arm mount	(4)	Ø A 33
10814	1J0 407 181	Querlenkerlager / control arm mount	(4) (ex.) (mot.) S1	13x60x41
19518	6Q0 411 315 Q	ProKit Verbindungsstange / stabilizer link	(6)	
26535	8N0 407 181 B	Querlenkerlager / control arm mount	(4)	H 41 Ø   14
27640	6Q0 411 314 Q	Stabilisatorlager / stabilizer mount	(6) (ex.) (mot.) S1	Ø   17
27642	6Q0 411 314 Q	Stabilisatorlager / stabilizer mount	(9)	
29682	1K0 505 203 A	Querlenkerlager / control arm mount	(5)	Ø   15
29689	1K0 505 279 A	Querlenkerlager / control arm mount	(4) (ex.) (mot.) S1	H 45 Ø   12
36051	6R0 407 365 A	ProKit Traggelenk / ball joint	(ex.) (mot.) CTJA	
36052	6R0 407 366 A	ProKit Traggelenk / ball joint	(ex.) (mot.) CTJA	
37069	6Q0 411 314 Q S1	Stabilisatorlagersatz / stabilizer mount kit	(1) (7)	
37089	6Q0 411 314 R S2	Stabilisatorlagersatz / stabilizer mount kit	S1 (mot.) CWZA	Ø   18
37659	6Q0 411 314 R S4	Stabilisatorlagersatz / stabilizer mount kit	S1 (mot.) CWZA	Ø   18
37660	6Q0 411 314 Q S2	Stabilisatorlagersatz / stabilizer mount kit	(1) (7)	Ø   17
38621	6Q0 423 831 D	Lenkmanschette / steering boot	(8)	
38622	6Q0 423 831 D S1	Rep. Satz Lenkmanschette / rep. kit steering boot	(8)	
38785	8Z0 423 810 F	ProKit Axialgelenk / axial joint	(5)	M14 x 1,5
39557	6R0 407 151 F	Querlenker / control arm	(2)	
39558	6R0 407 152 F	Querlenker / control arm	(2)	
39940	6R0 423 811 A S1	ProKit Spurstangenendstück / tie rod end	(5)	M14 x 1,5
39941	6R0 423 812 A S1	ProKit Spurstangenendstück / tie rod end	(5)	M14 x 1,5
43464	6R0 423 804 D	ProKit Spurstange / tie rod	(5)	
43465	6R0 423 803 D	ProKit Spurstange / tie rod	(5)	
44226	1S0 423 812 A	ProKit Spurstangenendstück / tie rod end	S1 (mot.) CWZA	
44227	1S0 423 811 A	ProKit Spurstangenendstück / tie rod end	S1 (mot.) CWZA	
46299	6C0 423 810 C	ProKit Axialgelenk / axial joint	(3)	



**A2 (8Z)**  
(2000 → 2005)

Vorderachse / Front axle



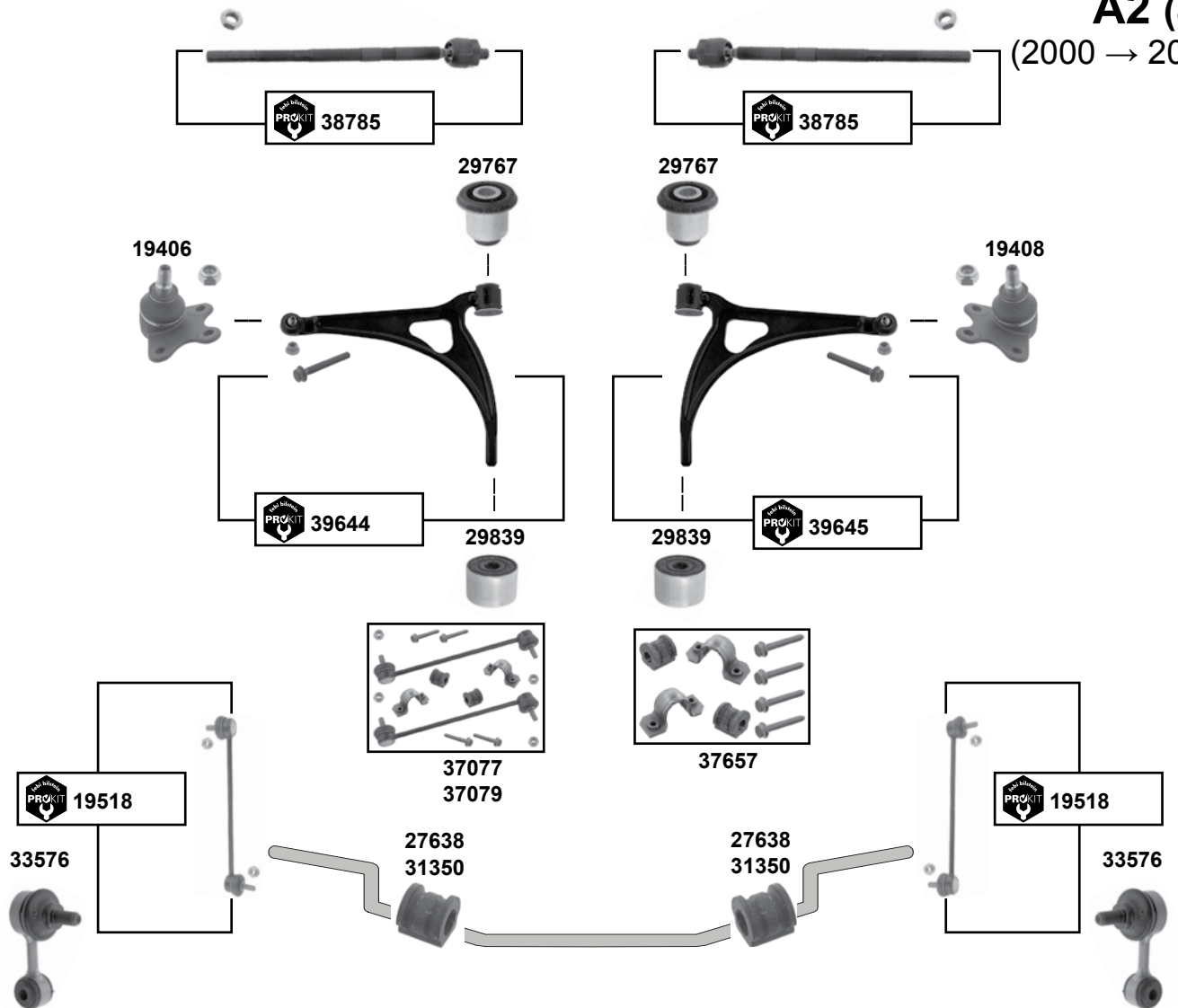
- (1) (mot.) AUA  
(mot.) BHC, ATL PR - 1N8  
(mot.) ANY, AMF, BBY, BAD (ch.) → 87-3-027 000 / PR 1N8 (ch.) 87-3-027 001 →
- (2) (mot.) BHC, ATL PR - 1N2/1N6  
(mot.) ANY, AMF, BBY, BAD PR 1N2/1N6 (ch.) 87-3-027 001 →

	Ref. - No.			
<b>21700</b>	6E0 419 831	Lenkmanschette / steering boot	(1)	
<b>26098</b>	8Z0 423 803 F	ProKit Spurstange / tie rod	servo  PR 1N2	
<b>26099</b>	8Z0 423 804 F	ProKit Spurstange / tie rod	servo  PR 1N2	
<b>29620</b>	8Z0 419 803 A	ProKit Spurstange / tie rod	(mot.) ANY	M14 x 1,5
<b>29621</b>	8Z0 419 804 A	ProKit Spurstange / tie rod	(mot.) ANY	M14 x 1,5
<b>30829</b>	8Z0 423 810 G	ProKit Axialgelenk / axial joint	(mot.) ANY servo	
<b>38621</b>	6Q0 423 831 D	Lenkmanschette / steering boot	(2)	
<b>38622</b>	6Q0 423 831 D S1	Rep. Satz Lenkmanschette / rep. kit steering boot	(2)	
<b>38785</b>	8Z0 423 810 F	ProKit Axialgelenk / axial joint	servo  / PR-1N2	M14 x 1,5
<b>38947</b>	8Z0 419 811 A	ProKit Spurstangenendstück / tie rod end	PR-1N6/1N8	M14 x 1,5
<b>38948</b>	8Z0 419 812 A	ProKit Spurstangenendstück / tie rod end	PR-1N6/1N8	M14 x 1,5



**A2 (8Z)**

(2000 → 2005)

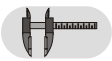


Vorderachse / Front axle

- (1) (mot.) AUA / (mot.) BBY, BAD (ch.) → 8Z-3-019 682
- (2) Ø Stabilisator 18 / Ø stabilizer 18
- (3) (ch.) 8Z-3-019 683 → / (ex.) (mot.) ANY, AUA
- (4) (mot.) AMF, AUA, BBY, ATL / (mot.) BHC (ch.) 8Z-3-019 682 →



Ref. - No.

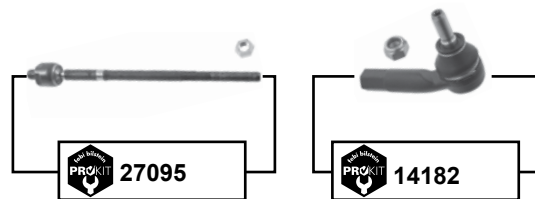
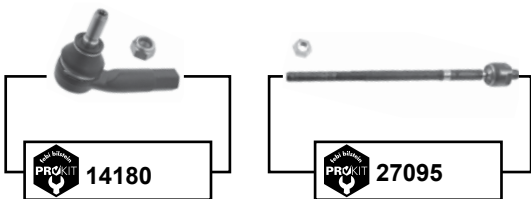
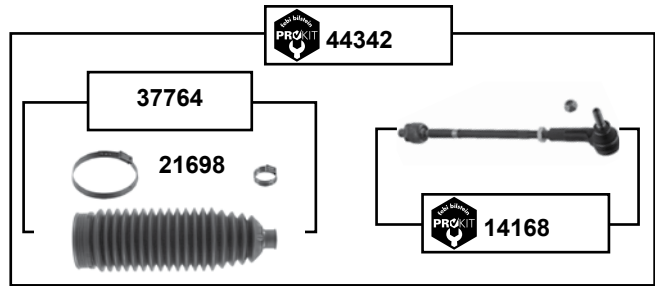
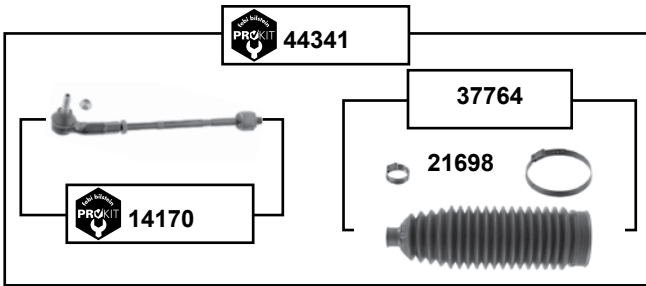
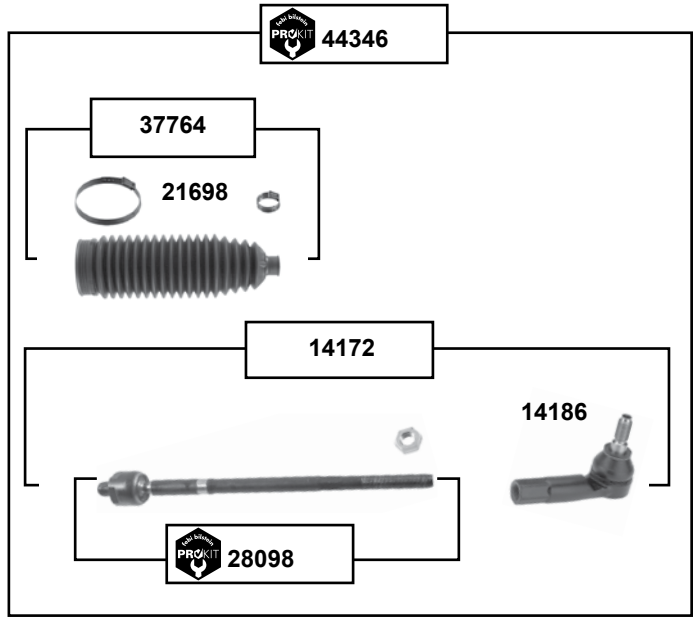
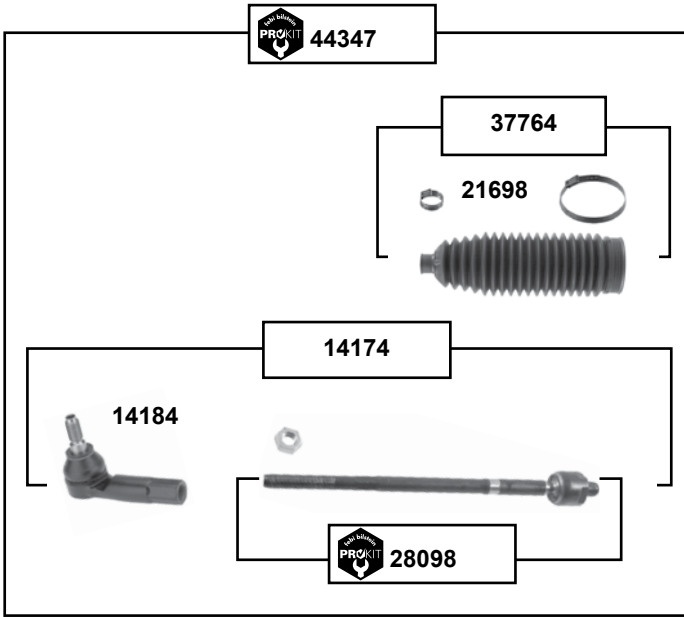


Ref. - No.	Description	Notes	Dimensions
19406	8Z0 407 365 A Traggelenk / ball joint	(3)	
19408	8Z0 407 366 A Traggelenk / ball joint	(3)	
19518	6Q0 411 315 Q ProKit Verbindungsstange / stabilizer link	(4)	
27638	6Q0 411 314 P Stabilisatorlager / stabilizer mount	(2) (3) PR-0AQ	Ø I 16
29767	8Z0 407 182 C Querlenkerlager / control arm mount	(mot.) AMF/BHC/ATL	Ø A 34 H 47
29839	8Z0 407 183 A Querlenkerlager / control arm mount	PR-0AS/ (ex.) (mot.) ANY	H40 ØI 20
31350	8Z0 411 314 B Stabilisatorlager / stabilizer mount	(mot) ANY	Ø I 20,8
33576	8Z0 411 315 C Verbindungsstange / stabilizer link	(2) (3) PR-0AQ	M10 x 1,5
37077	6Q0 411 314 P S1 Stabilisatorlagersatz / stabilizer mount kit	PR-0AS / (ex.) (mot.) ANY	
37079	8Z0 411 314 B S1 Stabilisatorlagersatz / stabilizer mount kit	(2) (ex.) (mot.) ANY	Ø I 16
37657	6Q0 411 314 P S2 Stabilisatorlagersatz / anti roll bar bush kit	PR-1N2 servo	M14 x 1,5
38785	8Z0 423 810 F ProKit Axialgelenk / axial joint	(1)	
39644	8Z0 407 151 J S1 ProKit Querlenker / control arm	(1)	
39645	8Z0 407 152 J S1 ProKit Querlenker / control arm	(1)	



## A3 (8L) (1997 → 2004) (ex.) Quattro

Vorderachse / Front axle





**A3 (8L)**  
(1997 → 2004)  
(ex.) Quattro

(1) (mot.) AEH, AGR, AKL, AGU, AQA, AGN, ALH, AHF (ch.) → 8L-W-050 421

(2) alle / all / (mot.) AEH, AKL, AGU, AGN, AGR, ALH, AHF (ch.) 8L-W-050 422 →

(3) (ch.) → 8L-W-050 021

(4) (mot.) APF, AVU, BFQ, AQA, ARX, ARZ, AUM, AJQ, APP, ARY, AUQ, APG, ATD, AXR, ASV, ASZ  
(mot.) AEH, AKL, AGU, AGN, AGR, ALH, AHF, (ch.) 8L-W-050 422 →

(5) (ch.) 8L-W-050 422 →

(6) (mot.) AEH, AKL, AGU, AQA, AGN, AGR, ALH, AHF (ch.) → 8L-W-050 422



Ref. - No.



	Ref. - No.			
14168	1J0 422 804 H	ProKit Spurstange / tie rod	(4)	M12 x 1,5
14170	1J0 422 803 H	ProKit Spurstange / tie rod	(4)	M12 x 1,5
14172	1J0 422 804 A	Spurstange / tie rod	(3)	M12 x 1,5
14174	1J0 422 803 A	Spurstange / tie rod	(3)	M12 x 1,5
14180	1J0 422 811 B	ProKit Spurstangenendstück / tie rod end	(5)	M14 x 1,5
14182	1J0 422 812 B	ProKit Spurstangenendstück / tie rod end	(5)	M14 x 1,5
14184	1J0 422 811 A	Spurstangenendstück / tie rod end	(6)	M14 x 1,5
14186	1J0 422 812 A	Spurstangenendstück / tie rod end	(6)	M14 x 1,5
21698	1J0 422 831 B	Lenkmanschette / steering boot		
27095	1J0 422 810 B	ProKit Axialgelenk / axial joint	(4)	
28098	1J0 422 810 A	ProKit Axialgelenk / axial joint	(1)	
37764	1J0 422 831 B S1	Rep. Satz Lenkmanschette / rep. kit steering boot		
44341	1J0 422 803 H S1	ProKit Spurstange / tie rod	(2)	12 x 1,5
44342	1J0 422 804 H S1	ProKit Spurstange / tie rod	(2)	12 x 1,5
44346	1 JO 422 804 A S1	ProKit Spurstange / tie rod	(3)	12 x 1,5
44347	1 JO 422 803 A S1	ProKit Spurstange / tie rod	(3)	12 x 1,5

passend für / to fit

**AUDI**

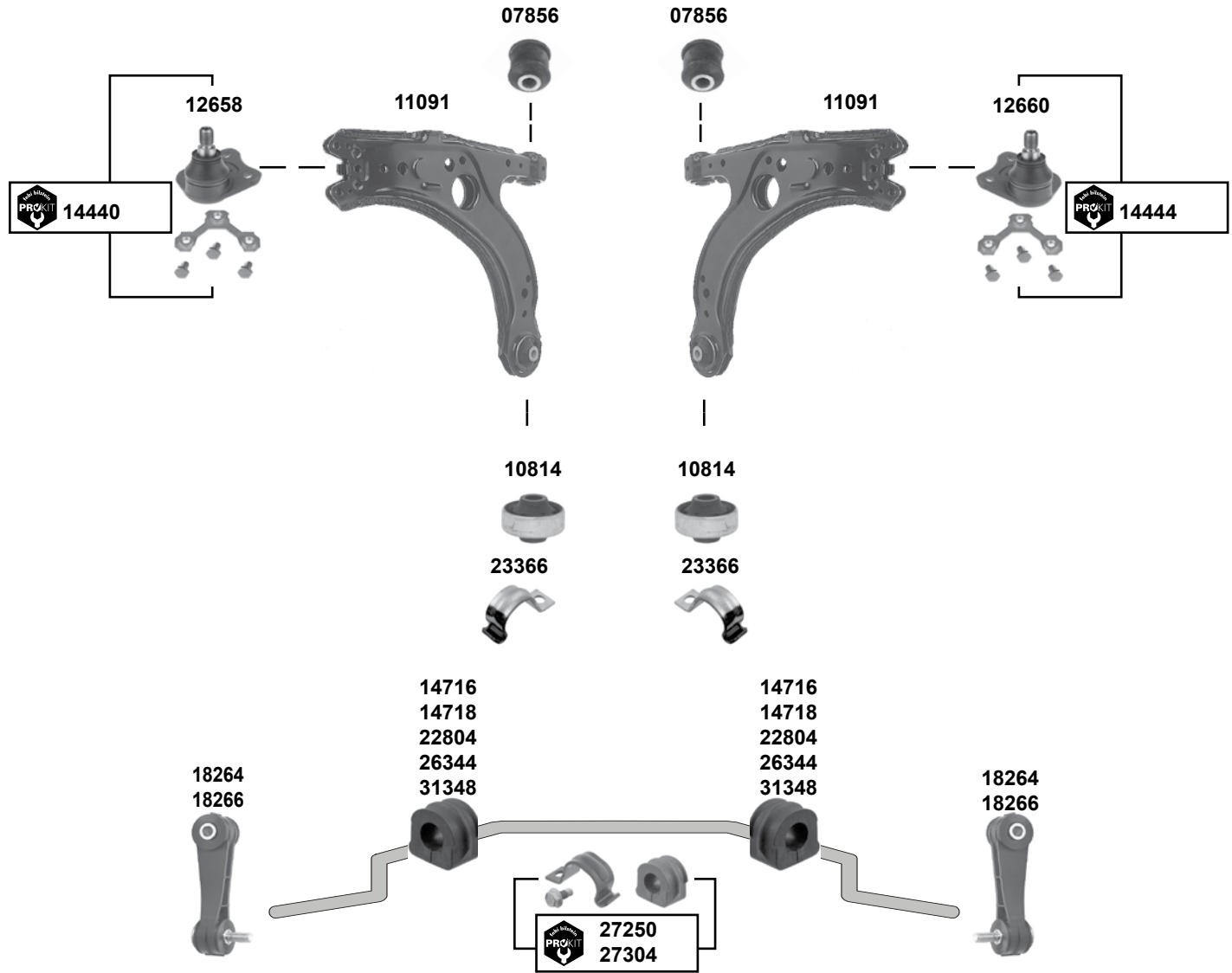


**Car  
Division**



**A3 (8L)**  
(1997 → 2004)  
(ex.) Quattro

Vorderachse / Front axle





**A3 (8L)**  
(1997 → 2004)  
(ex.) Quattro

- (1) PR-0AS / Ø Stabilisator / stabilizer 20 (mot.) ARX, ARY, ASZ,
- (2) (mot.) AEH, AKL, AGN, AGU, ARZ, AJQ, APP, AGR, ALH, AHF, AQA, APE, ASV, APG, AVU, AUM, AUQ, ASZ (ch.) → 8L-W-001 701 / Ø Stabilisator / stabilizer 19 / PR-OAG
- (3) PR-0AL/0AM / Ø Stabilisator / stabilizer 21 / Ø Stabilisator / stabilizer 20 ,7
- (4) (ch.) → 8L-W-001 701 / Ø Stabilisator / stabilizer 19
- (5) PR-0AL/0AM / Ø Stabilisator / stabilizer 19
- (6) PR-0AL / Ø Stabilisator / stabilizer 21 / (ch.) → 8L-W-001 701 / PR OAM Ø Stabilisator / stabilizer 20 ,7 (mot.) AEH, AKL, ASZ, AGU, AGN, AGR, ALH, AHF, PR-0AL / Ø Stabilisator / stabilizer 21 (mot.) APF, AVU, BFQ, AQA, ARZ, AUM, AJQ, APP, AUQ, AGP, ATD, AXR, ASV, ASZ
- (7) alle / all // (mot.) AJQ (ch.) → 8L-X-140 000



**Rep. Sätze / rep. kits**

19820

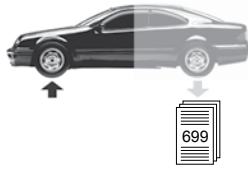


19822



	Ref. - No.			
07856	357 407 182	Querlenkerlager / control arm mount		12x33x54
10814	1J0 407 181	Querlenkerlager / control arm mount		13x60x41
11091	1J0 407 151 C	Querlenker / control arm		
12658	1J0 407 365 H	Traggelenk / ball joint		M12 x 1,5
12660	1J0 407 366 H	Traggelenk / ball joint		M12 x 1,5
14440	1J0 407 365 H S	ProKit Traggelenk / ball joint		
14444	1J0 407 366 H S1	ProKit Traggelenk / ball joint		
14716	1J0 411 314 C	Stabilisatorlager / stabilizer mount	(6)	
14718	1J0 411 314 T	Stabilisatorlager / stabilizer mount	(1)	Ø   21
18264	1J0 411 315 J	Verbindungsstange / stabilizer link		L 105
18266	1J0 411 315 G	Verbindungsstange / stabilizer link	(7)	L 105
19820	1J0 407 365 H S2	Querlenker, kpl. / control arm, cpl.		
19822	1J0 407 366 H S2	Querlenker, kpl. / control arm, cpl.		
22804	1J0 411 314 R	Stabilisatorlager / stabilizer mount	(5)	Ø   18
23366	1J0 411 336 D	Halter / mount		
26344	1J0 411 314 S	Stabilisatorlager / stabilizer mount	(4)	Ø   17
27250	1J0 411 314 S S1	ProKit Stabilisatorlagersatz / stabilizer mount kit	(2)	Ø   17
27304	1J0 411 314 R S1	ProKit Stabilisatorlagersatz / stabilizer mount kit	(3)	Ø   18
31348	1J0 411 314 AC	Stabilisatorlager / stabilizer mount	PR OAS	Ø   18





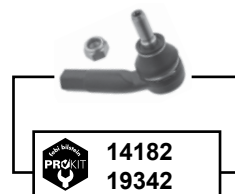
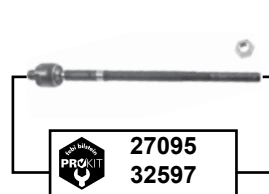
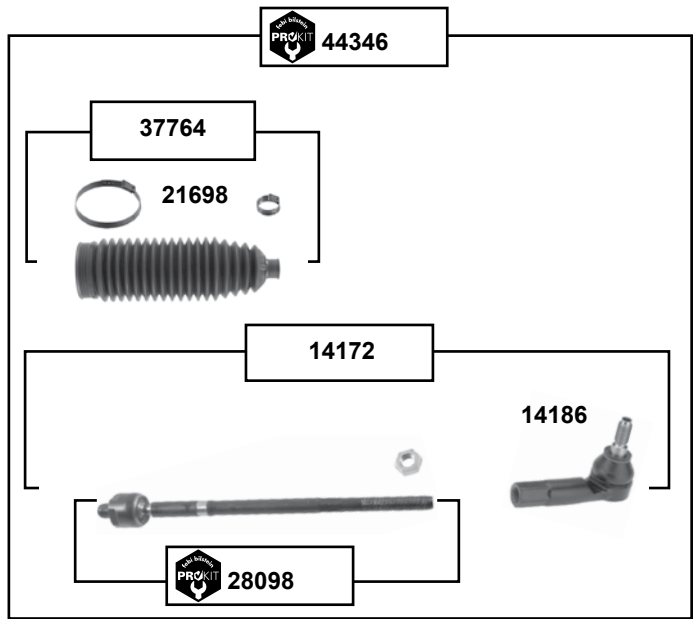
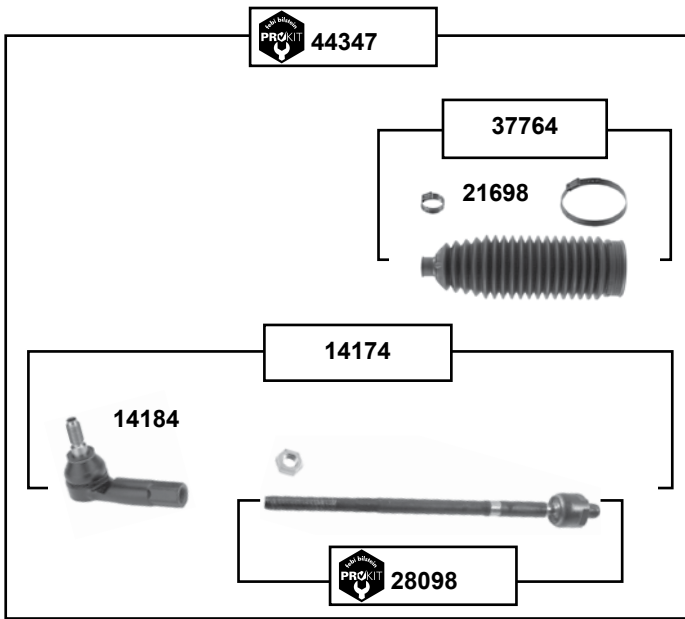
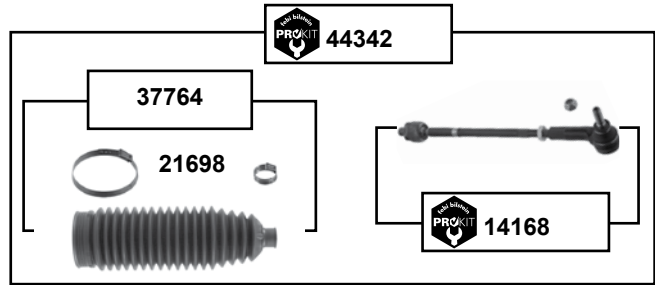
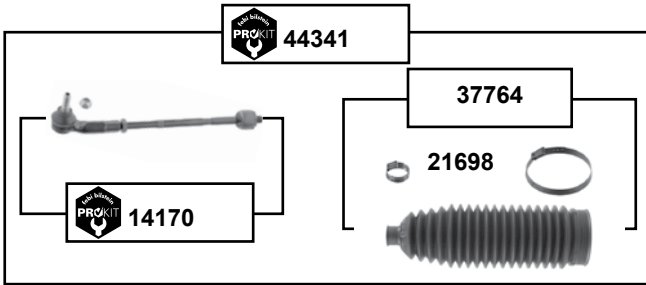
## A3 Quattro (8L) (1997 → 2004)

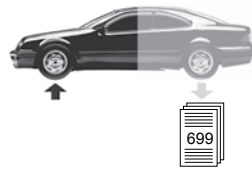
Vorderachse / Front axle

39606



39606





## A3 Quattro (8L) (1997 → 2004)

(1) (mot.) AQA, ARX, AJQ, ARY, AUQ, ASZ // (mot.) AGU, (ch.) 8L-W-050 422 →

(2) (mot.) AGU, AQA, AJQ, AUQ, ASZ (ch.) → 8L-W-050 421

(3) (mot.) AGU, AQA, ARX, AJQ, ARY, AUQ, ASZ (ch.) 8L-W-050 422 →

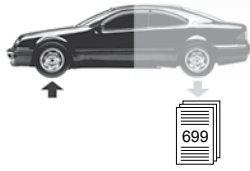
(4) (mot.) AGU (ch.) → 8L-W-050 421



Ref. - No.



	Ref. - No.			
14168	1J0 422 804 H	ProKit Spurstange / tie rod	(1)	M12 x 1,5
14170	1J0 422 803 H	ProKit Spurstange / tie rod	(1)	M12 x 1,5
14172	1J0 422 804 A	Spurstange / tie rod	(2)	M12 x 1,5
14174	1J0 422 803 A	Spurstange / tie rod	(2)	M12 x 1,5
14180	1J0 422 811 B	ProKit Spurstangenendstück / tie rod end	(3)	M14 x 1,5
14182	1J0 422 812 B	ProKit Spurstangenendstück / tie rod end	(3)	M14 x 1,5
14184	1J0 422 811 A	Spurstangenendstück / tie rod end	(4)	M14 x 1,5
14186	1J0 422 812 A	Spurstangenendstück / tie rod end	(4)	M14 x 1,5
19336	8N0 422 811 A	ProKit Spurstangenendstück / tie rod end	S3	M14 x 1,5
19342	8N0 422 812 A	ProKit Spurstangenendstück / tie rod end	S3	M14 x 1,5
21698	1J0 422 831 B	Lenkmanschette / steering boot	(ex.) S3	
27095	1J0 422 810 B	ProKit Axialgelenk / axial joint	(1)	
28098	1J0 422 810 A	ProKit Axialgelenk / axial joint	(4)	
32179	8N0 422 803 C	ProKit Spurstange / tie rod	S3	M12 x 1,5
32180	8N0 422 804 C	ProKit Spurstange / tie rod	S3	M12 x 1,5
32597	8N0 422 810 C	ProKit Axialgelenk / axial joint	S3	M16 x 1,5
37764	1J0 422 831 B S1	Rep. Satz Lenkmanschette / rep. kit steering boot	(ex.) S3	
39606	8N0 422 831 S1	Rep. Satz Lenkmanschette / rep. kit steering boot	S3	
44341	1J0 422 803 H S1	ProKit Spurstange / tie rod	(1)	12 x 1,5
44342	1J0 422 804 H S1	ProKit Spurstange / tie rod	(1)	12 x 1,5
44346	1 JO 422 804 A S1	ProKit Spurstange / tie rod	(2)	12 x 1,5
44347	1 JO 422 803 A S1	ProKit Spurstange / tie rod	(2)	12 x 1,5



## A3 Quattro (8L) (1997 → 2004)

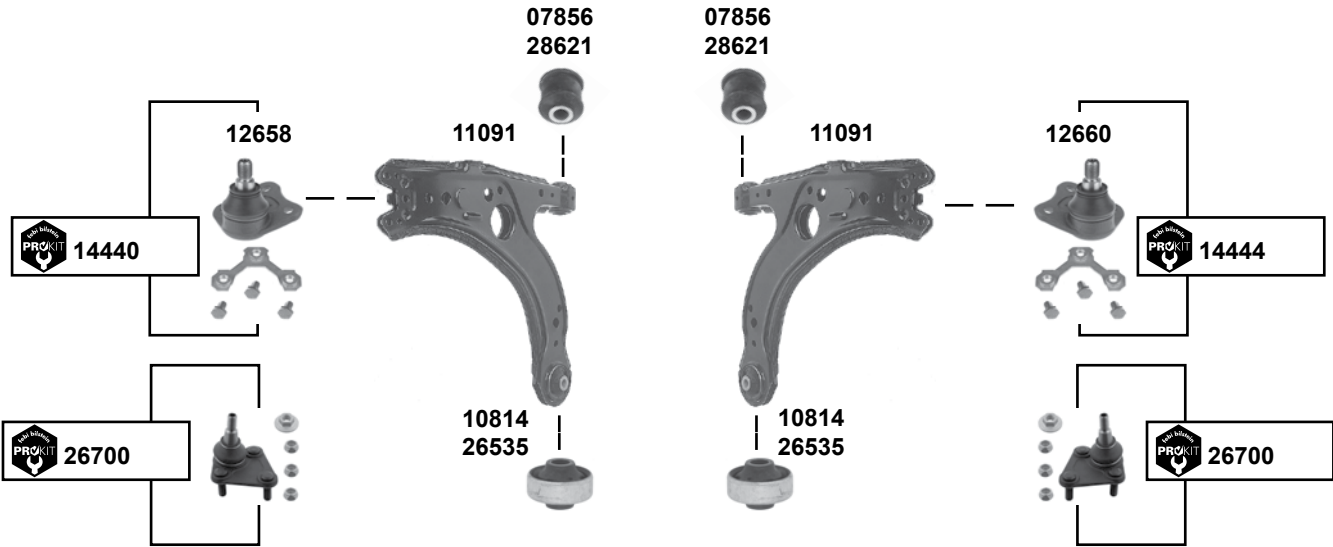
Vorderachse / Front axle



44452



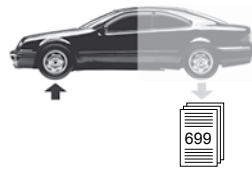
44453



44378



44379



# A3 Quattro (8L) (1997 → 2004)



- (1) S3 (mot.) BAM // S3 (mot.) AMK, APY, AUL (ch.) 8L-Y-060 001 →
- (2) S3 BAM, AMK // S3 (mot.) APY, AUL (ch.) 8L-Y-117 501 →
- (3) (mot.) AGU, AQA, ARX, AJQ, ARY, AUQ, ASZ // S3 (mot.) APY, AUL (ch.) → 8L-Y-117 500
- (4) (mot.) AQA, ARX, AJQ, ARY, ASZ S3 (mot.) APY, AUL, AMK (ch.) → 8L-Y-117 501
- (5) (mot.) AQA, ARX, AJQ, ARY, ASZ

## Rep. Sätze / rep. kits



19820

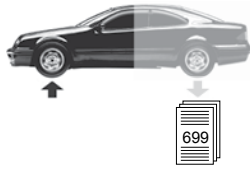
19822



Ref. - No.

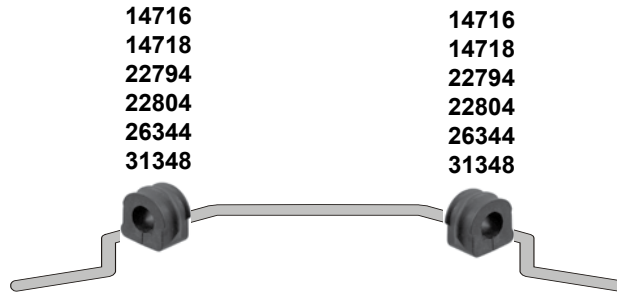
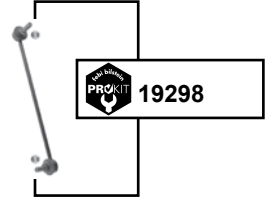
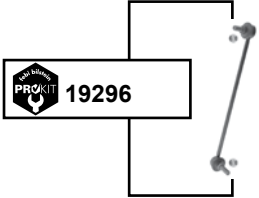


Ref. - No.	Description	Quantity	Notes
07856	357 407 182 Querlenkerlager / control arm mount	(3)	12x33x54
10814	1J0 407 181 Querlenkerlager / control arm mount	(4)	13x60x41
11091	1J0 407 151 C Querlenker / control arm	(5)	
12658	1J0 407 365 H Traggelenk / ball joint		M12 x 1,5
12660	1J0 407 366 H Traggelenk / ball joint		M12 x 1,5
14440	1J0 407 365 H S ProKit Traggelenk / ball joint	(5)	
14444	1J0 407 366 H S1 ProKit Traggelenk / ball joint	(5)	
19820	1J0 407 365 H S2 Querlenker / control arm	(ex.) S3	
19822	1J0 407 366 H S2 Querlenker / control arm	(ex.) S3	
26535	8N0 407 181 B Querlenkerlager / control arm mount	(2)	13x60x41
26700	8N0 407 365 C ProKit Traggelenk / ball joint	S3	
28621	8N0 407 182 A Querlenkerlager / control arm mount	(1)	Ø A 54
44378	8N0 407 151 D Querlenker / control arm	S3	
44379	8N0 407 152 D Querlenker / control arm	S3	
44452	8N0 407 151 D S1 Querlenker / control arm	S3	
44453	8N0 407 152 D S1 Querlenker / control arm	S3	

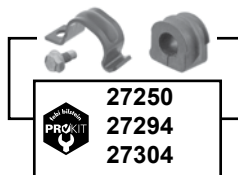


## A3 Quattro (8L) (1997 → 2004)

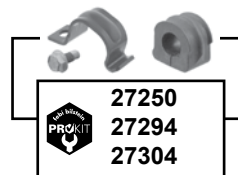
Vorderachse / Front axle

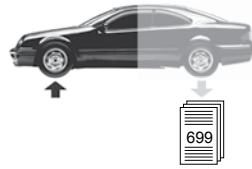


27318



37139





## A3 Quattro (8L) (1997 → 2004)

- (1) (mot.) ARX, ARY, ASZ / S3 (mot.) AMK, AUL, BAM
- (2) (ch.) → 8L-X-140 000 / PR-OAL / Ø Stabilisator / stabilizer 19
- (3) (mot.) AQA, AJQ, S3 (mot.) APY (ch.) → 8L-X-140 000
- (4) (mot.) AGU, AQA, ARX, AJQ, ARY, ASZ
- (5) PR OAN/OAR / Ø Stabilisator / stabilizer 19
- (6) (mot.) ARX, ARY, ASZ PR-OAR+GOL/GON / Ø Stabilisator / stabilizer 19 / S3 PR-OAN / Ø Stabilisator / stabilizer 19
- (7) (mot.) AQA (ch.) → 8L-X-140 000 / PR-OAL Ø Stabilisator / stabilizer 21 S3 (mot.) AMK, APY, AUL PR-OAN / Ø Stabilisator / stabilizer 19
- (8) (mot.) AGU, AQA, ARX, ARY, AUQ, ASZ S3 (mot.) AMK, AUL, BAM (ch.) 8L-1-000 001 → / (ch.) → 8L-31250 000 PR OAS Ø Stabilisator / stabiliser 20
- (9) (ch.) → 8L-X-140 000 (ex.) S3
- (10) (ch.) 8L-X-140 001 → / PR-OAR



Ref. - No.

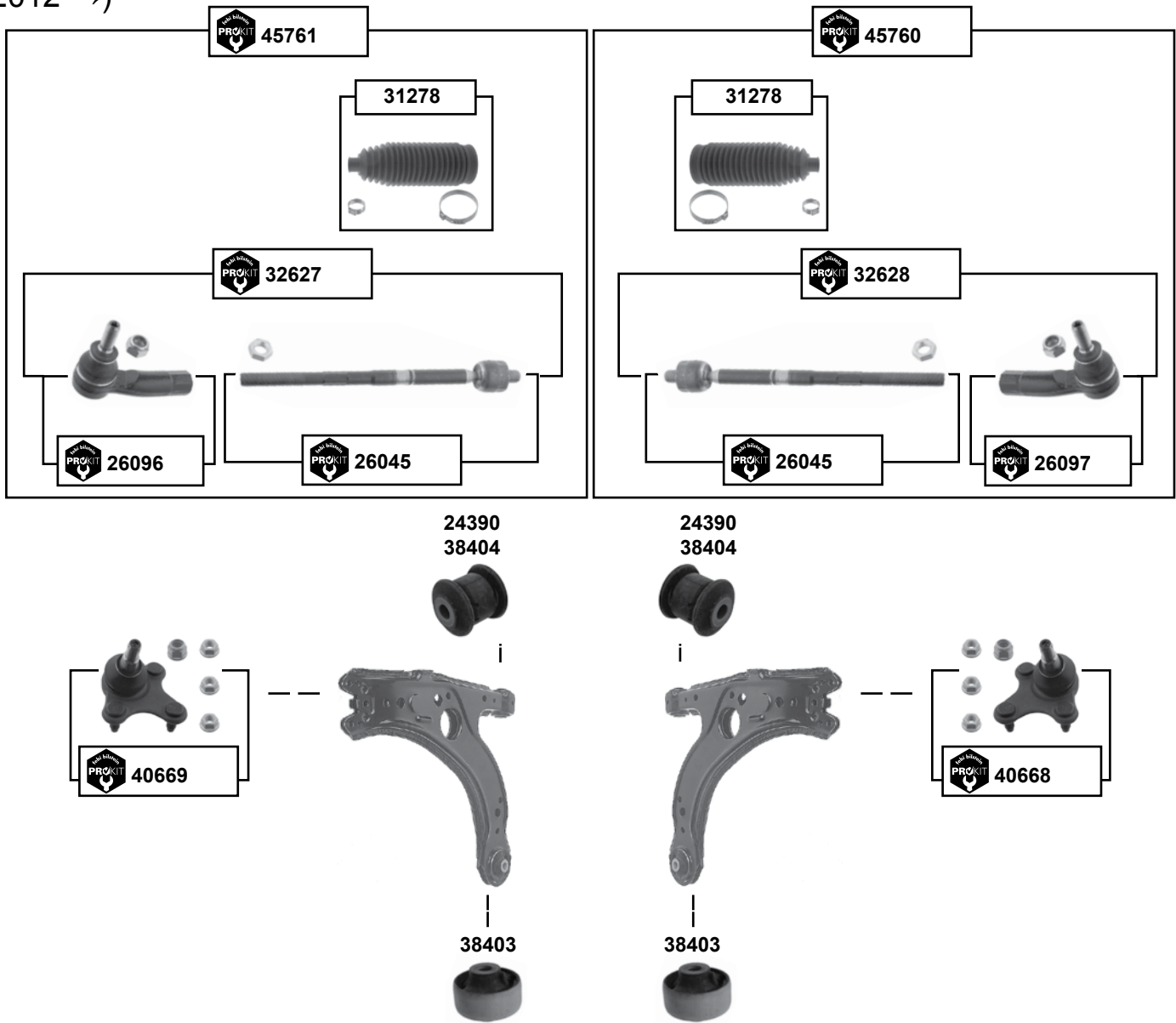


Ref. - No.	Description	Notes	Dimensions
14716	30 61 0008	Stabilisatorlager / stabilizer mount	(2) (mot.) AQA,AJQ,APY
14718	1J0 411 314 T	Stabilisatorlager / stabilizer mount	(8)
18264	1J0 411 315 J	Verbindungsstange / stabilizer link	(4)
18266	1J0 411 315 G	Verbindungsstange / stabilizer link	(9)
19296	1J0 411 315 D	ProKit Verbindungsstange / stabilizer link	(ch.) 8L-X-140 001 →
19298	1J0 411 316 D	ProKit Verbindungsstange / stabilizer link	(ch.) 8L-X-140 001 →
22794	1J0 411 314 P	Stabilisatorlager / stabilizer mount	(10)
22804	1J0 411 314 R	Stabilisatorlager / stabilizer mount	(2)
23366	1J0 411 336 D	Halter / mount	Ø   20
26344	1J0 411 314 S	Stabilisatorlager / stabilizer mount	Ø   18
27250	1J0 411 314 S S1	ProKit Stabilisatorlagersatz / stabilizer mount kit	(5)
27294	1J0 411 314 P S1	ProKit Stabilisatorlagersatz / stabilizer mount kit	(6)
27304	1J0 411 314 R S1	ProKit Stabilisatorlagersatz / stabilizer mount kit	(10)
27318	1J0 411 314 T S1	ProKit Stabilisatorlagersatz / stabilizer mount kit	(7)
31348	1J0 411 314 AC	Stabilisatorlager / stabilizer mount	(1) PR-0AS
36630	1J0 411 305 B S1	ProKit Stabilisatorsatz / stabilizer kit	PR-0AS
37139	1J0 411 314 AC S1	Stabilisatorlagersatz / anti roll bar bush kit	(3)
			(1)



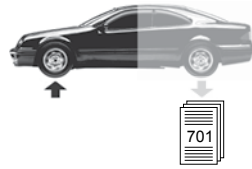
**A3 (8V)**  
(2012 →)

Vorderachse / Front axle

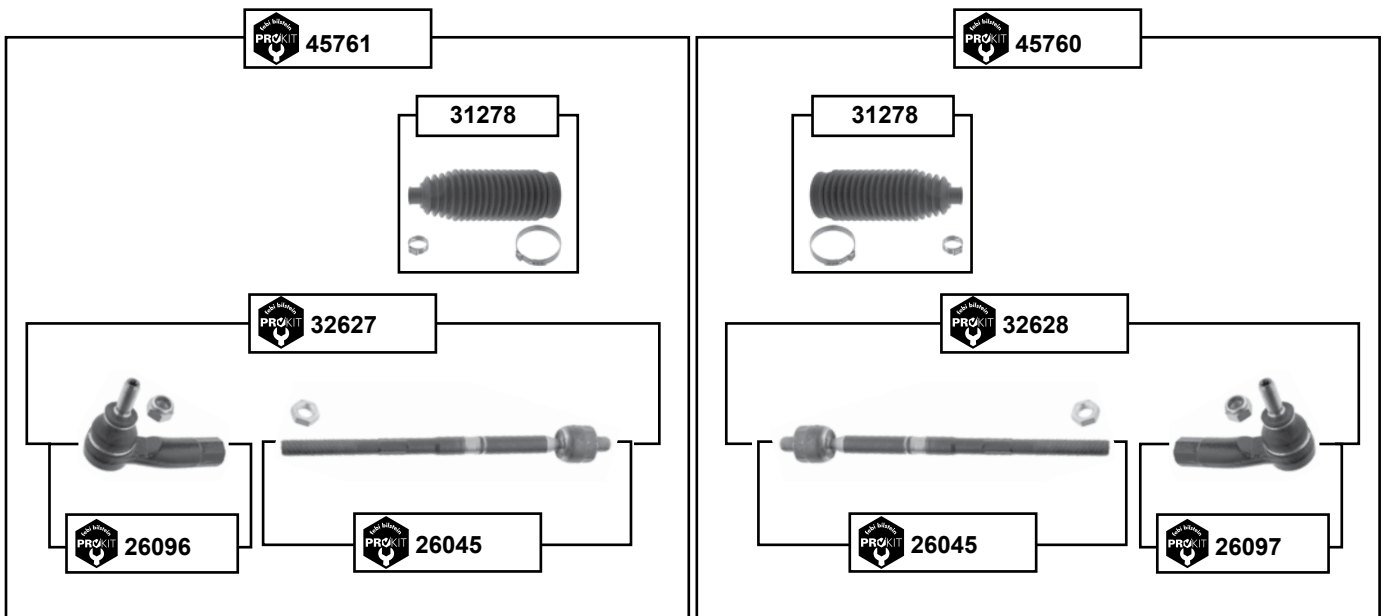


- (1) für Bremsscheibendicke / for brake disk thickness 25 mm /  
für Bremsscheibendurchmesser / for brake disk diameter 288 mm
- (2) PR-1ZE / 1ZP (ex.) S3

	Ref. - No.			
<b>24390</b>	1K0 407 182	Querlenkerlager / control arm mount		Ø A 48 H 54
<b>26045</b>	1K0 423 810 A	ProKit Spurstange / tie rod		
<b>26096</b>	1K0 423 811 E	ProKit Spurstangenendstück / tie rod end		
<b>26097</b>	1K0 423 812 E	ProKit Spurstangenendstück / tie rod end		
<b>31278</b>	1K0 423 831 A S1	Rep. Satz Lenkmanschette / rep. kit steering boot		
<b>32627</b>	1K0 423 810 A S1	ProKit Spurstange / tie rod		
<b>32628</b>	1K0 423 810 A S2	ProKit Spurstange / tie rod		
<b>38403</b>	5Q0 407 183 E	Querlenkerlager / control arm mount		Ø A 65
<b>38404</b>	5Q0 407 182	Querlenkerlager / control arm mount		L53,8 Ø A 40
<b>40668</b>	5Q0 407 365 A S1	ProKit Traggelenk / ball joint	PR-1ZE, 1ZP alle / all / PR-1ZF	
<b>40669</b>	5Q0 407 366 A S1	ProKit Traggelenk / ball joint	(1) (2)	
<b>45760</b>	1K0 423 810 A S4	ProKit Spurstange / tie rod	(1) (2)	
<b>45761</b>	1K0 423 810 A S3	ProKit Spurstange / tie rod		



**A3 (8P)**  
(2004 →)



Vorderachse / Front axle



(1) (ex.) (mot.) BPU, CBRA

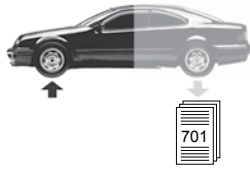


Ref. - No.



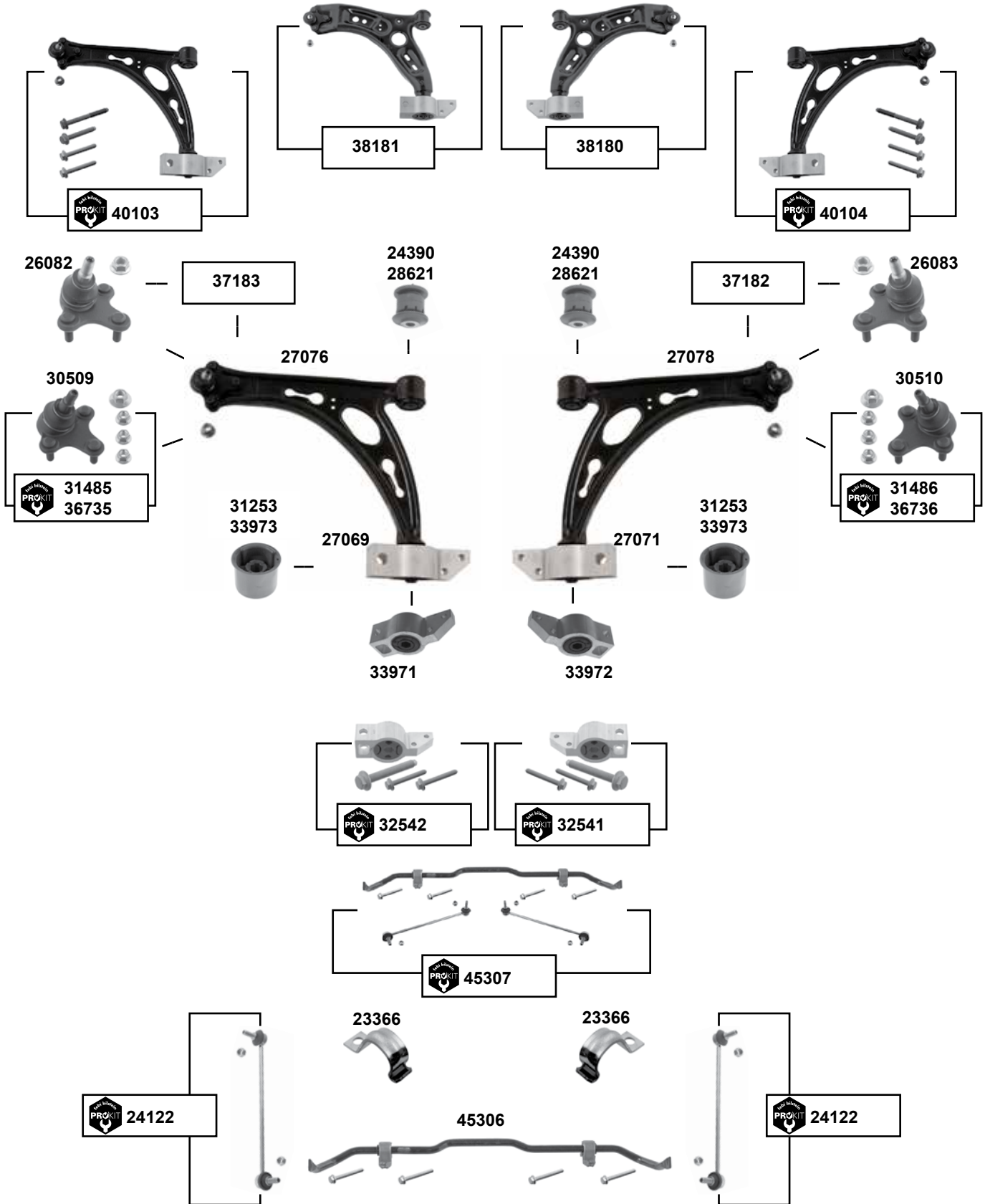
<b>26045</b>	1K0 423 810 A	ProKit Spurstange / tie rod	(1)
<b>26096</b>	1K0 423 811 E	ProKit Spurstangenendstück / tie rod end	
<b>26097</b>	1K0 423 812 E	ProKit Spurstangenendstück / tie rod end	
<b>31278</b>	1K0 423 831 A S1	Rep. Satz Lenkmanschette / rep. kit steering boot	
<b>32627</b>	1K0 423 810 A S1	ProKit Spurstange / tie rod	
<b>32628</b>	1K0 423 810 A S2	ProKit Spurstange / tie rod	
<b>45760</b>	1K0 423 810 A S4	ProKit Spurstange / tie rod	
<b>45761</b>	1K0 423 810 A S3	ProKit Spurstange / tie rod	

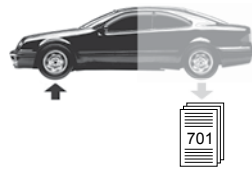




## A3 (8P) (2004 → 2012)

Vorderachse / Front axle





**A3 (8P)**  
(2004 → 2012)

- (1) Fahrzeuge mit automatischer + dynamischer Leuchtweitenregulierung / cars with automatic + dynamic headlight range adjustment (PR-0A0,UA2 + 8Q3)
- (2) Stahl-Gussausführung / keine Mischverbauung mit der Blechausführung zulässig / cast iron execution / not mixable with metall execution
- (3) **(ex.) Sport**
- (4) Audi A3 quattro / S3 / sportback 04 → / **(mot.)** BHZ / BZC / CDLA / CDLC
- (5) A3 cabrio 08 → **(mot.)** CDA / CCZA / BLS / CAYC / CBAB / CBAA / CBZB
- (6) Dämpfung hinten / damping rear
- (7) nicht für / not for PR-UA1,UA3,UA9,UB3,8Q3,8Q5 **(ch.)** → 9P-9A250 000 / **(ch.)** → 8P-6A250 000  
nicht für / not for PR-2UC **(ch.)** → 9P-9B050 000 / **(ch.)** → 8P-6B025 000
- (8) A3 Cabrio alle / all // A3(8P1), A3 quattro / Sportback / Sportback quattro **(ex.)** PR-1ZK
- (9) nicht für / not for PR-UA0,UA1,UA2,UA3,UA9,UB3,2UA,8Q3,8Q5  
**(ch.)** 8P-5A113 001 → / **(ch.)** → 8P-6A250 000 / **(ch.)** 8P-5B009 001 → / **(ch.)** → 8P-6B025 000  
**(ch.)** → 8P-5A113 000 / **(ch.)** → 8P-5B009 000 / **(ch.)** → 8P-9A250 000 / **(ch.)** → 8P-9B050 000
- (10) A3 / Sportback **(mot.)** BXE **(ch.)** → 8P-7-250 000 PR-G17 / G20 / G31-G38 / G43  
**(ch.)** 8P-9A-000 001 PR 0AD/0AE
- (11) S3 / Sportback / RS3 sportback 12→ **(mot.)** CEPA
- (12) S3 quattro **(mot.)** BZC, BHZ

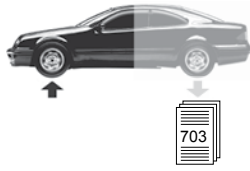
Vorderachse / Front axle



Ref. - No.



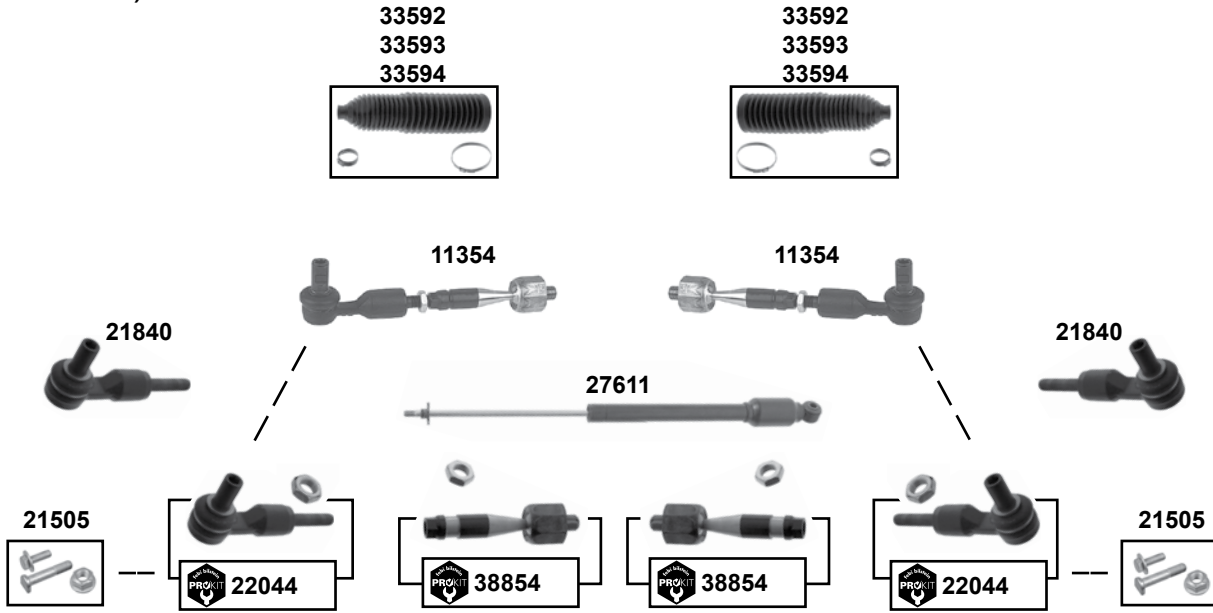
Ref. - No.	Description	Notes	Dimensions
23366	1J0 411 336 D	Halter / mount	
24122	1K0 411 315 R	ProKit Verbindungsstange / stabilizer link	
24390	1K0 407 182	Querlenkerlager / control arm mount	Ø A 48 H 54
26082	1K0 407 365 C	Traggelenk / ball joint	
26083	1K0 407 366 C	Traggelenk / ball joint	
27069	1K0 199 231 J	Querlenkerlager mit Gehäuse/ control arm mount with housing	(1) (3) (5) (6)
27071	1K0 199 232 J	Querlenkerlager mit Gehäuse/ control arm mount with housing	(1) (3) (5) (6)
27076	1K0 407 151 AC	Querlenker / control arm	(2)
27078	1K0 407 152 AC	Querlenker / control arm	(2)
28621	8N0 407 182 A	Querlenkerlager / control arm mount	(12) Ø A 54
30509	3C0 407 365 B	Traggelenk / ball joint	(4) M12 x 1,5
30510	3C0 407 366 B	Traggelenk / ball joint	(4) M12 x 1,5
31253	1K0 407 183 E	Querlenkerlager / control arm mount	(1) (3) (5) Ø A 63
31485	3C0 407 365 A S1	ProKit Traggelenk / ball joint	(4) M12 x 1,5
31486	3C0 407 366 A S1	ProKit Traggelenk / ball joint	(4) M12 x 1,5
32541	1K0 199 232 J S1	ProKit Querlenkerlagersatz / control arm mounting kit	(1) (3)
32542	1K0 199 231 J S1	ProKit Querlenkerlagersatz / control arm mounting kit	(1) (3)
33971	1K0 199 231 N	Querlenkerlager / control arm mount	S3 / sportback
33972	1K0 199 232 N	Querlenkerlager / control arm mount	S3 / sportback
33973	8J0 407 183	Querlenkerlager / control arm mount	(11)
36735	1K0 407 365 C S1	ProKit Traggelenk / ball joint	
36736	1K0 407 366 C S1	ProKit Traggelenk / ball joint	
37182	1K0 407 152 AC S1	Rep. Satz Querlenker / rep. kit control arm	(7)
37183	1K0 407 151 AC S1	Rep. Satz Querlenker / rep. kit control arm	(7)
38180	1K0 407 152 BC S1	Rep. Satz Querlenker / rep. kit control arm	(8)
38181	1K0 407 151 BC S1	Rep. Satz Querlenker / rep. kit control arm	(8)
40103	1K0 407 151 AC S2	ProKit Querlenker / control arm	(9)
40104	1K0 407 152 AC S2	ProKit Querlenker / control arm	(9)
45306	1K0 411 303 BK S1	Stabilisatorsatz / stabilizer kit	(10)
45307	1K0 411 303 BK S2	ProKit Stabilisatorsatz / stabilizer kit	(10)



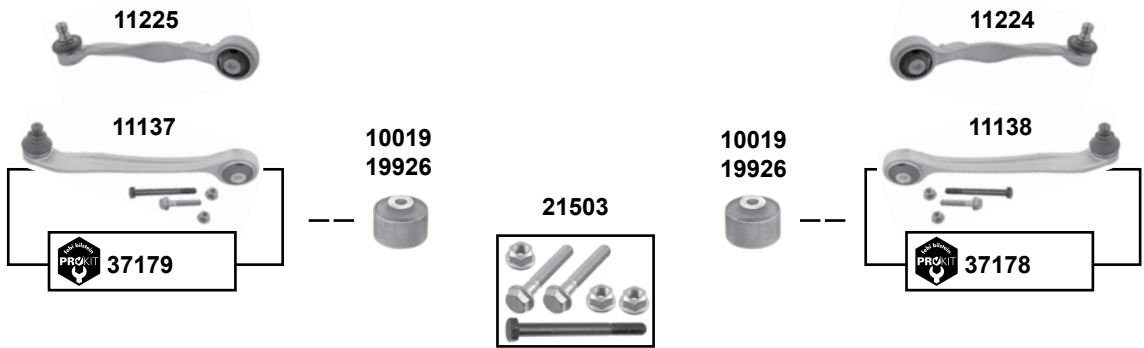
## A4 / A4 Quattro (8D)

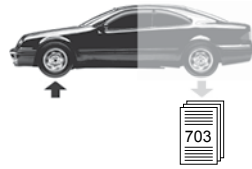
(1995 → 2001)

Vorderachse / Front axle



### oben / upper



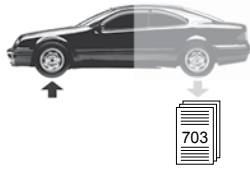


# A4 / A4 Quattro (8D) (1995 → 2001)



(1)	→ 97 Limousine/ Avant : (ch.) → 8D-V-152 087; quattro /quattro Avant: (ch.) → 8D-V-160 000
(2)	99 → 01 (ch.) 8D-X-200 001 →
(3)	97 → 99 8D-V-152 088 → 8D-X-199 999 alle / all 99 → 01 8D-X-200 001 → 8D-1-200 000 (ex.) PR-1BV / 1BD = Sportfahrwerk alle / all
(4)	1999 – 2001 (ch.) 8D-X-053 001 → (ch.) 8D-1-200 000 // (mot.) ADR,APT,ARG,APU,ARK,AEB,AFN,AJM,AVV,ANB,AHL // rechts = Linkslenker / right = left hand drive // links = Rechtslenker / left = right hand drive
(5)	1999 – 2001 (ch.) 8D-X-053 001 → (ch.) 8D-1-200 000 // rechts = Rechtslenker / right = right hand drive links = Linkslenker / left = left hand drive
(6)	→ 99 / → (ch.) 8D-X-053 000 / (mot.) AHL, ADP, ADR, AFY, AEB, 1Z, AFF,AHU, AFN, AHH rechts = Linkslenker /right = left hand drive // links = Rechtslenker / left = right hand drive
(7)	<b>NEW (ch.)</b> → 8D-X-053000

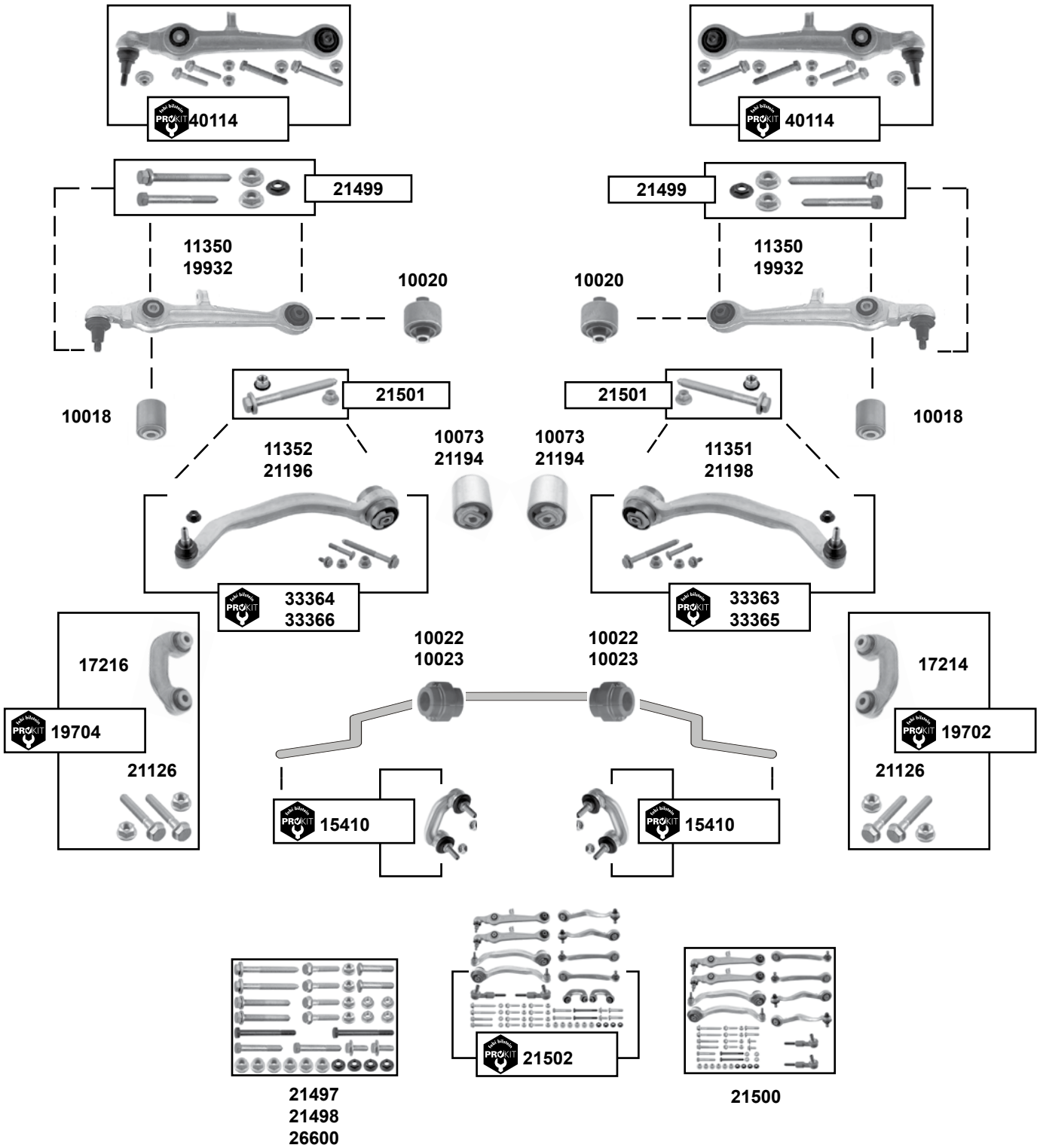
	Ref. - No.			
10019	4D0 407 515 C	Querlenkerlager / control arm mount	(ch.) → 8D-W-260129	10x46x40
11137	8E0 407 505 A	Querlenker vorne / control arm front	(ch.) → 8D-X-199 999	
11138	8E0 407 506 A	Querlenker vorne / control arm front	(ch.) → 8D-X-199 999	
11224	4D0 407 510 K	Querlenker / control arm	(ch.) → 8D-V-152 087	
11225	4D0 407 509 K	Querlenker / control arm	(ch.) → 8D-V-152 087	
11354	4B0 419 801 M	Spurstange / tie rod	(ch.) → 8D-X-053000	
19926	4B0 407 515	Querlenkerlager / control arm mount	(ch.) 8D-W-260130 →	
21503	-	Schraubensatz / screw kit	(ch.) 8D-V-125088 →	
21505	-	Schraubensatz / screw kit		
21840	4F0 498 811 A SK	Spurstangenendstück / tie rod end	(2)	
21892	8D0 407 509 G	Querlenker hinten / control arm rear	(1)	
21893	8D0 407 510 G	Querlenker hinten / control arm rear	(1)	
21904	8E0 407 509 A	Querlenker hinten / control arm rear	(ch.) 8D-V-152088 →	
21906	8E0 407 510 A	Querlenker hinten / control arm rear	(ch.) 8D-V-125088 →	
22044	8E0 419 811 B	ProKit Spurstangenendstück / tie rod end	(7)	
27611	4D0 425 021 D	Lenkungsdämpfer / steering-damper		
31331	8E0 407 510 P	Querlenker / control arm	PR-1BV / Sport	
31332	8E0 407 509 P	Querlenker / control arm	PR-1BV / Sport	
32318	8E0 407 505 P	Querlenker vorne / control arm front	PR-1BV / Sport	
32319	8E0 407 506 P	Querlenker vorne / control arm front	PR-1BV / Sport	
33367	8E0 407 509 A S1	ProKit Querlenker / control arm	(3)	
33368	8E0 407 510 A S1	ProKit Querlenker / control arm	(3)	
33592	8D0 419 831 K S1	Lenkmanschettensatz / steering boot set	(4)	Ø 19 / 64 H 251
33593	4D0 419 831 E S1	Lenkmanschettensatz / steering boot set	(5)	Ø 20 / 54 H 205
33594	8D0 419 831 J S1	Lenkmanschettensatz / steering boot set	(6)	Ø 17,5/63 H 255
37178	8E0 407 506 A S1	ProKit Querlenker / control arm		
37179	8E0 407 505 A S2	ProKit Querlenker / control arm		
38854	4B0 419 810 M	ProKit Axialgelenk / axial joint		

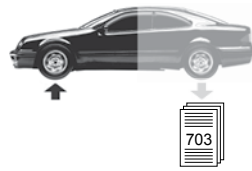


## A4 / A4 Quattro (8D) (1995 → 2001)

### unten / lower

Vorderachse / Front axle





## A4 / A4 Quattro (8D) (1995 → 2001)



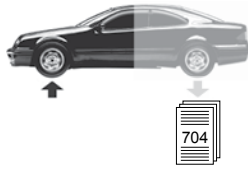
(1)	Limousine (ex.) Sport / Quattro	(2)	Sport ; Avant Quattro	(3)	S4: 8D-X-200001→; RS4
(4)	A4 / avant 97 → 01 (ch.) 8D-V-152 088 → 8D-1-200 000 A4 quattro / avant 97 → 01 (ch.) 8D-V-160 000 → 8D-1-200 000				
(5)	A4 / avant 98 → 99 → 8D-X-199 999 / A4 quattro / avant 98 → 01 → 8D-1-200 000 (ex.) (mot.) ATJ				
(6)	Aluguß / cast aluminium // neue Ausführung zu febi 33364 / new execution for febi 33364 // A4 / SV / avant / quattro / RS4 avant quattro				
(7)	(mot.) AGB, AZB Länderausführung / Country Version: Brasilien, Irland, Mexico				



Ref. - No.



Ref. - No.	Description	Notes	Dimensions
10018	4D0 407 181 H	Querlenkerlager / control arm mount	12x40x50
10020	4D0 407 182 G	Querlenkerlager / control arm mount	12x50x60
10022	4D0 411 327 G	Stabilisatorlager / stabilizer mount	Ø   25
10023	4D0 411 327 H	Stabilisatorlager / stabilizer mount	Ø   27
10073	4D0 407 183 P	Querlenkerlager / control arm mount	12x65x80
11350	4D0 407 151 P	Querlenker vorne / control arm front	
11351	8E0 407 694 E	Querlenker hinten / control arm rear	
11352	8E0 407 693 E	Querlenker hinten / control arm rear	
15410	4D0 411 317 J	ProKit Verbindungsstange / stabilizer link	L 85
17214	8D0 411 318 D	Verbindungsstange / stabilizer link	L 90
17216	8D0 411 317 D	Verbindungsstange / stabilizer link	L 90
19702	8D0 411 318 D S1	ProKit Verbindungsstange / stabilizer link	
19704	8D0 411 317 D S1	ProKit Verbindungsstange / stabilizer link	
19932	4B3 407 151 C	Querlenker vorne / control arm front	
21126	N 104 253 01 S1	Schraubensatz / screw kit	
21194	4D0 407 183 AB	Querlenkerlager / control arm mount	
21196	8E0 407 693 AG	Querlenker hinten / control arm rear	Alu
21198	8E0 407 694 AG	Querlenker hinten / control arm rear	Alu
21497	-	Schraubensatz / screw kit	
21498	-	Schraubensatz / screw kit	
21499	-	Schraubensatz / screw kit	
21500	8D0 498 998	Rep. Satz Querlenker / rep. kit control arm	
21501	-	Schraubensatz / screw kit	
21502	8D0 498 998 S1	ProKit Querlenker / control arm	
26600	8D0 498 998 B	Rep. Satz Querlenker / rep. kit control arm	(4) ohne/without 22044
33363	8E0 407 694 E S1	ProKit Querlenker / control arm	(5)
33364	8E0 407 693 E S1	ProKit Querlenker / control arm	(5)
33365	8E0 407 694 AG S1	ProKit Querlenker / control arm	(6)
33366	8E0 407 693 AG S1	ProKit Querlenker / control arm	(6)
40114	4B3 407 151 K S1	ProKit Querlenker / control arm	(7)



## A4 / A4 Quattro (8E)

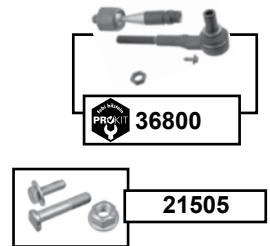
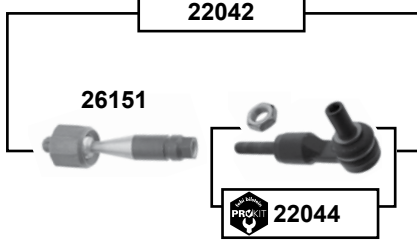
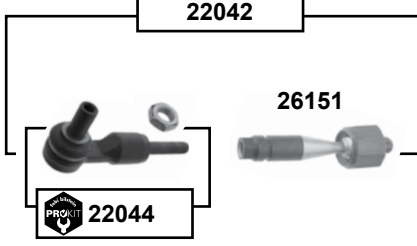
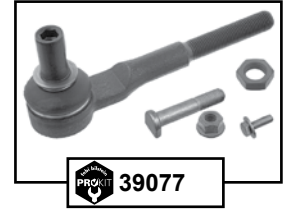
(2000 → 2004)

Vorderachse / Front axle

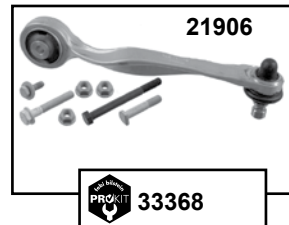
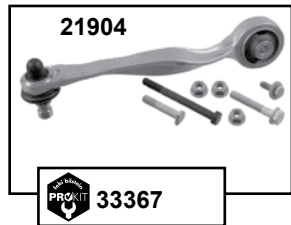
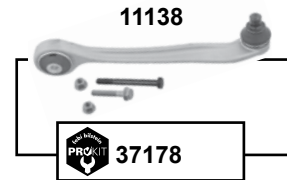
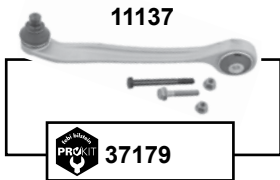
33592  
32854

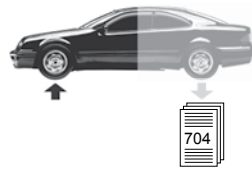


33592  
32855



### oben / upper





# A4 / A4 Quattro (8E) (2000 → 2004)

Vorderachse / Front axle

- |            |   |   |
|------------|---|---|
| <b>(1)</b> | A4/S4 cabrio / quattro  | <b>(mot.)</b> alle / all <b>(ch.)</b> → 8H-5-014 475                      |
| <b>(2)</b> | A4/S4/avant/quattro   | <b>(mot.)</b> BBK <b>(ch.)</b> → 8E-5-400 000                             |
| <b>(3)</b> | A4/S4/avant/quattro   | <b>(ex.) (mot.)</b> BBK (8 Zyl.) <b>(ch.)</b> 8D-1-082 001 → 8E-5-400 000 |
| <b>(4)</b> | A4 / Avant / quattro KOYO-Lenkgetriebe / -steering gear / <b>(ex) (mot.)</b> BBK, BHF / links = Linkslenker / left = left hand drive<br>A4 Cabriolet / quattro 03 → KOYO-Lenkgetriebe / -steering gear / <b>(ex) (mot.)</b> BBK, BHF / links = Linkslenker / left = left hand drive                           |   |
| <b>(5)</b> | A4 / Avant / quattro KOYO-Lenkgetriebe / -steering gear / <b>(ex) (mot.)</b> BBK, BHF / rechts = Linkslenker / right = left hand drive<br>A4 Cabriolet / quattro → <b>(ch.)</b> 8H-5-014476 KOYO-Lenkgetriebe / -steering gear / <b>(ex) (mot.)</b> BBK, BHF / rechts = Linkslenker / right = left hand drive |   |
| <b>(6)</b> | <b>(ch.)</b> 8E-1-000 001 → <b>(ch.)</b> 8E-5-400 000 (ex.) PR-1BV / 1BD = Sportfahrwerk / (ex.) PR-1BV / 1BD = sports suspension / (ex.) 8 Zylinder / (ex.) 8 cylinder   |   |
| <b>(7)</b> | <b>(ex.)</b> PR 1BV   |   |
| <b>(8)</b> | S4 quattro, S4 Avant quattro, RS4 Avant quattro alle / all 03/03 →  |   |

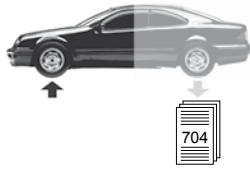


Ref. - No.



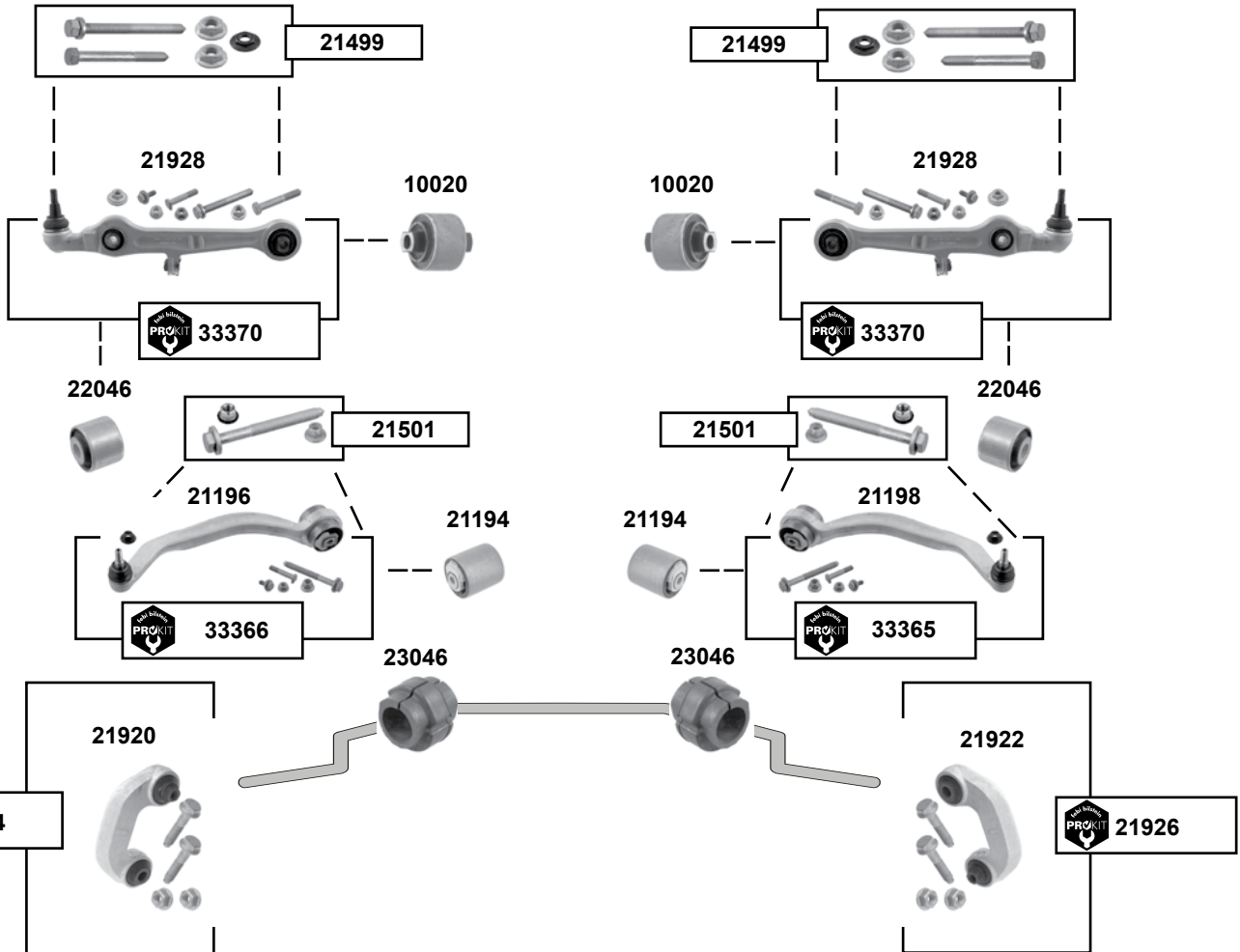
Ref. - No.	Description	Quantity	Notes	Part Number
11137	Querlenker vorne / control arm front	(1)		
11138	Querlenker vorne / control arm front	(1)		
19926	Querlenkerlager / control arm mount	(ex.) Sport		
21505	Schraubensatz / screw kit			
21904	Querlenker hinten / control arm rear	(ex.) Sport		
21906	Querlenker hinten / control arm rear	(ex.) Sport		
22042	Rep. Satz Spurstange / rep. kit tie rod	(ex.) S4		
22044	ProKit Spurstangenendstück / tie rod end	(ex.) S4		
26151	Spurstange / tie rod			
31331	Querlenker / control arm	(2) (3) Sport		
31332	Querlenker / control arm	(2) (3) Sport		
32854	Lenkmanschettensatz / steering boot set	(4)		
32855	Lenkmanschettensatz / steering boot set	(5)		
33367	ProKit Querlenker / control arm	(6)		
33368	ProKit Querlenker / control arm	(6)		
33592	Lenkmanschettensatz / steering boot set			Ø19/64 H251
36800	ProKit Spurstange / tie rod			
37178	ProKit Querlenker / control arm			
37179	ProKit Querlenker / control arm			
39076	ProKit Spurstangenendstück / tie rod end	(7) (ex.) Sport		
39077	ProKit Spurstangenendstück / tie rod end	(8)		



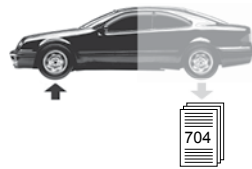


## A4 / A4 Quattro (8E) (2000 → 2004)

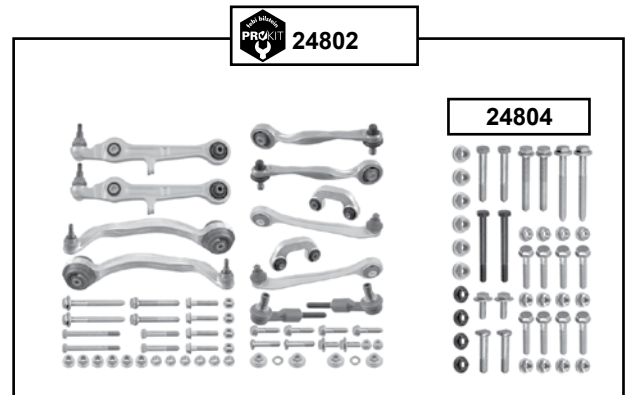
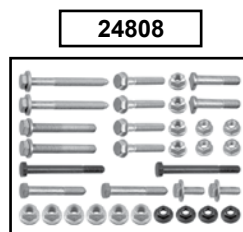
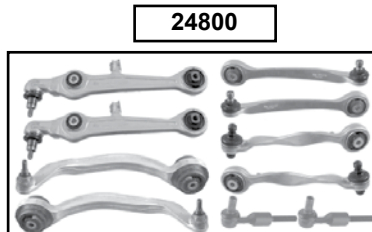
### unten / lower



Vorderachse / Front axle



# A4 / A4 Quattro (8E) (2000 → 2004)



Vorderachse / Front axle



- (1) A4 / S4 / avant / quattro (ch.) → 8E-8-250 000
- (2) A4/S4/avant/quattro / A4 cabrio/S4 cabrio/quattro 03 →
- (3) Aluguß / cast aluminium // neue Ausführung zu febi 33364 / new execution for febi 33364 // A4 / SV / avant / quattro



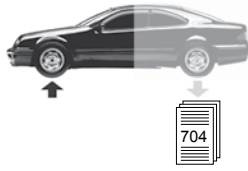
Ref. - No.



Ref. - No.	Description	Notes	Material
10020	4D0 407 182 G Querlenkerlager / control arm mount		12x50x60
21194	4D0 407 183 AB Querlenkerlager / control arm mount	NEW	
21196	8E0 407 693 AG Querlenker hinten / control arm rear		Alu
21198	8E0 407 694 AG Querlenker hinten / control arm rear		Alu
21499	- Schraubensatz / screw kit		
21501	- Schraubensatz / screw kit		
21920	8E0 411 317 Verbindungsstange / stabilizer link		
21922	8E0 411 318 Verbindungsstange / stabilizer link		
21924	8E0 411 317 S1 ProKit Verbindungsstange / stabilizer link	(2)	
21926	8E0 411 318 S1 ProKit Verbindungsstange / stabilizer link	(2)	
21928	8E0 407 151 R Querlenker vorne / control arm front	(1) NEW	
22046	8E0 407 181 C Querlenkerlager / control arm mount		
23046	4D0 411 327 J Stabilisatorlager / stabilizer mount		Ø   29
24800	8E0 498 998 Rep. Satz Querlenker / rep. kit control arm	(ch.) → 8E-5-400 000	
24802	8E0 498 998 S1 ProKit Querlenkersatz / control arm kit	(ch.) → 8E-5-400 000	
24804	- Schraubensatz / screw kit		
24808	- Schraubensatz / screw kit		
33365	8E0 407 694 AG S1 ProKit Querlenker / control arm	(3)	
33366	8E0 407 693 AG S1 ProKit Querlenker / control arm	(3)	
33370	8E0 407 151 R S1 ProKit Querlenker / control arm	(1)	

passend für / to fit

**AUDI**



**Car  
Division**



# A4 / Quattro (8E)

(2004 → 2008)

Vorderachse / Front axle



33592  
32854



33592  
32855



21840



26151



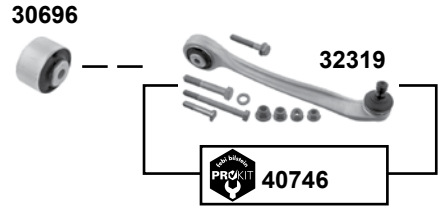
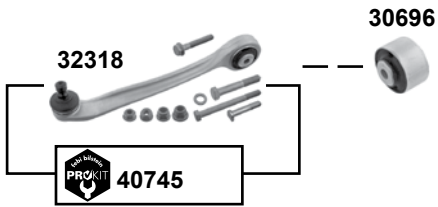
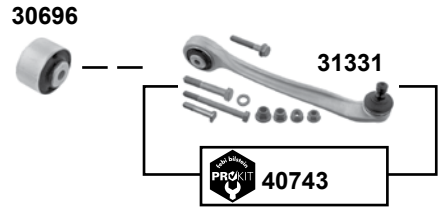
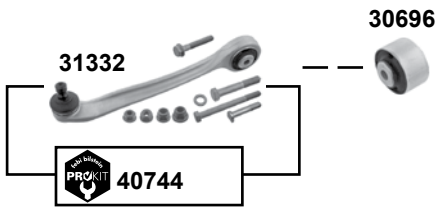
26151

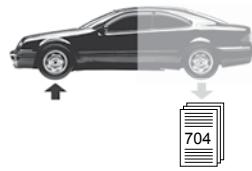


21840



## oben / upper





# A4 / Quattro (8E) (2004 → 2008)

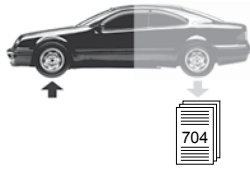
- (1) A4 cabrio/S4 cabrio/quattro → 06 (ch.) 8H-5-014 476 →  
PR-1BA=Federungskomfortpaket Standardfahrwerk / standard suspension  
PR-1BE=Federungskomfortpaket Sportfahrwerk / sports suspension
- (2) alle / all  
PR-1BD=Federungskomfortpaket Sportausführung / sports edition  
PR-1BV=Federungskomfortpaket Sportfahrwerk / sports suspension
- (3) A4/S4/avant quattro / 05 (ch.) → 8E-5-600 000 (mot.) BBK / BHF
- (4) A4 cabrio/S4 cabrio/quattro → 06 (mot.) BBK / BHF
- (5) A4 / Avant / quattro KOYO-Lenkgetriebe / -steering gear / (ex) (mot.) BBK, BHF / links = Linkslenker / left = left hand drive
- (6) A4 / Avant / quattro KOYO-Lenkgetriebe / -steering gear / (ex) (mot.) BBK, BHF / rechts = Linkslenker / right = left hand drive
- (7) RS4 Avant quattro alle / all // 02/06 →
- (8) (ex.)(mot.) V8



Ref. - No.



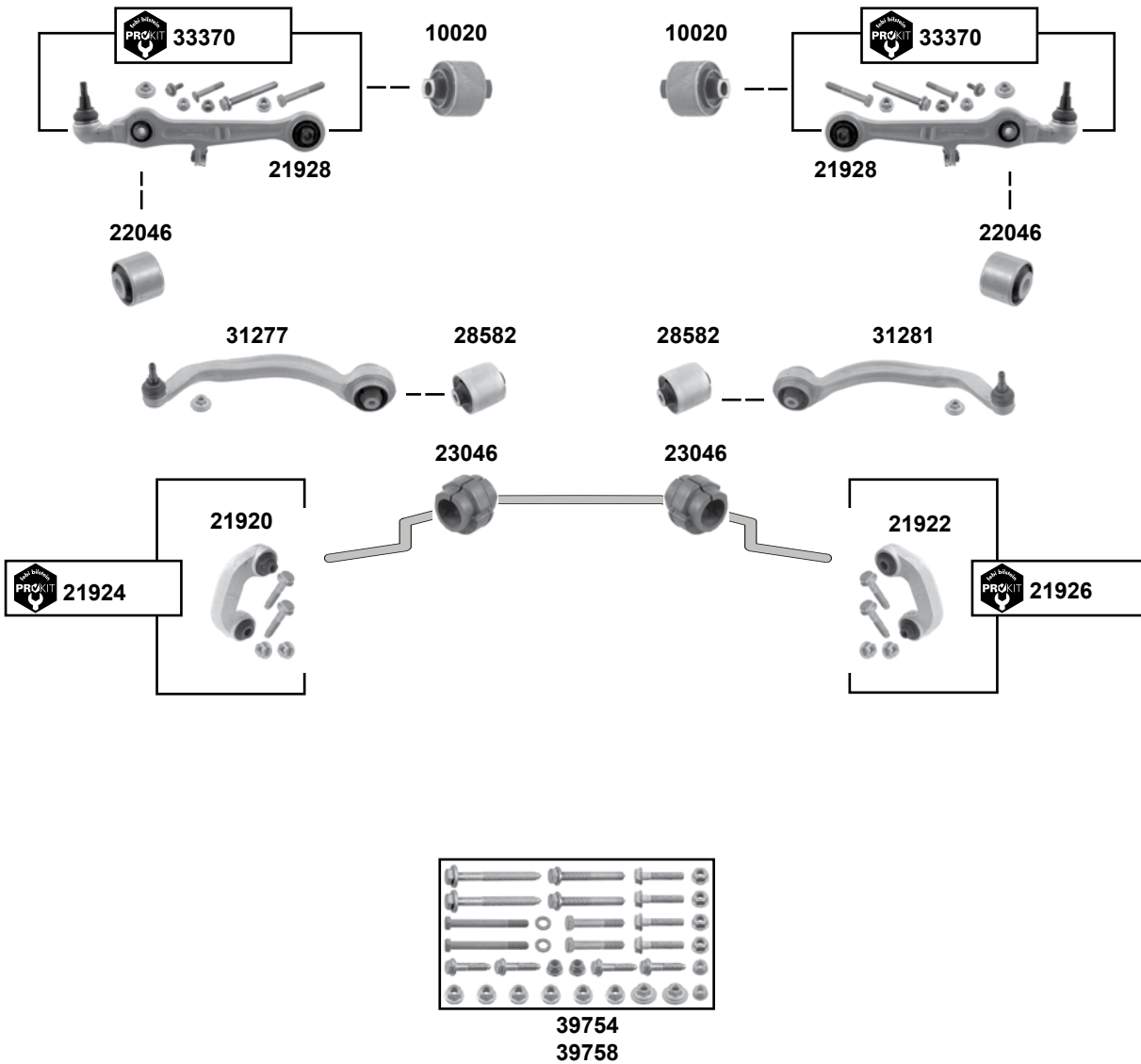
Ref. - No.	Description	Notes	Dimensions
21840	4F0 498 811 A SK	Spurstangenendstück / tie rod end	
26151	8E0 422 821 C	Spurstange beidseitig / tie rod both sides	
30696	8D0 407 515 C	Querlenkerlager / control arm mount	
31331	8E0 407 510 P	Querlenker / control arm	Sport
31332	8E0 407 510 P	Querlenker / control arm	Sport
32318	8E0 407 505 P	Querlenker / control arm	(1)(2)(3)(4)(8)
32319	8E0 407 506 P	Querlenker / control arm	(1)(2)(3)(4)(8)
33592	8D0 419 831 K S1	Lenkmanschettensatz / steering boot set	Ø 19/64 H 51
32854	8E0 419 831 A	Lenkmanschettensatz / steering boot set	(5)
32855	8E0 419 831 B	Lenkmanschettensatz / steering boot set	(6)
36800	8E0 422 821 C S1	ProKit Spurstange / tie rod	
39077	4F0 498 811 A S1	ProKit Spurstangenendstück / tie rod end	(7)
40743	8E0 407 510 P S1	ProKit Querlenker / control arm	PR-1BV / Sport
40744	8E0 407 509 P S1	ProKit Querlenker / control arm	PR-1BV / Sport
40745	8E0 407 505 P S1	ProKit Querlenker / control arm	PR-1BV / Sport
40746	8E0 407 506 P S1	ProKit Querlenker / control arm	PR-1BV / Sport

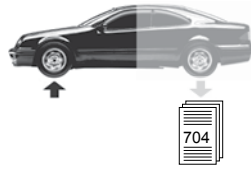


## A4 / Quattro (8E) (2004 → 2008)

### unten / lower

Vorderachse / Front axle



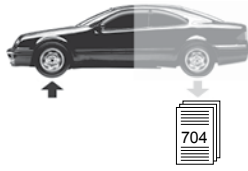


# A4 / Quattro (8E) (2004 → 2008)



- (1) (ch.) → 8E-5-600 000 alle / all (ex.) Chinaversion / (ex.) china version
- (2) A4 / S4 / avant / quattro 05 → / (ch.) 8E-5-400 001 →  
A4 / S4 Cabrio / quattro 07 → alle / all  
RS4 / avant quattro 06 → alle / all  
RS4 Cabrio quattro 07 → alle / all
- (3) A4 / S4 / avant / quattro → (ch.) → 8E-8-250 000  
RS4 / avant quattro 06 →
- (4) A4/S4/avant/quattro / A4 cabrio/S4 cabrio/quattro  
RS4/avant quattro 06 → / RS4 cabrio quattro 07 →
- (5) Bitte paarweise tauschen !

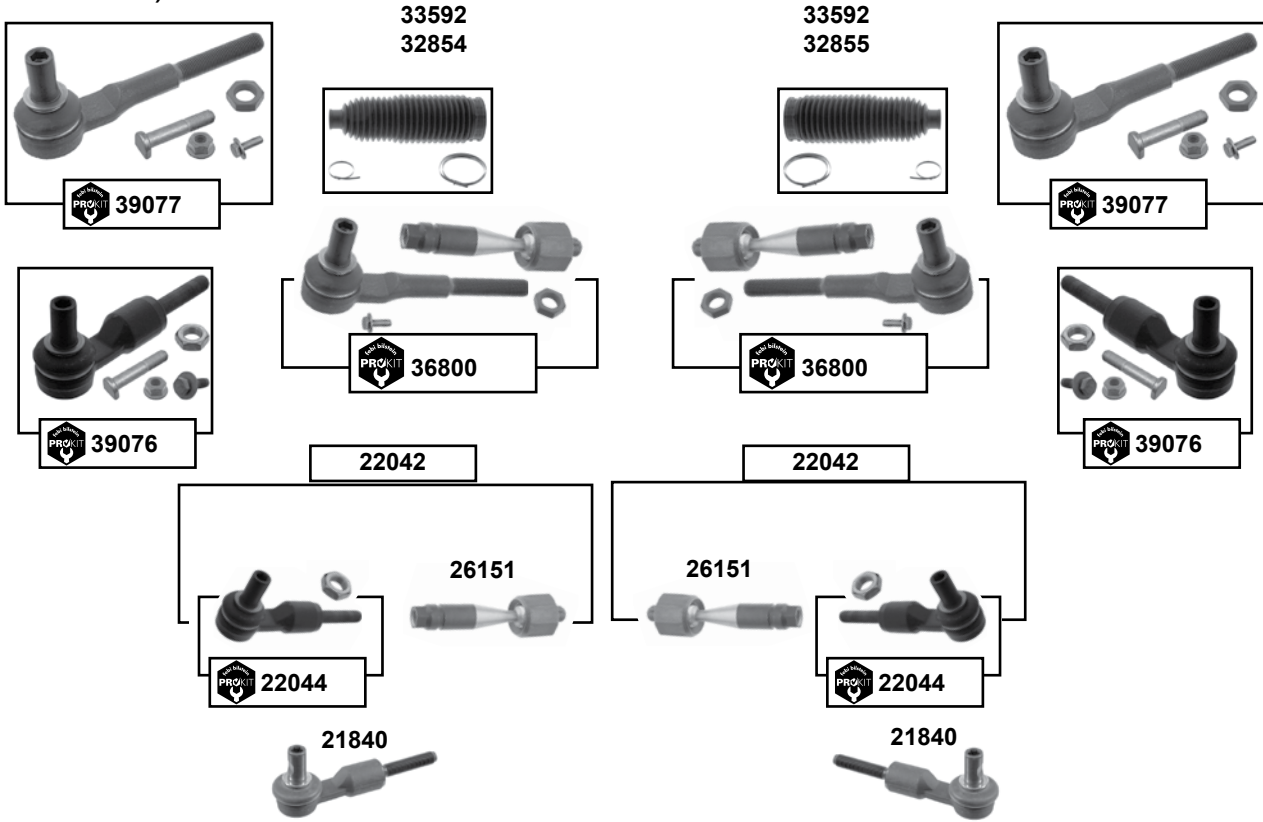
	Ref. - No.			
10020	4D0 407 182 G	Querlenkerlager / control arm mount	06 → 08	12x50x60
21920	8E0 411 317	Verbindungsstange / stabilizer link		
21922	8E0 411 318	Verbindungsstange / stabilizer link		
21924	8E0 411 317 S1	ProKit Verbindungsstange / stabilizer link	(4)	
21926	8E0 411 318 S1	ProKit Verbindungsstange / stabilizer link	(4)	
21928	8E0 407 151 R	Querlenker / control arm	(3) <b>NEW</b>	
22046	8E0 407 181 C	Querlenkerlager / control arm mount		
23046	4D0 411 327 J	Stabilisatorlager / stabilizer mount		Ø I 29
28582	4F0 407 183 E	Querlenkerlager / control arm mount	(1)	Ø A 65,20
31277	8E0 407 693 AL	Querlenker / control arm	(2) (5)	M12 X 1,5
31281	8E0 407 694 AL	Querlenker / control arm	(2) (5)	M12 X 1,5
33370	8E0 407 151 R S1	ProKit Querlenker / control arm	(3)	
39754	KIT 11	Montagesatz / mounting kit		
39758	KIT 12	Montagesatz / mounting kit		



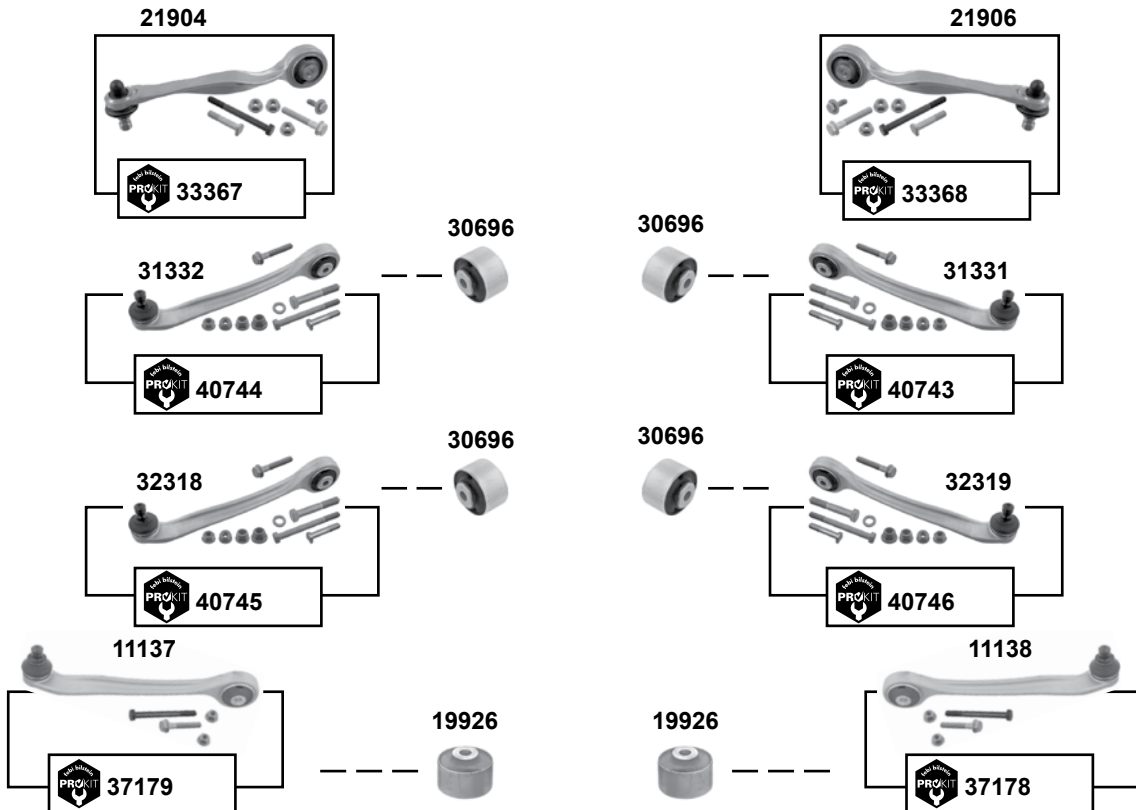
## A4 / Quattro (8H)

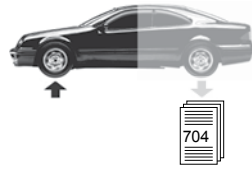
(2002 → 2009)

Vorderachse / Front axle



### oben / upper





## A4 / Quattro (8H) (2002 → 2009)

- (1) 03 → 05 // (ch.) → 8H-5-014 475 // (ex.) (mot.) BBK
- (2) (ch.) → 8H-5-014 475
- (3) (mot.) AMM, ASN, BBJ, BCZ, BDG, BDV, BFB, BFC → 05
- (4) (mot.) ALT, AMM, ASN, BCZ, BDG, BBF, BFB, BFC (ch.) → 8H-5-013 000
- (5) (mot.) ASB, AUK, BBK, BFB, BKH, BKN, BNS, BPP, BPW, BRC, BWE, BWT 06 →  
(mot.) AMM, ASN, BBJ, BCZ, BDG, BDV, BFB (ch.) 8H-5-014 476 → PR 1BA/1BE / PR 1BV/1BD
- (6) 05 → 06 (ch.) 8H-5-014 476 → / PR-1BA PR-1BE  
03 → 06 PR-1BV / (ex.) Motorkennbuchstabe BBK (8 Zylinder) / (ex.) engine BBK (8 cylinder) alle / all  
03 → 06 (mot.) BBK  
07 → 4 – 6 Zyl. / cyl.
- (7) 05 → 06 (ch.) 8H-5-014 476 → / PR-1BA PR-1BE / (ex.) 8 Zylinder / (ex.) 8 cylinder (mot.) BBK/BHF  
05 → 09 (ex.) 8 Zylinder / (ex.) 8 cylinder (BBK/BHF) / PR-1BD/1BV alle / all  
03 → 06 (mot.) BBK/BHF
- (8) → 05 alle / all PR 1BV/1BD // (ch.) 8H-5-014 476 → PR 1BA/1BE  
S4 quattro, S4 Avant quattro, S4 Cabrio quattro alle / all 04 → 08
- (9) 03 → 05 KOYO-Lenkgetriebe / -steering gear / (ex) (mot.) BBK, BHF // links = Linkslenker / left = left hand drive  
07 → KOYO-Lenkgetriebe / -steering gear / (ex) (mot.) BBK, BHF // links = Linkslenker / left = left hand drive  
(mot.) BFB, BWE, BWT, AUK
- (10) → (ch.) 8H-5-014476 KOYO-Lenkgetriebe / -steering gear / (ex) (mot.) BBK, BHF / rechts = Linkslenker / right = left hand drive  
07 → KOYO-Lenkgetriebe / -steering gear / (ex) (mot.) BBK, BHF / rechts = Linkslenker / right = left hand drive (mot.) BFB, BWE, BWT, AUK
- (11) → 05 (ch.) → 8H-5-013 000 alle / all
- (12) RS4 Cabrio quattro 06 → 08 alle / all



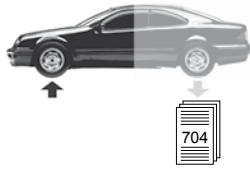
Ref. - No.



Ref. - No.	Description	Notes	Dimensions
11137	8E0 407 505 A	Querlenker vorne / control arm front	(1) (ex.) Sport
11138	8E0 407 506 A	Querlenker vorne / control arm front	(1) (ex.) Sport
19926	4B0 407 515	Querlenkerlager / control arm mount	(2) PR-1BA/1BE
21840	4F0 498 811 A SK	Spurstangenendstück / tie rod end	
21904	8E0 407 509 A	Querlenker hinten / control arm rear	(2) → 05
21906	8E0 407 510 A	Querlenker hinten / control arm rear	(2) → 05
22042	8E0 419 801 B	Rep. Satz Spurstange / rep. kit tie rod	(ex.) S4
22044	8E0 419 811 B	ProKit Spurstangenendstück / tie rod end	(4)
26151	8E0 422 821 C	Spurstange beidseitig / tie rod both sides	
30696	8D0 407 515 C	Querlenkerlager / control arm mount	(5)
31331	8E0 407 510 P	Querlenker / control arm	(6)
31332	8E0 407 510 P	Querlenker / control arm	(6)
32318	8E0 407 505 P	Querlenker / control arm	(7)
32319	8E0 407 506 P	Querlenker / control arm	(7)
32854	8E0 419 831 A	Lenkmanschettensatz / steering boot set	(9)
32855	8E0 419 831 B	Lenkmanschettensatz / steering boot set	(10)
33367	8E0 407 509 A S1	ProKit Querlenker / control arm	(2) → 05
33368	8E0 407 510 A S1	ProKit Querlenker / control arm	(2) → 05
33592	8D0 419 831 K S1	Lenkmanschettensatz / steering boot set	
36800	8E0 422 821 C S1	ProKit Spurstange / tie rod	
37178	8E0 407 506 A S1	ProKit Querlenker / control arm	(3)
37179	8E0 407 505 A S2	ProKit Querlenker / control arm	(3)
39076	4F0 498 811 S1	ProKit Spurstangenendstück / tie rod end	(11)
39077	4F0 498 811 A S1	ProKit Spurstangenendstück / tie rod end	(12)
40743	8E0 407 510 P S1	ProKit Querlenker / control arm	(8)
40744	8E0 407 509 P S1	ProKit Querlenker / control arm	(8)
40745	8E0 407 505 P S1	ProKit Querlenker / control arm	(8)
40746	8E0 407 506 P S1	ProKit Querlenker / control arm	(8)

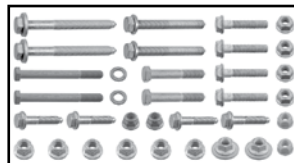
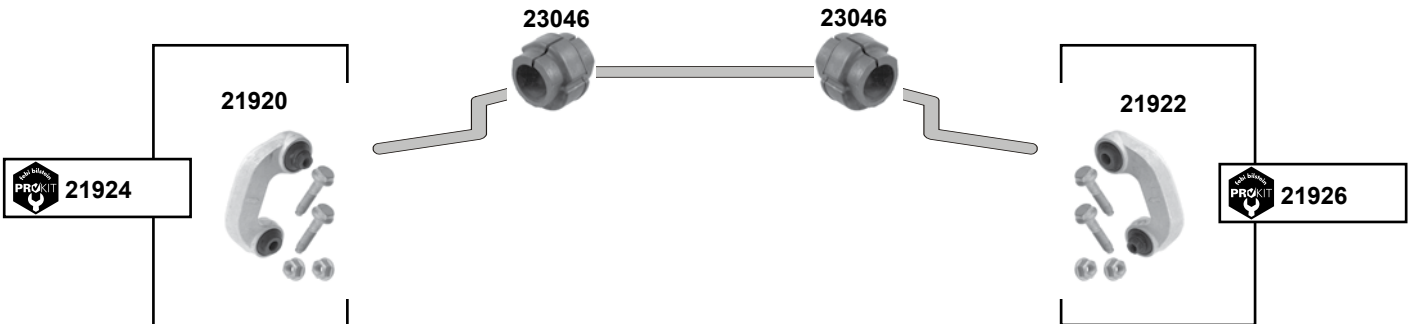
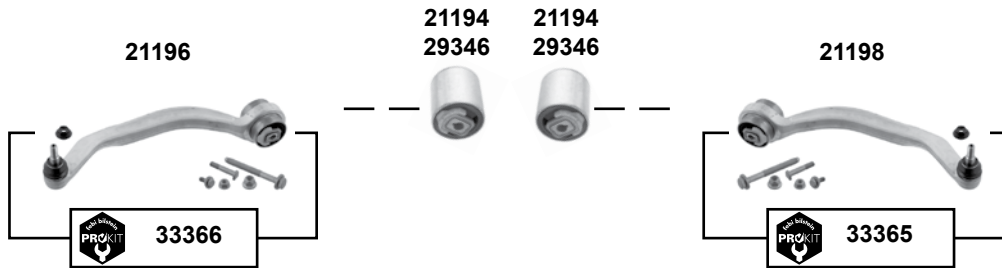
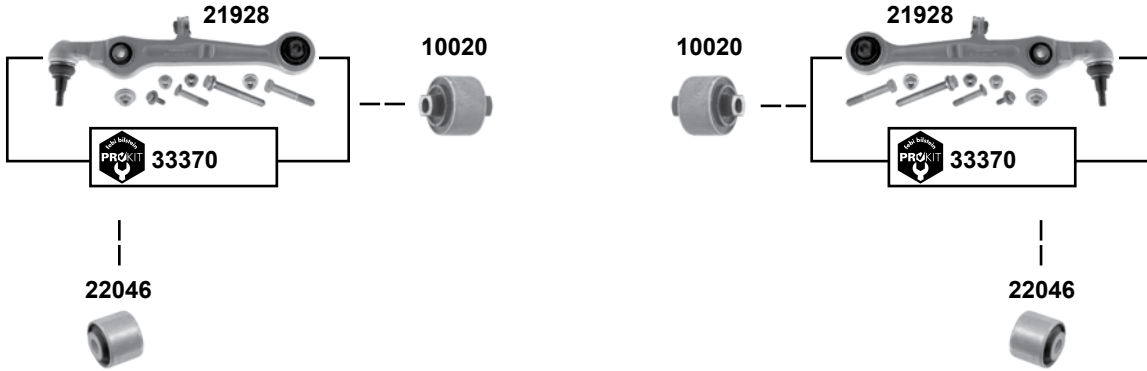
Ø 19/64 H 251





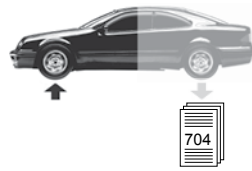
## A4 / Quattro (8H) (2002 → 2009)

### unten / lower

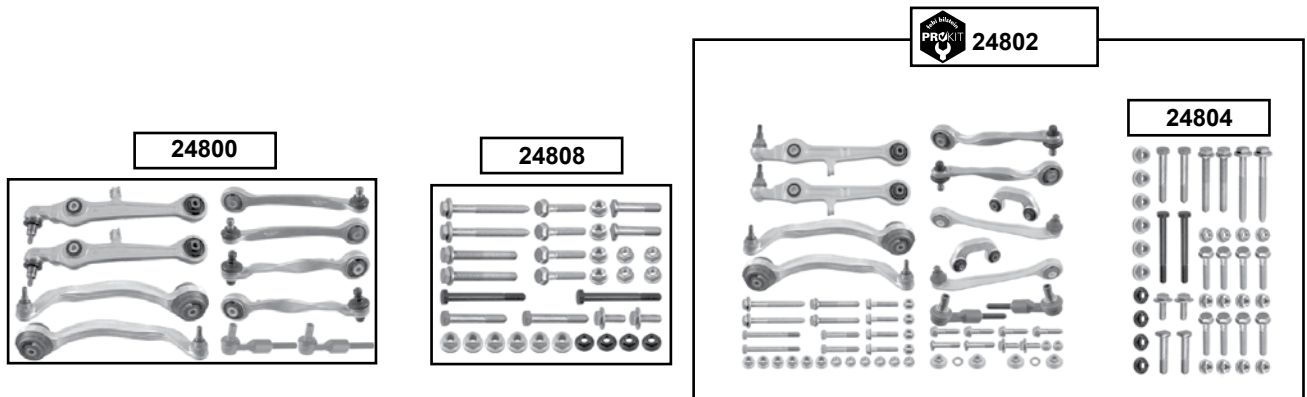


39754  
39758

Vorderachse / Front axle



# A4 / Quattro (8H) (2002 → 2009)



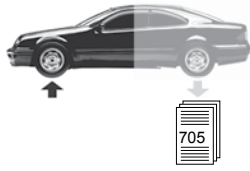
Vorderachse / Front axle

- (1) A4 Cabrio / S4 Cabrio / quattro / RS4 Cabrio quattro 07 →
- (2) A4 / S4 Cabrio / quattro → 09 / RS4 Cabrio quattro 07 →
- (3) A4 Cabrio / S4 Cabrio → 06
- (4) Aluguß / cast aluminium // neue Ausführung zu febi 33364 / new execution for febi 33364 // A4/S4 Cabrio 03 → 06
- (5) **(mot.)** AMM, ASN, BBJ, BCZ, BDG, BDV, BFC, BFB **(ch.)** → 8H-5-014 475
- (6) **(ch.)** → 8H-5-014 475
- (7) Audi RS4 / avant quattro 06 → **(mot.)** BNS // Audi RS4 Cabrio quattro 07 → **(mot.)** BNS

	Ref. - No.			
10020	4D0 407 182 G	Querlenkerlager / control arm mount	(2)	12x50x60
21194	4D0 407 183 AB	Querlenkerlager / control arm mount		
21196	8E0 407 693 AG	Querlenker hinten / control arm rear	(3)	Alu
21198	8E0 407 694 AG	Querlenker hinten / control arm rear	(3)	Alu
21920	8E0 411 317	Verbindungsstange / stabilizer link		
21922	8E0 411 318	Verbindungsstange / stabilizer link		
21924	8E0 411 317 S1	ProKit Verbindungsstange / stabilizer link		
21926	8E0 411 318 S1	ProKit Verbindungsstange / stabilizer link		
21928	8E0 407 151 R	Querlenker / control arm	(1) <b>NEW</b>	
22046	8E0 407 181 C	Querlenkerlager / control arm mount		
23046	4D0 411 327 J	Stabilisatorlager / stabilizer mount		Ø I 29
24800	8E0 498 998	Rep. Satz Querlenker / rep. kit control arm	(5)	
24802	8E0 498 998 S1	ProKit Querlenkersatz / control arm kit	(5)	
24804	-	Schraubensatz / screw kit	(5)	
24808	-	Schraubensatz / screw kit	(6)	
28582	4F0 407 183 E	Querlenkerlager / control arm mount	07 →	Ø A 65,20
29346	4F0 407 183 C	Querlenkerlager / control arm mount	(7)	
31277	8E0 407 693 AL	Querlenker / control arm	07 →	M12X1,5
31281	8E0 407 694 AL	Querlenker / control arm	07 →	M12X1,5
33365	8E0 407 694 AG S1	ProKit Querlenker / control arm	(4)	
33366	8E0 407 693 AG S1	ProKit Querlenker / control arm	(4)	
33370	8E0 407 151 R S1	ProKit Querlenker / control arm	(1)	
39754	KIT 11	Montagesatz / mounting kit		
39758	KIT 12	Montagesatz / mounting kit		

passend für / to fit

**AUDI**



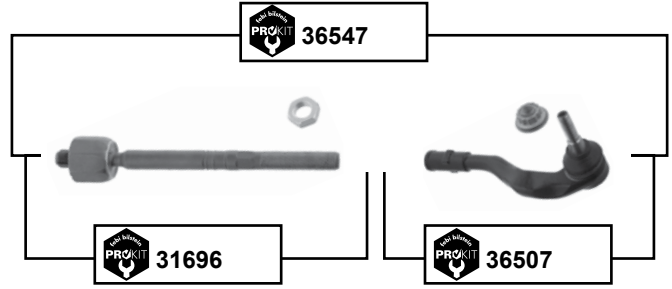
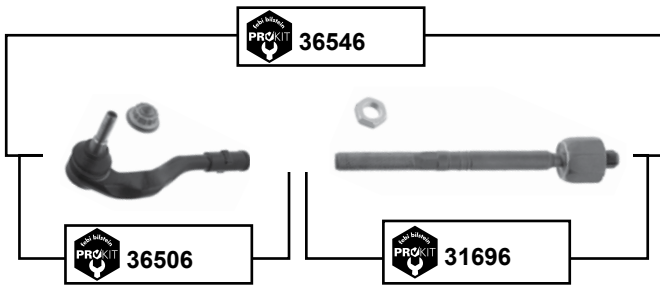
**Car  
Division**



# A4 (8K) / A5 (8T)

(2008 →) (2009 →)

Vorderachse / Front axle



33548



33548



36873



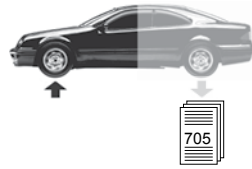
36873



31343

31343





**A4 (8K) / A5 (8T)**  
(2008 →) (2009 →)



- (1) A5 (ch.) → 8T-8-011 135
- (2) A4 / S4 / avant / quattro → 10 (ch.) → 8K-AA110089 / (ch.) → 8K-AN043143 / (ch.) → 8K-AY700198  
A4 allroad quattro 10 (ch.) → 8K-A-110089  
A5 → 10 (ch.) 8T-8-015 061 → 8T-A-000 000
- (3) A5 → 12 / (ch.) → 8T-8-015 061
- (4) A4 (8K) (ch.) 8K-D-000 001 → / A5 (8T) (ch.) 8T-C-000 001 →



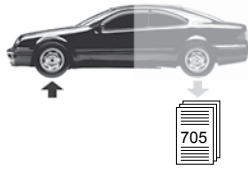
Ref. - No.



Ref. - No.	Description	Quantity	Notes
<b>31343</b>	8K0 411 327 B Stabilisatorlager / stabilizer mount	(1)	
<b>31696</b>	8J0 423 810 ProKit Spurstange / tie rod		M16x1,5
<b>33548</b>	8K0 411 317 E Verbindungsstange / stabilizer link	(2)	L 170 / Alu
<b>36506</b>	8K0 422 817 B S1 ProKit Spurstangenendstück / tie rod end		M14 x 1,5
<b>36507</b>	8K0 422 818 B S1 ProKit Spurstangenendstück / tie rod end		M14 x 1,5
<b>36546</b>	8J0 423 810 S1 ProKit Spurstange mit Endstück/ tie rod with tie rod end		M12 x 1,5
<b>36547</b>	8J0 423 810 S2 ProKit Spurstange mit Endstück/ tie rod with tie rod end		M12 x 1,5
<b>36873</b>	8K0 411 317 B Verbindungsstange / stabilizer link	(1)	L 110
<b>37276</b>	8K0 411 317 B S1 ProKit Verbindungsstange / stabilizer link	(3)	L 110
<b>39896</b>	4M0 411 317 S1 ProKit Verbindungsstange / stabilizer link	(4)	

passend für / to fit

**AUDI**



**Car  
Division**

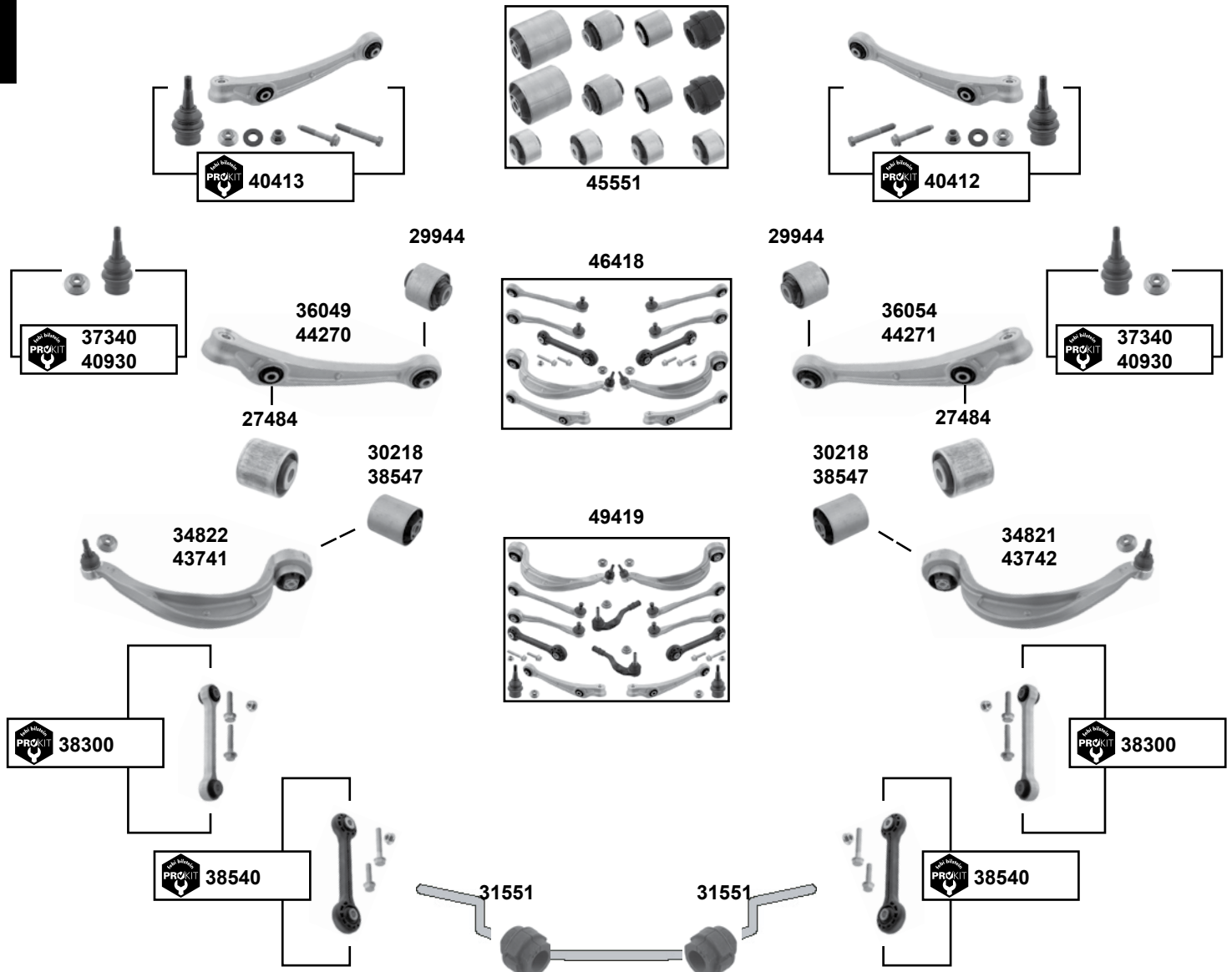


**A4 (8K) / A5 (8T)**  
(2008 →) (2009 →)

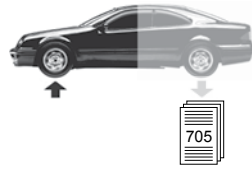
**oben / upper**



**unten / lower**



Vorderachse / Front axle



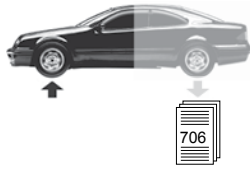
# A4 (8K) / A5 (8T)

(2008 →) (2009 →)

- |      |   |              |   |              |
|------|---|--------------|---|--------------|
| (1)  | A4 / S4 / avant / quattro<br>A5 Coupe / S5 Coupe / sportback  | 08 →<br>08 → | A4 allroad quattro<br>A5 Cabrio / S5 Cabrio / sportback | 10 →<br>10 → |
| (2)  | A4 / S4 / avant / quattro (8K) → 10 (ch.) → 8K-AA110 089 / (ch.) → 8K-AN043 143 / (ch.) → 8K-AY700 198<br>A4 allroad quattro (8K) 10 → (ch.) → 8K-A110 089 / Bitte paarweise tauschen / please change in pairs<br>A5 (8T) 08 → (ch.) → 8T-A-047808 alle / all Bitte paarweise tauschen / please change in pairs   |              |   |              |
| (3)  | A4 PR-1BA,1BR,1BL // A5 PR-1BA,1BL,1BB,1BD  |              |   |              |
| (4)  | A4 (ch.) 8K-9A160 292 → / (ch.) 8K-9N038 891 → / (ch.) 8K-9Y700 073 → / A5 (8T) alle / all  |              |   |              |
| (5)  | A4 alle/all // A5 → (ch.) 8T-8-015 061  |              |   |              |
| (6)  | bis Baujahr / to the year of construction 08/2011   |              |   |              |
| (7)  | ab Baujahr / from the year of construction 08/2011  |              |   |              |
| (8)  | A4 PR-A8S<br>A5 (ch.) → 8T-BA150 000  |              |   |              |
| (9)  | A4 2,7D PR 1BA,1BR,1BL Durchmesser Stabilisator / Stabiliser Diameter 25,6 , Durchmesser Stabilisator / Stabiliser Diameter 25<br>A5 3,0D (mot.) CAPA<br>A5 2,0B (mot.) CAEB,CDNC 2,0D (mot.) CAHA 3,0D (mot.) CCWA,CCWB bis Baujahr / to the year of construction 07/2009 ab Baujahr / from the year of construction 08/2009 nicht für RP / Not for PR A8U |              |   |              |
| (10) | (mot.) CAGB, CAGA, CAHB, CAHA, CDNC, CCWA → 11/2009   |              |   |              |

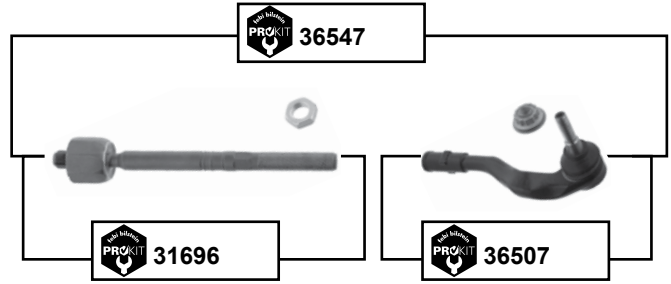
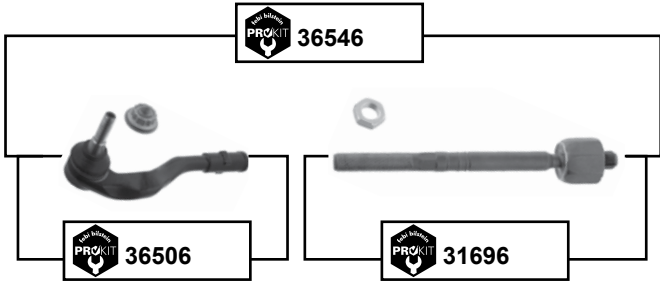


	Ref. - No.			
27484	4E0 407 181 B	Querlenkerlager / control arm mount		Ø   12,4
29944	8K0 407 182 B	Querlenkerlager / control arm mount	(1)	Ø   12
30218	8K0 407 183 A	Querlenkerlager / control arm mount		Ø A 65
31468	8K0 407 515	Querlenkerlager / control arm mount	(8T) 10 →	Ø   10 H40
31551	8K0 411 327 A	Stabilisatorlager / stabilizer mount	(3)	Ø   24
34821	8K0 407 694 N S1	Rep. Satz Querlenker / rep. kit control arm	(2)	
34822	8K0 407 693 N S1	Rep. Satz Querlenker / rep. kit control arm	(2)	
36049	8K0 407 151 D	Querlenker / control arm	(6)	
36054	8K0 407 152 D	Querlenker / control arm	(6)	
36058	8K0 407 505 B	Querlenker vorne / control arm front	(8K)	Alu
36059	8K0 407 506 B	Querlenker vorne / control arm front	(8K)	Alu
36060	8K0 407 509 B	Querlenker hinten / control arm rear	(8K)	Alu
36061	8K0 407 510 B	Querlenker hinten / control arm rear	(8K)	Alu
36597	8K0 407 506 A	Querlenker vorne / control arm front		
36598	8K0 407 505 A	Querlenker vorne / control arm front		
36602	8K0 407 509 A	Querlenker hinten / control arm rear		
36603	8K0 407 510 A	Querlenker hinten / control arm rear		
36938	8K0 422 831 S1	Rep. Satz Lenkmanschette / rep. kit steering boot		L 202
37340	8K0 407 689 G S1	ProKit Traggelenk / ball joint	(6)	
38300	4H0 411 317 A S1	ProKit Verbindungsstange / stabilizer link		
38540	8K0 411 317 D S1	ProKit Verbindungsstange / stabilizer link	(5)	L 170
38547	8K0 407 183 D	Querlenkerlager / control arm mount	(4)	Ø A 75
39355	8R0 407 515	Querlenkerlager / control arm mount	(8K)	Ø   10 H40
40412	8K0 407 152 D S1	ProKit Querlenker / control arm	(6)	
40413	8K0 407 151 D S1	ProKit Querlenker / control arm	(6)	
40930	4G0 407 689 C	ProKit Traggelenk / ball joint	(7)	
43741	8K0 407 693 T S1	Querlenker / control arm	(8)	
43742	8K0 407 694 T S1	Querlenker / control arm	(8)	
44270	8K0 407 151 F	Querlenker / control arm	(7)	
44271	8K0 407 152 F	Querlenker / control arm	(7)	
45551	8K0 407 515 S1	Querlenkerlagersatz / control arm mounting kit	(9)	
46418	8K0 407 151 D S2	Querlenkerlagersatz / control arm mounting kit	(10)	
49419	8K0 407 151 D S3	Querlenkerlagersatz / control arm mounting kit	(10)	



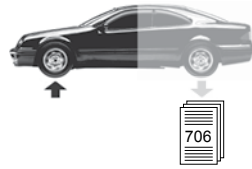
## A5 Cabrio (8F) (2009 →)

Vorderachse / Front axle



### oben / upper

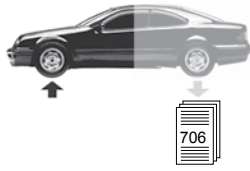




**A5 Cabrio (8F)**  
(2009 →)

	Ref. - No.			
<b>31468</b>	8K0 407 515	Querlenkerlager / control arm mount		Ø I 10 H40
<b>31696</b>	4H0 422 810 A	ProKit Axialgelenk / axial joint		M16 x 1,5
<b>36058</b>	8K0 407 505 B	Querlenker vorne / control arm front		Alu
<b>36059</b>	8K0 407 506 B	Querlenker vorne / control arm front		Alu
<b>36060</b>	8K0 407 509 B	Querlenker hinten / control arm rear		Alu
<b>36061</b>	8K0 407 510 B	Querlenker hinten / control arm rear		Alu
<b>36506</b>	8K0 422 817 B S1	ProKit Spurstangenendstück / tie rod end		M14 x 1,5
<b>36507</b>	8K0 422 818 B S1	ProKit Spurstangenendstück / tie rod end		M14 x 1,5
<b>36546</b>	8J0 423 810 S1	ProKit Spurstange mit Endstück / tie rod with tie rod end		M12 x 1,5
<b>36547</b>	8J0 423 810 S2	ProKit Spurstange mit Endstück / tie rod with tie rod end		M12 x 1,5
<b>36597</b>	8K0 407 506 A	Querlenker vorne / control arm front		
<b>36598</b>	8K0 407 505 A	Querlenker vorne / control arm front		
<b>36602</b>	8K0 407 509 A	Querlenker hinten / control arm rear		
<b>36603</b>	8K0 407 510 A	Querlenker hinten / control arm rear		
<b>36938</b>	8K0 422 831 S1	Rep. Satz Lenkmanschette / rep. kit steering boot		L 202
<b>39355</b>	8R0 407 515	Querlenkerlager / control arm mount		Ø I 10 H40

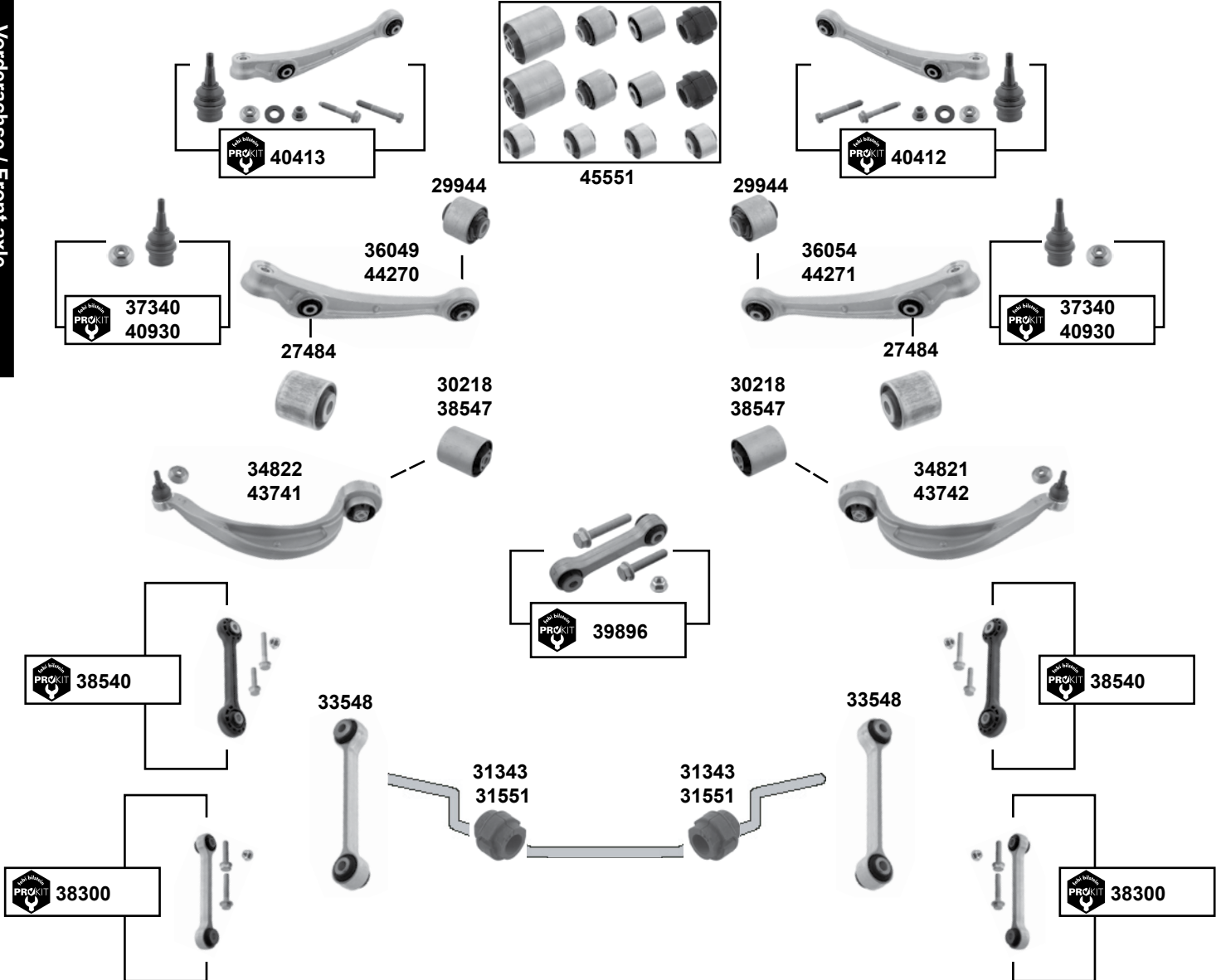


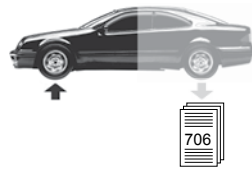


## A5 Cabrio (8F) (2009 →)

### unten / lower

Vorderachse / Front axle



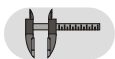


# A5 Cabrio (8F) (2009 →)

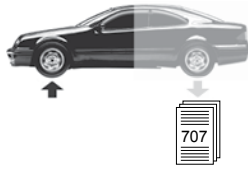
- (1) (ch.) → 8F-AN015 945 / PR-A8S Standardausstattung / standard equipment  
Bitte paarweise tauschen / please change in pair
- (2) (ch.) → FH-CN050 000 / (ch.) → 8F-BN050 000 / PR-A8U
- (3) bis Baujahr / to the year of construction 08/2011
- (4) ab Baujahr / from the year of construction 08/2011
- (5) 2,0B (mot.) CAEB,CDNC PR-A8S/1BL Durchmesser Stabilisator / Stabiliser Diameter 25,6
- (6) RS5 Cabrio quattro (mot.) CFSA
- (7) (mot.) CDHB, CGKB, CLAB (ch.) → 8T-A-000 000
- (8) → 02/2013 / Sport / für Fahrzeuge mit elektr. Dämpferregulierung/for vehicles with electronic suspension control
- (9) (mot.) CAEB,CDNC (ch.) 8F-C-000 001→ / Einsatzland: Russland / Country of use: Russia  
(mot.) CAED,CGLC,CGLD,CJCA, CJEB, CLAB, CDUC,CMUA,CPMA,CPMB / Einsatzland: Russland / Country of use: Russia



Ref. - No.



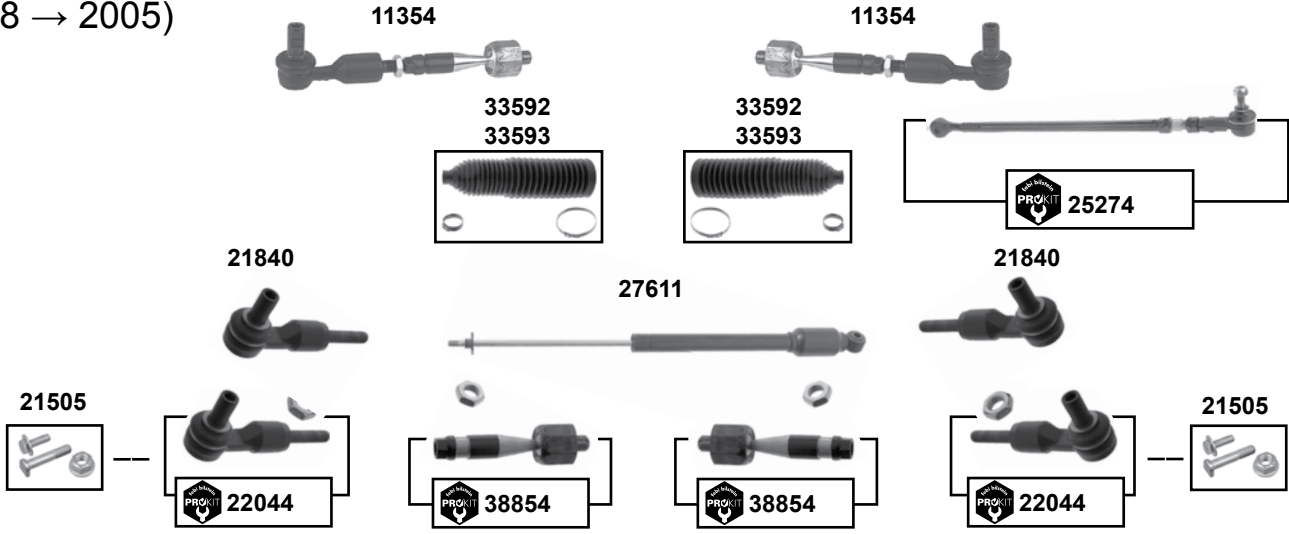
Ref. - No.				
27484	4E0 407 181 B	Querlenkerlager / control arm mount		Ø I 12,4
29944	8K0 407 182 B	Querlenkerlager / control arm mount		Ø I 12
30218	8K0 407 183 A	Querlenkerlager / control arm mount		Ø A 65
31343	8K0 411 327 B	Stabilisatorlager / stabilizer mount	(6)	
31551	8K0 411 327 A	Stabilisatorlager / stabilizer mount	PR-1BL	Ø I 24
33548	8K0 411 317 E	Verbindungsstange / stabilizer link	(7)	L 170 / Alu
34821	8K0 407 694 N S1	Rep. Satz Querlenker / rep. kit control arm	(1)	
34822	8K0 407 693 N S1	Rep. Satz Querlenker / rep. kit control arm	(1)	Alu
36049	8K0 407 151 D	Querlenker / control arm	(3)	
36054	8K0 407 152 D	Querlenker / control arm	(3)	
37340	8K0 407 689 G S1	ProKit Traggelenk / ball joint	(3)	
38300	4H0 411 317 A S1	ProKit Verbindungsstange / stabilizer link	(6) (8) PR 2MC	
38540	8K0 411 317 D S1	ProKit Verbindungsstange / stabilizer link		L 170
38547	8K0 407 183 D	Querlenkerlager / control arm mount	(2)	Ø A 75
39896	4M0 411 317 S1	ProKit Verbindungsstange / stabilizer link	(9)	
40412	8K0 407 152 D S1	ProKit Querlenker / control arm	(3)	
40413	8K0 407 151 D S1	ProKit Querlenker / control arm	(3)	
40930	4G0 407 689 C	ProKit Traggelenk / ball joint	(4)	
43741	8K0 407 693 T S1	Querlenker / control arm	PR-A8S	
43742	8K0 407 694 T S1	Querlenker / control arm	PR-A8S	
44270	8K0 407 151 F	Querlenker / control arm	(4)	
44271	8K0 407 152 F	Querlenker / control arm	(4)	
45551	8K0 407 515 S1	Querlenkerlagersatz / control arm mounting kit	(5)	



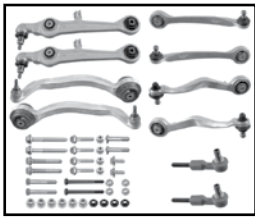
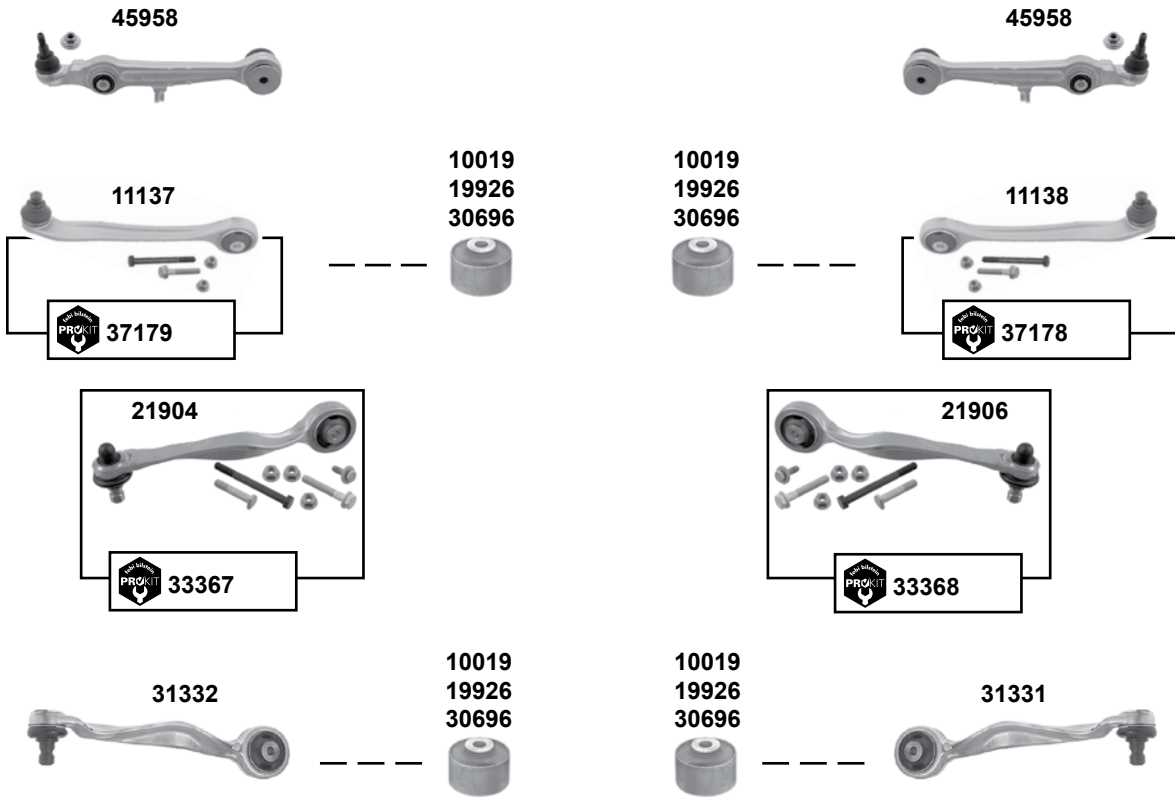
## A6 / A6 Quattro (4B)

(1998 → 2005)

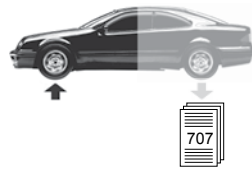
Vorderachse / Front axle



### oben / upper



21500

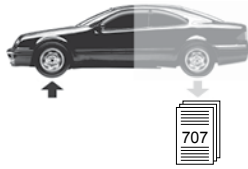


## A6 / A6 Quattro (4B) (1998 → 2005)

- (1)** 98 → 01 / 02 → 03 **(ch.)** → 4B-3-011544 **(ex.)** S4 / S6 / Sport / 00 → 02 **(ch.)** → 4B-2-150000 allroad
- (2)** 98 → 01 / **(ch.)** → 4B-1-200 000 alle / all  
02 **(ch.)** 4B-2-000 001 → **(ch.)** 4B-2-031 500 (ex.) 6-Gang Schaltgetriebe / (ex.) 6-gear manual transmission / (ex.) 17" + 18" Reifen / tyres / (ex.) Sonderschutzfahrzeuge / (ex.) spezial amoured cars / 4 + 6 Zylinder
- (3)** Audi S6 / avant 99 → 01 **(ch.)** 4B-X-090 001 → **(mot.)** AQJ/ANK  
Audi A6 / avant / quattro 02 → alle / all  
Audi S6 / avant 99 → 01 **(ch.)** 4B-X-065 001 → **(mot.)** AQJ/ANK  
Audi RS6 / RS6 plus / avant quatt. 03 → 05 alle / all  
Audi A6 allroad quattro 02 → **(ch.)** 4B-2-150 001 → alle / all
- (4)** RS6 Avant quattro, RS6 quattro 02 → 04 **(mot.)** BCY, BRV
- (5)** Audi A6 / avant / quattro (ex. S6) 98 → 05 **(ch.)** → 4B-5-050 000 alle / all  
Audi A6 allroad quattro 00 → 05 alle / all  
(ex.) PR-1BV / 1BD / (ex.) Sonderschutzfahrzeuge / (ex.) special amoured cars
- (6)** A6 / S6 / Avant / quattro **(ch.)** → 4B-5-050 000 / A6 allroad quattro 00 → 05 /  
RS6 / plus / Avant / quattro 03 → 05 /
- (7)** rechts = Linkslenker / right = left hand drive // links = Rechtslenker / left = right hand drive
- (8)** rechts = Rechtslenker / right = right hand drive // links = Linkslenker / left = left hand drive
- (9)** **(mot.)** ANK **(ch.)** → 4B-4-030 100 / **(mot.)** AQJ, BCY, BRV



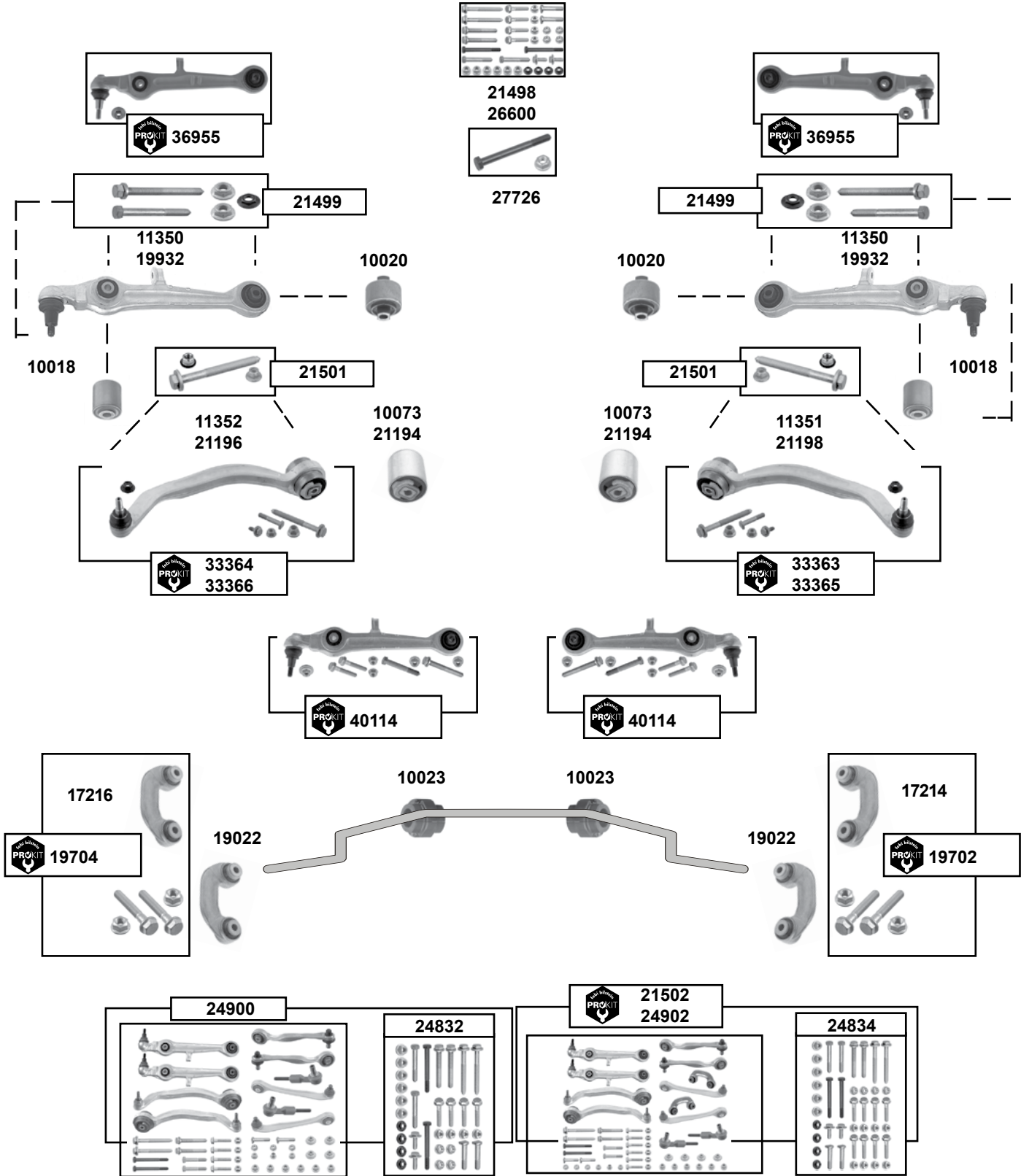
	Ref. - No.			
<b>10019</b>	4D0 407 515 C	Querlenkerlager / control arm mount	<b>(ch.)</b> → 4B-W-220000	10x46x40
<b>11137</b>	8E0 407 505 A	Querlenker vorne / control arm front		
<b>11138</b>	8E0 407 506 A	Querlenker vorne / control arm front		
<b>11354</b>	4B0 419 801 M	Spurstange / tie rod	<b>(ch)</b> → 4B-X-053000	M14 x 1,5
<b>19926</b>	4B0 407 515	Querlenkerlager / control arm mount	<b>(ch.)</b> 4B-X-000001 →	
<b>21500</b>	8D0 498 998	Rep. Satz Querlenker / rep. kit control arm	<b>(2)</b>	
<b>21505</b>	-	Schraubensatz / screw kit		
<b>21840</b>	4F0 498 811 A SK	Spurstangenendstück / tie rod end	<b>(3)</b>	
<b>21904</b>	8E0 407 509 A	Querlenker hinten / control arm rear		
<b>21906</b>	8E0 407 510 A	Querlenker hinten / control arm rear		
<b>22044</b>	8E0 419 811 B	ProKit Spurstangenendstück / tie rod end	<b>(1)</b>	
<b>25274</b>	4A0 419 802 A	ProKit Spurstange / tie rod	<b>(mot.)</b> ACK	M12 x 1,5
<b>27611</b>	4D0 425 021 D	Lenkungsämpfer / steering-damper	<b>(ch.)</b> → 4B-X-090 000	
<b>30696</b>	8D0 407 515 C	Querlenkerlager / control arm mount	<b>(4)</b>	
<b>31331</b>	8E0 407 510 P	Querlenker / control arm	<b>(ch.)</b> → 4B-W-100 001	
<b>31332</b>	8E0 407 509 P	Querlenker / control arm	<b>(ch.)</b> → 4B-W-100 001	
<b>33367</b>	8E0 407 509 A S1	ProKit Querlenker / control arm	<b>(5)</b>	
<b>33368</b>	8E0 407 510 A S1	ProKit Querlenker / control arm	<b>(5)</b>	
<b>33592</b>	8D0 419 831 K S1	Lenkmanschettensatz / steering boot set	<b>(6) (7)</b>	Ø 19 / 64 H 251
<b>33593</b>	4D0 419 831 E S1	Lenkmanschettensatz / steering boot set	<b>(6) (8)</b>	Ø 20 / 54 H 205
<b>37178</b>	8E0 407 506 A S1	ProKit Querlenker / control arm		
<b>37179</b>	8E0 407 505 A S2	ProKit Querlenker / control arm		
<b>38854</b>	4B0419 810 M	ProKit Axialgelenk / axial joint	<b>(ch.)</b> → 4B-X-090 000	
<b>45958</b>	4B3 407 151 D	Querlenker vorne / control arm front	<b>(9)</b>	

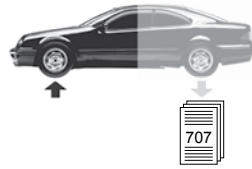


# A6 / A6 Quattro (4B) (1998 → 2005)

## unten / lower

Vorderachse / Front axle





# A6 / A6 Quattro (4B) (1998 → 2005)

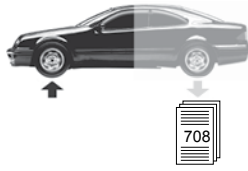
- (1)** 98 → 01: 8 Cylinder: **(ch.)** 4B-W-100001 → / 01 → 02: alle / all (17"+18" / **(ch.)** → 4B-2-031500  
02 → : alle / all **(ch.)** 4B-2-031501→
- (2)** RS6 / RS6 plus / avant quattro 03 → 05      **(3)** allroad quattro 00 → 03      **(ch.)** → 4B-3-030 000
- (4)** Aluguß / cast aluminium // neue Ausführung zu febi 33364 / new execution for febi 33364 // A6 / S6 / avant / quattro // RS6/plus / avant / quattro 03 - 06
- (5)** 02 → // **(ch.)** 4B-4-091 001→ // 2,5D **(mot.)** BAU, BCZ 2,7B **(mot.)** BES 4,2B **(mot.)** BAS
- (6)** Audi A6 / avant / quattro 98 → 01 Audi A6 allroad quattro 00 → 05 alle / all
- (7)** Audi A6 / avant / quattro 98 → 01 alle / all  
02 **(ch.)** → 4B-2-031 500 / 4+6 Zylinder: **(ex.)** 6-Gang Schaltgetriebe / **(ex.)** 6-gear manual transmission // **(ex.)** 17" + 18" // **(ex.)** Sonderschutzfahrzeuge / **(ex.)** special armoured cars



Ref. - No.



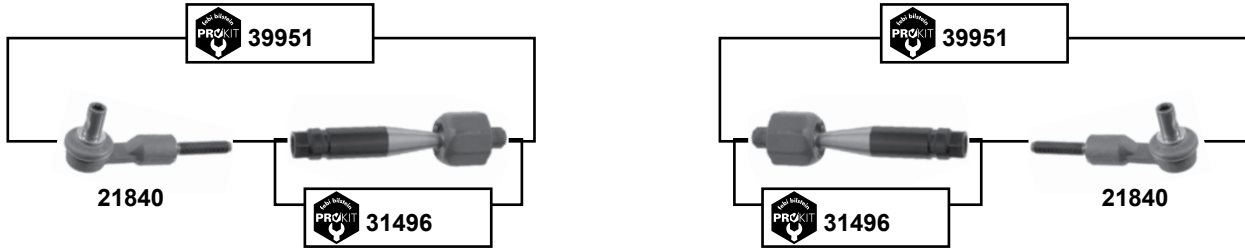
Ref. - No.				
10018	4D0 407 181 H	Querlenkerlager / control arm mount		12x40x50
10020	4D0 407 182 G	Querlenkerlager / control arm mount	<b>(3)</b>	12x50x60
10023	4D0 411 327 H	Stabilisatorlager / stabilizer mount		Ø I 27
10073	4D0 407 183 P	Querlenkerlager / control arm mount	<b>OLD</b>	12x65x80
11350	4D0 407 151 P	Querlenker vorne / control arm front		
11351	8E0 407 694 E	Querlenker hinten / control arm rear	<b>OLD</b>	
11352	8E0 407 693 E	Querlenker hinten / control arm rear	<b>OLD</b>	
17214	8D0 411 318 D	Verbindungsstange / stabilizer link	<b>(2)</b>	L 90
17216	8D0 411 317 D	Verbindungsstange / stabilizer link	<b>(2)</b>	L 90
19022	4D0 411 317 K	Verbindungsstange / stabilizer link		
19702	8D0 411 318 D S1	ProKit Verbindungsstange / stabilizer link		
19704	8D0 411 317 D S1	ProKit Verbindungsstange / stabilizer link		
19932	4B3 407 151 C	Querlenker vorne / control arm front	<b>(1)</b>	
21194	4D0 407 183 AB	Querlenkerlager / control arm mount	<b>NEW</b>	
21196	8E0 407 693 AG	Querlenker hinten / control arm rear		Alu
21198	8E0 407 694 AG	Querlenker hinten / control arm rear		Alu
21498	-	Montagesatz / mounting kit		
21499	-	Schraubensatz / screw kit		
21501	-	Schraubensatz / screw kit		
21502	8D0 498 988 S1	ProKit Querlenker / control arm	<b>(7)</b>	
24832	-	Schraubensatz / screw kit		
24834	-	Schraubensatz / screw kit		
24900	4B3 498 998	Rep. Satz Querlenker / rep. kit control arm	<b>(ch.)</b> 4B-2-031 501 →	
24902	4B3 498 998 S1	ProKit Querlenkersatz / control arm kit	<b>(ch.)</b> 4B-2-031 501 →	
26600	-	Rep. Satz Querlenker / rep. kit control arm		
27726	N 034 790 8 S1	Montagesatz / mounting kit	<b>(6)</b>	
33363	8E0 407 694 E S1	ProKit Querlenker / control arm	→ 03 <b>(ch.)</b> → 4B-3-011 544	
33364	8E0 407 693 E S1	ProKit Querlenker / control arm	→ 03 <b>(ch.)</b> → 4B-3-011 544	
33365	8E0 407 694 AG S1	ProKit Querlenker / control arm	<b>(4)</b>	
33366	8E0 407 693 AG S1	ProKit Querlenker / control arm	<b>(4)</b>	
36955	4Z7 407 151 G S1	ProKit Querlenker / control arm	<b>(5)</b>	
40114	4B3 407 151 K S1	ProKit Querlenker / control arm		



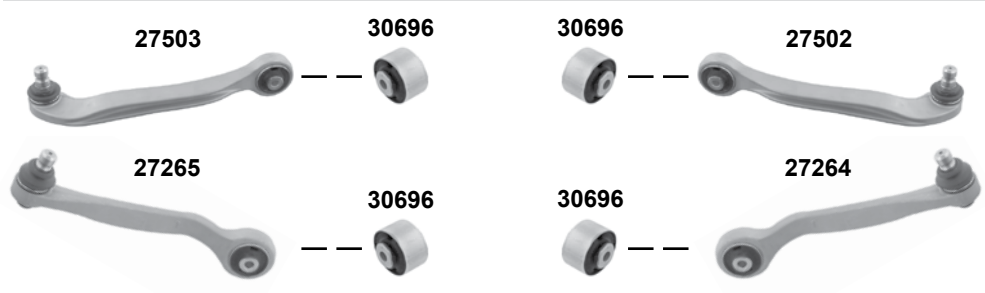
## A6 / Quattro (4F)

(2005 → 2011)

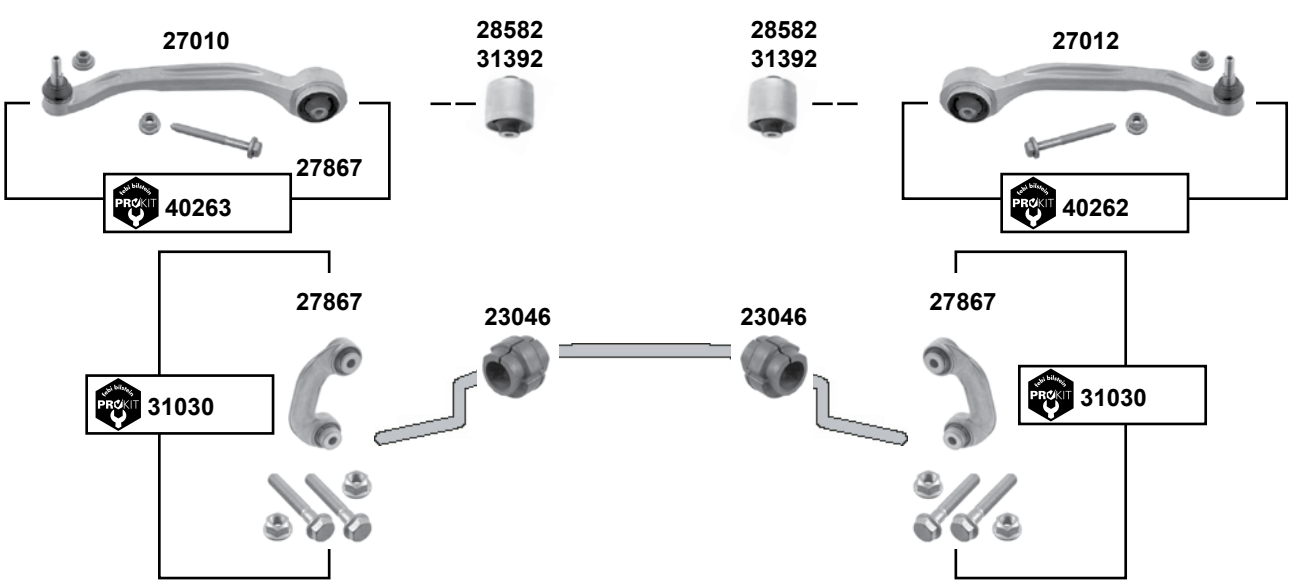
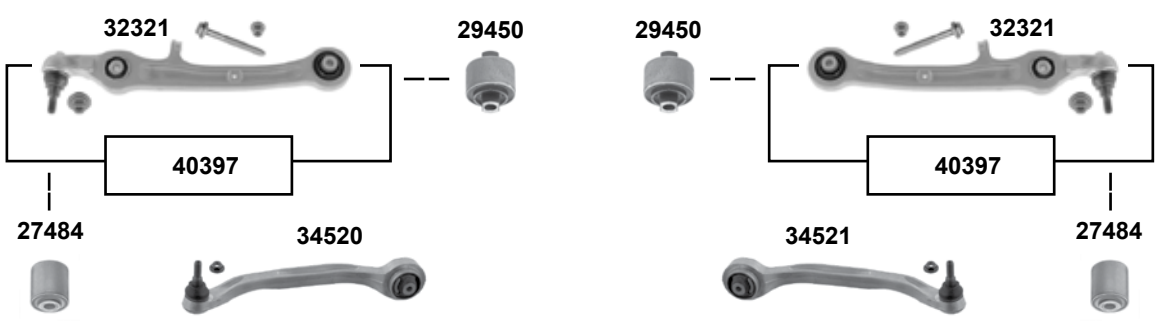
Vorderachse / Front axle

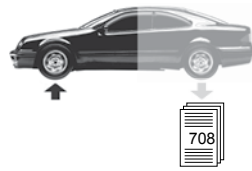


### oben / upper



### unten / lower





# A6 / Quattro (4F) (2005 → 2011)

<b>(1)</b>	<b>(ch.)</b> → 4F-8-018000
<b>(2)</b>	<b>(ch.)</b> → 4F-8-018000
<b>(3)</b>	<b>(ex.)</b> V8 / V10
<b>(4)</b>	A6/S6/avant/quattro/A6 allroad quattro/RS6/RS6 plus/ avant
<b>(5)</b>	A6/S6/avant/quattro / A6 allroad quattro / RS6/RS6 plus/ avant quattro
<b>(6)</b>	A6/S6/avant/quattro 05 → 08 4-6 Zylinder / cylinder A6 allroad quattro 05 → 08 <b>(ch.)</b> → 4F-8-074 450 8-10 Zylinder / cylinder / <b>(ex.) Sport</b> 07 →
<b>(7)</b>	S6 / avant <b>(mot.)</b> BAT, BVJ, BXA // PR-1BD <b>Sport</b> S6 Aluguß / cast aluminium
<b>(8)</b>	<b>(ch.)</b> 4F-5-000 001 →

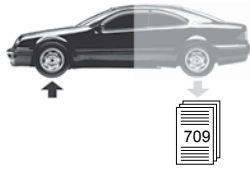


Ref. - No.



Ref. - No.	Description	Quantity	Notes
<b>21840</b>	4F0 498 811 A SK Spurstangenendstück / tie rod end		
<b>23046</b>	4D0 411 327 J Stabilisatorlager / stabilizer mount	<b>(8)</b>	
<b>27010</b>	4F0 407 693 C Querlenker hinten / control arm rear		
<b>27012</b>	4F0 407 694 C Querlenker hinten / control arm rear		
<b>27264</b>	4E0 407 510 B Querlenker hinten / control arm rear	<b>(1) (ex.)</b> S6	
<b>27265</b>	4E0 407 509 B Querlenker hinten / control arm rear	<b>(1) (ex.)</b> S6	
<b>27484</b>	4E0 407 181 B Querlenkerlager / control arm mount		M43,8 x 45
<b>27502</b>	4E0 407 506 B Querlenker vorne / control arm front	<b>(2) (ex.)</b> S6	
<b>27503</b>	4E0 407 505 B Querlenker vorne / control arm front	<b>(2) (ex.)</b> S6	
<b>27867</b>	4E0 411 317 E Verbindungsstange / stabilizer link	<b>(4)</b>	L 147 Alu
<b>28582</b>	4F0 407 183 E Querlenkerlager / control arm mount	<b>(6)</b>	Ø A 65,2 Ø A 55
<b>29450</b>	4E0 407 182 C Querlenkerlager / control arm mount		
<b>30696</b>	8D0 407 515 C Querlenkerlager / control arm mount		
<b>31030</b>	4E0 411 317 E S1 ProKit Verbindungsstange / stabilizer link		L 110/147
<b>31392</b>	4F0 407 183 F Querlenkerlager / control arm mount	<b>(3)</b>	Ø I 12,1
<b>31496</b>	4F0 422 821 D ProKit Spurstange / tie rod	<b>(4)</b>	
<b>32321</b>	4F0 407 151 A Querlenker vorne / control arm front	<b>(5)</b>	
<b>34520</b>	4F0 407 693 J Querlenker vorne / control arm front	<b>(7)</b>	
<b>34521</b>	4F0 407 694 J Querlenker vorne / control arm front	<b>(7)</b>	
<b>39951</b>	4F0 422 821 D S1 ProKit Spurstange / tie rod		
<b>40262</b>	4F0 407 694 H S1 ProKit Querlenker / control arm		
<b>40263</b>	4F0 407 693 H S1 ProKit Querlenker / control arm		
<b>40397</b>	4F0 407 151 A S1 Querlenker / control arm		

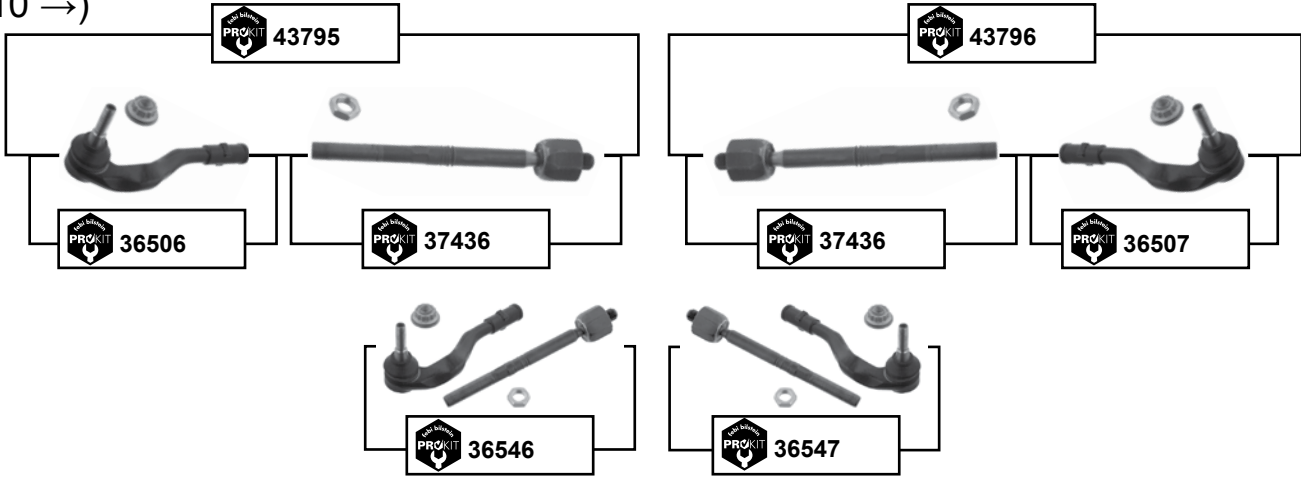




## A6 / Quattro (4G)

(2010 →)

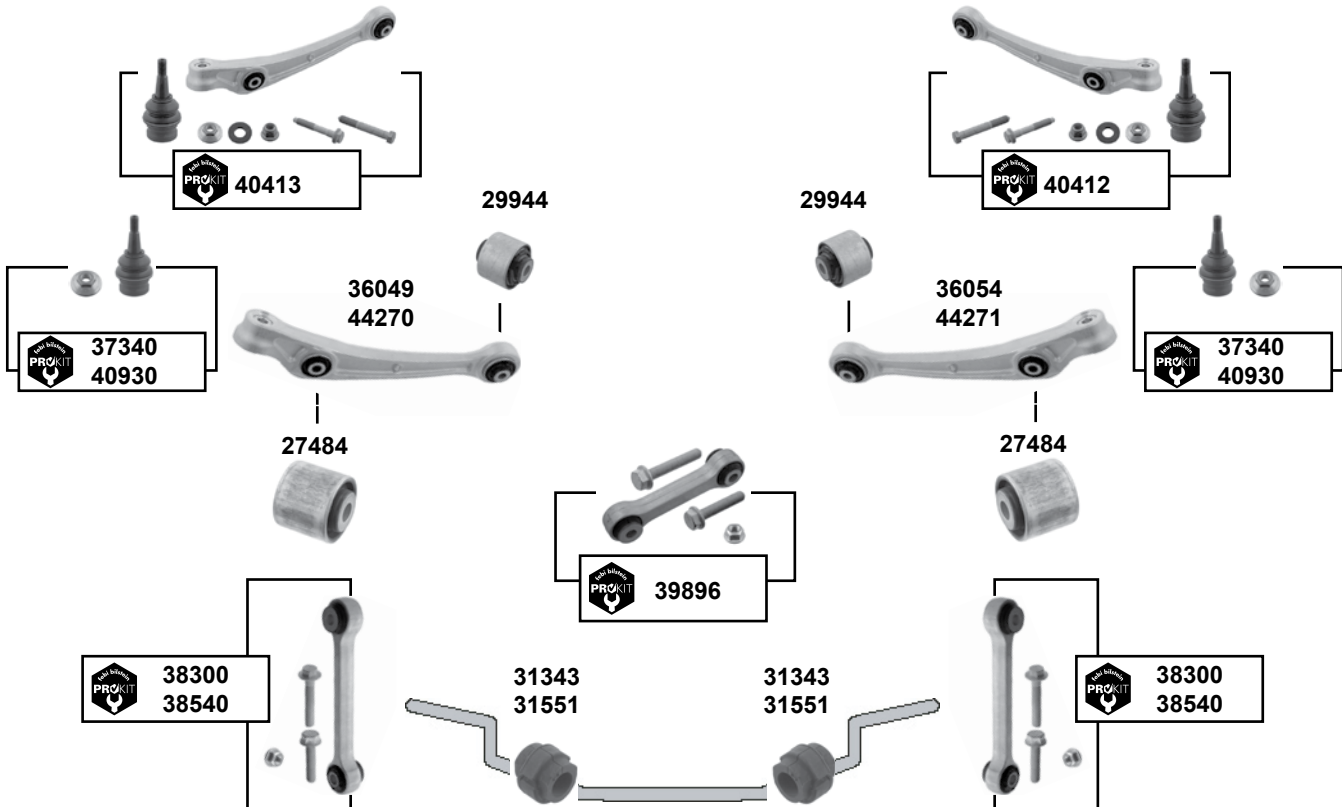
Vorderachse / Front axle

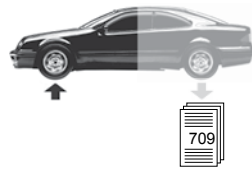


### oben / upper



### unten / lower





# A6 / Quattro (4G) (2010 →)

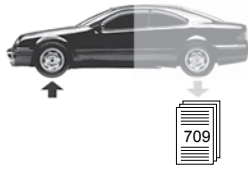
- (1) A6, A6 quattro: 11/2010 → / A6 Avant, A6 Avant quattro 05/2011 →
- (2) 01/2011 → PR-1BE,1BK,1BS / 11/2010 → PR-1BV,2MB
- (3) für Fahrzeuge mit Luftfederung / for pneumatic suspension vehicles / **(ch.)** 4G-B-100 000 → / PR-1BK, 1BS
- (4) für Fahrzeuge ohne Luftfederung / for vehicles without pneumatic suspension /  
für Fahrzeuge ohne elektr. Dämpferregulierung / for vehicles without electronic suspension control  
**(ch.)** 4G-B-100 000 → / nicht für / not for PR-1BK, 1BS, 2MB
- (5) bis Baujahr / to the year of construction 08/2011
- (6) ab Baujahr / from the year of construction 08/2011
- (7) A6 **(mot.)** CAEB,CDNB,CGLC,CGLD,CGLE, CHJA,CHVA,CLAB,CMGB / S6 quattro alle / all  
A6 quattro **(mot.)** CAEB,CDUC,CGQB,CGWB,CGWD,CGXB,CHVA,CKVB,CLAA, CTUA  
PR 2MB für Fahrzeuge mit elektr. Dämpferregulierung/forvehicles with electronic suspension control / PR  
1BA/1BE/1BK/1BR, PR 1BS/1BV // Länderausführung: Russland / Country Version:Russia



	Ref. - No.			
27484	4E0 407 181 B	Querlenkerlager / control arm mount		Ø   12,4
29944	8K0 407 182 A	Querlenkerlager / control arm mount		Ø   12
31343	8K0 411 327 B	Stabilisatorlager / stabilizer mount	(2)	
31551	8K0 411 327 A	Stabilisatorlager / stabilizer mount	PR-1BL	Ø   24
36049	8K0 407 151 D	Querlenker / control arm	(5)	
36054	8K0 407 152 D	Querlenker / control arm	(5)	
36506	8K0 422 817 B S1	ProKit Spurstangenendstück / tie rod end		M14 x 1,5
36507	8K0 422 818 B S1	ProKit Spurstangenendstück / tie rod end		M14 x 1,5
36546	8J0 423 810 S1	ProKit Spurstange mit Endstück/ tie rod with tie rod end		M12 x 1,5
36547	8J0 423 810 S2	ProKit Spurstange mit Endstück/ tie rod with tie rod end		M12 x 1,5
36580	4H0 407 515 B	Querlenkerlager / control arm mount	(1)	Ø A 46,5
36602	8K0 407 509 A	Querlenker hinten / control arm rear		
36603	8K0 407 510 A	Querlenker hinten / control arm rear		
37340	8K0 407 689 G S1	ProKit Traggelenk / ball joint	(5)	
37436	4G0 423 810 A	ProKit Axialgelenk / axial joint		M16 x 1,5
38300	4H0 411 317 A S1	ProKit Verbindungsstange / stabilizer link	(3)	L 170
38540	8K0 411 317 D S1	ProKit Verbindungsstange / stabilizer link	(4)	L 170
39896	4M0 411 317 S1	ProKit Verbindungsstange / stabilizer link	(7)	
40412	8K0 407 152 D S1	ProKit Querlenker / control arm	(5)	
40413	8K0 407 151 D S1	ProKit Querlenker / control arm	(5)	
40930	4G0 407 689 C	ProKit Traggelenk / ball joint	(6)	
43795	4G0 423 810 A S2	ProKit Spurstange / tie rod		M12 x 1,5
43796	4G0 423 810 A S1	ProKit Spurstange / tie rod		M12 x 1,5
44270	8K0 407 151 F	Querlenker / control arm	(6)	
44271	8K0 407 152 F	Querlenker / control arm	(6)	

passend für / to fit

**AUDI**



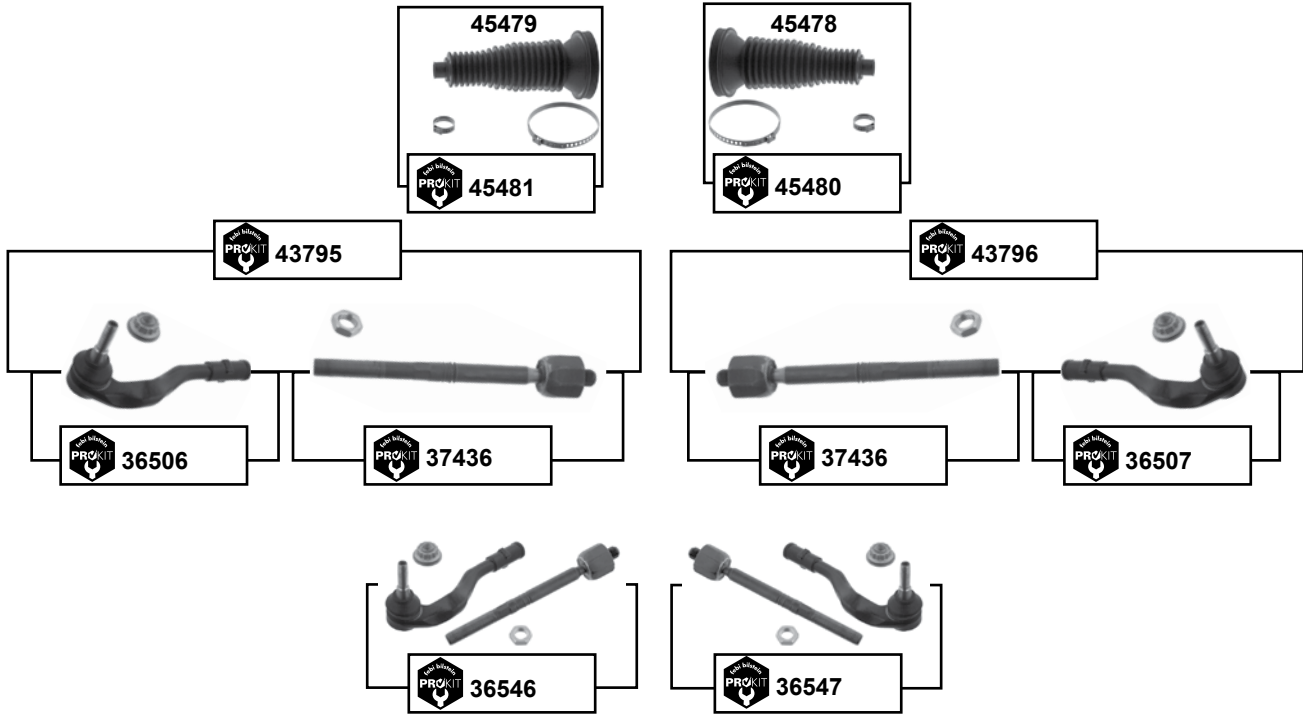
**Car  
Division**



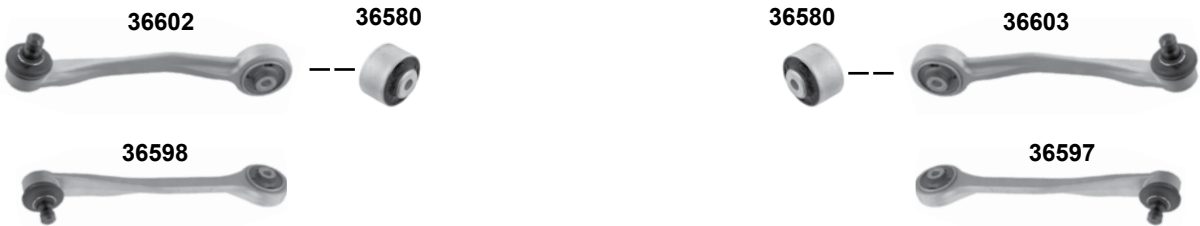
# A6 / Allroad / Quattro (4G)

(2010 →)

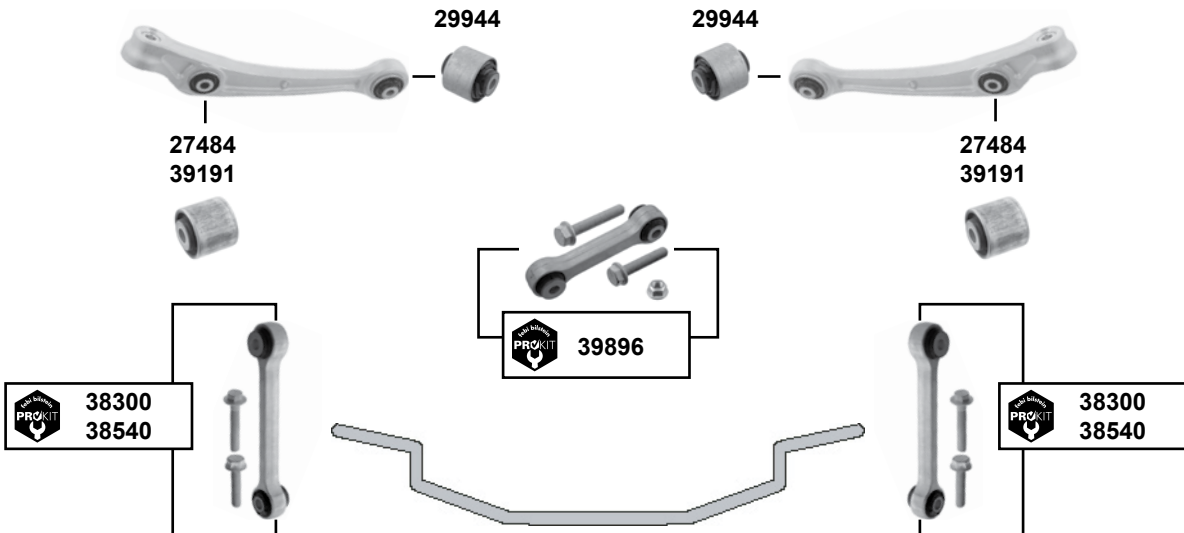
Vorderachse / Front axle

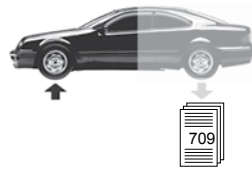


## oben / upper



## unten / lower





# A6 / Allroad / Quattro (4G) (2010 →)



- (1) für Fahrzeuge ohne Luftfederung / for vehicles without pneumatic suspension / für Fahrzeuge ohne elektr. Dämpferregulierung / for vehicles without electronic suspension control (ch.) 4G-B-100 000 → / nicht für / not for PR-1BK, 1BS, 2MB
- (2) S6 Quattro / Avant Quattro: 04/2012 → // (ch.) → FC-D-040 568 / (ch.) → 4G-D-040 568 // PR-FN0
- (3) Länderausführung: Russland / Country Version: Russia
- (4) beifahrerseitig / passenger side
- (5) fahrerseitig / driver side



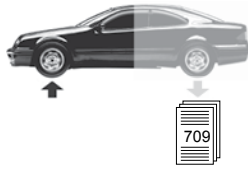
Ref. - No.



Ref. - No.				
27484	4E0 407 181 B	Querlenkerlager / control arm mount		Ø   12,4
29944	8K0 407 182 A	Querlenkerlager / control arm mount		Ø   12
36506	8K0 422 817 B S1	ProKit Spurstangenendstück / tie rod end		M14 x 1,5
36507	8K0 422 818 B S1	ProKit Spurstangenendstück / tie rod end		M14 x 1,5
36546	8J0 423 810 S1	ProKit Spurstange mit Endstück/ tie rod with tie rod end		M12 x 1,5
36547	8J0 423 810 S2	ProKit Spurstange mit Endstück/ tie rod with tie rod end		M12 x 1,5
36580	4H0 407 515 B	Querlenkerlager / control arm mount		Ø A 46,5
36597	8K0 407 506 A	Querlenker vorne / control arm front		
36598	8K0 407 505 A	Querlenker vorne / control arm front		
36602	8K0 407 509 A	Querlenker hinten / control arm rear		
36603	8K0 407 510 A	Querlenker hinten / control arm rear		
37436	4G0 423 810 A	ProKit Axialgelenk / axial joint	2012 →	M16 x 1,5
38300	4H0 411 317 A S1	ProKit Verbindungsstange / stabilizer link		L 170
38540	8K0 411 317 D S1	ProKit Verbindungsstange / stabilizer link	(1)	L 170
39191	4G0 407 183	Querlenkerlager / control arm mount	(2)	Ø   12 / A 75
39896	4M0 411 317 S1	ProKit Verbindungsstange / stabilizer link	(3)	
43795	4G0 423 810 A S2	ProKit Spurstange / tie rod		M12 x 1,5
43796	4G0 423 810 A S1	ProKit Spurstange / tie rod		M12 x 1,5
45478	4G0 423 832 A	Lenkmanschette / steering rack boot	(4)	Ø1 16/82 L200
45479	4G0 423 831	Lenkmanschette / steering rack boot	(5)	Ø1 16/82 L200
45480	4G0 423 832 A S1	ProKit Lenkmanschettensatz / steering boot set	(4)	
45481	4G0 423 831 S1	ProKit Lenkmanschettensatz / steering boot set	(5)	

passend für / to fit

**AUDI**

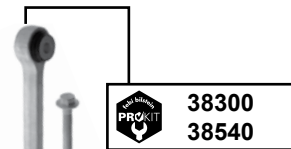
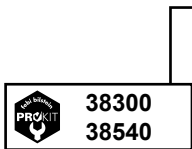
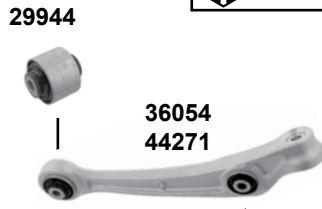
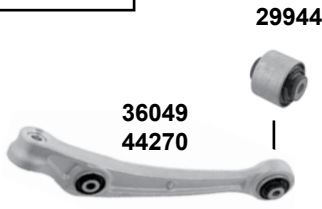
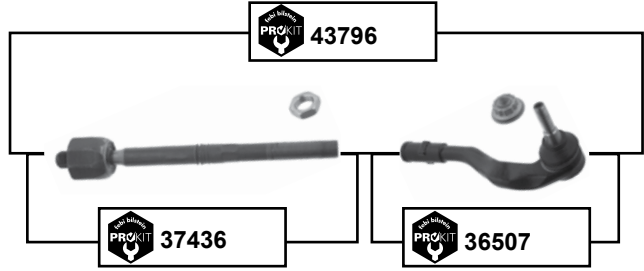
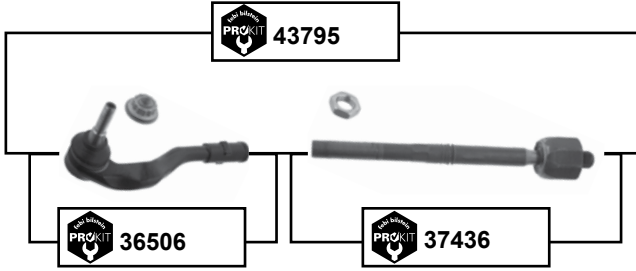
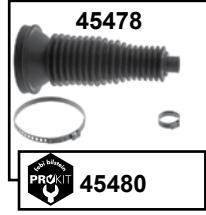
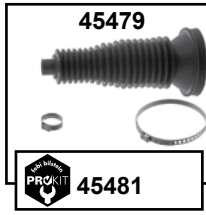


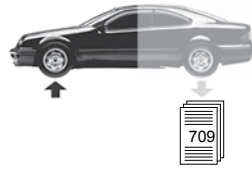
**Car  
Division**



# A7 Sportback (4G) (2010 →)

Vorderachse / Front axle





# A7 Sportback (4G) (2010 →)

- (1) PR-1BE,1BK,1BS,1BV,2MB
- (2) für Fahrzeuge mit Luftfederung / for pneumatic suspension vehicles  
(ch.) 4G-BN-100 000 → / (ch.) 4G-BY-100 000 → / PR-1BK, 1BS
- (3) für Fahrzeuge ohne Luftfederung / for vehicles without pneumatic suspension /  
für Fahrzeuge ohne elektr. Dämpferregulierung / for vehicles without electronic suspension control  
(ch.) 4G-CN 000 001 → / 4G-CY 000 001 → // nicht für / not for PR-1BK, 1BS, 2MB
- (4) bis Baujahr / to the year of construction 08/2011
- (5) ab Baujahr / from the year of construction 08/2011
- (6) (mot.) CHVA, CLAA, CLAB, CDUC, CDUD, CKVB, CGWB, CGWD, CGXB, CGQB, CEUC, CRDB
- (7) A7 Sportback quattro (mot.) CDUC,CGWB,CHVA,CLAA / A7 Sportback alle / all  
08/2011 → / PR 1BA/1BB/1BE/1BV Länderausführung: Russland / Country Version:Russia  
A7 Sportback quattro (mot.) CGXB / A7 Sportback quattro (mot.) CDUD,CGQB,CGWD,CKVB,CKVC, CTUA  
PR 1BA/1BB/1BE/1BV / Länderausführung: Russland / Country Version:Russia
- (8) A7 Sportback quattro (mot.) CDUC, CDUD, CGQB, CGWB, CGWD, CGXB, CHMA, CHVA, CKVB, CKVC,  
CLAA, CNYA, CPNB, CTTA, CTUA / A7 quattro, A7 Sportback alle / all / A7 Sportback quattro (mot.) CHMA  
beifahrerseitig / passenger side
- (9) A7 Sportback quattro (mot.) CDUC, CDUD, CGQB, CGWB, CGWD, CGXB, CHMA, CHVA, CKVB, CKVC,  
CLAA, CNYA, CPNB, CTTA, CTUA / A7 quattro, A7 Sportback alle / all / A7 Sportback quattro (mot.) CHMA  
fahrerseitig / driver side

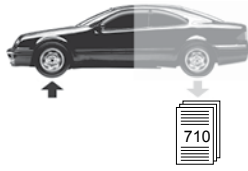
Vorderachse / Front axle



Ref. - No.



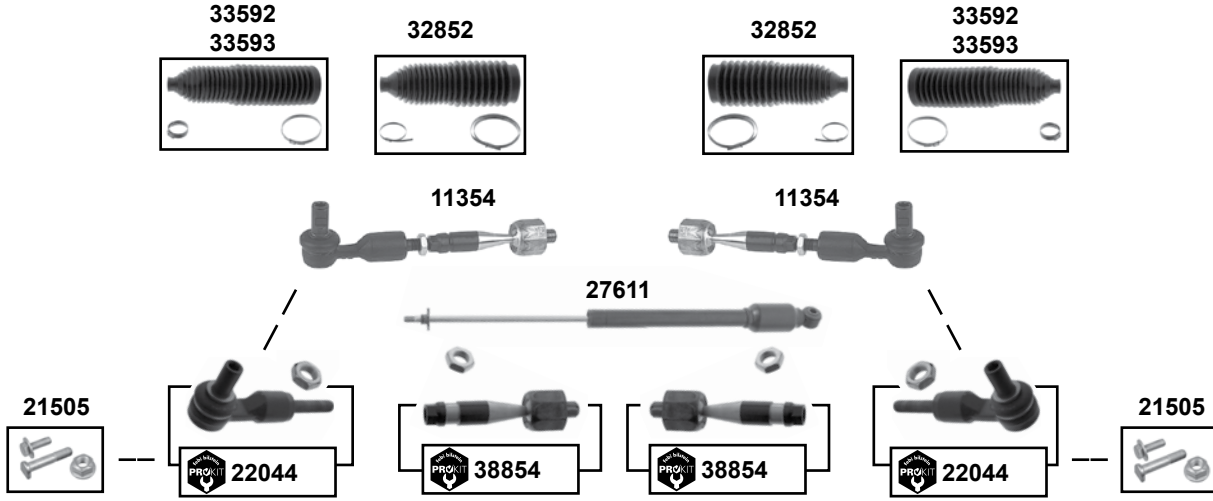
Ref. - No.				
27484	4E0 407 181 B	Querlenkerlager / control arm mount		Ø I 12,4
29944	8K0 407 182 A	Querlenkerlager / control arm mount		Ø I 12
31343	8K0 411 327 B	Stabilisatorlager / stabilizer mount	(1)	
31551	8K0 411 327 A	Stabilisatorlager / stabilizer mount	PR-1BB	Ø I 24
36049	8K0 407 151 D	Querlenker / control arm	(4)	
36054	8K0 407 152 D	Querlenker / control arm	(4)	
36506	8K0 422 817 B S1	ProKit Spurstangenendstück / tie rod end		M14 x 1,5
36507	8K0 422 818 B S1	ProKit Spurstangenendstück / tie rod end		M14 x 1,5
36546	8J0 423 810 S1	ProKit Spurstange mit Endstück/ tie rod with tie rod end	(6)	M12 x 1,5
36547	8J0 423 810 S2	ProKit Spurstange mit Endstück/ tie rod with tie rod end	(6)	M12 x 1,5
36580	4H0 407 515 B	Querlenkerlager / control arm mount		Ø A 46,5
36602	8K0 407 509 A	Querlenker hinten / control arm rear		
36603	8K0 407 510 A	Querlenker hinten / control arm rear		
37340	8K0 407 689 G S1	ProKit Traggelenk / ball joint	(4)	
37436	4G0 423 810 A	ProKit Axialgelenk / axial joint		M16 x 1,5
38300	4H0 411 317 A S1	ProKit Verbindungsstange / stabilizer link	(2)	L 170
38540	8K0 411 317 D S1	ProKit Verbindungsstange / stabilizer link	(3)	L 170
39191	4G0 407 183	Querlenkerlager / control arm mount		Ø I 12 / A 75
39896	4M0 411 317 S1	ProKit Verbindungsstange / stabilizer link	(7)	
40412	8K0 407 152 D S1	ProKit Querlenker / control arm	(4)	
40413	8K0 407 151 D S1	ProKit Querlenker / control arm	(4)	
40930	4G0 407 689 C	ProKit Traggelenk / ball joint	(5)	
43795	4G0 423 810 A S2	ProKit Spurstange / tie rod		M12 x 1,5
43796	4G0 423 810 A S1	ProKit Spurstange / tie rod		M12 x 1,5
44270	8K0 407 151 F	Querlenker / control arm	(5)	
44271	8K0 407 152 F	Querlenker / control arm	(5)	
45478	4G0 423 832 A	Lenkmanschette / steering rack boot	(8)	ØI 16/82 L200
45479	4G0 423 831	Lenkmanschette / steering rack boot	(9)	ØI 16/82 L200
45480	4G0 423 832 A S1	ProKit Lenkmanschettensatz / steering boot set	(8)	
45481	4G0 423 831 S1	ProKit Lenkmanschettensatz / steering boot set	(9)	



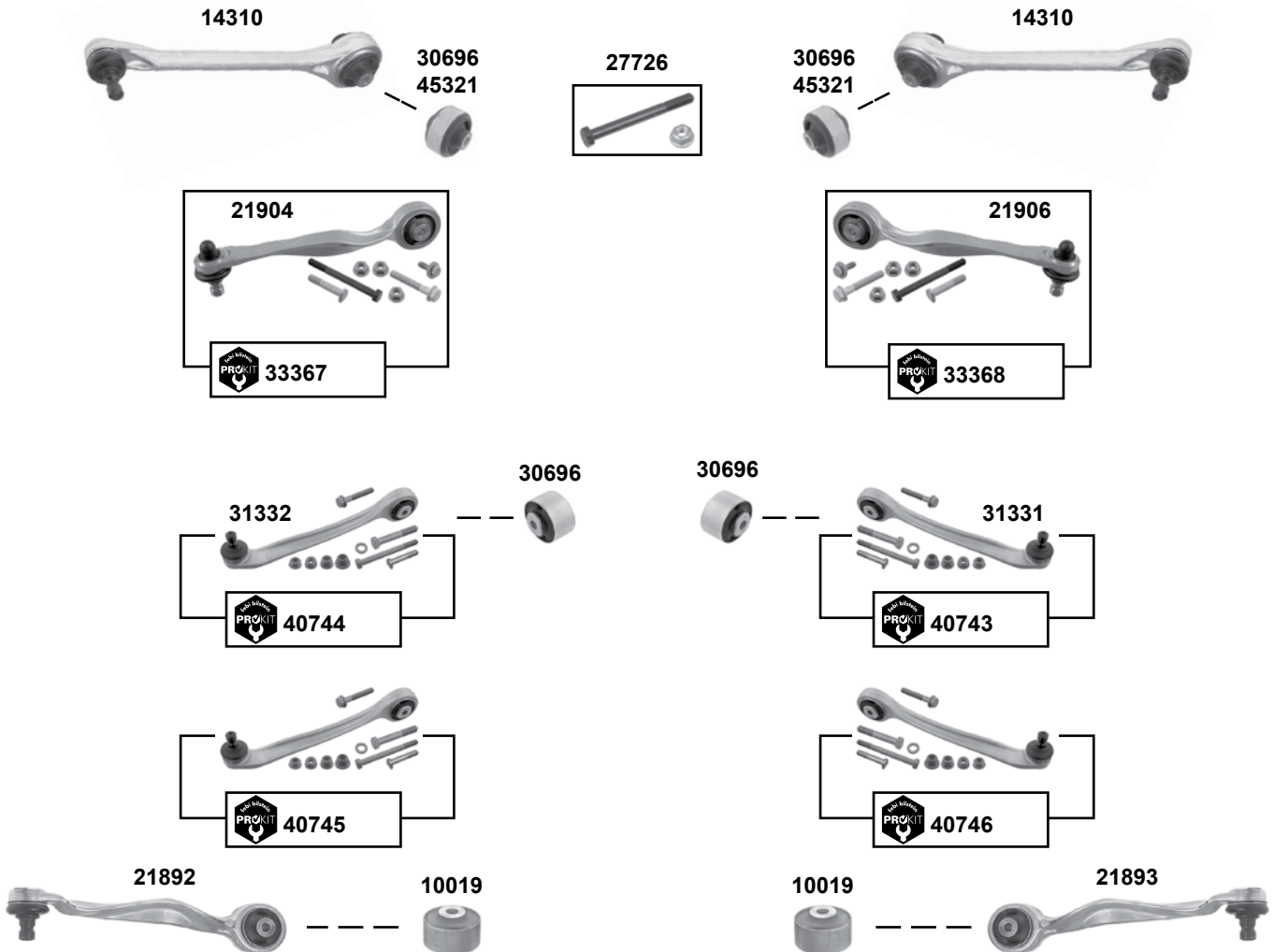
## A8 / A8 Quattro (4D)

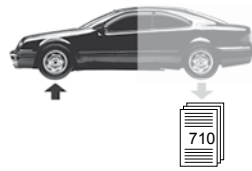
(1994 → 2003)

Vorderachse / Front axle



### oben / upper





## A8 / A8 Quattro (4D) (1994 → 2003)

- (1)** → 97 / **(ch.)** → 4D-V-004 000
- (2)** **(ch.)** 4D-V-004 001 →
- (3)** **(ex.)** S8 99 → 03 / 6,0 W12 / **Sport**  
S8 **(ex.)** Audi A8 99 → 03 / **(ch.)** 4D-X-005 501 → / 6-8 Zyl. / cyl.
- (4)** **(ch.)** → 4D-X-015 000 / → 04/1999
- (5)** **(ch.)** 4D-X- 002 001 → **(ch.)** 4D-2-002 800 **(mot.)** AKF
- (6)** S8 **(mot.)** AQH, AVP, AYS, BCS
- (7)** 97 → **(ch.)** 4D-V-004 001 → / **(ex.)** PR-1BV / 1BD / **(ex.)** Sonderschutzfahrzeuge / **(ex.)** special amoured cars
- (8)** 99 → **(ch.)** 4D-X-005 001 → **(ch.)** 4D-3-004 999 rechts = Linkslenker / right = left hand drive //  
links = Rechtslenker / left = right hand drive
- (9)** 99 → **(ch.)** 4D-X-005 001 → **(ch.)** 4D-3-004 999 / rechts = Rechtslenker / right = right hand drive  
links = Linkslenker / left = left hand drive
- (10)** A8 quattro **(mot.)** ABZ, AFB, AKC, AKE, AKF, AKN, AMX, APR, AQD, AQF, AQQ, ARU, AUW  
S8 quattro **(mot.)** AQH, AVP, AYS **(ch.)** 4D-X-005 501 →

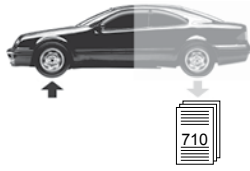


Ref. - No.



Ref. - No.				
10019	4D0 407 515 C	Querlenkerlager / control arm mount		10x46x40
11354	4B0 419 801 M	Spurstange / tie rod	→ 98	
14310	4D0 407 505 H	Querlenker vorne / control arm front	<b>(ch.)</b> 4D-S-002701 →	
21505	-	Schraubensatz / screw kit		
21892	8D0 407 509 G	Querlenker hinten / control arm rear	<b>(1)</b>	Alu
21893	8D0 407 510 G	Querlenker hinten / control arm rear	<b>(1)</b>	Alu
21904	8E0 407 509 A	Querlenker hinten / control arm rear	<b>(2)</b>	
21906	8E0 407 510 A	Querlenker hinten / control arm rear	<b>(2)</b>	
22044	8E0 419 811 B	ProKit Spurstangenendstück / tie rod end		M14 x 1,5
27611	4D0 425 021 D	Lenkungs­dämpfer / steering-damper		
27726	N 034 790 8 S1	Montagesatz / mounting kit	<b>(5)</b>	
30696	8D0 407 515 C	Querlenkerlager / control arm mount	<b>(6)</b>	
31331	8E0 407 510 P	Querlenker hinten / control arm rear	<b>(3)</b>	
31332	8E0 407 509 P	Querlenker hinten / control arm rear	<b>(3)</b>	
32852	4D0 419 831 D S1	Lenkmanschettensatz / steering boot set	→ 99	H 202
33367	8E0 407 509 A S1	ProKit Querlenker / control arm	<b>(7)</b>	
33368	8E0 407 510 A S1	ProKit Querlenker / control arm	<b>(7)</b>	
33592	8D0 419 831 K S1	Lenkmanschettensatz / steering boot set	<b>(8)</b>	Ø 19 / 64 H 251
33593	4D0 419 831 E S1	Lenkmanschettensatz / steering boot set	<b>(9)</b>	Ø 20 / 54 H 205
38854	4B0 419 810 M	ProKit Axialgelenk / axial joint	<b>(4)</b>	
40743	8E0 407 510 P S1	ProKit Querlenker / control arm	<b>(10)</b>	
40744	8E0 407 509 P S1	ProKit Querlenker / control arm	<b>(10)</b>	
40745	8E0 407 505 P S1	ProKit Querlenker / control arm	<b>(10)</b>	
40746	8E0 407 506 P S1	ProKit Querlenker / control arm	<b>(10)</b>	
45321	4D0 407 516 C	Querlenkerlager / control arm mount		

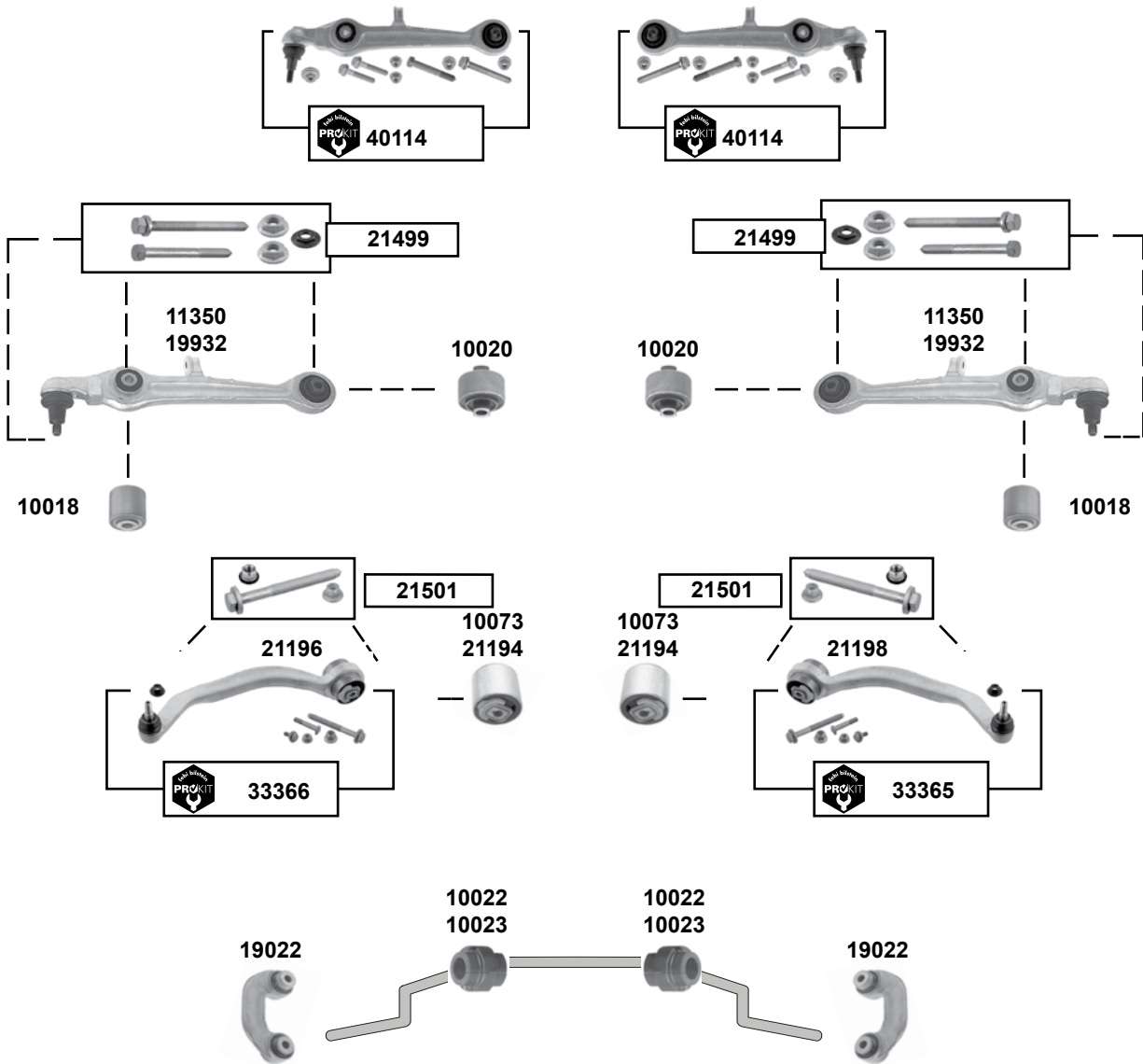


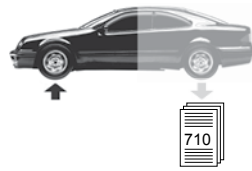


## A8 / A8 Quattro (4D) (1994 → 2003)

### unten / lower

Vorderachse / Front axle





## A8 / A8 Quattro (4D) (1994 → 2003)



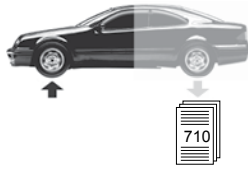
- (1) 2WD: alle / all **(ch.)** 4D-X-005 001 →  
Quattro: **(ch.)** 4D-X-005001 → **(ex.)** 3,3 V8 TDi; mit / with: 20" Rädern / tires
- (2) **(ex.)** Sonderschutzfahrzeuge / special amoured cars
- (3) 94 → 99 alle / all // 99 → 03 **(ex.)** Fahrzeuge mit 20" Felge / **(ex.)** cars with 20" rim
- (4) A8 94 → 99 **(ch.)** → 4D-X-005 500  
A8 quattro / S8 94 → 99 **(ch.)** → 4D-X-004 999 / **(ex.)** Sonderschutzfahrzeuge / special amoured cars
- (5) Aluguß / cast aluminium // neue Ausführung zu febi 33364 / new execution for febi 33364 // A8 / S8 / Quattro → 99 alle / all // 99 → **(ex.)** Fahrzeuge mit 20" Felge / **(ex.)** cars with 20" rim



Ref. - No.



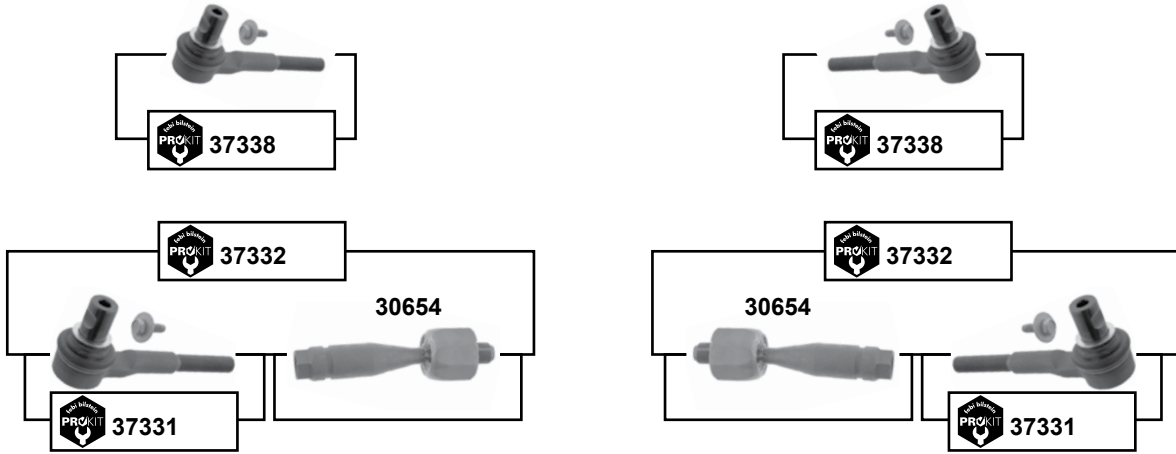
Ref. - No.				
<b>10018</b>	4D0 407 181 H	Querlenkerlager / control arm mount		12x40x50
<b>10020</b>	4D0 407 182 G	Querlenkerlager / control arm mount		12x50x60
<b>10022</b>	4D0 411 327 G	Stabilisatorlager / stabilizer mount	<b>(ex.) Sport</b>	Ø   25
<b>10023</b>	4D0 411 327 H	Stabilisatorlager / stabilizer mount	→ 02 <b>Sport</b>	Ø   27
<b>10073</b>	4D0 407 183 P	Querlenkerlager / control arm mount		12x65x80
<b>11350</b>	4D0 407 151 P	Querlenker vorne / control arm front	<b>(4)</b>	
<b>19022</b>	4D0 411 317 K	Verbindungsstange / stabilizer link	<b>(2)</b>	
<b>19932</b>	4B3 407 151 C	Querlenker vorne / control arm front	<b>(1) (2)</b>	
<b>21194</b>	4D0 407 183 AC	Querlenkerlager / control arm mount		
<b>21196</b>	8E0 407 693 AG	Querlenker hinten / control arm rear	<b>(3)</b>	Alu
<b>21198</b>	8E0 407 694 AG	Querlenker hinten / control arm rear	<b>(3)</b>	Alu
<b>21499</b>	-	Schraubensatz / screw kit		
<b>21501</b>	-	Schraubensatz / screw kit		
<b>33365</b>	8E0 407 694 AG S1	ProKit Querlenker / control arm	<b>(5)</b>	
<b>33366</b>	8E0 407 693 AG S1	ProKit Querlenker / control arm	<b>(5)</b>	
<b>40114</b>	4B3 407 151 K S1	ProKit Querlenker / control arm	<b>(ch.)</b> 4D-X-005501 →	



**A8 / S8 Quattro (4E)**

(2004 →)

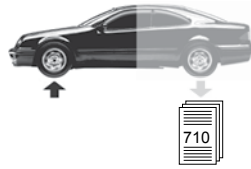
Vorderachse / Front axle



**oben / upper**

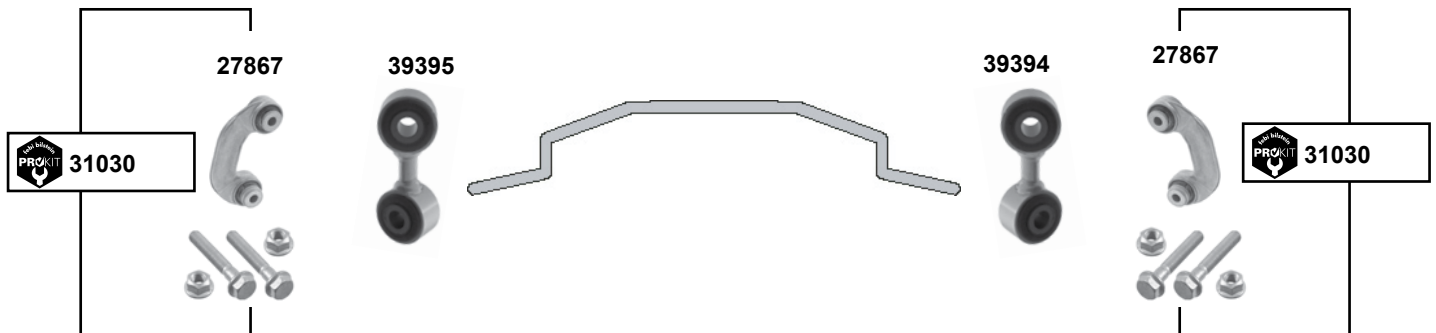
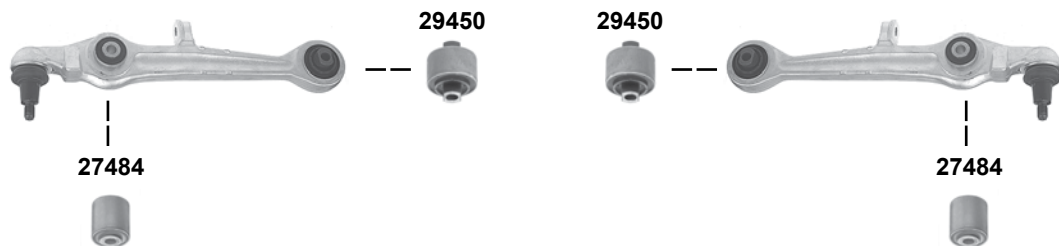


	Ref. - No.			
<b>27264</b>	4E0 407 510 B	Querlenker hinten / control arm rear		
<b>27265</b>	4E0 407 509 B	Querlenker hinten / control arm rear		
<b>27502</b>	4E0 407 506 B	Querlenker vorne / control arm front	(ex.) S8	
<b>27503</b>	4E0 407 505 B	Querlenker vorne / control arm front	(ex.) S8	
<b>30654</b>	4E0 419 821 A	Spurstange / tie rod		
<b>30696</b>	8D0 407 515 C	Querlenkerlager / control arm mount		
<b>37331</b>	4E0 419 811 E	ProKit Spurstangenendstück / tie rod end		
<b>37332</b>	4E0 419 801 E S2	ProKit Spurstange mit Schraube / tie rod with screw		
<b>37338</b>	4E0 419 811 E S1	ProKit Spurstangenendstück / tie rod end		



**A8 / S8 Quattro (4E)**  
(2004 →)

**unten / lower**



Vorderachse / Front axle



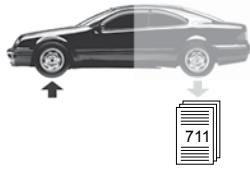
(1) (ex.) (mot.) BDX / PR-4FS für gepanzerte Fahrzeuge/for armoured vehicles



Ref. - No.

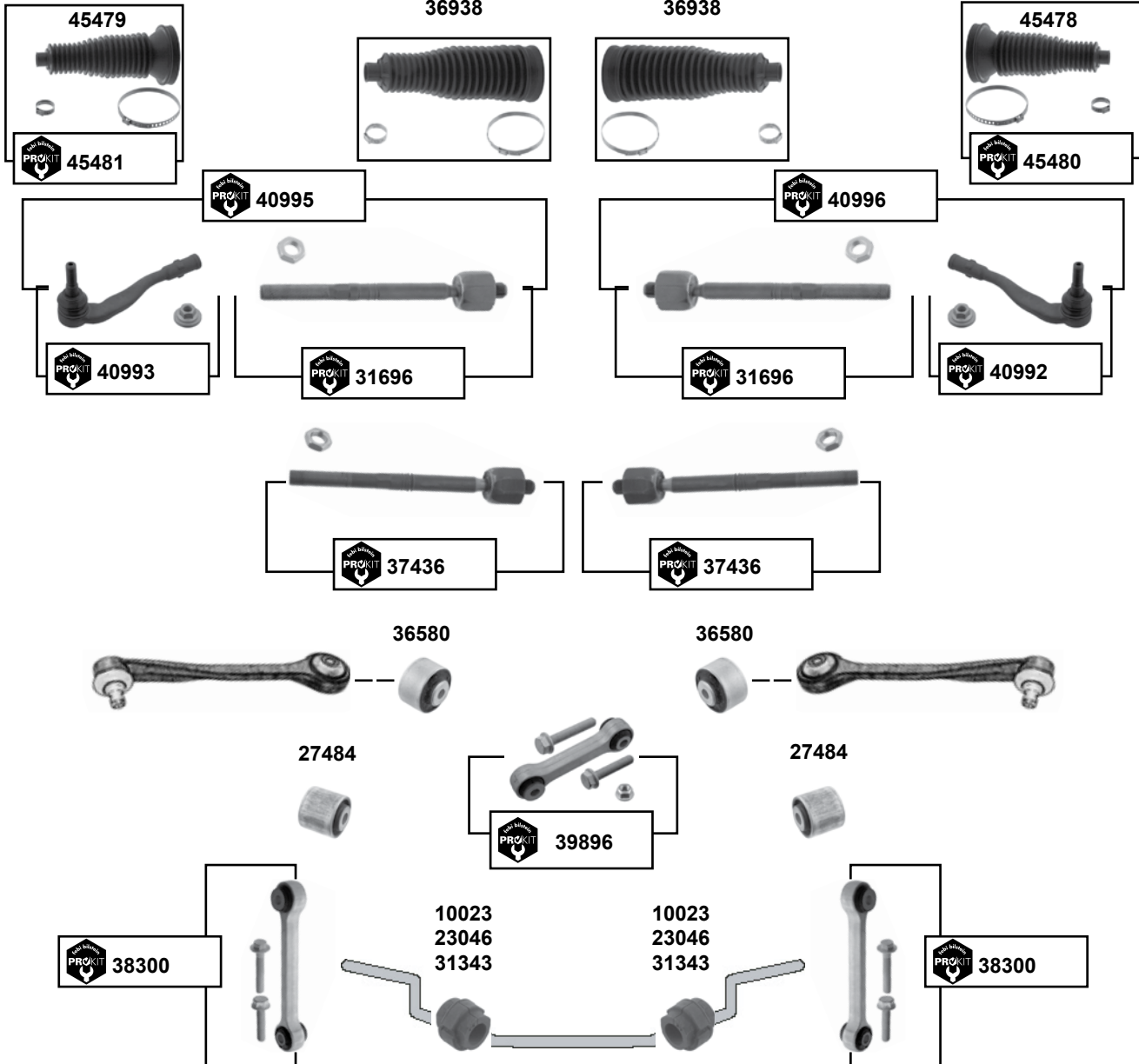


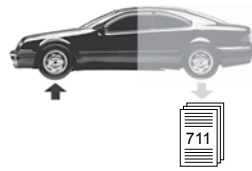
Ref. - No.	Part Description	Quantity	Material
27484	Querlenkerlager / control arm mount		M43,8 x 45
27867	Verbindungsstange / stabilizer link	→ 10	L 147 Alu
29450	Querlenkerlager / control arm mount	→ 10	Ø A 55
31030	ProKit Verbindungsstange / stabilizer link		L 110/147
39394	Verbindungsstange / stabilizer link	(1)	Ø! 12 H 28
39395	Verbindungsstange / stabilizer link	(1)	Ø! 12 H 28



## A8 / Quattro (4H) (2010 →)

Vorderachse / Front axle





# A8 / Quattro (4H) (2010 →)



- (1) für Fahrzeuge mit Luftfederung / for pneumatic suspension vehicles  
nicht für gepanzerte Fahrzeuge / not for armoured vehicles
- (2) beifahrerseitig / passenger side
- (3) fahrerseitig / driver side
- (4) PR F4S nicht für gepanzerte Fahrzeuge / not for armoured vehicles
- (5) A8 quattro (mot.) CDRA, CDSB, CDTA, CDTB, CEJA, CEUA, CGWA, CGTA, CGWD, CGXA, CGXC, CMDA, CMHA, CPNA, CTUB A8 (mot.) CLAB, CPAA PR QZ7 / A8 (mot.) CHJA PR-QZ7/ 1N8 / S8 quattro(4H2) alle / all PR-QZ7 // A8 quattro (mot.) CTGA, CREC, CREG, CTDA, CVBA, CTFA

	Ref. - No.			
<b>10023</b>	4D0 411 327 H	Stabilisatorlager / stabilizer mount		Ø I 27
<b>23046</b>	4D0 411 327 J	Stabilisatorlager / stabilizer mount		
<b>27484</b>	4E0 407 181 B	Querlenkerlager		Ø I 12,4
<b>31343</b>	8K0 411 327 B	Stabilisatorlager / stabilizer mount	PR-1BK,1BY	
<b>31696</b>	8J0 423 810	ProKit Spurstange / tie rod		M16 x 1,5
<b>36580</b>	4H0 407 515 B	Querlenkerlager / control arm mount		Ø A 46,5
<b>36938</b>	8K0 422 831 S1	Rep. Satz Lenkmanschette / rep. kit steering boot		L 202
<b>37436</b>	4G0 423 810 A	ProKit Axialgelenk / axial joint	PR-QZ7	M16 x 1,5
<b>38300</b>	4H0 411 317 A S1	ProKit Verbindungsstange / stabilizer link	(1)	L 170
<b>39896</b>	4M0 411 317 S1	ProKit Verbindungsstange / stabilizer link	(4)	
<b>40992</b>	4H0 422 818 A	ProKit Spurstangenendstück / tie rod end		M14 x 1,5
<b>40993</b>	4H0 422 817 A	ProKit Spurstangenendstück / tie rod end		M14 x 1,5
<b>40995</b>	4H0 422 810 A S4	ProKit Spurstange / tie rod		
<b>40996</b>	4H0 422 810 A S3	ProKit Spurstange / tie rod		
<b>45478</b>	4G0 423 832 A	Lenkmanschette / steering rack boot	(5) (2)	ØI 16/82 L200
<b>45479</b>	4G0 423 831	Lenkmanschette / steering rack boot	(5) (3)	ØI 16/82 L200
<b>45480</b>	4G0 423 832 A S1	ProKit Lenkmanschettensatz / steering boot set	(5) (2)	
<b>45481</b>	4G0 423 831 S1	ProKit Lenkmanschettensatz / steering boot set	(5) (3)	



**Coupé (85)**

(1981 → 1988)

(ex.) Quattro

Vorderachse / Front axle

man.



(1) (ch.) → 85-G-160 000



**Ref. - No.**



**02266**  
**02267**  
**02268**  
**08029**

811 419 801 E  
811 419 802 J  
811 419 812 A  
811 419 831 B

ProKit Spurstange / tie rod  
ProKit Spurstange / tie rod  
ProKit Spurstangenendstück / tie rod end  
Lenkmanschette / steering boot

LHD  
LHD / (1)

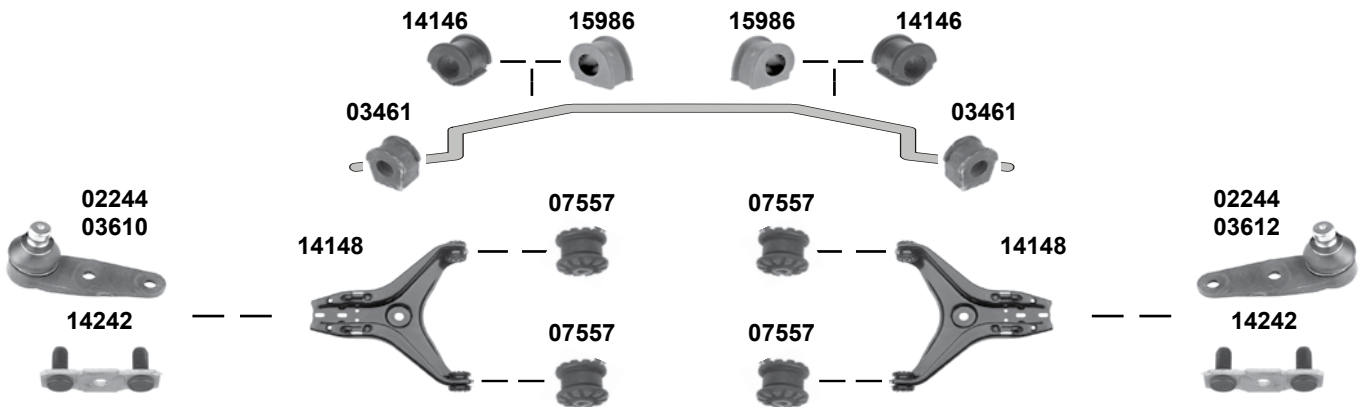
M10 x 1  
L 150



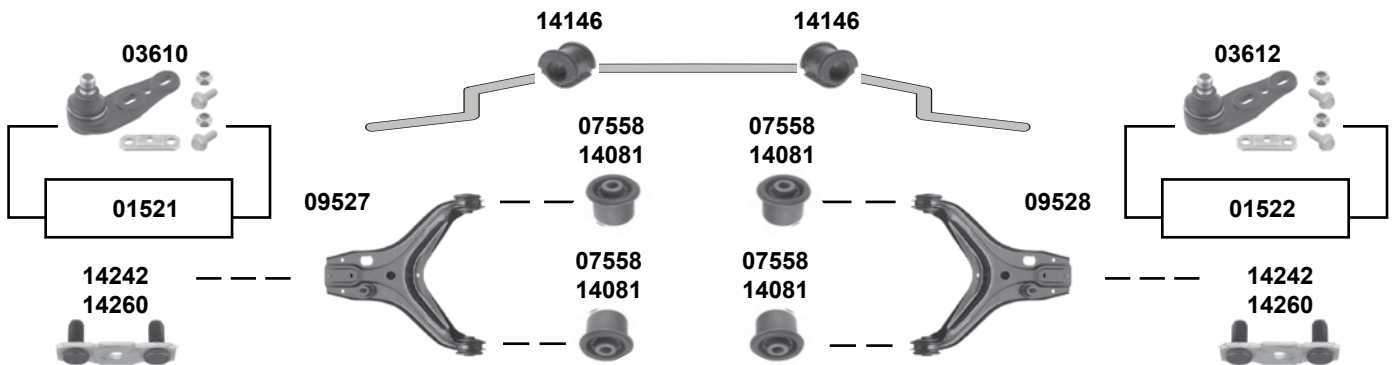
**Coupé (85)**  
(1981 → 1988)  
(ex.) Quattro

man.

4 cyl. alle / all  
5 cyl. (ch.) → 85-D-079 180



5 cyl. (ch.) 85-D-079 181 →



Vorderachse / Front axle



(1) (mot.) 2.2 KE/KL (ch.) → 85-E-220000

(2) 15986 (mot.) 4 cyl (ch.) → 85-F-166993 / 14146 (mot.) 4/5 cyl. (ch.) 85-F-166994 →



Ref. - No.



Ref. - No.	Description	Notes	Dimensions
01521	Traggelenk / ball joint	5 cyl. / Modell 88	Ø A 17
01522	Traggelenk / ball joint	5 cyl. / Modell 88	Ø A 17
02244	Traggelenk / ball joint	4 cyl. / 5 cyl. 1.9 (WN)	Ø A 17
03461	Stabilisatorlager / stabilizer mount		Ø I 12,5
03610	Traggelenk / ball joint	(1)	Ø A 17
03612	Traggelenk / ball joint	(1)	Ø A 17
07557	Querlenkerlager / control arm mount		10x38x44
07558	Querlenkerlager / control arm mount	OLD	10x37,5x44
09527	Querlenker / control arm		
09528	Querlenker / control arm		
14081	Querlenkerlager / control arm mount	NEW	10x37x44
14146	Stabilisatorlager / stabilizer mount	(2)	Ø I 20
14148	Querlenker / control arm	(ex.) 2.2 (KE/KL)	
14242	Sicherungsblech / lock washer	(ex.) 5 cyl. / Modell 88	
14260	Sicherungsblech / lock washer	5 cyl. / Modell 88	
15986	Stabilisatorlager / stabilizer mount	(2)	Ø I 19





## Coupé (85)

(1981 → 1988)

(ex.) Quattro

servo

Vorderachse / Front axle



(1) (ch.) → 85-G-160 000



Ref. - No.



<b>02266</b>	811 419 801 E	ProKit Spurstange / tie rod
<b>02267</b>	811 419 802 J	ProKit Spurstange / tie rod
<b>02268</b>	811 419 812 A	ProKit Spurstangenendstück / tie rod end
<b>08029</b>	811 419 831 B	Lenkmanschette / steering boot

LHD  
LHD / (1)

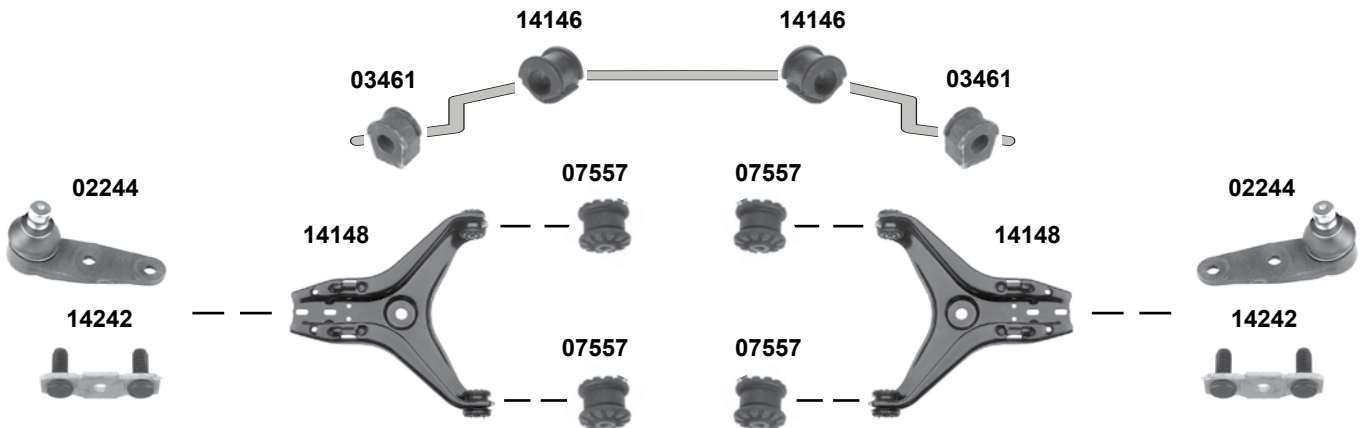
M10 x 1  
L 150



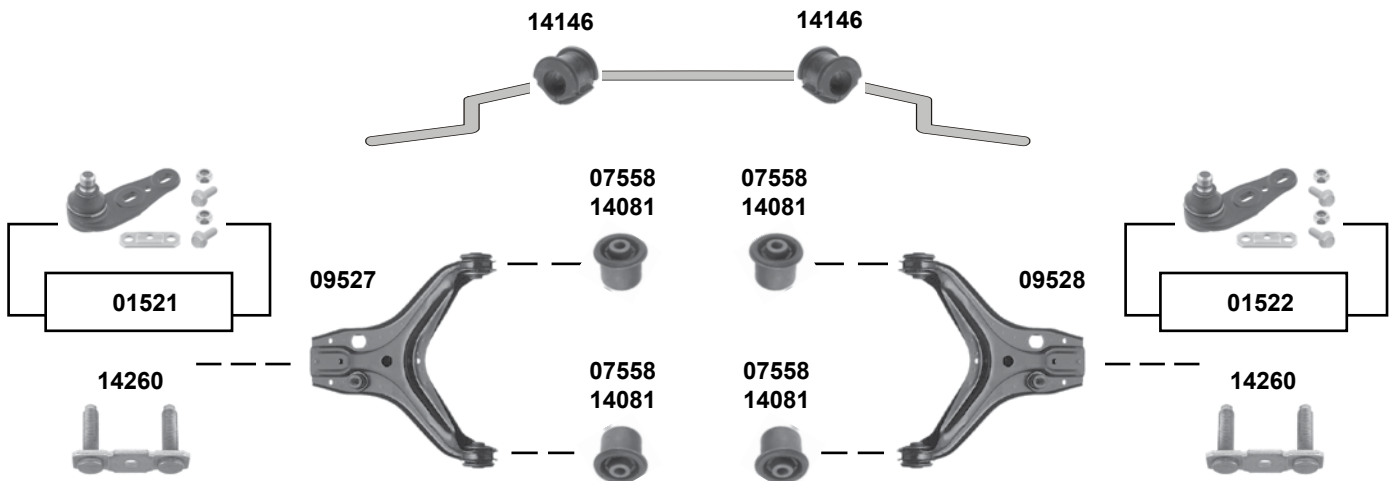
**Coupé (85)**  
(1981 → 1988)  
(ex.) Quattro

servo

(ch.) → 85-D-079 180



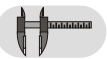
(ch.) 85-D-079 181 →



Vorderachse / Front axle



Ref. - No.



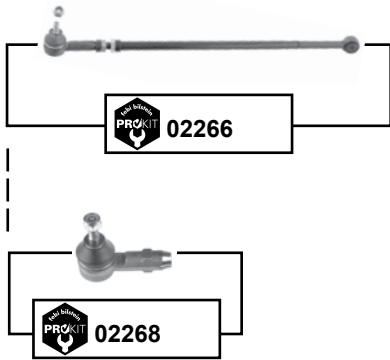
Ref. - No.	Description	Notes	Dimensions
01521	Traggelenk / ball joint		Ø A 17
01522	Traggelenk / ball joint		Ø A 17
02244	Traggelenk / ball joint		
03461	Stabilisatorlager / stabilizer mount		Ø I 12,5
07557	Querlenkerlager / control arm mount		10x38x44
07558	Querlenkerlager / control arm mount	OLD	10x37,5x44
09527	Querlenker / control arm		
09528	Querlenker / control arm		
14081	Querlenkerlager / control arm mount	NEW	10x37x44
14146	Stabilisatorlager / stabilizer mount	(ch.) 85-F-166 994 →	Ø I 20
14148	Querlenker / control arm		
14242	Sicherungsblech / lock washer		
14260	Sicherungsblech / lock washer		



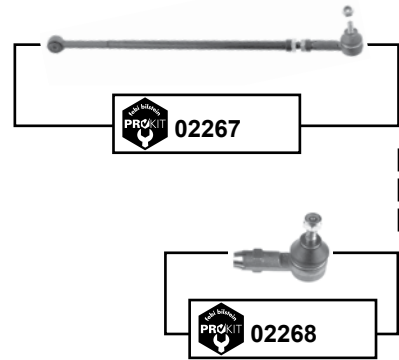
**Coupé (85)**  
(1981 → 1988)

**Quattro**

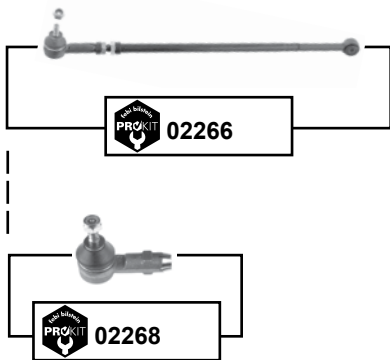
man.



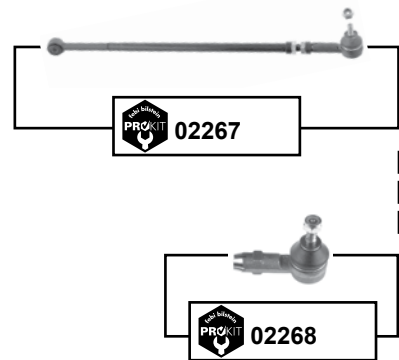
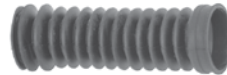
08029



servo



08029



(1) (ch.) → 85-G-160 000



Ref. - No.



**02266**  
**02267**  
**02268**  
**08029**

811 419 801 E  
811 419 802 J  
811 419 812 A  
811 419 831 B

ProKit Spurstange / tie rod  
ProKit Spurstange / tie rod  
ProKit Spurstangenendstück / tie rod end  
Lenkmanschette / steering boot

LHD  
LHD / (1)

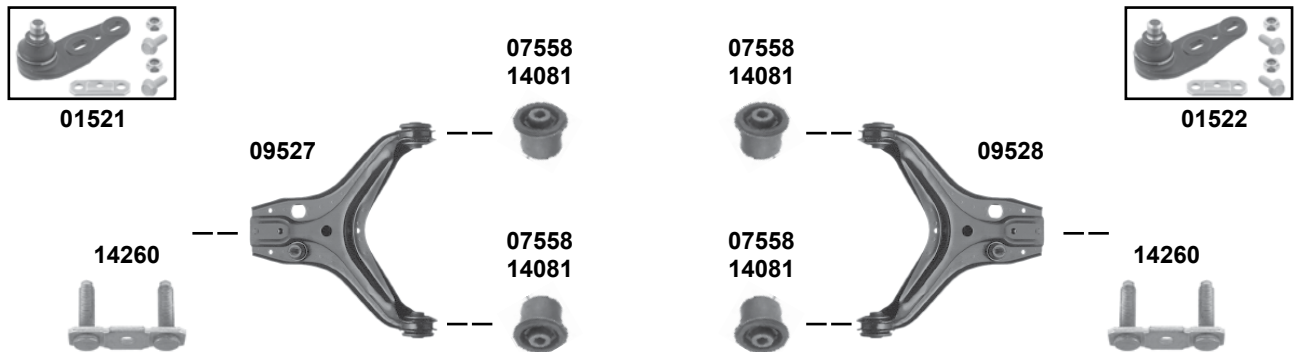
M10 x 1  
L 150

Vorderachse / Front axle



**Coupé (85)**  
(1981 → 1988)

**Quattro**



Vorderachse / Front axle

	Ref. - No.			
<b>01521</b>	855 407 365 A	Traggelenk / ball joint		Ø A 17
<b>01522</b>	855 407 366 A	Traggelenk / ball joint		Ø A 17
<b>07558</b>	857 407 181	Querlenkerlager / control arm mount	<b>OLD</b>	M10 x 37,5
<b>09527</b>	893 407 147 C	Querlenker / control arm		
<b>09528</b>	893 407 148 C	Querlenker / control arm		
<b>14081</b>	8A0 407 181	Querlenkerlager / control arm mount	<b>NEW</b>	M10 x 37
<b>14260</b>	857 407 175	Sicherungsblech / lock washer		

passend für / to fit

**AUDI**



**Car  
Division**

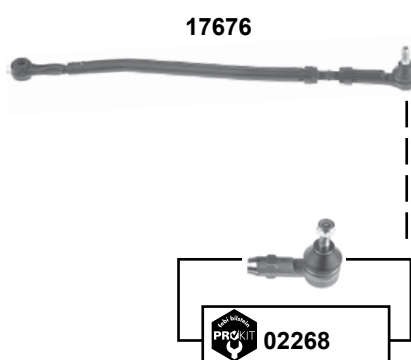
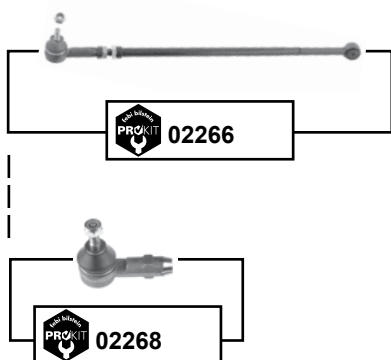


# Coupé (8B)

(1989 → 1996)

(ex.) Quattro

Vorderachse / Front axle



Ref. - No.



<b>02266</b>	811 419 801 E
<b>02268</b>	811 419 812 A
<b>08029</b>	811 419 831 B
<b>17676</b>	893 419 802
<b>27613</b>	8A1 425 021

ProKit Spurstange / tie rod
ProKit Spurstangenendstück / tie rod end
Lenkmanschette / steering boot
Spurstange / tie rod
Lenkungsdämpfer / steering-damper

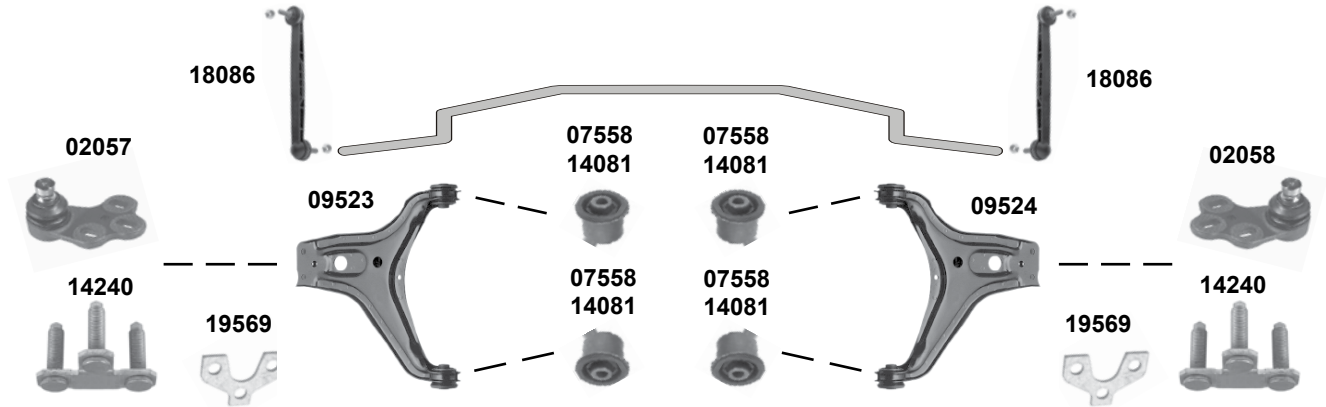
LHD
LHD

M10 x 1

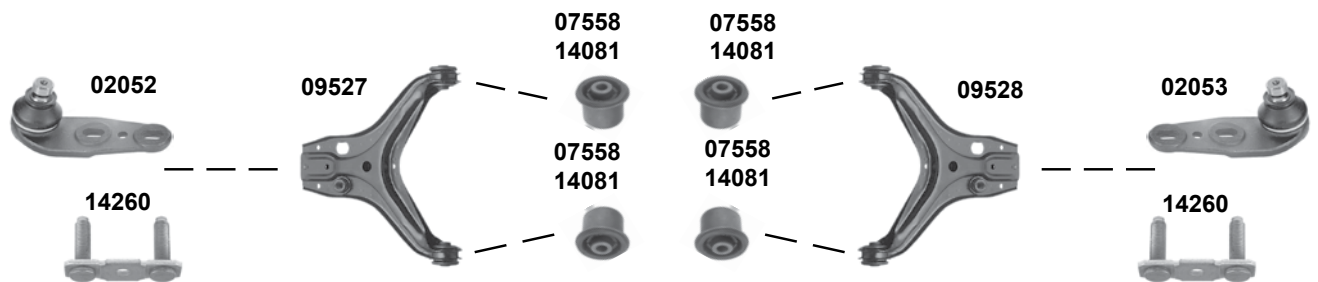


**Coupé (8B)**  
(1989 → 1996)  
(ex.) Quattro

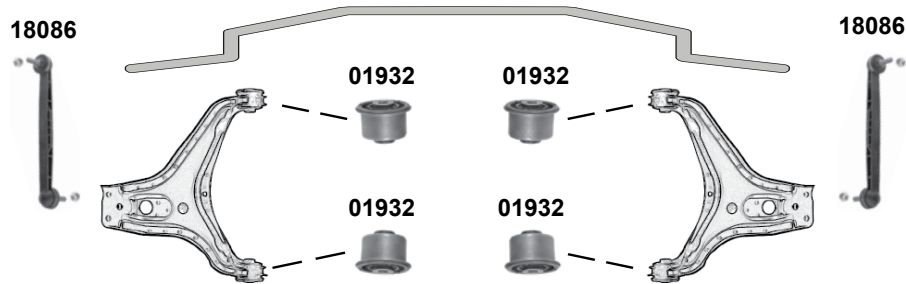
(ex.) 2.0 (AAD / 3A) (ex.) 2.8 V6 (AAH) (ch.) 8B-N-000 256 → 8B-N-009 191



2.0 (AAD / 3A) x3

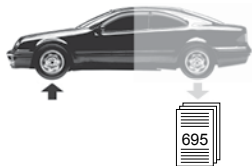


2.8 V6 (AAH) (ch.) 8B-N-000 256 → 8B-N-009 191



Vorderachse / Front axle

	Ref. - No.			
01932	893 407 181	Querlenkerlager / control arm mount		10x44x44
02052	893 407 365 F	Traggelenk / ball joint		Ø A 19
02053	893 407 366 F	Traggelenk / ball joint		Ø A 19
02057	8A0 407 365	Traggelenk / ball joint		Ø A 19
02058	8A0 407 366	Traggelenk / ball joint		Ø A 19
07558	857 407 181	Querlenkerlager / control arm mount		M10 x 37,5
09523	895 407 147 A	Querlenker / control arm	<b>OLD</b>	
09524	895 407 148 A	Querlenker / control arm	(ch.) 8B-L-003792 →	
09527	893 407 147 C	Querlenker / control arm	(ch.) 8B-L-003792 →	
09528	893 407 148 C	Querlenker / control arm	(ch.) 8B-L-003792 →	
14081	8A0 407 181	Querlenkerlager / control arm mount	(ch.) 8B-L-003792 →	
14240	8A0 407 175	Sicherungsblech / lock washer	<b>NEW</b>	M10 x 37
14260	857 407 175	Sicherungsblech / lock washer		
18086	8A0 407 465	Verbindungsstange / stabilizer link		L 269,5
19569	895 407 203	Sicherungsblech / lock washer		

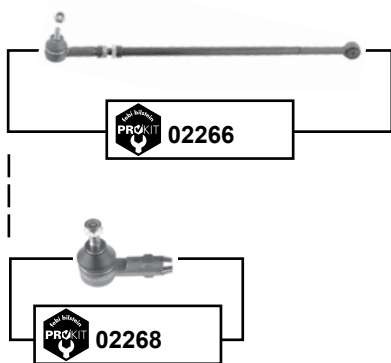


**Coupé (8B)**

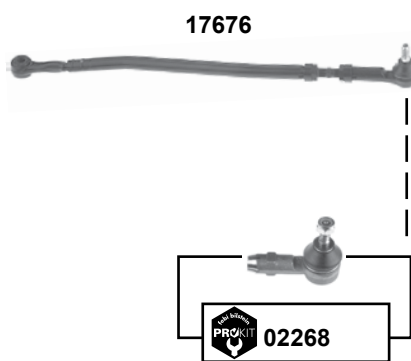
(1989 → 1996)

**Quattro**

Vorderachse / Front axle



08029



27613



Ref. - No.



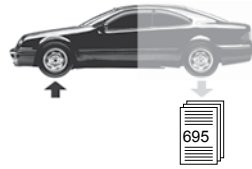
**02266**  
**02268**  
**08029**  
**17676**  
**27613**

811 419 801 E  
811 419 812 A  
811 419 831 B  
893 419 802  
8A1 425 021

ProKit Spurstange / tie rod  
ProKit Spurstangenendstück / tie rod end  
Lenkmanschette / steering boot  
Spurstange / tie rod  
Lenkungsämpfer / steering-damper

LHD  
  
  
LHD

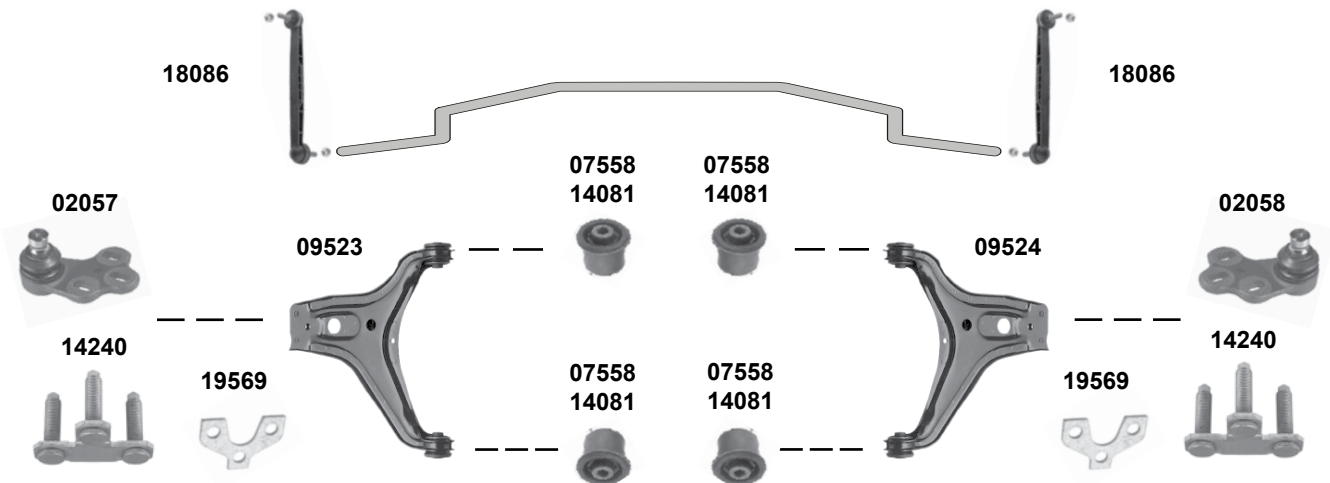
M10 x 1  
L 150



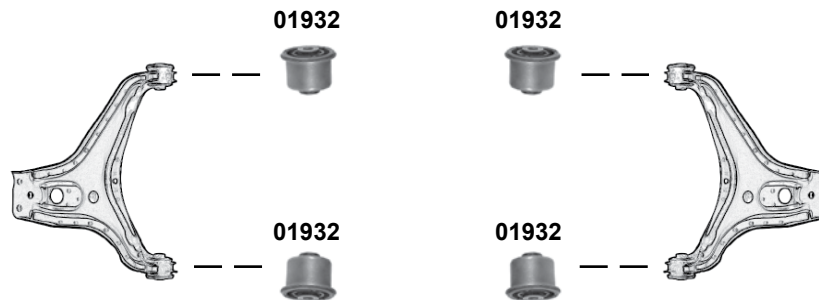
**Coupé (8B)**  
(1989 → 1996)

**Quattro**

(ex.) 2.2 20V (ABY) (ch.) 8B-N-000 001 → 8B-R-005 000  
(ex.) 2.2 20 V (3B) (ch.) → 8B-M-040000



2.2 20V (ABY) (ch.) 8B-N-000 001 → 8B-R-005 000  
2.2 20 V (3B) (ch.) → 8B-M-040000



	Ref. - No.			
<b>01932</b>	893 407 181	Querlenkerlager / control arm mount	<b>OLD</b> (ch.) 8B-L-000001 → (ch.) 8B-L-000001 →	M10 x 44
<b>02057</b>	8A0 407 365	Traggelenk / ball joint		Ø A 19
<b>02058</b>	8A0 407 366	Traggelenk / ball joint	<b>NEW</b>	Ø A 19
<b>07558</b>	857 407 181	Querlenkerlager / control arm mount		M10 x 37,5
<b>09523</b>	895 407 147 A	Querlenker / control arm		M10 x 37
<b>09524</b>	895 407 148 A	Querlenker / control arm		
<b>14081</b>	8A0 407 181	Querlenkerlager / control arm mount		M10 x 37
<b>14240</b>	8A0 407 175	Sicherungsblech / lock washer		
<b>18086</b>	8A0 407 465	Verbindungsstange / stabilizer link		L 269,5
<b>19569</b>	895 407 203	Sicherungsblech / lock washer		



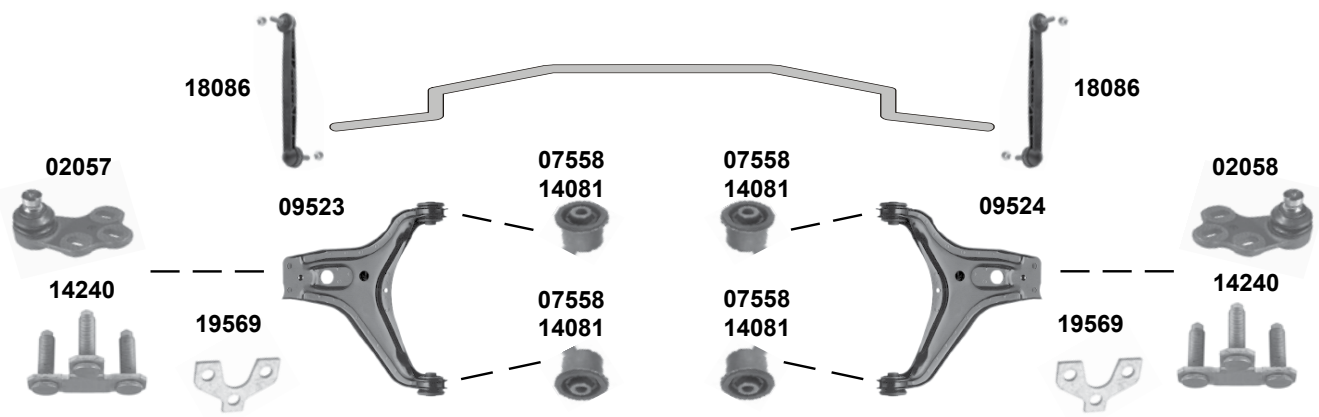


**Cabrio (8G)**  
(1989 → 1996)

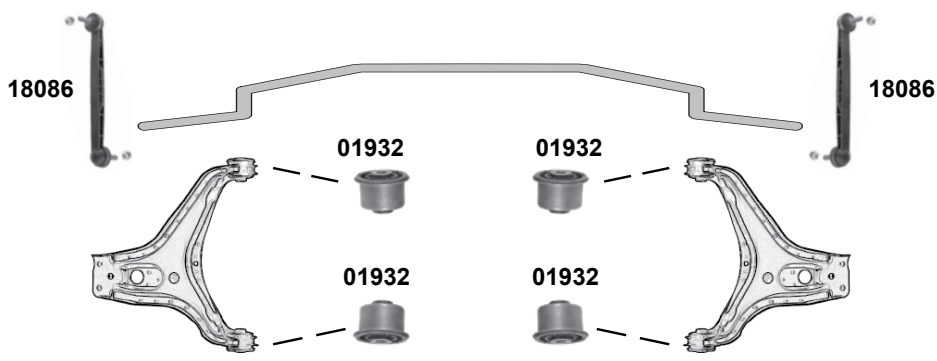
Vorderachse / Front axle



**2.6 V6 / 2.8 V6 (ABC/AAH) (ch.) 8G-R-003 925 →**



**(ex.) 2.6 V6 / 2.8 V6 (ABC/AAH) (ch.) → 8G-R-003 924**



	Ref. - No.			
<b>01932</b>	893 407 181	Querlenkerlager / control arm mount		10x44x44
<b>02057</b>	8A0 407 365	Traggelenk / ball joint	(ch.) 8G-N-001534 →	Ø A 19
<b>02058</b>	8A0 407 366	Traggelenk / ball joint	(ch.) 8G-N-001534 →	Ø A 19
<b>02266</b>	811 419 801 E	ProKit Spurstange / tie rod		
<b>02268</b>	811 419 812 A	ProKit Spurstangenendstück / tie rod end		M10 x 1
<b>07558</b>	857 407 181	Querlenkerlager / control arm mount	<b>OLD</b>	10x37,5x44
<b>08029</b>	811 419 831 B	Lenkmanschette / steering boot		L 150
<b>09523</b>	895 407 147 A	Querlenker / control arm	(ch.) 8G-N-001534 →	
<b>09524</b>	895 407 148 A	Querlenker / control arm	(ch.) 8G-N-001534 →	
<b>14081</b>	8A0 407 181	Querlenkerlager / control arm mount	<b>NEW</b>	10x37x44
<b>14240</b>	8A0 407 175	Sicherungsblech / lock washer		
<b>17676</b>	893 419 802	Spurstange / tie rod	LHD	
<b>18086</b>	8A0 407 465	Verbindungsstange / stabilizer link		L 269,5
<b>19569</b>	895 407 203	Sicherungsblech / lock washer		

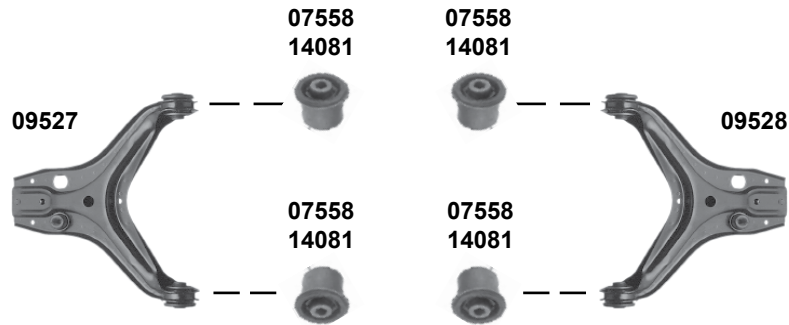


**Quattro (85)**  
(1983 → 1991)

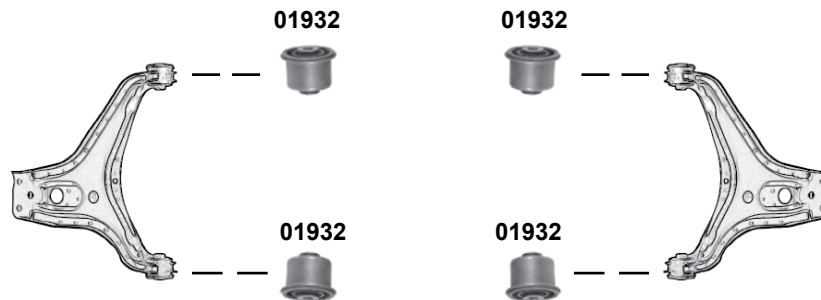
08029



(ch.) → 85-K-020 000



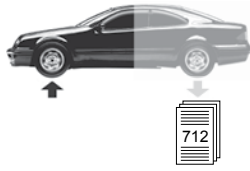
(ch.) 85-L-000 001 →



	Ref. - No.			
<b>01932</b>	893 407 181	Querlenkerlager / control arm mount	<b>OLD</b>	M10 x 44
<b>07558</b>	857 407 181	Querlenkerlager / control arm mount		M10 x 37,5
<b>08029</b>	811 419 831 B	Lenkmanschette / steering boot	<b>NEW</b>	L150
<b>09527</b>	893 407 147 C	Querlenker / control arm		
<b>09528</b>	893 407 148 C	Querlenker / control arm		
<b>14081</b>	8A0 407 181	Querlenkerlager / control arm mount		M10x37

passend für / to fit

**AUDI**

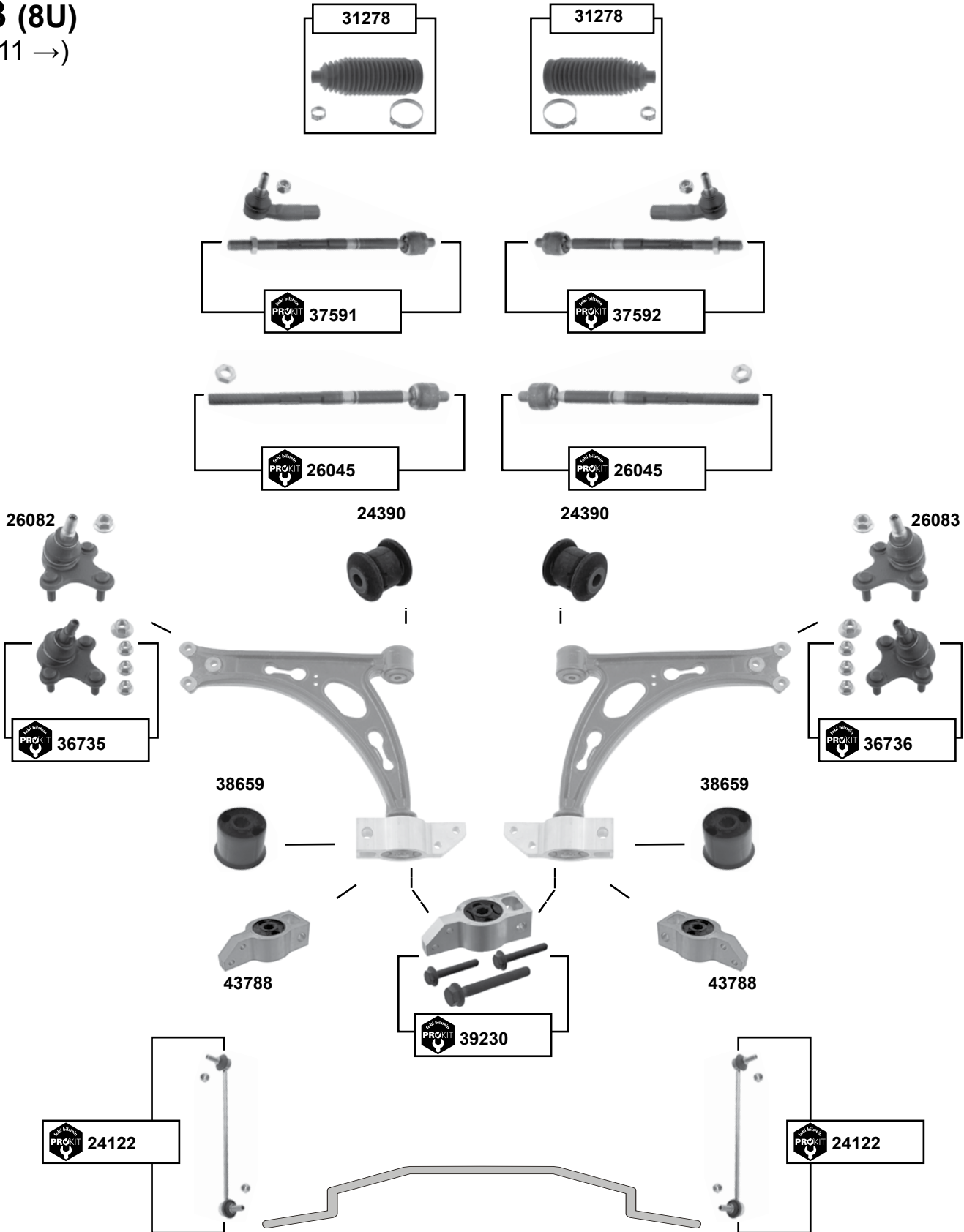


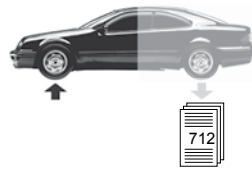
**Car  
Division**



**Q3 (8U)**  
(2011 →)

Vorderachse / Front axle

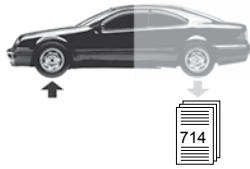




- (1) Q3 quattro **(mot.)** CCZC, CFFB, CFGC, CFGD, CLLB, CPSA, CHPB, CLJA → 10/13  
Q3, RSQ3 quattro alle / all → 10/13  
RS3 Sportback quattro alle / all
- (2) Q3 quattro **(mot.)** CCZC, CFFB, CFGC, CFGD, CHPB, CLJA, CLLB, CPSA  
Q3 **(mot.)** CFFA, CFFB, CFGC  
RS3 Sportback quattro alle / all
- (3) Q3 quattro **(mot.)** CCZC, CFFB, CFGC, CFGD, CLLB, CPSA  
Q3 **(mot.)** CFFA, CFFB  
RSQ3 quattro alle / all
- (4) RSQ3 quattro alle / all
- (5) Q3 quattro **(mot.)** CHPB, CFGD, CLJA, CCZC, CPSA, CLLB, CFGC, CFFB Q3 **(mot.)** CFFA, CFFB  
Rechtslenker / right hand drive
- (6) Q3 quattro **(mot.)** CFFB, CFGC, CFGD, CLJA, CLLB Q3 **(mot.)** CFFA, CFFB, CFGC  
RSQ3 quattro alle / all → 10/2013 für Rechtslenker/for right-handdrive vehicles / → 06/2014 für Linkslenker/for left-hand drive vehicles  
Q3 quattro **(mot.)** CCZC, CPSA → 10/2013 für Rechtslenker/for right-handdrive vehicles / → 12/2014 für Linkslenker/for left-hand drivevehicles  
Q3 quattro **(mot.)** CHPB Q3, Q3 quattro **(mot.)** CCTA → 12/2014 für Linkslenker/for left-hand drive vehicles

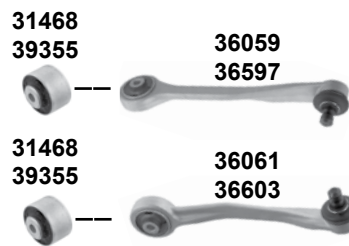
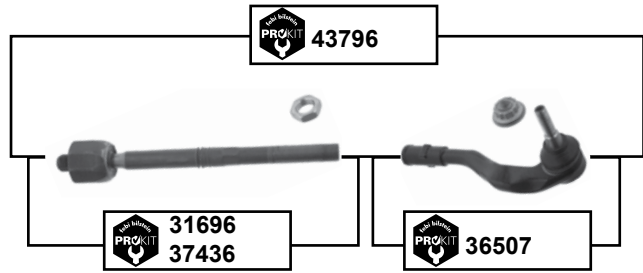
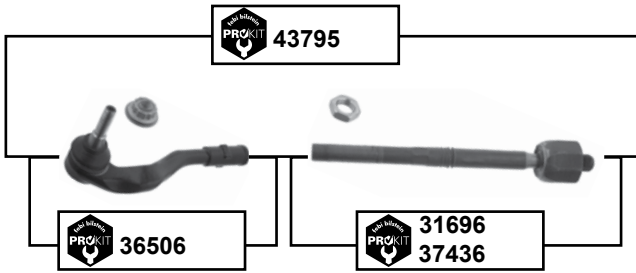
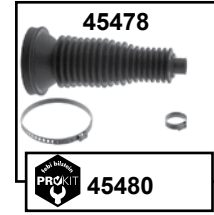
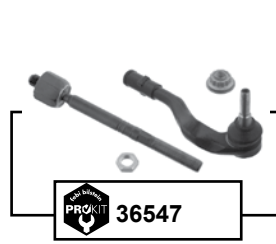


	Ref. - No.			
24122	1K0 411 315 R	ProKit Verbindungsstange / stabilizer link	→ 04/2012	Ø A 48 H 54
24390	1K0 407 182	Querlenkerlager / control arm mount	(1)	
26045	1K0 423 810 A	ProKit Spurstange / tie rod	(2)	
26082	1K0 407 365 C	Traggelenk / ball joint	(3)	
26083	1K0 407 366 C	Traggelenk / ball joint	(3)	
31278	1K0 423 831 A S1	Rep. Satz Lenkmanschette / rep. kit steering boot	(2) (4)	
36735	1K0 407 365 C S1	ProKit Traggelenk / ball joint	L 448 L 448 Ø A63	
36736	1K0 407 366 C S1	ProKit Traggelenk / ball joint		
37591	1K0 423 811 K S1	ProKit Spurstange / tie rod		
37592	1K0 423 812 K S1	ProKit Spurstange / tie rod		
38659	1K0 407 183 G	Querlenkerlager / control arm mount		
39230	3C0 199 231 E S1	ProKit Querlenkerlagersatz / control arm mount kit		(5)
43788	3C0 199 231 F	Querlenkerlager / control arm mount		(6)

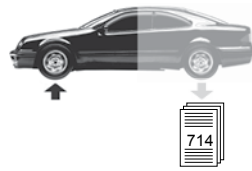


## Q5 (8R) (2009 →)

### oben / upper



Vorderachse / Front axle



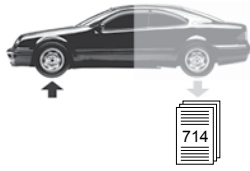
- (1) Q5 quattro (mot.) CAEB, CAGA, CAGB, CAHA, CAHB, CALB, CCWA, CCWB, CDNA, CDNB, CDNC, CGLA, CGLB, CMGA / PR-QZ7 / E- servo
- Q5 quattro (mot.) CDUD, CGLC, CGLD, CHJA, CJCA, CJC B, CJCD, CMGB, CNCB, CNCD, CPMA, CPMB, CPNB, CTUC, CTUD, CTVA, CNHC Q5 (mot.) CJCA, CJC B, CJCD Q5/ Q5 quattro (mot.) CNHA, CTBA, CTBC PR-QZ7/1N8 E- servo
- (2) beifahrerseitig / passenger side
- (3) Fahrerseite / driver side



Ref. - No.



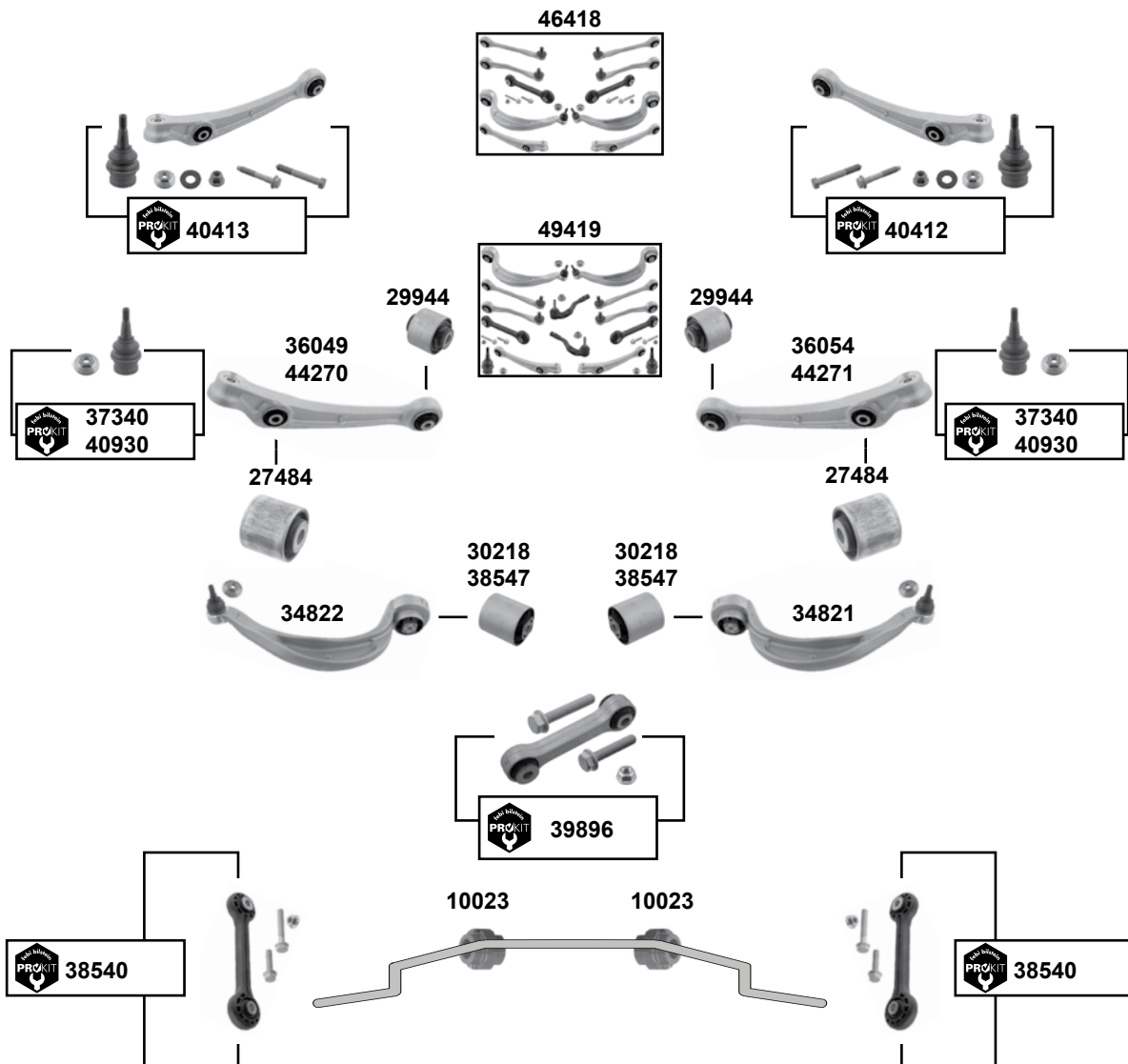
Ref. - No.	Description	Notes	Dimensions
31468	8K0 407 515	Querlenkerlager / control arm mount	Ø I 10 H40
31696	8J0 423 810	ProKit Axialgelenk / axial joint	M16 x 1,5
36058	8K0 407 505 B	Querlenker / control arm	Alu
36059	8K0 407 506 B	Querlenker / control arm	Alu
36060	8K0 407 509 B	Querlenker / control arm	Alu
36061	8K0 407 510 B	Querlenker / control arm	Alu
36506	8K0 422 817 B S1	ProKit Spurstangenendstück / tie rod end	M14 x 1,5
36507	8K0 422 818 B S1	ProKit Spurstangenendstück / tie rod end	M14 x 1,5
36546	8J0 423 810 S1	ProKit Spurstange mit Endstück/ tie rod with tie rod end	M12 x 1,5
36547	8J0 423 810 S2	ProKit Spurstange mit Endstück/ tie rod with tie rod end	M12 x 1,5
36597	8K0 407 506 A	Querlenker vorne / control arm front	
36598	8K0 407 505 A	Querlenker vorne / control arm front	
36602	8K0 407 509 A	Querlenker hinten / control arm rear	
36603	8K0 407 510 A	Querlenker hinten / control arm rear	
36938	8K0 422 831 S1	Rep. Satz Lenkmanschette / rep. kit steering boot	L 202
37436	4G0 423 810 A	ProKit Axialgelenk / axial joint	PR-QZ7 M16 x 1,5
39355	8R0 407 515	Querlenkerlager / control arm mount	
43795	4G0 423 810 A S2	ProKit Spurstange / tie rod	M12 x 1,5
43796	4G0 423 810 A S1	ProKit Spurstange / tie rod	M12 x 1,5
45478	4G0 423 832 A	Lenkmanschette / steering rack boot	(1) (2) ØI 16/82 L200
45479	4G0 423 831	Lenkmanschette / steering rack boot	(1) (3) ØI 16/82 L200
45480	4G0 423 832 A S1	ProKit Lenkmanschettensatz / steering boot set	(1) (2)
45481	4G0 423 831 S1	ProKit Lenkmanschettensatz / steering boot set	(1) (3)

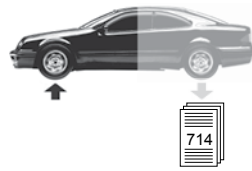


## Q5 (8R) (2009 →)

### unten / lower

Vorderachse / Front axle



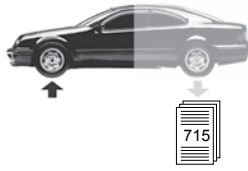


- (1) (ch.) 8R-BA068 580 → / (ch.) FP-BA068 060 →
- (2) Bitte paarweise tauschen / please change in pairs / (ch.) → 8R-AA066 966
- (3) bis Baujahr / to the year of construction 08/2011
- (4) → 10 (ch.) → 8R-AA000 001
- (5) ab Baujahr / from the year of construction 08/2011
- (6) Q5, Q5 quattro (mot.) CAEB, CAGA, CAGB, CAHA, CAHB, CALB, CCWA, CCWB, CDNA, CDNB, CDNC, CGLA, CGLB, CHJA, CJCA, CJCB, CMGA / PR 0JA/0JB/0JC/0JD PR 0JE
- (7) Q5 quattro (mot.) CHJA, CJCA, CJCB Q5 alle / all (ch.) 8R-DA000 001 → Länderausführung: Russland / Country Version: Russia //  
Q5 quattro (mot.) CDUD, CGLC, CGLD, CMGB, CNCD, CPMA, CPMB, CTUC, CTVA SQ5 quattro alle / all Länderausführung: Russland / Country Version: Russia



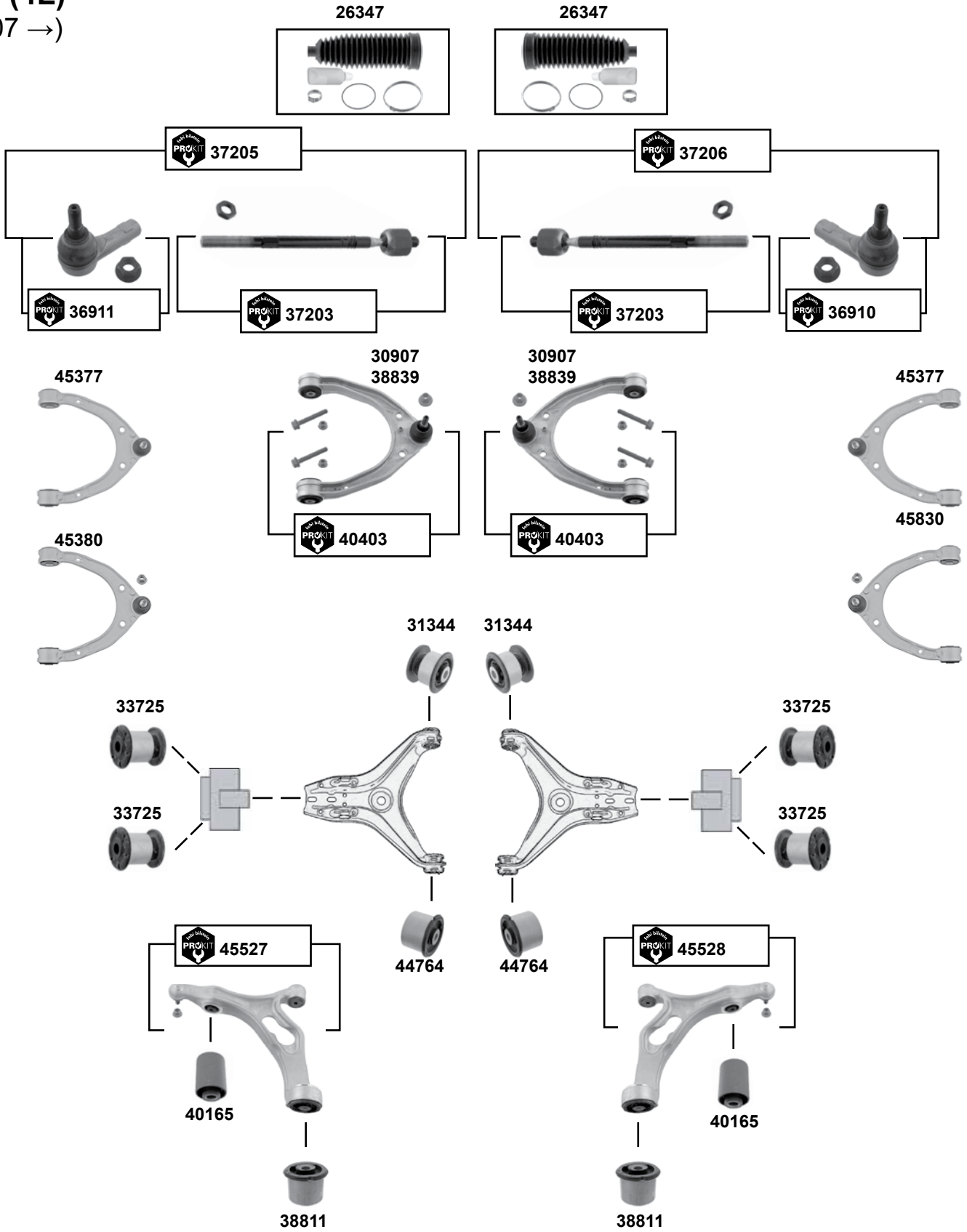
	Ref. - No.			
10023	4D0 411 327 H	Stabilisatorlager / stabilizer mount	(6)	Ø I 27
27484	4E0 407 181 B	Querlenkerlager / control arm mount		
29944	8K0 407 182 A	Querlenkerlager / control arm mount		Ø I 12
30218	8K0 407 183 A	Querlenkerlager / control arm mount	(4)	Ø A 65
34821	8K0 407 694 N S1	Rep. Satz Querlenker / rep. kit control arm	(2)	
34822	8K0 407 693 N S1	Rep. Satz Querlenker / rep. kit control arm	(2)	
36049	8K0 407 151 D	Querlenker / control arm	(1) (3)	
36054	8K0 407 152 D	Querlenker / control arm	(1) (3)	
37340	8K0 407 689 G S1	ProKit Traggelenk / ball joint	(3)	
38540	8K0 411 317 D S1	ProKit Verbindungsstange / stabilizer link		L 170
38547	8K0 407 183 D	Querlenkerlager / control arm mount		Ø I 13
39896	4M0 411 317 S1	ProKit Verbindungsstange / stabilizer link	(7)	
40412	8K0 407 152 D S1	ProKit Querlenker / control arm	(3)	
40413	8K0 407 151 D S1	ProKit Querlenker / control arm	(3)	
40930	4G0 407 689 C	ProKit Traggelenk / ball joint	(5)	
44270	8K0 407 151 F	Querlenker / control arm	(5)	
44271	8K0 407 152 F	Querlenker / control arm	(5)	
46418	8K0 407 151 D S2	Querlenkerlagersatz / control arm mounting kit		
49419	8K0 407 151 D S3	Querlenkerlagersatz / control arm mounting kit		

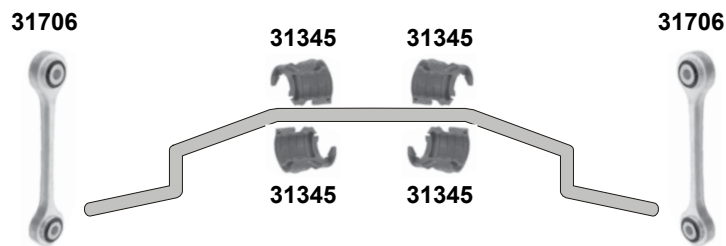
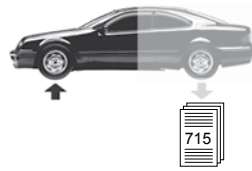




## Q7 (4L) (2007 →)

Vorderachse / Front axle

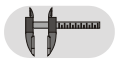




- (1)** PR-1BA/1BM/1BV/1BW  
PR-1BK/2MB für Fahrzeuge mit elektrischer Dämpferregulierung /  
for vehicles with electronic suspension control / Gummi / rubber
- (2)** (ch.) → FE-AD020 000  
(ch.) → 4L-AD050 000  
(ch.) → 4L-AG005 000
- (3)** (mot.) CJMA, CNRB, CLZB, CRCA, CJWC, CJWE, CTWB, CJWB  
(mot.) CJGC, CATA, CJGA, CJTC, CJTB, CNA A, CTWA, CCFC 06/2010 →



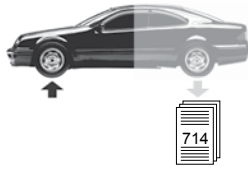
Ref. - No.



	Ref. - No.			
<b>26347</b>	7L0 422 831 A S1	Rep. Satz Lenkmanschette / rep. kit steering boot		
<b>30907</b>	7L0 407 021 B	Querlenker / control arm		M12 x 1,5
<b>31344</b>	7L0 407 077	Querlenkerlager / control arm mount		Ø A 40
<b>31345</b>	7L8 411 313 B	Stabilisatorlager / stabilizer mount	<b>(1)</b>	
<b>31706</b>	7L0 411 317	Verbindungsstange / stabilizer link		L 244,2 / 197
<b>33725</b>	7L0 407 183 A	Querlenkerlager / control arm mount		Ø A 40
<b>36910</b>	7L0 422 818 D	ProKit Spurstangenendstück / tie rod end		M16 x 1,5
<b>36911</b>	7L0 422 817 D	ProKit Spurstangenendstück / tie rod end		M16 x 1,5
<b>37203</b>	7L0 422 810 D	ProKit Axialgelenk / axial joint		L 320
<b>37205</b>	7L0 422 803 D	ProKit Spurstange / tie rod		L 434
<b>37206</b>	7L0 422 804 D	ProKit Spurstange / tie rod		L 434
<b>38811</b>	7L0 407 182 E	Querlenkerlager / control arm mount		H 72 ØA 61
<b>38839</b>	7L0 407 021 B S1	Rep. Satz Querlenker / rep. kit control arm		
<b>40165</b>	7L0 412 333 A	Querlenkerlager / control arm mount		
<b>40403</b>	7L0 407 021 B S2	ProKit Querlenker / control arm	<b>(2)</b>	Ø A 46,5
<b>44764</b>	7L0 407 182 G	Querlenkerlager / control arm mount		Ø A 72,05
<b>45377</b>	7L8 407 021	Querlenker / control arm	<b>(3)</b>	
<b>45380</b>	7L8 407 021 S1	Querlenker / control arm	<b>(3)</b>	
<b>45527</b>	7L8 407 151 K S1	ProKit Querlenker / control arm		Alu
<b>45528</b>	7L8 407 152 K S1	ProKit Querlenker / control arm		Alu

passend für / to fit

**AUDI**

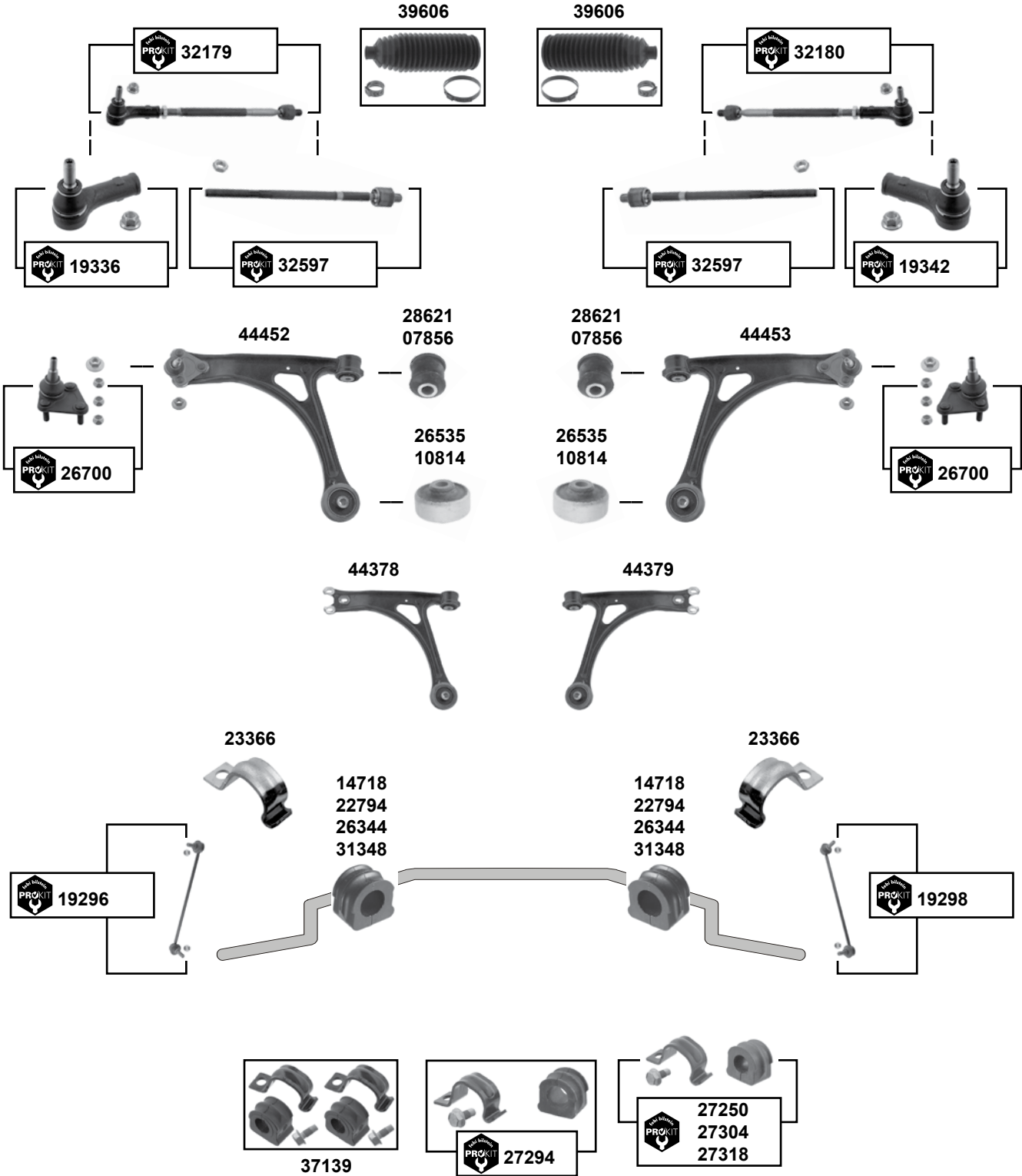


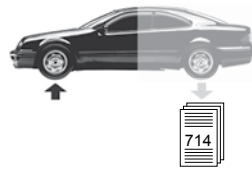
**Car  
Division**



**TT (8N)**  
(1999 → 2006)

Vorderachse / Front axle





**TT (8N)**  
(1999 → 2006)

- (1) 99 → 01 (ch.) 8N-Y-060 001 → / 01 → 06 alle / all
- (2) 99 → 00 (ch.) → 8N-Y-060 000 / (ex.) umgerüstete Fahrzeuge / (ex.) converted cars
- (3) (ch.) → 8N-4-026 500 / Ø Stabilisator / stabilizer 20
- (4) TT Coupe, TT Roadster (mot.) AJQ, APP, ARY,ATC, AUM, AUQ,BVP, BVR  
TT Coupequattro (mot.) AJQ, APP, APX,ARY, AUQ, BAM,BFV, BHE, BPF,BVR  
TT Roadster quattro (mot.) AJQ, APX, ARY,ATC, AUQ, BAM,BHE, BPF, BVR  
TT Coupe, TT Roadster, TT Coupequattro, TT Roadsterquattro alle / all / 99→



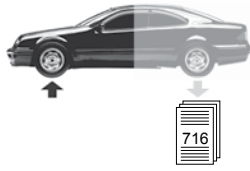
Ref. - No.



Ref. - No.				
07856	357 407 182	Querlenkerlager vorne / control arm mount front	(2)	Ø   12
10814	1J0 407 181	Querlenkerlager hinten / control arm mount rear	(2)	
14718	1J0 411 314 T	Stabilisatorlager / stabilizer mount	(3)	Ø   22
19296	1J0 411 315 D	ProKit Verbindungsstange / stabilizer link		
19298	1J0 411 316 D	ProKit Verbindungsstange / stabilizer link		
19336	8N0 422 811 A	ProKit Spurstangenendstück / tie rod end		
19342	8N0 422 A	ProKit Spurstangenendstück / tie rod end		
22794	1J0 411 314 P	Stabilisatorlager / stabilizer mount		Ø   20
23366	1J0 411 336 D	Halter / mount		
26344	1J0 411 314 S	Stabilisatorlager / stabilizer mount	NEW (2)	Ø   19
26535	8N0 407 181 B	Querlenkerlager / control arm mount	(1)	
26700	8N0 407 365 C	ProKit Traggelenk / ball joint		
27250	1J0 411 314 S S1	ProKit Stabilisatorlagersatz / stabilizer mount kit	→ 02	Ø   17
27294	1J0 411 314 P S1	ProKit Stabilisatorlagersatz / stabilizer mount kit	→ 02	
27304	1J0 411 314 R S1	ProKit Stabilisatorlagersatz / stabilizer mount kit		
27318	1J0 411 314 T S1	ProKit Stabilisatorlagersatz / stabilizer mount kit		
28621	8N0 407 182 A	Querlenkerlager / control arm mount	00 → (1)	Ø   21
31348	1J0 411 314 AC	Stabilisatorlager / stabilizer mount		Ø   18
32179	8N0 422 803 C	ProKit Spurstange / tie rod	(ex.) Sport	M12 x 1,5
32180	8N0 422 804 C	ProKit Spurstange / tie rod	(ex.) Sport	M12 x 1,5
32597	8N0 422 810 C	ProKit Axialgelenk / axial joint		M16 x 1,5
37139	1J0 411 314 AC S1	Stabilisatorlagersatz / anti roll bar bush kit	(ch.) → 8N-4-026 501	
39606	8N0 422 831 S1	Rep. Satz Lenkmanschette / rep. kit steering boot	servo	
44378	8N0 407 151 D	Querlenker / control arm	(4)	
44379	8N0 407 152 D	Querlenker / control arm	(4)	
44452	8N0 407 151 D S1	Querlenker / control arm	Gummi / rubber	
44453	8N0 407 152 D S1	Querlenker / control arm	Gummi / rubber	

passend für / to fit

**AUDI**

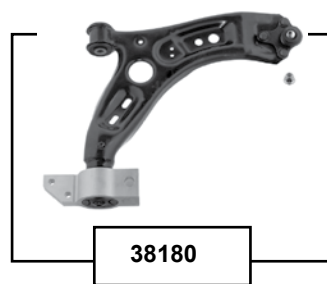
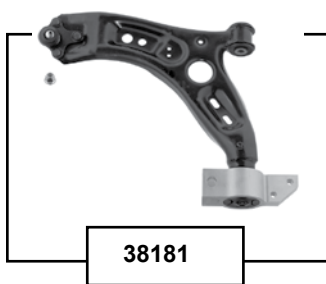
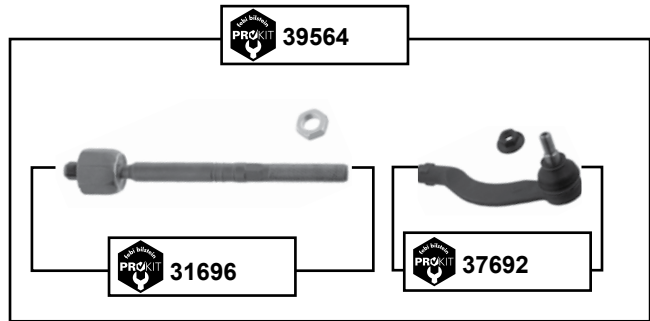
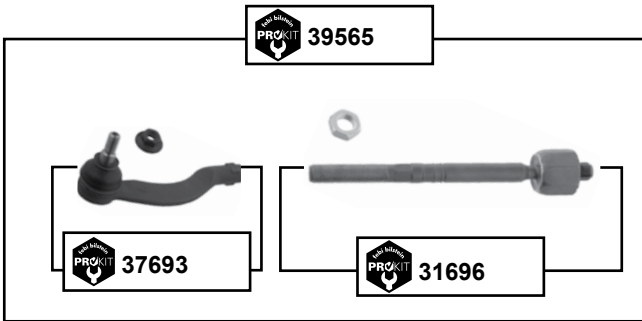


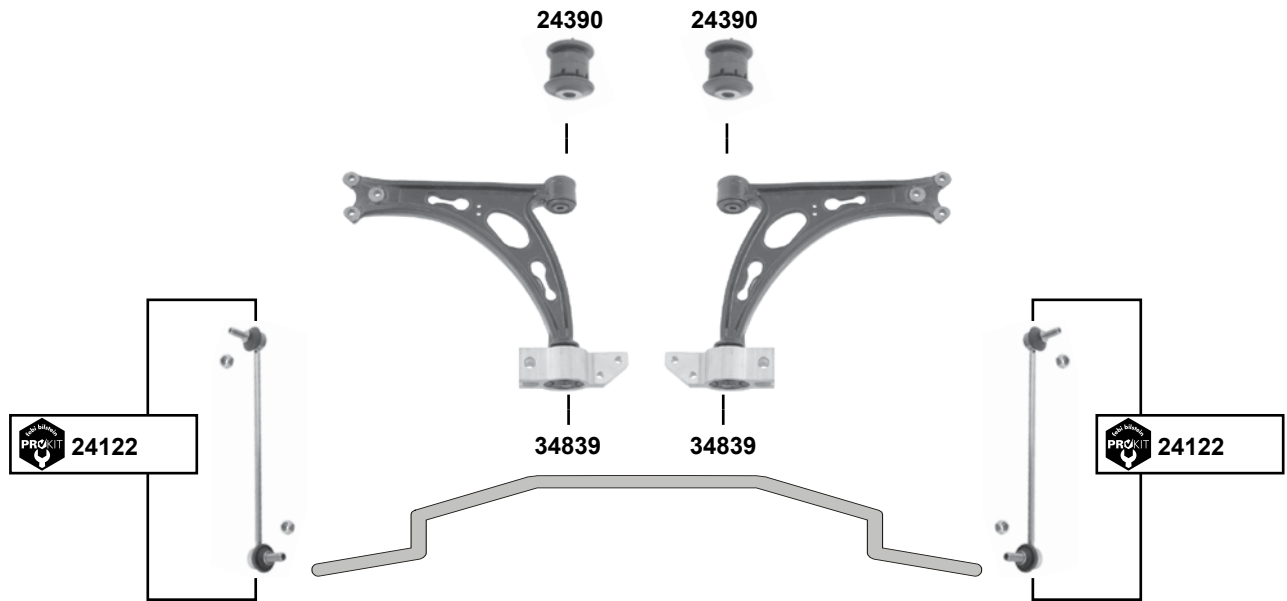
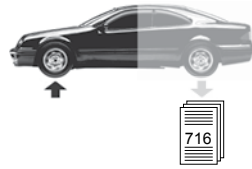
**Car  
Division**



**TT (8J)**  
(2006 →)

Vorderachse / Front axle





- (1) Audi TT / TTS Coupe 07→ / Audi TTRS Coupe / Roadster 10 →
- (2) TT / TTS / TTRS Coupe Roadster Quattro
- (3) (mot.) BPY, BUB, BWA, CBBB, CCTA, CCZA, CDAA, CDLA, CDLB, CDMA, CEPA, CEPB, CESA, CETA, CFGB



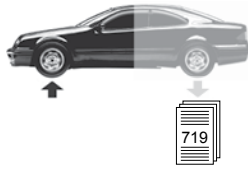
Ref. - No.



Ref. - No.				
24122	1K0 411 315 R	ProKit Verbindungsstange / stabilizer link	(1)	
24390	1K0 407182	Querlenkerlager / control arm mount	(1)	Ø A 48 H 54
31278	1K0 423 831 A S1	Rep. Satz Lenkmanschette / rep. kit steering boot		ØI 15,5 L190
31696	8J0 423 810	ProKit Spurstange / tie rod	(3)	M16 x 1,5
34839	8J0 199 231	Querlenkerlager / control arm mount	Aluminium	
36546	8J0 423 810 S1	ProKit Spurstange mit Endstück/ tie rod with tie rod end		M12 x 1,5
36547	8J0 423 810 S2	ProKit Spurstange mit Endstück/ tie rod with tie rod end		M12 x 1,5
37692	8J0 423 812 S1	ProKit Spurstangenendstück / tie rod end		M16 x 1,5
37693	8J0 423 811 S1	ProKit Spurstangenendstück / tie rod end		M16 x 1,5
38180	1K0 407 152 BC S1	Rep. Satz Querlenker / rep. kit control arm	Stahlblech / sheet steel	
38181	1K0 407 151 BC S1	Rep. Satz Querlenker / rep. kit control arm	Stahlblech / sheet steel	
39564	4H0 422 810 A S1	ProKit Spurstange / tie rod		
39565	4H0 422 810 A S2	ProKit Spurstange / tie rod		
40536	8J0 407 365 S1	ProKit Traggelenk / ball joint		M12 x 1,5
40537	8J0 407 366 S1	ProKit Traggelenk / ball joint		M12 x 1,5
40539	8J0 407 365	Traggelenk / ball joint		M12 x 1,5
40540	8J0 407 366	Traggelenk / ball joint		M12 x 1,5
44205	8J0 407 151 D	Querlenker mit Lagern / control arm with bearings	(2) Aluminium	
44217	8J0 407 151 D S1	Querlenker / control arm	(2) Aluminium	M12 x 1,5
44218	8J0 407 151 D S2	Querlenker / control arm	(2) Aluminium	M12 x 1,5

passend für / to fit

**AUDI**

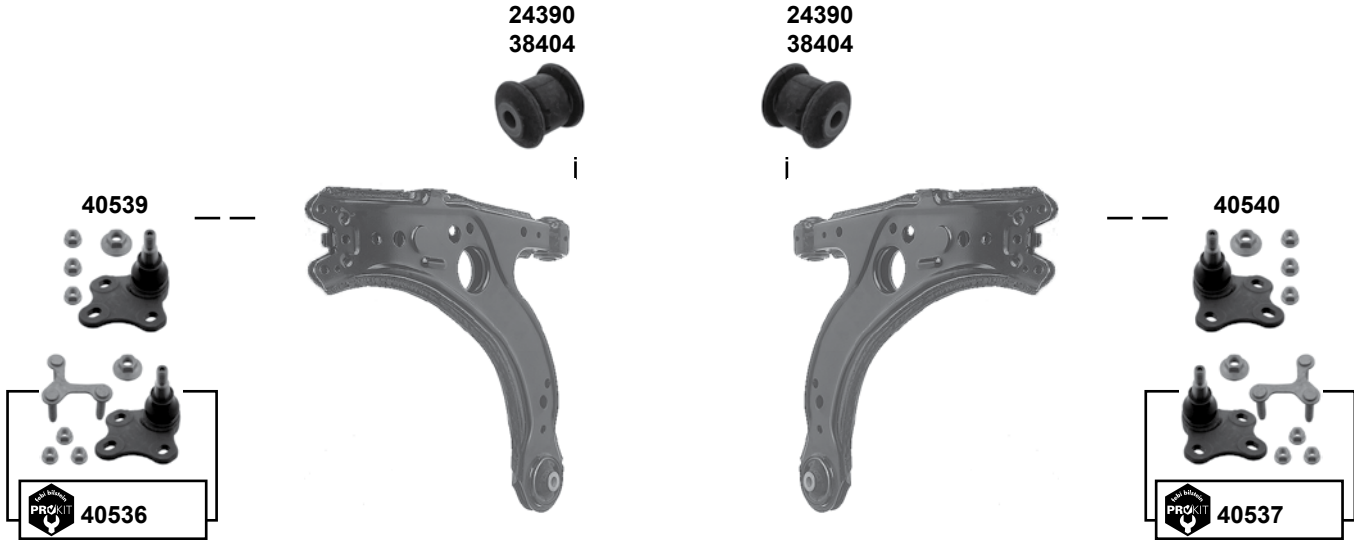


**Car  
Division**



**TT (FV)**  
(2014 →)

Vorderachse / Front axle



(1) (mot.) CUNA, CHHC

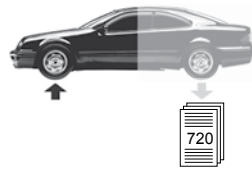
(2) (mot.) CUNA, CHHC , CJXG



Ref. - No.

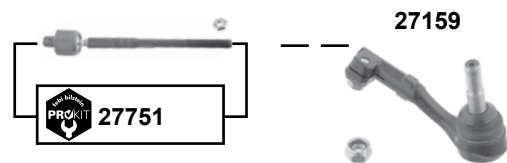
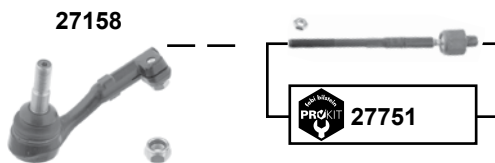
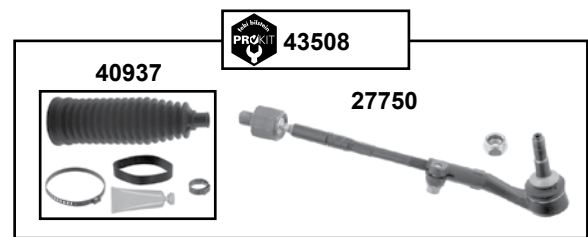
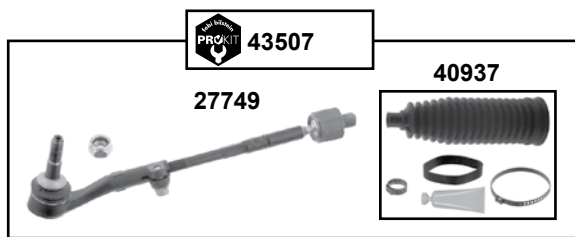


Ref. - No.			
<b>24390</b>	1K0 407 182	Querlenkerlager / control arm mount	Ø A 48 H 54
<b>31278</b>	1K0 423 831 A S1	Rep. Satz Lenkmanschette / rep. kit steering boot	(1)
<b>38404</b>	5Q0 407 182	Querlenkerlager / control arm mount	(2)
<b>40536</b>	8J0 407 365 S1	ProKit Traggelenk / ball joint	(1)
<b>40537</b>	8J0 407 366 S1	ProKit Traggelenk / ball joint	(1)
<b>40539</b>	8J0 407 365	Traggelenk / ball joint	(1)
<b>40540</b>	8J0 407 366	Traggelenk / ball joint	(1)



**1'er (E81/E82/E87/LCI/E88)**  
(2004 → 2013)

**TRW**



Vorderachse / Front axle



(1) E81: 116 i, 118 i, 120i E82 : 120i E88: 118i, 120i alle / all  
E81: 116d, 118d, 120d, 123d E82: 118d, 120d, 123d Außer Fahrzeuge mit: CO2- Umfang, , servo ,  
Aktivlenkung / except vehicles with: CO2 package, , servo , active steering

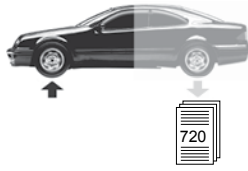


Ref. - No.

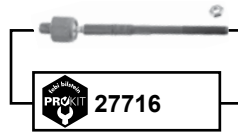
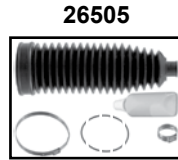
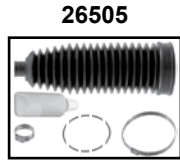


<b>27158</b>	32 10 6 767 781	Spurstangenendstück links / tie rod end left	(1)	M14 x 1,5
<b>27159</b>	32 10 6 767 782	Spurstangenendstück rechts / tie rod end right	(1)	M14 x 1,5
<b>27749</b>	32 21 6 762 243	Spurstange links kompl. / tie rod left compl.	(1)	L 343
<b>27750</b>	32 21 6 762 244	Spurstange rechts kompl. / tie rod right compl.	(1)	L 343
<b>27751</b>	32 21 6 762 243 SK	ProKit Spurstange / tie rod	(1)	L 246
<b>40937</b>	32 10 2 353 823	Rep. Satz Lenkmanschette / rep. kit steering boot	(1) <small>LHD</small>	L 343
<b>43507</b>	32 21 6 762 243 S1	ProKit Spurstange / tie rod	(1) <small>LHD</small>	L 343
<b>43508</b>	32 21 6 762 244 S1	ProKit Spurstange / tie rod	(1) <small>LHD</small>	L 343





**1 'er (E81/E82/E87/LCI/E88)**  
(2004 → 2013)



- (1) E81: 116 i/d, 118 d/i, 120i ZF + RHD / 120d, 123d, 130i ZF + LHD + RHD / 120i ZF + LHD  
E82: 120d, 123d, 125i, 135i ZF + LHD + RHD / 118d, 120i ZF + RHD  
E88: 118 d/i, 120i ZF + RHD / 120i ZF + LHD / 120d, 123d, 125i ZF + LHD + RHD

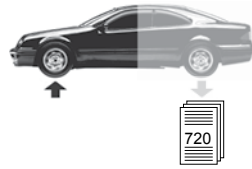


Ref. - No.

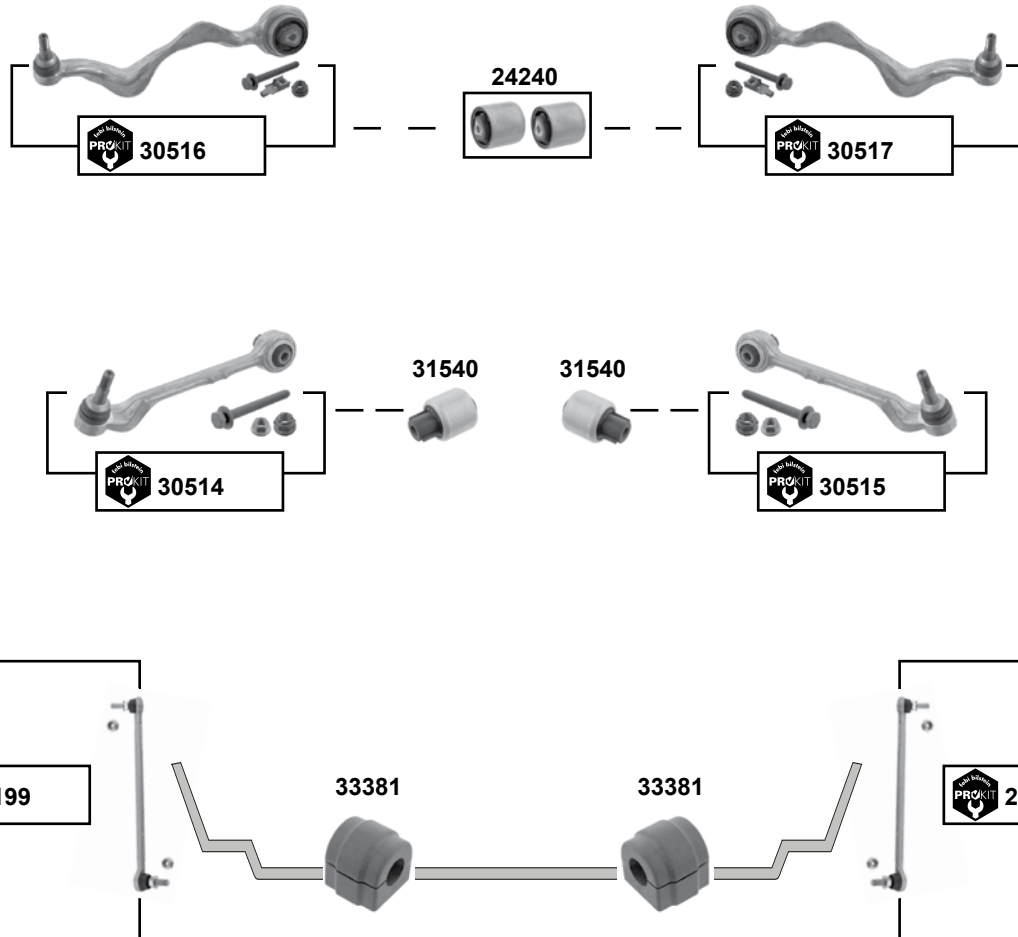


<b>26505</b>	32 10 6 765 234	Rep. Satz Lenkmanschette / rep. kit steering boot	(1)	
<b>27158</b>	32 10 6 767 781	Spurstangenendstück links / tie rod end left	(1)	M14 x 1,5
<b>27159</b>	32 10 6 767 782	Spurstangenendstück rechts / tie rod end right	(1)	M14 x 1,5
<b>27716</b>	32 10 6 765 235 SK	ProKit Spurstange / tie rod	(1)	L 275
<b>27718</b>	32 10 6 765 235	Spurstange / tie rod	(1)	L 372
<b>27719</b>	32 10 6 765 236	Spurstange / tie rod	(1)	L 372
<b>40515</b>	32 10 6 765 235 S1	ProKit Spurstange / tie rod	(1)	M14 x 1,5
<b>40516</b>	32 10 6 765 236 S1	ProKit Spurstange / tie rod	(1)	M14 x 1,5

Vorderachse / Front axle



# 1 'er (E81/E82/E87/LCI/E88) (2004 → 2013)



Vorderachse / Front axle

- (1) E 81 116i **Sport** → 04/10
- (2) E 81 116d / 118d - 130i → 04/10
- (3) E82 118d - 135i → 04/10
- (4) E88 118d - 135i → 04/10

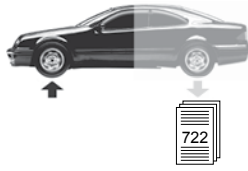


Ref. - No.



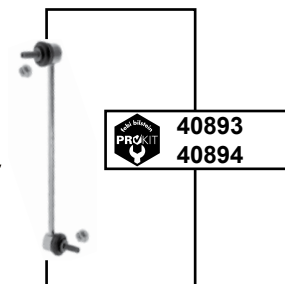
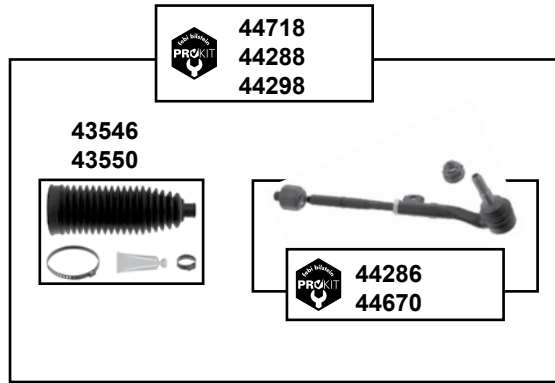
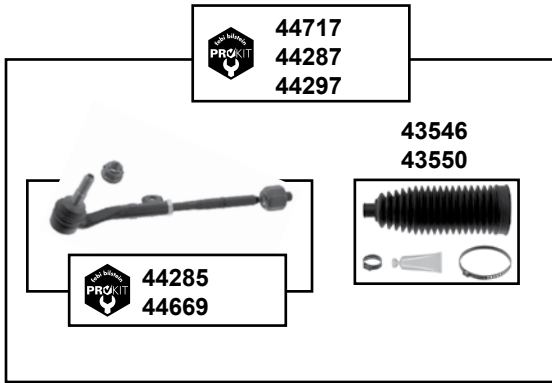
Part No.	Ref. - No.	Description	Dimensions
24240	31 12 0 393 540	Rep. Satz Querlenkerlager / rep. kit control arm mount	12x70x64,5
27199	31 35 6 765 933	ProKit Verbindungsstange links / stabilizer link left	L 290,5
27200	31 35 6 765 934	ProKit Verbindungsstange rechts / stabilizer link right	L 290,5
30514	31 12 6 770 849	ProKit Querlenker links / control arm left	
30515	31 12 6 770 850	ProKit Querlenker rechts / control arm right	
30516	31 12 6 769 797	ProKit Querlenker / control arm	
30517	31 12 6 769 798	ProKit Querlenker / control arm	
31540	31 12 6 765 597	Querlenkerlager hinten / control arm mount rear	12x46x71
33381	31 35 6 765 574	Stabilisatorlager / stabilizer mount	Ø I 26,5

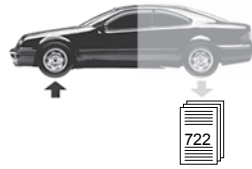
(1) (2) (3) (4)



## 1 'er (F20/F21) (2011 →)

Vorderachse / Front axle





# 1 'er (F20/F21) (2011 →)

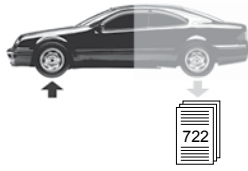
- (1) M 135i, M135ix  
F20 : 114d/i, 116d/i/ed, 118i/d/dx, 120i/d/dx, 125d/i TKP  
F21 : 114d/i, 116d/i, 118d/dx/i, 120d/dx, 125d/i TKP
- (2) für Linkslenker / for left-hand drive vehicles
- (3) bei Fahrzeugen mit adaptivem Fahrwerk oder 4WD nur links, bei allen anderen beidseitig /  
for vehicles with adaptive drive or 4WD only left side, all others both sides
- (4) nur für Fahrzeuge mit adaptivem Fahrwerk oder 4WD / for vehicles with adaptive drive or 4WD
- (5) F20 : 114i/d, 116d/ed/i, 118d/i, 120d/i, 125d/i ZF  
F21 : 114i/d, 116i/d, 118i/d, 120d, 125d/i ZF



	Ref. - No.			
40496	31 12 6 855 743	Querlenkerlager / control arm mount	(ex.) 4x4	12x70x70/95
40497	31 12 6 854 729	Querlenkerlager / control arm mount	4x4	12x70x70/80
40893	31 30 6 792 211	ProKit Verbindungsstange / stabilizer link	(3)	
40894	31 30 6 792 212	ProKit Verbindungsstange rechts / connecting rod right	(4)	
43546	32 10 6 854 893	Rep. Satz Lenkmanschette / rep. kit steering boot	(5)	
43550	32 10 6 795 845	Rep. Satz Lenkmanschette / rep. kit steering boot	(1)	L 195
43626	32 10 6 792 029 SK1	Axialgelenk / axial joint	4x4	L 248
44281	32 10 6 799 966	ProKit Spurstangenendstück links / tie rod end left	(ex.) 4x4	L 165
44282	32 10 6 799 967	ProKit Spurstangenendstück rechts / tie rod end right	(ex.) 4x4	L 165
44285	32 10 6 799 960	ProKit Spurstange links / tie rod left	(5) (ex.) 4x4	
44286	32 10 6 799 965	ProKit Spurstange rechts / tie rod right	(5) (ex.) 4x4	
44287	32 10 6 799 960 S1	ProKit Spurstange links / tie rod left	(1) (ex.) 4x4	
44288	32 10 6 799 965 S1	ProKit Spurstange rechts / tie rod right	(1) (ex.) 4x4	
44297	32 10 6 799 960 S2	ProKit Spurstange links / tie rod left	(2) (5) (ex.) 4x4	
44298	32 10 6 799 965 S2	ProKit Spurstange rechts / tie rod right	(2) (5) (ex.) 4x4	
44657	32 10 6 797 617	ProKit Spurstangenendstück links / tie rod end left	4x4	L 139
44658	32 10 6 797 618	ProKit Spurstangenendstück rechts / tie rod end right	4x4	L 139
44669	32 10 6 792 029	ProKit Spurstange links / tie rod left	(1) 4x4	
44670	32 10 6 792 030	ProKit Spurstange rechts / tie rod right	(1) 4x4	
44717	32 10 6 792 029 S1	ProKit Spurstange links / tie rod left	(1) 4x4	L 335
44718	32 10 6 792 030 S1	ProKit Spurstange rechts / tie rod right	(1) 4x4	L 335
45091	31 12 6 855 741	ProKit Querlenker links / control arm left	(ex.) 4x4	
45092	31 12 6 855 742	ProKit Querlenker rechts / control arm right	(ex.) 4x4	
45093	31 12 6 852 991	ProKit Querlenker links / control arm left	(ex.) 4x4	
45094	31 12 6 852 992	ProKit Querlenker rechts / control arm right	(ex.) 4x4	

passend für / to fit

**BMW**

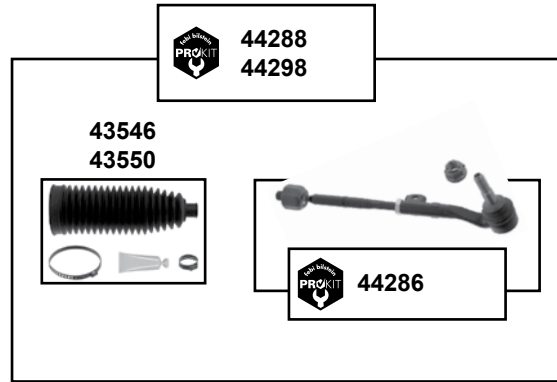
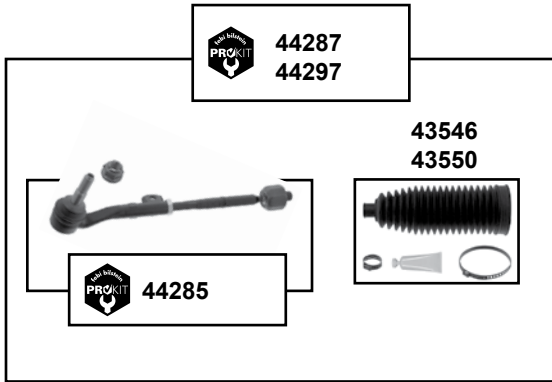


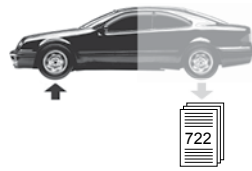
**Car  
Division**



## 2'er (F22/F23) (2013 →)

Vorderachse / Front axle



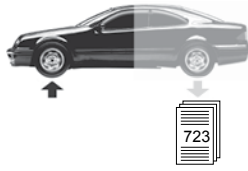


**2'er (F22/F23)**  
(2013 →)



- (1) F22: ZF (ex.) 4x4
- (2) TKP (ex.) 4x4
- (3) adaptives Fahrwerk links / adaptive chassis left side  
links und rechts (ex.) adaptives Fahrwerk / left and right (ex.) adaptive chassis
- (4) adaptives Fahrwerk rechts / adaptive chassis right

	Ref. - No.			
<b>40496</b>	31 12 6 855 743	Querlenkerlager / control arm mount	(ex.) 4x4	12x70x70/95
<b>40497</b>	31 12 6 854 729	Querlenkerlager / control arm mount	4x4	12x70x70/80
<b>40893</b>	31 30 6 792 211	ProKit Verbindungsstange / connecting rod	(3)	
<b>40894</b>	31 30 6 792 212	ProKit Verbindungsstange rechts / connecting rod right	(4)	
<b>43546</b>	32 10 6 854 893	Rep. Satz Lenkmanschette / rep. kit steering boot	(1) <small>LHD</small>	
<b>43550</b>	32 10 6 795 845	Rep. Satz Lenkmanschette / rep. kit steering boot	(2)	L 195
<b>44281</b>	32 10 6 799 966	ProKit Spurstangenendstück links / tie rod end left	(ex.) 4x4	L 165
<b>44282</b>	32 10 6 799 967	ProKit Spurstangenendstück rechts / tie rod end right	(ex.) 4x4	L 165
<b>44285</b>	32 10 6 799 960	ProKit Spurstange links / tie rod left	(1)	
<b>44286</b>	32 10 6 799 965	ProKit Spurstange rechts / tie rod right	(1)	
<b>44287</b>	32 10 6 799 960 S1	ProKit Spurstange links / tie rod left	(2) (ex.) 4x4	
<b>44288</b>	32 10 6 799 965 S1	ProKit Spurstange rechts / tie rod right	(2) (ex.) 4x4	
<b>44297</b>	32 10 6 799 960 S2	ProKit Spurstange links / tie rod left	(1) <small>LHD</small>	
<b>44298</b>	32 10 6 799 965 S2	ProKit Spurstange rechts / tie rod right	(1) <small>LHD</small>	
<b>45091</b>	31 12 6 855 741	ProKit Querlenker links / control arm left	(ex.) 4x4	
<b>45092</b>	31 12 6 855 742	ProKit Querlenker rechts / control arm right	(ex.) 4x4	
<b>45093</b>	31 12 6 852 991	ProKit Querlenker links / control arm left	(ex.) 4x4	
<b>45094</b>	31 12 6 852 992	ProKit Querlenker rechts / control arm right	(ex.) 4x4	



**3'er (E21)**  
(1975 → 1982)

(ex.)

01675



07349



07349



01675



07349



03284



07348



**10/78 → 1982**

06463



06464



Ref. - No.



01675

32 31 1 115 092

Gelenkscheibe / flexible disc

03284

32 11 1 117 426 S1

Rep. Satz Lenkmanschette / rep. kit steering boot

06463

31 12 1 123 025

Querlenker / control arm

→ 10/78

06464

31 12 1 123 026

Querlenker / control arm

→ 10/78

07348

32 11 1 117 426

Lenkmanschette / steering boot

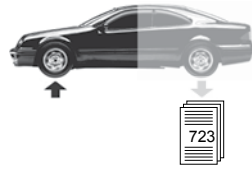
07349

32 11 1 117 426

Lenkmanschette / steering boot

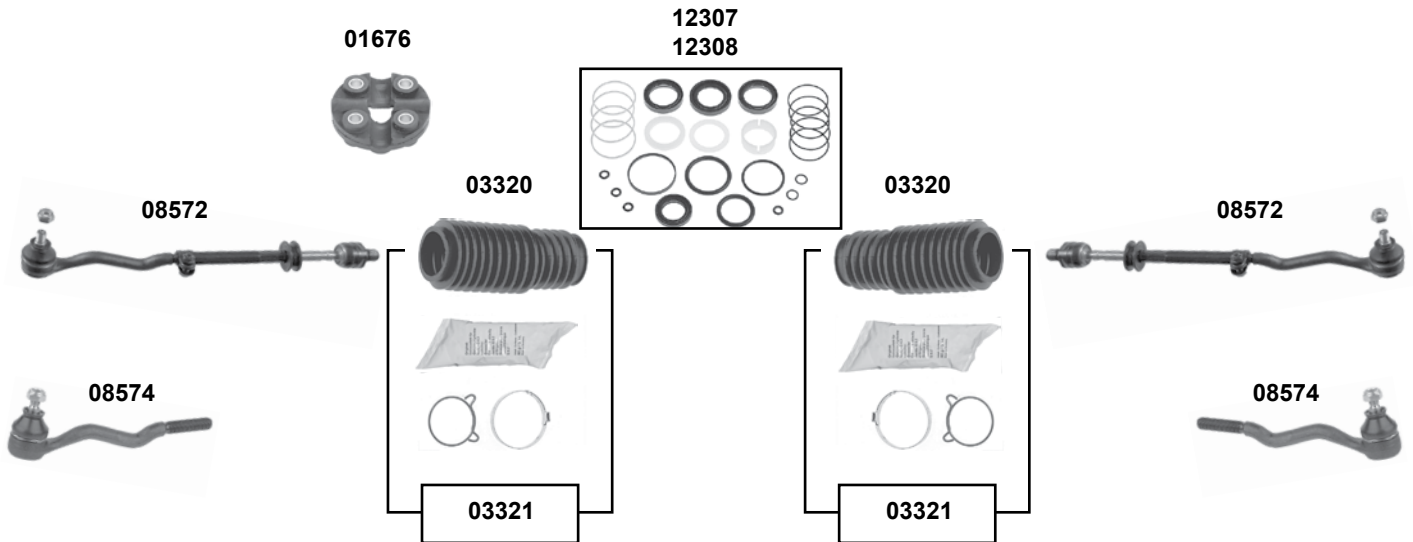
(ex.)315 /→ 10/88

Vorderachse / Front axle

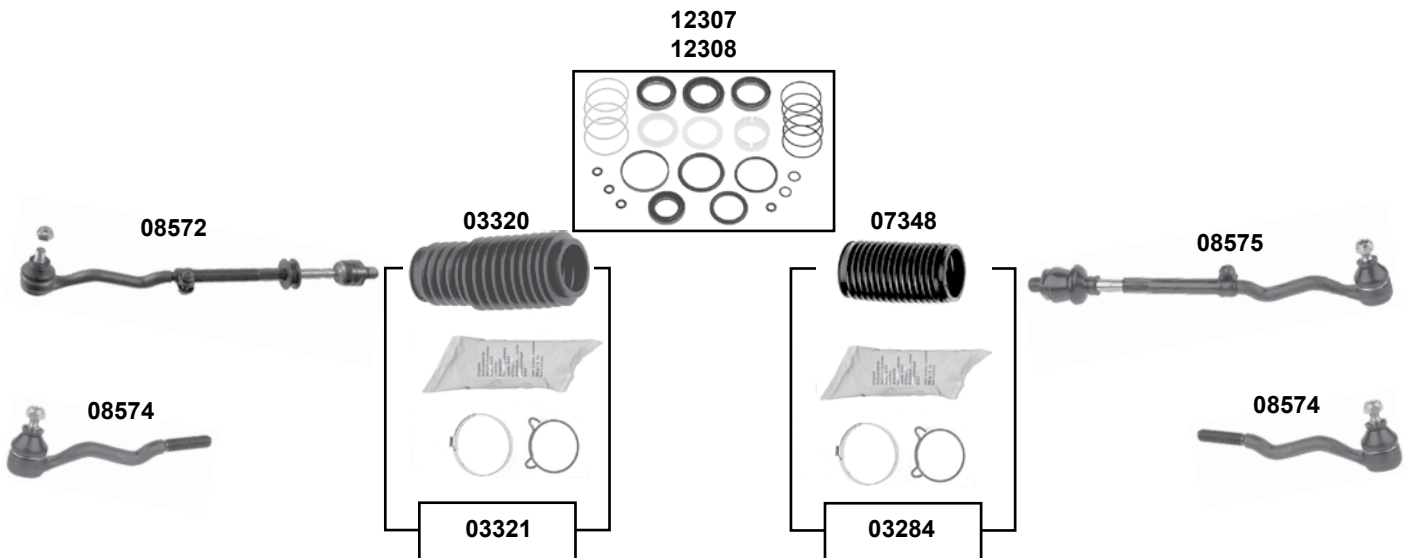


**3'er (E30)**  
(1982 → 1991)  
**Limousine 316 → 325 i**

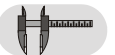
**316/i/iS, 318i/iS (ex.)** **Airbag**  
**320i, 323i, 324d, 325e/i (ex.)**



**316/i/iS, 318i/iS** **Airbag**  
**320i, 323i, 324d, 325e/i**



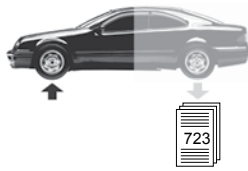
Ref. - No.



<b>01676</b>	32 31 1 153 993	Gelenkscheibe / flexible disc	(ex.) M3 / →07/95	
<b>03284</b>	32 11 1 117 426 S1	Rep. Satz Lenkmanschette / rep. kit steering boot	(ex.) M3	
<b>03320</b>	32 11 1 127 104	Lenkmanschette / steering boot		
<b>03321</b>	32 11 1 127 104 S1	Rep. Satz Lenkmanschette / rep. kit steering boot	(ex.) M3 / 325 ix	
<b>07348</b>	32 11 1 117 426	Lenkmanschette / steering boot	(ex.) M3 / 325 ix	
<b>08572</b>	32 11 1 125 186	Spurstange / tie rod		
<b>08574</b>	32 11 1 126 757	Spurstangenendstück / tie rod end		
<b>08575</b>	32 11 1 125 187	Spurstange / tie rod	(ex.) M3	
<b>12307</b>	32 13 1 132 798	Dichtungssatz Servolenkung / gasket set power steering	11/86 → (ex.)325 ix	
<b>12308</b>	32 13 1 128 685	Dichtungssatz Servolenkung / gasket set power steering	→11/86 (ex.) 325 ix	

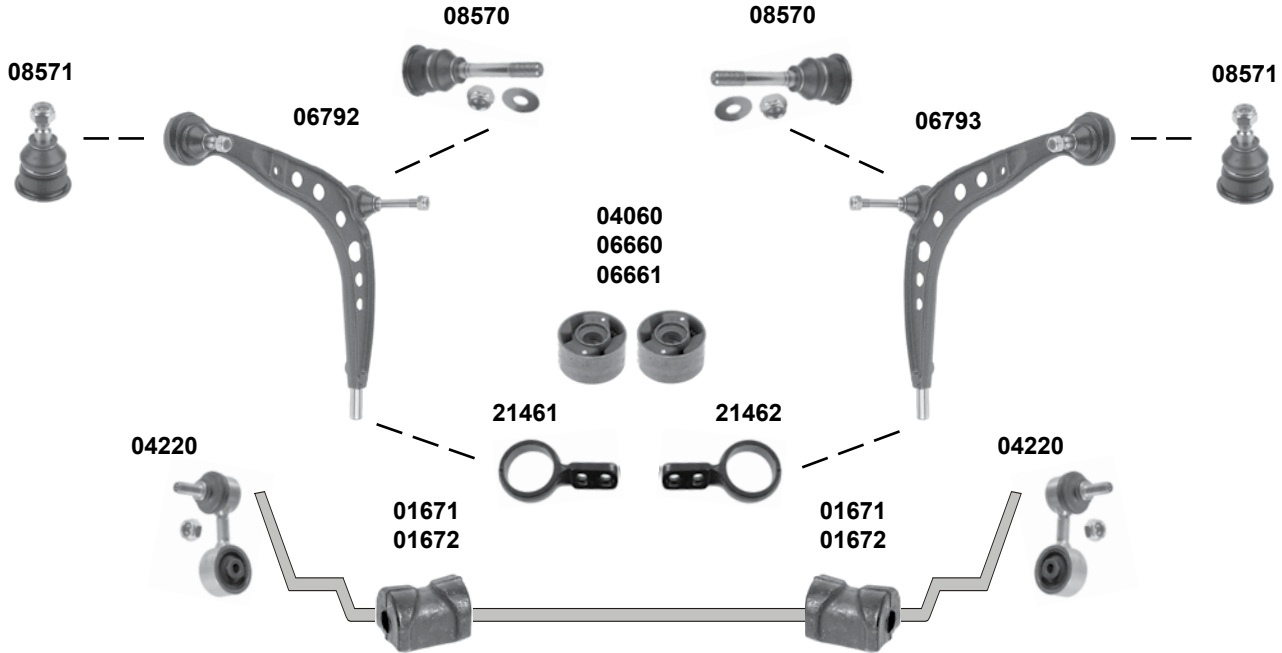
L 374  
M14x1,5RHT





**3'er (E30)**  
(1982 → 1991)  
**Limousine 316 → 325 i**

Vorderachse / Front axle



**Rep. Sätze / rep. kits**

21468  
21470  
21472



21469  
21471  
21473



(1) 316/i/iS, 318i/iS (ex.) AC

(2) 316/i, 318i AC  
320i, 323i (ex.) AC

(3) 320i, 323i AC  
320i, 323i   
320iS, 324d/td, 325e/i alle / all

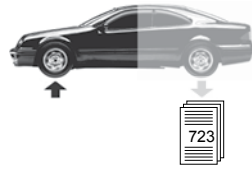
(4) (ex.) 325 ix / M3



Ref. - No.

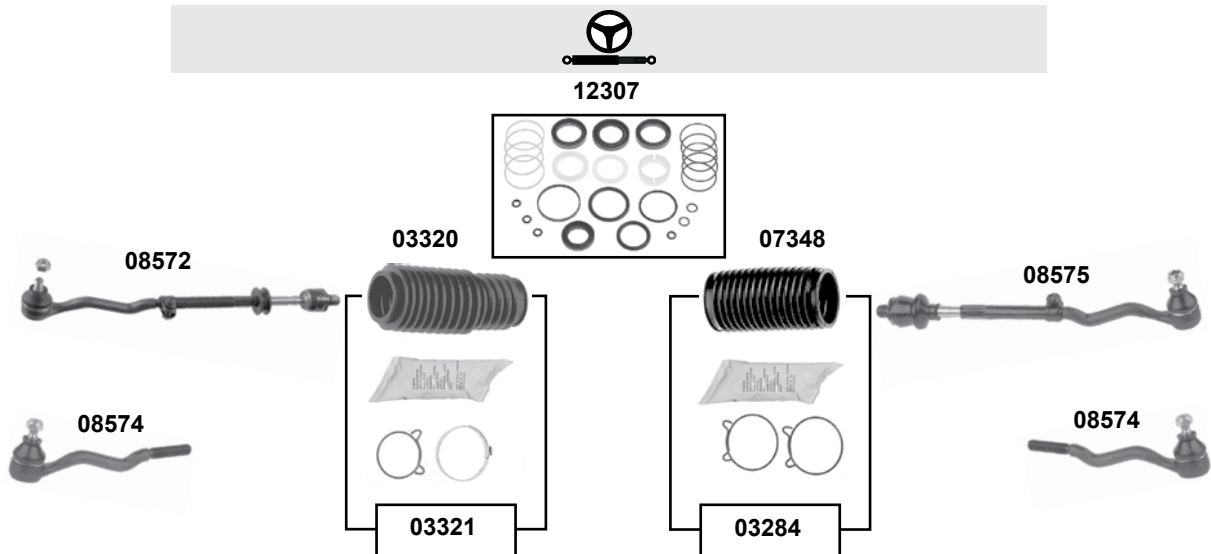
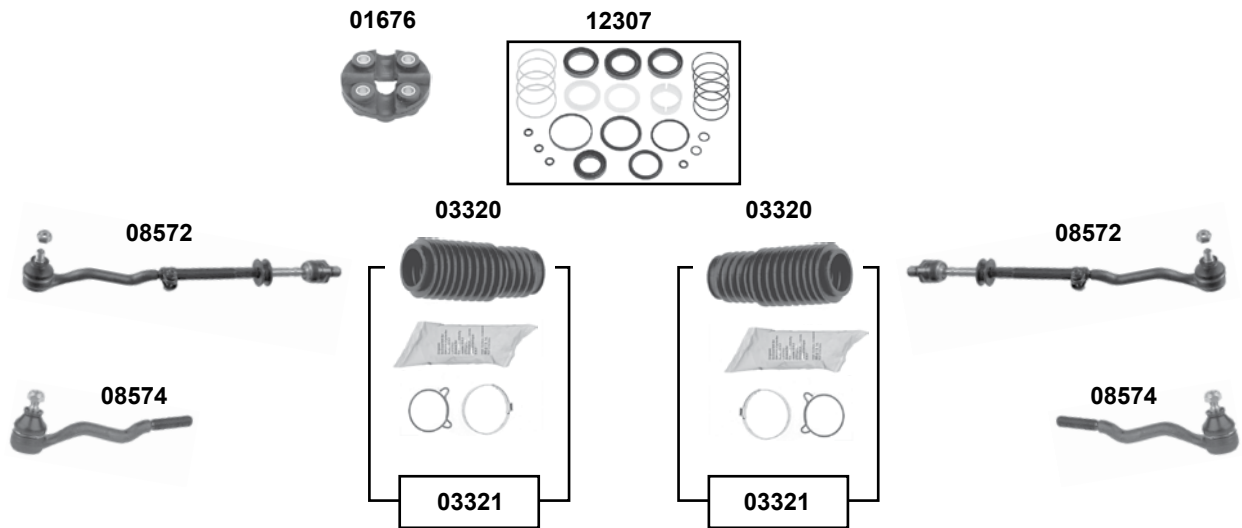


01671	31 35 1 127 414	Stabilisatorlager / stabilizer mount	(4)	Ø 118,5
01672	31 35 1 129 139	Stabilisatorlager / stabilizer mount	(4)	Ø 120
04060	31 12 9 058 814	Rep. Satz Querlenker / rep. kit control arm	(1) (4)	18x60,5x33
04220	31 35 1 091 764	Verbindungsstange / stabilizer link	(4)	L 102
06660	31 12 9 058 815	Rep. Satz Querlenker / rep. kit control arm	(2) (4)	18x60,5x33
06661	31 12 9 058 931	Rep. Satz Querlenker / rep. kit control arm	(3) (4)	18x60,5x33
06792	31 12 1 127 725	Querlenker / control arm	(ex.) 325 ix	
06793	31 12 1 127 726	Querlenker / control arm	(ex.) 325 ix	
08570	31 12 1 126 253	Traggelenk / ball joint	(4)	M14 x 1,5
08571	31 12 1 126 254	Traggelenk / ball joint	(4)	M12 x 1,5
21461	31 12 1 139 789	Halter / mount		
21462	31 12 1 139 790	Halter / mount	(ex.) M3 / 325 ix	
21468	31 12 9 058 814 S1	Halter kompl. / mount compl.	(1) (4)	
21469	31 12 9 058 814 S2	Halter kompl. / mount compl.	(1) (4)	L 374
21470	31 12 9 058 815 S1	Halter kompl. / mount compl.	(2) (4)	M14x1,5RHT
21471	31 12 9 058 815 S2	Halter kompl. / mount compl.	(2) (4)	
21472	31 12 9 058 931 S1	Halter kompl. / mount compl.	(3) (4)	
21473	31 12 9 058 931 S2	Halter kompl. / mount compl.	(3) (4)	



**3'er (E30)**  
(1987 → 1994)  
Touring 316 i → 325 i

(ex.) , Airbag



Vorderachse / Front axle



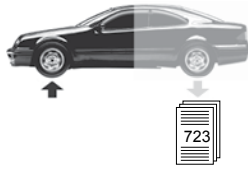
- (1) M10 / M40 / M42 / M20 / S14 / M21
- (2) 325 ix mit Lenkungsdämpfer nur passend zu Airbag M20



Ref. - No.

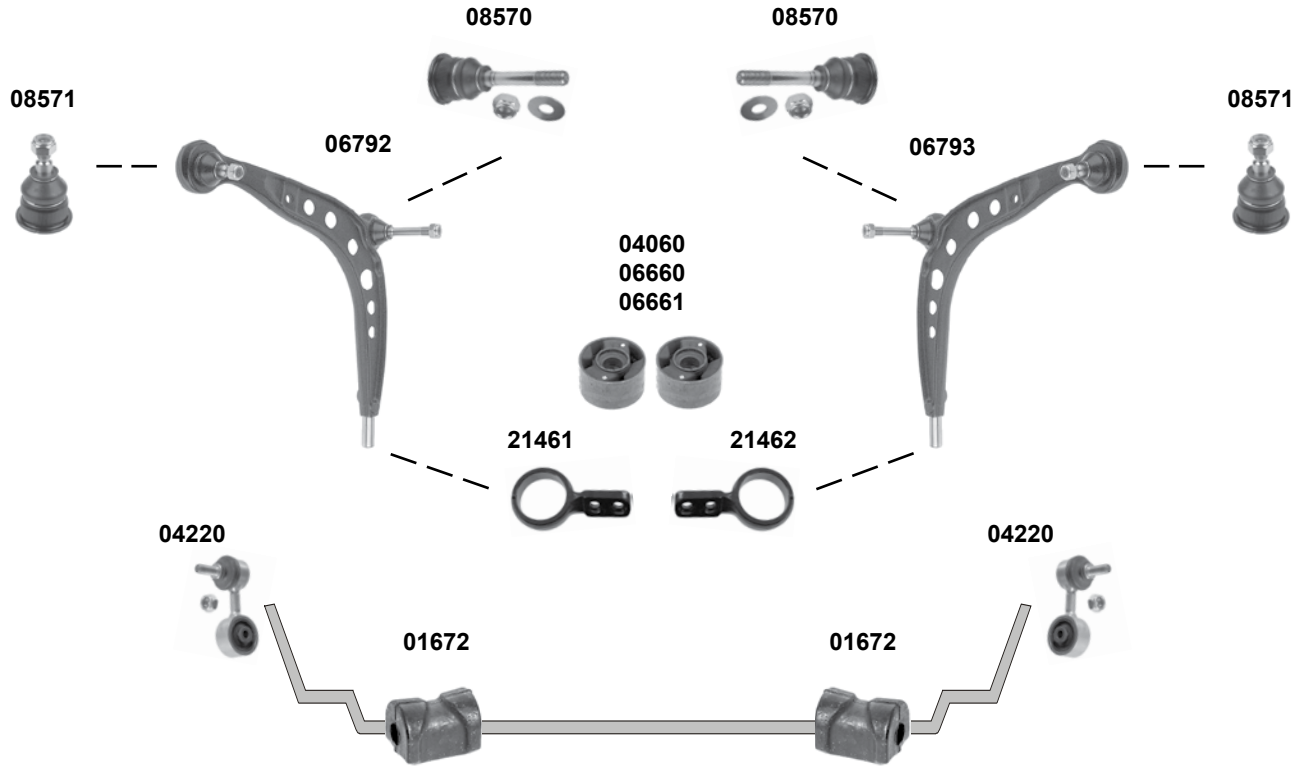


<b>01676</b>	32 31 1 115 092	Gelenkscheibe / flexible disc	→ 07/95	
<b>03284</b>	32 11 1 117 426 S1	Rep. Satz Lenkmanschette / rep. kit steering boot	(ex.) 325 ix	
<b>03320</b>	32 11 1 127 104	Lenkmanschette / steering boot		
<b>03321</b>	32 11 1 127 104 S1	Rep. Satz Lenkmanschette / rep. kit steering boot	(ex.) 325 ix	
<b>07348</b>	32 11 1 117 426	Lenkmanschette / steering boot	(ex.) 325 ix	
<b>08572</b>	32 11 1 125 186	Spurstange / tie rod	(ex.) 325 ix	L 374
<b>08574</b>	32 11 1 126 757	Spurstangenendstück / tie rod end	(1) (2)	M14x1,5RHT
<b>08575</b>	32 11 1 125 187	Spurstange / tie rod	(ex.) 325 ix	L 372
<b>12307</b>	32 13 1 132 798	Dichtungssatz Servolenkung / gasket set power steering	(ex.) 325 ix /11/86 →	



**3'er (E30)**  
 (1987 → 1994)  
**Touring 316 i → 325 i**  
 (ex.) 325 iX

Vorderachse / Front axle



**Rep. Sätze / rep. kits**

21468  
21470  
21472

21469  
21471  
21473



(1) 316i, 318i (ex.) AC

(2) 316i, 318i AC

(3) 320i, 324td, 325i alle / all

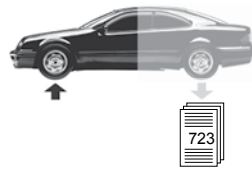
(4) (ex.) 325 ix



Ref. - No.

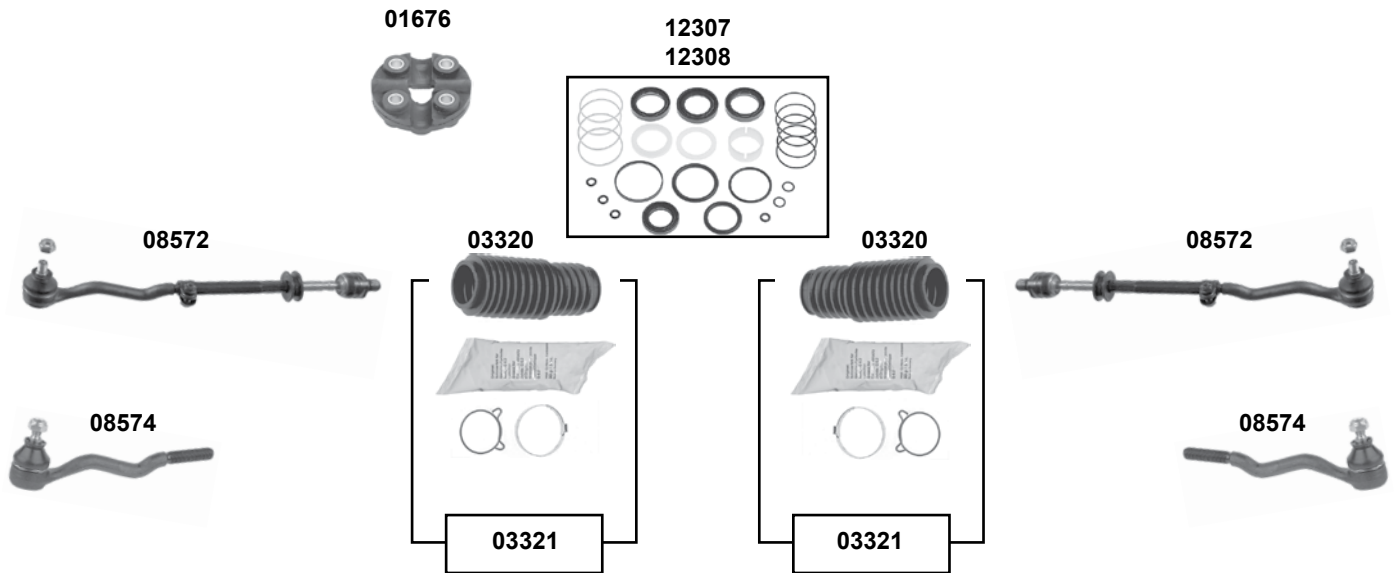


<b>01672</b>	31 35 1 129 139	Stabilisatorlager / stabilizer mount	(4)	Ø I 20
<b>04060</b>	31 12 9 058 814	Rep. Satz Querlenkerlager / rep. kit control arm mount	(1) (4)	18x60,5x33
<b>04220</b>	31 35 1 091 764	Verbindungsstange / stabilizer link		L 102
<b>06660</b>	31 12 9 058 815	Rep. Satz Querlenkerlager / rep. kit control arm mount	(2) (4)	18x60,5x33
<b>06661</b>	31 12 9 058 931	Rep. Satz Querlenkerlager / rep. kit control arm mount	(3) (4)	18x60,5x33
<b>06792</b>	31 12 1 127 725	Querlenker / control arm	(4)	
<b>06793</b>	31 12 1 127 726	Querlenker / control arm	(4)	
<b>08570</b>	31 12 1 126 253	Traggelenk / ball joint	(4)	M14 x 1,5
<b>08571</b>	31 12 1 126 254	Traggelenk / ball joint	(4)	M12 x 1,5
<b>21461</b>	31 12 1 139 789	Halter / mount		
<b>21462</b>	31 12 1 139 790	Halter / mount		
<b>21468</b>	31 12 9 058 814 S1	Rep. Satz Querlenkerlager / rep. kit control arm mount	(1) (4)	
<b>21469</b>	31 12 9 058 814 S2	Rep. Satz Querlenkerlager / rep. kit control arm mount	(1) (4)	
<b>21470</b>	31 12 9 058 815 S1	Rep. Satz Querlenkerlager / rep. kit control arm mount	(2) (4)	
<b>21471</b>	31 12 9 058 815 S2	Rep. Satz Querlenkerlager / rep. kit control arm mount	(2) (4)	
<b>21472</b>	31 12 9 058 931 S1	Rep. Satz Querlenkerlager / rep. kit control arm mount	(3) (4)	
<b>21473</b>	31 12 9 058 931 S2	Rep. Satz Querlenkerlager / rep. kit control arm mount	(3) (4)	

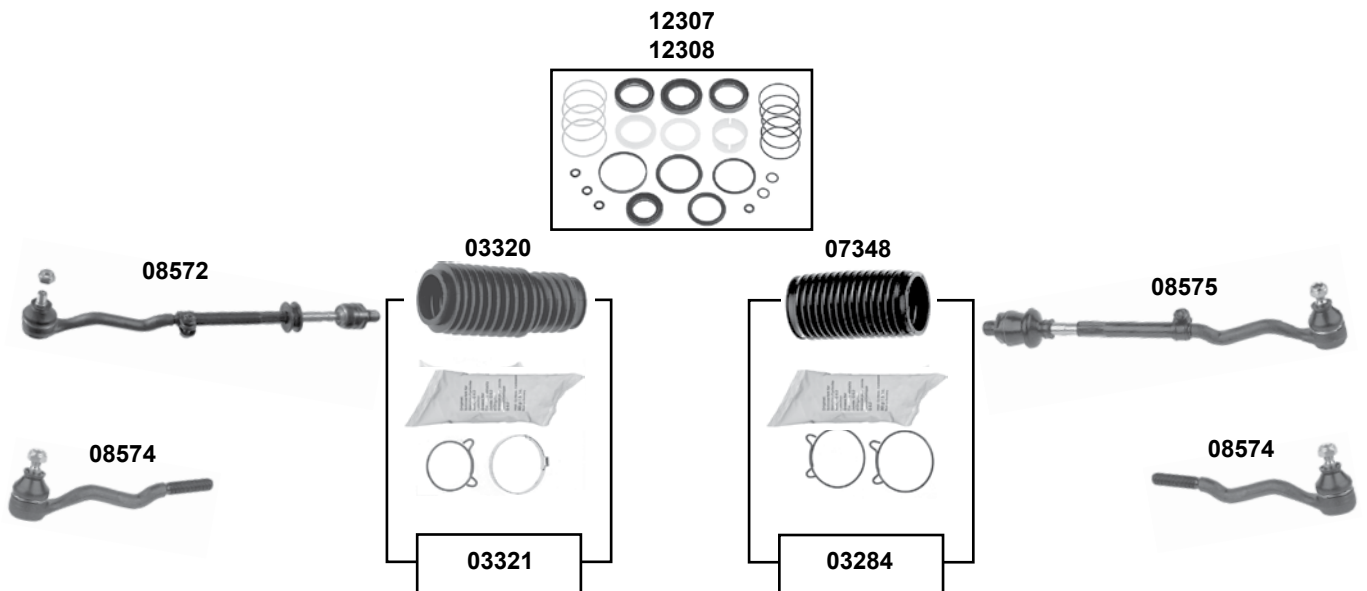


**3'er (E30)**  
(1985 → 1993)  
**Cabrio 318 i → 325 i**

(ex.)



Vorderachse / Front axle

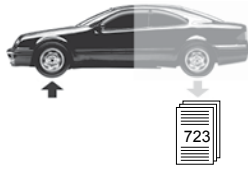


Ref. - No.



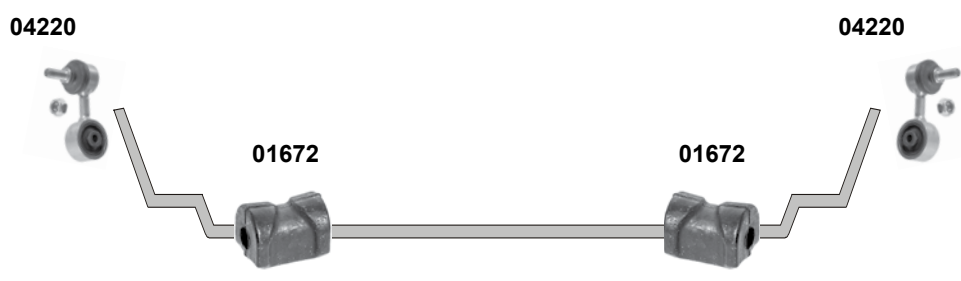
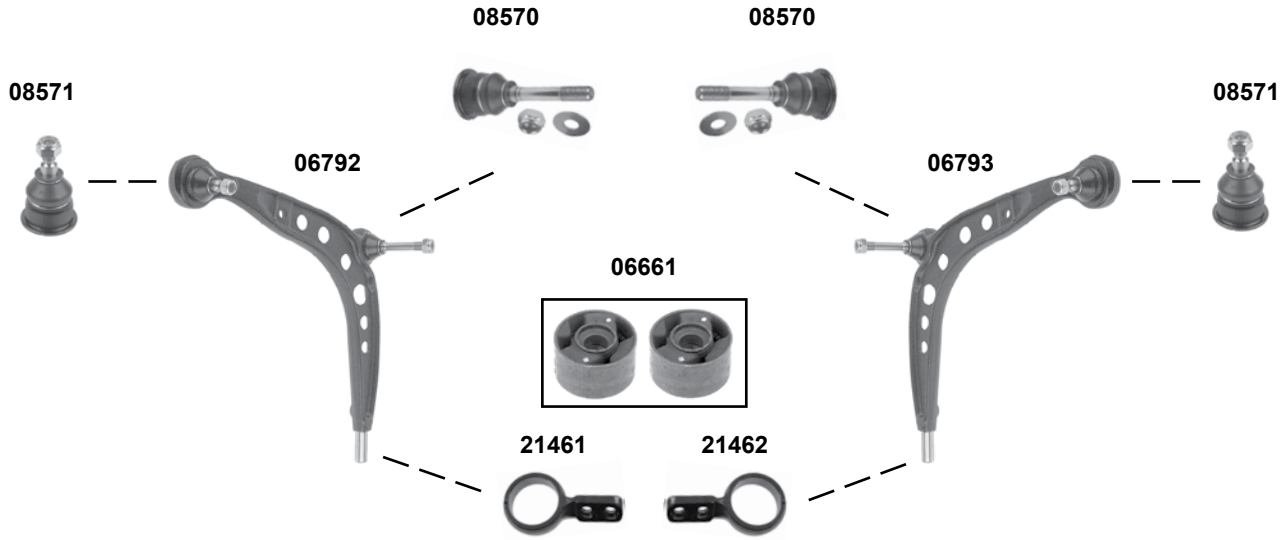
<b>01676</b>	32 31 1 153 993	Gelenkscheibe / flexible disc	(ex.) M3	
<b>03284</b>	32 11 1 117 426 S1	Rep. Satz Lenkmanschette / rep. kit steering boot	(ex.) M3	
<b>03320</b>	32 11 1 127 104	Lenkmanschette / steering boot		
<b>03321</b>	32 11 1 127 104 S1	Rep. Satz Lenkmanschette / rep. kit steering boot	(ex.) M3	
<b>07348</b>	32 11 1 117 426	Lenkmanschette / steering boot	(ex.) M3	
<b>08572</b>	32 11 1 125 186	Spurstange / tie rod		
<b>08574</b>	32 11 1 126 757	Spurstangenendstück / tie rod end		
<b>08575</b>	32 11 1 125 187	Spurstange / tie rod	(ex.) M3	
<b>12307</b>	32 13 1 132 798	Dichtungssatz Servolenkung / gasket set power steering	11/86 →	
<b>12308</b>	32 13 1 128 685	Dichtungssatz Servolenkung / gasket set power steering	(ex.) M3 / → 11/86	

L 374  
M14x1,5RHT  
L 372



**3'er (E30)**  
(1985 → 1993)  
Cabrio 318 i → 325 i

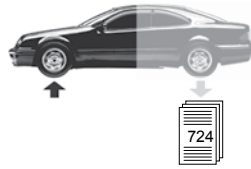
Vorderachse / Front axle



**Rep. Sätze / rep. kits**



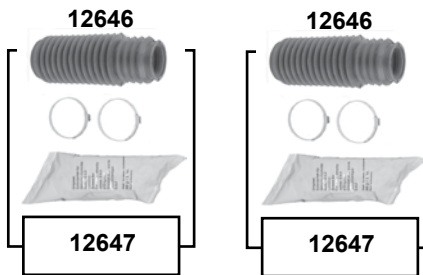
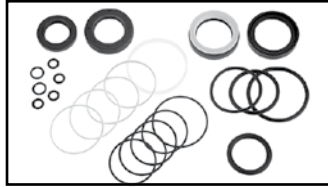
	Ref. - No.			
<b>01672</b>	31 35 1 129 139	Stabilisatorlager / stabilizer mount	318 i / (ex.) M3	Ø 120
<b>04220</b>	31 35 1 091 764	Verbindungsstange / stabilizer link	(ex.) M3	L 102
<b>06661</b>	31 12 9 058 931	Rep. Satz Querlenker / rep. kit control arm	(ex.) M3	18x60,5x33
<b>06792</b>	31 12 1 127 725	Querlenker / control arm		
<b>06793</b>	31 12 1 127 726	Querlenker / control arm		
<b>08570</b>	31 12 1 126 253	Traggelenk / ball joint	(ex.) M3/ 325i / 09/88 →	M14 x 1,5
<b>08571</b>	31 12 1 126 254	Traggelenk / ball joint	(ex.) M3	M12 x 1,5
<b>21461</b>	31 12 1 139 789	Halter / mount		
<b>21462</b>	31 12 1 139 790	Halter / mount		
<b>21472</b>	31 12 9 058 931 S1	Halter kompl. / mount compl.	(ex.) M3	
<b>21473</b>	31 12 9 058 931 S2	Halter kompl. / mount compl.	(ex.) M3	12x46x71



**3'er (E36)**  
(1989 → 2000)  
316 i → 328 i

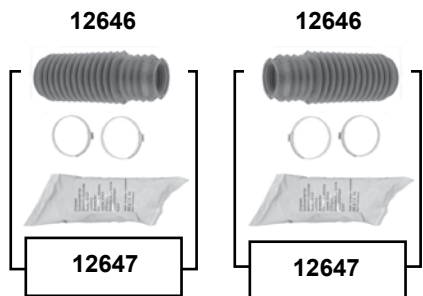
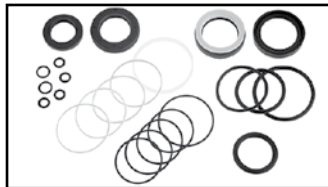
**316 i M40**

19862



**(ex.)**

19862



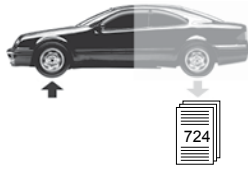
(1) 12/95 → (ex.) 325 td, 325 tds



Ref. - No.

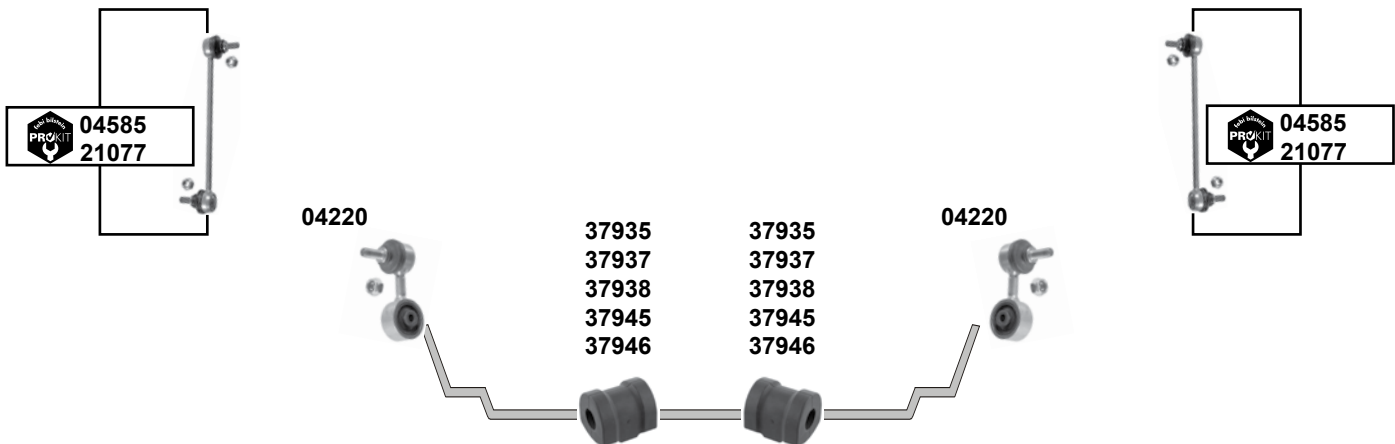
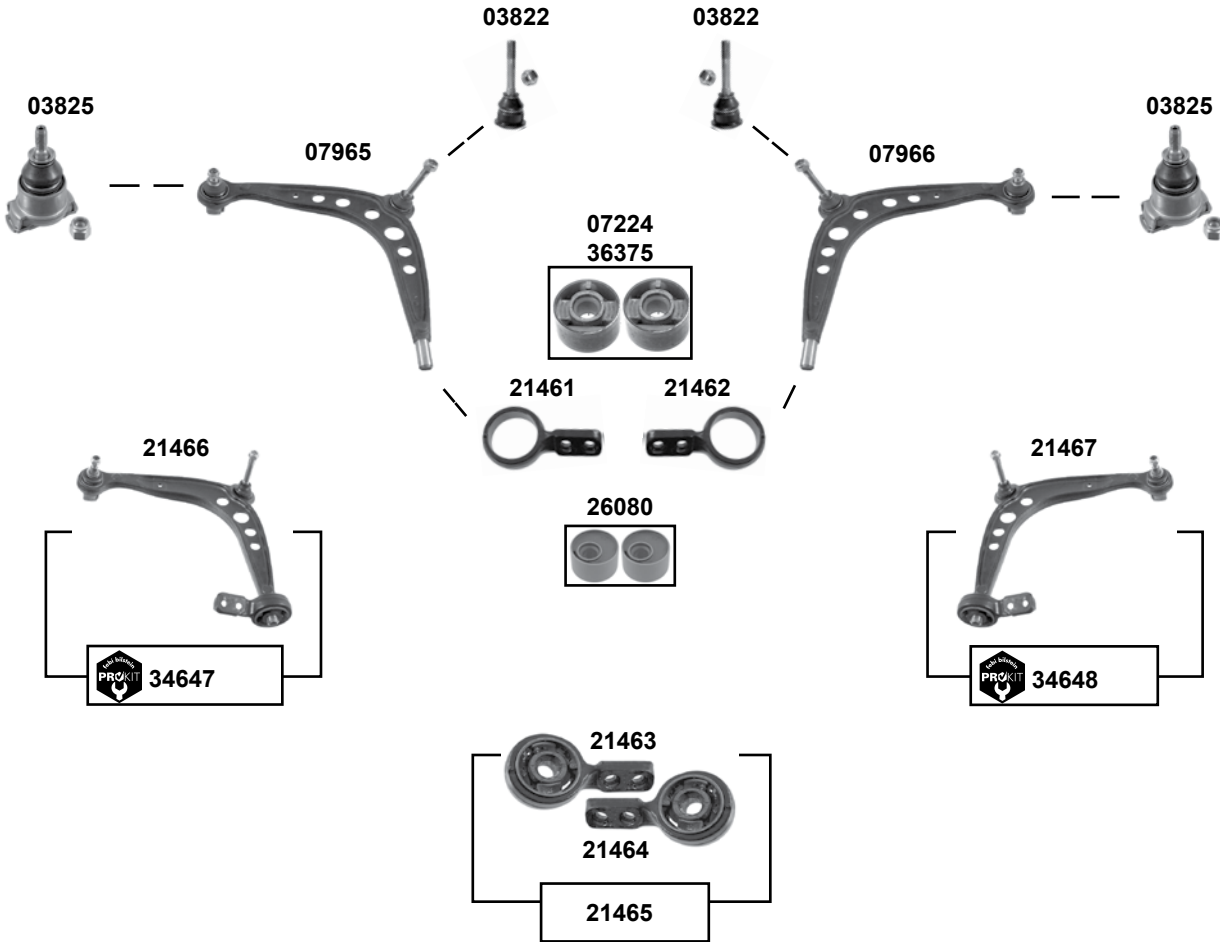


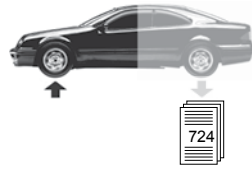
<b>06625</b>	32 11 1 139 313	Spurstangenendstück / tie rod end	(ex.) M3	M14x1,5RHT
<b>06628</b>	32 11 1 139 315	Spurstange / tie rod		L 367
<b>06629</b>	32 11 1 139 316	Spurstange / tie rod		L 367
<b>06636</b>	32 11 1 139 318	Spurstange / tie rod		L 367
<b>06641</b>	32 11 1 139 314	Spurstangenendstück / tie rod end		M14x1,5RHT
<b>12646</b>	32 21 1 139 786	Lenkmanschette / steering boot	(1)	
<b>12647</b>	32 21 1 139 786 S1	Rep. Satz Lenkmanschette / rep. kit steering boot		
<b>19862</b>	32 13 1 094 629	Dichtungssatz Servolenkung / gasket set power steering		



## 3'er (E36) (1989 → 2000) 316i → M3

Vorderachse / Front axle





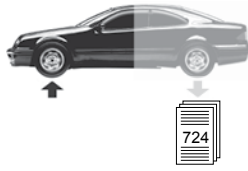
**3'er (E36)**  
(1989 → 2000)  
**316i → M3**



(1) (ex.) M3 / M3,2 / Avus Sport

	Ref. - No.			
<b>03822</b>	31 12 1 139 131	Traggelenk / ball joint	(ex.) M3	M14 x 1,5
<b>03825</b>	31 12 6 758 510	Traggelenk / ball joint	(ex.) M3	M12 x 1,5
<b>04220</b>	31 35 1 091 764	Verbindungsstange / stabilizer link	10/91 → (ex.) M3	L 102
<b>04585</b>	31 35 1 134 582	Verbindungsstange / stabilizer link	→ 10/91, (ex.) M3	L 240
<b>07224</b>	31 12 9 059 288	Rep. Satz Querlenkerlager / rep. kit control arm mount	(ex.) M3 / Avus	18x60x33
<b>07965</b>	31 12 6 758 513	Querlenker / control arm	(ex.) M3	
<b>07966</b>	31 12 6 758 514	Querlenker / control arm	(ex.) M3	
<b>21077</b>	31 35 2 227 203	Verbindungsstange / stabilizer link	M3	L 231
<b>21461</b>	31 12 1 139 789	Halter / mount	(ex.) M3	
<b>21462</b>	31 12 1 139 790	Halter / mount	(ex.) M3	
<b>21463</b>	32 21 1 139 786 S1	Halter kompl. / mount compl.	(ex.)M-chassis 'Avus'	M14 x 1,5
<b>21464</b>	31 12 1 136 532	Halter kompl. / mount compl.	(ex.)M-chassis 'Avus'	M12 x 1,5
<b>21465</b>	31 12 1 136 531 S1	Rep. Satz Halter kompl. / rep. kit mount compl.	(ex.)M-chassis 'Avus'	
<b>21466</b>	31 12 6 758 513 S1	Querlenker kompl. montiert / control arm compl. assembled	(ex.)M-chassis 'Avus'	
<b>21467</b>	31 12 6 758 514 S1	Querlenker kompl. montiert / control arm compl. assembled	(ex.)M-chassis 'Avus'	
<b>26080</b>	31 12 9 064 875	Rep. Satz Querlenkerlager / rep. kit control arm mount	Avus 10/91 → / M3	60x33
<b>34647</b>	31 12 6 758 513 S2	ProKit Querlenker / control arm	(1)	
<b>34648</b>	31 12 6 758 514 S2	ProKit Querlenker / control arm	(1)	
<b>36375</b>	31 12 9 069 035	Rep. Satz Querlenkerlager / rep. kit control arm mount	M3 3,2 - B32	18x60x34
<b>37935</b>	31 35 1 091 228	Stabilisatorlager / stabilizer mount		Ø   23,4
<b>37937</b>	31 35 1 090 268	Stabilisatorlager / stabilizer mount		Ø   25,5
<b>37938</b>	31 35 1 090 186	Stabilisatorlager / stabilizer mount		Ø   25,4
<b>37945</b>	31 35 1 090 263	Stabilisatorlager / stabilizer mount		Ø   24
<b>37946</b>	31 35 1 090 300	Stabilisatorlager / stabilizer mount		Ø   22,5



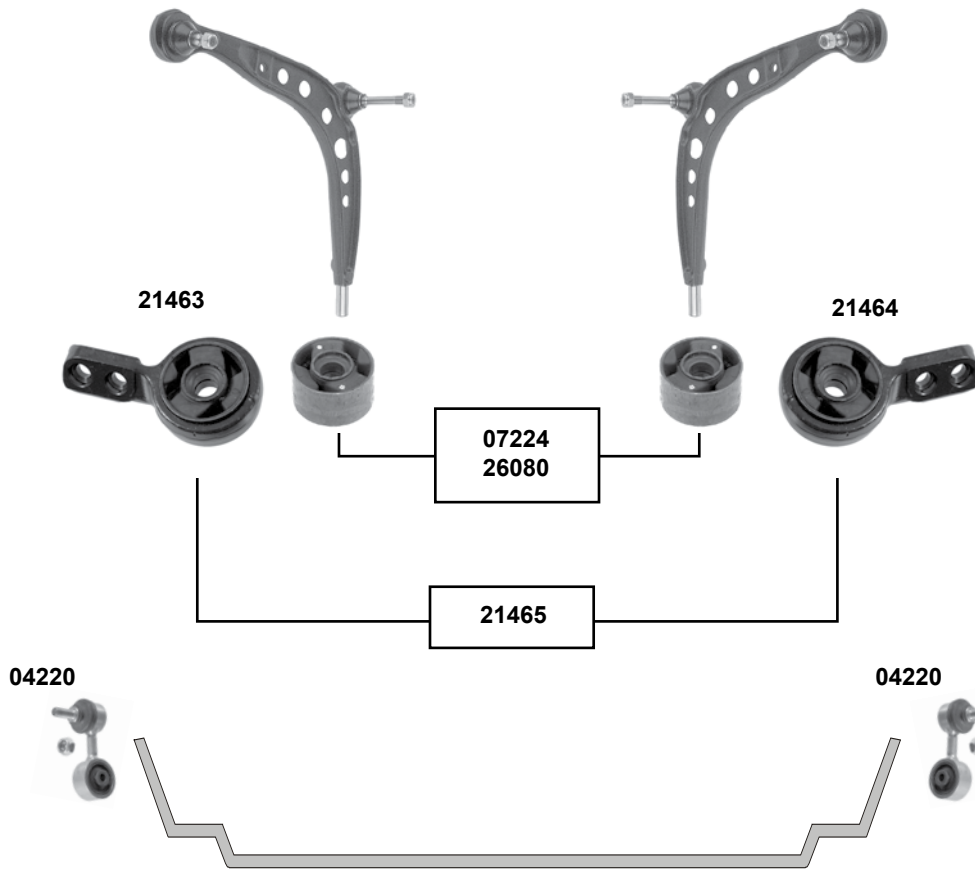


**3'er (E36) Compact 316 i → 323 ti**  
(1994 → 2000)

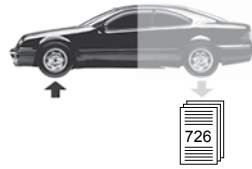


**Compact 316 i → 323 ti**

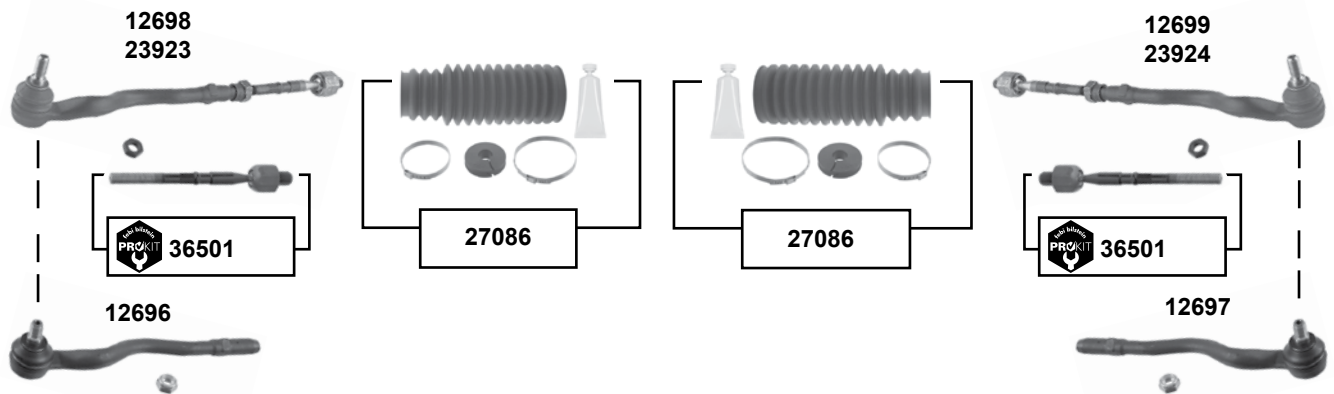
Vorderachse / Front axle



	Ref. - No.			
<b>04220</b>	31 35 1 091 764	Verbindungsstange / stabilizer link		L 102
<b>07224</b>	31 12 9 059 288	Rep. Satz Querlenkerlager / rep. kit control arm mount		18x60x33
<b>21463</b>	31 12 1 136 531	Querlenkerlager mit Halter / control arm mount with holder	(ex.) M-Tech.	
<b>21464</b>	31 12 1 136 532	Querlenkerlager mit Halter / control arm mount with holder	(ex.) M-Tech.	
<b>21465</b>	31 12 1 136 531S1	Rep. Satz Halter mit Lager / rep kit. retainer with mount	(ex.) M-Tech.	
<b>26080</b>	31 12 9 064 875	Rep. Satz Querlenkerlager / rep. kit control arm mount	<b>Avus</b>	60x33

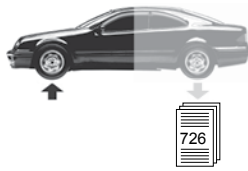


**3'er (E46)**  
(1997 → 2005)  
**316 i → 330 i**  
(ex.) **325 xi / 330 xd / 330 xi**



Vorderachse / Front axle

	Ref. - No.			
<b>12696</b>	32 10 6 774 220	Spurstangenendstück / tie rod end		L 248
<b>12697</b>	32 10 6 774 221	Spurstangenendstück / tie rod end		L 248
<b>12698</b>	32 10 6 777 503	Spurstange / tie rod	09/98 →	L 430
<b>12699</b>	32 10 6 777 504	Spurstange / tie rod	09/98 →	L 430
<b>23923</b>	32 21 1 095 955	Spurstange / tie rod	→ 09/98	L 470
<b>23924</b>	32 21 1 095 956	Spurstange / tie rod	→ 09/98	L 470
<b>27086</b>	32 13 1 096 910	Rep. Satz Lenkmanschette / rep. kit steering boot		
<b>36501</b>	32 10 6 777 503 SK	ProKit Axialgelenk / axial joint	09/98 →	L 229



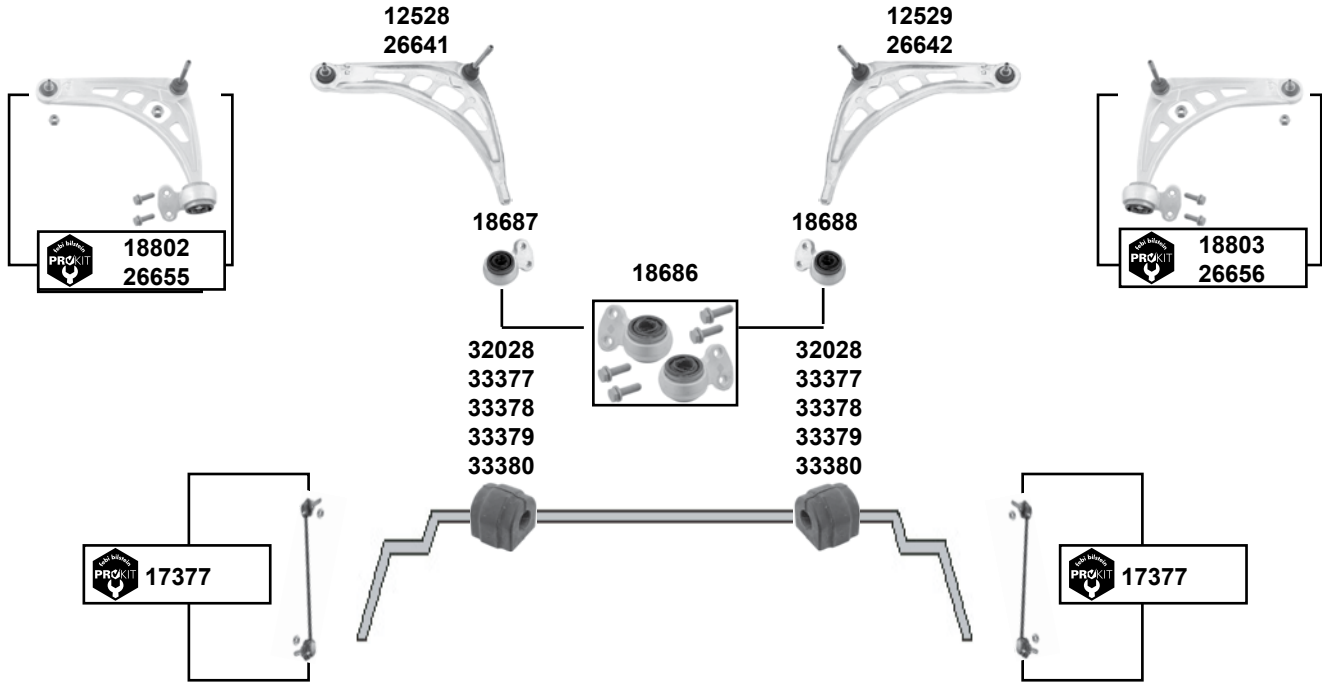
**3'er (E46)**

(1997 → 2005)

**316 i → 330 i**

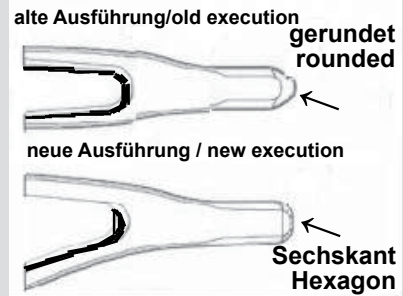
**(ex.) 325 xi / 330 xd / 330 xi**

Vorderachse / Front axle



- (1) bei Erneuerung eines kompl.eten Halters ist die andere Seite mit auszutauschen (febi 18686 verwenden); ein vorher montiertes Gummilager darf nicht wiederverwendet werden, da die Innenhülse durch das trockene Abziehen zerstört wird! Querlenker mit der Form A sind auszutauschen, nicht mischen!!

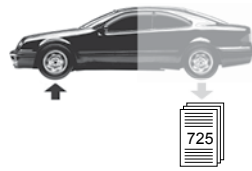
When replacing a compl.ete mount please do also think of the other side - this has to be replaced as well (use febi 18686). A rubber mounting installed before may not be used anymore as the rubberized interior is destroyed by the dry pulling off. Control Arms Form A have to be replaced, do not mix.!



Ref. - No.

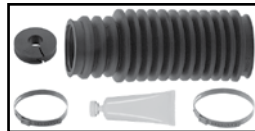


Ref. - No.	Description	Notes	Dimensions
<b>12528</b>	Querlenker / control arm	(1) (ex.) Sport	
<b>12529</b>	Querlenker / control arm	(1) (ex.) Sport	
<b>17377</b>	ProKit Verbindungsstange / stabilizer link		L 270
<b>18802</b>	ProKit Querlenker / control arm	(1) (ex.) Sport	
<b>18803</b>	ProKit Querlenker / control arm	(1) (ex.) Sport	
<b>18686</b>	Rep. Satz Querlenker / rep. kit control arm	(1)	
<b>18687</b>	Querlenkerlager / control arm mount	(1)	
<b>18688</b>	Querlenkerlager / control arm mount	(1)	
<b>26641</b>	Querlenker / control arm	(1) Sport (MII Sport)	
<b>26642</b>	Querlenker / control arm	(1) Sport (MII Sport)	
<b>26655</b>	ProKit Querlenker / control arm	(1) Sport (MII Sport)	
<b>26656</b>	ProKit Querlenker / control arm	(1) Sport (MII Sport)	
<b>32028</b>	Stabilisatorlager / stabilizer mount		Ø   24,6
<b>33377</b>	Stabilisatorlager / stabilizer mount		Ø   24
<b>33378</b>	Stabilisatorlager / stabilizer mount		Ø   21,5
<b>33379</b>	Stabilisatorlager / stabilizer mount		Ø   23
<b>33380</b>	Stabilisatorlager / stabilizer mount	(ex.) Compact	Ø   22,5



**3'er (E46)**  
(1997 → 2005)  
**325 xi / 330 xd / 330 xi**

45921



Vorderachse / Front axle



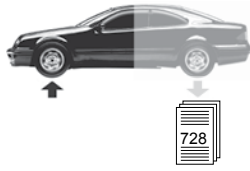
Ref. - No.



<b>26633</b>	31 35 6 751 079
<b>26634</b>	31 35 6 751 080
<b>45921</b>	32 13 6 752 478

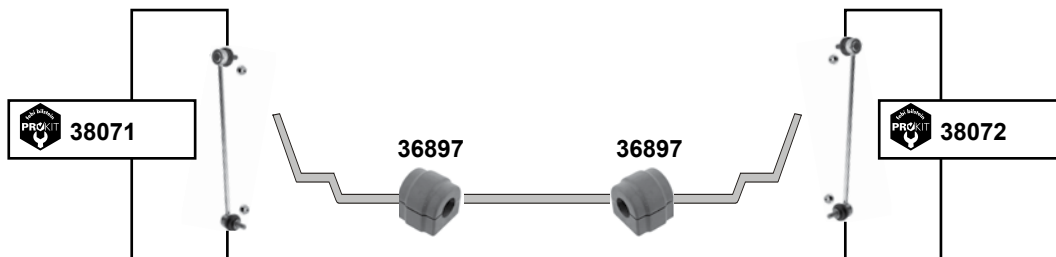
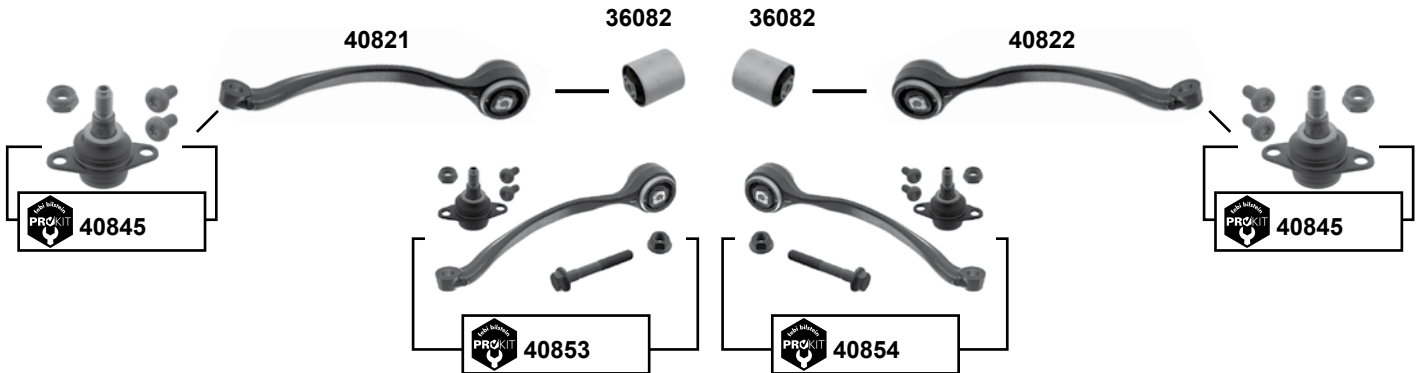
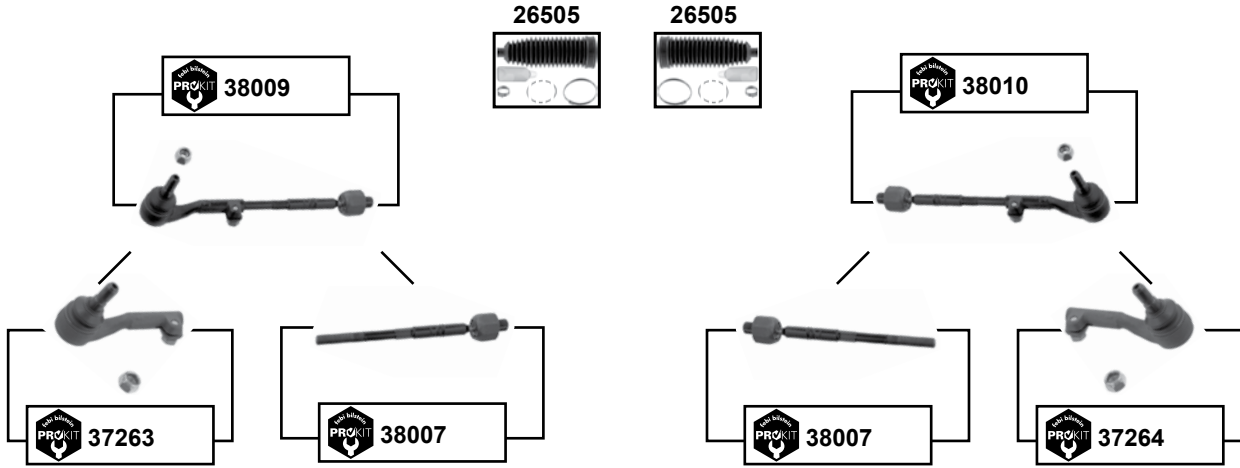
ProKit Verbindungsstange / stabilizer link
ProKit Verbindungsstange / stabilizer link
Lenkmanschettensatz / steering boot set

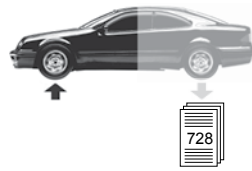
L 308
L 308
Ø! 40/50



## 3'er (E90/LCI/E91/LCI/E92/LCI) (2005 → 2013) Xi / Xd (4WD)

Vorderachse / Front axle





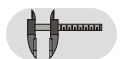
**3'er (E90/LCI/E91/LCI/E92/LCI)**  
(2005 → 2013)  
**Xi / Xd (4WD)**



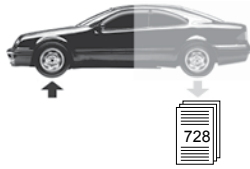
- (1) E90/E91: 325xi, 330 xd/xi, 335 xi → 05/10 **(ex.)** Fahrzeuge mit Nutzlasterhöhung / vehicles with increased payload  
E90/E91 LCI: 320 xd, 325xi, 330 xd/xi, 335xi → 05/10  
**(ex.)** Fahrzeuge mit Nutzlasterhöhung / vehicles with increased payload  
E92: 320xd, 325xi, 330 xd/xi, 335xi → 05/10 / E92LCI: 320xd, 325xi, 330 xd/xi, 335xi → 05/10
- (2) E90/91: 325xi, 330 xd/xi, 335 xi, ZF + RHD + LHD /  
E90/91: LCI:320xd, 325xi, 330 xd/xi, 335xi, ZF + LHD + RHD  
E92: 320xd, 325xi, 330xd/xi, 335xi ZF + LHD + RHD



Ref. - No.

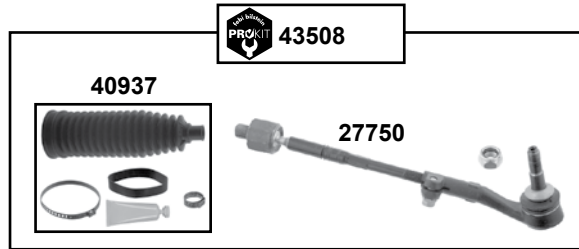
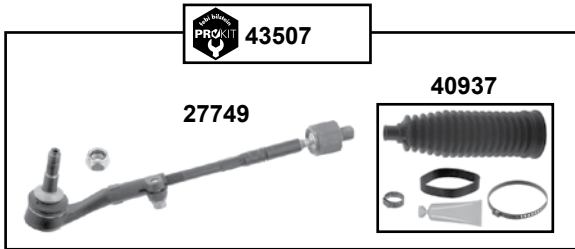


Febi bilstein	Ref. - No.			
<b>26505</b>	32 10 6 765 234	Rep. Satz Lenkmanschette / rep. kit steering boot	<b>(2)</b>	
<b>36082</b>	31 12 6 768 818	Querlenkerlager / control arm mount		Ø A 70
<b>36897</b>	31 35 6 773 512	Stabilisatorlager / stabilizer mount	<b>(1)</b>	Ø I 26,5
<b>37263</b>	32 10 6 793 623	ProKit Spurstangenendstück / tie rod end		L 122
<b>37264</b>	32 10 6 793 624	ProKit Spurstangenendstück / tie rod end		L 122
<b>38007</b>	32 10 6 793 621 SK	ProKit Axialgelenk / axial joint		
<b>38009</b>	32 10 6 793 621	ProKit Spurstange / tie rod		
<b>38010</b>	32 10 6 793 622	ProKit Spurstange / tie rod		
<b>38071</b>	31 35 6 768 771	ProKit Verbindungsstange / stabilizer link		L 340
<b>38072</b>	31 35 6 768 772	ProKit Verbindungsstange / stabilizer link		L 340
<b>40821</b>	31 12 6 768 983	Zugstrebe / tension rod		L 366
<b>40822</b>	31 12 6 768 984	Zugstrebe / tension rod		L 366
<b>40845</b>	31 12 6 768 988	ProKit Traggelenk / ball joint		M14 x 1,5
<b>40853</b>	31 12 6 768 983 S1	ProKit Zugstrebe / tension rod		
<b>40854</b>	31 12 6 768 984 S1	ProKit Zugstrebe / tension rod		



## 3'er (E90/LCI/E91/LCI) (2005 → 2013) (ex.) 4WD

Vorderachse / Front axle

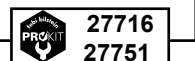


27718

27719

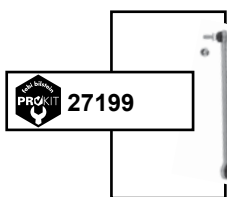
27158

27159



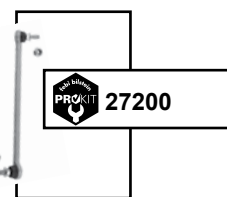
31540

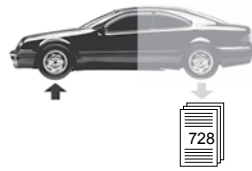
31540



33381

33381





## 3'er (E90/LCI/E91/LCI) (2005 → 2013) (ex.) 4WD

- (1) E90: 316i, 318d, 320d, 323i, 325 d/i, 328i, 330 d/i, 335 d/i, M3 ZF + RHD + LHD / 318 d/i, 320 d/si/i ZF + RHD / 320i ZF + LHD  
E90 LCI: 316 i/d, 318 d/i, 320i ZF + RHD / 320i ZF + LHD / 320 d, 323i, 325 d/i, 328i, 330 d/i, 335 d/i, M3 ZF + LHD + RHD
- (2) E91: 318d, 320d, 323i, 325 d/i, 330 d/i, 335 d/i ZF+LHD+RHD / 320i ZF+LHD / 318 d/i, 320 d/i ZF+RHD  
E91 LCI: 318 d/i, 320 d/i ZF+RHD / 320i ZF+LHD / 323i, 325 d/i, 330 d/i, 335 d/i ZF+LHD+RHD
- (3) 316d / 318d/i / 320d/i LHD + TRW servo
- (4) 318d / 320d / 323i / 325i / 330 d/i / 335 d/i
- (5) E90 / E90 LCI alle / all (ex.) M3
- (6) E91 / E91 LCI alle / all
- (7) N45/N / N46 / N46N / N47 / N47N
- (8) E90/91: 316 i, 318i, 320i/si E90LCI: 316i alle / all  
E90/91: 318d, 320d Außer Fahrzeuge mit: CO2- Umfang, Aktivlenkung / except vehicles with: CO2 package, active steering  
E90/91LCI: 316d, 318d/i, 320d/i Außer Fahrzeuge mit: CO2- Umfang, , servo , Aktivlenkung / except vehicles with: CO2 package, , servo , active steering
- (9) E90: 316i, 318d/i, 320d/i/si, 325d/i, 328i, 330d/i, 335d/i E90LCI: 316i, 318i, 320i, 323i, 325d/i, 328i, 330d/i, 335d/i E91: 318d/i/320d/i, 323i, 325d/i, 330d/i, 335d/i E91LCI: 316i, 318i, 320i, 323i, 325d/i, 330d/i, 335d/i ZF + RHD + LHD
- (10) E90/E90LCI: 316i, 318i, 320i E91/E91LCI: 316i, 320i ZF + RHD  
E90/E91: 318d, 320d E90LCI/E91LCI: 316d, 318d, 320d ZF+LHD
- (11) E90 / E90 LCI alle / all (ex.) M3 // E91 / E91 LCI alle / all
- (12) E90 316i - 335i // E90 LCI 316d - 335i → 04/10 // E91 318d - 335i // E91 LCI 316d - 335i → 04/10

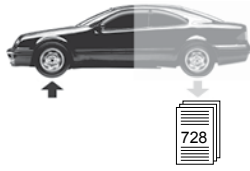


Ref. - No.



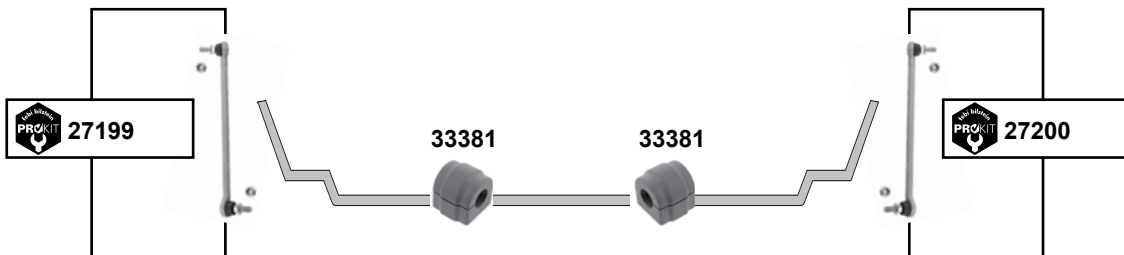
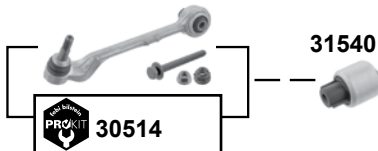
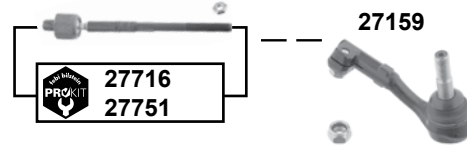
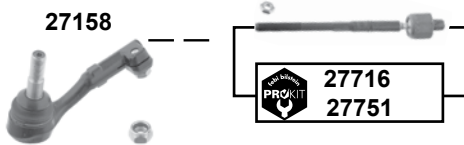
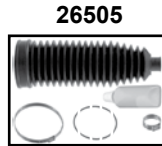
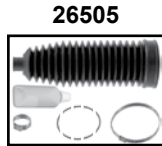
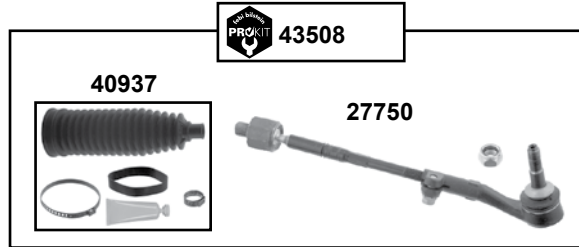
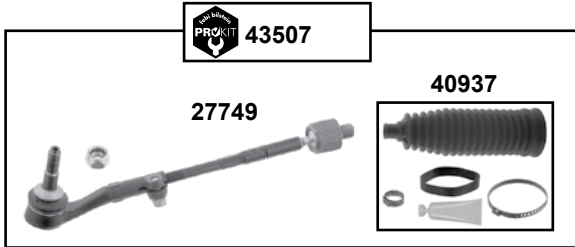
Ref. - No.				
24240	31 12 0 393 540	Rep. Satz Querlenker / rep. kit control arm	(5) (6)	12x70x64,5
26505	32 10 6 765 234	Rep. Satz Lenkmanschette / rep. kit steering boot	(1) (2)	
27158	32 10 6 767 781	Spurstangenendstück / tie rod end		M14 x 1,5
27159	32 10 6 767 782	Spurstangenendstück / tie rod end		M14 x 1,5
27199	31 35 6 765 933	ProKit Verbindungsstange / stabilizer link	(11)	L 290,5
27200	31 35 6 765 934	ProKit Verbindungsstange / stabilizer link	(11)	L 290,5
27716	32 10 6 765 235 SK	ProKit Spurstange / tie rod	(1) (4)	L 275
27718	32 10 6 765 235	Spurstange links kompl. / tie rod left compl.	(1) (4)	L 372
27719	32 10 6 765 236	Spurstange rechts kompl. / tie rod right compl.	(1) (4)	L 372
27749	32 21 6 762 243	Spurstange links kompl. / tie rod left compl.	(3) (7) TRW	L 343
27750	32 21 6 762 244	Spurstange rechts kompl. / tie rod right compl.	(3) (7) TRW	L 343
27751	32 21 6 762 243 SK	ProKit Spurstange / tie rod	(3) (7) TRW	L 246
30514	31 12 6 770 849	ProKit Querlenker links / control arm left		
30515	31 12 6 770 850	ProKit Querlenker rechts / control arm right		
30516	31 12 6 769 797	ProKit Querlenker / control arm		
30517	31 12 6 769 798	ProKit Querlenker / control arm		
31540	31 12 6 765 597	Querlenkerlager hinten / control arm mount rear		12x46x71
33381	31 35 6 765 574	Stabilisatorlager / stabilizer mount	(12)	Ø I 26,5
40515	32 10 6 765 235 S1	ProKit Spurstange / tie rod	(9) (10)	M14 x 1,5
40516	32 10 6 765 236 S1	ProKit Spurstange / tie rod	(9) (10)	M14 x 1,5
40937	32 10 2 353 823	Rep. Satz Lenkmanschette / rep. kit steering boot	(8) TRW- / LHD	L 343
43507	32 21 6 762 243 S1	ProKit Spurstange / tie rod	(8) TRW- / LHD	L 343
43508	32 21 6 762 244 S1	ProKit Spurstange / tie rod	(8) TRW- / LHD	L 343

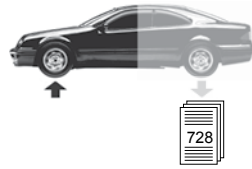




## 3'er (E92/LCI) (2005 → 2013) (ex.) Xi / Xd (4WD)M3

Vorderachse / Front axle



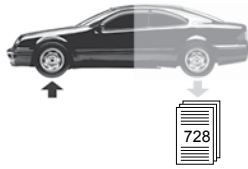


**3'er (E92/LCI)**  
(2005 → 2013)  
**(ex.) Xi / Xd (4WD)M3**

- (1) 320i ZF+LHD / 320 d/i ZF+RHD / 323i, 325 d/i, 330 d/i, 335 d/i, M3 ZF+RHD+LHD
- (2) 320 d/i N46N, N47, N47N LHD + TRW
- (3) 320 d/i N46N RHD / 320i N43 → M3
- (4) E92 316i - 335i
- (5) E92 LCI 316i - 335i → 04/10
- (6) E92/E92LCI: 320i alle / all  
E92/E92LCI: 320d Außer Fahrzeuge mit: CO2- Umfang, , servo , Aktivlenkung / except vehicles with:  
CO2 package, , servo , active steering
- (7) E92: 316i, 320i, 323i, 325d/i, 330d/i, 335d/i ZF + LHD + RHD  
E92: 320d ZF+LHD 06/09 →  
E92: 320i ZF+RHD
- (8) E92LCI: 316i, 318i, 320i, 323i, 325d/i, 330d/i, 335i ZF + LHD + RHD  
E92LCI: 320d ZF+LHD  
E92LCI: 320i ZF+LHD 09/10 →

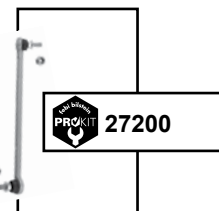
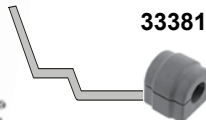
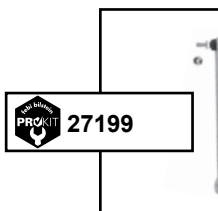
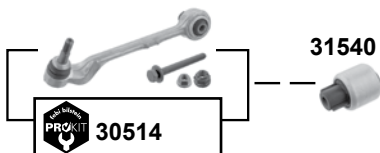
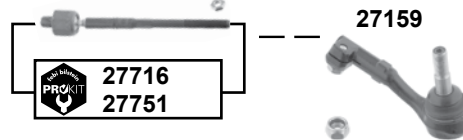
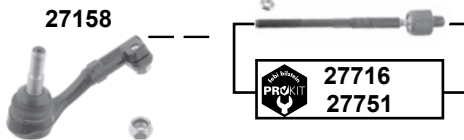
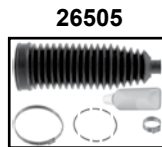
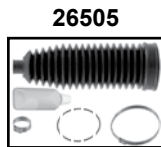
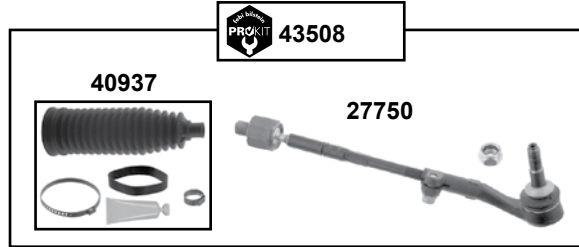
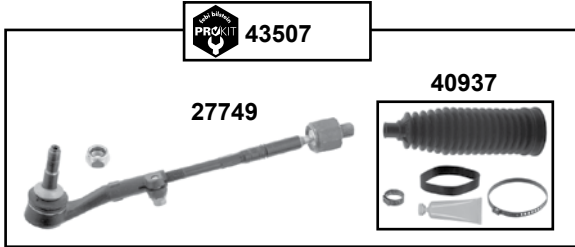


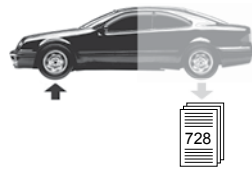
	Ref. - No.			
<b>24240</b>	31 12 0 393 540	Rep. Satz Querlenker / rep. kit control arm		12x70x64,5
<b>26505</b>	32 10 6 765 234	Rep. Satz Lenkmanschette / rep. kit steering boot	(1)	
<b>27158</b>	32 10 6 767 781	Spurstangenendstück / tie rod end		M14 x 1,5
<b>27159</b>	32 10 6 767 782	Spurstangenendstück / tie rod end		M14 x 1,5
<b>27199</b>	31 35 6 765 933	ProKit Verbindungsstange links / stabilizer link left		L 290,5
<b>27200</b>	31 35 6 765 934	ProKit Verbindungsstange rechts / stabilizer link right		L 290,5
<b>27716</b>	32 10 6 765 235 SK	ProKit Spurstange / tie rod	(3) ZF	L 275
<b>27718</b>	32 10 6 765 235	Spurstange / tie rod	(3) ZF	L 372
<b>27719</b>	32 10 6 765 236	Spurstange / tie rod	(3) ZF	L 372
<b>27749</b>	32 21 6 762 243	Spurstange links kompl. / tie rod left compl.	(2)	L 343
<b>27750</b>	32 21 6 762 244	Spurstange rechts kompl. / tie rod right compl.	(2)	L 343
<b>27751</b>	32 21 6 762 243 SK	ProKit Spurstange / tie rod	(2)	L 246
<b>30514</b>	31 12 6 770 849	ProKit Querlenker links / control arm left		
<b>30515</b>	31 12 6 770 850	ProKit Querlenker rechts / control arm right		
<b>30516</b>	31 12 6 769 797	ProKit Querlenker / control arm		
<b>30517</b>	31 12 6 769 798	ProKit Querlenker / control arm		
<b>31540</b>	31 12 6 765 597	Querlenkerlager hinten / control arm mount rear		12x46x71
<b>33381</b>	31 35 6 765 574	Stabilisatorlager / stabilizer mount	(4) (5)	Ø 126,5
<b>40515</b>	32 10 6 765 235 S1	ProKit Spurstange / tie rod	(7) (8)	M14 x 1,5
<b>40516</b>	32 10 6 765 236 S1	ProKit Spurstange / tie rod	(7) (8)	M14 x 1,5
<b>40937</b>	32 10 2 353 823	Rep. Satz Lenkmanschette / rep. kit steering boot	(6) TRW- / LHD	L 343
<b>43507</b>	32 21 6 762 243 S1	ProKit Spurstange / tie rod	(6) TRW- / LHD	L 343
<b>43508</b>	32 21 6 762 244 S1	ProKit Spurstange / tie rod	(6) TRW- / LHD	L 343







### 3'er Cabriolet (E93/E93 LCI) (2007 → 2014)

Vorderachse / Front axle







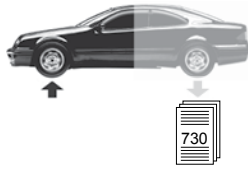


## 3'er Cabriolet (E93/E93 LCI) (2007 →)

(1)	320 d/i ZF + RHD / 320i ZF + <b>LHD</b> / 323i, 325 d/i, 330 i/d, 335i, M3 ZF + LHD + RHD
(2)	320i N46 RHD / 320i N43 → 335i / 320d , 325d , 330d ZF
(3)	320i N46 LHD / 320d N47 LHD + TRW /N47N,N46N
(4)	alle / all (ex.) xd / xi / M3
(8)	E93 LCI 318i - 335i → 04/10
(9)	E93/E93LCI: 320i alle / all E93/E93LCI: 320d Außer Fahrzeuge mit: CO2- Umfang,  , servo  , Aktivlenkung / except vehicles with: CO2 package,  , servo  , active steering
(10)	E93: 320i, 323i, 325d/i, 328i, 330d/i, 335i ZF + LHD + RHD E93: 320i ZF + RHD E93: 320d ZF + LHD 06/09 →
(11)	E93LCI: 318i, 320i, 323i, 325d/i, 328i, 330d/i, 335i ZF + LHD + RHD E93LCI: 320d ZF + LHD E93LCI: 320i ZF + LHD 09/10 →

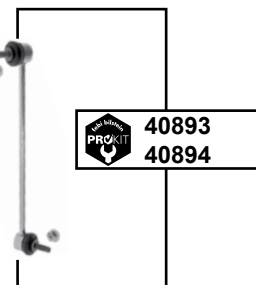
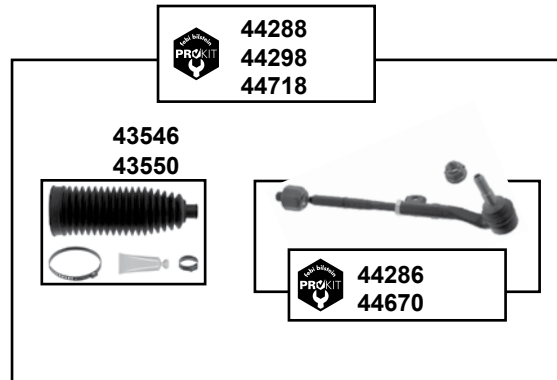
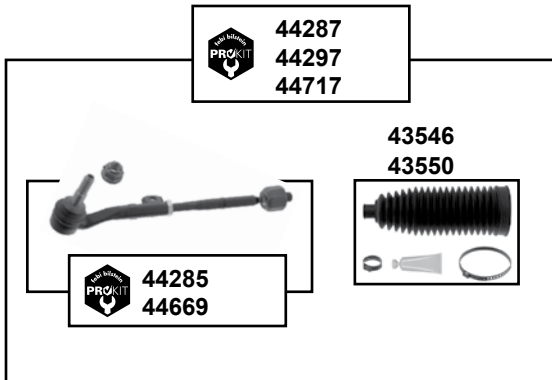


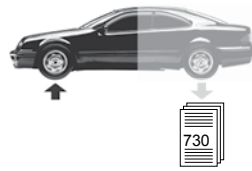
	Ref. - No.			
<b>24240</b>	31 12 0 393 540	Rep. Satz Querlenker / rep. kit control arm	(ex.) M3	12x70x64,5
<b>26505</b>	32 10 6 765 234	Rep. Satz Lenkmanschette / rep. kit steering boot	(1)	
<b>27158</b>	32 10 6 767 781	Spurstangenendstück / tie rod end	(6)	M14 x 1,5
<b>27159</b>	32 10 6 767 782	Spurstangenendstück / tie rod end	(6)	M14 x 1,5
<b>27199</b>	31 35 6 765 933	ProKit Verbindungsstange links / stabilizer link left	(4)	L 290,5
<b>27200</b>	31 35 6 765 934	ProKit Verbindungsstange rechts / stabilizer link right	(4)	L 290,5
<b>27716</b>	32 10 6 765 235 SK	ProKit Spurstange / tie rod	(2)	L 275
<b>27718</b>	32 10 6 765 235	Spurstange / tie rod	(2)	L 372
<b>27719</b>	32 10 6 765 236	Spurstange / tie rod	(2)	L 372
<b>27749</b>	32 21 6 762 243	Spurstange links kompl. / tie rod left compl.	(3)	L 343
<b>27750</b>	32 21 6 762 244	Spurstange rechts kompl. / tie rod right compl.	(3)	L 343
<b>27751</b>	32 21 6 762 243 SK	ProKit Spurstange / tie rod	(3)	L 246
<b>30514</b>	31 12 6 770 849	ProKit Querlenker links / control arm left	(5)	
<b>30515</b>	31 12 6 770 850	ProKit Querlenker rechts / control arm right	(5)	
<b>30516</b>	31 12 6 769 797	ProKit Querlenker / control arm	(5)	
<b>30517</b>	31 12 6 769 798	ProKit Querlenker / control arm	(5)	
<b>31540</b>	31 12 6 765 597	Querlenkerlager / control arm mount		12x46x71
<b>33381</b>	31 35 6 765 574	Stabilisatorlager / stabilizer mount	(7) (8)	Ø 126,5
<b>40515</b>	32 10 6 765 235 S1	ProKit Spurstange / tie rod	(10) (11)	M14 x 1,5
<b>40516</b>	32 10 6 765 236 S1	ProKit Spurstange / tie rod	(10) (11)	M14 x 1,5
<b>40937</b>	32 10 2 353 823	Rep. Satz Lenkmanschette / rep. kit steering boot	(9) TRW- / <small>LHD</small>	L 343
<b>43507</b>	32 21 6 762 243 S1	ProKit Spurstange / tie rod	(9) TRW- / <small>LHD</small>	L 343
<b>43508</b>	32 21 6 762 244 S1	ProKit Spurstange / tie rod	(9) TRW- / <small>LHD</small>	L 343



## 3'er (F30/F31/F34) (2012 →)

Vorderachse / Front axle





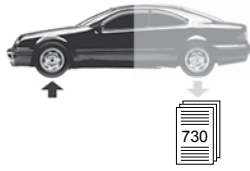
**3'er (F30/F31/F34)**  
(2012 →)



(1) bei Fahrzeugen mit adaptivem Fahrwerk oder 4WD nur links, bei allen anderen beidseitig /  
for vehicles with adaptive drive or 4WD only left side, all others both sides

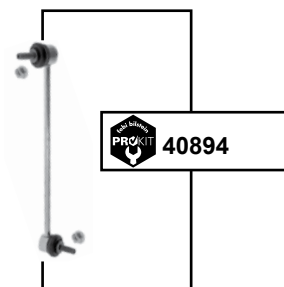
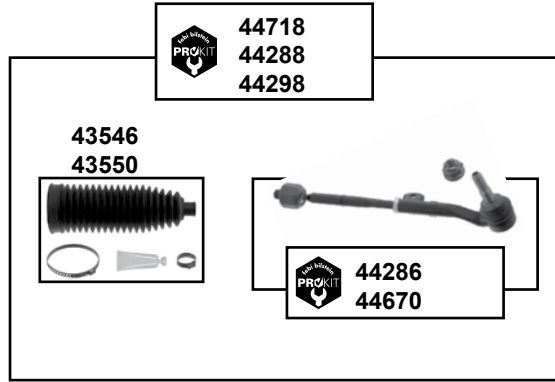
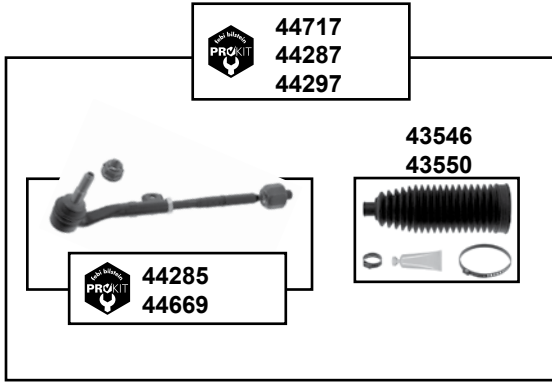
(2) nur für Fahrzeuge mit adaptivem Fahrwerk oder 4WD / for vehicles with adaptive drive or 4WD

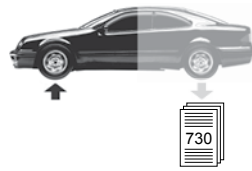
	Ref. - No.			
40496	31 12 6 855 743	Querlenkerlager / control arm mount	(ex.) 4x4	12x70x70/95
40497	31 12 6 854 729	Querlenkerlager / control arm mount	4x4	12x70x70/80
40893	31 30 6 792 211	ProKit Verbindungsstange / stabilizer link	(1)	
40894	31 30 6 792 212	ProKit Verbindungsstange rechts / connecting rod right	(2)	
43546	32 10 6 854 893	Rep. Satz Lenkmanschette / rep. kit steering boot	ZF	
43550	32 10 6 795 845	Rep. Satz Lenkmanschette / rep. kit steering boot	TKP	L 195
43626	32 10 6 792 029 SK1	Axialgelenk / axial joint	4x4	L 248
44281	32 10 6 799 966	ProKit Spurstangenendstück links/ tie rod end left	(ex.) 4x4	L 165
44282	32 10 6 799 967	ProKit Spurstangenendstück rechts / tie rod end right	(ex.) 4x4	L 165
44285	32 10 6 799 960	ProKit Spurstange links / tie rod left	(ex.) 4x4	
44286	32 10 6 799 965	ProKit Spurstange rechts / tie rod right	(ex.) 4x4	
44287	32 10 6 799 960 S1	ProKit Spurstange links / tie rod left	(ex.) 4x4	
44288	32 10 6 799 965 S1	ProKit Spurstange rechts / tie rod right	(ex.) 4x4	
44297	32 10 6 799 960 S2	ProKit Spurstange links / tie rod left	(ex.) 4x4	
44298	32 10 6 799 965 S2	ProKit Spurstange rechts / tie rod right	(ex.) 4x4	
44657	32 10 6 797 617	ProKit Spurstangenendstück links / tie rod end left	4x4	L 139
44658	32 10 6 797 618	ProKit Spurstangenendstück rechts / tie rod end right	4x4	L 139
44669	32 10 6 792 029	ProKit Spurstange links / tie rod left	4x4	
44670	32 10 6 792 030	ProKit Spurstange rechts / tie rod right	4x4	
44717	32 10 6 792 029 S1	ProKit Spurstange links / tie rod left	4x4	L 335
44718	32 10 6 792 030 S1	ProKit Spurstange rechts / tie rod right	4x4	L 335
45091	31 12 6 855 741	ProKit Querlenker links / control arm left	(ex.) 4x	
45092	31 12 6 855 742	ProKit Querlenker rechts / control arm right	(ex.) 4x	
45093	31 12 6 852 991	ProKit Querlenker links / control arm left	(ex.) 4x	
45094	31 12 6 852 992	ProKit Querlenker rechts / control arm right	(ex.) 4x	



## 4'er Coupe (F32/33/F36) (2013 →)

Vorderachse / Front axle





## 4'er (F32/F33/F36) (2013 →)

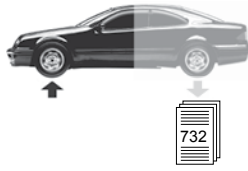


(1) bei Fahrzeugen mit adaptivem Fahrwerk oder 4WD nur links, bei allen anderen beidseitig /  
for vehicles with adaptive drive or 4WD only left side, all others both sides

(2) nur für Fahrzeuge mit adaptivem Fahrwerk oder 4WD / for vehicles with adaptive drive or 4WD

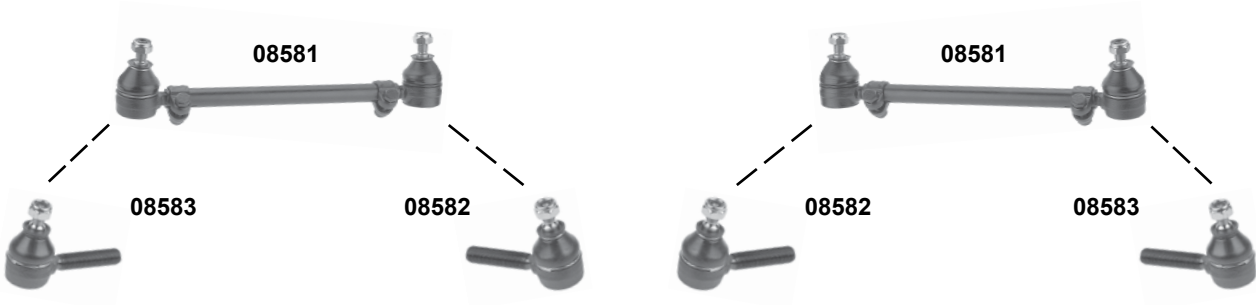
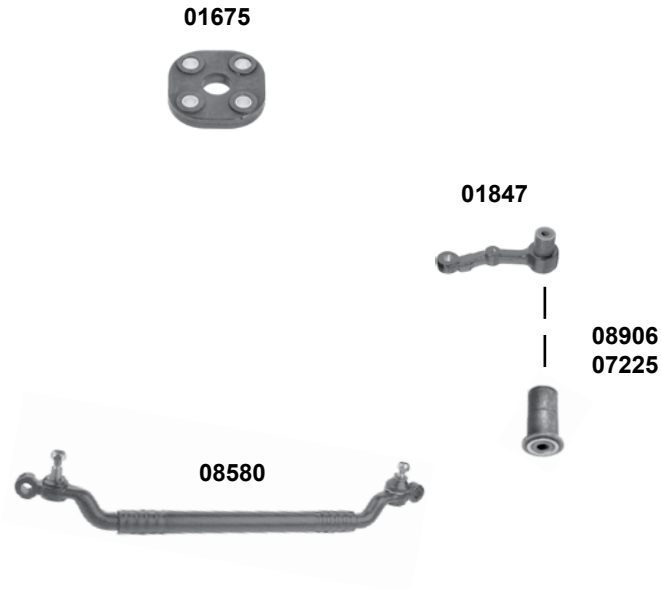
	Ref. - No.			
40496	31 12 6 855 743	Querlenkerlager / control arm mount	(ex.) 4x4	12x70x70/95
40497	31 12 6 854 729	Querlenkerlager / control arm mount	4x4	12x70x70/80
40893	31 30 6 792 211	ProKit Verbindungsstange / stabilizer link	(1)	
40894	31 30 6 792 212	ProKit Verbindungsstange / stabilizer link	(2)	
43546	32 10 6 854 893	Rep. Satz Lenkmanschette / rep. kit steering boot	ZF	
43550	32 10 6 795 845	Rep. Satz Lenkmanschette / rep. kit steering boot	TKP	L 195
43626	32 10 6 792 029 SK1	Axialgelenk / axial joint	4x4	L 248
44281	32 10 6 799 966	ProKit Spurstangenendstück links / tie rod end left	(ex.) 4x4	L 165
44282	32 10 6 799 967	ProKit Spurstangenendstück rechts / tie rod end right	(ex.) 4x4	L 165
44285	32 10 6 799 960	ProKit Spurstange links / tie rod left	(ex.) 4x4	
44286	32 10 6 799 965	ProKit Spurstange rechts / tie rod right	(ex.) 4x4	
44287	32 10 6 799 960 S1	ProKit Spurstange links / tie rod left	(ex.) 4x4	
44288	32 10 6 799 965 S1	ProKit Spurstange rechts / tie rod right	(ex.) 4x4	
44297	32 10 6 799 960 S2	ProKit Spurstange links / tie rod left	(ex.) 4x4	
44298	32 10 6 799 965 S2	ProKit Spurstange rechts / tie rod right	(ex.) 4x4	
44657	32 10 6 797 617	ProKit Spurstangenendstück links / tie rod end left	4x4	L 139
44658	32 10 6 797 618	ProKit Spurstangenendstück rechts / tie rod end right	4x4	L 139
44669	32 10 6 792 029	ProKit Spurstange links / tie rod left	4x4	
44670	32 10 6 792 030	ProKit Spurstange rechts / tie rod right	4x4	
44717	32 10 6 792 029 S1	ProKit Spurstange links / tie rod left	4x4	L 335
44718	32 10 6 792 030 S1	ProKit Spurstange rechts / tie rod right	4x4	L 335
45091	31 12 6 855 741	ProKit Querlenker links / control arm left	(ex.) 4x4	
45092	31 12 6 855 742	ProKit Querlenker rechts / control arm right	(ex.) 4x4	
45093	31 12 6 852 991	ProKit Querlenker links / control arm left	(ex.) 4x4	
45094	31 12 6 852 992	ProKit Querlenker rechts / control arm right	(ex.) 4x4	



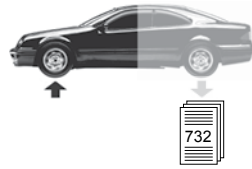


**5'er (E28)**  
(1980 → 1987)

Vorderachse / Front axle



	Ref. - No.			
<b>01675</b>	32 31 1 115 092	Gelenkscheibe / flexible disc		
<b>01847</b>	32 21 1 136 450	Lenkhebel / steering arm		L 125
<b>07225</b>	32 21 1 136 452	Lenkhebellager / steering arm mounting	09/86 →	Ø A 27
<b>08580</b>	32 21 1 129 014	Lenkstange / drag link	LHD	L 500
<b>08581</b>	32 21 1 135 666	Spurstange / tie rod		L 303
<b>08582</b>	32 21 1 135 820	Spurstangenendstück / tie rod end		M14x1,5 RHT
<b>08583</b>	32 21 1 135 819	Spurstangenendstück / tie rod end		M14x1,5 LHT
<b>08906</b>	32 21 1 123 464	Lenkhebellager / steering arm mounting	→ 09/86	Ø A 24



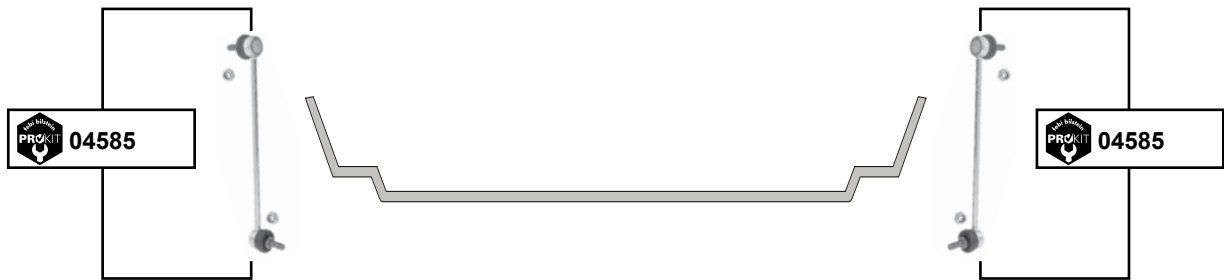
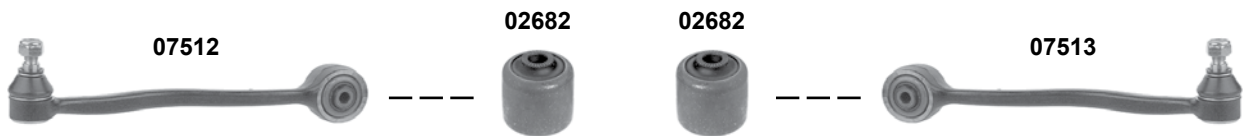
**5'er (E28)**  
(1980 → 1987)

**oben / upper**

04037



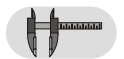
**unten / lower**



(1) 520 i / 525 e 05/85 →  
524 d / 524 td / 525 i / 528 i alle / all  
535 i / M 535 i



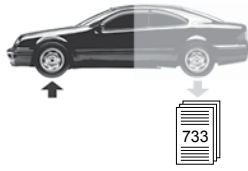
Ref. - No.



<b>02682</b>	31 12 1 124 622	Querlenkerlager / control arm mount		
<b>04037</b>	31 12 9 058 818	Querlenkerlagersatz / control arm mounting kit	(1)	12x46,5x52,5
<b>04585</b>	31 35 1 134 582	ProKit Verbindungsstange / stabilizer link		14x58,5x37
<b>07512</b>	31 12 1 139 991	Querlenker / control arm	Stahl / Steel	L 240
<b>07513</b>	31 12 1 139 992	Querlenker / control arm	Stahl / Steel	

passend für / to fit

**BMW**



**Car  
Division**



**5'er (E34)**  
(1987 → 1996)  
**518 i → M5**  
(ex.) **525 iX**

**01675**



**01847**



**08925**



**07225**



**08581**



**08583**



**08582**



**08581**



**08582**



**08583**



**Ref. - No.**



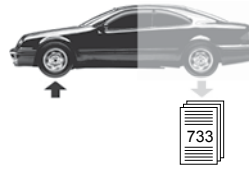
<b>01675</b>	32 31 1 115 092
<b>01847</b>	32 21 1 136 450
<b>07225</b>	32 21 1 136 452
<b>08581</b>	32 21 1 135 666
<b>08582</b>	32 21 1 135 820
<b>08583</b>	32 21 1 135 819
<b>08925</b>	32 21 1 138 864

Gelenkscheibe / flexible disc
Lenkhebel / steering arm
Lenkhebellager / steering arm mounting
Spurstange / tie rod
Spurstangenendstück / tie rod end
Spurstangenendstück / tie rod end
Lenkstange / drag link

**LHD / (ex.) 518 i**

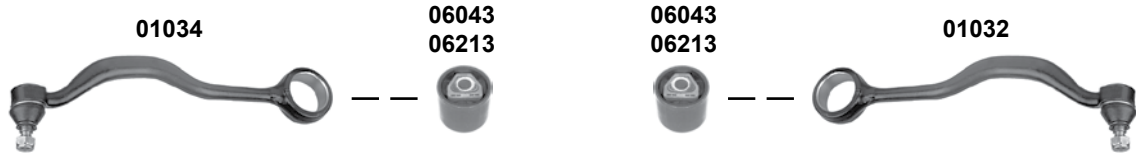
L 125
Ø A 27
L 303
M14x1,5 RHT
M14x1,5 LHT
L 610

Vorderachse / Front axle



**5'er (E34)**  
(1987 → 1996)  
**518 i → M5**  
(ex.) 525 iX

**oben / upper**



**unten / lower**



Vorderachse / Front axle

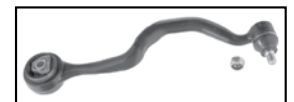


**Rep. Sätze / rep. kits**

24293  
24295



24294  
24296



- (1) 520i, 525i (mot.) M20/M50
- (2) 524 td, 525 td, 525 tds, 530i, 535i, 540i



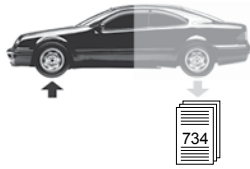
Ref. - No.



Ref. - No.	Description	Material
01032	Querlenker / control arm	Alu Alu Ø 1 24 Ø 1 23 12x46,5x52,5 L 240 14x58x48 14x58x48
01034	Querlenker / control arm	
01071	Querlenker / control arm	
01078	Querlenker / control arm	
01673	Stabilisatorlager / stabilizer mount	
01674	Stabilisatorlager / stabilizer mount	
02682	Querlenkerlager / control arm mount	
04585	ProKit Verbindungsstange / stabilizer link	
06043	Querlenkerlager / control arm mount	
06213	Querlenkerlager / control arm mount	
07512	Querlenker / control arm	
07513	Querlenker / control arm	
24293	Rep. Satz Querlenker oben / rep. kit control arm upper	(1)
24294	Rep. Satz Querlenker oben / rep. kit control arm upper	(1)
24295	Rep. Satz Querlenker oben / rep. kit control arm upper	(2)
24296	Rep. Satz Querlenker oben / rep. kit control arm upper	(2)

passend für / to fit

**BMW**

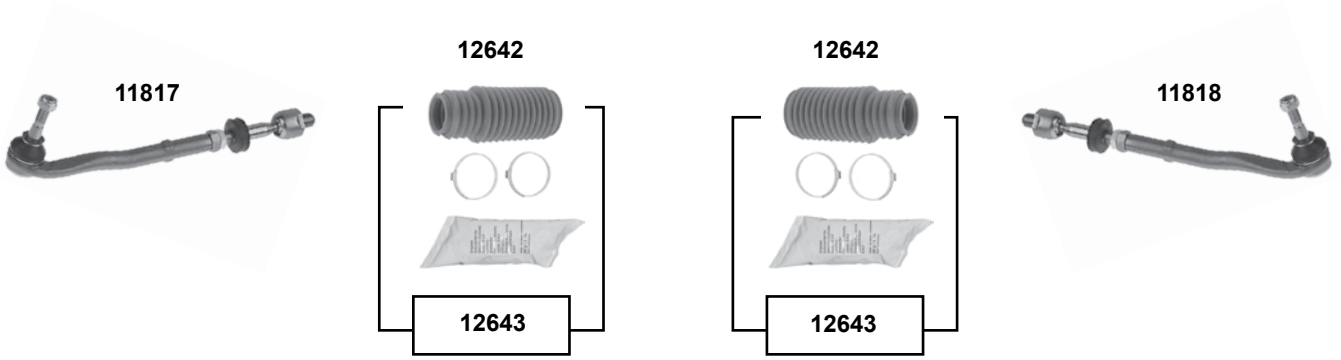


**Car  
Division**

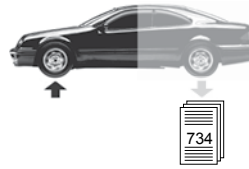


**5'er (E39)**  
(1995 → 2004)  
**520 i → 530 i**  
**520 d → 530 d**

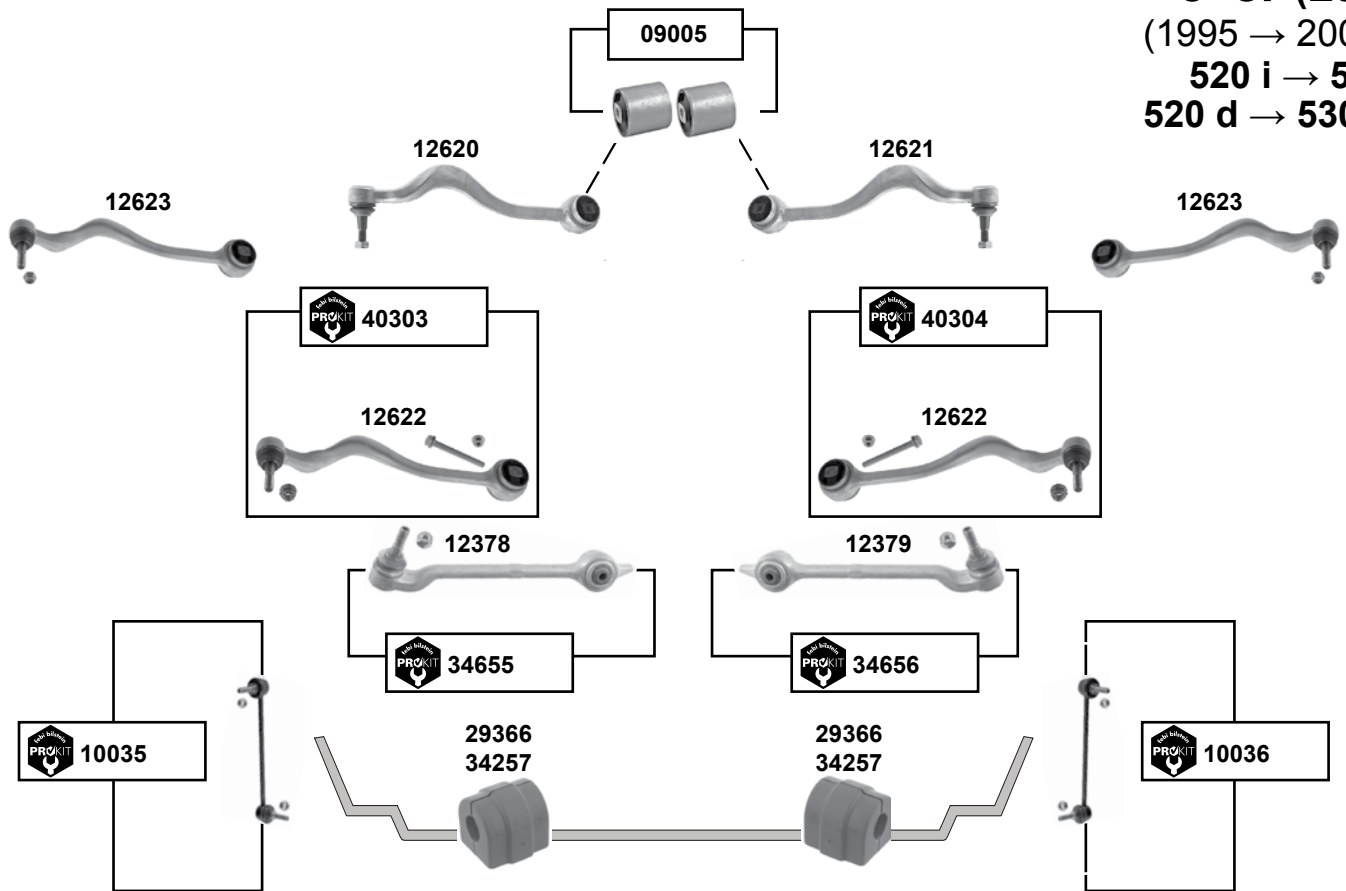
Vorderachse / Front axle



	Ref. - No.			
<b>11817</b>	32 11 1 094 673	Spurstange / tie rod		L 352
<b>11818</b>	32 11 1 094 674	Spurstange / tie rod		L 352
<b>12642</b>	32 13 1 092 876	Lenkmanschette / steering boot		
<b>12643</b>	32 13 1 092 876 S1	Rep. Satz Lenkmanschette / rep. kit steering boot		



**5'er (E39)**  
(1995 → 2004)  
**520 i → 530**  
**520 d → 530 d**



Vorderachse / Front axle

**Rep. Sätze / rep. kits 33371**

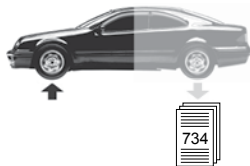


- |  |  |
|--|--|
| <p><b>(1)</b> Querlenker <b>ohne</b> Gummilager<br/>control arm <b>without</b> rubber mount<br/>bras de suspension <b>sans</b> support en caoutchoc<br/>brazo oscilante transversal <b>sin</b> soporte de goma<br/>braccio sospensione <b>senza</b> supporto in gomm</p> | <p><b>(2)</b> Querlenker <b>mit</b> Gummilager<br/>control arm <b>with</b> rubber mount<br/>bras de suspension <b>avec</b> support en caoutchouc<br/>brazo oscilante transversal <b>con</b> soporte de goma<br/>braccio sospensione <b>con</b> supporto in gomma</p> |
|--|--|

	Ref. - No.			
<b>09005</b>	31 12 9 068 753	Rep. Satz Querlenker / rep. kit control arm		12x58x60/68
<b>10035</b>	31 35 1 095 661	ProKit Verbindungsstange / stabilizer link		L 240
<b>10036</b>	31 35 1 095 662	ProKit Verbindungsstange / stabilizer link		L 240
<b>12378</b>	31 12 1 094 233	Querlenker / control arm		
<b>12379</b>	31 12 1 094 234	Querlenker / control arm		
<b>12620</b>	31 12 1 141 717	Querlenker / control arm	(1)	
<b>12621</b>	31 12 1 141 718	Querlenker / control arm	(1)	
<b>12622</b>	31 12 1 092 023	Querlenker / control arm	(2)	
<b>12623</b>	31 12 1 092 024	Querlenker / control arm	(2)	
<b>29366</b>	31 35 1 093 108	Stabilisatorlager / stabilizer mount		Ø   22,5
<b>33371</b>	31 12 1 092 023 S1	Rep. Satz Querlenker / rep. kit control arm	520 d - 530 i	
<b>34257</b>	31 35 1 093 263	Stabilisatorlager / stabilizer mount	520 d - 530 d	Ø   24
<b>34655</b>	31 12 1 094 233 S1	ProKit Querlenker / control arm		
<b>34656</b>	31 12 1 094 234 S1	ProKit Querlenker / control arm		
<b>40303</b>	31 12 1 141 717 S2	ProKit Querlenker / control arm	520 d - 530 i	
<b>40304</b>	31 12 1 141 718 S2	ProKit Querlenker / control arm	520 d - 530 i	

passend für / to fit

**BMW**

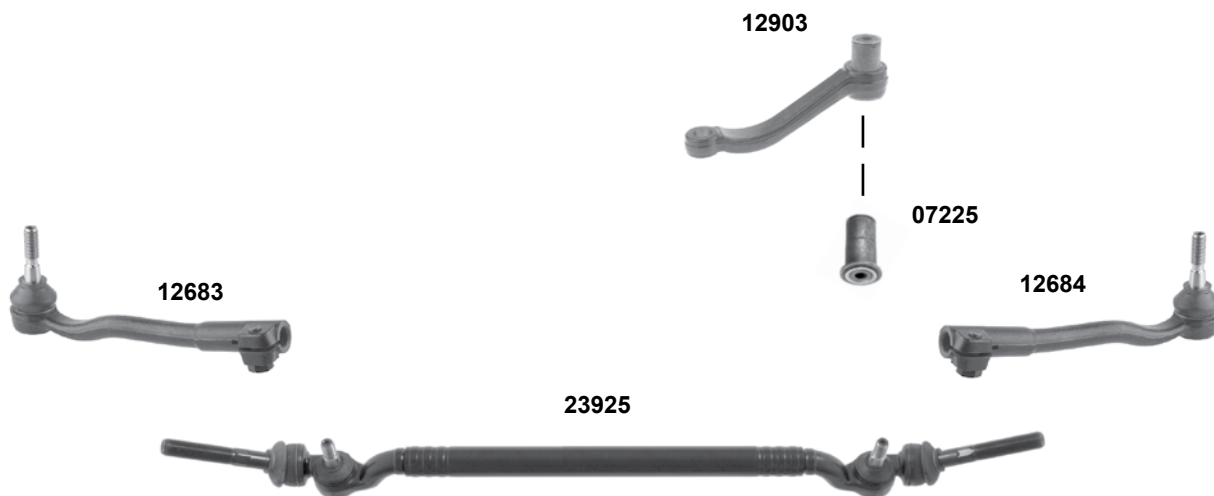


**Car  
Division**



**5'er (E39)**  
(1995 → 2004)  
535 i → M5

Vorderachse / Front axle



Ref. - No.

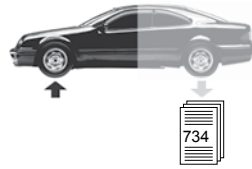


<b>07225</b>	32 21 1 136 452
<b>12683</b>	32 21 1 091 723
<b>12684</b>	32 21 1 091 724
<b>12903</b>	32 21 1 141 592
<b>23925</b>	32 21 1 096 059

Lenkhebellager / steering arm mounting
Spurstange / tie rod
Spurstange / tie rod
Lenkhebel / steering arm
Spurstange / tie rod

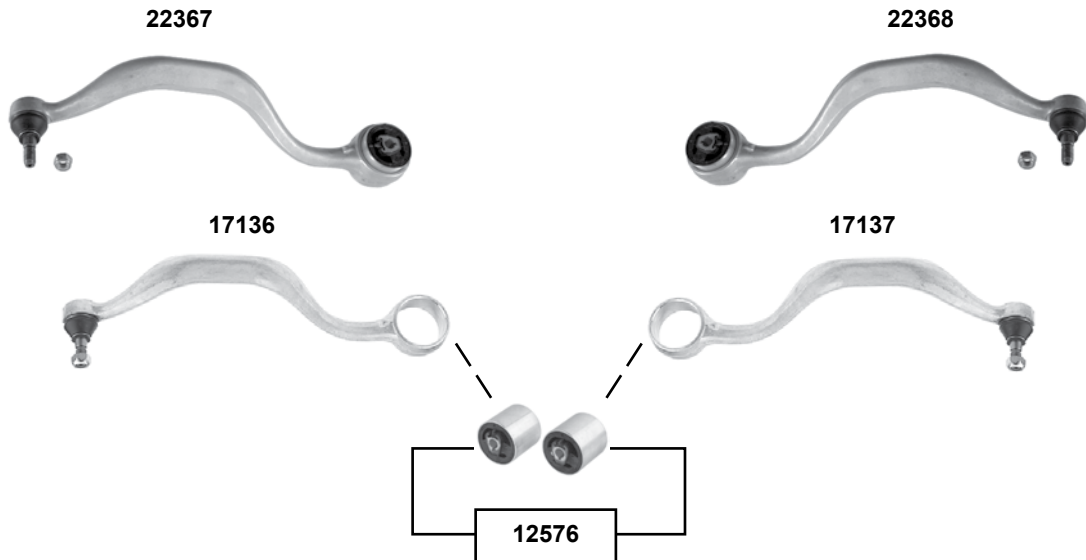
LHD

Ø A 27
L 215
L 215
L 150

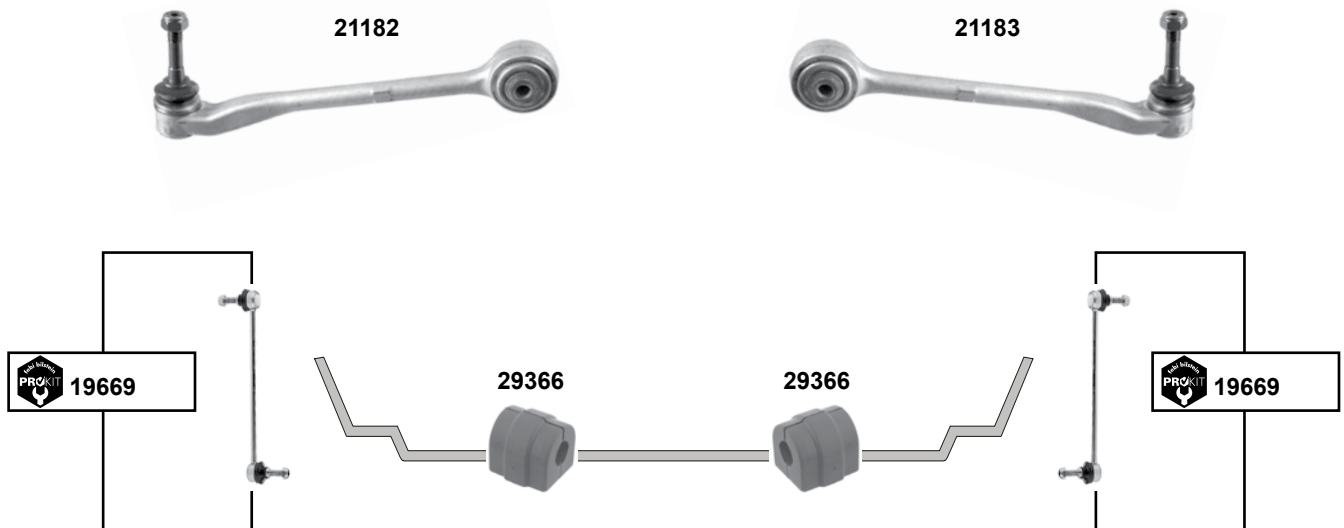


**5'er (E39)**  
(1995 → 2004)  
535 i → M5

**oben / upper**



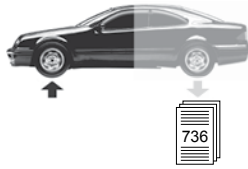
**unten / lower**



Vorderachse / Front axle

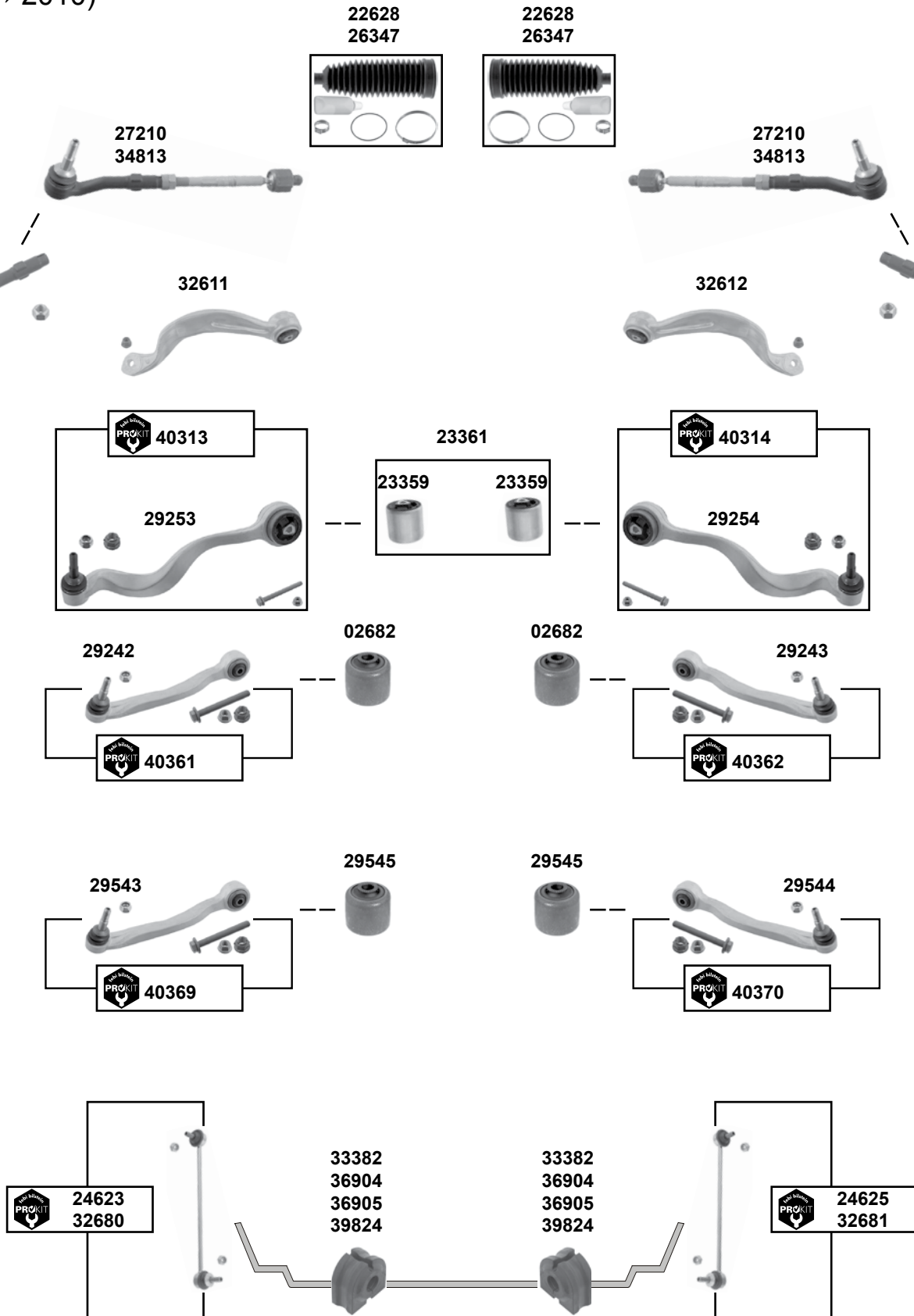
	Ref. - No.			
<b>12576</b>	31 12 0 006 482	Rep. Satz Querlenkerlager / rep. kit control arm mount		14x66x76
<b>17136</b>	31 12 1 092 609	Querlenker / control arm		
<b>17137</b>	31 12 1 092 610	Querlenker / control arm		
<b>19669</b>	31 35 1 095 664	ProKit Verbindungsstange / stabilizer link		L 285
<b>21182</b>	31 12 1 141 961	Querlenker / control arm		
<b>21183</b>	31 12 1 141 962	Querlenker / control arm		
<b>22367</b>	31 12 1 092 609 S1	Querlenker mit Hydrolager / control arm with hydro bearing		
<b>22368</b>	31 12 1 092 610 S1	Querlenker mit Hydrolager / control arm with hydro bearing		
<b>29366</b>	31 35 1 093 108	Stabilisatorlager / stabilizer mount		Ø 22,5

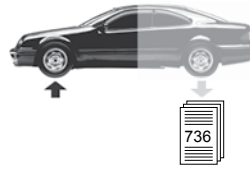




**5'er (E60/E61/LCI)**  
(2003 → 2010)

Vorderachse / Front axle





## 5'er (E60/E61/LCI) (2003 → 2010)

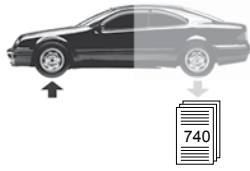
- (1)** 520 d - 530 i (ex.) xi/xd (4WD) **Sport**
- (2)** E60/E61: 525xd, 530 xd/xi  
E60 LCI/E61 LCI: 525 xd/xi, 530 xd/xi
- (3)** **E60/LCI:** 520d - 530i (ex.) 4x4 / **E61 LCI:** 520d, 523i, 525i, 530i, 525d, 530d, 535d, 550 nur/only **Sport**  
**E60/LCI:** 535d - 550i (ex.) 4x4 / **E61:** 525d, 530d, 535d, 545i, 550i (ex.) M-Sportfahrwerk/M-sportchassis, **Sport**  
**E61:** 520d **Sport** 04/06 → / (ex.) **Sport** alle/all  
**E61:** 523i, 525i, 530i nur/only **Sport**  
**E61 LCI:** 520i (ex.) M-Sportfahrwerk/M-sportchassis
- (4)** E60: 525 d/i, 530 d/i, 535d, 540i, 545i, 550i / E60 LCI: 525 d/i, 530 d/i, 535d, 540i, 550i nur/only Dynamic Drive



Ref. - No.



Ref. - No.	Description	Notes	Dimensions
02682	31 12 1 124 622	Querlenkerlager / control arm mount	→ 03/06 (ex.) 4WD
22628	32 13 6 751 026	Rep. Satz Lenkmanschette / rep. kit steering boot	4WD → 03/06
23359	31 12 6 765 992	Querlenkerlager / control arm mount	(ex.) 4WD
23361	31 12 0 305 612	Rep. Satz Querlenkerlager / rep. kit control arm mount	(ex.) 4WD
24623	31 30 6 781 547	ProKit Verbindungsstange / stabilizer link	(ex.) 4WD
24625	31 30 6 781 548	ProKit Verbindungsstange / stabilizer link	(ex.) 4WD
26347	32 10 6 765 782	Rep. Satz Lenkmanschette / rep. kit steering boot	(ex.) 4WD
27204	32 10 6 776 946	Spurstangenendstück / tie rod end	(ex.) 4WD
27210	32 10 6 777 479	Spurstange / tie rod	(ex.) 4WD
29242	31 12 6 760 181	Querlenker / control arm	→ 03/06 (ex.) 4WD
29243	31 12 6 760 182	Querlenker / control arm	→ 03/06 (ex.) 4WD
29253	31 12 6 774 825	Querlenker / control arm	(ex.) 4WD
29254	31 12 6 774 826	Querlenker / control arm	(ex.) 4WD
29543	31 12 6 768 297	Querlenker / control arm	03/06 → (ex.) 4WD
29544	31 12 6 768 298	Querlenker / control arm	03/06 → (ex.) 4WD
29545	31 12 6 767 651	Querlenkerlager / control arm mount	03/06 → (ex.) 4WD
32021	32 21 6 767 860	Spurstangenendstück / tie rod end	4WD
32611	31 10 6 770 685	Querlenker / control arm	4WD
32612	31 10 6 770 686	Querlenker / control arm	4WD
32680	31 30 6 781 549	ProKit Verbindungsstange / stabilizer link	4WD
32681	31 30 6 781 550	ProKit Verbindungsstange / stabilizer link	4WD
33382	31 35 6 761 591	Stabilisatorlager / stabilizer mount	(1) Ø   24,6
34813	32 21 6 777 451	Spurstange / tie rod	4WD
36904	31 35 6 770 003	Stabilisatorlager / stabilizer mount	(2) Ø   25,2
36905	31 35 6 764 113	Stabilisatorlager / stabilizer mount	(3) Ø   25
39824	31 35 6 753 913	Stabilisatorlager / stabilizer mount	(4) Ø   58,5
40313	31 12 6 774 825 S1	ProKit Querlenker / control arm	(ex.) 4WD
40314	31 12 6 774 826 S1	ProKit Querlenker / control arm	(ex.) 4WD
40361	31 12 6 760 181 S1	ProKit Querlenker / control arm	→ 03/06 (ex.) 4WD
40362	31 12 6 760 182 S1	ProKit Querlenker / control arm	→ 03/06 (ex.) 4WD
40369	31 12 6 768 297 S1	ProKit Querlenker / control arm	03/06 → (ex.) 4WD
40370	31 12 6 768 298 S1	ProKit Querlenker / control arm	03/06 → (ex.) 4WD



## 5'er (F07 GT/LCI) (2009 →)

Vorderachse / Front axle

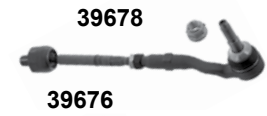
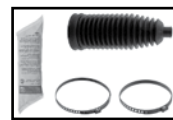


40057

40059

40059

40057



39677

39675

39678

39676



PRÖKIT 34253

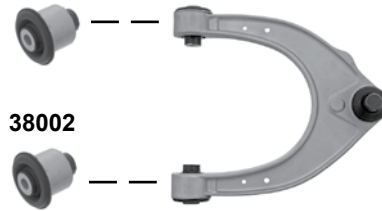
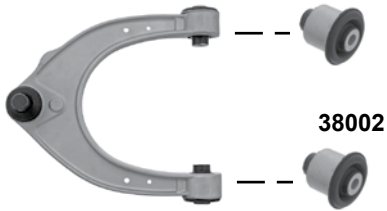
PRÖKIT 34253

38000

38002

38002

38000



38002

38002

38271

38393

40391

38393

40391

38272

45318



45318



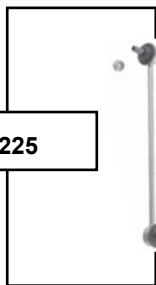
43757



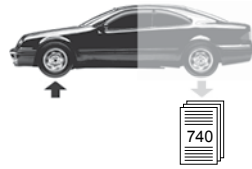
43758



PRÖKIT 36225



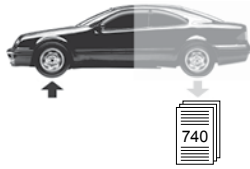
PRÖKIT 36225



**5'er (F07 GT/LCI)**  
(2009 →)

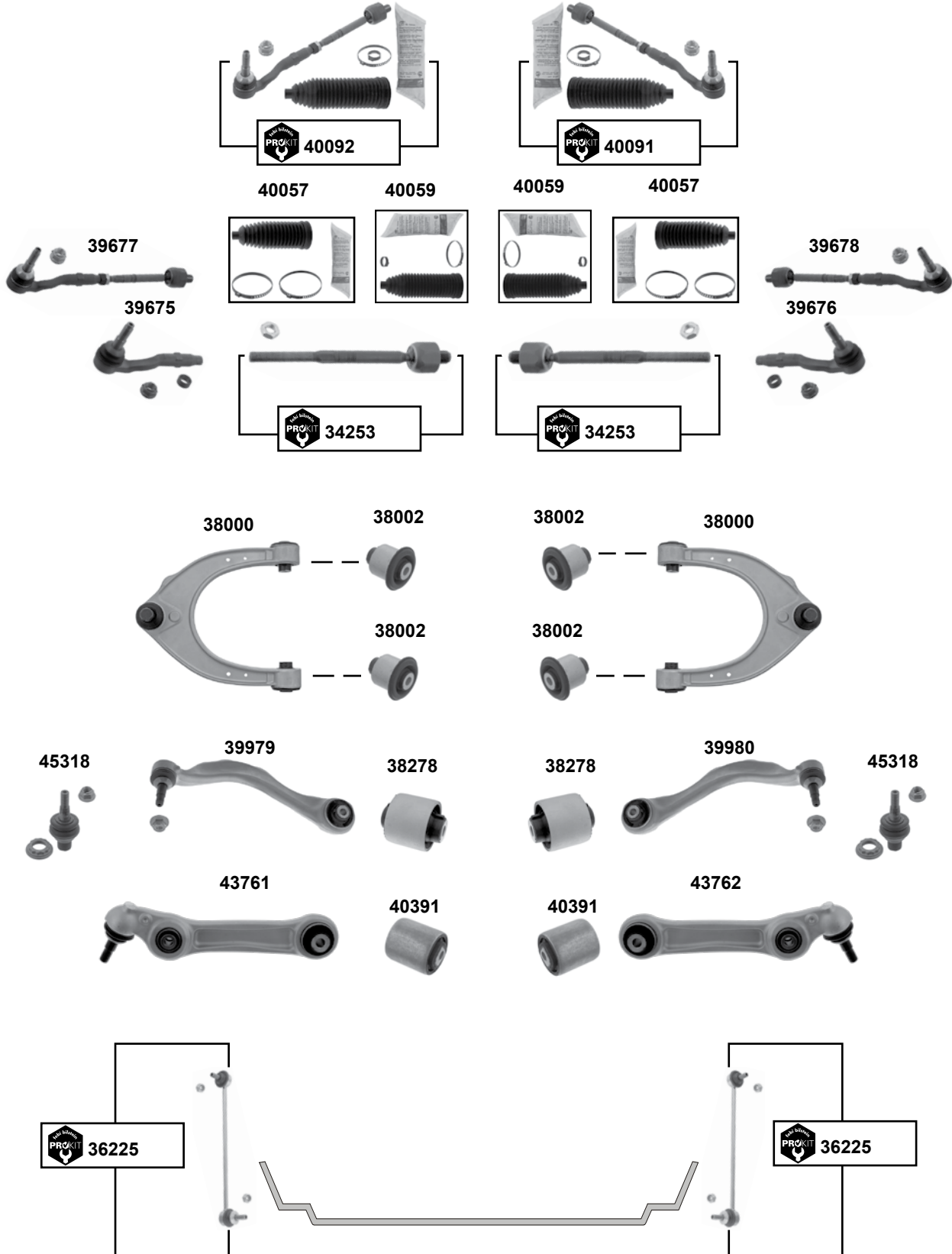
	(1) 530 d/dx, 535 d/dx, 535 ix, 550 i/ix ZF, 535i ZF → 07/12
	(2) 520d, 530d, 550i ZF, 535i ZF 07/12 →
	(3) außer Sturzkorrektur / without camber adjustment
	(4) F07GT
	(5) F07GT LCI

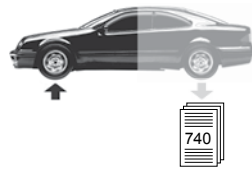
	Ref. - No.			
34253	32 10 6 784 716 SK	ProKit Spurstange / tie rod		L 266
36225	31 35 6 777 319	ProKit Verbindungsstange / stabilizer link		L 300
38000	31 12 6 775 967	Querlenker / control arm	(3)	
38002	31 12 6 775 967 SK1	Querlenkerlager / control arm mount	(3)	52x53x53
38271	31 12 6 775 959	Zugstrebe / tension rod		L 404
38272	31 12 6 775 960	Zugstrebe / tension rod		L 404
38393	31 12 6 775 145	Querlenkerlager / control arm mount		14x70x86
39675	32 10 6 784 790	Spurstangenendstück / tie rod end		L 160
39676	32 10 6 784 796	Spurstangenendstück / tie rod end		L 160
39677	32 10 6 784 716	Spurstange / tie rod		L 390
39678	32 10 6 784 719	Spurstange / tie rod		L 390
40057	32 10 6 785 993	Rep. Satz Lenkmanschette / rep. kit steering boot	(1)	
40059	32 10 6 791 561	Rep. Satz Lenkmanschette / rep. kit steering boot	(2)	
40091	32 10 6 784 716 S1	ProKit Spurstange / tie rod	(2)	L 373
40092	32 10 6 784 719 S1	ProKit Spurstange / tie rod	(2)	L 373
40391	31 12 6 777 653	Querlenkerlager / control arm mount	(4) (5) 4x4	14x68x81
45318	31 12 6 777 753	Traggelenk / ball joint	4x4	M15/30x1,5
43757	31 12 6 798 107	Querlenker / control arm		
43758	31 12 6 798 108	Querlenker / control arm		



## 5'er (F10/LCI/F11/LCI/F18) (2010 →)

Vorderachse / Front axle



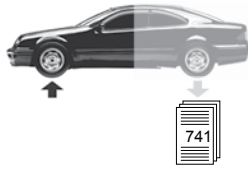


## 5'er (F10/LCI/F11/LCI/F18) (2010 →)



- (1) F10: 530dx, 535 dx/ix, 550 dx/ix, M5 ZF  
F11: 530dx, 535 dx/ix, M550dx ZF
- (2) F10: 520 d/ed/i, 523i, 525 d/dx, 528 i/ix, 530 d/i, 535 d/i, 550i, Hybrid 5 ZF  
F11: 520 d/i, 523i, 525 d/dx, 528 i/ix, 530 d/i, 535 d/i, 550i ZF
- (3) außer Sturzkorrektur / without camber adjustment
- (4) F10/LCI, F11/LCI alle/all 4x4
- (5) (ex.) M5 / 550i / 4x4
- (6) 4x4 / (ex.) F18
- (7) F10, F11 (ex.) 4x4, M5

	Ref. - No.			
34253	32 10 6 784 716 SK	ProKit Spurstange / tie rod		L 266
36225	31 35 6 777 319	ProKit Verbindungsstange / stabilizer link		L 300
38000	31 12 6 775 967	Querlenker / control arm	(3)	
38002	31 12 6 775 967 SK1	Querlenkerlager / control arm mount	(3)	52x53x53
38278	31 12 6 775 979	Querlenkerlager / control arm mount	(7)	86x14x70
39675	32 10 6 784 790	Spurstangenendstück / tie rod end		L 160
39676	32 10 6 784 796	Spurstangenendstück / tie rod end		L 160
39677	32 10 6 784 716	Spurstange / tie rod		L 390
39678	32 10 6 784 719	Spurstange / tie rod		L 390
39979	31 12 6 775 971	Zugstrebe / tension rod	(7)	L 400
39980	31 12 6 775 972	Zugstrebe / tension rod	(7)	L 400
40057	32 10 6 785 993	Rep. Satz Lenkmanschette / rep. kit steering boot	(1)	
40059	32 10 6 791 561	Rep. Satz Lenkmanschette / rep. kit steering boot	(2)	
40091	32 10 6 784 716 S1	ProKit Spurstange / tie rod	(2)	L 373
40092	32 10 6 784 719 S1	ProKit Spurstange / tie rod	(2)	L 373
40391	31 12 6 777 653	Querlenkerlager / control arm mount	(4)	14x68x81
43761	31 12 6 794 203	Querlenker / control arm	(5)	
43762	31 12 6 794 204	Querlenker / control arm	(5)	
45318	31 12 6 777 753	Traggelenk / ball joint	(6)	M15/30x1,5



**6'er (E24)**  
(1975 → 1989)  
**628 i / 635 i / M635csi**

**05/1982 → 1989**

**01675**



**01847**



**08906**  
**07225**



**08580**



**08581**



**08581**



**08582**



**08583**



**08582**



**08583**

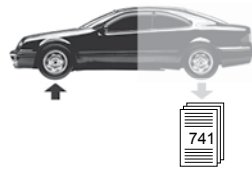


**Ref. - No.**



<b>01675</b>	32 31 1 115 092	Gelenkscheibe / flexible disc		
<b>01847</b>	32 21 1 136 450	Lenkhebel / steering arm		
<b>07225</b>	32 21 1 136 452	Lenkhebellager / steering arm mounting	09/86 →	L 125
<b>08580</b>	32 21 1 129 014	Lenkstange / drag link	LHD	Ø A 27
<b>08581</b>	32 21 1 135 666	Spurstange / tie rod		L 500
<b>08582</b>	32 21 1 135 820	Spurstangenendstück / tie rod end		L 303
<b>08583</b>	32 21 1 135 819	Spurstangenendstück / tie rod end		M14x1,5 RHT
<b>08906</b>	32 21 1 123 464	Lenkhebellager / steering arm mounting	→ 09/86	M14x1,5 LHT
				Ø A 24

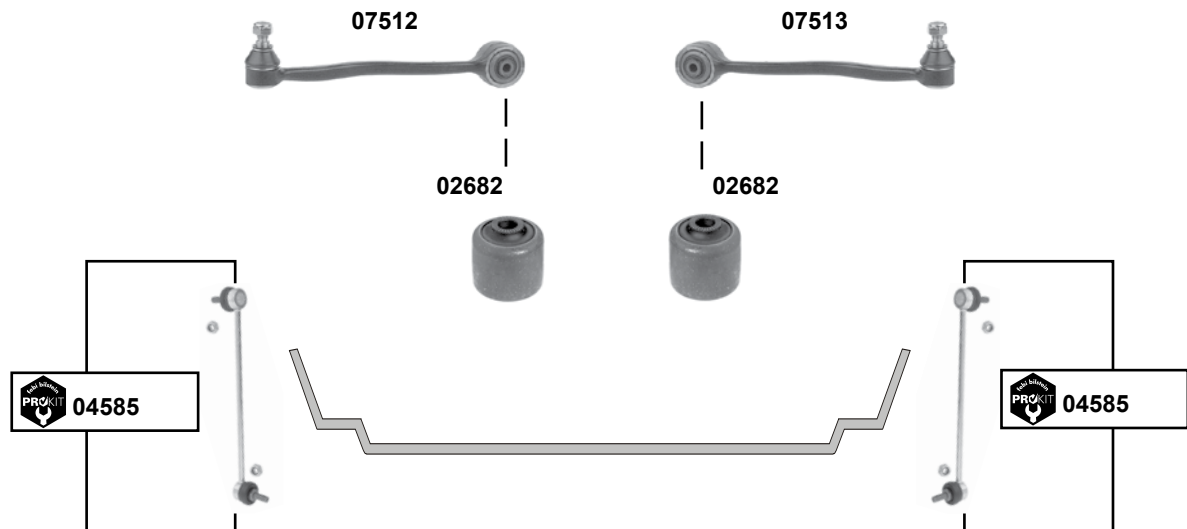
Vorderachse / Front axle



**6'er (E24)**  
(1975 → 1989)  
**628 i / 635 i / M635csi**

05/1982 → 1989

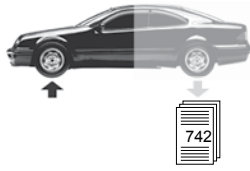
unten / lower



Vorderachse / Front axle

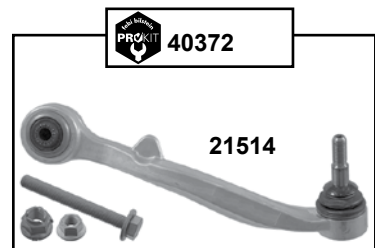
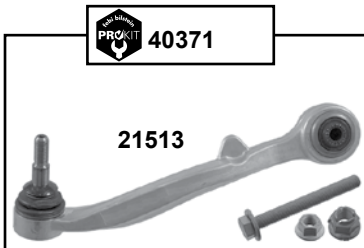
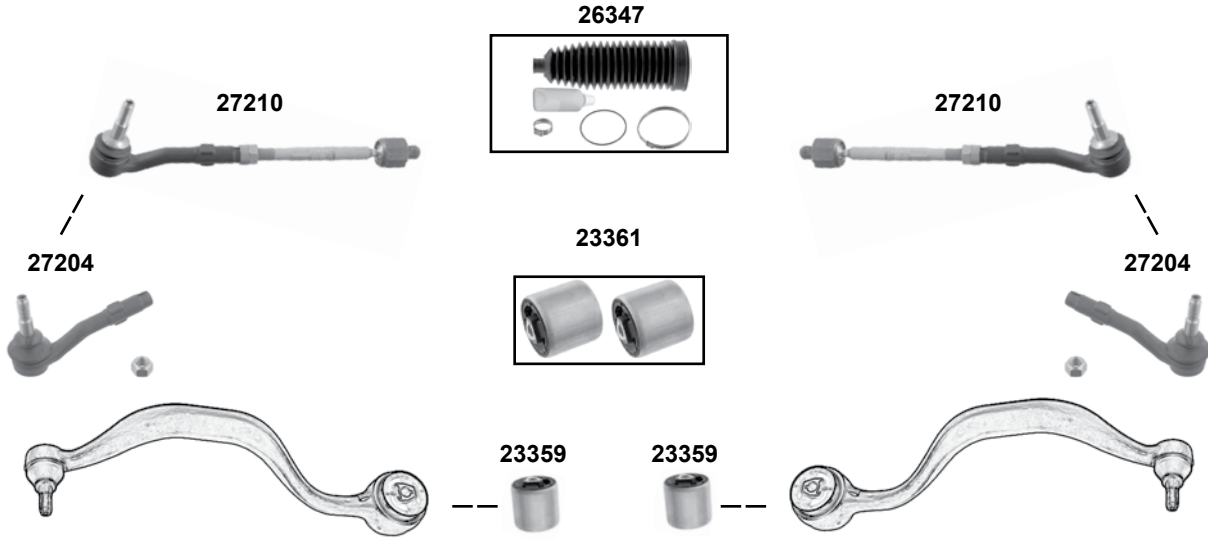
	Ref. - No.			
<b>02682</b>	31 12 1 124 622	Querlenkerlager / control arm mount		12x46,5x52,5
<b>04585</b>	31 35 1 134 582	ProKit Verbindungsstange / stabilizer link		L 240
<b>07512</b>	31 12 1 139 991	Querlenker / control arm	Stahl / Steel	
<b>07513</b>	31 12 1 139 992	Querlenker / control arm	Stahl / Steel	

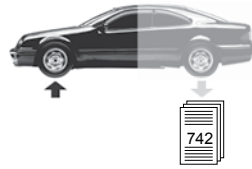




## 6'er (E63/E63LCI/E64/64LCI) (2003 → 2011)

Vorderachse / Front axle





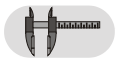
**6'er (E63/E63LCI/E64/64LCI)**  
(2003 → 2011)



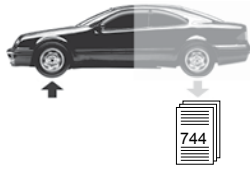
- (1) E64: 630i, 645i, 650i / E64 LCI: 630i, 635d, 650i
- (2) E63: 630i, 645i, 650i / E63 LCI: 630i, 635d, 645i, 650i nur/only Dynamic Drive  
E64: 630i, 645Ci, 650i / E64 LCI: 630i, 635d, 645i, 650i nur/only Dynamic Drive



Ref. - No.

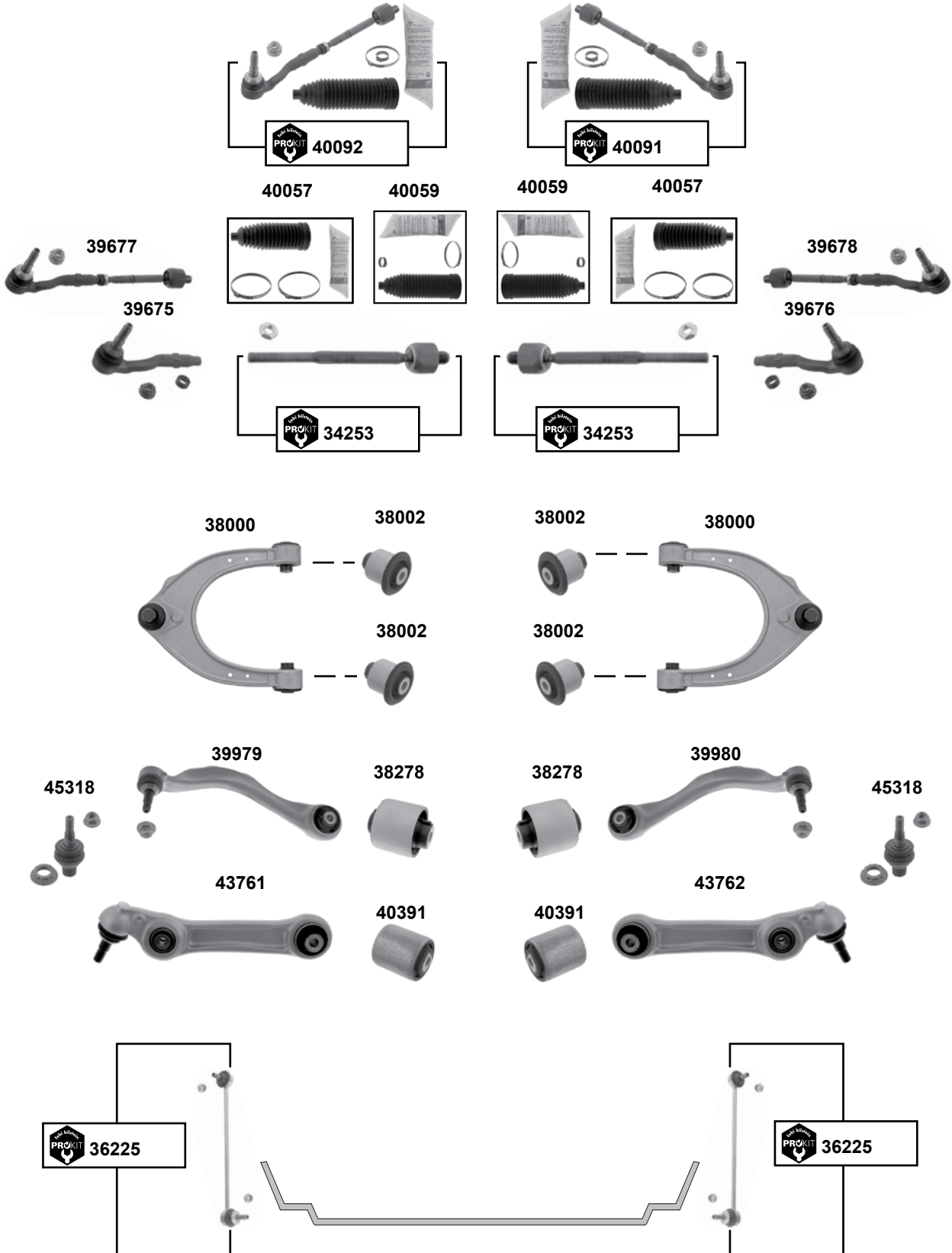


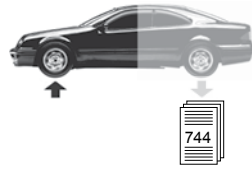
Febi bilstein	Ref. - No.			
<b>21513</b>	31 12 6 777 939	Querlenker / control arm	(ex.) M6	
<b>21514</b>	31 12 6 777 940	Querlenker / control arm	(ex.) M6	
<b>23359</b>	31 12 6 765 992	Querlenkerlager / control arm mount		12x70x65/76
<b>23361</b>	31 12 0 305 612	Rep. Satz Querlenker / rep. kit control arm		12x70x65/76
<b>26347</b>	32 10 6 765 782	Rep. Satz Lenkmanschette / rep. kit steering boot		
<b>27204</b>	32 10 6 776 946	Spurstangenendstück / tie rod end		M16 x 1,5
<b>27210</b>	32 10 6 777 479	Spurstange / tie rod		L 347,5
<b>28288</b>	31 30 6 781 541	ProKit Verbindungsstange / stabilizer link		L 332
<b>28289</b>	31 30 6 781 542	ProKit Verbindungsstange / stabilizer link		L 332
<b>36905</b>	31 35 6 764 113	Stabilisatorlager / stabilizer mount	(1)	Ø 125
<b>39824</b>	31 35 6 753 913	Stabilisatorlager / stabilizer mount	(2)	Ø 58,5
<b>40371</b>	31 12 6 777 939 S1	ProKit Querlenker / control arm	(ex.) E64	
<b>40372</b>	31 12 6 777 940 S1	ProKit Querlenker / control arm	(ex.) E64	



## 6'er (F06/F12/F13) (2010 →)

Vorderachse / Front axle





**6'er (F06/F12/F13)**  
(2010 →)

Vorderachse / Front axle



**(1)** F06 GC: 640 dx/ix, 650ix ZF  
F12: 640 dx/ix, 650ix, M6 ZF  
F13: 640 dx/ix, 650ix, M6 ZF

**(2)** F06 GC: 640 d/i, 650i ZF  
F12 640 d/i, 650i ZF  
F13: 640d/i, 650i ZF

**(3)** außer Sturzkorrektur / without camber adjustment / **(ex.)** M6 / 4x4

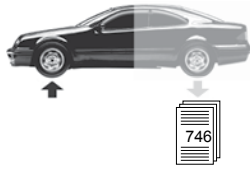
**(4)** 640 i/d / 650 i



Ref. - No.



<b>34253</b>	32 10 6 784 716 SK	ProKit Spurstange / tie rod		L 266
<b>36225</b>	31 35 6 777 319	ProKit Verbindungsstange / stabilizer link		L 300
<b>38000</b>	31 12 6 775 967	Querlenker / control arm	<b>(3)</b>	
<b>38002</b>	31 12 6 775 967 SK1	Querlenkerlager / control arm mount	<b>(3)</b>	52x53x53
<b>38278</b>	31 12 6 775 979	Querlenkerlager / control arm mount	<b>(ex.)</b> 4x4, M6	86x14x70
<b>39675</b>	32 10 6 784 790	Spurstangenendstück / tie rod end		L 160
<b>39676</b>	32 10 6 784 796	Spurstangenendstück / tie rod end		L 160
<b>39677</b>	32 10 6 784 716	Spurstange / tie rod		L 390
<b>39678</b>	32 10 6 784 719	Spurstange / tie rod		L 390
<b>39979</b>	31 12 6 775 971	Zugstrebe / tension rod	<b>(ex.)</b> 4x4, M6	L 400
<b>39980</b>	31 12 6 775 972	Zugstrebe / tension rod	<b>(ex.)</b> 4x4, M6	L 400
<b>40057</b>	32 10 6 785 993	Rep. Satz Lenkmanschette / rep. kit steering boot	<b>(1)</b>	
<b>40059</b>	32 10 6 791 561	Rep. Satz Lenkmanschette / rep. kit steering boot	<b>(2)</b>	
<b>40091</b>	32 10 6 784 716 S1	ProKit Spurstange / tie rod	<b>(2)</b>	L 373
<b>40092</b>	32 10 6 784 719 S1	ProKit Spurstange / tie rod	<b>(2)</b>	L 373
<b>40391</b>	31 12 6 777 653	Querlenkerlager / control arm mount		14x68x81
<b>43761</b>	31 12 6 794 203	Querlenker / control arm	<b>(4)</b>	
<b>43762</b>	31 12 6 794 204	Querlenker / control arm	<b>(4)</b>	
<b>45318</b>	31 12 6 777 753	Traggelenk / ball joint	<b>4x4</b>	M15/30x1,5



**7'er (E32)**  
(1985 → 1994)

Vorderachse / Front axle

**01675**



**01847**



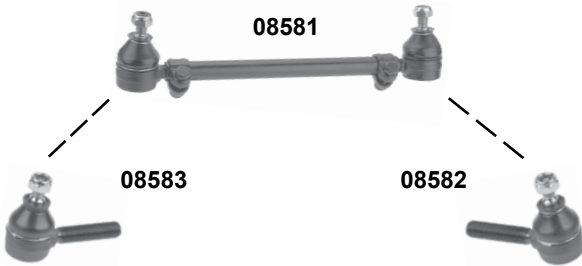
**07225**



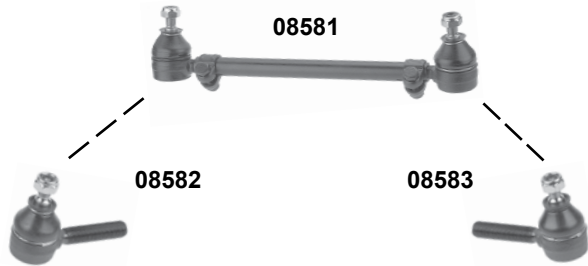
**12380**



**08581**



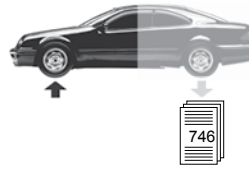
**08581**



**Ref. - No.**



<b>01675</b>	32 31 1 115 092	Gelenkscheibe / flexible disc		
<b>01847</b>	32 21 1 136 450	Lenkhebel / steering arm		L 125
<b>07225</b>	32 21 1 136 452	Lenkhebellager / steering arm mounting		Ø A 27
<b>08581</b>	32 21 1 135 666	Spurstange / tie rod		L 303
<b>08582</b>	32 21 1 135 820	Spurstangenendstück / tie rod end		M14x1,5 RHT
<b>08583</b>	32 21 1 135 819	Spurstangenendstück / tie rod end		M14x1,5 LHT
<b>12380</b>	32 21 1 138 850	Lenkstange / drag link	LHD	L 525

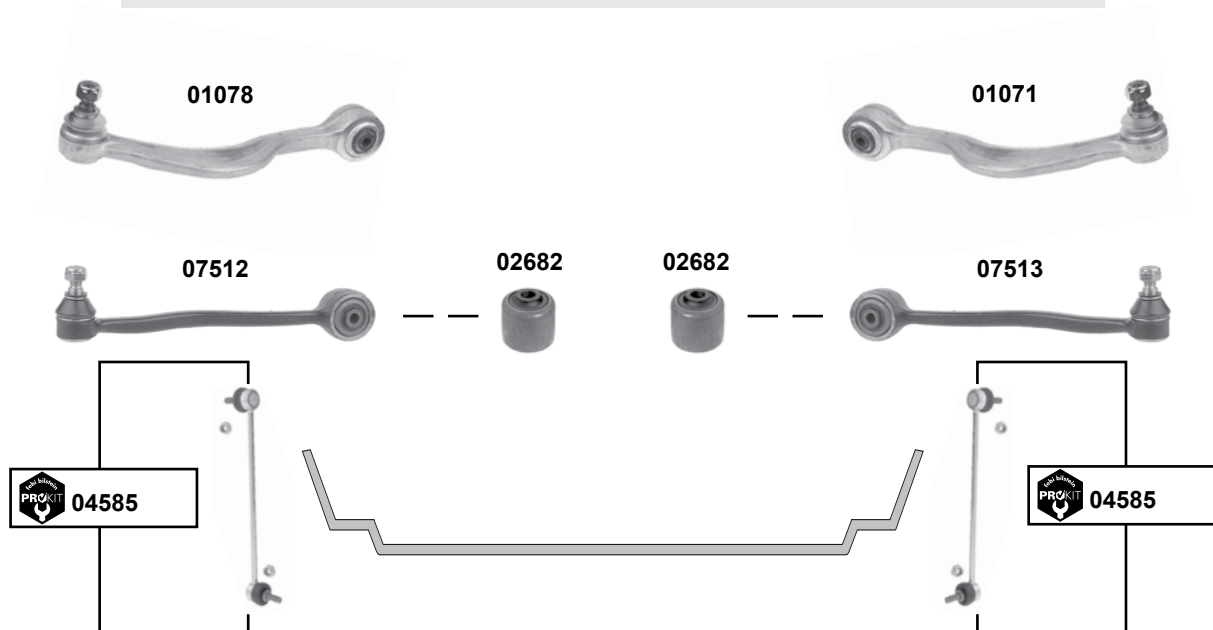


**7'er (E32)**  
(1985 → 1994)

**oben / upper**



**unten / lower**



Vorderachse / Front axle



**Rep. Sätze / rep. kits**

24297  
24299

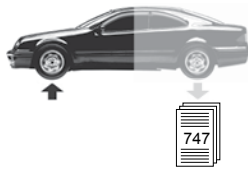
24298  
24300



Ref. - No.

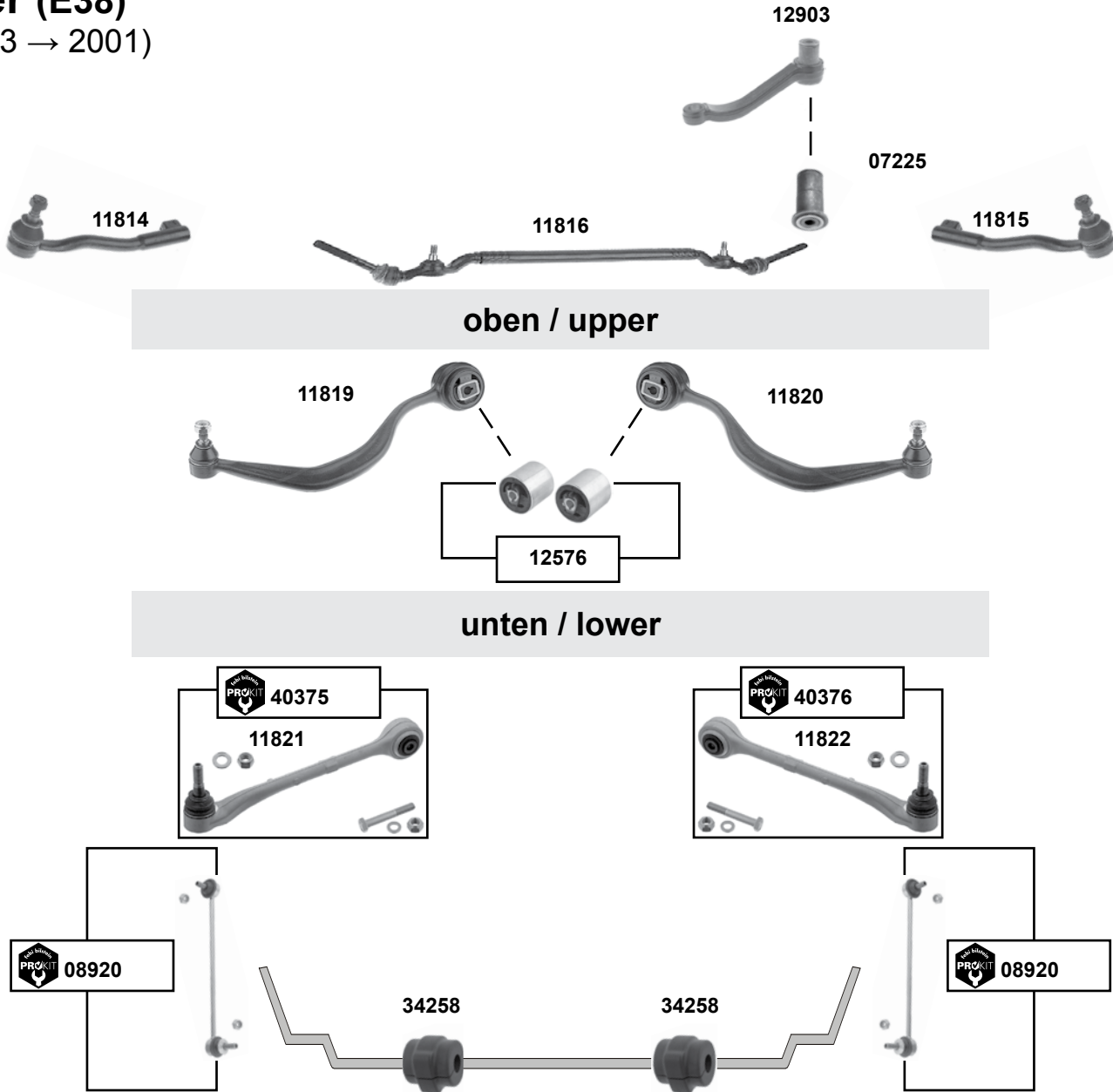


Ref. - No.				
01071	31 12 1 139 988	Querlenker / control arm	Alu	
01078	31 12 1 139 987	Querlenker / control arm	Alu	
01668	31 12 1 136 607	Querlenkerlager / control arm mount	740 i/iL, 750 i/iL	14x48x58
02682	31 12 1 124 622	Querlenkerlager / control arm mount		12x46,5x52,5
04585	31 35 1 134 582	ProKit Verbindungsstange / stabilizer link		L 240
06213	31 12 1 139 456	Querlenkerlager / control arm mount	730 i/iL, 735 i/iL	14x48x58
07512	31 12 1 139 991	Querlenker / control arm	Stahl / Steel	
07513	31 12 1 139 992	Querlenker / control arm	Stahl / Steel	
09001	31 12 1 139 999	Querlenker / control arm		
09002	31 12 1 140 000	Querlenker / control arm		
24297	31 12 1 139 999 S2	Rep. Satz Querlenker oben / rep. kit control arm upper	730 i/iL, 735 i/iL	
24298	31 12 1 140 000 S1	Rep. Satz Querlenker oben / rep. kit control arm upper	730 i/iL, 735 i/iL	
24299	31 12 1 139 999 S2	Rep. Satz Querlenker oben / rep. kit control arm upper	740 i/iL, 750 i/iL	
24300	31 12 1 140 000 S2	Rep. Satz Querlenker oben / rep. kit control arm upper	740 i/iL, 750 i/iL	



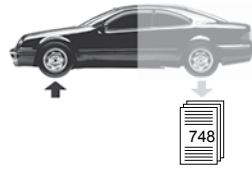
**7'er (E38)**  
(1993 → 2001)

Vorderachse / Front axle



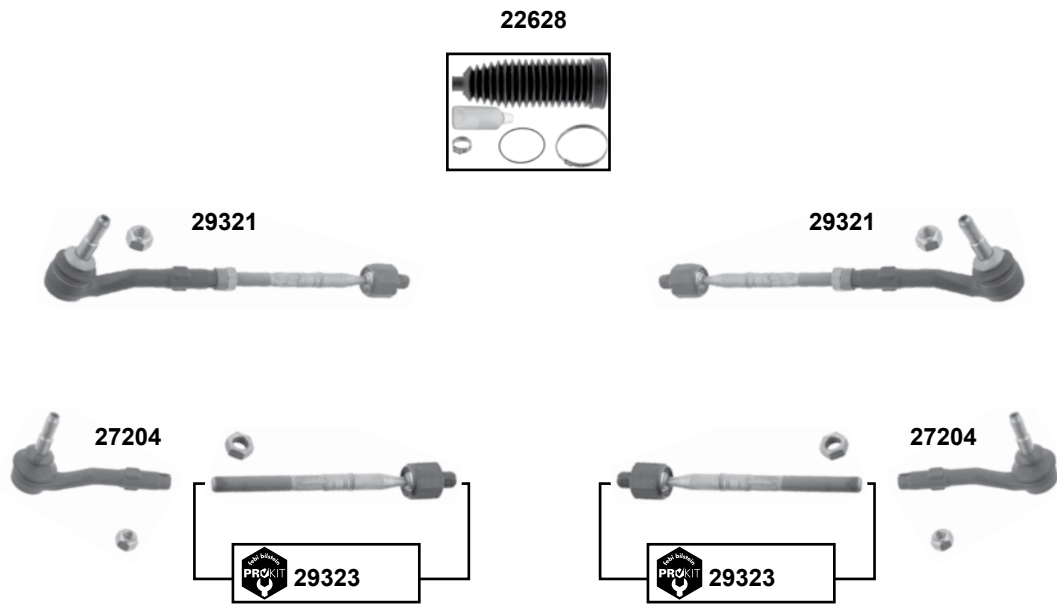
**(1)** Normalfahrwerk + EDC / standard suspension + EDC

	Ref. - No.			
<b>07225</b>	32 21 1 136 452	Lenkhebellager / steering arm mounting	LHD	Ø A 27
<b>08920</b>	31 35 1 095 695	ProKit Verbindungsstange / stabilizer link		L 305
<b>11814</b>	32 21 1 141 345	Spurstange / tie rod		L 220
<b>11815</b>	32 21 1 141 346	Spurstange / tie rod		L 220
<b>11816</b>	32 21 1 096 057	Lenkstange / drag link		L 515
<b>11819</b>	31 12 1 141 723	Querlenker / control arm		
<b>11820</b>	31 12 1 141 724	Querlenker / control arm		
<b>11821</b>	31 12 1 142 087	Querlenker / control arm		
<b>11822</b>	31 12 1 142 088	Querlenker / control arm		
<b>12576</b>	31 12 0 006 482	Rep. Satz Querlenkerlager / rep. kit control arm mount		14x66x76
<b>12903</b>	32 21 1 141 592	Lenkhebel / steering arm		L 150
<b>34258</b>	31 35 1 091 555	Stabilisatorlager / stabilizer mount		<b>(1)</b> Ø I 20,5
<b>40375</b>	31 12 1 142 087 S1	ProKit Querlenker / control arm		
<b>40376</b>	31 12 1 142 088 S1	ProKit Querlenker / control arm		



**7'er (E65/E66)**  
(2001 → 2008)

Vorderachse / Front axle

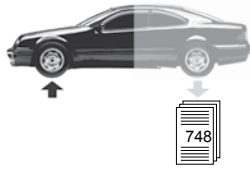


	Ref. - No.			
<b>22628</b>	32 13 6 751 026	Rep. Satz Lenkmanschette / rep. kit steering boot	ZF	
<b>27204</b>	32 10 6 776 946	Spurstangenendstück / tie rod end		M16 x 1,5
<b>29321</b>	32 10 6 777 268	Spurstange / tie rod		L 345
<b>29323</b>	32 10 6 777 268 SK	ProKit Axialgelenk / axial joint		L 250



passend für / to fit

**BMW**

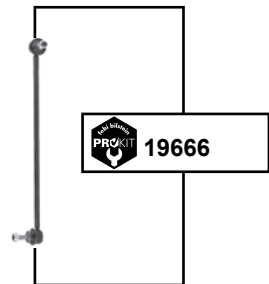
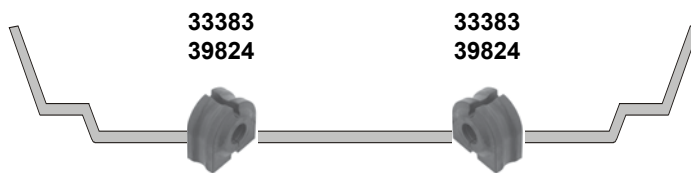
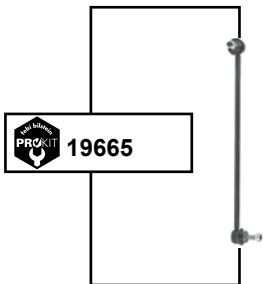
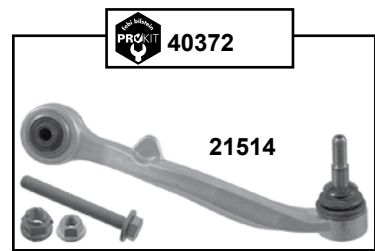
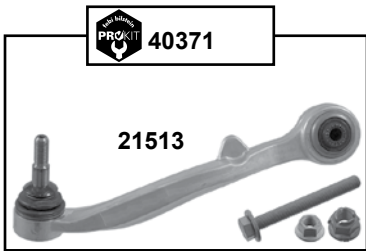
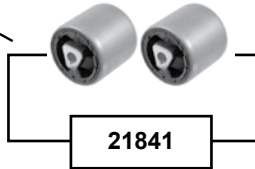
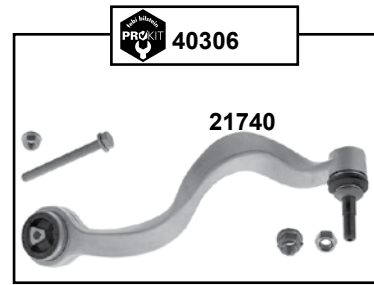
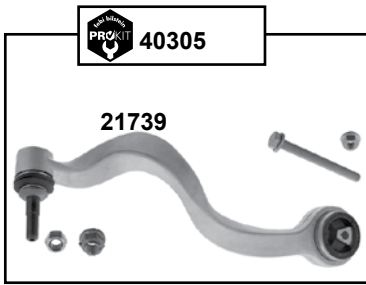
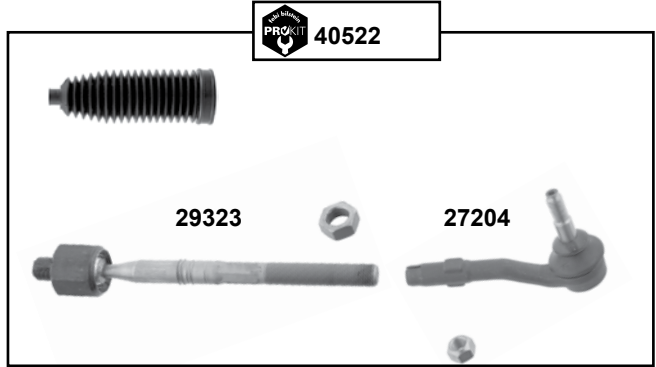
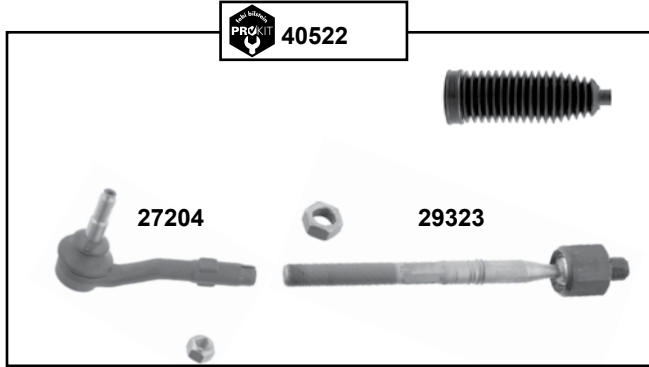


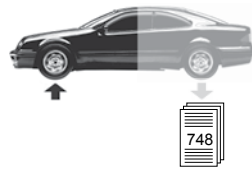
**Car  
Division**



# 7'er (E65/E66) (2001 → 2008)

Vorderachse / Front axle



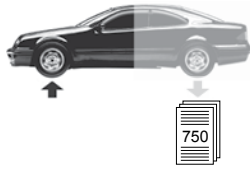


**7'er (E65/E66)**  
(2001 → 2008)

- (1) → 03/05 M 57 N / M 54 / M 67/ N 62 / N 73
- (2) 730 d / M 57 N / (ex.) Sport → 04/06
- (3) 730 d/i / M57 N2 / N 52 / → 04/06
- (4) 740 i / 745 d / 750 i / → 04/06
- (5) 735 i / 745 i / (ex.) Sport → 10/03
- (6) 760i, 760Li alle/all  
730 d/i, 735i, 740d, 745i, 730 Li, 735Li, 745Li mit/with Dynamic Drive  
740i, 745d, 750i, 730 Ld, 730Li, 740 Li, 750 Li mit/with Adaptive Drive
- (7) E65: 730d - 760i // E66: 730Ld - 760Li

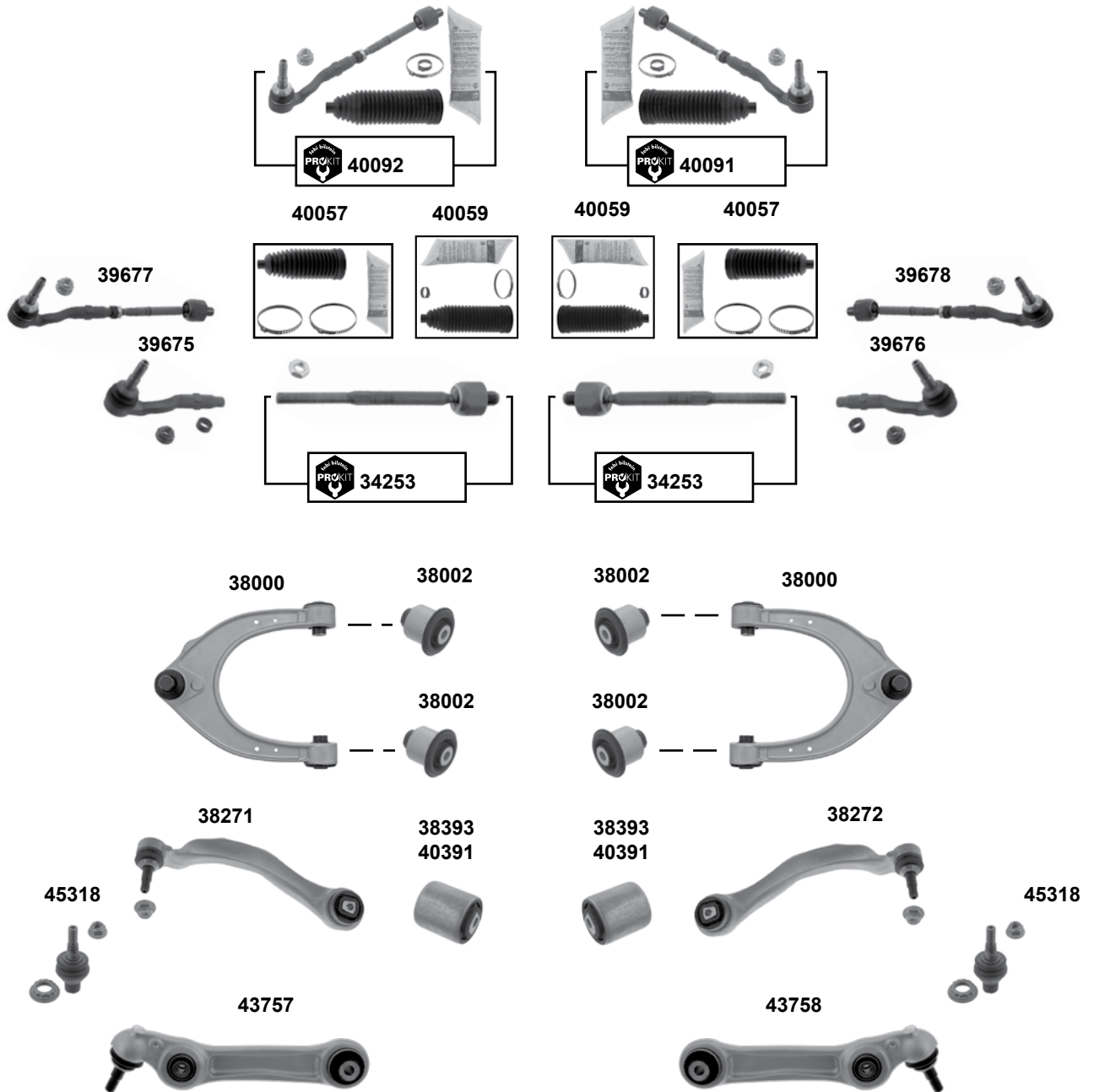


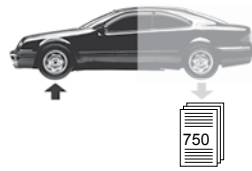
	Ref. - No.			
<b>19665</b>	31 30 6 781 545	ProKit Verbindungsstange / stabilizer link		L 425
<b>19666</b>	31 30 6 781 546	ProKit Verbindungsstange / stabilizer link		L 425
<b>21513</b>	31 12 6 777 939	Querlenker / control arm	(1)	
<b>21514</b>	31 12 6 777 940	Querlenker / control arm	(1)	
<b>21739</b>	31 12 6 774 831	Zugstrebe / tension rod		
<b>21740</b>	31 12 6 774 832	Zugstrebe / tension rod		
<b>21841</b>	31 12 0 304 308	Rep. Satz Zugstrebe / rep. kit tension rod		
<b>27204</b>	32 10 6 776 946	Spurstangenendstück / tie rod end		M16 x 1,5
<b>29323</b>	32 10 6 777 268 SK	Axialgelenk / axial joint	(7)	
<b>33383</b>	31 35 6 763 267	Stabilisatorlager / stabilizer mount	(2) (3) (4) (5)	Ø   25,5
<b>39824</b>	31 35 6 753 913	Stabilisatorlager / stabilizer mount	(6)	Ø   58,5
<b>40305</b>	31 12 6 774 831 S1	ProKit Querlenker / control arm	(7)	
<b>40306</b>	31 12 6 774 832 S1	ProKit Querlenker / control arm	(7)	
<b>40371</b>	31 12 6 777 939 S1	ProKit Querlenker / control arm		
<b>40372</b>	31 12 6 777 940 S1	ProKit Querlenker / control arm		
<b>40522</b>	32 10 3 444 999 S1	ProKit Spurstange / tie rod	(7)	M14 x 1,5



# 7'er (F01/F01LCI/F02/F02LCI/F04) (2008 → 2015)

Vorderachse / Front axle





## 7'er (F01/F01LCI/F02/F02LCI/F04) (2008 → 2015)



Vorderachse / Front axle

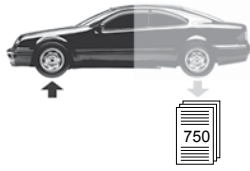
- |     |   |  |
|-----|---|--|
| (1) | F01: 730 d/i, 740 d/dx/i, 750 i/ix, 760i ZF<br>F01 LCI: 730dx, 740dx, 750 dx/ix ZF<br>F02: 730 Ld/Li, 740 Li, 750 Li/Lix, 760 Li ZF | F02 LCI: 740 Lix, 750 Ldx/Lix ZF<br>F02 LCI: 760Li ZF nur / only RHD<br>F04 Hybrid: Hybrid 7/7L ZF |
| (2) | F01 LCI: 730 d/i, 740 d/i, 750i, 760i, Hybrid 7 ZF<br>F02 LCI: 730 Ld/Li, 740 Li, 750 Li, 760 Li, Hybrid 7L ZF                      |  |
| (3) | außer Sturzkorrektur / without camber adjustment  |  |
| (4) | F01 / LCI , F02 / LCI alle / all 4x4 // F04 Hybrid alle / all   |  |



Ref. - No.



	Ref. - No.			
<b>34253</b>	32 10 6 784 716 SK	ProKit Spurstange / tie rod		L 266
<b>36225</b>	31 35 6 777 319	ProKit Verbindungsstange / stabilizer link		L 300
<b>38000</b>	31 12 6 775 967	Querlenker / control arm	(3)	
<b>38002</b>	31 12 6 775 967 SK1	Querlenkerlager / control arm mount	(3)	52x53x53
<b>38271</b>	31 12 6 775 959	Zugstrebe / tension rod	(ex.) F04	
<b>38272</b>	31 12 6 775 960	Zugstrebe / tension rod	(ex.) F04	
<b>38393</b>	31 12 6 775 145	Querlenkerlager / control arm mount	F01 / F02	14x70x86
<b>39675</b>	32 10 6 784 790	Spurstangenendstück / tie rod end		L 160
<b>39676</b>	32 10 6 784 796	Spurstangenendstück / tie rod end		L 160
<b>39677</b>	32 10 6 784 716	Spurstange / tie rod		L 390
<b>39678</b>	32 10 6 784 719	Spurstange / tie rod		L 390
<b>40057</b>	32 10 6 785 993	Rep. Satz Lenkmanschette / rep. kit steering boot	(1)	
<b>40059</b>	32 10 6 791 561	Rep. Satz Lenkmanschette / rep. kit steering boot	(2)	
<b>40091</b>	32 10 6 784 716 S1	ProKit Spurstange / tie rod	(2)	L 373
<b>40092</b>	32 10 6 784 719 S1	ProKit Spurstange / tie rod	(2)	L 373
<b>40391</b>	31 12 6 777 653	Querlenkerlager / control arm mount	(4)	14x68x81
<b>43757</b>	31 12 6 798 107	Querlenker / control arm	(ex.) 4x4 / F04	
<b>43758</b>	31 12 6 798 108	Querlenker / control arm	(ex.) 4x4 / F04	
<b>45318</b>	31 12 6 777 753	Traggelenk / ball joint	4x4	M15/30x1,5



**8'er (E31)**  
(1989 → 1999)

Vorderachse / Front axle

**01675**



**01847**



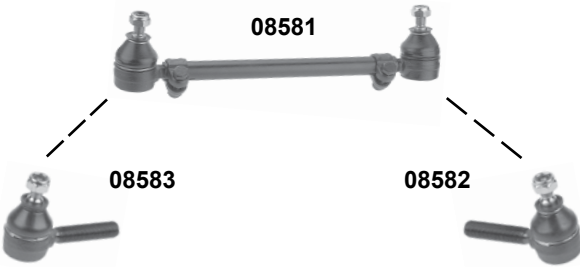
**07225**



**08581**

**08583**

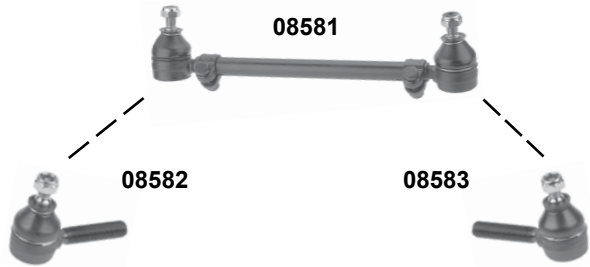
**08582**



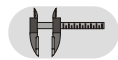
**08581**

**08582**

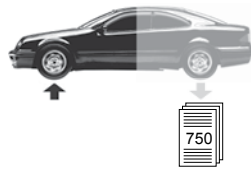
**08583**



**Ref. - No.**



<b>01675</b>	32 31 1 115 092	Gelenkscheibe / flexible disc	
<b>01847</b>	32 21 1 136 450	Lenkhebel / steering arm	L 125
<b>07225</b>	32 21 1 136 452	Lenkhebellager / steering arm mounting	
<b>08581</b>	32 21 1 135 666	Spurstange / tie rod	L 303
<b>08582</b>	32 21 1 135 820	Spurstangenendstück / tie rod end	M14x1,5 RHT
<b>08583</b>	32 21 1 135 819	Spurstangenendstück / tie rod end	M14x1,5 LHT



**8'er (E31)**  
(1989 → 1999)



Vorderachse / Front axle



**Rep. Sätze / rep. kits**

24299

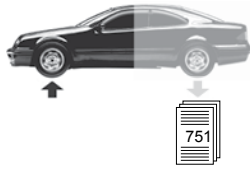
24300



Ref. - No.



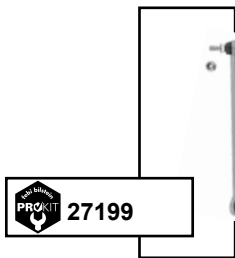
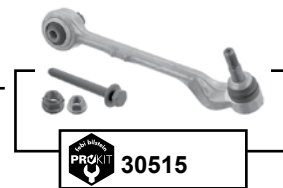
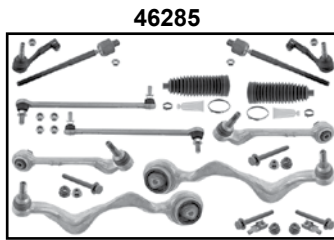
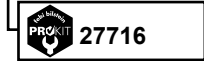
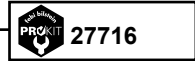
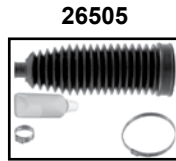
<b>01668</b>	31 12 1 136 607	Querlenkerlager / control arm mount	→ 04/92	14x58x48 L 240
<b>04585</b>	31 35 1 134 582	ProKit Verbindungsstange / stabilizer link		
<b>09001</b>	31 12 1 139 999	Querlenker / control arm	→ 04/92	
<b>09002</b>	31 12 1 140 000	Querlenker / control arm	→ 04/92	
<b>24299</b>	31 12 1 139 999 S2	Rep. Satz Querlenker oben / rep. kit control arm upper		
<b>24300</b>	31 12 1 140 000 S2	Rep. Satz Querlenker oben / rep. kit control arm upper		

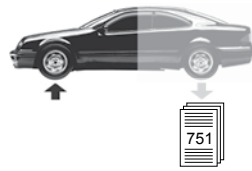


## X1 (E84) (2009 → 2015) (ex.) 4x4

### RHD ZF

Vorderachse / Front axle





**X1 (E84)**  
(2009 → 2015)  
(ex.) 4x4



(1) (mot.) 1,6d/i, 1,8d N47N, 2,0d N47N/ed/i alle / all  
(mot.) 1,8i 07/12 →  
(mot.) 1,8d N47, 2,0d N47 RHD

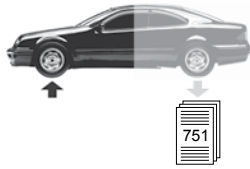


Ref. - No.



	Ref. - No.			
<b>24240</b>	31 12 0 393 540	Querlenkerlagersatz / control arm bushing kit	(1)	12x70x 64,5
<b>26505</b>	32 10 6 765 234	Rep. Satz Lenkmanschette / rep. kit steering boot	(1)	
<b>27158</b>	32 10 6 767 781	Spurstangenendstück / tie rod end	(1)	M14 x 1,5
<b>27159</b>	32 10 6 767 782	Spurstangenendstück / tie rod end	(1)	M14 x 1,5
<b>27199</b>	31 35 6 765 933	ProKit Verbindungsstange links / stabilizer link left	(1)	L 290,5
<b>27200</b>	31 35 6 765 934	ProKit Verbindungsstange rechts / stabilizer link right	(1)	L 290,5
<b>27716</b>	32 10 6 765 235 SK	ProKit Axialgelenk / axial joint	(1)	L 275
<b>27718</b>	32 10 6 765 235	Spurstange / tie rod	(1)	L 372
<b>27719</b>	32 10 6 765 236	Spurstange / tie rod	(1)	L 372
<b>30514</b>	31 12 6 770 849	ProKit Querlenker links / control arm left	(1)	
<b>30515</b>	31 12 6 770 850	ProKit Querlenker rechts / control arm right	(1)	
<b>30516</b>	31 12 6 769 797	Zugstrebe / tension rod	(1)	
<b>30517</b>	31 12 6 769 798	Zugstrebe / tension rod	(1)	
<b>31540</b>	31 12 6 765 597	Querlenkerlager hinten / control arm mount rear	(1)	12x46x 71
<b>40515</b>	32 10 6 765 235 S1	ProKit Spurstange / tie rod	(1)	L 372
<b>40516</b>	32 10 6 765 236 S1	ProKit Spurstange / tie rod	(1)	L 372
<b>46285</b>	31 12 6 770 849 S2	Querlenkersatz / control arm kit	(1)	

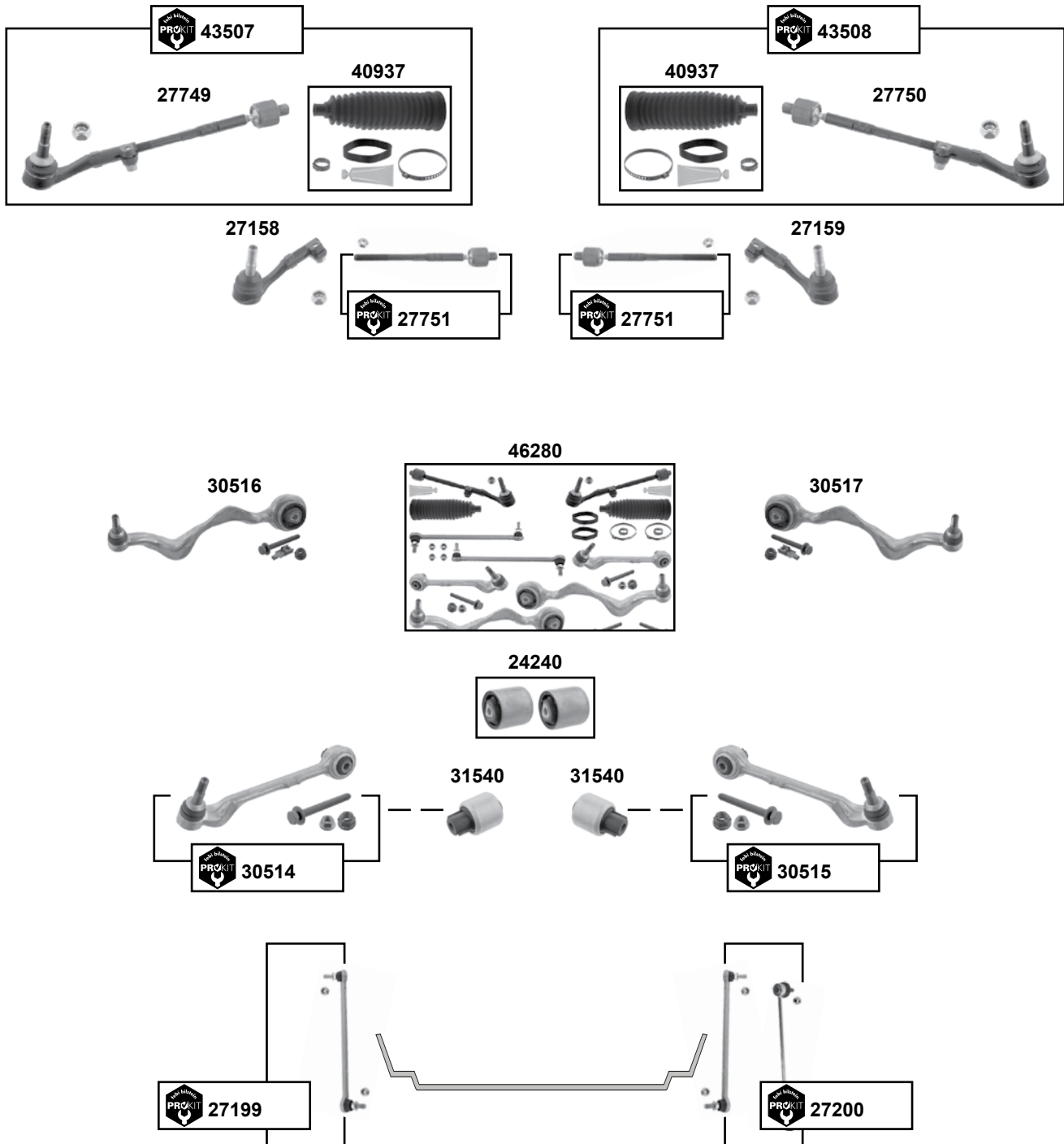


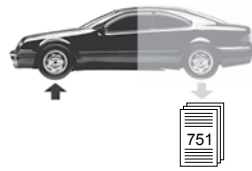


## X1 (E84) (2009 → 2015) (ex.) 4x4

### LHD TRW

Vorderachse / Front axle



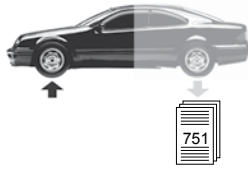


**X1 (E84)**  
(2009 → 2015)  
(ex.) 4x4



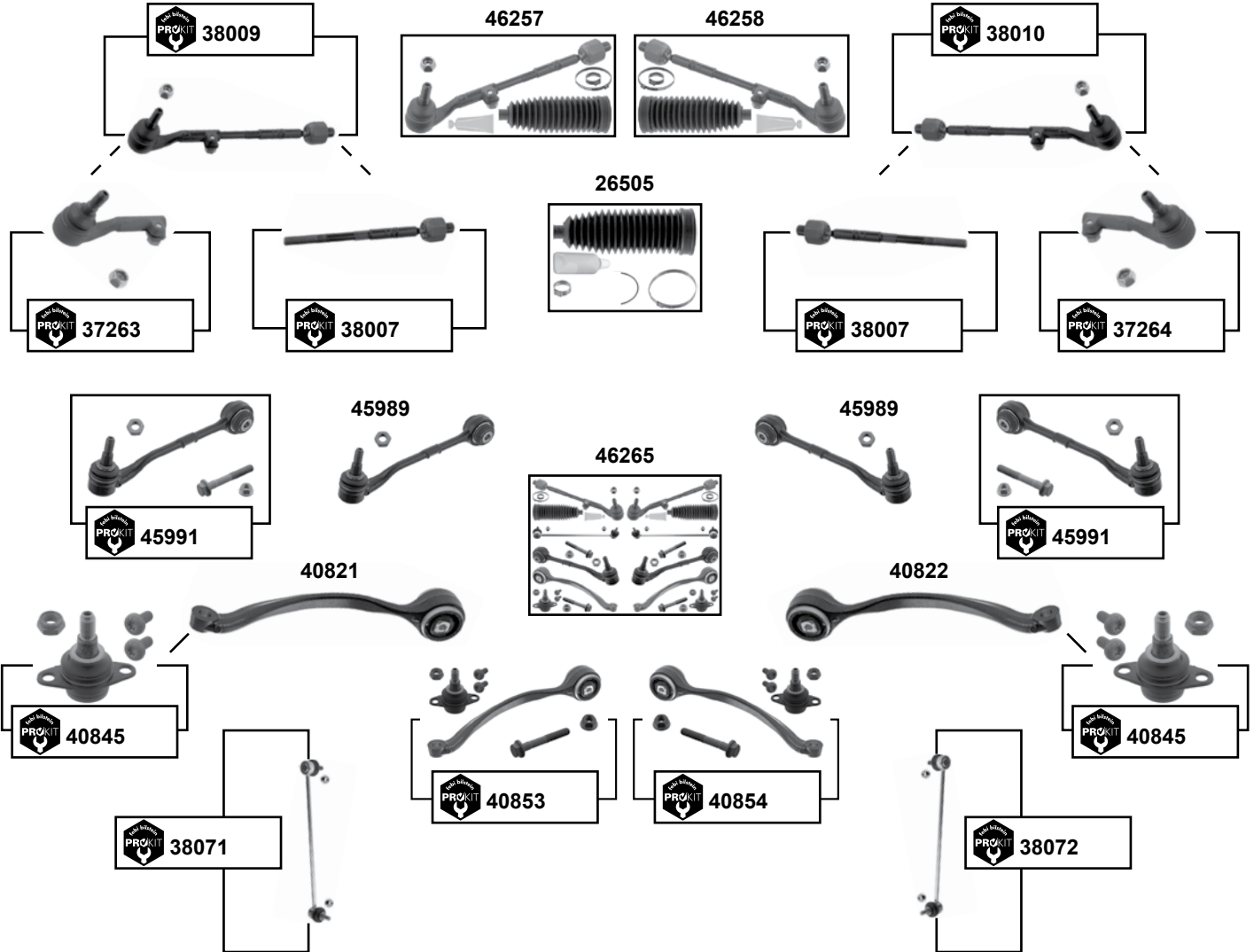
(1) (mot.) 1,8d N47, 2,0d N47 alle / all  
(mot.) 1,8i, → 07/12

	Ref. - No.			
<b>24240</b>	31 12 0 393 540	Querlenkerlagersatz / control arm bushing kit	(1)	12x70x 64,5
<b>27158</b>	32 10 6 767 781	Spurstangenendstück / tie rod end	(1)	M14 x 1,5
<b>27159</b>	32 10 6 767 782	Spurstangenendstück / tie rod end	(1)	M14 x 1,5
<b>27199</b>	31 35 6 765 933	ProKit Verbindungsstange links / stabilizer link left	(1)	L 290,5
<b>27200</b>	31 35 6 765 934	ProKit Verbindungsstange rechts / stabilizer link right	(1)	L 290,5
<b>27749</b>	32 21 6 762 243	Spurstange links kompl. / tie rod left compl.	(1)	L 343
<b>27750</b>	32 21 6 762 244	Spurstange rechts kompl. / tie rod right compl.	(1)	L 343
<b>27751</b>	32 21 6 762 243 SK	ProKit Axialgelenk / axial joint	(1)	L 246
<b>30514</b>	31 12 6 770 849	ProKit Querlenker links / control arm left	(1)	
<b>30515</b>	31 12 6 770 850	ProKit Querlenker rechts / control arm right	(1)	
<b>30516</b>	31 12 6 769 797	Zugstrebe / tension rod	(1)	
<b>30517</b>	31 12 6 769 798	Zugstrebe / tension rod	(1)	
<b>31540</b>	31 12 6 765 597	Querlenkerlager hinten / control arm mount rear	(1)	12x46x 71
<b>40937</b>	32 10 2 353 823	Rep. Satz Lenkmanschette / rep. kit steering boot	(1)	L 343
<b>43507</b>	32 21 6 762 243 S1	ProKit Spurstange / tie rod	(1)	L 343
<b>43508</b>	32 21 6 762 244 S1	ProKit Spurstange / tie rod	(1)	L 343
<b>46280</b>	31 12 6 770 849 S1	Querlenkersatz / control arm kit	(1)	

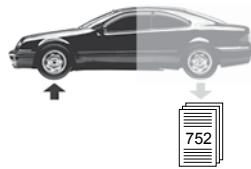


**X1 (E84)**  
(2009 → 2015)  
**4x4 (XD/XI) alle/all**

Vorderachse / Front axle

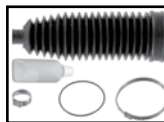


	Ref. - No.			
26505	32 10 6 765 234	Rep. Satz Lenkmanschette / rep. kit steering boot		
36082	31 12 6 768 818	Querlenkerlager / control arm mount		Ø A 70
37263	32 10 6 793 623	ProKit Spurstangenendstück / tie rod end		L 122
37264	32 10 6 793 624	ProKit Spurstangenendstück / tie rod end		L 122
38007	32 10 6 793 621 SK	ProKit Axialgelenk / axial joint		
38009	32 10 6 793 621	ProKit Spurstange / tie rod		
38010	32 10 6 793 622	ProKit Spurstange / tie rod		
38071	31 35 6 768 771	ProKit Verbindungsstange / stabilizer link		L 340
38072	31 35 6 768 772	ProKit Verbindungsstange / stabilizer link		L 340
40821	31 12 6 768 983	Zugstrebe / tension rod		L 366
40822	31 12 6 768 984	Zugstrebe / tension rod		L 366
40845	31 12 6 768 988	ProKit Traggelenk / ball joint		M14 x 1,5
40853	31 12 6 768 983 S1	ProKit Zugstrebe / tension rod		
40854	31 12 6 768 984 S1	ProKit Zugstrebe / tension rod		
45989	31 12 6 768 989	Querlenker / control arm		
45991	31 12 2 405 863	ProKit Querlenker links / control arm lef		
46257	32 10 6 793 621 S1	ProKit Spurstange / tie rod		L 324
46258	32 10 6 793 621 S1	ProKit Spurstange / tie rod		L 324
46265	31 12 6 768 989 S2	Querlenkersatz / control arm kit		



**X3 I / LCI (E83)**  
(2003 → 2010)  
1,8 d → 3,0 Si

22628



27067



31222



31222



27067



31225



31225



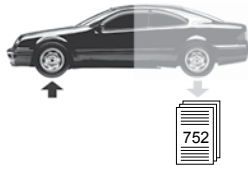
(1) → 02/06 / ZF / (ex.) LCI



Ref. - No.

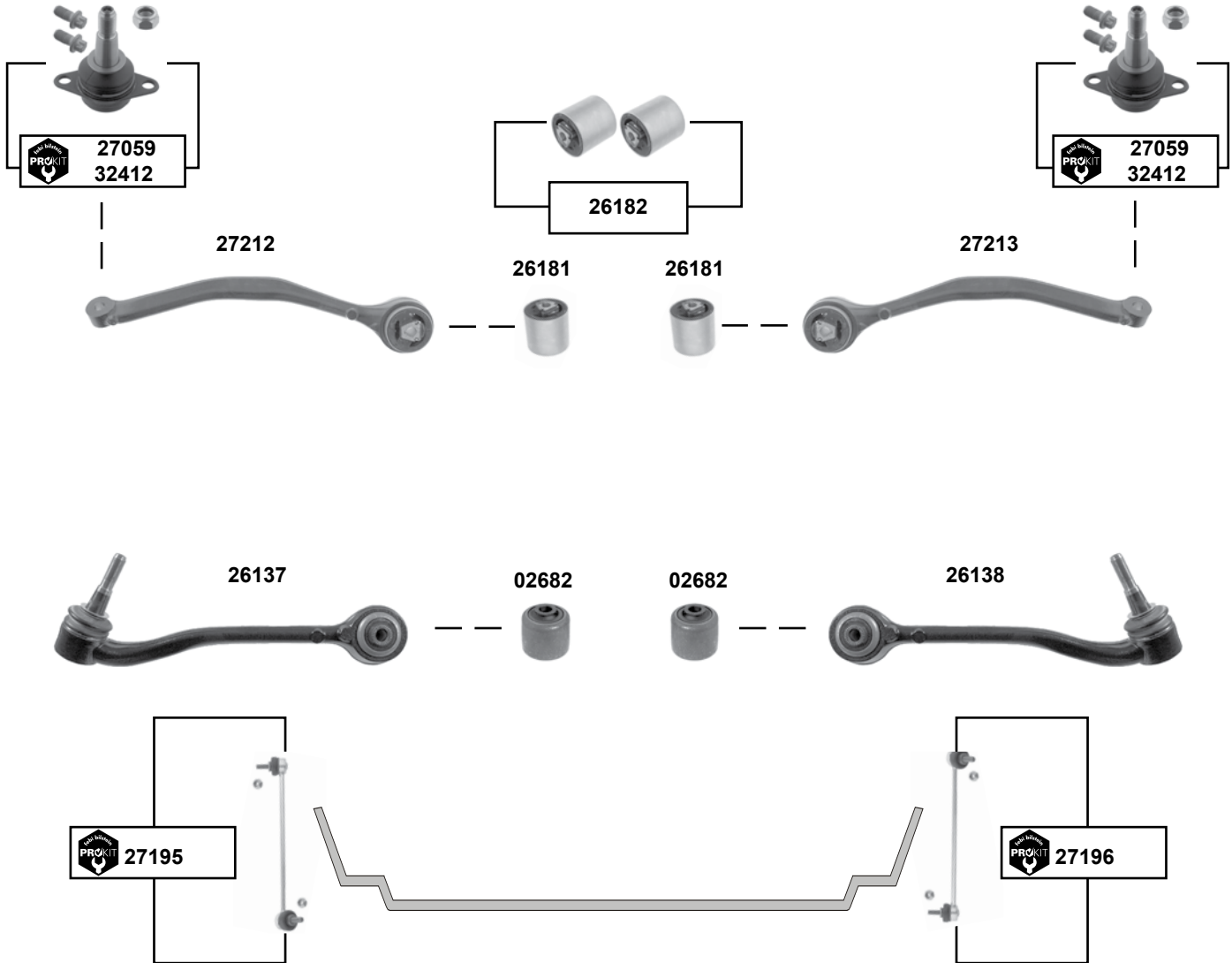


<b>22628</b>	32 13 6 751 026	Rep. Satz Lenkmanschette / rep. kit steering boot	(1)	
<b>27067</b>	32 30 3 418 202	Spurstangenendstück / tie rod end		L 177
<b>31222</b>	32 10 6 774 336 SK	Axialgelenk / axial joint		L 240
<b>31225</b>	32 10 3 444 999	Spurstange kompl. / tie rod compl.		L 385
<b>40552</b>	32 10 3 444 999 S1	ProKit Spurstange / tie rod		



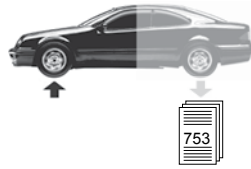
**X3 I (E83/LCI)**  
(2003 → 2010)

Vorderachse / Front axle

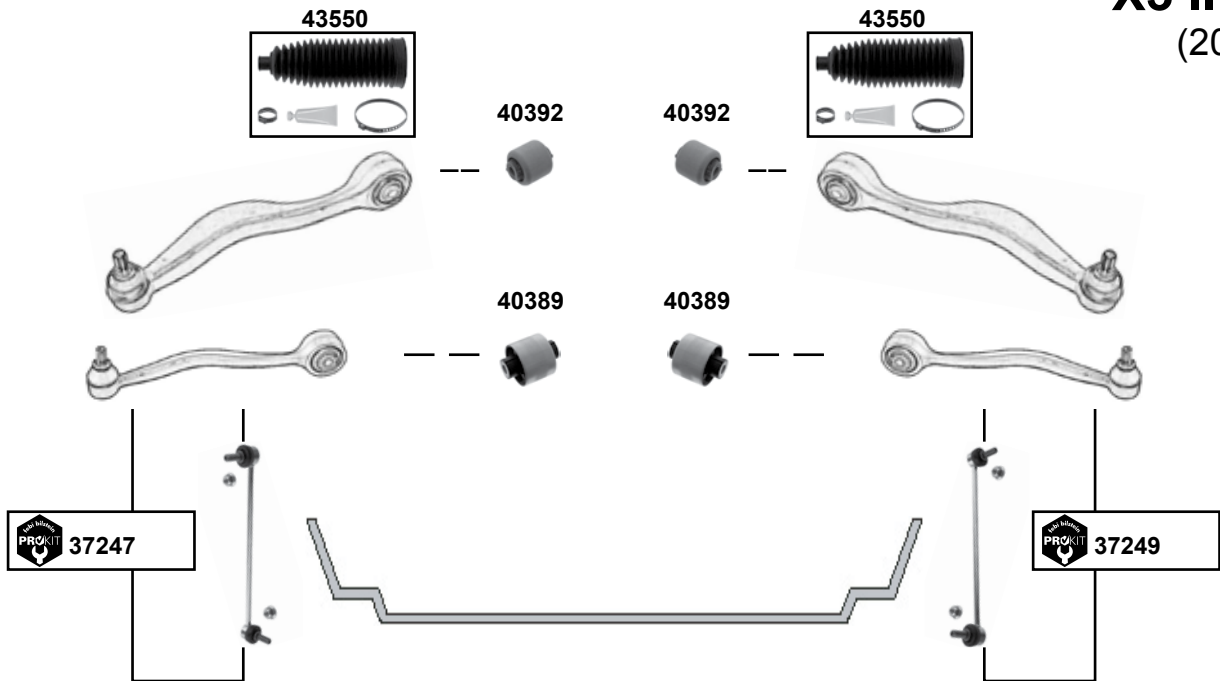


- (1) → 12/06 nur für Querlenker / only for control arm 31 10 3 443 127 + 31 10 3 443 128  
12/06 → alle / all
- (2) → 12/06 für Querlenker / for control arm 31 10 3 443 137 + 31 10 3 443 138
- (3) **NEW** → 2006 nur/only mit/with febi 32412

	Ref. - No.			
<b>02682</b>	31 12 1 124 622	Querlenkerlager / control arm mount		12x46,5x52,5
<b>26137</b>	31 10 3 451 881	Querlenker / control arm		
<b>26138</b>	31 10 3 451 882	Querlenker / control arm		
<b>26181</b>	31 10 3 412 781	Querlenkerlager / control arm mount		14x66x76
<b>26182</b>	31 12 0 307 882	Rep. Satz Querlenkerlager / rep. kit control arm mount	hydraulic	14x66x64/76
<b>27059</b>	31 10 3 418 341	ProKit Traggelenk / ball joint	(2)	M14 x 1,5
<b>27195</b>	31 30 3 414 299	ProKit Verbindungsstange / stabilizer link		
<b>27196</b>	31 30 3 414 300	ProKit Verbindungsstange / stabilizer link		L 300
<b>27212</b>	31 10 3 443 127	Zugstrebe / tension rod	(3)	
<b>27213</b>	31 10 3 443 128	Zugstrebe / tension rod	(3)	
<b>32412</b>	31 10 3 483 623	ProKit Traggelenk / ball joint	(1)	

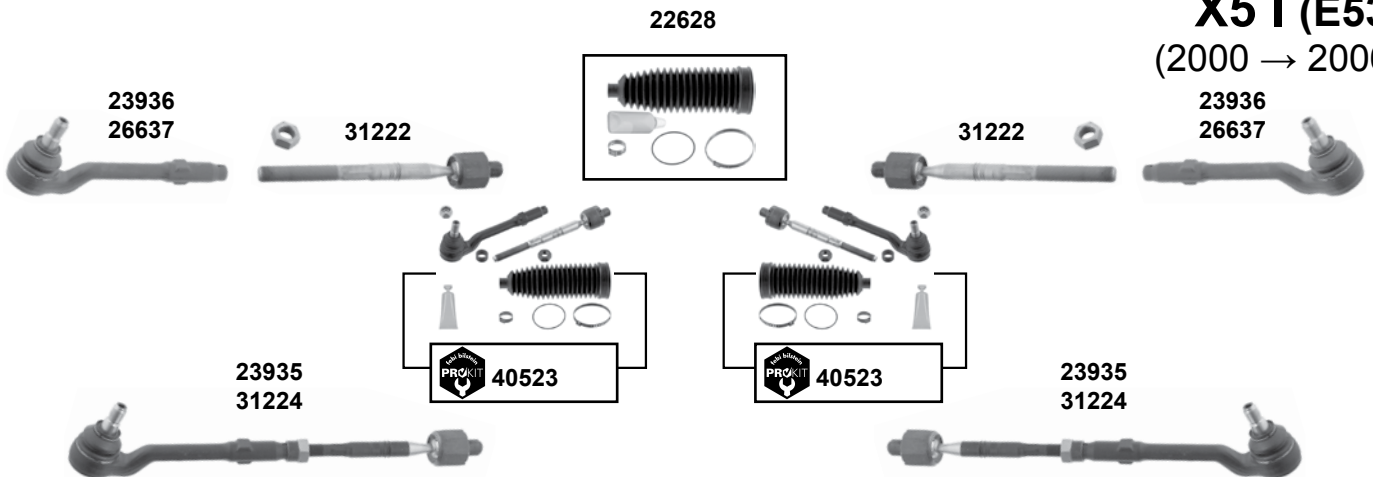


**X3 II (F25)**  
(2010 →)



Vorderachse / Front axle

**X5 I (E53)**  
(2000 → 2006)



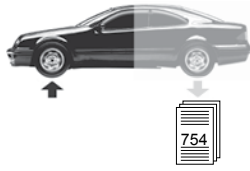
- (1) M54, M57/N, M62, N62 10/03 →
- (2) 1,8d, 2,0d/i, 2,8i, 3,0d, 3,5d/i



Ref. - No.

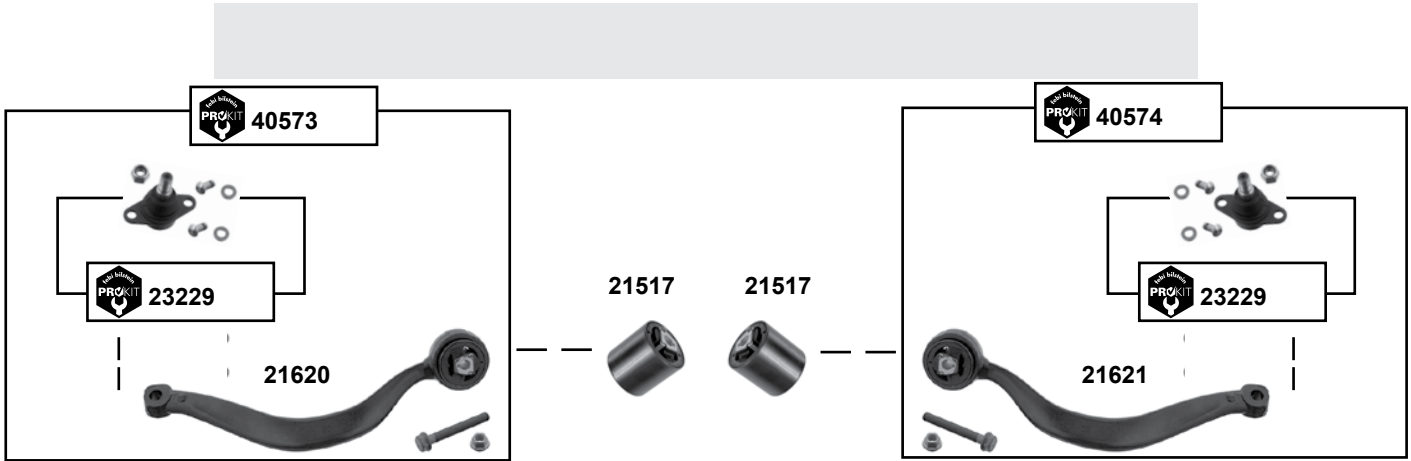


Ref. - No.	Description	Notes	Dimensions
22628	Rep. Satz Lenkmanschette / rep. kit steering boot	ZF	L 385
23935	Spurstange / tie rod	→ 10/03	L 190
23936	Spurstangenendstück / tie rod end	→ 10/03	L 190
26637	Spurstangenendstück / tie rod end	10/03 →	L 190
31222	Axialgelenk / axial joint	10/03 →	L 240
31224	Spurstange komplett / tie rod complete	10/03 →	L 415
37247	ProKit Verbindungsstange / stabilizer link		L 340
37249	ProKit Verbindungsstange / stabilizer link		L 340
40389	Querlenkerlager / control arm mount		14x50 , 5x84
40392	Querlenkerlager / control arm mount		12x41 , 5x54
43550	Rep. Satz Lenkmanschette / rep. kit steering boot	(2)	L 195
40523	ProKit Spurstange / tie rod	(1)	

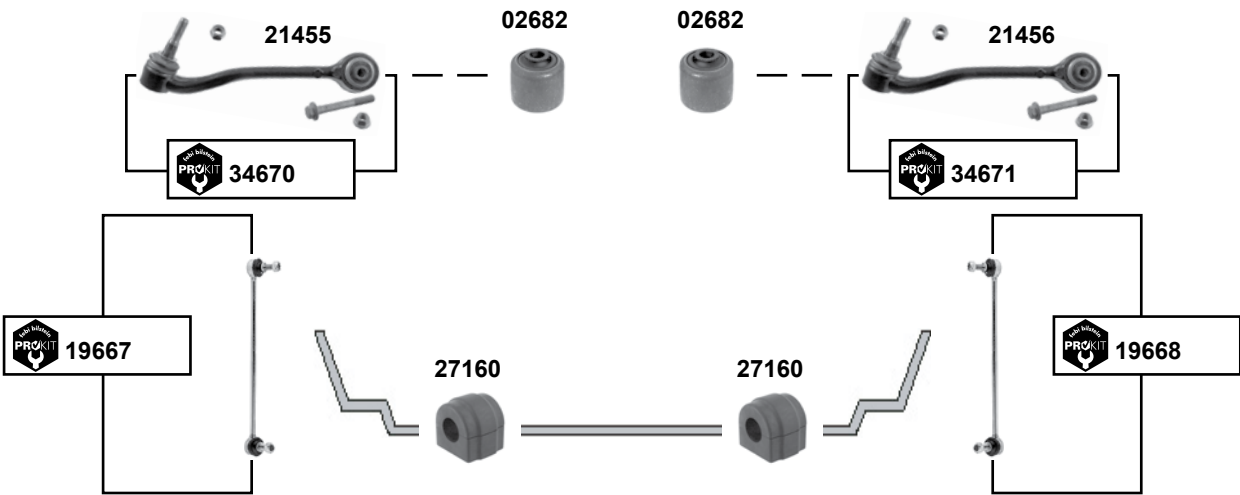


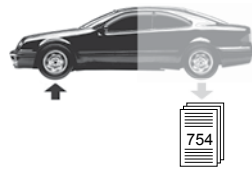
## X5 I (E53) (2000 → 2006)

Vorderachse / Front axle



### unten / lower





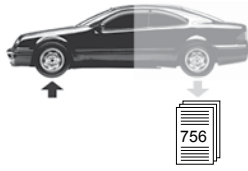
**X5 I (E53)**  
(2000 → 2006)

**Rep. Sätze / rep. kits 33372**



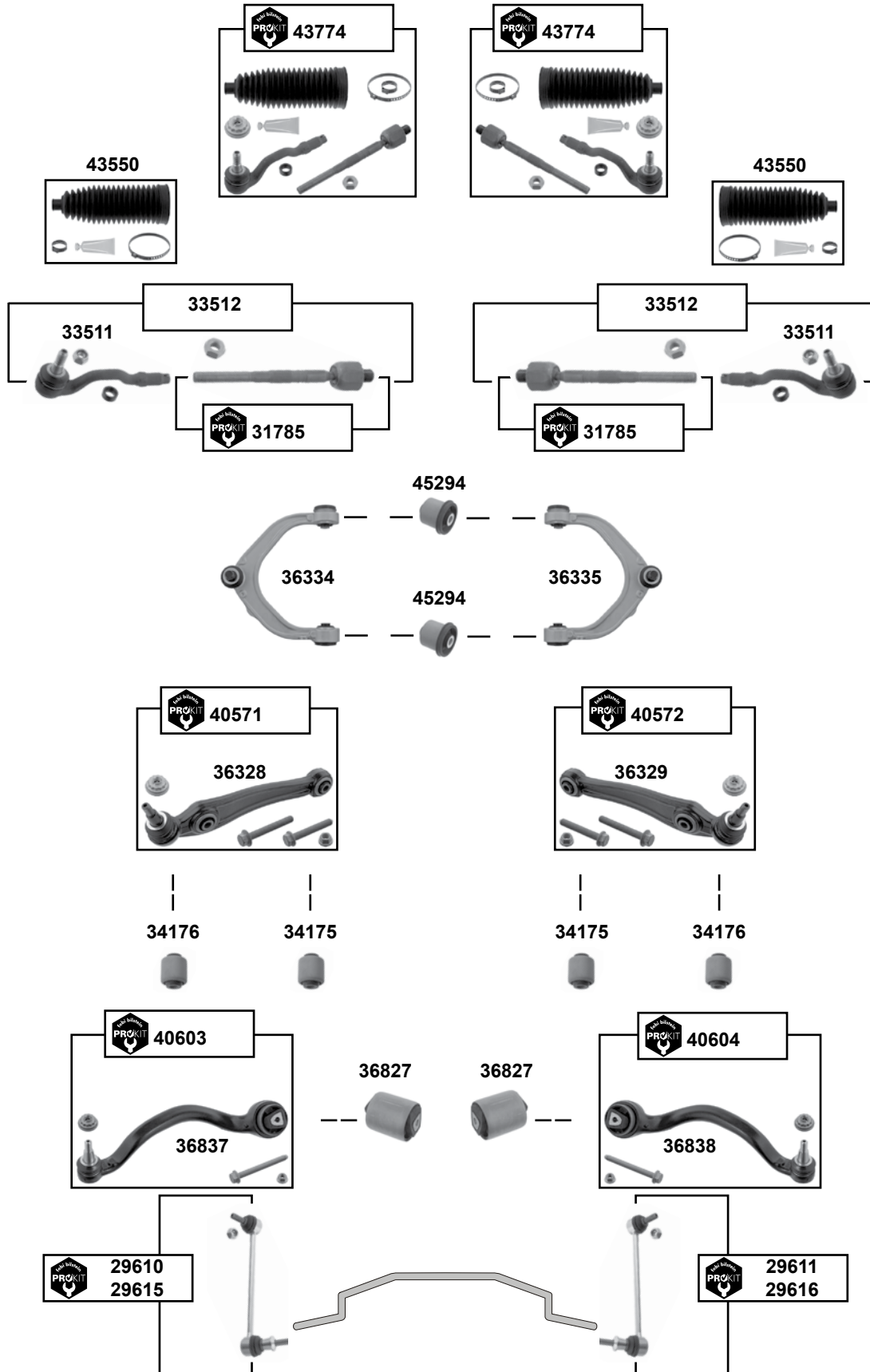
	Ref. - No.			
<b>02682</b>	31 12 1 124 622	Querlenkerlager / control arm mount	nur / only Ø I 29	M12x46,5
<b>19667</b>	31 35 6 750 703	ProKit Verbindungsstange / stabilizer link		L 358
<b>19668</b>	31 35 6 750 704	ProKit Verbindungsstange / stabilizer link		L 358
<b>21455</b>	31 12 6 760 275	Querlenker / control arm		
<b>21456</b>	31 12 6 760 276	Querlenker / control arm		
<b>21517</b>	31 12 6 769 715	Querlenkerlager / control arm mount		
<b>21620</b>	31 12 6 769 717	Zugstrebe / tension rod		
<b>21621</b>	31 12 6 769 718	Zugstrebe / tension rod		
<b>23229</b>	31 12 6 756 491	ProKit Tragelenk / ball joint		
<b>27160</b>	31 35 1 097 021	Stabilisatorlager / stabilizer mount		
<b>33372</b>	31 12 6 769 717 S1	Rep. Satz Querlenker / rep. kit control arm		
<b>34670</b>	31 12 6 760 275 S1	ProKit Querlenker / control arm		
<b>34671</b>	31 12 6 760 276 S1	ProKit Querlenker / control arm		
<b>40573</b>	31 12 6 769 717 S1	ProKit Zugstrebe / tension rod		
<b>40574</b>	31 12 6 769 718 S1	ProKit Zugstrebe / tension rod		

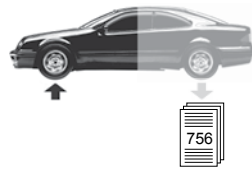




## X5 II (E70/E70LCI) (2007 → 2013)

Vorderachse / Front axle



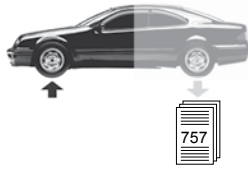


## X5 II (E70/E70LCI) (2007 → 2013)



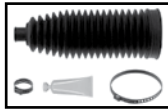
- (1) nur für Fahrzeuge ohne Dynamic Drive / vehicles without dynamic drive only
- (2) nur für Fahrzeuge mit Dynamic Drive / vehicles with dynamic drive only
- (3) E70 (ex.) M-6 / E70/LCI (ex.) Fahrzeuge mit Sturzkorrektur / vehicles with camber correction
- (4) E70 : 3,0d/i, 4,8i, MI // E70LCI : 3,0d, 3,5i, 4,0d, 5,0d/i, MI

	Ref. - No.			
<b>29610</b>	37 11 6 771 929	ProKit Verbindungsstange / stabilizer link	(2)	L 248,5
<b>29611</b>	37 11 6 771 930	ProKit Verbindungsstange / stabilizer link	(2)	L 248,5
<b>29615</b>	31 35 6 773 023	ProKit Verbindungsstange / stabilizer link	(1)	L 248,5
<b>29616</b>	31 35 6 773 024	ProKit Verbindungsstange / stabilizer link	(1)	L 248,5
<b>31785</b>	32 10 6 793 496 SK	ProKit Axialgelenk / axial joint		L 241
<b>33511</b>	32 10 6 793 497	Spurstangenendstück / tie rod end		
<b>33512</b>	32 10 6 793 496	Spurstange kompl. / tie rod compl.		
<b>34175</b>	31 10 6 771 194	Querlenkerlager unten hinten / control arm mount lower rear		L 55
<b>34176</b>	31 10 6 771 897	Querlenkerlager unten vorne / control arm mount lower front		L 50
<b>36328</b>	31 12 6 771 893	Querlenker unten hinten / control arm lower rear		
<b>36329</b>	31 12 6 771 894	Querlenker unten hinten / control arm lower rear		
<b>36334</b>	31 12 6 776 417	Querlenker oben links / control arm upper left	(3)	
<b>36335</b>	31 12 6 776 418	Querlenker oben rechts / control arm upper right	(3)	
<b>36827</b>	31 10 6 778 015	Querlenkerlager / control arm mount	hydraulic	Ø I 12 A 70
<b>36837</b>	31 12 6 773 949	Querlenker / control arm		L 485
<b>36838</b>	31 12 6 773 950	Querlenker / control arm		L 485
<b>40571</b>	31 12 6 771 893 S1	ProKit Querlenker / control arm		
<b>40572</b>	31 12 6 771 894 S1	ProKit Querlenker / control arm		
<b>40603</b>	31 12 6 773 949 S1	ProKit Zugstrebe / tension rod		L 485
<b>40604</b>	31 12 6 773 950 S1	ProKit Zugstrebe / tension rod		L 485
<b>43550</b>	32 10 6 795 845	Rep. Satz Lenkmanschette / rep. kit steering boot	(4)	L 195
<b>43774</b>	32 10 6 793 496 S1	ProKit Spurstange / tie rod		
<b>45294</b>	31 12 6 771 199	Querlenkerlager / control arm mount		52x52x50

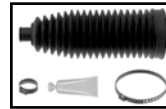


**X5 III(F15)**  
(10/13 →)

43550

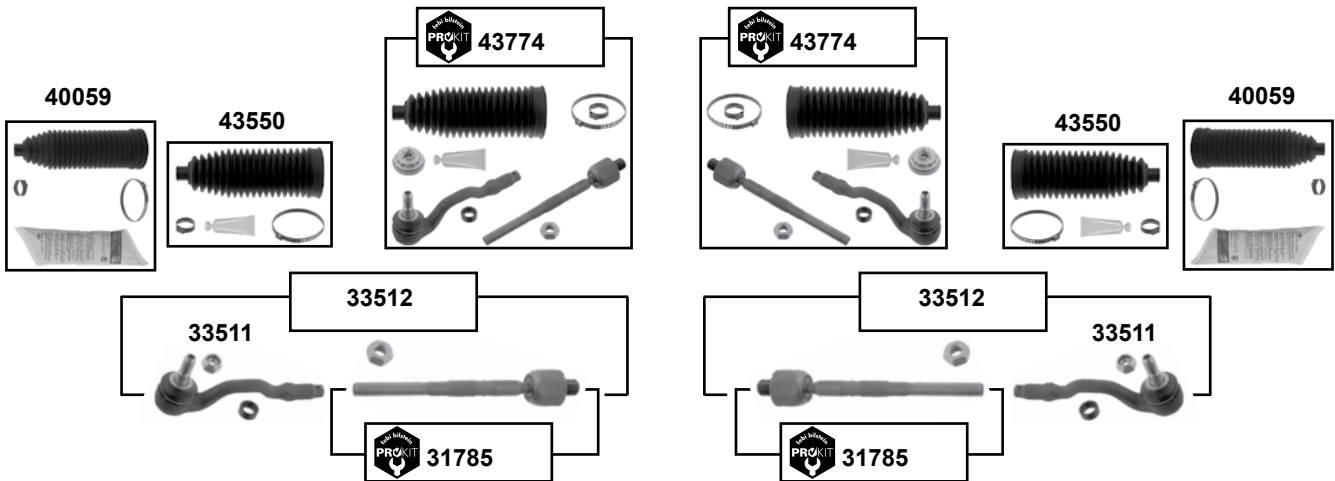


43550



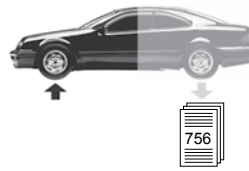
Vorderachse / Front axle

**X6 I (E71/E72 Hybrid)**  
(2008 → 2014)

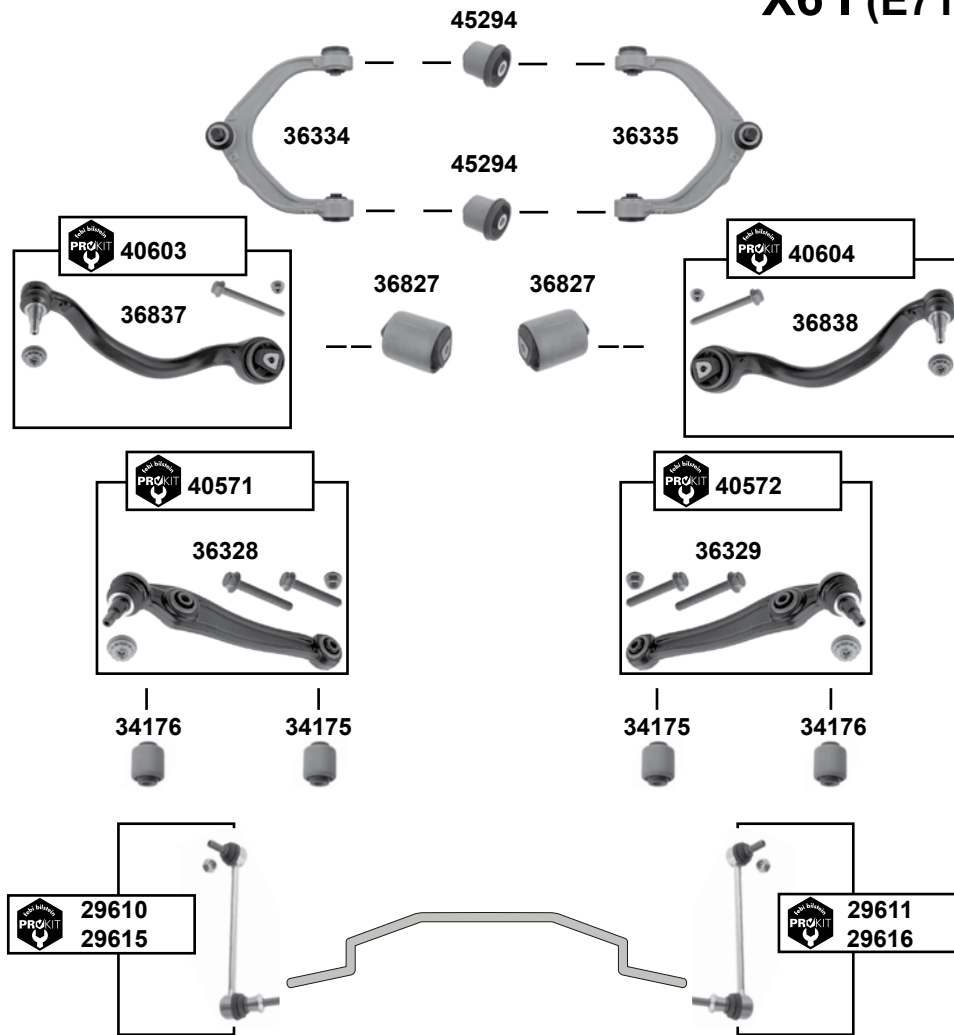


(1) X5 III 3,0d, 5,0i TKP  
X6 I E71

	Ref. - No.			
<b>31785</b>	32 10 6 793 496 SK	ProKit Axialgelenk / axial joint		L 241
<b>33511</b>	32 10 6 793 497	Spurstangenendstück / tie rod end		
<b>33512</b>	32 10 6 793 496	Spurstange kpl. / tie rod cpl.		
<b>40059</b>	32 10 6 791 561	Rep. Satz Lenkmanschette / rep. kit steering boot	E72: Hybrid 6 ZF	
<b>43550</b>	32 10 6 795 845	Rep. Satz Lenkmanschette / rep. kit steering boot	(1)	L 195
<b>43774</b>	32 10 6 793 496 S1	ProKit Spurstange / tie rod	(ex.) E72 / M6	



# X6 I (E71/E72 Hybrid) (2008 → 2014)



Vorderachse / Front axle

(1) nur für Fahrzeuge ohne Dynamic Drive / vehicles without dynamic drive only

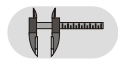
(2) nur für Fahrzeuge mit Dynamic Drive / vehicles with dynamic drive only

(3) (ex.) Fahrzeuge mit Sturzkorrektur / vehicles with camber correction

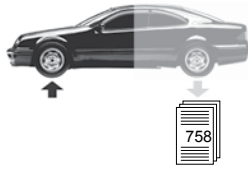
(4) E71: X6 alle/all (ex.) M6 / E72: X6 Hybrid alle/all



Ref. - No.

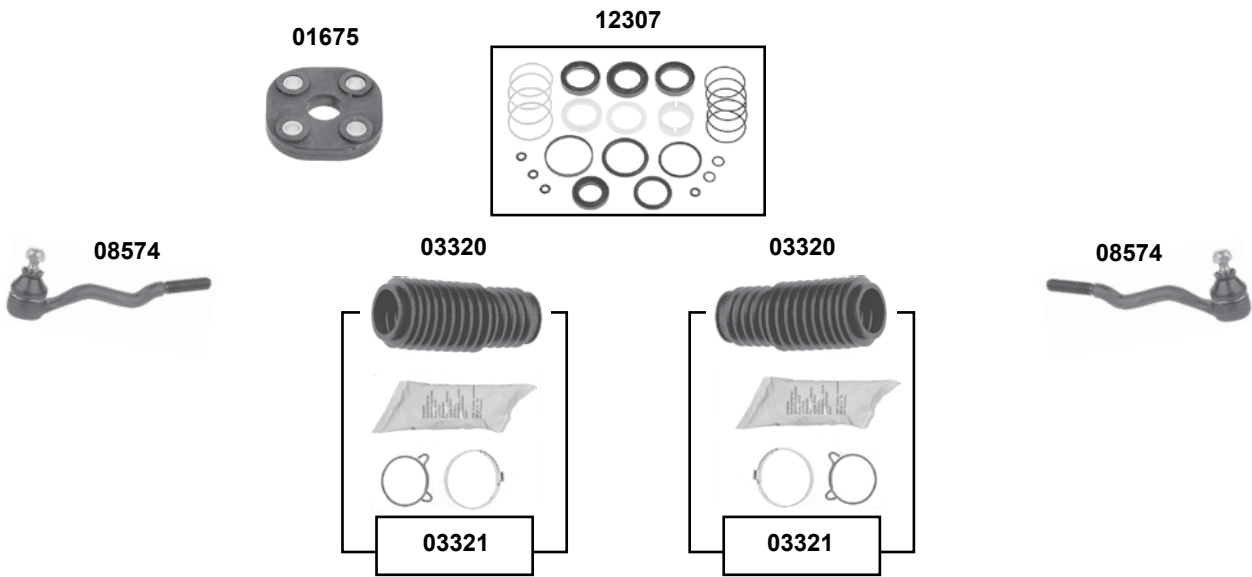


Ref. - No.	Part Description	Notes	Dimensions
29610	ProKit Verbindungsstange / stabilizer link	(2)	L 248,5
29611	ProKit Verbindungsstange / stabilizer link	(2)	L 248,5
29615	ProKit Verbindungsstange / stabilizer link	(1)	L 248,5
29616	ProKit Verbindungsstange / stabilizer link	(1)	L 248,5
34175	Querlenkerlager unten hinten / control arm mount lower rear		L 55
34176	Querlenkerlager unten vorne / control arm mount lower front		L 50
36328	Querlenker unten hinten / control arm lower rear		
36329	Querlenker unten hinten / control arm lower rear		
36334	Querlenker oben links / control arm upper left	(3)	
36335	Querlenker oben rechts / control arm upper right	(3)	
36827	Querlenkerlager / control arm mount	hydraulic (4)	Ø I 12 A 70
36837	Querlenker / control arm	(4)	L 485
36838	Querlenker / control arm	(4)	L 485
40571	ProKit Querlenker / control arm		
40572	ProKit Querlenker / control arm		
40603	ProKit Zugstrebe / tension rod	(4)	L 485
40604	ProKit Zugstrebe / tension rod	(4)	L 485
45294	Querlenkerlager / control arm mount		52x52x50

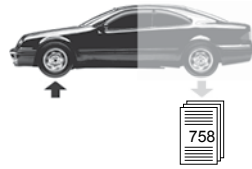


**Z1**  
(1988 → 1991)

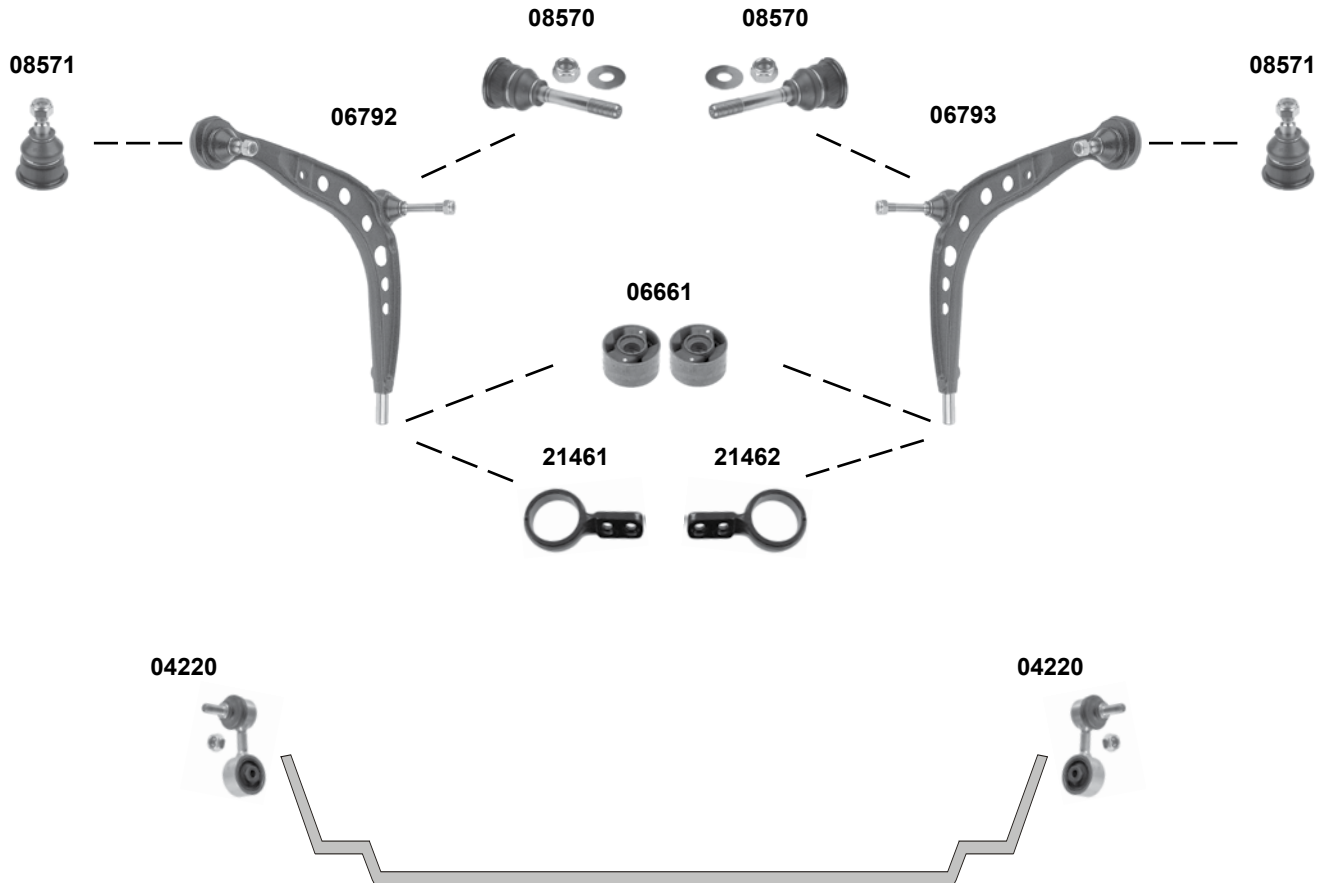
Vorderachse / Front axle



	Ref. - No.			
<b>01675</b>	32 31 1 115 092	Gelenkscheibe / flexible disc		
<b>03320</b>	32 11 1 127 104	Lenkmanschette / steering boot		
<b>03321</b>	32 11 1 127 104 S1	Rep. Satz Lenkmanschette / rep. kit steering boot		
<b>08574</b>	32 11 1 126 757	Spurstangenendstück / tie rod end	M 20	
<b>12307</b>	32 13 1 132 798	Dichtungssatz Servolenkung / gasket set power steering		M14x1,5RHT



**Z1**  
(1988 → 1991)



Vorderachse / Front axle



**Rep. Sätze / rep. kits**

21472



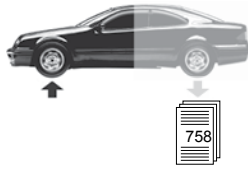
21473



Ref. - No.



<b>04220</b>	31 35 1 091 764	Verbindungsstange / stabilizer link		
<b>06661</b>	31 12 9 058 931	Rep. Satz Querlenker / rep. kit control arm		18x60,5x33
<b>06792</b>	31 12 1 127 725	Querlenker / control arm	→ 10/89	
<b>06793</b>	31 12 1 127 726	Querlenker / control arm	→ 10/89	
<b>08570</b>	31 12 1 126 253	Traggelenk / ball joint		M14 x 1,5
<b>08571</b>	31 12 1 126 254	Traggelenk / ball joint		M12 x 1,5
<b>21461</b>	31 12 1 139 789	Halter / mount		
<b>21462</b>	31 12 1 139 790	Halter / mount		
<b>21472</b>	31 12 9 058 931 S1	Halter kompl. / mount compl.		
<b>21473</b>	31 12 9 058 931 S2	Halter kompl. / mount compl.		

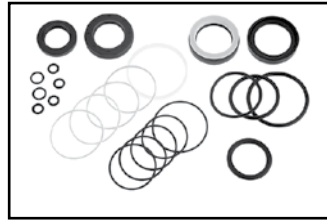


# Z3 / Z3 Coupé

(1994 → 2003)

Vorderachse / Front axle

19862



06628



12646



12646



06629



06625



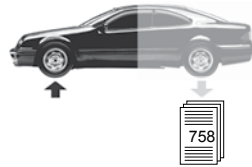
06641



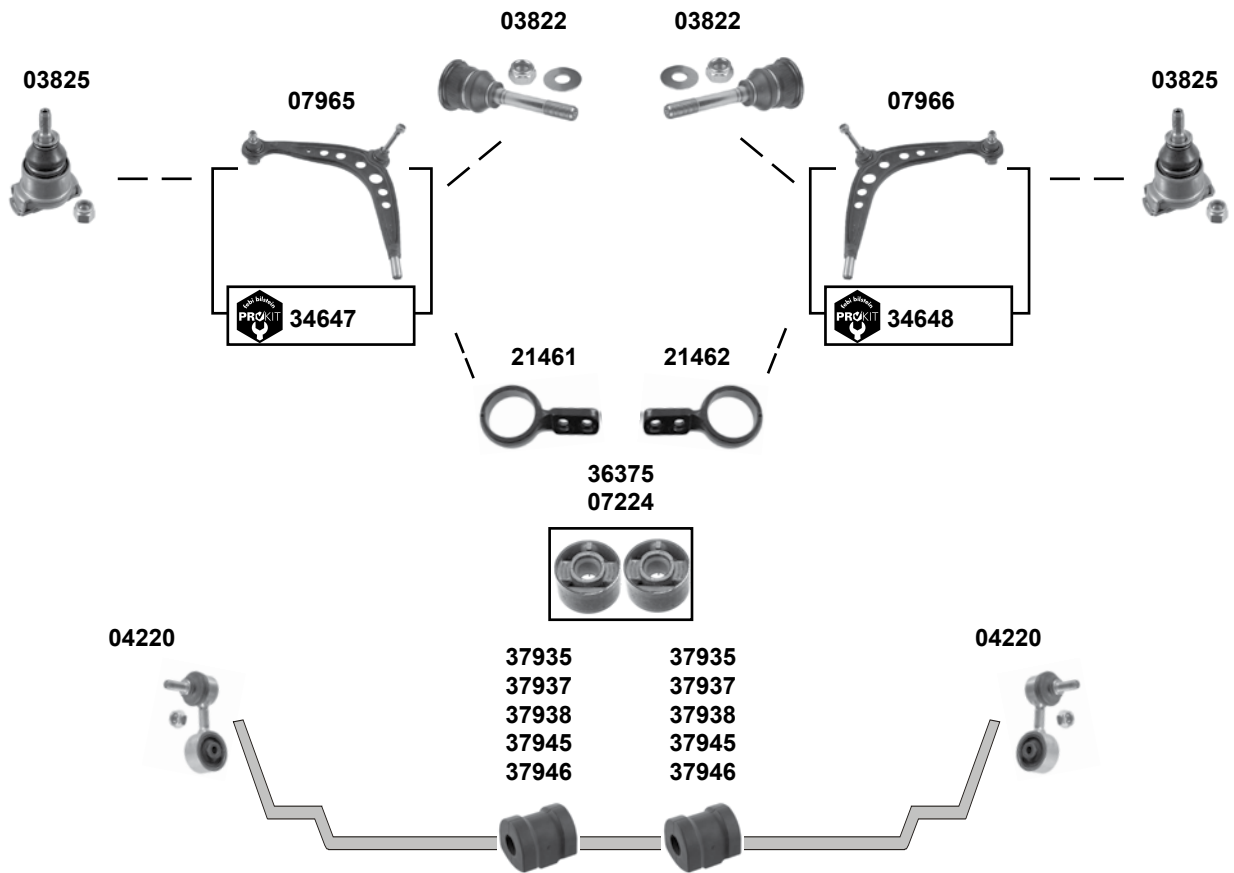
Ref. - No.



<b>06625</b>	32 11 1 139 313	Spurstangenendstück / tie rod end	(mot.) 1,8 → 3,0	M14x1,5 RHT
<b>06628</b>	32 11 1 139 315	Spurstange / tie rod	(mot.) 1,8 → 3,0	L 367
<b>06629</b>	32 11 1 139 316	Spurstange / tie rod	(mot.) 1,8 → 3,0	L 367
<b>06641</b>	32 11 1 139 314	Spurstangenendstück / tie rod end	(mot.) 1,8 → 3,0	M14x1,5 RHT
<b>12646</b>	32 21 1 139 786	Lenkmanschette / steering boot	(mot.) 1,8 → 3,0	
<b>12647</b>	32 21 1 139 786 S1	Rep. Satz Lenkmanschette / rep. kit steering boot	(mot.) 1,8 → 3,0	
<b>19862</b>	32 13 1 094 629	Dichtungssatz Servolenkung / gasket set power steering	(mot.) 2,8	



# Z3 / Z3 Coupé (1994 → 2003)



Vorderachse / Front axle

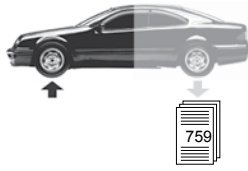


## Rep. Sätze / rep. kits



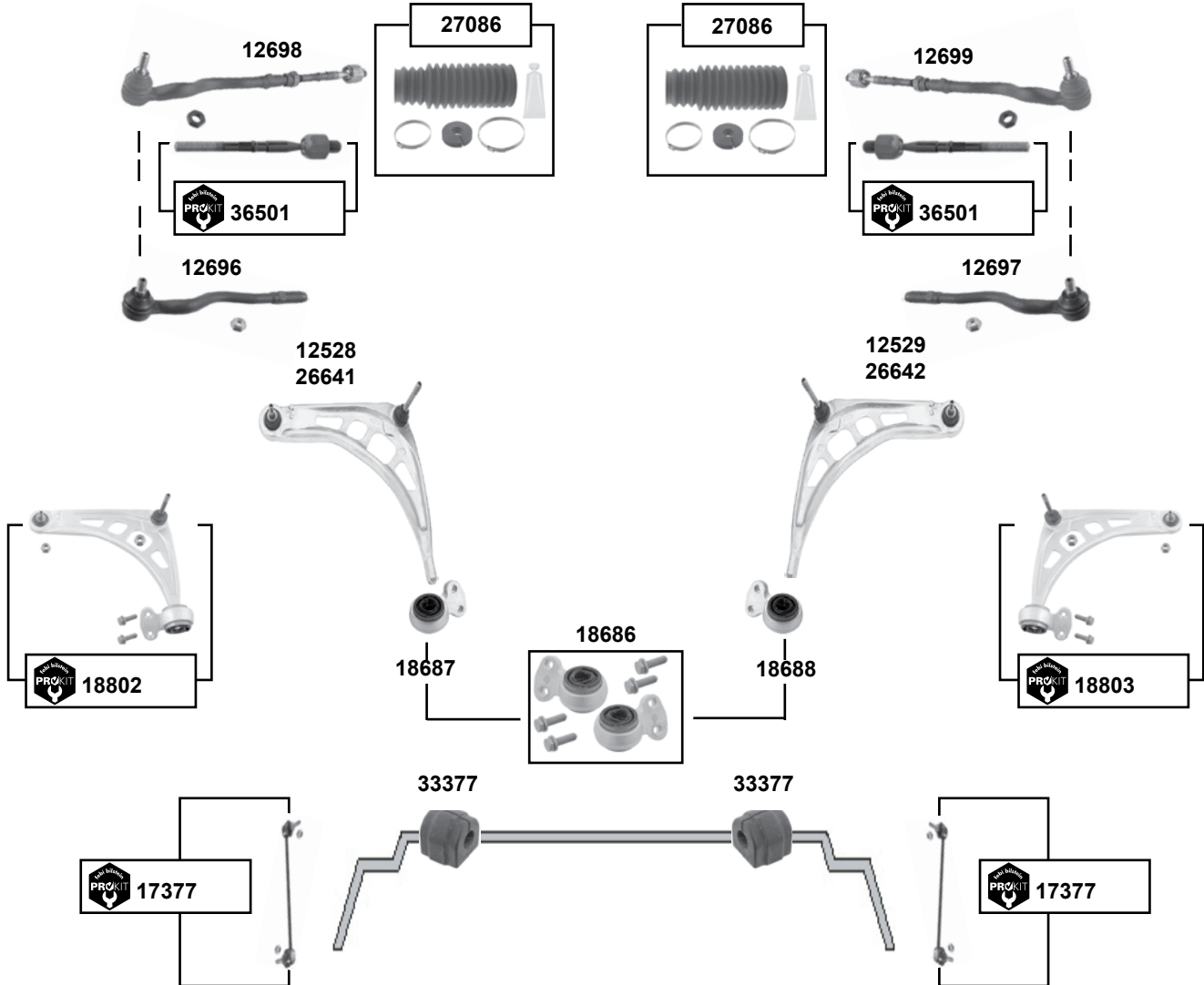
	Ref. - No.			
03822	31 12 1 139 131	Traggelenk / ball joint		M14 x 1,5
03825	31 12 6 758 510	Traggelenk / ball joint	1,8 → 3,0	M12 x 1,5
04220	31 35 1 091 764	Verbindungsstange / stabilizer link	1,8 → 3,0	L 66
07224	31 12 9 059 288	Rep. Satz Querlenker / rep. kit control arm	1,8 → 3,0	18x60x33
07965	31 12 6 758 513	Querlenker / control arm	1,8 → 3,0	
07966	31 12 6 758 514	Querlenker / control arm	1,8 → 3,0	
21461	31 12 1 139 789	Halter / mount		
21462	31 12 1 139 790	Halter / mount		
21463	31 12 1 136 531	Halter kompl. / mount compl.	1,8 → 3,0	
21464	31 12 1 136 532	Halter kompl. / mount compl.	1,8 → 3,0	
21465	31 12 1 136 531 S1	Rep. Satz Halter kompl. / rep. kit mount compl.		
34647	31 12 6 758 513 S2	ProKit Querlenker / control arm	1,8 → 3,0	
34648	31 12 6 758 514 S2	ProKit Querlenker / control arm	1,8 → 3,0	
36375	31 12 9 069 035	Rep. Satz Querlenkerlager / rep. kit control arm mount	M 3,2	18x60x34
37935	31 35 1 091 228	Stabilisatorlager / stabilizer mount		Ø   23,4
37937	31 35 1 090 268	Stabilisatorlager / stabilizer mount		Ø   25,5
37938	31 35 1 090 186	Stabilisatorlager / stabilizer mount		Ø   25,4
37945	31 35 1 090 263	Stabilisatorlager / stabilizer mount		Ø   24
37946	31 35 1 090 300	Stabilisatorlager / stabilizer mount		Ø   22,5



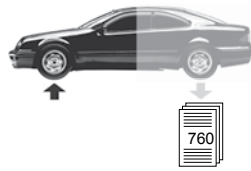


**Z4 I (E85/E86)**  
(2003 → 2008)

Vorderachse / Front axle



	Ref. - No.			
<b>12528</b>	31 12 6 777 851	Querlenker / control arm	(ex.) M 3,2	
<b>12529</b>	31 12 6 777 852	Querlenker / control arm	(ex.) M 3,2	
<b>12696</b>	32 10 6 774 220	Spurstangenendstück / tie rod end		M14x1,5 RHT
<b>12697</b>	32 10 6 774 221	Spurstangenendstück / tie rod end		M14x1,5 RHT
<b>12698</b>	32 10 6 777 503	Spurstange / tie rod	(ex.) M 3,2	L 430
<b>12699</b>	32 10 6 777 504	Spurstange / tie rod	(ex.) M 3,2	L 430
<b>17377</b>	31 35 6 780 847	ProKit Verbindungsstange / stabilizer link		L 270
<b>18802</b>	31 12 6 777 851 S1	ProKit Querlenker / control arm	(ex.) M 3,2	
<b>18803</b>	31 12 6 777 852 S1	ProKit Querlenker / control arm	(ex.) M 3,2	
<b>18686</b>	31 12 6 783 376	Rep. Satz Querlenker / rep. kit control arm	(ex.) M 3,2	
<b>18687</b>	31 12 6 756 063	Querlenkerlager / control arm mount	(ex.) M 3,2	
<b>18688</b>	31 12 6 756 064	Querlenkerlager / control arm mount	(ex.) M 3,2	
<b>26641</b>	31 12 2 282 121	Querlenker / control arm	M 3,2	
<b>26642</b>	31 12 2 282 122	Querlenker / control arm	M 3,2	
<b>27086</b>	32 13 1 096 910	Rep. Satz Lenkmanschette / rep. kit steering boot		
<b>33377</b>	31 35 1 094 556	Stabilisatorlager / stabilizer mount	2,2 i - 3,0 Si	Ø   24
<b>36501</b>	32 10 6 777 503 SK	ProKit Axialgelenk / axial joint	(ex.) M3,2	L 229



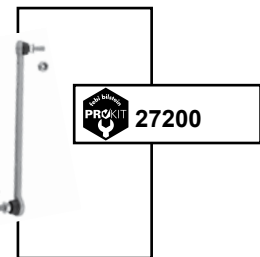
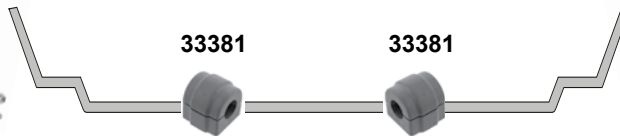
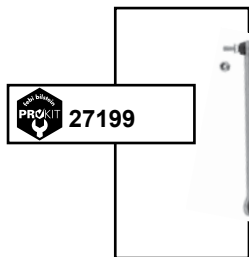
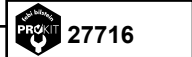
**Z4 II (E89)**  
(2008 →)



27158



27159



Vorderachse / Front axle



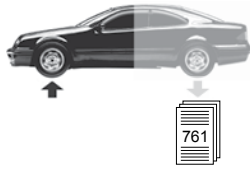
(1) (mot.) 1,8, 2,0, 2,3i, 30,i, 3,5i/s ZF + LHD + RHD



Ref. - No.



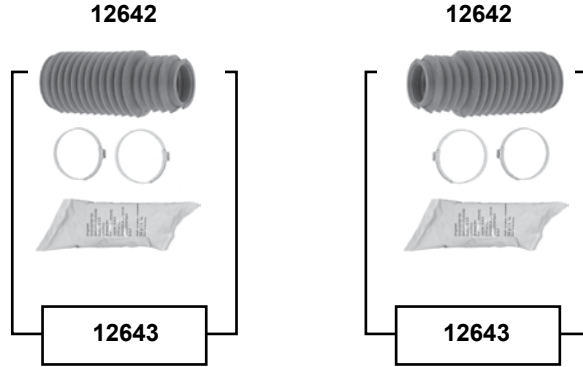
Ref. - No.	Part Description	Notes	Dimensions
24240	Rep. Satz Querlenkerlager / rep. kit control arm mount	→ 05/11	12x70x64,5
27158	Spurstangenendstück / tie rod end		M14 x 1,5
27159	Spurstangenendstück / tie rod end		M14 x 1,5
27199	ProKit Verbindungsstange links / stabilizer link left		L 290,5
27200	ProKit Verbindungsstange rechts / stabilizer link right		L 290,5
27716	ProKit Axialgelenk / axial joint		L 275
27718	Spurstange / tie rod		L 372
27719	Spurstange / tie rod		L 372
30516	ProKit Querlenker / control arm		
30517	ProKit Querlenker / control arm		
33381	Stabilisatorlager / stabilizer mount	→ 04/10	Ø   26,5
40515	ProKit Spurstange / tie rod	(1)	M14 x 1,5
40516	ProKit Spurstange / tie rod	(1)	M14 x 1,5



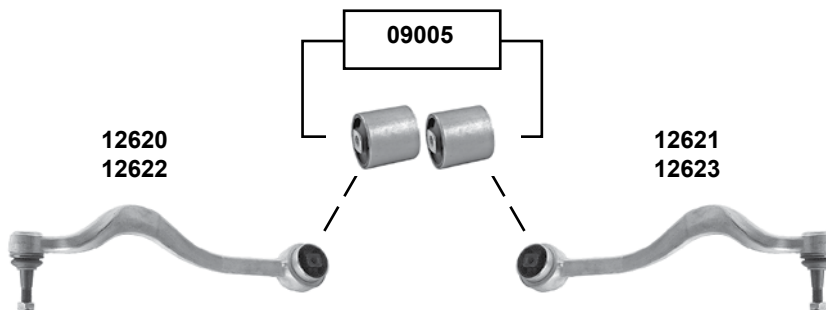
**Z8**

(1998 → 2003)

Vorderachse / Front axle



**oben / upper**



**(1)** Querlenker ohne Gummilager  
control arm without rubber mount  
bras de suspension sans support en caoutchouc  
brazo oscilante transversal sin soporte de goma  
braccio sospensione senza supporto in gomma

**(2)** Querlenker mit Gummilager  
control arm with rubber mount  
bras de suspension avec support en caoutchouc  
brazo oscilante transversal con soporte de goma  
braccio sospensione con supporto in gomma



**Ref. - No.**

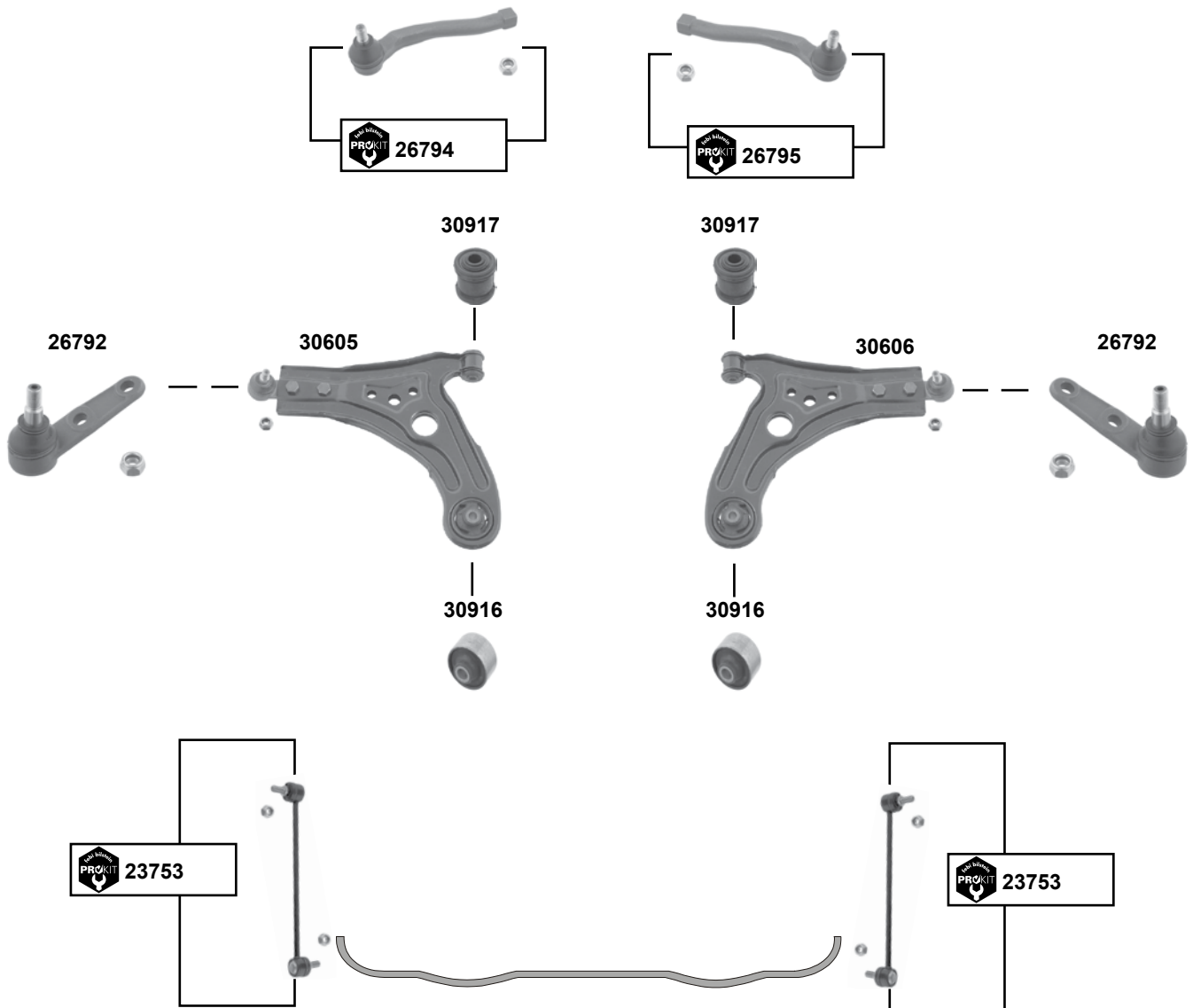


<b>09005</b>	31 12 9 068 753	Rep. Satz Querlenkerlager / rep. kit control arm mount	
<b>12620</b>	31 12 1 141 717	Querlenker / control arm	<b>(1)</b>
<b>12621</b>	31 12 1 141 718	Querlenker / control arm	<b>(1)</b>
<b>12622</b>	31 12 1 092 023	Querlenker / control arm	<b>(2)</b>
<b>12623</b>	31 12 1 092 024	Querlenker / control arm	<b>(2)</b>
<b>12642</b>	32 13 1 092 876	Lenkmanschette / steering boot	
<b>12643</b>	2 13 1 092 876 S1	Rep. Satz Lenkmanschette / rep. kit steering boot	



## Aveo (2005 →)

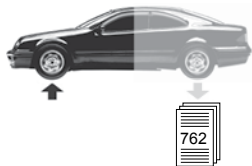
Vorderachse / Front axle



	Ref. - No.			
<b>23753</b>	96391875	ProKit Verbindungsstange / stabilizer link	(ch.) 622723 →	L 262
<b>26792</b>	96535089	Traggelenk / ball joint	06 →	
<b>26794</b>	93740722	ProKit Spurstangenendstück / tie rod end	servo.	
<b>26795</b>	93740723	ProKit Spurstangenendstück / tie rod end	servo.	
<b>30605</b>	96870465	Querlenker / control arm	(ch.) 028236 →	M12 x 1,25
<b>30606</b>	96870466	Querlenker / control arm	(ch.) 028236 →	M12 x 1,25
<b>30916</b>	96653381	Querlenkerlager / control arm mount	(ch.) 033314 →	A Ø 60   Ø 12
<b>30917</b>	96535087	Querlenkerlager / control arm mount		A Ø 18   Ø 12

passend für / to fit

# CHEVROLET

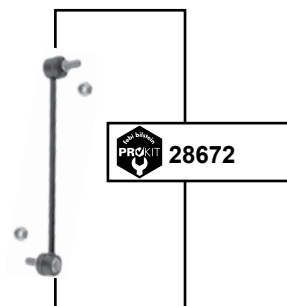
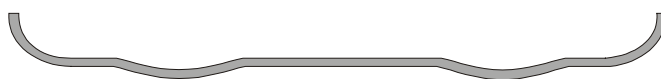
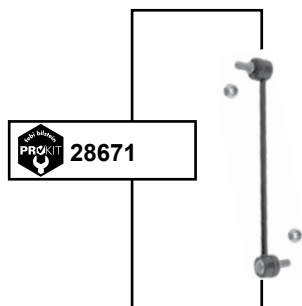
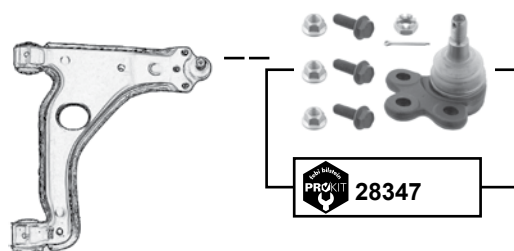
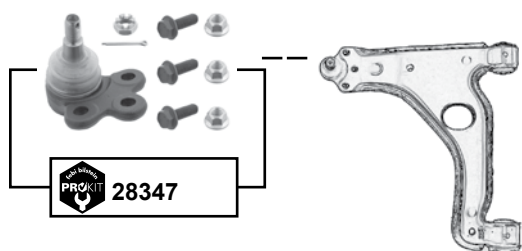


Car  
Division



## Captiva (2006 →)

Vorderachse / Front axle



Ref. - No.



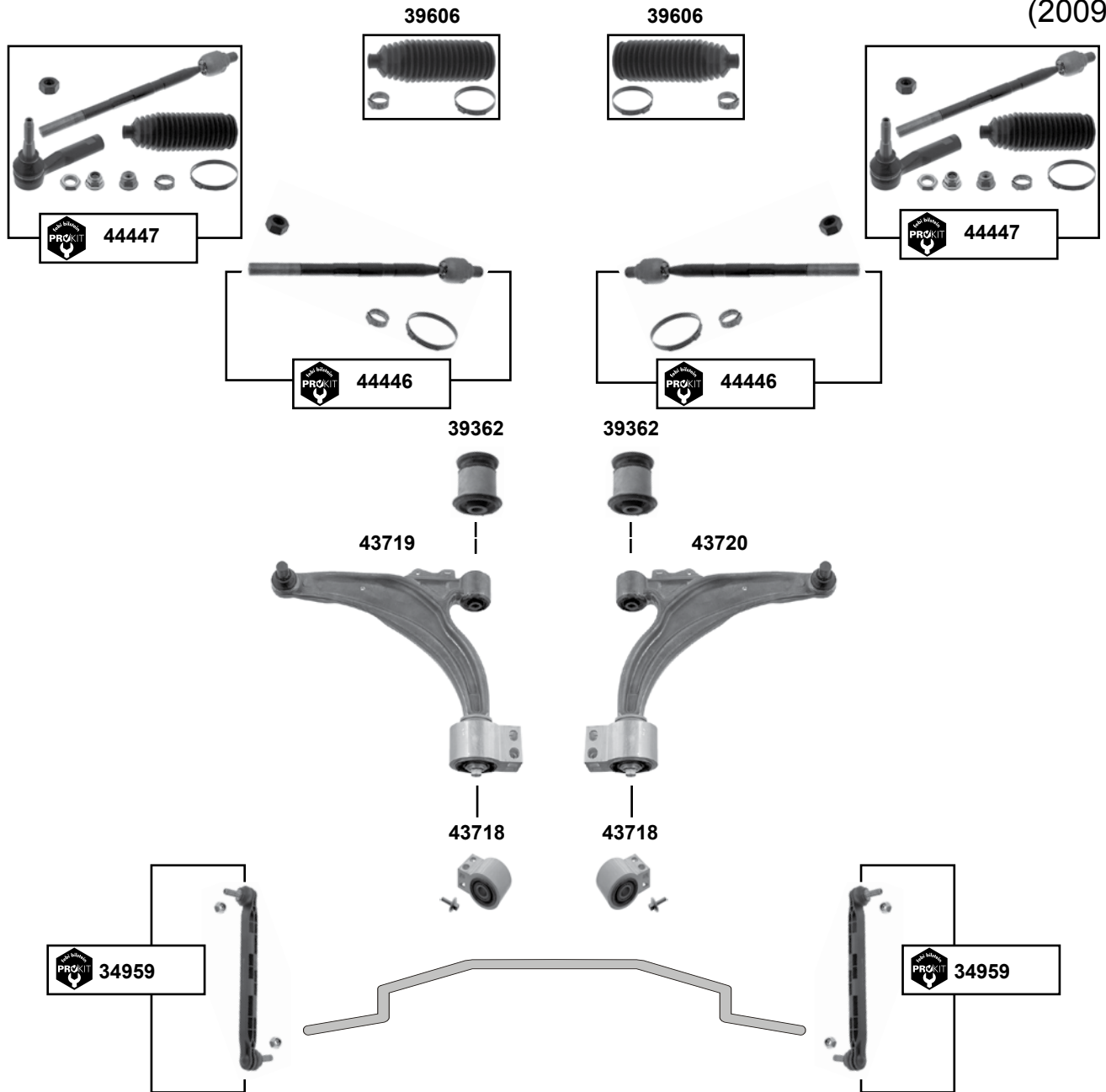
28347	9662 6235 SK
28671	9662 6247
28672	9662 6248

ProKit Traggelenk / ball joint
ProKit Verbindungsstange / stabilizer link
ProKit Verbindungsstange / stabilizer link

L 286
L 286



## Cruze (2009 →)



Vorderachse / Front axle



(1) Hatchback 11 → / Notchback (J300) 09 →



Ref. - No.



<b>34959</b>	13219141	ProKit Verbindungsstange / stabilizer link		L 304
<b>39362</b>	13219090	Querlenkerlager / control arm mount		12x52x60
<b>39606</b>	13278357	Rep. Satz Lenkmanschette / rep. kit steering boot	servo	
<b>43718</b>	13334021	Querlenkerlager / control arm mount	(1)	106x80x65
<b>43719</b>	13334022	Querlenker / control arm	(1)	L 333
<b>43720</b>	13334023	Querlenker / control arm	(1)	L 333
<b>44446</b>	13278358	ProKit Axialgelenk / axial joint	(1)	L 284
<b>44447</b>	13278358 S1	ProKit Spurstange / tie rod	(1) servo	

passend für / to fit

**CHEVROLET**

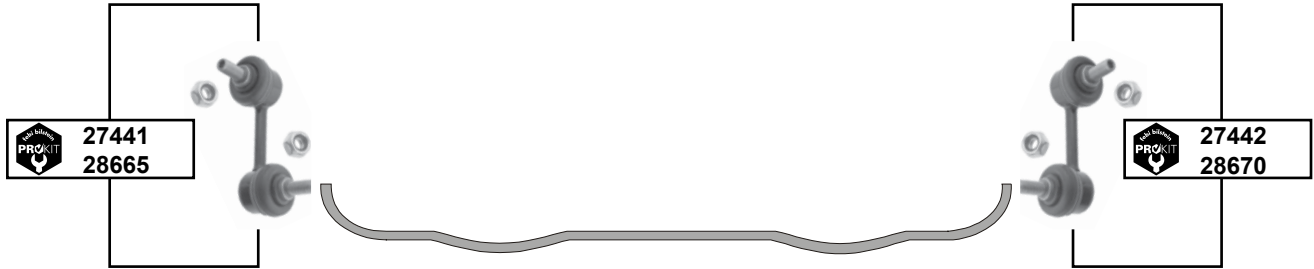


**Car  
Division**



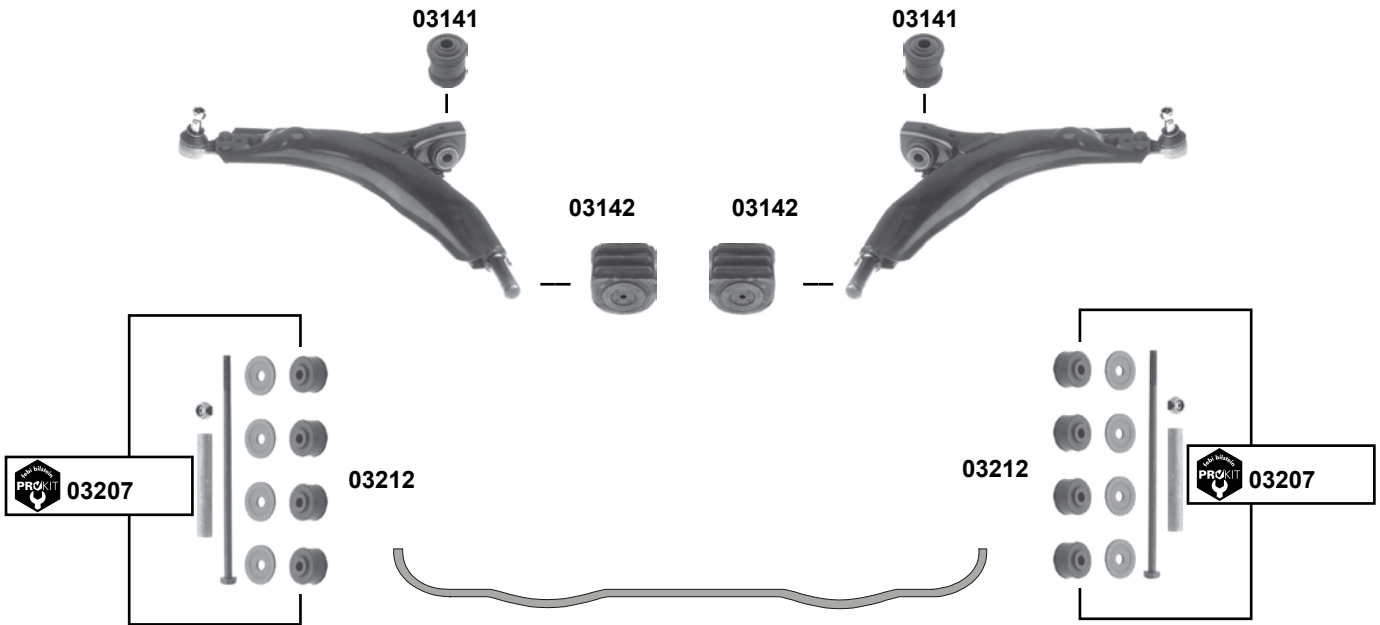
**Epica**

(2005 →)



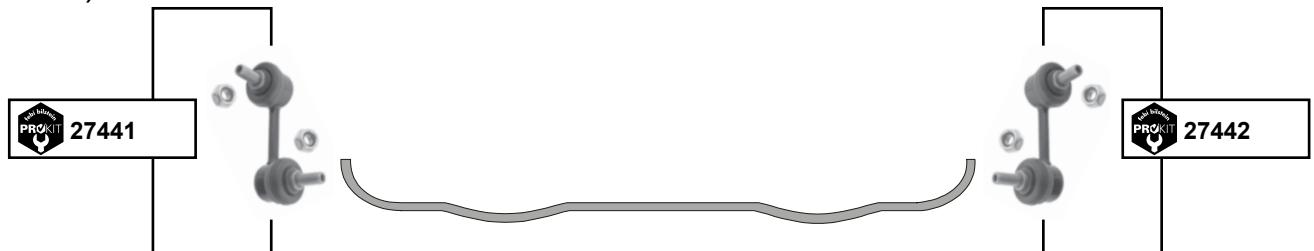
**Espero**

(1991 → 1999)



**Evanda**

(2005 →)



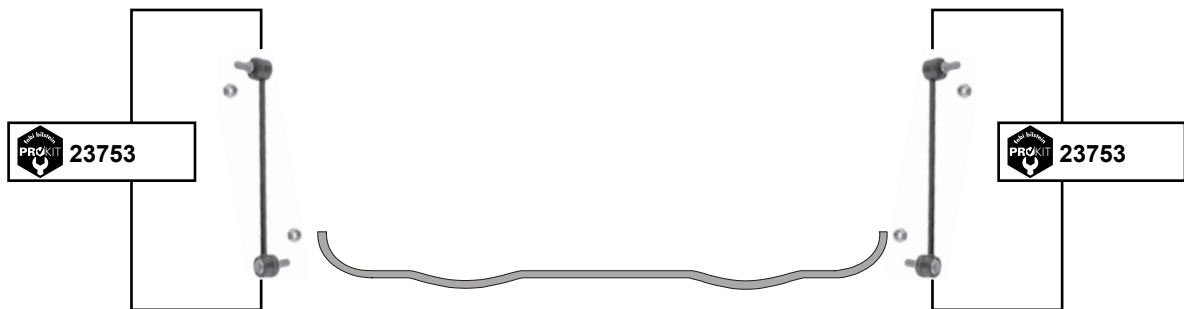
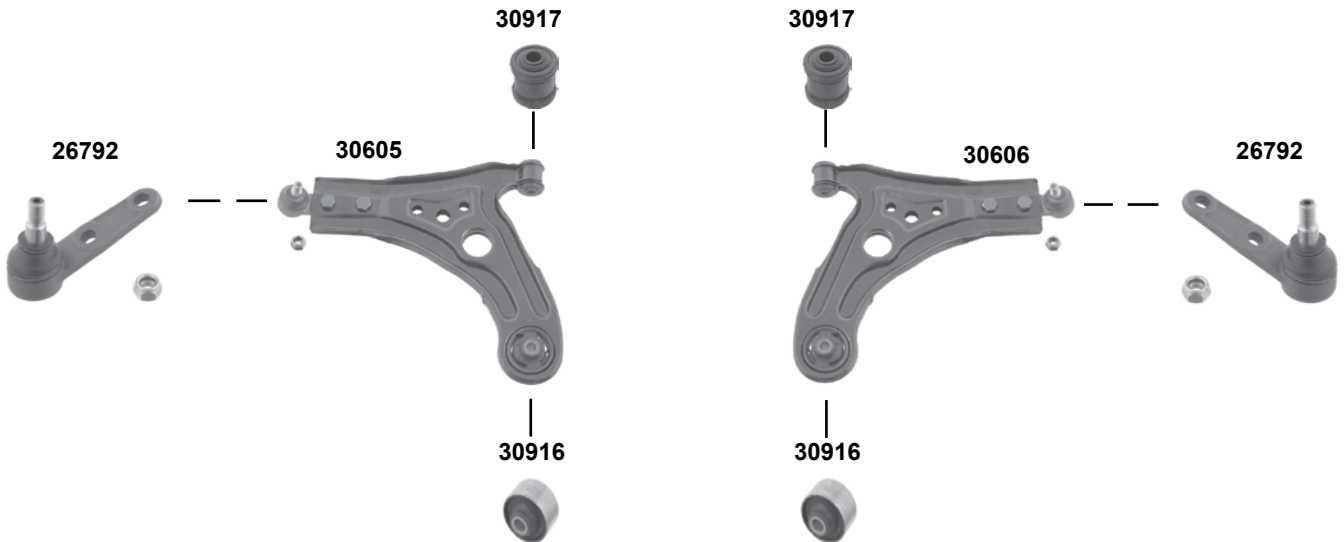
	Ref. - No.			
<b>03141</b>	9633 5966	Querlenkerlager / control arm mount		59x46x14,5
<b>03142</b>	9023 5040	Querlenkerlager / control arm mount		21x56x54,5
<b>03207</b>	0287 5013 S1	ProKit Stabilisatorlager / stabilizer mount		
<b>03212</b>	0287 5013	Stabilisatorlager / stabilizer mount		
<b>27441</b>	96225858	ProKit Verbindungsstange / stabilizer link	Epica → 06	L 79
<b>27442</b>	96225859	ProKit Verbindungsstange / stabilizer link	Epica → 06	L 79
<b>28665</b>	96639904	ProKit Verbindungsstange / stabilizer link	07 →	L 80
<b>28670</b>	96639905	ProKit Verbindungsstange / stabilizer link	07 →	L 80

Vorderachse / Front axle



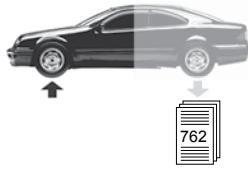
## Kalos (2005 →)

Vorderachse / Front axle



	Ref. - No.			
<b>23753</b>	96391875	ProKit Verbindungsstange / stabilizer link		L 262
<b>26792</b>	96535089	Traggelenk / ball joint		M12 x 1,25
<b>26794</b>	93740722	ProKit Spurstangenendstück / tie rod end		
<b>26795</b>	93740723	ProKit Spurstangenendstück / tie rod end		
<b>30605</b>	96870465	Querlenker / control arm	(ch.) 028236 →	M12 x 1,25
<b>30606</b>	96870466	Querlenker / control arm	(ch.) 028236 →	M12 x 1,25
<b>30916</b>	96653381	Querlenkerlager / control arm mount	(ch.) 690152 →	Ø 160 ØA 12
<b>30917</b>	96535087	Querlenkerlager / control arm mount		Ø 146 ØA 12

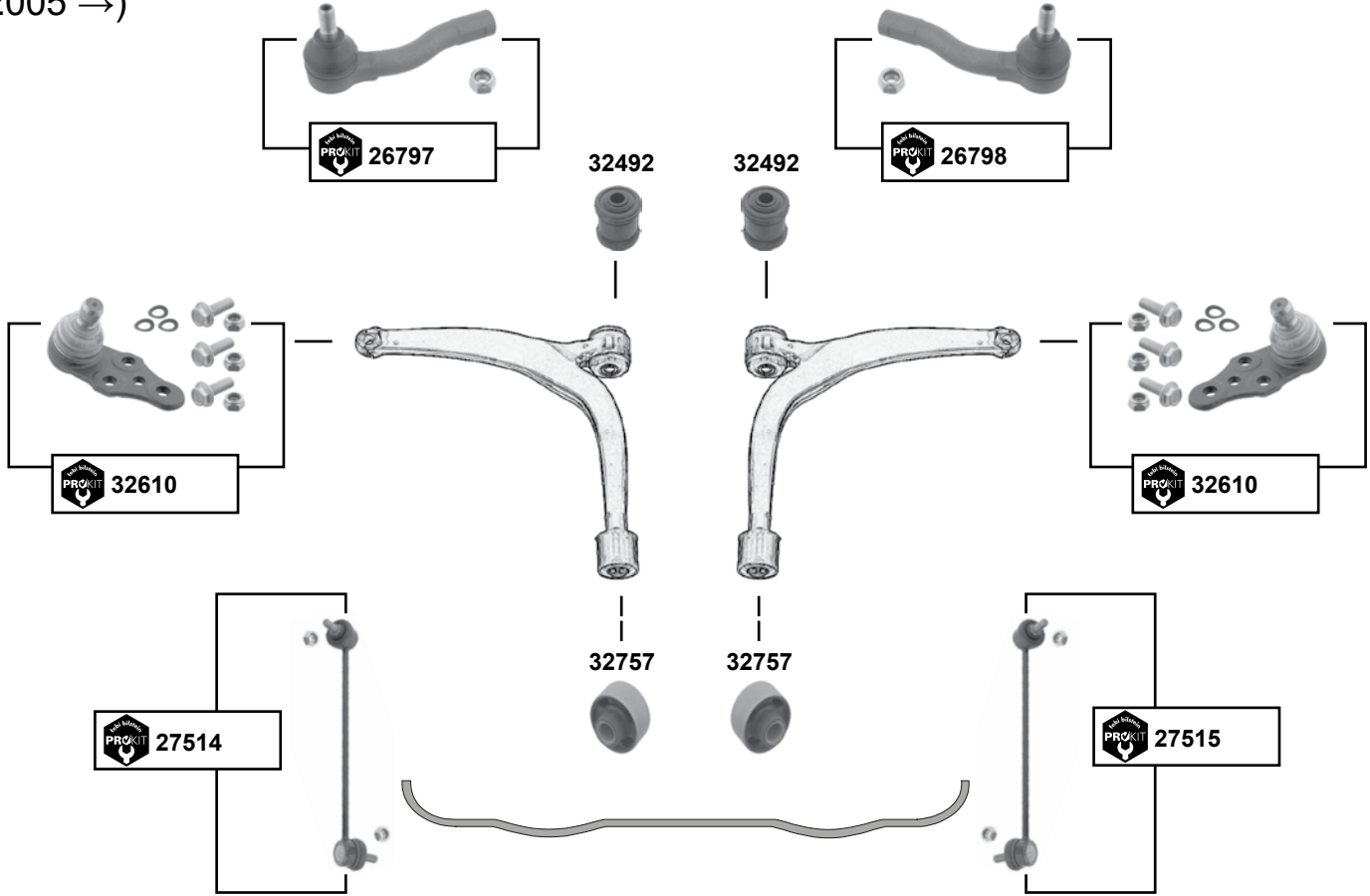




## Lacetti

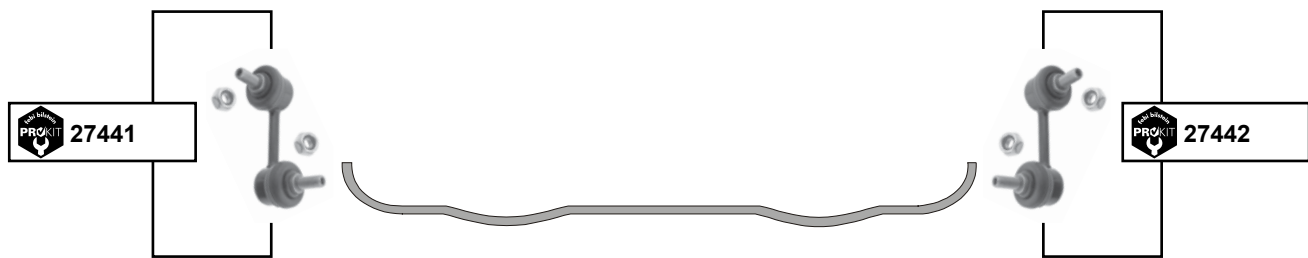
(2005 →)

Vorderachse / Front axle



## Leganza

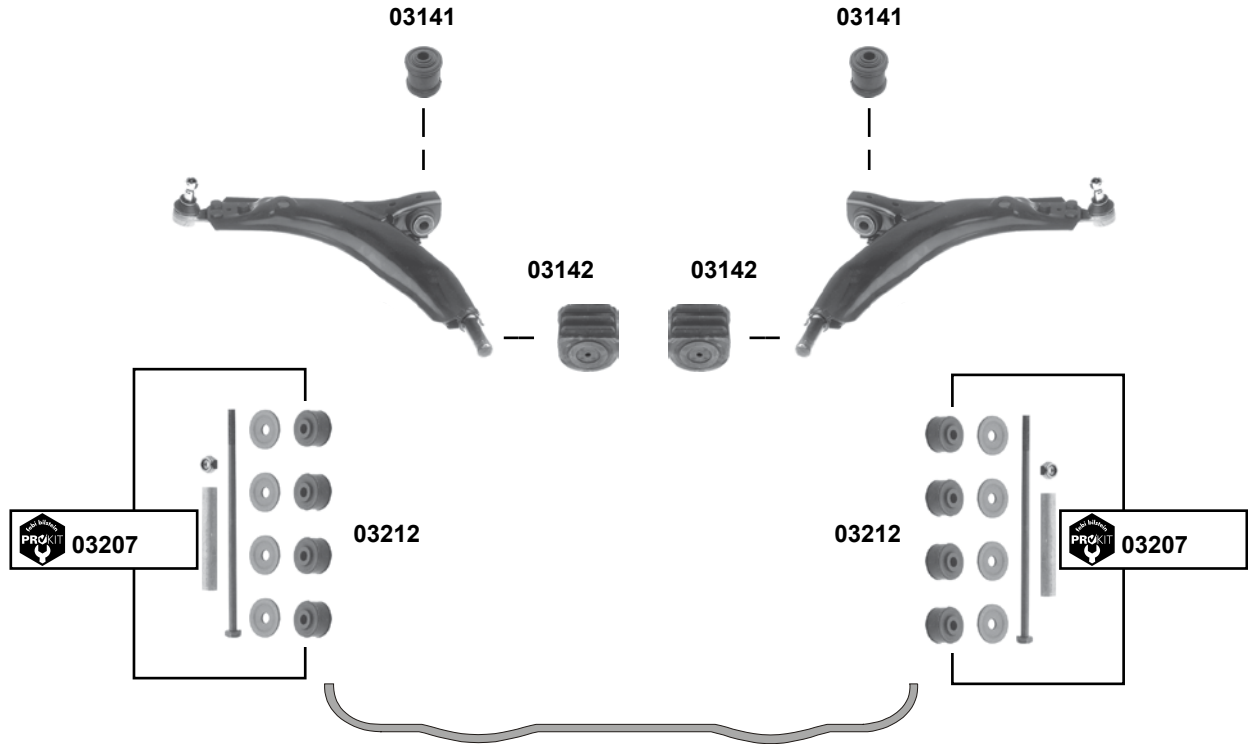
(1997 → 2004)



	Ref. - No.			
27514	96403099	ProKit Verbindungsstange / stabilizer link	servo.	L 271,5
27515	96403100	ProKit Verbindungsstange / stabilizer link		L 271,5
26797	96407485	ProKit Spurstangenendstück / tie rod end	servo.	M12 x 1,5
26798	96407486	ProKit Spurstangenendstück / tie rod end		M12 x 1,5
27441	96225858	ProKit Verbindungsstange / connecting rod		L 79
27442	96225859	ProKit Verbindungsstange / connecting rod		L 79
32492	96378346	Querlenkerlager / control arm mount		
32610	96490218 SK	ProKit Traggelenk / ball joint		
32757	96391856	Querlenkerlager / control arm mount		Ø A 60

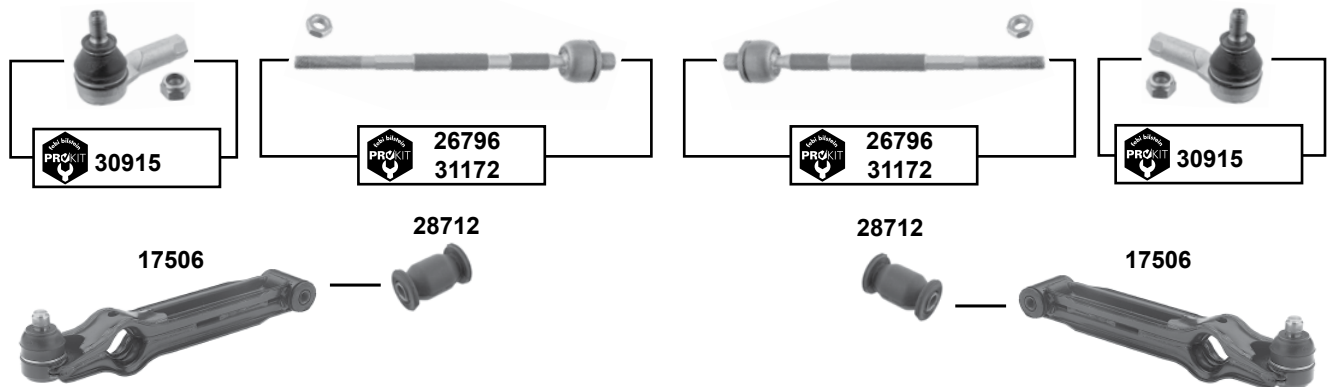


## Lanos (1997 →)



Vorderachse / Front axle

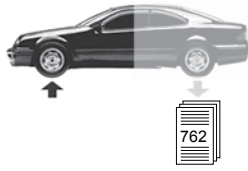
## Matiz (2005 →)



	Ref. - No.			
03141	9633 5966	Querlenkerlager / control arm mount		59x46x14,5
03142	9023 5040	Querlenkerlager / control arm mount		21x56x54,5
03207	0287 5013 S1	ProKit Stabilisatorlager / stabilizer mount		
03212	0287 5013	Stabilisatorlager / stabilizer mount		
17506	96316765	Querlenker / control arm	(ex.) servo.	L 270
26796	93741074	ProKit Spurstange / tie rod		
28712	96380613	Querlenkerlager / control arm mount	servo.	Ø A 49 H44,6
30915	93741077	ProKit Spurstangenendstück / tie rod end		
31172	93741092	ProKit Spurstange / tie rod		M12 x 1,5

passend für / to fit

# CHEVROLET

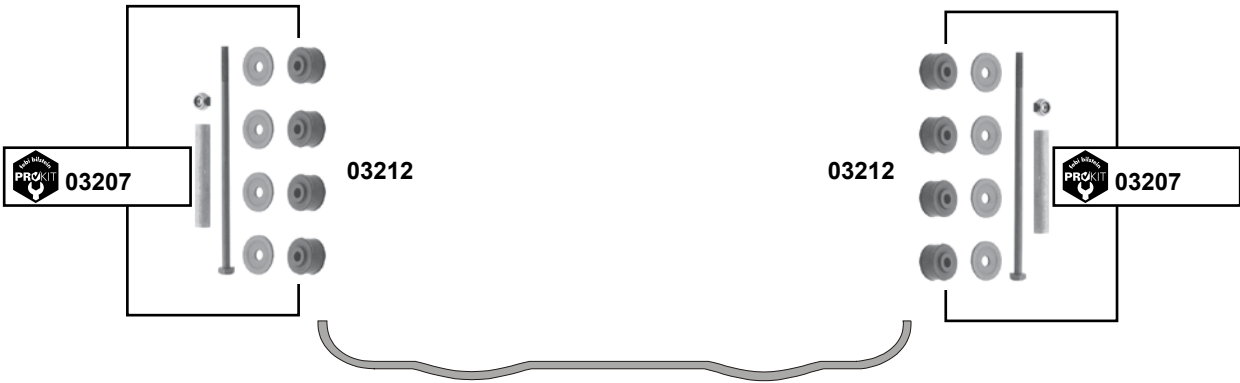
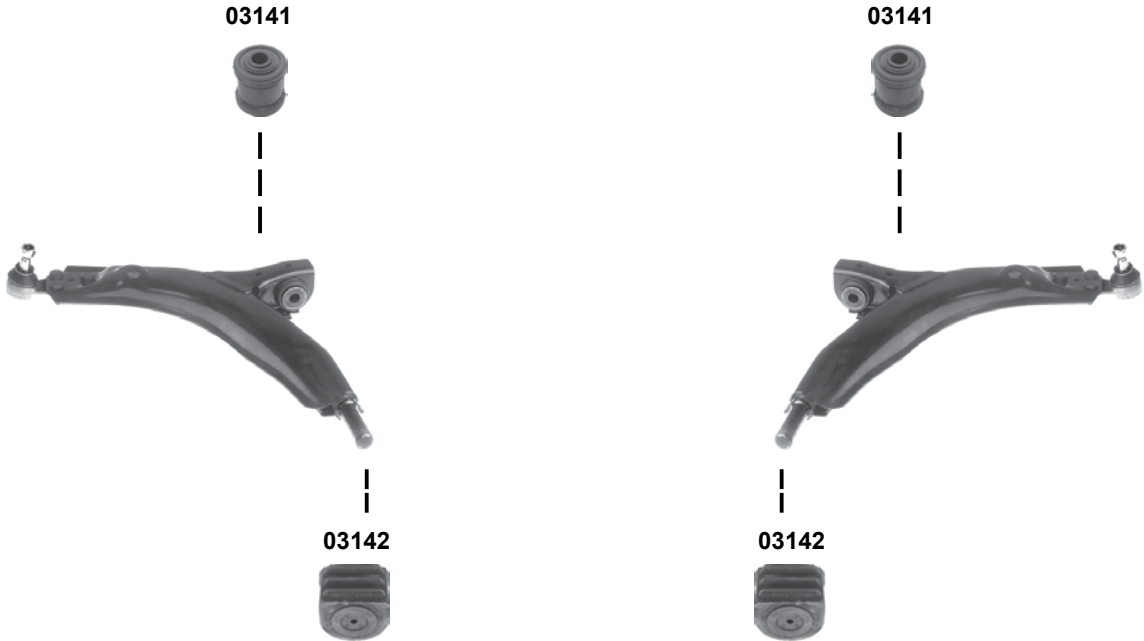


Car  
Division

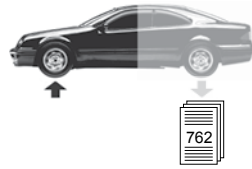


## Nexia (1991 → 1999)

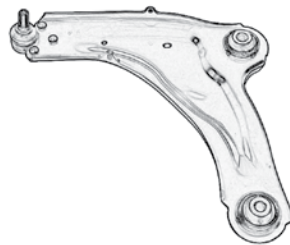
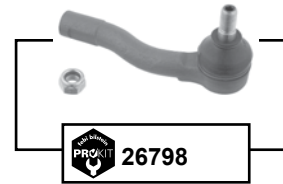
Vorderachse / Front axle



Ref. - No.	Part Description	Dimensions
03141	Querlenkerlager / control arm mount	59x46x14,5
03142	Querlenkerlager / control arm mount	21x56x54,5
03207	ProKit Stabilisatorlager / stabilizer mount	
03212	Stabilisatorlager / stabilizer mount	

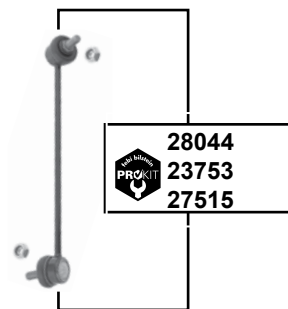
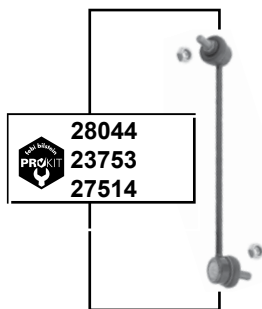


## Nubira (1997 →)



32757

32757



Vorderachse / Front axle

	Ref. - No.			
<b>23753</b>	96391875	ProKit Verbindungsstange / connecting rod	99 → 03	L 262
<b>26797</b>	96407485	ProKit Spurstangenendstück / tie rod end	05 → / servo.	M12 x 1,5
<b>26798</b>	96407486	ProKit Spurstangenendstück / tie rod end	05 → / servo.	M12 x 1,5
<b>27514</b>	96403099	ProKit Verbindungsstange / stabilizer link	05 →	L 271,5
<b>27515</b>	96403100	ProKit Verbindungsstange / stabilizer link	05 →	L 271,5
<b>28044</b>	96300627	ProKit Verbindungsstange / connecting rod	→ 07/99	L 266
<b>32610</b>	96490218 SK	ProKit Tragelenk / ball joint	05 →	
<b>32757</b>	96391856	Querlenkerlager / control arm mount	05 →	Ø A 60

passend für / to fit

**CHEVROLET**

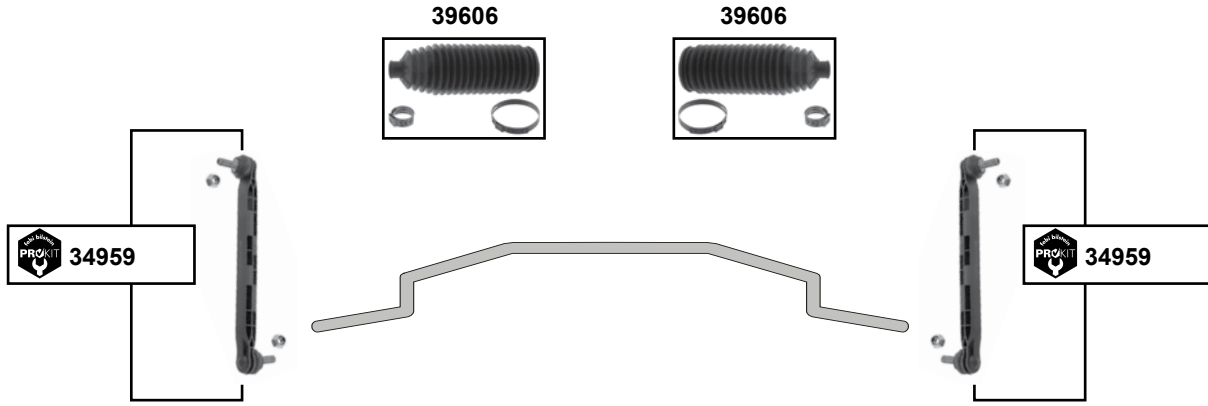


**Car Division**



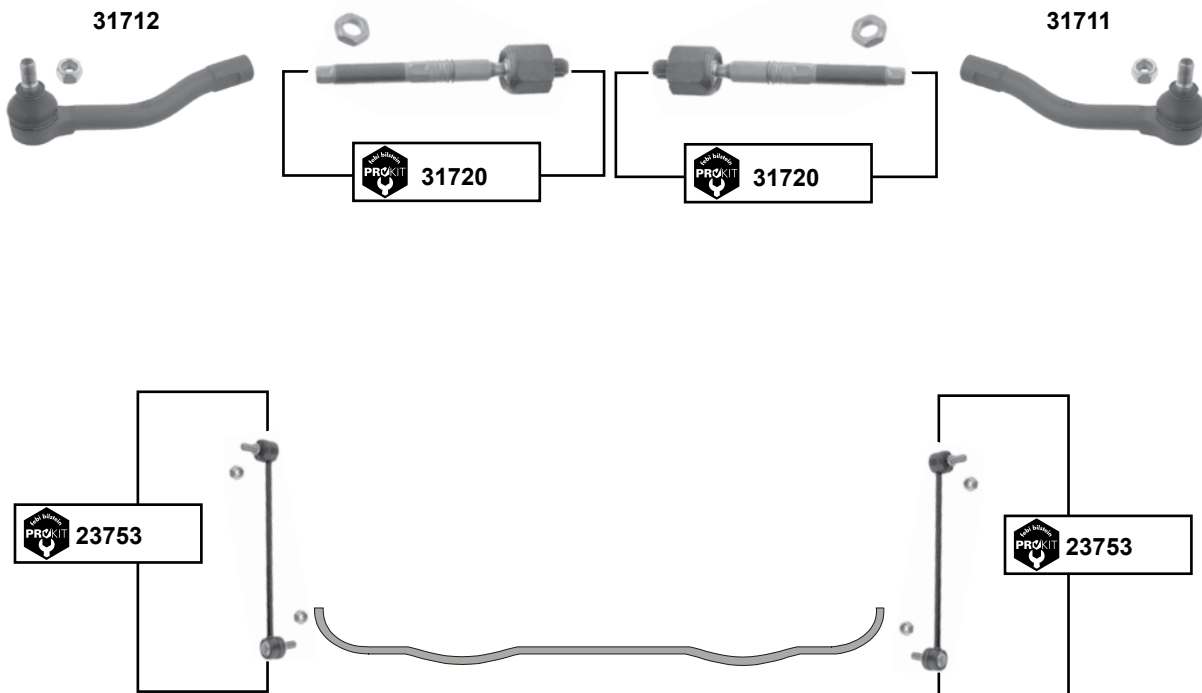
**Orlando**

(2010 →)



**Rezzo**

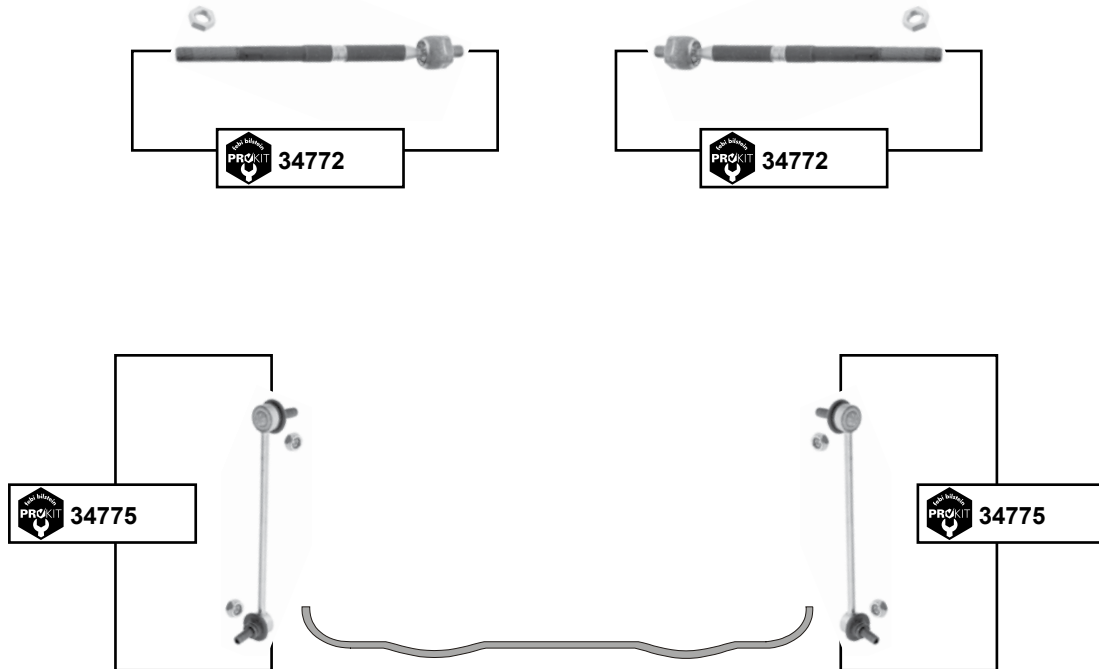
(2005 →)



	Ref. - No.			
<b>23753</b>	96391875	ProKit Verbindungsstange / stabilizer link		L 262
<b>31711</b>	96261379	Spurstangenendstück / tie rod end	09 →	M12 x 1,5
<b>31712</b>	96261378	Spurstangenendstück / tie rod end	09 →	M12 x 1,5
<b>31720</b>	93740621	ProKit Spurstange / tie rod	09 →	L 239
<b>34959</b>	13219141	ProKit Verbindungsstange / stabilizer link	11 →	L 304
<b>39606</b>	13278357	Rep. Satz Lenkmanschette / rep. kit steering boot	servo	

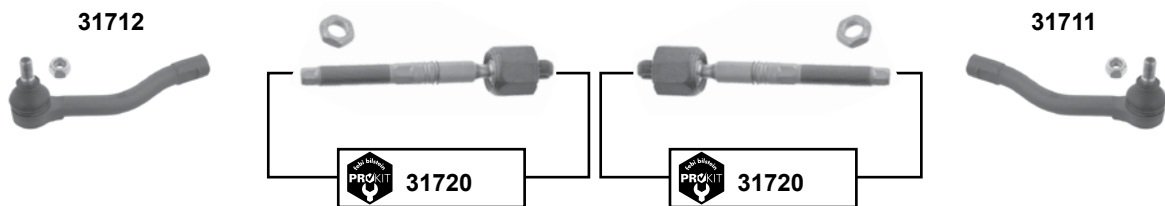


**Spark**  
(2010 →)



Vorderachse / Front axle

**Tacuma**  
(2000 →)



Ref. - No.



31711	96261379	Spurstangenendstück / tie rod end	M12 x 1,5
31712	96261378	Spurstangenendstück / tie rod end	M12 x 1,5
31720	93740621	ProKit Spurstange / tie rod	L 239
34772	95967294	ProKit Axialgelenk / axial joint	L 262
34775	95947829	ProKit Verbindungsstange / stabilizer link	L 237

passend für / to fit

# CHEVROLET

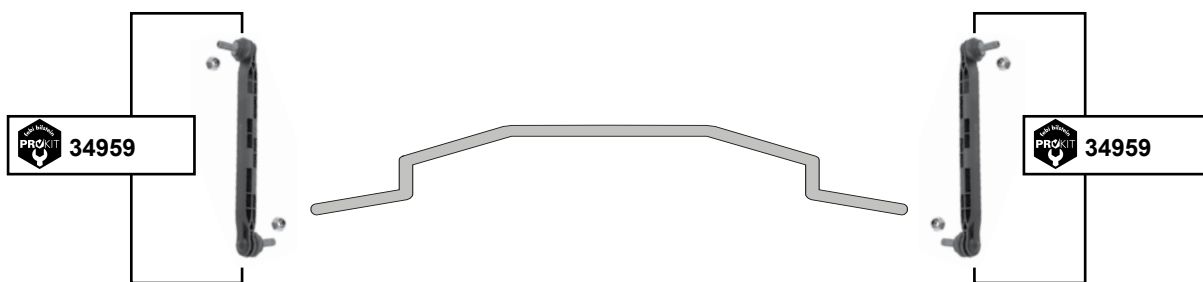
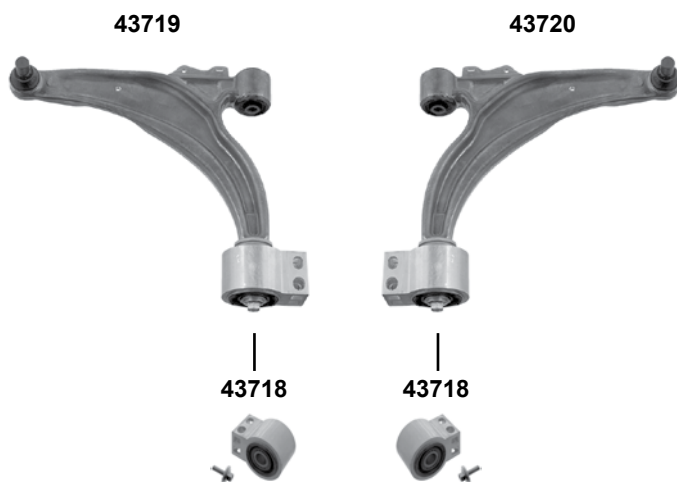


Car  
Division



## Volt (2011 →)

Vorderachse / Front axle



Ref. - No.



<b>34959</b>	13219141	ProKit Verbindungsstange / stabilizer link	L 304
<b>43718</b>	13334021	Querlenkerlager / control arm mount	106x80x65
<b>43719</b>	13334022	Querlenker / control arm	L 333
<b>43720</b>	13334023	Querlenker / control arm	L 333



**300 C**  
(2010 →)

34315

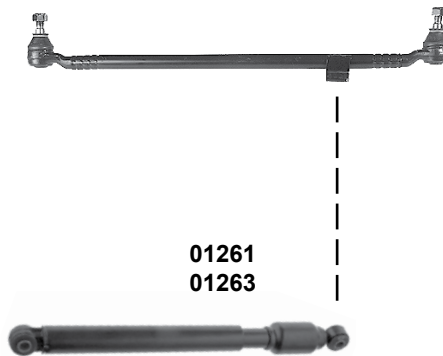


34316



Vorderachse / Front axle

**Crossfire**  
(2003 → 2009)



- (1) 08ZH 07 → 09
- (2) 04ZH / 05ZH / 06ZH / 07ZH 03 → 07
- (3) 06LE - 08LE, 05LX - 09LX, 07L2 2,7L, 3,0L, 3,5L, 5,7L, 6,1L



Ref. - No.



<b>01261</b>	68032068AA	Lenkungsdämpfer / steering-damper	(1)
<b>01263</b>	05097971AA	Lenkungsdämpfer / steering-damper	(2)
<b>34315</b>	4895 483AB	Verbindungsstange / stabilizer link	(3)
<b>34316</b>	4895 482AB	Verbindungsstange / stabilizer link	(3)



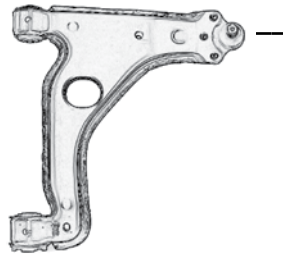
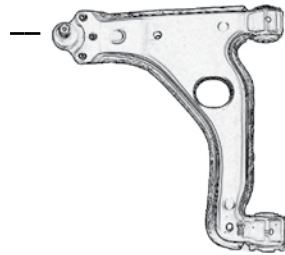


## Dodge (2006 →)

Vorderachse / Front axle



29564



29564



34315



34316



(1) Challenger 08/09LC 3,5L, 5,7L, 6,1L

(2) Minivan 01RS -07RS



Ref. - No.

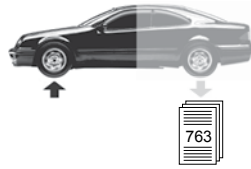


29564	04879321AC
34315	4895 483AB
34316	4895 482AB
34383	68019 643AB

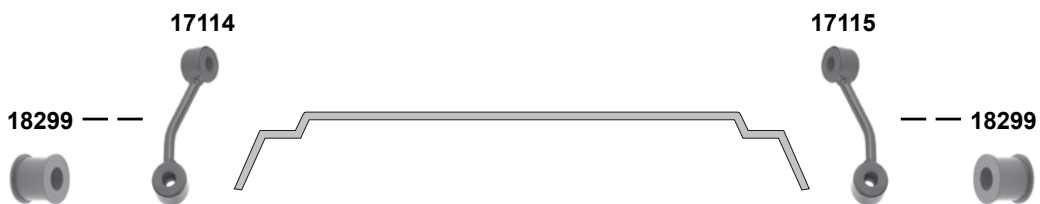
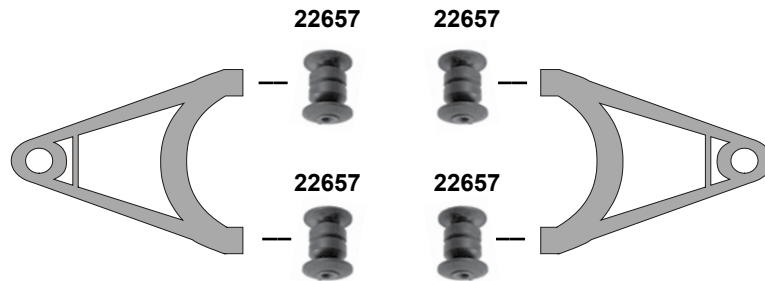
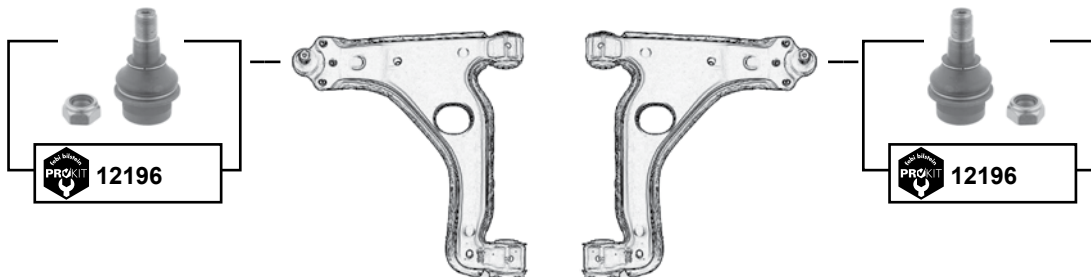
Traggelenk / ball joint
Verbindungsstange / stabilizer link
Verbindungsstange / stabilizer link
ProKit Axialgelenk / axial joint

(1)  
(1)  
(2)

M14 x 1,5



**Dodge Sprinter**  
(2002 → 2008)



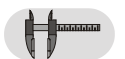
Vorderachse / Front axle



(1) VA 02 → 06 / (mot.) EX8 / DGJ / DGZ



Ref. - No.



<b>12196</b>	05104075AA	ProKit Traggelenk / ball joint	(mot.) EX9 / → 03	M20 x 1,5
<b>17114</b>	05104059AA	Verbindungsstange / stabilizer link	(1)	
<b>17115</b>	05104060AA	Verbindungsstange / stabilizer link	(1)	
<b>18299</b>	05104066AA	Verbindungsstangenlager / stabilizer link bush	(1)	Ø A 26
<b>22657</b>	05133818AA	Querlenkerlager / control arm mount	VA 02 → 06	
<b>36504</b>	05104067AA	Befestigungsbügel / attachment bracket		Ø I 30

passend für / to fit

**CHRYSLER**

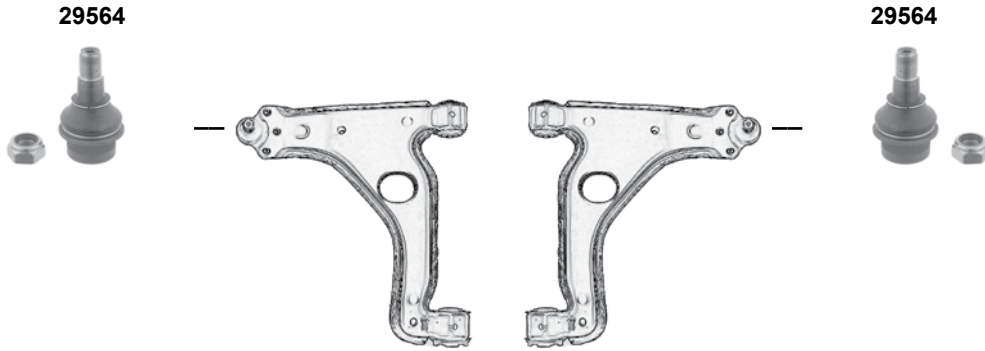


**Car  
Division**



# Sebring

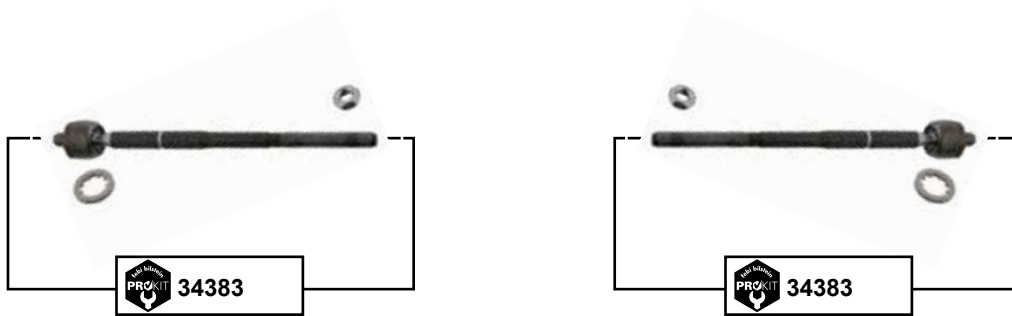
(2006 →)



Vorderachse / Front axle

# Voyager IV (RG)

(1999 → 2008)



Ref. - No.



**29564**  
**34383**

04879321AC  
68019 643AB

Traggelenk / ball joint  
ProKit Axialgelenk / axial joint

01RG - 07RG

M14 x 1,5



**AX**

(1986 → 1998)

19917



19917



40005



40005



10659



10660

Vorderachse / Front axle

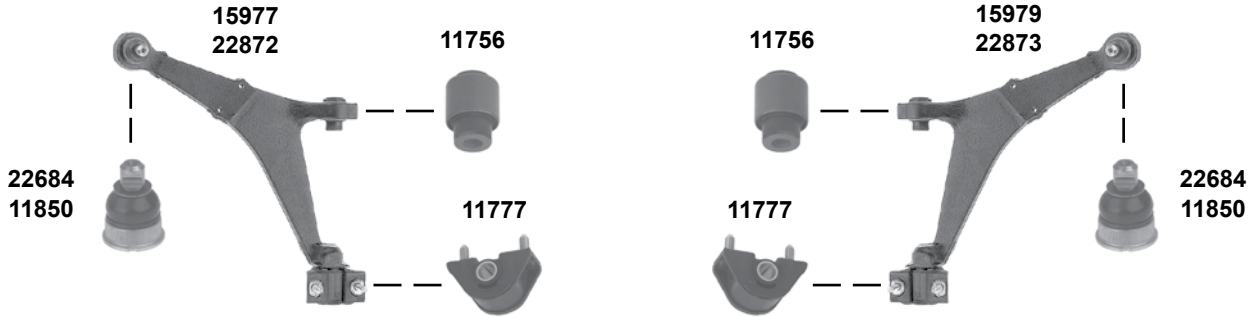
	Ref. - No.			
10659	3817.41	ProKit Spurstangenendstück / tie rod end		M10 x 1,25
10660	3817.42	ProKit Spurstangenendstück / tie rod end		M10 x 1,25
19917	4066.32	Lenkmanschette / steering boot		
40005	3817.33	Spurstangenendstück / tie rod end	(ex.) servo	M14 x 1,5



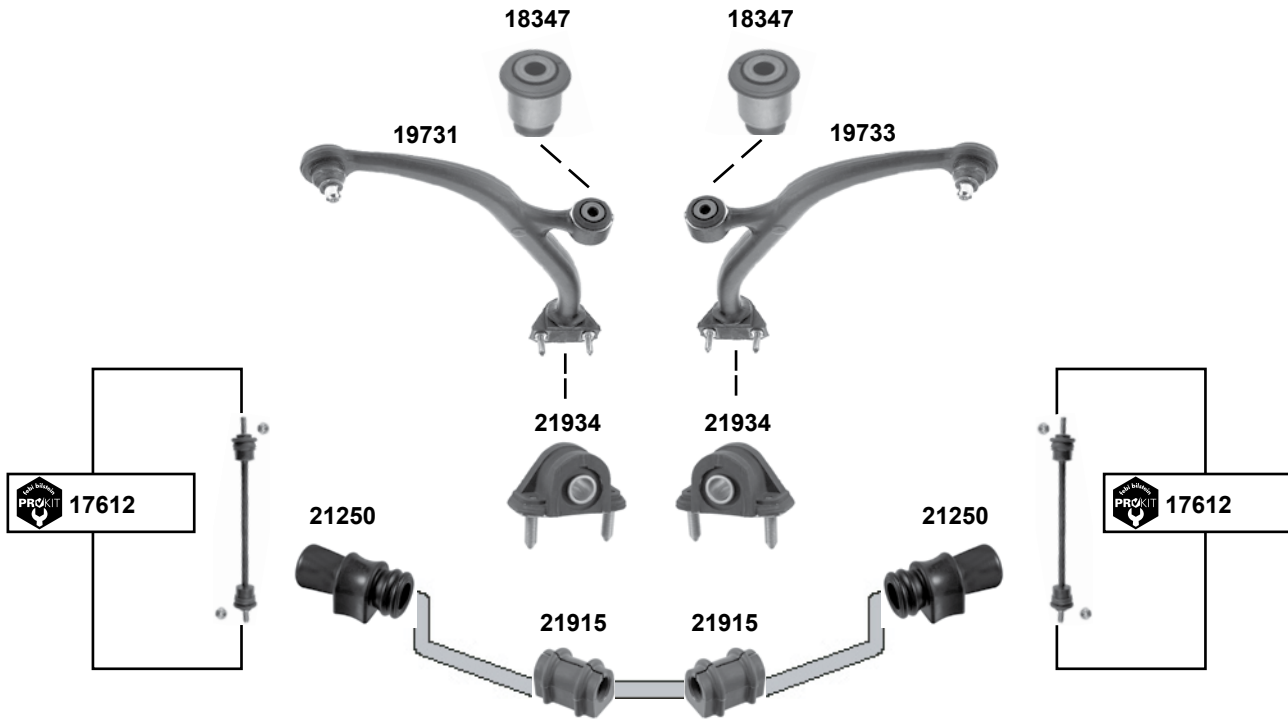
**AX**

(1986 → 1998)

**(ex.) GTI**



**GTI**



Ref. - No.



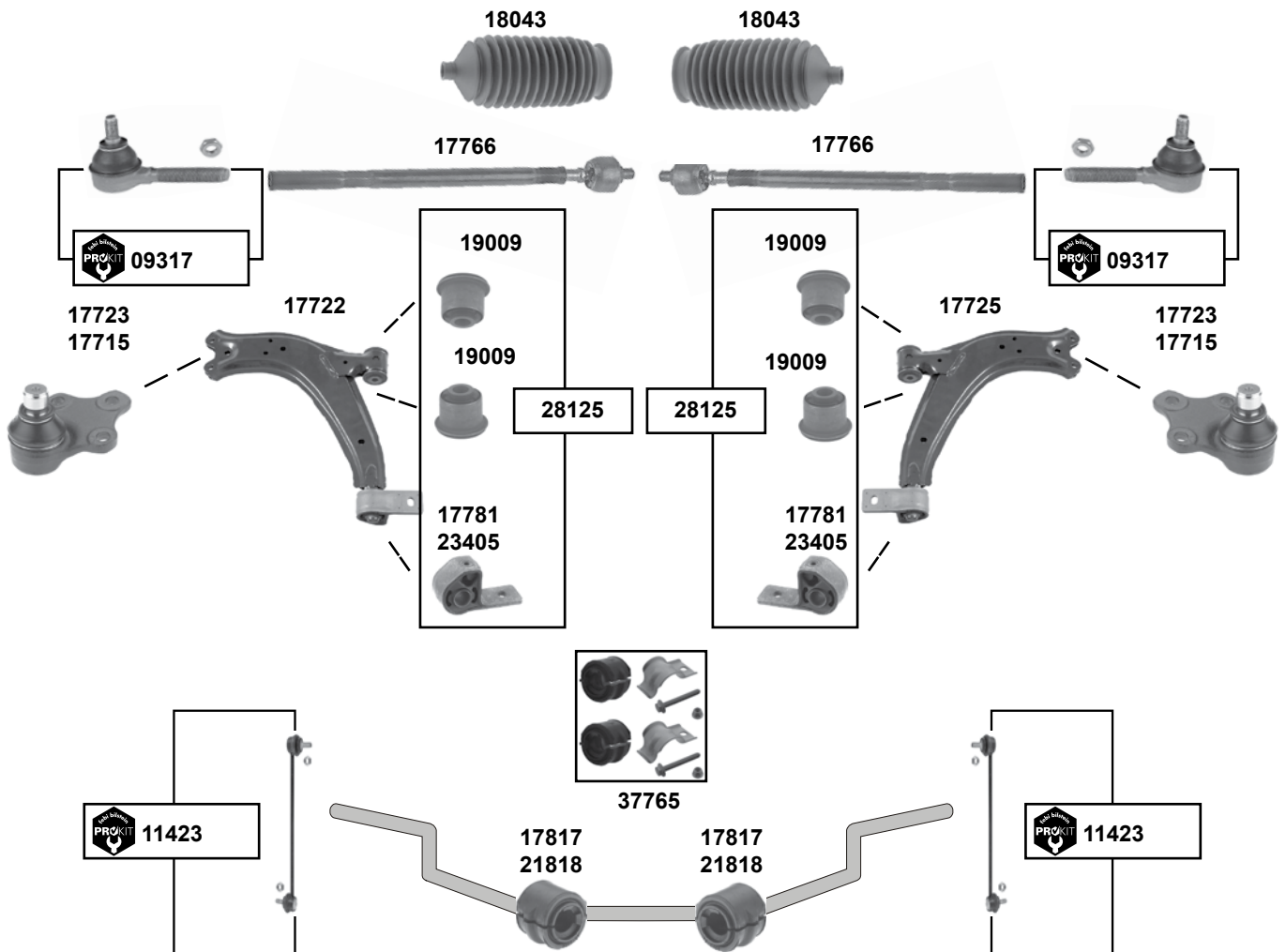
<b>11756</b>	3523.50	Querlenkerlager / control arm mount	(ex.) GTI / O 05279 →	12x34x48
<b>11777</b>	3523.51	Querlenkerlager / control arm mount	(ex.) GTI / O 05279 →	
<b>11850</b>	3640.36	Traggelenk / ball joint	(ex.) GTI / O 05279 →	
<b>15977</b>	3520.78	Querlenker / control arm	(ex.) GTI / O 05279 →	
<b>15979</b>	3520.79	Querlenker / control arm	(ex.) GTI / O 05279 →	L 300
<b>17612</b>	5087.33	ProKit Verbindungsstange / stabilizer link	GTI	
<b>18347</b>	3523.52	Querlenkerlager / control arm mount	GTI / O 05990 →	12x34x48
<b>19731</b>	3520.92	Querlenker / control arm	GTI / O 05990 →	
<b>19733</b>	3520.93	Querlenker / control arm	GTI / O 05990 →	
<b>21250</b>	5094.59	Stabilisatorlager / stabilizer mount	(ex.) GTI / O 04803 →	Ø I 19
<b>21915</b>	5094.57	Stabilisatorlager / stabilizer mount		Ø I 21
<b>21934</b>	3523.53	Querlenkerlager / control arm mount	(mot.) 1.4	
<b>22684</b>	95 603 309	Traggelenk / ball joint	→ O 05278; → 04/91	
<b>22872</b>	96 133 608	Querlenker / control arm	→ O 05278	
<b>22873</b>	96 133 609	Querlenker / control arm	→ O 05278	

Vorderachse / Front axle



**Berlingo I + II**  
(1996 → 2008)

man.



Vorderachse / Front axle

**(1)** Berlingo I verstärkte Aufhängung → O 10562 // erhöhte Aufhängung Stabilisatorstange vorne D=21 Kurzlieferwagen 475, 600 normale Aufhängung Stabilisatorstange vorne D=21 (ex.) DW10TD  
Berlingo II alle / all → O 10562 Kurzlieferwagen 600 (ex.) DW8B, DW10TD

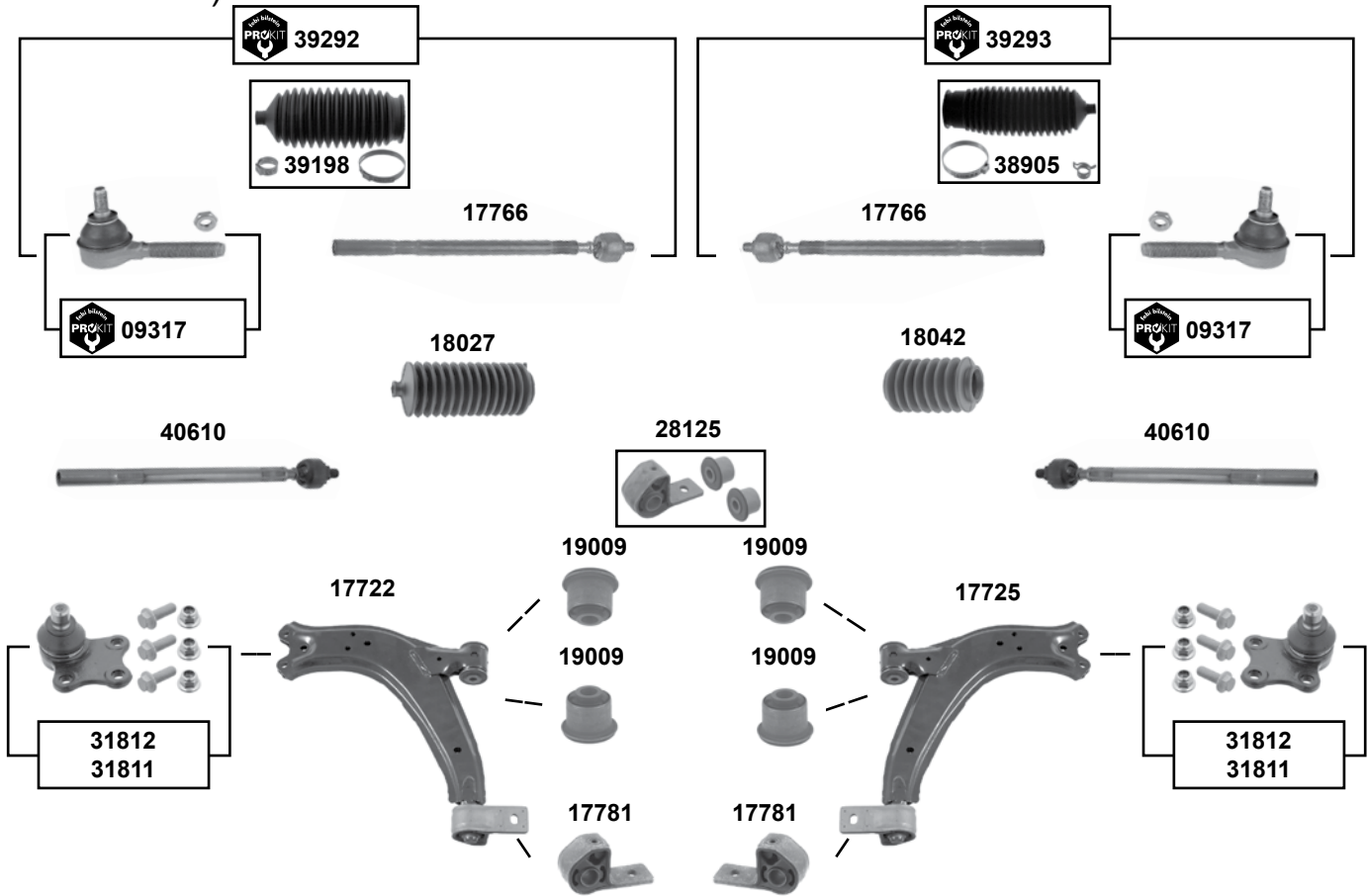
	Ref. - No.			
09317	3817.50	ProKit Spurstangenendstück / tie rod end	(ex.) HDI / HD	M10 x 1,25
11423	5087.61	ProKit Verbindungsstange / stabilizer link		L 300
17715	3640.51	Traggelenk / ball joint	O 7973 → / (ex.) 2.0 HDI	Ø A 18
17722	3520.H5	Querlenker / control arm	(ex.) 2.0 HDI	
17723	3640.42	Traggelenk / ball joint	→ O 7972 / (ex.) 2.0 HDI	Ø A 16
17725	3521.E5	Querlenker / control arm	(ex.) 2.0 HDI	
17766	3812.C0	Spurstange / tie rod	(ex.) 2.0 HDI	L 345
17781	3523.75	Querlenkerlager / control arm mount	(ex.) HDI / HD	
17817	5094.65	Stabilisatorlager / stabilizer mount		Ø I 21
18043	4066.43	Lenkmanschette / steering boot		
19009	3520.H5 S1	Querlenkerlager / control arm mount	(ex.) HDI / HD	
21818	5094.77	Stabilisatorlager / stabilizer mount		Ø I 22
23405	3523.83	Querlenkerlager / control arm mount	2.0 HDI	
28125	3520.H5 S2		(ex.) HDI / HD	
37765	5094.65 S1	Stabilisatorlagersatz / anti roll bar bush kit	(1)	



# Berlingo I + II

(1996 → 2008)

Vorderachse / Front axle



- (1) Berlingo I 96 → 02 (ex.) 2,0 HDI / O 07973 → // Berlingo II 02 → 08 (ex.) 1,6 16V / 1,6 HDI / 2,0 HDI
- (2) Berlingo I 96 → 02 (ex.) 2,0 HDI / → O 07972
- (3) Berlingo I 96 → 02 alle / all, (ex.) (mot.) DW10TD, (ex.) Multifunktionsdach / multifunctional roof  
Berlingo II 02 → 08 (mot.) TU1JP, DW8B, TU3A // TU3JP (ex. Achslast / payload 800 kg)
- (4) Berlingo I 96 → 02 (mot.) DW10TD (ex.) servo Berlingo II 02 → 08 (mot.) DV6ATED4, DV6B, DW10TD
- (5) Berlingo I 96 → 02 Berlingo II 02 → 08
- (6) Berlingo II 02 → 08 (mot.) DV6B / DV6ATED4 / DW10TD O 10017 →



Ref. - No.

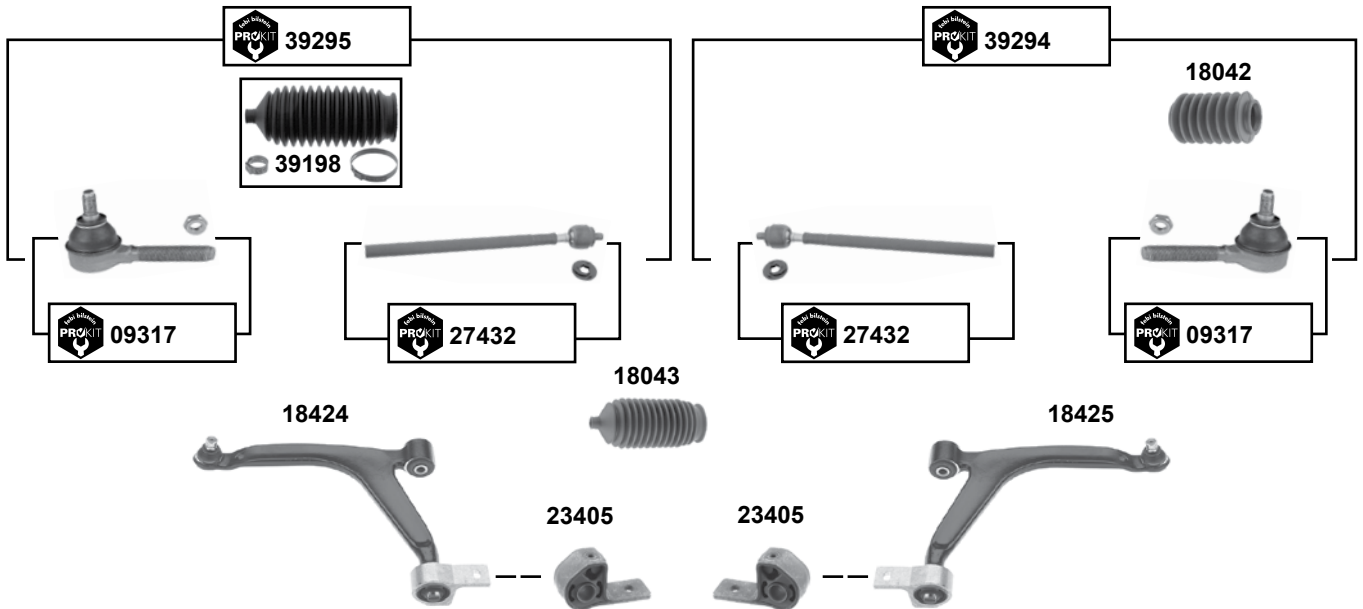


Part No.	Ref. - No.	Description	Notes	Dimensions
09317	3817.50	ProKit Spurstangenendstück / tie rod end		M10 x 1,25
17722	3520.H5	Querlenker / control arm	(3)	
17725	3521.E5	Querlenker / control arm	(3)	
17766	3812.C0	Spurstange / tie rod		L 345
17781	3523.75	Querlenkerlager / control arm mount		
18027	4066.20	Lenkmanschette / steering boot		
18042	4066.22	Lenkmanschette / steering boot		
19009	3520.H5 S1	Querlenkerlager / control arm mount		
28125	3520.H5 S2	Rep.Satz Querlenkerlager / rep. kit control arm mount	(ex.) HDI / HD	
31811	3640.51 S1	Rep. Satz Traggelenk / rep. kit ball joint	(1)	Ø A 18
31812	3640.42 S1	Rep. Satz Traggelenk / rep. kit ball joint	(2)	Ø A 16
38905	4066.44	Rep. Satz Lenkmanschette / rep. kit steering boot	→ 02 (ex.) servo	L 196,6
39198	4066.43 S1	Rep. Satz Lenkmanschette / rep. kit steering boot	(4)	L 154,5
39292	3812.C0 S1	ProKit Spurstange / tie rod	(5) (ex.) servo	
39293	3812.C0 S2	ProKit Spurstange / tie rod	(5) (ex.) servo	
40610	3812.E4	Axialgelenk / axial joint	(6)	L 355

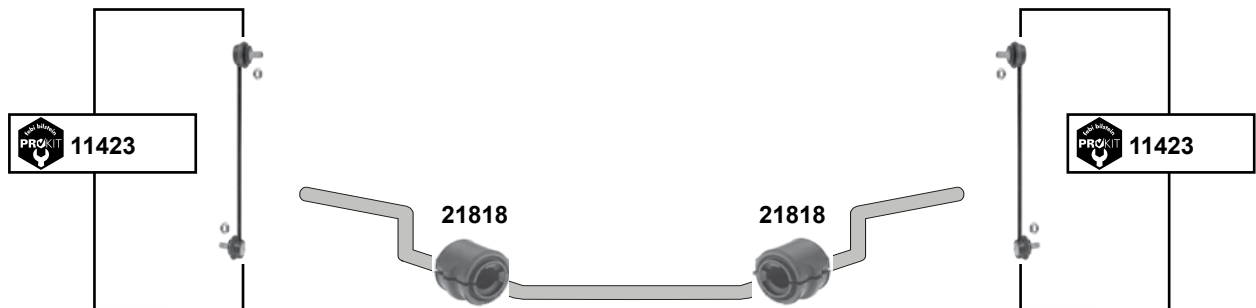


**Berlingo I + II**  
(1996 → 2008)

**2.0 HDI**



**alle / all**



- (1)** Berlingo I (mot.) DW10TD  
96 → 02 (mot.) DW8B, DW8 Multifunktionsdach / multifunctional roof / normale Aufhängung  
verstärkte Aufhängung O 08016-08364 → / reinforced suspension O 08016-08364 →  
verstärkte Aufhängung O 08365-10420 → / reinforced suspension O 08365-10420 →
- Berlingo II (mot.) DV6B, DV6DTED4, DW10TD TU3JP, TU5JP4, DV6ATED4, DV6ETED normale Aufhängung  
02 → 08 (mot.) DW8B Multifunktionsdach / multifunctional roof / normale Aufhängung
- (2)** 07/96 → 11/02 (mot.) DW10TD → O 10830 // 12/02 → 03/08 (mot.) DW10TD → O 10016



Ref. - No.



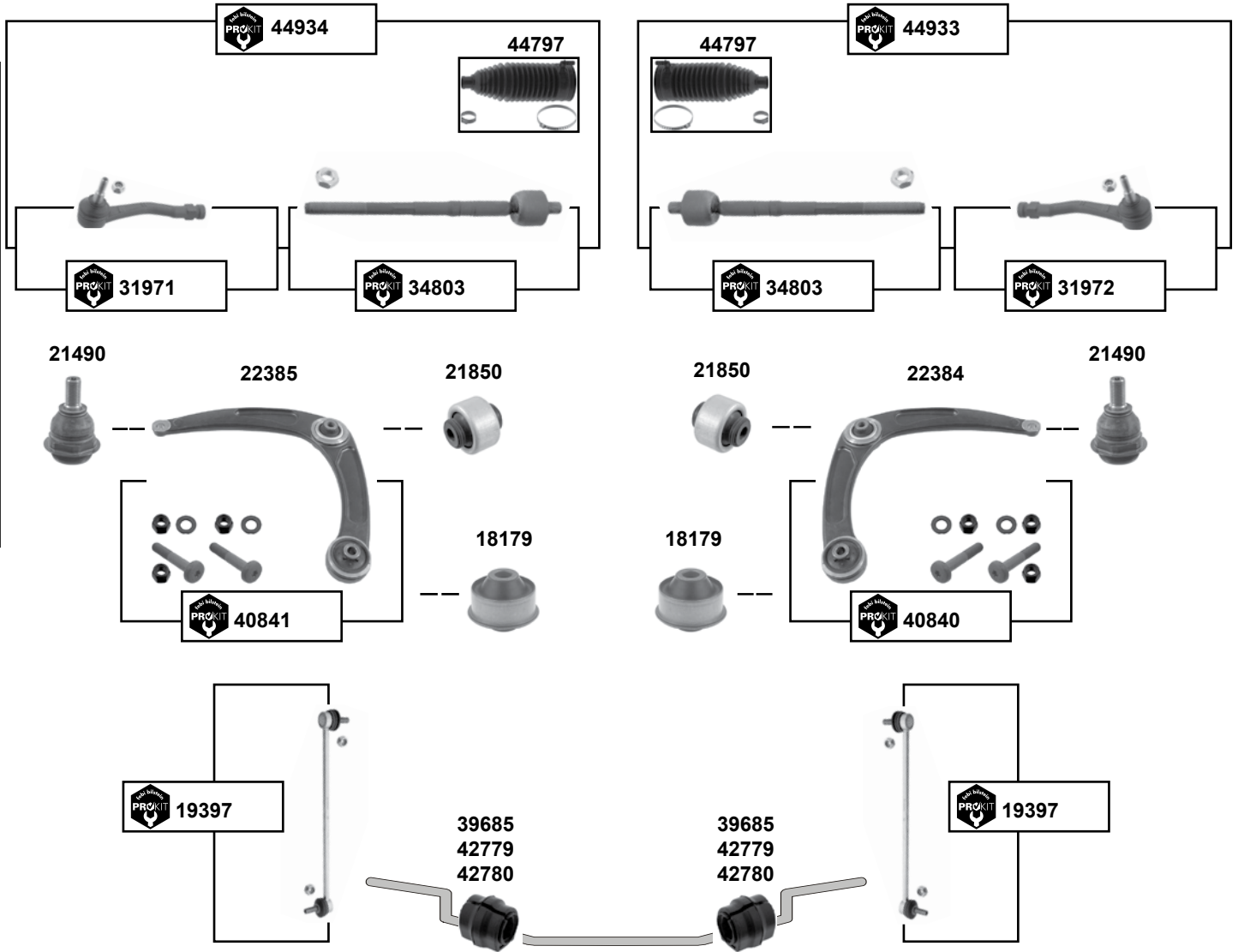
Ref. - No.	Description	Quantity	Notes
09317	3817.50 ProKit Spurstangenendstück / tie rod end		
11423	5087.61 ProKit Verbindungsstange / stabilizer link		
18042	4066.22 Lenkmanschette / steering boot		
18043	4066.43 Lenkmanschette / steering boot		
18424	3520.V3 Querlenker / control arm	(1)	
18425	3521.R4 Querlenker / control arm	(1)	
21818	5094.77 Stabilisatorlager / stabilizer mount		Ø 122
23405	3523.83 Querlenkerlager / control arm mount		
27432	3812.C6 ProKit Axialgelenk / axial joint		→ O 10016
39198	4066.43 S1 Rep. Satz Lenkmanschette / rep. kit steering boot	(ex.)	servo
39294	3812.C6 S2 ProKit Spurstange / tie rod	(2)	
39295	3812.C6 S1 ProKit Spurstange / tie rod	(2)	





**Berlingo III**  
(2008 →)

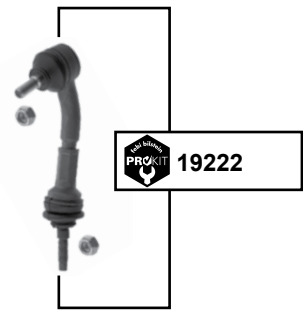
Vorderachse / Front axle



Ref. - No.	Part Description	Dimensions
18179	Querlenkerlager / control arm mount	Ø A 55
19397	ProKit Verbindungsstange / stabilizer link	L 335
21490	Traggelenk / ball joint	
21850	Querlenkerlager / control arm mount	Ø A 55
22384	Querlenker / control arm	
22385	Querlenker / control arm	
31971	ProKit Spurstangenendstück / tie rod end	M10 x 1,5
31972	ProKit Spurstangenendstück / tie rod end	M10 x 1,5
34803	ProKit Axialgelenk / axial joint	L 280
39685	Stabilisatorlager / stabilizer mount	Ø I 24,5
40840	ProKit Querlenker / control arm	
40841	ProKit Querlenker / control arm	
42779	Stabilisatorlager / stabilizer mount	Ø I 25
42780	Stabilisatorlager / stabilizer mount	Ø I 24
44797	Rep. Satz Lenkmanschette / rep. kit steering boot	L187,4
44933	ProKit Spurstange / tie rod	
44934	ProKit Spurstange / tie rod	



**BX**  
(1982 → 1994)



Vorderachse / Front axle



Ref. - No.



**11417**  
**19222**

3640.21  
95 597 955

ProKit Tragelenk / ball joint  
ProKit Verbindungsstange / stabilizer link

L 145

passend für / to fit

**CITROËN**



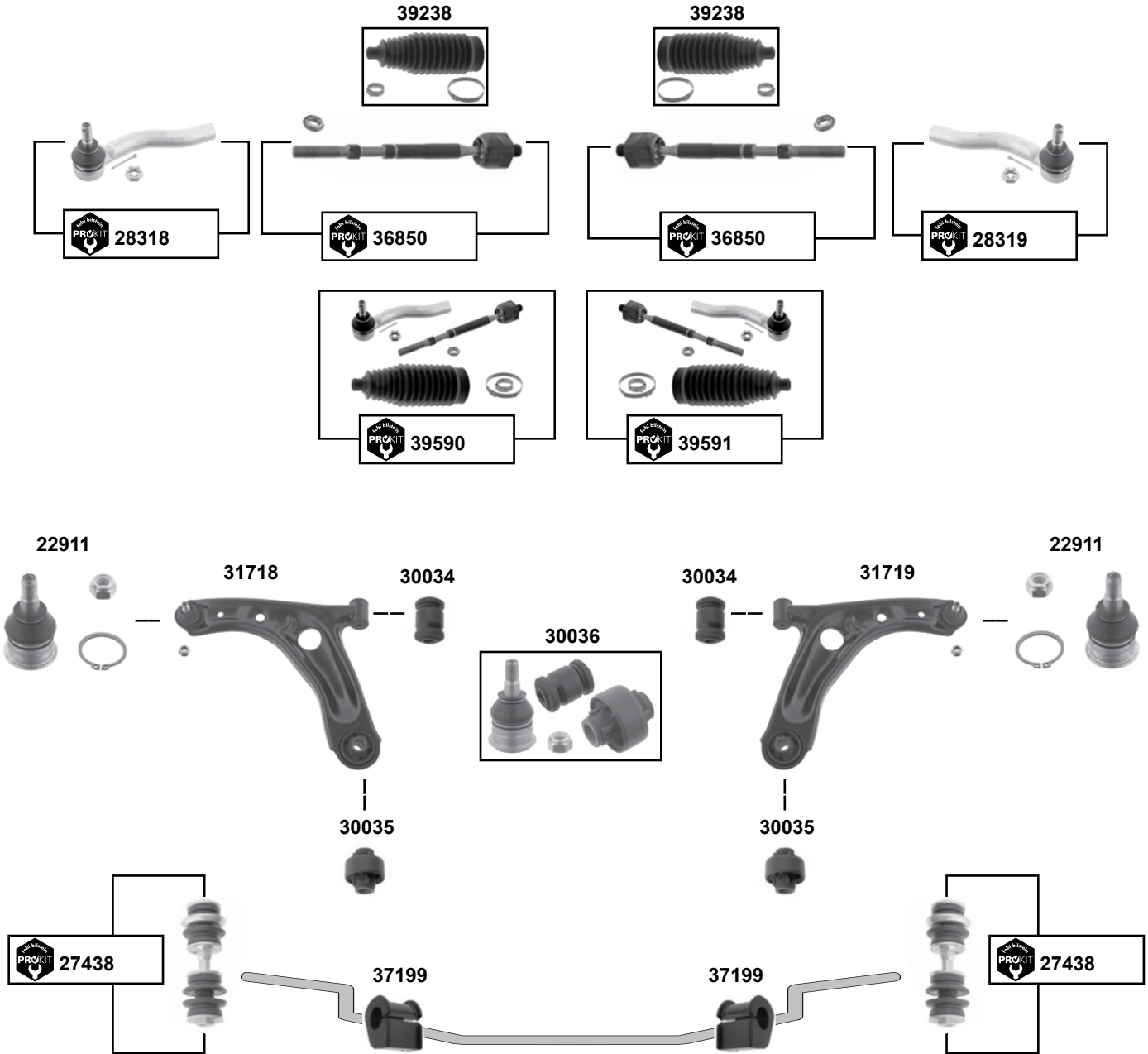
**Car  
Division**



**C1**

(2005→)

Vorderachse / Front axle



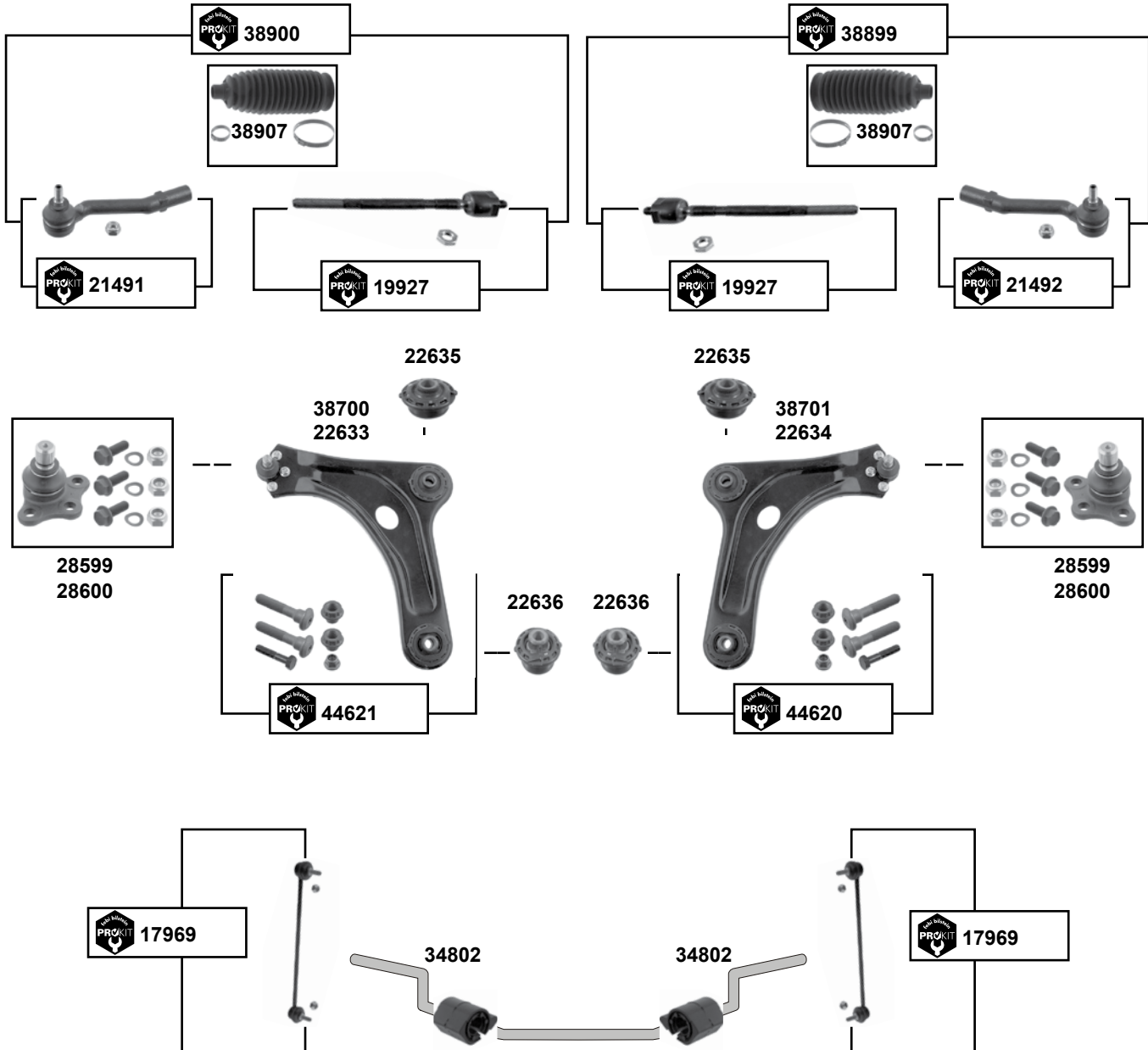


	Ref. - No.			
<b>22911</b>	3520.QS S1	Traggelenk / ball joint		M12 x 1,25
<b>27438</b>	5091.10 S1	ProKit Verbindungsstange / stabilizer link		L 92
<b>28318</b>	3817.63	ProKit Spurstangenendstück / tie rod end		M12 x 1,25
<b>28319</b>	3817.64	ProKit Spurstangenendstück / tie rod end		M12 x 1,25
<b>30034</b>	3520.Q2 S2	Querlenkerlager / control arm mount		Ø A 33
<b>30035</b>	3520.Q2 S3	Querlenkerlager / control arm mount		Ø A 57,3
<b>30036</b>	3520.Q2 S4	Rep. Satz Querlenker / rep. kit control arm		
<b>31718</b>	3520.Q2	Querlenker / control arm		M12 x 1,25
<b>31719</b>	3521.L3	Querlenker / control arm		M12 x 1,25
<b>36850</b>	4001.33 S1	ProKit Axialgelenk / axial joint		L 223
<b>37199</b>	5094.A8	Stabilisatorlager / stabilizer mount		Ø I 22
<b>39238</b>	4066.A3	Rep. Satz Lenkmanschette / rep. kit steering boot		L 170
<b>39590</b>	4001.33 S2	ProKit Spurstange / tie rod		
<b>39591</b>	4001.33 S3	ProKit Spurstange / tie rod		



## C2 (2003 → 2010)

Vorderachse / Front axle





- (1) → 03/10 (mot.) TU1JP / TU3JP / TU5JP4 / ET3J4 / TU1A / TU5JP4S / TU3A / DV4TD / DV6TED4
- (2) → 10/09 (mot.) TU5JP4 → O 10037
- (3) (mot.) TU5JP4S → O 10935
- (4) (mot.) DV4TD , TU5JP4 → O.10562 // (mot.) DV4TD +14 / 15 Zoll O. 10563 - 10961 // (mot.) DV4TD +16 Zoll O. 10563 - 10926 // (mot.) TU5JP4 +16 Zoll / 14 Zoll / 15 Zoll O. 10563 - 10935 // (mot.) TU5JP4 +14 / 15 Zoll O. 10563 - 10935 // (mot.) TU3A , TU3JP, TU1A , TU1JP , ET3J4 → O.10969

	Ref. - No.			
<b>17969</b>	5087.74	ProKit Verbindungsstange / stabilizer link	(1)	L 335
<b>19927</b>	3812.E1	ProKit Axialgelenk / axial joint		L 257
<b>21491</b>	3817.55	ProKit Spurstangenendstück / tie rod end		M14 x 1,5
<b>21492</b>	3817.56	ProKit Spurstangenendstück / tie rod end		M14 x 1,5
<b>22633</b>	3520.V1 S1	Querlenker / control arm	(4)	
<b>22634</b>	3521.R2 S1	Querlenker / control arm	(4)	
<b>22635</b>	3523.98	Querlenkerlager / control arm mount		
<b>22636</b>	3523.AA	Querlenkerlager / control arm mount		Ø   18
<b>28599</b>	3640.62	Traggelenk / ball joint	(ex.) (mot.) 1,6 HDi / VTS	
<b>28600</b>	3640.66	Traggelenk / ball joint	(mot.) 1,6 HDi / VTS	
<b>34802</b>	5094.96	Stabilisatorlager / stabilizer mount	(2)	Ø   20
<b>38700</b>	3520.L9	Querlenker / control arm	(3) 04/05 → 12/09	
<b>38701</b>	3521.J1	Querlenker / control arm	(3) 04/05 → 12/09	
<b>38899</b>	3812.E1 S1	ProKit Spurstange / tie rod		
<b>38900</b>	3812.E1 S2	ProKit Spurstange / tie rod		
<b>38907</b>	4066.69	Rep. Satz Lenkmanschette / rep. kit steering boot		L 167,1
<b>44620</b>	3521.R2 S3	ProKit Querlenker / control arm	(3)	
<b>44621</b>	3520.V1 S3	ProKit Querlenker / control arm	(3)	

passend für / to fit

**CITROËN**



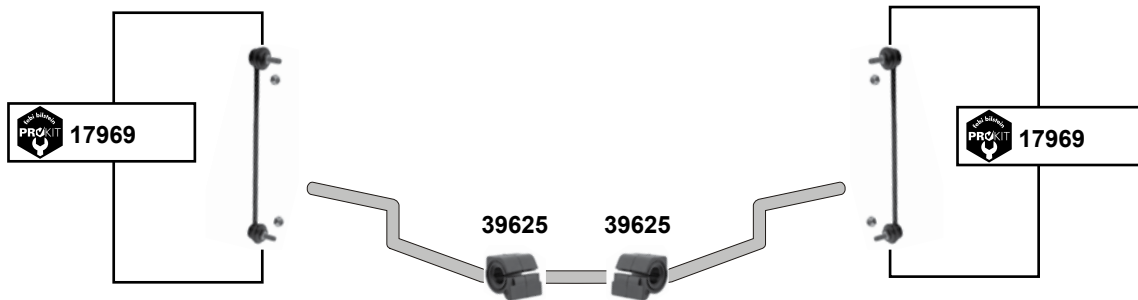
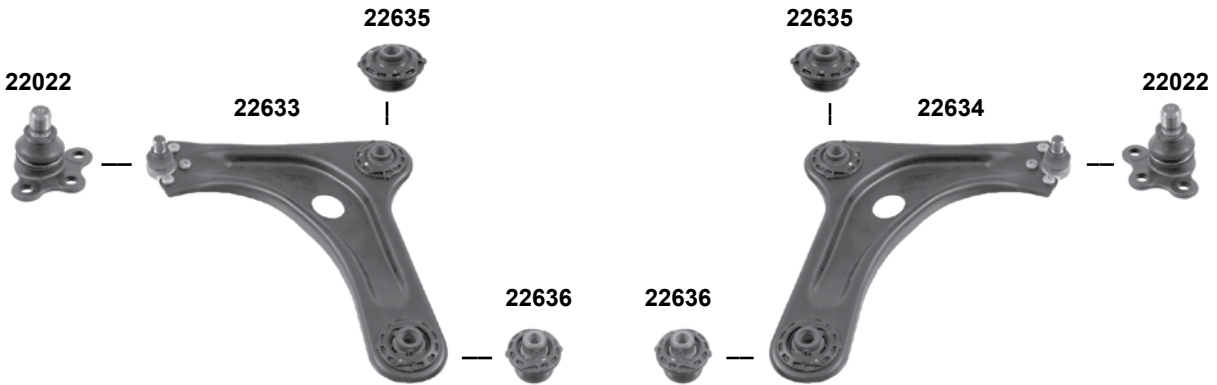
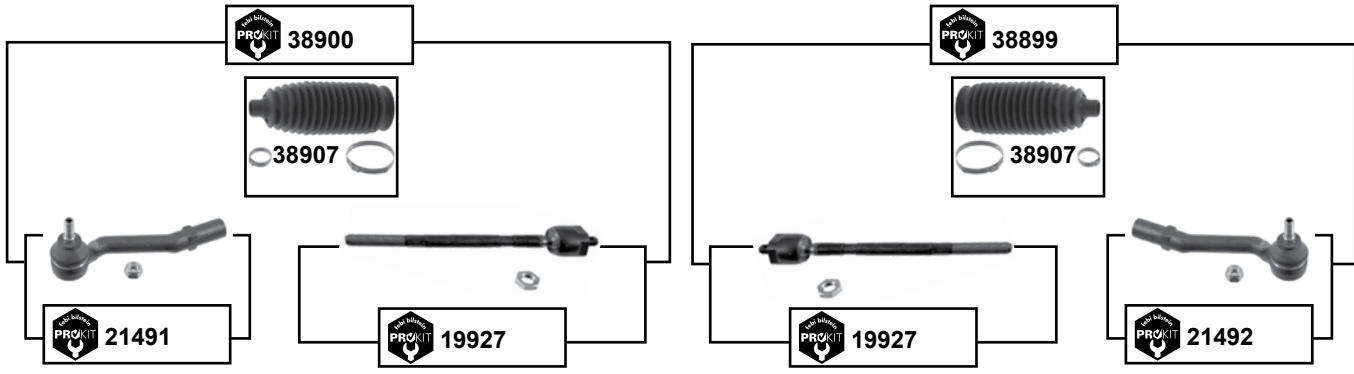
**Car  
Division**



# C3 I

(2002 → 2005)

Vorderachse / Front axle





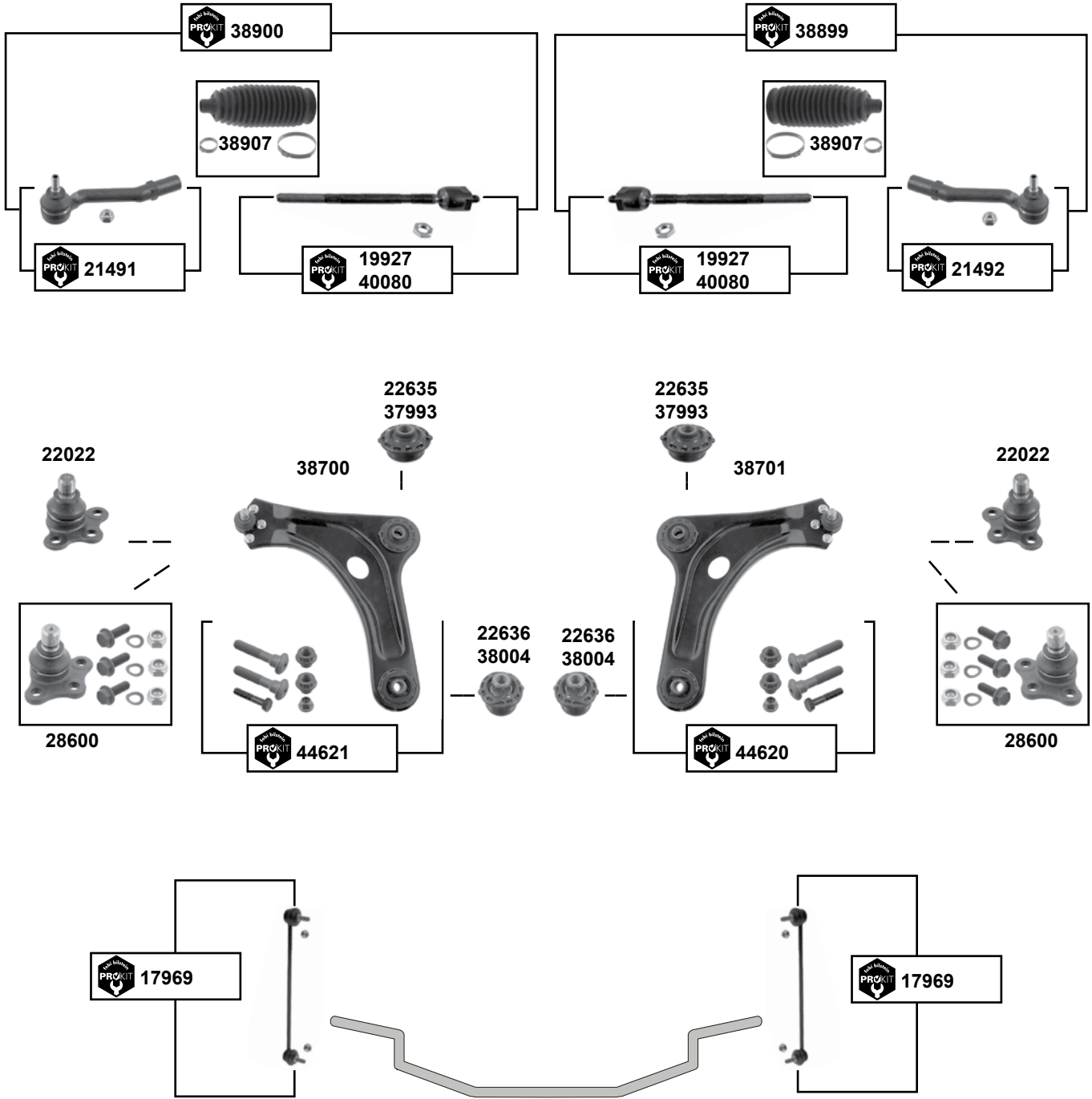
	Ref. - No.			
<b>17969</b>	5087.74	ProKit Verbindungsstange / stabilizer link		L 335
<b>19927</b>	3812.E1	ProKit Axialgelenk / axial joint		L 257
<b>21491</b>	3817.55	ProKit Spurstangenendstück / tie rod end		M14 x 1,5
<b>21492</b>	3817.56	ProKit Spurstangenendstück / tie rod end		M14 x 1,5
<b>22022</b>	3640.65	Traggelenk / ball joint		
<b>22633</b>	3520.L4	Querlenker / control arm		
<b>22634</b>	3521.H6	Querlenker / control arm		
<b>22635</b>	3523.98	Querlenkerlager / control arm mount		
<b>22636</b>	3523.AA	Querlenkerlager / control arm mount		Ø I 18
<b>38899</b>	3812.E1 S1	ProKit Spurstange / tie rod		
<b>38900</b>	3812.E1 S2	ProKit Spurstange / tie rod		
<b>38907</b>	4066.69	Rep. Satz Lenkmanschette / rep. kit steering boot		L 167,1
<b>39625</b>	5094.91	Stabilisatorlager / stabilizer mount	→ O 10037	Ø I 19





## C3 II (2005 → 2009)

Vorderachse / Front axle



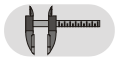


**C3 II**  
(2005 → 2009)

- (1) (mot.) TU3JP / TU5JP4 / DVATED4 / ET3J4 / TU1A / TU3A / DV4TD / DV6TED4 FAP
- (2) (mot.) TU5JP4 nur BVM / (ex.) (mot.) DV6ATED4      (3) (mot.) TU5JP4 , ET3J4, TU3JP, TU3A, DV4TD
- (4) (mot.) TU5JP4 BVM / ET3J4 / TU3JP / TU3A / DV4TD
- (5) (mot.) TU5JP4 , (mot.) DV6TED4 / DV6ATED4
- (6) (mot.) TU5JP4 AL4 +16Zoll / 16 inch O. 10563 - 10912 / (mot.) DV6ATED4 , ET3J4 +16 Zoll / 16 inch → O. 10912  
(mot.) DVTED4 → O. 10912



Ref. - No.

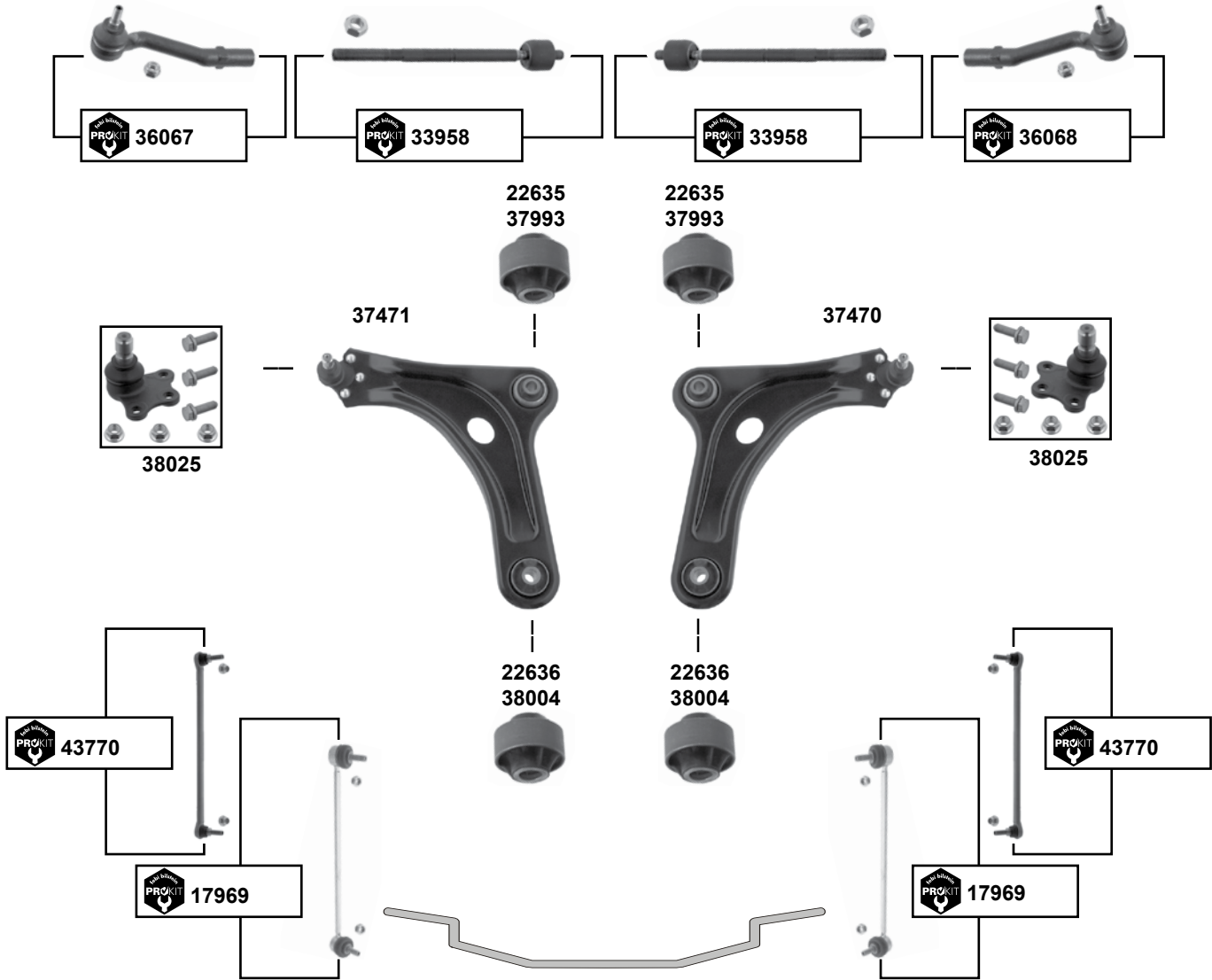


	Ref. - No.			
17969	5087.74	ProKit Verbindungsstange / stabilizer link	(1)	L 335
19927	3812.E1	ProKit Axialgelenk / axial joint	(2)	L 257
21491	3817.55	ProKit Spurstangenendstück / tie rod end	(2)	M14 x 1,5
21492	3817.56	ProKit Spurstangenendstück / tie rod end	(2)	M14 x 1,5
22022	3640.65	Traggelenk / ball joint		
22635	3523.98	Querlenkerlager / control arm mount	→ O 10912	
22636	3523.AA	Querlenkerlager / control arm mount	→ O 10912	Ø I 18
28600	3640.66	Traggelenk / ball joint	(mot.) 1,6 HDi / VTS	
37993	3523.EA	Querlenkerlager / control arm mount		Ø A 55
38004	3523.EE	Querlenkerlager / control arm mount		Ø A 55
38700	3520.L9	Querlenker / control arm	(6)	
38701	3521.J1	Querlenker / control arm	(6)	
38899	3812.E1 S1	ProKit Spurstange / tie rod	(4)	
38900	3812.E1 S2	ProKit Spurstange / tie rod	(4)	
38907	4066.69	Rep. Satz Lenkmanschette / rep. kit steering boot	(3)	L 167,1
40080	3812.E6	ProKit Axialgelenk / axial joint	(5)	L 255
44620	3521.R2 S3	ProKit Querlenker / control arm	(6)	
44621	3520.V1 S3	ProKit Querlenker / control arm	(6)	



## C3 II (2009 →)

Vorderachse / Front axle



(1) → O 12389  
O 12390 - 13523 (ex.) kalte Länder / (ex.) cold countries



Ref. - No.

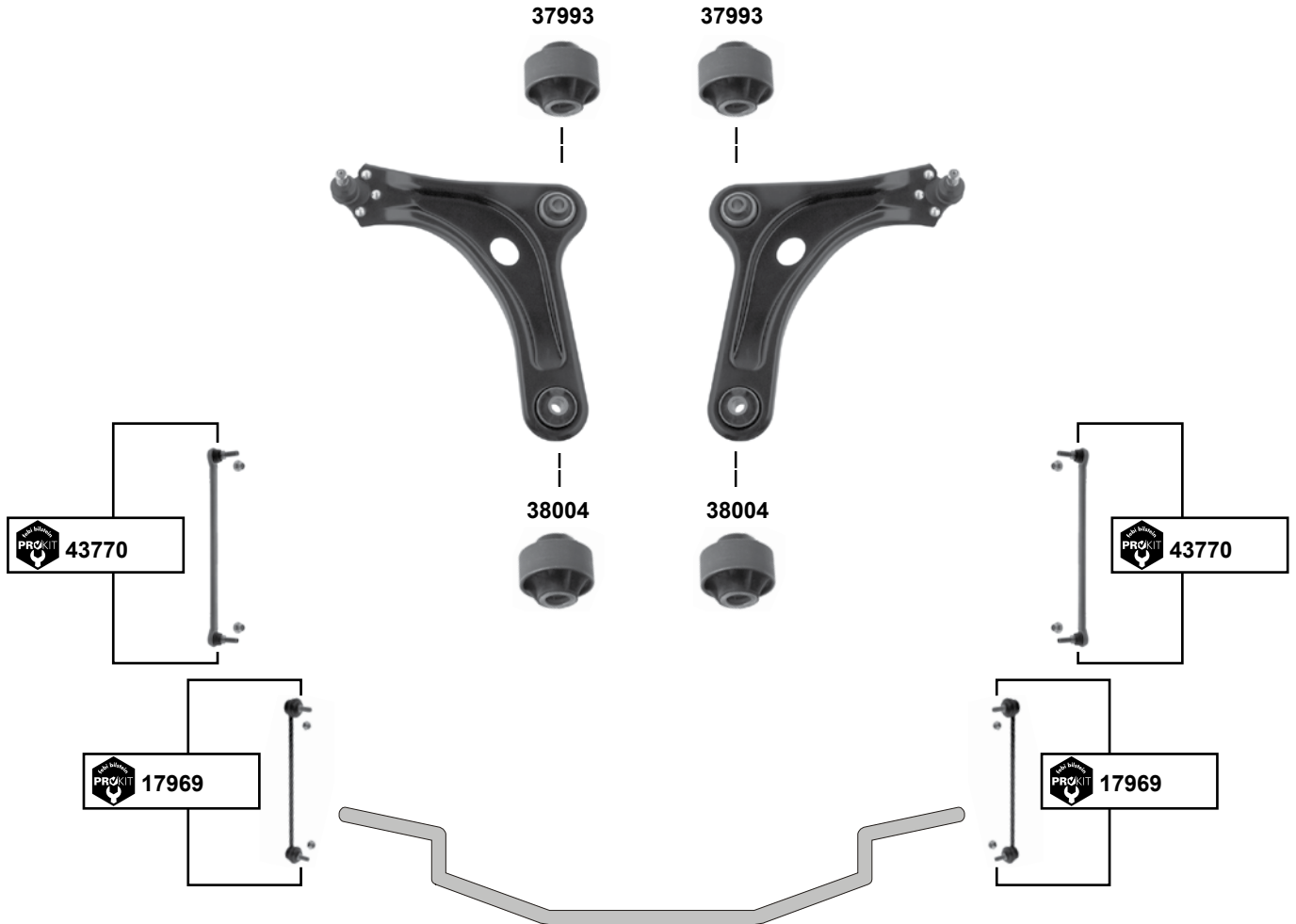


17969	5087.74	ProKit Verbindungsstange / stabilizer link	alle / all / O 12390 →	L 335
22635	3523.98	Querlenkerlager / control arm mount	→ O 10912	
22636	3523.AA	Querlenkerlager / control arm mount	→ O 10912	
33958	3812.F6	ProKit Axialgelenk / axial joint		L 263
36067	3817.92	ProKit Spurstangenendstück / tie rod end		M14 x 1,5
36068	3817.91	ProKit Spurstangenendstück / tie rod end		M14 x 1,5
37470	3520.W7	Querlenker / control arm	(ex.) EP6C, DV6DTE	
37471	3521.S9	Querlenker / control arm	(ex.) EP6C, DV6DTE	
37993	3523.EA	Querlenkerlager / control arm mount		Ø A 55
38004	3523.EE	Querlenkerlager / control arm mount		Ø A 55
38025	3640.77 S1	Traggelenk / ball joint	12 →	M10 x 1,5
43770	5087.71	ProKit Verbindungsstange / stabilizer link	(1)	L 330 M10x1,5



**C3 III**  
(2009 →)

Vorderachse / Front axle



(1) → O 12389  
O 12390 - 13523 (ex.) kalte Länder / (ex.) cold countries



Ref. - No.



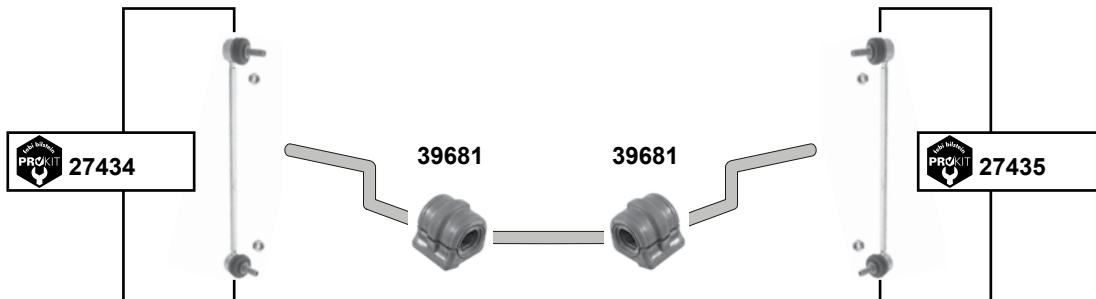
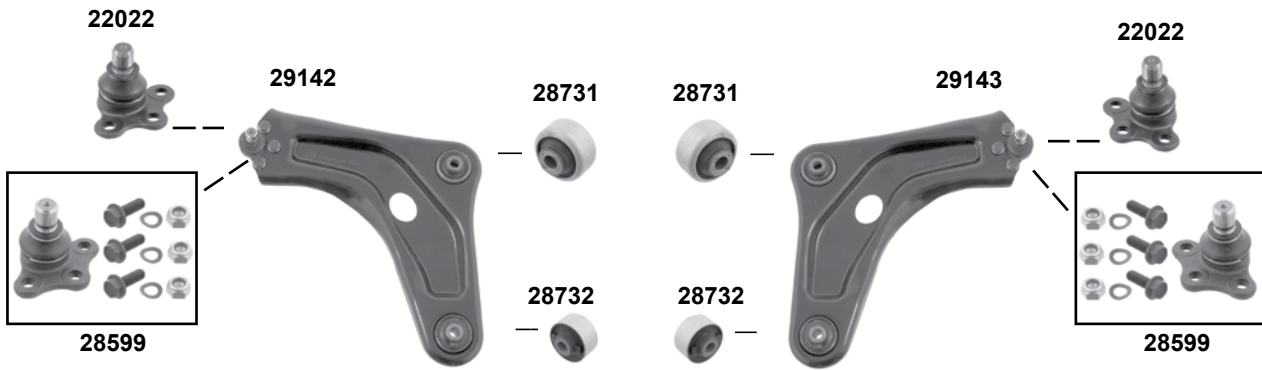
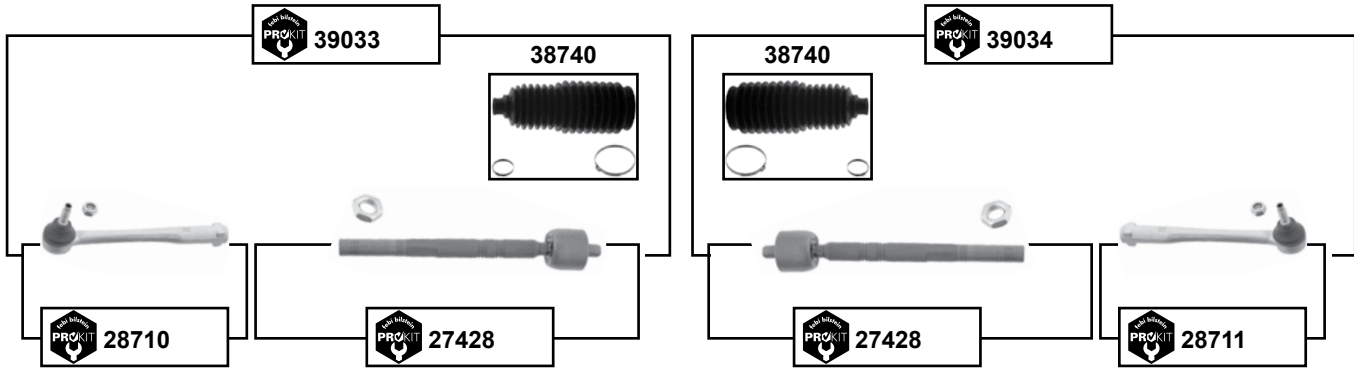
17969	5087.74	ProKit Verbindungsstange / connecting rod	O 12390 →	L 335
37993	3523.EA	Querlenkerlager / control arm mount	DS3	Ø A 55
38004	3523.EE	Querlenkerlager / control arm mount	DS3	Ø A 55
43770	5087.71	ProKit Verbindungsstange / connecting rod	(1) DS3	L 330 M10x1,5



## C3 Picasso

(2009 →)

Vorderachse / Front axle





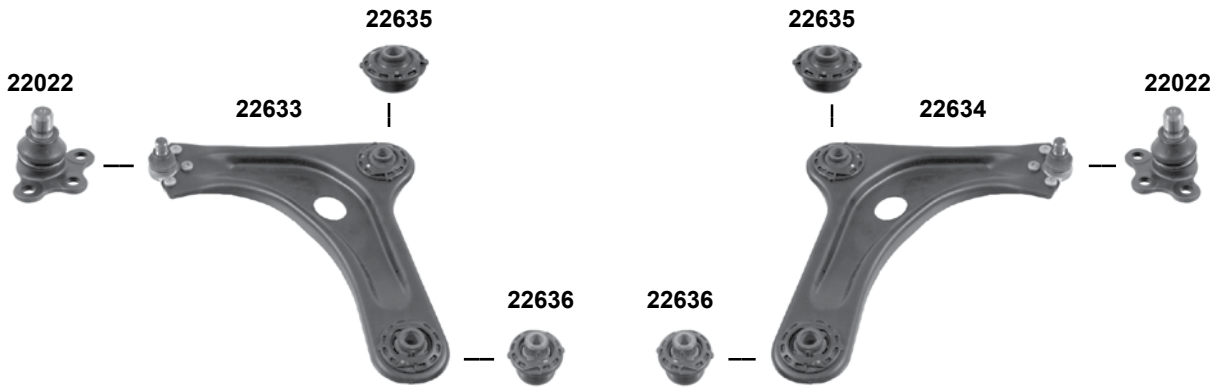
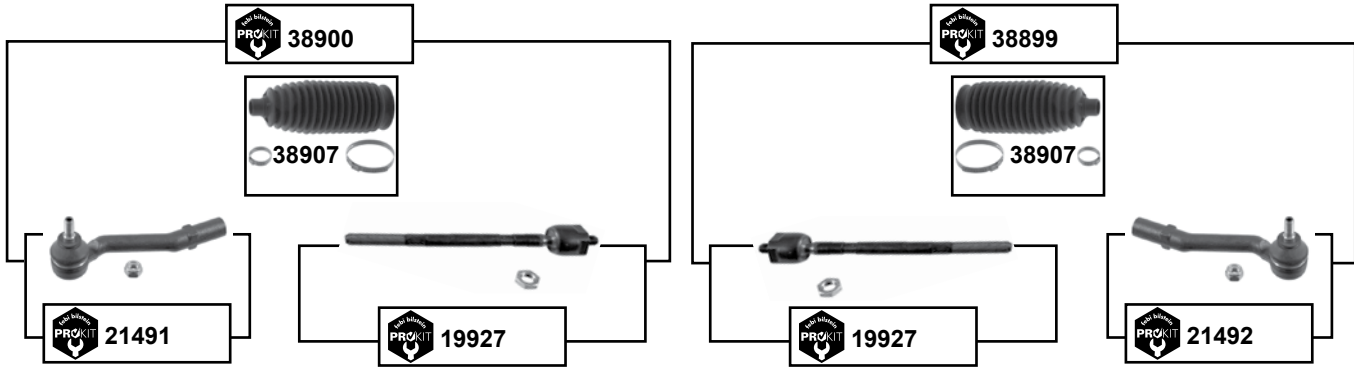
**C3 Picasso**  
(2009 →)

	Ref. - No.			
<b>22022</b>	3640.65	Traggelenk / ball joint	normale Aufhängung	
<b>27428</b>	3812.E8	ProKit Axialgelenk / axial joint		L 213
<b>27434</b>	5087.69	ProKit Verbindungsstange / stabilizer link		L 330 M10x1,5
<b>27435</b>	5087.68	ProKit Verbindungsstange / stabilizer link		L 330 M10x1,5
<b>28599</b>	3640.62	Traggelenk / ball joint	verstärkte Aufhängung	
<b>28710</b>	3817.67	ProKit Spurstangenendstück / tie rod end		M10 x 1,25
<b>28711</b>	3817.68	ProKit Spurstangenendstück / tie rod end		M10 x 1,25
<b>28731</b>	3520.R7 S1	Querlenkerlager / control arm mount		Ø A 56
<b>28732</b>	3520.R7 S2	Querlenkerlager / control arm mount		Ø A 56
<b>29142</b>	3520.R7	Querlenker / control arm		
<b>29143</b>	3521.N8	Querlenker / control arm		
<b>38740</b>	4066.80	Rep. Satz Lenkmanschette / rep. kit steering boot		L 175
<b>39033</b>	3812.E8 S1	ProKit Spurstange / tie rod		
<b>39034</b>	3812.E8 S2	ProKit Spurstange / tie rod		
<b>39681</b>	5094.C5	Stabilisatorlager / stabilizer mount		Ø I 23

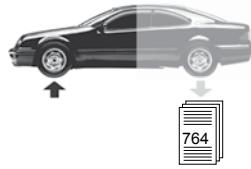


**C3 Pluriel**  
(2003 → 2010)

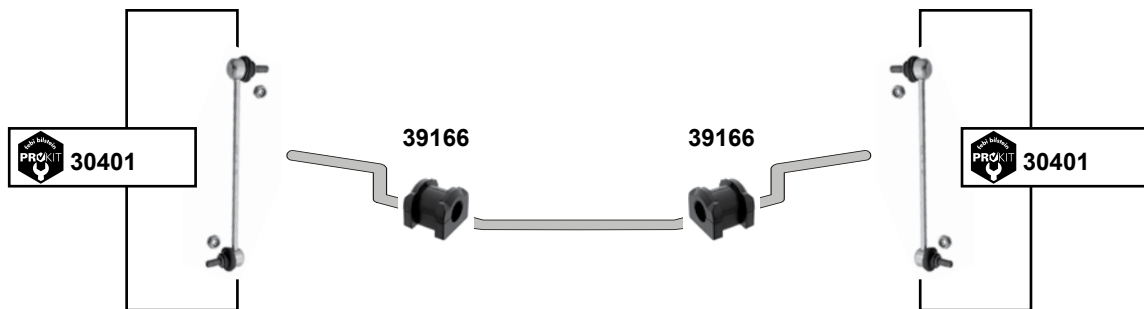
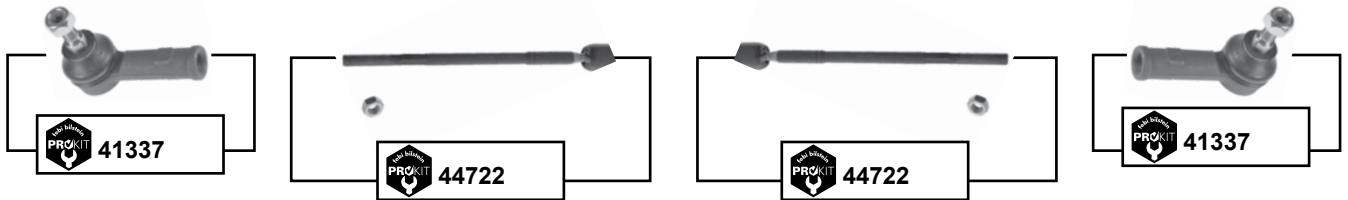
Vorderachse / Front axle



	Ref. - No.			
<b>17969</b>	5087.74	ProKit Verbindungsstange / stabilizer link		L 335
<b>19927</b>	3812.E1	ProKit Axialgelenk / axial joint		L 257
<b>21491</b>	3817.55	ProKit Spurstangenendstück / tie rod end		M14 x 1,5
<b>21492</b>	3817.56	ProKit Spurstangenendstück / tie rod end		M14 x 1,5
<b>22022</b>	3640.65	Traggelenk / ball joint		
<b>22633</b>	3520.L4	Querlenker / control arm		
<b>22634</b>	3521.H6	Querlenker / control arm		
<b>22635</b>	3523.98	Querlenkerlager / control arm mount		
<b>22636</b>	3523.AA	Querlenkerlager / control arm mount	→ O 10977	Ø I 18
<b>34802</b>	5094.96	Stabilisatorlager / stabilizer mount	→ O 10037	Ø I 20
<b>38899</b>	3812.E1 S1	ProKit Spurstange / tie rod		
<b>38900</b>	3812.E1 S2	ProKit Spurstange / tie rod		
<b>38907</b>	4066.69	Rep. Satz Lenkmanschette / rep. kit steering boot		L 167,1



**C4 Aircross**  
(2012 →)



Vorderachse / Front axle

	Ref. - No.			
<b>30401</b>	5087.58	ProKit Verbindungsstange / stabilizer link		L 265
<b>36286</b>	16 099 106 80	Querlenkerlager / control arm mount		
<b>38170</b>	3520.X9	Querlenker / control arm		
<b>38171</b>	3521.V0	Querlenker / control arm		
<b>39166</b>	5094.C6	Stabilisatorlager / stabilizer mount		Ø   21
<b>41337</b>	16 075 024 80	ProKit Spurstangenendstück / tie rod end		M10 x 1,25
<b>44722</b>	16 075 025 80	ProKit Axialgelenk / axial joint		M14 x 1,5

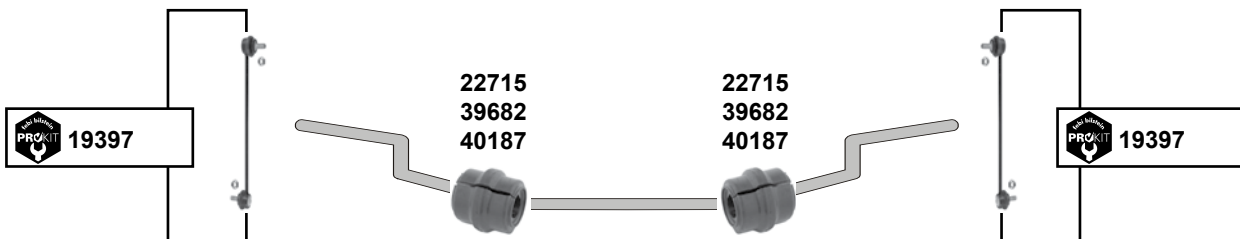
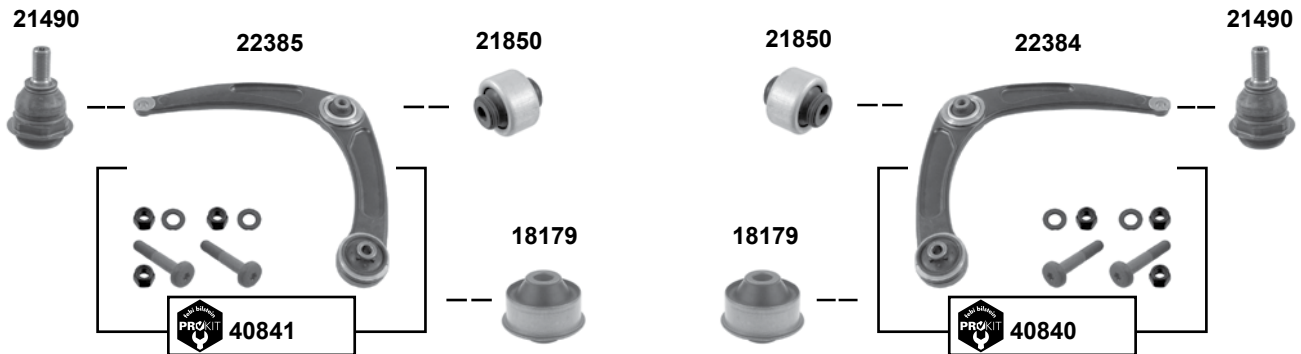
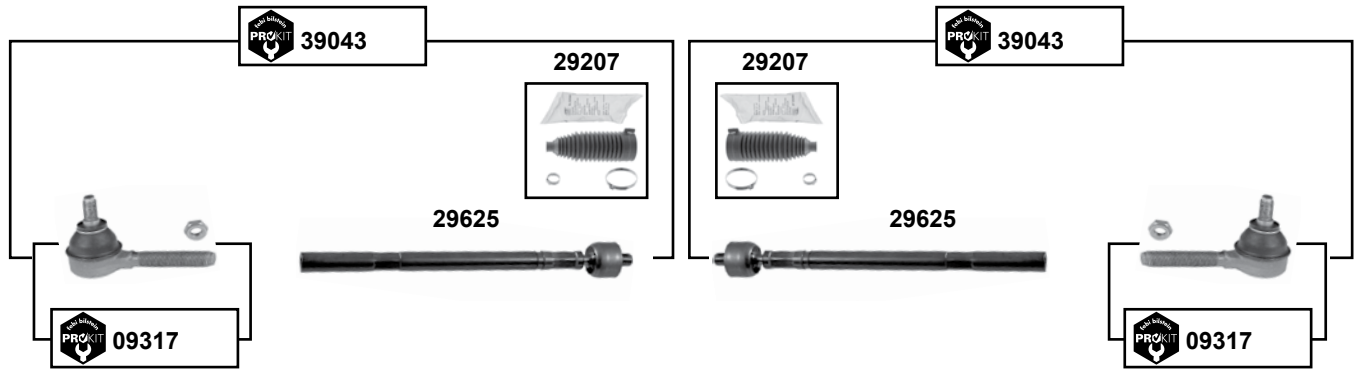
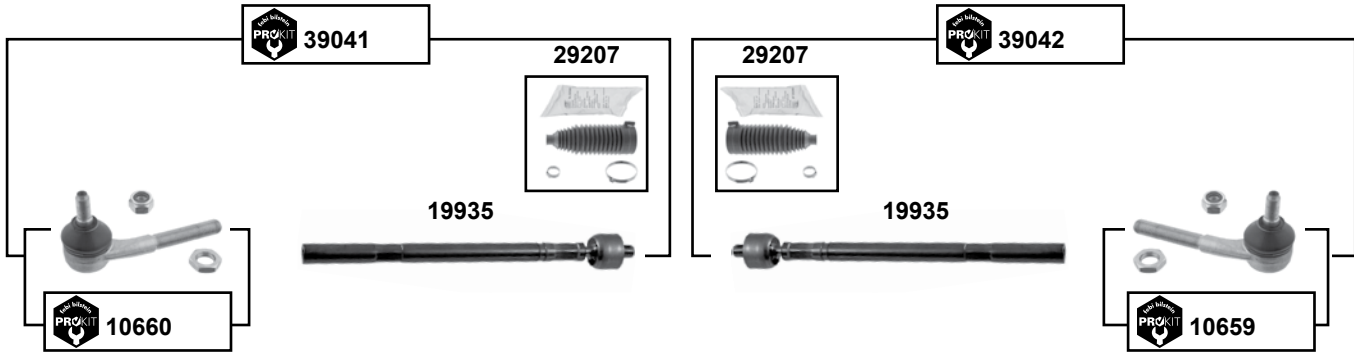




## C4 I

(2004 → 2009)

Vorderachse / Front axle





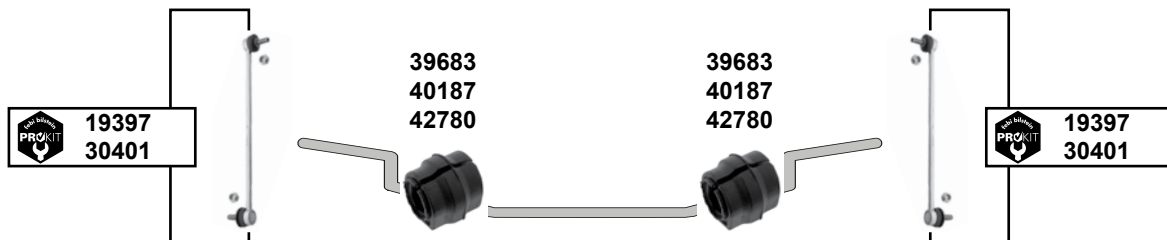
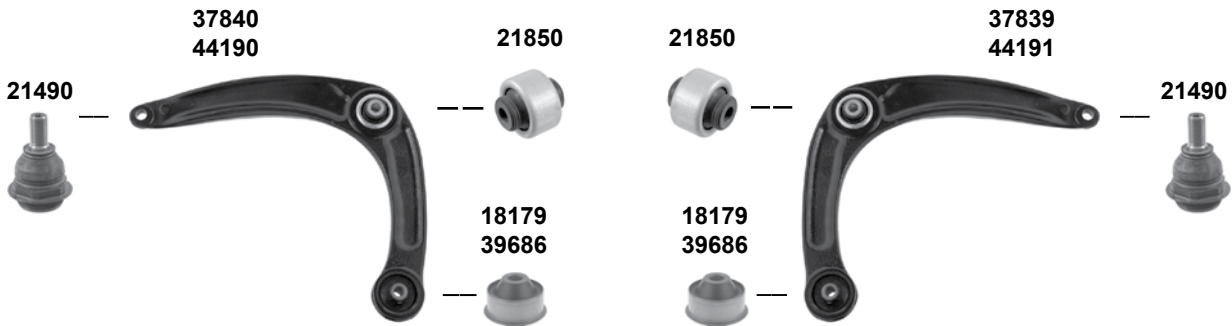
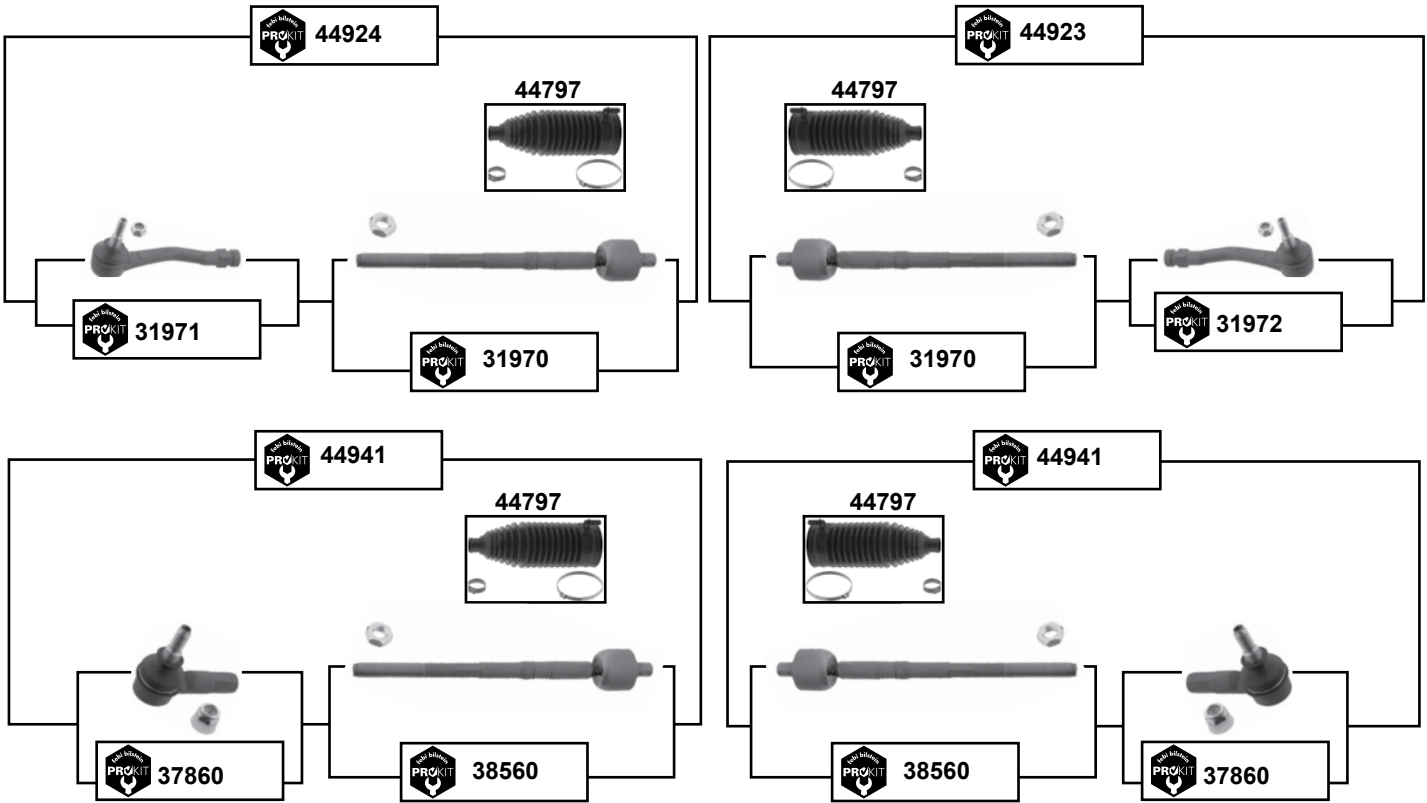
- (1) (mot.) DW10BTED4, EW10A O 10647UW →  
(mot.) ET3J4, DV6TED4, EW10J4, EW10A, EW10J4S, TU5JP4 O 11438 →
- (2) 05/05 → 08/07  
(mot.) DV6C M, DW10ATED4 / TU5JP4 O 11018 →  
(mot.) EW10A verstärkte Aufhängung / reinforced suspension O 11018 →

	Ref. - No.			
09317	3817.50	ProKit Spurstangenendstück / tie rod end	O 10311 →	
10659	3817.41	ProKit Spurstangenendstück / tie rod end	→ O 10310	M10 x 1,25
10660	3817.42	ProKit Spurstangenendstück / tie rod end	→ O 10310	M10 x 1,25
18179	3523.92	Querlenkerlager / control arm mount		Ø A 55
19397	98 049 474 80.77	ProKit Verbindungsstange / stabilizer link		L 335
19935	3812.E0	Spurstange / tie rod	→ O 10310	L340
21490	3640.73	Traggelenk / ball joint		
21850	3523.91	Querlenkerlager / control arm mount		Ø A 55
22384	3521.P3	Querlenker / control arm		
22385	3520.S2	Querlenker / control arm		
22715	5094.E0	Stabilisatorlager / stabilizer mount		Ø I 22
29207	4066.73	Rep. Satz Lenkmanschette / rep. kit steering boot	servo	L 187
29625	3812.E5	Spurstange / tie rod	O 10311 →	L 359
39041	3812.E0 S4	ProKit Spurstange / tie rod	→ O 10310	
39042	3812.E0 S5	ProKit Spurstange / tie rod	→ O 10310	
39043	3812.E5 S3	ProKit Spurstange / tie rod	O 10311 →	
39682	5094.E2	Stabilisatorlager / stabilizer mount	(1)	Ø I 22,5
40187	5094.E3	Stabilisatorlager / stabilizer mount	(2)	Ø I 23
40840	3521.P3 S1	ProKit Querlenker / control arm		
40841	3520.S2 S1	ProKit Querlenker / control arm		



## C4 II (B7) (2009 →)

Vorderachse / Front axle





**C4 II (B7)**  
(2009 →)



- (1) (mot.) EP6C, DV6C / (mot.) DW10CETD (ex.) 19 Zoll / inch
- (2) (mot.) EP6CDTX / (mot.) DW10CETD4 19 Zoll / inch
- (3) (mot.) DW, EW, EP6CDT MD, EP6CDT M O 13244 →
- (4) Coupe: (mot.) EP6C, DV6C / (mot.) DW10CETD (ex.) 19 Zoll / inch  
C4 II (B7) : alle / all



Ref. - No.



Ref. - No.	Description	Notes	Dimensions
18179	3523.92	Querlenkerlager / control arm mount	Ø A 55
19397	98 049 474 80	ProKit Verbindungsstange / stabilizer link	L 335
21490	3640.73	Traggelenk / ball joint	
21850	3523.91	Querlenkerlager / control arm mount	Ø A 55
30401	5087.58	ProKit Verbindungsstange / stabilizer link	L 265
31970	3812.F2	ProKit Axialgelenk / axial joint	L 213
31971	3817.89	ProKit Spurstangenendstück / tie rod end	M14 x 1,5
31972	3817.88	ProKit Spurstangenendstück / tie rod end	M14 x 1,5
37839	3521.R3	Querlenker / control arm	
37840	3520.V2	Querlenker / control arm	
37860	3817.73	ProKit Spurstangenendstück / tie rod end	M14 x 1,5
38560	3812.F8	ProKit Axialgelenk / axial joint	L 380
39683	5094.F2	Stabilisatorlager / stabilizer mount	Ø I 23,5
39686	3523.80	Querlenkerlager / control arm mount	Ø I 14,3 A55,5
40187	5094.E3	Stabilisatorlager / stabilizer mount	Ø I 23
42780	5094.E4	Stabilisatorlager / stabilizer mount	Ø I 24
44190	98 056 074 80	Querlenker / control arm	O 13244 →
44191	98 056 073 80	Querlenker / control arm	O 13244 →
44797	4066.82	Rep. Satz Lenkmanschette / rep. kit steering boot	L187,4
44923	3812.F2 S1	ProKit Spurstange / tie rod	(4)
44924	3812.F2 S2	ProKit Spurstange / tie rod	(4)
44941	3812.F8 S1	ProKit Spurstange / tie rod	(2) Coupe → 13

passend für / to fit

**CITROËN**

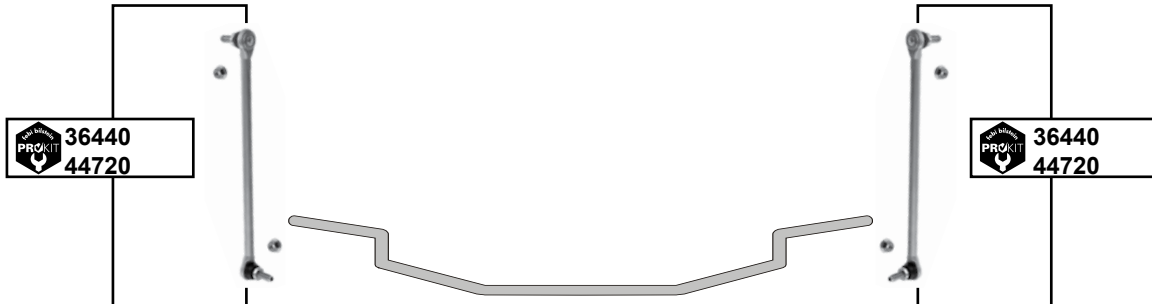
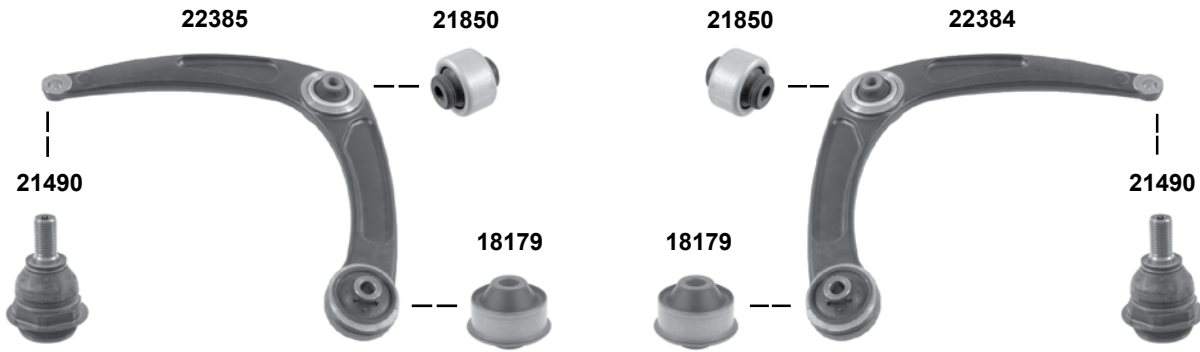
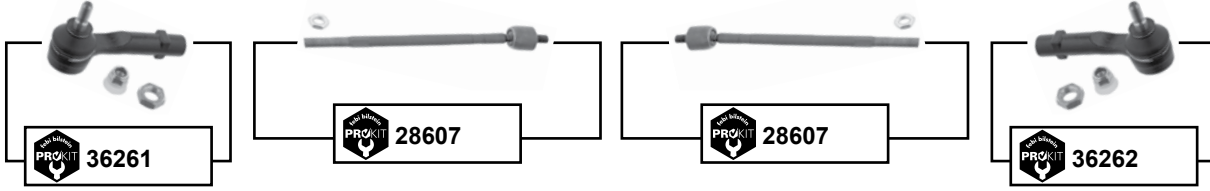


**Car  
Division**



# C4 I Grand Picasso

(2006 →)

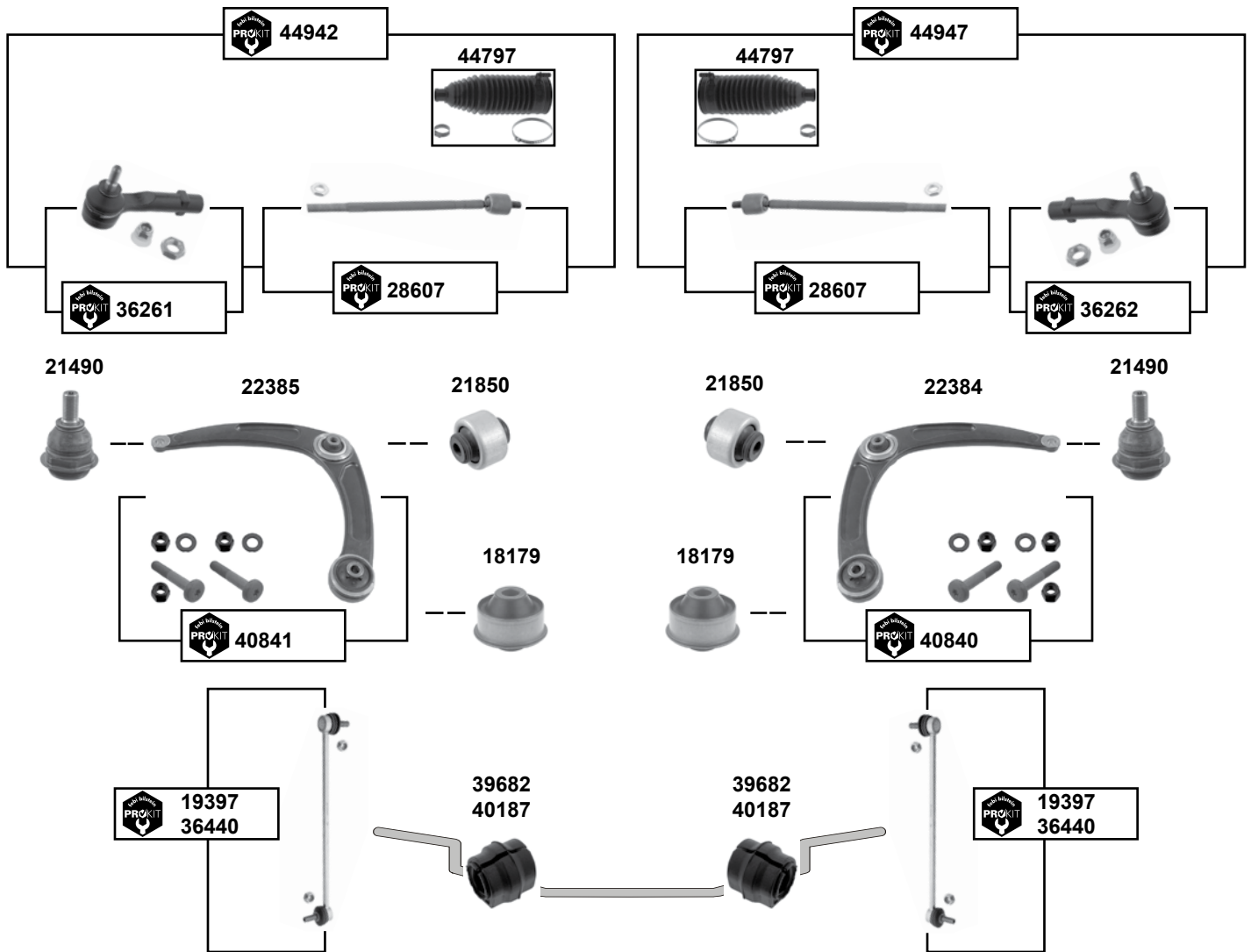


Vorderachse / Front axle

	Ref. - No.			
18179	3523.92	Querlenkerlager / control arm mount		Ø A 55
21490	3640.73	Traggelenk / ball joint		
21850	3523.91	Querlenkerlager / control arm mount		Ø A 55
22384	3521.P3	Querlenker / control arm		
22385	3520.S2	Querlenker / control arm		
28607	3812.E9	ProKit Axialgelenk / axial joint		L312 M14x1,5
36261	3817.71	ProKit Spurstangenendstück / tie rod end		M10 x 1,25
36262	3817.72	ProKit Spurstangenendstück / tie rod end		M10 x 1,25
36440	98 049 474 80	ProKit Verbindungsstange / stabilizer link		L 335
44720	98 069 071 80	ProKit Verbindungsstange / stabilizer link		



**C4 I Picasso**  
(2007 → 2013)



Vorderachse / Front axle

	Ref. - No.			
18179	3523.92	Querlenkerlager / control arm mount		A Ø 55
19397	98 049 474 80	ProKit Verbindungsstange / stabilizer link		L 335
21490	3640.73	Traggelenk / ball joint		
21850	3523.91	Querlenkerlager / control arm mount		A Ø 55
22384	3521.P3	Querlenker / control arm		
22385	3520.S2	Querlenker / control arm		
28607	3812.E9	ProKit Axialgelenk / axial joint		L 312 M14x1,5
36261	3817.71	ProKit Spurstangenendstück / tie rod end		M10 x 1,25
36262	3817.72	ProKit Spurstangenendstück / tie rod end		M10 x 1,25
36440	98 049 474 80	ProKit Verbindungsstange / stabilizer link	→ O 13024	L 335
39682	5094.E2	Stabilisatorlager / stabilizer mount	O 11410 →	Ø I 22,5
40187	5094.E3	Stabilisatorlager / stabilizer mount	03/10 →	Ø I 23
40840	3521.P3 S1	ProKit Querlenker / control arm		
40841	3520.S2 S1	ProKit Querlenker / control arm		
44797	4066.82	Rep. Satz Lenkmanschette / rep. kit steering boot		L187,4
44942	3812.E9 S1	ProKit Spurstange / tie rod		
44947	3812.E9 S2	ProKit Spurstange / tie rod		

passend für / to fit

**CITROËN**



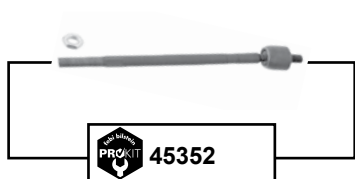
**Car  
Division**



## C4 II Picasso / Grand Picasso

(2013 →)

Vorderachse / Front axle



Ref. - No.



**44720** 98 069 071 80  
**45352** 16 108 176 80

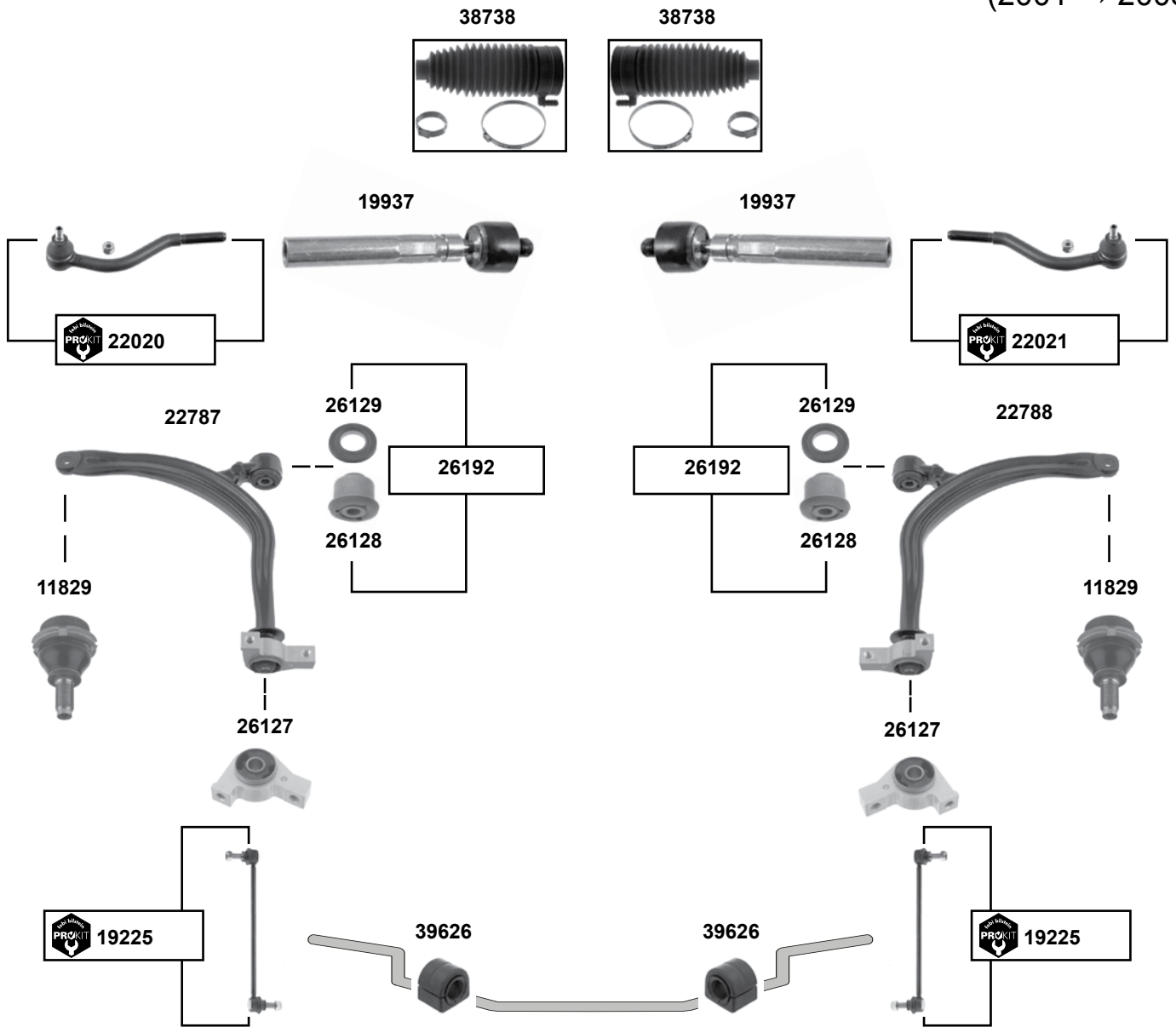
ProKit Verbindungsstange / stabilizer link  
ProKit Spurstange / tie rod

M10 x 1,5  
M14 x 1,5



**C5 I + II**  
(2001 → 2008)

Vorderachse / Front axle



(1) C5 I Break alle / all ; C5 I alle / all (ex.) (mot.) ES9J4S ;  
C5 II Break alle / all (ex.) (mot.) DW12BTED4, ES9A ; C5 II alle / all



Ref. - No.



Ref. - No.	Description	Notes	Dimensions
11829	3640.34 Traggelenk / ball joint		M14 x 1,5
19225	5087.60 ProKit Verbindungsstange / stabilizer link		L 200
19937	3812.C8 Spurstange / tie rod		
22020	3817.59 ProKit Spurstangenendstück / tie rod end		
22021	3817.60 ProKit Spurstangenendstück / tie rod end		
22787	3520.K3 Querlenker / control arm	→ O 9949	
22788	3521.G3 Querlenker / control arm	→ O 9949	
26127	3523.AR Querlenkerlager / control arm mount		
26128	3523.84 Querlenkerlager / control arm mount		
26129	3523.87 Querlenkerlager / control arm mount		
26192	3523.84 S1 Rep. Satz Querlenkerlager / rep. kit control arm mount		
38738	4066.74 Rep. Satz Lenkmanschette / rep. kit steering boot		L 175
39626	5094.83 Stabilisatorlager / stabilizer mount	(1)	Ø   23,5



passend für / to fit

**CITROËN**



**Car  
Division**



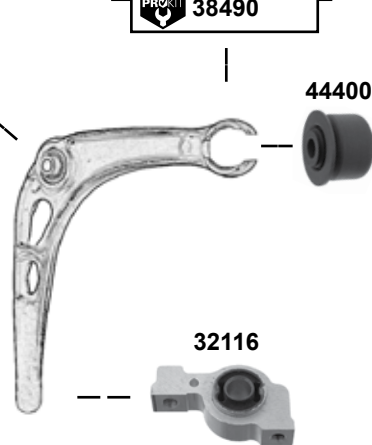
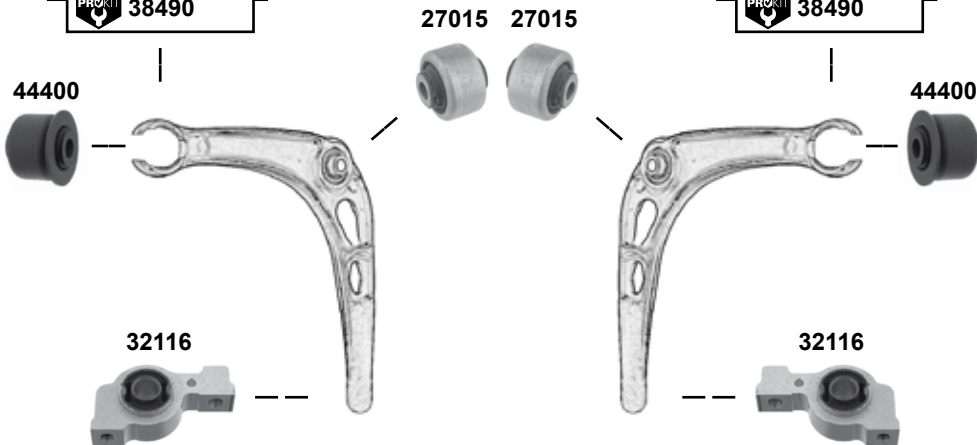
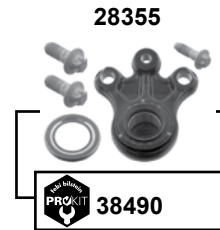
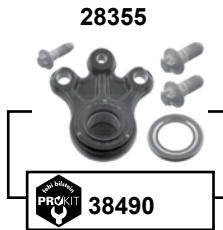
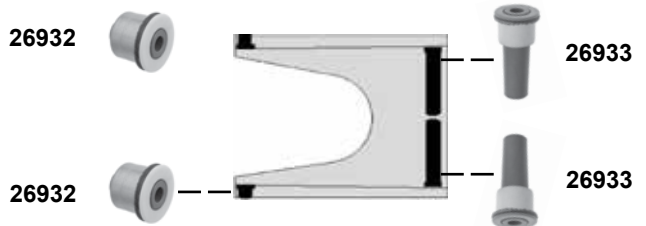
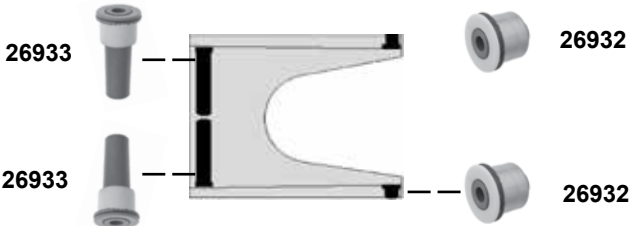
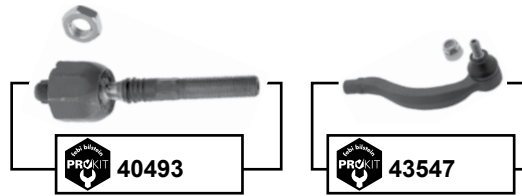
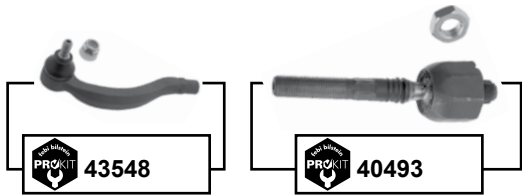
**C5 III**  
(2008 →)

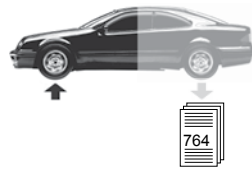
Vorderachse / Front axle

28356

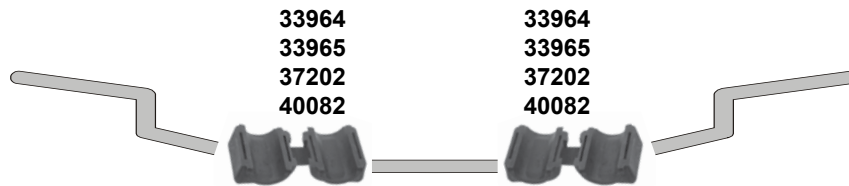


28356





**C5 III**  
(2008 →)

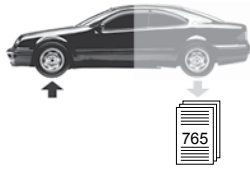


Vorderachse / Front axle

	Ref. - No.			
<b>26932</b>	3523.CA	Querlenkerlager / control arm mount		
<b>26933</b>	3523.AZ	Querlenkerlager / control arm mount		
<b>27015</b>	3523.AQ	Querlenkerlager / control arm mount		
<b>28355</b>	3640.69	Traggelenk / ball joint		Ø A 56
<b>28356</b>	3640.74	Traggelenk / ball joint		M14/42x1,5
<b>32116</b>	3520.W2 S1	Querlenkerlager / control arm mount		
<b>33964</b>	5094.A1	Stabilisatorlager / stabilizer mount		Ø I 24
<b>33965</b>	5094.99	Stabilisatorlager / stabilizer mount		Ø I 25
<b>37202</b>	5094.A0	Stabilisatorlager / stabilizer mount		Ø I 24,5
<b>38490</b>	3640.69 S1	ProKit Traggelenk / ball joint		M14/10x1,5
<b>40082</b>	5094.98	Stabilisatorlager / stabilizer mount		Ø I 23,5
<b>40493</b>	3812.F3	ProKit Axialgelenk / axial joint		L 145
<b>43547</b>	16 099 483 80	ProKit Spurstangenendstück / tie rod end		M12 x 1,5
<b>43548</b>	16 099 482 80	ProKit Spurstangenendstück / tie rod end		M12 x 1,5
<b>44400</b>	3656.04 S1	Achsschenkellager / steering knuckle bearing		Ø A 40
<b>44480</b>	3656.04 S2	ProKit Achsschenkellagersatz / knuckle top bearing kit		

passend für / to fit

**CITROËN**



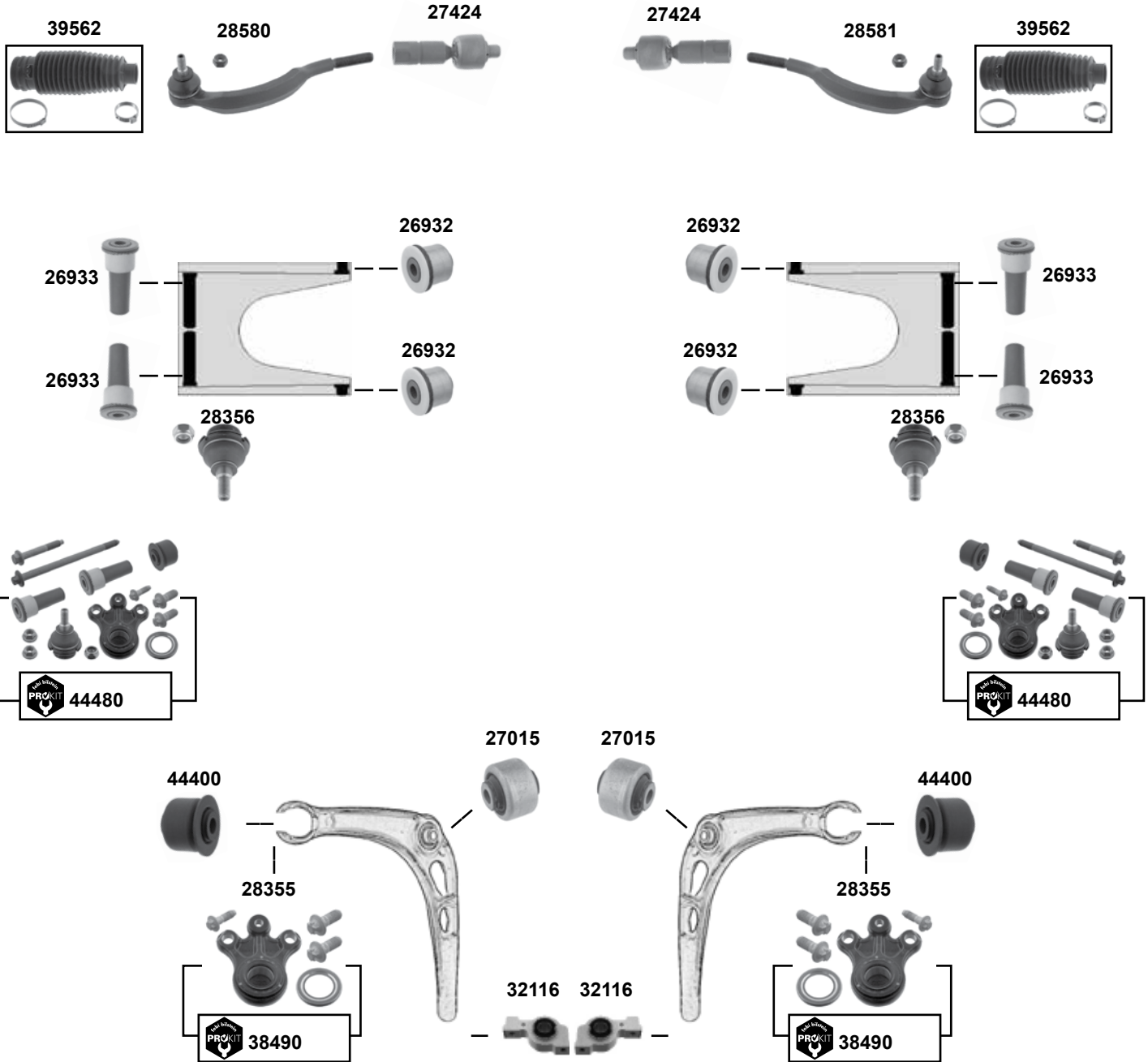
**Car  
Division**

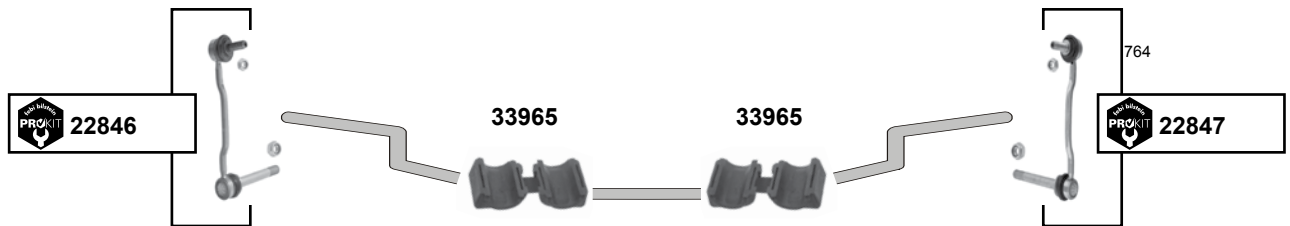
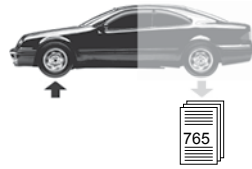


**C6**

(2005 →)

Vorderachse / Front axle





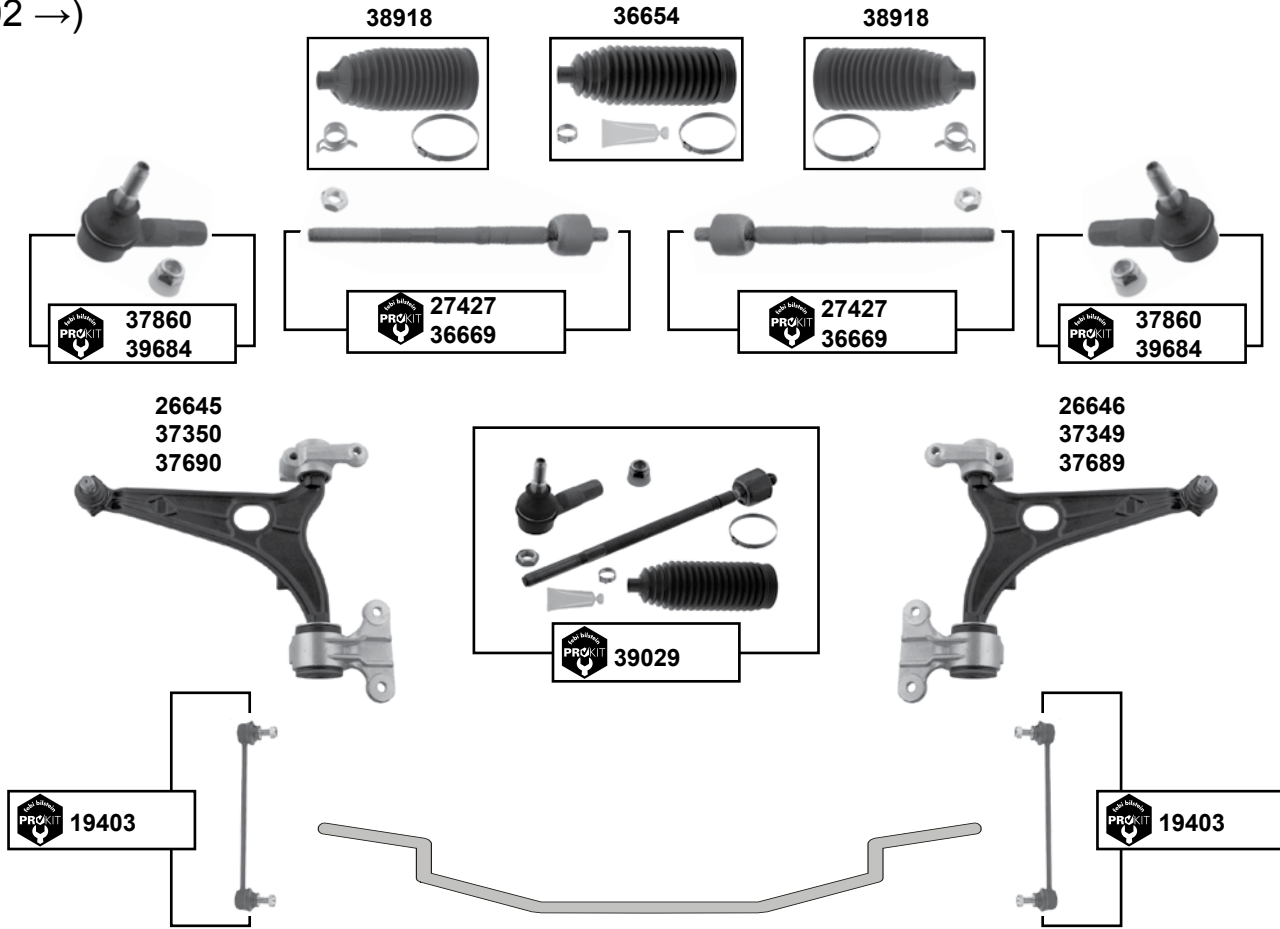
	Ref. - No.			
<b>22846</b>	5087.52	ProKit Verbindungsstange / stabilizer link		
<b>22847</b>	5087.53	ProKit Verbindungsstange / stabilizer link		
<b>26932</b>	3523.CA	Querlenkerlager/ control arm mount		
<b>26933</b>	3523.AZ	Querlenkerlager/ control arm mount		
<b>27015</b>	3523.AQ	Querlenkerlager/ control arm mount		
<b>27424</b>	3812.E7	Spurstange / tie rod		
<b>28355</b>	3640.69	Traggelenk / ball joint		Ø A 56
<b>28356</b>	3640.74	Traggelenk / ball joint		L106 M16x1,5
<b>28580</b>	3817.65	Verbindungsstange / stabilizer link		M14 x 1,5
<b>28581</b>	3817.66	Verbindungsstange / stabilizer link		M14/42x1,5
<b>32116</b>	3520.W2 S1	Querlenkerlager / control arm mount		L 240
<b>33965</b>	5094.A1	Stabilisatorlager / stabilizer mount		L 240
<b>38490</b>	3640.69 S1	ProKit Traggelenk / ball joint		M14 x 1,75
<b>39562</b>	4066.71	Rep. Satz Lenkmanschette / rep. kit steering boot		Ø I 25
<b>44400</b>	3656.04 S1	Achsschenkellager / steering knuckle bearing		M14/10x1,5
<b>44480</b>	3656.04 S2	ProKit Achsschenkellagersatz / knuckle top bearing kit		Ø A 40



## C8

(2002 →)

Vorderachse / Front axle



- |  |  |
|--|--|
| (1) (ex.) 2,2 HDI / → O 10823  | (2) (mot.) DW12BTED4 E-hydr.  / (mot.) DW10CTED4 O 12257 → |
| (3) (mot.) DW12BTED4 → O 12256 / (mot.) DW10CTED4 O 12257 →                              |  |
| (4) (mot.) DW12BTED4 → O 12256, (mot.) DW10CTED4 O 12257 →                               |  |
| (5) (mot.) DW10CTED4 O 12257 → / (mot.) DW12BTED4 → O 12256                              |  |
| (6) (mot.) DW10BTED4, DW10UTED4, EW10A, DW10CB, DW10ATED4, DW12TED4 O 10824 →            |  |
| (7) (mot.) DW10CTED4, DW12BTED4  |  |
| (8) (mot.) DW10CB + E-hydr.  O 12257 → / E-hydr.  O 10549 → 12256 (ex.) (mot.) DW12BTED4 |  |
| (9) (ex.) (mot.) DW12BTED4 , DW10CTED4   |  |

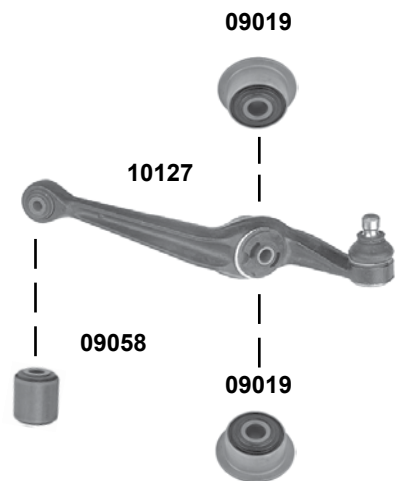
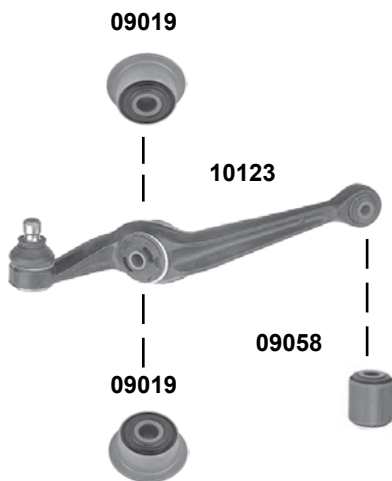
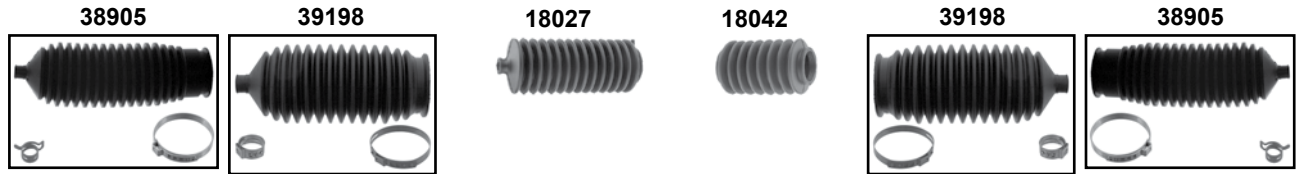


	Ref. - No.			
19403	5057.51	ProKit Verbindungsstange / stabilizer link		
26645	3520.P6	Querlenker / control arm	(1)	
26646	3521.K6	Querlenker / control arm	(1)	
27427	3812.E2	ProKit Axialgelenk / axial joint	(ex.) 2,0 HDI	L 315
36654	4066.83	Rep. Satz Lenkmanschette / rep. kit steering boot	(2)	L 185
36669	3812.F0	ProKit Axialgelenk / axial joint	(3)	L 307
37349	16 075 107 80	Querlenker / control arm	(6)	M14 x 1,5
37350	16 075 106 80	Querlenker / control arm	(6)	M14 x 1,5
37689	3521.S0	Querlenker / control arm	(7)	M14 x 1,5
37690	3520.V8	Querlenker / control arm	(7)	M14 x 1,5
37860	3817.73	ProKit Spurstangenendstück / tie rod end	(4) servo	M14 x 1,5
38918	4066.79	Rep. Satz Lenkmanschette / rep. kit steering boot	(8)	L 176
39029	3812.F0 S1	ProKit Spurstange / tie rod	(5)	
39684	4059.12	ProKit Spurstangenendstück / tie rod end	(9)	



## C15

(1984 → 1997)



Vorderachse / Front axle

	(1) servo  links/left	(2) servo  rechts/right
--	-----------------------	-------------------------

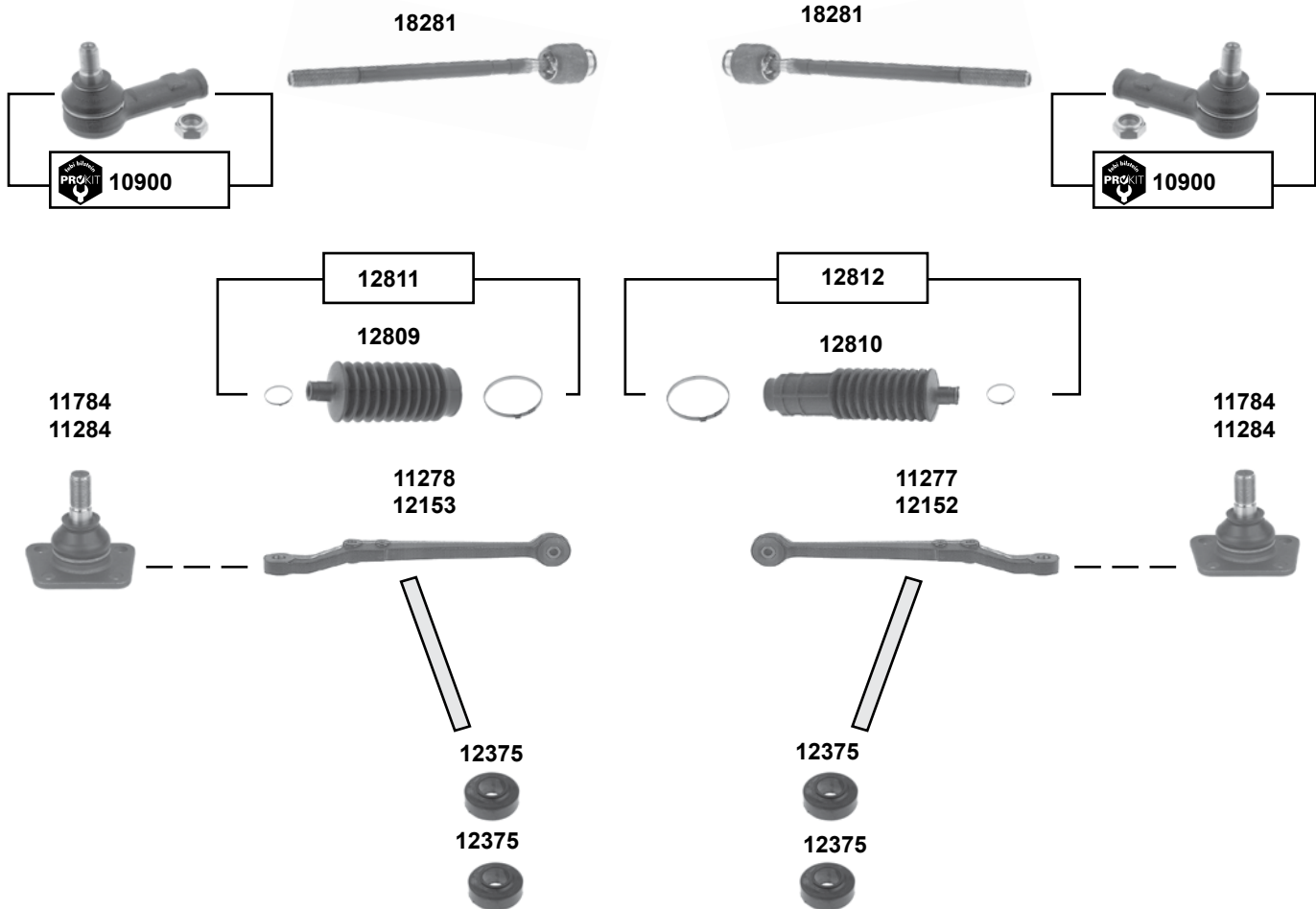
	Ref. - No.			
09019	3523.49	Stabilisatorlager / stabilizer mount		36x12x25
09058	3523.20	Querlenkerlager / control arm mount		Ø A 28
09317	3817.50	ProKit Spurstangenendstück / tie rod end		M10 x 1,25
10123	3520.51	Querlenker / control arm		
10127	3521.34	Querlenker / control arm		
18027	4066.20	Lenkmanschette / steering boot	(1) / man	
18042	4066.22	Lenkmanschette / steering boot	(2)	
38905	4066.44	Rep. Satz Lenkmanschette / rep. kit steering boot	(mot.)TU O 06629 →	L 196,6
39198	4066.43 S1	Rep. Satz Lenkmanschette / rep. kit steering boot	(mot.)TU O 06629 →	L 154,5



## C25

(1982 → 1994)

Vorderachse / Front axle



(1) ↓ 1,8t  
(ex.)

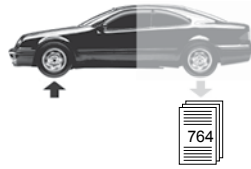
- (2) C25: 1,8B (mot.) XM7T, 1,9D (mot.) XUD9A, XUD9AXT, 2,0B (mot.) XN1T, XN1TA, 170T 2,5D (mot.) U25651, U25661, U25673  
 C25 Relay: 2,0B (mot.) XN1T, XN1TA 2,5D (mot.) U25673  
 C25 Relay 4x4: 2,0B (mot.) XN1TA 2,5D (mot.) U25673  
 C25 4x4: 1,9D (mot.) XUD9A, 2,0B (mot.) XN1TA, 2,5D (mot.) U25661, U25673



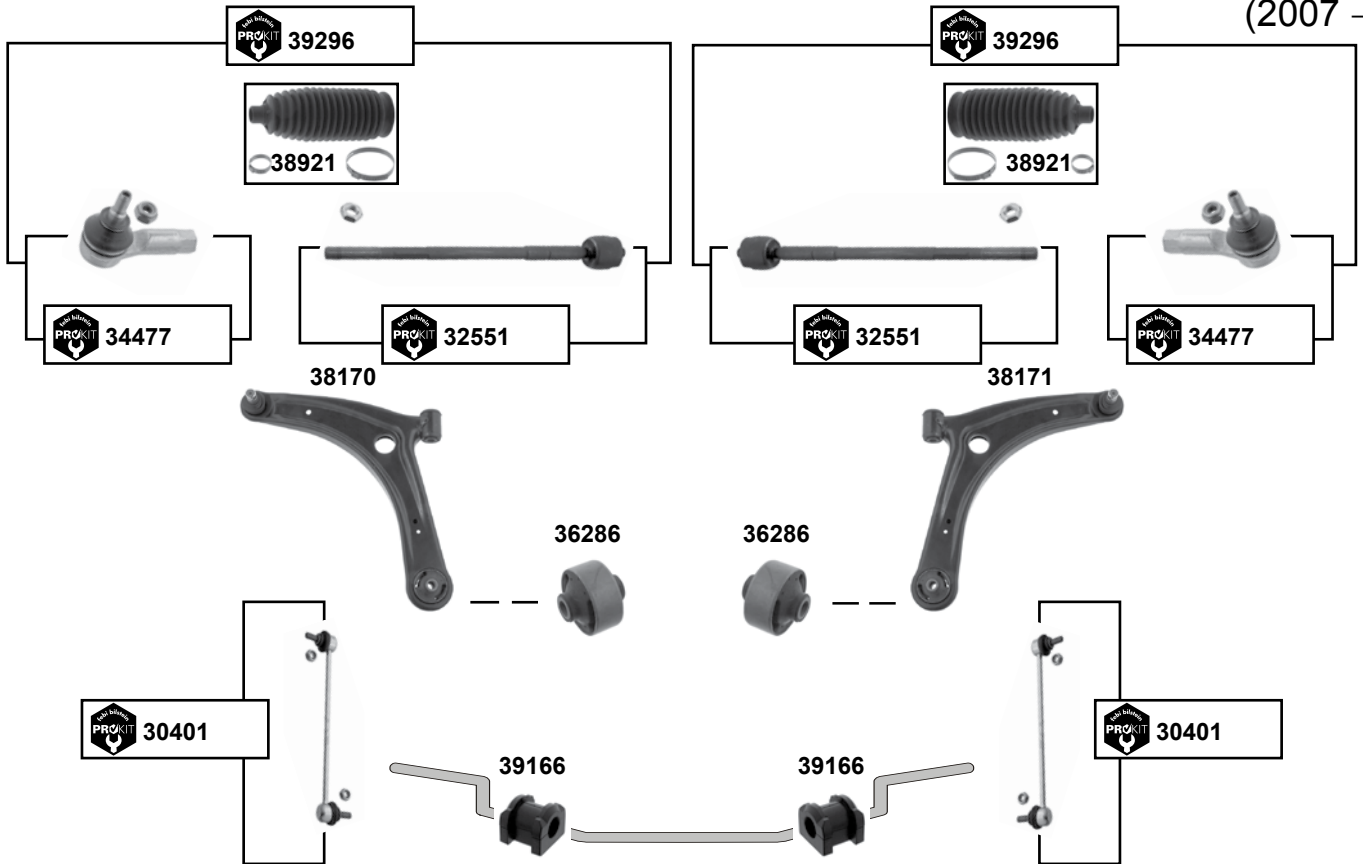
Ref. - No.



Ref. - No.	Description	Notes	Dimensions
10900	3817.11 ProKit Spurstangenendstück / tie rod end		M12x1,25
11277	3521.52 Querlenker / control arm	(1) (2)	
11278	3520.76 Querlenker / control arm	(1) (2)	
11284	3640.26 Traggelenk / ball joint	(ch.) S 244300 →	M16 x 1,5
11784	3640.17 Traggelenk / ball joint	(ch.) → S 244300	M14 x 1,5
12152	3521.53 Querlenker / control arm	(2)	
12153	3520.77 Querlenker / control arm	(2)	
12375	3561.08 Zugstrebenlager / tension rod mount		22x48x24,5
12809	4066.18 Lenkmanschette / steering boot	man.	
12810	4066.19 Lenkmanschette / steering boot	man.	
12811	4066.18 S1 Rep. Satz Lenkmanschette / rep. kit steering boot	man.	
12812	4066.19 S1 Rep. Satz Lenkmanschette / rep. kit steering boot	man.	
18281	3812.27 Spurstange / tie rod	man.	L 288

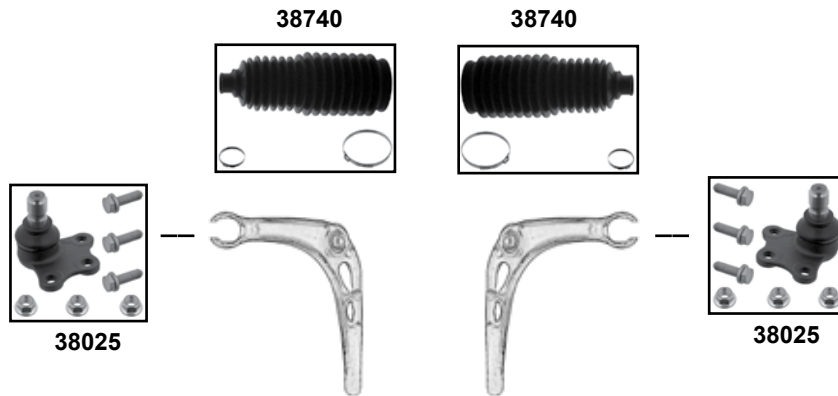


**C-Crosser**  
(2007 →)



Vorderachse / Front axle

**C-Elysee**  
(2012 →)



(1) (mot.) 2,4L MMC, DW12METED4 → O 12010



Ref. - No.



Ref. - No.	Description	Quantity	Dimensions
30401	ProKit Verbindungsstange / stabilizer link		L 265
32551	ProKit Axialgelenk / axial joint		L 355
34477	ProKit Spurstangenendstück / tie rod end		M10 x 1,25
36286	Querlenkerlager / control arm mount		Ø A 60
38170	Querlenker / control arm		
38171	Querlenker / control arm		
38025	Traggelenk /ball joint		M10 x 1,5
38921	Rep. Satz Lenkmanschette / rep. kit steering boot	(1)	L 172
38740	Rep. Satz Lenkmanschette / rep. kit steering boot		L 175
39166	Stabilisatorlager / stabilizer mount		Ø 121
39296	ProKit Spurstange / tie rod	(1)	



passend für / to fit

**CITROËN**

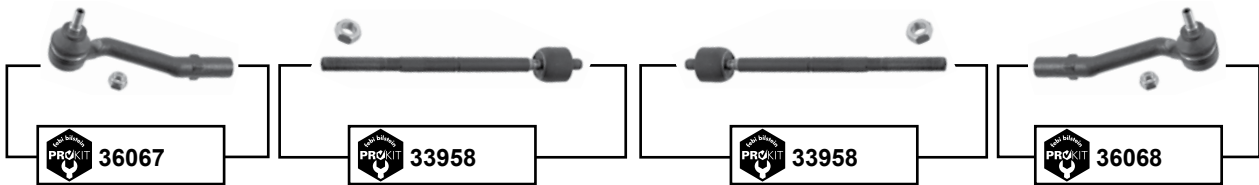


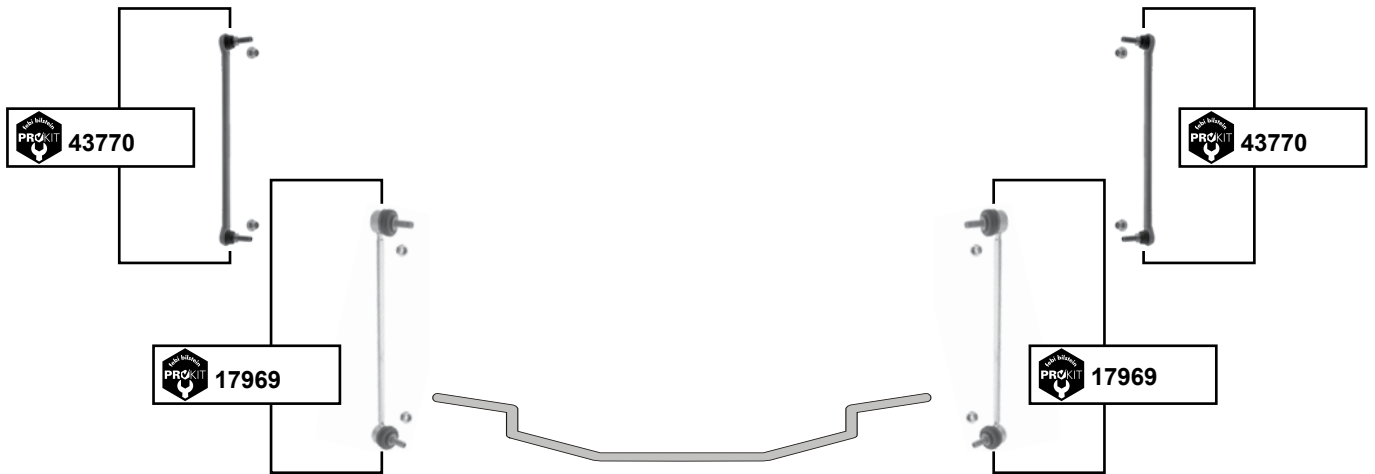
**Car  
Division**



**DS3**  
(2009 →)

Vorderachse / Front axle





(1) → O 12389  
O 12390 - 13523 (ex.) kalte Länder / (ex.) cold countries



Ref. - No.



17969	5087.74	ProKit Verbindungsstange / stabilizer link	O 12390 →	L 335
33958	3812.F6	ProKit Axialgelenk / axial joint		L 263
36067	3817.92	ProKit Spurstangenendstück / tie rod end		M14 x 1,5
36068	3817.91	ProKit Spurstangenendstück / tie rod end		M14 x 1,5
37470	3520.W7	Querlenker / control arm	AL4 / → O 12592	
37471	3521.S9	Querlenker / control arm	AL4 / → O 12592	
37993	3523.EA	Querlenkerlager / control arm mount		Ø A 55
38004	3523.EE	Querlenkerlager / control arm mount		Ø A 55
38025	3640.77 S1	Traggelenk / ball joint	AL4 / → O 12592	M10 x 1,5
43770	5087.71	ProKit Verbindungsstange / stabilizer link	(1)	L 330 M10x1,5

passend für / to fit

**CITROËN**



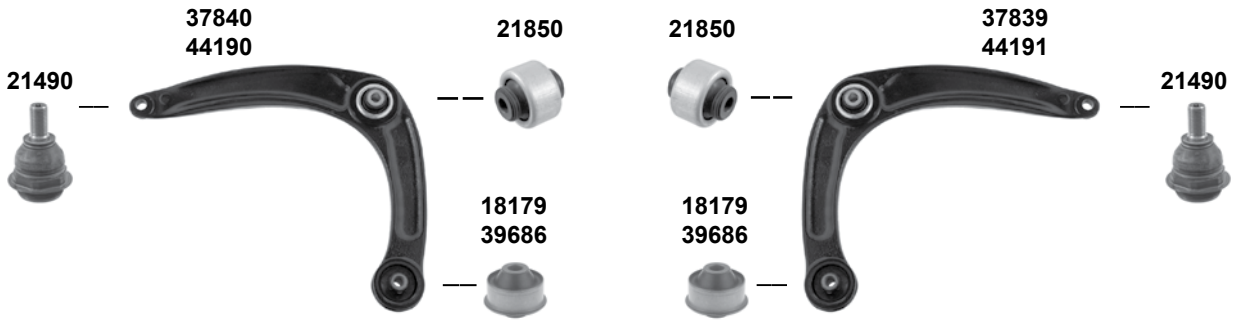
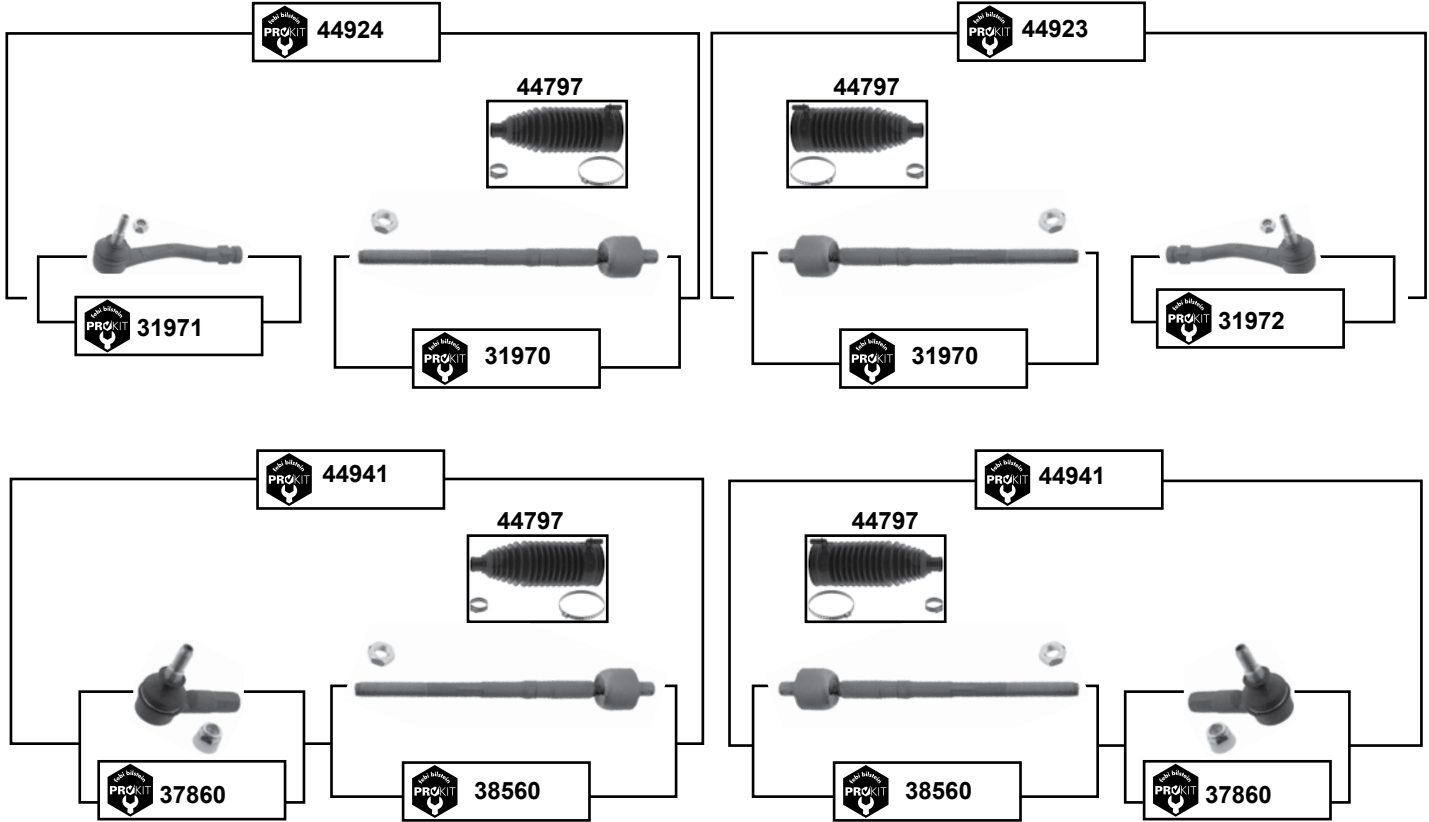
**Car  
Division**



# DS4

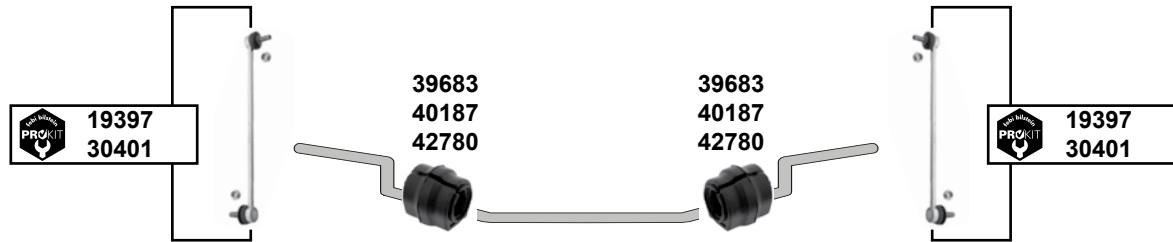
(2011 →)

Vorderachse / Front axle





**DS4**  
(2011 →)

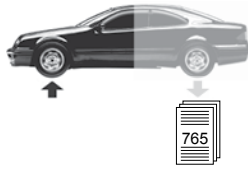


Vorderachse / Front axle

- (1) (mot.) EP6C, DV6C / (mot.) DW10CETD (ex.) 19 Zoll / inch
- (2) (mot.) DW, EW, EP6CDT MD, EP6CDT M O 13244 →
- (3) (mot.) EP6CDTX / (mot.) DW10CETD 19 Zoll / inch
- (4) Coupe: (mot.) EP6C, DV6C / (mot.) DW10CETD (ex.) 19 Zoll / inch  
DS4 : alle / all
- (5) 1,6B (mot.) EP6CDT, EP6CDTM, EP6CDTMD, 1,6D (mot.) DV6C, DV6DTED, 2,0D alle / all O 13244 →

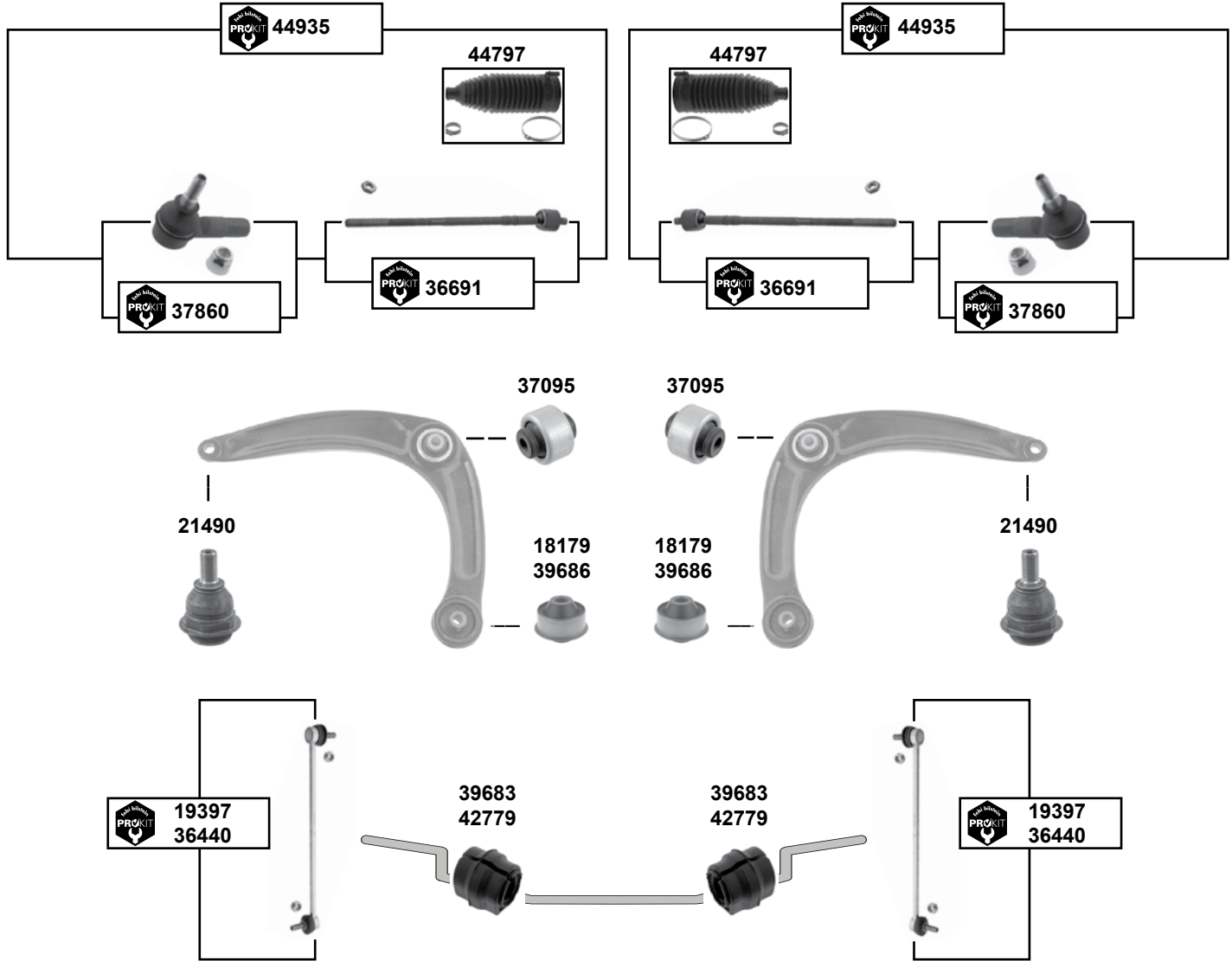


	Ref. - No.			
18179	3523.92	Querlenkerlager / control arm mount		Ø A 55
19397	98 049 474 80	ProKit Verbindungsstange / stabilizer link		L 335
21490	3640.73	Traggelenk / ball joint		
21850	3523.91	Querlenkerlager / control arm mount		Ø A 55
30401	5087.58	ProKit Verbindungsstange / stabilizer link		L 265
31970	3812.F2	ProKit Axialgelenk / axial joint	(1)	L 272
31971	3817.89	ProKit Spurstangenendstück / tie rod end	(1)	M14 x 1,5
31972	3817.88	ProKit Spurstangenendstück / tie rod end	(1)	M14 x 1,5
37839	3521.R3	Querlenker / control arm	→ O 13243	
37840	3520.V2	Querlenker / control arm	→ O 13243	
37860	3817.73	ProKit Spurstangenendstück / tie rod end	(3)	M14 x 1,5
38560	3812.F8	ProKit Axialgelenk / axial joint		L 380
39683	5094.F2	Stabilisatorlager / stabilizer mount		Ø I 23,5
39686	3523.80	Querlenkerlager / control arm mount	(2)	Ø I 14,3 A 55,5
40187	5094.E3	Stabilisatorlager / stabilizer mount		Ø I 23
42780	5094.E4	Stabilisatorlager / stabilizer mount		Ø I 24
44190	98 056 074 80	Querlenker / control arm	O 13244 →	
44191	98 056 073 80	Querlenker / control arm	O 13244 →	
44797	4066.82	Rep. Satz Lenkmanschette / rep. kit steering boot		L187,4
44923	3812.F2 S1	ProKit Spurstange / tie rod	(4)	
44924	3812.F2 S2	ProKit Spurstange / tie rod	(4)	
44941	3812.F8 S1	ProKit Spurstange / tie rod	(3) Coupe	
45150	98 056 074 80 S1	ProKit Querlenker / control arm	(5)	
45151	98 056 073 80 S1	ProKit Querlenker / control arm	(5)	



## DS5 (2011 →)

Vorderachse / Front axle



- (1) Achsschenkel Ø 83 mm / knuckle assembly 83 mm
- (2) (mot.) DV6C, DV6F, EP6CDT, EP6FDT O 13175 →
- (3) Alle mit Radlager Ø 83mm / all with wheel bearing Ø 83mm



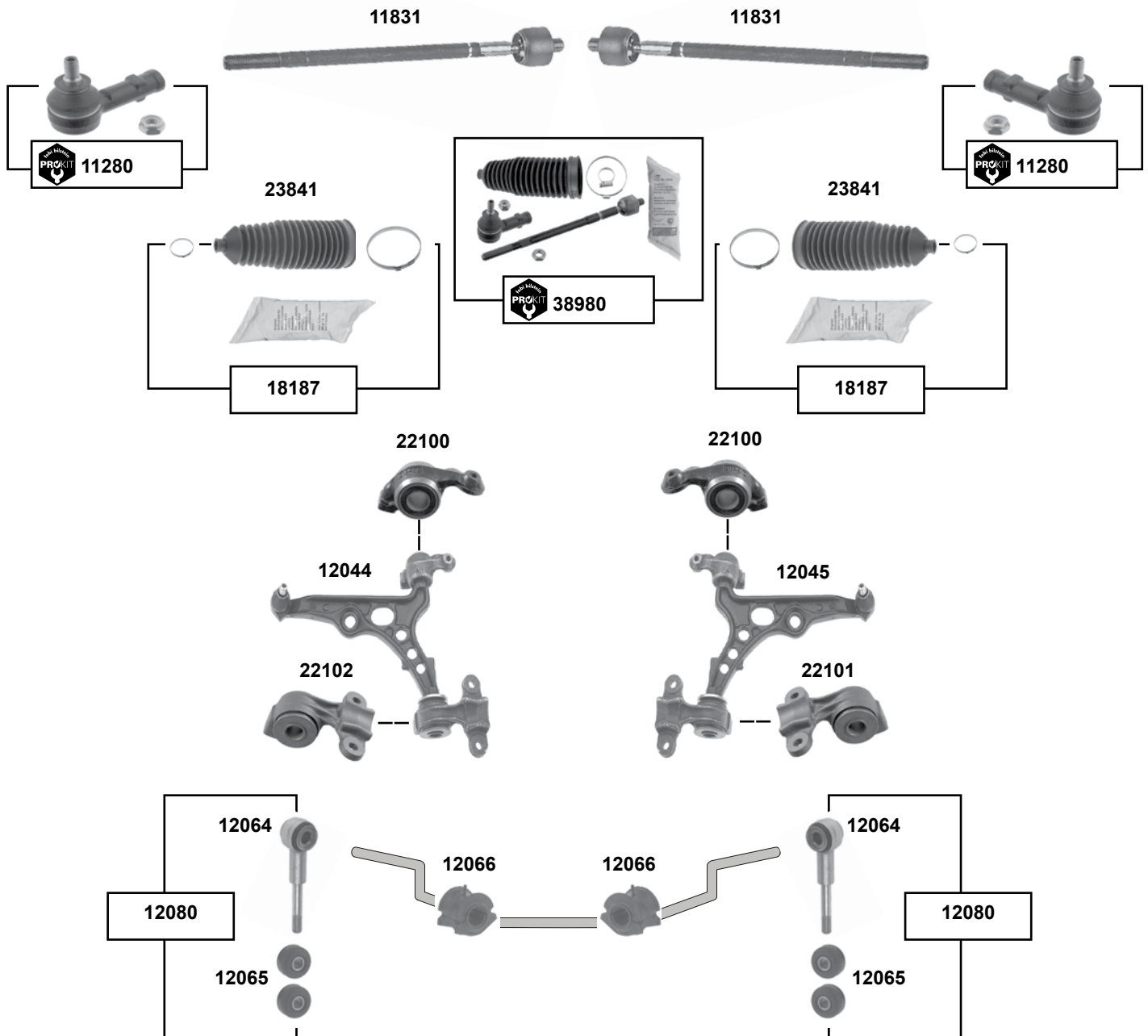
Ref. - No.



Ref. - No.	Description	Notes	Dimensions
18179	3523.92	Querlenkerlager / control arm mount	Ø A 55
19397	98 049 474 80	ProKit Verbindungsstange / stabilizer link	L 335
21490	3640.73	Traggelenk / ball joint	
36440	98 049 474 80	ProKit Verbindungsstange / stabilizer link	L 335
36691	3812.F7	ProKit Axialgelenk / axial joint	L 385
37095	3523.CW	Querlenkerlager / control arm mount	Ø A 55,5
37860	3817.73	ProKit Spurstangenendstück / tie rod end	(1) M14 x 1,5
39683	5094.F2	Stabilisatorlager / stabilizer mount	Ø I 23,5
39686	3523.80	Querlenkerlager / control arm mount	(2) Ø I 14,3 A 55,5
42779	5094.E4	Stabilisatorlager / stabilizer mount	Ø I 25
44797	4066.82	Rep. Satz Lenkmanschette / rep. kit steering boot	L187,4
44935	3812.F7 S1	ProKit Spurstange / tie rod	(3)



**Evasion**  
(1994 → 2002)



Vorderachse / Front axle



Ref. - No.

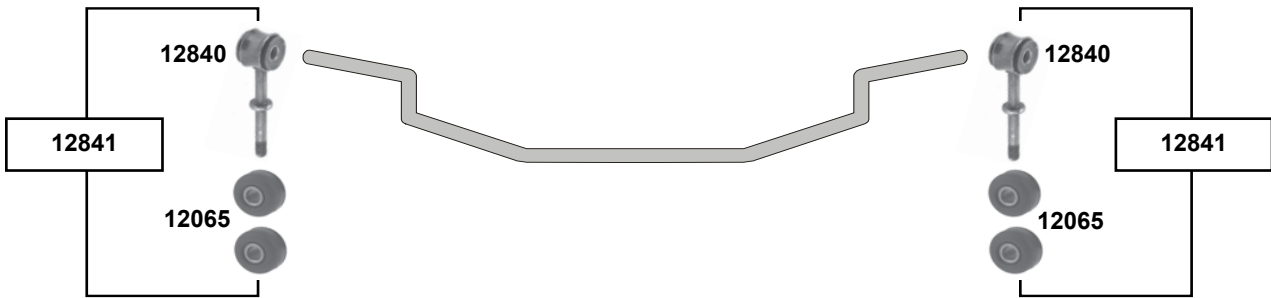
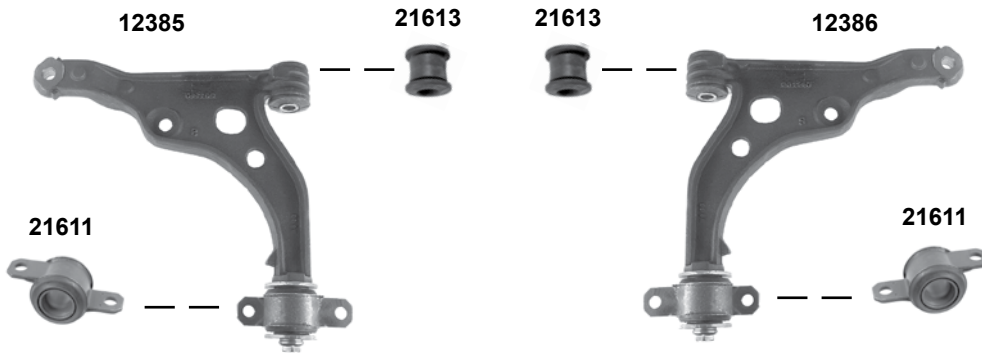
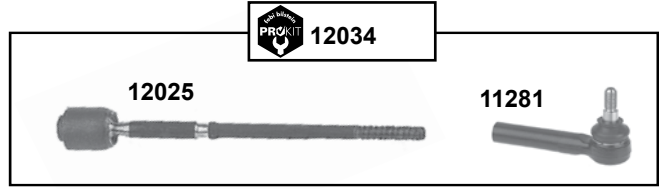
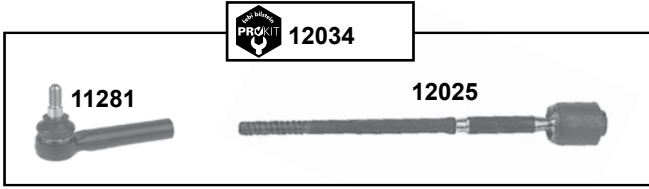


<b>11280</b>	4059.09	ProKit Spurstangenendstück / tie rod end	M12 x 1,25
<b>11831</b>	3812.A4	Spurstange / tie rod	L 320
<b>12044</b>	3520.P8	Querlenker / control arm	
<b>12045</b>	3521.C9	Querlenker / control arm	
<b>12064</b>	5087.35	Verbindungsstange / stabilizer link	M12 x 1,25
<b>12065</b>	5093.15	Verbindungsstangenlager / stabilizer link bush	M12 x 38
<b>12066</b>	5094.69	Stabilisatorlager / stabilizer mount	Ø 124
<b>12080</b>	5087.35 S1	Rep. Satz Verbindungsstange / rep. kit stabilizer link	
<b>18187</b>	4066.41	Rep. Satz Lenkmanschette / rep. kit steering boot	
<b>22100</b>	3520.G9 S1	Querlenkerlager / control arm mount	
<b>22101</b>	3521.C9 S1	Querlenkerlager / control arm mount	
<b>22102</b>	3520.G9 S2	Querlenkerlager / control arm mount	
<b>23841</b>	4066.41 SK	Lenkmanschette / steering boot	
<b>38980</b>	3812.A4 S1	ProKit Spurstange / tie rod	



## Jumper I (1994 → 2002)

Vorderachse / Front axle

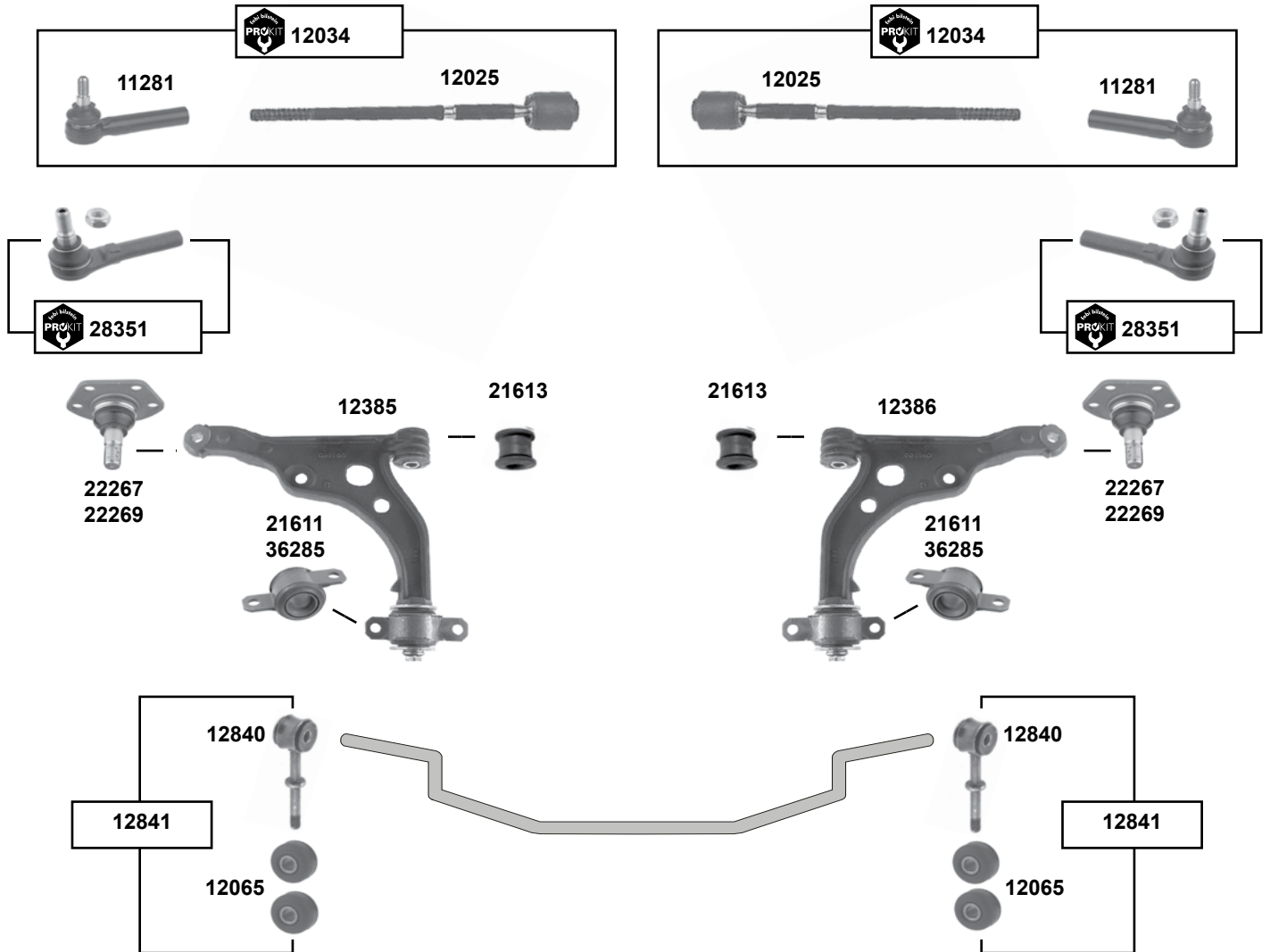


(1) 1,8t  
(ex.)

	Ref. - No.			
11281	4018.A3	Spurstangenendstück / tie rod end		M12 x 1,25
12025	4018.A4	Spurstange / tie rod		L 320
12034	4006.24 S1	ProKit Spurstange / tie rod	servo	
12065	5093.15	Verbindungsstangenlager / stabilizer link bush	servo	12x38
12385	3520.N3	Querlenker / control arm	(1)	
12386	3521.J3	Querlenker / control arm	(1)	
12840	5087.37	Verbindungsstange / stabilizer link		M12 x 1,25
12841	5087.37 S1	Rep. Satz Verbindungsstange / rep. kit stabilizer link		
21611	3523.94	Querlenkerlager / control arm mount		
21613	3523.93	Querlenkerlager / control arm mount		



## Jumper II (2002 → 2006)



Vorderachse / Front axle



(1) ↓ 1,8t

(2) (ex.) ↓ 1,8t

↓ 1,8t

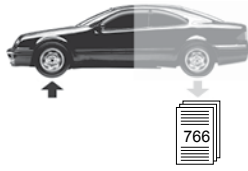


Ref. - No.



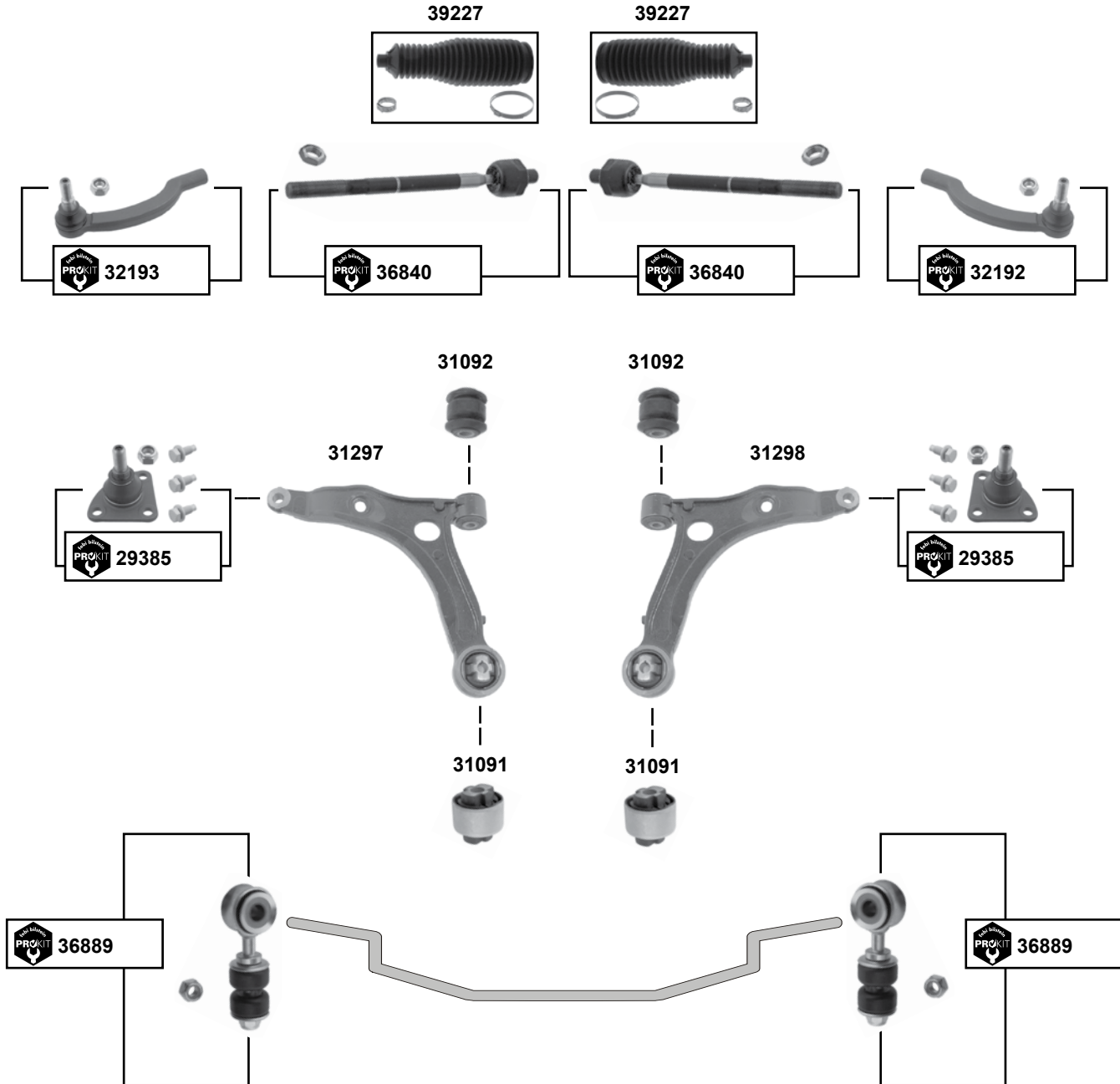
Part No.	Ref. - No.	Description	Notes	Dimensions
11281	4018.A3	Spurstangenendstück / tie rod end	(ch.) → 17175290	M12 x 1,25
12025	4018.A4	Spurstange / tie rod	servo	L 330
12034	4006.24 S1	ProKit Spurstange / tie rod	servo	
12065	5093.15	Verbindungsstangenlager / stabilizer link bush		M12 x 38
12385	3520.N3	Querlenker / control arm	(2)	
12386	3521.J3	Querlenker / control arm	(2)	
12840	5087.37	Verbindungsstange / stabilizer link		M12 x 1,25
12841	5087.37 S1	Rep. Satz Verbindungsstange / rep. kit stabilizer link		
21611	3523.94	Querlenkerlager / control arm mount	(ch.) → 17226522	
21613	3523.93	Querlenkerlager / control arm mount		
22267	3640.55	Traggelenk / ball joint	(2)	
22269	3640.54	Traggelenk / ball joint	(1) Jumper BUS 2006 →	
28351	4018.E0	ProKit Spurstangenendstück / tie rod end	02 → 06 / (ch.) 17175291 →	
36285	3523.AP	Querlenkerlager / control arm mount	(ch.) 17226523 →	Ø A 77





**Jumper III**  
(2006 →)

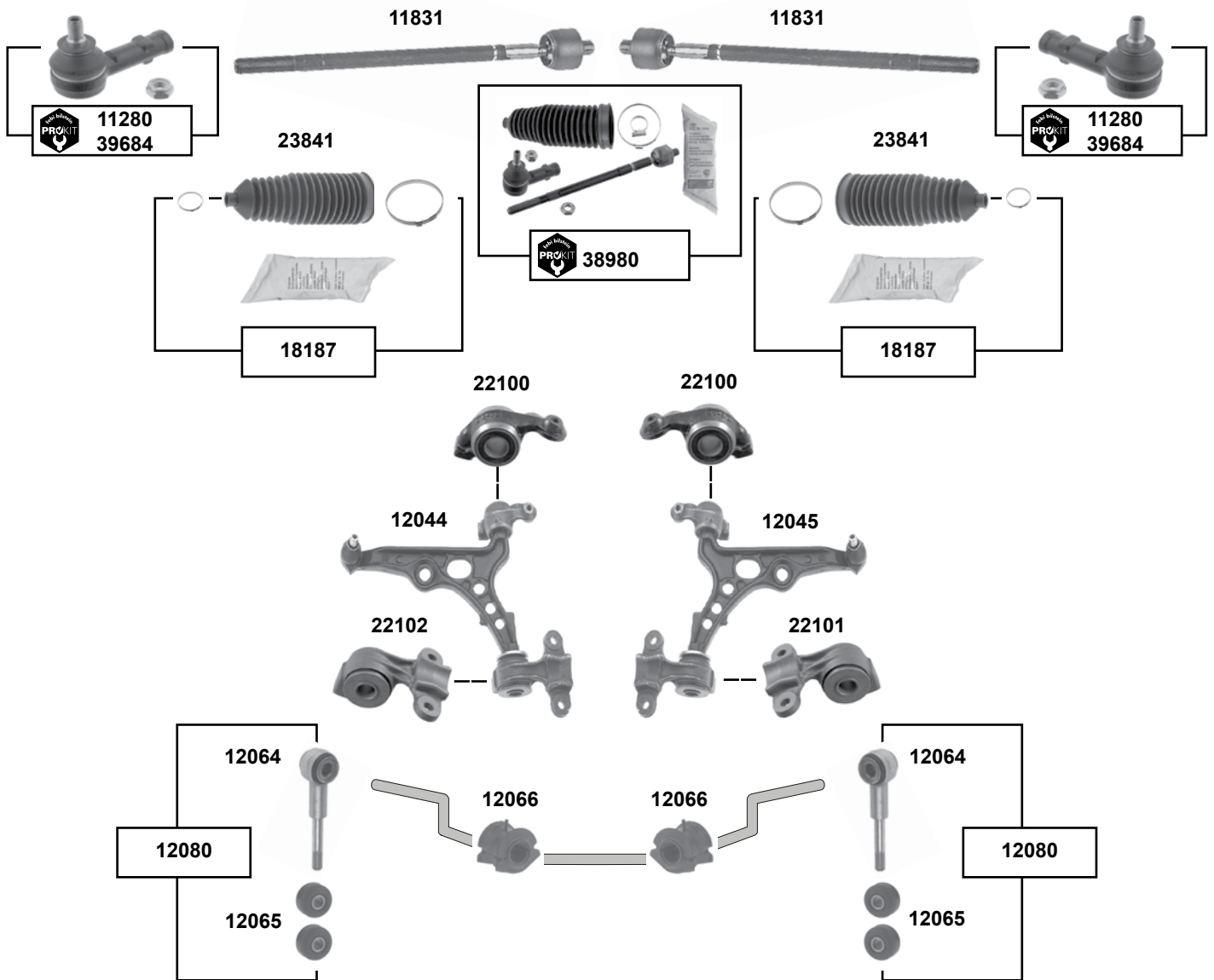
Vorderachse / Front axle



	Ref. - No.			
<b>29385</b>	3640.67	ProKit Trag gelenk / ball joint		M16 x 1,5
<b>31091</b>	3520.S0 S2	Querlenkerlager / control arm mount		Ø A 74 H76
<b>31092</b>	3520.S0 S1	Querlenkerlager / control arm mount		Ø A 57 H64,7
<b>31297</b>	3520.S0	Querlenker / control arm		
<b>31298</b>	3521.P1	Querlenker / control arm		
<b>32192</b>	3817.70	ProKit Spurstangenendstück / tie rod end		M14 x 1,5
<b>32193</b>	3817.77	ProKit Spurstangenendstück / tie rod end		M14 x 1,5
<b>36840</b>	4001.E4 S1	ProKit Axialgelenk / axial joint		L 280
<b>36889</b>	5081.N9 S1	ProKit Verbindungsstange / stabilizer link		L 112
<b>39227</b>	4066.86	Rep. Satz Lenkmanschette / rep. kit steering boot		



## Jumpy I + II (1996 → 2007)



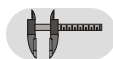
Vorderachse / Front axle



(1) → 11/02 / → O 09792



Ref. - No.



Ref. - No.	Description	Quantity	Dimensions
11280	ProKit Spurstangenendstück / tie rod end	(1)	M12 x 1,25
11831	Spurstange / tie rod		L 320
12044	Querlenker / control arm		
12045	Querlenker / control arm		
12064	Verbindungsstange / stabilizer link		M12 x 1,25
12065	Verbindungsstangenlager / stabilizer link bush		M12 x 38
12066	Stabilisatorlager / stabilizer mount		
12080	Rep. Satz Verbindungsstange / rep. kit stabilizer link		
18187	Rep. Satz Lenkmanschette / rep. kit steering boot		
22100	Querlenkerlager / control arm mount		
22101	Querlenkerlager / control arm mount		
22102	Querlenkerlager / control arm mount		
23841	Lenkmanschette / steering boot		
38980	ProKit Spurstange / tie rod	→ O 09792	
39684	ProKit Spurstangenendstück / tie rod end	O 09793 →	

passend für / to fit

**CITROËN**



**Car  
Division**



# Jumpy III (2007 →)

Vorderachse / Front axle

36654



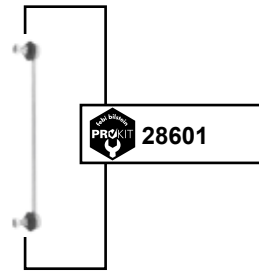
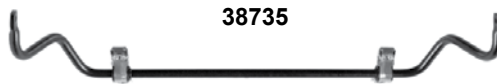
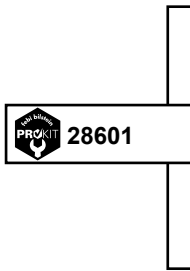
36654



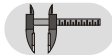
37690



37689



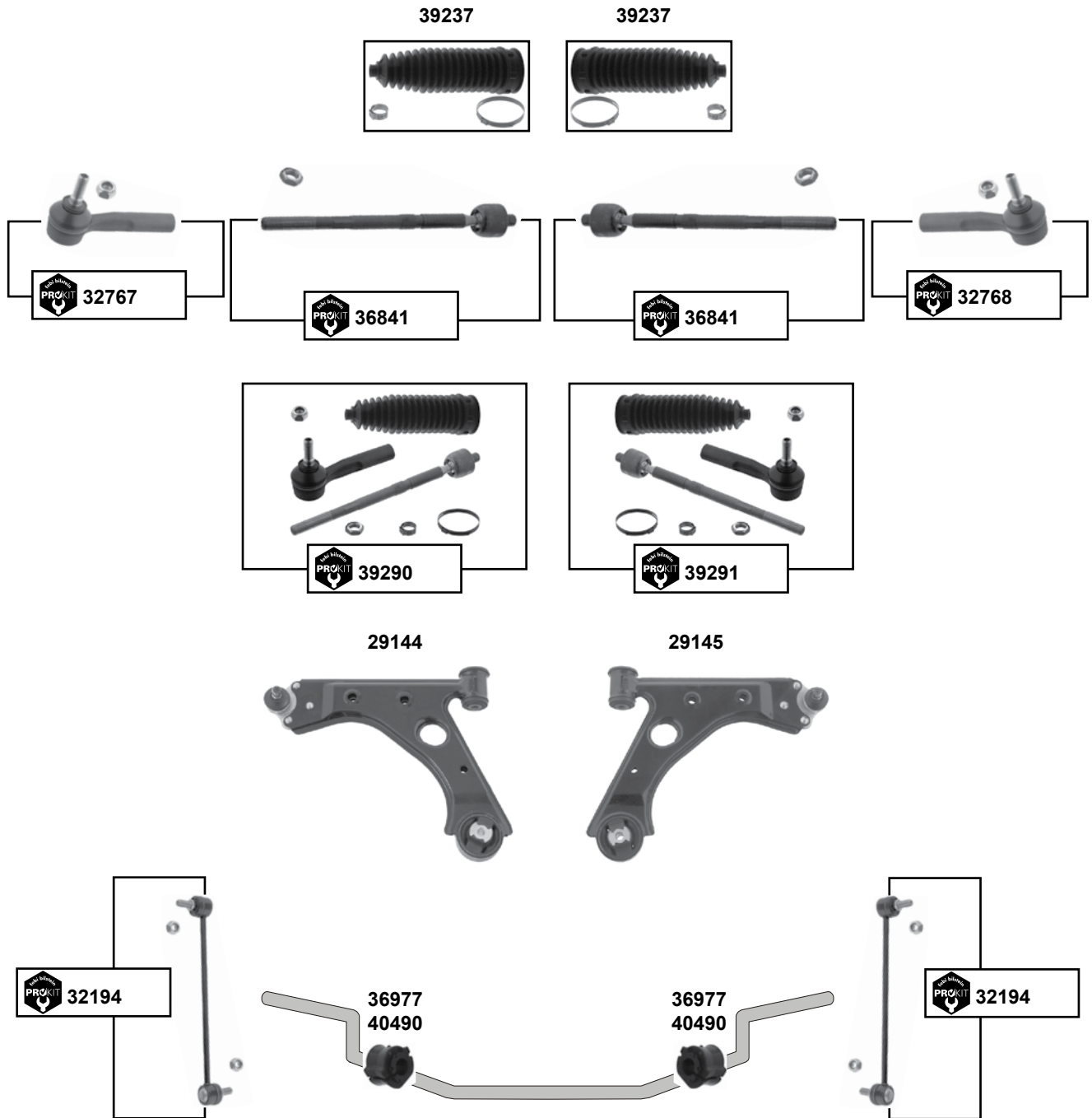
Ref. - No.



<b>28601</b>	5087.56	ProKit Verbindungsstange / stabilizer link	M12 x 1,75
<b>36654</b>	4066.83	Rep. Satz Lenkmanschette / rep. kit steering boot	L 185
<b>36669</b>	3812.F0	ProKit Axialgelenk / axial joint	L 307
<b>37689</b>	3521.S0	Querlenker / control arm	
<b>37690</b>	3520.V8	Querlenker / control arm	
<b>37860</b>	3817.73	ProKit Spurstangenendstück / tie rod end	M14 x 1,5
<b>38735</b>	14 401 772 80	Stabilisatorsatz / stabilizer kit	L 1140
<b>39029</b>	3812.F0 S1	ProKit Spurstange / tie rod	



**Nemo**  
(2008 →)



Vorderachse / Front axle

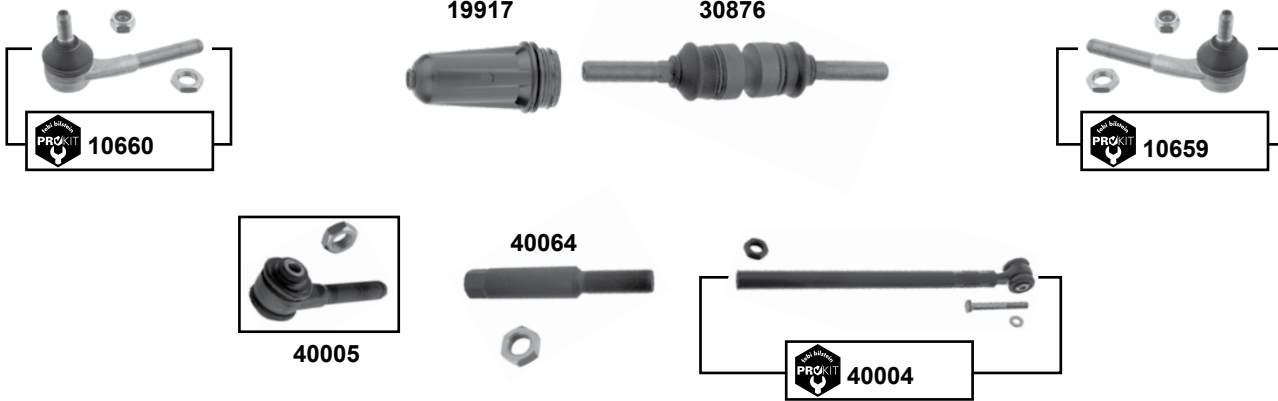
	Ref. - No.			
29144	3520.Y4	Querlenker / control arm		
29145	3521.V5	Querlenker / control arm		
32194	5087.79	ProKit Verbindungsstange / stabilizer link		M10 x 1,25
32767	3817.86	ProKit Spurstangenendstück / tie rod end		M14 x 1,5
32768	3817.87	ProKit Spurstangenendstück / tie rod end		M14 x 1,5
36841	4001.77 S1	ProKit Axialgelenk / axial joint		L 288
36977	5094.E5	Stabilisatorlager / stabilizer mount		Ø   21
39237	4066.95	Rep. Satz Lenkmanschette / rep. kit steering boot		
39290	4001.77 S2	ProKit Spurstange / tie rod		
39291	4001.77 S3	ProKit Spurstange / tie rod		
40490	5094.C8	Stabilisatorlager / stabilizer mount		Ø   20



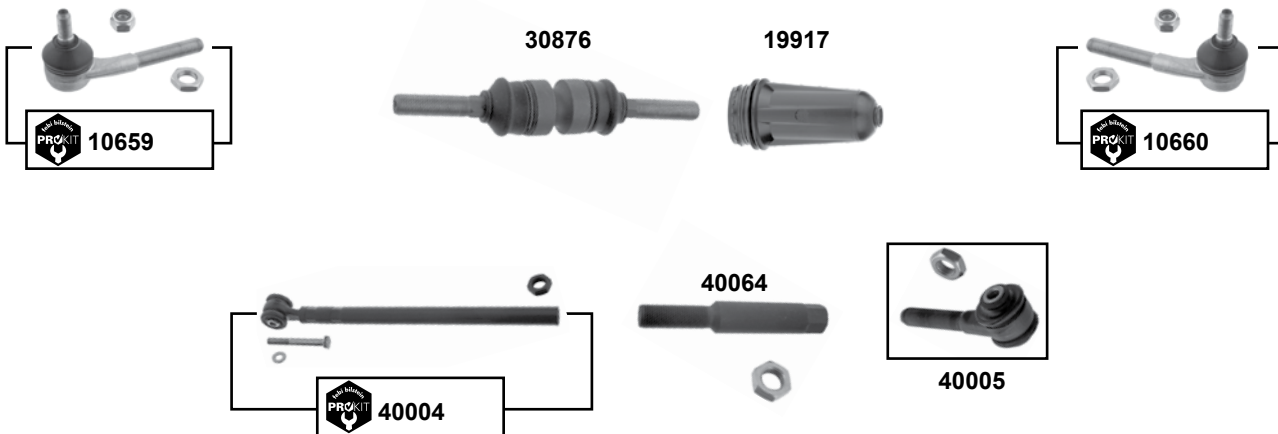
## Saxo

(1996 → 2004)

### LHD



### RHD



(1) RHD (ex.) servo O 07252 →  
servo alle / all

LHD (ex.) servo O 07245 →  
servo O 07084 →

(2) RHD (ex.) servo → O 07251  
servo alle / all

LHD (ex.) servo → O 07244  
servo → O 07083

(3) RHD (ex.) servo → O 07251 Einbauseite vorne links / fitting side front left  
LHD (ex.) servo → O 07244 Einbauseite vorne rechts / fitting side front right  
LHD (ex.) servo → O 07083 Einbauseite vorne rechts / fitting side front right



Ref. - No.

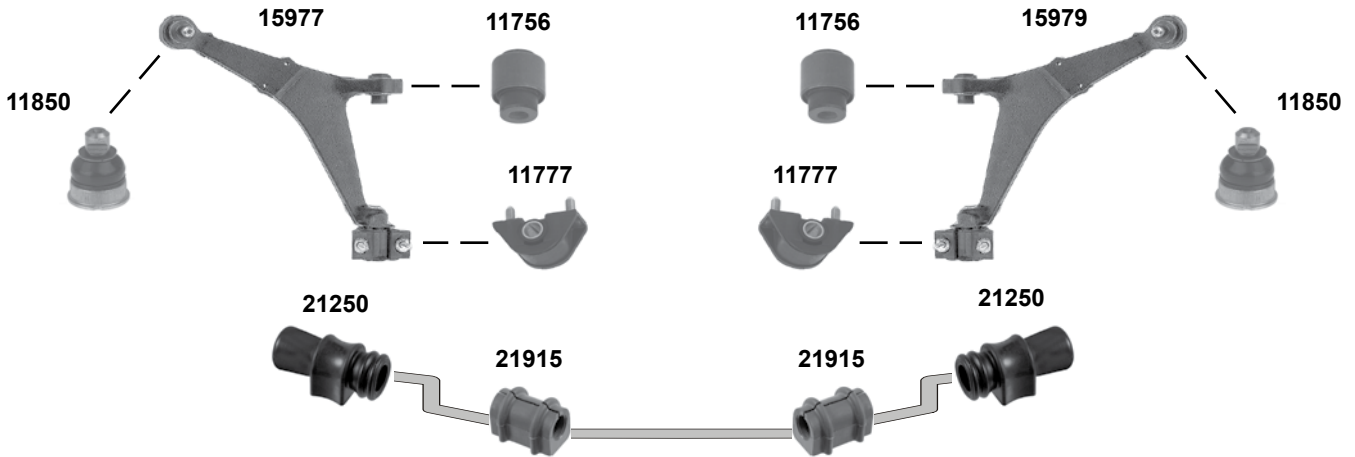


10659	3817.41	ProKit Spurstangenendstück / tie rod end		M10 x 1,25
10660	3817.42	ProKit Spurstangenendstück / tie rod end		M10 x 1,25
19917	4066.32	Lenkmanschette / steering boot		
30876	3817.47	Spurstange / tie rod	(1)	L 215
40004	3817.36 S1	ProKit Axialgelenk / axial joint	(2)	L 350
40005	3817.33	Spurstangenendstück / tie rod end	(2)	M14 x 1,5
40064	3817.34	Einstellbolzen für Spurstange / adjusting bolt for tie rod	(3)	L 132,1

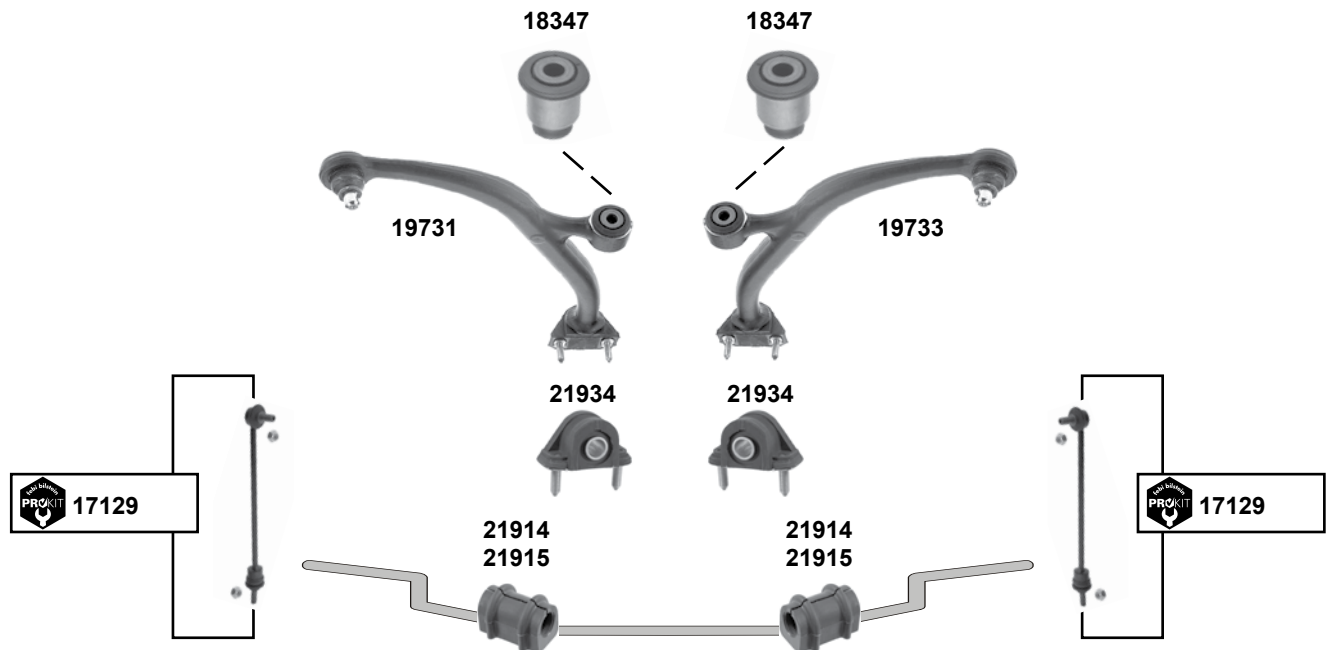


**Saxo**  
(1996 → 2004)

→ 55 kW (75 PS) (ex.) Sport



→ 55 kW (75 PS) Sport  
65 kW (88 PS) → alle/all



Vorderachse / Front axle

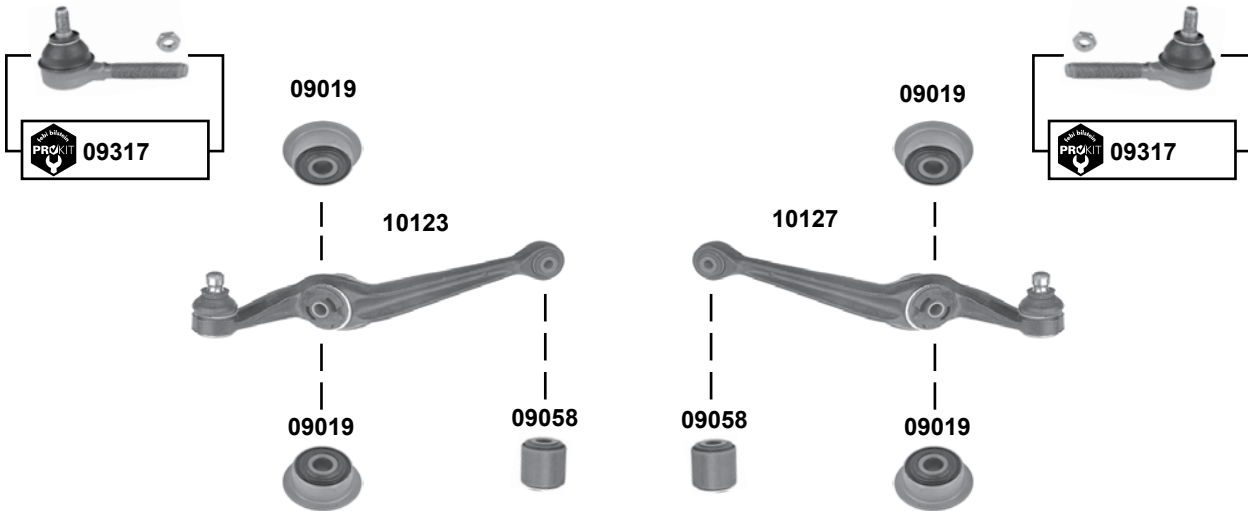
	Ref. - No.			
11756	3523.50	Querlenkerlager / control arm mount		12x34x48
11777	3523.51	Querlenkerlager / control arm mount		
11850	3640.36	Traggelenk / ball joint		Ø A 16
15977	3520.78	Querlenker / control arm		
15979	3520.79	Querlenker / control arm		
17129	5087.40	ProKit Verbindungsstange / stabilizer link		L 300
18347	3523.52	Querlenkerlager / control arm mount		12x34x48
19731	3520.92	Querlenker / control arm		
19733	3520.93	Querlenker / control arm		
21250	5094.59	Stabilisatorlager / stabilizer mount		Ø   19
21914	5094.56	Stabilisatorlager / stabilizer mount		Ø   19
21915	5094.57	Stabilisatorlager / stabilizer mount		Ø   21
21934	3523.53	Querlenkerlager / control arm mount		



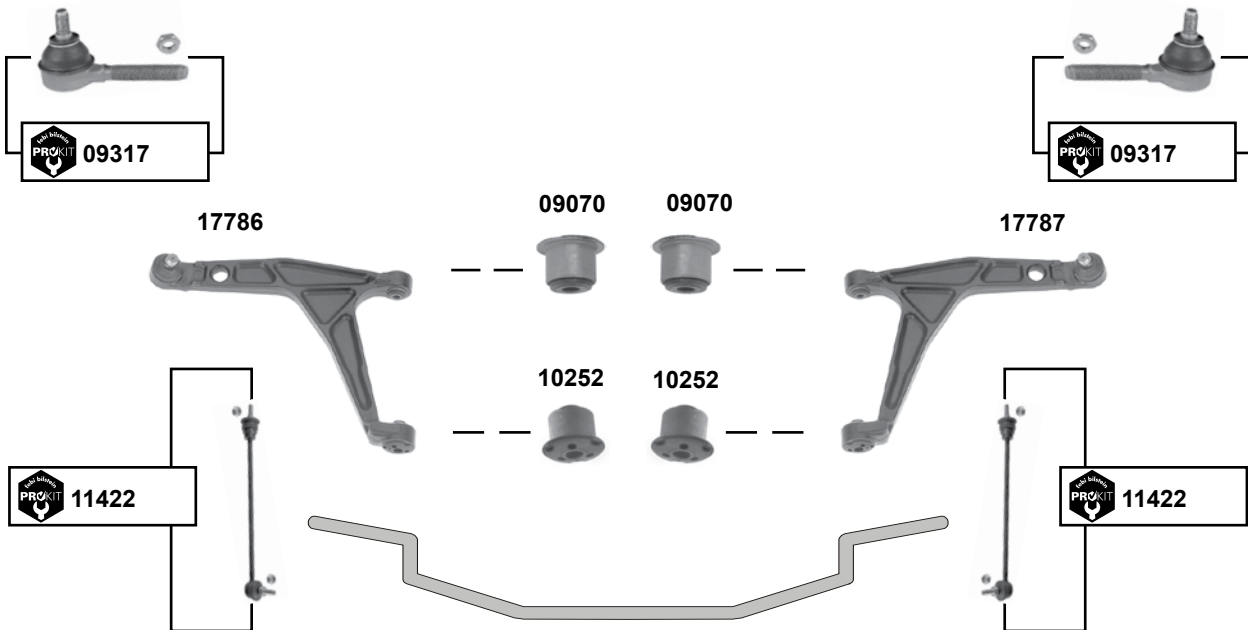
**Visa**

(1984 → 1991)

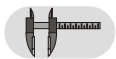
**Diesel**



**GTI**



Ref. - No.

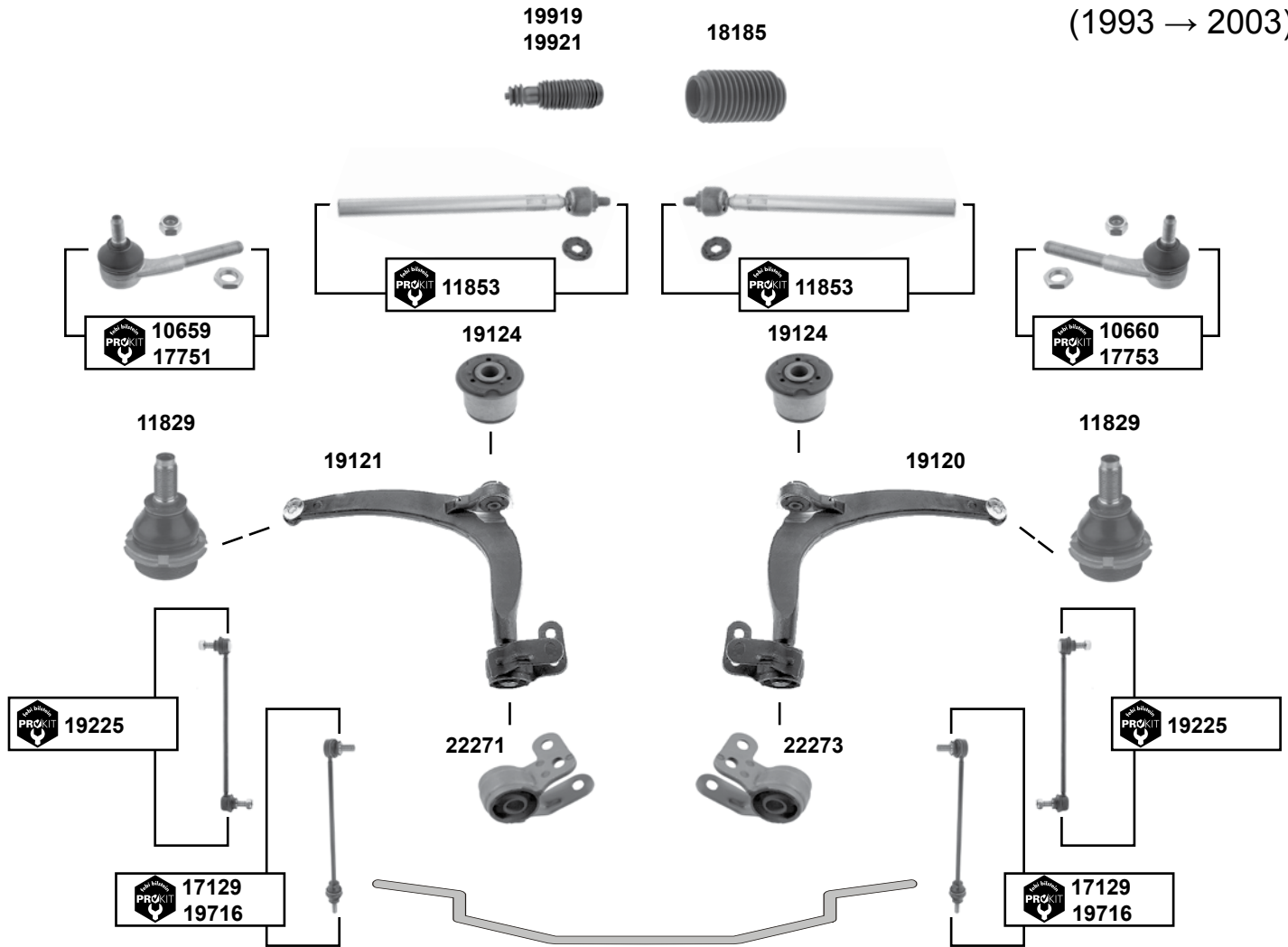


<b>09019</b>	3523.49	Stabilisatorlager / stabilizer mount	36x12x25
<b>09058</b>	3523.20	Querlenkerlager / control arm mount	10x28x34
<b>09070</b>	3523.31	Querlenkerlager / control arm mount	12x36x25
<b>09317</b>	3817.50	ProKit Spurstangenendstück / tie rod end	
<b>10123</b>	3520.51	Querlenker / control arm	
<b>10127</b>	3521.34	Querlenker / control arm	
<b>10252</b>	3523.23	Querlenkerlager / control arm mount	31/42x12x38
<b>11422</b>	5087.32	ProKit Verbindungsstange / stabilizer link	
<b>17786</b>	3520.54	Querlenker / control arm	
<b>17787</b>	3521.37	Querlenker / control arm	

Vorderachse / Front axle



## Xantia I + II (1993 → 2003)



Vorderachse / Front axle

- (1) 2,0 Turbo; 3,0 V6; 2,0 HDi; 2,1 TD
- (2) (ex.) 2,0 Turbo; 3,0 V6; 2,0 HDi; 2,1 TD
- (3) (ex.) Hydractiv: O 06615 → O 08150
- (4) (ex.) Hydractiv: O 08151 →



Ref. - No.



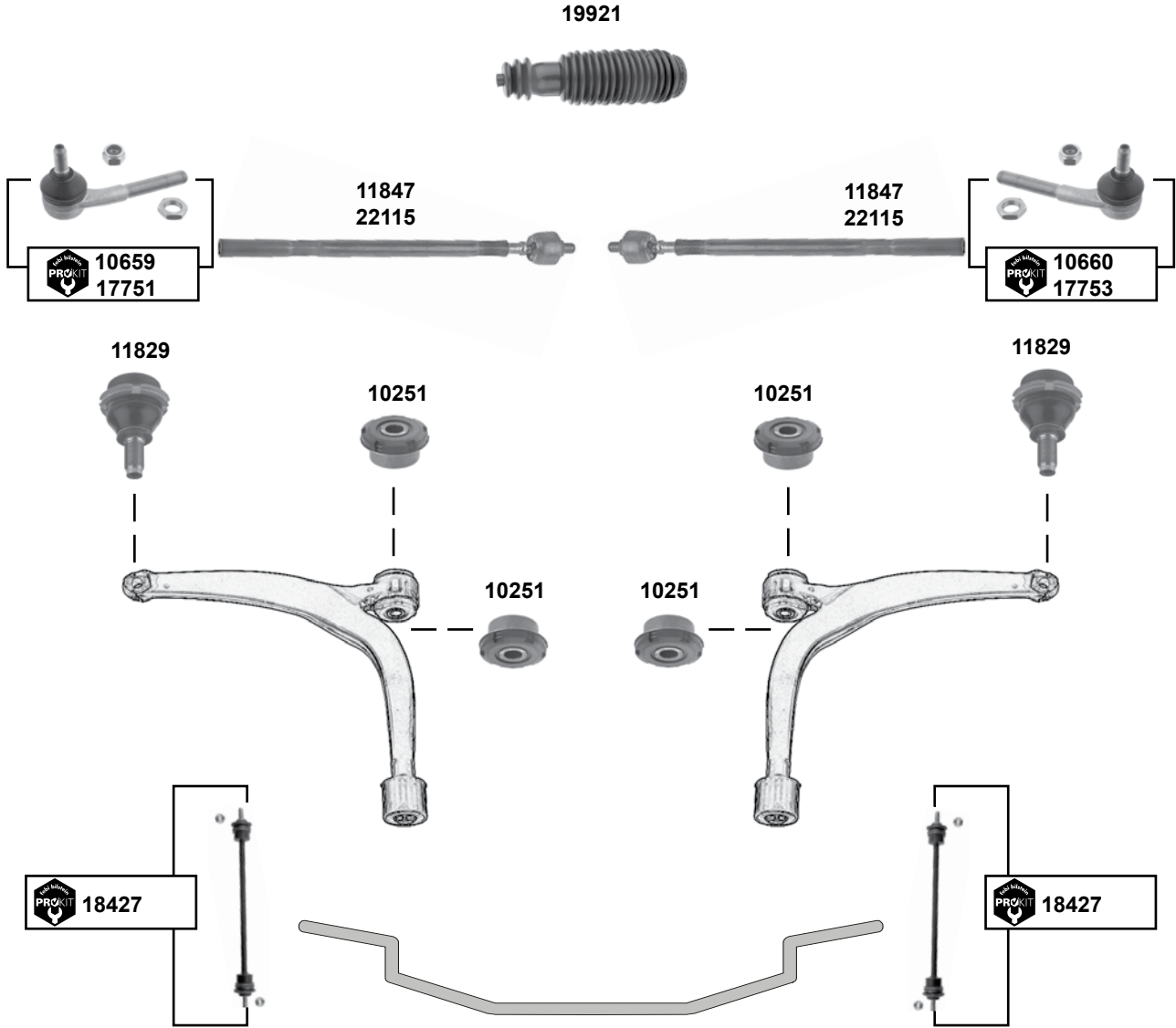
Part No.	Ref. - No.	Description	Quantity	Notes	Dimensions
10659	3817.41	ProKit Spurstangenendstück / tie rod end	(2)		M10 x 1,25
10660	3817.42	ProKit Spurstangenendstück / tie rod end	(2)		M10 x 1,25
11829	3640.34	Traggelenk / ball joint			M14 x 1,5
11853	3812.A9	ProKit Axialgelenk / axial joint	(1)		L 330 Ø A 20
17129	5087.40	ProKit Verbindungsstange / stabilizer link	(3)	Hydractiv	L 300
17751	3817.43	ProKit Spurstangenendstück / tie rod end	(1)		
17753	3817.44	ProKit Spurstangenendstück / tie rod end	(1)		
18185	4066.30	Lenkmanschette / steering boot			
19120	3521.81	Querlenker / control arm			
19121	3520.C1	Querlenker / control arm			
19124	96 083 570	Querlenkerlager / control arm mount			
19225	5087.60	ProKit Verbindungsstange / stabilizer link	(4)		
19716	96 145 457	ProKit Verbindungsstange / stabilizer link		→ O 06614	
19919	4066.37	Lenkmanschette / steering boot	(2)		
19921	4066.42	Lenkmanschette / steering boot	(1)		Ø I 18
22271	3523.81	Querlenkerlager / control arm mount			
22273	3523.82	Querlenkerlager / control arm mount			





## XM I + II (1989 → 2000)

Vorderachse / Front axle



(1) Ø Spurstange / tie rod = 18 mm

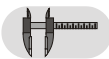
(2) Ø Spurstange / tie rod = 22 mm

(3) (ex.) Diravi

(4) Beachten Sie bitte die Abmessung / please pay attention to the dimension / respecter les dimensions / tenga en cuenta las medidas / fate attenzione alla misura



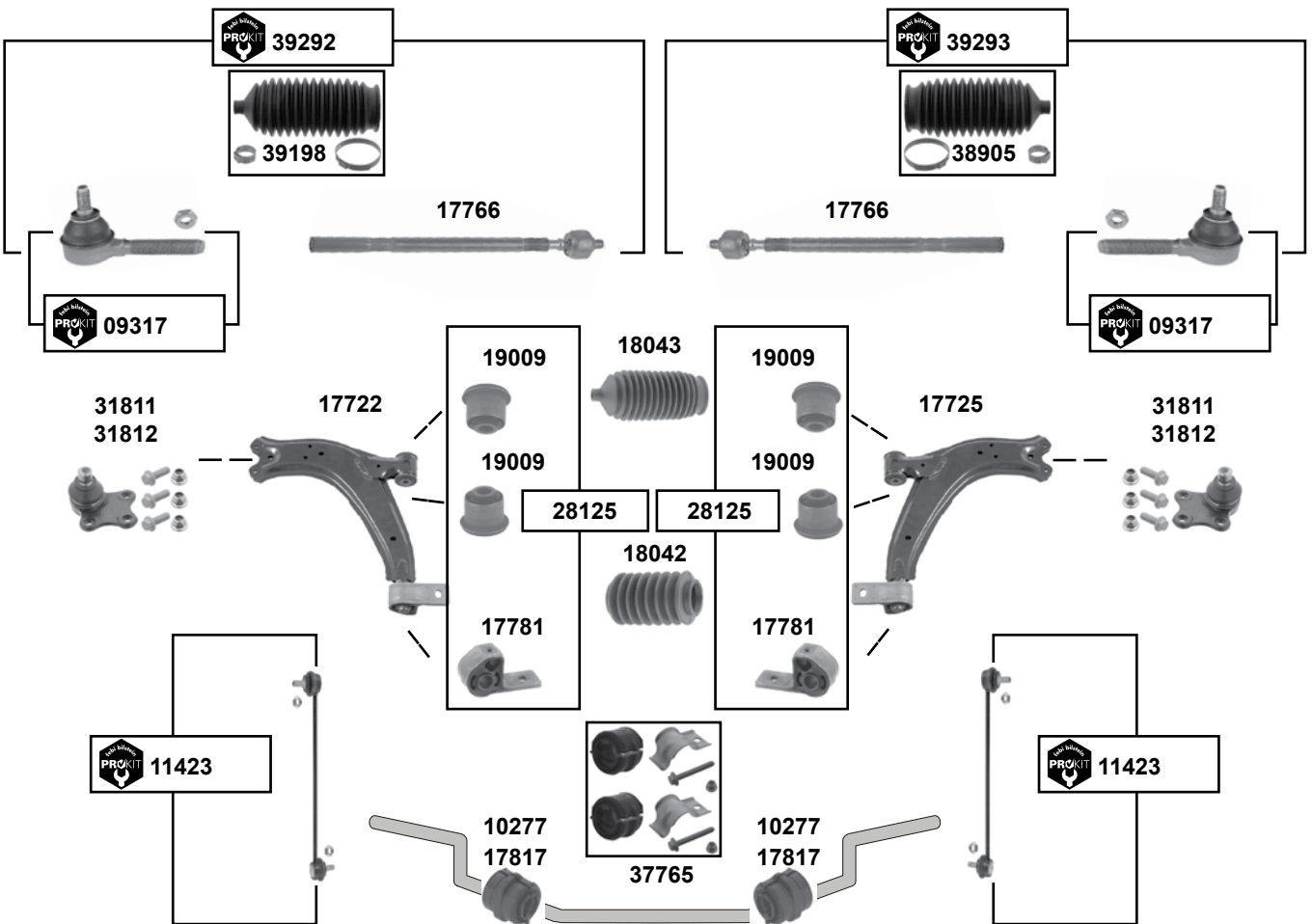
Ref. - No.



Part No.	Ref. - No.	Description	Notes	Dimensions
10251	3523.43	Querlenkerlager / control arm mount		40x14x25,5
10659	3817.41	ProKit Spurstangenendstück / tie rod end	(1)	M10 x 1,25
10660	3817.42	ProKit Spurstangenendstück / tie rod end	(1)	M10 x 1,25
11829	3640.34	Traggelenk / ball joint		M14 x 1,5
11847	3812.99	Spurstange / tie rod	(3)	Ø A 18
17751	3817.43	ProKit Spurstangenendstück / tie rod end	(2)	M10 x 1,25
17753	3817.44	ProKit Spurstangenendstück / tie rod end	(2)	M10 x 1,25
18427	5087.49	ProKit Verbindungsstange / stabilizer link		
19921	4066.42	Lenkmanschette / steering boot	(4)	Ø I 18
22115	3812.A6	Spurstange / tie rod	(3)	Ø A 22



## Xsara I + II (1997 → 2005)

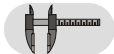


Vorderachse / Front axle

- |  |  |
|--|--|
| (1) (ex.) (N1) 2,016V / break (N2) 2,0 HDI O 07871 →   | (2) (ex.) (N1) 2,016V / break (N2) 2,0 HDI → O 07870 |
| (3) (ex.) HD / (mot.) 2,0 HDI  , 2,0 16V   | (5) Xsara I (ex.) servo                              |
| (4) Xsara I (mot.) XU10J4RS // (mot.) TU3JP, TU5JP, XU7JP4, DW8 O 08372 → / Stabilisatorstange vorne D=21<br>Xsara II (mot.) EW10J4, XU10J4RS, TU5JP4 BVA / (ex.) (mot.) DW10ATED, BVA |  |



Ref. - No.



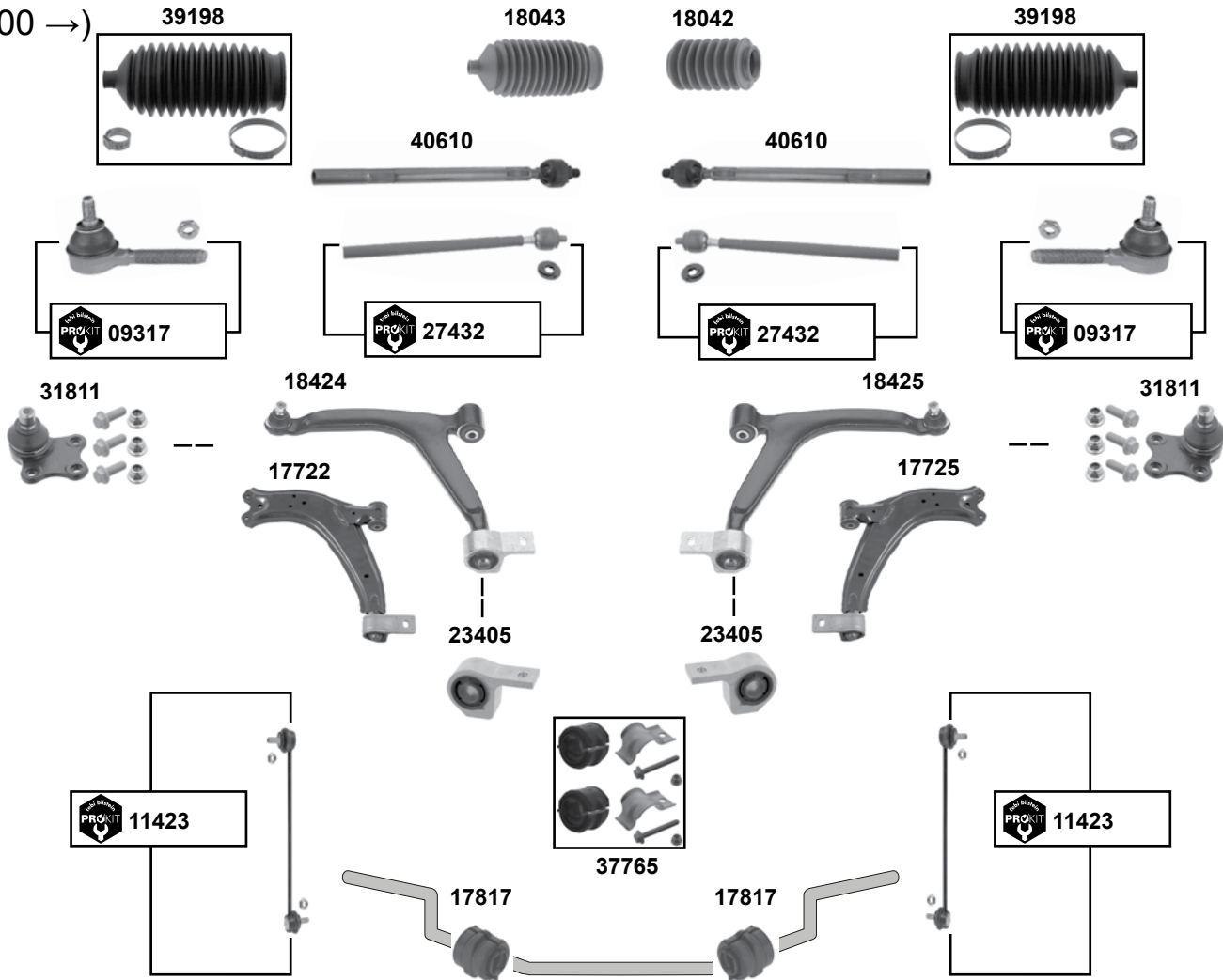
Ref. - No.	Description	Quantity	Dimensions
09317	ProKit Spurstangenendstück / tie rod end		M10 x 1,25
10277	Stabilisatorlager / stabilizer mount		
11423	ProKit Verbindungsstange / stabilizer link		L 300
17722	Querlenker / control arm	(3)	
17725	Querlenker / control arm	(3)	
17766	Spurstange / tie rod		L 345
17781	Querlenkerlager / control arm mount	(3)	
17817	Stabilisatorlager / stabilizer mount	(3)	
18042	Lenkmanschette / steering boot		
18043	Lenkmanschette / steering boot		
19009	Querlenkerlager / control arm mount	(3)	
28125	Rep. Satz Querlenkerlager / rep. kit control arm mount	(3)	
31811	Rep. Satz Traggelenk / rep. kit ball joint	(1)	Ø A 18
31812	Rep. Satz Traggelenk / rep. kit ball joint	(2)	Ø A 16
37765	Stabilisatorlagersatz / anti roll bar bush kit	(4)	
38905	Rep. Satz Lenkmanschette / rep. kit steering boot	(5)	L 196,6
39198	Rep. Satz Lenkmanschette / rep. kit steering boot		L 154,5
39292	ProKit Spurstange / tie rod		
39293	ProKit Spurstange / tie rod		



## Xsara Picasso

(2000 →)

Vorderachse / Front axle



(1) (mot.) TU alle / all → O 11249 / (mot.) 1,8 16V (EW7J4) → O 11193

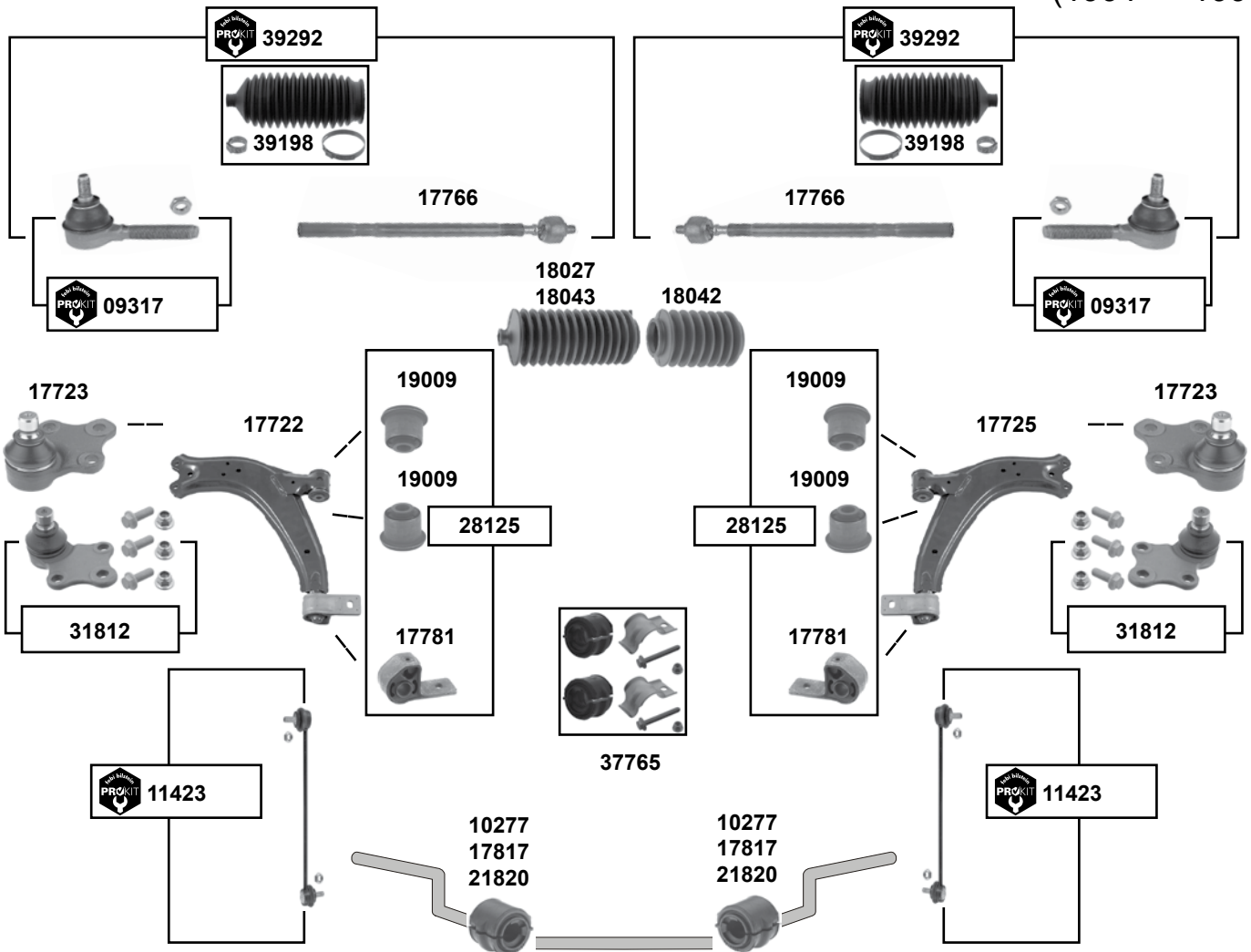
(2) für normale Aufhängung / for normal suspension:  
(mot.) DW10TD, DV6ATED4, EW10J4, DV6TED4, / (mot.) EW7J4 → O 09063

(3) für normale Aufhängung / for normal suspension:  
alle / all (mot.) TU, (mot.) EW7J4 O 09065 →

(4) (mot.) TU5JP4 // (mot.) TU5JP, EW7J4 O 09064FV →



	Ref. - No.			
09317	3817.50	ProKit Spurstangenendstück / tie rod end		M10 x 1,25
11423	5087.61	ProKit Verbindungsstange / stabilizer link		L 300
17722	3520.H5	Querlenker / control arm	(3)	
17725	3521.E5	Querlenker / control arm	(3)	
17817	5094.65	Stabilisatorlager / stabilizer mount		
18042	4066.22	Lenkmanschette / steering boot		
18043	4066.43	Lenkmanschette / steering boot		
18424	3520.V3	Querlenker / control arm	(2)	
18425	3521.R4	Querlenker / control arm	(2)	
23405	3523.83	Querlenkerlager / control arm mount		
27432	3812.C6	ProKit Axialgelenk / axial joint	→ O 10016	L 336
31811	36400.51 S1	Rep. Satz Traggelenk / rep. kit ball joint	(1)	Ø A 18
37765	5094.65 S1	Stabilisatorlagersatz / anti roll bar bush kit	(4)	
39198	4066.43 S1	Rep. Satz Lenkmanschette / rep. kit steering boot		L 154,5
40610	3812.E4	Axialgelenk / axial joint	servo  O 10017 →	L 355



(1) (mot.) XU10J4RS, XU9JAZ, XU9JA, XU10J4  
(mot.) XUD9TE O 05915 → / (mot.) XU10J2 O 05684 →

(2) (ex.) servo O 06629 →



Ref. - No.



Part No.	Ref. - No.	Description	Notes	Dimensions
09317	3817.50	ProKit Spurstangenendstück / tie rod end		M10 x 1,25
10277	96 158 745	Stabilisatorlager / stabilizer mount		Ø I 18
11423	5087.61	ProKit Verbindungsstange / stabilizer link		L 300
17722	3520.H5	Querlenker / control arm	(ex.) Sport / O 06146 →	
17723	3640.42	Traggelenk / ball joint		Ø A 16
17725	3521.E5	Querlenker / control arm	(ex.) Sport / O 06146 →	
17766	3812.C0	Spurstange / tie rod		L 345
17781	3523.75	Querlenkerlager / control arm mount	(ex.) Sport / O 06145 →	
17817	5094.65	Stabilisatorlager / stabilizer mount		
18027	4066.20	Lenkmanschette / steering boot	servo.	
18042	4066.22	Lenkmanschette / steering boot	servo.	
18043	4066.43	Lenkmanschette / steering boot	man.  / O 06629 →	
19009	3520.H5 S1	Querlenkerlager / control arm mount	(ex.) Sport / O 06145 →	
21820	5094.66	Stabilisatorlager / stabilizer mount		Ø I 19
28125	3520.H5 S2	Rep.Satz Querlenkerlager / rep. kit control arm mount	(ex.) Sport / O 06145 →	
31812	3640.42 S1	Rep. Satz Traggelenk / rep. kit ball joint		Ø A 16
37765	5094.65 S1	Stabilisatorlagersatz / anti roll bar bush kit	(1)	
39198	4066.43 S1	Rep. Satz Lenkmanschette / rep. kit steering boot	(2)	L 154,5
39292	3812.C0 S1	ProKit Spurstange / tie rod		

passend für / to fit

**DACIA**



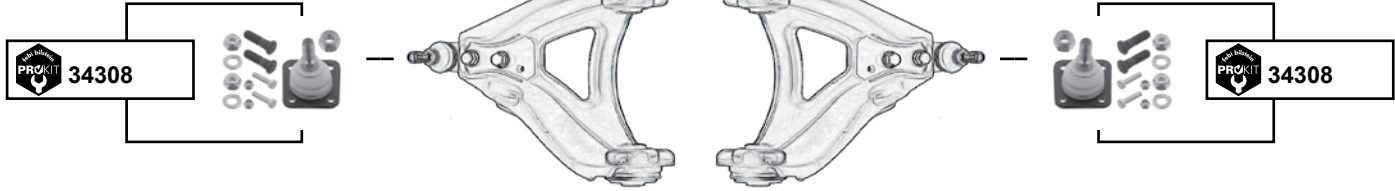
**Car  
Division**



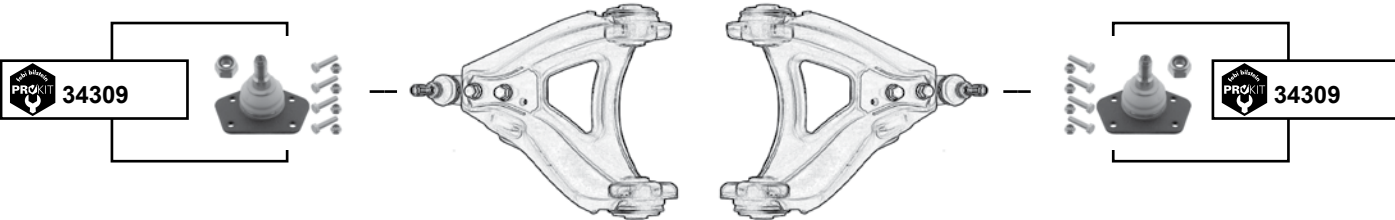
## Dacia (1300 Kombi)

(1972 → 1983)

**oben / upper**



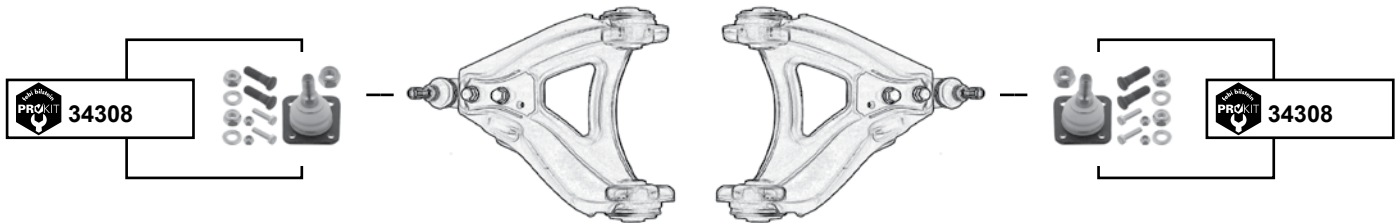
**unten / lower**



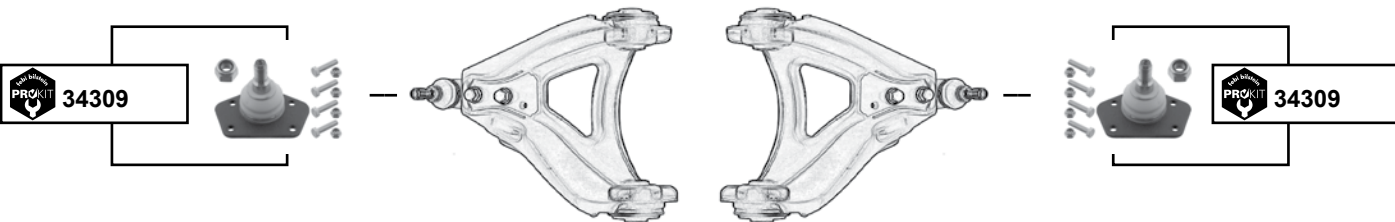
## Dacia (1310 Kombi)

(1983 →)

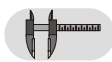
**oben / upper**



**unten / lower**



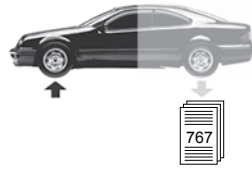
Ref. - No.



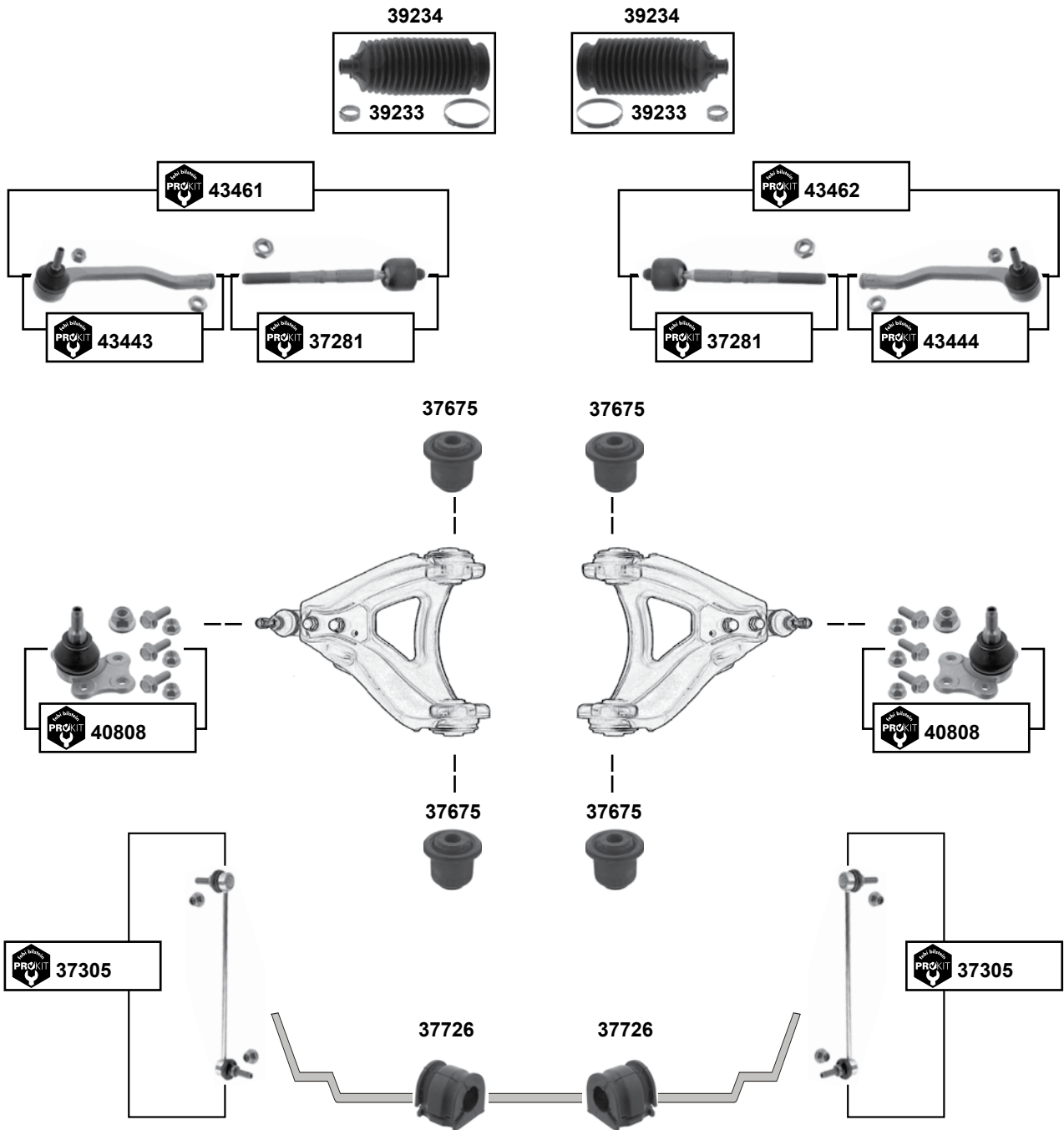
**34308** 77 01 468 820  
**34309** 77 01 468 821

ProKit Traggenlenk / ball joint  
 ProKit Traggenlenk / ball joint

Vorderachse / Front axle



**Duster**  
(2010 →)



Vorderachse / Front axle

	Ref. - No.			
<b>37281</b>	82 01 108 350 SK	ProKit Axialgelenk / axial joint		L 205
<b>37305</b>	82 00 814 411	ProKit Verbindungsstange / stabilizer link	nur / only 4x4	L 294
<b>37675</b>	54 56 027 88R	Querlenkerlager / control arm mounting		Ø A 50,5 / 37
<b>37726</b>	82 00 852 550	Stabilisatorlager / stabilizer mount		Ø I 18,5
<b>39233</b>	82 01 108 358 SK	Lenkmanschette / steering boot	HSA/HSM	L 192
<b>39234</b>	82 01 108 358	Rep. Satz Lenkmanschette / rep. kit steering boot	HSA/HSM	
<b>40808</b>	40 16 023 08R	ProKit Traggelenk / ball joint		M12 x 1,25
<b>43443</b>	82 01 108 339	ProKit Spurstangenendstück / tie rod end		L 220,5
<b>43444</b>	82 01 108 332	ProKit Spurstangenendstück / tie rod end		L 220,5
<b>43461</b>	82 01 108 339 S1	ProKit Spurstange mit Endstück / tie rod with end		
<b>43462</b>	82 01 108 332 S1	ProKit Spurstange mit Endstück / tie rod with end		

passend für / to fit

**DACIA**



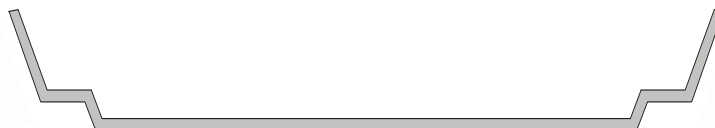
**Car  
Division**



## Dokker (2012 →)

Vorderachse / Front axle

27447



27447



## Lodgy (2012 →)

27447



27447



Ref. - No.



27447

60 01 547 138

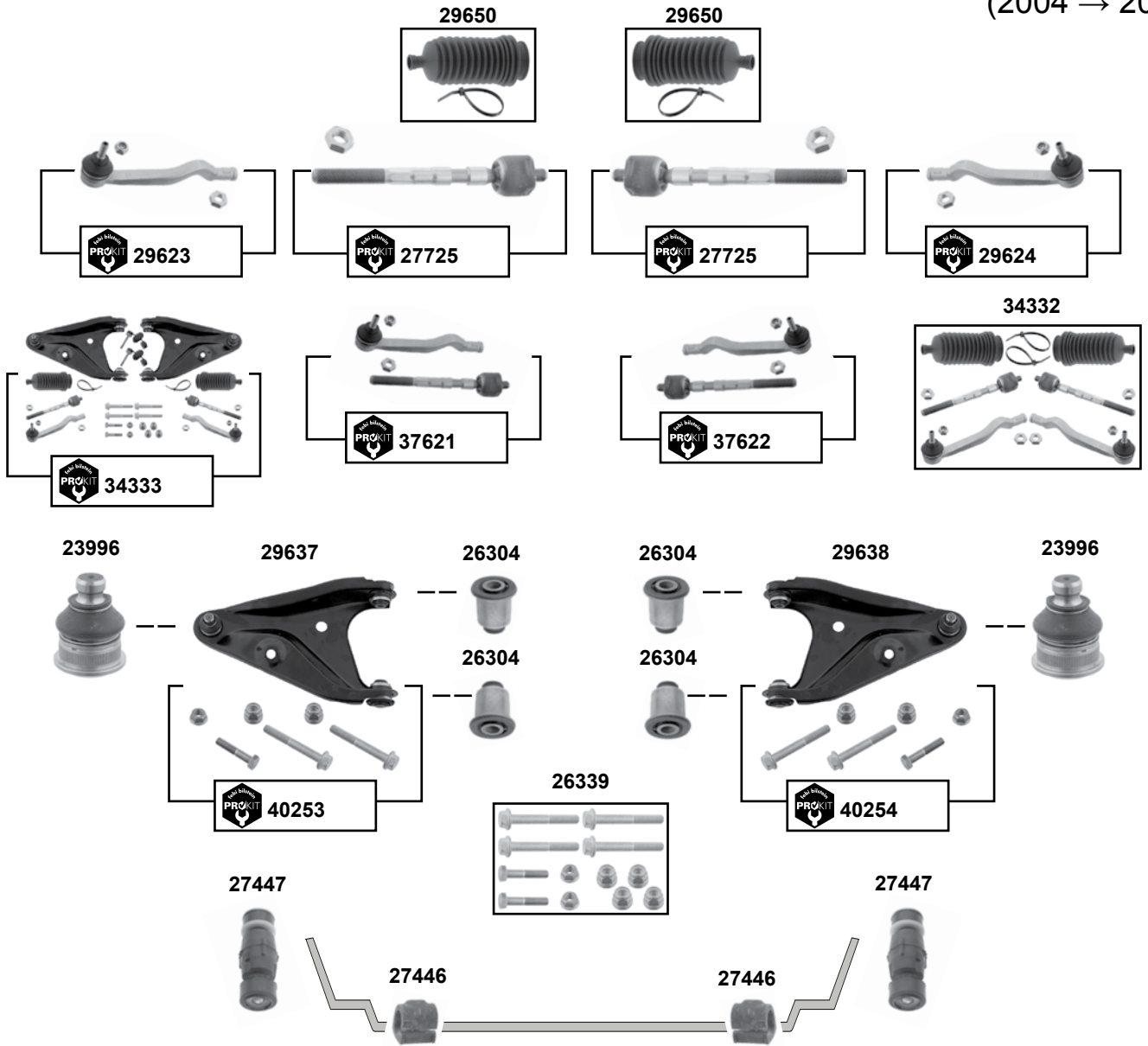
Stabilisatorlager / stabilizer mount

M8x1,25



**Logan 1**  
(2004 → 2013)

Vorderachse / Front axle



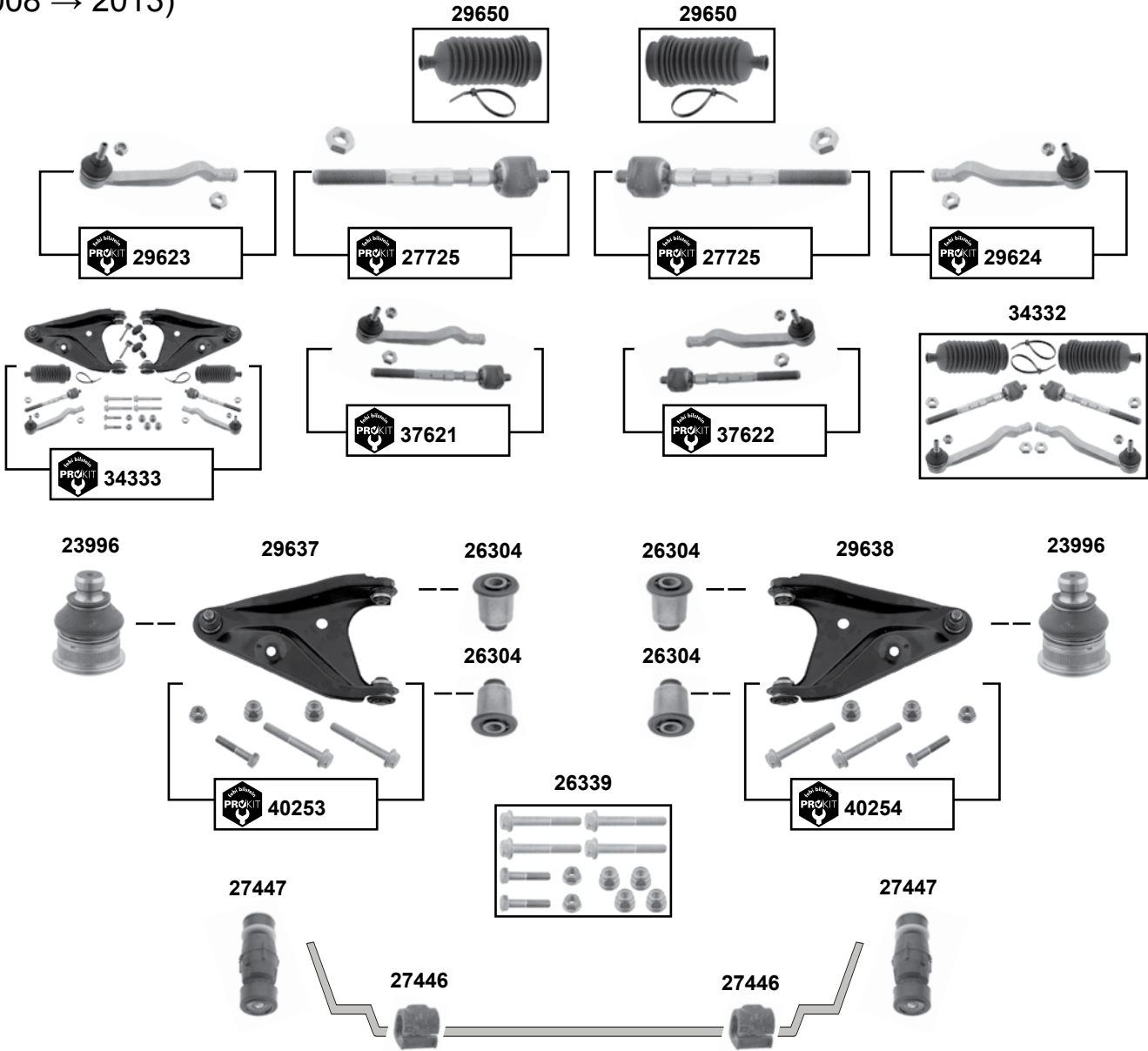
	Ref. - No.			
<b>23996</b>	82 00 298 455 S1	Traggelenk / ball joint		Ø A 18
<b>26304</b>	60 40 002 245	Querlenkerlager / control arm mount		H 42
<b>26339</b>	77 00 763 538 S1	Schraubensatz Querlenker / screw kit control arm		
<b>27446</b>	60 01 547 140	Stabilisatorlager / stabilizer mount		Ø I 23
<b>27447</b>	60 01 547 138	Stabilisatorlager / stabilizer mount		M8 x 1,25
<b>27725</b>	60 01 550 441	ProKit Spurstange / tie rod		
<b>29623</b>	60 01 550 442	ProKit Spurstangenendstück / tie rod end		L 213
<b>29624</b>	60 01 550 443	ProKit Spurstangenendstück / tie rod end		L 213
<b>29637</b>	60 01 550 446	Querlenker / control arm		
<b>29638</b>	60 01 550 447	Querlenker / control arm		
<b>29650</b>	60 01 547 607	Rep. Satz Lenkmanschette / rep. kit steering boot		L187
<b>34332</b>	60 01 550 442 S1	Spurstangensatz / tie rod set		
<b>34333</b>	60 01 550 446 S1	ProKit Querlenkersatz / control arm kit		
<b>37621</b>	60 01 550 442 S2	ProKit Spurstange / tie rod		
<b>37622</b>	60 01 550 443 S2	ProKit Spurstange / tie rod		
<b>40253</b>	60 01 550 446 S2	ProKit Querlenker / control arm		
<b>40254</b>	60 01 550 447 S2	ProKit Querlenker / control arm		



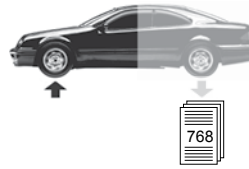


**Sandero 1**  
(2008 → 2013)

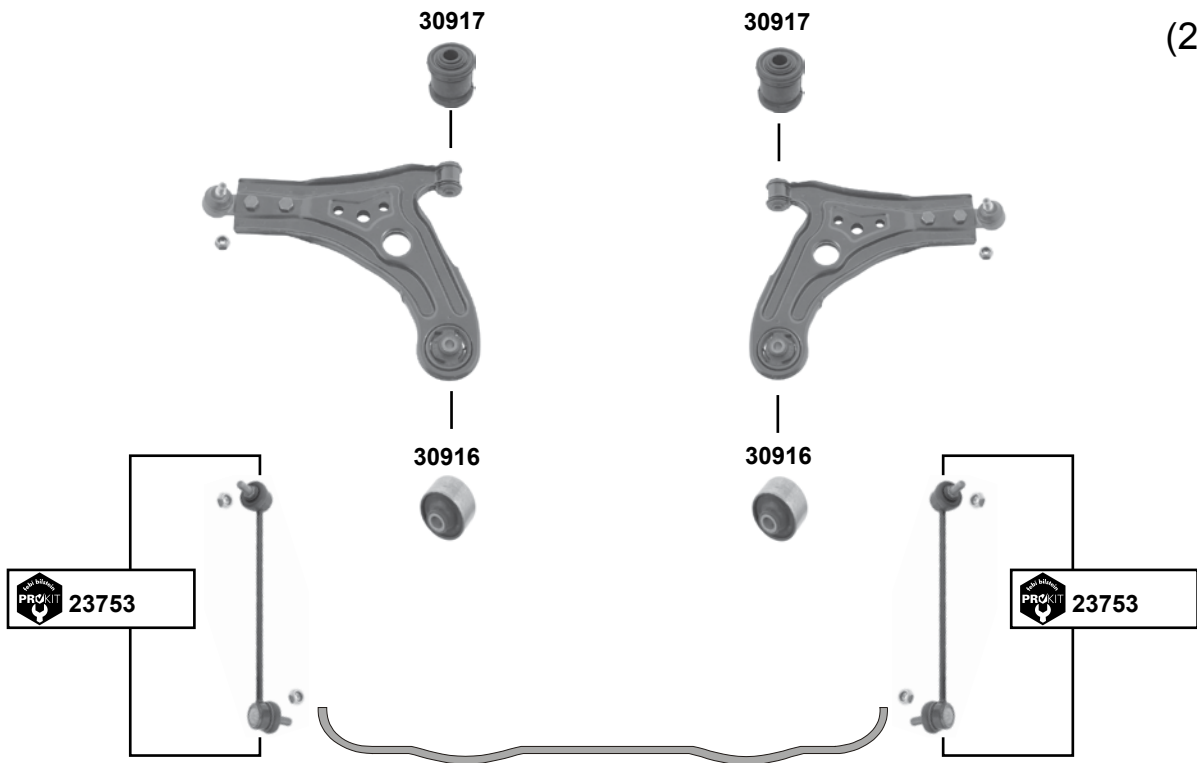
Vorderachse / Front axle



	Ref. - No.			
<b>23996</b>	82 00 298 455 S1	Traggelenk / ball joint		Ø A 18
<b>26304</b>	60 40 002 245	Querlenkerlager / control arm mount		H 42
<b>26339</b>	77 00 763 538 S1	Schraubensatz Querlenker / screw kit control arm		
<b>27446</b>	60 01 547 140	Stabilisatorlager / stabilizer mount		Ø I 23
<b>27447</b>	60 01 547 138	Stabilisatorlager / stabilizer mount		M8 x 1,25
<b>27725</b>	60 01 550 441	ProKit Spurstange / tie rod		
<b>29623</b>	60 01 550 442	ProKit Spurstangenendstück / tie rod end		L 213
<b>29624</b>	60 01 550 443	ProKit Spurstangenendstück / tie rod end		L 213
<b>29637</b>	60 01 550 446	Querlenker / control arm		
<b>29638</b>	60 01 550 447	Querlenker / control arm		
<b>29650</b>	60 01 547 607	Rep. Satz Lenkmanschette / rep. kit steering boot		L 187
<b>34332</b>	60 01 550 442 S1	Spurstangensatz / tie rod set		
<b>34333</b>	60 01 550 446 S1	ProKit Querlenkersatz / control arm kit		
<b>37621</b>	60 01 550 442 S2	ProKit Spurstange / tie rod		
<b>37622</b>	60 01 550 443 S2	ProKit Spurstange / tie rod		
<b>40253</b>	60 01 550 446 S2	ProKit Querlenker / control arm		
<b>40254</b>	60 01 550 447 S2	ProKit Querlenker / control arm		



**Aveo**  
(2005 →)

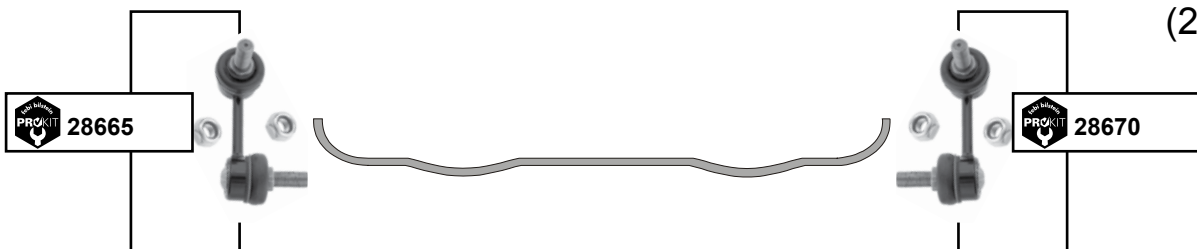


Vorderachse / Front axle

**Captiva**  
(2007 →)



**Epica**  
(2005 →)



Ref. - No.

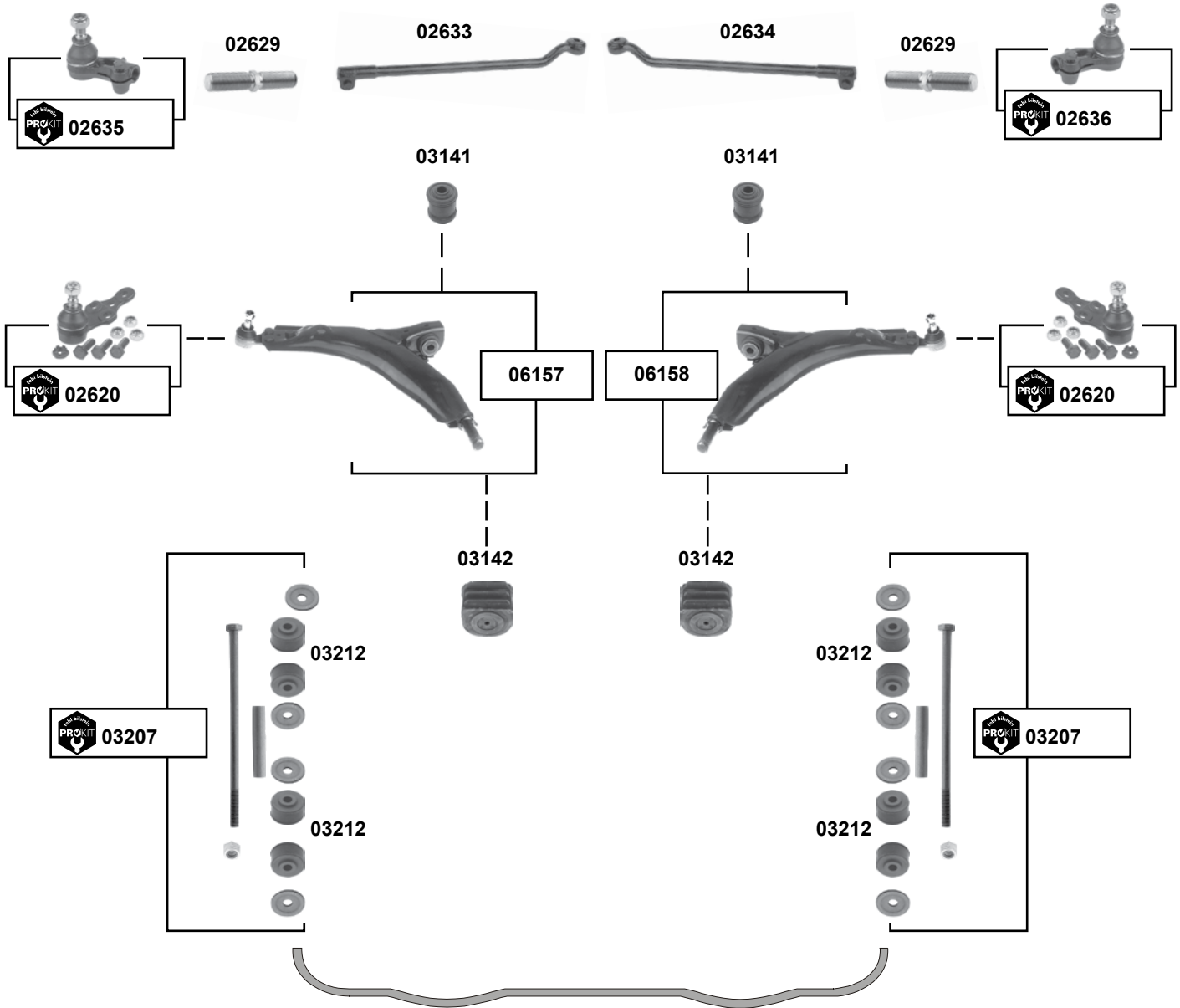


<b>23753</b>	96391875	ProKit Verbindungsstange / connecting rod	
<b>28665</b>	96639904	ProKit Verbindungsstange / stabilizer link	L 80
<b>28670</b>	96639904	ProKit Verbindungsstange / stabilizer link	L 80
<b>28671</b>	9662 6247	ProKit Verbindungsstange / stabilizer link	L 286
<b>28672</b>	9662 6248	ProKit Verbindungsstange / stabilizer link	L 286
<b>30916</b>	96653381	Querlenkerlager / control arm mount	(ch.) 033314 →
<b>30917</b>	96535087	Querlenkerlager / control arm mount	



## Espero (1991 → 1999)

Vorderachse / Front axle



(1) Standardversion nicht verstärkt / regular version not heavy duty one / version de estandard, sin reforzar / version standard non renforcée / versione standard, non rinforzata



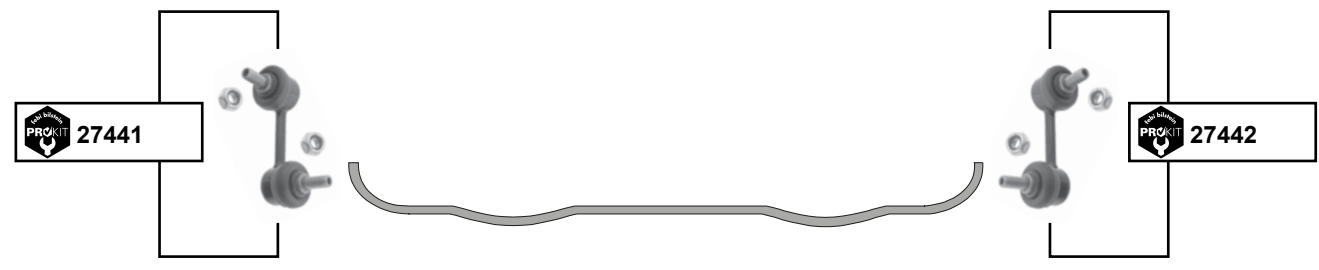
Ref. - No.



<b>02620</b>	94788122	ProKit Tragelenk / ball joint	
<b>02629</b>	07846696	Einstellbolzen / adjusting bolt	M12 x 1,5
<b>02633</b>	07848281	Spurstange / tie rod	M16x1,5x98
<b>02634</b>	07848282	Spurstange / tie rod	L 429
<b>02635</b>	26001807	ProKit Spurstangenendstück / tie rod end	L 429
<b>02636</b>	26001806	ProKit Spurstangenendstück / tie rod end	M16x1,5 RHT
<b>03141</b>	96335966	Querlenkerlager / control arm mount	M16x1,5 LHT
<b>03142</b>	90235040	Querlenkerlager / control arm mount	59x46x14,5
<b>03207</b>	02875013 S1	ProKit Verbindungsstangensatz / stabilizer link set	21x56x54,5
<b>03212</b>	02875013	Stabilisatorlager / stabilizer mount	
<b>06157</b>	96218397	Querlenker / control arm	(1) / mit/with 03142
<b>06158</b>	96218398	Querlenker / control arm	(1) / mit/with 03142



**Evanda**  
(2002 → 2004)



Vorderachse / Front axle



**Ref. - No.**



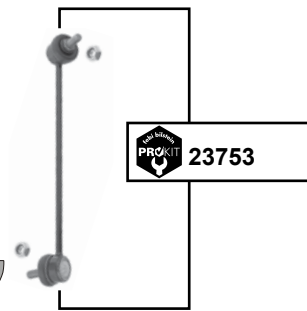
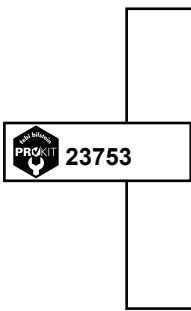
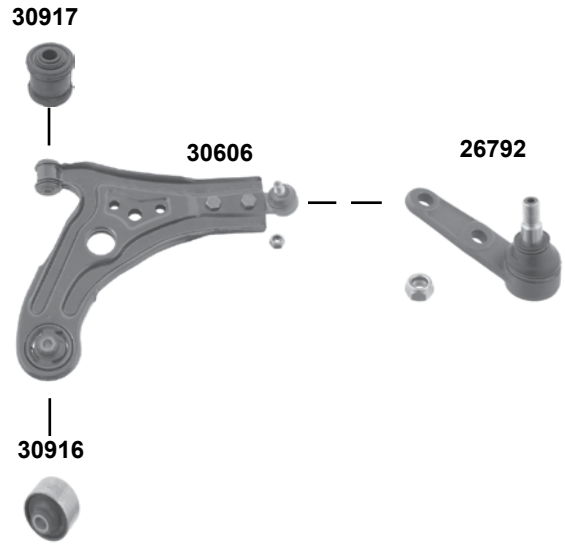
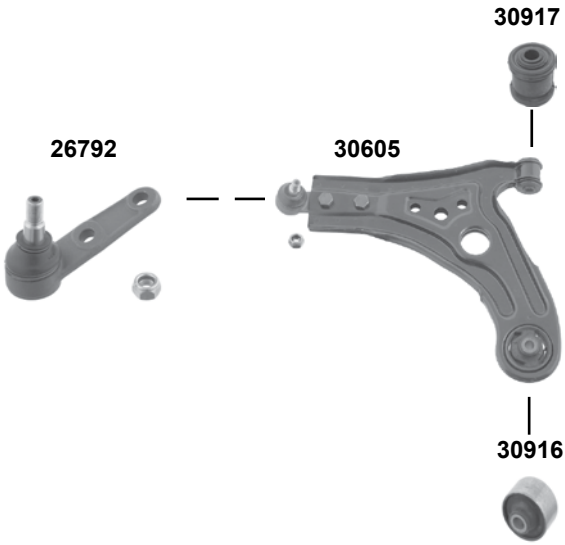
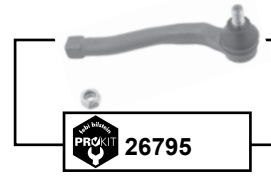
<b>27441</b>	96225858	ProKit Verbindungsstange / stabilizer link	L 79
<b>27442</b>	96225859	ProKit Verbindungsstange / stabilizer link	L 79



# Kalos

(2002 → 2004)

Vorderachse / Front axle



	Ref. - No.			
<b>23753</b>	96391875	ProKit Verbindungsstange / stabilizer link		L 262
<b>26792</b>	96535089	Traggelenk / ball joint		M12 x 1,25
<b>26794</b>	93740722	ProKit Spurstangenendstück / tie rod end		
<b>26795</b>	93740723	ProKit Spurstangenendstück / tie rod end		
<b>30605</b>	96870465	Querlenker / control arm	(ch.) 028236 →	M12 x 1,25
<b>30606</b>	96870466	Querlenker / control arm	(ch.) 028236 →	M12 x 1,25
<b>30916</b>	96653381	Querlenkerlager / control arm mount		Ø1 46 ØA 12
<b>30917</b>	96535087	Querlenkerlager / control arm mount		Ø1 46 ØA 12



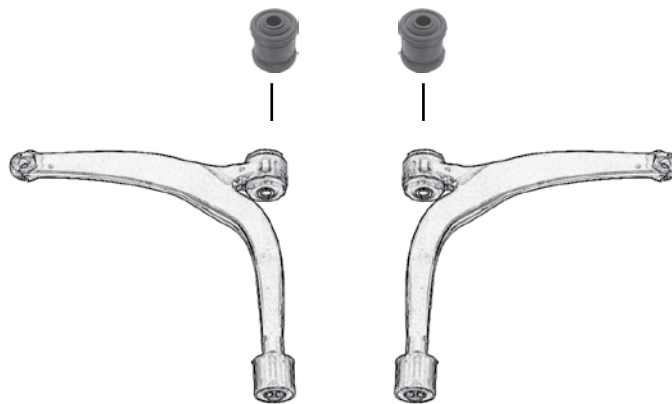
**Lacetti**  
(2004 →)

Vorderachse / Front axle



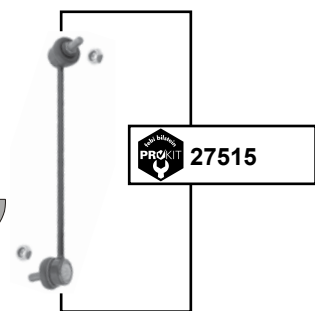
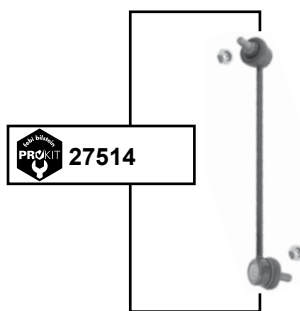
32492

32492



32757

32757

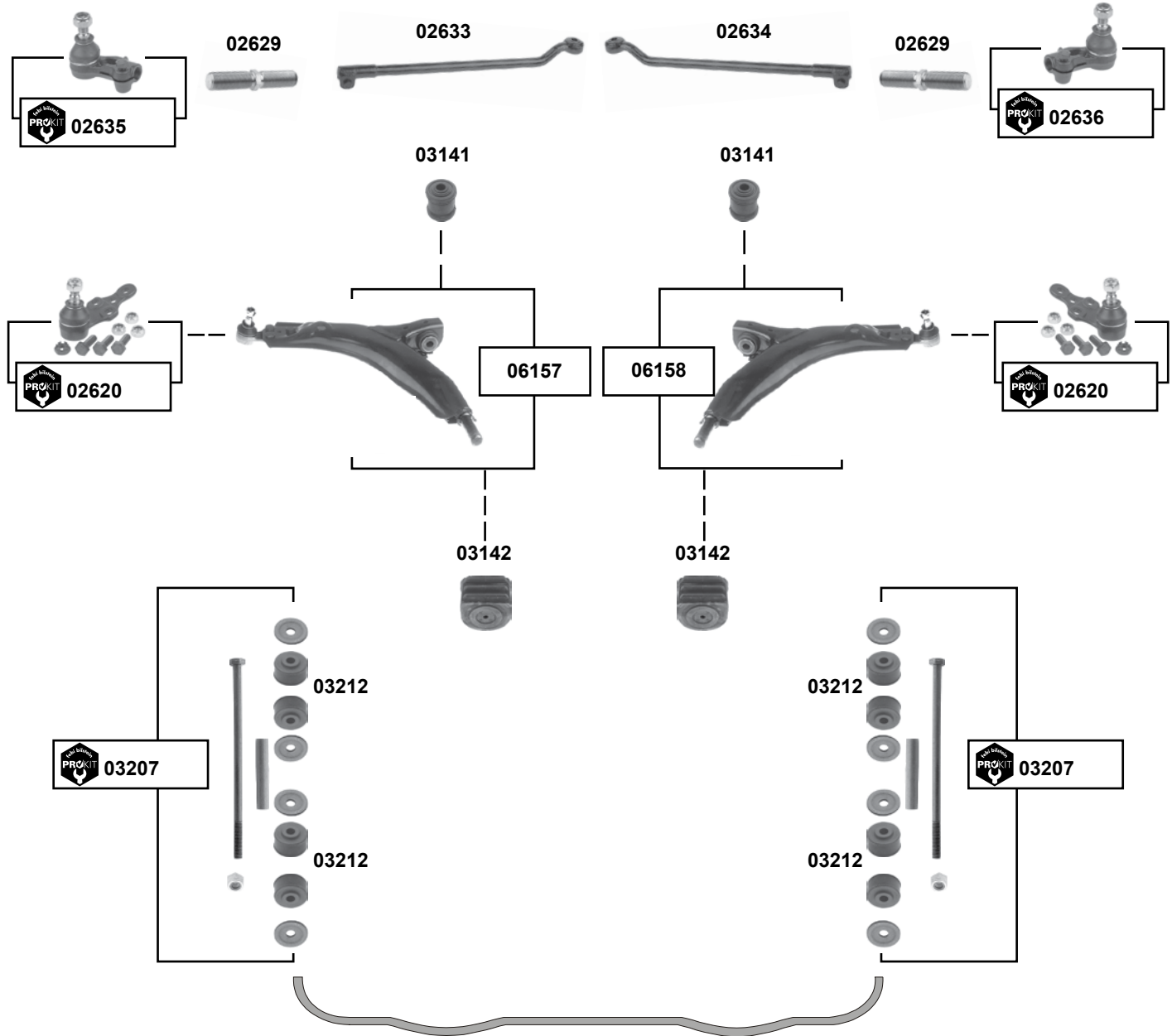


	Ref. - No.			
<b>27514</b>	96403099	ProKit Verbindungsstange / stabilizer link	→ 03/05	L 271,5
<b>27515</b>	96403100	ProKit Verbindungsstange / stabilizer link	→ 03/05	L 271,5
<b>26797</b>	96407485	ProKit Spurstangenendstück / tie rod end	→ 03/05 / servo.	M12 x 1,5
<b>26798</b>	96407486	ProKit Spurstangenendstück / tie rod end	→ 03/05 / servo.	M12 x 1,5
<b>32492</b>	96378346	Querlenkerlager / control arm mount		
<b>32610</b>	96490218 SK	ProKit Tragelenk / ball joint	→ 03/05	
<b>32757</b>	96391856	Querlenkerlager / control arm mount	→ 03/05	Ø A 60

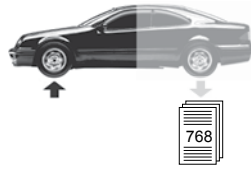


**Lanos**  
(1997 → 2004)

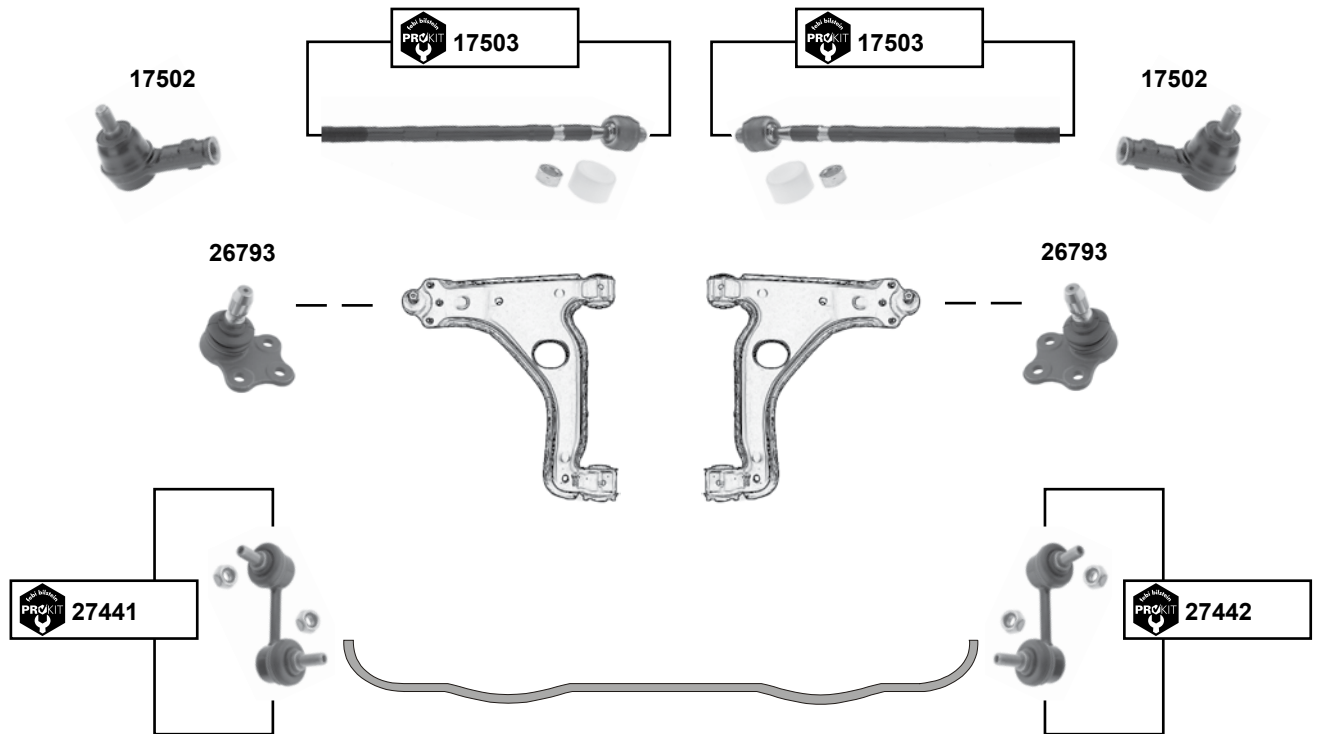
Vorderachse / Front axle



	Ref. - No.			
<b>02620</b>	94788122	ProKit Trag gelenk / ball joint		M12 x 1,5
<b>02629</b>	07846696	Einstellbolzen / adjusting bolt		16x1,5x98,5
<b>02633</b>	07848281	Spurstange / tie rod		L 429
<b>02634</b>	07848282	Spurstange / tie rod		L 429
<b>02635</b>	26001807	ProKit Spurstangenendstück / tie rod end	man.	M16x1,5 RHT
<b>02636</b>	26001806	ProKit Spurstangenendstück / tie rod end	man.	M16x1,5 LHT
<b>03141</b>	96335966	Querlenkerlager / control arm mount	(ch.) 213669 →	59x46x14,5
<b>03142</b>	90235040	Querlenkerlager / control arm mount	(ch.) → 447433	21x56x54,5
<b>03207</b>	02875013 S1	ProKit Verbindungsstangensatz / stabilizer link set		
<b>03212</b>	02875013	Stabilisatorlager / stabilizer mount		8,5x30x19
<b>06157</b>	96218397	Querlenker / control arm	(ch.) → 447433 mit/with 03142	
<b>06158</b>	96218398	Querlenker / control arm	(ch.) → 447433 mit/with 03142	

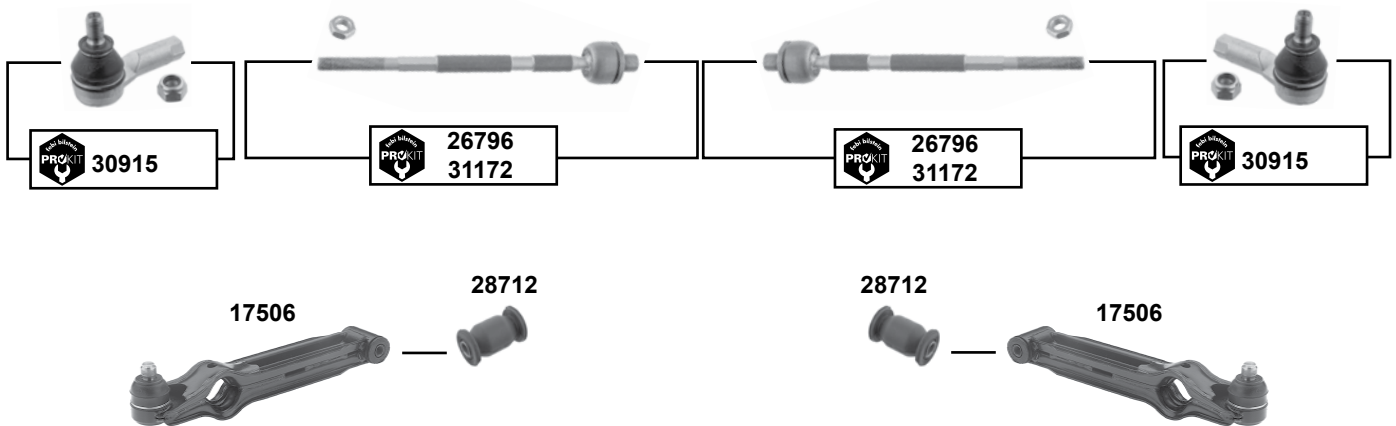


**Leganza**  
(1997 → 2004)



Vorderachse / Front axle

**Matiz**  
(1998 → 2004)



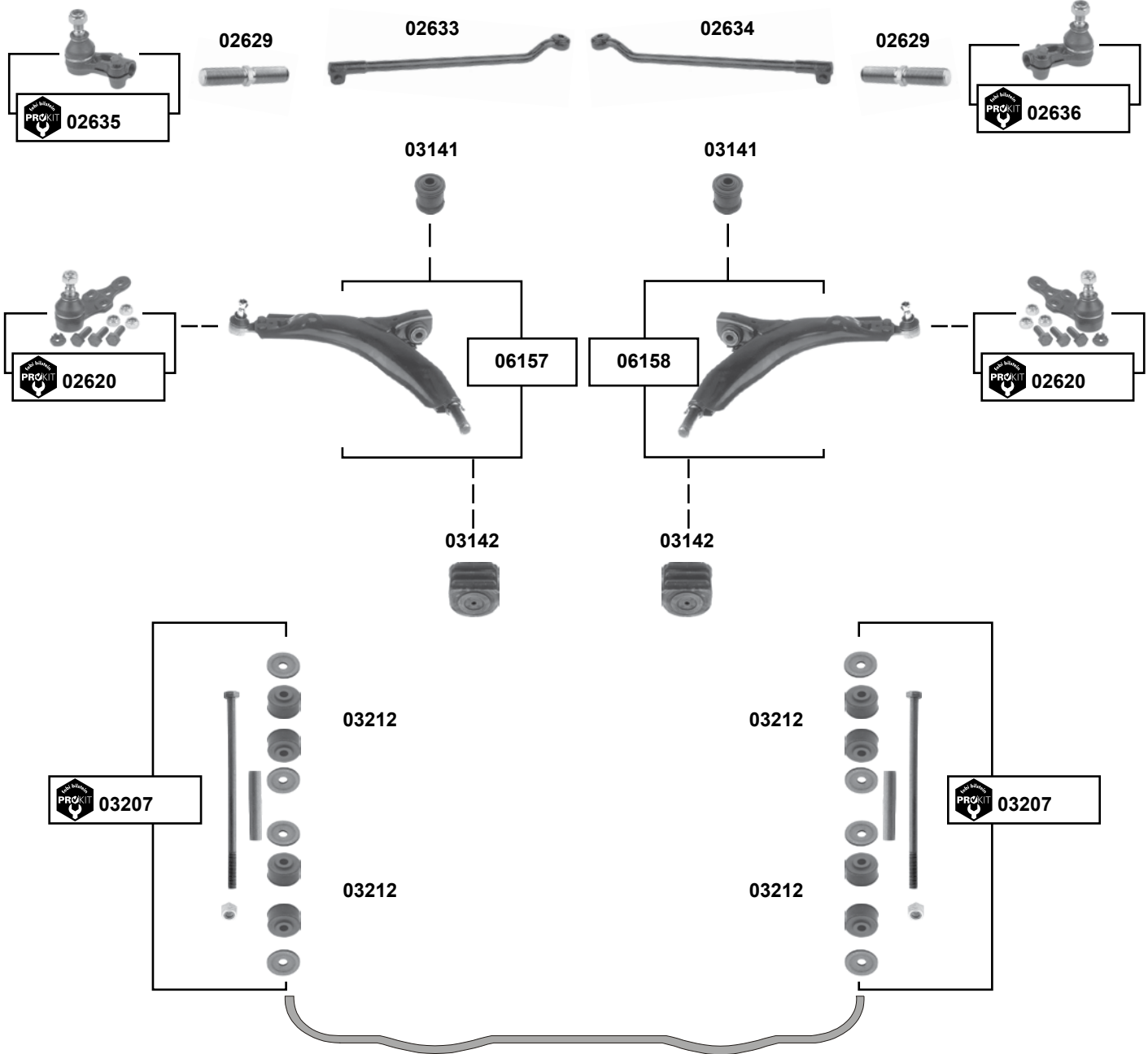
	Ref. - No.			
17502	96205809	Spurstangenendstück / tie rod end	servo.	M14 x 1,5
17503	520808	ProKit Spurstange / tie rod	servo.	L 429
17506	9631 6765	Querlenker / control arm		
26793	96213119	Traggelenk / ball joint		Ø A 18
26796	93741074	ProKit Spurstange / tie rod	(ex.) servo.	L 270
27441	96225858	ProKit Verbindungsstange / stabilizer link		L 79
27442	96225859	ProKit Verbindungsstange / stabilizer link		L 79
28712	96380613	Querlenkerlager / control arm mount		Ø A 49 H44,6
30915	93741077	ProKit Spurstangenendstück / tie rod end		M12 x 1,5
31172	93741092	ProKit Spurstange / tie rod	servo.	



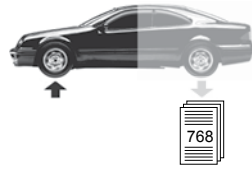


**Nexia**  
(1991 → 1999)

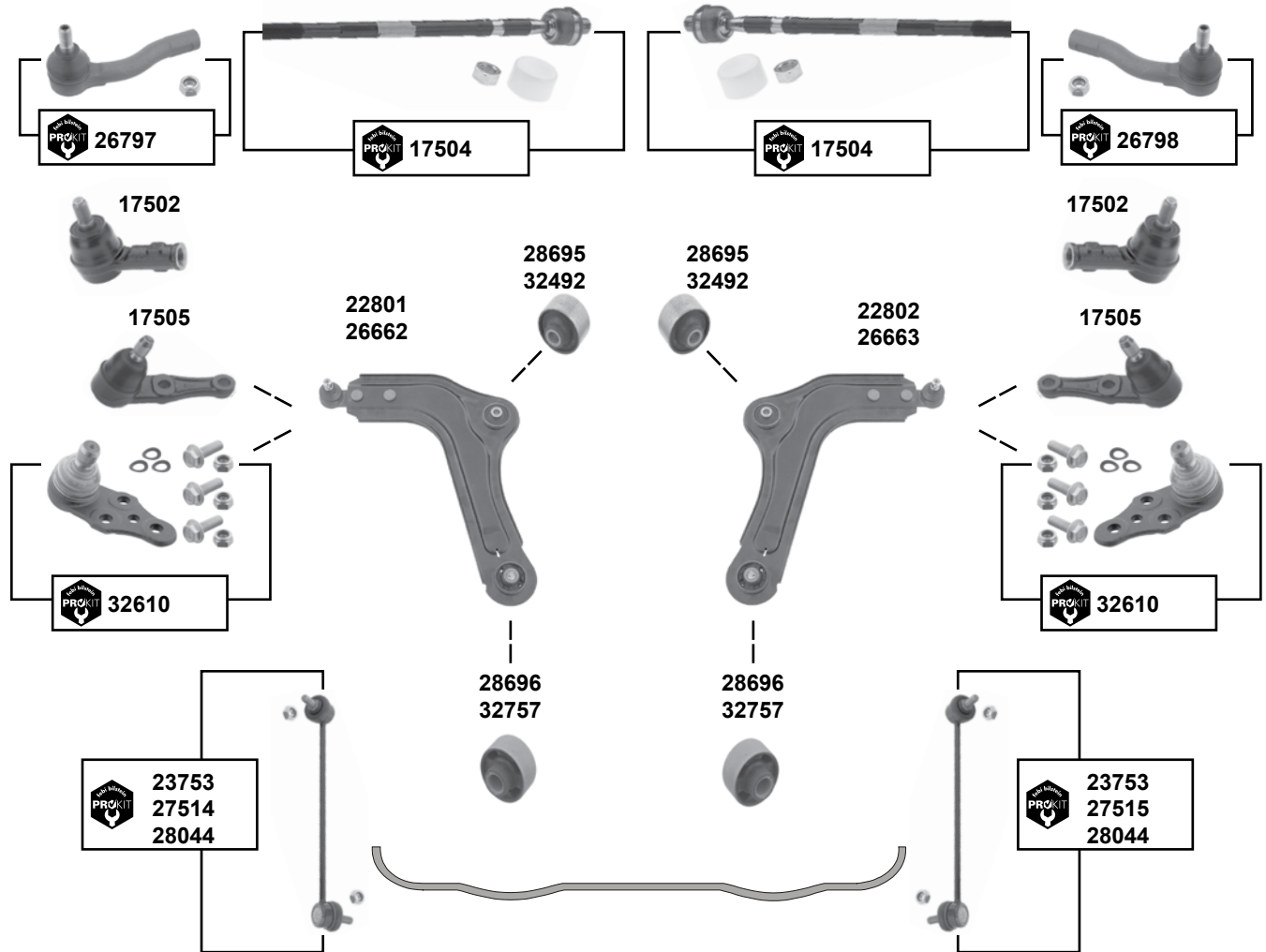
Vorderachse / Front axle



	Ref. - No.			
<b>02620</b>	94788122	ProKit Trag gelenk / ball joint		M12 x 1,5
<b>02629</b>	07846696	Einstellbolzen / adjusting bolt		M16x1,5x98, L 429
<b>02633</b>	07848281	Spurstange / tie rod		L 429
<b>02634</b>	07848282	Spurstange / tie rod		L 429
<b>02635</b>	26001807	ProKit Spurstangenendstück / tie rod end		M16x1,5 RHT
<b>02636</b>	26001806	ProKit Spurstangenendstück / tie rod end		M16x1,5 LHT
<b>03141</b>	96335966	Querlenkerlager / control arm mount		59x46x14,5
<b>03142</b>	90235040	Querlenkerlager / control arm mount		21x56x54,5
<b>03207</b>	02875013 S1	ProKit Verbindungsstangensatz / stabilizer link set		
<b>03212</b>	02875013	Stabilisatorlager / stabilizer mount		8,5x30x19
<b>06157</b>	96218397	Querlenker / control arm	mit/with 03142	
<b>06158</b>	96218398	Querlenker / control arm	mit/with 03142	



**Nubira**  
(1997 → 2004)



Vorderachse / Front axle



(1) → 04/99 / nur / only (mot.) 1.6

(3) 07/03 → 01/05 / servo.

(2) 05/99 → / nur / only (mot.) 1.6

	Ref. - No.			
17502	96205809	Spurstangenendstück / tie rod end	→ 03 / servo.	M14 x 1,5
17504	520838	ProKit Spurstange / tie rod	servo.	L 360
17505	96300648	Traggelenk / ball joint		Ø A 16
22801	96268439	Querlenker / control arm	(1)	
22802	96268440	Querlenker / control arm	(1)	
23753	96391875	ProKit Verbindungsstange / stabilizer link	99 → 03	L 262
26662	96268454	Querlenker / control arm	(2)	
26663	96268455	Querlenker / control arm	(2)	
26797	96407485	ProKit Spurstangenendstück / tie rod end	(3)	M12 x 1,5
26798	96407486	ProKit Spurstangenendstück / tie rod end	(3)	M12 x 1,5
27514	96403099	ProKit Verbindungsstange / stabilizer link	07/03 → 01/05	L 271,5
27515	96403100	ProKit Verbindungsstange / stabilizer link	07/03 → 01/05	L 271,5
28044	96300627	ProKit Verbindungsstange / stabilizer link	→ 07/99	L 266
28695	96305974 S1	Querlenkerlager / control arm mount		Ø A 49
28696	96305975 S1	Querlenkerlager / control arm mount	→ 06/03	Ø A 53
32492	96378346	Querlenkerlager / control arm mount	2003 → 2005	
32610	96490218 SK	ProKit Traggelenk / ball joint	07/03 → 01/05	
32757	96391856	Querlenkerlager / control arm mount	07/03 →	Ø A 60

passend für / to fit

**DAEWOO**



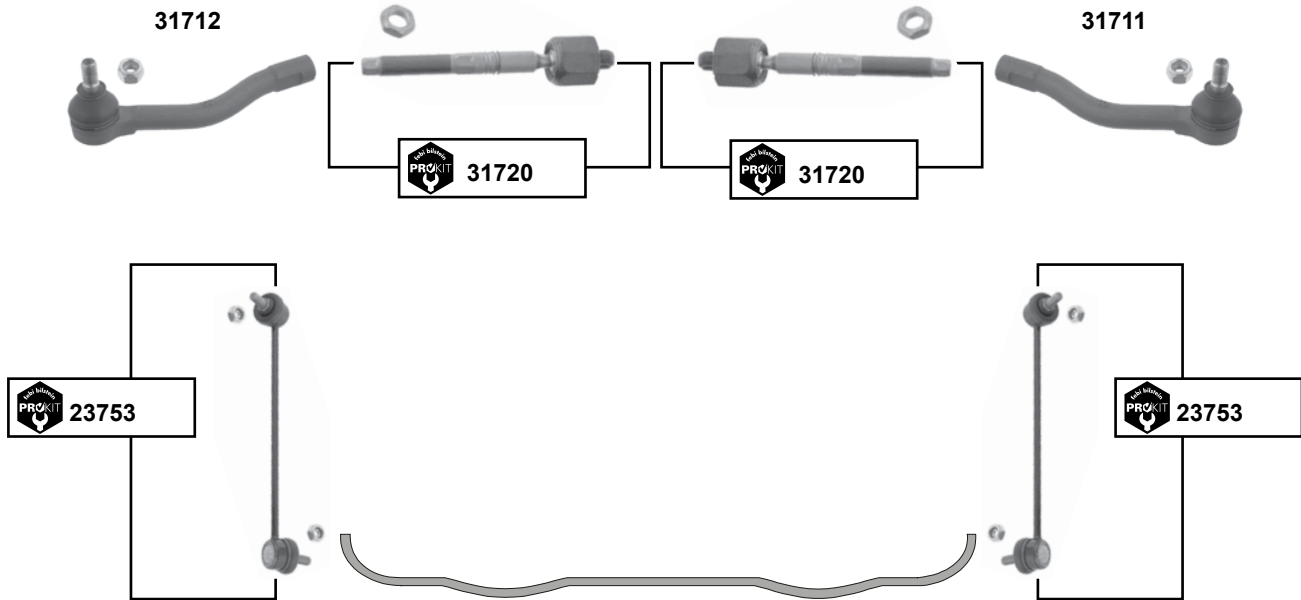
**Car  
Division**



## Rezzo

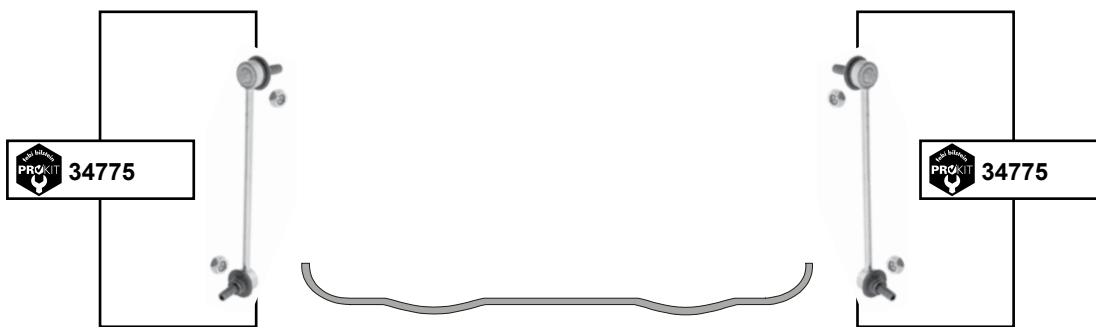
(2000 →)

Vorderachse / Front axle



## Spark

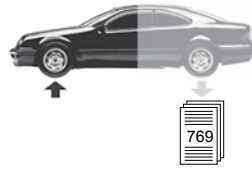
(03/2010 →)



Ref. - No.



<b>23753</b>	96391875	ProKit Verbindungsstange / stabilizer link		L 262
<b>31711</b>	96261379	Spurstangenendstück / tie rod end	09 →	M12 x 1,5
<b>31712</b>	96261378	Spurstangenendstück / tie rod end	09 →	M12 x 1,5
<b>31720</b>	93740621	ProKit Spurstange / tie rod		L 239
<b>34775</b>	95947829	ProKit Verbindungsstange / connecting rod		L 237



**Applause I**  
(1989 → 1997)



**Charade IV**  
(1993 → 2002)



**Cuore IV / V**  
(1994 → 1998)



Vorderachse / Front axle

	Ref. - No.			
<b>27964</b>	45503-87215-000	ProKit Spurstange / tie rod		L 225
<b>27967</b>	45503-87713-000	ProKit Spurstange / tie rod	man.  → 05/00	L 262
<b>27969</b>	45503-87712-000	ProKit Spurstange / tie rod	servo  → 07/98	L 249
<b>27971</b>	45503-87714-000	ProKit Spurstange / tie rod	servo  07/98 →	L 248
<b>28433</b>	45503-87102-000	ProKit Spurstange / tie rod		L 270

passend für / to fit

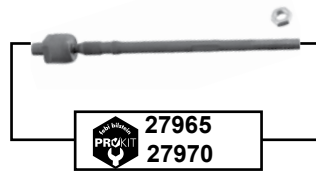
**DAIHATSU**



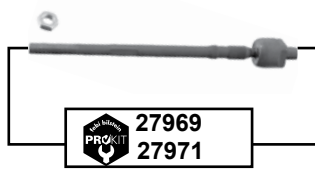
**Car  
Division**



## Cuore VI (1998 → 2003)



## Gran Move (1996 →)



	Ref. - No.			
<b>27965</b>	45503-97203-000	ProKit Spurstange / tie rod	servo	L 240
<b>27969</b>	45503-87712-000	ProKit Spurstange / tie rod	servo  → 07/98	L 249
<b>27970</b>	45503-97204-000	ProKit Spurstange / tie rod	man.	L 239
<b>27971</b>	45503-87714-000	ProKit Spurstange / tie rod	servo  07/98 →	L 248

Vorderachse / Front axle



**Move**  
(1996 → 2002)



Vorderachse / Front axle

**Sirion I**  
(1998 → 2004)



	Ref. - No.			
<b>27964</b>	45503-87215-000	ProKit Spurstange / tie rod	→ 98	L 225
<b>27965</b>	45503-97203-000	ProKit Spurstange / tie rod	servo  98 →	L 240
<b>27970</b>	45503-97204-000	ProKit Spurstange / tie rod	man.  98 →	L 239
<b>28210</b>	45503-97401-000	ProKit Spurstange / tie rod		L 248

passend für / to fit

**DAIHATSU**



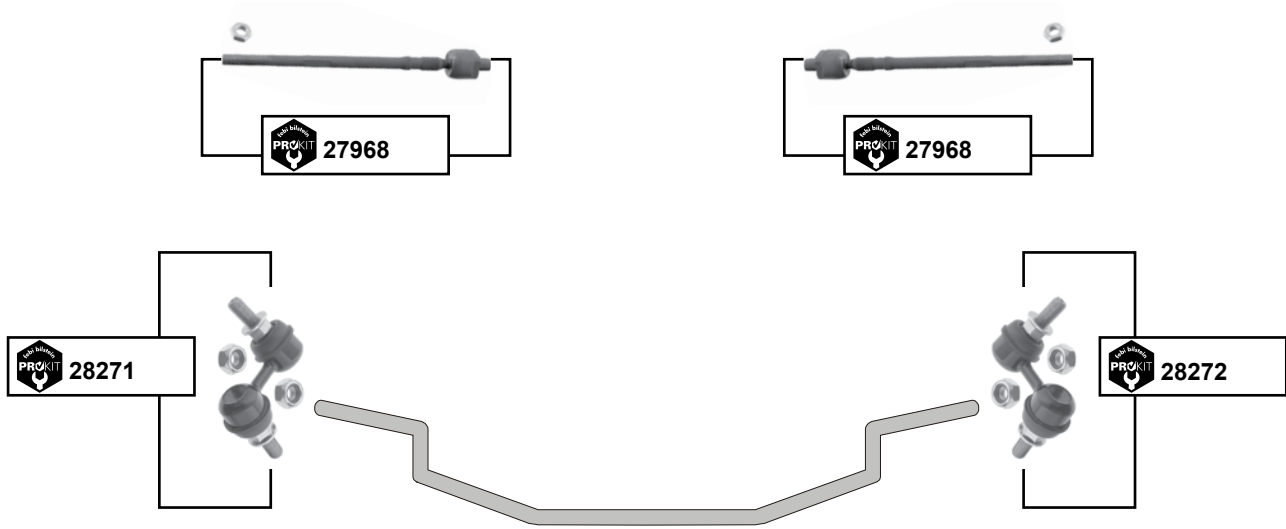
**Car  
Division**



## Sirion II

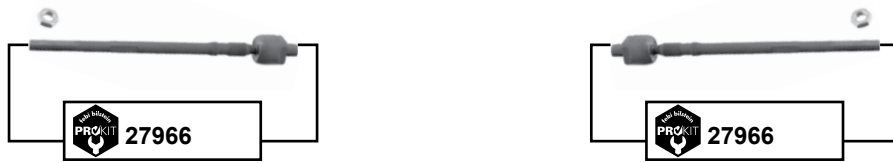
(2004 →)

Vorderachse / Front axle



## Terios

(1997 → 2005)



## YRV

(2001 →)



Ref. - No.



**27966**  
**27968**  
**28210**  
**28271**  
**28272**

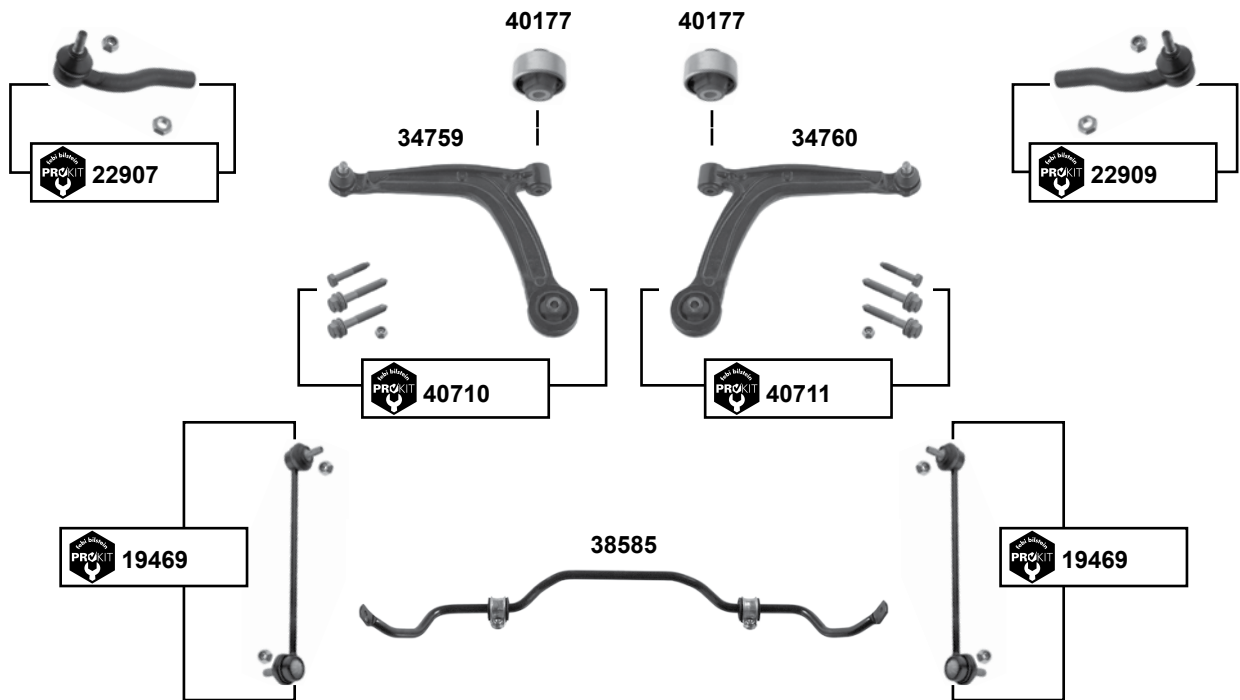
45460-87401-000  
45503-B1010  
45503-97401-000  
48831-B1010  
48821-B1010

ProKit Spurstange / tie rod  
ProKit Spurstange / tie rod  
ProKit Spurstange / tie rod  
ProKit Verbindungsstange / stabilizer link  
ProKit Verbindungsstange / stabilizer link

L 311  
L 257  
L 248  
L 49  
L 49

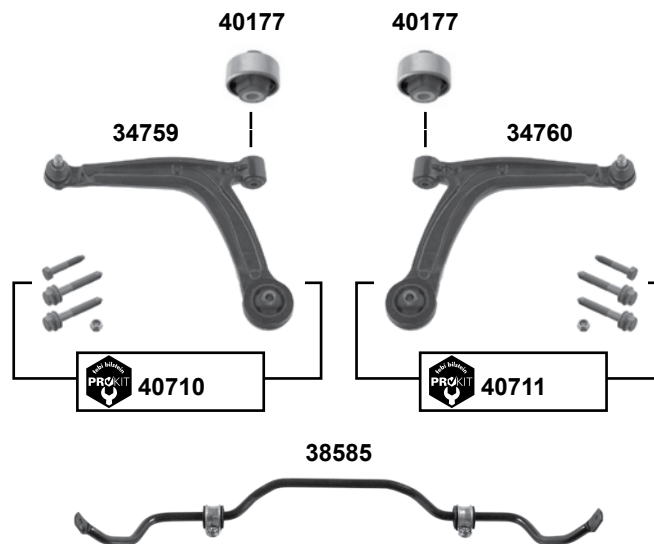


## 500 Nuova / Abarth (312) (2007 → 2012)



Vorderachse / Front axle

## 500 MY (2012 →)



(1) 500 Nuova / 500 Abarth (312) (mot.) 0,9 / 1,3 // (mot.) 1,4

(2) 500 MY (mot.) 0,9 / 1,2



Ref. - No.

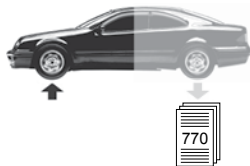


Ref. - No.	Part Description	Notes	Length / Diameter
19469	51801136	Prokit Verbindungsstange / stabilizer link	L 290
22907	77362507	Prokit Spurstangenendstück links / tie rod end left	
22909	77362508	Prokit Spurstangenendstück rechts / tie rod end right	
34759	51857021	Querlenker / control arm	(ex.) Xenon
34760	51857022	Querlenker / control arm	(ex.) Xenon
38585	51857019	Stabilisatorsatz mit Lagern / stabilizer kit with mountings	(1) (2)
40177	51857022 SK	Querlenkerlager / control arm mount	(ex.) Xenon
40710	51857021 S1	ProKit Querlenker / control arm	(ex.) Xenon
40711	51857022 S1	ProKit Querlenker / control arm	(ex.) Xenon



passend für / to fit

**FIAT**



**Car  
Division**



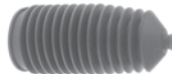
# Barchetta (183) (1995 → 2004)

Vorderachse / Front axle

14085



14085



12041



12041



12570



12569

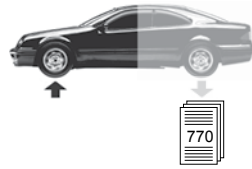


Ref. - No.



<b>11279</b>	9946949	ProKit Spurstangenendstück / tie rod end	
<b>12041</b>	9945562	Spurstange / tie rod	
<b>12569</b>	46429835	Querlenker / control arm	
<b>12570</b>	46429834	Querlenker / control arm	
<b>14085</b>	9945564 SK	Lenkmanschette / steering boot	

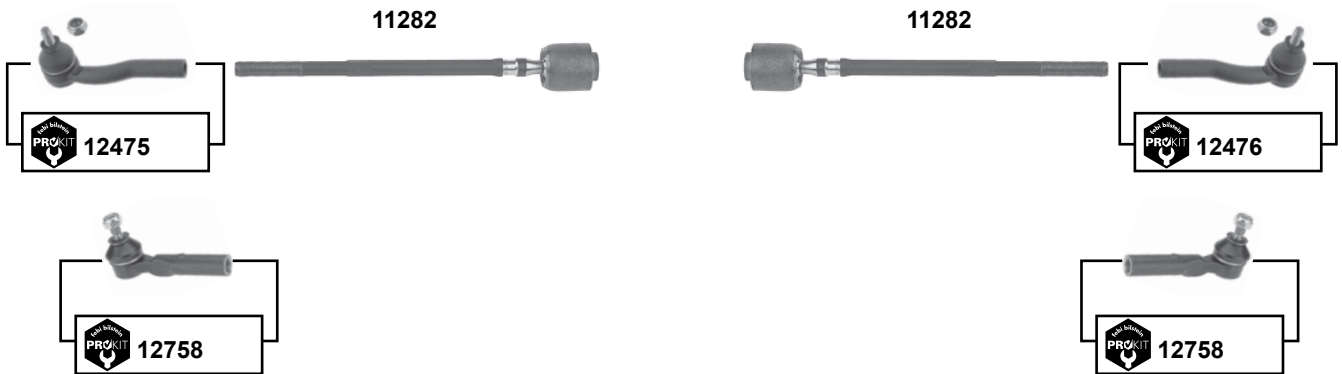
M10 x 1,25  
L 285



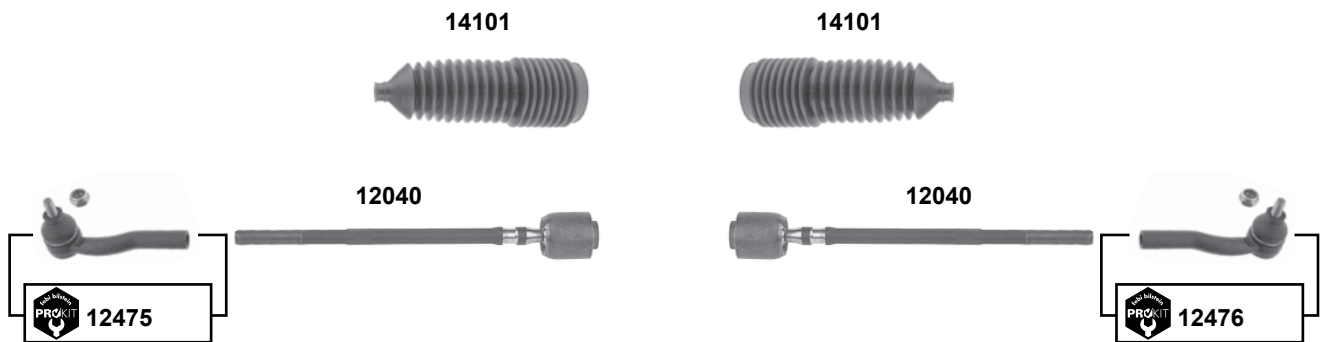
# Brava / Bravo I (182)

(1995 → 2001)

man.

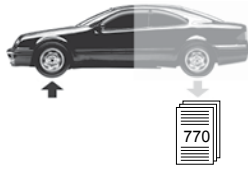


servo



Vorderachse / Front axle

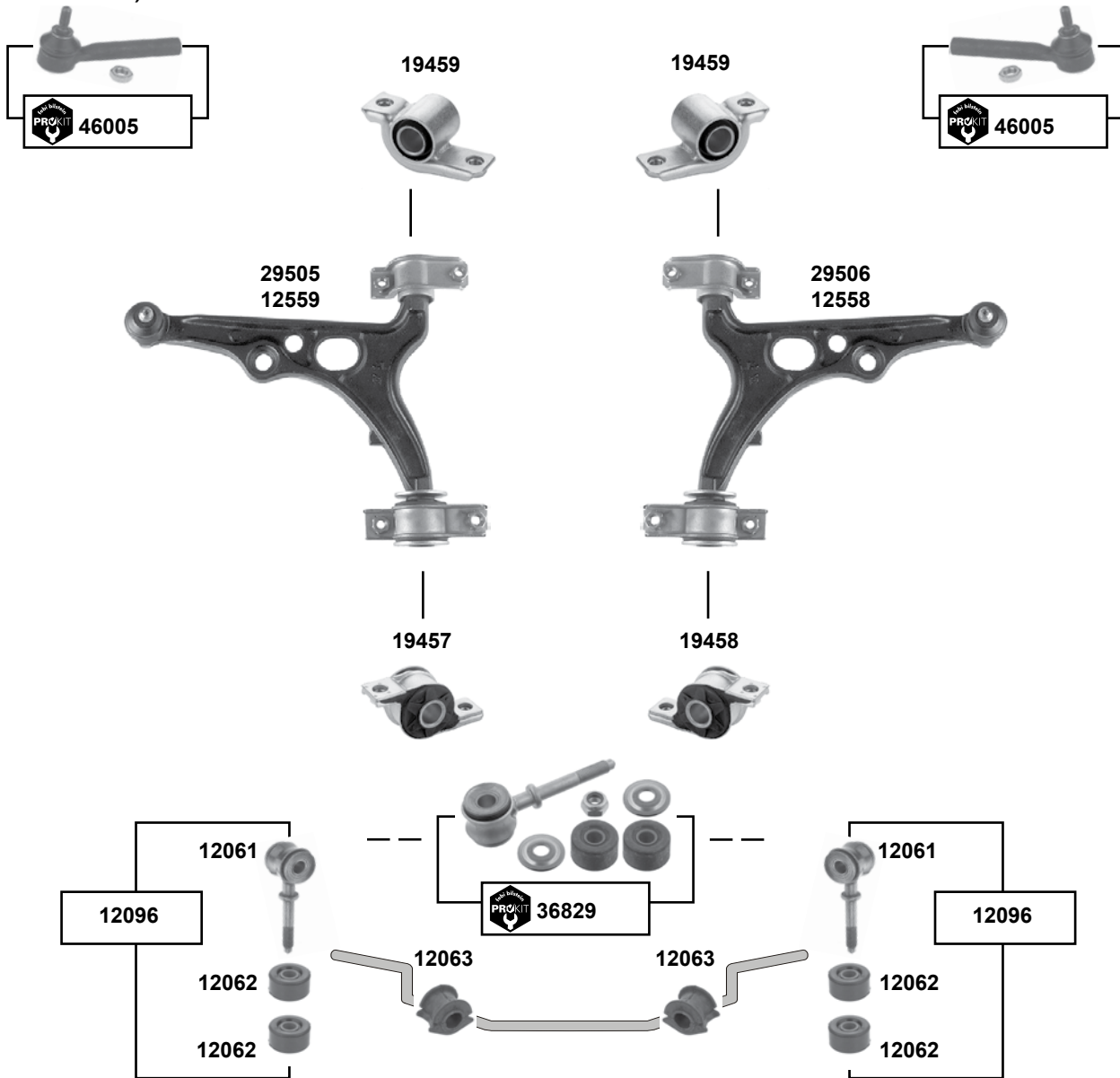
	Ref. - No.			
11282	7633721	Spurstange / tie rod		L 280
12040	9941625	Spurstange / tie rod		L 285
12475	9947437	ProKit Spurstangenendstück / tie rod end	(ex.) 2,0 20V	M12 x 1,25
12476	9947438	ProKit Spurstangenendstück / tie rod end	(ex.) 2,0 20V	M12 x 1,25
12758	9947714	ProKit Spurstangenendstück / tie rod end	(mot.) 2,0 20V	M10 x 1,25
14101	9941582 SK	Lenkmanschette / steering boot		



# Brava / Bravo I (182)

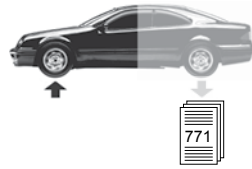
(1995 → 2001)

Vorderachse / Front axle

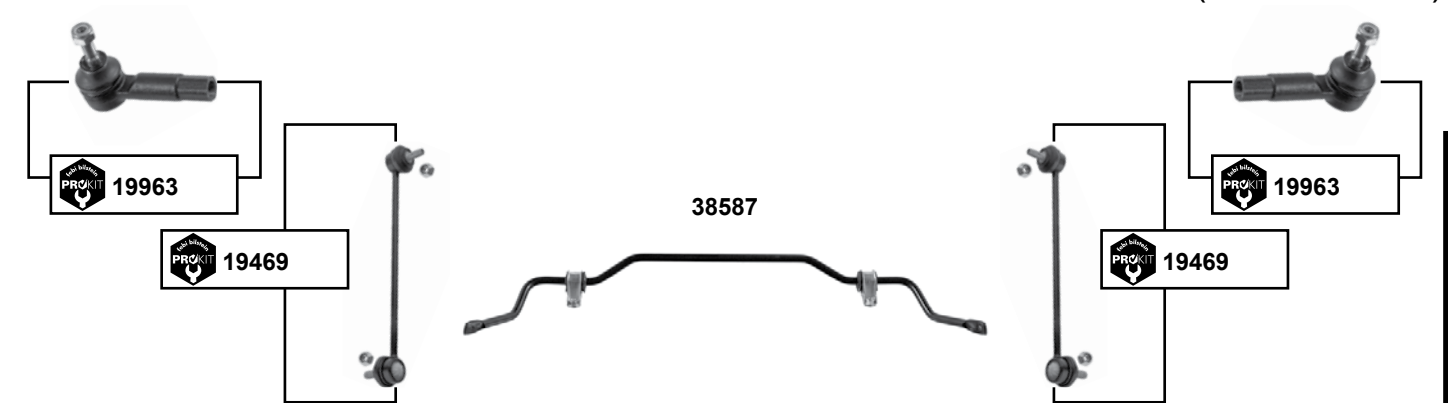


(1) O 46747194 LHD

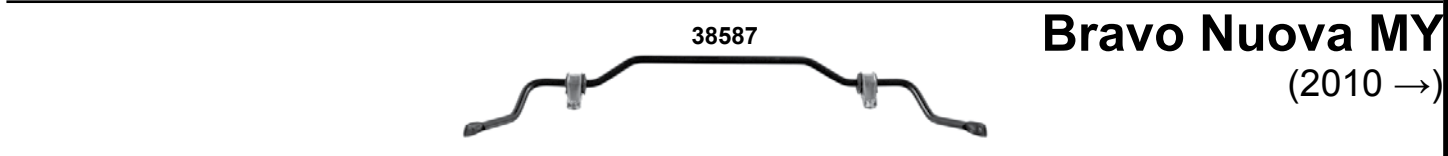
	Ref. - No.			
12061	60570627	Verbindungsstange / stabilizer link		M10 x 1,25
12062	7601642	Verbindungsstangenlager / stabilizer link bush		10x31x19
12063	7760424	Stabilisatorlager / stabilizer mount		Ø I 22
12096	60570627 S1	Rep. Satz Verbindungsstange / rep. kit stabilizer link		M10 x 1,25
12558	46474557	Querlenker / control arm	2,0 20V	
12559	46474556	Querlenker / control arm	2,0 20V	
19457	46423822 S2	Querlenkerlager / control arm mount	(ex.) 2,0 20V	
19458	46423823 S1	Querlenkerlager / control arm mount	(ex.) 2,0 20V	
19459	46423822 S1	Querlenkerlager / control arm mount	(ex.) 2,0 20V	
29505	71747915	Querlenker / control arm	(ex.) 2,0 20V	
29506	71747916	Querlenker / control arm	(ex.) 2,0 20V	
36829	60570627 S2	ProKit Verbindungsstange / stabilizer link		M10 x 1,25
46005	9947926	ProKit Spurstangenendstück / tie rod end	(1)	



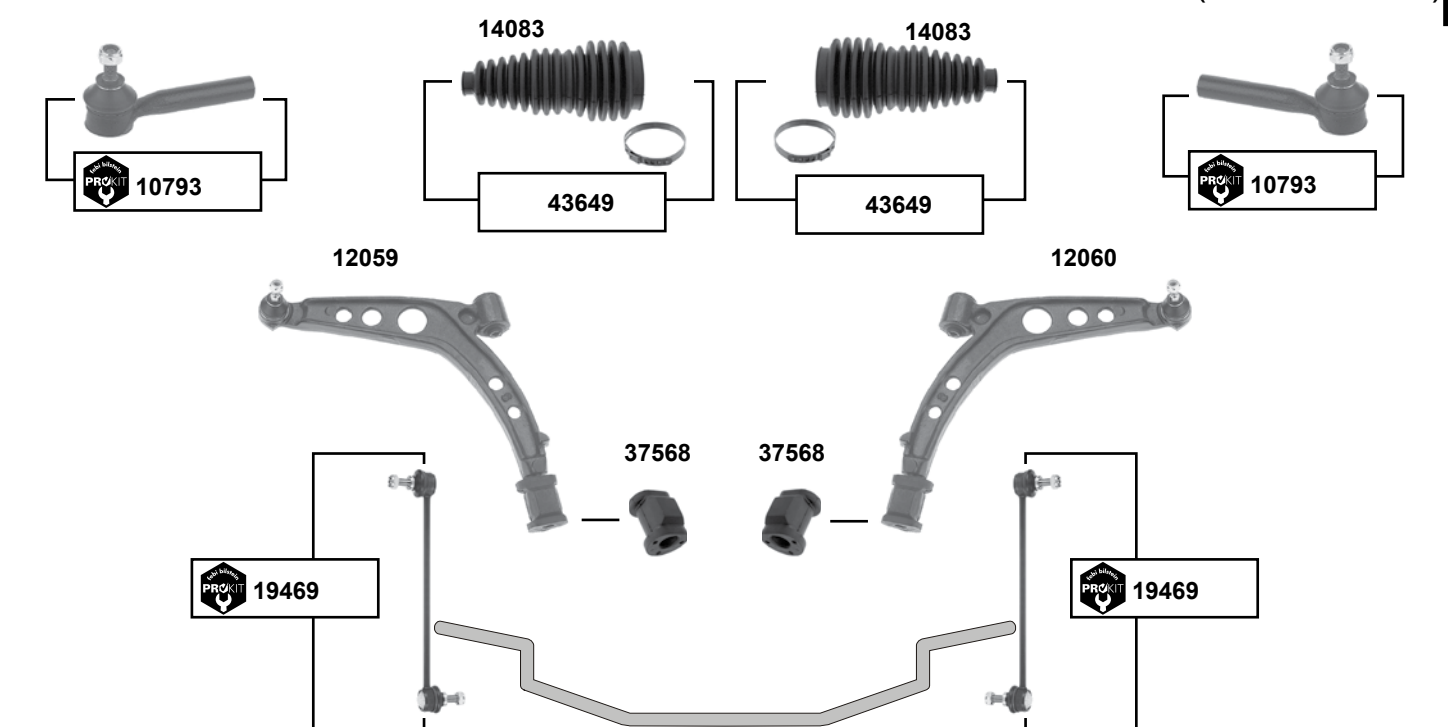
## Bravo II Nuova (198) (2007 → 2009)



## Bravo Nuova MY (2010 →)



## Cinquecento (170) (1992 → 1998)



Ref. - No.

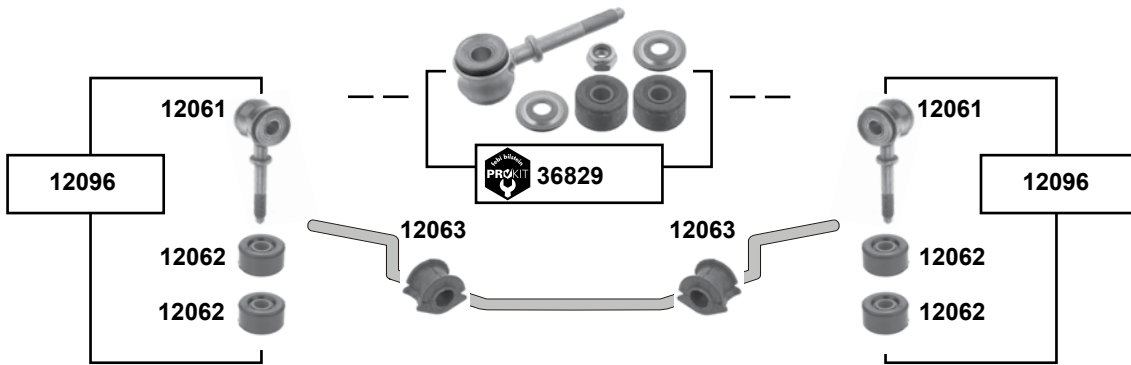
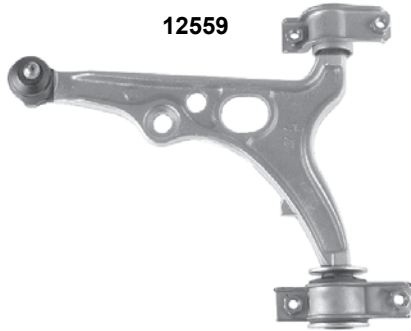


<b>10793</b>	7669756	ProKit Spurstangenendstück / tie rod end	RHD + LHD	M10 x 1,25	
<b>12059</b>	7636995	Querlenker / control arm		RHD + LHD	L 290
<b>12060</b>	7636996	Querlenker / control arm			
<b>14083</b>	7700064	Lenkmanschette / steering boot			
<b>19469</b>	51801136	ProKit Verbindungsstange / stabilizer link			
<b>19963</b>	9949218	ProKit Spurstangenendstück / tie rod end			
<b>37568</b>	5927293	Querlenkerlager / control arm mount	RHD + LHD		
<b>38587</b>	51797442	Stabilisatorsatz mit Lagern / stabilizer kit with bearings			
<b>43649</b>	7700064 S1	Lenkmanschettensatz / steering boot set		RHD + LHD	Ø 9 L 130 Ø 40



**Coupé (FA/175)**  
(1993 → 2000)

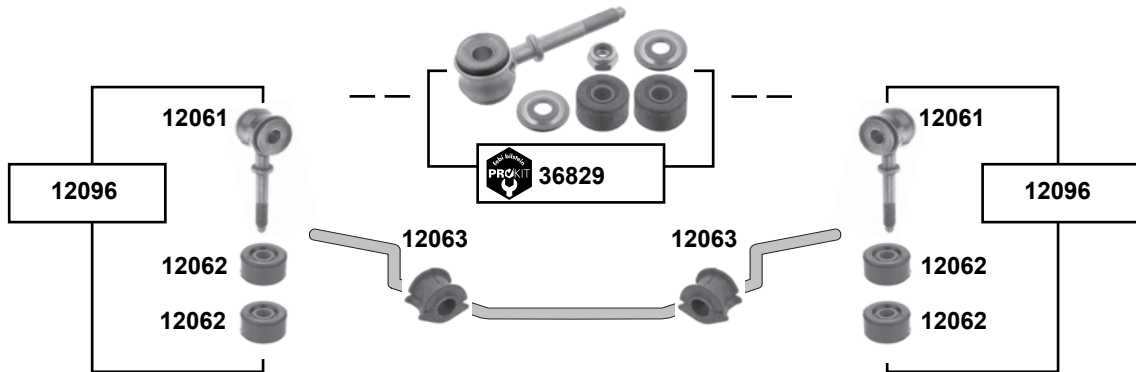
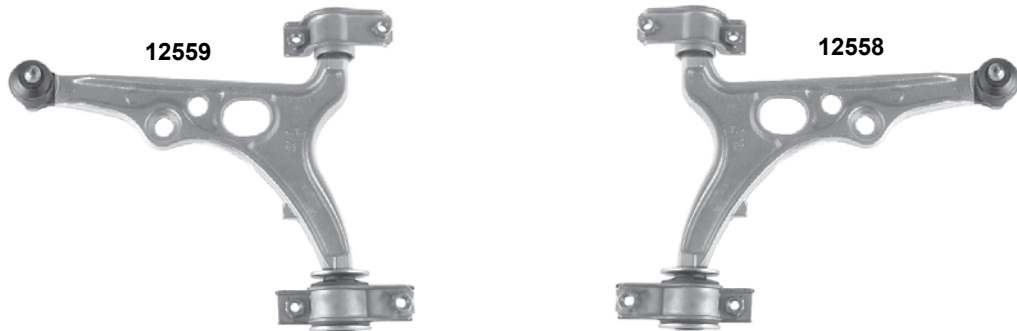
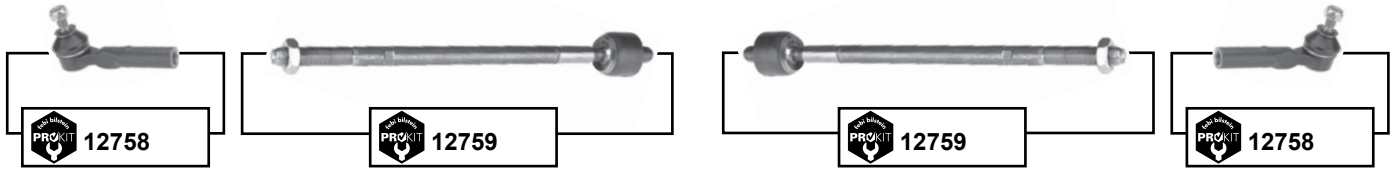
Vorderachse / Front axle



	Ref. - No.			
12061	60570627	Verbindungsstange / stabilizer link		M10 x 1,25
12062	7601642	Verbindungsstangenlager / stabilizer link bush		10x31x19
12063	7760424	Stabilisatorlager / stabilizer mount		Ø   22
12096	60570627 S1	Rep. Satz Verbindungsstange / rep. kit stabilizer link		M10 x 1,25
12475	9947437	ProKit Spurstangenendstück / tie rod end	1,8 16V, 2,0 16V	M12 x 1,25
12476	9947438	ProKit Spurstangenendstück / tie rod end	1,8 16V, 2,0 16V	M12 x 1,25
12558	46474557	Querlenker / control arm	94 → 96	Stahl / steel
12559	46474556	Querlenker / control arm	94 → 96	Stahl / steel
14101	9941582 SK	Lenkmanschette / steering boot	(ex.) 2,0 Turbo	
36829	60570627 S2	ProKit Verbindungsstange / stabilizer link		M10 x 1,25
46005	9947926	ProKit Spurstangenendstück / tie rod end	2,0B (mot.)175A3000	



**Coupé (FA/175)**  
(1996 → 2000)



Vorderachse / Front axle



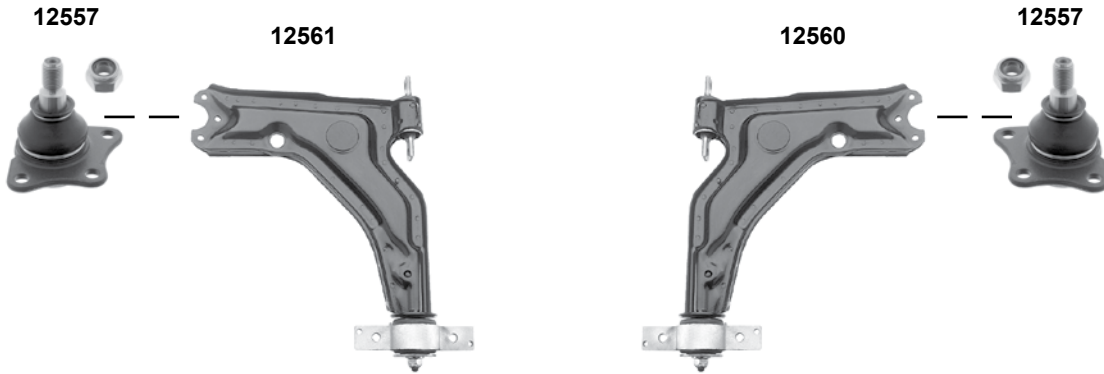
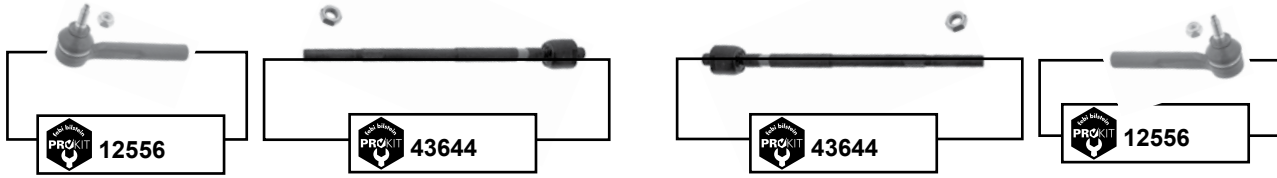
(1) (mot.) 2.0 16V 108kW, 2.0 16V 113kW

Ref. - No.			
12061	60570627	Verbindungsstange / stabilizer link	M10 x 1,25
12062	7601642	Verbindungsstangenlager / stabilizer link bush	10x31x19
12063	7760424	Stabilisatorlager / stabilizer mount	Ø   22
12096	60570627 S1	Rep. Satz Verbindungsstange / rep. kit stabilizer link	M10 x 1,25
12558	46474557	Querlenker / control arm	→ 00 Stahl / steel
12559	46474556	Querlenker / control arm	→ 00 Stahl / steel
12758	9947714	ProKit Spurstangenendstück / tie rod end	(1) M10 x 1,25
12759	9947713	ProKit Spurstange / tie rod	(ex.) 20V Turbo L 320
36829	60570627 S2	ProKit Verbindungsstange / stabilizer link	→ 00 M10 x 1,25



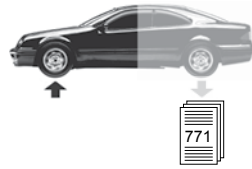
**Croma (154)**  
(1985 → 1996)

Vorderachse / Front axle

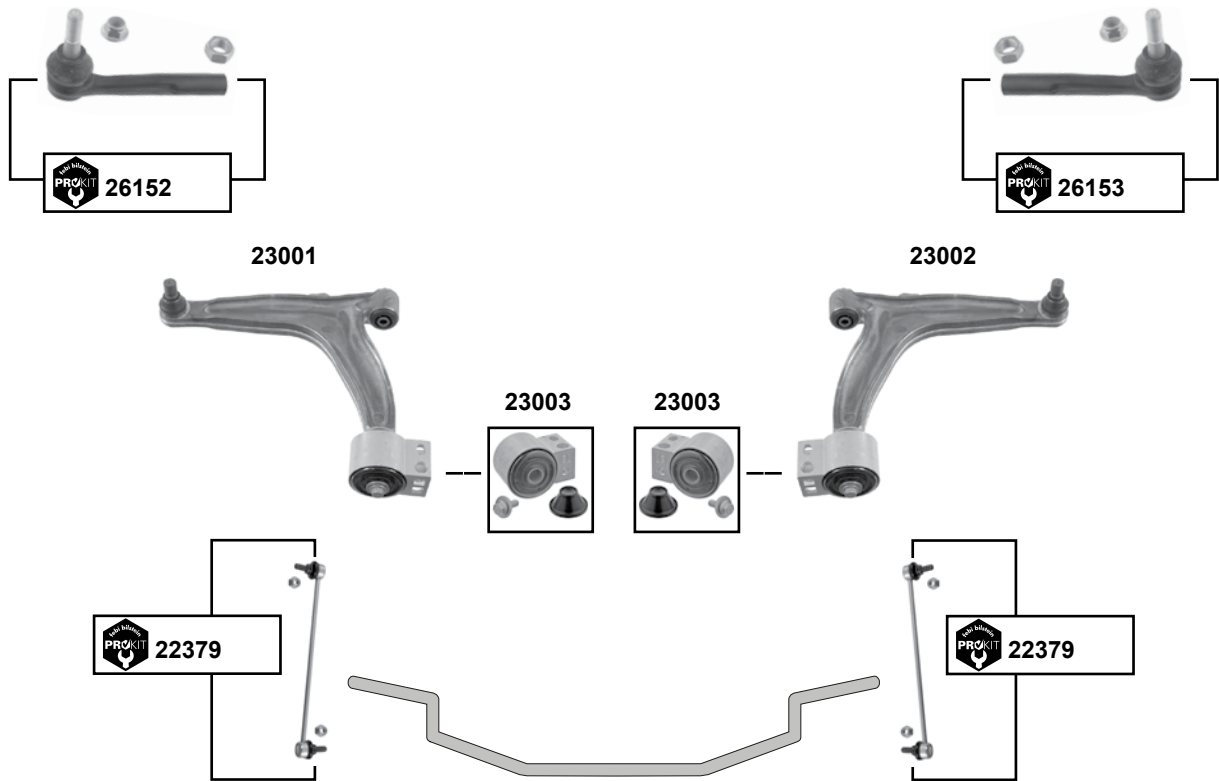


(1) 1,9D (mot.) 154C6000, 154D1000 2,0B, 2,5D alle / all

febi bilstein	Ref. - No.			
<b>12556</b>	82387676	ProKit Spurstangenendstück / tie rod end	90 →	M12 x 1,5 Ø I 18 B 45 L 268
<b>12557</b>	82446499	Traggelenk / ball joint	93 → / 2,5B	
<b>12560</b>	82480038	Querlenker / control arm	(1) 01/92 →	
<b>12561</b>	82480039	Querlenker / control arm	90 → / (mot.) 2,0	
<b>40544</b>	82412746	Stabilisatorlager / stabilizer mount	servo	
<b>43644</b>	9940260	ProKit Axialgelenk / axial joint		



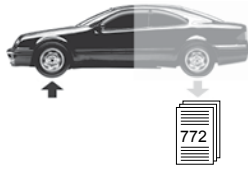
**Croma (194)**  
(2005 → 2010)



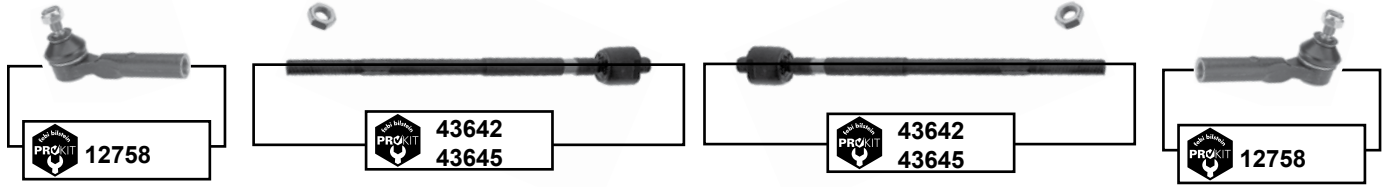
Vorderachse / Front axle

	Ref. - No.			
<b>22379</b>	51803183	ProKit Verbindungsstange / stabilizer link		L 355
<b>23001</b>	51748653	Querlenker / control arm	Aluminium	
<b>23002</b>	51748652	Querlenker / control arm	Aluminium	
<b>23003</b>	71740107	Rep. Satz Querlenker / rep. kit control arm		
<b>26152</b>	77363713	ProKit Spurstangenendstück / tie rod end		L 135,5
<b>26153</b>	77363712	ProKit Spurstangenendstück / tie rod end		L 135,5



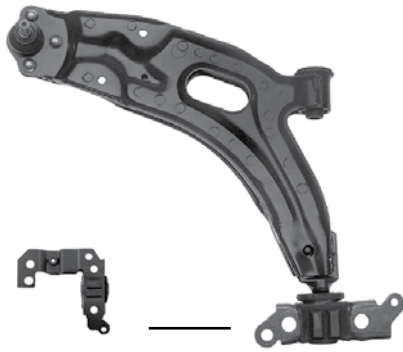


## Doblo / Doblo Rest. (119) / Doblo Cargo (223) (2000 →)



21955

21953



44207

44208

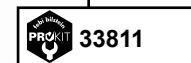
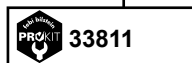


36496

36496

36613

36613

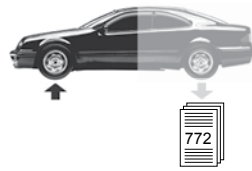


36612  
39284

36612  
39284



Vorderachse / Front axle



# Doblo / Doblo Rest. (119) / Doblo Cargo (223) (2000 →)

- (1) Doblo → 05 alle / all servo (ch.) 5120134 → / Doblo Rest. → 09
- (2) Doblo (Rest.) alle / all bis / till 76kW (ex.) (mot.) 1,2 16V, 1,8
- (3) Doblo Cargo (223) 00 → 05: (mot.) 1.3 JTD 51kW, 1.6 16V, 1.9D  
Doblo Rest. (119) / Cargo Rest. (223) 05 → 09: (mot.) 1.3, 1.9
- (4) Doblo / Doblo Cargo (mot.) 1,2 48kW →12/2004 / (mot.) 1,6 76kW →12/2004 / (mot.) 1,9 D 46kW , 74kW , 77kW →12/2004
- (5) Doblo / Doblo Cargo (mot.) 1,3 D (ch.) 5120134 → / (mot.) 1,4 57kW (ch.) 5120134 → / (mot.) 1,9 D 88kW (ch.) 5120134 → // servo
- (6) Doblo / Doblo Cargo (mot.) 1,2 8V 48kW / 1,3 D 51kW / 1,6 / 1,9 D
- (7) Passend für febi Querlenker / fits for febi control arms 21953 rechts / right // 21955 links / left
- (8) Doblo / Doblo Cargo 05 → 09
- (9) Doblo → 04 / (mot.) 1,2 8V, 1,6 16V



Ref. - No.

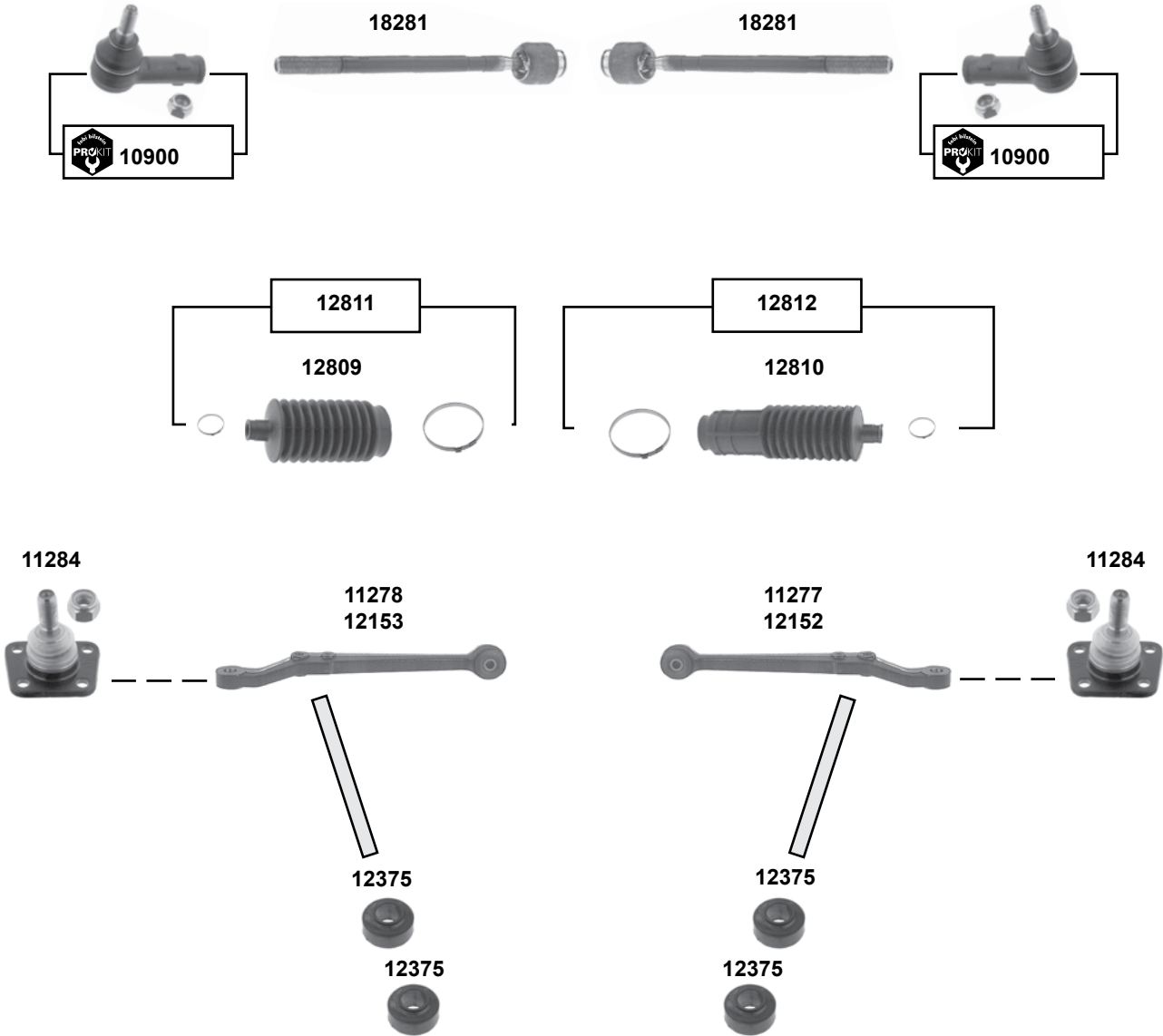


Ref. - No.	Description	Notes	Dimensions
12473	46456660 ProKit Spurstangenendstück / tie rod end	(1)	M10 x 1,25
12474	46456189 ProKit Spurstangenendstück / tie rod end	(1)	M10 x 1,25
12758	9947714 ProKit Spurstangenendstück / tie rod end	VIN → 5120134	M10 x 1,25
21953	51712407 Querlenker / control arm	09/02 →	
21955	51712408 Querlenker / control arm	09/02 →	
33811	51898527 ProKit Verbindungsstange / stabilizer link	09 →	L 297
36496	7750990 Stabilisatorlager, außen / stabilizer mount, outer	(9)	L 87
36612	46790552 Stabilisatorlager / stabilizer mount	(2)	Ø   23
36613	51744226 Stabilisatorlager, außen / stabilizer mount, outer	Doblo 04 → 11	L 58
39284	46821119 Stabilisatorlager, innen / stabilizer mount, inner	(3)	Ø   23
43642	98845024 ProKit Axialgelenk / axial joint	(4) → 05	L 333
43645	98845026 ProKit Axialgelenk / axial joint	(5) 05 → 09	L 309
43953	46813841 SK Querlenkerlager / control arm mount	(6) (7) → 05	
43955	46813842 SK Querlenkerlager / control arm mount	(6) (7) → 05	
44207	51772992 SK Querlenkerlager / control arm mount	(8)	
44208	51772988 SK Querlenkerlager / control arm mount	(8)	



**Ducato (290)**  
(1982 → 1994)

Vorderachse / Front axle



(1) 1,8t

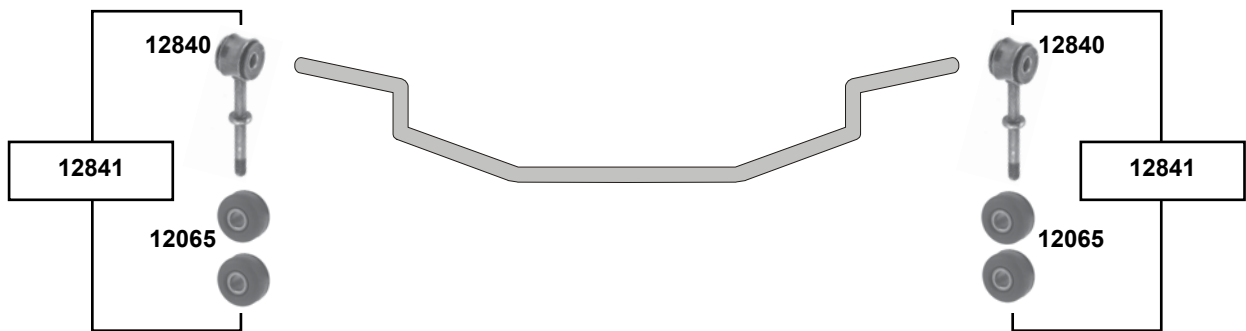
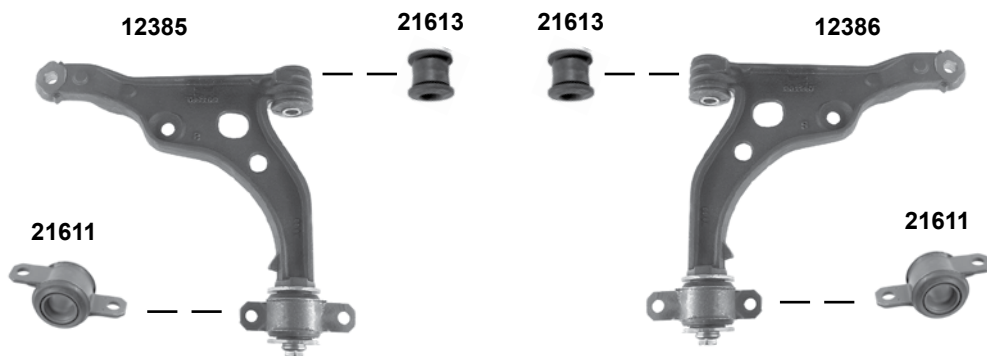
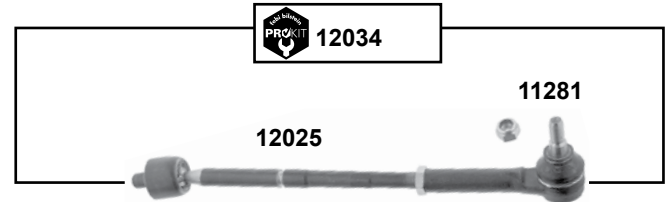
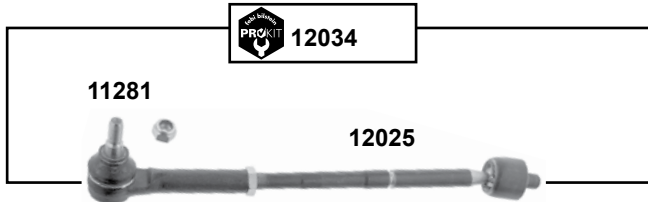
(2) 1,9D, 2,0B, 2,5D

	Ref. - No.			
10900	9750079980	ProKit Spurstangenendstück / tie rod end		M16 x 1,5
11277	7695190	Querlenker / control arm	10/85 → / (2)	
11278	7695191	Querlenker / control arm	10/85 → / (2)	
11284	7567284	Traggelenk / ball joint	10/85 →	M16 x 1,5
12152	7695185	Querlenker / control arm	10/85 → / (1)	
12153	7695186	Querlenker / control arm	10/85 → / (1)	
12375	4339248	Zugstrebenlager / tension rod mount	10/85 →	22x48x24x5
12809	9750000280	Lenkmanschette / steering boot	man.	
12810	9750000380	Lenkmanschette / steering boot	man.	
12811	9750000280 S1	Rep. Satz Lenkmanschette / rep. kit steering boot	man.	
12812	9750000380 S1	Rep. Satz Lenkmanschette / rep. kit steering boot	man.	
18281	9790002680	Spurstange / tie rod	man.	L 288



# Ducato (230)

(1994 → 2001)



Vorderachse / Front axle



(1) für Fahrzeuge mit 1,0t und 1,4t Tragfähigkeit / for vehicles with 1,0t and 1,4t load rating

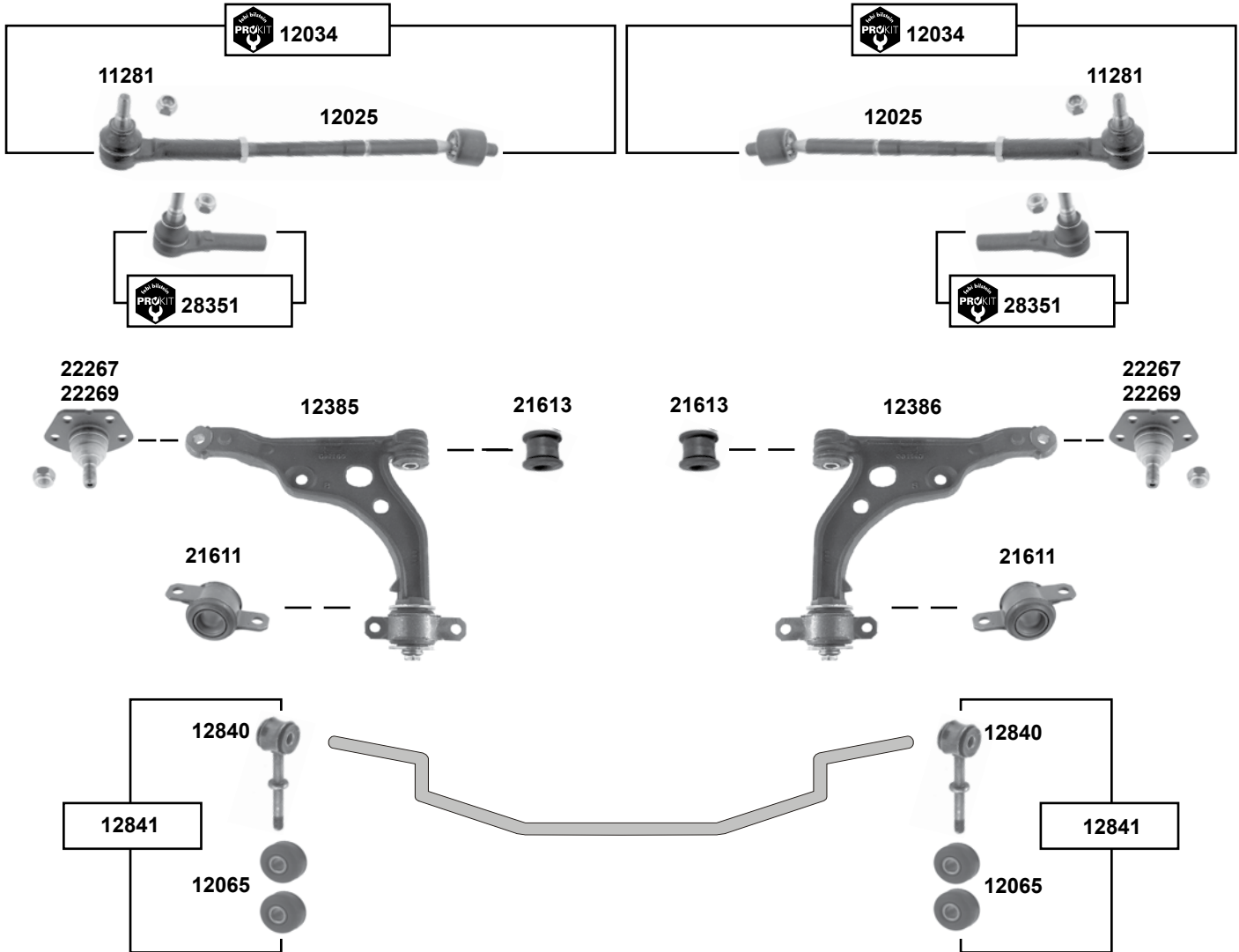
	Ref. - No.			
11281	1306716080	Spurstangenendstück / tie rod end	servo	M12 x 1,25
12025	9945836	Spurstange / tie rod	servo	L 330
12034	1306716080 S1	ProKit Spurstange / tie rod	servo	Ø A 38 Ø I 12
12065	1313056080	Verbindungsstangenlager / stabilizer link bush		
12385	1339465080	Querlenker / control arm	(1)	
12386	1339467080	Querlenker / control arm	(1)	
12840	1300716080	Verbindungsstange / stabilizer link		M12 x 1,25
12841	1300716080 S1	Rep. Satz Verbindungsstange / rep. kit stabilizer link		
21611	1320755080 SK	Querlenkerlager / control arm mount		
21613	1320756080 SK	Querlenkerlager / control arm mount		



# Ducato Rest. (244)

(2001 → 2006)

Vorderachse / Front axle



(1) ↓ 1,8t



(2) Für Fahrzeuge mit 1,5t Tragfähigkeit / for vehicles with 1,5t load rating

(3) (ch.) → 17175290

(4) 02 → 06 (ch.) 17175291 →

(5) ↓ 1,8t



spezielle Version Wohnwagen / caravan special version

(6) ↓ 1,8t



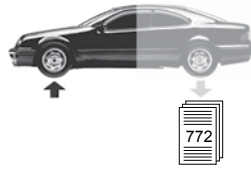
(ex.) spezielle Version Wohnwagen / caravan special version



Ref. - No.

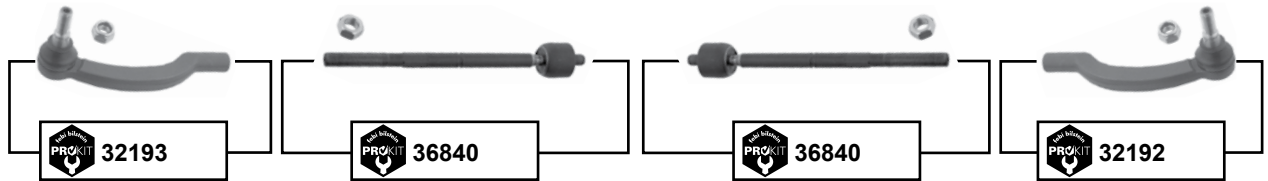


11281	1306716080	Spurstangenendstück / tie rod end	(3)	M12 x 1,25
12025	9945836	Spurstange / tie rod	servo	L 330
12034	1306716080 S1	ProKit Spurstange / tie rod	servo	
12065	1313056080	Verbindungsstangenlager / stabilizer link bush		Ø A38 ØI 12
12385	1339465080	Querlenker / control arm	(1) (2) (5) / 02→06	
12386	1339467080	Querlenker / control arm	(1) (2) (5) / 02→06	
12840	1300716080	Verbindungsstange / stabilizer link		M12 x 1,25
12841	1300716080 S1	Rep. Satz Verbindungsstange / rep. kit stabilizer link		
21611	1320755080 SK	Querlenkerlager / control arm mount		
21613	1320755080 SK	Querlenkerlager / control arm mount		
22267	1331640080	Traggelenk / ball joint	(2) (5)	M16 x 1,5
22269	1331641080	Traggelenk / ball joint	(6)	M18 x 1,5
28351	77362278	ProKit Spurstangenendstück / tie rod end	(4)	M16 x 1,5

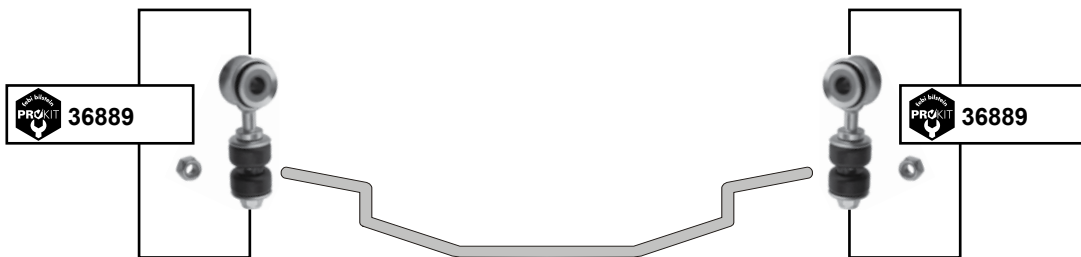
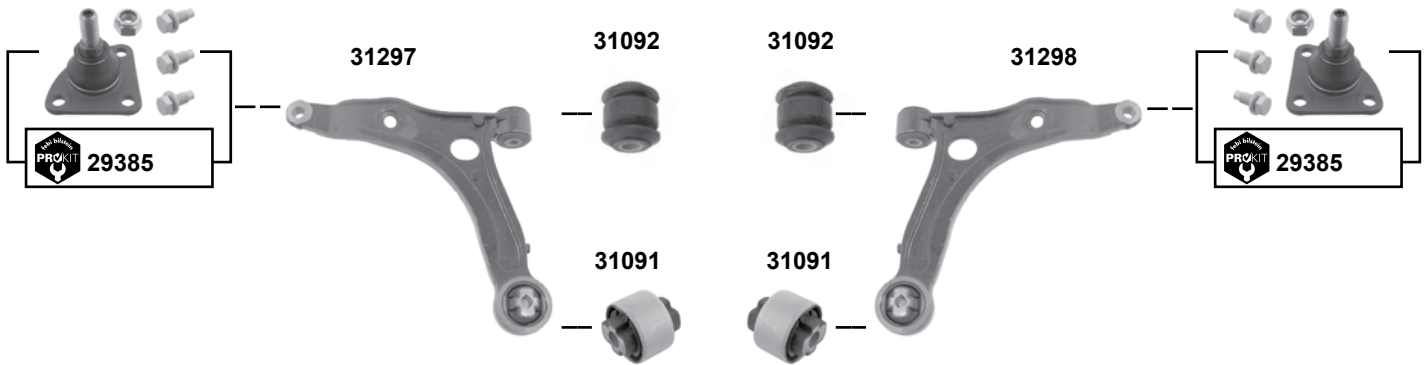


# Ducato Nuovo (250)

(2006 → 2011)



39227

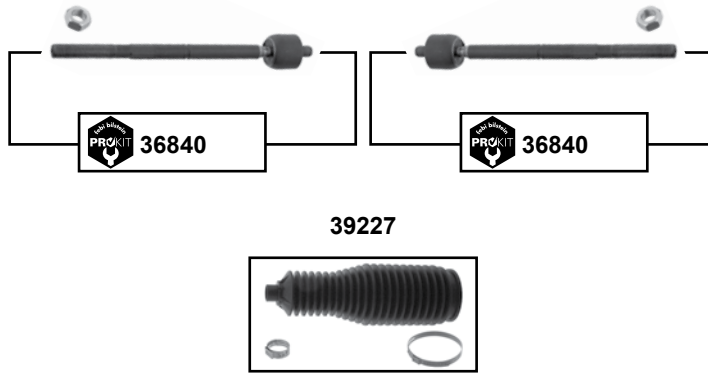


Vorderachse / Front axle

	Ref. - No.			
29385	50705629	ProKit Traggelenk / ball joint		M16 x 1,5
31091	1352228080 S2	Querlenkerlager / control arm mount		Ø A 74,35
31092	1352228080 S1	Querlenkerlager / control arm mount		Ø A 57
31297	1352227080	Querlenker / control arm		
31298	1352225080	Querlenker / control arm		
32192	77364009	ProKit Spurstangenendstück / tie rod end		M14 x 1,5
32193	77364253	ProKit Spurstangenendstück / tie rod end		M14 x 1,5
36840	1369943080 S1	ProKit Axialgelenk / axial joint		L 280
36889	1357572080	ProKit Verbindungsstange / stabilizer link		L 112
39227	77364254	Rep. Satz Lenkmanschette / rep. kit steering boot		L 223

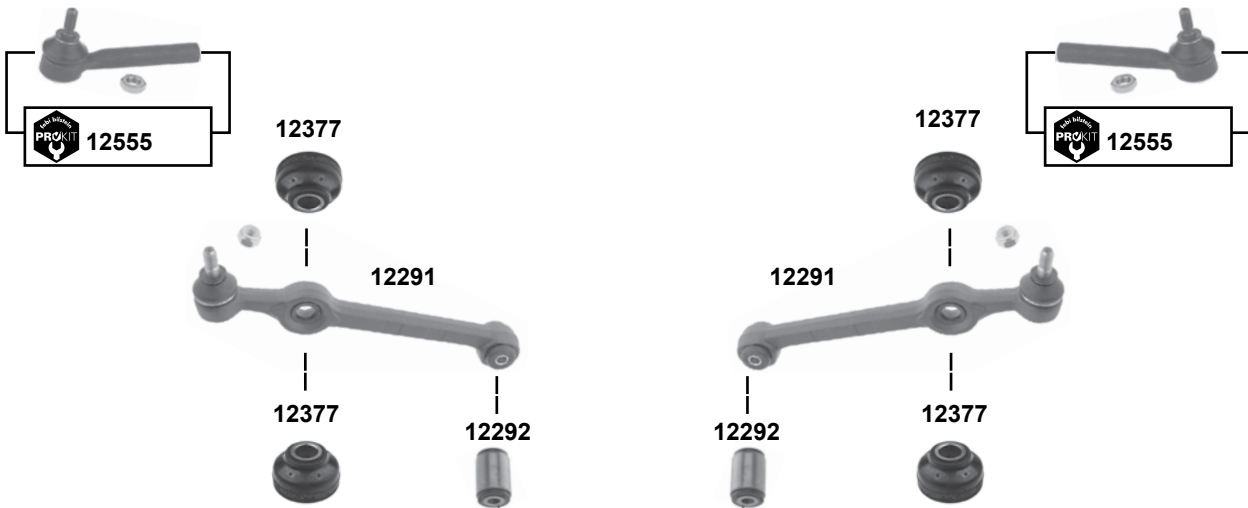


## Ducato Nuovo MY (2011 →)



Vorderachse / Front axle

## Fiorino (147) (1984 → 1993)



(1) (ex.) elektrische Lenkunterstützung / servotronic  
(mot.) 2.0 DAT (→ 01/03/2013) ; 2.3 DAT (→ 01/03/2013) ; 3.0 DAT (→ 01/03/2013)



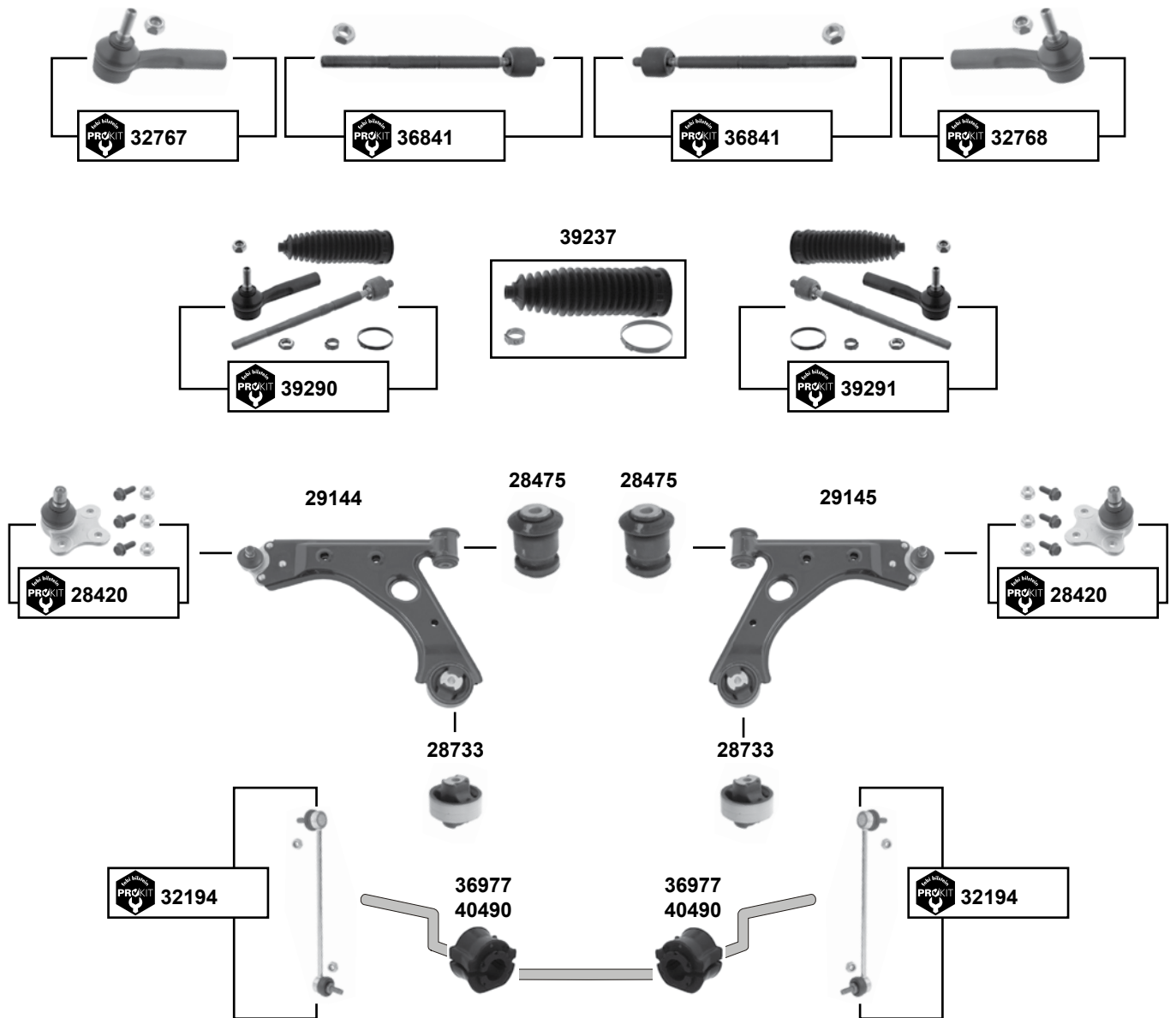
Ref. - No.



12291	7591277	Querlenker / control arm		
12292	7674701	Querlenkerlager / control arm mount		10x29x44
12377	7544738	Stabilisatorlager / stabilizer mount		14x44x25
12555	7543028	ProKit Spurstangenendstück / tie rod end		M12 x 1,25
36840	1369943080 S1	ProKit Axialgelenk / axial joint	(1)	L 280
39227	77364254	Rep. Satz Lenkmanschette / rep. kit steering boot		L 223



## Fiorino Nuovo (225) (2007 →)



Ref. - No.



Ref. - No.	Part Description	Notes	Dimensions
29144	51783057	Querlenker / control arm	
29145	51783056	Querlenker / control arm	
28475	55703232	Querlenkerlager vorne / control arm mounting front	
28733	55700751	Querlenkerlager hinten / control arm mounting rear	
28420	51895366 SK 1	ProKit Traggelenk / ball joint	
32194	51815479	ProKit Verbindungsstange / stabilizer link	L 290
32767	77364568	ProKit Spurstangenendstück / tie rod end	M10 x 1,25
32768	77364569	ProKit Spurstangenendstück / tie rod end	M10 x 1,25
36841	51784192 S1	ProKit Axialgelenk / axial joint	L 288
36977	51785488	Stabilisatorlager / stabilizer mount	Ø   21
39237	77363828	Rep. Satz Lenkmanschette / rep. kit steering boot	L 200
39290	51784192 S2	ProKit Spurstange / tie rod	
39291	51784192 S3	ProKit Spurstange / tie rod	
40490	51785487	Stabilisatorlager / stabilizer mount	Ø   20

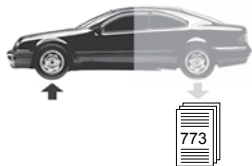
(ex.)

→ 18/12/2007



passend für / to fit

**FIAT**



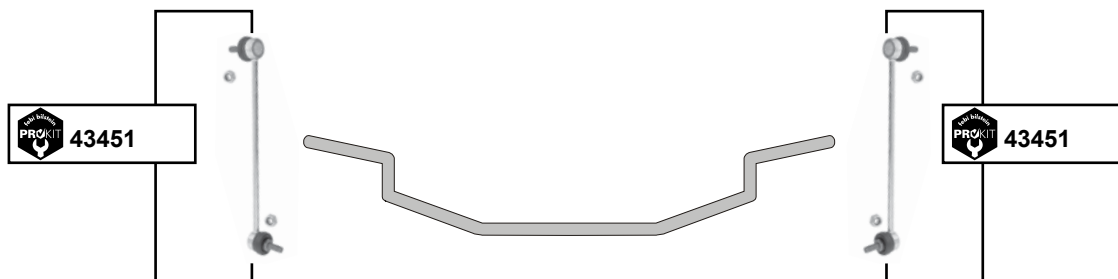
**Car  
Division**



## Freemont (JC)

(2011 →)

Vorderachse / Front axle



Ref. - No.



43451

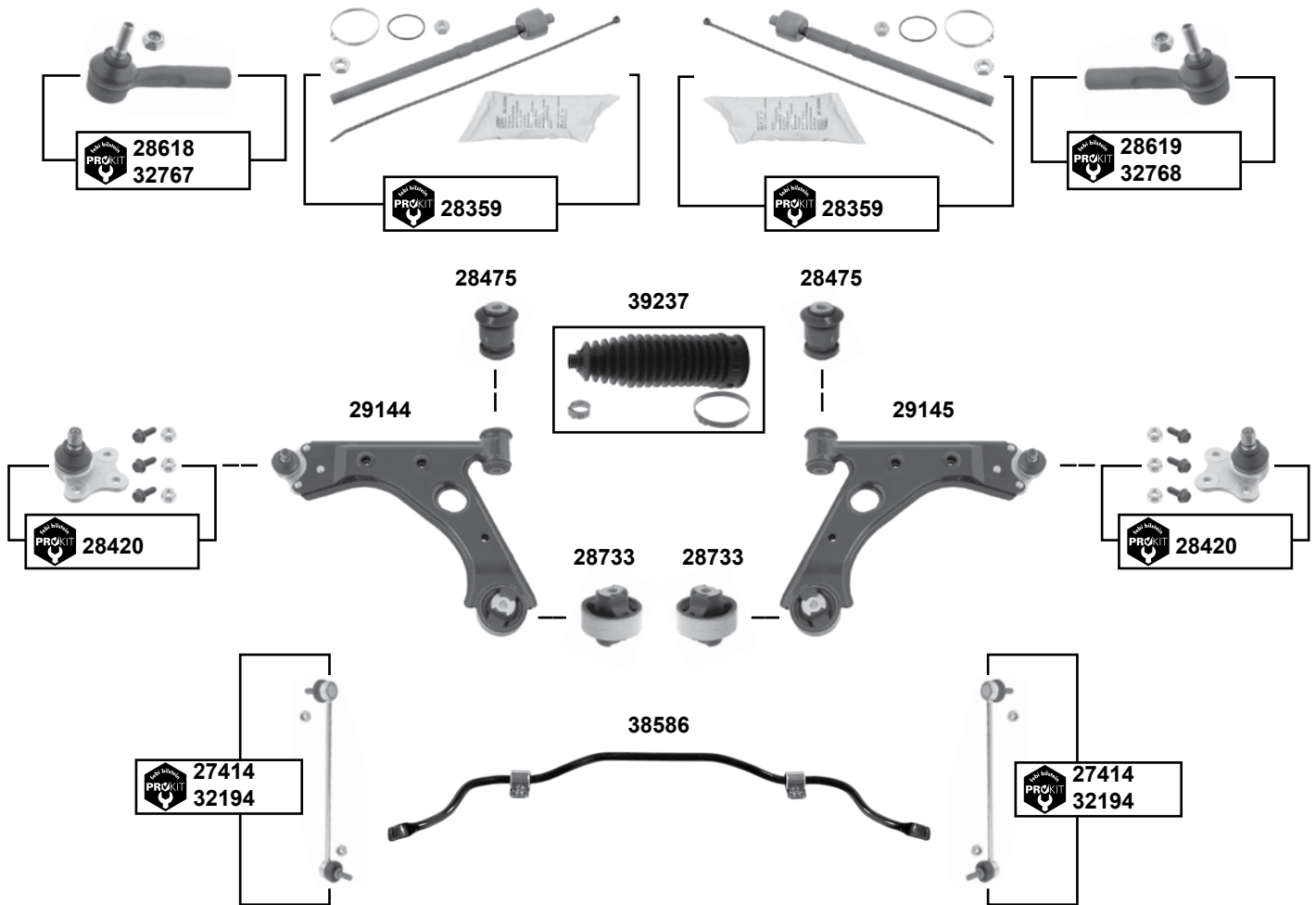
K04766962AA

ProKit Verbindungsstange / stabilizer link



# Grande Punto (199)

(2005 → 2012)

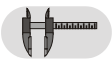


Vorderachse / Front axle

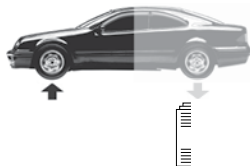
(1) 08 → (mot.) 1,2 48 KW  
(mot.) 1,3 55+66 KW  
(mot.) 1,4 70 KW

(2) (mot.) 1,3 D Multijet 55kW, 56kW, 66kW  
(mot.) 1,4 16V 66kW, 70kW, 88kW Sport  
(mot.) 1,6 D Multijet 88kW  
(mot.) 1,9 D Multijet 85kW, 88kW, 95kW Sport  
Grande Punto Abarth 07 → 10 all/all

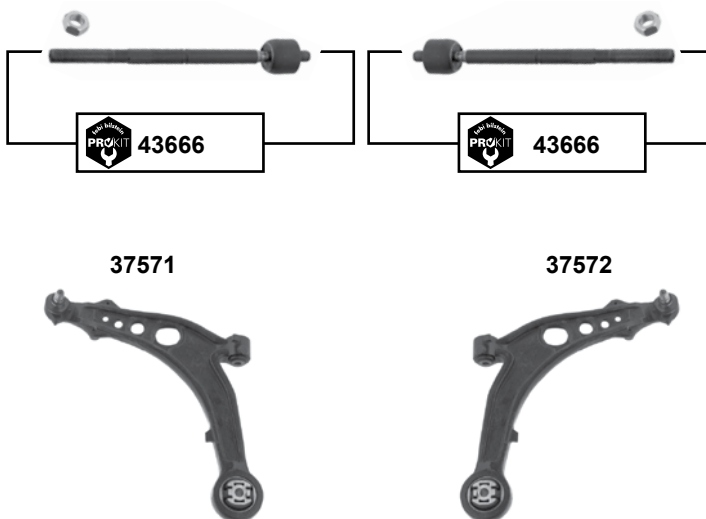
(3) Grande Punto 05 → 12: alle / all (ex.) (mot.) 1,8  
Grande Punto Abarth 07 → 10: alle / all



febi bilstein	Ref. - No.			
27414	50515276	ProKit Verbindungsstange / stabilizer link		L 301
28359	51861102 SK	ProKit Spurstange / tie rod		L 305
28420	51895366 SK 1	ProKit Tragelenk / ball joint		
28475	55703232	Querlenkerlager / control arm mount		
28618	77363829	ProKit Spurstangenendstück / tie rod end		L 113
28619	77363830	ProKit Spurstangenendstück / tie rod end		L 113
28733	55700751	Querlenkerlager / control arm mount		72,6x66
29144	51783057	Querlenker / control arm		
29145	51783056	Querlenker / control arm		
32194	51815479	ProKit Verbindungsstange / stabilizer link	(1)	L 290
32767	77364568	ProKit Spurstangenendstück / tie rod end	08 →	M10 x 1,25
32768	77364568	ProKit Spurstangenendstück / tie rod end	08 →	M10 x 1,25
38586	50515569	Stabilisatorsatz mit Lagern / stabilizer kit with bearings	(2)	L 1045
39237	77363828	Rep. Satz Lenkmanschette / rep. kit steering boot	(3)	L 200



**Idea**  
(2003 → 2012)



Vorderachse / Front axle



(1) (mot.) 1,2 / (mot.) 1,3 D 51kW , 66kW , 70kW / (mot.) 1,4 57kW , 66kW , 70kW / (mot.) 1,6 D 88kW / (mot.) 1,9 D



**Ref. - No.**



<b>37571</b>	51839219
<b>37572</b>	51839218
<b>43666</b>	77362502

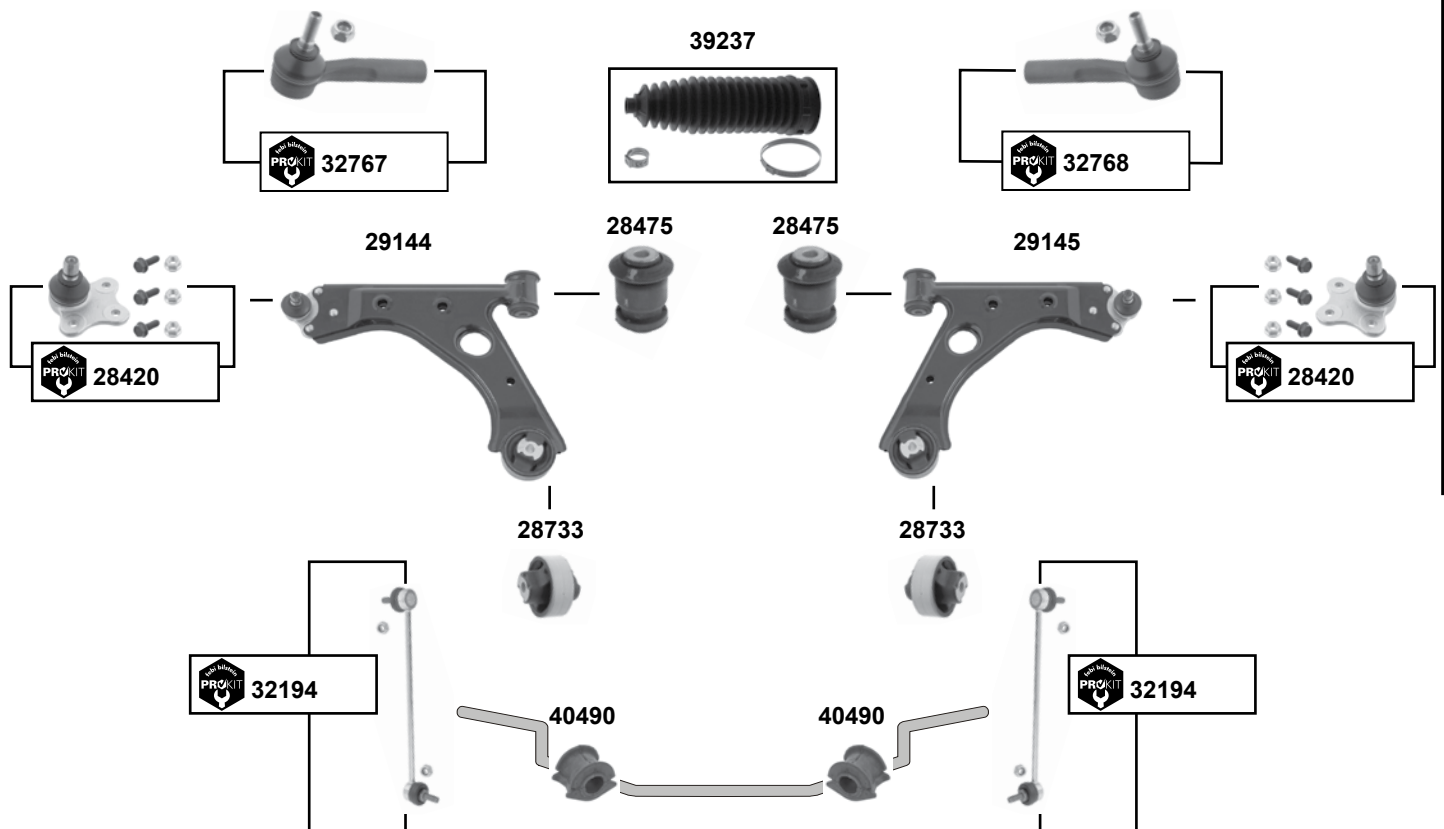
Querlenker / control arm
Querlenker / control arm
ProKit Axialgelenk / axial joint

(1)

L 258



**Linea (323)**  
(2007 →)



Vorderachse / Front axle



- (1) (mot.) 1,3 D Multijet 66kW ; (mot.) 1,4 57kW, 88kW ; (mot.) 1,6 D Multijet ; (mot.) 1,6 16V
- (2) (mot.) 1,3 D 66kW / (mot.) 1,4 57kW, 88kW / (mot.) 1,6 BZ 80kW / (mot.) 1,6 D 77kW / (mot.) 1,9 BZ 94kW
- (3) (mot.) 1,4 88kW / (mot.) 1,6 D77kW



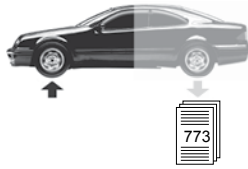
Ref. - No.



Ref. - No.	Description	Info	Dimensions
29144	Querlenker / control arm		
29145	Querlenker / control arm		
28475	Querlenkerlager vorne / control arm mounting front		
28733	Querlenkerlager hinten / control arm mounting rear		
28420	ProKit Tragelenk / ball joint		
32194	ProKit Verbindungsstange / stabilizer link	(1)	L 290
32767	ProKit Spurstangenendstück / tie rod end		M10 x 1,25
32768	ProKit Spurstangenendstück / tie rod end		M10 x 1,25
39237	Rep. Satz Lenkmanschette / rep. kit steering boot	(2)	L 200
40490	Stabilisatorlager / stabilizer mount	(3)	Ø I 20

passend für / to fit

**FIAT**

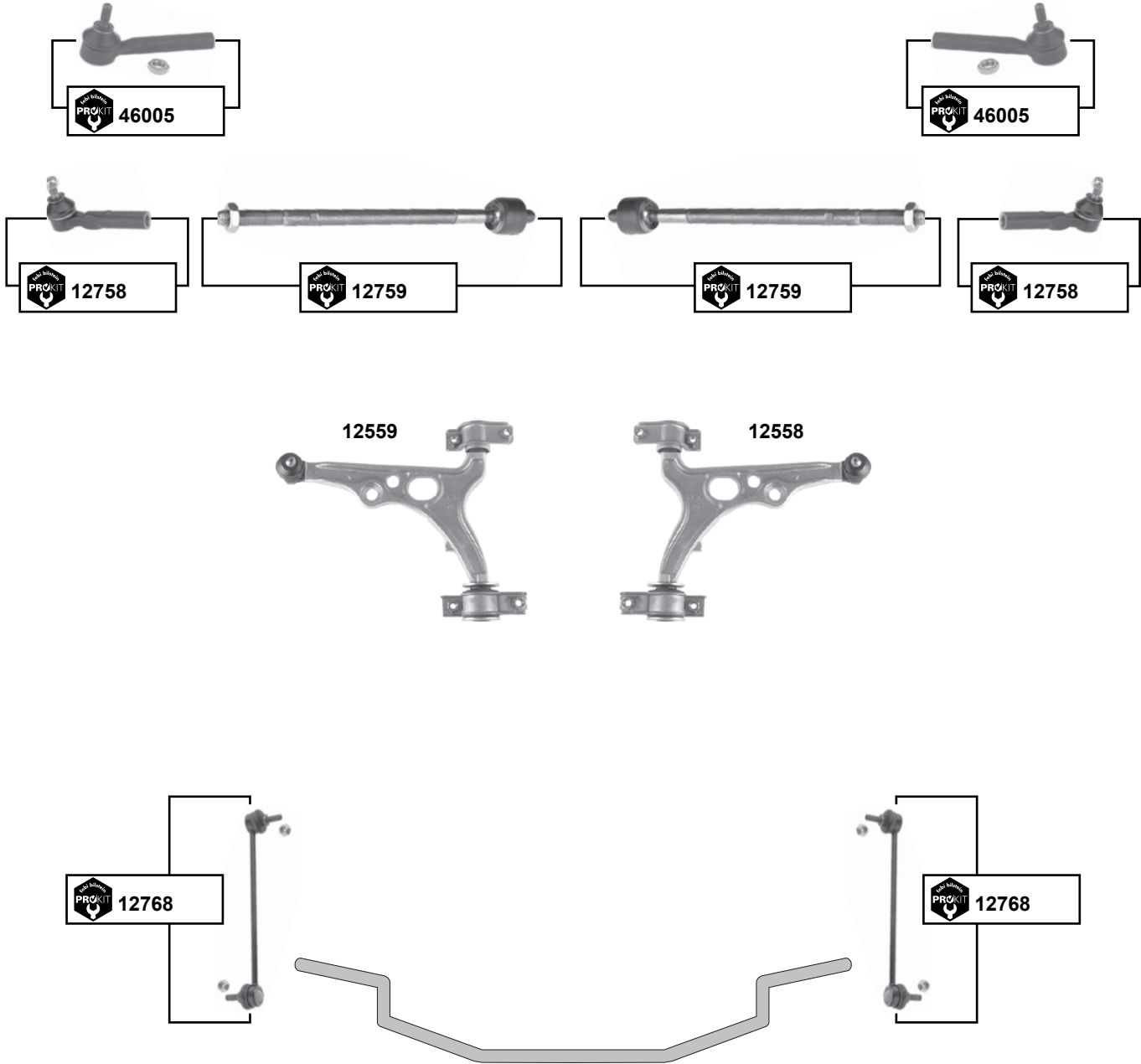


**Car  
Division**



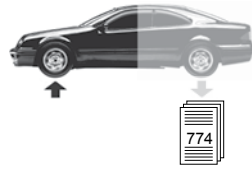
**Marea (185)**  
(1996 → 2002)

Vorderachse / Front axle



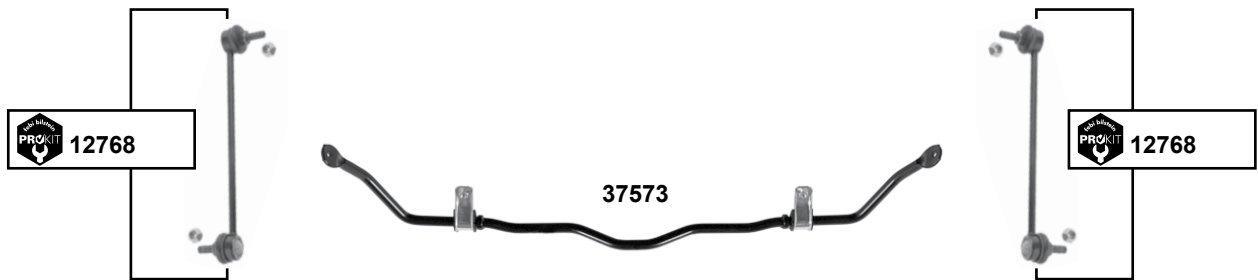
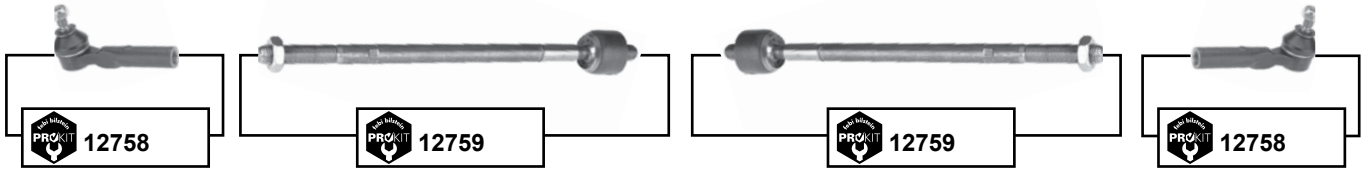
(1) (mot.) 1.2, (mot.) 1.4 59kW, (mot.) 1.6 76kW, (mot.) 1.8, (mot.) 1.9

	Ref. - No.			
12558	46474557	Querlenker / control arm	(1)	Stahl / steel
12559	46474556	Querlenker / control arm		
12758	9947714	ProKit Spurstangenendstück / tie rod end		
12759	9947713	ProKit Spurstange / tie rod		
12768	51701045	ProKit Verbindungsstange / stabilizer link		
46005	9947926	ProKit Spurstangenendstück / tie rod end		
			2,0B / 2,4D	M10 x 1,25 L 320 L 275



**Multipla (186)**  
(1999 → 2010)

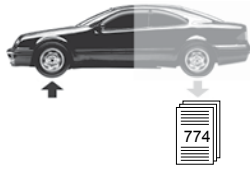
Vorderachse / Front axle



	Ref. - No.			
<b>12758</b>	9947714	ProKit Spurstangenendstück / tie rod end	<b>(mot.)</b> 1.6, 1.9	L 320 L 275
<b>12759</b>	9947713	ProKit Spurstange / tie rod		
<b>12768</b>	51701045	ProKit Verbindungsstange / stabilizer link		
<b>17993</b>	46522142	Querlenker / control arm		
<b>17994</b>	46764746	Querlenker / control arm		
<b>37573</b>	51796570	Stabilisatorsatz / stabilizer kit		L 1045

passend für / to fit

**FIAT**



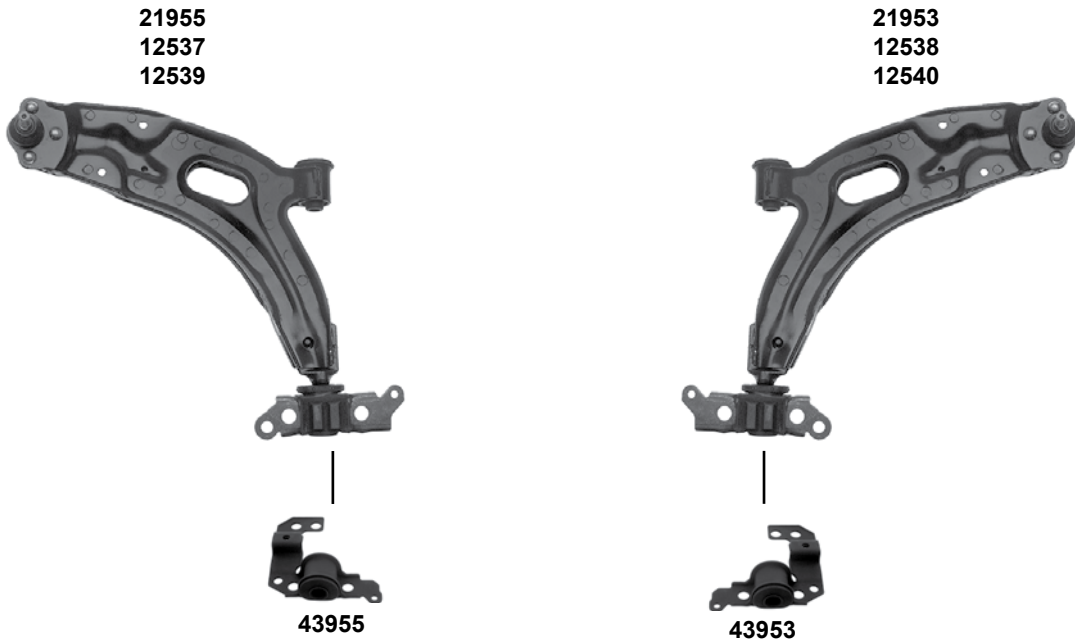
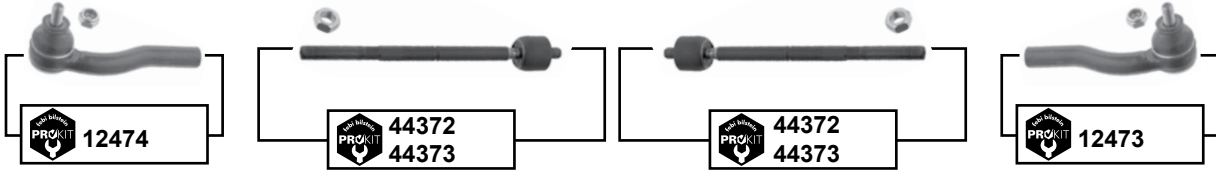
**Car  
Division**

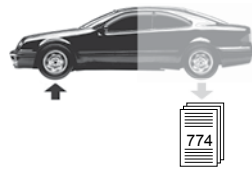


# Palio (178)

(1997 →)

Vorderachse / Front axle





- (1) Palio Rest. / Extra / Weekend: 02 → 11 alle / all (ex.) (mot.) 1,0 ; 1,5 ; 1,8
- (2) Palio Extra, Palio Europa, Palio Weekend 02 → 11
- (3) Passend für febi Querlenker / fits for febi control arms 21953 rechts / right // 21955 links / left
- (4) Palio Extra Europa Rest (178BX) (mot.) 1,0 8V servo. / (mot.) 1,2 servo. / (mot.) 1,3 D / (mot.) 1,4 59kW / (mot.) 1,5 / (mot.) 1,6 / (mot.) 1,7 / (mot.) 1,9 D // 02 → 11  
Siena Extra Europa Rest (178) (mot.) 1,2 servo. / (mot.) 1,3 D / (mot.) 1,4 59kW / (mot.) 1,5 / (mot.) 1,6 / (mot.) 1,7 / (mot.) 1,9 D // 02 → 11  
Strada (178E) (mot.) 1,2 8V / (mot.) 1,7D (15/09/2002 →) / (mot.) 1,9 D // 99 → 05
- (5) Palio Extra Europa (178BX) → 02 / (mot.) 1,2 44kW , 54kW / (mot.) 1,6 16V 74kW / 76kW / (mot.) 1,7 D 51kW / (mot.) 1,9 D 46kW  
Palio Extra Europa Rest (178BX) 02 → 11 / (mot.) 1,2 44kW , 54kW / (mot.) 1,6 16V 74kW , 76kW / (mot.) 1,7 D 51kW / (mot.) 1,9 D 46kW  
Palio Weekend (178DX) → 02 / (mot.) 1,2 44kW , 54kW / (mot.) 1,6 16V 74kW , 76kW , (mot.) 1,7 D 51kW / (mot.) 1,9 D 46kW  
Palio Weekend Rest (178DX) 05 → 11 / (mot.) 1,2 44kW , 54kW / (mot.) 1,6 16V 74kW , 76kW / (mot.) 1,7 D 51kW / (mot.) 1,9 D 46kW
- (6) Palio Extra Europa Rest (178BX) 02 → 11 / (mot.) 1,2 44kW / (mot.) 1,6 76kW / (mot.) 1,9 D 46kW  
Palio Weekend Rest (178DX) 05 → 11 / (mot.) 1,2 44kW / (mot.) 1,6 76kW / (mot.) 1,9 D 46kW  
Strada (178E) 99 → 05 / (mot.) 1,2 44kW , 54kW / (mot.) 1,3 D 62kW , 70kW / (mot.) 1,7D 51kW / (mot.) 1,9 D 46kW , 59kW  
Strada Rest.2 (178E) 05 → 11 / (mot.) 1,2 44kW , 54kW / (mot.) 1,3 D 62kW , 70 kW / (mot.) 1,7 D 51kW / (mot.) 1,9 D 46kW , 59kW  
Strada (178E) 11 → / (mot.) 1,2 44kW , 54kW / (mot.) 1,3 D 62kW , 70 kW / (mot.) 1,7 D 51kW / (mot.) 1,9 D 46kW , 59kW



	Ref. - No.			
12473	46456660	ProKit Spurstangenendstück / tie rod end	→ 11	M10 x 1,25
12474	46456189	ProKit Spurstangenendstück / tie rod end	→ 11	M10 x 1,25
12537	46454595	Querlenker / control arm	man.  → 08/02	
12538	46454596	Querlenker / control arm	man.  → 08/02	
12539	46546777	Querlenker / control arm	servo.  → 02	
12540	46546776	Querlenker / control arm	servo.  → 02	
21953	51712407	Querlenker / control arm	09/02 → 11	
21955	51712408	Querlenker / control arm	09/02 → 11	
30875	7520850	Stabilisatorlager, außen / stabilizer mount, outer	→ 02	L76,3 ØA 37
36612	46790552	Stabilisatorlager, innen / stabilizer mount, inner	(1)	Ø I 23
36613	51744226	Stabilisatorlager, außen / stabilizer mount, outer	(2)	L 58
43953	46813841 SK	Querlenkerlager / control arm mount	(3) (4)	
43955	46813842 SK	Querlenkerlager / control arm mount	(3) (4)	
44372	7079382	ProKit Axialgelenk / axial joint	(5) servo.	L 290
44373	7081851	ProKit Axialgelenk / axial joint	(6) servo.	L 266,5



passend für / to fit

**FIAT**



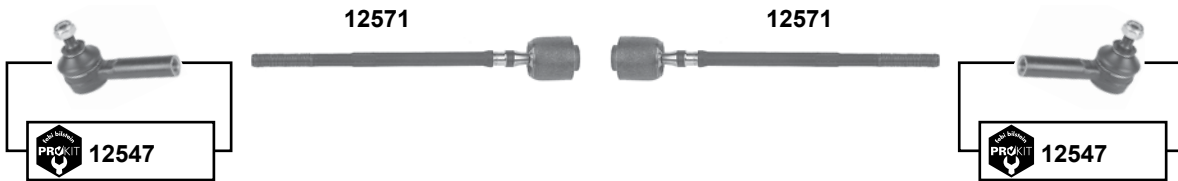
**Car  
Division**



# Panda I (141A)

(1981 → 2002)

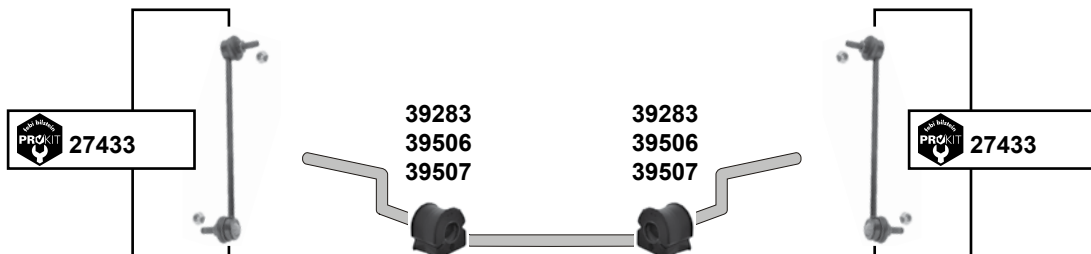
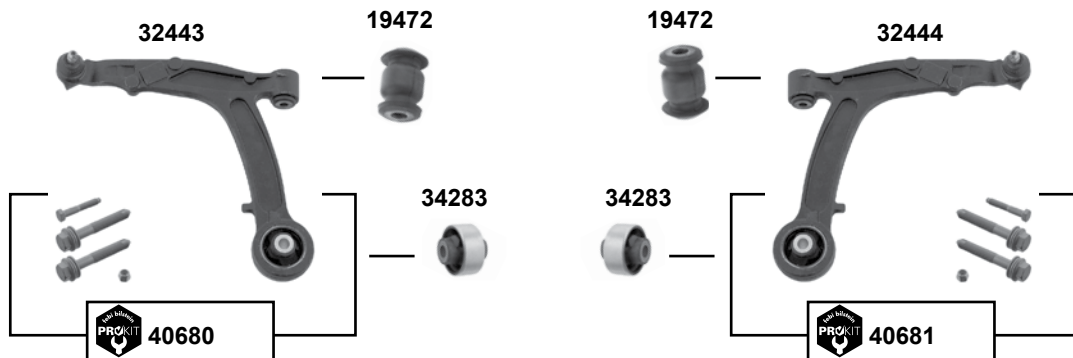
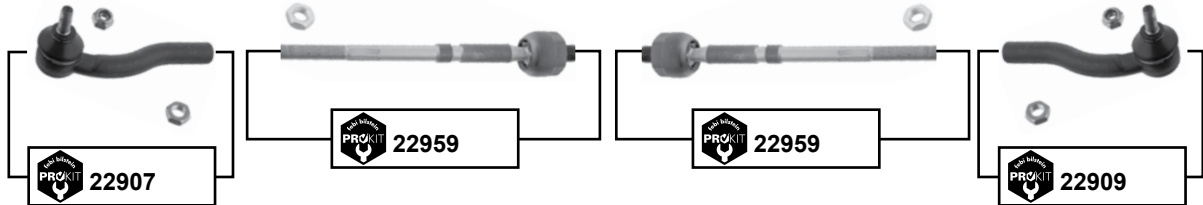
Vorderachse / Front axle



	Ref. - No.			
<b>12546</b>	7601261	Querlenker / control arm		
<b>12547</b>	5960835	ProKit Spurstangenendstück / tie rod end		M10 x 1,25
<b>12571</b>	5960321	Spurstange / tie rod		L 280
<b>14235</b>	5995503	Traggelenk / ball joint	(ex.) 4x4	M10 x 1,25



**Panda II (169)**  
(2003 → 2009)



Vorderachse / Front axle



(1) (mot.) 1.1, 1.2 8V, (mot.) 1.3 D Multijet 4x2

(2) (mot.) 1.2 16V 74kW

(3) (mot.) 1.1 8V, (mot.) 1.2 8V 4x4,  
(mot.) 1.2 44kW, (mot.) 1.3 51kW, (mot.) 1.3 55kW



Ref. - No.

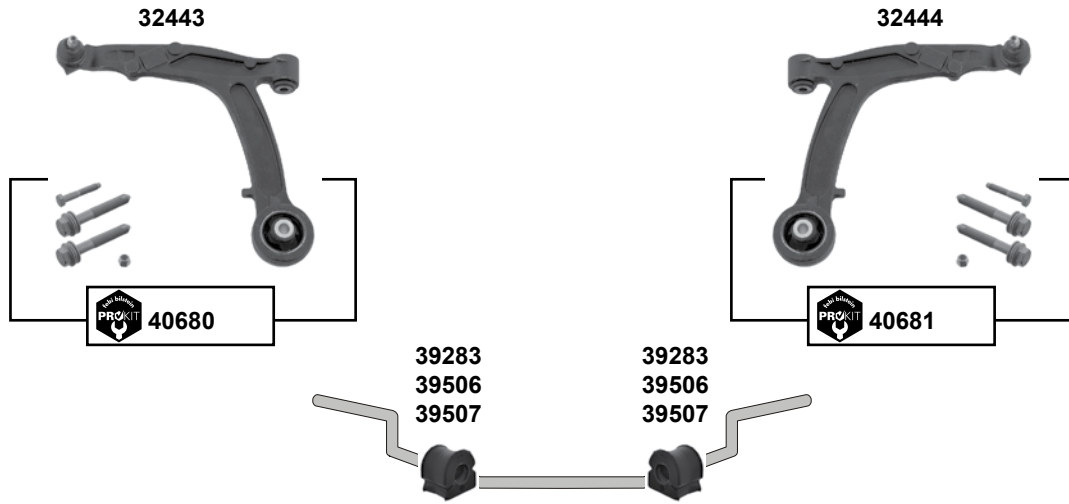


Part No.	Ref. - No.	Description	Quantity	Dimensions
19472	51842193 S	Querlenkerlager / control arm mount	(ex.) 1,4 16V	Ø   12,2 L 53
22907	77362507	ProKit Spurstangenendstück / tie rod end		
22909	77362508	ProKit Spurstangenendstück / tie rod end		
22959	77362506	ProKit Spurstange / tie rod		
27433	50703296	ProKit Verbindungsstange / stabilizer link	(ex.) 1,4 16V	L 315
32443	51857133	Querlenker / control arm	(ex.) 1,4 16V	
32444	51857134	Querlenker / control arm	(ex.) 1,4 16V	
34283	51857133 S1	Querlenkerlager / control arm mount	(ex.) 1,4 16V	
39283	51856869	Stabilisatorlager / stabilizer mount	(3)	Ø   19,5
39506	51856871	Stabilisatorlager / stabilizer mount	(2)	Ø   21,5
39507	51856870	Stabilisatorlager / stabilizer mount	(1)	Ø   20,5
40680	51857133 S1	ProKit Querlenker / control arm	(ex.) 1,4 16V	
40681	51857134 S1	ProKit Querlenker / control arm	(ex.) 1,4 16V	



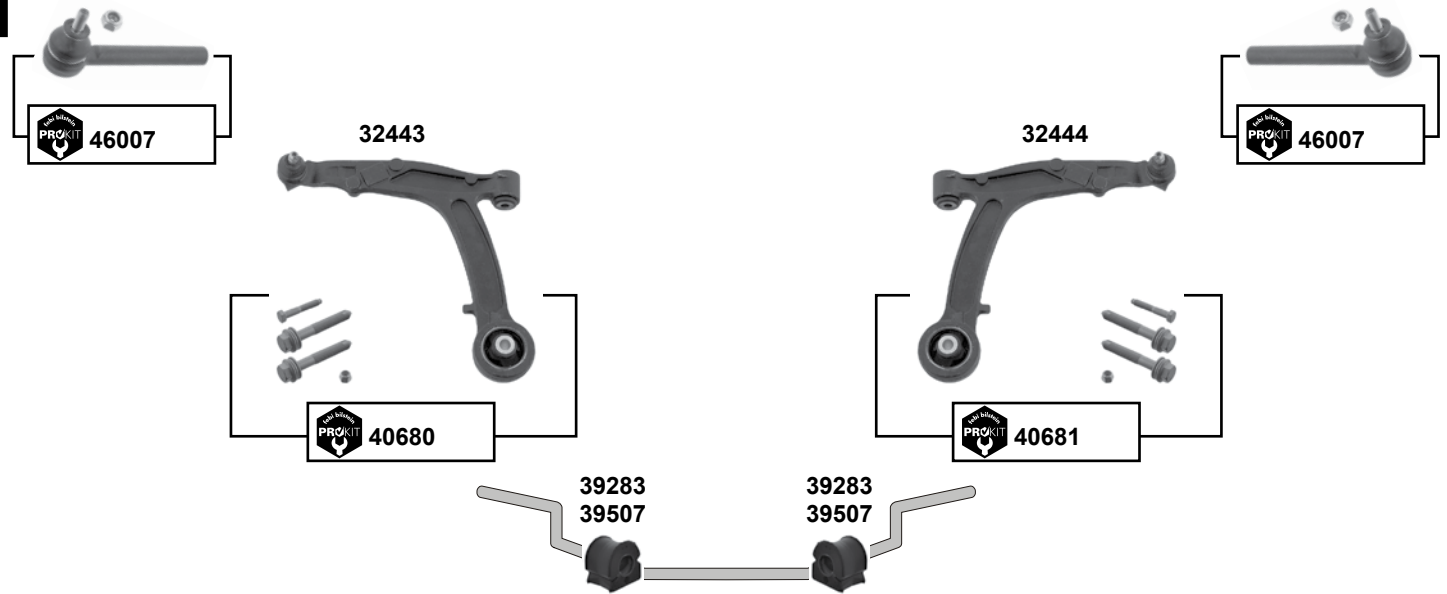
## Panda MY (169)

(2009 → 2011)



## Panda Classic (312)

(2012 →)



(1) Panda MY: (mot.) 1.1, (mot.) 1.2 (ex.) 51kW, (mot.) 1.3 D Multijet 4x2, (mot.) 1.4 8V  
Panda Classic: (mot.) 1.2, (mot.) 1.3 D Multijet 4x2

(2) (mot.) 1.2 51kW, (mot.) 1.4 16V 74kW

(3) Panda MY: (mot.) 1.3 51kW, (mot.) 1.3 55kW // Panda Classic: (mot.) 1.2 4x4

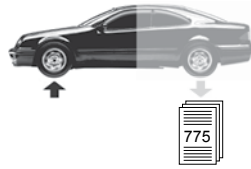
(4) (mot.) 0,9B, 0,9G, 1,0B, 1,2B, 1,2F, 1,3D alle / all



Ref. - No.

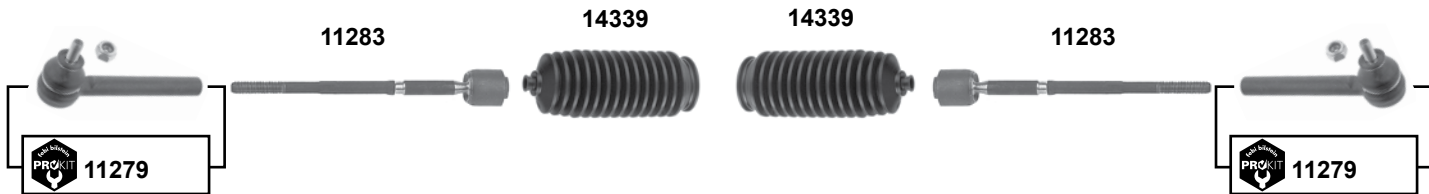


Part No.	Ref. - No.	Description	Quantity	Notes
32443	51857133	Querlenker / control arm	(ex.) 1,4 16V	
32444	51857134	Querlenker / control arm	(ex.) 1,4 16V	
39283	51856869	Stabilisatorlager / stabilizer mount	(3)	Ø   19,5
39506	51856871	Stabilisatorlager / stabilizer mount	(2)	Ø   21,5
39507	51856870	Stabilisatorlager / stabilizer mount	(1)	Ø   20,5
40680	51857133 S1	ProKit Querlenker / control arm	(ex.) 1,4 16V	
40681	51857134 S1	ProKit Querlenker / control arm	(ex.) 1,4 16V	
46007	77365815	ProKit Spurstangenendstück / tie rod end	(4)	

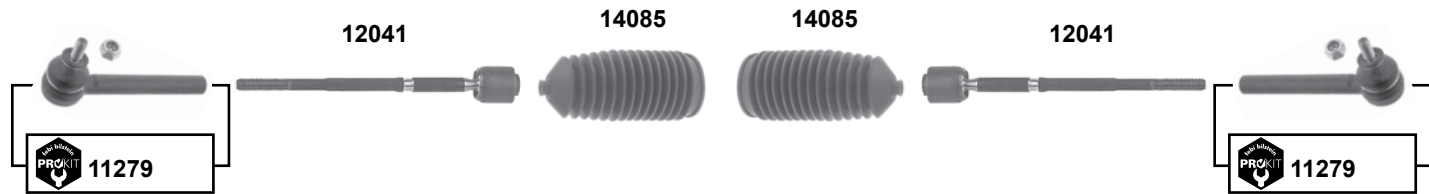


**Punto I (176)**  
(1993 → 1999)

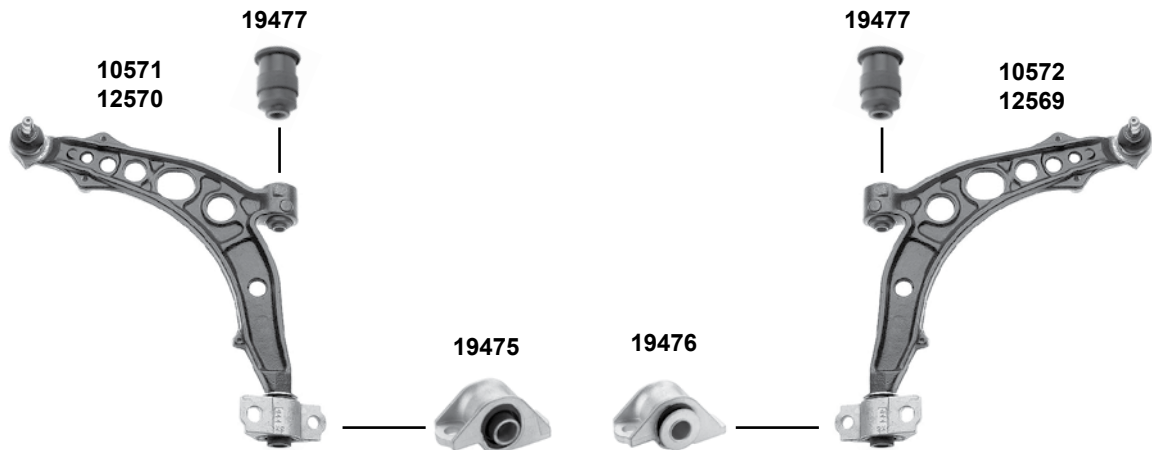
man.



servo



alle / all



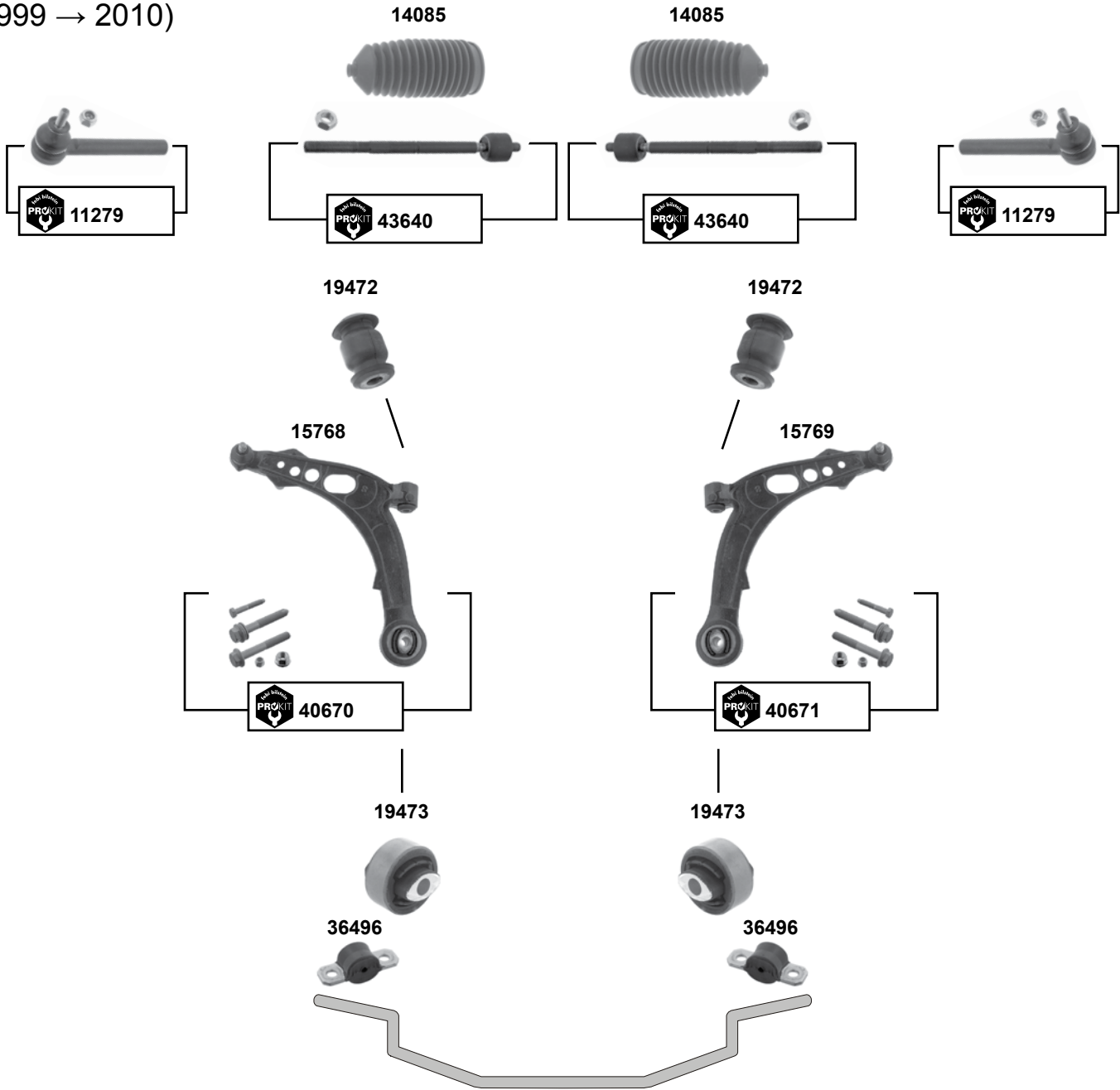
Vorderachse / Front axle

	Ref. - No.			
10571	46430002	Querlenker / control arm	(ex.) 1,4 GT	M10 x 1,25 L 280 L 285
10572	46430003	Querlenker / control arm	(ex.) 1,4 GT	
11279	9946949	ProKit Spurstangenendstück / tie rod end		
11283	9946948	Spurstange / tie rod		
12041	9945562	Spurstange / tie rod		
12569	46429835	Querlenker / control arm	1,4 GT	
12570	46429834	Querlenker / control arm	1,4 GT	
14085	9945564 SK	Lenkmanschette / steering boot		
14339	9946947 SK	Lenkmanschette / steering boot		
19475	46430002 S2	Querlenkerlager / control arm mount	(ex.) 1,4 GT	
19476	46430003 S1	Querlenkerlager / control arm mount	(ex.) 1,4 GT	
19477	46430002 S1	Querlenkerlager / control arm mount	(ex.) 1,4 GT	



**Punto II (188)**  
(1999 → 2010)

Vorderachse / Front axle



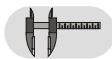
(1) (mot.) 1,2 / 1,3 JTD 16V / 1,4 16V / 1,9 D / 1,9 JTD

(2) (mot.) 1,2 / 1,9 DS / 1,9 JTD

(3) (mot.) 1,2 / 1,3 D / 1,4 70kW / 1,8 96kW / 1,9 D 44kW,59kW,63kW / 1,9 D 74kW mit / with ABS



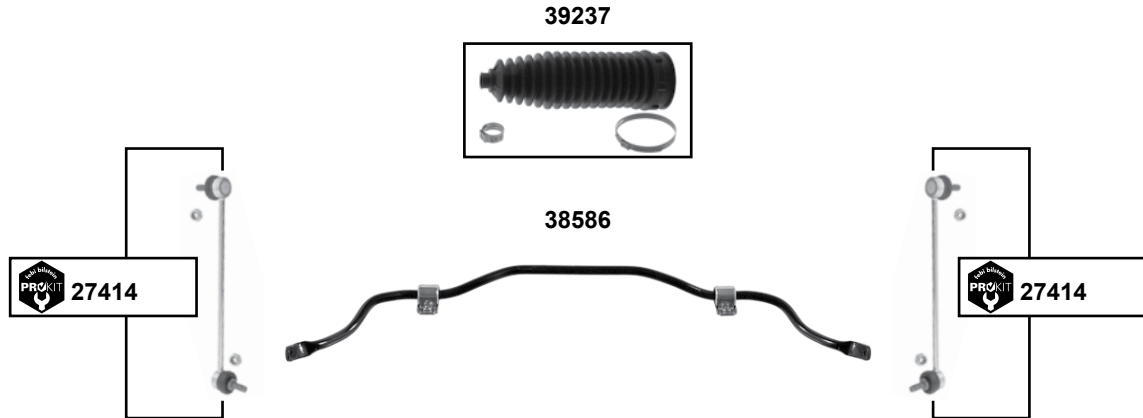
Ref. - No.



Part No.	Ref. - No.	Description	Quantity	Dimensions
11279	9946949	ProKit Spurstangenendstück / tie rod end		M10 x 1,25
14085	9945564 SK	Lenkmanschette / steering boot		
15768	46545660	Querlenker / control arm	(1)	
15769	46545661	Querlenker / control arm	(1)	
19472	51842193 S2	Querlenkerlager / control arm mount	(2)	Ø I 12,2 L 53
19473	51842193 S1	Querlenkerlager / control arm mount	(1)	
36496	7750990	Stabilisatorlager, außen / stabilizer mount, outer		L 87
40670	51842192 S1	ProKit Querlenker / control arm		
40671	51842193 S1	ProKit Querlenker / control arm		
43640	9948343	ProKit Axialgelenk / axial joint	(3)	L 245

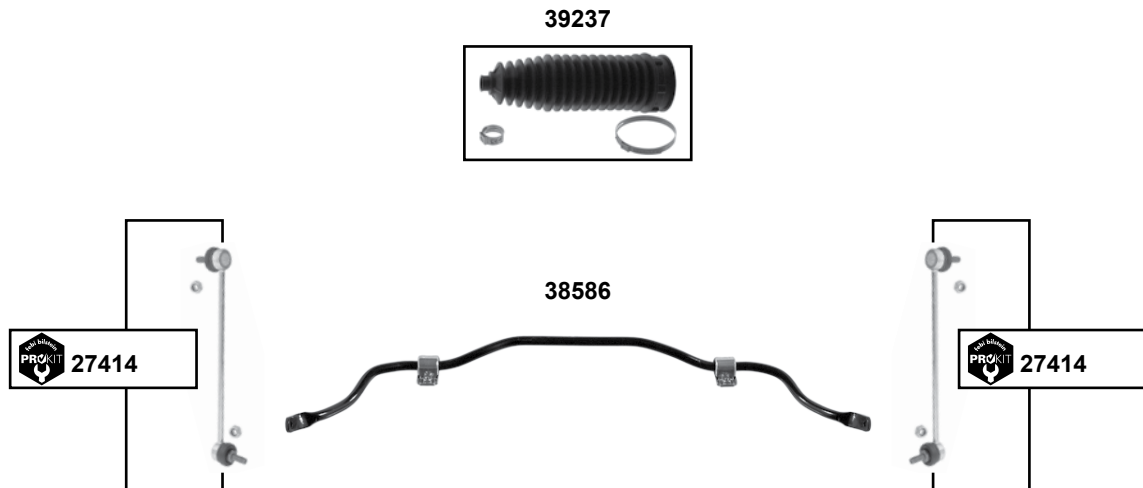


## Punto Evo (2009 → 2011)



Vorderachse / Front axle

## Punto Nuova MY (199) (2012 →)



**(1)** (mot.) 1,3 D Multijet  
(mot.) 1,4 Sport  
(mot.) 1,6 D Multijet  
Punto Evo Abarth 10 → 12 alle/all

**(2)** (mot.) 1,3 D Multijet  
(mot.) 1,4 105kW, 135kW Sport  
Punto Nuova MY Abarth 12 → alle/all

**(3)** Punto Evo 09 → 11 alle/all  
Punto Evo Abarth 10 → 12 alle/all  
Punto Nuova MY (199) 12 → 13 alle/all  
Punto Nuova MY Abarth (199) 12 → alle/all

**(4)** Punto Evo 09 → 11 alle/all (ex.) 1,8  
Punto Evo Abarth 10 → 12 alle/all  
Punto Nuova MY (199) 12 → 13 alle/all (ex.) 1,8  
Punto Nuova MY Abarth (199) 12 → alle/all



Ref. - No.



**27414** 50515276  
**38586** 50515569  
**39237** 77363828

ProKit Verbindungsstange / stabilizer link  
Stabilisatorsatz mit Lagern / stabilizer kit with bearings  
Rep. Satz Lenkmanschette / rep. kit steering boot

**(3)**  
**(1) (2)**  
**(4)**

L 301  
L 1045  
L 200

passend für / to fit

**FIAT**



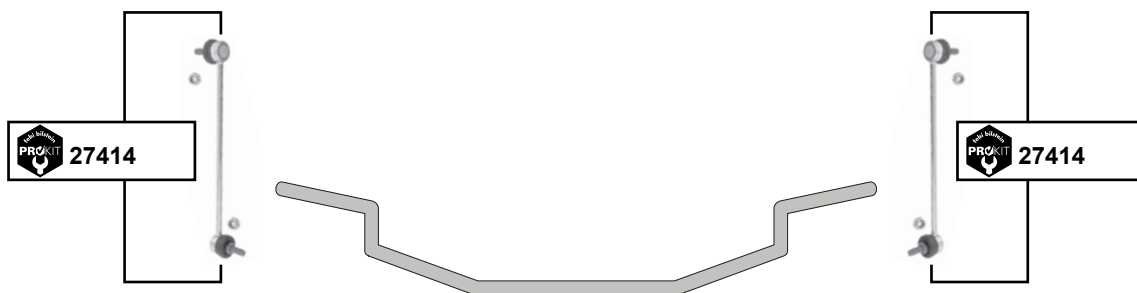
**Car  
Division**



# Punto MY (2013 →)

Vorderachse / Front axle

**39237**



**Ref. - No.**



**27414** 50515276  
**39237** 77363828

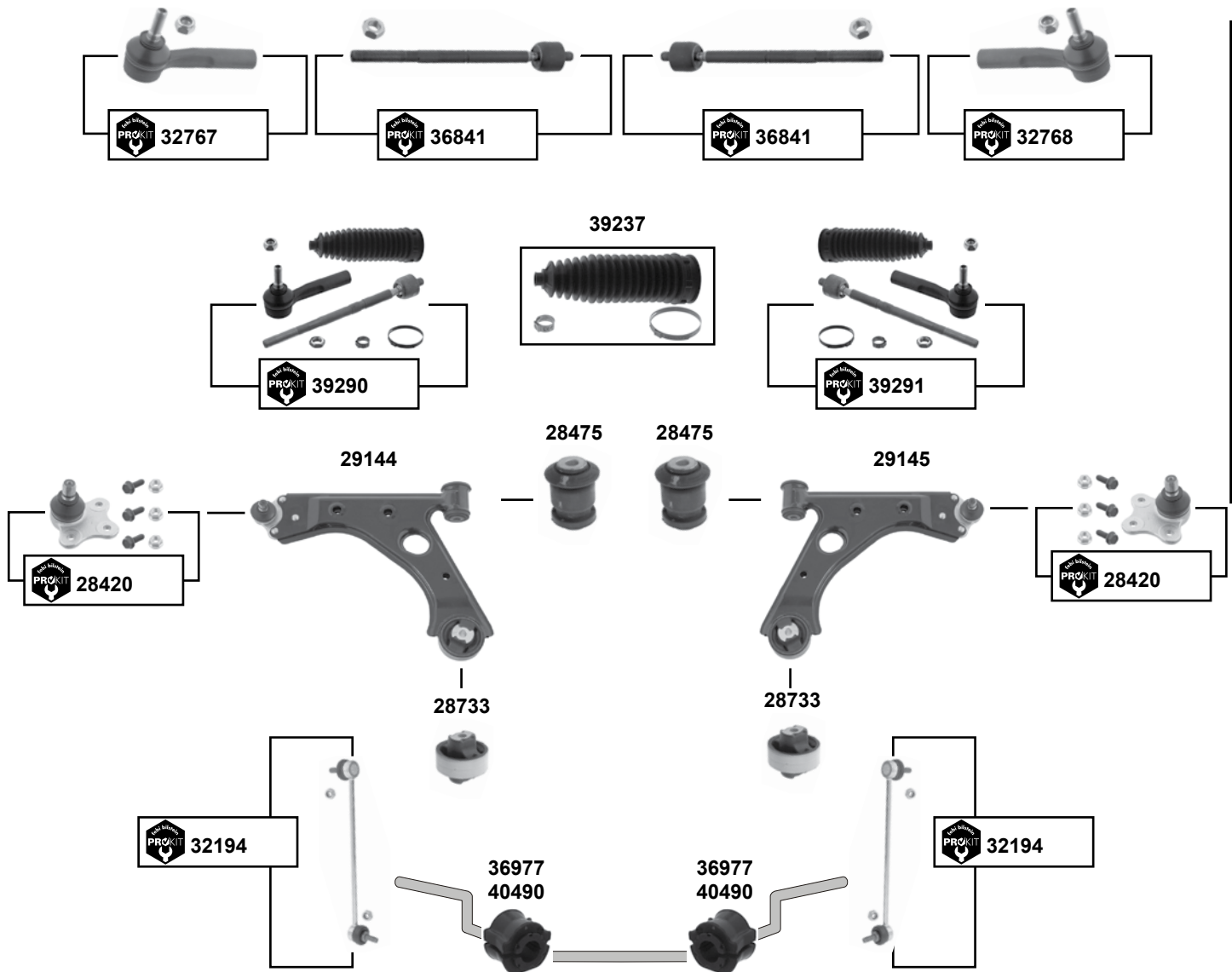
ProKit Verbindungsstange / stabilizer link  
Rep. Satz Lenkmanschette / rep. kit steering boot

**(ex.) 1,8**

L 301  
L 200



# Qubo Nuovo (225) (2008 →)



Vorderachse / Front axle

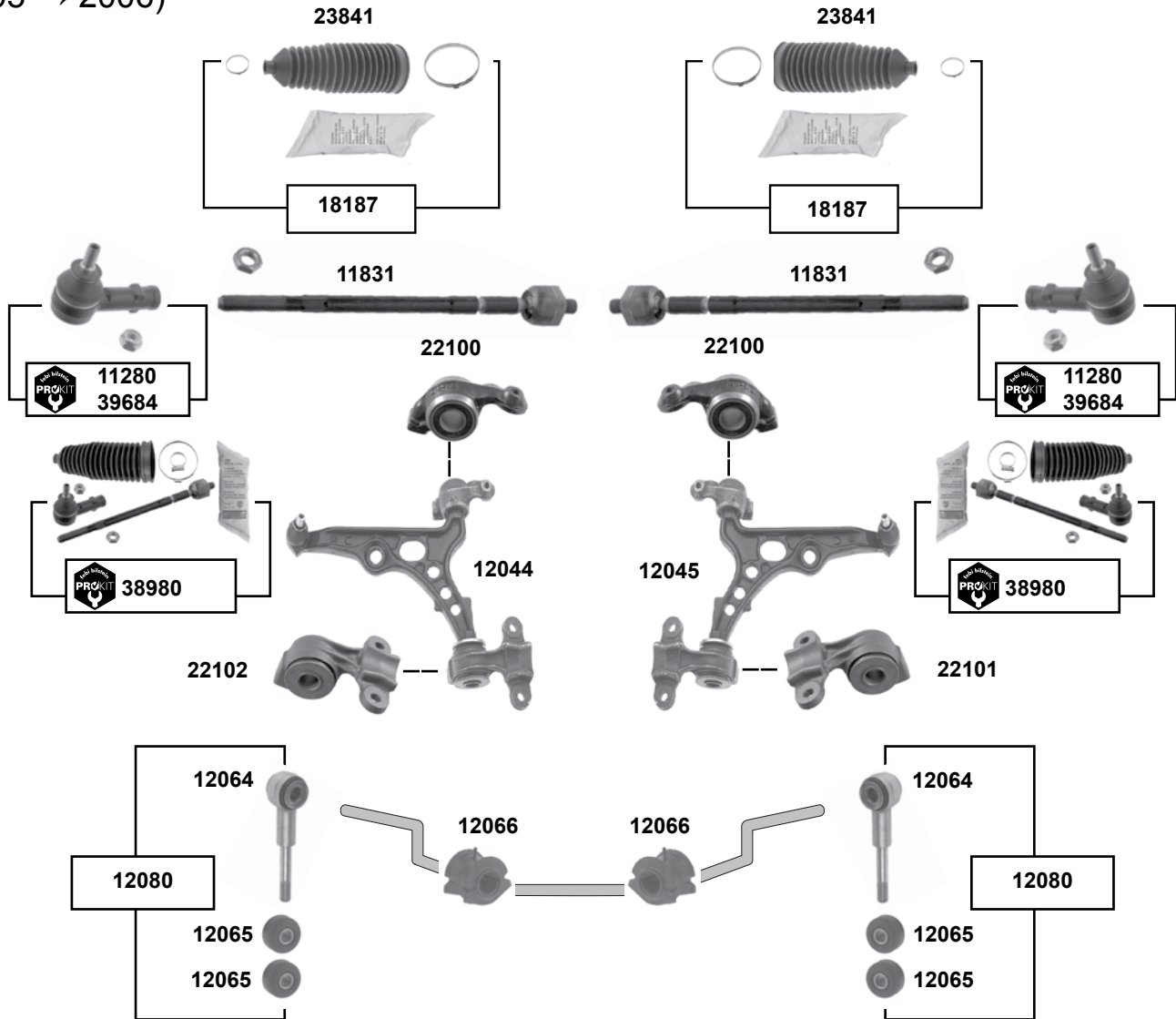
	Ref. - No.			
29144	51783057	Querlenker / control arm		
29145	51783056	Querlenker / control arm		
28475	55703232	Querlenkerlager vorne / control arm mounting front		
28733	55700751	Querlenkerlager hinten / control arm mounting rear		
28420	51895366 SK 1	ProKit Traggelenk / ball joint		
32194	51815479	ProKit Verbindungsstange / stabilizer link		L 290
32767	77364568	ProKit Spurstangenendstück / tie rod end		M10 x 1,25
32768	77364569	ProKit Spurstangenendstück / tie rod end		M10 x 1,25
36841	51784192 S1	ProKit Axialgelenk / axial joint	(ex.)	L 288
36977	51785488	Stabilisatorlager / stabilizer mount		Ø   21
39237	77363828	Rep. Satz Lenkmanschette / rep. kit steering boot		L 200
39290	51784192 S2	ProKit Spurstange / tie rod		
39291	51784192 S3	ProKit Spurstange / tie rod		
40490	51785487	Stabilisatorlager / stabilizer mount	→ 18/12/2007	Ø   20





**Scudo (220)**  
(1995 → 2006)

Vorderachse / Front axle

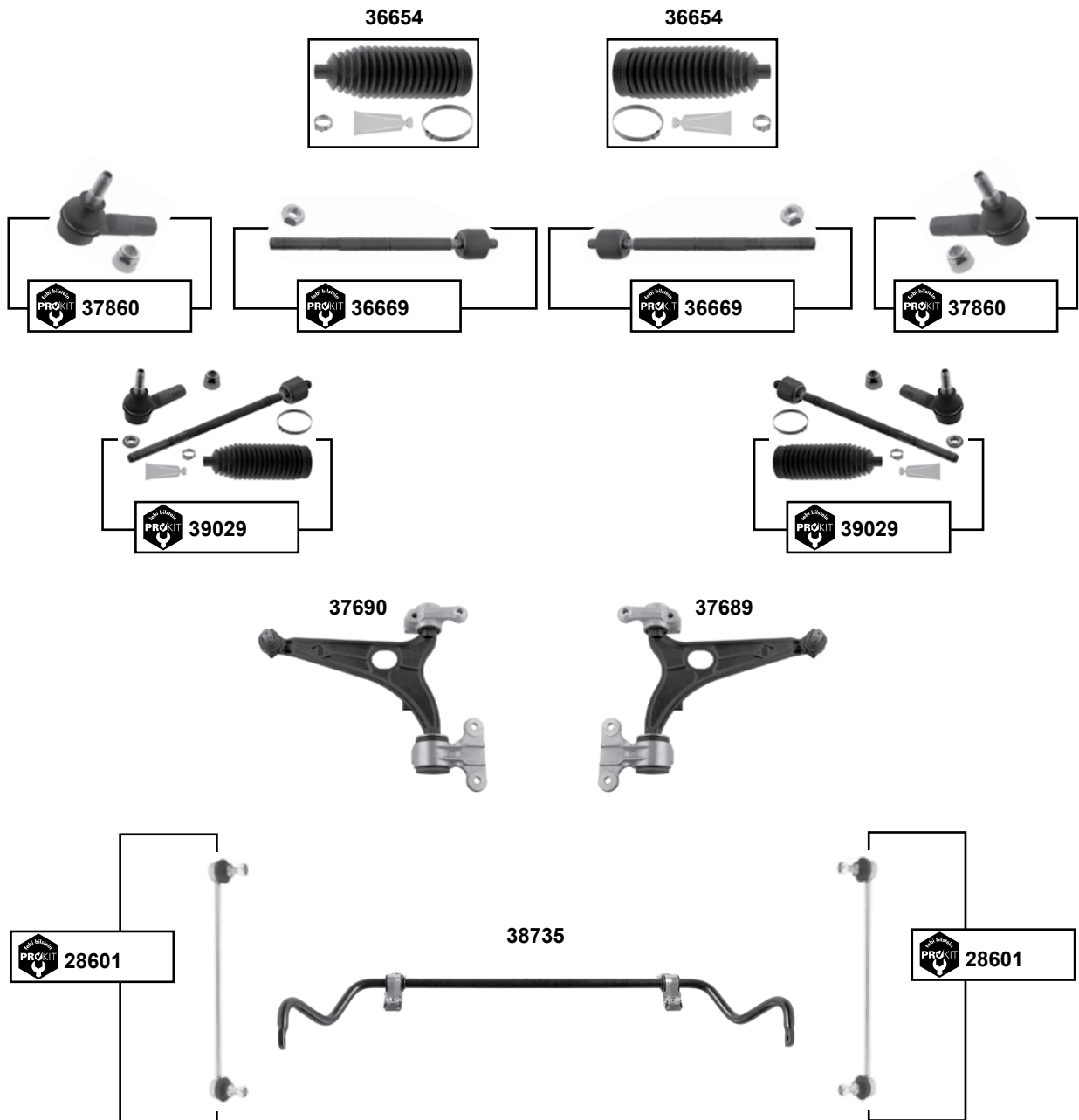


**(1)** (mot.) 1,6 58kW / 1,9 51kW, 66kW, 68kW / 2,0 JTD 69kW, 80kW / 2,0 100kW

	Ref. - No.			
<b>11280</b>	1306003080	ProKit Spurstangenendstück / tie rod end		M12 x 1,25
<b>11831</b>	9566950880	Spurstange / tie rod		L 320
<b>12044</b>	71737047	Querlenker / control arm		
<b>12045</b>	1316736080	Querlenker / control arm		
<b>12064</b>	1317425080	Verbindungsstange / stabilizer link		M12 x 1,25
<b>12065</b>	1313056080	Verbindungsstangenlager / stabilizer link bush		12x38
<b>12066</b>	1305782080	Stabilisatorlager / stabilizer mount		Ø 124
<b>12080</b>	1317425080 S1	Rep. Satz Verbindungsstange / rep. kit stabilizer link		
<b>18187</b>	9404066418	Rep. Satz Lenkmanschette / rep. kit steering boot	→ 04	
<b>22100</b>	1316735080 S1	Querlenkerlager / control arm mount		
<b>22101</b>	1316736080 S1	Querlenkerlager / control arm mount		
<b>22102</b>	1316735080 S2	Querlenkerlager / control arm mount		
<b>23841</b>	9404066418 SK	Lenkmanschette / steering boot	→ 04	
<b>38980</b>	9566950880 S1	ProKit Spurstange / tie rod	<b>(1)</b>	
<b>39684</b>	77362279	ProKit Spurstangenendstück / tie rod end	DAT (15/06/2003 →)	

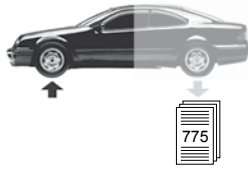


# Scudo Nuovo (270) (2007 →)



Vorderachse / Front axle

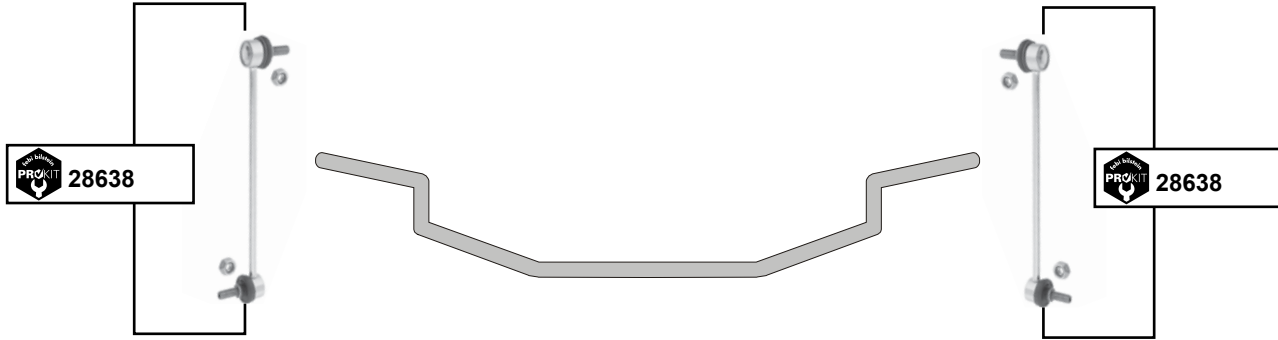
	Ref. - No.			
<b>28601</b>	1400099680	ProKit Verbindungsstange / stabilizer link		L 263
<b>36654</b>	9404066838	Rep. Satz Lenkmanschette / rep. kit steering boot		L 185
<b>36669</b>	1401381380	ProKit Axialgelenk / axial joint		L 307
<b>37689</b>	1401239480	Querlenker / control arm		M14 x 1,5
<b>37690</b>	1401239580	Querlenker / control arm		M14 x 1,5
<b>37860</b>	9403817738	ProKit Spurstangenendstück / tie rod end		
<b>38735</b>	1440123280	Stabilisator / stabilizer		L 1140
<b>39029</b>	1401381380 S1	ProKit Spurstange / tie rod		



# Sedici / Sedici MY

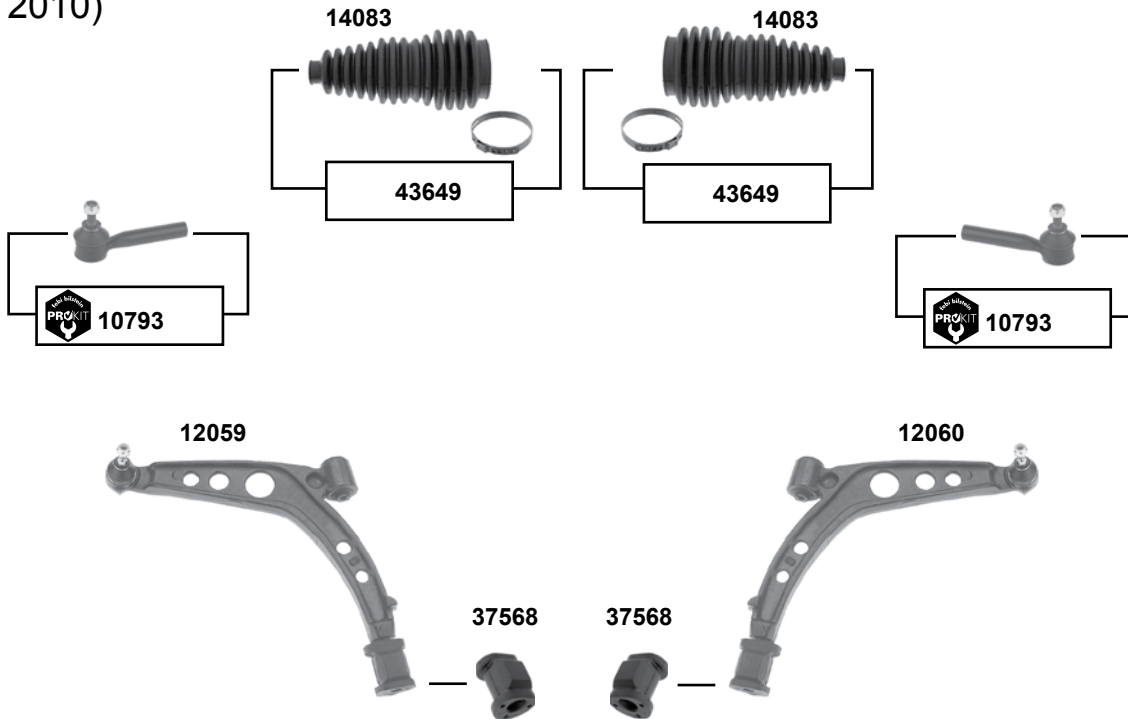
(2006 →)

Vorderachse / Front axle



# Seicento (187)

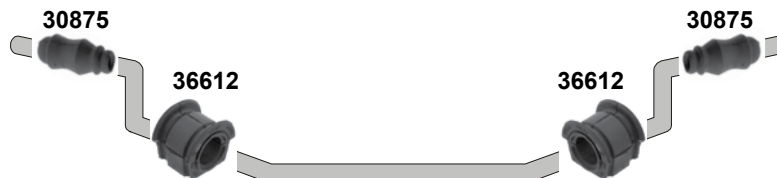
(1998 → 2010)



	Ref. - No.			
<b>10793</b>	7669756	ProKit Spurstangenendstück / tie rod end		M10 x 1,25
<b>12059</b>	7636995	Querlenker / control arm		
<b>12060</b>	7636996	Querlenker / control arm		
<b>14083</b>	7700064	Lenkmanschette / steering boot		
<b>28638</b>	71742688	ProKit Verbindungsstange / stabilizer link		
<b>37568</b>	5927293	Querlenkerlager / control arm mount	(mot.) 0,9 / 1,1	
<b>43649</b>	7700064 S1	Lenkmanschettensatz / steering boot set		Ø 9 L 130 Ø 40



**Siena (178)**  
(1997 → 2012)



Vorderachse / Front axle

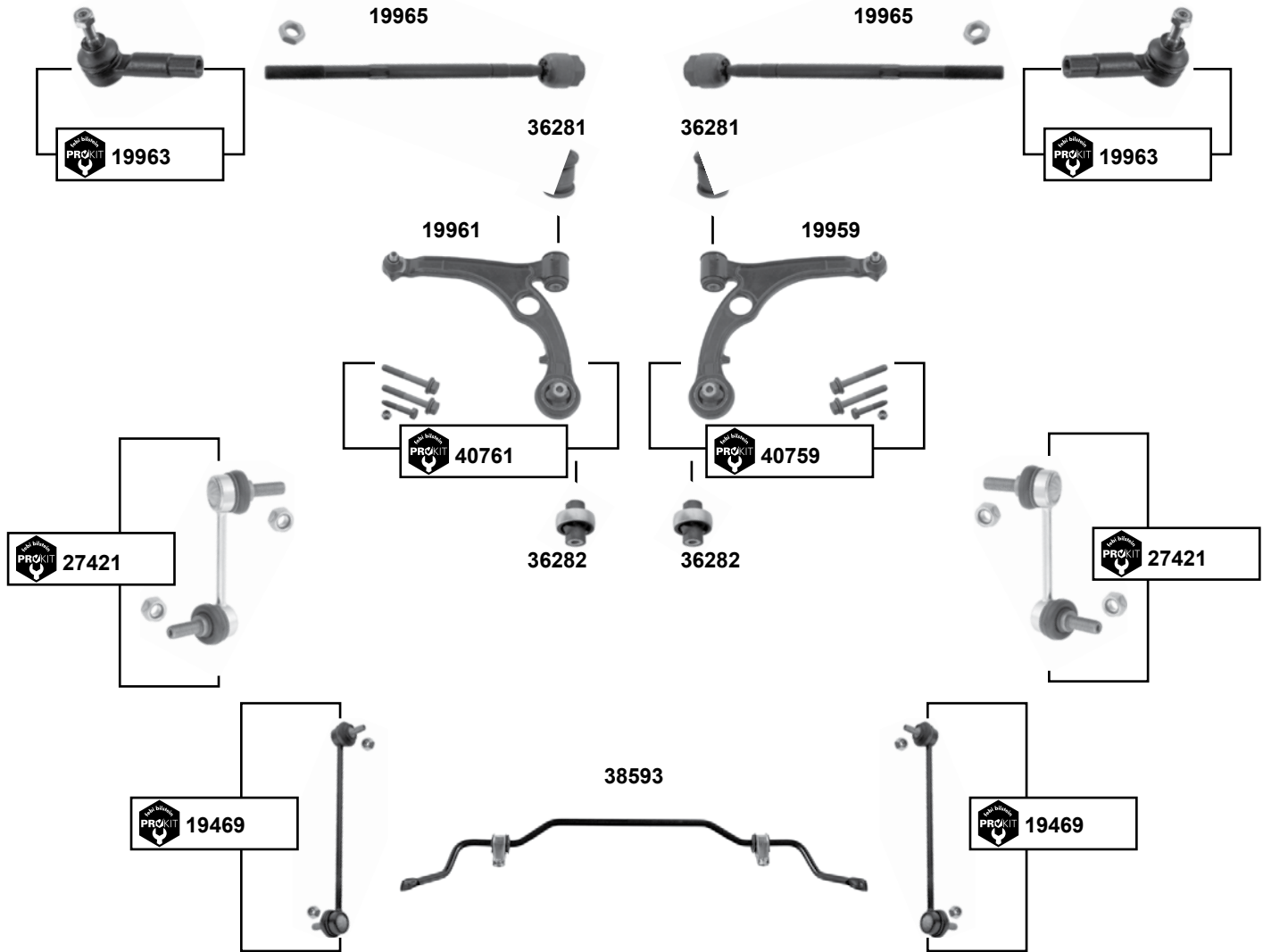
	(1) Siena Extra Europa 97 → 02 (mot.)	1,2 44kW, 50kW, 59kW / 1,2 54kW (01/1998 →) / 1,6 74kW (01/1998 →) / 1,6 76kW / 1,7 TD 51kW (01/1998 →) / 1,9D 46kW, 59kW
	Siena Rest. 05 →	(mot.) 1,2 44kW, 50kW, 59kW / 1,2 54kW / 1,6 74kW / 1,6 76kW / 1,7TD 51kW / 1,9D 46kW, 59kW
	Siena Extra Europa Rest. 02 → 12	(mot.) 1,2 44kW, 50kW, 59kW / 1,2 54kW / 1,6 74kW / 1,6 76kW / 1,7TD 51kW / 1,9D 46kW, 59kW
(2) Siena Extra Europa 02 → 11	alle / all (ex.) 1,0, 1,5, 1,8	

	Ref. - No.			
12473	46456660	ProKit Spurstangenendstück / tie rod end	(1)	M10 x 1,25
12474	46456189	ProKit Spurstangenendstück / tie rod end	(1)	M10 x 1,25
12539	46546777	Querlenker / control arm	→ 02 servo.	
12540	46546776	Querlenker / control arm	→ 02 servo.	
30875	7520850	Stabilisatorlager, außen / stabilizer mount, outer	→ 02	L 76,3 ØA 37
36612	46790552	Stabilisatorlager, innen / stabilizer mount, inner	(2)	Ø I 23
36613	51744226	Stabilisatorlager, außen / stabilizer mount, outer	02 →	L 58



**Stilo (192)**  
(2001 → 2007)

Vorderachse / Front axle



- (1) 01 → 03 (mot.) 1,8 16V / 2,4 20V / 1,9 JTD 8V+16V // (mot.) 1,4 16V + 1,6 16V (ch.) → 0616968  
03 → 06 (ex.) 1,4 16V / 1,6 16V
- (2) 01 → 03 nur/only (mot.) 1,4 16V / 1,6 16V (ch.) 06169696 →  
03 → 07 nur/only (mot.) 1,4 16V / 1,6 16V
- (3) (ch.) → 495306, 495452



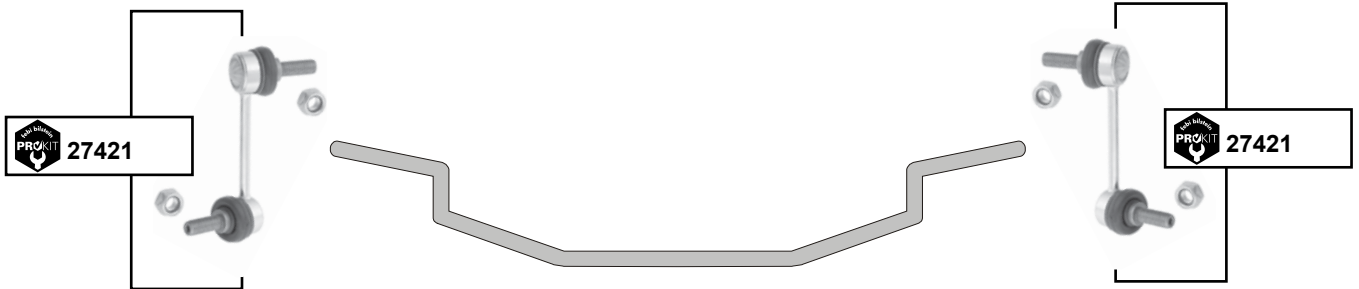
Ref. - No.



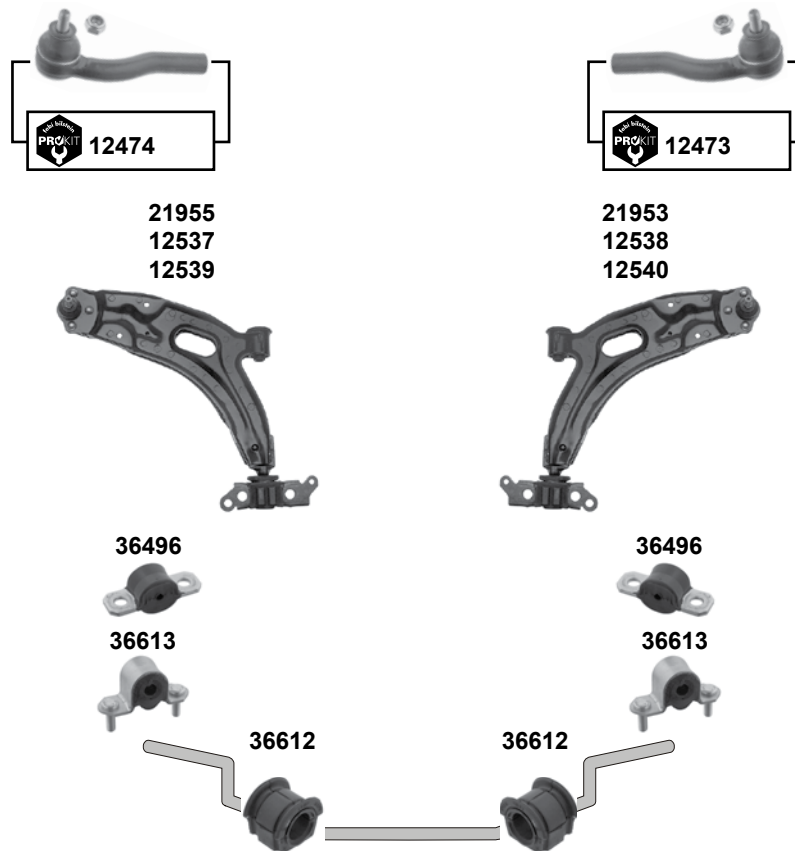
19469	51801136	ProKit Verbindungsstange / stabilizer link	(1)	L 290
19959	50700779	Querlenker / control arm	(3)	
19961	50700797	Querlenker / control arm	(3)	
19963	9949218	ProKit Spurstangenendstück / tie rod end		
19965	9949217 S1	Spurstange / tie rod		
27421	51795704	ProKit Verbindungsstange / stabilizer link	(2)	
36281	50700779 SK1	Querlenkerlager unten / control arm mount lower		Ø1 12,5 ØA 60,5
36282	50700779 SK2	Querlenkerlager hinten / control arm mount rear		Ø1 12,5 ØA 60,5
38593	50703541	Stabilisatorsatz mit Lagern / stabilizer kit with bearings		L 1060
40759	50700779 S1	ProKit Querlenker / control arm	(3)	
40761	50700797 S1	ProKit Querlenker / control arm	(3)	



**Stilo SW (192)**  
(2006 →)



**Strada (178E)**  
(1999 →)



Vorderachse / Front axle



(1) (mot.) 1,4 16V / 1,6 16V

(2) (mot.) 1,2 / 1,6 / 1,7 TD



Ref. - No.

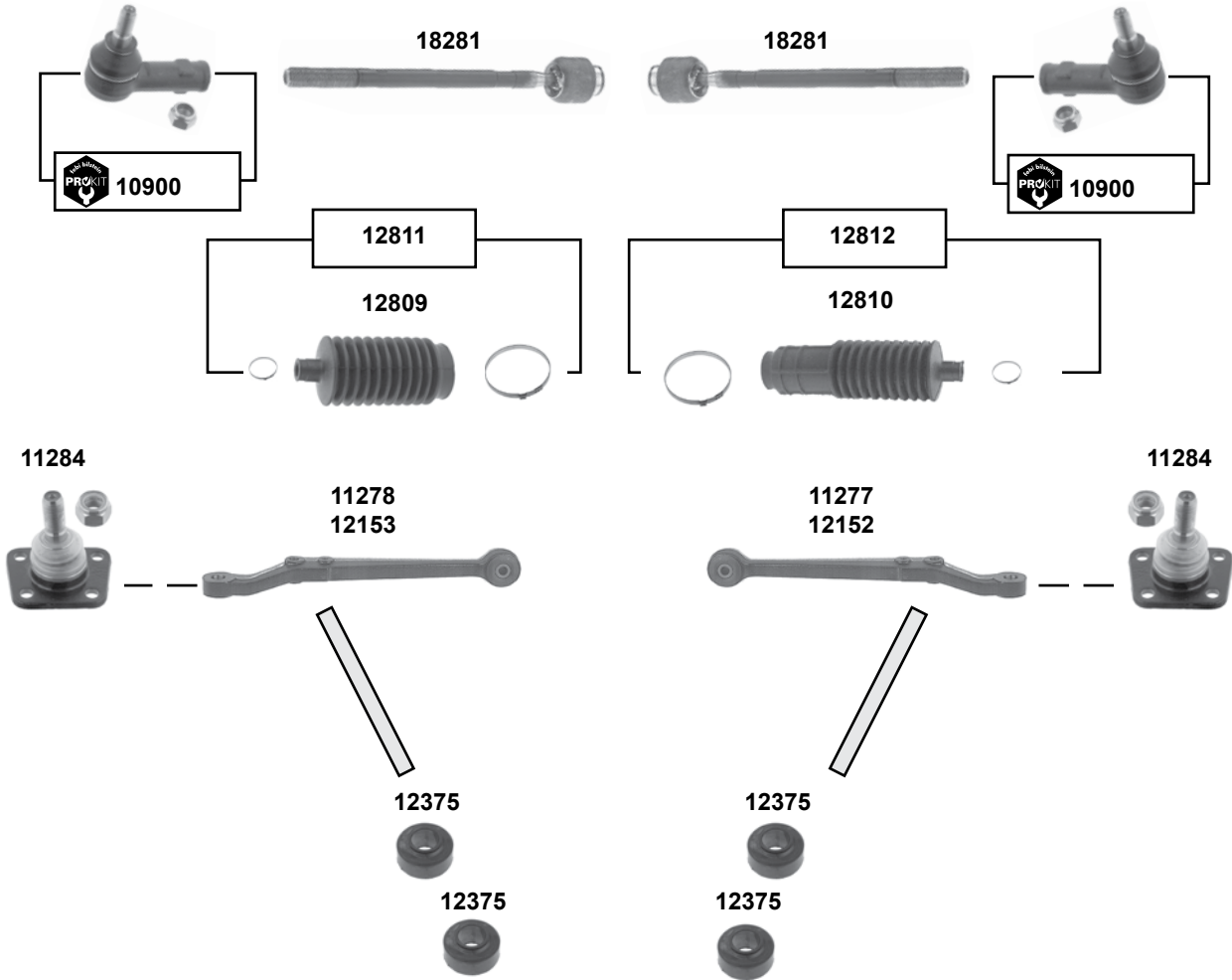


Febi bilstein Ref. - No.	Description	Notes	Dimensions
12473	46456660 ProKit Spurstangenendstück / tie rod end		M10 x 1,25
12474	46456189 ProKit Spurstangenendstück / tie rod end		M10 x 1,25
12537	46454595 Querlenker / control arm		
12538	46454596 Querlenker / control arm	man. → 08/02	
12539	46454597 Querlenker / control arm	man. → 08/02	
12540	46454598 Querlenker / control arm	servo. → 08/02	
21953	51712407 Querlenker / control arm	servo. → 08/02	
21955	51712408 Querlenker / control arm	09/02 →	
27421	51795704 ProKit Verbindungsstange / stabilizer link	09/02 →	
36496	7750990 Stabilisatorlager, außen / stabilizer mount, outer	(1)	L 116
36612	46790552 Stabilisatorlager, innen / stabilizer mount, inner	→ 05	L 87
36613	51744226 Stabilisatorlager, außen / stabilizer mount, outer	(2)	Ø 1 23
		05 →	L 58



**Talento (290)**  
(1986 → 1994)

Vorderachse / Front axle

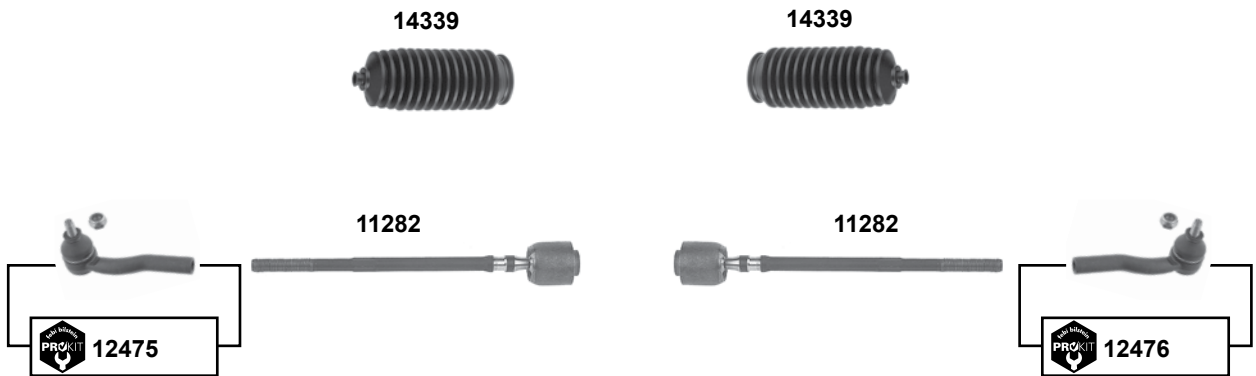


	Ref. - No.			
<b>10900</b>	9750079980	ProKit Spurstangenendstück / tie rod end		M16 x 1,5
<b>11277</b>	7695190	Querlenker / control arm		
<b>11278</b>	7695191	Querlenker / control arm		
<b>11284</b>	7567284	Traggelenk / ball joint		M16 x 1,5
<b>12152</b>	7695185	Querlenker / control arm		
<b>12153</b>	7695186	Querlenker / control arm		
<b>12375</b>	4339248	Zugstrebenlager / tension rod mount		22x48x24x5
<b>12809</b>	9750000280	Lenkmanschette / steering boot	man.	
<b>12810</b>	9750000380	Lenkmanschette / steering boot	man.	
<b>12811</b>	9750000280 S1	Rep. Satz Lenkmanschette / rep. kit steering boot	man.	
<b>12812</b>	9750000380 S1	Rep. Satz Lenkmanschette / rep. kit steering boot	man.	
<b>18281</b>	9790002680	Spurstange / tie rod	man.	L 288

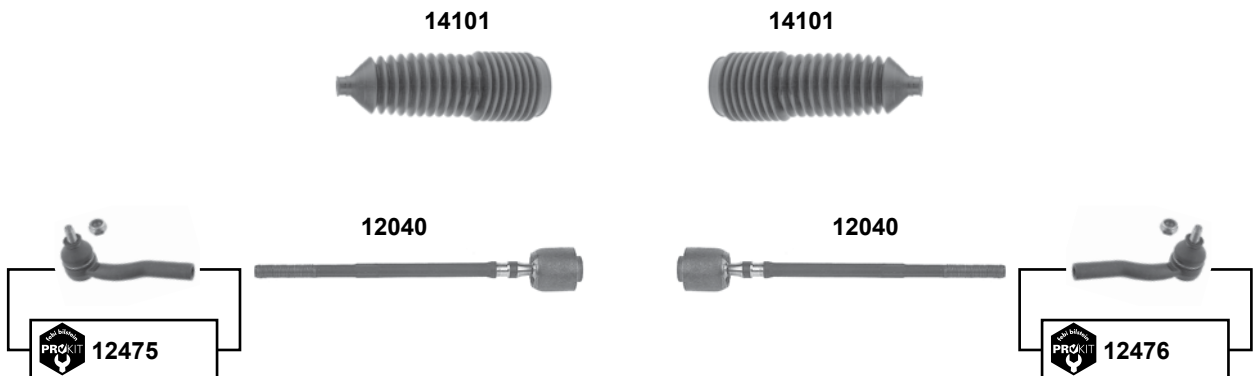


**Tipo / Tempra (160)**  
(1988 → 1995)

man.



servo



Vorderachse / Front axle

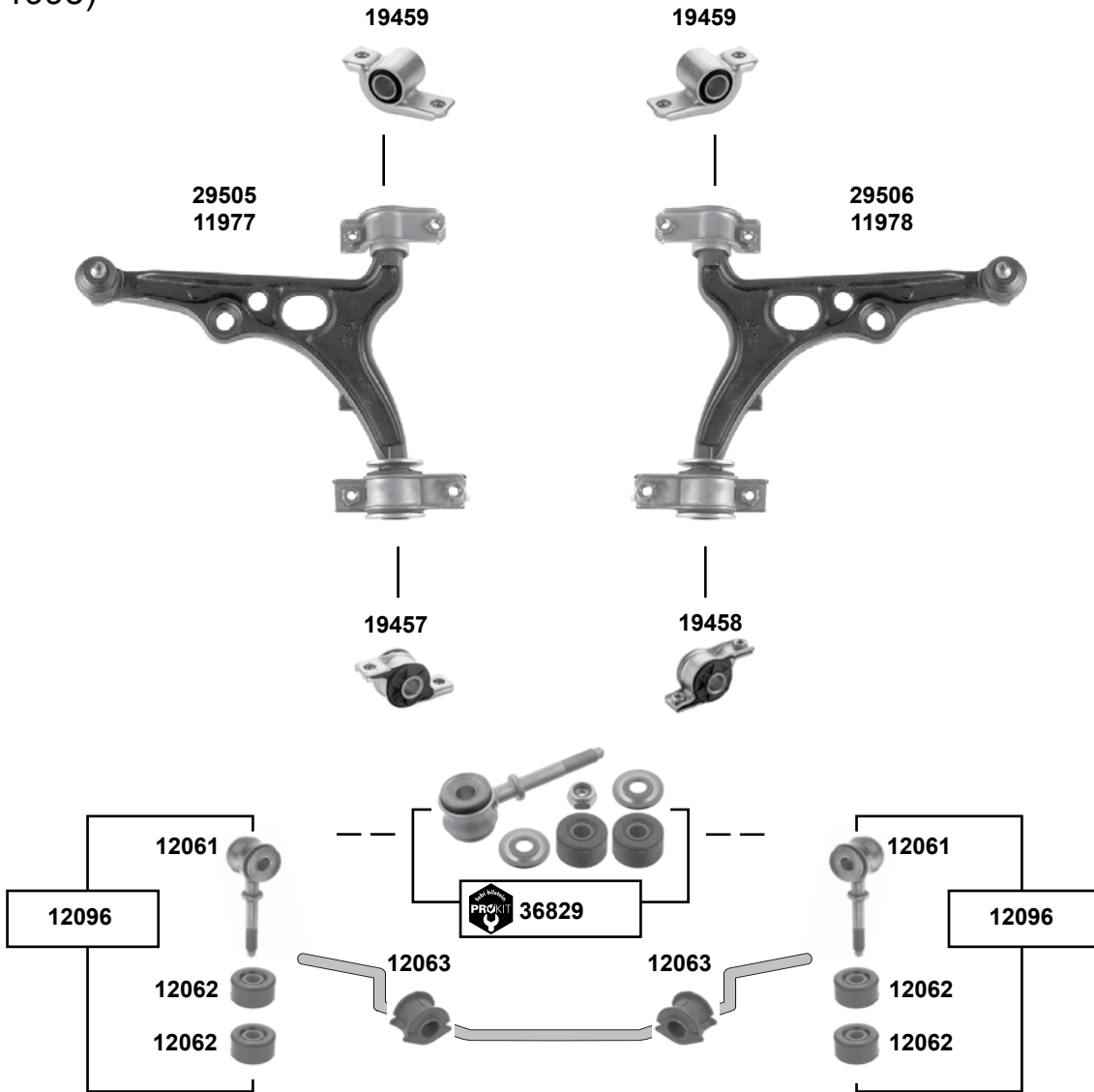
	Ref. - No.			
11282	7633721	Spurstange / tie rod		L 280
12040	9941625	Spurstange / tie rod		L 285
12475	9947437	ProKit Spurstangenendstück / tie rod end		M12 x 1,25
12476	9947438	ProKit Spurstangenendstück / tie rod end		M12 x 1,25
14101	9941582 SK	Lenkmanschette / steering boot		
14339	9946947 SK	Lenkmanschette / steering boot		





**Tipo / Tempra (160)**  
(1988 → 1995)

Vorderachse / Front axle

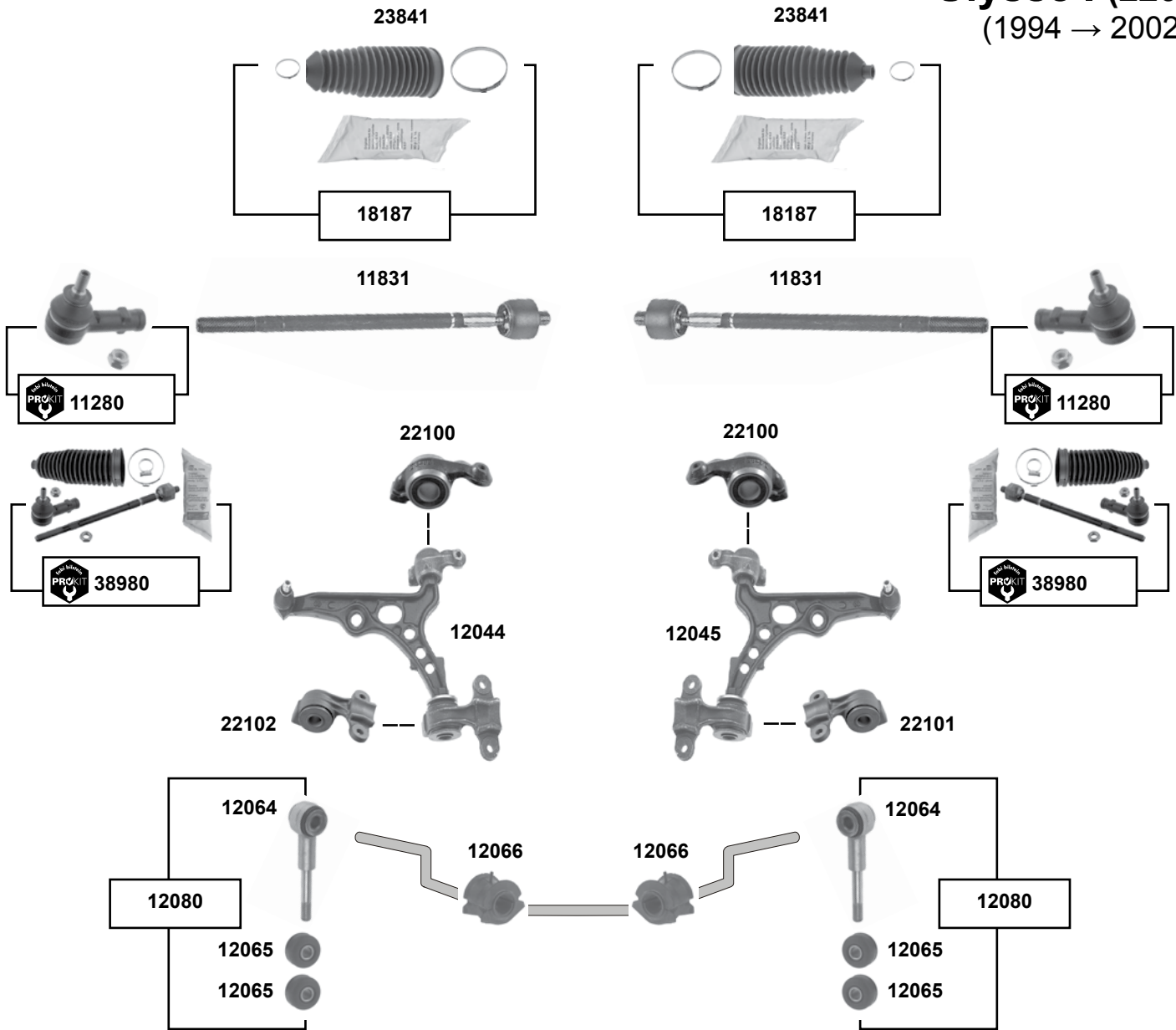


(1) (ex.) (mot.) 2,0 20V / 07/90 →

	Ref. - No.			
11977	93501180	Querlenker / control arm	→ 07/90	
11978	93501181	Querlenker / control arm	→ 07/90	
12061	60570627	Verbindungsstange / stabilizer link		M10 x 1,25
12062	7601642	Verbindungsstangenlager / stabilizer link bush		10x31x19
12063	7760424	Stabilisatorlager / stabilizer mount		Ø   22
12096	60570627 S1	Rep. Satz Verbindungsstange / rep. kit stabilizer link		M10 x 1,25
19457	46423822 S2	Querlenkerlager / control arm mount	07/90 →	
19458	46423823 S1	Querlenkerlager / control arm mount	07/90 →	
19459	46423822 S1	Querlenkerlager / control arm mount	07/90 →	
29505	71747915	Querlenker / control arm	(1)	
29506	71747916	Querlenker / control arm	(1)	
36829	60570627 S2	ProKit Verbindungsstange / stabilizer link		M10 x 1,25



# Ulysse I (220) (1994 → 2002)



Vorderachse / Front axle



(1) (mot.) 1,8 73kW / 1,9 66kW / 2,0 JTD 80 kW / 2,0 89kW, 97 kW, 100 kW, 108kW / 2,1 80kW



Ref. - No.



Ref. - No.	Part Description	Dimensions
11280	ProKit Spurstangenendstück / tie rod end	M12 x 1,25
11831	Spurstange / tie rod	L 320
12044	Querlenker / control arm	
12045	Querlenker / control arm	
12064	Verbindungsstange / stabilizer link	M12 x 1,25
12065	Verbindungsstangenlager / stabilizer link bush	12x38
12066	Stabilisatorlager / stabilizer mount	Ø 124
12080	Rep. Satz Verbindungsstange / rep. kit stabilizer link	
18187	Rep. Satz Lenkmanschette / rep. kit steering boot	
22100	Querlenkerlager / control arm mount	
22101	Querlenkerlager / control arm mount	
22102	Querlenkerlager / control arm mount	
23841	Lenkmanschette / steering boot	
38980	ProKit Spurstange / tie rod	

(1)

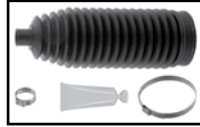


# Ulysse II Nuovo (179AX)

(2001 → 2010)

Vorderachse / Front axle

36654



36654



26645



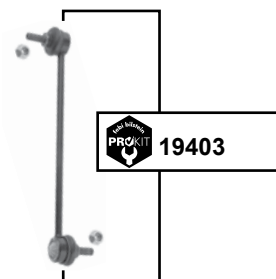
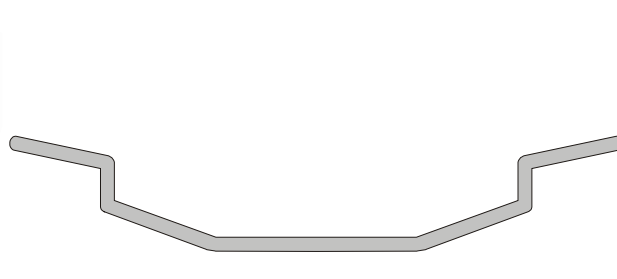
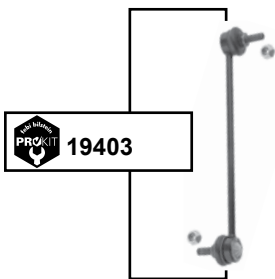
26646



37350  
37690



37349  
37689



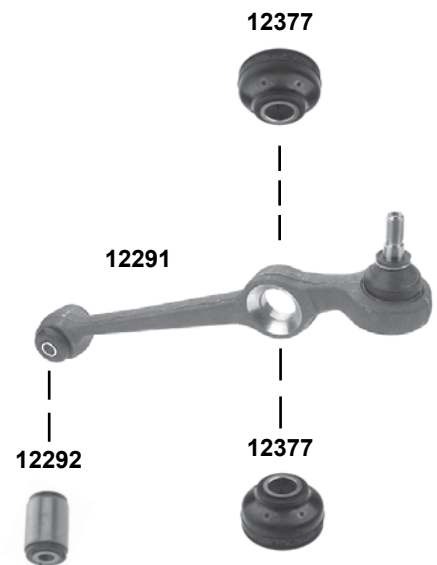
Ref. - No.



19403	1331209080	ProKit Verbindungsstange / stabilizer link		
26645	93501487	Querlenker / control arm	→ 06 / (ex.) 2,2	
26646	93501488	Querlenker / control arm	→ 06 / (ex.) 2,2	
27427	77362280	ProKit Spurstange / tie rod		L 315
36654	9404066838	Rep. Satz Lenkmanschette / rep. kit steering boot	(mot.) 2,2 D	L 185
37349	1368629080	Querlenker / control arm	06 → / (ex.) 2,2	M12 x 1,25
37350	1368628080	Querlenker / control arm	06 → / (ex.) 2,2	M12 x 1,25
37689	1401239480	Querlenker / control arm	(mot.) 2,2	M14 x 1,5
37690	1401239580	Querlenker / control arm	(mot.) 2,2	M14 x 1,5
37860	9403817738	ProKit Spurstangenendstück / tie rod end	(mot.) 2,2	
39684	77362279	ProKit Spurstangenendstück / tie rod end	(ex.) (mot.) 2,2	



**Uno (146)**  
(1984 → 1993)



Vorderachse / Front axle



Ref. - No.



<b>12291</b>	7591277	Querlenker / control arm
<b>12292</b>	7674701	Querlenkerlager / control arm mount
<b>12377</b>	7544738	Stabilisatorlager / stabilizer mount
<b>12555</b>	7543028	ProKit Spurstangenendstück / tie rod end

10x29x44
14x44x25
M12 x 1,25

passend für / to fit

**FIAT**

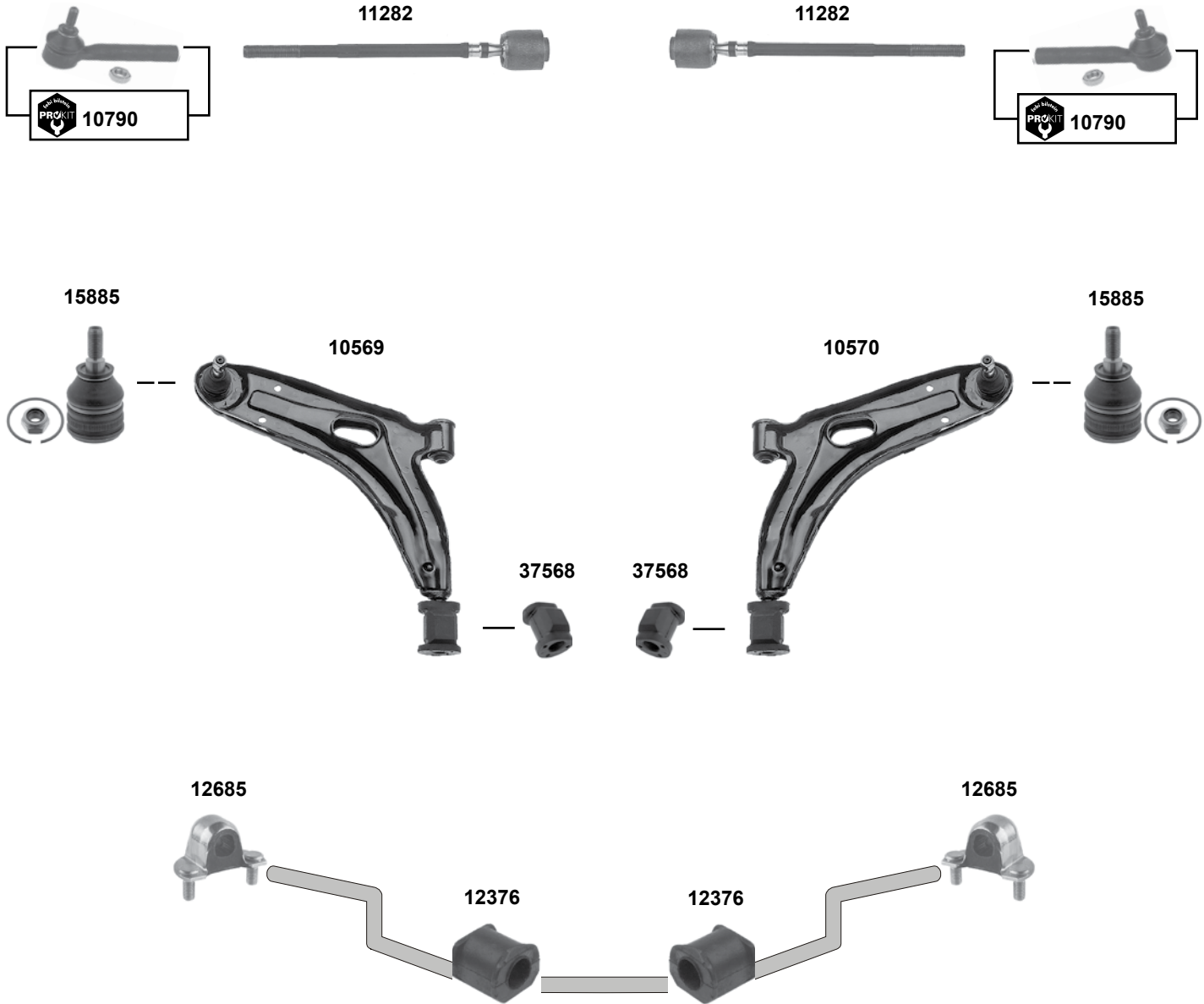


**Car  
Division**



**Uno (146)**  
(1989 → 1995)

Vorderachse / Front axle

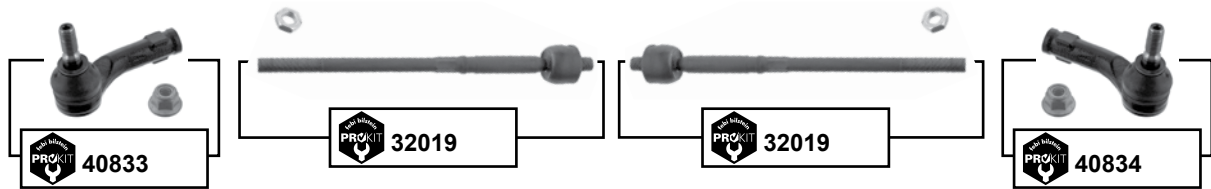


(1) (mot.) 0,9 / 1,0 / 1,1 / 1,3 / 1,4 / 1,5 / 1,7 / 1,9

	Ref. - No.			
<b>10569</b>	7705615	Querlenker / control arm	(ex.) Turbo + ABS	M10 x 1,25 L 280 Ø I 18 Ø I 18,5
<b>10570</b>	7705616	Querlenker / control arm	(ex.) Turbo + ABS	
<b>10790</b>	5958246	ProKit Spurstangenendstück / tie rod end		
<b>11282</b>	7633721	Spurstange / tie rod		
<b>12376</b>	7563151	Stabilisatorlager / stabilizer mount		
<b>12685</b>	7603476	Stabilisatorlager / stabilizer mount		
<b>15885</b>	4402649	Traggelenk / ball joint		
<b>37568</b>	5927293	Querlenkerlager / control arm mount	(1)	



**B-Max 12**  
(08/12 →)



Vorderachse / Front axle

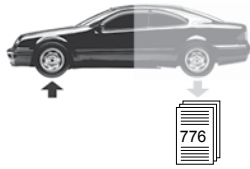
**Cortina**  
(06/70 → 05/82)



**unten / lower**

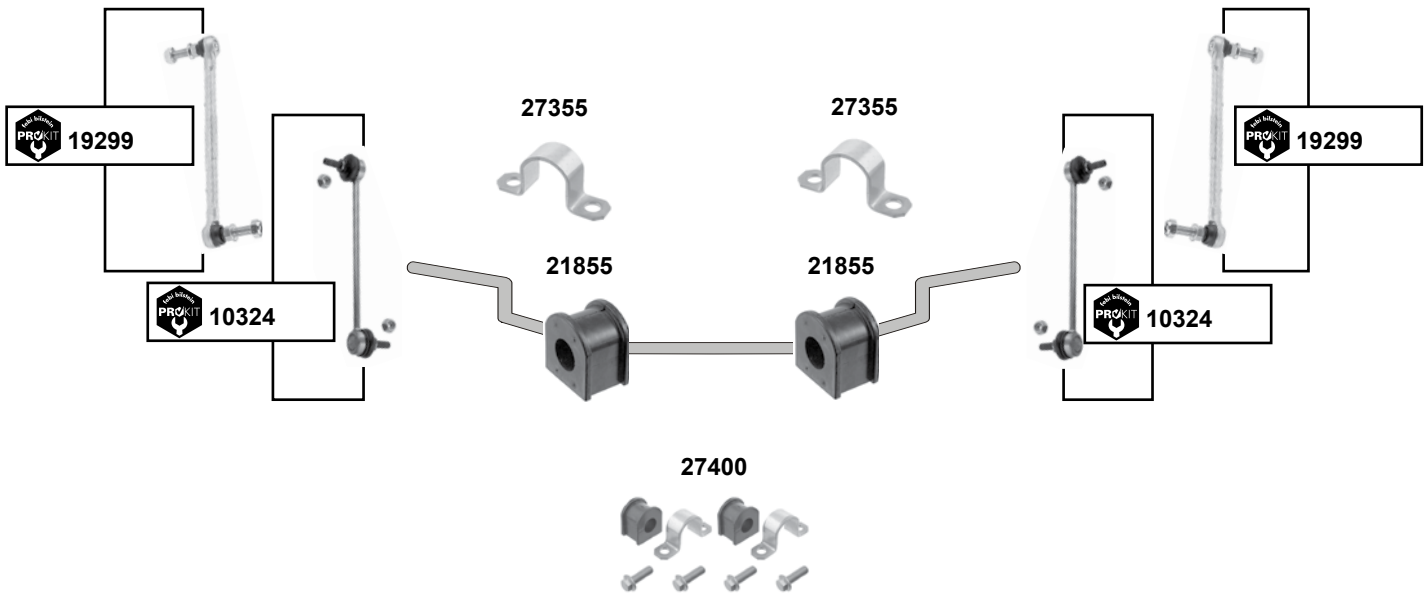
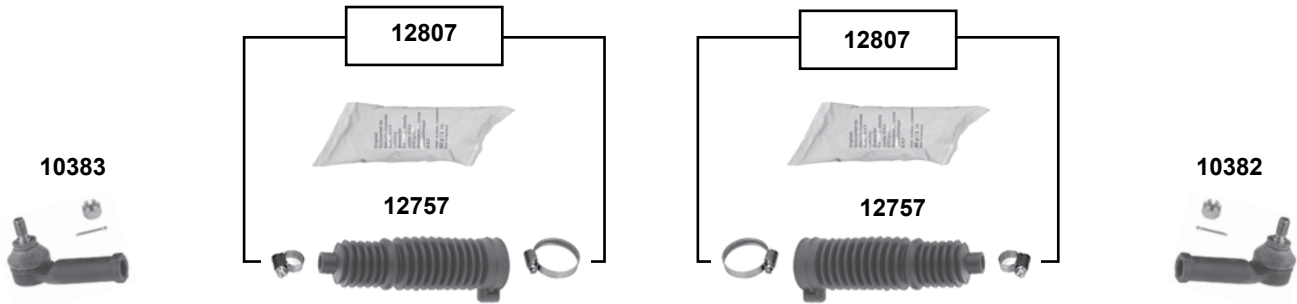





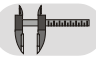
	Ref. - No.			
11988	1 476 246	Spurstangenendstück / tie rod end		M14 x 2
11990	1 613 139	ProKit Tragelenk / ball joint		M14 x 1,5
32019	1 545 457	ProKit Spurstange / tie rod		L 295 M14x1,5
40833	1 545 339	ProKit Spurstangenendstück / tie rod end		L 94 M14x1,5
40834	1 545 338	ProKit Spurstangenendstück / tie rod end		L 94 M14x1,5



**Cougar**  
(08/98 → 01/01)

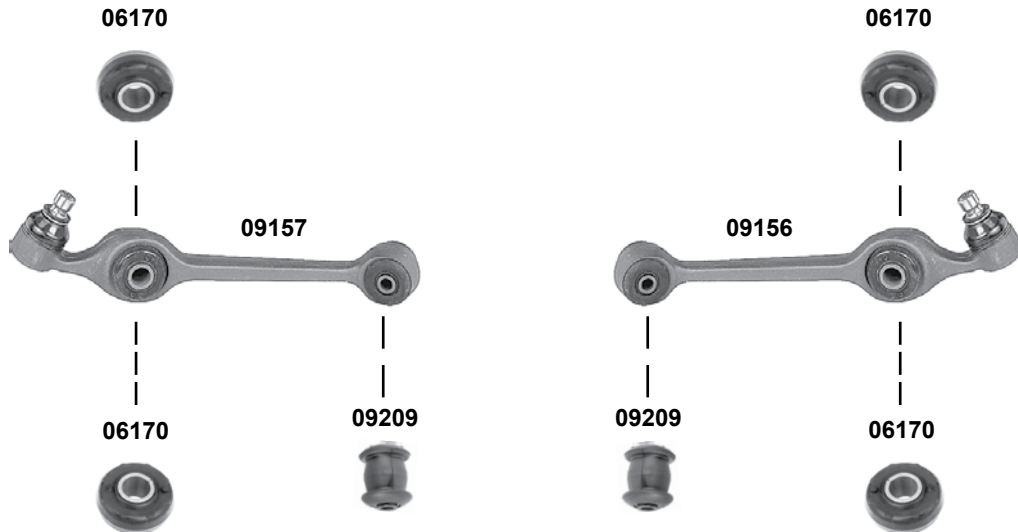
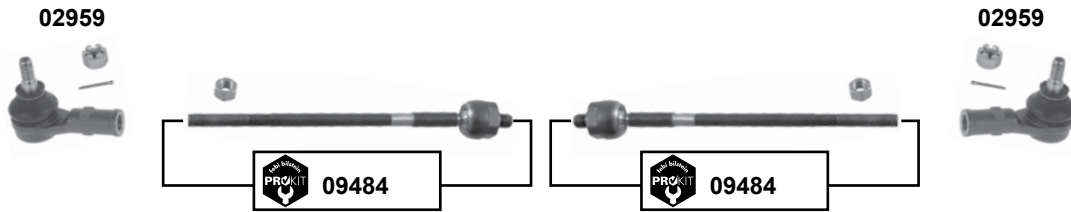
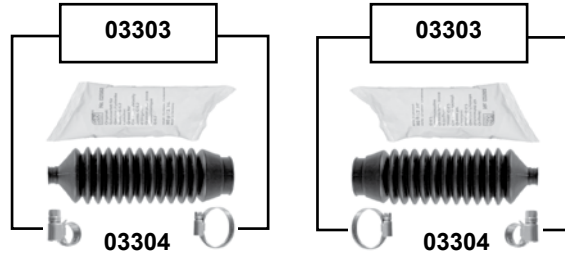
Vorderachse / Front axle



	Ref. - No.			
<b>10324</b>	6 960 036	Verbindungsstange / stabilizer link	<b>OLD</b>	L 236
<b>10382</b>	1 097 316	Spurstangenendstück / tie rod end		M10 x 1,5
<b>10383</b>	1 097 323	Spurstangenendstück / tie rod end		M10 x 1,5
<b>12757</b>	4 119 193	Lenkmanschette / steering boot		
<b>12807</b>	4 119 193 S1	Rep. Satz Lenkmanschette / rep. kit steering boot		
<b>19299</b>	1 106 269	ProKit Verbindungsstange / stabilizer link	<b>NEW</b>	L 238
<b>21855</b>	1 128 725	Stabilisatorlager / stabilizer mount		I Ø 19
<b>27355</b>	1 125 699	Befestigungsbügel / attachment bracket		I Ø 11,5
<b>27400</b>	1 125 725 S1	Stabilisatorlagersatz / stabilizer mount kit		



**Escort 81**  
(05/83 → 12/85)



Vorderachse / Front axle

	Ref. - No.			
<b>02959</b>	5 021 410	Spurstangenendstück / tie rod end		M10 x 1
<b>03303</b>	6 127 744 S1	Rep. Satz Lenkmanschette / rep. kit steering boot		
<b>03304</b>	6 127 744	Lenkmanschette / steering boot		
<b>06170</b>	1 652 910	Querlenkerlager / control arm mount		46x16,5x20
<b>09156</b>	6 087 888	Querlenker / control arm		
<b>09157</b>	6 087 889	Querlenker / control arm		
<b>09209</b>	6 087 890	Querlenkerlager / control arm mount		10x32/38x51
<b>09484</b>	6 185 334	ProKit Spurstange / tie rod		L 290

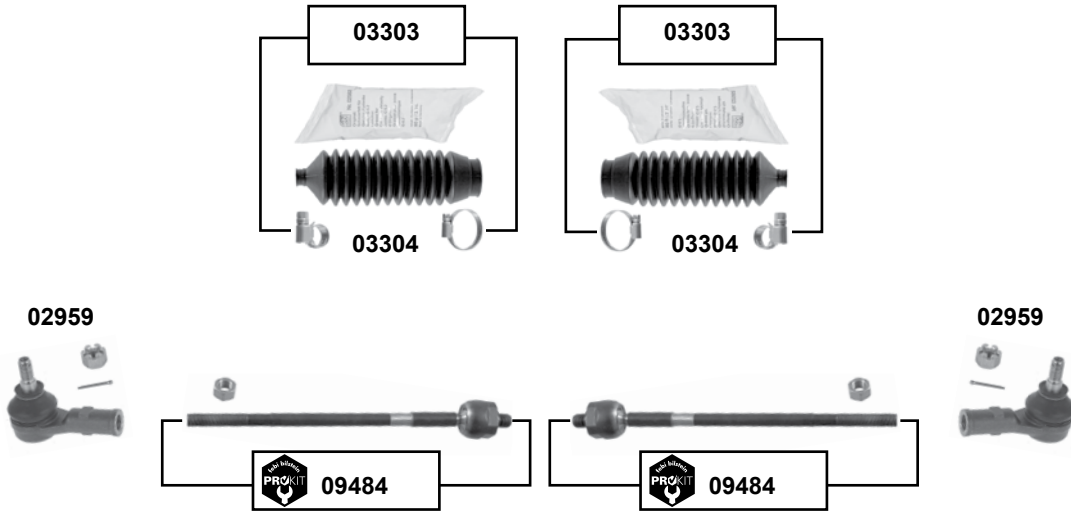




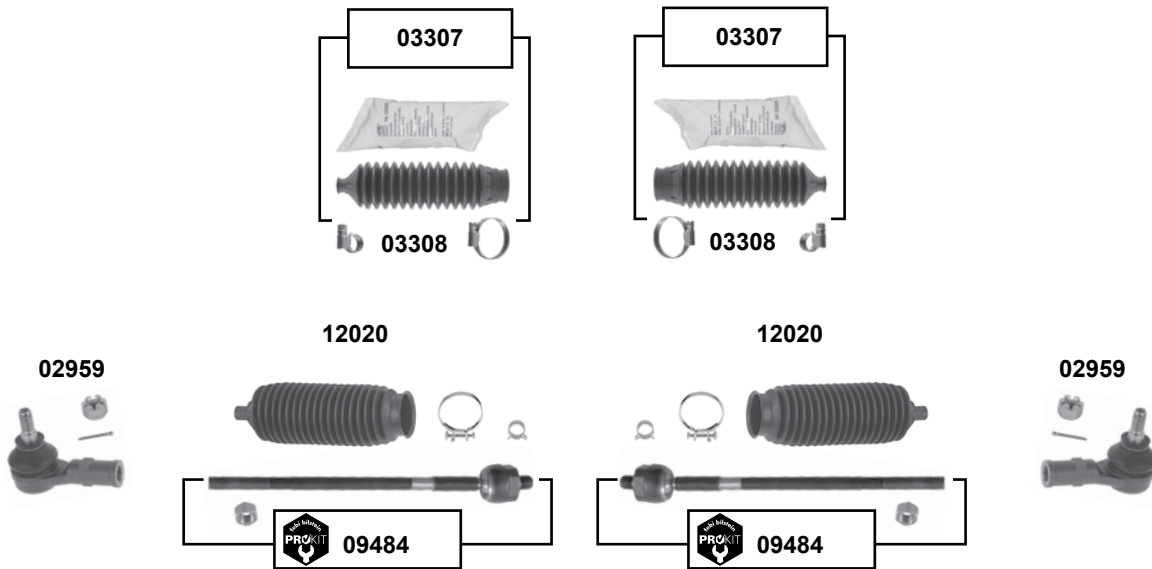
**Escort 86**

(01/86 → 07/90)

**01/86 → 11/88**



**12/88 → 07/90**



Ref. - No.

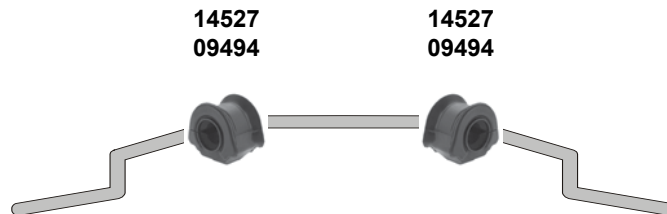
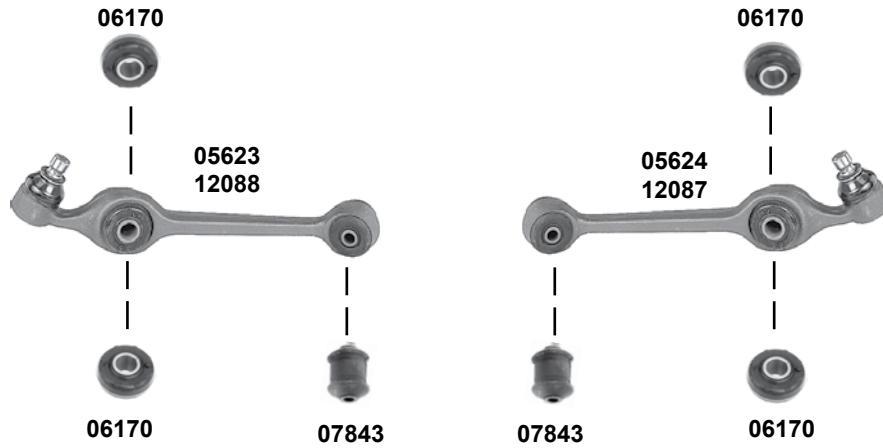


<b>02959</b>	5 021 410	Spurstangenendstück / tie rod end		M10 x 1,25
<b>03303</b>	6 127 744 S1	Rep. Satz Lenkmanschette / rep. kit steering boot		
<b>03304</b>	6 127 744	Lenkmanschette / steering boot		
<b>03307</b>	6 935 233 S1	Rep. Satz Lenkmanschette / rep. kit steering boot		
<b>03308</b>	6 935 233	Lenkmanschette / steering boot		
<b>09484</b>	6 185 334	ProKit Spurstange / tie rod		
<b>12020</b>	1 652 651	Axialgelenk / axial joint		L 290

Vorderachse / Front axle

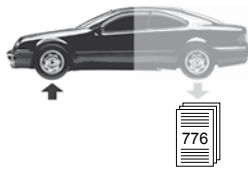


**Escort 86**  
(01/86 → 07/90)



Vorderachse / Front axle

	Ref. - No.			
<b>05623</b>	5 021 459	Querlenker kompl. / control arm compl.	<b>(incl.)</b> 2x 06170	
<b>05624</b>	5 021 458	Querlenker kompl. / control arm compl.	<b>(incl.)</b> 2x 06170	
<b>06170</b>	1 652 910	Querlenkerlager / control arm mount		46x16,5x20
<b>07843</b>	1 619 120	Querlenkerlager / control arm mount		10x32x51
<b>09494</b>	1 634 901	Stabilisatorlager / stabilizer mount		Ø   24
<b>12087</b>	1 637 182	Querlenker / control arm	<b>(ex.)</b> 2x 06170	
<b>12088</b>	1 637 184	Querlenker / control arm	<b>(ex.)</b> 2x 06170	
<b>14527</b>	1 634 900	Stabilisatorlager / stabilizer mount		Ø   22



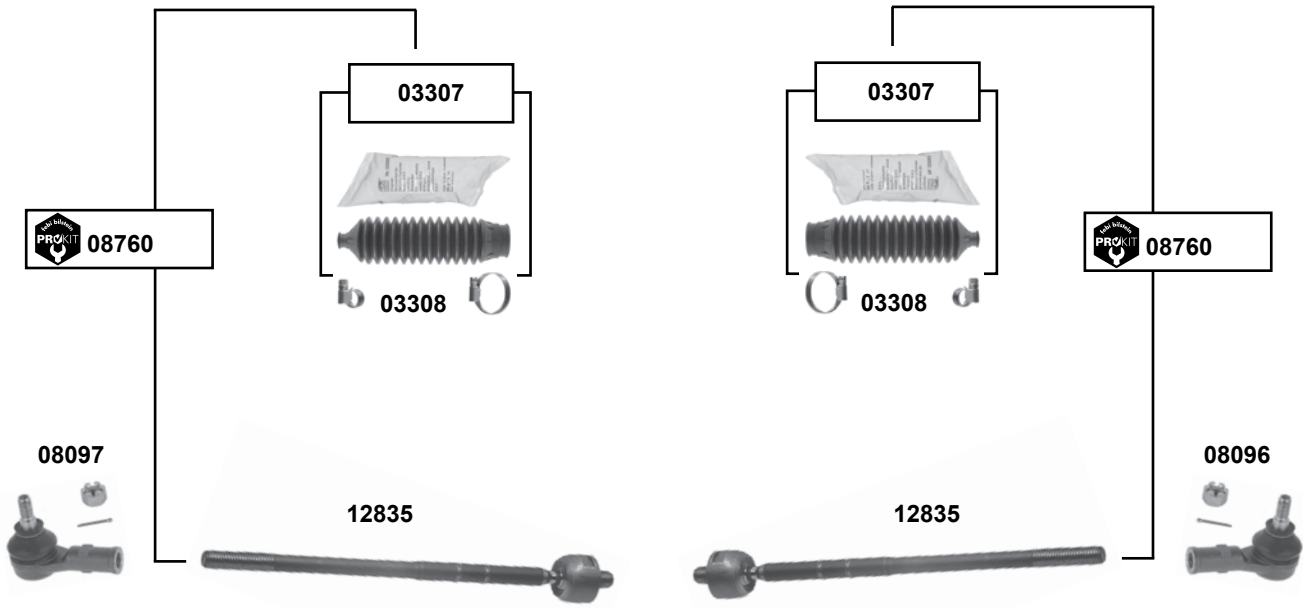
# Escort 91 / Escort 95

(08/90 → 02/99)

(ex.) 2.0 Cosworth

Vorderachse / Front axle

man.



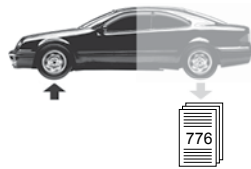
servo TRW



servo Wuefrath



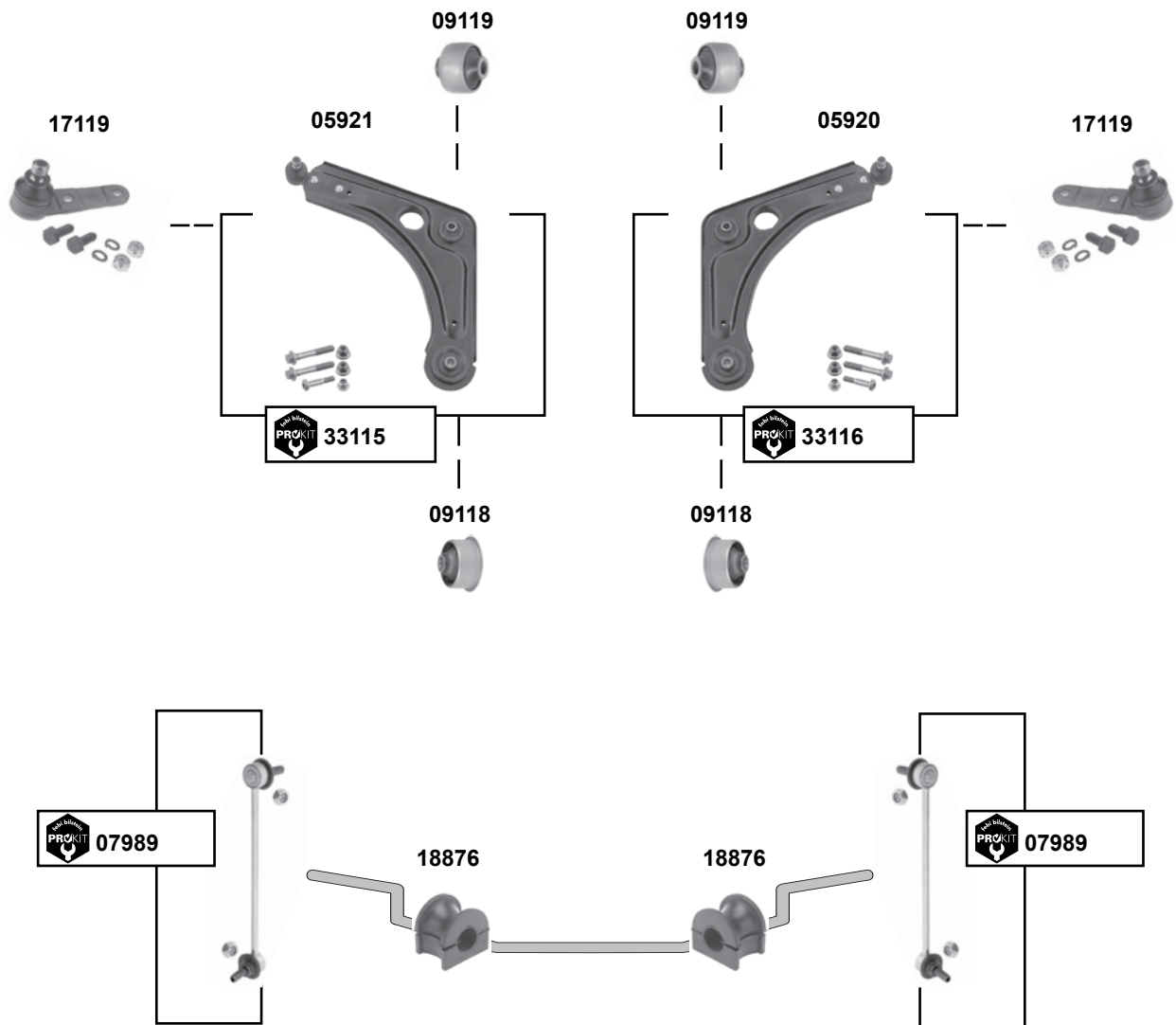
	Ref. - No.			
<b>03307</b>	6 935 233 S1	Rep. Satz Lenkmanschette / rep. kit steering boot		
<b>03308</b>	6 935 233	Lenkmanschette / steering boot		
<b>08096</b>	1 015 546	Spurstangenendstück / tie rod end		M10 x 1,25
<b>08097</b>	1 015 547	Spurstangenendstück / tie rod end		M10 x 1,25
<b>08760</b>	6 180 350	ProKit Spurstange mit Lenkmanschette / tie rod with steering boot		
<b>10168</b>	6 197 238	Spurstange / tie rod		L 308
<b>12835</b>	1 024 130	Spurstange / tie rod		L 323



# Escort 91 / Escort 95

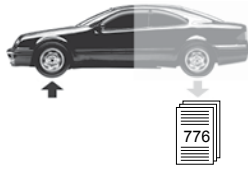
(08/90 → 02/99)

(ex.) 2.0 Cosworth



Vorderachse / Front axle

	Ref. - No.			
<b>05920</b>	1 058 279	Querlenker / control arm		
<b>05921</b>	1 058 280	Querlenker / control arm		
<b>07989</b>	1 135 077	ProKit Verbindungsstange / stabilizer link		L 238
<b>09118</b>	1 035 929	Querlenkerlager / control arm mount		12x54x46
<b>09119</b>	1 000 445	Querlenkerlager / control arm mount		12x46x46
<b>17119</b>	1 047 853	Traggelenk / ball joint		Ø A 17
<b>18876</b>	7 102 392	Stabilisatorlager / stabilizer mount		Ø I 16
<b>33115</b>	1 058 280 S1	ProKit Querlenker / control arm		
<b>33116</b>	1 058 279 S1	ProKit Querlenker / control arm		

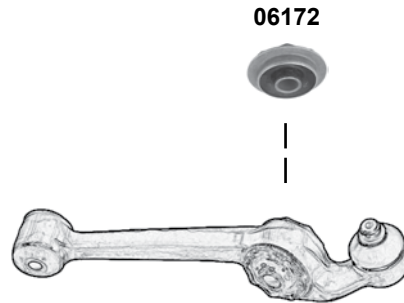
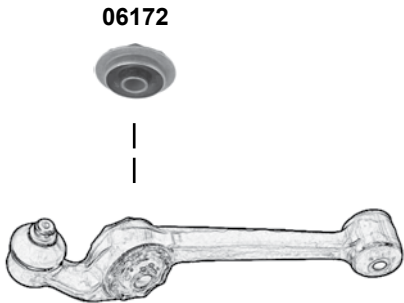
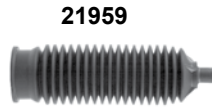
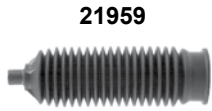


# Escort 91 / Escort 95

(03/92 → 02/99)

**2.0 Cosworth**

Vorderachse / Front axle



	Ref. - No.			
<b>06172</b>	1 656 752	Stabilisatorlager / stabilizer mount	LHD TRW	16x65x23
<b>06179</b>	6 192 705	Querlenkerlager / control arm mount		12x35x51
<b>06301</b>	5 021 413	Spurstangenendstück / tie rod end		M10 x 1
<b>06302</b>	5 021 414	Spurstangenendstück / tie rod end		M10 x 1
<b>08768</b>	6 185 338	Spurstange / tie rod		L 310
<b>21959</b>	6 182 818	Lenkmanschette / steering boot		



**Fiesta 76**  
(05/76 → 08/83)

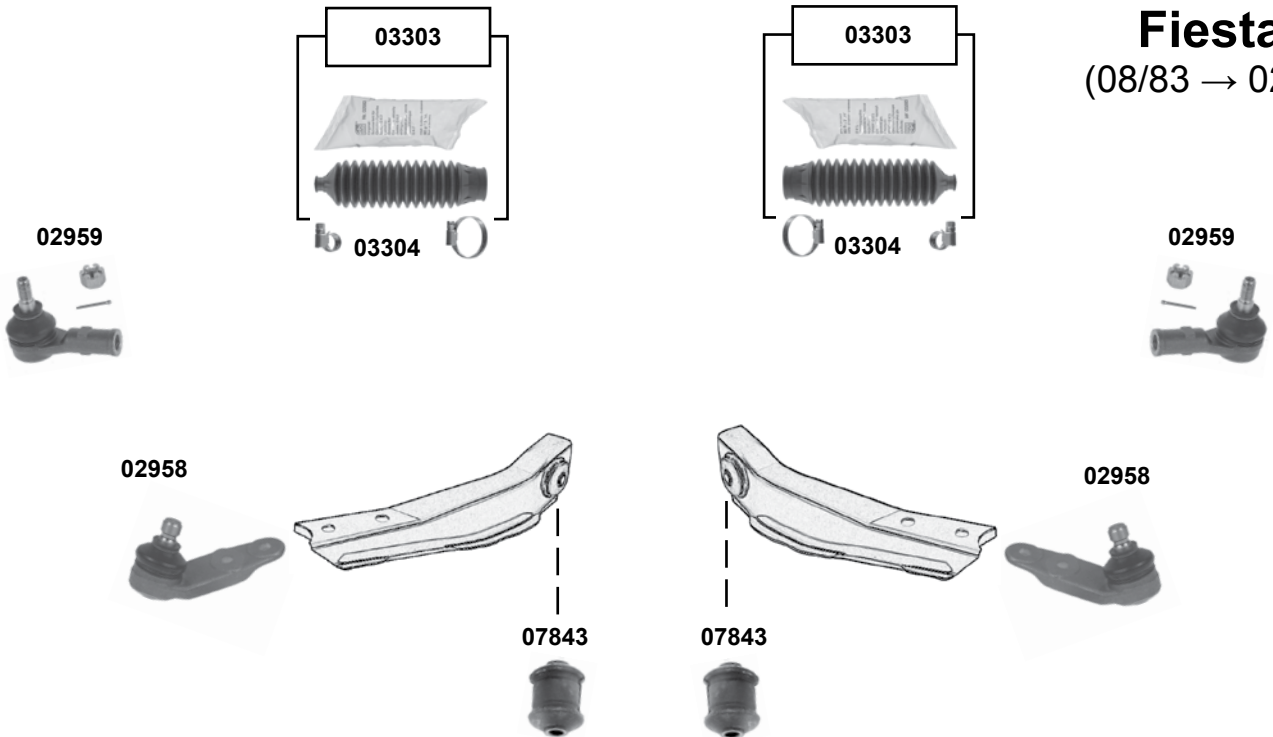


07843

07843

Vorderachse / Front axle

**Fiesta 84**  
(08/83 → 02/89)



02959

03303

03303

03304

03304

02959

02958

07843

07843

02958



Ref. - No.



<b>02958</b>	6 130 560
<b>02959</b>	5 021 410
<b>03303</b>	6 127 744 S1
<b>03304</b>	6 127 744
<b>07843</b>	1 619 120

Traggelenk / ball joint
Spurstangenendstück / tie rod end
Rep. Satz Lenkmanschette / rep. kit steering boot
Lenkmanschette / steering boot
Querlenkerlager / control arm mount

LHD

Ø A 15  
M10 x 1

10x37,5x51



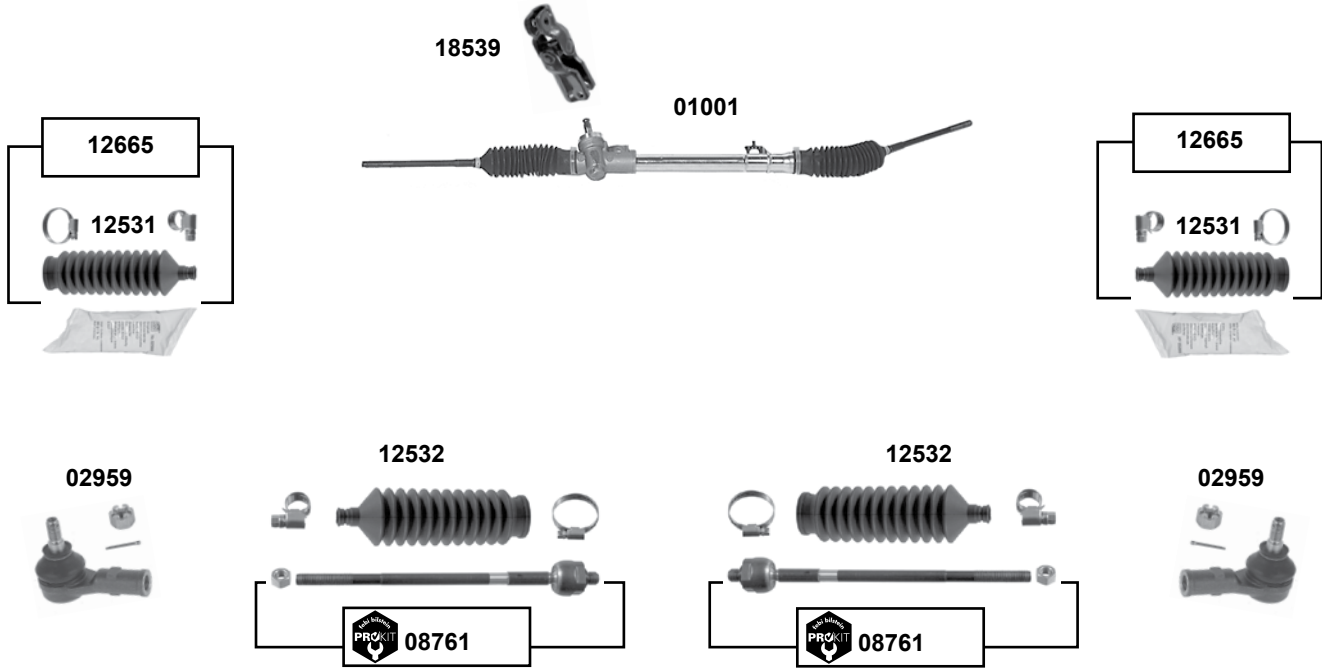
**Fiesta 89**

(01/89 → 01/94)

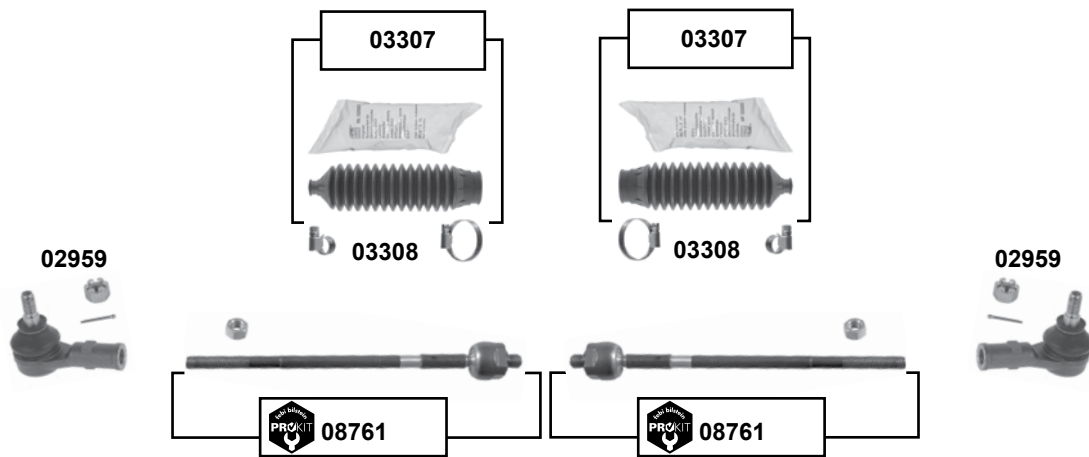
(ex.) RS Turbo / XR2 i

1.1 → 1.6 16V alle / all  
1.8 16V / 1.8D → 03/92

Vorderachse / Front axle



1.8 16V / 1.8D 03/92 →



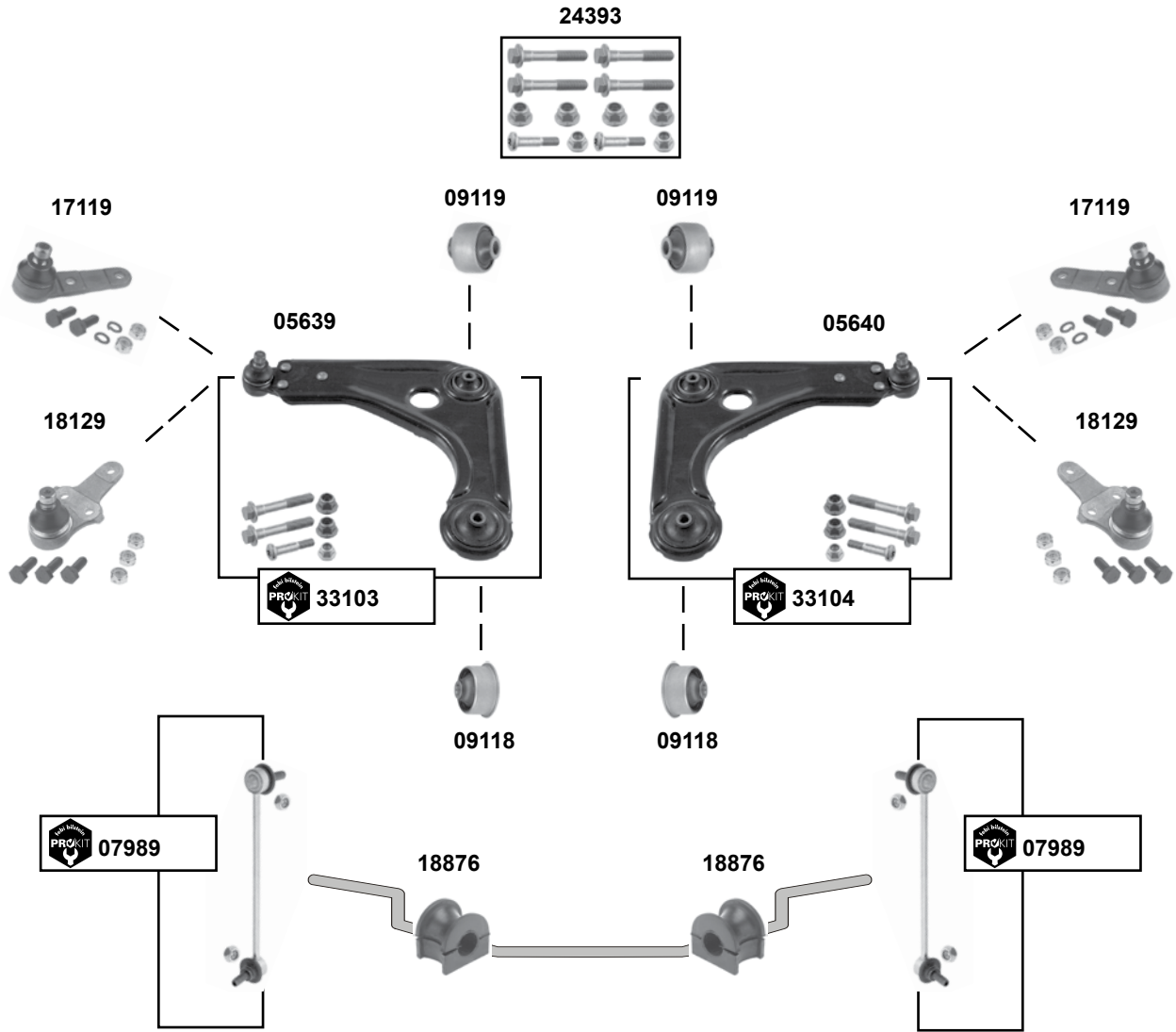
	Ref. - No.			
<b>01001</b>	7 038 517	Lenkgetriebe / steering gear	LHD	
<b>02959</b>	5 021 410	Spurstangenendstück / tie rod end		M10 x 1,25
<b>03307</b>	6 935 233 S1	Rep. Satz Lenkmanschette / rep. kit steering boot		
<b>03308</b>	6 935 233	Lenkmanschette / steering boot		
<b>08761</b>	4 048 739	ProKit Spurstange / tie rod		L 310
<b>12531</b>	1 661 562	Lenkmanschette / steering boot		
<b>12532</b>	1 659 374	Axialgelenk / axial joint		
<b>12665</b>	1 661 562 S1	Rep. Satz Lenkmanschette / rep. kit steering boot		
<b>18539</b>	7 257 202	Kreuzgelenk / driveshaft UJ	(ex.) servo.	



**Fiesta 89**

(01/89 → 01/94)

(ex.) RS Turbo / XR2 i



Vorderachse / Front axle

**(1)** Befestigung mit 2 Schrauben  
mounting with 2 screws  
fixation à 2 vis  
fijacion con 2 tornillos  
fissaggio con 2 viti

**(2)** Befestigung mit 3 Schrauben  
mounting with 3 screws  
fixation à 3 vis  
fissaggio con 3 tornillos



Ref. - No.



<b>05639</b>	1 111 413	Querlenker / control arm	
<b>05640</b>	1 111 411	Querlenker / control arm	
<b>07989</b>	1 135 077	ProKit Verbindungsstange / stabilizer link	
<b>09118</b>	1 035 929	Querlenkerlager / control arm mount	
<b>09119</b>	1 000 445	Querlenkerlager / control arm mount	
<b>17119</b>	1 047 853	Traggelenk / ball joint	<b>(1)</b>
<b>18129</b>	1 047 798	Traggelenk / ball joint	<b>(2)</b>
<b>18876</b>	7 102 392	Stabilisatorlager / stabilizer mount	
<b>24393</b>	6 203 229 S2	Schraubensatz / screw kit	
<b>33103</b>	1 111 413 S1	ProKit Querlenker / control arm	
<b>33104</b>	1 111 411 S1	ProKit Querlenker / control arm	



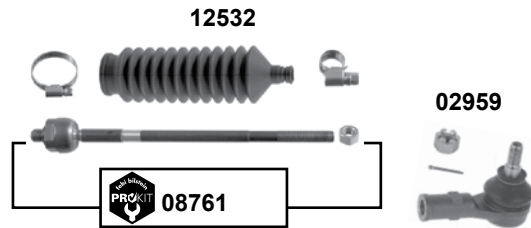
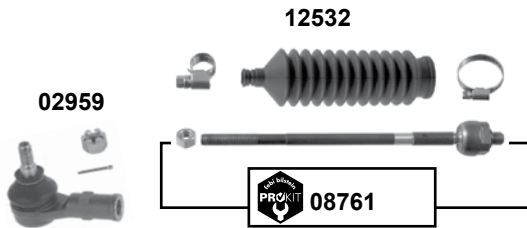
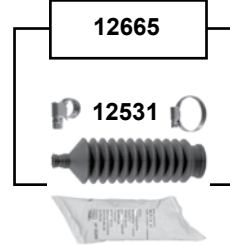
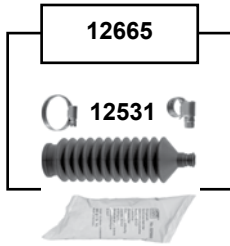


**Fiesta 89**

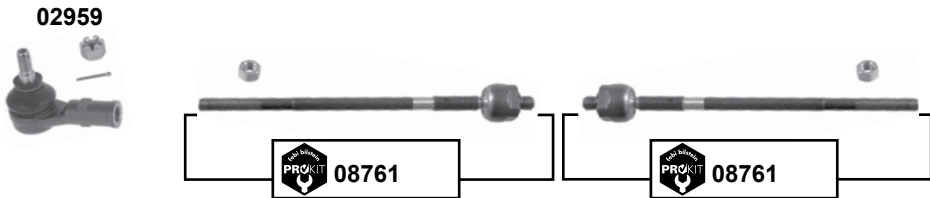
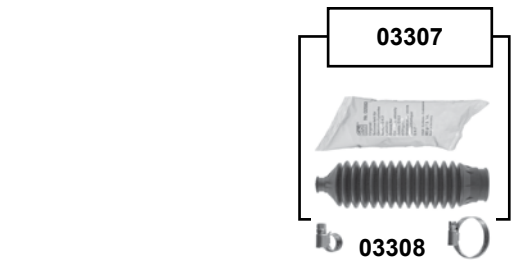
(01/89 → 01/94)

**RS Turbo / XR2 i**

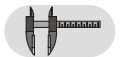
**RS Turbo  
1.8 XR2i → 03/92**



**1.8 XR2i 03/92 →**



Ref. - No.

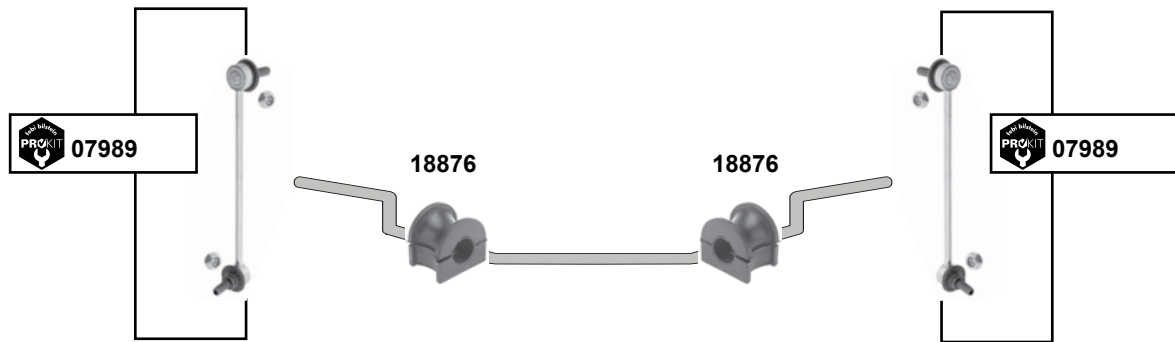
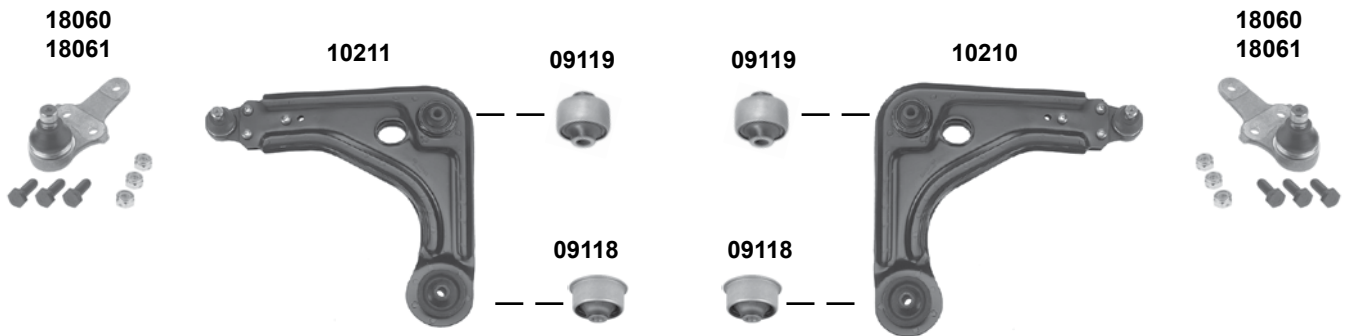


<b>02959</b>	5 021 410	Spurstangenendstück / tie rod end	M10 x 1,25  L 310
<b>03307</b>	6 935 233 S1	Rep. Satz Lenkmanschette / rep. kit steering boot	
<b>03308</b>	6 935 233	Lenkmanschette / steering boot	
<b>08761</b>	4 048 739	ProKit Spurstange / tie rod	
<b>12531</b>	1 661 562	Lenkmanschette / steering boot	
<b>12532</b>	1 659 374	Axialgelenk / axial joint	
<b>12665</b>	1 661 562 S1	Rep. Satz Lenkmanschette / rep. kit steering boot	

Vorderachse / Front axle



**Fiesta 89**  
(01/89 → 01/94)  
RS Turbo / XR2 i



Vorderachse / Front axle



(1)	RS 1.6 Turbo	04/90 → 01/94 / XR 2i	10/90 → 03/92
(2)	XR 2i	03/92 → 01/94	



Ref. - No.



Ref. - No.	Description	Quantity	Dimensions
<b>07989</b>	ProKit Verbindungsstange / stabilizer link		L 238
<b>09118</b>	Querlenkerlager / control arm mount		12x54x46
<b>09119</b>	Querlenkerlager / control arm mount		12x46x46
<b>10210</b>	Querlenker / control arm	(2)	
<b>10211</b>	Querlenker / control arm	(2)	
<b>18060</b>	Traggelenk / ball joint	(1)	Ø A 17
<b>18061</b>	Traggelenk / ball joint	(2)	Ø A 17
<b>18876</b>	Stabilisatorlager / stabilizer mount		Ø I 16

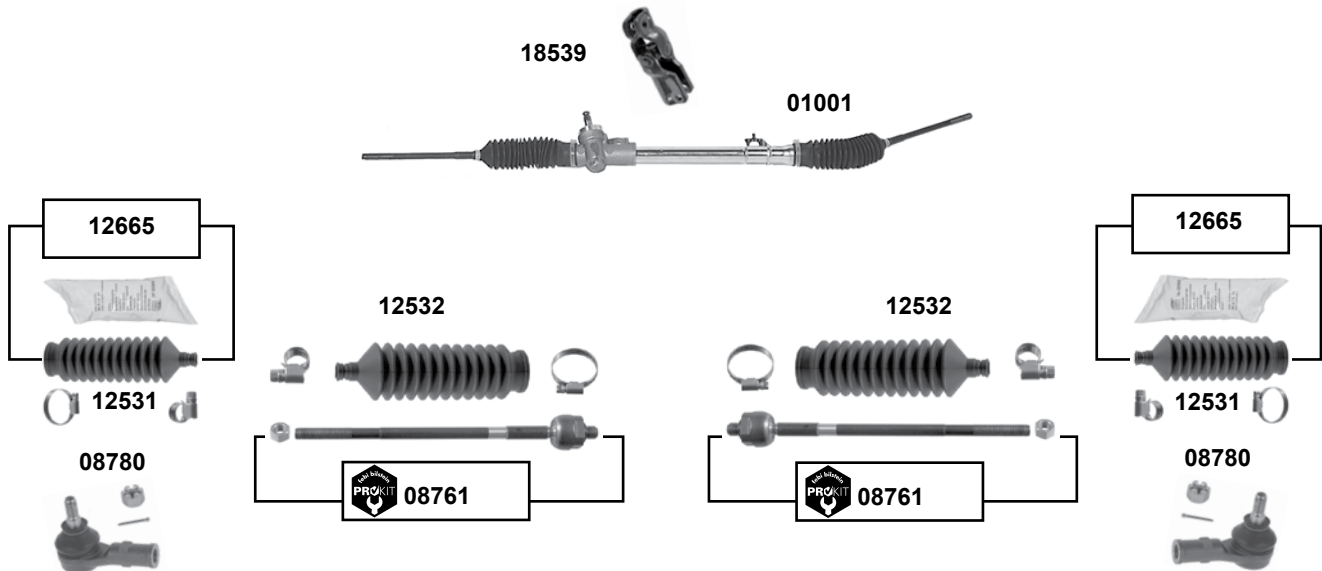


**Fiesta 89**

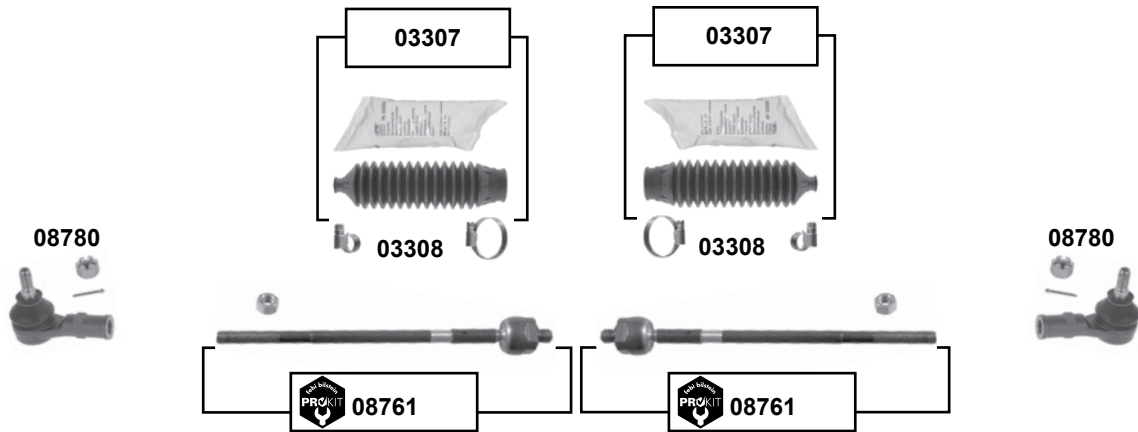
(01/94 → 08/96)

man.

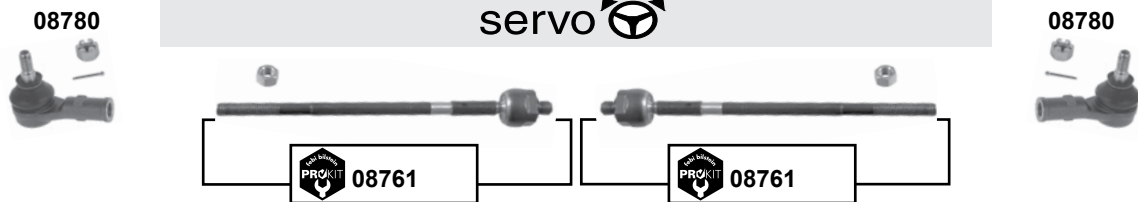
1.1 → 1.6 16V



1.8 16V / 1.8D



servo



Ref. - No.



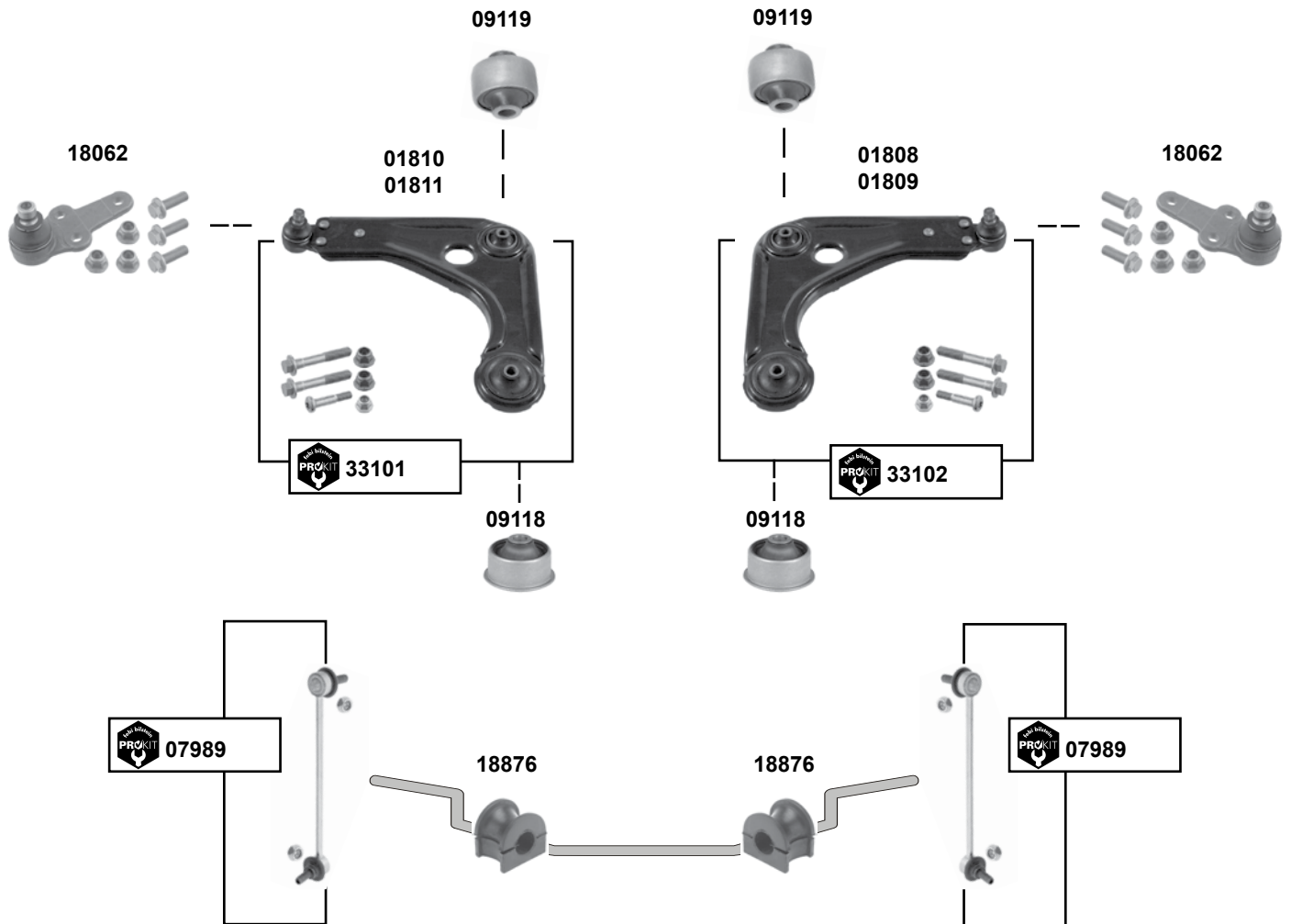
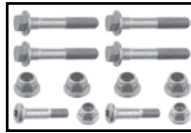
<b>01001</b>	7 038 517	Lenkgetriebe / steering gear	LHD	
<b>03307</b>	6 935 233 S1	Rep. Satz Lenkmanschette / rep. kit steering boot		
<b>03308</b>	6 935 233	Lenkmanschette / steering boot		
<b>08761</b>	4 048 739	ProKit Spurstange / tie rod		
<b>08780</b>	1 032 567	Spurstangenendstück / tie rod end		M10 L 67
<b>12531</b>	1 661 562	Lenkmanschette / steering boot		
<b>12532</b>	1 659 374	Axialgelenk / axial joint		
<b>12665</b>	1 661 562 S1	Rep. Satz Lenkmanschette / rep. kit steering boot		
<b>18539</b>	7 257 202	Kreuzgelenk / driveshaft UJ	(ex.) servo.	

Vorderachse / Front axle



**Fiesta 89**  
(01/94 → 08/96)

24393



Vorderachse / Front axle

	Ref. - No.			
01808	1 070 337	Querlenker / control arm	(ex.) Courier	
01809	7 152 270	Querlenker / control arm	Courier	
01810	1 070 338	Querlenker / control arm	(ex.) Courier	
01811	7 152 272	Querlenker / control arm	Courier	
07989	1 135 077	ProKit Verbindungsstange / stabilizer link		L 238
09118	1 035 929	Querlenkerlager / control arm mount		12x54x46
09119	1 000 445	Querlenkerlager / control arm mount		12x46x46
18062	1 047 797	Traggelenk / ball joint		Ø A 16,5
18876	7 102 392	Stabilisatorlager / stabilizer mount		Ø I 16
24393	6 203 229 S2	Schraubensatz / screw kit		
33101	1 070 338 S1	ProKit Querlenker / control arm	(ex.) Courier	
33102	1 070 337 S1	ProKit Querlenker / control arm	(ex.) Courier	

passend für / to fit

**FORD**



**Car  
Division**



# Fiesta 96

(11/95 → 10/01)

**Limousine**

man.



servo



Ref. - No.



<b>03307</b>	6 935 233 S1
<b>03308</b>	6 935 233
<b>08167</b>	1 020 175
<b>08169</b>	1 020 174
<b>10170</b>	1 044 014
<b>21257</b>	4 045 250
<b>21259</b>	4 045 250 S1

Rep. Satz Lenkmanschette / rep. kit steering boot
Lenkmanschette / steering boot
Spurstangenendstück / tie rod end
Spurstangenendstück / tie rod end
Spurstange / tie rod
Lenkmanschette / steering boot
Rep. Satz Lenkmanschette / rep. kit steering boot

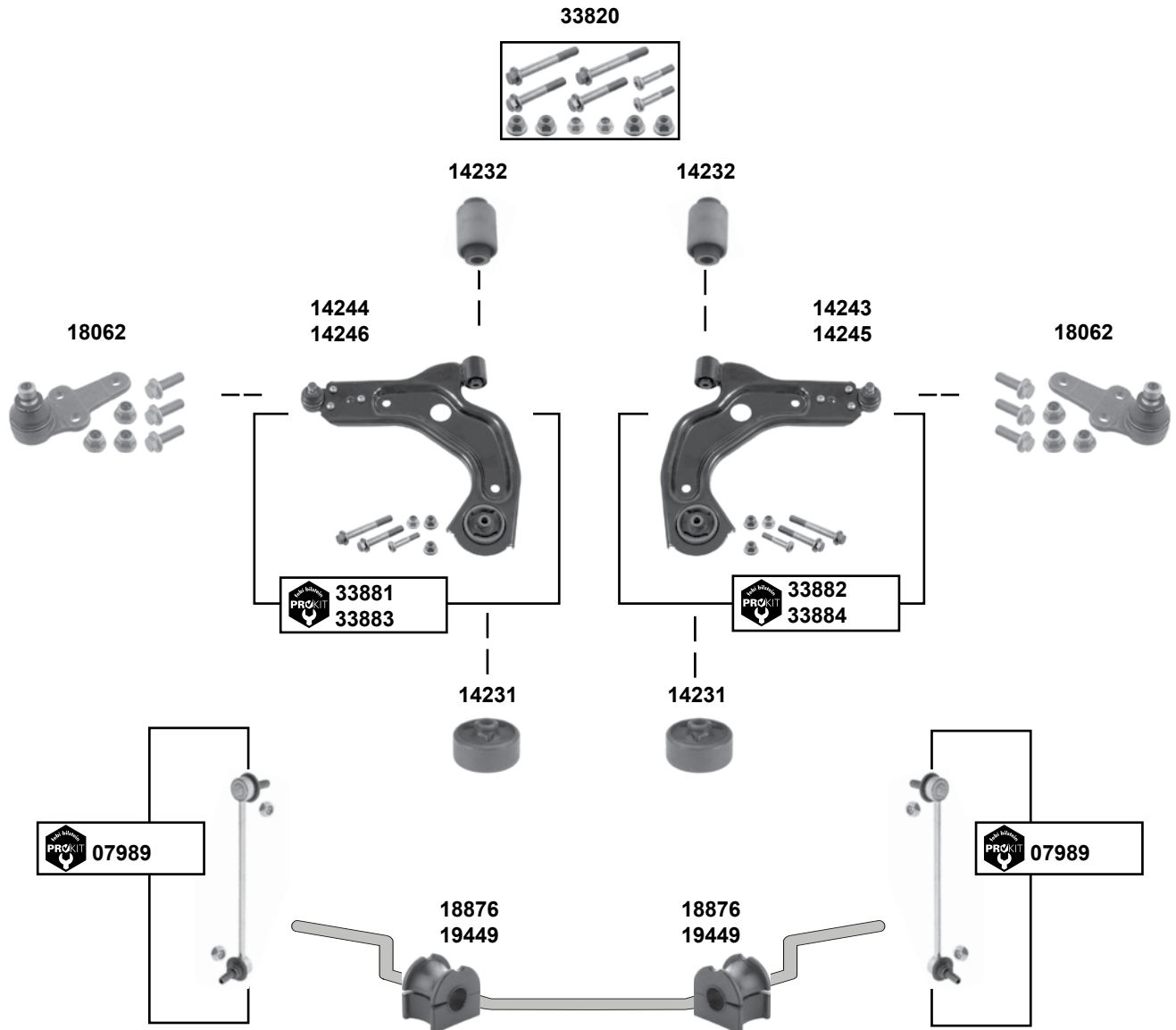
M10 x 1,25  
M10 x 1,25  
L 320

Vorderachse / Front axle



**Fiesta 96**  
(11/95 → 10/01)

**Limousine**



Vorderachse / Front axle

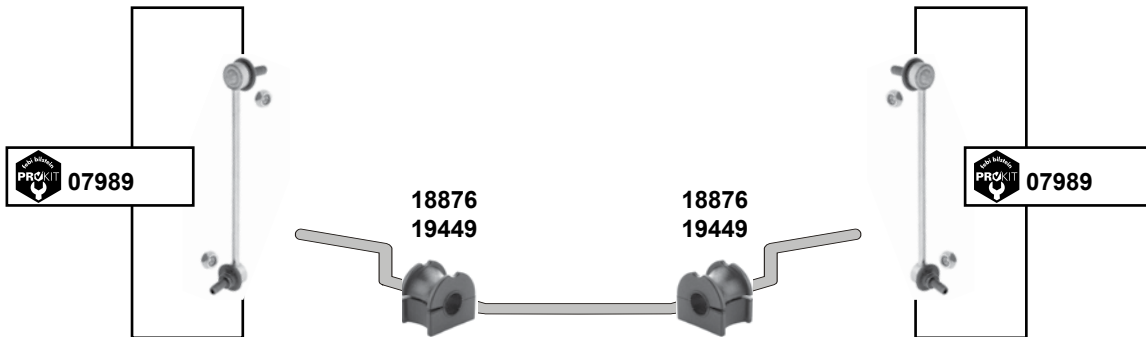
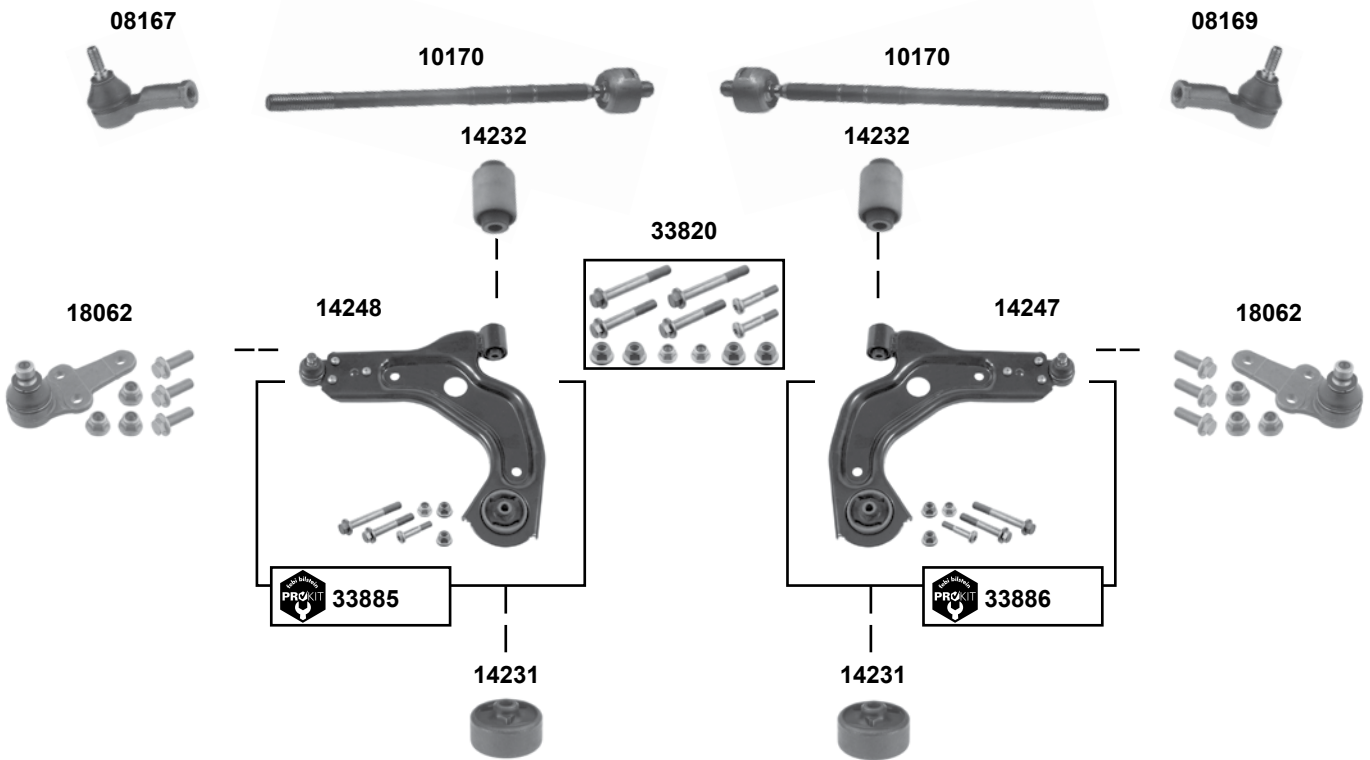
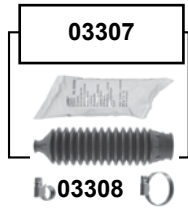
	Ref. - No.			
<b>07989</b>	1 135 077	ProKit Verbindungsstange / stabilizer link		L 238
<b>14231</b>	1 063 372	Querlenkerlager / control arm mount		13x66x50
<b>14232</b>	1 055 191	Querlenkerlager / control arm mount		12x37x62
<b>14243</b>	1 330 238	Querlenker / control arm	servo.	
<b>14244</b>	1 330 239	Querlenker / control arm	servo.	
<b>14245</b>	1 071 683	Querlenker / control arm	man.	
<b>14246</b>	1 071 701	Querlenker / control arm	man.	
<b>18062</b>	1 047 797	Traggelenk / ball joint		Ø A 16,5
<b>18876</b>	7 102 392	Stabilisatorlager / stabilizer mount	Diesel	Ø I 16
<b>19449</b>	1 003 609	Stabilisatorlager / stabilizer mount	(ex.) Sport + Diesel	Ø I 15
<b>33820</b>	1 009 751 S1	Schraubensatz für Querlenker / screw kit for control arm		
<b>33881</b>	1 330 239 S1	ProKit Querlenker / control arm	servo.	
<b>33882</b>	1 330 238 S1	ProKit Querlenker / control arm	servo.	
<b>33883</b>	1 071 701 S1	ProKit Querlenker / control arm	(ex.) servo.	
<b>33884</b>	1 071 683 S1	ProKit Querlenker / control arm	(ex.) servo.	



## Fiesta Courier 96

(12/95 → 10/99)

Vorderachse / Front axle





**Fiesta Courier 96**  
(12/95 → 10/99)

	Ref. - No.			
<b>03307</b>	6 935 233 S1	Rep. Satz Lenkmanschette / rep. kit steering boot	servo.	
<b>03308</b>	6 935 233	Lenkmanschette / steering boot	servo.	
<b>07989</b>	1 135 077	ProKit Verbindungsstange / stabilizer link		L 238
<b>08167</b>	1 020 175	Spurstangenendstück / tie rod end		M10 x 1,25
<b>08169</b>	1 020 174	Spurstangenendstück / tie rod end		M10 x 1,25
<b>10170</b>	1 044 014	Spurstange / tie rod		L 320
<b>14231</b>	1 063 372	Querlenkerlager / control arm mount		12x66x50
<b>14232</b>	1 055 191	Querlenkerlager / control arm mount		12x37x62
<b>14247</b>	1 071 690	Querlenker / control arm		
<b>14248</b>	1 071 702	Querlenker / control arm		
<b>18062</b>	1 047 797	Traggelenk / ball joint		Ø A 16,5
<b>18876</b>	7 102 392	Stabilisatorlager / stabilizer mount	Diesel	Ø I 16
<b>19449</b>	1 003 609	Stabilisatorlager / stabilizer mount	(ex.) Sport + Diesel	Ø I 15
<b>33820</b>	1 009 751 S1	Schraubensatz für Querlenker / screw kit for control arm		
<b>33885</b>	1 071 702 S1	ProKit Querlenker / control arm		
<b>33886</b>	1 071 690 S1	ProKit Querlenker / control arm		



passend für / to fit

**FORD**



**Car  
Division**

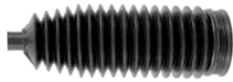


# Fiesta 02

(11/01 → 07/08)

Vorderachse / Front axle

22925



22925



PRÖKT 37715



PRÖKT 37716



22138



21681



22139



22138



21682



22139



21781

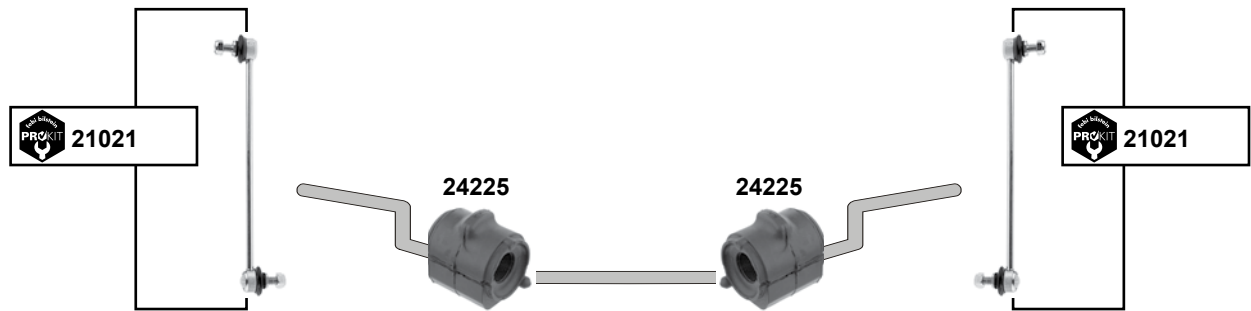


21781





**Fiesta 02**  
(11/01 → 07/08)



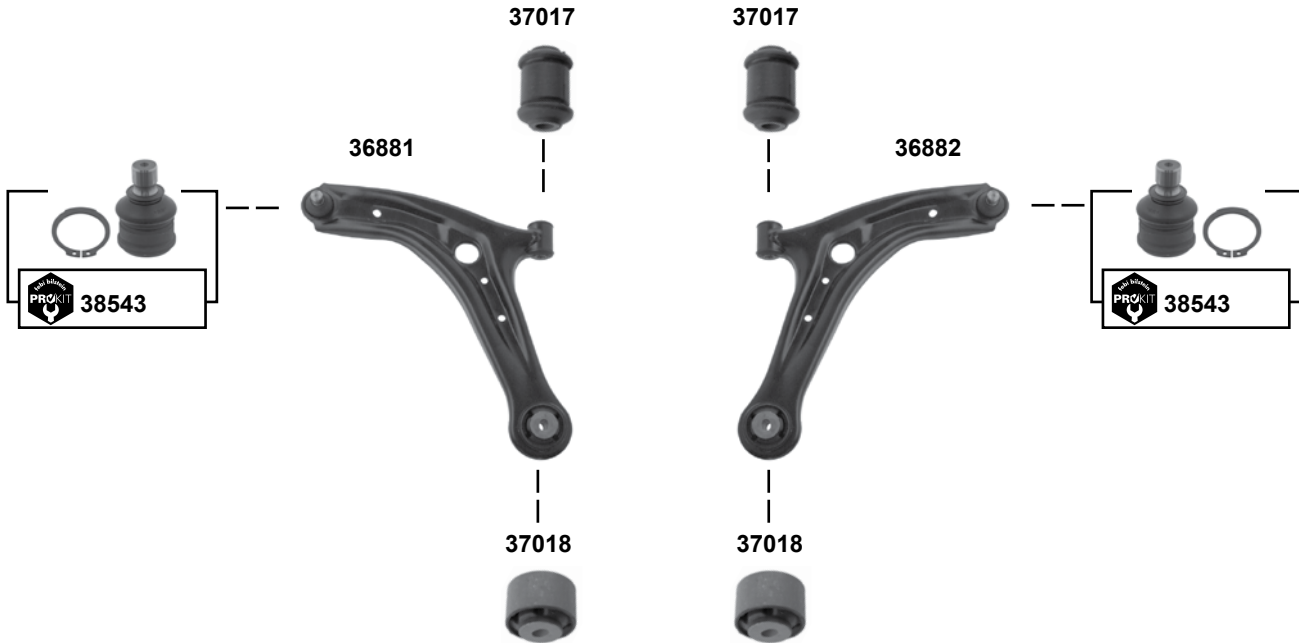
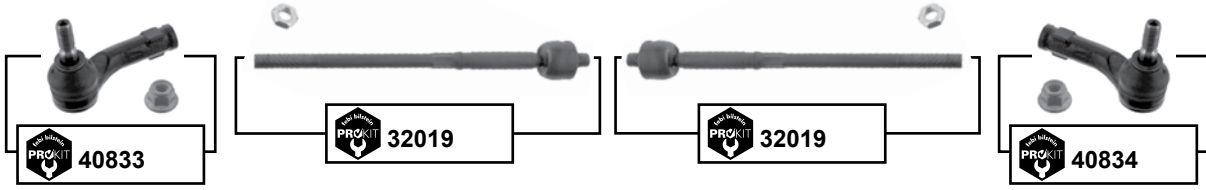
Vorderachse / Front axle

	Ref. - No.			
19873	1 202 549	Spurstangenendstück / tie rod end		
19874	1 202 548	Spurstangenendstück / tie rod end		
21021	1 146 150	ProKit Verbindungsstange / stabilizer link		L 282
21681	1 706 971	Querlenker / control arm		
21682	1 706 970	Querlenker / control arm		
21781	1 679 382	Traggelenk / ball joint		
22138	1 212 807 S1	Querlenkerlager / control arm mount		
22139	1 212 807 S2	Querlenkerlager / control arm mount		
22767	4 472 940	Spurstange / tie rod		
22925	4 330 628	Lenkmanschette / steering boot		
24225	1 152 852	Stabilisatorlager / stabilizer mount		Ø   17
37715	4 472 940 S1	ProKit Spurstange / tie rod		
37716	4 472 940 S2	ProKit Spurstange / tie rod		



**Fiesta 08**

(07/08 → 10/12)

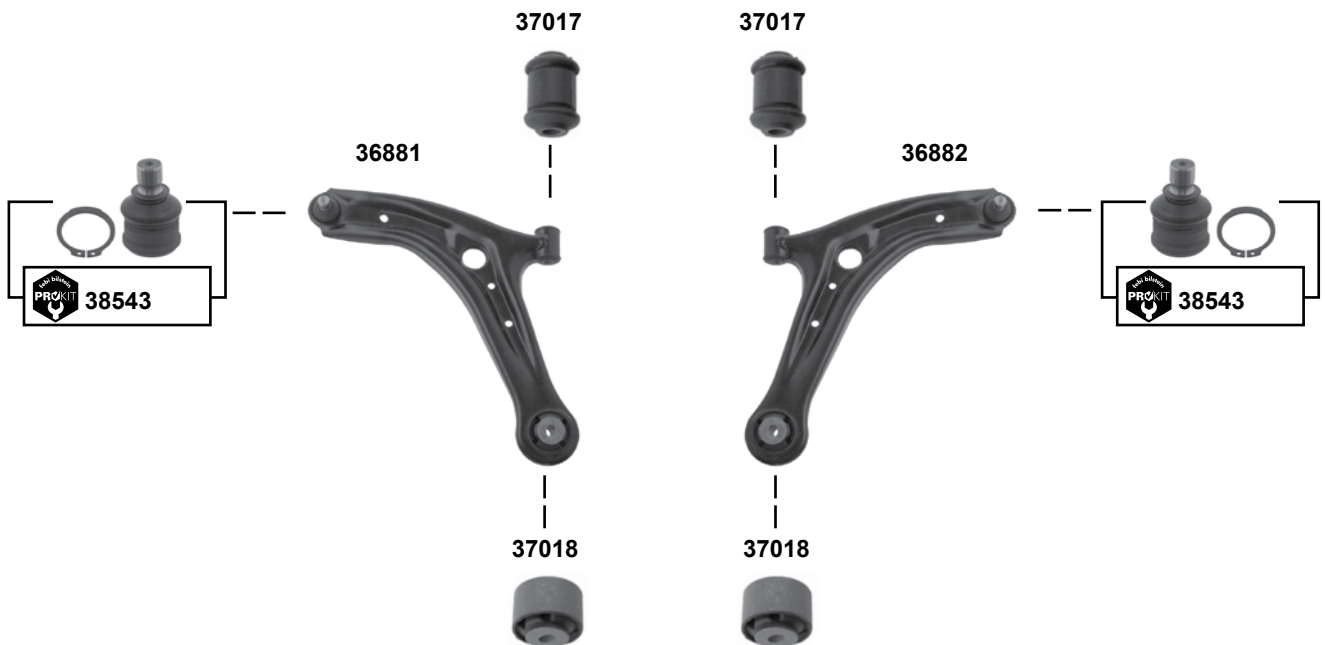
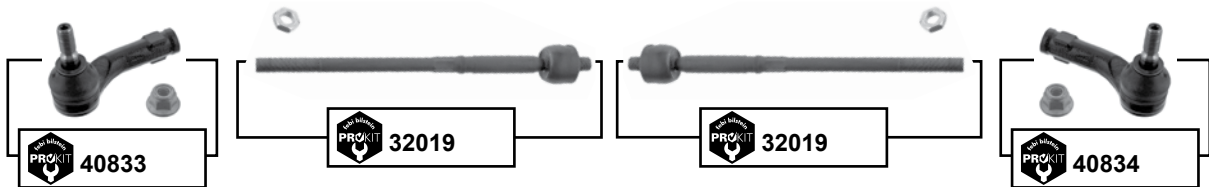


	Ref. - No.			
<b>32019</b>	1 545 457	ProKit Spurstange / tie rod		L 295 M14 x 1,5
<b>34747</b>	1 528 314	Stabilisatorlager / stabilizer mount		Ø   21
<b>36881</b>	1 712 697	Querlenker / control arm		
<b>36882</b>	1 737 309	Querlenker / control arm		
<b>37017</b>	1 737 309 S1	Querlenkerlager / control arm mount		
<b>37018</b>	1 737 309 S2	Querlenkerlager / control arm mount		
<b>38543</b>	1 737 309 S3	ProKit Traggelenk / ball joint		Ø 17,5
<b>40833</b>	1 545 339	ProKit Spurstangenendstück / tie rod end		L 94 M14 x 1,5
<b>40834</b>	1 545 338	ProKit Spurstangenendstück / tie rod end		L 94 M14 x 1,5

Vorderachse / Front axle



**Fiesta 13**  
(11/12 →)

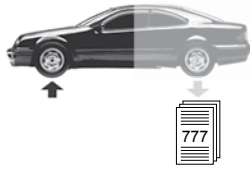


Vorderachse / Front axle

	Ref. - No.			
<b>32019</b>	1 545 457	ProKit Spurstange / tie rod		L 295 M14x1,5
<b>36881</b>	1 712 697	Querlenker / control arm		
<b>36882</b>	1 737 309	Querlenker / control arm		
<b>37017</b>	1 737 309 S1	Querlenkerlager / control arm mount		
<b>37018</b>	1 737 309 S2	Querlenkerlager / control arm mount		
<b>38543</b>	1 737 309 S3	ProKit Tragelenk / ball joint		Ø A 17,5
<b>40833</b>	1 545 339	ProKit Spurstangenendstück / tie rod end		L 94 M14x1,5
<b>40834</b>	1 545 338	ProKit Spurstangenendstück / tie rod end		L 94 M14x1,5

passend für / to fit

**FORD**



**Car  
Division**

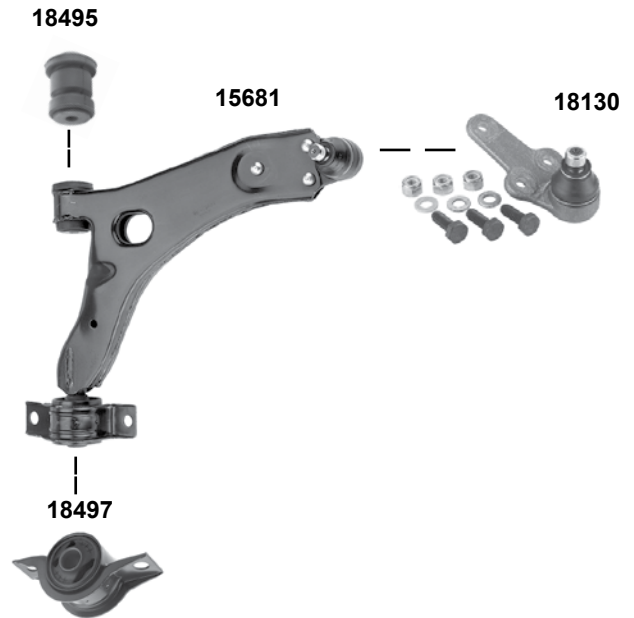
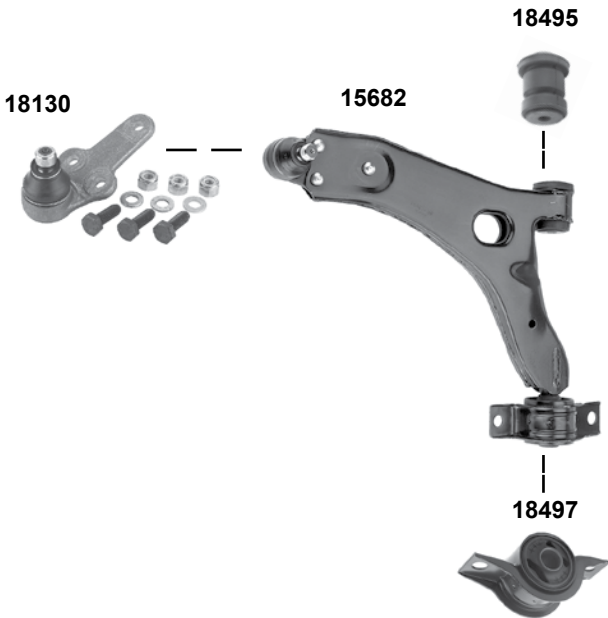
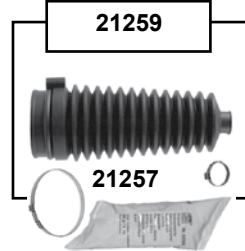
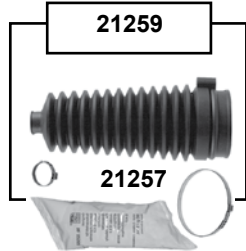


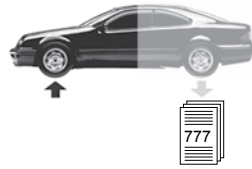
# Focus 98

(08/98 → 06/04)

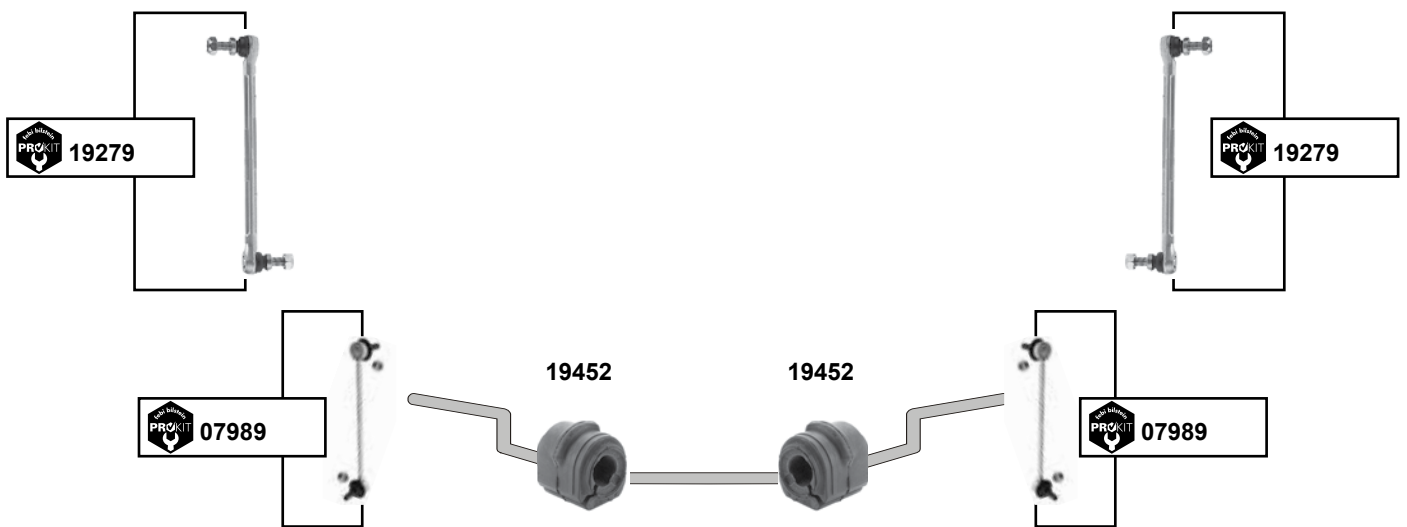
(ex.) ST/RS

Vorderachse / Front axle





**Focus 98**  
(08/98 → 06/04)  
(ex.) ST/RS

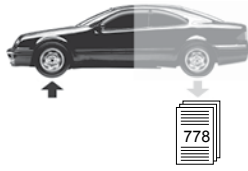


Vorderachse / Front axle

	Ref. - No.			
<b>07989</b>	7 135 077	ProKit Verbindungsstange / connecting rod	Stahl / steel	L 238
<b>12800</b>	1 107 013	Spurstangenendstück / tie rod end		M10 x 1,5
<b>12801</b>	1 107 015	Spurstangenendstück / tie rod end		M10 x 1,5
<b>15681</b>	1 344 966	Querlenker / control arm		
<b>15682</b>	1 344 968	Querlenker / control arm		
<b>17921</b>	1 085 520	Spurstange / tie rod	LHD	L 345
<b>17923</b>	3 707 333	Spurstange / tie rod	RHD	L 345
<b>18130</b>	1 679 401	Rep. Satz Traggelenk / rep. kit ball joint		Ø A 16,5
<b>18495</b>	1 061 570	Querlenkerlager / control arm mount		
<b>18497</b>	1 067 918	Querlenkerlager / control arm mount		
<b>19279</b>	1 209 035	ProKit Verbindungsstange / stabilizer link		L 238
<b>19452</b>	1 073 217	Stabilisatorlager / stabilizer mount		Ø I 18
<b>21257</b>	4 045 250	Lenkmanschette / steering boot		
<b>21259</b>	4 045 250 S1	Rep. Satz Lenkmanschette / rep. kit steering boot		

passend für / to fit

**FORD**



**Car  
Division**

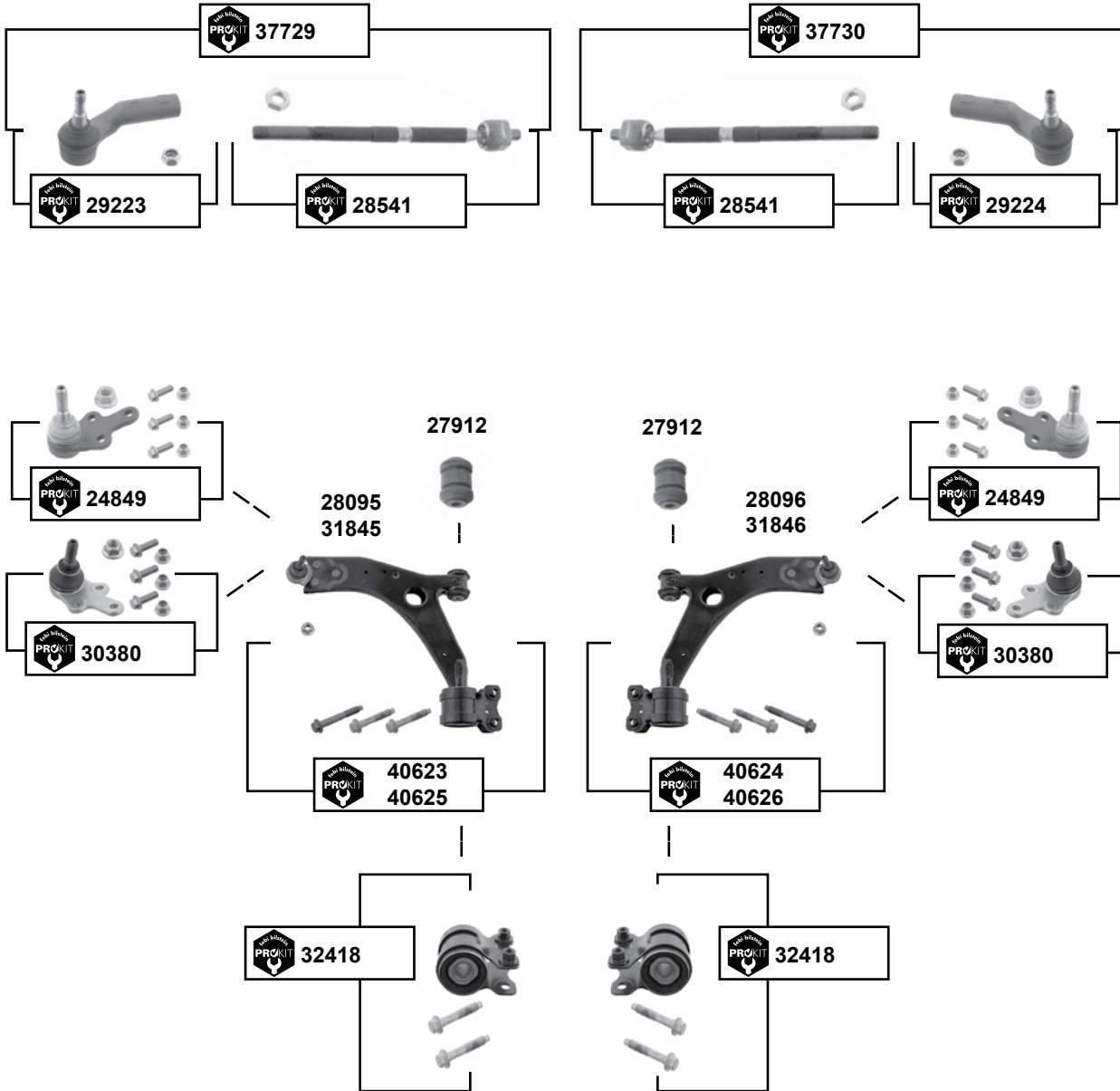


# Focus 04

(07/04 → 11/07)

(ex.) ST/RS

Vorderachse / Front axle

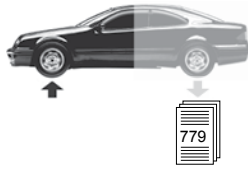






passend für / to fit

**FORD**



**Car  
Division**

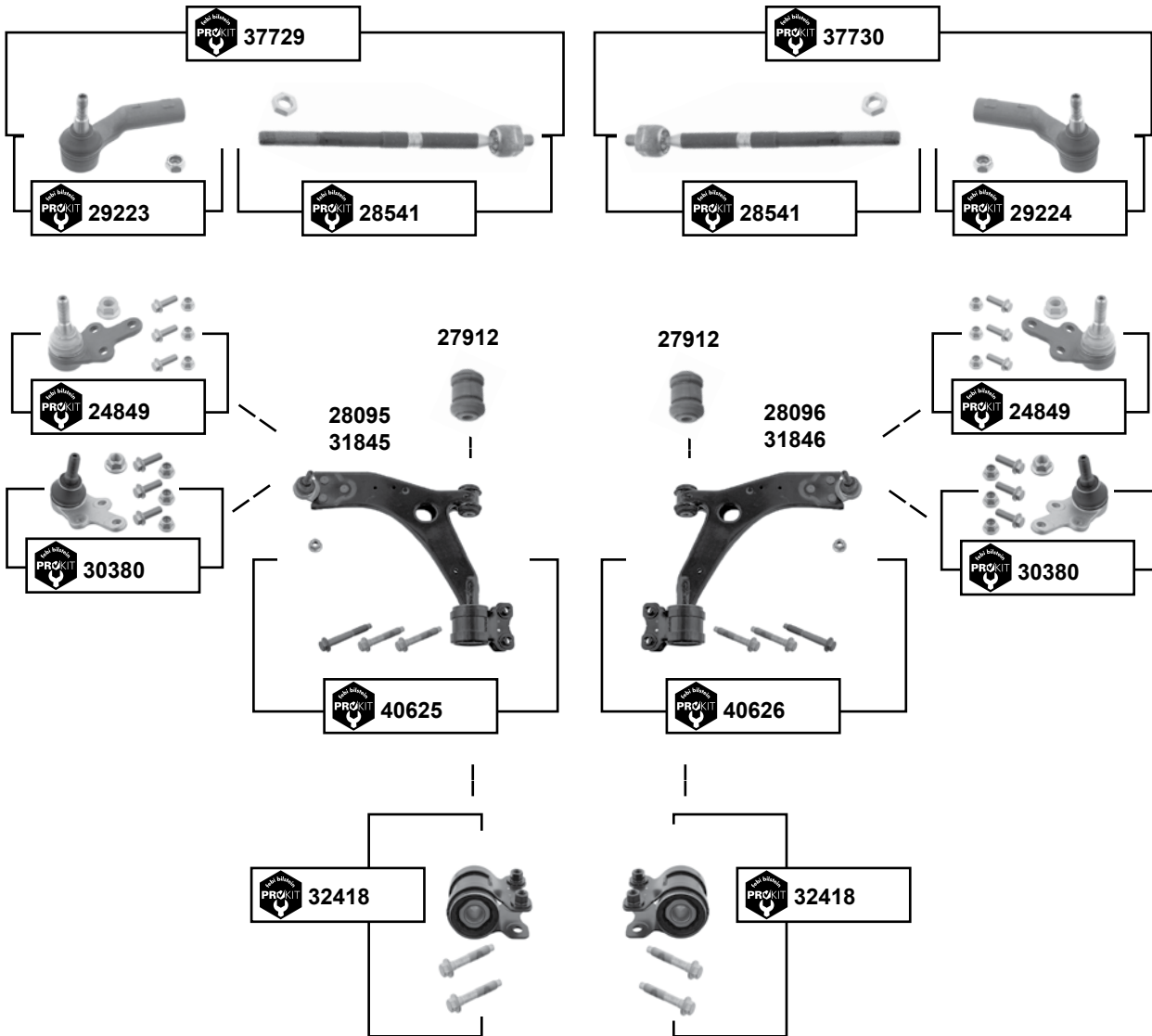


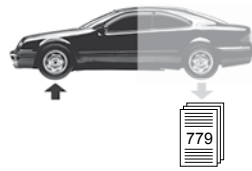
# Focus 08

(12/07 → 12/10)

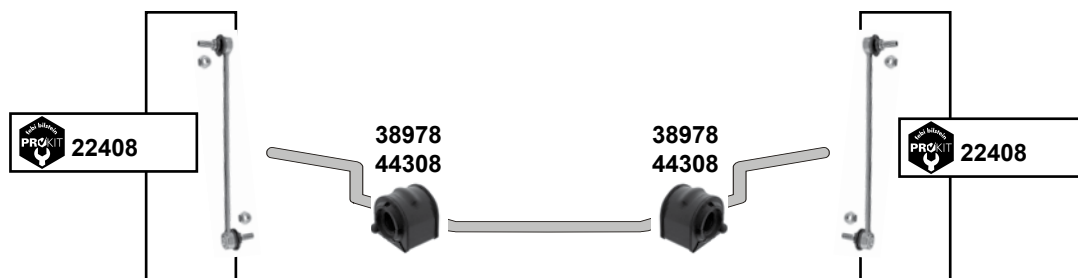
(ex.) ST/RS

Vorderachse / Front axle





**Focus 08**  
(12/07 → 12/10)  
(ex.) ST/RS



Vorderachse / Front axle



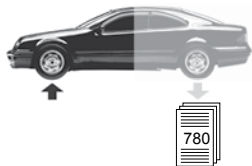
- (1) mit Traggelenk 18mm (febi 24849) / with ball joint 18mm (febi 24849)
- (2) mit Traggelenk 21mm (febi 30380) / with ball joint 21mm (febi 30380)
- (3) nur / only : Limosine (ex.) RS



Ref. - No.



Ref. - No.	Description	Quantity	Notes	Dimensions
22408	ProKit Verbindungsstange / stabilizer link			L 298
24849	ProKit Traggelenk / ball joint			
27912	Querlenkerlager / control arm mount			
28095	Querlenker / control arm	(1)		
28096	Querlenker / control arm	(1)		
28541	ProKit Spurstange / tie rod			L 292
29223	ProKit Spurstangenendstück / tie rod end			M16x1,5
29224	ProKit Spurstangenendstück / tie rod end			M16x1,5
30380	ProKit Traggelenk / ball joint			Ø A 21
31845	Querlenker / control arm	(2)		
31846	Querlenker / control arm	(2)		
32418	ProKit Querlenkerlager / control arm mount			
37729	ProKit Spurstange / tie rod			
37730	ProKit Spurstange / tie rod			
38978	Stabilisatorlager / stabilizer mount		nur / only Turnier	Ø I 18
40625	ProKit Querlenker / control arm	(2)		
40626	ProKit Querlenker / control arm	(2)		
44308	Stabilisatorlager / stabilizer mount	(3)		Ø I 18



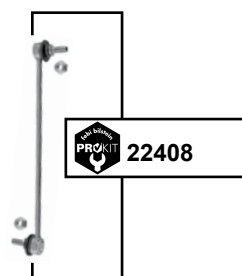
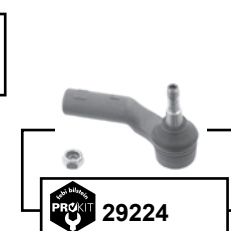
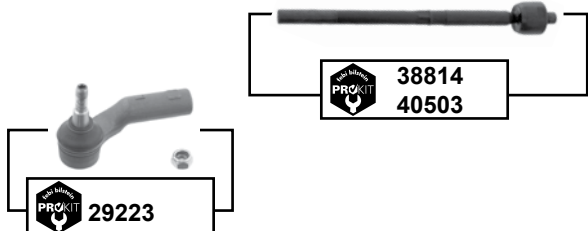
## Focus 11 (01/11 →)

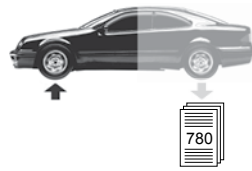
Vorderachse / Front axle

36519



36519





**Focus 11**  
(01/11 →)

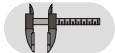


(1) (ex.) 1,6 Duratec (85PS / 105PS / 123PS)

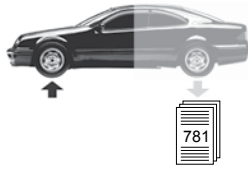
(2) 1,6 Duratec (105PS / 123PS)



Ref. - No.



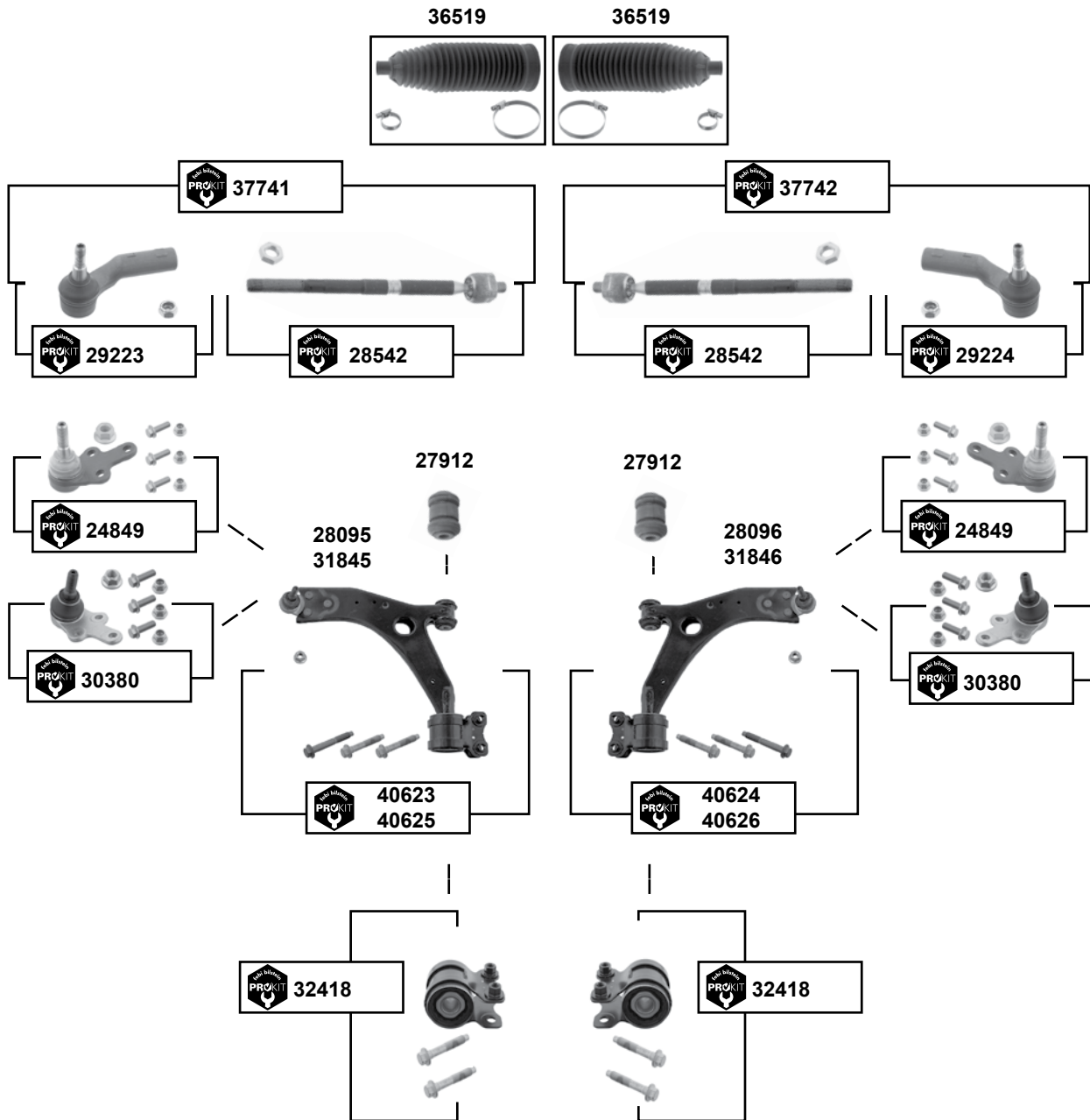
Febi bilstein	Ref. - No.	Hand icon	Information icon (i)	Key icon
<b>22408</b>	1 230 909	ProKit Verbindungsstange / stabilizer link		L 298
<b>29223</b>	1 730 934	ProKit Spurstangenendstück / tie rod end	1,6 Duratec	M16 x 1,5
<b>29224</b>	1 730 933	ProKit Spurstangenendstück / tie rod end	1,6 Duratec	M16 x 1,5
<b>36519</b>	1 334 215	Rep. Satz Lenkmanschette / rep. kit steering boot	<b>E-servo</b>	L 207
<b>38814</b>	1 780 104	ProKit Spurstange / tie rod	(1)	L 294
<b>40503</b>	1 754 076	ProKit Axialgelenk / axial joint	(2)	L 300
<b>40881</b>	1 826 505	ProKit Spurstangenendstück / tie rod end	(1)	M16 x 1,5
<b>40882</b>	1 826 501	ProKit Spurstangenendstück / tie rod end	(1)	M16 x 1,5
<b>43525</b>	1 780 104 S1	ProKit Spurstange / tie rod	(1)	
<b>43526</b>	1 780 104 S2	ProKit Spurstange / tie rod	(1)	

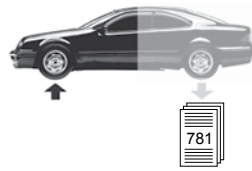


## Focus C-Max 03

(06/03 → 02/07)

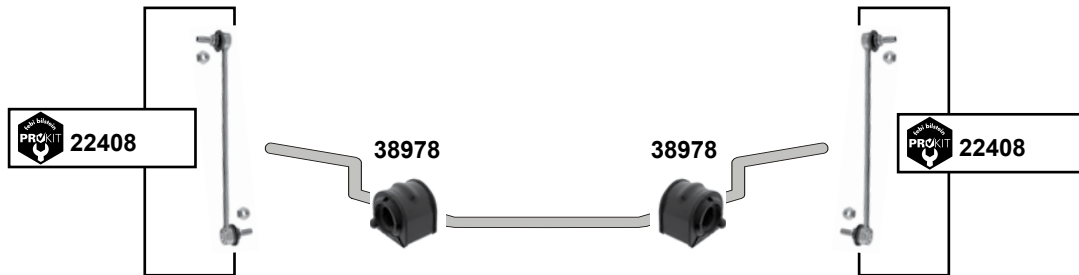
Vorderachse / Front axle





# Focus C-Max 03

(06/03 → 02/07)



Vorderachse / Front axle



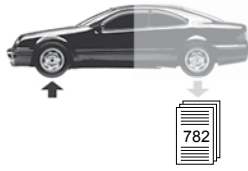
- (1) mit Traggelenk 18mm (febi 24849) / with ball joint 18mm (febi 24849)
- (2) mit Traggelenk 21mm (febi 30380) / with ball joint 21mm (febi 30380)



Ref. - No.



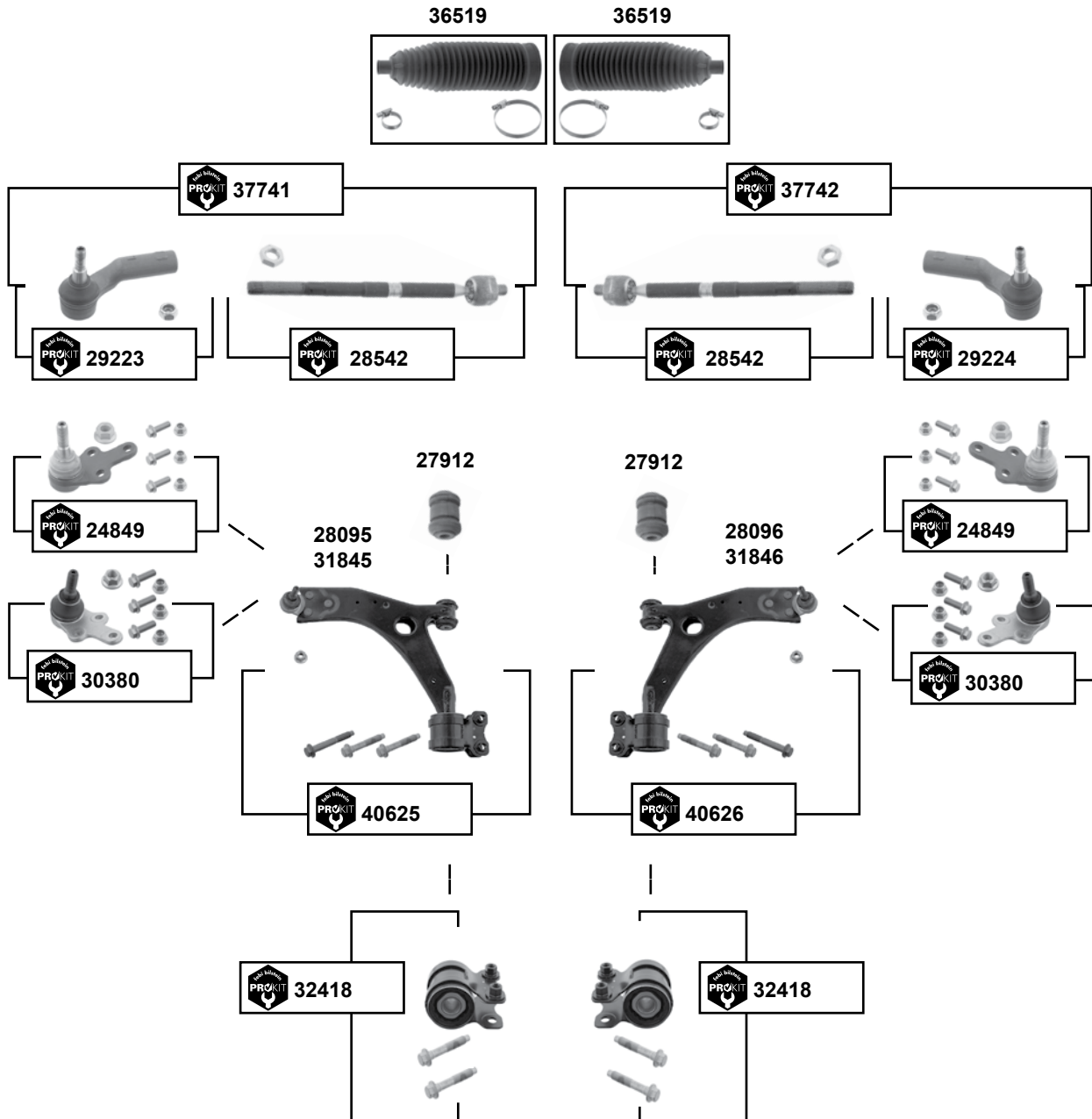
<b>22408</b>	1 230 909	ProKit Verbindungsstange / stabilizer link		L 298
<b>24849</b>	1 679 384	ProKit Traggelenk / ball joint		Ø18
<b>27912</b>	1 477 858 S2	Querlenkerlager / control arm mount		
<b>28095</b>	1 477 860	Querlenker / control arm	(1)	
<b>28096</b>	1 477 858	Querlenker / control arm	(1)	
<b>28542</b>	1 510 270	ProKit Spurstange / tie rod		L 292
<b>29223</b>	1 730 934	ProKit Spurstangenendstück / tie rod end		M16 x 1,5
<b>29224</b>	1 730 933	ProKit Spurstangenendstück / tie rod end		M16 x 1,5
<b>30380</b>	1 679 388	ProKit Traggelenk / ball joint		Ø A 21
<b>31845</b>	1 570 285	Querlenker / control arm	(2)	
<b>31846</b>	1 570 284	Querlenker / control arm	(2)	
<b>32418</b>	1 477 858 S3	ProKit Querlenkerlager / control arm mount		
<b>36519</b>	1 334 215	Rep. Satz Lenkmanschette / rep. kit steering boot		L 207
<b>37741</b>	1 510 270 S1	ProKit Spurstange / tie rod		
<b>37742</b>	1 510 270 S2	ProKit Spurstange / tie rod		
<b>38978</b>	1 305 960	Stabilisatorlager / stabilizer mount		Ø I 18
<b>40623</b>	1 477 860 S4	ProKit Querlenker / control arm	(1)	
<b>40624</b>	1 477 858 S4	ProKit Querlenker / control arm	(1)	
<b>40625</b>	1 570 285 S1	ProKit Querlenker / control arm	(2)	
<b>40626</b>	1 570 284 S1	ProKit Querlenker / control arm	(2)	

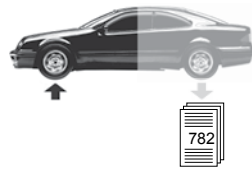


## Focus C-Max 07

(03/07 → 07/10)

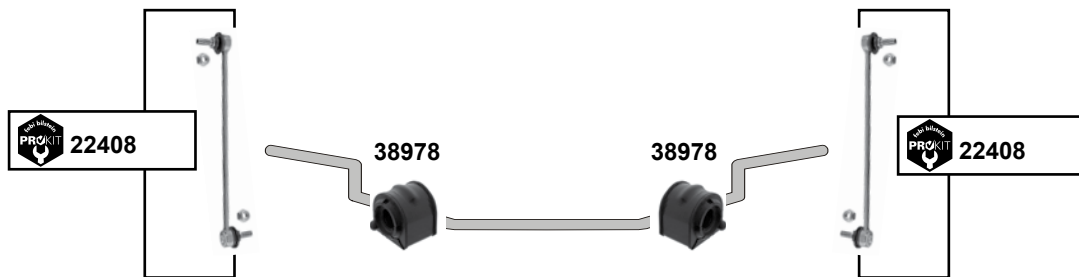
Vorderachse / Front axle





# Focus C-Max 07

(03/07 → 07/10)



Vorderachse / Front axle

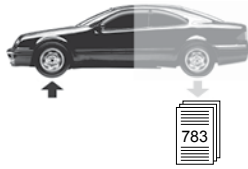


(1) mit Traggelenk 18mm (febi 24849) / with ball joint 18mm (febi 24849)

(2) mit Traggelenk 21mm (febi 30380) / with ball joint 21mm (febi 30380)

	Ref. - No.			
<b>22408</b>	1 230 909	ProKit Verbindungsstange / stabilizer link		L 298
<b>24849</b>	1 679 384	ProKit Traggelenk / ball joint		Ø18
<b>27912</b>	1 477 858 S2	Querlenkerlager / control arm mount		
<b>28095</b>	1 477 860	Querlenker / control arm	(1)	
<b>28096</b>	1 477 858	Querlenker / control arm	(1)	
<b>28542</b>	1 510 270	ProKit Spurstange / tie rod		L 292
<b>29223</b>	1 730 934	ProKit Spurstangenendstück / tie rod end		M16 x 1,5
<b>29224</b>	1 730 933	ProKit Spurstangenendstück / tie rod end		M16 x 1,5
<b>30380</b>	1 679 388	ProKit Traggelenk / ball joint		Ø A 21
<b>31845</b>	1 570 285	Querlenker / control arm	(2)	
<b>31846</b>	1 570 284	Querlenker / control arm	(2)	
<b>32418</b>	1 477 858 S3	ProKit Querlenkerlager / control arm mount		
<b>36519</b>	1 334 215	Rep. Satz Lenkmanschette / rep. kit steering boot	→ 07/08	L 207
<b>37741</b>	1 510 270 S1	ProKit Spurstange / tie rod		
<b>37742</b>	1 510 270 S2	ProKit Spurstange / tie rod		
<b>38978</b>	1 305 960	Stabilisatorlager / stabilizer mount		Ø I 18
<b>40625</b>	1 570 285 S1	ProKit Querlenker / control arm	(2)	
<b>40626</b>	1 570 284 S1	ProKit Querlenker / control arm	(2)	





# Focus C-Max 11

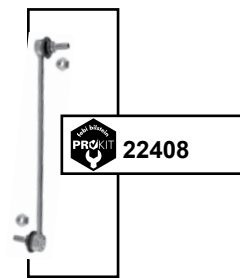
(08/10 →)

Vorderachse / Front axle

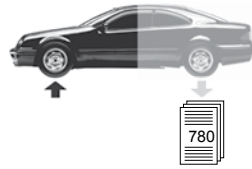
36519



36519

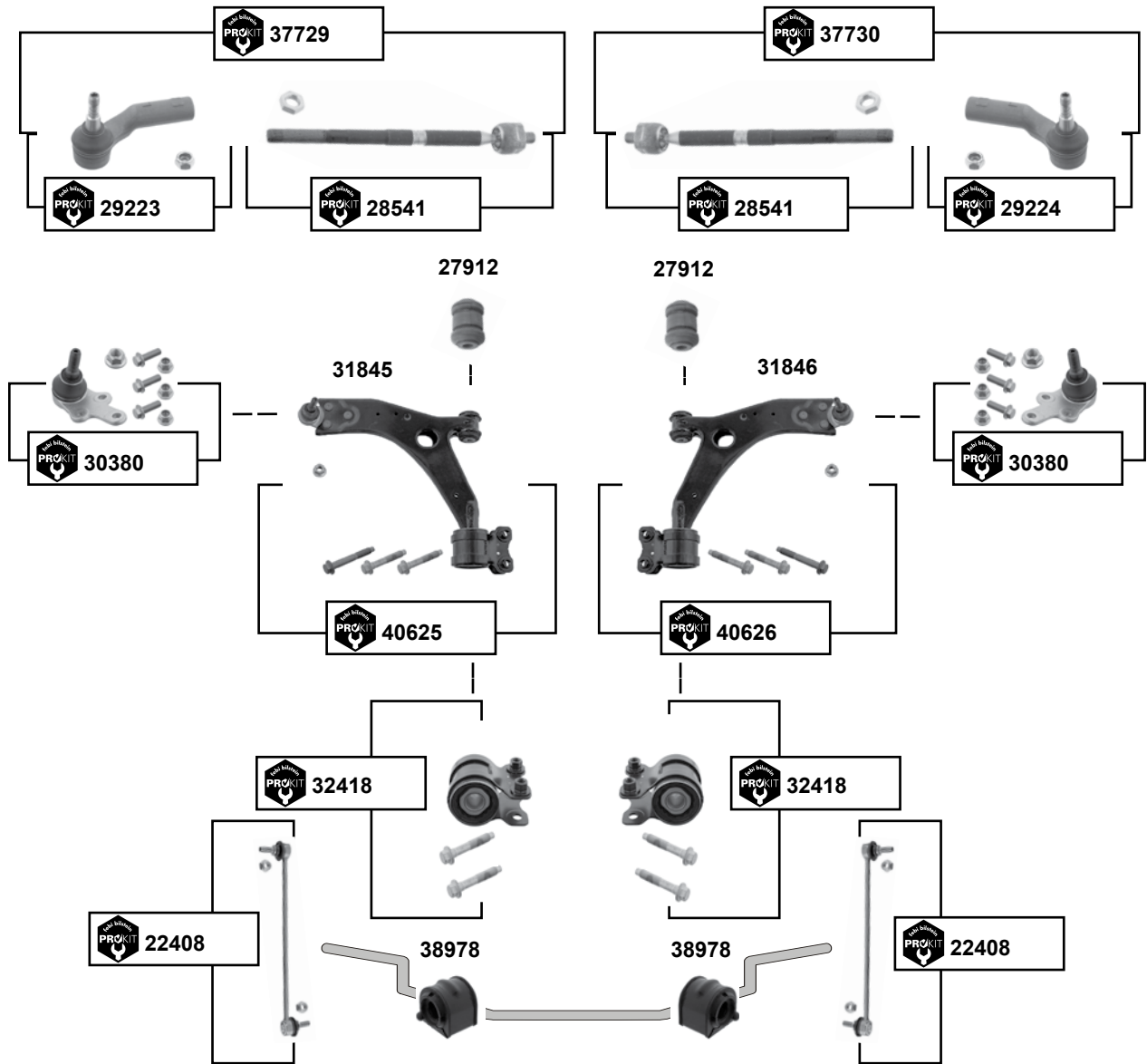


	Ref. - No.			
<b>22408</b>	1 230 909	ProKit Verbindungsstange / stabilizer link	10/11	L 298
<b>36519</b>	1 334 215	Rep. Satz Lenkmanschette / rep. kit steering boot		L 207
<b>38814</b>	1 780 104	ProKit Spurstange / tie rod		L 294
<b>40881</b>	1 826 505	ProKit Spurstangenendstück / tie rod end		M16 x 1,5
<b>40882</b>	1 826 501	ProKit Spurstangenendstück / tie rod end		M16 x 1,5
<b>43525</b>	1 780 104 S1	ProKit Spurstange / tie rod		
<b>43526</b>	1 780 104 S2	ProKit Spurstange / tie rod		



# Focus Cabriolet 06

(07/06 → 07/10)



Vorderachse / Front axle



- (1) nur Standardfahrwerk / only standard chassis
- (2) mit Tragelenk 21mm (febi 30380) / with ball joint 21mm (febi 30380)



Ref. - No.



Ref. - No.	Part Description	Notes	Dimensions
22408	1 230 909 ProKit Verbindungsstange / stabilizer link		L 298
27912	1 477 858 S2 Querlenkerlager / control arm mount		
28541	1 377 655 ProKit Spurstange / tie rod		L 292
29223	1 730 934 ProKit Spurstangenendstück / tie rod end		M16 x 1,5
29224	1 730 933 ProKit Spurstangenendstück / tie rod end		M16 x 1,5
30380	1 679 388 ProKit Tragelenk / ball joint		Ø A 21
31845	1 570 285 Querlenker / control arm	(2)	
31846	1 570 284 Querlenker / control arm	(2)	
32418	1 477 858 S3 ProKit Querlenkerlager / control arm mount		
37729	1 377 655 S1 ProKit Spurstange / tie rod		
37730	1 377 655 S2 ProKit Spurstange / tie rod		
38978	1 305 960 Stabilisatorlager / stabilizer mount	(1)	Ø I 18
40625	1 570 285 S1 ProKit Querlenker / control arm	(2)	
40626	1 570 284 S1 ProKit Querlenker / control arm	(2)	

passend für / to fit

**FORD**



**Car  
Division**



# Fusion 02

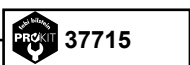
(06/02 → 06/12)

Vorderachse / Front axle

22925

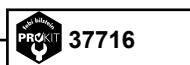


22925



19873

22767



22767

19874



22138



21681

21781



22138



21682

21781



22139



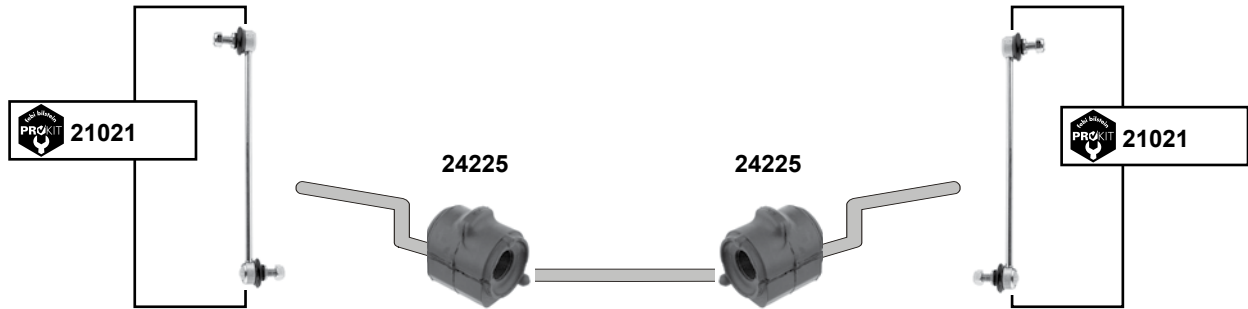
22139



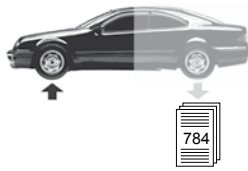


**Fusion 02**  
(06/02 →)

Vorderachse / Front axle



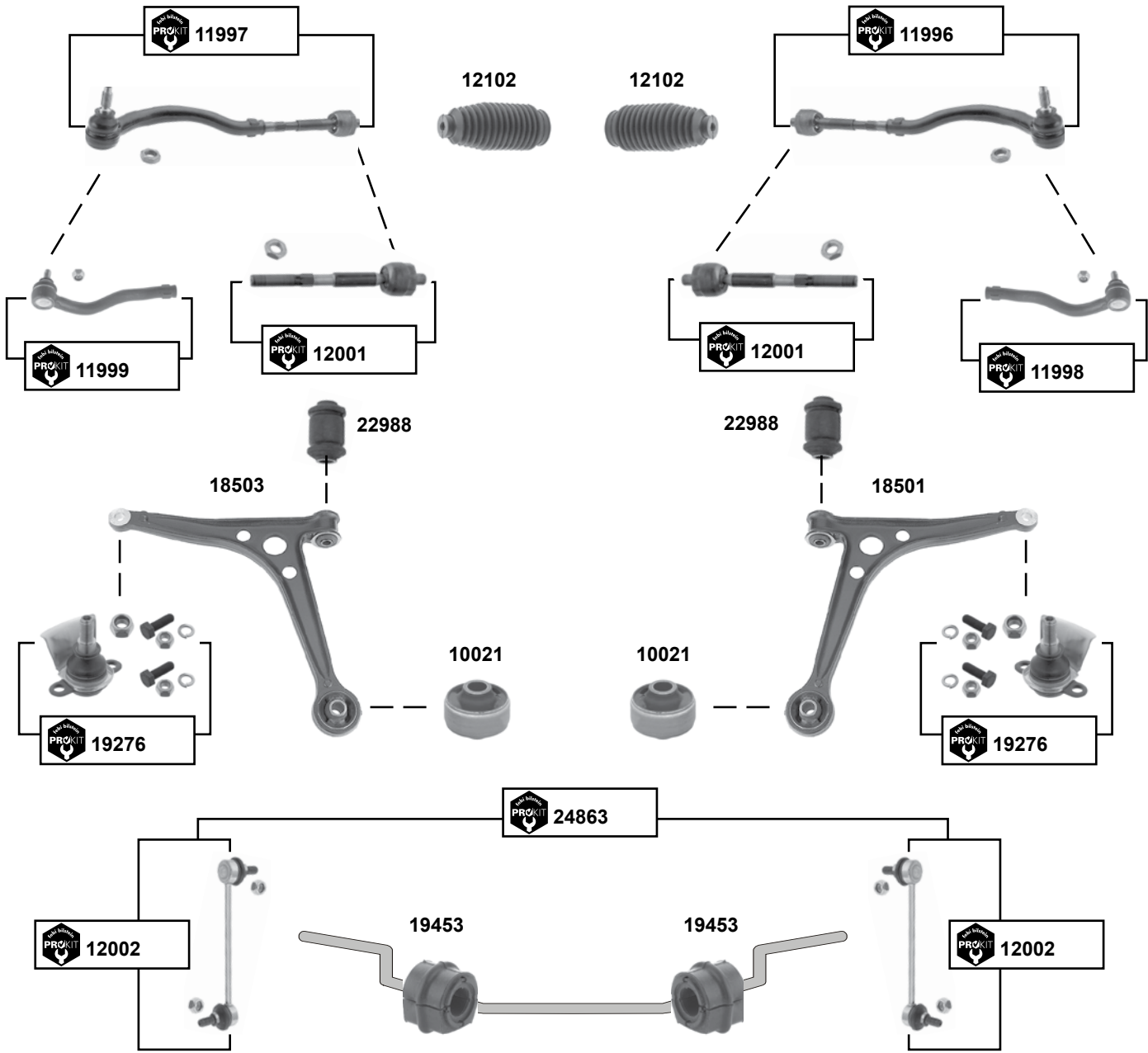
	Ref. - No.			
19873	1 202 549	Spurstangenendstück / tie rod end		
19874	1 202 548	Spurstangenendstück / tie rod end		
21021	1 146 150	ProKit Verbindungsstange / stabilizer link		L 282
21681	1 706 971	Querlenker links / control arm left		
21682	1 706 970	Querlenker rechts / control arm right		
21781	1 679 382	Traggelenk / ball joint		
22138	1 212 807 S1	Querlenkerlager / control arm mount		
22139	1 212 807 S2	Querlenkerlager / control arm mount		
22767	4 472 940	Spurstange / tie rod		M14 x 1,5 L277
22925	4 330 628	Lenkmanschette / steering boot		
24225	1 152 852	Stabilisatorlager / stabilizer mount		Ø I 17
37715	4 472 940 S1	ProKit Spurstange / tie rod		
37716	4 472 940 S2	ProKit Spurstange / tie rod		



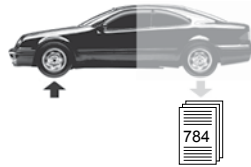
# Galaxy 95/00

(05/95 → 03/06)

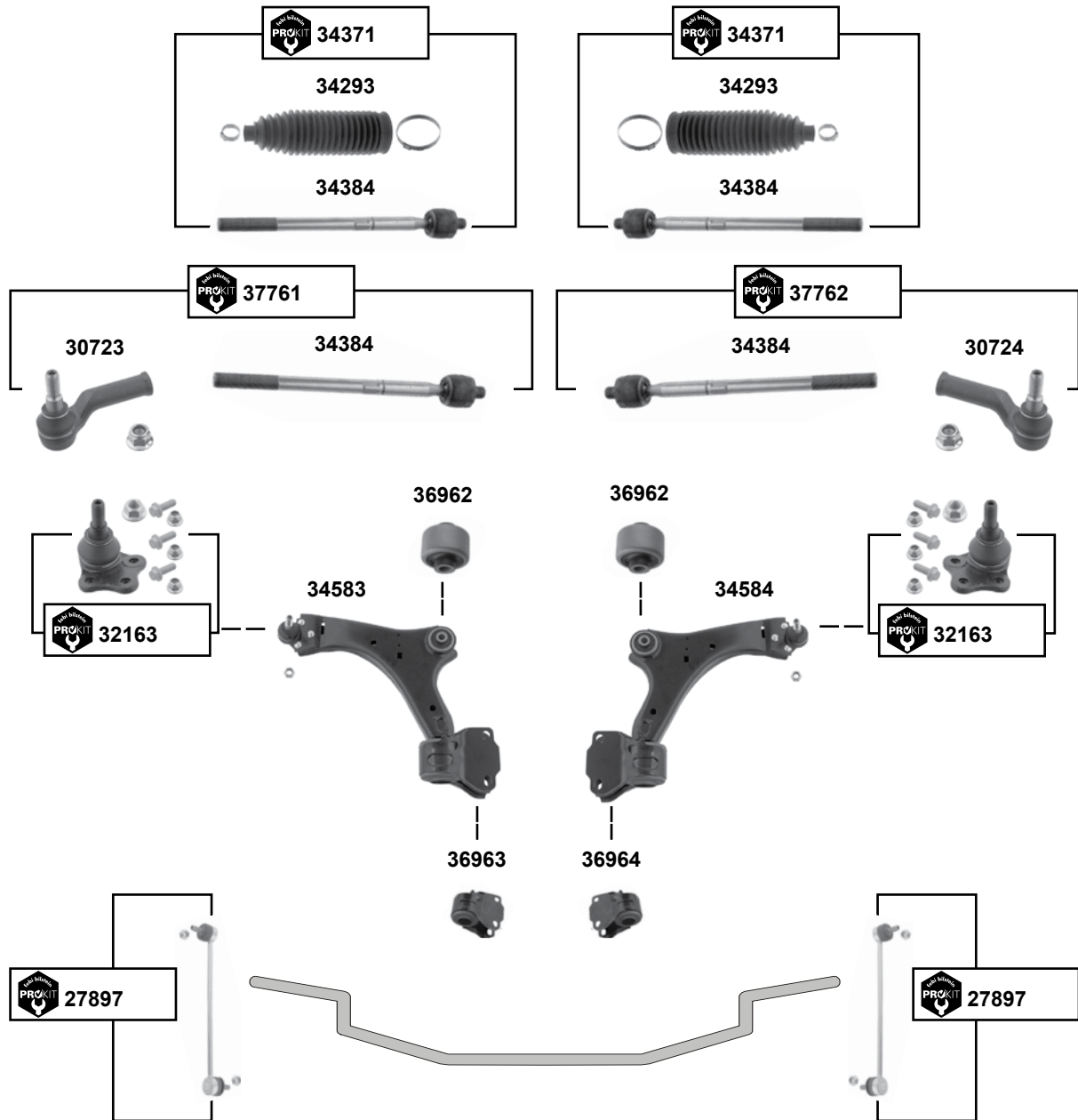
Vorderachse / Front axle



	Ref. - No.			
10021	1 044 571	Querlenkerlager / control arm mount		18x60x50
11996	1 233 553	ProKit Spurstange / tie rod		
11997	1 233 552	ProKit Spurstange / tie rod		
11998	1 234 258	ProKit Spurstangenendstück / tie rod end		M12 x 1,5
11999	1 234 259	ProKit Spurstangenendstück / tie rod end		M12 x 1,5
12001	1 020 496 S1	ProKit Spurstange / tie rod		L 195
12002	1 361 653	ProKit Verbindungsstange / stabilizer link		L 205
12102	1 121 510	Lenkmanschette / steering boot		
18501	1 012 632	Querlenker / control arm		
18503	1 007 602	Querlenker / control arm		
19276	1 111 156	ProKit Traggelenk / ball joint		Ø 35
19453	7 200 957	Stabilisatorlager / stabilizer mount		Ø I 17
22988	7 201 717	Querlenkerlager / control arm mount		
24863	1 361 653 S1	ProKit Verbindungsstange / stabilizer link		L 205



**Galaxy 06**  
(03/06 →)



Vorderachse / Front axle



Ref. - No.



<b>27897</b>	1 377 849	ProKit Verbindungsstange / stabilizer link	L300
<b>30723</b>	1 433 274	Spurstangenendstück / tie rod	M18 x 1,5
<b>30724</b>	1 433 273	Spurstangenendstück / tie rod	M18 x 1,5
<b>32163</b>	1 507 181 S1	ProKit Tragelenk / ball joint	M14 x 1,5
<b>34293</b>	1 433 372	Lenkmanschettensatz / steering boot kit	L 195
<b>34371</b>	1 596 574 S1	ProKit Axialgelenk mit Lenkmanschettensatz / axial joint with steering boot kit	
<b>34384</b>	1 596 574	Axialgelenk / axial joint	L 313
<b>34583</b>	1 507 182	Querlenker / control arm	
<b>34584</b>	1 507 181	Querlenker / control arm	
<b>36962</b>	1 507 182 S2	Querlenkerlager / control arm mount	Ø A 60
<b>36963</b>	1 507 182 S1	Querlenkerlager / control arm mount	
<b>36964</b>	1 507 181 S3	Querlenkerlager / control arm mount	
<b>37761</b>	1 596 574 S2	ProKit Spurstange / tie rod	
<b>37762</b>	1 596 574 S3	ProKit Spurstange / tie rod	

passend für / to fit

**FORD**



**Car  
Division**



# Granada

(01/72 → 04/85)

Vorderachse / Front axle

**11988**



**11988**



**oben / upper**

**11991**



**11991**



**Ref. - No.**



**11988**  
**11991**

1 476 246  
5 021 429

Spurstangenendstück / tie rod end  
Traggelenk / ball joint

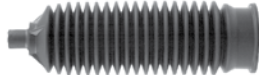
M14 x 2  
M14 x 1,5



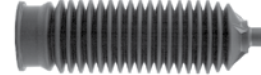
**Granada 85**  
(02/85 → 10/94)

(ex.) 4 WD

21959



21959



03309  
03307



03310  
03308

03309  
03307



03310  
03308

08767



08768



08768



08767



06172



04011



06172



06179



06172



04094



06179



06172



Ref. - No.



03307	6 935 233 S1
03308	6 935 233
03309	1 619 061 S
03310	1 619 061
04011	5 021 465
04094	5 021 464
06172	1 656 752
06179	6 192 705
08767	5 021 415
08768	6 185 338
21959	6 182 818

Rep. Satz Lenkmanschette / rep. kit steering boot
Lenkmanschette / steering boot
Rep. Satz Lenkmanschette / rep. kit steering boot
Lenkmanschette / steering boot
Querlenker / control arm
Querlenker / control arm
Stabilisatorlager / stabilizer mount
Querlenkerlager / control arm mount
Spurstangenendstück / tie rod end
Spurstange / tie rod
Lenkmanschette / steering boot

10/88 → 02/92 / man.
10/88 → 02/92 / man.
→ 10/88 / man.
→ 10/88 / man.
02/89 →
servo.

16x65x23
12x35x51
M10 x 1
L 310



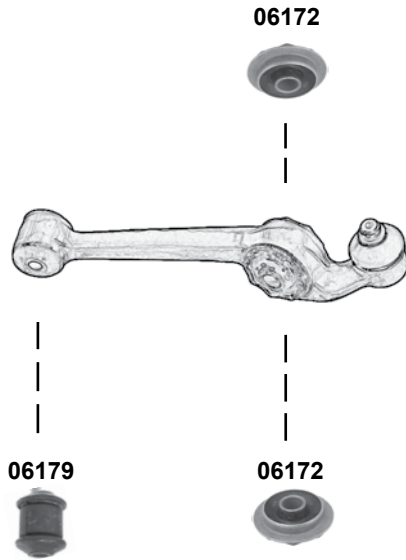
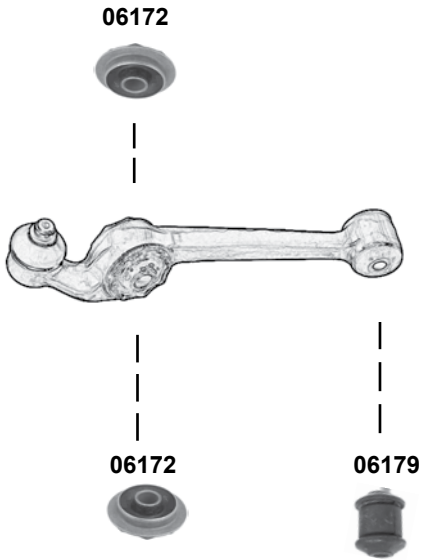


**Granada 85**

(02/85 → 10/94)

**4 WD**

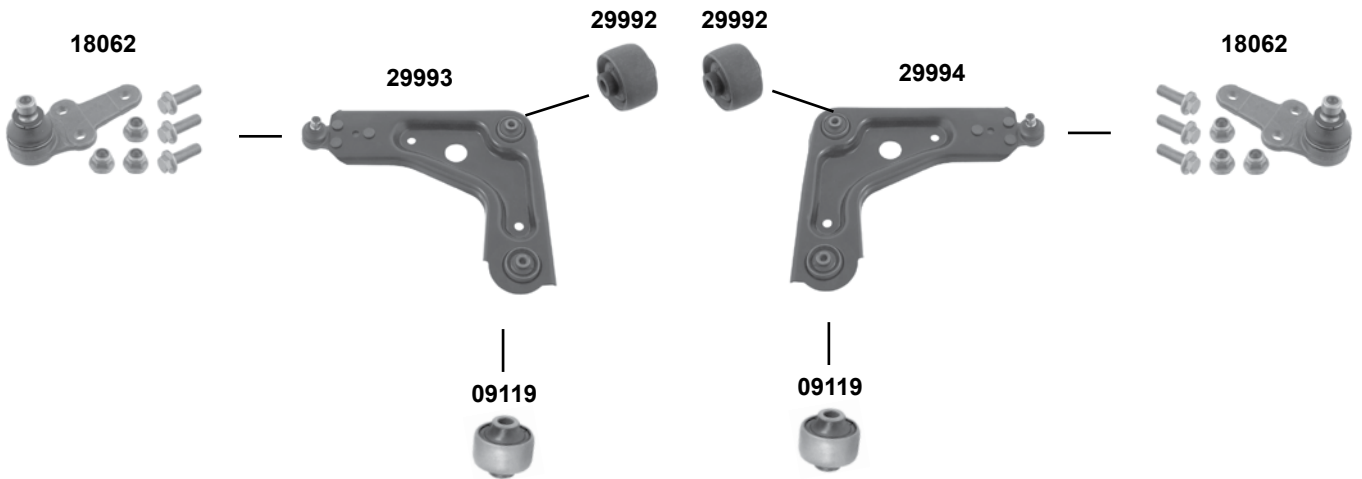
Vorderachse / Front axle



	Ref. - No.			
<b>03307</b>	6 935 233 S1	Rep. Satz Lenkmanschette / rep. kit steering boot	10/88 → 02/92 / man.	
<b>03308</b>	6 935 233	Lenkmanschette / steering boot	10/88 → 02/92 / man.	
<b>03309</b>	1 619 061 S	Rep. Satz Lenkmanschette / rep. kit steering boot	→ 10/88 / man.	
<b>03310</b>	1 619 061	Lenkmanschette / steering boot	→ 10/88 / man.	
<b>06172</b>	1 656 752	Stabilisatorlager / stabilizer mount	02/89 →	16x65x23
<b>06179</b>	6 192 705	Querlenkerlager / control arm mount		12x35x51
<b>06301</b>	5 021 413	Spurstangenendstück / tie rod end		M10 x 1
<b>06302</b>	5 021 414	Spurstangenendstück / tie rod end		M10 x 1
<b>08768</b>	6 185 338	Spurstange / tie rod		L 310



**Ikon**  
(2000 →)



Vorderachse / Front axle

	Ref. - No.			
<b>09119</b>	1 000 445	Querlenkerlager / control arm mount		
<b>18062</b>	1 047 797	Traggelenk / ball joint		
<b>29992</b>	1 225 490 S1	Querlenkerlager / control arm mount		Ø A 54 H45,7
<b>29993</b>	1 094 226	Querlenker / control arm		Ø A 54 H45,7
<b>29994</b>	1 225 488	Querlenker / control arm		

passend für / to fit

**FORD**



**Car  
Division**

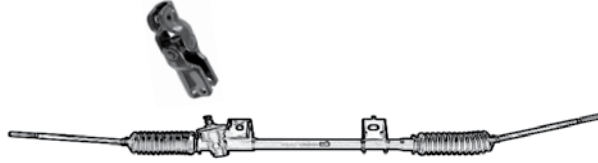


**KA 97**

(09/96 → 08/08)

Vorderachse / Front axle

18539



03307  
21259



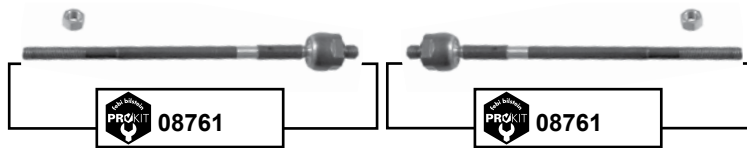
03308  
21257

03307  
21259



03308  
21257

10165



10165

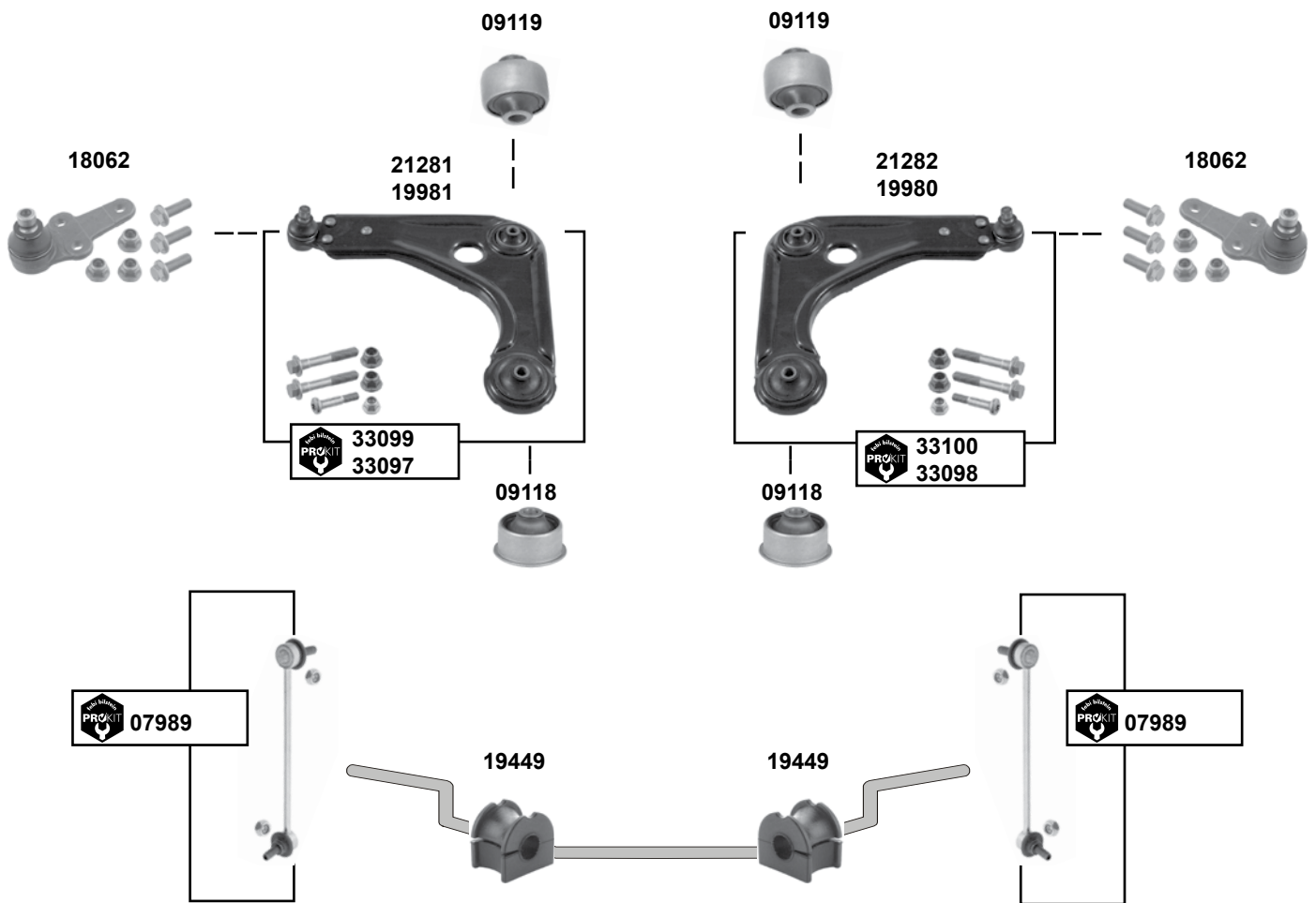
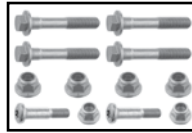


Ref. - No.				
<b>03307</b>	6 935 233 S1	Rep. Satz Lenkmanschette / rep. kit steering boot	man.	L 310 M10 x 1
<b>03308</b>	6 935 233	Lenkmanschette / steering boot	man.	
<b>08761</b>	4 048 739	ProKit Spurstange / tie rod		
<b>10165</b>	1 034 417	Spurstangenendstück / tie rod end		
<b>18539</b>	7 257 202	Kreuzgelenk / driveshaft UJ	(ex.) servo.	
<b>21257</b>	4 045 250	Lenkmanschette / steering boot	servo.	
<b>21259</b>	4 045 250 S1	Rep. Satz Lenkmanschette / rep. kit steering boot	servo.	



**KA 97**  
(09/96 → 08/08)

24393



Vorderachse / Front axle



Ref. - No.



Ref. - No.	Description	Notes	Dimensions
07989	1 135 077 ProKit Verbindungsstange / stabilizer link		L 238
09118	1 035 929 Querlenkerlager / control arm mount		
09119	1 000 445 Querlenkerlager / control arm mount		
18062	1 047 797 Traggelenk / ball joint		12x46x46
19449	1 003 609 Stabilisatorlager / stabilizer mount		Ø A 16,5
19980	1 448 621 Querlenker / control arm		Ø I 15
19981	1 448 622 Querlenker / control arm		
21281	1 063 988 Querlenker / control arm		
21282	1 063 987 Querlenker / control arm		
24393	6 203 229 S2 Schraubensatz / screw kit		
33097	1 448 662 S1 ProKit Querlenker / control arm	servo.	
33098	1 448 621 S1 ProKit Querlenker / control arm	servo.	
33099	1 063 988 S1 ProKit Querlenker / control arm	(ex.) servo.	
33100	1 063 987 S1 ProKit Querlenker / control arm	(ex.) servo.	

passend für / to fit

**FORD**

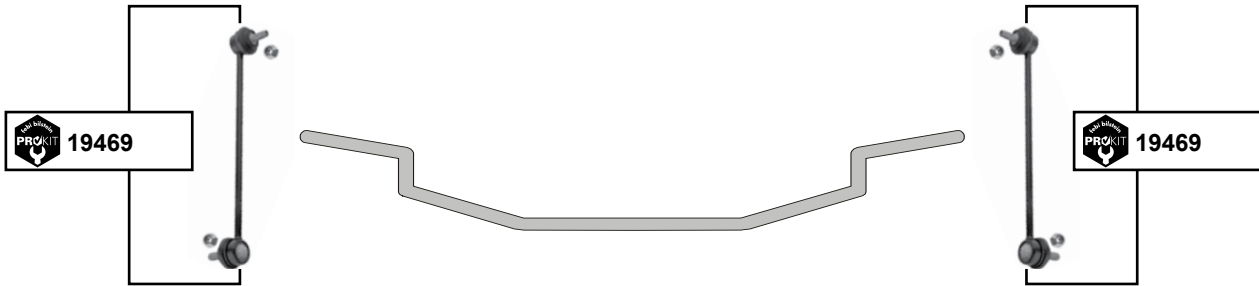
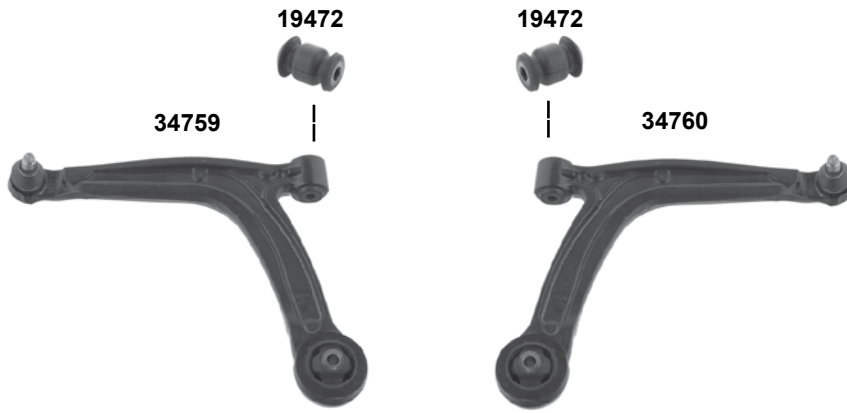
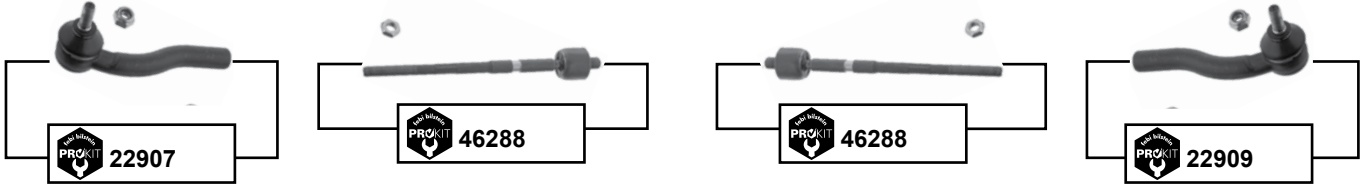


**Car  
Division**



**KA 08**

(09/08 →)



**Ref. - No.**



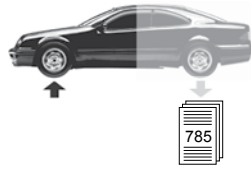
<b>19469</b>	1 580 517
<b>19472</b>	1 639 575 S
<b>22907</b>	1 546 259
<b>22909</b>	1 546 260
<b>34759</b>	1 639 574
<b>34760</b>	1 639 575
<b>46288</b>	1 762 784 S1

ProKit Verbindungsstange / stabilizer link
Querlenkerlager / control arm mount
ProKit Spurstangenendstück / tie rod end
ProKit Spurstangenendstück / tie rod end
Querlenker / control arm
Querlenker / control arm
Axialgelenk / axial joint

→ 02/12

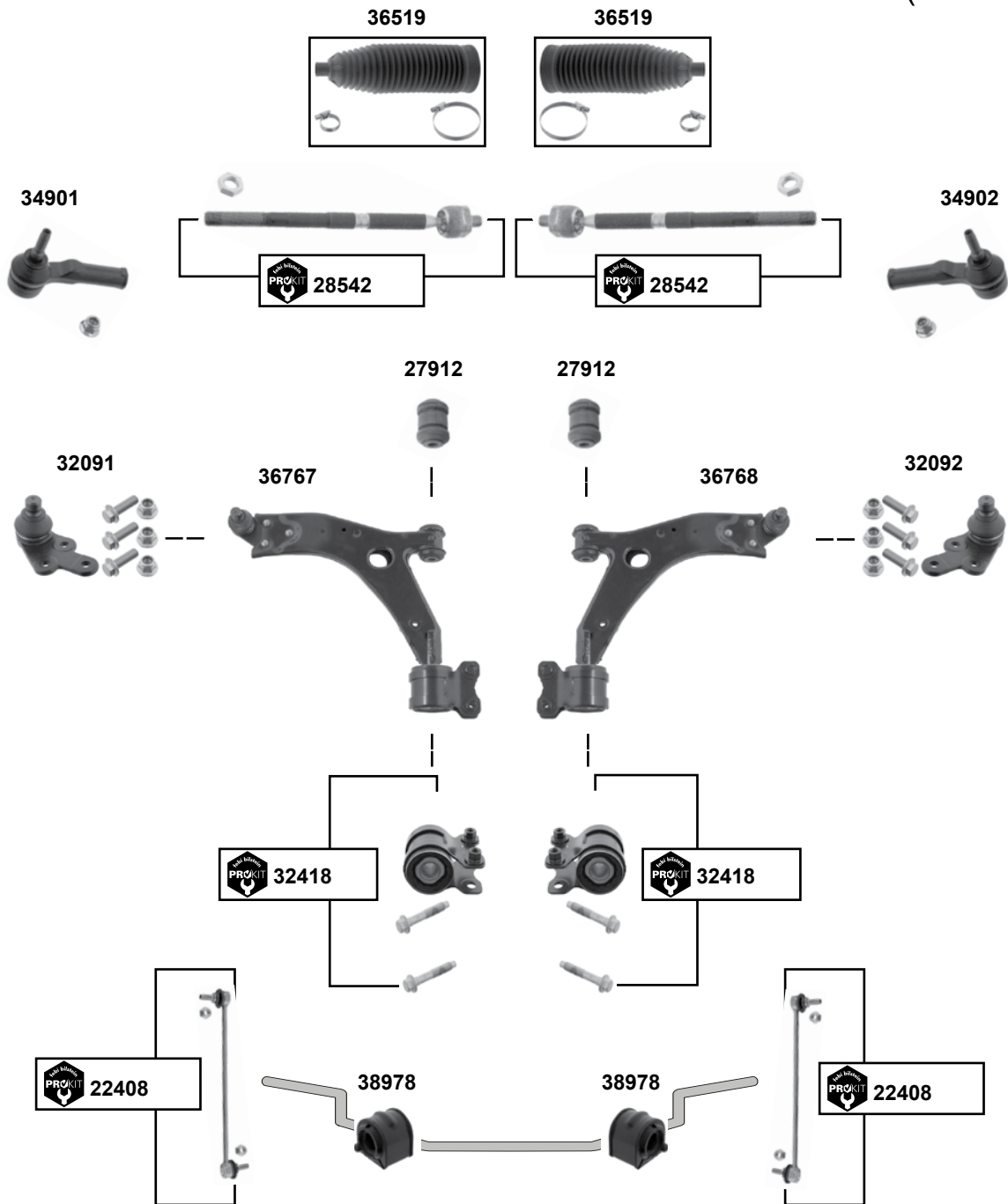
Ø   12,2 L 53
M12 x 1,5
M12 x 1,5
M12 x 1,5

Vorderachse / Front axle



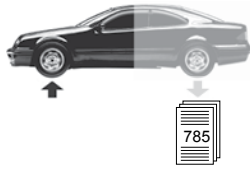
# Kuga 08

(02/08 → 10/12)



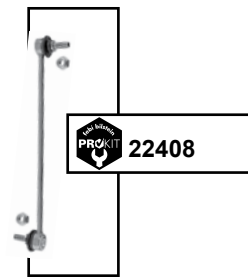
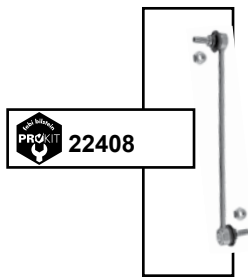
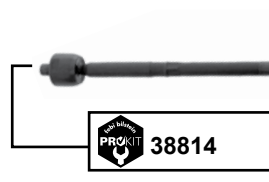
Vorderachse / Front axle

	Ref. - No.			
22408	1 230 909	ProKit Verbindungsstange / stabilizer link		L 298
27912	1 477 858 S2	Querlenkerlager / control arm mount		
28542	1 510 270	ProKit Spurstange / tie rod		
32091	1 502 087 S1	Traggelenk / ball joint		
32092	1 502 086 S1	Traggelenk / ball joint		
32418	1 477 858 S3	ProKit Querlenkerlager / control arm mount		
34901	1 541 488	Spurstangenendstück / tie rod end		M16 x 1,5
34902	1 541 485	Spurstangenendstück / tie rod end		M16 x 1,5
36519	1 334 215	Rep. Satz Lenkmanschette / rep. kit steering boot		L 207
36767	1 723 324	Querlenker / control arm		
36768	1 723 323	Querlenker / control arm		
38978	1 305 960	Stabilisatorlager / stabilizer mount		Ø1 18

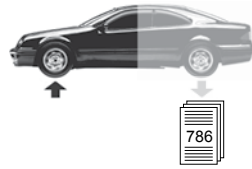


**Kuga 13**  
(11/12 →)

Vorderachse / Front axle



	Ref. - No.			
<b>22408</b>	1 230 909	ProKit Verbindungsstange / stabilizer link		L 298
<b>38814</b>	1 780 104	ProKit Spurstange / tie rod		L 294
<b>40881</b>	1 826 505	ProKit Spurstangenendstück / tie rod end		M16 x 1,5
<b>40882</b>	1 826 501	ProKit Spurstangenendstück / tie rod end		M16 x 1,5
<b>43525</b>	1 780 104 S1	ProKit Spurstange / tie rod		
<b>43526</b>	1 780 104 S2	ProKit Spurstange / tie rod		

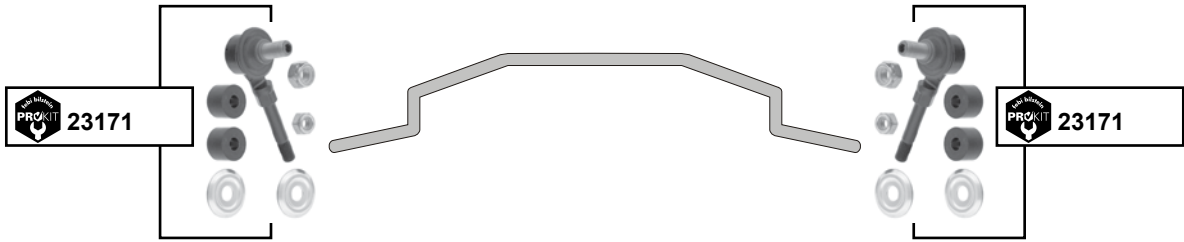


**Maverick**  
(06/93 → 04/98)

15266

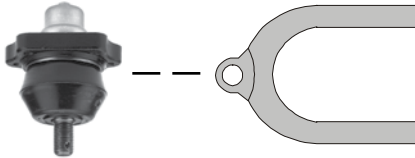


15266

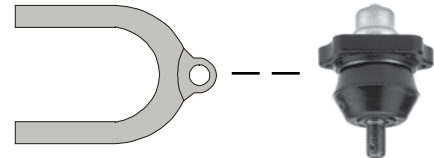


**oben / upper**

15270

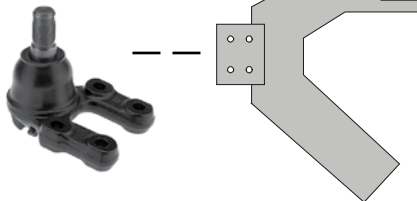


15270

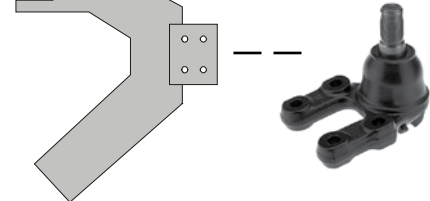


**unten / lower**

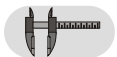
15269



15269



Ref. - No.



**15266** 1 961 668  
**15269** 1 954 431  
**15270** 1 954 430  
**23171** 1 954 778

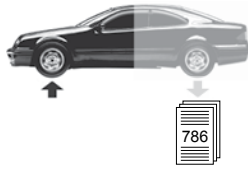
Spurstangenendstück / tie rod end  
Traggelenk / ball joint  
Traggelenk / ball joint  
ProKit Verbindungsstange / stabilizer link

M18 x 1,5  
M14 x 1,5  
M12/10x1,25



passend für / to fit

**FORD**

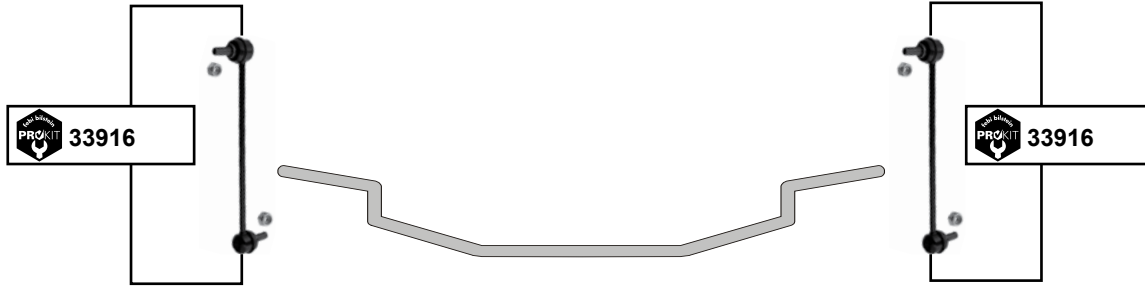


**Car  
Division**



## Maverick 01

(02/01 → 12/03)



Vorderachse / Front axle

## Mondeo 93

(01/93 → 07/96)



Ref. - No.



**07954**  
**07973**  
**10166**  
**10167**  
**12757**  
**12807**  
**33916**

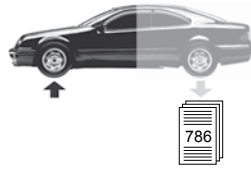
5 027 451  
5 027 452  
7 294 416  
7 294 415  
4 119 193  
4 119 193 S1  
4 462 153

Spurstangenendstück / tie rod end  
Spurstangenendstück / tie rod end  
Spurstange / tie rod  
Spurstange / tie rod  
Lenkmanschette / steering boot  
Rep. Satz Lenkmanschette / rep. kit steering boot  
ProKit Verbindungsstange / stabilizer link

15"  
14"

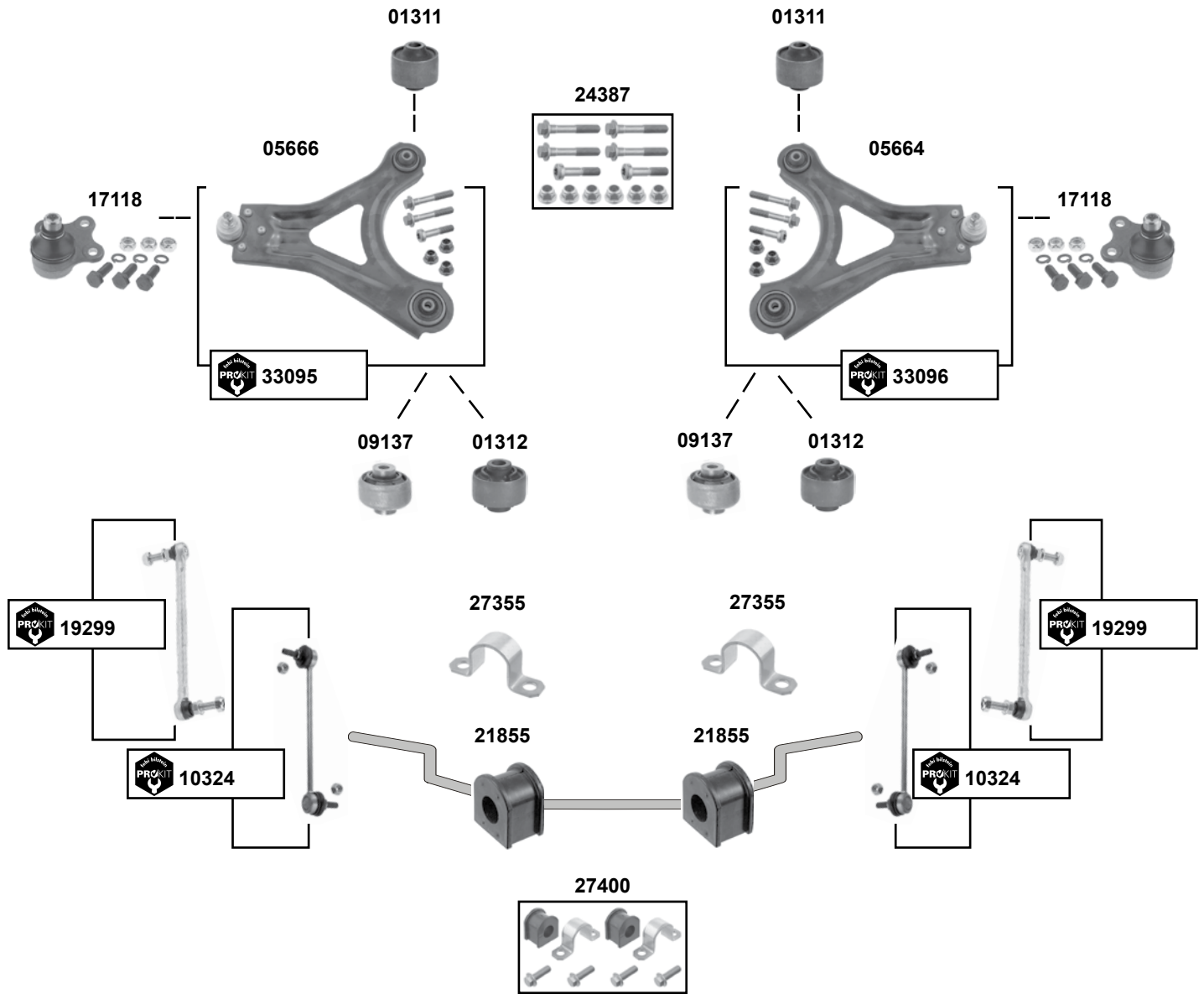
nur / only: LHD

M10 x 1  
M10 x 1  
L 338  
L 350



# Mondeo 93

(01/93 → 07/96)

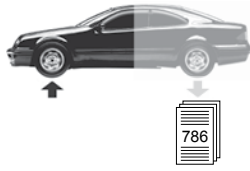


Vorderachse / Front axle

	Ref. - No.			
01311	6 790 115	Querlenkerlager / control arm mount		12x47x45,5
01312	6 870 549	Querlenkerlager / control arm mount	OLD	12x46x45,5
05664	1 043 159	Querlenker / control arm		
05666	1 043 158	Querlenker / control arm		
09137	1 074 282	Querlenkerlager / control arm mount	NEW	12x46x45,5
10324	6 960 036	ProKit Verbindungsstange / stabilizer link	OLD	L 236
17118	1 679 390	Rep. Satz Traggelenk / rep. kit ball joint		Ø A 18
19299	1 106 269	ProKit Verbindungsstange / stabilizer link	NEW	L 238
21855	1 128 725	Stabilisatorlager / stabilizer mount		I Ø 19
24387	6 203 229 S1	Schraubensatz / screw kit		
27355	1 125 699	Befestigungsbügel / attachment bracket		I Ø 11,5
27400	1 125 725 S1	Stabilisatorlagersatz / stabilizer mount kit		
33095	1 043 158 S1	ProKit Querlenker / control arm		
33096	1 043 159 S1	ProKit Querlenker / control arm		

passend für / to fit

**FORD**



**Car  
Division**



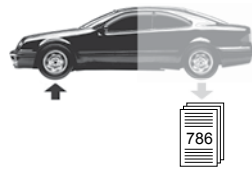
# Mondeo 97

(08/96 → 09/00)

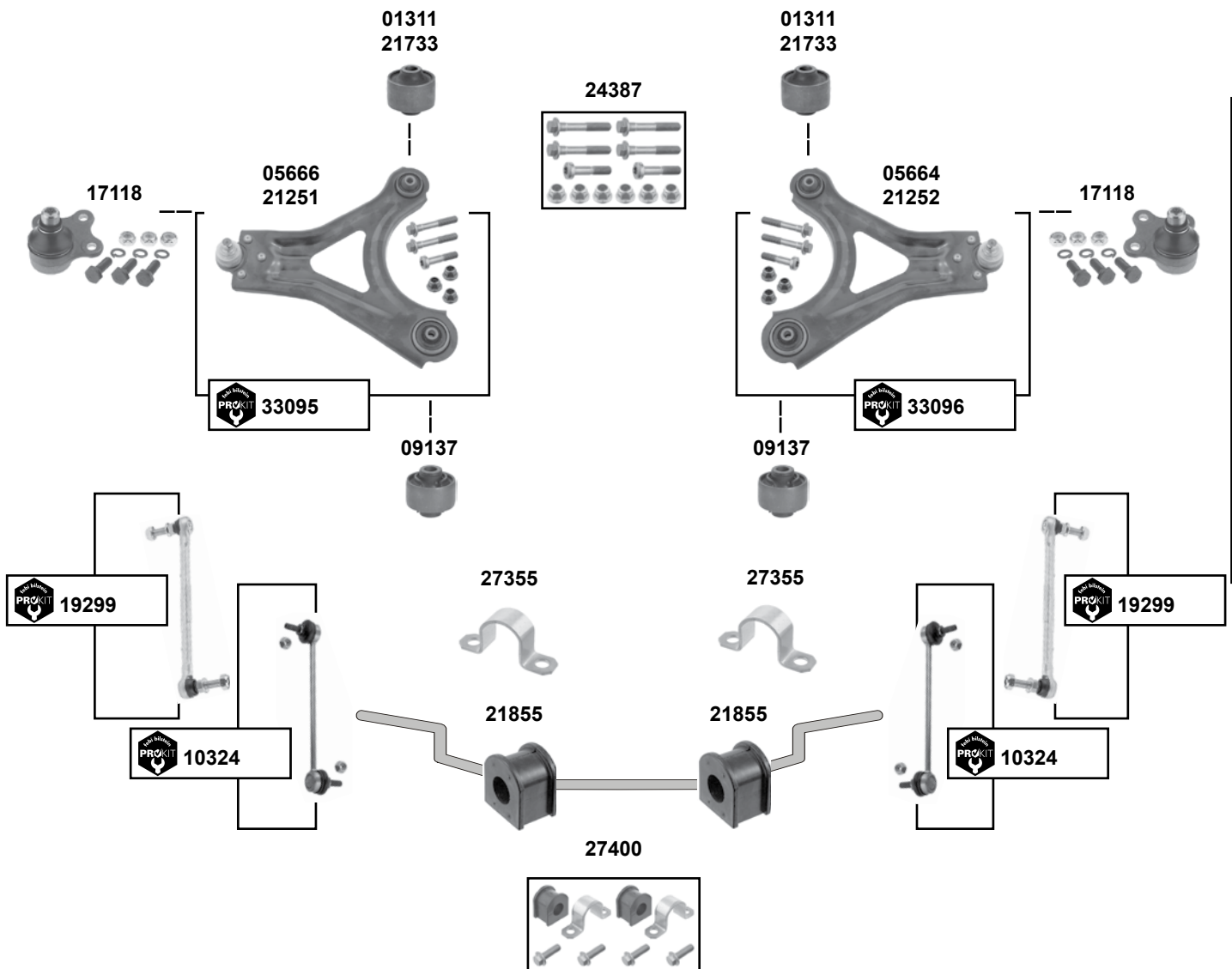
Vorderachse / Front axle



	Ref. - No.			
<b>10382</b>	1 097 316	Spurstangenendstück / tie rod end		M10 x 1,5
<b>10383</b>	1 097 323	Spurstangenendstück / tie rod end		M10 x 1,5
<b>12757</b>	4 119 193	Lenkmanschette / steering boot		
<b>12807</b>	4 119 193 S1	Rep. Satz Lenkmanschette / rep. kit steering boot		
<b>19875</b>	3 903 147	Spurstange / tie rod	14"	L 355
<b>19877</b>	3 903 149	Spurstange / tie rod	(ex.)  14"	L 355

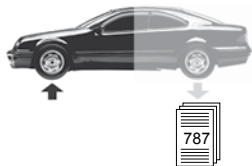


**Mondeo 97**  
(08/96 → 09/00)



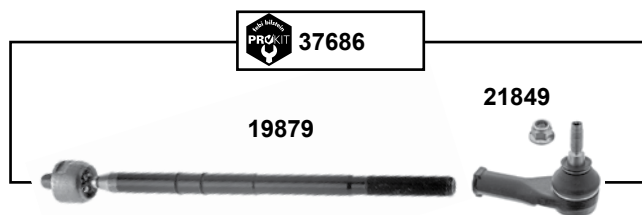
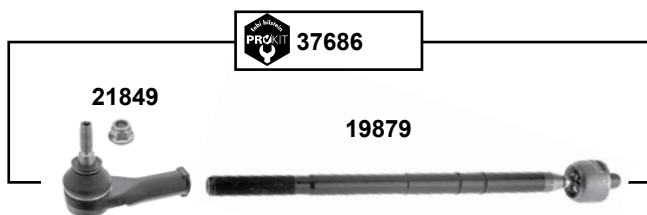
Vorderachse / Front axle

	Ref. - No.			
<b>01311</b>	6 790 115	Querlenkerlager / control arm mount	08/96 → 08/99	12x48x45,5
<b>05664</b>	1 043 159	Querlenker / control arm	08/96 → 08/99	
<b>05666</b>	1 043 158	Querlenker / control arm	08/96 → 08/99	
<b>09137</b>	1 074 282	Querlenkerlager / control arm mount		12x60x45,5
<b>10324</b>	6 960 036	ProKit Verbindungsstange / stabilizer link	<b>OLD</b>	L 236
<b>17118</b>	1 679 390	Rep. Satz Traggelenk / rep. kit ball joint	<b>NEW</b>	Ø A 18
<b>19299</b>	1 106 269	ProKit Verbindungsstange / stabilizer link	08/99 → 09/00/ (ex.) ST200	L 238
<b>21251</b>	1 141 294	Querlenker / control arm	08/99 → 09/00/ (ex.) ST200	
<b>21252</b>	1 141 293	Querlenker / control arm	08/99 → 09/00/ (ex.) ST200	
<b>21733</b>	1 102 950	Querlenkerlager / control arm mount	08/99 → 09/00/ (ex.) ST200	12x54x45,5
<b>21855</b>	1 128 725	Stabilisatorlager / stabilizer mount		I Ø 19
<b>24387</b>	6 203 229 S1	Schraubensatz / screw kit		I Ø 11,5
<b>27355</b>	1 125 699	Befestigungsbügel / attachment bracket		
<b>27400</b>	1 125 725 S1	Stabilisatorlagersatz / stabilizer mount kit		
<b>33095</b>	1 043 158 S1	ProKit Querlenker / control arm		
<b>33096</b>	1 043 159 S1	ProKit Querlenker / control arm		



**Mondeo 01**  
(10/00 → 01/07)

Vorderachse / Front axle

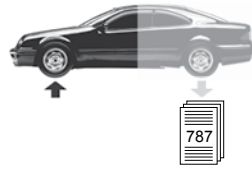


Ref. - No.



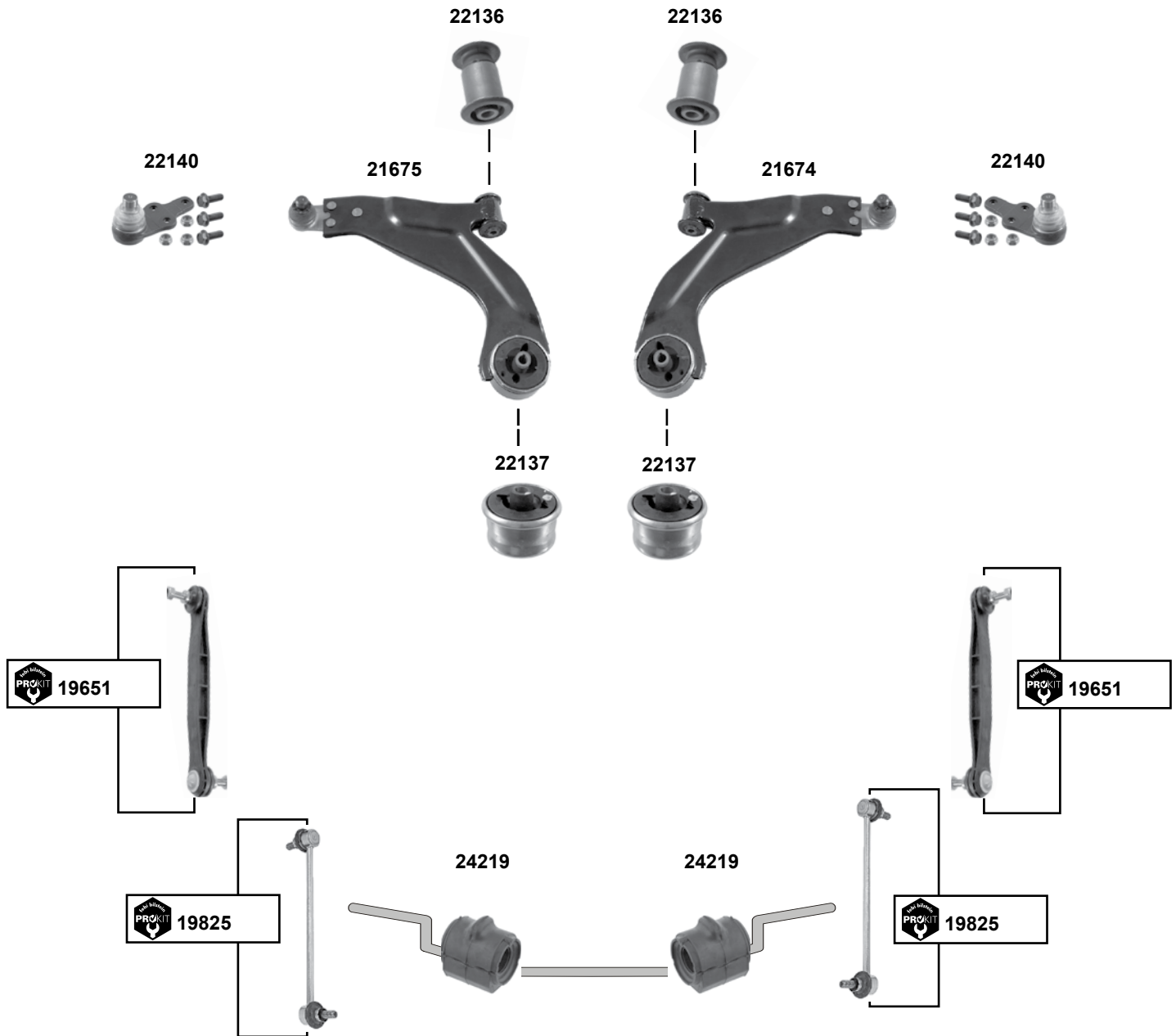
<b>12757</b>	4 119 193	Lenkmanschette / steering boot
<b>12807</b>	4 119 193 S1	Rep. Satz Lenkmanschette / rep. kit steering boot
<b>19879</b>	4 111 327	Spurstange / tie rod
<b>21849</b>	1 138 313	Spurstangenendstück / tie rod end
<b>37686</b>	4 111 327 S1	ProKit Spurstange / tie rod

L 356  
M10 x 1,25

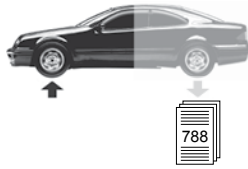


**Mondeo 01**  
(10/00 → 01/07)

Vorderachse / Front axle



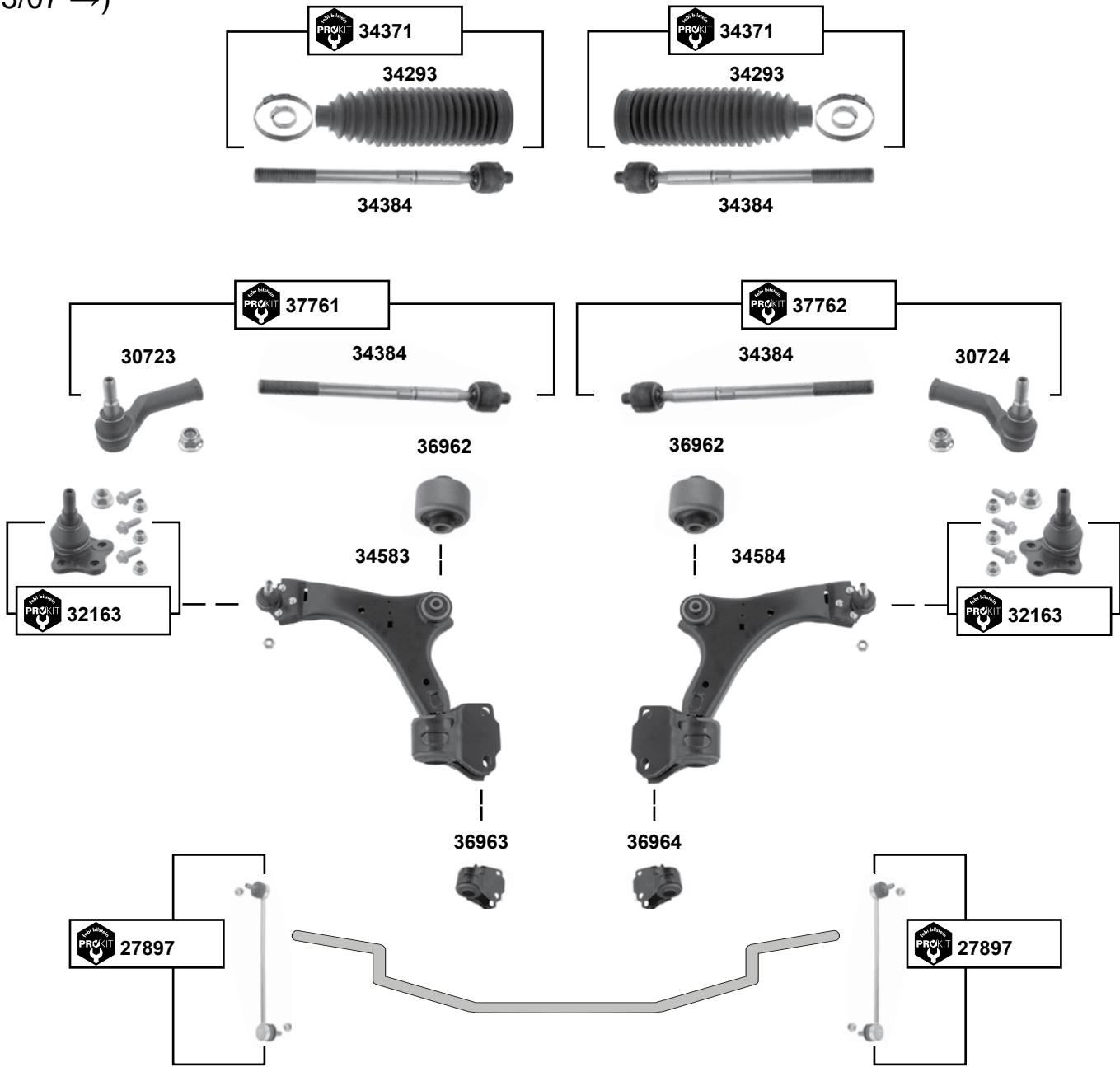
	Ref. - No.			
<b>19651</b>	1 219 697	ProKit Verbindungsstange / stabilizer link	Plastik / plastic	L 250
<b>19825</b>	1 127 646	ProKit Verbindungsstange / stabilizer link	Metall / metal	L 250
<b>21674</b>	1 311 416	Querlenker / control arm	(ex.) ST220	
<b>21675</b>	1 311 417	Querlenker / control arm	(ex.) ST220	
<b>22136</b>	1 311 416 S1	Querlenkerlager / control arm mount		
<b>22137</b>	1 311 416 S2	Querlenkerlager / control arm mount	Hydraulisch / hydraulic	
<b>22140</b>	1 679 376	Traggelenk / ball joint	(ex.) ST220	
<b>24219</b>	1 307 891	Stabilisatorlager / stabilizer mount	(ex.) ST220	I Ø 19



# Mondeo 07

(03/07 →)

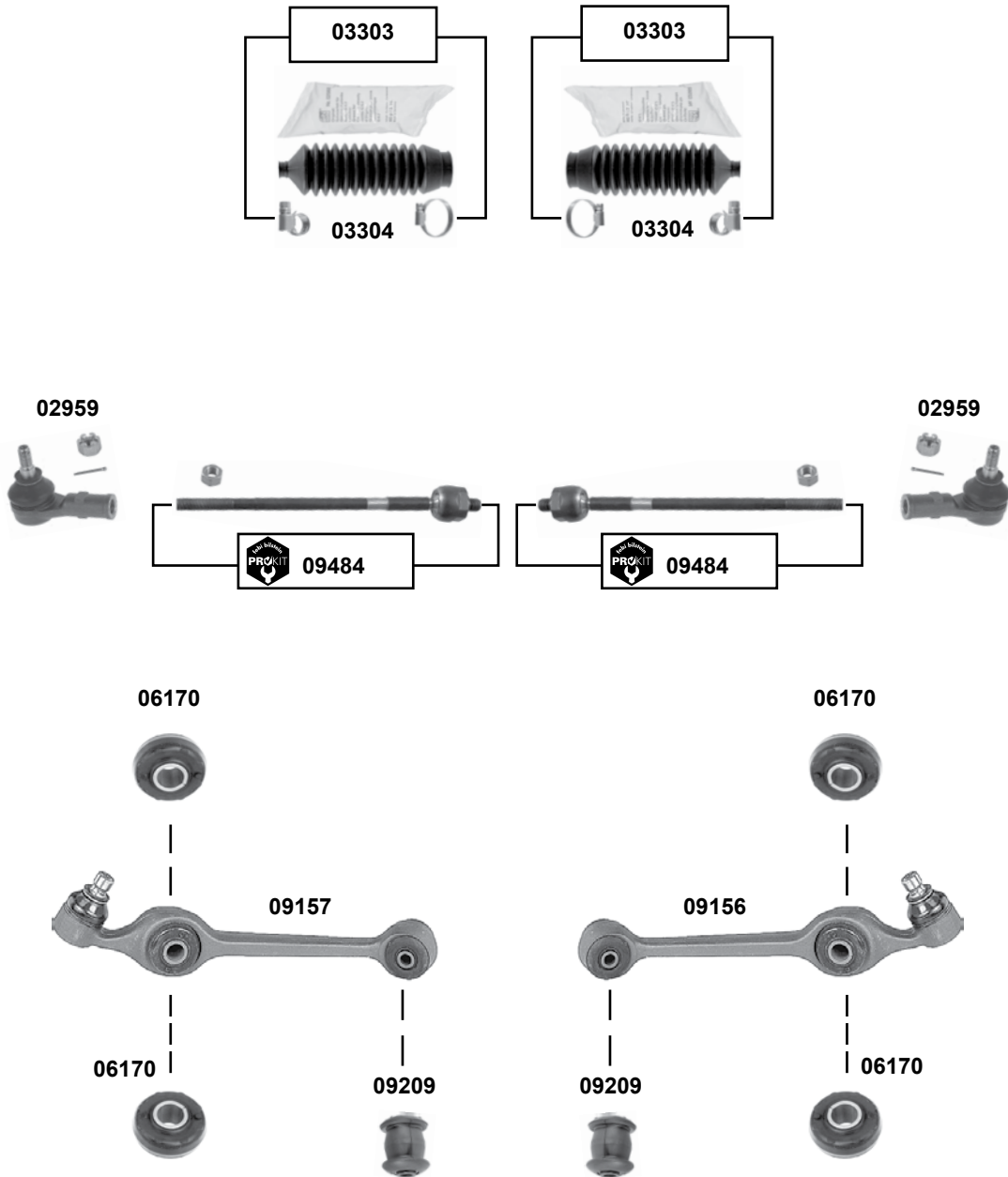
Vorderachse / Front axle



	Ref. - No.			
<b>27897</b>	1 377 849	ProKit Verbindungsstange / stabilizer link		L 300
<b>30723</b>	1 433 274	Spurstangenendstück / tie rod end		M18 x 1,5
<b>30724</b>	1 433 273	Spurstangenendstück / tie rod end		M18 x 1,5
<b>32163</b>	1 507 181 S1	ProKit Tragelenk / ball joint		M14 x 1,5
<b>34293</b>	1 433 372	Lenkmanschettensatz / steering boot kit		L 195
<b>34371</b>	1 596 574 S1	ProKit Axialgelenk / axial joint		
<b>34384</b>	1 596 574	Axialgelenk / axial joint		L 313
<b>34583</b>	1 507 182	Querlenker / control arm		
<b>34584</b>	1 507 181	Querlenker / control arm		
<b>36962</b>	1 507 182 S2	Querlenkerlager / control arm mount		Ø A 60
<b>36963</b>	1 507 182 S1	Querlenkerlager / control arm mount		
<b>36964</b>	1 507 181 S3	Querlenkerlager / control arm mount		
<b>37761</b>	1 596 574 S2	ProKit Spurstange / tie rod		
<b>37762</b>	1 596 574 S3	ProKit Spurstange / tie rod		



**Orion 83**  
(05/83 → 12/85)



Vorderachse / Front axle

	Ref. - No.			
<b>02959</b>	5 021 410	Spurstangenendstück / tie rod end		M10 x 1,25
<b>03303</b>	6 127 744 S1	Rep. Satz Lenkmanschette / rep. kit steering boot		
<b>03304</b>	6 127 744	Lenkmanschette / steering boot		
<b>06170</b>	1 652 910	Querlenkerlager / control arm mount		46x16,5x20
<b>09156</b>	6 087 888	Querlenker / control arm		
<b>09157</b>	6 087 889	Querlenker / control arm		
<b>09209</b>	6 087 890	Querlenkerlager / control arm mount		10x32/38x51
<b>09484</b>	6 185 334	ProKit Spurstange / tie rod		L 290

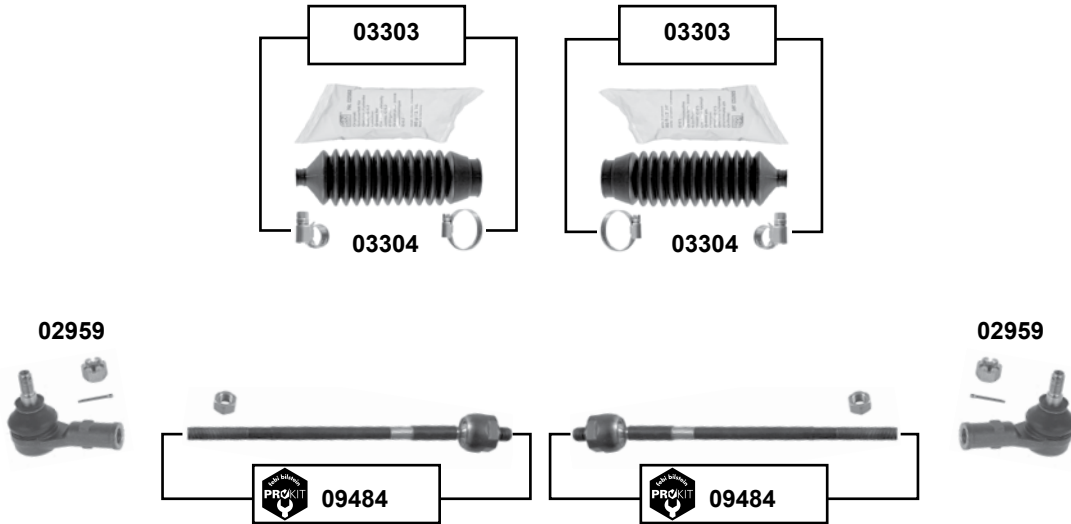




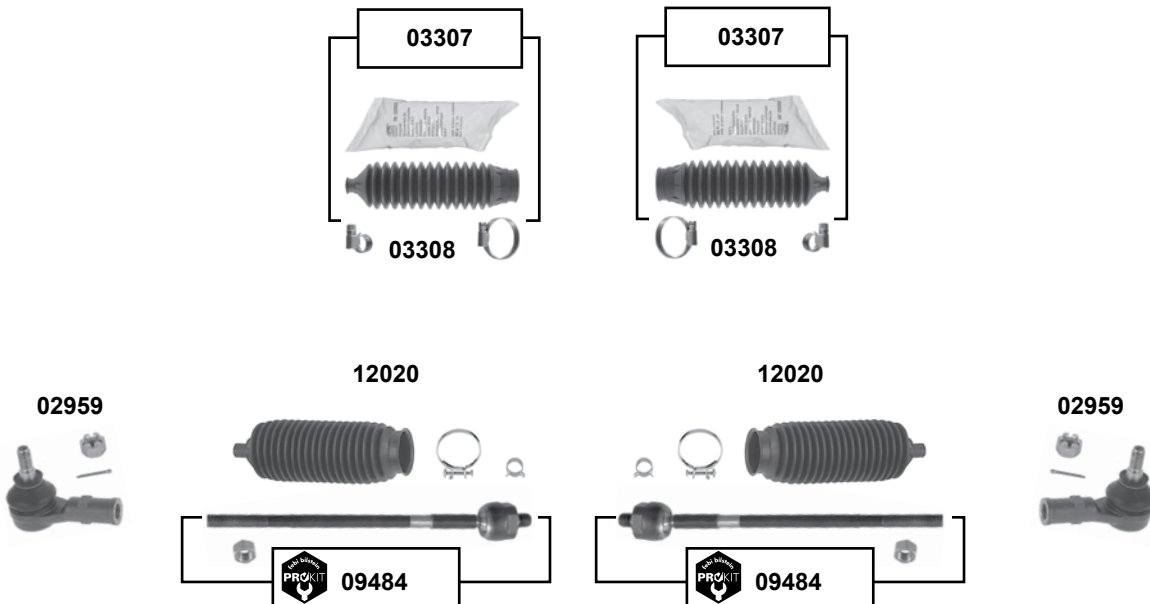
**Orion 86**

(01/86 → 07/90)

**01/86 → 11/88**



**12/88 → 07/90**



Ref. - No.



**02959**  
**03303**  
**03304**  
**03307**  
**03308**  
**09484**  
**12020**

5 021 410  
6 127 744 S1  
6 127 744  
6 935 233 S1  
6 935 233  
6 185 334  
1 652 651

Spurstangenendstück / tie rod end  
Rep. Satz Lenkmanschette / rep. kit steering boot  
Lenkmanschette / steering boot  
Rep. Satz Lenkmanschette / rep. kit steering boot  
Lenkmanschette / steering boot  
ProKit Spurstange / tie rod  
Axialgelenk / axial joint

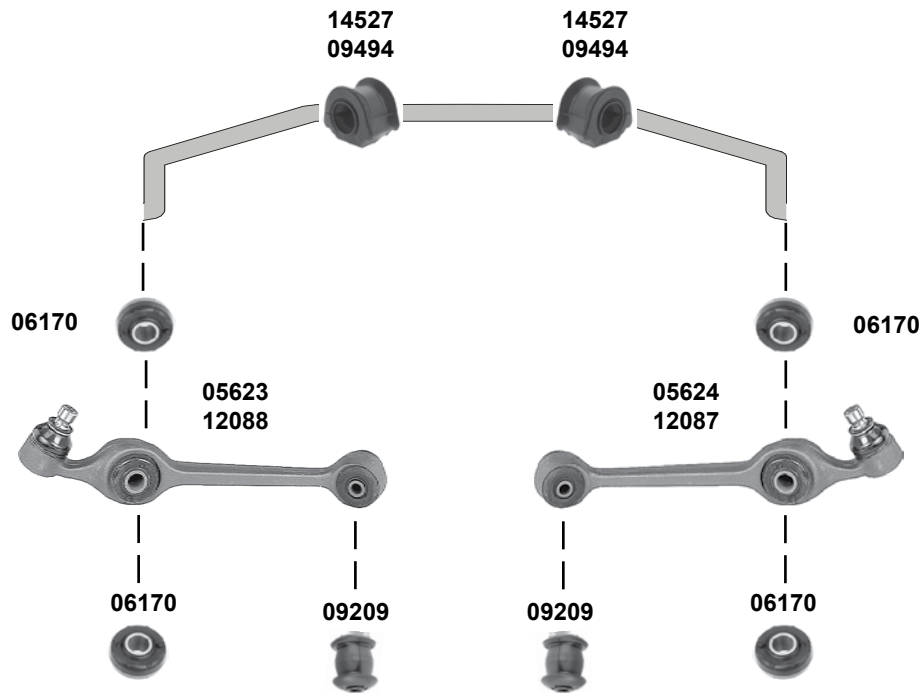
M10 x 1

L 290

Vorderachse / Front axle



**Orion 86**  
(01/86 → 07/90)



Vorderachse / Front axle

	Ref. - No.			
<b>05623</b>	5 021 459	Querlenker kompl. / control arm compl.		
<b>05624</b>	5 021 458	Querlenker kompl. / control arm compl.		
<b>06170</b>	1 652 910	Querlenkerlager / control arm mount		46x16,5x20
<b>09209</b>	6 087 890	Querlenkerlager / control arm mount		10x32/38x51
<b>09494</b>	1 634 901	Stabilisatorlager / stabilizer mount		Ø   24
<b>12087</b>	1 637 182	Querlenker / control arm		
<b>12088</b>	1 637 184	Querlenker / control arm		
<b>14527</b>	1 634 900	Stabilisatorlager / stabilizer mount		Ø   22

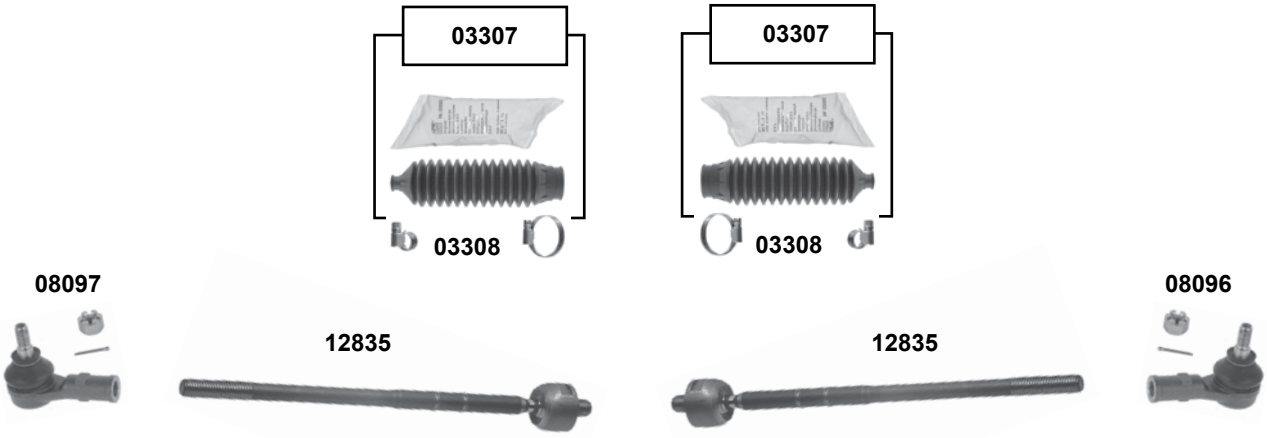


**Orion 91**

(08/90 → 02/99)

Vorderachse / Front axle

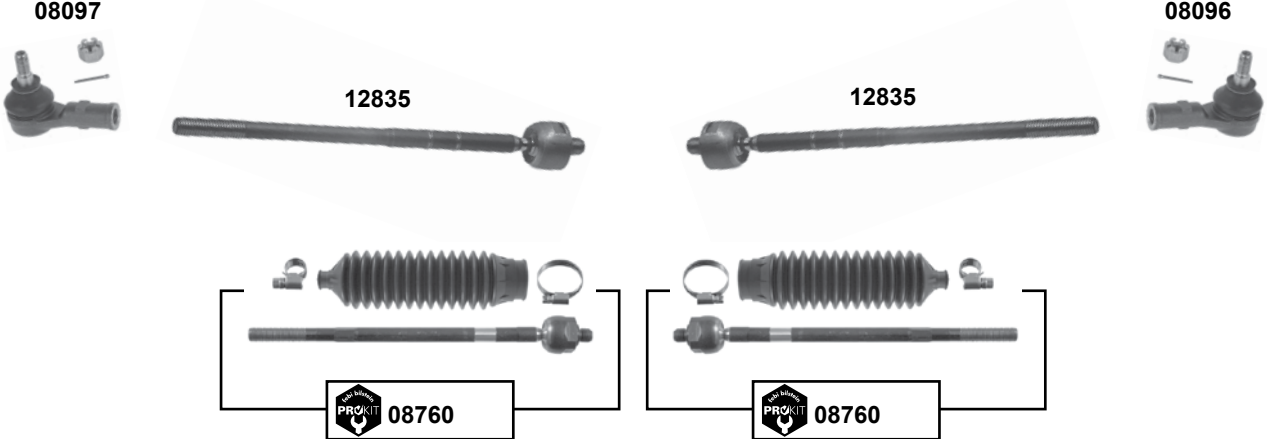
man.



servo TRW



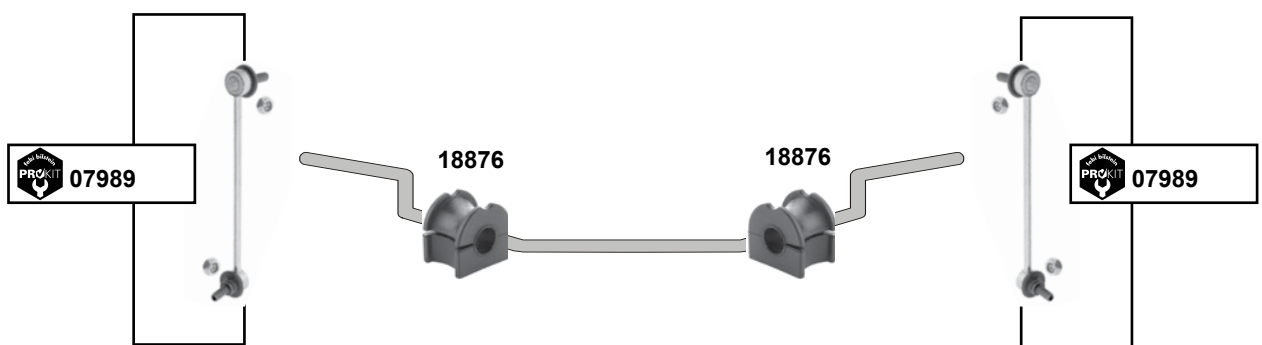
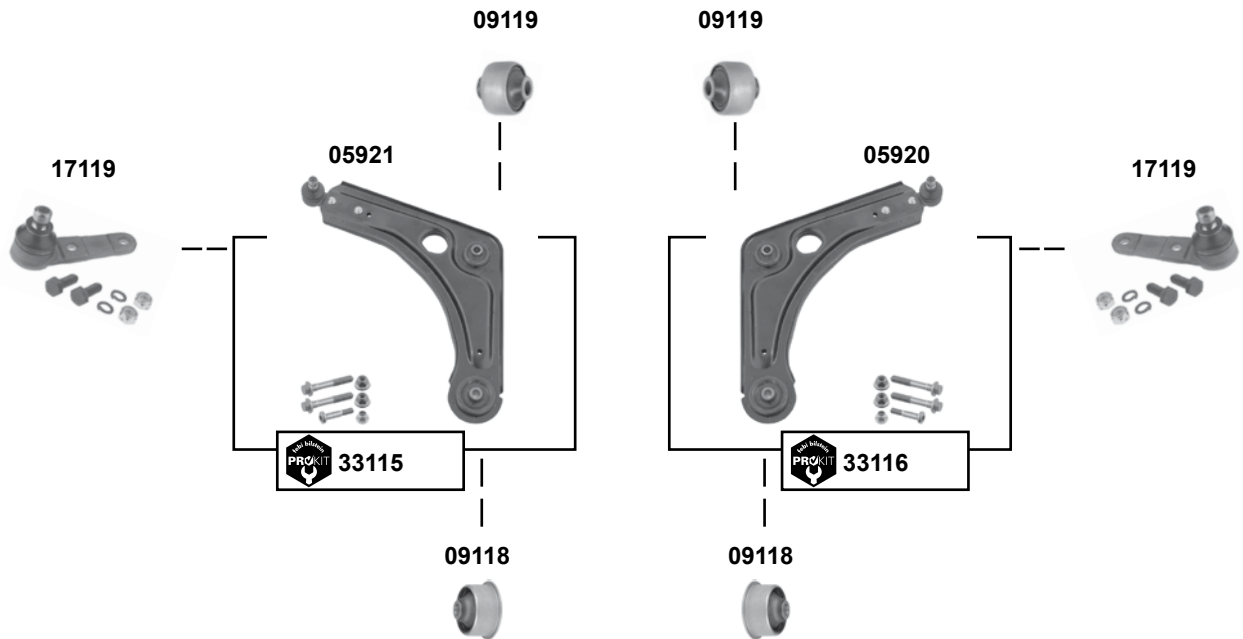
servo Wuefrath



	Ref. - No.			
<b>03307</b>	6 935 233 S1	Rep. Satz Lenkmanschette / rep. kit steering boot		
<b>03308</b>	6 935 233	Lenkmanschette / steering boot		
<b>08096</b>	1 015 546	Spurstangenendstück / tie rod end		M10 x 1,25
<b>08097</b>	1 015 547	Spurstangenendstück / tie rod end		M10 x 1,25
<b>08760</b>	6 180 350	ProKit Spurstange mit Lenkmanschette / tie rod with steering boot		
<b>10168</b>	6 197 238	Spurstange / tie rod		L 308
<b>12835</b>	1 024 130	Spurstange / tie rod		L 323



**Orion 91**  
(08/90 → 07/93)

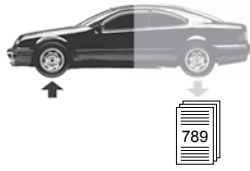


Vorderachse / Front axle

	Ref. - No.			
<b>05920</b>	1 058 279	Querlenker / control arm		
<b>05921</b>	1 058 280	Querlenker / control arm		
<b>07989</b>	1 135 077	ProKit Verbindungsstange / stabilizer link		L 238
<b>09118</b>	1 035 929	Querlenkerlager / control arm mount		12x54x46
<b>09119</b>	1 000 445	Querlenkerlager / control arm mount		12x46x46
<b>17119</b>	1 047 853	Traggelenk / ball joint		Ø A 17
<b>18876</b>	7 102 392	Stabilisatorlager / stabilizer mount		Ø I 16
<b>33115</b>	1 058 280 S1	ProKit Querlenker / control arm		
<b>33116</b>	1 058 279 S1	ProKit Querlenker / control arm		

passend für / to fit

**FORD**



**Car  
Division**



# Probe 91 / Probe 93

(10/92 → 07/97)

Vorderachse / Front axle



12905



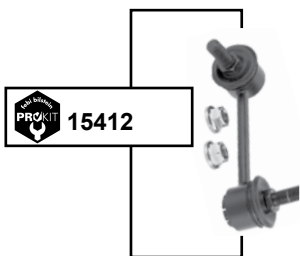
12905



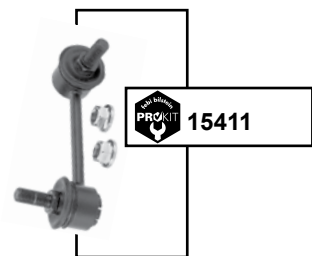
12909



12908



15412



15411



Ref. - No.



**12905**  
**12908**  
**12909**  
**15411**  
**15412**

3 405 915  
3 707 090  
3 703 255  
3 410 591  
3 410 592

Spurstangenendstück / tie rod end  
Querlenker / control arm  
Querlenker / control arm  
ProKit Verbindungsstange / stabilizer link  
ProKit Verbindungsstange / stabilizer link

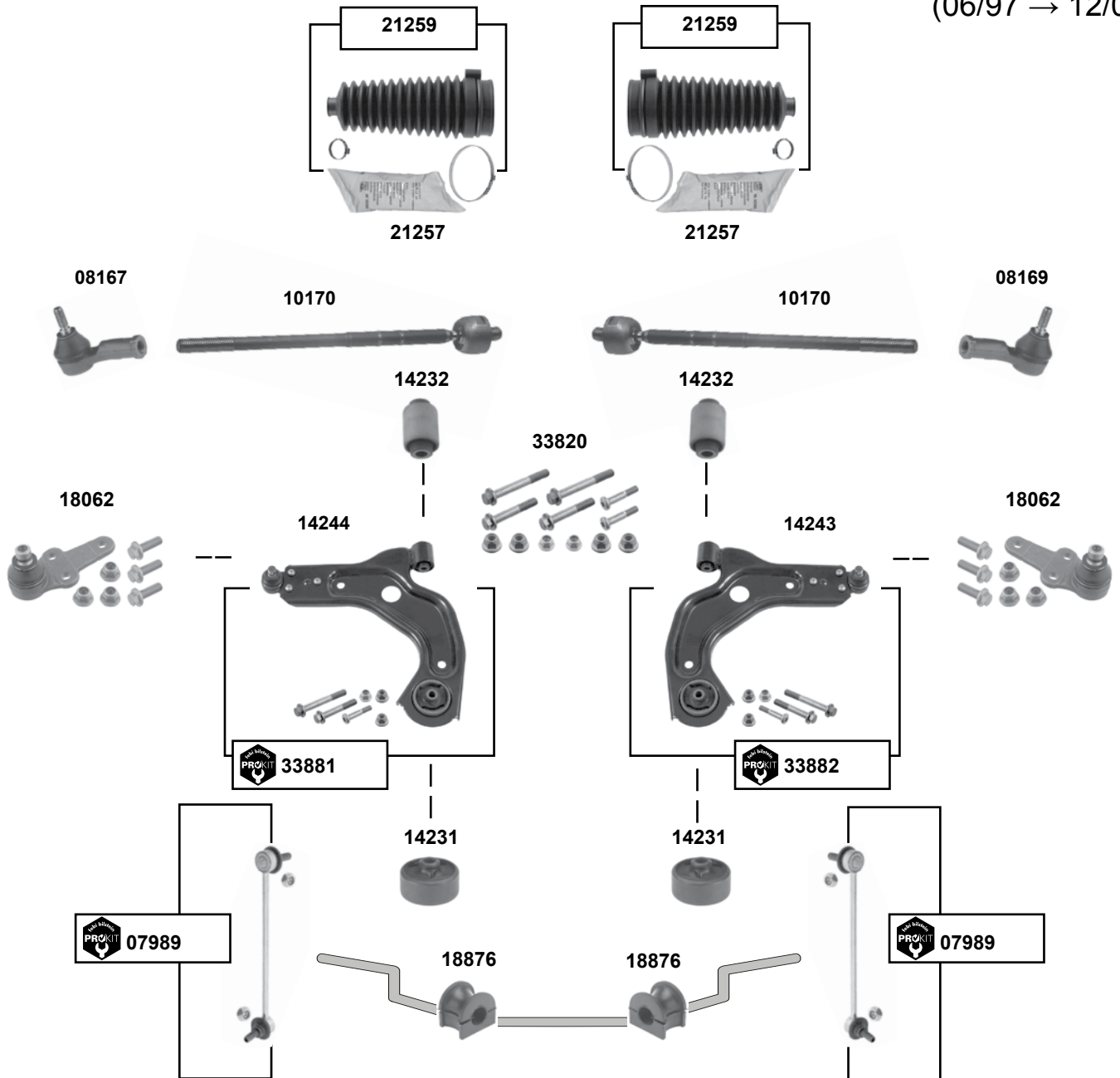
2,0 16V  
2,0 16V

L 105  
L 105



**Puma 97**  
(06/97 → 12/01)

Vorderachse / Front axle



Ref. - No.



Ref. - No.	Description	Dimensions
07989	ProKit Verbindungsstange / stabilizer link	L 238
08167	Spurstangenendstück / tie rod end	M10 x 1,25
08169	Spurstangenendstück / tie rod end	M10 x 1,25
10170	Spurstange / tie rod	L 320
14231	Querlenkerlager / control arm mount	12x66x50
14232	Querlenkerlager / control arm mount	12x37x62
14243	Querlenker / control arm	
14244	Querlenker / control arm	
18062	Traggelenk / ball joint	Ø A 16,5
18876	Stabilisatorlager / stabilizer mount	Ø I 16
21257	Lenkmanschette / steering boot	
21259	Lenkmanschette / steering boot	
33820	Schraubensatz für Querlenker / screw kit for control arm	
33881	ProKit Querlenker / control arm	
33882	ProKit Querlenker / control arm	



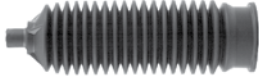
**Scorpio 85**

(02/85 → 10/94)

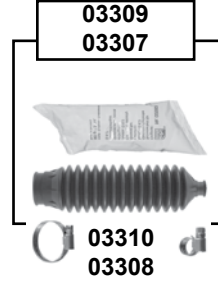
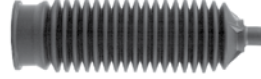
(ex.) 4WD

Vorderachse / Front axle

21959



21959



08767



08768



08768



08767



06172



04011



06172



06179



06172



04094



06179



06172



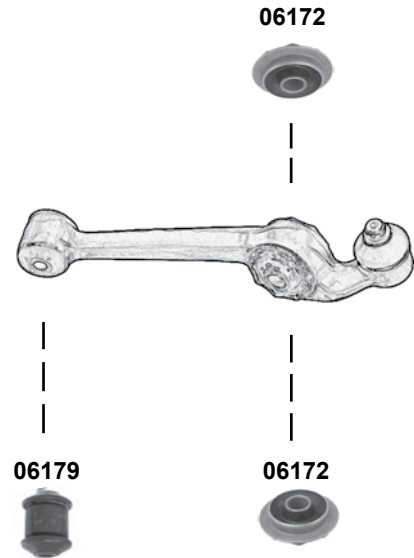
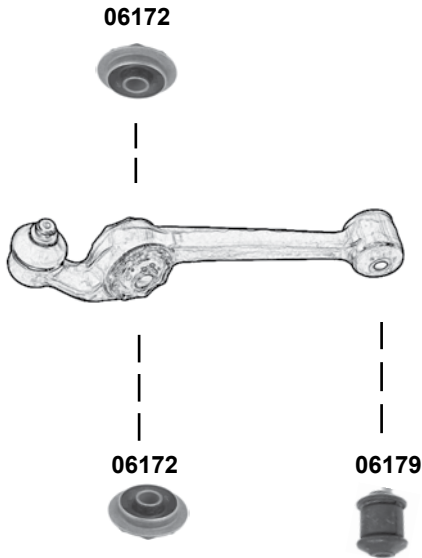
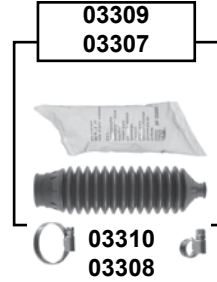
Ref. - No.



<b>03307</b>	6 935 233 S1	Rep. Satz Lenkmanschette / rep. kit steering boot	10/88 → 02/92 / man.	16x65x23 12x35x51 M10 x 1 L 310
<b>03308</b>	6 935 233	Lenkmanschette / steering boot	10/88 → 02/92 / man.	
<b>03309</b>	1 619 061 S1	Rep. Satz Lenkmanschette / rep. kit steering boot	→10/88 / man.	
<b>03310</b>	1 619 061	Lenkmanschette / steering boot	→10/88 / man.	
<b>04011</b>	5 021 465	Querlenker / control arm		
<b>04094</b>	5 021 464	Querlenker / control arm		
<b>06172</b>	1 656 752	Stabilisatorlager / stabilizer mount	02/89 →	
<b>06179</b>	6 192 705	Querlenkerlager / control arm mount		
<b>08767</b>	5 021 415	Spurstangenendstück / tie rod end		
<b>08768</b>	6 185 338	Spurstange / tie rod		
<b>21959</b>	6 182 818	Lenkmanschette / steering boot	servo.	



**Scorpio 85**  
(02/85 → 10/94)  
(ex.) 4WD



Vorderachse / Front axle

	Ref. - No.			
<b>03307</b>	6 935 233 S1	Rep. Satz Lenkmanschette / rep. kit steering boot	10/88 → 02/92 / man.	
<b>03308</b>	6 935 233	Lenkmanschette / steering boot	10/88 → 02/92 / man.	
<b>03309</b>	1 619 061 S1	Rep. Satz Lenkmanschette / rep. kit steering boot	→10/88 / man.	
<b>03310</b>	1 619 061	Lenkmanschette / steering boot	→10/88 / man.	
<b>06172</b>	1 656 752	Stabilisatorlager / stabilizer mount	02/89 →	16x65x23
<b>06179</b>	6 192 705	Querlenkerlager / control arm mount		12x35x51
<b>06301</b>	5 021 413	Spurstangenendstück / tie rod end		M10 x 1
<b>06302</b>	5 021 414	Spurstangenendstück / tie rod end		M10 x 1
<b>08768</b>	6 185 338	Spurstange / tie rod		L 310

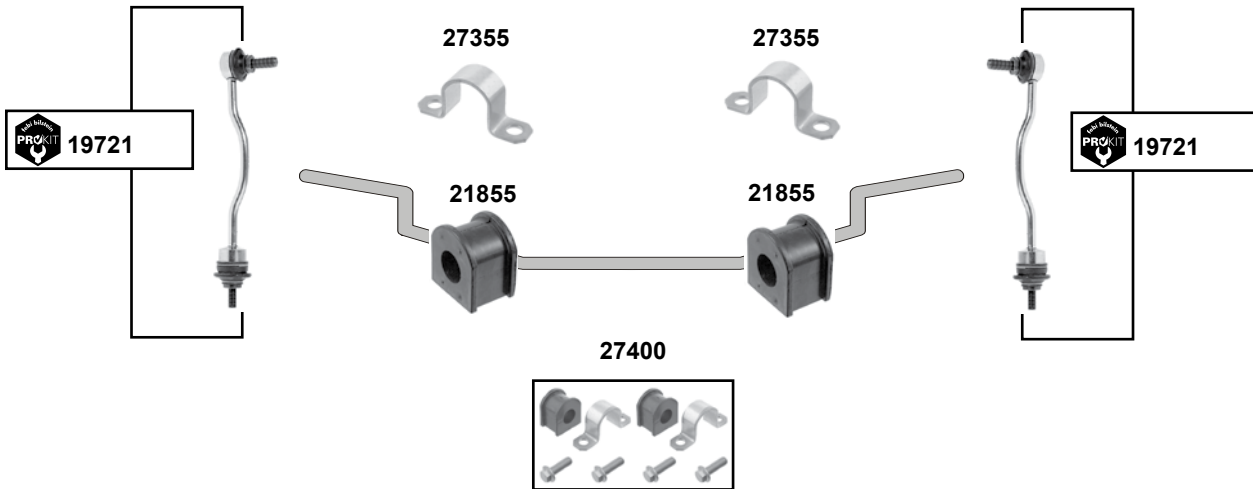
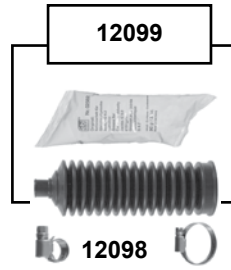




# Scorpio 95

(10/94 → 07/98)

Vorderachse / Front axle



(1) (mot.) D 2.5 Turbo / DH 2.0 / TV 2.9 (ex.) Cosworth

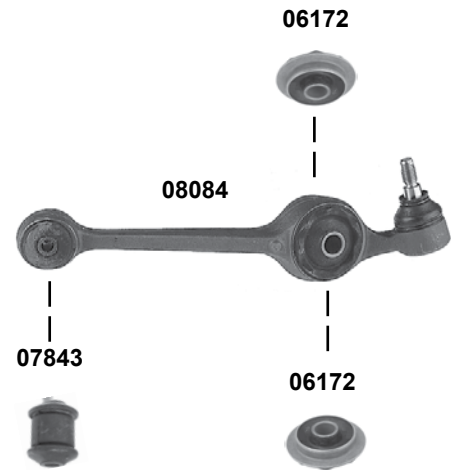
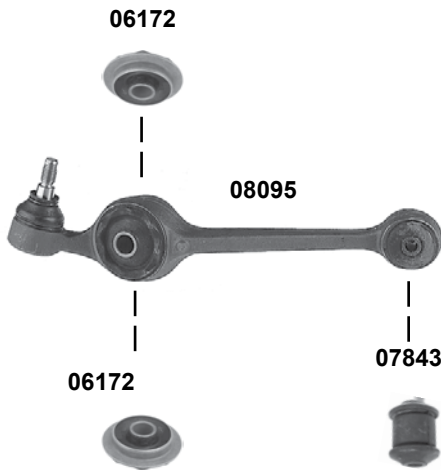
	Ref. - No.			
<b>10590</b>	5 030 221	Spurstangenendstück / tie rod end		M10 x 1
<b>10591</b>	5 030 222	Spurstangenendstück / tie rod end		M10 x 1
<b>12098</b>	1 011 665	Lenkmanschette / steering boot		
<b>12099</b>	1 011 665 S1	Rep. Satz Lenkmanschette / rep. kit steering boot		
<b>12638</b>	1 029 836	Spurstange / tie rod		L 310
<b>19721</b>	1 217 036	ProKit Verbindungsstange / stabilizer link		L 221
<b>21855</b>	1 128 725	Stabilisatorlager / stabilizer mount	(1)	I Ø 19
<b>27355</b>	1 125 699	Befestigungsbügel / attachment bracket	(1)	I Ø 11,5
<b>27400</b>	1 125 725 S1	Stabilisatorlagersatz / stabilizer mount kit	(1)	I Ø 11,5



**Sierra 83**

(08/82 → 12/86)

(ex.) 4 WD / (ex.) 2.0 Cosworth



Vorderachse / Front axle

	Ref. - No.			
<b>03309</b>	1 619 061 S1	Rep. Satz Lenkmanschette / rep. kit steering boot	man.	L 300 16x65x23 M10 x 1 M10 x 1 10x32x51
<b>03310</b>	1 619 061	Lenkmanschette / steering boot	man.	
<b>05682</b>	6 185 336	Spurstange / tie rod		
<b>06172</b>	1 656 752	Stabilisatorlager / stabilizer mount		
<b>06301</b>	5 021 413	Spurstangenendstück / tie rod end		
<b>06302</b>	5 021 414	Spurstangenendstück / tie rod end		
<b>07843</b>	1 619 120	Querlenkerlager / control arm mount		
<b>08084</b>	5 021 460	Querlenker kompl. / control arm compl.		
<b>08095</b>	5 021 461	Querlenker kompl. / control arm compl.		

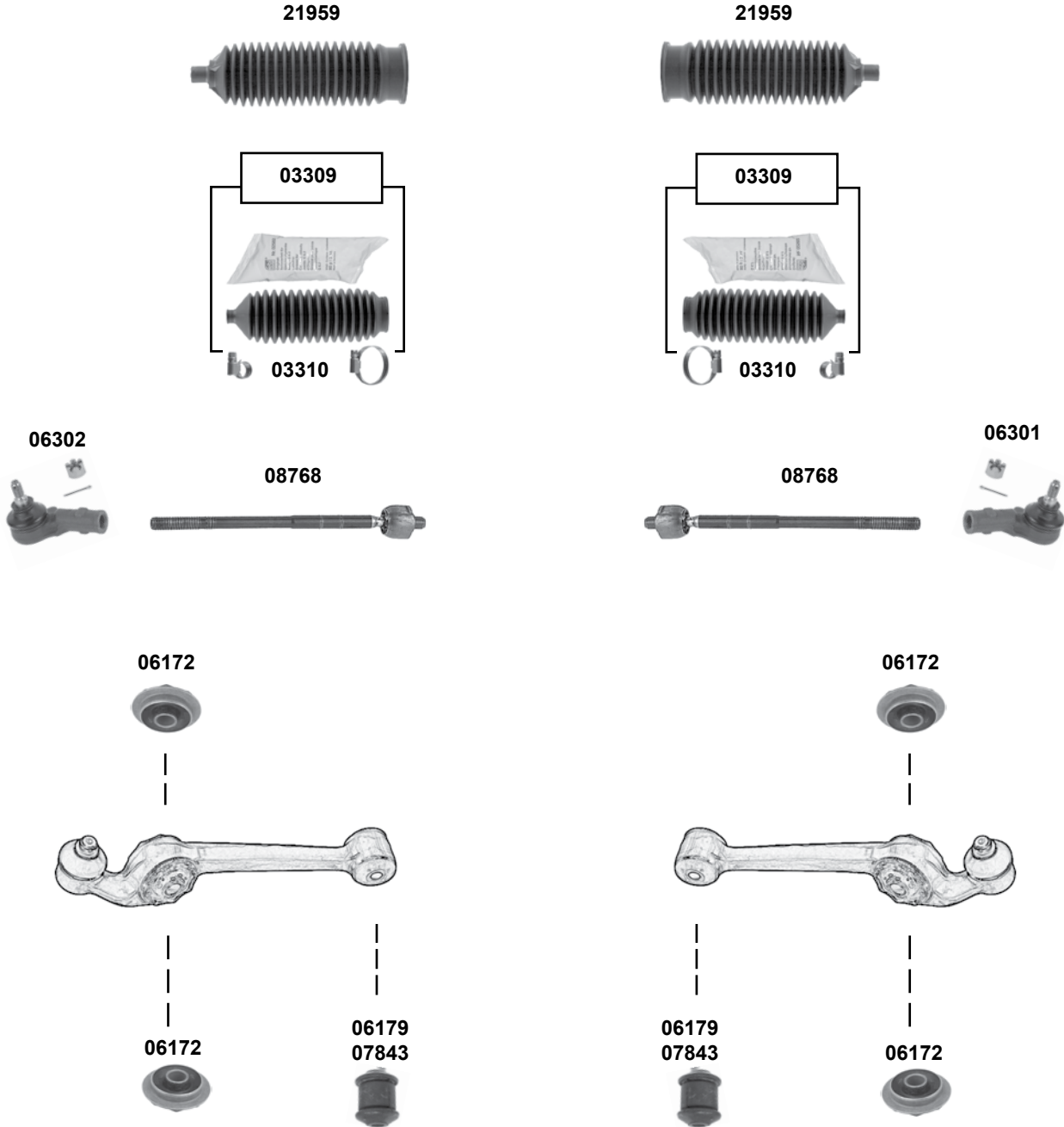


**Sierra 83**

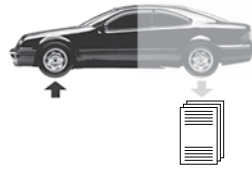
(08/82 → 12/86)

**4WD / (ex.) 2.0 Cosworth**

Vorderachse / Front axle



Ref. - No.	Part Description	Notes	Dimensions
<b>03309</b>	1 619 061 S1	Rep. Satz Lenkmanschette / rep. kit steering boot	
<b>03310</b>	1 619 061	Lenkmanschette / steering boot	
<b>06172</b>	1 656 752	Stabilisatorlager / stabilizer mount	16x65x23
<b>06179</b>	6 192 705	Querlenkerlager / control arm mount	12x35x51
<b>06301</b>	5 021 413	Spurstangenendstück / tie rod end	M10 x 1
<b>06302</b>	5 021 414	Spurstangenendstück / tie rod end	M10 x 1
<b>07843</b>	1 619 120	Querlenkerlager / control arm mount	12x35x51
<b>08768</b>	6 185 338	Spurstange / tie rod	L 310
<b>21959</b>	6 182 818	Lenkmanschette / steering boot	

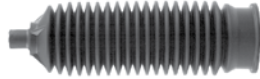


**Sierra 87**

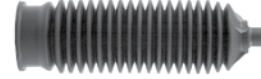
(01/87 → 02/93)

**4WD / (ex.) 2.0 Cosworth**

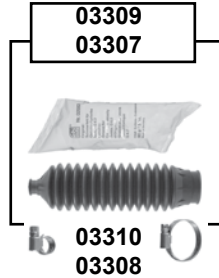
21959



21959



03309  
03307



03310  
03308

03309  
03307



03310  
03308

06302



05682  
12639



05682  
12639



06301



06172



08095



06172



06179  
07843



06172



08084



06179  
07843



Vorderachse / Front axle



Ref. - No.



<b>03307</b>	6 935 233 S1	Rep. Satz Lenkmanschette / rep. kit steering boot	10/88 → / man.	L 300 16x65x23 12x35x51 M10 x 1 M10 x 1 10x32x51
<b>03308</b>	6 935 233	Lenkmanschette / steering boot	10/88 → / man.	
<b>03309</b>	1 619 061 S1	Rep. Satz Lenkmanschette / rep. kit steering boot	→10/88 / man.	
<b>03310</b>	1 619 061	Lenkmanschette / steering boot	→10/88 / man.	
<b>05682</b>	6 185 336	Spurstange / tie rod	servo.	
<b>06172</b>	1 656 752	Stabilisatorlager / stabilizer mount		
<b>06179</b>	6 192 705	Querlenkerlager / control arm mount		
<b>06301</b>	5 021 413	Spurstangenendstück / tie rod end		
<b>06302</b>	5 021 414	Spurstangenendstück / tie rod end		
<b>07843</b>	1 619 120	Querlenkerlager / control arm mount		
<b>08084</b>	5 021 460	Querlenker kompl. / control arm compl.		
<b>08095</b>	5 021 461	Querlenker kompl. / control arm compl.		
<b>12639</b>	6 185 335	Spurstange / tie rod	man.	L 273
<b>21959</b>	6 182 818	Lenkmanschette / steering boot	servo.	

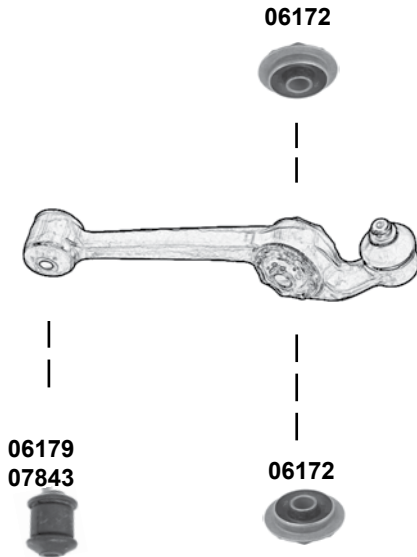
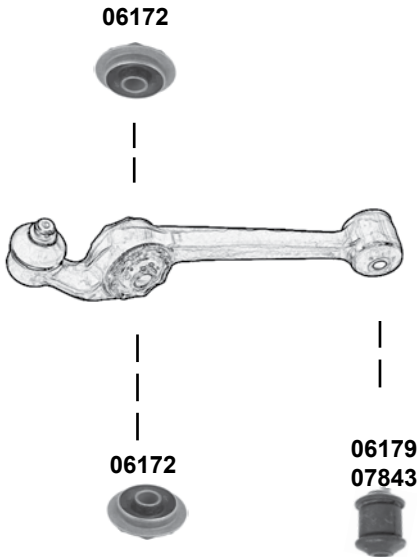


**Sierra 87**

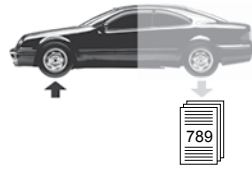
(01/87 → 02/93)

**4WD / 2.0 Cosworth**

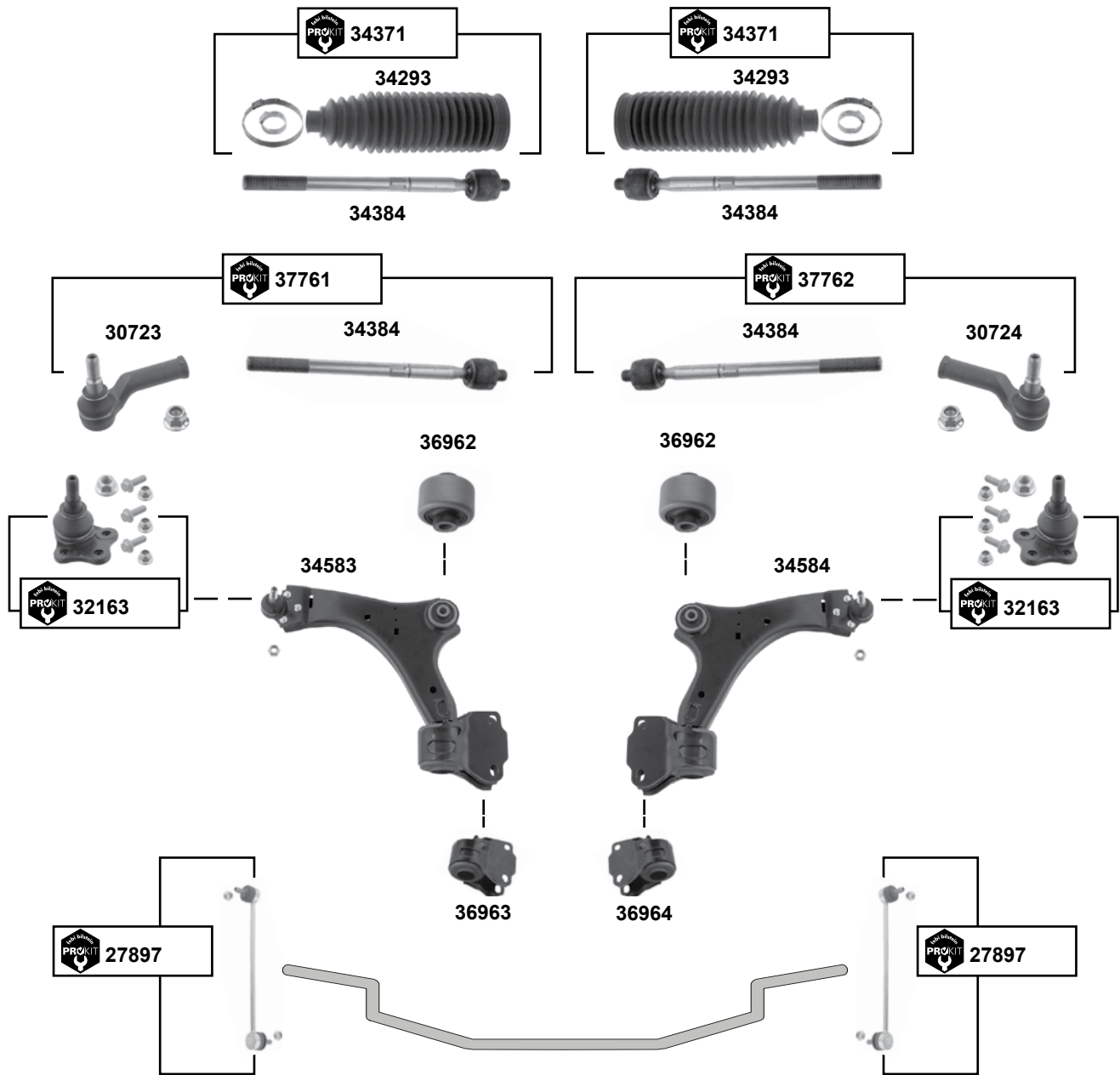
Vorderachse / Front axle



	Ref. - No.			
<b>03309</b>	1 619 061 S1	Rep. Satz Lenkmanschette / rep. kit steering boot	man.	16x65x23 12x35x51 M10 x 1 M10 x 1 12x35x51 L 310
<b>03310</b>	1 619 061	Lenkmanschette / steering boot	man.	
<b>06172</b>	1 656 752	Stabilisatorlager / stabilizer mount		
<b>06179</b>	6 192 705	Querlenkerlager / control arm mount		
<b>06301</b>	5 021 413	Spurstangenendstück / tie rod end		
<b>06302</b>	5 021 414	Spurstangenendstück / tie rod end		
<b>07843</b>	1 619 120	Querlenkerlager / control arm mount		
<b>08768</b>	6 185 338	Spurstange / tie rod		



**S-Max 06**  
(03/06 →)



Vorderachse / Front axle



Ref. - No.



Ref. - No.			
27897	1 377 849	ProKit Verbindungsstange / stabilizer link	L 300
30723	1 433 274	Spurstangenendstück / tie rod	M18 x 1,5
30724	1 433 273	Spurstangenendstück / tie rod	M18 x 1,5
32163	1 507 181 S1	ProKit Tragelenk / ball joint	M14 x 1,5
34293	1 433 372	Lenkmanschetzensatz / steering boot kit	L 195
34371	1 596 574 S1	ProKit Axialgelenk / axial joint	
34384	1 596 574	Axialgelenk / axial joint	L 313
34583	1 507 182	Querlenker / control arm	
34584	1 507 181	Querlenker / control arm	
36962	1 507 182 S2	Querlenkerlager / control arm mount	Ø A 60
36963	1 507 182 S1	Querlenkerlager / control arm mount	
36964	1 507 181 S3	Querlenkerlager / control arm mount	
37761	1 596 574 S2	ProKit Spurstange / tie rod	
37762	1 596 574 S3	ProKit Spurstange / tie rod	

passend für / to fit

**FORD**

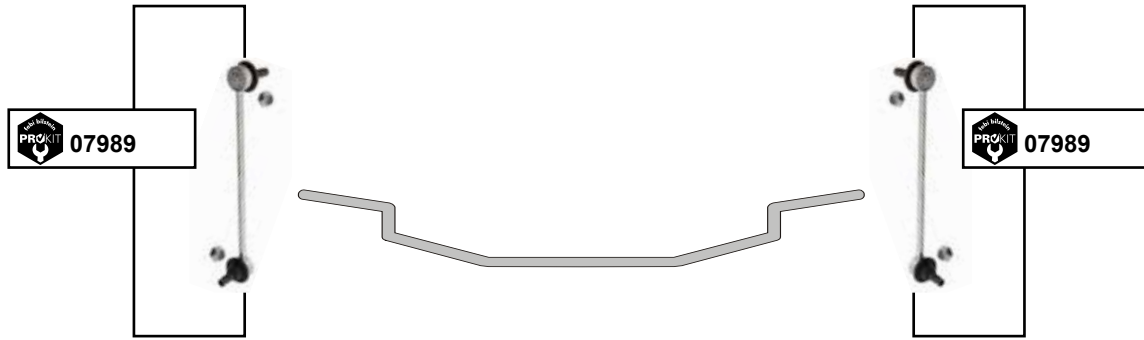


**Car  
Division**



## Street KA

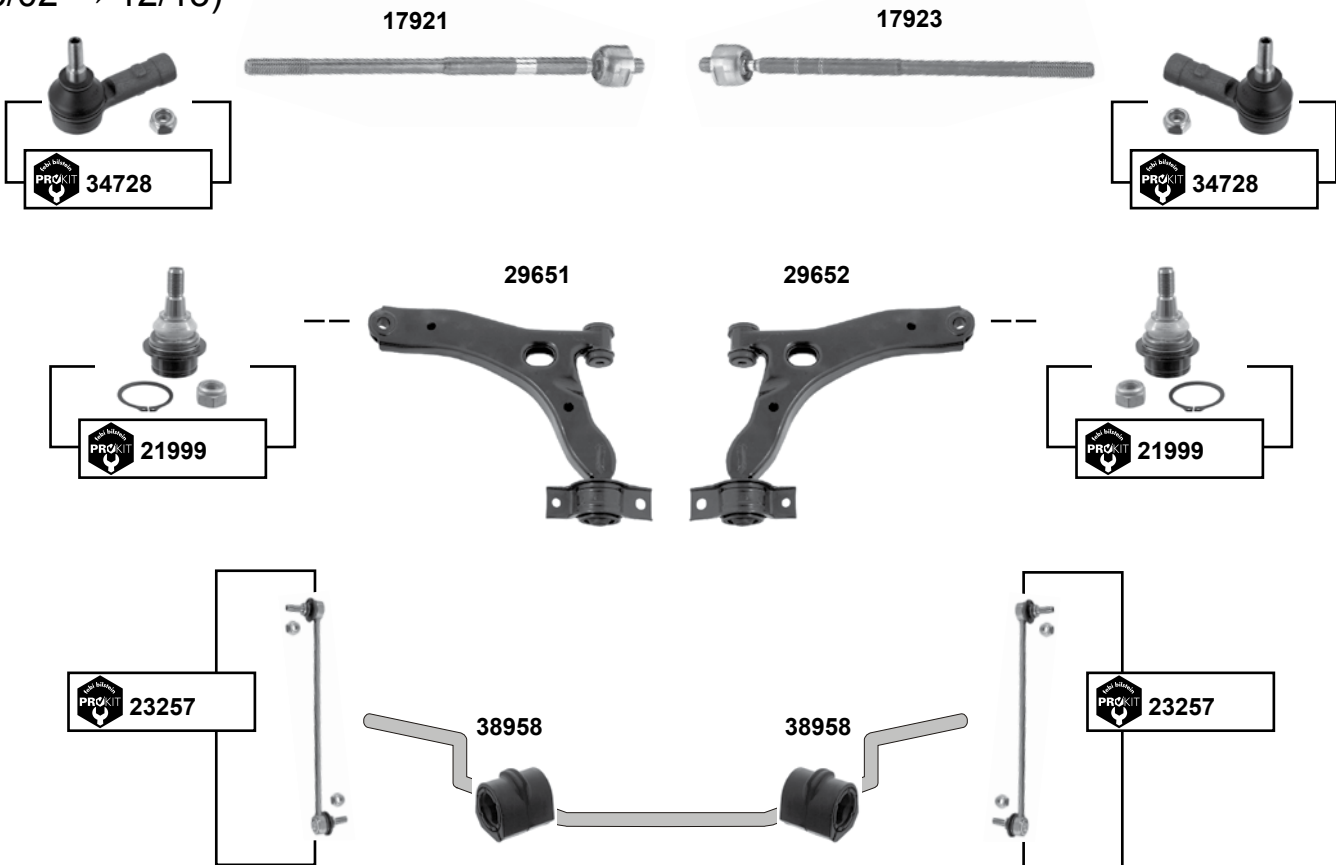
(12/02 → 12/05)



Vorderachse / Front axle

## Tourneo Connect 02

(05/02 → 12/13)

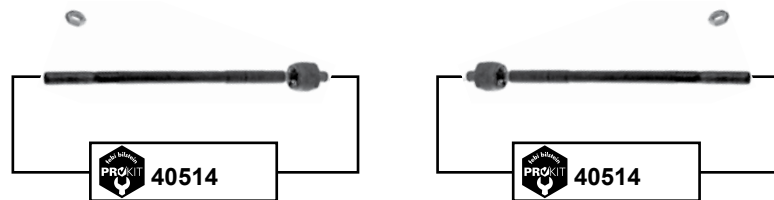


	Ref. - No.			
<b>07989</b>	1 130 273	ProKit Verbindungsstange / connecting rod		L 238
<b>17921</b>	1 085 520	Axialgelenk / axial joint		
<b>17923</b>	3 707 333	Axialgelenk / axial joint		
<b>21999</b>	1 451 914	ProKit Traggelenk / ball joint		M16 x 1,5
<b>23257</b>	1 332 453	ProKit Verbindungsstange / stabilizer link		L 238
<b>29651</b>	1 355 050	Querlenker / control arm		
<b>29652</b>	1 355 048	Querlenker / control arm		
<b>34728</b>	4 381 840	ProKit Spurstangenendstück / tie rod end		M14 x 2
<b>38958</b>	4 419 559	Stabilisatorlager / stabilizer mount		Ø I 25,5



## Tourneo Custom 13

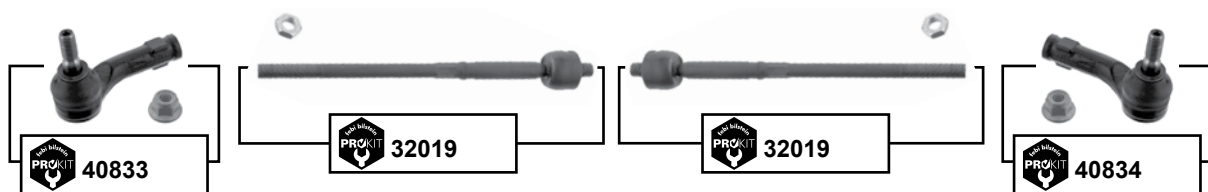
(09/12 →)



Vorderachse / Front axle

## Tourneo Courier 14

(04/14 →)



Ref. - No.



<b>32019</b>	1 545 457	ProKit Spurstange / tie rod	L 295 M14x1,5
<b>40514</b>	1 763 991 SK	ProKit Axialgelenk / axial joint	L 382
<b>40833</b>	1 545 339	ProKit Spurstangenendstück / tie rod end	L 94 M14x1,5
<b>40834</b>	1 545 338	ProKit Spurstangenendstück / tie rod end	L 94 M14x1,5



passend für / to fit

**FORD**

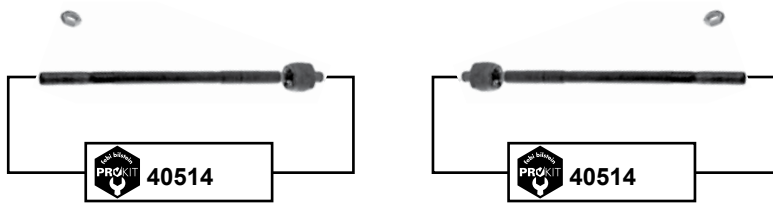


**Car  
Division**



# Transit Custom 13

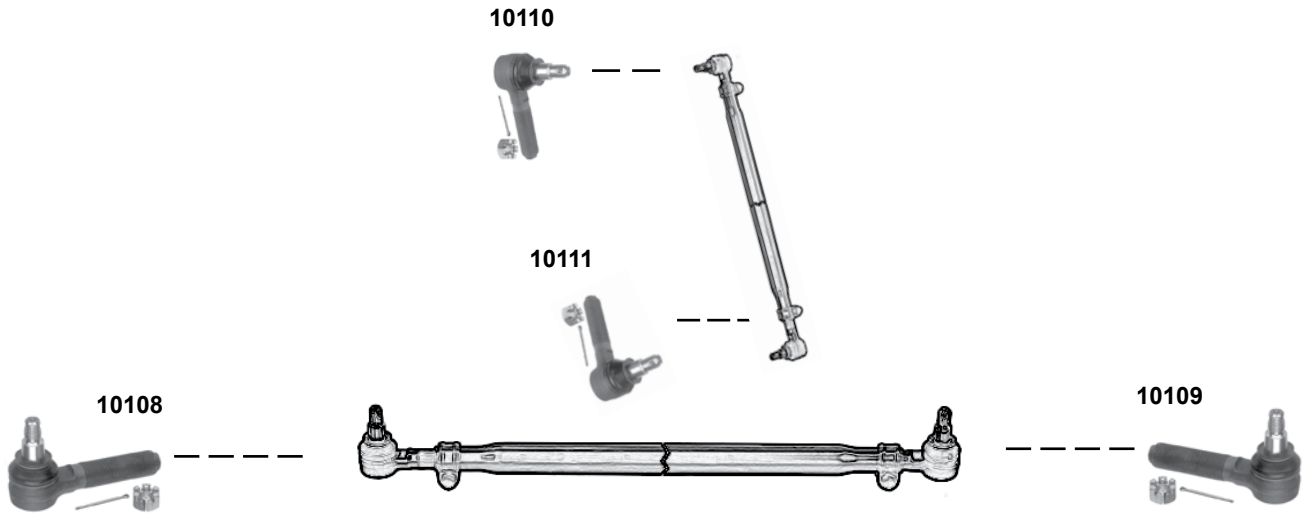
(09/12 →)



Vorderachse / Front axle

# Transit 66 → Transit 84

(08/65 → 12/85)



Ref. - No.

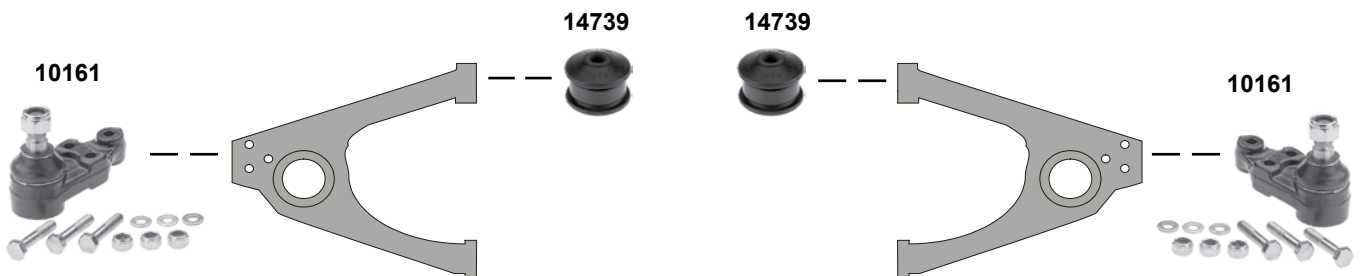
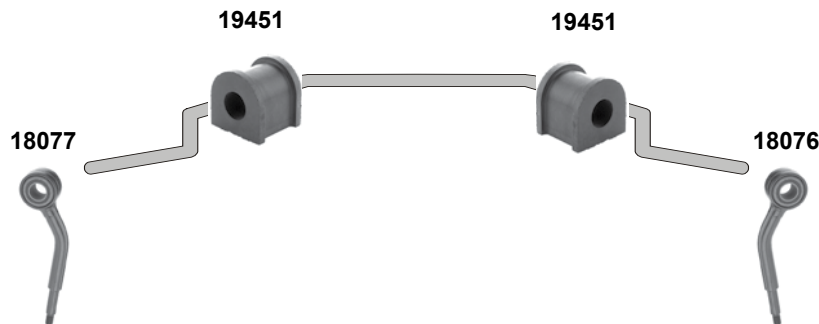
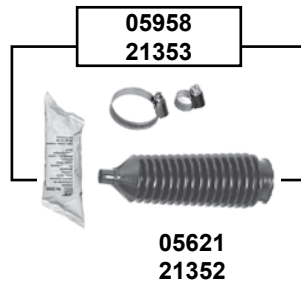


<b>10108</b>	5 021 423	Spurstangenendstück / tie rod end	M20x1,5 RHT
<b>10109</b>	5 021 424	Spurstangenendstück / tie rod end	M20x1,5 LHT
<b>10110</b>	5 021 440	Lenkstangenendstück / drag link end	M18x1,5 RHT
<b>10111</b>	5 021 441	Lenkstangenendstück / drag link end	M18x1,5 LHT
<b>40514</b>	1 763 991 SK	ProKit Axialgelenk / axial joint	L 382



**Transit 86**  
(12/85 → 08/91)

( axle ) 80 → 120



Vorderachse / Front axle

	Ref. - No.			
05621	6 160 070	Lenkmanschette / steering boot	man.	M16x1,5 RHT L 395 15x52/60x27
05958	6 160 070 S1	Rep. Satz Lenkmanschette / rep. kit steering boot	man.	
10161	5 021 430	Rep. Satz Traggelenk / ball joint		
10163	6 172 643	Spurstangenendstück / tie rod end		
12567	6 156 463	Spurstange / tie rod		
14739	6 608 818	Querlenkerlager / control arm mount		
18076	6 150 970	Verbindungsstange / stabilizer link		
18077	6 150 971	Verbindungsstange / stabilizer link		
19451	6 150 977	Stabilisatorlager / stabilizer mount		
21352	6 869 950	Lenkmanschette / steering boot	servo.	
21353	6 869 950 S1	Rep. Satz Lenkmanschette / rep. kit steering boot	servo.	

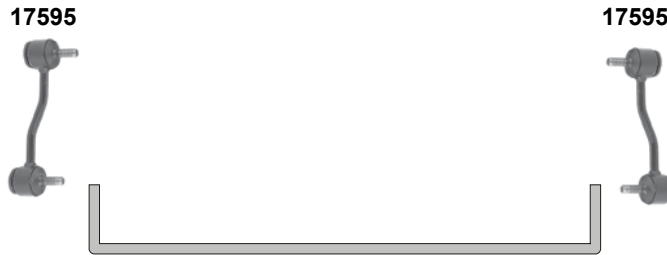
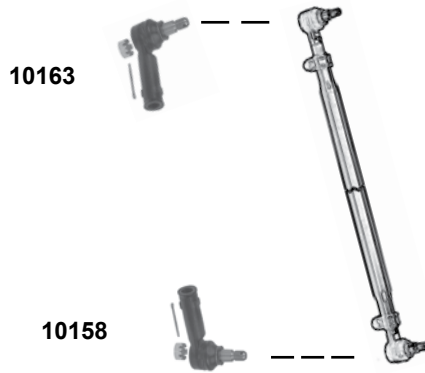


**Transit 86**

(12/85 → 08/87)

( axle ) 130 → 190A, 100L

Vorderachse / Front axle

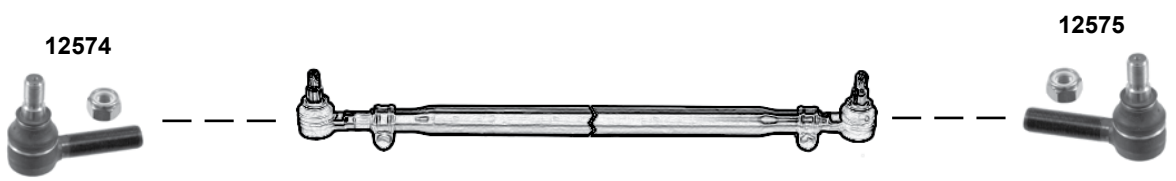
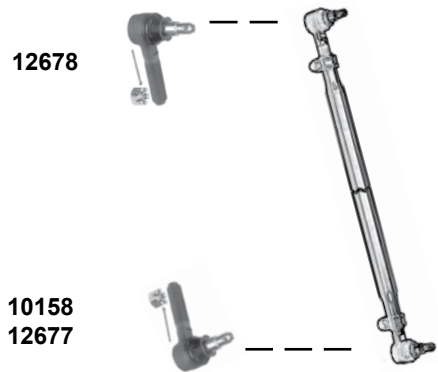


	Ref. - No.			
<b>10156</b>	6 792 901	Spurstangenendstück / tie rod end	12/86 →	M20x1,5 LHT
<b>10157</b>	6 172 639	Spurstangenendstück / tie rod end		M20x1,5 RHT
<b>10158</b>	6 172 648	Lenkstangenendstück / drag link end		LHT
<b>10163</b>	6 172 643	Lenkstangenendstück / drag link end		M16x1,5 RHT
<b>17595</b>	6 158 242	Verbindungsstange / stabilizer link		



**Transit 86**  
(08/87 → 08/91)

( axle ) 130 → 190A, 100L



Vorderachse / Front axle

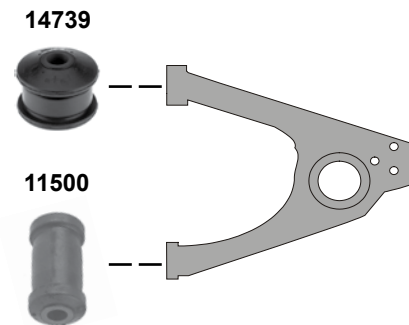
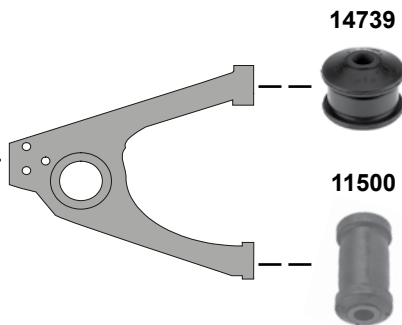
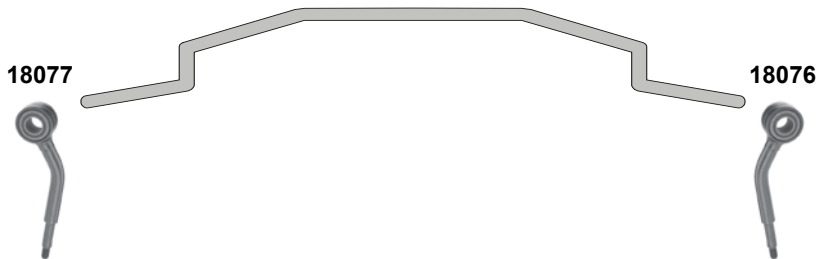
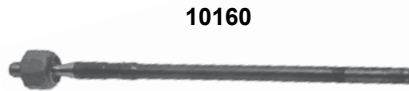
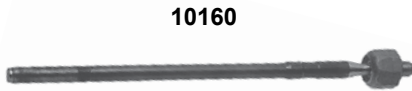
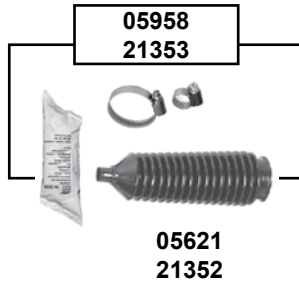
	Ref. - No.			
<b>10158</b>	6 172 648	Lenkstangenendstück / drag link end	man.	M16x1,5 LHT
<b>12574</b>	5 021 446	Spurstangenendstück / tie rod end		M20x1,5 RHT
<b>12575</b>	5 021 447	Spurstangenendstück / tie rod end		M20x1,5 LHT
<b>12677</b>	6 589 457	Lenkstangenendstück / drag link end	servo.	M16x1,5 LHT
<b>12678</b>	6 589 456	Lenkstangenendstück / drag link end		M16x1,5 LHT
<b>17595</b>	6 158 242	Verbindungsstange / stabilizer link		



**Transit 92**

(08/91 → 08/94)

( axle ) 80 → 120



Ref. - No.



<b>05621</b>	6 160 070
<b>05958</b>	6 160 070 S1
<b>10159</b>	1 047 145
<b>10160</b>	6 869 951
<b>10162</b>	1 055 194
<b>11500</b>	6 517 356
<b>14739</b>	6 608 818
<b>18076</b>	6 150 970
<b>18077</b>	6 150 971
<b>21352</b>	6 869 950
<b>21353</b>	6 869 950 S1

Lenkmanschette / steering boot
Rep. Satz Lenkmanschette / rep. kit steering boot
Spurstangenendstück / tie rod end
Spurstange / tie rod
Traggelenk / ball joint
Querlenkerlager / control arm mount
Querlenkerlager / control arm mount
Verbindungsstange / stabilizer link
Verbindungsstange / stabilizer link
Lenkmanschette / steering boot
Rep. Satz Lenkmanschette / rep. kit steering boot

man.   
man.

servo.   
servo.

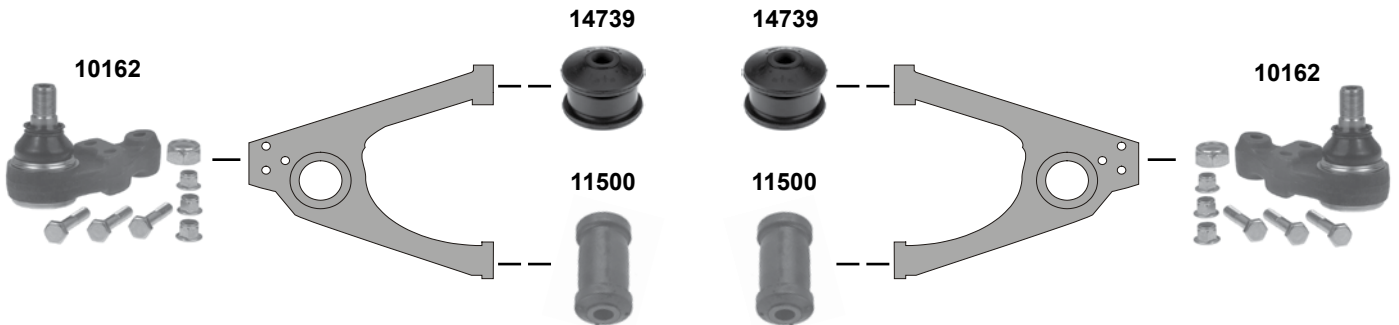
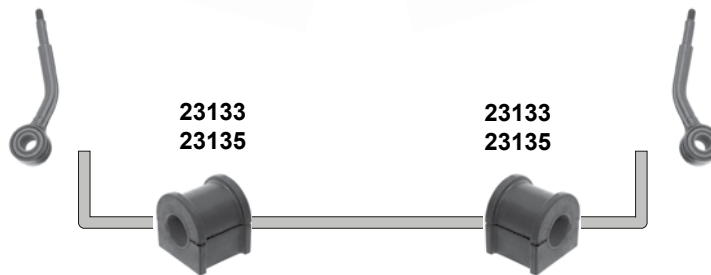
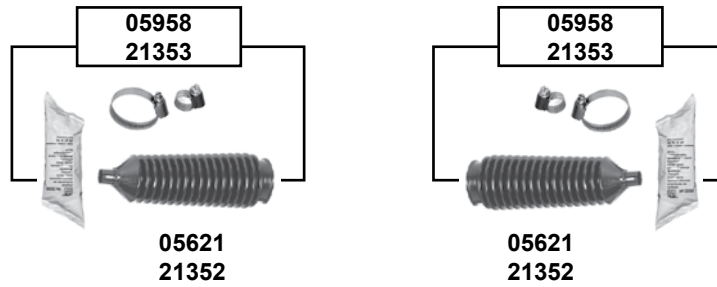
M16 x 1,5  
L 400  
M20 x 1,5  
16x91x41  
15x52/60x27

Vorderachse / Front axle



**Transit 92**  
(08/91 → 08/94)

( axle ) 130 → 190A, 100L



Vorderachse / Front axle

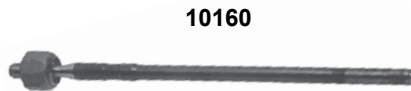
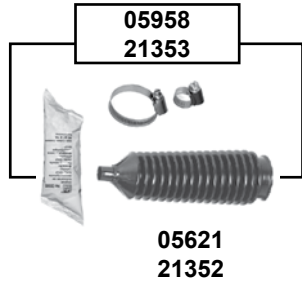
	Ref. - No.			
<b>05621</b>	6 160 070	Lenkmanschette / steering boot	man.	
<b>05958</b>	6 160 070 S1	Rep. Satz Lenkmanschette / rep. kit steering boot	man.	
<b>10159</b>	1 047 145	Spurstangenendstück / tie rod end		M16 x 1,5
<b>10160</b>	6 869 951	Spurstange / tie rod		L 400
<b>10162</b>	1 055 194	Traggelenk / ball joint		M20 x 1,5
<b>11500</b>	6 517 356	Querlenkerlager / control arm mount		16x91x41
<b>14739</b>	6 608 818	Querlenkerlager / control arm mount		15x52/60x27
<b>18076</b>	6 150 970	Verbindungsstange / stabilizer link		
<b>18077</b>	6 150 971	Verbindungsstange / stabilizer link		
<b>21352</b>	6 869 950	Lenkmanschette / steering boot	servo.	
<b>21353</b>	6 869 950 S1	Rep. Satz Lenkmanschette / rep. kit steering boot	servo.	
<b>23133</b>	6 521 812	Stabilisatorlager / stabilizer mount		I Ø 20
<b>23135</b>	6 521 811	Stabilisatorlager / stabilizer mount		I Ø 18



**Transit 95**

(08/94 → 12/99)

Vorderachse / Front axle



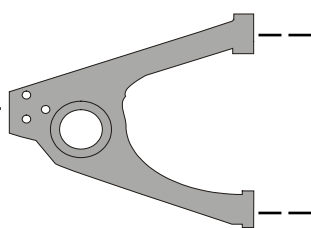
18077



23133  
23135



18076



14739



11500



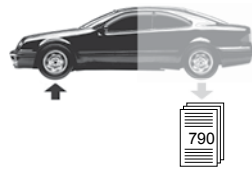
14739



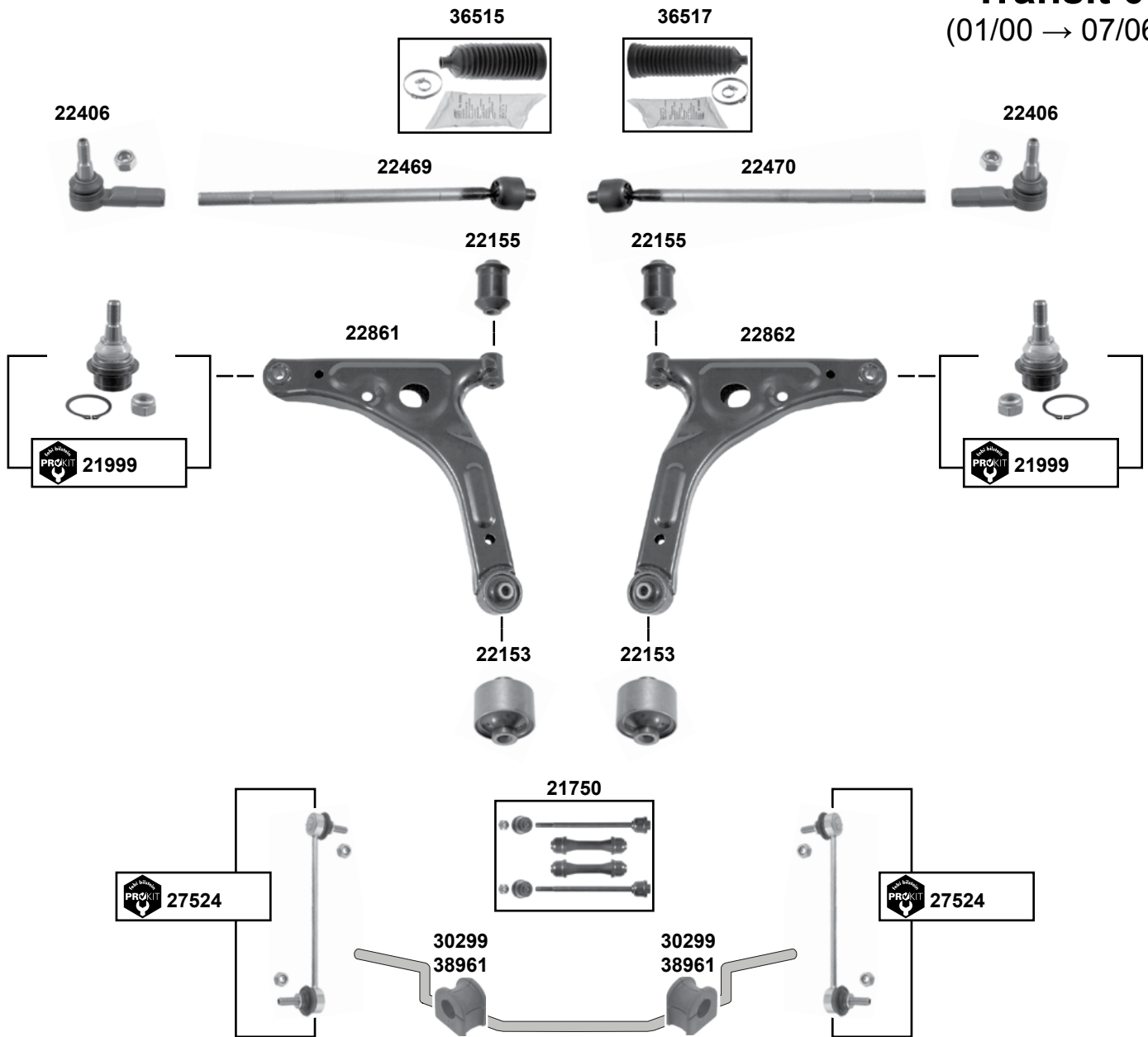
11500



	Ref. - No.			
05621	6 160 070	Lenkmanschette / steering boot	man.	
05958	6 160 070 S1	Rep. Satz Lenkmanschette / rep. kit steering boot	man.	
10159	1 047 145	Spurstangenendstück / tie rod end		M16 x 1,5
10160	6 869 951	Spurstange / tie rod		L 400
10162	1 055 194	Rep. Satz Traggelenk / ball joint		M20 x 1,5
11500	6 517 356	Querlenkerlager / control arm mount		16x91x41
14739	6 608 818	Querlenkerlager / control arm mount		15x52/60x27
18076	6 150 970	Verbindungsstange / stabilizer link		
18077	6 150 971	Verbindungsstange / stabilizer link		
21352	6 869 950	Lenkmanschette / steering boot	servo.	
21353	6 869 950 S1	Rep. Satz Lenkmanschette / rep. kit steering boot	servo.	
23133	6 521 812	Stabilisatorlager / stabilizer mount		I Ø 20
23135	6 521 811	Stabilisatorlager / stabilizer mount		I Ø 18



**Transit 00**  
(01/00 → 07/06)



Vorderachse / Front axle

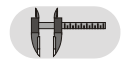


(1) Serien/series 260/280/300

(2) (ex.) Serien/series 260/280/300

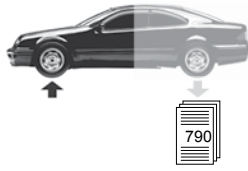


Ref. - No.



Ref. - No.	Description	Notes	Dimensions
21750	3 736 028 S1	Verbindungsstangensatz / connecting rod set	
21999	1 451 914	ProKit Tragelenk / ball joint	
22153	4 540 787	Querlenkerlager / control arm mount	
22155	4 131 788	Querlenkerlager / control arm mount	
22406	1 138 275	Spurstangenendstück / tie rod end	
22469	1 370 709	Spurstange / tie rod	
22470	1 370 710	Spurstange / tie rod	
22861	1 438 350	Querlenker / control arm	
22862	1 438 315	Querlenker / control arm	
27524	1 495 685	ProKit Verbindungsstange / stabilizer link	
30299	4 041 498	Stabilisatorlager / stabilizer mount	
36515	4 602 026	Rep. Satz Lenkmanschette / rep. kit steering boot	
36517	4 602 027	Rep. Satz Lenkmanschette / rep. kit steering boot	
38961	4 041 490	Stabilisatorlager / stabilizer mount	

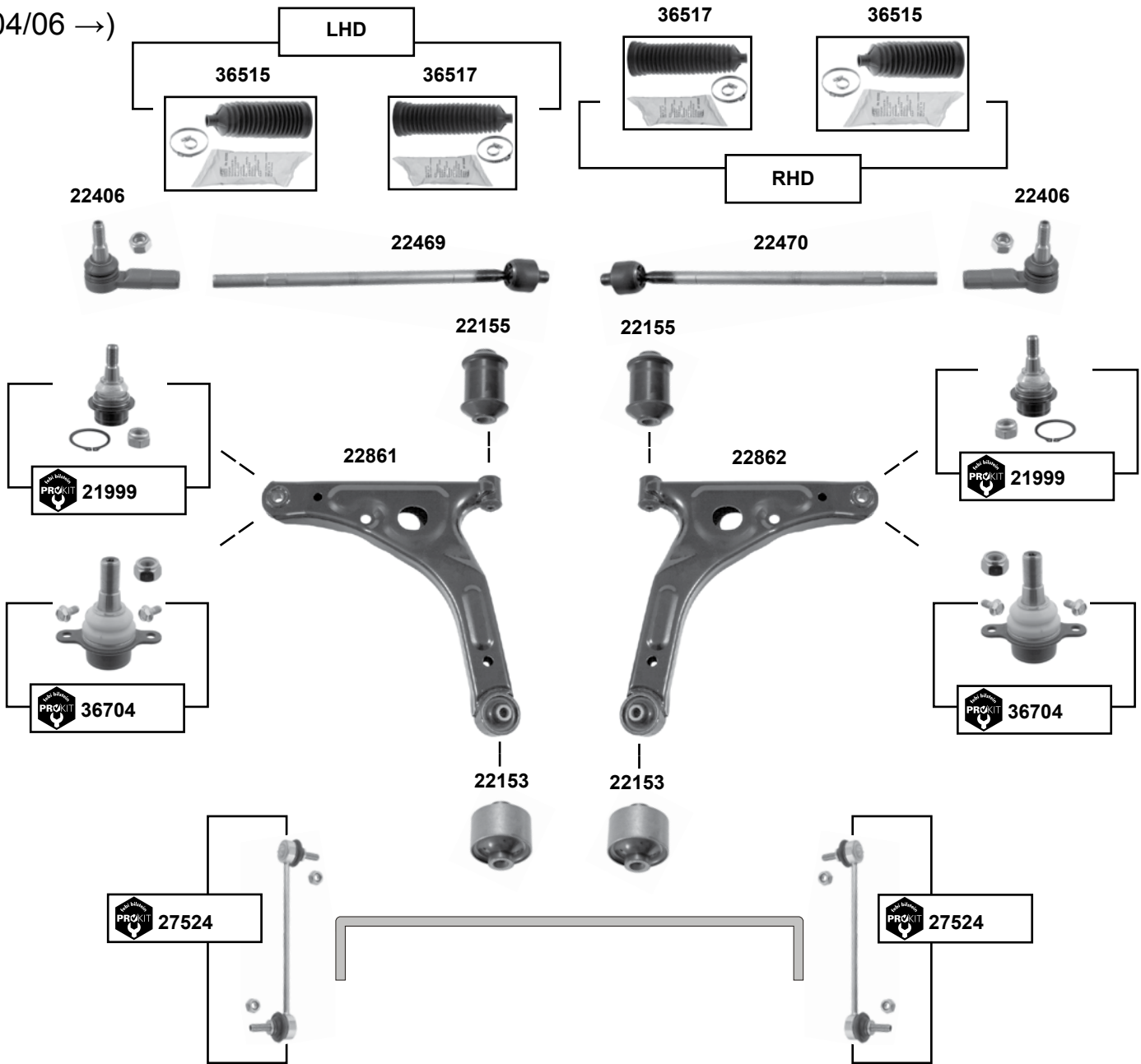




# Transit 06

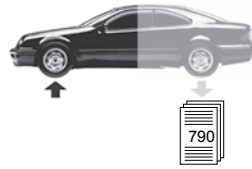
(04/06 →)

Vorderachse / Front axle



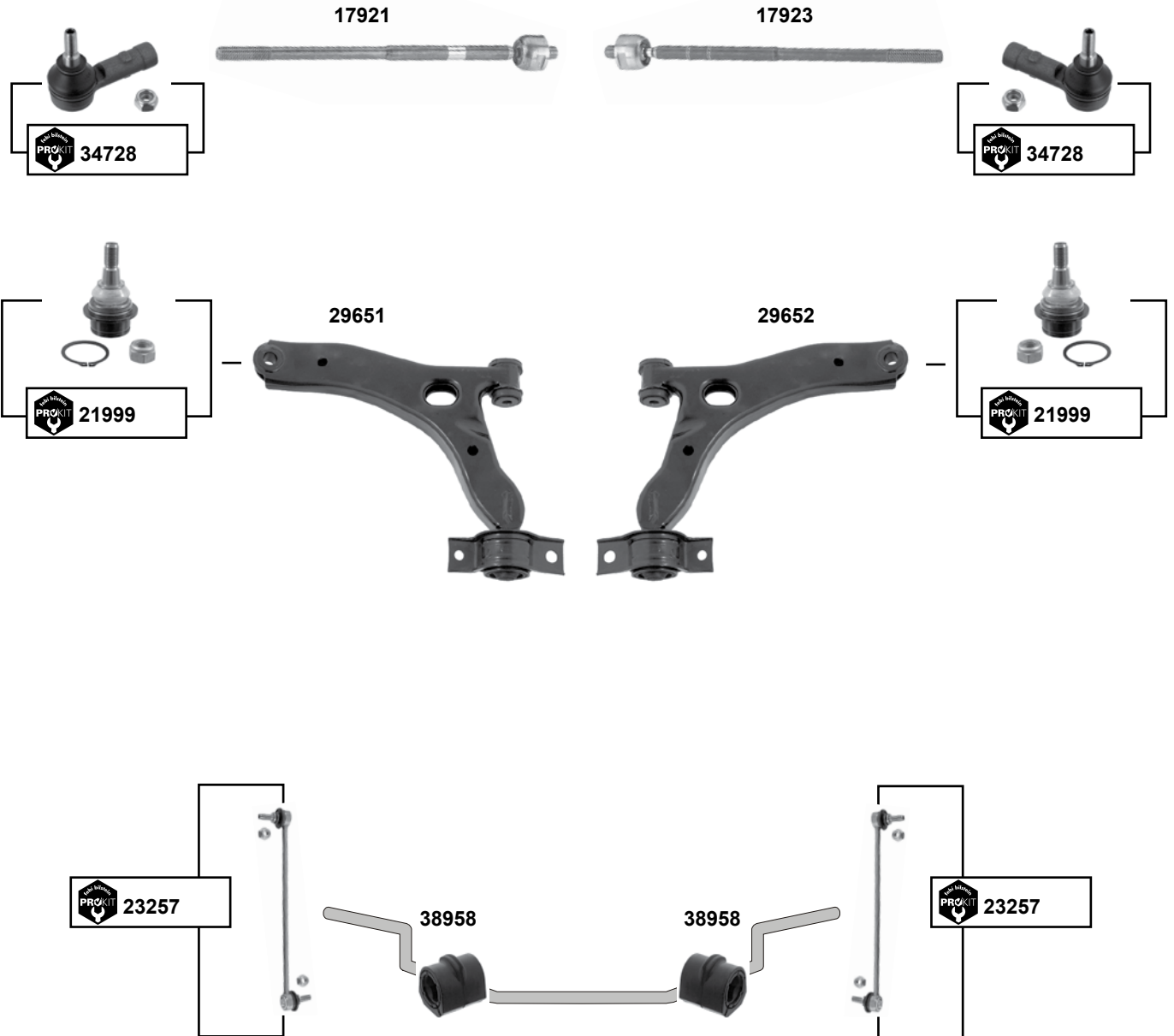
- (1) (ex.) erhöhte Achslast / high axle load
- (2) nur erhöhte Achslast / only high axle load

	Ref. - No.			
21999	1 451 914	ProKit Traggelenk / ball joint	(1)	M16 x 1,5
22153	4 540 787	Querlenkerlager / control arm mount		40/72x16,5x66
22155	4 131 788	Querlenkerlager / control arm mount		44/41,5x14x67
22406	1 138 275	Spurstangenendstück / tie rod end		M16x1,5 / 14x2
22469	1 370 709	Spurstange / tie rod		M16x1,5 L383
22470	1 370 710	Spurstange / tie rod		M16/20x1,5 L383
22861	1 438 350	Querlenker / control arm	(1)	
22862	1 438 315	Querlenker / control arm	(1)	
27524	1 495 685	ProKit Verbindungsstange / stabilizer link		L 295
36515	4 602 026	Rep. Satz Lenkmanschette / rep. kit steering boot		L 179
36517	4 602 027	Rep. Satz Lenkmanschette / rep. kit steering boot		L 247
36704	1 417 351	ProKit Traggelenk / ball joint	(2)	



# Transit Connect 02

(05/02 → 12/13)



Vorderachse / Front axle

	Ref. - No.			
<b>17921</b>	1 085 520	Axialgelenk / axial joint		
<b>17923</b>	3 707 333	Axialgelenk / axial joint		
<b>21999</b>	1 451 914	ProKit Tragelenk / ball joint		M16 x 1,5
<b>23257</b>	1 332 453	ProKit Verbindungsstange / stabilizer link		L 238
<b>29651</b>	1 355 050	Querlenker / control arm		
<b>29652</b>	1 355 048	Querlenker / control arm		
<b>34728</b>	4 381 840	ProKit Spurstangenendstück / tie rod end		M14 x 2
<b>38958</b>	4 419 559	Stabilisatorlager / stabilizer mount		Ø   25,5



## Transit Connect 13

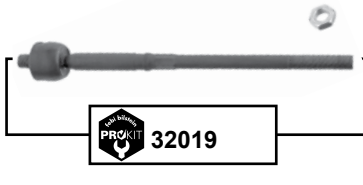
(09/13 →)

Vorderachse / Front axle



## Transit Courier 14

(04/14 →)

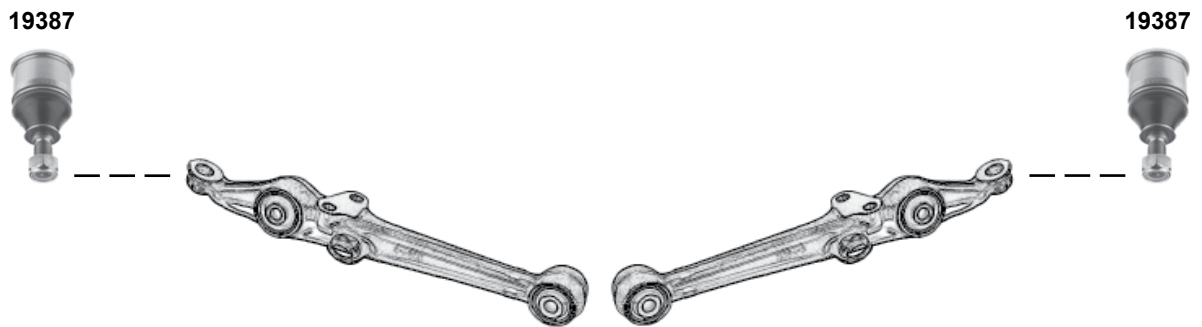


	Ref. - No.			
<b>32019</b>	1 545 457	ProKit Spurstange / tie rod		L 295 M14x1,5
<b>38814</b>	1 780 104	ProKit Spurstange / tie rod		L 294
<b>40833</b>	1 545 339	ProKit Spurstangenendstück / tie rod end		L 94 M14x1,5
<b>40834</b>	1 545 338	ProKit Spurstangenendstück / tie rod end		L 94 M14x1,5
<b>40881</b>	1 826 505	ProKit Spurstangenendstück / tie rod end		M16x1,5
<b>40882</b>	1 826 501	ProKit Spurstangenendstück / tie rod end		M16x1,5
<b>43525</b>	1 780 104 S1	ProKit Spurstange / tie rod		
<b>43526</b>	1 780 104 S2	ProKit Spurstange / tie rod		



**Accord III (CA)**  
(1985 → 1989)

unten / lower



Vorderachse / Front axle

passend für / to fit

**HONDA**



**Car  
Division**



# Accord IV (CB1/CB3/CB7) (1990 → 1993)

Vorderachse / Front axle

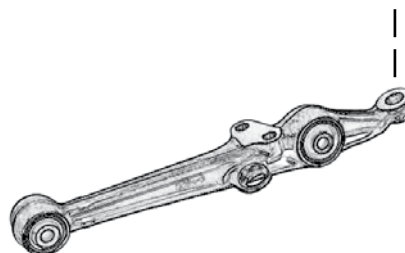
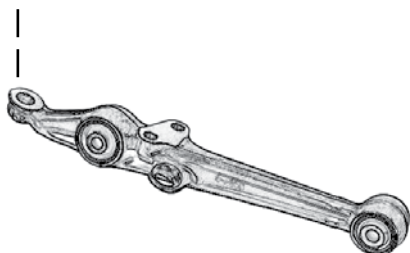
15498



15497



unten / lower



Ref. - No.



15495	51220-SM4-013
15497	53540-SM4-003
15498	53560-SM4-003

ProKit Traggelenk / ball joint
Spurstangenendstück / tie rod end
Spurstangenendstück / tie rod end

M12 x 1,25
M12 x 1,25
M12 x 1,25



**Accord V (CC / CE / CF)**  
(1993 → 1998)

15498



15497



oben / upper

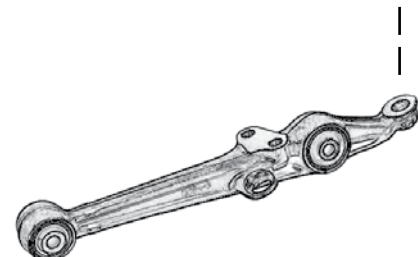
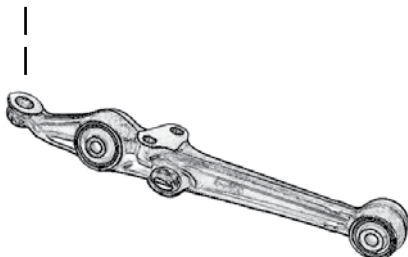
15535



15455

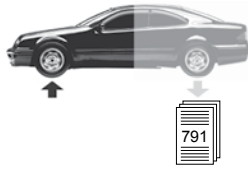


unten / lower



Vorderachse / Front axle

	Ref. - No.			
<b>15455</b>	51450-SM4-023	Querlenker / control arm	CC7, CE7, CE8, CE9, CF1	
<b>15495</b>	51220-SM4-013	ProKit Traggelenk / ball joint	CC7, CE1, CE2	M12 x 1,25
<b>15497</b>	53540-SM4-003	Spurstangenendstück / tie rod end	CE7, CE8, CE9, CF1	M12 x 1,25
<b>15498</b>	53560-SM4-003	Spurstangenendstück / tie rod end	CE7, CE8, CE9, CF1	M12 x 1,25
<b>15535</b>	51460-SM4-023	Querlenker / control arm	CC7, CE7, CE8, CE9, CF1	



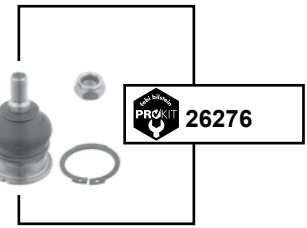
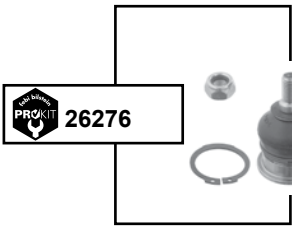
**Accord VII (CG / CH)**

(1998 → 2003)

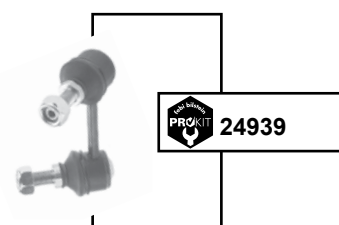
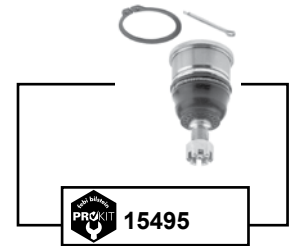
Vorderachse / Front axle



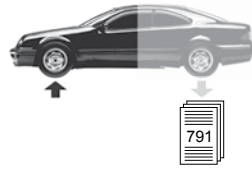
**oben / upper**



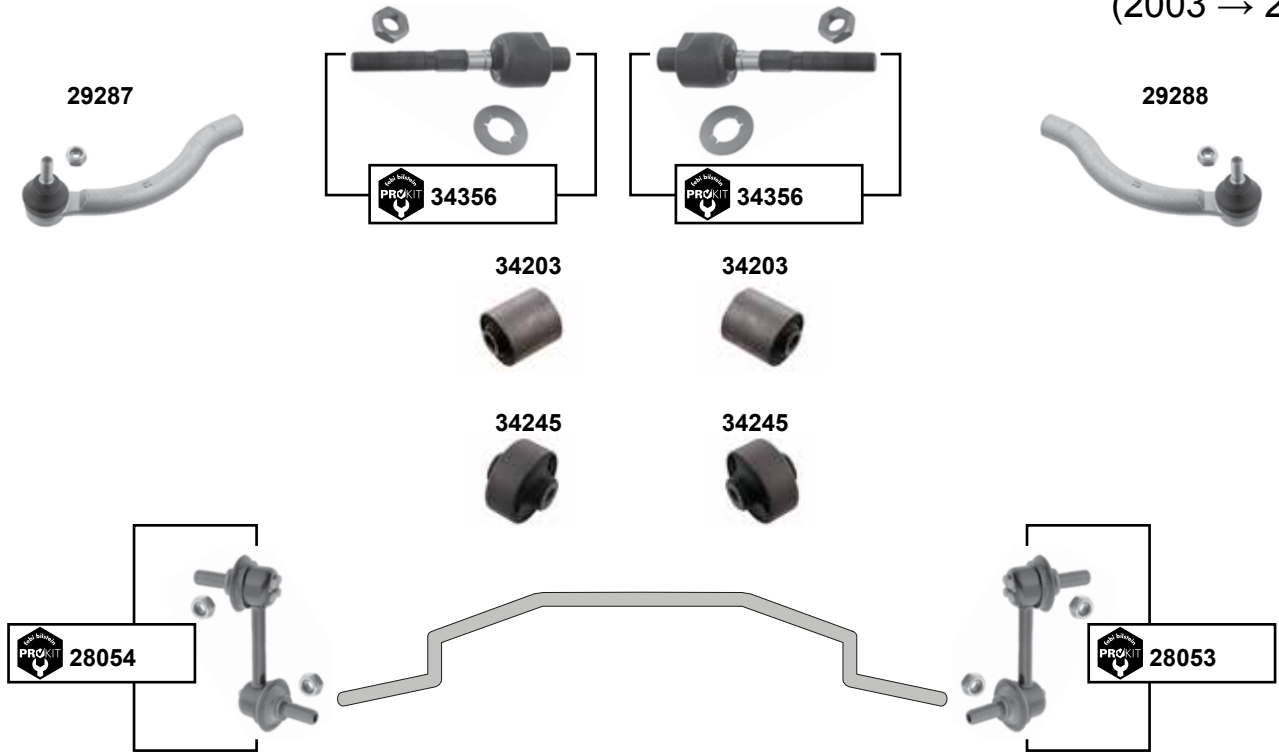
**unten / lower**



	Ref. - No.			
<b>15495</b>	51220-SM4-013	ProKit Tragellenk / ball joint		M12 x 1,25
<b>23755</b>	51460-S0A-003	Querlenker / control arm		
<b>23757</b>	51450-S0A-003	Querlenker / control arm		
<b>24931</b>	53560-S1A-E01	ProKit Spurstangenendstück / tie rod end		M14 x 1,5
<b>24932</b>	53540-S1A-E01	ProKit Spurstangenendstück / tie rod end		M14 x 1,5
<b>24939</b>	51320-S84-A01	ProKit Verbindungsstange / stabilizer link		L 72
<b>24940</b>	51321-S84-A01	ProKit Verbindungsstange / stabilizer link		L 72
<b>24970</b>	51355-S1A-E00	Querlenker / control arm		
<b>24971</b>	51365-S1A-E00	Querlenker / control arm		
<b>26276</b>	51460-S1A-E01 S1	ProKit Tragellenk / ball joint		M10 x 1,25

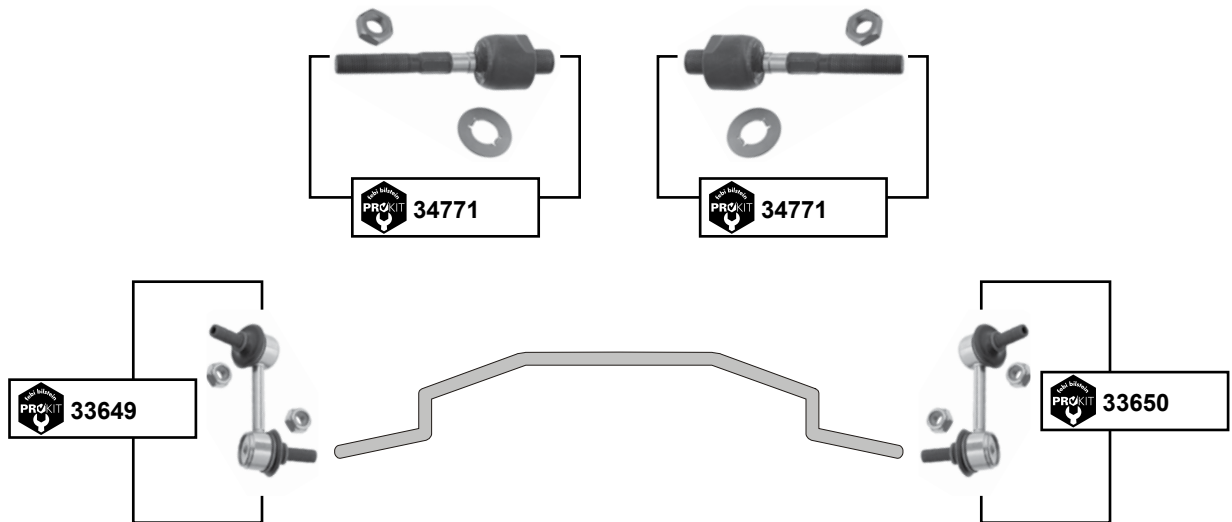


**Accord VIII**  
(2003 → 2008)



Vorderachse / Front axle

**Accord IX**  
(2008 →)

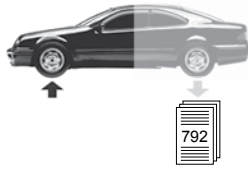


Ref. - No.



<b>28053</b>	51320-SEA-E01	ProKit Verbindungsstange / stabilizer link	L80,5
<b>28054</b>	51321-SEA-E01	ProKit Verbindungsstange / stabilizer link	L80,5
<b>29287</b>	53560-SDA-A01	Spurstangenendstück / tie rod end	
<b>29288</b>	53540-SDA-A01	Spurstangenendstück / tie rod end	
<b>33649</b>	51325-TA0-A01	ProKit Verbindungsstange / stabilizer link	L106 / M10x1,25
<b>33650</b>	51320-TA0-A01	ProKit Verbindungsstange / stabilizer link	L106 / M10x1,25
<b>34203</b>	51810-SDA-A01	Querlenkerlager / control arm mount	ØA 42 ØI 12
<b>34245</b>	51391-SDA-A03	Querlenkerlager / control arm mount	ØA 74 ØI 14
<b>34356</b>	53010-SDA-A01	ProKit Axialgelenk / axial joint	L140
<b>34771</b>	53610-TL1-G01	ProKit Axialgelenk mit Mutter / axial joint with nut	L150





**Civic (EC / ED / EE)**  
(1987 → 1994)

15502



15501



**oben / upper**

15478



15477



**unten / lower**

19387



19387



17837



19729



17837



19729



Ref. - No.



15477	51450-SH3-023	Querlenker / control arm	
15478	51460-SH3-023	Querlenker / control arm	
15501	53540-SH3-013	Spurstangenendstück / tie rod end	M12 x 1,25
15502	53560-SH3-013	Spurstangenendstück / tie rod end	M12 x 1,25
17837	51810-SH3-004	Querlenkerlager / control arm mount	12x40x50
19387	51220-S04-003	Traggelenk / ball joint	M12 x 1,25
19729	51392-SR3-024	Querlenkerlager / control arm mount	12x37x50



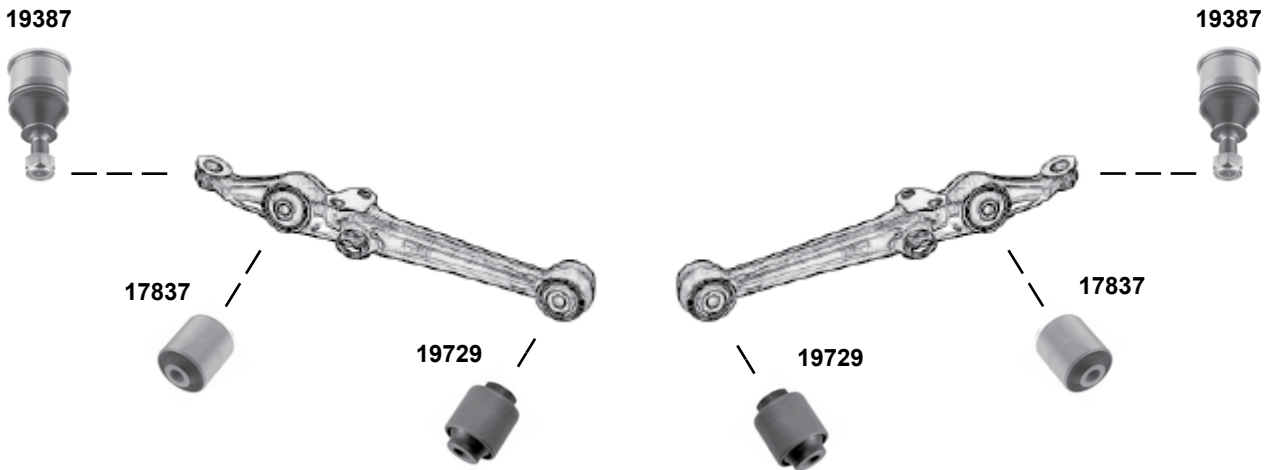
**Civic (EG / EH)**  
(1992 → 1994)



**oben / upper**

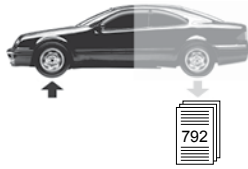


**unten / lower**



Vorderachse / Front axle

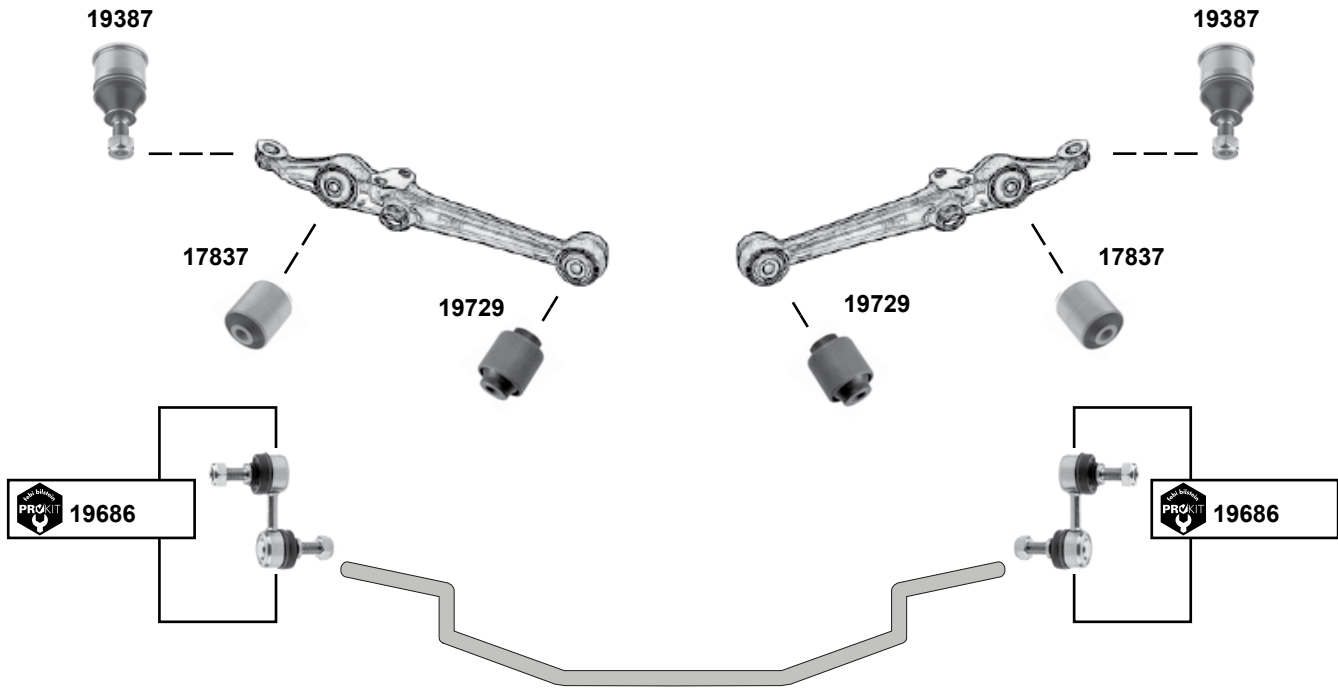
	Ref. - No.			
<b>15539</b>	53540-S04-003	ProKit Spurstangenendstück / tie rod end		M12 x 1,25
<b>15541</b>	53560-S04-003	ProKit Spurstangenendstück / tie rod end		M12 x 1,25
<b>15553</b>	51450-SR3-023	Querlenker / control arm		
<b>15555</b>	51460-SR3-023	Querlenker / control arm		
<b>17837</b>	51810-SH3-004	Querlenkerlager / control arm mount		12x40x50
<b>19387</b>	51220-S04-003	Traggelenk / ball joint		
<b>19729</b>	51392-SR3-024	Querlenkerlager / control arm mount		50x37x12



## Civic Coupé IV (EJ)

(1994 → 1996)

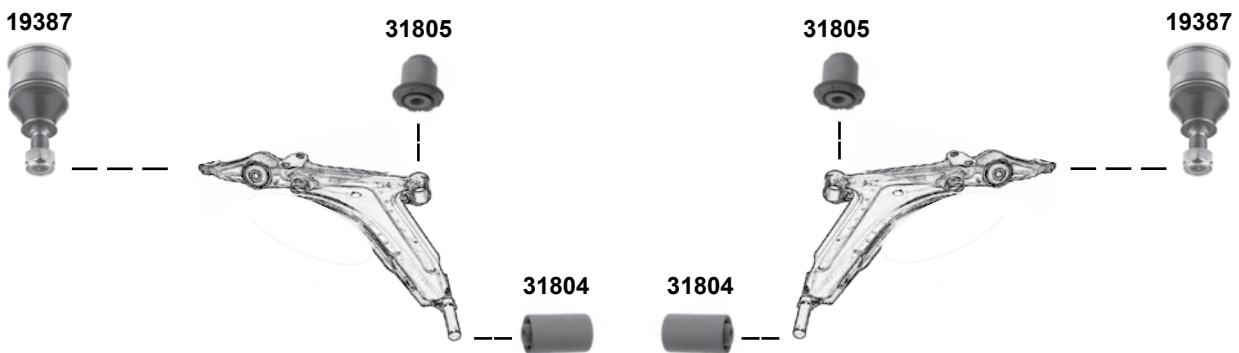
Vorderachse / Front axle



## Civic V (MA / MB)

(1995 → 2001)

unten / lower



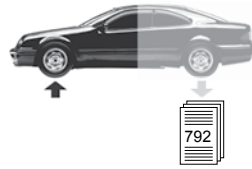
(1) passt nur für Stahlblech Querlenker / fits only for sheet steel control arm



Ref. - No.



17837	51810-SH3-004	Querlenkerlager / control arm mount		12x40x50
19387	51220-S04-003	Traggelenk / ball joint		
19686	51320-S04-003	ProKit Verbindungsstange / stabilizer link		
19729	51392-SR3-024	Querlenkerlager / control arm mount		50x37x12
31804	51360-S04-G00 S1	Querlenkerlager / control arm mount	(1)	Ø A 40,1
31805	51360-S04-G00 S2	Querlenkerlager / control arm mount	(1)	Ø A 37,2



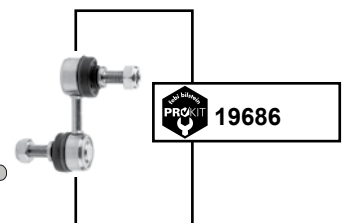
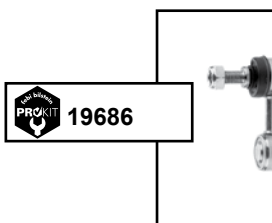
# Civic Coupé V (EJ / EK / EM) (1996 → 2001)



19387



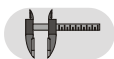
19387



Vorderachse / Front axle

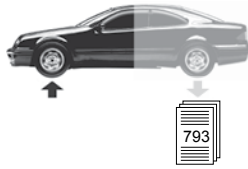


Ref. - No.



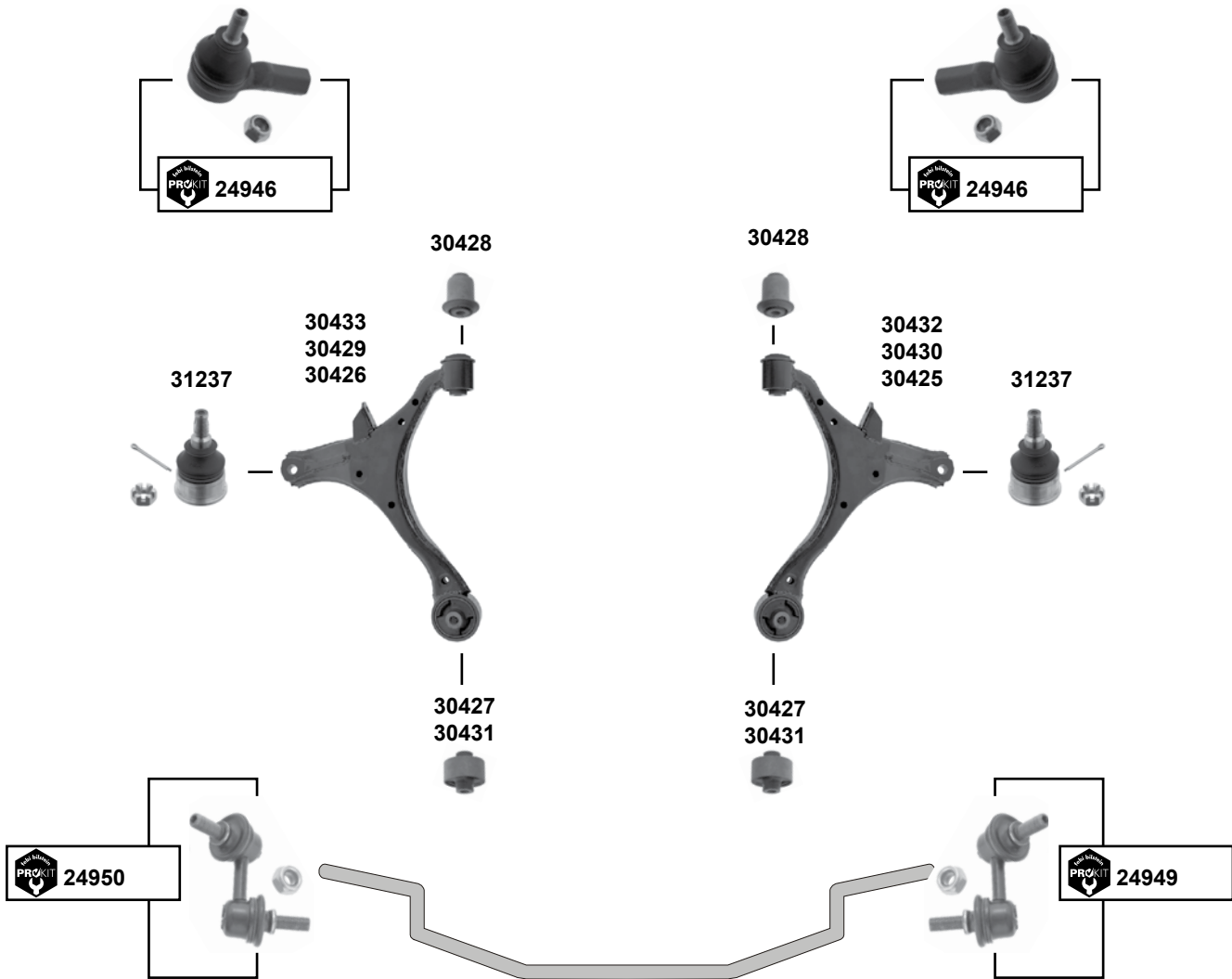
<b>15539</b>	53540-S04-003	ProKit Spurstangenendstück / tie rod end
<b>15541</b>	53560-S04-003	ProKit Spurstangenendstück / tie rod end
<b>19387</b>	51220-S04-003	Traggelenk / ball joint
<b>19686</b>	51320-S04-003	ProKit Verbindungsstange / stabilizer link

M12 x 1,25  
M12 x 1,25



## Civic VI / Coupe (2001 → 2005)

Vorderachse / Front axle



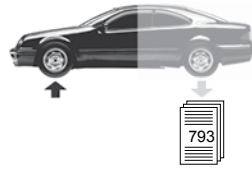
- (1) Civic VI : D14Z6 / D16V1 / 4EE2 / K20A3
- (2) Civic VI : D14Z6 / D16V1 / 4EE2 / K20A3 (ex.) Sport // Coupe: D17A8/A9
- (3) Civic VI : 4EE2 // 02 → 06
- (4) Civic VI : D14Z6 / D16V1
- (5) Civic VI: D14Z6 / D16V1 / 4EE2 (ex.) Sport // Coupe: D16A8/A9



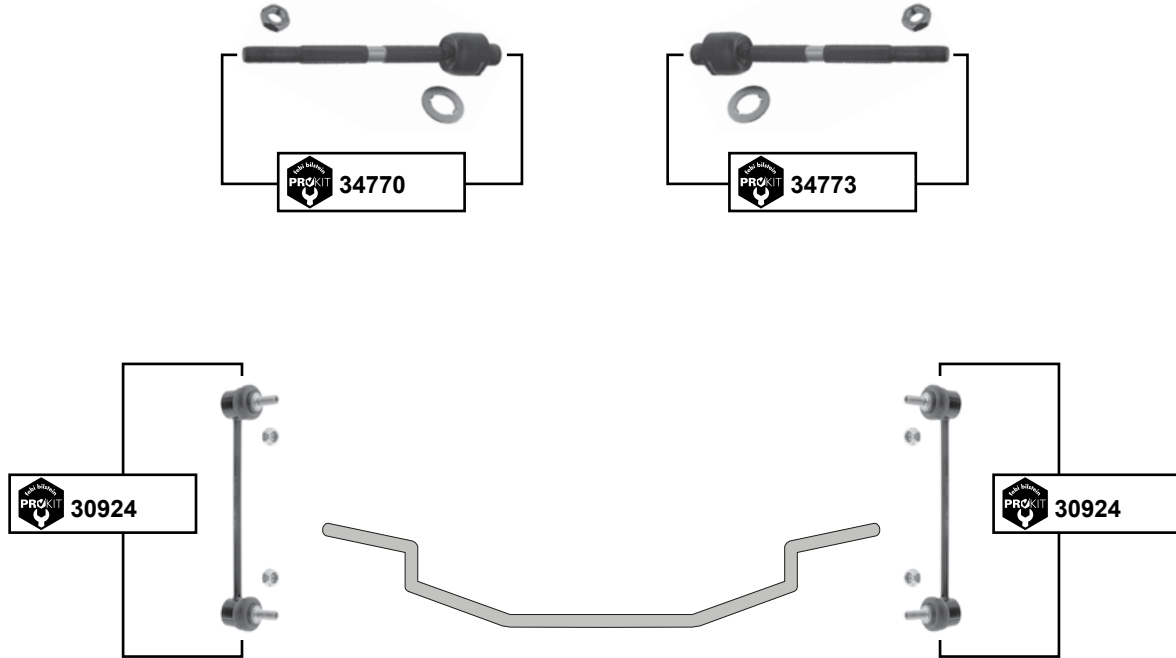
Ref. - No.



Ref. - No.	Description	Notes	Dimensions
24946	53541-S5A-003 ProKit Spurstangenendstück / tie rod end		M14 x 1,5
24949	51320-S5A-003 ProKit Verbindungsstange / stabilizer link		L 90
24950	51321-S5A-003 ProKit Verbindungsstange / stabilizer link		L 90
30425	51350-S6D-G00 Querlenker / control arm	(4) (ex.) Sport	
30426	51360-S6D-G00 Querlenker / control arm	(4) (ex.) Sport	
30427	51391-S4A-024 Querlenkerlager / control arm mount	(5) (ex.) Sport	
30428	51392-S5A-004 Querlenkerlager / control arm mount	(2)	Ø A 42 B47
30429	51350-S5T-Z01 Querlenker / control arm	(1) Sport 04 → 06	
30430	51360-S5T-Z01 Querlenker / control arm	(1) Sport 04 → 06	
30431	51391-S5T-Z01 Querlenkerlager / control arm mount	(1) Sport	Ø A 64,8
30432	51350-S6F-E01 Querlenker / control arm	(3) (ex.) Sport	
30433	51360-S6F-E01 Querlenker / control arm	(3) (ex.) Sport	
31237	51212-S6D-G10 S1 Traggelenk / ball joint	→ 09/05	M12 x 1,25

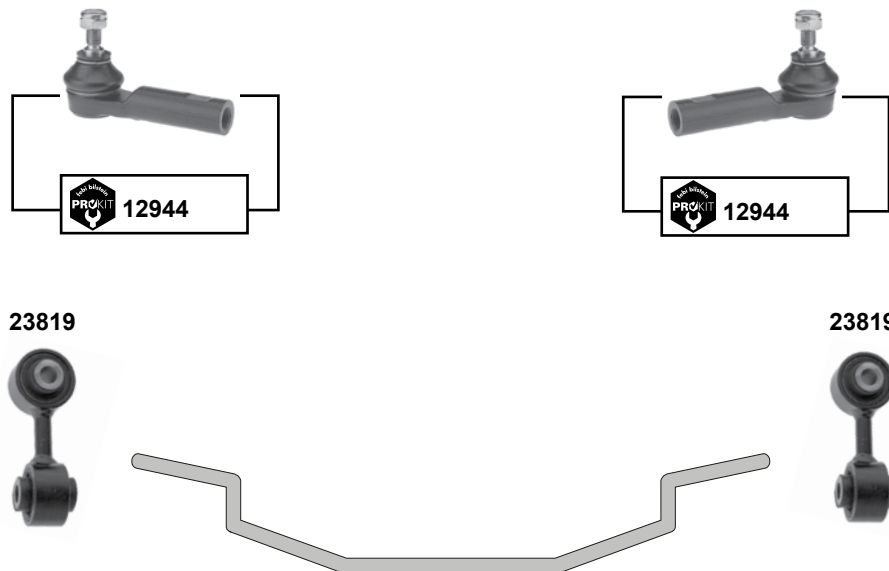


**Civic VII (FD)**  
(2005 →)



Vorderachse / Front axle

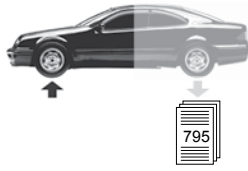
**Concerto (HW)**  
(1989 → 1996)



	Ref. - No.			
<b>12944</b>	53540-SK3-E01	ProKit Spurstangenendstück / tie rod end	<b>(ex.) (mot.) 1.8TD</b>	M14 x 1,5
<b>23819</b>	51320-SK3-000	Verbindungsstange / stabilizer link		L 266
<b>30924</b>	51320-SMG-E01	ProKit Verbindungsstange / stabilizer link		L 227
<b>34770</b>	53010-SMG-E01	ProKit Axialgelenk mit Mutter / axial joint with nut		L 227
<b>34773</b>	53011-SMG-E01	ProKit Axialgelenk mit Mutter / axial joint with nut		

passend für / to fit

**HONDA**



**Car  
Division**

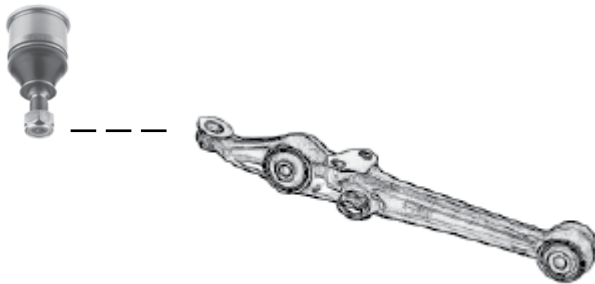


**CR-V (RD)**  
(1995 → 2002)

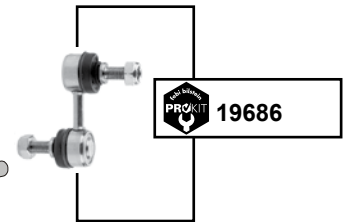
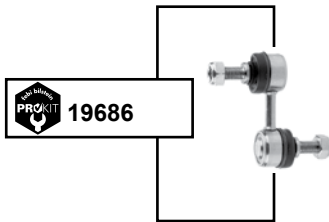
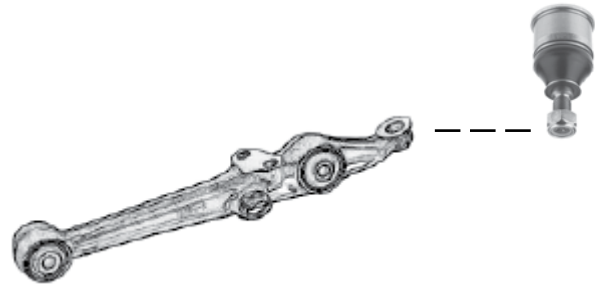
Vorderachse / Front axle



19387



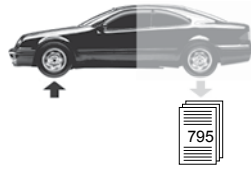
19387



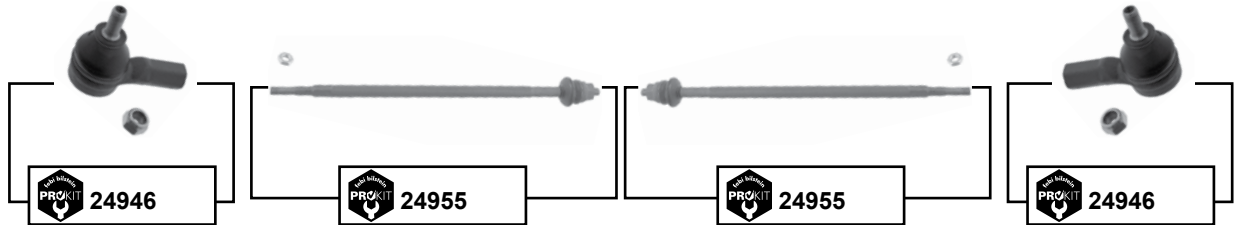
Ref. - No.







<b>15539</b>	53540-S04-003	ProKit Spurstangenendstück / tie rod end	M12 x 1,25
<b>15541</b>	53560-S04-003	ProKit Spurstangenendstück / tie rod end	M12 x 1,25
<b>19387</b>	51220-S04-003	Traggelenk / ball joint	
<b>19686</b>	51320-S04-003	ProKit Verbindungsstange / stabilizer link	



**CR-V II**  
(2002 → 2006)



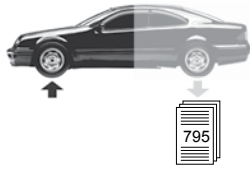
Vorderachse / Front axle

	Ref. - No.			
<b>24946</b>	53541-S5A-003	ProKit Spurstangenendstück / tie rod end		M14 x 1,5
<b>24949</b>	51320-S5A-003	ProKit Verbindungsstange / stabilizer link		L 90
<b>24950</b>	51321-S5A-003	ProKit Verbindungsstange / stabilizer link		L 90
<b>24955</b>	53521-S9A-003	ProKit Spurstange / tie rod		
<b>30428</b>	51392-A5A-004	Querlenkerlager / control arm mount		Ø A 42 B 47



passend für / to fit

**HONDA**

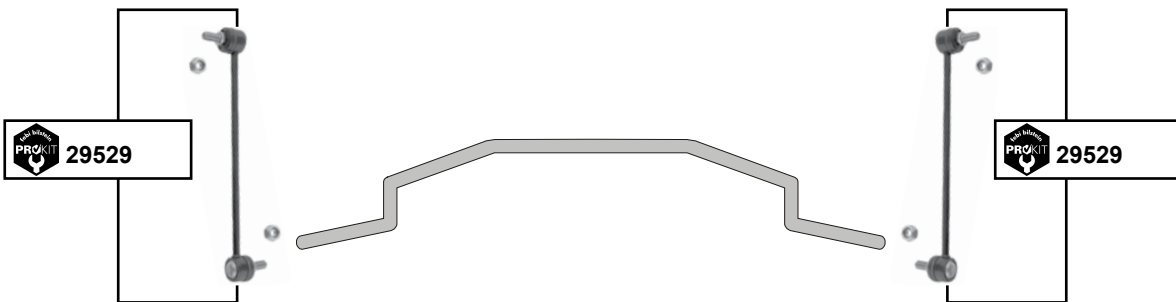
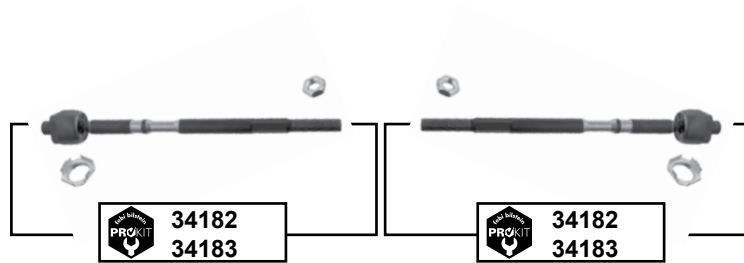


**Car  
Division**



**CR-V III**  
(2007 →)

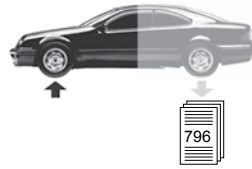
Vorderachse / Front axle



Ref. - No.



<b>29529</b>	51320-STK-A01	ProKit Verbindungsstange / stabilizer link		L 318
<b>34182</b>	53010-SWC-G02	ProKit Axialgelenk / axial joint	2,0B (R20A1/A2)	L 334
<b>34183</b>	53010-SWA-A01	ProKit Axialgelenk / axial joint	2,2D (N22A1/A2)	L 338



**CRX (ED / EE)**  
(1987 → 1992)

15502



15501



oben / upper

15478



15477



unten / lower

19387



19387



17837



19729



19729



17837



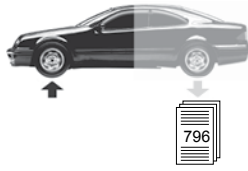
Ref. - No.



<b>15477</b>	51450-SH3-023
<b>15478</b>	51460-SH3-023
<b>15501</b>	53540-SH3-013
<b>15502</b>	53560-SH3-013
<b>17837</b>	51810-SH3-004
<b>19387</b>	51220-S04-003
<b>19729</b>	51392-SR3-024

Querlenker / control arm
Querlenker / control arm
Spurstangenendstück / tie rod end
Spurstangenendstück / tie rod end
Querlenkerlager / control arm mount
Traggelenk / ball joint
Querlenkerlager / control arm mount

M12 x 1,25
M12 x 1,25
12x40x50
M12 x 1,25
50x37x12



**CRX (EG / EH)**  
(1992 →)



**oben / upper**

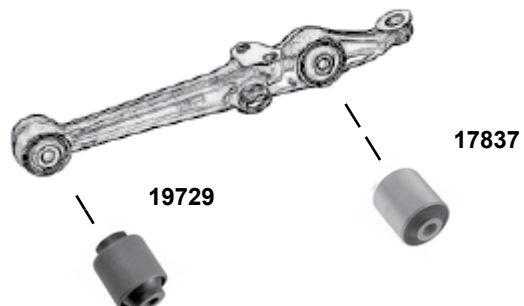
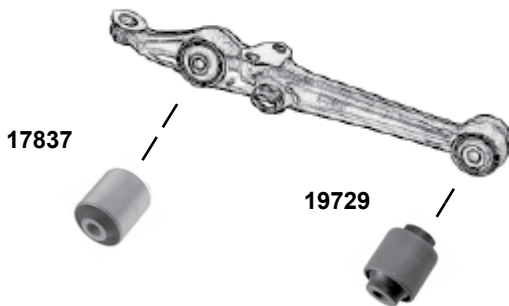
15555



15553



**unten / lower**



febi bilstein	Ref. - No.			
15539	53540-S04-003	ProKit Spurstangenendstück / tie rod end		M12 x 1,25
15541	53560-S04-003	ProKit Spurstangenendstück / tie rod end		M12 x 1,25
15553	51450-SR3-023	Querlenker / control arm		
15555	51460-SR3-023	Querlenker / control arm		
17837	51810-SH3-004	Querlenkerlager / control arm mount		12x40x50
19729	51392-SR3-024	Querlenkerlager / control arm mount		

Vorderachse / Front axle



**FR-V**  
(2005 →)



Vorderachse / Front axle

**HR-V**  
(1999 →)

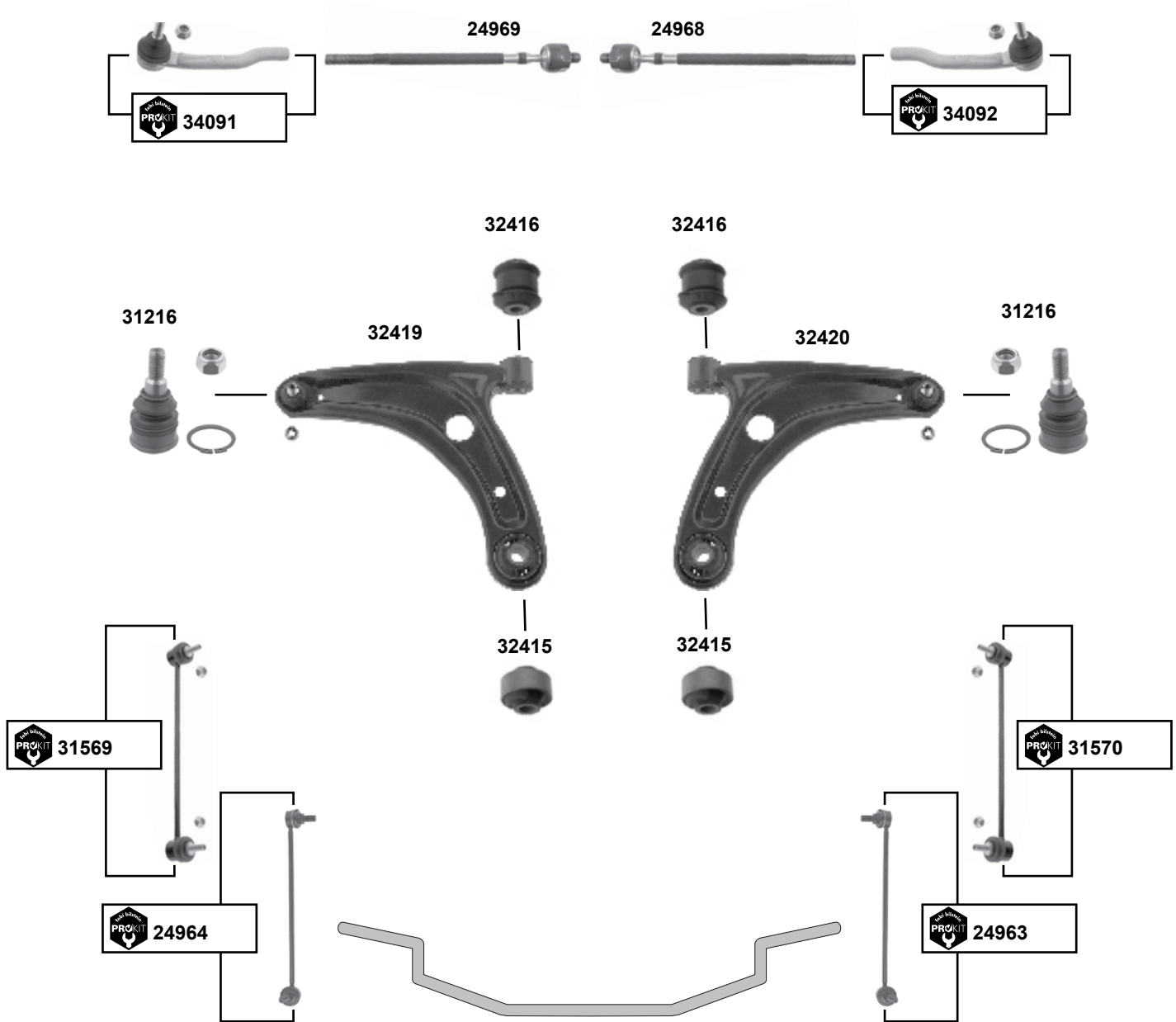


	Ref. - No.			
<b>24949</b>	51320-S5A-003	ProKit Verbindungsstange / stabilizer link		L 90
<b>24950</b>	51321-S5A-003	ProKit Verbindungsstange / stabilizer link		L 90
<b>24956</b>	53540-SX8-T01	ProKit Spurstangenendstück / tie rod end		L 71,5
<b>24961</b>	51320-S2H-003	ProKit Verbindungsstange / stabilizer link		
<b>24962</b>	51321-S2H-003	ProKit Verbindungsstange / stabilizer link		
<b>30428</b>	51392-S5A-004	Querlenkerlager / control arm mount	→ 08	Ø A 42 B47

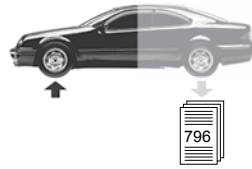


## Jazz II (2002 → 2008)

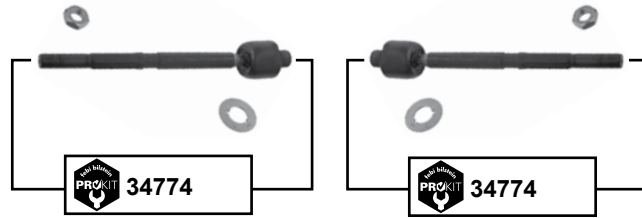
Vorderachse / Front axle



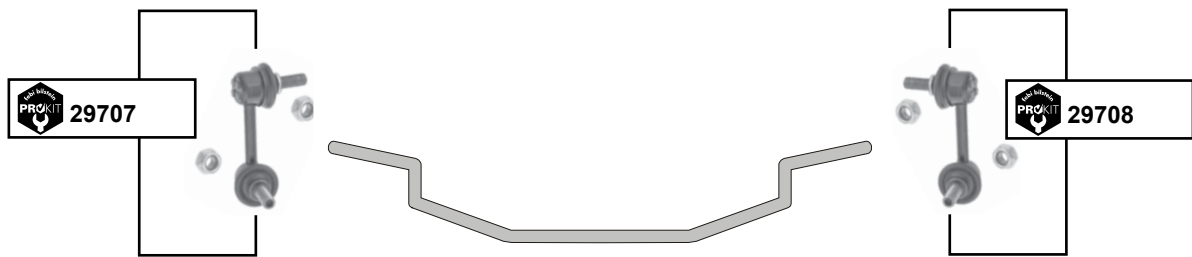
	Ref. - No.			
<b>24963</b>	51320-SAA-003	ProKit Verbindungsstange / stabilizer link	→ 2003	
<b>24964</b>	51321-SAA-003	ProKit Verbindungsstange / stabilizer link	→ 2003	
<b>24968</b>	53010-SAA-J01	Spurstange / tie rod		
<b>24969</b>	53011-SAA-J01	Spurstange / tie rod		
<b>34091</b>	53560-SAA-003	ProKit Spurstangenendstück / tie rod end		M10/12x1,25
<b>34092</b>	53540-SAA-003	ProKit Spurstangenendstück / tie rod end		M10/12x1,25
<b>31216</b>	51360-SAA-E11 S1	Traggelenk / ball joint		
<b>31569</b>	51321-SAA-J01	ProKit Verbindungsstange / stabilizer link	2004 →	L 320
<b>31570</b>	51320-SAA-J01	ProKit Verbindungsstange / stabilizer link	2004 →	L 320
<b>32415</b>	51360-SAA-E11 S2	Querlenkerlager / control arm mount	03/02 → Version beachten	Ø A 61
<b>32416</b>	51360-SAA-E01 S3	Querlenkerlager / control arm mount	03/02 →	Ø A 44
<b>32419</b>	51360-SAA-E11	Querlenker / control arm	03/02 →	M12 x 1,25
<b>32420</b>	51350-SAA-E11	Querlenker / control arm	03/02 →	M12 x 1,25



**Jazz III**  
(2008 →)



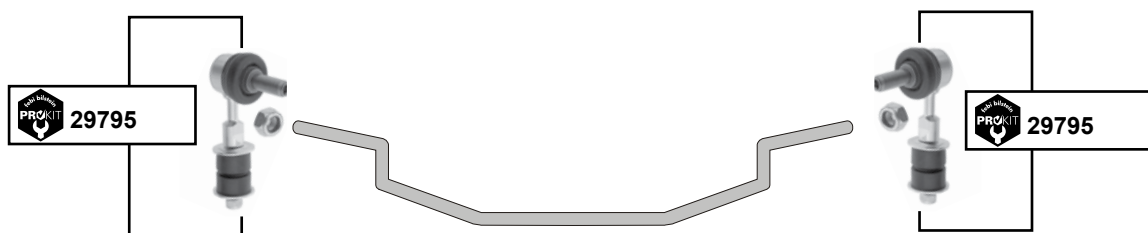
**Legend III**  
(1996 → 2004)



**Logo**  
(1999 → 2002)



**Prelude IV**  
(1992 → 1996)



Ref. - No.



<b>24956</b>	53540-SX8-T01	ProKit Spurstangenkopf / tie rod end	L 71,5
<b>29707</b>	51321-SZ3-013	ProKit Verbindungsstange links / stabilizer link left	L 81,3
<b>29708</b>	51320-SZ3-013	ProKit Verbindungsstange rechts / stabilizer link right	L 81,3
<b>29795</b>	51320-SS0-003	ProKit Verbindungsstange / stabilizer link	L 117,9
<b>34774</b>	53010-TF0-003	ProKit Axialgelenk mit Mutter / axial joint with nut	L 253

passend für / to fit

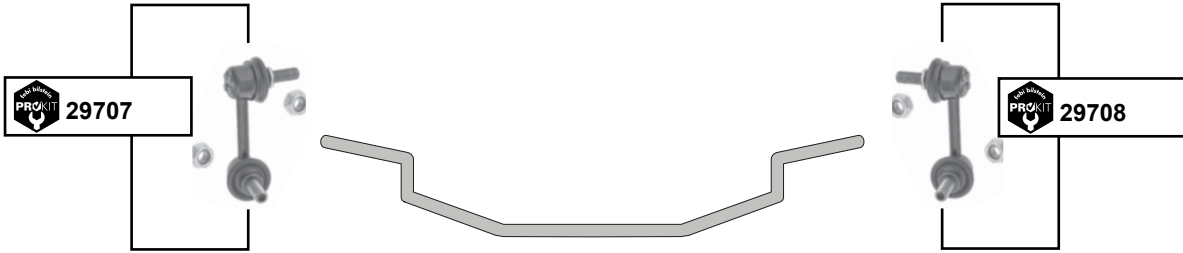
**HONDA**



**Car  
Division**

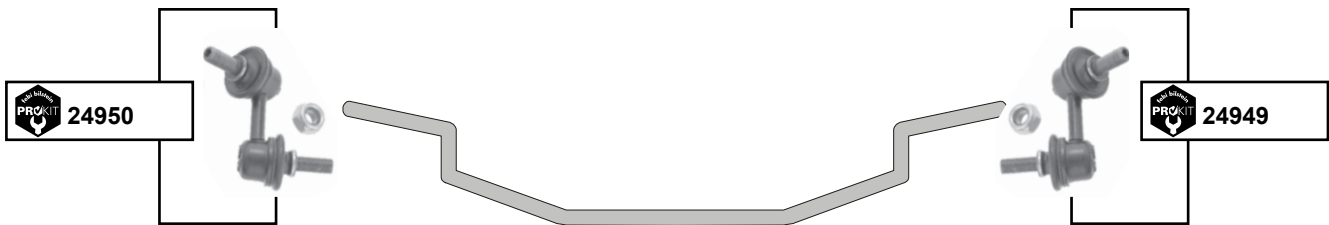
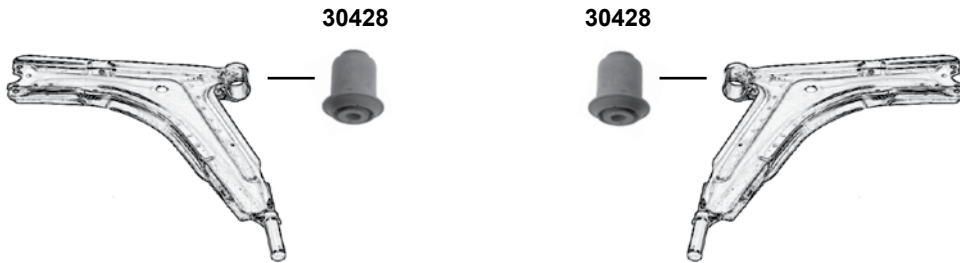


# 3,5 RL (1996 → 2004)



Vorderachse / Front axle

# Stream (2001 →)



Ref. - No.

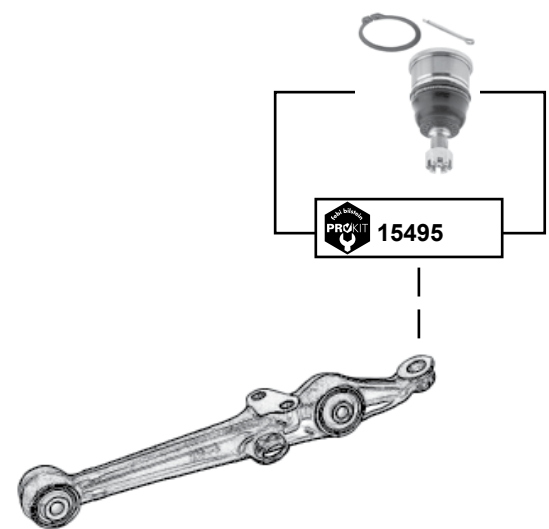
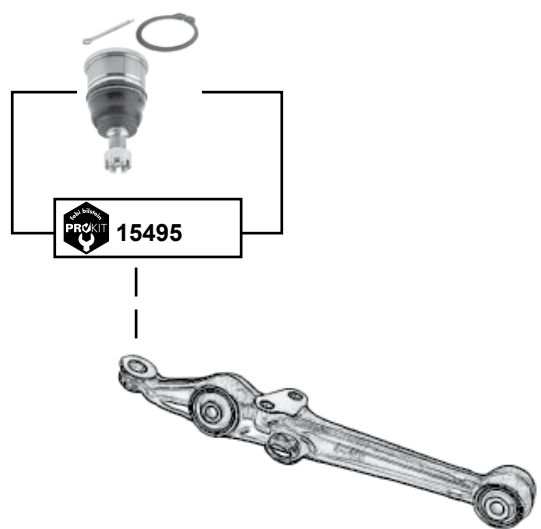


<b>24949</b>	51320-S5A-003	ProKit Verbindungsstange / stabilizer link	L 90
<b>24950</b>	51321-S5A-003	ProKit Verbindungsstange / stabilizer link	L 90
<b>29707</b>	51321-SZ3-013	ProKit Verbindungsstange / stabilizer link	L 81,3
<b>29708</b>	51320-SZ3-013	ProKit Verbindungsstange / stabilizer link	L 81,3
<b>30428</b>	51392-S5A-004	Querlenkerlager / control arm mount	Ø A 42 B47



# Shuttle

(1995 →)

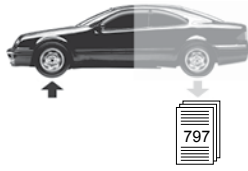


Vorderachse / Front axle



passend für / to fit

**HYUNDAI**

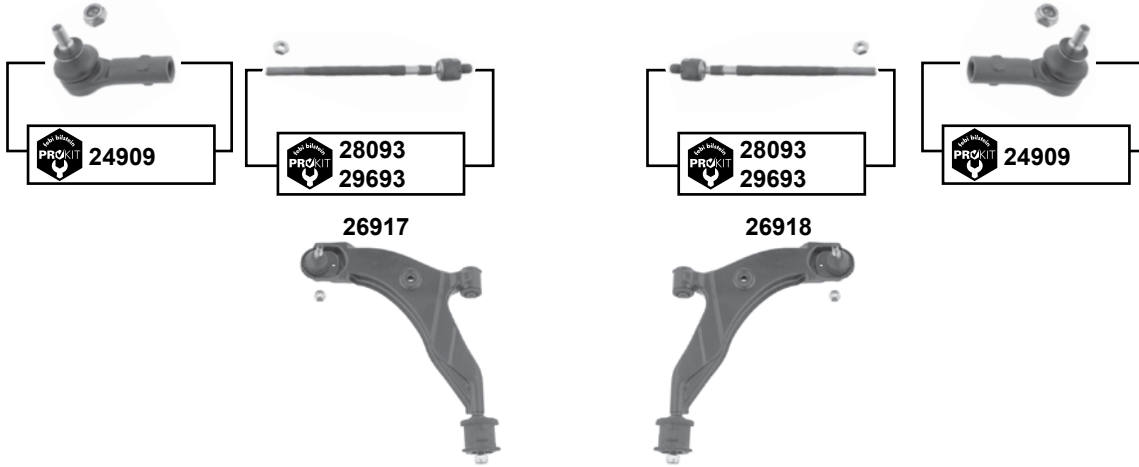


**Car  
Division**



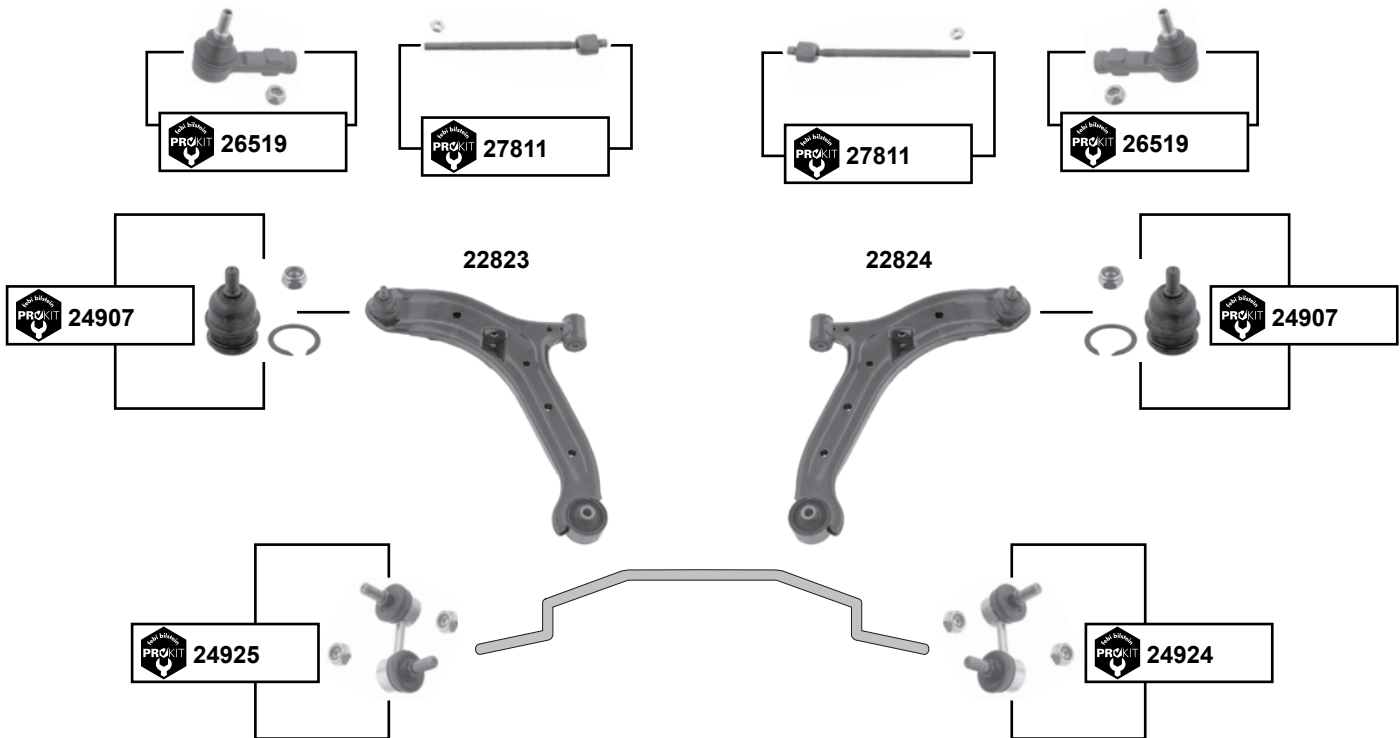
## Accent

(1995 → 1999)

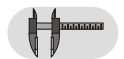


## Accent

(1999 → 2006)

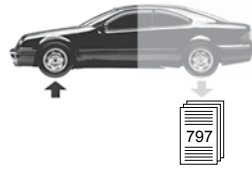


Ref. - No.

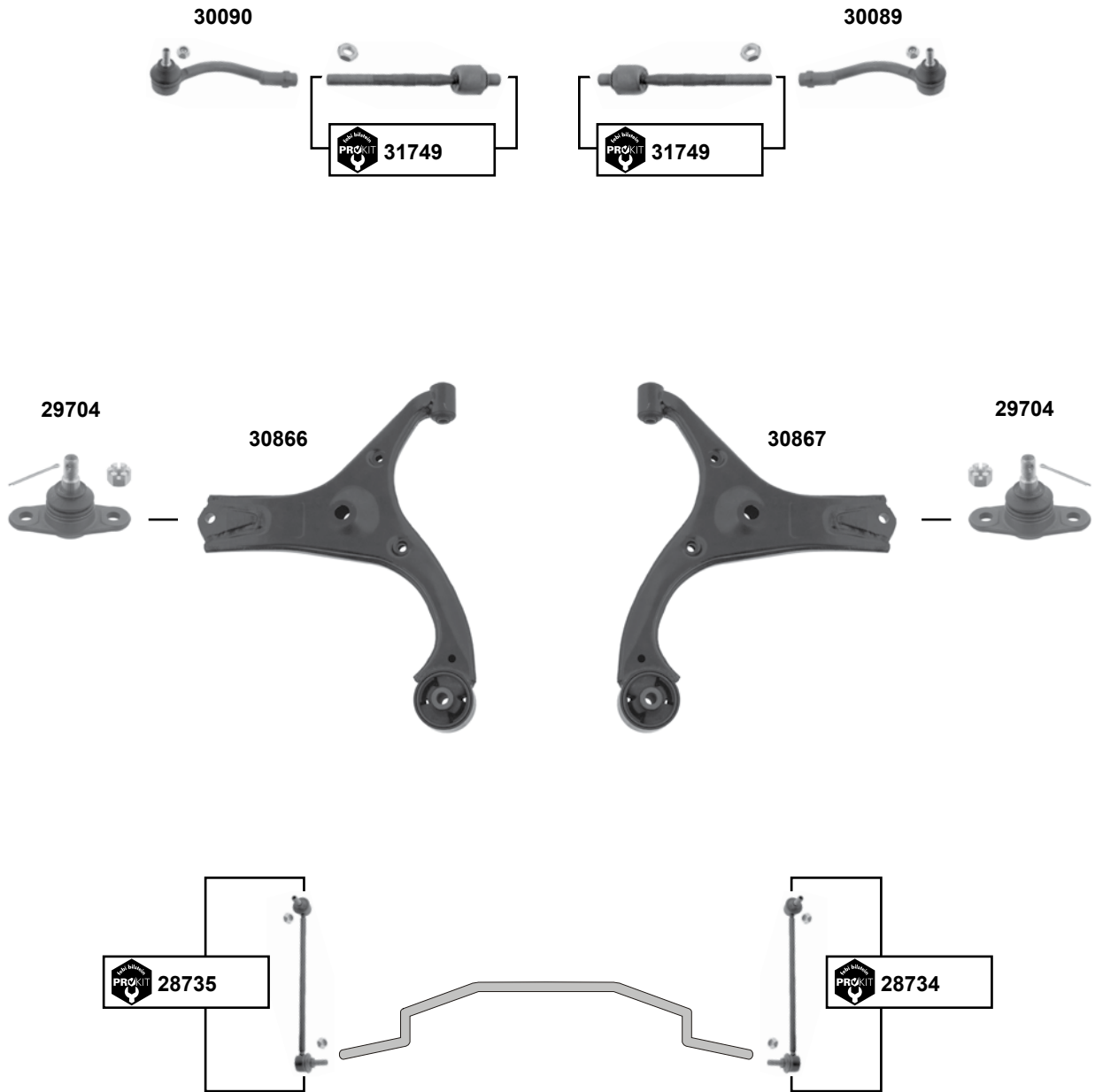


<b>22823</b>	54500-25000	Querlenker / control arm		
<b>22824</b>	54501-25000	Querlenker / control arm		
<b>24907</b>	54503-25A00	ProKit Tragelenk / ball joint		M12 x 1,25
<b>24909</b>	56820-22000	ProKit Spurstangenendstück / tie rod end	servo	
<b>24924</b>	54830-17020	ProKit Verbindungsstange / stabilizer link		L 60
<b>24925</b>	54830-17010	ProKit Verbindungsstange / stabilizer link		L 60
<b>26519</b>	56820-25000	ProKit Spurstangenendstück / tie rod end	servo	
<b>26917</b>	54500-22100	Querlenker / control arm		
<b>26918</b>	54501-22100	Querlenker / control arm		
<b>27811</b>	56540-25000	ProKit Spurstange / tie rod		L 305
<b>28093</b>	57755-22000	ProKit Spurstange / tie rod	servo	L 321
<b>29693</b>	56540-22000	ProKit Spurstange / tie rod	(ex.) servo	L 297

Vorderachse / Front axle



**Accent**  
(2006 →)



Vorderachse / Front axle

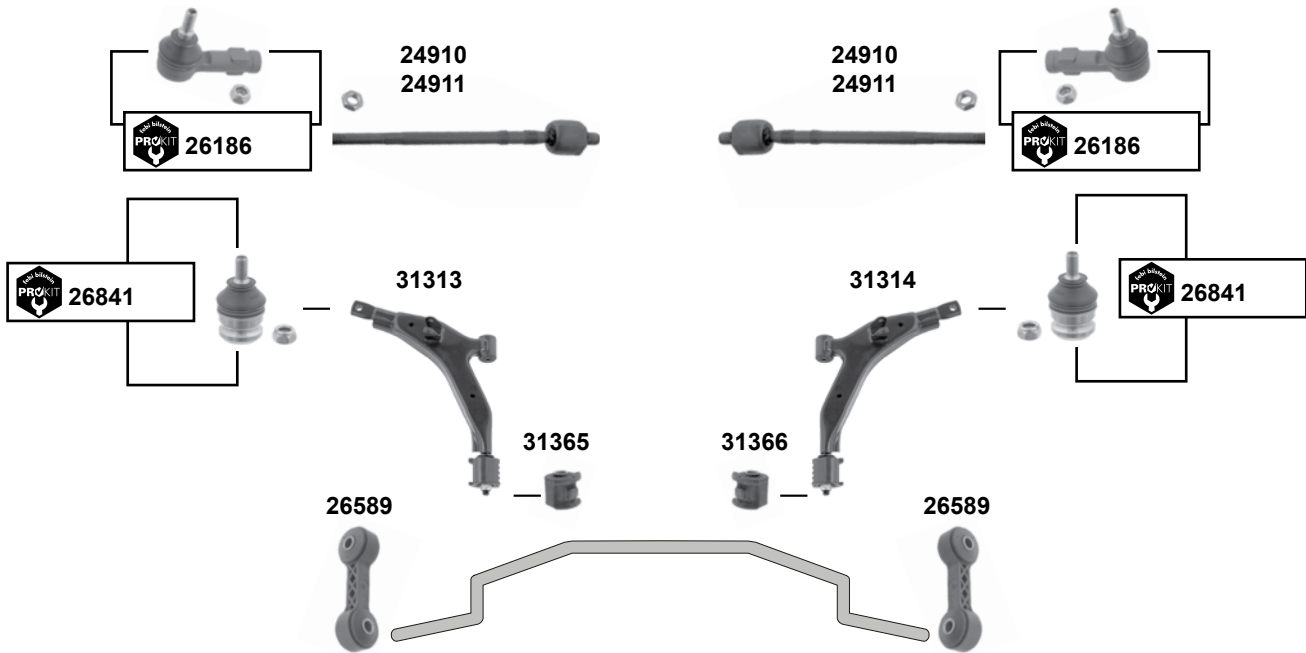
	Ref. - No.			
<b>28734</b>	54840-1E000	ProKit Verbindungsstange / stabilizer link		L 285
<b>28735</b>	54830-1E000	ProKit Verbindungsstange / stabilizer link		L 285
<b>29704</b>	51760-1G000	Traggelenk / ball joint		M12 x 1,25
<b>30089</b>	56820-1E900	Spurstangenendstück / tie rod end		M14 x 1,5
<b>30090</b>	56820-1E000	Spurstangenendstück / tie rod end		M14 x 1,5
<b>30866</b>	54500-1E100	Querlenker / control arm	(ex.) servo	
<b>30867</b>	54501-1E100	Querlenker / control arm	(ex.) servo	
<b>31749</b>	57724-1E000	ProKit Spurstange / tie rod		L 195



## Atos / Atos Prime I

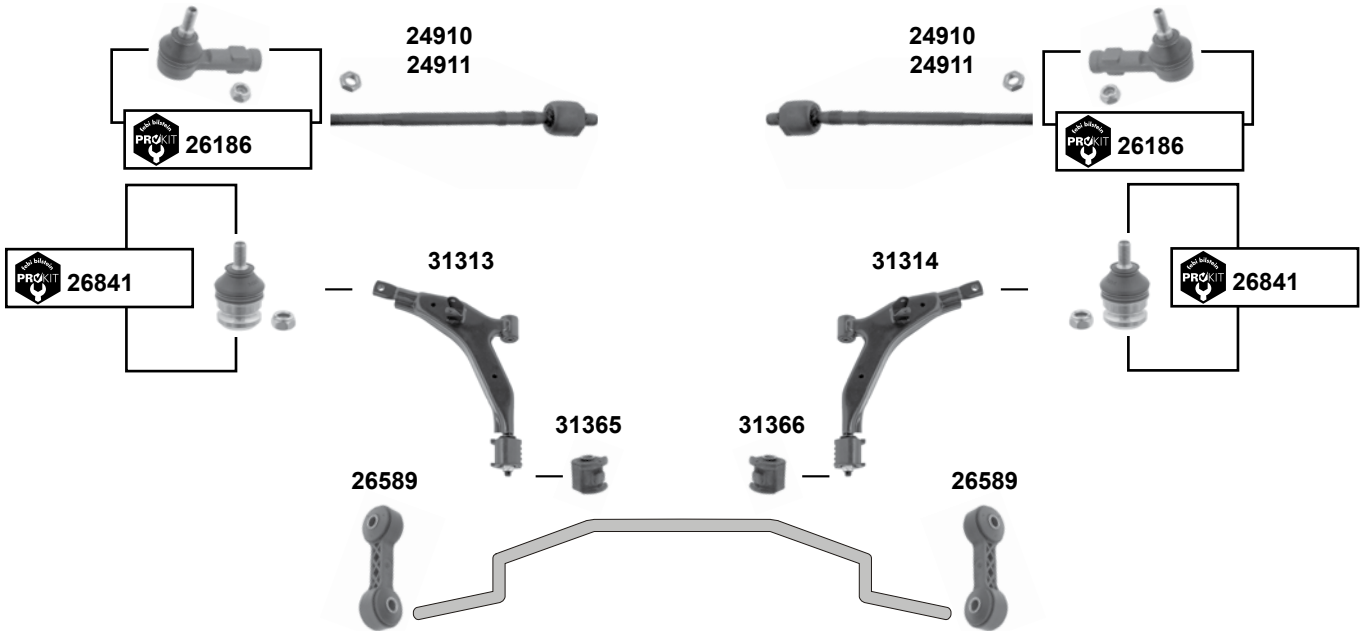
(1997 → 2003)

Vorderachse / Front axle

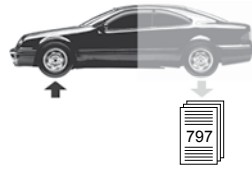


## Atos Prime II

(2005 →)



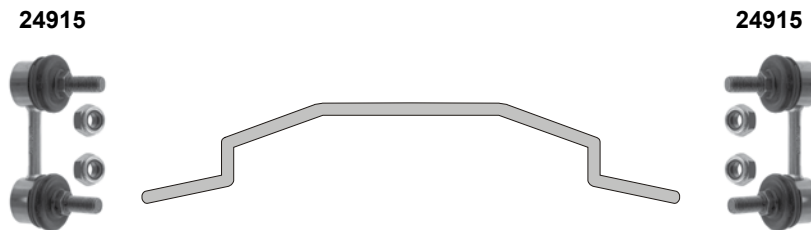
	Ref. - No.			
24910	56540-02000	Spurstange / tie rod	(ex.) servo	L 275
24911	57755-02000	Spurstange / tie rod	servo	L 275
26186	56820-02500	ProKit Spurstangenendstück / tie rod end		M10 x 1,25
26589	54820-02000	Verbindungsstange / stabilizer link		
26841	54530-02050	ProKit Traggelenk / ball joint		M10 x 1,25
31313	54500-02052	Querlenker / control arm		
31314	54501-02052	Querlenker / control arm		
31365	54555-02002	Querlenkerlager links / control arm mount left		Ø 1 18
31366	54556-02002	Querlenkerlager rechts / control arm mount right		Ø 1 18



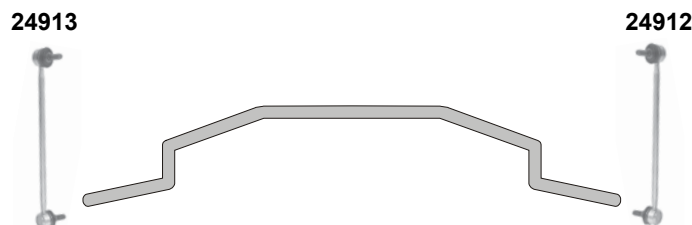
**Centennial**  
(2000 → 2005)



**Coupe (RD)**  
(1996 → 2002)



**Coupe (GK)**  
(2001 →)

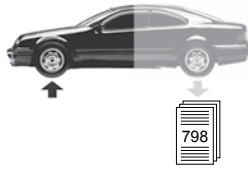


Vorderachse / Front axle

	Ref. - No.			
<b>24909</b>	56820-22000	ProKit Spurstangenendstück / tie rod end	servo	L 285 L 285 L 335 L 73
<b>24912</b>	54840-2C000	Verbindungsstange / stabilizer link		
<b>24913</b>	54830-2C000	Verbindungsstange / stabilizer link		
<b>24914</b>	57730-29001	Spurstange / tie rod		
<b>24915</b>	54830-29500	Verbindungsstange / stabilizer link		
<b>26301</b>	54503-3BA00	ProKit Traggelenk / ball joint	servo	
<b>26519</b>	56820-25000	ProKit Spurstangenendstück / tie rod end		

passend für / to fit

**HYUNDAI**



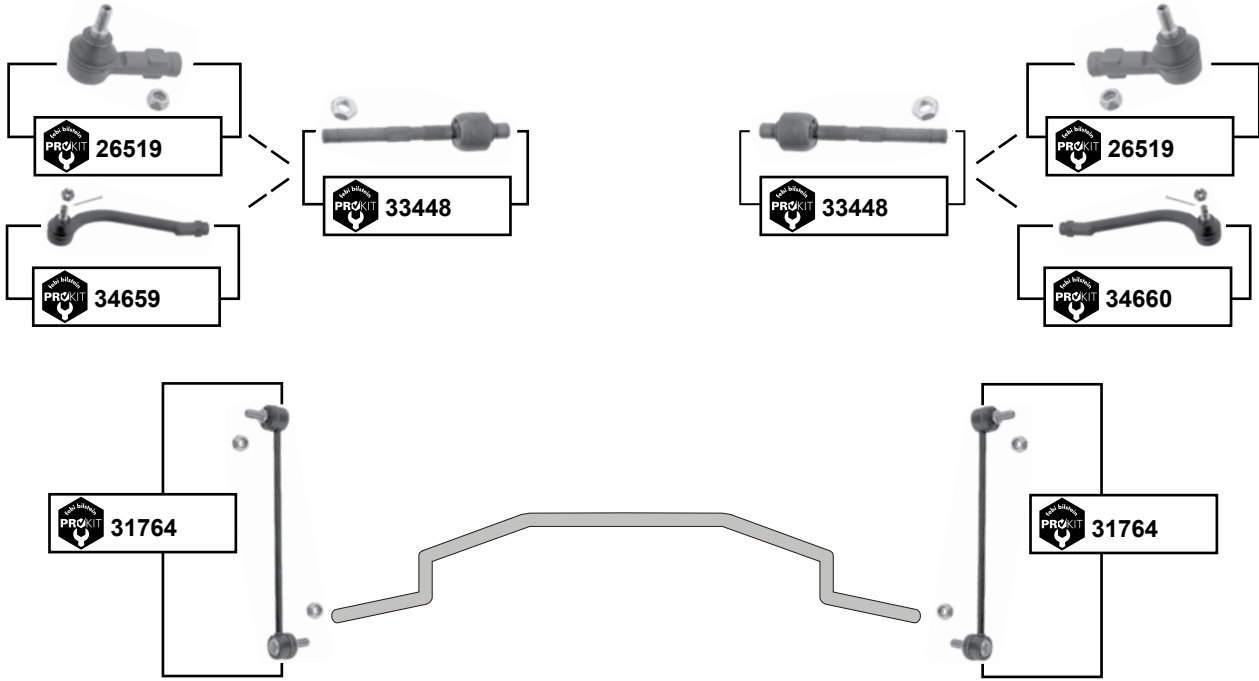
**Car  
Division**



## Elantra

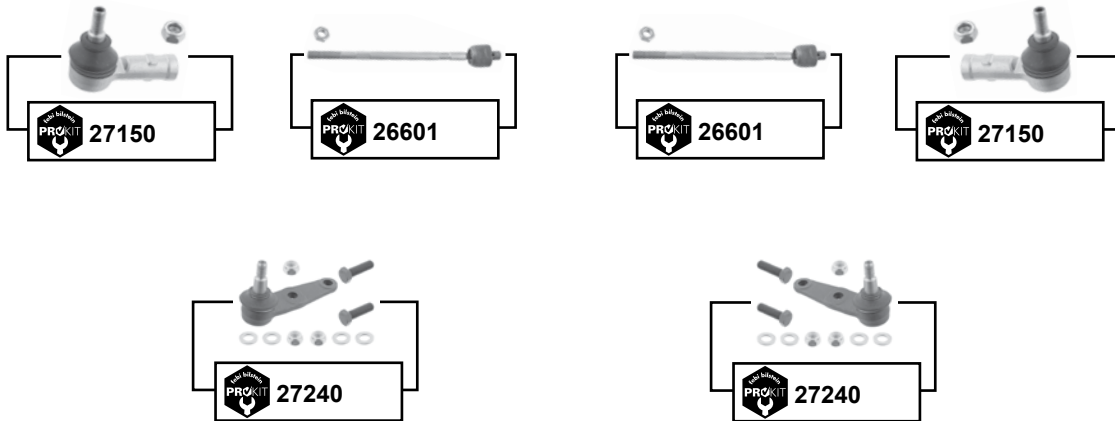
(2000 →)

Vorderachse / Front axle



## Excel

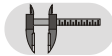
(1989 → 1995)



(1) 06/00 → 08/06 / servo



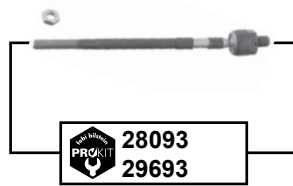
Ref. - No.



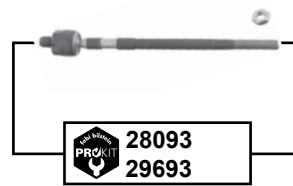
<b>26519</b>	56820-25000	ProKit Spurstangenendstück / tie rod end	<b>(1)</b> <b>(ex.)</b> servo	M14 x 1,5 M12 x 1,5
<b>26601</b>	56540-24001	ProKit Spurstange / tie rod		
<b>27150</b>	56820-21110	ProKit Spurstangenendstück / tie rod end	servo	L 243
<b>27240</b>	54530-24A00	ProKit Traggelenk / ball joint		
<b>31764</b>	54830-2H100	ProKit Verbindungsstange / stabilizer link	Modell 2007 →	L 163
<b>33448</b>	56540-2H000	ProKit Axialgelenk / axial joint	08.06 →	L 163
<b>34659</b>	56820-2H000	ProKit Spurstangenendstück / tie rod end	08/06 → 03/08	M14 x 1,5
<b>34660</b>	56820-2H090	ProKit Spurstangenendstück / tie rod end	08/06 → 03/08	M14 x 1,5



**Excel**  
(1995 → 1999)



26917



26918



**Getz**  
(2002 →)



24908



24908



24907



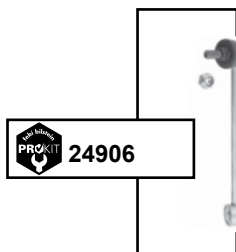
24904



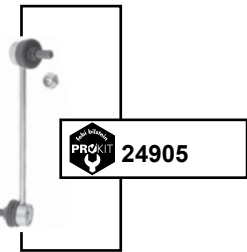
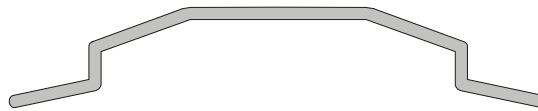
24903



24907



24906



24905



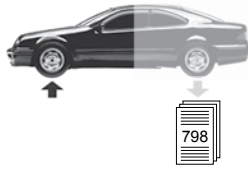
Ref. - No.



24903	54501-1C000	Querlenker / control arm		
24904	54500-1C000	Querlenker / control arm		
24905	54840-1C000	ProKit Verbindungsstange / stabilizer link		L 200
24906	54830-1C000	ProKit Verbindungsstange / stabilizer link		L 200
24907	54503-25A00	ProKit Traggelenk / ball joint		M12 x 1,25
24908	57755-1C000	Spurstange / tie rod	servo	L 330
26917	54500-22100	Querlenker / control arm		
26918	54501-22100	Querlenker / control arm		
28093	57755-22000	ProKit Spurstange / tie rod	servo	L 321
29693	56540-22000	ProKit Spurstange / tie rod	(ex.) servo	L 297

passend für / to fit

**HYUNDAI**

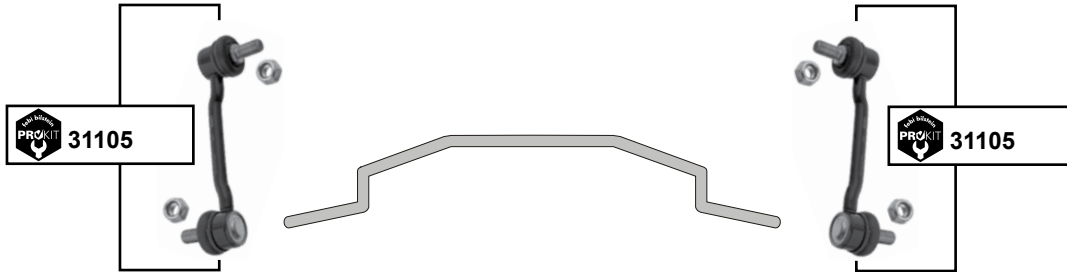


**Car  
Division**



# Grandeur

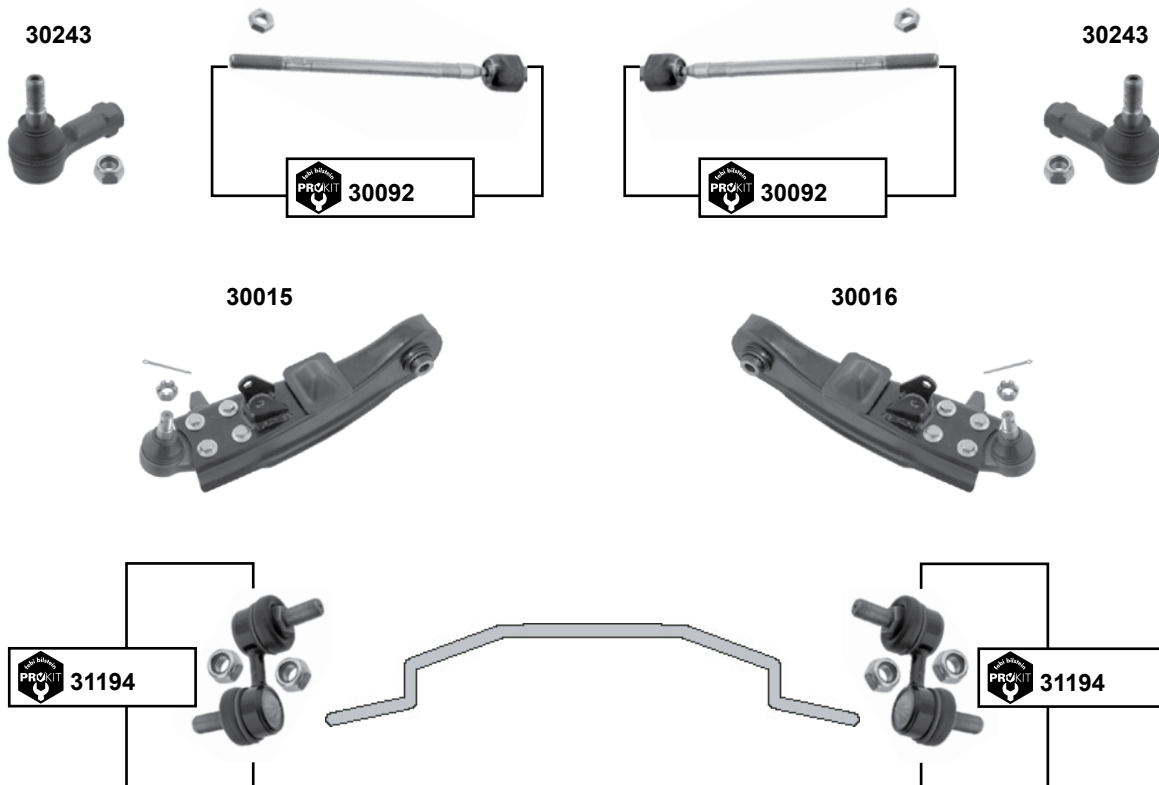
(2005 →)



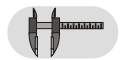
Vorderachse / Front axle

# H1

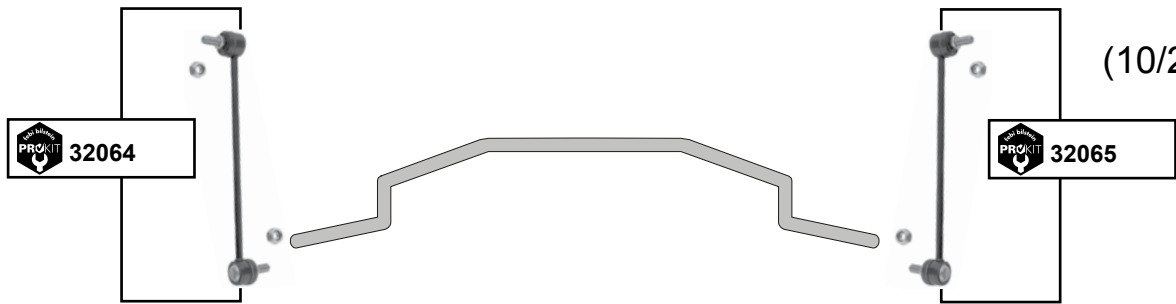
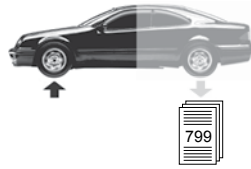
(1997 → 10/2007)



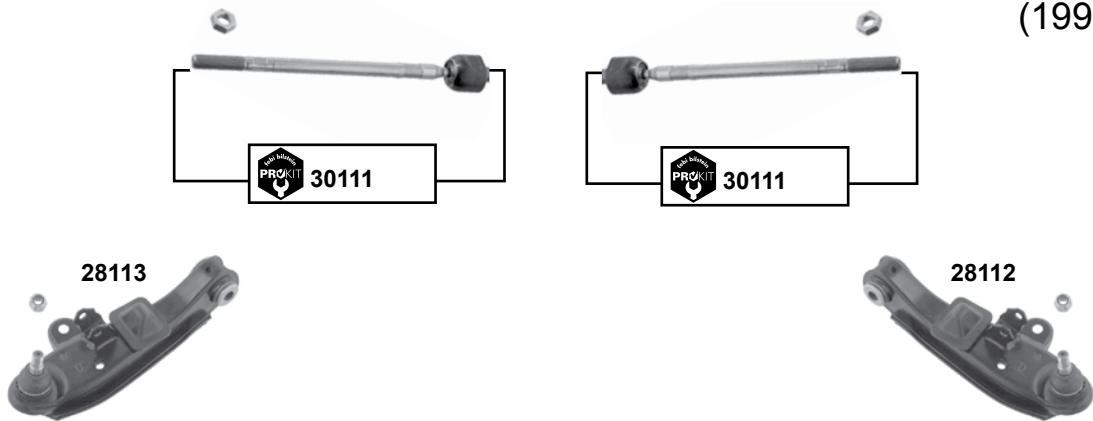
Ref. - No.



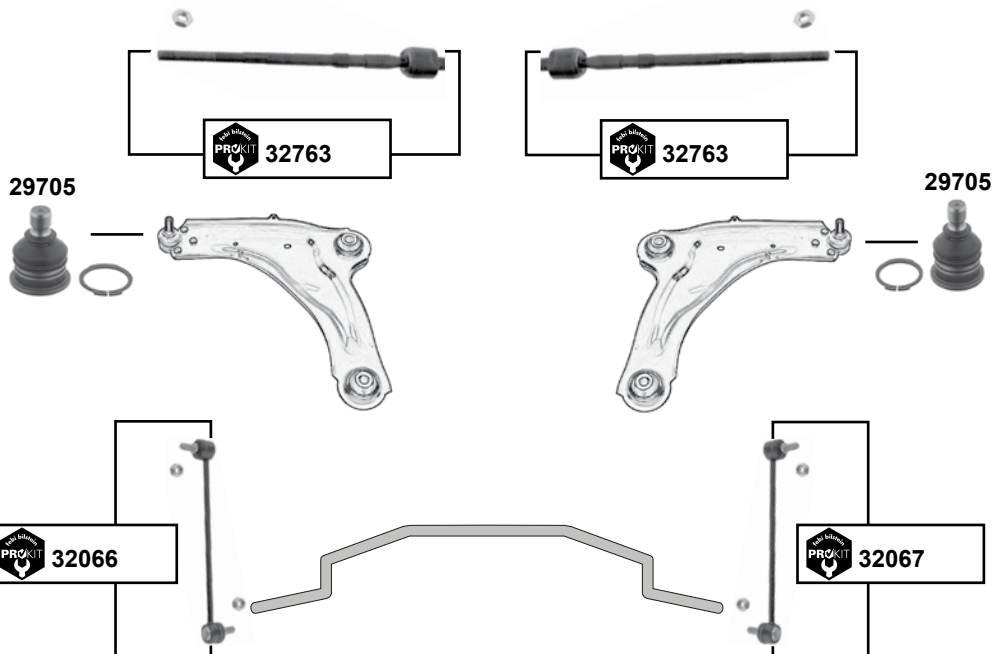
<b>30015</b>	54500-4A600	Querlenker / control arm	(ex.) 4WD	M16 x 1,5
<b>30016</b>	54501-4A600	Querlenker / control arm	(ex.) 4WD	M16 x 1,5
<b>30092</b>	57729-4A010	ProKit Spurstange / tie rod		
<b>30243</b>	56820-4A600	Spurstangenendstück / tie rod end		M14 x 1,5
<b>31194</b>	54830-4A003	ProKit Verbindungsstange / stabilizer link		L 54
<b>31105</b>	54830-3L000	Verbindungsstange / stabilizer link		L 150



**H1**  
(10/2007 →)



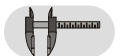
**H 100**  
(1993 → 1997)



**i-10**  
(2007 →)



Ref. - No.



<b>28112</b>	54540-43152 S1	Querlenker / control arm		M16 x 1,5
<b>28113</b>	54510-43152 S1	Querlenker / control arm		M16 x 1,5
<b>29705</b>	54530-07000 S1	Traggelenk / ball joint		
<b>30111</b>	57730-43010	Spurstange / tie rod		L 292
<b>32064</b>	54830-4H000	ProKit Verbindungsstange / stabilizer link		L 274,5
<b>32065</b>	54840-4H000	ProKit Verbindungsstange / stabilizer link		L 274,5
<b>32066</b>	54830-0X000	ProKit Verbindungsstange / stabilizer link		L 85
<b>32067</b>	54840-0X000	ProKit Verbindungsstange / stabilizer link		L 85
<b>32763</b>	57724-0X000	ProKit Spurstange / tie rod		L 294,5



passend für / to fit

**HYUNDAI**



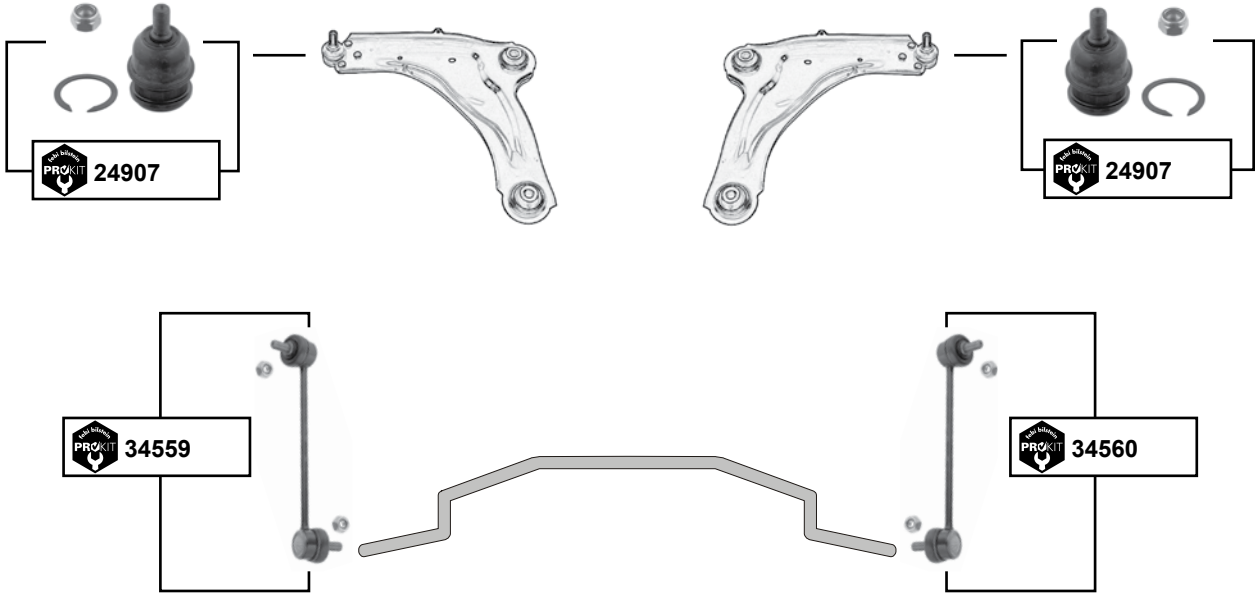
**Car  
Division**



**i-20**

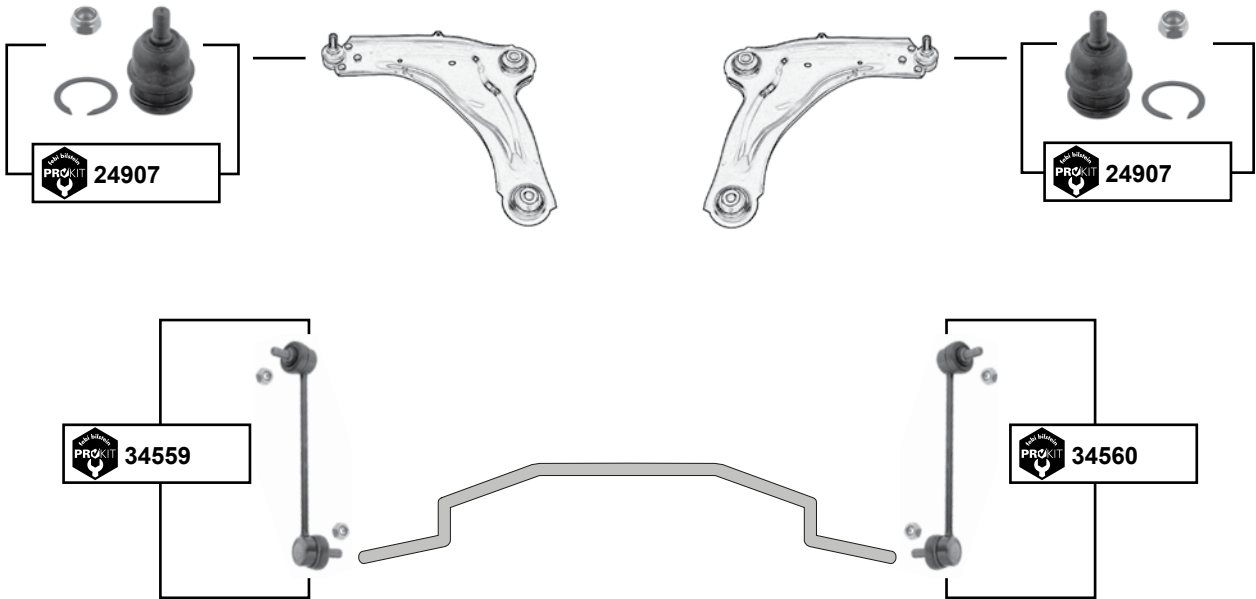
(10/08 →)

Vorderachse / Front axle



**iX20**

(09/10 →)



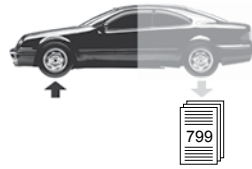
Ref. - No.



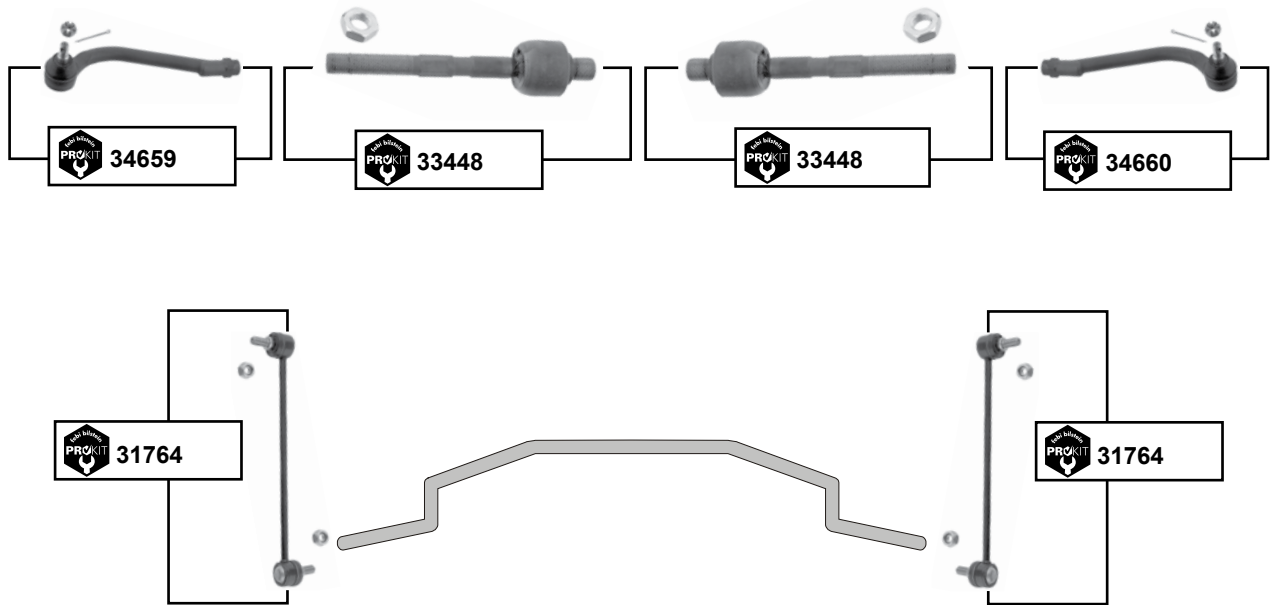
<b>24907</b>	54503-25A00
<b>34559</b>	54830-1J000
<b>34560</b>	54840-1J000

ProKit Traggelenk / ball joint
ProKit Verbindungsstange / stabilizer link
ProKit Verbindungsstange / stabilizer link

M12 x 1,25
L 216
L 216

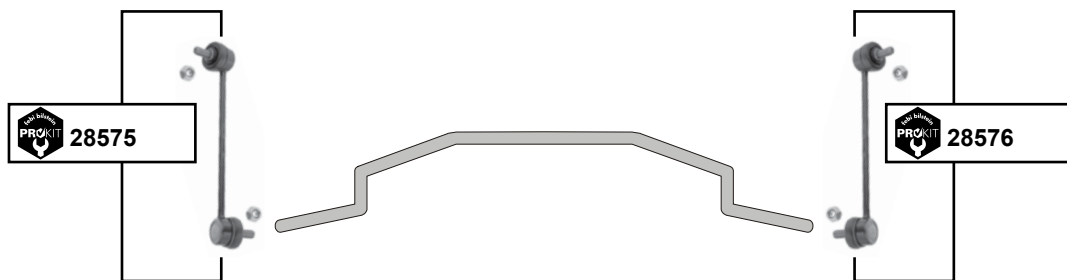


**i-30 / i 30cw**  
(2007 →)



Vorderachse / Front axle

**IX55**  
(2008 →)



(1) i 30 : 05.07 →  
i 30 cw: 10.08 →



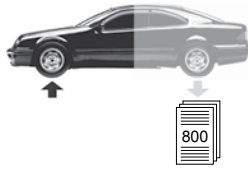
Ref. - No.



<b>28575</b>	54830-2B000	ProKit Verbindungsstange / stabilizer link	Modell 2007 → (1)	L 341
<b>28576</b>	54840-2B000	ProKit Verbindungsstange / stabilizer link		L 341
<b>31764</b>	54830-2H100	Verbindungsstange / stabilizer link		L 243
<b>33448</b>	56540-2H000	ProKit Axialgelenk / axial joint		L 163
<b>34659</b>	56820-2H000	ProKit Spurstangenendstück / tie rod end		M14 x 1,5
<b>34660</b>	56820-2H090	ProKit Spurstangenendstück / tie rod end		M14 x 1,5

passend für / to fit

# HYUNDAI

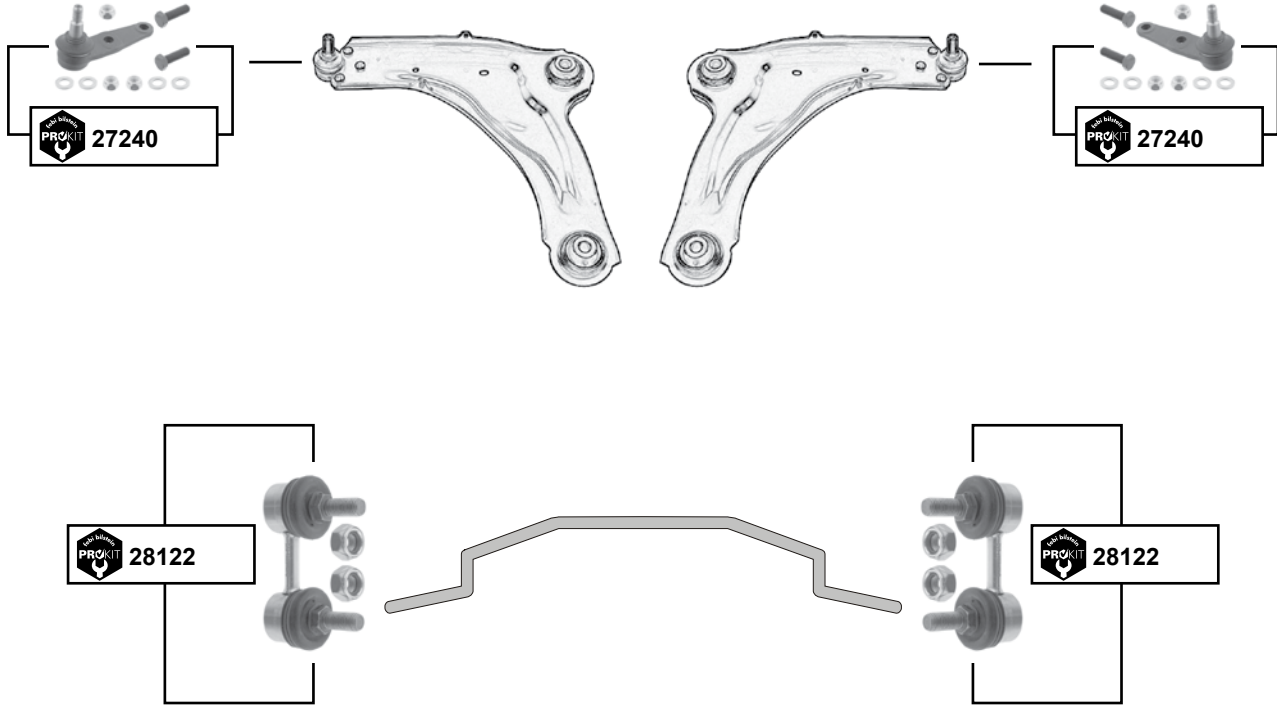


Car  
Division



## Lantra

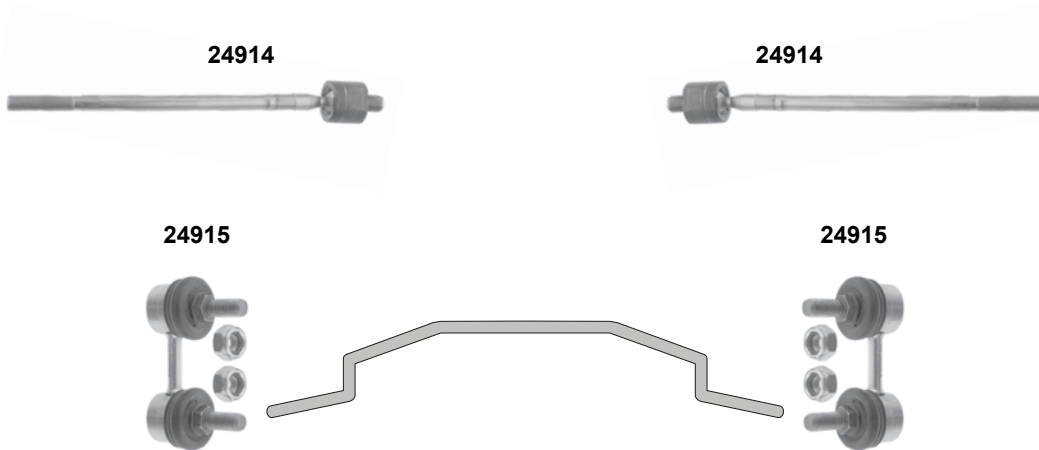
(1990 → 1995)



Vorderachse / Front axle

## Lantra II

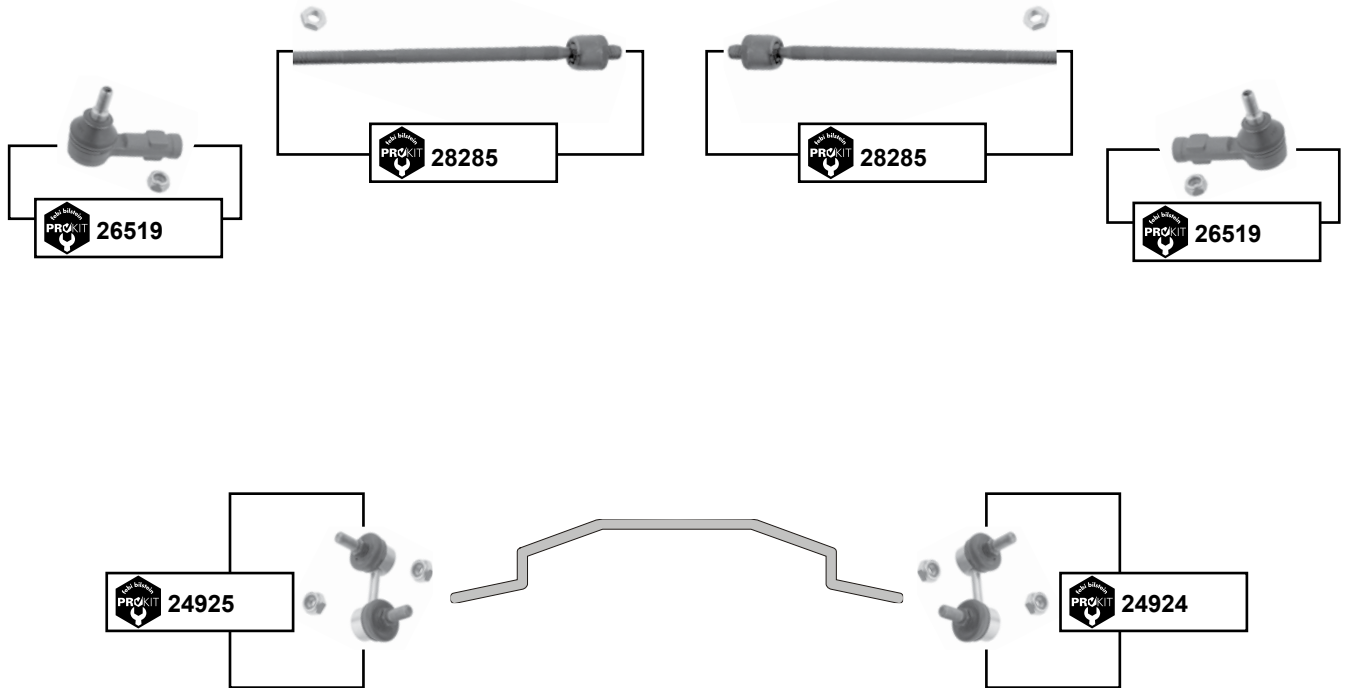
(1995 → 2002)



	Ref. - No.			
24914	57730-29001	Spurstange / tie rod		L 335
24915	54830-29500	Verbindungsstange / stabilizer link		L 73
27240	54530-24A00	ProKit Traggelenk / ball joint		M12 x 1,5
28122	54830-37020	ProKit Verbindungsstange / stabilizer link		L 61

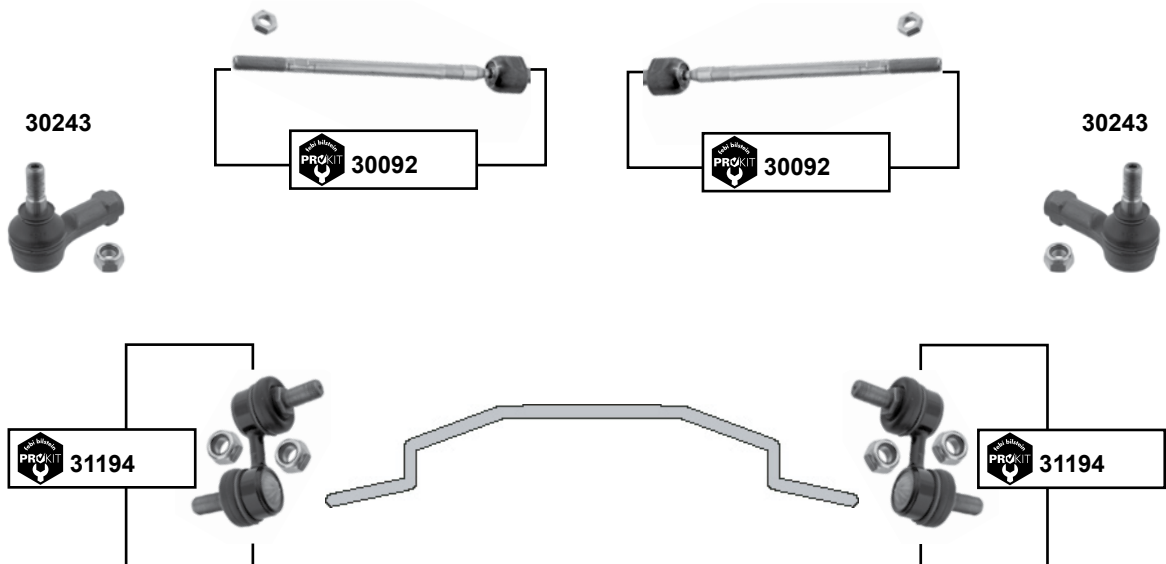


**Lavita**  
(2008 →)



Vorderachse / Front axle

**Libero**  
(2000 → 2006)



Ref. - No.



<b>24924</b>	54830-17020
<b>24925</b>	54830-17010
<b>26519</b>	56820-25000
<b>28285</b>	57755-17000
<b>30092</b>	57729-4A010
<b>30243</b>	56820-4A600
<b>31194</b>	54830-4A003

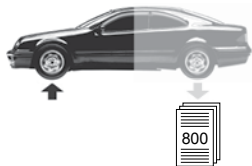
ProKit Verbindungsstange / stabilizer link
ProKit Verbindungsstange / stabilizer link
ProKit Spurstangenendstück / tie rod end
ProKit Spurstange / tie rod
ProKit Spurstange / tie rod
Spurstangenendstück / tie rod end
ProKit Verbindungsstange / stabilizer link



L 60
L 60
L 323
M14 x 1,5
L 54

passend für / to fit

# HYUNDAI

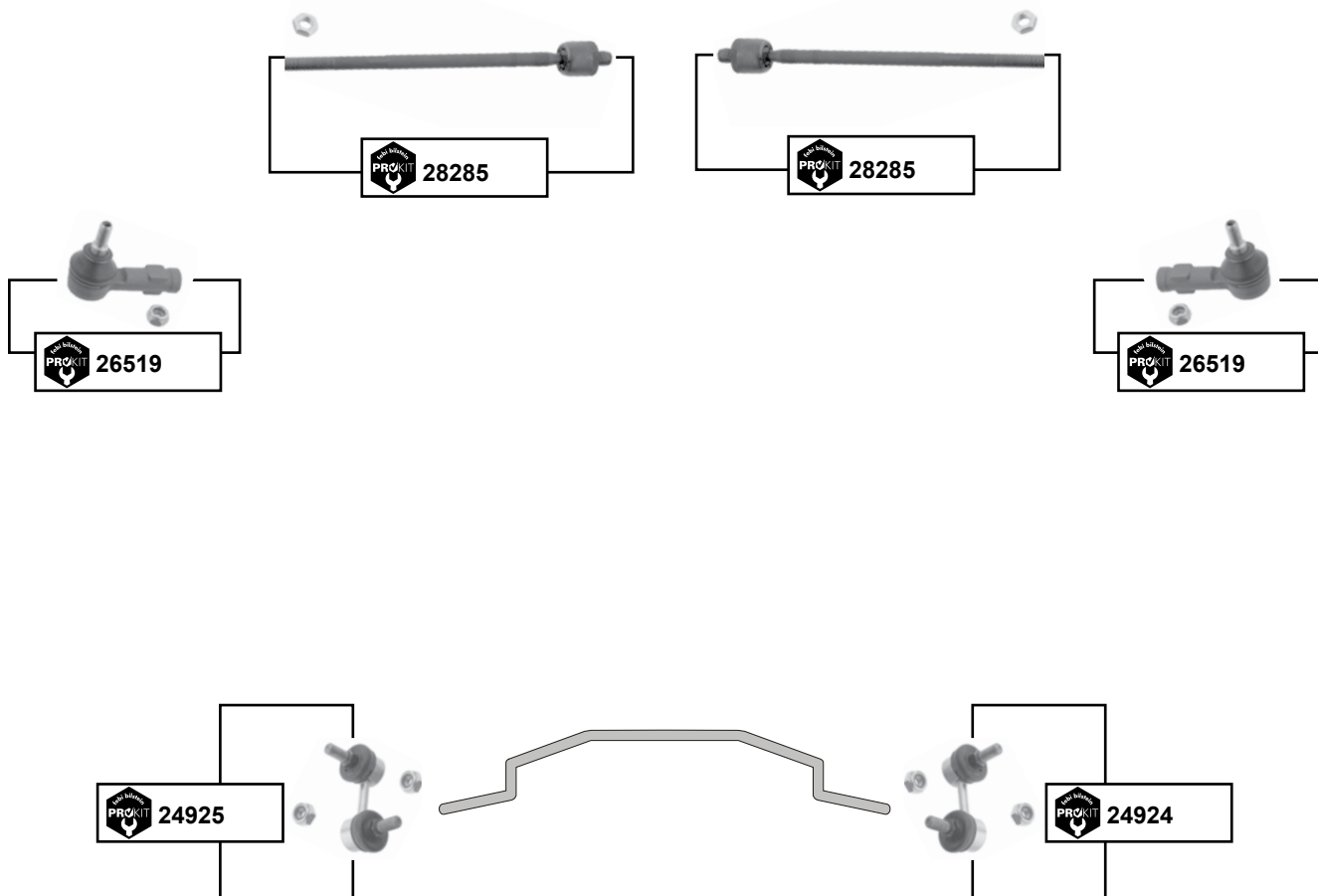


Car  
Division



## Matrix (2001 →)

Vorderachse / Front axle



Ref. - No.



24924	54830-17020
24925	54830-17010
26519	56820-25000
28285	57755-17000

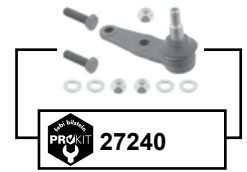
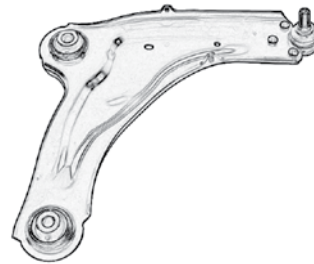
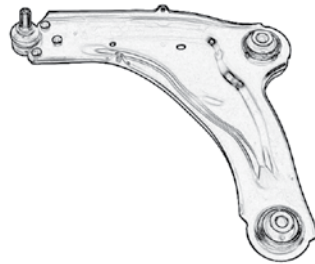
ProKit Verbindungsstange / stabilizer link  
 ProKit Verbindungsstange / stabilizer link  
 Spurstangenendstück / tie rod end  
 ProKit Spurstange / tie rod



L 60
L 60
L 323

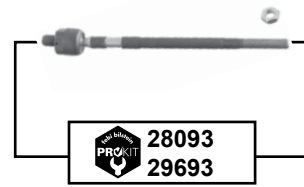
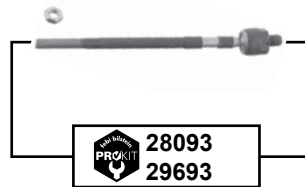


**Pony**  
(1989 → 1995)



Vorderachse / Front axle

**Pony**  
(1995 → 1999)



	Ref. - No.			
<b>26601</b>	56540-24001	ProKit Spurstange / tie rod	(ex.) servo	
<b>26917</b>	54500-22100	Querlenker / control arm		
<b>26918</b>	54501-22100	Querlenker / control arm		
<b>27150</b>	56820-21110	ProKit Spurstangenendstück / tie rod end	servo	M14 x 1,5
<b>27240</b>	54530-24A00	ProKit Traggelenk / ball joint		M12 x 1,5
<b>28093</b>	57755-22000	ProKit Spurstange / tie rod	servo	L 321
<b>29693</b>	56540-22000	ProKit Spurstange / tie rod	(ex.) servo	L 297

passend für / to fit

# HYUNDAI

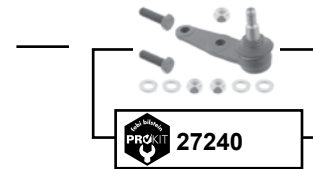
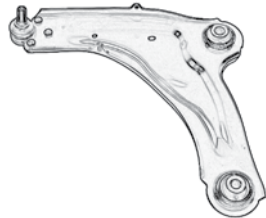


Car  
Division 



## S-Coupe (1990 → 1996)

Vorderachse / Front axle





Ref. - No.

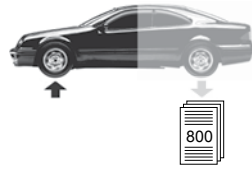


26601	56540-24001
27150	56820-21110
27240	54530-24A00

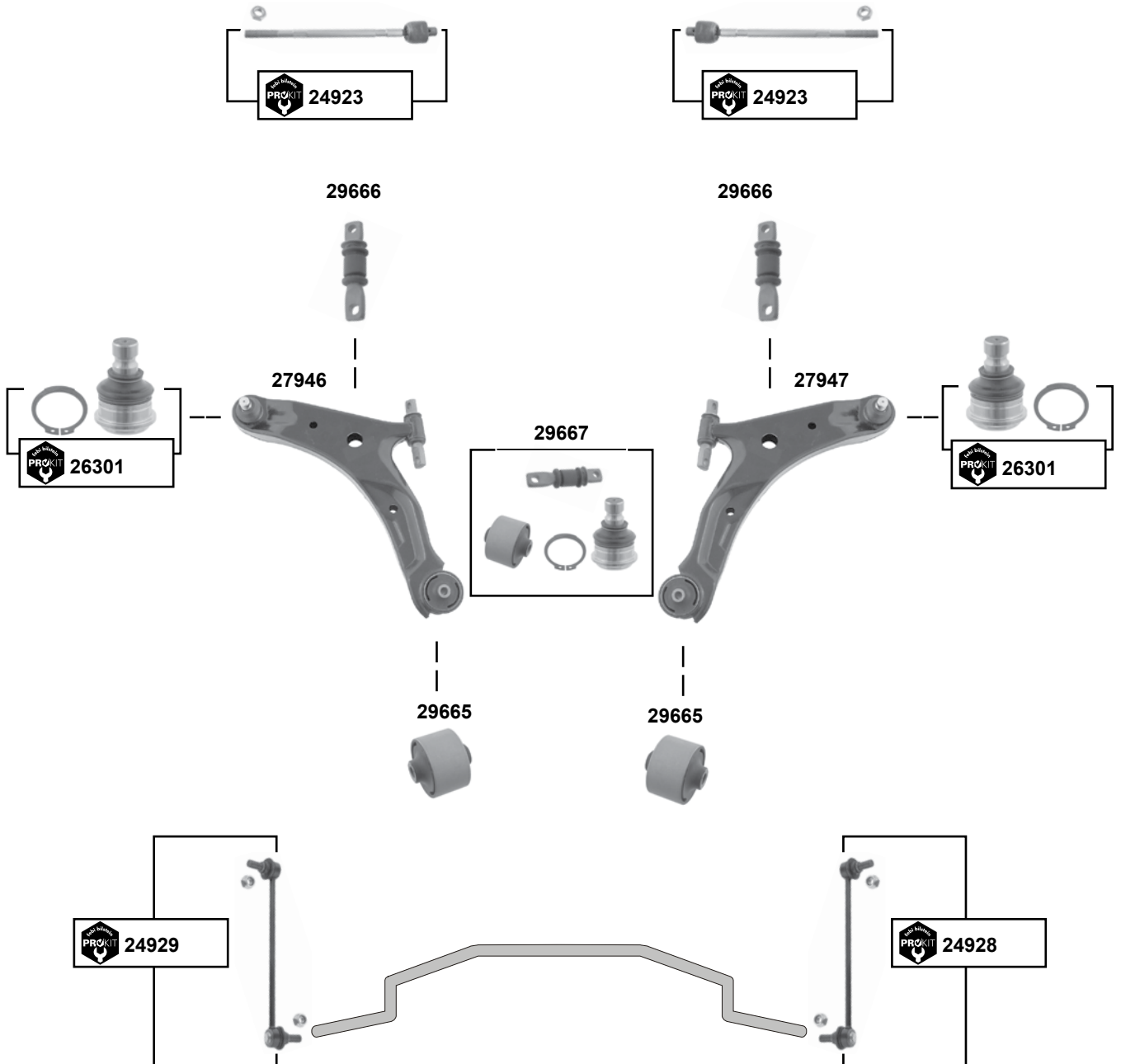
ProKit Spurstange / tie rod  
 ProKit Spurstangenendstück / tie rod end  
 ProKit Tragelenk / ball joint

(ex.) servo   
 servo 

M14 x 1,5  
 M12 x 1,5



**Santa Fe**  
(2000 → 2005)



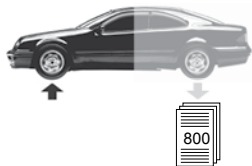
Vorderachse / Front axle

	Ref. - No.			
<b>24923</b>	57785-26200	ProKit Spurstange / tie rod		L 345
<b>24928</b>	54840-26100	ProKit Verbindungsstange / stabilizer link	→ 01/2005	L 265
<b>24929</b>	54830-26100	ProKit Verbindungsstange / stabilizer link	→ 01/2005	L 265
<b>26301</b>	54503-3BA00	ProKit Tragelenk / ball joint		
<b>27946</b>	54501-26000	Querlenker / control arm		
<b>27947</b>	54502-26000	Querlenker / control arm		
<b>29665</b>	54555-26000	Querlenkerlager hinten / control arm mount rear		Ø A 64,3
<b>29666</b>	54551-26000	Querlenkerlager vorne / control arm mount front		Ø A 30,4
<b>29667</b>	54503-3BA00 S1	Rep. Satz Querlenker / rep kit control arm		



passend für / to fit

**HYUNDAI**



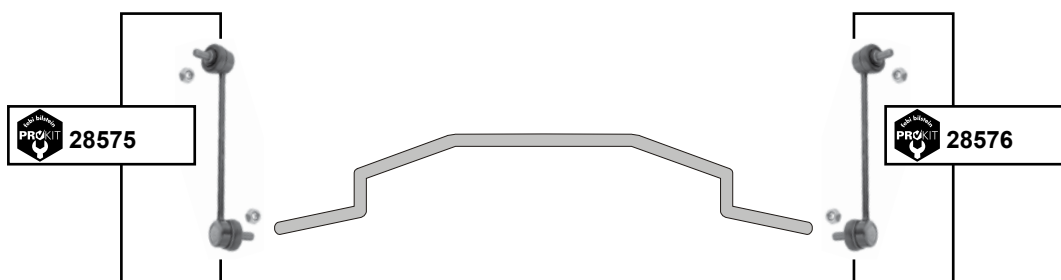
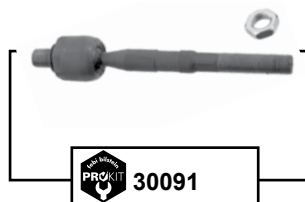
**Car  
Division**



# Santa Fe (CM)

(2005 →)

Vorderachse / Front axle



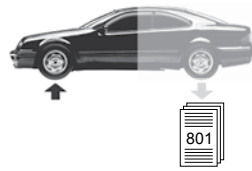
Ref. - No.



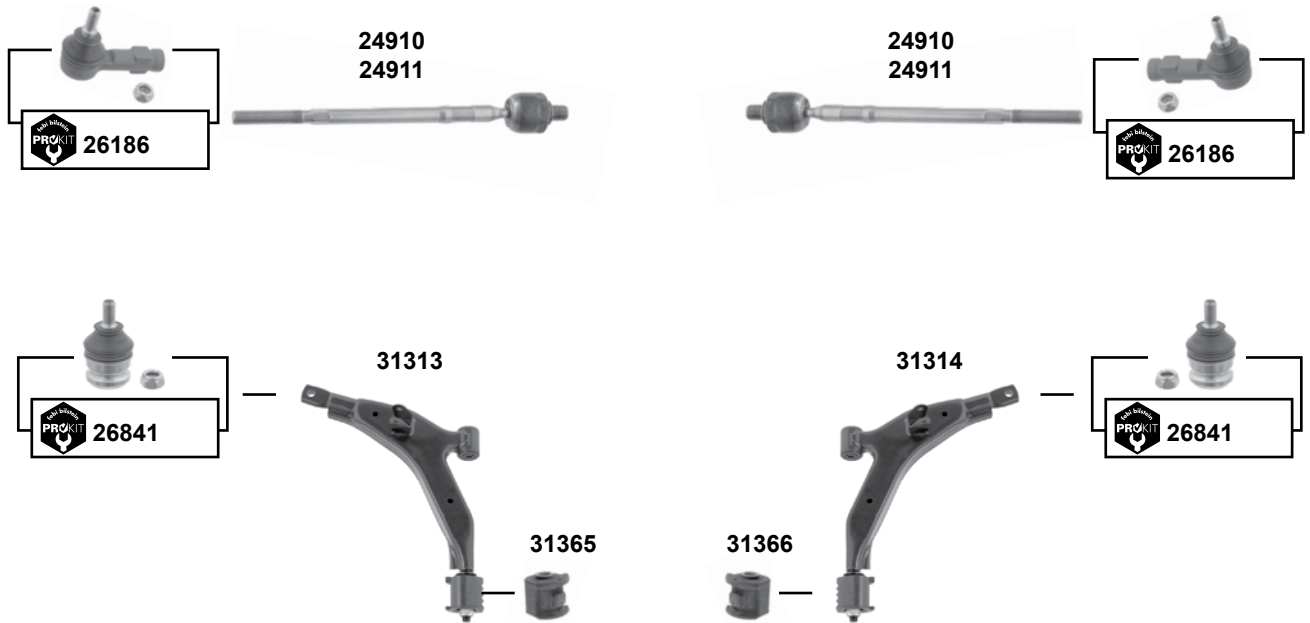
<b>28575</b>	54830-2B000
<b>28576</b>	54840-2B000
<b>30091</b>	57724-2B000

ProKit Verbindungsstange / stabilizer link
ProKit Verbindungsstange / stabilizer link
ProKit Spurstange / tie rod

L 341
L 341
L 194

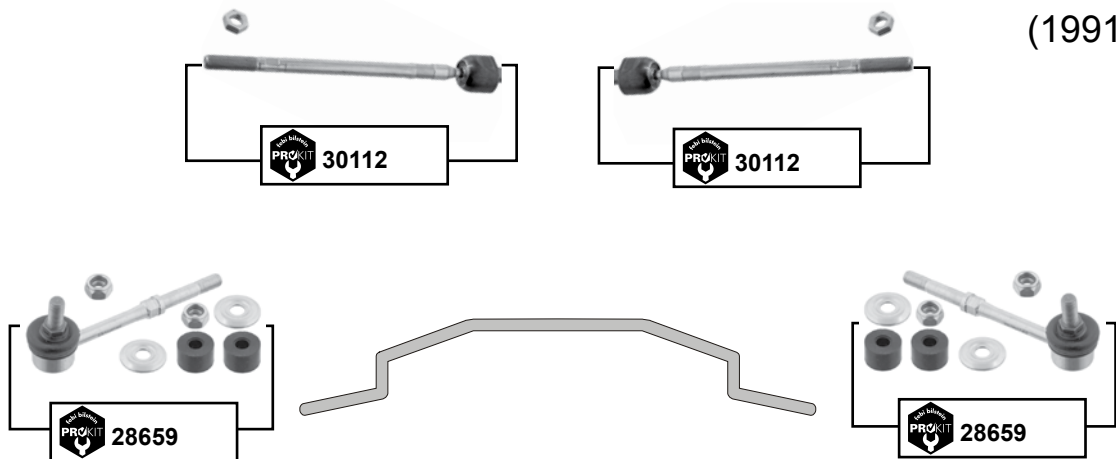


**Santro**  
(2003 → 2005)



Vorderachse / Front axle

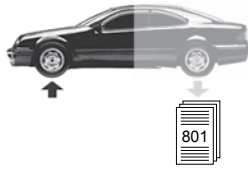
**Sonata I**  
(1991 → 1993)



	Ref. - No.			
<b>24910</b>	56540-02000	Spurstange / tie rod	(ex.) servo	L 275
<b>24911</b>	57755-02000	Spurstange / tie rod		L 275
<b>26186</b>	56820-02500	ProKit Spurstangenendstück / tie rod end	servo	M10 x 1,25
<b>26841</b>	54530-02050	ProKit Traggelenk / ball joint		M10 x 1,25
<b>28659</b>	54830-36101 S1	ProKit Verbindungsstange / stabilizer link		L 88,2
<b>30112</b>	57730-33100	ProKit Spurstange / tie rod		L 305
<b>31313</b>	54500-02052	Querlenker / control arm		
<b>31314</b>	54501-02052	Querlenker / control arm		
<b>31365</b>	54555-02002	Querlenkerlager links / control arm mount left		Ø 118
<b>31366</b>	54556-02002	Querlenkerlager rechts / control arm mount right		Ø 118

passend für / to fit

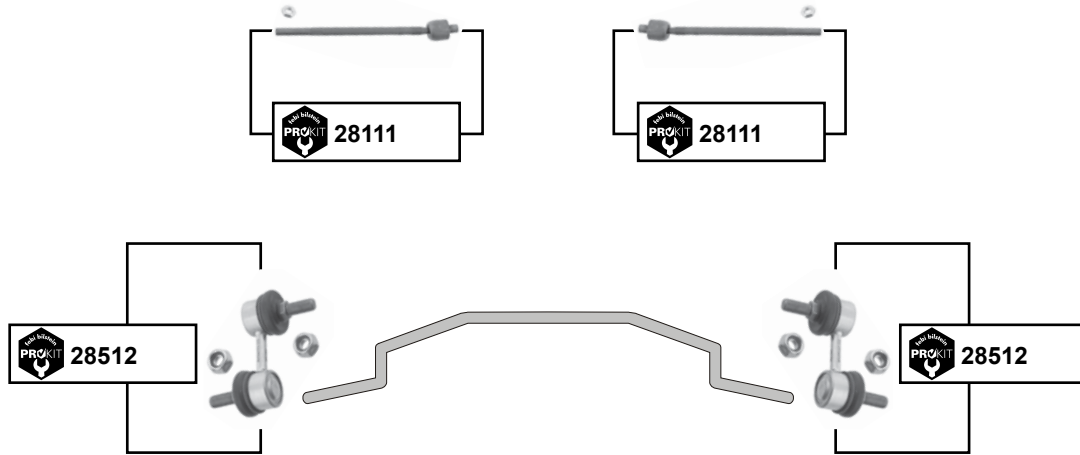
**HYUNDAI**



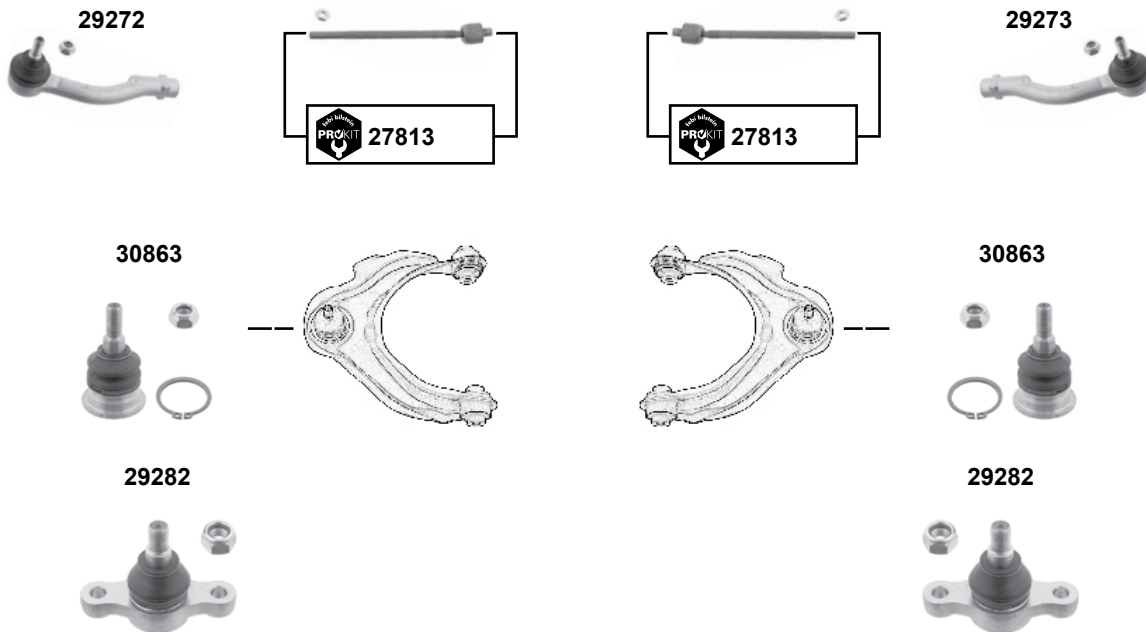
**Car  
Division**



**Sonata II**  
(1994 → 1998)



**Sonata EF**  
(1998 → 2004)



Ref. - No.



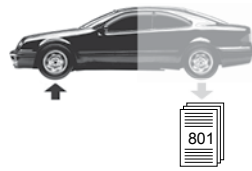
<b>27813</b>	57724-38010
<b>28111</b>	57716-34000
<b>28512</b>	55580-37020
<b>29272</b>	56820-38000
<b>29273</b>	56820-38900
<b>29282</b>	51760-38000
<b>30863</b>	54403-38A00 S1

ProKit Spurstange / tie rod
ProKit Spurstange / tie rod
ProKit Verbindungsstange / stabilizer link
Spurstangenendstück / tie rod end
Spurstangenendstück / tie rod end
Traggelenk / ball joint
Traggelenk / ball joint

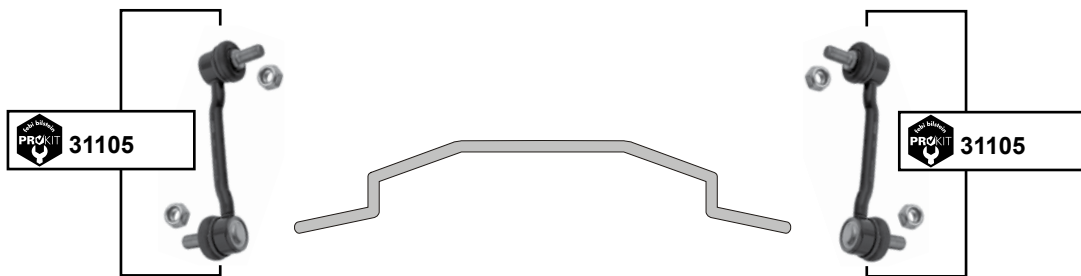
modell 04/01 →

L 189
L 322
L 185
M14 x 1,5
M10 x 1,25

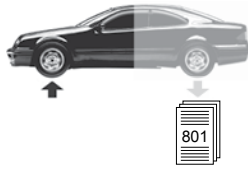
Vorderachse / Front axle



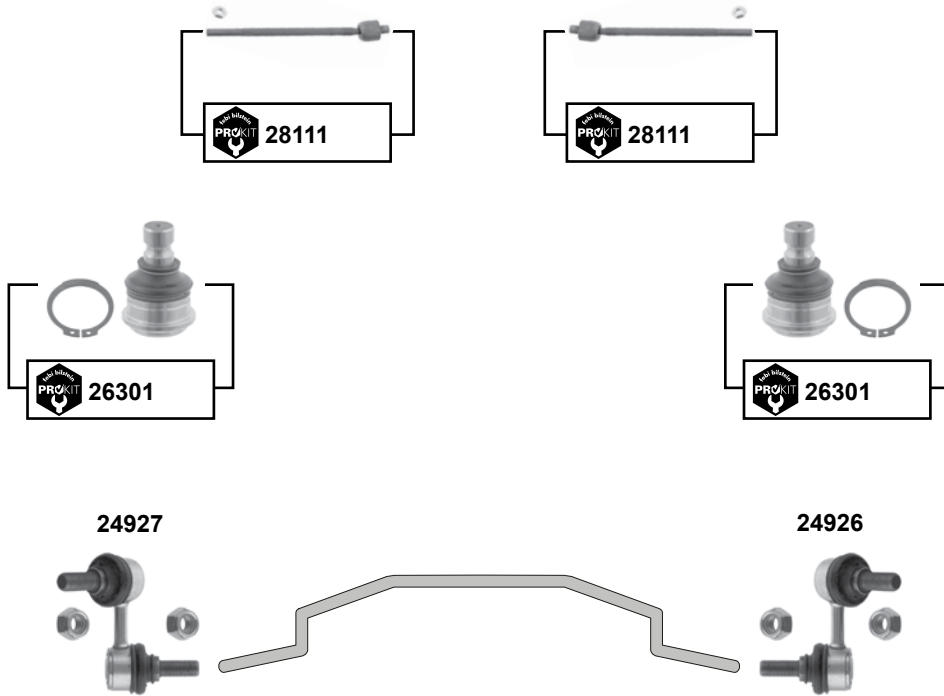
**Sonata NF**  
(2004 →)



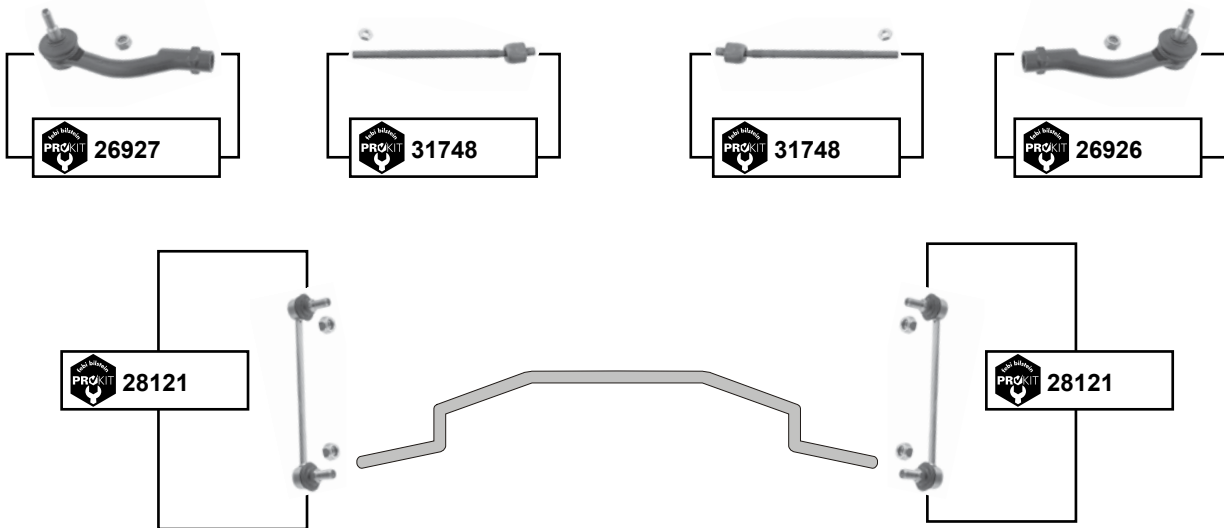
Vorderachse / Front axle



## Trajeto (2000 → 2007)

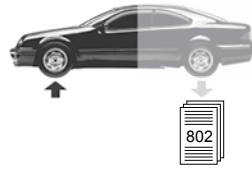


## Tucson (2004 →)



	Ref. - No.			
<b>24926</b>	54840-3A000	Verbindungsstange / stabilizer link		L 64
<b>24927</b>	54830-3A000	Verbindungsstange / stabilizer link		L 64
<b>26926</b>	56820-2E900	ProKit Spurstangenendstück rechts / tie rod end right		
<b>26927</b>	56820-2E000	ProKit Spurstangenendstück links/ tie rod end left		
<b>26301</b>	54503-3BA00	ProKit Traggelenk / ball joint	→ 04	
<b>28111</b>	57716-34000	ProKit Spurstange / tie rod		L 322
<b>28121</b>	54830-2E100	ProKit Verbindungsstange / stabilizer link		L 237
<b>31748</b>	57724-2E000	ProKit Spurstange / tie rod		L 243

Vorderachse / Front axle



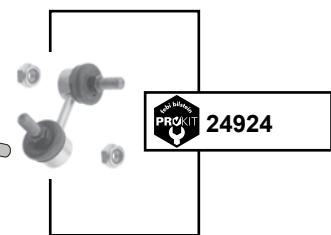
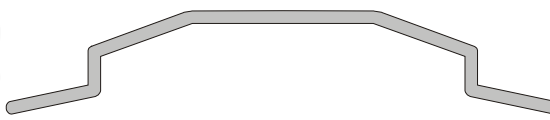
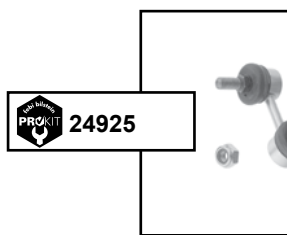
**Verna**  
(1999 → 2006)



22823

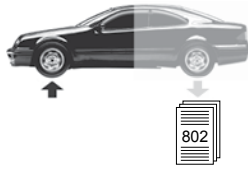


22824



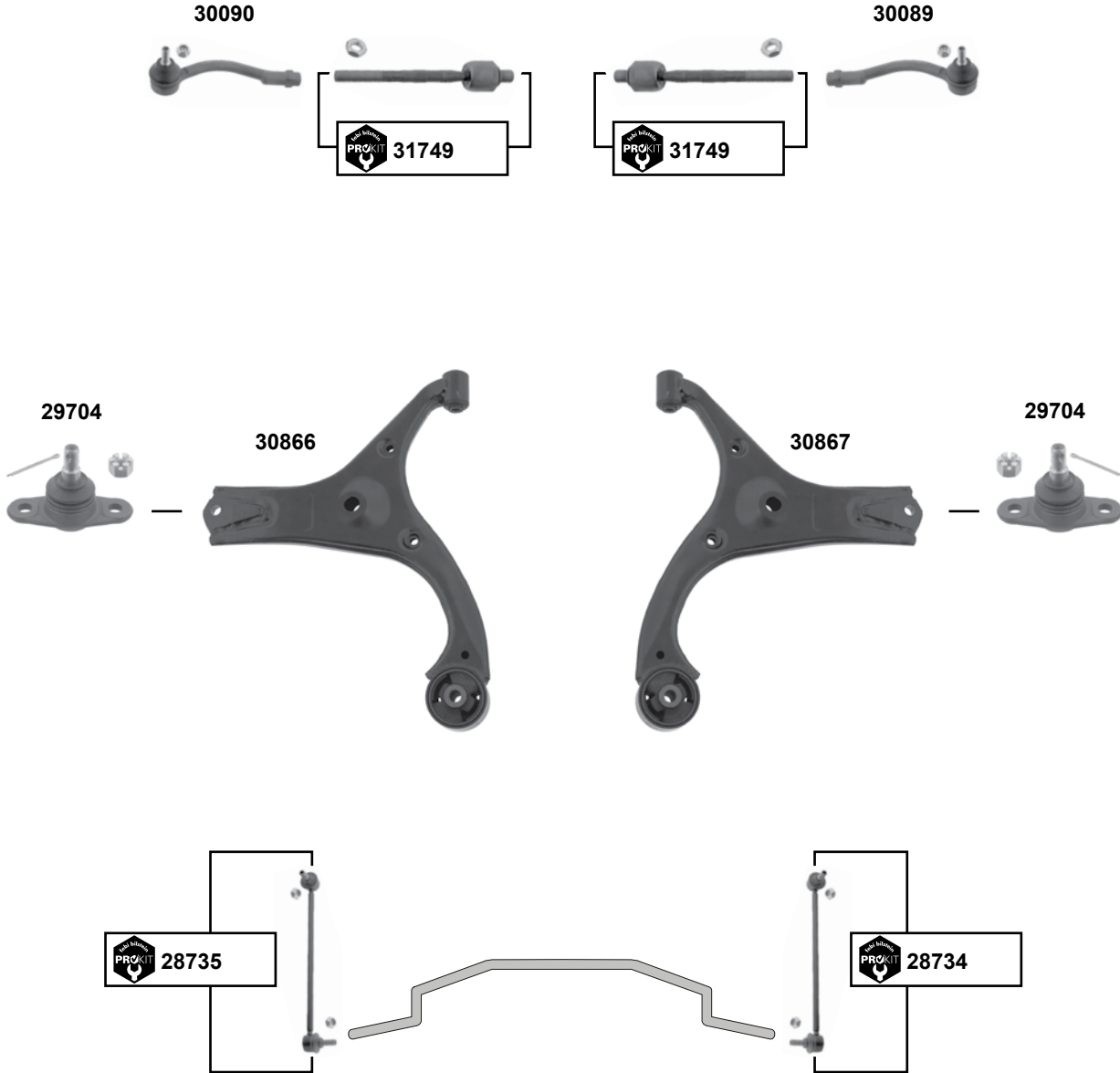
Vorderachse / Front axle

	Ref. - No.			
22823	54500-25000	Querlenker / control arm	servo	M12 x 1,25 L 60 L 60 L 305
22824	54501-25000	Querlenker / control arm		
24907	54503-25A00	ProKit Tragelenk / ball joint		
24924	54830-17020	ProKit Verbindungsstange / stabilizer link		
24925	54830-17010	ProKit Verbindungsstange / stabilizer link		
26519	56820-25000	ProKit Spurstangenendstück / tie rod end		
27811	56540-25000	ProKit Spurstange / tie rod		

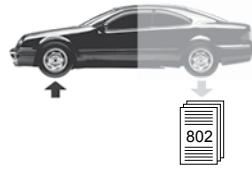


## Verna (2006 →)

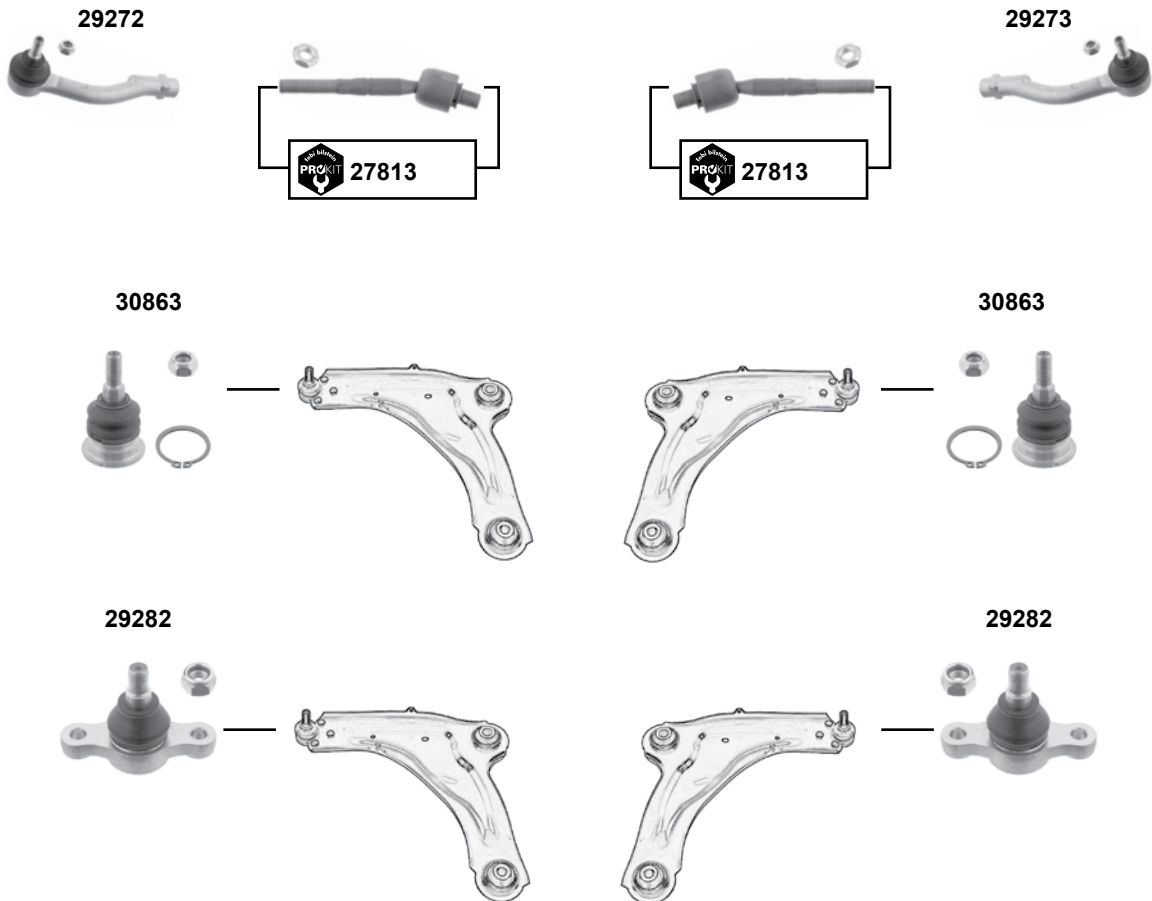
Vorderachse / Front axle



	Ref. - No.			
<b>28734</b>	54840-1E000	ProKit Verbindungsstange / stabilizer link		L 285
<b>28735</b>	54830-1E000	ProKit Verbindungsstange / stabilizer link		L 285
<b>29704</b>	51760-1G000	Traggelenk / ball joint		M12 x 1,25
<b>30089</b>	56820-1E900	Spurstangenendstück / tie rod end		M14 x 1,5
<b>30090</b>	56820-1E000	Spurstangenendstück / tie rod end		M14 x 1,5
<b>30866</b>	54500-1E100	Querlenker / control arm	(ex.) servo	
<b>30867</b>	54501-1E100	Querlenker / control arm	(ex.) servo	
<b>31749</b>	57724-1E000	ProKit Spurstange / tie rod		L 195



**XG25 / XG30**  
(1998 →)



Vorderachse / Front axle

	Ref. - No.			
<b>27813</b>	57724-38010	ProKit Spurstange / tie rod		L 189
<b>29272</b>	56820-38000	Spurstangenendstück / tie rod end		
<b>29273</b>	56820-38900	Spurstangenendstück / tie rod end		
<b>29282</b>	51760-38000	Traggelenk / ball joint		M14 x 1,5
<b>30863</b>	54403-38A00 S1	Traggelenk / ball joint		M10 x 1,25



passend für / to fit

**JAGUAR**

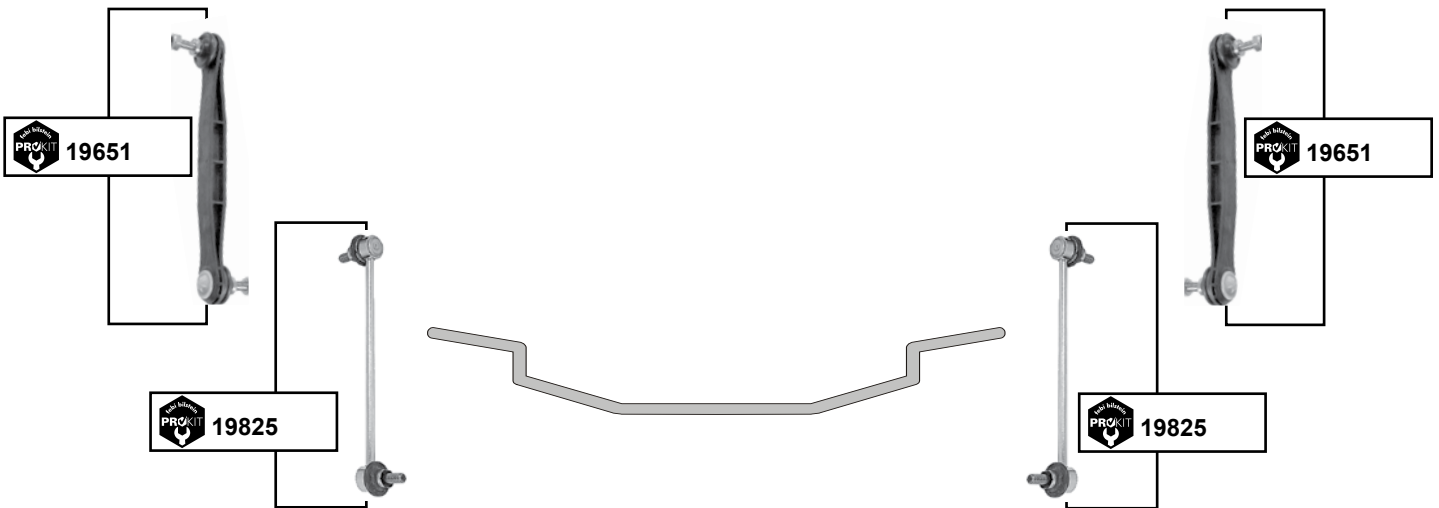
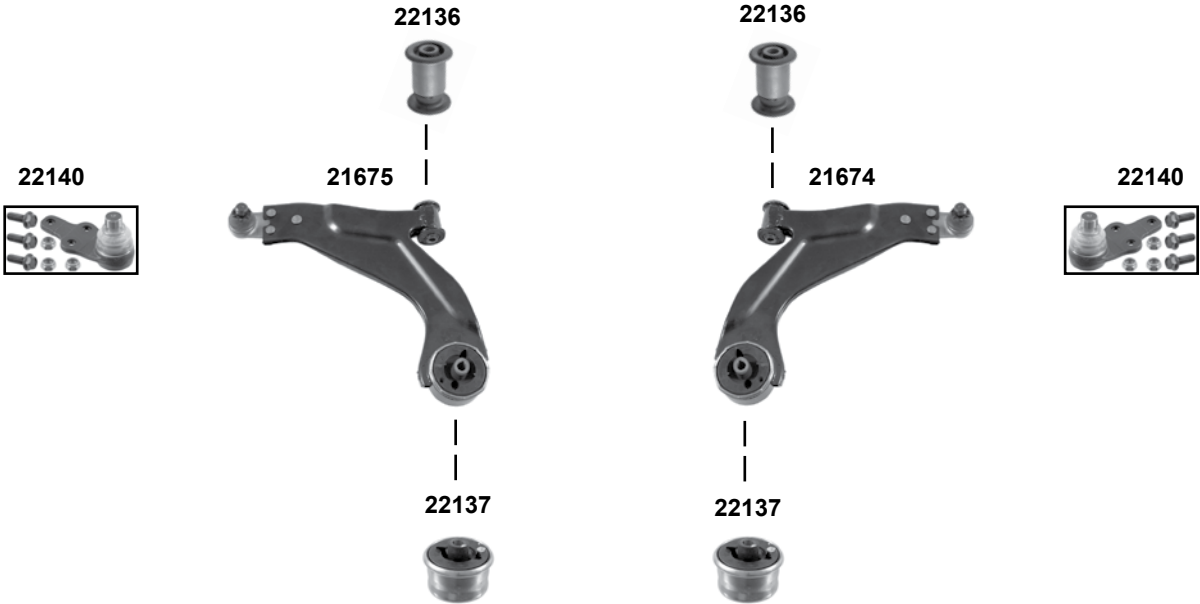


**Car  
Division**



**X-Type**  
(06/01 →)

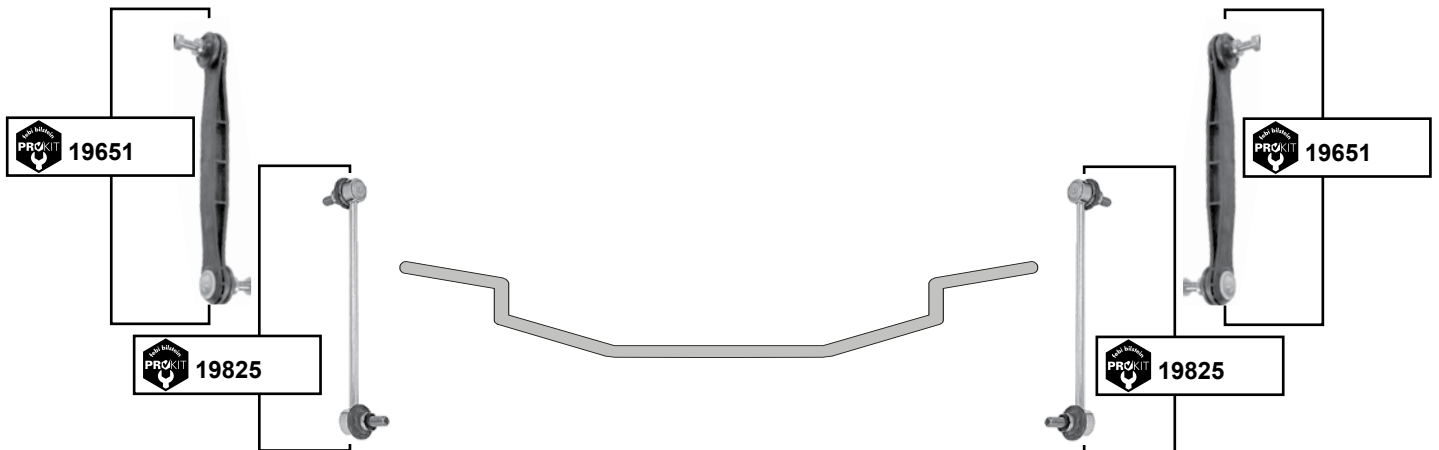
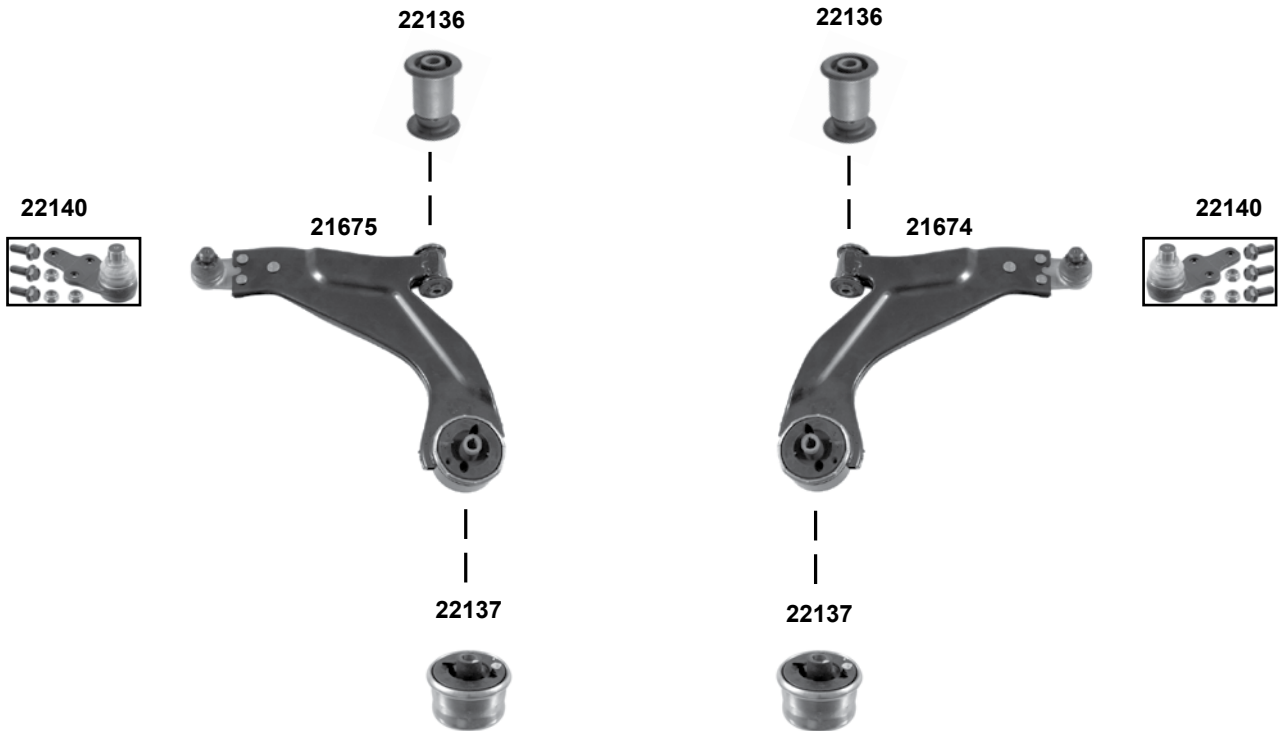
Vorderachse / Front axle



Ref. - No.				
<b>19651</b>	C2S3 9552	ProKit Verbindungsstange / connecting rod		L 250
<b>19825</b>	C2S 3248	ProKit Verbindungsstange / connecting rod		L 250
<b>21674</b>	C2S 39661	Querlenker / control arm	(ex.) ST220	
<b>21675</b>	C2S 39662	Querlenker / control arm	(ex.) ST220	
<b>22136</b>	C2S 39661 S1	Querlenkerlager / control arm mount		
<b>22137</b>	C2S 39661 2	Querlenkerlager / control arm mount		
<b>22140</b>	C2S3 9661 S3	Rep. Satz Traggelenk / rep. kit ball joint		



## X-Type Estate (11/03 →)

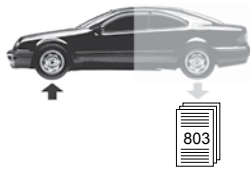


Vorderachse / Front axle

	Ref. - No.			
<b>19651</b>	C2S3 9552	ProKit Verbindungsstange / connecting rod		L 250
<b>19825</b>	C2S 3248	ProKit Verbindungsstange / connecting rod		L 250
<b>21674</b>	C2S 39661	Querlenker / control arm	(ex.) ST220	
<b>21675</b>	C2S 39662	Querlenker / control arm	(ex.) ST220	
<b>22136</b>	C2S 39661 S1	Querlenkerlager / control arm mount		
<b>22137</b>	C2S 39661 2	Querlenkerlager / control arm mount		
<b>22140</b>	C2S3 9661 S3	Rep. Satz Traggelenk / rep. kit ball joint		

passend für / to fit

**KIA**



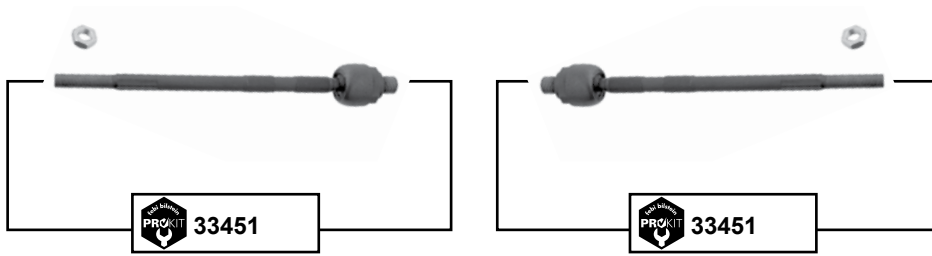
**Car  
Division**



# Avella

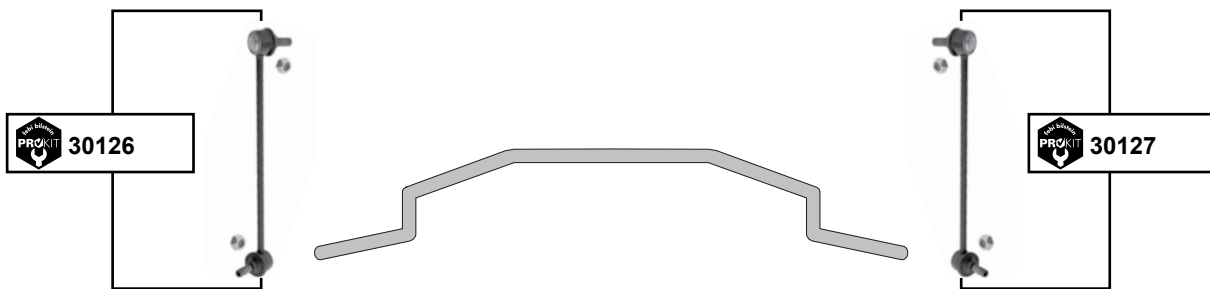
(1998 → 2000)

Vorderachse / Front axle



# Carens I

(01/00 → 05/02)



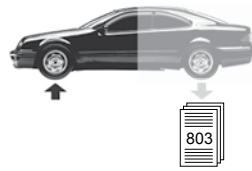
Ref. - No.



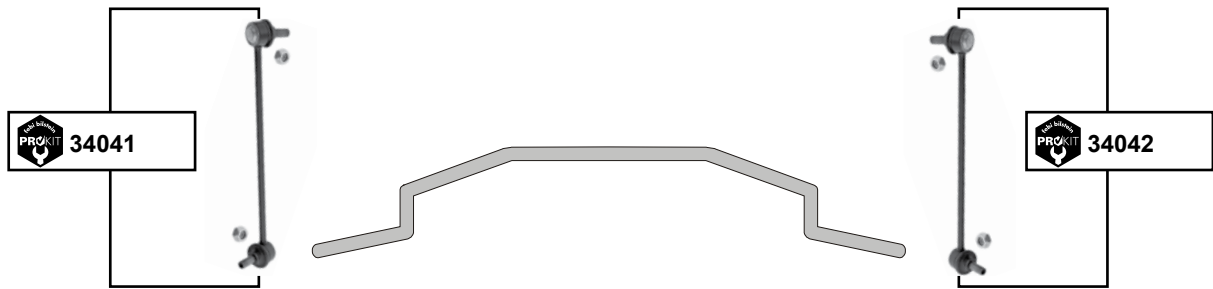
**30126** 0K2N1-34-170A  
**30127** 0K2N1-34-150A  
**33451** KDX53-32240 B

ProKit Verbindungsstange / stabilizer link  
ProKit Verbindungsstange / stabilizer link  
ProKit Axialgelenk / axial joint

L 273,8  
L 273,8  
L 279

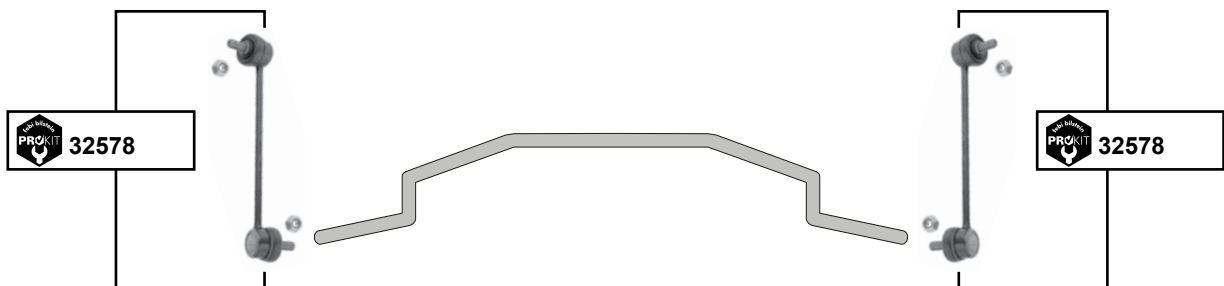


## Carens II (11/00 → 08/06)



Vorderachse / Front axle

## Carens III (09/06 →)



Ref. - No.

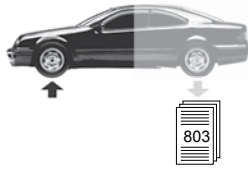


**32578**  
**34041**  
**34042**

54830-2G000  
0K2FA-34-170  
0K2FA-34-150

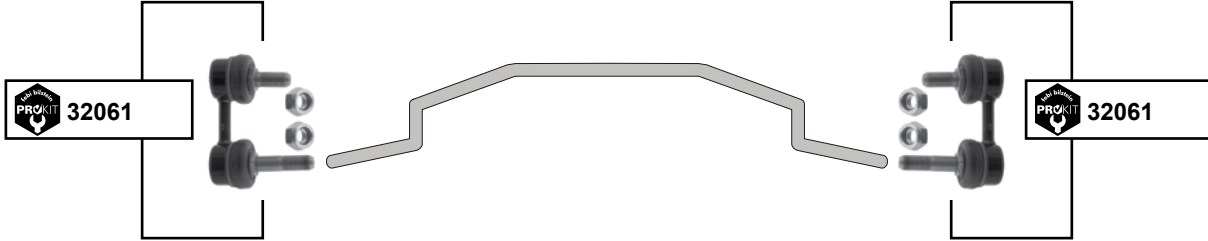
ProKit Verbindungsstange / stabilizer link  
ProKit Verbindungsstange / stabilizer link  
ProKit Verbindungsstange / stabilizer link

L241  
L 281  
L 281



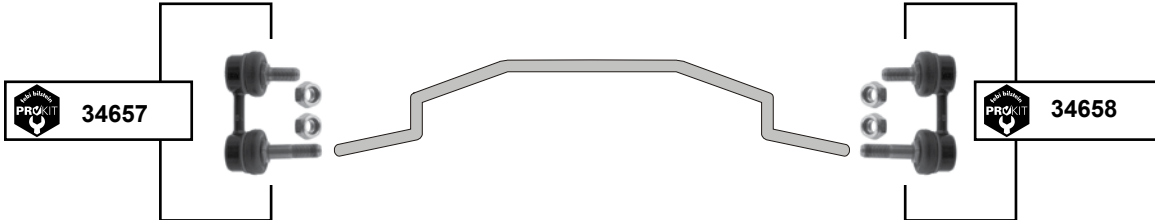
## Carnival I

(06/98 → 11/05)



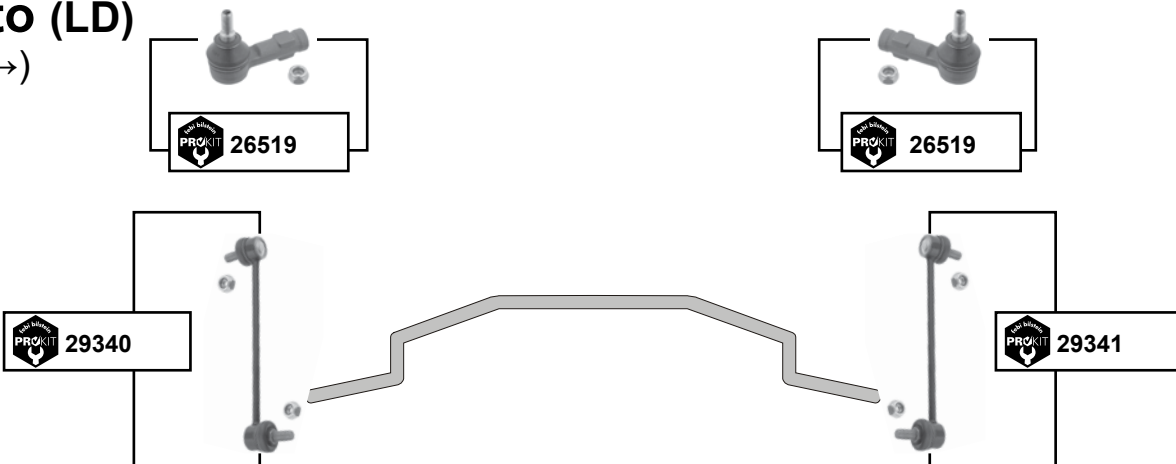
## Carnival II

(04/06 →)

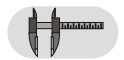


## Cerato (LD)

(2004 →)

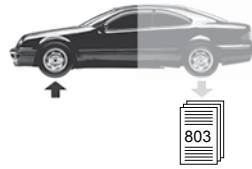


Ref. - No.

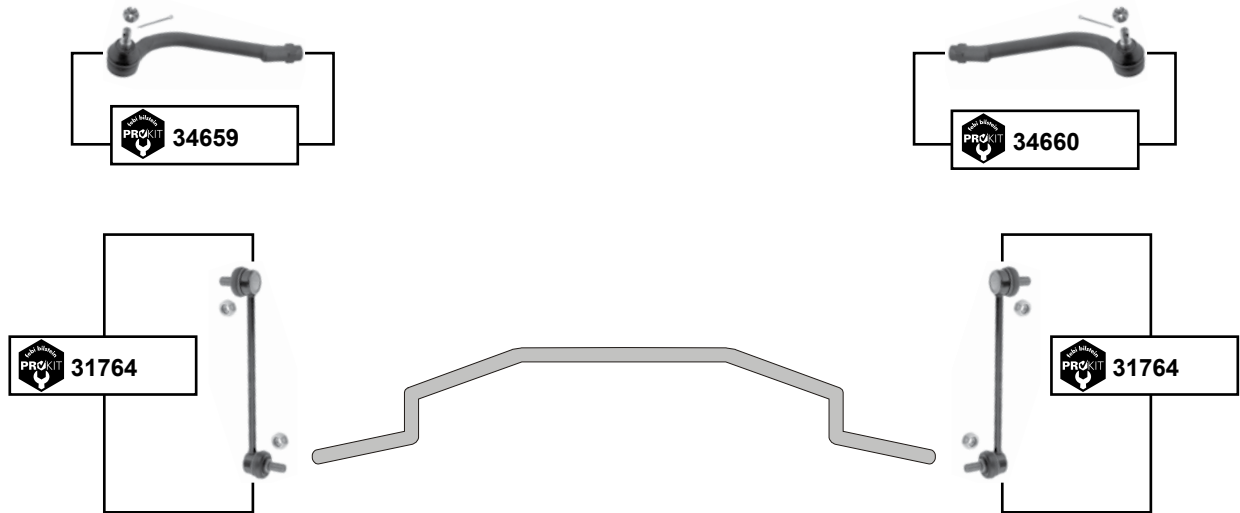


<b>26519</b>	56820-25000	ProKit Spurstangenendstück / tie rod end	M10 x 1,25
<b>29340</b>	54830-2F000	ProKit Verbindungsstange / stabilizer link	L 250
<b>29341</b>	54830-2F000	ProKit Verbindungsstange / connection rod	L 250
<b>32061</b>	0K552-34-160B	ProKit Verbindungsstange / stabilizer link	L 64
<b>34657</b>	54830-4D000	ProKit Verbindungsstange / stabilizer link	L 322
<b>34658</b>	54840-4D000	ProKit Verbindungsstange / stabilizer link	L 322

Vorderachse / Front axle

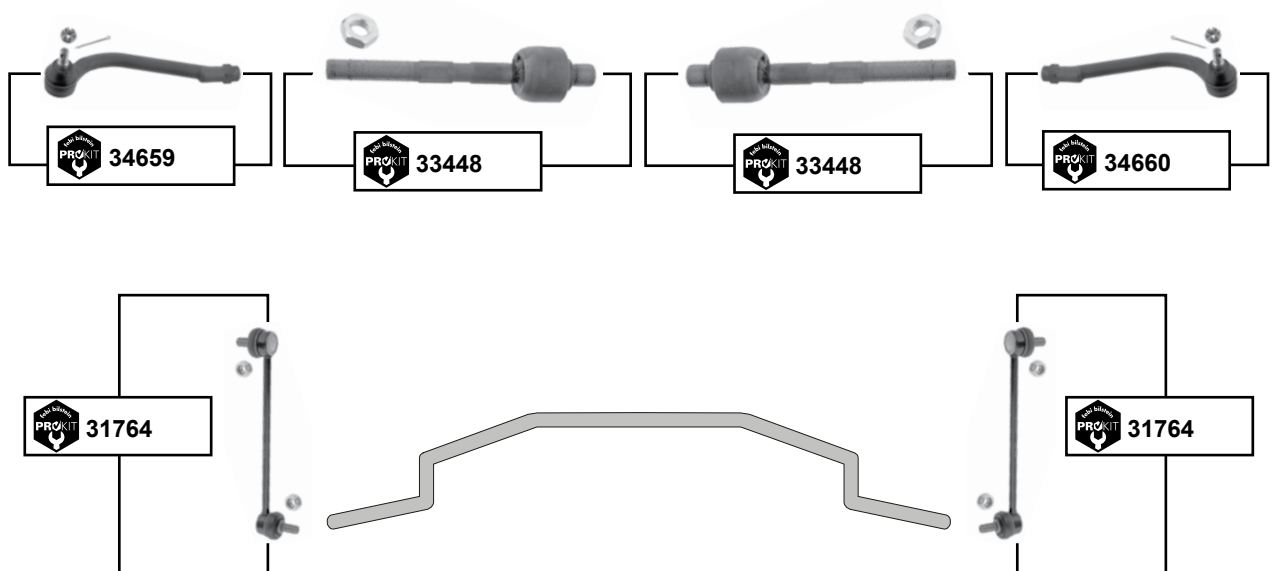


**Cerato II (TD)**  
(2009 →)



Vorderachse / Front axle

**Cee'd**  
(2006 →)



Ref. - No.



<b>31764</b>	54830-2H100
<b>33448</b>	56540-2H000
<b>34659</b>	56820-2H000
<b>34660</b>	56820-2H090

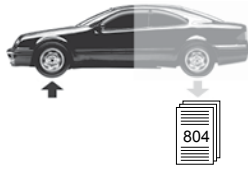
ProKit Verbindungsstange / stabilizer link
ProKit Axialgelenk / axial joint
ProKit Spurstangenendstück / tie rod end
ProKit Spurstangenendstück / tie rod end

Cee'd 2008 →
Cee'd 07/09 →
Cee'd 07/09 →

L 243
L 163
M14 x 1,5
M14 x 1,5

passend für / to fit

**KIA**



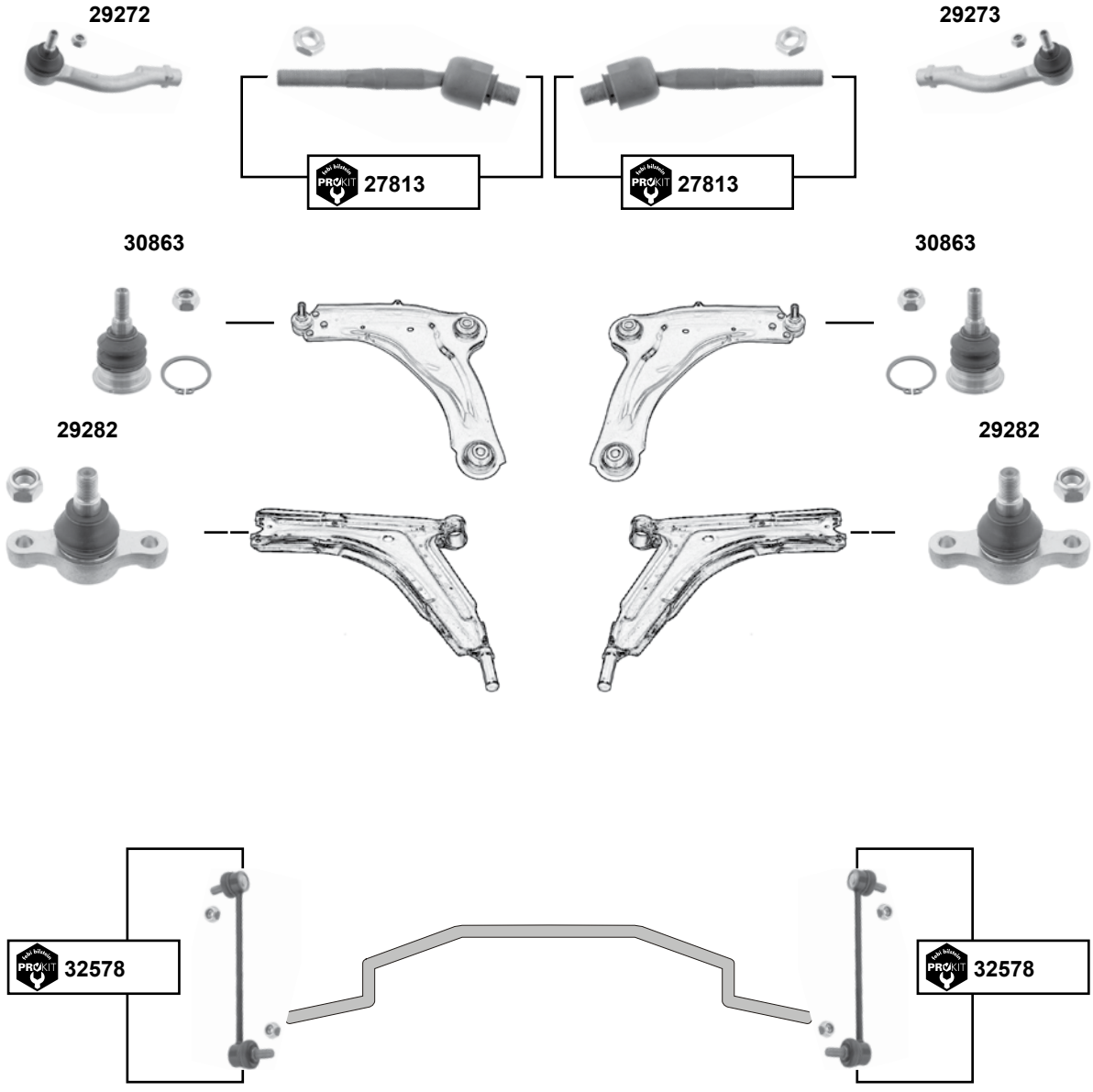
**Car  
Division**



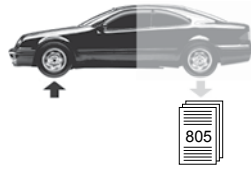
# Magentis

(2000 →)

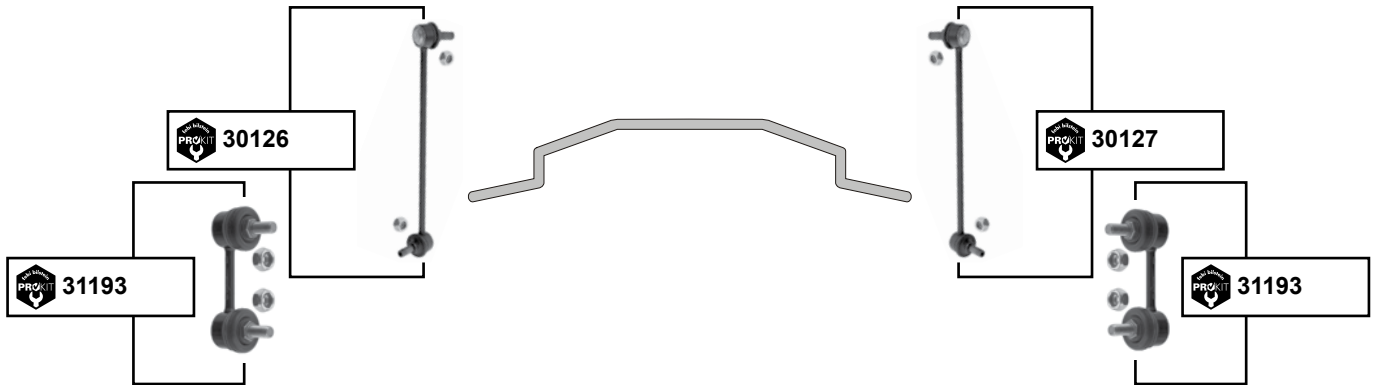
Vorderachse / Front axle



	Ref. - No.			
<b>27813</b>	57724-38010	ProKit Spurstange / tie rod	→ 09/05	L 189
<b>29272</b>	56820-38000	Spurstangenendstück / tie rod end	→ 09/05	M14 x 1,5
<b>29273</b>	56820-38900	Spurstangenendstück / tie rod end	→ 09/05	M14 x 1,5
<b>29282</b>	54403-38A00 S1	Traggelenk / ball joint	→ 09/05	
<b>30863</b>	54403-38A00 S1	Traggelenk / ball joint	→ 05	M10 x 1,25
<b>32578</b>	54830-2G000	ProKit Verbindungsstange / stabilizer link	10/05 →	L 241

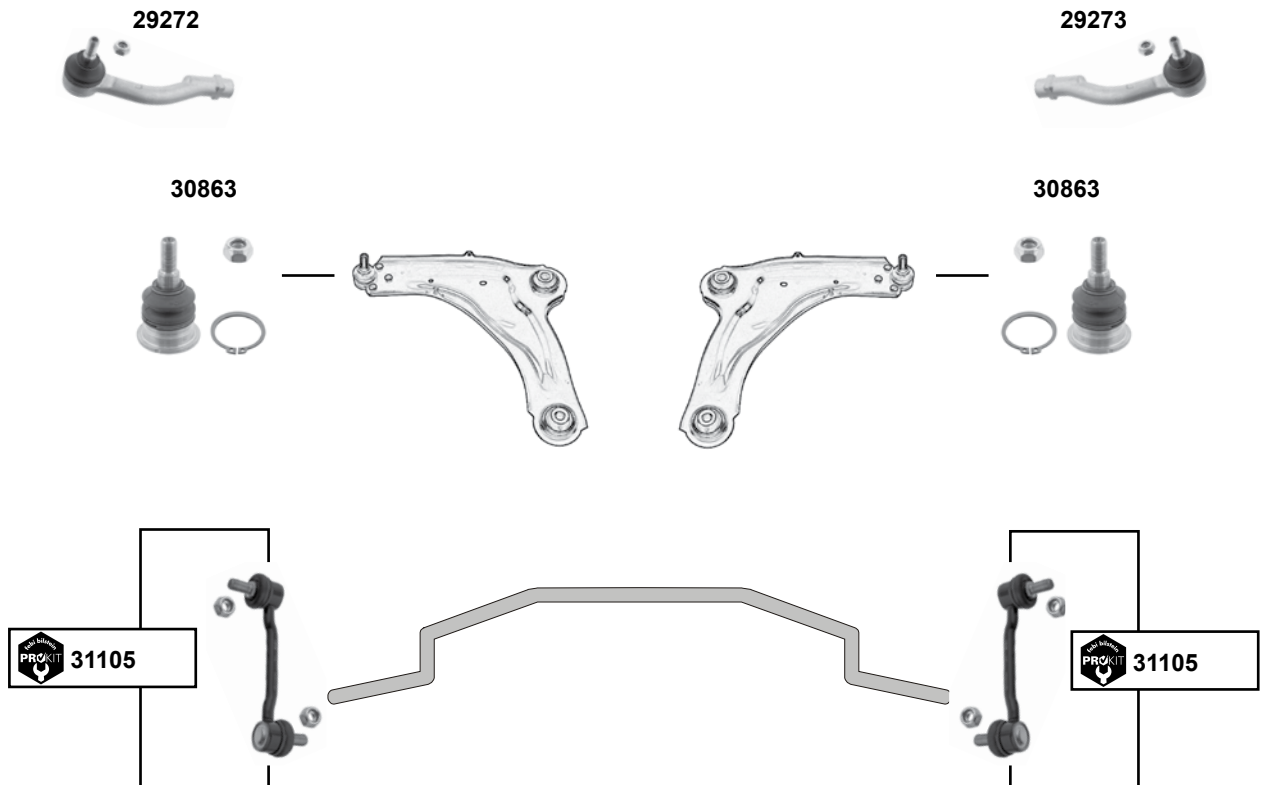


## Mentor (1997 → 2004)



Vorderachse / Front axle

## Opirus (2003 →)



Ref. - No.

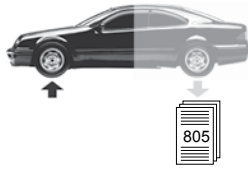


<b>29272</b>	56820-38000	Spurstangenendstück / tie rod end			M14 x 1,5
<b>29273</b>	56820-38900	Spurstangenendstück / tie rod end			M14 x 1,5
<b>30126</b>	0K2N1-34-170A	ProKit Verbindungsstange / stabilizer link		01/99 → 12/04	L 273,8
<b>30127</b>	0K2N1-34-150A	ProKit Verbindungsstange / stabilizer link		01/99 → 12/04	L 273,8
<b>30863</b>	54403-38A00 S1	Traggelenk / ball joint		→ 2006	M10 x 1,25
<b>31193</b>	0K2A5-34-150B	ProKit Verbindungsstange / stabilizer link		09/97 → 01/99	L 84
<b>31105</b>	54830-3L000	ProKit Verbindungsstange / stabilizer link		09/06 → 04/09	L 150



passend für / to fit

**KIA**



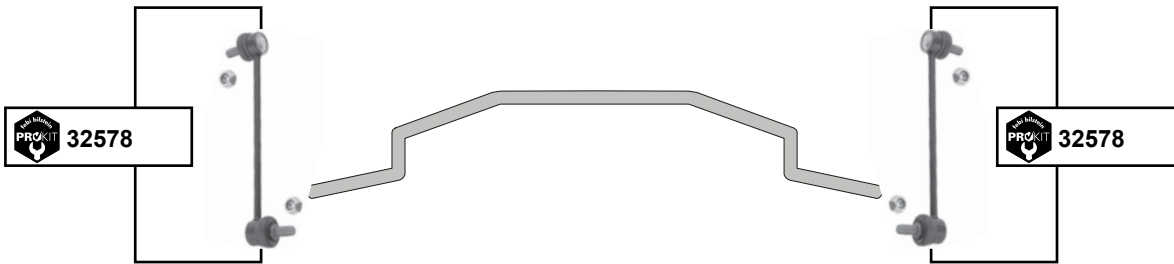
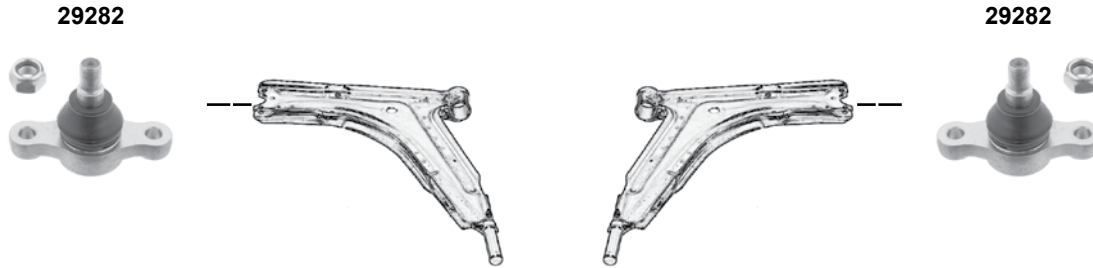
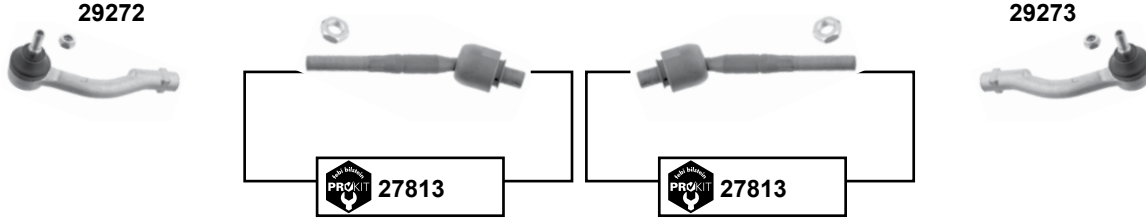
**Car  
Division**



# Optima

(2000 →)

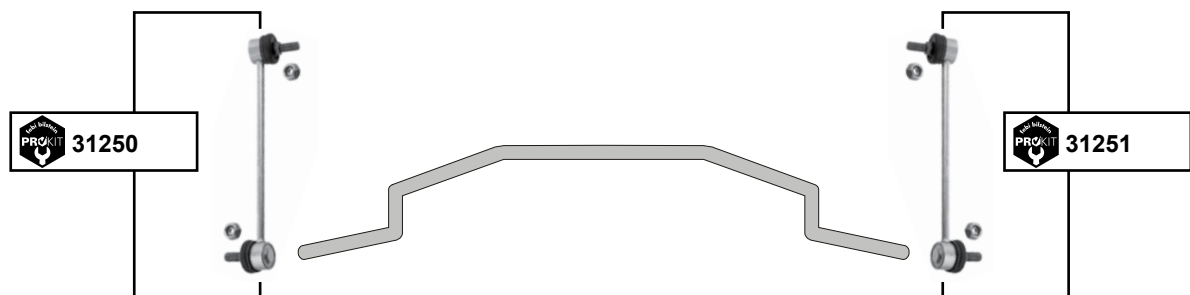
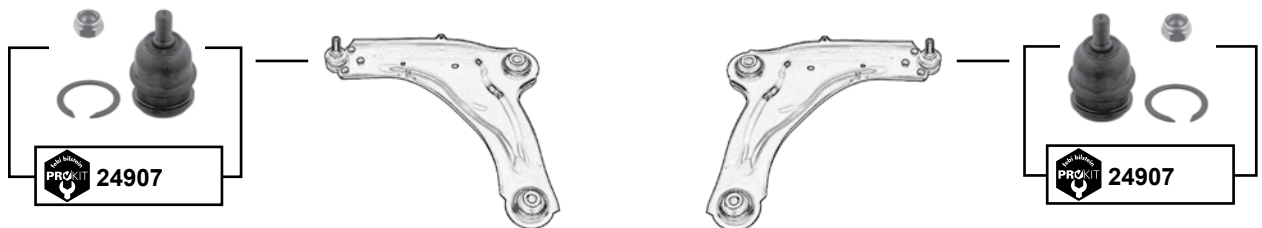
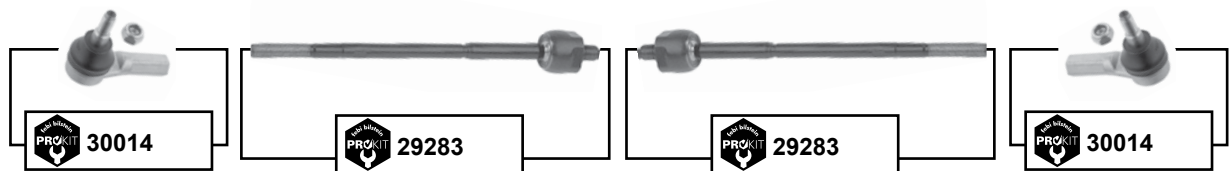
Vorderachse / Front axle



	Ref. - No.			
<b>27813</b>	57724-38010	ProKit Spurstange / tie rod	→ 05	L 189
<b>29272</b>	56820-38000	Spurstangenendstück / tie rod end	→ 05	M14 x 1,5
<b>29273</b>	56820-38900	Spurstangenendstück / tie rod end	→ 05	M14 x 1,5
<b>29282</b>	51760-38000	Traggelenk / ball joint	→ 05	M14 x 1,5
<b>32578</b>	54830-2G000	ProKit Verbindungsstange / stabilizer link	06/06 →	L241



**Picanto**  
(2004 →)



Vorderachse / Front axle

	Ref. - No.			
<b>24907</b>	54530-25000	ProKit Tragelenk / ball joint	08/08 →	M12 x 1,25
<b>29283</b>	57724-07100	ProKit Axialgelenk / axial joint		M12 x 1,25
<b>30014</b>	56820-07000	ProKit Spurstangenendstück / tie rod end		M12 x 1,25
<b>31250</b>	54830-07000	ProKit Verbindungsstange / stabilizer link		L 299
<b>31251</b>	54840-07000	ProKit Verbindungsstange / stabilizer link		L 299

passend für / to fit

**KIA**



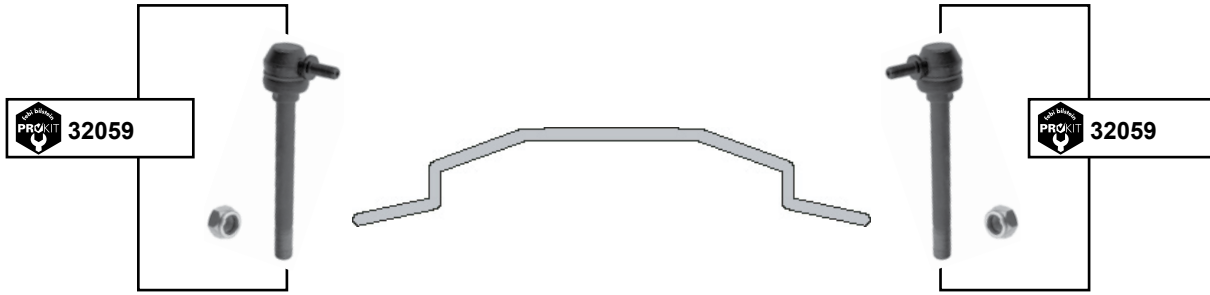
**Car  
Division**



## Pregio

(12/97 → 04/04)

Vorderachse / Front axle



## Pride

(1990 → 2000)



Ref. - No.



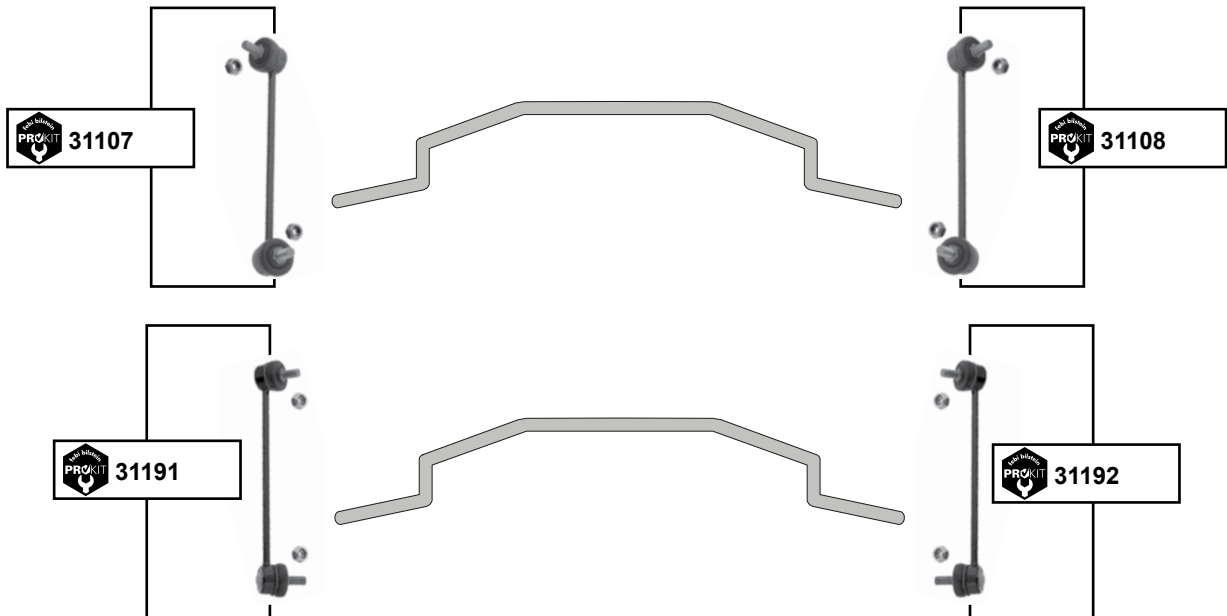
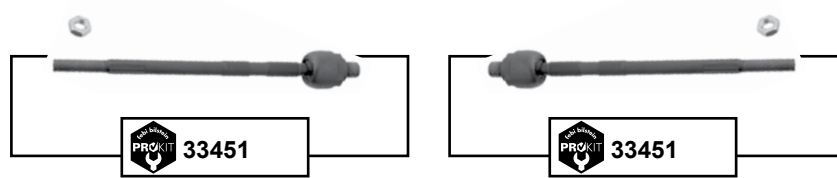
**17059** KB092-32-280  
**27232** KKY01-34-310  
**32059** 0K011-34-160A

ProKit Spurstangenendstück / tie rod end  
Querlenker / control arm  
ProKit Verbindungsstange / stabilizer link

M10 x 1,25  
L190



**Rio I**  
(2000 → 2005)



Vorderachse / Front axle

	Ref. - No.			
<b>31107</b>	54820-FD000	ProKit Verbindungsstange / stabilizer link	07/02 → 06/05	L 218
<b>31108</b>	54830-FD000	ProKit Verbindungsstange / stabilizer link	07/02 → 06/05	L 218
<b>31191</b>	0K33C-34-160A	ProKit Verbindungsstange / stabilizer link	04/00 → 06/02	L 240
<b>31192</b>	0K33C-34-150A	ProKit Verbindungsstange / stabilizer link	04/00 → 06/02	L 240
<b>33451</b>	KDX53-32240 B	ProKit Axialgelenk / axial joint		L 279

passend für / to fit

**KIA**

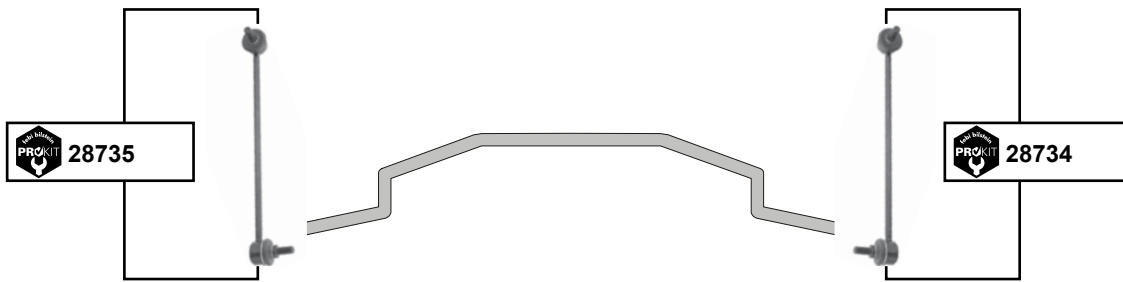
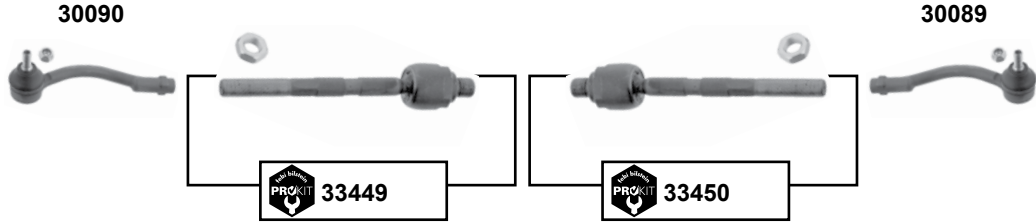


**Car  
Division**

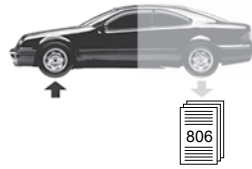


**Rio II**  
(2005 →)

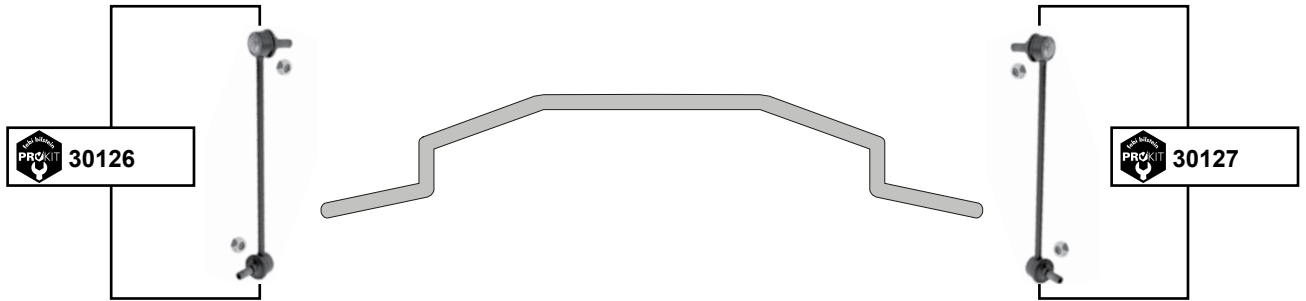
Vorderachse / Front axle



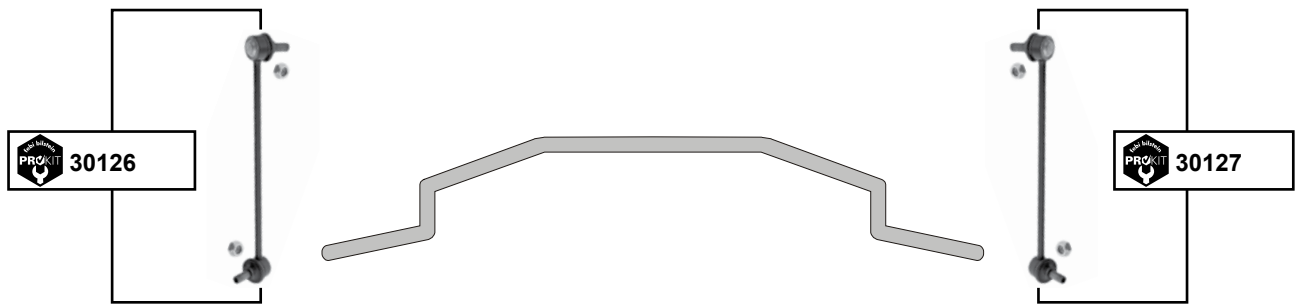
	Ref. - No.			
<b>28734</b>	54840-1G000	ProKit Verbindungsstange / stabilizer link		L 285
<b>28735</b>	54830-1G000	ProKit Verbindungsstange / stabilizer link		L 285
<b>29704</b>	51760-1G000	Traggelenk / ball joint		M12 x 1,25
<b>30089</b>	56820-1E900	Spurstangenendstück / tie rod end	08/06 →	M14 x 1,5
<b>30090</b>	56820-1E000	Spurstangenendstück / tie rod end	08/06 →	M14 x 1,5
<b>30866</b>	54500-1E100	Querlenker / control arm	(ex.) servo	
<b>30867</b>	54501-1E100	Querlenker / control arm	(ex.) servo	
<b>33449</b>	57724-1G000	ProKit Axialgelenk / axial joint	09/06 →	L 185
<b>33450</b>	57724-1G100	ProKit Axialgelenk / axial joint	09/06 →	L 185



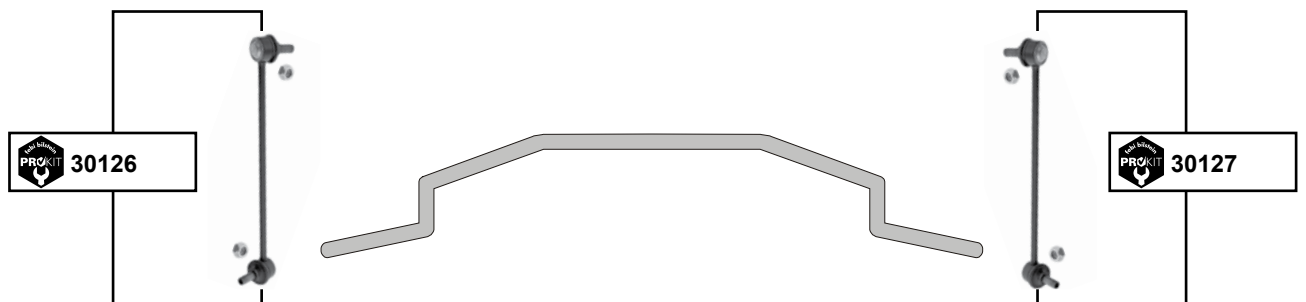
**Sephia**  
(1999 → 2004)



**Shuma**  
(2001 → 2004)



**Spectra**  
(2001 → 2004)



Vorderachse / Front axle



Ref. - No.



**30126**  
**30127**

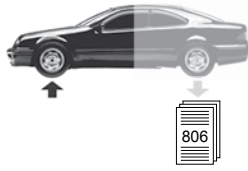
OK2N1-34-170A  
OK2N1-34-150A

ProKit Verbindungsstange / stabilizer link  
ProKit Verbindungsstange / stabilizer link

L 273,8  
L 273,8

passend für / to fit

**KIA**

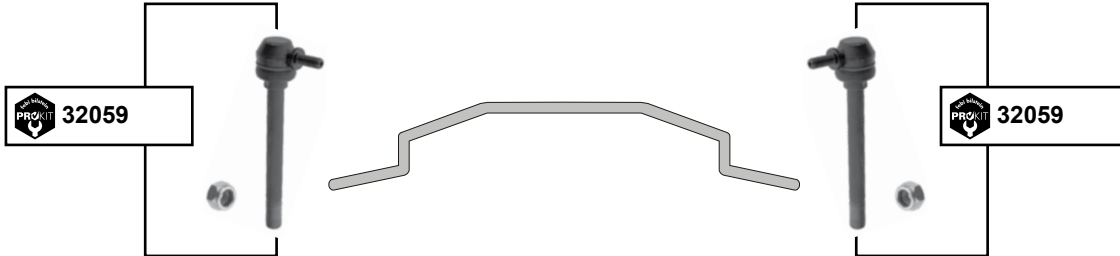


**Car  
Division**



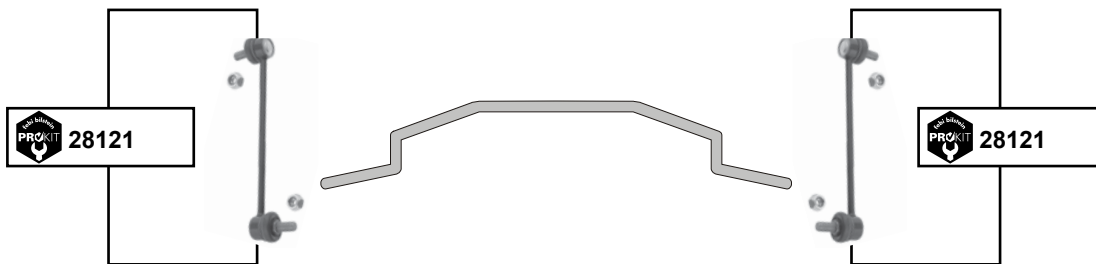
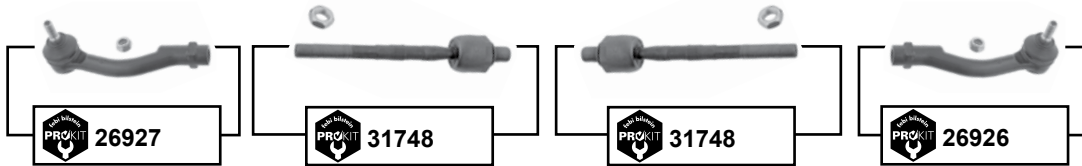
## Sportage (K00)

(04/94 → 05/04)

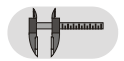


## Sportage (JE)

(05/04 →)



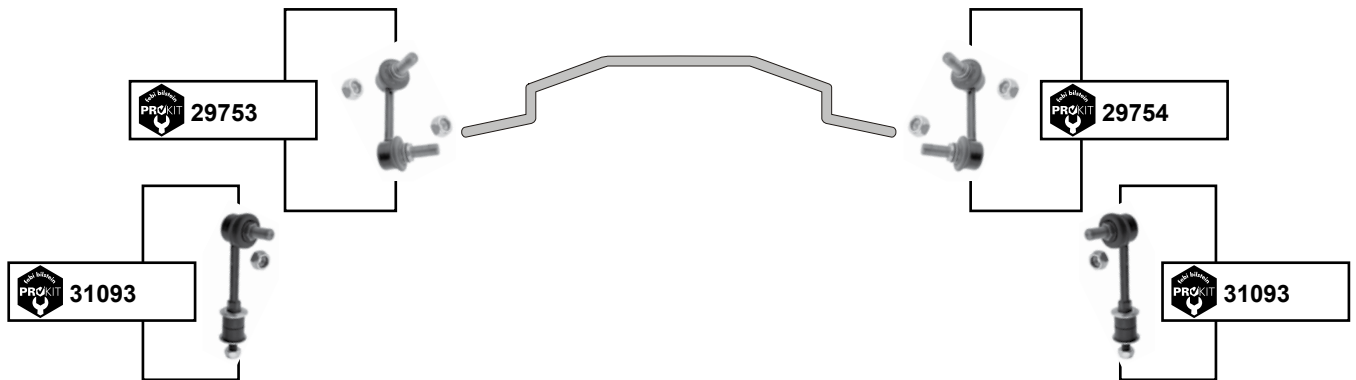
Ref. - No.



<b>26926</b>	56820-2E900	ProKit Spurstangenendstück / tie rod end	M14 x 1,5
<b>26927</b>	56820-2E000	ProKit Spurstangenendstück / tie rod end	M14 x 1,5
<b>28121</b>	54830-2E100	ProKit Verbindungsstange / stabilizer link	L 237
<b>31748</b>	57724-2E000	ProKit Spurstange / tie rod	L 243
<b>32059</b>	0K011-34-160A	ProKit Verbindungsstange / stabilizer link	L 190,9

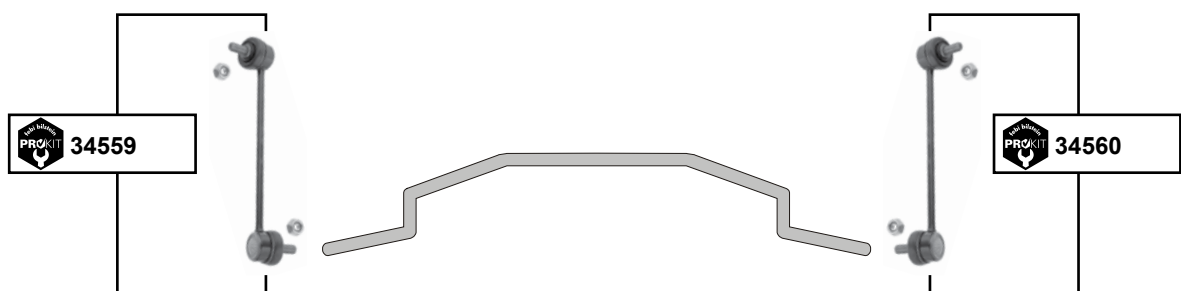


**Sorento**  
(2002 →)



Vorderachse / Front axle

**Venga**  
(11/09 →)



Ref. - No.



<b>29753</b>	54811-3E010	ProKit Verbindungsstange / stabilizer link	2004 →	L 85,1
<b>29754</b>	54811-3E060	ProKit Verbindungsstange / stabilizer link	2004 →	L 85,1
<b>31093</b>	54810-3E000 S1	ProKit Verbindungsstange / stabilizer link	2002 → 2004	
<b>34559</b>	54830-1J000	ProKit Verbindungsstange / stabilizer link		L 216
<b>34560</b>	54840-1J000	ProKit Verbindungsstange / stabilizer link		L 216



passend für / to fit

**LANCIA**



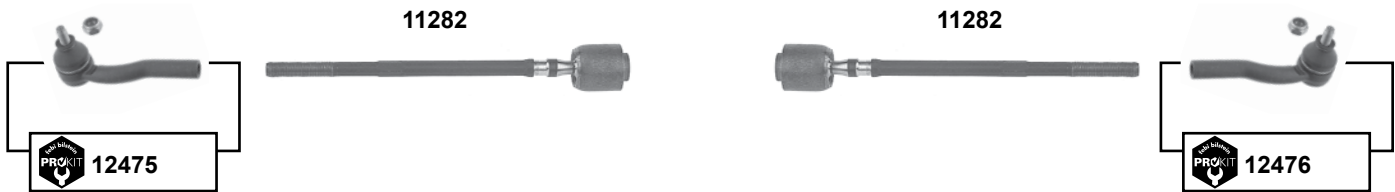
**Car  
Division**



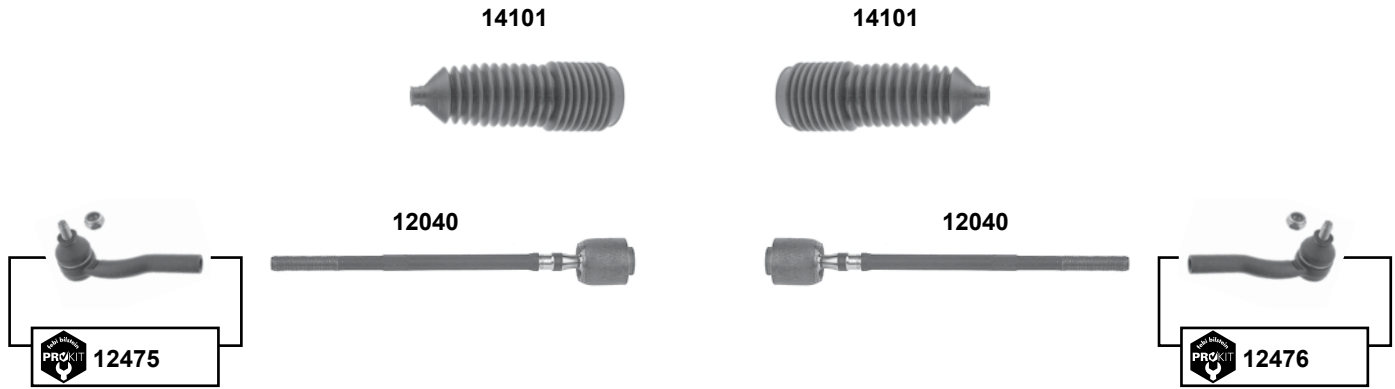
**Dedra (835)**  
(1989 → 1999)

Vorderachse / Front axle

man.



servo



(1) (ex.) (mot.) 1,6 16V DAT →15/12/1997

	Ref. - No.			
11282	7633721	Spurstange / tie rod		L 280
12040	9941625	Spurstange / tie rod		L 285
12475	9947437	ProKit Spurstangenendstück / tie rod end	(1)	M12 x 1,25
12476	9947438	ProKit Spurstangenendstück / tie rod end	(1)	M12 x 1,25
14101	9941582 SK	Lenkmanschette / steering boot		



passend für / to fit

**LANCIA**



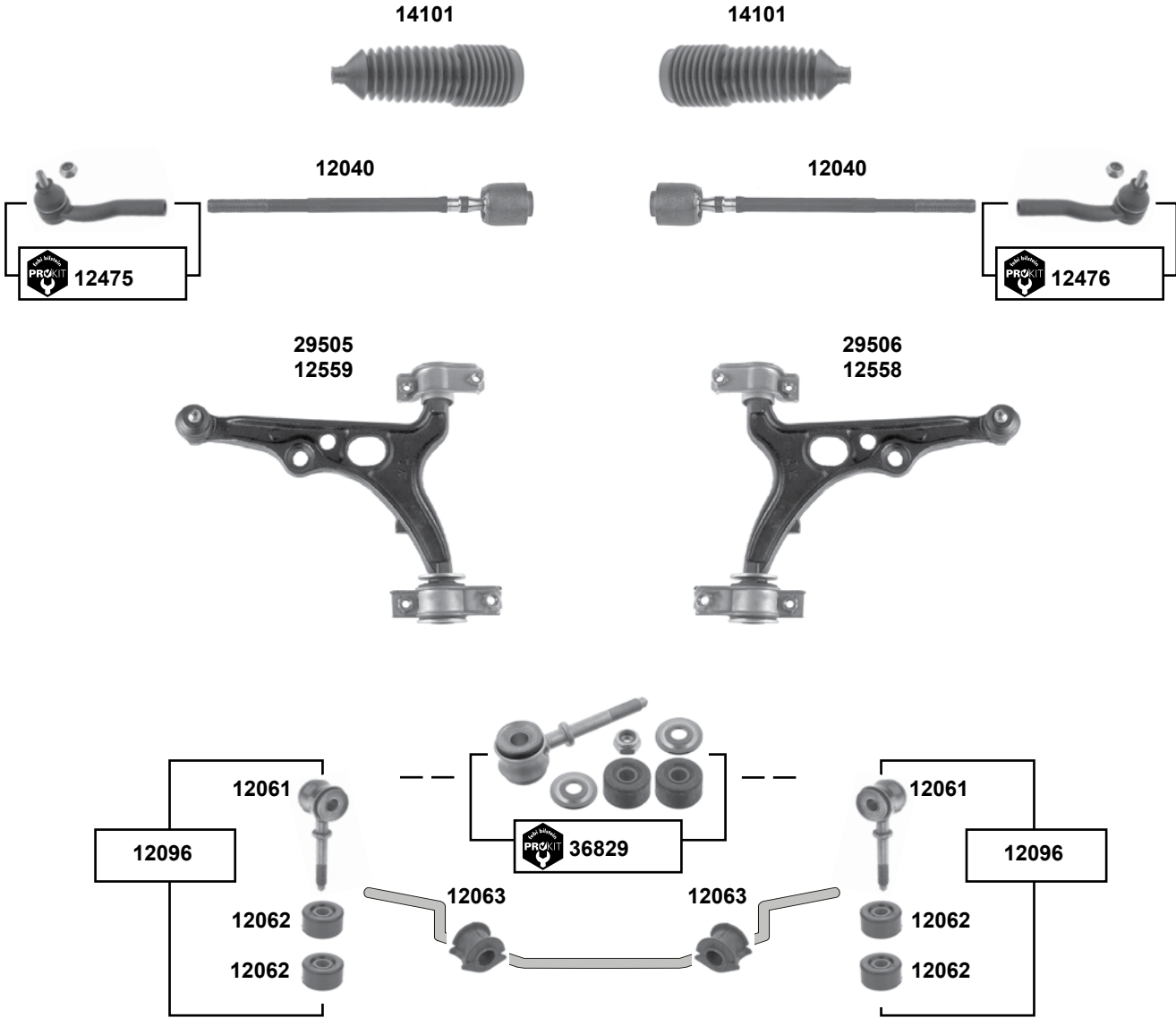
**Car  
Division**



**Delta II (836)**

(1994 → 1999)

Vorderachse / Front axle



(1) (ex.) HF / HPE / GT  
(ex.) 1,9 TDS

(2) (mot.) 1,4 51kW / 1,6 55kW, 66kW, 76kW / 1,8 66kW, 76kW, 83kW, 96kW /  
1,9 D 66kW / 2,0 102kW, 137kW, 142kW



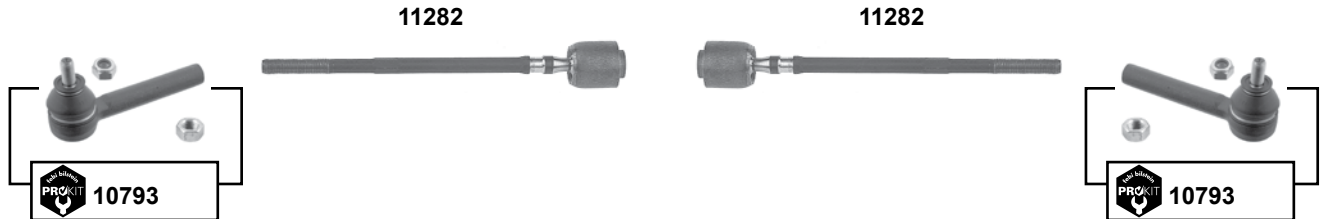
Ref. - No.



Ref. - No.	Description	Notes	Dimensions
12040	Spurstange / tie rod		L 285
12061	Verbindungsstange / stabilizer link	(2) servo.	M10 x 1,25
12062	Verbindungsstangenlager / stabilizer link bush		10x31x19
12063	Stabilisatorlager / stabilizer mount		Ø I 18
12096	Rep. Satz Verbindungsstange / rep. kit stabilizer link		M10 x 1,25
12475	ProKit Spurstangenendstück / tie rod end		M12 x 1,25
12476	ProKit Spurstangenendstück / tie rod end		M12 x 1,25
12558	Querlenker / control arm	(mot.) 1,6 16V	Stahl / steel
12559	Querlenker / control arm	(mot.) 1,6 16V	Stahl / steel
14101	Lenkmanschette / steering boot	servo.	
29505	Querlenker / control arm	(1)	
29506	Querlenker / control arm	(1)	
36829	ProKit Verbindungsstange / stabilizer link		M10 x 1,25

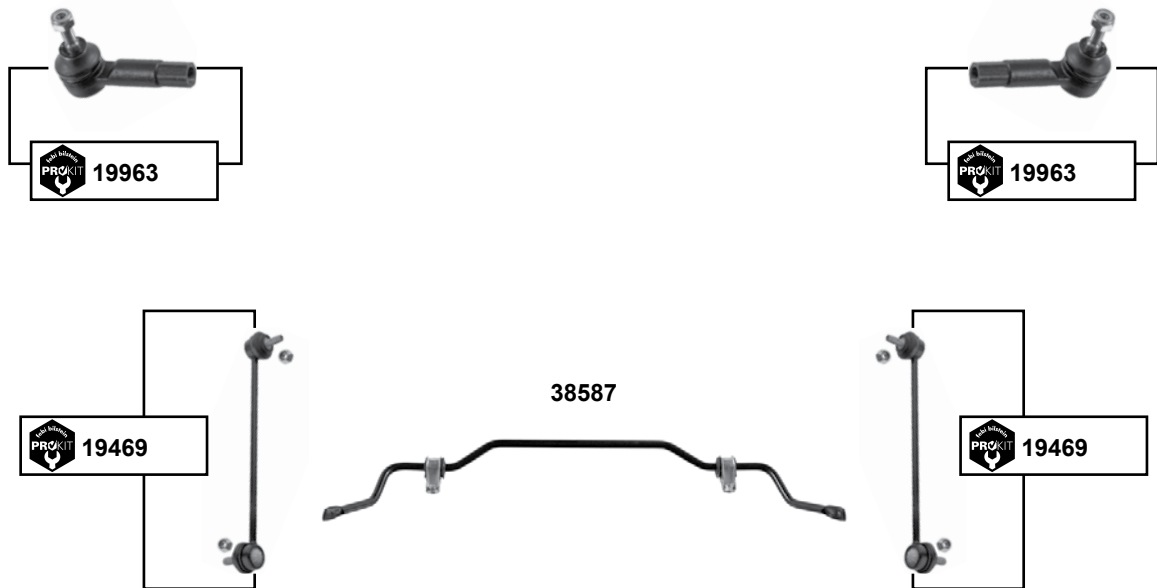


**Delta I (831)**  
(1986 → 1994)



Vorderachse / Front axle

**Delta III (844)**  
(2008 → 2011)



(1) (mot.) 1,6 GT 66kW, 77kW, 80kW / 1,6 97kW, 103kW / 1,8 / 1,9 D / 2,0 122kW, 130kW, 133kW, 144kW



Ref. - No.



**10793** 7669756  
**11282** 7633721  
**19469** 51795269  
**19963** 9949218  
**38587** 51797442

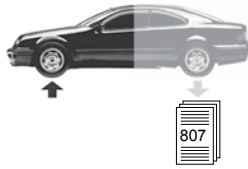
ProKit Spurstangenendstück / tie rod end  
Spurstange / tie rod  
ProKit Verbindungsstange / stabilizer link  
ProKit Spurstangenendstück / tie rod end  
Stabilisatorsatz mit Lagern / stabilizer set with bearings

(mot.) 2,0 16V  
(1) (ex.) servo.

L 280  
L 290  
L 1066

passend für / to fit

**LANCIA**

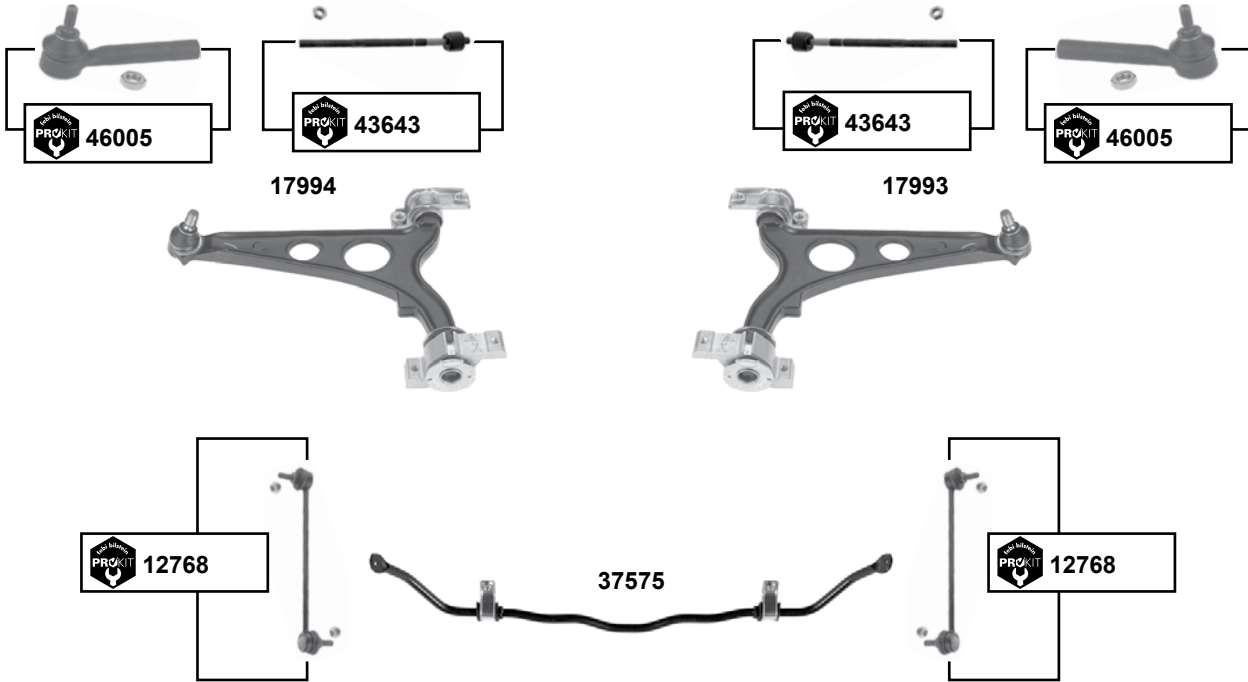


**Car  
Division**



## Lybra (839 AX) / SW (839BX)

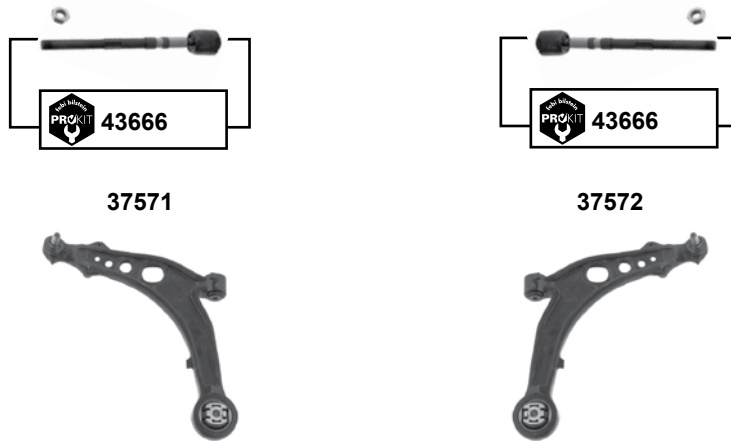
(1999 → 2005)



Vorderachse / Front axle

## Musa (350)

(2004 →)



(1) Lybra (839AX)

(2) (mot.) 1,6 (76kW) , 1,8 (96kW) , 1,9D (77/81/85kW) , 2,0 (110/113kW) , 2,4D (99/103/110kW) servo. ⚙️



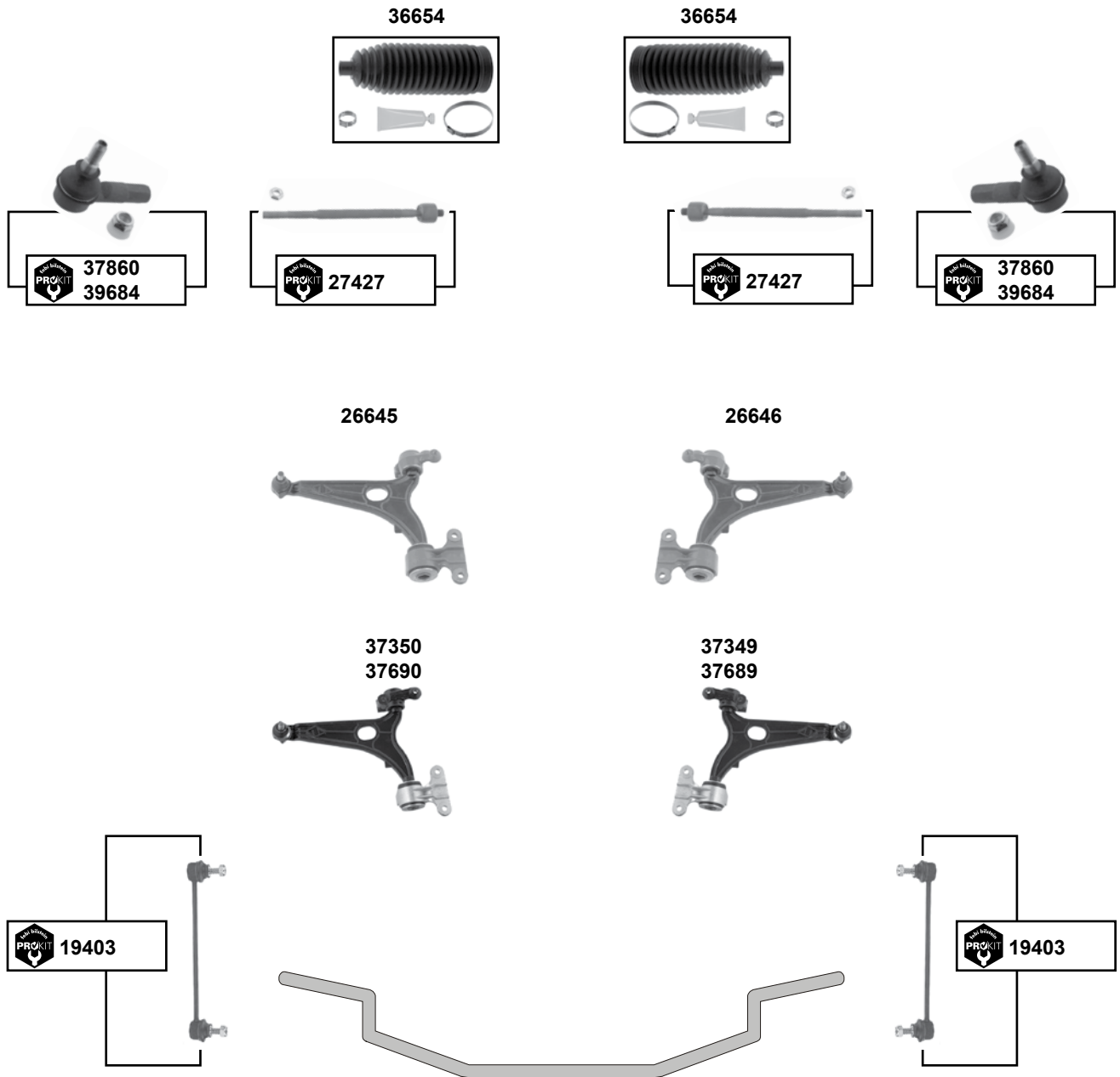
Ref. - No.



Ref. - No.				
12768	51701045	ProKit Verbindungsstange / stabilizer link	(1)	L 275
17993	46522142	Querlenker / control arm	(1)	
17994	46525407	Querlenker / control arm	(1)	
37571	51839219	Querlenker / control arm	(1)	
37572	51839218	Querlenker / control arm	(1)	
37575	50702712	Stabilisatorsatz mit Lagern / stabilizer set with bearings	(1)	L 1050
43643	9948296	ProKit Axialgelenk / axial joint	(2)	L 300
43666	77362502	ProKit Axialgelenk / axial joint	→ 2012	L 258
46005	9947926	ProKit Spurstangenendstück / tie rod end		



**Phedra (179)**  
(2001 → 2010)

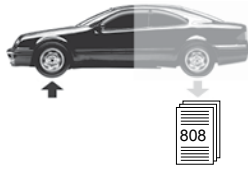


Vorderachse / Front axle

	Ref. - No.			
<b>19403</b>	1331209080	ProKit Verbindungsstange / stabilizer link		
<b>26645</b>	1346384080	Querlenker / control arm	→ 06 / (ex.) (mot.) 2,2	
<b>26646</b>	1346385080	Querlenker / control arm	→ 06 / (ex.) (mot.) 2,2	
<b>27427</b>	77362280	ProKit Spurstange / tie rod		L 315
<b>36654</b>	9404066838	Rep. Satz Lenkmanschette / rep. kit steering boot	(mot.) 2,0 + 2,2 D	L 185
<b>37349</b>	1368629080	Querlenker / control arm	06 → / (ex.) (mot.) 2,2	M12 x 1,25
<b>37350</b>	1368628080	Querlenker / control arm	06 → / (ex.) (mot.) 2,2	M12 x 1,25
<b>37689</b>	1401239480	Querlenker / control arm	(mot.) 2,2	M14 x 1,5
<b>37690</b>	1401239580	Querlenker / control arm	(mot.) 2,2	M14 x 1,5
<b>37860</b>	9403817738	ProKit Spurstangenendstück / tie rod end	(mot.) 2,2	
<b>39684</b>	77362279	ProKit Spurstangenendstück / tie rod end	(ex.) (mot.) 2,2	

passend für / to fit

# LANCIA

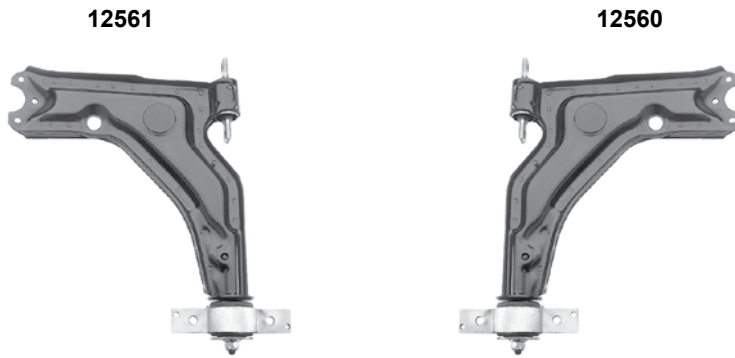


Car  
Division



## Thema/SW (834) (1984 → 1994)

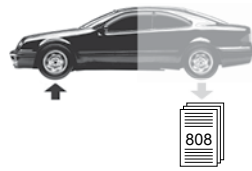
Vorderachse / Front axle



- (1) Thema (834) 88 → 92 (ex.) (mot.) 3,0 V6
- (2) Thema (834) (mot.) 2,0 ( 83/85/86/104/108/110/112/130/133kW ) / 2,5 (ex.) 74kW / 2,85 (ex.) 110kW / 3,0 Thema SW (834) 87 → 94 2,0 110kW / 2,5 / 3,0
- (3) (mot.) 2,0B / 2,5D / 2,8B / 3,0B alle / all // 02/92 →

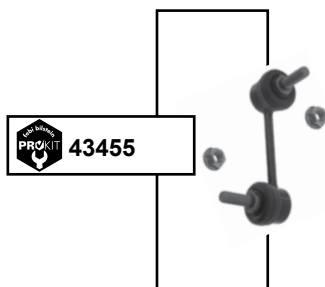


febi bilstein	Ref. - No.			
12556	82387676	ProKit Spurstangenendstück / tie rod end	88 →	
12560	82480038	Querlenker / control arm	(3)	
12561	82480039	Querlenker / control arm	(3)	
40544	82412746	Stabilisatorlager / stabilizer mount	(1)	Ø I 18 B 45
43644	9940260	ProKit Spurstange / tie rod	(2) servo.	L 268



**Thesis (841 AX)**  
(2001 → 2007)

Vorderachse / Front axle



(1) Thema (834) 88 → 92 (ex.) (mot.) 3,0 V6



Ref. - No.

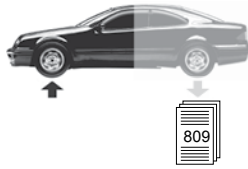


18214	9947920	ProKit Spurstangenendstück / tie rod end	
18215	9947919	ProKit Spurstangenendstück / tie rod end	
43455	60671724	ProKit Verbindungsstange / stabilizer link	(1)
43456	60671725	ProKit Verbindungsstange / stabilizer link	(1)



passend für / to fit

**LANCIA**

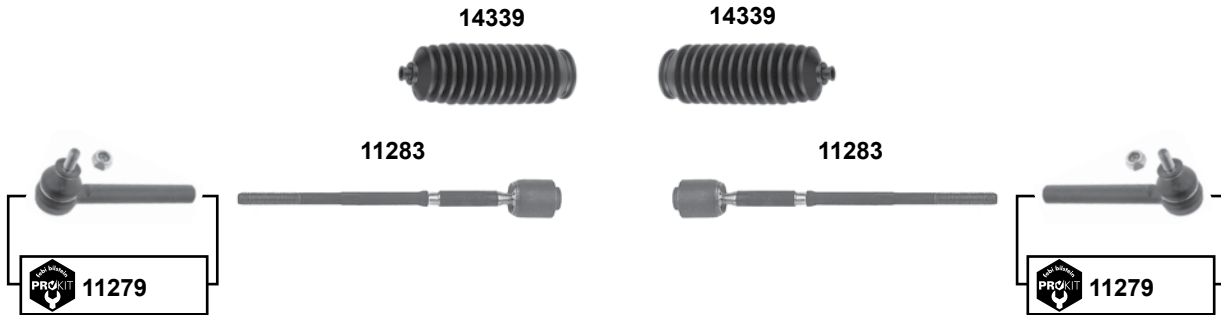


**Car  
Division**

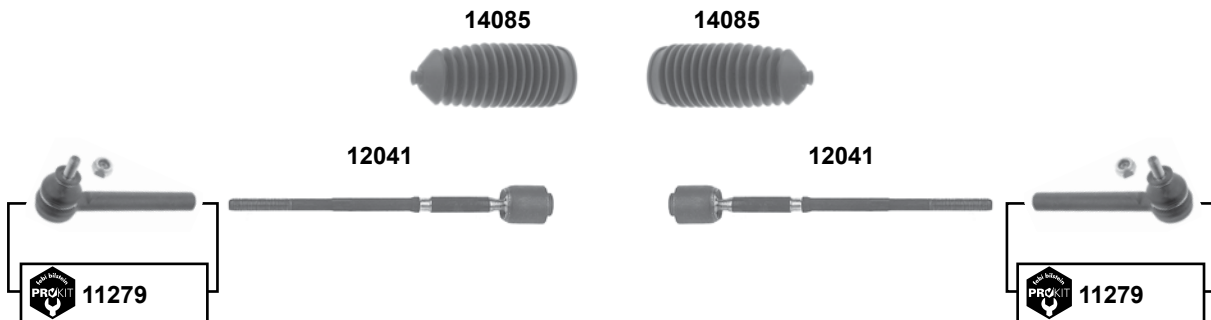


**Y (840 A)**  
(1995 → 2003)

man.



servo



**alle / all**



Ref. - No.



<b>10571</b>	46430002	Querlenker / control arm	(ex.) (mot.) 1,216V	M10 x 1,25 L 280 L 285
<b>10572</b>	46430003	Querlenker / control arm	(ex.) (mot.) 1,216V	
<b>11279</b>	9946949	ProKit Spurstangenenestück / tie rod end		
<b>11283</b>	9946948	Spurstange / tie rod		
<b>12041</b>	9945562	Spurstange / tie rod		
<b>12569</b>	46429835	Querlenker / control arm	(mot.) 1,2 16V	
<b>12570</b>	46429834	Querlenker / control arm	(mot.) 1,2 16V	
<b>14085</b>	9945564 SK	Lenkmanschette / steering boot		
<b>14339</b>	9946947 SK	Lenkmanschette / steering boot		

Vorderachse / Front axle



**Ypsilon (843)**  
(2003 → 2011)

37571

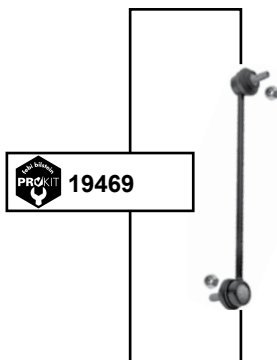


37572



**Ypsilon (846)**  
(2011 →)

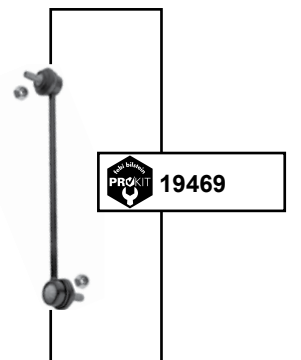
Vorderachse / Front axle



46006



46006



(1) 0,9B (mot.) 312A2000 1,2B / 1,2F (mot.) 169A4000 1,3D (mot.) 199B1000

(2) (mot.) 0,9B / 0,9G / 1,2B / 1,2F / 1,3D alle / all



Ref. - No.



19469	51801136	ProKit Verbindungsstange / stabilizer link		
37571	51839219	Querlenker / control arm		
37572	51839218	Querlenker / control arm		
46006	51909775	Verbindungsstange / stabilizer link	(1)	
46007	77365815	ProKit Spurstangenendstück / tie rod end	(2)	

L 313

passend für / to fit

**LANCIA**



**Car  
Division**



**Y 10 (156)**  
(1989 → 1995)

Vorderachse / Front axle



Ref. - No.



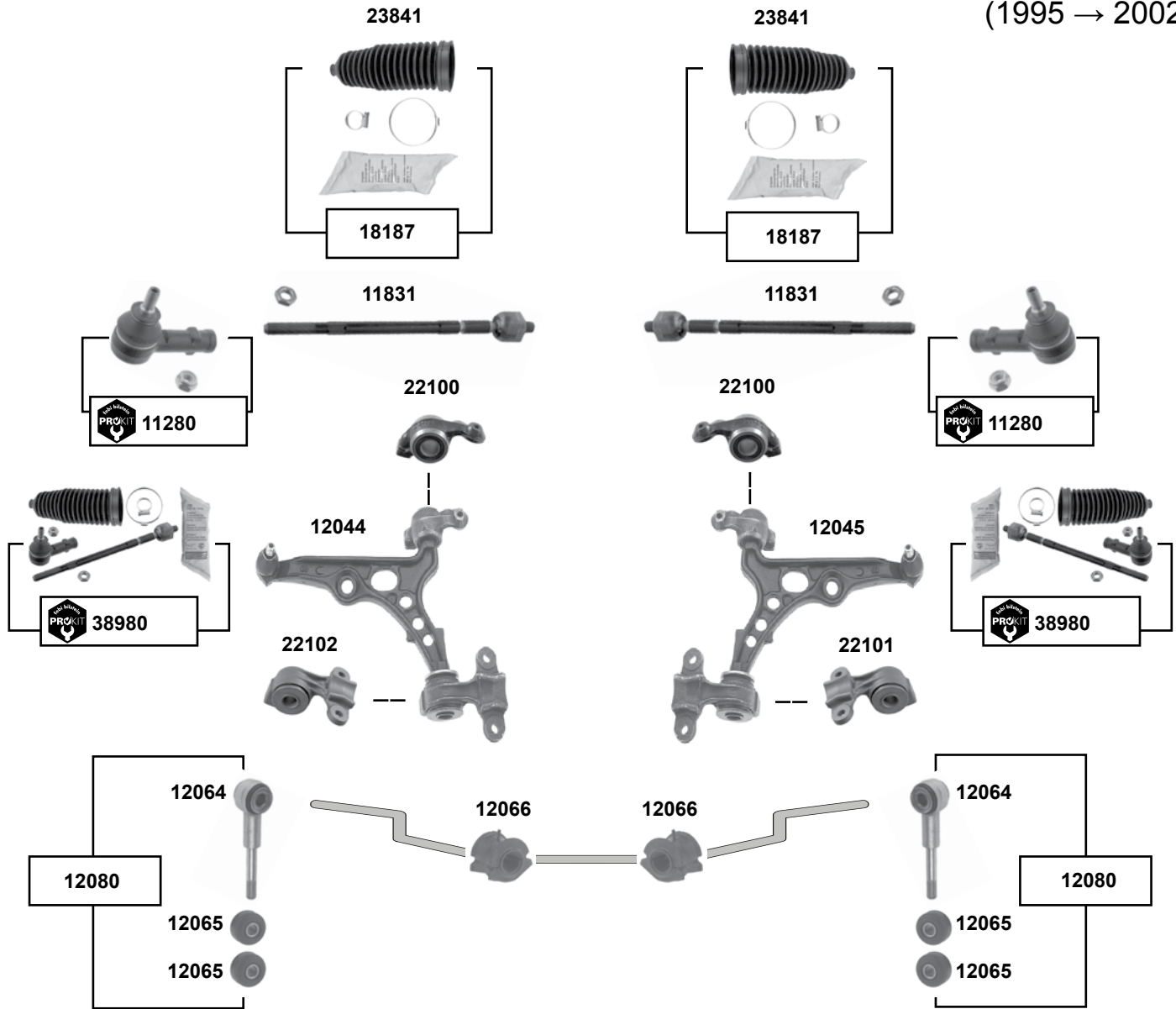
10790	5958246
12546	7601261
12571	5960321

ProKit Spurstangenendstück / tie rod end
Querlenker / control arm
Spurstange / tie rod

M10 x 1,25
L 280



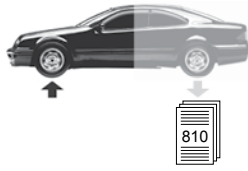
## Zeta (220) (1995 → 2002)



Vorderachse / Front axle

**(1)** (mot.) 2,0 JTD 80kW / 2,0 97kW, 100kW, 108kW / 2,1 80kW

	Ref. - No.			
11280	1306003080	ProKit Spurstangenendstück / tie rod end		M14 x 1,5 L 320
11831	9566950880	Spurstange / tie rod		
12044	71737047	Querlenker / control arm		
12045	1316736080	Querlenker / control arm		
12064	1317425080	Verbindungsstange / stabilizer link		M12 x 1,25 12x38 Ø   24
12065	1313056080	Verbindungsstangenlager / stabilizer link bush		
12066	1305782080	Stabilisatorlager / stabilizer mount		
12080	1317425080 S1	Rep. Satz Verbindungsstange / rep. kit stabilizer link		
18187	9404066418	Rep. Satz Lenkmanschette / rep. kit steering boot		
22100	1316735080 S1	Querlenkerlager / control arm mount		
22101	1316736080 S1	Querlenkerlager / control arm mount		
22102	1316735080 S2	Querlenkerlager / control arm mount		
23841	9404066418 SK	Lenkmanschette / steering boot		
38980	9566950880 S1	ProKit Spurstange / tie rod	<b>(1)</b>	



810

## Defender 90/110

(1983 → 1990)



## Discovery II

(1998 → 2004)

Vorderachse / Front axle

### oben / upper

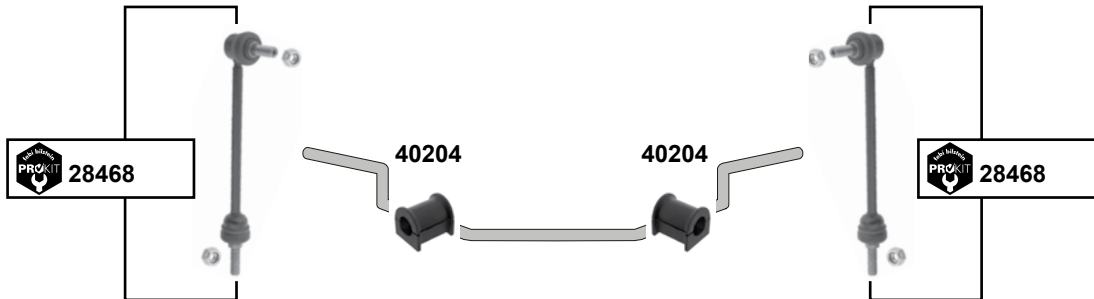
14121



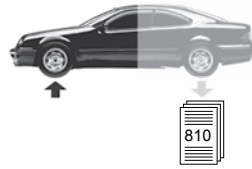
14121



### unten / lower

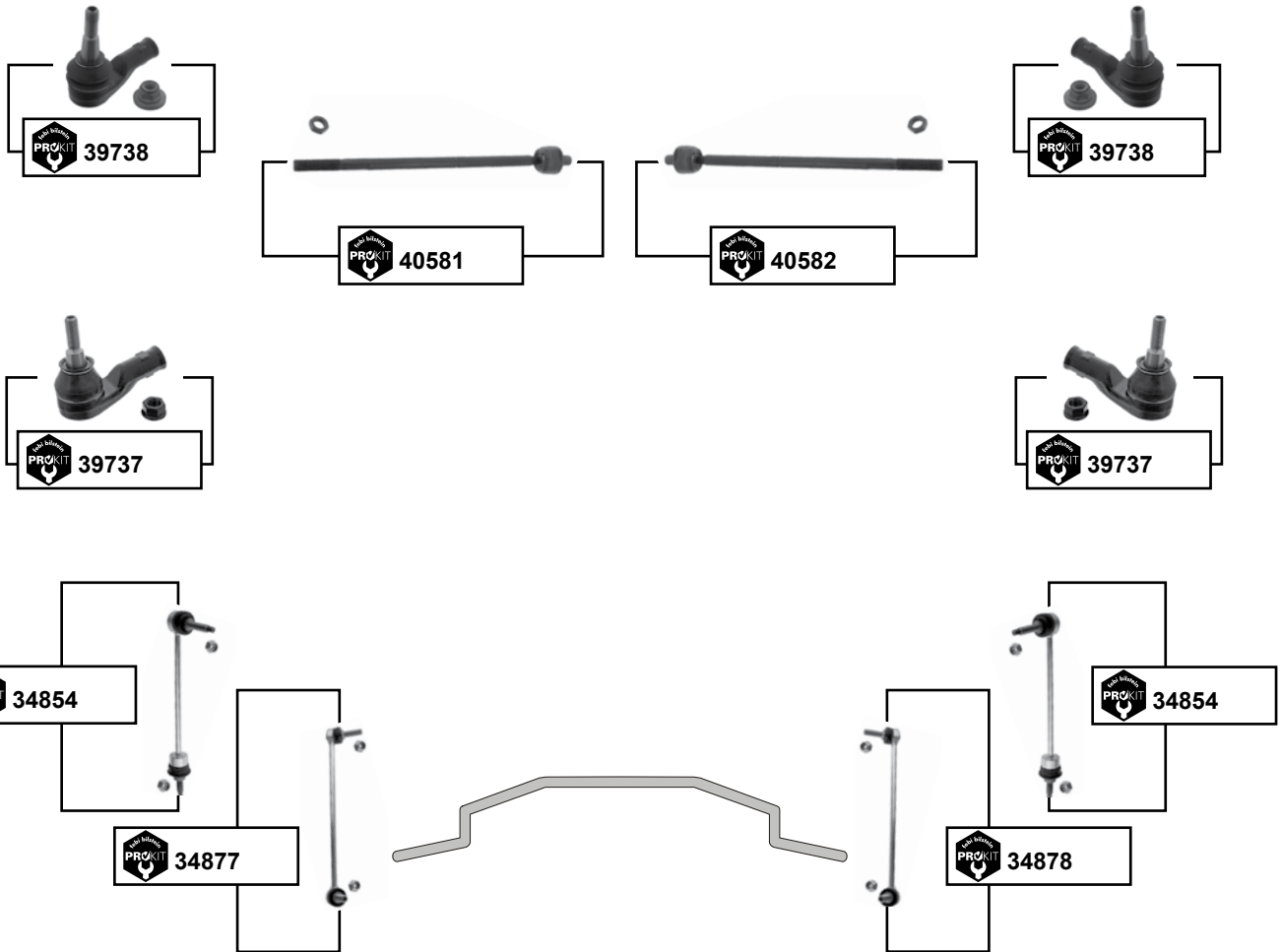


	Ref. - No.			
14121	FTC 3570	Traggelenk / ball joint		M14 x 1,5
14122	RTC 5869	ProKit Spurstangenendstück / tie rod end	RHT	
14123	RTC 5870	ProKit Spurstangenendstück / tie rod end	LHT	
28468	RBM 100223	ProKit Verbindungsstange / stabilizer link		L 242,5
34745	FTC 3571	ProKit Traggelenk / ball joint		
40204	RBX101690	Stabilisatorlager / stabilizer mount		Ø 30



## Discovery III (2004 → 2009)

Vorderachse / Front axle



(1) nur gepanzert / only armoured

(2) (ex.) gepanzert / armoured

(3) (ch.) → (V)9A496359

(4) (ch.) (V)9A496360 →



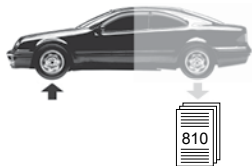
Ref. - No.



Part No.	Ref. - No.	Description	Notes	Length
34854	RBM 500190	ProKit Verbindungsstange / stabilizer link	(2)	L 279
34877	RBM 500150	ProKit Verbindungsstange / stabilizer link	(1)	L 345
34878	RBM 500140	ProKit Verbindungsstange / stabilizer link	(1)	L 345
39737	LR010671	ProKit Spurstangenendstück / tie rod end	(3)	M12 x 1,75
39738	LR010672	ProKit Spurstangenendstück / tie rod end	(4)	M14 x 2
40581	QFK 500010	ProKit Axialgelenk / axial joint	RHD / LHD	L 395
40582	QFK 500020	ProKit Axialgelenk / axial joint	RHD / LHD	L 390

passend für / to fit

# LAND ROVER



Car  
Division



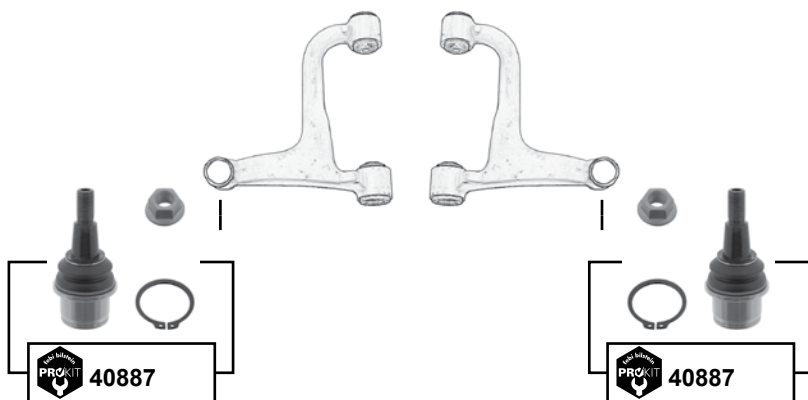
## Discovery III (2004 → 2009)

Vorderachse / Front axle

### oben / upper



### unten / lower



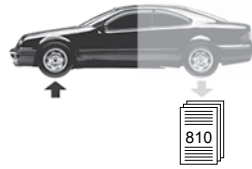
Ref. - No.



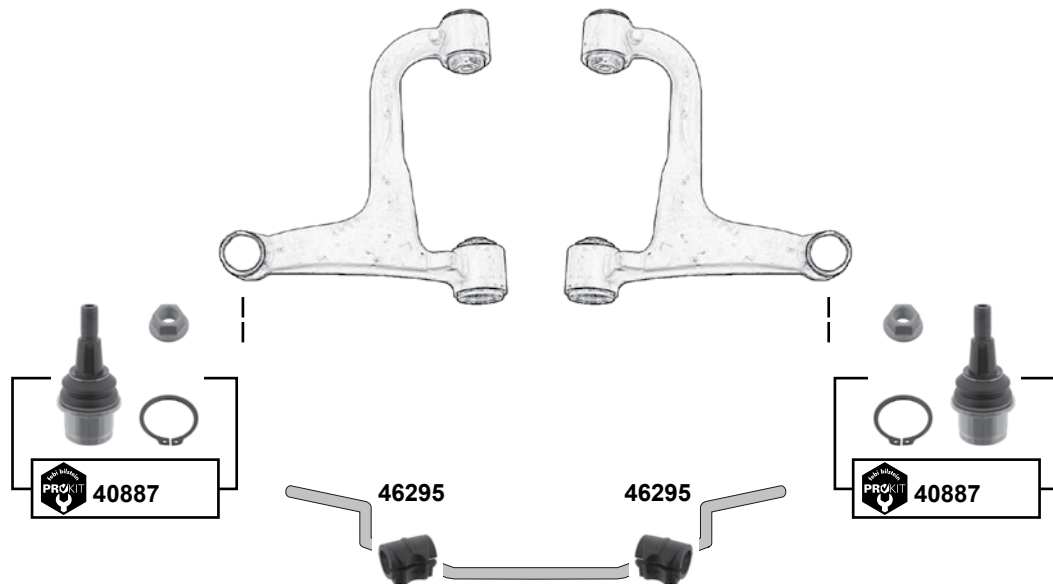
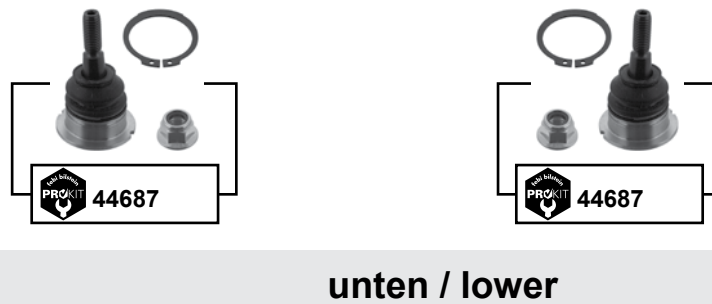
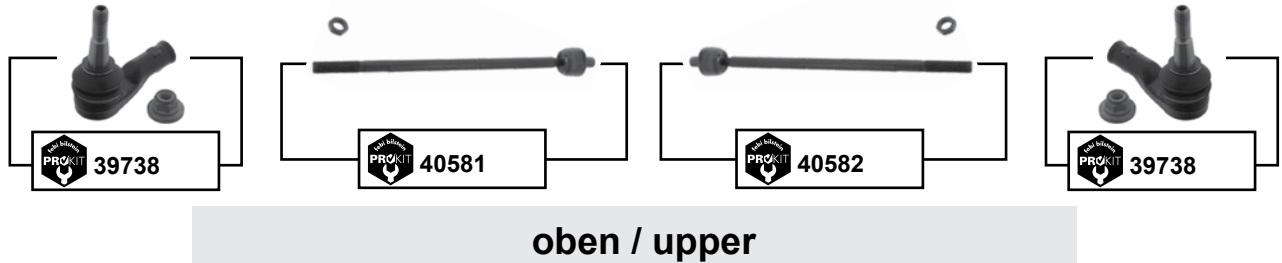
**40887** RBK500280  
**44687** RBK500170

ProKit Traggenlenk / ball joint  
ProKit Traggenlenk / ball joint

M16 x 2  
M 12 x 1,75



## Discovery IV (2010 →)



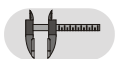
Vorderachse / Front axle



(1) (ch.) (V)AA000001 →



Ref. - No.



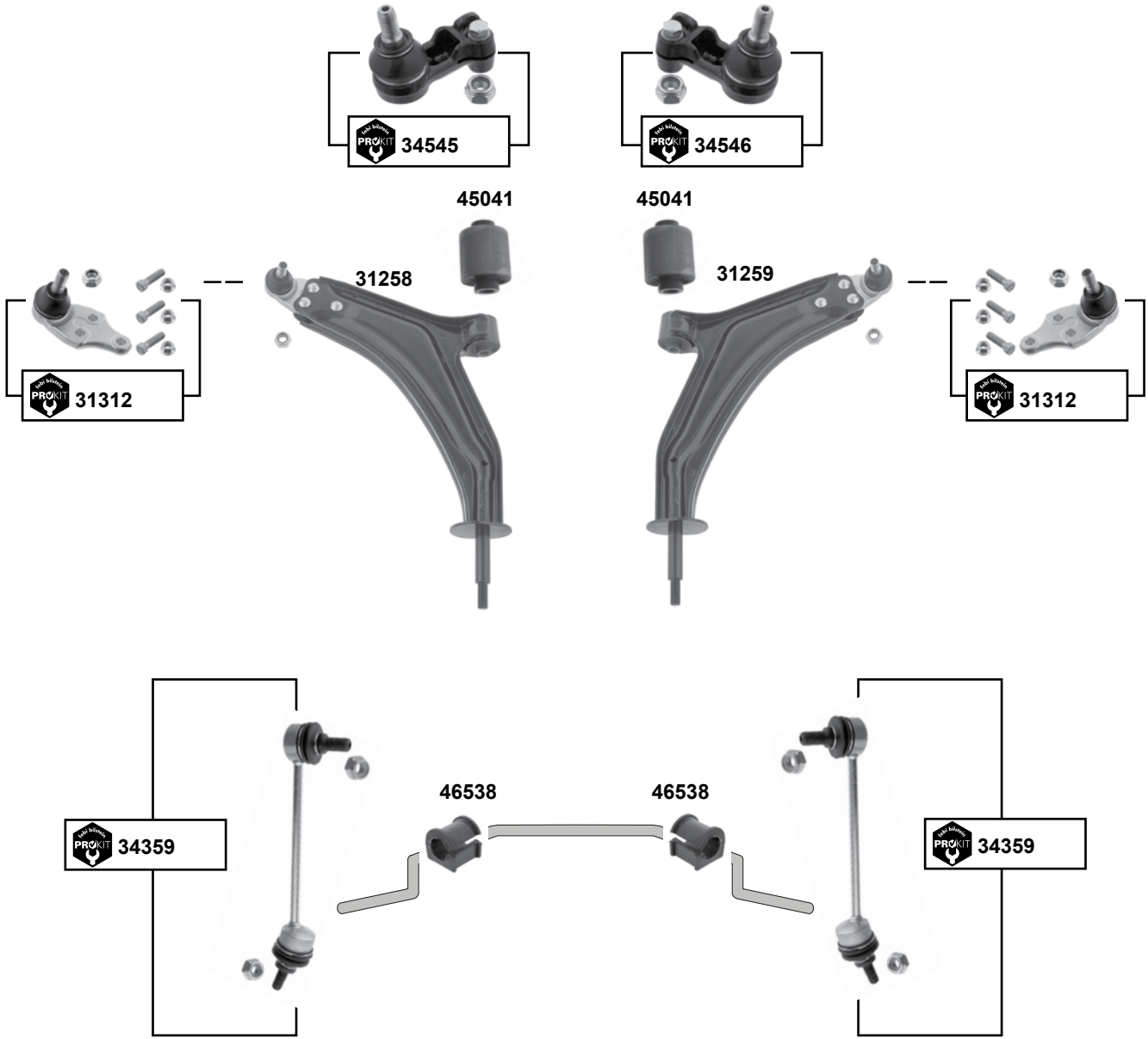
<b>39738</b>	LR010672	ProKit Spurstangenendstück / tie rod end	<b>(1)</b> RHD / LHD	M14 x 2
<b>40581</b>	QFK 500010	ProKit Axialgelenk / axial joint		L 395
<b>40582</b>	QFK 500020	ProKit Axialgelenk / axial joint	RHD / LHD	L 390
<b>40887</b>	RBK500280	ProKit Traggelenk / ball joint		M16 x 2
<b>44687</b>	RBK500170	ProKit Traggelenk / ball joint		M 12 x 1,75
<b>46295</b>	LR 018346	Stabilisatorlager / stabilizer mount		Ø1 28,5





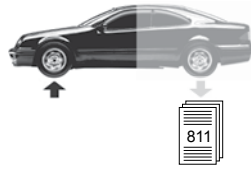
## Freelander I (1996 → 2006)

Vorderachse / Front axle

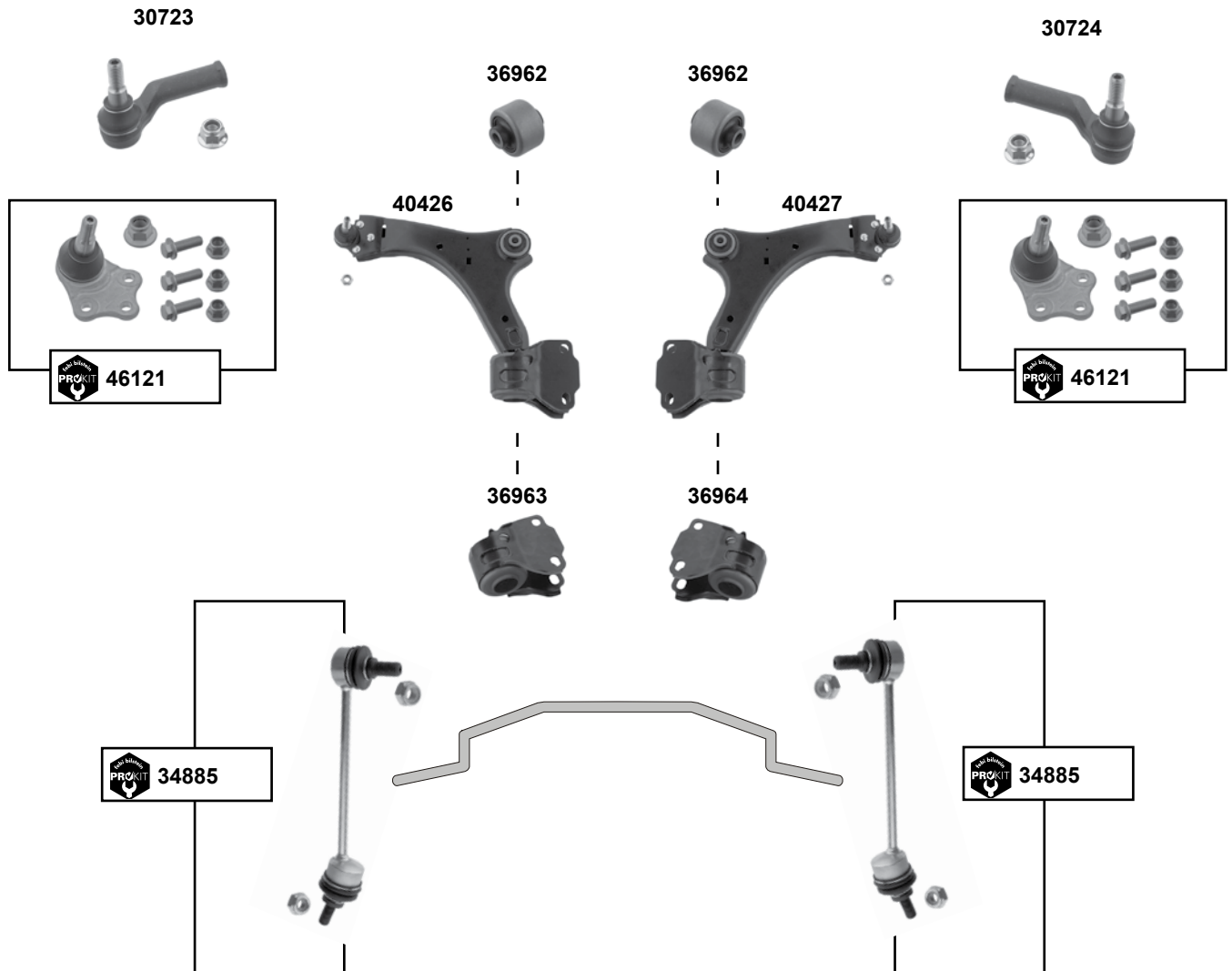


(1) Alle / all (V) 1A000001 →

	Ref. - No.			
31258	RBJ 500690	Querlenker / control arm	(1)	M14 x 1,5
31259	RBJ 500680	Querlenker / control arm		M14 x 1,5
31312	RBJ 500690 S1	ProKit Traggelenk / ball joint		M14 x 1,5
34359	RBM 100172	ProKit Verbindungsstange / stabilizer link		L 203
34545	QJB 100230	ProKit Spurstangenendstück / tie rod end		L 70,5
34546	QJB 100220	ProKit Spurstangenendstück / tie rod end		L 70,5
45041	RBX101790	Querlenkerlager / control arm mount		Ø A 45,5
46538	RBX000010	Stabilisatorlager / stabilizer mount		Ø I 20,5



## Freelander II (LR2) (2006 →)



Vorderachse / Front axle



(1) alle/all (ex.) 2.0 Benziner Motor / 2.0 gasoline engine



Ref. - No.



Ref. - No.	Description	Quantity	Dimensions
30723	Spurstangenendstück / tie rod end		M18 x 1,5
30724	Spurstangenendstück / tie rod end		M18 x 1,5
34885	ProKit Verbindungsstange / stabilizer link		L 347,5
36962	Querlenkerlager / control arm mount	(1)	Ø A 60
36963	Querlenkerlager / control arm mount	(1)	
36964	Querlenkerlager / control arm mount	(1)	
40426	Querlenker / control arm		
40427	Querlenker / control arm		
46121	ProKit Traggelenk / ball joint		

→ 14

passend für / to fit

# LAND ROVER



Car Division



## LR4 IV (LA)

(09/09 →)



## Range Rover II

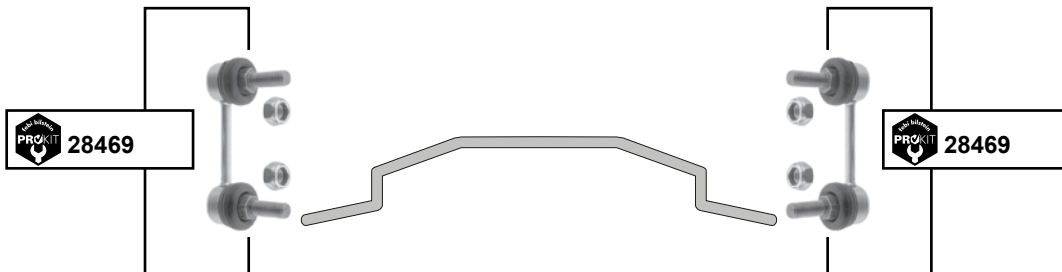
(1994 → 2002)



oben / upper



unten / lower



Ref. - No.



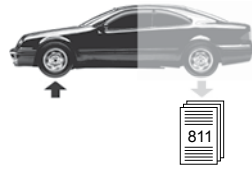
14121	FTC 3570
14124	STC 1871
14125	STC 1870
28469	ANR 3304
34745	FTC 3571
46295	LR 018346

Traggelenk / ball joint
ProKit Spurstangenendstück / tie rod end
Spurstange / tie rod
ProKit Verbindungsstange / stabilizer link
ProKit Traggelenk / ball joint
Stabilisatorlager / stabilizer mount

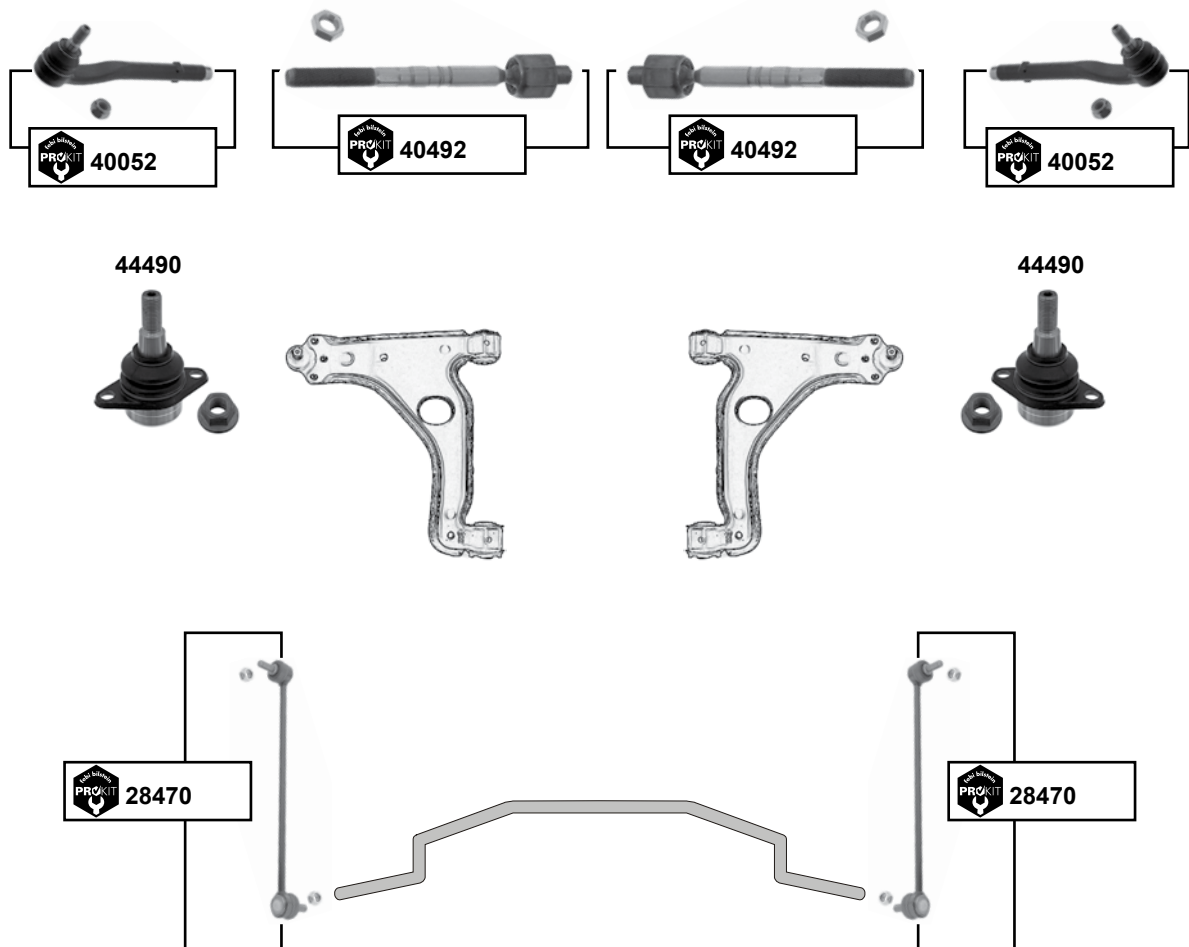
servo

Ø A 46
M12 x 1,75
L 1240
L 96,7
ØI 28,5

Vorderachse / Front axle



**Range Rover III**  
(2002 → 2012)



Vorderachse / Front axle



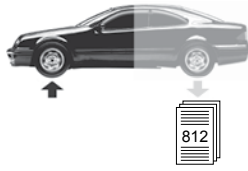
(1) → 2009 alle / all // 2010 → für gepanzerte Fahrzeuge / for armoured vehicled



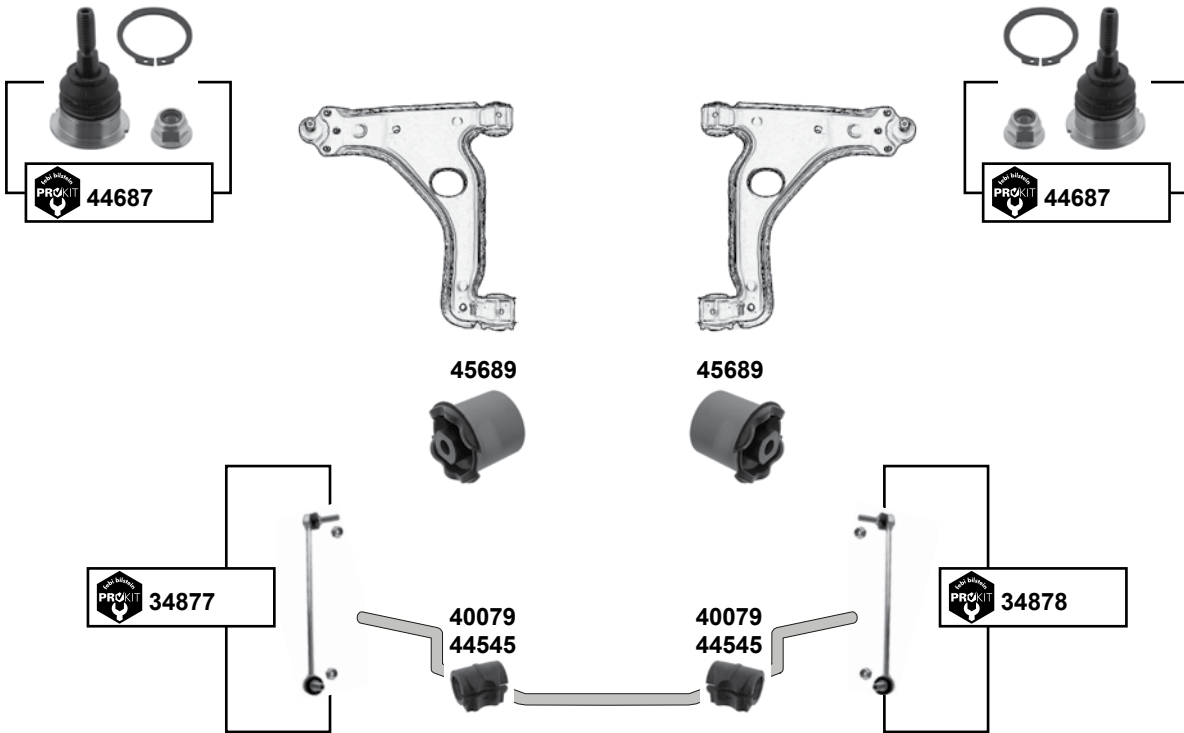
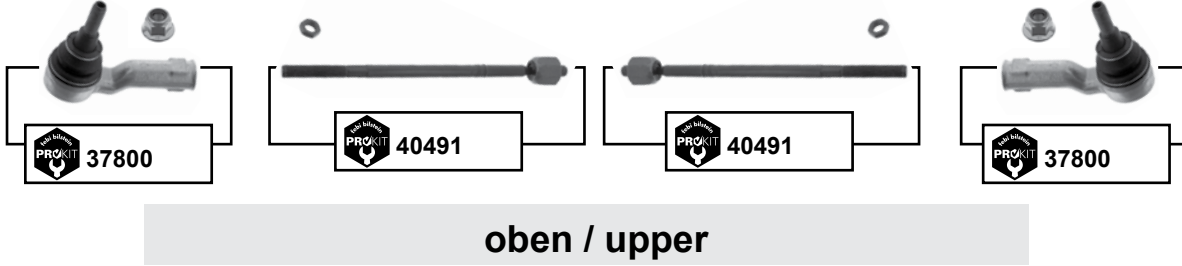
**Ref. - No.**



<b>28470</b>	RBM 500200	ProKit Verbindungsstange / stabilizer link	(1)	L 380
<b>40052</b>	QJB 500050	ProKit Spurstangenendstück / tie rod end		M16 x 1,5
<b>40492</b>	QJB500060	ProKit Axialgelenk / axial joint		L 250
<b>44490</b>	RBK500210	Traggelenk / ball joint		M 14 x 1,5



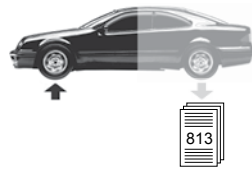
## Range Rover Sport (2005 →)



- (1) Für Fahrzeuge mit ACE-Aufhängung / for vehicles with ACE suspension
- (2) alle / all // (ex.) Wankstabilitätsregelung / (ex.) ACE-Aufhängung / (ex.) ACE suspension

	Ref. - No.			
34877	RBM 500150	ProKit Verbindungsstange / stabilizer link		L 345
34878	RBM 500140	ProKit Verbindungsstange / stabilizer link		L 345
37800	QJB 500040	ProKit Spurstangenendstück / tie rod end	→ 09 (ch.) (V)9A999999 →	M12 x 1,75
40079	LR 018347	Stabilisatorlager / stabilizer mount	(2)	Ø 30
40491	QFK 500030	ProKit Axialgelenk / axial joint	→ 12	L 385
44545	RVU500011	Stabilisatorlager / stabilizer mount	(1)	Ø 133
44687	RBK500170	ProKit Traggelenk / ball joint		M 12 x 1,75
45689	LR 055291	Querlenkerlager / control arm mount		Ø A 71,2

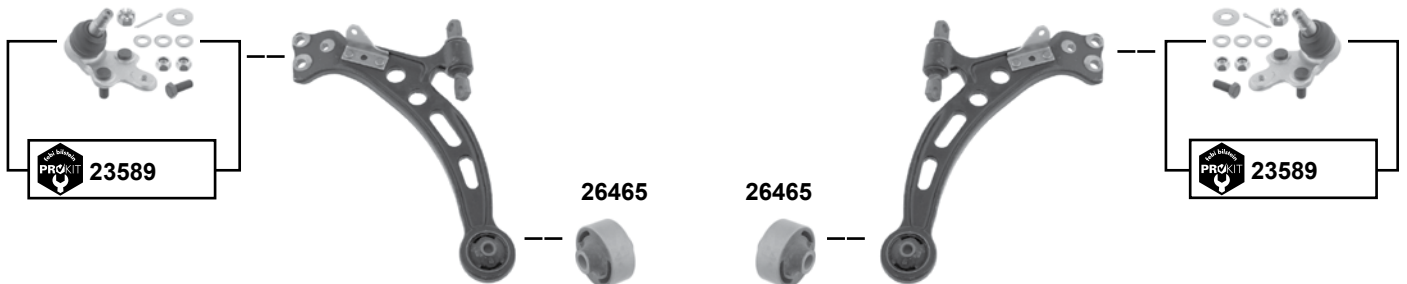
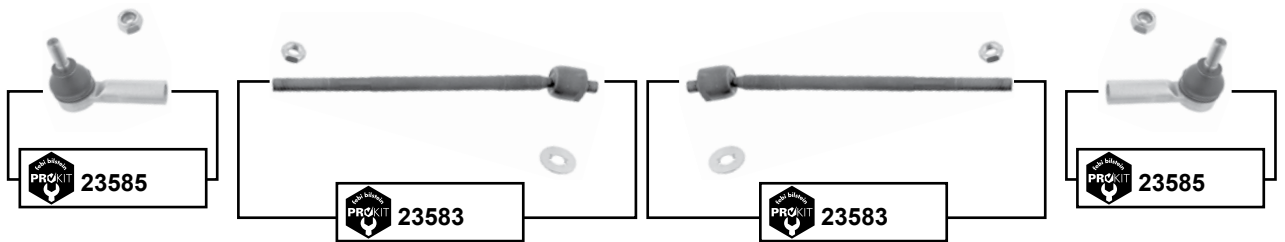
Vorderachse / Front axle



**ES250 (\_VZV21\_)**  
(06/89 → 07/91)



**ES300 (\_V10\_)**  
(07/91 → 08/96)

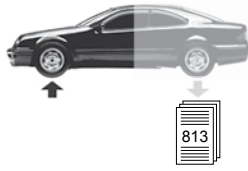


Vorderachse / Front axle

	Ref. - No.			
<b>12913</b>	45046-29305	ProKit Spurstangenendstück / tie rod end		M12 x 1,25
<b>18107</b>	48820-33010	ProKit Verbindungsstange / stabilizer link		L 60
<b>22965</b>	48068-33020	Querlenker / control arm		
<b>22967</b>	48069-33020	Querlenker / control arm		
<b>23583</b>	45503-39135	ProKit Spurstange / tie rod		L 351
<b>23585</b>	45046-29255	ProKit Spurstangenendstück / tie rod end		M12 x 1,25
<b>23589</b>	43330-39435	ProKit Traggelenk / ball joint		
<b>26465</b>	48655-07010	Querlenkerlager / control arm mount		

passend für / to fit

**LEXUS**

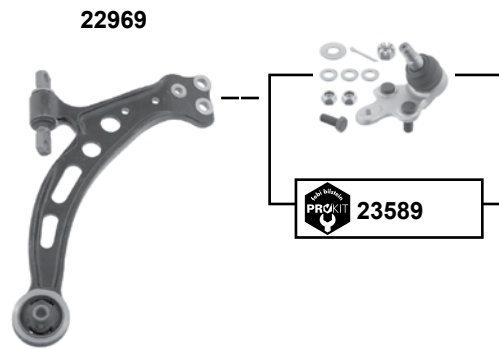
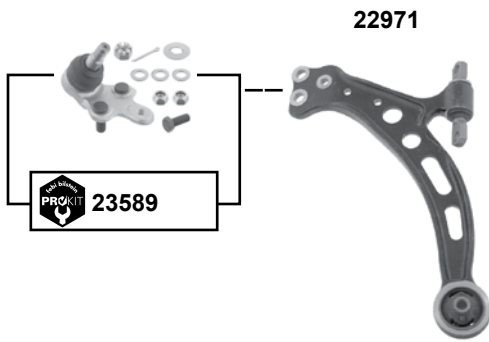
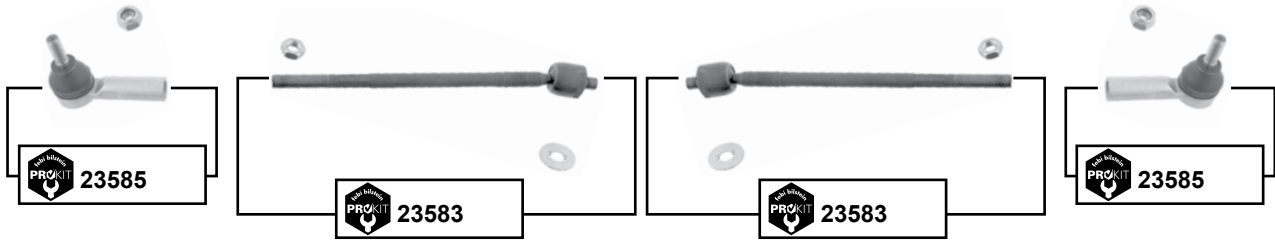


**Car  
Division**

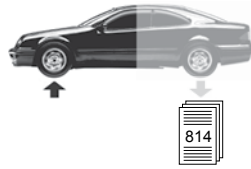


**ES300 (\_V20\_)**  
(08/96 → 07/01)

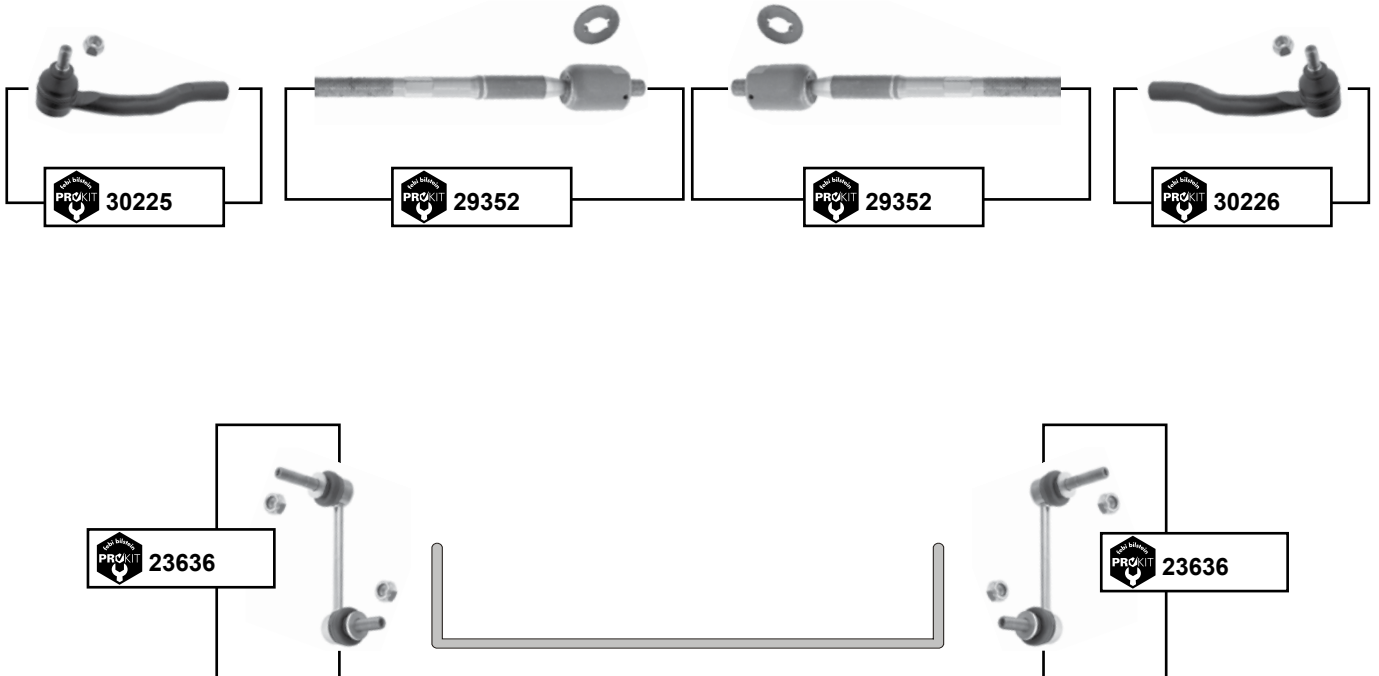
Vorderachse / Front axle



	Ref. - No.			
<b>22969</b>	48068-33030	Querlenker / control arm		
<b>22971</b>	48069-33030	Querlenker / control arm		
<b>23575</b>	48810-33010	ProKit Verbindungsstange / stabilizer link		L 285
<b>23577</b>	48820-33020	ProKit Verbindungsstange / stabilizer link		L 285
<b>23583</b>	45503-39135	ProKit Spurstange / tie rod		L 351
<b>23585</b>	45046-29255	ProKit Spurstangenendstück / tie rod end		M12 x 1,25
<b>23589</b>	43330-39435	ProKit Tragelenk / ball joint		



**ES300 (V30/31)**  
(07/01 →)



Vorderachse / Front axle

**ES350 (GSV40)**  
(03/06 →)



Ref. - No.



<b>23636</b>	48820-28050	ProKit Verbindungsstange / stabilizer link		
<b>29352</b>	45503-39225	ProKit Spurstange / tie rod		
<b>30225</b>	45470-39225	ProKit Spurstangenendstück / tie rod end	2003 →	
<b>30226</b>	45460-39235	ProKit Spurstangenendstück / tie rod end	2003 →	

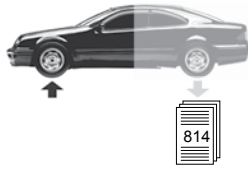
2003 →  
2003 →

L 238  
M15 x 1,5  
M15 x 1,5



passend für / to fit

**LEXUS**

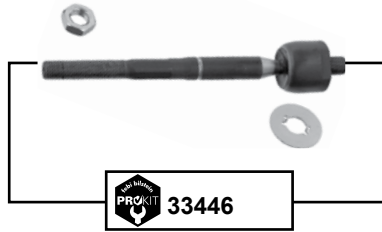


**Car  
Division**



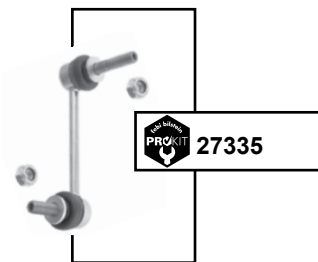
## GS300, 400, 430 (JZS160, UZS16)

(08/97 → 01/05)



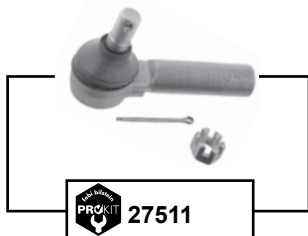
## GX470 (J120)

(11/02 →)



## LX450 (J80)

(11/95 → 01/98)



Ref. - No.



<b>27335</b>	48820-60050	ProKit Verbindungsstange rechts / stabilizer link right	L 140
<b>27336</b>	48810-60040	ProKit Verbindungsstange links / stabilizer link left	L 140
<b>27511</b>	45047-69085	ProKit Spurstangenendstück / tie rod end	M14 x 1,5
<b>27512</b>	45046-69135	ProKit Spurstangenendstück / tie rod end	M14 x 1,5
<b>29361</b>	45503-39265	ProKit Axialgelenk / axial joint	L 261
<b>33446</b>	45503-39155	ProKit Axialgelenk / axial joint	L 206

Vorderachse / Front axle



**HS250H (ANF10)**  
(07/09 →)

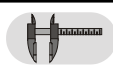


Vorderachse / Front axle

**IS200/300 (GXE10/JCE10)**  
(1999 → 2005)



Ref. - No.



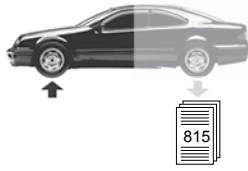
<b>28513</b>	48820-42030
<b>34664</b>	48820-22041

ProKit Verbindungsstange / stabilizer link
ProKit Verbindungsstange / stabilizer link

L 360,5
L 107

passend für / to fit

**LEXUS**

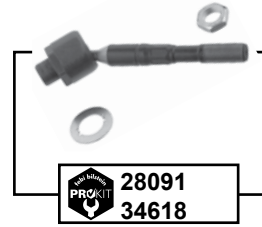
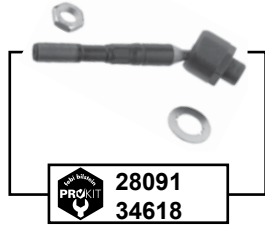


**Car  
Division**



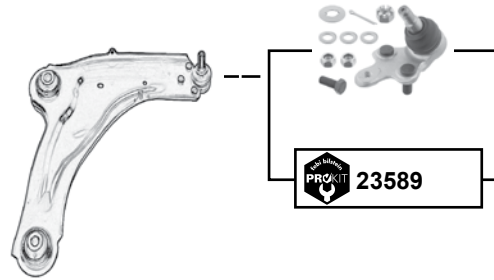
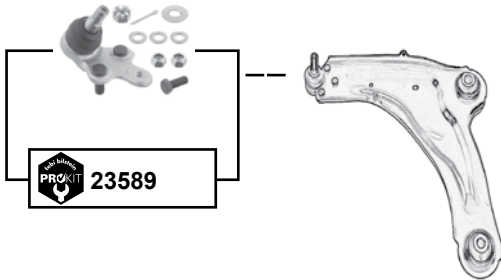
**LX470 (J80)**

(11/98 → 08/02)

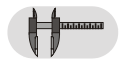


**RX300 (CU15)**

(1998 → 2003)

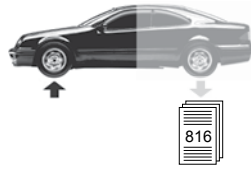


Ref. - No.



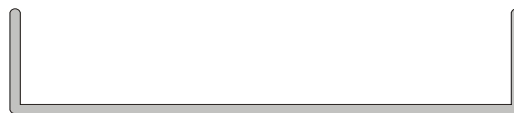
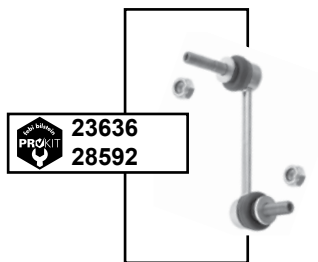
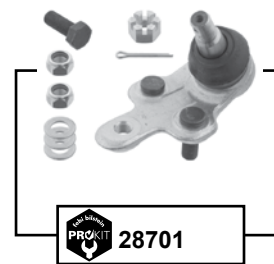
<b>23575</b>	48810-33010	ProKit Verbindungsstange / stabilizer link		L 285
<b>23577</b>	48820-33020	ProKit Verbindungsstange / stabilizer link		L 285
<b>23585</b>	45046-29255	ProKit Spurstangenendstück / tie rod end		M14 x 1,5
<b>23589</b>	43330-39435	ProKit Traggelenk / ball joint		
<b>28091</b>	45503-69015	ProKit Spurstange / tie rod		L 214
<b>34618</b>	45503-69025	ProKit Spurstange / tie rod	08.02 → 08.07	L 208

Vorderachse / Front axle



**RX300, 330, 350, 400H**

(02/03 →)



Vorderachse / Front axle



(1) nur Produktion Japan / only production japan

(2) nur Produktion NA / only production NA



Ref. - No.



<b>23636</b>	48820-28050	ProKit Verbindungsstange / stabilizer link	(1)	L 260
<b>28592</b>	48820-06040	ProKit Verbindungsstange / stabilizer link	(2)	L 260
<b>28700</b>	43340-09010 S1	ProKit Tragelenk / ball joint		M14 x 1,5
<b>28701</b>	43330-09560 S1	ProKit Tragelenk / ball joint		M14 x 1,5

passend für / to fit

**LEXUS**



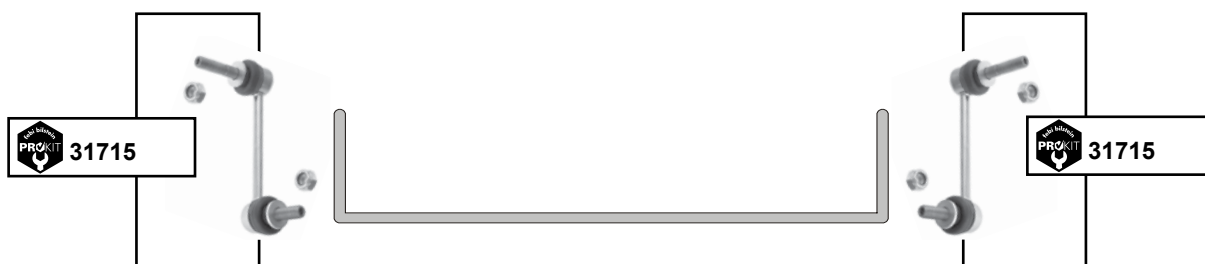
**Car  
Division**



## SC300/400 (JZZ31/ UZZ30)

(04/91 → 07/00)

Vorderachse / Front axle



Ref. - No.



31715

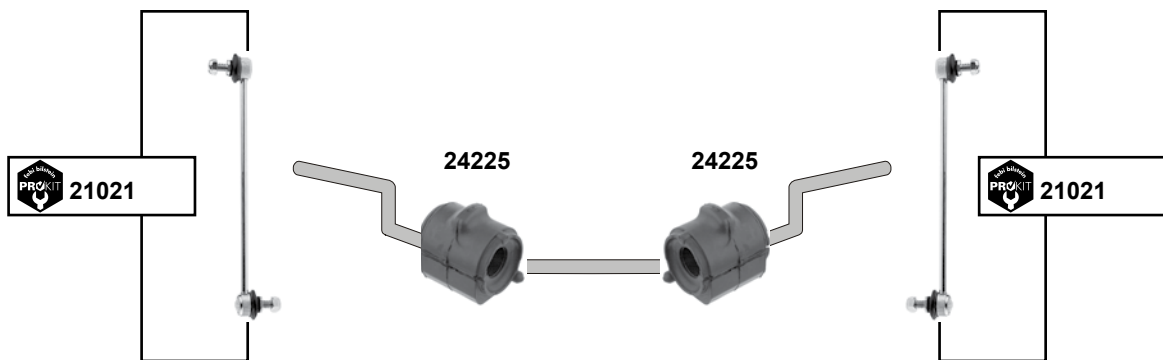
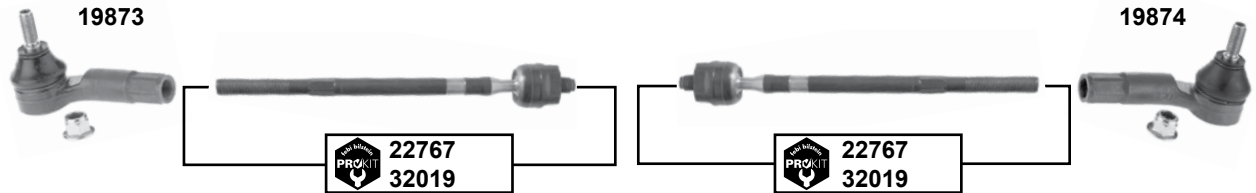
48820-24010

ProKit Verbindungsstange / tie rod end

L 111

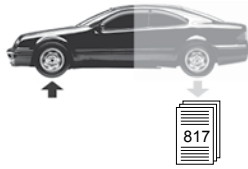


**2 (DY / DE)**  
(2003 →)

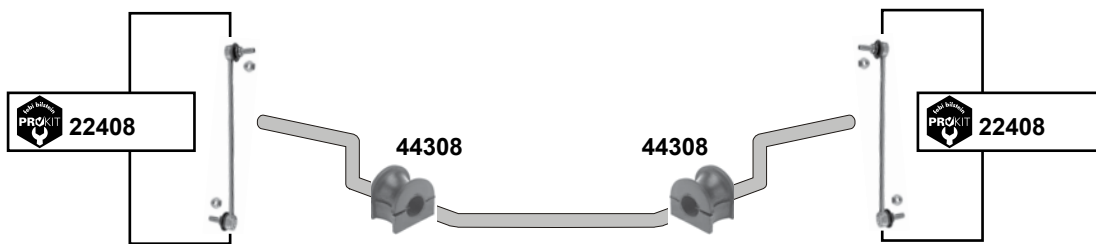
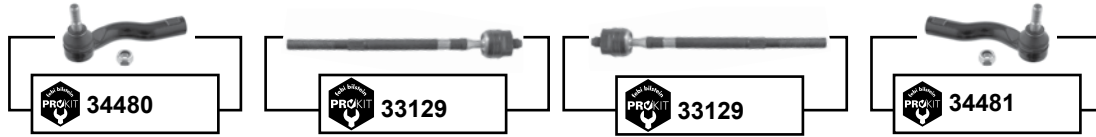


Vorderachse / Front axle

	Ref. - No.			
<b>19873</b>	DE90-32-290	Spurstangenendstück / tie rod end		M10/12x1,5
<b>19874</b>	DE90-32-280	Spurstangenendstück / tie rod end		M10/12x1,5
<b>21021</b>	DD32-34-170	ProKit Verbindungsstange / stabilizer link		L 282
<b>21681</b>	DD32-34-350	Querlenker / control arm		
<b>21682</b>	DD32-34-300	Querlenker / control arm		
<b>22767</b>	DE90-32-240	ProKit Spurstange / tie rod	→ 05/2007	
<b>24225</b>	DD32-34-156	Stabilisatorlager / stabilizer mount		
<b>32019</b>	D651-32-240	ProKit Spurstange / tie rod	(DE) 2007 →	

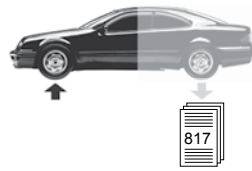


**3 (BK)**  
(2003 → 2009)

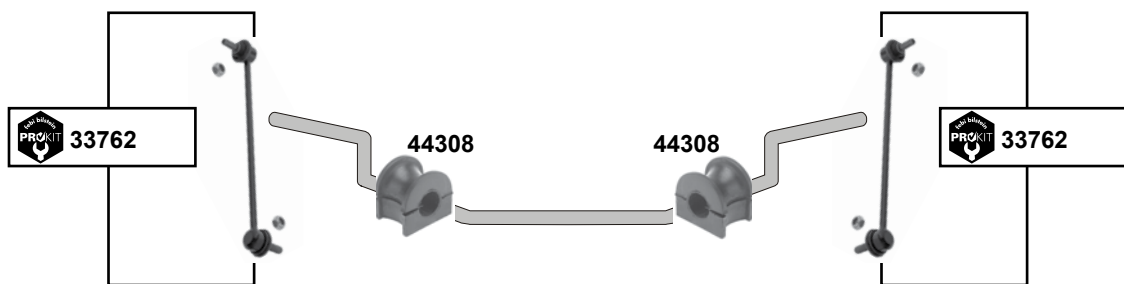
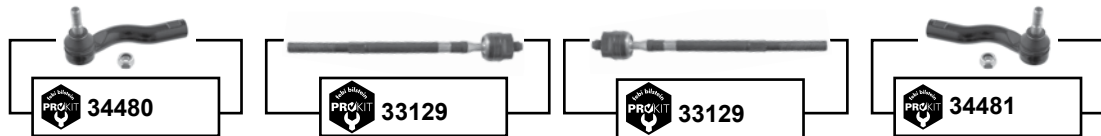


Vorderachse / Front axle

	Ref. - No.			
<b>22408</b>	BP4K-34-170C	ProKit Verbindungsstange / stabilizer link		M10 x 1,25
<b>27912</b>	B32H-34-250E S2	Querlenkerlager / control arm mount		
<b>27913</b>	B32H-34-250E S3	Querlenkerlager / control arm mount		
<b>29357</b>	B32H-34-250E S1	Traggelenk / ball joint		Ø A 18
<b>32418</b>	B32H-34-250E S4	ProKit Querlenkerlager / control arm mount		
<b>33129</b>	BP4L-32-240	ProKit Axialgelenk / axial joint		L 294
<b>34480</b>	BP4L-32-290	ProKit Spurstangenendstück / tie rod end		M10 x 1,25
<b>34481</b>	BP4L-32-280	ProKit Spurstangenendstück / tie rod end		M10 x 1,25
<b>44308</b>	BP4K-34-156B	Stabilisatorlager / stabilizer mount		Ø I 18

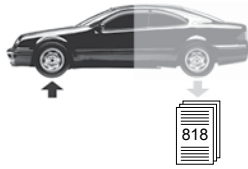


**3 (BL)**  
(2009 →)



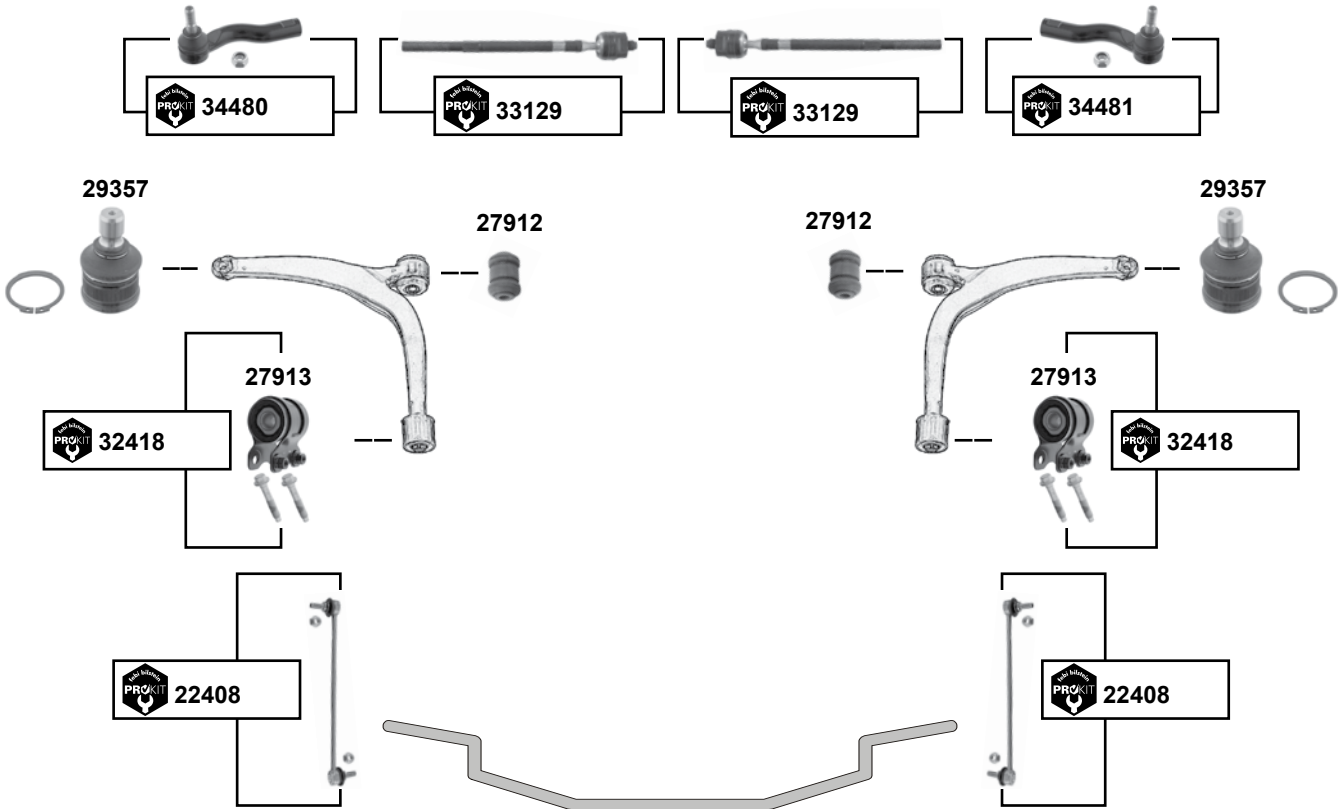
	Ref. - No.			
<b>33129</b>	BP4L-32-240	ProKit Axialgelenk / axial joint	<b>(ex.) (mot.) 2.3</b>	L 294
<b>33762</b>	BBM2-34-170A	ProKit Verbindungsstange / stabilizer link		L 300
<b>34480</b>	BP4L-32-290	ProKit Spurstangenendstück / tie rod end		M10 x 1,25
<b>34481</b>	BP4L-32-280	ProKit Spurstangenendstück / tie rod end		M10 x 1,25
<b>44308</b>	BP4K-34-156B	Stabilisatorlager / stabilizer mount		Ø 18



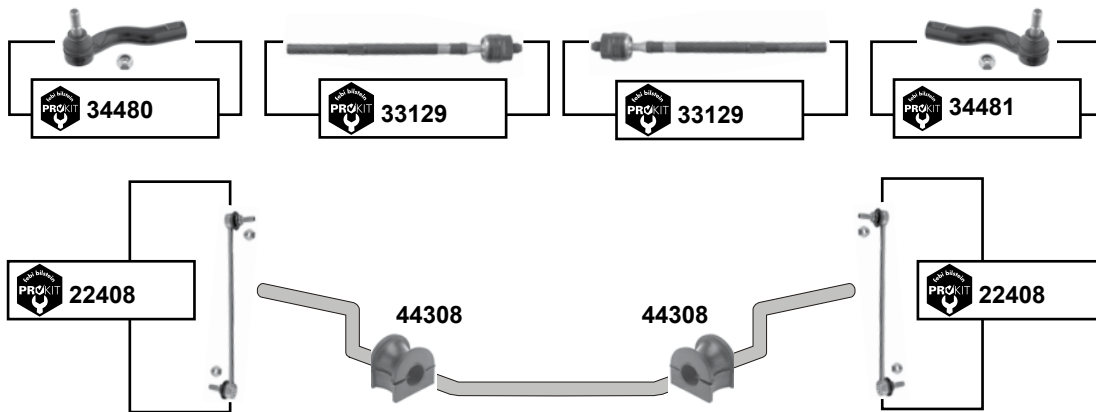


**5 (CR)**  
(2005 → 2010)

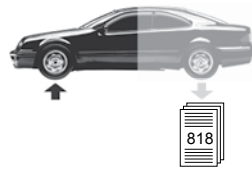
Vorderachse / Front axle



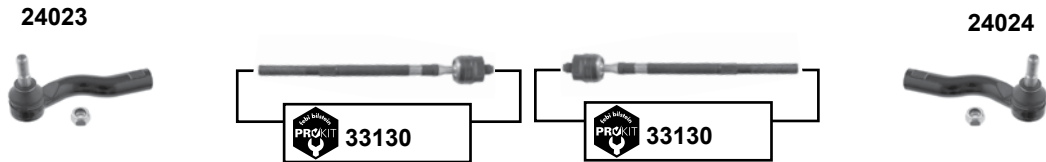
**5 (CW)**  
(2010 →)



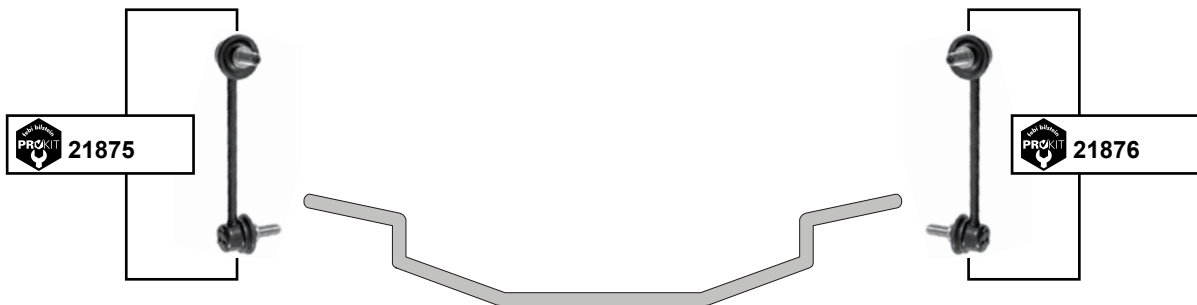
	Ref. - No.			
<b>22408</b>	BP4K-34-170C	ProKit Verbindungsstange / stabilizer link		M10 x 1,25
<b>27912</b>	B32H-34-250E S2	Querlenkerlager / control arm mount		
<b>27913</b>	B32H-34-250E S3	Querlenkerlager / control arm mount		
<b>29357</b>	B32H-34-250E S1	Traggelenk / ball joint		Ø A 18
<b>32418</b>	B32H-34-250E S4	ProKit Querlenkerlager / control arm mount		
<b>33129</b>	BP4L-32-240	ProKit Axialgelenk / axial joint		L 294
<b>34480</b>	BP4L-32-290	ProKit Spurstangenendstück / tie rod end		M10 x 1,25
<b>34481</b>	BP4L-32-280	ProKit Spurstangenendstück / tie rod end		M10 x 1,25
<b>44308</b>	BP4K-34-156B	Stabilisatorlager / stabilizer mount		Ø I 18



**6 (GG / GY)**  
(2002 → 2007)



**unten / lower**

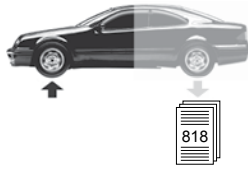


Vorderachse / Front axle

	Ref. - No.			
<b>21875</b>	GJ6A-34-170A	ProKit Verbindungsstange / stabilizer link		M10 x 1,25
<b>21876</b>	GJ6A-34-150A	ProKit Verbindungsstange / stabilizer link		M10 x 1,25
<b>23313</b>	GJ6A-34-300D	Querlenker / control arm		
<b>23731</b>	GJ6A-34-J50D	Querlenker / control arm		
<b>23732</b>	GR1A-34-J00	Querlenker / control arm		
<b>24023</b>	GJ6E-32-290A	ProKit Spurstangenendstück / tie rod end	<b>(ex.) (mot.) 2.3</b>	M12 x 1,25
<b>24024</b>	GJ6E-32-280A	ProKit Spurstangenendstück / tie rod end	<b>(ex.) (mot.) 2.3</b>	M12 x 1,25
<b>33130</b>	GJ6E-32-24X	ProKit Axialgelenk / axial joint		L 181

passend für / to fit

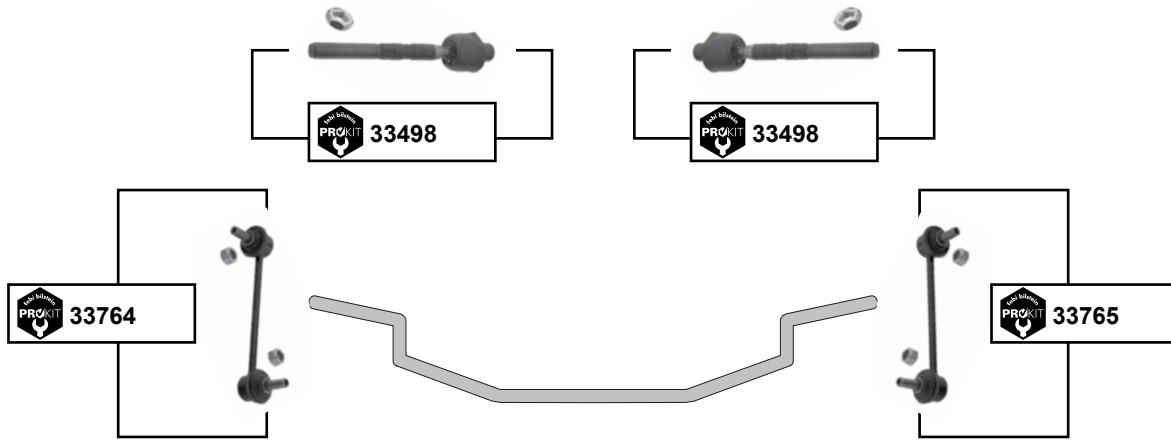
**MAZDA**



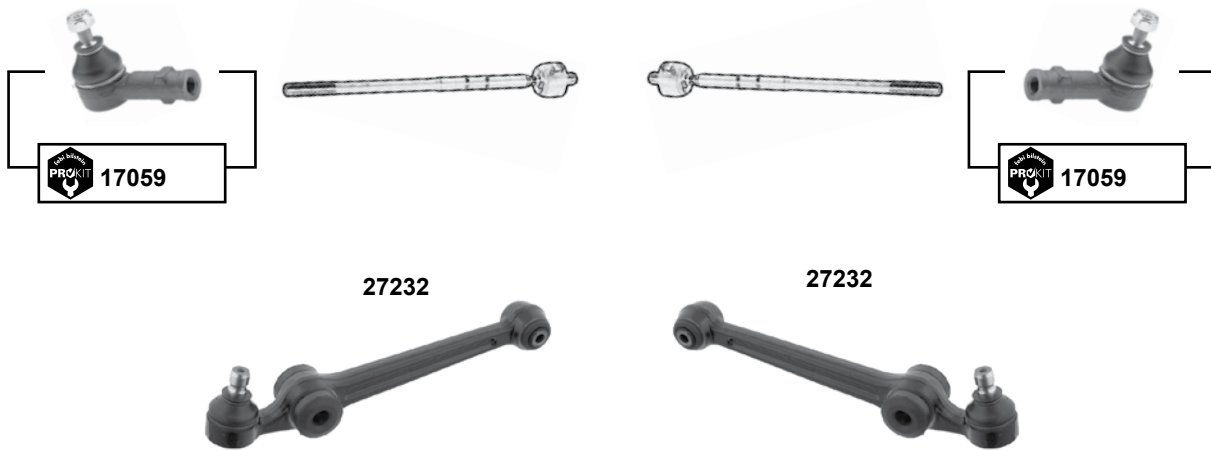
**Car  
Division**



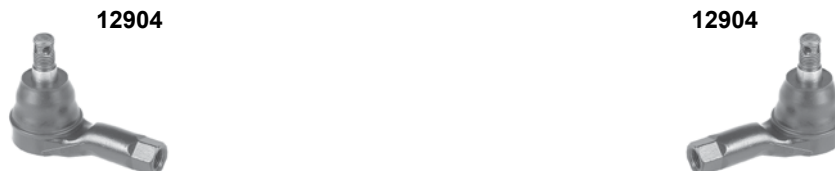
**6 (GH)**  
(2007 →)



**121 (DA)**  
(1987 → 1990)



**121 (DB)**  
(1990 → 1996)

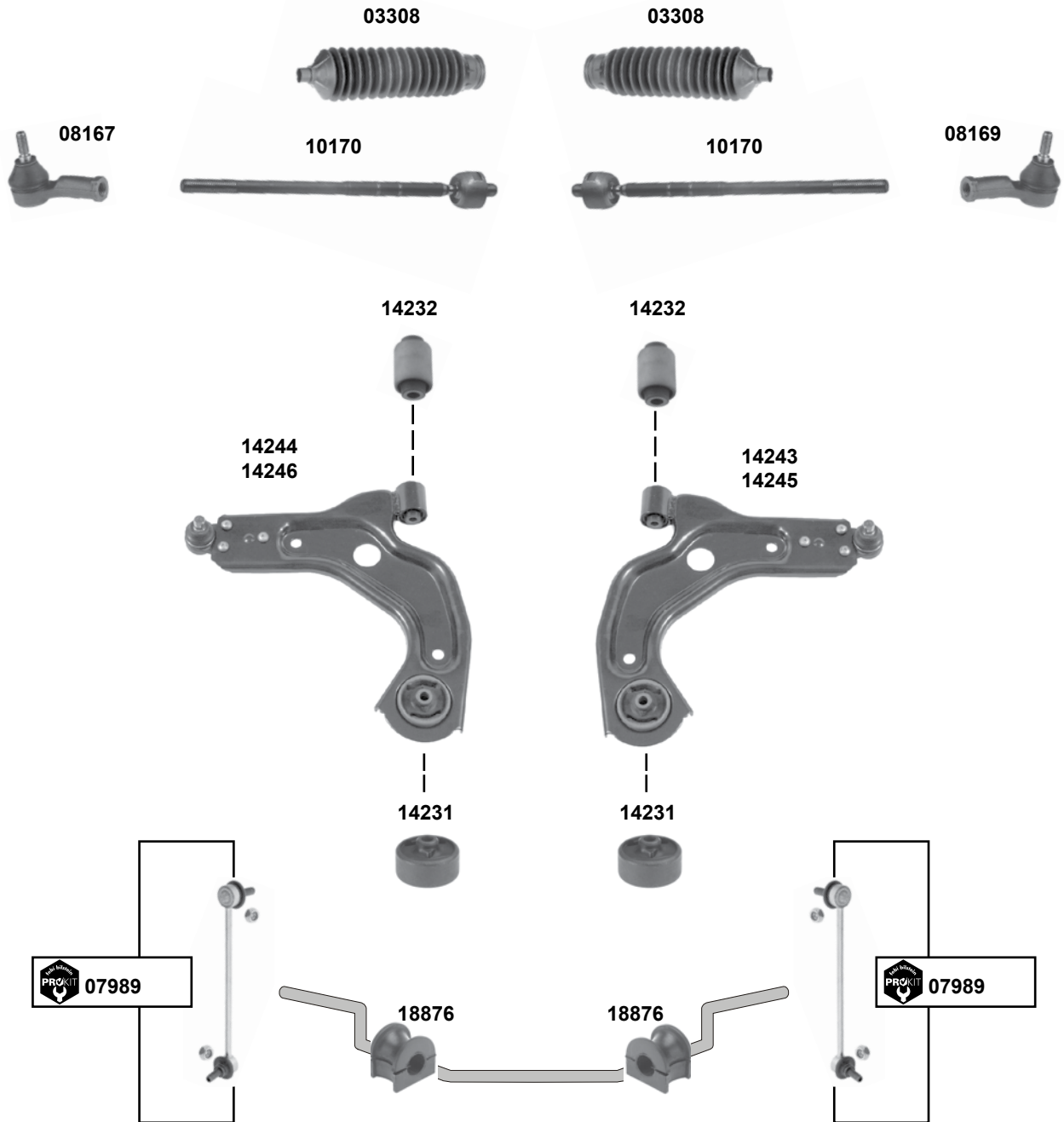


	Ref. - No.			
<b>12904</b>	8AB2-32-280	ProKit Spurstangenendstück / tie rod end		M12 x 1,25
<b>17059</b>	8AB1-32-280	Spurstangenendstück / tie rod end		M10 x 1,25
<b>27232</b>	D031-34-310A	Querlenker / control arm		
<b>33498</b>	GS1D-32-240	ProKit Axialgelenk / axial joint		L 183
<b>33764</b>	GS1D-34-170	ProKit Verbindungsstange / stabilizer link	02/08 →	L 159
<b>33765</b>	GS1D-34-150	ProKit Verbindungsstange / stabilizer link	02/08 →	L 159

Vorderachse / Front axle



**121 (JASM / JBSM)**  
(1996 → 2001)



Vorderachse / Front axle

	Ref. - No.			
03308	1E00-32-125	Lenkmanschette / steering boot	man.	
07989	1E01-34-170A	ProKit Verbindungsstange / stabilizer link		L 238
08167	1E01-32-280A	Spurstangenendstück / tie rod end		M10 x 1,25
08169	1E00-32-280A	Spurstangenendstück / tie rod end		M10 x 1,25
10170	1E00-32-240	Spurstange / tie rod		L 320
14231	1E01-34-153A	Querlenkerlager / control arm mount		66 x 50
14232	1E00-34-153A	Querlenkerlager / control arm mount		37 x 62
14243	1E01-34-300F	Querlenker / control arm	(ex.) servo.	
14244	1E01-34-350F	Querlenker / control arm	(ex.) servo.	
14245	1E00-34-300F	Querlenker / control arm	servo.	
14246	1E00-34-350F	Querlenker / control arm	servo.	
18876	1E00-34-156	Stabilisatorlager / stabilizer mount	1,8 Diesel	Ø I 16

passend für / to fit

**MAZDA**

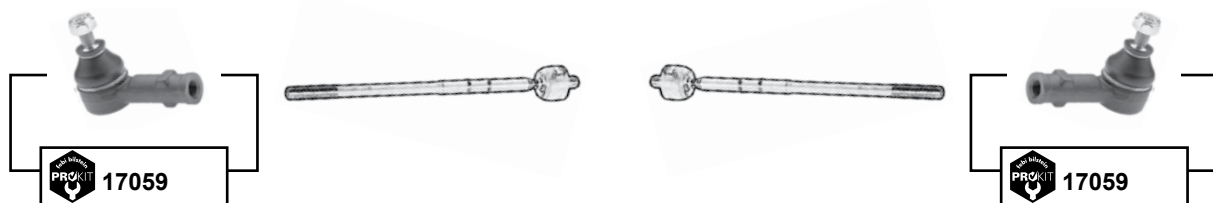


**Car  
Division**



**323 (BF/BW)**  
(1985 → 1993)

Vorderachse / Front axle



Ref. - No.



**17059**

8AB1-32-280

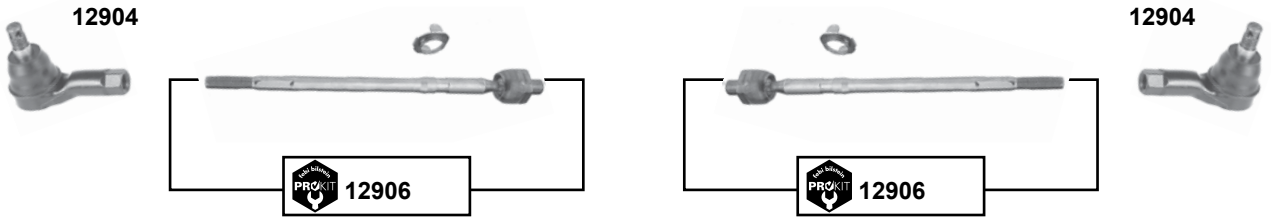
ProKit Spurstangenendstück / tie rod end

M10 x 1,25



**323 (BG)**  
(1989 → 1994)

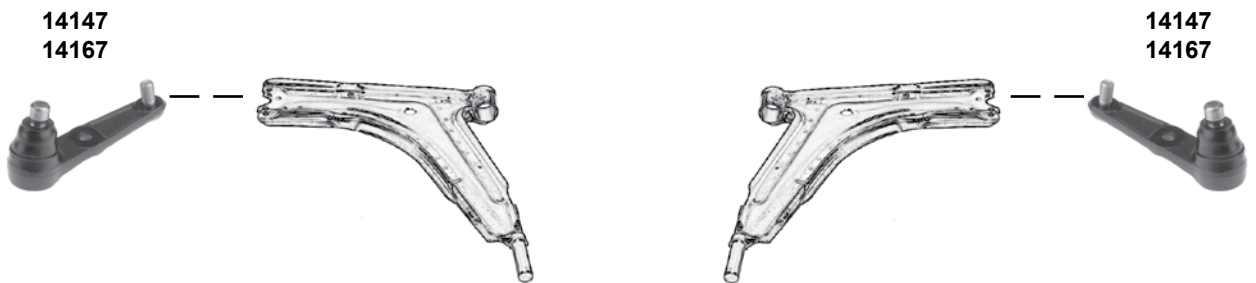
man.



servo



alle / all

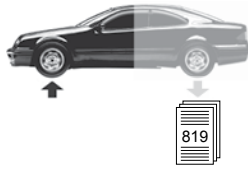


Vorderachse / Front axle

	Ref. - No.			
12904	8AB2-32-280	Spurstangenendstück / tie rod end		M12 x 1,25
12906	B455-32-24X	ProKit Spurstange / tie rod		L 340
12907	B456-32-25X	Spurstange / tie rod		L 340
14147	B455-34-550	Traggelenk / ball joint	(ch.) → 630911	Ø A 16
14167	BTDA-34-550	Traggelenk / ball joint	(ch.) 630912 →	Ø A 18

passend für / to fit

**MAZDA**

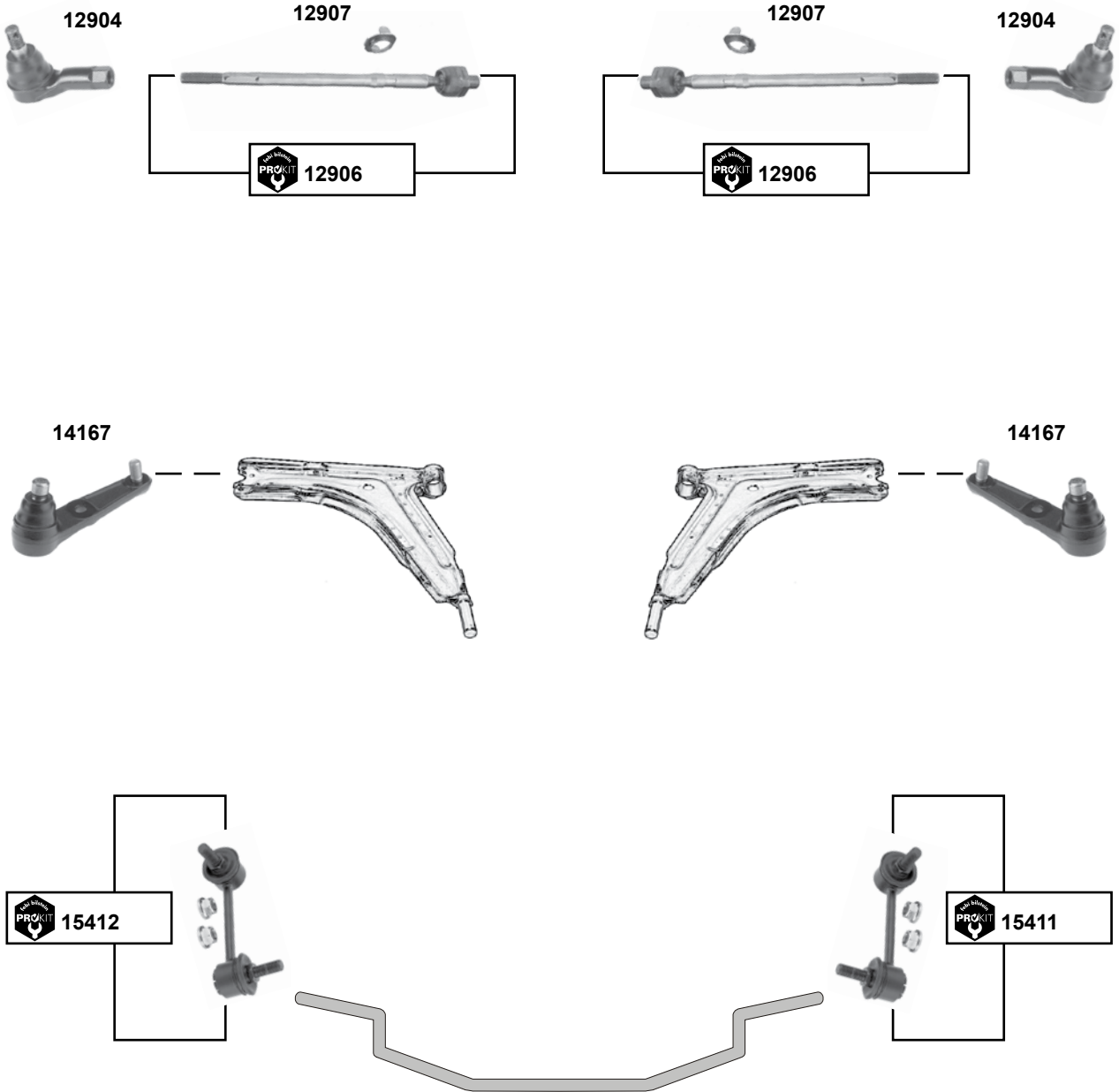


**Car  
Division**

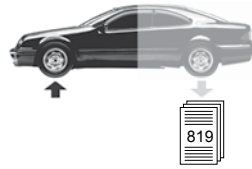


**323 (BA)**  
(1994 → 1998)

Vorderachse / Front axle



Ref. - No.				
<b>12904</b>	8AB2-32-280	Spurstangenendstück / tie rod end	man.  servo.	M12 x 1,25 L 340
<b>12906</b>	B455-32-24X	ProKit Spurstange / tie rod		
<b>12907</b>	B456-32-25X	Spurstange / tie rod		L 340
<b>14167</b>	BTDA-34-550	Traggelenk / ball joint		Ø A 18
<b>15411</b>	GA2A-34-150A	ProKit Verbindungsstange / stabilizer link		L 105
<b>15412</b>	GA2A-34-170A	ProKit Verbindungsstange / stabilizer link		L 105



**323 (BJ)**  
(1998 → 2003)

12905



**PROKIT**  
26999



**PROKIT**  
27000

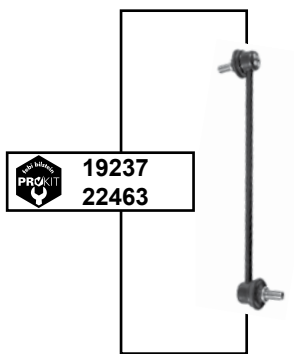
12905



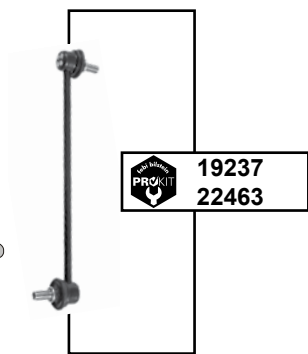
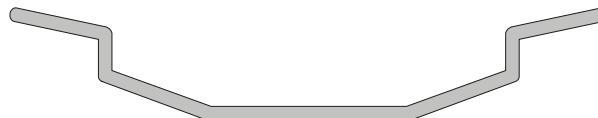
29846



29846



**PROKIT**  
19237  
22463



**PROKIT**  
19237  
22463

Vorderachse / Front axle

	Ref. - No.			
12905	GA2A-32-280A	Spurstangenendstück / tie rod end		M12 x 1,5
19237	B26R-34-170	ProKit Verbindungsstange / stabilizer link	→ 08/00	L 190
22463	LC62-34-170B	ProKit Verbindungsstange / stabilizer link	08/00 →	L 265
26999	B25D-32-240	ProKit Spurstange links / tie rod left		L 295
27000	B25D-32-250	ProKit Spurstange rechts / tie rod right		L 295
29846	B25D-34-470	Querlenkerlager / control arm mount		



passend für / to fit

**MAZDA**



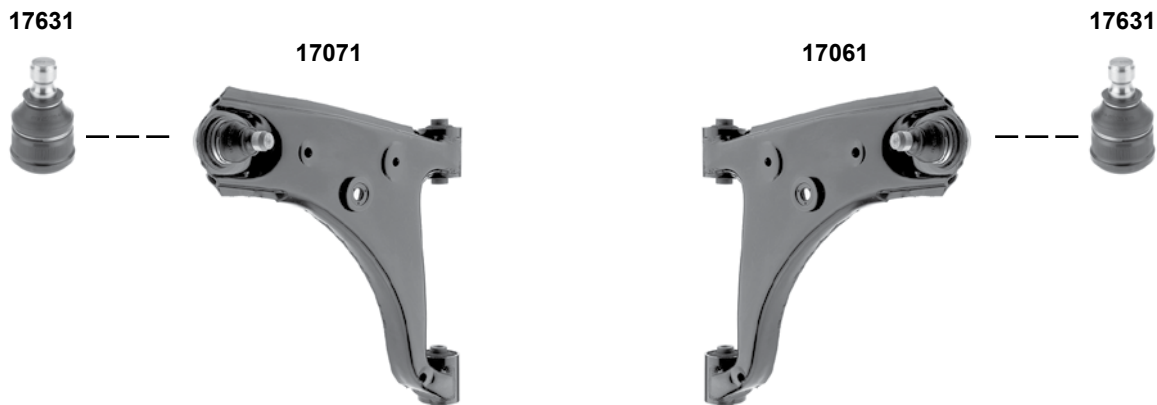
**Car  
Division**



## 626 (GC / GD / GV)

(1982 → 1992)

Vorderachse / Front axle



**Ref. - No.**

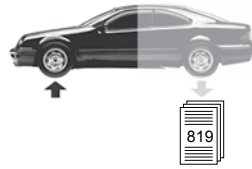


<b>17061</b>	GJ83-34-300B
<b>17071</b>	GJ83-34-350B
<b>17631</b>	G030-99-356

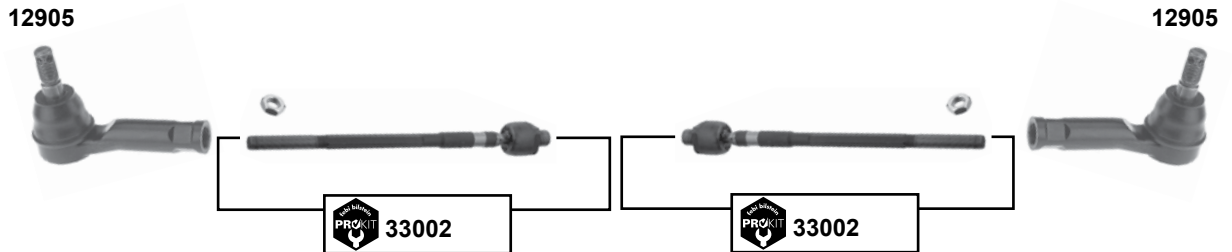
Querlenker / control arm
Querlenker / control arm
Traggelenk / ball joint

(GD/GV)
(GD/GV)

M12 x 1,25



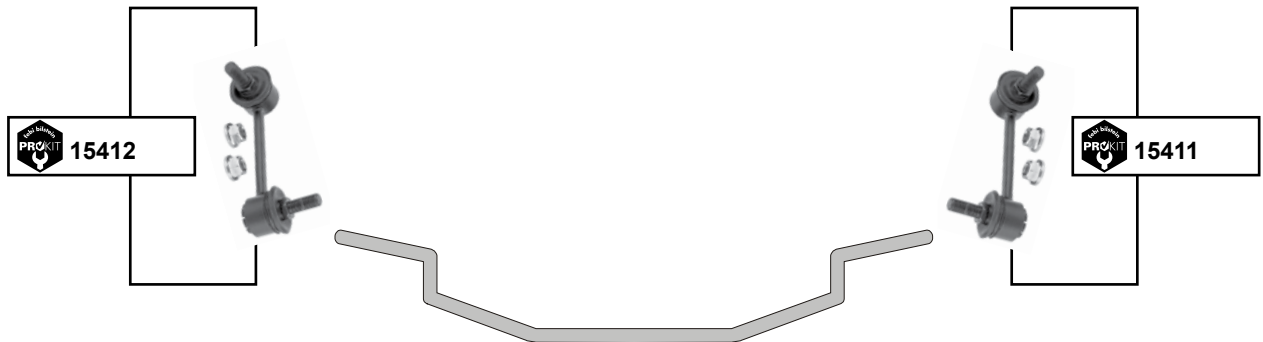
**626 (GE / GW / GF)**  
(1992 → 2002)



12909



12908

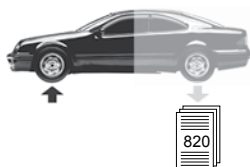


Vorderachse / Front axle

	Ref. - No.			
12905	GA2A-32-280A	Spurstangenendstück / tie rod end		
12908	GA6B-34-300E	Querlenker / control arm	(ex.) GW/GF	
12909	GA6B-34-350E	Querlenker / control arm	(ex.) GW/GF	
15411	GA2A-34-150A	ProKit Verbindungsstange / stabilizer link	(ex.) GW/GF	L 105
15412	GA2A-34-170A	ProKit Verbindungsstange / stabilizer link	(ex.) GW/GF	L 105
33002	GE4T-32-240A	ProKit Axialgelenk / axial joint		

passend für / to fit

**MAZDA**

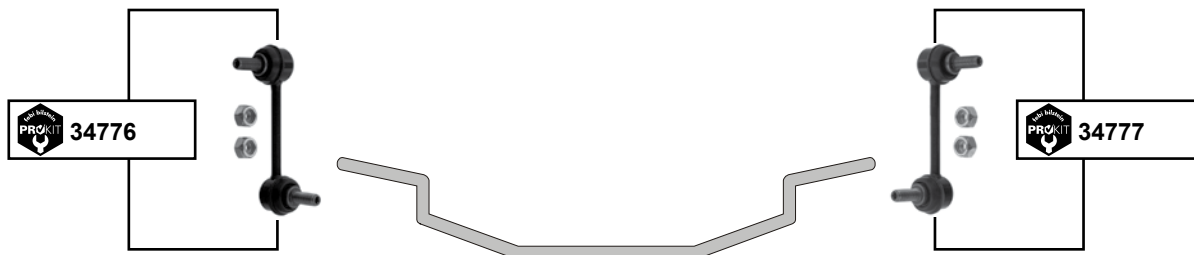


**Car  
Division**

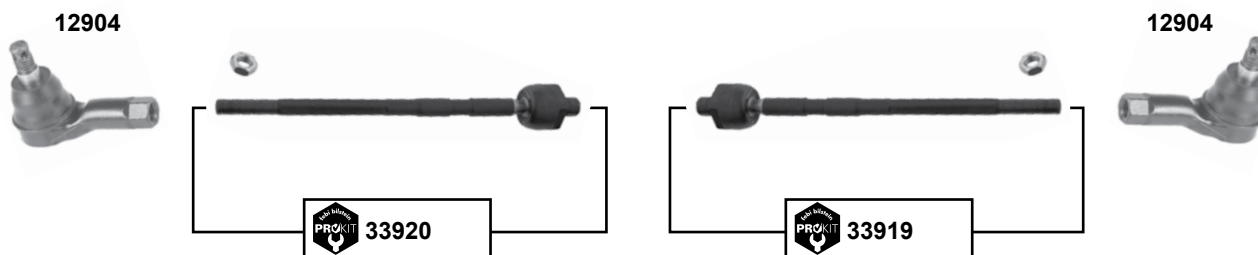


**CX-7 (ER)**  
(2006 →)

Vorderachse / Front axle



**Demio (DW)**  
(1998 → 2003)



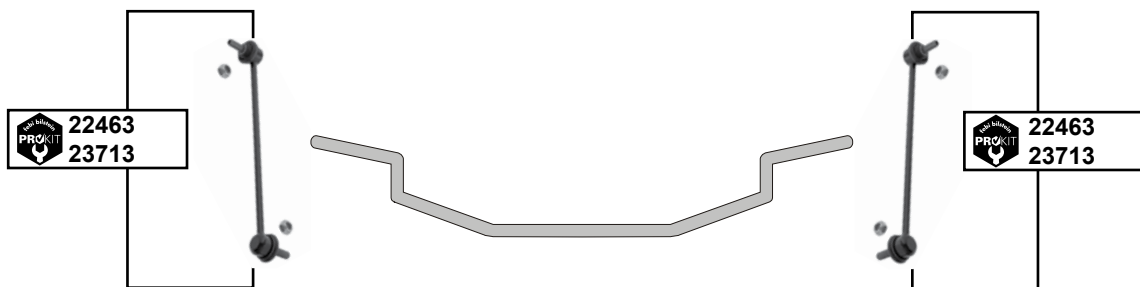
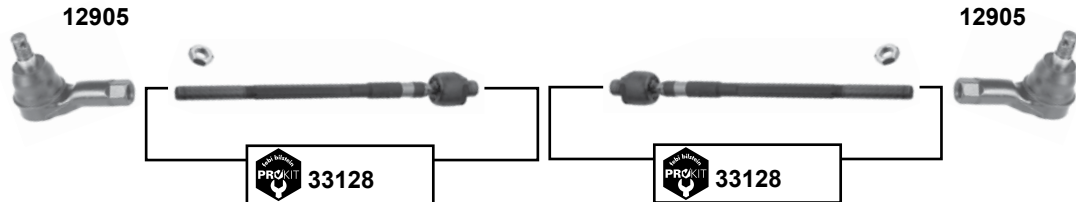
Ref. - No.






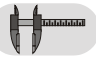
<b>12904</b>	8AB2-32-280	Spurstangenendstück / tie rod end		
<b>33919</b>	D102-32-250A	ProKit Axialgelenk / axial joint	→ 12.03	M12 x 1,25 L 296
<b>33920</b>	D102-32-240A	ProKit Axialgelenk / axial joint	→ 12.03	L 296
<b>34776</b>	L206-34-170A	ProKit Verbindungsstange / stabilizer link		L 105
<b>34777</b>	L206-34-150A	ProKit Verbindungsstange / stabilizer link		L 105



**MPV-2 (LW)**  
(1999 →)

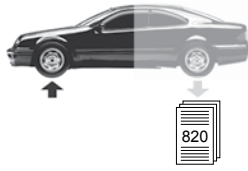


Vorderachse / Front axle

	Ref. - No.			
<b>12905</b>	GA2A-32-280A	Spurstangenendstück / tie rod end	→ 00	M12 x 1,5
<b>22463</b>	LC62-34-170B	ProKit Verbindungsstange / connecting rod		L 265
<b>23713</b>	LC70-34-170	ProKit Verbindungsstange / stabilizer link		L 325
<b>31741</b>	LC62-34-350C	Querlenker / control arm		
<b>31742</b>	LC62-34-300C	Querlenker / control arm		
<b>33128</b>	LC62-32-240B	ProKit Axialgelenk / axial joint		L 316

passend für / to fit

**MAZDA**

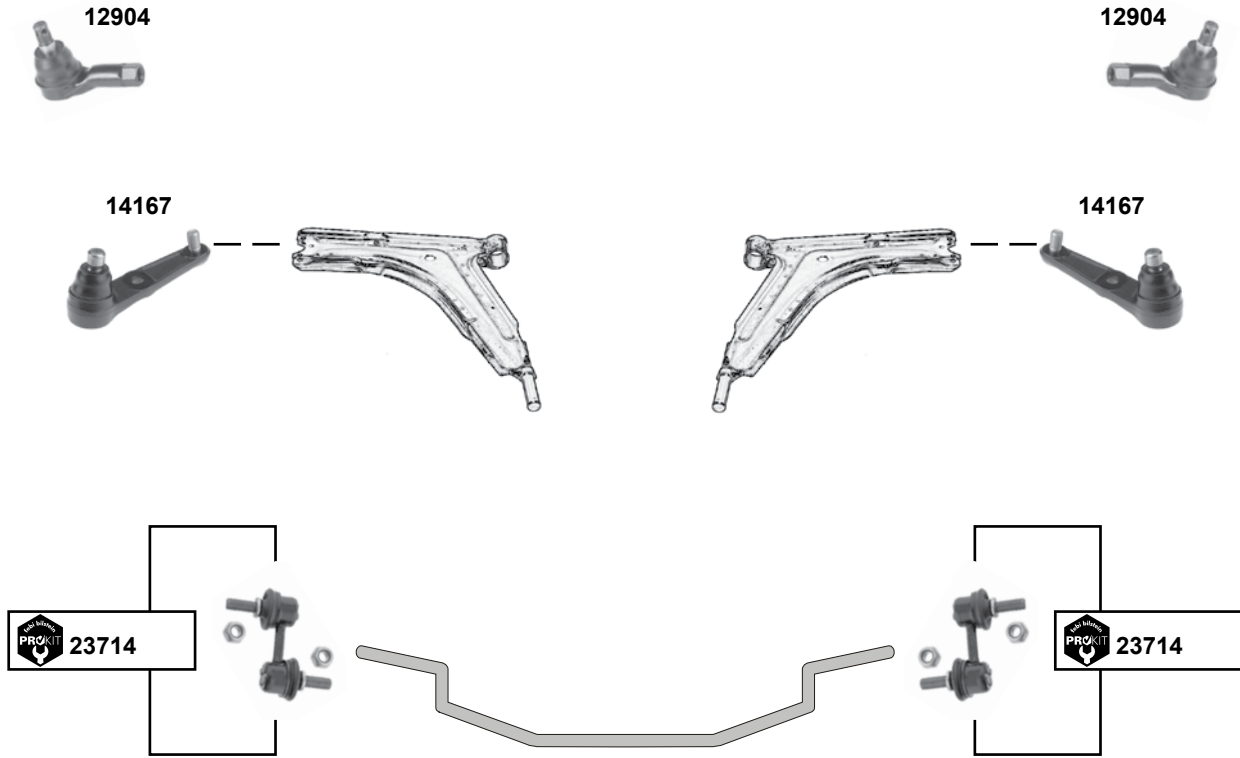


**Car  
Division**

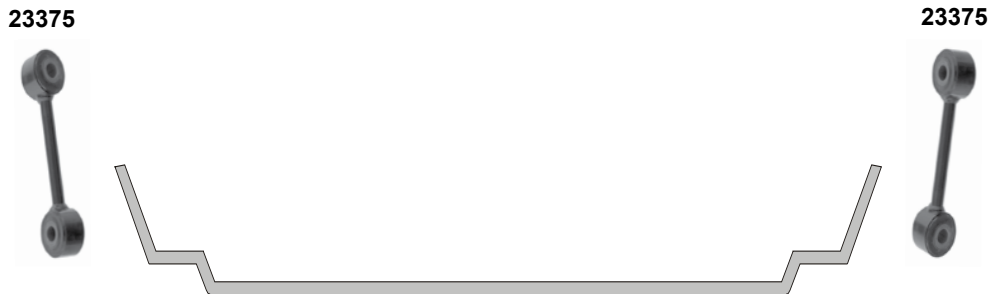


## MX-3 (EC) (1991 →)

Vorderachse / Front axle



## MX-5 (NA) (1989 → 1998)



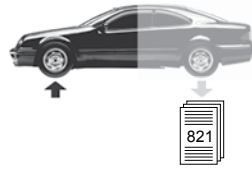
Ref. - No.



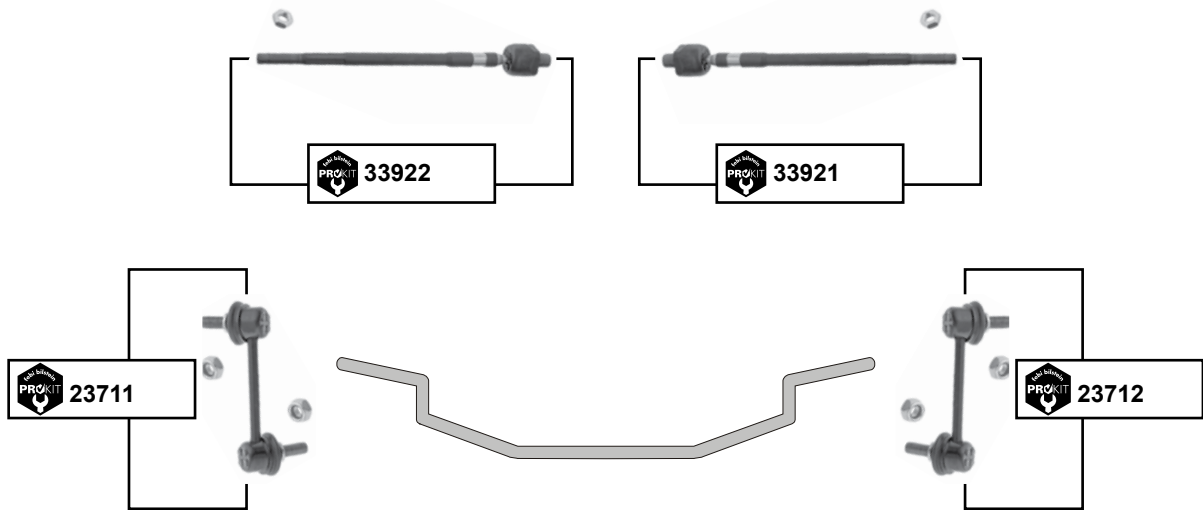
12904	8AB2-32-280
14167	BTDA-34-550
23375	NA01-34-170
23714	EA03-34-170A

Spurstangenendstück / tie rod end
Traggelenk / ball joint
Verbindungsstange / stabilizer link
ProKit Verbindungsstange / stabilizer link

M12 x 1,25
Ø A 18
L110
L 55

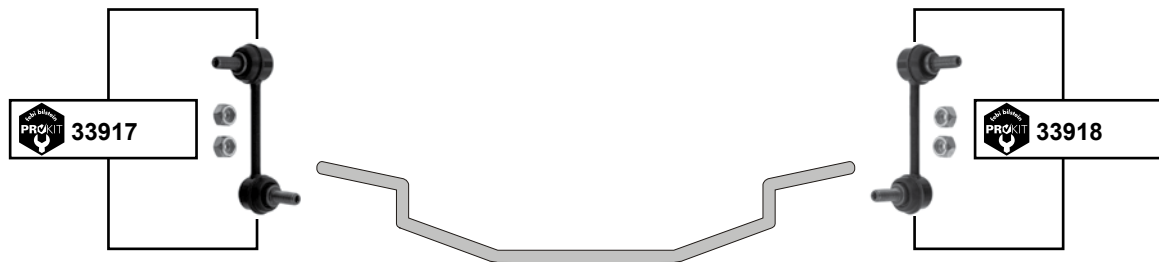


**MX-5 (NB)**  
(1998 → 2005)



Vorderachse / Front axle

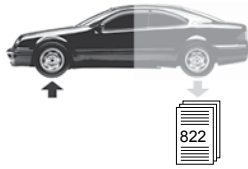
**MX-5 (NC)**  
(2005 → 2008)



**MX-6 (GE)**  
(1992 →)

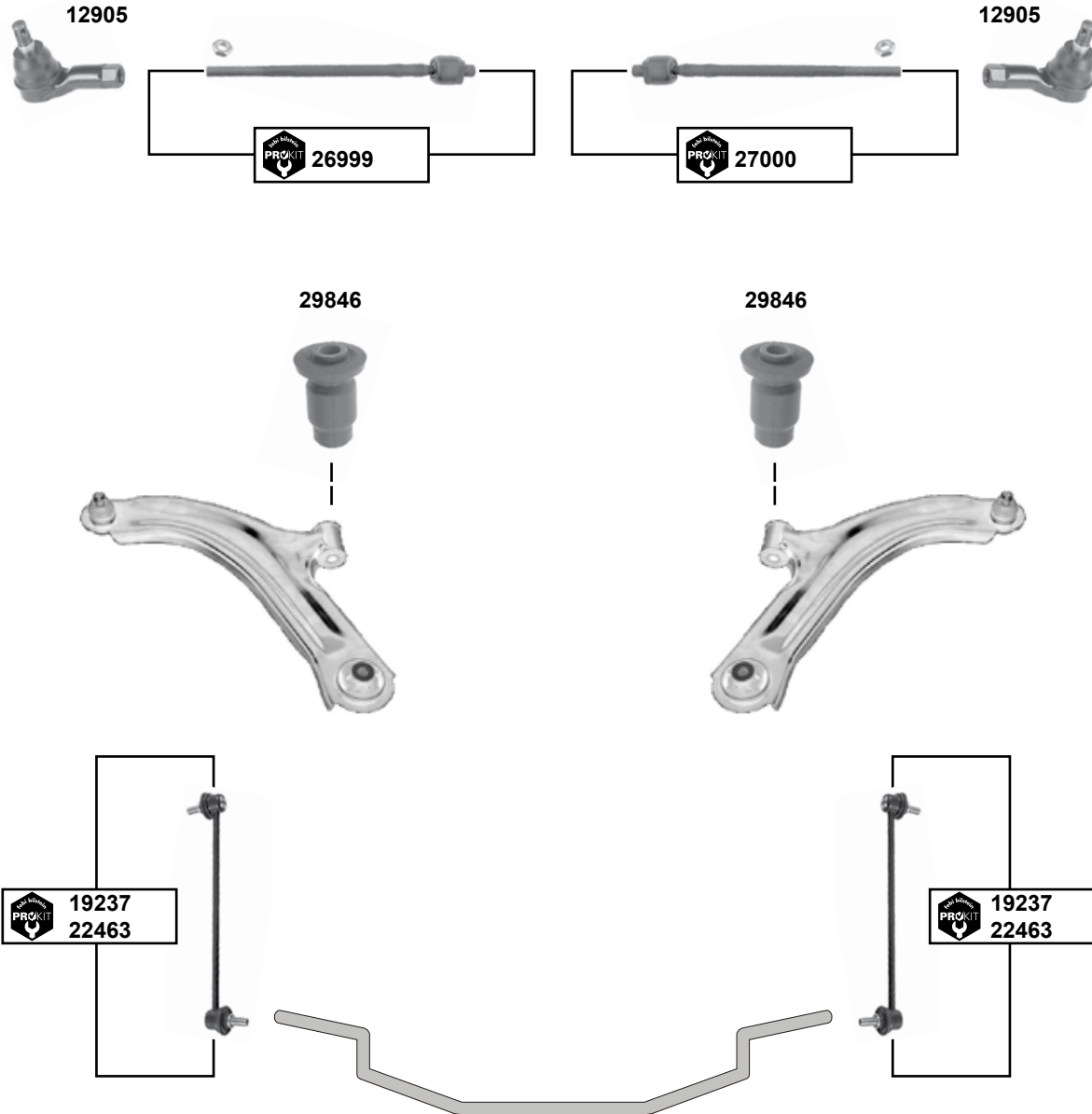


	Ref. - No.			
<b>12905</b>	GA2A-32-280A	Spurstangenendstück / tie rod end		M12 x 1,5
<b>23711</b>	NC10-34-170	ProKit Verbindungsstange / stabilizer link		L 104
<b>23712</b>	NC10-34-150	ProKit Verbindungsstange / stabilizer link		L 104
<b>33917</b>	F151-34-170	ProKit Verbindungsstange / stabilizer link		L 104
<b>33918</b>	F151-34-150	ProKit Verbindungsstange / stabilizer link		L 104
<b>33921</b>	NC 10-32-240A	ProKit Axialgelenk / axial joint		L 319
<b>33922</b>	NC 10-32-250A	ProKit Axialgelenk / axial joint		L 319



**Premacy (CP)**  
(1999 →)

Vorderachse / Front axle



**(1)** (ex.) (mot.) TD  
1.8 04/99 → 08/00  
(mot.) 1.9 → (ch.)151177  
2.0 04/99 → 08/00

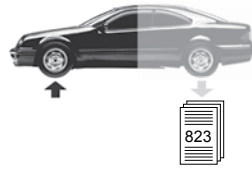
**(2)** (mot.) 1.8 08/00 →  
1.9 (ch.)151178 →  
2.0 08/00 →  
2.0 TD 08/03 →



Ref. - No.



Ref. - No.	Description	Info	Dimensions
<b>12905</b>	Spurstangenendstück / tie rod end		M12 x 1,5
<b>19237</b>	ProKit Verbindungsstange / stabilizer link	<b>(1)</b>	L 190
<b>22463</b>	ProKit Verbindungsstange / stabilizer link	<b>(2)</b>	L 265
<b>26999</b>	ProKit Spurstange links / tie rod left		L 295
<b>27000</b>	ProKit Spurstange rechts / tie rod right		L 295
<b>29846</b>	Querlenkerlager vorne / control arm mount front		L 295



**RX- 7 (FD)**  
(1992 →)

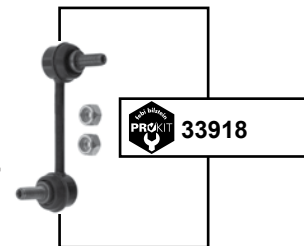
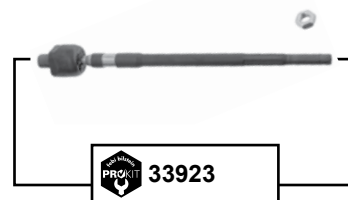
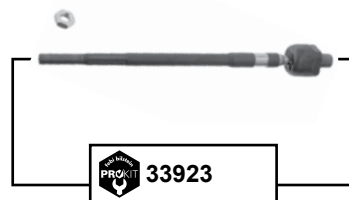
12904



12904



**RX- 8 (FE / SE)**  
(2003 → 2008)



Ref. - No.



<b>12904</b>	8AB2-32-280
<b>33917</b>	F151-34-170
<b>33918</b>	F151-34-150
<b>33923</b>	F151-32-240

Spurstangenendstück / tie rod end
ProKit Verbindungsstange / stabilizer link
ProKit Verbindungsstange / stabilizer link
ProKit Axialgelenk / axial joint

M12 x 1,25
L 104
L 104
L 252



passend für / to fit

**MAZDA**



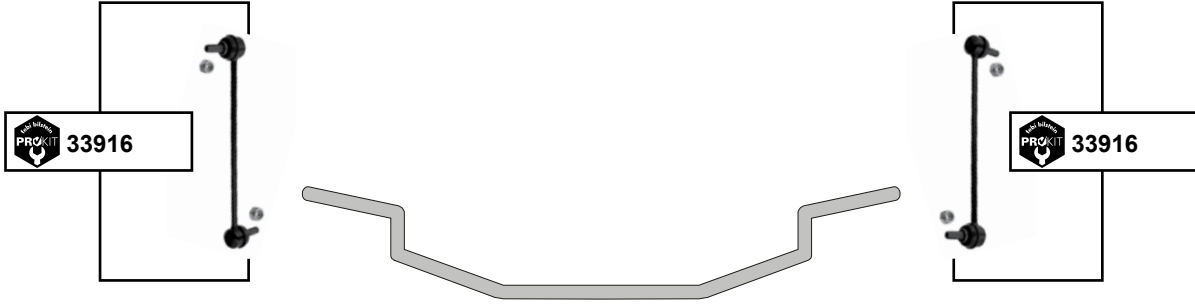
**Car  
Division**



## Tribute (EP)

(2001 →)

Vorderachse / Front axle



## Xedos 6 (CA)

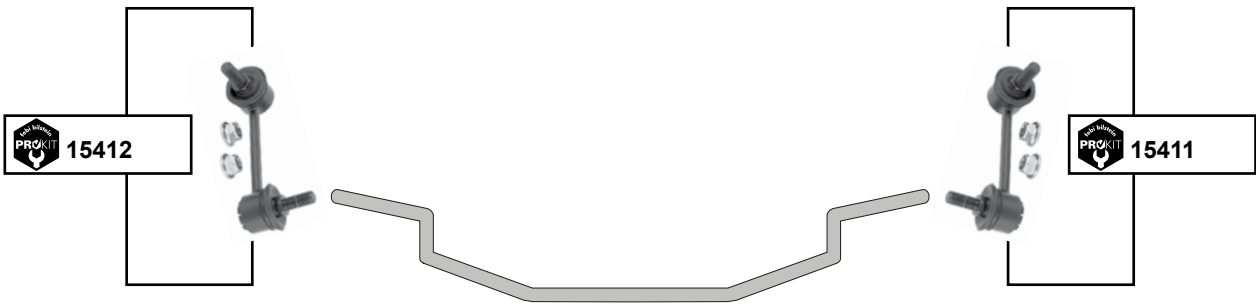
(1992 →)



12905



12905



	Ref. - No.			
12905	GA2A-32-280A	Spurstangenendstück / tie rod end		M12 x 1,5
15411	GA2A-34-150A	ProKit Verbindungsstange / stabilizer link		L 105
15412	GA2A-34-170A	ProKit Verbindungsstange / stabilizer link		L 105
33916	EC01-34-150A	ProKit Verbindungsstange / stabilizer link		L 250

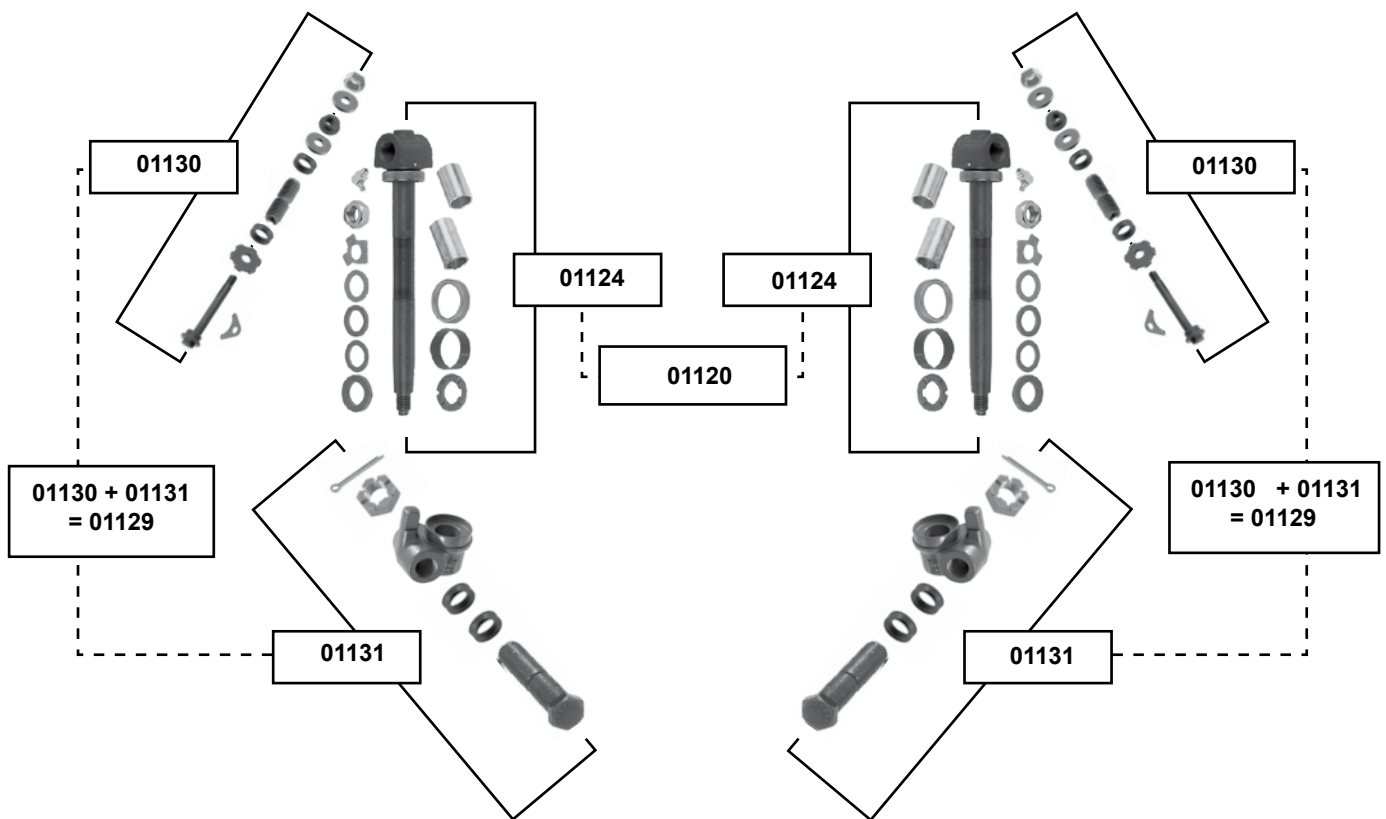


## BM 105 (Ponton)

(1956 → 1959)

## BM 110 / 111

(1959 → 1968)



Vorderachse / Front axle



**ohne Abbildung / without illustration**

febi No. **01120** Achsschenkelbolzensatz / king pin set = **2x febi 01124**

febi No. **01129** Rep. Satz Querlenker oben + unten / rep kit control arm upper + lower = **febi 01130 + 01131**



Ref. - No.



<b>01120</b>	111 586 00 33/2	Achsschenkelbolzensatz / king pin set	= 2x febi 01124
<b>01124</b>	111 586 00 33	Rep. Satz Achsschenkelbolzen / rep. kit king pin	
<b>01129</b>	110 586 00 33	Rep. Satz Querlenker / rep. kit control arm	= febi 01130 + 01131
<b>01130</b>	110 330 02 18	Rep. Satz Querlenker / rep. kit control arm	oben / upper
<b>01131</b>	110 330 03 18	Rep. Satz Querlenker / rep. kit control arm	unten / lower

passend für / to fit

# MERCEDES-BENZ



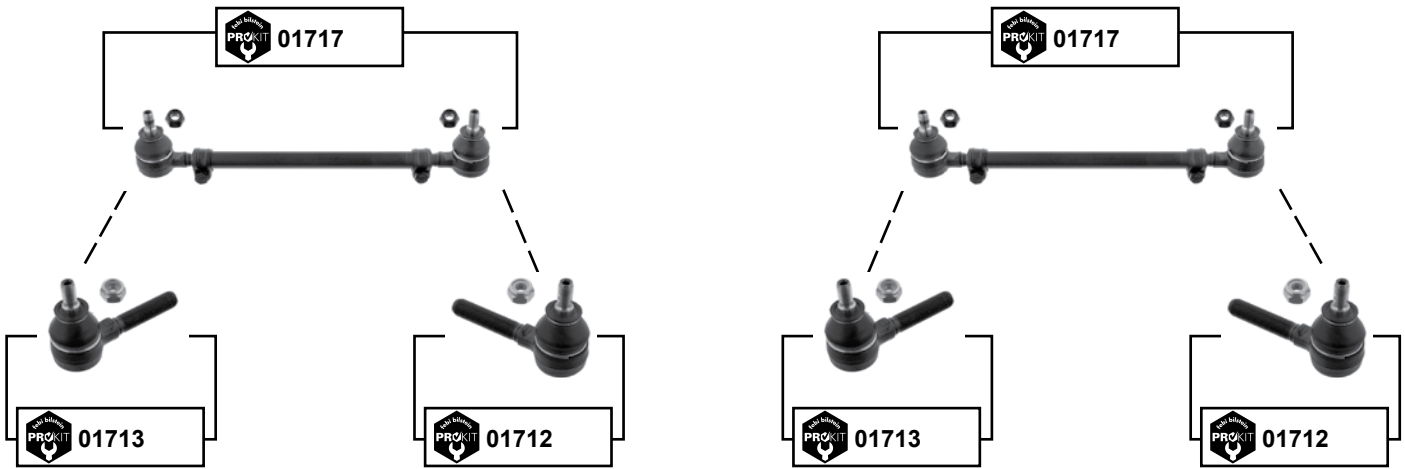
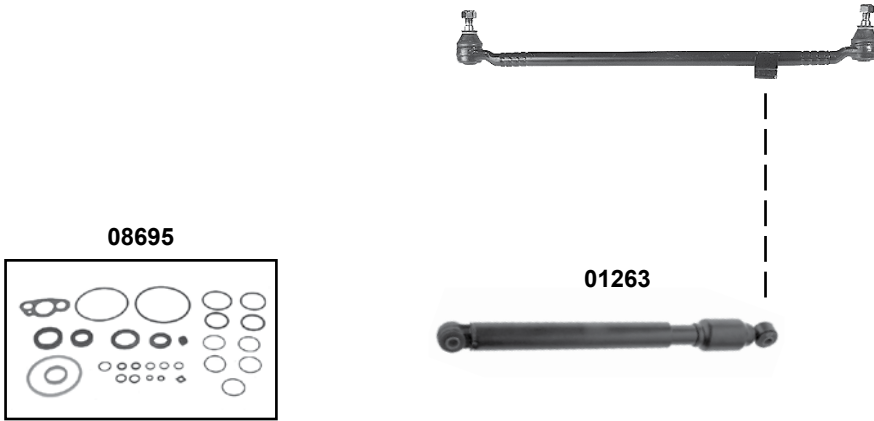
Car  
Division



## BM 110/111 („Heckflosse“)

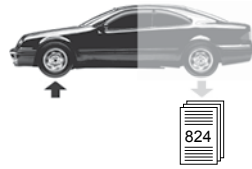
(1959 → 1968)

Vorderachse / Front axle

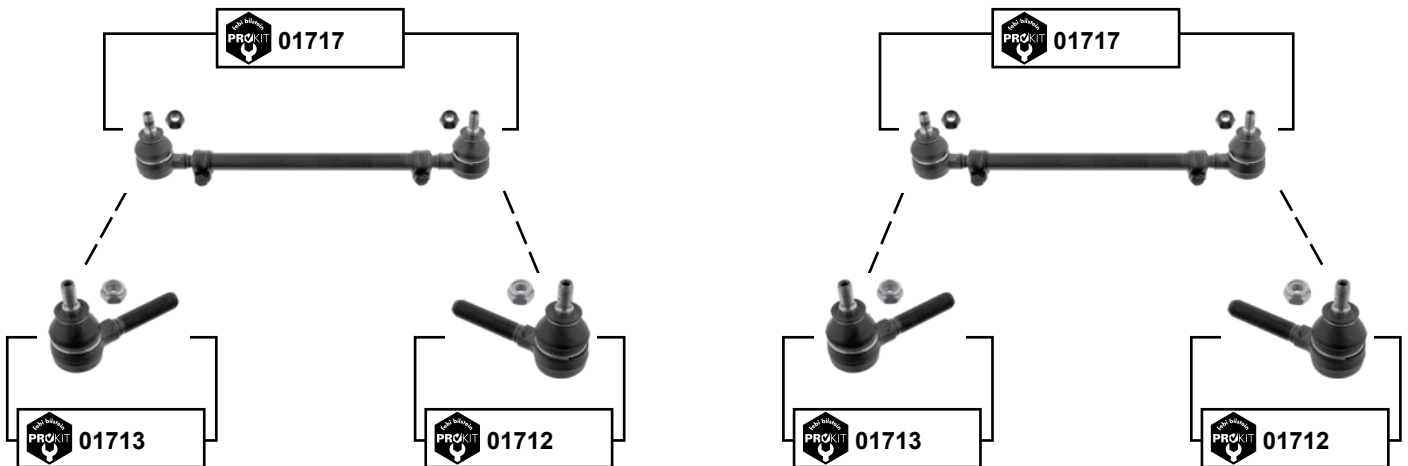
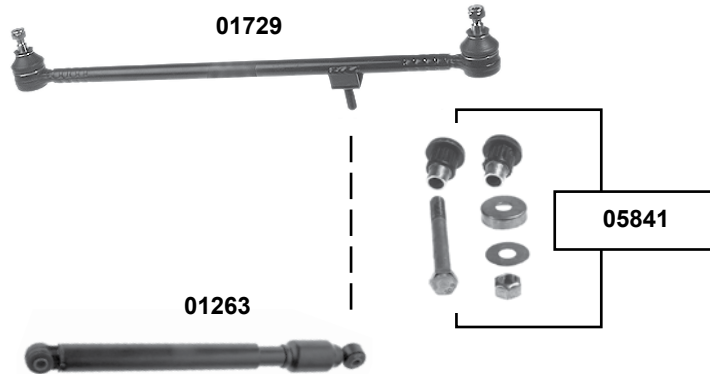


	(1) (ex.) 220	(ch.) → 023660
	(ex.) 220SB	(ch.) → 049855
	(ex.) 220SEB	(ch.) → 016976

	Ref. - No.			
01263	000 463 51 32	Lenkungsdämpfer / steering-damper		
01712	000 338 55 10	ProKit Spurstangenendstück / tie rod end	(1)	M14 x 1,5
01713	000 338 50 10	ProKit Spurstangenendstück / tie rod end	(1)	M14 x 1,5
01717	107 330 01 03	ProKit Spurstange / tie rod	(1)	
08695	109 460 02 61	Dichtungssatz Servolenkung / gasket set power steering		

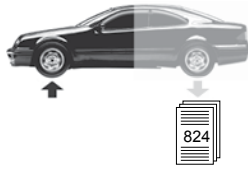


## BM 114 („ / 8 “) (1968 → 1977)



Vorderachse / Front axle

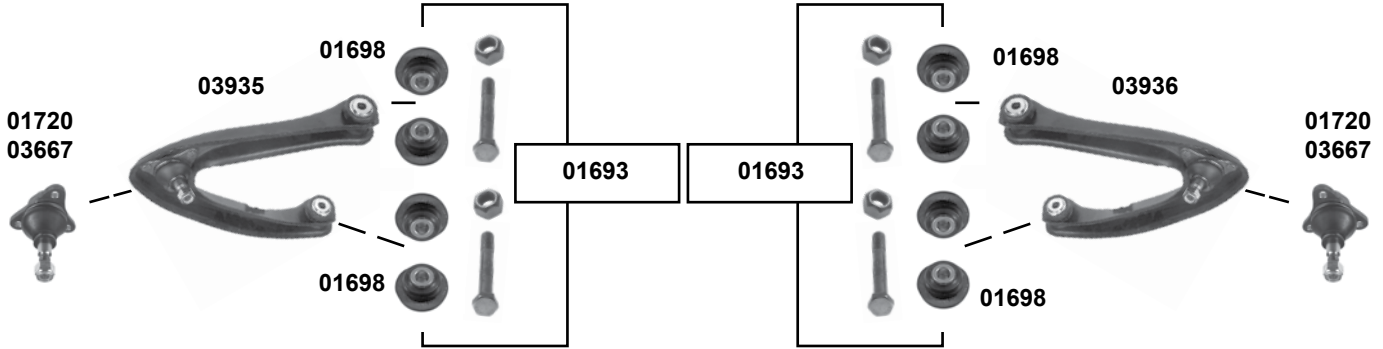
	Ref. - No.			
<b>01263</b>	000 463 51 32	Lenkungsdämpfer / steering-damper		
<b>01712</b>	000 338 55 10	ProKit Spurstangenendstück / tie rod end		M14 x 1,5
<b>01713</b>	000 338 50 10	ProKit Spurstangenendstück / tie rod end		M14 x 1,5
<b>01717</b>	107 330 01 03	ProKit Spurstange / tie rod		
<b>01729</b>	000 460 00 05	Lenkstange / drag link		
<b>05841</b>	126 460 08 19	Rep. Satz Lenkhebel / rep. kit steering arm		



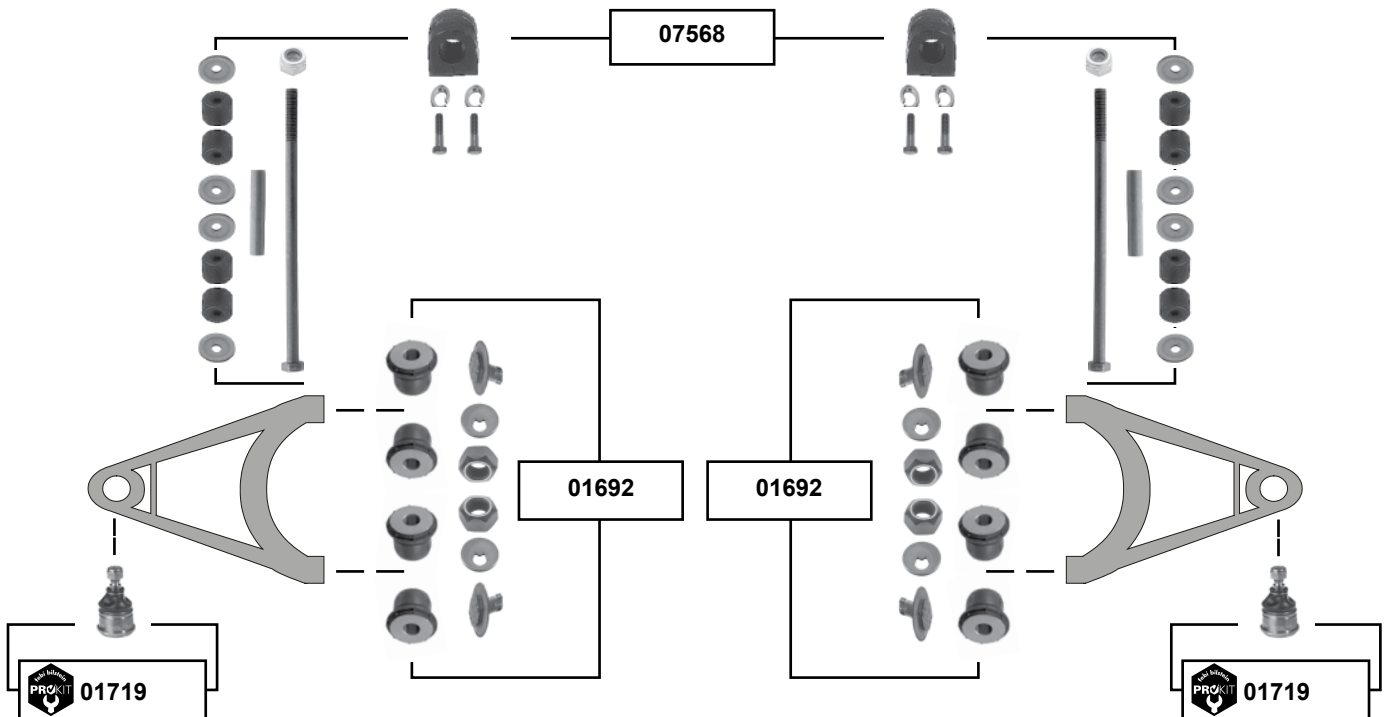
## BM 114 („ / 8 “) (1968 → 1977)

Vorderachse / Front axle

### oben / upper

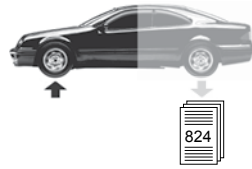


### unten / lower

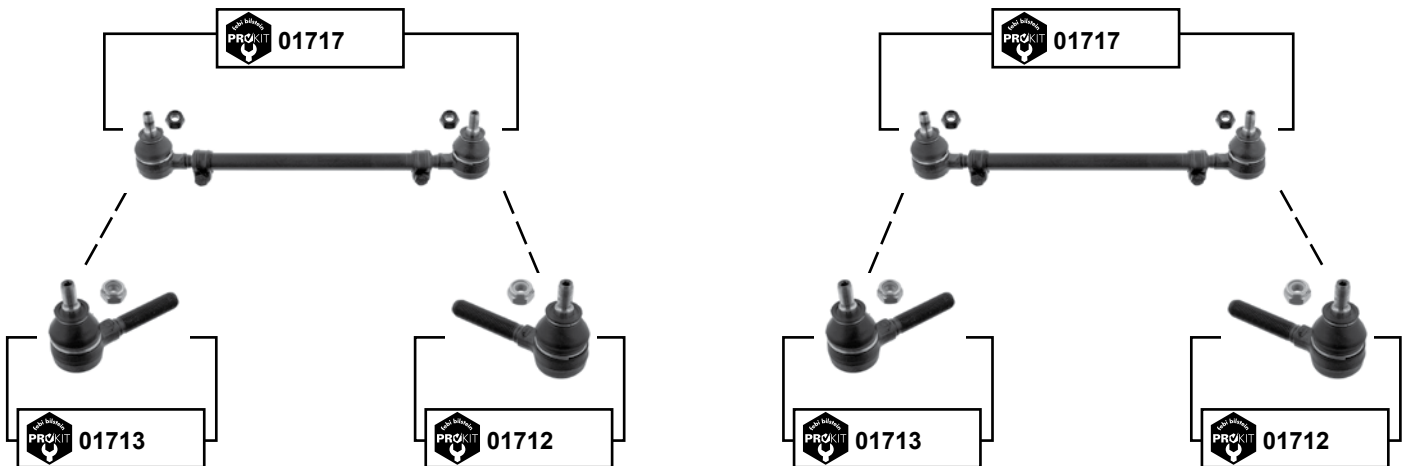
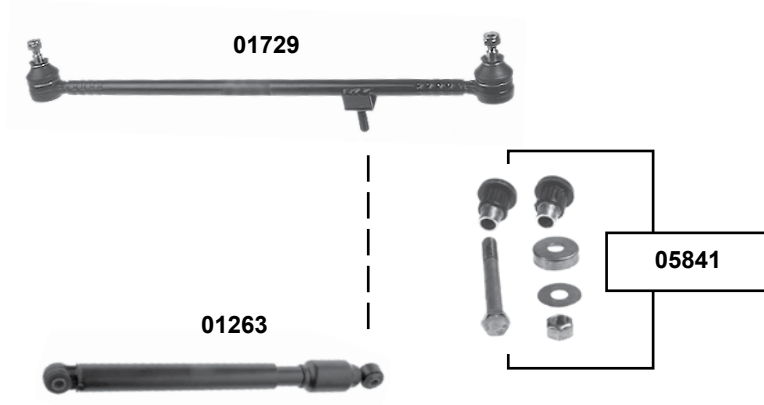


	(1)	(ex.) 250	(ch.) 065524 →	(2)	250	(ch.) 065524 →
		(ex.) 250C	(ex.) 250C		250C	(ch.) 006488 →
		(ex.) 250CE	(ch.) 016362		250CE	(ch.) 016362 →

	Ref. - No.			
01692	115 330 16 75	Rep. Satz Querlenker / rep. kit control arm		
01693	115 330 17 75	Rep. Satz Querlenker / rep. kit control arm		
01698	115 333 35 14	Querlenkerlager / control arm mount		12x47x28,5
01719	115 333 11 27	ProKit Traggelenk / ball joint		M14 x 1,5
01720	115 333 05 27	Führungsgelenk / guide joint	(1)	M12 x 1,5
03667	115 333 08 27	Führungsgelenk / guide joint	(2)	M12 x 1,5
03935	115 330 38 07	Querlenker / control arm		
03936	115 330 39 07	Querlenker / control arm		
07568	115 320 00 47	Rep. Satz Stabilisatorlager / rep. kit stabilizer mount		

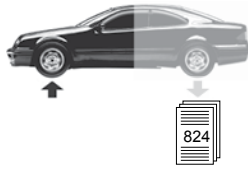


## BM 115 („ / 8 “) (1968 → 1977)



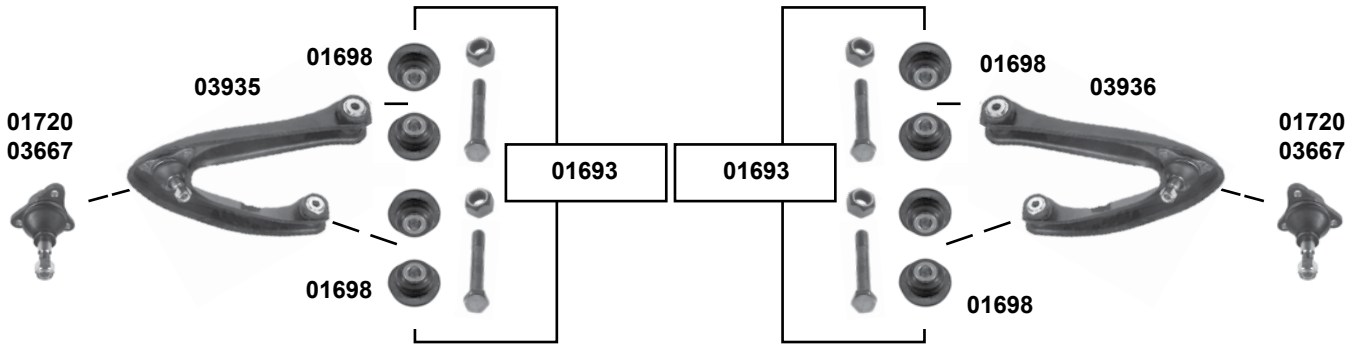
Vorderachse / Front axle

	Ref. - No.			
<b>01263</b>	000 463 51 32	Lenkungsdämpfer / steering-damper		
<b>01712</b>	000 338 55 10	ProKit Spurstangenendstück / tie rod end		M14x1,5 RHT
<b>01713</b>	000 338 50 10	ProKit Spurstangenendstück / tie rod end		M14x1,5 LHT
<b>01717</b>	107 330 01 03	ProKit Spurstange / tie rod		
<b>01729</b>	000 460 00 05	Lenkstange / drag link		
<b>05841</b>	126 460 08 19	Rep. Satz Lenkhebel / rep. kit steering arm		

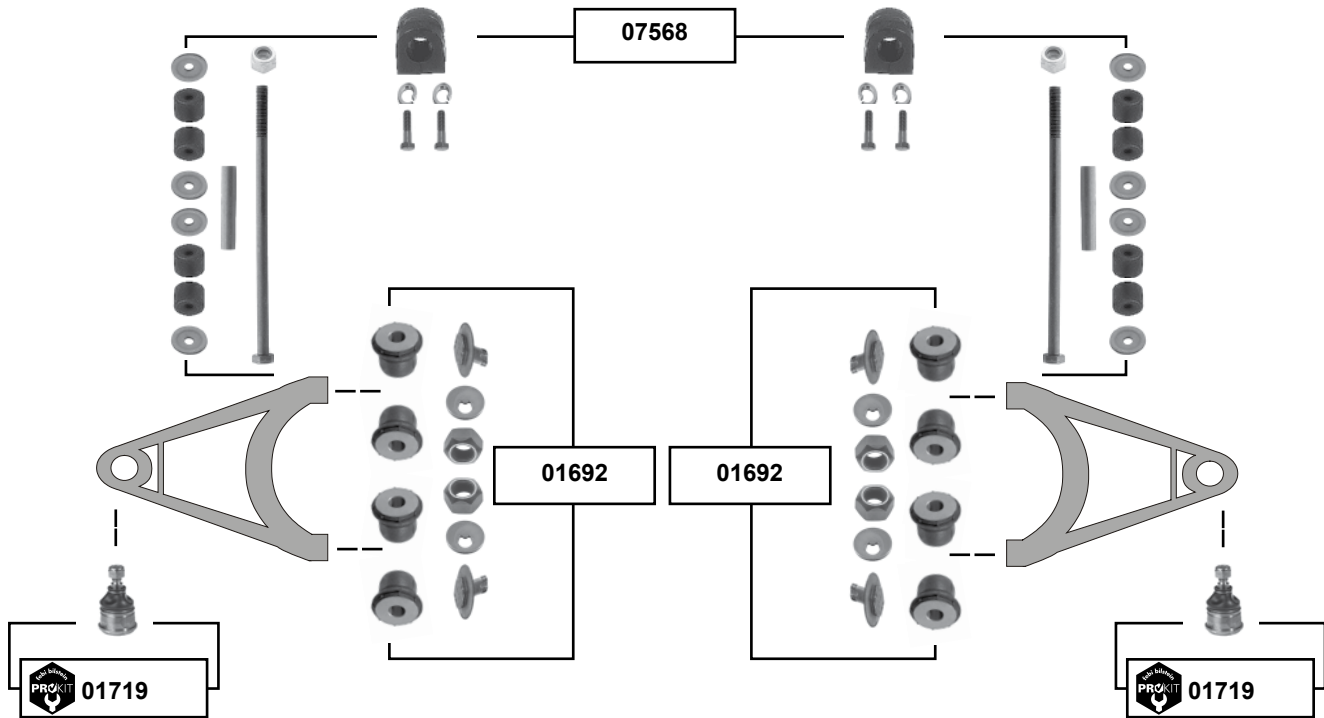


## BM 115 („ / 8 “) (1968 → 1977)

### oben / upper



### unten / lower



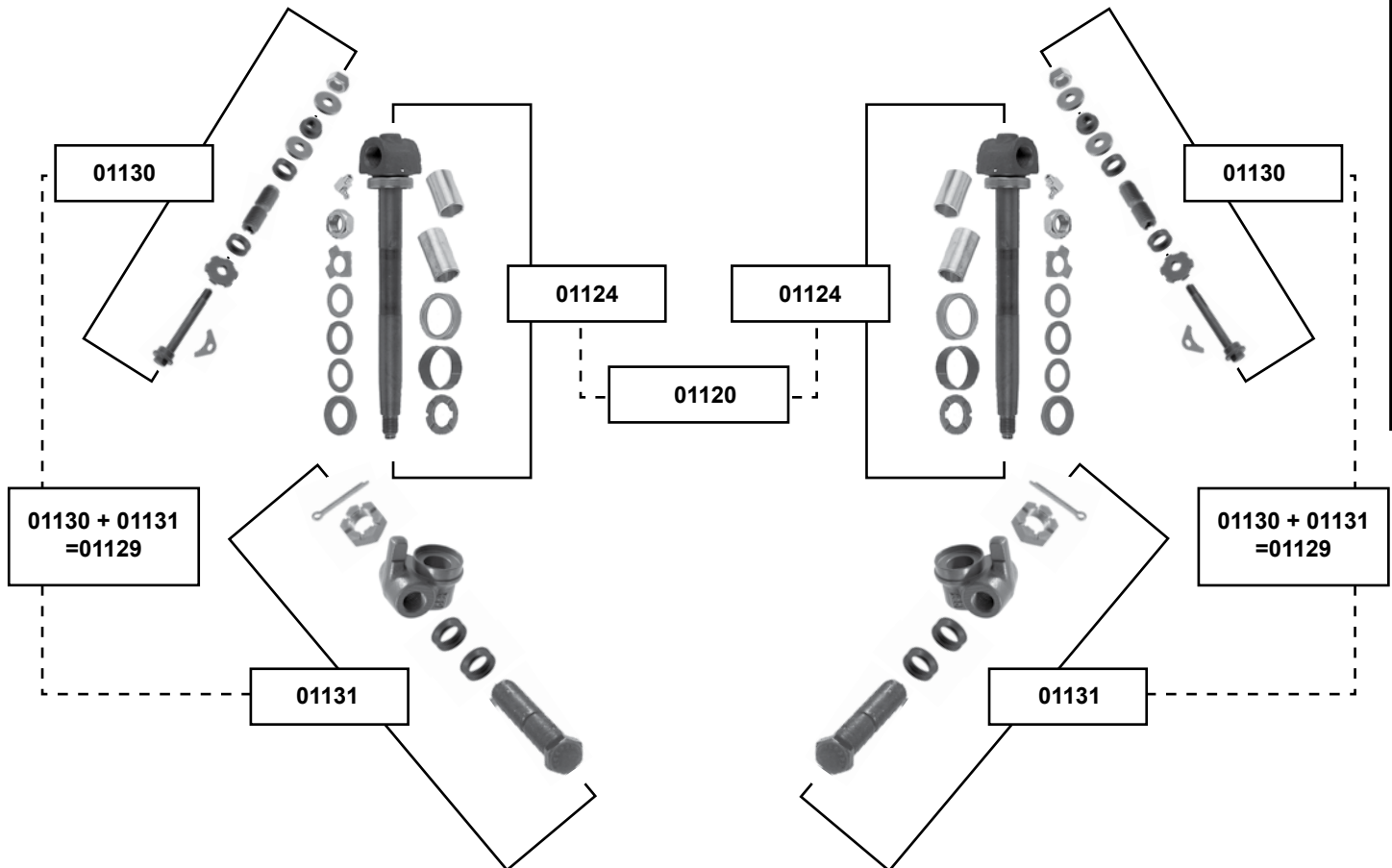
	(1)	(ex.) 200D	(ch.) 097683 →	(2)	200D	(ch.) 199608 →
		(ex.) 220	(ch.) 097683 →		220	(ch.) 078277 →
		(ex.) 220D	(ch.) 199608 →		220D	(ch.) 199608 →

	Ref. - No.			
01692	115 330 16 75	Rep. Satz Querlenker / rep. kit control arm		
01693	115 330 17 75	Rep. Satz Querlenker / rep. kit control arm		
01698	115 333 35 14	Querlenkerlager / control arm mount		12x47x28,5
01719	115 333 11 27	ProKit Traggelenk / ball joint		M14 x 1,5
01720	115 333 05 27	Führungsgelenk / guide joint	(1)	M12 x 1,5
03667	115 333 08 27	Führungsgelenk / guide joint	(2)	M12 x 1,5
03935	115 330 38 07	Querlenker / control arm		
03936	115 330 39 07	Querlenker / control arm		
07568	115 320 00 47	Rep. Satz Stabilisatorlager / rep. kit stabilizer mount		

Vorderachse / Front axle



## BM 120 / 121 (Ponton) (1955 → 1961)



Vorderachse / Front axle



**ohne Abbildung / without illustration**

febi No. **01120** Achsschenkelbolzensatz / king pin set = **2x febi 01124**

febi No. **01129** Rep. Satz Querlenker oben + unten / rep kit control arm upper + lower = **febi 01130 + 01131**



Ref. - No.



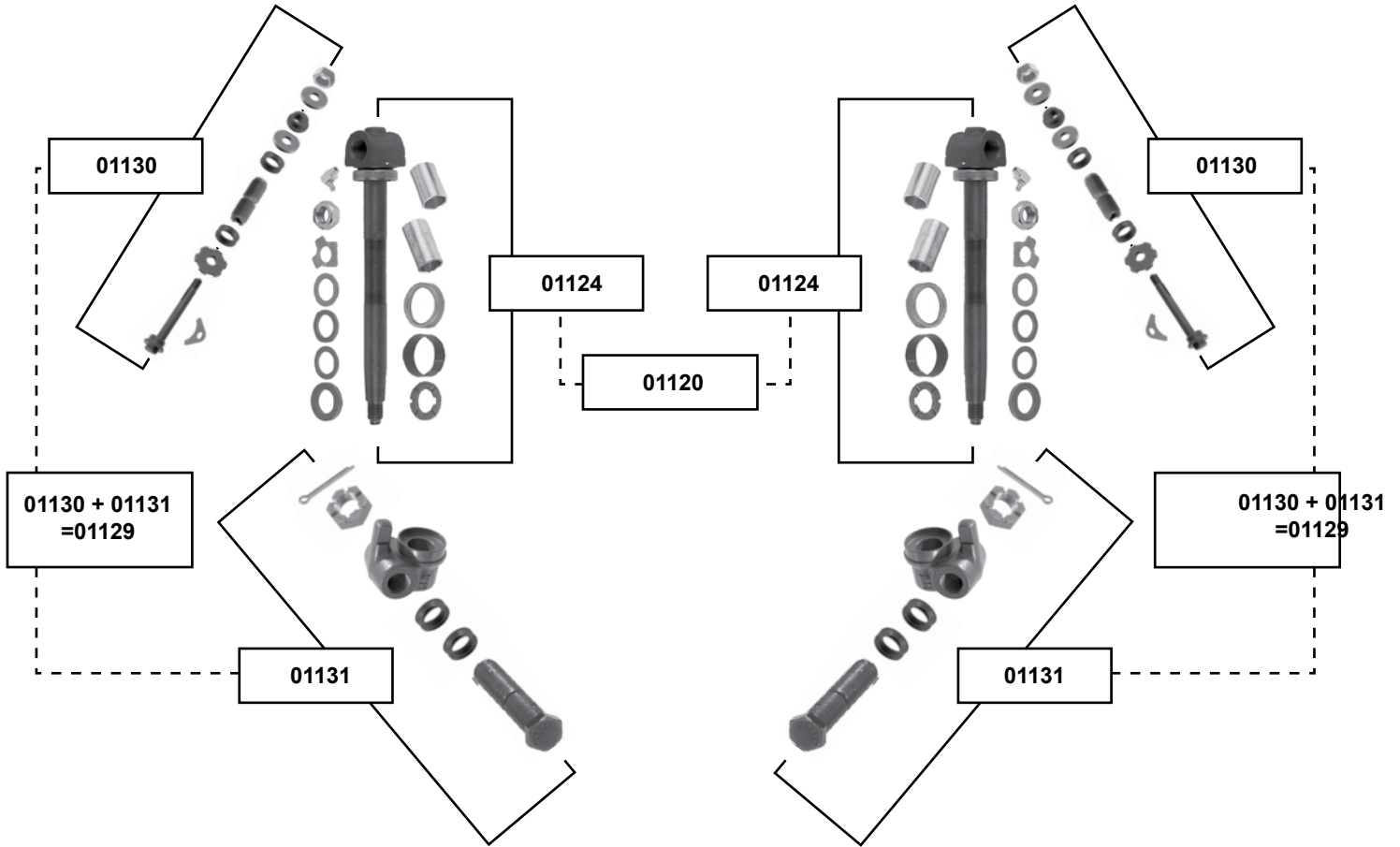
<b>01120</b>	111 586 00 33/2	Achsschenkelbolzensatz / king pin set	= 2x febi 01124
<b>01124</b>	111 586 00 33	Rep. Satz Achsschenkelbolzen / rep. kit king pin	
<b>01129</b>	110 586 00 33	Rep. Satz Querlenker / rep. kit control arm	= febi 01130 + 01131
<b>01130</b>	110 330 02 18	Rep. Satz Querlenker / rep. kit control arm	oben / upper
<b>01131</b>	110 330 03 18	Rep. Satz Querlenker / rep. kit control arm	unten / lower





## BM 128 / 180 (Ponton) (1954 → 1960)

Vorderachse / Front axle



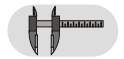
**ohne Abbildung / without illustration**

febi No. **01120** Achsschenkelbolzensatz / king pin set = **2x febi 01124**

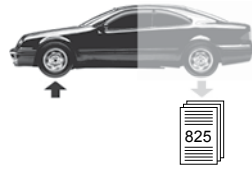
febi No. **01129** Rep. Satz Querlenker oben + unten / rep kit control arm upper + lower = **febi 01130 + 01131**



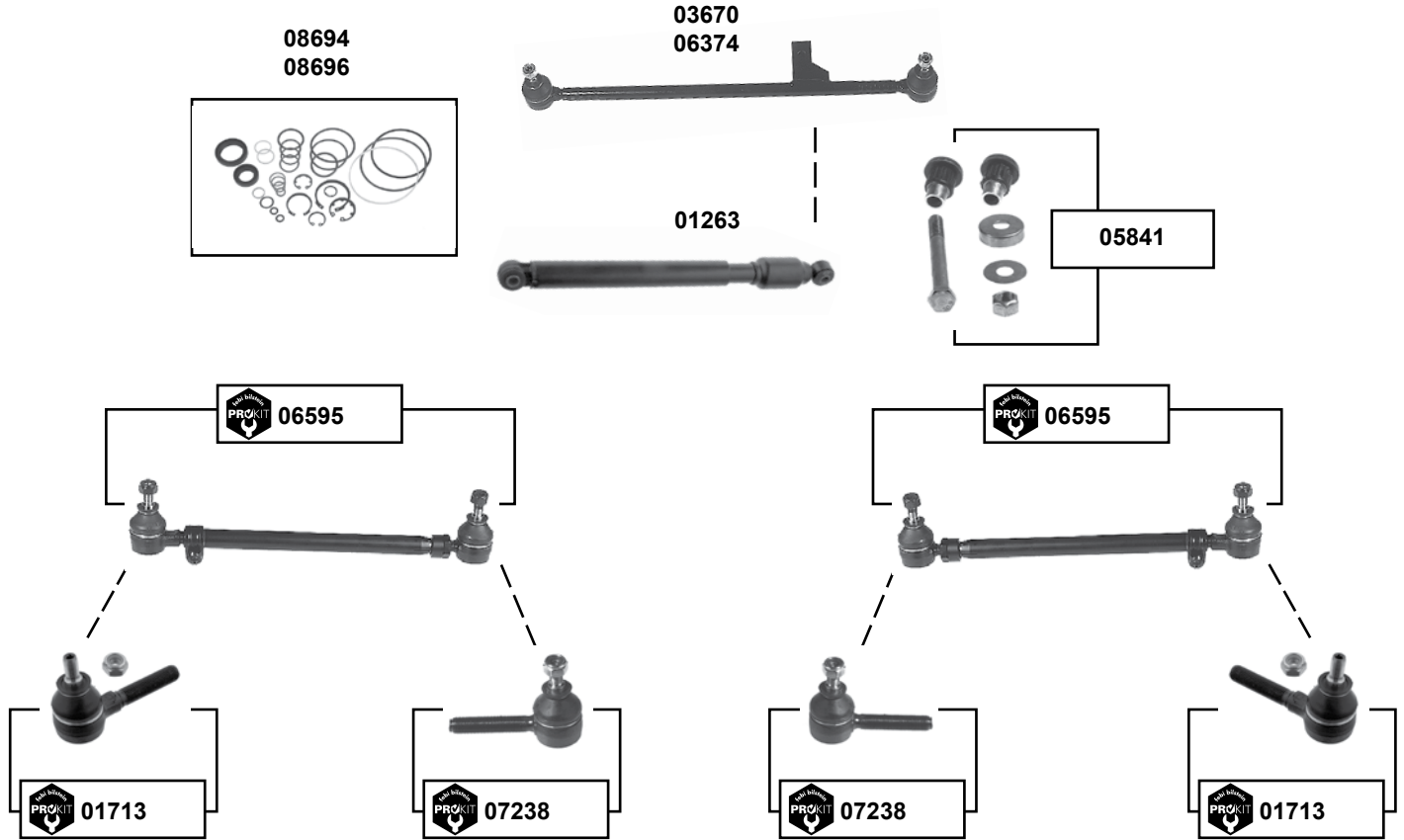
Ref. - No.



<b>01120</b>	111 586 00 33/2	Achsschenkelbolzensatz / king pin set	= 2x febi 01124
<b>01124</b>	111 586 00 33	Rep. Satz Achsschenkelbolzen / rep. kit king pin	
<b>01129</b>	110 586 00 33	Rep. Satz Querlenker / rep. kit control arm	= febi 01130 + 01131
<b>01130</b>	110 330 02 18	Rep. Satz Querlenker / rep. kit control arm	oben / upper
<b>01131</b>	110 330 03 18	Rep. Satz Querlenker / rep. kit control arm	unten / lower



**BM 123**  
(1976 → 1985)



Vorderachse / Front axle

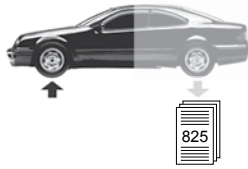
(1) passend zu Lenkgetriebe mit Vergl.-Nr. suitable for steering gears with ref. no. adapté à la mécanique de direction avec référence n° apropiado para engranaje de la dirección con núm. de ref. adattabile alla scatola guida con n. di rif. **107 460 17 01, 107 460 18 01**



(2) passend zu Lenkgetriebe mit Vergl.-Nr. suitable for steering gears with ref. no. adapté à la mécanique de direction avec référence n° apropiado para engranaje de la dirección con núm. de ref. adattabile alla scatola guida con n. di rif. **123 460 58 01, 123 460 59 01**

Die Abgrenzungen nach Fahrgestellnummer entnehmen Sie bitte dem Hauptkatalog oder der CD !  
For the restrictions by chassis number, please consult the main catalogue or CD !  
Les limitations suivant numéro de châssis peuvent être consultées dans le catalogue principal ou le CD  
Consultar el catálogo principal o el CD respecto a limitaciones conforme al número de chasis !  
Le limitazioni in base al n. telaio possono essere apprese dal catalogo principale o dal CD !

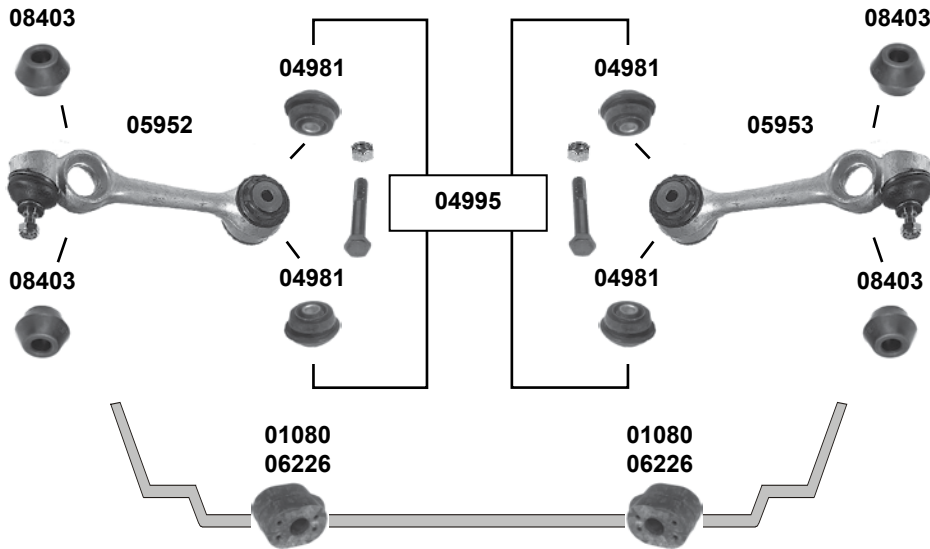
	Ref. - No.			
<b>01263</b>	000 463 51 32	Lenkungs­dämpfer / steering-damper		
<b>01713</b>	000 338 50 10	ProKit Spurstangenendstück / tie rod end		M14 x 1,5
<b>03670</b>	123 460 15 05	Lenkstange / drag link	LHD	
<b>05841</b>	126 460 08 19	Rep. Satz Lenkhebel / rep. kit steering arm		
<b>06374</b>	123 460 16 05	Lenkstange / drag link	RHD	
<b>06595</b>	123 330 18 03	ProKit Spurstange / tie rod		
<b>07238</b>	000 338 51 10	ProKit Spurstangenendstück / tie rod end		M14 x 1,5
<b>08694</b>	107 460 00 61	Dichtungssatz Servolenkung / gasket set power steering	(1)	
<b>08696</b>	126 460 00 61	Dichtungssatz Servolenkung / gasket set power steering	(2)	



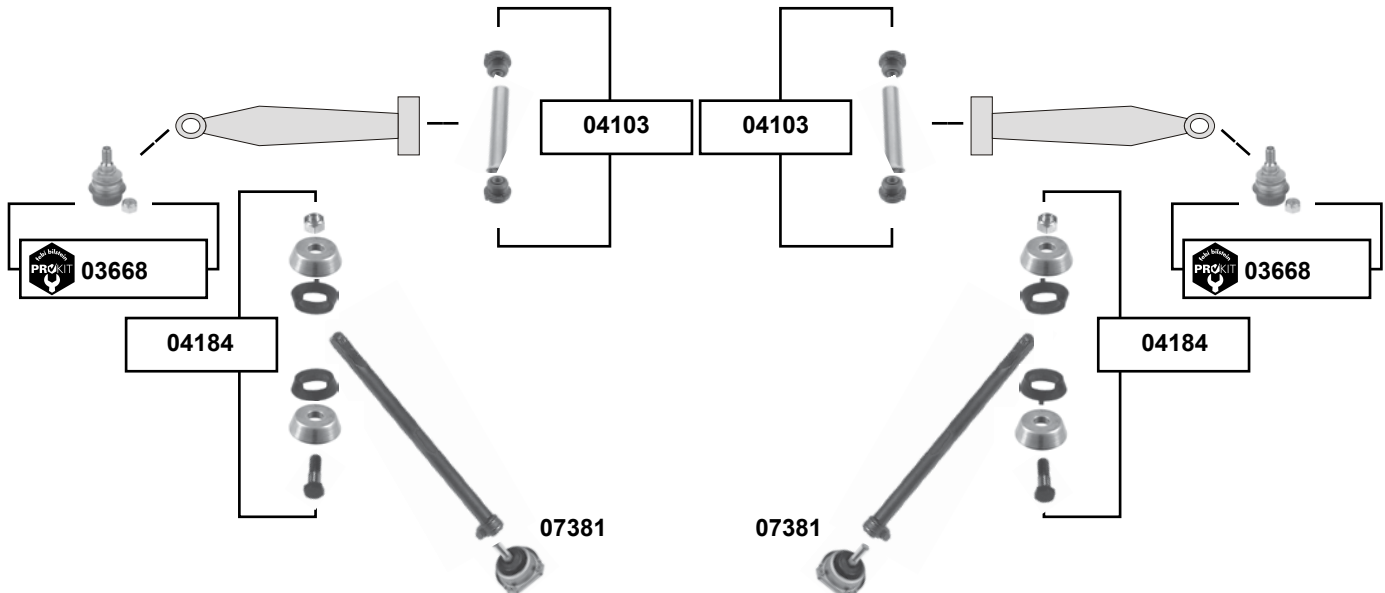
## BM 123

(1976 → 1985)

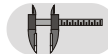
### oben / upper



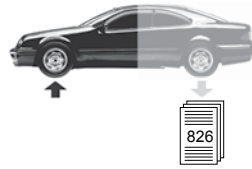
### unten / lower



Ref. - No.



<b>01080</b>	123 323 12 85	Stabilisatorlager / stabilizer mount	T - Modell	
<b>03668</b>	116 333 09 27	ProKit Tragelenk / ball joint		M14 x 1,5
<b>04103</b>	123 330 13 75	Rep. Satz Querlenker / rep. kit control arm		
<b>04184</b>	123 330 14 75	Rep. Satz Führungsstange / rep. kit guide rod		
<b>04981</b>	116 333 63 14	Querlenkerlager / control arm mount		12x51x33
<b>04995</b>	116 586 01 33	Rep. Satz Querlenker / rep. kit control arm		
<b>05952</b>	123 330 46 07	Querlenker / control arm		
<b>05953</b>	123 330 47 07	Querlenker / control arm		
<b>06226</b>	123 323 05 85	Stabilisatorlager / stabilizer mount	Limousine / Coupe	21x50x74
<b>07381</b>	123 330 13 35	Stützelenk / support link		M18 x 1,25
<b>08403</b>	116 333 40 14	Querlenkerlager / control arm mount		16x41x30



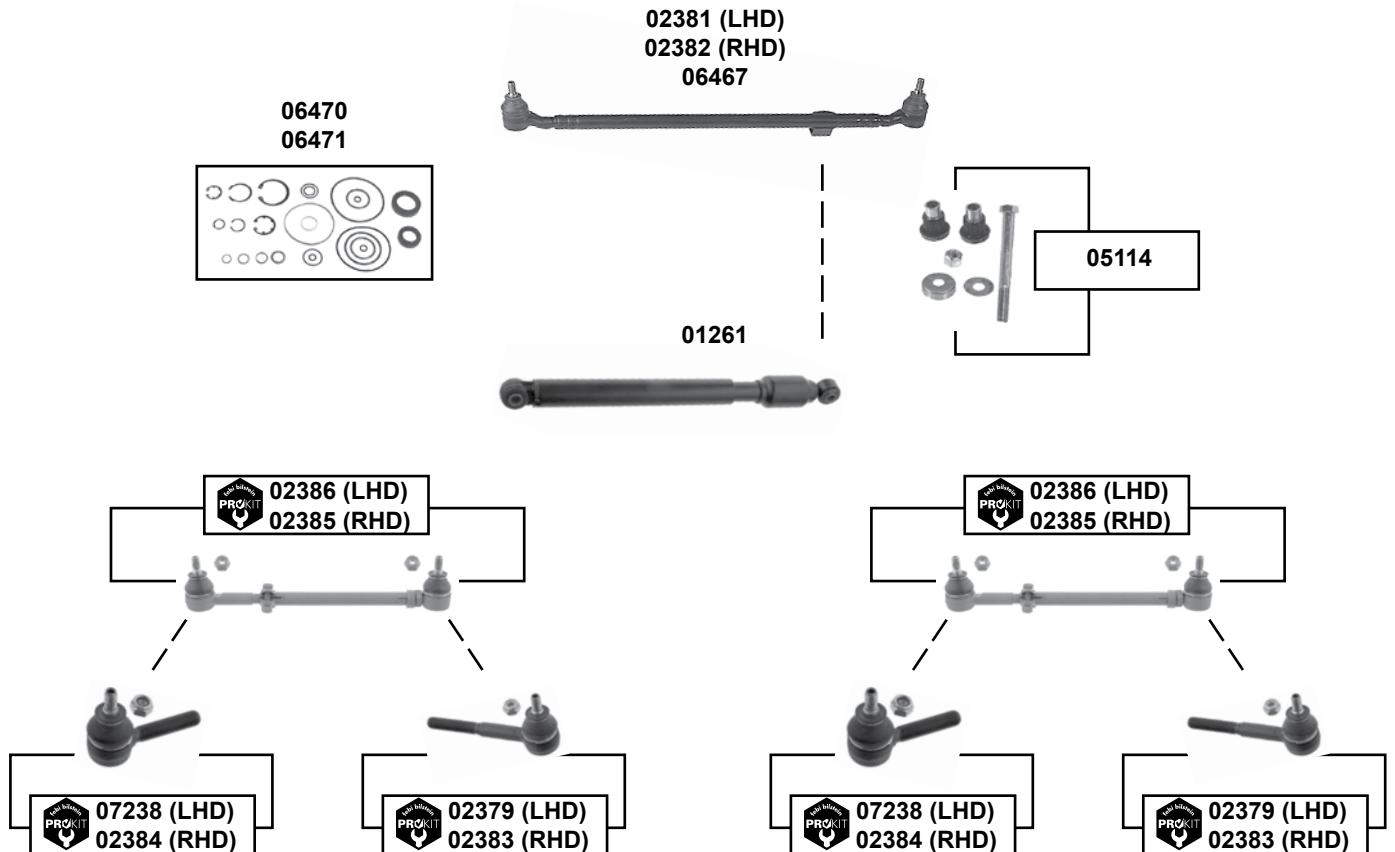
## BM 124

(1985 → 1995)

Limousine 200 → 320 E (E 320)

Limousine 200 D → 300 D (E 300)

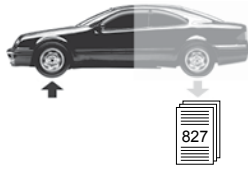
(ex.) Sport / 4-matic



Vorderachse / Front axle

	(1) 260 E / 280 E (E 280) / 300 E / 300 E-24 320 E (E 320) 250 D (E 250) / 250 D Turbo (E 250) 300 D (E 300) / 300 D Turbo (E 300)	(2) 200 / 200 E (E 200) / 220 E (E 220) / 230 E 200 D (E 200)
	(3) (ch.) 1F 114569 → / (ch.) 2F 120744 →	

	Ref. - No.			
01261	124 463 04 32	Lenkungsdämpfer / steering-damper		
02379	000 338 56 10	ProKit Spurstangenendstück / tie rod end		M14x1,5 LHT
02381	124 460 08 05	Lenkstange / drag link	(ch.) → 1F 114568	
02382	124 460 09 05	Lenkstange / drag link	(ch.) → 2F 120743	
02383	000 338 59 10	ProKit Spurstangenendstück / tie rod end		M14x1,5 LHT
02384	000 338 54 10	ProKit Spurstangenendstück / tie rod end		M14x1,5 RHT
02385	124 330 09 03	ProKit Spurstange / tie rod		
02386	124 330 08 03	ProKit Spurstange / tie rod		
05114	124 460 01 19	Rep. Satz Lenkhebel / rep. kit steering arm		
06467	124 460 12 05	Lenkstange / drag link	(3)	
06470	124 460 01 61	Dichtungssatz Servolenkung / gasket set power steering	(1)	
06471	201 460 00 61	Dichtungssatz Servolenkung / gasket set power steering	(2)	
07238	000 338 51 10	ProKit Spurstangenendstück / tie rod end		M14x1,5 RHT



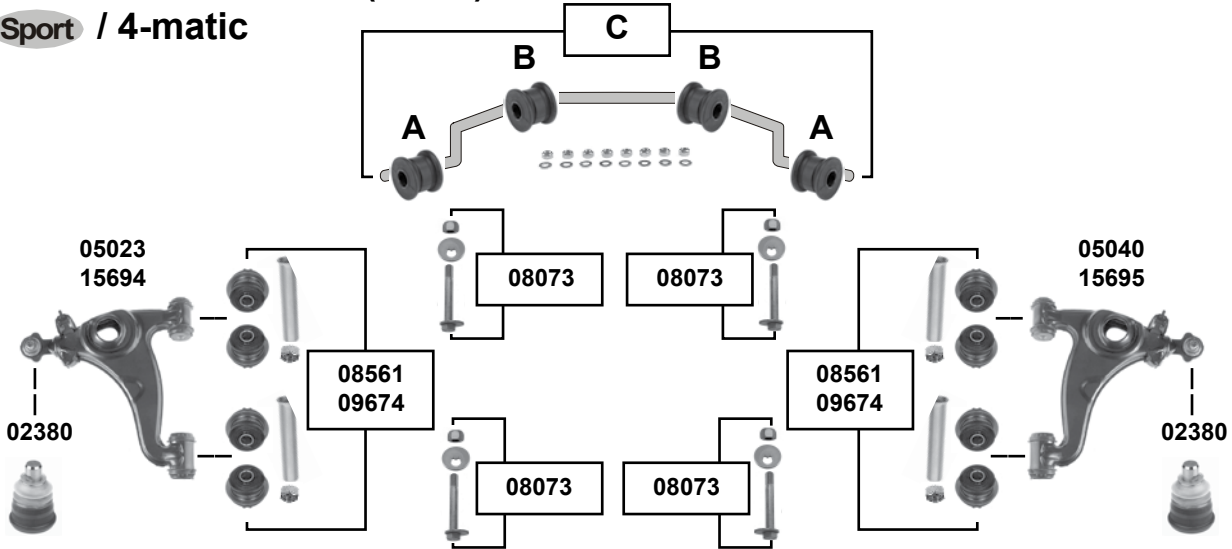
## BM 124

(1985 → 1995)

Limousine 200 → 320 E (E 320)

Limousine 200 D → 300 D (E 300)

(ex.) Sport / 4-matic



Vorderachse / Front axle



### Stabilisatorlager / stabilizer mount

		A	B	C			A	B	C
200 / 200 E → 10/92	(ch.) → A 204766	14948	14944	17100	200 D → 07/93	(ch.) → A 204766	14948	14944	17100
	(ch.) A 204767 →	14942	14944	17099	200 D → 07/93	(ch.) A 204767 →	14942	14944	17099
200 E (E 200) 10/92 →	-	14942	15525	18045	200 D (E 200) 07/93 →	-	14942	15525	18045
220 E / (E 220)	-	14942	15525	18045	250 D / D Turbo (E 250)	-	14942	14950	18046
230 E	(ch.) → A 204766	14948	14944	17100	300 D / D Turbo (E 300)	-	14942	14950	18046
	(ch.) A 204767 →	14942	14944	17099		-	-	-	-
260 E / 280 E (E 280)	-	14942	14950	18046		-	-	-	-
300 E / E-24 / 320 E (E 320)	-	14942	14950	18046		-	-	-	-



(1) (ex.) 300 E -24 / 320 E (E 320)  
(ex.) AMG 300 E 3.4 / E36 AMG

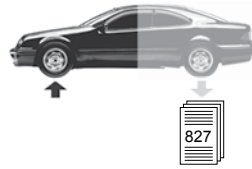
(2) 300 E -24 / 320 E (E 320)  
AMG 300 E 3.4 / E36 AMG



Ref. - No.

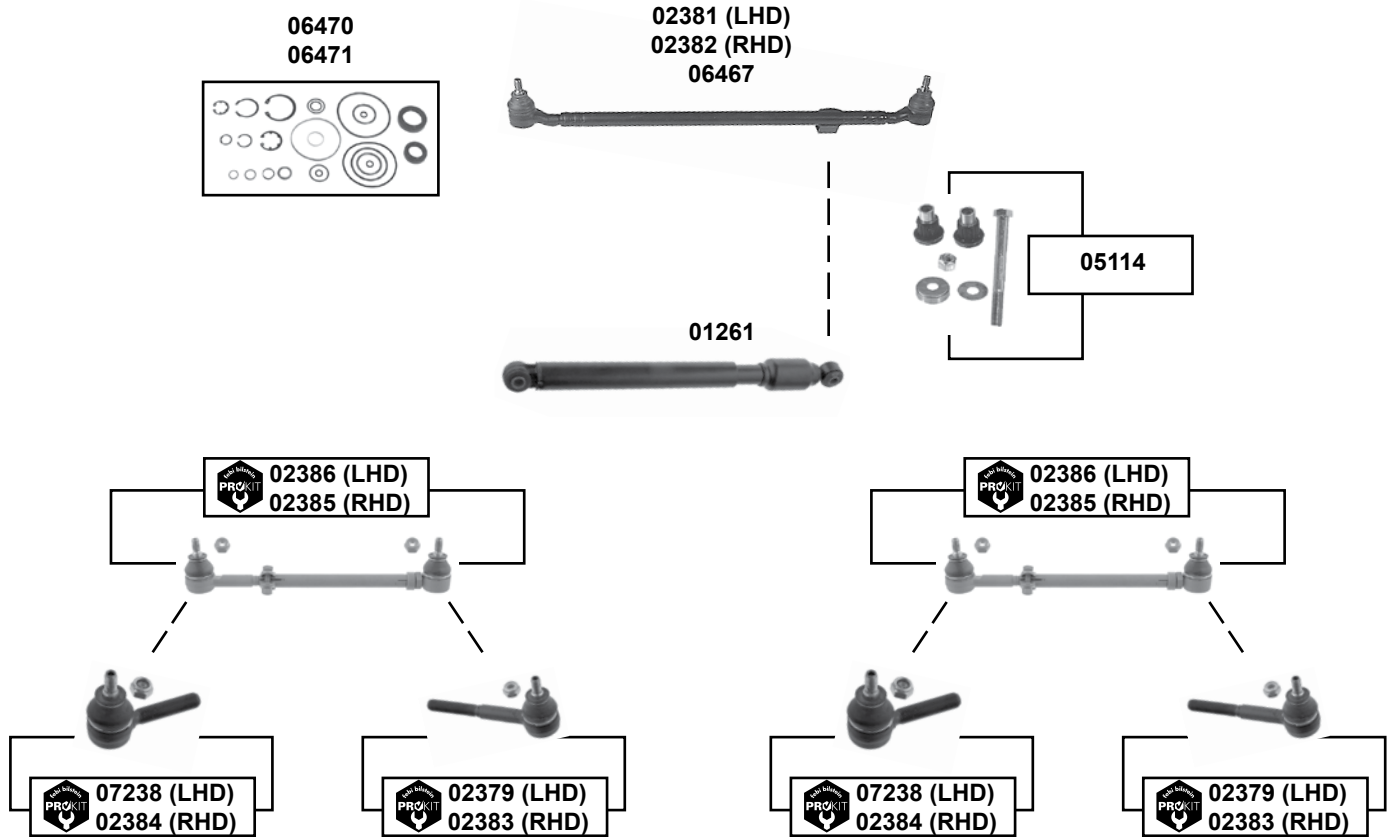


02380	124 333 03 27	Traggelenk / ball joint	(1)	Ø A 18
05023	124 330 30 07	Querlenker / control arm	(1)	
05040	124 330 31 07	Querlenker / control arm	(1)	
08073	201 330 00 18	Rep. Satz Exzenterbolzen / rep. kit eccentric bolt		M14x1,5x130
08561	124 330 05 75	Rep. Satz Querlenkerlager / rep. kit control arm mount	(ch.) → B 711095	
09674	124 330 06 75	Rep. Satz Querlenkerlager / rep. kit control arm mount	(ch.) B 711096 →	
14942	124 323 49 85	Stabilisatorlager / stabilizer mount		Ø   18
14944	124 323 37 85	Stabilisatorlager / stabilizer mount		Ø   24
14948	201 323 49 85	Stabilisatorlager / stabilizer mount		Ø   23
14950	124 323 56 85	Stabilisatorlager / stabilizer mount		Ø   26,5
15525	124 323 54 85	Stabilisatorlager / stabilizer mount		Ø   24
15694	124 330 34 07	Querlenker / control arm	(2)	
15695	124 330 35 07	Querlenker / control arm	(2)	
17099	124 320 21 47	Rep. Satz Stabilisatorlager / rep. kit stabilizer mount		
17100	124 320 18 47	Rep. Satz Stabilisatorlager / rep. kit stabilizer mount		
18045	124 323 54 85 S1	Rep. Satz Stabilisatorlager / rep. kit stabilizer mount		
18046	124 323 56 85 S1	Rep. Satz Stabilisatorlager / rep. kit stabilizer mount		



## BM 124 (1985 → 1995)

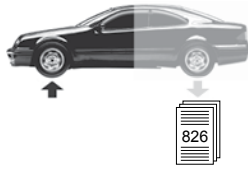
Limousine 200 → 320 E (E 320) **Sport**  
Limousine 200 D → 300 D (E 300) **Sport**



Vorderachse / Front axle

	(1) 260 E / 280 E (E 280) / 300 E / 300 E-24 320 E (E 320) 250 D (E 250) / 250 D Turbo (E 250) 300 D (E 300) / 300 D Turbo (E 300)	(2) 200 / 200 E (E 200) / 220 E (E 220) / 230 E 200 D (E 200)
	(3) (ch.) 1F 114569 → / (ch.) 2F 120744 →	

	Ref. - No.			
01261	124 463 04 32	Lenkungsdämpfer / steering-damper		
02379	000 338 56 10	ProKit Spurstangenendstück / tie rod end		M14x1,5 LHT
02381	124 460 08 05	Lenkstange / drag link	(ch.) → 1F 114568	
02382	124 460 09 05	Lenkstange / drag link	(ch.) → 2F 120743	
02383	000 338 59 10	ProKit Spurstangenendstück / tie rod end		M14x1,5 LHT
02384	000 338 54 10	ProKit Spurstangenendstück / tie rod end		M14 x 1,5
02385	124 330 09 03	ProKit Spurstange / tie rod		
02386	124 330 08 03	ProKit Spurstange / tie rod		
05114	124 460 01 19	Rep. Satz Lenkhebel / rep. kit steering arm		
06467	124 460 12 05	Lenkstange / drag link	(3)	
06470	124 460 01 61	Dichtungssatz Servolenkung / gasket set power steering	(1)	
06471	201 460 00 61	Dichtungssatz Servolenkung / gasket set power steering	(2)	
07238	000 338 51 10	ProKit Spurstangenendstück / tie rod end		M14x1,5 RHT



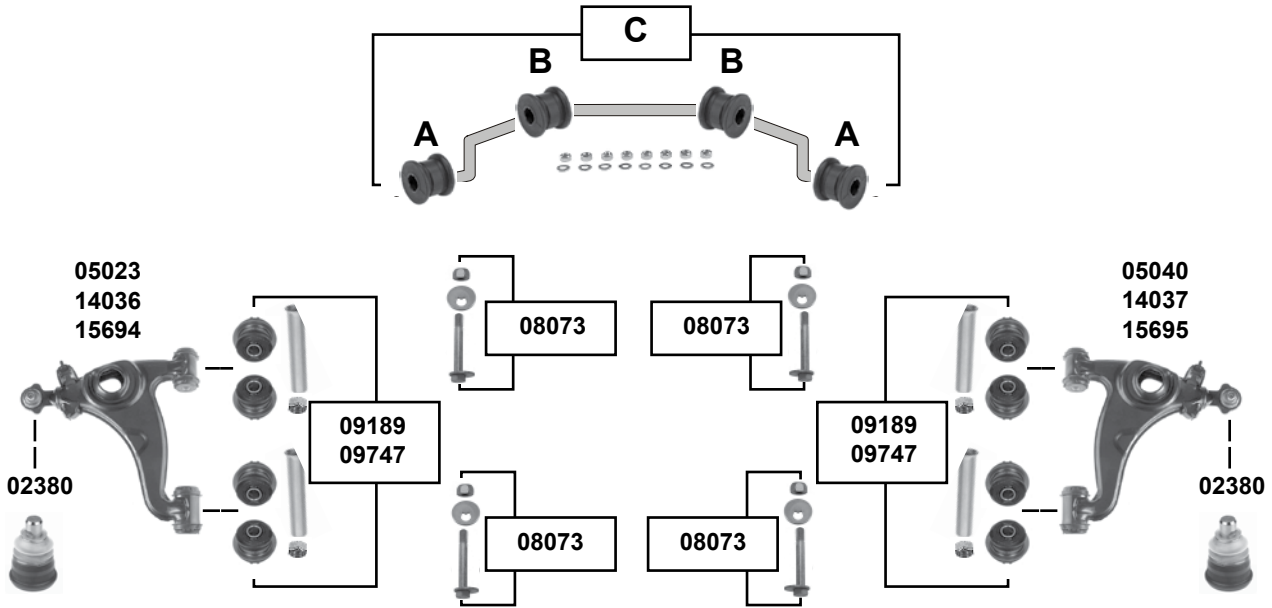
## BM 124

(1985 → 1995)

Limousine 200 → 320 E (E 320) **Sport**

Limousine 200 D → 300 D (E 300) **Sport**

Vorderachse / Front axle



### Stabilisatorlager / stabilizer mount

	A	B	C		A	B	C
200 / 200 E (E 200)	17678	17680	18047	200 D (E 200)	17678	17680	18047
220 E (E 220) / 230 E	17678	17680	18047	250 D / D Turbo (E 250)	17678	17679	18048
260 E / 280 E (E 280)	17678	17679	18048	300 D / D Turbo (E 300)	17678	17679	18048
300 E / E-24 / 320 E (E 320)	17678	17679	18048		-	-	-



(1) (ex.) 320 E (E 320) / E36 AMG

(2) (ch.) → B 711095 / (ch.) C 018228 →

(3) (ch.) B 711096 → C 018227

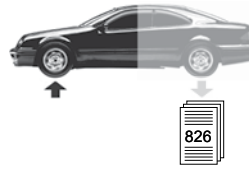
(4) 320 E (E 320) / E36 AMG



Ref. - No.



02380	124 333 03 27	Traggelenk / ball joint	(1)	Ø A 18
05023	124 330 30 07	Querlenker / control arm	(1) / (ch.) C 018228 →	
05040	124 330 31 07	Querlenker / control arm	(1) / (ch.) C 018228 →	
08073	201 330 00 18	Rep. Satz Exzenterbolzen / rep. kit eccentric bolt		M14 x 1,5
09189	201 330 01 75	Rep. Satz Querlenker / rep. kit control arm	(2)	
09747	124 330 09 75	Rep. Satz Querlenker / rep. kit control arm	(3)	
14036	201 330 40 07	Querlenker / control arm	(1) / (ch.) → C 018227	
14037	201 330 41 07	Querlenker / control arm	(1) / (ch.) → C 018227	
15694	124 330 34 07	Querlenker / control arm	(4) / (ch.) C 018228 →	
15695	124 330 35 07	Querlenker / control arm	(4) / (ch.) C 018228 →	
17678	124 323 51 85	Stabilisatorlager / stabilizer mount		Ø   22,5
17679	124 323 45 85	Stabilisatorlager / stabilizer mount		Ø   27,5
17680	124 323 44 85	Stabilisatorlager / stabilizer mount		Ø   25
18047	124 323 44 85 S2	Rep. Satz Stabilisatorlager / rep. kit stabilizer mount		
18048	124 323 45 85 S2	Rep. Satz Stabilisatorlager / rep. kit stabilizer mount		

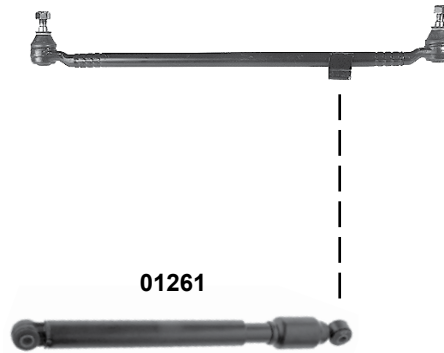
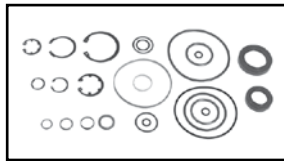


**BM 124**

(1985 → 1995)

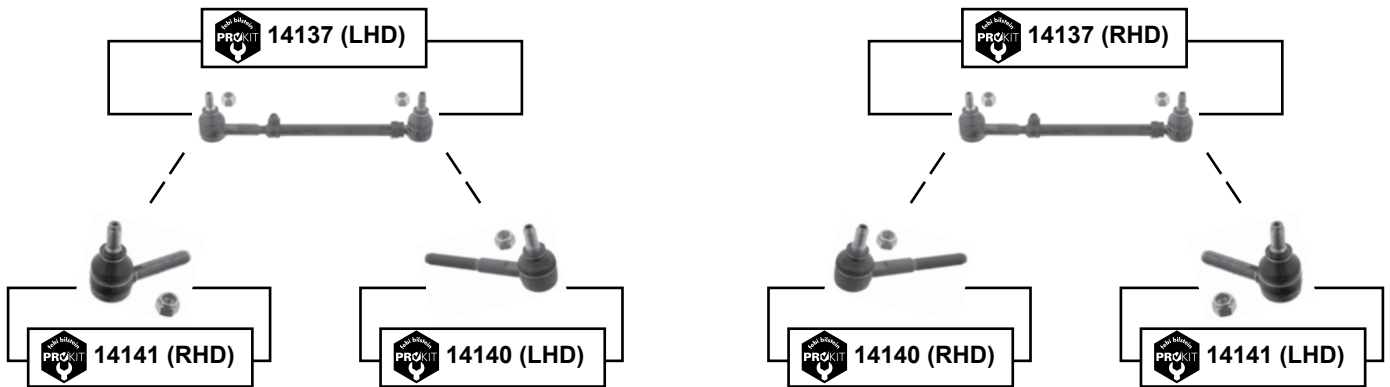
Limousine 400 E (E 420) → 500 E (E 500)

14224



01261

Vorderachse / Front axle



Ref. - No.

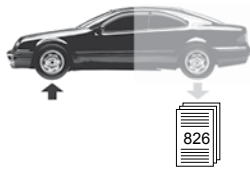


01261	124 463 04 32	Lenkungsdämpfer / steering-damper	
14137	129 330 02 03	ProKit Spurstange / tie rod	
14140	001 330 70 35	ProKit Spurstangenendstück / tie rod end	M14x1,5 LHT
14141	001 330 54 35	ProKit Spurstangenendstück / tie rod end	M14x1,5 RHT
14224	124 460 79 01	Dichtungssatz Servolenkung / gasket set power steering	



passend für / to fit

**MERCEDES-BENZ**



**Car Division**

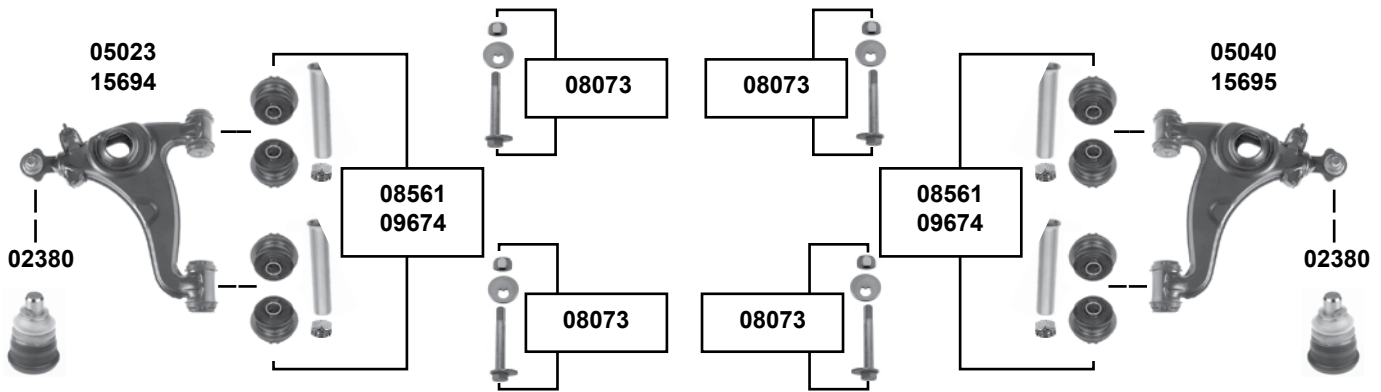
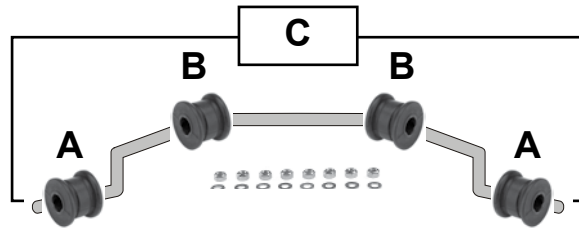


**BM 124**

(1985 → 1995)

**Limousine 400 E (E 420) → 500 E (E 500)**

Vorderachse / Front axle



**Stabilisatorlager / stabilizer mount**

	A	B	C		A	B	C
400 E (E 420) (ex.) Sport	14952	14950	14953	500 E (E 500)	-	17678	-
400 E (E 420) Sport	-	17678	-		-	-	-



(1) 500 E (E 500) (ch.) → B 927760

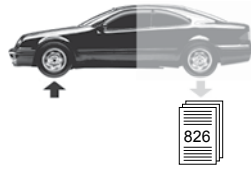
(2) 400 E (E 420) alle / all  
500 E (E 500) (ch.) B 927761 →



Ref. - No.

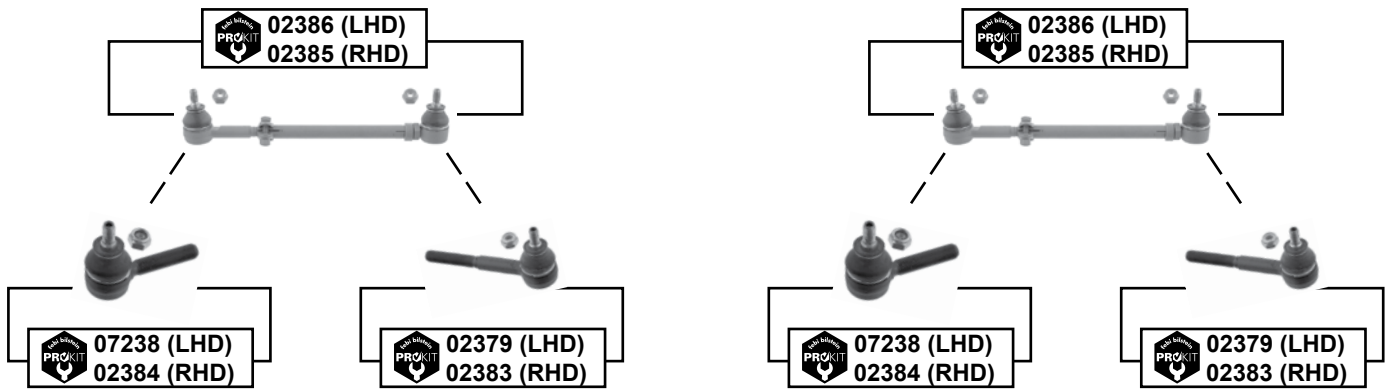
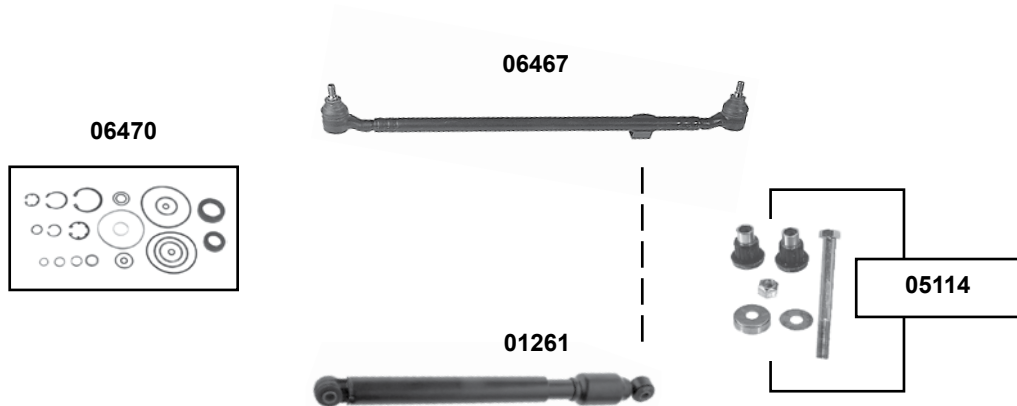


<b>02380</b>	124 333 03 27	Traggelenk / ball joint	(1)	Ø A 18  M14x1,5x130  Ø I 26,5 Ø I 22,5
<b>05023</b>	124 330 30 07	Querlenker / control arm	(1)	
<b>05040</b>	124 330 31 07	Querlenker / control arm	(1)	
<b>08073</b>	201 330 00 18	Rep. Satz Exzenterbolzen / rep. kit eccentric bolt		
<b>08561</b>	124 330 05 75	Rep. Satz Querlenkerlager / rep. kit control arm mount	(ch.) → B 711095	
<b>09674</b>	124 330 06 75	Rep. Satz Querlenkerlager / rep. kit control arm mount	(ch.) B 711095 →	
<b>14950</b>	124 323 56 85	Stabilisatorlager / stabilizer mount		
<b>14952</b>	124 323 50 85	Stabilisatorlager / stabilizer mount		
<b>14953</b>	124 320 19 47	Rep. Satz Stabilisatorlager / rep. kit stabilizer mount		
<b>15694</b>	124 330 34 07	Querlenker / control arm	(2)	
<b>15695</b>	124 330 35 07	Querlenker / control arm	(2)	
<b>17678</b>	124 323 51 85	Stabilisatorlager / stabilizer mount		



**BM 124**  
(1985 → 1995)

**Cabrio**

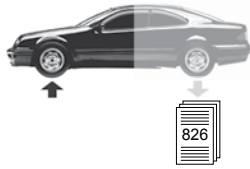


Vorderachse / Front axle

	Ref. - No.			
<b>01261</b>	124 463 04 32	Lenkungsdämpfer / steering-damper		
<b>02379</b>	000 338 56 10	ProKit Spurstangenendstück / tie rod end		
<b>02383</b>	000 338 59 10	ProKit Spurstangenendstück / tie rod end		M14x1,5 LHT
<b>02384</b>	000 338 54 10	ProKit Spurstangenendstück / tie rod end		
<b>02385</b>	124 330 09 03	ProKit Spurstange / tie rod		
<b>02386</b>	124 330 08 03	ProKit Spurstange / tie rod		
<b>05114</b>	124 460 01 19	Rep. Satz Lenkhebel / rep. kit steering arm		
<b>06467</b>	124 460 12 05	Lenkstange / drag link		
<b>06470</b>	124 460 01 61	Dichtungssatz Servolenkung / gasket set power steering		
<b>07238</b>	000 338 51 10	ProKit Spurstangenendstück / tie rod end		M14x1,5 RHT

passend für / to fit

**MERCEDES-BENZ**



**Car  
Division**

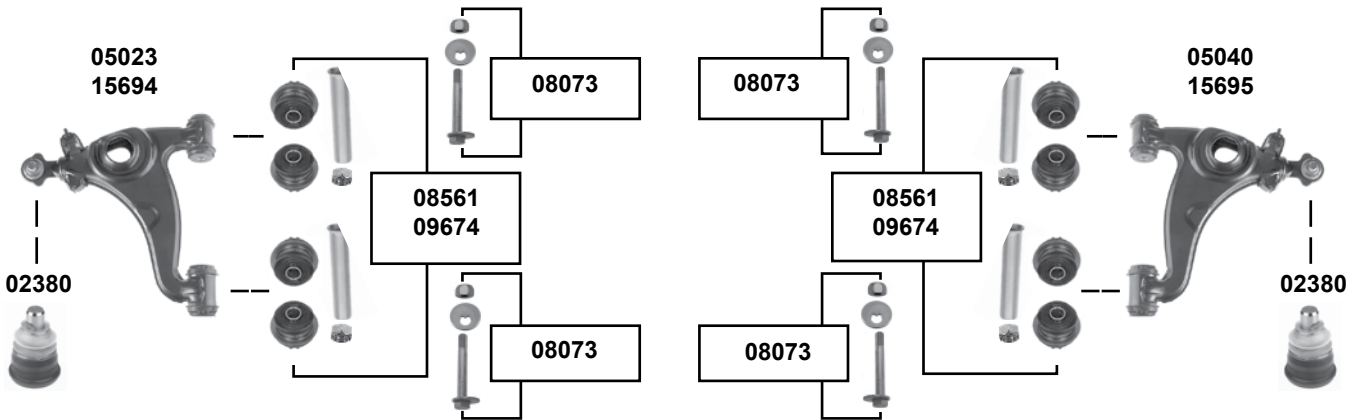
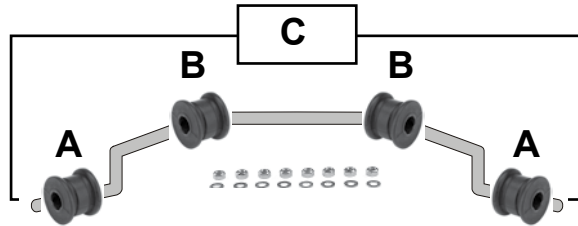


**BM 124**

(1985 → 1995)

**Cabrio**

Vorderachse / Front axle



**Stabilisatorlager / stabilizer mount**

	A	B	C		A	B	C
(ex.) Sport	17678	17679	18048	Sport	17678	-	-



(1) 200 E Cabrio (E 200)  
220 E Cabrio (E 220)

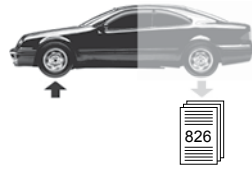
(2) 300 CE -24 Cabrio / 320 E Cabrio (E 320)  
E36 AMG Cabrio



**Ref. - No.**



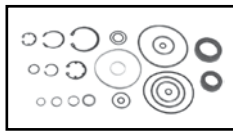
<b>02380</b>	124 333 03 27	Traggelenk / ball joint	(1)	Ø A 18
<b>05023</b>	124 330 30 07	Querlenker / control arm	(1)	
<b>05040</b>	124 330 31 07	Querlenker / control arm	(1)	
<b>08073</b>	201 330 00 18	Rep. Satz Exzenterbolzen / rep. kit eccentric bolt		M14 x 1,5
<b>08561</b>	124 330 05 75	Rep. Satz Querlenkerlager / rep. kit control arm mount	(ch.) → B 711095	
<b>09674</b>	124 330 06 75	Rep. Satz Querlenkerlager / rep. kit control arm mount	(ch.) B 711096 →	
<b>15694</b>	124 330 34 07	Querlenker / control arm	(2)	
<b>15695</b>	124 330 35 07	Querlenker / control arm	(2)	
<b>17678</b>	124 323 51 85	Stabilisatorlager / stabilizer mount		Ø I 22,5
<b>17679</b>	124 323 45 85	Stabilisatorlager / stabilizer mount		Ø I 27,5
<b>18048</b>	124 323 45 85 S2	Rep. Satz Stabilisatorlager / rep. kit stabilizer mount		



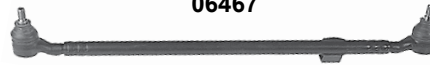
## BM 124 (1985 → 1995)

Coupé  
(ex.) Sport

06470



02381 (LHD)  
02382 (RHD)  
06467



01261



05114



02386 (LHD)  
02385 (RHD)



07238 (LHD)  
02384 (RHD)



02379 (LHD)  
02383 (RHD)

02386 (LHD)  
02385 (RHD)



07238 (LHD)  
02384 (RHD)



02379 (LHD)  
02383 (RHD)



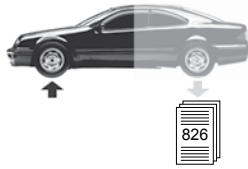
(1) (ch.) 1F 114569 → / (ch.) 2F 120744 →



Ref. - No.



01261	124 463 04 32	Lenkungs­dämpfer / steering-damper		
02379	000 338 56 10	ProKit Spurstangenendstück / tie rod end		M14x1,5 RHT
02381	124 460 08 05	Lenkstange / drag link	(ch.) → 1F 114568	
02382	124 460 09 05	Lenkstange / drag link	(ch.) → 2F 120743	
02383	000 338 59 10	ProKit Spurstangenendstück / tie rod end		M14x1,5 LHT
02384	000 338 54 10	ProKit Spurstangenendstück / tie rod end		M14x1,5 RHT
02385	124 330 09 03	ProKit Spurstange / tie rod		
02386	124 330 08 03	ProKit Spurstange / tie rod		
05114	124 460 01 19	Rep. Satz Lenkhebel / rep. kit steering arm		
06467	124 460 12 05	Lenkstange / drag link	(1)	
06470	124 460 01 61	Dichtungssatz Servolenkung / gasket set power steering		
07238	000 338 51 10	ProKit Spurstangenendstück / tie rod end		M14x1,5 RHT

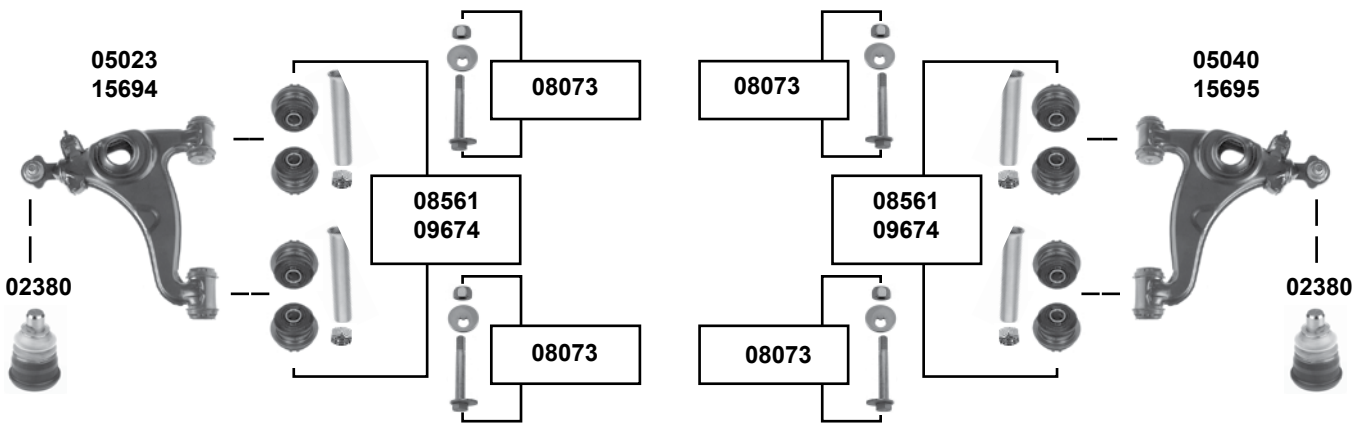
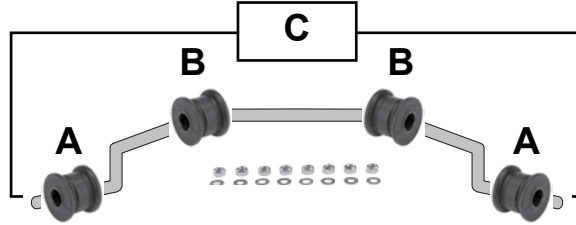


## BM 124

(1985 → 1995)

Coupé

(ex.) Sport



Vorderachse / Front axle



### Stabilisatorlager / stabilizer mount

	A	B	C		A	B	C
200 CE (E 200)	14942	15525	18045	300 CE / CE-2	14942	14950	18046
220 CE (E 220)	14942	15525	18045	320 CE (E 20)	14942	14950	18046
230 CE	14942	14944	17099		-	-	-



(1) 200 CE (E 200) / 220 CE (E 220)

230 CE / 300 CE

(2) 300 CE -24 / 320 CE (E 320)

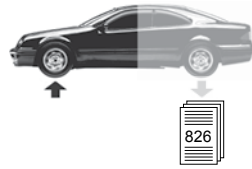
AMG 300 CE 3.4 / E36 AMG



Ref. - No.

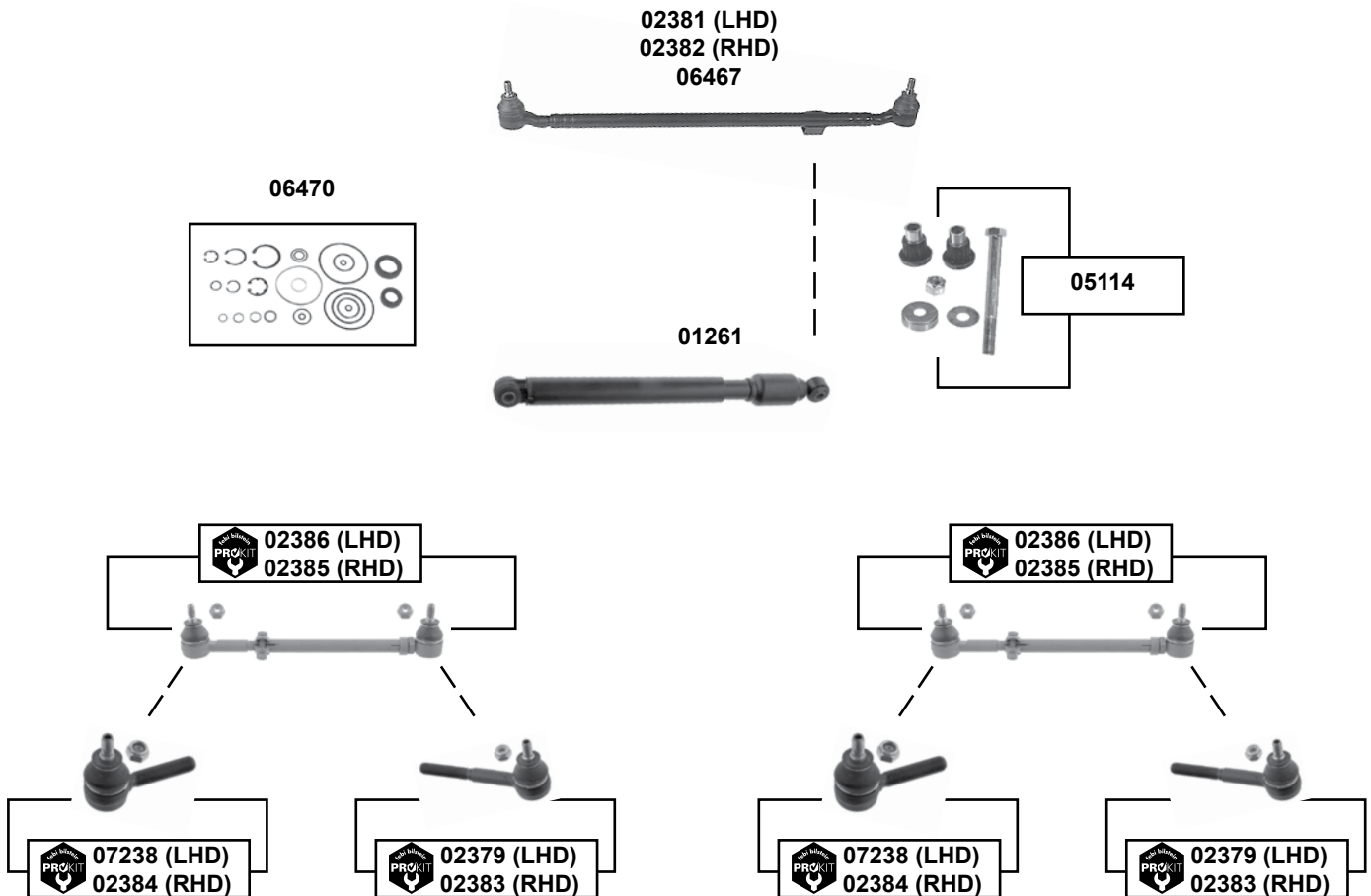


02380	124 333 03 27	Traggelenk / ball joint	(1)	Ø A 18
05023	124 330 30 07	Querlenker / control arm	(1)	
05040	124 330 31 07	Querlenker / control arm	(1)	
08073	201 330 00 18	Rep. Satz Exzenterbolzen / rep. kit eccentric bolt		M14 x 1,5
08561	124 330 05 75	Rep. Satz Querlenkerlager / rep. kit control arm mount	(ch.) → B 711095	
09674	124 330 06 75	Rep. Satz Querlenkerlager / rep. kit control arm mount	(ch.) B 711096 →	
14942	124 323 49 85	Stabilisatorlager / stabilizer mount		Ø   18
14944	124 323 37 85	Stabilisatorlager / stabilizer mount		Ø   24
14950	124 323 56 85	Stabilisatorlager / stabilizer mount		Ø   26,5
15525	124 323 54 85	Stabilisatorlager / stabilizer mount		Ø   24
15694	124 330 34 07	Querlenker / control arm	(2)	
15695	124 330 35 07	Querlenker / control arm	(2)	
17099	124 320 21 47	Rep. Satz Stabilisatorlager / rep. kit stabilizer mount		
18045	124 323 54 85 S1	Rep. Satz Stabilisatorlager / rep. kit stabilizer mount		
18046	124 323 56 85 S1	Rep. Satz Stabilisatorlager / rep. kit stabilizer mount		



## BM 124 (1985 → 1995)

Coupé  
Sport

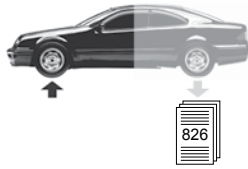


Vorderachse / Front axle



(1) (ch.) 1F 114569 → / (ch.) 2F 120744 →

	Ref. - No.			
01261	124 463 04 32	Lenkungs­dämpfer / steering-damper	(ch.) → 1F 114568 (ch.) → 2F 120743	M14x1,5 RHT
02379	000 338 56 10	ProKit Spurstangenendstück / tie rod end		
02381	124 460 08 05	Lenkstange / drag link	(1)	M14x1,5 LHT M14x1,5 RHT
02382	124 460 09 05	Lenkstange / drag link		
02383	000 338 59 10	ProKit Spurstangenendstück / tie rod end		
02384	000 338 54 10	ProKit Spurstangenendstück / tie rod end		
02385	124 330 09 03	ProKit Spurstange / tie rod		
02386	124 330 08 03	ProKit Spurstange / tie rod		
05114	124 460 01 19	Rep. Satz Lenkhebel / rep. kit steering arm		
06467	124 460 12 05	Lenkstange / drag link		
06470	124 460 01 61	Dichtungssatz Servolenkung / gasket set power steering		
07238	000 338 51 10	ProKit Spurstangenendstück / tie rod end		M14x1,5 RHT



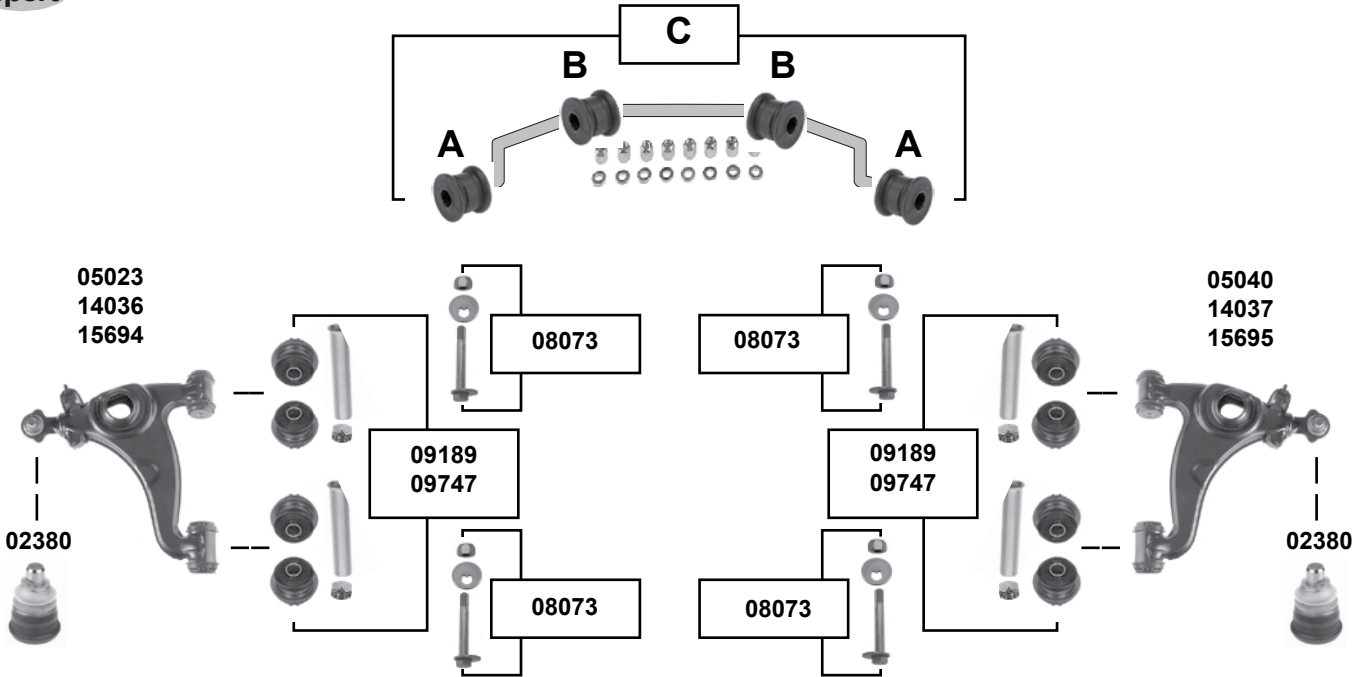
## BM 124

(1985 → 1995)

Coupé

Sport

Vorderachse / Front axle



### Stabilisatorlager / stabilizer mount

	A	B	C		A	B	C
200 CE (E 200)	17678	17680	18047	300 CE / CE-24	17678	17679	18048
220 CE (E 220) / 230 CE	17678	17680	18047	320 CE (E 320)	17678	17679	18048

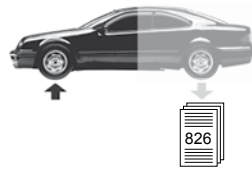
(1) 200 CE (E 200) / 220 CE (E 220) / 230 CE / 300 CE

(2) (ch.) → B 711095 / (ch.) C 017669 →

(3) (ch.) B 711096 → C 017668

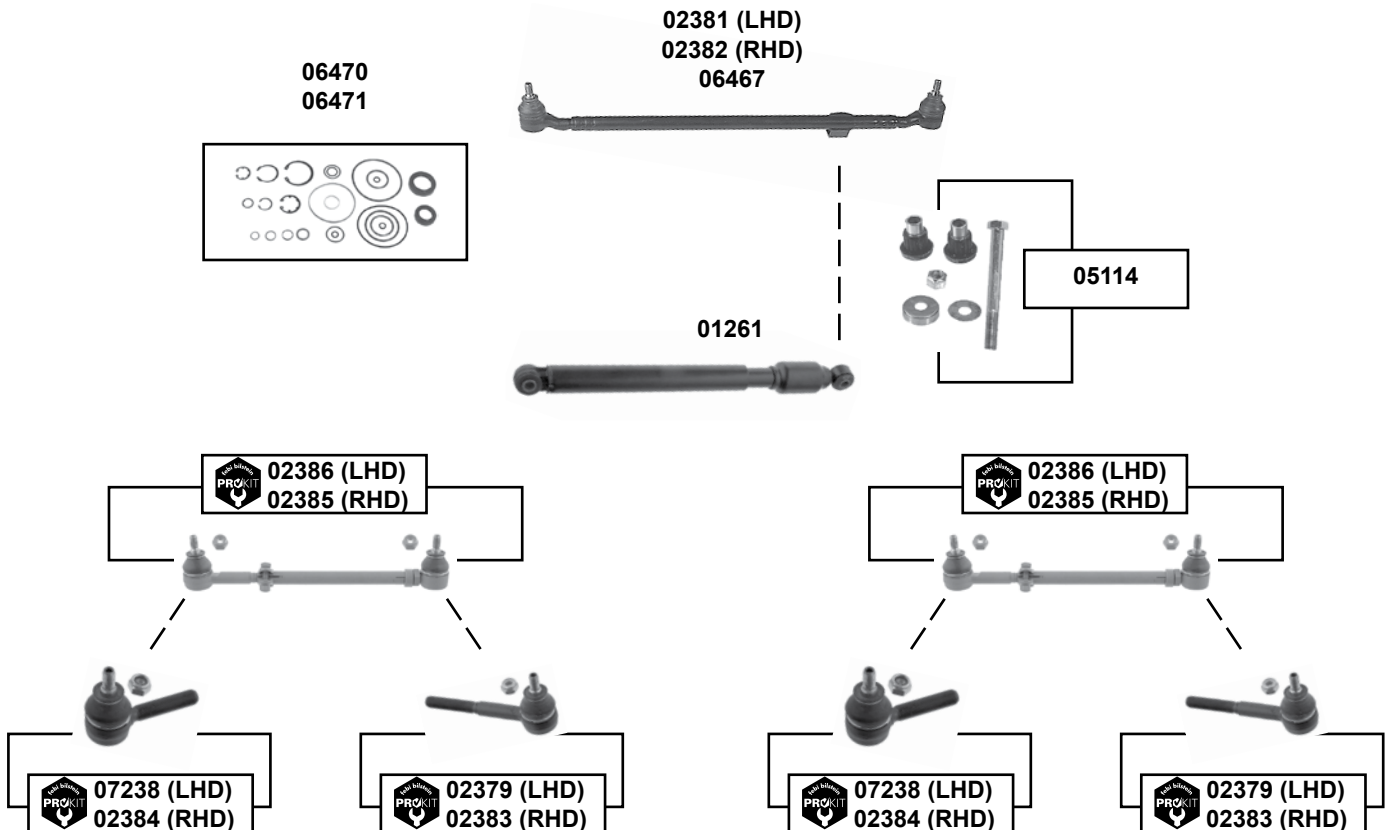
(4) 320 CE (E 320) / E 36 AMG

	Ref. - No.			
02380	124 333 03 27	Traggelenk / ball joint	(1)	Ø A 18
05023	124 330 30 07	Querlenker / control arm	(1) (ch.) C 018228 →	
05040	124 330 31 07	Querlenker / control arm	(1) (ch.) C 018228 →	
08073	201 330 00 18	Rep. Satz Exzenterbolzen / rep. kit eccentric bolt		M14x1,5x130
09189	201 330 01 75	Rep. Satz Querlenker / rep. kit control arm	(2)	
09747	124 330 09 75	Rep. Satz Querlenker / rep. kit control arm	(3)	
14036	201 330 40 07	Querlenker / control arm	(1) (ch.) → C 018227	
14037	201 330 41 07	Querlenker / control arm	(1) (ch.) → C 018227	
15694	124 330 34 07	Querlenker / control arm	(4) (ch.) C 017669 →	
15695	124 330 35 07	Querlenker / control arm	(4) (ch.) C 017669 →	
17678	124 323 51 85	Stabilisatorlager / stabilizer mount		Ø   22,5
17679	124 323 45 85	Stabilisatorlager / stabilizer mount		Ø   27,5
17680	124 323 44 85	Stabilisatorlager / stabilizer mount		Ø   25
18047	124 323 44 85 S2	Rep. Satz Stabilisatorlager / rep. kit stabilizer mount		
18048	124 323 45 85 S2	Rep. Satz Stabilisatorlager / rep. kit stabilizer mount		



## BM 124 (1985 → 1995)

### T-Modell (ex.) 4-matic



Vorderachse / Front axle



(1) 260 TE / 280 TE (E 280) / 300 TE / 300 TE-24  
320 TE (E 320)  
250 TD (E 250) / 250 TD Turbo (E 250)  
300 TD (E 300) / 300 TD Turbo (E 300)

(2) 200 T / 200 TE (E 200) / 220 TE (E 220) / 230 TE  
200 TD (E 200)

(3) (ch.) 1F 114569 → / (ch.) 2F 120744 →

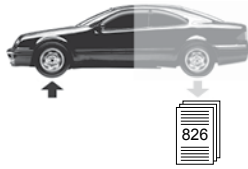


Ref. - No.



Ref. - No.	Description	Notes	Part No.
01261	Lenkungs­dämpfer / steering-damper		M14x1,5 LHT
02379	ProKit Spurstangenendstück / tie rod end		
02381	Lenkstange / drag link	(ch.) → 1F 114568	
02382	Lenkstange / drag link	(ch.) → 2F 120743	
02383	ProKit Spurstangenendstück / tie rod end		M14x1,5 LHT
02384	ProKit Spurstangenendstück / tie rod end		M14x1,5 RHT
02385	ProKit Spurstange / tie rod		
02386	ProKit Spurstange / tie rod		
05114	Rep. Satz Lenkhebel / rep. kit steering arm		
06467	Lenkstange / drag link	(3)	
06470	Dichtungssatz Servolenkung / gasket set power steering	(1)	
06471	Dichtungssatz Servolenkung / gasket set power steering	(2)	
07238	ProKit Spurstangenendstück / tie rod end		M14x1,5 RHT





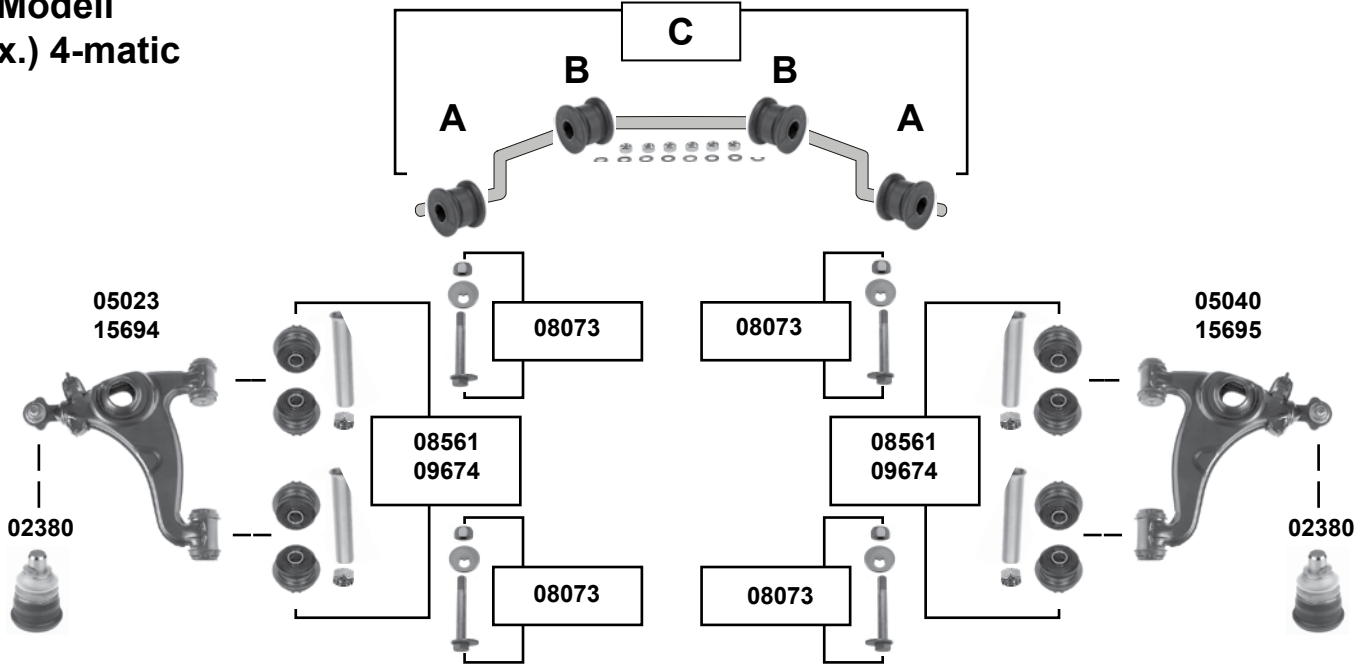
## BM 124

(1985 → 1995)

T-Modell

(ex.) 4-matic

Vorderachse / Front axle

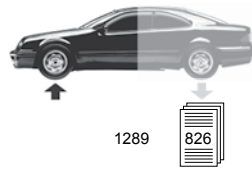


### Stabilisatorlager / stabilizer mount

		A	B	C			A	B	C
200 T / 200 TE (E 200)	(ex.) Sport	14952	17680	18057	200 TD (E 200)	(ex.) Sport	14952	17680	18057
220 TE (E 220) / 230 TE	(ex.) Sport	14952	17680	18057	250 TD / TD Turbo (E 250)	(ex.) Sport	14952	17679	18058
280 TE (E 200) / 300 TE	(ex.) Sport	14952	17679	18058	300 TD / TD Turbo (E 300)	(ex.) Sport	14952	17679	18058
300 TE-24 / 320 TE (E 320)	(ex.) Sport	14942	17679	18058	alle / all	Sport	17678	-	-
alle / all	Sport	17678	-	-		-	-	-	-

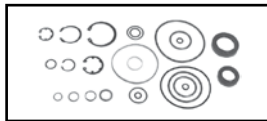
- (1) (ex.) 300 TE -24 / 320 TE (E 320) / (ex.) AMG 300 TE 3.4 / E36 AMG
- (2) 300 TE -24 / 320 TE (E 320) / AMG 300 TE 3.4 / E36 AMG

	Ref. - No.			
02380	124 333 03 27	Traggelenk / ball joint	(1)	Ø A 18
05023	124 330 30 07	Querlenker / control arm	(1)	
05040	124 330 31 07	Querlenker / control arm	(1)	
08073	201 330 00 18	Rep. Satz Exzenterbolzen / rep. kit eccentric bolt		M14x1,5x130
08561	124 330 05 75	Rep. Satz Querlenkerlager / rep. kit control arm mount	(ch.) → F 204091	
09674	124 330 06 75	Rep. Satz Querlenkerlager / rep. kit control arm mount	(ch.) F 204092 →	
14942	124 323 49 85	Stabilisatorlager / stabilizer mount		Ø   18
14952	124 323 50 85	Stabilisatorlager / stabilizer mount		Ø   22,5
15694	124 330 34 07	Querlenker / control arm	(2)	
15695	124 330 35 07	Querlenker / control arm	(2)	
17678	124 323 51 85	Stabilisatorlager / stabilizer mount		Ø   22,5
17679	124 323 45 85	Stabilisatorlager / stabilizer mount		Ø   27,5
17680	124 323 44 85	Stabilisatorlager / stabilizer mount		Ø   25
18057	124 323 44 85 S1	Rep. Satz Stabilisatorlager / rep. kit stabilizer mount		
18058	124 323 45 85 S1	Rep. Satz Stabilisatorlager / rep. kit stabilizer mount		



## BM 124 (1985 → 1995) 4-matic

06470



37868



05114



21292 (LHD)



17561 (LHD)



17563 (RHD)

21293 (LHD)



17563 (LHD)

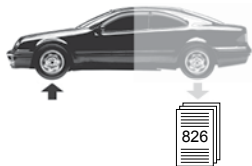


17562 (LHD)  
17558 (RHD)

	Ref. - No.			
05114	124 460 01 19		Rep. Satz Lenkhebel / rep. kit steering arm	
06470	124 460 01 61		Dichtungssatz Servolenkung / gasket set power steering	
17558	001 330 43 35		ProKit Spurstangenendstück / tie rod end	M14x1,5 LHT
17561	001 330 38 35		Spurstangenendstück / tie rod end	M14x1,5 LHT
17562	001 330 39 35		ProKit Spurstangenendstück / tie rod end	M14x1,5 LHT
17563	001 330 40 35		ProKit Spurstangenendstück / tie rod end	M14x1,5 RHT
21292	124 330 14 03		Spurstange / tie rod	
21293	124 330 15 03		Spurstange / tie rod	
37868	124 463 05 32		Lenkungs­dämpfer / steering-damper	L 334/538,5

passend für / to fit

**MERCEDES-BENZ**

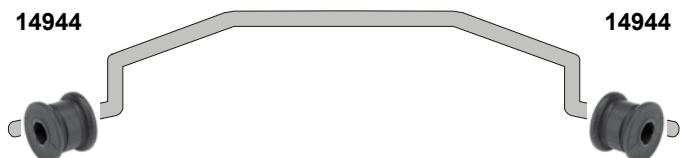
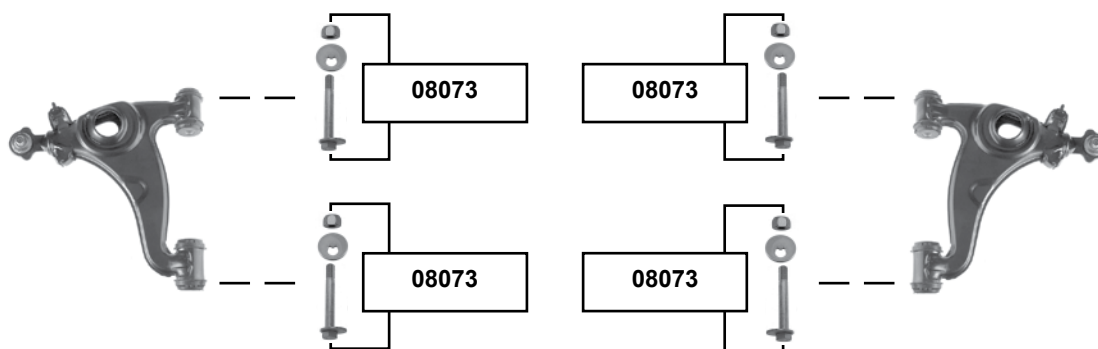


**Car  
Division**



**BM 124**  
(1985 → 1995)  
4-matic

Vorderachse / Front axle



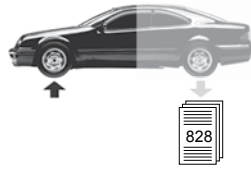
**Ref. - No.**



**08073** 201 330 00 18  
**14944** 124 323 37 85

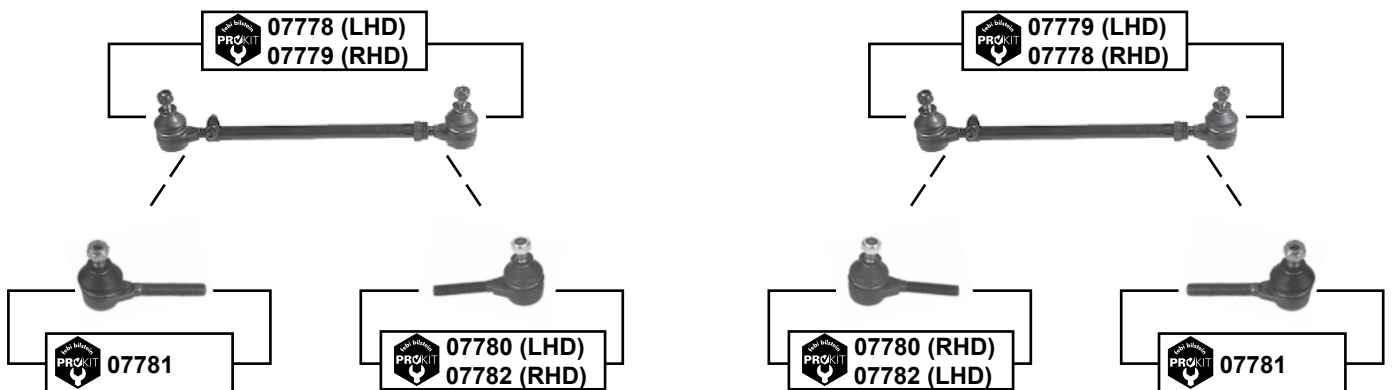
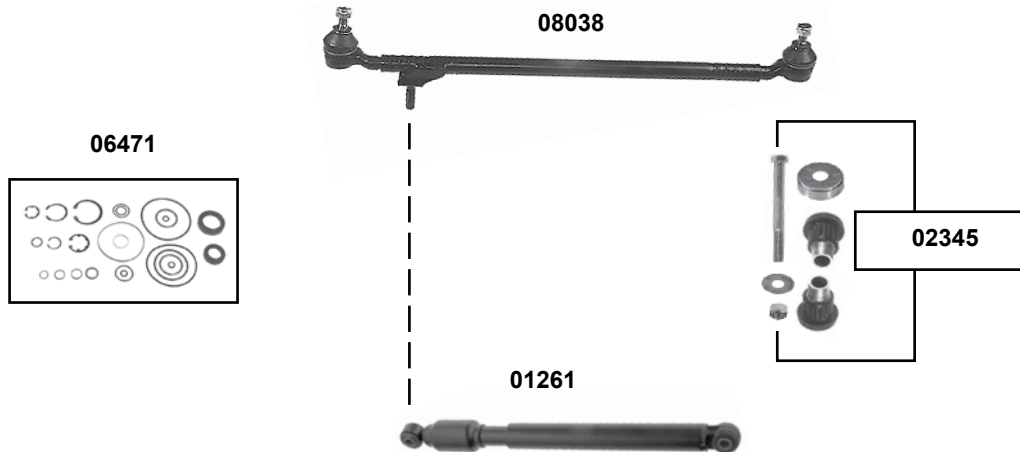
Rep. Satz Exzenterbolzen / rep. kit eccentric bolt  
Stabilisatorlager / stabilizer mount

M14x1,5x130  
Ø | 24



**190 (BM 201)**  
(1983 → 1992)

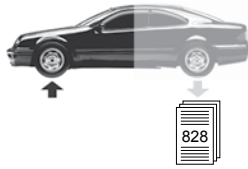
**190 → 190 E 2.0**  
**190 D → 190 D 2.5**  
(ex.) **Sport**



	Ref. - No.			
<b>01261</b>	124 463 04 32	Lenkungsdämpfer / steering-damper		
<b>02345</b>	201 460 00 50	Rep. Satz Lenkhebel / rep. kit steering arm		
<b>06471</b>	201 460 00 61	Dichtungssatz Servolenkung / gasket set power steering		
<b>07778</b>	201 330 15 03	ProKit Spurstange / tie rod		
<b>07779</b>	201 330 16 03	ProKit Spurstange / tie rod		
<b>07780</b>	000 338 61 10	ProKit Spurstangenendstück / tie rod end		M12x1,5 RHT
<b>07781</b>	000 338 60 10	ProKit Spurstangenendstück / tie rod end		M12x1,5 LHT
<b>07782</b>	000 338 63 10	ProKit Spurstangenendstück / tie rod end		M12x1,5 RHT
<b>08038</b>	201 460 15 05	Lenkstange / drag link	LHD / RHD	

passend für / to fit

**MERCEDES-BENZ**



**Car  
Division**



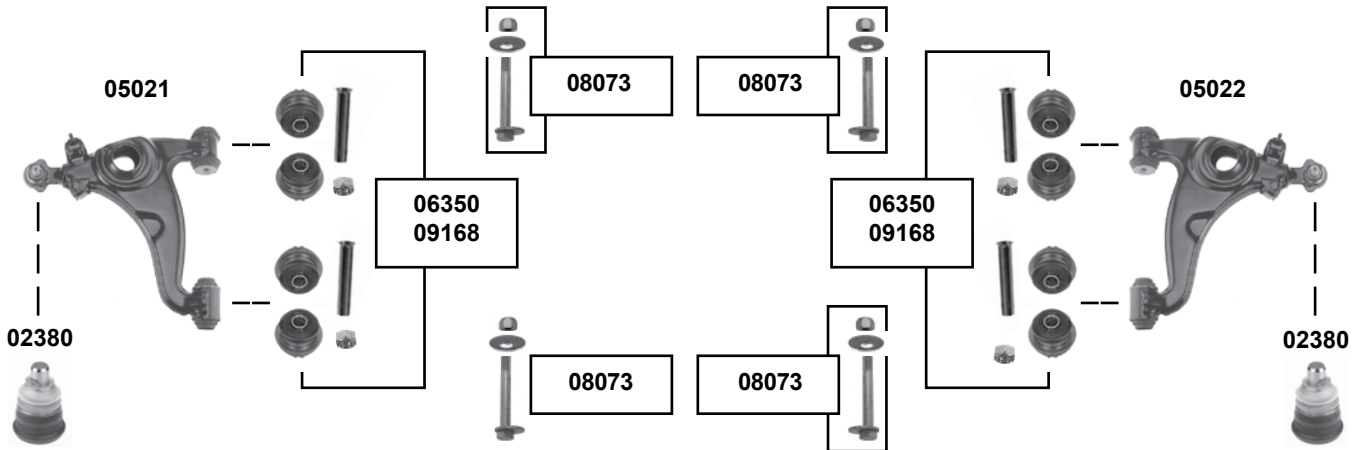
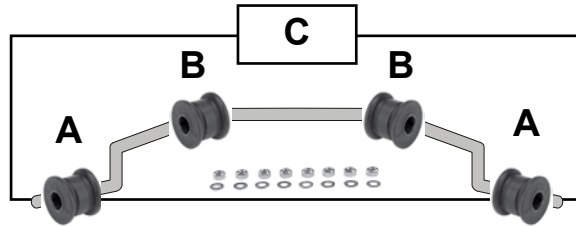
**190 (BM 201)**

(1983 → 1992)

**190 → 190 E 2.0**

**190 D → 190 D 2.5**

(ex.) **Sport**



**Stabilisatorlager / stabilizer mount**

	<b>A</b>	<b>B</b>	<b>C</b>
190	<b>14948</b>	<b>14948</b>	<b>17101</b>
190 E 1.8 / 2.0	<b>14948</b>	<b>14948</b>	<b>17101</b>
190 D	<b>14948</b>	<b>14948</b>	<b>17101</b>
190 D 2.5	<b>14948</b>	<b>14948</b>	<b>17101</b>



(1) (ch.) → A 675431 / F 920107

(2) (ch.) A 675432 / F 920108 →

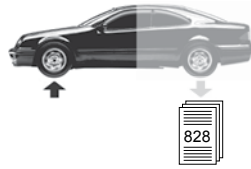


**Ref. - No.**



<b>02380</b>	124 333 03 27	Traggelenk / ball joint		Ø A 18
<b>05021</b>	124 330 38 07	Querlenker / control arm		
<b>05022</b>	124 330 39 07	Querlenker / control arm		
<b>06350</b>	201 330 00 75	Rep. Satz Querlenker / rep. kit control arm	<b>(1)</b>	
<b>08073</b>	201 330 00 18	Rep. Satz Exzenterbolzen / rep. kit eccentric bolt		M14x1,5x130
<b>09168</b>	201 330 02 75	Rep. Satz Querlenker / rep. kit control arm	<b>(2)</b>	
<b>14948</b>	201 323 49 85	Stabilisatorlager / stabilizer mount		Ø I 23
<b>17101</b>	201 320 08 47	Rep. Satz Stabilisatorlager / rep. kit stabilizer mount		

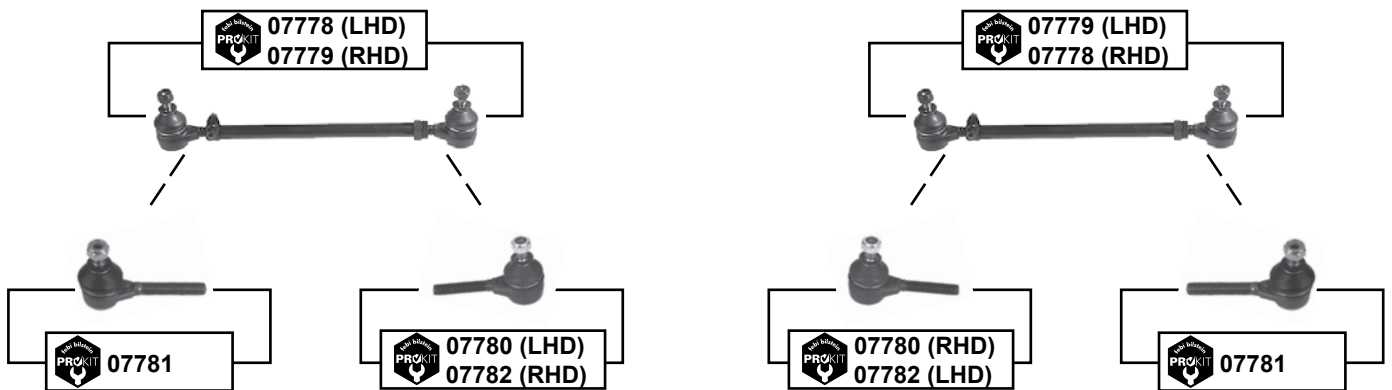
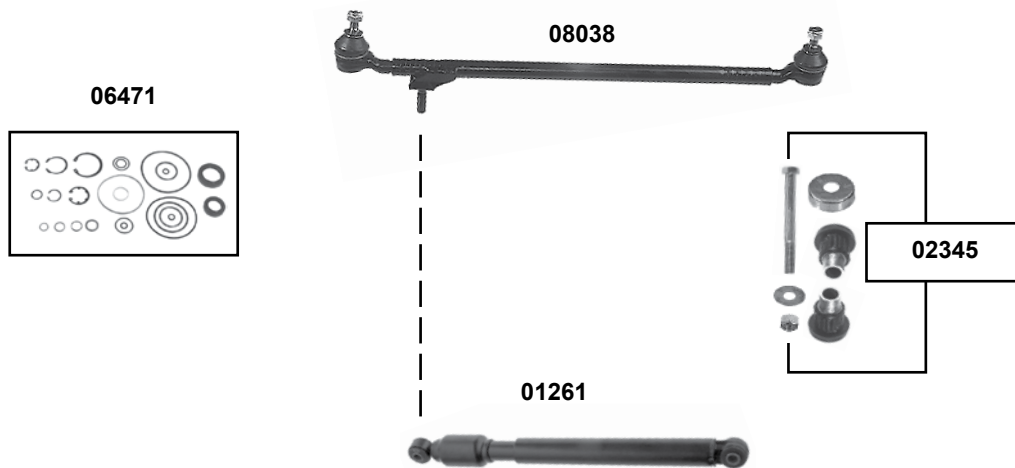
Vorderachse / Front axle



## 190 (BM 201) (1983 → 1992)

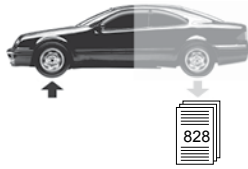
190 E 2.3 → 190 E 2.6

190 D 2.5 Turbo  
(ex.) **Sport**



Vorderachse / Front axle

	Ref. - No.			
<b>01261</b>	124 463 04 32	Lenkungs­dämpfer / steering-damper		
<b>02345</b>	201 460 00 50	Rep. Satz Lenkhebel / rep. kit steering arm		
<b>06471</b>	201 460 00 61	Dichtungssatz Servolenkung / gasket set power steering		
<b>07778</b>	201 330 15 03	ProKit Spurstange / tie rod		
<b>07779</b>	201 330 16 03	ProKit Spurstange / tie rod		
<b>07780</b>	000 338 61 10	ProKit Spurstangenendstück / tie rod end		M12x1,5 RHT
<b>07781</b>	000 338 60 10	ProKit Spurstangenendstück / tie rod end		M12x1,5 LHT
<b>07782</b>	000 338 63 10	ProKit Spurstangenendstück / tie rod end		M12x1,5 RHT
<b>08038</b>	201 460 15 05	Lenkstange / drag link	LHD / RHD	



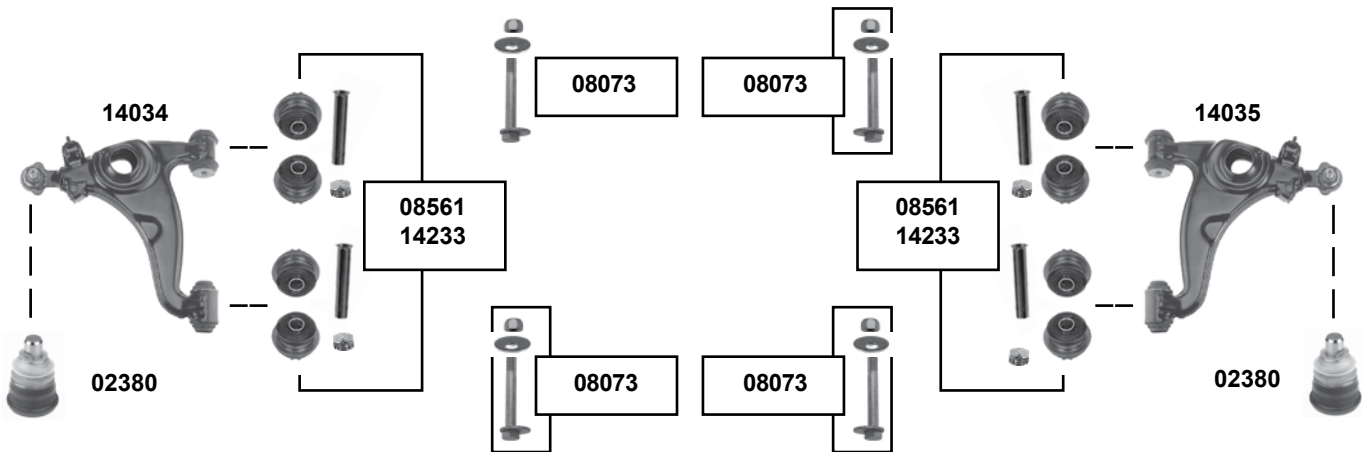
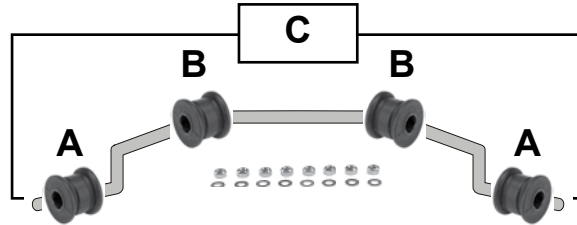
## 190 (BM 201)

(1983 → 1992)

190 E 2.3 → 190 E 2.6

190 D 2.5 Turbo

(ex.) Sport



### Stabilisatorlager / stabilizer mount

	A	B	C
190 E 2.3	14948	14948	17101
190 E 2.6	14942	17680	-
190 D 2.5 Turbo	14948	14944	17100



(1) (ch.) → A 675431 / F 920107

(2) (ch.) 675432 / F 920108 →

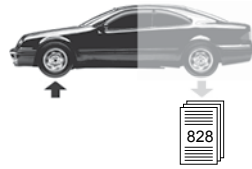


Ref. - No.



<b>02380</b>	124 333 03 27	Traggelenk / ball joint		Ø A 18
<b>08073</b>	201 330 00 18	Rep. Satz Exzenterbolzen / rep. kit eccentric bolt		M14x1,5x130
<b>08561</b>	124 330 05 75	Rep. Satz Querlenkerlager / rep. kit control arm mount	(1)	
<b>14034</b>	124 330 18 07	Querlenker / control arm		
<b>14035</b>	124 330 19 07	Querlenker / control arm		
<b>14233</b>	124 330 07 75 S1	Rep. Satz Querlenkerlager / rep. kit control arm mount	(2)	
<b>14942</b>	124 323 49 85	Stabilisatorlager / stabilizer mount		Ø I 18
<b>14944</b>	124 323 37 85	Stabilisatorlager / stabilizer mount		Ø I 24
<b>14948</b>	201 323 49 85	Stabilisatorlager / stabilizer mount		Ø I 23
<b>17100</b>	124 320 18 47	Rep. Satz Stabilisatorlager / rep. kit stabilizer mount		
<b>17101</b>	201 320 08 47	Rep. Satz Stabilisatorlager / rep. kit stabilizer mount		
<b>17680</b>	124 323 44 85	Stabilisatorlager / stabilizer mount		Ø I 25

Vorderachse / Front axle

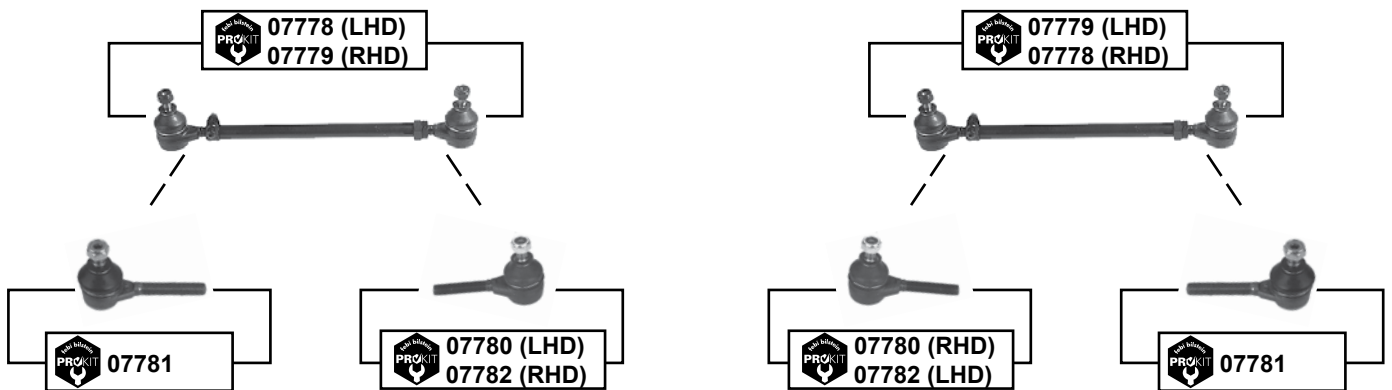
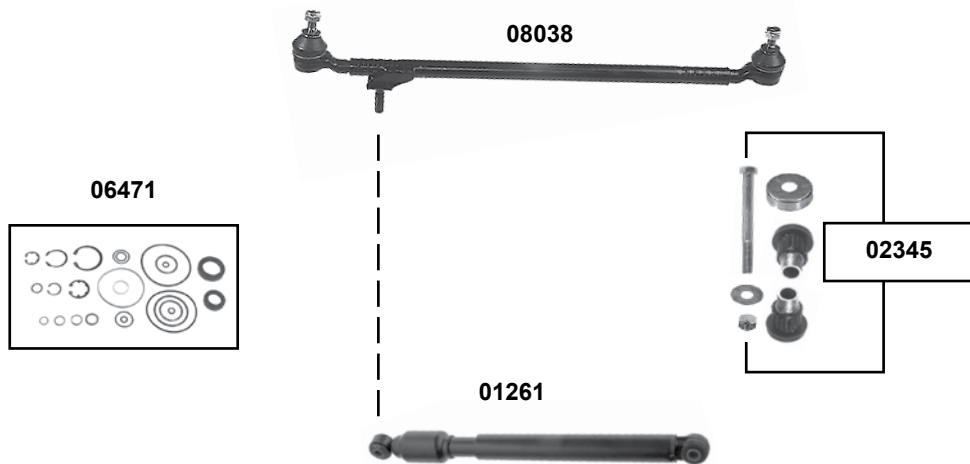


**190 (BM 201)**  
(1983 → 1992)

**190 → 190 E 2.6**

**190 D → 190 D 2.5 Turbo**

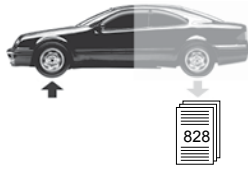
**Sport**



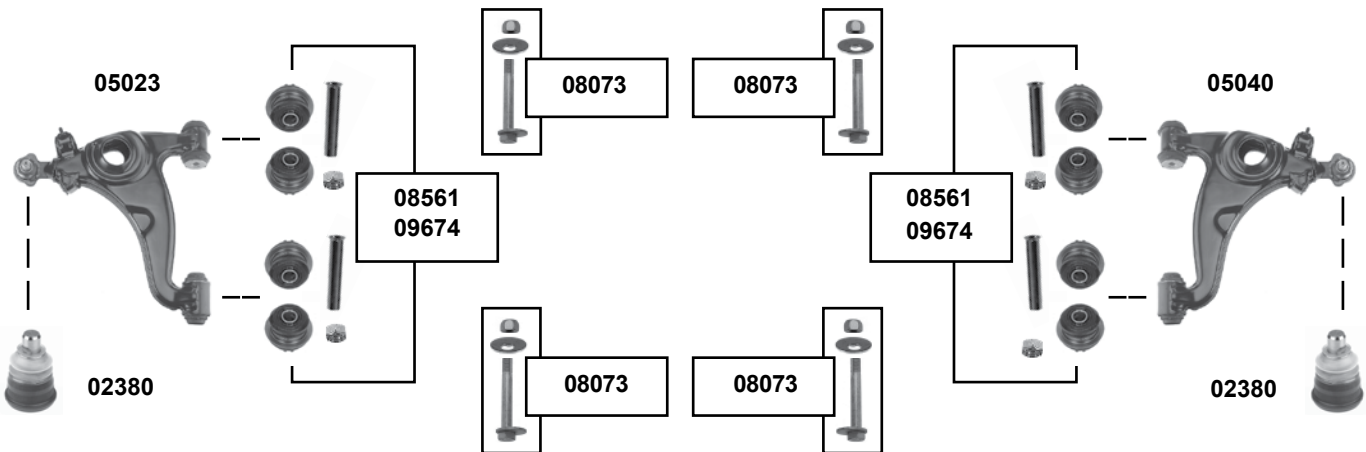
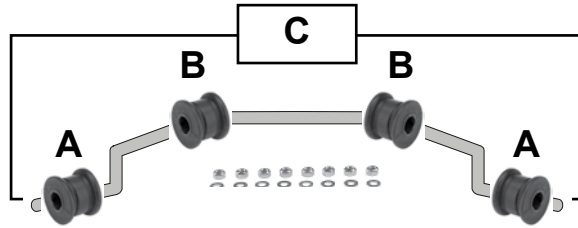
Vorderachse / Front axle

	Ref. - No.			
<b>01261</b>	124 463 04 32	Lenkungsdämpfer / steering-damper		
<b>02345</b>	201 460 00 50	Rep. Satz Lenkhebel / rep. kit steering arm		
<b>06471</b>	201 460 00 61	Dichtungssatz Servolenkung / gasket set power steering		
<b>07778</b>	201 330 15 03	ProKit Spurstange / tie rod		
<b>07779</b>	201 330 16 03	ProKit Spurstange / tie rod		
<b>07780</b>	000 338 61 10	ProKit Spurstangenendstück / tie rod end		M12x1,5 RHT
<b>07781</b>	000 338 60 10	ProKit Spurstangenendstück / tie rod end		M12x1,5 LHT
<b>07782</b>	000 338 63 10	ProKit Spurstangenendstück / tie rod end		M12x1,5 RHT
<b>08038</b>	201 460 15 05	Lenkstange / drag link	LHD / RHD	





**190 (BM 201)**  
 (1983 → 1992)  
**190 → 190 E 2.6**  
**190 D → 190 D 2.5 Turbo**  
**Sport**



### Stabilisatorlager / stabilizer mount

	A	B
190 E 2.6	14952	-
190 D 2.5 / D 2.5 Turbo	14952	-



(1) (ch.) → A 675431 / F 920107

(2) (ch.) 675432 / F 920108 →

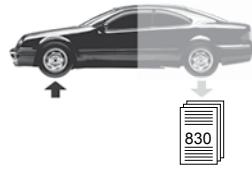


Ref. - No.



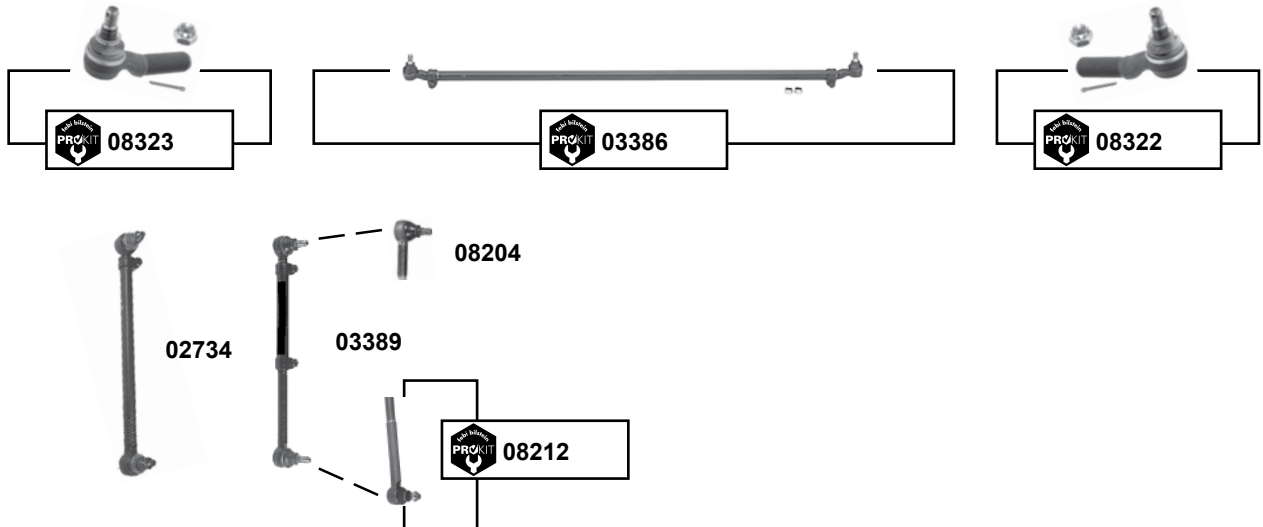
<b>02380</b>	124 333 03 27	Traggelenk / ball joint		Ø A 18
<b>05023</b>	124 330 30 07	Querlenker / control arm		
<b>05040</b>	124 330 31 07	Querlenker / control arm		
<b>08073</b>	201 330 00 18	Rep. Satz Exzenterbolzen / rep. kit eccentric bolt		M14x1,5x130
<b>08561</b>	124 330 05 75	Rep. Satz Querlenkerlager / rep. kit control arm mount	(1)	
<b>09674</b>	124 330 06 75	Rep. Satz Querlenkerlager / rep. kit control arm mount	(2)	
<b>14952</b>	124 323 50 85	Stabilisatorlager / stabilizer mount		Ø I 22,5

Vorderachse / Front axle

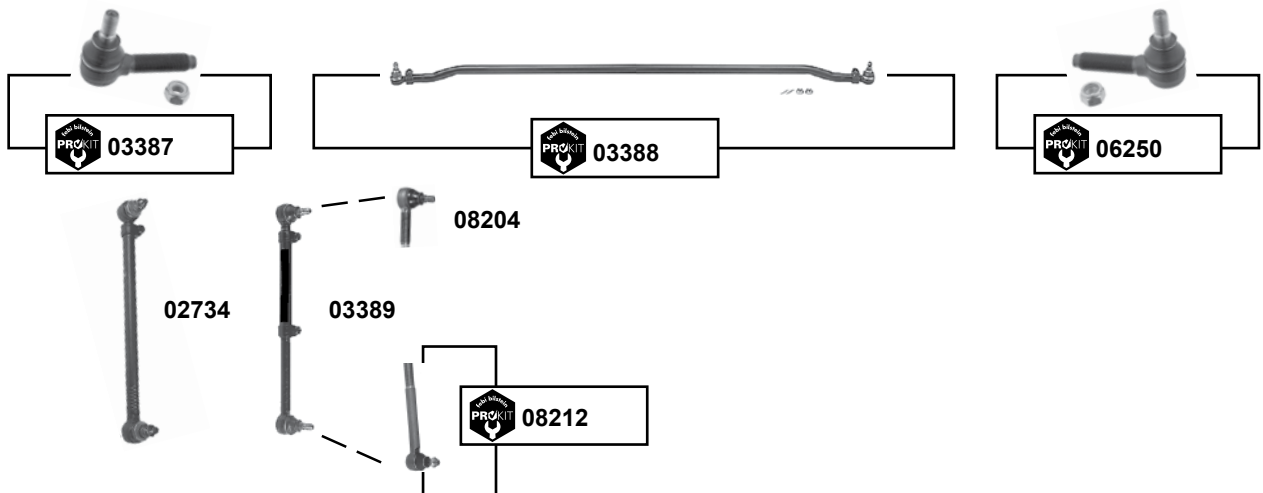


**207D → 210D (BM 601)**  
(1973 → 1995)

**(axle) 730.403 / 445**



**(axle) 730.404 / 446**



Vorderachse / Front axle



(1) LHD / man. (ch.) → 152919  
LHD / servo (ch.) → 82 78 00063

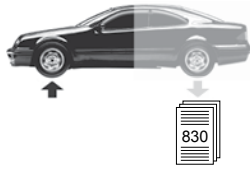
(2) LHD / man. (ch.) 152920 →  
LHD / servo (ch.) 82 78 00064 →  
RHD / man. (ch.) 166249 →



Ref. - No.



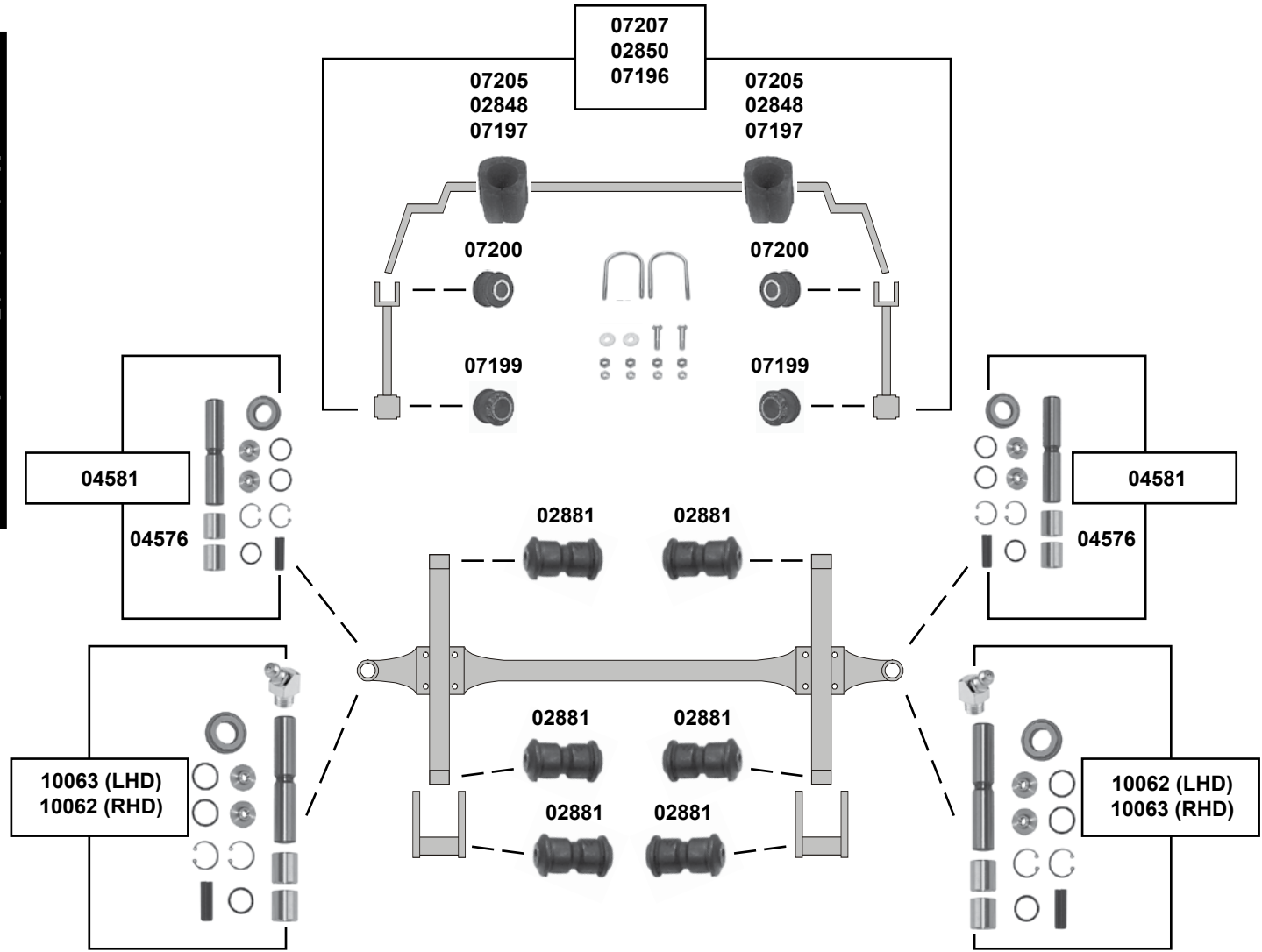
Ref. - No.	Description	Quantity	Part No.
02734	309 460 31 05 Lenkstange / drag link	(1)	L 486
03386	602 330 09 03 ProKit Spurstange / tie rod		L 1356
03387	601 330 04 35 ProKit Spurstangenendstück / tie rod end		M20x1,5 RHT
03388	602 330 03 03 ProKit Spurstange / tie rod		L 1352
03389	601 460 13 05 Lenkstange / drag link	(2)	L 483
06250	601 330 05 35 ProKit Spurstangenendstück / tie rod end		M20x1,5 LHT
08204	000 460 85 48 Lenkstangenendstück / drag link end	(2)	M22x1,5 RHT
08212	000 460 86 48 ProKit Lenkstangenendstück / drag link end	(2)	M22x1,5 LHT
08322	602 330 57 35 ProKit Spurstangenendstück / tie rod end		M24x1,5 LHT
08323	602 330 58 35 ProKit Spurstangenendstück / tie rod end		M24x1,5 RHT



## 207D → 210D (BM 601) (1973 → 1995)

(axle) 730.403 / 404 / 445 / 446

Vorderachse / Front axle

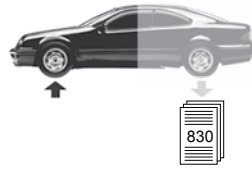


ohne Abbildung / without illustration febi 04587 Achsschenkelbolzensatz / king pin set = 2x febi 04581

(1) (axle) 730.404 / 445 / 446

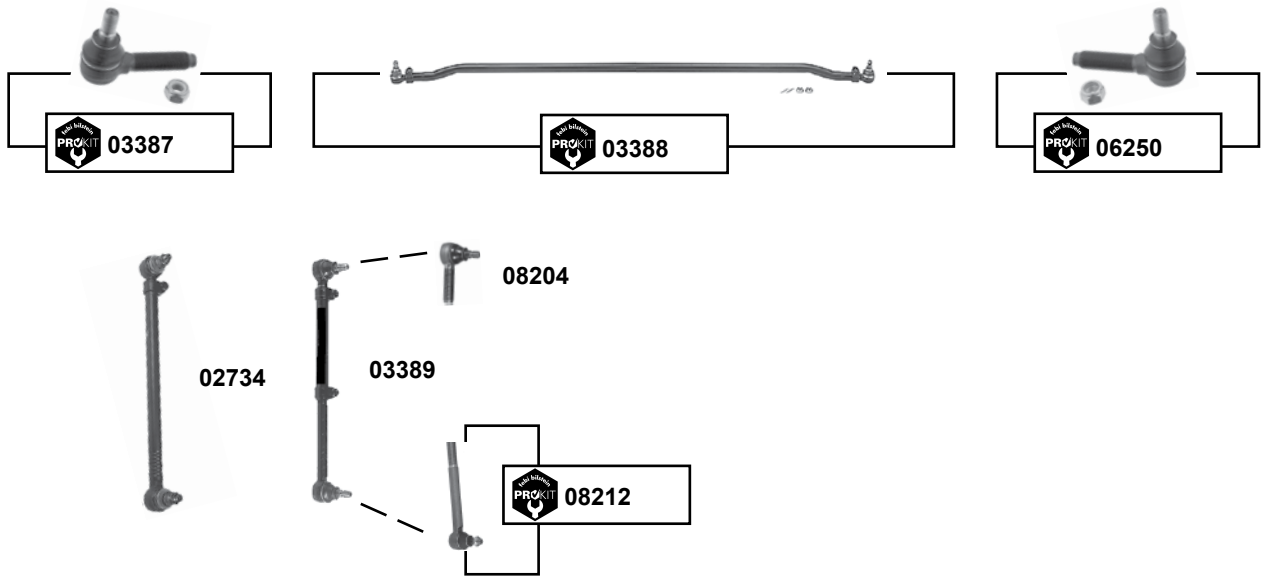
(2) (axle) 730.403

	Ref. - No.			
02848	602 326 08 82	Stabilisatorlager / stabilizer mount	(1) / (ch.) 631642 →	Ø   30
02850	601 320 04 11	Rep. Satz Stabilisatorlager / rep. kit stabilizer mount	(1) / (ch.) 631642 →	
02881	000 321 00 50	Blattfederlager / leaf spring bush		12x32/38x70
04576	601 332 50 50	Achsbüchse / king pin bushing	(axle) → A 280963	
04581	601 330 00 19	Achsschenkelbolzensatz / king pin set	(axle) → A 280963	23x132
04587	601 330 00 19/2	Achsschenkelbolzensatz / king pin set	(axle) → A 280963	23x132
07196	601 320 07 11	Rep. Satz Stabilisatorlager / rep. kit stabilizer mount	(2)	
07197	602 326 02 82	Stabilisatorlager / stabilizer mount	(2)	Ø   32
07199	602 321 02 50	Stabilisatorlager / stabilizer mount		16x26x26
07200	601 321 03 50	Stabilisatorlager / stabilizer mount		12x26x26
07205	602 326 04 82	Stabilisatorlager / stabilizer mount	(1) / (ch.) → 631641	Ø   30
07207	601 320 01 83	Rep. Satz Stabilisatorlager / rep. kit stabilizer mount	(1) / (ch.) → 631641	23x132
10062	601 330 03 19	Rep. Satz Achsschenkelbolzen / rep. kit king pin	(axle) A 280964 →	23x132
10063	601 330 04 19	Rep. Satz Achsschenkelbolzen / rep. kit king pin	(axle) A 280964 →	



**307D → 310D (BM 602)**  
(1973 → 1995)

**(axle) 730.404 / 446**



Vorderachse / Front axle



(1) LHD / man. (ch.) → 152645  
LHD / servo (ch.) → 82 78 00063

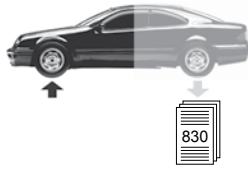
(2) LHD / man. (ch.) 152646 →  
LHD / servo (ch.) 82 78 00064 →  
RHD / man. (ch.) 166249 →



Ref. - No.

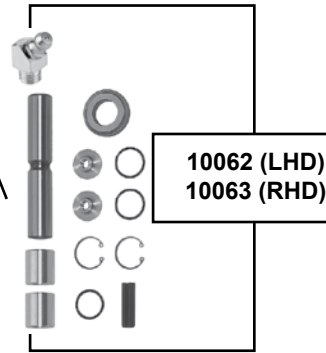
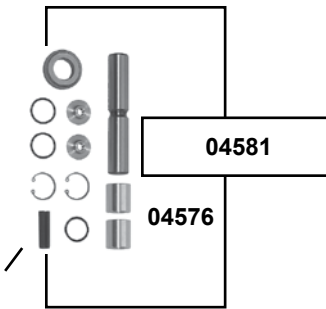
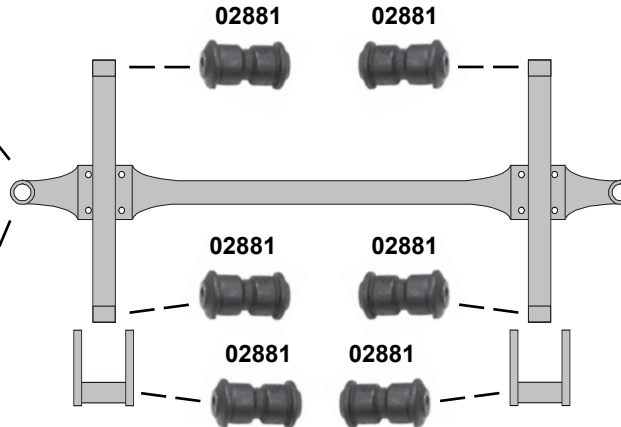
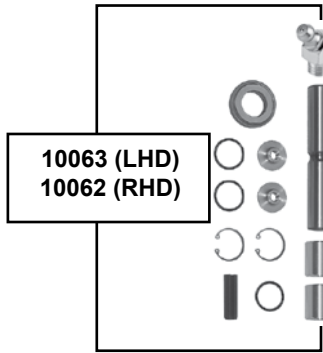
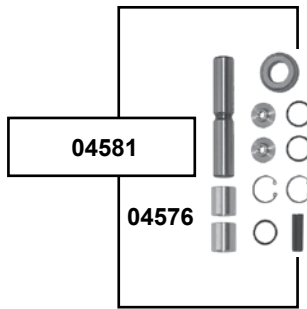
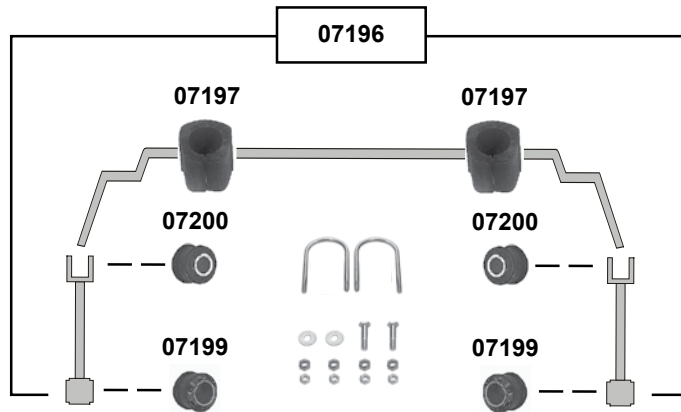


Ref. - No.	Description	Quantity	Part No.
02734	309 460 31 05 Lenkstange / drag link	(1)	L 486
03387	601 330 04 35 ProKit Spurstangenendstück / tie rod end	(1)	M20x1,5 RHT
03388	602 330 03 03 ProKit Spurstange / tie rod	(1)	L 1352
03389	601 460 13 05 Lenkstange / drag link	(2)	L 483
06250	601 330 05 35 ProKit Spurstangenendstück / tie rod end	(2)	M20x1,5 LHT
08204	000 460 85 48 Lenkstangenendstück / drag link end	(2)	M22x1,5 RHT
08212	000 460 86 48 ProKit Lenkstangenendstück / drag link end	(2)	M22x1,5 LHT



## 307D → 310D (BM 602) (1973 → 1995)

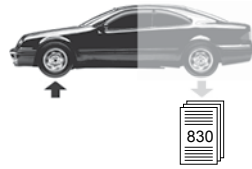
(axle) 730.404 / 446



ohne Abbildung / without illustration febi 04587 Achsschenkelbolzensatz / king pin set = 2x febi 04581

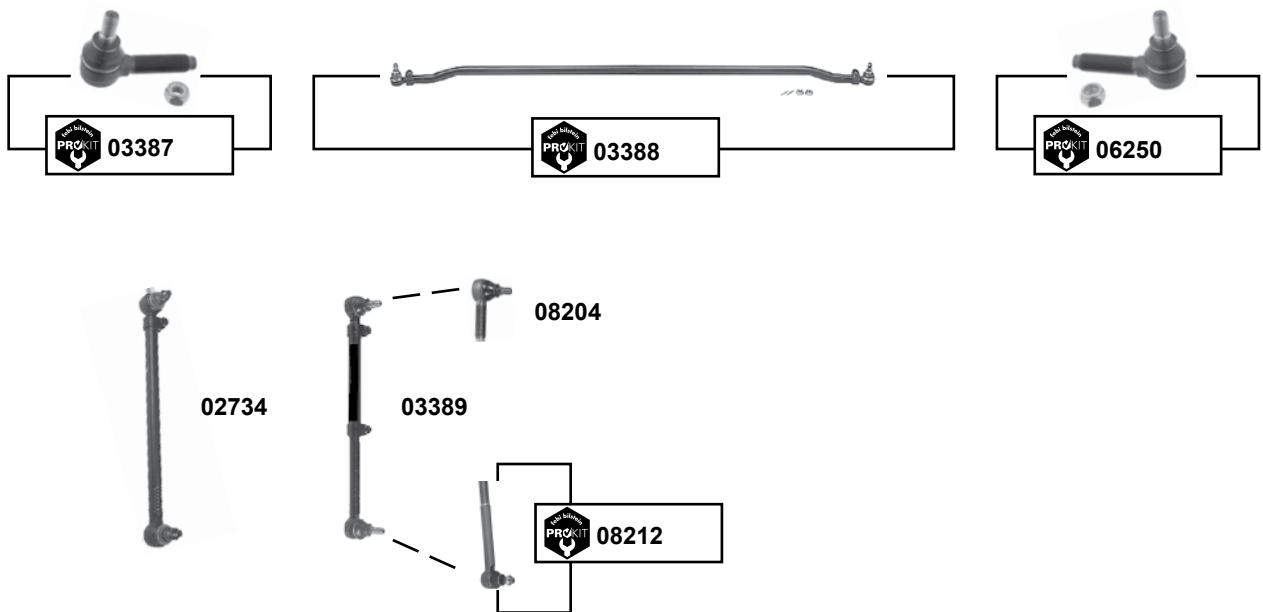
	Ref. - No.			
02881	000 321 00 50	Blattfederlager / leaf spring bush		12x32/38x70
04576	601 332 50 50	Achsbüchse / king pin bushing	(axle) → A 280963	
04581	601 330 00 19	Achsschenkelbolzensatz / king pin set	(axle) → A 280963	23x132
04587	601 330 00 19/2	Achsschenkelbolzensatz / king pin set	(axle) → A 280963	23x132
07196	601 320 07 11	Rep. Satz Stabilisatorlager / rep. kit stabilizer mount		
07197	602 326 02 82	Stabilisatorlager / stabilizer mount		Ø   32
07199	602 321 02 50	Stabilisatorlager / stabilizer mount		16x26x26
07200	601 321 03 50	Stabilisatorlager / stabilizer mount		12x26x26
10062	601 330 03 19	Rep. Satz Achsschenkelbolzen / rep. kit king pin	(axle) A 280964 →	23x132
10063	601 330 04 19	Rep. Satz Achsschenkelbolzen / rep. kit king pin	(axle) A 280964 →	

Vorderachse / Front axle



## 307D → 310D (BM 602) (1973 → 1995)

(axle) 730.405 / 447 / 448



Vorderachse / Front axle



(1) LHD / man. (ch.) → 152645  
LHD / servo (ch.) → 82 78 00063

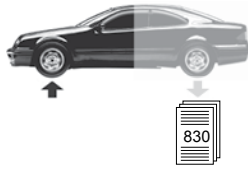
(2) LHD / man. (ch.) 152646 →  
LHD / servo (ch.) 82 78 00064 →  
RHD / man. (ch.) 166249 →



Ref. - No.

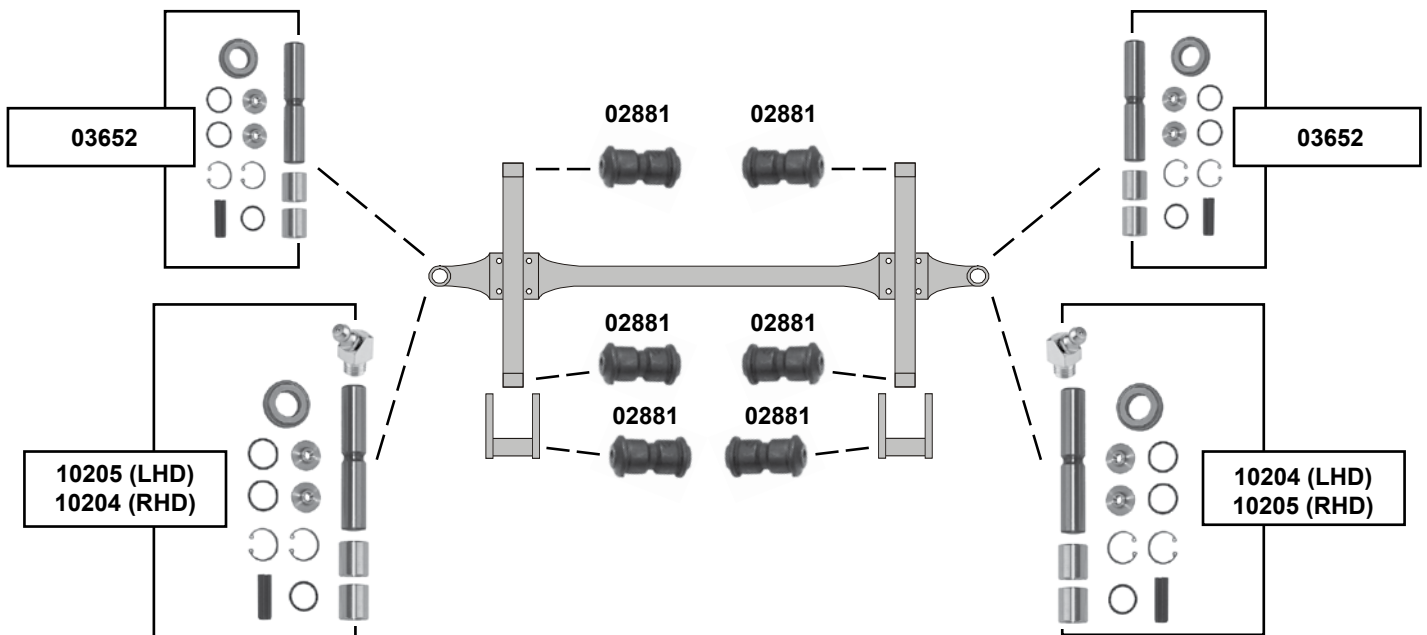
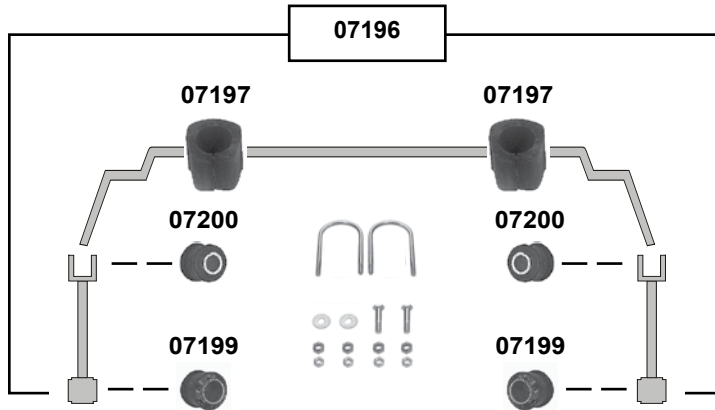


Part No.	Ref. - No.	Description	Quantity	Thread
02734	309 460 31 05	Lenkstange / drag link	(1)	L 486
03387	601 330 04 35	ProKit Spurstangenendstück / tie rod end		M20x1,5 RHT
03388	602 330 03 03	ProKit Spurstange / tie rod		L 1352
03389	601 460 13 05	Lenkstange / drag link	(2)	L 483
06250	601 330 05 35	ProKit Spurstangenendstück / tie rod end		M20x1,5 LHT
08204	000 460 85 48	Lenkstangenendstück / drag link end	(2)	M22x1,5 RHT
08212	000 460 86 48	ProKit Lenkstangenendstück / drag link end	(2)	M22x1,5 LHT

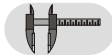


## 307D → 310D (BM 602) (1973 → 1995)

(axle) 730.405 / 447 / 448

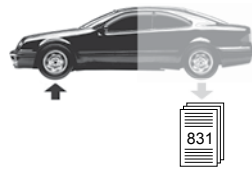


Ref. - No.



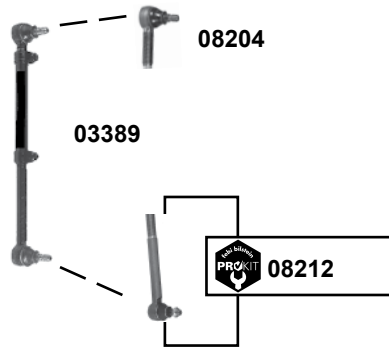
Ref. - No.	Description	Notes	Dimensions
02881	Blattfederlager / leaf spring bush		12x32/38x70
03652	Achsschenkelbolzensatz / king pin set	(axle) → A 280963	23x132
07196	Rep. Satz Stabilisatorlager / rep. kit stabilizer mount		
07197	Stabilisatorlager / stabilizer mount		Ø I 32
07199	Stabilisatorlager / stabilizer mount		16x26x26
07200	Stabilisatorlager / stabilizer mount		12x26x26
10204	Rep. Satz Achsschenkelbolzen / rep. kit king pin	(axle) A 280964 →	23x132
10205	Rep. Satz Achsschenkelbolzen / rep. kit king pin	(axle) A 280964 →	

Vorderachse / Front axle



**407D → 410D (BM 611)**  
(1982 → 1995)

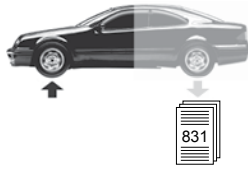
**(axle) 730.405**



Vorderachse / Front axle

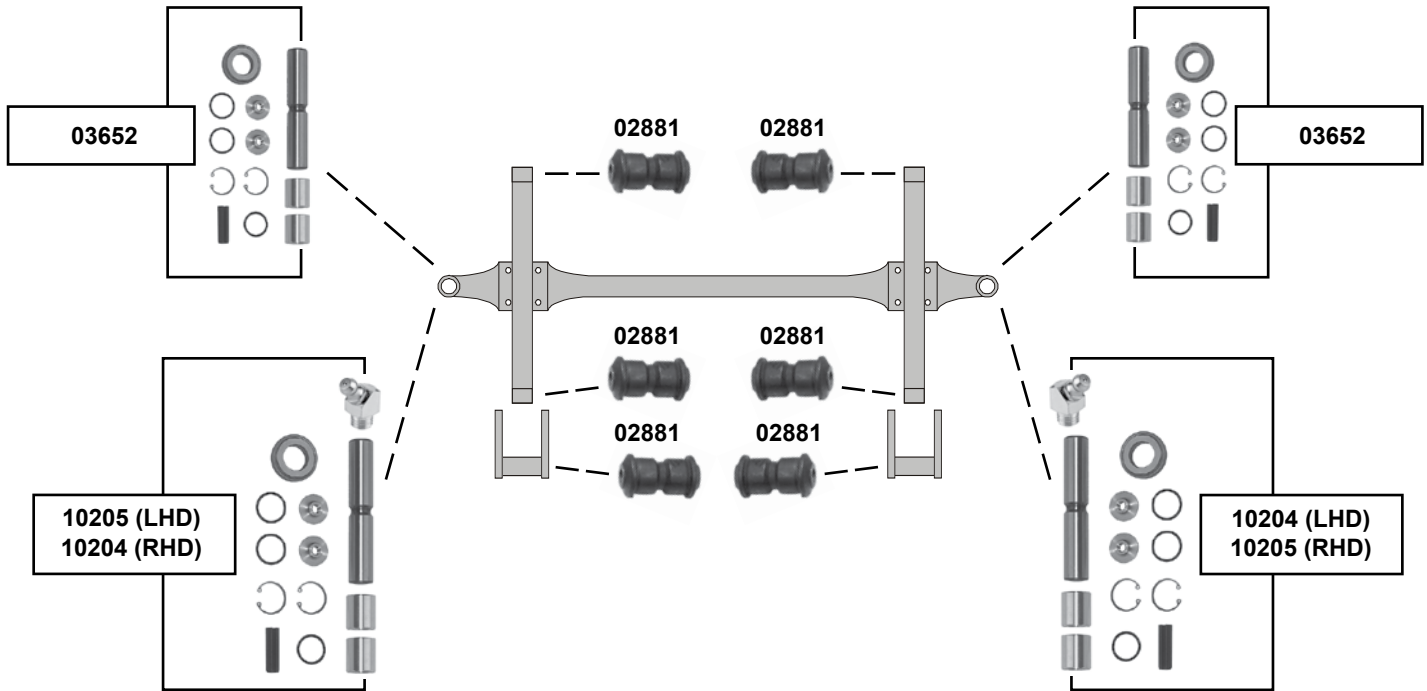
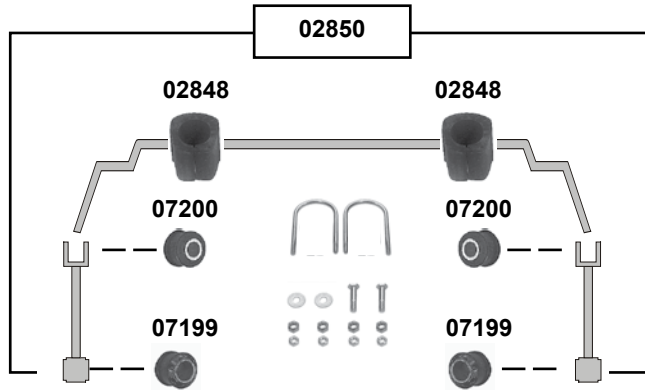
	Ref. - No.			
<b>03387</b>	601 330 04 35	ProKit Spurstangenendstück / tie rod end		M20x1,5 RHT
<b>03388</b>	602 330 03 03	ProKit Spurstange / tie rod		L 1352
<b>03389</b>	601 460 13 05	Lenkstange / drag link		L 483
<b>06250</b>	601 330 05 35	ProKit Spurstangenendstück / tie rod end		M20x1,5 LHT
<b>08204</b>	000 460 85 48	Lenkstangenendstück / drag link end		M22x1,5 RHT
<b>08212</b>	000 460 86 48	ProKit Lenkstangenendstück / drag link end		M22x1,5 LHT





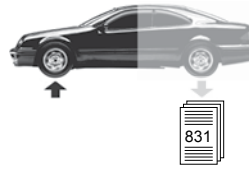
## 407D → 410D (BM 611) (1982 → 1995)

(axle) 730.405

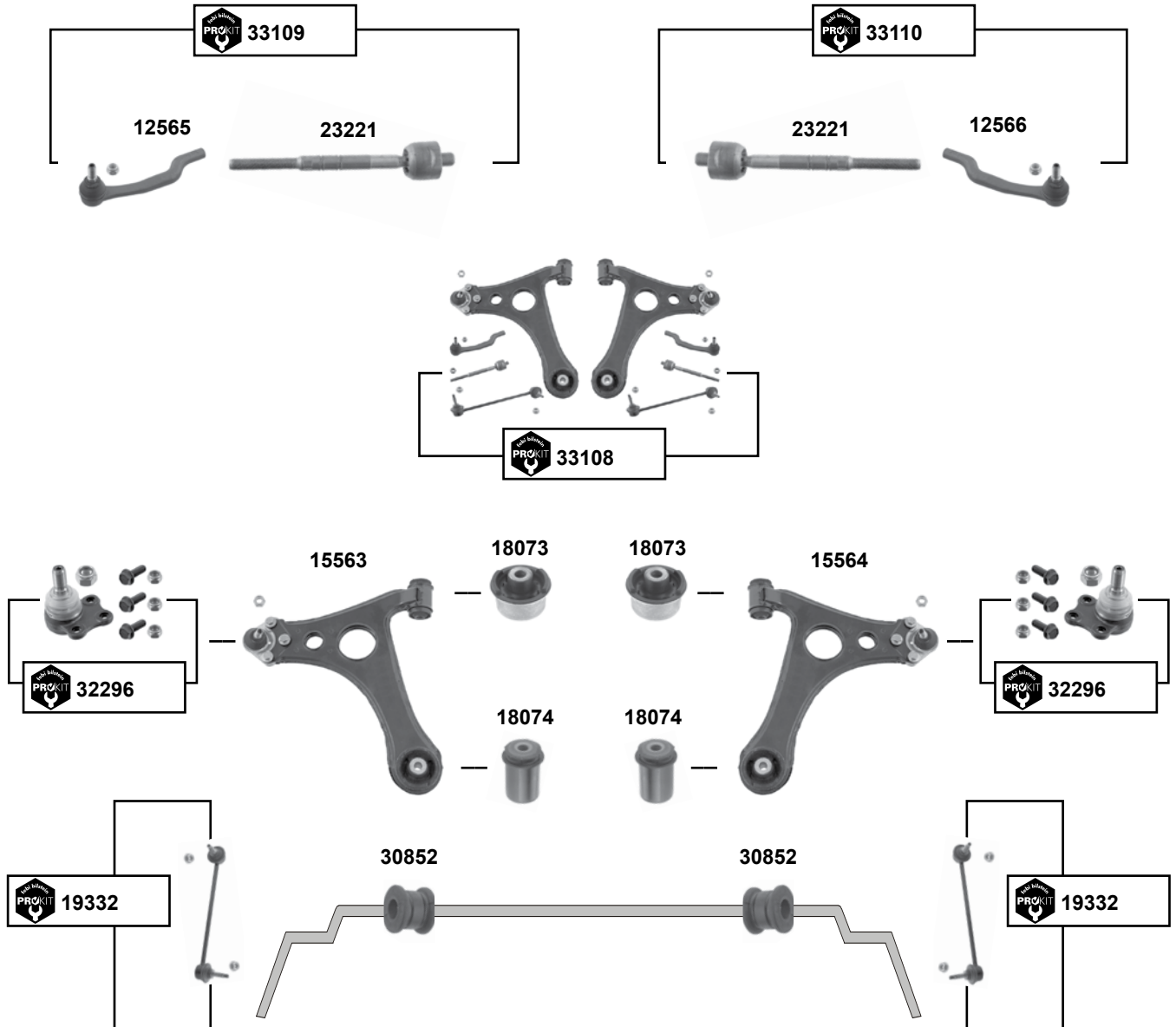


	Ref. - No.			
<b>02848</b>	602 326 08 82	Rep. Satz Stabilisatorlager / rep. kit stabilizer mount		
<b>02850</b>	601 320 04 11	Stabilisatorlager / stabilizer mount		Ø   32
<b>02881</b>	000 321 00 50	Blattfederlager / leaf spring bush		12x32/38x70
<b>03652</b>	611 330 00 19	Achsschenkelbolzensatz / king pin set	(axle) → A 280963	23x132
<b>07199</b>	602 321 02 50	Stabilisatorlager / stabilizer mount		16x26x26
<b>07200</b>	601 321 03 50	Stabilisatorlager / stabilizer mount		12x26x26
<b>10204</b>	611 330 03 19	Rep. Satz Achsschenkelbolzen / rep. kit king pin	(axle) A 280964 →	23x132
<b>10205</b>	611 330 04 19	Rep. Satz Achsschenkelbolzen / rep. kit king pin	(axle) A 280964 →	

Vorderachse / Front axle



## A-Klasse (BM 168) (1997 → 2005)

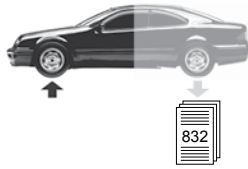


Vorderachse / Front axle

	Ref. - No.			
12565	168 330 15 35	Spurstangenendstück / tie rod end		M12 x 1,5
12566	168 330 16 35	Spurstangenendstück / tie rod end		M12 x 1,5
15563	168 330 23 07	Querlenker / control arm		
15564	168 330 24 07	Querlenker / control arm		
18073	168 333 06 14	Querlenkerlager / control arm mount		
18074	168 333 07 14	Querlenkerlager / control arm mount		
19332	168 320 11 89	ProKit Verbindungsstange / stabilizer link		
23221	168 330 13 35	Spurstange / tie rod		
30852	168 323 03 85	Stabilisatorlager / stabilizer mount		
32296	168 333 02 27 S1	ProKit Tragelenk / ball joint		M12 x 1,5
33108	168 330 99 07 S1	ProKit Querlenker / control arm		
33109	168 330 98 35	ProKit Spurstange links / tie rod left		
33110	168 330 99 35 S1	ProKit Spurstange rechts / tie rod right		

passend für / to fit

# MERCEDES-BENZ



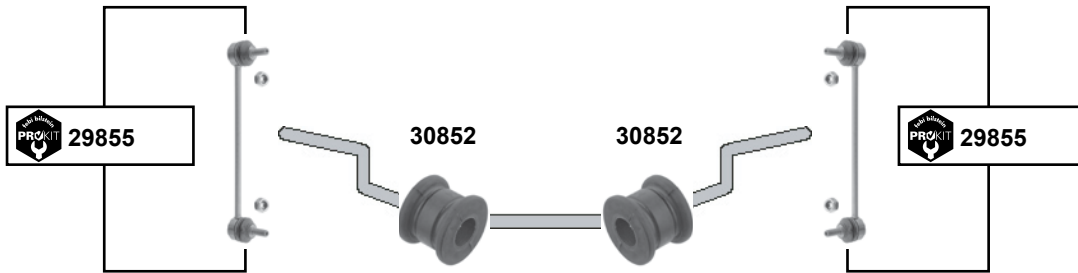
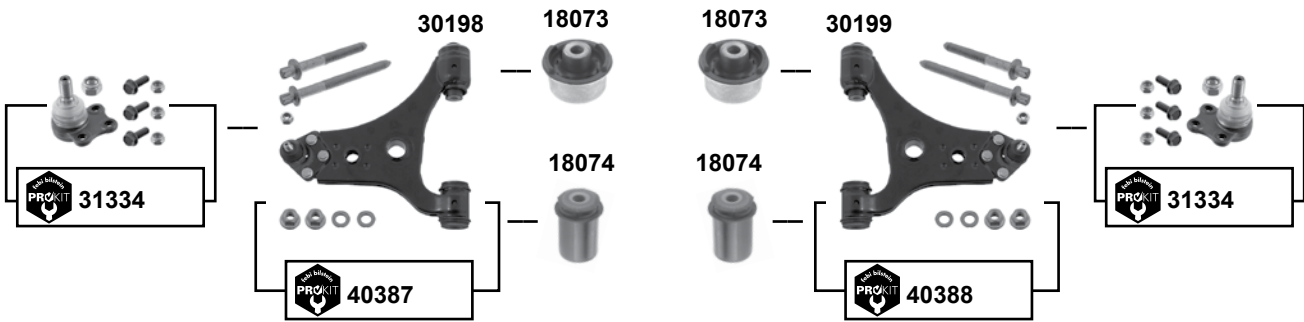
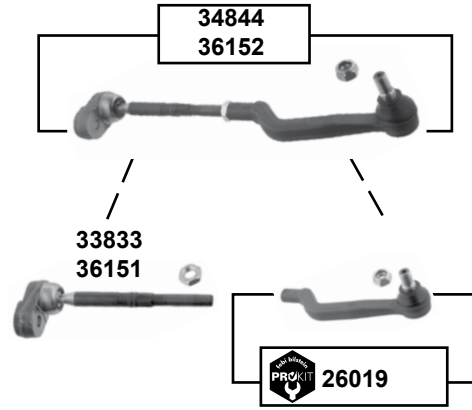
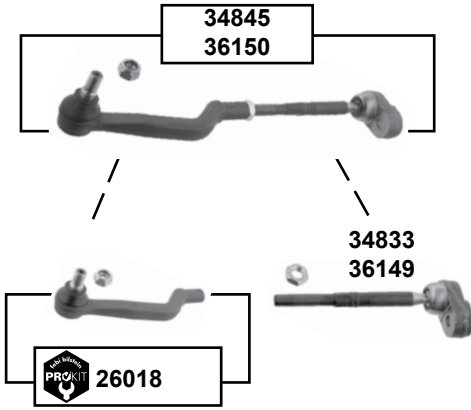
Car  
Division

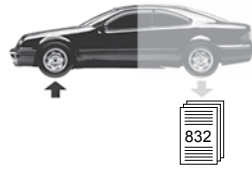


## A-Klasse (BM 169)

(2004 →)

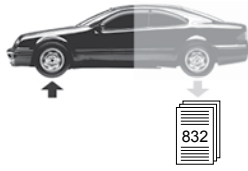
Vorderachse / Front axle





**A-Klasse (BM 169)**  
(2004 →)

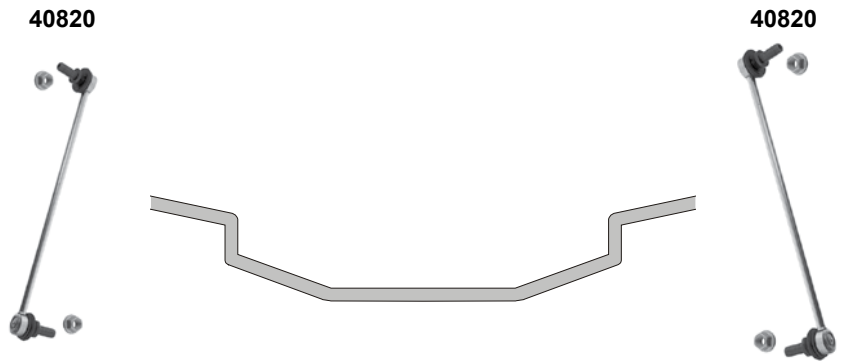
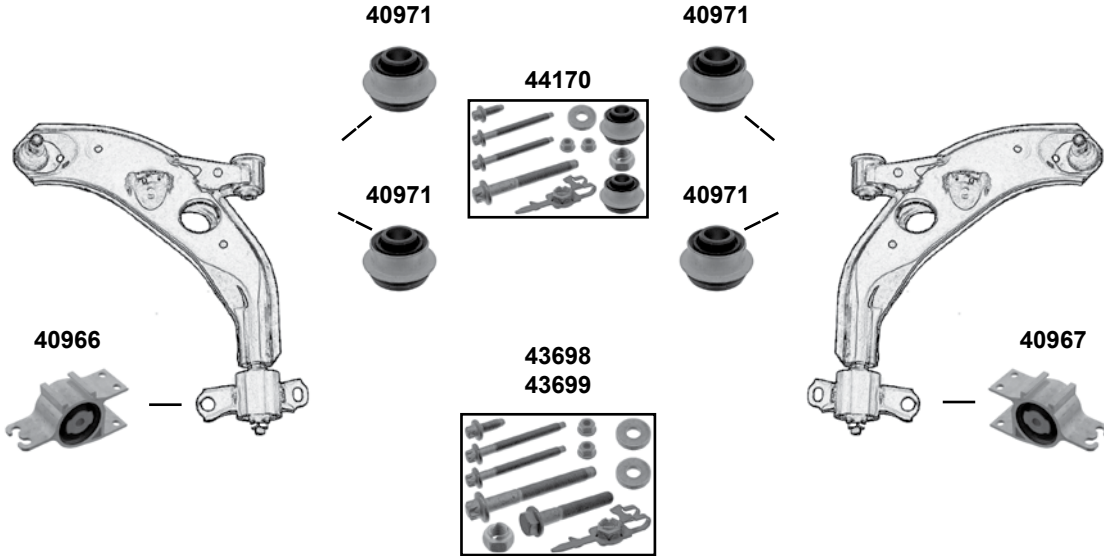
	Ref. - No.			
<b>18073</b>	168 333 06 14	Querlenkerlager / control arm mount		
<b>18074</b>	168 333 07 14	Querlenkerlager / control arm mount		
<b>26018</b>	169 330 05 03	ProKit Spurstangenendstück / tie rod end		M14 x 1,5
<b>26019</b>	169 330 06 03	ProKit Spurstangenendstück / tie rod end		M14 x 1,5
<b>29855</b>	169 320 09 89	ProKit Verbindungsstange / stabilizer link		M10 x 1,5
<b>30198</b>	169 330 09 07 S1	Querlenker / control arm		
<b>30199</b>	169 330 10 07 S1	Querlenker / control arm		
<b>30852</b>	168 323 03 85	Stabilisatorlager / stabilizer mount		
<b>31334</b>	169 333 03 27	ProKit Traggelenk / ball joint		
<b>33833</b>	169 330 08 03 S1	Axialgelenk / axial joint		L 202
<b>34833</b>	169 330 09 03 S1	Axialgelenk / axial joint		L 202
<b>34844</b>	169 330 08 03 S2	Rep. Satz Spurstange / rep. kit tie rod	(ch.) J126740 →	L 202
<b>34845</b>	169 330 09 03 S2	Rep. Satz Spurstange / rep. kit tie rod	(ch.) J126740 →	L 202
<b>36149</b>	169 330 04 03 S1	Axialgelenk / axial joint		L 202
<b>36150</b>	169 330 04 03 S2	Rep. Satz Spurstange / rep. kit tie rod	(ch.) → J126739	
<b>36151</b>	169 330 07 03 S1	Axialgelenk / axial joint		L 202
<b>36152</b>	169 330 07 03 S2	Rep. Satz Spurstange / rep. kit tie rod	(ch.) → J126739	
<b>40387</b>	169 330 09 07 S4	ProKit Querlenker / control arm		
<b>40388</b>	169 330 10 07 S4	ProKit Querlenker / control arm		



**A-Klasse (BM 176)**

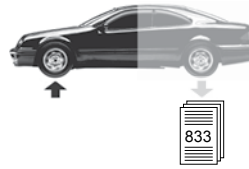
(2012 →)

Vorderachse / Front axle

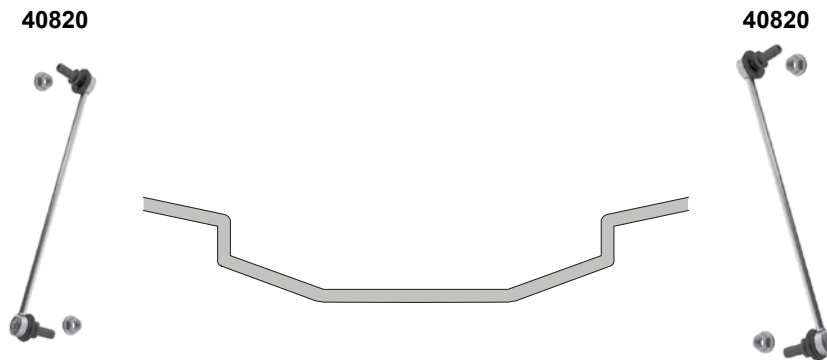
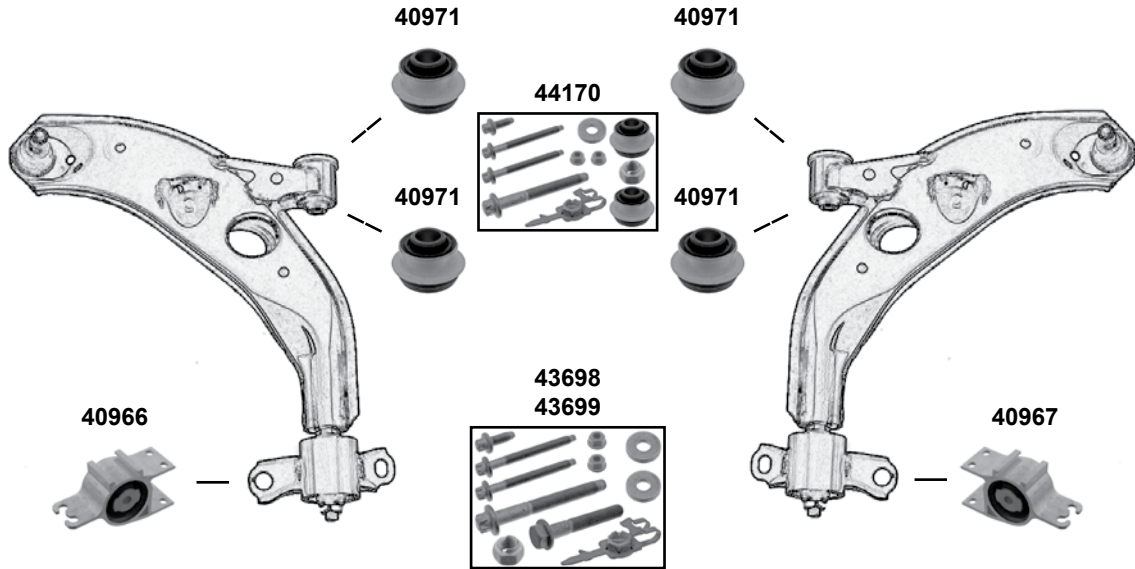


- (1) (ch.) → J 052121, (ch.) → V 000000
- (2) A 160 CDI, A 220 CDI  
A 180/CDI, A200/CDI, A 220 CDI, A 250 (ch.) J 052122 → , (ch.) V 000001 →  
A 250 4 Matic, A45 AMG/4 Matic (ch.) V 000001→

Ref. - No.			
<b>40820</b>	246 320 06 89 S1	Verbindungsstange / stabilizer link	
<b>40966</b>	246 333 01 00	Querlenkerlager / control arm mount	
<b>40967</b>	246 333 02 00	Querlenkerlager / control arm mount	
<b>40971</b>	246 333 01 14	Querlenkerlager / control arm mount	
<b>43698</b>	246 330 98 00	Montagesatz für Querlenker / mounting kit for control arm	(1)
<b>43699</b>	246 330 99 00	Montagesatz für Querlenker / mounting kit for control arm	(2)
<b>44170</b>	246 333 01 14 S2	Querlenkerlagersatz / control arm mounting kit	(1)
			M12 x 1,5 Ø   14 A 70 Ø   14 A 70 Ø   20 A 60



**B-Klasse (BM 242 / 246)**  
(2011 →)



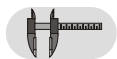
Vorderachse / Front axle

(1) (ch.) → J 139475, (ch.) → N 042253

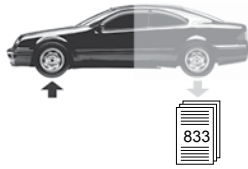
(2) BM 242: B 200  
BM 246: B 180/CDI, B 200/CDI, B 220 CDI, B 250 (ch.) J 139476 → , (ch.) N 042254 →  
BM 246: B180 CDI, B 220 4 Matic, B 160 CDI



Ref. - No.



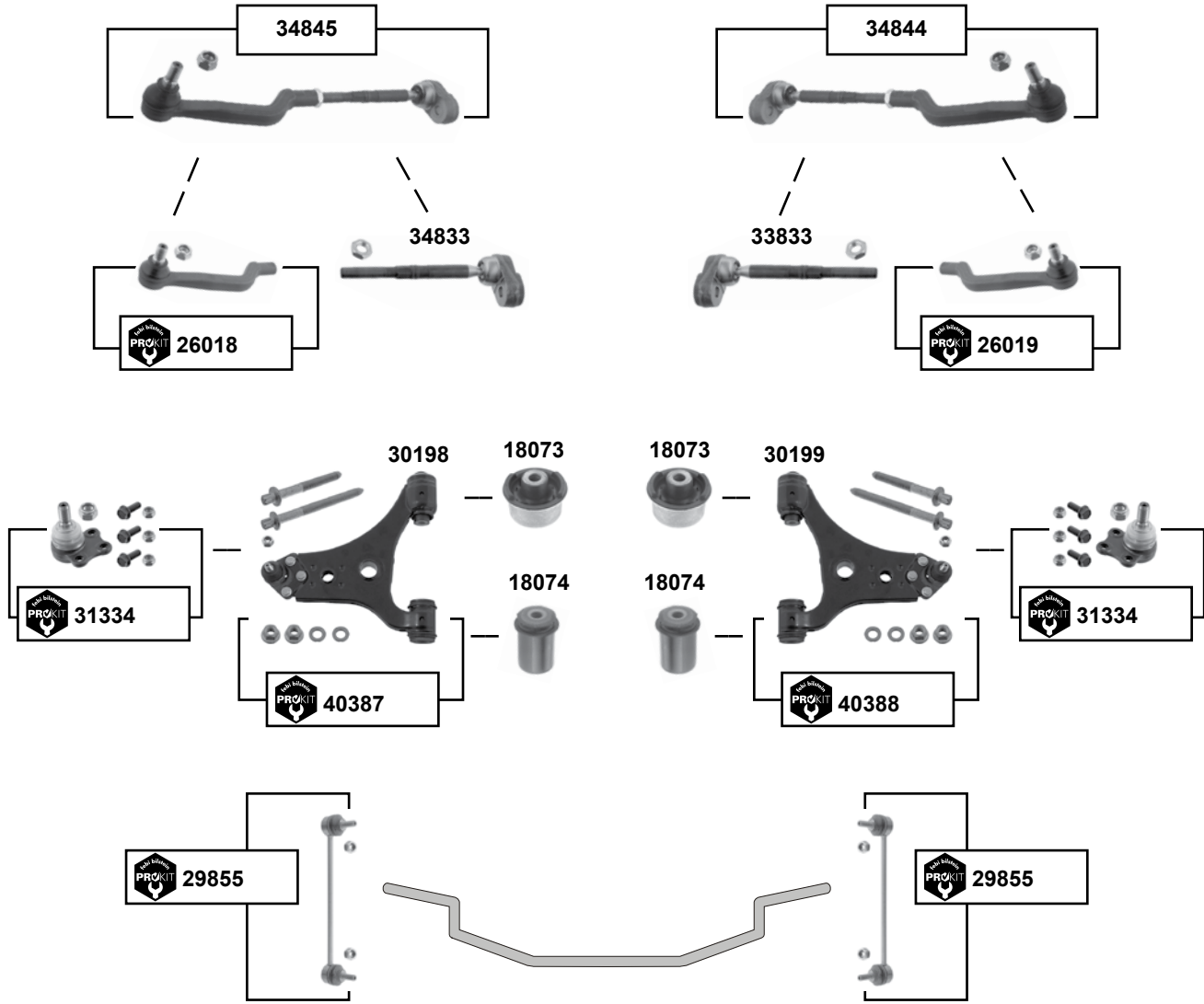
Ref. - No.	Description	Notes	Thread
40820	246 320 06 89 S1	Verbindungsstange / stabilizer link	M12 x 1,5
40966	246 333 01 00	Querlenkerlager / control arm mount	Ø I 14 A 70
40967	246 333 02 00	Querlenkerlager / control arm mount	Ø I 14 A 70
40971	246 333 01 14	Querlenkerlager / control arm mount	Ø I 20 A 60
43698	246 330 98 00	Montagesatz für Querlenker / mounting kit for control arm	(1) BM 246
43699	246 330 99 00	Montagesatz für Querlenker / mounting kit for control arm	(2)
44170	246 333 01 14 S2	Querlenkerlagersatz / control arm mounting kit	(1) BM 246



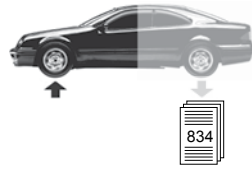
## B-Klasse (BM 245)

(2005 →)

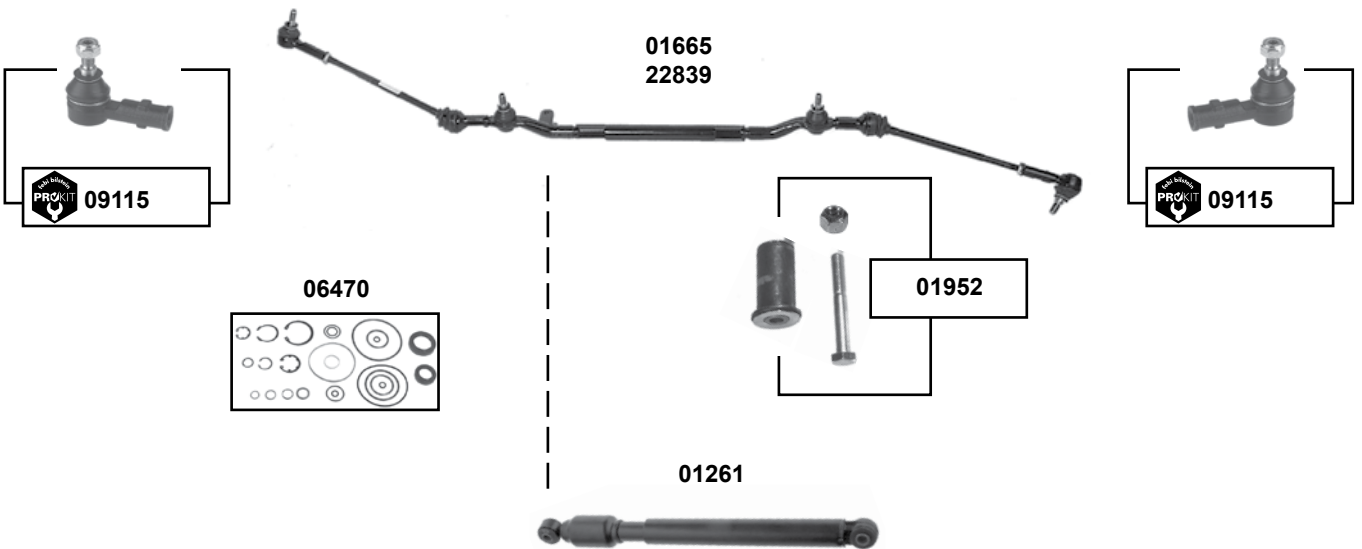
Vorderachse / Front axle



	Ref. - No.			
18073	168 333 06 14	Querlenkerlager / control arm mount		
18074	168 333 07 14	Querlenkerlager / control arm mount		
26018	169 330 05 03	ProKit Spurstangenendstück / tie rod end		M14 x 1,5
26019	169 330 06 03	ProKit Spurstangenendstück / tie rod end		M14 x 1,5
29855	169 320 09 89	ProKit Verbindungsstange / stabilizer link		M10 x 1,5
30198	169 330 09 07 S1	Querlenker / control arm		
30199	169 330 10 07 S1	Querlenker / control arm		
31334	169 333 03 27	ProKit Traggelenk / ball joint		
33833	169 330 08 03 S1	Spurstange / tie rod		L 202
34833	169 330 09 03 S1	Spurstange / tie rod		L 202
34844	169 330 08 03 S2	Rep. Satz Spurstange / rep. kit tie rod		L 202
34845	169 330 09 03 S2	Rep. Satz Spurstange / rep. kit tie rod		L 202
40387	169 330 09 07 S4	ProKit Querlenker / control arm		
40388	169 330 10 07 S4	ProKit Querlenker / control arm		



**C-Klasse (BM 202)**  
(1992 → 2001)



Vorderachse / Front axle



(1) (ex.) C 240 / C 240 T  
(ex.) C 280 (BM 202.029) / C 280 T  
(ex.) C 43 AMG / C 43 T AMG

(2) C 240 / C 240 T  
C 280 (BM 202.029) / C 280 T  
C 43 AMG / C 43 T AMG



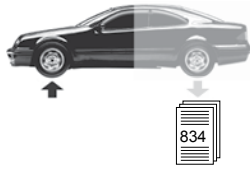
Ref. - No.



01261	124 463 04 32	Lenkungsdämpfer / steering-damper		
01665	202 460 04 05	Lenkstange / drag link	(1)	
01952	202 460 03 19	Rep. Satz Lenkhebel / rep. kit steering arm		
06470	124 460 01 61	Dichtungssatz Servolenkung / gasket set power steering		
09115	001 330 77 35	ProKit Spurstangenendstück / tie rod end		
22839	202 460 05 05	Lenkstange / drag link	(2)	

M12 x 1,5  
L 1336



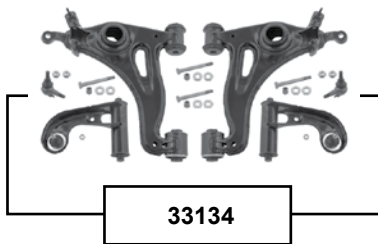
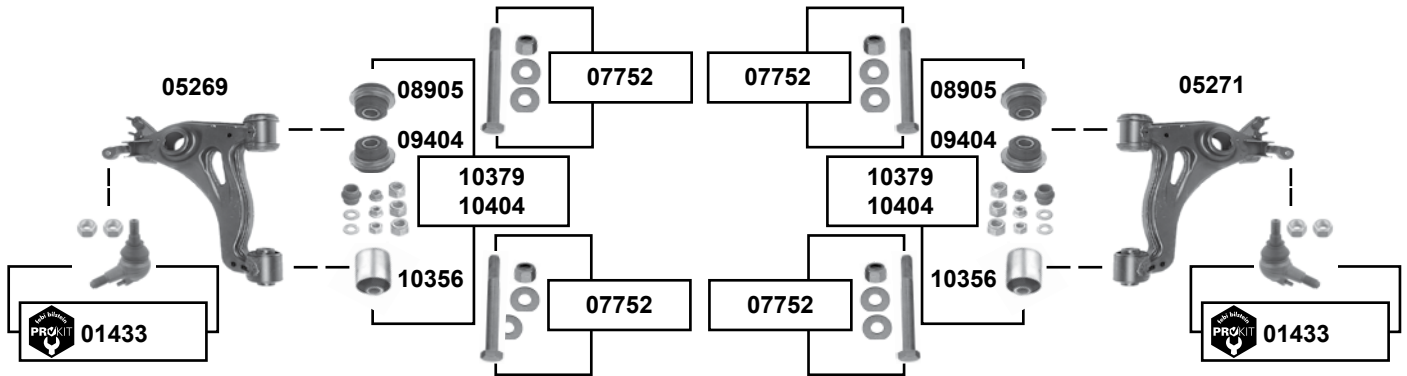
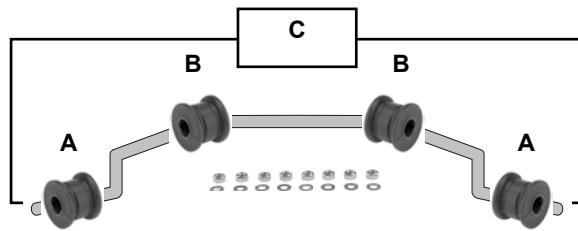


## C-Klasse (BM 202) (1992 → 2001)

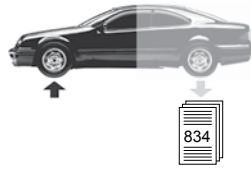
### oben / upper



### unten / lower



Vorderachse / Front axle



**C-Klasse (BM 202)**  
(1992 → 2001)

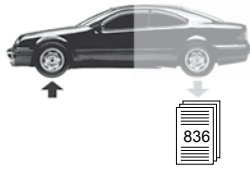
**Stabilisatorlager / stabilizer mount**

	A	B	C		A	B	C
C 180 / C 200 (ex.) Sport	14942	17473	18102	C 200 D / C 220 D	14942	17473	18102
C 180 / C 200 Sport	14942	15525	18045	C 200 D / C 220 D	14942	15525	18045
C 200 Komp.	14942	-	-	C 200 CDI / C 220 CDI	14942	-	-
C 220 / C 230 (ex.) Sport	14942	17473	18102	C 250 D / C 250 D Turbo	14942	-	-
C 220 / C 230 Sport	14942	15525	18045		-	-	-
C 230 Komp. / C 240/C280	14942	-	-		-	-	-
C 43 (ch.) → A 569192 / F 668975	14942	-	-		-	-	-
C 43 (ch.) A 569193 / F 668976 →	14942	17805	-		-	-	-

	Ref. - No.			
01433	211 330 03 35	ProKit Traggelenk / ball joint	wahlw. 220 330 06 35	M14 x 1,5
05269	170 330 01 07	Querlenker / control arm		
05271	170 330 02 07	Querlenker / control arm		
07752	202 330 01 18	Rep. Satz Exzenterbolzen / rep. kit eccentric bolt		M14x1,5x128
08905	202 333 67 14	Querlenkerlager / control arm mount		
09404	202 333 87 14	Querlenkerlager / control arm mount		
10356	202 333 64 14	Querlenkerlager / control arm mount		
10379	202 330 00 75	Rep. Satz Querlenker / rep. kit control arm	(ch.) → A443812 / F 500865	
10404	170 330 00 75	Rep. Satz Querlenker / rep. kit control arm	(ch.) A443813 / F 500866 →	
10796	210 330 88 07	Querlenker / control arm		
10797	210 330 87 07	Querlenker / control arm		
11192	202 333 77 14	Querlenkerlager / control arm mount		
14942	124 323 49 85	Stabilisatorlager / stabilizer mount		Ø   18,5
15525	124 323 54 85	Stabilisatorlager / stabilizer mount		Ø   24
17473	202 323 02 85	Stabilisatorlager / stabilizer mount		Ø   23
17805	129 323 01 85	Stabilisatorlager / stabilizer mount		Ø   30
18045	124 323 54 85 S1	Rep. Satz Stabilisatorlager / rep. kit stabilizer mount		
18102	202 323 02 85 S1	Rep. Satz Stabilisatorlager / rep. kit stabilizer mount		
33134	202 330 98 07 S1	Querlenkersatz / control arm kit		
40279	210 330 87 07 S3	ProKit Querlenker / control arm		
40280	210 330 88 07 S3	ProKit Querlenker / control arm		

passend für / to fit

**MERCEDES-BENZ**



**Car  
Division**

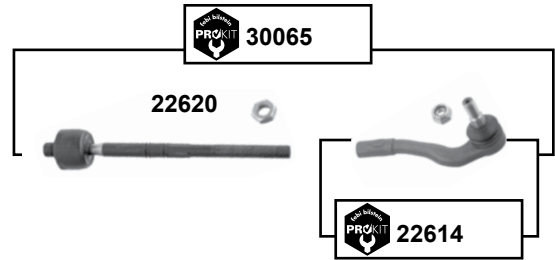
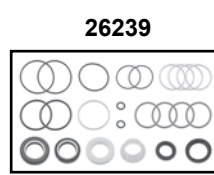
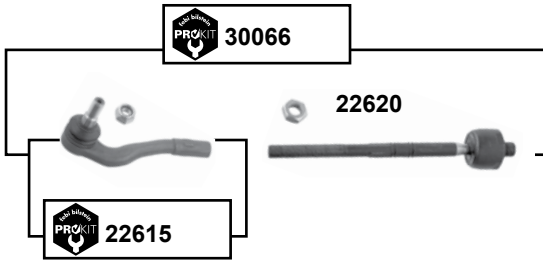
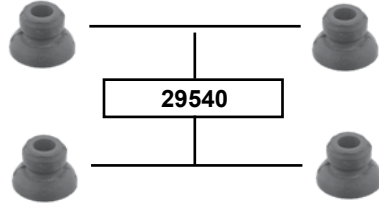


# C-Klasse (BM 203)

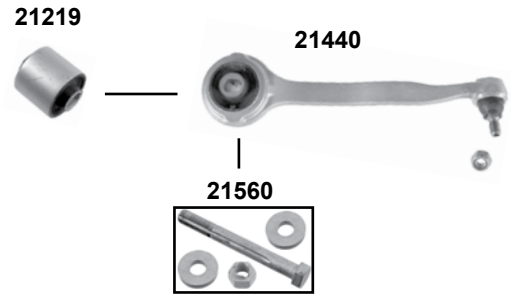
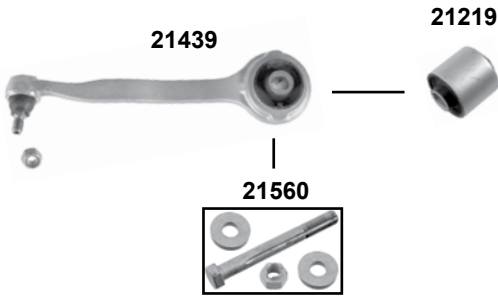
(2000 → 2007)

(ex.) 4-matic

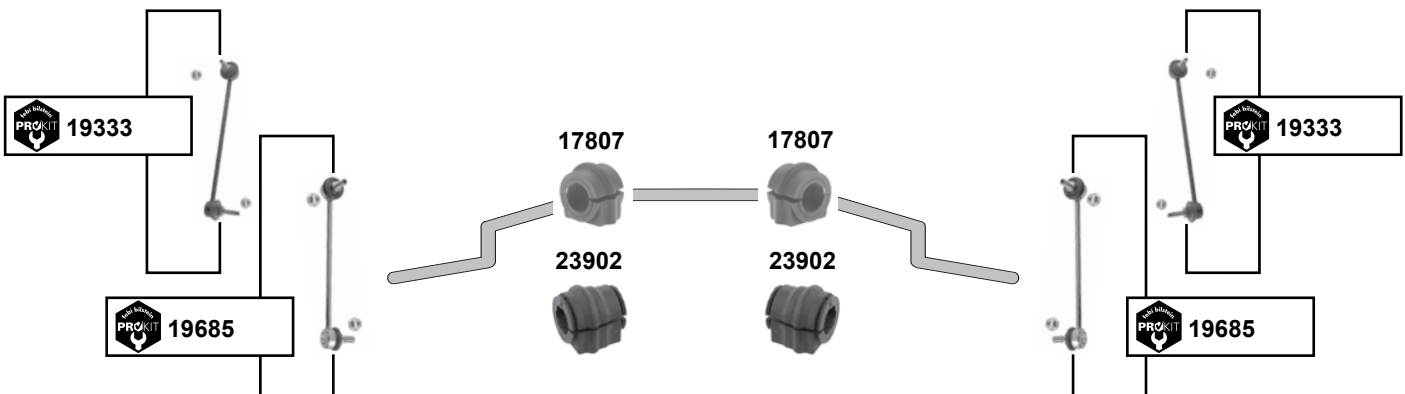
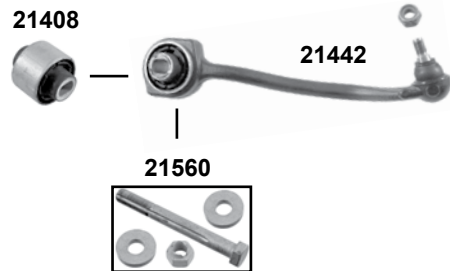
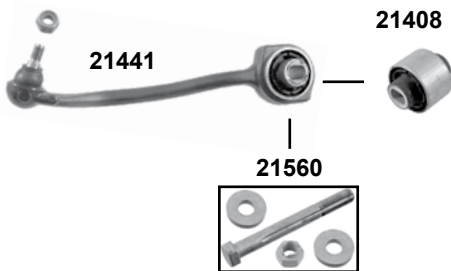
Vorderachse / Front axle

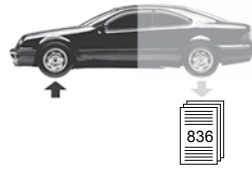


## vorne / front



## hinten / rear

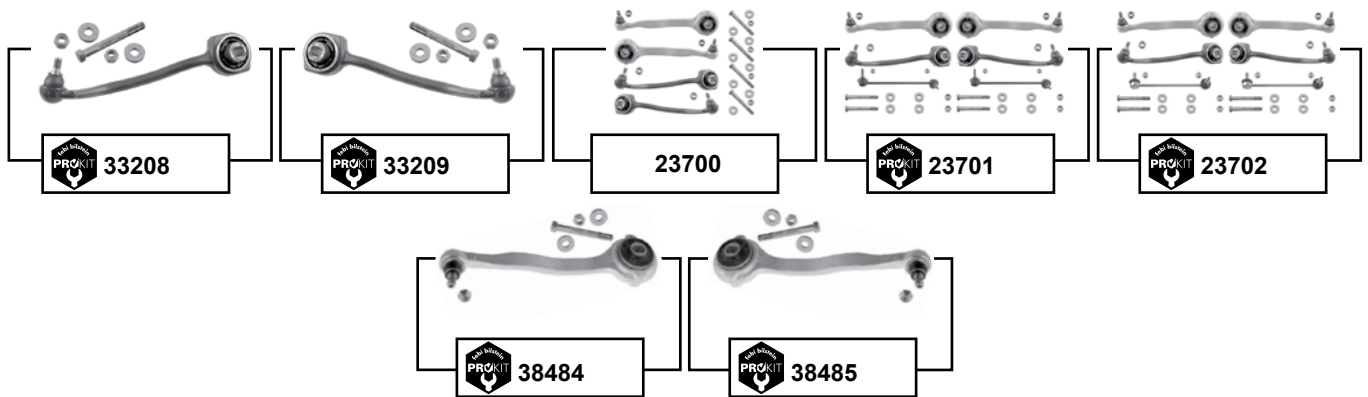




## C-Klasse (BM 203)

(2000 → 2007)

(ex.) 4-matic



Vorderachse / Front axle



(1) (ch.) → A 826739 / E 019386 / F 743166 / R 208366

(2) (ch.) A 826740 → / E 019387 → / F 743167 → / R 208367 →



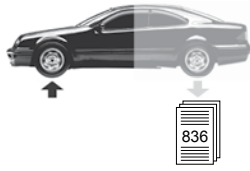
Ref. - No.



Febi bilstein Ref. - No.	Description	Notes	Dimensions
17807	Stabilisatorlager / stabilizer mount	OLD	Ø I 20
19333	ProKit Verbindungsstange / stabilizer link	(ex.) Sport	M10 x 1,5
19685	ProKit Verbindungsstange / stabilizer link	Sport	M12 x 1,5
21219	Zugstrebenlager / tension rod mount		Ø A 70 B 80
21408	Querlenkerlager / control arm mount		Ø A 70 B 80
21439	Querlenker / control arm		
21440	Querlenker / control arm		
21441	Querlenker / control arm		
21442	Querlenker / control arm		
21560	Rep. Satz Exzenterbolzen / rep. kit eccentric bolt		
22614	ProKit Spurstangenendstück / tie rod end		L 175 14x1,5
22615	ProKit Spurstangenendstück / tie rod end		L 175 14x1,5
22620	Spurstange / tie rod		L 219,5
23700	Querlenkersatz / control arm kit		
23701	ProKit Querlenker / control arm	(ex.) Sport	
23702	ProKit Querlenker / control arm	Sport	
23902	Stabilisatorlager / stabilizer mount	NEW	Ø I 21
26239	Dichtungssatz Servolenkung / gasket set power steering		
29540	Lenkgetriebebelager / steering gear mount		Ø I 22,2
29657	Rep. Satz Lenkmanschette / rep. kit steering boot	(1)	
30065	ProKit Spurstange rechts / tie rod right		
30066	ProKit Spurstange links / tie rod left		
33208	ProKit Querlenker / control arm		
33209	ProKit Querlenker / control arm		
33475	Rep. Satz Lenkmanschette / rep. kit steering boot	(2)	L 222
38484	ProKit Querlenker / control arm		
38485	ProKit Querlenker / control arm		

passend für / to fit

# MERCEDES-BENZ



Car  
Division



## C-Klasse (BM 203)

(2000 → 2007)

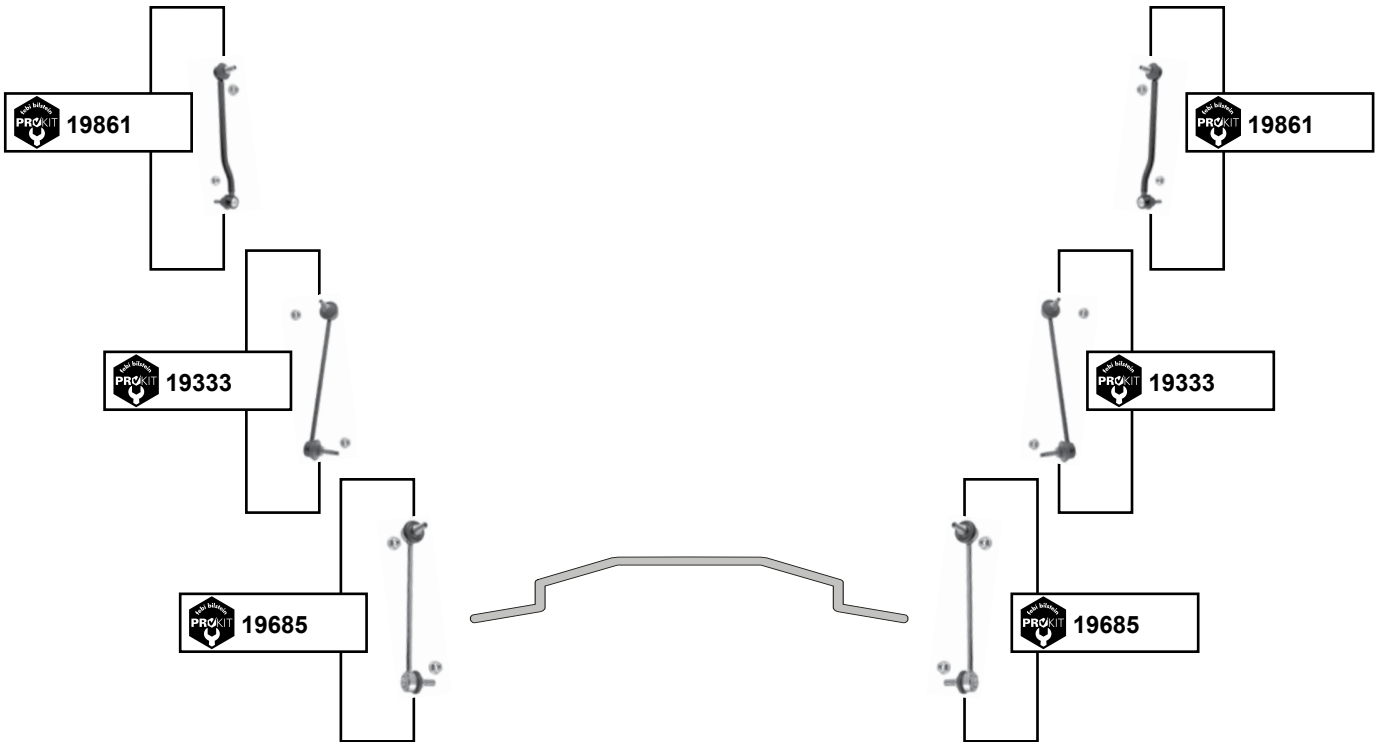
### 4-matic

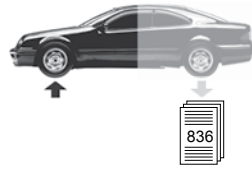
Vorderachse / Front axle

34134



34134





**C-Klasse (BM 203)**  
(2000 → 2007)

**4-matic**

Vorderachse / Front axle

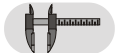


(1) **Sport** → modell 2004

(2) **Sport** modell 2004 → (Modellpflege / Facelift)



Ref. - No.



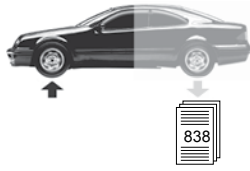
**19333**  
**19685**  
**19861**  
**33832**  
**34134**

203 320 28 89  
203 320 29 89 S1  
203 320 18 89  
203 338 02 15  
211 463 03 96 S1

ProKit Verbindungsstange / stabilizer link  
ProKit Verbindungsstange / stabilizer link  
ProKit Verbindungsstange / stabilizer link  
ProKit Axialgelenk / axial joint  
Rep. Satz Lenkmanschette / rep. kit steering boot

(1)  
(2)  
(ex.) **Sport**

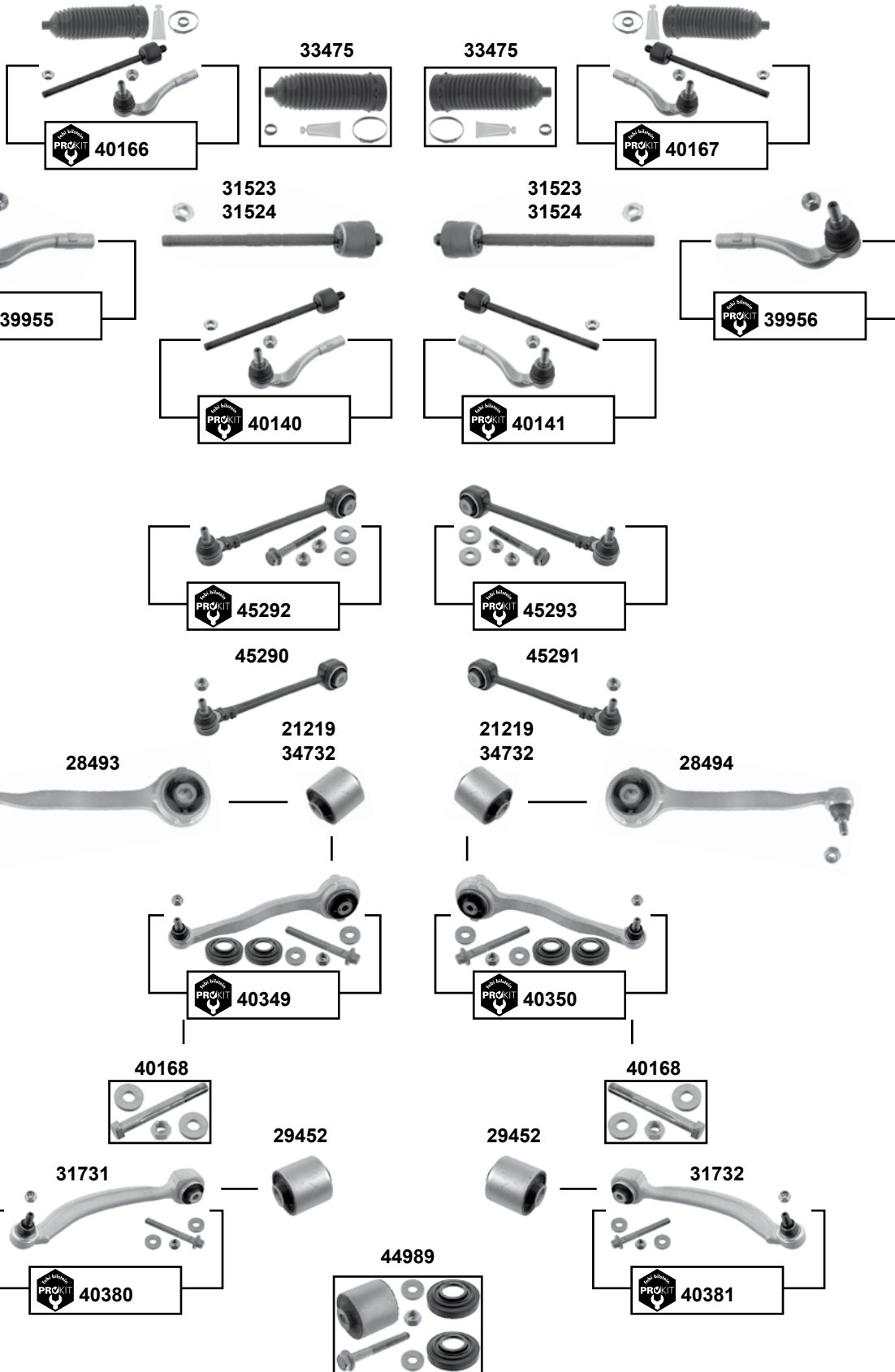
M10 x 1,5  
M12 x 1,5

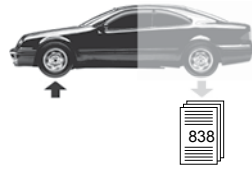


## C-Klasse (BM 204)

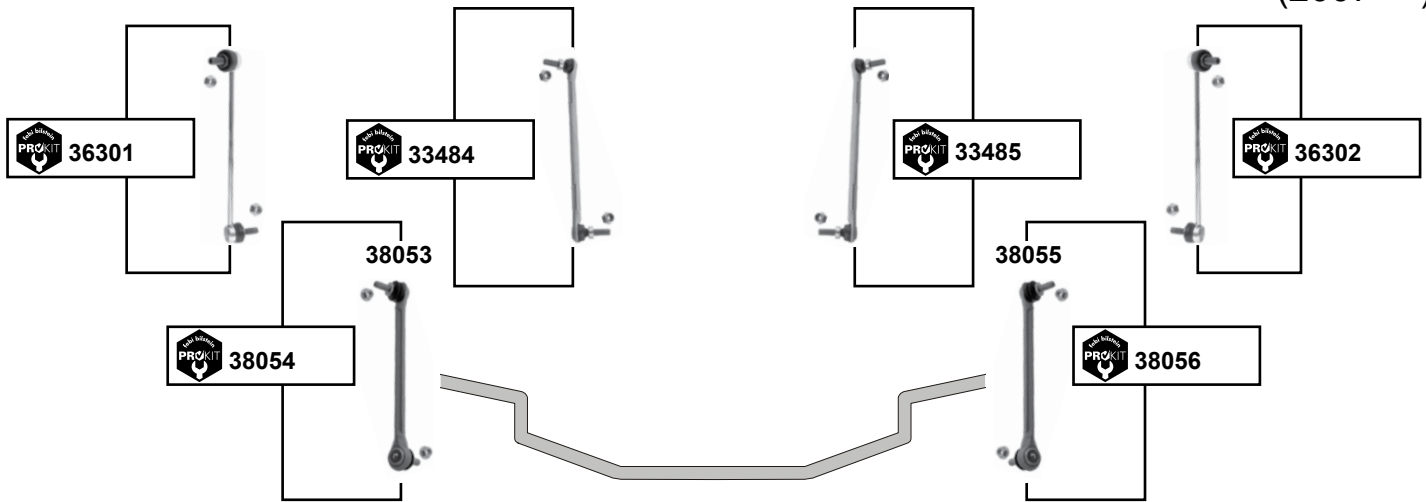
(2007 →)

Vorderachse / Front axle





**C-Klasse (BM 204)**  
(2007 →)



Vorderachse / Front axle

(1) (ex.) Sport / (ex.) Fahrdynamik / dynamic drive

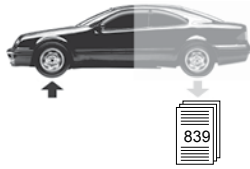


(2) Sport / mit ASR+Fahrdynamikpaket / with ASR+ driving dynamics package

Mutter / nut = M12x1,5 DIN 985 Länge Abstand mitte - mitte Bolzen / length distance middle- middle bold= 306,65  
Bitte nur paarweise tauschen! / please change only both sides!

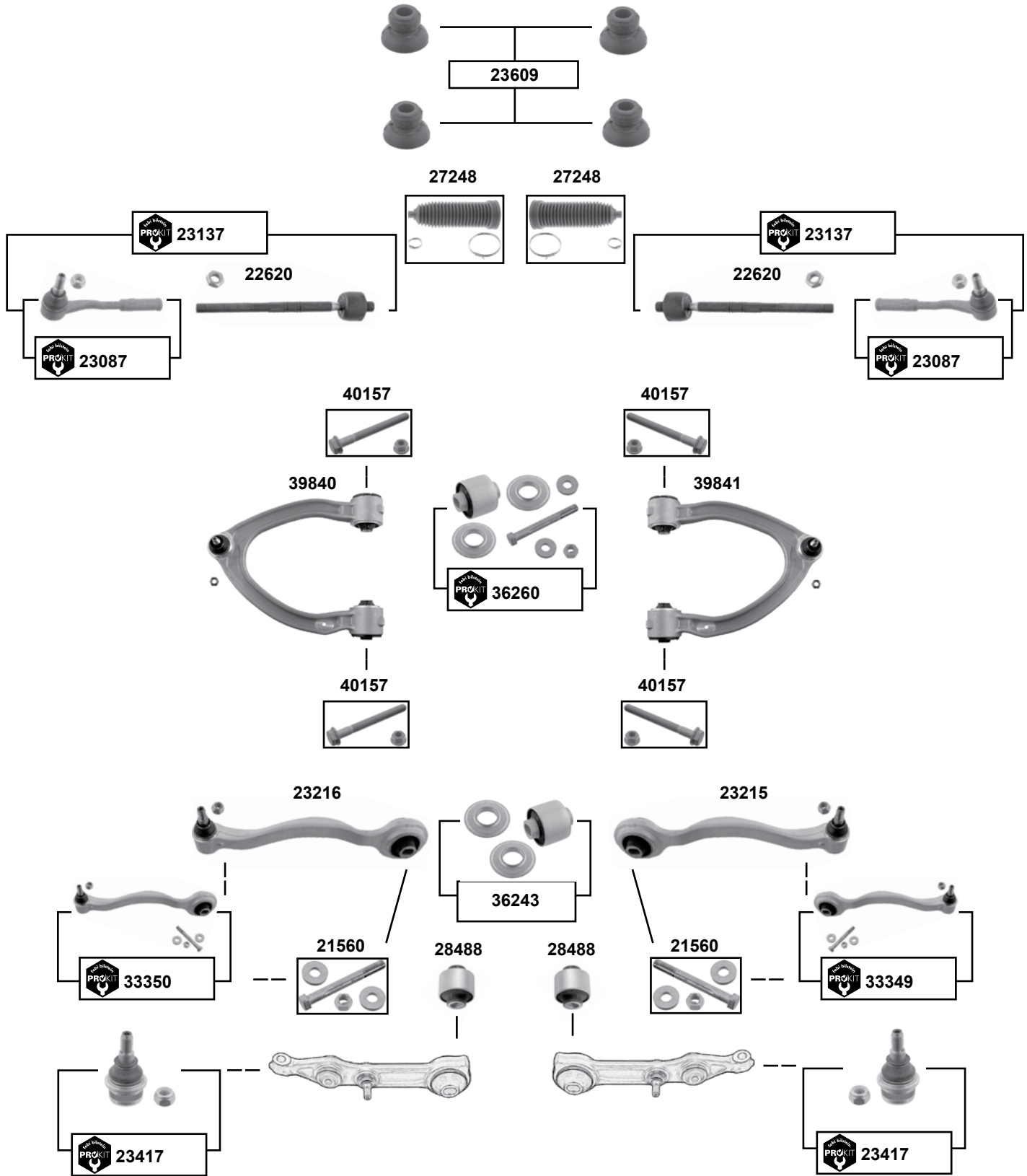
	Ref. - No.			
21219	203 333 10 14	Zugstrebenlager / tension rod mounting	(ex.) C 63 AMG	Ø A 70 B 80
28493	204 330 43 11 S1	Querlenker / control arm	+ 2 x A 211 333 06 97	
28494	204 330 44 11 S1	Querlenker / control arm	+ 2 x A 211 333 06 97	
29452	204 333 04 14	Querlenkerlager / control arm mount	(ex.) C 63 AMG	Ø A 70 B 80
31523	204 338 04 15	Spurstange / tie rod	(ex.) 4-matic/C63 AMG	L 280
31524	204 338 05 15	Spurstange / tie rod	4-matic	L 261
31731	204 330 67 11	Querlenker / control arm	(ex.) C 63 AMG	
31732	204 330 68 11	Querlenker / control arm	(ex.) C 63 AMG	
33475	204 463 02 96 S1	Rep. Satz Lenkmanschette / rep. kit steering boot	(ex.) ASD / (ex.) EPS	L 222
33484	204 320 37 89	ProKit Verbindungsstange / stabilizer link	(1)	L 260
33485	204 320 38 89	ProKit Verbindungsstange / stabilizer link	(1)	L 260
34732	204 333 11 14	Querlenkerlager / control arm mount	+ 2 x A 211 333 06 97	Ø I 15 Ø A 70
36301	204 320 17 89	ProKit Verbindungsstange / stabilizer link	(2)	B 69
36302	204 320 18 89	ProKit Verbindungsstange / stabilizer link	(2)	B 69
38053	204 320 07 89	Verbindungsstange / stabilizer link	4-matic	M12 x 1,5
38054	204 320 07 89 S1	ProKit Verbindungsstange / stabilizer link	4-matic	M12 x 1,5
38055	204 320 22 89	Verbindungsstange / stabilizer link	4-matic	M12 x 1,5
38056	204 320 22 89 S1	ProKit Verbindungsstange / stabilizer link	4-matic	M12 x 1,5
39955	204 330 09 03	ProKit Spurstangenendstück / tie rod end	AMG	M14 x 1,5
39956	204 330 10 03	ProKit Spurstangenendstück / tie rod end	AMG	M14 x 1,5
40140	204 338 04 15 S1	ProKit Spurstange / tie rod	(ex.) ASD / (ex.) EPS	
40141	204 338 04 15 S2	ProKit Spurstange / tie rod	(ex.) ASD / (ex.) EPS	
40166	204 338 04 15 S3	ProKit Spurstange / tie rod	(ex.) ASD / (ex.) EPS	
40167	204 338 04 15 S4	ProKit Spurstange / tie rod	(ex.) ASD / (ex.) EPS	
40168	000 333 10 71	Montagesatz für Querlenker / mounting kit for control arm		M14 x 1,5
40349	204 330 43 11 S3	ProKit Querlenker / control arm		
40350	204 330 44 11 S3	ProKit Querlenker / control arm		
40380	204 330 67 11 S2	ProKit Querlenker / control arm		
40381	204 330 68 11 S2	ProKit Querlenker / control arm		
44989	204 333 11 14 S1	Querlenkerlagersatz / control arm mounting kit		Ø I 14 Ø A 80
45290	204 330 29 11 S1	Querlenker / control arm	4-matic	
45291	204 330 30 11 S1	Querlenker / control arm	4-matic	
45292	204 330 29 11 S2	ProKit Querlenker / control arm	4-matic	
45293	204 330 30 11 S2	ProKit Querlenker / control arm	4-matic	

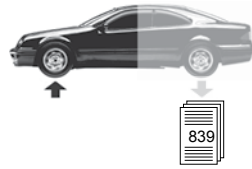




## CL (BM 215) (1999 → 2005)

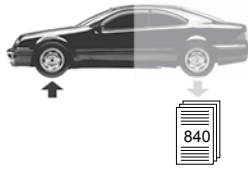
Vorderachse / Front axle



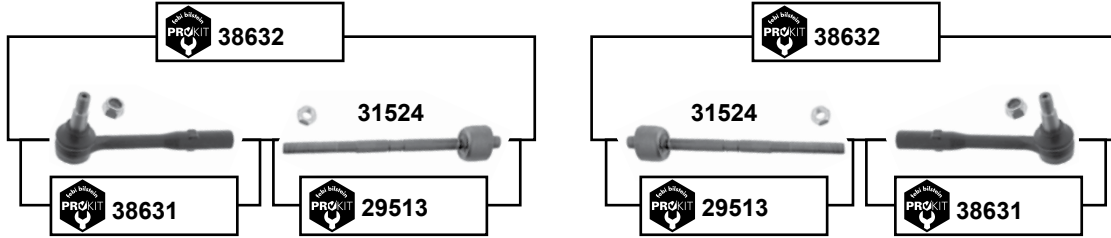


**CL (BM 215)**  
(1999 → 2005)

	Ref. - No.			
<b>21560</b>	000 330 00 18	Rep. Satz Exzenterbolzen / rep. kit eccentric bolt		M14x1,5 x122
<b>22620</b>	230 338 00 15	Spurstange / tie rod		L 219
<b>23087</b>	230 330 04 03	ProKit Spurstangenendstück / tie rod end		L 190
<b>23137</b>	230 338 00 15 S1	ProKit Spurstange / tie rod		
<b>23215</b>	220 330 58 11	Zugstrebe rechts / tension rod right		
<b>23216</b>	220 330 57 11	Zugstrebe links / tension rod left		
<b>23417</b>	211 330 04 35	ProKit Traggelenk / ball joint		L 92
<b>23609</b>	220 463 00 66	Lenkgetriebelager / steering gear mount		
<b>27248</b>	220 460 10 00	Lenkmanschettensatz / steering boot set		
<b>28488</b>	220 333 31 14	Querlenkerlager / control arm mount		
<b>33349</b>	220 330 58 11 S1	ProKit Querlenker / control arm		
<b>33350</b>	220 330 57 11 S1	ProKit Querlenker / control arm		
<b>36243</b>	220 330 91 07	Rep. Satz Querlenkerlager / rep. kit control arm mount		
<b>36260</b>	220 330 91 07 S2	ProKit Querlenkerlager / control arm mount		
<b>39840</b>	220 330 93 07	Querlenker / control arm	AMG	M10 x 1,5
<b>39841</b>	220 330 94 07	Querlenker / control arm	AMG	M10 x 1,5
<b>40157</b>	004 990 81 04 S1	Montagesatz für Querlenker / mounting kit for control arm	AMG	M10 x 1,5



## CL (BM 216) (2005 →)



32231



29279



32232



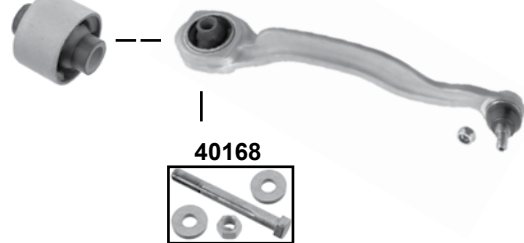
30194



29347  
31299

29347  
31299

30195



28269



28269



(1) (ex.) 4-matic / (ch.) → A 029883

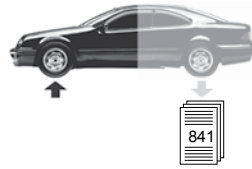


Ref. - No.

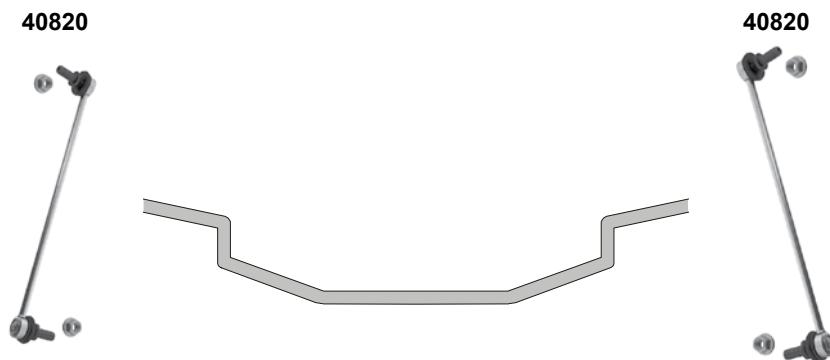
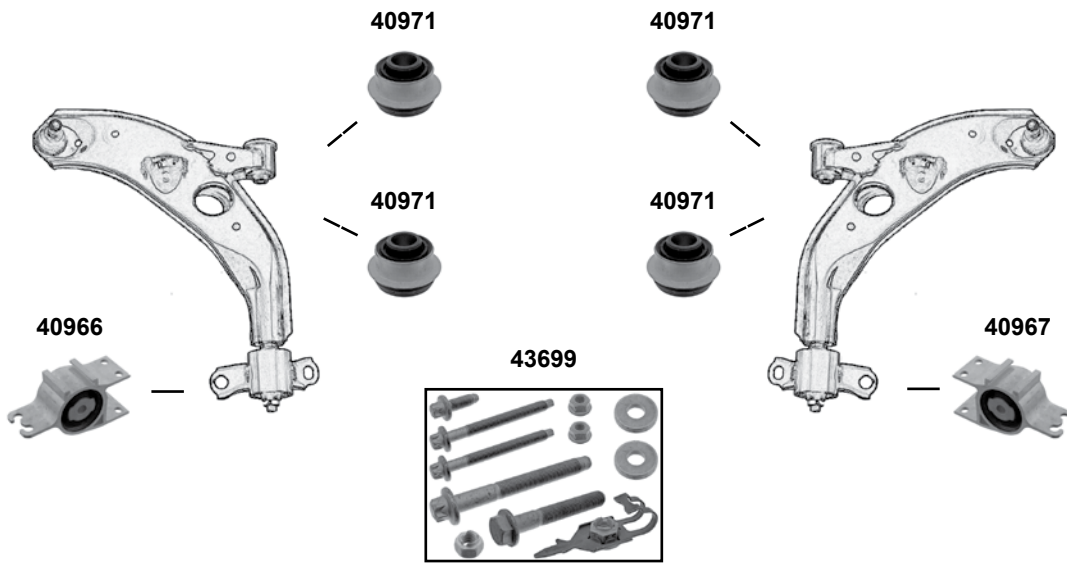


Part No.	Ref. - No.	Description	Notes	Dimensions
28269	221 333 07 14	Querlenkerlager / control arm mount	(ex.) 4-matic	
29279	000000 002483 S1	Montagesatz für Querlenker / mounting kit for control arm	4-matic / AMG	M10 x 1,5
29347	221 333 19 14	Querlenkerlager / control arm mount	4-matic	
29513	221 330 16 03	ProKit Axialgelenk / axial joint	(ex.) 4-matic	L 261
30194	221 330 63 11 S1	Querlenker unten links / control arm lower left	(ex.) 4-matic	
30195	221 330 64 11 S1	Querlenker unten rechts / control arm lower right	(ex.) 4-matic	
31299	221 666 08 14	Querlenkerlager / control arm mount	(1)	Ø A 80
31524	204 338 05 15	Axialgelenk / axial joint	4-matic	L 261
32231	221 330 89 07	Querlenker oben links / control arm upper left		
32232	221 330 90 07	Querlenker oben rechts / control arm upper right		
38631	221 330 39 03	ProKit Spurstangenendstück / tie rod end		M14 x 1,5
38632	221 330 99 03	ProKit Spurstange / tie rod		
40168	000 333 10 71	Montagesatz für Querlenker / mounting kit for control arm		M14 x 1,5

Vorderachse / Front axle



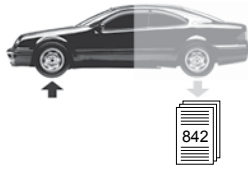
**CLA (BM 117)**  
(2013 →)



Ref. - No.

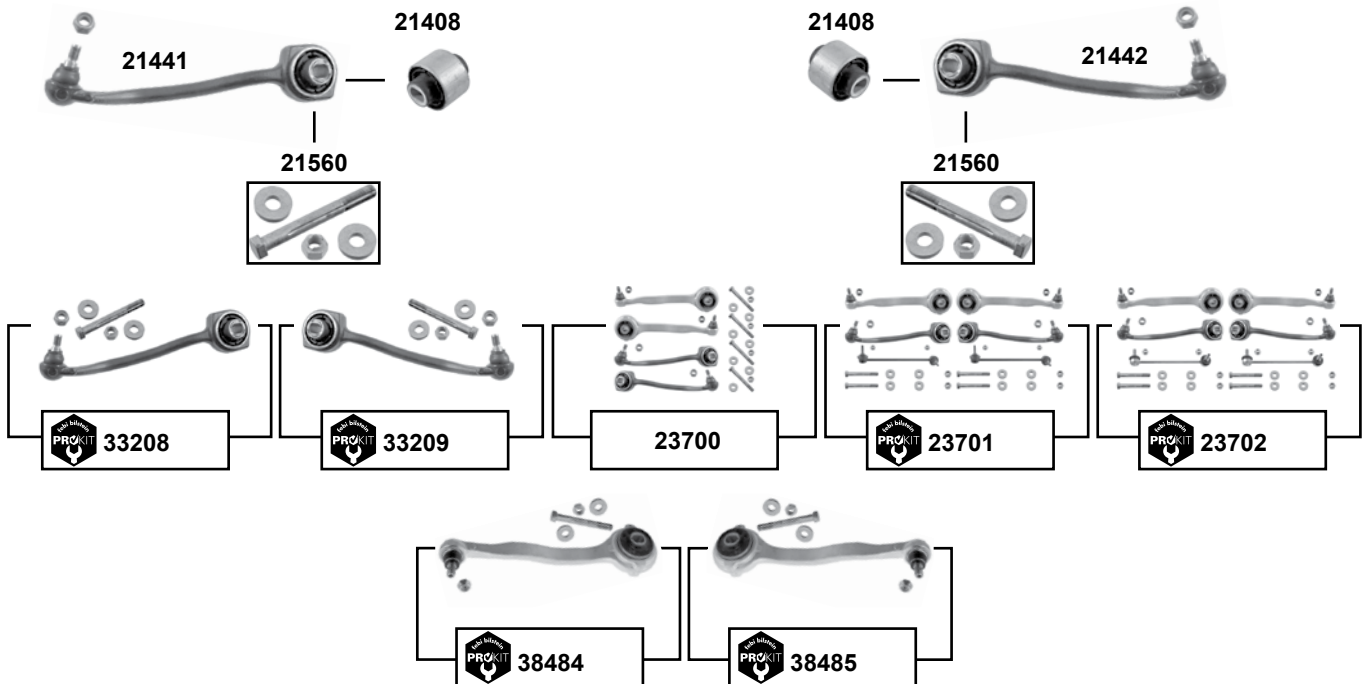
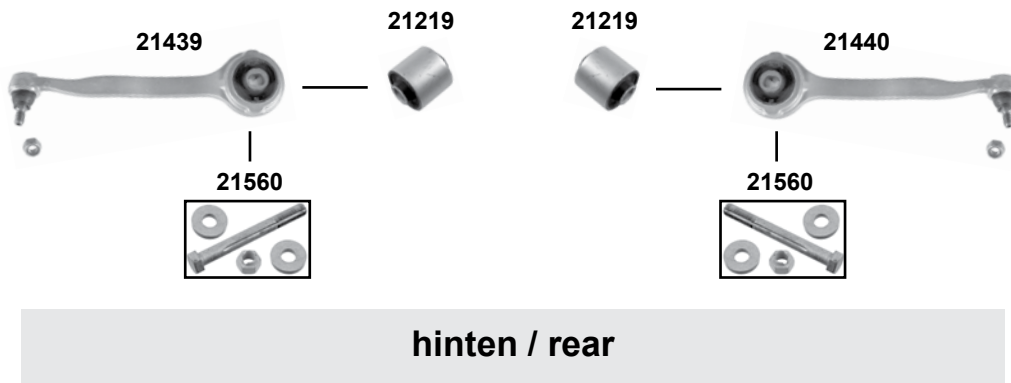
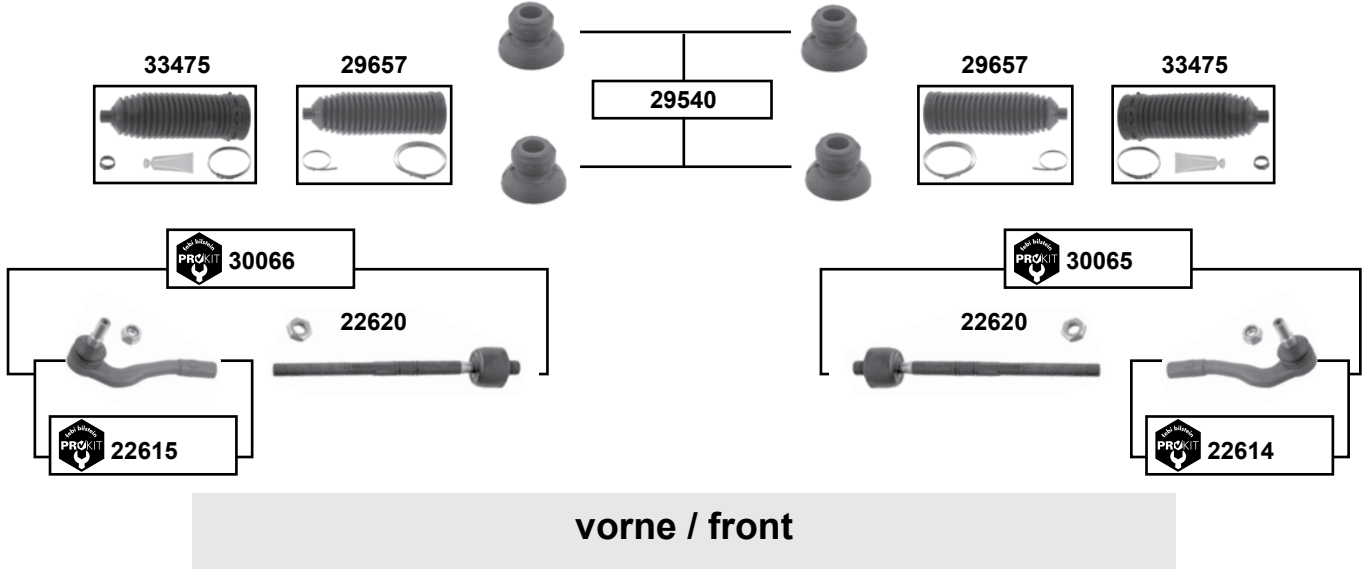


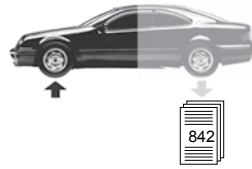
<b>40820</b>	246 320 06 89 S1	Verbindungsstange / stabilizer link	
<b>40966</b>	246 333 01 00	Querlenkerlager / control arm mount	Ø   14 A 70
<b>40967</b>	246 333 02 00	Querlenkerlager / control arm mount	Ø   14 A 70
<b>40971</b>	246 333 01 14	Querlenkerlager / control arm mount	Ø   20 A 60
<b>43699</b>	246 330 99 00	Montagesatz für Querlenker / mounting kit for control arm	



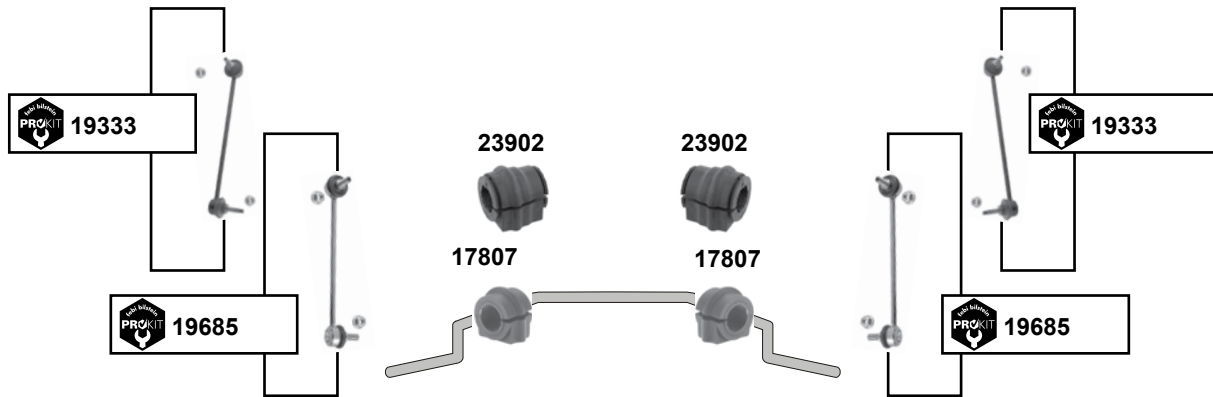
## CLC (BM 203) (2008 →)

Vorderachse / Front axle



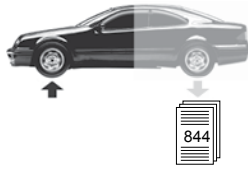


**CLC (BM 203)**  
(2008 →)



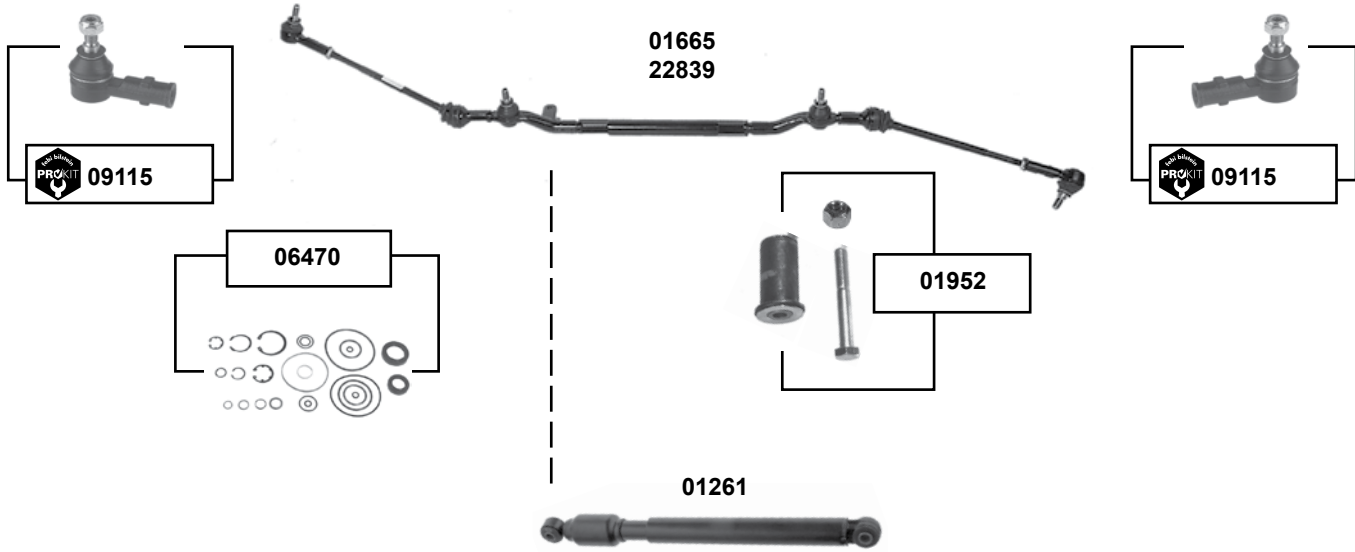
Vorderachse / Front axle

	Ref. - No.			
17807	203 323 20 85	Stabilisatorlager / stabilizer mount	<b>OLD</b>	Ø   20
19333	203 320 28 89	ProKit Verbindungsstange / stabilizer link	<b>(ex.) Sport</b>	M10 x 1,5
19685	203 320 29 89 S1	ProKit Verbindungsstange / stabilizer link	<b>Sport</b>	M12 x 1,5
21219	203 333 10 14	Zugstrebenlager / tension rod mount		Ø A 70 B 80
21408	203 333 09 14	Querlenkerlager / control arm mount		Ø A 70 B 80
21439	203 330 39 11 S1	Querlenker / control arm		
21440	203 330 40 11 S1	Querlenker / control arm		
21441	204 330 19 11	Querlenker / control arm		
21442	204 330 20 11	Querlenker / control arm		
21560	000 330 00 18	Rep. Satz Exzenterbolzen / rep. kit eccentric bolt		M14 x 1,5
22614	203 330 20 03	ProKit Spurstangenendstück / tie rod end		M14 x 1,5
22615	203 330 19 03	ProKit Spurstangenendstück / tie rod end		M14 x 1,5
22620	230 338 00 15	Spurstange / tie rod		L 219,5
23700	203 330 39 11 S1	Querlenkersatz / control arm kit	<b>(ex.) AMG</b>	
23701	203 330 39 11 S2	ProKit Querlenker / control arm	<b>(ex.) Sport /AMG</b>	
23702	203 330 39 11 S3	ProKit Querlenker / control arm	<b>Sport / (ex.) AMG</b>	
23902	203 323 21 85	Stabilisatorlager / stabilizer mount	<b>NEW</b>	
29540	203 333 05 14	Lenkgetriebelager / steering gear mount		Ø   12,2
29657	203 463 02 96	Rep. Satz Lenkmanschette / rep. kit steering boot	<b>(ch.)</b> → A 826739	
30065	203 330 98 03	ProKit Spurstange rechts / tie rod right		
30066	203 330 99 03	ProKit Spurstange links / tie rod left		
33208	204 330 19 11 S1	ProKit Querlenker / control arm	<b>(ex.) 4matic</b>	
33209	204 330 20 11 S1	ProKit Querlenker / control arm	<b>(ex.) 4matic</b>	
33475	204 463 02 96 S1	Rep. Satz Lenkmanschette / rep. kit steering boot	<b>(ch.)</b> A 826740 →	L 222
38484	203 330 39 11 S4	ProKit Querlenker / control arm		
38485	203 330 40 11 S2	ProKit Querlenker / control arm		



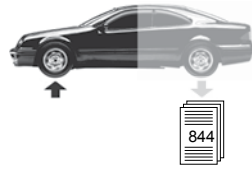
**CLK (BM 208)**  
(1997 → 2002)

Vorderachse / Front axle



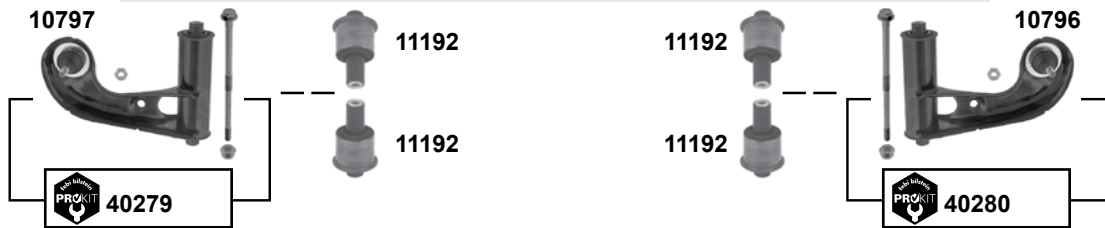
	<b>(1)</b> CLK 200 / CLK 200 Cabrio CLK 200 Komp. / CLK 200 Komp. Cabrio CLK 230 Komp. / CLK 230 Komp. Cabrio	<b>(2)</b> CLK 320 / Cabrio CLK 430 / Cabrio CLK 55 AMG
--	---	---

	Ref. - No.			
<b>01261</b>	124 463 04 32	Lenkungsdämpfer / steering-damper		
<b>01665</b>	202 460 04 05	Lenkstange / drag link	(1)	
<b>01952</b>	202 460 03 19	Rep. Satz Lenkhebel / rep. kit steering arm		
<b>06470</b>	124 460 01 61	Dichtungssatz Servolenkung / gasket set power steering		
<b>09115</b>	001 330 77 35	ProKit Spurstangenendstück / tie rod end		
<b>22839</b>	202 460 05 05	Lenkstange / drag link	(2)	M12 x 1,5 L 1336

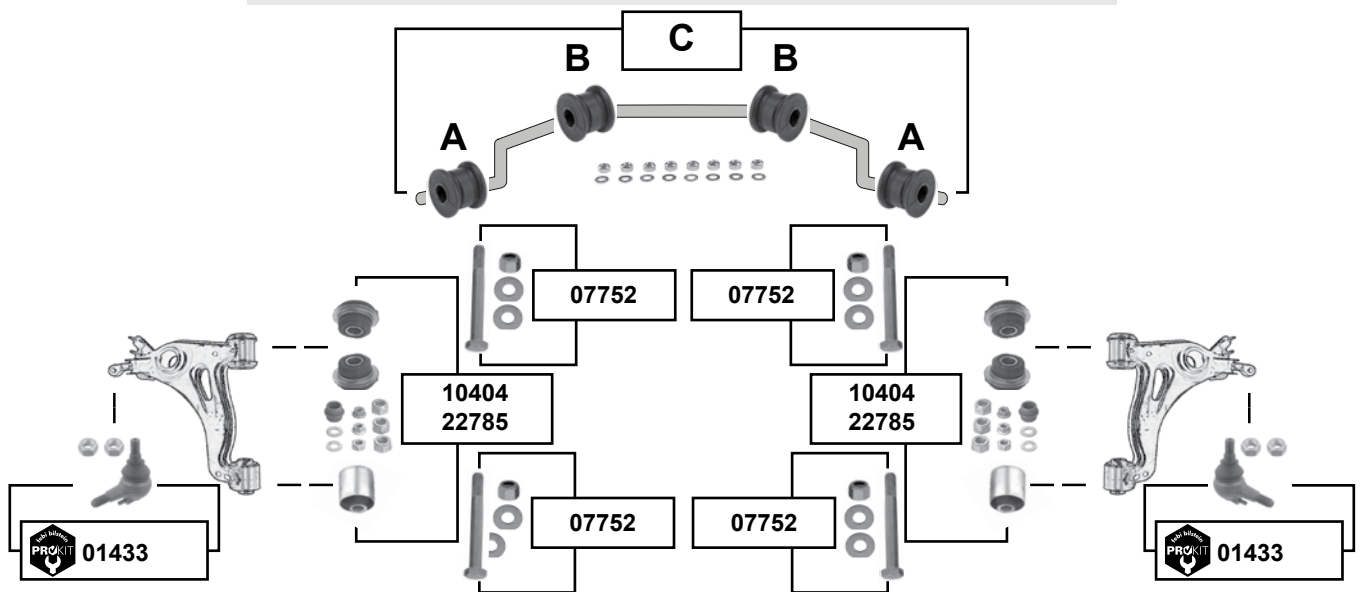


## CLK (BM 208) (1997 → 2002)

### oben / upper



### unten / lower

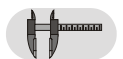


### Stabilisatorlager / stabilizer mount

	A	B	C		A	B	C
CLK 200	14942	17473	18102	CLK 320 / Cabrio	14942	-	-
CLK 200 Cabrio	14942	15525	18045	CLK 430 / Cabrio	14942	-	-
CLK 200 Komp. / Cabrio	14942	-	-	CLK 55	-	17805	-
CLK 230 Komp. / Cabrio	14942	-	-				

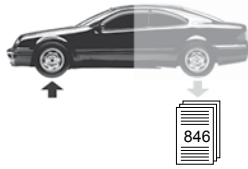


Ref. - No.



<b>01433</b>	211 330 03 35	ProKit Traggelenk / ball joint				M14 x 1,5
<b>07752</b>	202 330 01 18	Rep. Satz Exzenterbolzen / rep. kit eccentric bolt		Dacromet		M14x1,5x128
<b>10404</b>	170 330 00 75	Rep. Satz Querlenker / rep. kit control arm		CLK 55 AMG		
<b>10796</b>	210 330 88 07	Querlenker / control arm				
<b>10797</b>	210 330 87 07	Querlenker / control arm				
<b>11192</b>	202 333 77 14	Querlenkerlager / control arm mount				
<b>14942</b>	124 323 49 85	Stabilisatorlager / stabilizer mount				Ø   18,5
<b>15525</b>	124 323 54 85	Stabilisatorlager / stabilizer mount				Ø   24
<b>17473</b>	202 323 02 85	Stabilisatorlager / stabilizer mount				Ø   23
<b>17805</b>	129 323 01 85	Stabilisatorlager / stabilizer mount				Ø   30
<b>18045</b>	124 323 54 85 S1	Rep. Satz Stabilisatorlager / rep. kit stabilizer mount				
<b>18102</b>	202 323 02 85 S1	Rep. Satz Stabilisatorlager / rep. kit stabilizer mount				
<b>22785</b>	208 330 00 75 S1	Rep. Satz Querlenker / rep. kit control arm				
<b>40279</b>	210 330 87 07 S3	ProKit Querlenker / control arm				
<b>40280</b>	210 330 88 07 S3	ProKit Querlenker / control arm				
				(ex.) CLK 55 AMG		

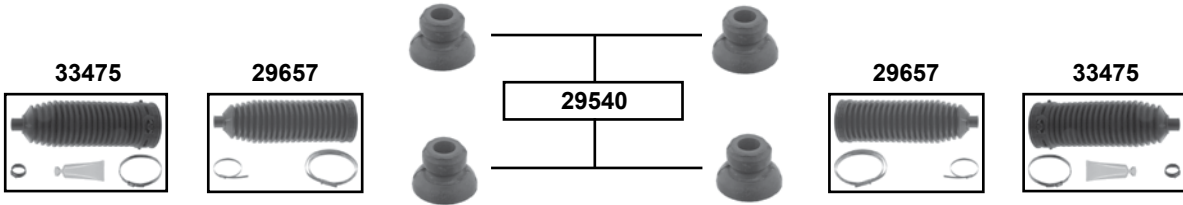




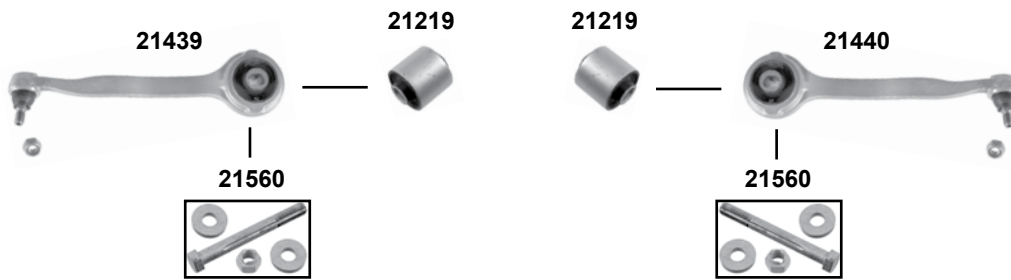
## CLK (BM 209)

(2002 →)

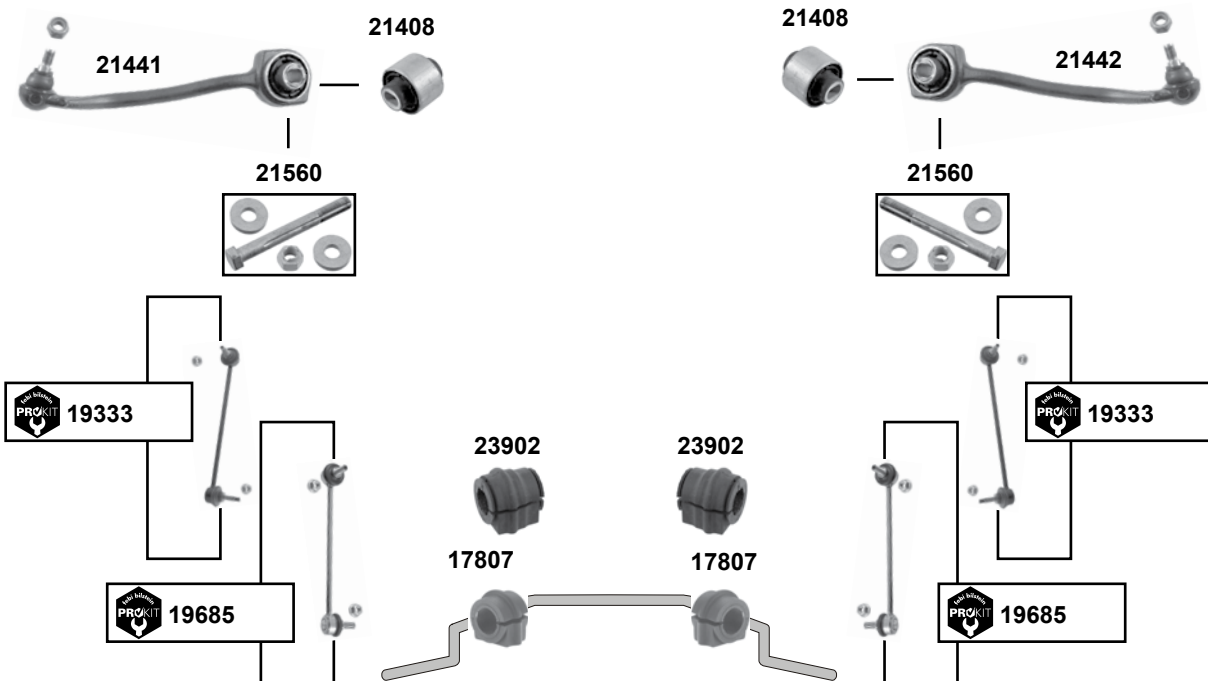
Vorderachse / Front axle

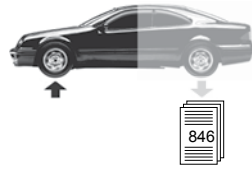


### vorne / front

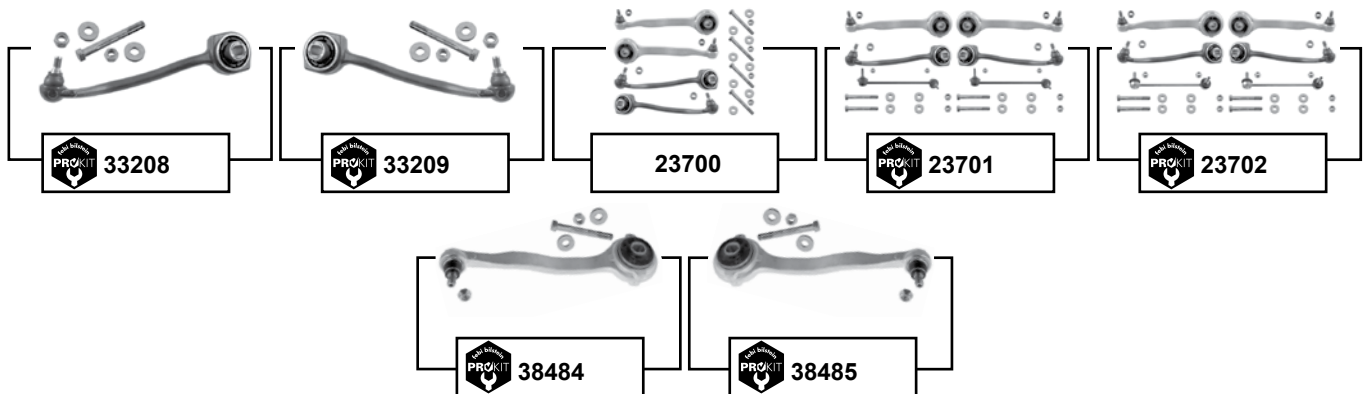


### hinten / rear





## CLK (BM 209) (2002 →)



Vorderachse / Front axle



(1) **Coupe (ch.)** → F 167229  
**Cabrio (ch.)** → T 056554 / F 167229



Ref. - No.



Ref. - No.	Description	Notes	Specifications
17807	203 323 20 85	Stabilisatorlager / stabilizer mount	Ø I 20
19333	203 320 28 89	ProKit Verbindungsstange / stabilizer link	M10 x 1,5
19685	203 320 29 89 S1	ProKit Verbindungsstange / stabilizer link	M12 x 1,5
21219	203 333 10 14	Zugstrebenlager / tension rod mount	Ø A 70 B 80
21408	203 333 09 14	Querlenkerlager / control arm mount	Ø A 70 B 80
21439	203 330 39 11 S1	Querlenker / control arm	
21440	203 330 40 11 S1	Querlenker / control arm	
21441	204 330 19 11	Querlenker / control arm	
21442	204 330 20 11	Querlenker / control arm	
21560	000 330 00 18	Rep. Satz Exzenterbolzen / rep. kit eccentric bolt	M14 x 1,5
22614	203 330 20 03	ProKit Spurstangenendstück / tie rod end	M14 x 1,5
22615	203 330 19 03	ProKit Spurstangenendstück / tie rod end	M14 x 1,5
22620	230 338 00 15	Spurstange / tie rod	L 219,5
23700	203 330 39 11 S1	Querlenkersatz / control arm kit	(ex.) AMG
23701	203 330 39 11 S2	ProKit Querlenker / control arm	(ex.) Sport /AMG
23702	203 330 39 11 S3	ProKit Querlenker / control arm	Sport / (ex.) AMG
23902	203 323 21 85	Stabilisatorlager / stabilizer mount	NEW
29540	203 333 05 14	Lenkgetriebeblager / steering gear mount	Ø I 21
29657	203 463 02 96	Rep. Satz Lenkmanschette / rep. kit steering boot	Ø I 12,2
30065	203 330 98 03	ProKit Spurstange rechts / tie rod right	(1)
30066	203 330 99 03	ProKit Spurstange links / tie rod left	
31523	204 338 04 15	Spurstange / tie rod	AMG Black Series
33208	204 330 19 11 S1	ProKit Querlenker / control arm	(ex.) 4matic
33209	204 330 20 11 S1	ProKit Querlenker / control arm	(ex.) 4matic
33475	204 463 02 96 S1	Rep. Satz Lenkmanschette / rep. kit steering boot	
38484	203 330 39 11 S4	ProKit Querlenker / control arm	L 280
38485	203 330 40 11 S2	ProKit Querlenker / control arm	L 222

passend für / to fit

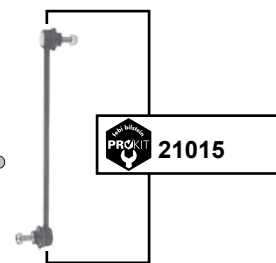
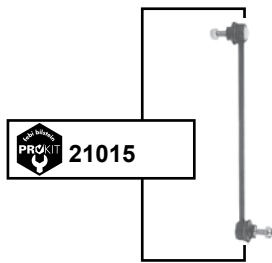
# MERCEDES-BENZ



Car  
Division



## Citan (BM 415) (2012 →)



Vorderachse / Front axle



(1) Kastenwagen / Kombi-Wagen



Ref. - No.



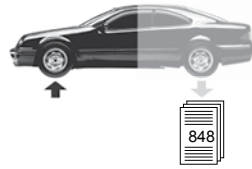
**21015**  
**36094**  
**36095**

415 320 01 89  
415 460 01 05  
415 460 00 05

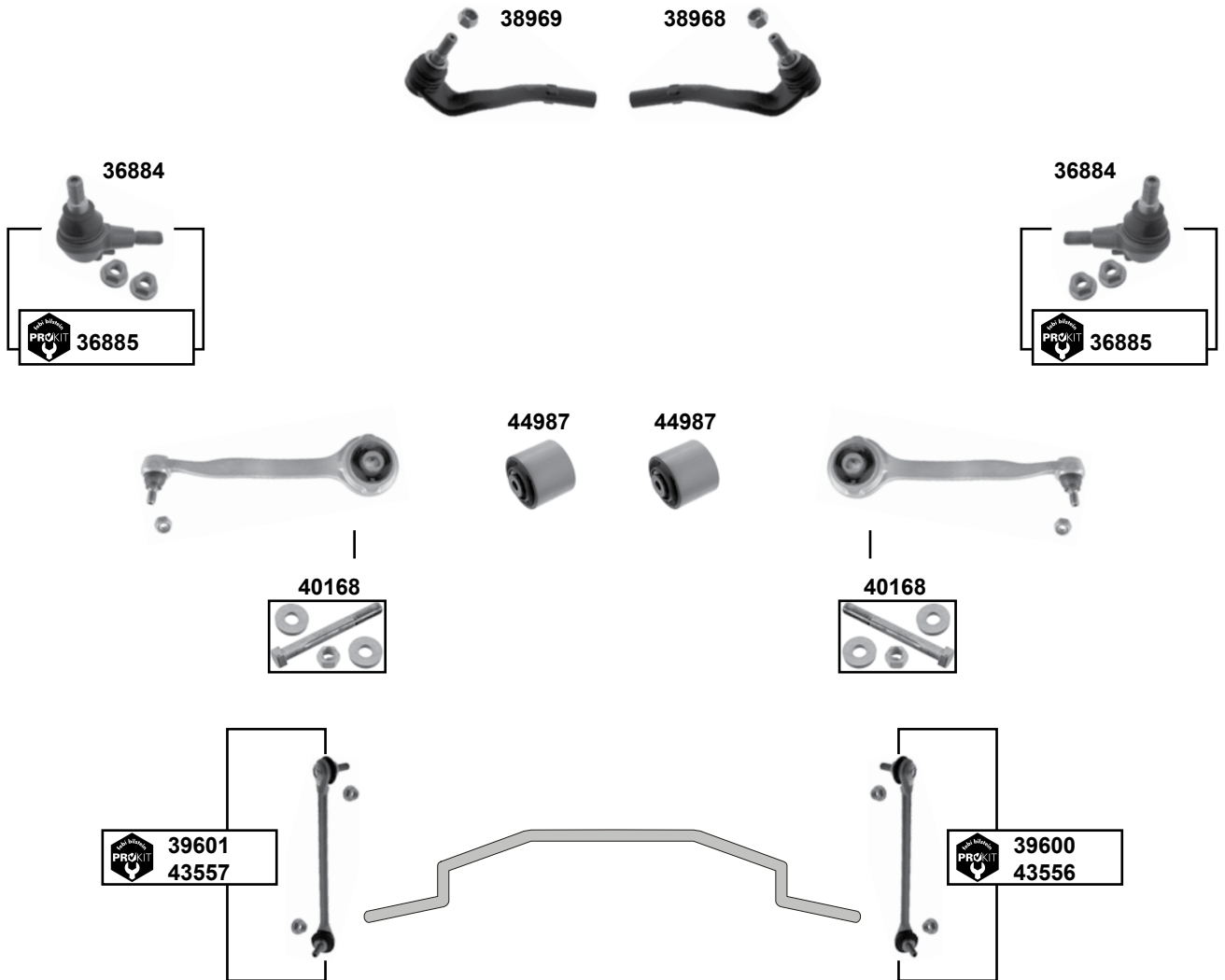
ProKit Verbindungsstange / stabilizer link  
ProKit Spurstangenendstück / tie rod end  
ProKit Spurstangenendstück / tie rod end

(1)  
(1)

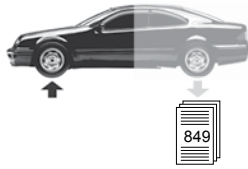
L 285  
L 200  
L 200



## CLS (BM 218) (2011 →)

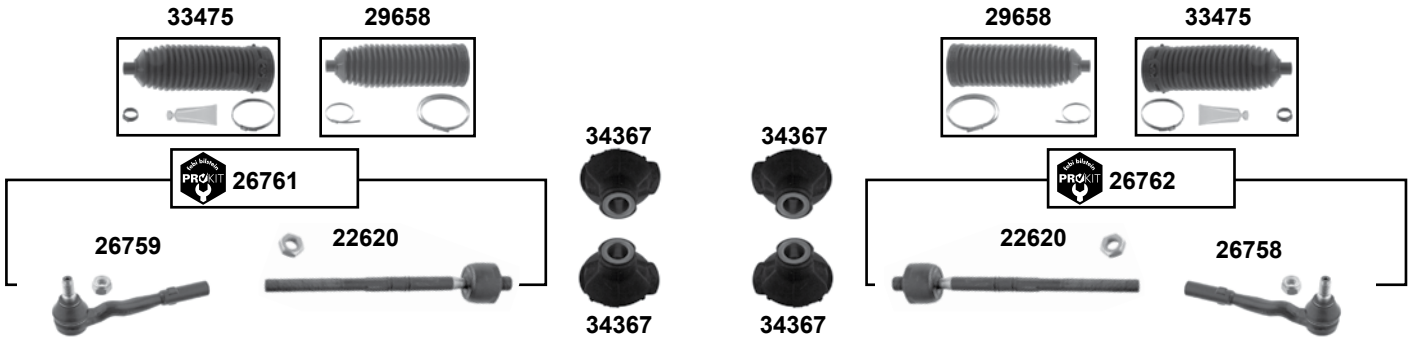


	Ref. - No.			
<b>36884</b>	212 330 01 35	Traggelenk / ball joint		M14 x 1,5
<b>36885</b>	212 330 01 35 S1	ProKit Traggelenk / ball joint		M14 x 1,5
<b>38968</b>	212 330 22 03	Spurstangenendstück / tie rod end		
<b>38969</b>	212 330 23 03	Spurstangenendstück / tie rod end		
<b>39600</b>	212 320 12 89 S1	ProKit Verbindungsstange / stabilizer link		L 325
<b>39601</b>	212 320 11 89 S1	ProKit Verbindungsstange / stabilizer link		L 325
<b>40168</b>	000 333 10 71	Montagesatz für Querlenker / mounting kit for control arm		M14 x 1,5
<b>43556</b>	212 320 26 89 S1	ProKit Verbindungsstange / stabilizer link		
<b>43557</b>	212 320 25 89 S1	ProKit Verbindungsstange / stabilizer link		
<b>44987</b>	212 333 03 14	Querlenkerlager / control arm mount		Ø114 ØA 80



## CLS (BM 219) (2004 → 2010)

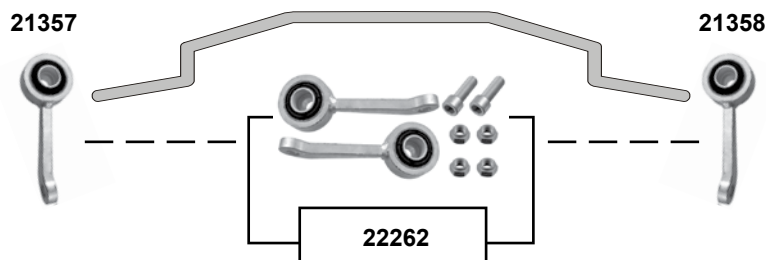
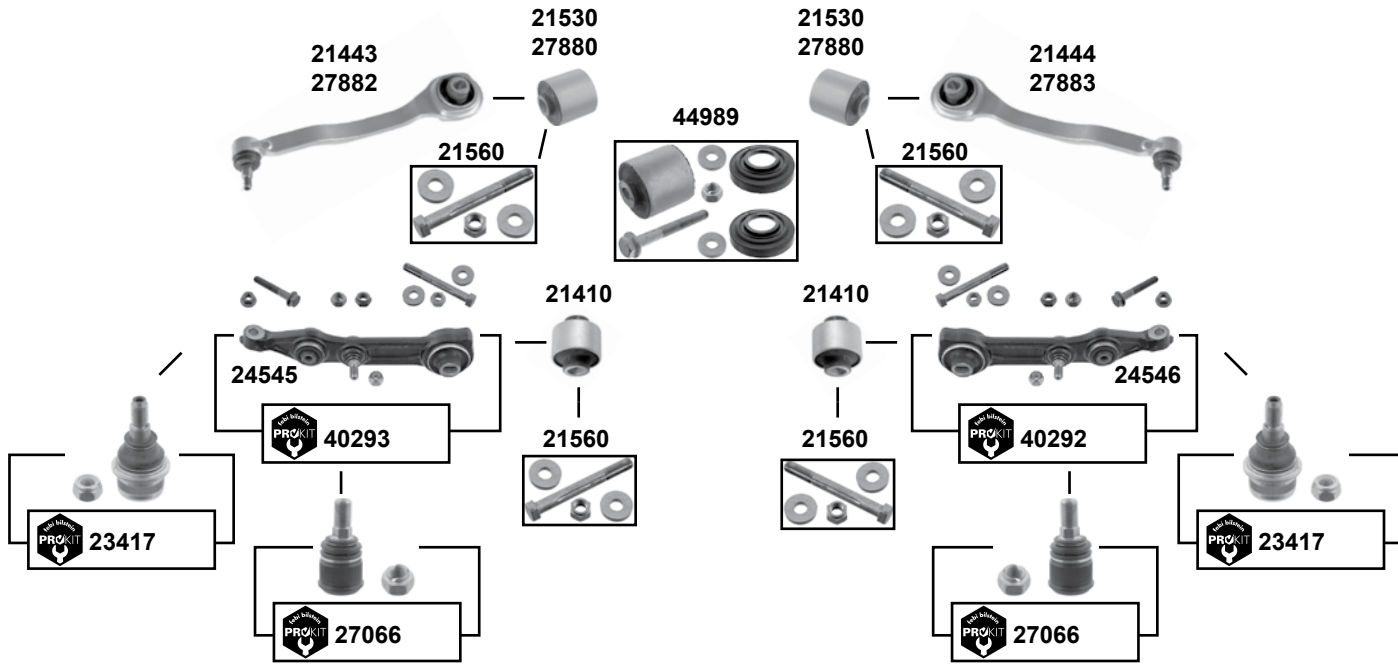
Vorderachse / Front axle

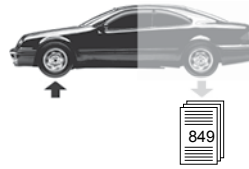


### oben / upper



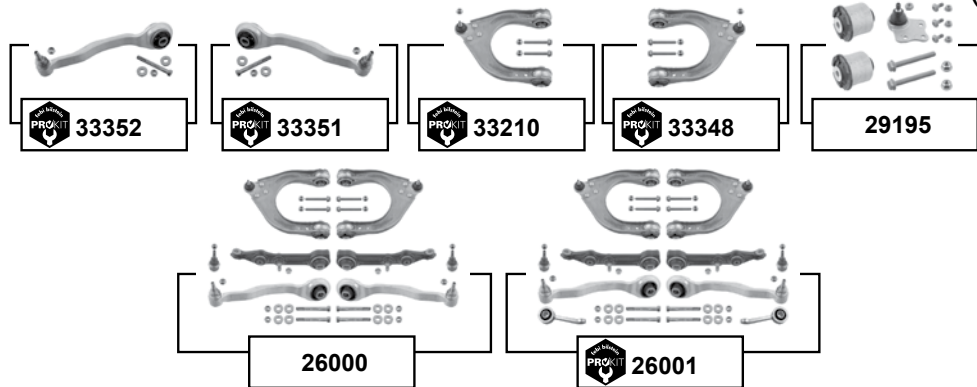
### unten / lower





## CLS (BM 219)

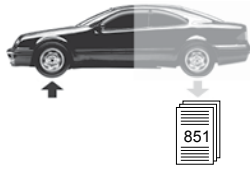
(2004 → 2010)



(1) wahlweise / optional 211 330 91 07	(3) wahlweise / optional 211 330 92 07 S1
(2) wahlweise / optional 211 330 92 07	(4) wahlweise / optional 211 330 91 07 S1
(5) CLS 280/300/350 CDI/ 550 CLS 320/CDI, 350, 500, 55AMG, 550, 63AMG (ch.) A 100 692→	



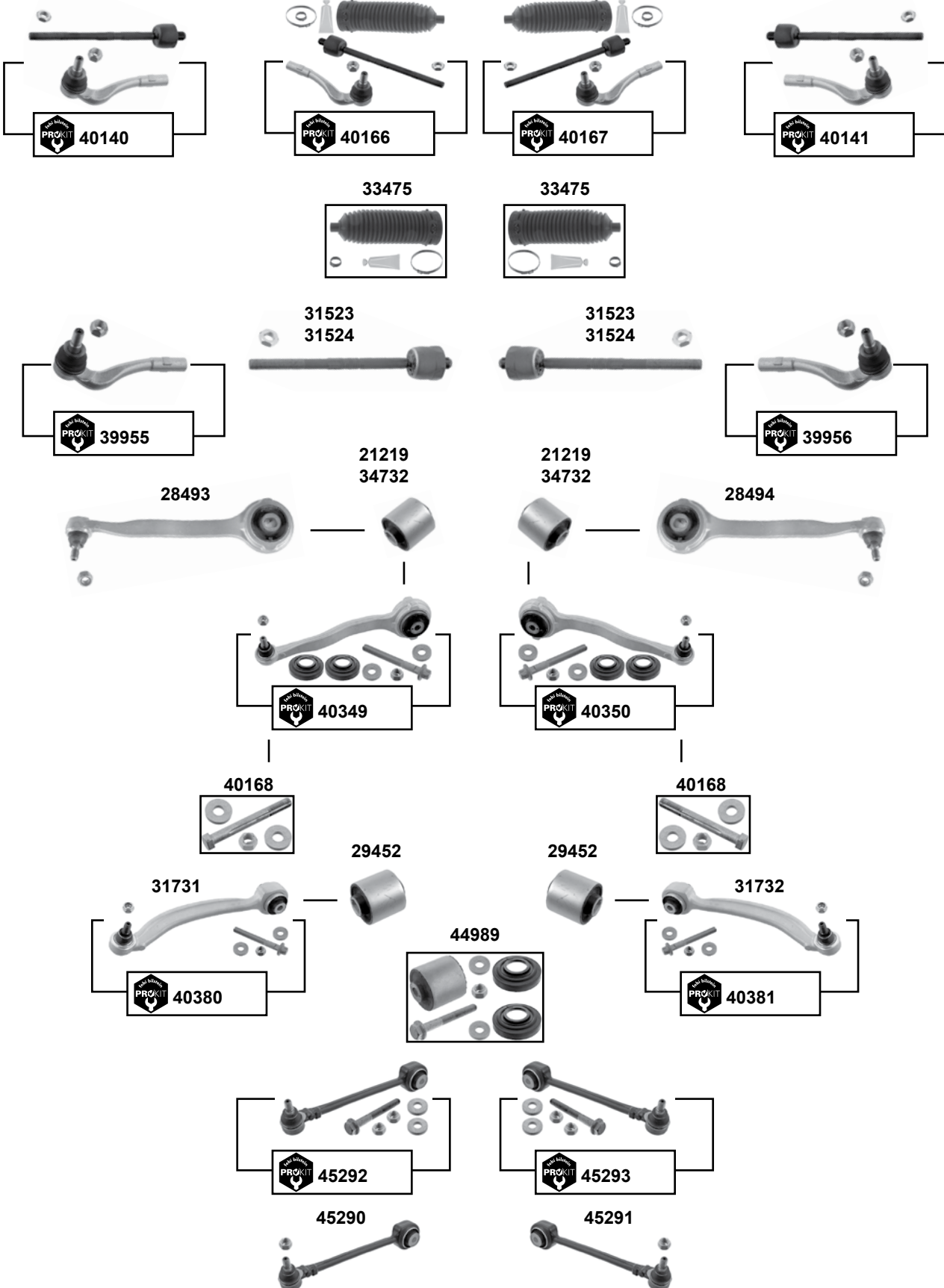
Febi bilstein	Ref. - No.			
21357	211 320 39 89	Verbindungsstange / stabilizer link		
21358	211 320 38 89	Verbindungsstange / stabilizer link		
21410	211 333 11 14	Querlenkerlager / control arm mount		
21443	211 330 15 11	Querlenker / control arm		
21444	211 330 16 11	Querlenker / control arm		
21445	211 330 89 07	Querlenker / control arm		
21446	211 330 90 07	Querlenker / control arm		
21530	211 333 10 14	Querlenkerlager / control arm mount	<b>OLD</b>	
21560	000 330 00 18	Rep. Satz Exzenterbolzen / rep. kit eccentric bolt		
22262	211 320 38 89 S1	Verbindungsstangensatz / connecting rod set		
22620	230 338 00 15	Spurstange / tie rod		L 219,5
22654	211 333 22 14	Querlenkerlager / control arm mount		
23417	211 330 04 35	ProKit Traggelenk / ball joint		L 92 M14x1,5
24545	211 330 81 07	Querlenker / control arm	(1) (ex.) CLS 63 AMG	
24546	211 330 82 07	Querlenker / control arm	(2) (ex.) CLS 63 AMG	
26000	211 330 81 07 S1	Querlenkersatz / control arm kit	(ex.) CLS 63 AMG	
26001	211 330 81 07 S2	ProKit Querlenker / control arm	(ex.) CLS 63 AMG	
26758	211 330 28 03	Spurstangenendstück rechts / tie rod end right	(ex.) CLS 63 AMG	M14 x 1,5
26759	211 330 27 03	Spurstangenendstück links / tie rod end left		M14 x 1,5
26761	211 460 98 03	ProKit Spurstange mit Endstück / tie rod with tie rod end		
26762	211 460 99 03	ProKit Spurstange mit Endstück / tie rod with tie rod end		
27066	211 323 00 68	ProKit Traggelenk / ball joint		M14 x 1,5
27880	211 333 29 14	Querlenkerlager / control arm mount	<b>NEW</b> (ex.) AMG	
27882	211 330 43 11 S1	Querlenker / control arm	<b>NEW</b> inkl. 27880	
27883	211 330 44 11 S1	Querlenker / control arm	<b>NEW</b> inkl. 27880	
28511	000 330 10 07	ProKit Traggelenk / ball joint		L 92 M14x1,5
29195	211 330 00 07 S1	Querlenkerlagersatz / control arm mounting kit		
29279	000000 002483 S1	Montagesatz Querlenker / mounting kit control arm	AMG	M10 x 1,5
29658	203 463 03 96	Rep Satz Lenkmanschette / rep. kit steering boot	(ch.) → A 047016	
33210	211 330 89 07 S1	ProKit Querlenker / control arm		
33348	211 330 90 07 S1	ProKit Querlenker / control arm		
33351	211 330 44 11 S2	ProKit Querlenker / control arm		
33352	211 330 43 11 S2	ProKit Querlenker / control arm		
33475	204 463 02 96 S1	Rep. Satz Lenkmanschette / rep. kit steering boot	LHD / RHD	L 222
34367	211 463 03 66	Lenkgetriebelager / steering gear mount		Ø A 45
40292	211 330 82 07 S3	ProKit Querlenker / control arm	(3)	
40293	211 330 81 07 S3	ProKit Querlenker / control arm	(4)	
44989	204 333 11 14 S1	Querlenkerlagersatz / control arm mounting kit	(5)	

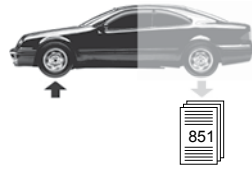


## E-Klasse Coupe / Cabrio (BM 207)

(2010 →)

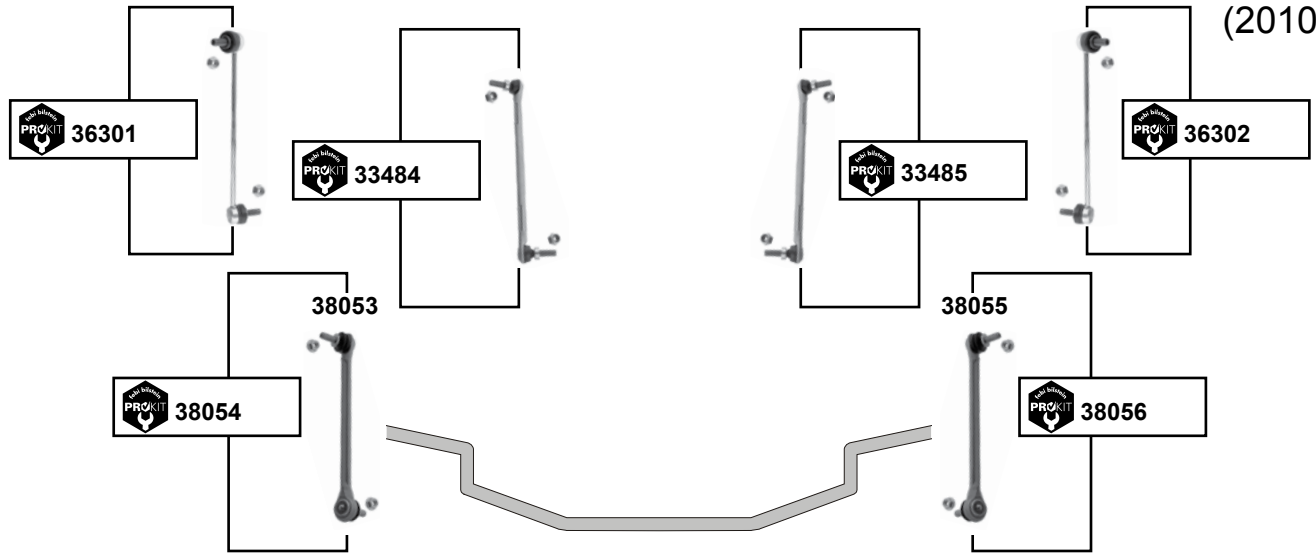
Vorderachse / Front axle





**E-Klasse Coupe / Cabrio (BM 207)**

(2010 →)



(1) (ex.) Sport / (ex.) Fahrdynamik / dynamic drive



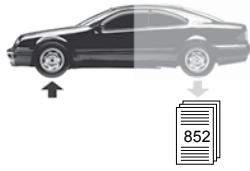
(2) Sport / mit ASR+Fahrdynamikpaket / with ASR+ driving dynamics package

Mutter / nut = M12x1,5 DIN 985 Länge Abstand mitte - mitte Bolzen / length distance middle- middle bold= 306,65  
Bitte nur paarweise tauschen! / please change only both sides!

Vorderachse / Front axle

	Ref. - No.			
21219	203 333 10 14	Querlenkerlager / control arm mount		Ø A 70
28493	204 330 43 11 S1	Querlenker / control arm	+ 2 x A211 333 06 97	
28494	204 330 44 11 S1	Querlenker / control arm	+ 2 x A211 333 06 97	
29452	204 333 04 14	Querlenkerlager / control arm mount	(ex.) C 63 AMG	Ø A 70 B 80
31523	204 338 04 15	Spurstange / tie rod	(ex.) 4-matic/C63 AMG	L 280
31524	204 338 05 15	Spurstange / tie rod	4-matic	L 261
31731	204 330 67 11	Querlenker / control arm	(ex.) C 63 AMG	
31732	204 330 68 11	Querlenker / control arm	(ex.) C 63 AMG	
33475	204 463 02 96 S1	Rep. Satz Lenkmanschette / rep. kit steering boot	(ex.) ASD / (ex.) EPS	L 222
33484	204 320 37 89	ProKit Verbindungsstange / stabilizer link	(1)	L 260
33485	204 320 38 89	ProKit Verbindungsstange / stabilizer link	(1)	L 260
34732	204 333 11 14	Querlenkerlager / control arm mount	+ 2 x A211 333 06 97	Ø I 15 Ø A 70
36301	204 320 17 89	ProKit Verbindungsstange / stabilizer link	(2)	B 69
36302	204 320 18 89	ProKit Verbindungsstange / stabilizer link	(2)	B 69
38053	204 320 07 89	Verbindungsstange / stabilizer link	4-matic	M12 x 1,5
38054	204 320 07 89 S1	ProKit Verbindungsstange / stabilizer link	4-matic	M12 x 1,5
38055	204 320 22 89	Verbindungsstange / stabilizer link	4-matic	M12 x 1,5
38056	204 320 22 89 S1	ProKit Verbindungsstange / stabilizer link	4-matic	M12 x 1,5
39955	204 330 09 03	ProKit Spurstangenendstück / tie rod end	(ex.) AMG	M14 x 1,5
39956	204 330 10 03	ProKit Spurstangenendstück / tie rod end	(ex.) AMG	M14 x 1,5
40140	204 338 04 15 S1	ProKit Spurstange / tie rod	(ex.) ASD / (ex.) EPS	
40141	204 338 04 15 S2	ProKit Spurstange / tie rod	(ex.) ASD / (ex.) EPS	
40166	204 338 04 15 S3	ProKit Spurstange / tie rod	(ex.) ASD / (ex.) EPS	
40167	204 338 04 15 S4	ProKit Spurstange / tie rod	(ex.) ASD / (ex.) EPS	
40168	000 333 10 71	Montagesatz für Querlenker / mounting kit for control arm		M14 x 1,5
40349	204 330 43 11 S3	ProKit Querlenker / control arm		
40350	204 330 44 11 S3	ProKit Querlenker / control arm		
40380	204 330 67 11 S2	ProKit Querlenker / control arm		
40381	204 330 68 11 S2	ProKit Querlenker / control arm		
44989	204 333 11 14 S1	Querlenkerlagersatz / control arm mounting kit		Ø I 14 Ø A 80
45290	204 330 29 11 S1	Querlenker / control arm	E 350 4-matic	
45291	204 330 30 11 S1	Querlenker / control arm	E 350 4-matic	
45292	204 330 29 11 S2	ProKit Querlenker / control arm	E 350 4-matic	
45293	204 330 30 11 S2	ProKit Querlenker / control arm	E 350 4-matic	





## E-Klasse (BM 210)

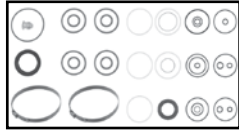
(1995 → 2002)

(ex.) 4-matic

Vorderachse / Front axle

### oben / upper

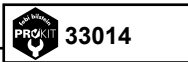
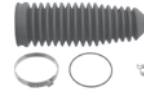
23355



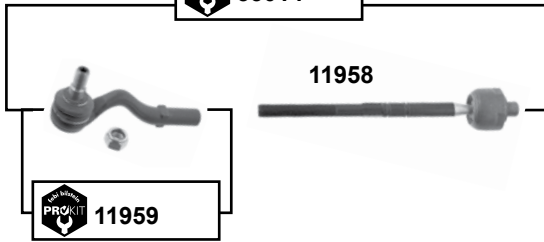
23844



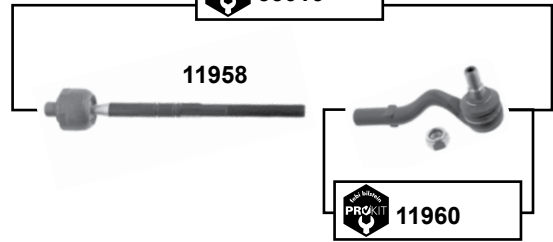
23844



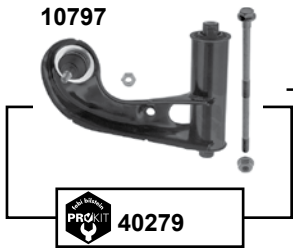
33014



33016



10797



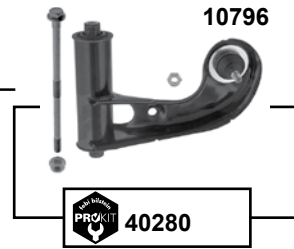
11192

11192

11192

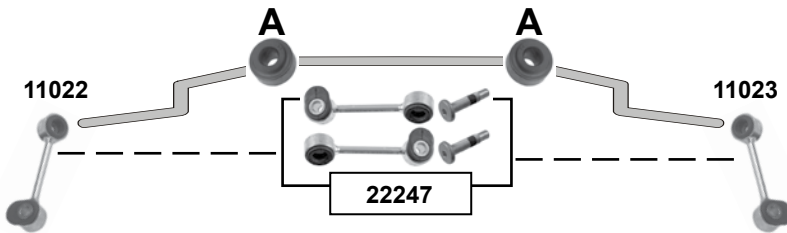
11192

10796



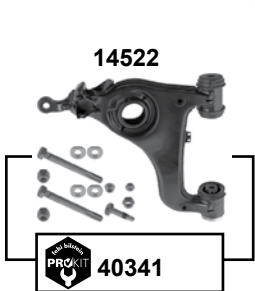
### unten / lower

11022



11023

14522



07758

07758

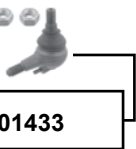
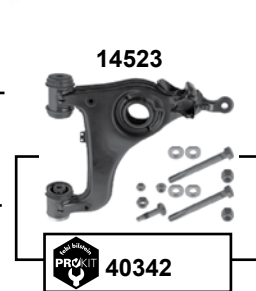
11155

11155

07758

07758

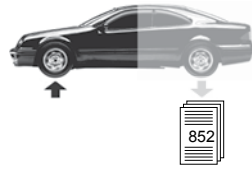
14523



PRÖKIT 01433



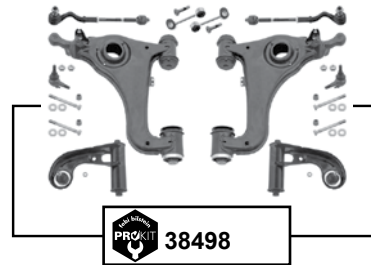
PRÖKIT 01433



**E-Klasse (BM 210)**

(1995 → 2002)

(ex.) 4-matic



Vorderachse / Front axle



**Stabilisatorlager / stabilizer mount**

			<b>A</b>
Limousine	(ex.) Sport	(ch.) → A 394035	<b>01987</b>
Limousine	(ex.) Sport	(ch.) A 394036 →	<b>15381</b>
Limousine	Sport	(ch.) → A 394035	<b>15520</b>
E 420 / E 50 AMG	Sport	(ch.) A 394036 →	<b>01982</b>
T-Modell	(ex.) Sport	(ch.) → A 394035	<b>15520</b>
E 420 T / E 430 T	Sport	(ch.) A 394036 →	<b>01982</b>



(1) wahlweise / optional:	210 320 36 89 S2	210 330 77 07 S1	210 338 98 15 S1
	210 330 00 18 S1	210 330 87 07 S2	210 338 99 15 S1
	210 330 76 07 S1	210 330 88 07 S2	211 330 03 35 S2

(2) (ex.) Taxi / (ex.) gepanzerte Fahrzeuge / (ex.) protected cars



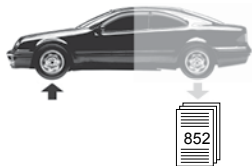
Ref. - No.



<b>01433</b>	211 330 03 35	ProKit Traggelenk / ball joint		M14 x 1,5
<b>01982</b>	140 323 10 85	Stabilisatorlager / stabilizer mount		Ø I 29
<b>01987</b>	140 323 09 85	Stabilisatorlager / stabilizer mount		26x46x65
<b>07758</b>	210 330 0018	Rep. Satz Exzenterbolzen / rep. kit eccentric bolt		M14 x 1,5
<b>10796</b>	210 330 88 07	Querlenker / control arm		
<b>10797</b>	210 330 87 07	Querlenker / control arm		
<b>11022</b>	210 320 36 89	Verbindungsstange / stabilizer link		L 115
<b>11023</b>	210 320 37 89	Verbindungsstange / stabilizer link		L 115
<b>11155</b>	210 330 04 75	Rep. Satz Querlenker / rep. kit control arm		
<b>11192</b>	202 333 77 14	Querlenkerlager / control arm mount		
<b>11958</b>	210 338 04 15	Spurstange / tie rod		
<b>11959</b>	210 338 05 15	ProKit Spurstangenendstück / tie rod end		M14 x 1,5
<b>11960</b>	210 338 06 15	ProKit Spurstangenendstück / tie rod end		M14 x 1,5
<b>14522</b>	210 330 76 07	Querlenker / control arm	(2)	
<b>14523</b>	210 330 77 07	Querlenker / control arm	(2)	
<b>15381</b>	210 323 14 85	Stabilisatorlager / stabilizer mount		Ø I 26
<b>15520</b>	140 323 19 85	Stabilisatorlager / stabilizer mount		Ø I 27
<b>22247</b>	210 320 36 89 S1	Rep. Satz Koppelstange / rep. kit stabilizer link		L 114
<b>23355</b>	210 460 00 80 S2	Dichtungssatz Servolenkung / gasket set power steering		
<b>23844</b>	210 460 23 00	Rep. Satz Lenkmanschette / rep. kit steering boot		
<b>33014</b>	210 338 98 15	ProKit Spurstange mit Endstück / tie rod with tie rod end		L 258
<b>33016</b>	210 338 99 15	ProKit Spurstange mit Endstück / tie rod with tie rod end		L 258
<b>38498</b>	210 330 99 07	Querlenkersatz / control arm kit	(1)	
<b>40279</b>	210 330 87 07 S3	ProKit Querlenker / control arm		
<b>40280</b>	210 330 88 07 S3	ProKit Querlenker / control arm		
<b>40341</b>	210 330 76 07 S2	ProKit Querlenker / control arm	(ex.) Taxi	
<b>40342</b>	210 330 77 07 S2	ProKit Querlenker / control arm	(ex.) Taxi	

passend für / to fit

**MERCEDES-BENZ**



**Car  
Division**



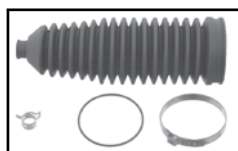
## E-Klasse (BM 210)

(1995 → 2002)

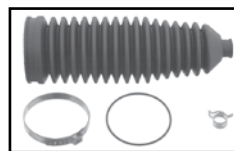
4-matic

Vorderachse / Front axle

23844



23844



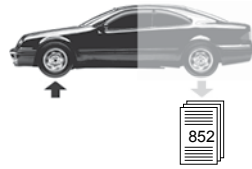
Ref. - No.



23844

210 460 23 00

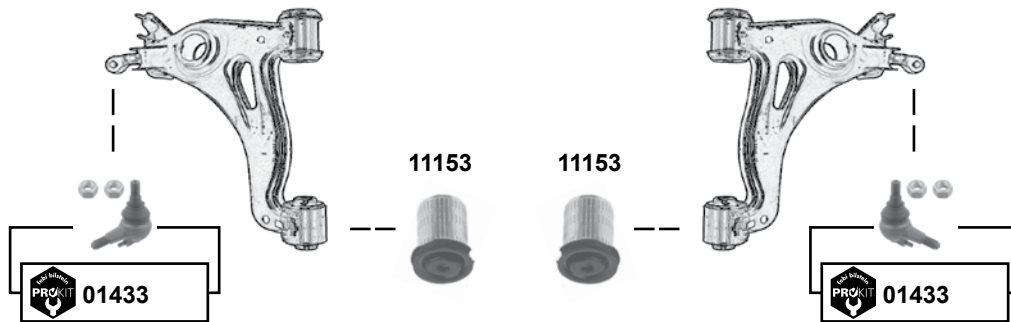
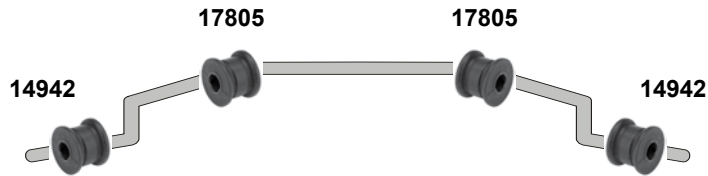
Rep.Satz Lenkmanschette / rep. kit steering boot



**E-Klasse (BM 210)**

(1995 → 2002)

**4-matic**

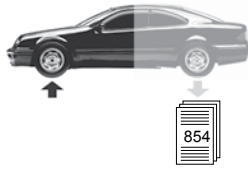


Vorderachse / Front axle

	Ref. - No.			
<b>01433</b>	211 330 03 35	ProKit Tragelenk / ball joint		M14 x 1,5
<b>11153</b>	210 333 68 14	Querlenkerlager / control arm mount		Ø A 60
<b>14942</b>	124 323 49 85	Stabilisatorlager / stabilizer mount		Ø I 18
<b>17805</b>	129 323 01 85	Stabilisatorlager / stabilizer mount		Ø I 30

passend für / to fit

**MERCEDES-BENZ**



**Car Division**

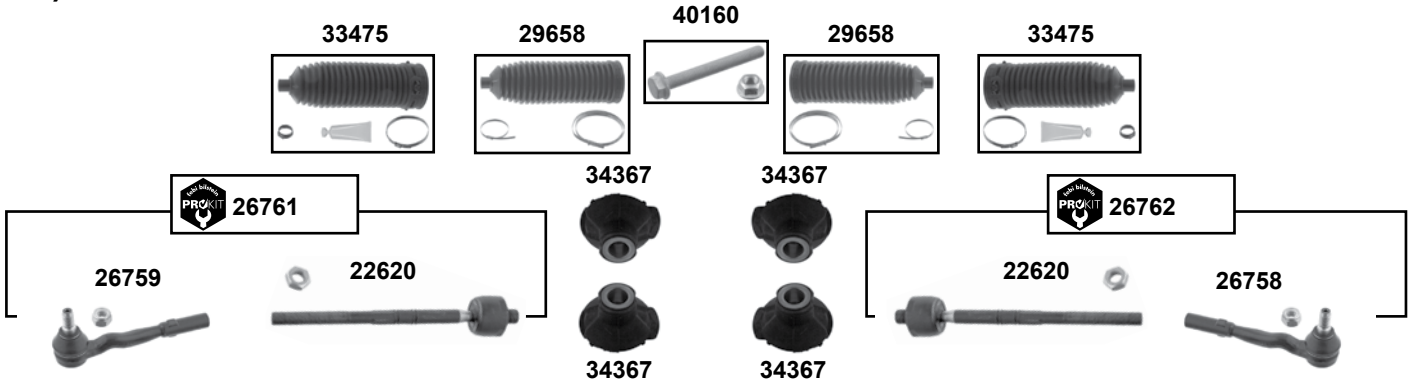


# E-Klasse (BM 211)

(2002 → 2009)

(ex.) 4-matic

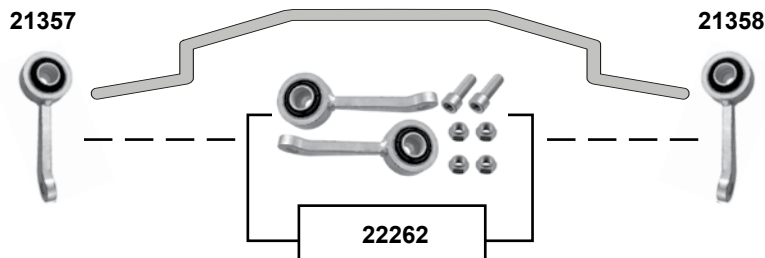
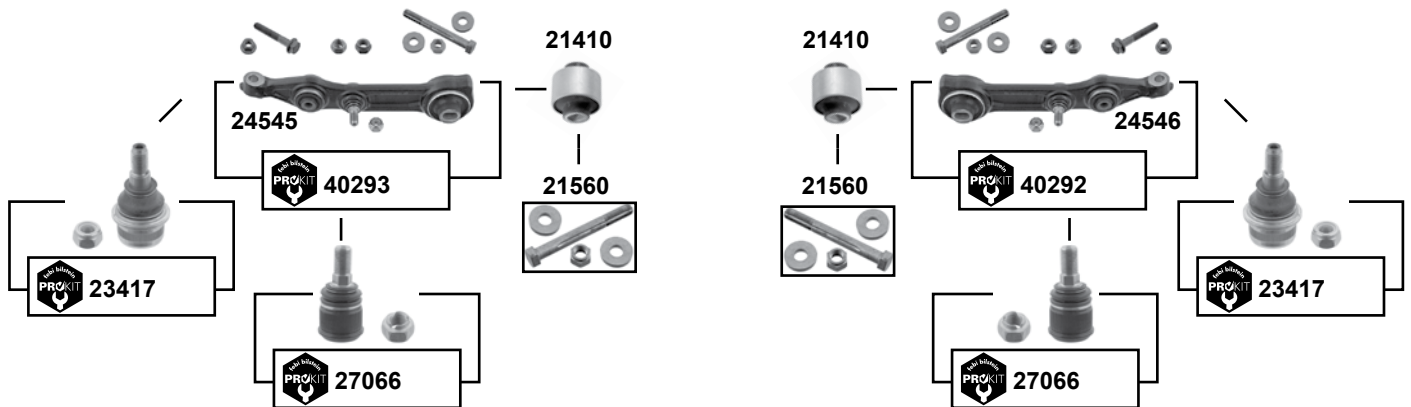
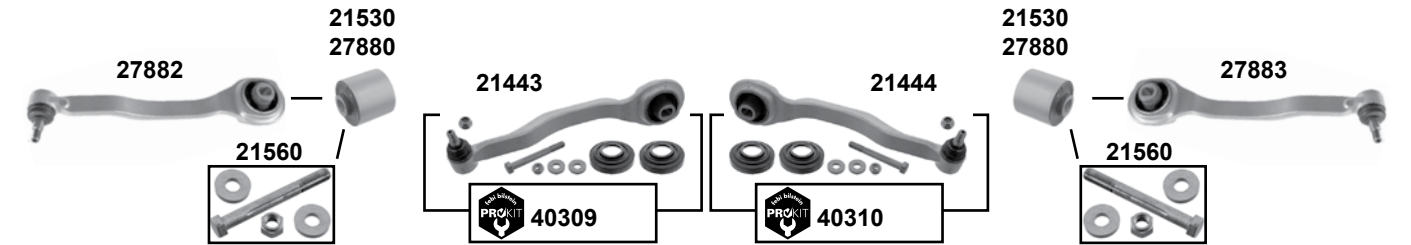
Vorderachse / Front axle

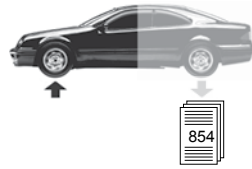


oben / upper



unten / lower

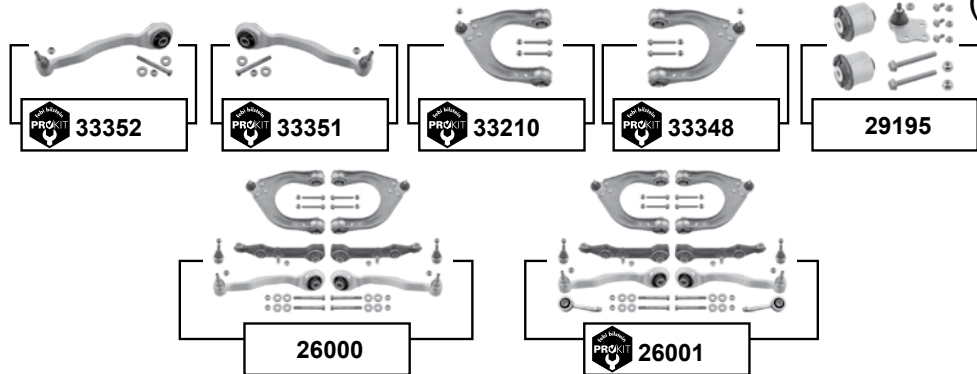




**E-Klasse (BM 211)**

(2002 → 2009)

(ex.) 4-matic

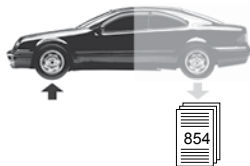


	(1) (ch.) → B 125933 / (ch.) → L 007104 beidseitig / both side	(4) wahlweise / optional 211 330 92 07
	(2) (ch.) B 125934 → / (ch.) L 007105 → LHD / RHD	(5) wahlweise / optional 211 330 92 07 S1
	(3) wahlweise / optional 211 330 91 07	(6) wahlweise / optional 211 330 91 07 S1

	Ref. - No.			
21357	211 320 39 89	Verbindungsstange / stabilizer link		
21358	211 320 38 89	Verbindungsstange / stabilizer link		
21410	211 333 11 14	Querlenkerlager / control arm mount		
21443	211 330 15 11	Querlenker / control arm		
21444	211 330 16 11	Querlenker / control arm		
21445	211 330 89 07	Querlenker / control arm		
21446	211 330 90 07	Querlenker / control arm		
21530	211 333 10 14	Querlenkerlager / control arm mount		
21560	000 330 00 18	Rep. Satz Exzenterbolzen / rep. kit eccentric bolt	<b>OLD</b>	
22262	211 320 38 89 S1	Verbindungsstangensatz / connecting rod set		
22620	230 338 00 15	Spurstange / tie rod		L 219,5
22654	211 333 22 14	Querlenkerlager / control arm mount		
23417	211 330 04 35	ProKit Traggelenk / ball joint		L 92 M14x1,5
24545	211 330 81 07	Querlenker / control arm	(3)	
24546	211 330 82 07	Querlenker / control arm	(4)	
26000	211 330 81 07 S1	Querlenkersatz / control arm kit		
26001	211 330 81 07 S2	ProKit Querlenker / control arm		
26758	211 330 26 03	Spurstangenendstück rechts / tie rod end right		M14 x 1,5
26759	211 330 25 03	Spurstangenendstück left / tie rod end left		M14 x 1,5
26761	211 460 98 03	ProKit Spurstange mit Endstück / tie rod with tie rod end		
26762	211 460 99 03	ProKit Spurstange mit Endstück / tie rod with tie rod end		
27066	211 323 00 68	ProKit Traggelenk / ball joint		M14 x 1,5
27880	211 333 29 14	Querlenkerlager / control arm mount	<b>NEW (ex.) AMG</b>	
27882	211 330 43 11 S1	Querlenker / control arm	<b>NEW</b> inkl. 27880	
27883	211 330 44 11 S1	Querlenker / control arm	<b>NEW</b> inkl. 27880	
28511	000 330 10 07	ProKit Traggelenk / ball joint		L 92 M14x1,5
29195	211 330 00 07 S1	Querlenkerlagersatz / control arm mounting kit		
29279	000000 002483 S1	Montagesatz für Querlenker / mounting kit for control arm		M10 x 1,5
29658	203 463 03 96	Rep. Satz Lenkmanschette / rep. kit steering boot	(1) (2)	
33210	211 330 89 07 S1	ProKit Querlenker / control arm		
33348	211 330 90 07 S1	ProKit Querlenker / control arm		
33351	211 330 44 11 S2	ProKit Querlenker / control arm		
33352	211 330 43 11 S2	ProKit Querlenker / control arm		
33475	204 463 02 96 S1	Rep. Satz Lenkmanschette / rep. kit steering boot	(2)	
34367	211 463 03 66	Lenkgetriebelager / steering gear mount		Ø A 45
40160	910105 014016 S1	Montagesatz für Federbein / mounting kit for strut		
40292	211 330 82 07 S3	ProKit Querlenker / control arm	(5)	
40293	211 330 81 07 S3	ProKit Querlenker / control arm	(6)	
40309	211 330 15 11 S3	ProKit Querlenker / control arm		
40310	211 330 16 11 S3	ProKit Querlenker / control arm		

passend für / to fit

**MERCEDES-BENZ**



**Car  
Division**



## E-Klasse (BM 211)

(2002 → 2009)

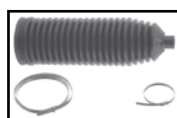
4-matic

Vorderachse / Front axle

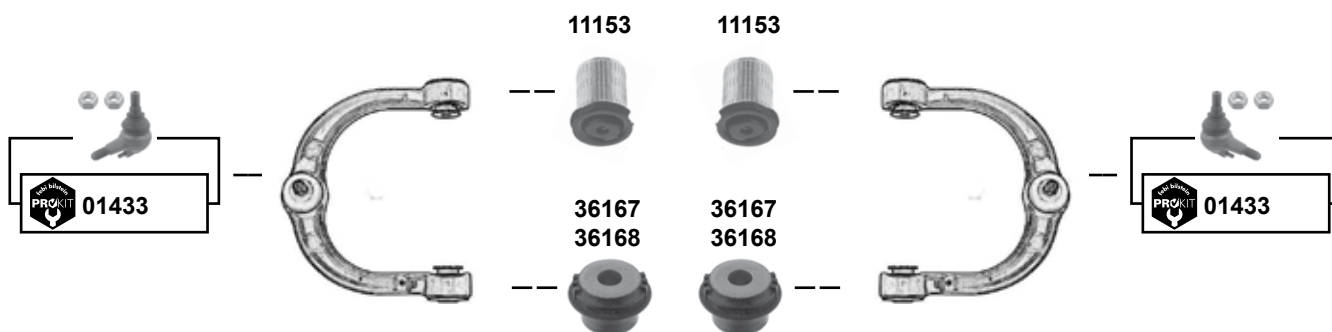
34134

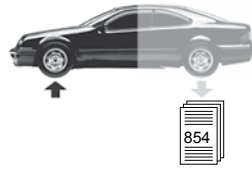


34134



40160





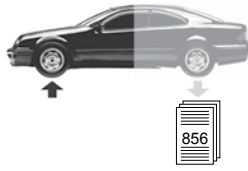
**E-Klasse (BM 211)**

(2002 → 2009)

**4-matic**

	Ref. - No.			
<b>01433</b>	211 330 03 35	ProKit Tragelenk / ball joint		M14 x 1,5
<b>11153</b>	210 333 68 14	Querlenkerlager / control arm mount		Ø A 60
<b>34134</b>	211 463 03 96 S1	Rep. Satz Lenkmanschette / rep. kit steering boot		
<b>36167</b>	220 333 27 14	Querlenkerlager / control arm mount		Ø A 63
<b>36168</b>	220 333 28 14	Querlenkerlager / control arm mount		Ø A 63
<b>40160</b>	910105 014016 S1	Montagesatz für Federbein / mounting kit for strut		

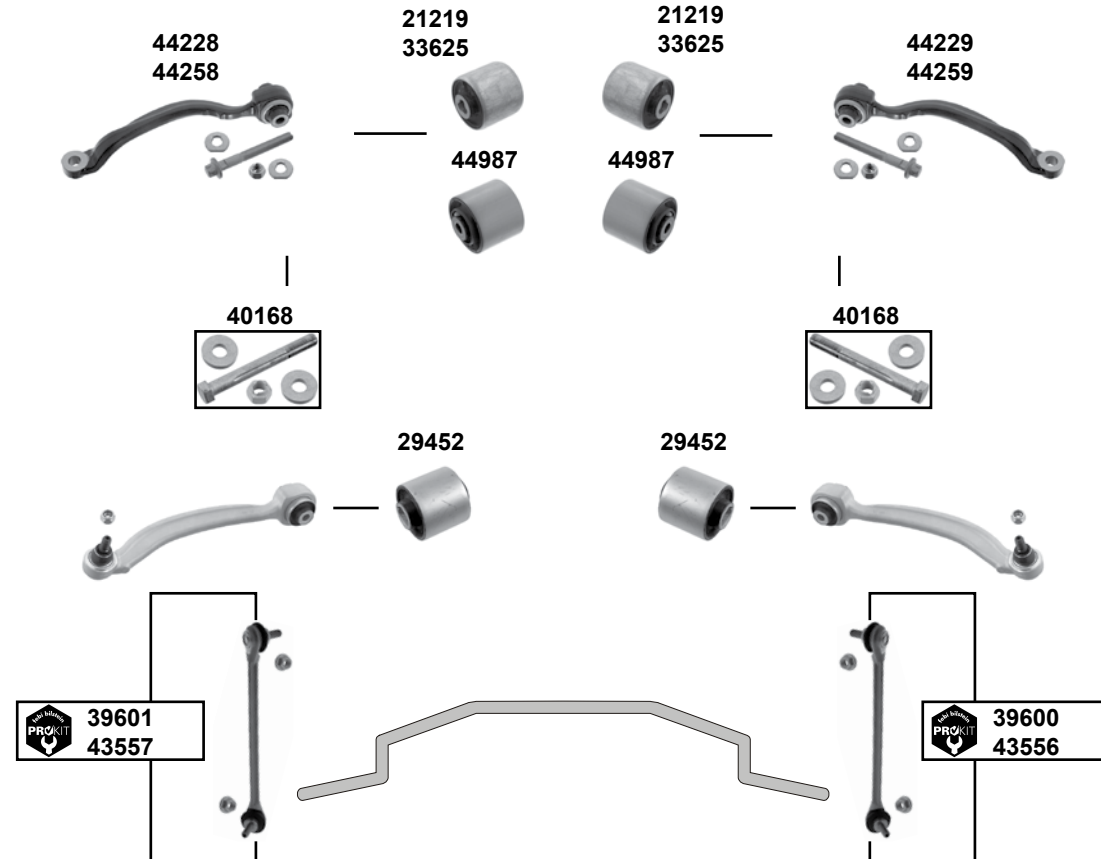
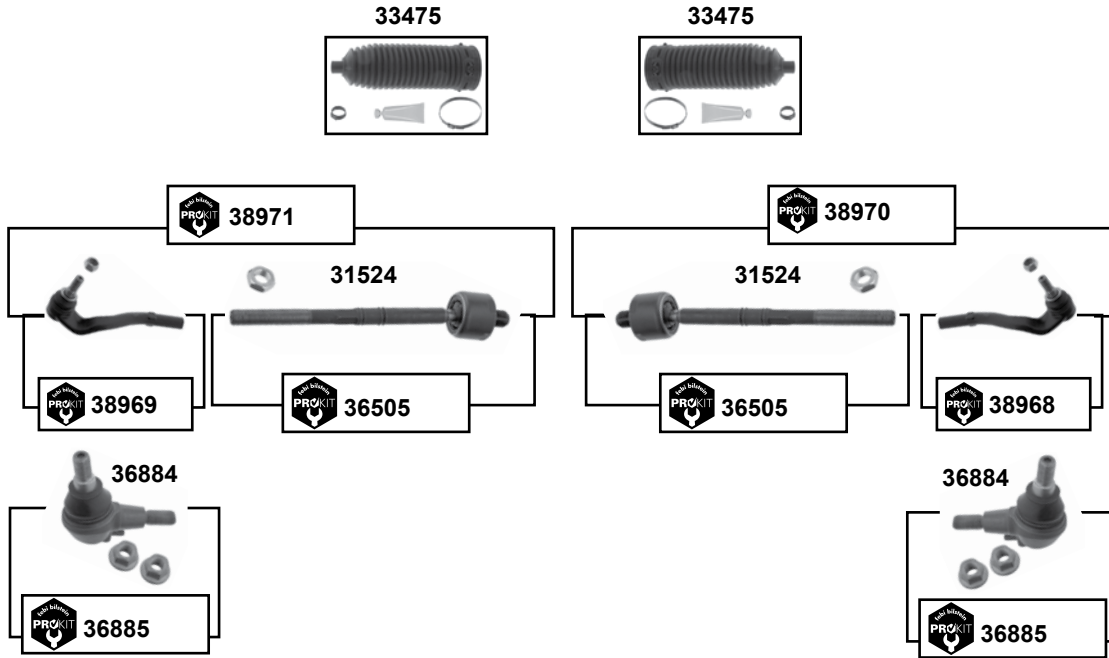


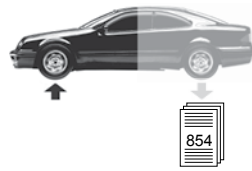


## E-Klasse (BM 212)

(2009 →)

Vorderachse / Front axle





**E-Klasse (BM 212)**  
(2009 →)



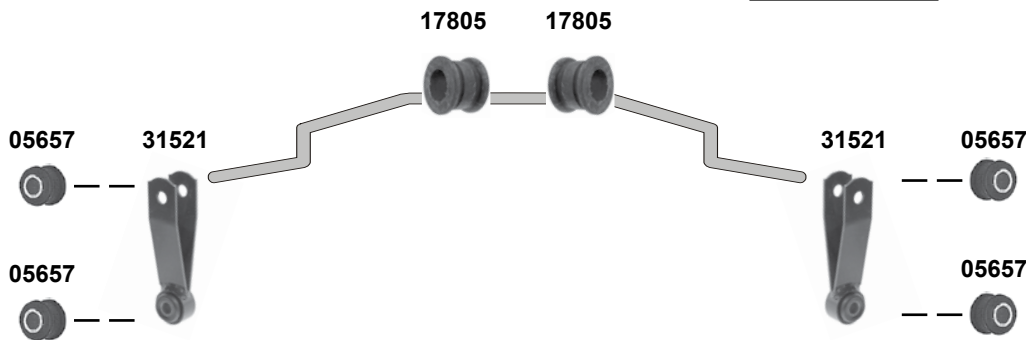
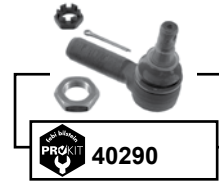
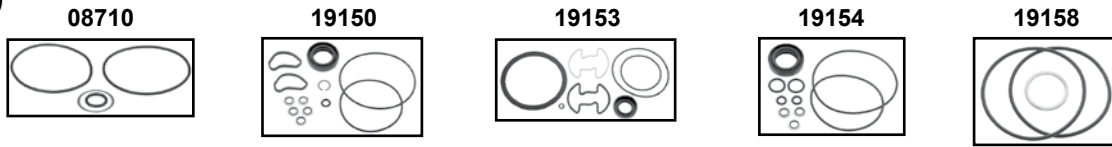
(1) 4 matic / (ex.) ASD & EPS-Lenkung / (ex.) ASD & EPS-steering

	Ref. - No.			
21219	203 333 10 14	Querlenkerlager / control arm mount	(1) (ex.) ASD / (ex.) EPS	Ø A 70
29452	204 333 04 14	Querlenkerlager / control arm mounting		Ø A 70 B 80
31524	204 338 05 15	Spurstange / tie rod		L 261
33475	204 463 02 96 S1	Rep. Satz Lenkmanschette / rep. kit steering boot		L 222
33625	212 333 00 14	Querlenkerlager / control arm mount		L 256
36505	212 330 21 03	ProKit Spurstange / tie rod		M14 x 1,5
36884	212 330 01 35	Traggelenk / ball joint		M14 x 1,5
36885	212 330 01 35 S1	ProKit Traggelenk / ball joint		
38968	212 330 22 03	Spurstangenendstück / tie rod end		
38969	212 330 23 03	Spurstangenendstück / tie rod end		
38970	212 330 22 03 S1	ProKit Spurstange / tie rod		
38971	212 330 23 03 S1	ProKit Spurstange / tie rod		
39600	212 320 12 89 S1	ProKit Verbindungsstange / stabilizer link		L 325
39601	212 320 11 89 S1	ProKit Verbindungsstange / stabilizer link		L 325
40168	000 333 10 71	Montagesatz für Querlenker / mounting kit for control arm		M14 x 1,5
43556	212 320 26 89 S1	ProKit Verbindungsstange / stabilizer link		
43557	212 320 25 89 S1	ProKit Verbindungsstange / stabilizer link		
44228	212 330 39 00	Querlenker / control arm		
44229	212 330 40 00	Querlenker / control arm		
44258	212 330 39 00 S1	Querlenker / control arm		
44259	212 330 40 00 S1	Querlenker / control arm		
44987	212 333 03 14	Querlenkerlager / control arm mount	ØI 14 ØA 80	



## G-Klasse (BM 460 → 463)

(1979 →)



(1) wahlweise / optional 002 460 16 48 / 000 460 72 48



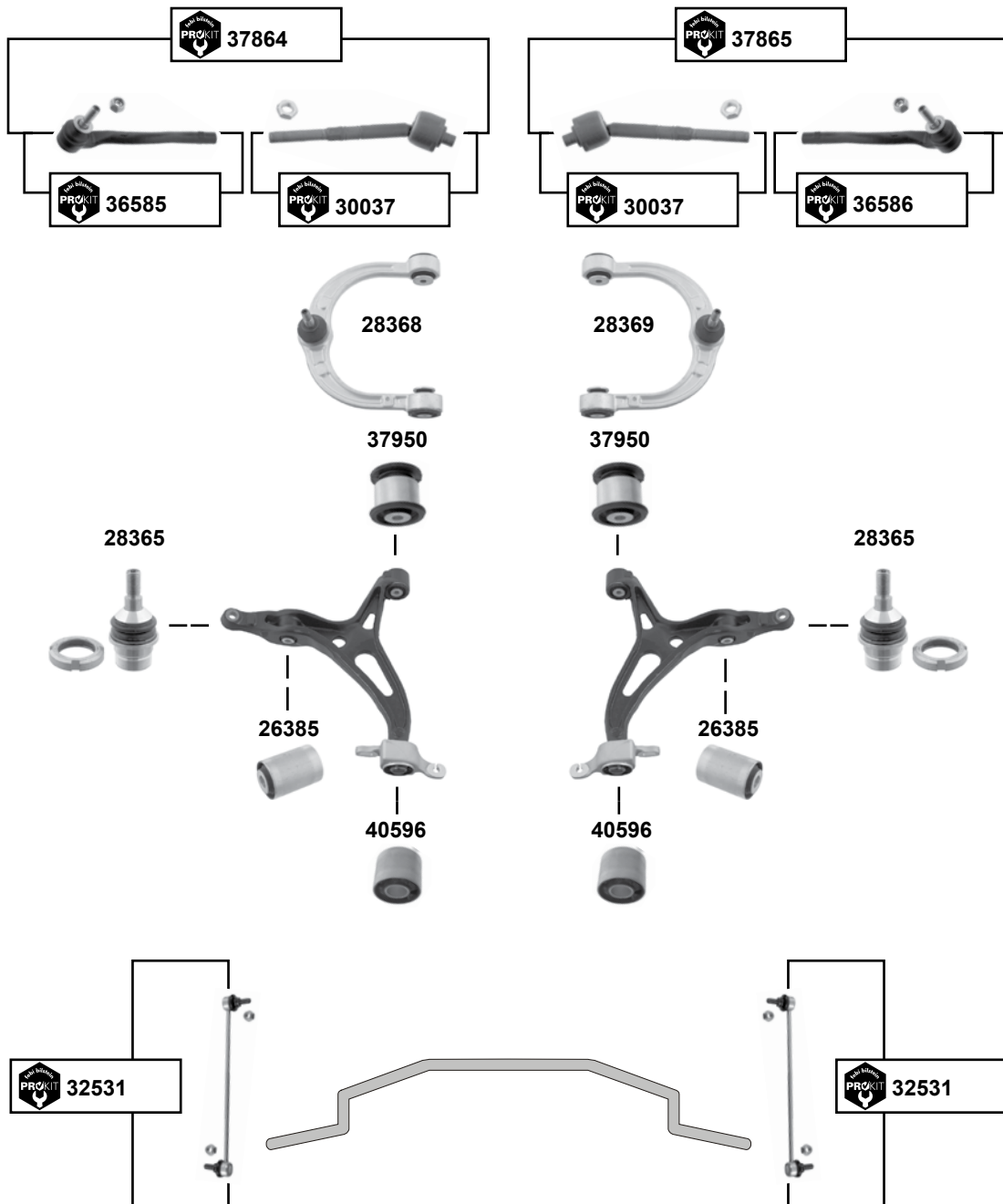
Ref. - No.



Ref. - No.	Description	Weight	Dimensions
<b>05657</b>	Stabilisatorlager / stabilizer mount		Ø   12
<b>08710</b>	Dichtungssatz Servolenkung / gasket set power steering		
<b>12975</b>	Spurstangenendstück / tie rod end	(1)	M24 x 1,5
<b>17564</b>	ProKit Spurstangenendstück / tie rod end		M20x1,5 LHT
<b>17805</b>	Stabilisatorlager / stabilizer mount		Ø   30
<b>19150</b>	Dichtungssatz Servolenkung / gasket set power steering		
<b>19153</b>	Dichtungssatz Servolenkung / gasket set power steering		
<b>19154</b>	Dichtungssatz Servolenkung / gasket set power steering		
<b>19158</b>	Dichtungssatz Servolenkung / gasket set power steering		
<b>31449</b>	Lenkungsdämpfer / steering-damper	1800 Newton	L399 - 631
<b>31450</b>	Lenkungsdämpfer / steering-damper	1000 Newton	L 399 / 630
<b>31521</b>	Verbindungsstange / stabilizer link		
<b>40290</b>	ProKit Spurstangenendstück / tie rod end		M24 x 1,5

Vorderachse / Front axle

## GL-Klasse (BM 164) (2005 →)

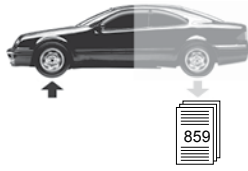


Vorderachse / Front axle

	Ref. - No.			
26385	164 333 03 14	Querlenkerlager / control arm mount		Ø A 52,3
28365	164 330 09 35	Traggelenk / ball joint		M16 x 1,5
28368	251 330 07 07	Querlenker / control arm		
28369	251 330 08 07	Querlenker / control arm		
30037	164 460 00 05	ProKit Axialgelenk / axial joint		L 222,5
32531	164 320 21 32	ProKit Verbindungsstange / stabilizer link		
36585	164 330 11 03	Spurstangenendstück / tie rod end		M14 x 1,5
36586	164 330 12 03	Spurstangenendstück / tie rod end		M14 x 1,5
37864	164 330 11 03 S1	ProKit Spurstange / tie rod		
37865	164 330 12 03 S1	ProKit Spurstange / tie rod		
37950	164 333 04 14	Querlenkerlager / control arm mount	4-matic	Ø A 57,5
40596	164 333 12 14	Querlenkerlager / control arm mount	4-matic	Ø I 30 A 70

passend für / to fit

**MERCEDES-BENZ**

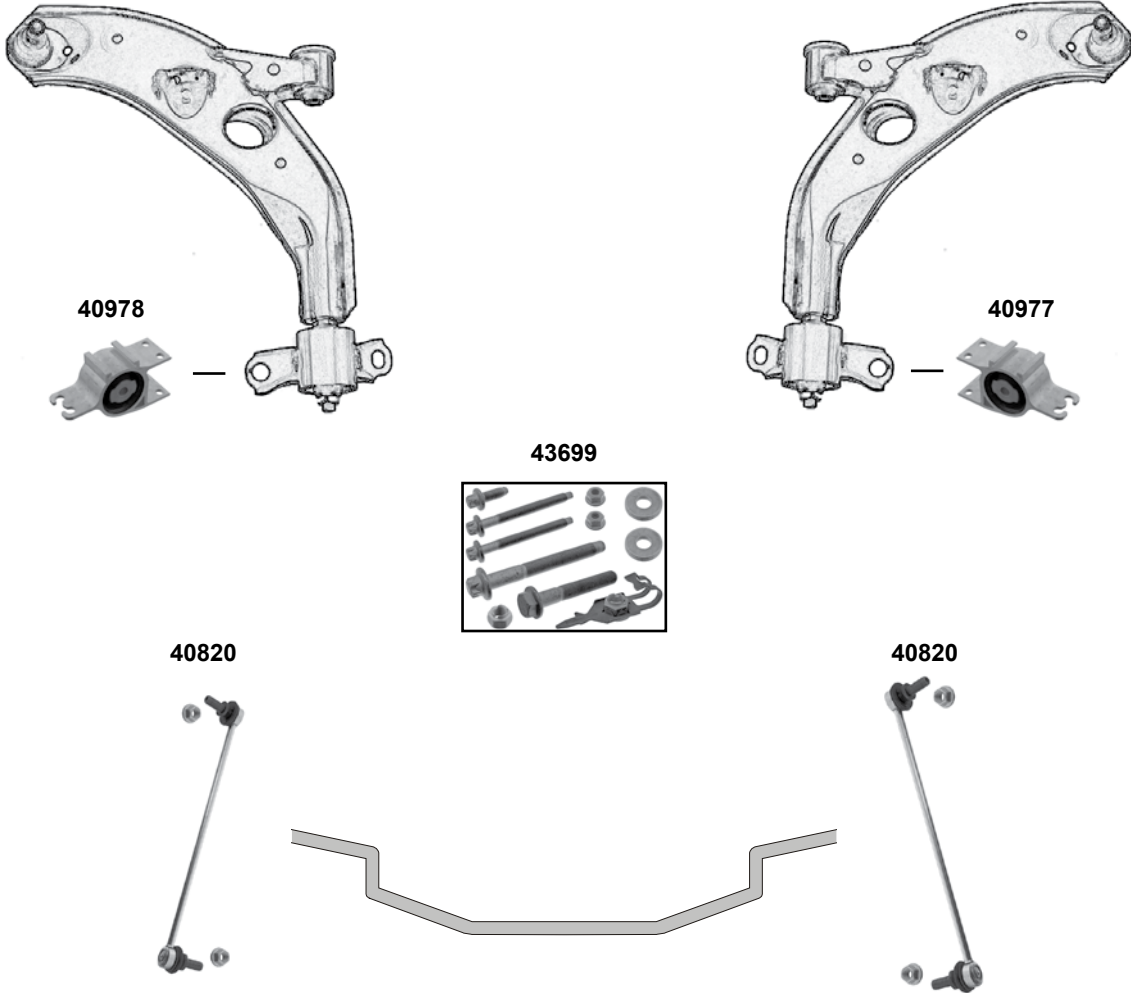


**Car  
Division**

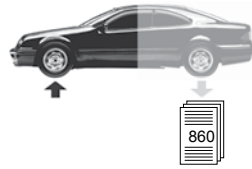


**GLA (BM 156)**  
(2013 →)

Vorderachse / Front axle



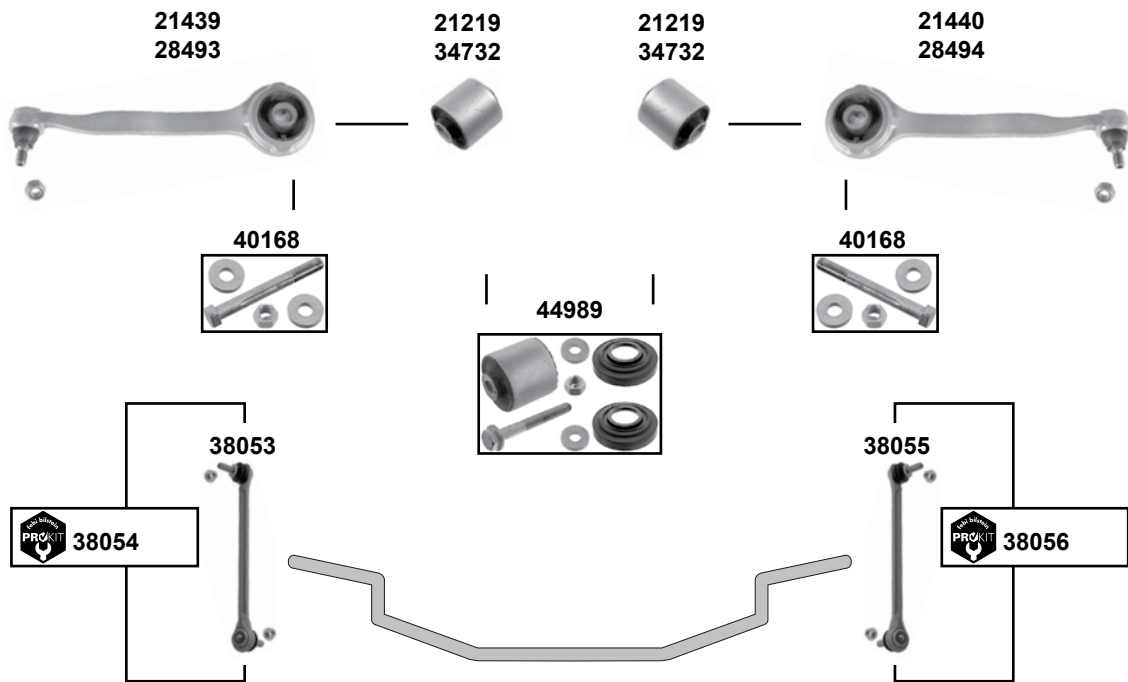
	Ref. - No.			
<b>40820</b>	246 320 06 89 S1	Verbindungsstange / stabilizer link		M12 x 1,5
<b>40978</b>	246 333 05 14	Querlenkerlager / control arm mount		
<b>40977</b>	246 333 06 14	Querlenkerlager / control arm mount		
<b>43699</b>	246 330 99 00	Montagesatz für Querlenker / mounting kit for control arm		



## GLK (BM 204) (2009 →)

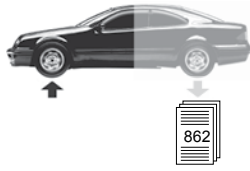


### vorne / front



Vorderachse / Front axle

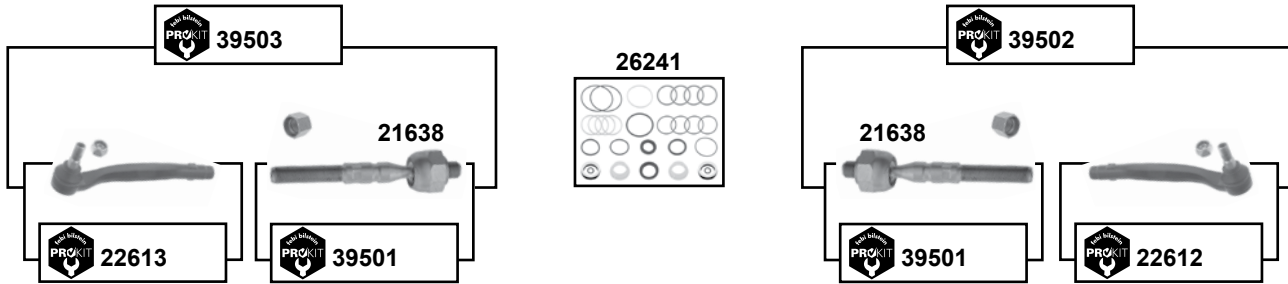
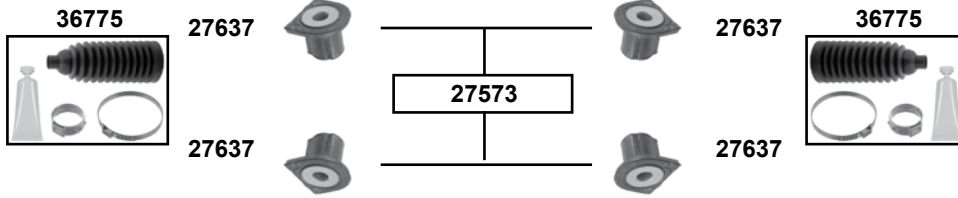
	Ref. - No.			
<b>21219</b>	203 333 10 14	Zugstrebenlager / tension rod mount		Ø A 70 B 80
<b>21439</b>	203 330 39 11 S1	Querlenker / control arm		
<b>21440</b>	203 330 40 11 S1	Querlenker / control arm		
<b>28493</b>	204 330 43 11 S1	Querlenker / control arm	+ 2 x A 211 333 06 97	
<b>28494</b>	204 330 44 11 S1	Querlenker / control arm	+ 2 x A 211 333 06 97	
<b>31524</b>	204 338 05 15	Spurstange / tie rod	ohne E-Lenkung	L 261
<b>34732</b>	204 333 11 14	Querlenkerlager / control arm mount	+ 2 x A 211 333 06 97	Ø I 15 Ø A 70
<b>38053</b>	204 320 07 89	Verbindungsstange / stabilizer link	4-matic	M12 x 1,5
<b>38054</b>	204 320 07 89 S1	ProKit Verbindungsstange / stabilizer link	4-matic	M12 x 1,5
<b>38055</b>	204 320 22 89	Verbindungsstange / stabilizer link	4-matic	M12 x 1,5
<b>38056</b>	204 320 22 89 S1	ProKit Verbindungsstange / stabilizer link	4-matic	M12 x 1,5
<b>40168</b>	000 333 10 71	Montagesatz für Querlenker / mounting kit for control arm		M14 x 1,5
<b>44989</b>	204 333 11 14 S1	Querlenkerlagersatz / control arm mounting kit		Ø I 14 Ø A 80



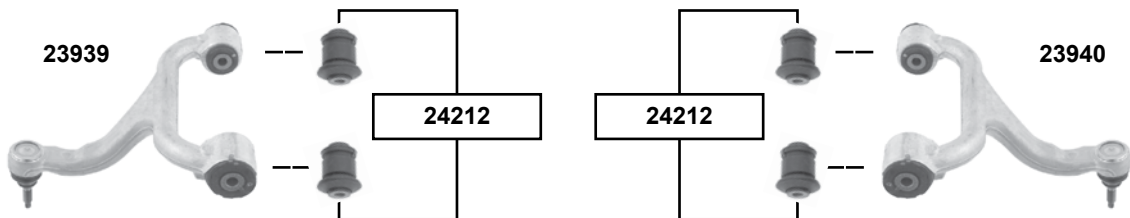
## ML-Klasse (BM 163)

(1998 → 2005)

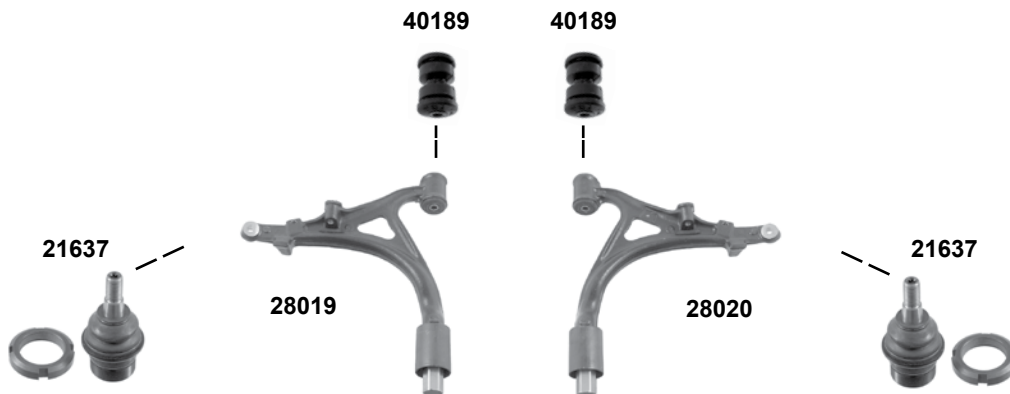
Vorderachse / Front axle

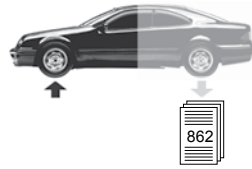


### oben / upper



### unten / down





**ML-Klasse (BM 163)**  
(1998 → 2005)

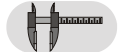


(1) (ch.) → A 145272 / X 707755 (modell → 09/2006)

(2) ohne Abbildung / without illustration Rep. Satz Spurstange / rep. kit tie rod **26628 + 26629**

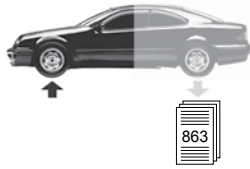


Ref. - No.



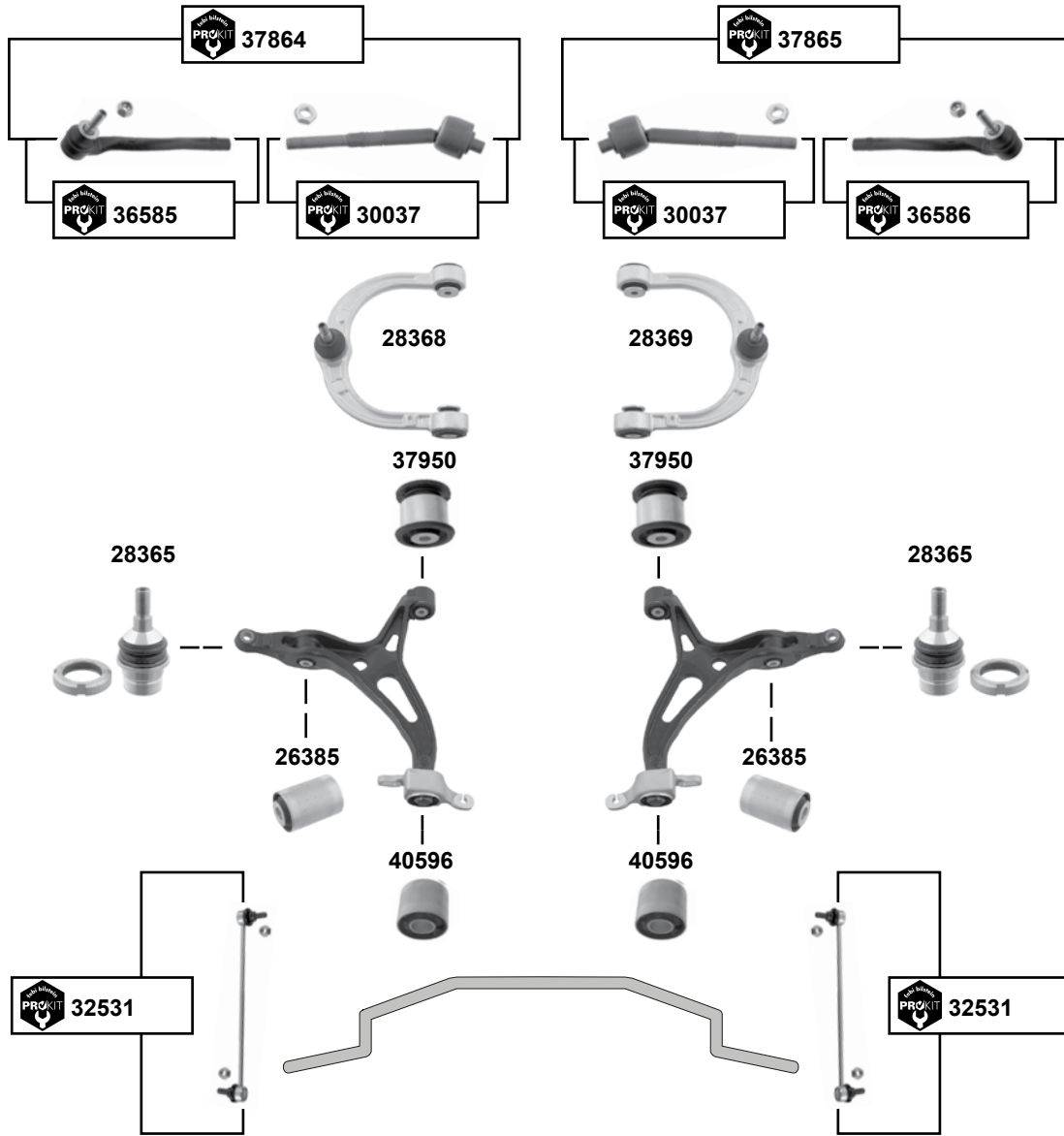
<b>21637</b>	163 330 01 35	Traggelenk / ball joint		M14 x 1,5
<b>21638</b>	163 338 02 15	Spurstange / tie rod		L 160
<b>22612</b>	163 330 04 03	ProKit Spurstangenendstück rechts / tie rod end right		M16 x 1,5
<b>22613</b>	163 330 01 03	ProKit Spurstangenendstück links / tie rod end left		M16 x 1,5
<b>23939</b>	163 333 00 01	Querlenker / control arm		
<b>23940</b>	163 333 01 01	Querlenker / control arm		
<b>24212</b>	163 330 01 75	Rep. Satz Querlenkerlager / rep. kit control arm mount		39x60 Ø   12,25
<b>26241</b>	163 460 00 80 S1	Dichtungssatz Servolenkung / gasket set power steering		
<b>26628</b>	163 330 04 03 S1	Rep. Satz Spurstange / rep. kit tie rod	(2)	
<b>26629</b>	163 330 01 03 S1	Rep. Satz Spurstange / rep. kit tie rod	(2)	
<b>27573</b>	163 463 00 66	Satz Lenkgetriebelager / rep. kit steering gear mount	= 4 x 27637	
<b>27637</b>	163 463 00 66 S1	Lenkgetriebelager / steering gear mount		
<b>28019</b>	163 330 04 07	Querlenker links / control arm left	(1)	
<b>28020</b>	163 330 05 07	Querlenker rechts / control arm right	(1)	
<b>36775</b>	163 460 01 96 SK	Rep. Satz Lenkmanschette / rep. kit steering boot		
<b>39501</b>	163 338 02 15 S1	Axialgelenk / axial joint		L 160
<b>39502</b>	163 330 04 03 S2	ProKit Spurstange / tie rod		
<b>39503</b>	163 330 01 03 S2	ProKit Spurstange / tie rod		
<b>40189</b>	163 330 00 75	Querlenkerlager / control arm mount		Ø   14 A 54





## ML-Klasse (BM 164)

(2005 → 2011)



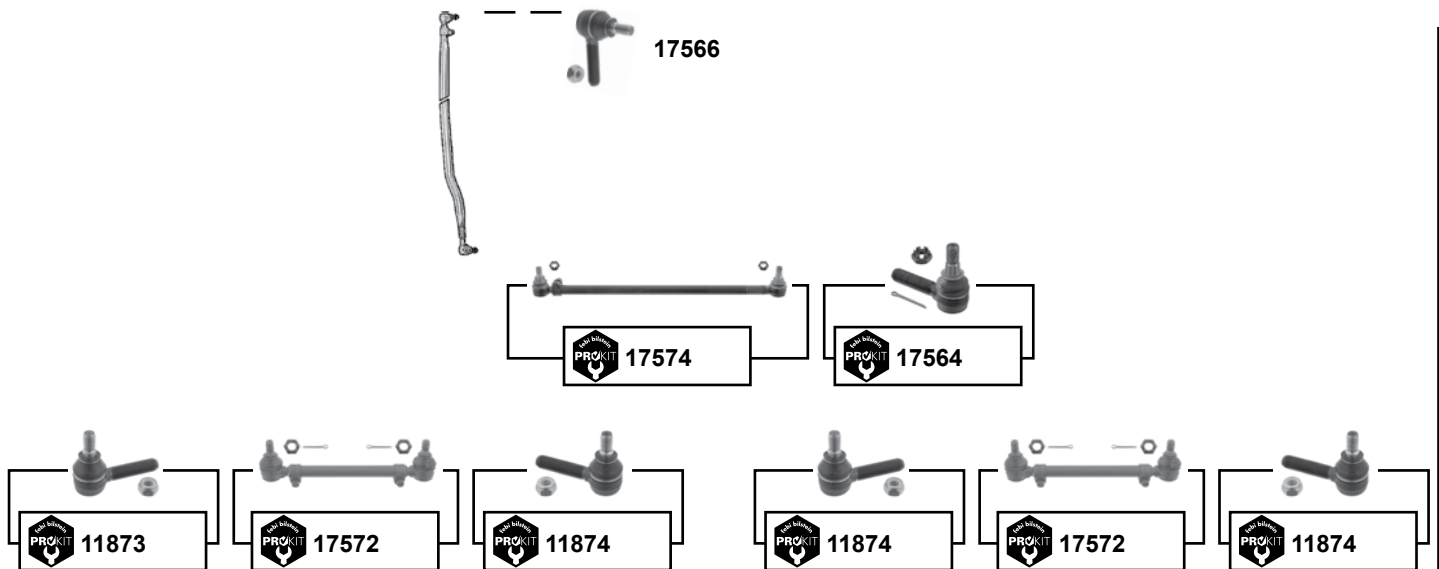
Vorderachse / Front axle

	Ref. - No.			
<b>26385</b>	164 333 03 14	Querlenkerlager / control arm mount		Ø A 52,3
<b>28365</b>	164 330 09 35	Traggelenk / ball joint		M16 x 1,5
<b>28368</b>	251 330 07 07	Querlenker / control arm		
<b>28369</b>	251 330 08 07	Querlenker / control arm		
<b>30037</b>	164 460 00 05	ProKit Axialgelenk / axial joint		L 222,5
<b>32531</b>	164 320 21 32	ProKit Verbindungsstange / stabilizer link		
<b>36585</b>	164 330 11 03	Spurstangenendstück / tie rod end		M14 x 1,5
<b>36586</b>	164 330 12 03	Spurstangenendstück / tie rod end		M14 x 1,5
<b>37864</b>	164 330 11 03 S1	ProKit Spurstange / tie rod		
<b>37865</b>	164 330 12 03 S1	ProKit Spurstange / tie rod		
<b>37950</b>	164 333 04 14	Querlenkerlager / control arm mount	4-matic	Ø A 57,5
<b>40596</b>	164 333 12 14	Querlenkerlager / control arm mount	4-matic	Ø I 30 A 70

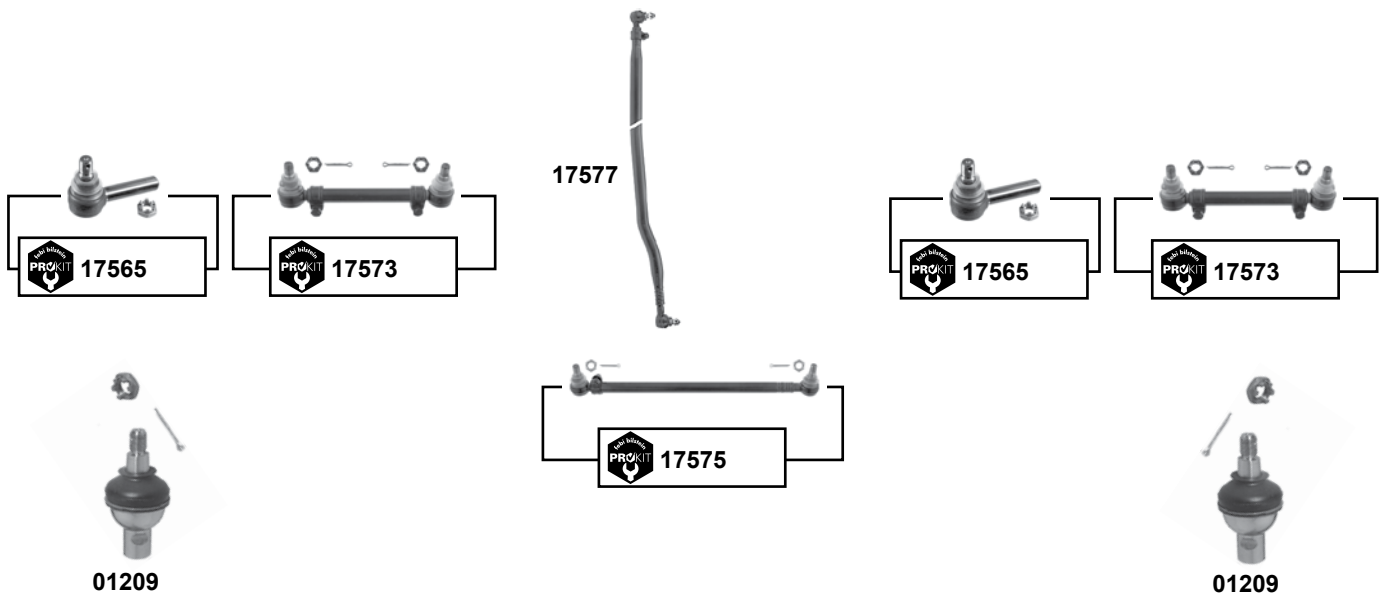


## MB 100 (BM 631) (1988 → 1996)

(ch.) → 013477



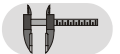
(ch.) 013478 →



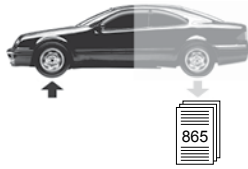
Vorderachse / Front axle



Ref. - No.



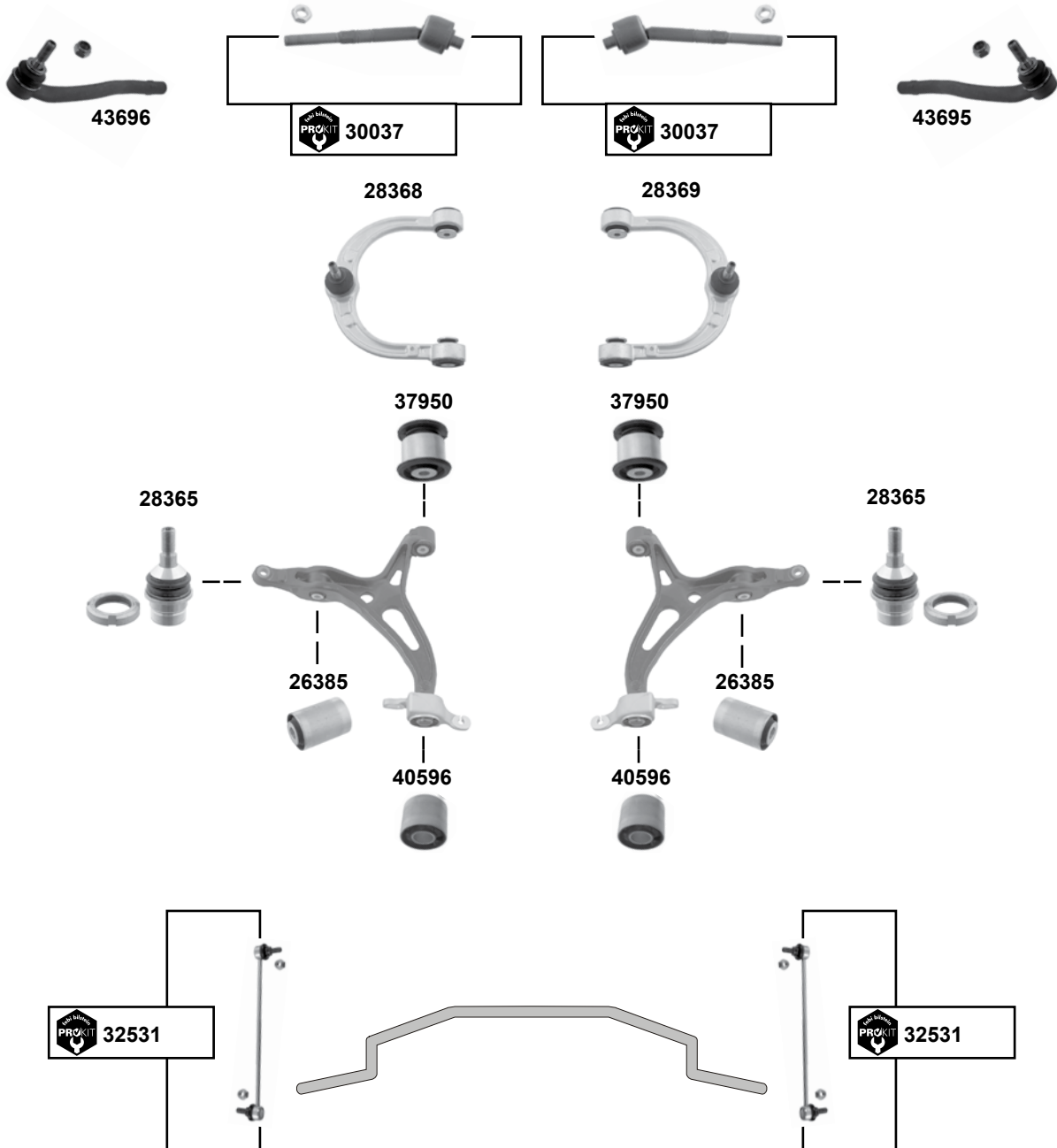
Part No.	Ref. - No.	Description	Notes	Dimensions
01209	631 320 02 28	Traggelenk / ball joint		
11873	631 338 03 10	ProKit Spurstangenendstück / tie rod end		M18x1,5 RHT
11874	631 338 04 10	ProKit Spurstangenendstück / tie rod end		M18x1,5 LHT
17564	631 338 05 10	ProKit Spurstangenendstück / tie rod end		M20x1,5 LHT
17565	631 330 04 35	ProKit Spurstangenendstück / tie rod end	(ch.) 013478 →	M20x1,5 LHT
17566	631 463 00 29	Lenkstangenendstück / drag link end		M18 x 1,5
17572	631 330 03 03	ProKit Spurstange / tie rod		L 250
17573	631 330 07 03	ProKit Spurstange / tie rod	(ch.) 013478 →	L 300
17574	631 330 04 03	ProKit Spurstange / tie rod		L 645
17575	631 330 06 03	ProKit Spurstange / tie rod	(ch.) 013478 →	L 650
17577	631 460 07 05	Lenkstange / drag link	(ch.) 013478 →	L 1225



## R-Klasse (BM 251)

(2005 →)

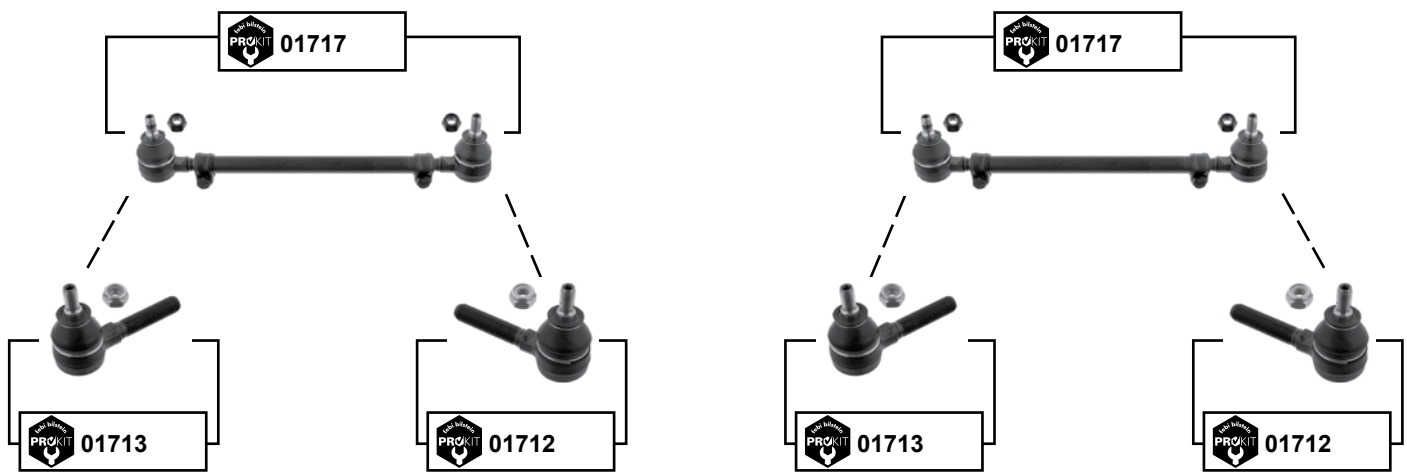
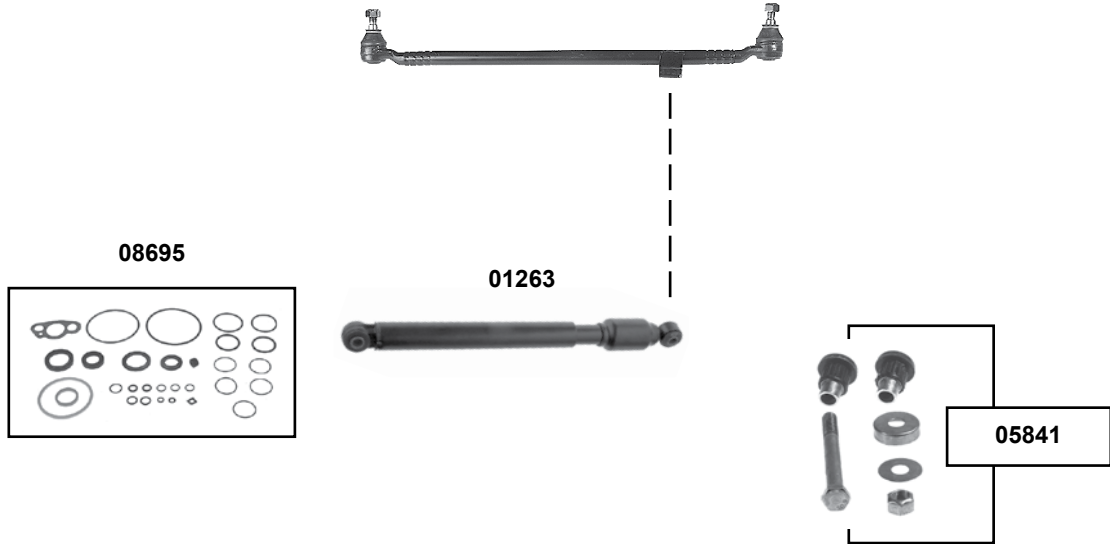
Vorderachse / Front axle



	Ref. - No.			
<b>26385</b>	164 333 03 14	Querlenkerlager / control arm mount		Ø A 52,3
<b>28365</b>	164 330 09 35	Traggelenk / ball joint		M16 x 1,5
<b>28368</b>	251 330 07 07	Querlenker / control arm		
<b>28369</b>	251 330 08 07	Querlenker / control arm		
<b>30037</b>	164 460 00 05	ProKit Axialgelenk / axial joint		L 222,5
<b>32531</b>	164 320 21 32	ProKit Verbindungsstange / stabilizer link		
<b>37950</b>	164 333 04 14	Querlenkerlager / control arm mount	4-matic/R 63 AMG	Ø A 57,5
<b>40596</b>	164 333 12 14	Querlenkerlager / control arm mount	4-matic ML-Klasse	Ø I 30 A 70
<b>43695</b>	251 330 08 03	Spurstangenendstück / tie rod end		
<b>43696</b>	251 330 07 03	Spurstangenendstück / tie rod end		



## S-Klasse (BM 108/109) (1966 → 1972)



Vorderachse / Front axle

(1) 300SEL, 300SEL 3.5, 300SEL 6.3

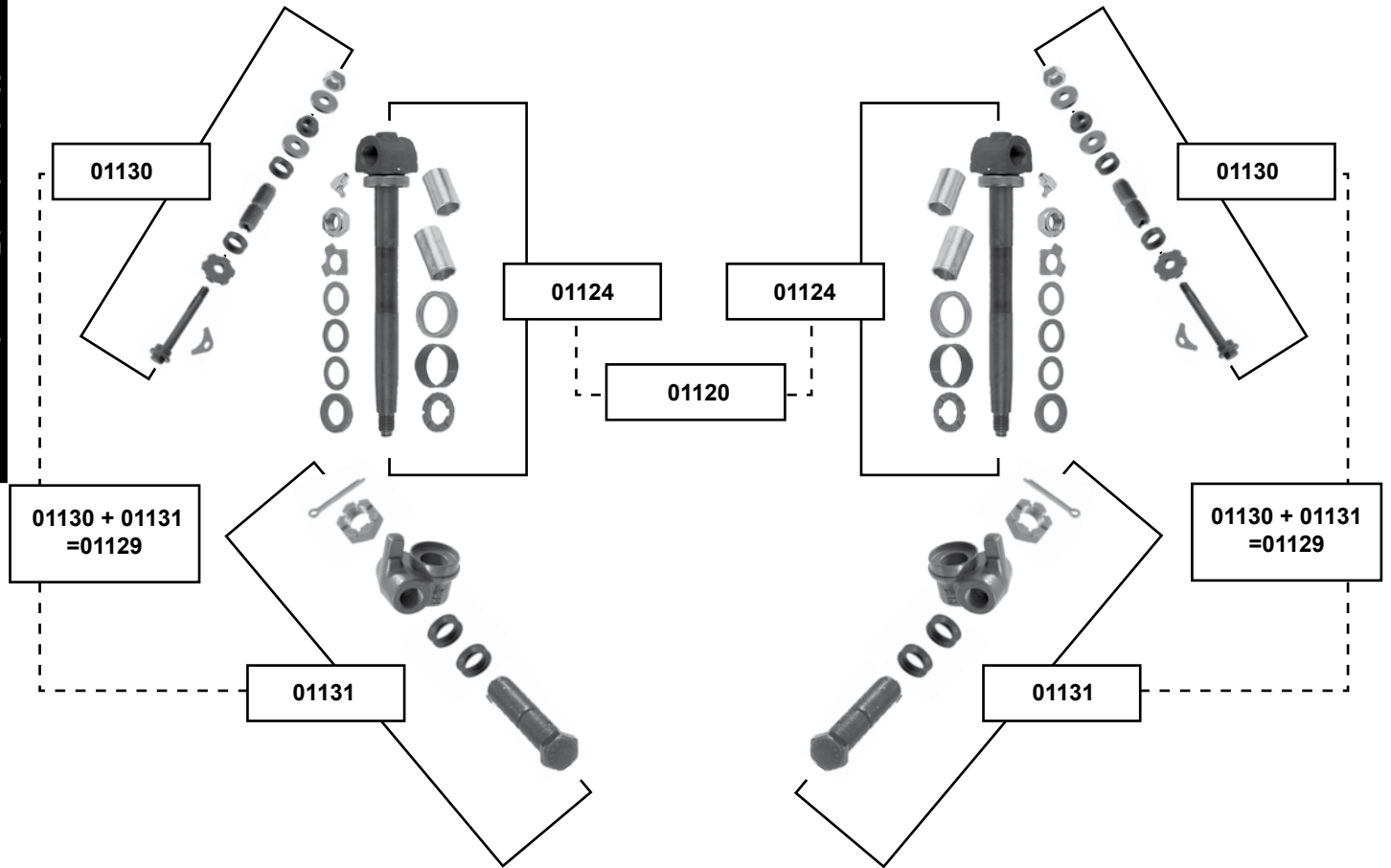
	Ref. - No.			
01263	000 463 51 32	Lenkungsdämpfer / steering-damper		
01712	000 338 55 10	ProKit Spurstangenendstück / tie rod end		M14x1,5 RHT
01713	000 338 50 10	ProKit Spurstangenendstück / tie rod end		M14x1,5 LHT
01717	107 330 01 03	ProKit Spurstange / tie rod		
05841	126 460 08 19	Rep. Satz Lenkhebel / rep. kit steering arm		
08695	109 460 02 61	Dichtungssatz Servolenkung / gasket set power steering	(1)	



## S-Klasse (BM 108/109)

(1966 → 1972)

Vorderachse / Front axle



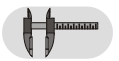
**ohne Abbildung / without illustration**

febi No. **01120** Achsschenkelbolzensatz / king pin set = **2x febi 01124**

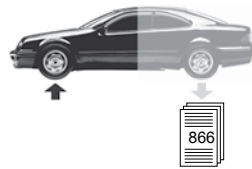
febi No. **01129** Rep. Satz Querlenker oben + unten / rep kit control arm upper + lower = **febi 01130 + 01131**



Ref. - No.

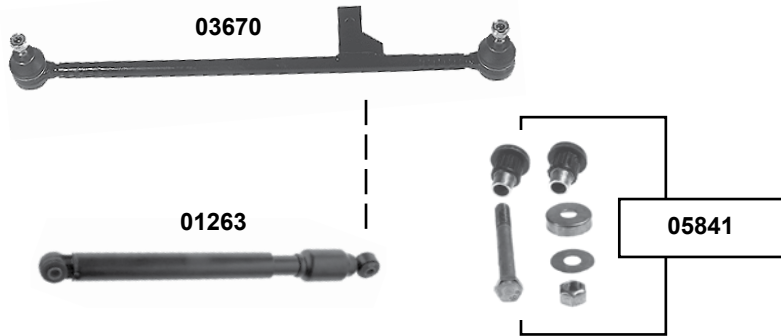
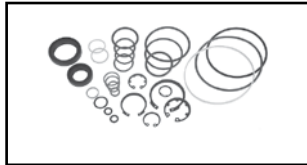


<b>01120</b>	111 586 00 33/2	Achsschenkelbolzensatz / king pin set	= 2x febi 01124
<b>01124</b>	111 586 00 33	Rep. Satz Achsschenkelbolzen / rep. kit king pin	
<b>01129</b>	110 586 00 33	Rep. Satz Querlenker / rep. kit control arm	= febi 01130 + 01131
<b>01130</b>	110 330 02 18	Rep. Satz Querlenker / rep. kit control arm	oben / upper
<b>01131</b>	110 330 03 18	Rep. Satz Querlenker / rep. kit control arm	unten / lower

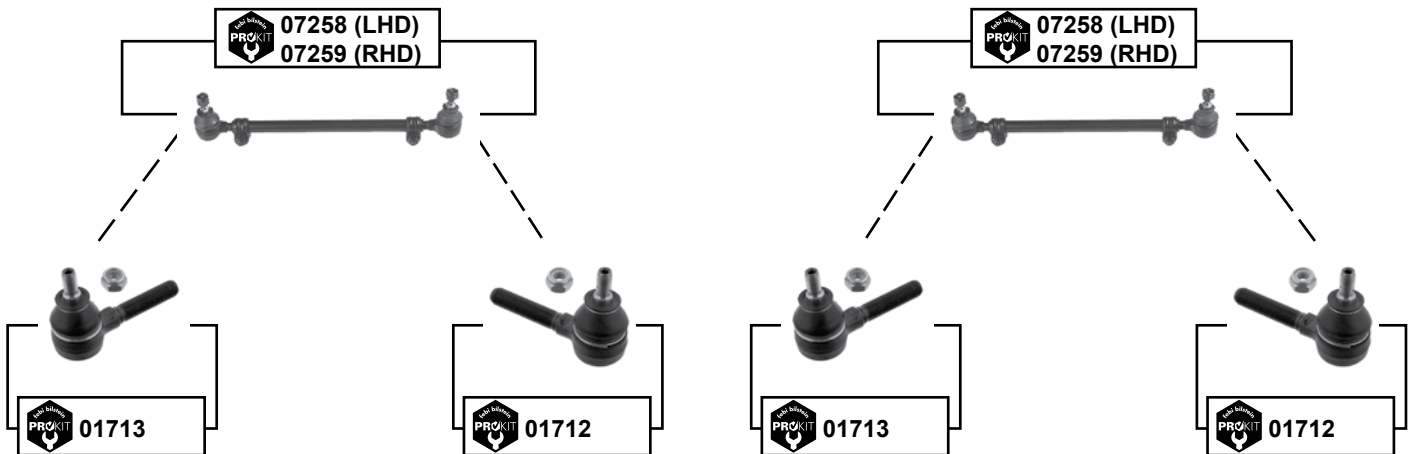


## S-Klasse (BM 116) (1972 → 1980)

08694



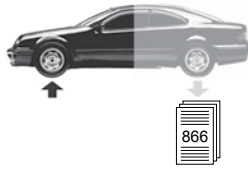
Vorderachse / Front axle



Ref. - No.



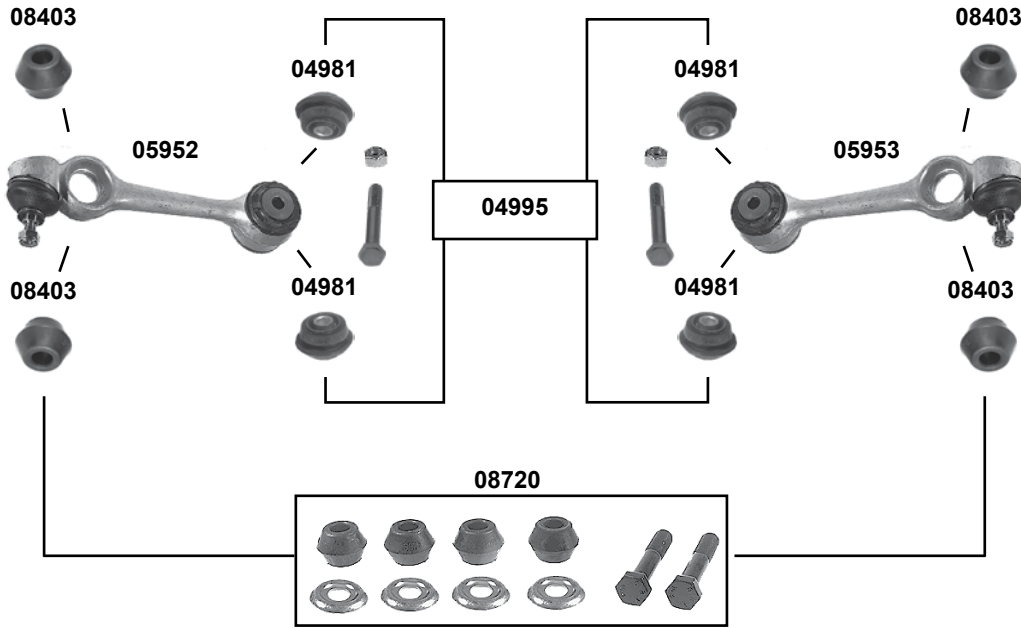
<b>01263</b>	000 463 51 32	Lenkungs­dämpfer / steering-damper		
<b>01712</b>	000 338 55 10	ProKit Spurstangenendstück / tie rod end		M14x1,5 RHT
<b>01713</b>	000 338 50 10	ProKit Spurstangenendstück / tie rod end		M14x1,5 LHT
<b>03670</b>	123 460 15 05	Lenkstange / drag link	(ex.) 450 SEL 6.9	
<b>05841</b>	126 460 08 19	Rep. Satz Lenkhebel / rep. kit steering arm		
<b>07258</b>	126 330 05 03	ProKit Spurstange / tie rod	(ex.) 450 SEL 6.9	
<b>07259</b>	126 330 06 03	ProKit Spurstange / tie rod	(ex.) 450 SEL 6.9	
<b>08694</b>	107 460 00 61	Dichtungssatz Servolenkung / gasket set power steering		



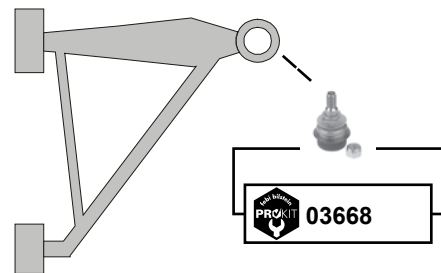
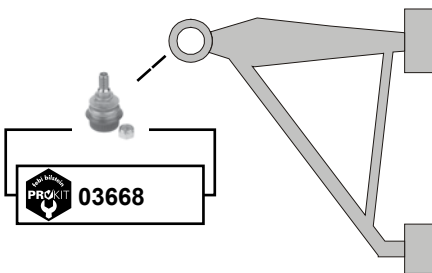
**S-Klasse (BM 116)**  
(1972 → 1980)

Vorderachse / Front axle

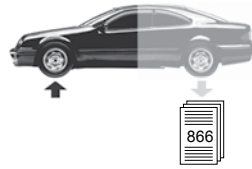
**oben / upper**



**unten / lower**

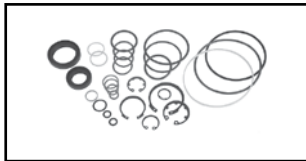


	Ref. - No.			
<b>03668</b>	116 333 09 27	ProKit Traggeelenk / ball joint		M14 x 1,5
<b>04981</b>	116 333 63 14	Querlenkerlager / control arm mount		12x51x33
<b>04995</b>	116 586 01 33	Rep. Satz Querlenker / rep. kit control arm		
<b>05952</b>	123 330 46 07	Querlenker / control arm		
<b>05953</b>	123 330 47 07	Querlenker / control arm		
<b>08403</b>	116 333 40 14	Querlenkerlager / control arm mount		16x41x30
<b>08720</b>	116 333 40 14 S1	Rep. Satz Stabilisatorlager / rep. kit stabilizer mount		



**S-Klasse (BM 126)**  
(1980 → 1991)

08696



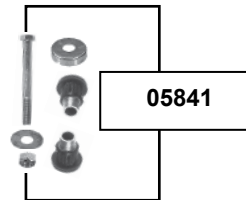
07256 (LHD)  
10153 (RHD)



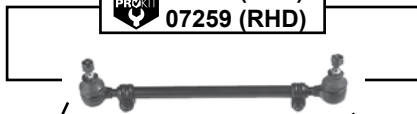
01263



05841



07258 (LHD)  
07259 (RHD)



07258 (LHD)  
07259 (RHD)



01713



01712



01713



01712



Vorderachse / Front axle



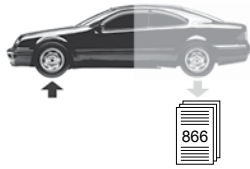
Ref. - No.



01263	000 463 51 32	Lenkungsämpfer / steering-damper		
01712	000 338 55 10	ProKit Spurstangenendstück / tie rod end		
01713	000 338 50 10	ProKit Spurstangenendstück / tie rod end		
05841	126 460 08 19	Rep. Satz Lenkhebel / rep. kit steering arm		
07256	126 460 08 05	Lenkstange / drag link	LHD	
07258	126 330 05 03	ProKit Spurstange / tie rod		
07259	126 330 06 03	ProKit Spurstange / tie rod		
08696	126 460 00 61	Dichtungssatz Servolenkung / gasket set power steering		
10153	126 460 09 05	Lenkstange / drag link	RHD	

M14x1,5 RHT  
M14x1,5 LHT



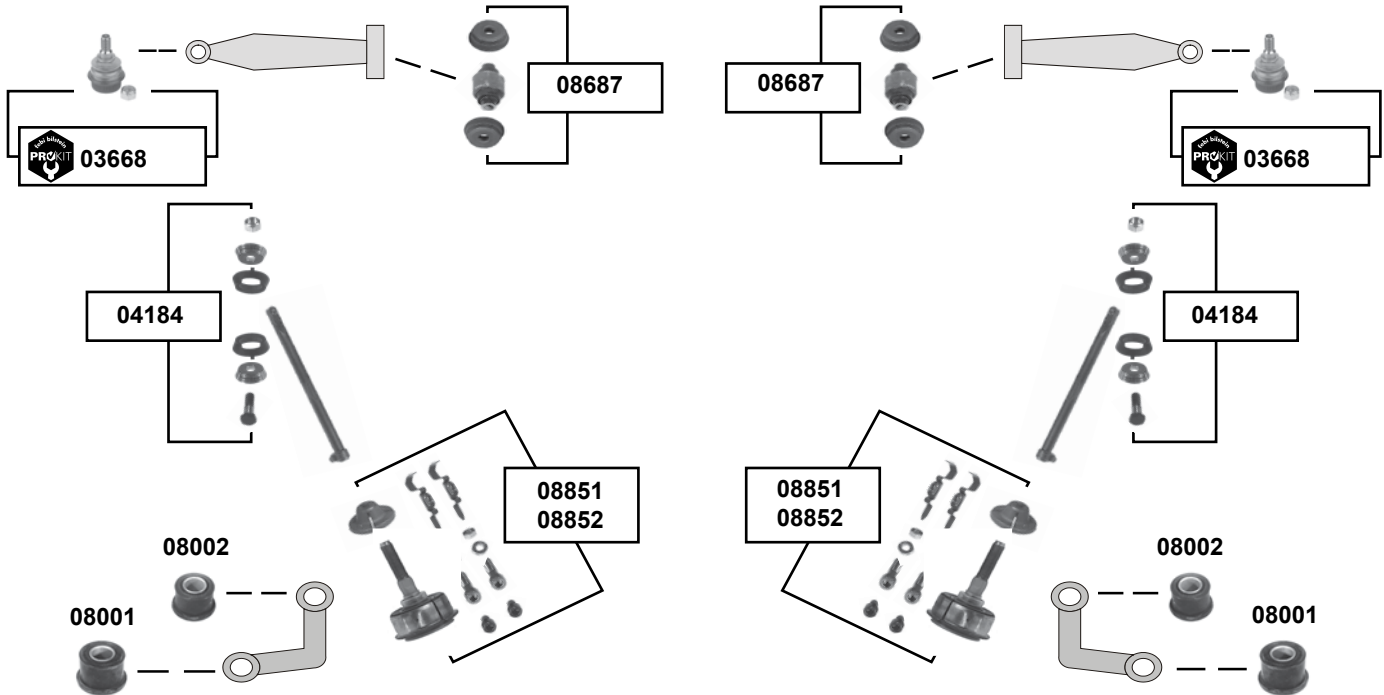


## S-Klasse (BM 126) (1980 → 1991)

### oben / upper



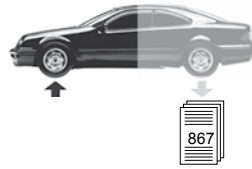
### unten / lower



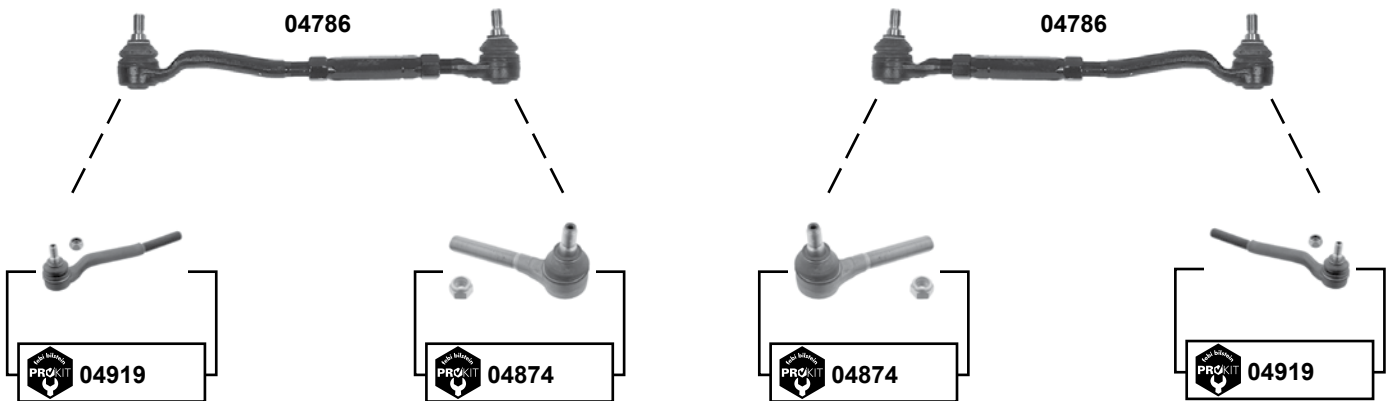
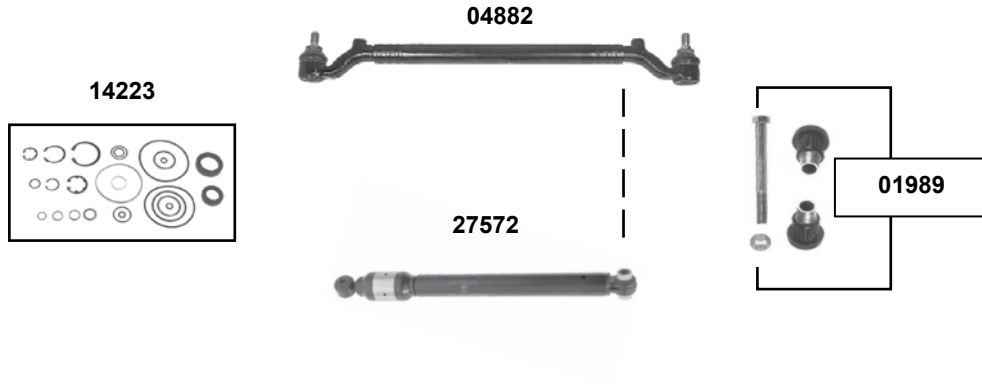
Ref. - No.



Ref. - No.	Description	Dimensions
<b>01085</b>	Stabilisatorlager / stabilizer mount	Ø   24,5
<b>02940</b>	Querlenker / control arm	
<b>02941</b>	Querlenker / control arm	
<b>03668</b>	ProKit Tragelenk / ball joint	M14 x 1,5
<b>04184</b>	Rep. Satz Führungsstange / rep. kit guide rod	
<b>08001</b>	Stützgelenklager / supporting link bushing	36x75x66
<b>08002</b>	Stützgelenklager / supporting link bushing	36x75x66
<b>08403</b>	Querlenkerlager / control arm mount	16x41x30
<b>08687</b>	Rep. Satz Querlenker / rep. kit control arm	
<b>08842</b>	Querlenkerlager / control arm mount	12x62x40
<b>08851</b>	Rep. Satz Stützgelenk / rep. kit support link	(ch.) → A 386607
<b>08852</b>	Rep. Satz Stützgelenk / rep. kit support link	(ch.) A 386608 →

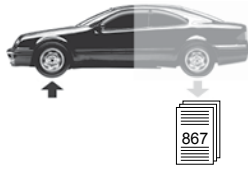


## S-Klasse (BM 140) (1991 → 1999)



Vorderachse / Front axle

	Ref. - No.			
<b>01989</b>	140 460 08 19	Rep. Satz Lenkhebel / rep. kit steering arm		
<b>04786</b>	140 330 00 03	Spurstange / tie rod		
<b>04874</b>	001 330 63 35	ProKit Spurstangenendstück / tie rod end		M12 x 1,5
<b>04882</b>	140 460 08 05	Lenkstange / drag link		
<b>04919</b>	001 330 62 35	ProKit Spurstangenendstück / tie rod end		M12 x 1,5
<b>14223</b>	140 460 29 01	Dichtungssatz Servolenkung / gasket set power steering		
<b>27572</b>	140 463 03 32	Lenkungs­dämpfer / steering-damper		



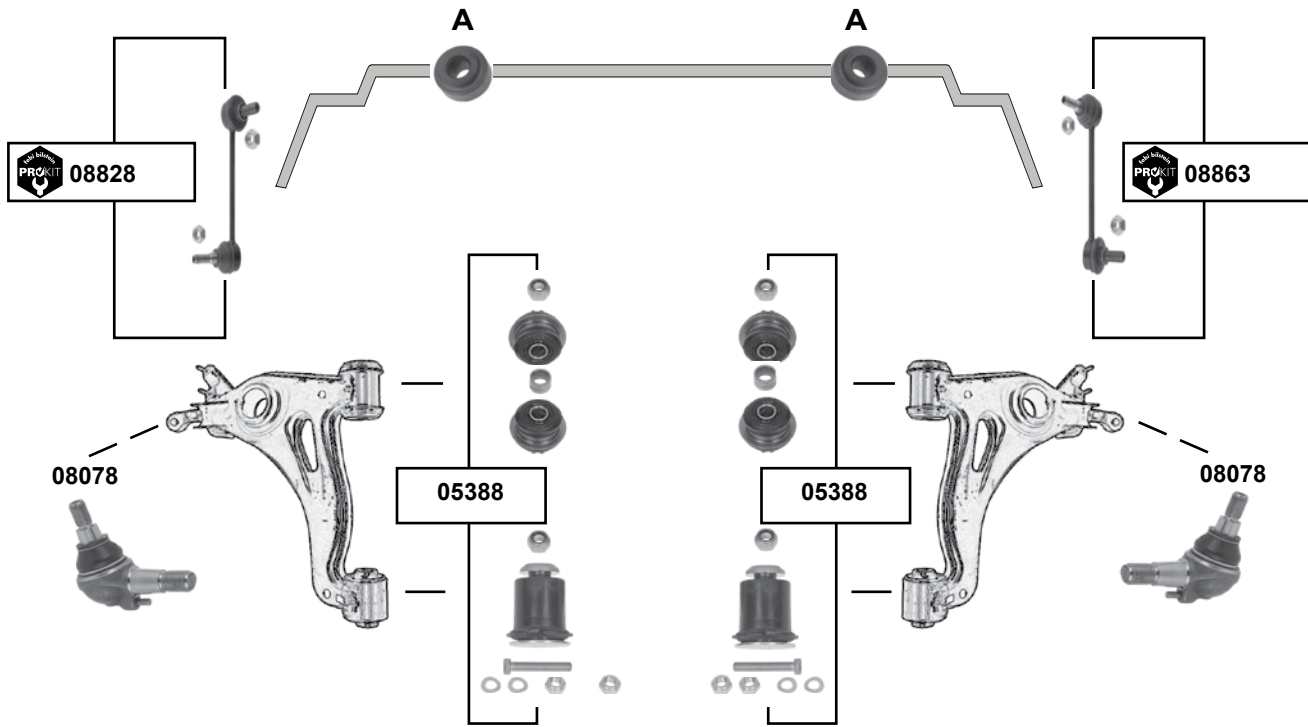
## S-Klasse (BM 140)

(1991 → 1999)

### oben / upper



### unten / lower



### Stabilisatorlager / stabilizer mount

A



(ex.) AMG  8,5x18 255/45	(ch.) → 061061	<b>01987</b>
(ex.) AMG  8,5x18 255/45	(ch.) 061062 →	<b>01982</b>
AMG  8,5x18 255/45	-	<b>15522</b>

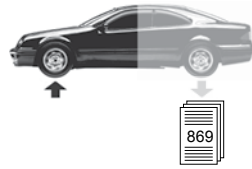


Ref. - No.

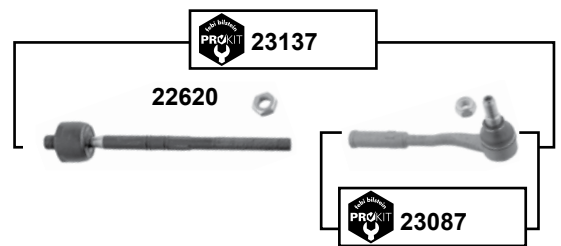
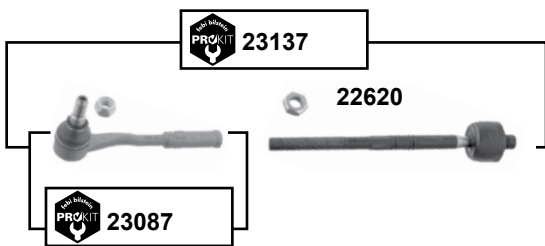
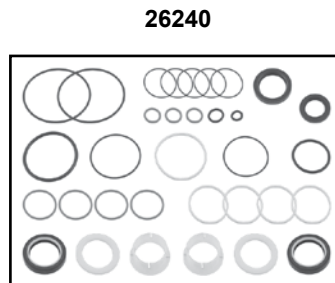
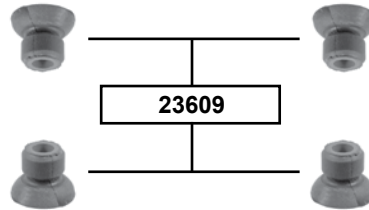


<b>01982</b>	140 323 10 85	Stabilisatorlager / stabilizer mount	(ch.) 061062 →	28x46x65
<b>01987</b>	140 323 09 85	Stabilisatorlager / stabilizer mount	(ch.) → 061061	26x46x65
<b>05388</b>	140 330 82 07	Rep. Satz Querlenker / rep. kit control arm		
<b>08078</b>	140 333 03 27	Traggelenk / ball joint		M14 x 1,5
<b>08828</b>	140 320 11 89	ProKit Verbindungsstange / stabilizer link		L 122
<b>08863</b>	140 320 12 89	ProKit Verbindungsstange / stabilizer link		L 122
<b>14226</b>	140 330 77 07	Querlenker / control arm		
<b>14227</b>	140 330 76 07	Querlenker / control arm		
<b>15522</b>	140 323 14 85	Stabilisatorlager / stabilizer mount		Ø 130

Vorderachse / Front axle



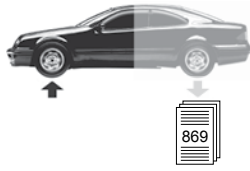
**S-Klasse (BM 220)**  
(1998 → 2005)



	Ref. - No.			
<b>22620</b>	230 338 00 15	Spurstange / tie rod	(ex.) 4matic	
<b>23087</b>	230 330 04 03	ProKit Spurstangenendstück / tie rod end	(ex.) 4matic	
<b>23137</b>	230 338 00 15 S1	ProKit Spurstange / tie rod	(ex.) 4matic	
<b>23609</b>	220 463 00 66	Lenkgetriebelager / steering gear mount		
<b>26240</b>	220 460 00 80 S1	Dichtungssatz Servolenkung / gasket set power steering		
<b>27248</b>	220 460 10 00	Lenkmanschettensatz / steering boot set	(ex.) 4matic	
<b>34134</b>	211 463 03 96 S1	Lenkmanschettensatz / steering boot set	4matic	

passend für / to fit

# MERCEDES-BENZ

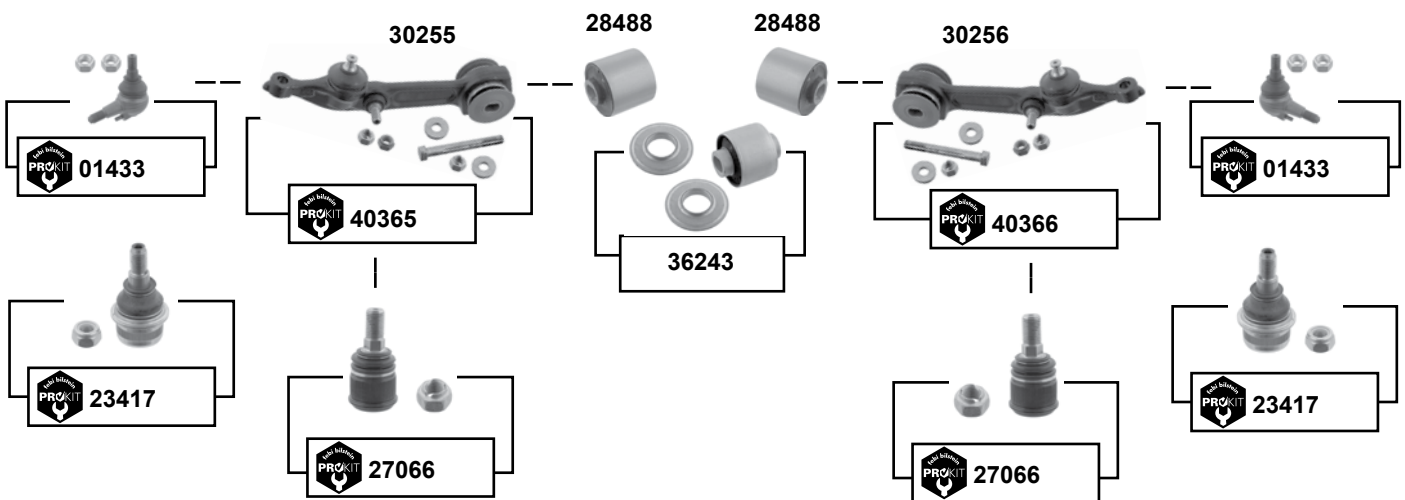
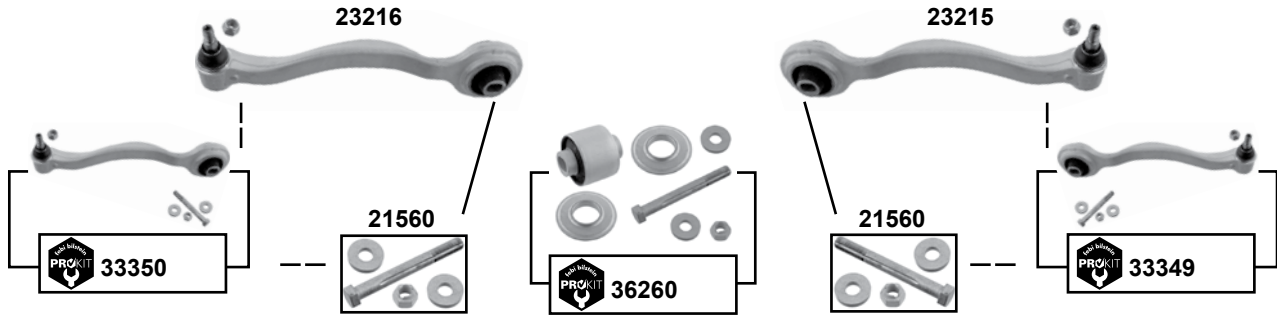
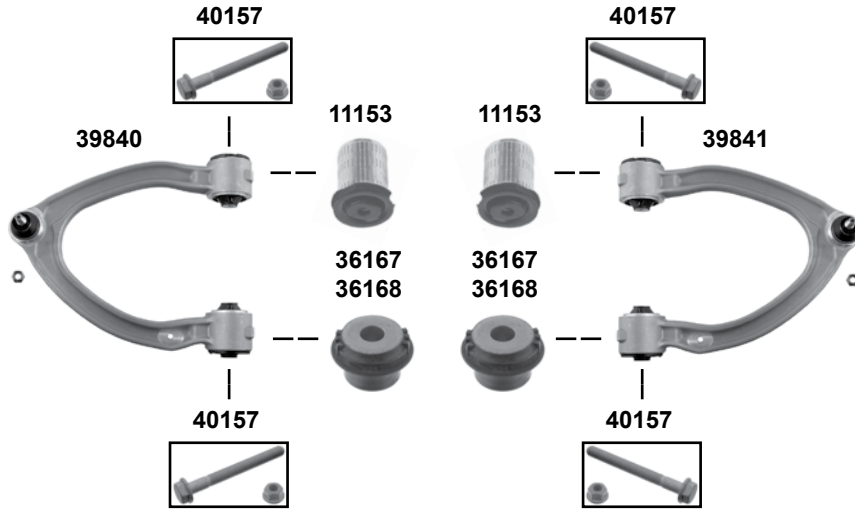


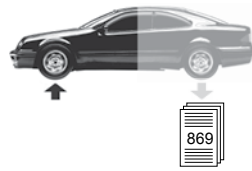
Car Division 



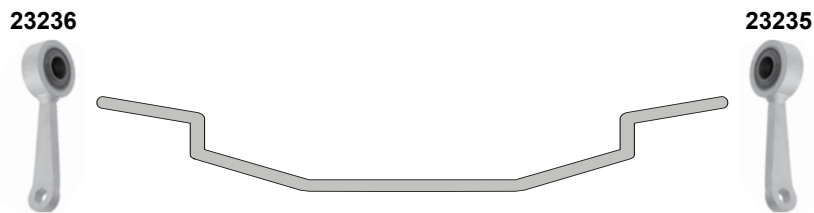
## S-Klasse (BM 220) (1998 → 2005)

Vorderachse / Front axle



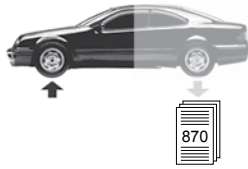


**S-Klasse (BM 220)**  
(1998 → 2005)



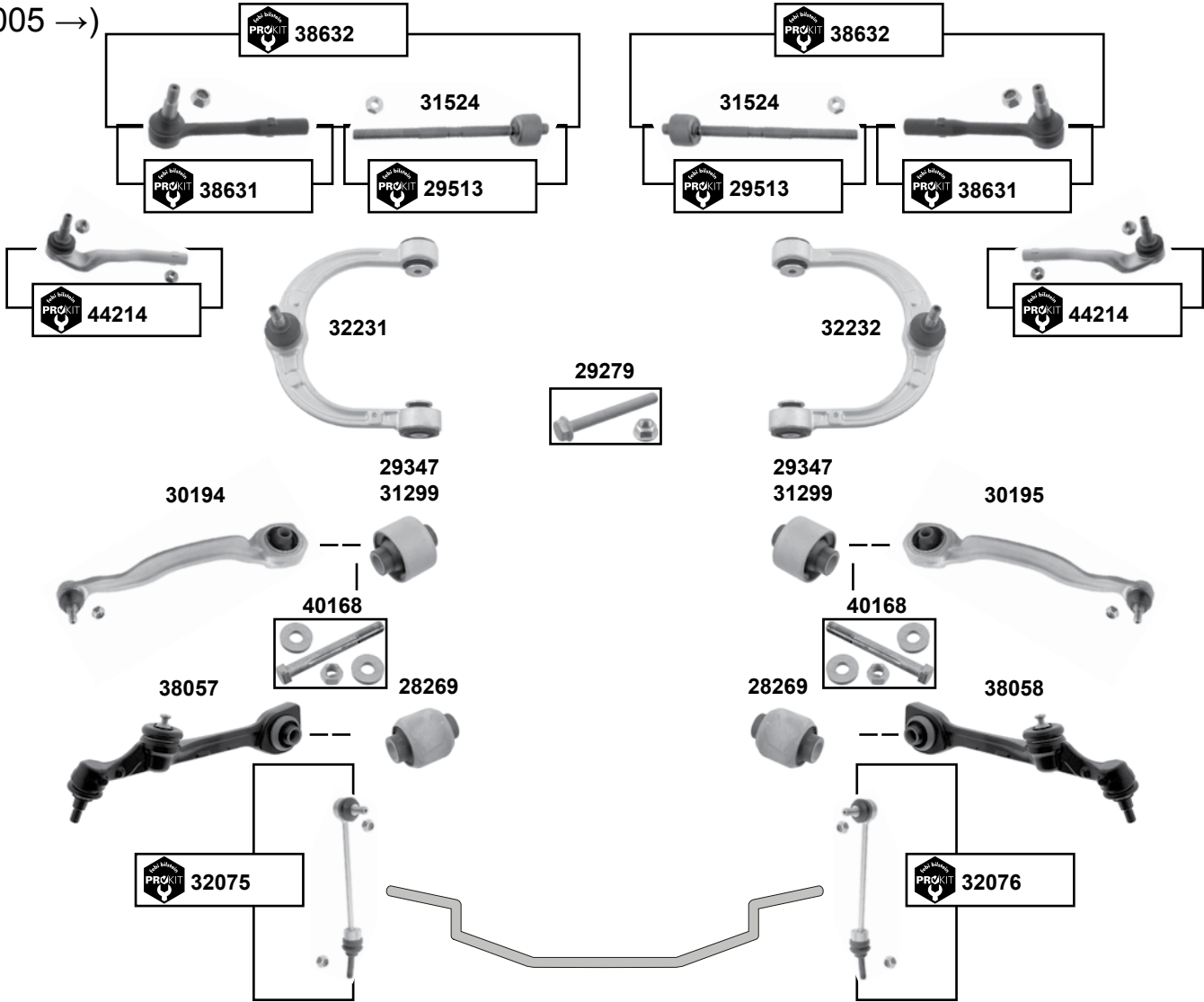
Vorderachse / Front axle

	Ref. - No.			
01433	211 330 03 35	ProKit Traggelenk / ball joint	4matic	M14 x 1,5
11153	210 333 68 14	Querlenkerlager / control arm mount		Ø A 60
21560	000 330 00 18	Rep. Satz Exzenterbolzen / rep. kit eccentric bolt		M14x1,5x122
23215	220 330 58 11	Zugstrebe rechts / tension rod right	(ex.) 4matic	
23216	220 330 57 11	Zugstrebe links / tension rod left	(ex.) 4matic	
23235	220 320 15 89	Verbindungsstange / stabilizer link	(ex.) 4matic	
23236	220 320 16 89	Verbindungsstange / stabilizer link	(ex.) 4matic	
23417	211 330 04 35	ProKit Traggelenk / ball joint		L 92
27066	211 323 00 68	ProKit Traggelenk / ball joint		M14 x 1,5
28488	220 333 31 14	Querlenkerlager / control arm mount		
30255	220 330 89 07	Querlenker / control arm	(ex.) ABC	
30256	220 330 90 07	Querlenker / control arm	(ex.) ABC	
33349	220 330 58 11 S1	ProKit Querlenker / control arm		
33350	220 330 57 11 S1	ProKit Querlenker / control arm		
36167	220 333 27 14	Querlenkerlager / control arm mount	4matic	Ø A 63
36168	220 333 28 14	Querlenkerlager / control arm mount	4matic	Ø A 63
36243	220 330 91 07	Rep. Satz Querlenkerlager / rep. kit control arm mount		
36260	220 330 91 07 S2	ProKit Querlenkerlager / control arm mount		
39840	220 330 93 07	Querlenker / control arm	AMG	M10 x 1,5
39841	220 330 94 07	Querlenker / control arm	AMG	M10 x 1,5
40157	004 990 81 04 S1	Montagesatz für Querlenker / mounting kit for control arm	AMG / 4matic	M10 x 1,5
40365	220 330 89 07 S1	ProKit Querlenker / control arm	(ex.) ABC	
40366	220 330 90 07 S1	ProKit Querlenker / control arm	(ex.) ABC	



## S-Klasse (BM 221)

(2005 →)



Vorderachse / Front axle



(1) (ex.) 4-matic / (ch.) → A 461632 / (ex.) Sonderschutzausführung / special protection vehicle

(2) (ex.) ABC (Active Body Control)

(3) (ex.) 4-matic / (ex.) Sonderschutzausführung / security execution



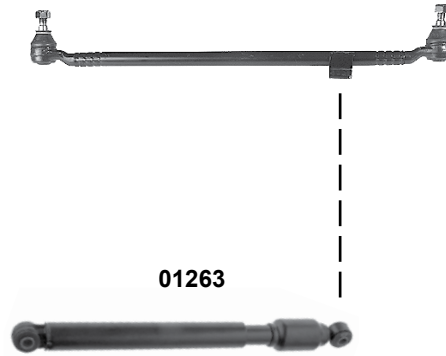
Ref. - No.



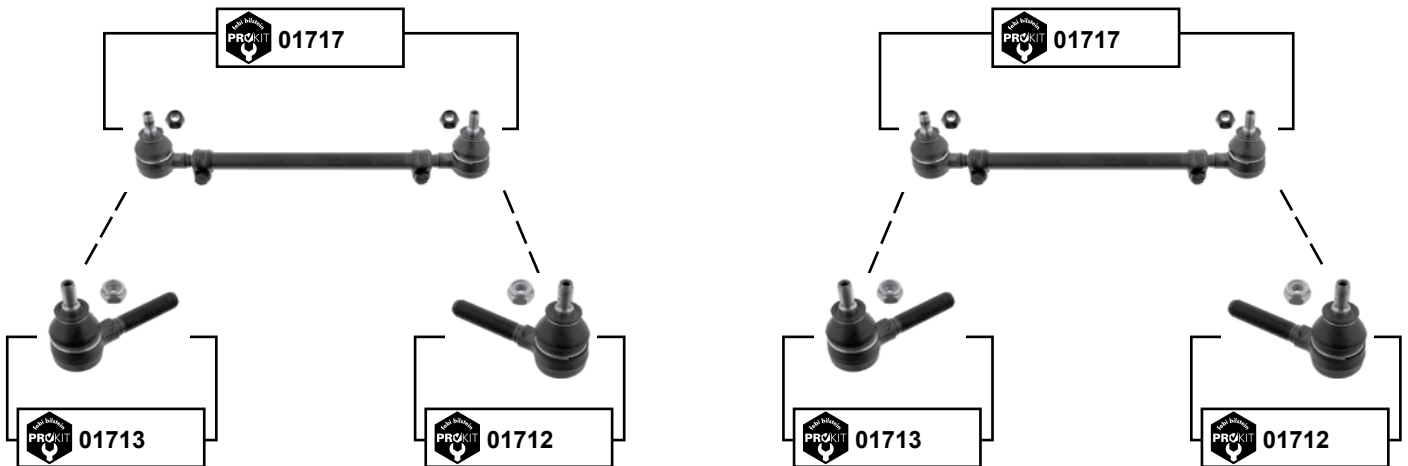
Part No.	Ref. - No.	Description	Notes	Dimensions
28269	221 333 07 14	Querlenkerlager / control arm mount		
29279	000000 002483 S1	Montagesatz für Querlenker / mounting kit for control arm	4-matic / AMG	M10 x 1,5
29347	221 333 19 14	Querlenkerlager / control arm mount	4-matic	
29513	221 330 16 03	ProKit Axialgelenk / axial joint	(3)	L 261
30194	221 330 23 11	Querlenker unten links / control arm lower left	(ex.) 4-matic	
30195	221 330 24 11	Querlenker unten rechts / control arm lower right	(ex.) 4-matic	
31299	221 666 08 14	Querlenkerlager / control arm mount	(1)	Ø A 80
31524	204 338 05 15	Axialgelenk / axial joint	4-matic	L 261
32075	221 320 01 89	ProKit Verbindungsstange / stabilizer link	(2) (ex.) 4-matic	
32076	221 320 02 89	ProKit Verbindungsstange / stabilizer link	(2) (ex.) 4-matic	
32231	221 330 89 07	Querlenker oben links / control arm upper left		
32232	221 330 90 07	Querlenker oben rechts / control arm upper right		
38057	221 330 81 07	Querlenker / control arm	(2)	
38058	221 330 82 07	Querlenker / control arm	(2)	
38631	221 330 39 03	ProKit Spurstangenendstück / tie rod end		M14 x 1,5
38632	221 330 99 03	ProKit Spurstange / tie rod		
40168	000 333 10 71	Montagesatz für Querlenker / mounting kit for control arm		M14 x 1,5
44214	221 330 34 03 S1	ProKi ProKit Spurstangenendstück / tie rod end		



## SL (BM 113) (1963 → 1971)



01263



Vorderachse / Front axle



Ref. - No.



01263	000 463 51 32	Lenkungs­dämpfer / steering-damper
01712	000 338 55 10	ProKit Spurstangenendstück / tie rod end
01713	000 338 50 10	ProKit Spurstangenendstück / tie rod end
01717	107 330 01 03	ProKit Spurstange / tie rod

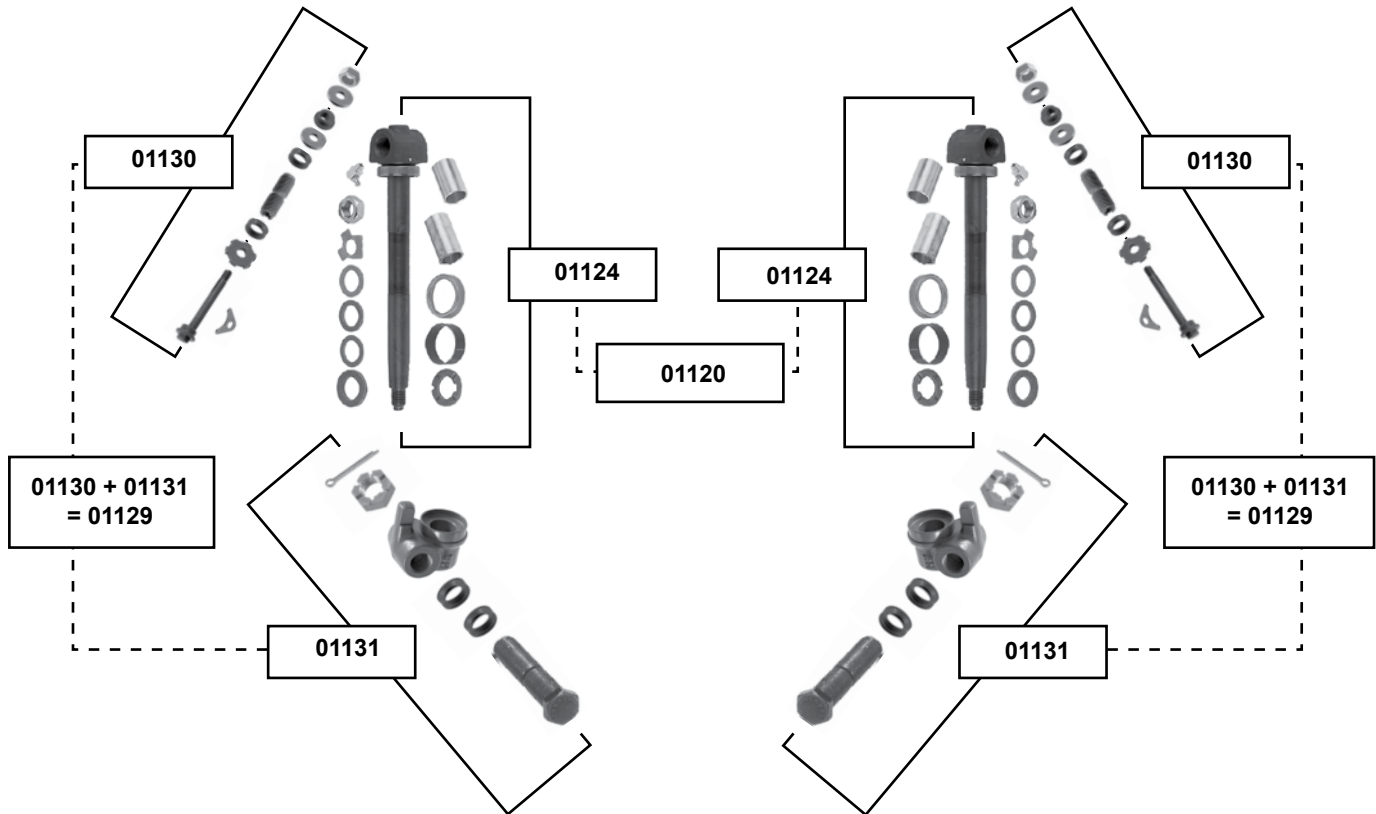
M14x1,5 RHT  
M14x1,5 LHT





## SL (BM 113) (1963 → 1971)

Vorderachse / Front axle

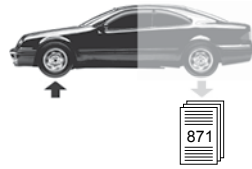


**ohne Abbildung / without illustration**

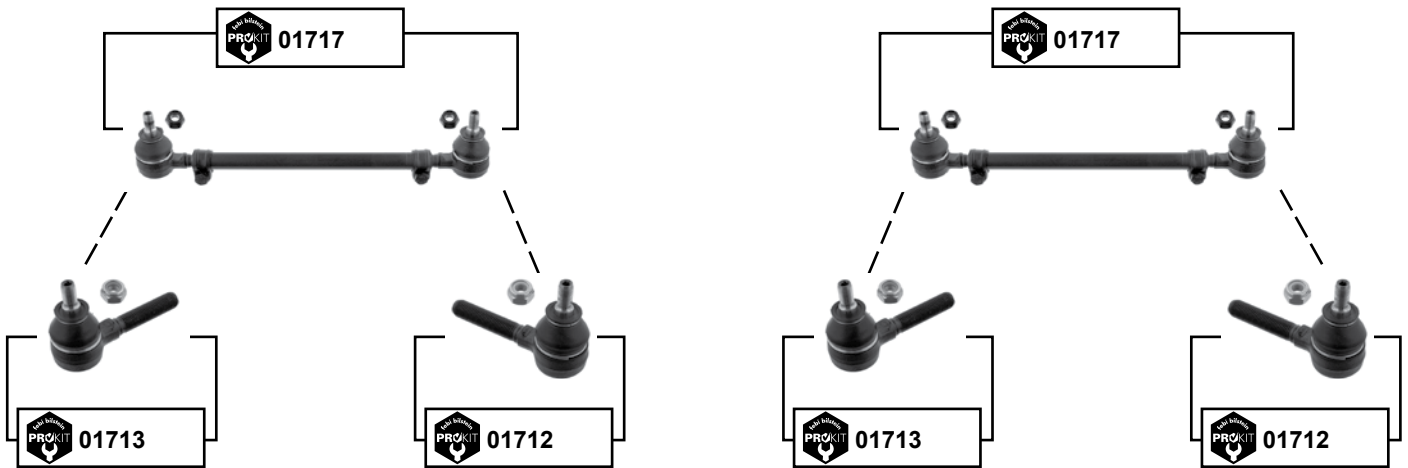
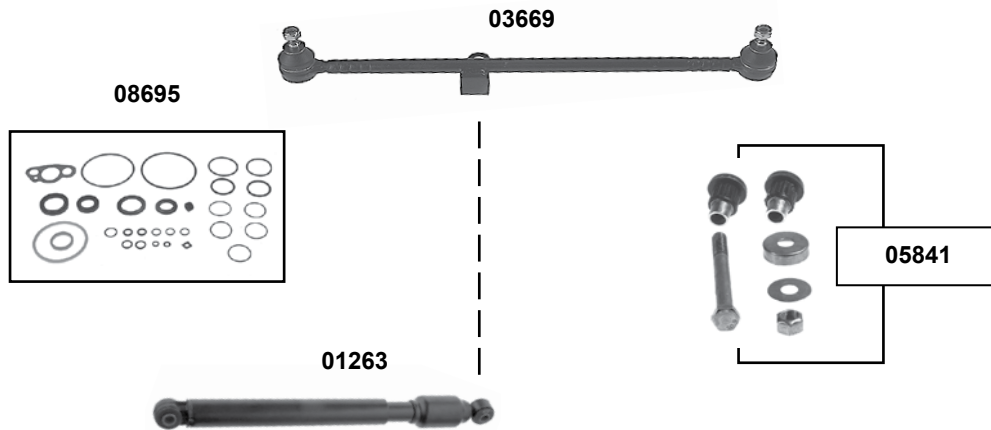
febi No. **01120** Achsschenkelbolzensatz / king pin set = **2x febi 01124**

febi No. **01129** Rep. Satz Querlenker oben + unten / rep kit control arm upper + lower = **febi 01130 + 01131**

	Ref. - No.			
<b>01120</b>	111 586 00 33/2	Achsschenkelbolzensatz / king pin set	=2x febi 01124	
<b>01124</b>	111 586 00 33	Rep. Satz Achsschenkelbolzen / rep. kit king pin		
<b>01129</b>	110 586 00 33	Rep. Satz Querlenker / rep. kit control arm	= febi 01130 + 01131	
<b>01130</b>	110 330 02 18	Rep. Satz Querlenker / rep. kit control arm	oben / upper	
<b>01131</b>	110 330 03 18	Rep. Satz Querlenker / rep. kit control arm	unten / lower	



## SL (BM 107) (1971 → 1985)

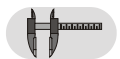


(1) (ch.) A 004774 →

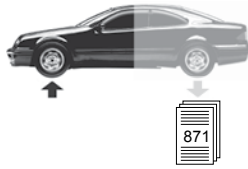
(2) 280 SL (ch.) 000671 → 350 SLC (ch.) 010390 →  
 280 SLC (ch.) 000787 → 450 SL (ch.) 026589 →  
 350 SL (ch.) 011966 → 450 SLC (ch.) 010365 →



Ref. - No.

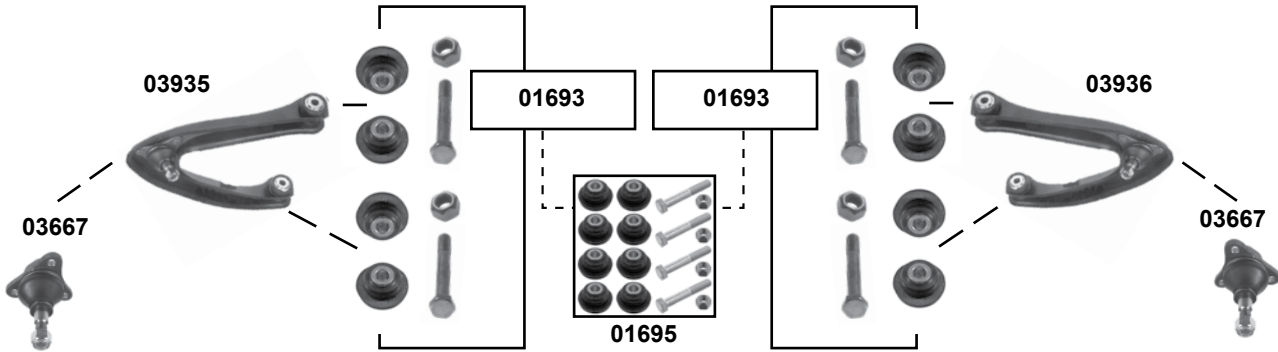


Ref. - No.	Description	Quantity	Notes
01263	000 463 51 32 Lenkungsdämpfer / steering-damper		
01712	000 338 55 10 ProKit Spurstangenendstück / tie rod end		M14x1,5 RHT
01713	000 338 50 10 ProKit Spurstangenendstück / tie rod end		M14x1,5 LHT
01717	107 330 01 03 ProKit Spurstange / tie rod		
03669	107 460 06 05 Lenkstange / drag link	(1)	
05841	126 460 08 19 Rep. Satz Lenkhebel / rep. kit steering arm		
08695	109 460 02 61 Dichtungssatz Servolenkung / gasket set power steering	(2)	

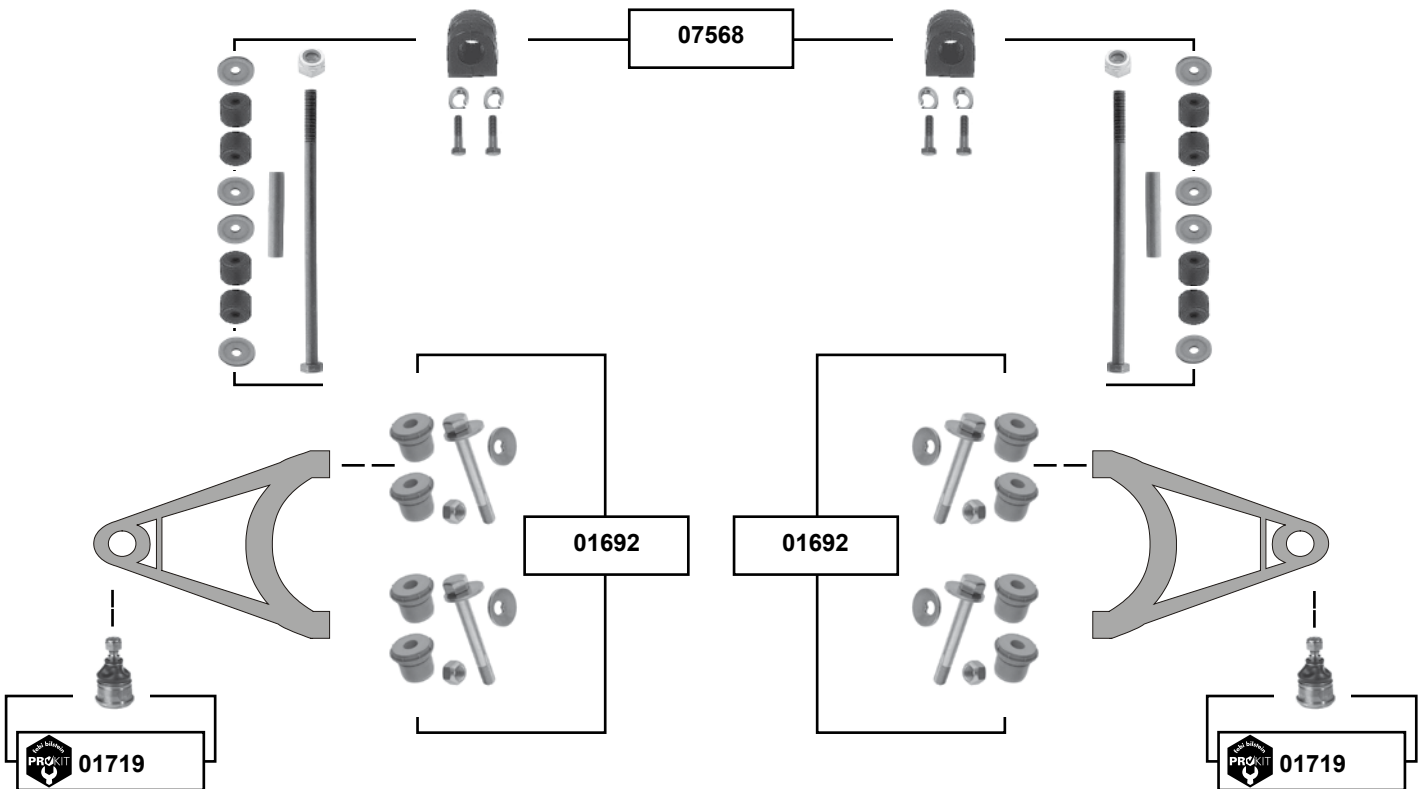


## SL (BM 107) (1971 → 1985)

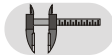
### oben / upper



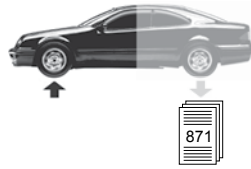
### unten / lower



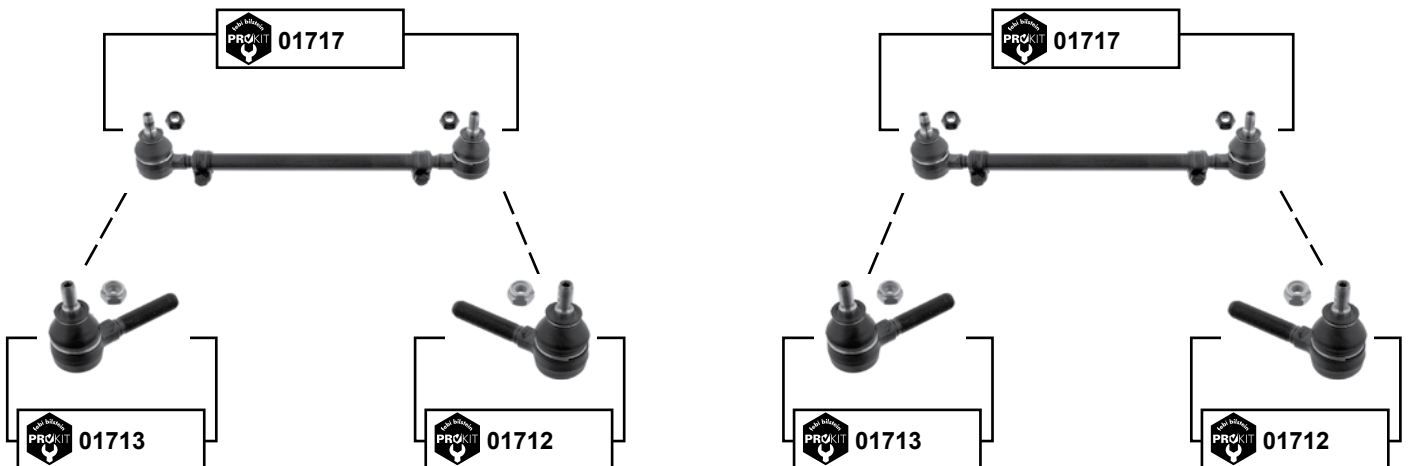
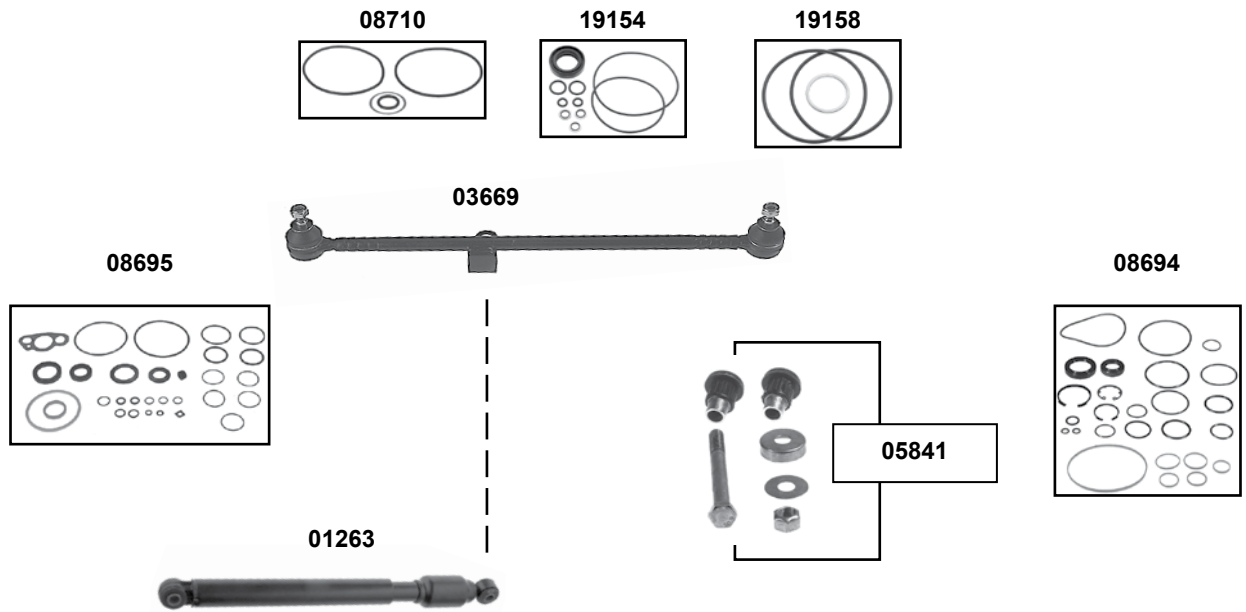
Ref. - No.



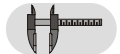
<b>01692</b>	115 330 16 75	Rep. Satz Querlenker / rep. kit control arm	
<b>01693</b>	115 330 17 75	Rep. Satz Querlenker / rep. kit control arm	
<b>01695</b>	115 330 17 75/2	Rep. Satz Querlenker / rep. kit control arm	
<b>01719</b>	115 333 11 27	ProKit Traggelenk / ball joint	M14 x 1,5
<b>03667</b>	115 333 08 27	Führungsgelenk / guide joint	M12 x 1,5
<b>03935</b>	115 330 38 07	Querlenker / control arm	
<b>03936</b>	115 330 39 07	Querlenker / control arm	
<b>07568</b>	115 320 00 47	Rep. Satz Stabilisatorlager / rep. kit stabilizer mount	M14 x 1,5



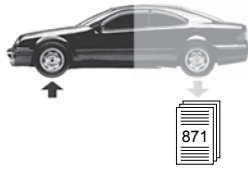
## SL (BM 107) (1985 → 1989)



Ref. - No.

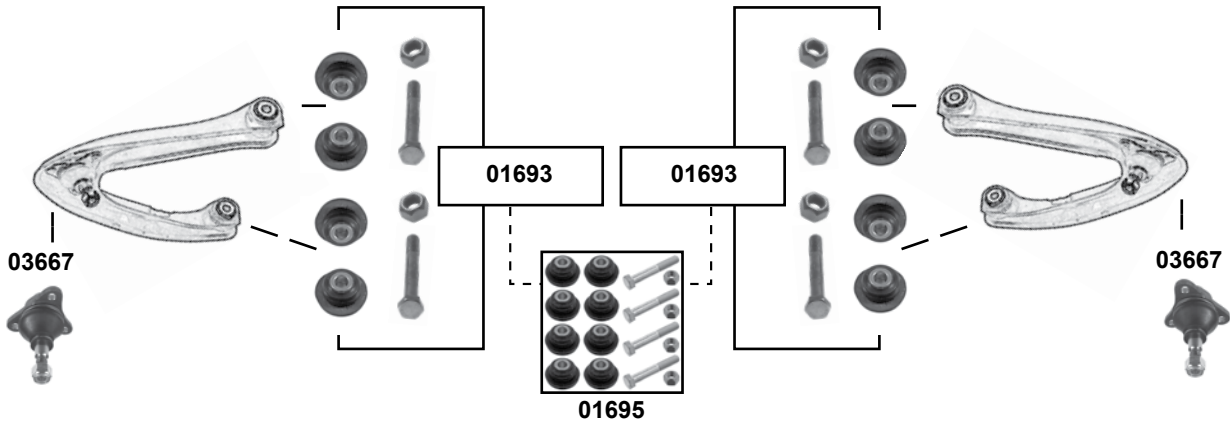


Ref. - No.	Description	Notes	
01263	000 463 51 32	Lenkungsdämpfer / steering-damper	
01712	000 338 55 10	ProKit Spurstangenendstück / tie rod end	M14x1,5 RHT
01713	000 338 50 10	ProKit Spurstangenendstück / tie rod end	M14x1,5 LHT
01717	107 330 01 03	ProKit Spurstange / tie rod	
03669	107 460 06 05	Lenkstange / drag link	
05841	126 460 08 19	Rep. Satz Lenkhebel / rep. kit steering arm	
08694	107 460 00 61	Dichtungssatz Servolenkung / gasket set power steering	
08695	109 460 02 61	Dichtungssatz Servolenkung / gasket set power steering	
08710	000 586 52 46	Dichtungssatz Servolenkung / gasket set power steering	
19154	000 460 48 61	Dichtungssatz Servolenkung / gasket set power steering	
19158	000 586 84 46	Dichtungssatz Servolenkung / gasket set power steering	

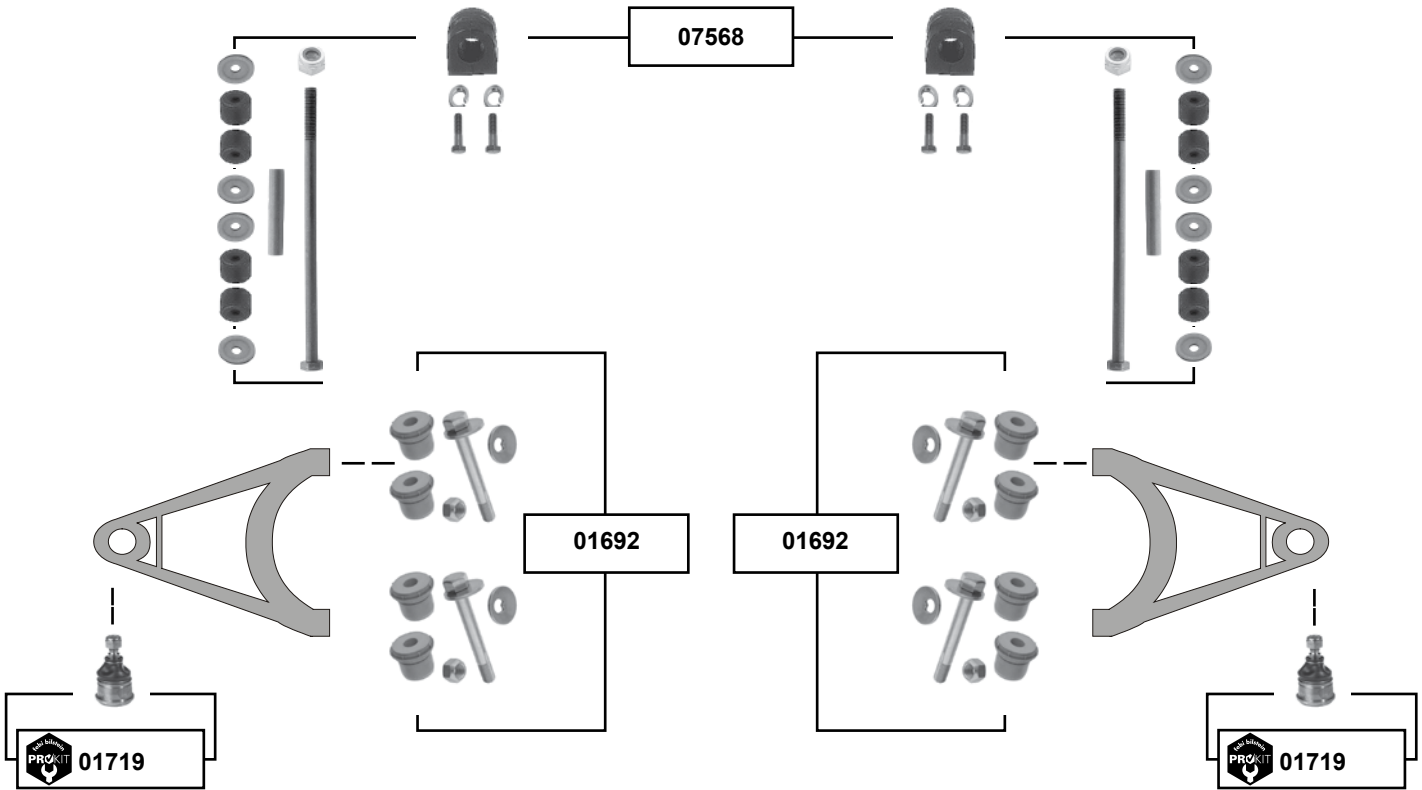


## SL (BM 107) (1985 → 1989)

### oben / upper



### unten / lower

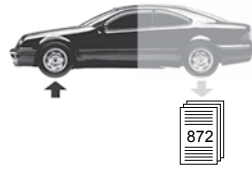


Ref. - No.

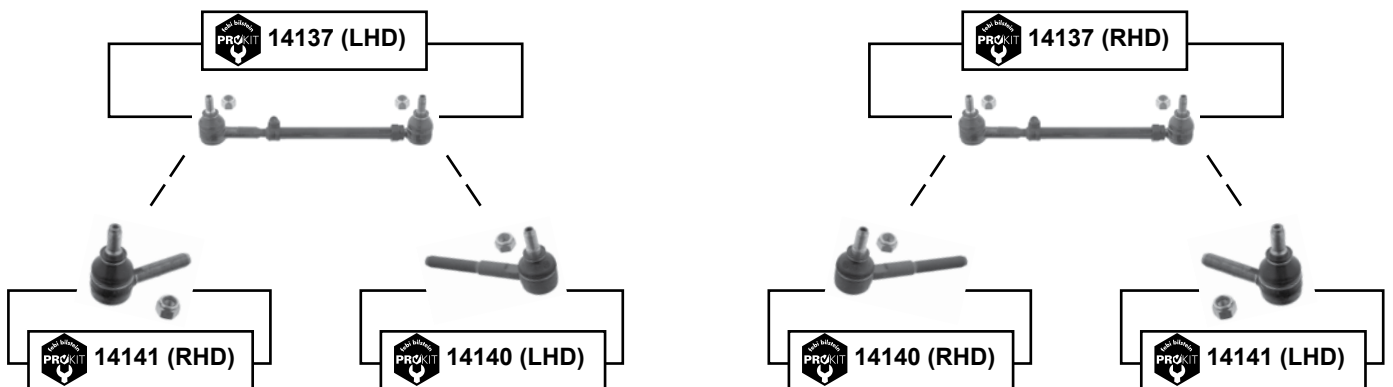
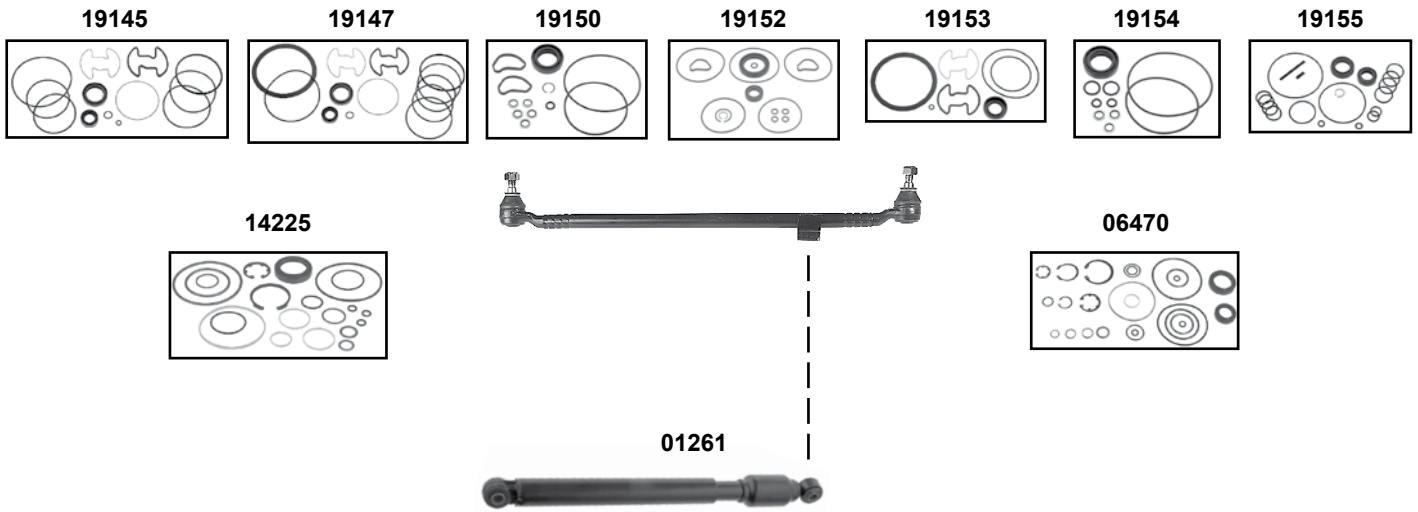


<b>01692</b>	115 330 16 75	Rep. Satz Querlenker / rep. kit control arm	
<b>01693</b>	115 330 17 75	Rep. Satz Querlenker / rep. kit control arm	
<b>01695</b>	115 330 17 75/2	Rep. Satz Querlenker / rep. kit control arm	
<b>01719</b>	115 333 11 27	ProKit Traggelenk / ball joint	
<b>03667</b>	115 333 08 27	Führungsgelenk / guide joint	M14 x 1,5 M12 x 1,5
<b>07568</b>	115 320 00 47	Stabilisatorlagersatz / stabilizer mount kit	

Vorderachse / Front axle

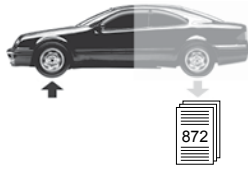


## SL (BM 129) (1989 → 2001)

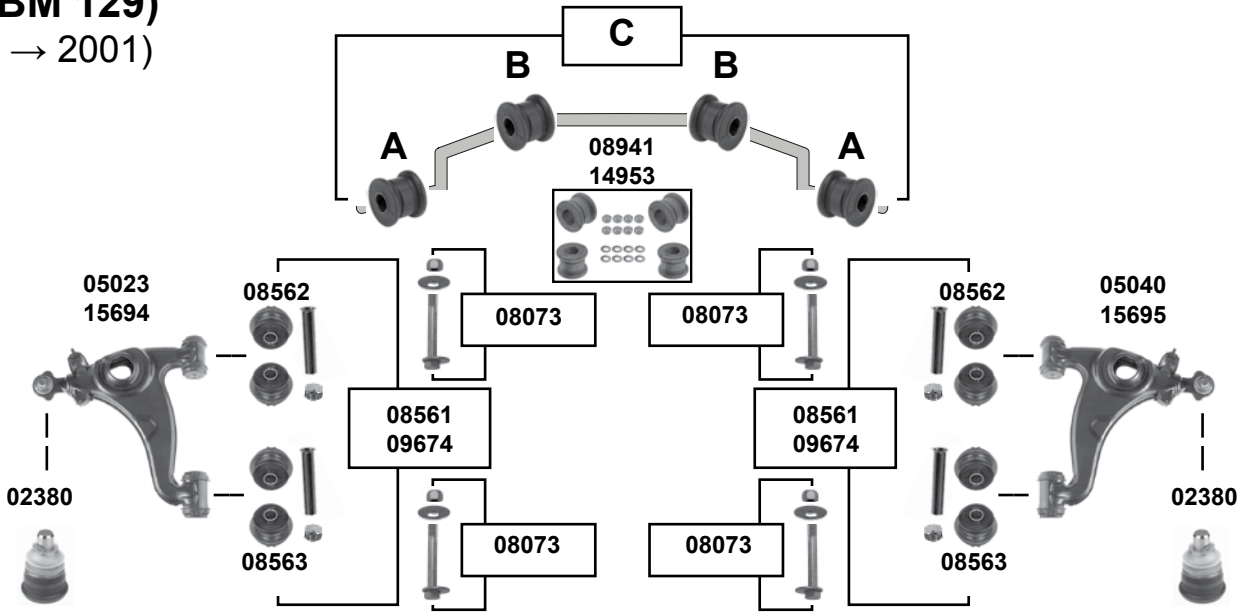


Vorderachse / Front axle

	Ref. - No.			
01261	124 463 04 32	Lenkungsdämpfer / steering-damper		
06470	124 460 01 61	Dichtungssatz Servolenkung / gasket set power steering		
14137	129 330 02 03	ProKit Spurstange / tie rod		
14140	001 330 70 35	ProKit Spurstangenendstück / tie rod end		M14x1,5 LHT
14141	001 330 54 35	ProKit Spurstangenendstück / tie rod end		M14x1,5 RHT
14225	129 460 15 01	Dichtungssatz Servolenkung / gasket set power steering		
19145	000 460 37 80	Dichtungssatz Servolenkung / gasket set power steering		
19147	000 460 39 80	Dichtungssatz Servolenkung / gasket set power steering		
19150	000 460 44 80	Dichtungssatz Servolenkung / gasket set power steering		
19152	000 460 45 80	Dichtungssatz Servolenkung / gasket set power steering		
19153	000 460 47 80	Dichtungssatz Servolenkung / gasket set power steering		
19154	000 460 48 61	Dichtungssatz Servolenkung / gasket set power steering		
19155	000 460 80 80	Dichtungssatz Servolenkung / gasket set power steering		



## SL (BM 129) (1989 → 2001)



### Stabilisatorlager / stabilizer mount

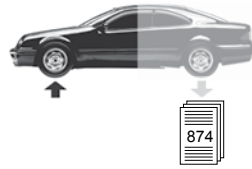
	A	B	C		A	B	C
SL 280	14942 08944	17805	-	SL 500 (129.068)	14942 08944	17805	-
SL 320	14942 08944	17805	-	SL 600	14942 08944	17805	-
SL 500 (129.066 / 067)	14942 08944	-	-				

- (1) SL 280 (129.058) (ex.) ESP  
 SL 280 (129.059) (ex.) ESP → (ch.) F 187941  
 SL 300 / SL 300-24 (ex.) ESP  
 SL 320 (129.063) (ex.) ESP  
 SL 320 (129.064) (ex.) ESP → (ch.) F 187941  
 SL 500 (129.066) (ex.) ESP

- (2) SL 280 (129.058) ESP  
 SL 280 (129.059) ESP (ch.) → F 187941  
 SL 280 (129.059) (ex.) ESP (ch.) F 187942 →  
 SL 320 (129.063) ESP  
 SL 320 (129.064) ESP (ch.) → F 187941  
 SL 320 (129.064) (ex.) ESP (ch.) F 187942 →  
 SL 500 (129.067 / 068)  
 SL 600 (129.076)



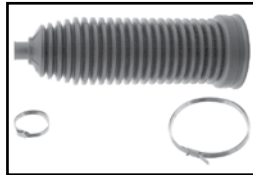
Ref. - No.			
02380	124 333 03 27	Traggelenk / ball joint	(1) Ø A 18
05023	124 330 30 07	Querlenker / control arm	(1)
05040	124 330 31 07	Querlenker / control arm	(1)
08073	201 330 00 18	Rep. Satz Exzenterbolzen / rep. kit eccentric bolt	
08561	124 330 05 75	Rep. Satz Querlenkerlager / rep. kit control arm mount	(ch.) → F 049045
08562	124 333 42 14	Querlenkerlager / control arm mount	
08563	124 333 43 14	Querlenkerlager / control arm mount	
08941	124 320 01 47	Stabilisatorlagersatz / stabilizer mount kit	
08944	124 323 23 85	Stabilisatorlager / stabilizer mount	OLD Ø I 18,5
09674	124 330 06 75	Rep. Satz Querlenkerlager / rep. kit control arm mount	(ch.) F 049046 →
14942	124 323 49 85	Stabilisatorlager / stabilizer mount	NEW Ø I 18,5
14953	124 320 19 47	Stabilisatorlagersatz / stabilizer mount kit	
15694	124 330 34 07	Querlenker / control arm	(2)
15695	124 330 35 07	Querlenker / control arm	(2)
17805	129 323 01 85	Stabilisatorlager / stabilizer mount	Ø I 30



## SL (BM 230) (2001 →)

Vorderachse / Front axle

27248



34367



34367



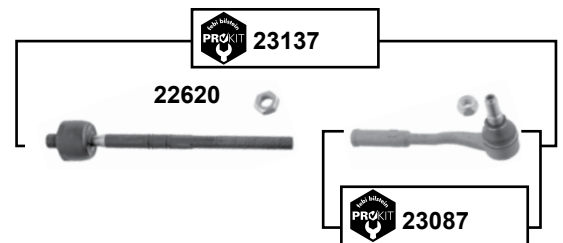
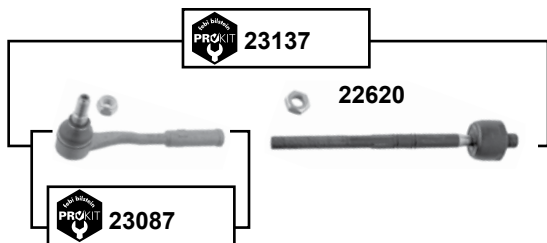
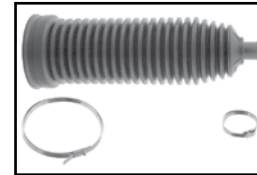
34367



34367



27248



37035



37036



37037



37038



(1) nicht für ABC-Fahrwerk, nicht für AMG „Black Series“ / not for air suspension, not for AMG „black series“

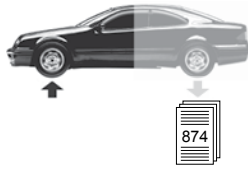


Ref. - No.



Ref. - No.	Part Description	Quantity	Dimension
22620	Spurstange / tie rod		L 219
23087	ProKit Spurstangenendstück / tie rod end		L 190
23137	ProKit Spurstange / tie rod		
27248	Lenkmanschettenatz / steering boot set		
34367	Lenkgetriebelager / steering gear mount		Ø A 45
37035	Verbindungsstange / stabilizer link	(1)	L 175
37036	Verbindungsstange / stabilizer link	(1)	L 175
37037	ProKit Verbindungsstange / stabilizer link	(1)	L 175
37038	ProKit Verbindungsstange / stabilizer link	(1)	L 175



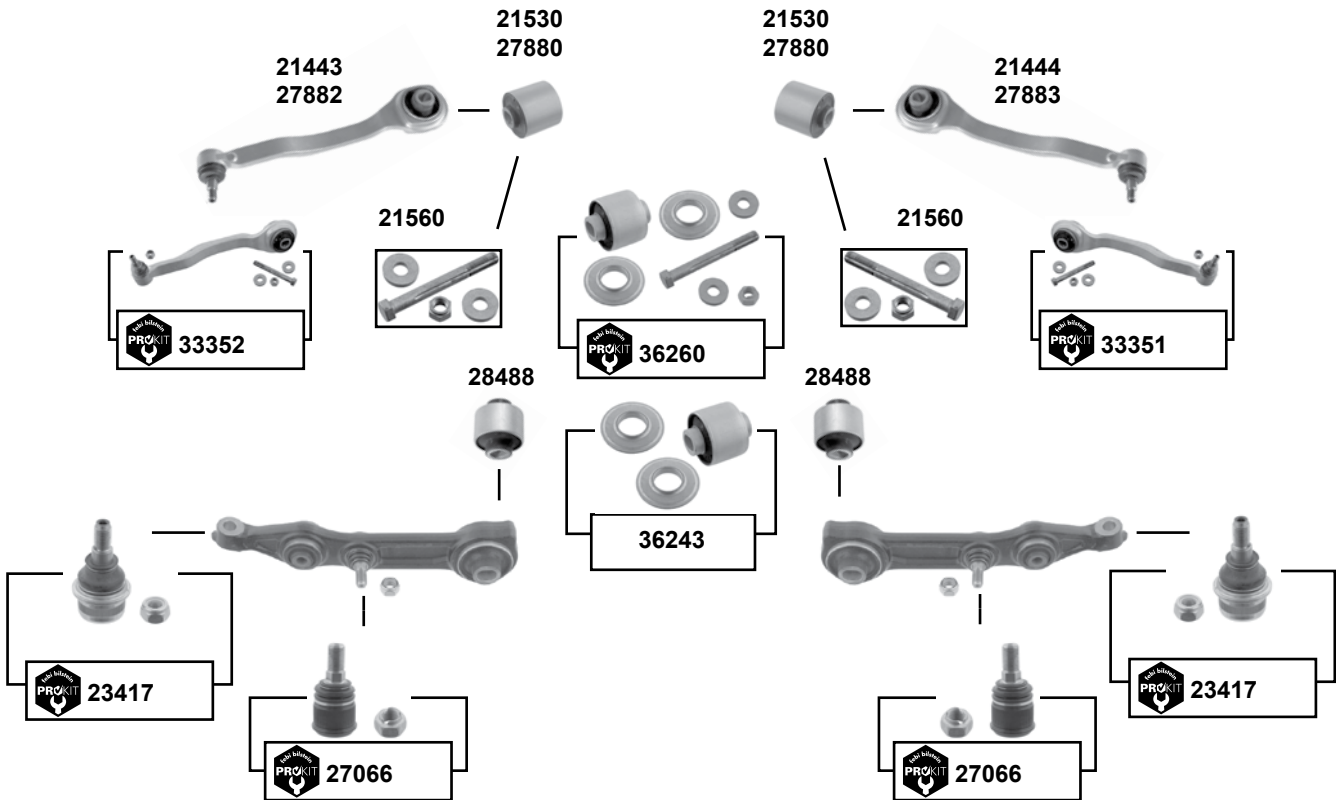


## SL (BM 230) (2001 →)

### oben / upper



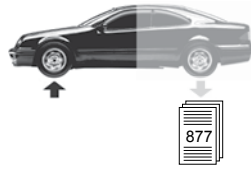
### unten / lower



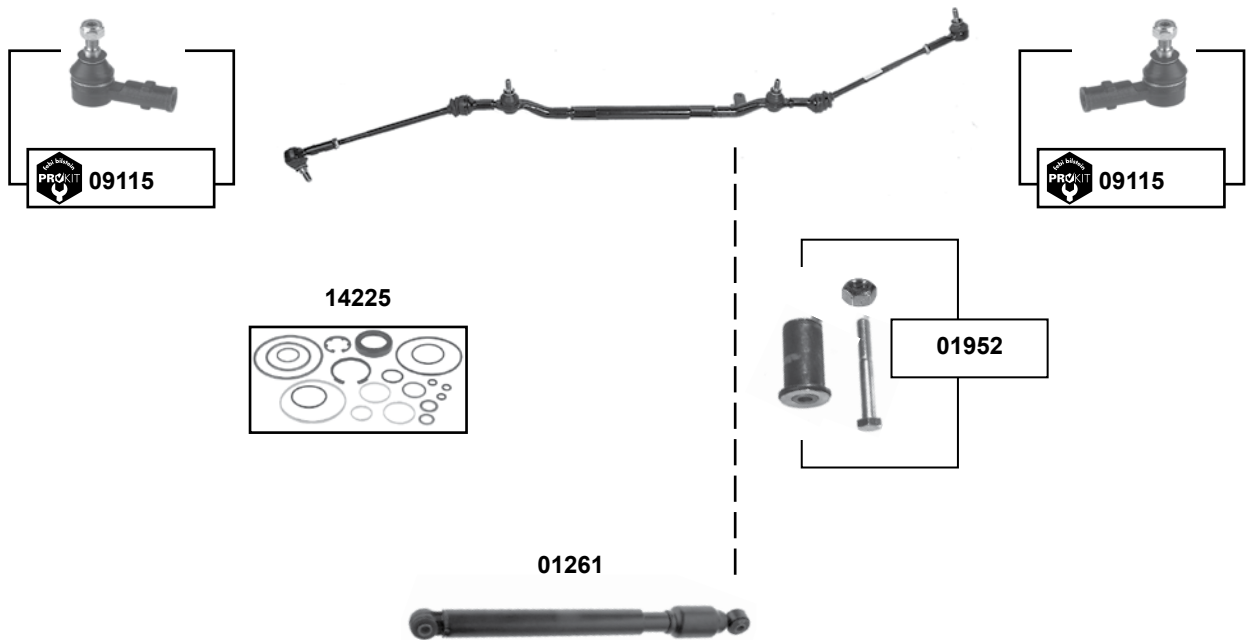
Ref. - No.



21443	211 330 15 11	Querlenker / control arm		
21444	211 330 16 11	Querlenker / control arm		
21530	211 333 10 14	Querlenkerlager / control arm mount	OLD	
21560	000 330 00 18	Rep. Satz Exzenterbolzen / rep. kit eccentric bolt		M14 x 1,5x122
23417	211 330 04 35	ProKit Trag gelenk / ball joint		M14 x 1,5
27066	211 323 00 68	ProKit Trag gelenk / ball joint		M14 x 1,5
27880	211 333 29 14	Querlenkerlager / control arm mount	NEW (ex.) AMG	
27882	211 330 43 11 S1	Querlenker / control arm	NEW inkl. 27880	
27883	211 330 44 11 S1	Querlenker / control arm	NEW inkl. 27880	
28488	220 333 31 14	Querlenkerlager / control arm mount		
28511	000 330 10 07	ProKit Trag gelenk / ball joint		L 92 M14x1,5
33351	211 330 44 11 S2	ProKit Querlenker / control arm		
33352	211 330 43 11 S2	ProKit Querlenker / control arm		
36243	220 330 91 07	Rep. Satz Querlenkerlager / rep. kit control arm mount		
36260	220 330 91 07 S2	ProKit Querlenkerlager / control arm mount		



## SLK (BM 170) (1996 → 2004)



Vorderachse / Front axle



(1) SLK 200 Kompressor (170.444)  
SLK 230 Kompressor (170.449)  
SLK 320 (170.465)  
SLK 220 Kompressor (170.466)

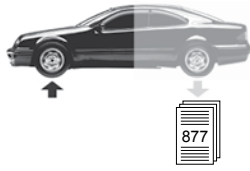
(2) SLK 200 (170.435)  
SLK 200 Kompressor (170.445)  
SLK 230 Kompressor (170.447)



Ref. - No.

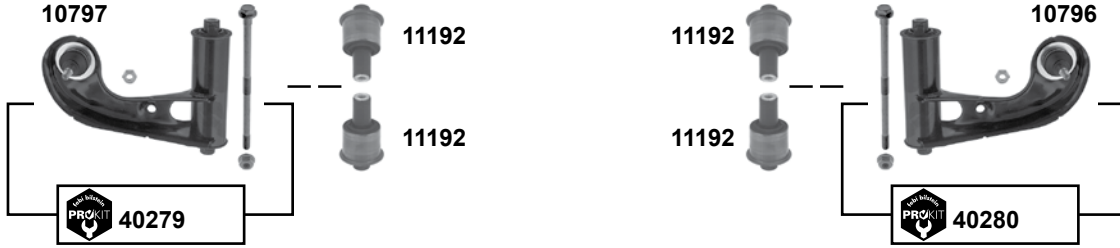


01261	124 463 04 32	Lenkungsdämpfer / steering-damper	
01952	202 460 03 19	Rep. Satz Lenkhebel / rep. kit steering arm	
09115	001 330 77 35	ProKit Spurstangenendstück / tie rod end	(1)
14225	129 460 15 01	Dichtungssatz Servolenkung / gasket set power steering	(2)

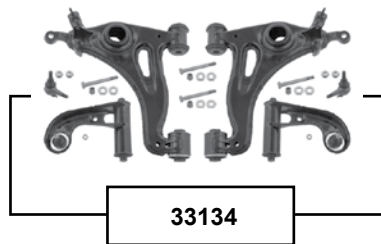
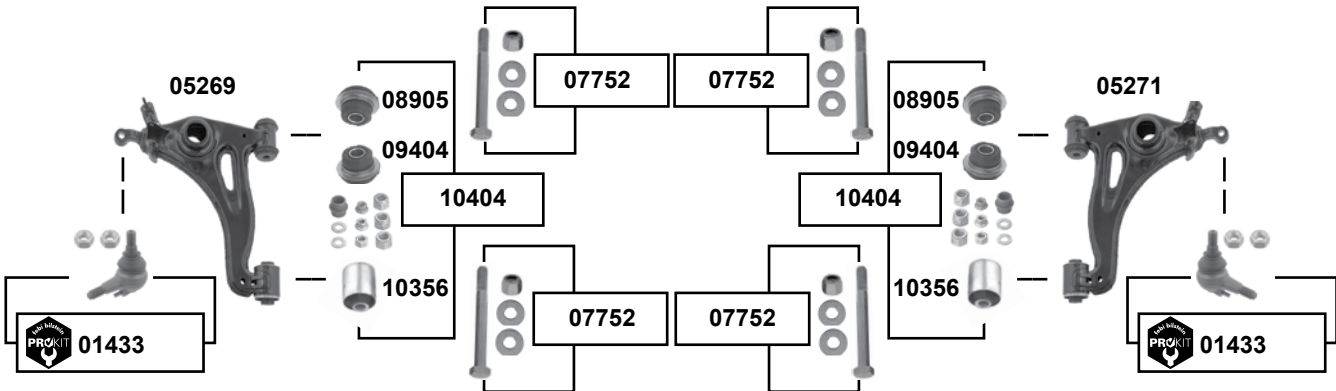
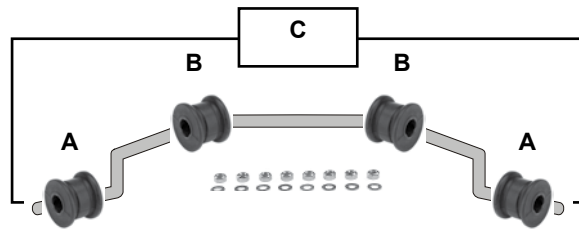


## SLK (BM 170) (1996 → 2004)

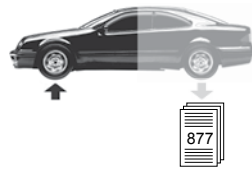
### oben / upper



### unten / lower



Vorderachse / Front axle



**SLK (BM 170)**  
(1996 → 2004)



**Stabilisatorlager / stabilizer mount**

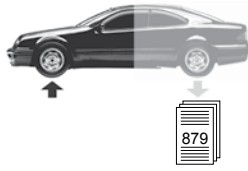
	A	B	C
SLK 200	14952	15525	-
SLK 200 Kompressor (170.444)	14952	17680	18057
SLK 200 Kompressor (170.445)	14952	15525	-
SLK 230 Kompressor (170.447)	14952	15525	-
SLK 230 Kompressor (170.449)	14952	17680	18057
SLK 320	14952	17680	18057



Ref. - No.

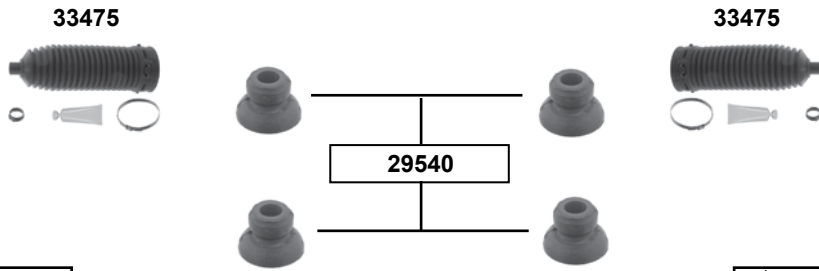
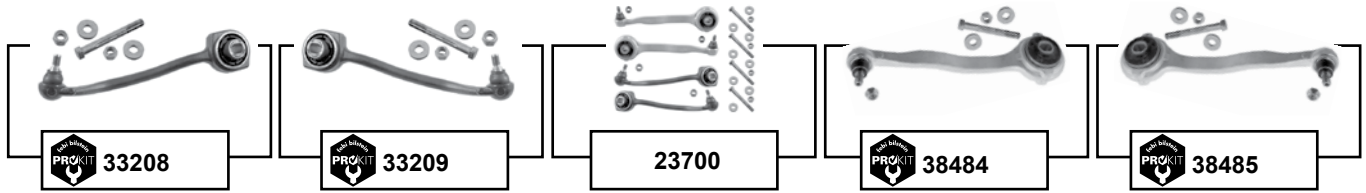


<b>01433</b>	211 330 03 35	ProKit Traggelenk / ball joint	wahlw. 220 330 06 35	M14 x 1,5	
<b>05269</b>	170 330 01 07	Querlenker / control arm	<b>Dacromet</b>	M14x1,5x128	
<b>05271</b>	170 330 02 07	Querlenker / control arm			
<b>07752</b>	202 330 01 18	Rep. Satz Exzenterbolzen / rep. kit exccentric pin			
<b>08905</b>	202 333 67 14	Querlenkerlager / control arm mount			
<b>09404</b>	202 333 87 14	Querlenkerlager / control arm mount			
<b>10356</b>	202 333 64 14	Querlenkerlager / control arm mount			
<b>10404</b>	170 330 00 75	Rep. Satz Querlenker / rep. kit control arm			
<b>10796</b>	210 330 88 07	Querlenker / control arm			
<b>10797</b>	210 330 87 07	Querlenker / control arm			
<b>11192</b>	202 333 77 14	Querlenkerlager / control arm mount			
<b>14952</b>	124 323 50 85	Stabilisatorlager / stabilizer mount			Ø   22,5
<b>15525</b>	124 323 54 85	Stabilisatorlager / stabilizer mount			Ø   24
<b>17680</b>	124 323 44 85	Stabilisatorlager / stabilizer mount			Ø   25
<b>18057</b>	124 323 44 85 S1	Rep. Satz Stabilisatorlager / rep. kit stabilizer mount			
<b>33134</b>	202 330 98 07 S1	Querlenkersatz / control arm kit			
<b>40279</b>	210 330 87 07 S3	ProKit Querlenker / control arm			
<b>40280</b>	210 330 88 07 S3	ProKit Querlenker / control arm			

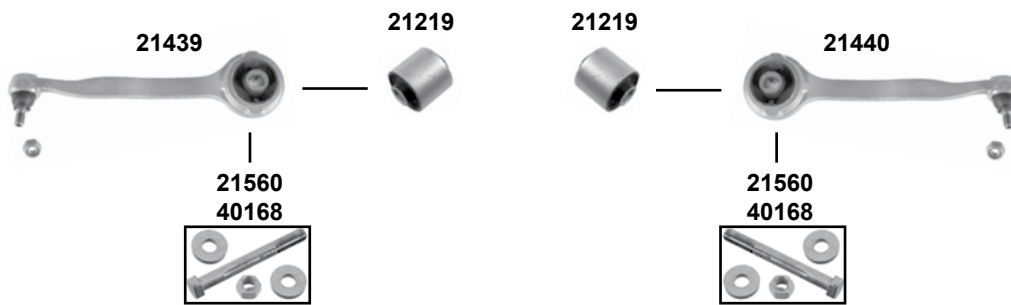


## SLK (BM 171) (2004 → 2011)

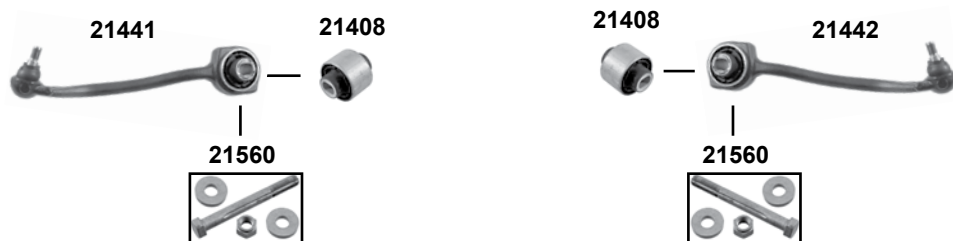
Vorderachse / Front axle

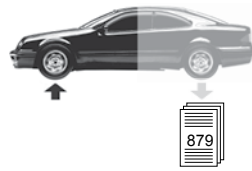


### vorne / front



### hinten / rear



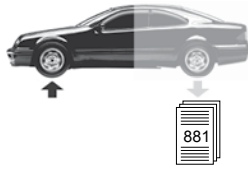


**SLK (BM 171)**  
(2004 → 2011)



Vorderachse / Front axle

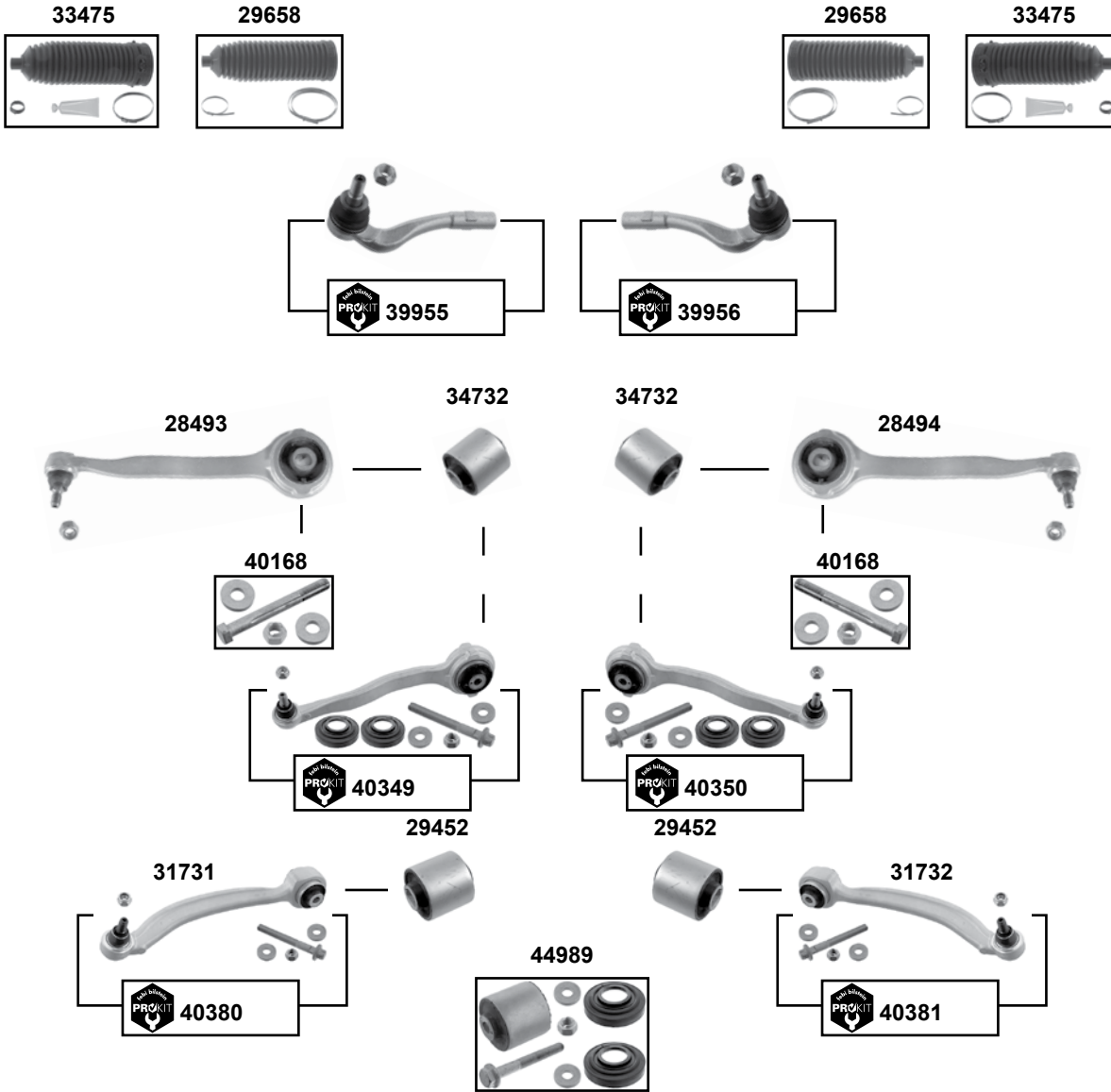
	Ref. - No.			
<b>21219</b>	203 333 10 14	Querlenkerlager / control arm mount	<b>(ex.)</b> AMG	Ø A 70 B 80
<b>21408</b>	203 333 09 14	Querlenkerlager / control arm mount		Ø A 70 B 80
<b>21439</b>	203 330 39 11 S1	Querlenker / control arm		
<b>21440</b>	203 330 40 11 S1	Querlenker / control arm		
<b>21441</b>	204 330 19 11	Querlenker / control arm		
<b>21442</b>	204 330 20 11	Querlenker / control arm		
<b>21560</b>	000 330 00 18	Rep. Satz Exzenterbolzen / rep. kit eccentric bolt		M14 x 1,5
<b>22614</b>	203 330 40 03	ProKit Spurstangenendstück / tie rod end		M14 x 1,5
<b>22615</b>	203 330 39 03	ProKit Spurstangenendstück / tie rod end		M14 x 1,5
<b>23700</b>	203 330 39 11 S1	Querlenkersatz / control arm kit		
<b>29540</b>	203 333 05 14	Lenkgetriebelager / steering gear mount	Ø I 12,2	
<b>32165</b>	171 338 00 15 S1	ProKit Spurstange / tie rod	L 265	
<b>33208</b>	204 330 19 11 S1	ProKit Querlenker / control arm	<b>(ex.)</b> 4matic	M14 x 1,5
<b>33209</b>	204 330 20 11 S1	ProKit Querlenker / control arm		M14 x 1,5
<b>33475</b>	204 463 02 96 S1	Rep. Satz Lenkmanschette / rep. kit steering boot		L 222
<b>33755</b>	171 323 00 17	ProKit Verbindungsstange / stabilizer link		L 300
<b>38484</b>	203 330 39 11 S4	ProKit Querlenker / control arm		
<b>38485</b>	203 330 40 11 S2	ProKit Querlenker / control arm		
<b>40168</b>	000 333 10 71	Montagesatz für Querlenker / mounting kit for control arm	<b>(ch.)</b> A 163273→	M14 x1,5x120
<b>40248</b>	171 338 00 15 S2	ProKit Spurstange / tie rod		
<b>40249</b>	171 338 00 15 S3	ProKit Spurstange / tie rod		



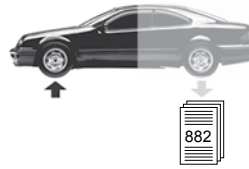
## SLK (BM 172)

(2011 →)

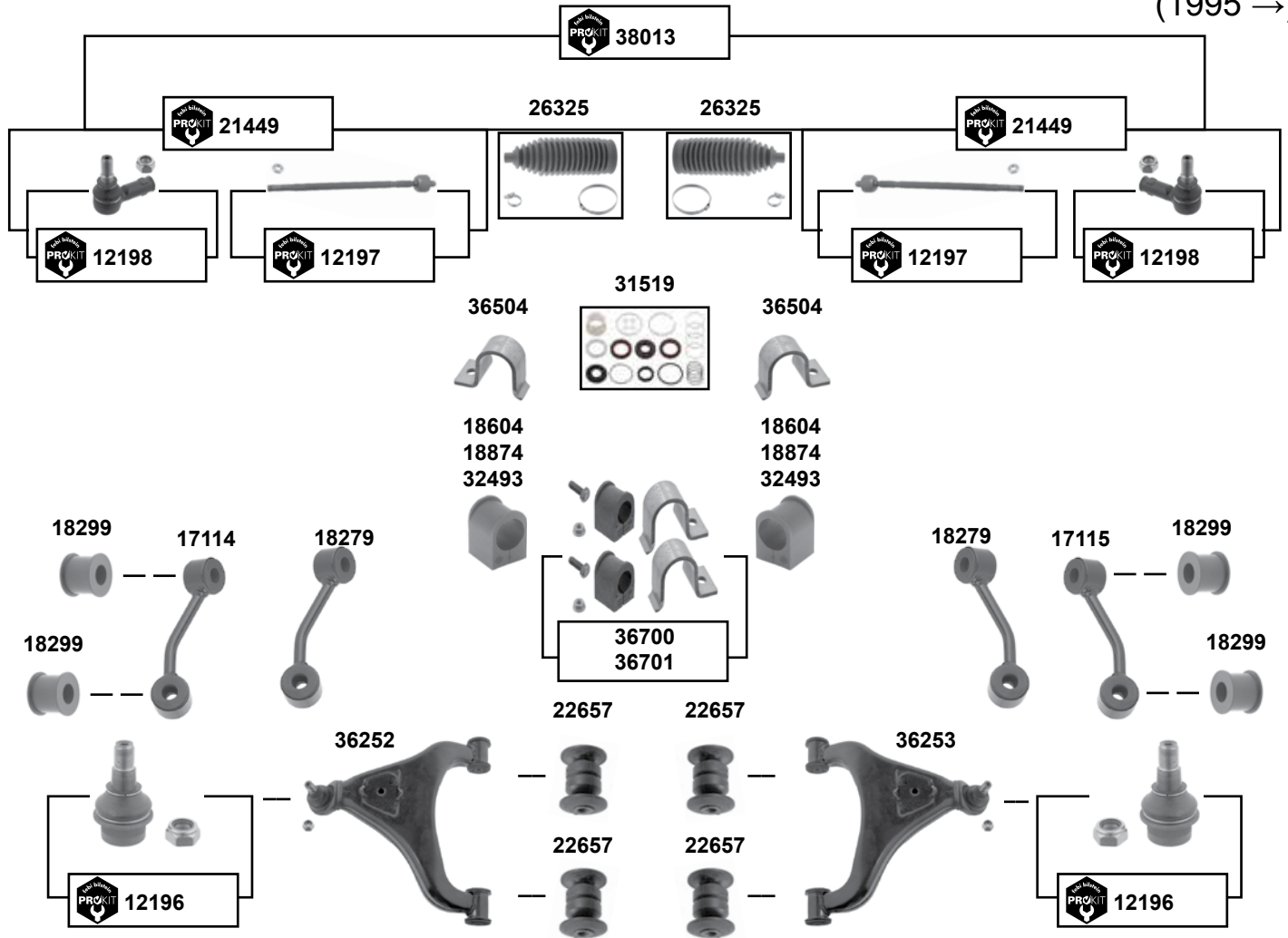
Vorderachse / Front axle



	Ref. - No.			
28493	204 330 43 11 S1	Querlenker / control arm	+ 2 x A 211 333 06 97	
28494	204 330 44 11 S1	Querlenker / control arm	+ 2 x A 211 333 06 97	
29452	204 333 04 14	Querlenkerlager / control arm mount	(ex.) C 63 AMG	Ø A 70 B 80
29658	203 463 03 96	Rep. Satz Lenkmanschette / rep. kit steering boot	RHD / LHD	
31731	204 330 67 11	Querlenker / control arm	(ex.) C 63 AMG	
31732	204 330 68 11	Querlenker / control arm	(ex.) C 63 AMG	
33475	204 463 02 96 S1	Rep. Satz Lenkmanschette / rep. kit steering boot	RHD / LHD	L 222
34732	204 333 11 14	Querlenkerlager / control arm mount	+ 2 x A 211 333 06 97	Ø I 15 Ø A 70
39955	204 330 09 03	ProKit Spurstangenendstück / tie rod end	AMG	M14 x 1,5
39956	204 330 10 03	ProKit Spurstangenendstück / tie rod end	AMG	M14 x 1,5
40168	000 333 10 71	Montagesatz für Querlenker / mounting kit for control arm		M14 x 1,5
40349	204 330 43 11 S3	ProKit Querlenker / control arm		
40350	204 330 44 11 S3	ProKit Querlenker / control arm		
40380	204 330 67 11 S2	ProKit Querlenker / control arm		
40381	204 330 68 11 S2	ProKit Querlenker / control arm		
44989	204 333 11 14 S1	Querlenkerlagersatz / control arm mounting kit		Ø I 14 Ø A 80



## Sprinter (BM 901 → 904) (1995 →)



Vorderachse / Front axle



(1) SA 500189 01 mit Gummilager / with rubber mount

(2) BM 901 + BM 903 (ex.) 4WD

(3) (wahlw. / optional) 901 460 02 05 S1



Ref. - No.

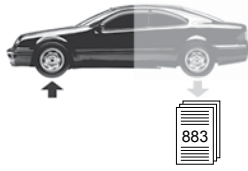


Part No.	Ref. - No.	Description	Notes	Dimensions
12196	901 333 12 27	ProKit Traggelenk / ball joint		M20 x 1,5
12197	901 460 01 48	ProKit Spurstangenendstück / tie rod end		M14 x 1,5
12198	901 460 01 55	ProKit Axialgelenk / axial joint		M16 x 1,5
17114	901 320 02 89 S1	Verbindungsstange / stabilizer link	(1)	
17115	901 320 03 89 S1	Verbindungsstange / stabilizer link	(1)	
18279	901 320 02 89	Verbindungsstange / stabilizer link		
18299	901 323 02 85	Verbindungsstangenlager / stabilizer link bush		
18604	901 323 01 85	Stabilisatorlager / stabilizer mount		Ø   22
18874	904 323 00 85	Stabilisatorlager / stabilizer mount	HD	Ø   25
21449	901 460 02 05	ProKit Spurstange / tie rod		M16 x 1,5
22657	901 333 02 14	Querlenkerlager / control arm mount	→ 07	
26325	901 460 55 00	Rep. Satz Lenkmanschette / rep. kit steering boot	SA 500464 01	
31519	901 460 42 00 S1	Dichtungssatz Servolenkung / gasket set power steering	→ 2000 / (ex.) 4WD	
32493	904 326 10 81	Stabilisatorlager / stabilizer mount	BM 904 HD / (ex.) 4WD	Ø   33
36252	901 330 24 07	Querlenker links / control arm left	(2) / (ex.) 904	
36253	901 330 25 07	Querlenker rechts / control arm right	(2) / (ex.) 904	
36504	901 323 02 88	Befestigungsbügel / attachment bracket	→ 09	Ø   30
36700	901 323 02 88 S1	Stabilisatorlagersatz / anti roll bar bush kit		Ø   25
36701	901 323 02 88 S2	Stabilisatorlagersatz / anti roll bar bush kit	BM 901-903	Ø   22
38013	901 460 55 00 S1	ProKit Spurstangensatz kompl. / tie rod set compl.	(3)	



passend für / to fit

**MERCEDES-BENZ**



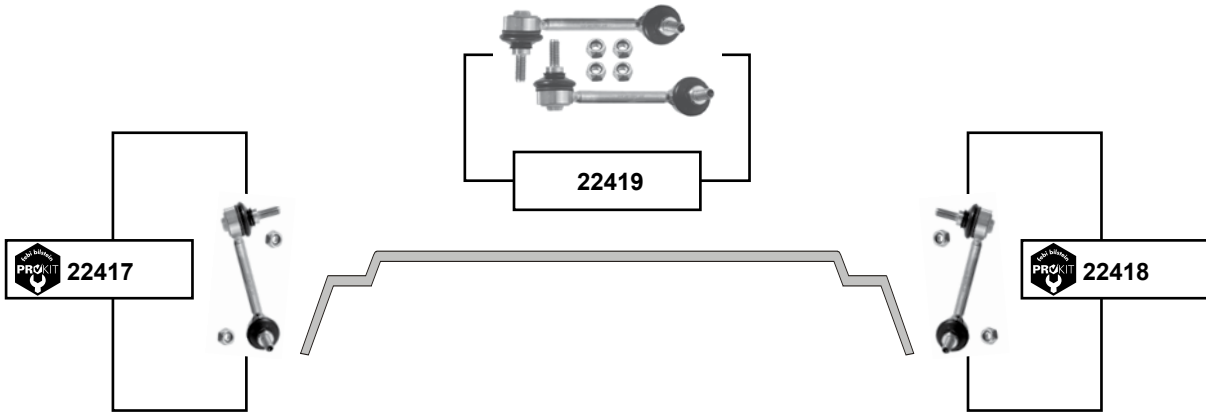
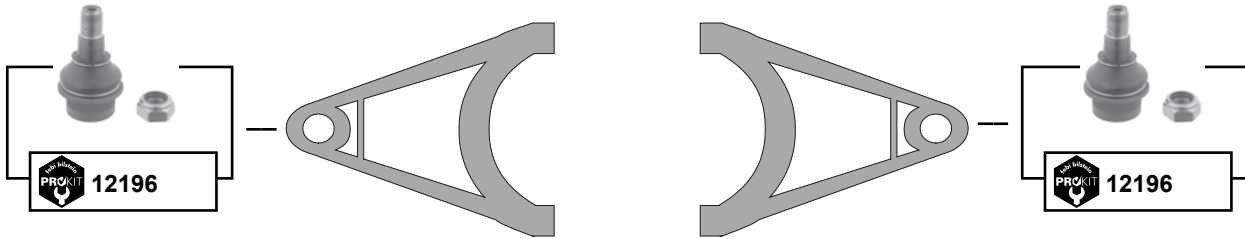
**Car  
Division**



# Sprinter I (BM 905)

(2001 → 2006)

Vorderachse / Front axle



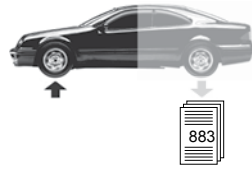
Ref. - No.



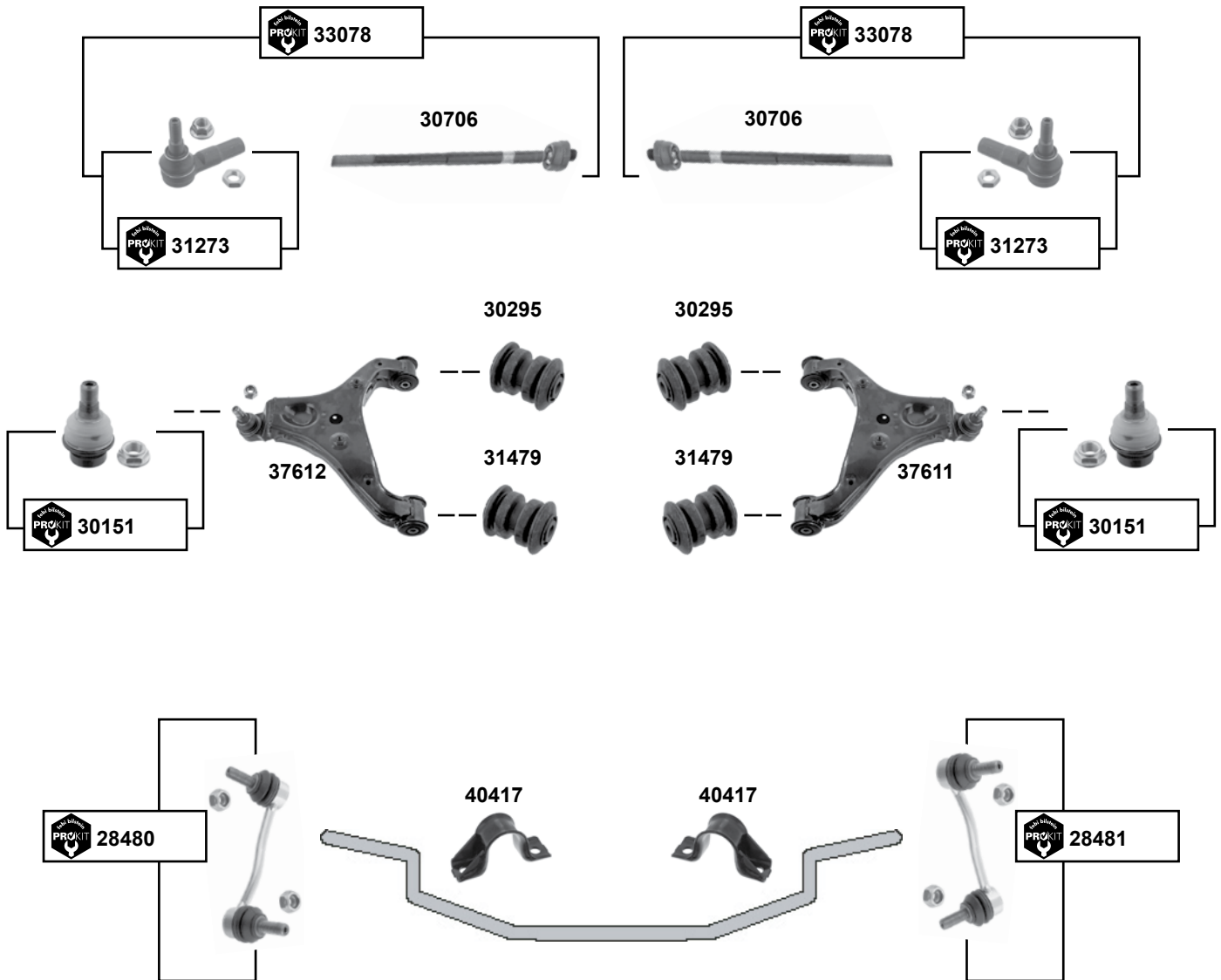
<b>12196</b>	901 333 12 27
<b>22417</b>	905 320 04 89
<b>22418</b>	905 320 05 89
<b>22419</b>	905 320 05 89 S1

ProKit Trag gelenk / ball joint
ProKit Verbindungsstange / stabilizer link
ProKit Verbindungsstange / stabilizer link
Verbindungsstangensatz / connecting rod set

M20 x 1,5
M10 x 1,5
M10 x 1,5



## Sprinter II (BM 906) (2006 →)



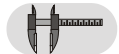
Vorderachse / Front axle



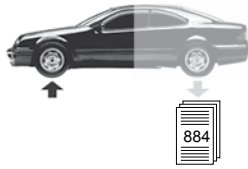
(1) BM 906.131-155, BM 906.231-255 vorne / front (ch.) N 350740 → / (ch.) A 960010 →  
BM 906.631-657, BM 906.731-735 vorne / front (ch.) S 223803 → / (ch.) A 960010 →



Ref. - No.



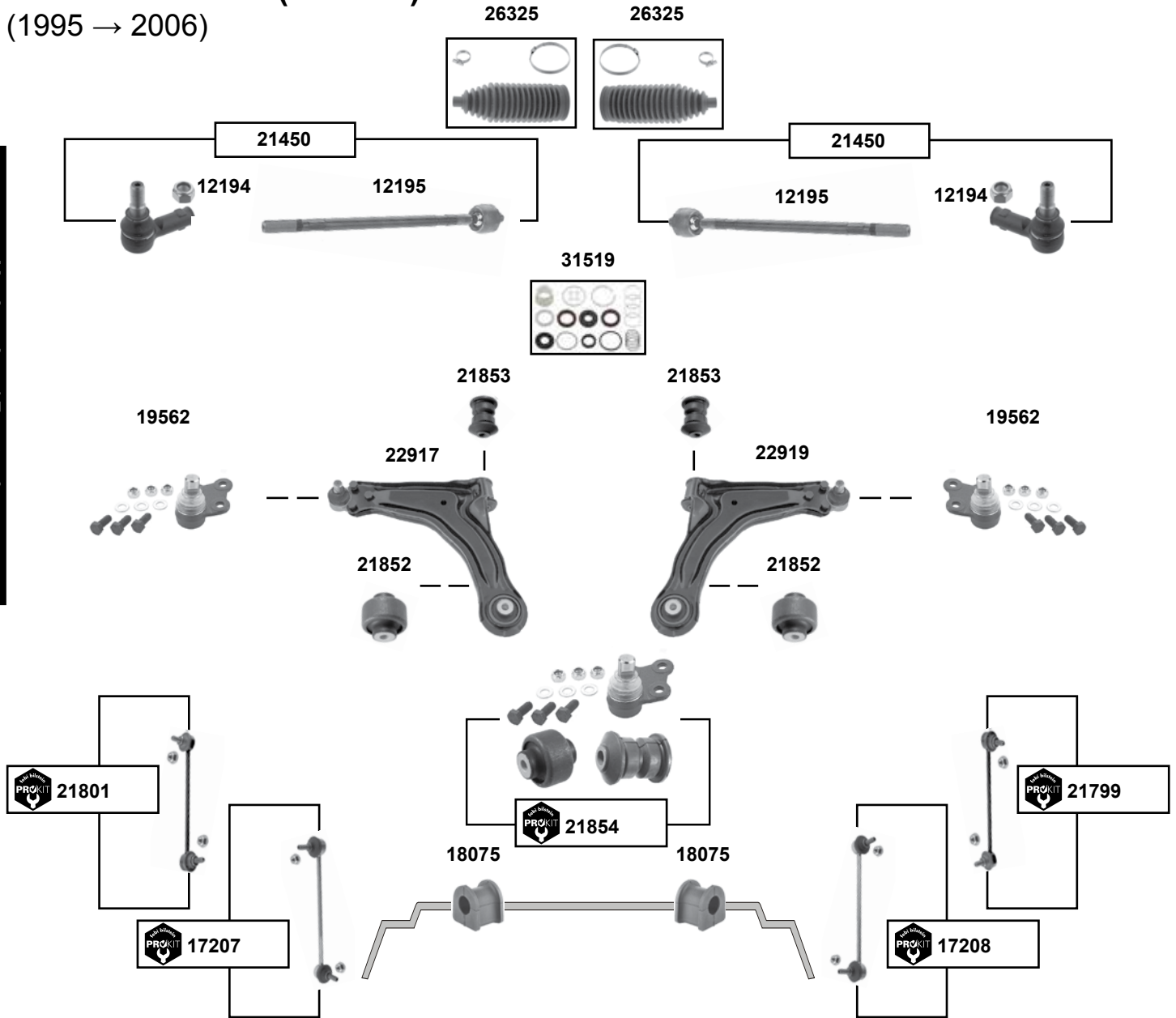
Ref. - No.	Description	Quantity	Dimensions
28480	ProKit Verbindungsstange / stabilizer link	(ex.) 4x4	L 138
28481	ProKit Verbindungsstange / stabilizer link	(ex.) 4x4	L 138
30151	ProKit Tragelenk / ball joint		
30295	Querlenkerlager / control arm mount		59x75
30706	Spurstange / tie rod		L 400
31273	ProKit Spurstangenendstück / tie rod end		M16 x 1,5
31479	Querlenkerlager / control arm mount		59x75
33078	ProKit Spurstange mit Endstück / tie rod with tie rod end		L 400
37611	Querlenker rechts / control arm right		
37612	Querlenker links / control arm left		
40417	Schelle für Stabilisator / clamp for stabilizer	(1)	Ø 136



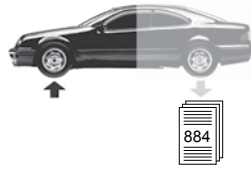
## Vito/V-Klasse (BM 638)

(1995 → 2006)

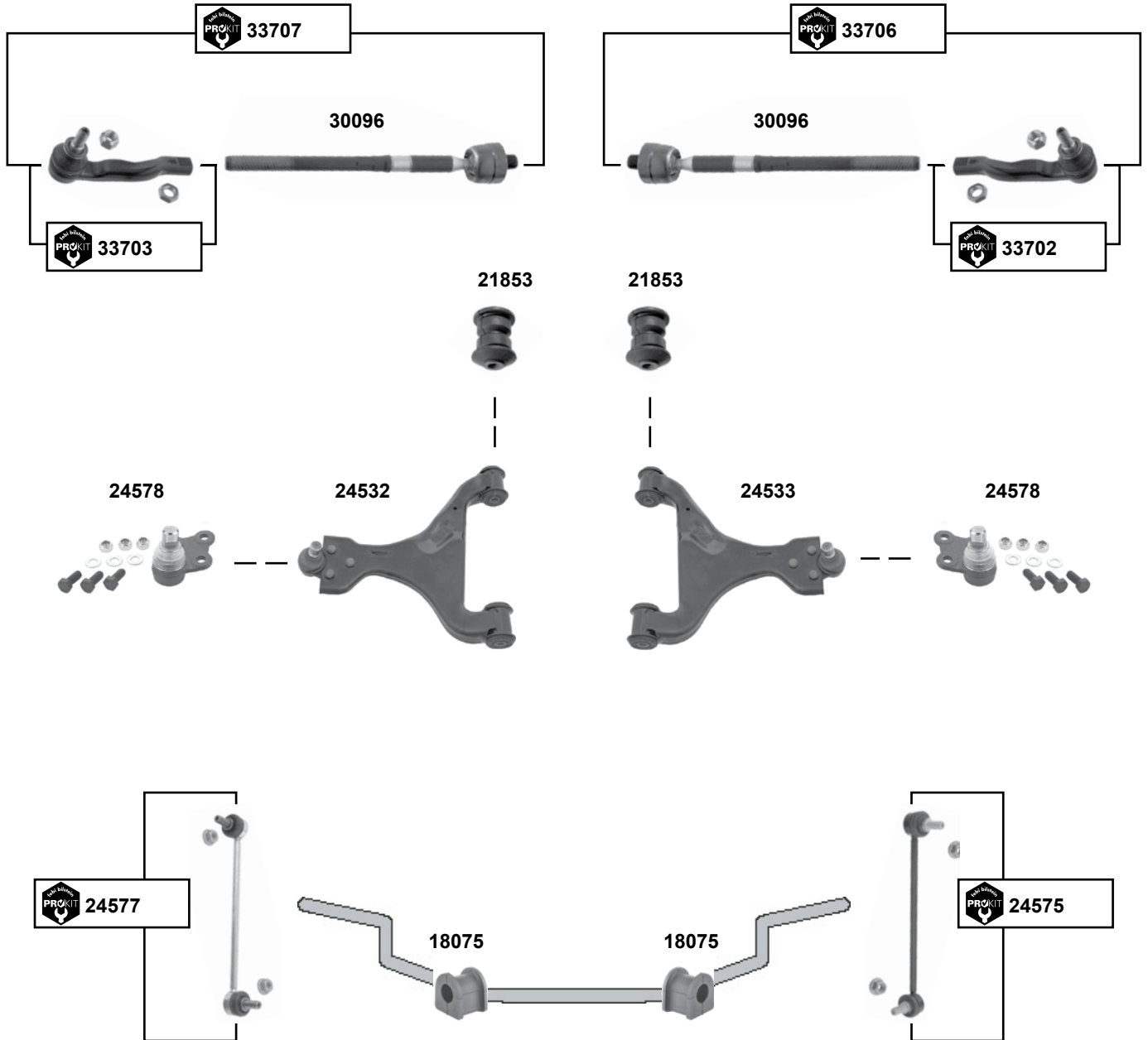
Vorderachse / Front axle



	Ref. - No.			
12194	638 460 00 48	Spurstangenendstück / tie rod end		M14 x 1,5
12195	638 460 00 55	Spurstange / tie rod		L 360
17207	638 323 02 68	ProKit Verbindungsstange / stabilizer link	(ex.) CDI	L 250
17208	638 323 03 68	ProKit Verbindungsstange / stabilizer link	(ex.) CDI	L 250
18075	638 323 02 85	Stabilisatorlager / stabilizer mount		Ø I 24
19562	638 333 00 27	Traggelenk / ball joint		
21450	638 460 02 05	Spurstange kompl / tie rod compl		L 360
21799	638 323 05 68	ProKit Verbindungsstange rechts / stabilizer link right	CDI	L 230
21801	638 323 04 68	ProKit Verbindungsstange links / stabilizer link left	CDI	L 230
21852	638 333 08 14	Querlenkerlager / control arm mount		
21853	638 333 00 14	Querlenkerlager / control arm mount		
21854	638 333 08 14 S1	ProKit Querlenkerlager / control arm mount		
22917	638 330 00 10	Querlenker links / control arm left	SA 503032 01/02	
22919	638 330 01 10	Querlenker rechts / control arm right	SA 503032 01/02	
26325	901 460 55 00	Rep. Satz Lenkmanschette / rep. kit steering boot		
31519	901 460 42 00 S1	Dichtungssatz Servolenkung / gasket set power steering	(ex.) 4WD	



**Vito/Viano (BM 639)**  
(2003 →)



Vorderachse / Front axle

	Ref. - No.			
<b>18075</b>	638 323 02 85	Stabilisatorlager / stabilizer mount	(ch.) → 007991	Ø   24
<b>21853</b>	638 333 00 14	Querlenkerlager / control arm mount		
<b>24532</b>	639 330 04 10	Querlenker links / control arm left		
<b>24533</b>	639 330 05 10	Querlenker rechts / control arm right		
<b>24575</b>	639 320 05 89	ProKit Verbindungsstange / stabilizer link		
<b>24577</b>	639 320 04 89	ProKit Verbindungsstange / stabilizer link		
<b>24578</b>	639 333 02 27 S1	Traggelenk / ball joint		
<b>30096</b>	639 460 02 55 SK	Spurstange / tie rod		L 300
<b>33702</b>	639 460 05 48	ProKit Spurstangenendstück / tie rod end		
<b>33703</b>	639 460 04 48	ProKit Spurstangenendstück / tie rod end		
<b>33706</b>	639 460 05 48 S1	ProKit Spurstange mit Endstück / tie rod with tie rod end		
<b>33707</b>	639 460 04 48 S1	ProKit Spurstange mit Endstück / tie rod with tie rod end		

passend für / to fit

**MERCEDES-BENZ**



**Car  
Division**

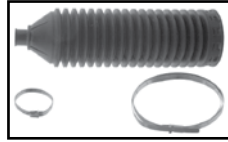


**Vaneo (BM 414)**

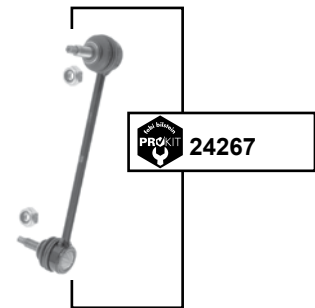
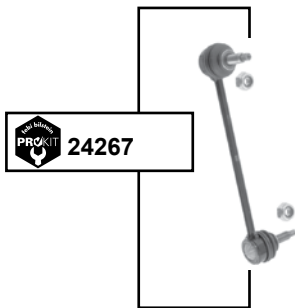
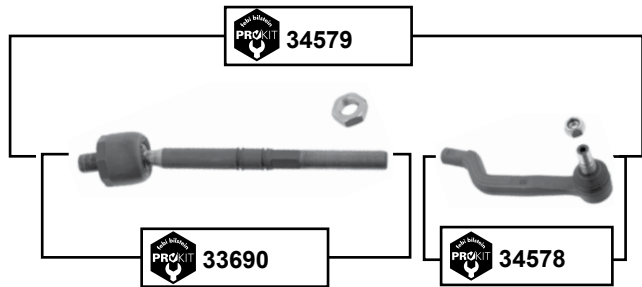
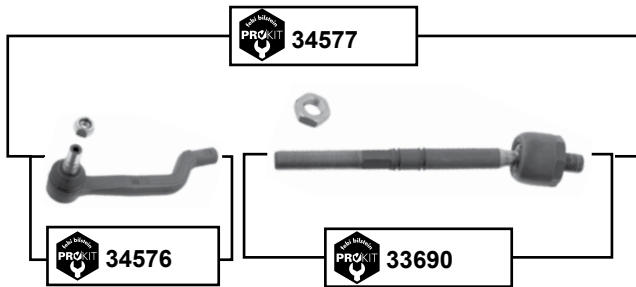
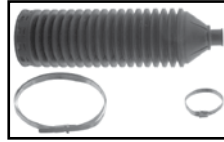
(2002 →)

Vorderachse / Front axle

31052



31052



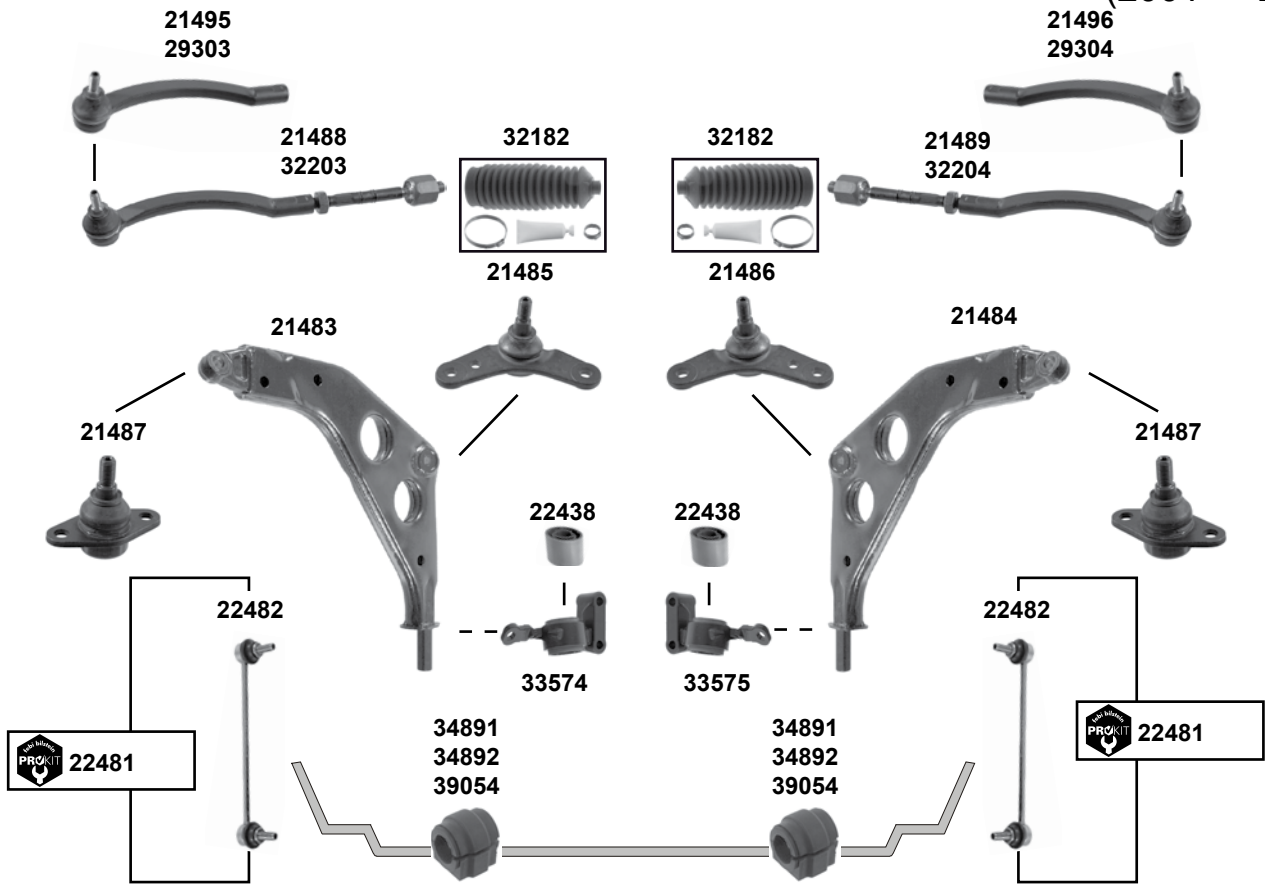
(1) wahlweise / optional 414 460 02 05 S1

(2) wahlweise / optional 414 460 02 05 S2

Ref. - No.			
<b>24267</b>	414 320 03 89	ProKit Verbindungsstange / stabilizer link	(ch.) N 251442 →
<b>31052</b>	414 460 08 00	Rep. Satz Lenkmanschette / rep. kit steering boot	
<b>33690</b>	414 460 02 05	ProKit Axialgelenk / axial joint	
<b>34335</b>	414 333 02 27	ProKit Traggelenk / ball joint	
<b>34576</b>	414 460 00 05 S1	ProKit Spurstangenendstück / tie rod end	
<b>34577</b>	414 460 00 05 S2	ProKit Spurstange / tie rod	(1)
<b>34578</b>	414 460 01 05 S1	ProKit Spurstangenendstück / tie rod end	
<b>34579</b>	414 460 01 05 S2	ProKit Spurstange / tie rod	(2)



# Cooper / One (R50,R52,R53) (2001 → 2009)



Vorderachse / Front axle

(1) R50 Coupe: (ex.) **Sport**  
R50 Coupe: One D, One 1,4i, One 1,6i nur/only **Sport**  
R52 Cabrio: Cooper One (ex.) **Sport**

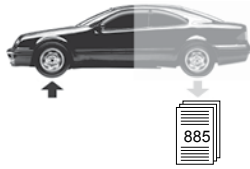
(2) R 50 Coupe: Cooper / R 52 Cabrio: Cooper S /  
R 53 Coupe: alle / all  
R 50 Coupe: One1.4d / i, 1.6i / R 52 Cabrio:  
Cooper, One: **Sport**



Ref. - No.



Ref. - No.	Description	Notes	Dimensions / Material
21483	Querlenker / control arm		
21484	Querlenker / control arm		
21485	Traggelenk / ball joint		M14 x 1,5
21486	Traggelenk / ball joint		M14 x 1,5
21487	Traggelenk / ball joint		M12 x 1,5
21488	Spurstange / tie rod	→ 05/03	L 400
21489	Spurstange / tie rod	→ 05/03	L 400
21495	Spurstangenendstück / tie rod end	→ 05/03	M14 x 1,5
21496	Spurstangenendstück / tie rod end	→ 05/03	M14 x 1,5
22438	Querlenkerlager / control arm mount		A Ø 66x61
22481	ProKit Verbindungsstange / stabilizer link	03/02 →	L 300
22482	Verbindungsstange / stabilizer link	→ 03/02	L 350
29303	Spurstangenendstück / tie rod end	05/03 →	M14 x 1,5
29304	Spurstangenendstück / tie rod end	05/03 →	M14 x 1,5
32182	Lenkmanschettensatz / steering boot kit		Plastik/plastic
32203	Spurstange / tie rod	05/03 →	L 376
32204	Spurstange / tie rod	05/03 →	L 376
33574	Querlenkerlager mit Halter / control arm mount with retainer	incl. 22438	Ø 66x61
33575	Querlenkerlager mit Halter / control arm mount with retainer	incl. 22438	Ø 66x61
34891	Stabilisatorlager / stabilizer mount	(1)	Ø   22,5
34892	Stabilisatorlager / stabilizer mount	(ex.) <b>Sport</b>	Ø   21,5
39054	Stabilisatorlager / stabilizer mount	(2)	Ø   24



# Mini II

(2007 → 2015)

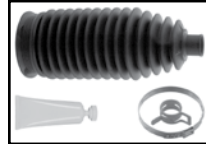
R55/LCI Clubman, R56/LCI Coupe, R57/LCI Cabrio  
R58 Coupe, R59 Roadster, R60 Countryman, R61 Paceman

Vorderachse / Front axle

36575



36575



30818



30819



34303



34304



34299



34299



36140



36141



36143



36143



40619



40620



30919

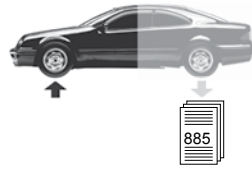
40495



30919

40495

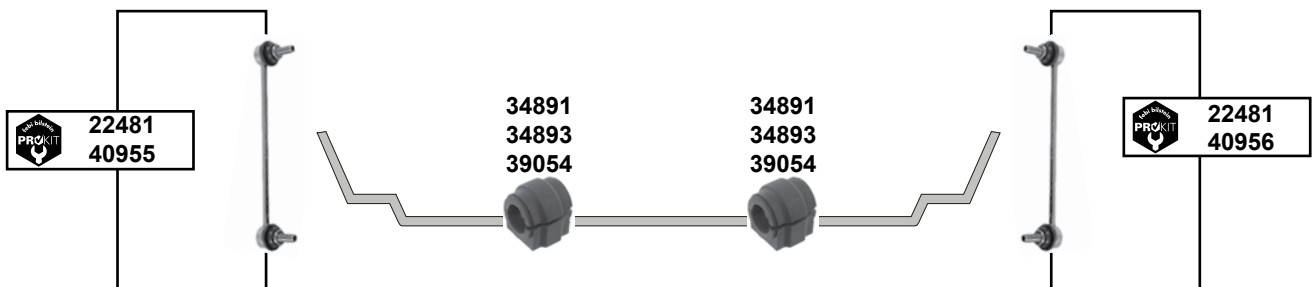




# Mini II

(2007 → 2015)

R55/LCI Clubman, R56/LCI Coupe, R57/LCI Cabrio  
R58 Coupe, R59 Roadster, R60 Countryman, R61 Paceman



Vorderachse / Front axle



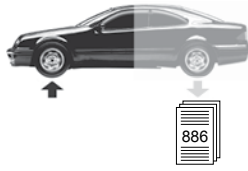
(1) (ex.) R60, R61

	Ref. - No.			
22481	31 35 6 778 831	ProKit Verbindungsstange / stabilizer link	(1)	L 300
30818	32 10 6 778 437	Spurstangenendstück / tie rod end	(1)	M14 x 1,5
30819	32 10 6 778 438	Spurstangenendstück / tie rod end	(1)	M14 x 1,5
30919	31 12 6 767 530	Querlenkerlager / control arm mount	(ex.) S-JCW (1)	Ø A 66
34299	32 10 6 778 547 SK	Axialgelenk ohne Endstück / axial joint without tie rod end	(1)	L 213
34303	32 10 6 778 547	Spurstange / tie rod	(1)	L 383
34304	32 10 6 778 548	Spurstange / tie rod	(1)	L 383
34891	31 35 6 757 146	Stabilisatorlager / stabilizer mount	(1)	Ø I 22,5
34893	31 35 6 772 843	Stabilisatorlager / stabilizer mount	R56 (ex.) Sport	Ø I 21,5
36140	31 12 6 772 301	Querlenker / control arm	(1)	
36141	31 12 6 772 302	Querlenker / control arm	(1)	
36143	31 12 6 772 301 SK	Traggelenk innen / ball joint inner	(1)	
36575	32 10 6 778 560	Lenkmanschettensatz / steering boot kit		
36875	31 12 6 772 303	ProKit Traggelenk / ball joint	(1)	M12 x 1,5
36877	31 12 6 772 304	ProKit Traggelenk / ball joint	(1)	M12 x 1,5
39054	31 35 6 758 302	Stabilisatorlager / stabilizer mount	(1)	Ø I 24
40495	31 12 9 803 788	Querlenkerlager / control arm mount	R60/61	70 x 71
40619	31 12 6 772 235	Querlenkerlager / control arm mount	(1)	Ø A 66
40620	31 12 6 772 236	Querlenkerlager / control arm mount	(1)	Ø A 66
40955	31 35 9 806 351	ProKit Verbindungsstange / stabilizer link	R60/61	L 292
40956	31 35 9 806 352	ProKit Verbindungsstange / stabilizer link	R60/61	L 292



passend für / to fit

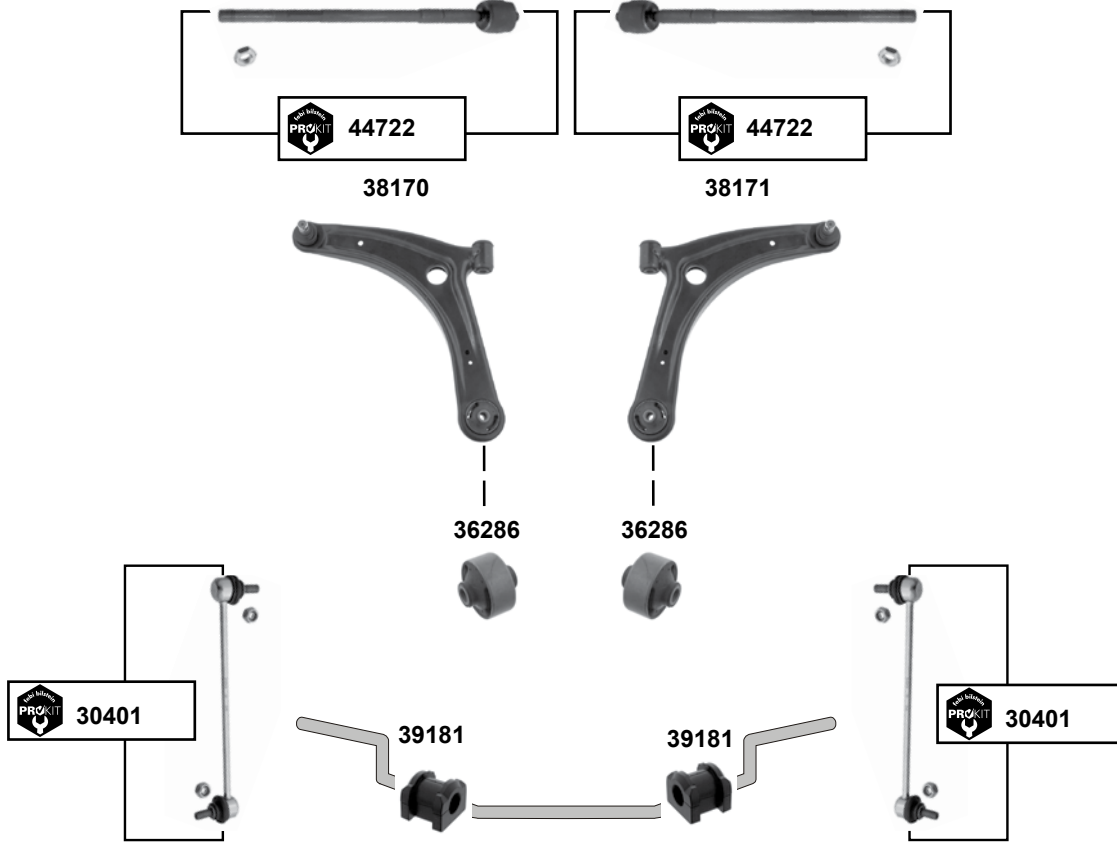
**MITSUBISHI**



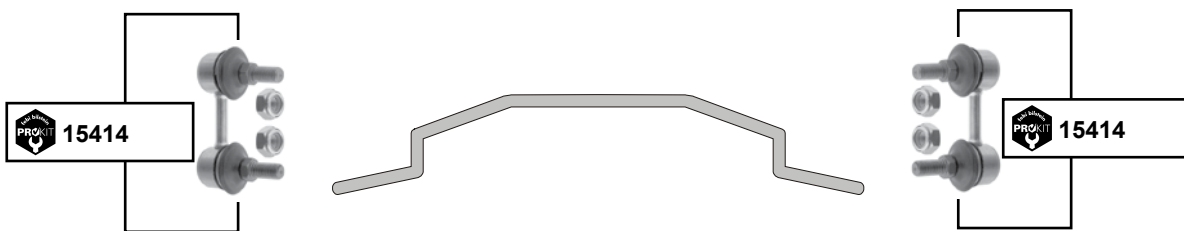
**Car  
Division**



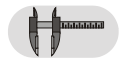
**ASX**  
(2010 →)



**3000 GT**  
(1992 → 1999)

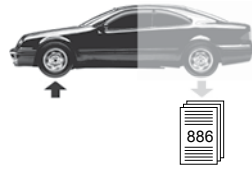


Ref. - No.

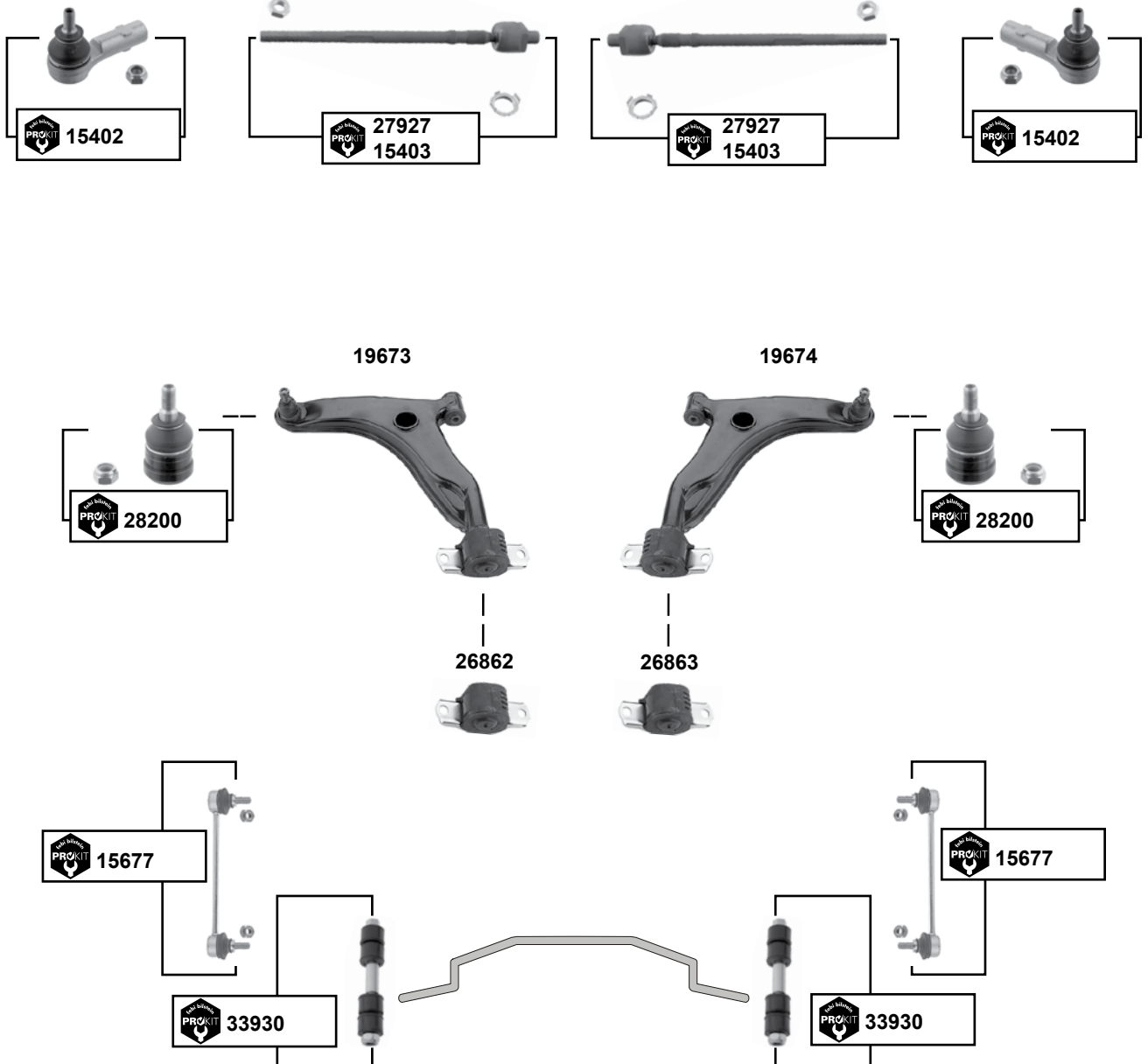


<b>15414</b>	4056A014	ProKit Verbindungsstange / stabilizer link	L 60
<b>30401</b>	MN101368	ProKit Verbindungsstange / stabilizer link	L 265
<b>36286</b>	MN184133	Querlenkerlager / control arm mount	Ø A 60
<b>38170</b>	4013A281	Querlenker / control arm	
<b>38171</b>	4013A282	Querlenker / control arm	
<b>39181</b>	4056A079	Stabilisatorlager / stabilizer mount	Ø I 19,5
<b>44722</b>	4422A076	ProKit Axialgelenk / axial joint	M14 x 1,5

Vorderachse / Front axle



**Carisma**  
(1995 → 2006)



Vorderachse / Front axle

	Ref. - No.			
15402	MR476457	ProKit Spurstangenendstück / tie rod end		M10 x 1,25
15403	MR244 901	ProKit Spurstange / tie rod	→ 02/99	L 304
15677	MR272116	ProKit Verbindungsstange / stabilizer link	→ 02/99	L 200
19673	MR179479	Querlenker / control arm	→ 02/99	
19674	MR179480	Querlenker / control arm	→ 02/99	
26862	MB808909	Querlenkerlager / control arm mount		
26863	MB808910	Querlenkerlager / control arm mount		
27927	MR403027	ProKit Spurstange / tie rod	03/99 →	L 316
28200	MR179480 S1	ProKit Traggelenk / ball joint	→ 02/99	Ø A 39,8
33930	MR392730	ProKit Verbindungsstange / stabilizer link	03/99 → 06/06	L 137

passend für / to fit

# MITSUBISHI



Car  
Division



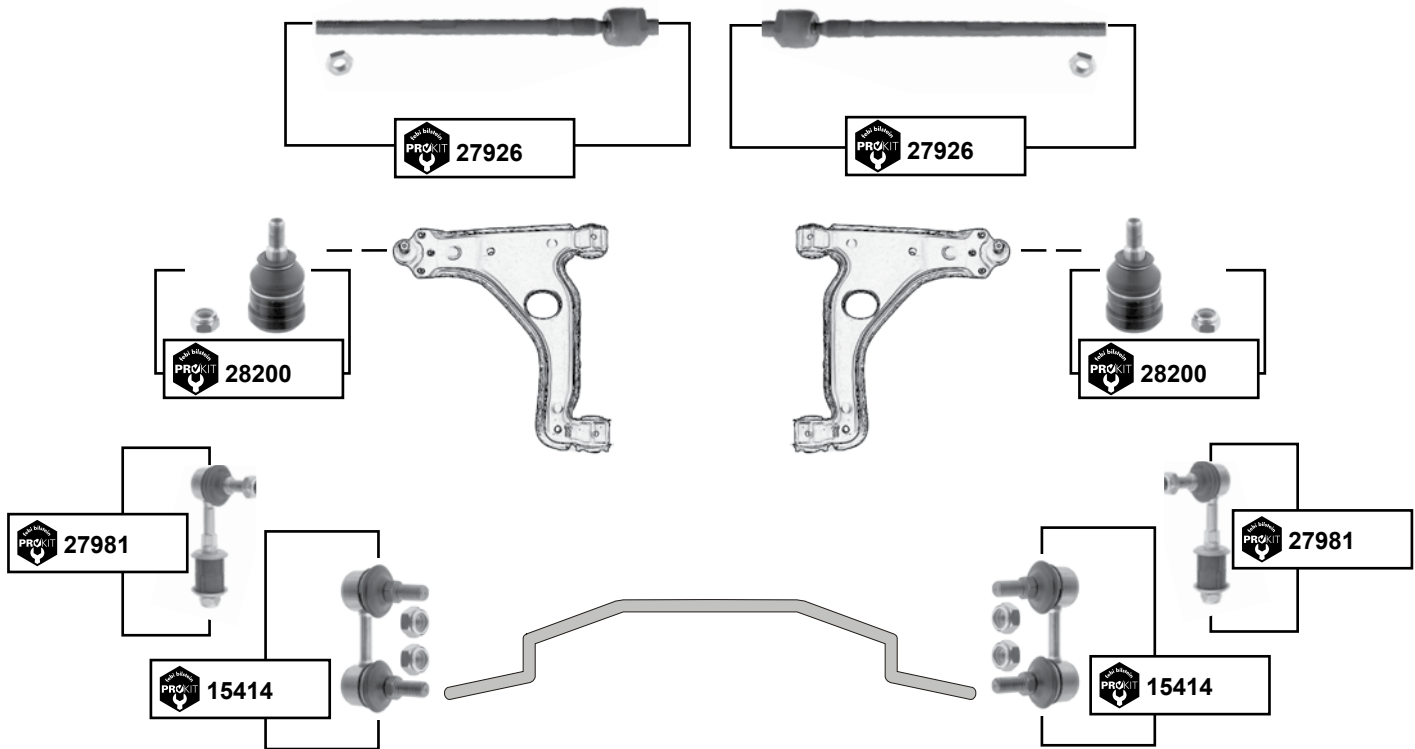
## Colt II

(02/84 → 04/88)



## Colt III

(1988 → 1992)



(1) Bitte Bauart beachten / please consider design

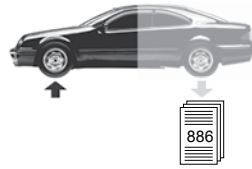


Ref. - No.

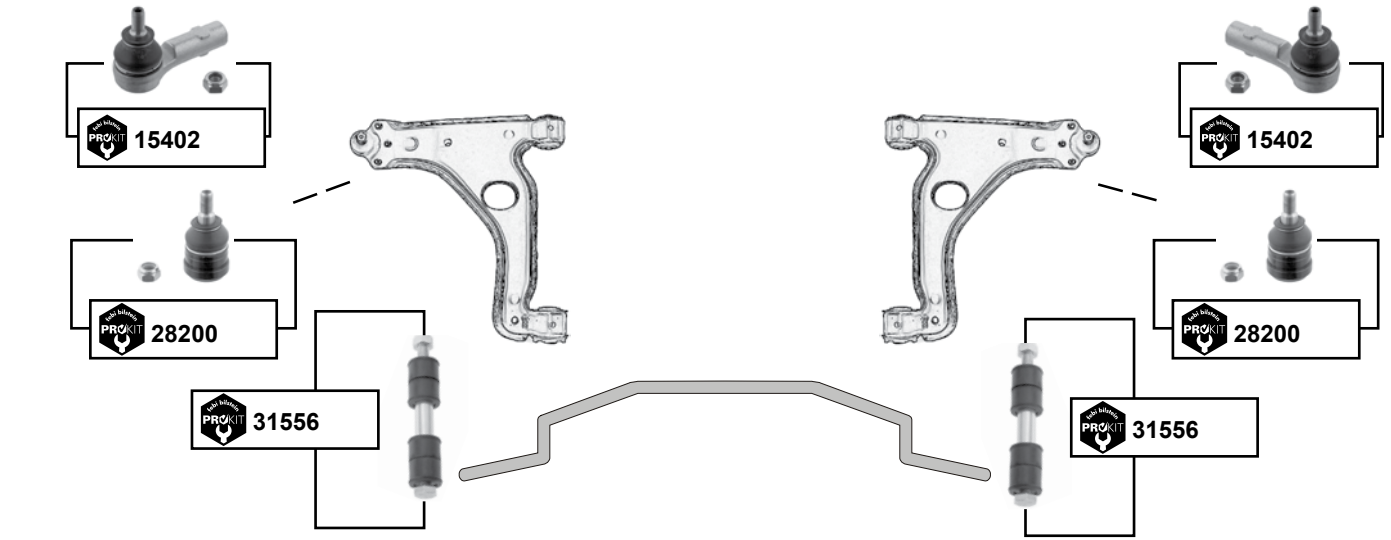


15414	4056A014	ProKit Verbindungsstange / stabilizer link	(1)	L 60
27926	MB553249	ProKit Spurstange / tie rod		L 316
27981	4056A038	ProKit Verbindungsstange / stabilizer link	(1)	L 87
28200	MR179480 S1	ProKit Tragelenk / ball joint		Ø A 39,8

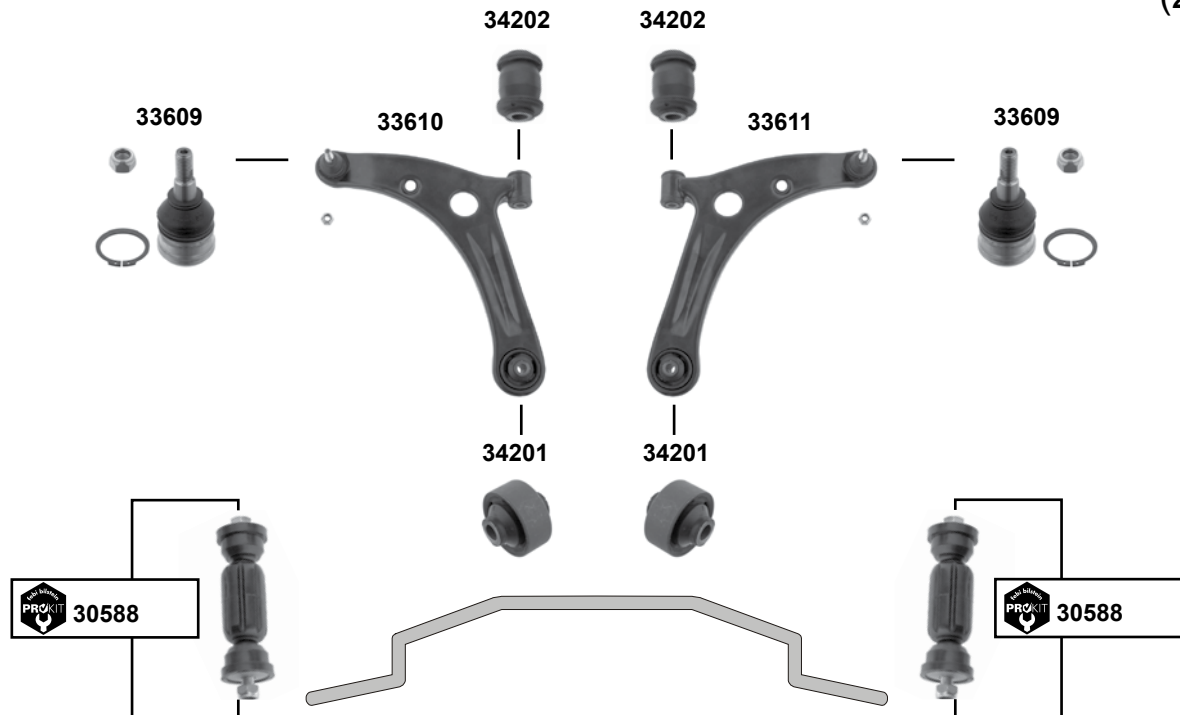
Vorderachse / Front axle



## Colt IV / V (1992 → 2004)



## Colt VI (2004 →)



Vorderachse / Front axle



(1) Colt IV: 05/92 → 04/96  
Colt V : 04/96 → 06/04

(2) Colt V: 05/96 → 06/04



Ref. - No.



Part No.	Ref. - No.	Description	Notes	Dimensions
15402	MR476457	ProKit Spurstangenendstück / tie rod end		M10 x 1,25
28200	MR179480 S1	ProKit Traggelenk / ball joint	(1)	Ø A 39,8
30588	4056A052	ProKit Verbindungsstange / stabilizer link		L 110
31556	MR954887	ProKit Verbindungsstange / stabilizer link	(2)	L 136
33609	4013A135 S1	Traggelenk / ball joint	(ex.) 1.5 Turbo (Z37A)	M12 x 1,5
33610	4013A135	Querlenker / control arm	(ex.) 1.5 Turbo (Z37A)	M12 x 1,5
33611	4013A150	Querlenker / control arm	(ex.) 1.5 Turbo (Z37A)	M12 x 1,5
34201	4013A135 S2	Querlenkerlager / control arm mount	(ex.) 1.5 Turbo (Z37A)	Ø A 60
34202	4013A135 S3	Querlenkerlager / control arm mount	(ex.) 1.5 Turbo (Z37A)	Ø A 40

passend für / to fit

**MITSUBISHI**



**Car  
Division**



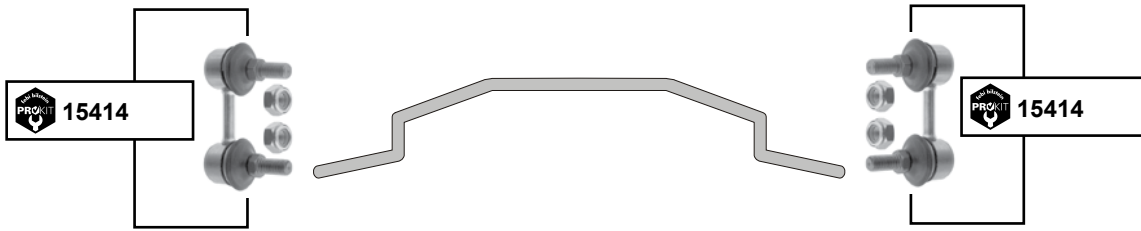
# Grandis

(01/04 →)



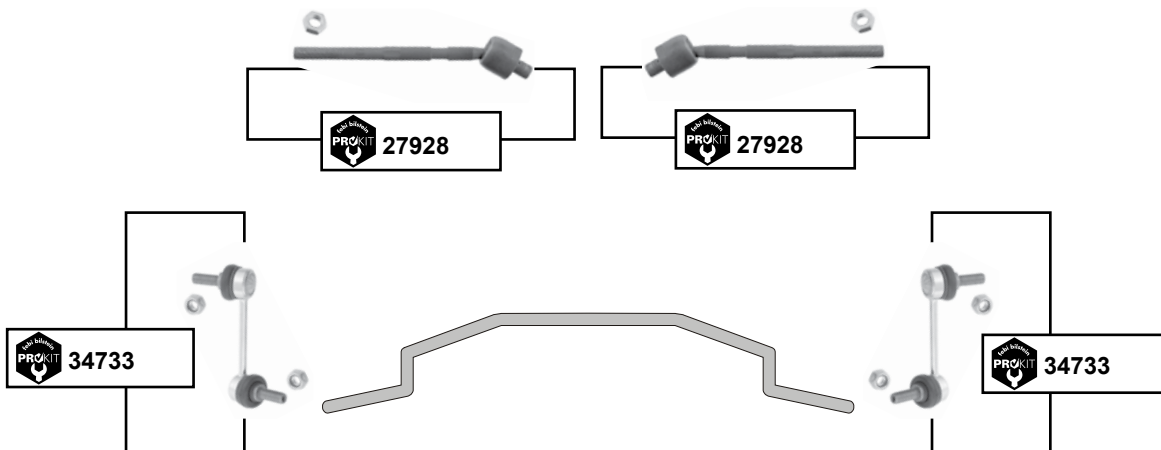
# Eclipse I

(1989 → 1995)



# Eclipse II

(1995 → 1999)



Ref. - No.



15414	4056A014
27928	MR594674
34184	4422A077
34733	4056A026

ProKit Verbindungsstange / stabilizer link
ProKit Spurstange / tie rod
ProKit Axialgelenk mit Mutter / axial joint with nut
ProKit Verbindungsstange / stabilizer link

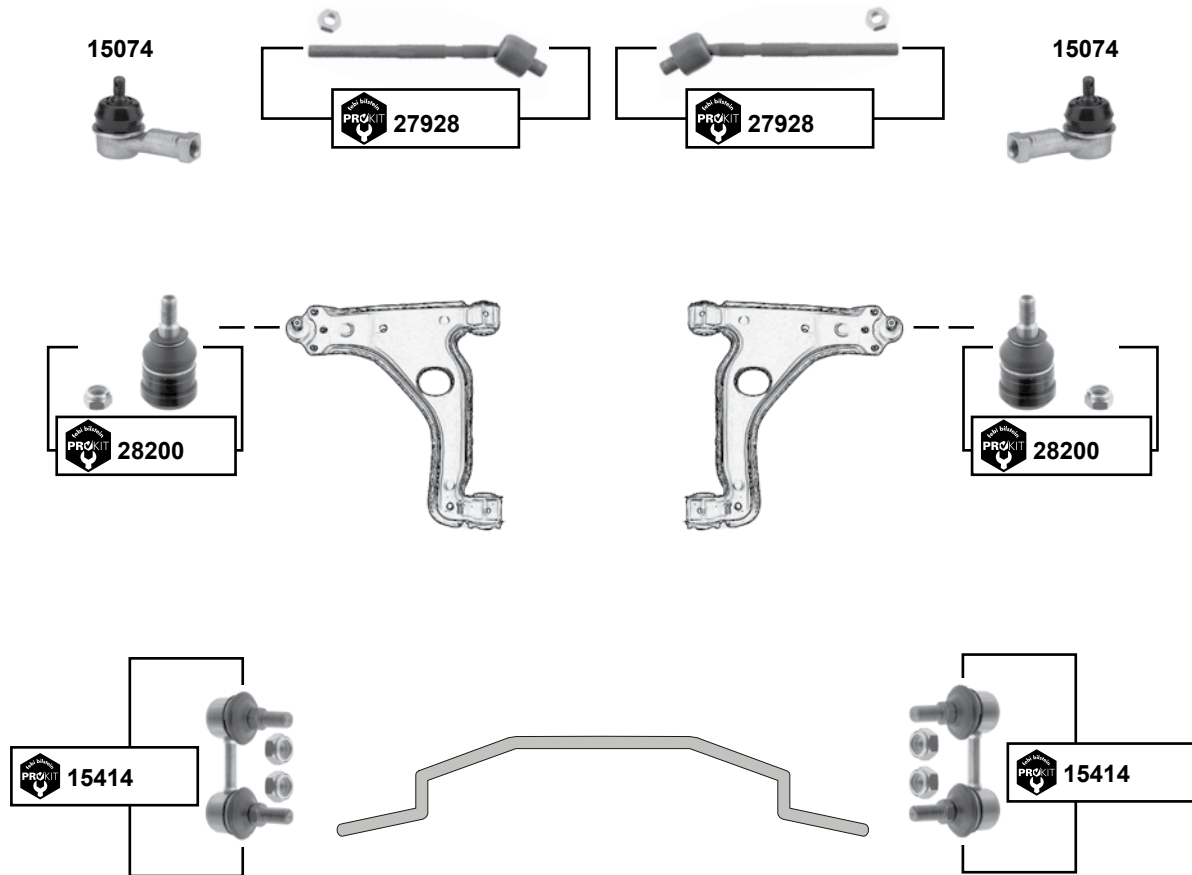
Gallant V + VI 11/92 →

L 60
L 253
L 340
L 120

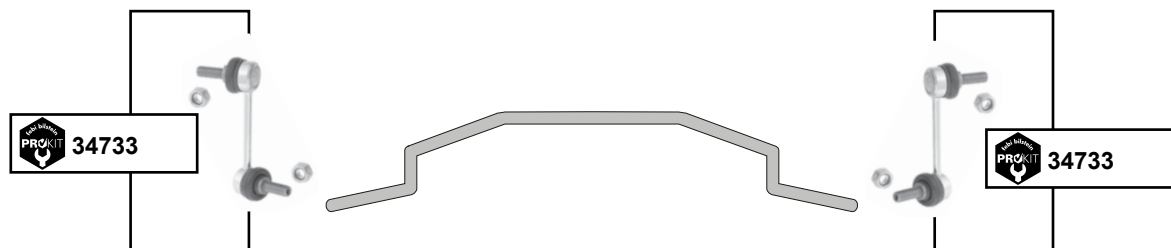
Vorderachse / Front axle



**Galant III → VI**  
(1984 → 1996)



**Galant V → Galant VI**  
(1992 → 1996) (1996 → 2004)



(1) Galant III : 06/84 → 12/87  
Galant IV : 12/87 → 12/92



Ref. - No.



**15074**  
**15414**  
**27928**  
**28200**  
**34733**

MB912519  
4056A014  
MR594674  
MR179480 S1  
4056A026

Spurstangenendstück / tie rod end  
ProKit Verbindungsstange / stabilizer link  
ProKit Spurstange / tie rod  
ProKit Traggelenk / ball joint  
ProKit Verbindungsstange / stabilizer link

Gallant V + VI 11/92 →  
(1)

M10 x 1,25  
L 60  
L 253  
Ø A 39,8  
L 120

passend für / to fit

# MITSUBISHI



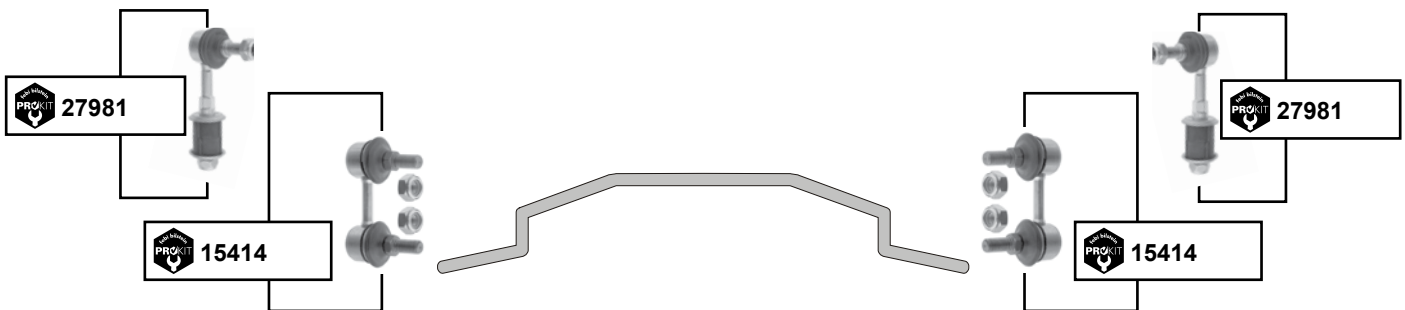
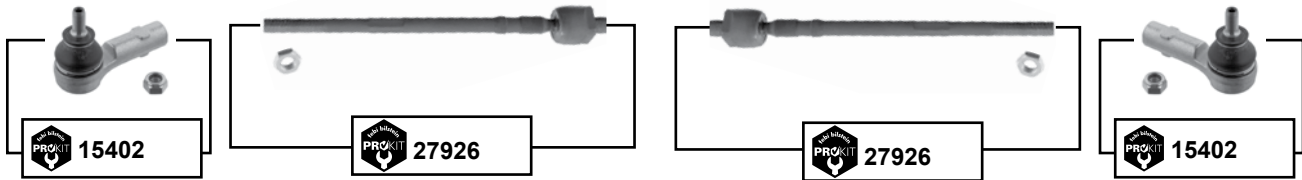
Car  
Division



## Lancer III (1983 → 1992)



## Lancer IV (1988 → 1994)



Ref. - No.



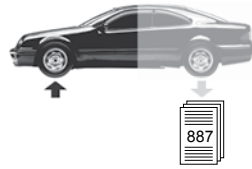
15402	MR476457
15414	4056A014
27926	MB553249
27981	4056A038
28200	MR179480 S1

ProKit Spurstangenendstück / tie rod end
ProKit Verbindungsstange / stabilizer link
ProKit Spurstange / tie rod
ProKit Verbindungsstange / stabilizer link
ProKit Traggelenk / ball joint

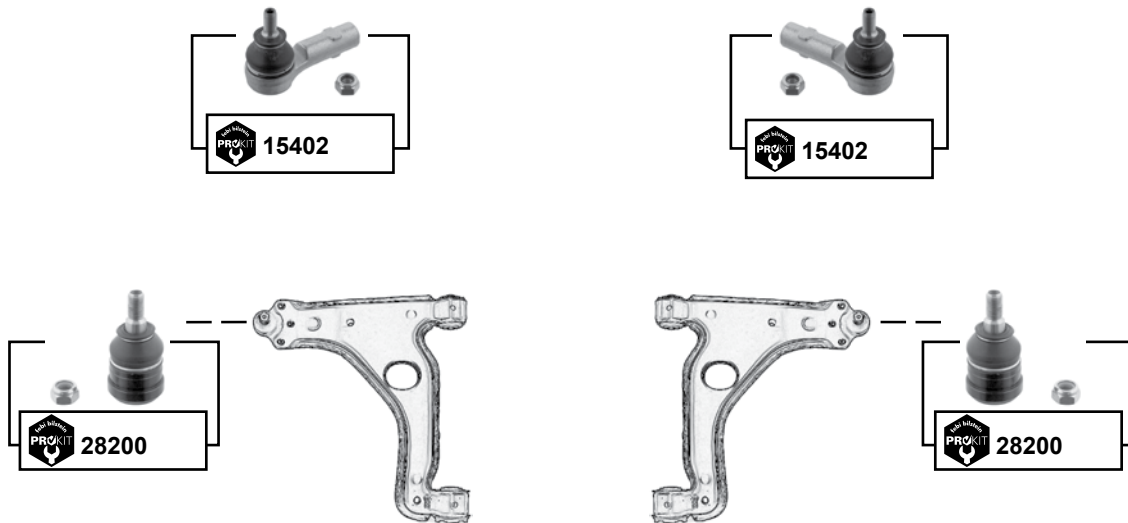
88 →
03/99 →
04/88 → 05/92
<b>incl. SW</b>

M10 x 1,25
L 316
Ø A 39,8

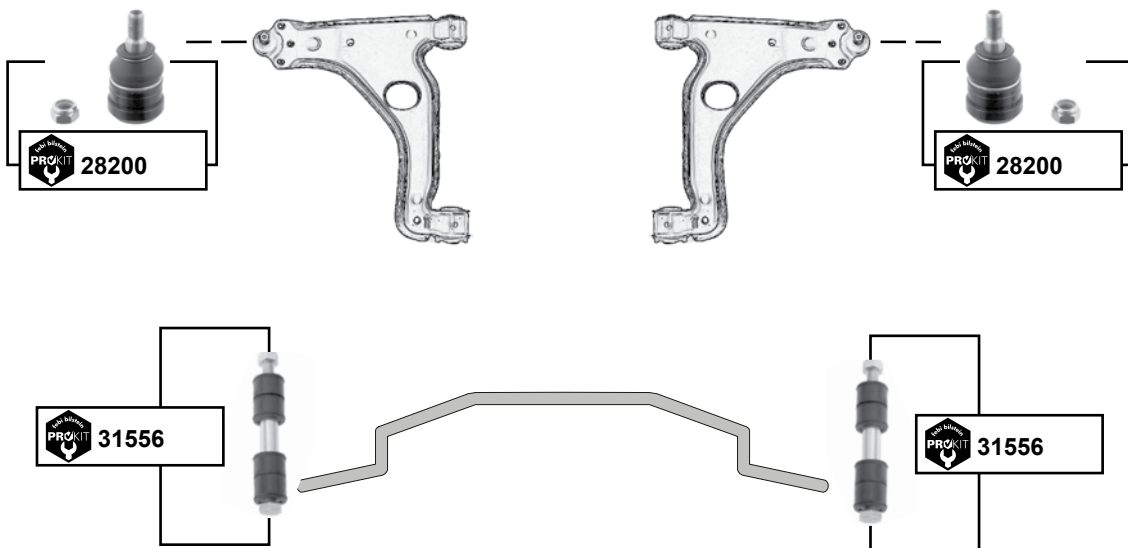
Vorderachse / Front axle



**Lancer V**  
(1992 → 2003)



**Lancer VI**  
(1995 → 2003)



Vorderachse / Front axle



(1) Lancer V : ( incl. SW )  
Lancer VI : (ex.) 2,0 Turbo (EVO)



Ref. - No.

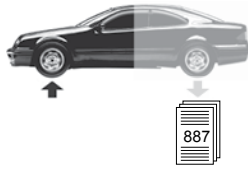


<b>15402</b>	MR476457	ProKit Spurstangenendstück / tie rod end
<b>28200</b>	MR179480 S1	ProKit Traggelenk / ball joint
<b>31556</b>	MR954887	ProKit Verbindungsstange / stabilizer link

(1)  
(ex.) 2,0 EVO (CP9A/CN9A)

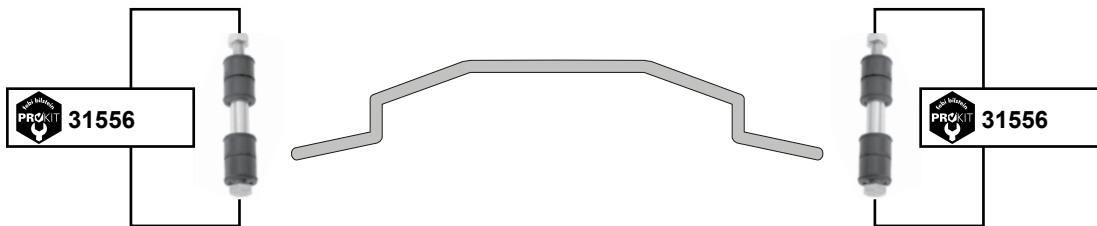
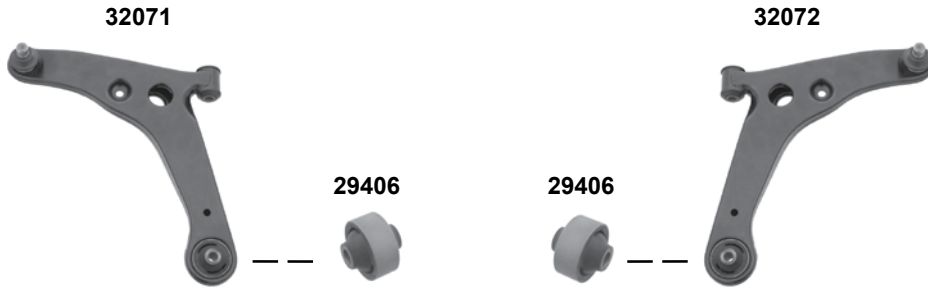
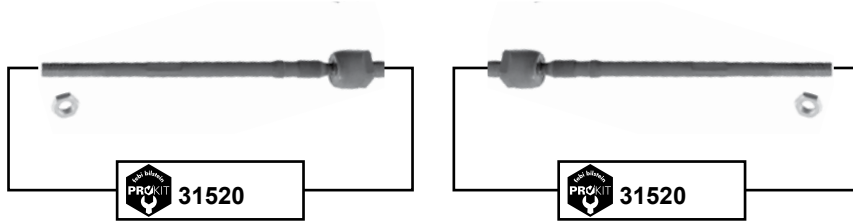
M10 x 1,25  
Ø A 39,8  
L 136



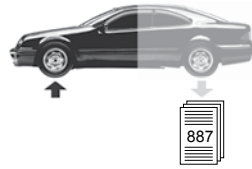


**Lancer VII**  
(2003 → 2008)

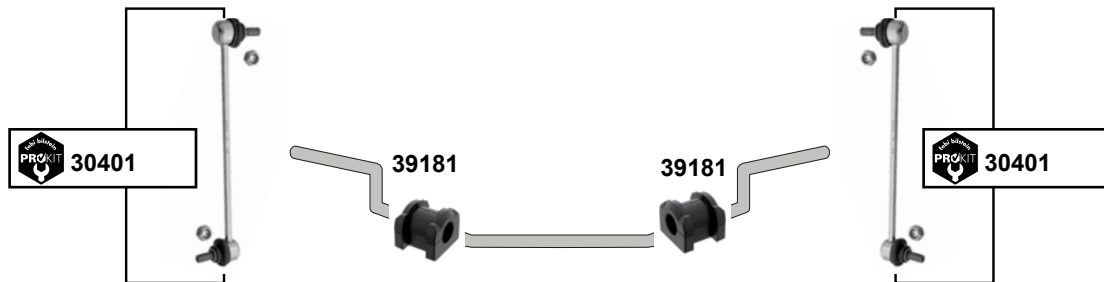
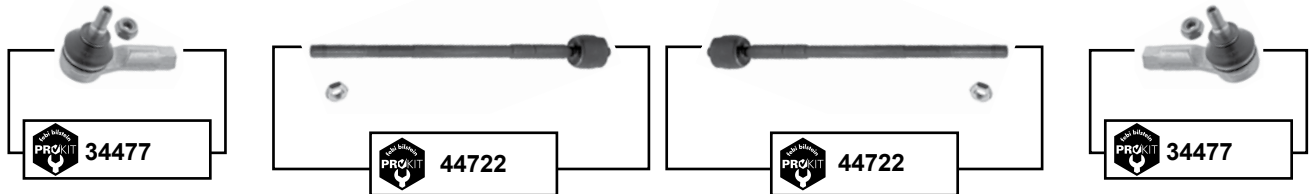
Vorderachse / Front axle



	Ref. - No.			
<b>29406</b>	MR403441	Querlenkerlager / control arm mount	(ex.) 2,0 EVO (CT9A)	Ø A 60
<b>31520</b>	4422A056	ProKit Spurstange / tie rod	(ex.) 2,0 EVO (CT9A)	L 265
<b>31556</b>	MR954887	ProKit Verbindungsstange / stabilizer link	(ex.) 2,0 EVO (CT9A)	L 136
<b>32071</b>	MR403419	Querlenker / control arm	(ex.) 2,0 EVO (CT9A)	
<b>32072</b>	MR403420	Querlenker / control arm	(ex.) 2,0 EVO (CT9A)	



**Lancer VIII**  
(2008 →)



Vorderachse / Front axle

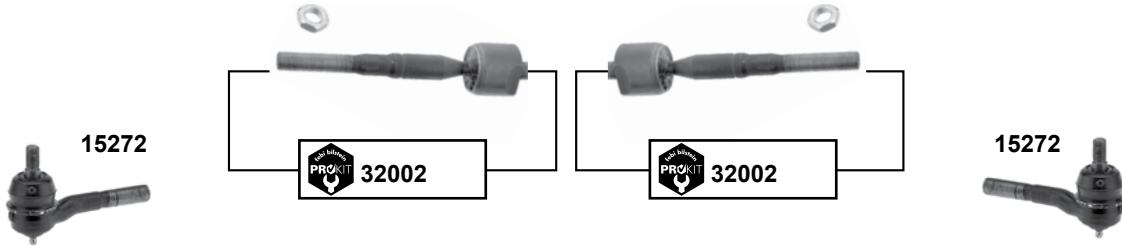


- (1) Lancer VIII: 1,8 Diesel (mot.) CY9A / 2,0 Diesel (mot.) CY8A / 2,0 Benzin (mot.) CY4A **Sport**  
Lancer VIII Sportback: 2,0 Diesel (mot.) CX8A **Sport** // 1,8 Diesel (mot.) CX9A / 2,0 Benzin (mot.) CX4A
- (2) Lancer VIII Sportback CX1A, CX3A, CX2A, CX9A  
Lancer CY1A, CY2A, CY3A, CY9A

	Ref. - No.			
<b>30401</b>	MN101368	ProKit Verbindungsstange / stabilizer link	(ex.) 2,0 EVO X (CZ4A)	L 265
<b>34477</b>	4422A018	ProKit Spurstangenendstück / tie rod end	(ex.) 1,5 (CY2A)/2,0 (CZ4A)	M10 x 1,25
<b>38170</b>	4013A281	Querlenker / control arm	(ex.) EVO (CZ4A)	
<b>38171</b>	4013A282	Querlenker / control arm	(ex.) EVO (CZ4A)	
<b>39181</b>	4056A079	Stabilisatorlager / stabilizer mount	(1)	Ø   21
<b>44722</b>	4422A076	ProKit Axialgelenk / axial joint	(2)	M14 x 1,5



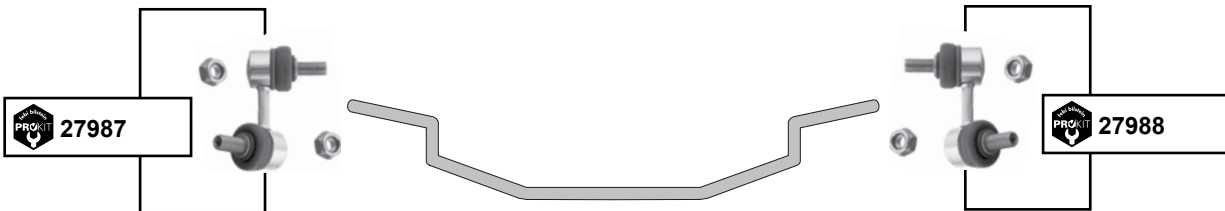
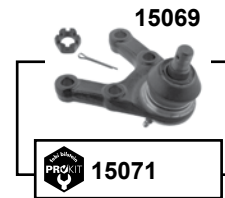
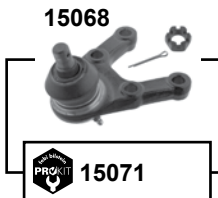
## L 200 (1986 →)



### oben / upper



### unten / lower



	Ref. - No.			
15068	MR296269	Traggelenk / ball joint	4WD 96 →	M14 x 1,5
15069	MR296270	Traggelenk / ball joint	4WD 96 →	M14 x 1,5
15070	MB860829	Traggelenk / ball joint	4WD C	M14 x 1,5
15071	MB176308	ProKit Traggelenk / ball joint	4WD → 96	M14 x 1,5
15272	MB831043	Spurstangenendstück / tie rod end	4WD 96 →	M12 x 1,25
27987	MR992309	ProKit Verbindungsstange / stabilizer link	(mot.) 2,5 TD 06 →	L 65
27988	MR992310	ProKit Verbindungsstange / stabilizer link	(mot.) 2,5 TD 06 →	L 65
32002	4410A173	ProKit Spurstange / tie rod	05 →	L 201

Vorderachse / Front axle



## L 300 (1983 → 1996)



### oben / upper



### unten / lower

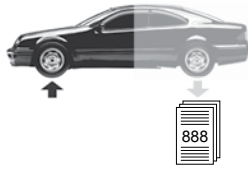


Vorderachse / Front axle

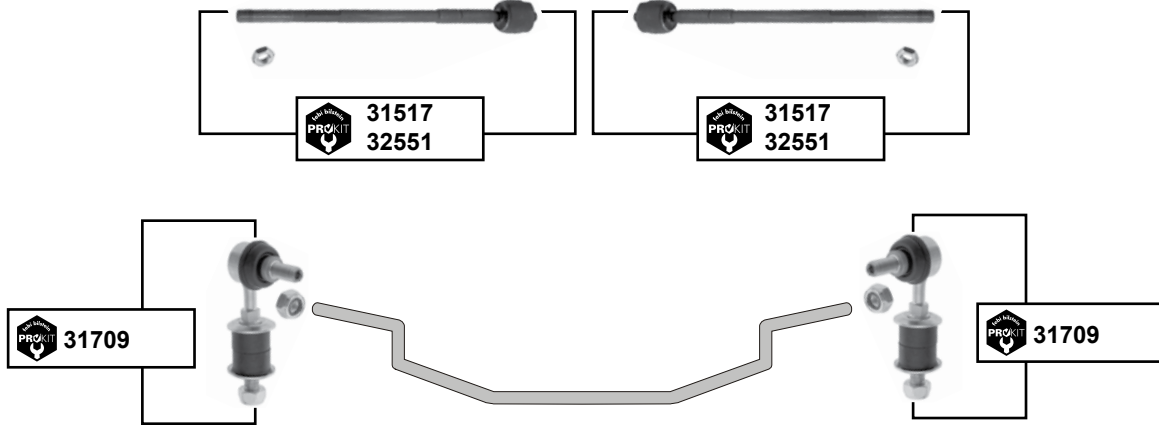


(1) 86 → / (ex.) 4WD und Pritsche / pallet body

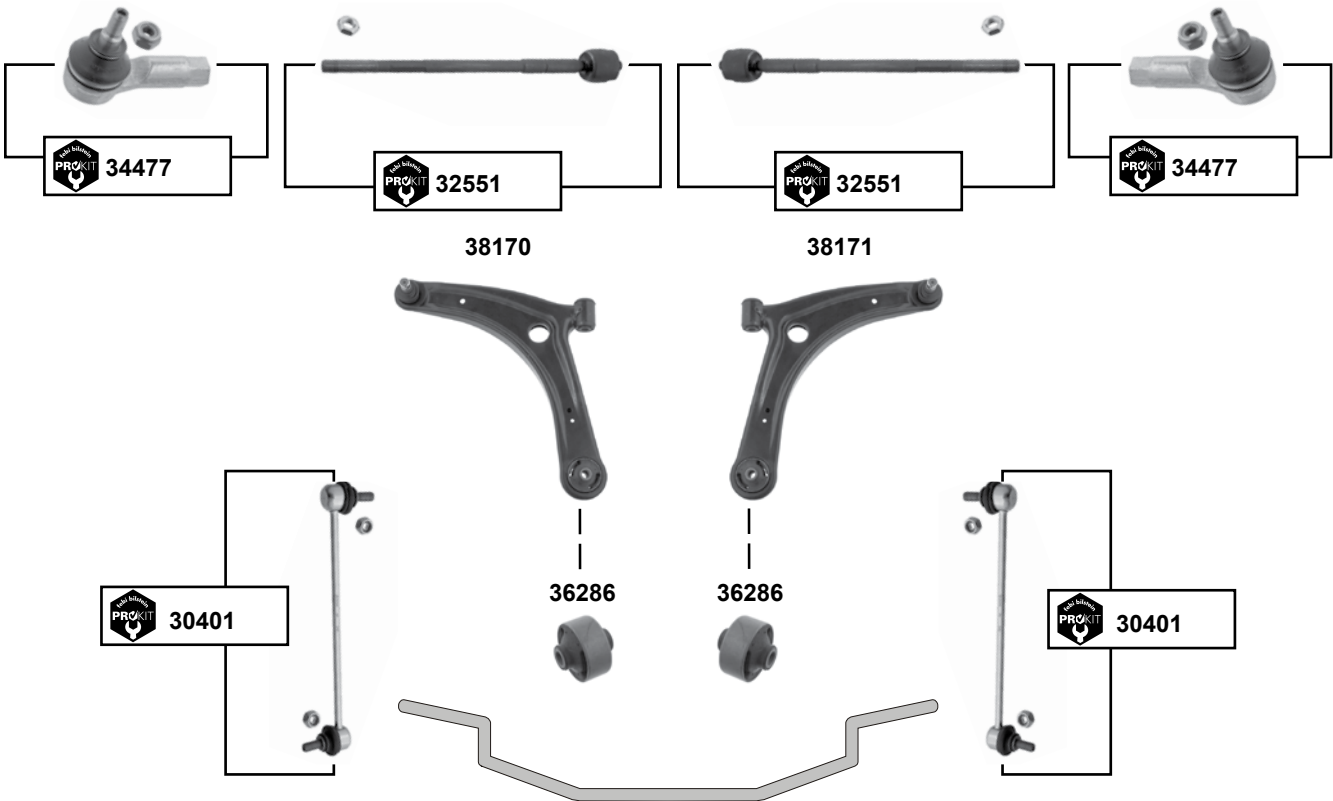
	Ref. - No.			
15072	MB176309	ProKit Traggelenk / ball joint		M14 x 1,5
15073	MB241818	Traggelenk / ball joint		M16 x 1,5
15075	MB288119	Spurstangenendstück / tie rod end	nur für Pritsche	M10 x 1,25
15300	MB527650	Spurstangenendstück / tie rod end		M12 x 1,25
28112	MB527383	Querlenker / control arm	(1)	M16 x 1,5
28113	MB527384	Querlenker / control arm	(1)	M16 x 1,5



## Outlander I (2003 → 2007)



## Outlander II (2007 →)



	Ref. - No.			
<b>30401</b>	MN101368	ProKit Verbindungsstange / stabilizer link		L 265
<b>31517</b>	4422A057	ProKit Spurstange / tie rod	→ 11/2006	L 322
<b>31709</b>	4056A040	ProKit Verbindungsstange / stabilizer link	→ 11/2006	L 93
<b>32551</b>	4422A012	ProKit Spurstange / tie rod	11/2006 →	L 355
<b>34477</b>	4422A018	ProKit Spurstangenendstück / tie rod end	11/2006 →	M10 x 1,25
<b>36286</b>	MN184133	Querlenkerlager / control arm mount		Ø A 60
<b>38170</b>	4013A281	Querlenker / control arm		
<b>38171</b>	4013A282	Querlenker / control arm		

Vorderachse / Front axle



**Pajero I**  
(1982 → 1990)

**oben / upper**

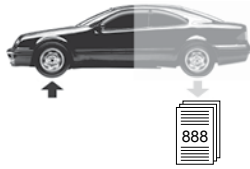


**unten / lower**

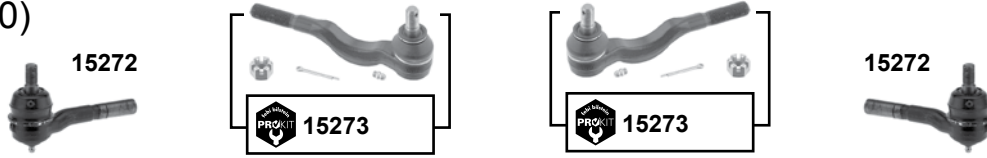


Vorderachse / Front axle

	Ref. - No.			
15071	MB176308	ProKit Tragelenk / ball joint		M14 x 1,5
15072	MB176309	ProKit Tragelenk / ball joint		M14 x 1,5



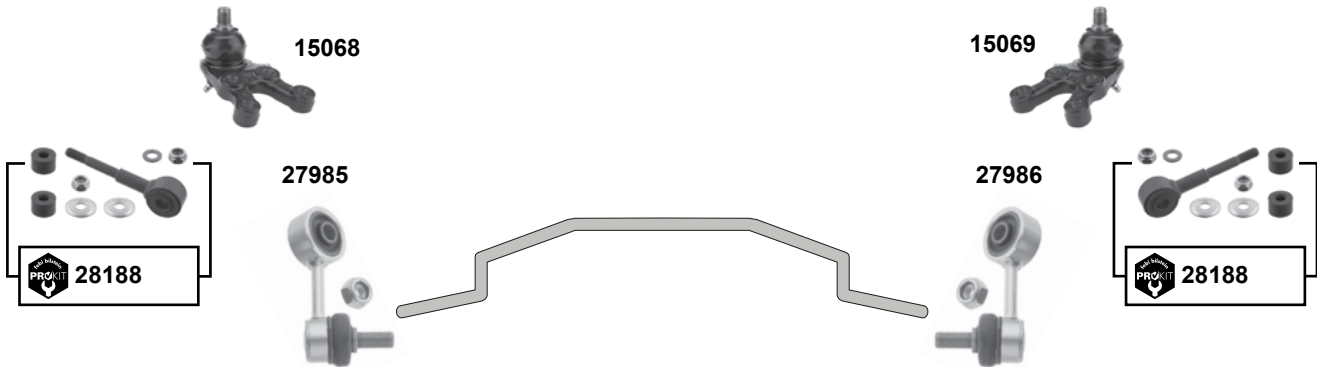
## Pajero II (1990 → 2000)



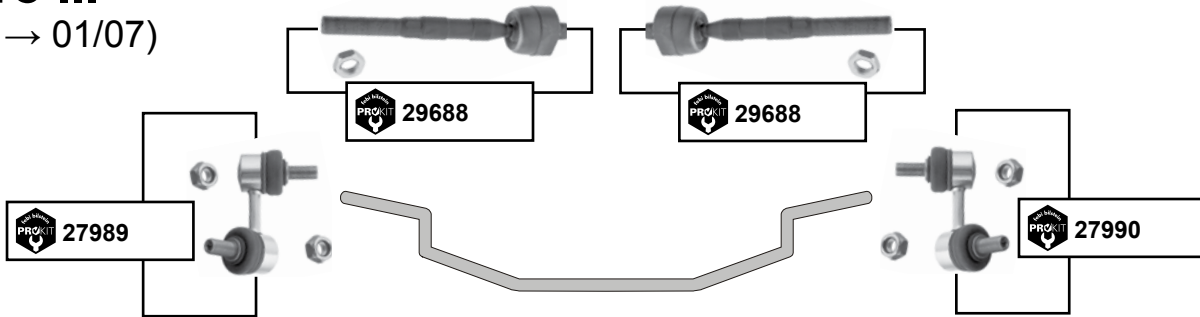
oben / upper



unten / lower



## Pajero III (04/00 → 01/07)



(1) Bitte Version beachten / please attend used version !

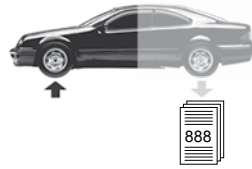
(2) Pajero II : 06/94 → 04/00

Pajero II : (mit Gewebedach / with Canvas Top) : 12/90 → 04/00

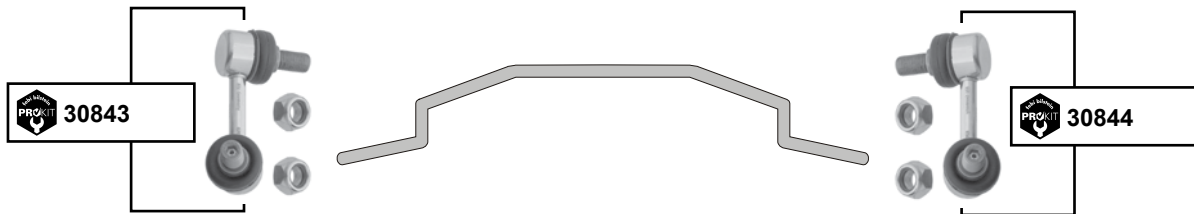
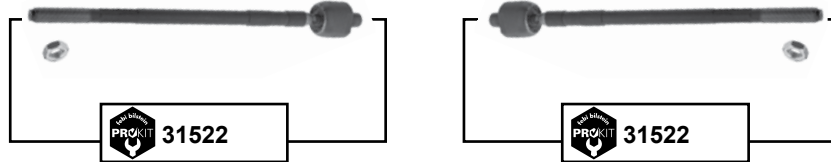


	Ref. - No.			
15068	MR296269	Traggelenk / ball joint		M14 x 1,5
15069	MR296270	Traggelenk / ball joint		M14 x 1,5
15070	MB860829	Traggelenk / ball joint		M14 x 1,5
15272	MB831043	Spurstangenendstück / tie rod end	außen	M12 x 1,25
15273	MB831044	ProKit Spurstangenendstück / tie rod end	innen	M12 x 1,25
27985	MR267876	Verbindungsstange / stabilizer link	(1) (2)	L 79
27986	MR267877	Verbindungsstange / stabilizer link	(1) (2)	L 79
27989	MR374521	ProKit Verbindungsstange / stabilizer link		L 78
27990	MR374522	ProKit Verbindungsstange / stabilizer link		L 78
28188	MB633926 S1	ProKit Verbindungsstange / stabilizer link	(1) (ex.) 2,8 TD	L 107
29688	MR510267	ProKit Spurstange / tie rod		L 220,6

Vorderachse / Front axle

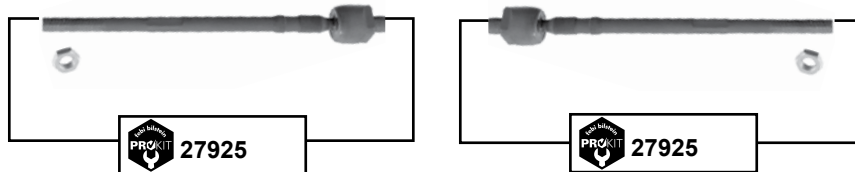


**Pajero IV**  
(02/07 →)



Vorderachse / Front axle

**Pajero Pinin**  
(1999 →)



Ref. - No.

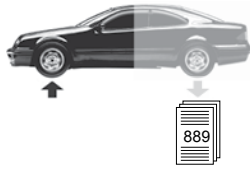


<b>27925</b>	MR448255
<b>30843</b>	4056A133
<b>30844</b>	4056A134
<b>31522</b>	4422A036

ProKit Spurstange / tie rod
ProKit Verbindungsstange / stabilizer link
ProKit Verbindungsstange / stabilizer link
ProKit Spurstange / tie rod

L 364
L 78
L 78
L 189





**Pajero Sport**  
(1998 →)

Vorderachse / Front axle



15272



15273



15273



15272

**oben / upper**



15070



15070

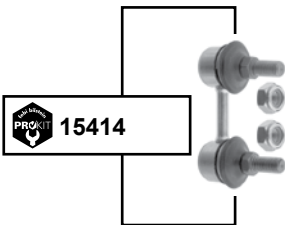
**unten / lower**



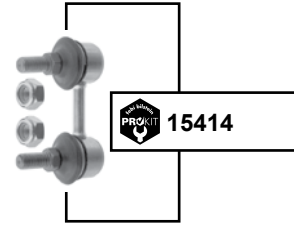
15068



15069



15414



15414

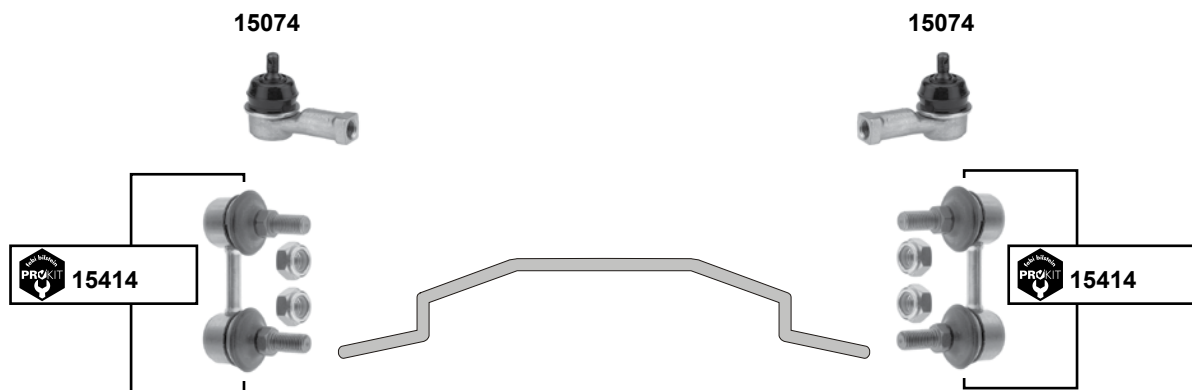
	Ref. - No.			
15068	MR296269	Traggelenk / ball joint		M14 x 1,5
15069	MR296270	Traggelenk / ball joint		M14 x 1,5
15070	MB860829	Traggelenk / ball joint		M14 x 1,5
15272	MB831043	Spurstangenendstück / tie rod end	außen	M12 x 1,25
15273	MB831044	ProKit Spurstangenendstück / tie rod end	innen	M12 x 1,25
15414	4056A014	ProKit Verbindungsstange / stabilizer link		L 60



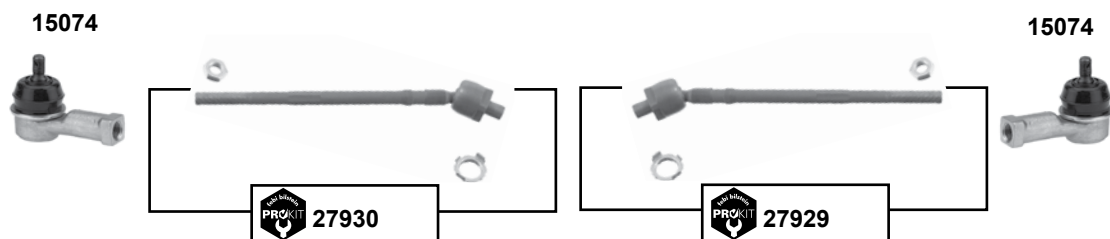
**Pajero VI**  
(2007 →)



**Sigma**  
(1990 → 1996)



**Space Runner II**  
(1999 →)



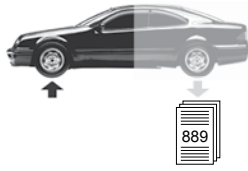
Ref. - No.



<b>15074</b>	MB912519	Spurstangenendstück / tie rod end	M10 x 1,25
<b>15414</b>	4056A014	ProKit Verbindungsstange / stabilizer link	L 60
<b>27929</b>	MR455089	ProKit Spurstange / tie rod	L 324
<b>27930</b>	MR455090	ProKit Spurstange / tie rod	L 324
<b>31522</b>	4422A036	ProKit Spurstange / tie rod	L 189

passend für / to fit

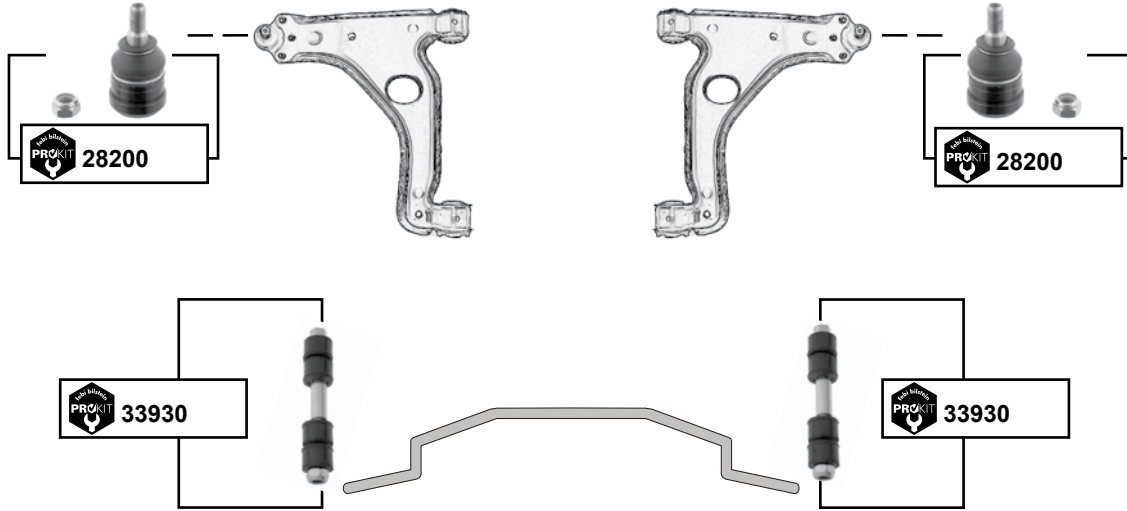
**MITSUBISHI**



**Car  
Division**

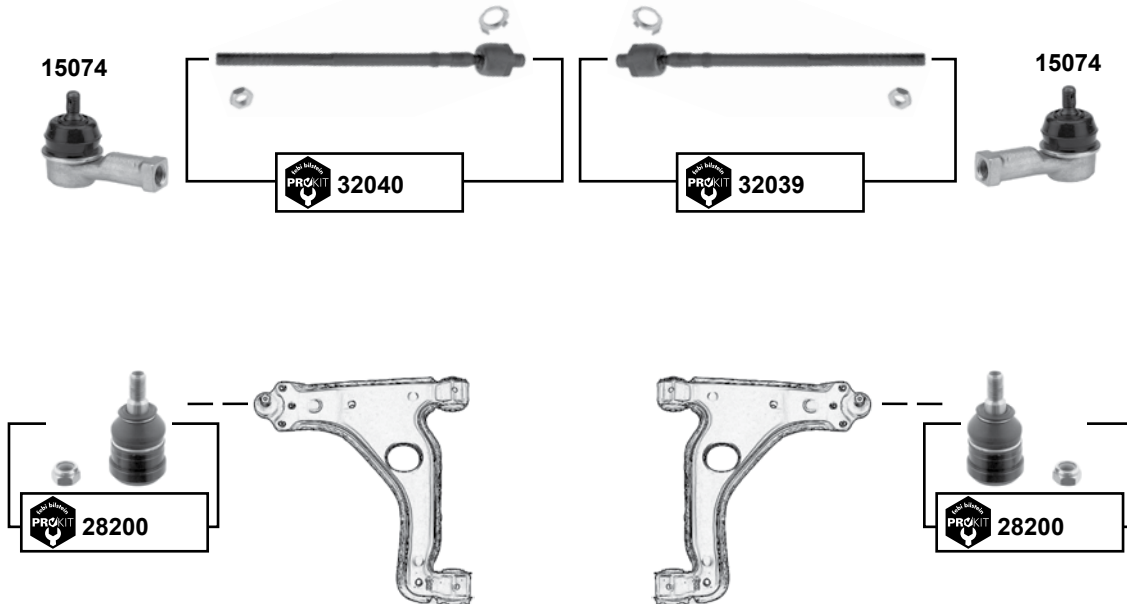


## Space Star (1998 → 2005)



Vorderachse / Front axle

## Space Wagon I + II (1984 →)



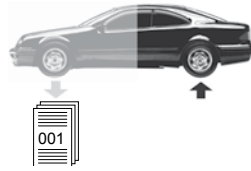
(1) Space Wagon I+II : → 11/98



Ref. - No.



<b>15074</b>	MB912519	Spurstangenendstück / tie rod end	91 →	M10 x 1,25
<b>28200</b>	MR179480 S1	ProKit Traggelenk / ball joint	<b>(1)</b>	Ø A 39,8
<b>32039</b>	MR455091	ProKit Spurstange / tie rod	07/98 →	L 320
<b>32040</b>	MR455092	ProKit Spurstange / tie rod	07/98 →	L 320
<b>33930</b>	MR392730	ProKit Verbindungsstange / stabilizer link	12/98 → 12/04	L 137



## 145 / 146 (930) (1998 → 2000)

30161



30160



## 147 (937) (2001 → 2010)

23145



23145



18216



18216



23143



23143



Hinterachse / Rear axle



Ref. - No.



18216	60613575
23143	51749713
23145	60629903
30160	46519898
30161	46519894
33010	60682636
44520	51749713 SK

Verbindungsstange / stabilizer link
Querstrebe / cross rod
Querstrebe / cross rod
Querlenker rechts / control arm right
Querlenker links / control arm left
Querlenkerlager / control arm mount
Querlenkerlager / control arm mount

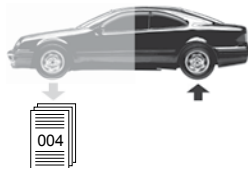
(ex.) 3.2 GTA

L 595  
L 560

Ø A 32 H 32  
Ø A 38 B 24

passend für / to fit

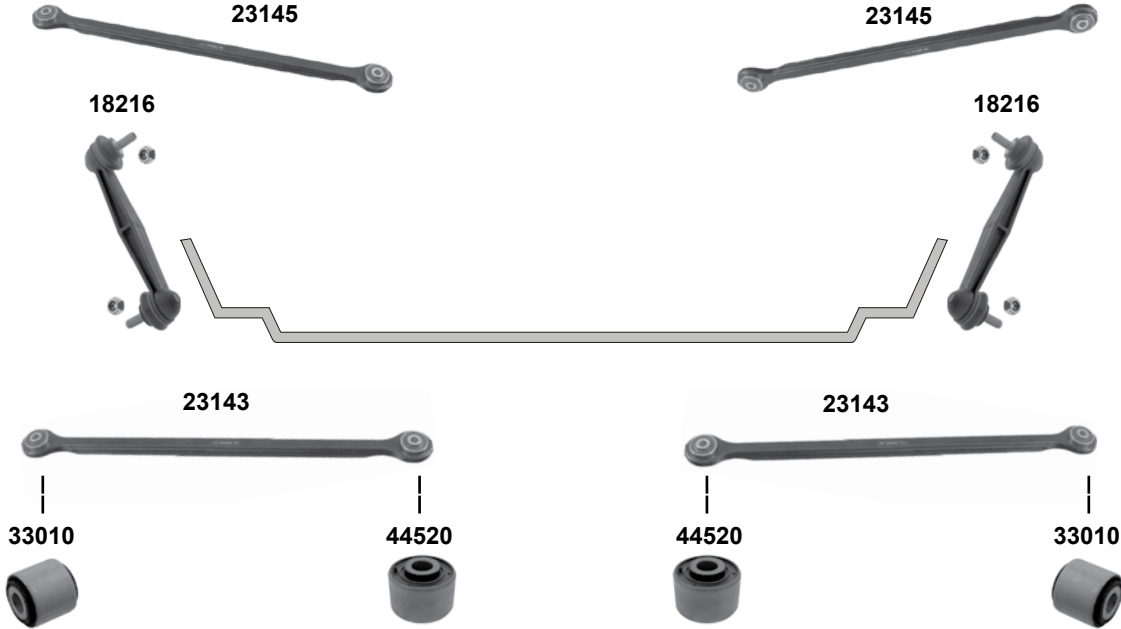
**ALFA ROMEO**



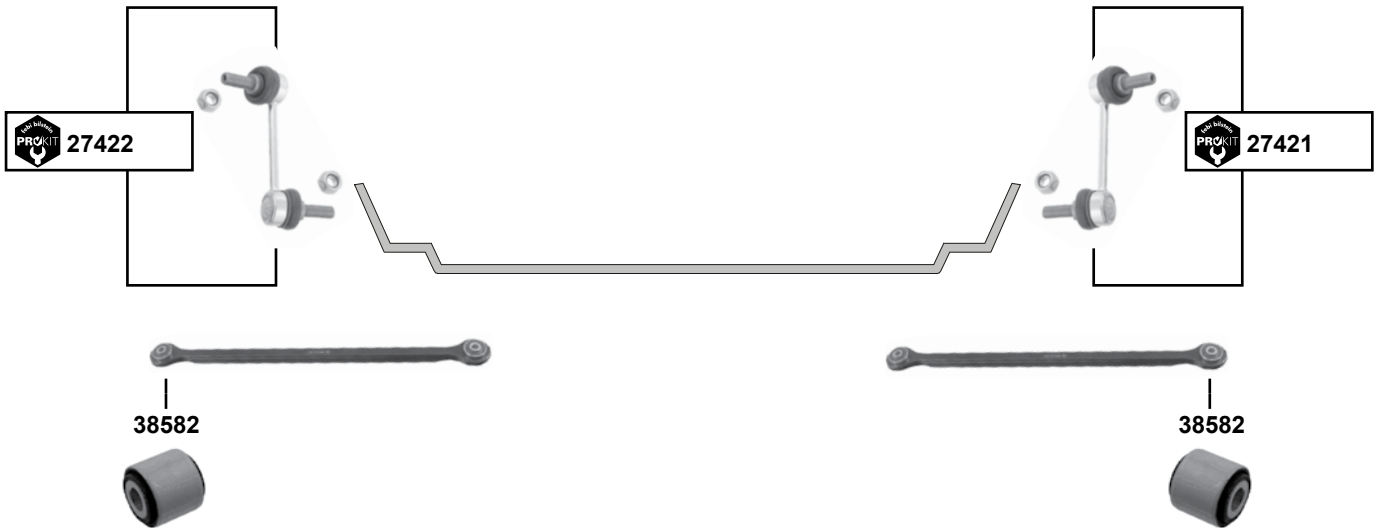
**Car Division**



**156 (932)**  
(1997 → 2006)

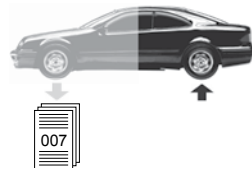


**159 (939)**  
(2005 → 2011)



Hinterachse / Rear axle

	Ref. - No.			
<b>18216</b>	60613575	Verbindungsstange / stabilizer link		
<b>23143</b>	51749713	Querstrebe / cross rod		L 595
<b>23145</b>	60629903	Querstrebe / cross rod	(ex.) 3.2 GTA	L 560
<b>27421</b>	51795704	ProKit Verbindungsstange / stabilizer link		L 116
<b>27422</b>	51795703	ProKit Verbindungsstange / stabilizer link		L 116
<b>33010</b>	60682636	Querlenkerlager / control arm mount	→ 05	Ø A 32 H32
<b>38582</b>	51795575 S1	Querlenkerlager / control arm mount		
<b>44520</b>	51749713 SK	Querlenkerlager / control arm mount	→ 05	Ø A 38 B 24



**166 (936)**  
(1998 → 2007)

40878

40879



**Brera**  
(2006 → 2010)



Hinterachse / Rear axle



Ref. - No.



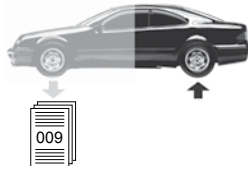
21205	60628255
21206	60628284
27421	51795704
27422	51795703
38582	51795575 S1
40878	60628294
40879	60628295

ProKit Verbindungsstange / stabilizer link
ProKit Verbindungsstange / stabilizer link
ProKit Verbindungsstange / stabilizer link
ProKit Verbindungsstange / stabilizer link
Querlenkerlager / control arm mount
Zugstrebe / tension rod
Zugstrebe / tension rod

L 116  
L 116  
Ø A 47

passend für / to fit

**ALFA ROMEO**

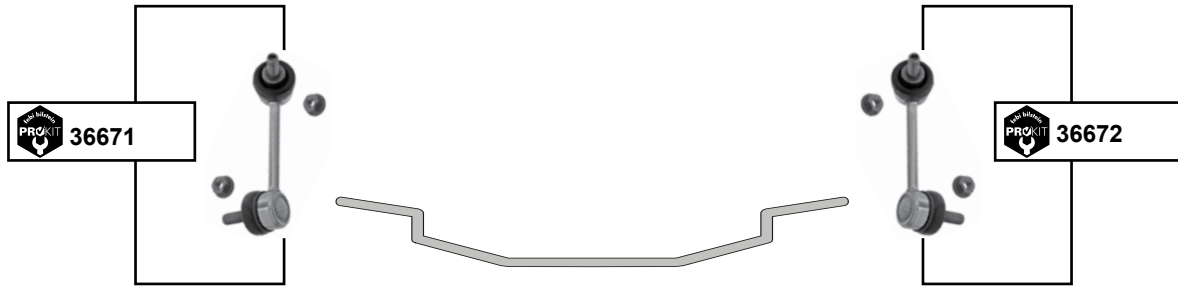


**Car  
Division**



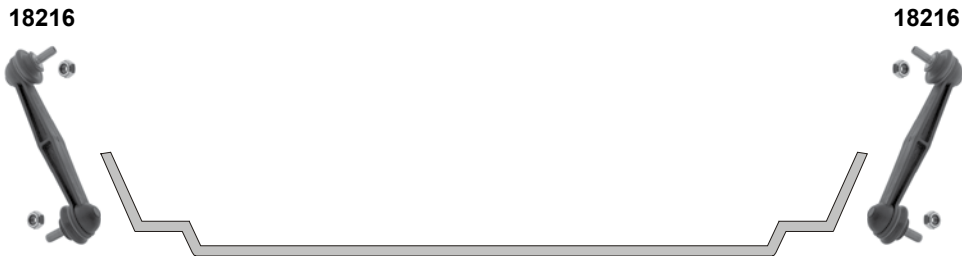
# Giulietta (940)

(2010 →)



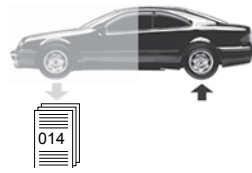
# GT

(2003 → 2010)



Hinterachse / Rear axle

	Ref. - No.			
<b>18216</b>	60613575	Verbindungsstange / stabilizer link	→ 10	Ø A 32 H32 L 144
<b>33010</b>	60682636	Querlenkerlager / control arm mount		
<b>36671</b>	50515274	ProKit Verbindungsstange / stabilizer link		L 144 Ø A 38 B 24
<b>36672</b>	50515275	ProKit Verbindungsstange / stabilizer link		
<b>44520</b>	51749713 SK	Querlenkerlager / control arm mount		



## GTV / Spider (916) (1995 →)

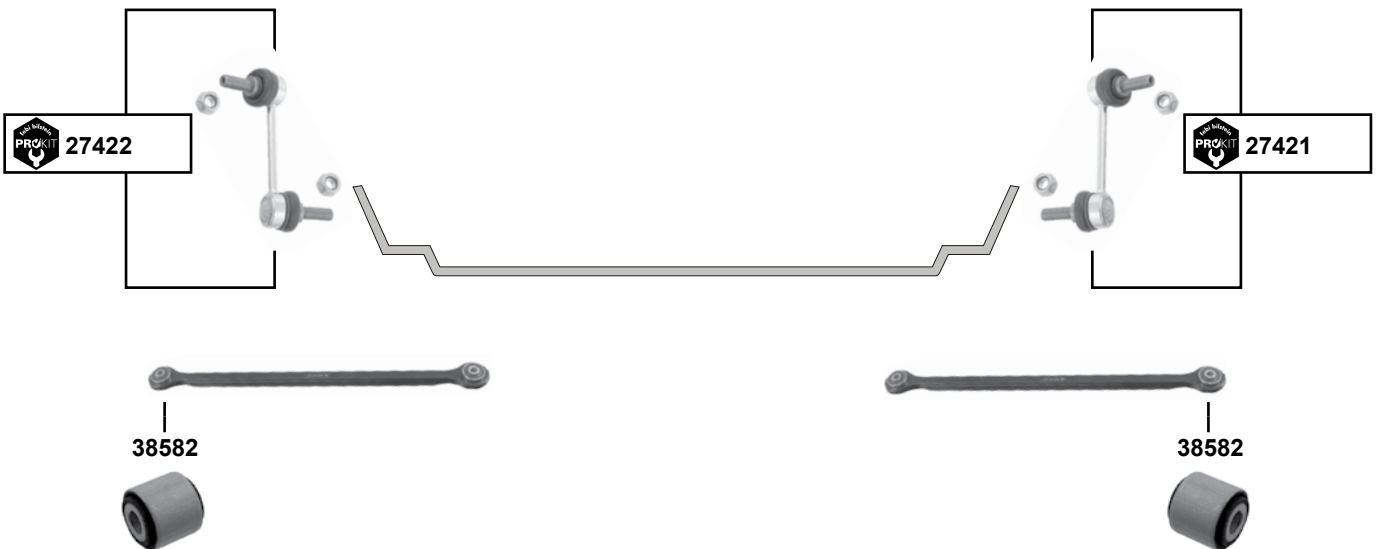
24687



24687



## Spider Nuovo (939) (2006 → 2010)



Hinterachse / Rear axle



(1) GTV → 05 / Spider → 06



Ref. - No.

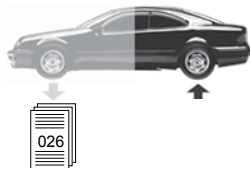


24687	7719062 S1	Montagesatz / mounting kit		
27421	51795704	ProKit Verbindungsstange / stabilizer link		L 116
27422	51795703	ProKit Verbindungsstange / stabilizer link		L 116
38582	51795575 S1	Querlenkerlager / control arm mount		
43453	60612436	ProKit Verbindungsstange / stabilizer link	(1)	
43454	60612435	ProKit Verbindungsstange / stabilizer link	(1)	



passend für / to fit

**AUDI**

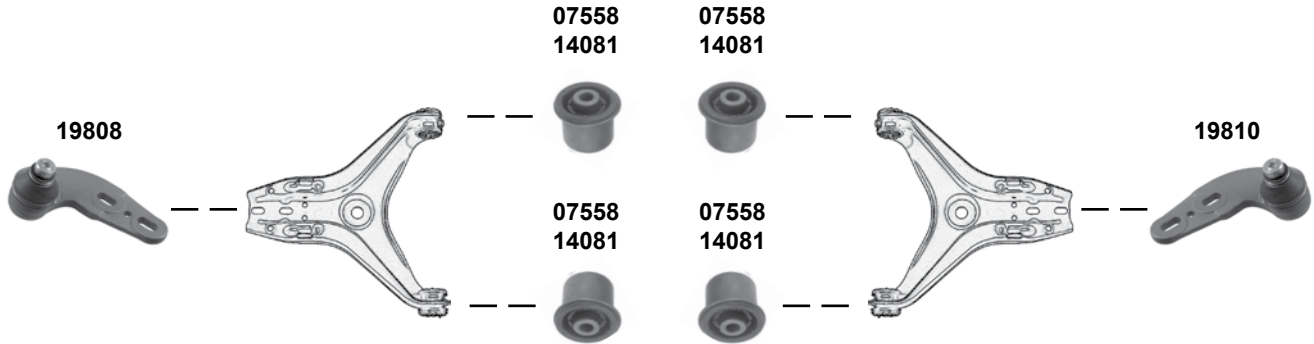


**Car  
Division**



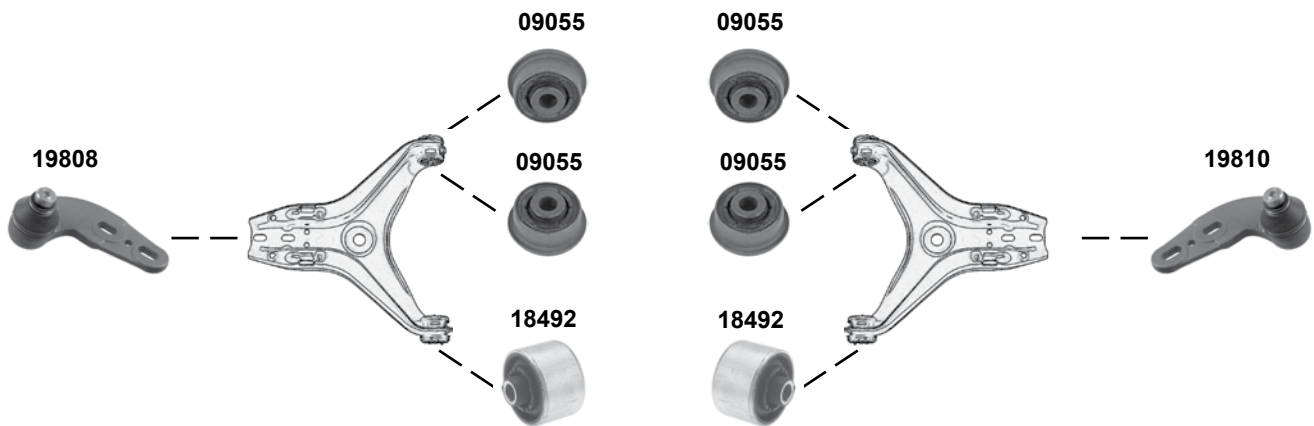
## 80 / 90 Quattro

(1983 → 1991)



## 80 Quattro / 80 Avant Quattro

(1992 → 1996)

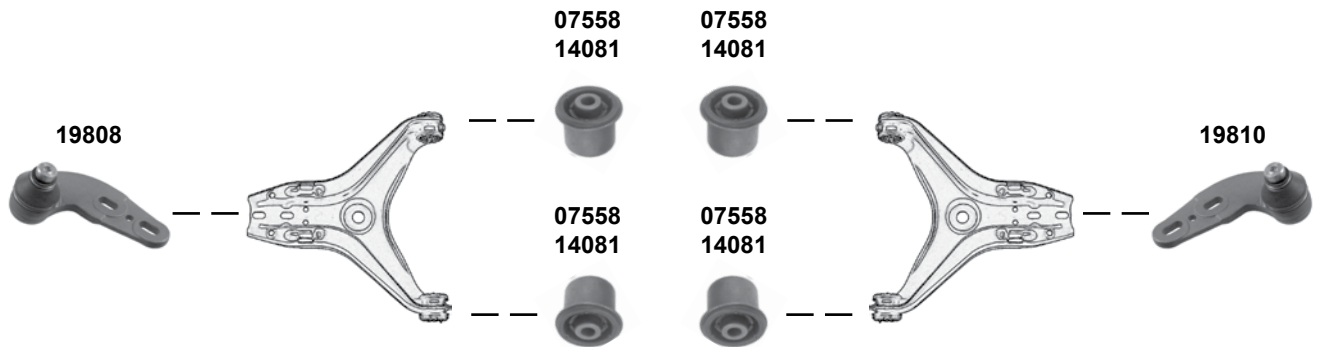


Hinterachse / Rear axle

febi bilstein	Ref. - No.			
<b>07558</b>	857 407 181	Querlenkerlager / control arm mount	(ex.) 2.3 20V (7A) <b>OLD</b>	10x37,5x44
<b>09055</b>	8A0 511 247 B	Querlenkerlager / control arm mount		12x44x25
<b>14081</b>	8A0 407 181	Querlenkerlager / control arm mount	(ex.) 2.3 20V (7A) <b>NEW</b>	10x37x44
<b>18492</b>	4D0 511 523 C	Querlenkerlager / control arm mount		58x12x58
<b>19808</b>	893 505 365 C	Traggelenk / ball joint		
<b>19810</b>	893 505 366 C	Traggelenk / ball joint		

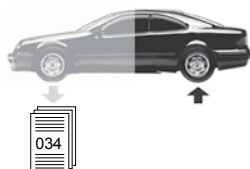


**Coupé Quattro**  
(1985 → 1996)

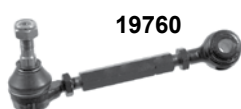


Hinterachse / Rear axle

	Ref. - No.			
<b>07558</b>	857 407 181	Querlenkerlager / control arm mount	<b>OLD</b>	M10 x 37,5
<b>14081</b>	8A0 407 181	Querlenkerlager / control arm mount	<b>NEW</b>	M10 x 37
<b>19808</b>	893 505 365 C	Traggelenk / ball joint		
<b>19810</b>	893 505 366 C	Traggelenk / ball joint		



**100 Quattro / 100 Avant Quattro  
200 Quattro / 200 Avant Quattro  
(1985 → 1991)**



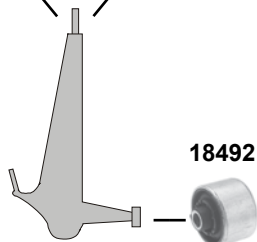
09056

09086

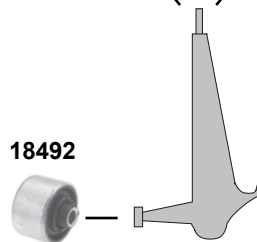


09086

09056



18492



18492

Hinterachse / Rear axle



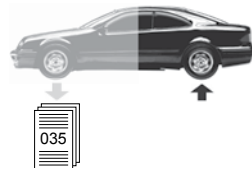
Ref. - No.



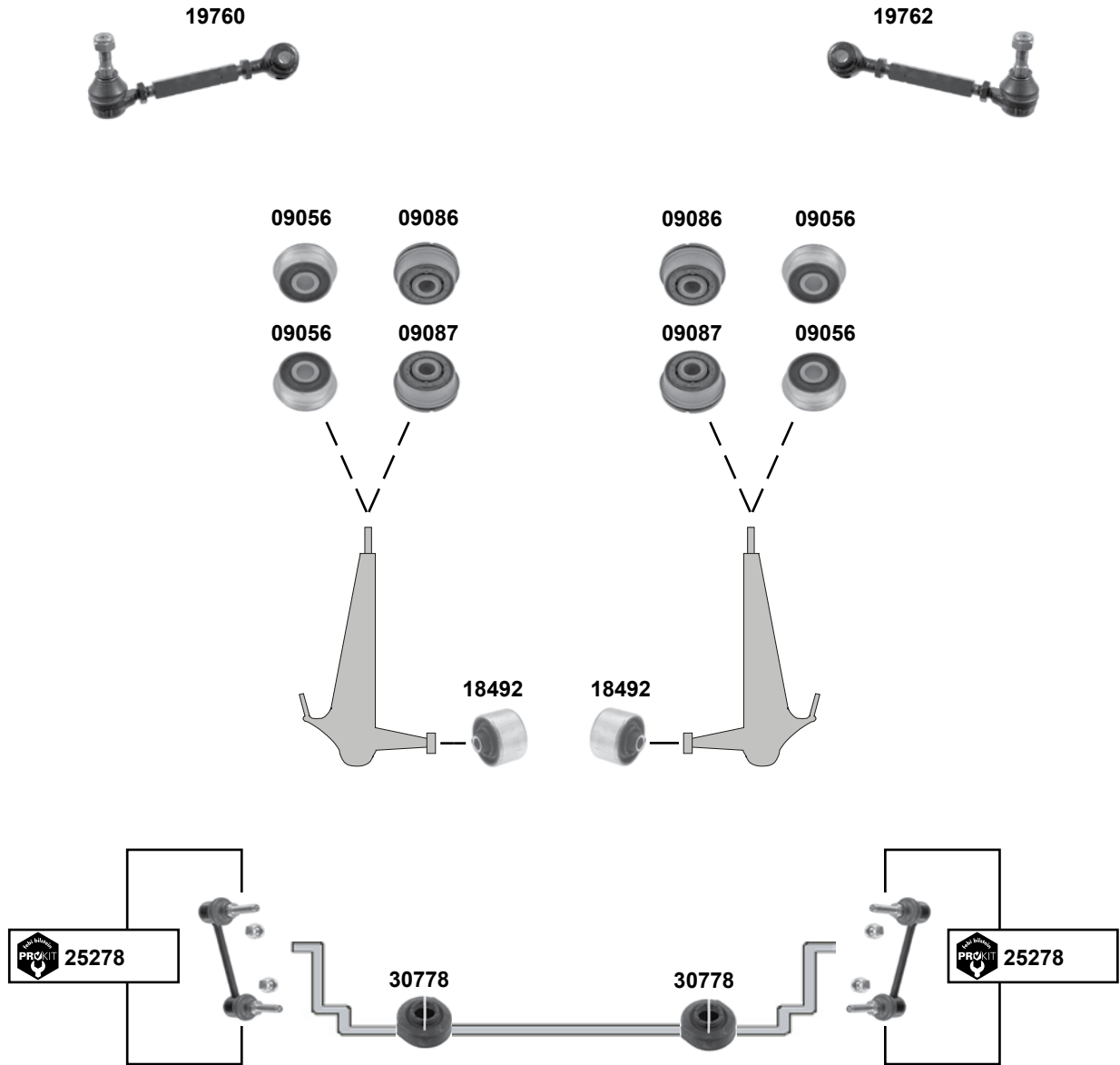
<b>09056</b>	443 511 247 D
<b>09086</b>	4A0 511 247 B
<b>18492</b>	4D0 511 523 C
<b>19760</b>	443 505 351 P
<b>19762</b>	443 505 352 P

Querlenkerlager / control arm mount
Querlenkerlager / control arm mount
Querlenkerlager / control arm mount
Querlenker / control arm
Querlenker / control arm

M14 x 44
M14 x 48



# 100 Quattro / 100 Avant Quattro A6 Quattro / A6 Avant Quattro (4A) (1992 → 1997)



Hinterachse / Rear axle



(1) Audi 100 (ch.) 44-G-073362 → / → 94  
Audi A6 95 →

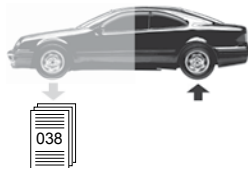
(2) Audi 100 avant 91 → 94 (mot.) AAD/AAE/ABB/ABK/ADW  
Audi A6 avant/quattro 95 → 97 (mot.) AAE/ABK/ADW



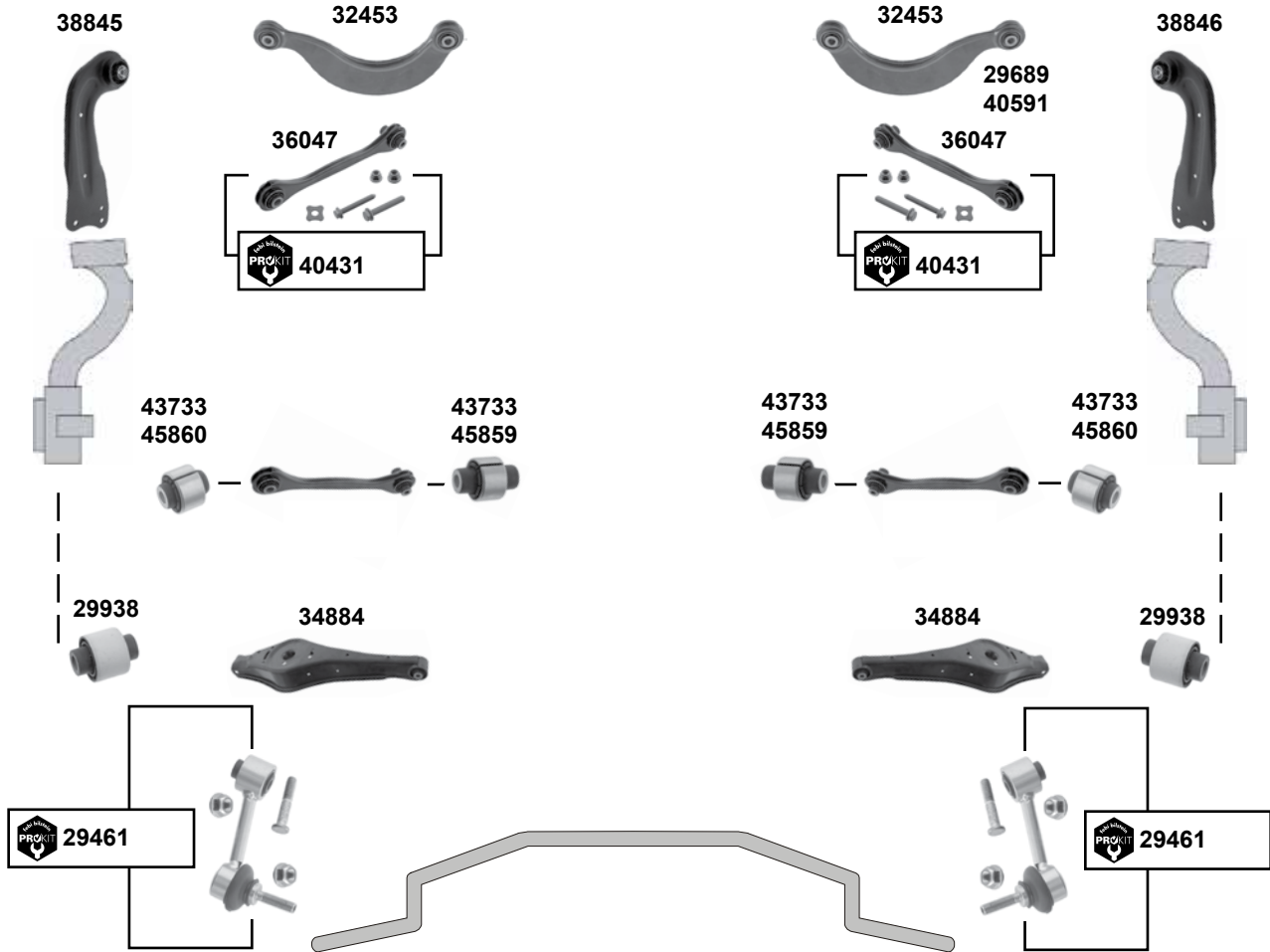
Ref. - No.



<b>09056</b>	443 511 247 D	Querlenkerlager / control arm mount	(ch.) → 44-L-125000	14x44x23
<b>09086</b>	4A0 511 247 B	Querlenkerlager / control arm mount	(ch.) 44-L-125001 →	14x44x23
<b>09087</b>	4A0 511 249	Querlenkerlager / control arm mount	(ch.) 44-L-125001 →	14x44x23
<b>18492</b>	4D0 511 523 C	Querlenkerlager / control arm mount	(1)	
<b>19760</b>	443 505 351 P	Querlenker / control arm	(1)	
<b>19762</b>	443 505 352 P	Querlenker / control arm	(1)	
<b>25278</b>	4A0 505 389	ProKit Verbindungsstange / stabilizer link		
<b>30778</b>	4A0 411 327 F	Stabilisatorlager / stabilizer mount	(2)	



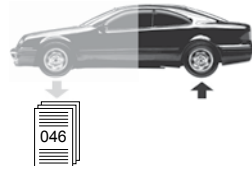
**A1 (8X)**  
(2010 →)



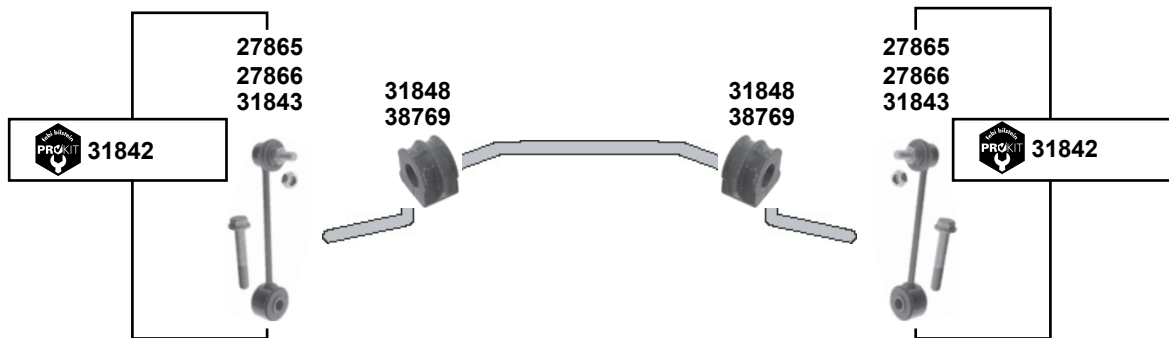
Hinterachse / Rear axle

<b>(1)</b>	sportback	<b>(mot.)</b> CAVG, CAXA, CAYB, CAYC, CBZA, CFHB, CFHD, CNVA, CPTA, CTHG, CZCA, CZEA,
	quattro S1	<b>(mot.)</b> CDLH <b>(mot.)</b> CWZA
<b>(2)</b>	A1 sportback S1	<b>(mot.)</b> CZEA, CZCA <b>(mot.)</b> CZEA <b>(mot.)</b> CWZA

	Ref. - No.			
<b>29461</b>	1K0 505 465 K S1	ProKit Verbindungsstange / connecting rod	<b>(mot.)</b> CDLH	L 95,5
<b>29938</b>	1K0 505 553 A	Querlenkerlager / control arm mount	Quattro / S1	
<b>32453</b>	1K0 505 323 N	Querlenker oben / control arm upper	<b>(1)</b>	
<b>34884</b>	1K0 505 311 AB	Querlenker / control arm	<b>(mot.)</b> CDLH	
<b>36047</b>	1K0 501 529 J	Querlenker mit Lagern / control arm with bearings	<b>(mot.)</b> CDLH	Stahl
<b>38845</b>	1K0 505 223 K	Querlenker / control arm	<b>(mot.)</b> CDLH	Blech
<b>38846</b>	1K0 505 224 K	Querlenker / control arm	<b>(mot.)</b> CDLH	Blech
<b>40431</b>	1K0 501 529 J S1	ProKit Querlenker / control arm	<b>(mot.)</b> CDLH	
<b>43733</b>	5Q0 505 171	Querlenkerlager / control arm mount	S1 <b>(mot.)</b> CWZA	H 60 ØI 12
<b>45859</b>	5Q0 501 129 B	Spurstangenlager / tie rod bush	<b>(2)</b>	H 60 ØI 12
<b>45860</b>	5Q0 505 543 B	Spurstangenlager / tie rod bush	<b>(2)</b>	H 45 ØI 12

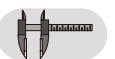


# A3 quattro (8L) (1997 → 2003)

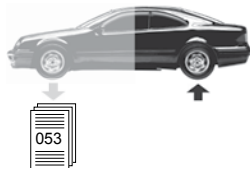


(1) (ex.) PR-1JW

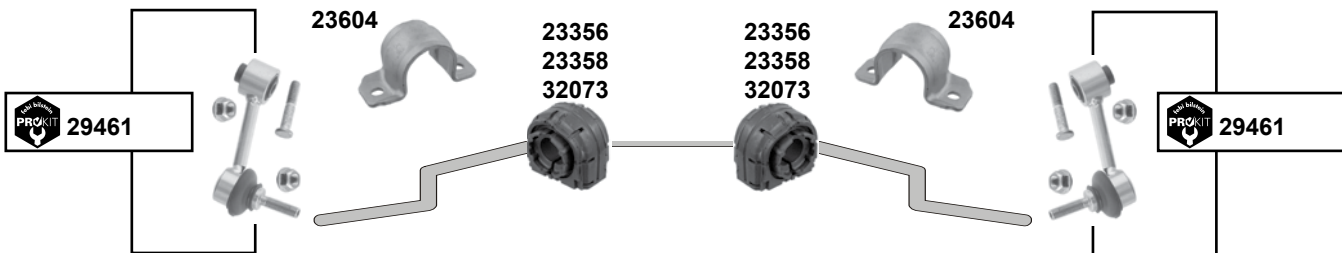
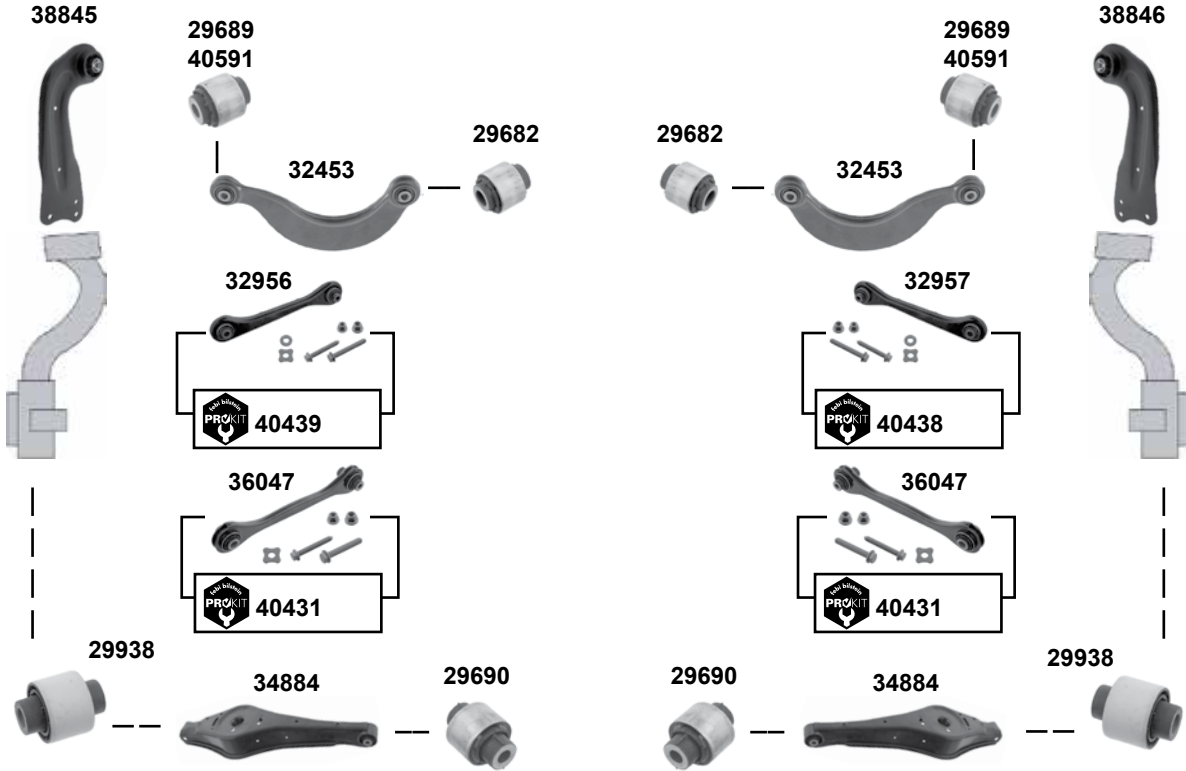
(2) (mot.) AGU, AQA, ASZ, AUL, BAM (ch.) → 8L-Y-200 000 Ø Stabilisator / stabiliser 14/15 // (ch.) 8L-1-000 001 → PR-OBH Ø Stabilisator / stabiliser 14  
(mot.) AJQ, ARZ, AUQ, APY Ø Stabilisator / stabiliser 14/15  
(mot.) ARZ, ARY, AMK PR- OBH Ø Stabilisator / stabiliser 14



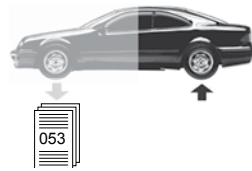
febi bilstein	Ref. - No.			
27865	1J0 505 466 B	Verbindungsstange / stabilizer link	(1) (ex.) HD	L 175
27866	1J0 505 466 C	Verbindungsstange / stabilizer link	PR-1JW / HD	L 194
31842	1J0 505 466 B S1	ProKit Verbindungsstange / stabilizer link	(1) (ex.) HD	
31843	1J0 505 466 C S1	Verbindungsstange / stabilizer link	PR-1JW / HD	
31348	1J0 411 314 AC	Stabilisatorlager / stabilizer mount	PR-OAS	Ø   18
38769	8D0 511 327 C	Stabilisatorlager / stabilizer mount	(2)	



## A3 (8P) (2004 →)



Hinterachse / Rear axle



**A3 (8P)**  
(2004 →)



- (1) A3 Cabrio (8P) 08 →
- (2) A3 / S3 / sportback / quattro 04 →
- (3) RS3 sportback 12 →
- (4) nur paarweise tauschen / replace in pairs only
- (5) (ch.) 8P-9A250 000 → / (ch.) 8P-9-050 000 →
- (6) (ch.) → 8P-9A250 000 / (ch.) → 8P-9-050 000
- (7) Ø Stabilisator / stabilizer 19



Ref. - No.



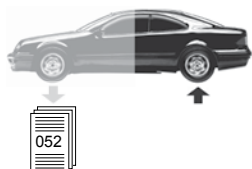
Ref. - No.				
23356	1K0 511 327 AP	Stabilisatorlager / stabilizer mount	(4) PR OBC	18,5 x 2,5
23358	1K0 511 327 AR	Stabilisatorlager / stabilizer mount	(2) (4)	Ø   20,7
23604	1K0 511 439 E	Befestigungsbügel / attachment bracket	(1) (2) (3)	
23606	1K0 511 327 AP S1	Stabilisatorlagersatz / stabilizer mounting kit	(4)	Ø   18,5
29461	1K0 505 465 K S1	ProKit Verbindungsstange / stabilizer link	(2) (3)	L 95,5
29682	1K0 505 203 A	Querlenkerlager oben / control arm mount upper		Ø A 38 H 45
29689	1K0 505 279 A	Querlenkerlager oben / control arm mount upper	(1) (2)	Ø A 38,5 H 45
29690	1K0 505 171 C	Querlenkerlager unten / control arm mount lower		Ø A 42 H 60
29938	1K0 505 553 A	Querlenkerlager außen / control arm mount outer	(1) (2) (3)	Ø A 37 H 50
32073	1K0 511 327 AQ	Stabilisatorlager / stabilizer mount	(7)	Ø   15
32453	1K0 505 323 N	Querlenker oben / control arm upper	(1)	
32956	1K0 501 529 F	Querlenker mit Lagern / control arm with bearings	(1)	
32957	1K0 501 530 C	Querlenker mit Lagern / control arm with bearings	(1)	
34884	1K0 505 311 AB	Querlenker / control arm		
36047	1K0 501 529 J	Querlenker mit Lagern / control arm with bearings		Stahl
38845	1K0 505 223 K	Querlenker / control arm		Blech
38846	1K0 505 224 K	Querlenker / control arm		Blech
39648	1K0 511 327 AR S1	Stabilisatorlagersatz / anti roll bar bush kit	(4) PR-0BE	Ø   20,7
39650	1K0 511 327 AQ S1	Stabilisatorlagersatz / anti roll bar bush kit	(4)	
40431	1K0 501 529 J S1	ProKit Querlenker / control arm	(5)	
40438	1K0 501 530 C S1	ProKit Querlenker / control arm	(6)	
40439	1K0 501 529 F S1	ProKit Querlenker / control arm	(6)	
40591	1K0 505 543 A	Querlenkerlager / control arm bush		Ø   14 Ø A 45

Hinterachse / Rear axle



passend für / to fit

**AUDI**



**Car  
Division**



**A3 (8V)**  
(2012 →)

**32453**



**32453**



**29938**



**29938**



Hinterachse / Rear axle



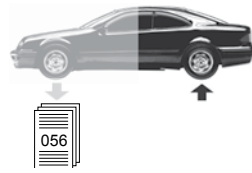
**Ref. - No.**



**29938** 1K0 505 553 A  
**32453** 1K0 505 323 N

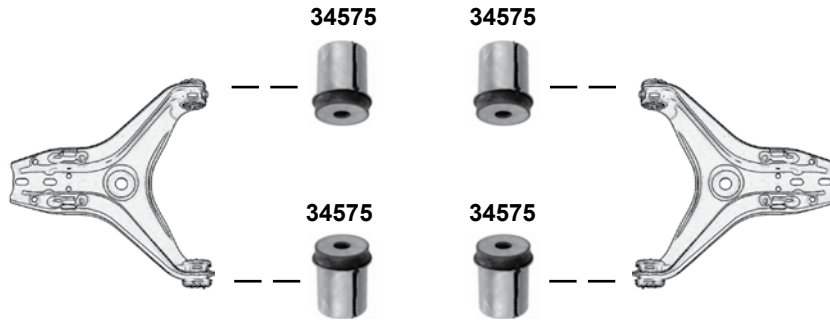
Querlenkerlager außen / control arm mount outer  
Querlenker oben / control arm upper

Ø A 37 H 50

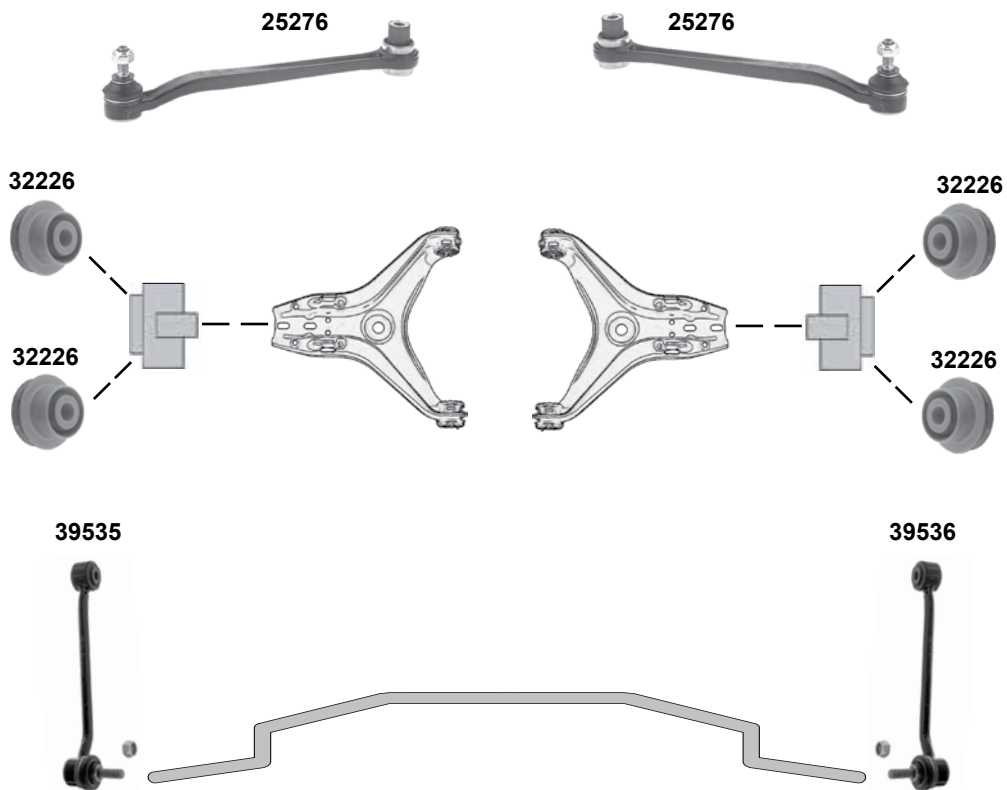


**A4 (8D)**  
(1995 → 2001)

oben / upper



unten / lower



Hinterachse / Rear axle



(1) RSV avant quattro 00 → 02



Ref. - No.

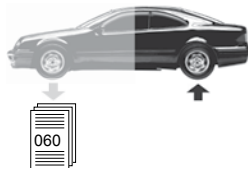


<b>25276</b>	8D0 501 530
<b>32226</b>	8D0 505 171
<b>34575</b>	8A0 505 172 B
<b>39535</b>	8D0 505 465
<b>39536</b>	8D0 505 466

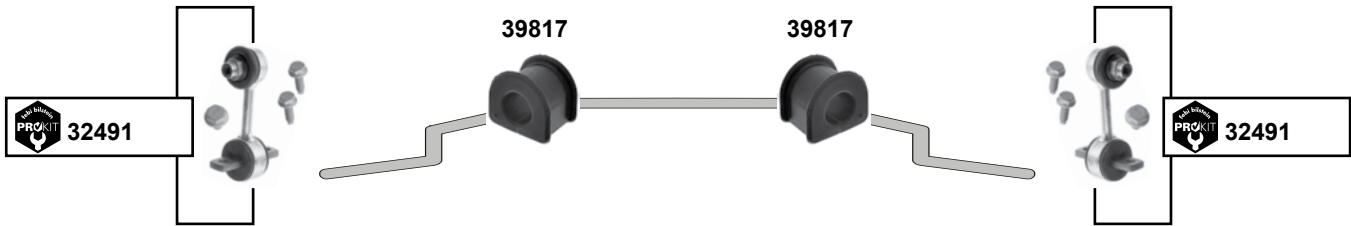
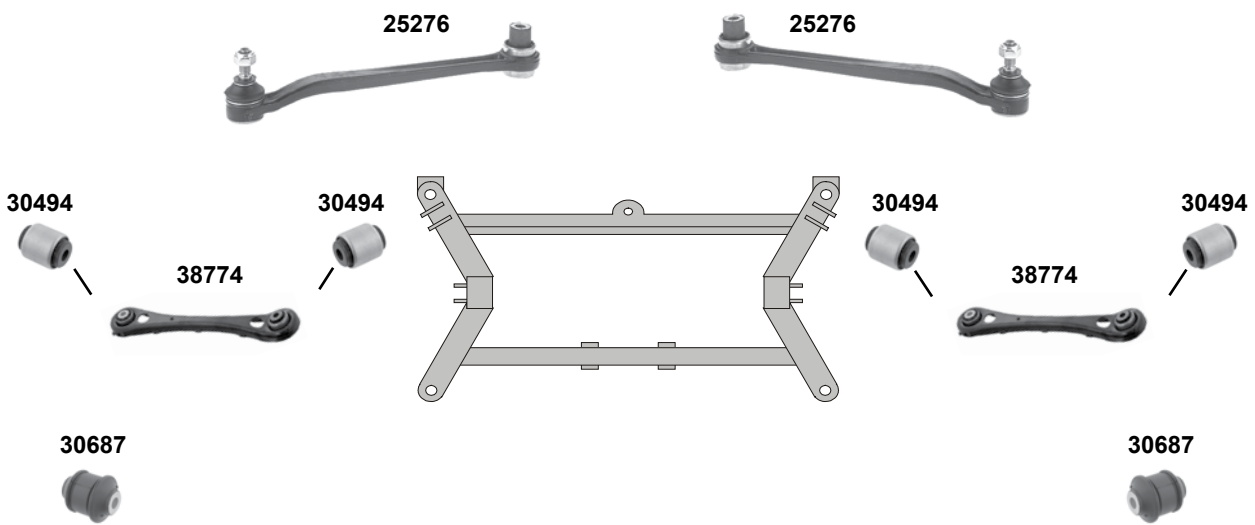
Querlenker / control arm
Querlenkerlager / control arm mount
Querlenkerlager / control arm mount
Verbindungsstange / stabilizer link
Verbindungsstange / stabilizer link

(1)

M12 x 1,5
Ø   12,1 H30
Ø   12,1 H55
L 228
L 228



**A4 (8E/8H)**  
(2001 → 2009)

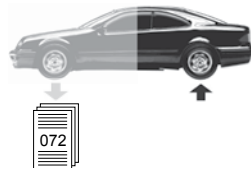


Hinterachse / Rear axle

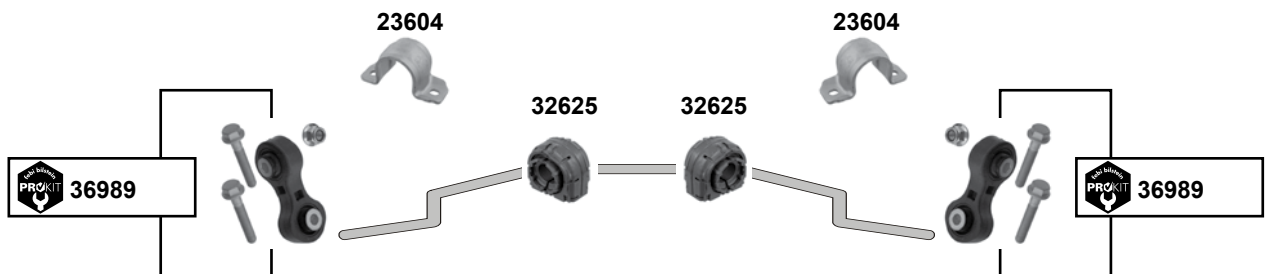
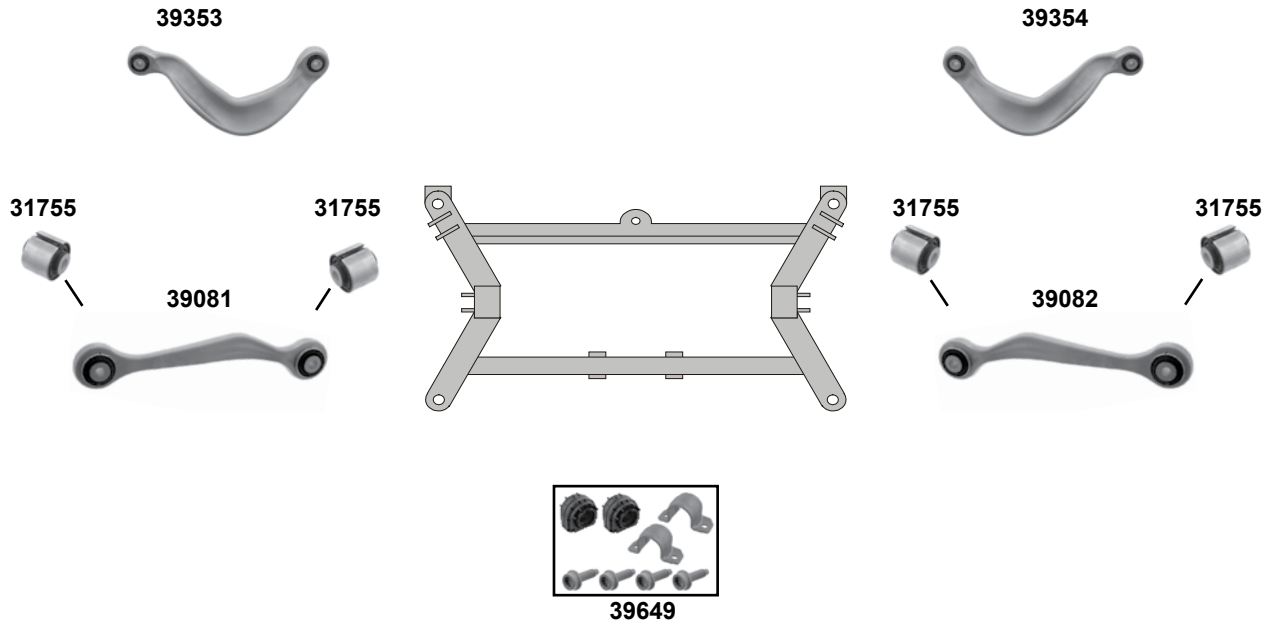


- (1) A4 (8E/8H): alle/all ; RS4 Cabrio Quattro (8HE): PR-2MC // Blech / metal sheet
- (2) A4 (8E/8H) PR-1BA,1BD,1BE,1BV / (ch.) 8E-6-200 001 →

	Ref. - No.			
<b>25276</b>	8D0 501 530	Querlenker / control arm	→ 01	M12 x 1,5
<b>30494</b>	8E0 501 541 S	Querlenkerlager / control arm mount		Ø A 36,5
<b>30687</b>	8E0 505 203 D	Lager / bearing	A4 (8E)	ØA 46 H 60
<b>32491</b>	8E0 505 465 AF S1	ProKit Verbindungsstange / stabilizer link		
<b>38774</b>	8E0 501 529 P	Querlenker / control arm	(1)	
<b>39817</b>	8E0 511 327 A	Stabilisatorlager / stabilizer mount	(2)	Ø I 17



**A4 (8K) / A5 (8T)**  
(2008 →)



(1) A4 (ch.) → 8K-8-002 923 / (ch.) 8K-9A212 000 → // → 07.2009  
A5 → 07.2009

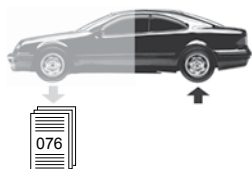
(2) nur paarweise tauschen / replace in pairs only



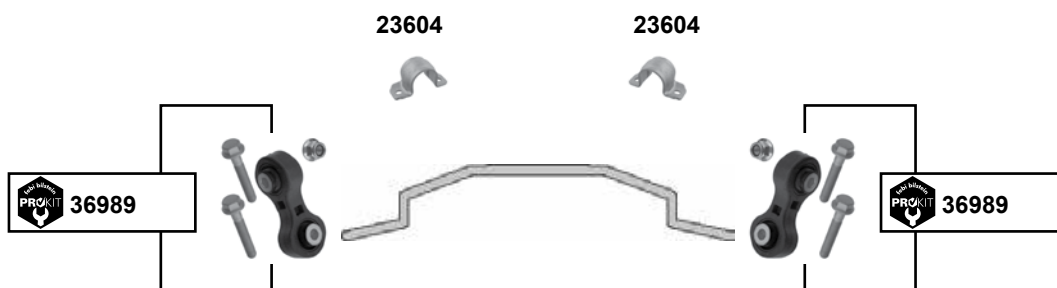
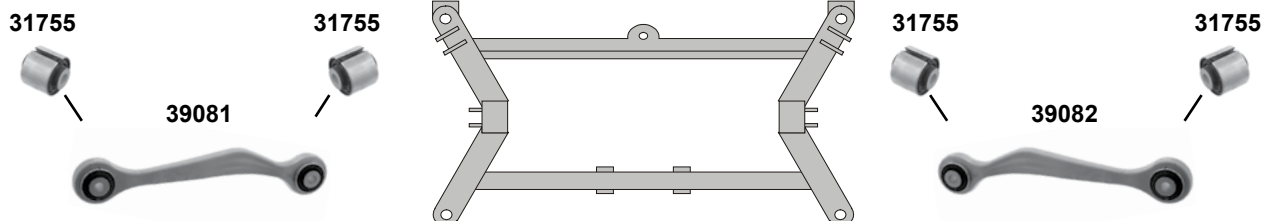
Ref. - No.



Ref. - No.	Description	Material	Dimensions
<b>23604</b>	1K0 511 439 E Befestigungsbügel / attachment bracket	A5	
<b>31755</b>	8K0 501 541 Querlenkerlager / control arm mount	→ 09	Ø I 12,15 H46
<b>32625</b>	1K0 511 327 AS Stabilisatorlager / stabilizer mount	(2)	Ø A 21,7
<b>36989</b>	8K0 505 465 G S1 ProKit Verbindungsstange / stabilizer link	(1) Aluminium	L 103
<b>39081</b>	8K0 501 529 N Querlenker / control arm	(1) Aluminium	
<b>39082</b>	8K0 501 530 N Querlenker / control arm	(1) Aluminium	
<b>39353</b>	8K0 505 323 F Querlenker / control arm		
<b>39354</b>	8K0 505 324 F Querlenker / control arm		
<b>39649</b>	1K0 511 327 AS S1 Stabilisatorlagersatz / anti roll bar bush kit	A5	



**A5 Cabrio (8F)**  
(2009 →)



Hinterachse / Rear axle



(1) Cabrio (mot.) CDHB, CGKB, CLAB



Ref. - No.

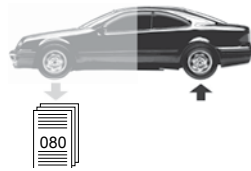


<b>23604</b>	1K0 511 439 E
<b>31755</b>	8K0 501 541
<b>36989</b>	8K0 505 465 G S1
<b>39081</b>	8K0 501 529 N
<b>39082</b>	8K0 501 530 N

Halter / mount
Querlenkerlager / control arm mount
ProKit Verbindungsstange / stabilizer link
Querlenker / control arm
Querlenker / control arm

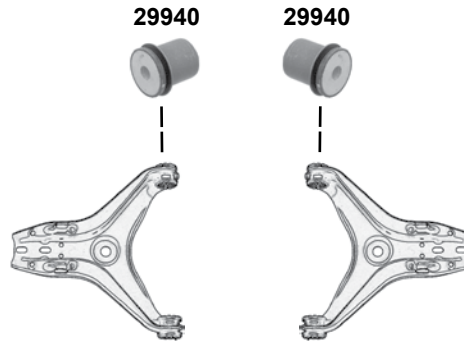
(1)
Aluminium
Aluminium

Ø | 12,15 H46  
L 103

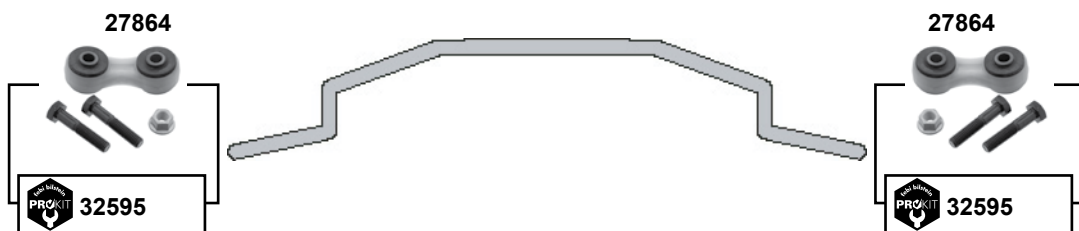
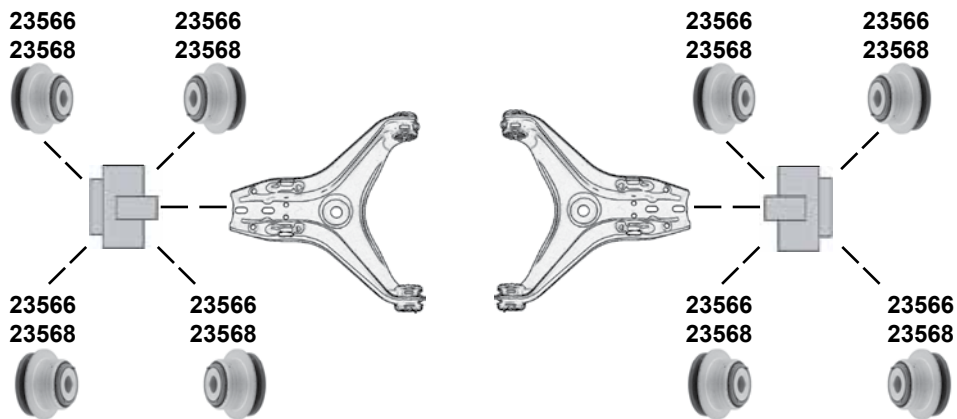


# A6 / allroad / quattro (4B) (1998 → 2005)

## oben / upper



## unten / lower



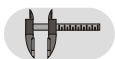
Hinterachse / Rear axle



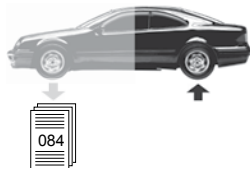
- (1) A6 allroad quattro 00 → 03 (ch.) → 4B-3-060 000
- (2) RS6/RS6 plus / avant / quattro 03 → 05



Ref. - No.

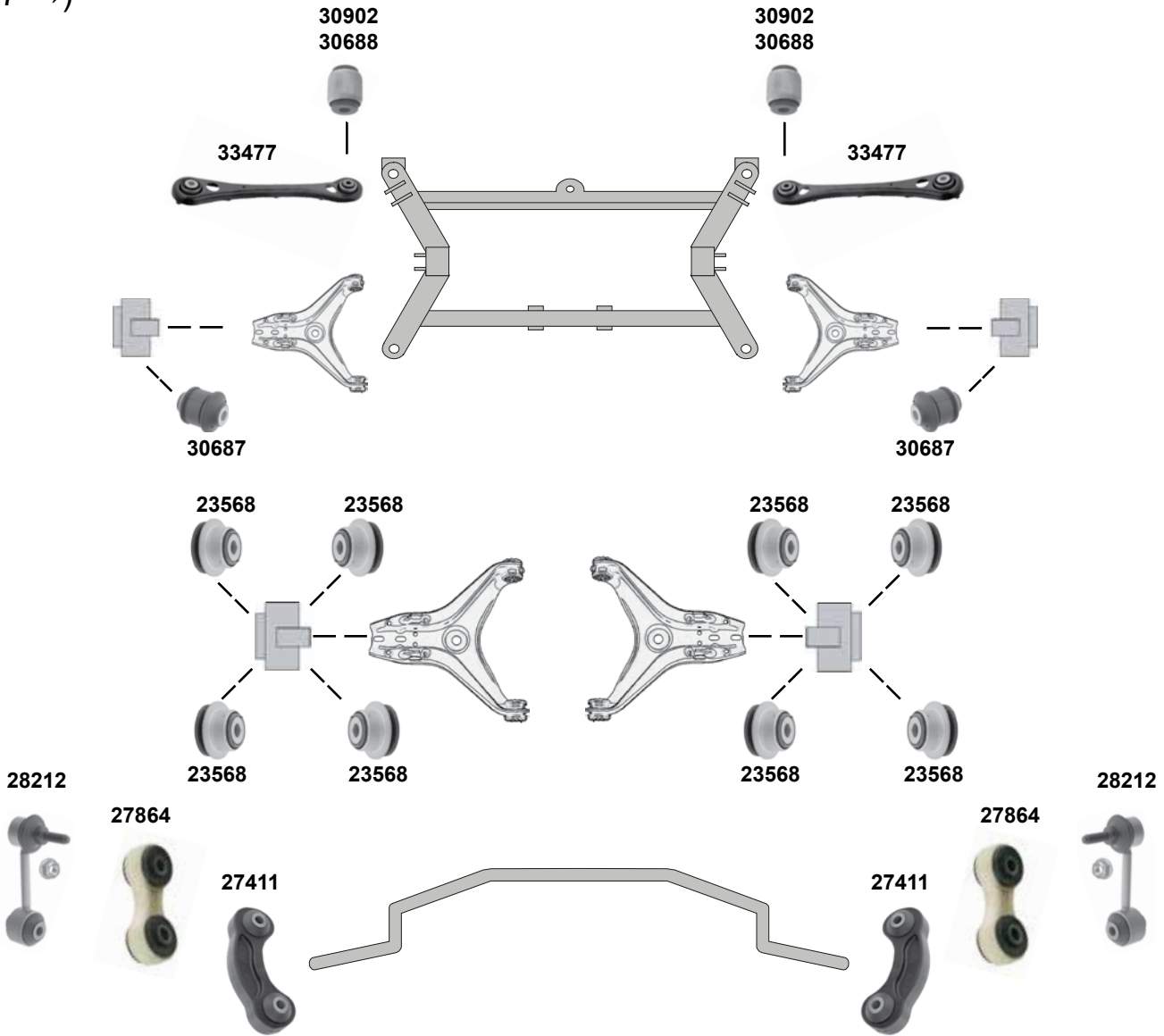


<b>23566</b>	8E0 505 172 B	Querlenkerlager / control arm mount	V8	
<b>23568</b>	8E0 505 172 A	Querlenkerlager / control arm mount	(ex.) V8	
<b>27864</b>	8E0 505 465 D	Verbindungsstange / stabilizer link		L 98
<b>29940</b>	8E0 505 185 C	Querlenkerlager / control arm mount	(1)	Ø A1 36,4
<b>32595</b>	8E0 505 465 D S1	ProKit Verbindungsstange / stabilizer link	(2)	L 98



# A6 / allroad / quattro (4F)

(2007 →)

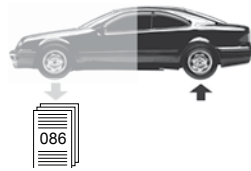


Hinterachse / Rear axle

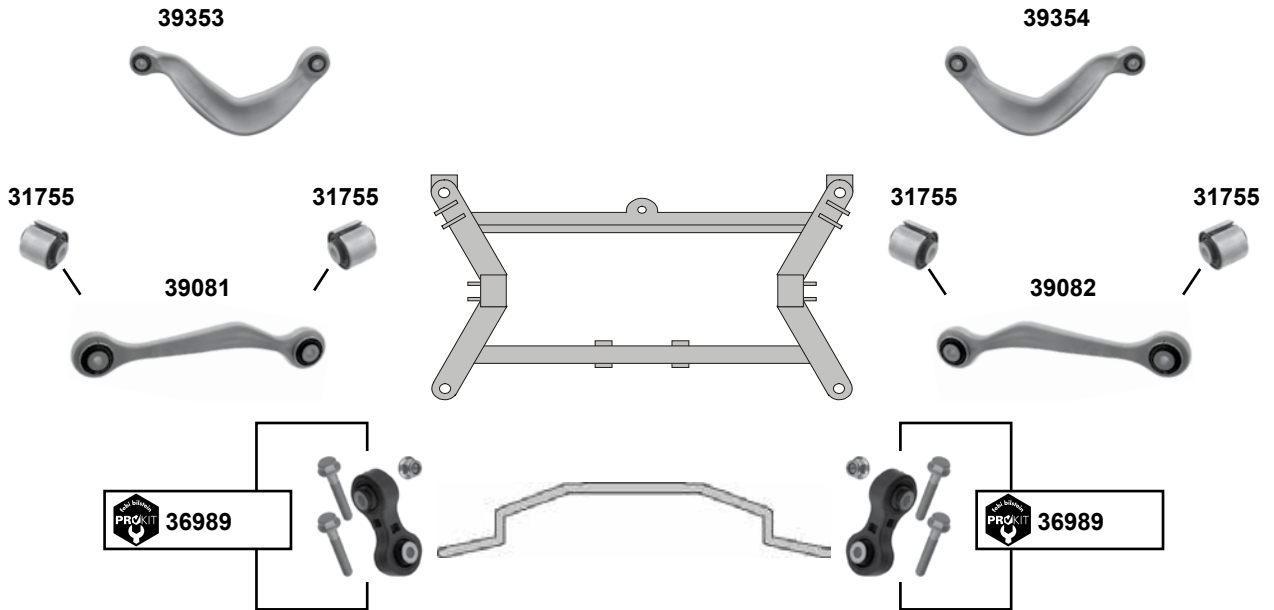
- (1) nur für Fahrzeuge mit Luftfederung / only for cars with air suspension
- (2) A6/S6/avant/quattro / A6 allroad quattro
- (3) A6/S6/avant/quattro / A6 allroad quattro / RS6/RS6plus/avant quattro 08 →
- (4) A6/S6/avant/quattro → 11 alle / all **(ex.)** Fahrzeuge mit Luftfederung / **(ex.)** cars with air suspension (1BK) RS6/RS6plus/avant quattro 08 →
- (5) A6/S6/avant/quattro → 11 / A6 allroad quattro / RS6/RS6 plus/avant quattro 08 → 11
- (6) **(mot.)** BDW, BSG, BPP, BNG, BBJ, BMK, ASB, BVU, AUK, BKH, BAT, BVY



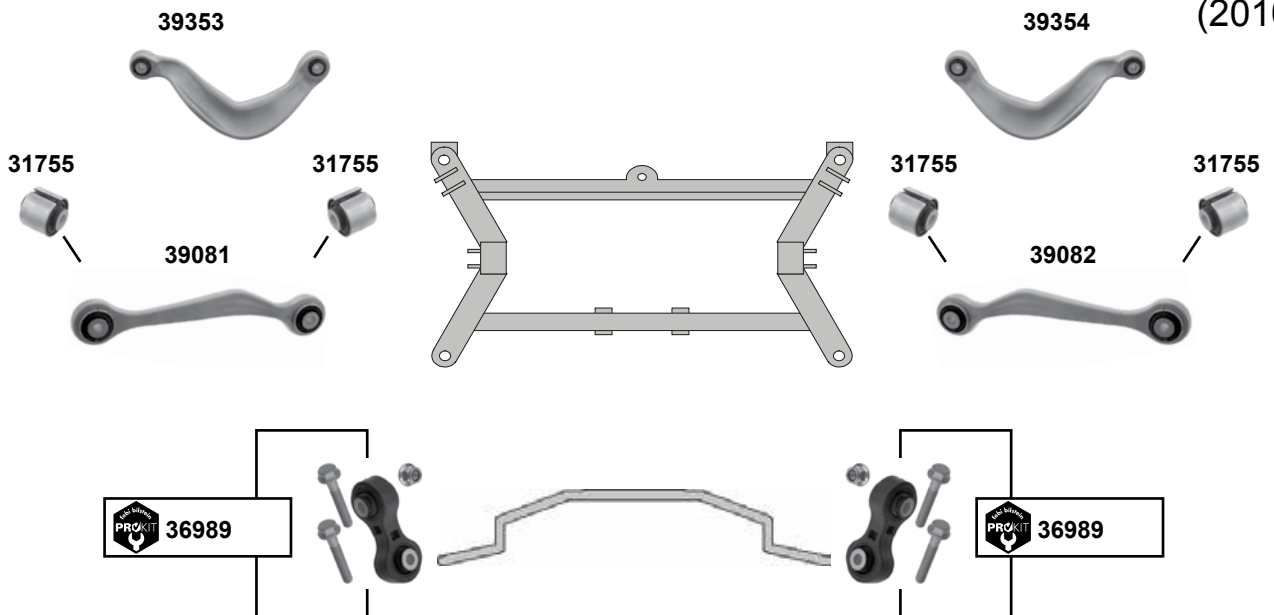
	Ref. - No.			
<b>23568</b>	8E0 505 172 A	Querlenkerlager / control arm mount	<b>(ex.)</b> V8	
<b>27411</b>	4F0 505 465 N	Verbindungsstange / stabilizer link		
<b>27864</b>	8E0 505 465 D	Verbindungsstange / stabilizer link	<b>(6)</b>	L 98
<b>28212</b>	4F0 505 465 P	Verbindungsstange / stabilizer link	<b>(1)</b>	L 100
<b>30687</b>	8E0 505 203 D	Gummilager / rubber mount	<b>(3)</b>	Ø A 46
<b>30688</b>	8E0 501 541 K	Querlenkerlager / control arm mount	<b>(4)</b>	Ø A 36,2
<b>30902</b>	4F0 501 541	Querlenkerlager / control arm mount	<b>(1) (2)</b>	Ø A 36 H46
<b>33477</b>	4F0 501 529 E	Querlenker mit Gummilagern / control arm with rubber mounts	<b>(5)</b>	



## A6 / Quattro / Allroad Quattro (4G) (2010 →) (2013 →)



## A7 Sportback (4G) (2010 →)

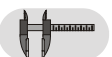


- (1) A6 / Quattro / Avant: PR-1BA,1BE,1BV,1BR,1BK,1BS,2MB  
A6 Allroad Quattro: PR-1BY  
A7 Sportback: PR-1BV,1BE,1BA,1BB,1BK,1BS,2MB

- (2) PR-1BK,1BS,2MB / für Fahrzeuge mit Luftfederung / for pneumatic suspension vehicles



Ref. - No.



**31755**  
**36989**  
**39081**  
**39082**  
**39353**  
**39354**

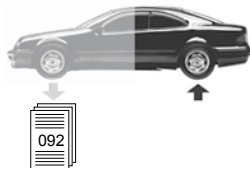
8K0 501 541  
8K0 505 465 G S1  
8K0 501 529 N  
8K0 501 530 N  
8K0 505 323 F  
8K0 505 324 F

Querlenkerlager / control arm mount  
ProKit Verbindungsstange / stabilizer link  
Querlenker / control arm  
Querlenker / control arm  
Querlenker / control arm  
Querlenker / control arm

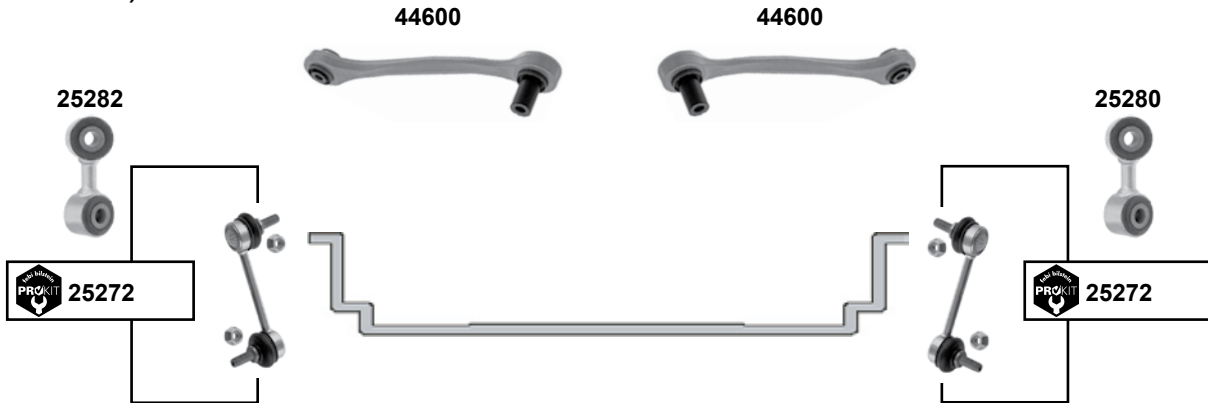
- (1)  
(2) Aluminium  
(2) Aluminium

Ø | 12,15 H46  
L 103

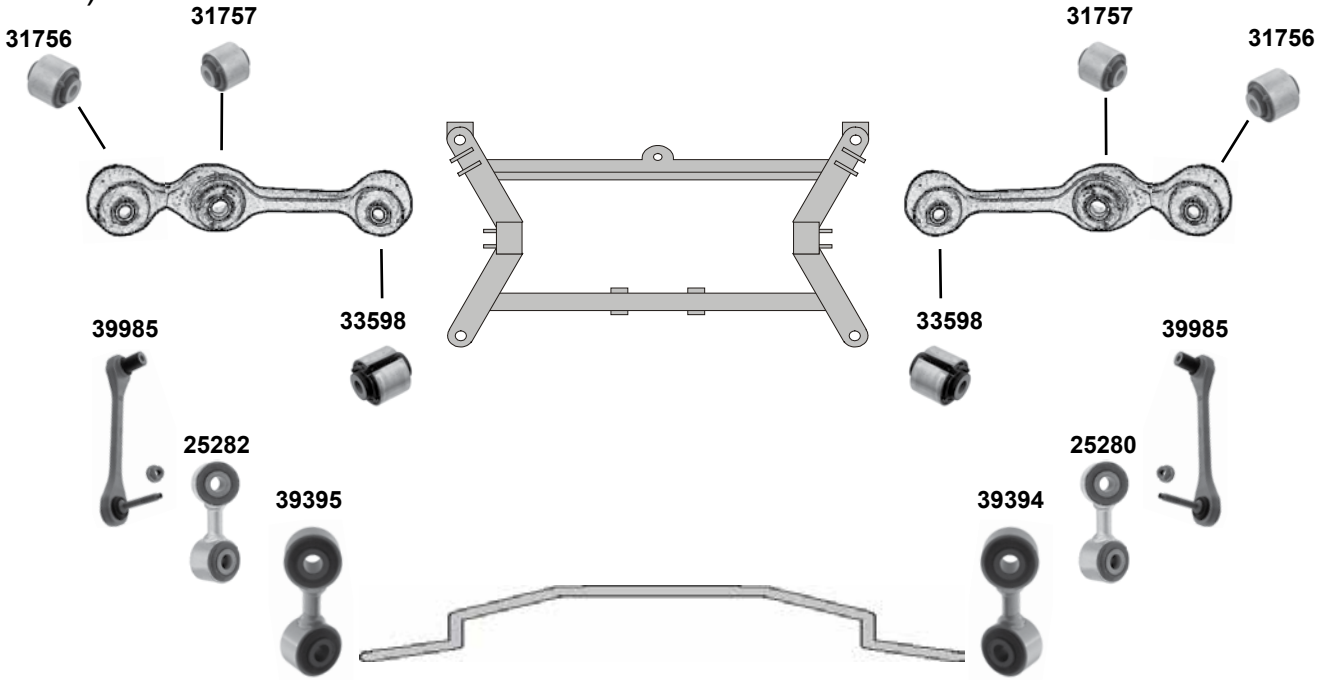




**A8 / quattro (4D)**  
(1994 → 2003)



**A8 (4E)**  
(2004 →)



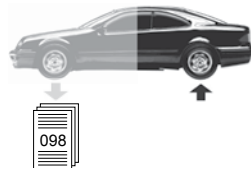
- (1) (ex.) Sonderschutzfahrzeug / (ex.) special armoured cars
- (2) PR-4FS / für gepanzerte Fahrzeuge / for armoured vehicles
- (3) nicht für / not for PR-1BG/1BN // für Fahrzeuge ohne Luftfederung / for vehicles without pneumatic suspension
- (4) A8 (4D) alle / all // A8 (4E) PR F0A/F4F/F5B alle / all



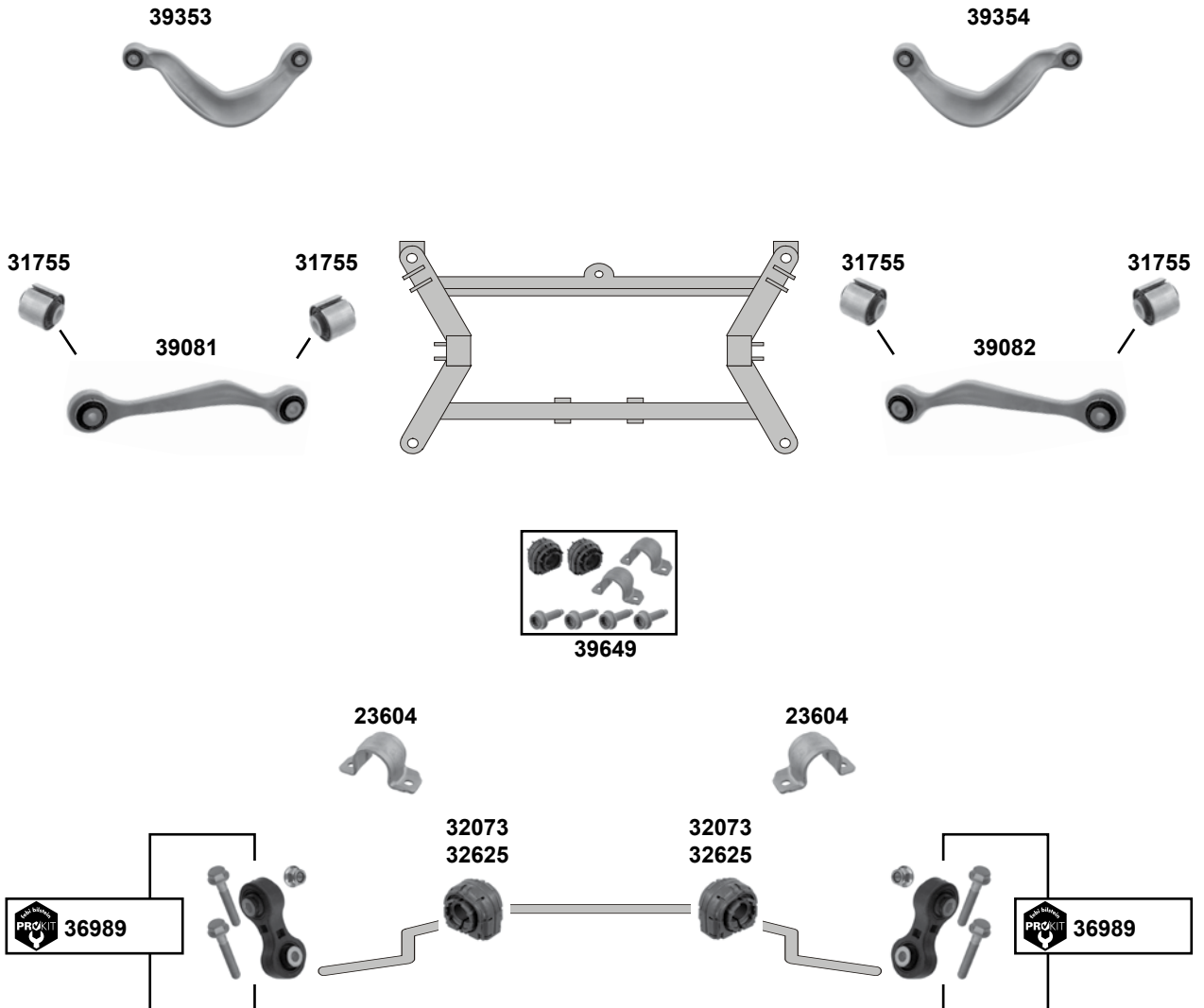
Ref. - No.



Ref. - No.	Description	Quantity	Notes
25272	4D0 505 465 D ProKit Verbindungsstange / stabilizer link	→ 99	
25280	4D0 505 548 C Verbindungsstange / stabilizer link	(4)	
25282	4D0 505 547 C Verbindungsstange / stabilizer link	(4)	
31756	4E0 505 203 D Querlenkerlager / control arm mount		Ø   12 H46
31757	4E0 505 203 B Querlenkerlager / control arm mount		
33598	4E0 505 203 A Querlenkerlager / control arm mount	(1)	Ø   12 H46
39394	4E0 505 548 M Verbindungsstange / stabilizer link	(2)	Ø   12 H28
39395	4E0 505 547 M Verbindungsstange / stabilizer link	(2)	Ø   12 H28
39985	4E0 501 529 G S1 Querlenker / control arm		M12 x 1,5
44600	4D0 501 529 H Querlenker / control arm	(3) PR-1BA/1BM	



**A8 (4H)**  
(2010 →)



- (1) → 10.2010
- (2) PR-2MA, 2MB  
für Fahrzeuge mit Luftfederung / for pneumatic suspension vehicles
- (3) nur paarweise tauschen / replace in pairs only
- (4) PR 1BK/1BY Ø Stabilisator / stabilizer 19,6 // PR F4S Ø Stabilisator / stabilizer 23
- (5) nicht für gepanzerte Fahrzeuge / not for armoured vehicles



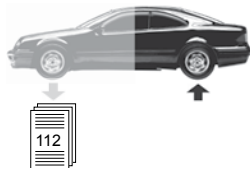
Ref. - No.



Ref. - No.	Description	Material	Dimensions
23604	1K0 511 439 E Befestigungsbügel / attachment bracket		
31755	8K0 501 541 Querlenkerlager / control arm mount		Ø 112,15
32073	1K0 511 327 AQ Stabilisatorlager / stabilizer mount	(4)	Ø I 15
32625	1K0 511 327 AS Stabilisatorlager / stabilizer mount	(3)	Ø A 21,7
36989	8K0 505 465 G S1 ProKit Verbindungsstange / stabilizer link		L 103
39081	8K0 501 529 N Querlenker / control arm	(1) Aluminium	
39082	8K0 501 530 N Querlenker / control arm	(1) Aluminium	
39353	8K0 505 323 F Querlenker / control arm		
39354	8K0 505 324 F Querlenker / control arm	(5)	
39649	1K0 511 327 AS S1 Stabilisatorlagersatz / anti roll bar bush kit	(2) (3)	

passend für / to fit

**AUDI**



**Car  
Division**



**Q3 (8U)**  
(2011 →)

29689  
40591



29682



32453



29689  
40591



29682



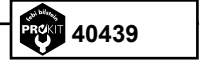
32453



32956



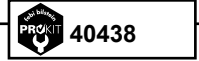
40439



32957



40438



29938



34884



29690



29690



34884



29938



39649

23604



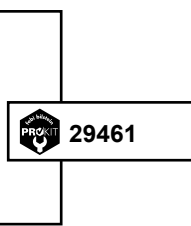
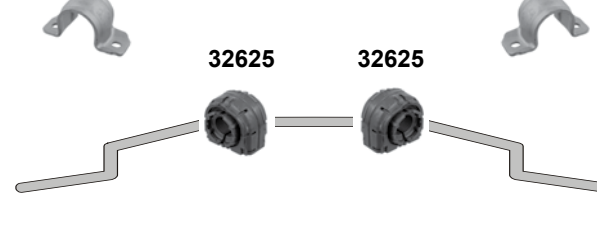
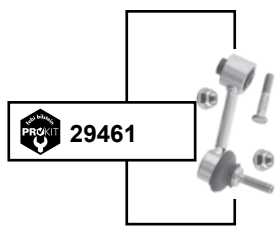
32625



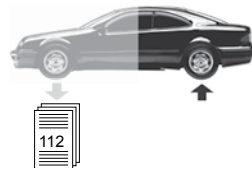
32625



23604

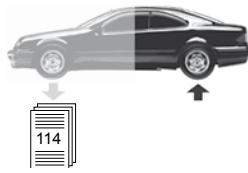


Hinterachse / Rear axle

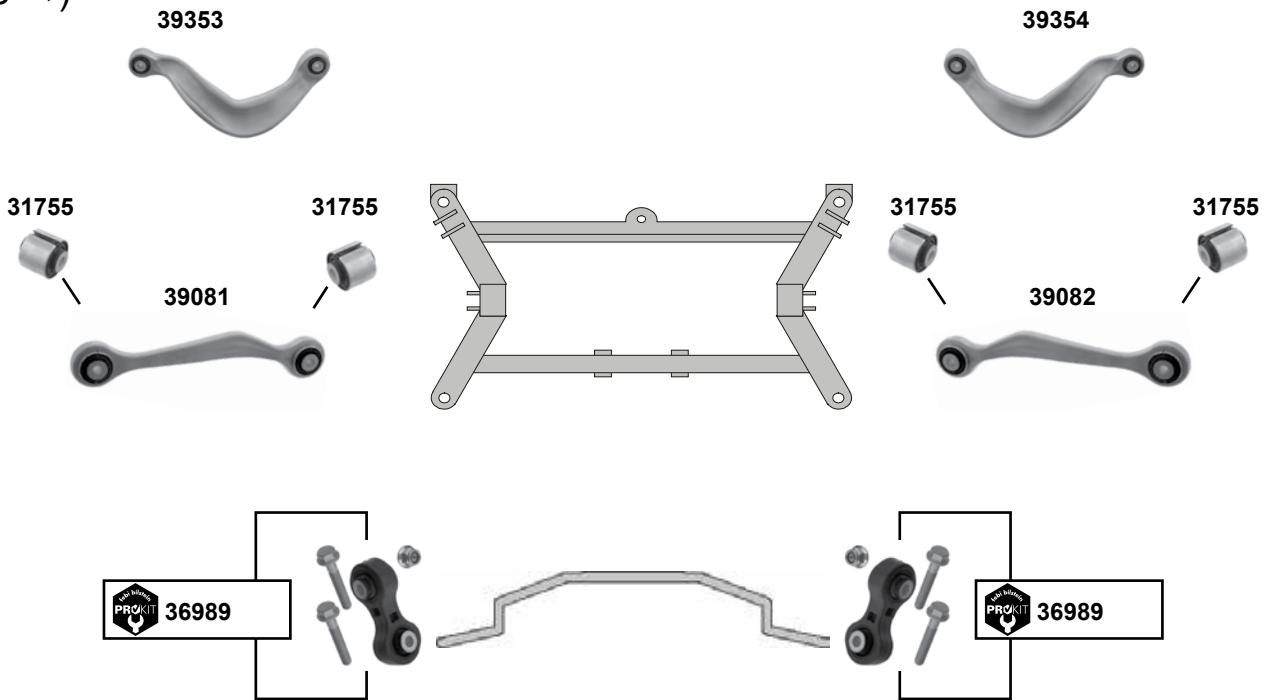


(1) nur paarweise tauschen / replace in pairs only

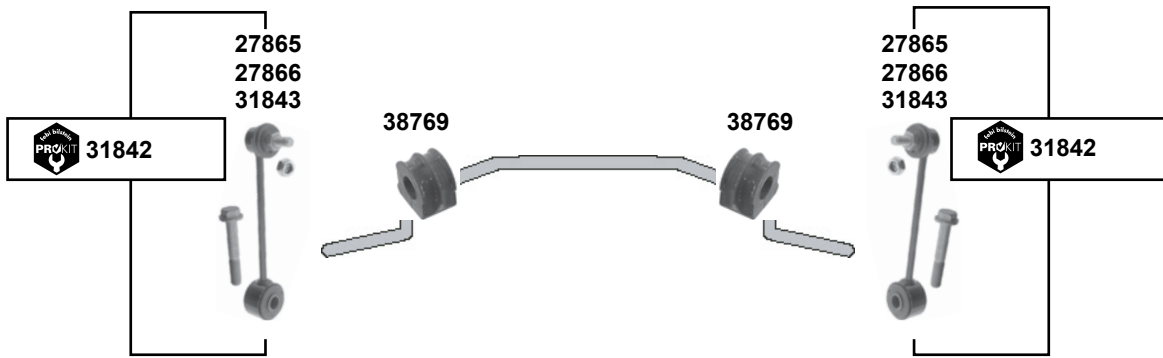
	Ref. - No.			
<b>23604</b>	1K0 511 439 E	Befestigungsbügel / attachment bracket	(1)	
<b>29461</b>	1K0 505 465 K S1	ProKit Verbindungsstange / stabilizer link		L 95,5
<b>29682</b>	1K0 505 203 A	Querlenkerlager oben / control arm mount upper		Ø A 38 H 45
<b>29689</b>	1K0 505 279 A	Querlenkerlager oben / control arm mount upper		Ø A 38,5 H 45
<b>29690</b>	1K0 505 171 C	Querlenkerlager unten / control arm mount lower		Ø A 42 H 60
<b>29938</b>	1K0 505 553 A	Querlenkerlager außen / control arm mount outer		Ø A 37 H 50
<b>32453</b>	1K0 505 323 N	Querlenker oben / control arm upper		
<b>32625</b>	1K0 511 327 AS	Stabilisatorlager / stabilizer mount		Ø A 21,7
<b>32956</b>	1K0 501 529 F	Querlenker mit Lagern / control arm with bearings		Blech
<b>32957</b>	1K0 501 530 C	Querlenker mit Lagern / control arm with bearings		Blech
<b>34884</b>	1K0 505 311 AB	Querlenker / control arm		
<b>39649</b>	1K0 511 327 AS S1	Stabilisatorlagersatz / anti roll bar bush kit		
<b>40438</b>	1K0 501 530 C S1	ProKit Querlenker / control arm		
<b>40439</b>	1K0 501 529 F S1	ProKit Querlenker / control arm		
<b>40591</b>	1K0 505 543 A	Querlenkerlager / control arm bush		ØI 14 ØA 45



**Q5 (8R)**  
(2008 →)



**TT quattro**  
(1999 → 2006)



Hinterachse / Rear axle



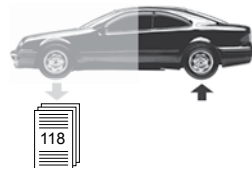
- (1) (mot.) AJQ, AMU, APP, APX, ATC, AWP Ø Stabilisator / stabilizer 14, Ø Stabilisator / stabilizer 15  
 (mot.) ARY, AUQ, BAM (ch.) → 8N-2-070 000 Ø Stabilisator / stabilizer 14, Ø Stabilisator / stabilizer 15  
 (ch.) 8N-3-000 001 → PR OBH Ø Stabilisator / stabilizer 14  
 (mot.) BFV, BHE, BPF, BVR PR OBH Ø Stabilisator / stabilizer 14



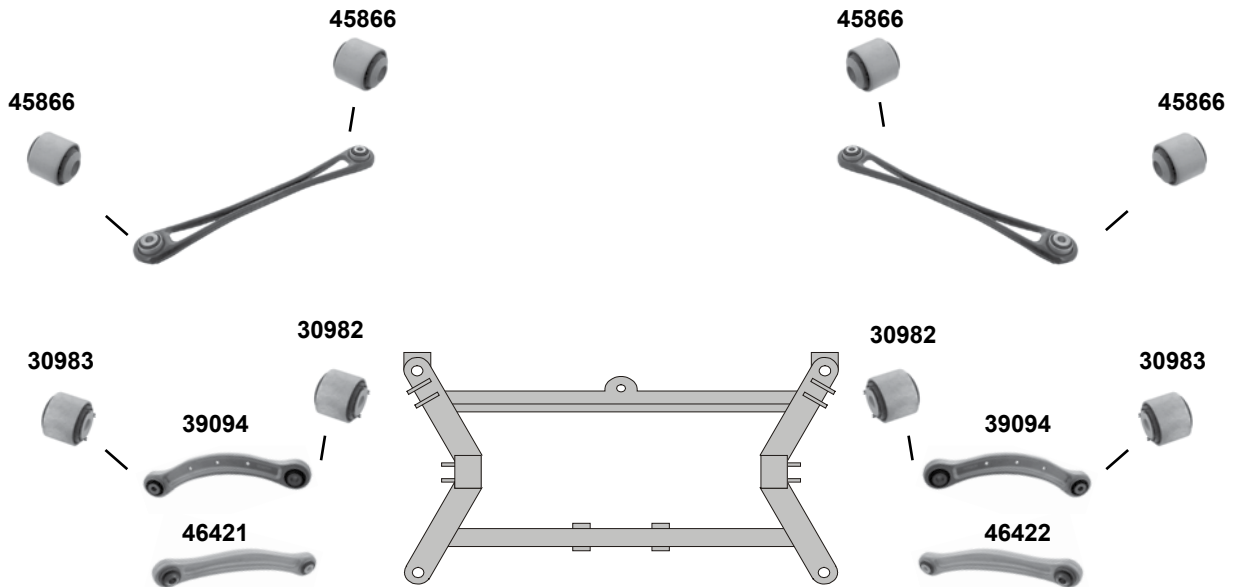
Ref. - No.



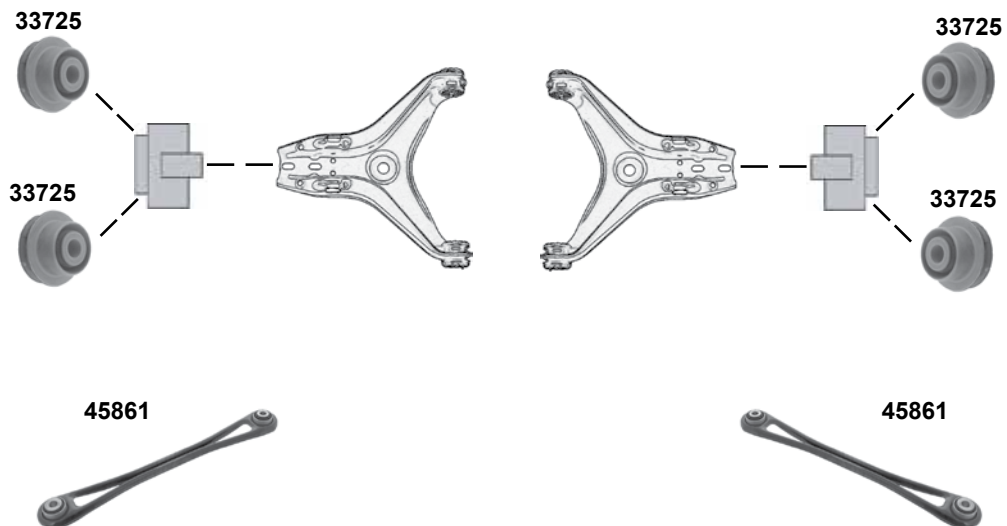
27865	1J0 505 466 B	Verbindungsstange / stabilizer link	(ex.) HD	L 175
27866	1J0 505 466 C	Verbindungsstange / stabilizer link	HD	
31755	8K0 501 541	Querlenkerlager / control arm mount		
31842	1J0 505 466 B S1	ProKit Verbindungsstange / stabilizer link	(ex.) HD	
31843	1J0 505 466 C S1	Verbindungsstange / stabilizer link	HD	
36989	8K0 505 465 G S1	ProKit Verbindungsstange / stabilizer link		L 103
38769	8D0 511 327 C	Stabilisatorlager / stabilizer mount	(1)	
39081	8K0 501 529 N	Querlenker / control arm	→ 10/10 Aluminium	
39082	8K0 501 530 N	Querlenker / control arm	→ 10/10 Aluminium	
39353	8K0 505 323 F	Querlenker / control arm		
39354	8K0 505 324 F	Querlenker / control arm		



**oben / upper**

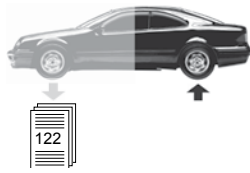


**unten / lower**

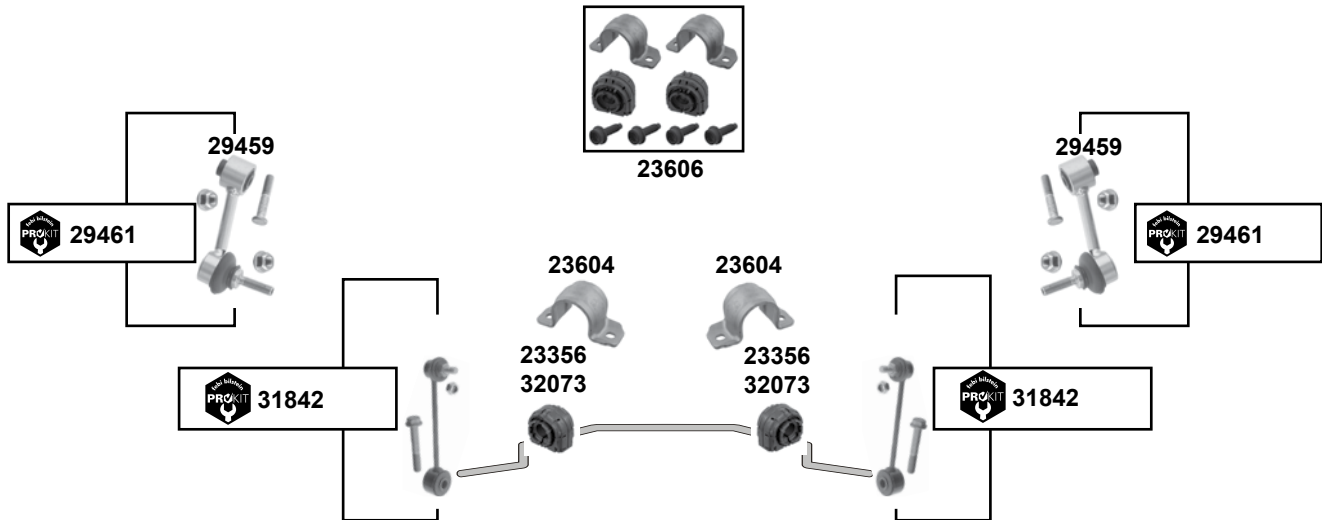
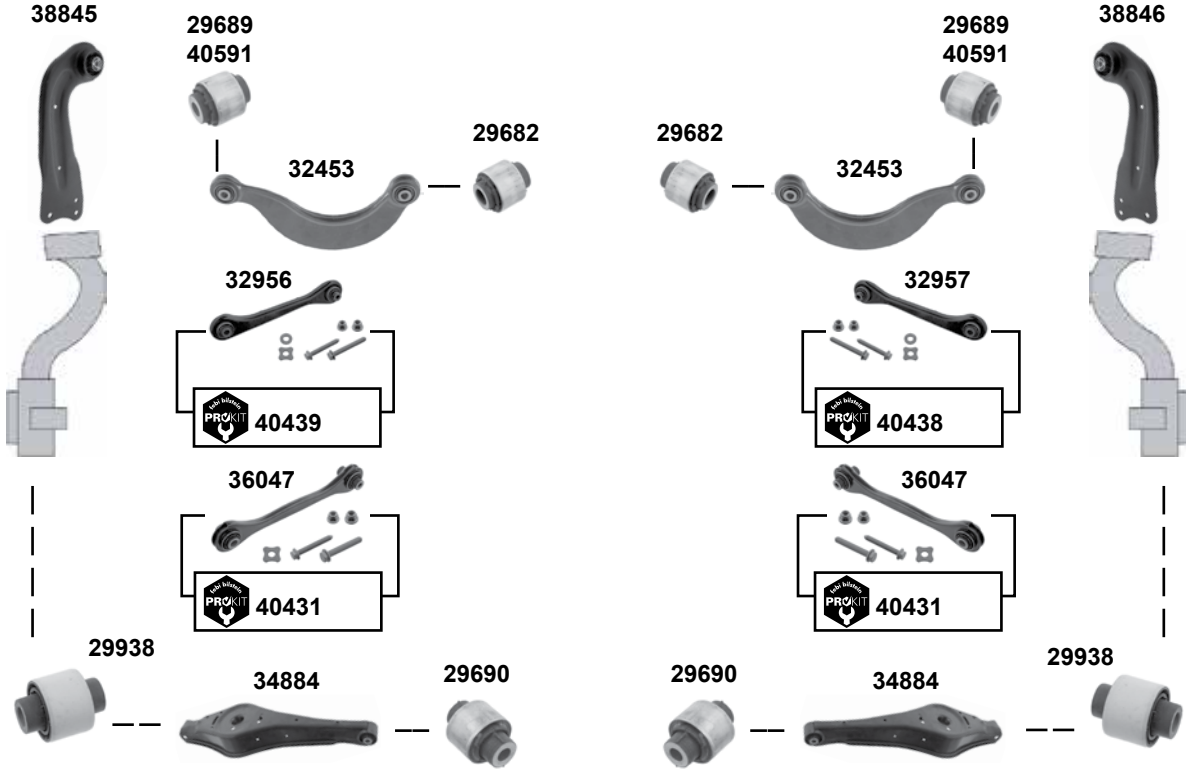


Hinterachse / Rear axle

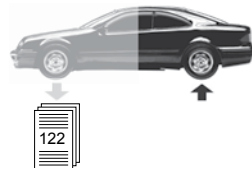
	Ref. - No.			
<b>30982</b>	7L0 505 554	Querlenkerlager innen / control arm mount inner	Aluminium Blech / sheet	Ø A 44 H40
<b>30983</b>	7L0 505 553	Querlenkerlager außen / control arm mount outer		Ø A 44,5 H4
<b>33725</b>	7L0 407 183 A	Querlenkerlager / control arm mount		Ø A 40 H60
<b>39094</b>	7L0 505 323 A	Querlenker / control arm		
<b>45861</b>	7L8 501 529 A	Querlenker / control arm		
<b>45866</b>	7L0 501 537 B	Querlenkerlager / control arm mount		
<b>46421</b>	7L0 505 397	Querlenker / control arm		
<b>46422</b>	7L0 505 398	Querlenker / control arm		



## TT (8J) / quattro (2007 →)



Hinterachse / Rear axle



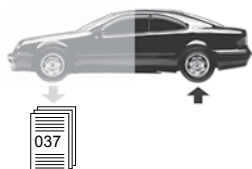
# TT (8J) / quattro (2007 →)

- (1)** Audi TT / Coupe / Roadster (**ex.** quattro ) 07 →  
Audi TT quattro / TTS / Coupe / Roadster 07 → 09 (**ch.**) → 8J-9-032 558
- (2)** Audi TT / TTS Coupe / Roadster 07 →  
Audi TTRS Coupe / Roadster 10 →
- (3)** nur paarweise tauschen / replace in pairs only
- (4)** (**ch.**) 8J-9-100 000 →
- (5)** (**ch.**) → 8J-9-100 000
- (6)** PR-1JW
- (7)** (**mot.**) CEPA, CEPB Ø Stabilisator / stabilizer 19,6
- (8)** (**ch.**) 8J-9-032 558 →

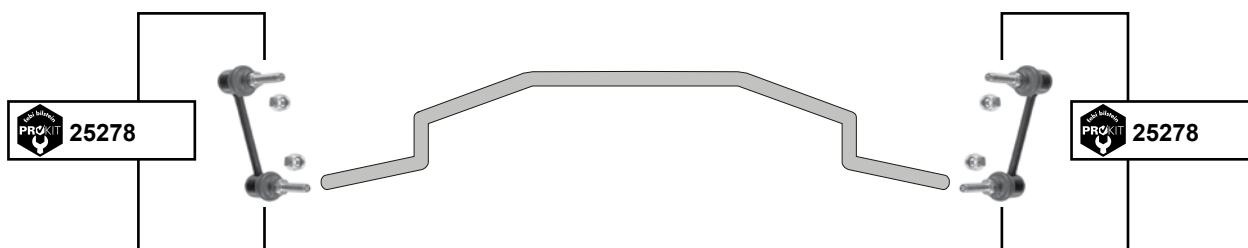
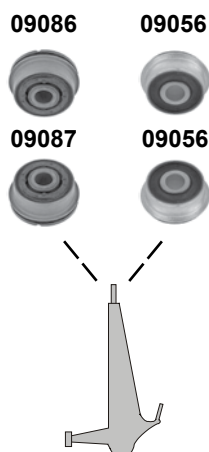
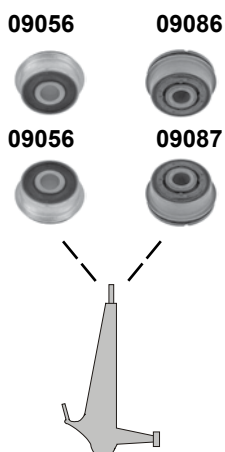

**Ref. - No.**


Ref. - No.	Description	Quantity	Material / Notes
<b>23356</b>	1K0 511 327 AP Stabilisatorlager / stabilizer mount	<b>(3)</b>	Ø I 18,5
<b>23604</b>	1K0 511 439 E Befestigungsbügel / attachment bracket	<b>(2)</b>	
<b>23606</b>	1K0 511 327 AP S1 Stabilisatorlagersatz / stabilizer mounting kit	<b>(3)</b>	Ø I 18,5
<b>29459</b>	1K0 505 465 AA Verbindungsstange / stabilizer link		
<b>29461</b>	1K0 505 465 K S1 ProKit Verbindungsstange / stabilizer link		L 95,5
<b>29682</b>	1K0 505 203 A Querlenkerlager oben / control arm mount upper		Ø A 38 H 45
<b>29689</b>	1K0 505 279 A Querlenkerlager oben / control arm mount upper	<b>(2)</b>	Ø A 38,5 H 45
<b>29690</b>	1K0 505 171 C Querlenkerlager unten / control arm mount lower		Ø A 42 H 60
<b>29938</b>	1K0 505 553 A Querlenkerlager außen / control arm mount outer	<b>(2)</b>	Ø A 37 H 50
<b>31842</b>	1J0 505 466 B S1 ProKit Verbindungsstange / stabilizer link	<b>(6) (ex.) HD</b>	
<b>32073</b>	1K0 511 327 AQ Stabilisatorlager / stabilizer mount	<b>(7)</b>	Ø I 15
<b>32453</b>	1K0 505 323 N Querlenker oben / control arm upper	<b>(2)</b>	
<b>32956</b>	1K0 501 529 F Querlenker mit Lagern / control arm with bearings	<b>(1)</b>	Blech
<b>32957</b>	1K0 501 530 C Querlenker mit Lagern / control arm with bearings	<b>(1)</b>	Blech
<b>34884</b>	1K0 505 311 AB Querlenker / control arm		
<b>36047</b>	1K0 501 529 J Querlenker mit Lagern / control arm with bearings	<b>(8)</b>	Stahl
<b>38845</b>	1K0 505 223 K Querlenker / control arm		Blech
<b>38846</b>	1K0 505 224 K Querlenker / control arm		Blech
<b>40431</b>	1K0 501 529 J S1 ProKit Querlenker / control arm	<b>(4)</b>	
<b>40438</b>	1K0 501 530 C S1 ProKit Querlenker / control arm	<b>(5)</b>	
<b>40439</b>	1K0 501 529 F S1 ProKit Querlenker / control arm	<b>(5)</b>	
<b>40591</b>	1K0 505 543 A Querlenkerlager / control arm bush		ØI 14 ØA 45





**V8 Quattro**  
(1989 → 1994)



Hinterachse / Rear axle



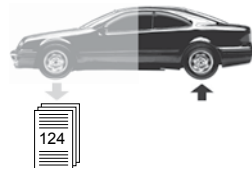
Ref. - No.



<b>09056</b>	443 511 247 D
<b>09086</b>	4A0 511 247 B
<b>09087</b>	4A0 511 249
<b>25278</b>	4A0 505 389

Querlenkerlager / control arm mount
Querlenkerlager / control arm mount
Querlenkerlager / control arm mount
ProKit Verbindungsstange / stabilizer link

(ch.) → 44-L-125000	14x44x23
(ch.) 44-L-125001 →	14x48x25
(ch.) 44-L-125001 →	14x48x25



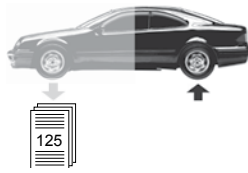
(1) (mot.) CUNA, CHHC



Ref. - No.

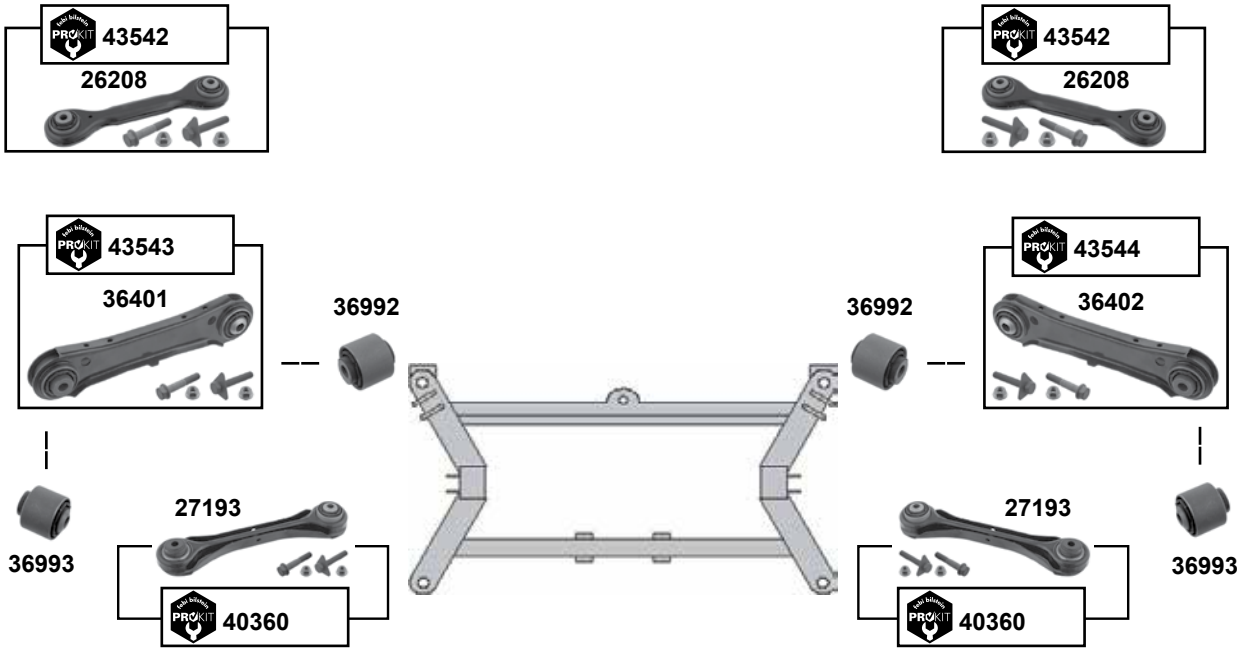


<b>32453</b>	1K0 505 323 N	Querlenker oben / control arm upper	(1)	
<b>43733</b>	5Q0 505 171	Querlenkerlager / control arm mount		H 60 ØI 12
<b>45859</b>	5Q0 501 129 B	Spurstangenlager / tie rod bush	(1)	H 60 ØI 12
<b>45860</b>	5Q0 505 543 B	Spurstangenlager / tie rod bush	(1)	H 45 ØI 12

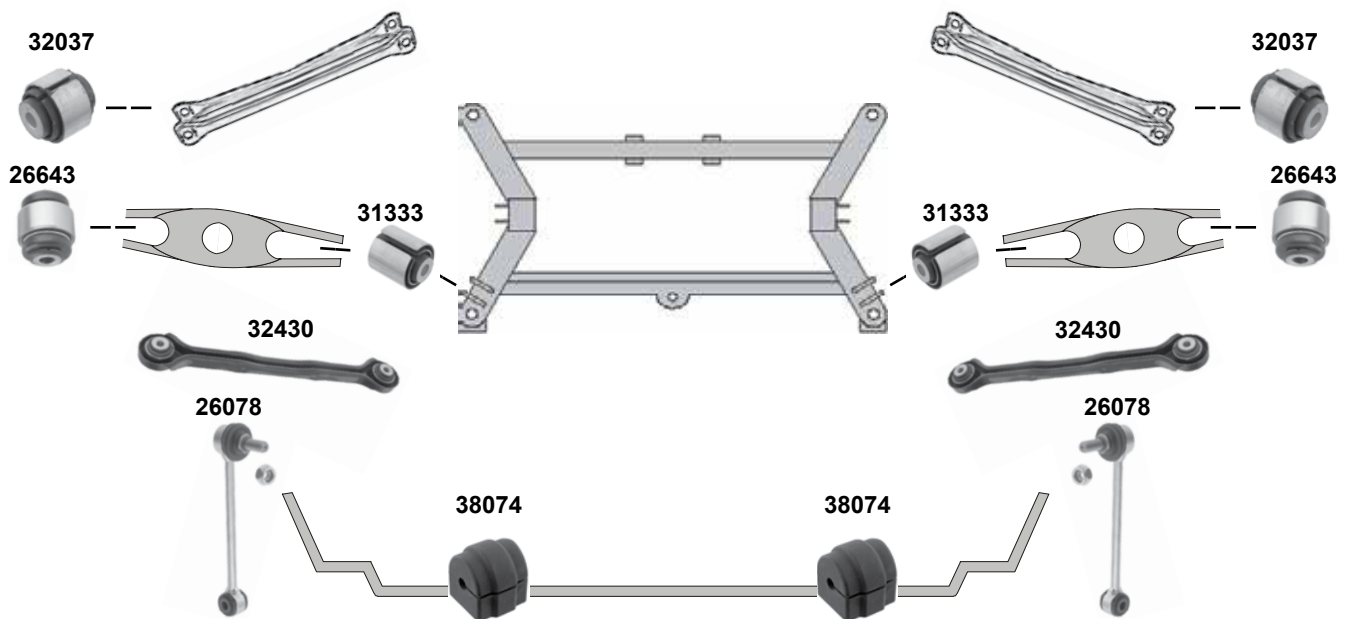


## 1'er (E81/E82/E87/E88/E87LCI) (2004 → 2013)

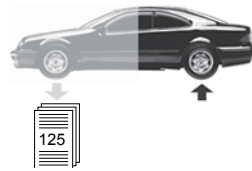
### Oben / Upper



### Unten / Lower



Hinterachse / Rear axle



# 1 'er (E81/E82/E87/E88/E87LCI) (2004 → 2013)

(1) E 81 116 d → 130 i / E 82 118 d → 135 i / E 87 LCI 116 → 130 i / E 88 118 d → 135 i

(2) E81/E87/E87LCI/E88 alle/all / E82 (ex.) M Coupe

(3) E81, E82, E87/LCI, E88 alte Ausführung / old execution

(4) E81, E82, E87/LCI, E88 neue Ausführung / new execution



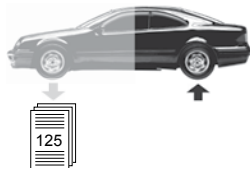
Ref. - No.



Febi bilstein	Ref. - No.			
<b>26078</b>	33 55 6 764 428	Verbindungsstange / stabilizer link		L 161
<b>26208</b>	33 32 6 765 425	Führungslenker / guide link	<b>OLD</b> → 11/09	L 241
<b>26643</b>	33 32 6 775 552	Querlenkerlager / control arm mount		14x47x55
<b>27193</b>	33 32 6 777 980	Querlenker / control arm		L 273
<b>31333</b>	33 32 6 770 829	Achskörperlager / axle beam mount		Ø A 53 H 50
<b>32037</b>	33 32 6 763 092	Längslenkerlager / trailing arm bush	(1)	
<b>32430</b>	33 32 6 763 471	Querstrebe / cross rod		L 480
<b>36401</b>	33 32 6 782 237	Führungslenker links / guide link left	<b>NEW</b>	L 241
<b>36402</b>	33 32 6 782 238	Führungslenker rechts / guide link right	<b>NEW</b>	L 241
<b>36992</b>	33 32 6 765 534	Querlenkerlager / control arm mount	(2)	12x45x48
<b>36993</b>	33 32 6 765 535	Querlenkerlager / control arm mount	(2)	12x45x49,5
<b>38074</b>	33 53 6 765 584	Stabilisatorlager / stabilizer mount		Ø I 11
<b>40360</b>	33 32 6 777 980 S1	ProKit Querlenker / control arm		L 273
<b>43542</b>	33 32 6 765 425 S1	ProKit Führungslenker / guide link	(3)	L241
<b>43543</b>	33 32 6 782 237 S1	ProKit Führungslenker links / guide link left	(4)	L241
<b>43544</b>	33 32 6 782 238 S1	ProKit Führungslenker rechts / guide link right	(4)	L241

passend für / to fit

**BMW**

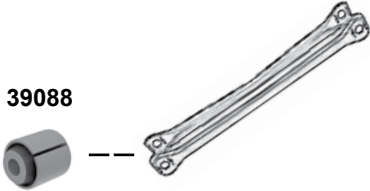


**Car  
Division**

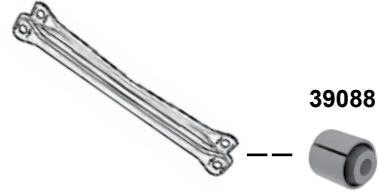


## 1 'er (F20/F21) (2011 →)

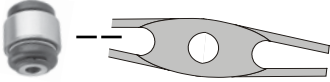
39088



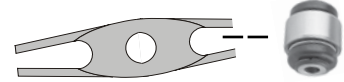
39088



26643

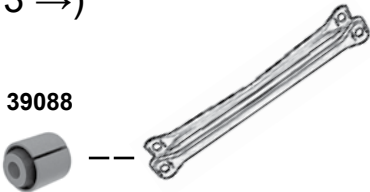


26643

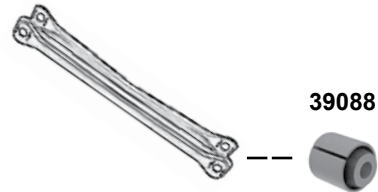


## 2 'er (F22/F23) (2013 →)

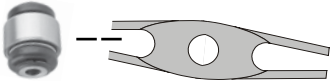
39088



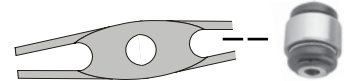
39088



26643



26643



Hinterachse / Rear axle



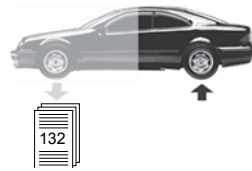
Ref. - No.



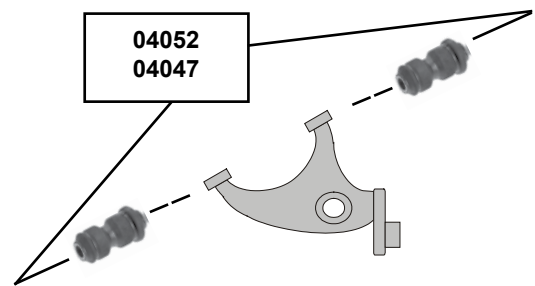
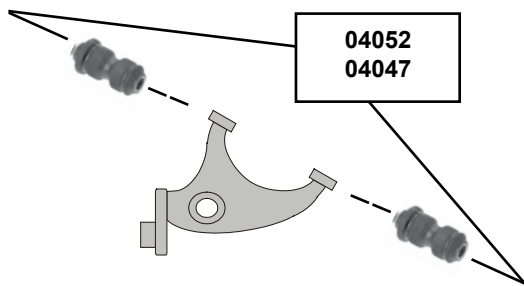
<b>26643</b>	33 32 6 775 552
<b>37677</b>	33 50 6 785 607
<b>37678</b>	33 50 6 785 608
<b>39088</b>	33 32 6 792 551

Querlenkerlager / control arm mount
ProKit Verbindungsstange / stabilizer link
ProKit Verbindungsstange / stabilizer link
Querlenkerlager / control arm mount

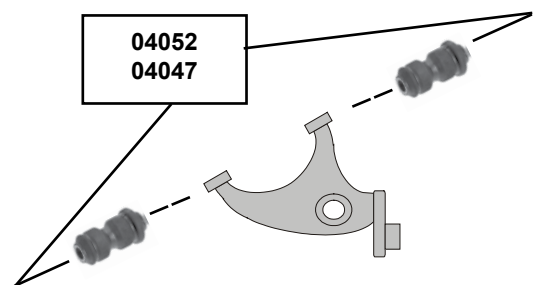
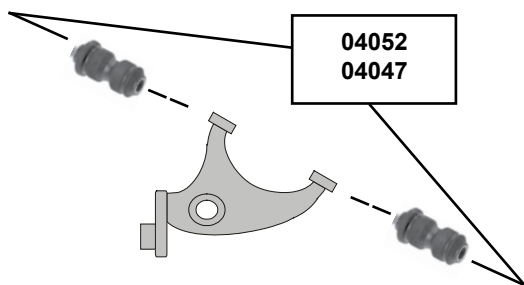
14x47x55
L 135,5
L 135,5



**3'er (E21)**  
(1975 → 1982)



**3'er (E30)**  
(1982 → 1994)



06639

06639



Hinterachse / Rear axle



(1) exzentrisch für Spurverstellung / eccentric, to track adjustment  
excentrique par rapport au réglage de parallélisme / excéntrico para variación de vía  
eccentrico alla regolazione della convergenza



Ref. - No.

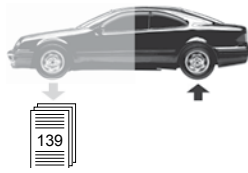


**04047** 33 32 9 058 822  
**04052** 33 32 9 061 945  
**06639** 33 55 1 126 932

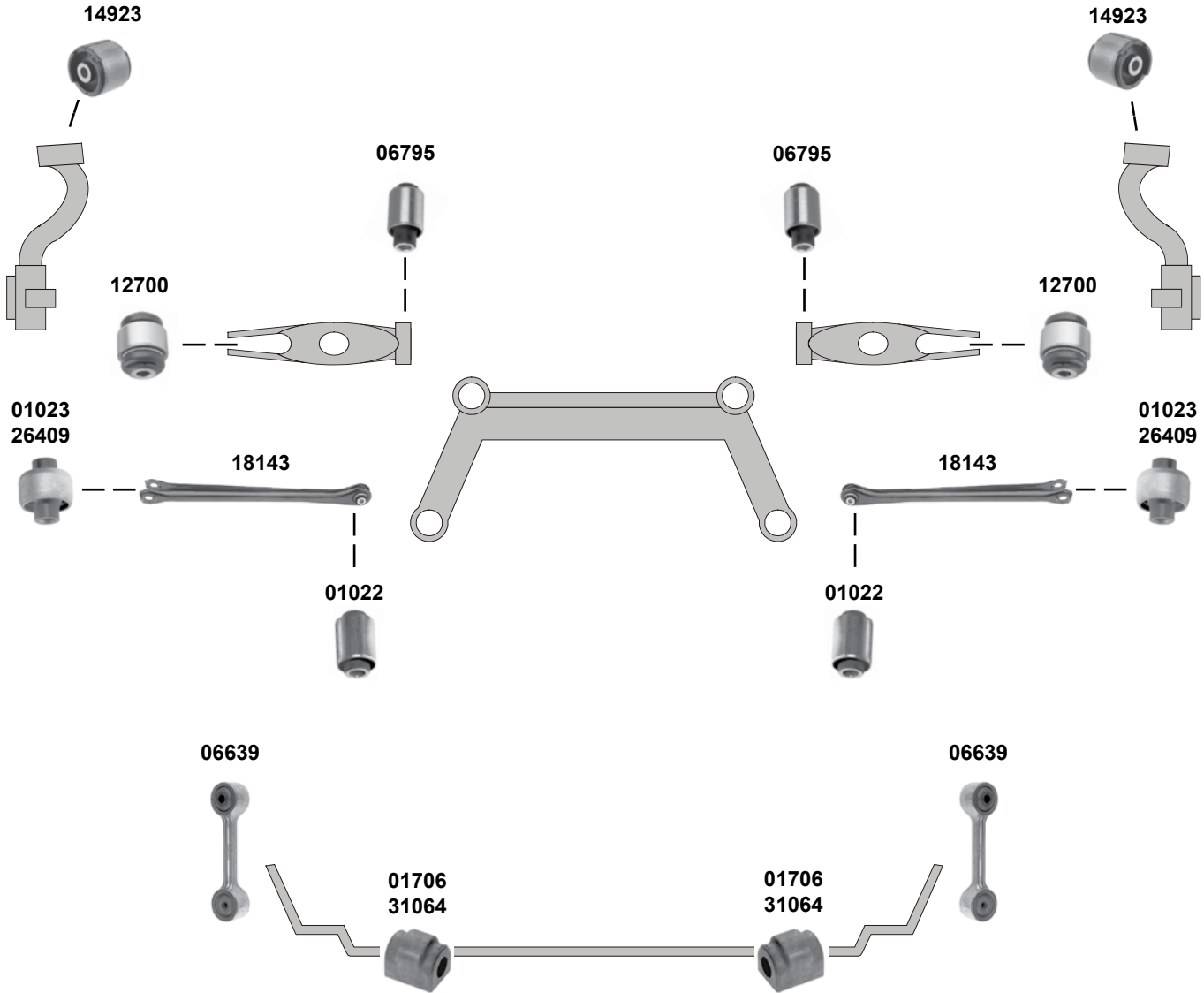
Montagesatz Schräglenker / mounting kit semi-trailing arm  
Montagesatz Schräglenker / mounting kit semi-trailing arm  
Verbindungsstange / stabilizer link

(1)  
(ex.) 325 ix

12x30/35x69,5  
12x30/35x69,5

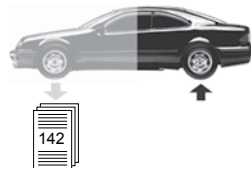


**3'er (E36)**  
(1990 → 2000)  
(ex.) Compact



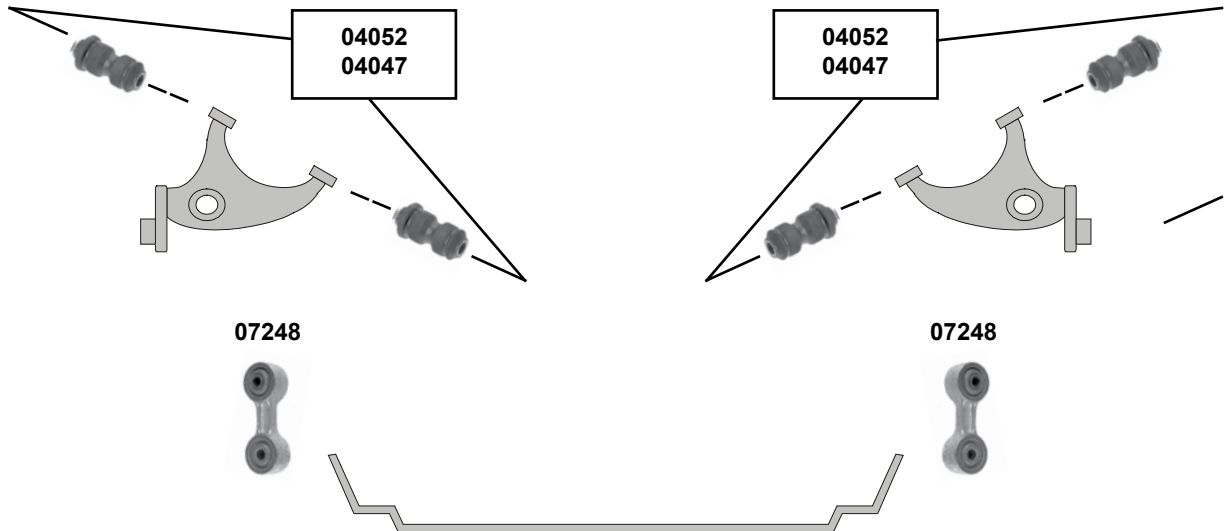
Hinterachse / Rear axle

	Ref. - No.			
<b>01022</b>	33 32 6 770 824	Querlenkerlager / control arm mount		12x38x57
<b>01023</b>	33 32 1 136 311	Querlenkerlager / control arm mount	<b>OLD</b>	Ø I 15
<b>01706</b>	33 55 1 131 155	Stabilisatorlager / stabilizer mount		L 100
<b>06639</b>	33 55 1 126 932	Verbindungsstange / stabilizer link		12x35x42/66,5
<b>06795</b>	33 32 1 092 247	Querlenkerlager / control arm mount		12x45x57
<b>12700</b>	33 32 6 775 551	Querlenkerlager / control arm mount		12x60x58
<b>14923</b>	33 32 6 770 786	Längslenkerlager / trailing arm bush		
<b>18143</b>	33 32 6 770 813	Querstrebe / cross rod		
<b>26409</b>	33 32 6 771 828	Querlenkerlager / control arm mount	<b>NEW</b>	12x45,5
<b>31064</b>	33 55 1 138 104	Stabilisatorlager / stabilizer mount	<b>(ex.) M3 10/91 →</b>	Ø I 18



**3 'er (E36)**  
(1994 → 2000)

Compact 316 g → 323 ti



**3 'er (E46)**  
(1997 → 2005)

325 xi / 330 xd / 330 xi



Hinterachse / Rear axle



(1) exzentrisch für Spurverstellung / eccentric to track adjustment  
excentrique par rapport au réglage de parallélisme / excéntrico para variación de vía  
eccentrico alla regolazione della convergenza

(2) Bitte Innendurchmesser beachten / please note inner diameter



Ref. - No.

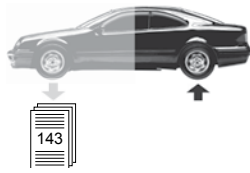


<b>04047</b>	33 32 9 058 822	Montagesatz Schräglenker / mounting kit semi-trailing arm	(1)	12x30/35x69,5
<b>04052</b>	33 32 9 061 945	Montagesatz Schräglenker / mounting kit semi-trailing arm	(1)	12x30/35x69,5
<b>07248</b>	33 55 1 135 307	Verbindungsstange / stabilizer link	(1)	L 60
<b>45097</b>	33 55 6 751 269	Stabilisatorlager / stabilizer mount	(2)	Ø   23,5



passend für / to fit

**BMW**



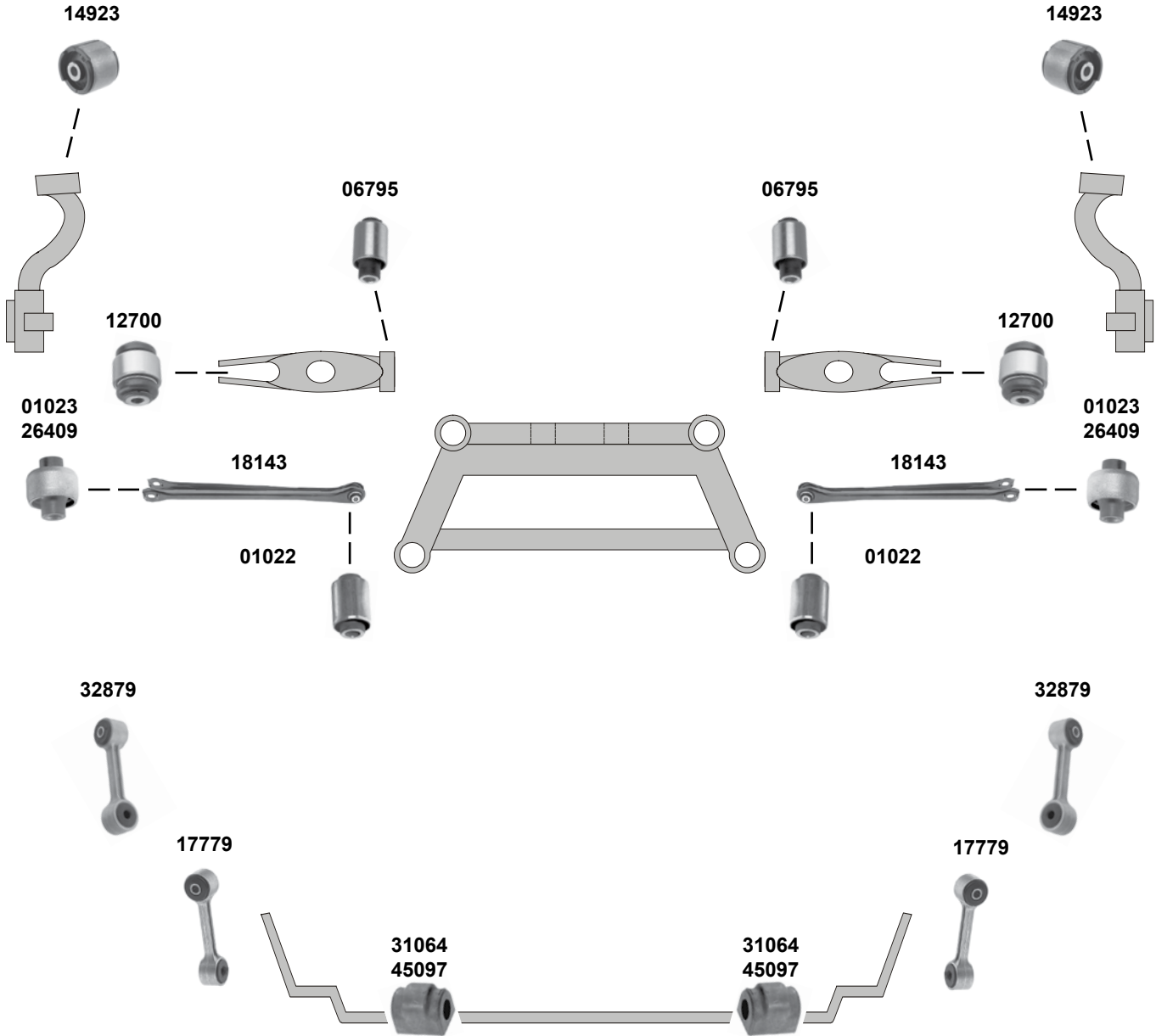
**Car  
Division**



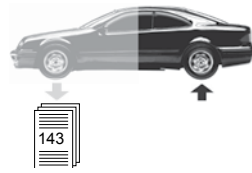
## 3'er (E46)

(1997 → 2005)

316 i/d → 330 i/d



Hinterachse / Rear axle



**3'er (E46)**  
(1997 → 2005)  
**316 i/d → 330 i/d**



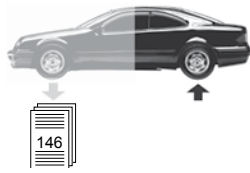
- (1) (ex.) IX-Modelle / compact / touring
- (2) 316i → 330i
- (3) Bitte Innendurchmesser beachten / please note inner diameter



Ref. - No.

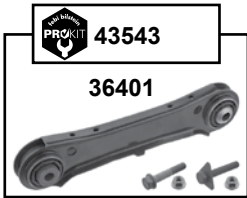
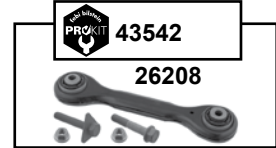
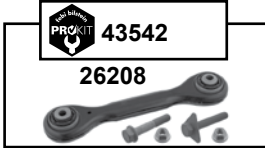


<b>01022</b>	33 32 6 770 824	Querlenkerlager / control arm mount	(2)	12x38x57
<b>01023</b>	33 32 1 136 311	Querlenkerlager / control arm mount	(2) <b>OLD</b>	
<b>06795</b>	33 32 1 092 247	Querlenkerlager / control arm mount	(2)	12x35x42/66,5
<b>12700</b>	33 32 6 775 551	Querlenkerlager / control arm mount	(2)	12x45x57
<b>14923</b>	33 32 6 770 786	Längslenkerlager / trailing arm bush	(2)	12x60x58
<b>17779</b>	33 55 1 094 619	Verbindungsstange / stabilizer link	(2) (ex.) M3	L 95
<b>18143</b>	33 32 6 770 813	Querstrebe / cross rod	(2)	
<b>26409</b>	33 32 6 771 828	Querlenkerlager / control arm mount	(2) <b>NEW</b>	12x45,5
<b>31064</b>	33 55 1 138 104	Stabilisatorlager / stabilizer mount	(1) (2)	Ø   18
<b>32879</b>	33 55 2 283 743	Verbindungsstange / stabilizer link	nur/only M3	L 89
<b>45097</b>	33 55 6 751 269	Stabilisatorlager / stabilizer mount	(3)	Ø   23,5



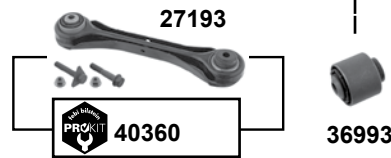
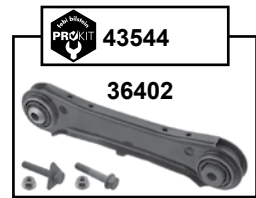
# 3'er (E90/LCI/E91/LCI/E92/LCI/E93/LCI) (2005 → 2014)

## oben / upper

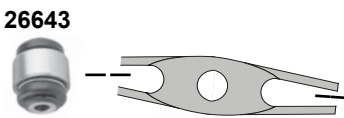
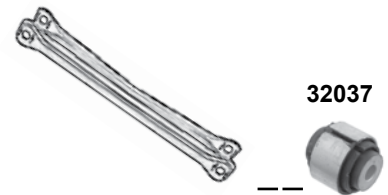
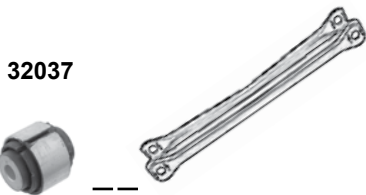


36992

36992

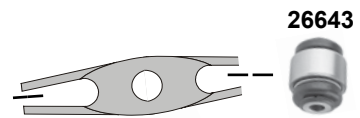


## unten / lower



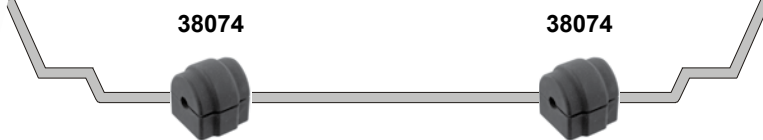
31333

31333

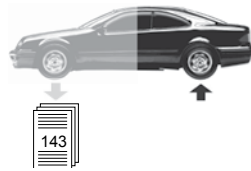


26078

26078



Hinterachse / Rear axle



## 3'er (E90/LCI/E91/LCI/E92/LCI/E93/LCI) (2005 → 2014)

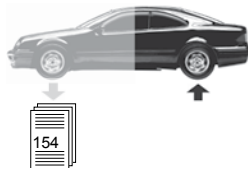
- (1) E 90/LCI 316 i → M3 / E91/LCI 316 → 335 xi / E92/LCI 316 i → M3 / E93 320 d → M3 / E93 LCI 318 i → M3
- (2) **OLD** → 11/09
- (3) E90/E90LCI/E92/E92LCI/E93/E93LCI alle/all **(ex.)** M3 / E91/E91LCI alle/all
- (4) alte Ausführung / old execution
- (5) neue Ausführung / new execution



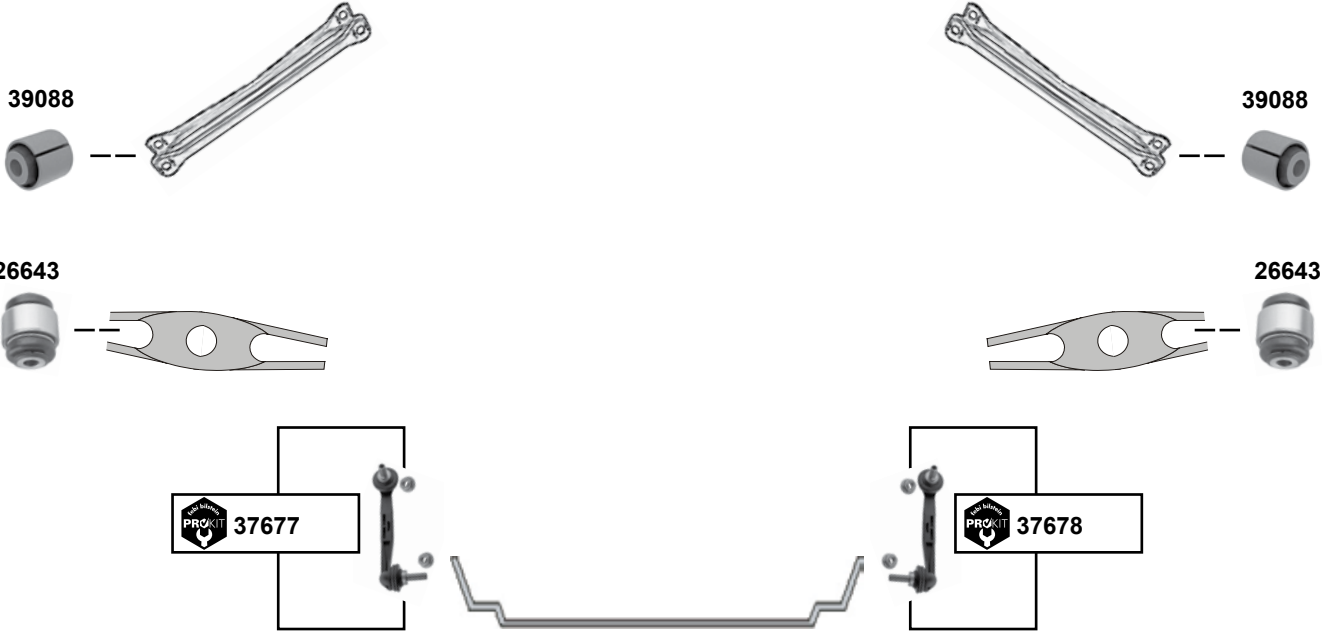
Ref. - No.



Febi bilstein	Ref. - No.			
<b>26078</b>	33 55 6 764 428	Verbindungsstange / stabilizer link		L 161
<b>26208</b>	33 32 6 765 425	Führungslenker / guide link	(2)	L 241
<b>26643</b>	33 32 6 775 552	Querlenkerlager / control arm mount		14x47x55
<b>27193</b>	33 32 6 777 980	Querlenker / control arm	(ex.) M3	L 273
<b>31333</b>	33 32 6 770 829	Achskörperlager / axle beam mount		Ø A 53 H 50
<b>32037</b>	33 32 6 763 092	Längslenkerlager / trailing arm bush	(1)	
<b>32430</b>	33 32 6 763 471	Querstrebe / cross rod	(ex.) M3	L 480
<b>36401</b>	33 32 6 782 237	Führungslenker links / guide link left	<b>NEW</b>	L 241
<b>36402</b>	33 32 6 782 238	Führungslenker rechts / guide link right	<b>NEW</b>	L 241
<b>36992</b>	33 32 6 765 534	Querlenkerlager / control arm mount	(3)	12x45x48
<b>36993</b>	33 32 6 765 535	Querlenkerlager / control arm mount	(3)	12x45x49,5
<b>38074</b>	33 53 6 765 584	Stabilisatorlager / stabilizer mount		Ø I 11
<b>40360</b>	33 32 6 777 980 S1	ProKit Querlenker / control arm		L 273
<b>43542</b>	33 32 6 765 425 S1	ProKit Führungslenker / guide link	(4)	L241
<b>43543</b>	33 32 6 782 237 S1	ProKit Führungslenker links / guide link left	(5)	L241
<b>43544</b>	33 32 6 782 238 S1	ProKit Führungslenker rechts / guide link right	(5)	L241



**3'er (F30)**  
(2012 →)

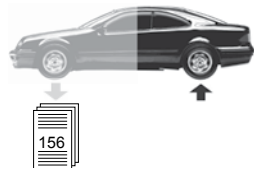


**3'er (F31)**  
(2012 →)

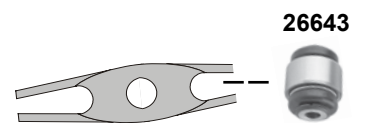
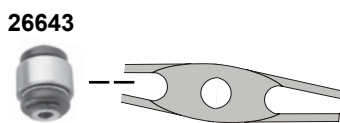
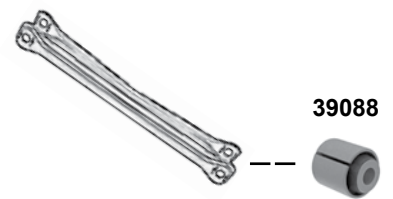
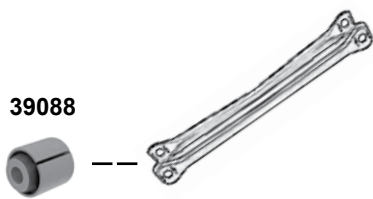





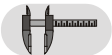
Hinterachse / Rear axle

	Ref. - No.			
<b>26643</b>	33 32 6 775 552	Querlenkerlager / control arm mount		14x47x55
<b>37677</b>	33 50 6 785 607	ProKit Verbindungsstange / stabilizer link		L 135,5
<b>37678</b>	33 50 6 785 608	ProKit Verbindungsstange / stabilizer link		L 135,5
<b>39088</b>	33 32 6 792 551	Querlenkerlager / control arm mount		



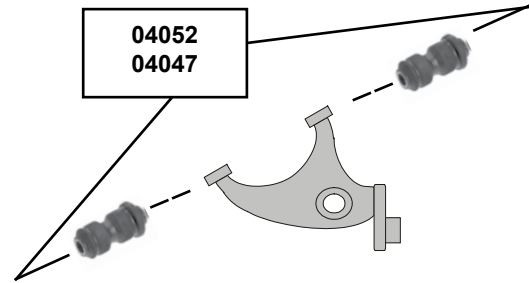
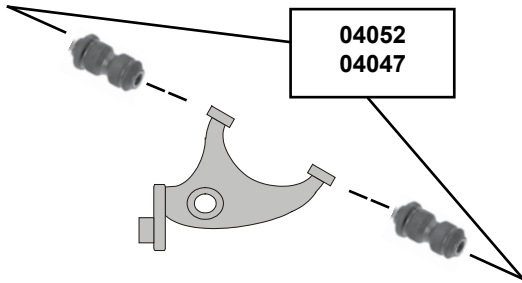
**4'er Coupe (F32/F33/F36)**  
(2013 →)



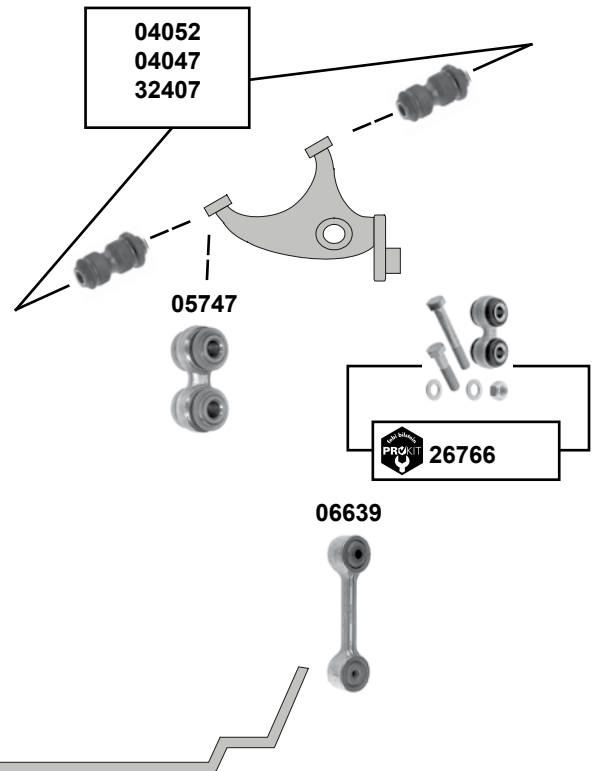
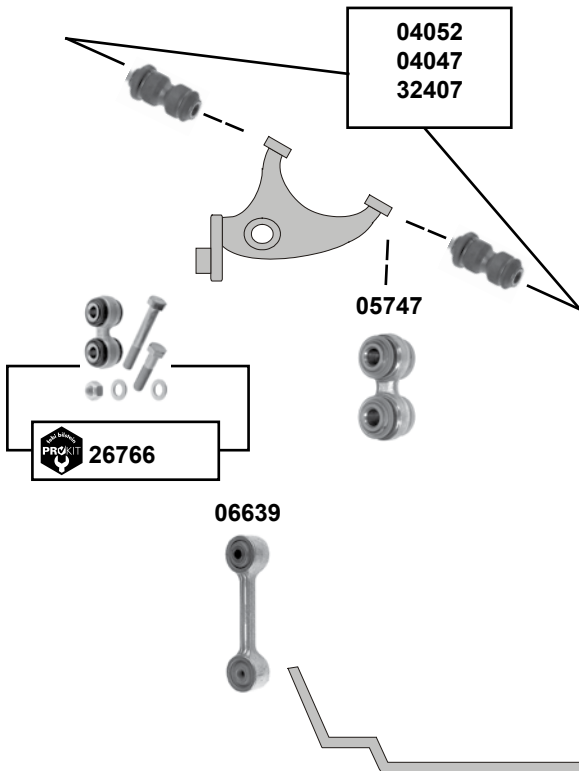
	Ref. - No.			
<b>26643</b>	33 32 6 775 552	Querlenkerlager / control arm mount		14x47x55
<b>37677</b>	33 50 6 785 607	ProKit Verbindungsstange / connecting rod		L 135,5
<b>37678</b>	33 50 6 785 608	ProKit Verbindungsstange / connecting rod		L 135,5
<b>39088</b>	33 32 6 792 551	Querlenkerlager / control arm mount		



**5'er (E12)**  
(1972 → 1981)  
518 → M 535 i



**5'er (E28)**  
(1980 → 1987)  
518 → M 5

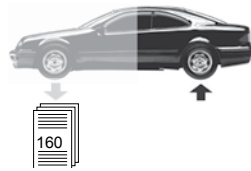


Hinterachse / Rear axle

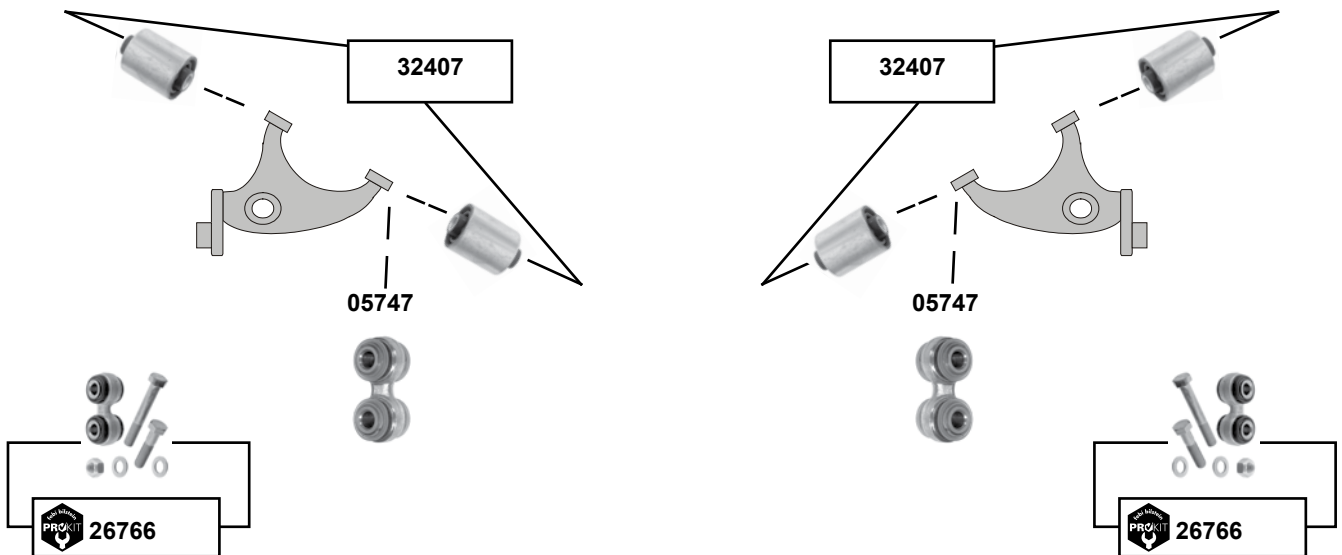


(1) exzentrisch für Spurverstellung / eccentric to track adjustment  
excentrique par rapport au réglage de parallélisme / excéntrico para variación de vía  
eccentrico alla regolazione della convergenza

Ref. - No.			
<b>04047</b>	33 32 9 058 822	Montagesatz Schräglenker / mounting kit semi-trailing arm	(1)
<b>04052</b>	33 32 9 061 945	Montagesatz Schräglenker / mounting kit semi-trailing arm	
<b>05747</b>	33 32 1 126 476	Lenkhebel / steering arm	520i → M535i
<b>06639</b>	33 55 1 126 932	Verbindungsstange / stabilizer link	L 100
<b>26766</b>	33 32 1 126 476 S1	ProKit Verbindungsstange / stabilizer link	
<b>32407</b>	33 32 9 061 946	Montagesatz Schräglenker / mounting kit semi-trailing arm	
			04/86 →



**5'er (E34)**  
(1987 → 1996)  
**518 i → 540 i**



Hinterachse / Rear axle



- (1) 10/91 → / (ex.) (mot.) M20
- (2) nicht exzentrisch / not eccentric

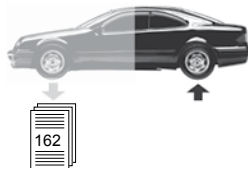


Ref. - No.



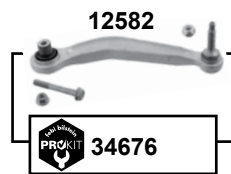
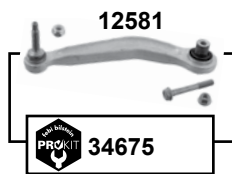
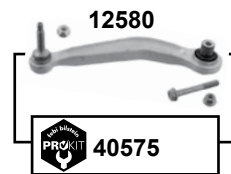
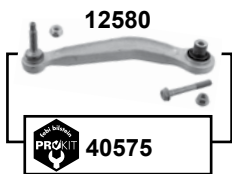
Ref. - No.	Description	Notes	Dimensions
<b>01706</b>	Stabilisatorlager / stabilizer mount	(ex.) M-Tech.	Ø   15
<b>05747</b>	Lenkhebel / steering arm		Ø   15
<b>07248</b>	Verbindungsstange / stabilizer link		L 60
<b>26766</b>	ProKit Verbindungsstange / stabilizer link	520i → M5	M14x1,5x100
<b>31064</b>	Stabilisatorlager / stabilizer mount	(1)	Ø   18
<b>32407</b>	Montagesatz Schräglenker / mounting kit semi-trailing arm	(2) (ex.) M5	



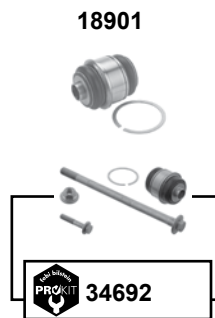


**5'er (E39)**  
(1995 → 2004)

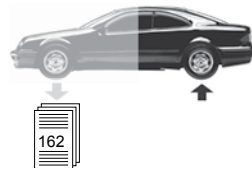
**oben / upper**



**unten / lower**



Hinterachse / Rear axle



**5'er (E39)**  
(1995 → 2004)



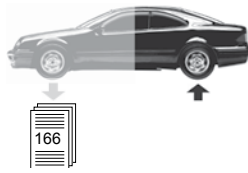
- (1) Limousine + touring : 520 d/i / 523 i / 525 d/i/td/tds/528 i /530 l/d  
für/to fit Stabi Ø A 13 / (ex.) N<sub>4</sub> / MII / (ex.) Sport  
Limousine:535 i / 540 i  
für/to fit Stabi Ø A 13 / nur / only (ch.) EDC
- (2) 520i - 540i
- (3) 520d - 5M
- (4) 520d - 540i → 12/01 // M5 → 07/00



Ref. - No.

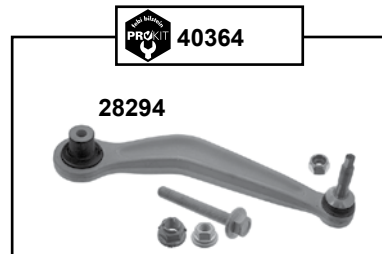
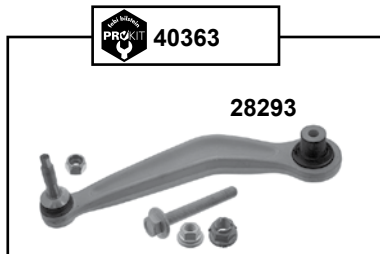
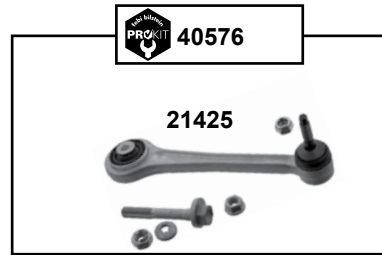
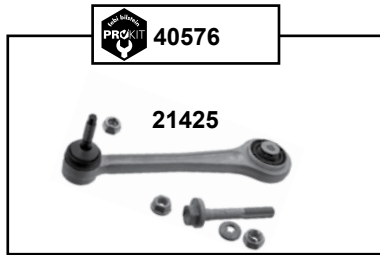


Ref. - No.				
10038	33 55 1 095 532	ProKit Verbindungsstange / stabilizer link	(2)	L 66
12299	33 32 6 770 749	Integrallenker / integral link	(2)	
12580	33 32 6 768 791	Führungslenker / steering control arm	(2) → 12/01	
12581	33 32 6 767 831	Hinterachsstrebe / rear axle strut	(2)	
12582	33 32 6 767 832	Hinterachsstrebe / rear axle strut	(2)	
18901	33 32 6 767 748	Kugelgelenk kompl. / ball joint compl.	(2)	
21425	33 32 6 777 424	Querlenker / control arm	(2) 12/01 →	
32031	33 55 1 093 663	Stabilisatorlager / stabilizer mount	(1)	
34675	33 32 6 767 831 S1	ProKit Querlenker / control arm	(2)	
34676	33 32 6 767 832 S1	ProKit Querlenker / control arm	(2)	
34687	33 32 6 770 749 S1	ProKit Integrallenker / integral link	(2)	
34692	33 32 6 767 748 S3	ProKit Querlenkerlager / control arm mount	(2)	
40575	33 32 6 768 791 S1	ProKit Querlenker / control arm	(4)	L 211
40576	33 32 6 777 424 S1	ProKit Querlenker / control arm	(3) 12/01 →	L 212

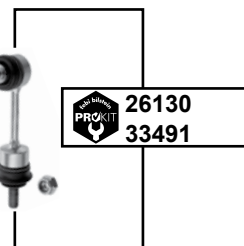
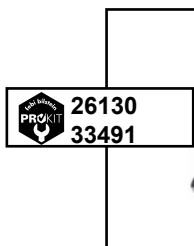
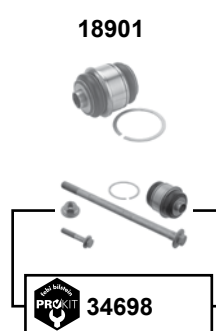


## 5'er (E60 / LCI) (2003 → 2010)

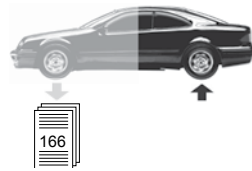
### oben / upper



### unten / lower



Hinterachse / Rear axle

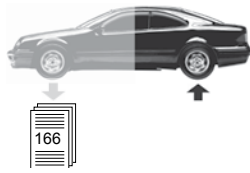


**5'er (E60 / LCI)**  
(2003 → 2010)

- (1) **(ex.)** Radträger links / wheel suspension left 33 32 6 754 561 / 33 32 6 770 907  
**(ex.)** Radträger links / wheel suspension left 33 32 6 754 562 / 33 32 6 770 908
- (2) → 02/05 nur für Radträger links 33 32 6 754 561 / only for wheel suspension left 33 32 6 754 561  
→ 02/05 nur für Radträger rechts 33 32 6 754 562 / only for wheel suspension right 33 32 6 754 562
- (3) → 02/05 nur für Radträger links 33 32 6 770 907 / only for wheel suspension left 33 32 6 770 907  
→ 02/05 nur für Radträger rechts 33 32 6 770 908 / only for wheel suspension right 33 32 6 770 908
- (4) alle / all 03/05 →
- (5) **(ex.)** Fahrzeuge mit Dynamic Drive / **(ex.)** vehicles without dynamic drive only
- (6) **(ex.)** 4WD, nur für Fahrzeuge mit Dynamic Drive / vehicles with dynamic drive only
- (7) E 60 : 523i , 525i , 530i , 520d , 525d , 530d , 03/06 → Ø Stabilisator / stabiliser 13,5 //  
E 60 : 525i , 540i , 550i , 535d Ø Stabilisator / stabiliser 13,5  
E 60 : 545i 03/04 Ø Stabilisator / stabiliser 13,5
- (8) E 61 LCI : 520i , 523i , 525i , 530i , 540i , 550i , 520d , 525d , 530d , 535d Ø Stabilisator / stabiliser 13,5
- (9) E60: 520d - 550i **(ex.)** M5 // E61LCI: 520d - 550i

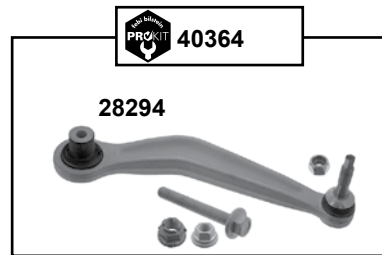
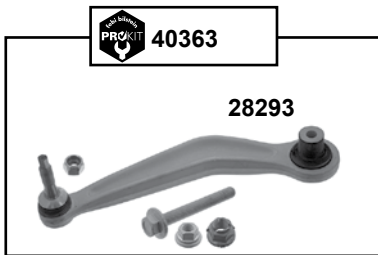
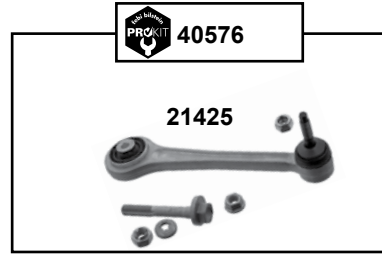
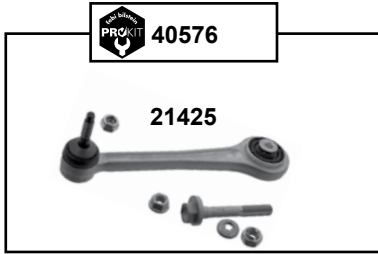


	Ref. - No.			
12299	33 32 6 770 749	Integrallenker / integral link	<b>(ex.)</b> M5	
18901	33 32 6 767 748	Kugelgelenk kompl. / ball joint compl.		
21425	33 32 6 777 424	Querlenker / control arm	<b>(1) (ex.)</b> M5	
26130	33 50 6 781 540	ProKit Verbindungsstange / stabilizer link	<b>(5)</b>	L 132
28291	33 32 6 777 425	Querlenker links / control arm left	<b>(2)</b> → 02/05	
28292	33 32 6 777 426	Querlenker rechts / control arm right	<b>(2)</b> → 02/05	
28293	33 30 6 772 241	Querlenker links / control arm left	<b>(3) (4)</b>	L 306,5
28294	33 30 6 772 242	Querlenker rechts / control arm right	<b>(3) (4)</b>	L 306,5
33491	33 50 6 781 537	ProKit Verbindungsstange / stabilizer link	<b>(6)</b>	L 133
34695	33 32 6 770 749 S2	ProKit Integrallenker / integral link		
34698	33 32 6 767 748 S5	ProKit Kugelgelenk / ball joint		
40363	33 32 2 347 991	ProKit Querlenker / control arm	<b>(3) (4)</b>	L 306,5
40364	33 32 2 347 992	ProKit Querlenker / control arm	<b>(3) (4)</b>	L 306,5
40576	33 32 6 777 424 S1	ProKit Querlenker / control arm	<b>(9)</b>	L 212
44284	33 55 6 766 510	Stabilisatorlager / stabilizer mount	<b>(7) (8)</b>	ID = 12,5

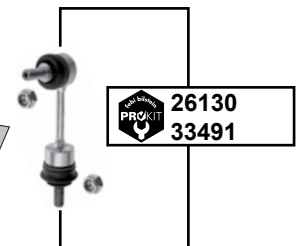
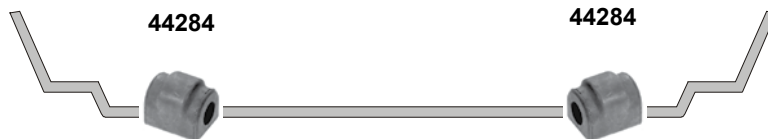
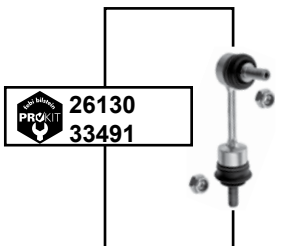
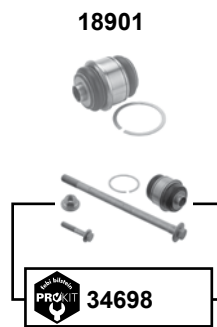
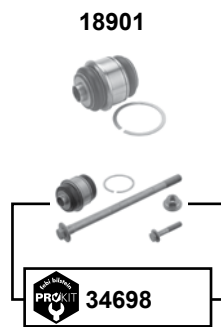


## 5'er (E 61 / LCI) (2003 → 2011)

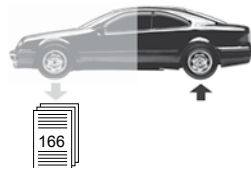
### oben / upper



### unten / lower



Hinterachse / Rear axle



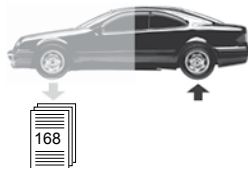
**5'er (E 61 / LCI)**  
(2003 → 2011)

- (1) **(ex.)** Radträger links / wheel suspension left 33 32 6 754 561 / 33 32 6 770 907  
**(ex.)** Radträger links / wheel suspension left 33 32 6 754 562 / 33 32 6 770 908
- (2) → 02/05 nur für Radträger links 33 32 6 754 561 / only for wheel suspension left 33 32 6 754 561  
→ 02/05 nur für Radträger rechts 33 32 6 754 562 / only for wheel suspension right 33 32 6 754 562
- (3) → 02/05 nur für Radträger links 33 32 6 770 925 / only for wheel suspension left 33 32 6 770 907  
→ 02/05 nur für Radträger rechts 33 32 6 770 926 / only for wheel suspension right 33 32 6 770 908
- (4) alle / all 03/05 →
- (5) **(ex.)** Fahrzeuge mit Dynamic Drive / **(ex.)** vehicles without dynamic drive only
- (6) **(ex.)** 4WD, nur für Fahrzeuge mit Dynamic Drive / vehicles with dynamic drive only
- (7) E 61 : 523i touring , 525i touring , 530i touring , 545i touring , 550i touring , 520d touring , 525d touring , 530d touring , 535d touring für Fahrzeuge mit Sportfahrwerk / for vehicles with sports suspension / Ø Stabilisator / stabiliser 13,5
- (8) E 61 LCI : 520i touring, 523i touring , 525i touring , 530i touring , 550i touring , 520d touring , 525d touring , 530d touring , 535d touring für Fahrzeuge mit Sportfahrwerk / for vehicles with sports suspension / Ø Stabilisator / stabiliser 13,5

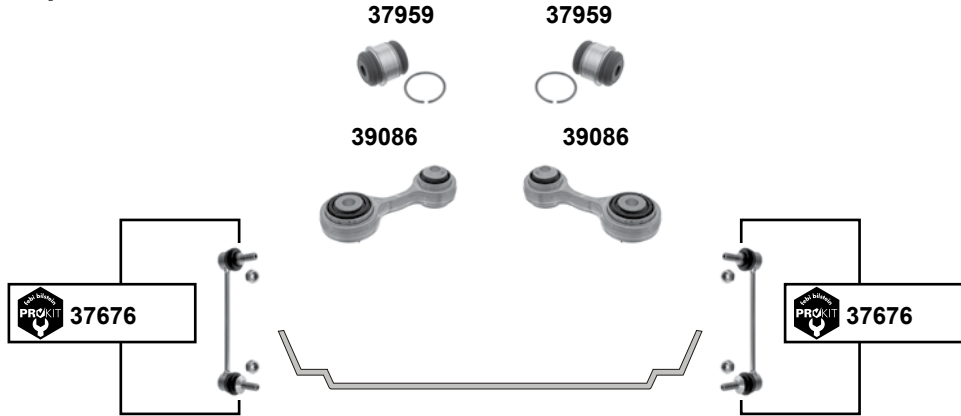


Hinterachse / Rear axle

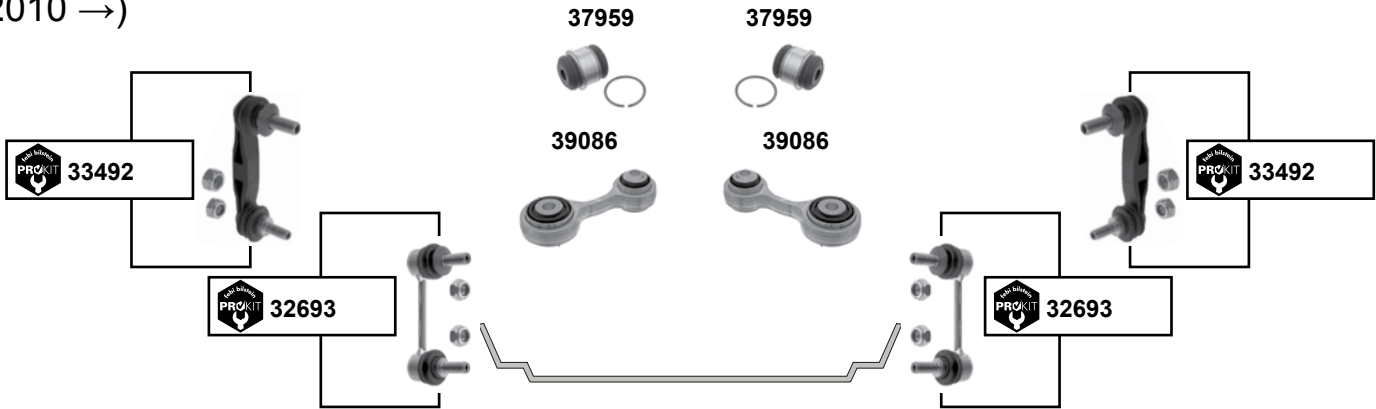
	Ref. - No.			
<b>12299</b>	33 32 6 770 749	Integrallenker / integral link	<b>(ex.)</b> M5	
<b>18901</b>	33 32 6 767 748	Kugelgelenk kompl. / ball joint compl.		
<b>21425</b>	33 32 6 777 424	Querlenker / control arm	<b>(1) (ex.)</b> M5	
<b>26130</b>	33 50 6 781 540	ProKit Verbindungsstange / stabilizer link	<b>(5)</b>	L 132
<b>28291</b>	33 32 6 777 425	Querlenker links / control arm left	<b>(2)</b> → 02/05	
<b>28292</b>	33 32 6 777 426	Querlenker rechts / control arm right	<b>(2)</b> → 02/05	
<b>28293</b>	33 30 6 772 241	Querlenker links / control arm left	<b>(3) (4)</b>	L 306,5
<b>28294</b>	33 30 6 772 242	Querlenker rechts / control arm right	<b>(3) (4)</b>	L 306,5
<b>33491</b>	33 50 6 781 537	ProKit Verbindungsstange / stabilizer link	<b>(6)</b>	L 133
<b>34695</b>	33 32 6 770 749 S2	ProKit Integrallenker / integral link		
<b>34698</b>	33 32 6 767 748 S5	ProKit Querlenkerlager / control arm mount		
<b>40363</b>	33 32 2 347 991	ProKit Querlenker / control arm	<b>(3) (4)</b>	L 306,5
<b>40364</b>	33 32 2 347 992	ProKit Querlenker / control arm	<b>(3) (4)</b>	L 306,5
<b>40576</b>	33 32 6 777 424 S1	ProKit Querlenker / control arm	520d - 550i	L 212
<b>44284</b>	33 55 6 766 510	Stabilisatorlager / stabilizer mount	<b>(7) (8)</b>	ID = 12,5



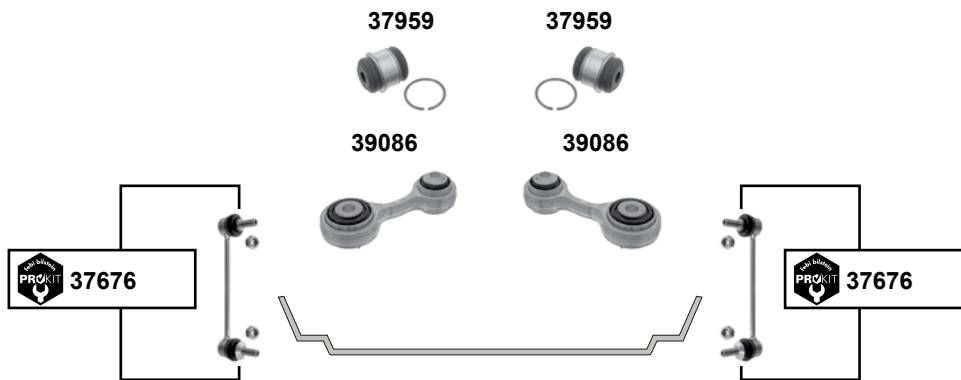
**5'er (F07 GT)**  
(2009 →)



**5'er (F10)**  
(2010 →)



**5'er (F11)**  
(2010 →)



Hinterachse / Rear axle

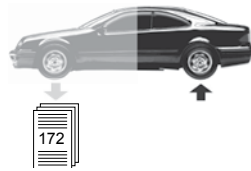
- (1) nur für Fahrzeuge mit Dynamic Drive / vehicles with dynamic drive only
- (2) (ex.) Fahrzeuge mit Dynamic Drive / vehicles without dynamic drive only
- (3) F07 GT, F11 alle/all / F10 alle/all (ex.) M5



Ref. - No.

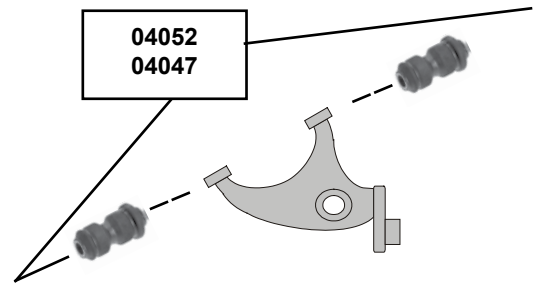
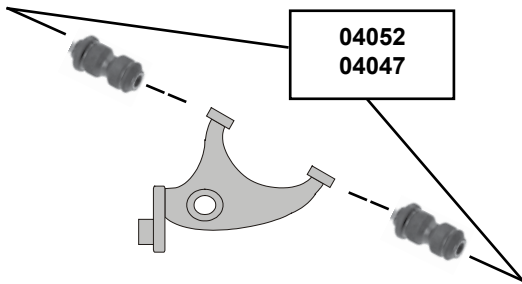


Ref. - No.	Description	Notes	Length
<b>32693</b>	37 10 6 775 189 ProKit Verbindungsstange / stabilizer link	(1)	L 109,5
<b>33492</b>	33 55 6 777 635 ProKit Verbindungsstange / stabilizer link	(2)	L 110
<b>37676</b>	33 55 6 786 429 ProKit Verbindungsstange / stabilizer link		L 200
<b>37959</b>	33 32 6 780 438 Querlenkerlager / control arm mount		Ø 16,1
<b>39086</b>	33 32 6 775 683 Integrallenker / integral link	(3)	L 108

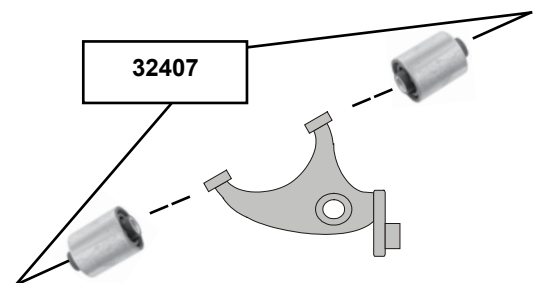
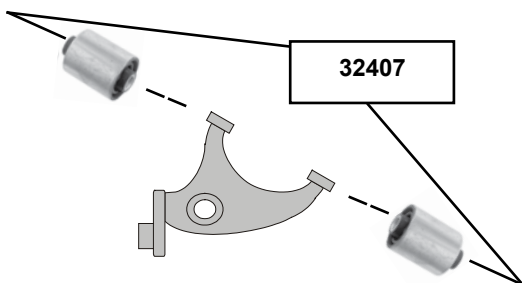


**6'er (E 24)**  
(1975 → 1989)  
**628 CSI → M635 CSI**

**75 → 05/82**



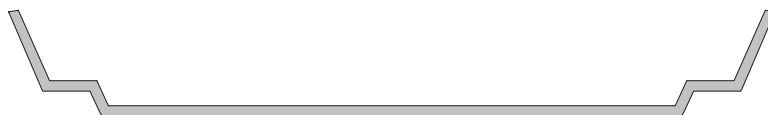
**05/82 → 89**



06639



06639



Hinterachse / Rear axle



(1) nicht exzentrisch / not eccentric



Ref. - No.



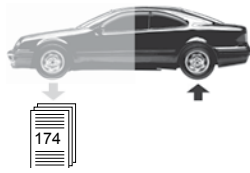
<b>04047</b>	33 32 9 058 822
<b>04052</b>	33 32 9 061 945
<b>06639</b>	33 55 1 126 932
<b>32407</b>	33 32 9 061 946

Montagesatz Schräglenker / mounting kit semi-trailing arm
Montagesatz Schräglenker / mounting kit semi-trailing arm
Verbindungsstange / stabilizer link
Montagesatz Schräglenker / mounting kit semi-trailing arm

(1)

M12 x 30
M12 x 30
L 100



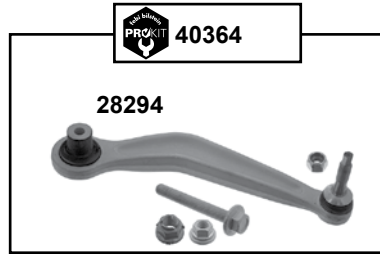
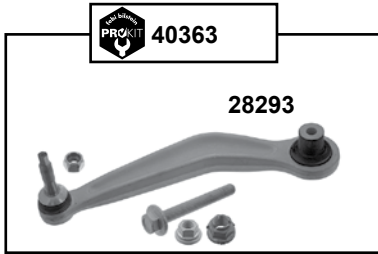
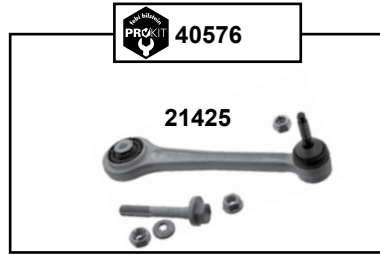
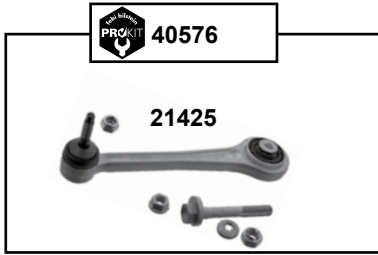


## 6'er (E 63/64 / E 63/64 LCI)

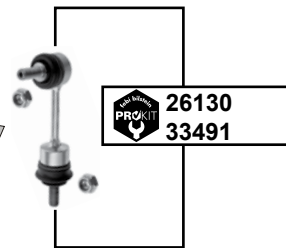
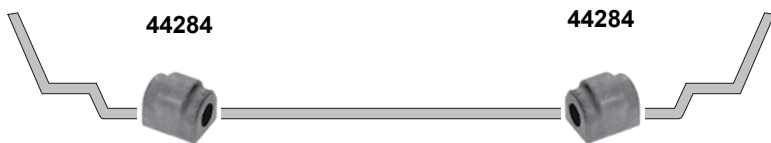
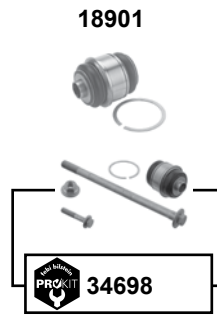
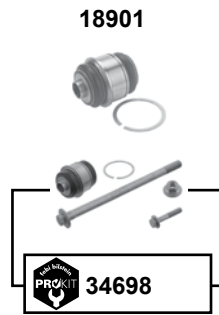
(2003 → 2011)

Cabrio/Coupe

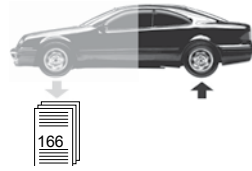
### oben / upper



### unten / lower



Hinterachse / Rear axle



**6'er (E 63/64 / E 63/64 LCI)**  
(2003 → 2011)

**(1) (ex.)** Fahrzeuge mit Dynamic Drive / **(ex.)** vehicles without dynamic drive only

**(2)** E 64 630 Ci - M 6 / E 64 LCI 630 Ci - 650 i

**(3) (ex.)** M6, nur für Fahrzeuge mit Dynamic Drive / vehicles with dynamic drive only

**(4)** E 63 / E 63 LCI : 630i Coupe Ø Stabilisator / stabiliser 13,5

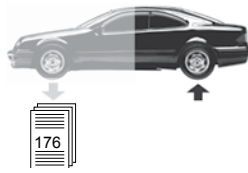
**(5)** E 63: 630i - 650i / E 64: 630 Ci - 650 Ci



Ref. - No.



<b>12299</b>	33 32 6 770 749	Integrallenker / integral link	<b>(ex.)</b> M6	
<b>18901</b>	33 32 6 767 748	Kugelgelenk kompl. / ball joint compl.		
<b>21425</b>	33 32 6 777 424	Querlenker / control arm	06/06 → 10/06	
<b>26130</b>	33 50 6 781 540	ProKit Verbindungsstange / stabilizer link	<b>(1) (2)</b>	L 132
<b>28293</b>	33 30 6 772 241	Querlenker links / control arm left		L 306,5
<b>28294</b>	33 30 6 772 242	Querlenker rechts / control arm right		L 306,5
<b>33491</b>	33 50 6 781 537	ProKit Verbindungsstange / stabilizer link	<b>(3)</b>	L 133
<b>34695</b>	33 32 6 770 749 S2	ProKit Integrallenker / integral link	<b>(ex.)</b> M6	
<b>34698</b>	33 32 6 767 748 S5	ProKit Querlenkerlager / control arm mount	<b>(ex.)</b> M6	
<b>40363</b>	33 32 2 347 991	ProKit Querlenker / control arm		L 306,5
<b>40364</b>	33 32 2 347 992	ProKit Querlenker / control arm		L 306,5
<b>40576</b>	33 32 6 777 424 S1	ProKit Querlenker / control arm	<b>(5)</b>	L 212
<b>44284</b>	33 55 6 766 510	Stabilisatorlager / stabilizer mount	<b>(4)</b>	ID = 12,5



**6 er (F12/F13)**

(2011 →)

**640i,650i**

**37959**



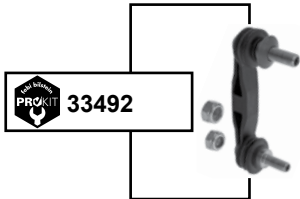
**37959**



**39086**



**39086**



Hinterachse / Rear axle



(1) nur für Fahrzeuge mit Dynamic Drive / vehicles with dynamic drive only

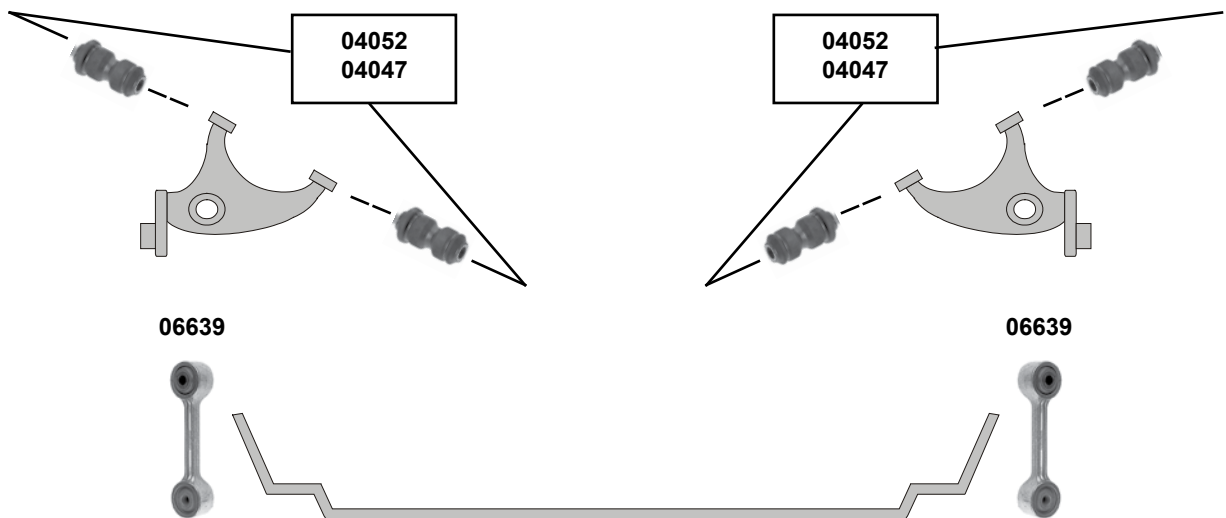
(2) (ex.) Fahrzeuge mit Dynamic Drive / vehicles without dynamic drive only F12: alle/all / F13: alle/all

	Ref. - No.			
<b>32693</b>	37 10 6 775 189	ProKit Verbindungsstange / stabilizer link	(1)	L 109,5
<b>33492</b>	33 55 6 777 635	ProKit Verbindungsstange / stabilizer link	(2)	L 110
<b>37959</b>	33 32 6 780 438	Querlenkerlager / control arm mount		Ø 16,1
<b>39086</b>	33 32 6 775 683	Integrallenker / integral link	(ex.) M6	L 108

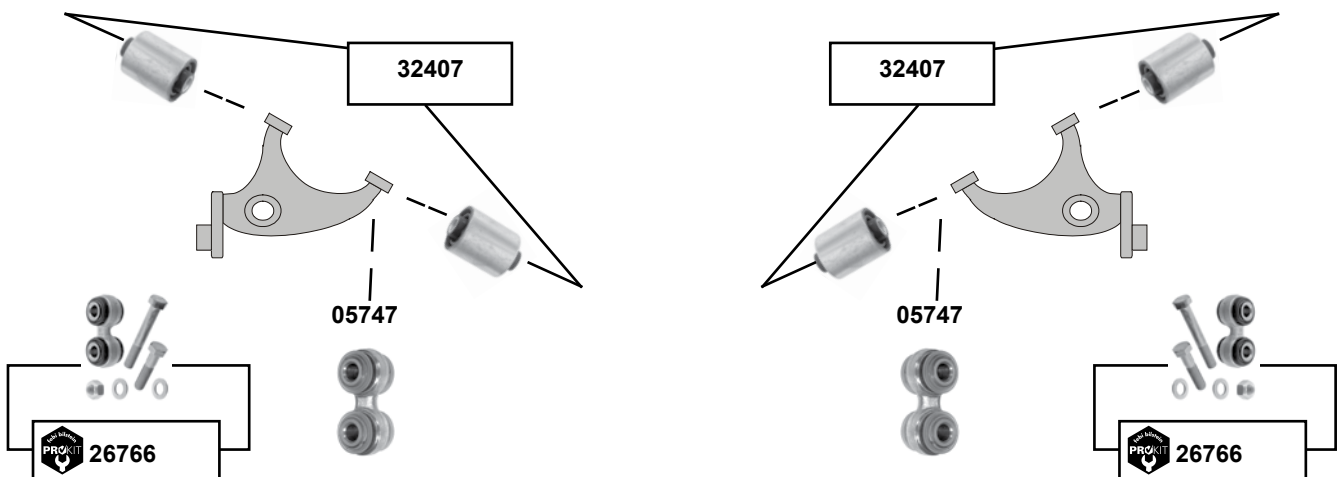


**7'er (E 23)**  
(1977 → 1986)  
728 → 745 i

**75 → 09/82**



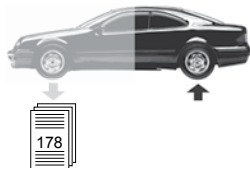
**09/82 → 89**



- (1)** exzentrisch für Spurverstellung / eccentric to track adjustment  
excentrique par rapport au réglage de parallélisme / excéntrico para variación de vía  
eccentrico alla regolazione della convergenza
- (2)** nicht exzentrisch / not eccentric

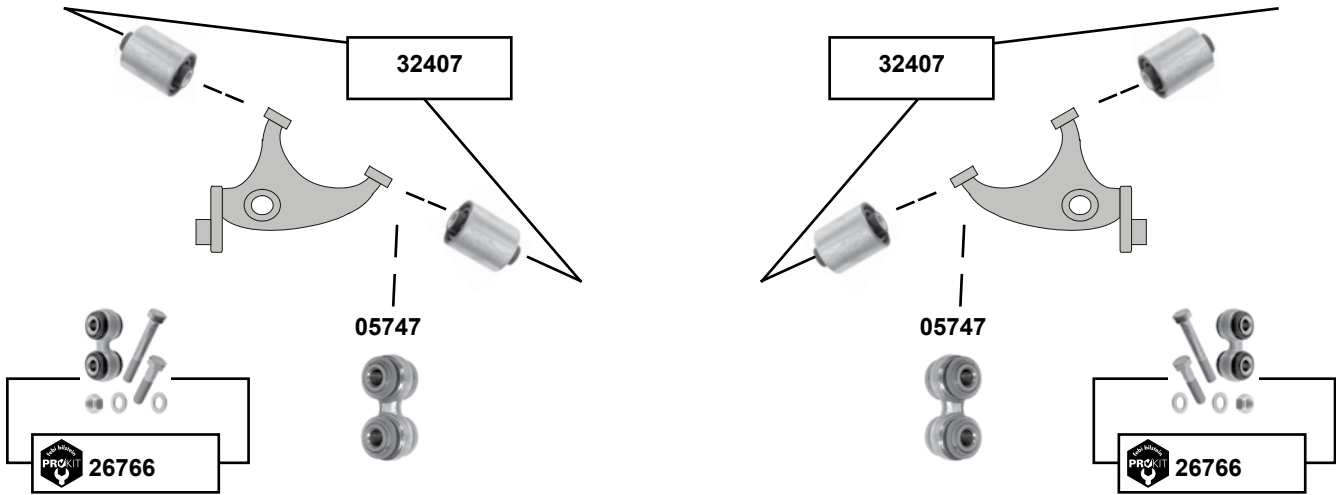
Hinterachse / Rear axle

	Ref. - No.			
<b>04047</b>	33 32 9 058 822	Montagesatz Schräglenker / mounting kit semi-trailing arm	<b>(1)</b>	12x30/35x69,5
<b>04052</b>	33 32 9 061 945	Montagesatz Schräglenker / mounting kit semi-trailing arm		12x30/35x69,5
<b>05747</b>	33 32 1 126 476	Lenkhebel / steering arm		Ø 15
<b>06639</b>	33 55 1 126 932	Verbindungsstange / stabilizer link		L 100
<b>26766</b>	33 32 1 126 476 S1	ProKit Verbindungsstange / stabilizer link		M14x1,5x100
<b>32407</b>	33 32 9 061 946	Montagesatz Schräglenker / mounting kit semi-trailing arm	<b>(2)</b>	



178

**7'er (E 32)**  
(1985 → 1994)  
**730 i → 750 iL**



Hinterachse / Rear axle



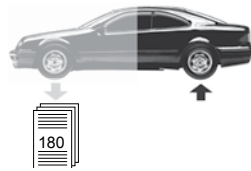
(1) nicht exzentrisch / not eccentric



Ref. - No.



<b>01706</b>	33 55 1 131 155	Stabilisatorlager / stabilizer mount	(ex.) M-Tech.	Ø   15
<b>05747</b>	33 32 1 126 476	Lenkhebel / steering arm	(ex.) M-Tech.	Ø   15
<b>07248</b>	33 55 1 135 307	Verbindungsstange / stabilizer link		L 60
<b>26766</b>	33 32 1 126 476 S1	ProKit Verbindungsstange / stabilizer link	520i → M5	M14x1,5x100
<b>32407</b>	33 32 9 061 946	Montagesatz Schräglenker / mounting kit semi-trailing arm	(1)	

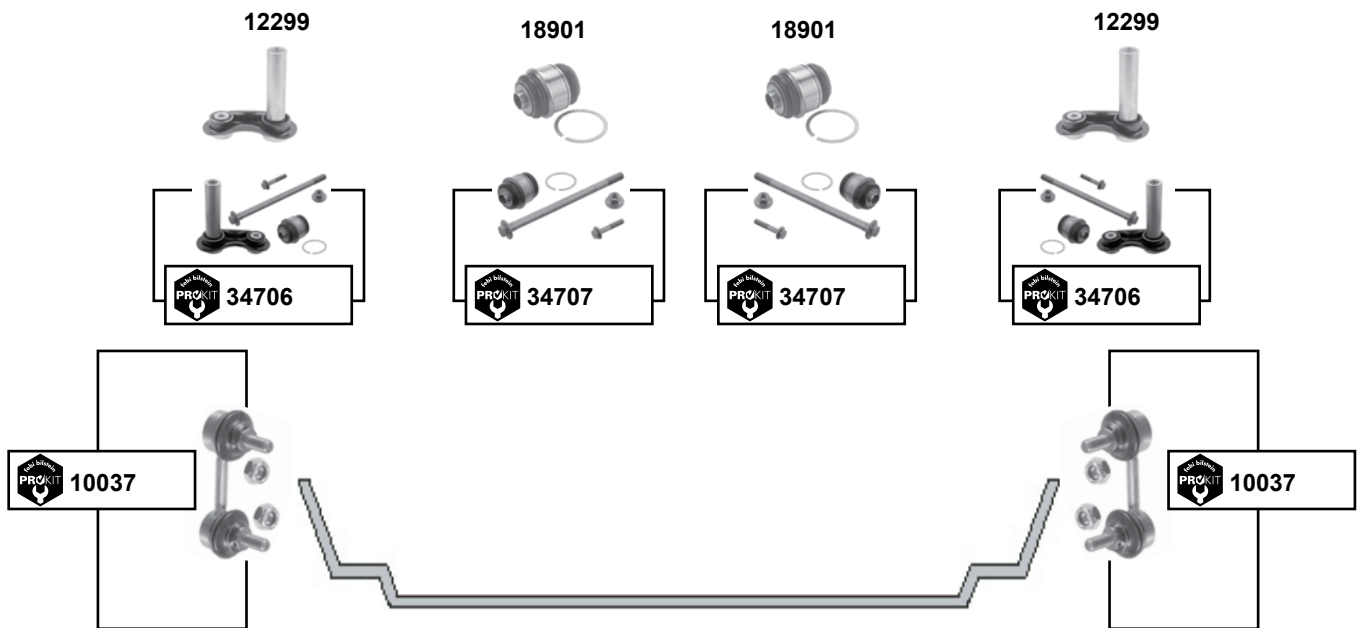


**7'er (E38)**  
(1993 → 2001)  
725 tds → 750 iL

**oben / upper**

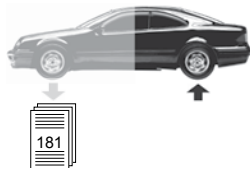


**unten / lower**



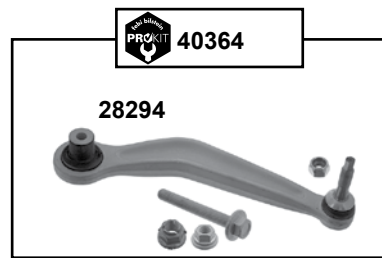
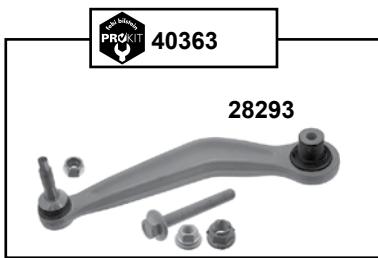
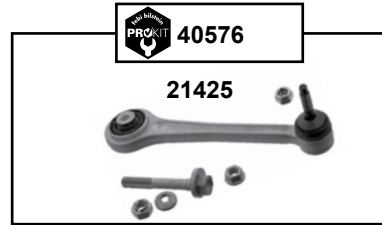
Hinterachse / Rear axle

	Ref. - No.			
<b>10037</b>	33 55 1 095 696	ProKit Verbindungsstange / stabilizer link		L 75
<b>12299</b>	33 32 6 770 749	Integrallenker / integral link		
<b>12580</b>	33 32 6 768 791	Querlenker / control arm		
<b>18901</b>	33 32 6 767 748	Querlenkerlager / control arm mount		
<b>23888</b>	33 32 1 090 905	Querlenker / control arm		L 306
<b>23889</b>	33 32 1 090 906	Querlenker / control arm		L 306
<b>34706</b>	33 32 6 770 749 S3	Prokit Integrallenker / integral link		
<b>34707</b>	33 32 6 767 748 S7	Prokit Querlenkerlager / control arm mount		
<b>40575</b>	33 32 6 768 791 S1	ProKit Querlenker / control arm		L 211



**7'er (E65/E66)**  
(2001 → 2008)

**oben / upper**



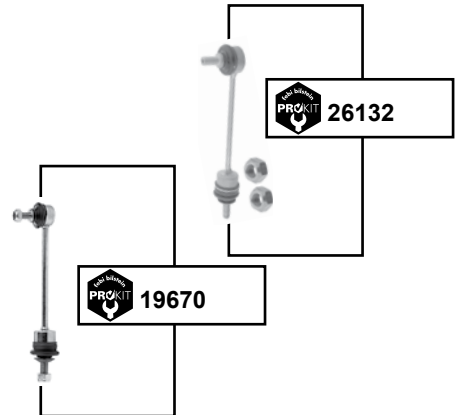
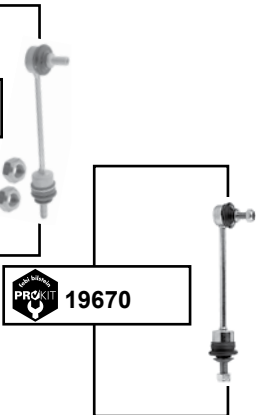
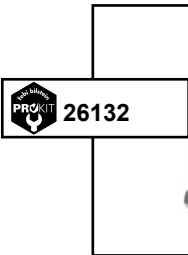
**unten / lower**

12299

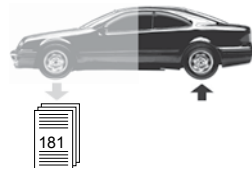
18901

18901

12299



Hinterachse / Rear axle



**7'er (E65/E66)**  
(2001 → 2008)



- (1) E65: 730d - 760i // E66: 730Ld - 760Li
- (2) E65: 730i (mot.) M54 // 735i, 745i (mot.) N62 730d (mot.) M57N 740d (mot.) N67 / 03/03 →  
E66: 730Li (mot.) M54 // 735Li, 745Li (mot.) N62 / 03/03 →
- (3) (ex.) 730i/Li // Ø Stabilisator / stabiliser 13,5 (ex.) Sport

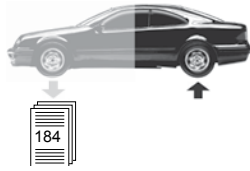


Ref. - No.



Ref. - No.	Description	Notes	Dimensions
12299	33 32 6 770 749	Integrallenker / integral link	
18901	33 32 6 767 748 S1	Querlenkerlager / control arm mount	
19670	33 55 6 757 460	ProKit Verbindungsstange / stabilizer link	(ex.) Dynamic Drive L 212
21425	33 32 6 777 424	Querlenker / control arm	
26132	33 50 6 781 539	ProKit Verbindungsstange / stabilizer link	Dynamic Drive L 215
28293	33 30 6 772 241	Querlenker links / control arm left	L 306,5
28294	33 30 6 772 242	Querlenker rechts / control arm right	L 306,5
34695	33 32 6 770 749 S2	ProKit Integrallenker / integral link	
34698	33 32 6 767 748 S5	ProKit Querlenkerlager / control arm mount	
40363	33 32 2 347 991	ProKit Querlenker / control arm	L 306,5
40364	33 32 2 347 992	ProKit Querlenker / control arm	L 306,5
40576	33 32 6 777 424 S1	ProKit Querlenker / control arm	(1) L 212
45625	33 55 6 753 927	Stabilisatorlager / stabilizer mount	(3) ØI 13
45626	33 55 6 753 927	Stabilisatorlager / stabilizer mount	(2) ØI 15

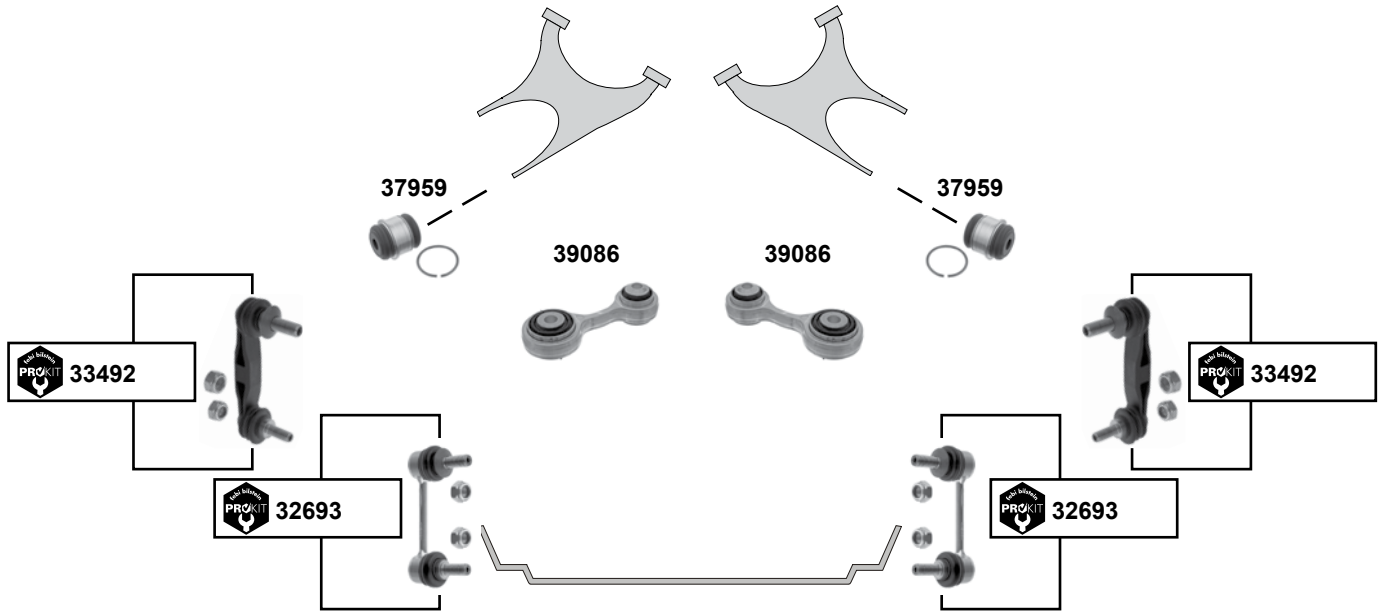




## 7'er (F01/F02/F04)

(10/2008 → 2015)

730 d → 760 i



## 8'er (E31)

(1989 → 1999)

840 i → 850 Ci



Hinterachse / Rear axle



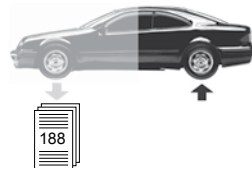
- (1) nur für Fahrzeuge mit Dynamic Drive / vehicles with dynamic drive only (ex.) 730 i
- (2) (ex.) Fahrzeuge mit Dynamic Drive / vehicles without dynamic drive only F01: (ex.) 760i / F02: (ex.) 760 Li / F04: alle/all



Ref. - No.

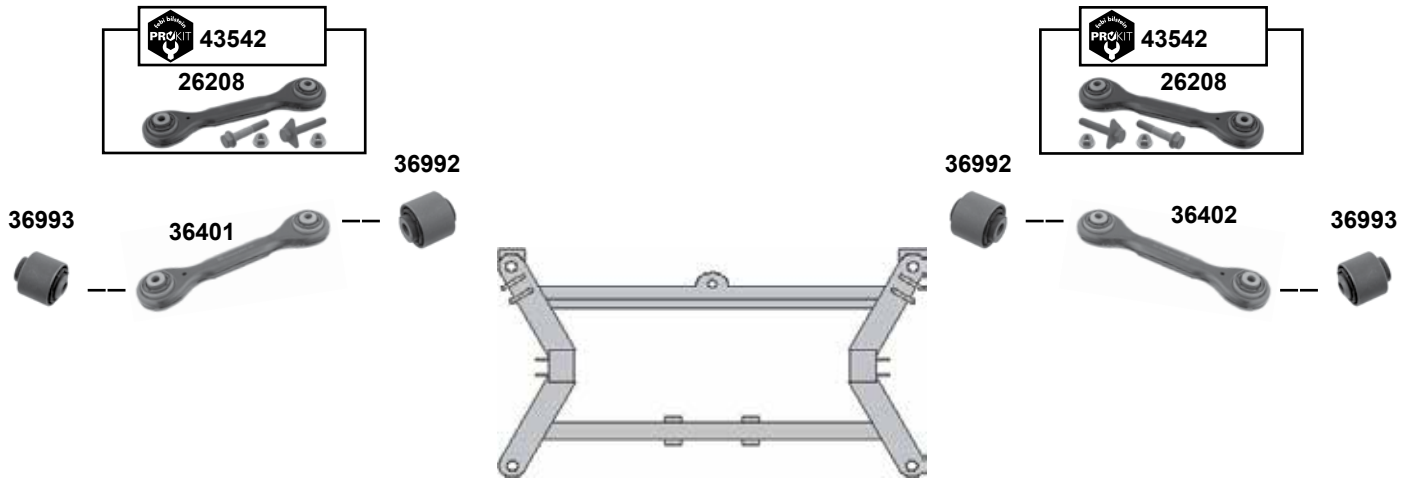


Part No.	Ref. - No.	Description	Notes	Dimensions
02682	31 12 1 124 622	Querlenkerlager / control arm mount		12x46,5x52,5
32693	37 10 6 775 189	ProKit Verbindungsstange / stabilizer link	(1)	L 109,5
33492	33 55 6 777 635	ProKit Verbindungsstange / stabilizer link	(2)	L 110
37959	33 32 6 780 438	Querlenkerlager / control arm mount		Ø 16,1
39086	33 32 6 775 683	Integrallenker / integral link		L 108

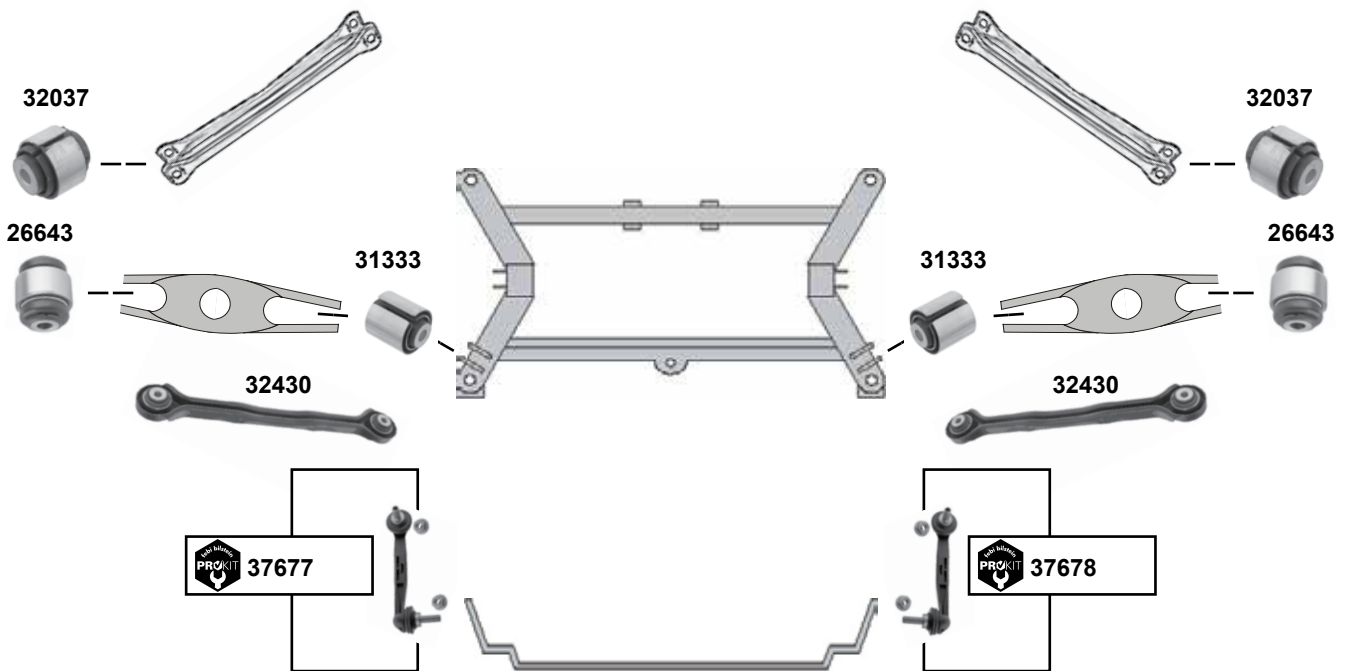


**oben / upper**

**X1 (E84)**  
(2009 →)



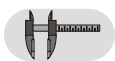
**unten / lower**



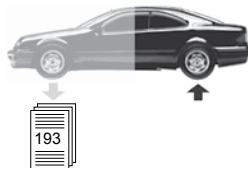
(1) alte Ausführung / old execution



Ref. - No.



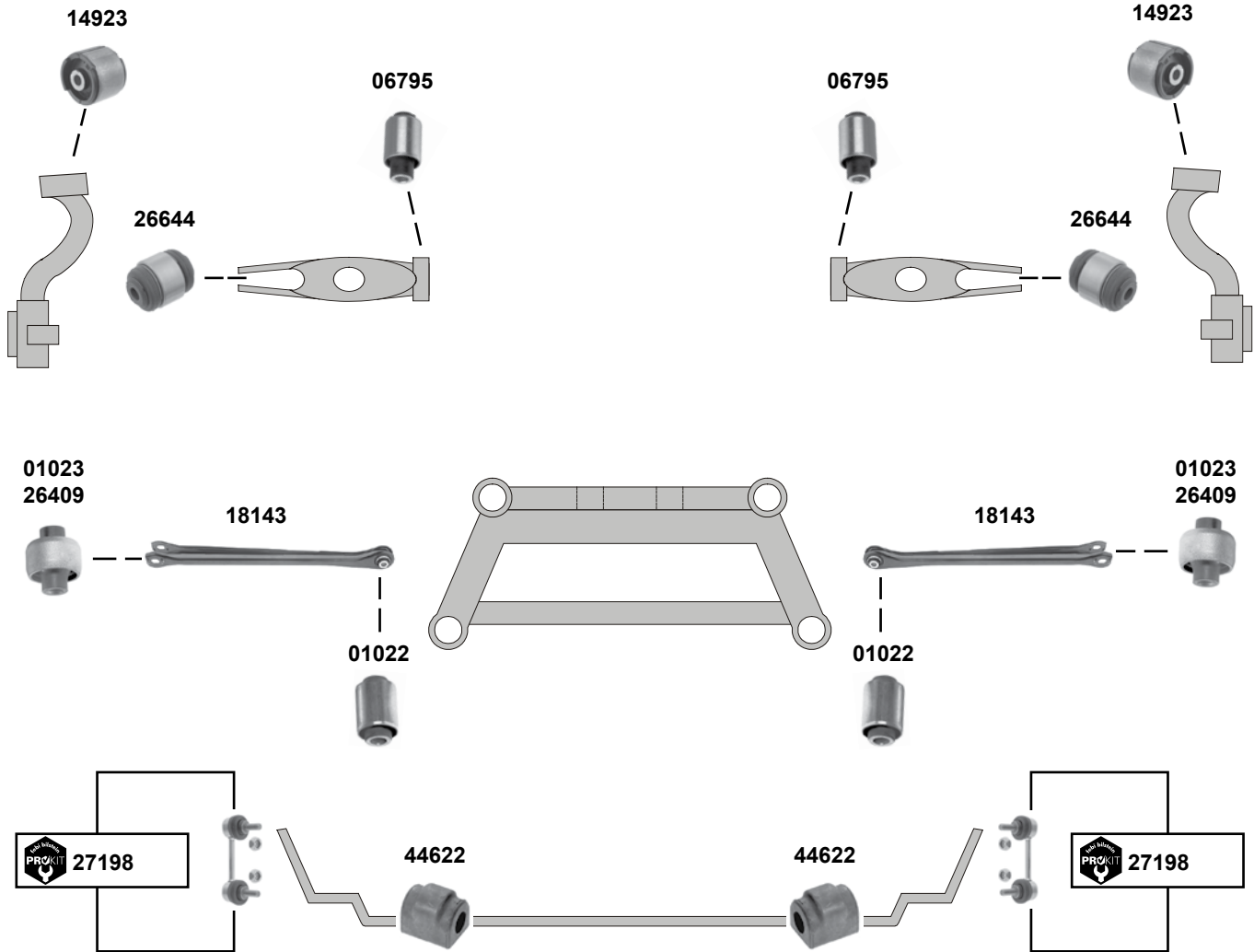
Ref. - No.				
26208	33 32 6 765 425	Führungslenker / guide link	OLD → 11/09	L 241
26643	33 32 6 775 552	Querlenkerlager / control arm mount		14x47x55
31333	33 32 6 770 829	Achskörperlager / axle beam mount		Ø A 53 H 50
32037	33 32 6 763 092	Längslenkerlager / trailing arm bush	1,8 d → 2,8 iX	
32430	33 32 6 763 471	Querstrebe / cross rod		L 480
36401	33 32 6 782 237	Führungslenker links / guide link left	NEW	L 241
36402	33 32 6 782 238	Führungslenker rechts / guide link right	NEW	L 241
36992	33 32 6 765 534	Querlenkerlager / control arm mount		12x45x48
36993	33 32 6 765 535	Querlenkerlager / control arm mount		12x45x49,5
37677	33 50 6 785 607	ProKit Verbindungsstange / stabilizer link		L 135,5
37678	33 50 6 785 608	ProKit Verbindungsstange / stabilizer link		L 135,5
43542	33 32 6 765 425 S1	ProKit Führungslenker / guide link	(1)	L241



**X3 I (E83/E83 LCI)**

(2003 → 2010)

1,8 d → 3,0 i

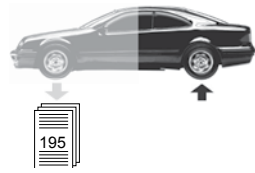


Hinterachse / Rear axle

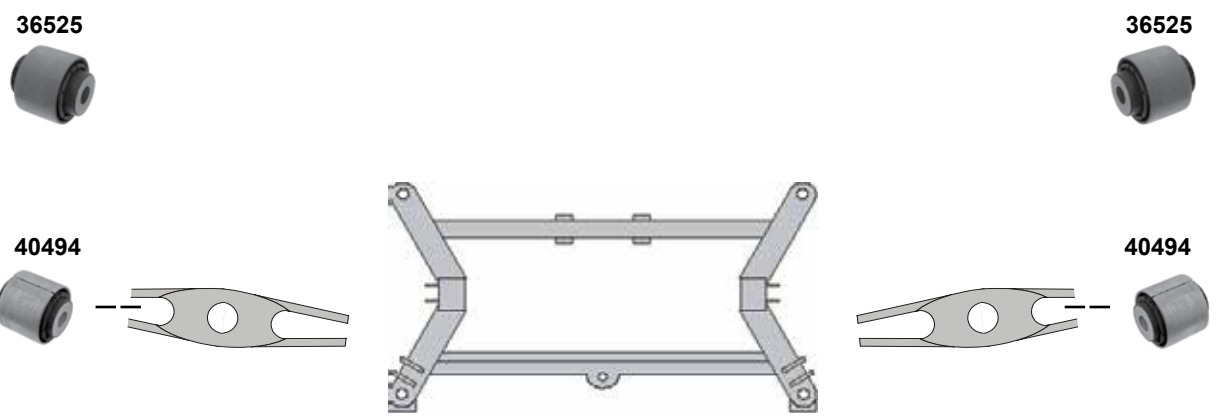


(1) E 83 : 2,0 d → 3,0 i

	Ref. - No.			
<b>01022</b>	33 32 6 770 824	Querlenkerlager / control arm mount	(1)	12x38x57
<b>01023</b>	33 32 1 136 311	Querlenkerlager / control arm mount	(1) <b>OLD</b>	
<b>06795</b>	33 32 1 092 247	Querlenkerlager / control arm mount	(1)	12x35x42/66,5
<b>14923</b>	33 32 6 770 786	Längslenkerlager / trailing arm bush	(1)	12x60x58
<b>18143</b>	33 32 6 770 813	Querstrebe / cross rod	(1)	
<b>26409</b>	33 32 6 771 828	Querlenkerlager / control arm mount	(1) <b>NEW</b>	12x45,5
<b>26644</b>	33 31 3 418 342	Querlenkerlager / control arm mount	(1)	12x45x57
<b>27198</b>	33 50 3 414 297	ProKit Verbindungsstange / stabilizer link	(1)	L 95
<b>44622</b>	33 50 3 404 616	Stabilisatorlager / stabilizer mount	(1)	Ø I 16,5



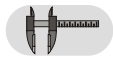
**X3 II (F 25)**  
(10/2010 →)



Hinterachse / Rear axle



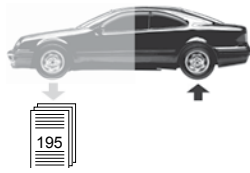
Ref. - No.



<b>36525</b>	33 30 6 786 980
<b>40494</b>	33 30 6 786 993

Querlenkerlager / control arm mounting  
Achsstrebenlager / axle rods mounting

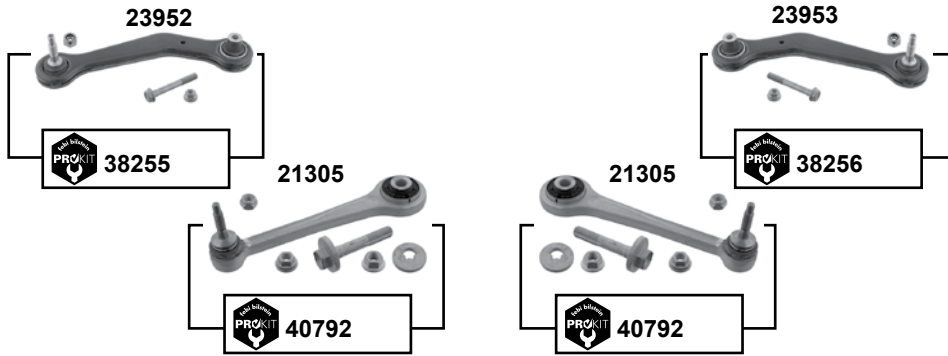
L48 ØA45  
12 x 45 x 48



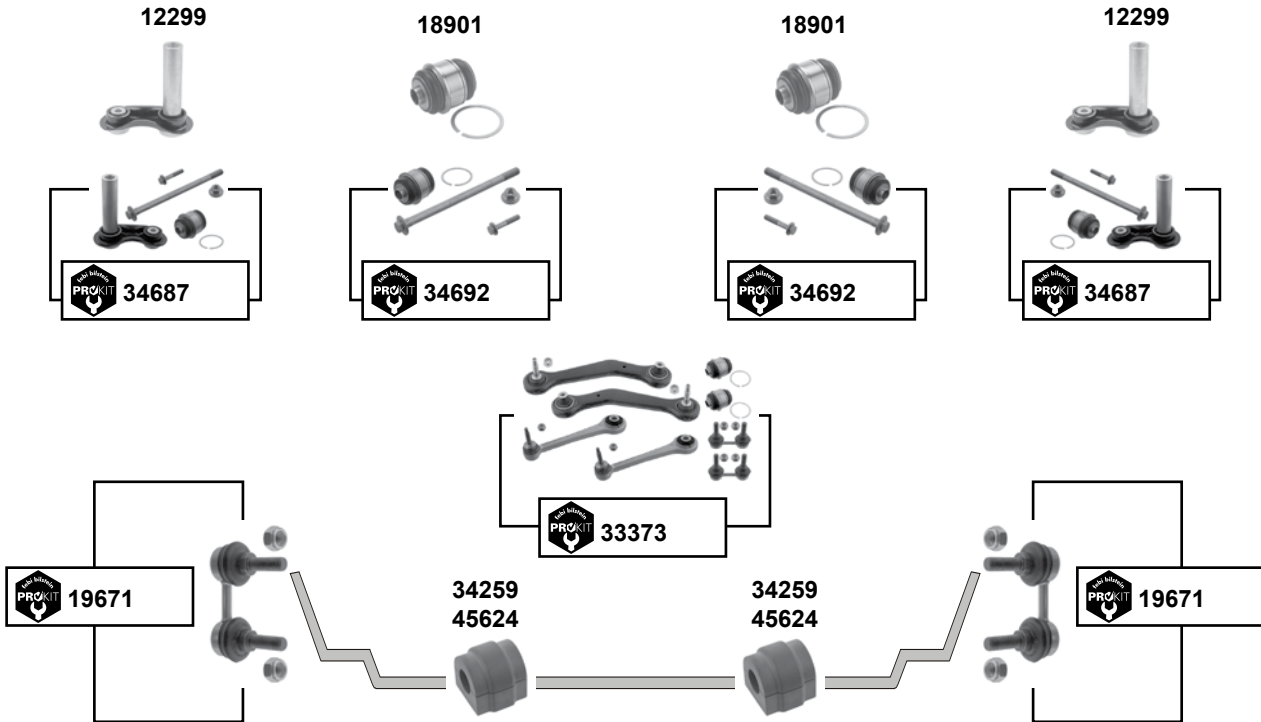
195

## X5 I (E 53) (2000 → 2006) 3,0 d → 4,8 iS

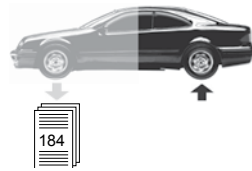
### oben / upper



### unten / lower



Hinterachse / Rear axle



**X5 I (E 53)**  
(2000 → 2006)  
3,0 d → 4,8 iS



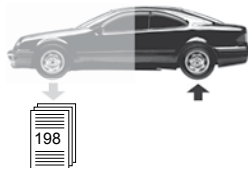
(1) 3,0X (mot.) M54, M57N, M57 4,4X (mot.) M62, N62 4,6X (mot.) M62 4,8X (mot.) N62



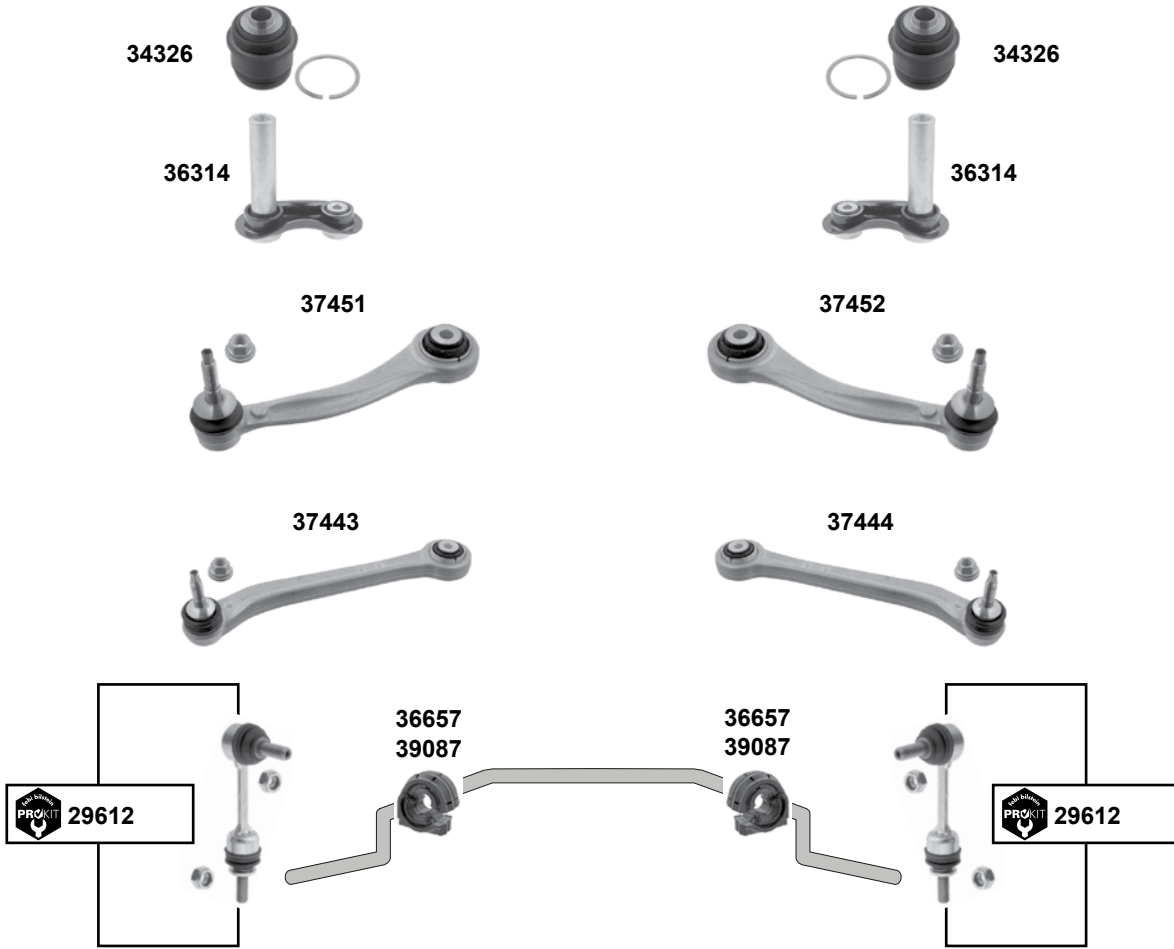
Ref. - No.



12299	33 32 6 770 749	Integrallenker / integral link		
18901	33 32 6 767 748	Kugelgelenk kompl. / ball joint compl.		
19671	33 55 1 096 735	ProKit Verbindungsstange / stabilizer link		L 65
21305	33 32 6 774 796	Querlenker / control arm		L 306,5
23952	33 32 6 770 747	Querlenker / control arm		L 306,5
23953	33 32 6 770 748	Querlenker / control arm		
33373	33 33 6 774 796 S1	ProKit Querstrebensatz / cross strut kit		
34259	33 55 1 096 893	Stabilisatorlager hinten / stabilizer mount rear	3,0 d/i / 4,4i (ex.) <b>Sport</b>	Ø 122
34687	33 32 6 770 749 S1	ProKit Integrallenker / integral link		
34692	33 32 6 767 748 S3	ProKit Querlenkerlager / control arm mount		
38255	33 32 6 770 859 S1	ProKit Querlenker / control arm		L 306,5
38256	33 32 6 770 860 S1	ProKit Querlenker / control arm		L 306,5
40792	33 32 6 774 796 S1	ProKit Querlenker / control arm		
45624	33 55 6 750 358	Stabilisatorlager hinten / stabilizer mount rear	(1)	Ø 123



# X5 II / X6 I (E70/E70LCI/E71/E72) (2007 → 2014)



(1) für Fahrzeuge mit und ohne Dynamic Drive / vehicles with and without dynamic drive

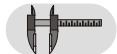
(2) E70/E70LCI X5 II: adaptive Drive / (ex.) Sport  
E71 X6 (ex.) M6: (ex.) adaptive Drive

(3) E 70 X5 II : MX , 3,0X , 4,8X  
E 70 LCI X5 II : 3,5X , 5,0X , 3,0X , 4,0X , 5,0d MX  
E 71 X6 : 3,5X , 5,0i MX , 5,0iX , 3,0X , 4,0X , 5,0d MX  
E 72 6X : 5,0 Hybrid X

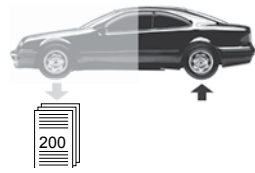
(4) E 70 X5 II : MX , 3,0X , 4,8X , 3,0d / sd / si , 4,8i  
E 70 LCI X5 II : 3,5X , 3,0X , 4,0X , 3,0dX , 3,5iX , 4,0dX / iX  
E 72 X6 : 5,0 Hybrid X , Hybrid 6



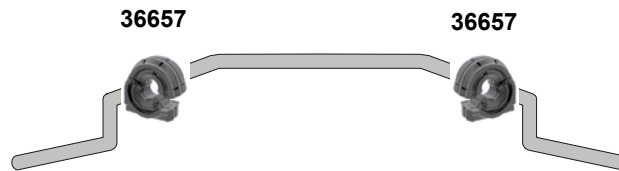
Ref. - No.



Ref. - No.	Description	Quantity	Measurement
29612	ProKit Verbindungsstange / stabilizer link	(1)	L 160
34326	Querlenker / control arm mount	(1)	
36314	Integrallenker / integral link	(3)	
36657	Stabilisatorlager / stabilizer mount	(4)	Ø I 24
37443	Querlenker / control arm		L 344 M14x1,5
37444	Querlenker / control arm		L 344 M14x1,5
37451	Führungslenker / guide link		L 212 M12x1,5
37452	Führungslenker / guide link		L 212 M12x1,5
39087	Stabilisatorlager / stabilizer mount	(2)	Ø I 22



**X5 III (F15)**  
(10/2013 →)



Hinterachse / Rear axle



(1) F 15 X5 : 3,5X , 5,0X , 2,5 , 2,5X , 3,0X , 4,0X , 5,0d MX



Ref. - No.



**36314**  
**36657**

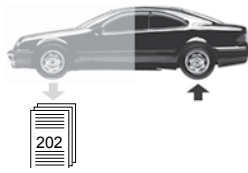
33 32 6 774 476  
33 55 6 776 559

Integrallenker / integral link  
Stabilisatorlager / stabilizer mount

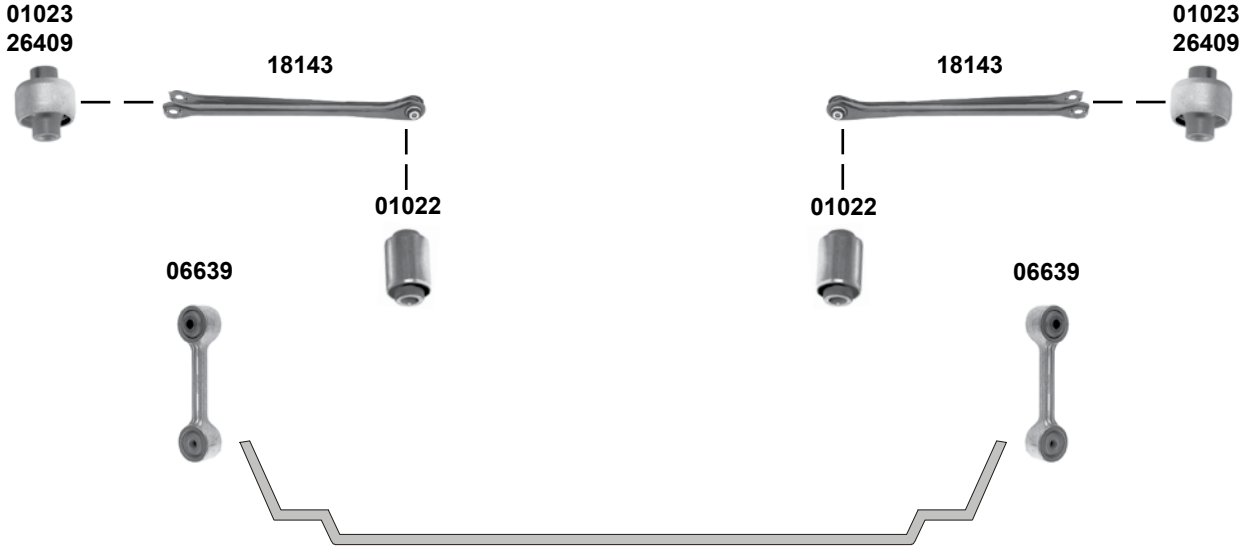
(1)  
(1)

Ø | 24

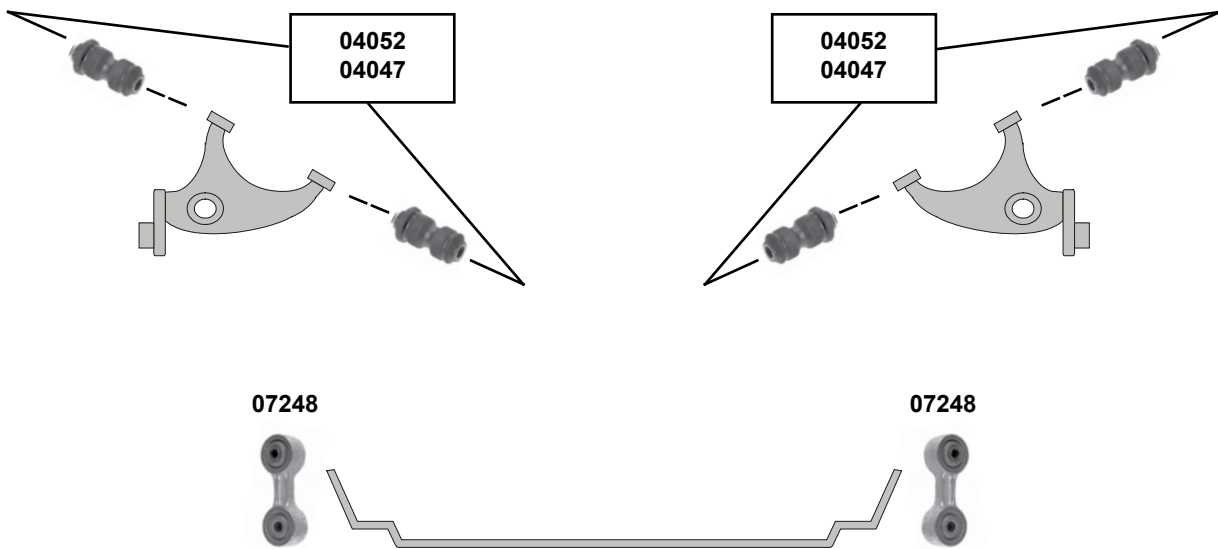




**Z 1**  
(1989 → 1991)

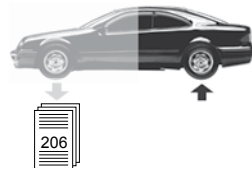


**Z 3**  
(1994 → 2003)

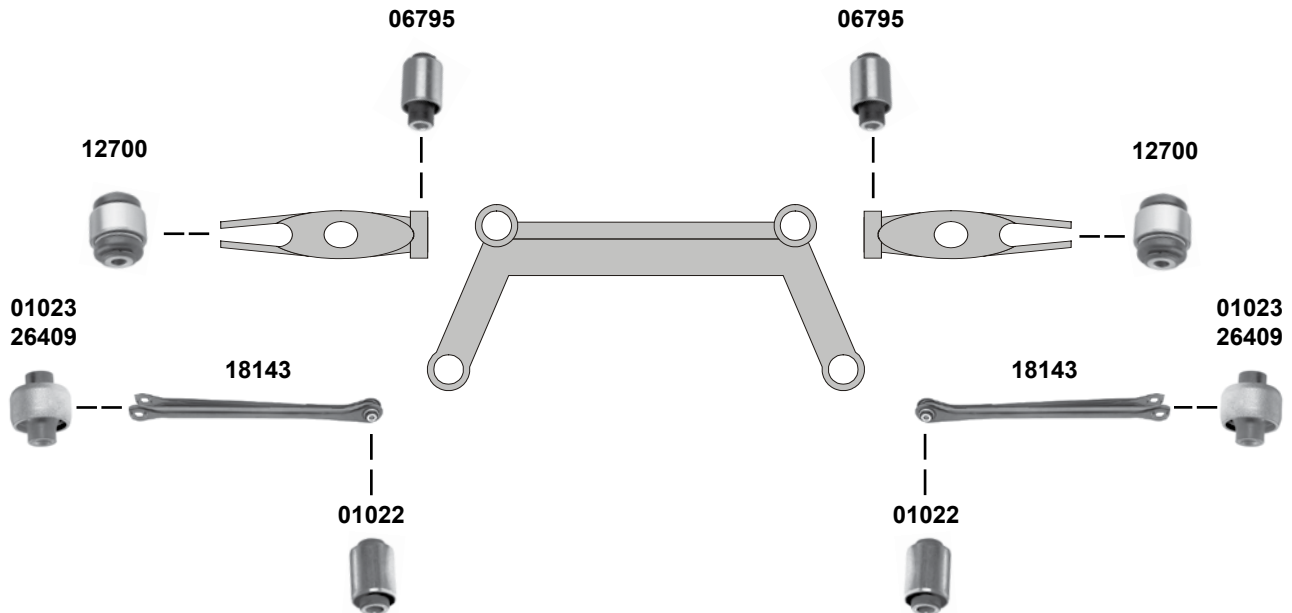


Hinterachse / Rear axle

	Ref. - No.			
<b>01022</b>	33 32 6 770 824	Querlenkerlager / control arm mount		12x38x57
<b>01023</b>	33 32 1 136 311	Querlenkerlager / control arm mount		12x49x29/57
<b>04047</b>	33 32 9 058 822	Montagesatz Schräglenker / mounting kit semi-trailing arm		12x30/35x69,5
<b>04052</b>	33 32 9 061 945	Montagesatz Schräglenker / mounting kit semi-trailing arm		12x30/35x69,5
<b>06639</b>	33 55 1 126 932	Verbindungsstange / stabilizer link		L 100
<b>07248</b>	33 55 1 135 307	Verbindungsstange / stabilizer link		L 60
<b>18143</b>	33 32 6 770 813	Querstrebe / cross rod		
<b>26409</b>	33 32 6 771 828	Querlenkerlager / control arm mount	<b>NEW</b>	12x45,5



**Z 4 I (E85/E86)**  
(2003 → 2008)



Hinterachse / Rear axle

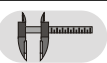


(1) E85/E86 Model : 2,2i - 3,0si

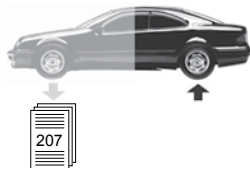
(2) E85 : 2,0 Cabrio



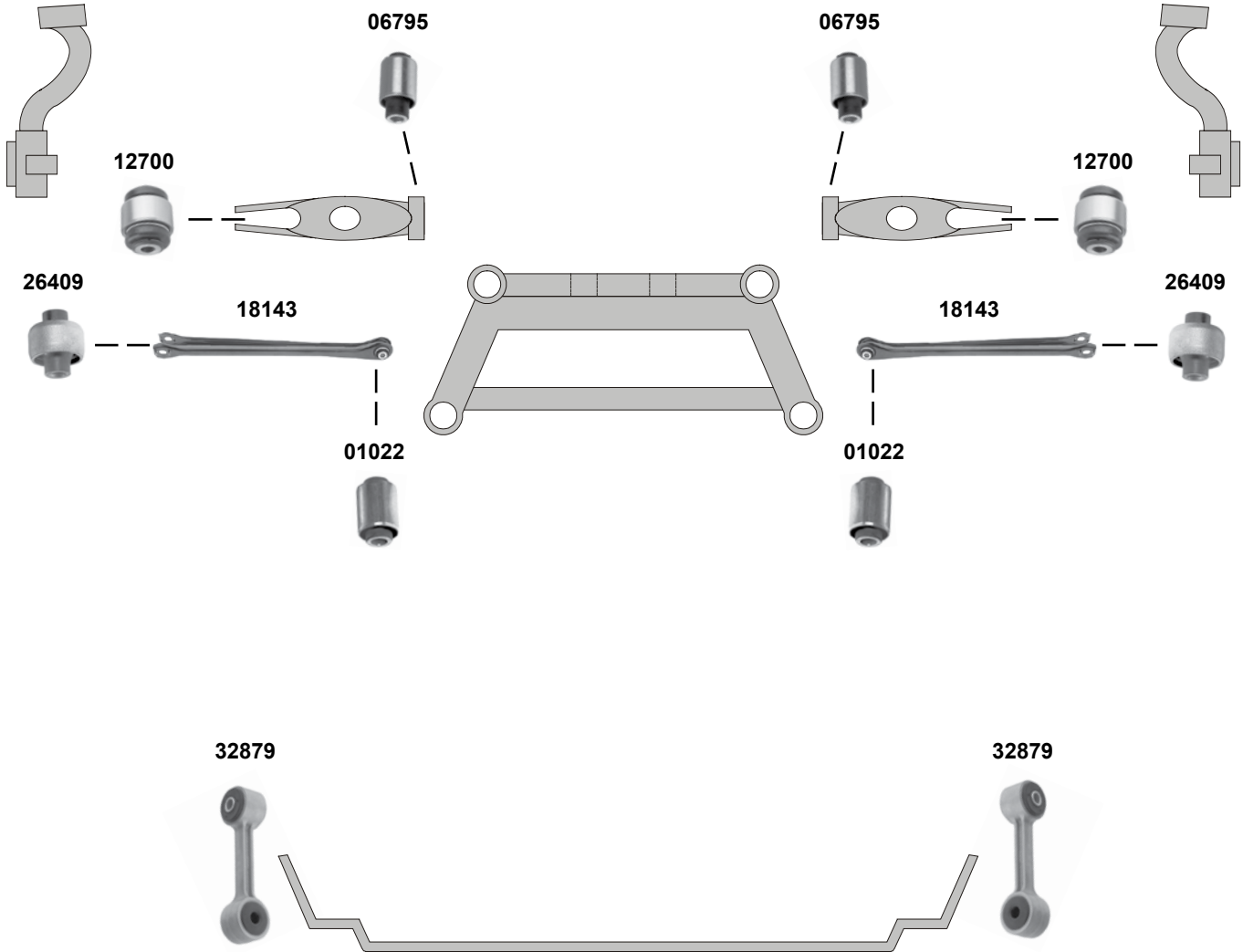
Ref. - No.







Febi bilstein Ref. - No.	Part Description	Notes	Dimensions
<b>01022</b>	Querlenkerlager / control arm mount		12x38x57
<b>01023</b>	Querlenkerlager / control arm mount	OLD	12x35x42/66,5
<b>06795</b>	Querlenkerlager / control arm mount		12x45x57
<b>12700</b>	Querlenkerlager / control arm mount		
<b>18143</b>	Querstrebe / control arm		
<b>26409</b>	Querlenkerlager / control arm mount	NEW	12x45,5
<b>31064</b>	Stabilisatorlager / stabilizer mount	(1)	Ø   18
<b>32879</b>	Verbindungsstange / stabilizer link		L 89
<b>45097</b>	Stabilisatorlager / stabilizer mount	(2)	Ø   23,5

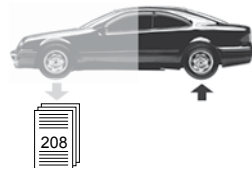


**Z 4 II (E89)**  
(2008 →)



Hinterachse / Rear axle

	Ref. - No.			
<b>01022</b>	33 32 6 770 824	Querlenkerlager / control arm mount		12x38x57
<b>06795</b>	33 32 1 092 247	Querlenkerlager / control arm mount		12x35x42/66,5
<b>12700</b>	33 32 6 775 551	Querlenkerlager / control arm mount		12x45x57
<b>18143</b>	33 32 6 770 813	Querstrebe / control arm		
<b>26409</b>	33 32 6 771 828	Querlenkerlager / control arm mount		12x45,5
<b>32879</b>	33 55 2 283 743	Verbindungsstange / stabilizer link		L 89

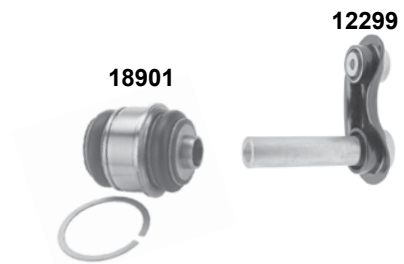
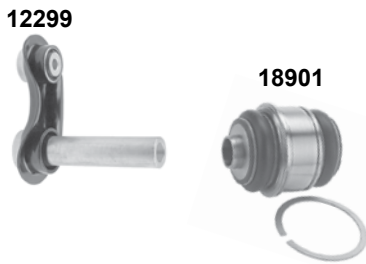


**Z 8**  
(1998 → 2003)

**oben / upper**



**unten / lower**

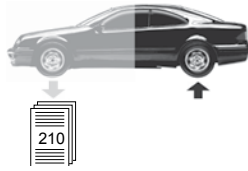


Hinterachse / Rear axle

	Ref. - No.			
<b>12299</b>	33 32 6 770 749	Integrallenker / integral link		
<b>18901</b>	33 32 6 767 748	Querlenkerlager / control arm mount		
<b>23888</b>	33 32 1 090 905	Querlenker / control arm		L 306
<b>23889</b>	33 32 1 090 906	Querlenker / control arm		L 306

passend für / to fit

# CHEVROLET

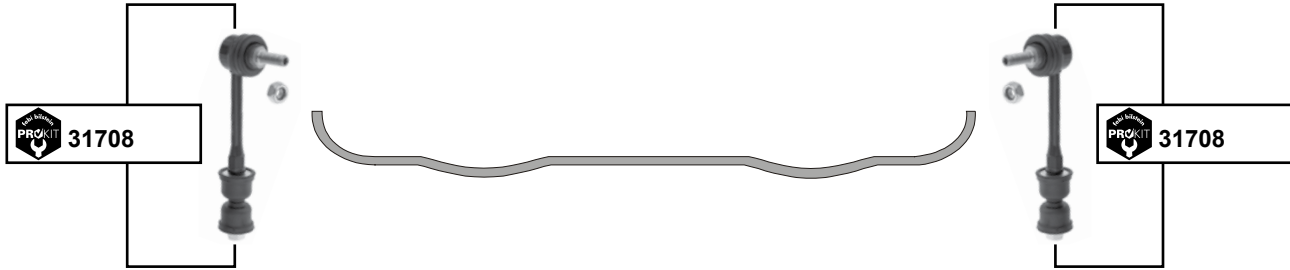


Car  
Division



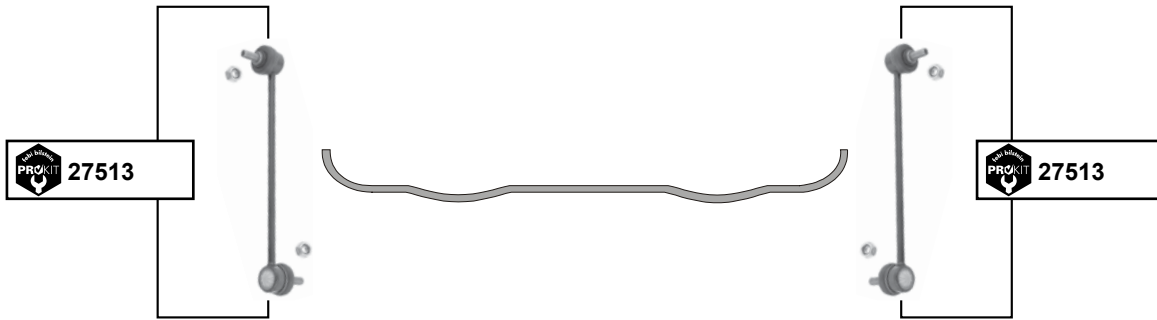
## Captiva

(2007 →)



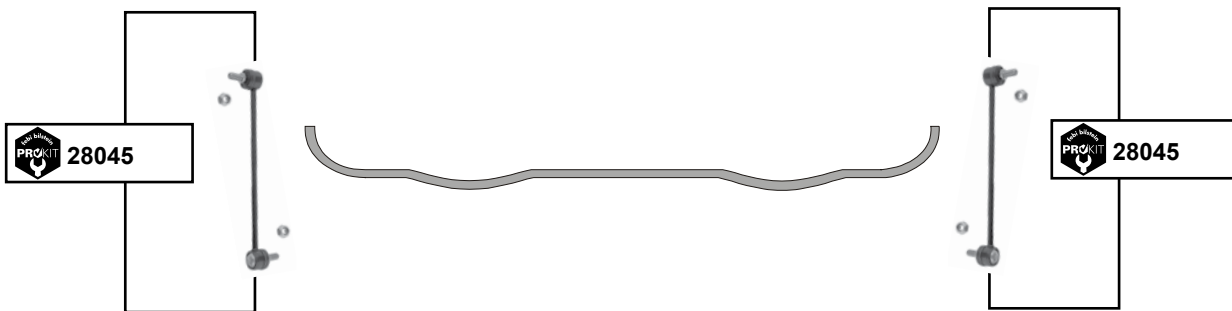
## Leganza

(1997 → 2004)



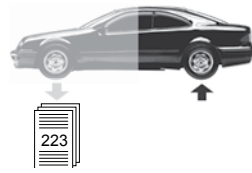
## Nubira

(1997 →)

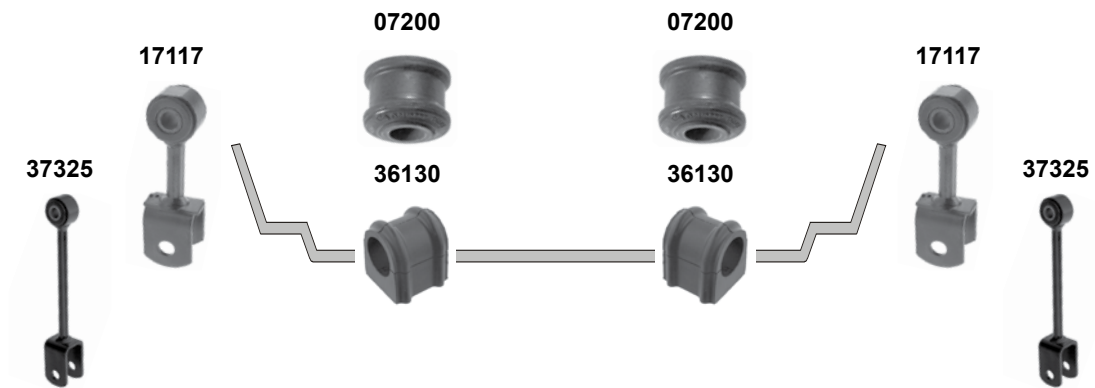


Hinterachse / Rear axle

	Ref. - No.	ProKit Verbindungsstange / connecting rod	→ 2003	L 267
27513	96207628	ProKit Verbindungsstange / connecting rod		L 246
28045	96391876	ProKit Verbindungsstange / connecting rod	→ 10	L 167
31708	96996460	ProKit Verbindungsstange / stabilizer link		



**Dodge Sprinter**  
(2002 → 2008)



Hinterachse / Rear axle

(1) VB 07 → 08 Nur für Automatikfahrzeuge, nicht für Allradfahrzeuge / only for vehicles with automatic transmission, not for vehicles with 4-wheel drive



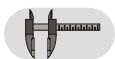
(2) VA 02 → 06 / (mot.) EX8 / DGJ / DGZ

(3) VA 02 → 06 / VB 07 → 08 (mot.) EG2 / EXM

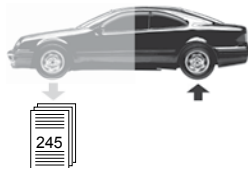
(4) Sprinter II VB 07 → 08 nicht für Luffederung / not for air suspension



Ref. - No.

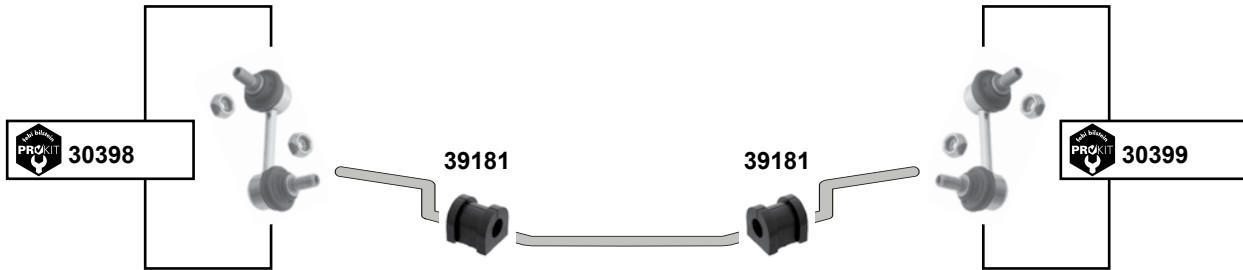


Part No.	Ref. - No.	Description	Quantity	Dimensions
07200	05103955AA	Stabilisatorlager / stabilizer mount	(3)	Ø   12
17117	05104058AA	Verbindungsstange / stabilizer link	(2)	
36130	68013814AA	Stabilisatorlager / stabilizer mount	(1)	Ø   30
37325	68013817AA	Verbindungsstange / stabilizer link	(4)	L 246



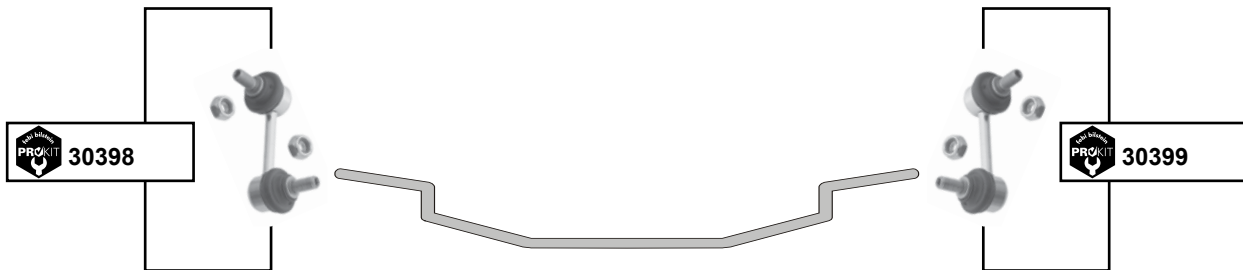
## C- Crosser

(2007 →)



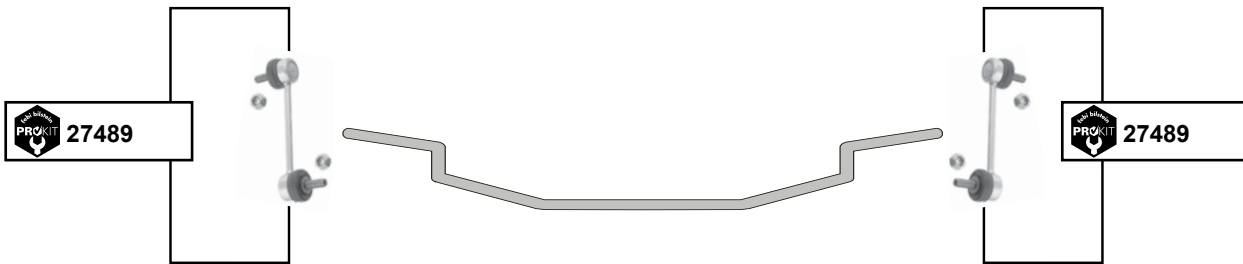
## C4 Aircross

(2012 →)



## C5 III

(2008 →)



Hinterachse / Rear axle



Ref. - No.

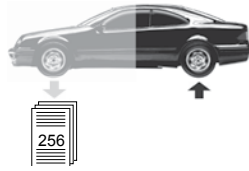


<b>27489</b>	5178.46
<b>30398</b>	5178.48
<b>30399</b>	5178.49
<b>39181</b>	5172.58

ProKit Verbindungsstange / connecting rod
ProKit Verbindungsstange / stabilizer link
ProKit Verbindungsstange / stabilizer link
Stabilisatorlager / stabilizer mount

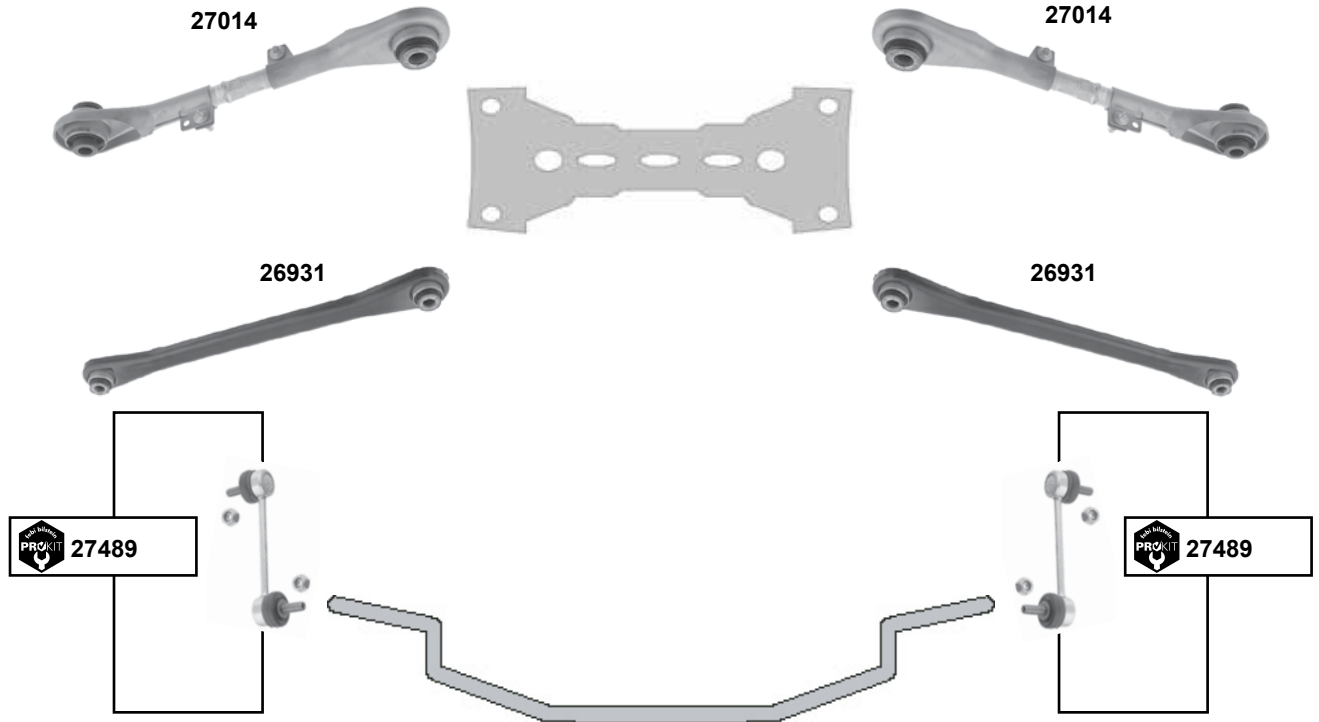
(ex.) 2,0L MMC

L 141
L80 M10x1,25
L80 M10x1,25
Ø I 19,5



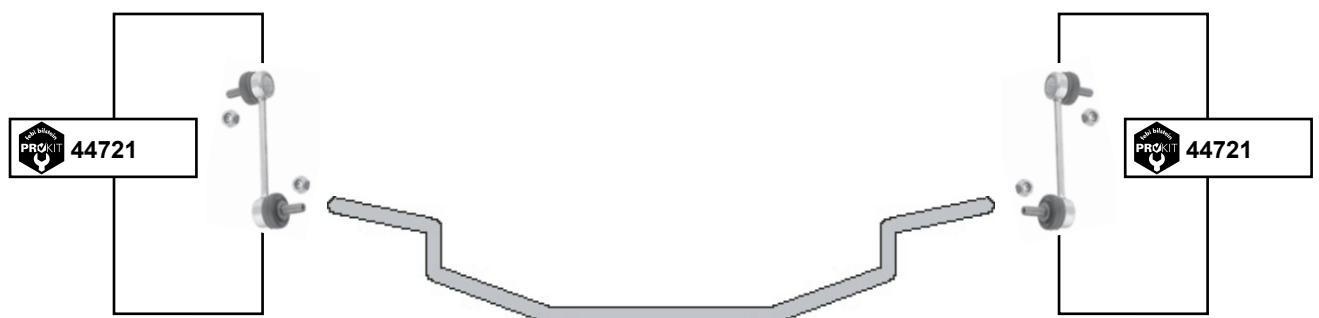
**C6**

(2005 →)







**DS5**

(08/11 →)



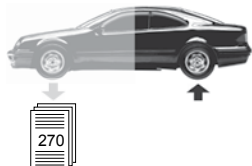
Hinterachse / Rear axle

	Ref. - No.			
<b>26931</b>	5175.CF	Querstrebe / cross rod		L 495
<b>27014</b>	5178.47	Querstrebe / cross rod		
<b>27489</b>	5178.52	ProKitVerbindungsstange / stabilizer link		L 141
<b>44721</b>	5178.57	ProKitVerbindungsstange / stabilizer link		M10 x 1,5



passend für / to fit

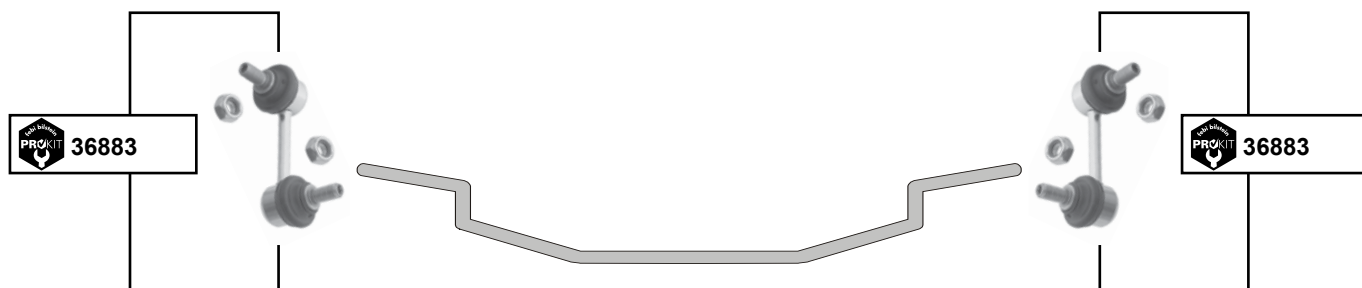
**CITROËN**



**Car  
Division**



## Jumper III (2006 →)



Hinterachse / Rear axle



Ref. - No.

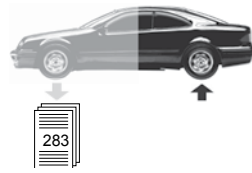


36883

5170.F5 S1

ProKit Verbindungsstange / stabilizer link

L 100



**Duster**  
(2010 →)

36435



36436



36387



36387



36396



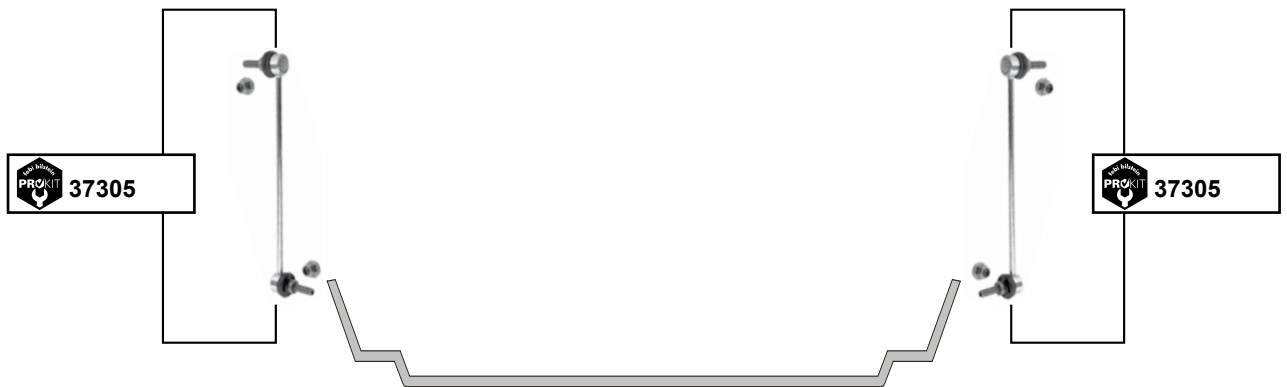
36396



36395



36395



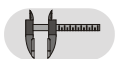
Hinterachse / Rear axle



(1) nur / only 4x4 // 6 Stück pro Fahrzeug / 6 pieces per Vehicle



Ref. - No.



**36387**  
**36395**  
**36396**  
**36435**  
**36436**  
**37305**

82 00 839 121  
82 00 839 119  
82 00 839 124  
82 00 841 004  
82 00 839 107  
82 00 814 411

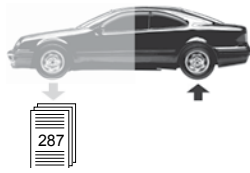
Querlenkerlager / control arm mount  
Querstrebe / cross rod  
Querstrebe / cross rod  
Querstrebe / cross rod  
Querstrebe / cross rod  
ProKit Verbindungsstange / stabilizer link

(1)  
nur / only 4x4  
nur / only 4x4  
nur / only 4x4  
nur / only 4x4  
nur / only 4x4

L 294

passend für / to fit

**DAEWOO**

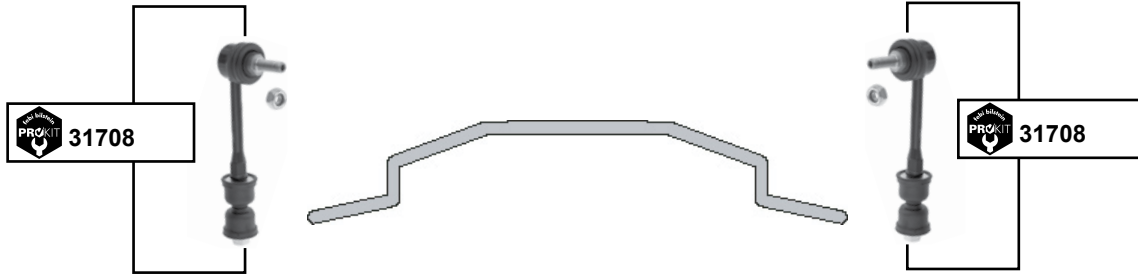


**Car  
Division**



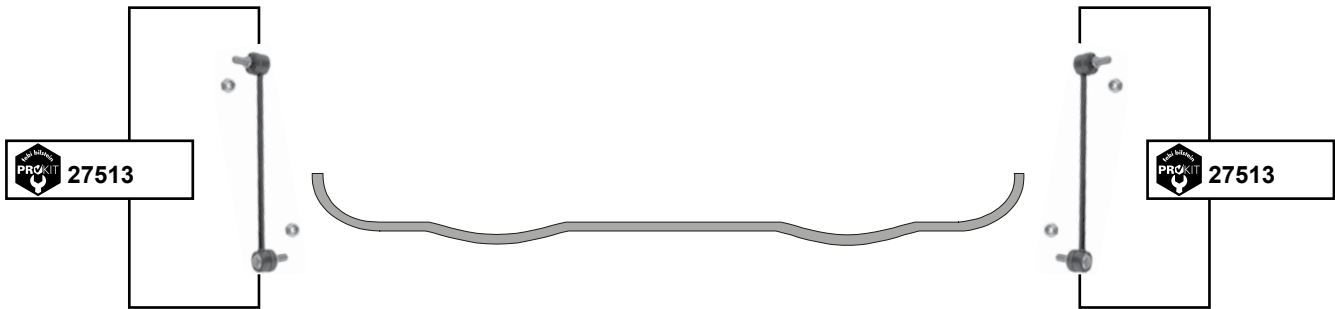
# Captiva

(2007 →)



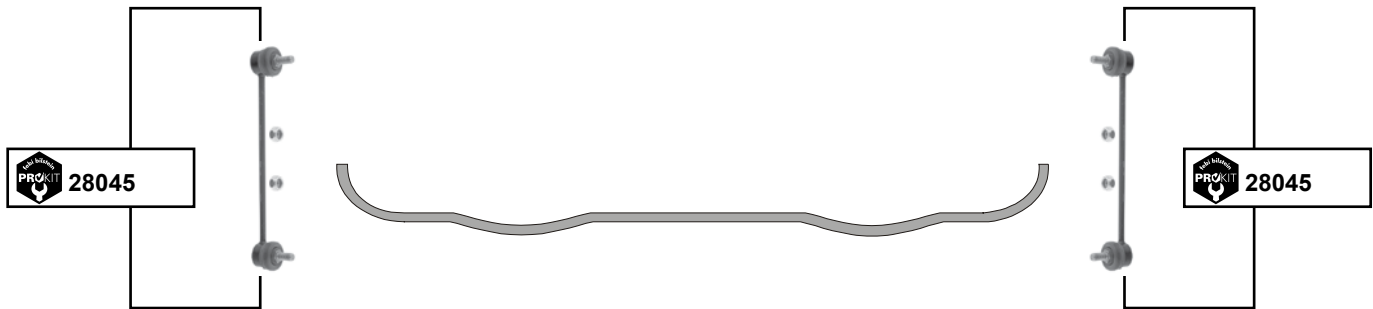
# Leganza

(1997 → 2004)



# Nubira

(1997 → 2003)



Hinterachse / Rear axle



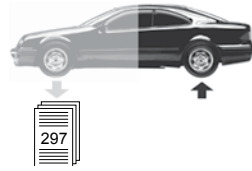
Ref. - No.



27513	96207628
28045	96391876
31708	96626150

ProKit Verbindungsstange / stabilizer link  
 ProKit Verbindungsstange / stabilizer link  
 ProKit Verbindungsstange / stabilizer link

L 267
L 246
L 167



**Charade IV**  
(1993 → 2002)

27972



27972



**Gran Move**  
(1996 →)

27972



27972



Hinterachse / Rear axle



(1) Charade IV: → 05/00  
Grand Move: 09/97 → 07/02



Ref. - No.



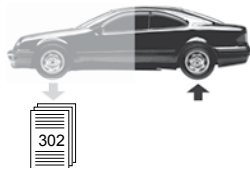
27972

48802-87703-000

Verbindungsstange / stabilizer link

(1)

L 55



**Barchetta (183)**  
(1995 → 2004)

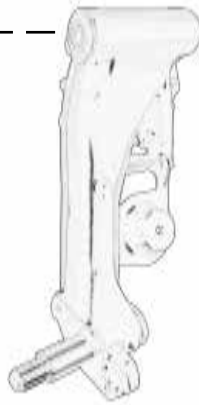
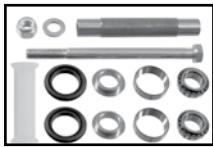
24687



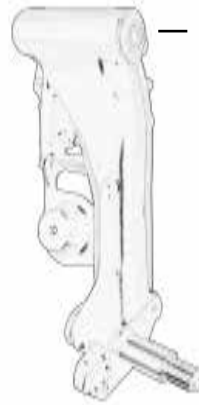
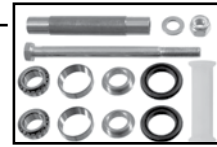
24687



19244



19244



**Brava / Bravo I (182)**  
(1995 → 2001)

30161

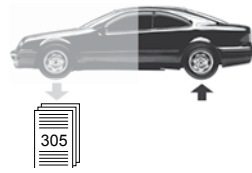


30160

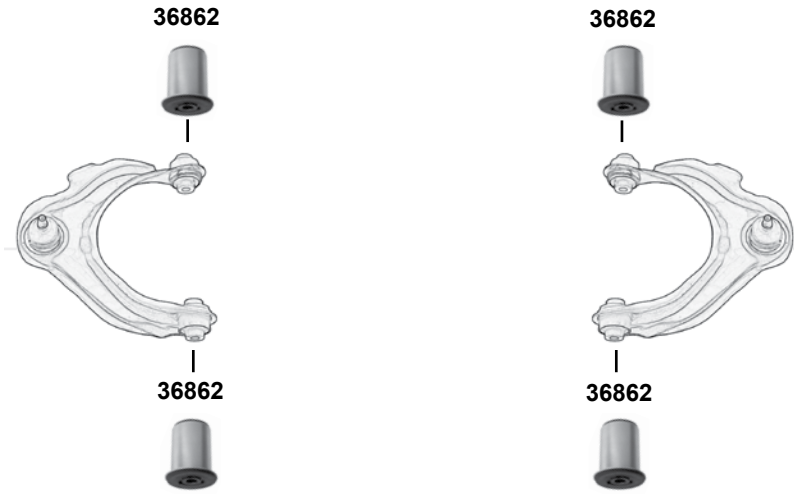


Hinterachse / Rear axle

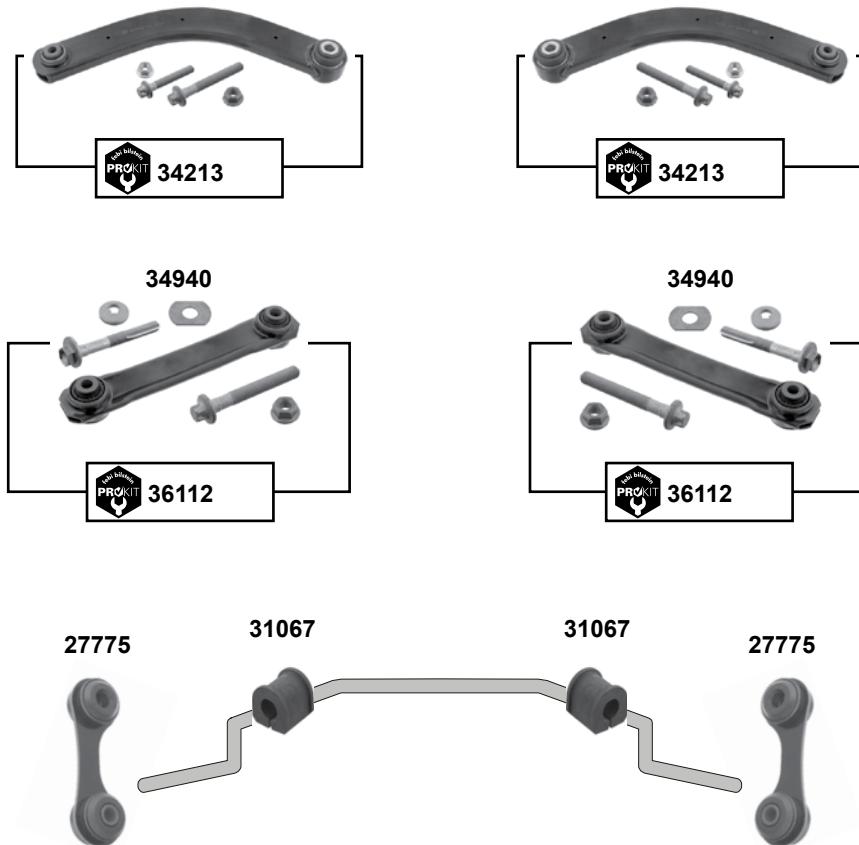
	Ref. - No.			
19244	7736515 S3	Rep. Satz Querlenker / rep. kit control arm		M10 x 1,25
24687	7719062 S1	Montagesatz / mounting kit		M14 x 1,5
30160	46519897	Querlenker rechts / control arm right	98 → 01	
30161	46519894	Querlenker links / control arm left	98 → 01	



## Cinquecento (170) (1992 → 1998)

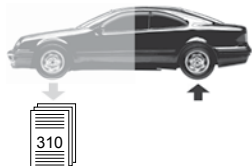


## Croma (194) (2005 → 2010)

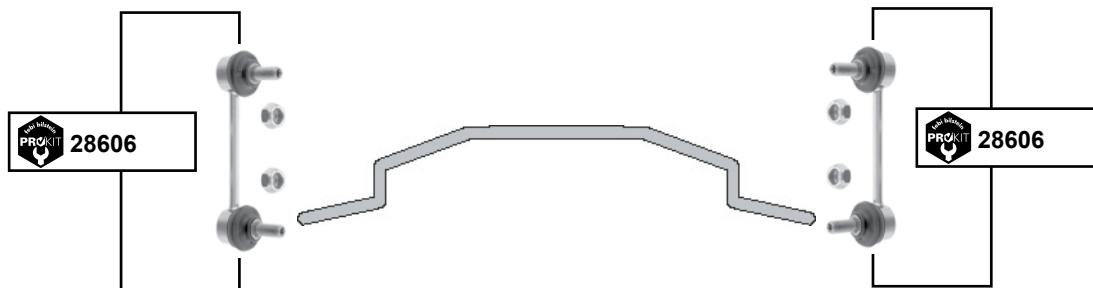


Hinterachse / Rear axle

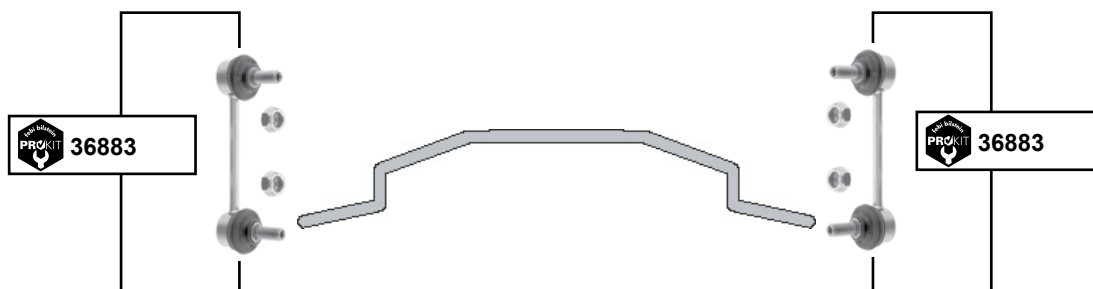
	Ref. - No.			
27775	71740112	Verbindungsstange / stabilizer link		L 86
31067	71740113	Stabilisatorlager / stabilizer mount		Ø   18
34213	51783009 S1	ProKit Führungslenker / guide link		
34940	51755681	Querlenker / control arm		
36112	51755681 S1	ProKit Querlenker / control arm		
36862	7747956	Querlenkerlager / control arm mount		Ø   12,4



**Doblo (119)**  
(2001 → 2005)



**Ducato Nuovo (250)**  
(2006 → 2011)



Hinterachse / Rear axle



Ref. - No.

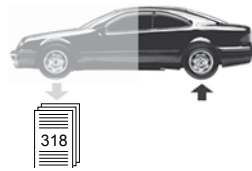


**28606**  
**36883**

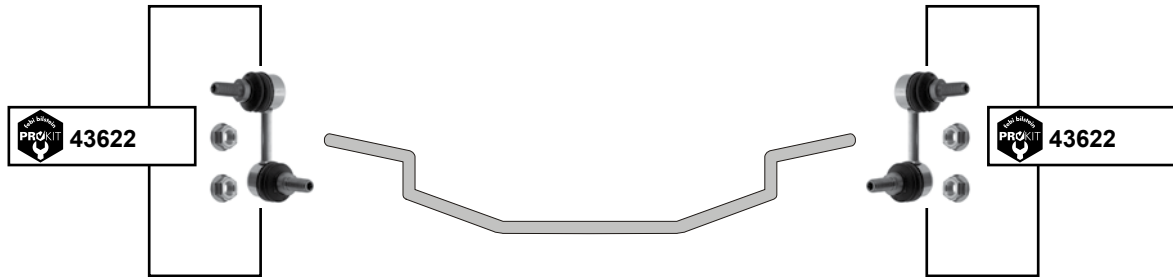
51717001  
1369845080 S1

ProKit Verbindungsstange / stabilizer link  
ProKit Verbindungsstange / stabilizer link

L132 12x1,25  
L 100



**Freemont (JC)**  
(2011 →)



**Marea (185)**  
(1996 → 2002)



Hinterachse / Rear axle



(1) alle / all / Ø 10 mm bei Fahrzeugen mit ABS bitte Bohrung beachten ! / please pay attention to the diameter of the boring at vehicles with ABS



Ref. - No.



**30160**  
**30161**  
**43622**

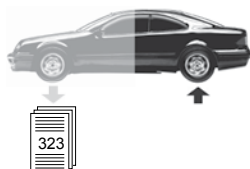
46519897  
46519893  
K68052655AA

Querlenker rechts / control arm right  
Querlenker links / control arm left  
ProKit Verbindungsstange / stabilizer link

(1)  
(1)

L 80





## Multipla (186)

(1999 → 2010)

**30161**



**30160**



## Palio Weekend (178)

(1996 → 2011)

**30161**



**30160**



Hinterachse / Rear axle



- (1) Multipla → 10
- (2) Palio Weekend 02 → 08 : alle/all / Ø 10 mm  
bei Fahrzeugen mit ABS bitte Bohrung beachten ! /  
please pay attention to the diameter of the boring at vehicles with ABS



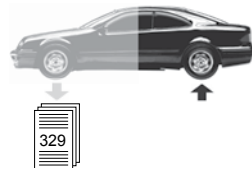
**Ref. - No.**



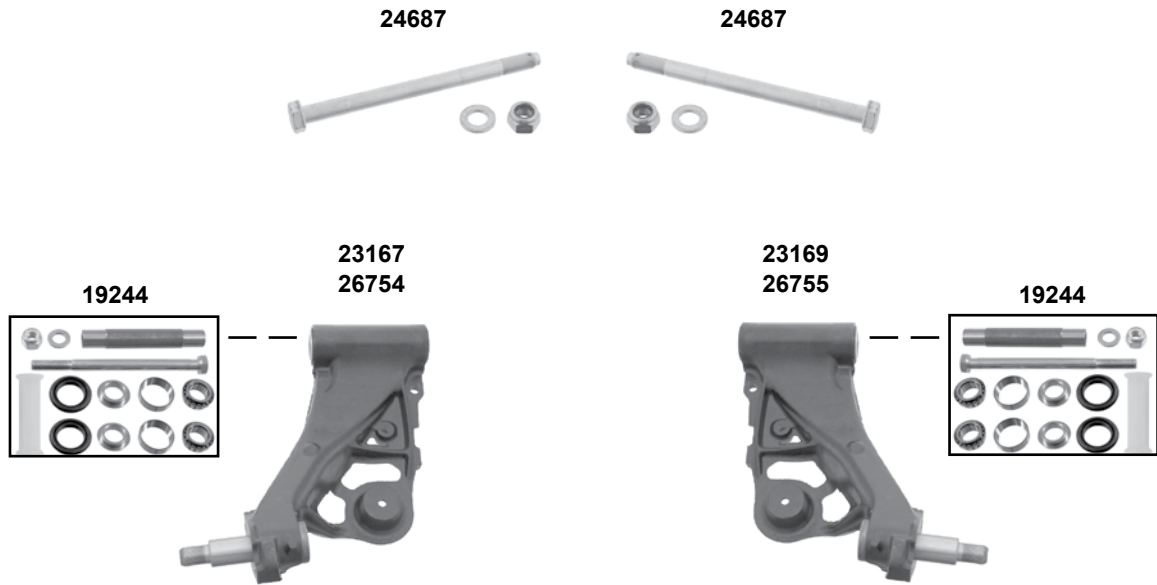
**30160** 46519897  
**30161** 46519893

Querlenker rechts / control arm right  
Querlenker links / control arm left

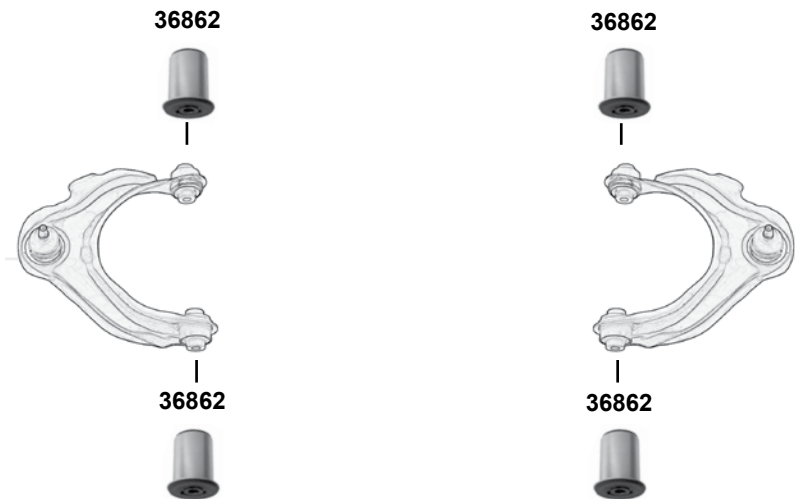
(1) (2)  
(1) (2)



**Punto I (176)**  
(1993 → 1999)

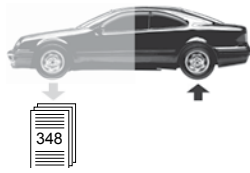


**Seicento (187)**  
(1998 → 2010)



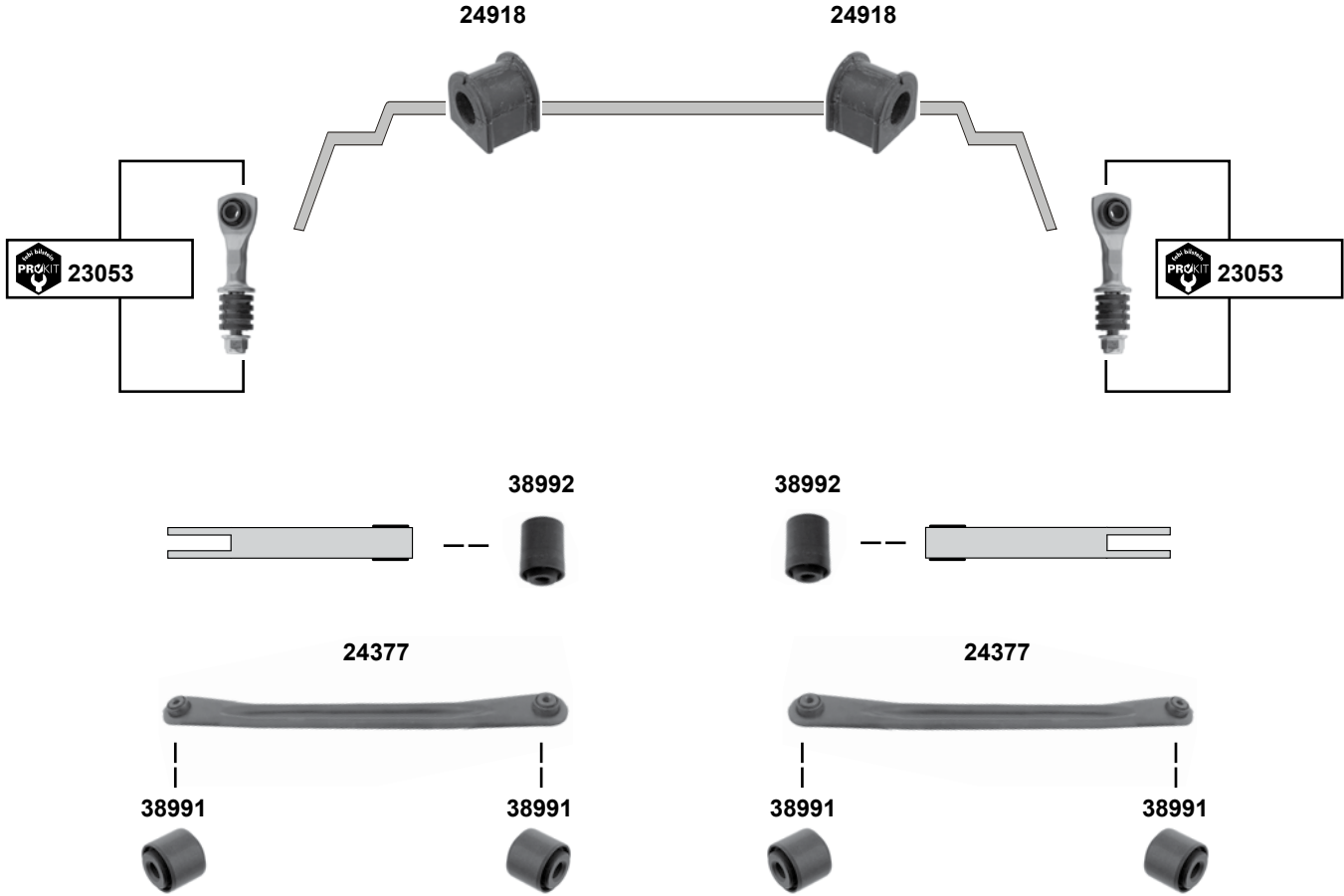
Hinterachse / Rear axle

	Ref. - No.			
<b>19244</b>	7736515 S3	Rep. Satz Querlenkerlager / rep. kit control arm mount		
<b>23167</b>	7736514	Querlenker / control arm	(ex.) ABS	M14 x 1,5 Ø   12,4
<b>23169</b>	7736515	Querlenker / control arm	(ex.) ABS	
<b>24687</b>	7719062 S1	Montagesatz / mounting kit		
<b>26754</b>	7769900	Querlenker / control arm	ABS	
<b>26755</b>	7769901	Querlenker / control arm	ABS	
<b>36862</b>	7747956	Querlenkerlager / control arm mount	→ 10	



# Cougar 99

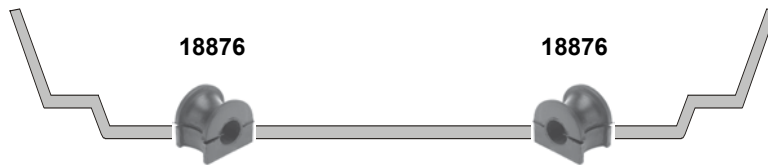
(08/98 → 01/01)



# Escort 95

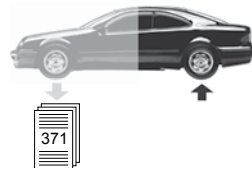
(01/95 → 09/01)

4 WD

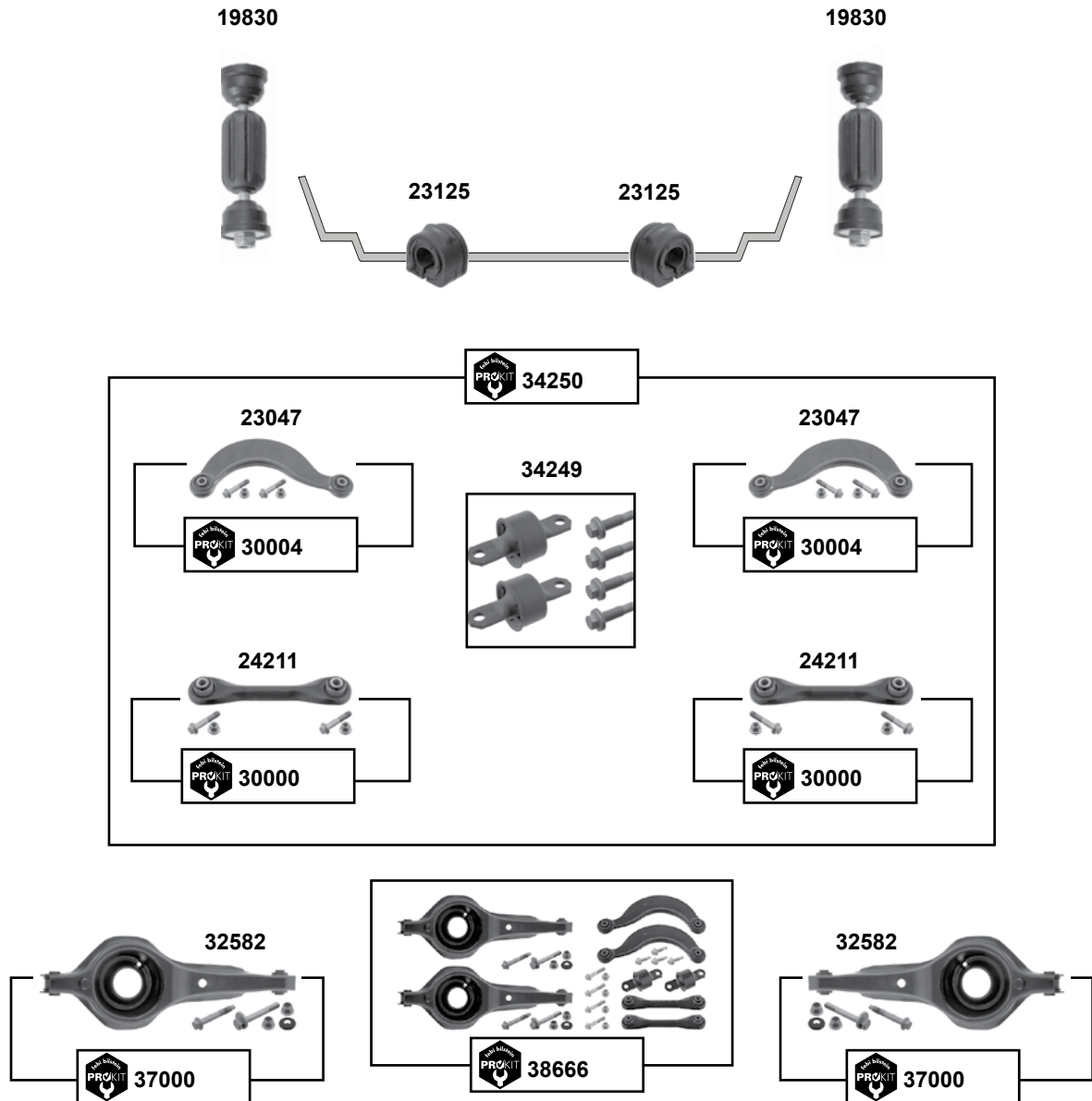


Hinterachse / Rear axle

	Ref. - No.			
<b>18876</b>	7 102 392	Stabilisatorlager / stabilizer mount		
<b>23053</b>	1 054 209	ProKit Verbindungsstange / stabilizer link		
<b>24377</b>	6 867 577	Querstrebe / cross rod	(ex.) Turnier	M10x1,5   Ø10
<b>24918</b>	7 144 202	Stabilisatorlager / stabilizer mount	(ex.) Duratec 2,5l V6	L 670
<b>38991</b>	6 829 045	Achskörperlager / axle beam mount	(ex.) Turnier	Ø 18
<b>38992</b>	6 829 046	Achskörperlager / axle beam mount	(ex.) Turnier	Ø A 36,5
				Ø A 37,1/38,2



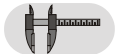
**Focus 98**  
(08/98 → 06/04)



- (1) Focus 98 Limousine 08/98 → 07/04 // Focus 98 Turnier 08/98 → 05/05  
 (2) (ex.) Turnier / (ex.) ST 170/RS

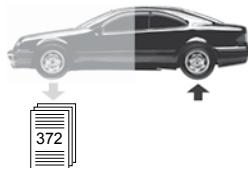


Ref. - No.



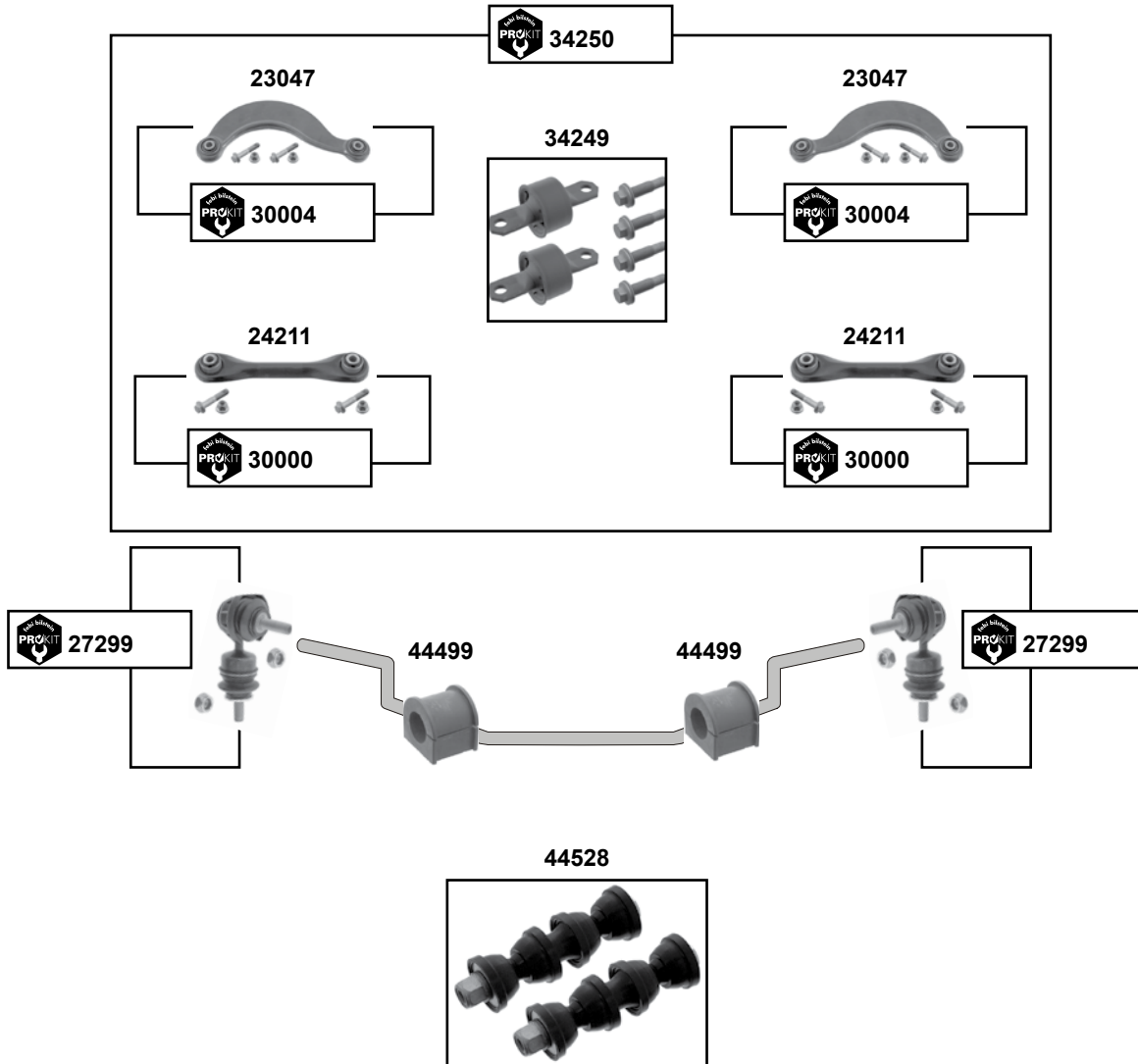
Ref. - No.			
19830	1 487 402	Verbindungsstangensatz / connecting rod set	
23047	1 329 730	Querstrebe / cross rod	(ex.) Turnier
23125	1 073 249	Stabilisatorlager / stabilizer mount	
24211	1 061 668	Querstrebe / cross rod	(1)
30000	1 061 668 S1	ProKit Querstrebe / rep. kit cross rod	(1)
30004	1 329 730 S1	ProKit Querstrebe / rep. kit cross rod	(ex.) Turnier
32582	1 064 128	Querlenker / control arm	(ex.) ST 170 / RS
34249	1 061 670 S1	Achskörperlagersatz / axle beam mounting kit	(ex.) Turnier / RS
34250	1 061 670 S2	ProKit Querstrebensatz / cross strut kit	(ex.) Turnier / RS
37000	1 064 128 S1	ProKit Querlenkersatz / control arm kit	(ex.) ST 170 / RS
38666	1 064 128 S2	ProKit Querstrebensatz / cross strut kit	(2)

L 110



**Focus 04**

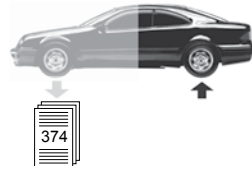
(07/04 → 12/07)



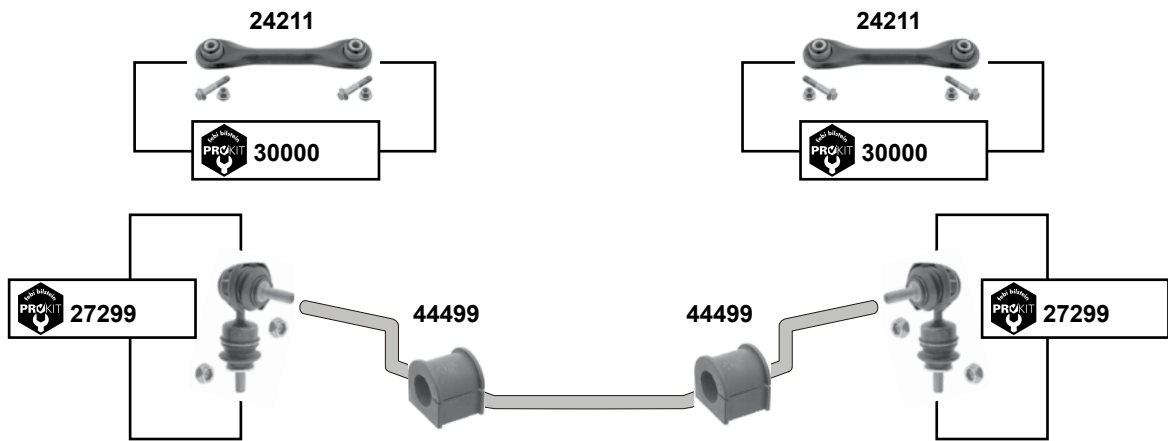
Hinterachse / Rear axle

- (1) Bitte Stabilisatorversion beachten / please note the stabilizer version
- (2) Focus 04 Limosine alle / all // Turnier 1,6 Zetec S Focus 08 Limosine alle / all (ex.) ST // Turnier 1,4 Duratec 1,6 Duratec (100PS / 125PS)

	Ref. - No.			
<b>23047</b>	1 329 730	Querstrebe / cross rod	(ex.) Turnier	
<b>24211</b>	1 061 668	Querstrebe / cross rod	(ex.) RS / ST	
<b>27299</b>	1 469 208	ProKit Verbindungsstange / stabilizer link	(1)	L 76,5
<b>30000</b>	1 061 668 S1	ProKit Querstrebe / cross rod	(ex.) RS / ST	
<b>30004</b>	1 329 730 S1	ProKit Querstrebe / cross rod	(ex.) Turnier	
<b>34249</b>	1 061 670 S1	Achskörperlagersatz / axle beam mounting kit	(ex.) Turnier / RS	
<b>34250</b>	1 061 670 S2	ProKit Querstrebe / cross rod	(ex.) Turnier / RS	
<b>44499</b>	1 345 913	Stabilisatorlager / stabilizer mount	(2)	Ø I 16,5
<b>44528</b>	1 719 542	Verbindungsstangensatz / stabilizer link set	(1)	



**Focus 08**  
(12/07 → 12/10)



Hinterachse / Rear axle

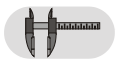


(1) Bitte Stabilisatorversion beachten / please note the stabilizer version

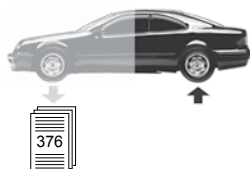
(2) Focus 04 Limosine alle / all // Turnier 1,6 Zetec S Focus 08 Limosine alle / all (ex.) ST // Turnier 1,4 Duratec 1,6 Duratec (100PS / 125PS)



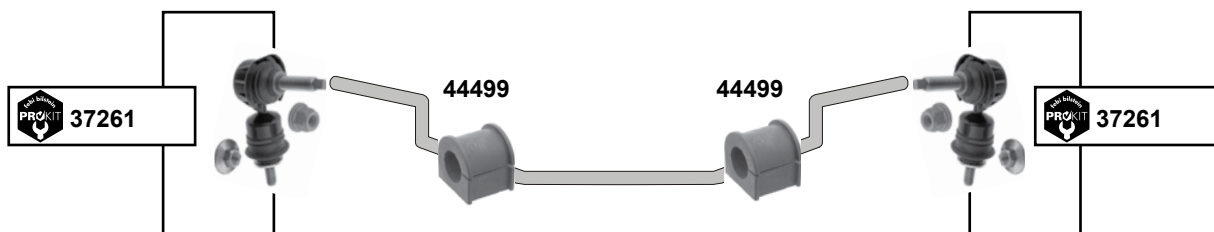
Ref. - No.



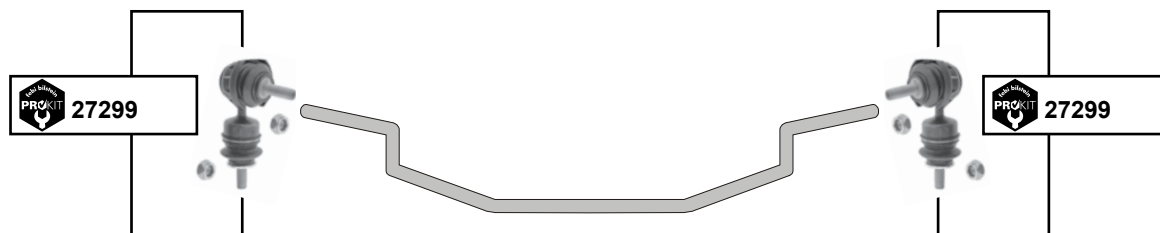
<b>24211</b>	1 061 668	Querstrebe / cross rod	(ex.) RS / ST	
<b>27299</b>	1 469 208	ProKit Verbindungsstange / stabilizer link	(1)	L 76,5
<b>30000</b>	1 061 668 S1	ProKit Querstrebe / cross rod	(ex.) RS / ST	
<b>44499</b>	1 345 913	Stabilisatorlager / stabilizer mount	(2)	Ø I 16,5
<b>44528</b>	1 719 542	Verbindungsstangensatz / stabilizer link kit	(1) (ex.) RS	



**Focus 11**  
(01/11 →)



**Focus Cabriolet 06**  
(07/06 → 07/10)



Hinterachse / Rear axle

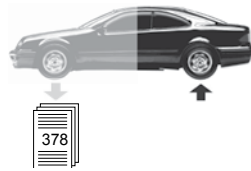
- (1) (ex.) 2,0 EcoBoost (250PS)
- (2) Bitte Stabilisatorversion beachten / please note the stabilizer version
- (3) 1,6 Duratec / 1,6 Duratorq / 1,6 EcoBoost / 1,0 (3 Zyl.) / 2,0 Duratorq



Ref. - No.

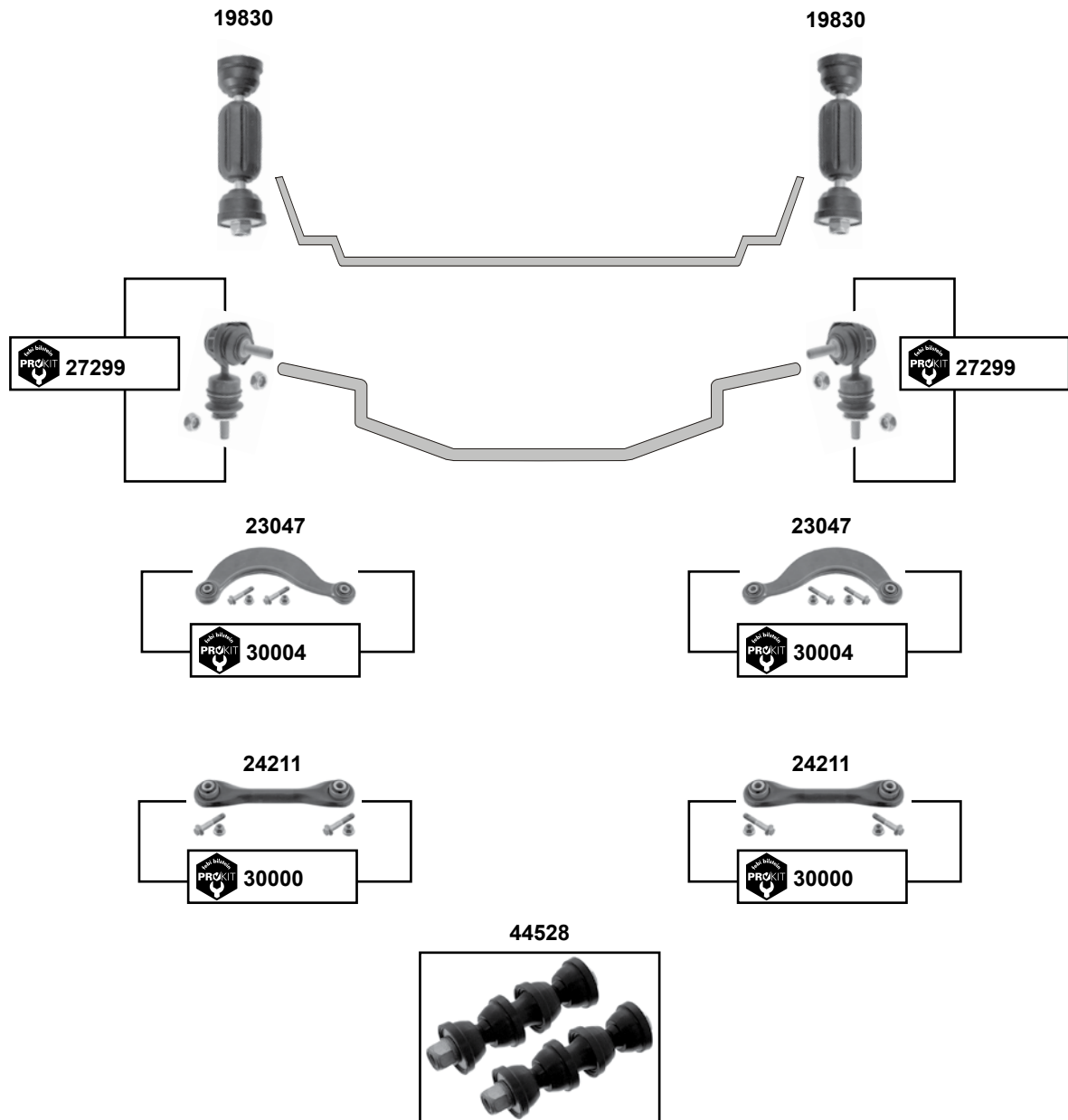


Ref. - No.	Description	Quantity	Length / Diameter
27299	ProKit Verbindungsstange / stabilizer link	(2)	L 76,5
37261	ProKit Verbindungsstange / stabilizer link	(1) (2)	L 76
44499	Stabilisatorlager / stabilizer mount	(3)	Ø   16,5



# Focus C-Max 03

(06/03 → 02/07)



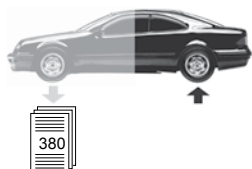
Hinterachse / Rear axle



(1) Bitte Stabilisatorversion beachten / please note the stabilizer version

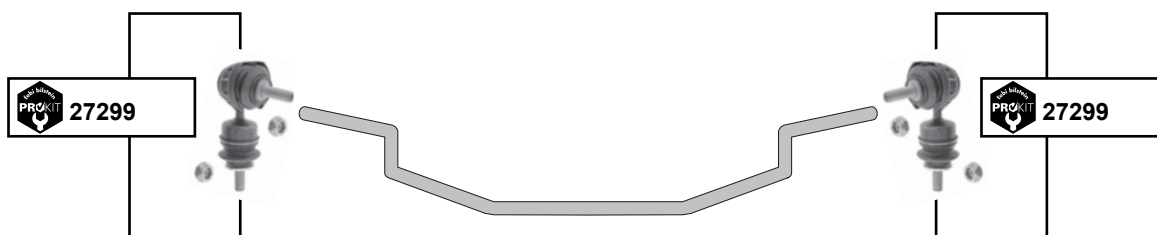
Ref. - No.				
<b>19830</b>	1 487 402	Verbindungsstangensatz / connecting rod set	(1) 1.6 Zetec S	L 110
<b>23047</b>	1 329 730	Querstrebe / cross rod	(ex.) Turnier	
<b>24211</b>	1 061 668	Querstrebe / cross rod		
<b>27299</b>	1 469 208	ProKit Verbindungsstange / stabilizer link	(1)	L 76,5
<b>30000</b>	1 061 668 S1	ProKit Querstrebe / rep kit cross rod		M12x1,75
<b>30004</b>	1 329 730 S1	ProKit Querstrebe / rep kit cross rod		
<b>44528</b>	1 719 542	Verbindungsstangensatz / stabilizer link set	(1)	





# Focus C-Max 07

(03/07 → 07/10)



Hinterachse / Rear axle



(1) Bitte Stabilisatorversion beachten / please note the stabilizer version



Ref. - No.



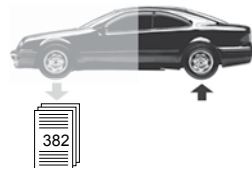
**24211**  
**27299**  
**30000**  
**44528**

1 061 668  
1 469 208  
1 061 668 S1  
1 719 542

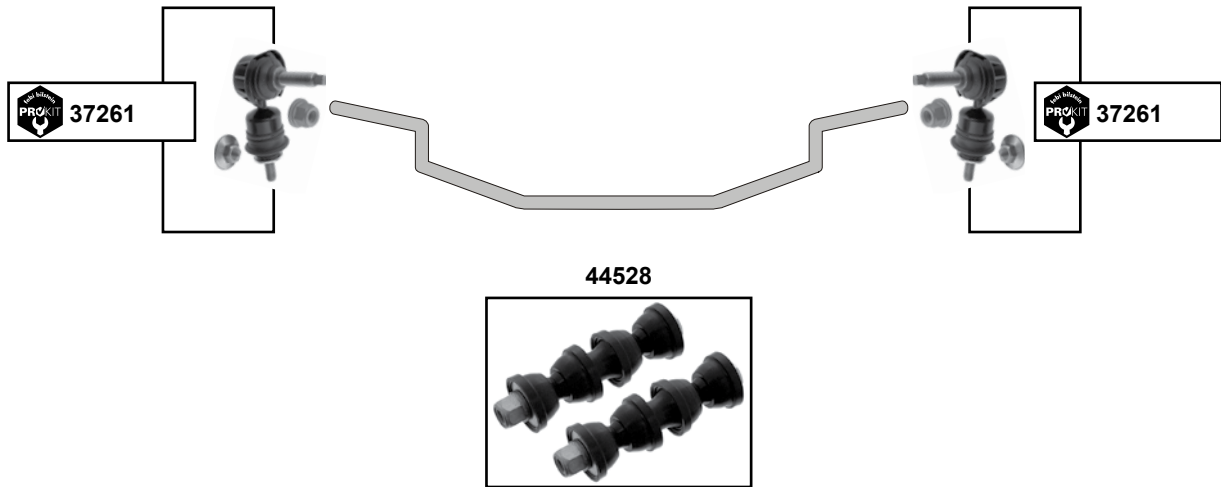
Querstrebe / cross rod  
ProKit Verbindungsstange / stabilizer link  
ProKit Querstrebe / rep. kit cross rod  
Verbindungsstangensatz / stabilizer link set

(1)  
(1)

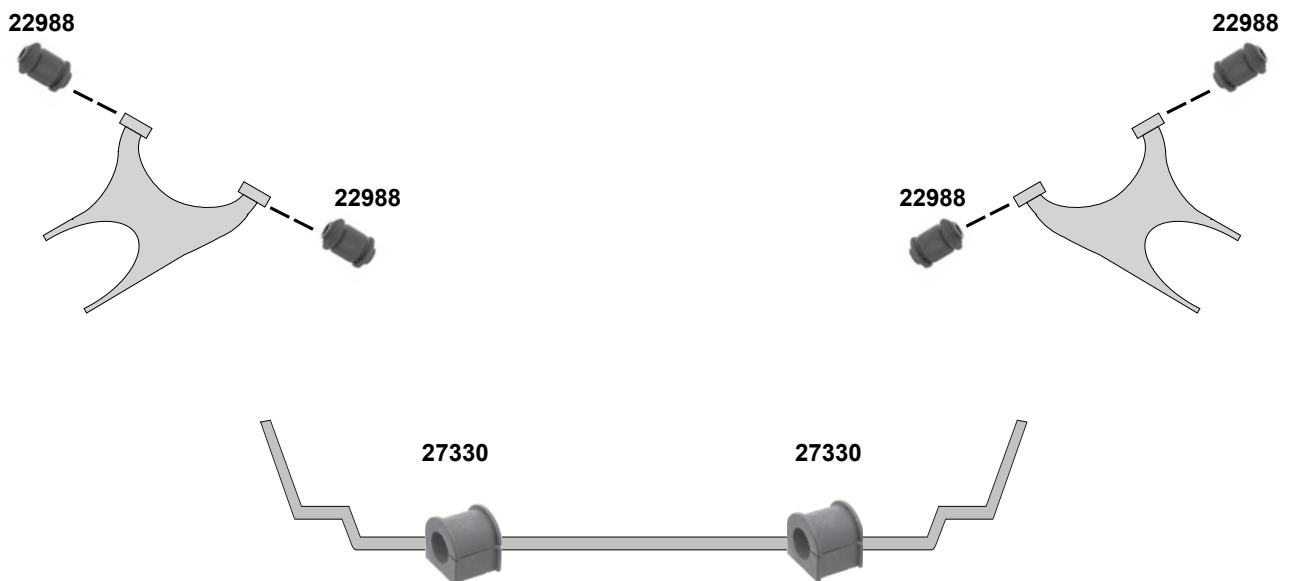
L 76,5



**Focus C-Max 11**  
(01/11 →)



**Galaxy 95**  
(05/95 → 03/00)



Hinterachse / Rear axle



- (1) (ex.) 1,6 Duratec (85PS / 125PS)
- (2) Bitte Stabilisatorversion beachten / please note the stabilizer version
- (3) 1,6 Duratec (85PS / 125PS)



Ref. - No.



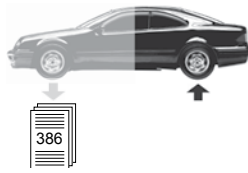
**22988**  
**27330**  
**37261**  
**44528**

7 201 717  
1 001 713  
1 814 315 S1  
1 719 542

Querlenkerlager / control arm mount  
Stabilisatorlager / stabilizer mount  
ProKit Verbindungsstange / stabilizer link  
Verbindungsstangensatz / stabilizer link set

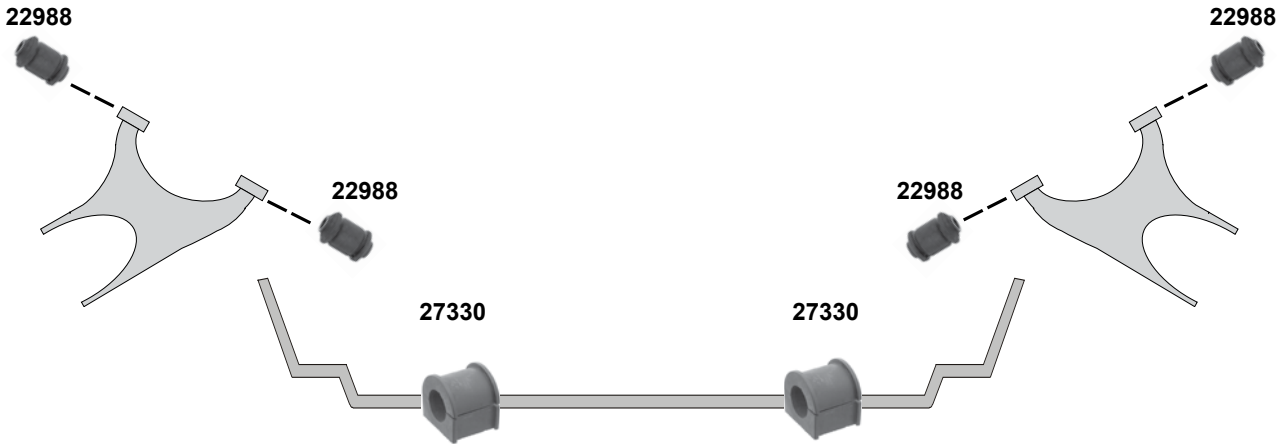
(1) (2)  
(3) (2)

Ø1 21  
L 76



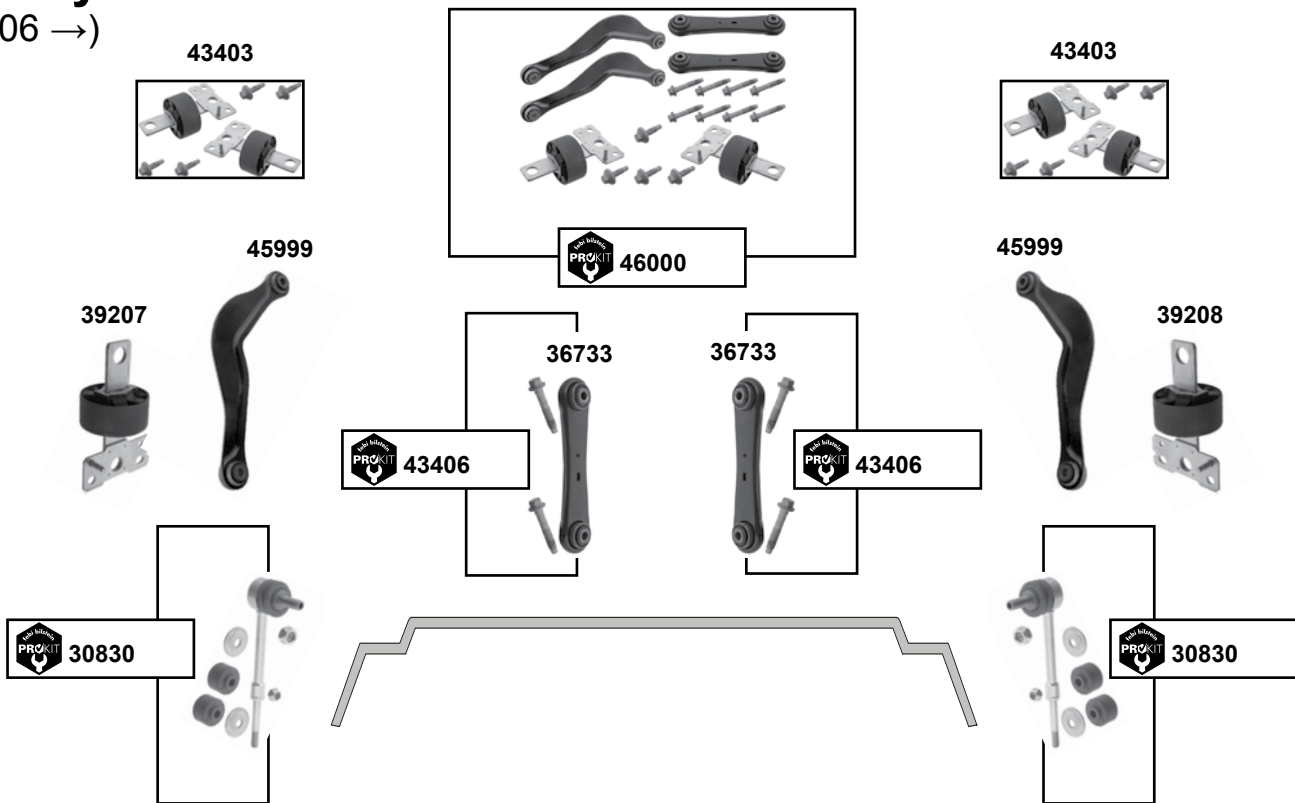
## Galaxy 00

(04/00 → 02/06)



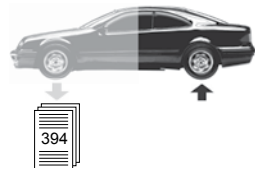
## Galaxy 06

(07/06 →)



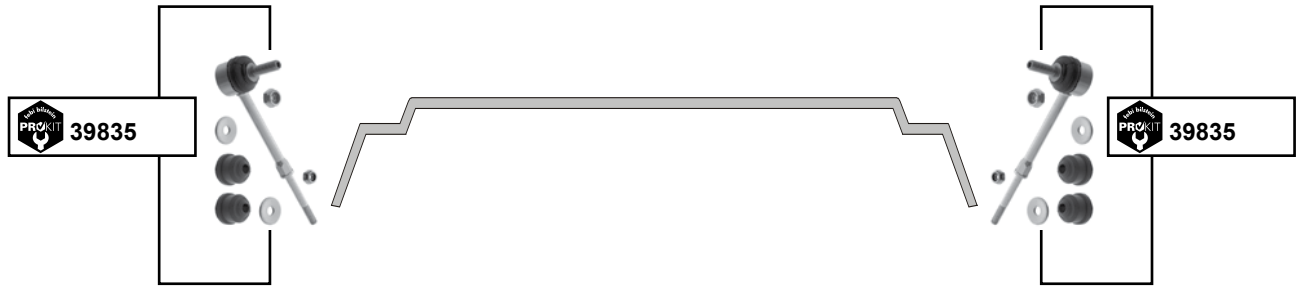
Hinterachse / Rear axle

	Ref. - No.			
<b>22988</b>	7 201 717	Querlenkerlager / control arm mount		
<b>27330</b>	1 001 713	Stabilisatorlager / stabilizer mount		
<b>30830</b>	1 425 853	ProKit Verbindungsstange / stabilizer link		
<b>36733</b>	1 426 770	Querstrebe / cross rod		
<b>39207</b>	1 865 033	Achskörperlager / axle beam mount		
<b>39208</b>	1 865 034	Achskörperlager / axle beam mount		
<b>43403</b>	1 566 810 S2	Achskörperlagersatz / axle beam mounting kit		
<b>43406</b>	1 426 770 S1	ProKit Querstrebe / cross rod		
<b>45999</b>	1 457 609	Querstrebe / cross rod		
<b>46000</b>	1 457 609 S2	ProKit Querstrebensatz / cross rod kit	02/07 →	
				Ø   21 L 180  M 14 x 2



# Kuga 08

(02/08 → 10/12)



# Kuga 13

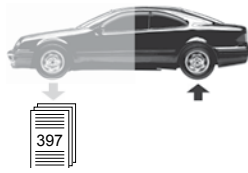
(11/12 →)



Hinterachse / Rear axle

passend für / to fit

**FORD**



**Car  
Division**



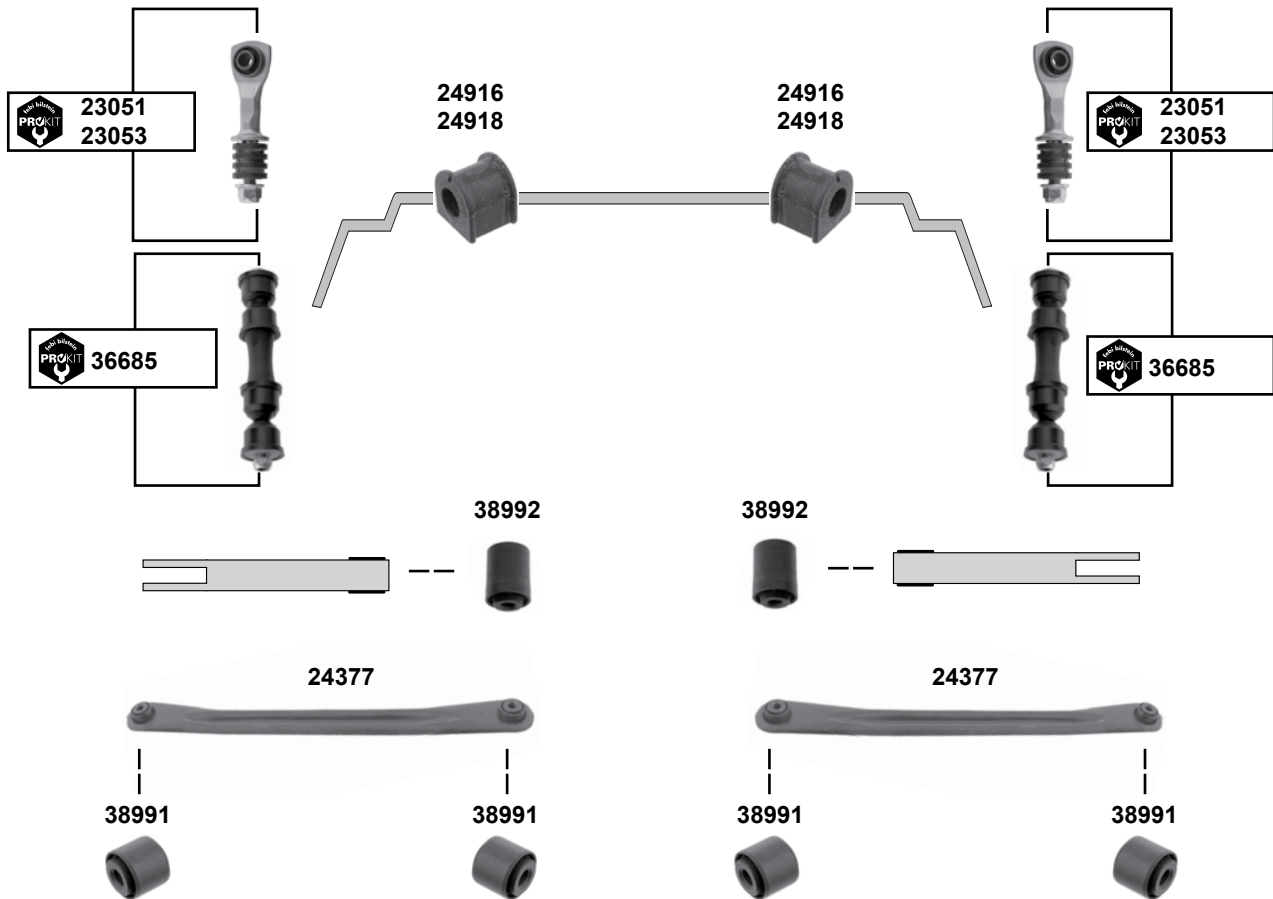
## Maverick

(02/93 →)



## Mondeo 93/97

(04/93 → 10/00)



Hinterachse / Rear axle



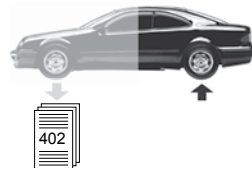
(1) Turnier 2 WD + 4 WD, Limousine 2 WD



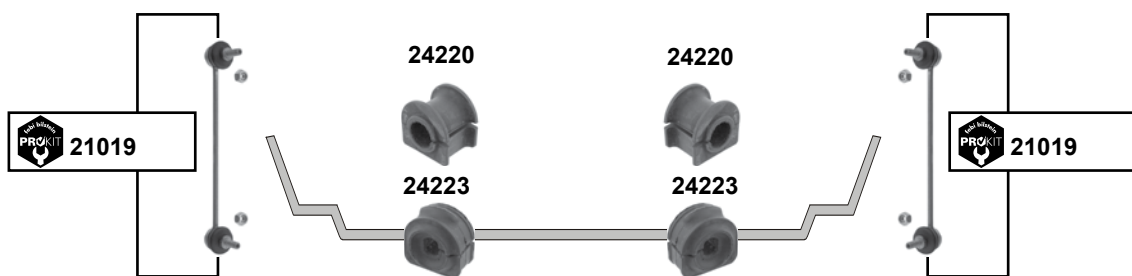
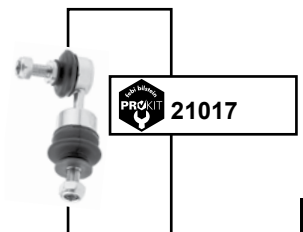
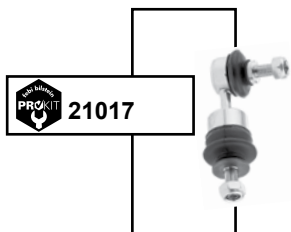
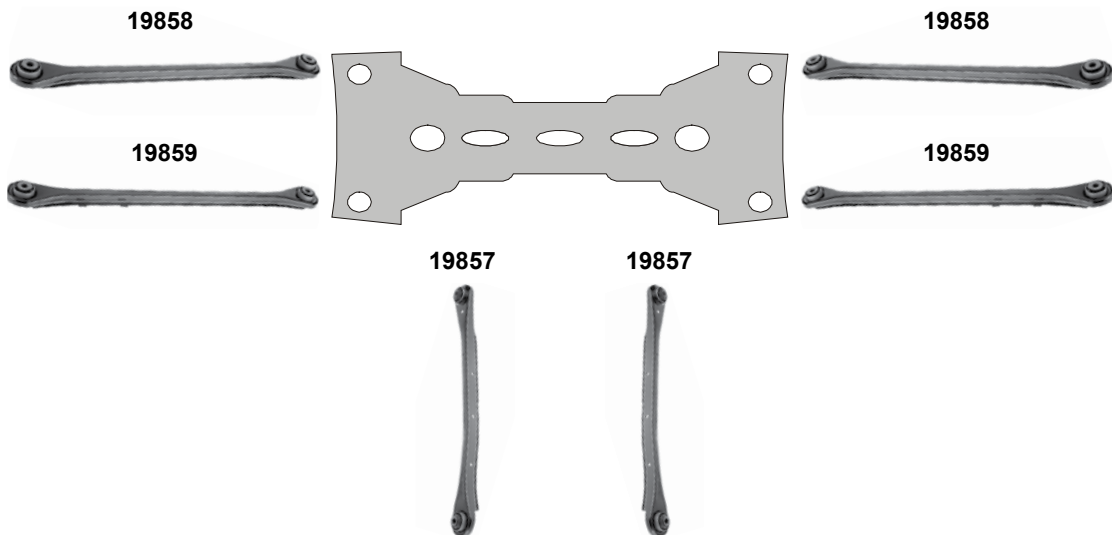
Ref. - No.



<b>23051</b>	7 014 210	ProKit Verbindungsstange / stabilizer link	→ 09/94 / (ex.) 4WD	M10x1,5 lØ7
<b>23053</b>	1 054 209	ProKit Verbindungsstange / stabilizer link	(1) 10/984 → 07/98	M10x1,5 lØ10
<b>24016</b>	1 954 821	ProKit Verbindungsstange / stabilizer link		L 208
<b>24377</b>	6 867 577	Querstrebe / cross rod	(ex.) Turnier	L 670
<b>24916</b>	7 144 204	Stabilisatorlager / stabilizer mount	(ex.) 4WD	Ø l 16
<b>24918</b>	7 144 202	Stabilisatorlager / stabilizer mount	(ex.) 4WD	Ø l 18
<b>36685</b>	1 072 446 S1	ProKit Verbindungsstange / stabilizer link	07/98 → 09/00	L 148
<b>38991</b>	6 829 045	Achskörperlager / axle beam mount	(ex.) Turnier	Ø A 36,5
<b>38992</b>	6 829 046	Achskörperlager / axle beam mount	(ex.) Turnier	Ø A 37,1/38,2

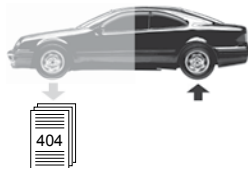


**Mondeo 01**  
(10/00 → 01/07)



Hinterachse / Rear axle

	Ref. - No.			
<b>19857</b>	1 206 474	Querstrebe / cross rod	Limousine	
<b>19858</b>	1 118 921	Querstrebe / cross rod	Limousine	
<b>19859</b>	1 118 920	Querstrebe / cross rod	Limousine	
<b>21017</b>	1 130 452	ProKit Verbindungsstange / stabilizer link	Turnier	L 110
<b>21019</b>	1 127 648	ProKit Verbindungsstange / stabilizer link	Limousine	L 255
<b>24220</b>	1 124 418	Stabilisatorlager / stabilizer mount	Limousine	
<b>24223</b>	1 119 588	Stabilisatorlager / stabilizer mount	Turnier	



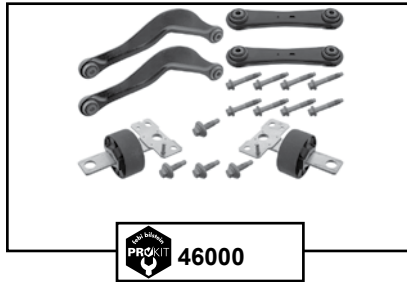
**Mondeo 07**

(02/07 →)

43403



43403



**PROKIT** 46000

45999

39207



36733



**PROKIT** 43406

36733

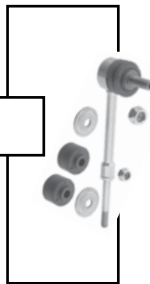


**PROKIT** 43406

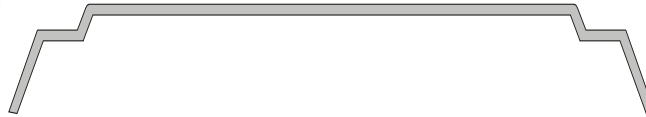
45999



39208



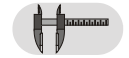
**PROKIT** 30830



**PROKIT** 30830



Ref. - No.



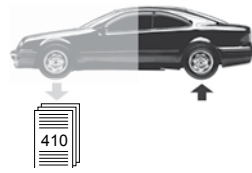
**30830**  
**36733**  
**39207**  
**39208**  
**43403**  
**43406**  
**45999**  
**46000**

1 425 853  
1 426 770  
1 865 033  
1 865 034  
1 566 810 S2  
1 426 770 S1  
1 457 609  
1 457 609 S2

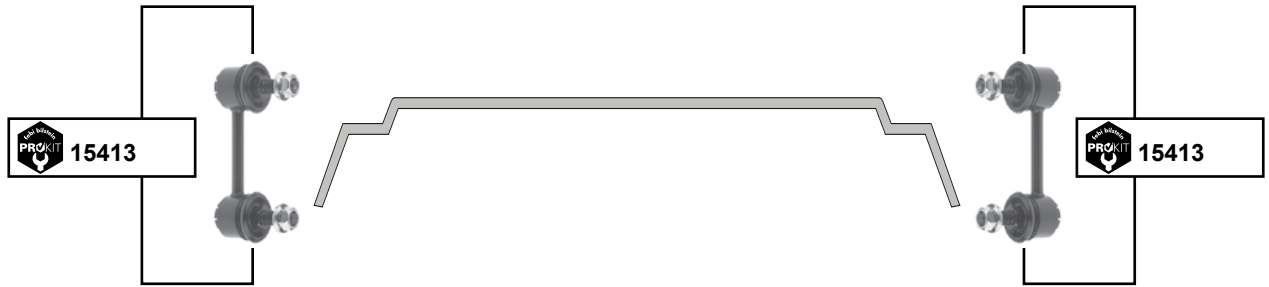
ProKit Verbindungsstange / stabilizer link  
Querstrebe / cross rod  
Achskörperlager / axle beam mount  
Achskörperlager / axle beam mount  
Achskörperlagersatz / axle beam mounting kit  
ProKit Querstrebe / cross rod  
Querstrebe / cross rod  
ProKit Querstrebensatz / cross rod kit

L 180

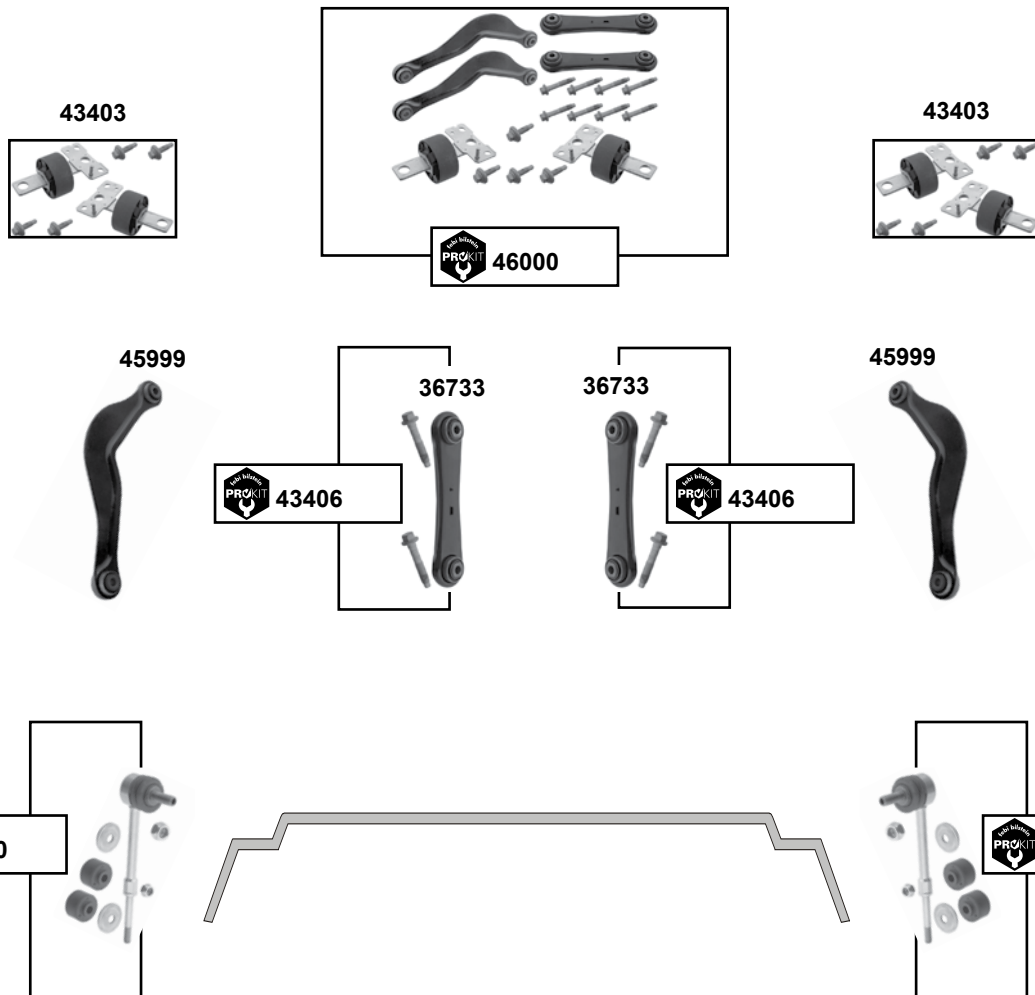
M 14 x 2







**Probe 91/93**  
(10/92 → 07/97)



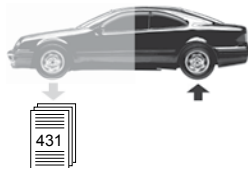
**S-MAX 06**  
(07/06 →)



Hinterachse / Rear axle

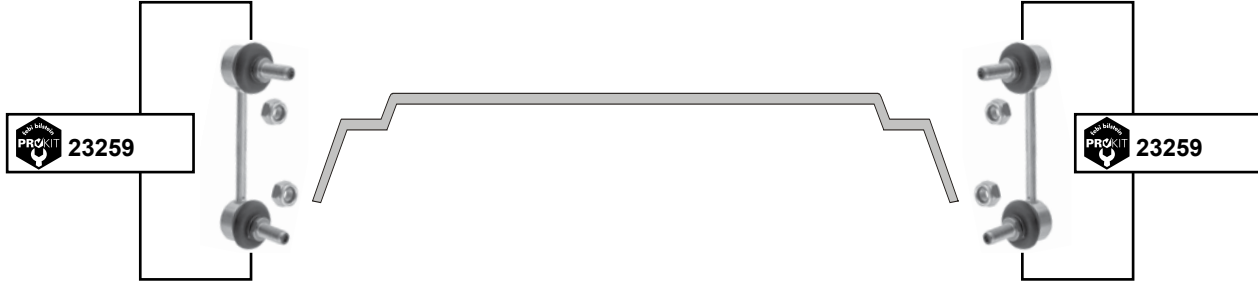
	Ref. - No.			
<b>15413</b>	3 799 085	ProKit Verbindungsstange / stabilizer link		L 87
<b>30830</b>	1 425 853	ProKit Verbindungsstange / stabilizer link		L 180
<b>36733</b>	1 426 770	Querstrebe / cross rod		
<b>43403</b>	1 566 810 S2	Achskörperlagersatz / axle beam mounting kit		M 14 x 2
<b>43406</b>	1 426 770 S1	ProKit Querstrebe / cross rod		
<b>45999</b>	1 457 609	Querstrebe / cross rod		
<b>46000</b>	1 457 609 S2	ProKit Querstrebensatz / cross rod kit		





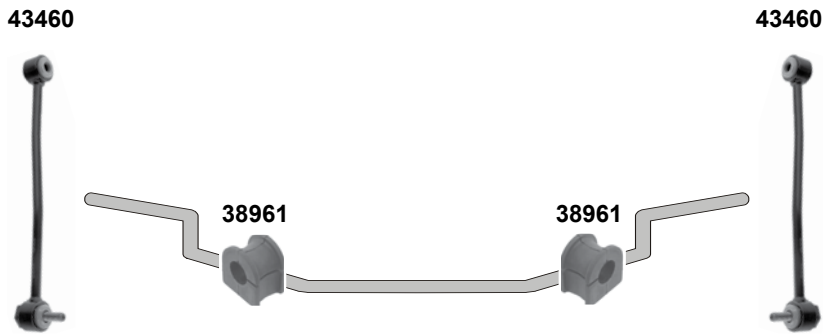
## Transit / Tourneo Connect 02

(09/02 → 12/13)



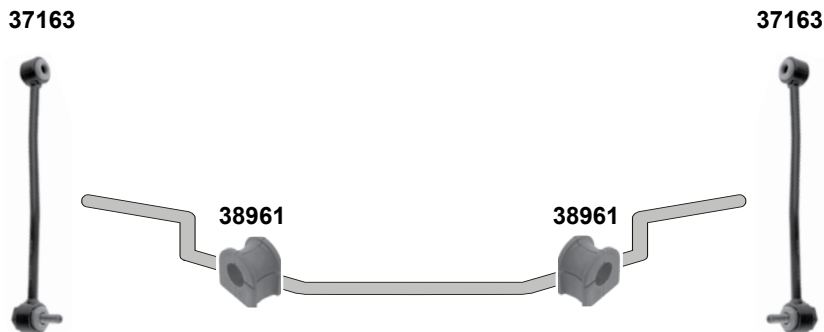
## Transit 00

(01/00 → 03/06)



## Transit 06

(04/06 →)



Hinterachse / Rear axle



(1) Transit 00: nur / only FWD // Transit 06: nur / only FWD + Doppelbereifung / twin-tyres

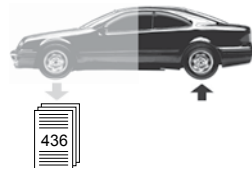
(2) 05/01 → 03/06 Doppelbereifung / twin-tyres



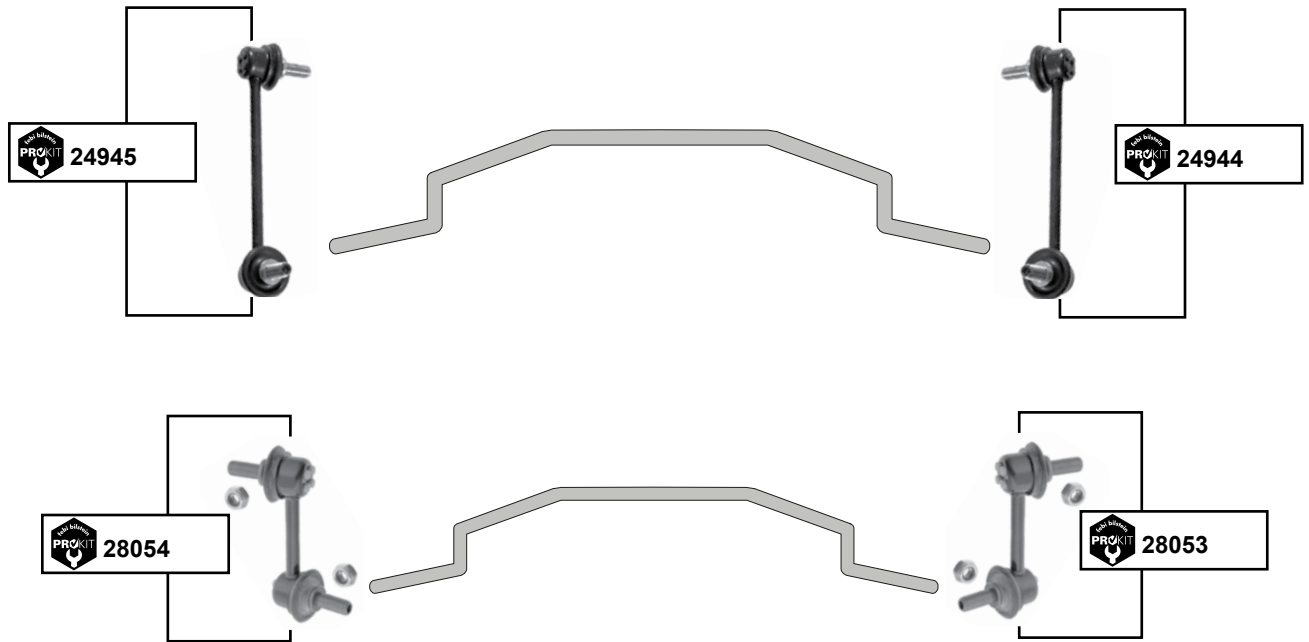
Ref. - No.



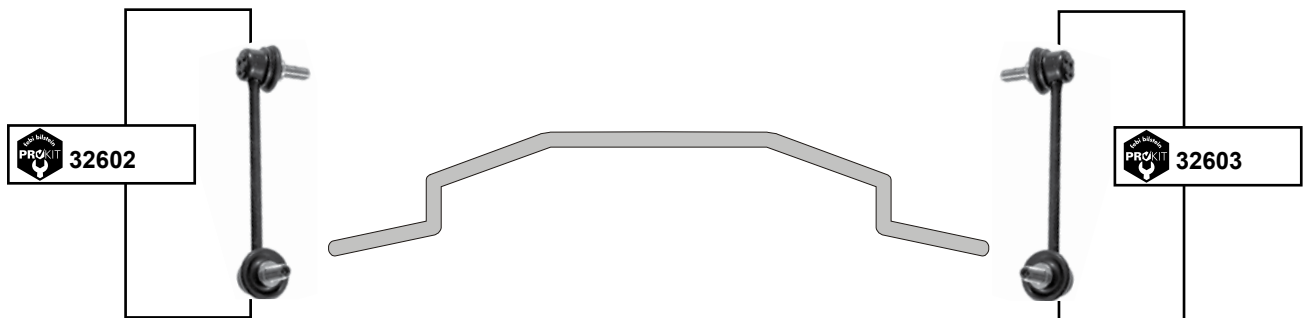
<b>23259</b>	1 332 463	ProKit Verbindungsstange / stabilizer link		M12x1,5 L133
<b>37163</b>	4 709 303	Verbindungsstange / stabilizer link		L 348,5
<b>38961</b>	4 041 490	Stabilisatorlager / stabilizer mount	(1)	Ø 1 29
<b>43460</b>	4 531 299	Verbindungsstange / stabilizer link	(2)	L 348,5



**Accord VII / VIII**  
(1998 → 2008)



**Accord IX**  
(2008 →)

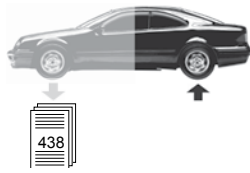


Hinterachse / Rear axle

	Ref. - No.			
<b>24944</b>	52320-S84-A01	ProKit Verbindungsstange / stabilizer link		L 115
<b>24945</b>	52325-S84-A01	ProKit Verbindungsstange / stabilizer link		L 115
<b>28053</b>	51320-SEA-E01	ProKit Verbindungsstange / connecting rod	03 → / Accord VIII	L 80,5
<b>28054</b>	51321-SEA-E01	ProKit Verbindungsstange / connecting rod	03 → / Accord VIII	L 80,5
<b>32602</b>	52325-TA0-A01	ProKit Verbindungsstange / stabilizer link		L 145
<b>32603</b>	52320-TA0-A01	ProKit Verbindungsstange / stabilizer link		L 145

passend für / to fit

**HONDA**

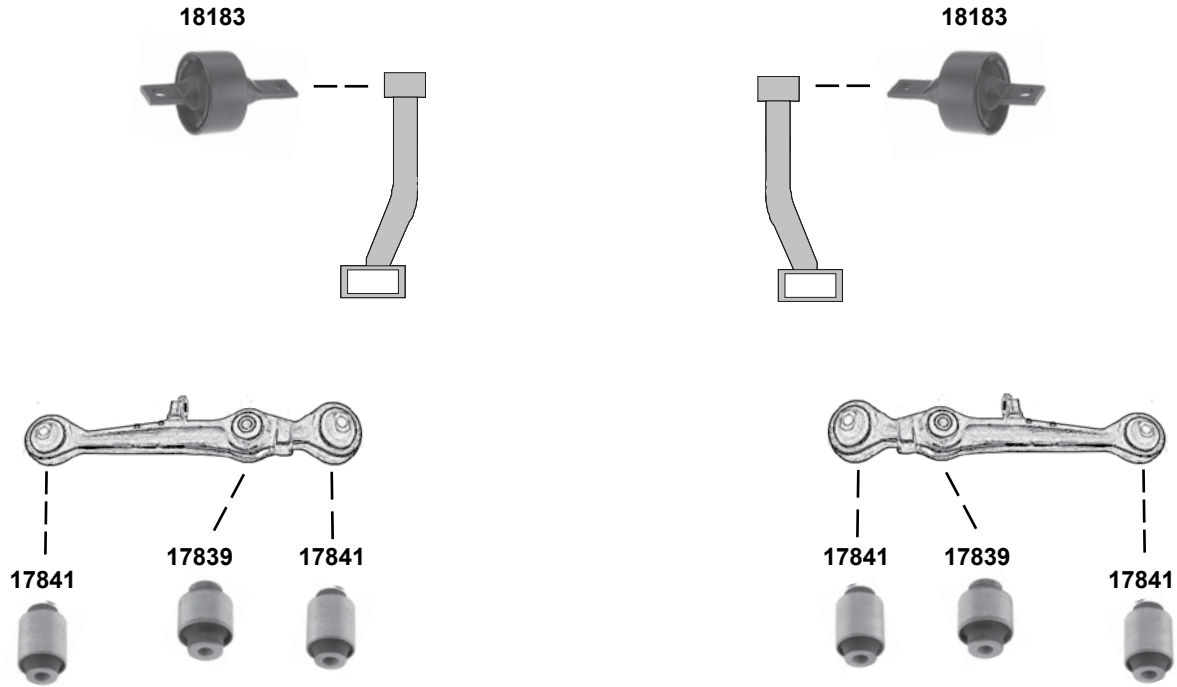


**Car  
Division**



# Civic

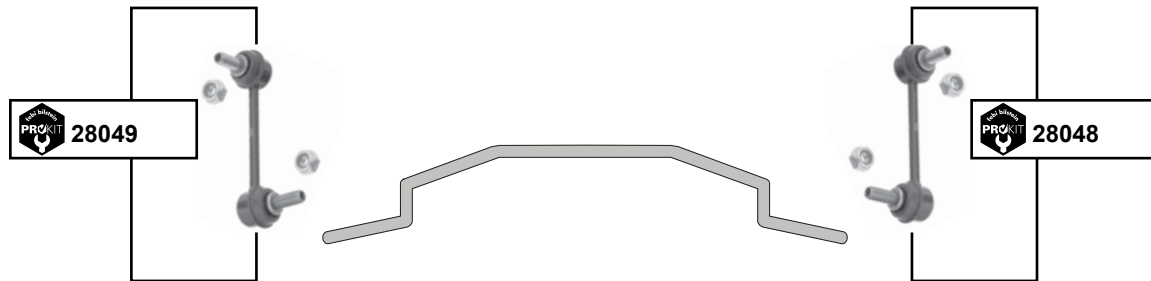
(1987 → 1992)



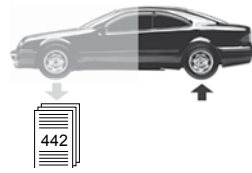
Hinterachse / Rear axle

# Civic V / Coupe

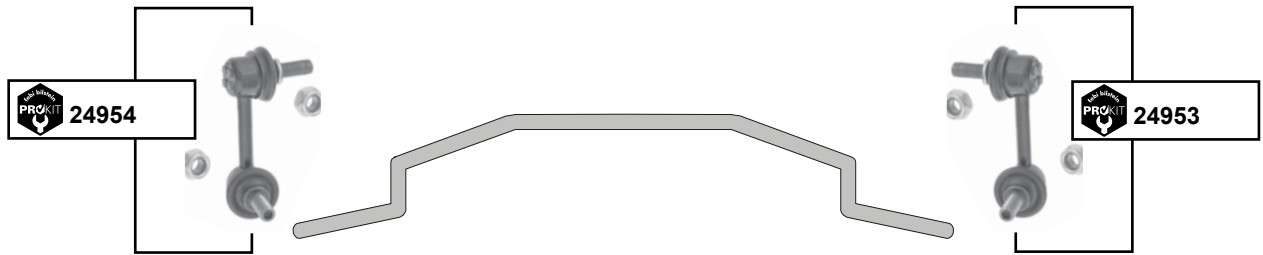
(1996 → 2000)



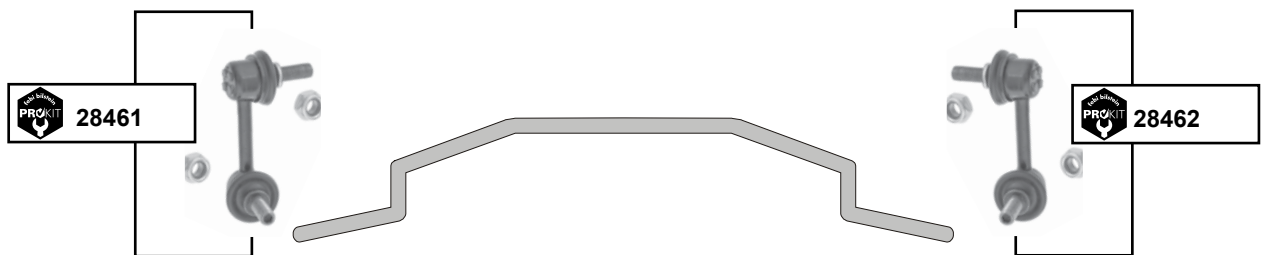
	Ref. - No.			
<b>17839</b>	52622-SH3-010	Querlenkerlager / control arm mount		Ø A 37
<b>17841</b>	52365-SH3-000	Querlenkerlager / control arm mount		Ø A 31
<b>18183</b>	52385-SR3-000	Querlenkerlager / control arm mount		Ø A 80
<b>28048</b>	52320-S04-003	ProKit Verbindungsstange / stabilizer link		L 90
<b>28049</b>	52321-S04-003	ProKit Verbindungsstange / stabilizer link		L 90



**Civic VI / Coupe**  
(2001 → 2005)



**Civic VII**  
(2006 →)



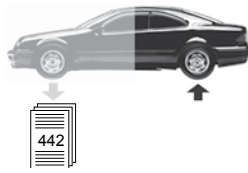
Hinterachse / Rear axle



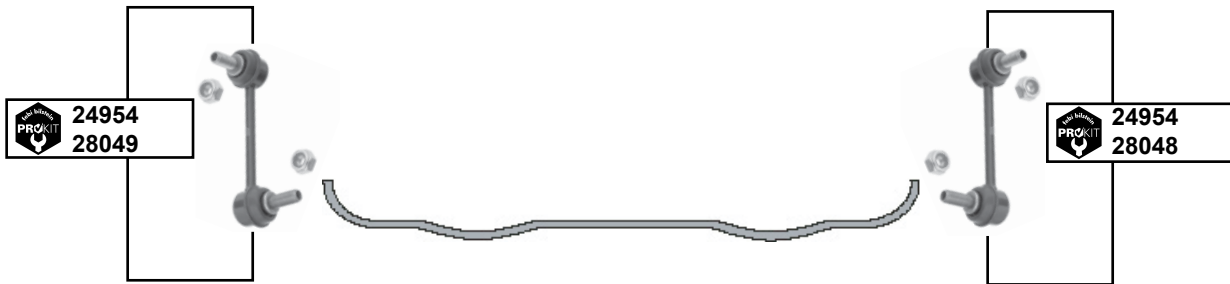
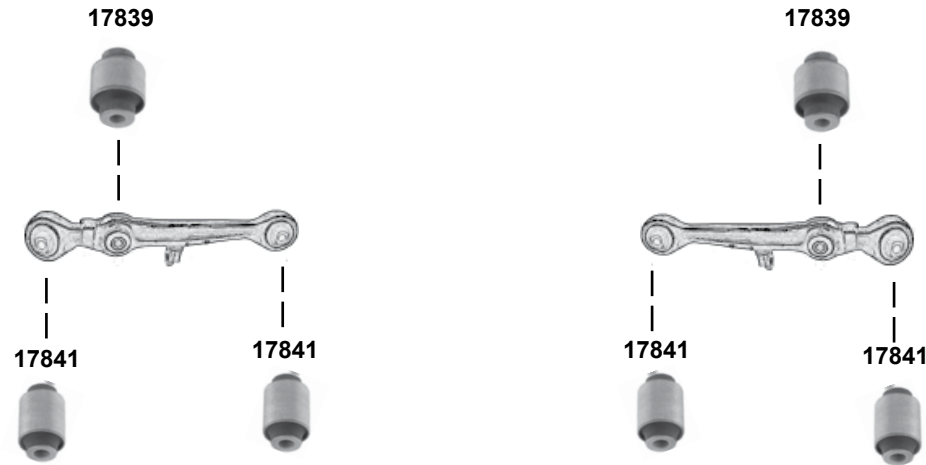
Ref. - No.



<b>24953</b>	52320-S54-013	ProKit Verbindungsstange / stabilizer link	L 115
<b>24954</b>	52321-S54-013	ProKit Verbindungsstange / stabilizer link	L 115
<b>28461</b>	52321-SNA-A01	ProKit Verbindungsstange / stabilizer link	L 74
<b>28462</b>	52320-SNA-A01	ProKit Verbindungsstange / stabilizer link	L 74

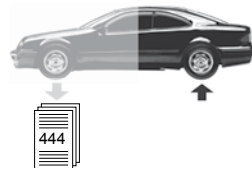


**Civic Coupè (EJ / EK / EM)**  
(1994 → 2005)

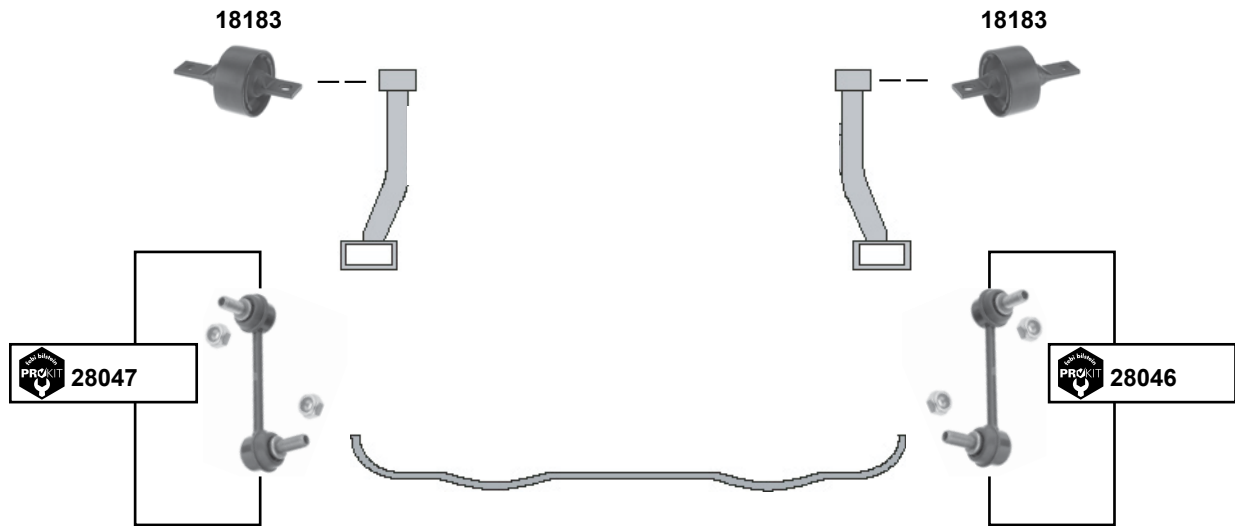


Hinterachse / Rear axle

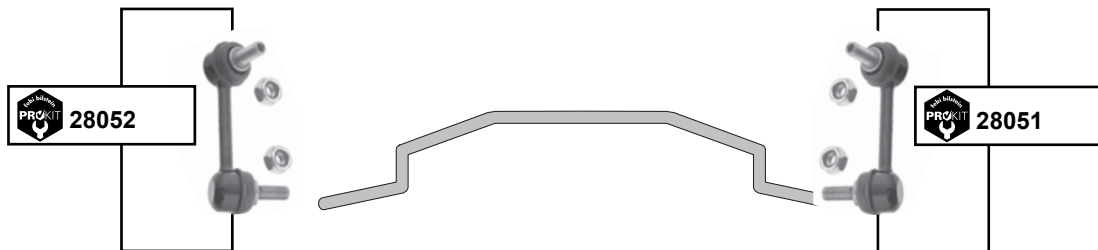
	Ref. - No.			
<b>17839</b>	52622-SH3-010	Querlenkerlager / control arm mount	Modell 94 → 96	Ø A 37
<b>17841</b>	52365-SH3-000	Querlenkerlager / control arm mount	Modell 94 → 96	Ø A 31
<b>18183</b>	52385-SR3-000	Querlenkerlager / control arm mount	Modell 94 → 01	Ø A 80
<b>24954</b>	52321-S5A-013	ProKit Verbindungsstange / connecting rod	Modell 01 →	
<b>28048</b>	52320-S04-003	ProKit Verbindungsstange / connecting rod	Modell 99 →00	L 90
<b>28049</b>	52321-S04-003	ProKit Verbindungsstange / connecting rod	Modell 99 →00	L 90



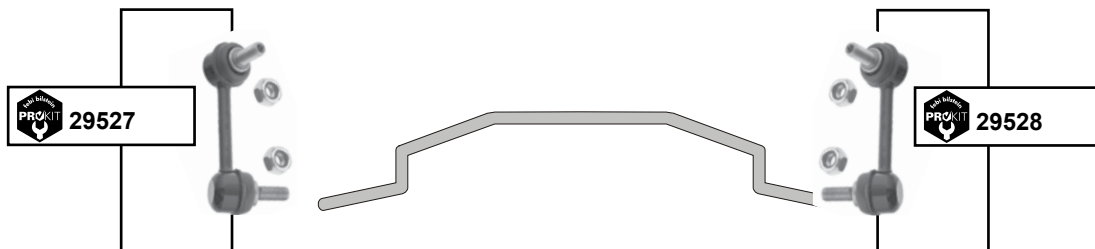
**CR-V (RD)**  
(1995 → 2001)



**CR-V II**  
(2002 → 2006)



**CR-V III**  
(2007 →)

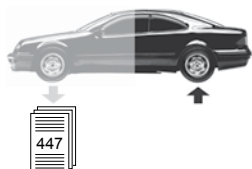


Hinterachse / Rear axle

	Ref. - No.			
18183	52385-SR3-000	Querlenkerlager / control arm mount		Ø A 80
28046	52320-S10-003	ProKit Verbindungsstange / stabilizer link		L 125
28047	52321-S10-003	ProKit Verbindungsstange / stabilizer link		L 125
28051	52320-S9A-003	ProKit Verbindungsstange / stabilizer link		L 89,5
28052	52321-S9A-003	ProKit Verbindungsstange / stabilizer link		L 89,5
29527	52321-SWA-A01	ProKit Verbindungsstange / stabilizer link		L 85
29528	52320-SWA-A01	ProKit Verbindungsstange / stabilizer link		L 85

passend für / to fit

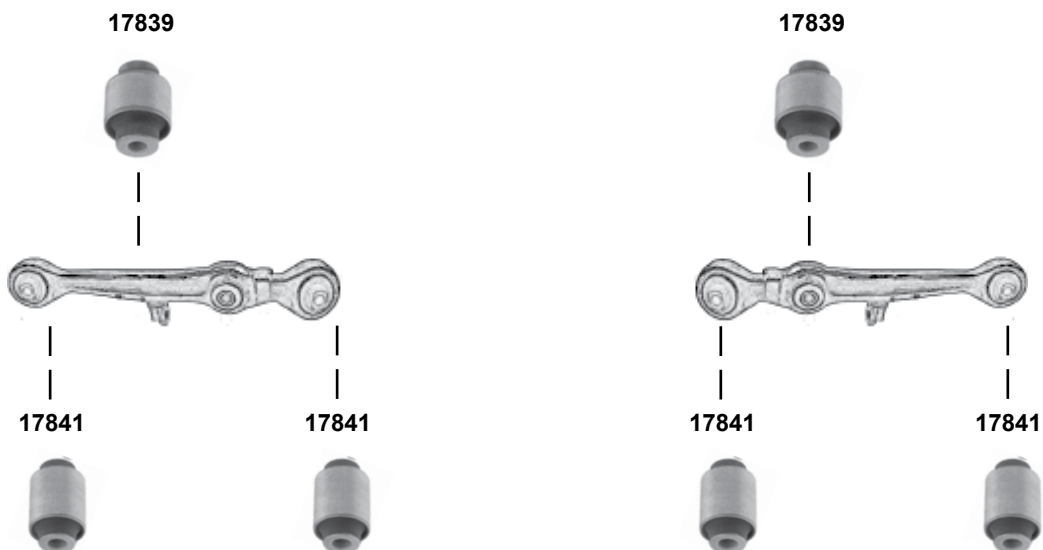
**HONDA**



**Car  
Division**

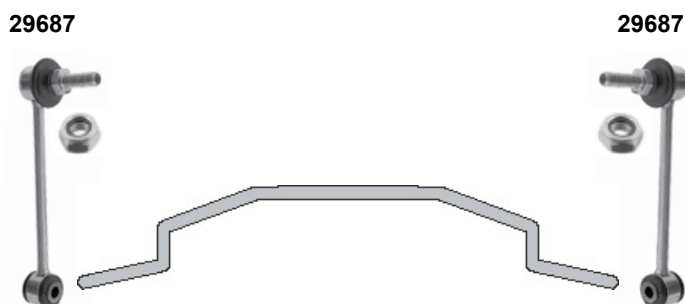


## CRX (ED / EE / EG / EH) (1987 → 1998)



## Prelude IV (1992 → 1996)

Hinterachse / Rear axle



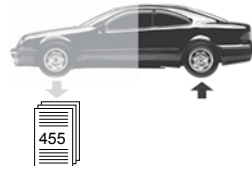
Ref. - No.



**17839** 52622-SH3-010  
**17841** 52365-SH3-000  
**29687** 52320-SS0-003

Querlenkerlager / control arm mount  
 Querlenkerlager / control arm mount  
 Verbindungsstange / stabilizer link

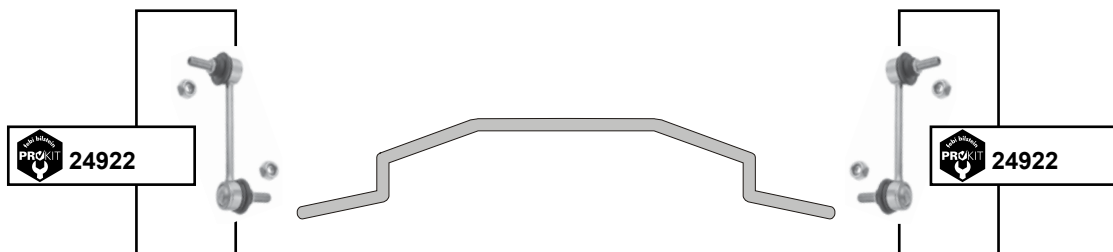
Ø A 37  
 Ø A 31  
 L 160



**Accent**  
(1999 → 2006)



**Coupe**  
(1996 → 2009)



Hinterachse / Rear axle



Ref. - No.



**24922**  
**28266**

55530-29500  
55830-25000 S1

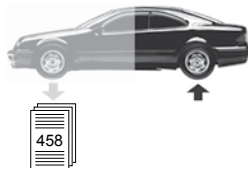
ProKit Verbindungsstange / stabilizer link  
ProKit Verbindungsstange / stabilizer link

L 133  
L 137



passend für / to fit

**HYUNDAI**

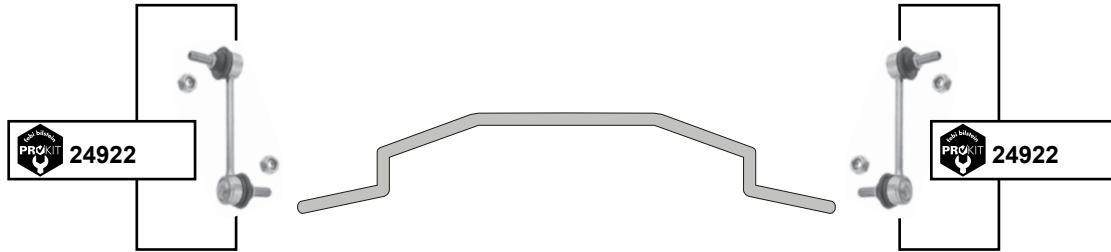


**Car  
Division**



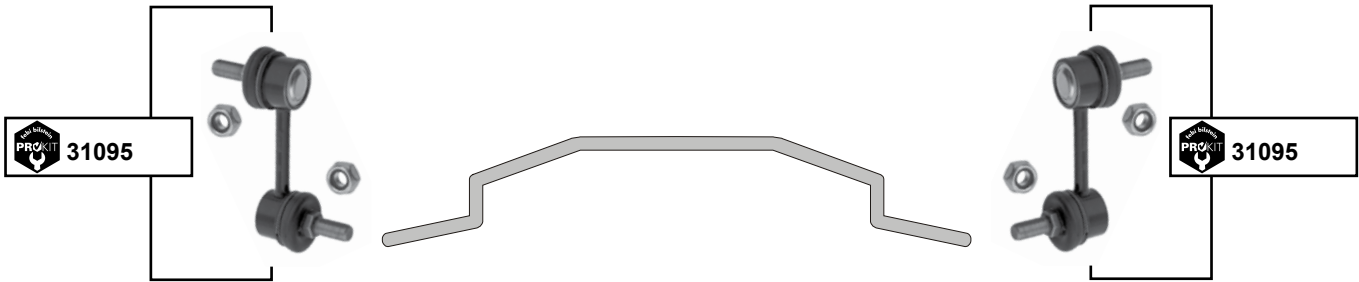
# Elantra

(1996 →)



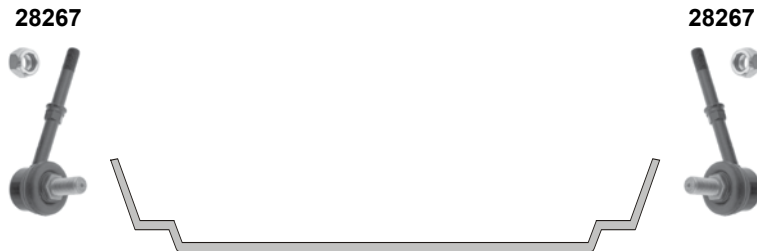
# Grandeur

(2005 →)



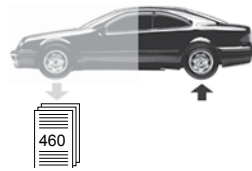
# H1

(1996 → 2004)



Hinterachse / Rear axle

	Ref. - No.			
<b>24922</b>	55530-29500	Verbindungsstange / stabilizer link		L 133
<b>28267</b>	55530-4A000	Verbindungsstange / stabilizer link	2,5 Diesel (ex.) 4WD	L 115
<b>31095</b>	55530-3K001	ProKit Verbindungsstange / stabilizer link		



**H1**

(10/2007 →)



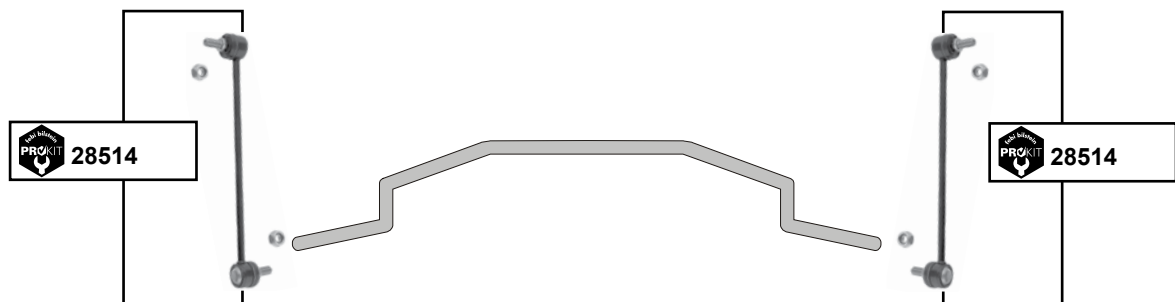
**i 30 / i 30 CW**

(2007 →)



**IX55**

(2008 →)



Hinterachse / Rear axle



Ref. - No.



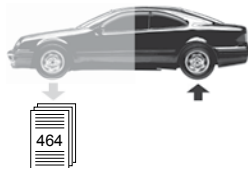
<b>28514</b>	55530-2B000
<b>31765</b>	55530-1H000
<b>32062</b>	55530-4H000
<b>32063</b>	55540-4H000

ProKit Verbindungsstange / stabilizer link
ProKit Verbindungsstange / stabilizer link
ProKit Verbindungsstange / stabilizer link
ProKit Verbindungsstange / stabilizer link

L 98,8
L 170
L 85
L 85

passend für / to fit

# HYUNDAI

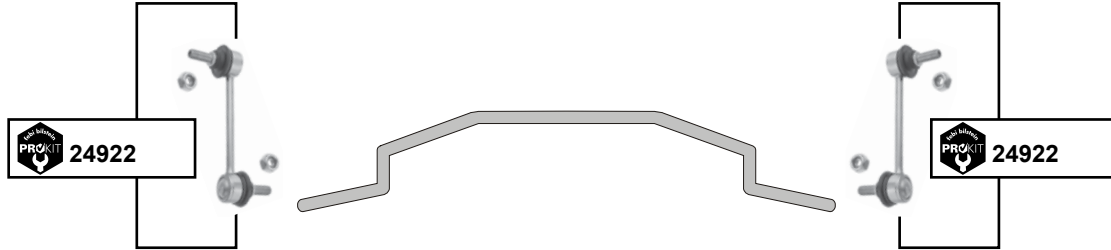


Car  
Division



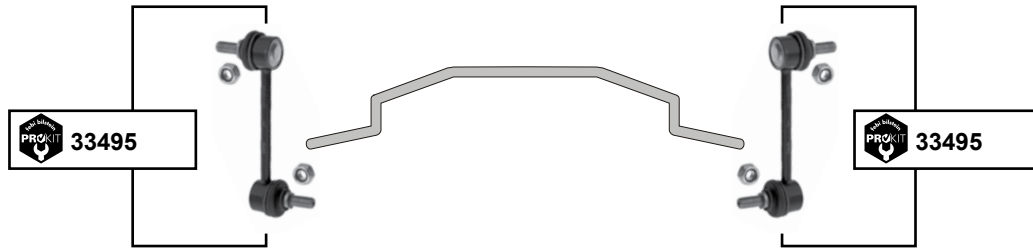
## Lantra II

(1995 → 2000)



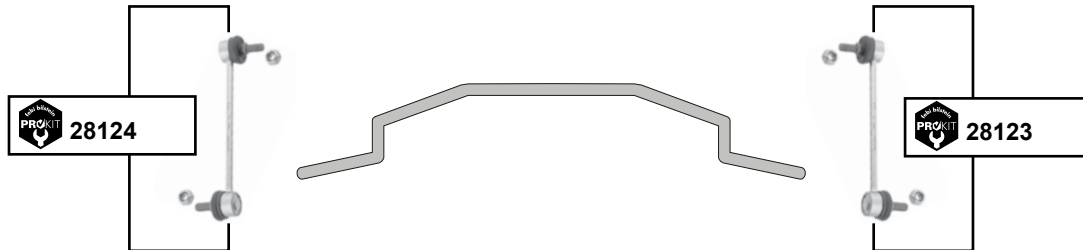
## Matrix

(05/01 → 01/06)



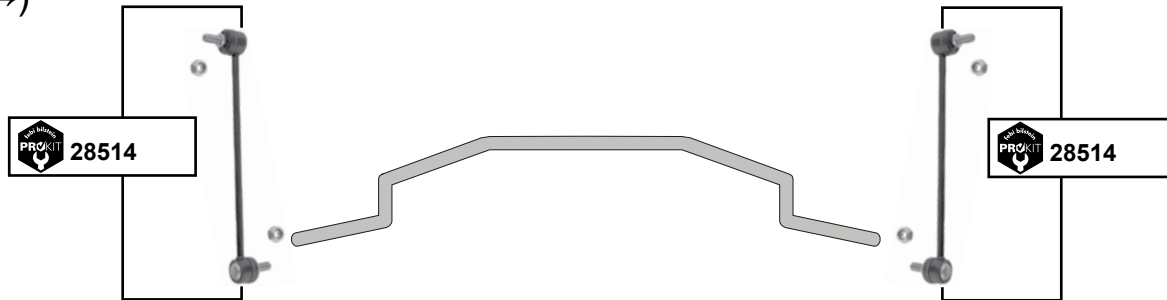
## Santa Fe (SM)

(2000 → 2005)



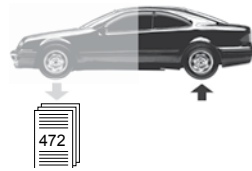
## Santa Fe (CM)

(2005 →)

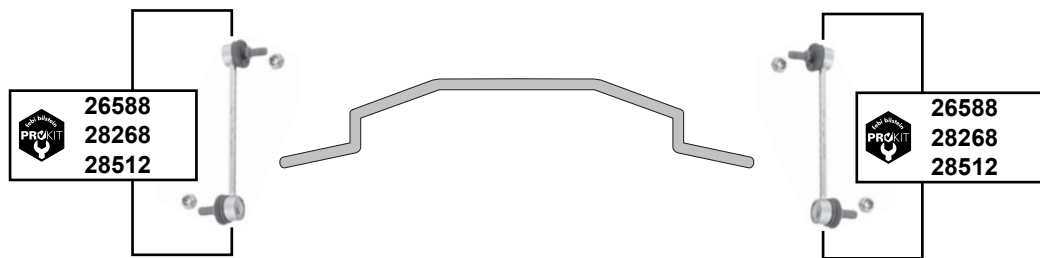


Hinterachse / Rear axle

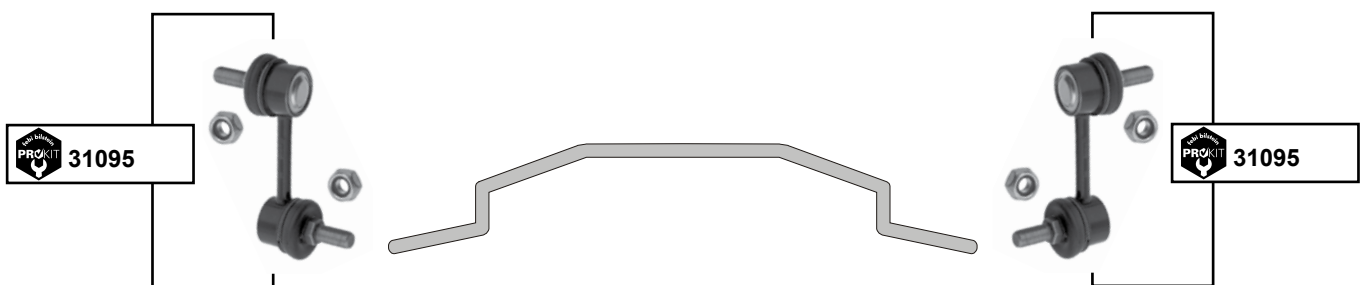
	Ref. - No.			
<b>24922</b>	55530-29500	ProKit Verbindungsstange / stabilizer link		L 133
<b>28123</b>	55540-26600	ProKit Verbindungsstange / stabilizer link		L 120
<b>28124</b>	55530-26600	ProKit Verbindungsstange / stabilizer link		L 120
<b>28514</b>	55530-2B000	ProKit Verbindungsstange / stabilizer link		L 98,8
<b>33495</b>	55530-17000	ProKit Verbindungsstange / stabilizer link		L 129,5



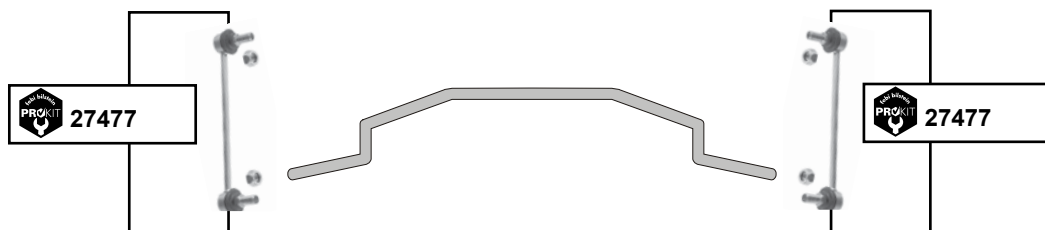
**Sonata EF**  
(2000 →)



**Sonata NF**  
(2004 →)



**Tucson**  
(2004 →)



Hinterachse / Rear axle



(1) Beachten Sie bitte die Abmessung / please pay attention to the dimension / respecter les dimensions / tenga en cuenta las medidas / fate attenzione alla misura



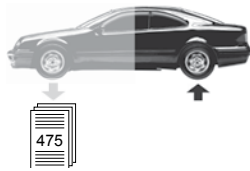
Ref. - No.



<b>26588</b>	55530-38010	ProKit Verbindungsstange / stabilizer link	(1)	L 185
<b>27477</b>	55530-2E100	ProKit Verbindungsstange / stabilizer link	(1)	L 220
<b>28268</b>	55530-38600	ProKit Verbindungsstange / stabilizer link	(1)	L 193,5
<b>28512</b>	55580-37020	ProKit Verbindungsstange / stabilizer link	(1)	L 60
<b>31095</b>	55530-3K001	ProKit Verbindungsstange / stabilizer link	(1)	L 80

passend für / to fit

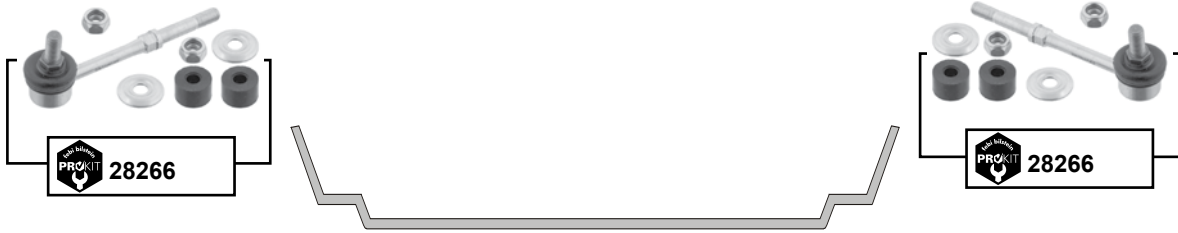
**HYUNDAI**



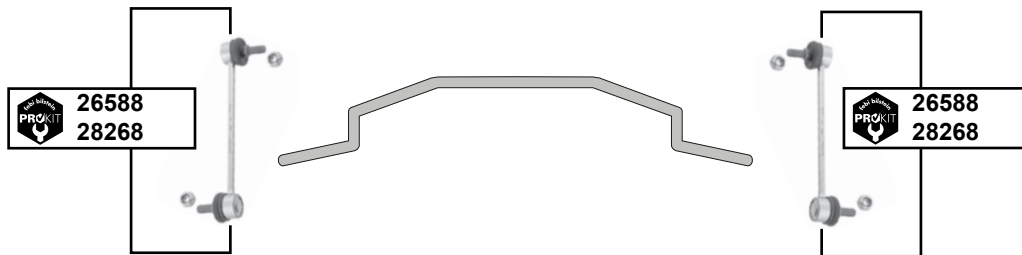
**Car  
Division**



# Verna (1999 →)



# XG 25/30/35 (2000 → 2005)



Hinterachse / Rear axle



(1) Beachten Sie bitte die Abmessung / please pay attention to the dimension / respecter les dimensions / tenga en cuenta las medidas / fate attenzione alla misura



Ref. - No.



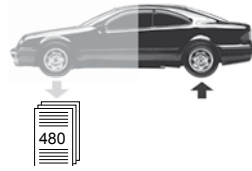
**26588**  
**28266**  
**28268**

55530-38010  
55830-25000 S1  
55530-38600

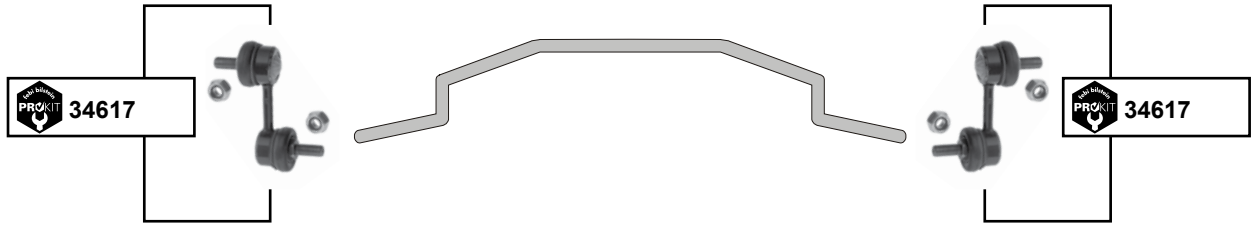
ProKit Verbindungsstange / stabilizer link  
ProKit Verbindungsstange / stabilizer link  
ProKit Verbindungsstange / stabilizer link

(1)  
→ 06  
(1)

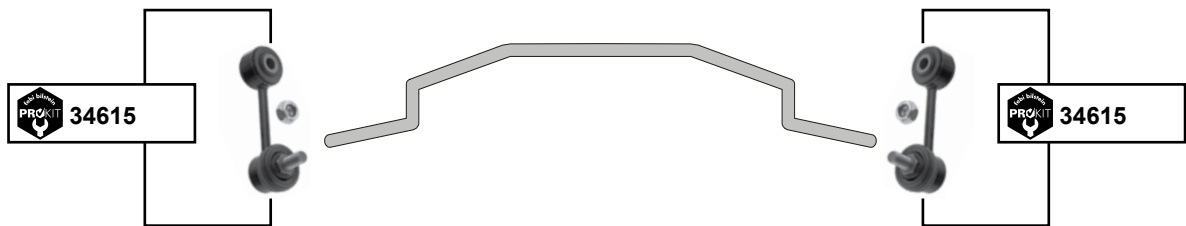
L 185  
L 137  
L 193,5



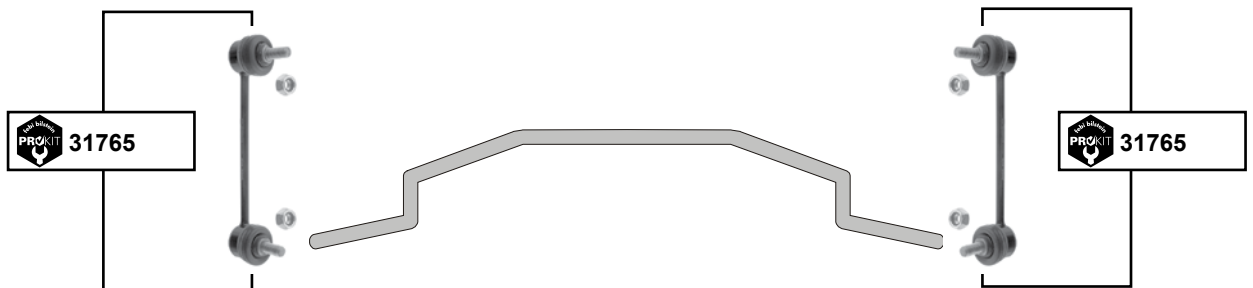
**Carnival**  
(04/06 →)



**Carens**  
(11/00 → 08/06)



**Cee'd**  
(2006 →)



Hinterachse / Rear axle



Ref. - No.



**31765**  
**34615**  
**34617**

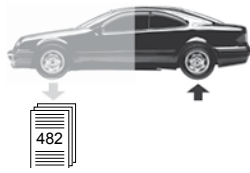
55530-1H000  
0K2M2-28-150  
55530-4D000

ProKit Verbindungsstange / stabilizer link  
ProKit Verbindungsstange / stabilizer link  
ProKit Verbindungsstange / stabilizer link

L 170  
L 90,5  
L 72

passend für / to fit

**KIA**

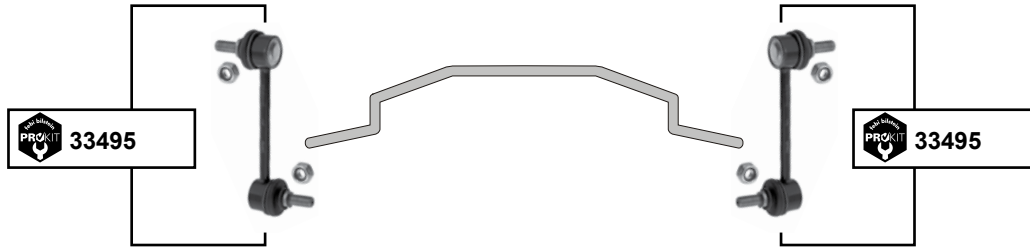


**Car  
Division**



# Cerato

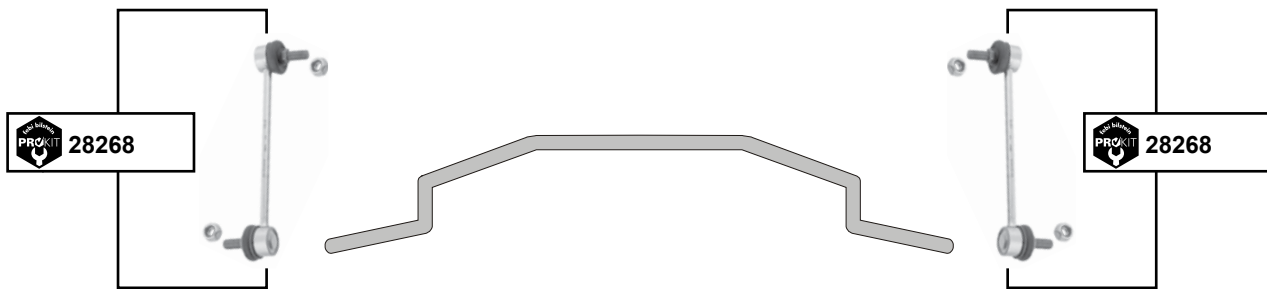
(02/04 → 06/06)



# Magentis

(2000 →)

Hinterachse / Rear axle



Ref. - No.

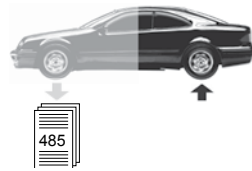


**28268** 55530-38600  
**33495** 55530-17000

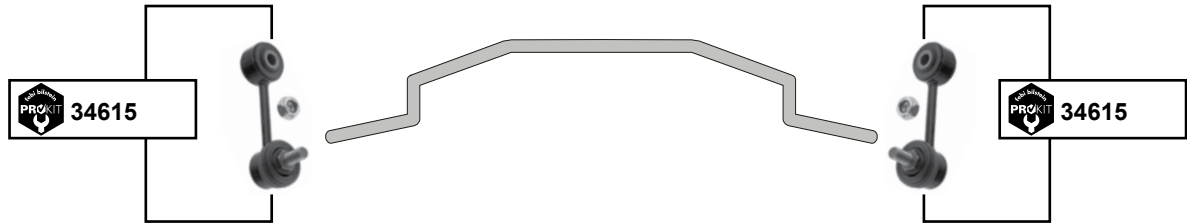
ProKit Verbindungsstange / stabilizer link  
 ProKit Verbindungsstange / stabilizer link

07/03 → 09/06

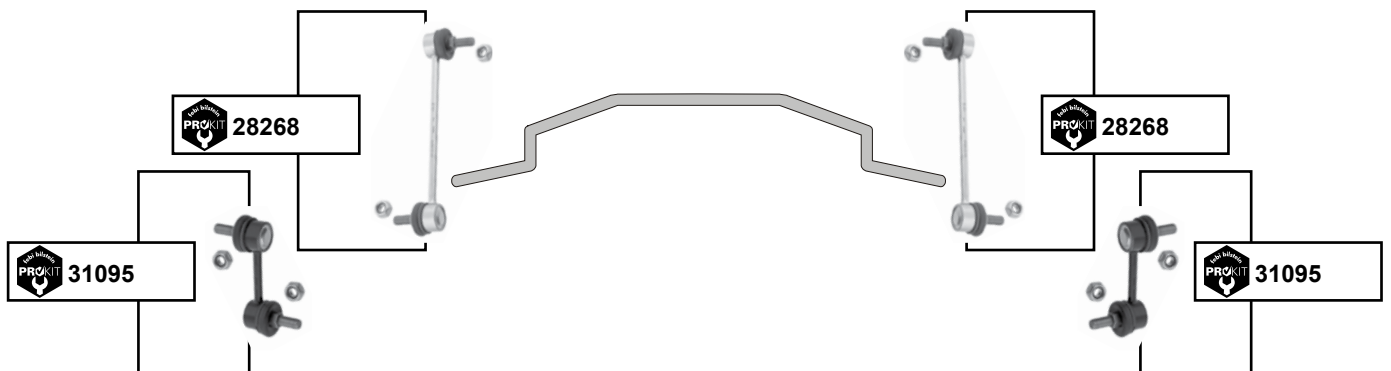
L 193,5  
 L 129,5



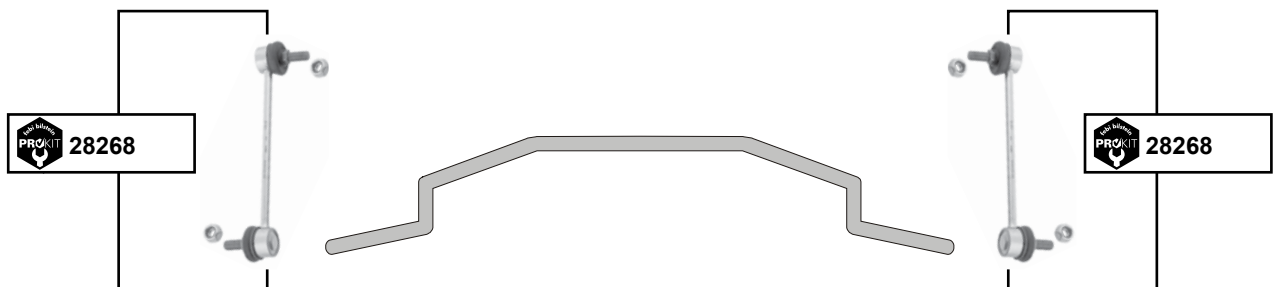
**Mentor**  
(09/97 → 02/04)



**Opirus**  
(2003 →)



**Optima**  
(2000 →)



Hinterachse / Rear axle



Ref. - No.



<b>28268</b>	55530-38600
<b>31095</b>	55530-3K001
<b>34615</b>	0K2M2-28-150

ProKit Verbindungsstange / stabilizer link
ProKit Verbindungsstange / stabilizer link
ProKit Verbindungsstange / stabilizer link

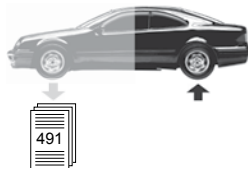
07/03 → 09/06
09/06 → 10/08

L 193,5
L 80
L 90,5



passend für / to fit

**KIA**

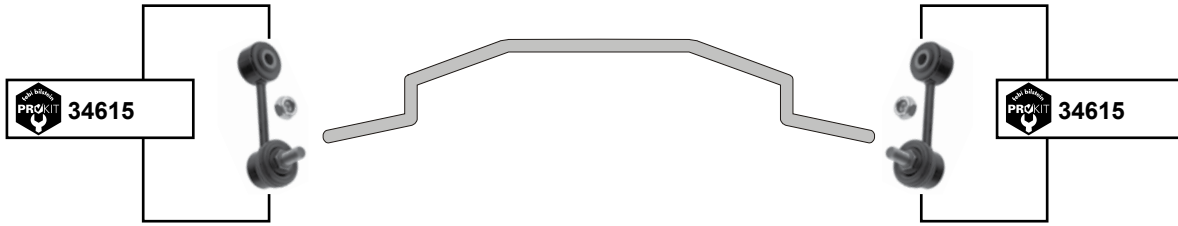


**Car  
Division**



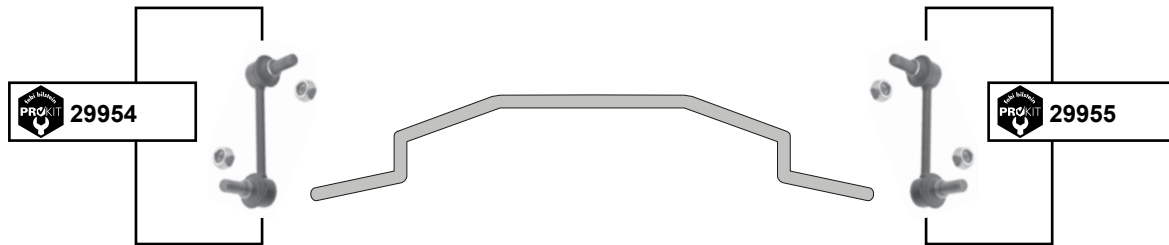
## Shuma

(09/97 → 02/04)



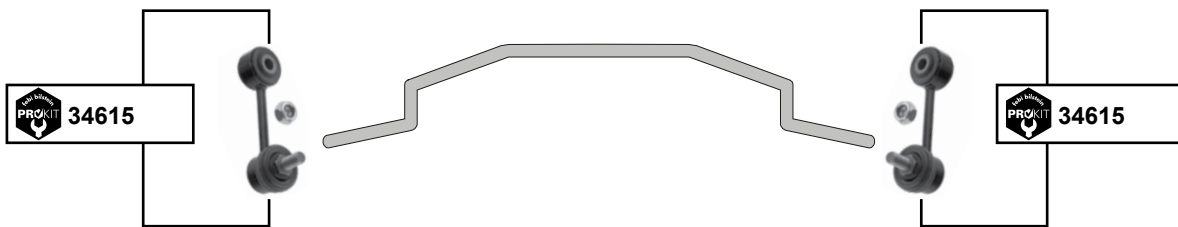
## Sorento

(2002 →)



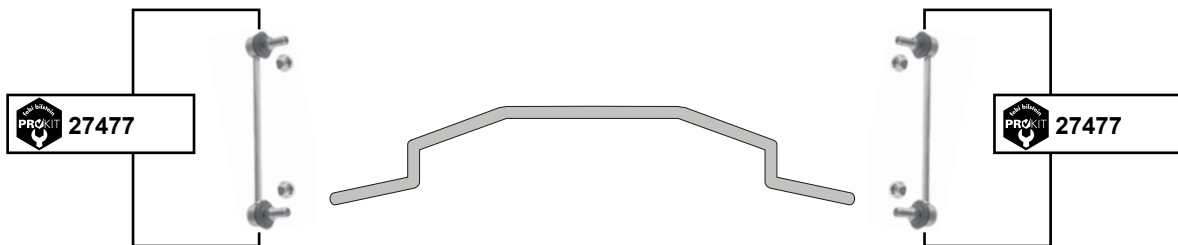
## Spectra

(09/97 → 02/04)



## Sportage

(2004 →)



Hinterachse / Rear axle



Ref. - No.

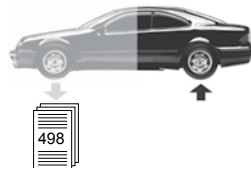


<b>27477</b>	55530-1F100
<b>29954</b>	55580-3E000
<b>29955</b>	55580-3E050
<b>34615</b>	0K2M2-28-150

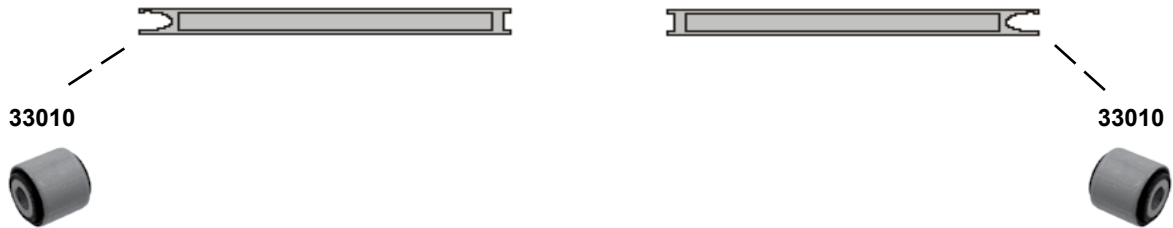
ProKit Verbindungsstange / stabilizer link
ProKit Verbindungsstange / stabilizer link
ProKit Verbindungsstange / stabilizer link
ProKit Verbindungsstange / stabilizer link

04 →
04 →

L 220
L 120
L 120
L 90,5



**Kappa (3.0 V6)**  
(1994 → 2001)



**Lybra (839 AX) / SW (839BX)**  
(1999 → 2005)



Hinterachse / Rear axle



Ref. - No.



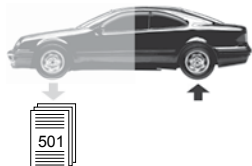
**33010** 60682636  
**43452** 50701813

Querlenkerlager / control arm mount  
ProKit Verbindungsstange / stabilizer link

Ø A 32 / H 32

passend für / to fit

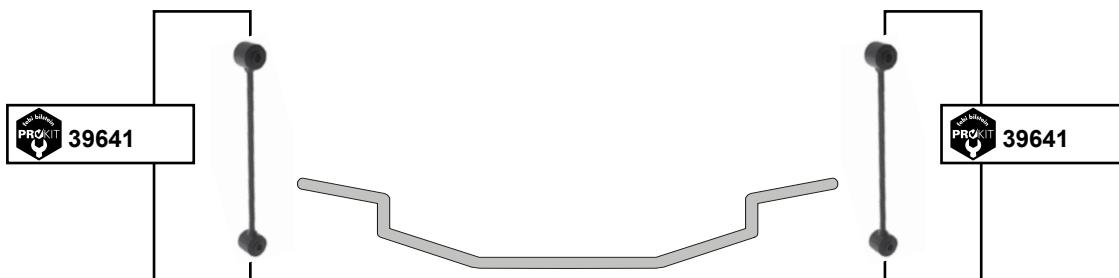
**LANCIA**



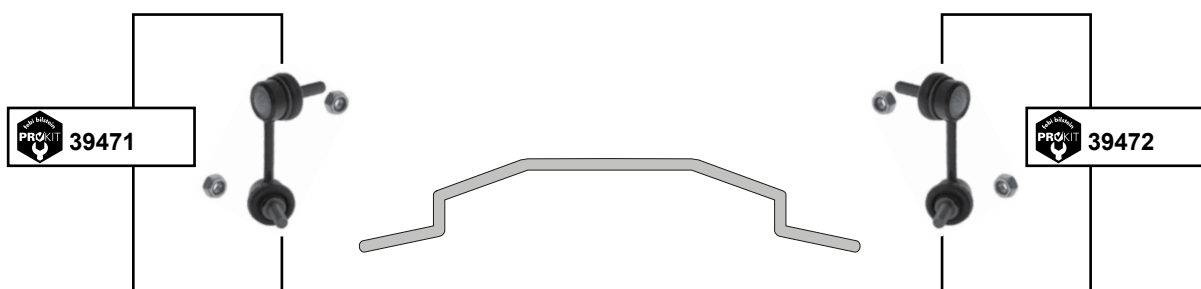
**Car  
Division**



## Thema (LX) (2011 →)



## Thesis (841AX) (2001 → 2007)



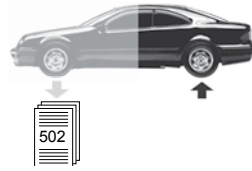
Hinterachse / Rear axle



Ref. - No.

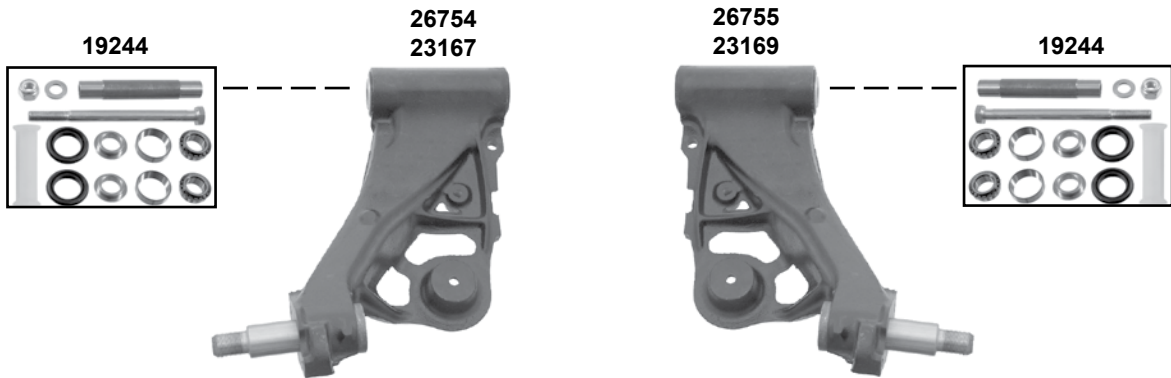


<b>39641</b>	K04766866AA	ProKit Verbindungsstange / stabilizer link		L 290
<b>39471</b>	60671726	ProKit Verbindungsstange / stabilizer link	(ex.) 2,4D Multijet	M10 x 1,25
<b>39472</b>	60671727	ProKit Verbindungsstange / stabilizer link	(ex.) 2,4D Multijet	M10 x 1,25

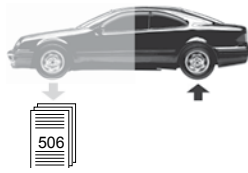


**Y (840 A)**  
(1995 → 2003)

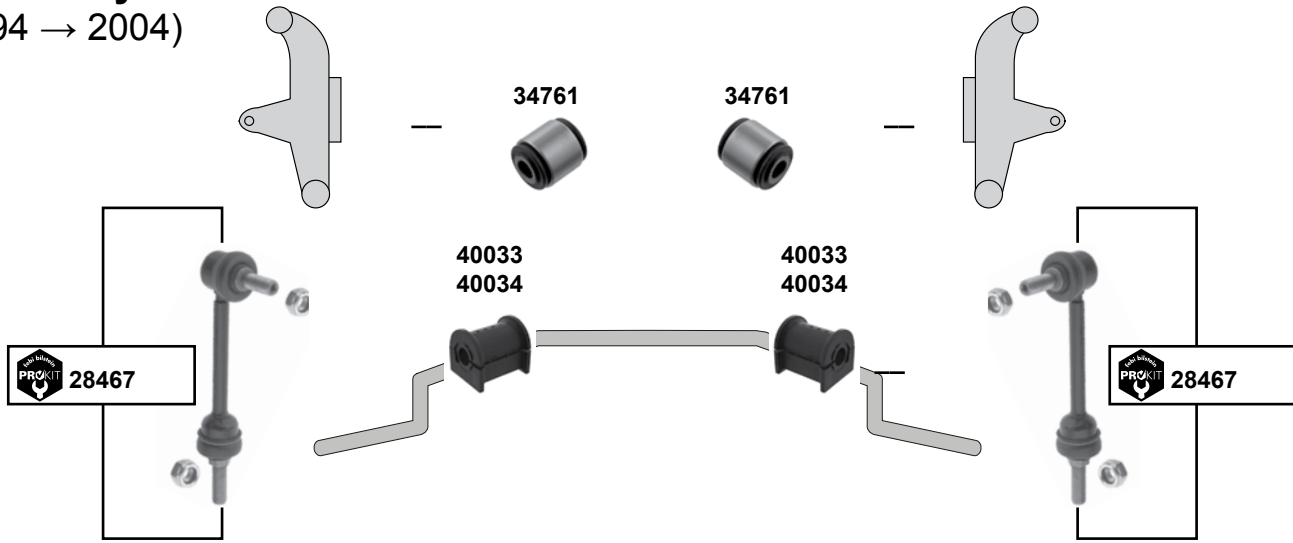
24687



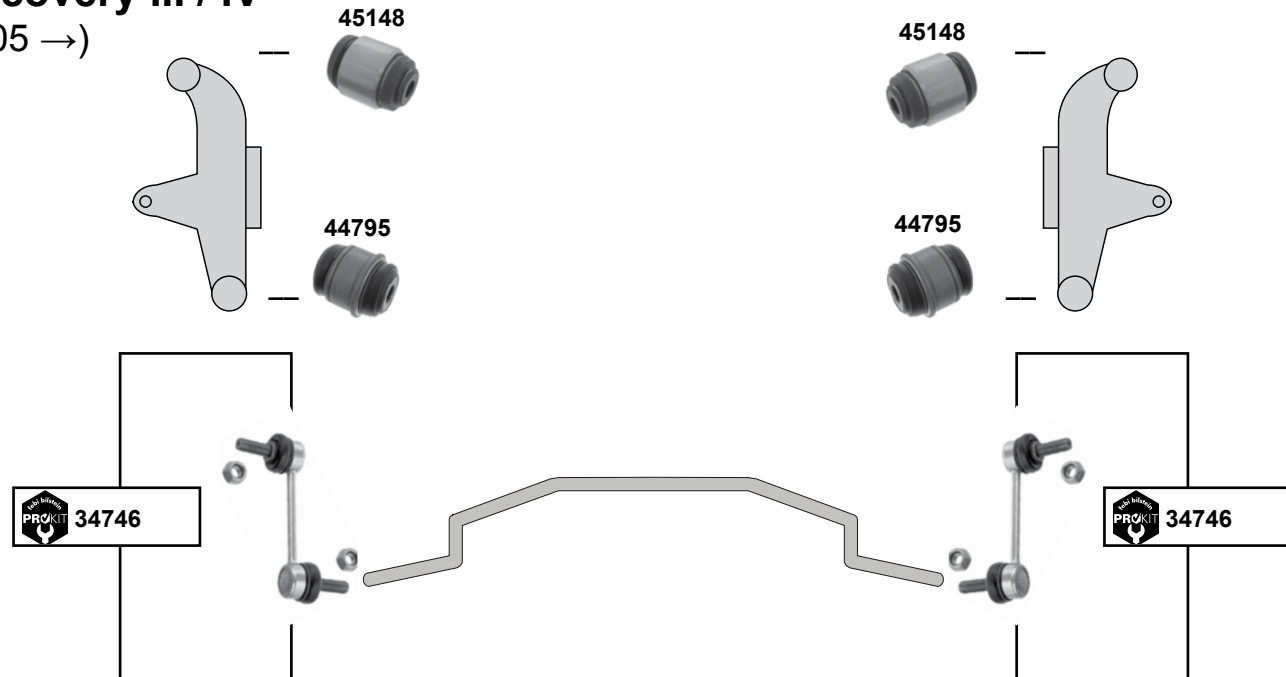
	Ref. - No.			
<b>19244</b>	7736515 S3	Rep. Satz Querlenker / rep. kit control arm		
<b>23167</b>	7736514	Querlenker / control arm	(ex.) ABS	
<b>23169</b>	7736515	Querlenker / control arm	(ex.) ABS	
<b>24687</b>	7719062 S1	Montagesatz / mounting kit		
<b>26754</b>	7769900	Querlenker / control arm	ABS (ch.) → 3336902	
<b>26755</b>	7769901	Querlenker / control arm	ABS (ch.) → 3336902	



## Discovery II (1994 → 2004)



## Discovery III / IV (2005 →)

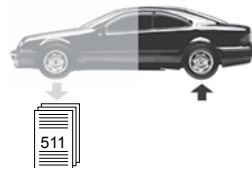


Hinterachse / Rear axle

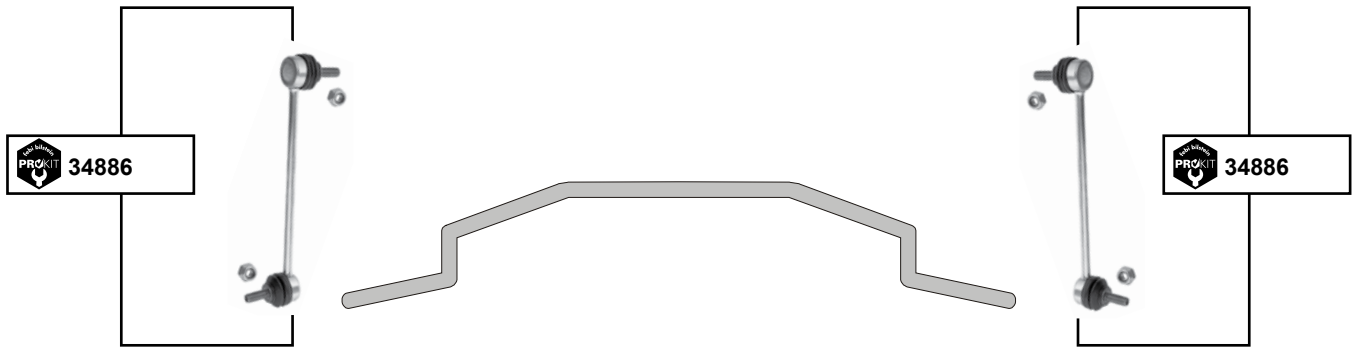


- (1) Für Fahrzeuge mit Schraubenfedern / for vehicles with coil suspension
- (2) Für Fahrzeuge mit Luftfederung / for vehicles with air suspension

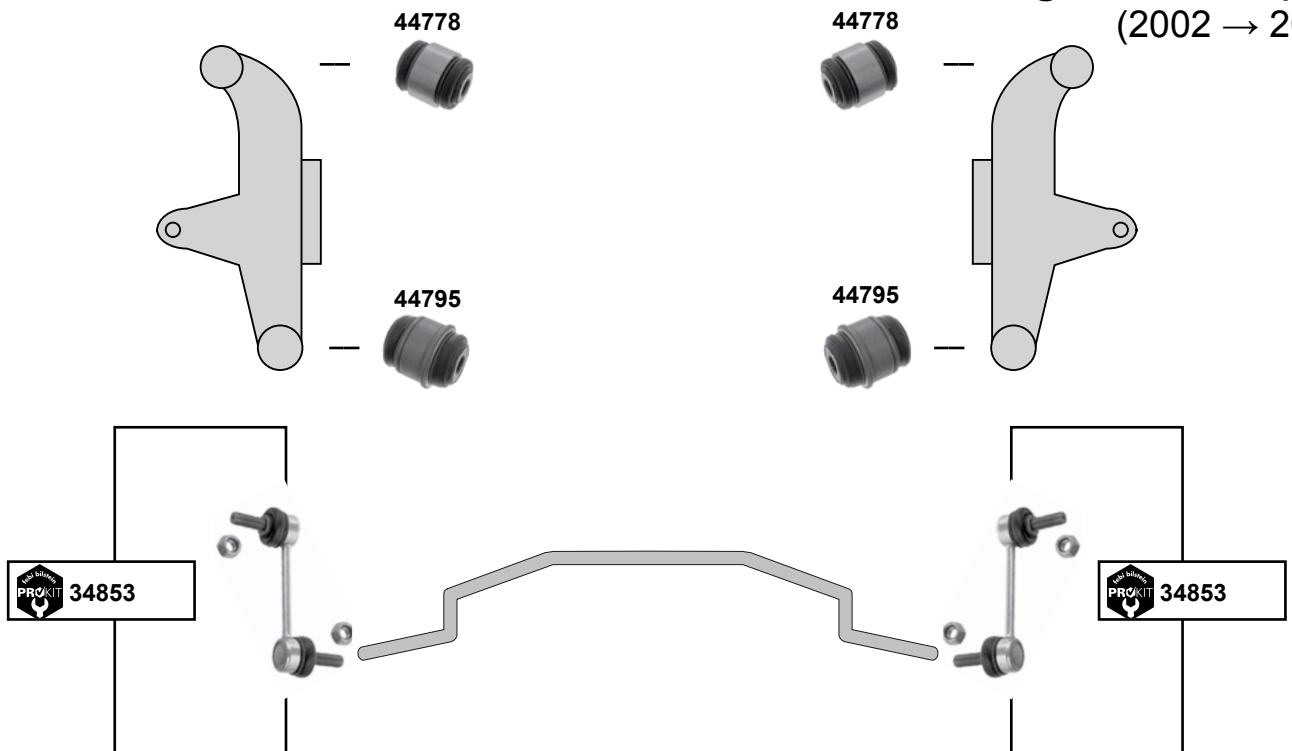
	Ref. - No.			
28467	RGD 100682	ProKit Verbindungsstange / stabilizer link		L 157,8
34746	RGD 000312	ProKit Verbindungsstange / stabilizer link		L 116
34761	RBX101710	Querlenkerlager / control arm mount		ØA 47,3
40033	RBX101700	Stabilisatorlager / stabilizer mount	(1)	Ø I 29
40034	RBX101710	Stabilisatorlager / stabilizer mount	(2)	Ø I 19
44795	LR 032644	Achsschenkellager / steering knuckle bearing		ØA 54
45148	RHF500100	Achsschenkellager / steering knuckle bearing		ØA 47,3



**Freelander II (LR)**  
(2006 →)



**Range Rover III (LM)**  
(2002 → 2012)



Hinterachse / Rear axle



Ref. - No.



<b>34853</b>	RGD 500150
<b>34886</b>	LR 002876
<b>44778</b>	RHF000260
<b>44795</b>	LR 032644

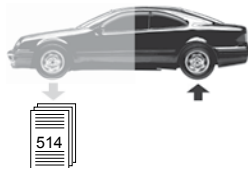
ProKit Verbindungsstange / stabilizer link
ProKit Verbindungsstange / stabilizer link
Achsschenkellager / steering knuckle bearing
Achsschenkellager / steering knuckle bearing

(ex.) Sport

L 120
L 229
ØA 45,1
ØA 54

passend für / to fit

# LAND ROVER

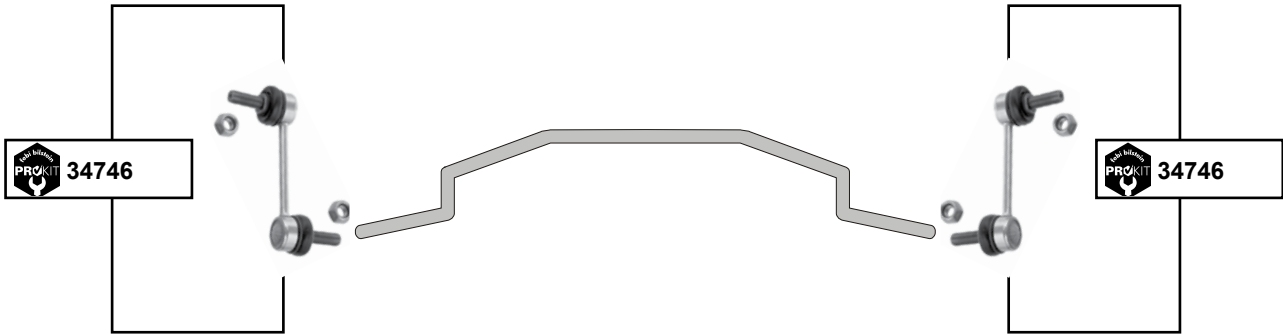


Car  
Division



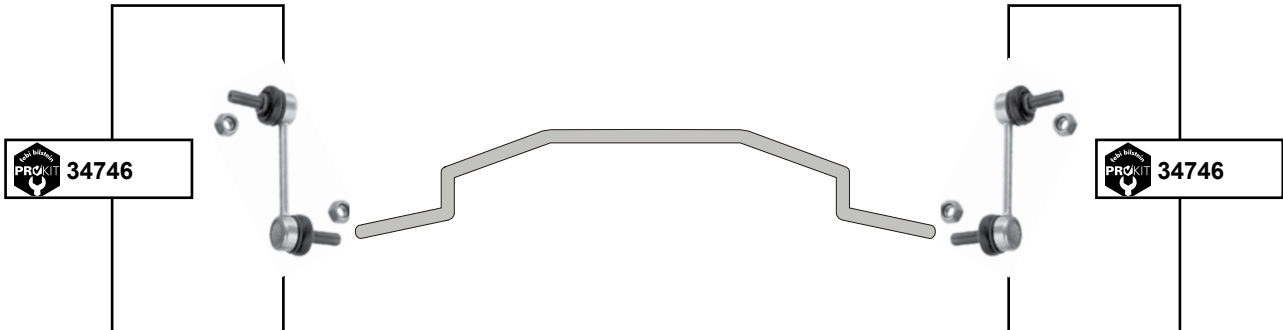
## Range Rover Sport

(2005 → 2009)



## Range Rover Sport

(2010 →)



Hinterachse / Rear axle



Ref. - No.

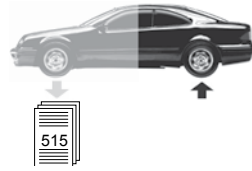


**34746** RGD 000312  
**44795** LR 032644  
**45148** RHF500100

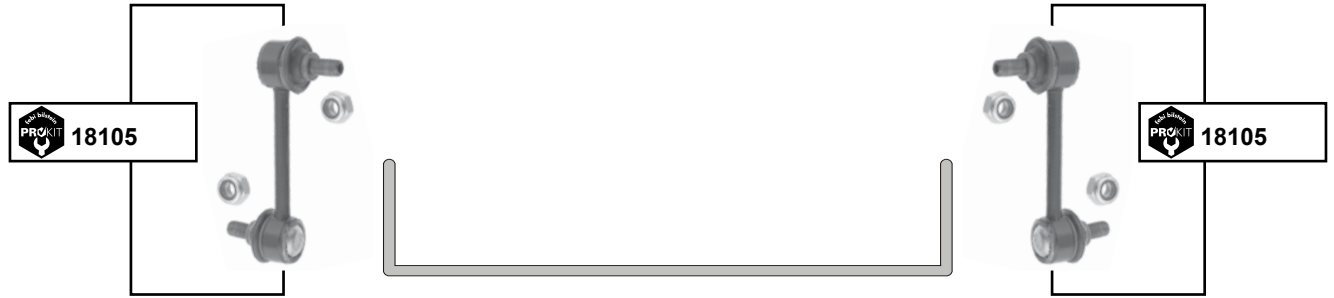
ProKit Verbindungsstange / stabilizer link  
Achsschenkellager / steering knuckle bearing  
Achsschenkellager / steering knuckle bearing

→ 12

L 116  
ØA 54  
ØA 47,3



**ES250 (VZV21)**  
(06/89 → 07/91)



**ES300 (\_V10\_)**  
(07/91 → 08/96)



**ES300 (\_V20\_)**  
(08/96 → 07/01)



Hinterachse / Rear axle



Ref. - No.



**18105**  
**23579**

48830-20010  
48830-33010

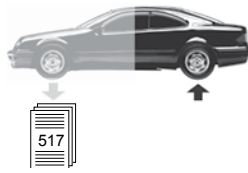
ProKit Verbindungsstange / connecting rod  
ProKit Verbindungsstange / connecting rod

L 103  
L 165



passend für / to fit

**LEXUS**



**Car  
Division**



## ES300, 330 (\_V30,31\_)

(07/01 → 07/03)



## GS300, 400, 430 (JZS160, UZS160, 161)

(08/97 → 01/05)



## GX470 (J120)

(11/02 →)



Hinterachse / Rear axle



Ref. - No.

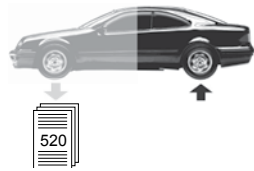


**26520** 48830-48010  
**27287** 48830-60030  
**32759** 48830-30080

ProKit Verbindungsstange / connecting rod  
ProKit Verbindungsstange / connecting rod  
ProKit Verbindungsstange / connecting rod

(ex.) ES 300

L 175  
L 123,5

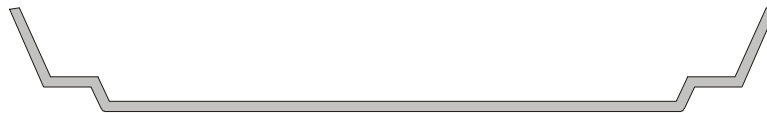


**LX470 (UZJ100)**  
(1998 → 2007)

34662



34662



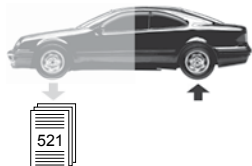
**RX300 (CU 15)**  
(01/98 → 02/03)



Hinterachse / Rear axle

passend für / to fit

**LEXUS**

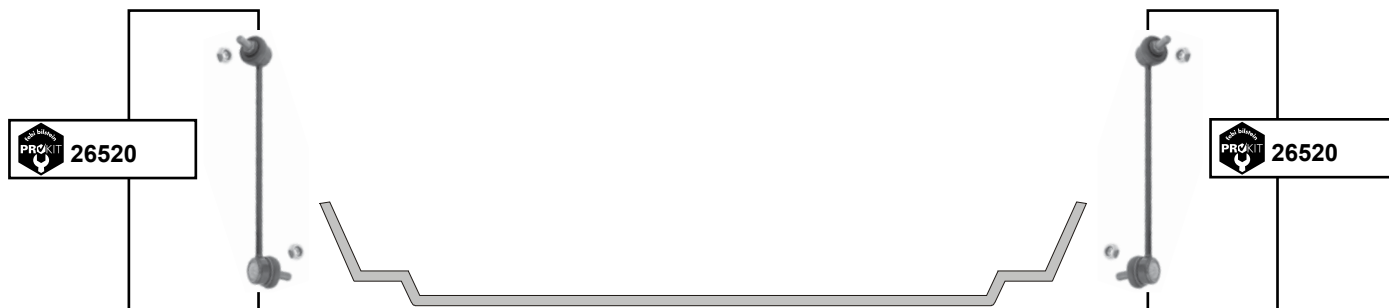


**Car  
Division**



## RX300/330/400H

(02/03 →)



## SC430 (UZZ40)

(01/01 →)



Hinterachse / Rear axle



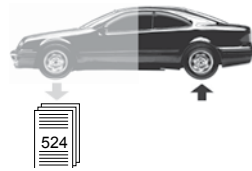
Ref. - No.



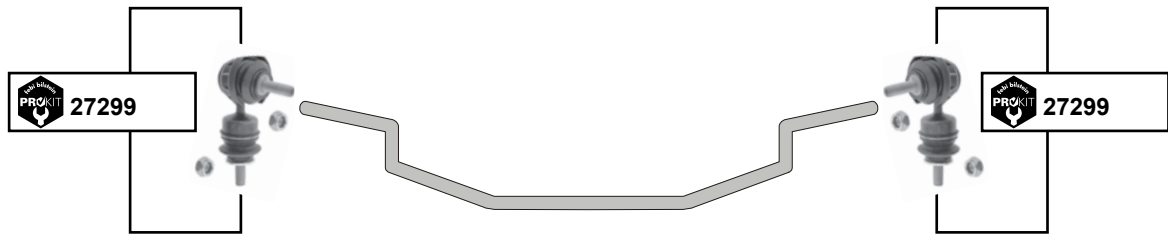
**26520** 48830-48010  
**32759** 48830-30080

ProKit Verbindungsstange / connecting rod  
ProKit Verbindungsstange / connecting rod

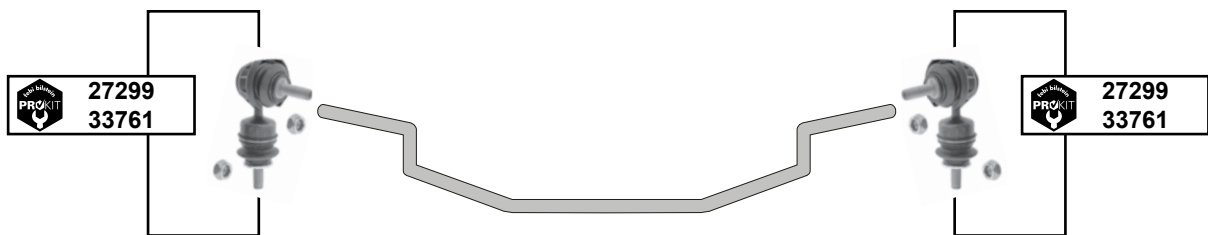
L 325  
L 123,5



**3 (BK)**  
(2003 → 2009)



**3 (BL)**  
(2009 →)



Hinterachse / Rear axle



(1) 3 (BL) : (ex.) 2.3 Benziner

(2) 3 (BL) : 2.3 Benziner



Ref. - No.



<b>23047</b>	BP4K-28-C10B
<b>24211</b>	BP4K-28-500C
<b>27299</b>	BP4K-28-170D
<b>33761</b>	B37F-28-170A

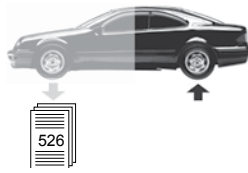
Querstrebe / cross rod	
Querstrebe / cross rod	
ProKit Verbindungsstange / connecting rod	(1)
ProKit Verbindungsstange / connecting rod	(2)

(1)  
(2)

L 76,5  
L 120

passend für / to fit

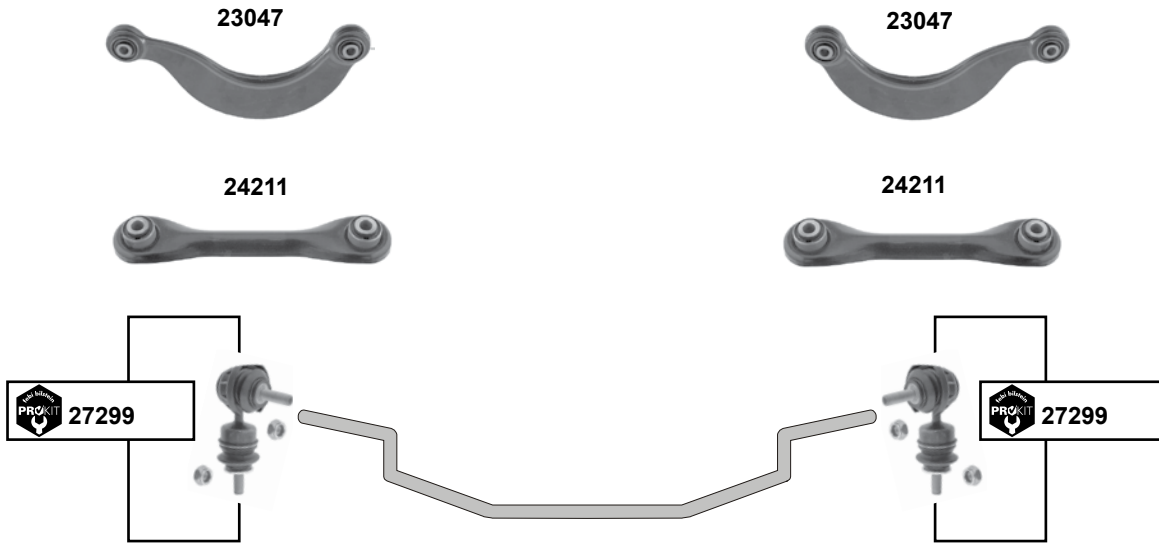
**MAZDA**



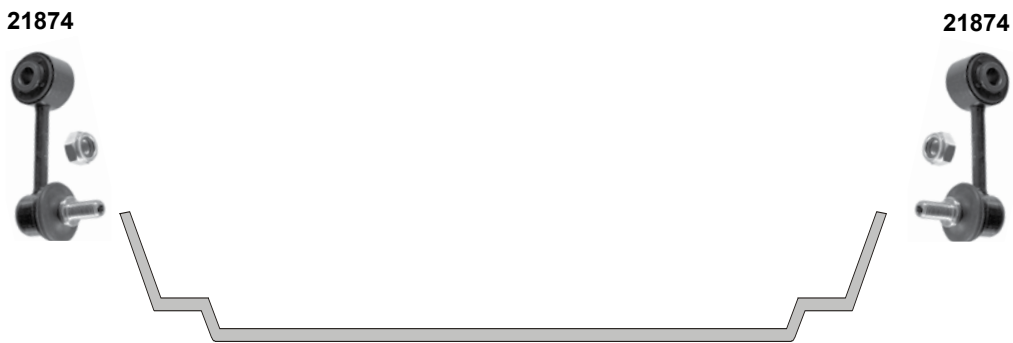
**Car  
Division**



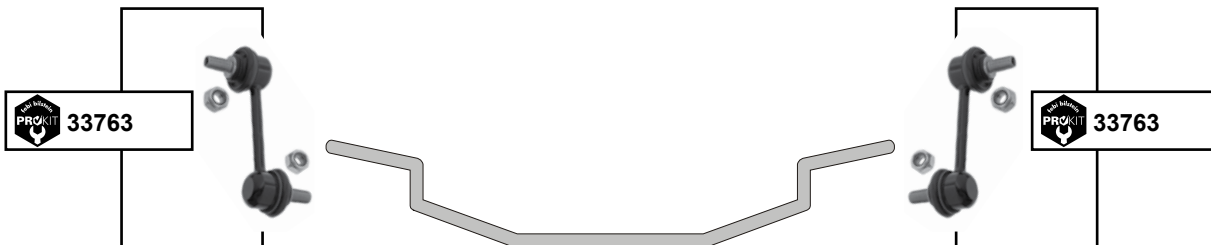
**5 (CR)**  
(2005 →)



**6 (GG / GY)**  
(2002 → 2008)

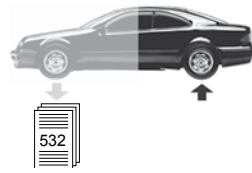


**6 (GH)**  
(2008 →)

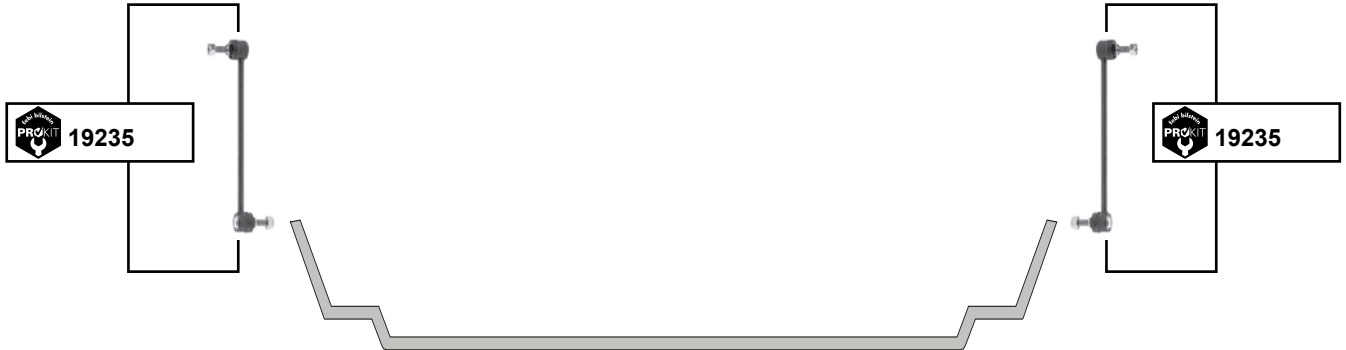


Hinterachse / Rear axle

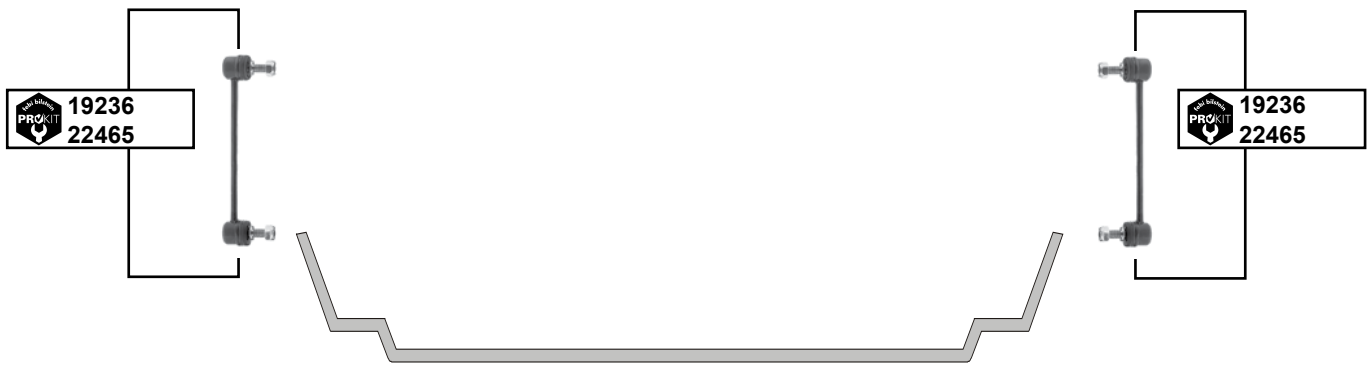
	Ref. - No.			
<b>21874</b>	GJ6A-28-170A	Verbindungsstange / connecting rod		L 77
<b>23047</b>	BP4K-28-C10B	Querstrebe / cross rod		
<b>24211</b>	BP4K-28-500C	Querstrebe / cross rod		
<b>27299</b>	BP4K-28-170D	ProKit Verbindungsstange / connecting rod		L 76,5
<b>33763</b>	GS1D-28-170	ProKit Verbindungsstange / connecting rod		L 95



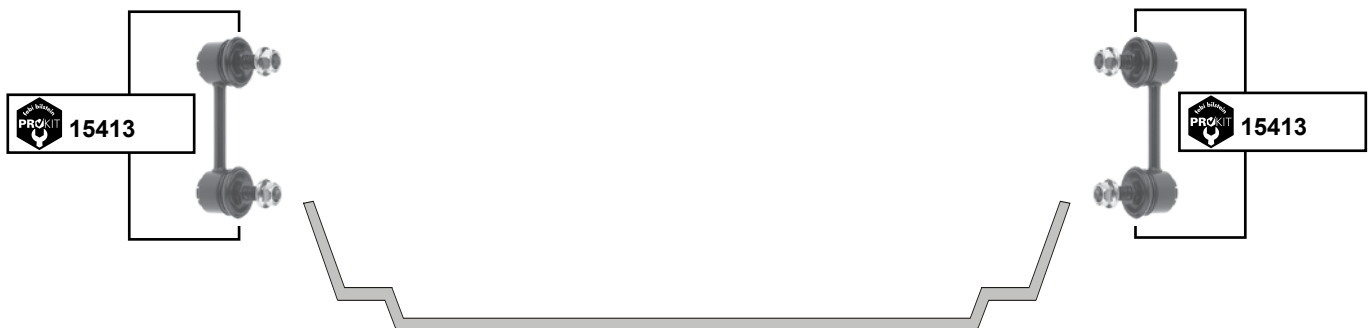
**323 (BA)**  
(1994 → 1998)







**323 / 323F (BJ)**  
(1998 → 2004)



**626 (GE)**  
(1992 → 1997)

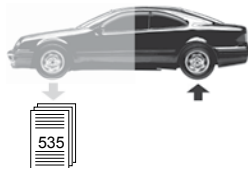


Hinterachse / Rear axle

	Ref. - No.			
<b>15413</b>	GA2C-28-170B	ProKit Verbindungsstange / connecting rod		L 87
<b>19235</b>	BC1D-28-170A	ProKit Verbindungsstange / connecting rod		L 260
<b>19236</b>	B26R-28-170	ProKit Verbindungsstange / connecting rod	→ 09/00	L 190
<b>22465</b>	B30H-28-170B	ProKit Verbindungsstange / connecting rod	09/00 →	L 160

passend für / to fit

**MAZDA**

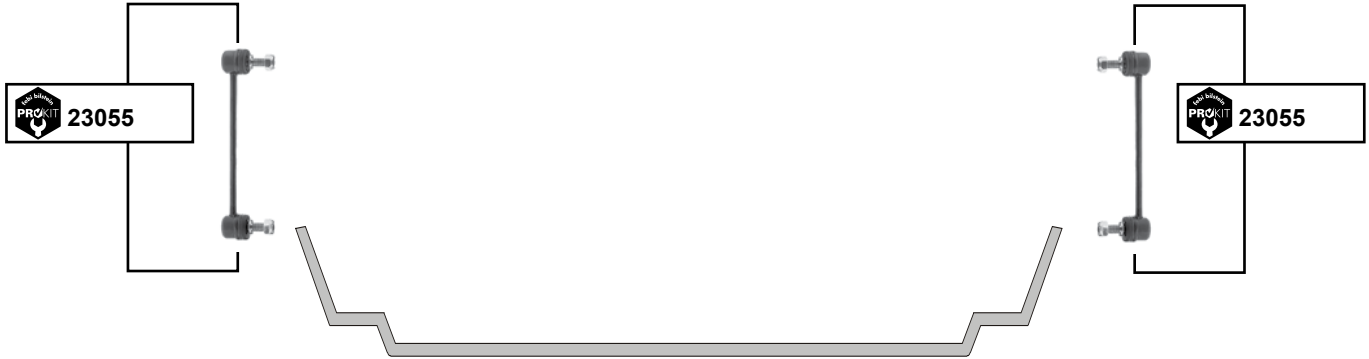


**Car  
Division**



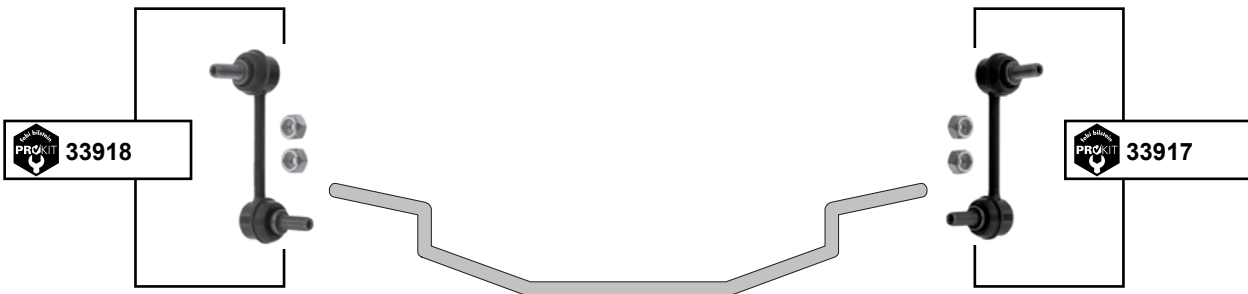
## 626 (GW / GF)

(1997 → 2002)



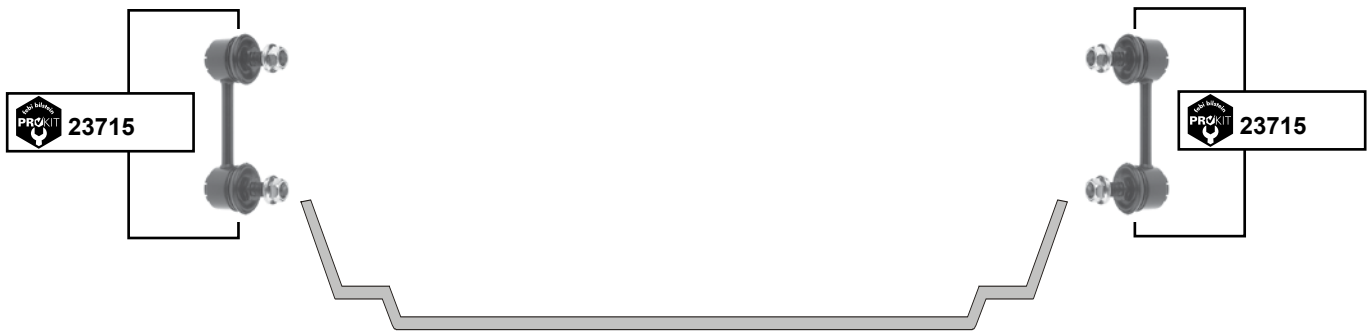
## CX-7 (ER)

(2007 →)



## MX-3 (EC)

(1991 →)



Hinterachse / Rear axle



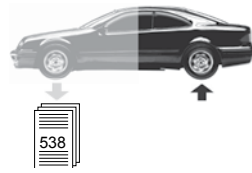
Ref. - No.



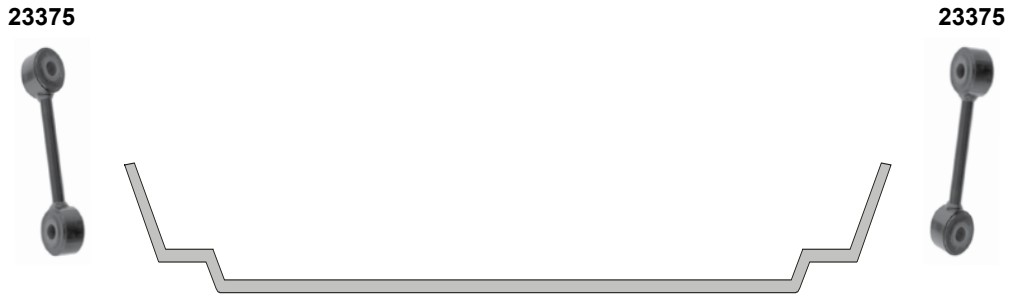
<b>23055</b>	GE4T-28-170
<b>23715</b>	EA01-28-170D
<b>33917</b>	F151-34-170
<b>33918</b>	F151-34-150

ProKit Verbindungsstange / connecting rod
ProKit Verbindungsstange / connecting rod
ProKit Verbindungsstange / connecting rod
ProKit Verbindungsstange / connecting rod

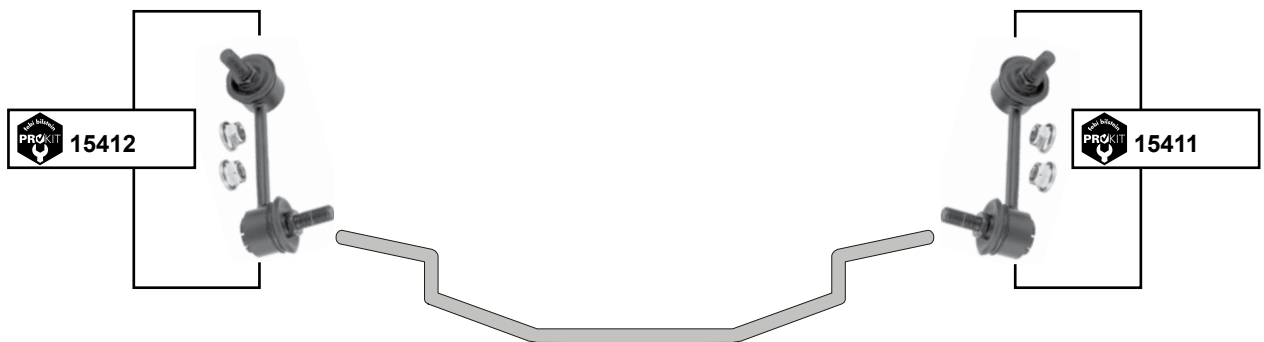
L 230
L 80
L 104
L 104



**MX-5 (NA)**  
(1989 → 1998)



**MX-5 (NB)**  
(1998 → 2005)



Hinterachse / Rear axle



Ref. - No.



<b>15411</b>	GA2A-34-150A
<b>15412</b>	GA2A-34-170A
<b>23375</b>	NA01-34-170

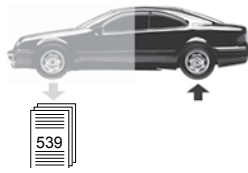
ProKit Verbindungsstange / connecting rod
ProKit Verbindungsstange / connecting rod
Verbindungsstange / connecting rod

L 105
L 105
L 110



passend für / to fit

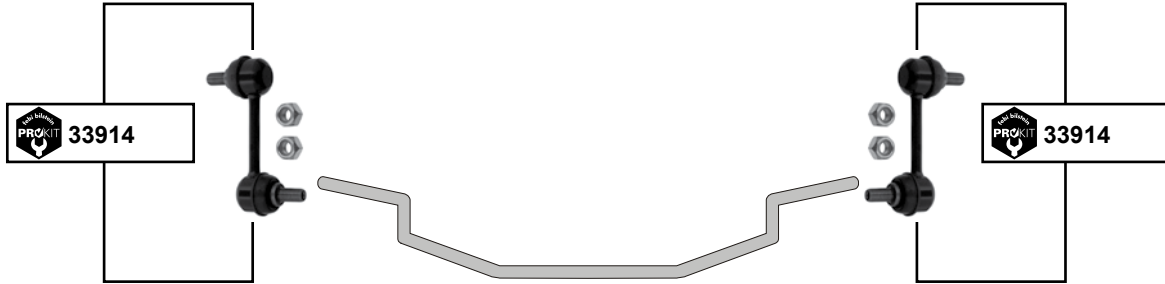
**MAZDA**



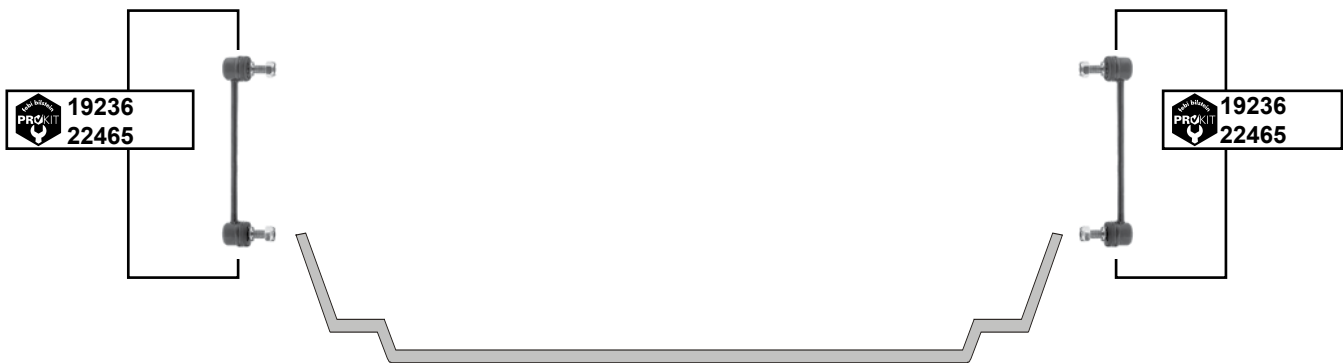
**Car  
Division**



## MX-5 (NC) (2005 →)



## Premacy (CP) (1999 →)



Hinterachse / Rear axle



Ref. - No.

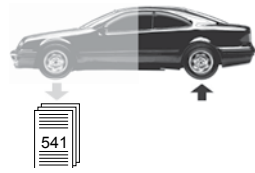


**19236** B26R-28-170  
**22465** B30H-28-170B  
**33914** F151-28-170

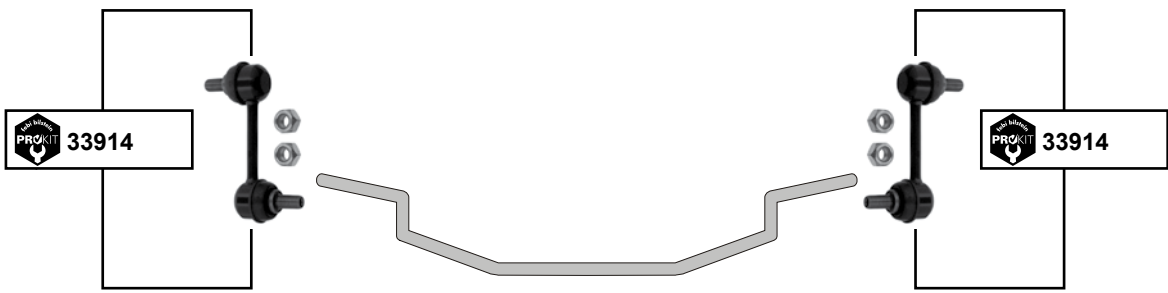
ProKit Verbindungsstange / connecting rod  
ProKit Verbindungsstange / connecting rod  
ProKit Verbindungsstange / connecting rod

→ 06/01  
07/01 →

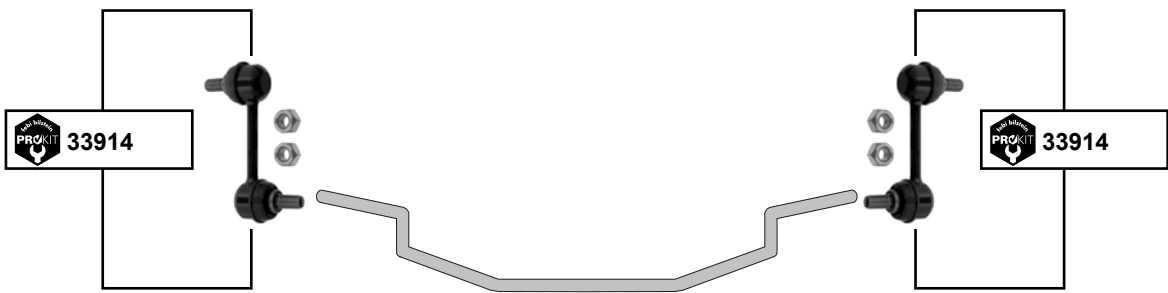
L 190  
L 160  
L 85



**RX-8 (FE)**  
(2008 →)



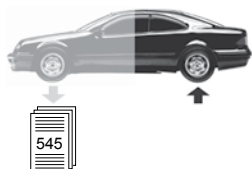
**RX-8 (SE)**  
(2003 → 2008)



Hinterachse / Rear axle

passend für / to fit

**MERCEDES-BENZ**

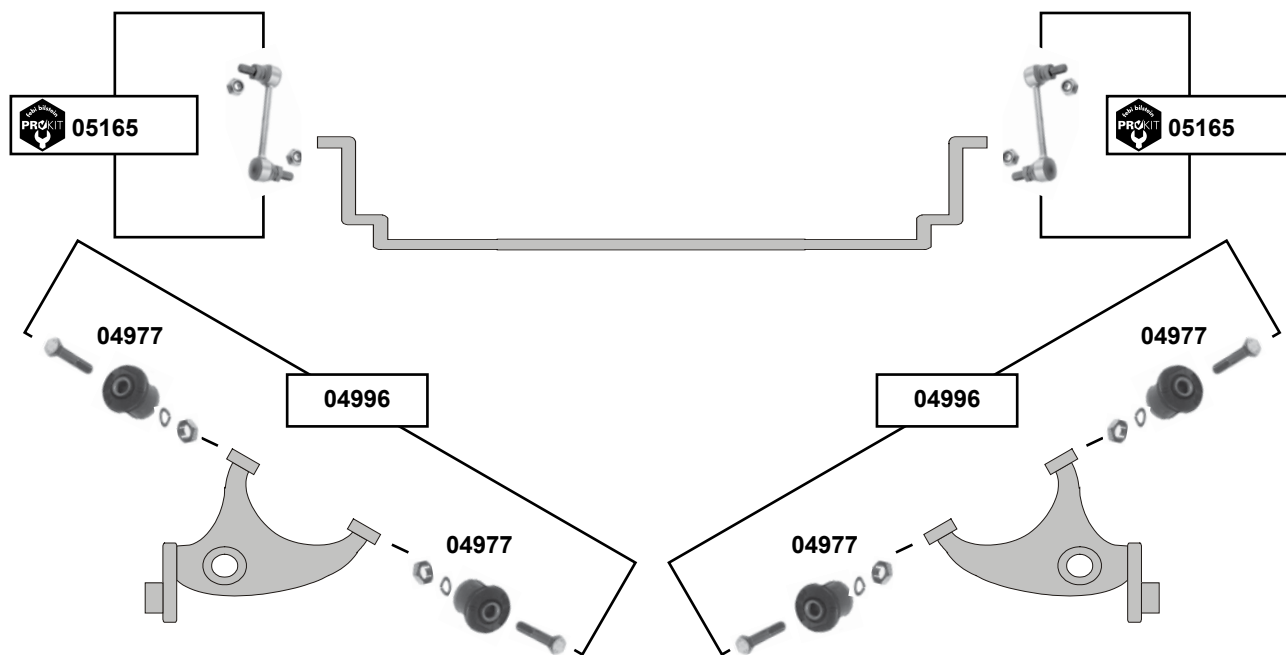


**Car  
Division**



# BM 114 / 115 („/8“)

(1968 → 1977)



Hinterachse / Rear axle



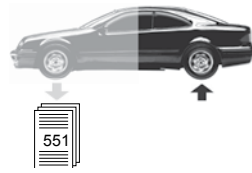
Ref. - No.



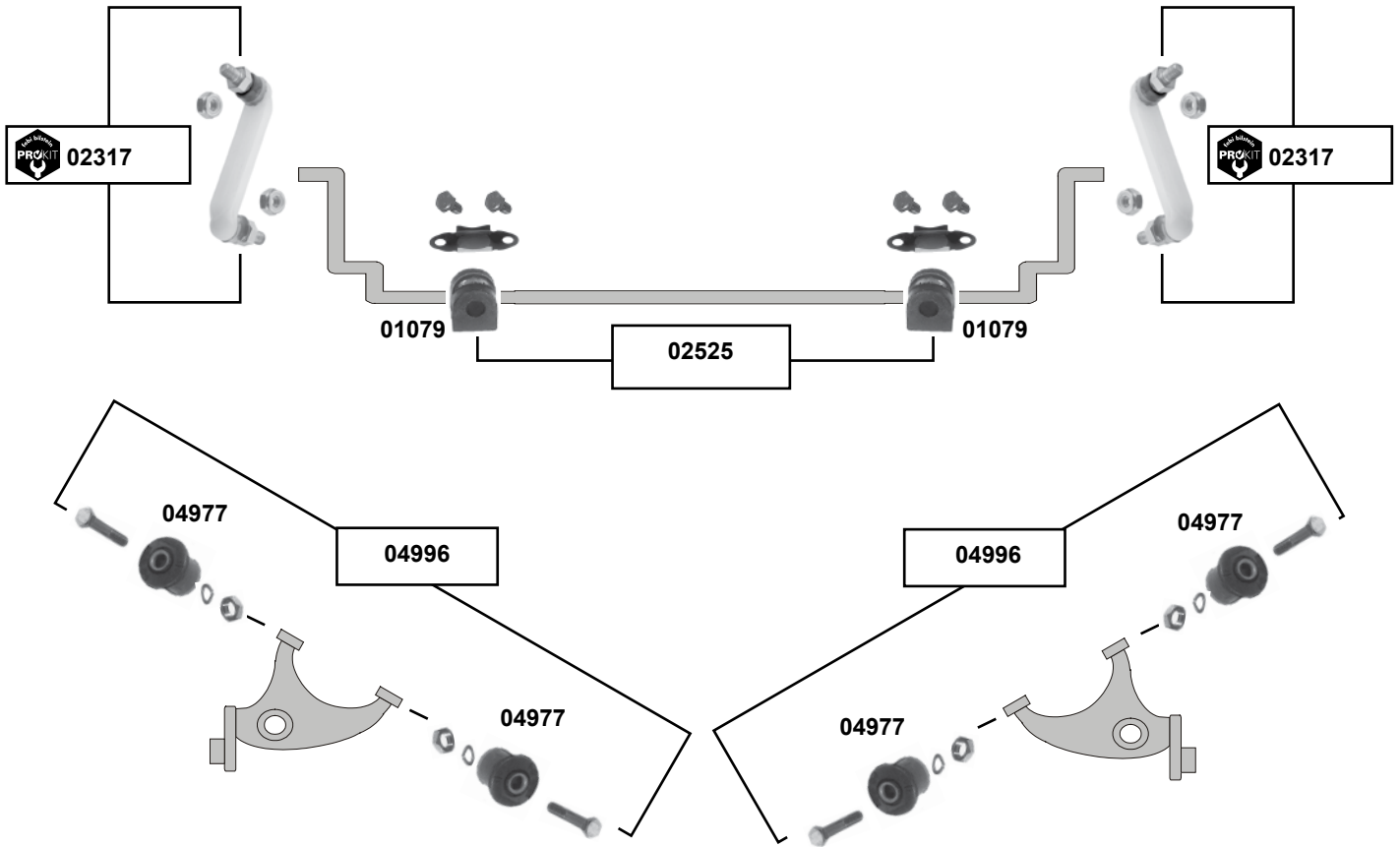
<b>04977</b>	126 352 01 65
<b>04996</b>	126 352 01 65 S1
<b>05165</b>	115 320 15 89

Schräglenkerlager / semi-trailing arm bush
Montagesatz Schräglenker / mounting kit semi-trailing arm
ProKit Verbindungsstange / stabilizer link

16x54x65

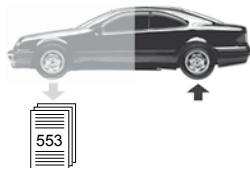


**BM 123**  
(1976 → 1985)



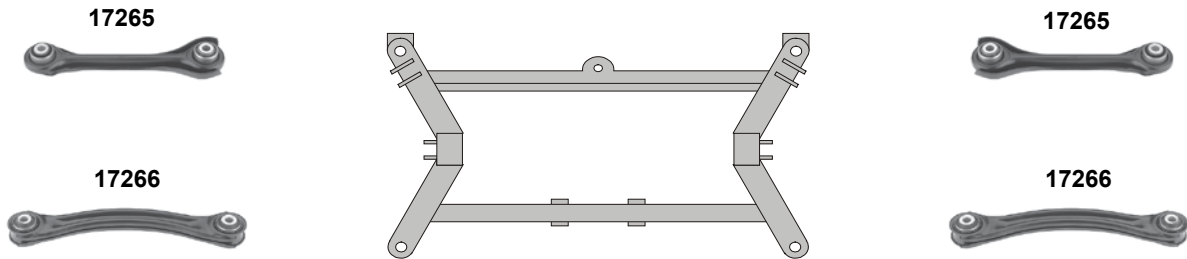
Hinterachse / Rear axle

	Ref. - No.			
<b>01079</b>	201 326 10 81	Stabilisatorlager / stabilizer mount		Ø   13
<b>02317</b>	123 320 09 89	ProKit Verbindungsstange / stabilizer link		L 100
<b>02525</b>	123 320 00 47	Rep. Satz Stabilisator / rep. kit stabilizer		
<b>04977</b>	126 352 01 65	Schräglenkerlager / semi-trailing arm bush		16x54x65
<b>04996</b>	126 352 01 65 S1	Montagesatz Schräglenker / mounting kit semi-trailing arm		

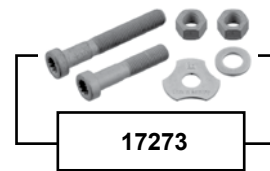
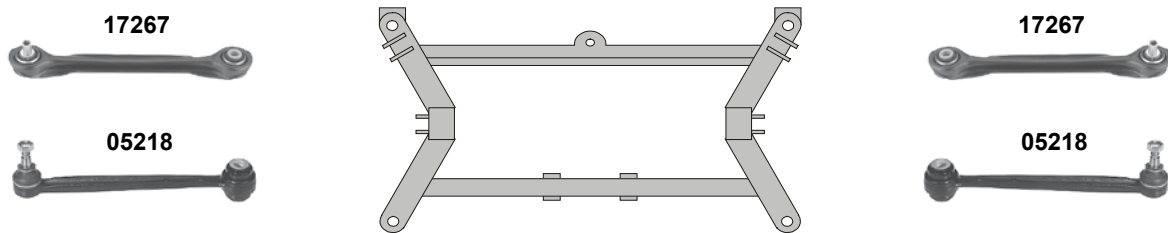


## BM 124 (1985 → 1995)

### oben / upper

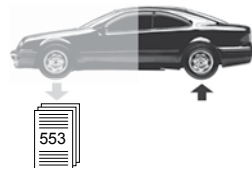


### unten / lower

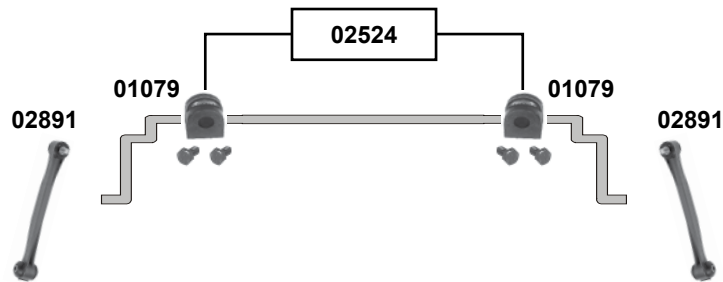


Hinterachse / Rear axle

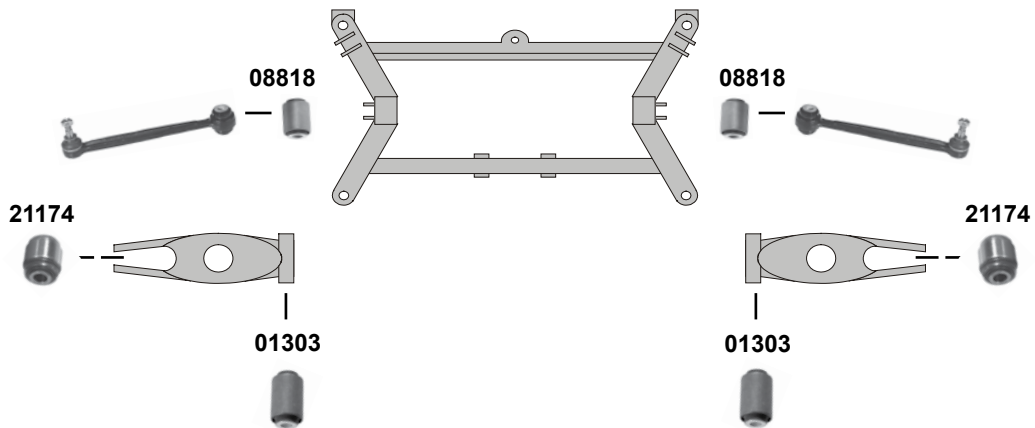
	Ref. - No.			
05218	210 350 18 53	Querstrebe / cross rod		
06230	210 350 21 53	ProKit Querstrebe beidseitig / cross rod both sides		
17265	210 350 33 06	Querstrebe / cross rod	NEW	
17266	210 350 34 06	Querstrebe / cross rod	NEW	
17267	210 350 38 06	Querstrebe / cross rod	NEW	
17273	210 350 45 06	Montagesatz / mounting kit		
17300	210 350 38 06 S1	ProKit Querstrebe / cross rod		
40037	210 350 33 06 S1	ProKit Querstrebe beidseitig / cross rod both sides		



**BM 124**  
(1985 → 1995)



**unten / lower**



Hinterachse / Rear axle



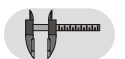
(1) (ex.) 200 (200E) / 250 D (E250) / 260 E / 300E / 400E / 500E / AMG 500E

(2) wahlweise / optional 221 352 01 27

(3) wahlweise / optional 124 352 43 65



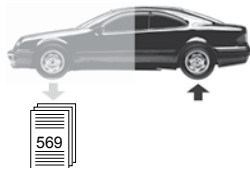
Ref. - No.



<b>01079</b>	201 326 10 81
<b>01303</b>	202 352 01 65
<b>02524</b>	201 320 01 47
<b>02891</b>	124 320 02 89
<b>08818</b>	201 352 88 65
<b>21174</b>	204 352 00 27

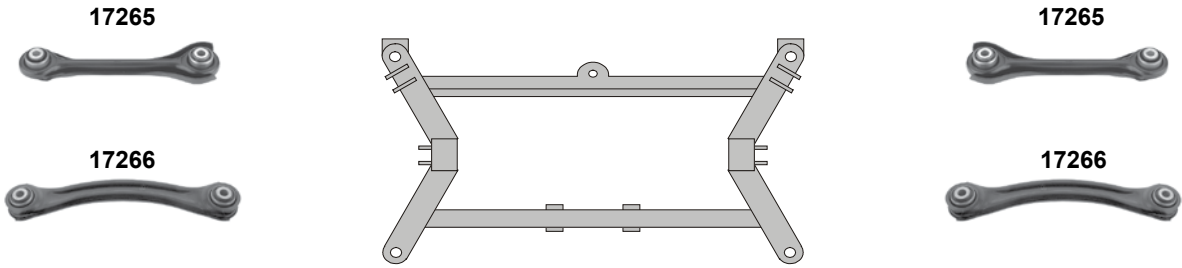
Stabilisatorlager / stabilizer mount	(1)
Querlenkerlager / control arm mount	(1)
Rep. Satz Stabilisatorlager / rep. kit stabilizer mount	(1)
Verbindungsstange / stabilizer link	(1)
Querlenkerlager / control arm mount	(3)
Gelenk für Radlagergehäuse / joint for wheel bearing housing	(2)

Ø   13
12x33x58
12x31,5x43

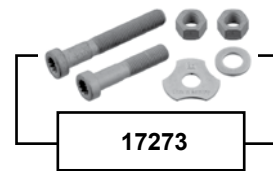
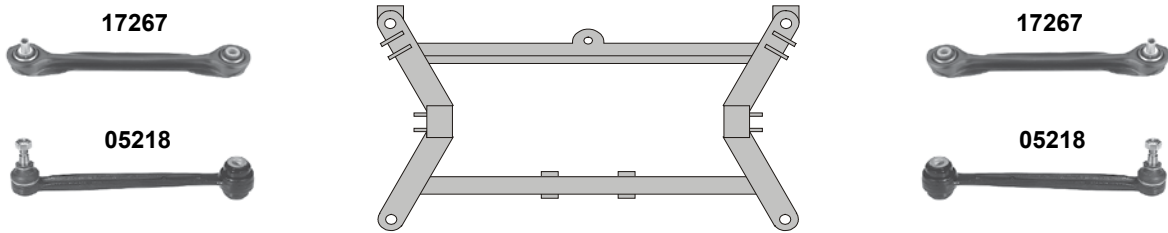


## 190 (BM 201) (1983 → 1992)

### oben / upper

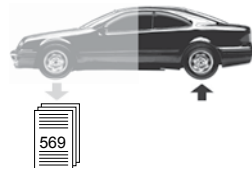


### unten / lower

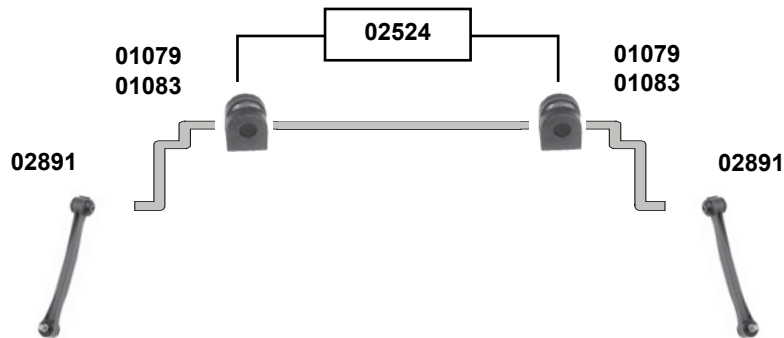


Hinterachse / Rear axle

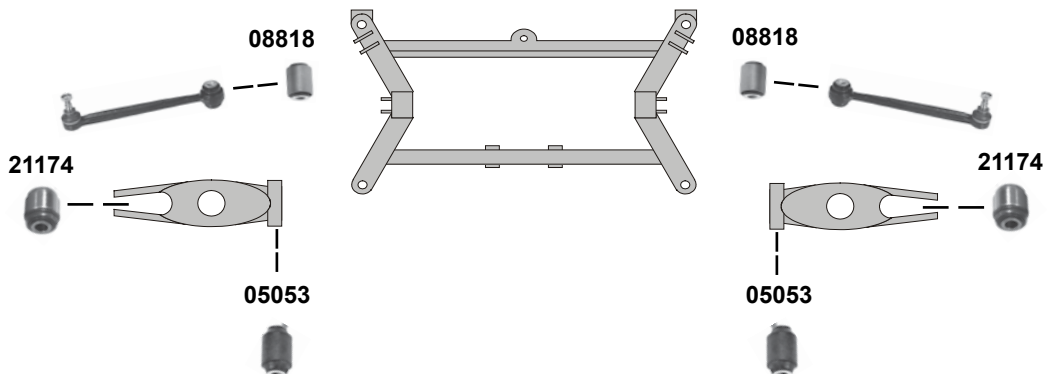
	Ref. - No.			
<b>05218</b>	210 350 18 53	Querstrebe / cross rod		
<b>06230</b>	210 350 21 53	ProKit Querstrebe beidseitig / cross rod both sides		
<b>17265</b>	210 350 33 06	Querstrebe / cross rod	<b>NEW</b>	
<b>17266</b>	210 350 34 06	Querstrebe / cross rod	<b>NEW</b>	
<b>17267</b>	210 350 38 06	Querstrebe / cross rod	<b>NEW</b>	
<b>17273</b>	210 350 45 06	Montagesatz / mounting kit		
<b>17300</b>	210 350 38 06 S1	ProKit Querstrebe / cross rod		
<b>40037</b>	210 350 33 06 S1	ProKit Querstrebe beidseitig / cross rod both sides		



## 190 (BM 201) (1983 → 1992)



unten / lower



Hinterachse / Rear axle



(1) wahlweise / optional 221 352 01 27

(2) wahlweise / optional 124 352 43 65

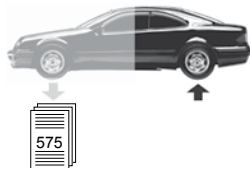


Ref. - No.

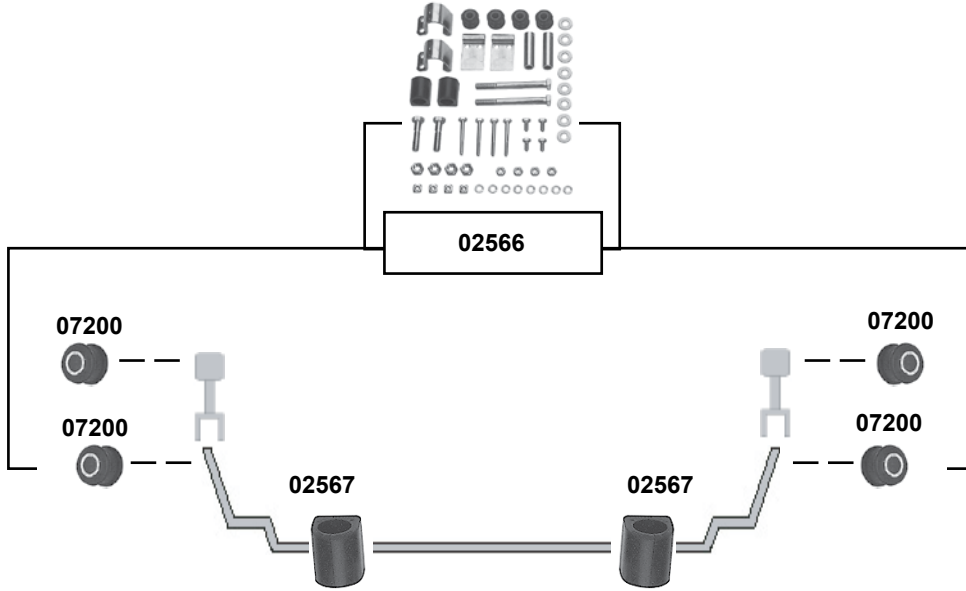


Ref. - No.	Description	Notes	Dimensions
01079	Stabilisatorlager / stabilizer mount	(ex.) (mot.) D2.5 Turbo / 2.6	Ø   13
01083	Stabilisatorlager / stabilizer mount	(mot.) D2.5 Turbo / 2.6	Ø   14
02524	Rep. Satz Stabilisatorlager / rep. kit stabilizer mount	(ex.) (mot.) D2.5 Turbo / 2.6	
02891	Verbindungsstange / stabilizer link	(ch.) A163836 / F057881 →	
05053	Querlenkerlager / control arm mount		12x35x58
08818	Querlenkerlager / control arm mount	(2)	12x31,5x43
21174	Gelenk für Radlagergehäuse / joint for wheel bearing housing	(1)	

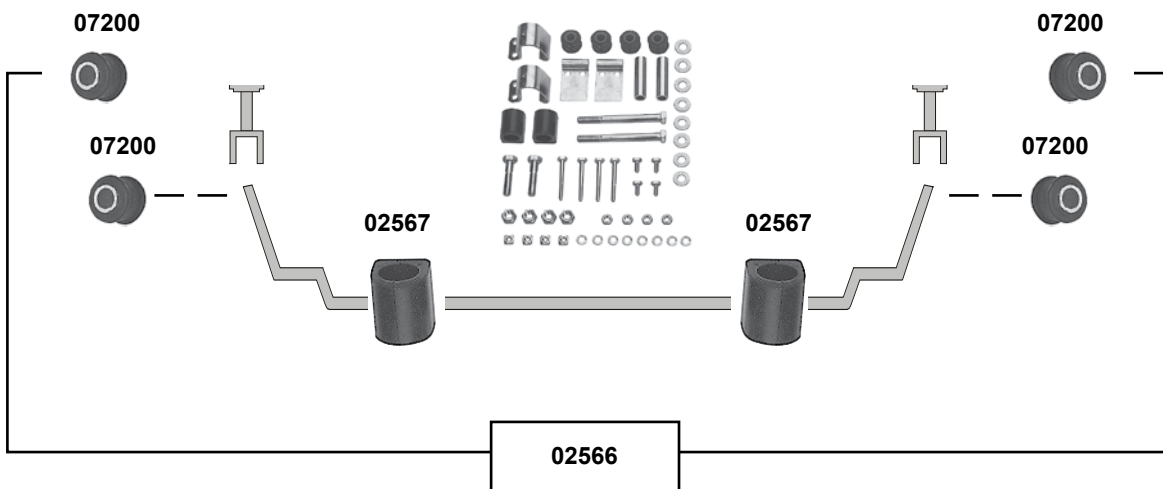




**207 D → 210 D (BM 601)**  
(1973 → 1995)

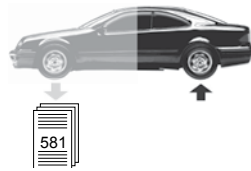


**307 D → 310 D (BM 602)**  
(1973 → 1995)

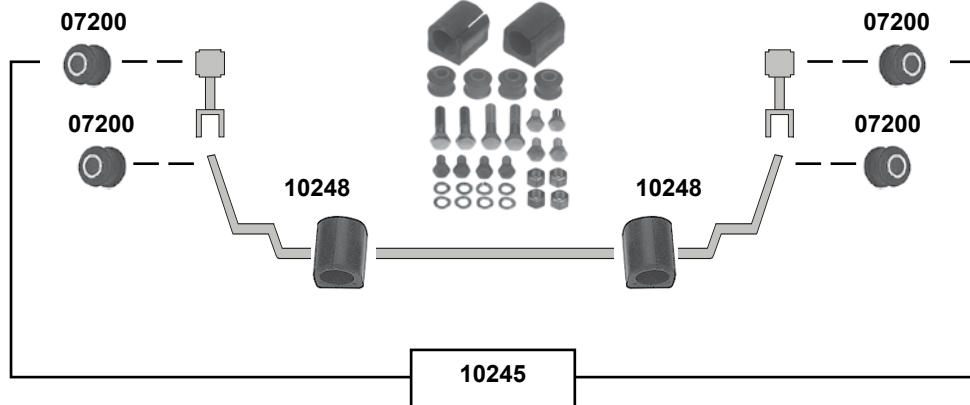


Hinterachse / Rear axle

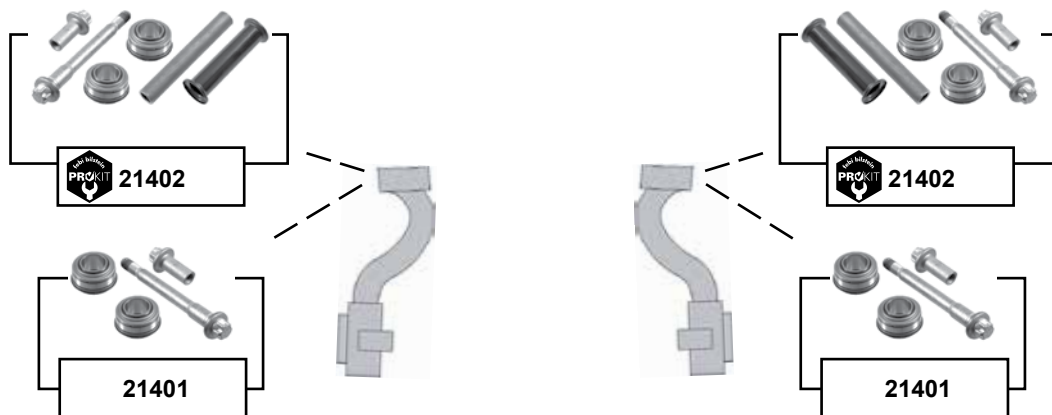
	Ref. - No.			
<b>02566</b>	601 320 03 28	Rep. Satz Stabilisatorlager / rep. kit stabilizer mount		
<b>02567</b>	601 326 04 82	Stabilisatorlager / stabilizer mount		
<b>07200</b>	601 321 03 50	Stabilisatorlager / stabilizer mount		
				12x26x26



**407 D → 410 D (BM 611)**  
(1982 → 1995)



**A-Klasse (BM 168)**  
(2000 → 2005)



Hinterachse / Rear axle



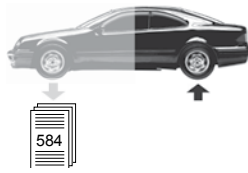
Ref. - No.



<b>07200</b>	601 321 03 50	Stabilisatorlager / stabilizer mount
<b>10245</b>	611 320 03 11	Rep. Satz Stabilisatorlager / rep. kit stabilizer mount
<b>10248</b>	611 326 00 81	Stabilisatorlager / stabilizer mount
<b>21401</b>	168 981 03 18	Achskörperlagersatz / axle beam mounting kit
<b>21402</b>	168 981 05 18 S1	ProKit Achskörperlagersatz / axle beam mounting kit

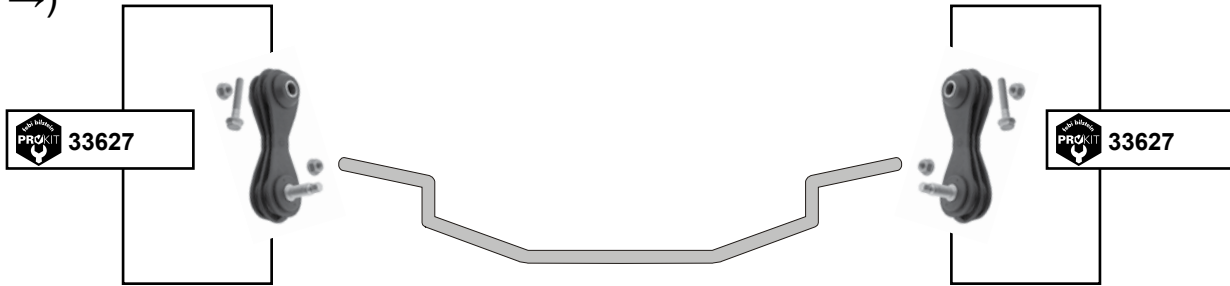
12x26x26

Ø | 33



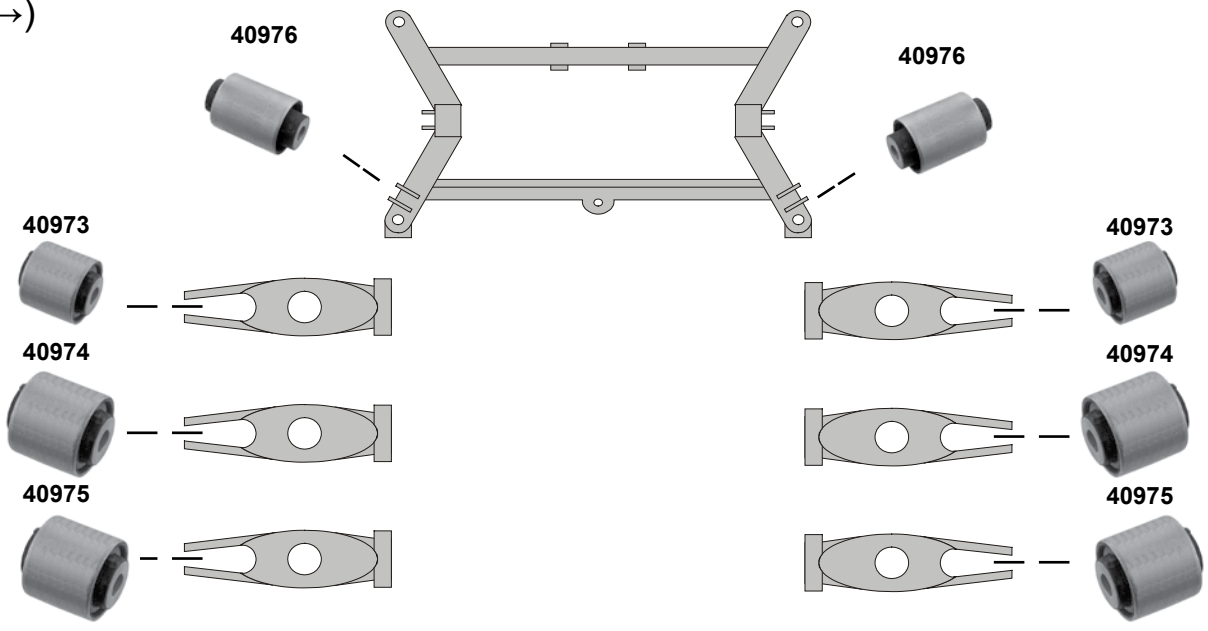
## A-Klasse (BM 169)

(2004 →)



## A-Klasse (BM 176)

(2012 →)

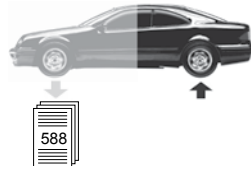


Hinterachse / Rear axle

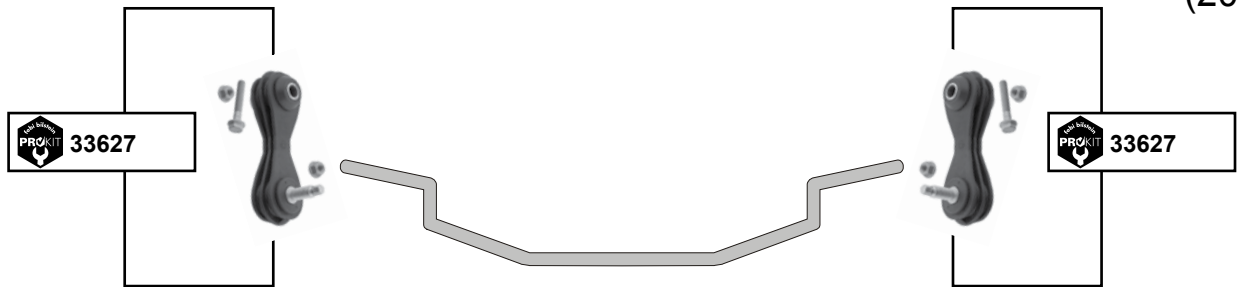


(1) A 160CDI, 180/CDI, 200/CDI, 220CDI, 250/4-Matic (ch.) → J 000000 (ex.) Sport

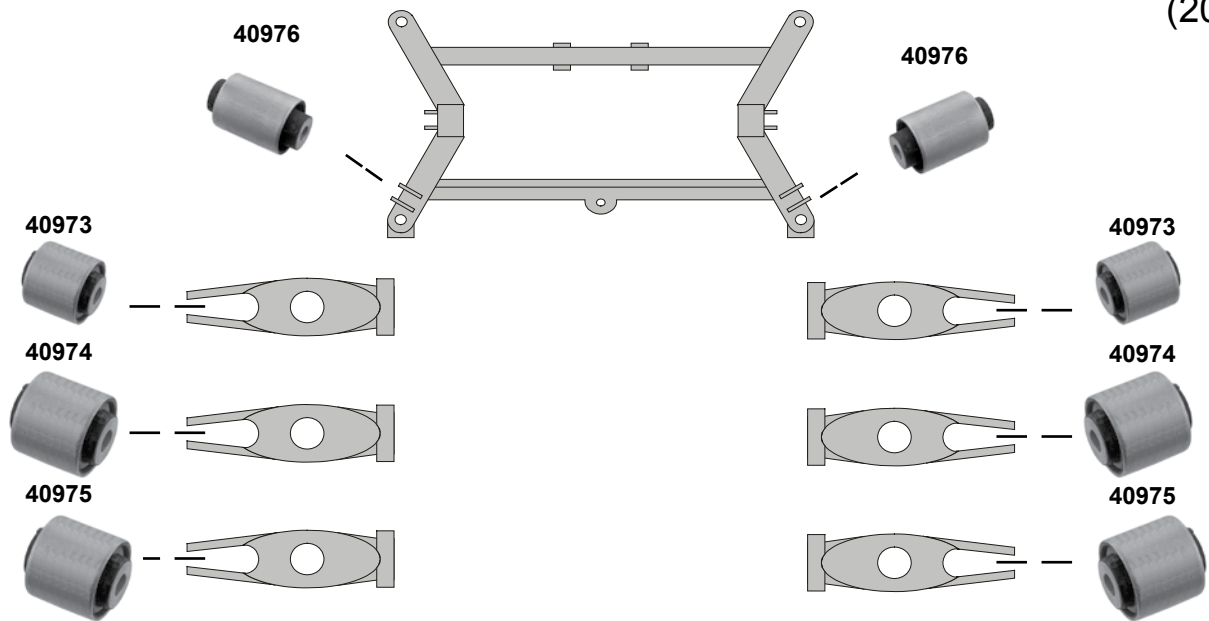
Ref. - No.			
33627	169 320 05 89 S1	ProKit Verbindungsstange / stabilizer link	
40973	246 352 01 65	Querlenkerlager / control arm mount	Ø12 ØA 45
40974	246 352 02 65	Querlenkerlager / control arm mount	Ø12 ØA 45
40975	204 353 01 43	Querlenkerlager / control arm mount	Ø12 ØA 45
40976	246 352 01 00	Querlenkerlager / control arm mount	Ø12 ØA 50
43553	246 320 04 89 S1	ProKit Verbindungsstange / stabilizer link	(1)



## B-Klasse (BM 245) (2005 →)



## B-Klasse (BM 242/246) (2011 →)



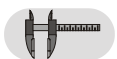
Hinterachse / Rear axle



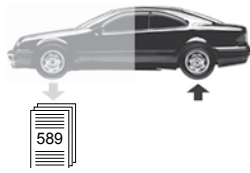
(1) BM 242 B 200  
BM 246 B 180/CDI, 200/CDI, 220CDI, 220 4-Matic, 250, B 160CDI (ch.) → J 000000 (ex.) Sport



Ref. - No.

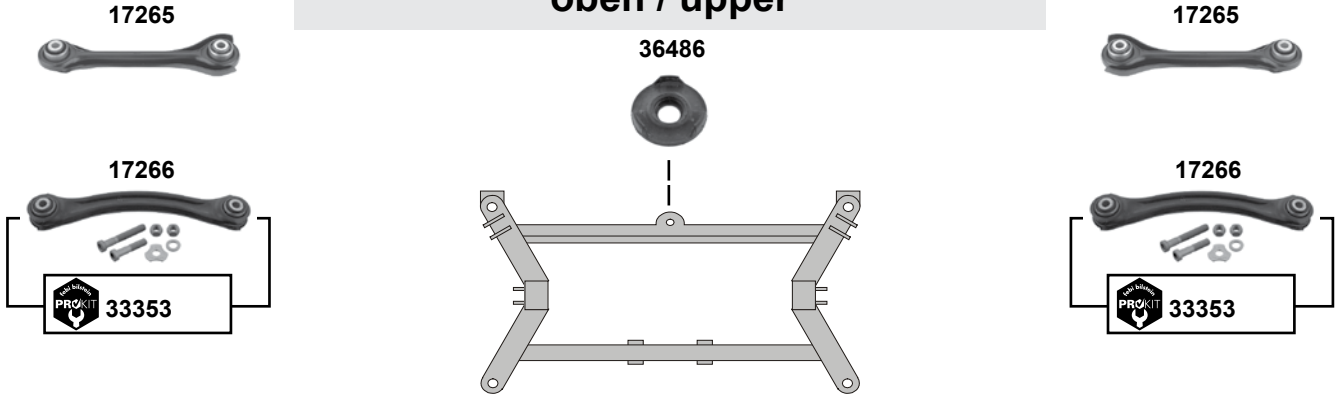


<b>33627</b>	169 320 05 89 S1	ProKit Verbindungsstange / stabilizer link	
<b>40973</b>	246 352 01 65	Querlenkerlager / control arm mount	Ø12 ØA 45
<b>40974</b>	246 352 02 65	Querlenkerlager / control arm mount	Ø12 ØA 45
<b>40975</b>	204 353 01 43	Querlenkerlager / control arm mount	Ø12 ØA 45
<b>40976</b>	246 352 01 00	Querlenkerlager / control arm mount	Ø12 ØA 50
<b>43553</b>	246 320 04 89 S1	ProKit Verbindungsstange / stabilizer link	(1)

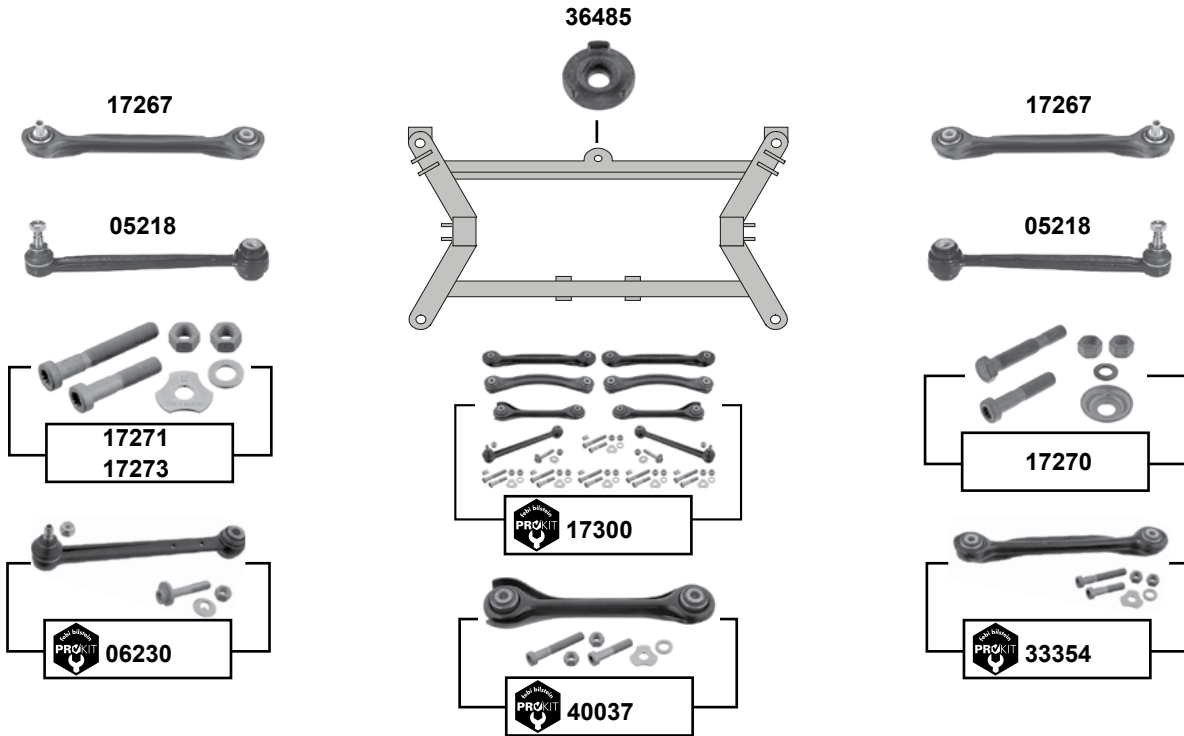


**C-Klasse (BM 202)**  
(1992 → 2001)

**oben / upper**

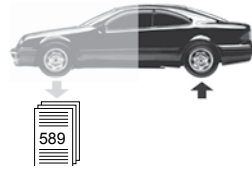


**unten / lower**

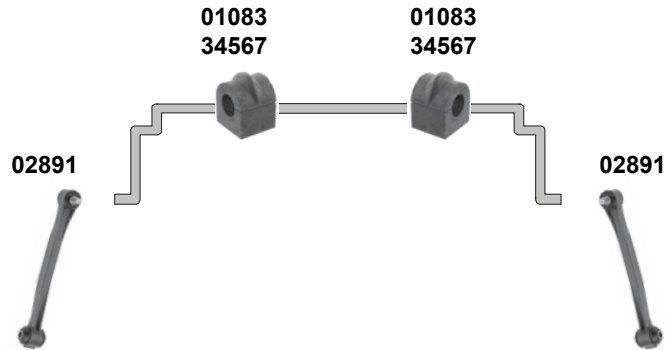


Hinterachse / Rear axle

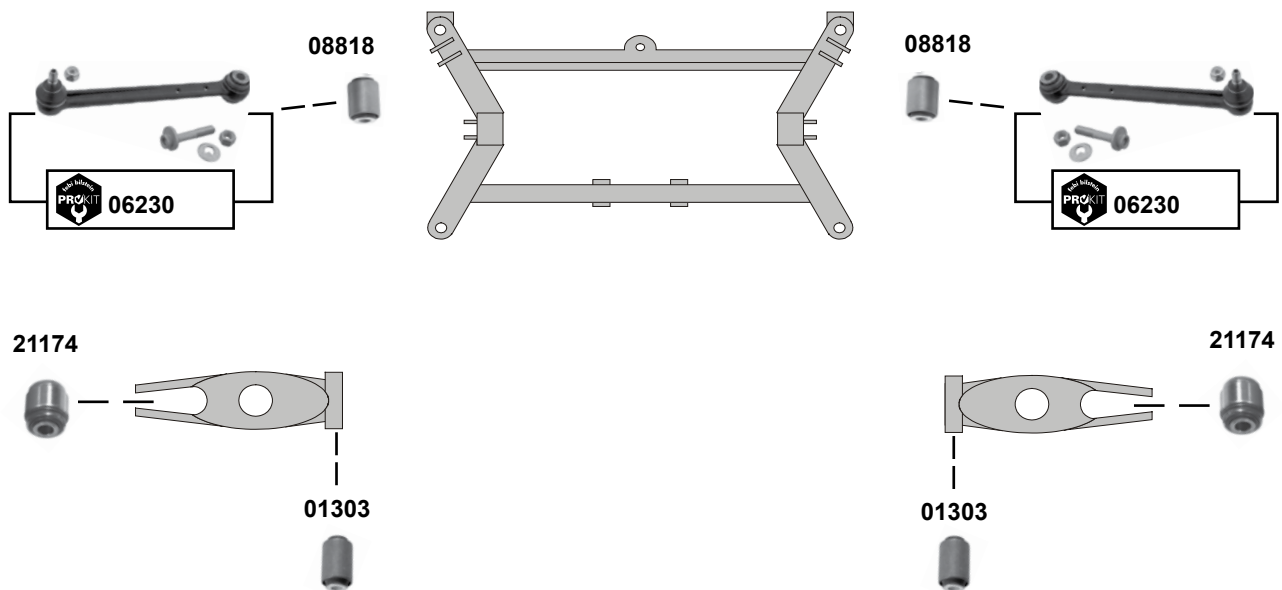
	Ref. - No.			
<b>05218</b>	210 350 18 53	Querstrebe / cross rod		
<b>06230</b>	210 350 21 53	ProKit Querstrebe beidseitig / cross rod both sides		
<b>17265</b>	210 350 33 06	Querstrebe / cross rod	<b>NEW</b>	
<b>17266</b>	210 350 34 06	Querstrebe / cross rod	<b>NEW</b>	
<b>17267</b>	210 350 38 06	Querstrebe / cross rod	<b>NEW</b>	
<b>17270</b>	124 350 68 06	Montagesatz / mounting kit		
<b>17271</b>	124 350 65 06	Montagesatz / mounting kit		
<b>17273</b>	210 350 45 06	Montagesatz / mounting kit		
<b>17300</b>	210 350 38 06 S1	ProKit Querstrebe / cross rod		
<b>33353</b>	210 350 34 06 S1	ProKit Querstrebe beidseitig / cross rod both sides		
<b>33354</b>	210 350 38 06 S1	ProKit Querstrebe beidseitig / cross rod both sides		
<b>36485</b>	210 351 18 42	Differentiallagerung / differential assembly mount		Ø A 65
<b>36486</b>	210 351 19 42	Differentiallagerung / differential assembly mount		Ø A 65
<b>40037</b>	210 350 33 06 S1	ProKit Querstrebe beidseitig / cross rod both sides		



**C-Klasse (BM 202)**  
(1992 → 2001)



**unten / lower**



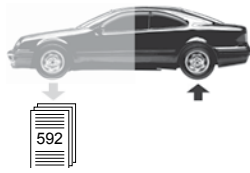
- (1) wahlweise / optional 221 352 01 27
- (2) wahlweise / optional 124 352 43 65



Ref. - No.



Ref. - No.	Description	Notes	Dimensions
<b>01083</b>	Stabilisatorlager / stabilizer mount		Ø   14
<b>01303</b>	Querlenkerlager / control arm mount		12x33x58
<b>02891</b>	Verbindungsstange / stabilizer link		
<b>06230</b>	ProKit Querstrebe beidseitig / cross rod both sides		
<b>08818</b>	Querlenkerlager / control arm mount	(2)	12x31,5x43
<b>21174</b>	Gelenk für Radlagergehäuse / joint for wheel bearing housing	(1)	
<b>34567</b>	Stabilisatorlager / stabilizer mount	<b>Sport</b>	

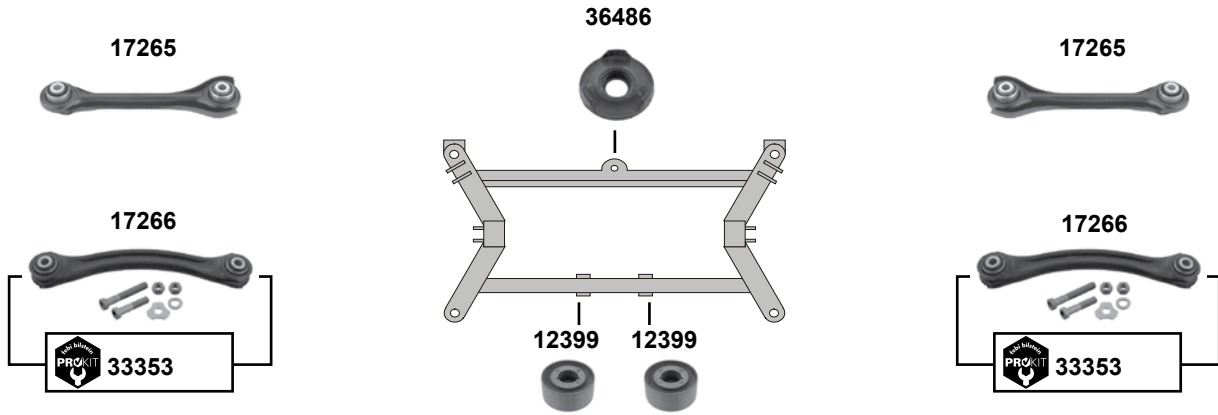


592

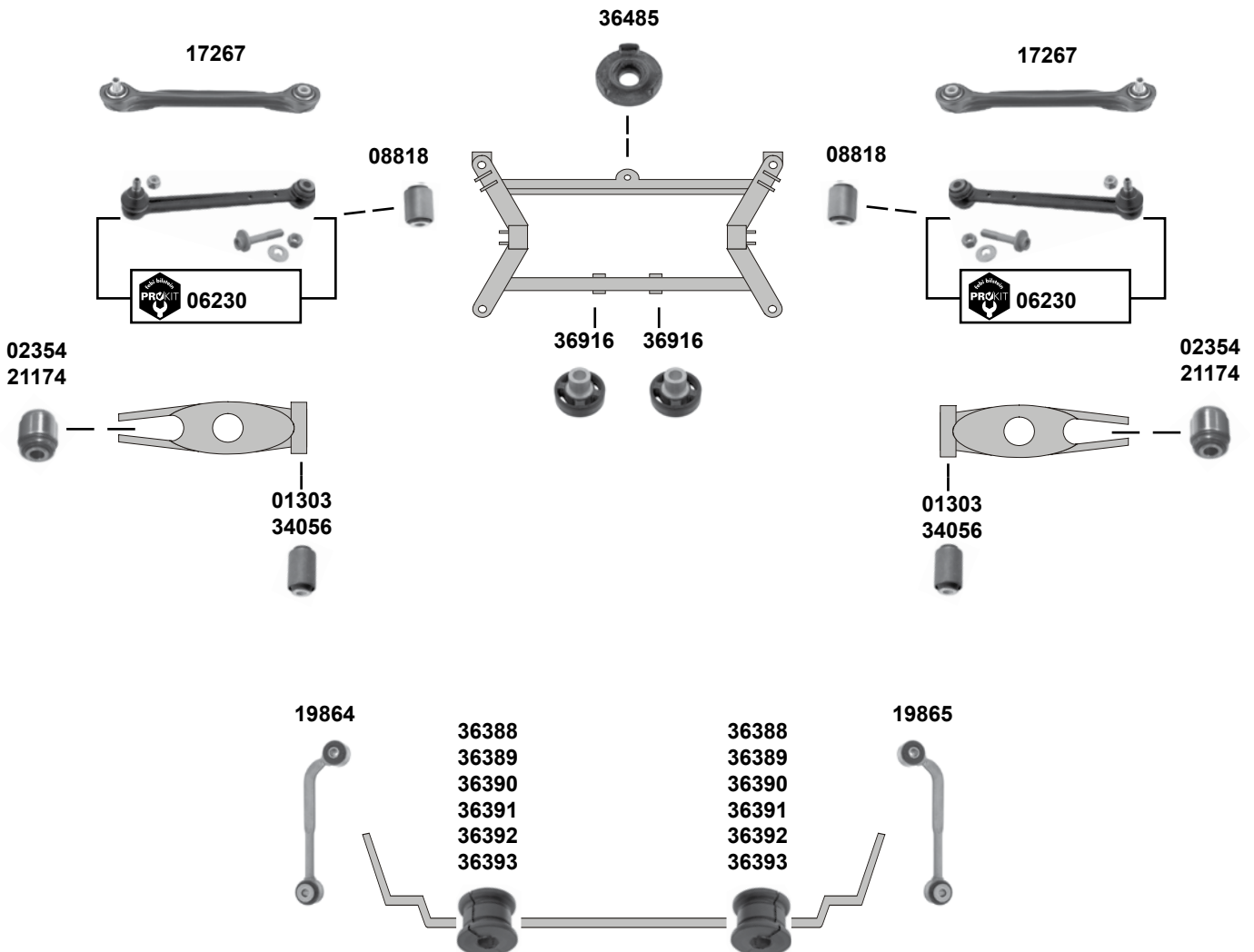
## C-Klasse (BM 203)

(2000 →)

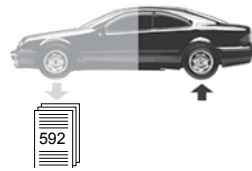
### oben / upper



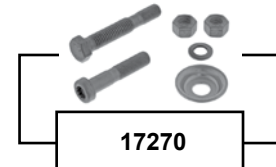
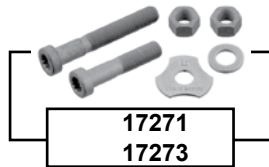
### unten / lower



Hinterachse / Rear axle



**C-Klasse (BM 203)**  
(2000 →)



(1) (ch.) A 555897 → / E 019450 → / F 457375 → / R 131145 →

(2) wahlweise / optional 221 352 01 27

(3) wahlweise / optional 124 352 43 65

(4) (ch.) A 555897 → / E 017571 → / F 457375 → / R 131145 →



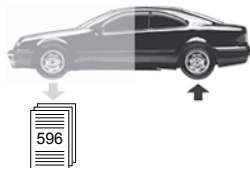
Ref. - No.



Ref. - No.	Description	Notes	Dimensions
01303	Querlenkerlager / control arm mount		12x33x58
02354	Gelenk für Radlagergehäuse / joint for wheel bearing housing		
06230	ProKit Querstrebe beidseitig / cross rod both sides		
08818	Querlenkerlager / control arm mount	(3)	12x31,5x43
12399	Achsgehäuselager / axle house mounting		
17265	Querstrebe / cross rod		
17266	Querstrebe / cross rod		
17267	Querstrebe / cross rod		
17270	Montagesatz / mounting kit		
17271	Montagesatz / mounting kit		
17273	Montagesatz / mounting kit		
19864	Verbindungsstange / stabilizer link		
19865	Verbindungsstange / stabilizer link		
21174	Gelenk für Radlagergehäuse / joint for wheel bearing housing	(2)	
33353	ProKit Querstrebe beidseitig / cross rod both sides	4-matic	
33354	ProKit Querstrebe beidseitig / cross rod both sides	4-matic	
34056	Querlenkerlager / control arm mount	(1)	12x52x58
36388	Stabilisatorlager / stabilizer mount	Sport	Ø I 16
36389	Stabilisatorlager / stabilizer mount	Sport / 4-matic	Ø I 15
36390	Stabilisatorlager / stabilizer mount	(4)	Ø I 14
36391	Stabilisatorlager / stabilizer mount	(ex.) Sport	Ø I 13
36392	Stabilisatorlager / stabilizer mount		Ø I 17
36393	Stabilisatorlager / stabilizer mount		Ø I 18
36485	Differentiallagerung / differential assembly mount		Ø A 65
36486	Differentiallagerung / differential assembly mount		Ø A 65
36916	Schwingungstilger / vibration absorber		
40037	ProKit Querstrebe beidseitig / cross rod both sides	4-matic / AMG	

Hinterachse / Rear axle





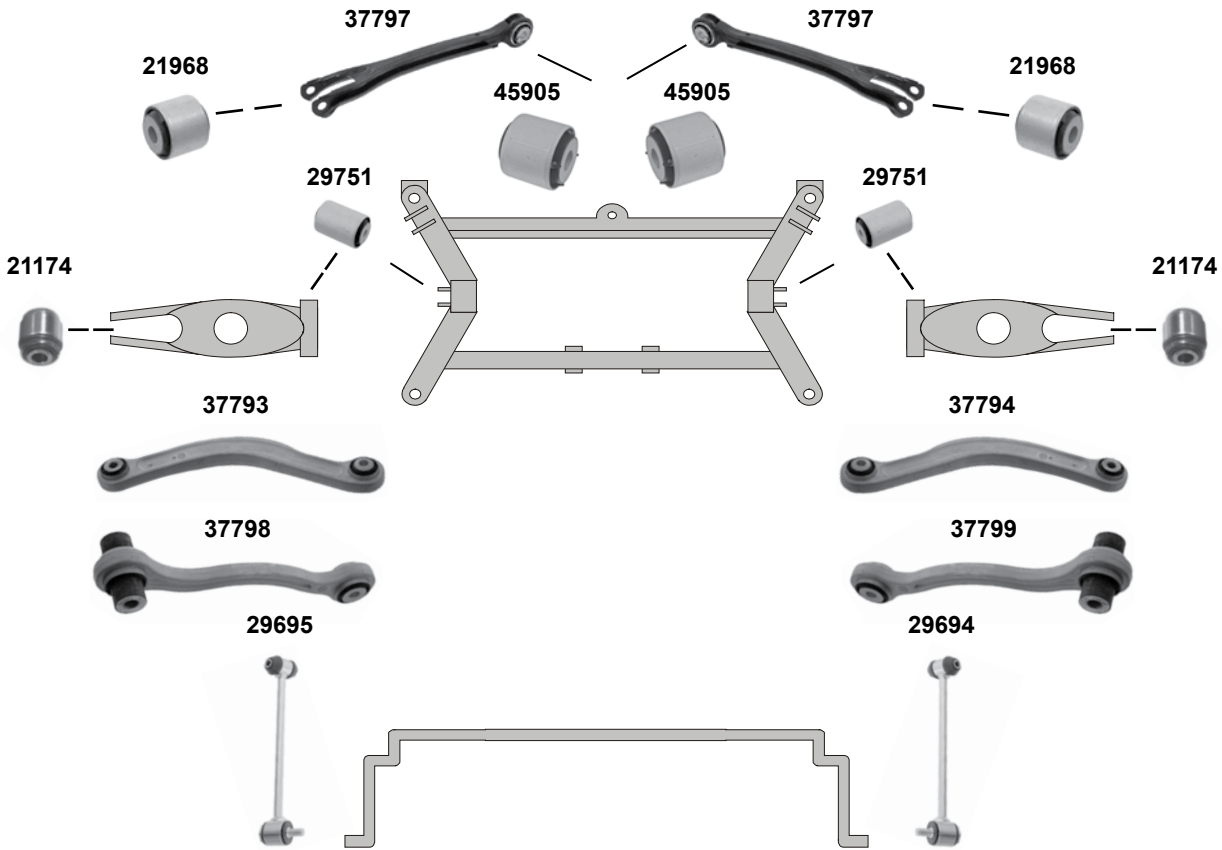
**C-Klasse (BM 204)**

(2007 →)

**oben / upper**



**unten / lower**



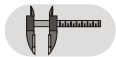
Hinterachse / Rear axle



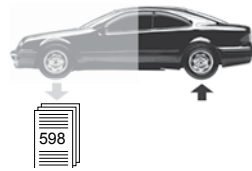
- (1) wahlweise / optional 221 352 01 27
- (2) für Federlenker / for spring control arm / Ø A 51,4 / Ø I 12,4 / L 78



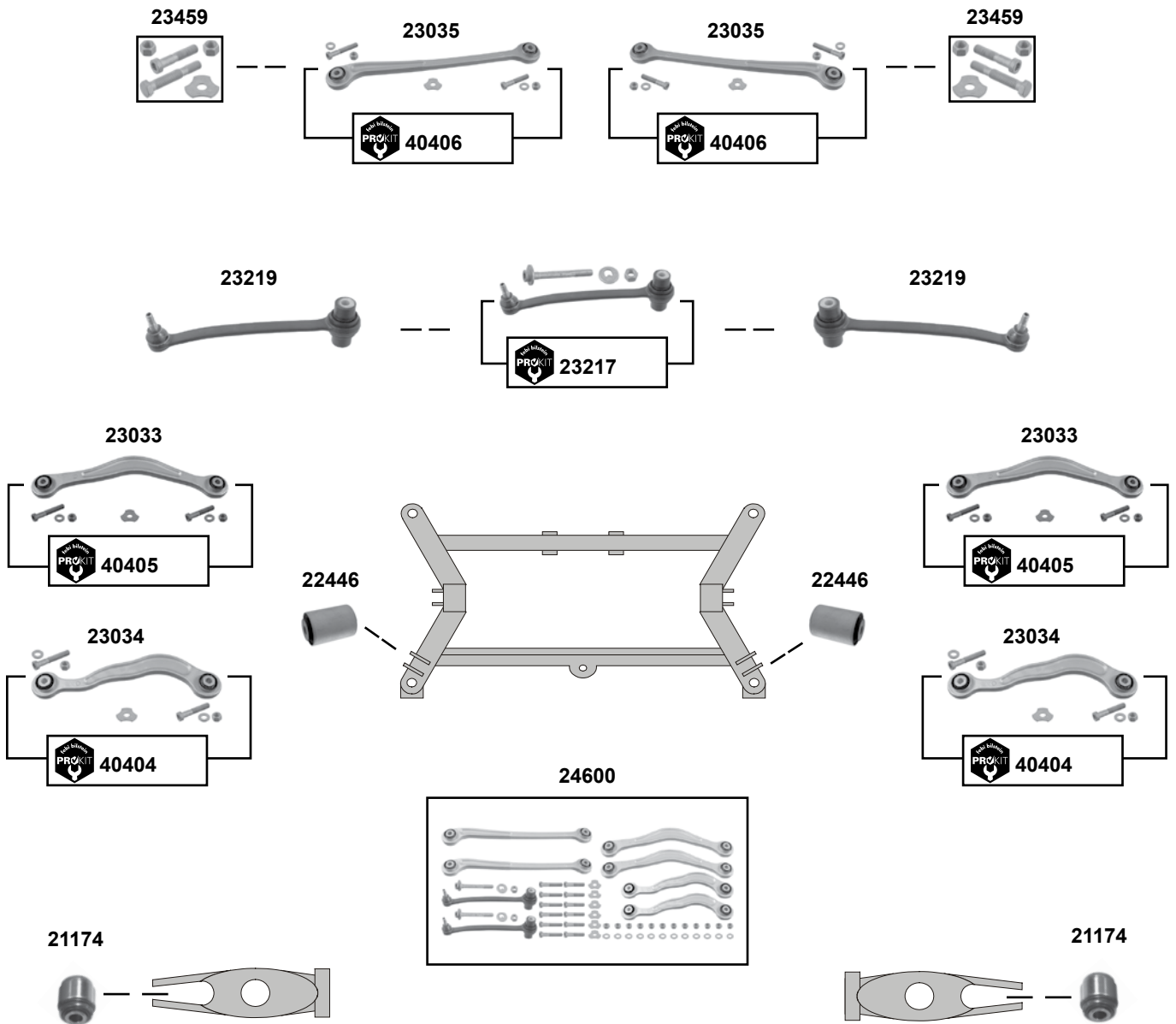
**Ref. - No.**



Ref. - No.	Description	Notes	Dimensions
21174	Gelenk für Radlagergehäuse / joint for wheel bearing housing	(1)	Ø I 12
21968	Querstrebenlager / cross rod bush	4-matic	L 260,8
29694	Verbindungsstange / stabilizer link		L 260,8
29695	Verbindungsstange / stabilizer link		L 260,8
29751	Querstrebenlager / cross rod bush	(2)	
30643	Zugstrebenlager / tension rod mount		Ø A 43,5
37793	Sturzsstrebe / camber rod		L 400
37794	Sturzsstrebe / camber rod		L 400
37795	Zugstrebe / tension rod		L 370
37796	Zugstrebe / tension rod		L 370
37797	Schubstrebe / compression rod		L 370
37798	Spurstange / tie rod		L 320
37799	Spurstange / tie rod		L 320
45905	Querlenkerlager / control arm mount	C 63AMG/T AMG	



## CL (BM 215) (1999 → 2005)



Hinterachse / Rear axle



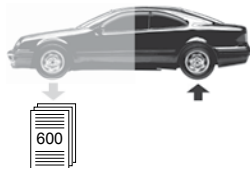
(1) wahlweise / optional 221 352 01 27



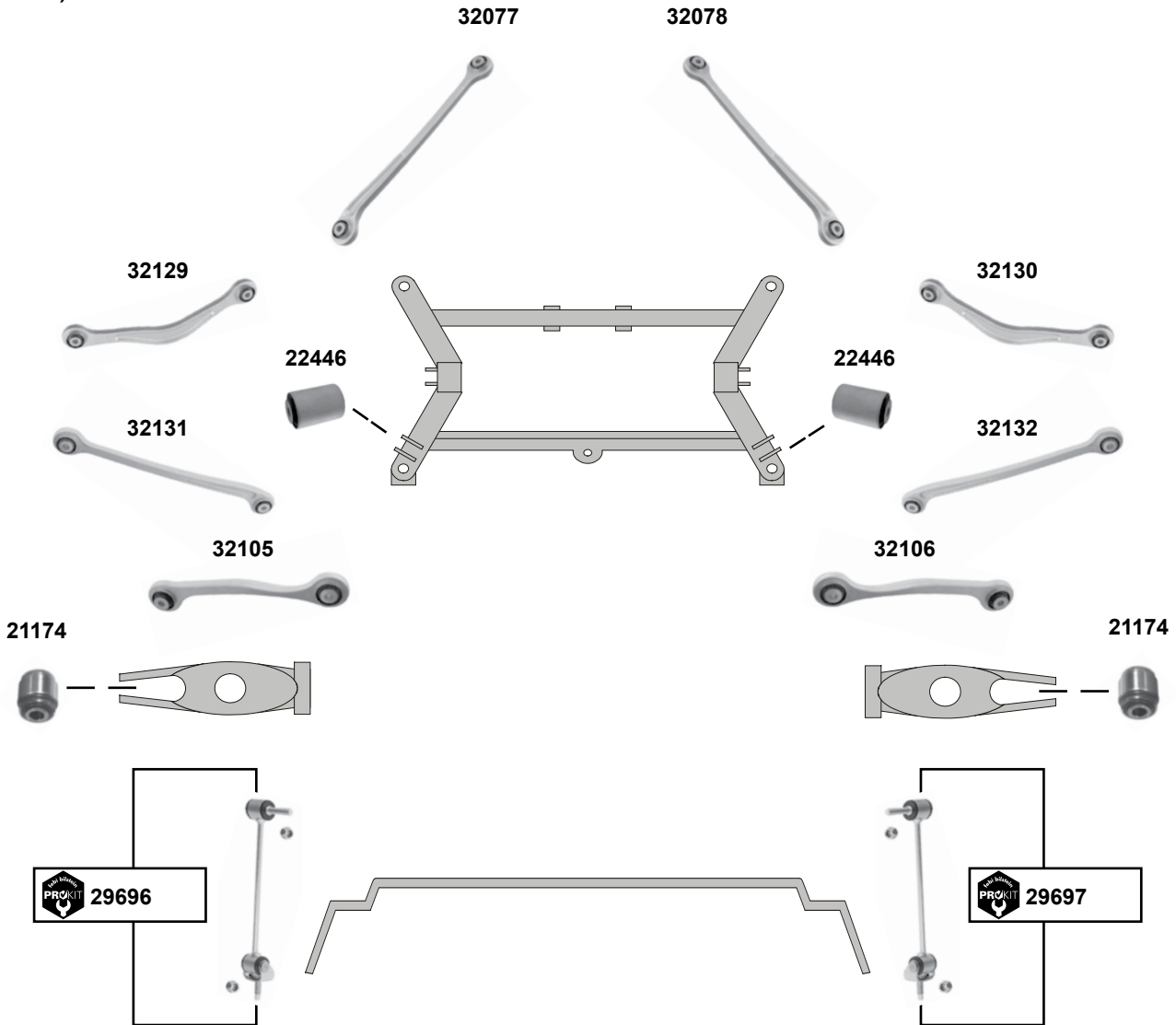
Ref. - No.



21174	204 352 00 27	Gelenk für Radlagergehäuse / joint for wheel bearing housing (1)
22446	220 352 13 65	Querlenkerlager / control arm mount
23033	220 350 22 06	Querstrebe / cross rod
23034	220 350 24 06	Querstrebe / cross rod
23035	220 350 27 06	Querstrebe / cross rod
23217	220 350 04 53	ProKit Querstrebe / cross rod
23219	220 350 04 53 S1	Spurstange / tie rod
23459	220 350 31 06	Befestigungssatz / mounting kit
24600	220 350 04 53 S2	Rep. Satz Querstrebensatz / rep. kit cross rod kit
40404	220 350 24 06 S1	ProKit Querstrebe / cross rod
40405	220 350 22 06 S1	ProKit Querstrebe / cross rod
40406	220 350 27 06 S1	ProKit Querstrebe / cross rod



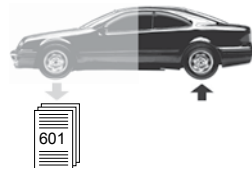
## CL (BM 216) (2005 →)



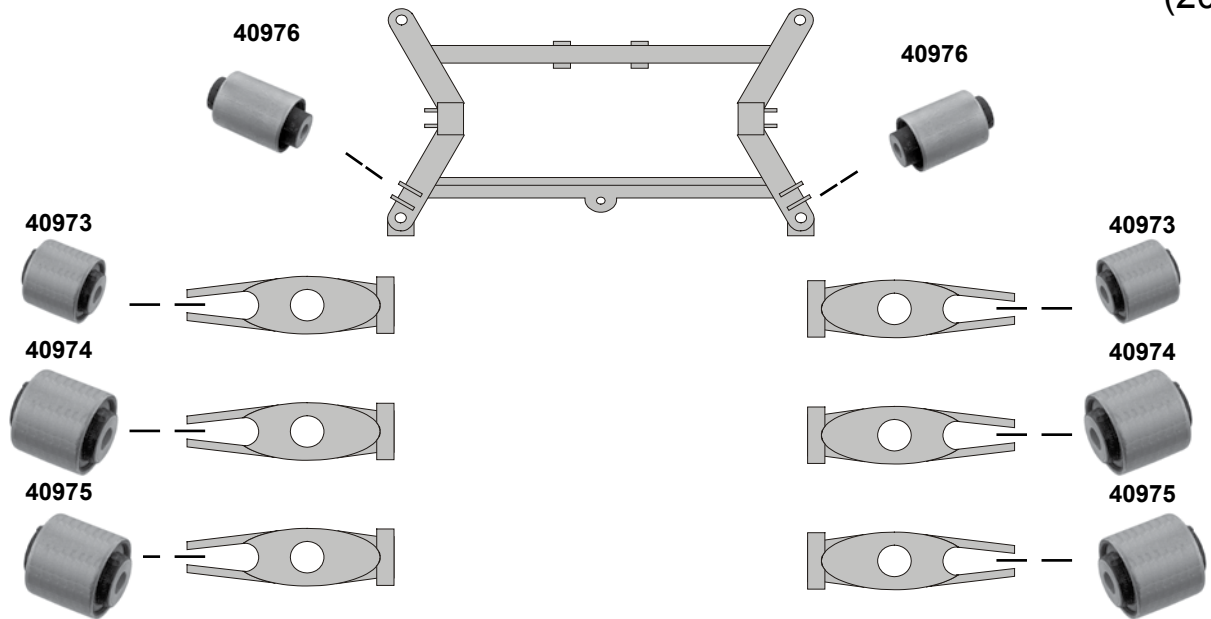
Hinterachse / Rear axle

(1) wahlweise / optional 221 352 01 27

	Ref. - No.			
21174	204 352 00 27	Gelenk für Radlagergehäuse / joint for wheel bearing housing	(1)	
22446	220 352 13 65	Querlenkerlager / control arm mount		
29696	221 320 19 89	ProKit Verbindungsstange links / stabilizer link left	Airmatc DC	
29697	221 320 22 89	ProKit Verbindungsstange rechts / stabilizer link right	Airmatc DC	
32077	221 350 07 06	Schubstrebe links / compression rod left		
32078	221 350 08 06	Schubstrebe rechts / compression rod right		
32105	221 350 11 53	Querstrebe links / cross rod left		
32106	221 350 12 53	Querstrebe rechts / cross rod right		
32129	221 350 02 06	Querstrebe oben vorne links / cross rod upper front left		
32130	221 350 10 06	Querstrebe oben vorne rechts / cross rod upper front right		
32131	221 350 04 06	Querstrebe oben hinten links / cross rod upper rear left		
32132	221 350 06 06	Querstrebe oben hinten rechts / cross rod upper rear right		



## CLA (BM 117) (2013 →)



Hinterachse / Rear axle



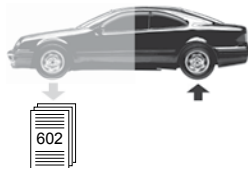
(1) CLA 180/CDI, 200/CDI, 220CDI, 250/4-Matic (ch.) → N 000000 (ex.) Sport



Ref. - No.

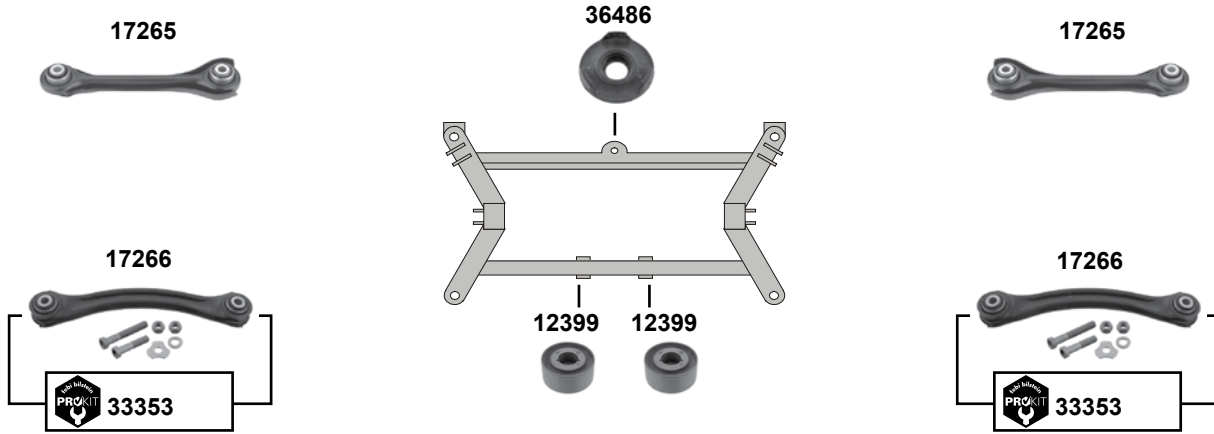


<b>40973</b>	246 352 01 65	Querlenkerlager / control arm mount	(1)	Ø 12 ØA 45
<b>40974</b>	246 352 02 65	Querlenkerlager / control arm mount		Ø 12 ØA 45
<b>40975</b>	204 353 01 43	Querlenkerlager / control arm mount		Ø 12 ØA 45
<b>40976</b>	246 352 01 00	Querlenkerlager / control arm mount		Ø 12 ØA 50
<b>43553</b>	246 320 04 89 S1	ProKit Verbindungsstange / stabilizer link		

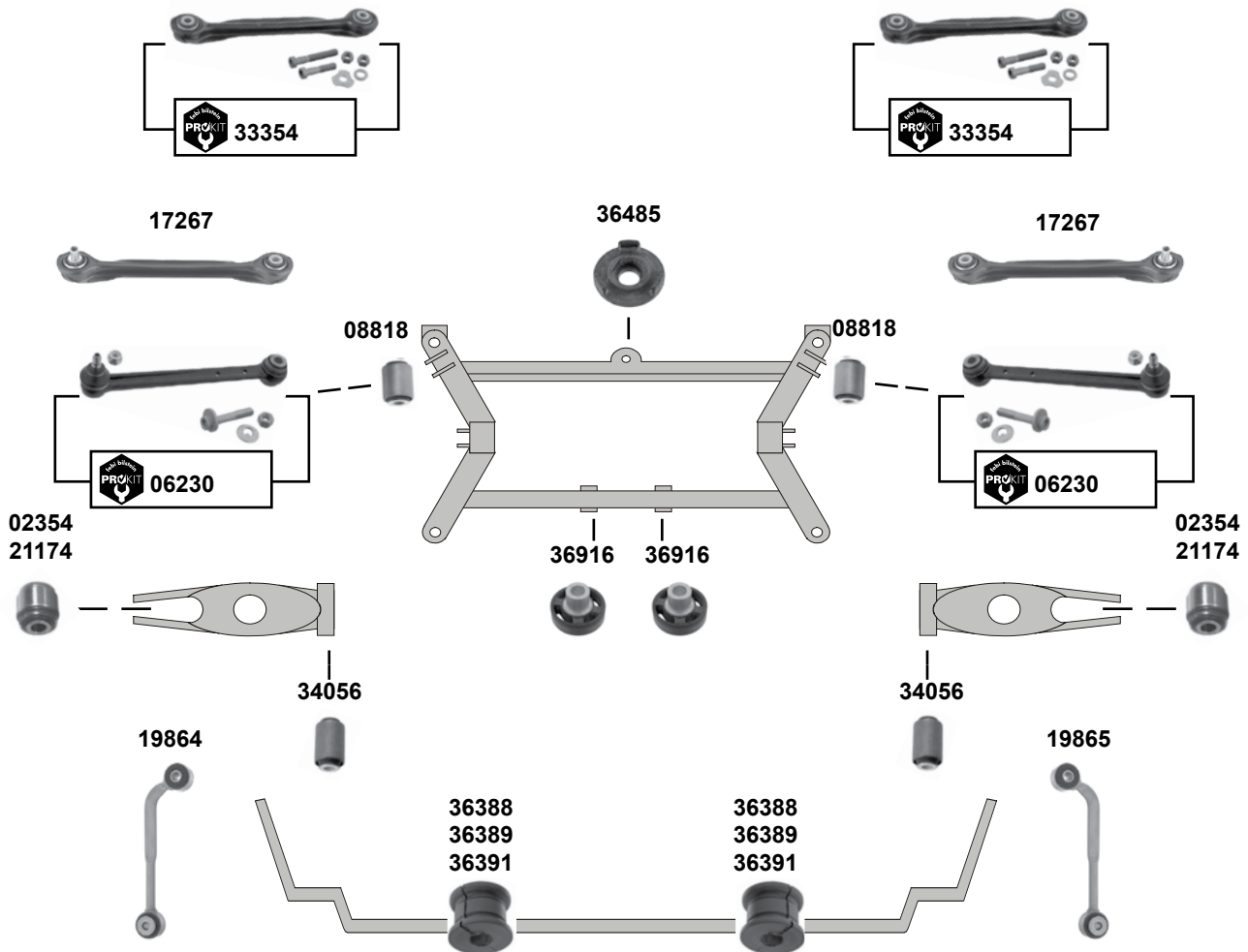


## CLC (BM 203) (2008 →)

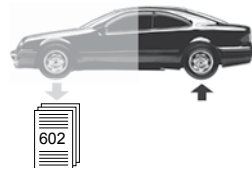
### oben / upper



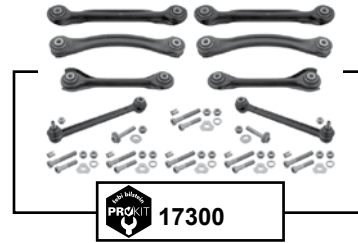
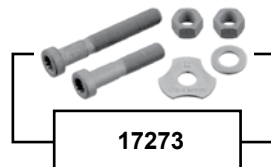
### unten / lower



Hinterachse / Rear axle



**CLC (BM 203)**  
(2008 →)

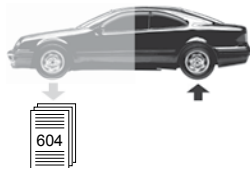


(1) wahlweise / optional 221 352 01 27

(2) wahlweise / optional 124 352 43 65

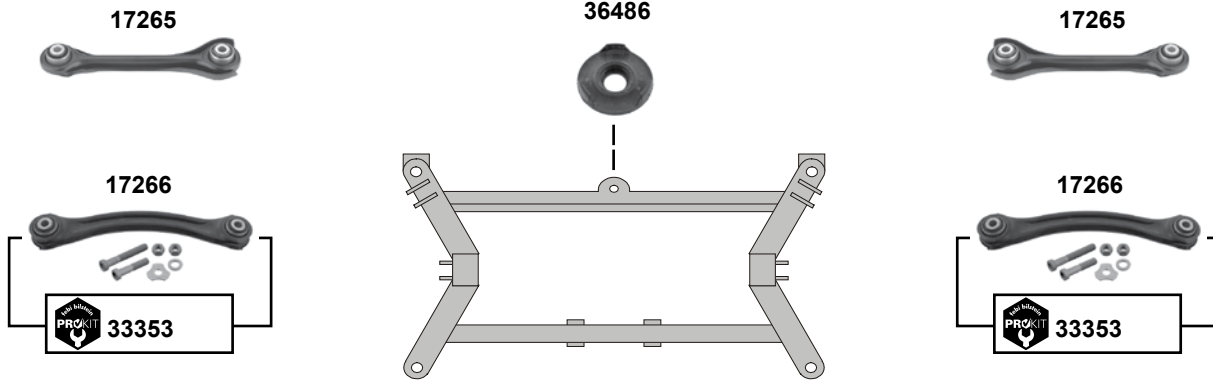
(3) (ch.) A 555897 → / E 035376 →

	Ref. - No.			
<b>02354</b>	201 352 00 27	Gelenk für Radlagergehäuse / joint for wheel bearing housing		
<b>06230</b>	210 350 21 53	ProKit Querstrebe beidseitig / cross rod both sides		
<b>08818</b>	201 352 88 65	Querlenkerlager / control arm mount	(2)	12x31,5x43
<b>17265</b>	210 350 33 06	Querstrebe / cross rod	NEW	
<b>17266</b>	210 350 34 06	Querstrebe / cross rod	NEW	
<b>17267</b>	210 350 38 06	Querstrebe / cross rod		
<b>17273</b>	210 350 45 06	Montagesatz / mounting kit		
<b>17300</b>	210 350 38 06 S1	ProKit Querstrebe / cross rod		
<b>12399</b>	129 351 21 42	Achsgehäuselager / axle house mounting		
<b>19864</b>	203 320 07 89	Verbindungsstange / stabilizer link		
<b>19865</b>	203 320 08 89	Verbindungsstange / stabilizer link		
<b>21174</b>	204 352 00 27	Gelenk für Radlagergehäuse / joint for wheel bearing housing	(1)	
<b>33353</b>	210 350 34 06 S1	ProKit Querstrebe beidseitig / cross rod both sides		
<b>33354</b>	210 350 38 06 S1	ProKit Querstrebe beidseitig / cross rod both sides		
<b>34056</b>	203 352 00 65	Querlenkerlager / control arm mount	(3)	12x52x58
<b>36388</b>	203 326 00 81	Stabilisatorlager / stabilizer mount	Sport	Ø I 16
<b>36389</b>	203 326 01 81	Stabilisatorlager / stabilizer mount		Ø I 15
<b>36391</b>	203 326 03 81	Stabilisatorlager / stabilizer mount	(ex.) Sport	Ø I 13
<b>36485</b>	210 351 18 42	Differentiallagerung / differential assembly mount		Ø A 65
<b>36486</b>	210 351 19 42	Differentiallagerung / differential assembly mount		Ø A 65
<b>36916</b>	203 350 00 72 S1	Schwingungstilger / vibration absorber		

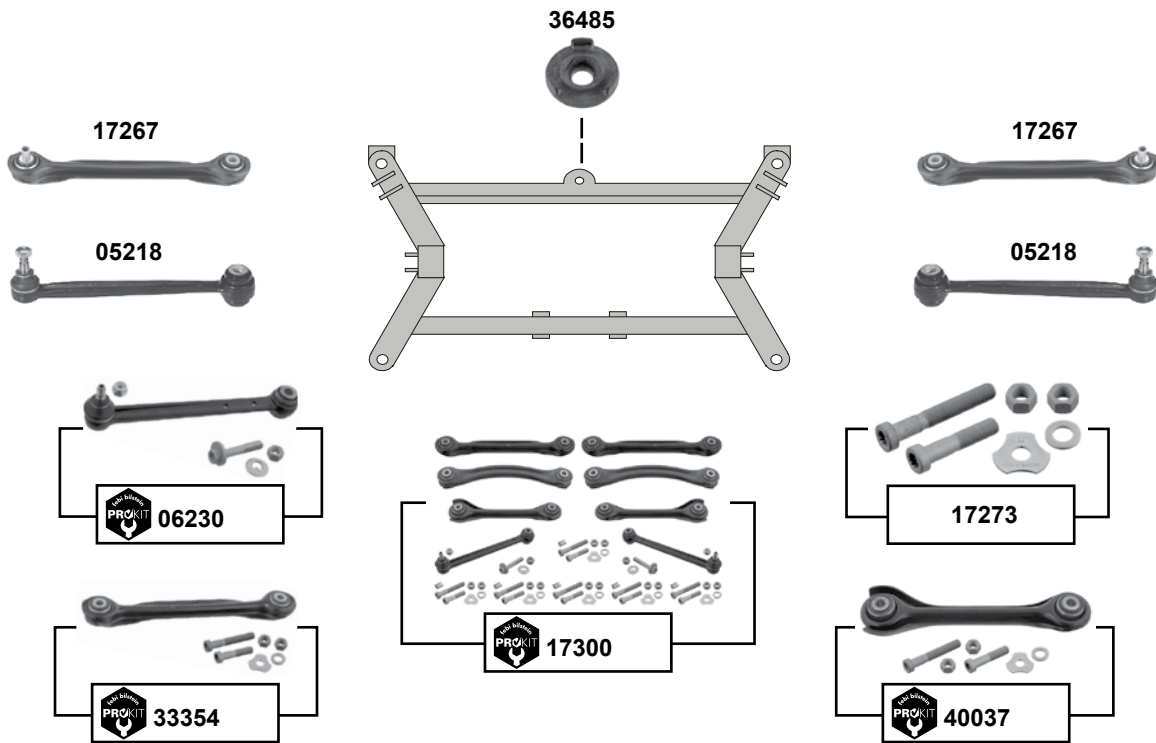


**CLK (BM 208)**  
(1997 → 2002)

**oben / upper**

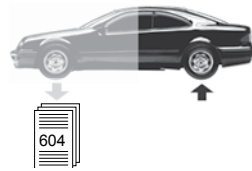


**unten / lower**

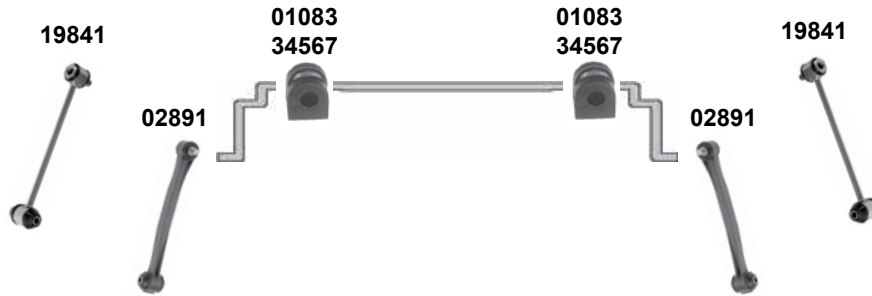


Hinterachse / Rear axle

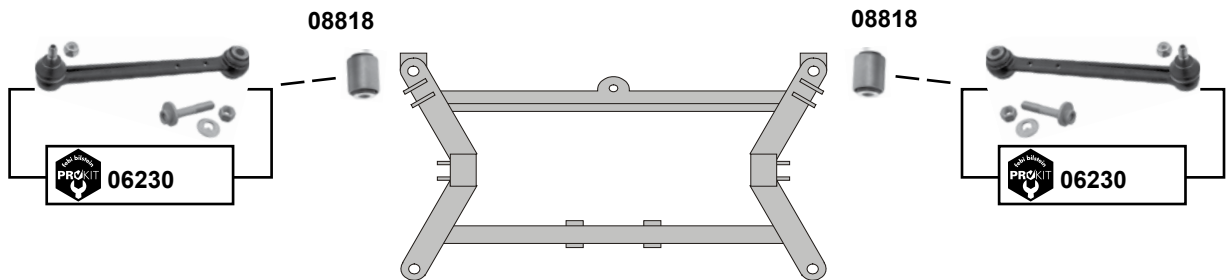
	Ref. - No.			
<b>05218</b>	210 350 18 53	Querstrebe / cross rod		
<b>06230</b>	210 350 21 53	ProKit Querstrebe beidseitig / cross rod both sides		
<b>17265</b>	210 350 33 06	Querstrebe / cross rod	<b>NEW</b>	
<b>17266</b>	210 350 34 06	Querstrebe / cross rod	<b>NEW</b>	
<b>17267</b>	210 350 38 06	Querstrebe / cross rod	<b>NEW</b>	
<b>17273</b>	210 350 45 06	Montagesatz / mounting kit		
<b>17300</b>	210 350 38 06 S1	ProKit Querstrebe / cross rod		
<b>33353</b>	210 350 34 06 S1	ProKit Querstrebe beidseitig / cross rod both sides		
<b>33354</b>	210 350 38 06 S1	ProKit Querstrebe beidseitig / cross rod both sides		
<b>36485</b>	210 351 18 42	Differentiallagerung / differential assembly mount		Ø A 65
<b>36486</b>	210 351 19 42	Differentiallagerung / differential assembly mount		Ø A 65
<b>40037</b>	210 350 33 06 S1	ProKit Querstrebe beidseitig / cross rod both sides		



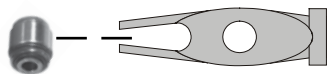
## CLK (BM 208) (1997 → 2002)



unten / lower



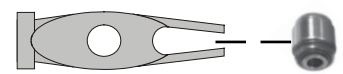
02354  
21174



01303



02354  
21174



01303



Hinterachse / Rear axle



(1) wahlweise / optional 221 352 01 27

(2) wahlweise / optional 124 352 43 65

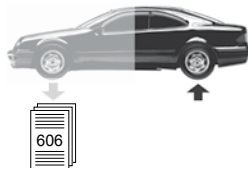


Ref. - No.



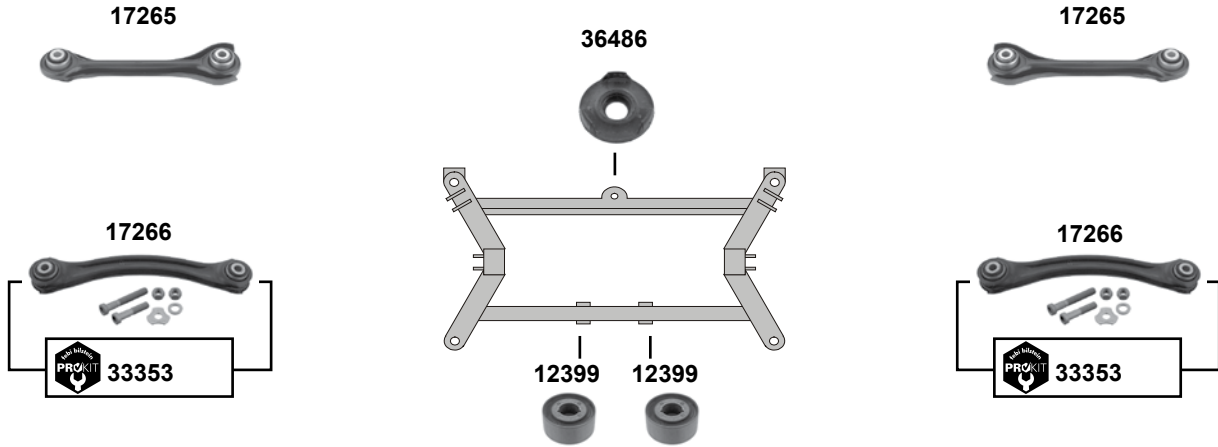
Ref. - No.	Description	Material	Dimensions
01083	Stabilisatorlager / stabilizer mount	(ex.) V8	Ø 13
01303	Querlenkerlager / control arm mount		12x33x58
02354	Gelenk für Radlagergehäuse / joint for wheel bearing housing		
02891	Verbindungsstange / stabilizer link		
06230	ProKit Querstrebe beidseitig / cross rod both sides		
08818	Querlenkerlager / control arm mount	(2)	12x31,5x43
19841	Verbindungsstange / connecting rod	Metall / Metal	
21174	Gelenk für Radlagergehäuse / joint for wheel bearing housing	(1)	
34567	Stabilisatorlager / stabilizer mount	Sport	



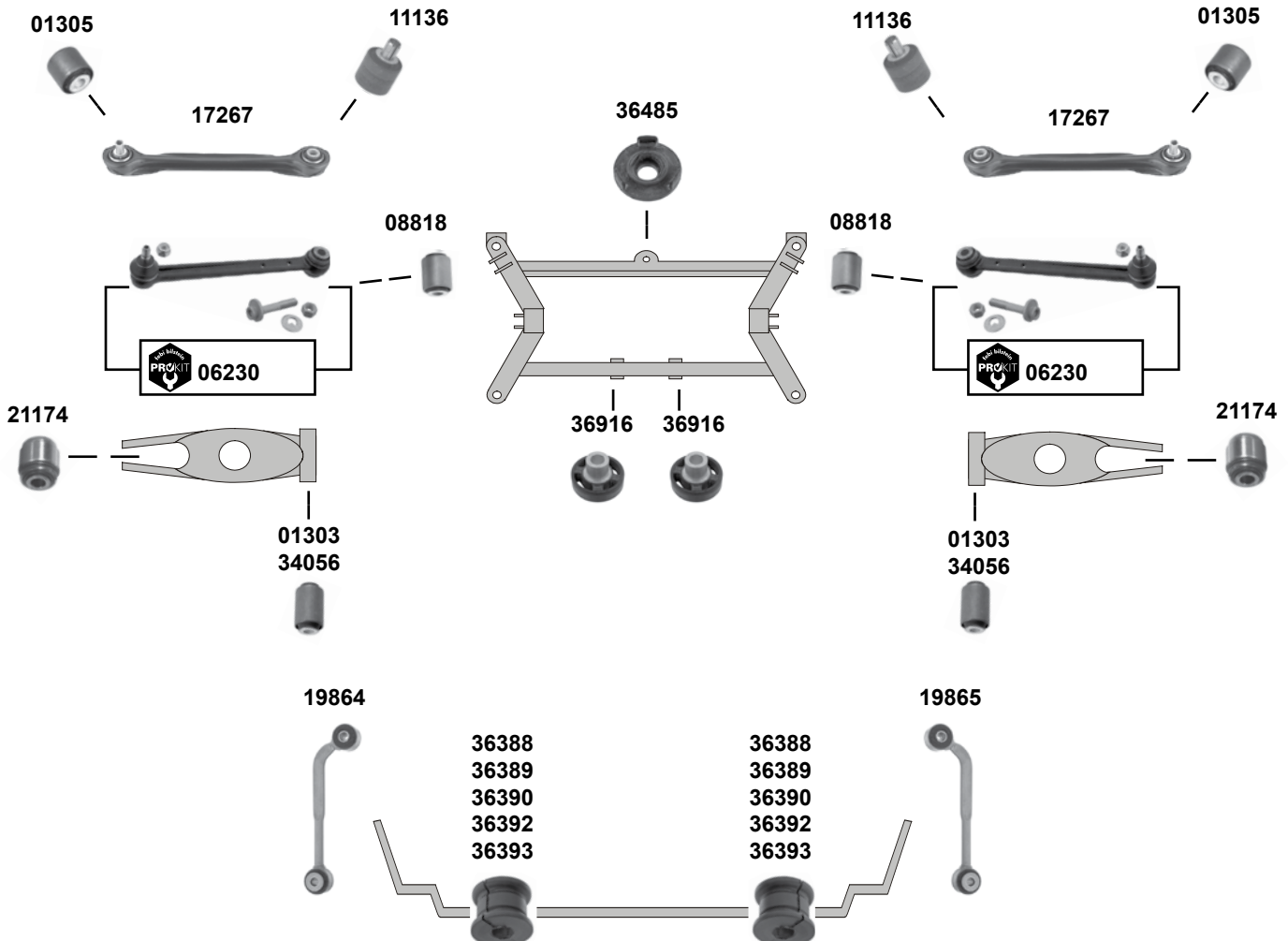


## CLK (BM 209) (2002 →)

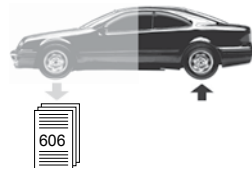
### oben / upper



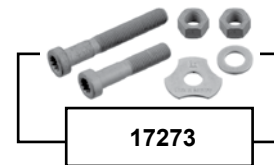
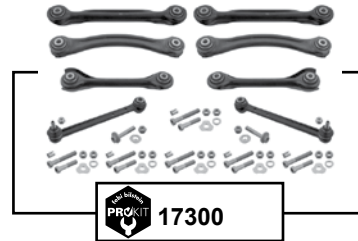
### unten / lower



Hinterachse / Rear axle



**CLK (BM 209)**  
(2002 →)



(1) wahlweise / optional 221 352 01 27

(2) wahlweise / optional 124 352 43 65

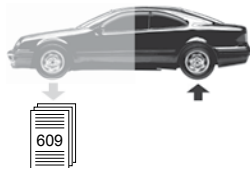


Ref. - No.



Ref. - No.	Description	Notes	Dimensions
01303	Querlenkerlager / control arm mount	(ch.) → F 123373	12x33x58
01305	Schubstrebenlager / leading arm bush		12x34x38
08818	Querlenkerlager / control arm mount	(2)	12x31,5x43
06230	ProKit Querstrebe beidseitig / cross rod both sides		
11136	Schubstrebenlager / leading arm bush		11x36x38
12399	Achsgehäuselager / axle house mounting		
17265	Querstrebe / cross rod	(ex.) Black Series	
17266	Querstrebe / cross rod	NEW	
17267	Querstrebe / cross rod	NEW	
17273	Montagesatz / mounting kit		
17300	ProKit Querstrebe / cross rod		
19864	Verbindungsstange / stabilizer link		
19865	Verbindungsstange / stabilizer link		
21174	Gelenk für Radlagergehäuse / joint for wheel bearing housing	(1)	
33353	ProKit Querstrebe beidseitig / cross rod both sides	(ex.) Black Series	
33354	ProKit Querstrebe beidseitig / cross rod both sides	(ex.) Black Series	
34056	Querlenkerlager / control arm mount	(ch.) F 103001 →	12x52x58
36388	Stabilisatorlager / stabilizer mount	Sport	Ø   16
36389	Stabilisatorlager / stabilizer mount		Ø   15
36390	Stabilisatorlager / stabilizer mount		Ø   14
36392	Stabilisatorlager / stabilizer mount		Ø   17
36393	Stabilisatorlager / stabilizer mount		Ø   18
36485	Differentiallagerung / differential assembly mount		Ø A 65
36486	Differentiallagerung / differential assembly mount		Ø A 65
36916	Schwingungstilger / vibration absorber		
40037	ProKit Querstrebe beidseitig / cross rod both sides	(ex.) Black Series	

Hinterachse / Rear axle

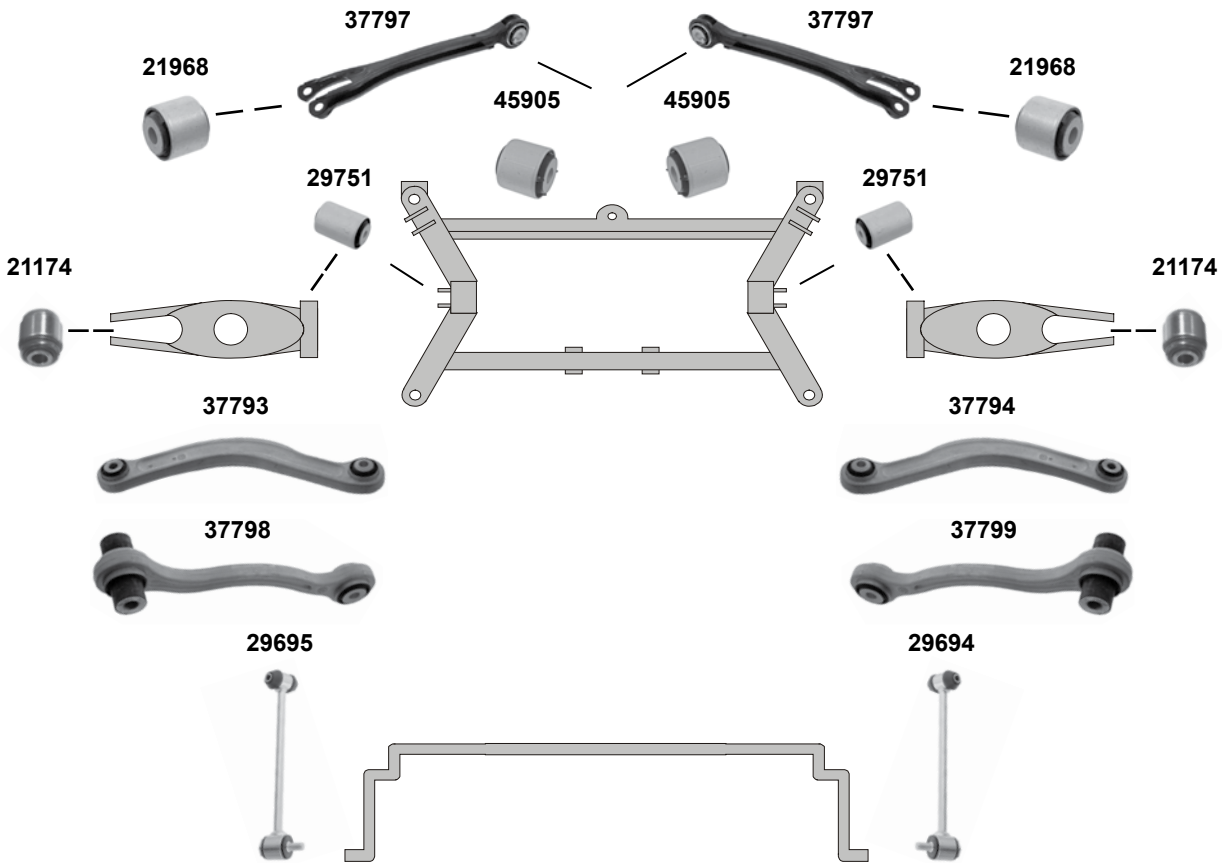


**CLS (BM 218)**  
(2011 →)

**oben / upper**



**unten / lower**



Hinterachse / Rear axle

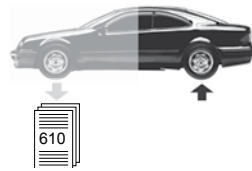
- (1) für Federlenker / for spring control arm / Ø A 51,4 / Ø I 12,4 / L 78
- (2) Shooting Brake / 4-matic / AMG
- (3) wahlweise / optional 221 352 01 27



Ref. - No.			
21174	204 352 00 27	Gelenk für Radlagergehäuse / joint for wheel bearing housing	(3)
21968	230 352 15 65	Querstrebenlager / cross rod bush	(2)
29694	204 320 04 89	Verbindungsstange / stabilizer link	
29695	204 320 05 89	Verbindungsstange / stabilizer link	
29751	204 352 10 65	Querstrebenlager / cross rod bush	(1)
30643	204 352 03 65	Zugstrebenlager / tension rod mount	
37793	204 350 15 06	Sturzsstrebe / camber rod	
37794	204 350 16 06	Sturzsstrebe / camber rod	
37795	204 350 21 06	Zugstrebe / tension rod	
37796	204 350 22 06	Zugstrebe / tension rod	
37797	204 350 27 06	Schubstrebe / compression rod	
37798	204 350 05 53	Spurstange / tie rod	
37799	204 350 06 53	Spurstange / tie rod	
45905	204 353 01 43	Querlenkerlager / control arm mount	

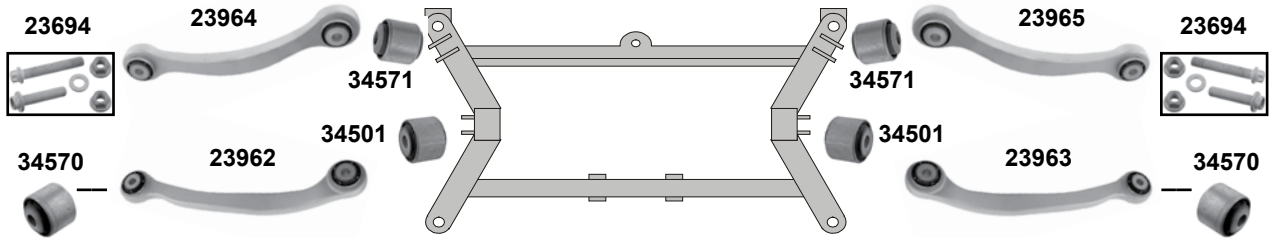


Ø I 12  
L 260,8  
L 260,8  
Ø A 43,5  
L 400  
L 400  
L 370  
L 370  
L 370  
L 320  
L 320

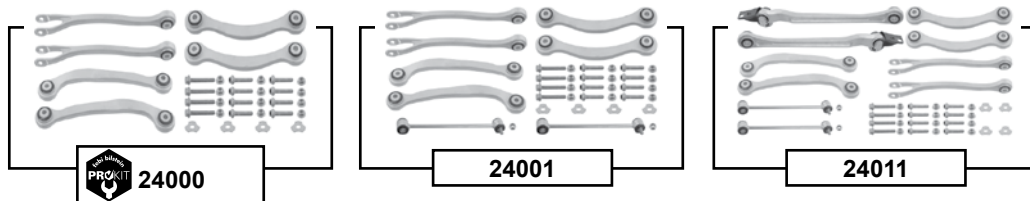
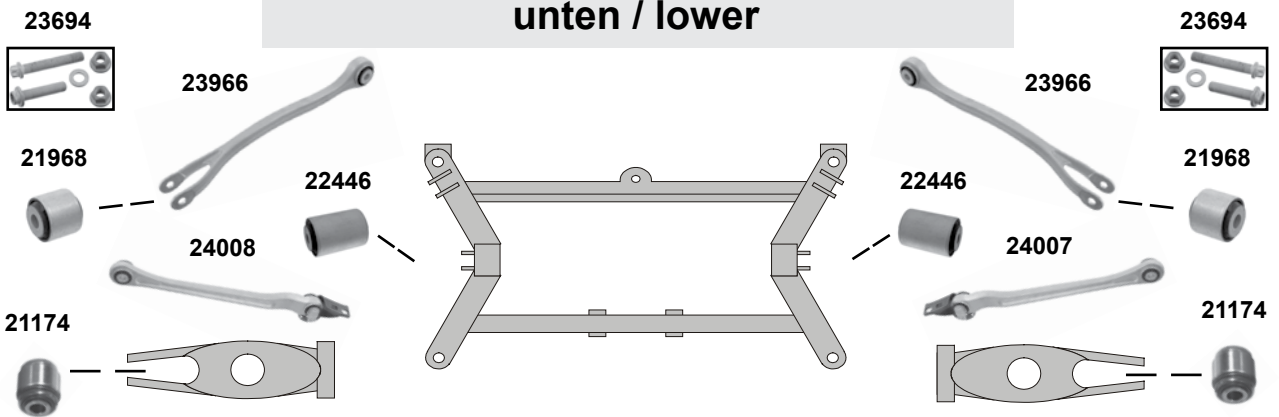


## CLS (BM 219) (2004 → 2011)

### oben / upper



### unten / lower



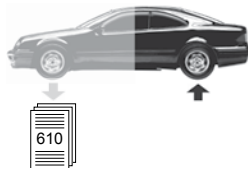
(1) wahlweise / optional 221 352 01 27



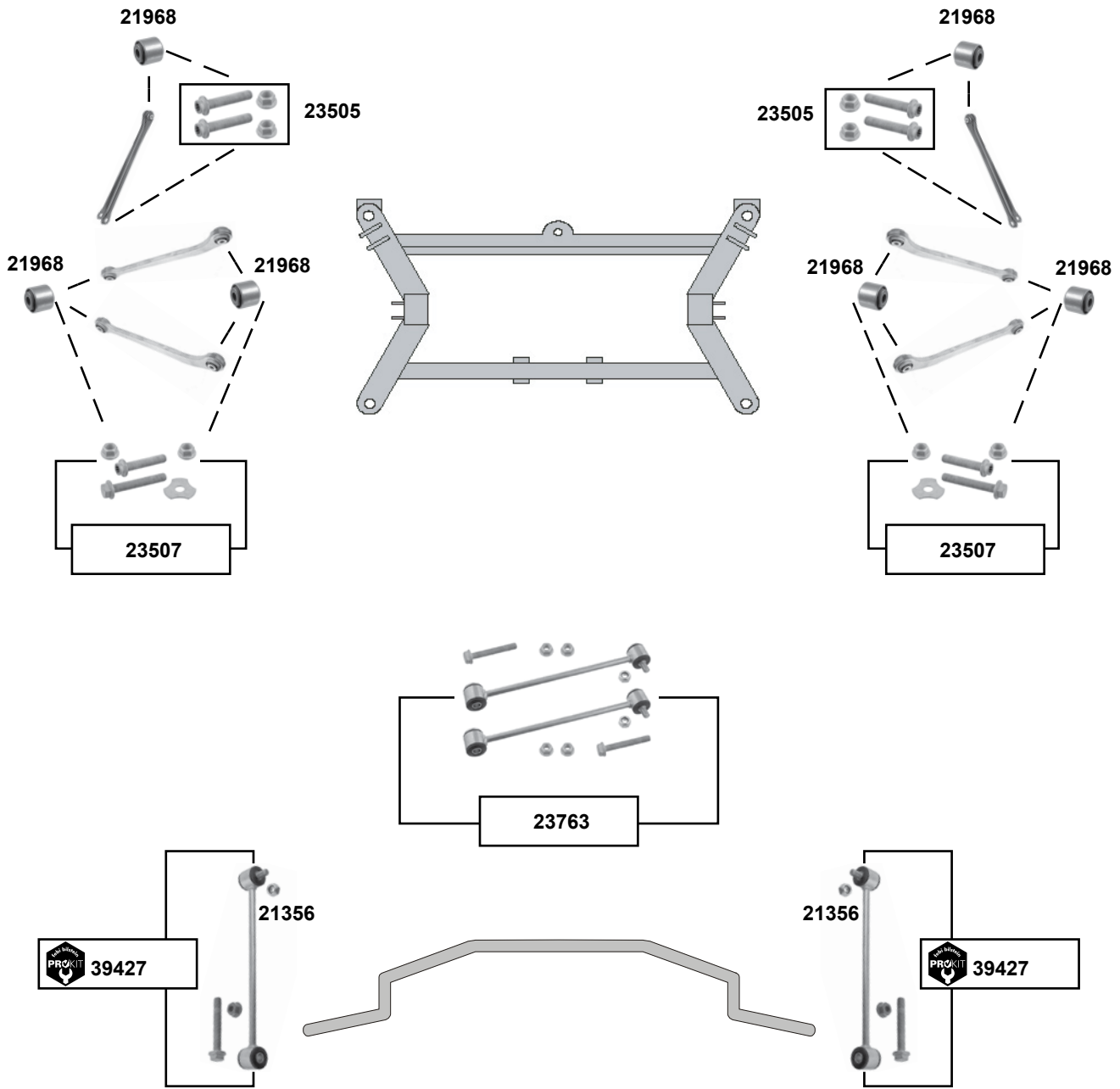
Ref. - No.



Ref. - No.	Description	Quantity	Notes	Dimension
21174	Gelenk für Radlagergehäuse / joint for wheel bearing housing	(1)		
21968	Querstrebenlager / cross rod bush			Ø 12
22446	Querlenkerlager / control arm mount			
23694	Befestigungssatz / mounting kit			
23962	Querstrebe / cross rod	(ex.) AMG		
23963	Querstrebe / cross rod	(ex.) AMG		
23964	Querstrebe / cross rod	(ex.) AMG		
23965	Querstrebe / cross rod	(ex.) AMG		
23966	Querstrebe / cross rod	(ex.) AMG		
24000	ProKit Querstrebensatz / cross rod kit	(ex.) AMG		
24001	Rep. Satz Querstrebe / rep. kit cross rod	(ex.) AMG		
24007	Querstrebe / cross rod			
24008	Querstrebe / cross rod			
24011	Rep. Satz Querstrebe / rep. kit cross rod	(ex.) AMG		
34501	Querstrebenlager / cross rod bush			Ø 12
34570	Querstrebenlager / cross rod bush			Ø 12
34571	Querstrebenlager / cross rod bush			Ø 12



**CLS (BM 219)**  
(2004 → 2011)



Hinterachse / Rear axle

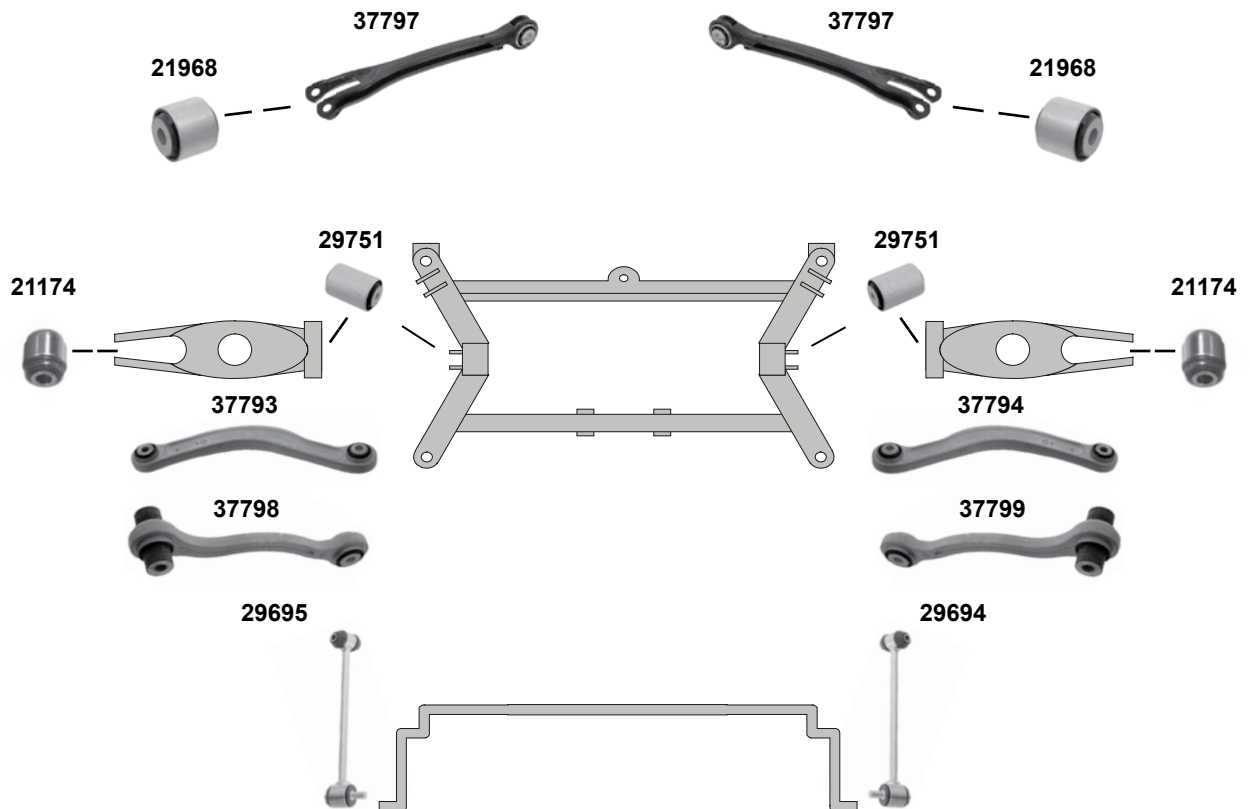
	Ref. - No.			
<b>21356</b>	211 320 33 89	Verbindungsstange / stabilizer link		L 259,5
<b>21968</b>	230 352 15 65	Querstrebenlager / cross rod bush	(ex.) AMG	
<b>23505</b>	211 990 00 99	Befestigungssatz / mounting kit	(ex.) AMG	
<b>23507</b>	211 990 02 99	Montagesatz / mounting kit		
<b>23763</b>	211 320 33 89 S1	Verbindungsstangesatz / connecting rod set		
<b>39427</b>	211 320 33 89 S2	ProKit Verbindungsstange / stabilizer link		L 259,5

**E-Klasse Coupe / Cabrio (BM 207)**  
(2010 →)

**oben / upper**



**unten / lower**



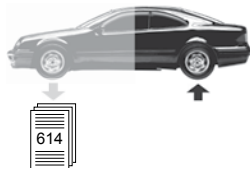
- (1) für Federlenker / for spring control arm / Ø A 51,4 / Ø I 12,4 / L 78
- (2) (ex.) AMG / Sonderschutzausführung / security execution
- (3) wahlweise / optional 221 352 01 27



Ref. - No.

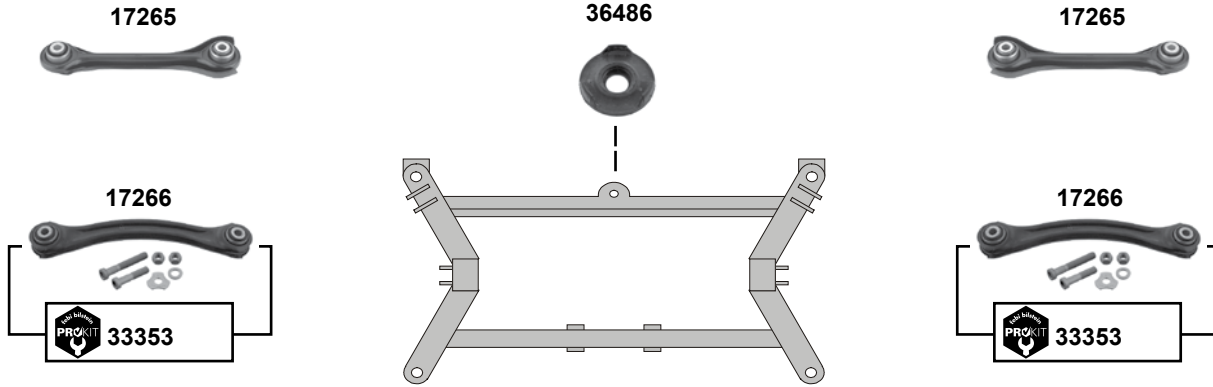


Ref. - No.	Description	Quantity	Dimensions
21174	Gelenk für Radlagergehäuse / joint for wheel bearing housing	(3)	
21968	Querstrebenlager / cross rod bush	(2)	Ø I 12
29694	Verbindungsstange / stabilizer link		L 260,8
29695	Verbindungsstange / stabilizer link		L 260,8
29751	Querstrebenlager / cross rod bush	(1)	
30643	Querlenkerlager / control arm mount		Ø A 43,5
37793	Sturzstrebe / camber rod		L 400
37794	Sturzstrebe / camber rod		L 400
37795	Zugstrebe / tension rod		L 370
37796	Zugstrebe / tension rod		L 370
37797	Schubstrebe / compression rod		L 370
37798	Spurstange / tie rod		L 320
37799	Spurstange / tie rod		L 320

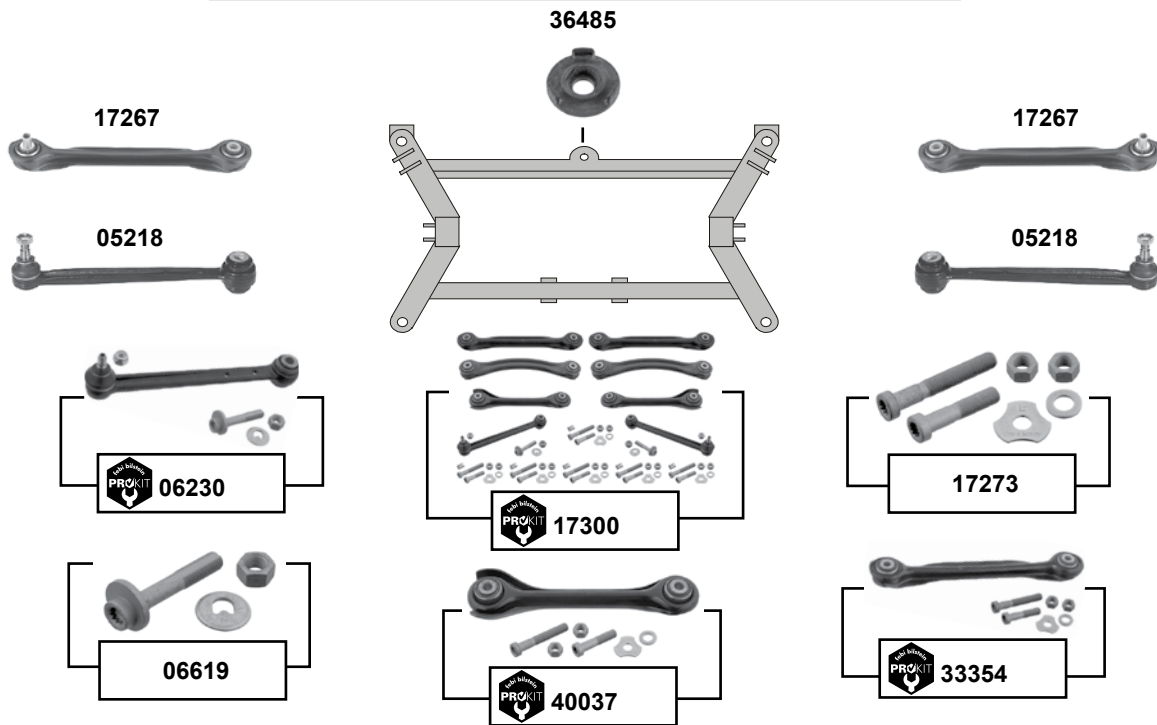


**E-Klasse (BM 210)**  
(1995 → 2002)

**oben / upper**

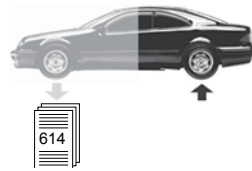


**unten / lower**

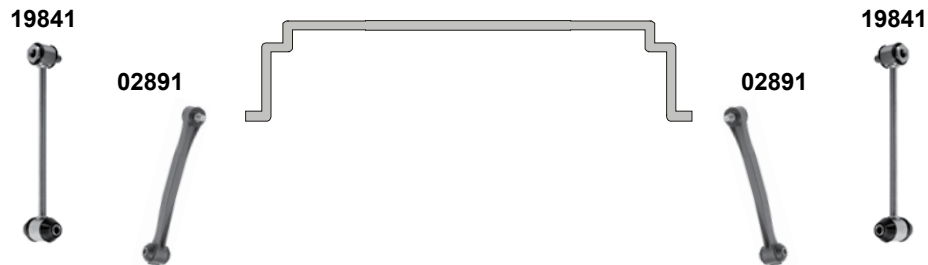


Hinterachse / Rear axle

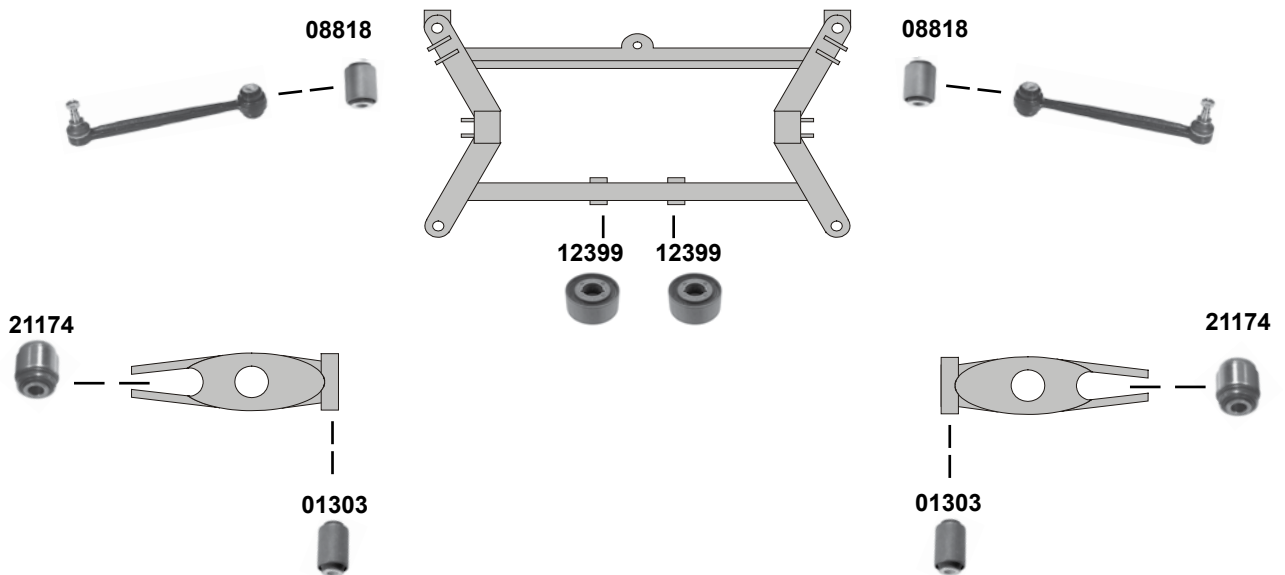
	Ref. - No.			
<b>05218</b>	210 350 18 53	Querstrebe / cross rod		
<b>06230</b>	210 350 21 53	ProKit Querstrebe beidseitig / cross rod both sides		
<b>06619</b>	140 350 11 70	Exzenterbolzen / eccentric bolt		
<b>17265</b>	210 350 33 06	Querstrebe / cross rod	<b>NEW</b>	
<b>17266</b>	210 350 34 06	Querstrebe / cross rod	<b>NEW</b>	
<b>17267</b>	210 350 38 06	Querstrebe / cross rod	<b>NEW</b>	
<b>17273</b>	210 350 45 06	Montagesatz / mounting kit		
<b>17300</b>	210 350 38 06 S1	ProKit Querstrebe / cross rod		
<b>33353</b>	210 350 34 06 S1	ProKit Querstrebe beidseitig / cross rod both sides		
<b>33354</b>	210 350 38 06 S1	ProKit Querstrebe beidseitig / cross rod both sides		
<b>36485</b>	210 351 18 42	Differentiallagerung / differential assembly mount		Ø A 65
<b>36486</b>	210 351 19 42	Differentiallagerung / differential assembly mount		Ø A 65
<b>40037</b>	210 350 33 06 S1	ProKit Querstrebe beidseitig / cross rod both sides		



**E-Klasse (BM 210)**  
(1995 → 2002)



unten / lower



(1) Sonderschutzausführung / security execution / version de protection spécial / ejecución de protección especial / esecuzione con protezione speciale

(2) wahlweise / optional 221 352 01 27

(3) wahlweise / optional 124 352 43 65

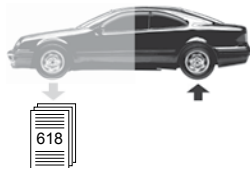


Ref. - No.



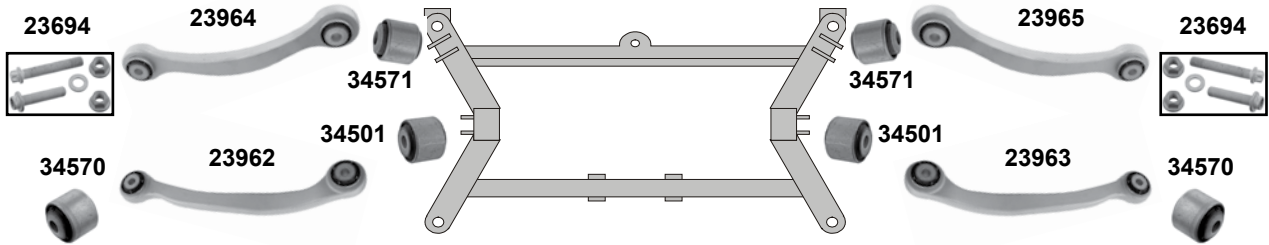
01303	202 352 01 65	Gelenk für Radlagergehäuse / joint for wheel bearing housing		12x33x58
02891	124 320 02 89	Verbindungsstange / stabilizer link		
08818	201 352 88 65	Querlenkerlager / control arm mount	(3)	12x31,5x43
12399	129 351 21 42	Achsgehäuselager / axle house mounting		
19841	124 320 04 89	Verbindungsstange / stabilizer link	(1)	
21174	204 352 00 27	Querlenkerlager / control arm mount	(2)	



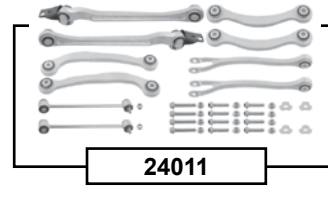
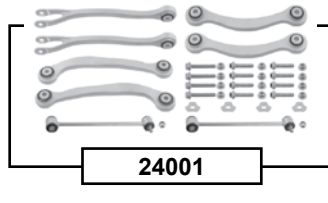
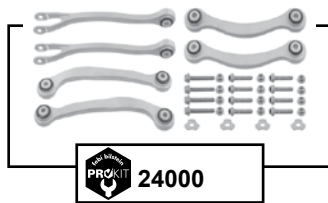
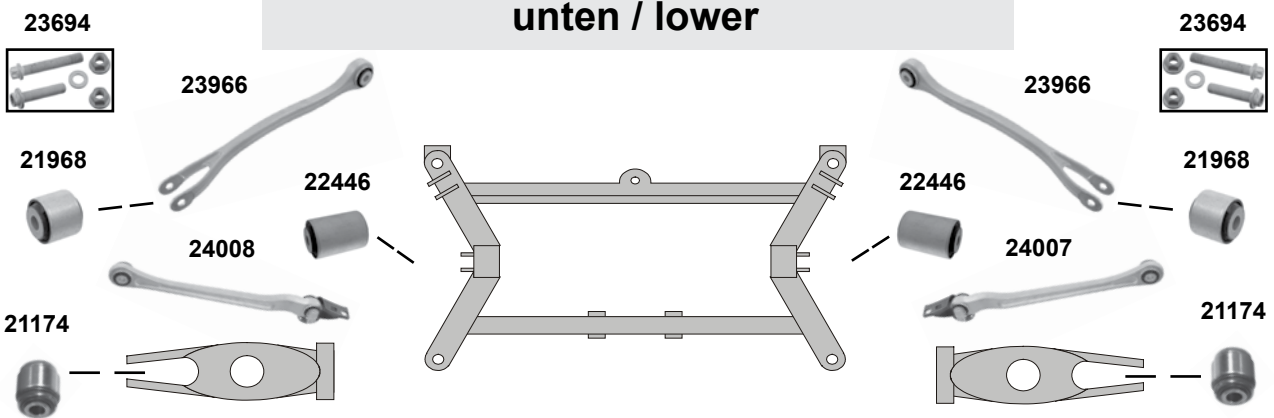


**E-Klasse (BM 211)**  
(2002 →)

**oben / upper**



**unten / lower**



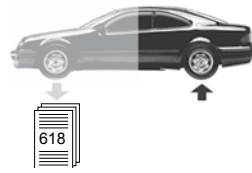
Hinterachse / Rear axle



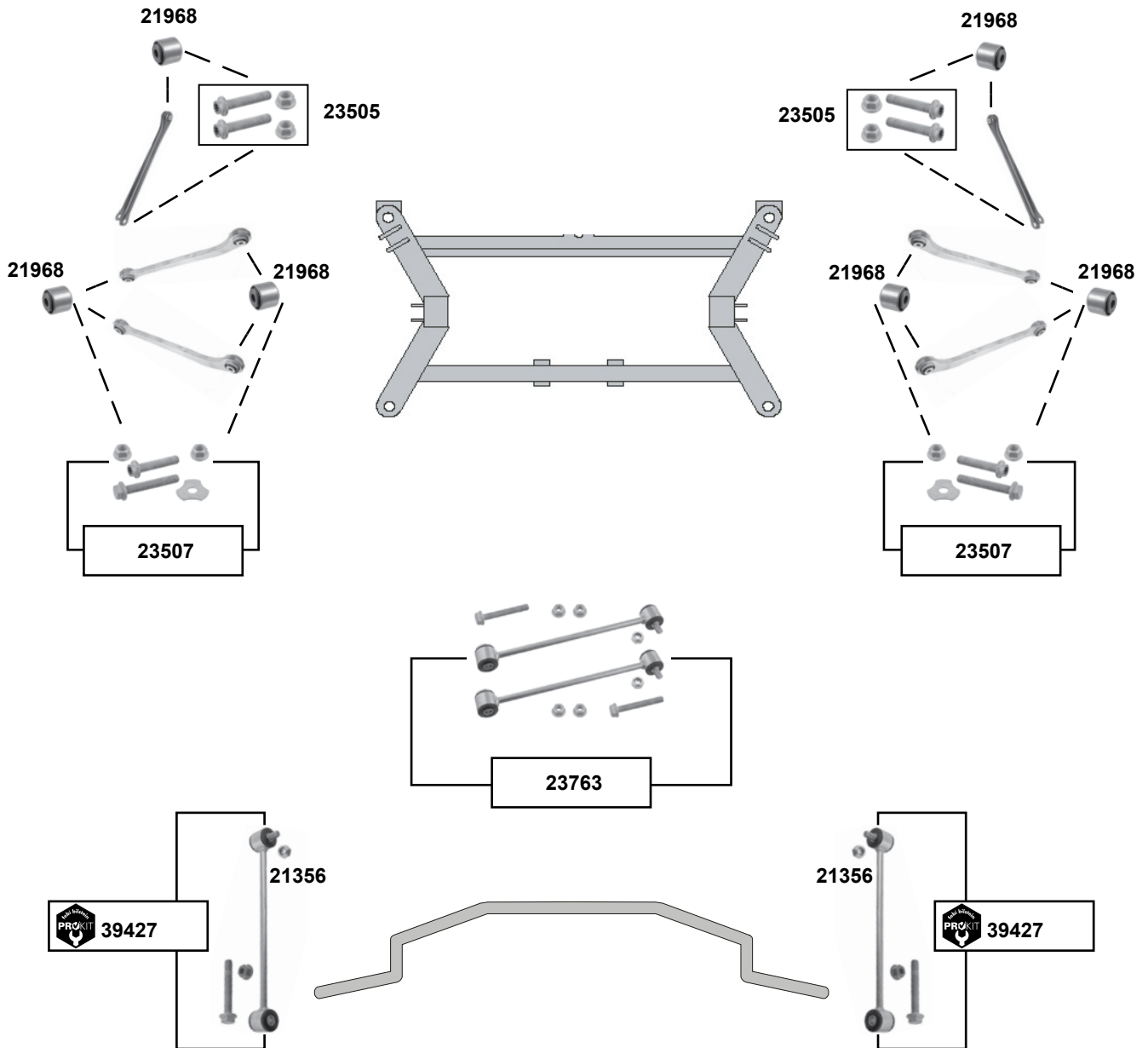
(1) (ex.) AMG / Sonderschutzausführung / security execution

(2) wahlweise / optional 221 352 01 27

	Ref. - No.			
21174	204 352 00 27	Gelenk für Radlagergehäuse / joint for wheel bearing housing	(2)	
21968	230 352 15 65	Querstrebenlager / cross rod bush	(1)	
22446	220 352 13 65	Querlenkerlager / control arm mount		
23694	211 990 03 99	Befestigungssatz / mounting kit		
23962	230 350 27 06	Querstrebe / cross rod	(1)	
23963	230 350 28 06	Querstrebe / cross rod	(1)	
23964	230 350 35 06	Querstrebe / cross rod	(1)	
23965	230 350 36 06	Querstrebe / cross rod	(1)	
23966	230 350 20 06	Querstrebe / cross rod	(1)	
24000	211 350 98 06	ProKit Querstrebensatz / cross rod kit	(1)	
24001	211 350 99 06	Rep. Satz Querstrebe / rep. kit cross rod	(1)	
24007	230 350 04 29	Querstrebe / cross rod	(1)	
24008	230 350 03 29	Querstrebe / cross rod	(1)	
24011	211 350 97 06	Rep. Satz Querstrebe / rep. kit cross rod		
34501	230 352 16 65	Querstrebenlager / cross rod bush	4-matic	Ø   12
34570	230 352 14 65	Querstrebenlager / cross rod bush	4-matic	Ø   12
34571	230 352 18 65	Querstrebenlager / cross rod bush	4-matic	Ø   12

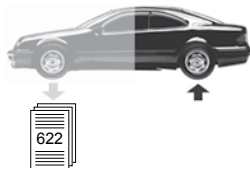


## E-Klasse (BM 211) (2002 →)



Hinterachse / Rear axle

	Ref. - No.			
<b>21356</b>	211 320 33 89	Verbindungsstange / stabilizer link		L 259,5
<b>21968</b>	230 352 15 65	Querstrebenlager / cross rod bush	4-matic	Ø   12
<b>23505</b>	211 990 00 99	Befestigungssatz / mounting kit		
<b>23507</b>	211 990 02 99	Montagesatz / mounting kit		
<b>23763</b>	211 320 33 89 S1	Verbindungsstangesatz / connecting rod set		
<b>39427</b>	211 320 33 89 S2	ProKit Verbindungsstange / stabilizer link	4-matic	L 259,5



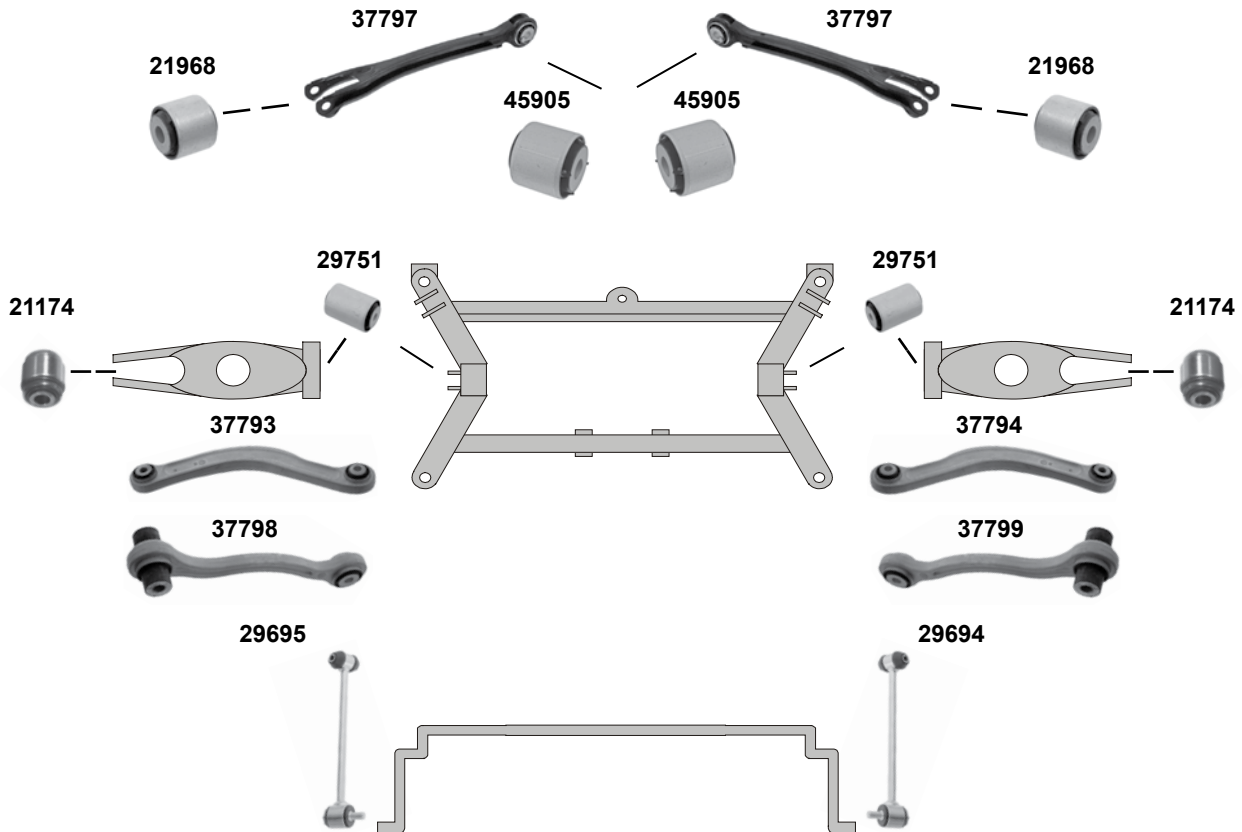
## E-Klasse (BM 212)

(2009 →)

### oben / upper



### unten / lower



(1) für Federlenker / for spring control arm / Ø A 51,4 / Ø I 12,4 / L 78

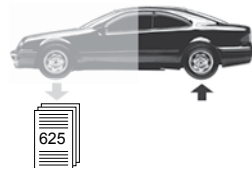
(2) wahlweise / optional 221 352 01 27



Ref. - No.

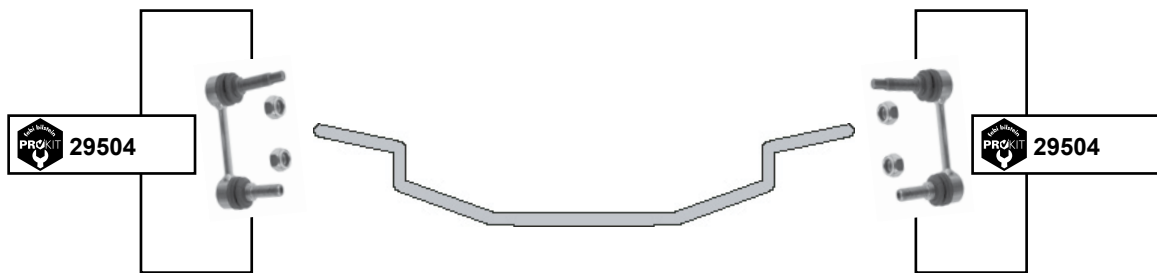
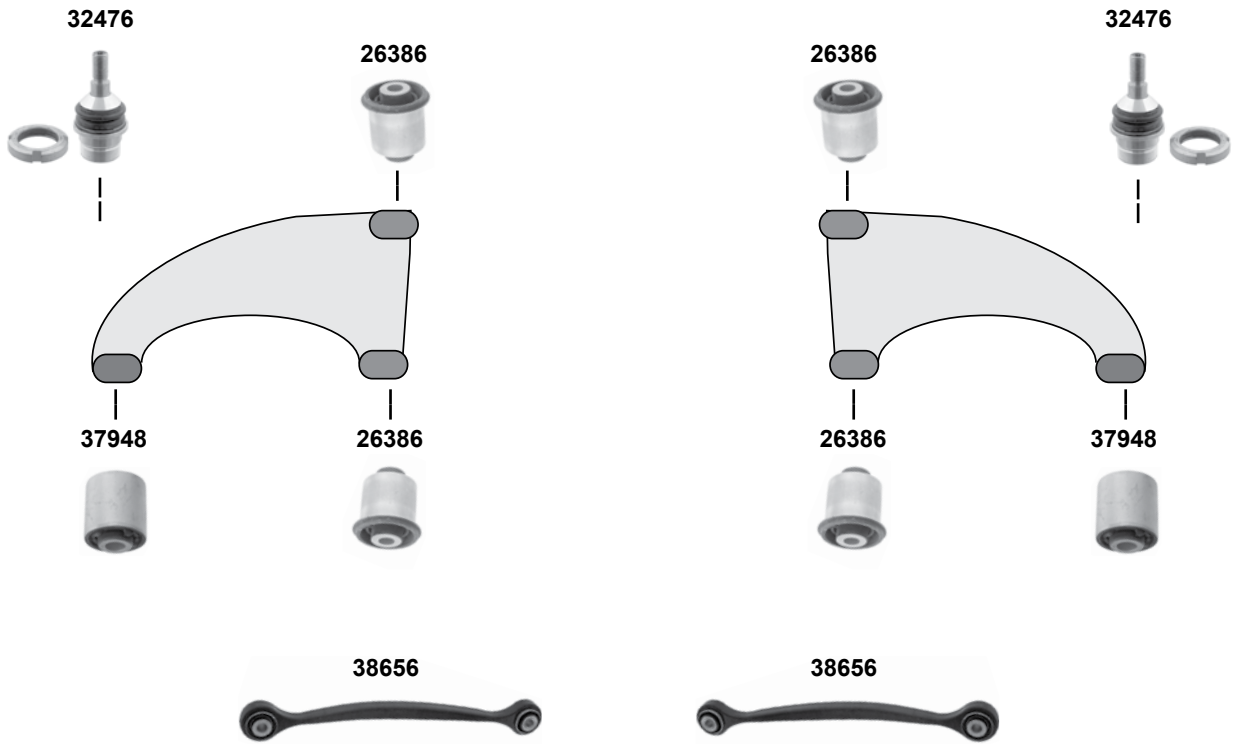


Ref. - No.	Description	Notes	Dimensions
21174	Gelenk für Radlagergehäuse / joint for wheel bearing housing	(2)	Ø I 12
21968	Querstrebenlager / cross rod bush	4-matic	L 260,8
29694	Verbindungsstange / stabilizer link		L 260,8
29695	Verbindungsstange / stabilizer link		
29751	Querstrebenlager / cross rod bush	(1)	
30643	Querlenkerlager / control arm mount		Ø A 43,5
37793	Sturzsstrebe / camber rod		L 400
37794	Sturzsstrebe / camber rod		L 400
37795	Zugstrebe / tension rod		L 370
37796	Zugstrebe / tension rod		L 370
37797	Schubstrebe / compression rod		L 370
37798	Spurstange / tie rod		L 320
37799	Spurstange / tie rod		L 320
45905	Querlenkerlager / control arm mount		



## GL (BM 164) (2006 →)

### unten / lower



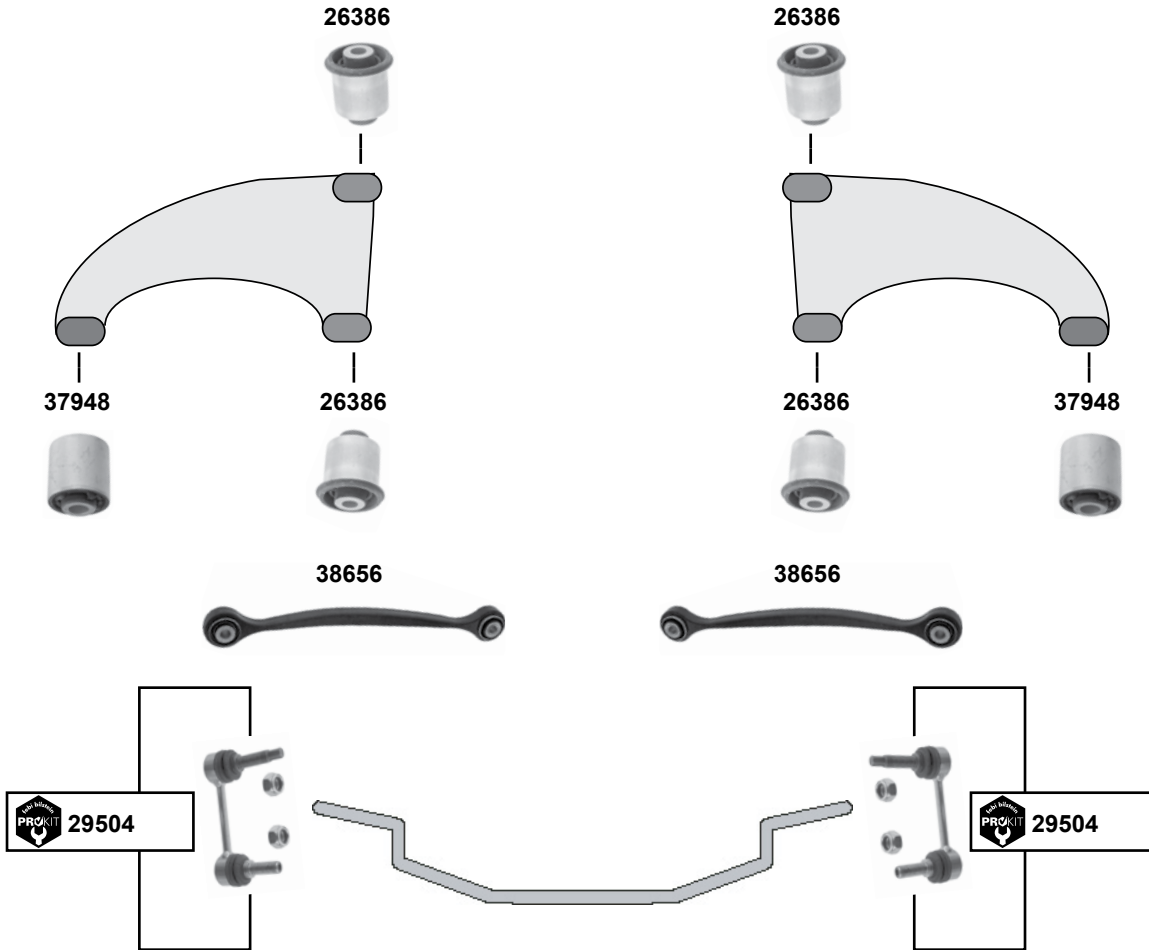
Hinterachse / Rear axle

	Ref. - No.			
<b>26386</b>	164 352 01 65	Querlenkerlager / control arm mount	4-matic	
<b>29504</b>	164 320 12 32	ProKit Verbindungsstange / stabilizer link	4-matic	M14 x 1,5
<b>32476</b>	164 352 03 27	Traggelenk / ball joint	4-matic	M16 x 1,5
<b>37948</b>	164 326 06 81	Querlenkerlager / control arm mount	4-matic	
<b>38656</b>	164 350 14 06	Zugstrebe / tension rod	4-matic	L 436



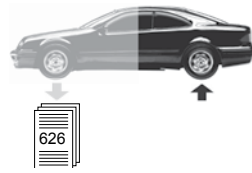
**GL (BM 166)**  
(2012 →)

**unten / lower**

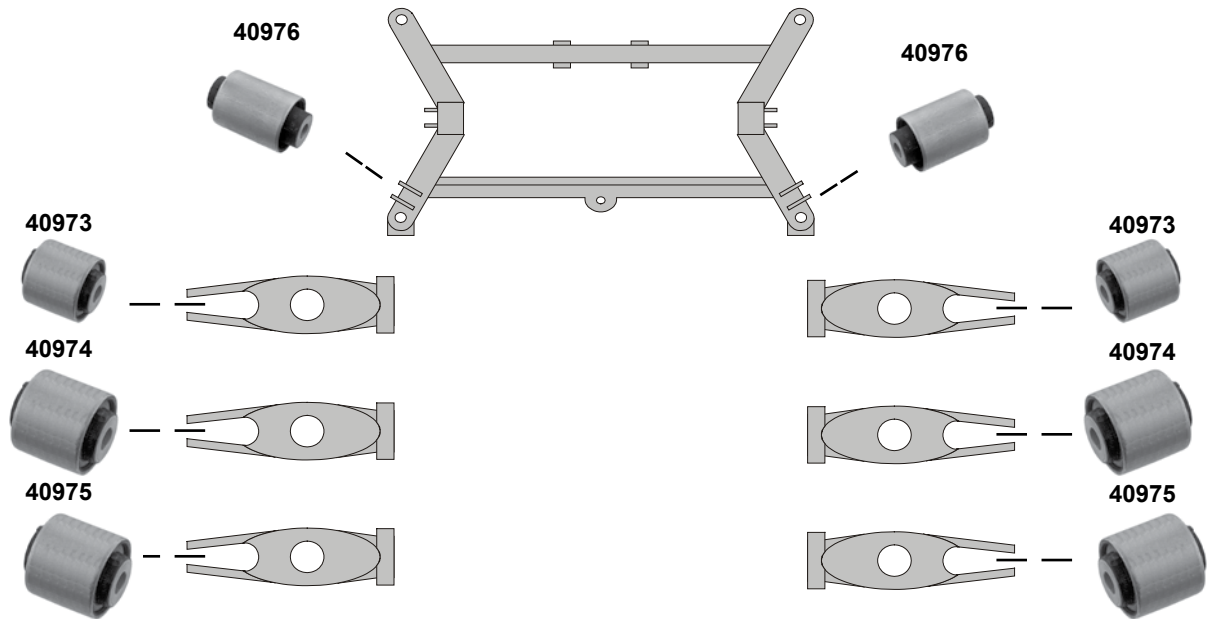


Hinterachse / Rear axle

	Ref. - No.			
<b>26386</b>	164 352 01 65	Querlenkerlager / control arm mount	4-matic	
<b>29504</b>	164 320 12 32	ProKit Verbindungsstange / stabilizer link	4-matic / AMG	M14 x 1,5
<b>37948</b>	164 326 06 81	Querlenkerlager / control arm mount	4-matic	
<b>38656</b>	164 350 14 06	Zugstrebe / tension rod		L 436

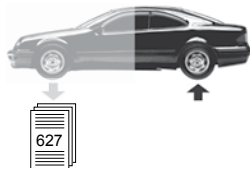


**GLA (BM 156)**  
(2013 →)

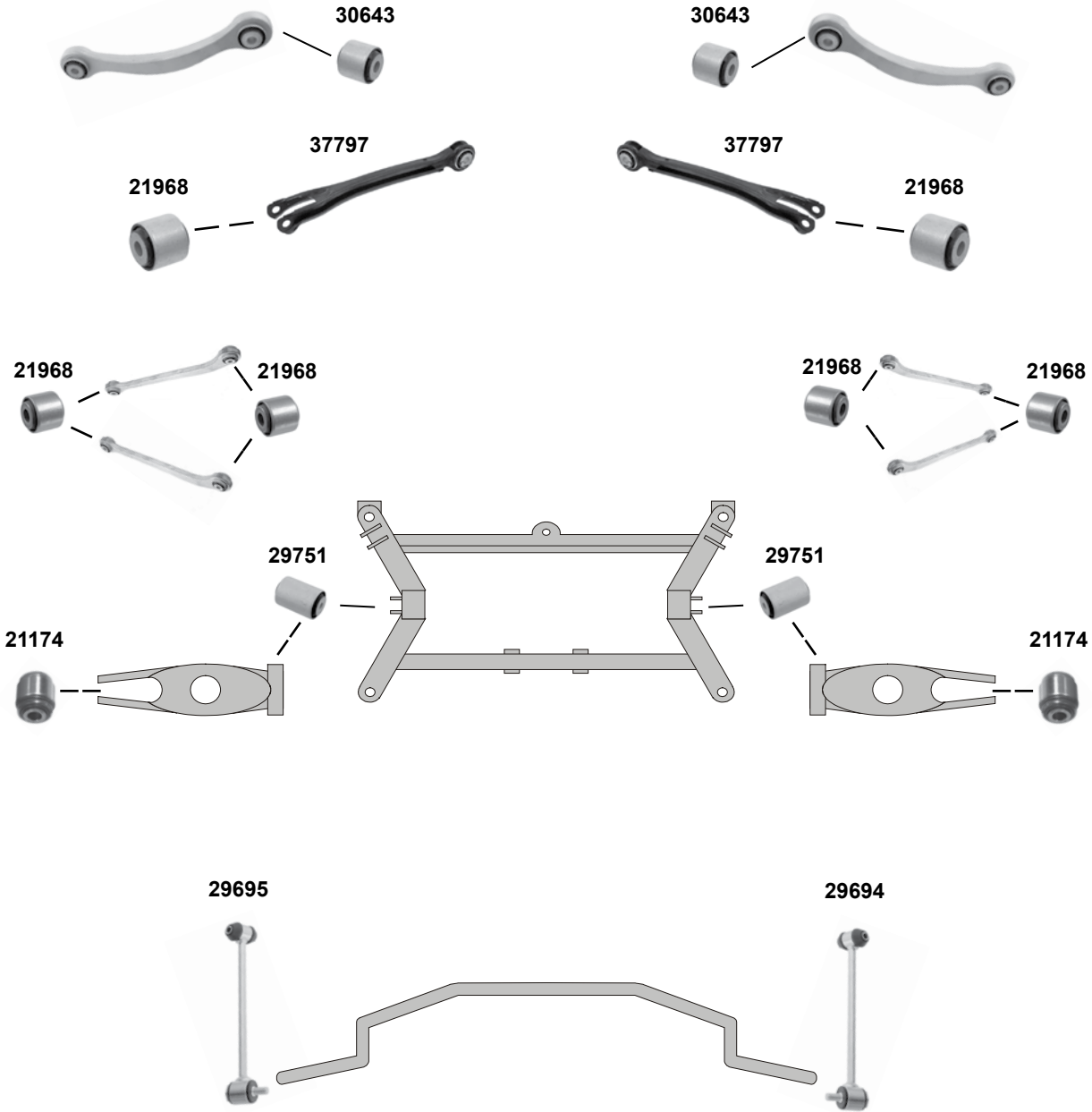


Hinterachse / Rear axle

	Ref. - No.			
<b>40973</b>	246 352 01 65	Querlenkerlager / control arm mount		Ø1 12 ØA 45
<b>40974</b>	246 352 02 65	Querlenkerlager / control arm mount		Ø1 12 ØA 45
<b>40975</b>	204 353 01 43	Querlenkerlager / control arm mount		Ø1 12 ØA 45
<b>40976</b>	246 352 01 00	Querlenkerlager / control arm mount		Ø1 12 ØA 50



## GLK (BM 204) (2008 →)



Hinterachse / Rear axle



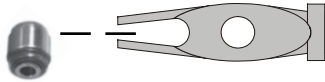
- (1) wahlweise / optional 221 352 01 27
- (2) für Federlenker / for spring control arm / Ø A 51,4 / Ø I 12,4 / L 78

	Ref. - No.			
<b>21174</b>	204 352 00 27	Gelenk für Radlagergehäuse / joint for wheel bearing housing	(1)	
<b>21968</b>	230 352 15 65	Querstrebenlager / cross rod bush		
<b>29694</b>	204 320 04 89	Verbindungsstange / stabilizer link		L 260,8
<b>29695</b>	204 320 05 89	Verbindungsstange / stabilizer link		L 260,8
<b>29751</b>	204 352 10 65	Querlenkerlager / control arm mount	(2)	
<b>30643</b>	204 652 03 65	Gummilager für Zugstrebe / rubber mount for tension rod		Ø A51,4
<b>37797</b>	204 350 27 06	Schubstrebe / compression rod		L 370

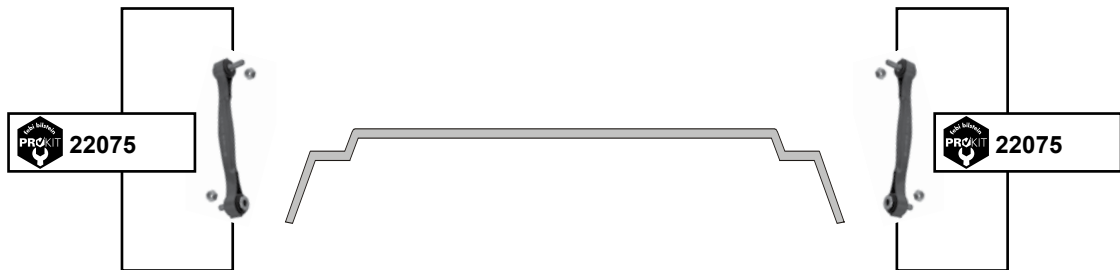
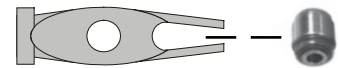


**Maybach (BM 240)**  
(2002 → 2012)

21174



21174



Hinterachse / Rear axle



(1) wahlweise / optional 221 352 01 27



Ref. - No.



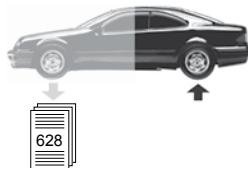
21174  
22075

204 352 00 27  
220 320 36 89

Gelenk für Radlagergehäuse / joint for wheel bearing housing (1)  
ProKit Verbindungsstange / stabilizer link

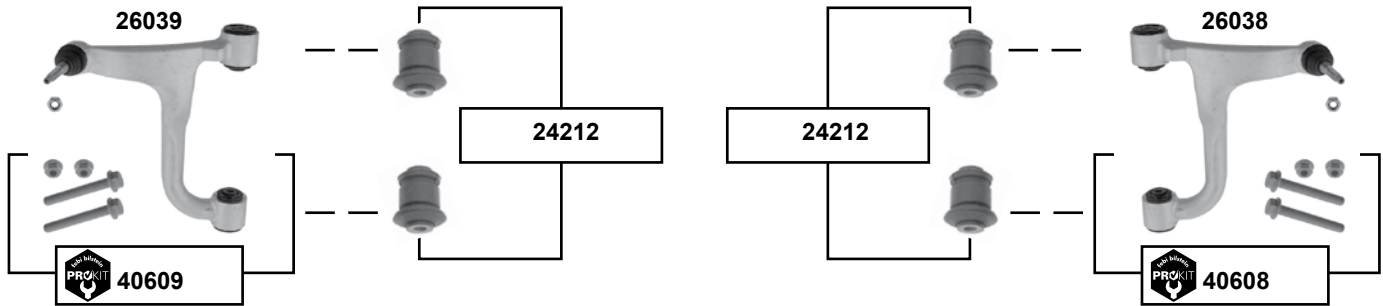
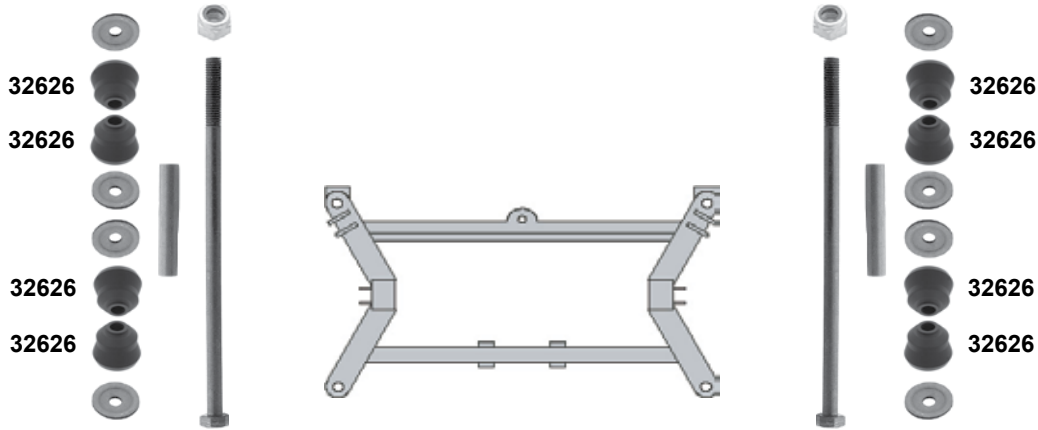
L 230





## ML (BM 163) (1998 → 2005)

### oben / upper

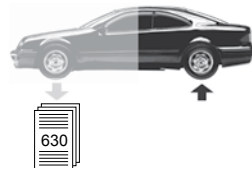


### unten / lower



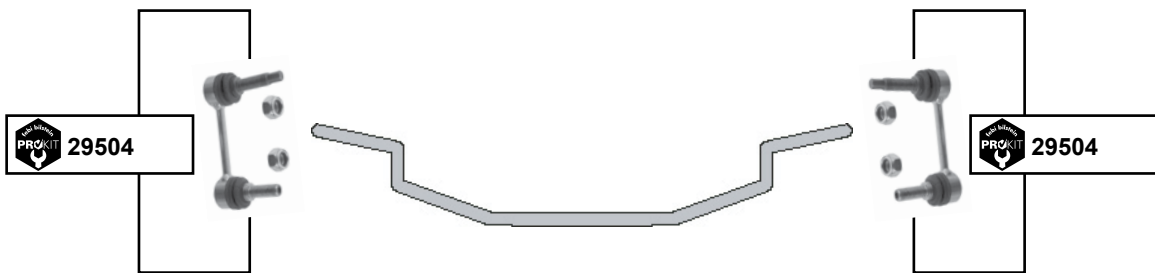
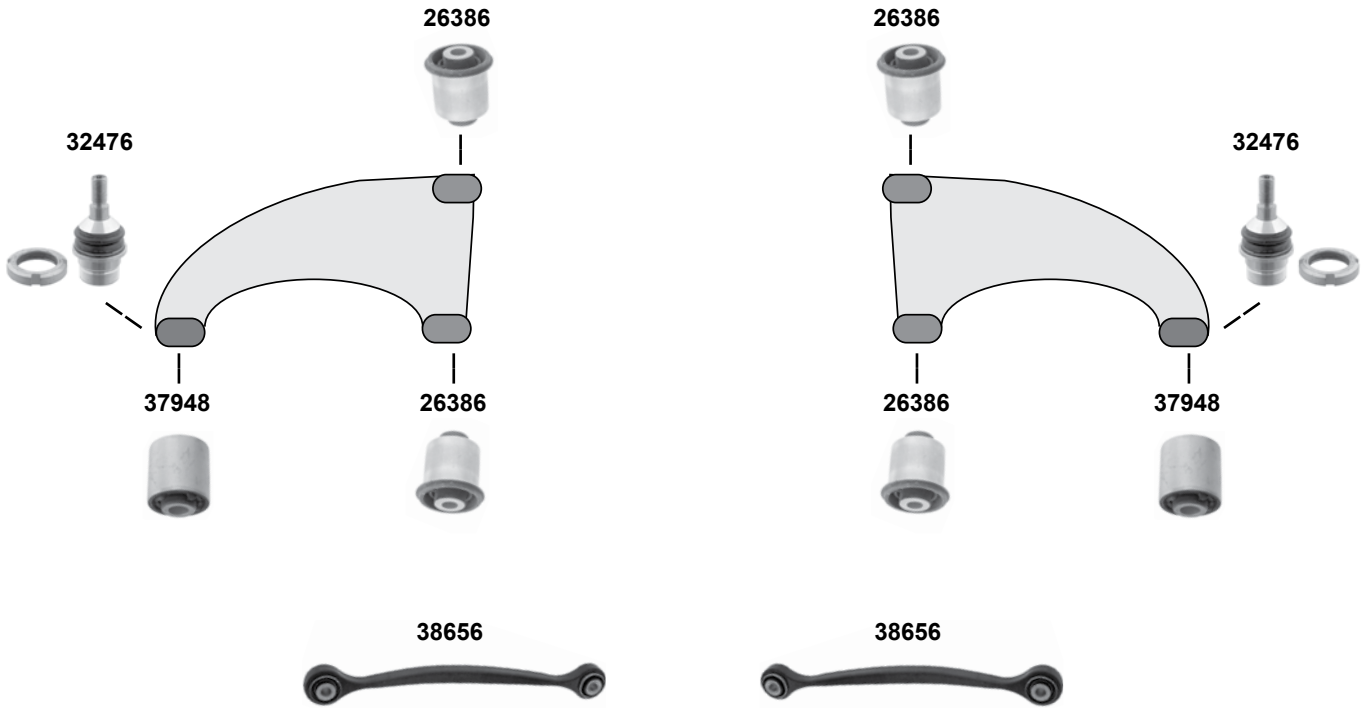
Hinterachse / Rear axle

	Ref. - No.			
<b>24212</b>	163 330 01 75	Rep. Satz Querlenkerlager / rep. kit control arm mount		39x60
<b>26038</b>	163 352 05 01	Querlenker / control arm		
<b>26039</b>	163 352 04 01	Querlenker / control arm		
<b>26119</b>	163 350 01 13	Traggelenk / ball joint		M14 x 1,5 Ø I 9/10
<b>32626</b>	163 320 00 32 S1	Verbindungsstangenlager / stabilizer link bearing		
<b>40608</b>	163 352 05 01 S1	ProKit Querlenker / control arm		
<b>40609</b>	163 352 04 01 S1	ProKit Querlenker / control arm		



**ML (BM 164)**  
(2005 →)

**unten / lower**



Hinterachse / Rear axle

	Ref. - No.			
<b>26386</b>	164 352 01 65	Querlenkerlager / control arm mount	4-matic	
<b>29504</b>	164 320 12 32	ProKit Verbindungsstange / stabilizer link	4-matic	M14 x 1,5
<b>32476</b>	164 352 03 27	Traggelenk / ball joint	4-matic	M16 x 1,5
<b>37948</b>	164 326 06 81	Querlenkerlager / control arm mount	4-matic	
<b>38656</b>	164 350 14 06	Zugstrebe / tension rod	4-matic / AMG	L 436

passend für / to fit

# MERCEDES-BENZ

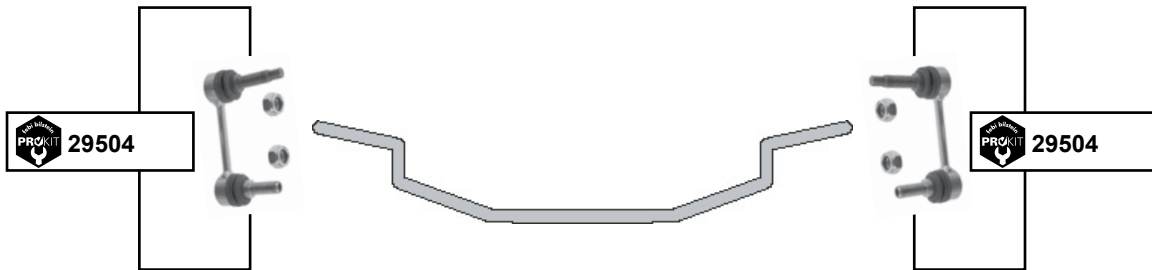
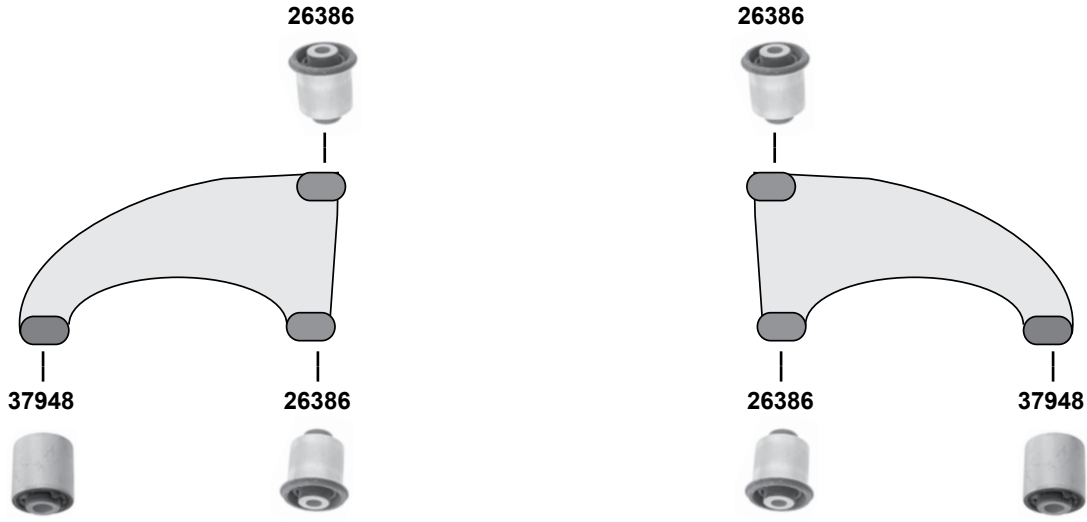


Car  
Division



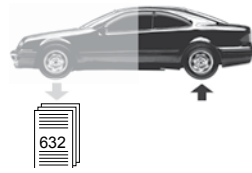
## ML (BM 166) (2012 →)

### unten / lower



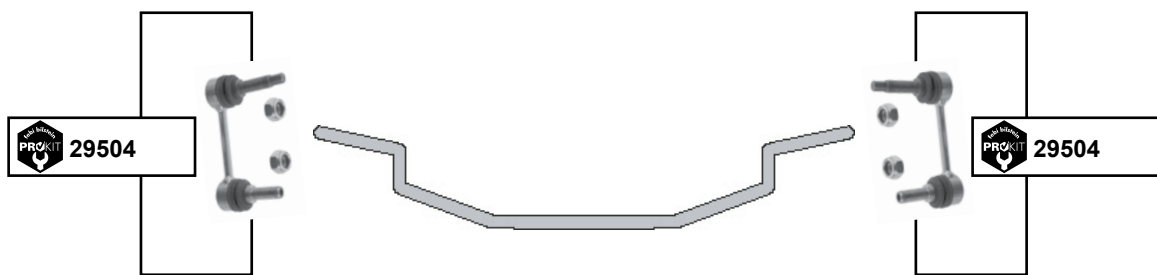
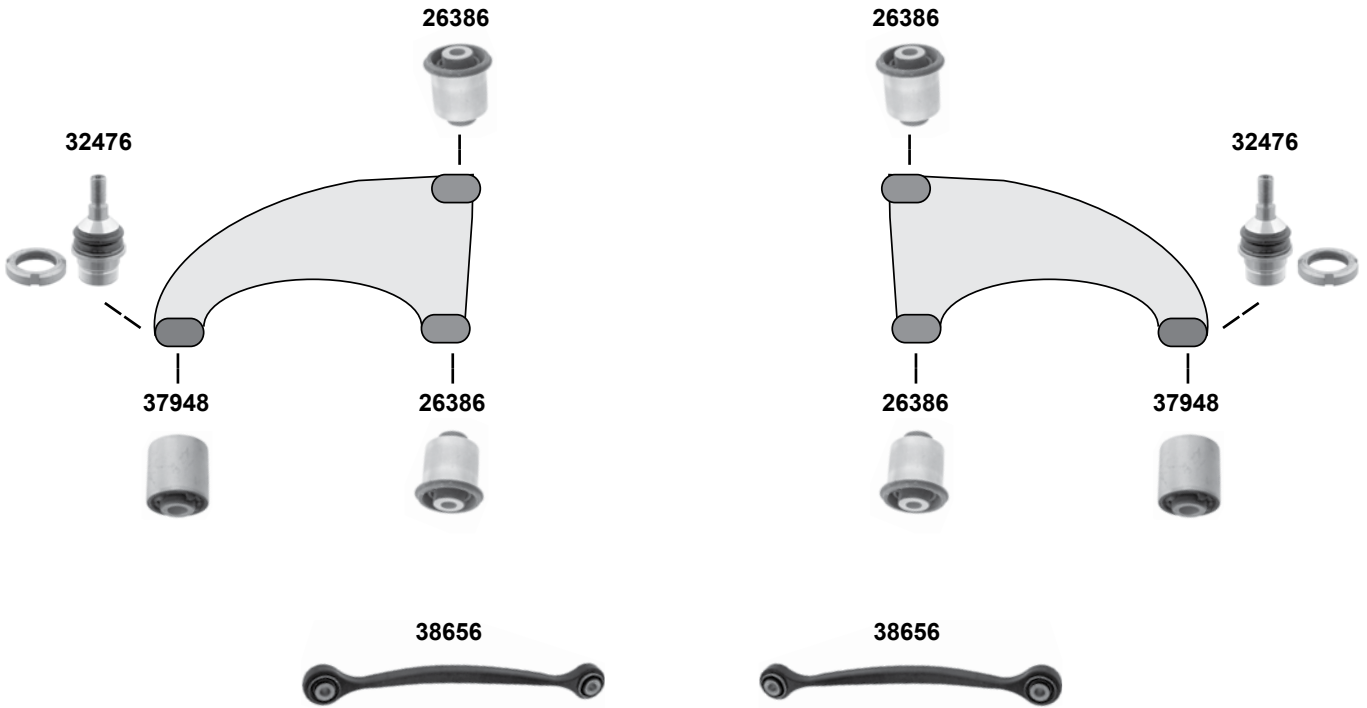
Hinterachse / Rear axle

	Ref. - No.			
<b>26386</b>	164 352 01 65	Querlenkerlager / control arm mount	4-matic / AMG	M14 x 1,5
<b>29504</b>	164 320 12 32	ProKit Verbindungsstange / stabilizer link	4-matic / AMG	
<b>37948</b>	164 326 06 81	Querlenkerlager / control arm mount	4-matic	



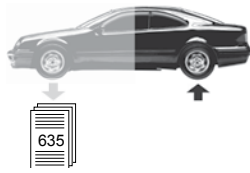
**R-Klasse (BM 251)**  
(2006 →)

**unten / lower**



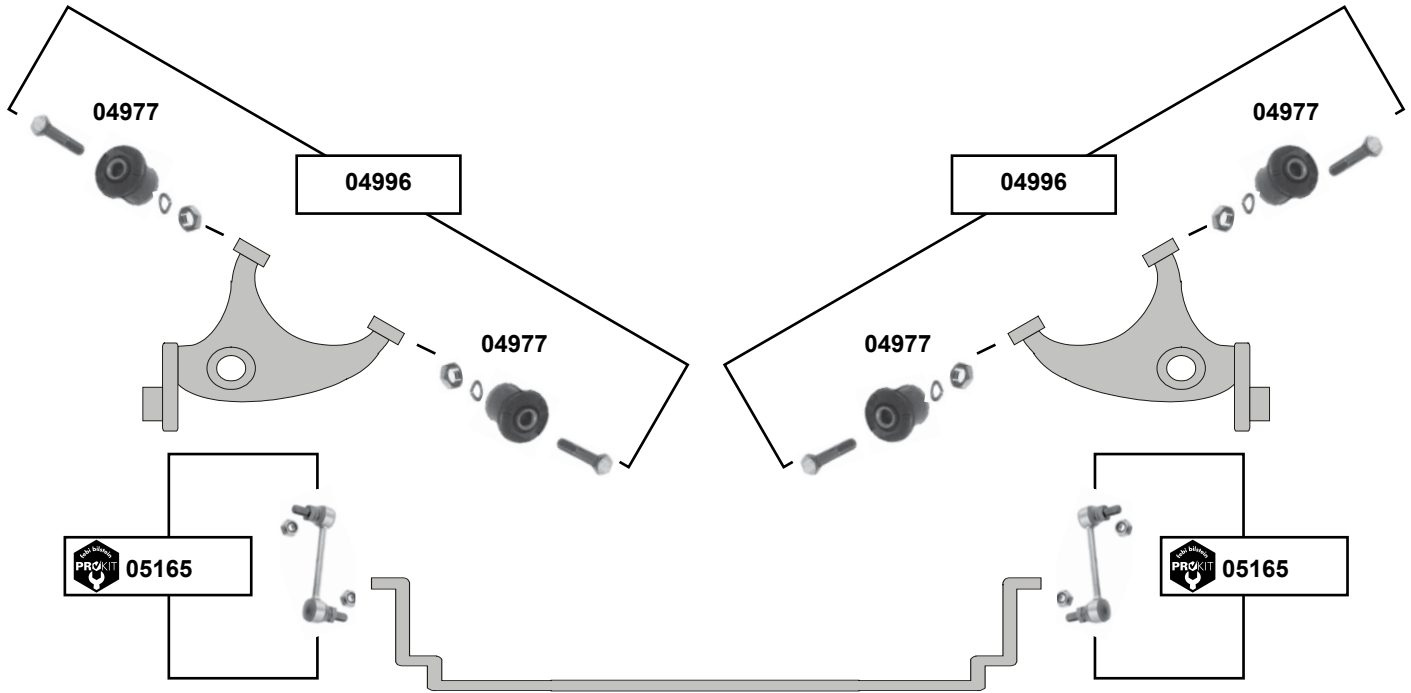
Hinterachse / Rear axle

	Ref. - No.			
<b>26386</b>	164 352 01 65	Querlenkerlager / control arm mount	4-matic / AMG	
<b>29504</b>	164 320 12 32	ProKit Verbindungsstange / stabilizer link	4-matic / AMG	M14 x 1,5
<b>32476</b>	164 352 03 27	Traggelenk / ball joint	4-matic / AMG	M16 x 1,5
<b>37948</b>	164 326 06 81	Querlenkerlager / control arm mount	4-matic / AMG	
<b>38656</b>	164 350 14 06	Zugstrebe / tension rod	4-matic / AMG	L 436



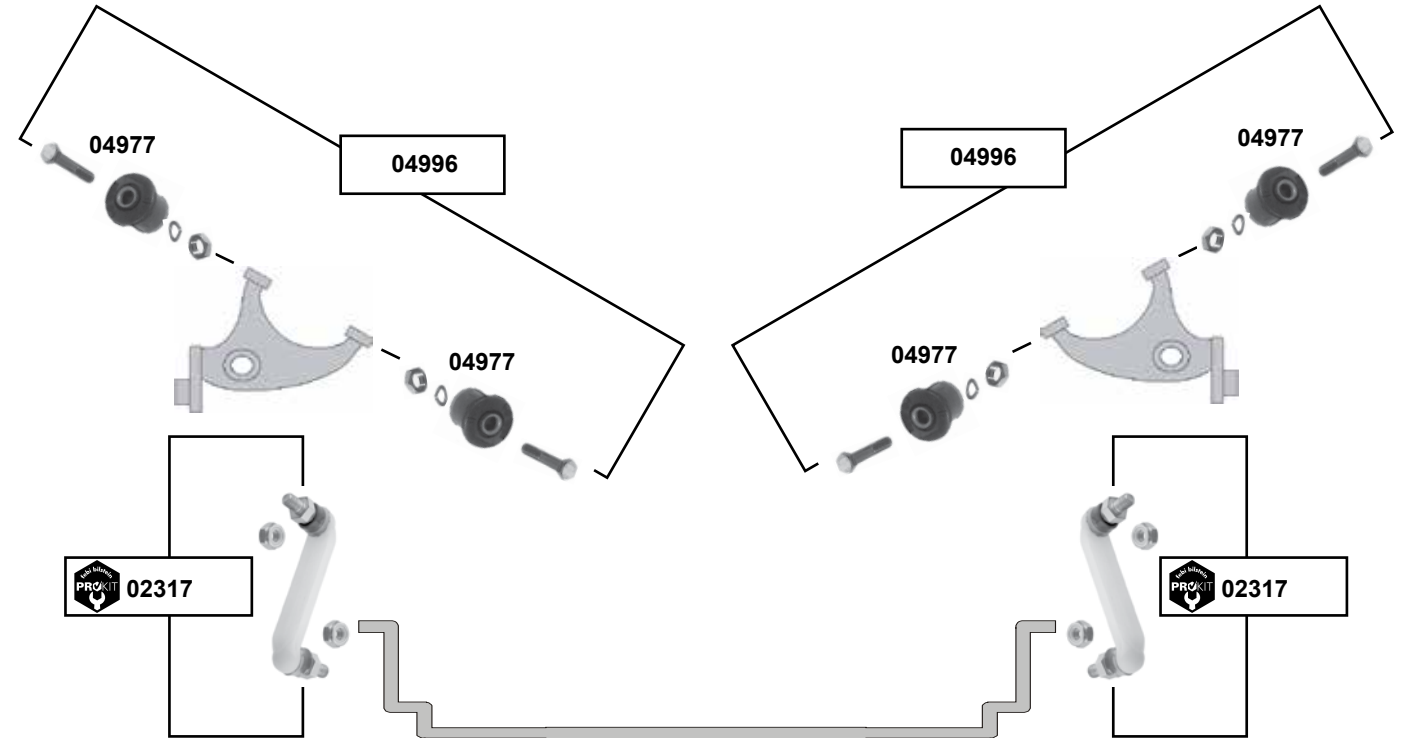
**S-Klasse (BM 116)**

(1972 → 1980)



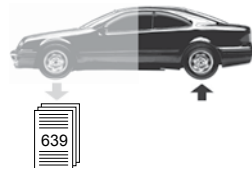
**S-Klasse (BM 126)**

(1980 → 1991)



Hinterachse / Rear axle

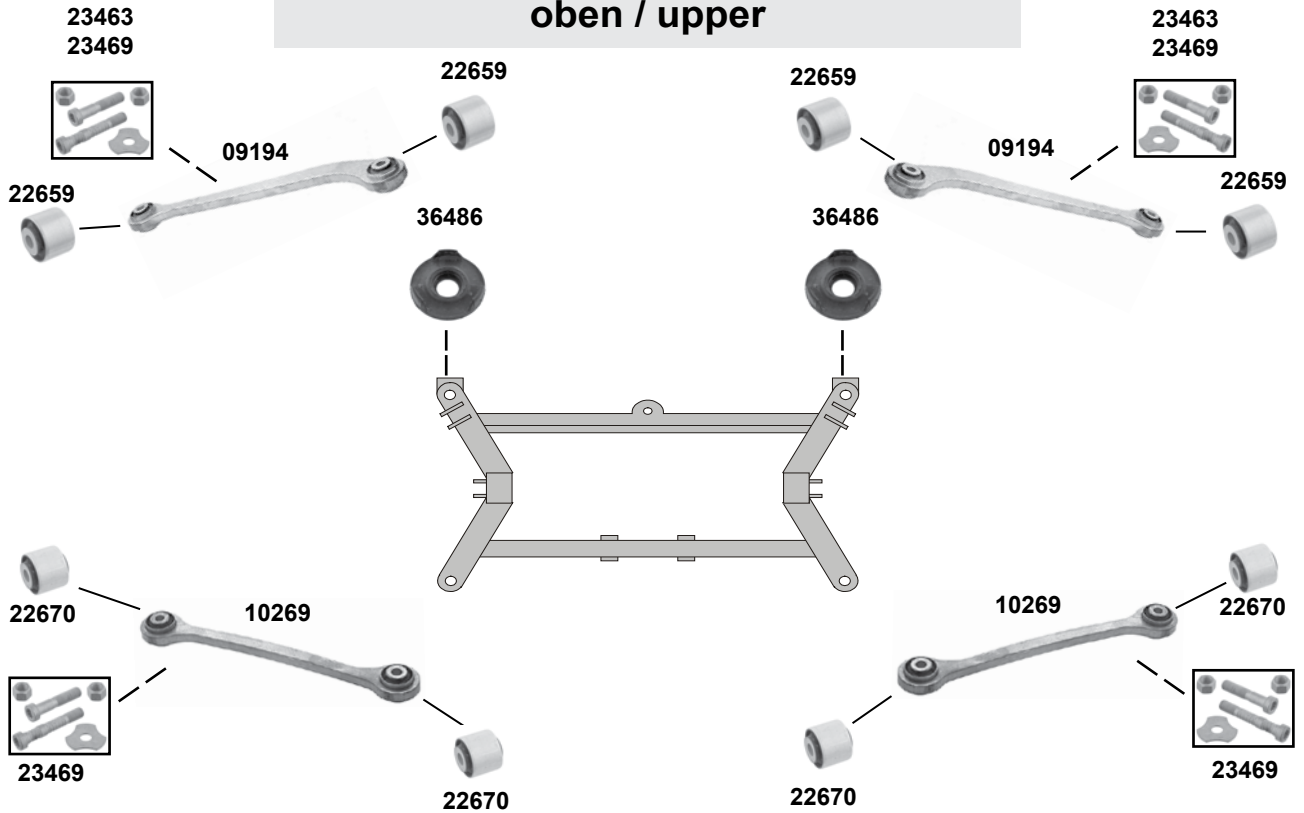
	Ref. - No.			
<b>02317</b>	123 320 09 89	ProKit Verbindungsstange / connecting rod		
<b>04977</b>	126 352 01 65	Schräglenkerlager / semi-trailing arm bush		16x54x65
<b>04996</b>	126 352 01 65 S1	Montagesatz Schräglenker / mounting kit semi-trailing arm		
<b>05165</b>	115 320 15 89	ProKit Verbindungsstange / stabilizer link		



**S-Klasse (BM 140)**  
(1991 → 1999)



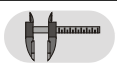
**oben / upper**



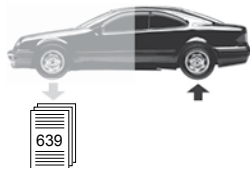
- (1) Sonderschutzausführung / security execution / version de protection spécial / ejecución de protección especial / esecuzione con protezione speciale
- (2) Nur für febi 09194 mit Exenterschiebe / for febi 09194 with eccentric washer only



Ref. - No.

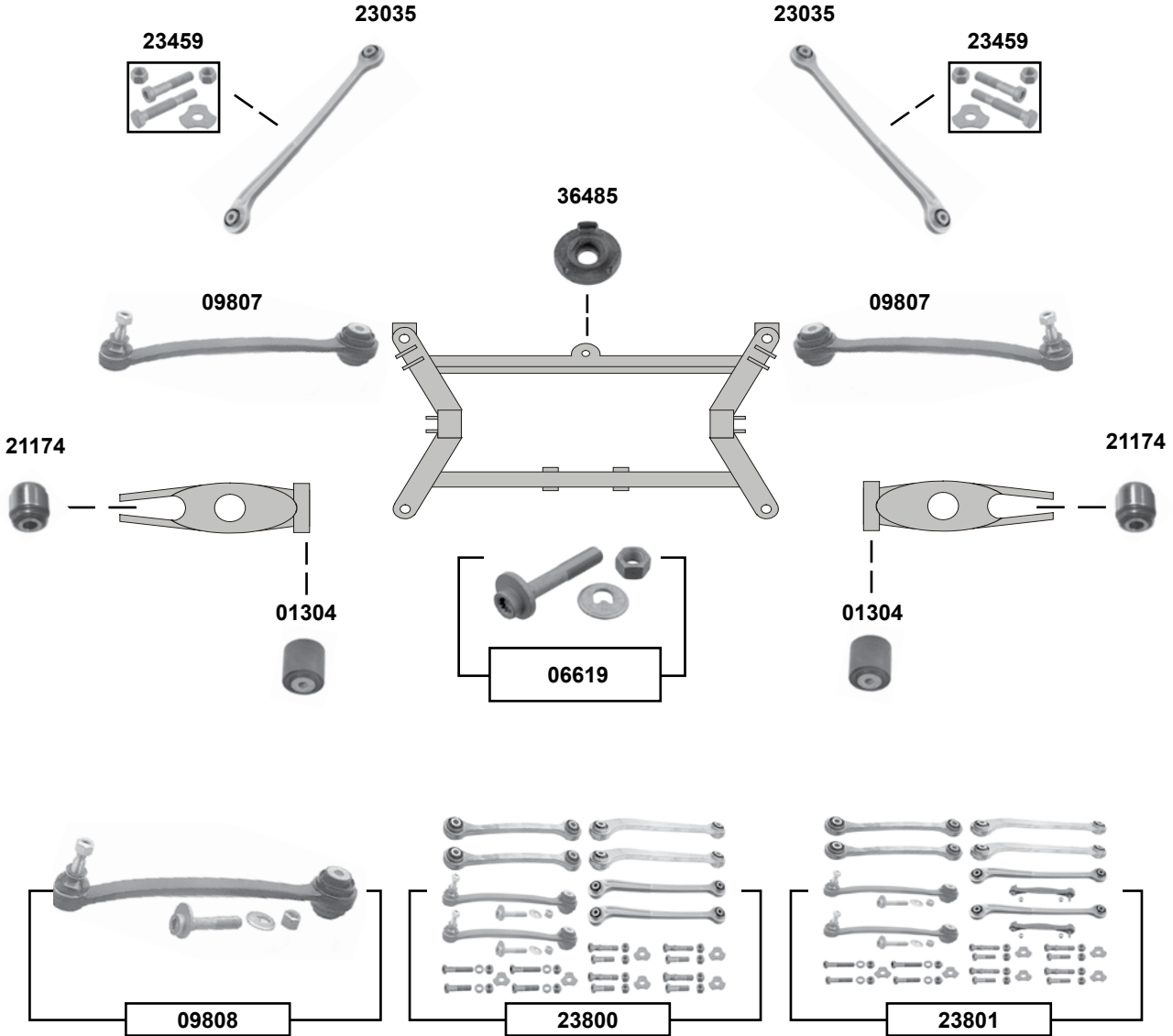


Ref. - No.	Part Description	Notes	Dimensions
09194	Querstrebe / cross rod		
10269	Querstrebe / cross rod		
21256	ProKit Verbindungsstange / stabilizer link	(1)	
21262	ProKit Verbindungsstange / stabilizer link		
22659	Querstrebenlager / cross rod bush		
22670	Querstrebenlager / cross rod bush		
23463	Befestigungssatz / mounting kit	(2)	
23469	Befestigungssatz / mounting kit		
36486	Differentiallagerung / differential assembly mount		Ø A 65



## S-Klasse (BM 140) (1991 → 1999)

### unten / lower

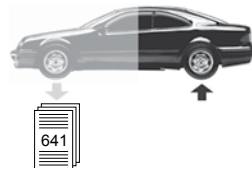


Hinterachse / Rear axle

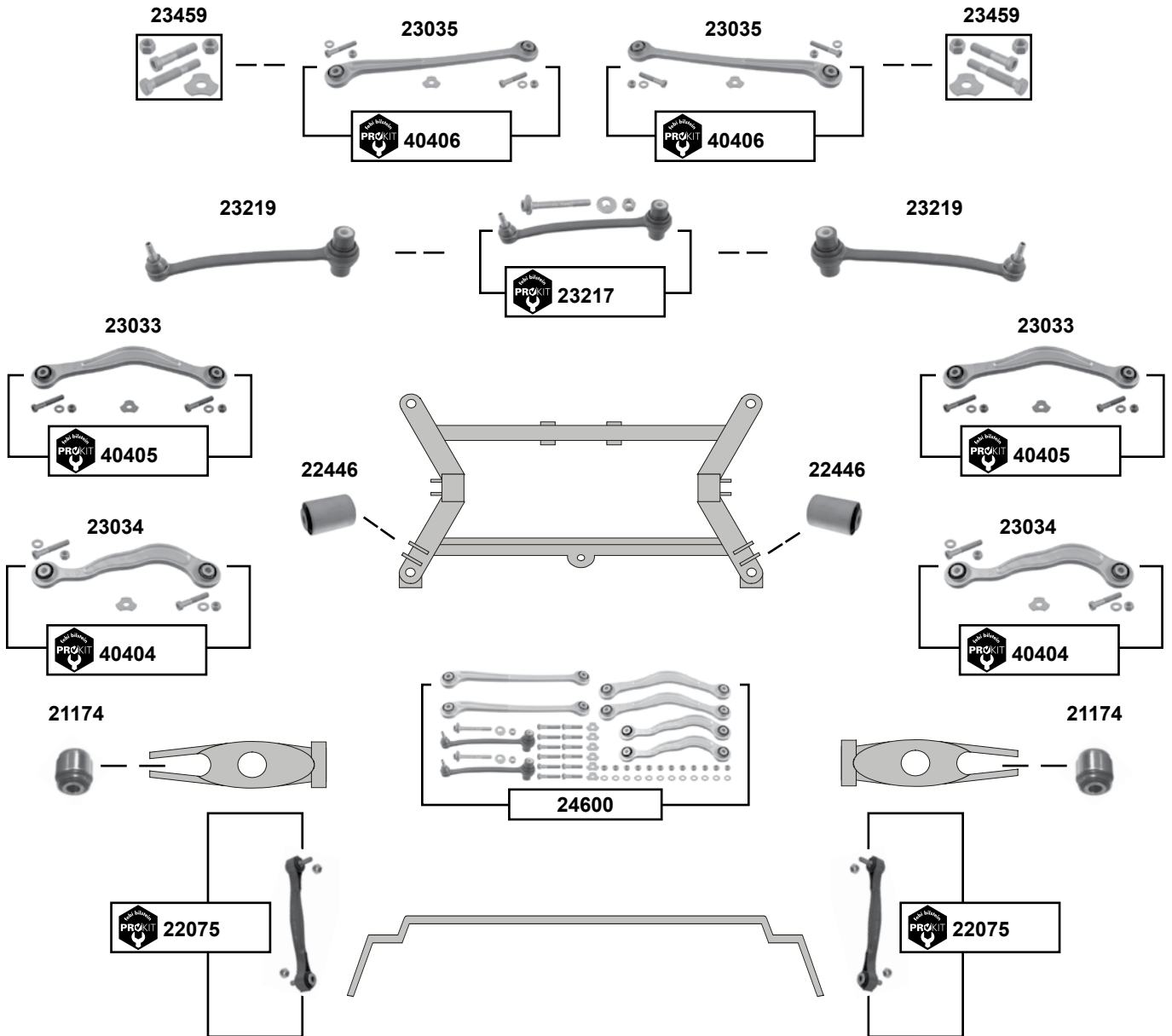


(1) wahlweise / optional 221 352 00 27

	Ref. - No.			
01304	140 352 86 65	Querlenkerlager / control arm mount	(1)	12x51x58
06619	140 350 11 70	Exzenterbolzen / eccentric bolt		
09807	140 350 34 53 S1	Querstrebe / cross rod		
09808	140 350 18 53	Rep. Satz Querstrebe kompl. / rep. kit cross rod compl.		
21174	204 352 00 27	Gelenk für Radlagergehäuse / joint for wheel bearing housing	(1)	
23035	220 350 27 06	Querstrebe / cross rod		
23459	140 350 60 06	Befestigungssatz / mounting kit		
23800	220 350 26 06 S1	Rep. Satz Querstrebe / rep. kit cross rod		
23801	220 350 26 06 S2	Rep. Satz Querstrebe / rep. kit cross rod		
36485	210 351 18 42	Differentiallagerung / differential assembly mount		Ø A 65



## S-Klasse (BM 220) (1998 → 2005)



(1) wahlweise / optional 221 352 01 27

(2) (ex.) B4 Panzerung / B4 protection



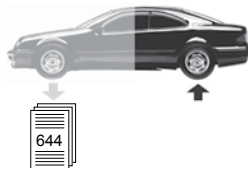
Ref. - No.



21174	204 352 00 27	Gelenk für Radlagergehäuse / joint for wheel bearing housing	(1)
22446	220 352 13 65	Querlenkerlager / control arm mount	
22075	220 320 36 89	ProKit Verbindungsstange / stabilizer link	(ex.) ABC
23033	220 350 22 06	Querstrebe / cross rod	
23034	220 350 24 06	Querstrebe / cross rod	
23035	220 350 27 06	Querstrebe / cross rod	
23217	220 350 04 53	ProKit Querstrebe / cross rod	
23219	220 350 04 53 S1	Spurstange / tie rod	
23459	220 350 31 06	Befestigungssatz / mounting kit	
24600	220 350 04 53 S2	Rep. Satz Querstrebe / rep. kit cross rod	
40404	220 350 24 06 S1	ProKit Querstrebe / cross rod	(2)
40405	220 350 22 06 S1	ProKit Querstrebe / cross rod	
40406	220 350 27 06 S1	ProKit Querstrebe / cross rod	

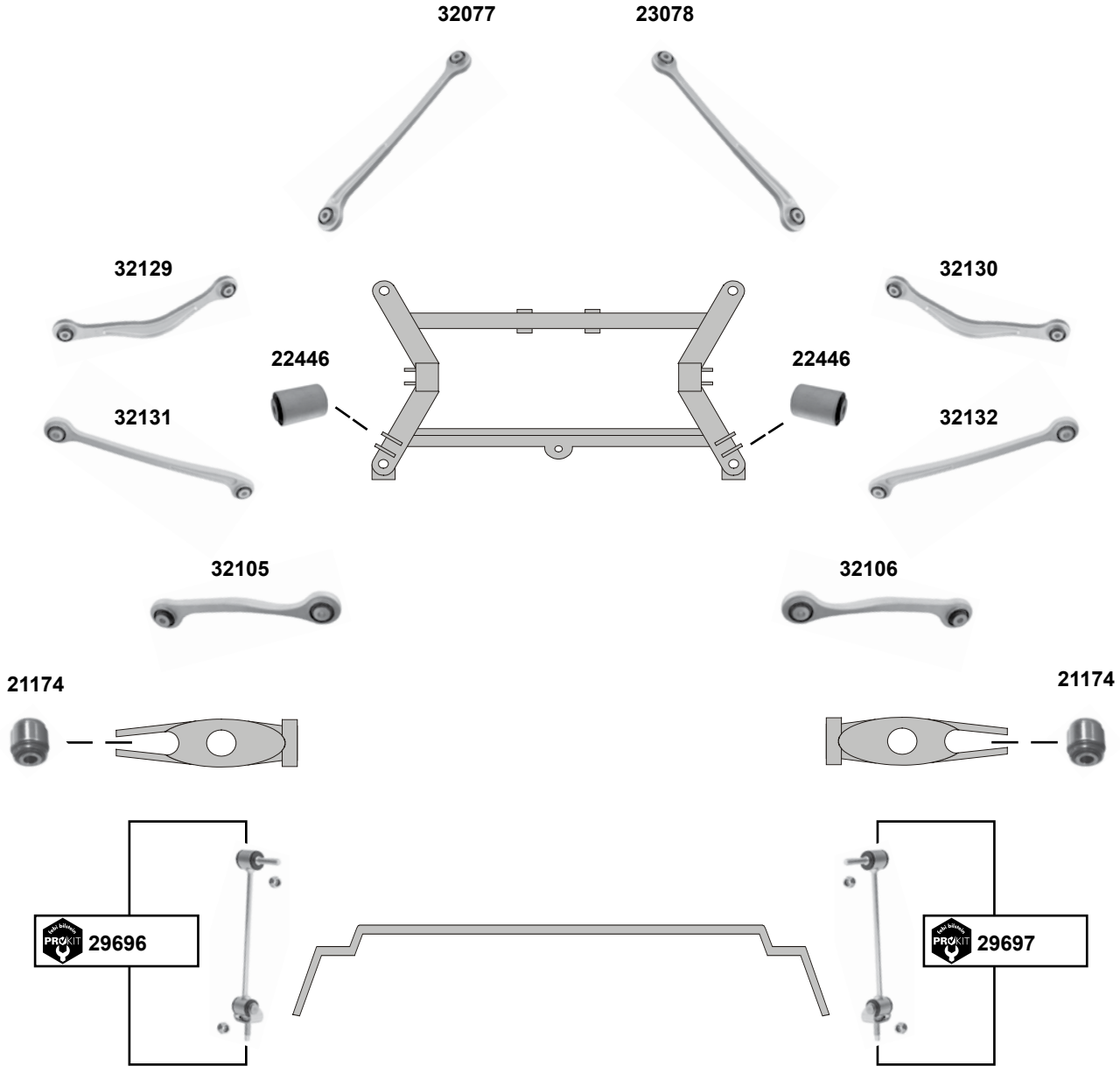
L 230





**S-Klasse (BM 221)**

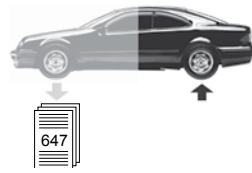
(2005 →)



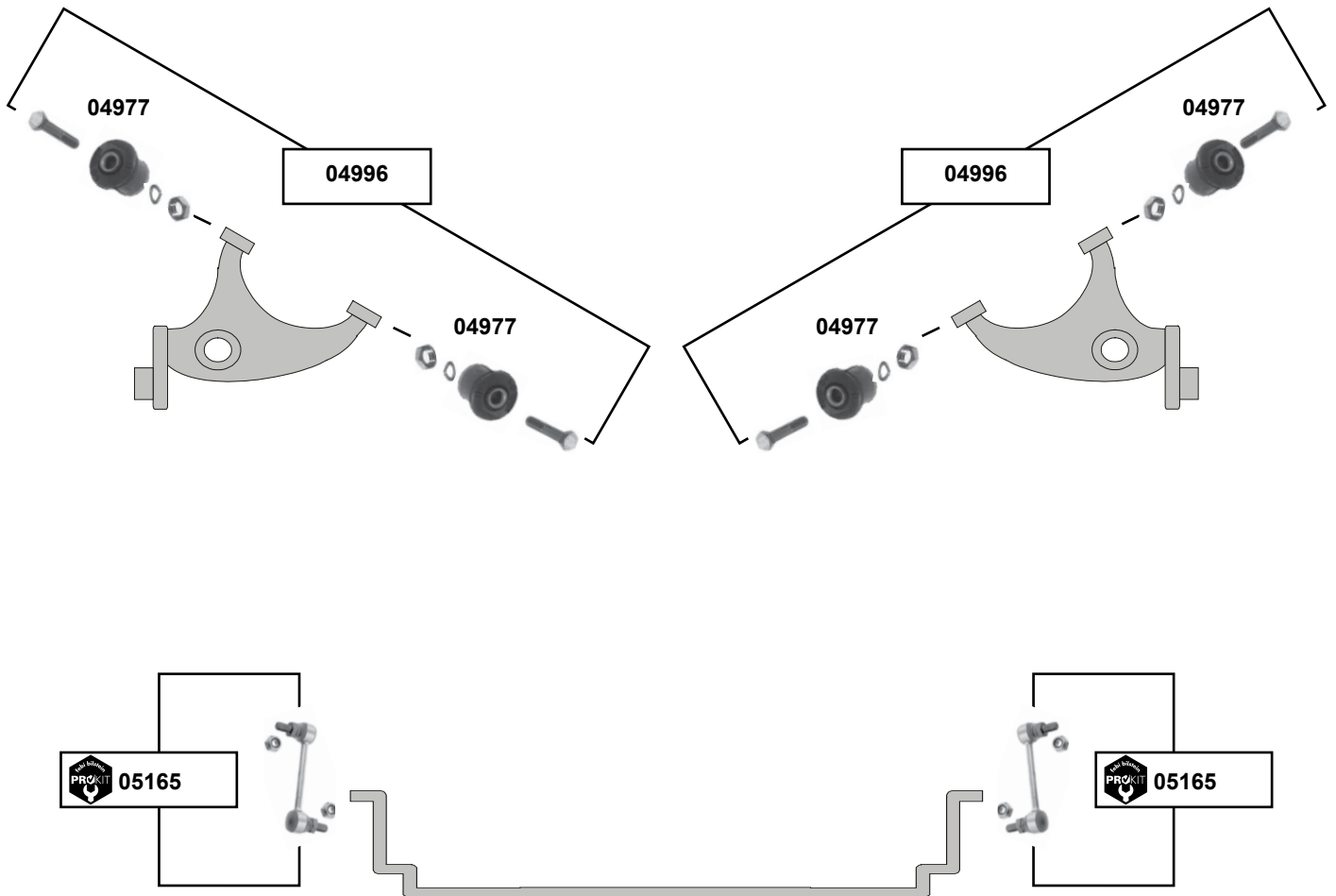
Hinterachse / Rear axle

**i** (1) wahlweise / optional 221 352 01 27

	Ref. - No.		<b>i</b>	
<b>21174</b>	204 352 00 27	Gelenk für Radlagergehäuse / joint for wheel bearing housing	(1)	
<b>22446</b>	220 352 13 65	Querlenkerlager / control arm mount		
<b>29696</b>	221 320 19 89	ProKit Verbindungsstange links / stabilizer link left		
<b>29697</b>	221 320 22 89	ProKit Verbindungsstange rechts / stabilizer link right		
<b>32077</b>	221 350 07 06	Schubstrebe links / compression rod left		
<b>32078</b>	221 350 08 06	Schubstrebe rechts / compression rod right		
<b>32105</b>	221 350 11 53	Querstrebe links / cross rod left		
<b>32106</b>	221 350 12 53	Querstrebe rechts / cross rod right		
<b>32129</b>	221 350 02 06	Querstrebe oben vorne links / cross rod upper front left		
<b>32130</b>	221 350 10 06	Querstrebe oben vorne rechts / cross rod upper front right		
<b>32131</b>	221 350 04 06	Querstrebe oben hinten links / cross rod upper rear left		
<b>32132</b>	221 350 06 06	Querstrebe oben hinten rechts / cross rod upper rear right		

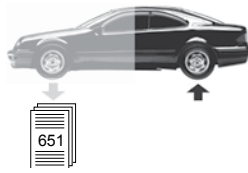


**SL (BM 107)**  
(1971 → 1989)



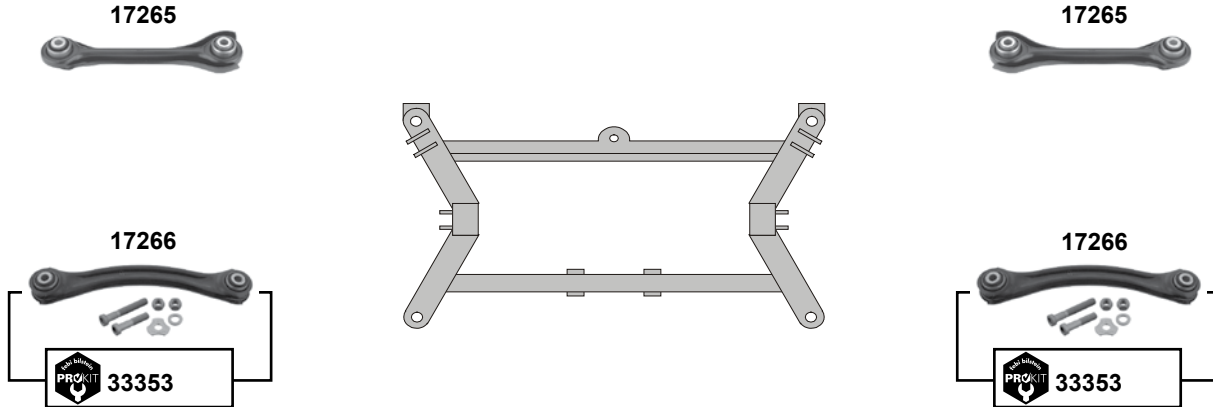
Hinterachse / Rear axle

	Ref. - No.			
<b>04977</b>	126 352 01 65	Schräglenkerlager / semi-trailing arm bush		16x54x65
<b>04996</b>	126 352 01 65 S1	Montagesatz Schräglenker / mounting kit semi-trailing arm		
<b>05165</b>	115 320 15 89	ProKit Verbindungsstange / stabilizer link		

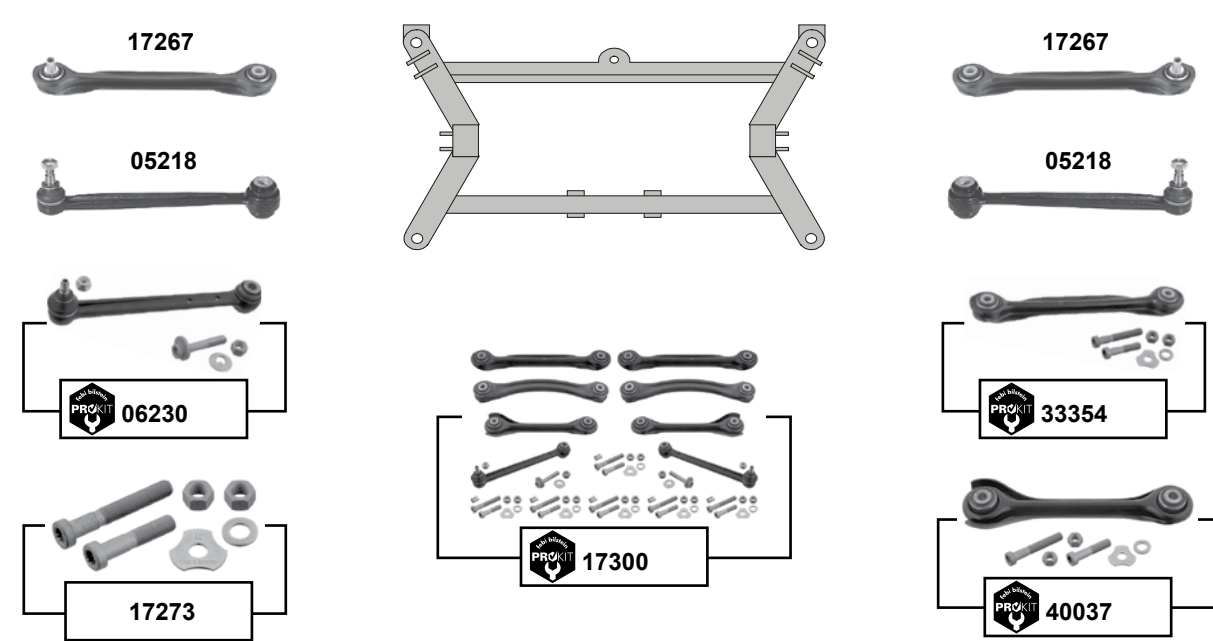


**SL (BM 129)**  
(1989 → 1998)

**oben / upper**

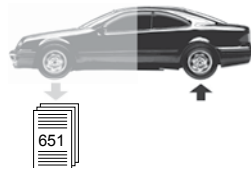


**unten / lower**

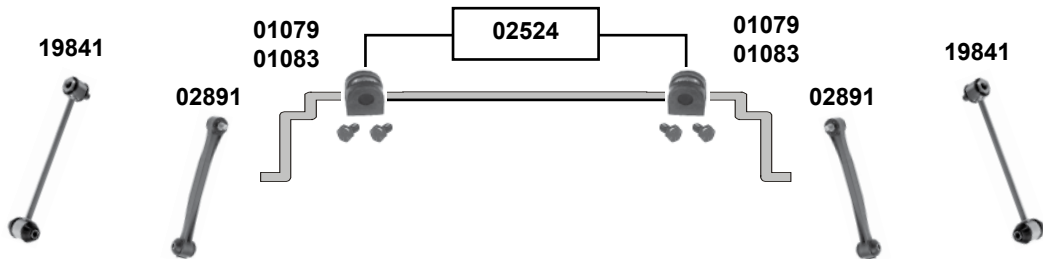


Hinterachse / Rear axle

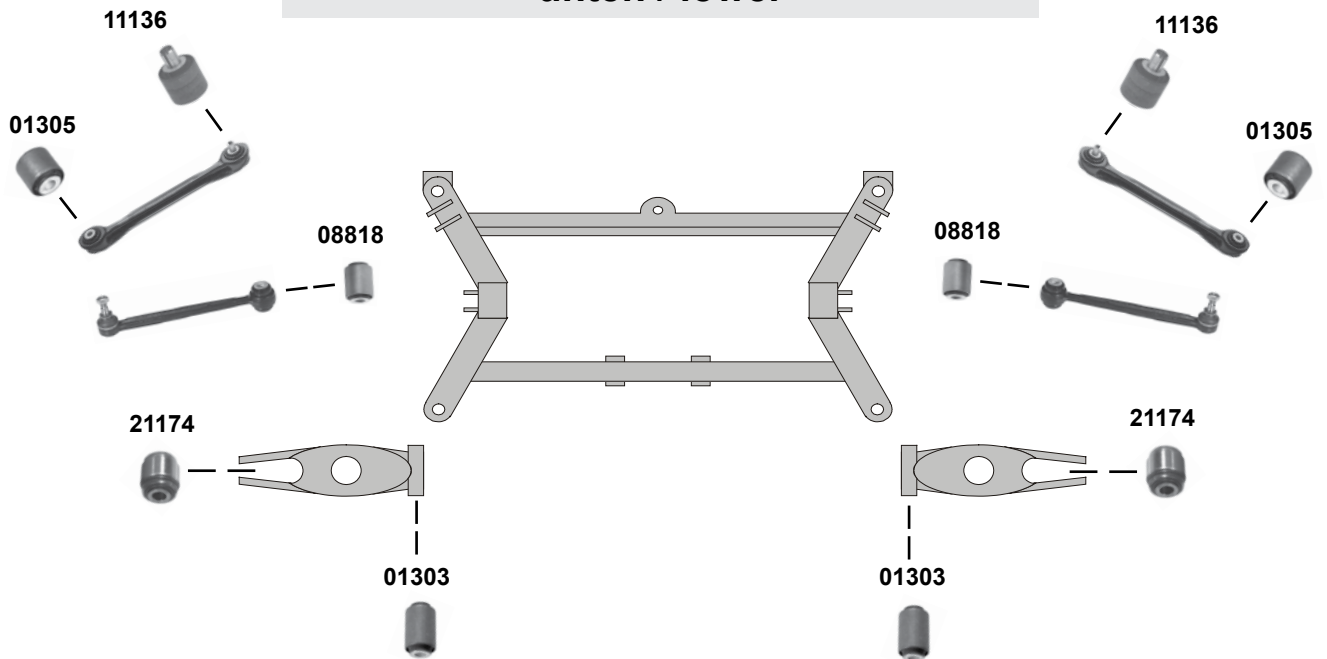
	Ref. - No.			
<b>05218</b>	210 350 18 53	Querstrebe / cross rod		
<b>06230</b>	210 350 21 53	ProKit Querstrebe beidseitig / cross rod both sides		
<b>17265</b>	210 350 33 06	Querstrebe / cross rod	<b>NEW</b>	
<b>17266</b>	210 350 34 06	Querstrebe / cross rod	<b>NEW</b>	
<b>17267</b>	210 350 38 06	Querstrebe / cross rod	<b>NEW</b>	
<b>17273</b>	210 350 45 06	Montagesatz / mounting kit		
<b>17300</b>	210 350 38 06 S1	ProKit Querstrebe / cross rod		
<b>33353</b>	210 350 34 06 S1	ProKit Querstrebe beidseitig / cross rod both sides		
<b>33354</b>	210 350 38 06 S1	ProKit Querstrebe beidseitig / cross rod both sides		
<b>40037</b>	210 350 33 06 S1	ProKit Querstrebe beidseitig / cross rod both sides		



## SL (BM 129) (1989 → 2001)



### unten / lower



Hinterachse / Rear axle



(1) wahlweise / optional 221 352 01 27

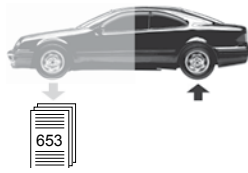
(2) wahlweise / optional 124 352 43 65



Ref. - No.

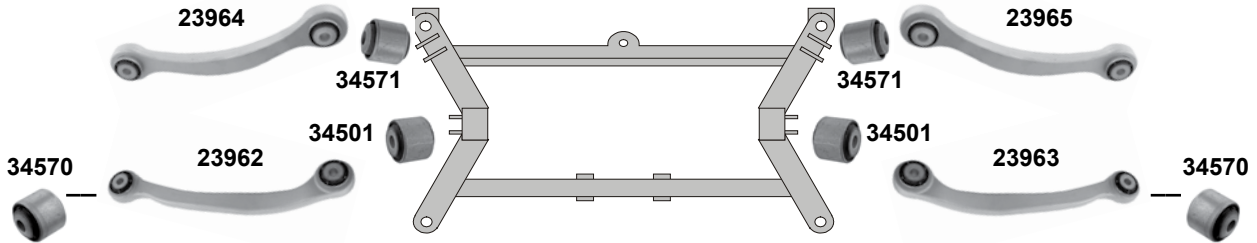


Ref. - No.	Description	Notes	Dimensions
01079	Stabilisatorlager / stabilizer mount	500 SL / (ex.) N	Ø 13
01083	Stabilisatorlager / stabilizer mount	alle / all N	Ø 14
01303	Querlenkerlager / control arm mount		12x33x58
01305	Schubstrebenlager / leading arm bush		12x34x38
02524	Rep. Satz Stabilisator / rep. kit stabilizer	500 SL / (ex.) N	
02891	Verbindungsstange / stabilizer link		
08818	Querlenkerlager / control arm mount	(2)	12x31,5x43
11136	Schubstrebenlager / leading arm bush		11x36x38
19841	Verbindungsstange / connecting rod	Metall / metal	
21174	Gelenk für Radlagergehäuse / joint for wheel bearing housing	(1)	

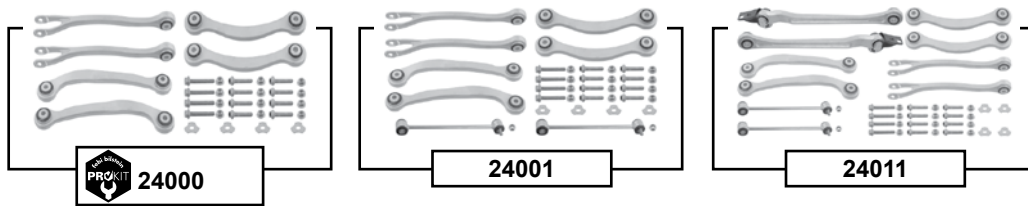
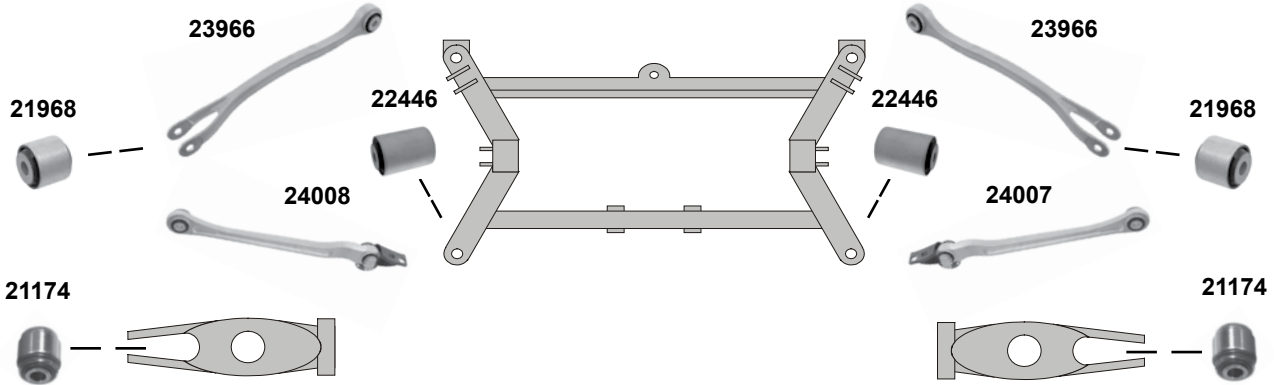


## SL (BM 230) (2001 →)

### oben / upper

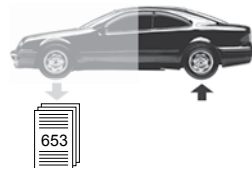


### unten / lower

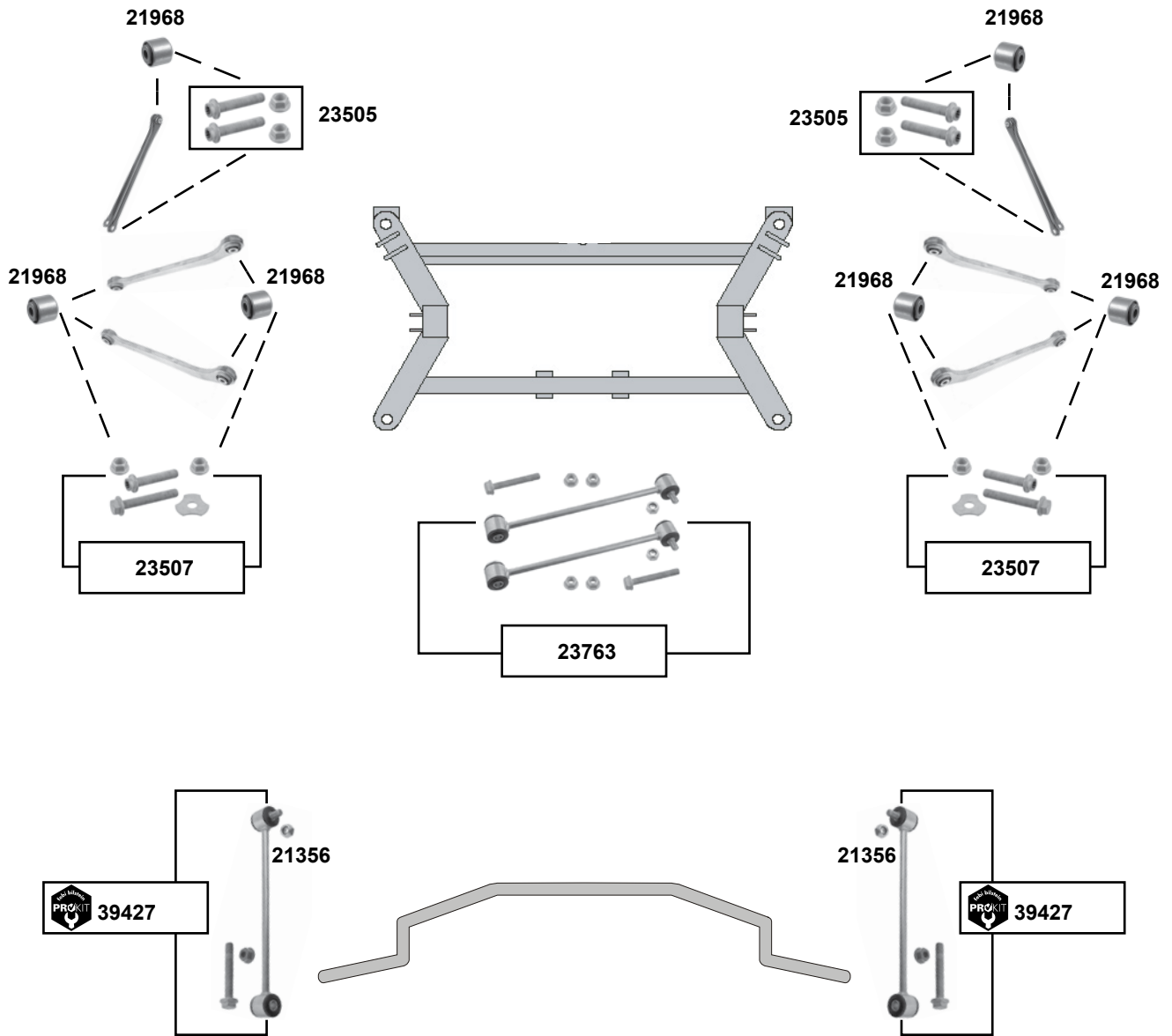


Hinterachse / Rear axle

	Ref. - No.			
21174	221 352 01 27	Gelenk für Radlagergehäuse / joint for wheel bearing housing	(ex.) Airmatic	
21968	230 352 15 65	Querstrebenlager / cross rod bush		
22446	220 352 13 65	Querlenkerlager / control arm mount	(ex.) AMG	
23962	230 350 27 06	Querstrebe / cross rod	(ex.) AMG	
23963	230 350 28 06	Querstrebe / cross rod	(ex.) AMG	
23964	230 350 35 06	Querstrebe / cross rod	(ex.) AMG	
23965	230 350 36 06	Querstrebe / cross rod	(ex.) AMG	
23966	230 350 20 06	Querstrebe / cross rod	(ex.) AMG	
24000	211 350 98 06	ProKit Querstrebensatz / cross rod kit	(ex.) AMG	
24001	211 350 99 06	Rep. Satz Querstrebe / rep. kit cross rod	(ex.) AMG	
24007	230 350 04 29	Querstrebe / cross rod		
24008	230 350 03 29	Querstrebe / cross rod		
24011	211 350 97 06	Rep. Satz Querstrebe / rep. kit cross rod	(ex.) AMG	
34501	230 352 16 65	Querstrebenlager / cross rod bush		Ø   12
34570	230 352 14 65	Querstrebenlager / cross rod bush		Ø   12
34571	230 352 18 65	Querstrebenlager / cross rod bush		Ø   12



**SL (BM 230)**  
(2001 →)



Hinterachse / Rear axle

	Ref. - No.			
<b>21356</b>	211 320 33 89	Verbindungsstange / stabilizer link		L 259,5
<b>21968</b>	230 352 15 65	Querstrebenlager / cross rod bush		Ø   12
<b>23505</b>	211 990 00 99	Befestigungssatz / mounting kit	(ex.) AMG	
<b>23507</b>	211 990 02 99	Montagesatz / mounting kit		
<b>23763</b>	211 320 33 89 S1	Verbindungsstangesatz / connecting rod set		
<b>39427</b>	211 320 33 89 S2	ProKit Verbindungsstange / stabilizer link	(ex.) ABC	L 259,5

passend für / to fit

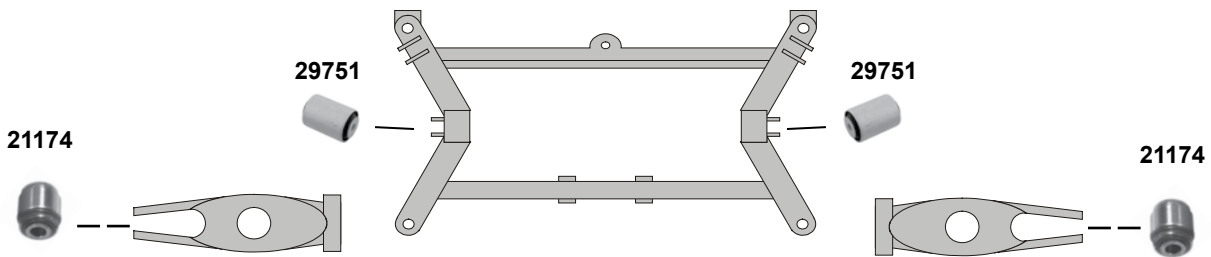
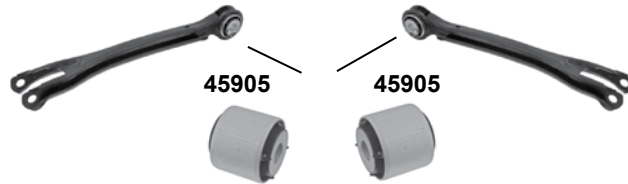
**MERCEDES-BENZ**



**Car  
Division**



**SL (BM 231)**  
(2012 →)



Hinterachse / Rear axle



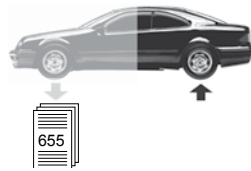
- (1) wahlweise / optional 221 352 01 27
- (2) für Federlenker / for spring control arm / Ø A 51,4 / Ø I 12,4 / L 78



**Ref. - No.**

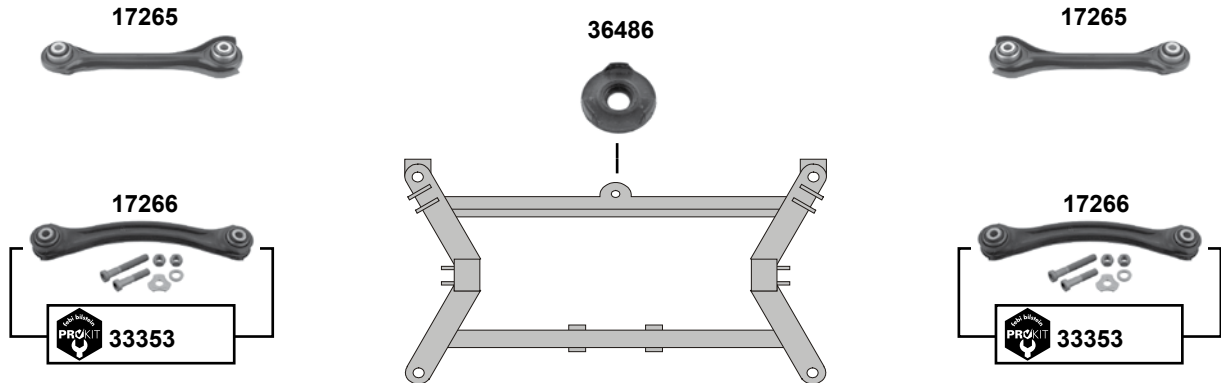


<b>21174</b>	204 352 00 27	Gelenk für Radlagergehäuse / joint for wheel bearing housing	(1)
<b>29751</b>	204 352 10 65	Querstrebenlager / cross rod bush	(2)
<b>45905</b>	204 353 01 43	Querlenkerlager / control arm mount	

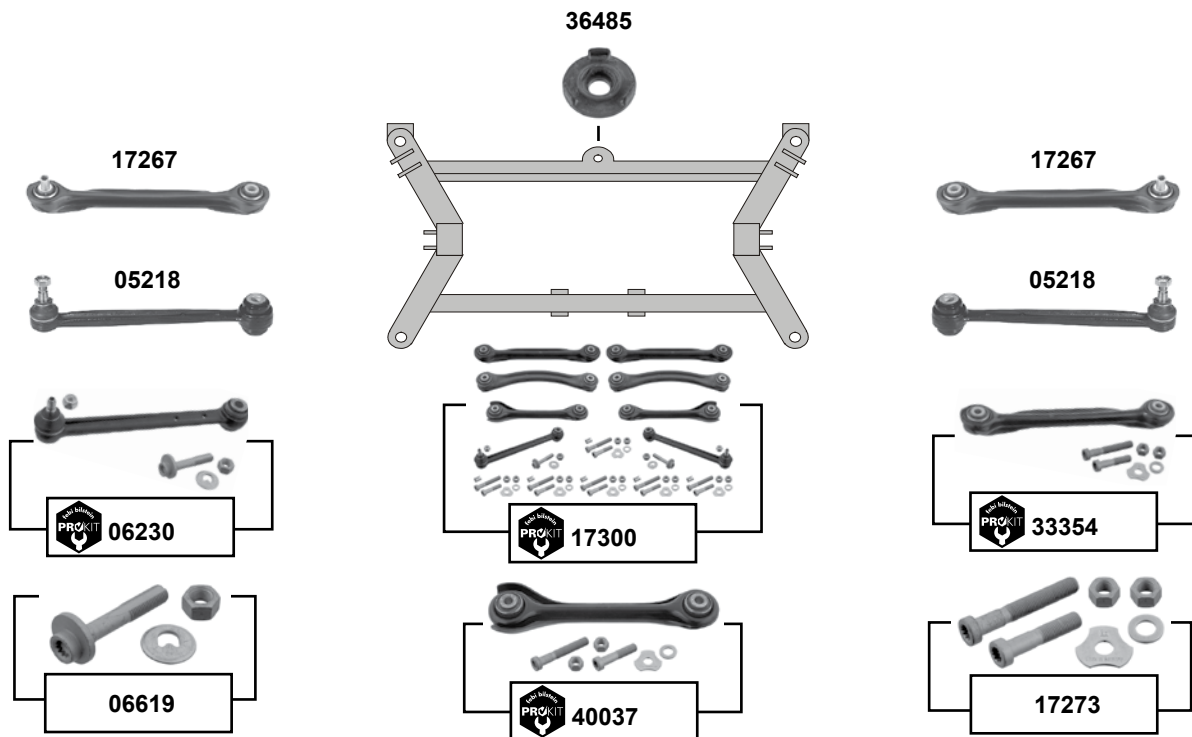


**SLK (BM 170)**  
(1996 → 2005)

**oben / upper**



**unten / lower**

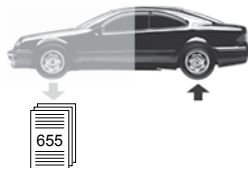


Ref. - No.



<b>05218</b>	210 350 18 53	Querstrebe / cross rod	
<b>06230</b>	210 350 21 53	ProKit Querstrebe beidseitig / cross rod both sides	
<b>06619</b>	140 350 11 70	Exzenterbolzen / eccentric bolt	
<b>17265</b>	210 350 33 06	Querstrebe / cross rod	<b>NEW</b>
<b>17266</b>	210 350 34 06	Querstrebe / cross rod	<b>NEW</b>
<b>17267</b>	210 350 38 06	Querstrebe / cross rod	<b>NEW</b>
<b>17273</b>	210 350 45 06	Montagesatz / mounting kit	
<b>17300</b>	210 350 38 06 S1	ProKit Querstrebe / cross rod	
<b>33353</b>	210 350 34 06 S1	ProKit Querstrebe beidseitig / cross rod both sides	
<b>33354</b>	210 350 38 06 S1	ProKit Querstrebe beidseitig / cross rod both sides	
<b>36485</b>	210 351 18 42	Differentiallagerung / differential assembly mount	Ø A 65
<b>36486</b>	210 351 19 42	Differentiallagerung / differential assembly mount	Ø A 65
<b>40037</b>	210 350 33 06 S1	ProKit Querstrebe beidseitig / cross rod both sides	

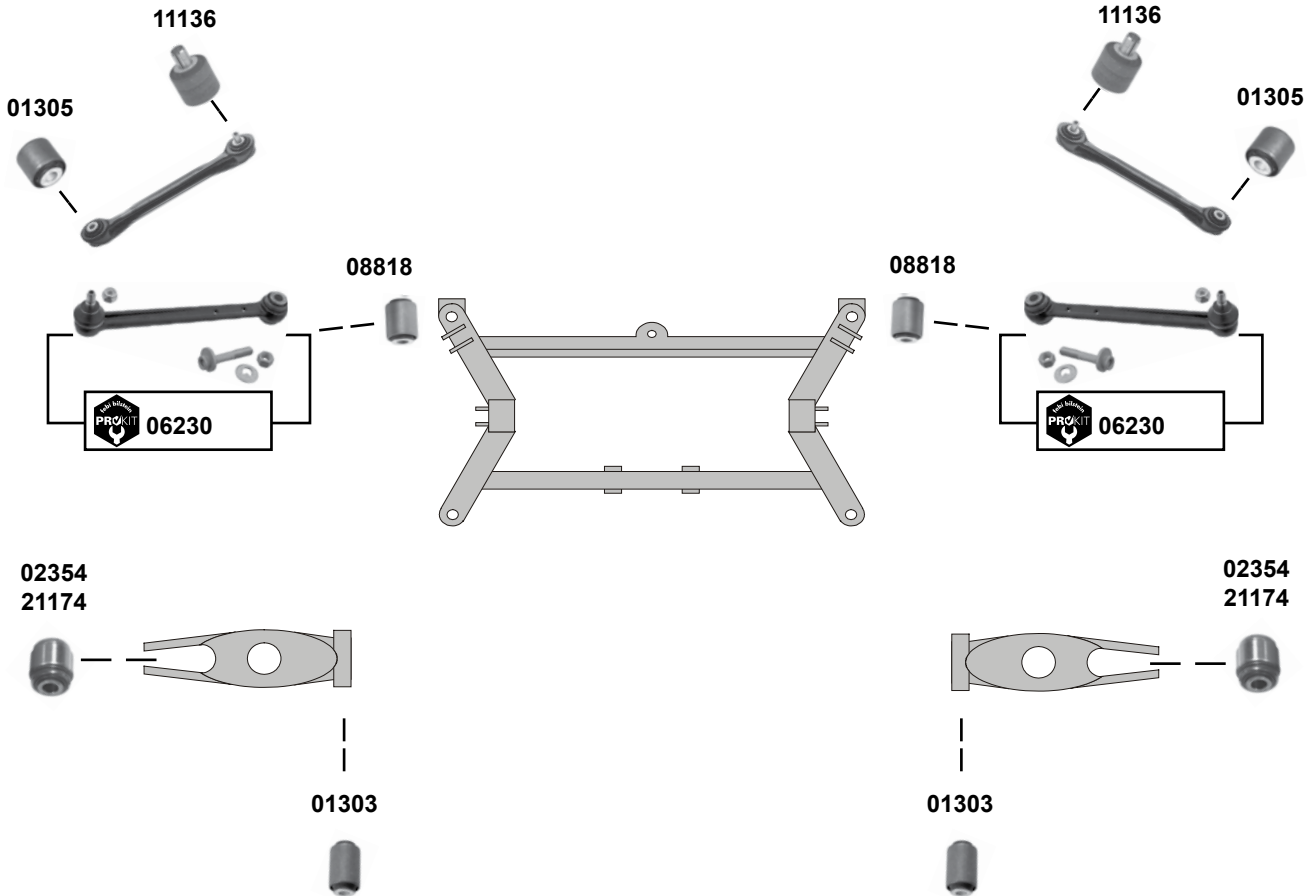




**SLK (BM 170)**  
(1996 → 2005)



**unten / lower**



Hinterachse / Rear axle

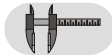


(1) wahlweise / optional 221 352 01 27

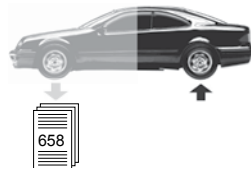
(2) wahlweise / optional 124 352 43 65



Ref. - No.

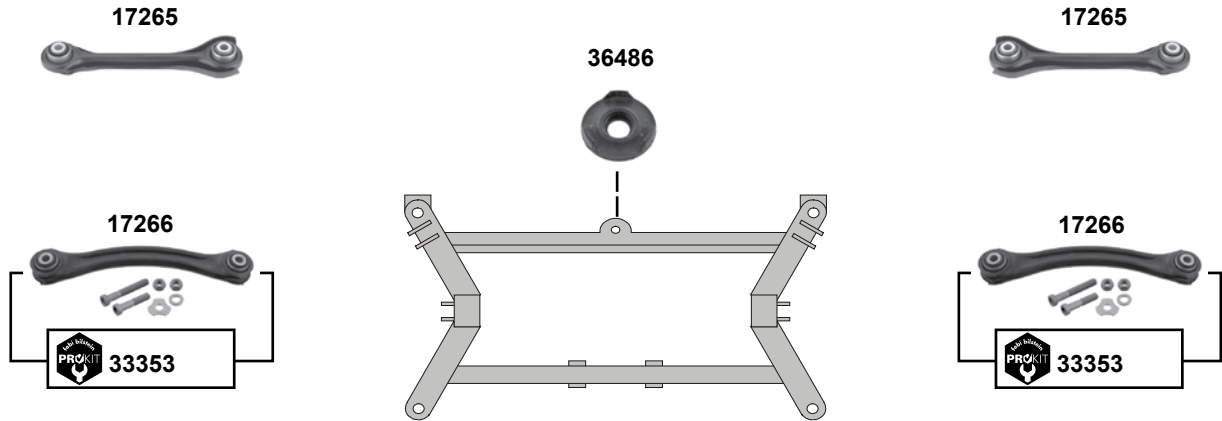


<b>01303</b>	202 352 01 65	Querlenkerlager / control arm mount		12x33x58
<b>01305</b>	124 352 34 65	Schubstrebenlager / leading arm bush		12x34x38
<b>02354</b>	201 352 00 27	Gelenk für Radlagergehäuse / joint for wheel bearing housing		
<b>02891</b>	124 320 02 89	Verbindungsstange / stabilizer link		
<b>06230</b>	210 350 21 53	ProKit Querstrebe beidseitig / cross rod both sides		
<b>08818</b>	201 352 88 65	Querlenkerlager / control arm mount	(2)	12x31,5x43
<b>11136</b>	124 352 35 65	Schubstrebenlager / leading arm bush		11x36x38
<b>21174</b>	204 352 00 27	Gelenk für Radlagergehäuse / joint for wheel bearing housing	(1)	

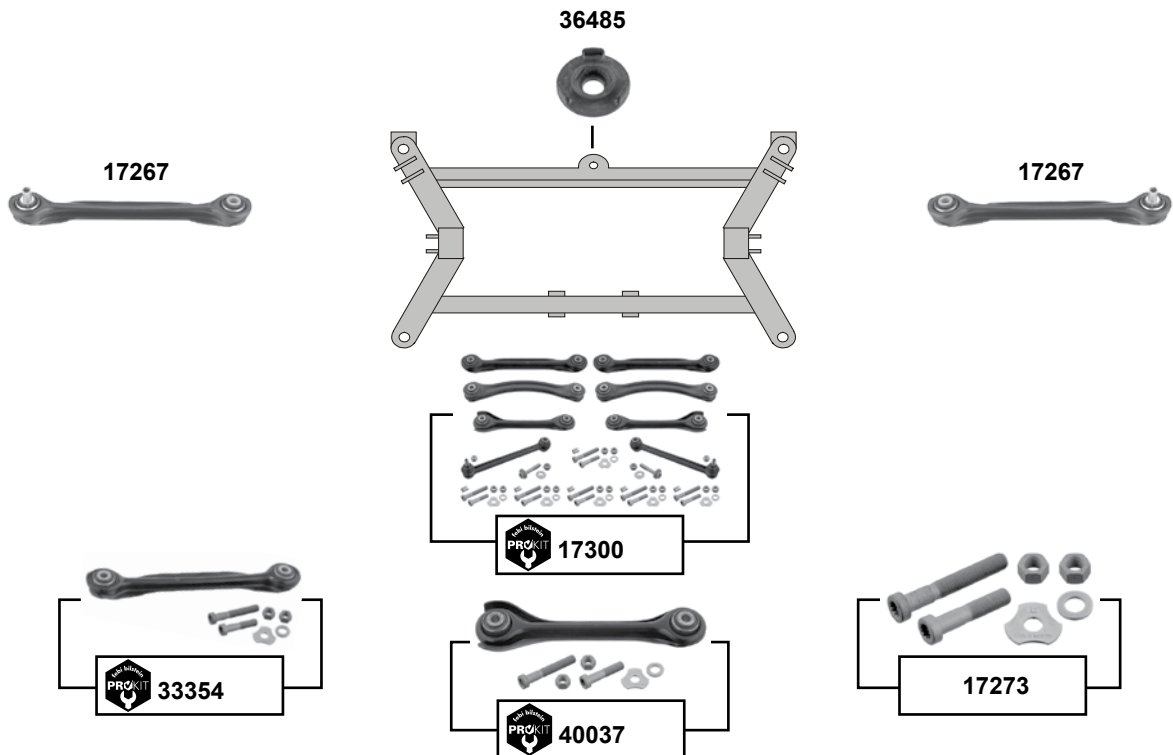


**SLK (BM 171)**  
(2005 →)

**oben / upper**



**unten / lower**



Hinterachse / Rear axle



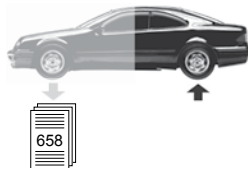
Ref. - No.



17265	210 350 33 06	Querstrebe / cross rod
17266	210 350 34 06	Querstrebe / cross rod
17267	210 350 38 06	Querstrebe / cross rod
17273	210 350 45 06	Montagesatz / mounting kit
17300	210 350 38 06 S1	ProKit Querstrebe / cross rod
33353	210 350 34 06 S1	ProKit Querstrebe beidseitig / cross rod both sides
33354	210 350 38 06 S1	ProKit Querstrebe beidseitig / cross rod both sides
36485	210 351 18 42	Differentiallagerung / differential assembly mount
36486	210 351 19 42	Differentiallagerung / differential assembly mount
40037	210 350 33 06 S1	ProKit Querstrebe beidseitig / cross rod both sides

AMG

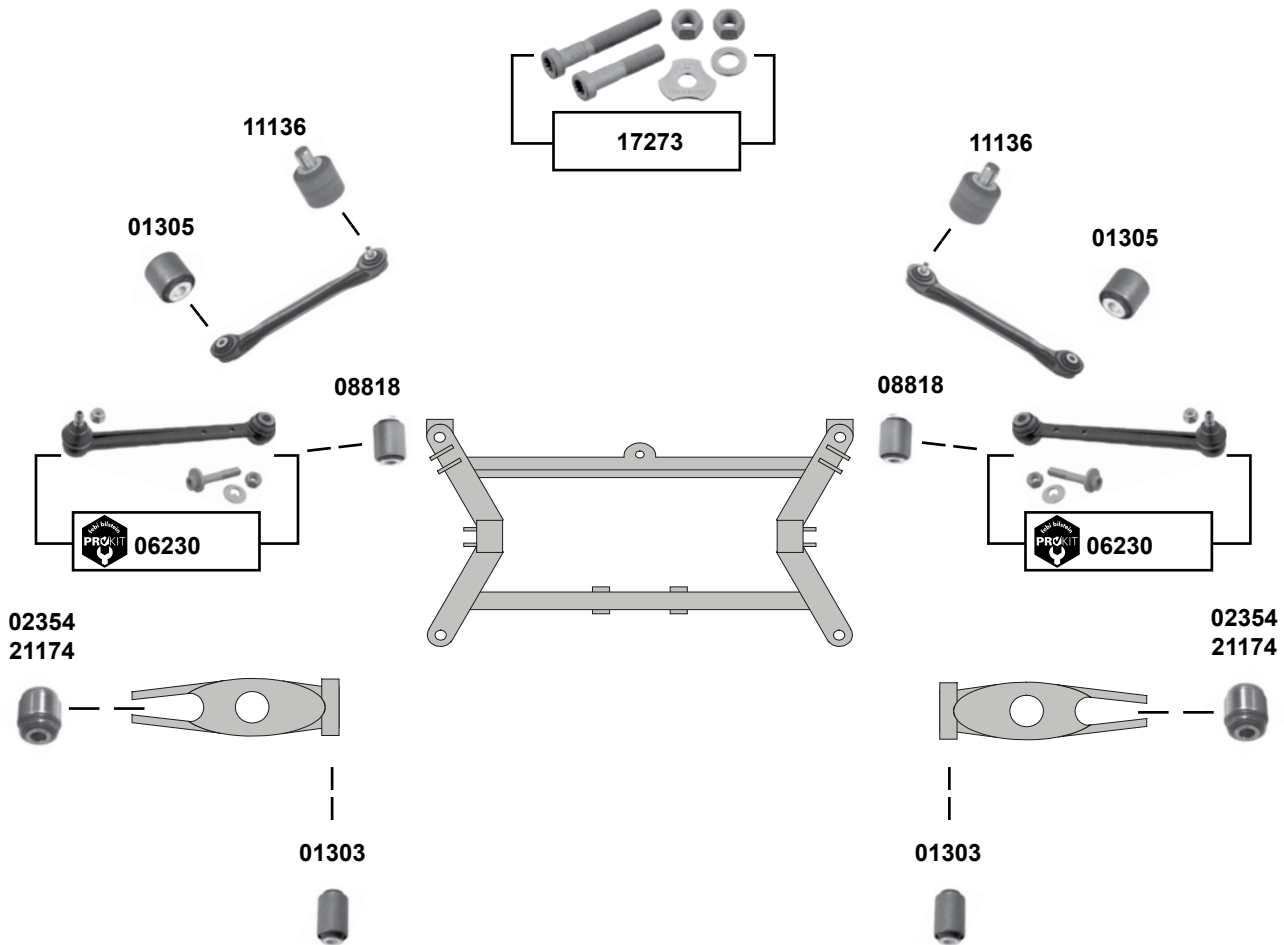
Ø A 65  
Ø A 65



**SLK (BM 171)**  
(2005 →)



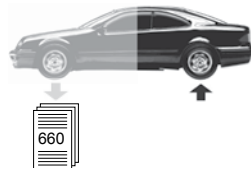
**unten / lower**



Hinterachse / Rear axle

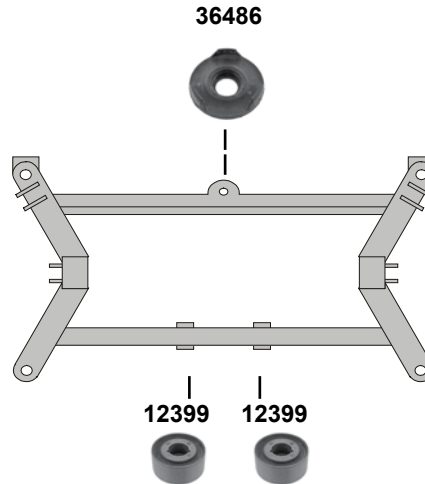
**(1)** wahlweise / optional 221 352 01 27      **(2)** wahlweise / optional 124 352 43 65

Ref. - No.			
<b>01303</b>	202 352 01 65	Querlenkerlager / control arm mount	12x33x58
<b>01305</b>	124 352 34 65	Schubstrebenlager / leading arm bush	12x34x38
<b>02354</b>	201 352 00 27	Gelenk für Radlagergehäuse / joint for wheel bearing housing	
<b>02891</b>	124 320 02 89	Verbindungsstange / stabilizer link	
<b>06230</b>	210 350 21 53	ProKit Querstrebe beidseitig / cross rod both sides	
<b>08818</b>	201 352 88 65	Querlenkerlager / control arm mount	<b>(2)</b> 12x31,5x43
<b>11136</b>	124 352 35 65	Schubstrebenlager / leading arm bush	11x36x38
<b>17273</b>	210 350 45 06	Montagesatz / mounting kit	
<b>21174</b>	204 352 00 27	Gelenk für Radlagergehäuse / joint for wheel bearing housing	<b>(1)</b>

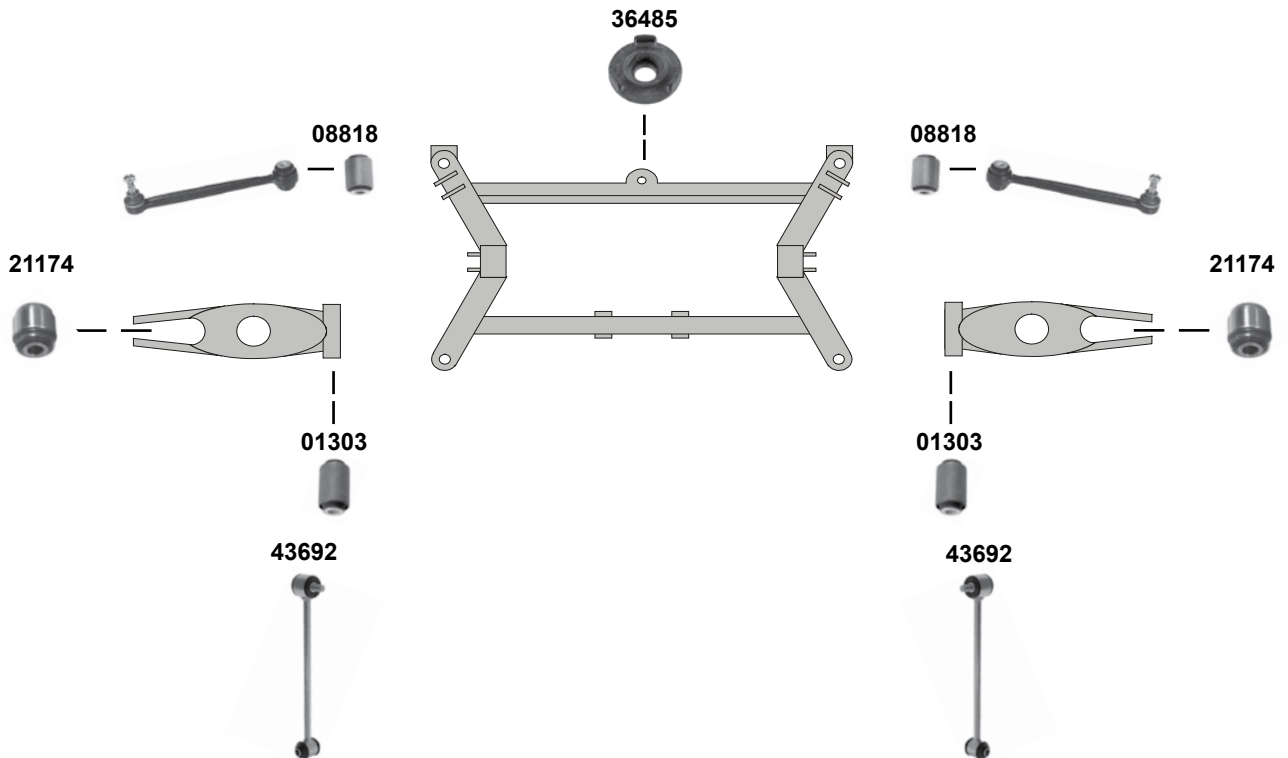


**SLK (BM 172)**  
(2011 →)

**oben / upper**



**unten / lower**



Hinterachse / Rear axle



(1) wahlweise / optional 221 352 01 27

(2) wahlweise / optional 124 352 43 65



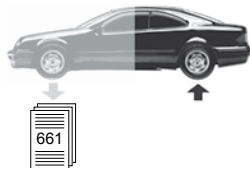
Ref. - No.



<b>01303</b>	202 352 01 65
<b>08818</b>	201 352 88 65
<b>12399</b>	129 351 21 42
<b>21174</b>	204 352 00 27
<b>36485</b>	210 351 18 42
<b>36486</b>	210 351 19 42
<b>43692</b>	172 320 00 89

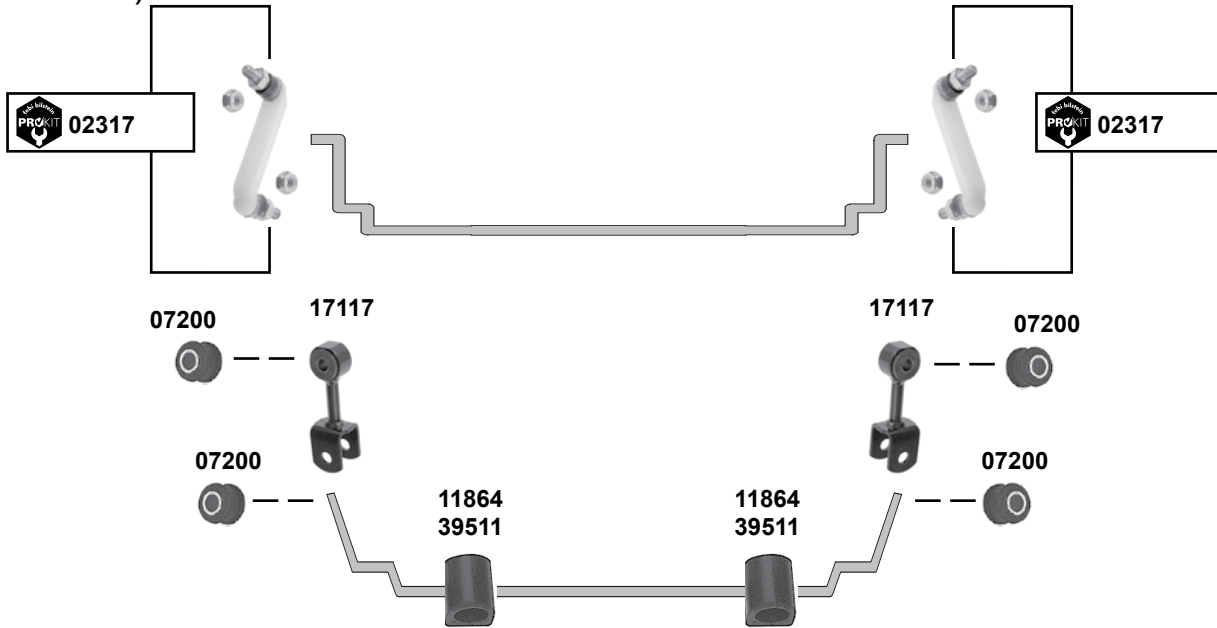
Querlenkerlager / control arm mount	
Querlenkerlager / control arm mount	(2)
Achsgehäuselager / axle house mounting	
Gelenk für Radlagergehäuse / joint for wheel bearing housing	(1)
Differentiallagerung / differential assembly mount	
Differentiallagerung / differential assembly mount	
Verbindungsstange / stabilizer link	

12x33x58
Ø A 65
Ø A 65



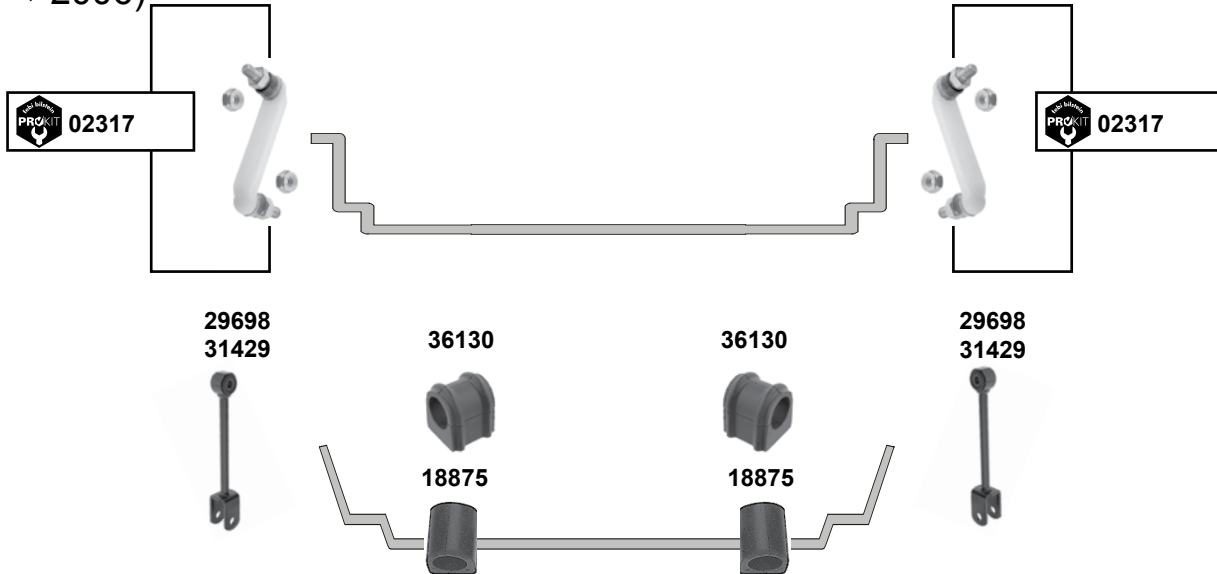
## Sprinter (901 → 903)

(1995 → 2006)



## Sprinter (904)

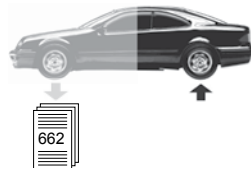
(1995 → 2006)



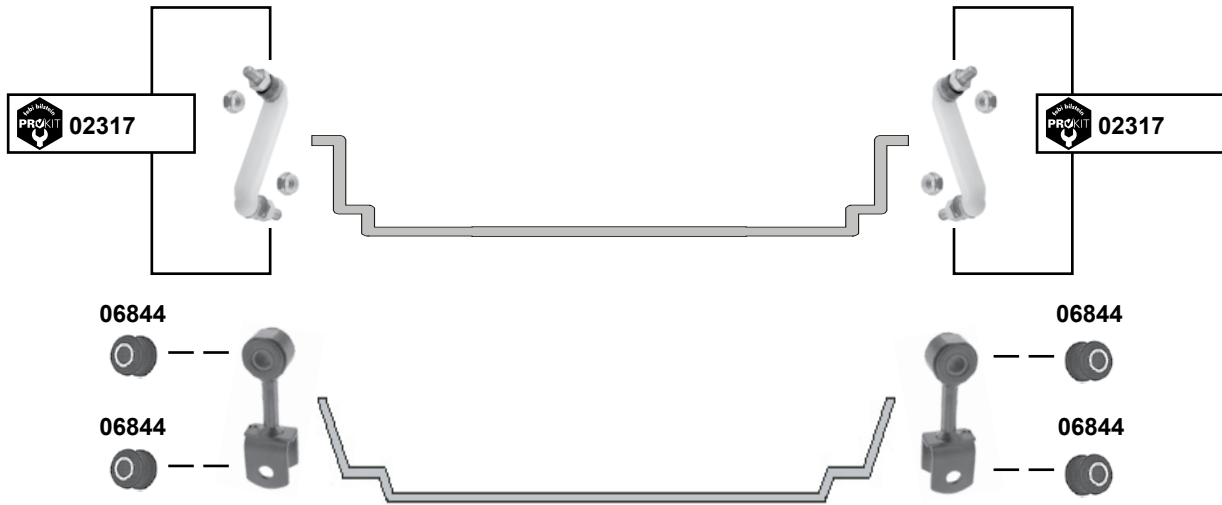
Hinterachse / Rear axle

- (1) nur für Fahrzeuge mit verstärktem Stabilisator (ex.) 4x4 / only for vehicles with reinforced stabilizer / (ex.) 4x4
- (2) 901 → 903 für verstärkten Stabilisator / for reinforced stabilizer

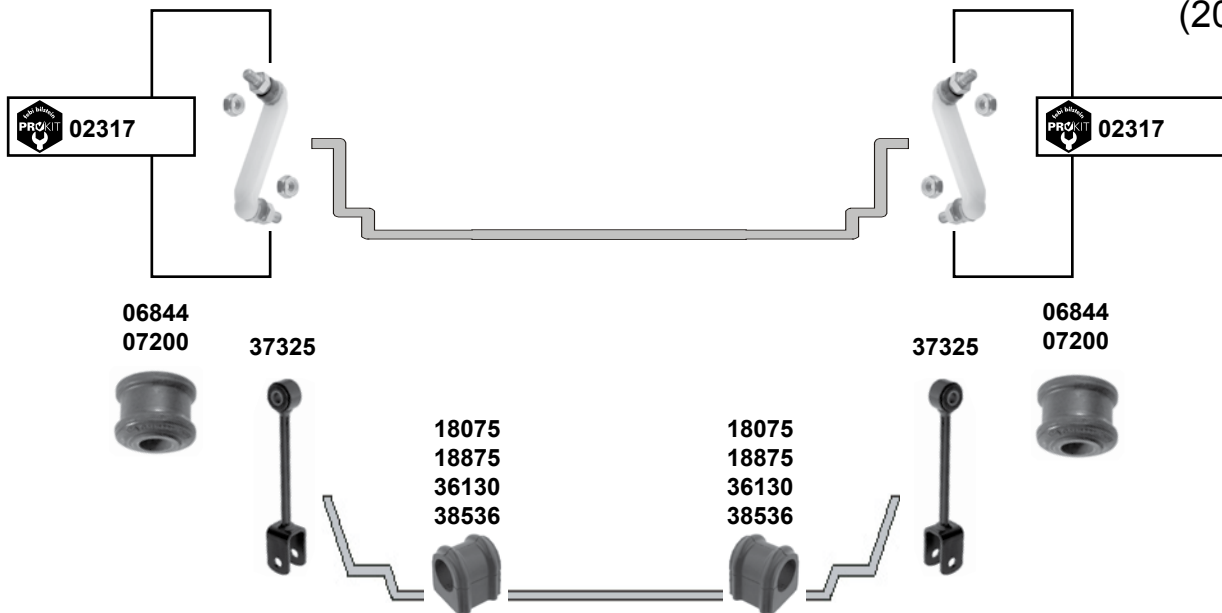
	Ref. - No.			
02317	123 320 09 89	ProKit Verbindungsstange / stabilizer link	(ex.) 4x4	L 100
07200	601 321 03 50	Stabilisatorlager / stabilizer mount	(ex.) 4x4	12x26x26
11864	901 326 00 81	Stabilisatorlager / stabilizer mount		Ø   23
17117	901 320 00 89	Verbindungsstange / stabilizer link	SA 500046 01/04	
18875	904 326 08 81	Stabilisatorlager / stabilizer mount		
29698	901 320 05 89	Verbindungsstange / stabilizer link	(ex.) 4x4	L 261
31429	901 320 06 89	Verbindungsstange / connecting rod	4x4	L 261
36130	904 326 09 81	Stabilisatorlager / stabilizer mount	(1)	Ø   30
39511	901 326 01 81	Stabilisatorlager / stabilizer mount	(2)	Ø   27



**Sprinter (BM 905)**  
(2001 → 2006)



**Sprinter II (BM 906)**  
(2006 →)



(1) für Fahrzeuge ohne Luftfederung / for vehicles without air suspension

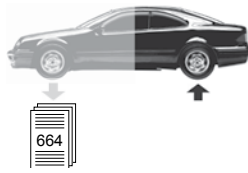
(2) nicht für Luftfederung / not for air suspension

(3) Nur gültig für Hinterachse unter Rahmen verstärkt / just valid for rear axle below frame not for suspension VMC  
(ch.) → E 074955 / N 513716 / S 727201

(4) (ch.) → N 513716 / (ch.) → E 074955 / (ch.) → S 727201  
(ex.) Luftfederung VCM / suspension VCM

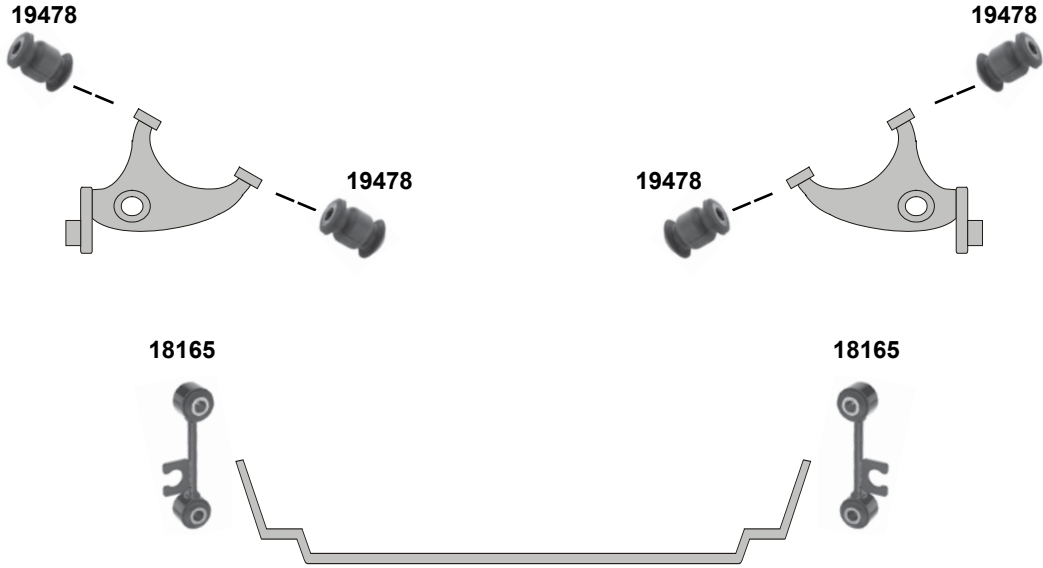


	Ref. - No.			
<b>02317</b>	123 320 09 89	ProKit Verbindungsstange / stabilizer link	<b>Xenon (ex.) 4x4</b>	L 100
<b>06844</b>	667 320 00 73	Stabilisatorlager / stabilizer mount	(1)	36x32x12
<b>07200</b>	601 321 03 50	Stabilisatorlager / stabilizer mount	(2)	12x26x26
<b>18075</b>	906 326 09 81	Stabilisatorlager / stabilizer mount	(3)	Ø   24
<b>18875</b>	904 326 08 81	Stabilisatorlager / stabilizer mount		Ø   27
<b>36130</b>	904 326 09 81	Stabilisatorlager / stabilizer mount	(ex.) 4x4	Ø   30
<b>37325</b>	906 320 13 89	Verbindungsstange / stabilizer link	(2)	L 246
<b>38536</b>	906 326 07 81	Stabilisatorlager / stabilizer mount	(4)	Ø   15,5



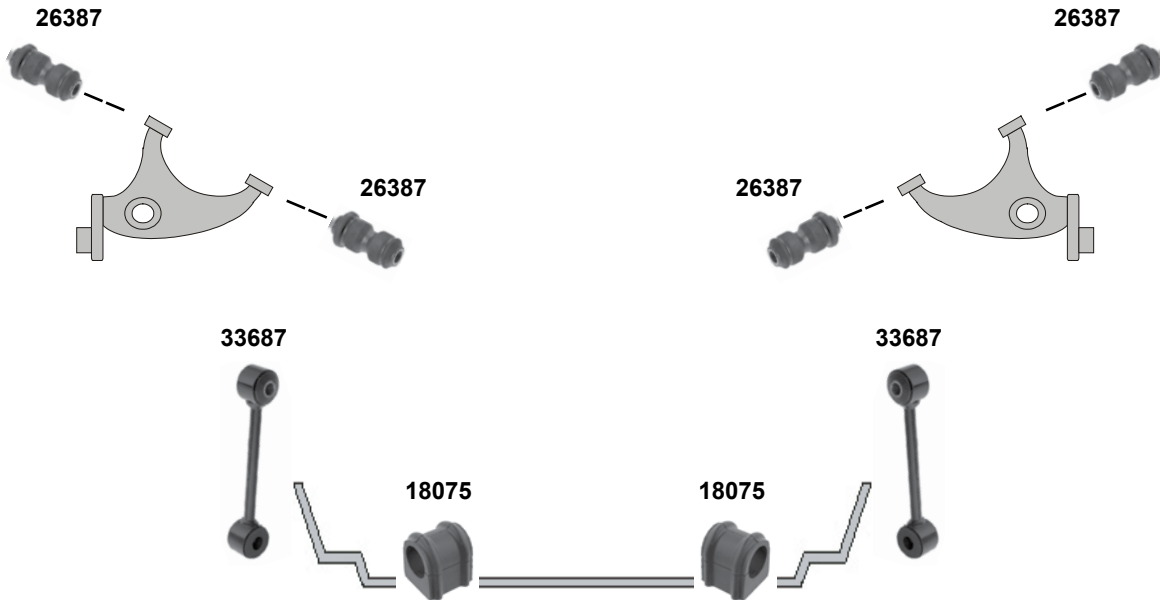
**Vito (BM 638)**

(1997 → 2003)



**Vito (BM 639)**

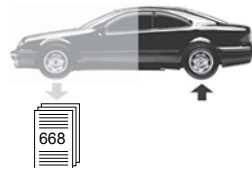
(2003 →)



Hinterachse / Rear axle

**(1)** Kasten / Kombi / Luxuskombi // wahlweise / optional 639 326 06 16

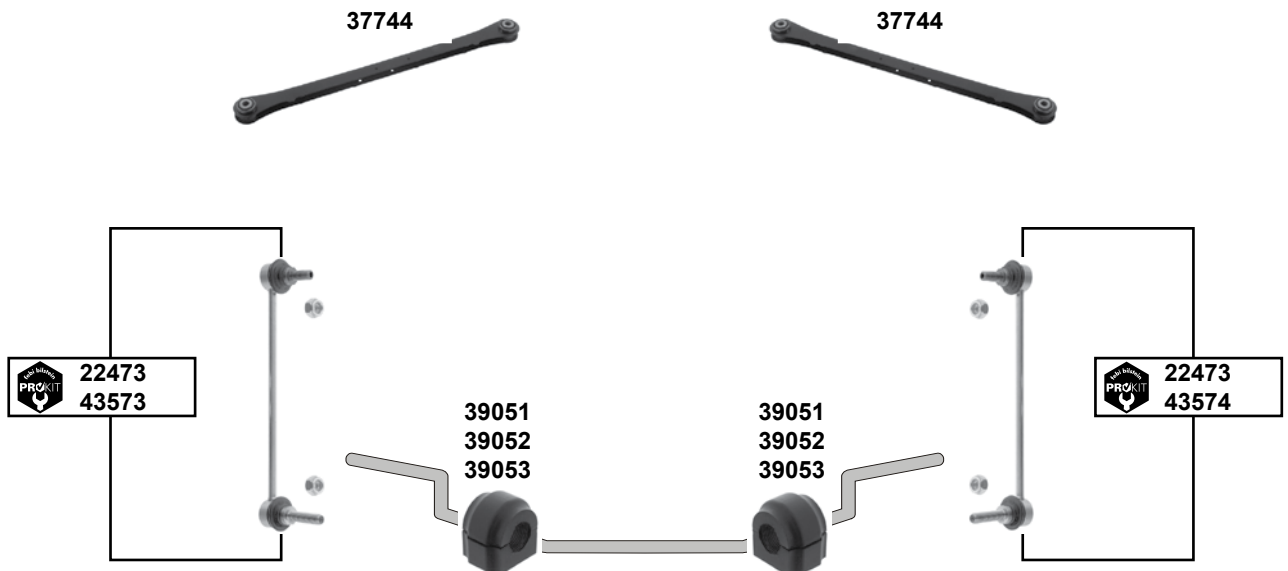
Ref. - No.			
<b>18075</b>	906 326 09 81	Stabilisatorlager / stabilizer mount	(ch.) → 007991
<b>18165</b>	638 326 01 16	Verbindungsstange / stabilizer link	(mot.) V6
<b>19478</b>	638 652 06 50	Schräglenkerlager / semi-trailing arm bush	
<b>26387</b>	639 353 00 50	Schräglenkerlager / semi-trailing arm bush	
<b>33687</b>	639 326 02 16	Verbindungsstange / stabilizer link	(1)



**MINI II**

(2001 → 2015)

**R50 Coupe, R52 Cabrio, R53 Cooper S, R55 Clubman, R56 Coupe, R57 Cabrio  
R58 Coupe, R59 Roadster, R60 Countryman, R61 Paceman**



Hinterachse / Rear axle



(1) (ex.) R60 Countryman / R61 Paceman



Ref. - No.

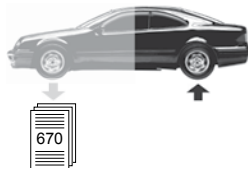


<b>22473</b>	33 50 6 772 789	ProKit Verbindungsstange / stabilizer link	<b>(1)</b>	L 233
<b>37744</b>	33 32 6 768 724	Querlenker / control arm		L 532
<b>39051</b>	33 55 6 772 788	Stabilisatorlager / stabilizer mount	R56 LCI, R58	Ø   18
<b>39052</b>	33 55 6 754 823	Stabilisatorlager / stabilizer mount	<b>(ex.)</b> R53	Ø   16
<b>39053</b>	33 55 6 756 151	Stabilisatorlager / stabilizer mount	<b>(ex.)</b> R52, R58	Ø   17
<b>43573</b>	33 50 9 803 515	ProKit Verbindungsstange / stabilizer link	R60 / R61	L 154
<b>43574</b>	33 50 9 803 516	ProKit Verbindungsstange / stabilizer link	R60 / R61	L 154



passend für / to fit

**MITSUBISHI**

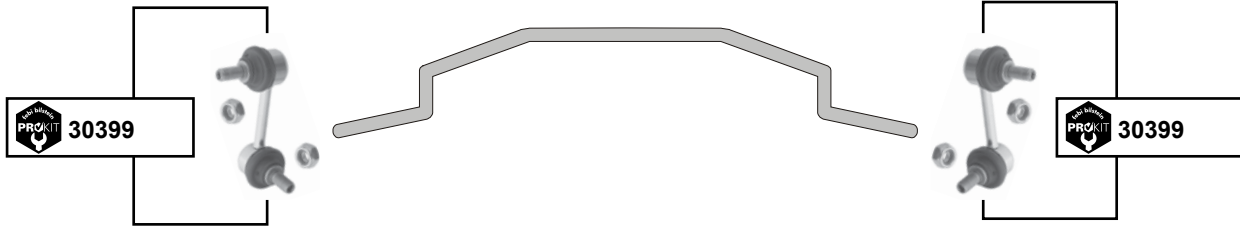


**Car  
Division**



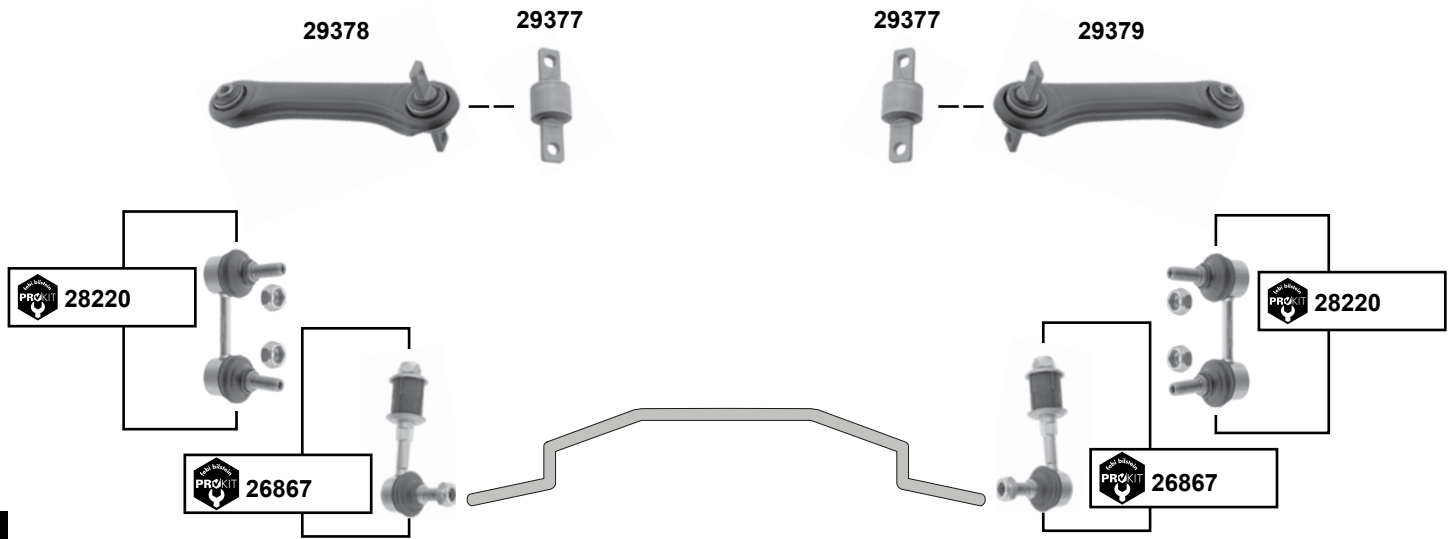
## ASX

(2010 →)



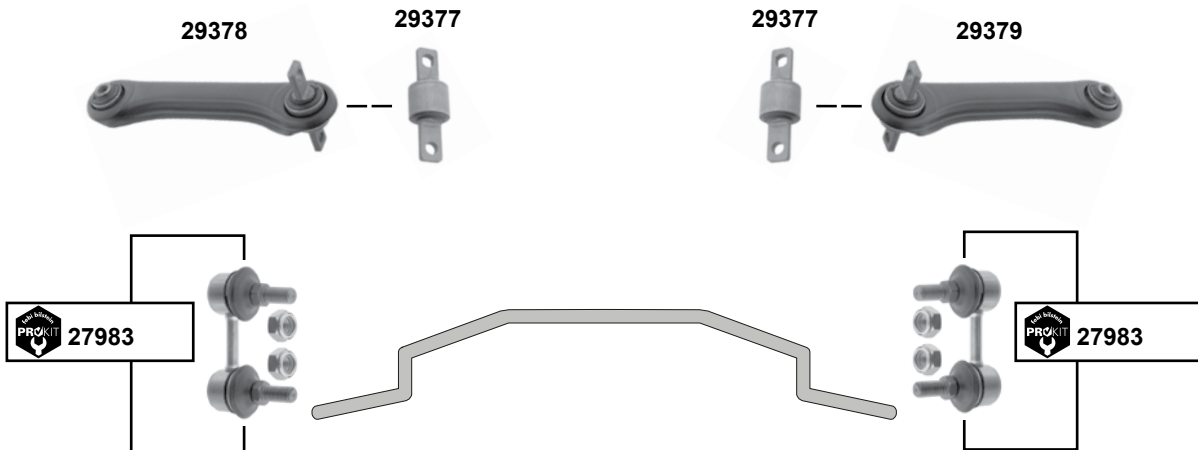
## Carisma

(1995 → 2006)



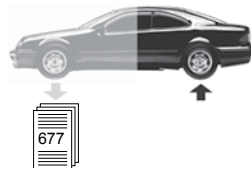
## Colt IV / V

(1992 → 2003)

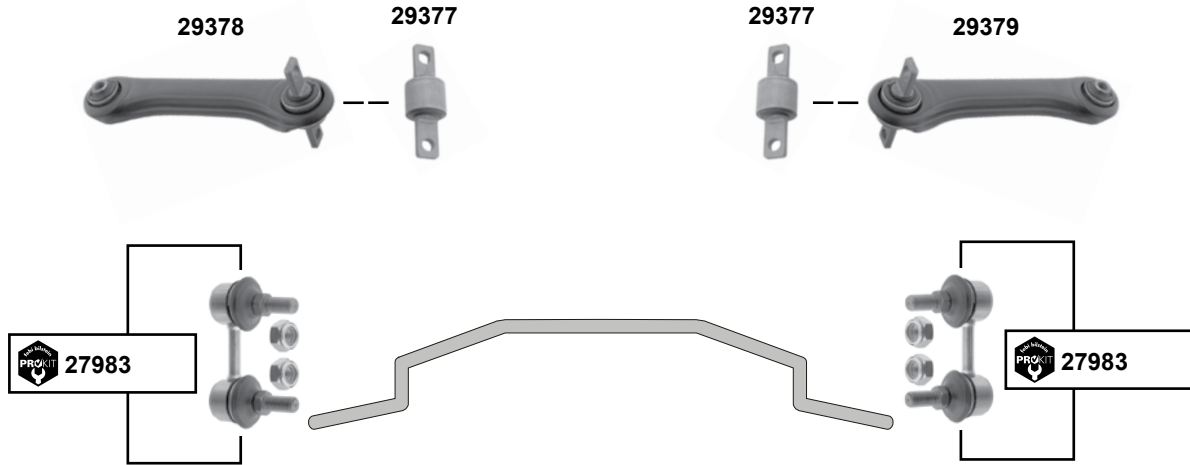


Hinterachse / Rear axle

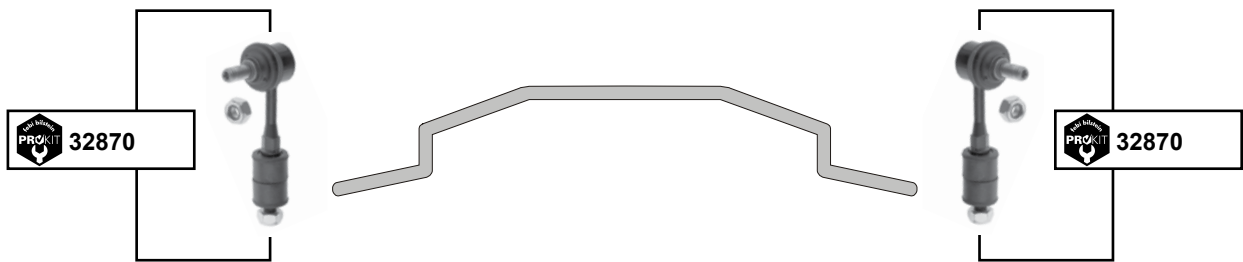
	Ref. - No.			
<b>26867</b>	MR272118 S1	ProKit Verbindungsstange / stabilizer link	03/99 → 06/06	L 76
<b>27983</b>	4056A021	ProKit Verbindungsstange / stabilizer link	Colt IV	L 75
<b>28220</b>	MR272117	ProKit Verbindungsstange / stabilizer link	07/95 → 02/99	L 76
<b>29377</b>	MR102014	Querlenkerlager / control arm mount	03/99 →	Ø A 36,1
<b>29378</b>	MR491345	Querlenker / control arm	→ 97 / (ex.) (mot.) DA5A	L 226
<b>29379</b>	MR491346	Querlenker / control arm		L 226
<b>30399</b>	MN184194	ProKit Verbindungsstange / stabilizer link		L 80



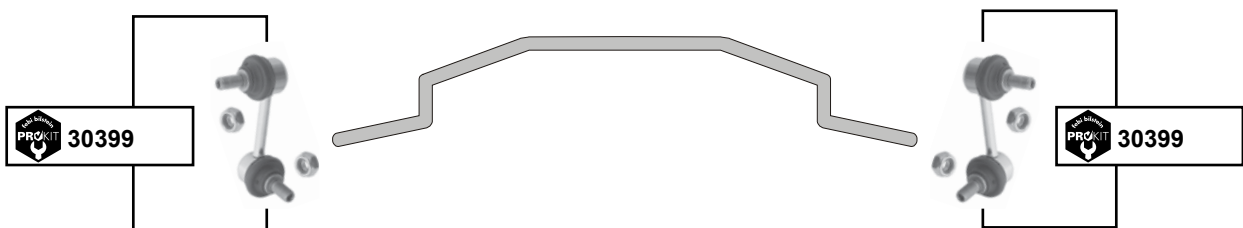
**Lancer V / VI**  
(1992 → 2003)



**Lancer VII**  
(2003 → 2008)

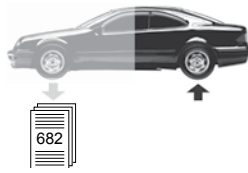


**Lancer VIII**  
(2008 →)

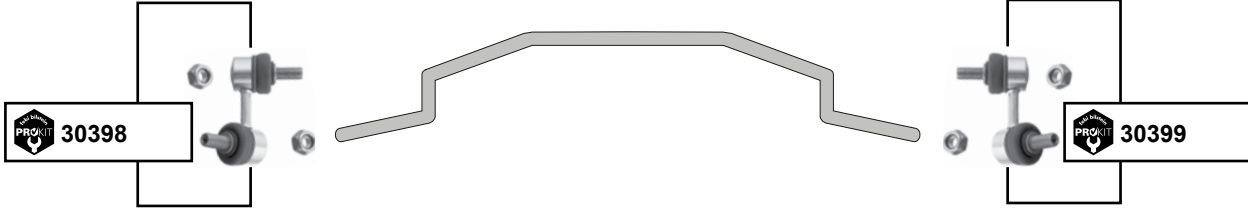


Hinterachse / Rear axle

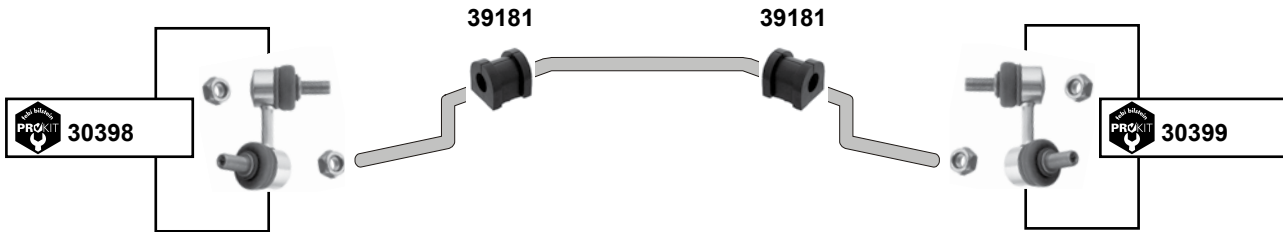
	Ref. - No.			
<b>27983</b>	4056A021	ProKit Verbindungsstange / stabilizer link		L 75
<b>29377</b>	MR102014	Querlenkerlager / control arm mount		Ø A 36,1
<b>29378</b>	MR491345	Querlenker / control arm		L 226
<b>29379</b>	MR491346	Querlenker / control arm		L 226
<b>30399</b>	MN184194	ProKit Verbindungsstange / stabilizer link	(ex.) 2.0 EVO X (CZ4A)	L 80
<b>32870</b>	4056A037	ProKit Verbindungsstange / stabilizer link	(ex.) 2.0 EVO(CT9A)	L 130



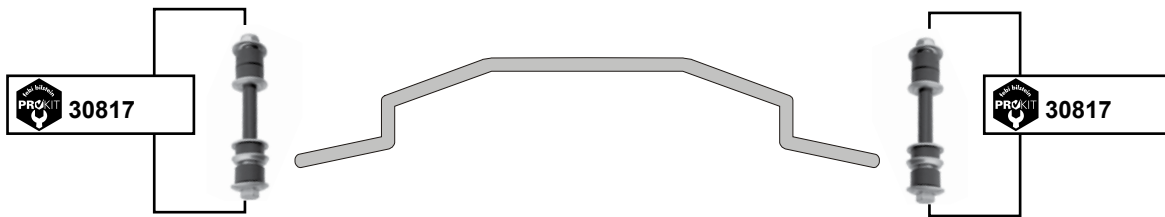
**Outlander I**  
(2003 → 2007)



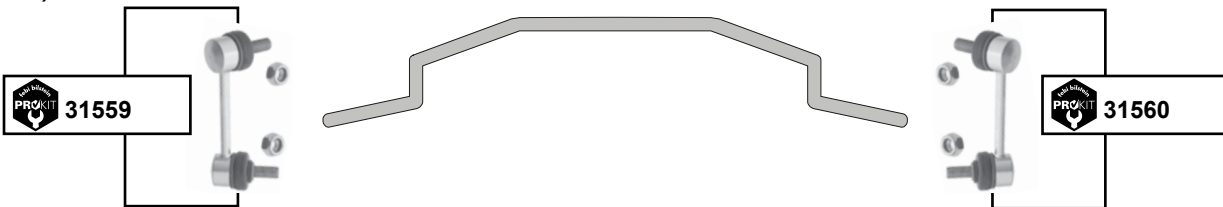
**Outlander II**  
(2006 →)



**Pajero II**  
(1990 → 2000)

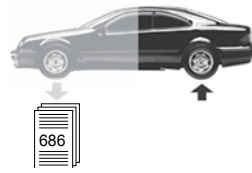


**Pajero III / IV**  
(2000 →)

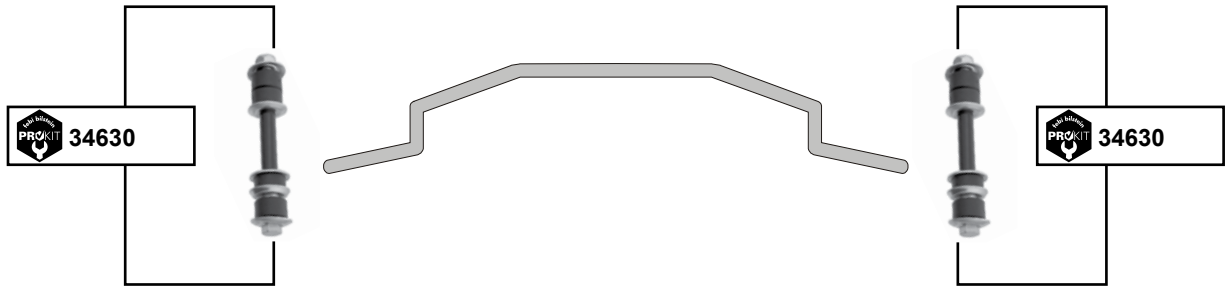


Hinterachse / Rear axle

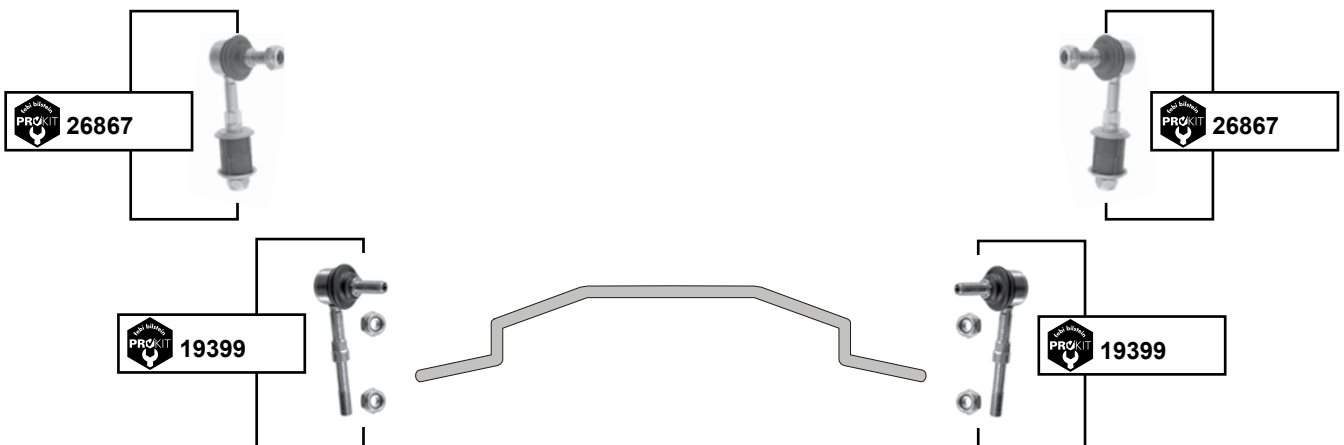
	Ref. - No.			
<b>30817</b>	MB598098	ProKit Verbindungsstange / stabilizer link		L 150
<b>30398</b>	4156A014	ProKit Verbindungsstange / stabilizer link		L 80
<b>30399</b>	MN184194	ProKit Verbindungsstange / stabilizer link		L 80
<b>31559</b>	4056A111	ProKit Verbindungsstange / stabilizer link		L 115
<b>31560</b>	4056A112	ProKit Verbindungsstange / stabilizer link		L 115
<b>39181</b>	4156A028	Stabilisatorlager / stabilizer mount	(ex.) 2.0 l Benziner	Ø l 19,5



**Pajero Sport**  
(2000 → 2007)



**Space Star**  
(1998 → 2005)



Hinterachse / Rear axle



Ref. - No.



**19399** MR272118  
**26867** MR272118 S1  
**34630** MR586053

ProKit Verbindungsstange / stabilizer link  
ProKit Verbindungsstange / stabilizer link  
ProKit Verbindungsstange / stabilizer link

L 102,5  
L 76  
M10 x 1,25

Ref. - No.

Car  
Division 

Ref. - No.



Ref. - No.

passend für / to fit:  
**ALFA ROMEO**

7591215	<b>12476</b>	1, 3, 15
7591216	<b>12475</b>	1, 3, 15
7601642	<b>12062</b>	1, 3, 15
7678717	<b>12476</b>	1, 3, 15
7678718	<b>12475</b>	1, 3, 15
9947371	<b>43641</b>	1, 3, 15
9947437	<b>12475</b>	1, 3, 15
9947438	<b>12476</b>	1, 3, 15
9947714	<b>12758</b>	1, 3, 15
9947718	<b>43641</b>	1, 3, 15
9947719	<b>12758</b>	1, 3, 15
9947720	<b>46005</b>	1, 3, 15
9947919	<b>18215</b>	2, 4, 7, 10
9947920	<b>18214</b>	2, 4, 7, 10
9947923	<b>44644</b>	2, 4, 10
9947926	<b>46005</b>	1, 3, 15
9948297	<b>44161</b>	7
9950774	<b>43641</b>	1, 3, 15
9950775	<b>46005</b>	1, 3, 15
9950786	<b>43641</b>	1, 3, 15
46402825	<b>33010</b>	689, 690, 692
46456049	<b>12559</b>	1, 3, 15
46456050	<b>12558</b>	1, 3, 15
46474556	<b>12559</b>	1, 3, 15
46474557	<b>12558</b>	1, 3, 15
46519893	<b>30161</b>	689
46519894	<b>30161</b>	689
46519897	<b>30160</b>	689
46519898	<b>30160</b>	689
46527567	<b>12758</b>	1, 3, 15
46802680	<b>23143</b>	689, 690
46802681	<b>23143</b>	689, 690
46802682	<b>23145</b>	689, 690
46841498	<b>18268</b>	2, 4, 10
46843389	<b>18268</b>	2, 4, 10
50509339	<b>17319</b>	2, 4, 10
50509340	<b>17318</b>	2, 4, 10
50515274	<b>36671</b>	692
50515275	<b>36672</b>	692
50515276	<b>27414</b>	11, 12, 13
50515568	<b>38586</b>	11

50515569	<b>38586</b>	11
50704361	<b>29399</b>	5, 8, 16
50704362	<b>29400</b>	5, 8, 16
50704867	<b>38592</b>	5, 8, 16
50704947	<b>34287</b>	5, 8, 16
50704948	<b>34286</b>	5, 8, 16
50705391	<b>38592</b>	5, 8, 16
50705702	<b>27422</b>	690, 691, 693
50706004	<b>27422</b>	690, 691, 693
50706595	<b>27421</b>	690, 691, 693
50706598	<b>27421</b>	690, 691, 693
50706990	<b>29399</b>	5, 8, 16
50706991	<b>29400</b>	5, 8, 16
50707480	<b>34286</b>	5, 8, 16
50707481	<b>34287</b>	5, 8, 16
50708721	<b>36160</b>	5, 8, 15
50708722	<b>36161</b>	5, 8, 15
51749713	<b>23143</b>	689, 690
51749713	<b>44520</b>	689, 689, 689, 690, 690, 690, 692, 692, 692
51754198	<b>37574</b>	2, 4, 10
51776326	<b>23163</b>	2, 4, 10
51776327	<b>23161</b>	2, 4, 10
51783056	<b>29145</b>	11
51783057	<b>29144</b>	11
51787336	<b>34286</b>	5, 8, 16
51787337	<b>34287</b>	5, 8, 16
51795454	<b>29399</b>	5, 8, 16
51795455	<b>29400</b>	5, 8, 16
51795575	<b>38582</b>	690, 691, 693
51795703	<b>27422</b>	690, 691, 693
51795704	<b>27421</b>	690, 691, 693
51795705	<b>27422</b>	690, 691, 693
51795706	<b>27421</b>	690, 691, 693
51805870	<b>36620</b>	9
51817623	<b>34287</b>	5, 8, 16
51817624	<b>34286</b>	5, 8, 16
51828660	<b>34286</b>	5, 8, 16
51828661	<b>34287</b>	5, 8, 16
51834093	<b>23161</b>	2, 4, 10
51834094	<b>23163</b>	2, 4, 10
51835397	<b>34287</b>	5, 8, 16



Ref. - No.



51835398	<b>34286</b>	5, 8, 16
51839039	<b>29145</b>	11
51874461	<b>29145</b>	11
51874462	<b>29144</b>	11
51892272	<b>29144</b>	11
51895366	<b>29145</b>	11
51895367	<b>29144</b>	11
55700751	<b>28733</b>	11
55700753	<b>27414</b>	11, 12, 13
55700770	<b>38586</b>	11
55702727	<b>38586</b>	11
55703212	<b>28475</b>	11
55703232	<b>28475</b>	11
55703627	<b>29145</b>	11
55703629	<b>29144</b>	11
60507876	<b>12561</b>	6
60507877	<b>12560</b>	6
60507918	<b>12556</b>	6
60510360	<b>12557</b>	6
60511622	<b>12556</b>	6
60570627	<b>12061</b>	1, 3, 15
60586771	<b>12559</b>	1, 3, 15
60588843	<b>12561</b>	6
60588844	<b>12560</b>	6
60612435	<b>43454</b>	693
60612436	<b>43453</b>	693
60613575	<b>18216</b>	689, 690, 692
60614514	<b>43450</b>	15
60625029	<b>18268</b>	2, 4, 10
60627290	<b>21258</b>	7
60627291	<b>21260</b>	7
60628255	<b>21205</b>	691
60628284	<b>21206</b>	691
60628294	<b>40878</b>	691
60628295	<b>40879</b>	691
60629903	<b>23145</b>	689, 690
60630757	<b>21204</b>	7
60651939	<b>23161</b>	2, 4, 10
60651939	<b>23163</b>	2, 4, 10
60651940	<b>23163</b>	2, 4, 10
60652167	<b>23143</b>	689, 690

Ref. - No.



60652167	<b>44520</b>	689, 689, 689, 690, 690, 690, 692, 692, 692
60652465	<b>17318</b>	2, 4, 10
60652466	<b>17319</b>	2, 4, 10
60657245	<b>23161</b>	2, 4, 10
60657246	<b>23163</b>	2, 4, 10
60665804	<b>21258</b>	7
60665805	<b>21260</b>	7
60666787	<b>23161</b>	2, 4, 10
60666789	<b>23163</b>	2, 4, 10
60678134	<b>17318</b>	2, 4, 10
60678135	<b>17319</b>	2, 4, 10
60680150	<b>37574</b>	2, 4, 10
60682636	<b>33010</b>	689, 690, 692
60686891	<b>17318</b>	2, 4, 10
60686892	<b>17319</b>	2, 4, 10
60695895	<b>21258</b>	7
60695896	<b>21260</b>	7
60801528	<b>12561</b>	6
60801529	<b>12560</b>	6
60801621	<b>40544</b>	6, 6, 6, 14, 14, 15
60806355	<b>12476</b>	1, 3, 15
60806356	<b>12475</b>	1, 3, 15
60806408	<b>12062</b>	1, 3, 15
60807583	<b>12061</b>	1, 3, 15
60809242	<b>12061</b>	1, 3, 15
60813013	<b>12559</b>	1, 3, 15
60813014	<b>12558</b>	1, 3, 15
60813347	<b>12559</b>	1, 3, 15
60813348	<b>12558</b>	1, 3, 15
60815431	<b>30160</b>	689
60815432	<b>30161</b>	689
71738285	<b>12559</b>	1, 3, 15
71738286	<b>12558</b>	1, 3, 15
71746512	<b>34287</b>	5, 8, 16
71746513	<b>34286</b>	5, 8, 16
77363706	<b>29419</b>	5, 8, 16
77363707	<b>29420</b>	5, 8, 16
77363828	<b>39237</b>	11, 12, 13
77363829	<b>28618</b>	11
77363830	<b>28619</b>	11
82412746	<b>40544</b>	6, 6, 6, 14, 14, 15

Ref. - No.

Car  
Division 

Ref. - No.



7719062 S1	<b>24687</b>	693
46802680 SK	<b>44520</b>	689, 689, 689, 690, 690, 690, 692, 692, 692
46802681 SK	<b>44520</b>	689, 689, 689, 690, 690, 690, 692, 692, 692
50705032 S1	<b>38582</b>	690, 691, 693
51749713 SK	<b>44520</b>	689, 689, 689, 690, 690, 690, 692, 692, 692
51783056 SK1	<b>28420</b>	11
51783057 SK1	<b>28420</b>	11
51795575 S1	<b>38582</b>	690, 691, 693
51842924 S1	<b>36162</b>	5, 8, 15
51842924 S2	<b>36159</b>	5, 8, 15
51842925 S1	<b>36162</b>	5, 8, 15
51842925 S2	<b>36159</b>	5, 8, 15
51895366 SK	<b>28475</b>	11
51895366 SK1	<b>28420</b>	11
51895366 SK2	<b>28733</b>	11
51895367 SK	<b>28475</b>	11
51895367 SK1	<b>28420</b>	11
51895367 SK2	<b>28733</b>	11
55703627 SK1	<b>28420</b>	11
55703629 SK1	<b>28420</b>	11
60570627 S1	<b>12096</b>	1, 3, 15
60570627 S2	<b>36829</b>	1, 3, 15
60652167 SK	<b>44520</b>	689, 689, 689, 690, 690, 690, 692, 692, 692
60695895 S1	<b>36156</b>	7
60695895 S2	<b>36157</b>	7
60695895 S3	<b>36158</b>	7
60807583 S1	<b>12096</b>	1, 3, 15
60807583 S2	<b>36829</b>	1, 3, 15
60809242 S1	<b>12096</b>	1, 3, 15
60809242 S2	<b>36829</b>	1, 3, 15
passend für / to fit: <b>AUDI</b>		
8E0 407 693	<b>21196</b>	59, 63, 71, 83, 95
8E0 407 694	<b>21198</b>	59, 63, 71, 83, 95
8E0 411 317	<b>21920</b>	63, 67, 71

Ref. - No.



8E0 411 318	<b>21922</b>	63, 67, 71
8E0 419 811	<b>21840</b>	57, 65, 69, 81, 85
8E0 419 811	<b>39077</b>	61, 65, 69
6E0 419 831	<b>21700</b>	40
8E0 422 821	<b>26151</b>	61, 65, 69
8E0 422 821	<b>36800</b>	61, 65, 69
8E0 498 998	<b>24800</b>	63, 71
857 407 175	<b>14260</b>	21, 23, 25, 27, 101, 103, 105, 107
811 407 181	<b>07557</b>	19, 21, 25, 101, 103
857 407 181	<b>07558</b>	19, 21, 23, 25, 27, 29, 31, 101, 103, 105, 107, 109, 110, 111, 694, 695
857 407 181	<b>14081</b>	19, 21, 23, 25, 27, 29, 31, 101, 103, 105, 107, 109, 110, 111, 694, 695
893 407 181	<b>01932</b>	27, 29, 31, 107, 109, 110, 111
191 407 182	<b>07856</b>	39, 45, 49, 121
357 407 182	<b>07856</b>	39, 45, 49, 121
861 407 183	<b>07701</b>	17
893 407 203	<b>14240</b>	29, 31, 107, 109, 110
895 407 203	<b>19569</b>	107, 109, 110
855 407 365	<b>03610</b>	25, 101
893 407 365	<b>02052</b>	25, 27, 107
895 407 365	<b>02057</b>	29, 31, 107, 109, 110
855 407 366	<b>03612</b>	25, 101
893 407 366	<b>02053</b>	25, 27, 107
895 407 366	<b>02058</b>	29, 31, 107, 109, 110
893 407 465	<b>18086</b>	25, 27, 29, 31, 107, 109, 110
867 411 313	<b>02757</b>	17
443 411 327	<b>01934</b>	33
893 419 802	<b>17676</b>	24, 26, 28, 30, 106, 108, 110
823 419 811	<b>02234</b>	17, 18, 20, 22
811 419 812	<b>02234</b>	17, 18, 20, 22
861 419 812	<b>02234</b>	17, 18, 20, 22


**Ref. - No.**


431 419 831	<b>01935</b>	33, 34, 35, 36, 37
1K0 199 231 G	<b>27069</b>	55
1K0 199 231 G S1	<b>32542</b>	55
1K0 199 231 J SK	<b>31253</b>	55
1K0 199 231 J S1	<b>32542</b>	55
1K0 199 231 K SK	<b>38659</b>	113
1K0 199 231 N	<b>33971</b>	55
1K0 199 231 N S1	<b>33973</b>	55
1K0 199 231 P	<b>27069</b>	55
3C0 199 231 A S1	<b>39230</b>	113
3C0 199 231 B S1	<b>39230</b>	113
3C0 199 231 D S1	<b>39230</b>	113
3C0 199 231 E S1	<b>39230</b>	113
3C0 199 231 F	<b>43788</b>	113
3C0 199 231 F SK	<b>38659</b>	113
8J0 199 231	<b>34839</b>	123
8J0 199 231 SK	<b>33973</b>	55
1K0 199 232 G	<b>27071</b>	55
1K0 199 232 G S1	<b>32541</b>	55
1K0 199 232 J	<b>27071</b>	55
1K0 199 232 J SK	<b>31253</b>	55
1K0 199 232 J S1	<b>32541</b>	55
1K0 199 232 K SK	<b>38659</b>	113
1K0 199 232 N	<b>33972</b>	55
1K0 199 232 N S1	<b>33973</b>	55
1K0 199 232 P	<b>27071</b>	55
1K0 199 231 J	<b>27069</b>	55
4A0 399 413 A	<b>18842</b>	35, 36
7L0 407 021	<b>30907</b>	118, 118, 119
7L0 407 021 A	<b>30907</b>	118, 118, 119
7L0 407 021 A S1	<b>38839</b>	118, 118, 119
7L0 407 021 A S2	<b>40403</b>	119
7L0 407 021 B	<b>30907</b>	118, 118, 119
7L0 407 021 B S1	<b>38839</b>	118, 118, 119
7L0 407 021 B S2	<b>40403</b>	119
7L0 407 021 S1	<b>38839</b>	118, 118, 119
7L0 407 021 S2	<b>40403</b>	119
7L8 407 021	<b>45377</b>	118, 118, 119
7L8 407 021 S1	<b>45380</b>	118, 119
7L0 407 077	<b>31344</b>	118, 118, 119
811 407 147 B	<b>14148</b>	19, 21, 25, 101, 103

**Ref. - No.**


857 407 147 A	<b>09527</b>	19, 21, 23, 25, 27, 101, 103, 105, 107, 111
893 407 147 C	<b>09527</b>	19, 21, 23, 25, 27, 101, 103, 105, 107, 111
893 407 147 E	<b>09527</b>	19, 21, 23, 25, 27, 101, 103, 105, 107, 111
893 407 147 G	<b>14148</b>	19, 21, 25, 101, 103
895 407 147 A	<b>09523</b>	29, 31, 107, 109, 110
857 407 148 A	<b>09528</b>	19, 21, 23, 25, 27, 101, 103, 105, 107, 111
857 407 148 C	<b>09528</b>	19, 21, 23, 25, 27, 101, 103, 105, 107, 111
893 407 148 C	<b>09528</b>	19, 21, 23, 25, 27, 101, 103, 105, 107, 111
893 407 148 E	<b>09528</b>	19, 21, 23, 25, 27, 101, 103, 105, 107, 111
895 407 148 A	<b>09524</b>	29, 31, 107, 109, 110
1J0 407 151 A	<b>11091</b>	45, 49
1J0 407 151 A S1	<b>19820</b>	45, 49
1J0 407 151 A S2	<b>19822</b>	45, 49
1J0 407 151 B	<b>11091</b>	45, 49
1J0 407 151 B S1	<b>19820</b>	45, 49
1J0 407 151 B S2	<b>19822</b>	45, 49
1J0 407 151 C	<b>11091</b>	45, 49
1J0 407 151 C S1	<b>19820</b>	45, 49
1J0 407 151 C S2	<b>19822</b>	45, 49
1K0 407 151 AA S1	<b>38181</b>	55, 123
1K0 407 151 AC	<b>27076</b>	55
1K0 407 151 AC S1	<b>37183</b>	54, 55
1K0 407 151 AC S2	<b>40103</b>	55
1K0 407 151 AE S1	<b>38181</b>	55, 123
1K0 407 151 AH S1	<b>38181</b>	55, 123
1K0 407 151 AL	<b>40103</b>	55
1K0 407 151 BC S1	<b>38181</b>	55, 123



Ref. - No.

Car  
Division 

Ref. - No.



1K0 407 151 M	<b>27076</b>	55
1K0 407 151 M S1	<b>37183</b>	54, 55
1K0 407 151 M S2	<b>40103</b>	55
1K0 407 151 N S1	<b>38181</b>	55, 123
1K0 407 151 P S1	<b>38181</b>	55, 123
1K0 407 151 Q S1	<b>38181</b>	55, 123
1K0 407 151 T	<b>27076</b>	55
437 407 151 A	<b>01264</b>	33, 34
4A0 407 151	<b>10662</b>	35, 36
4A0 407 151 S	<b>18890</b>	35, 36
4A0 407 151 S1	<b>18890</b>	35, 36
4B0 407 151	<b>19932</b>	59, 83, 95
4B3 407 151 A	<b>19932</b>	59, 83, 95
4B3 407 151 A S1	<b>40114</b>	59, 83, 95
4B3 407 151 C	<b>19932</b>	59, 83, 95
4B3 407 151 C S1	<b>40114</b>	59, 83, 95
4B3 407 151 D	<b>45958</b>	81
4B3 407 151 K	<b>19932</b>	59, 83, 95
4B3 407 151 K S1	<b>40114</b>	59, 83, 95
4D0 407 151 A	<b>11350</b>	59, 83, 95
4D0 407 151 B	<b>11350</b>	59, 83, 95
4D0 407 151 C	<b>11350</b>	59, 83, 95
4D0 407 151 E	<b>11350</b>	59, 83, 95
4D0 407 151 G	<b>11350</b>	59, 83, 95
4D0 407 151 H	<b>11350</b>	59, 83, 95
4D0 407 151 J	<b>11350</b>	59, 83, 95
4F0 407 151	<b>32321</b>	85
4F0 407 151 A	<b>32321</b>	85
4F0 407 151 A S1	<b>40397</b>	85
4F0 407 151 S1	<b>40397</b>	85
4Z7 407 151 G S1	<b>36955</b>	83
6R0 407 151 A	<b>39557</b>	39
6R0 407 151 F	<b>39557</b>	39
7L8 407 151 F S1	<b>45527</b>	119
7L8 407 151 K S1	<b>45527</b>	119
7P0 407 151 C S1	<b>45527</b>	119
7P0 407 151 D S1	<b>45527</b>	119
7P0 407 151 E S1	<b>45527</b>	119
861 407 151 B	<b>03607</b>	17
8D0 407 151 E	<b>11350</b>	59, 83, 95
8D0 407 151 F	<b>11350</b>	59, 83, 95
8E0 407 151 E	<b>21928</b>	63, 67, 71
8E0 407 151 E S1	<b>33370</b>	63, 67, 71

Ref. - No.



8E0 407 151 K	<b>21928</b>	63, 67, 71
8E0 407 151 K S1	<b>33370</b>	63, 67, 71
8E0 407 151 L	<b>21928</b>	63, 67, 71
8E0 407 151 L S1	<b>33370</b>	63, 67, 71
8E0 407 151 M	<b>21928</b>	63, 67, 71
8E0 407 151 M S1	<b>33370</b>	63, 67, 71
8E0 407 151 N	<b>21928</b>	63, 67, 71
8E0 407 151 N S1	<b>33370</b>	63, 67, 71
8E0 407 151 R	<b>21928</b>	63, 67, 71
8E0 407 151 R S1	<b>33370</b>	63, 67, 71
8J0 407 151 D	<b>44205</b>	123
8J0 407 151 D S1	<b>44217</b>	123
8J0 407 151 D S2	<b>44218</b>	123
8K0 407 151 B	<b>36049</b>	75, 79, 87, 91, 117
8K0 407 151 B S1	<b>40413</b>	75, 79, 87, 91, 117
8K0 407 151 B S2	<b>46418</b>	75, 117
8K0 407 151 B S3	<b>49419</b>	75, 117
8K0 407 151 C	<b>36049</b>	75, 79, 87, 91, 117
8K0 407 151 C S1	<b>40413</b>	75, 79, 87, 91, 117
8K0 407 151 C S2	<b>46418</b>	75, 117
8K0 407 151 C S3	<b>49419</b>	75, 117
8K0 407 151 D	<b>36049</b>	75, 79, 87, 91, 117
8K0 407 151 D S1	<b>40413</b>	75, 79, 87, 91, 117
8K0 407 151 D S2	<b>46418</b>	75, 117
8K0 407 151 D S3	<b>49419</b>	75, 117
8K0 407 151 F	<b>44270</b>	75, 79, 87, 91, 117
8K0 407 151 G	<b>44270</b>	75, 79, 87, 91, 117
8N0 407 151 A	<b>44378</b>	49, 121
8N0 407 151 A	<b>44379</b>	49, 121
8N0 407 151 A S1	<b>44452</b>	49, 120, 121
8N0 407 151 D	<b>44378</b>	49, 121
8N0 407 151 D S1	<b>44452</b>	49, 120, 121
8Z0 407 151 J S1	<b>39644</b>	41
1K0 407 152 AA S1	<b>38180</b>	55, 123
1K0 407 152 AB S1	<b>38180</b>	55, 123
1K0 407 152 AC	<b>27078</b>	55
1K0 407 152 AC S1	<b>37182</b>	54, 55
1K0 407 152 AC S2	<b>40104</b>	55
1K0 407 152 AE S1	<b>38180</b>	55, 123
1K0 407 152 AF S1	<b>38180</b>	55, 123
1K0 407 152 AH S1	<b>38180</b>	55, 123
1K0 407 152 AL	<b>40104</b>	55
1K0 407 152 BC S1	<b>38180</b>	55, 123


**Ref. - No.**


1K0 407 152 M	<b>27078</b>	55
1K0 407 152 M S1	<b>37182</b>	54, 55
1K0 407 152 M S2	<b>40104</b>	55
1K0 407 152 N S1	<b>38180</b>	55, 123
1K0 407 152 P S1	<b>38180</b>	55, 123
1K0 407 152 Q S1	<b>38180</b>	55, 123
1K0 407 152 T	<b>27078</b>	55
437 407 152 A	<b>01269</b>	33, 34
4A0 407 152	<b>10663</b>	35, 36
4A0 407 152 S	<b>18892</b>	35, 36
4A0 407 152 S1	<b>18892</b>	35, 36
6R0 407 152 A	<b>39558</b>	39
6R0 407 152 F	<b>39558</b>	39
7L8 407 152 F S1	<b>45528</b>	119
7L8 407 152 K S1	<b>45528</b>	119
7P0 407 152 C S1	<b>45528</b>	119
7P0 407 152 D S1	<b>45528</b>	119
7P0 407 152 E S1	<b>45528</b>	119
8K0 407 152 B	<b>36054</b>	75, 79, 87, 91, 117
8K0 407 152 B S1	<b>40412</b>	75, 79, 87, 91, 117
8K0 407 152 C	<b>36054</b>	75, 79, 87, 91, 117
8K0 407 152 C S1	<b>40412</b>	75, 79, 87, 91, 117
8K0 407 152 D	<b>36054</b>	75, 79, 87, 91, 117
8K0 407 152 D S1	<b>40412</b>	75, 79, 87, 91, 117
8K0 407 152 F	<b>44271</b>	75, 79, 87, 91, 117
8K0 407 152 G	<b>44271</b>	75, 79, 87, 91, 117
8N0 407 152 A S1	<b>44453</b>	49, 120, 121
8N0 407 152 D	<b>44379</b>	49, 121
8N0 407 152 D S1	<b>44453</b>	49, 120, 121
8Z0 407 152 J S1	<b>39645</b>	41
811 407 175 A	<b>14242</b>	17, 19, 21, 25, 101, 103
8A0 407 175	<b>14240</b>	29, 31, 107, 109, 110
1J0 407 181	<b>10814</b>	45, 49, 121
1J0 407 181 A	<b>10814</b>	45, 49, 121
431 407 181 F	<b>07538</b>	32, 33, 34, 37
4A0 407 181 A	<b>07629</b>	35, 36
4D0 407 181 F	<b>10018</b>	59, 83, 95
4D0 407 181 H	<b>10018</b>	59, 83, 95
4E0 407 181 B	<b>27484</b>	75, 79, 85, 87, 89, 91, 97, 99, 117
6R0 407 181 B	<b>26535</b>	39, 49, 121

**Ref. - No.**


811 407 181 A	<b>07557</b>	19, 21, 25, 101, 103
8A0 407 181	<b>14081</b>	19, 21, 23, 25, 27, 29, 31, 101, 103, 105, 107, 109, 110, 111, 694, 695
8E0 407 181 B	<b>22046</b>	63, 67, 71
8E0 407 181 C	<b>22046</b>	63, 67, 71
8N0 407 181 B	<b>26535</b>	39, 49, 121
1K0 407 182	<b>24390</b>	52, 55, 113, 123, 124
1K0 407 182 A	<b>24390</b>	52, 55, 113, 123, 124
4D0 407 182 E	<b>10020</b>	59, 63, 67, 71, 83, 95
4D0 407 182 G	<b>10020</b>	59, 63, 67, 71, 83, 95
4E0 407 182 B	<b>29450</b>	85, 97
4E0 407 182 C	<b>29450</b>	85, 97
5Q0 407 182	<b>24390</b>	52, 55, 113, 123, 124
5Q0 407 182	<b>38404</b>	52, 124
7L0 407 182 B	<b>38811</b>	119
7L0 407 182 C	<b>38811</b>	119
7L0 407 182 D	<b>44764</b>	118, 118, 119
7L0 407 182 E	<b>38811</b>	119
7L0 407 182 F	<b>44764</b>	118, 118, 119
7L0 407 182 G	<b>44764</b>	118, 118, 119
8K0 407 182 A	<b>29944</b>	75, 79, 87, 89, 91, 117
8K0 407 182 B	<b>29944</b>	75, 79, 87, 89, 91, 117
8N0 407 182 A	<b>28621</b>	49, 55, 121
8Z0 407 182 B	<b>29767</b>	41
8Z0 407 182 C	<b>29767</b>	41
1K0 407 183 E	<b>31253</b>	55
1K0 407 183 G	<b>38659</b>	113
431 407 183 A	<b>01926</b>	32, 33, 34, 37
4A0 407 183 C	<b>10800</b>	35, 36
4A0 407 183 D	<b>10800</b>	35, 36
4A0 407 183 D S1	<b>18844</b>	35, 36
4D0 407 183 AB	<b>21194</b>	59, 63, 71, 83, 95
4D0 407 183 AC	<b>21194</b>	59, 63, 71, 83, 95
4D0 407 183 L	<b>28582</b>	67, 71, 85

Ref. - No.

Car  
Division 

Ref. - No.



Ref. - No.



4D0 407 183 M	<b>10073</b>	59, 83, 94, 94, 95
4D0 407 183 N	<b>10073</b>	59, 83, 94, 94, 95
4D0 407 183 P	<b>10073</b>	59, 83, 94, 94, 95
4D0 407 183 P	<b>21194</b>	59, 63, 71, 83, 95
4D0 407 183 Q	<b>21194</b>	59, 63, 71, 83, 95
4D0 407 183 S	<b>21194</b>	59, 63, 71, 83, 95
4F0 407 183 A	<b>28582</b>	67, 71, 85
4F0 407 183 B	<b>28582</b>	67, 71, 85
4F0 407 183 C	<b>29346</b>	71
4F0 407 183 D	<b>31392</b>	85
4F0 407 183 E	<b>28582</b>	67, 71, 85
4F0 407 183 F	<b>31392</b>	85
4G0 407 183	<b>39191</b>	89, 91
4G0 407 183 A	<b>39191</b>	89, 91
5Q0 407 183 D	<b>38403</b>	52
5Q0 407 183 E	<b>38403</b>	52
6Q0 407 183	<b>31253</b>	55
6Q0 407 183 A	<b>31253</b>	55
6Q0 407 183 B	<b>31253</b>	55
7L0 407 183 A	<b>33725</b>	119, 715
7L8 407 183	<b>33725</b>	119, 715
8J0 407 183	<b>33973</b>	55
8K0 407 183 A	<b>30218</b>	75, 79, 117
8K0 407 183 B	<b>30218</b>	75, 79, 117
8K0 407 183 D	<b>38547</b>	75, 79, 117
8Z0 407 183 A	<b>29839</b>	41
8Z0 407 195 D	<b>29767</b>	41
1J0 407 365 A	<b>12658</b>	45, 49
1J0 407 365 AS	<b>14440</b>	45, 49
1J0 407 365 C	<b>12658</b>	45, 49
1J0 407 365 C	<b>14440</b>	45, 49
1J0 407 365 CS	<b>14440</b>	45, 49
1J0 407 365 C S1	<b>14440</b>	45, 49
1J0 407 365 D	<b>12658</b>	45, 49
1J0 407 365 H	<b>12658</b>	45, 49
1J0 407 365 H S1	<b>14440</b>	45, 49
1J0 407 365 J	<b>12658</b>	45, 49
1J0 407 365 J S1	<b>14440</b>	45, 49
1K0 407 365 B	<b>26082</b>	55, 113
1K0 407 365 B S1	<b>36735</b>	55, 113
1K0 407 365 C	<b>26082</b>	55, 113
1K0 407 365 C S1	<b>36735</b>	55, 113
1K0 407 365 E	<b>26082</b>	55, 113

1K0 407 365 E S1	<b>36735</b>	55, 113
1KD 407 365	<b>26082</b>	55, 113
1KD 407 365 S1	<b>36735</b>	55, 113
3C0 407 365 A	<b>30509</b>	55
3C0 407 365 A S1	<b>31485</b>	55
3C0 407 365 B	<b>30509</b>	55
3C0 407 365 B S1	<b>31485</b>	55
5Q0 407 365 A S1	<b>40668</b>	52
6R0 407 365	<b>36051</b>	39
6R0 407 365 A	<b>36051</b>	39
6R0 407 365 B	<b>36051</b>	39
823 407 365 A	<b>02243</b>	17
823 407 365 C	<b>02243</b>	17
823 407 365 E	<b>02244</b>	17, 19, 21, 101, 103
855 407 365 A	<b>01521</b>	21, 23, 25, 27, 101, 103, 105
855 407 365 B	<b>01521</b>	21, 23, 25, 27, 101, 103, 105
893 407 365 A	<b>03553</b>	25
893 407 365 B	<b>02057</b>	29, 31, 107, 109, 110
893 407 365 D	<b>09008</b>	27
893 407 365 E	<b>09008</b>	27
893 407 365 F	<b>02052</b>	25, 27, 107
8A0 407 365	<b>02057</b>	29, 31, 107, 109, 110
8J0 407 365	<b>40539</b>	122, 123, 124, 124
8J0 407 365 S1	<b>40536</b>	123, 124
8N0 407 365 A	<b>26700</b>	49, 121
8N0 407 365 B	<b>26700</b>	49, 121
8N0 407 365 C	<b>26700</b>	49, 121
8Z0 407 365 A	<b>19406</b>	41
8Z0 407 365 A S1	<b>14440</b>	45, 49
1J0 407 366 A	<b>12660</b>	45, 49
1J0 407 366 AS	<b>14444</b>	45, 49
1J0 407 366 C	<b>12660</b>	45, 49
1J0 407 366 CS	<b>14444</b>	45, 49
1J0 407 366 C S1	<b>14444</b>	45, 49
1J0 407 366 D	<b>12660</b>	45, 49
1J0 407 366 H	<b>12660</b>	45, 49
1J0 407 366 H S1	<b>14444</b>	45, 49
1J0 407 366 J	<b>12660</b>	45, 49
1J0 407 366 J S1	<b>14444</b>	45, 49


**Ref. - No.**


1K0 407 366 B	<b>26083</b>	55, 113
1K0 407 366 B S1	<b>36736</b>	55, 113
1K0 407 366 C	<b>26083</b>	55, 113
1K0 407 366 C S1	<b>36736</b>	55, 113
1K0 407 366 E	<b>26083</b>	55, 113
1K0 407 366 E S1	<b>36736</b>	55, 113
1KD 407 366	<b>26083</b>	55, 113
1KD 407 366 S1	<b>36736</b>	55, 113
3C0 407 366 A	<b>30510</b>	55
3C0 407 366 A S1	<b>31486</b>	55
3C0 407 366 B	<b>30510</b>	55
3C0 407 366 B S1	<b>31486</b>	55
5Q0 407 366 A S1	<b>40669</b>	52
6R0 407 366	<b>36052</b>	39
6R0 407 366 A	<b>36052</b>	39
6R0 407 366 B	<b>36052</b>	39
855 407 366 A	<b>01522</b>	21, 23, 25, 27, 101, 103, 105
855 407 366 B	<b>01522</b>	21, 23, 25, 27, 101, 103, 105
893 407 366 A	<b>03551</b>	25
893 407 366 B	<b>02058</b>	29, 31, 107, 109, 110
893 407 366 D	<b>09009</b>	27
893 407 366 E	<b>09009</b>	27
893 407 366 F	<b>02053</b>	25, 27, 107
8A0 407 366	<b>02058</b>	29, 31, 107, 109, 110
8J0 407 366	<b>40540</b>	122, 123, 124, 124
8J0 407 366 S1	<b>40537</b>	123, 124
8N0 407 366 A	<b>26700</b>	49, 121
8Z0 407 366 A	<b>19408</b>	41
8Z0 407 366 A S1	<b>14444</b>	45, 49
893 407 465 A	<b>18084</b>	31
8A0 407 465	<b>18086</b>	25, 27, 29, 31, 107, 109, 110
8A0 407 465 B	<b>18084</b>	31
8A0 407 465 C	<b>18084</b>	31
4D0 407 505 B	<b>14310</b>	93
4D0 407 505 D	<b>14310</b>	93
4D0 407 505 F	<b>14310</b>	93
4D0 407 505 H	<b>14310</b>	93
4E0 407 505 B	<b>27503</b>	85, 96

**Ref. - No.**


4E0 407 505 E	<b>27503</b>	85, 96
4Z7 407 505	<b>11137</b>	57, 61, 69, 81
4Z7 407 505 A	<b>11137</b>	57, 61, 69, 81
4Z7 407 505 A S2	<b>37179</b>	57, 61, 69, 81
4Z7 407 505 S2	<b>37179</b>	57, 61, 69, 81
8D0 407 505 B	<b>11137</b>	57, 61, 69, 81
8D0 407 505 B S2	<b>37179</b>	57, 61, 69, 81
8D0 407 505 D	<b>32318</b>	57, 65, 69
8D0 407 505 D S1	<b>40745</b>	65, 69, 93
8D0 407 505 E	<b>32318</b>	57, 65, 69
8D0 407 505 E S1	<b>40745</b>	65, 69, 93
8D0 407 505 F	<b>11137</b>	57, 61, 69, 81
8D0 407 505 F S2	<b>37179</b>	57, 61, 69, 81
8D0 407 505 H	<b>11137</b>	57, 61, 69, 81
8D0 407 505 H S2	<b>37179</b>	57, 61, 69, 81
8D0 407 505 K	<b>11137</b>	57, 61, 69, 81
8D0 407 505 K S2	<b>37179</b>	57, 61, 69, 81
8D0 407 505 L	<b>32318</b>	57, 65, 69
8D0 407 505 L S1	<b>40745</b>	65, 69, 93
8E0 407 505 A	<b>11137</b>	57, 61, 69, 81
8E0 407 505 A S2	<b>37179</b>	57, 61, 69, 81
8E0 407 505 C	<b>32318</b>	57, 65, 69
8E0 407 505 C S1	<b>40745</b>	65, 69, 93
8E0 407 505 P	<b>32318</b>	57, 65, 69
8E0 407 505 P S1	<b>40745</b>	65, 69, 93
8K0 407 505 A	<b>36598</b>	75, 77, 89, 115
8K0 407 505 B	<b>36058</b>	75, 77, 115
8K0 407 505 F	<b>36598</b>	75, 77, 89, 115
8K0 407 505 N	<b>36598</b>	75, 77, 89, 115
4E0 407 506 B	<b>27502</b>	85, 96
4E0 407 506 E	<b>27502</b>	85, 96
4Z7 407 506	<b>11138</b>	57, 61, 69, 81
4Z7 407 506 A	<b>11138</b>	57, 61, 69, 81
4Z7 407 506 A S1	<b>37178</b>	57, 61, 69, 81
4Z7 407 506 S1	<b>37178</b>	57, 61, 69, 81
8D0 407 506 B	<b>11138</b>	57, 61, 69, 81
8D0 407 506 B S1	<b>37178</b>	57, 61, 69, 81
8D0 407 506 D	<b>32319</b>	57, 65, 69
8D0 407 506 D S1	<b>40746</b>	65, 69, 93
8D0 407 506 E	<b>32319</b>	57, 65, 69
8D0 407 506 E S1	<b>40746</b>	65, 69, 93
8D0 407 506 F	<b>11138</b>	57, 61, 69, 81
8D0 407 506 F S1	<b>37178</b>	57, 61, 69, 81

Ref. - No.

Car  
Division

Ref. - No.



Ref. - No.



8D0 407 506 H	<b>11138</b>	57, 61, 69, 81
8D0 407 506 H S1	<b>37178</b>	57, 61, 69, 81
8D0 407 506 K	<b>11138</b>	57, 61, 69, 81
8D0 407 506 K S1	<b>37178</b>	57, 61, 69, 81
8D0 407 506 L	<b>32319</b>	57, 65, 69
8D0 407 506 L S1	<b>40746</b>	65, 69, 93
8E0 407 506 A	<b>11138</b>	57, 61, 69, 81
8E0 407 506 A S1	<b>37178</b>	57, 61, 69, 81
8E0 407 506 C	<b>32319</b>	57, 65, 69
8E0 407 506 C S1	<b>40746</b>	65, 69, 93
8E0 407 506 P	<b>32319</b>	57, 65, 69
8E0 407 506 P S1	<b>40746</b>	65, 69, 93
8K0 407 506 A	<b>36597</b>	75, 77, 89, 115
8K0 407 506 B	<b>36059</b>	75, 77, 115
8K0 407 506 F	<b>36597</b>	75, 77, 89, 115
8K0 407 506 N	<b>36597</b>	75, 77, 89, 115
4D0 407 509 B	<b>11225</b>	57
4D0 407 509 D	<b>11225</b>	57
4D0 407 509 F	<b>21904</b>	57, 61, 69, 81, 93
4D0 407 509 F S1	<b>33367</b>	57, 61, 69, 81, 93
4D0 407 509 G	<b>21904</b>	57, 61, 69, 81, 93
4D0 407 509 G S1	<b>33367</b>	57, 61, 69, 81, 93
4D0 407 509 H	<b>21904</b>	57, 61, 69, 81, 93
4D0 407 509 H S1	<b>33367</b>	57, 61, 69, 81, 93
4D0 407 509 J	<b>21904</b>	57, 61, 69, 81, 93
4D0 407 509 J S1	<b>33367</b>	57, 61, 69, 81, 93
4D0 407 509 K	<b>11225</b>	57
4E0 407 509 B	<b>27265</b>	85, 96
4E0 407 509 E	<b>27265</b>	85, 96
4E0 407 509 G	<b>27265</b>	85, 96
4E0 407 509 K	<b>27265</b>	85, 96
8D0 407 509	<b>31332</b>	57, 61, 65, 69, 81, 93
8D0 407 509 A	<b>31332</b>	57, 61, 65, 69, 81, 93
8D0 407 509 A S1	<b>40744</b>	65, 69, 93
8D0 407 509 C	<b>21904</b>	57, 61, 69, 81, 93
8D0 407 509 C S1	<b>33367</b>	57, 61, 69, 81, 93
8D0 407 509 E	<b>21904</b>	57, 61, 69, 81, 93
8D0 407 509 E S1	<b>33367</b>	57, 61, 69, 81, 93
8D0 407 509 F	<b>31332</b>	57, 61, 65, 69, 81, 93
8D0 407 509 F S1	<b>40744</b>	65, 69, 93

8D0 407 509 G	<b>21892</b>	57, 93
8D0 407 509 S1	<b>40744</b>	65, 69, 93
8E0 407 509 A	<b>21904</b>	57, 61, 69, 81, 93
8E0 407 509 A S1	<b>33367</b>	57, 61, 69, 81, 93
8E0 407 509 C	<b>31332</b>	57, 61, 65, 69, 81, 93
8E0 407 509 C S1	<b>40744</b>	65, 69, 93
8E0 407 509 P	<b>31332</b>	57, 61, 65, 69, 81, 93
8E0 407 509 P S1	<b>40744</b>	65, 69, 93
8K0 407 509 A	<b>36602</b>	75, 77, 87, 89, 91, 115
8K0 407 509 B	<b>36060</b>	75, 77, 115
8K0 407 509 F	<b>36602</b>	75, 77, 87, 89, 91, 115
8K0 407 509 N	<b>36602</b>	75, 77, 87, 89, 91, 115
4D0 407 510 B	<b>11224</b>	57
4D0 407 510 D	<b>11224</b>	57
4D0 407 510 F	<b>21906</b>	57, 61, 69, 81, 93
4D0 407 510 F S1	<b>33368</b>	57, 61, 69, 81, 93
4D0 407 510 G	<b>21906</b>	57, 61, 69, 81, 93
4D0 407 510 G S1	<b>33368</b>	57, 61, 69, 81, 93
4D0 407 510 H	<b>21906</b>	57, 61, 69, 81, 93
4D0 407 510 H S1	<b>33368</b>	57, 61, 69, 81, 93
4D0 407 510 J	<b>21906</b>	57, 61, 69, 81, 93
4D0 407 510 J S1	<b>33368</b>	57, 61, 69, 81, 93
4D0 407 510 K	<b>11224</b>	57
4E0 407 510 B	<b>27264</b>	85, 96
4E0 407 510 E	<b>27264</b>	85, 96
4E0 407 510 G	<b>27264</b>	85, 96
4E0 407 510 K	<b>27264</b>	85, 96
8D0 407 510	<b>31331</b>	57, 61, 65, 69, 81, 93
8D0 407 510 A	<b>31331</b>	57, 61, 65, 69, 81, 93
8D0 407 510 A S1	<b>40743</b>	65, 69, 93
8D0 407 510 C	<b>21906</b>	57, 61, 69, 81, 93
8D0 407 510 C S1	<b>33368</b>	57, 61, 69, 81, 93
8D0 407 510 E	<b>21906</b>	57, 61, 69, 81, 93
8D0 407 510 E S1	<b>33368</b>	57, 61, 69, 81, 93
8D0 407 510 F	<b>31331</b>	57, 61, 65, 69, 81, 93


**Ref. - No.**


8D0 407 510 F S1	<b>40743</b>	65, 69, 93
8D0 407 510 G	<b>21893</b>	57, 93
8D0 407 510 S1	<b>40743</b>	65, 69, 93
8E0 407 510 A	<b>21906</b>	57, 61, 69, 81, 93
8E0 407 510 A S1	<b>33368</b>	57, 61, 69, 81, 93
8E0 407 510 C	<b>31331</b>	57, 61, 65, 69, 81, 93
8E0 407 510 C S1	<b>40743</b>	65, 69, 93
8E0 407 510 P	<b>31331</b>	57, 61, 65, 69, 81, 93
8E0 407 510 P S1	<b>40743</b>	65, 69, 93
8K0 407 510 A	<b>36603</b>	75, 77, 87, 89, 91, 115
8K0 407 510 B	<b>36061</b>	75, 77, 115
8K0 407 510 F	<b>36603</b>	75, 77, 87, 89, 91, 115
8K0 407 510 N	<b>36603</b>	75, 77, 87, 89, 91, 115
4B0 407 515	<b>19926</b>	57, 61, 69, 81
4D0 407 515 C	<b>10019</b>	57, 81, 93
4H0 407 515 A	<b>36580</b>	87, 89, 91, 99
4H0 407 515 B	<b>36580</b>	87, 89, 91, 99
8D0 407 515 A	<b>30696</b>	65, 69, 81, 85, 92, 92, 93, 96
8D0 407 515 B	<b>30696</b>	65, 69, 81, 85, 92, 92, 93, 96
8D0 407 515 C	<b>30696</b>	65, 69, 81, 85, 92, 92, 93, 96
8K0 407 515	<b>31468</b>	75, 77, 115
8K0 407 515 S1	<b>45551</b>	75, 79
8R0 407 515	<b>39355</b>	75, 77, 115
4D0 407 516 A	<b>45321</b>	92, 92, 93
4D0 407 516 C	<b>45321</b>	92, 92, 93
4G0 407 689 A	<b>40930</b>	74, 74, 75, 78, 78, 79, 86, 86, 87, 90, 90, 91, 116, 116, 117
4G0 407 689 C	<b>40930</b>	74, 74, 75, 78, 78, 79, 86, 86, 87, 90, 90, 91, 116, 116, 117

**Ref. - No.**


8K0 407 689 D S1	<b>37340</b>	74, 74, 75, 78, 78, 79, 86, 86, 87, 90, 90, 91, 116, 116, 117
8K0 407 689 E S1	<b>37340</b>	74, 74, 75, 78, 78, 79, 86, 86, 87, 90, 90, 91, 116, 116, 117
8K0 407 689 F S1	<b>37340</b>	74, 74, 75, 78, 78, 79, 86, 86, 87, 90, 90, 91, 116, 116, 117
8K0 407 689 G S1	<b>37340</b>	74, 74, 75, 78, 78, 79, 86, 86, 87, 90, 90, 91, 116, 116, 117
4D0 407 693 AC	<b>11352</b>	59, 83
4D0 407 693 AC S1	<b>33364</b>	59, 83
4D0 407 693 AD	<b>11352</b>	59, 83
4D0 407 693 AD S1	<b>33364</b>	59, 83
4D0 407 693 E	<b>11352</b>	59, 83
4D0 407 693 E S1	<b>33364</b>	59, 83
4D0 407 693 H	<b>11352</b>	59, 83
4D0 407 693 H S1	<b>33364</b>	59, 83
4D0 407 693 K	<b>11352</b>	59, 83
4D0 407 693 K S1	<b>33364</b>	59, 83
4D0 407 693 M	<b>11352</b>	59, 83
4D0 407 693 M S1	<b>33364</b>	59, 83
4D0 407 693 N	<b>11352</b>	59, 83
4D0 407 693 N S1	<b>33364</b>	59, 83
4F0 407 693	<b>27010</b>	85
4F0 407 693 B	<b>27010</b>	85
4F0 407 693 B S1	<b>40263</b>	85
4F0 407 693 C	<b>27010</b>	85
4F0 407 693 C S1	<b>40263</b>	85
4F0 407 693 D	<b>34520</b>	85
4F0 407 693 F	<b>34520</b>	85
4F0 407 693 G	<b>27010</b>	85
4F0 407 693 G S1	<b>40263</b>	85
4F0 407 693 H	<b>27010</b>	85
4F0 407 693 H S1	<b>40263</b>	85
4F0 407 693 J	<b>34520</b>	85
4F0 407 693 S1	<b>40263</b>	85

Ref. - No.

Car  
Division

Ref. - No.



Ref. - No.



8E0 407 693 AA	<b>31277</b>	67, 71
8E0 407 693 AC	<b>31277</b>	67, 71
8E0 407 693 AF	<b>31277</b>	67, 71
8E0 407 693 AG	<b>21196</b>	59, 63, 71, 83, 95
8E0 407 693 AG S1	<b>33366</b>	59, 63, 71, 83, 95
8E0 407 693 AJ	<b>31277</b>	67, 71
8E0 407 693 AK	<b>31277</b>	67, 71
8E0 407 693 AL	<b>31277</b>	67, 71
8E0 407 693 AM	<b>31277</b>	67, 71
8E0 407 693 E	<b>11352</b>	59, 83
8E0 407 693 E	<b>21196</b>	59, 63, 71, 83, 95
8E0 407 693 E S1	<b>33364</b>	59, 83
8E0 407 693 E S1	<b>33366</b>	59, 63, 71, 83, 95
8E0 407 693 K	<b>21196</b>	59, 63, 71, 83, 95
8E0 407 693 K S1	<b>33366</b>	59, 63, 71, 83, 95
8E0 407 693 N	<b>31277</b>	67, 71
8E0 407 693 P	<b>21196</b>	59, 63, 71, 83, 95
8E0 407 693 Q	<b>21196</b>	59, 63, 71, 83, 95
8E0 407 693 Q S1	<b>33366</b>	59, 63, 71, 83, 95
8E0 407 693 S1	<b>33366</b>	59, 63, 71, 83, 95
8E0 407 693 T	<b>31277</b>	67, 71
8K0 407 693 F S1	<b>34822</b>	75, 79, 117
8K0 407 693 H S1	<b>34822</b>	75, 79, 117
8K0 407 693 K S1	<b>34822</b>	75, 79, 117
8K0 407 693 N S1	<b>34822</b>	75, 79, 117
8K0 407 693 T S1	<b>43741</b>	75, 79
4D0 407 694 AC	<b>11351</b>	59, 83
4D0 407 694 AC S1	<b>33363</b>	59, 83
4D0 407 694 AD	<b>11351</b>	59, 83
4D0 407 694 AD S1	<b>33363</b>	59, 83
4D0 407 694 E	<b>11351</b>	59, 83
4D0 407 694 E S1	<b>33363</b>	59, 83
4D0 407 694 H	<b>11351</b>	59, 83
4D0 407 694 H S1	<b>33363</b>	59, 83
4D0 407 694 K	<b>11351</b>	59, 83
4D0 407 694 K S1	<b>33363</b>	59, 83
4D0 407 694 M	<b>11351</b>	59, 83
4D0 407 694 M S1	<b>33363</b>	59, 83
4D0 407 694 N	<b>11351</b>	59, 83
4D0 407 694 N S1	<b>33363</b>	59, 83
4F0 407 694	<b>27012</b>	85
4F0 407 694 B	<b>27012</b>	85
4F0 407 694 B S1	<b>40262</b>	85

4F0 407 694 C	<b>27012</b>	85
4F0 407 694 C S1	<b>40262</b>	85
4F0 407 694 D	<b>34521</b>	85
4F0 407 694 F	<b>34521</b>	85
4F0 407 694 G	<b>27012</b>	85
4F0 407 694 G S1	<b>40262</b>	85
4F0 407 694 H	<b>27012</b>	85
<b>4F0 407 694 H S1</b>	<b>40262</b>	<b>85</b>
4F0 407 694 J	<b>34521</b>	85
4F0 407 694 S1	<b>40262</b>	85
8E0 407 694 AA	<b>31281</b>	67, 71
8E0 407 694 AC	<b>31281</b>	67, 71
8E0 407 694 AF	<b>31281</b>	67, 71
8E0 407 694 AG	<b>21198</b>	59, 63, 71, 83, 95
8E0 407 694 AG S1	<b>33365</b>	59, 63, 71, 83, 95
8E0 407 694 AJ	<b>31281</b>	67, 71
8E0 407 694 AK	<b>31281</b>	67, 71
8E0 407 694 AL	<b>31281</b>	67, 71
8E0 407 694 AM	<b>31281</b>	67, 71
8E0 407 694 E	<b>11351</b>	59, 83
8E0 407 694 E	<b>21198</b>	59, 63, 71, 83, 95
8E0 407 694 E S1	<b>33363</b>	59, 83
8E0 407 694 E S1	<b>33365</b>	59, 63, 71, 83, 95
8E0 407 694 K	<b>21198</b>	59, 63, 71, 83, 95
8E0 407 694 K S1	<b>33365</b>	59, 63, 71, 83, 95
8E0 407 694 N	<b>31281</b>	67, 71
8E0 407 694 P	<b>21198</b>	59, 63, 71, 83, 95
8E0 407 694 P S1	<b>33365</b>	59, 63, 71, 83, 95
8E0 407 694 Q	<b>21198</b>	59, 63, 71, 83, 95
8E0 407 694 Q S1	<b>33365</b>	59, 63, 71, 83, 95
8E0 407 694 S1	<b>33365</b>	59, 63, 71, 83, 95
8E0 407 694 T	<b>31281</b>	67, 71
8K0 407 694 F S1	<b>34821</b>	75, 79, 117
8K0 407 694 H S1	<b>34821</b>	75, 79, 117
8K0 407 694 K S1	<b>34821</b>	75, 79, 117
8K0 407 694 N S1	<b>34821</b>	75, 79, 117
8K0 407 694 T S1	<b>43742</b>	75, 79
1K0 411 303 AL S1	<b>45306</b>	54, 55
1K0 411 303 AL S2	<b>45307</b>	55
1K0 411 303 BJ S1	<b>45306</b>	54, 55
1K0 411 303 BJ S2	<b>45307</b>	55
1K0 411 303 BK S1	<b>45306</b>	54, 55
1K0 411 303 BK S2	<b>45307</b>	55


**Ref. - No.**


1J0 411 305 B S1	<b>36630</b>	51
7L0 411 313 K	<b>31345</b>	119
7L8 411 313 B	<b>31345</b>	119
823 411 313 A	<b>03461</b>	17, 19, 21, 25, 101, 103
861 411 313 E	<b>02757</b>	17
1J0 411 314 AC	<b>31348</b>	45, 51, 121, 699
1J0 411 314 AC S1	<b>37139</b>	51, 121
1J0 411 314 C	<b>14716</b>	45, 51
1J0 411 314 G	<b>14718</b>	51, 121
1J0 411 314 M	<b>22804</b>	45, 51
1J0 411 314 N	<b>22804</b>	45, 51
1J0 411 314 P	<b>22794</b>	51, 121
1J0 411 314 P S1	<b>27294</b>	51, 121
1J0 411 314 R	<b>22804</b>	45, 51
1J0 411 314 R S1	<b>27304</b>	45, 51, 121
1J0 411 314 S	<b>26344</b>	45, 51, 121
1J0 411 314 S S1	<b>27250</b>	45, 51, 121
1J0 411 314 T	<b>14718</b>	51, 121
1J0 411 314 T S1	<b>27318</b>	51
6Q0 411 314 J	<b>27638</b>	41
6Q0 411 314 J S1	<b>37077</b>	41
6Q0 411 314 J S2	<b>37657</b>	41
6Q0 411 314 L	<b>27638</b>	41
6Q0 411 314 L S1	<b>37077</b>	41
6Q0 411 314 L S2	<b>37657</b>	41
6Q0 411 314 M	<b>27640</b>	39
6Q0 411 314 M S1	<b>37069</b>	39
6Q0 411 314 M S2	<b>37660</b>	39
6Q0 411 314 P	<b>27638</b>	41
6Q0 411 314 P S1	<b>37077</b>	41
6Q0 411 314 P S2	<b>37657</b>	41
6Q0 411 314 Q	<b>27640</b>	39
6Q0 411 314 Q S1	<b>37069</b>	39
6Q0 411 314 Q S2	<b>37660</b>	39
6Q0 411 314 R	<b>27642</b>	39
6Q0 411 314 R S2	<b>37089</b>	39
6Q0 411 314 R S4	<b>37659</b>	39
8N0 411 314 B	<b>22804</b>	45, 51
8Z0 411 314 B	<b>31350</b>	41
8Z0 411 314 B S1	<b>37079</b>	41
1J0 411 315 C	<b>18264</b>	45, 51
1J0 411 315 D	<b>19296</b>	51, 121

**Ref. - No.**


1J0 411 315 E	<b>18266</b>	45, 51
1J0 411 315 G	<b>18266</b>	45, 51
1J0 411 315 J	<b>18264</b>	45, 51
1K0 411 315 B	<b>24122</b>	55, 113, 123
1K0 411 315 D	<b>24122</b>	55, 113, 123
1K0 411 315 G	<b>24122</b>	55, 113, 123
1K0 411 315 J	<b>24122</b>	55, 113, 123
1K0 411 315 K	<b>24122</b>	55, 113, 123
1K0 411 315 N	<b>24122</b>	55, 113, 123
1K0 411 315 P	<b>24122</b>	55, 113, 123
1K0 411 315 R	<b>24122</b>	55, 113, 123
6Q0 411 315 A	<b>19518</b>	39, 41
6Q0 411 315 B	<b>19518</b>	39, 41
6Q0 411 315 C	<b>19518</b>	39, 41
6Q0 411 315 D	<b>19518</b>	39, 41
6Q0 411 315 E	<b>19518</b>	39, 41
6Q0 411 315 F	<b>19518</b>	39, 41
6Q0 411 315 G	<b>19518</b>	39, 41
6Q0 411 315 H	<b>19518</b>	39, 41
6Q0 411 315 J	<b>19518</b>	39, 41
6Q0 411 315 L	<b>19518</b>	39, 41
6Q0 411 315 M	<b>19518</b>	39, 41
6Q0 411 315 N	<b>19518</b>	39, 41
6Q0 411 315 P	<b>19518</b>	39, 41
6Q0 411 315 Q	<b>19518</b>	39, 41
6R0 411 315	<b>19518</b>	39, 41
6R0 411 315 A	<b>19518</b>	39, 41
8Z0 411 315 B	<b>33576</b>	41, 41, 41
8Z0 411 315 C	<b>33576</b>	41, 41, 41
8Z0 411 315 D	<b>19518</b>	39, 41
1J0 411 316 D	<b>19298</b>	51, 121
4D0 411 317 G	<b>15410</b>	59
4D0 411 317 J	<b>15410</b>	59
4D0 411 317 K	<b>19022</b>	83, 95
4E0 411 317 C	<b>27867</b>	85, 97
4E0 411 317 C S1	<b>31030</b>	85, 97
4E0 411 317 E	<b>27867</b>	85, 97
4E0 411 317 E S1	<b>31030</b>	85, 97
4E0 411 317 F	<b>27867</b>	85, 97
4E0 411 317 F S1	<b>31030</b>	85, 97
4G0 411 317 A S1	<b>39896</b>	73, 79, 87, 89, 91, 99, 117



Ref. - No.

Car  
Division 

Ref. - No.



4G0 411 317 S1	<b>39896</b>	73, 79, 87, 89, 91, 99, 117
4H0 411 317 A S1	<b>38300</b>	75, 79, 87, 89, 91, 99
4H0 411 317 C S1	<b>39896</b>	73, 79, 87, 89, 91, 99, 117
4M0 411 317 S1	<b>39896</b>	73, 79, 87, 89, 91, 99, 117
7L0 411 317	<b>31706</b>	119
8D0 411 317 D	<b>17216</b>	59, 83
8D0 411 317 D S1	<b>19704</b>	59, 83
8E0 411 317 S1	<b>21924</b>	63, 67, 71
8K0 411 317 B	<b>36873</b>	73
8K0 411 317 B S1	<b>37276</b>	73
8K0 411 317 C	<b>33548</b>	73, 79
8K0 411 317 D	<b>38540</b>	75, 79, 87, 89, 91, 117
8K0 411 317 D S1	<b>38540</b>	75, 79, 87, 89, 91, 117
8K0 411 317 E	<b>33548</b>	73, 79
8D0 411 318 D	<b>17214</b>	59, 83
8D0 411 318 D S1	<b>19702</b>	59, 83
8E0 411 318 S1	<b>21926</b>	63, 67, 71
4A0 411 327 A	<b>01523</b>	35
4A0 411 327 F	<b>30778</b>	35, 697
4D0 411 327 E	<b>10022</b>	59, 95
4D0 411 327 F	<b>10023</b>	59, 83, 95, 99, 117
4D0 411 327 G	<b>10022</b>	59, 95
4D0 411 327 H	<b>10023</b>	59, 83, 95, 99, 117
4D0 411 327 J	<b>23046</b>	63, 67, 71, 85, 99
811 411 327 A	<b>14146</b>	19, 21, 25, 27, 101, 103
823 411 327 B	<b>15986</b>	19, 21, 101
893 411 327 E	<b>29706</b>	29, 31
8K0 411 327 A	<b>31551</b>	75, 79, 87, 91
8K0 411 327 B	<b>31343</b>	73, 79, 87, 91, 99
1J0 411 336 B	<b>23366</b>	45, 51, 55, 121
1J0 411 336 C	<b>23366</b>	45, 51, 55, 121
1J0 411 336 D	<b>23366</b>	45, 51, 55, 121
8D0 411 506 K	<b>17216</b>	59, 83
7L0 412 333	<b>40165</b>	118, 118, 119
7L0 412 333 A	<b>40165</b>	118, 118, 119
443 419 801 A	<b>02277</b>	33, 34

Ref. - No.



443 419 801 B	<b>02277</b>	33, 34
443 419 801 C	<b>02277</b>	33, 34
443 419 801 E	<b>02277</b>	33, 34
4A0 419 801 A	<b>25290</b>	36
4B0 419 801 B	<b>11354</b>	57, 81, 93
4B0 419 801 B SK	<b>38854</b>	57, 81, 93
4B0 419 801 E	<b>11354</b>	57, 81, 93
4B0 419 801 E SK	<b>38854</b>	57, 81, 93
4B0 419 801 M	<b>11354</b>	57, 81, 93
4B0 419 801 M SK	<b>38854</b>	57, 81, 93
4D0 419 801 B	<b>11354</b>	57, 81, 93
4D0 419 801 B SK	<b>38854</b>	57, 81, 93
4D0 419 801 D	<b>11354</b>	57, 81, 93
4D0 419 801 D SK	<b>38854</b>	57, 81, 93
4D0 419 801 E	<b>11354</b>	57, 81, 93
4D0 419 801 E SK	<b>38854</b>	57, 81, 93
4D0 419 801 G	<b>11354</b>	57, 81, 93
4D0 419 801 G SK	<b>38854</b>	57, 81, 93
4D0 419 801 L	<b>11354</b>	57, 81, 93
4D0 419 801 L SK	<b>38854</b>	57, 81, 93
4E0 419 801 C	<b>37332</b>	96
4E0 419 801 C S2	<b>37332</b>	96
4E0 419 801 D	<b>37332</b>	96
4E0 419 801 D S2	<b>37332</b>	96
4E0 419 801 E	<b>37332</b>	96
4E0 419 801 E SK	<b>30654</b>	96
4E0 419 801 E S2	<b>37332</b>	96
811 419 801 C	<b>02266</b>	18, 20, 22, 24, 26, 28, 30, 100, 102, 104, 106, 108, 110
811 419 801 E	<b>02266</b>	18, 20, 22, 24, 26, 28, 30, 100, 102, 104, 106, 108, 110
8E0 419 801 B	<b>22042</b>	61, 69
8E0 419 801 E	<b>36800</b>	61, 65, 69
443 419 802 A	<b>02279</b>	33, 34
443 419 802 B	<b>02279</b>	33, 34
443 419 802 C	<b>02279</b>	33, 34
443 419 802 E	<b>02279</b>	33, 34
4A0 419 802 A	<b>25274</b>	36, 81
811 419 802 J	<b>02267</b>	18, 20, 22, 100, 102, 104
8Z0 419 803 A	<b>29620</b>	40


**Ref. - No.**


8Z0 419 803 C	<b>29620</b>	40
8Z0 419 804 A	<b>29621</b>	40
8Z0 419 804 C	<b>29621</b>	40
4B0 419 810 M	<b>38854</b>	57, 81, 93
4E0 419 810 A	<b>30654</b>	96
4E0 419 810 C	<b>30654</b>	96
321 419 811 A	<b>02234</b>	17, 18, 20, 22
443 419 811 B	<b>04421</b>	33, 34, 35, 37
443 419 811 D	<b>04421</b>	33, 34, 35, 37
4A0 419 811 A	<b>25268</b>	35
4B0 419 811 E	<b>22044</b>	57, 61, 69, 81, 93
4B0 419 811 F	<b>22044</b>	57, 61, 69, 81, 93
4B0 419 811 G	<b>21840</b>	57, 65, 69, 81, 85
4B0 419 811 G	<b>39077</b>	61, 65, 69
4D0 419 811 J	<b>21840</b>	57, 65, 69, 81, 85
4D0 419 811 J	<b>39077</b>	61, 65, 69
4E0 419 811 C	<b>37331</b>	96
4E0 419 811 C S1	<b>37338</b>	96
4E0 419 811 D	<b>37331</b>	96
4E0 419 811 D S1	<b>37338</b>	96
4E0 419 811 E	<b>37331</b>	96
4E0 419 811 E S1	<b>37338</b>	96
4F0 419 811 C	<b>21840</b>	57, 65, 69, 81, 85
4F0 419 811 C	<b>39077</b>	61, 65, 69
4F0 419 811 D	<b>21840</b>	57, 65, 69, 81, 85
4F0 419 811 D	<b>39077</b>	61, 65, 69
4F0 419 811 E	<b>22044</b>	57, 61, 69, 81, 93
8E0 419 811 B	<b>22044</b>	57, 61, 69, 81, 93
8Z0 419 811 A	<b>38947</b>	40
443 419 812 B	<b>04422</b>	33, 34, 35, 37
443 419 812 D	<b>04422</b>	33, 34, 35, 37
4A0 419 812 A	<b>25270</b>	35
811 419 812 A	<b>02268</b>	18, 20, 22, 24, 26, 28, 30, 100, 102, 104, 106, 108, 110
811 419 812 B	<b>02268</b>	18, 20, 22, 24, 26, 28, 30, 100, 102, 104, 106, 108, 110
8Z0 419 812 A	<b>38948</b>	40
4E0 419 821 A	<b>30654</b>	96
4E0 419 821 A SK	<b>30654</b>	96
4E0 419 821 SK	<b>30654</b>	96
4D0 419 831 B	<b>32852</b>	93

**Ref. - No.**


4D0 419 831 D S1	<b>32852</b>	93
4D0 419 831 E S1	<b>33593</b>	57, 81, 93
811 419 831 B	<b>08029</b>	18, 20, 22, 24, 26, 28, 30, 100, 102, 104, 106, 108, 110, 111
8D0 419 831 J S1	<b>33594</b>	57
8D0 419 831 K S1	<b>33592</b>	57, 61, 65, 69, 81, 93
8E0 419 831 A	<b>32854</b>	61, 65, 69
8E0 419 831 B	<b>32855</b>	61, 65, 69
8E0 419 831 S1	<b>33592</b>	57, 61, 65, 69, 81, 93
1J0 422 803	<b>14174</b>	43, 47
1J0 422 803 A	<b>14174</b>	43, 47
1J0 422 803 A SK	<b>28098</b>	43, 47
1J0 422 803 A S1	<b>44347</b>	43, 47
1J0 422 803 B	<b>14170</b>	43, 47
1J0 422 803 B SK	<b>27095</b>	43, 47
1J0 422 803 B S1	<b>44341</b>	43, 47
1J0 422 803 C	<b>14174</b>	43, 47
1J0 422 803 C S1	<b>44347</b>	43, 47
1J0 422 803 E	<b>14170</b>	43, 47
1J0 422 803 E S1	<b>44341</b>	43, 47
1J0 422 803 H	<b>14170</b>	43, 47
1J0 422 803 H SK	<b>27095</b>	43, 47
1J0 422 803 H S1	<b>44341</b>	43, 47
1J0 422 803 S1	<b>44347</b>	43, 47
1J0 422 803 SK	<b>28098</b>	43, 47
7L0 422 803 B	<b>37205</b>	119
7L0 422 803 B SK	<b>37203</b>	119
7L0 422 803 C	<b>37205</b>	119
7L0 422 803 C SK	<b>37203</b>	119
7L0 422 803 D	<b>37205</b>	119
7L0 422 803 D SK	<b>37203</b>	119
8N0 422 803	<b>32179</b>	47, 121
8N0 422 803 A	<b>32179</b>	47, 121
8N0 422 803 C	<b>32179</b>	47, 121
8N0 422 803 C SK	<b>32597</b>	47, 121
1J0 422 804	<b>14172</b>	43, 47
1J0 422 804 A	<b>14172</b>	43, 47
1J0 422 804 A SK	<b>28098</b>	43, 47
1J0 422 804 A S1	<b>44346</b>	43, 47

Ref. - No.

Car  
Division 

Ref. - No.



Ref. - No.



1J0 422 804 B	<b>14168</b>	43, 47
1J0 422 804 B SK	<b>27095</b>	43, 47
1J0 422 804 B S1	<b>44342</b>	43, 47
1J0 422 804 C	<b>14172</b>	43, 47
1J0 422 804 C S1	<b>44346</b>	43, 47
1J0 422 804 E	<b>14168</b>	43, 47
1J0 422 804 E S1	<b>44342</b>	43, 47
1J0 422 804 H	<b>14168</b>	43, 47
1J0 422 804 H SK	<b>27095</b>	43, 47
1J0 422 804 H S1	<b>44342</b>	43, 47
1J0 422 804 S1	<b>44346</b>	43, 47
1J0 422 804 SK	<b>28098</b>	43, 47
7L0 422 804 B	<b>37206</b>	119
7L0 422 804 B SK	<b>37203</b>	119
7L0 422 804 C	<b>37206</b>	119
7L0 422 804 C SK	<b>37203</b>	119
7L0 422 804 D	<b>37206</b>	119
7L0 422 804 D SK	<b>37203</b>	119
8N0 422 804	<b>32180</b>	47, 121
8N0 422 804 A	<b>32180</b>	47, 121
8N0 422 804 C	<b>32180</b>	47, 121
8N0 422 804 C SK	<b>32597</b>	47, 121
1J0 422 810	<b>28098</b>	43, 47
1J0 422 810 A	<b>28098</b>	43, 47
1J0 422 810 B	<b>27095</b>	43, 47
4H0 422 810 A	<b>31696</b>	73, 77, 99, 115, 123
4H0 422 810 A S5	<b>36546</b>	73, 77, 87, 89, 91, 115, 123
4H0 422 810 A S6	<b>36547</b>	73, 77, 87, 89, 91, 115, 123
4H0 422 810 A S1	<b>39564</b>	123
4H0 422 810 A S2	<b>39565</b>	123
4H0 422 810 A S4	<b>40995</b>	99
4H0 422 810 A S3	<b>40996</b>	99
7L0 422 810 D	<b>37203</b>	119
8N0 422 810 C	<b>32597</b>	47, 121
1J0 422 811	<b>14184</b>	43, 47
1J0 422 811 A	<b>14184</b>	43, 47
1J0 422 811 B	<b>14180</b>	43, 47
1J0 422 811 C	<b>14184</b>	43, 47
8N0 422 811	<b>19336</b>	47, 121
8N0 422 811 A	<b>19336</b>	47, 121
1J0 422 812	<b>14186</b>	43, 47

1J0 422 812 A	<b>14186</b>	43, 47
1J0 422 812 B	<b>14182</b>	43, 47
1J0 422 812 C	<b>14186</b>	43, 47
8N0 422 812	<b>19342</b>	47, 121
8N0 422 812 A	<b>19342</b>	47, 121
4H0 422 817 A	<b>40993</b>	99
7L0 422 817 B	<b>36911</b>	119
7L0 422 817 C	<b>36911</b>	119
7L0 422 817 D	<b>36911</b>	119
8K0 422 817 A S1	<b>36506</b>	73, 77, 87, 89, 91, 115
8K0 422 817 B S1	<b>36506</b>	73, 77, 87, 89, 91, 115
4H0 422 818 A	<b>40992</b>	99
7L0 422 818 B	<b>36910</b>	119
7L0 422 818 C	<b>36910</b>	119
7L0 422 818 D	<b>36910</b>	119
8K0 422 818 A S1	<b>36507</b>	73, 77, 87, 89, 91, 115
8K0 422 818 B S1	<b>36507</b>	73, 77, 87, 89, 91, 115
4D0 422 821 A	<b>38854</b>	57, 81, 93
4F0 422 821	<b>31496</b>	85
4F0 422 821	<b>39951</b>	85
4F0 422 821 D	<b>31496</b>	85
4F0 422 821 D	<b>39951</b>	85
4F0 422 821 D S1	<b>39951</b>	85
8E0 422 821 C	<b>26151</b>	61, 65, 69
8E0 422 821 C S1	<b>36800</b>	61, 65, 69
1J0 422 831	<b>21698</b>	43, 47
1J0 422 831	<b>37764</b>	43, 47
1J0 422 831 B	<b>21698</b>	43, 47
1J0 422 831 B	<b>37764</b>	43, 47
1J0 422 831 B S1	<b>37764</b>	43, 47
7L0 422 831 A S1	<b>26347</b>	119
8K0 422 831	<b>36938</b>	75, 77, 99, 115
8K0 422 831 S1	<b>36938</b>	75, 77, 99, 115
8N0 422 831 S1	<b>39606</b>	47, 121
6R0 423 803 B	<b>43465</b>	39
6R0 423 803 C	<b>43465</b>	39
6R0 423 803 D	<b>43465</b>	39
6R0 423 803 D SK	<b>38785</b>	39, 40, 41
8Z0 423 803 C SK	<b>38785</b>	39, 40, 41


**Ref. - No.**


8Z0 423 803 F	<b>26098</b>	40
8Z0 423 803 F SK	<b>38785</b>	39, 40, 41
8Z0 423 803 G SK	<b>30829</b>	40
6R0 423 804 B	<b>43464</b>	39
6R0 423 804 C	<b>43464</b>	39
6R0 423 804 D	<b>43464</b>	39
6R0 423 804 D SK	<b>38785</b>	39, 40, 41
8Z0 423 804 C SK	<b>38785</b>	39, 40, 41
8Z0 423 804 F SK	<b>38785</b>	39, 40, 41
8Z0 423 804 G SK	<b>30829</b>	40
1K0 423 810 A	<b>26045</b>	52, 53, 113
1K0 423 810 A S1	<b>32627</b>	52, 53
1K0 423 810 A S2	<b>32628</b>	52, 53
1K0 423 810 A S4	<b>45760</b>	52, 53
1K0 423 810 A S3	<b>45761</b>	52, 53
3C0 423 810 A	<b>26045</b>	52, 53, 113
4G0 423 810 A	<b>37436</b>	87, 89, 91, 99, 115
4G0 423 810 A S2	<b>43795</b>	87, 89, 91, 115
4G0 423 810 A S1	<b>43796</b>	87, 89, 91, 115
6C0 423 810 A	<b>46299</b>	39
6C0 423 810 B	<b>46299</b>	39
6C0 423 810 C	<b>46299</b>	39
6R0 423 810 D	<b>38785</b>	39, 40, 41
8J0 423 810	<b>31696</b>	73, 77, 99, 115, 123
8J0 423 810 S1	<b>39564</b>	123
8J0 423 810 S2	<b>39565</b>	123
8J0 423 810 S5	<b>36546</b>	73, 77, 87, 89, 91, 115, 123
8J0 423 810 S6	<b>36547</b>	73, 77, 87, 89, 91, 115, 123
8Z0 423 810 C	<b>38785</b>	39, 40, 41
8Z0 423 810 F	<b>38785</b>	39, 40, 41
8Z0 423 810 G	<b>30829</b>	40
1K0 423 811 A	<b>26096</b>	52, 53
1K0 423 811 C S2	<b>37591</b>	113
1K0 423 811 E	<b>26096</b>	52, 53
1K0 423 811 G S2	<b>37591</b>	113
1K0 423 811 J	<b>26096</b>	52, 53
1K0 423 811 K S1	<b>37591</b>	113
1S0 423 811 A	<b>44227</b>	39
3C0 423 811 B	<b>26096</b>	52, 53
4G0 423 811 A S1	<b>36506</b>	73, 77, 87, 89, 91, 115

**Ref. - No.**


6R0 423 811 A S1	<b>39940</b>	39
8J0 423 811	<b>37693</b>	123
8J0 423 811 S1	<b>37693</b>	123
1K0 423 812 A	<b>26097</b>	52, 53
1K0 423 812 C S2	<b>37592</b>	113
1K0 423 812 E	<b>26097</b>	52, 53
1K0 423 812 G S2	<b>37592</b>	113
1K0 423 812 J	<b>26097</b>	52, 53
1K0 423 812 K S1	<b>37592</b>	113
1S0 423 812 A	<b>44226</b>	39
3C0 423 812 B	<b>26097</b>	52, 53
4G0 423 812 A S1	<b>36507</b>	73, 77, 87, 89, 91, 115
6R0 423 812 A S1	<b>39941</b>	39
8J0 423 812	<b>37692</b>	123
8J0 423 812 S1	<b>37692</b>	123
1K0 423 831 A S1	<b>31278</b>	52, 53, 113, 123, 124
4G0 423 831	<b>45479</b>	89, 91, 99, 115
4G0 423 831 S1	<b>45481</b>	89, 91, 99, 115
6Q0 423 831	<b>21700</b>	40
6Q0 423 831 D	<b>38621</b>	39, 40
6Q0 423 831 D	<b>38622</b>	39, 40
6Q0 423 831 D S1	<b>38622</b>	39, 40
4G0 423 832 A	<b>45478</b>	89, 91, 99, 115
4G0 423 832 A S1	<b>45480</b>	89, 91, 99, 115
4A0 425 021	<b>27606</b>	32, 33, 34, 35, 37
4D0 425 021	<b>27611</b>	57, 81, 93
4D0 425 021 A	<b>27611</b>	57, 81, 93
4D0 425 021 B	<b>27611</b>	57, 81, 93
4D0 425 021 C	<b>27611</b>	57, 81, 93
4D0 425 021 D	<b>27611</b>	57, 81, 93
8A1 425 021	<b>27613</b>	26, 28, 30, 106, 108
4A1 498 020	<b>23250</b>	36, 37
4F0 498 811	<b>39076</b>	61, 69
4F0 498 811 A	<b>39077</b>	61, 65, 69
4F0 498 811 A SK	<b>21840</b>	57, 65, 69, 81, 85
4F0 498 811 A S1	<b>39077</b>	61, 65, 69
4F0 498 811 S1	<b>39076</b>	61, 69
4F0 498 811 SK	<b>22044</b>	57, 61, 69, 81, 93
4B3 498 998	<b>24900</b>	83
4B3 498 998 S1	<b>24902</b>	83
8D0 498 998	<b>21500</b>	59, 81

Ref. - No.

Car  
Division 

Ref. - No.



Ref. - No.



8D0 498 998 B	<b>26600</b>	59, 83
8D0 498 998 S1	<b>21502</b>	59, 83
8E0 498 998 S1	<b>24802</b>	63, 71
4D0 407 151 P	<b>11350</b>	59, 83, 95
5Q0 501 129 B	<b>45859</b>	698, 719
1K0 501 529 E	<b>32956</b>	701, 713, 717
1K0 501 529 E S1	<b>40439</b>	701, 713, 717
1K0 501 529 F	<b>32956</b>	701, 713, 717
1K0 501 529 F S1	<b>40439</b>	701, 713, 717
1K0 501 529 F SK	<b>40591</b>	701, 713, 717
1K0 501 529 H	<b>32956</b>	701, 713, 717
1K0 501 529 H S1	<b>40438</b>	701, 713, 717
1K0 501 529 H S1	<b>40439</b>	701, 713, 717
1K0 501 529 H SK	<b>40591</b>	701, 713, 717
1K0 501 529 J	<b>36047</b>	698, 701, 717
1K0 501 529 J S1	<b>40431</b>	698, 701, 717
1K0 501 529 J SK	<b>40591</b>	701, 713, 717
4D0 501 529 H	<b>44600</b>	710, 710, 710
4E0 501 529 C S1	<b>39985</b>	710, 710, 710
4E0 501 529 D S1	<b>39985</b>	710, 710, 710
4E0 501 529 G S1	<b>39985</b>	710, 710, 710
4F0 501 529 C	<b>33477</b>	708
4F0 501 529 E	<b>33477</b>	708
5Q0 501 529 C SK	<b>45859</b>	698, 719
5Q0 501 529 C SK	<b>45860</b>	698, 719
7L0 501 529 C	<b>45861</b>	715
7L0 501 529 D	<b>45861</b>	715
7L8 501 529	<b>45861</b>	715
7L8 501 529 A	<b>45861</b>	715
7L8 501 529 A SK	<b>30983</b>	715
7L8 501 529 A SK	<b>45866</b>	715
8E0 501 529 F	<b>38774</b>	704
8E0 501 529 G	<b>38774</b>	704
8E0 501 529 K	<b>38774</b>	704
8E0 501 529 P	<b>38774</b>	704
8K0 501 529 K	<b>39081</b>	705, 706, 709, 711, 714
8K0 501 529 N	<b>39081</b>	705, 706, 709, 711, 714
1K0 501 530 B	<b>32957</b>	701, 713, 717
1K0 501 530 B S1	<b>40438</b>	701, 713, 717
1K0 501 530 C	<b>32957</b>	701, 713, 717
1K0 501 530 C S1	<b>40438</b>	701, 713, 717

1K0 501 530 C SK	<b>40591</b>	701, 713, 717
8D0 501 530	<b>25276</b>	703, 704
8K0 501 530 K	<b>39082</b>	705, 706, 709, 711, 714
8K0 501 530 N	<b>39082</b>	705, 706, 709, 711, 714
7L0 501 537 B	<b>45866</b>	715
4F0 501 541	<b>30902</b>	708
8E0 501 541 J	<b>30494</b>	704
8E0 501 541 K	<b>30688</b>	708
8E0 501 541 Q	<b>30494</b>	704
8E0 501 541 S	<b>30494</b>	704
8K0 501 541	<b>31755</b>	705, 706, 709, 711, 714
1K0 505 171 B	<b>29690</b>	701, 713, 717
1K0 505 171 C	<b>29690</b>	701, 713, 717
5Q0 505 171	<b>43733</b>	698, 719
8D0 505 171	<b>32226</b>	703
8A0 505 172 B	<b>34575</b>	703
8E0 505 172 A	<b>23568</b>	707, 708
8E0 505 172 B	<b>23566</b>	707
1K0 505 173 C	<b>29690</b>	701, 713, 717
8E0 505 185 C	<b>29940</b>	707
1K0 505 203 A	<b>29682</b>	39, 701, 713, 717
4E0 505 203 A	<b>33598</b>	710
4E0 505 203 B	<b>31757</b>	710
4E0 505 203 D	<b>31756</b>	710
8E0 505 203 C	<b>30687</b>	704, 708
8E0 505 203 D	<b>30687</b>	704, 708
1K0 505 223 E	<b>38845</b>	698, 701, 717
1K0 505 223 E	<b>38846</b>	698, 701, 717
1K0 505 223 H	<b>38845</b>	698, 701, 717
1K0 505 223 K	<b>38845</b>	698, 701, 717
1K0 505 224 E	<b>38845</b>	698, 701, 717
1K0 505 224 E	<b>38846</b>	698, 701, 717
1K0 505 224 H	<b>38846</b>	698, 701, 717
1K0 505 224 K	<b>38846</b>	698, 701, 717
1K0 505 279 A	<b>29689</b>	39, 701, 713, 717
1K0 505 311 AA SK	<b>29690</b>	701, 713, 717
1K0 505 311 AA	<b>34884</b>	698, 701, 713, 717
1K0 505 311 AB SK	<b>29690</b>	701, 713, 717
1K0 505 311 AB	<b>34884</b>	698, 701, 713, 717
1K0 505 311 AH SK	<b>29690</b>	701, 713, 717


**Ref. - No.**


1K0 505 311 H	<b>34884</b>	698, 701, 713, 717
1K0 505 311 S	<b>34884</b>	698, 701, 713, 717
1K0 505 311 S SK	<b>29690</b>	701, 713, 717
5Q0 505 311 C SK	<b>43733</b>	698, 719
5Q0 505 311 D SK	<b>43733</b>	698, 719
1K0 505 323 D	<b>32453</b>	698, 701, 702, 713, 717, 719
1K0 505 323 D SK	<b>29682</b>	39, 701, 713, 717
1K0 505 323 D SK	<b>29689</b>	39, 701, 713, 717
1K0 505 323 G	<b>32453</b>	698, 701, 702, 713, 717, 719
1K0 505 323 G SK	<b>29682</b>	39, 701, 713, 717
1K0 505 323 G SK	<b>29689</b>	39, 701, 713, 717
1K0 505 323 H	<b>32453</b>	698, 701, 702, 713, 717, 719
1K0 505 323 H SK	<b>29682</b>	39, 701, 713, 717
1K0 505 323 H SK	<b>29689</b>	39, 701, 713, 717
1K0 505 323 M	<b>32453</b>	698, 701, 702, 713, 717, 719
1K0 505 323 N	<b>32453</b>	698, 701, 702, 713, 717, 719
1K0 505 323 N SK	<b>29682</b>	39, 701, 713, 717
1K0 505 323 N SK	<b>29689</b>	39, 701, 713, 717
1K0 505 323 P	<b>32453</b>	698, 701, 702, 713, 717, 719
4E0 505 323 P SK	<b>31756</b>	710
4E0 505 323 P SK	<b>31757</b>	710
4E0 505 323 Q SK	<b>31756</b>	710
4E0 505 323 Q SK	<b>31757</b>	710
4E0 505 323 Q SK	<b>33598</b>	710
5Q0 505 323 C	<b>32453</b>	698, 701, 702, 713, 717, 719
5Q0 505 323 C SK	<b>29682</b>	39, 701, 713, 717
5Q0 505 323 C SK	<b>29689</b>	39, 701, 713, 717
5Q0 505 323 D	<b>32453</b>	698, 701, 702, 713, 717, 719
7L0 505 323 A	<b>39094</b>	715
7L0 505 323 A SK	<b>30982</b>	715
7L0 505 323 A SK	<b>30983</b>	715
8K0 505 323 D	<b>39353</b>	705, 709, 711, 714
8K0 505 323 D S1	<b>31755</b>	705, 706, 709, 711, 714
8K0 505 323 F	<b>39353</b>	705, 709, 711, 714

**Ref. - No.**


8K0 505 323 F S1	<b>31755</b>	705, 706, 709, 711, 714
8K0 505 323 H	<b>39353</b>	705, 709, 711, 714
8K0 505 324 D	<b>39354</b>	705, 709, 711, 714
8K0 505 324 D S1	<b>31755</b>	705, 706, 709, 711, 714
8K0 505 324 F	<b>39354</b>	705, 709, 711, 714
8K0 505 324 F S1	<b>31755</b>	705, 706, 709, 711, 714
8K0 505 324 H	<b>39354</b>	705, 709, 711, 714
443 505 351 P	<b>19760</b>	696, 697
443 505 352 P	<b>19762</b>	696, 697
893 505 365 A	<b>19808</b>	694, 695
893 505 365 C	<b>19808</b>	694, 695
893 505 366 A	<b>19810</b>	694, 695
893 505 366 C	<b>19810</b>	694, 695
7L0 505 375 A	<b>39094</b>	715
4A0 505 389	<b>25278</b>	697, 718
7L0 505 397	<b>46421</b>	715
7L0 505 397 SK	<b>45866</b>	715
7L0 505 398	<b>46422</b>	715
7L0 505 398 SK	<b>45866</b>	715
1K0 505 465 AA	<b>29459</b>	717
1K0 505 465 AA S1	<b>29461</b>	698, 701, 713, 717
1K0 505 465 C	<b>29459</b>	717
1K0 505 465 C S1	<b>29461</b>	698, 701, 713, 717
1K0 505 465 D	<b>29459</b>	717
1K0 505 465 D S1	<b>29461</b>	698, 701, 713, 717
1K0 505 465 H	<b>29459</b>	717
1K0 505 465 H S1	<b>29461</b>	698, 701, 713, 717
1K0 505 465 J	<b>29459</b>	717
1K0 505 465 J S1	<b>29461</b>	698, 701, 713, 717
1K0 505 465 K	<b>29459</b>	717
1K0 505 465 K S1	<b>29461</b>	698, 701, 713, 717
1K0 505 465 L	<b>29459</b>	717
1K0 505 465 L S1	<b>29461</b>	698, 701, 713, 717
4D0 505 465 D	<b>25272</b>	710
4F0 505 465 N	<b>27411</b>	708
4F0 505 465 P	<b>28212</b>	708
8A0 505 465 C	<b>39535</b>	703
8D0 505 465	<b>39535</b>	703
8E0 505 465 AC S1	<b>32491</b>	704
8E0 505 465 AF S1	<b>32491</b>	704

Ref. - No.

Car  
Division 

Ref. - No.



Ref. - No.



8E0 505 465 C	<b>27864</b>	707, 708
8E0 505 465 C S1	<b>32595</b>	707
8E0 505 465 D	<b>27864</b>	707, 708
8E0 505 465 D S1	<b>32595</b>	707
8E0 505 465 K S1	<b>32491</b>	704
8E0 505 465 T S1	<b>32491</b>	704
8K0 505 465 E	<b>36989</b>	705, 706, 709, 711, 714
8K0 505 465 E S1	<b>36989</b>	705, 706, 709, 711, 714
8K0 505 465 G	<b>36989</b>	705, 706, 709, 711, 714
8K0 505 465 G S1	<b>36989</b>	705, 706, 709, 711, 714
1J0 505 466 B	<b>27865</b>	699, 714
1J0 505 466 B S1	<b>31842</b>	699, 714, 717
1J0 505 466 C	<b>27866</b>	699, 714
1J0 505 466 C	<b>31843</b>	699, 714
1J0 505 466 C S1	<b>31843</b>	699, 714
8A0 505 466 C	<b>39536</b>	703
8D0 505 466	<b>39536</b>	703
1K0 505 543 A	<b>40591</b>	701, 713, 717
5Q0 505 543 B	<b>45860</b>	698, 719
4D0 505 547 C	<b>25282</b>	710
4E0 505 547 A	<b>25282</b>	710
4E0 505 547 B	<b>39395</b>	97, 710
4E0 505 547 F	<b>25282</b>	710
4E0 505 547 L	<b>25282</b>	710
4E0 505 547 M	<b>39395</b>	97, 710
4D0 505 548 C	<b>25280</b>	710
4E0 505 548 A	<b>25280</b>	710
4E0 505 548 B	<b>39394</b>	97, 710
4E0 505 548 F	<b>25282</b>	710
4E0 505 548 L	<b>25280</b>	710
4E0 505 548 M	<b>39394</b>	97, 710
1K0 505 553	<b>29938</b>	698, 701, 702, 713, 717
1K0 505 553 A	<b>29938</b>	698, 701, 702, 713, 717
3C0 505 553	<b>29938</b>	698, 701, 702, 713, 717
7L0 505 553	<b>30983</b>	715
7L0 505 554	<b>30982</b>	715

443 511 247 D	<b>09056</b>	696, 697, 718
4A0 511 247 B	<b>09086</b>	696, 697, 718
8A0 511 247 B	<b>09055</b>	694
4A0 511 249	<b>09087</b>	697, 718
1K0 511 327 AE	<b>23356</b>	701, 717
1K0 511 327 AP	<b>23356</b>	701, 717
1K0 511 327 AP S1	<b>23606</b>	701, 717
1K0 511 327 AQ	<b>32073</b>	701, 711, 717
1K0 511 327 AQ S1	<b>39650</b>	701
1K0 511 327 AR	<b>23358</b>	701
1K0 511 327 AR S1	<b>39648</b>	701
1K0 511 327 AS	<b>32625</b>	705, 711, 713
1K0 511 327 AS S1	<b>39649</b>	705, 711, 713
8D0 511 327 C	<b>38769</b>	699, 714
8E0 511 327 A	<b>39817</b>	704, 704, 704
1K0 511 439 E	<b>23604</b>	701, 705, 706, 711, 713, 717
443 511 523 B	<b>18492</b>	694, 696, 697
4D0 511 523 A	<b>18492</b>	694, 696, 697
4D0 511 523 B	<b>18492</b>	694, 696, 697
4D0 511 523 C	<b>18492</b>	694, 696, 697
KIT 01	<b>21497</b>	59
KIT 02	<b>21498</b>	59, 83
KIT 03	<b>21499</b>	59, 63, 83, 94, 94, 95
KIT 04	<b>21501</b>	59, 63, 83, 95
KIT 05	<b>21503</b>	57
KIT 06	<b>21505</b>	57, 61, 81, 93
KIT 07	<b>24804</b>	63, 71
KIT 08	<b>24808</b>	63, 71
KIT 09	<b>24832</b>	83
KIT 10	<b>24834</b>	83
KIT 11	<b>39754</b>	67, 71
KIT 12	<b>39758</b>	67, 71
N 034 790 7 S1	<b>27726</b>	83, 93
N 034 790 8 S1	<b>27726</b>	83, 93
N 104 253 01 S	<b>21126</b>	59
N 104 253 01 S1	<b>21126</b>	59
passend für / to fit:		
<b>BMW</b>		
2 227 921	<b>36375</b>	141, 205
3 412 781	<b>26181</b>	194
6 765 992	<b>23359</b>	167, 175



Ref. - No.



31 10 0 363 477	<b>27212</b>	194
31 10 0 363 478	<b>27213</b>	194
31 10 2 348 045	<b>40313</b>	167
31 10 2 348 046	<b>40314</b>	167
31 10 3 363 476	<b>32412</b>	194
31 10 3 412 135	<b>26137</b>	194
31 10 3 412 136	<b>26138</b>	194
31 10 3 412 137	<b>27212</b>	194
31 10 3 412 138	<b>27213</b>	194
31 10 3 412 726	<b>27059</b>	194
31 10 3 412 781	<b>26181</b>	194
31 10 3 415 027	<b>26137</b>	194
31 10 3 415 028	<b>26138</b>	194
31 10 3 418 337	<b>26137</b>	194
31 10 3 418 338	<b>26138</b>	194
31 10 3 418 341	<b>27059</b>	194
31 10 3 426 433	<b>26137</b>	194
31 10 3 426 434	<b>26138</b>	194
31 10 3 438 623	<b>32412</b>	194
31 10 3 443 127	<b>27212</b>	194
31 10 3 443 128	<b>27213</b>	194
31 10 3 451 881	<b>26137</b>	194
31 10 3 451 882	<b>26138</b>	194
31 10 4 026 719	<b>29253</b>	167
31 10 4 026 720	<b>29254</b>	167
31 10 6 770 685	<b>32611</b>	167
31 10 6 770 686	<b>32612</b>	167
31 10 6 771 194	<b>34175</b>	199, 201
31 10 6 771 897	<b>34176</b>	199, 201
31 10 6 778 015	<b>36827</b>	199, 201
31 10 6 786 951	<b>40389</b>	195
31 10 6 786 959	<b>40392</b>	195, 195, 195
31 12 0 006 482	<b>12576</b>	165, 180
31 12 0 302 754	<b>21841</b>	183
31 12 0 304 308	<b>21841</b>	183
31 12 0 305 612	<b>23361</b>	167, 175
31 12 0 307 882	<b>26182</b>	194
31 12 0 360 275	<b>26137</b>	194
31 12 0 393 540	<b>24240</b>	127, 149, 151, 153, 189, 191, 207
31 12 0 398 350	<b>24240</b>	127, 149, 151, 153, 189, 191, 207
31 12 0 410 791	<b>36082</b>	147, 192

Ref. - No.



31 12 1 092 023	<b>12622</b>	163, 208
31 12 1 092 024	<b>12623</b>	163, 208
31 12 1 092 609	<b>17136</b>	165
31 12 1 092 610	<b>17137</b>	165
31 12 1 092 819	<b>17136</b>	165
31 12 1 092 820	<b>17137</b>	165
31 12 1 093 449	<b>12378</b>	163
31 12 1 093 450	<b>12379</b>	163
31 12 1 094 233	<b>12378</b>	163
31 12 1 094 234	<b>12379</b>	163
31 12 1 094 275	<b>21466</b>	141
31 12 1 094 276	<b>21467</b>	141
31 12 1 094 465	<b>12528</b>	144, 206
31 12 1 094 466	<b>12529</b>	144, 206
31 12 1 095 277	<b>18686</b>	144, 206
31 12 1 095 278	<b>18686</b>	144, 206
31 12 1 096 169	<b>21620</b>	197
31 12 1 096 170	<b>21621</b>	197
31 12 1 096 315	<b>21455</b>	197
31 12 1 096 316	<b>21456</b>	197
31 12 1 096 372	<b>21517</b>	197
31 12 1 096 425	<b>23229</b>	197
31 12 1 096 685	<b>03825</b>	141, 205
31 12 1 096 982	<b>18686</b>	144, 206
31 12 1 096 983	<b>18686</b>	144, 206
31 12 1 096 984	<b>18686</b>	144, 206
31 12 1 123 025	<b>06463</b>	132
31 12 1 123 026	<b>06464</b>	132
31 12 1 124 401	<b>07512</b>	159, 161, 173, 179
31 12 1 124 402	<b>07513</b>	159, 161, 173, 179
31 12 1 124 622	<b>02682</b>	159, 161, 167, 173, 179, 194, 197, 750
31 12 1 125 428	<b>04037</b>	159
31 12 1 126 253	<b>08570</b>	134, 136, 138, 203
31 12 1 126 254	<b>08571</b>	134, 136, 138, 203
31 12 1 126 255	<b>21461</b>	134, 136, 138, 141, 203, 205
31 12 1 126 256	<b>21462</b>	134, 136, 138, 141, 203, 205
31 12 1 126 302	<b>04037</b>	159
31 12 1 127 377	<b>04060</b>	134, 136
31 12 1 127 378	<b>06660</b>	134, 136
31 12 1 127 725	<b>06792</b>	134, 136, 138, 203



Ref. - No.

Car  
Division 

Ref. - No.



31 12 1 127 726	<b>06793</b>	134, 136, 138, 203
31 12 1 127 728	<b>21462</b>	134, 136, 138, 141, 203, 205
31 12 1 128 470	<b>21461</b>	134, 136, 138, 141, 203, 205
31 12 1 128 471	<b>21462</b>	134, 136, 138, 141, 203, 205
31 12 1 128 773	<b>21461</b>	134, 136, 138, 141, 203, 205
31 12 1 128 774	<b>21462</b>	134, 136, 138, 141, 203, 205
31 12 1 128 775	<b>21461</b>	134, 136, 138, 141, 203, 205
31 12 1 128 776	<b>21462</b>	134, 136, 138, 141, 203, 205
31 12 1 130 089	<b>09001</b>	179, 187
31 12 1 130 090	<b>09002</b>	179, 187
31 12 1 130 140	<b>06661</b>	134, 136, 138, 203
31 12 1 130 597	<b>09001</b>	179, 187
31 12 1 131 582	<b>07513</b>	159, 161, 173, 179
31 12 1 131 587	<b>07512</b>	159, 161, 173, 179
31 12 1 131 588	<b>07513</b>	159, 161, 173, 179
31 12 1 132 159	<b>01034</b>	161
31 12 1 132 160	<b>01032</b>	161
31 12 1 133 237	<b>01078</b>	161, 179
31 12 1 133 238	<b>01071</b>	161, 179
31 12 1 133 711	<b>01034</b>	161
31 12 1 133 712	<b>01032</b>	161
31 12 1 136 111	<b>21461</b>	134, 136, 138, 141, 203, 205
31 12 1 136 112	<b>21462</b>	134, 136, 138, 141, 203, 205
31 12 1 136 529	<b>07965</b>	141, 205
31 12 1 136 530	<b>07966</b>	141, 205
31 12 1 136 531	<b>21463</b>	141, 142, 205, 205
31 12 1 136 532	<b>21464</b>	141, 142, 205, 205
31 12 1 136 605	<b>06043</b>	161
31 12 1 136 606	<b>06213</b>	161, 179
31 12 1 136 607	<b>01668</b>	179, 187
31 12 1 139 131	<b>03822</b>	141, 205
31 12 1 139 456	<b>06213</b>	161, 179
31 12 1 139 789	<b>21461</b>	134, 136, 138, 141, 203, 205

Ref. - No.



31 12 1 139 790	<b>21462</b>	134, 136, 138, 141, 203, 205
31 12 1 139 987	<b>01078</b>	161, 179
31 12 1 139 988	<b>01071</b>	161, 179
31 12 1 139 991	<b>07512</b>	159, 161, 173, 179
31 12 1 139 992	<b>07513</b>	159, 161, 173, 179
31 12 1 139 999	<b>09001</b>	179, 187
31 12 1 140 000	<b>09002</b>	179, 187
31 12 1 140 398	<b>03825</b>	141, 205
31 12 1 140 399	<b>07965</b>	141, 205
31 12 1 140 400	<b>07966</b>	141, 205
31 12 1 140 957	<b>07965</b>	141, 205
31 12 1 140 958	<b>07966</b>	141, 205
31 12 1 141 097	<b>01034</b>	161
31 12 1 141 098	<b>01032</b>	161
31 12 1 141 717	<b>12620</b>	163, 208
31 12 1 141 718	<b>12621</b>	163, 208
31 12 1 141 723	<b>11819</b>	180
31 12 1 141 724	<b>11820</b>	180
31 12 1 141 752	<b>12576</b>	165, 180
31 12 1 141 961	<b>21182</b>	165
31 12 1 141 962	<b>21183</b>	165
31 12 1 142 087	<b>11821</b>	180
31 12 1 142 088	<b>11822</b>	180
31 12 1 733 490	<b>09002</b>	179, 187
31 12 2 180 455	<b>23229</b>	197
31 12 2 181 683	<b>23229</b>	197
31 12 2 226 581	<b>01034</b>	161
31 12 2 226 582	<b>01032</b>	161
31 12 2 282 121	<b>26641</b>	144, 206
31 12 2 282 122	<b>26642</b>	144, 206
31 12 2 341 219	<b>34655</b>	163
31 12 2 341 296	<b>34656</b>	163
31 12 2 341 297	<b>26655</b>	144, 144
31 12 2 341 828	<b>26656</b>	144, 144
31 12 2 343 352	<b>18803</b>	144, 144, 206
31 12 2 343 353	<b>18802</b>	144, 144, 206
31 12 2 343 358	<b>18803</b>	144, 144, 206
31 12 2 343 359	<b>18802</b>	144, 144, 206
31 12 2 347 951	<b>40361</b>	167
31 12 2 347 952	<b>40362</b>	167
31 12 2 347 963	<b>40369</b>	167
31 12 2 347 965	<b>40370</b>	167



Ref. - No.



31 12 2 347 983	<b>40371</b>	175, 183
31 12 2 347 984	<b>40372</b>	175, 183
31 12 2 347 985	<b>40371</b>	175, 183
31 12 2 347 986	<b>40372</b>	175, 183
31 12 2 405 863	<b>45991</b>	192
31 12 4 000 612	<b>18686</b>	144, 206
31 12 4 004 359	<b>18686</b>	144, 206
31 12 4 004 360	<b>18686</b>	144, 206
31 12 4 026 453	<b>21739</b>	183
31 12 4 026 454	<b>21740</b>	183
31 12 4 028 607	<b>29543</b>	166, 167
31 12 4 028 608	<b>29544</b>	166, 167
31 12 4 036 269	<b>30516</b>	127, 149, 151, 153, 189, 191, 207
31 12 4 036 270	<b>30517</b>	127, 149, 151, 153, 189, 191, 207
31 12 4 046 437	<b>29253</b>	167
31 12 4 046 438	<b>29254</b>	167
31 12 4 083 311	<b>38271</b>	168, 169, 184, 185
31 12 4 083 312	<b>38272</b>	168, 169, 184, 185
31 12 6 750 221	<b>18686</b>	144, 206
31 12 6 750 222	<b>18686</b>	144, 206
31 12 6 750 519	<b>21739</b>	183
31 12 6 750 520	<b>21740</b>	183
31 12 6 751 317	<b>12528</b>	144, 206
31 12 6 751 318	<b>12529</b>	144, 206
31 12 6 751 372	<b>18686</b>	144, 206
31 12 6 751 435	<b>18686</b>	144, 206
31 12 6 751 436	<b>18686</b>	144, 206
31 12 6 752 717	<b>12528</b>	144, 206
31 12 6 752 718	<b>12529</b>	144, 206
31 12 6 753 058	<b>18686</b>	144, 206
31 12 6 753 059	<b>18686</b>	144, 206
31 12 6 753 060	<b>18686</b>	144, 206
31 12 6 754 547	<b>18686</b>	144, 206
31 12 6 754 899	<b>18686</b>	144, 206
31 12 6 754 900	<b>18686</b>	144, 206
31 12 6 755 835	<b>21513</b>	175, 183
31 12 6 755 836	<b>21514</b>	175, 183
31 12 6 756 063	<b>18687</b>	144, 206
31 12 6 756 064	<b>18688</b>	144, 206
31 12 6 756 101	<b>21739</b>	183
31 12 6 756 102	<b>21740</b>	183

Ref. - No.



31 12 6 756 491	<b>23229</b>	197
31 12 6 757 623	<b>18686</b>	144, 206
31 12 6 758 510	<b>03825</b>	141, 205
31 12 6 758 513	<b>07965</b>	141, 205
31 12 6 758 514	<b>07966</b>	141, 205
31 12 6 758 515	<b>07965</b>	141, 205
31 12 6 758 516	<b>07966</b>	141, 205
31 12 6 758 519	<b>12528</b>	144, 206
31 12 6 758 520	<b>12529</b>	144, 206
31 12 6 760 181	<b>29242</b>	167
31 12 6 760 182	<b>29243</b>	167
31 12 6 760 183	<b>29253</b>	167
31 12 6 760 184	<b>29254</b>	167
31 12 6 760 275	<b>21455</b>	197
31 12 6 760 276	<b>21456</b>	197
31 12 6 763 699	<b>30514</b>	127, 149, 151, 153, 189, 191
31 12 6 763 700	<b>30515</b>	127, 149, 151, 153, 189, 191
31 12 6 763 703	<b>30516</b>	127, 149, 151, 153, 189, 191, 207
31 12 6 763 704	<b>30517</b>	127, 149, 151, 153, 189, 191, 207
31 12 6 763 707	<b>30516</b>	127, 149, 151, 153, 189, 191, 207
31 12 6 763 708	<b>30517</b>	127, 149, 151, 153, 189, 191, 207
31 12 6 765 597	<b>31540</b>	127, 149, 151, 153, 189, 191
31 12 6 765 992	<b>23359</b>	167, 175
31 12 6 765 993	<b>21739</b>	183
31 12 6 765 994	<b>21740</b>	183
31 12 6 765 995	<b>29253</b>	167
31 12 6 765 996	<b>29254</b>	167
31 12 6 767 651	<b>02682</b>	159, 161, 167, 173, 179, 194, 197, 750
31 12 6 767 651	<b>29545</b>	167
31 12 6 768 297	<b>29543</b>	166, 167
31 12 6 768 298	<b>29544</b>	166, 167
31 12 6 768 818	<b>36082</b>	147, 192
31 12 6 768 983	<b>40821</b>	146, 147, 192, 192
31 12 6 768 984	<b>40822</b>	146, 147, 192, 192
31 12 6 768 988	<b>40845</b>	147, 192

Ref. - No.

Car  
Division 

Ref. - No.



31 12 6 768 989	<b>45989</b>	192, 192, 192
31 12 6 769 715	<b>21517</b>	197
31 12 6 769 717	<b>21620</b>	197
31 12 6 769 718	<b>21621</b>	197
31 12 6 769 797	<b>30516</b>	127, 149, 151, 153, 189, 191, 207
31 12 6 769 797	<b>46285</b>	188, 189
31 12 6 769 798	<b>30517</b>	127, 149, 151, 153, 189, 191, 207
31 12 6 769 798	<b>46285</b>	188, 189
31 12 6 769 801	<b>30516</b>	127, 149, 151, 153, 189, 191, 207
31 12 6 769 802	<b>30517</b>	127, 149, 151, 153, 189, 191, 207
31 12 6 770 121	<b>21513</b>	175, 183
31 12 6 770 122	<b>21514</b>	175, 183
31 12 6 770 247	<b>12528</b>	144, 206
31 12 6 770 248	<b>12529</b>	144, 206
31 12 6 770 771	<b>21513</b>	175, 183
31 12 6 770 772	<b>21514</b>	175, 183
31 12 6 770 837	<b>21513</b>	175, 183
31 12 6 770 838	<b>21514</b>	175, 183
31 12 6 770 849	<b>30514</b>	127, 149, 151, 153, 189, 191
31 12 6 770 850	<b>30515</b>	127, 149, 151, 153, 189, 191
31 12 6 771 199	<b>45294</b>	199, 201
31 12 6 771 893	<b>36328</b>	199, 201
31 12 6 771 894	<b>36329</b>	199, 201
31 12 6 773 949	<b>36837</b>	199, 201
31 12 6 773 950	<b>36838</b>	199, 201
31 12 6 774 819	<b>12528</b>	144, 206
31 12 6 774 820	<b>12529</b>	144, 206
31 12 6 774 825	<b>29253</b>	167
31 12 6 774 826	<b>29254</b>	167
31 12 6 774 831	<b>21739</b>	<b>183</b>
31 12 6 774 832	<b>21740</b>	183
31 12 6 775 145	<b>38393</b>	169, 185
31 12 6 775 959	<b>38271</b>	168, 169, 184, 185
31 12 6 775 960	<b>38272</b>	168, 169, 184, 185
31 12 6 775 963	<b>43757</b>	168, 169, 184, 185
31 12 6 775 964	<b>43758</b>	168, 169, 184, 185

Ref. - No.



31 12 6 775 967	<b>38000</b>	168, 168, 169, 170, 170, 171, 176, 176, 177, 184, 184, 185
31 12 6 775 971	<b>39979</b>	170, 171, 176, 177
31 12 6 775 972	<b>39980</b>	170, 171, 176, 177
31 12 6 775 979	<b>38278</b>	171, 177
31 12 6 775 981	<b>38002</b>	168, 168, 168, 168, 169, 170, 170, 170, 170, 171, 176, 176, 176, 176, 177, 184, 184, 184, 184, 185
31 12 6 776 417	<b>36334</b>	199, 201
31 12 6 776 418	<b>36335</b>	199, 201
31 12 6 777 653	<b>40391</b>	169, 171, 177, 185
31 12 6 777 753	<b>45318</b>	168, 168, 169, 170, 170, 171, 176, 176, 177, 184, 184, 185
31 12 6 777 851	<b>12528</b>	144, 206
31 12 6 777 852	<b>12529</b>	144, 206
31 12 6 777 937	<b>21513</b>	175, 183
31 12 6 777 938	<b>21514</b>	175, 183
31 12 6 777 939	<b>21513</b>	175, 183
31 12 6 777 940	<b>21514</b>	175, 183
31 12 6 783 376	<b>18686</b>	144, 206
31 12 6 794 203	<b>43761</b>	170, 171, 176, 177
31 12 6 794 204	<b>43762</b>	170, 171, 176, 177
31 12 6 798 107	<b>43757</b>	168, 169, 184, 185
31 12 6 798 108	<b>43758</b>	168, 169, 184, 185
31 12 6 851 255	<b>40496</b>	129, 131, 155, 157
31 12 6 851 259	<b>45091</b>	129, 131, 155, 157
31 12 6 851 260	<b>45092</b>	129, 131, 155, 157
31 12 6 851 261	<b>40496</b>	129, 131, 155, 157
31 12 6 852 991	<b>45093</b>	129, 131, 155, 157
31 12 6 852 992	<b>45094</b>	129, 131, 155, 157
31 12 6 854 729	<b>40497</b>	129, 131, 155, 157
31 12 6 855 741	<b>45091</b>	129, 131, 155, 157
31 12 6 855 742	<b>45092</b>	129, 131, 155, 157
31 12 6 855 743	<b>40496</b>	129, 131, 155, 157
31 12 9 058 814	<b>04060</b>	134, 136
31 12 9 058 815	<b>06660</b>	134, 136
31 12 9 058 818	<b>04037</b>	159
31 12 9 058 931	<b>06661</b>	134, 136, 138, 203
31 12 9 059 288	<b>07224</b>	141, 142, 205
31 12 9 064 875	<b>26080</b>	141, 142


**Ref. - No.**


31 12 9 068 734	<b>12576</b>	165, 180
31 12 9 068 753	<b>09005</b>	163, 208
31 12 9 069 035	<b>36375</b>	141, 205
31 12 9 069 829	<b>12576</b>	165, 180
31 12 9 071 085	<b>12576</b>	165, 180
31 12 9 071 663	<b>18686</b>	144, 206
31 12 9 071 952	<b>18686</b>	144, 206
31 12 9 071 963	<b>18686</b>	144, 206
31 30 3 413 201	<b>27195</b>	194
31 30 3 413 202	<b>27196</b>	194
31 30 3 414 299	<b>27195</b>	194
31 30 3 414 300	<b>27196</b>	194
31 30 6 781 541	<b>28288</b>	175
31 30 6 781 542	<b>28289</b>	175
31 30 6 781 545	<b>19665</b>	183
31 30 6 781 546	<b>19666</b>	183
31 30 6 781 547	<b>24623</b>	166, 167
31 30 6 781 548	<b>24625</b>	166, 167
31 30 6 781 549	<b>32680</b>	166, 167
31 30 6 781 550	<b>32681</b>	166, 167
31 30 6 787 163	<b>37247</b>	195
31 30 6 787 164	<b>37249</b>	195
31 30 6 792 211	<b>40893</b>	129, 131, 155, 157
31 30 6 792 212	<b>40894</b>	129, 131, 155, 157
31 35 1 090 186	<b>37938</b>	141, 205
31 35 1 090 263	<b>37945</b>	141, 205
31 35 1 090 268	<b>37937</b>	141, 205
31 35 1 090 300	<b>37946</b>	141, 205
31 35 1 090 860	<b>37935</b>	141, 205
31 35 1 091 228	<b>37935</b>	141, 205
31 35 1 091 496	<b>08920</b>	180
31 35 1 091 555	<b>34258</b>	180
31 35 1 091 764	<b>04220</b>	134, 136, 138, 141, 142, 203, 205
31 35 1 091 855	<b>10035</b>	163
31 35 1 091 856	<b>10036</b>	163
31 35 1 092 304	<b>19669</b>	165
31 35 1 093 108	<b>29366</b>	163, 165
31 35 1 093 263	<b>34257</b>	163
31 35 1 094 554	<b>33378</b>	144
31 35 1 094 555	<b>33380</b>	144
31 35 1 094 556	<b>33377</b>	144, 206
31 35 1 095 271	<b>32028</b>	144

**Ref. - No.**


31 35 1 095 661	<b>10035</b>	163
31 35 1 095 662	<b>10036</b>	163
31 35 1 095 664	<b>19669</b>	165
31 35 1 095 694	<b>17377</b>	144, 206
31 35 1 095 695	<b>08920</b>	180
31 35 1 097 021	<b>27160</b>	197
31 35 1 097 179	<b>33379</b>	144
31 35 1 124 380	<b>04585</b>	141, 159, 161, 173, 179, 187
31 35 1 126 774	<b>01671</b>	134
31 35 1 127 194	<b>04585</b>	141, 159, 161, 173, 179, 187
31 35 1 127 414	<b>01671</b>	134
31 35 1 127 689	<b>04220</b>	134, 136, 138, 141, 142, 203, 205
31 35 1 128 050	<b>04585</b>	141, 159, 161, 173, 179, 187
31 35 1 128 737	<b>04220</b>	134, 136, 138, 141, 142, 203, 205
31 35 1 129 139	<b>01672</b>	134, 136, 138
31 35 1 130 075	<b>04585</b>	141, 159, 161, 173, 179, 187
31 35 1 133 738	<b>01673</b>	161
31 35 1 134 582	<b>04585</b>	141, 159, 161, 173, 179, 187
31 35 1 135 805	<b>01674</b>	161
31 35 2 227 203	<b>21077</b>	141
31 35 4 014 531	<b>24623</b>	166, 167
31 35 4 014 532	<b>24625</b>	166, 167
31 35 6 750 703	<b>19667</b>	197
31 35 6 750 704	<b>19668</b>	197
31 35 6 751 079	<b>26633</b>	145
31 35 6 751 080	<b>26634</b>	145
31 35 6 753 767	<b>19665</b>	183
31 35 6 753 768	<b>19666</b>	183
31 35 6 753 913	<b>39824</b>	167, 175, 183
31 35 6 760 985	<b>24623</b>	166, 167
31 35 6 760 986	<b>24625</b>	166, 167
31 35 6 761 589	<b>33382</b>	167
31 35 6 761 591	<b>33382</b>	167
31 35 6 763 267	<b>33383</b>	183
31 35 6 764 113	<b>36905</b>	167, 175

Ref. - No.

Car  
Division 

Ref. - No.



31 35 6 765 574	<b>33381</b>	127, 149, 151, 153, 207
31 35 6 765 933	<b>27199</b>	127, 149, 151, 153, 189, 191, 207
31 35 6 765 933	<b>46285</b>	188, 189
31 35 6 765 934	<b>27200</b>	127, 149, 151, 153, 189, 191, 207
31 35 6 765 934	<b>46285</b>	188, 189
31 35 6 768 083	<b>32680</b>	166, 167
31 35 6 768 084	<b>32681</b>	166, 167
31 35 6 768 771	<b>38071</b>	147, 192
31 35 6 768 771	<b>46265</b>	192, 192
31 35 6 768 772	<b>38072</b>	147, 192
31 35 6 768 772	<b>46265</b>	192, 192
31 35 6 769 499	<b>24623</b>	166, 167
31 35 6 769 500	<b>24625</b>	166, 167
31 35 6 769 663	<b>28288</b>	175
31 35 6 769 664	<b>28289</b>	175
31 35 6 769 714	<b>36897</b>	147
31 35 6 770 003	<b>36904</b>	167
31 35 6 773 023	<b>29615</b>	198, 199, 201, 201
31 35 6 773 024	<b>29616</b>	198, 199, 201, 201
31 35 6 773 512	<b>36897</b>	147
31 35 6 777 319	<b>36225</b>	169, 171, 177, 185
31 35 6 778 069	<b>19665</b>	183
31 35 6 778 070	<b>19666</b>	183
31 35 6 780 847	<b>17377</b>	144, 206
32 10 2 353 823	<b>40937</b>	125, 149, 151, 153, 191
32 10 3 412 798	<b>31225</b>	193
32 10 3 444 999	<b>31225</b>	193
32 10 6 765 079	<b>40937</b>	125, 149, 151, 153, 191
32 10 6 765 089	<b>27158</b>	125, 126, 149, 151, 153, 189, 191, 207
32 10 6 765 090	<b>27159</b>	125, 126, 149, 151, 153, 189, 191, 207
32 10 6 765 234	<b>26505</b>	126, 147, 149, 151, 153, 189, 192
32 10 6 765 235	<b>27718</b>	126, 149, 151, 153, 189, 207
32 10 6 765 236	<b>27719</b>	126, 149, 151, 153, 189, 207

Ref. - No.



32 10 6 765 238	<b>27716</b>	126, 148, 148, 149, 151, 153, 189, 207
32 10 6 765 782	<b>26347</b>	167, 175
32 10 6 767 781	<b>27158</b>	125, 126, 149, 151, 153, 189, 191, 207
32 10 6 767 782	<b>27159</b>	125, 126, 149, 151, 153, 189, 191, 207
32 10 6 768 879	<b>38009</b>	147, 192
32 10 6 768 880	<b>38010</b>	147, 192
32 10 6 769 073	<b>37263</b>	147, 192
32 10 6 769 074	<b>37264</b>	147, 192
32 10 6 774 220	<b>12696</b>	143, 206
32 10 6 774 221	<b>12697</b>	143, 206
32 10 6 774 222	<b>12698</b>	143, 206
32 10 6 774 223	<b>12699</b>	143, 206
32 10 6 774 335	<b>26637</b>	195
32 10 6 774 336	<b>31224</b>	195
32 10 6 774 347	<b>27210</b>	167, 175
32 10 6 774 360	<b>29321</b>	181
32 10 6 774 361	<b>27204</b>	167, 175, 181, 183
32 10 6 776 946	<b>27204</b>	167, 175, 181, 183
32 10 6 777 268	<b>29321</b>	181
32 10 6 777 479	<b>27210</b>	167, 175
32 10 6 777 503	<b>12698</b>	143, 206
32 10 6 777 504	<b>12699</b>	143, 206
32 10 6 779 622	<b>43550</b>	129, 131, 155, 157, 199, 200
32 10 6 780 984	<b>33511</b>	199, 200
32 10 6 780 985	<b>33512</b>	199, 200
32 10 6 784 716	<b>39677</b>	169, 171, 177, 185
32 10 6 784 719	<b>39678</b>	169, 171, 177, 185
32 10 6 784 790	<b>39675</b>	169, 171, 177, 185
32 10 6 784 796	<b>39676</b>	169, 171, 177, 185
32 10 6 785 993	<b>40057</b>	169, 171, 177, 185
32 10 6 791 561	<b>40059</b>	169, 171, 177, 185, 200
32 10 6 792 029	<b>44669</b>	129, 155, 157
32 10 6 792 030	<b>44670</b>	129, 155, 157
32 10 6 793 496	<b>33512</b>	199, 200
32 10 6 793 497	<b>33511</b>	199, 200
32 10 6 793 498	<b>31785</b>	199, 200
32 10 6 793 621	<b>38009</b>	147, 192
32 10 6 793 622	<b>38010</b>	147, 192


**Ref. - No.**


32 10 6 793 623	<b>37263</b>	147, 192
32 10 6 793 624	<b>37264</b>	147, 192
32 10 6 795 845	<b>43550</b>	129, 131, 155, 157, 199, 200
32 10 6 797 617	<b>44657</b>	129, 155, 157
32 10 6 797 618	<b>44658</b>	129, 155, 157
32 10 6 799 960	<b>44285</b>	129, 131, 155, 157
32 10 6 799 965	<b>44286</b>	129, 131, 155, 157
32 10 6 799 966	<b>44281</b>	129, 131, 155, 157
32 10 6 799 967	<b>44282</b>	129, 131, 155, 157
32 10 6 854 893	<b>43546</b>	129, 131, 155, 157
32 11 1 091 767	<b>11817</b>	162
32 11 1 091 768	<b>11818</b>	162
32 11 1 093 769	<b>11817</b>	162
32 11 1 093 770	<b>11818</b>	162
32 11 1 094 673	<b>11817</b>	162
32 11 1 094 674	<b>11818</b>	162
32 11 1 096 897	<b>12698</b>	143, 206
32 11 1 117 426	<b>07348</b>	132, 133, 135, 137
32 11 1 118 688	<b>07349</b>	132
32 11 1 125 131	<b>07349</b>	132
32 11 1 125 186	<b>08572</b>	133, 135, 137
32 11 1 125 187	<b>08575</b>	133, 135, 137
32 11 1 126 757	<b>08574</b>	133, 135, 137, 202
32 11 1 127 104	<b>03320</b>	133, 135, 137, 202
32 11 1 137 070	<b>12646</b>	139, 204
32 11 1 139 313	<b>06625</b>	139, 204
32 11 1 139 314	<b>06641</b>	139, 204
32 11 1 139 315	<b>06628</b>	139, 204
32 11 1 139 316	<b>06629</b>	139, 204
32 11 1 139 318	<b>06636</b>	139
32 11 1 139 772	<b>12646</b>	139, 204
32 13 1 092 876	<b>12642</b>	162, 208
32 13 1 094 629	<b>19862</b>	139, 204
32 13 1 096 465	<b>27086</b>	143, 206
32 13 1 096 910	<b>27086</b>	143, 206
32 13 1 128 685	<b>12308</b>	133, 137
32 13 1 132 798	<b>12307</b>	133, 135, 137, 202
32 13 6 751 026	<b>22628</b>	167, 181, 193, 195
32 13 6 752 478	<b>45921</b>	145, 145
32 13 6 753 546	<b>22628</b>	167, 181, 193, 195
32 21 1 091 720	<b>23925</b>	164
32 21 1 091 723	<b>12683</b>	164

**Ref. - No.**


32 21 1 091 724	<b>12684</b>	164
32 21 1 091 913	<b>11816</b>	180
32 21 1 093 433	<b>11816</b>	180
32 21 1 095 950	<b>36501</b>	143, 206
32 21 1 095 955	<b>23923</b>	143
32 21 1 095 956	<b>23924</b>	143
32 21 1 095 957	<b>12696</b>	143, 206
32 21 1 095 958	<b>12697</b>	143, 206
32 21 1 096 057	<b>11816</b>	180
32 21 1 096 059	<b>23925</b>	164
32 21 1 096 327	<b>23936</b>	195
32 21 1 096 897	<b>12698</b>	143, 206
32 21 1 096 898	<b>12699</b>	143, 206
32 21 1 123 464	<b>08906</b>	158, 172
32 21 1 124 231	<b>08581</b>	158, 160, 172, 178, 186
32 21 1 124 232	<b>08580</b>	158, 172
32 21 1 124 906	<b>08580</b>	158, 172
32 21 1 127 136	<b>08580</b>	158, 172
32 21 1 127 272	<b>08580</b>	158, 172
32 21 1 127 917	<b>08582</b>	158, 160, 172, 178, 186
32 21 1 127 918	<b>08583</b>	158, 160, 172, 178, 186
32 21 1 129 014	<b>08580</b>	158, 172
32 21 1 129 020	<b>08581</b>	158, 160, 172, 178, 186
32 21 1 129 807	<b>07225</b>	158, 160, 164, 172, 178, 180, 186
32 21 1 130 001	<b>08583</b>	158, 160, 172, 178, 186
32 21 1 130 004	<b>08582</b>	158, 160, 172, 178, 186
32 21 1 130 655	<b>12380</b>	178
32 21 1 130 661	<b>08925</b>	160
32 21 1 133 525	<b>12380</b>	178
32 21 1 133 615	<b>08925</b>	160
32 21 1 133 698	<b>07225</b>	158, 160, 164, 172, 178, 180, 186
32 21 1 133 699	<b>01847</b>	158, 160, 172, 178, 186
32 21 1 135 666	<b>08581</b>	158, 160, 172, 178, 186

Ref. - No.

Car  
Division 

Ref. - No.



32 21 1 135 819	<b>08583</b>	158, 160, 172, 178, 186
32 21 1 135 820	<b>08582</b>	158, 160, 172, 178, 186
32 21 1 136 450	<b>01847</b>	158, 160, 172, 178, 186
32 21 1 136 452	<b>07225</b>	158, 160, 164, 172, 178, 180, 186
32 21 1 136 681	<b>12380</b>	178
32 21 1 136 685	<b>08925</b>	160
32 21 1 138 850	<b>12380</b>	178
32 21 1 138 854	<b>08925</b>	160
32 21 1 138 864	<b>08925</b>	160
32 21 1 139 786	<b>12646</b>	139, 204
32 21 1 141 345	<b>11814</b>	180
32 21 1 141 346	<b>11815</b>	180
32 21 1 141 592	<b>12903</b>	164, 180
32 21 6 751 277	<b>23935</b>	195
32 21 6 756 368	<b>29321</b>	181
32 21 6 756 369	<b>27204</b>	167, 175, 181, 183
32 21 6 760 354	<b>26637</b>	195
32 21 6 760 470	<b>31224</b>	195
32 21 6 762 243	<b>27749</b>	125, 149, 151, 153, 191
32 21 6 762 244	<b>27750</b>	125, 149, 151, 153, 191
32 21 6 762 403	<b>27210</b>	167, 175
32 21 6 767 860	<b>32021</b>	167
32 21 6 767 861	<b>34813</b>	167
32 21 6 773 739	<b>33511</b>	199, 200
32 21 6 773 741	<b>33512</b>	199, 200
32 21 6 777 451	<b>34813</b>	167
32 30 3 418 202	<b>27067</b>	193
32 30 3 418 204	<b>31225</b>	193
32 31 1 115 090	<b>01675</b>	132, 158, 160, 172, 178, 186, 202
32 31 1 115 092	<b>01675</b>	132, 158, 160, 172, 178, 186, 202
32 31 1 153 993	<b>01676</b>	133, 135, 137
32 41 3 413 476	<b>27067</b>	193
33 30 3 411 651	<b>18143</b>	724, 727, 752, 758, 759, 760
33 30 6 772 241	<b>28293</b>	737, 739, 743, 749

Ref. - No.



33 30 6 772 242	<b>28294</b>	737, 739, 743, 749
33 30 6 773 941	<b>28291</b>	737, 739
33 30 6 773 942	<b>28292</b>	737, 739
33 30 6 786 980	<b>36525</b>	753
33 30 6 786 993	<b>40494</b>	753
33 31 3 400 023	<b>26644</b>	752
33 31 3 418 342	<b>26644</b>	752
33 32 1 090 030	<b>12299</b>	735, 737, 739, 743, 747, 749, 755, 761
33 32 1 090 504	<b>18901</b>	735, 737, 739, 743, 747, 749, 755, 761
33 32 1 090 745	<b>12580</b>	735, 747
33 32 1 090 815	<b>12581</b>	735
33 32 1 090 816	<b>12582</b>	735
33 32 1 090 905	<b>23888</b>	747, 761
33 32 1 090 906	<b>23889</b>	747, 761
33 32 1 091 620	<b>12299</b>	735, 737, 739, 743, 747, 749, 755, 761
33 32 1 092 237	<b>18143</b>	724, 727, 752, 758, 759, 760
33 32 1 092 247	<b>06795</b>	724, 727, 752, 759, 760
33 32 1 092 248	<b>01022</b>	724, 727, 752, 758, 759, 760
33 32 1 094 209	<b>12581</b>	735
33 32 1 094 210	<b>12582</b>	735
33 32 1 095 411	<b>23952</b>	755
33 32 1 095 412	<b>23953</b>	755
33 32 1 095 414	<b>21305</b>	755
33 32 1 095 631	<b>18901</b>	735, 737, 739, 743, 747, 749, 755, 761
33 32 1 096 797	<b>21425</b>	735, 737, 739, 743, 749
33 32 1 097 009	<b>14923</b>	724, 727, 752
33 32 1 097 264	<b>12580</b>	735, 747
33 32 1 123 105	<b>04047</b>	723, 725, 732, 741, 745, 758
33 32 1 123 462	<b>32407</b>	732, 733, 741, 745, 746
33 32 1 123 774	<b>04052</b>	723, 725, 732, 741, 745, 758
33 32 1 125 563	<b>32407</b>	732, 733, 741, 745, 746



Ref. - No.



33 32 1 125 665	<b>05747</b>	732, 733, 745, 746
33 32 1 126 476	<b>05747</b>	732, 733, 745, 746
33 32 1 136 311	<b>01023</b>	724, 727, 752, 758, 759
33 32 1 137 459	<b>32407</b>	732, 733, 741, 745, 746
33 32 1 137 571	<b>06795</b>	724, 727, 752, 759, 760
33 32 1 137 806	<b>14923</b>	724, 727, 752
33 32 1 138 380	<b>18143</b>	724, 727, 752, 758, 759, 760
33 32 1 138 383	<b>01022</b>	724, 727, 752, 758, 759, 760
33 32 1 138 722	<b>12700</b>	724, 727, 759, 760
33 32 1 140 345	<b>12700</b>	724, 727, 759, 760
33 32 2 282 065	<b>21425</b>	735, 737, 739, 743, 749
33 32 2 347 991	<b>40363</b>	737, 739, 743, 749
33 32 2 347 992	<b>40364</b>	737, 739, 743, 749
33 32 4 046 917	<b>37451</b>	756
33 32 4 046 918	<b>37452</b>	756
33 32 6 756 249	<b>26643</b>	721, 722, 729, 730, 731, 751
33 32 6 758 141	<b>28293</b>	737, 739, 743, 749
33 32 6 758 142	<b>28294</b>	737, 739, 743, 749
33 32 6 759 157	<b>28291</b>	737, 739
33 32 6 759 158	<b>28292</b>	737, 739
33 32 6 760 675	<b>18143</b>	724, 727, 752, 758, 759, 760
33 32 6 763 092	<b>32037</b>	721, 729, 751
33 32 6 763 093	<b>31333</b>	721, 729, 751
33 32 6 763 471	<b>32430</b>	721, 729, 751
33 32 6 763 473	<b>27193</b>	721, 729
33 32 6 765 425	<b>26208</b>	721, 729, 751
33 32 6 765 534	<b>36992</b>	721, 729, 751
33 32 6 765 535	<b>36993</b>	721, 729, 751
33 32 6 767 748	<b>18901</b>	735, 737, 739, 743, 747, 749, 755, 761
33 32 6 767 753	<b>28291</b>	737, 739
33 32 6 767 754	<b>28292</b>	737, 739
33 32 6 767 759	<b>28293</b>	737, 739, 743, 749
33 32 6 767 760	<b>28294</b>	737, 739, 743, 749
33 32 6 767 831	<b>12581</b>	735

Ref. - No.



33 32 6 767 832	<b>12582</b>	735
33 32 6 767 967	<b>28291</b>	737, 739
33 32 6 767 968	<b>28292</b>	737, 739
33 32 6 768 268	<b>21425</b>	735, 737, 739, 743, 749
33 32 6 768 269	<b>21305</b>	755
33 32 6 768 273	<b>23952</b>	755
33 32 6 768 274	<b>23953</b>	755
33 32 6 768 789	<b>28291</b>	737, 739
33 32 6 768 790	<b>28292</b>	737, 739
33 32 6 768 791	<b>12580</b>	735, 747
33 32 6 769 971	<b>28293</b>	737, 739, 743, 749
33 32 6 769 972	<b>28294</b>	737, 739, 743, 749
33 32 6 770 059	<b>23888</b>	747, 761
33 32 6 770 060	<b>23889</b>	747, 761
33 32 6 770 742	<b>21305</b>	755
33 32 6 770 747	<b>23952</b>	755
33 32 6 770 748	<b>23953</b>	755
33 32 6 770 749	<b>12299</b>	735, 737, 739, 743, 747, 749, 755, 761
33 32 6 770 753	<b>21425</b>	735, 737, 739, 743, 749
33 32 6 770 775	<b>28293</b>	737, 739, 743, 749
33 32 6 770 776	<b>28294</b>	737, 739, 743, 749
33 32 6 770 786	<b>14923</b>	724, 727, 752
33 32 6 770 813	<b>18143</b>	724, 727, 752, 758, 759, 760
33 32 6 770 824	<b>01022</b>	724, 727, 752, 758, 759, 760
33 32 6 770 829	<b>31333</b>	721, 729, 751
33 32 6 770 839	<b>28291</b>	737, 739
33 32 6 770 840	<b>28292</b>	737, 739
33 32 6 770 859	<b>23952</b>	755
33 32 6 770 860	<b>23953</b>	755
33 32 6 770 963	<b>37451</b>	756
33 32 6 770 964	<b>37452</b>	756
33 32 6 770 969	<b>37443</b>	756
33 32 6 770 970	<b>37444</b>	756
33 32 6 770 985	<b>34326</b>	756
33 32 6 771 828	<b>26409</b>	724, 727, 752, 758, 759, 760
33 32 6 774 476	<b>36314</b>	756, 757
33 32 6 774 793	<b>28293</b>	737, 739, 743, 749



Ref. - No.

Car  
Division 

Ref. - No.



33 32 6 774 794	<b>28294</b>	737, 739, 743, 749
33 32 6 774 795	<b>21425</b>	735, 737, 739, 743, 749
33 32 6 774 796	<b>21305</b>	755
33 32 6 774 841	<b>28291</b>	737, 739
33 32 6 774 842	<b>28292</b>	737, 739
33 32 6 775 551	<b>12700</b>	724, 727, 759, 760
33 32 6 775 552	<b>26643</b>	721, 722, 729, 730, 731, 751
33 32 6 775 683	<b>39086</b>	740, 744, 750
33 32 6 777 424	<b>21425</b>	735, 737, 739, 743, 749
33 32 6 777 425	<b>28291</b>	737, 739
33 32 6 777 426	<b>28292</b>	737, 739
33 32 6 777 980	<b>27193</b>	721, 729
33 32 6 779 387	<b>37451</b>	756
33 32 6 779 388	<b>37452</b>	756
33 32 6 780 438	<b>37959</b>	740, 744, 750
33 32 6 782 237	<b>36401</b>	721, 729, 751
33 32 6 782 238	<b>36402</b>	721, 729, 751
33 32 6 792 551	<b>39088</b>	722, 730, 731
33 32 6 792 553	<b>26643</b>	721, 722, 729, 730, 731, 751
33 32 9 058 821	<b>04052</b>	723, 725, 732, 741, 745, 758
33 32 9 058 822	<b>04047</b>	723, 725, 732, 741, 745, 758
33 32 9 058 823	<b>32407</b>	732, 733, 741, 745, 746
33 32 9 061 945	<b>04052</b>	723, 725, 732, 741, 745, 758
33 32 9 061 946	<b>32407</b>	732, 733, 741, 745, 746
33 50 3 404 616	<b>44622</b>	752
33 50 3 413 197	<b>27198</b>	752
33 50 3 414 297	<b>27198</b>	752
33 50 6 768 493	<b>33491</b>	737, 739, 743
33 50 6 781 537	<b>33491</b>	737, 739, 743
33 50 6 781 538	<b>19670</b>	749
33 50 6 781 539	<b>26132</b>	749
33 50 6 781 540	<b>26130</b>	737, 739, 743
33 50 6 785 607	<b>37677</b>	722, 730, 731, 751
33 50 6 785 608	<b>37678</b>	722, 730, 731, 751

Ref. - No.



33 53 6 765 584	<b>38074</b>	721, 729
33 55 1 091 497	<b>10037</b>	747
33 55 1 092 292	<b>10038</b>	735
33 55 1 093 663	<b>32031</b>	735
33 55 1 094 619	<b>17779</b>	727
33 55 1 095 532	<b>10038</b>	735
33 55 1 095 696	<b>10037</b>	747
33 55 1 096 735	<b>19671</b>	755
33 55 1 096 893	<b>34259</b>	755
33 55 1 124 375	<b>06639</b>	723, 724, 732, 741, 745, 758
33 55 1 126 932	<b>06639</b>	723, 724, 732, 741, 745, 758
33 55 1 131 155	<b>01706</b>	724, 733, 746
33 55 1 135 307	<b>07248</b>	725, 733, 746, 758
33 55 1 138 104	<b>31064</b>	724, 727, 733, 759
33 55 2 282 182	<b>32879</b>	727, 759, 760
33 55 2 283 743	<b>32879</b>	727, 759, 760
33 55 6 751 269	<b>45097</b>	727
33 55 6 753 770	<b>26132</b>	749
33 55 6 753 927	<b>45626</b>	749
33 55 6 757 333	<b>45625</b>	749
33 55 6 757 460	<b>19670</b>	749
33 55 6 761 000	<b>26130</b>	737, 739, 743
33 55 6 761 492	<b>33491</b>	737, 739, 743
33 55 6 764 428	<b>26078</b>	721, 729
33 55 6 766 510	<b>44284</b>	737, 739, 743
33 55 6 771 937	<b>29612</b>	756
33 55 6 772 082	<b>39087</b>	756
33 55 6 776 559	<b>36657</b>	756, 757
33 55 6 777 635	<b>33492</b>	740, 744, 750
33 55 6 786 429	<b>37676</b>	740
37 10 6 775 189	<b>32693</b>	740, 750
37 11 6 771 929	<b>29610</b>	198, 199, 201, 201
37 11 6 771 930	<b>29611</b>	198, 199, 201, 201
31 10 3 412 781 S1	<b>26182</b>	194
31 10 4 026 719 S1	<b>40313</b>	167
31 10 4 026 720 S1	<b>40314</b>	167
31 12 1 092 023 S1	<b>33371</b>	163
31 12 1 092 609 S1	<b>22367</b>	165
31 12 1 092 610 S1	<b>22368</b>	165
31 12 1 093 449 S1	<b>34655</b>	163
31 12 1 093 450 S1	<b>34656</b>	163


**Ref. - No.**


31 12 1 094 233 S1	<b>34655</b>	163
31 12 1 094 234 S1	<b>34656</b>	163
31 12 1 094 465 S1	<b>18802</b>	144, 144, 206
31 12 1 094 466 S1	<b>18803</b>	144, 144, 206
31 12 1 096 169 S1	<b>40573</b>	197
31 12 1 096 170 S1	<b>40574</b>	197
31 12 1 096 316 S1	<b>34671</b>	197
31 12 1 130 089 S1	<b>24297</b>	179, 179
31 12 1 130 089 S2	<b>24299</b>	179, 179, 187, 187
31 12 1 130 090 S1	<b>24298</b>	179, 179
31 12 1 130 090 S2	<b>24300</b>	179, 179, 187, 187
31 12 1 130 597 S1	<b>24297</b>	179, 179
31 12 1 130 597 S2	<b>24299</b>	179, 179, 187, 187
31 12 1 132 159 S1	<b>24293</b>	161
31 12 1 132 159 S2	<b>24295</b>	161, 161
31 12 1 132 160 S1	<b>24294</b>	161, 161
31 12 1 132 160 S2	<b>24296</b>	161, 161
31 12 1 133 711 S1	<b>24293</b>	161
31 12 1 133 711 S2	<b>24295</b>	161, 161
31 12 1 133 712 S1	<b>24294</b>	161, 161
31 12 1 133 712 S2	<b>24296</b>	161, 161
31 12 1 136 529 S2	<b>34647</b>	141, 205
31 12 1 136 530 S2	<b>34648</b>	141, 205
31 12 1 136 531 S1	<b>21465</b>	141, 142, 205, 205
31 12 1 139 999 S1	<b>24297</b>	179, 179
31 12 1 139 999 S2	<b>24299</b>	179, 179, 187, 187
31 12 1 140 000 S1	<b>24298</b>	179, 179
31 12 1 140 000 S2	<b>24300</b>	179, 179, 187, 187
31 12 1 140 399 S2	<b>34647</b>	141, 205
31 12 1 140 400 S2	<b>34648</b>	141, 205
31 12 1 140 957 S2	<b>34647</b>	141, 205
31 12 1 140 958 S2	<b>34648</b>	141, 205
31 12 1 141 097 S1	<b>24293</b>	161
31 12 1 141 097 S2	<b>24295</b>	161, 161
31 12 1 141 098 S1	<b>24294</b>	161, 161
31 12 1 141 098 S2	<b>24296</b>	161, 161
31 12 1 141 717 S1	<b>12622</b>	163, 208
31 12 1 141 717 S2	<b>40303</b>	163
31 12 1 141 718 S1	<b>12623</b>	163, 208
31 12 1 141 718 S2	<b>40304</b>	163
31 12 1 142 087 S1	<b>40375</b>	180
31 12 1 142 088 S1	<b>40376</b>	180
31 12 1 733 490 S1	<b>24298</b>	179, 179

**Ref. - No.**


31 12 1 733 490 S2	<b>24300</b>	179, 179, 187, 187
31 12 2 157 594 SK1	<b>18802</b>	144, 144, 206
31 12 2 157 594 SK2	<b>18803</b>	144, 144, 206
31 12 2 157 597 SK1	<b>34655</b>	163
31 12 2 157 597 SK2	<b>34656</b>	163
31 12 2 158 880 SK1	<b>18802</b>	144, 144, 206
31 12 2 158 880 SK2	<b>18803</b>	144, 144, 206
31 12 2 158 894 SK1	<b>26655</b>	144, 144
31 12 2 158 894 SK2	<b>26656</b>	144, 144
31 12 2 180 461 SK1	<b>40573</b>	197
31 12 2 180 461 SK2	<b>40574</b>	197
31 12 2 181 694 SK1	<b>40573</b>	197
31 12 2 181 694 SK2	<b>40574</b>	197
31 12 2 226 581 S1	<b>24293</b>	161
31 12 2 226 581 S2	<b>24295</b>	161, 161
31 12 2 226 581 S2	<b>24296</b>	161, 161
31 12 2 226 582 S1	<b>24294</b>	161, 161
31 12 2 226 582 S2	<b>24296</b>	161, 161
31 12 2 282 121 S1	<b>26655</b>	144, 144
31 12 2 282 122 S1	<b>26656</b>	144, 144
31 12 2 339 996 SK1	<b>07966</b>	141, 205
31 12 2 339 997 SK1	<b>07965</b>	141, 205
31 12 4 026 453 S1	<b>40305</b>	183
31 12 4 026 454 S1	<b>40306</b>	183
31 12 4 028 607 S1	<b>40369</b>	167
31 12 4 028 608 S1	<b>40370</b>	167
31 12 4 046 437 S1	<b>40313</b>	167
31 12 4 046 438 S1	<b>40314</b>	167
31 12 6 096 315 S1	<b>34670</b>	197
31 12 6 750 057 S1	<b>18686</b>	144, 206
31 12 6 750 519 S1	<b>40305</b>	183
31 12 6 750 520 S1	<b>40306</b>	183
31 12 6 751 317 S1	<b>18802</b>	144, 144, 206
31 12 6 751 318 S1	<b>18803</b>	144, 144, 206
31 12 6 752 717 S1	<b>18802</b>	144, 144, 206
31 12 6 752 718 S1	<b>18803</b>	144, 144, 206
31 12 6 755 835 S1	<b>40371</b>	175, 183
31 12 6 755 836 S1	<b>40372</b>	175, 183
31 12 6 756 101 S1	<b>40305</b>	183
31 12 6 756 102 S1	<b>40306</b>	183
31 12 6 757 623 SK	<b>18687</b>	144, 206
31 12 6 757 623 SK1	<b>18688</b>	144, 206
31 12 6 758 513 S1	<b>21466</b>	141

Ref. - No.

Car  
Division 

Ref. - No.



Ref. - No.



31 12 6 758 513 S2	<b>34647</b>	141, 205
31 12 6 758 514 S1	<b>21467</b>	141
31 12 6 758 514 S2	<b>34648</b>	141, 205
31 12 6 758 519 S1	<b>18802</b>	144, 144, 206
31 12 6 758 520 S1	<b>18803</b>	144, 144, 206
31 12 6 760 181 S1	<b>40361</b>	167
31 12 6 760 182 S1	<b>40362</b>	167
31 12 6 760 183 S1	<b>40313</b>	167
31 12 6 760 184 S1	<b>40314</b>	167
31 12 6 760 275 S1	<b>34670</b>	197
31 12 6 760 276 S1	<b>34671</b>	197
31 12 6 763 699 S1	<b>46280</b>	190, 191
31 12 6 763 699 S2	<b>46285</b>	188, 189
31 12 6 763 700 S1	<b>46280</b>	190, 191
31 12 6 763 700 S2	<b>46285</b>	188, 189
31 12 6 763 719 S1	<b>24240</b>	127, 149, 151, 153, 189, 191, 207
31 12 6 765 991 S1	<b>21841</b>	183
31 12 6 765 992 S1	<b>23361</b>	167, 175
31 12 6 765 993 S1	<b>40305</b>	183
31 12 6 765 994 S1	<b>40306</b>	183
31 12 6 765 995 S1	<b>40313</b>	167
31 12 6 765 996 S1	<b>40314</b>	167
31 12 6 768 297 S1	<b>40369</b>	167
31 12 6 768 298 S1	<b>40370</b>	167
31 12 6 768 983 S1	<b>40853</b>	147, 192
31 12 6 768 983 S1	<b>46265</b>	192, 192
31 12 6 768 984 S1	<b>40854</b>	147, 192
31 12 6 768 984 S1	<b>46265</b>	192, 192
31 12 6 768 989 S1	<b>45991</b>	192
31 12 6 768 989 S2	<b>46265</b>	192, 192
31 12 6 769 717 S1	<b>33372</b>	197
31 12 6 769 717 S1	<b>40573</b>	197
31 12 6 769 718 S1	<b>40574</b>	197
31 12 6 769 797 S1	<b>46280</b>	190, 191
31 12 6 769 798 S1	<b>46280</b>	190, 191
31 12 6 770 121 S1	<b>40371</b>	175, 183
31 12 6 770 122 S1	<b>40372</b>	175, 183
31 12 6 770 247 S1	<b>18802</b>	144, 144, 206
31 12 6 770 248 S1	<b>18803</b>	144, 144, 206
31 12 6 770 771 S1	<b>40371</b>	175, 183
31 12 6 770 772 S1	<b>40372</b>	175, 183
31 12 6 770 837 S1	<b>40371</b>	175, 183

31 12 6 770 838 S1	<b>40372</b>	175, 183
31 12 6 770 849 S1	<b>46280</b>	190, 191
31 12 6 770 849 S2	<b>46285</b>	188, 189
31 12 6 770 850 S1	<b>46280</b>	190, 191
31 12 6 770 850 S2	<b>46285</b>	188, 189
31 12 6 771 893 S1	<b>40571</b>	199, 201
31 12 6 771 894 S1	<b>40572</b>	199, 201
31 12 6 773 949 S1	<b>40603</b>	199, 201
31 12 6 773 950 S1	<b>40604</b>	199, 201
31 12 6 774 819 S1	<b>18802</b>	144, 144, 206
31 12 6 774 820 S1	<b>18803</b>	144, 144, 206
31 12 6 774 825 S1	<b>40313</b>	167
31 12 6 774 826 S1	<b>40314</b>	167
31 12 6 774 831 S1	<b>40305</b>	183
31 12 6 774 832 S1	<b>40306</b>	183
31 12 6 775 967 SK1	<b>38002</b>	168, 168, 168, 168, 169, 170, 170, 170, 170, 171, 176, 176, 176, 176, 177, 184, 184, 184, 184, 185
31 12 6 775 971 SK	<b>38278</b>	171, 177
31 12 6 775 972 SK	<b>38278</b>	171, 177
31 12 6 776 417 SK1	<b>45294</b>	199, 201
31 12 6 776 418 SK1	<b>45294</b>	199, 201
31 12 6 777 851 S1	<b>18802</b>	144, 144, 206
31 12 6 777 852 S1	<b>18803</b>	144, 144, 206
31 12 6 777 937 S1	<b>40371</b>	175, 183
31 12 6 777 938 S1	<b>40372</b>	175, 183
31 12 6 777 939 S1	<b>40371</b>	175, 183
31 12 6 777 940 S1	<b>40372</b>	175, 183
31 12 6 785 515 S2	<b>34647</b>	141, 205
31 12 6 785 516 S2	<b>34648</b>	141, 205
31 12 9 058 814 S1	<b>21468</b>	134, 134, 136, 136
31 12 9 058 814 S2	<b>21469</b>	134, 134, 136, 136
31 12 9 058 815 S1	<b>21470</b>	134, 134, 136, 136
31 12 9 058 815 S2	<b>21471</b>	134, 136, 136
31 12 9 058 931 S1	<b>21472</b>	134, 134, 136, 136, 138, 138, 203, 203
31 12 9 058 931 S2	<b>21473</b>	134, 136, 136, 138, 138, 203, 203
31 35 2 241 254 SK1	<b>17377</b>	144, 206
31 35 6 765 933 S1	<b>46280</b>	190, 191
31 35 6 765 934 S1	<b>46280</b>	190, 191
32 10 3 412 798 S1	<b>40552</b>	193


**Ref. - No.**


32 10 3 444 999 S1	<b>40552</b>	193
32 10 3 444 999 SK	<b>31222</b>	193, 193, 193, 195, 195, 195
32 10 6 765 235 S1	<b>40515</b>	126, 149, 151, 153, 189, 207
32 10 6 765 235 S1	<b>46285</b>	188, 189
32 10 6 765 235 SK	<b>27716</b>	126, 148, 148, 149, 151, 153, 189, 207
32 10 6 765 236 S1	<b>40516</b>	126, 149, 151, 153, 189, 207
32 10 6 765 236 S1	<b>46285</b>	188, 189
32 10 6 765 236 SK	<b>27716</b>	126, 148, 148, 149, 151, 153, 189, 207
32 10 6 768 879 S1	<b>46257</b>	192, 192
32 10 6 768 879 S1	<b>46265</b>	192, 192
32 10 6 768 879 SK	<b>38007</b>	147, 192
32 10 6 768 880 S1	<b>46258</b>	192, 192
32 10 6 768 880 S1	<b>46265</b>	192, 192
32 10 6 768 880 SK	<b>38007</b>	147, 192
32 10 6 774 222 SK	<b>36501</b>	143, 206
32 10 6 774 223 SK	<b>36501</b>	143, 206
32 10 6 774 336 S1	<b>40523</b>	195
32 10 6 774 336 SK	<b>31222</b>	193, 193, 193, 195, 195, 195
32 10 6 774 360 S1	<b>40522</b>	183
32 10 6 777 268 S1	<b>40522</b>	183
32 10 6 777 268 SK	<b>29323</b>	181, 183
32 10 6 777 503 SK	<b>36501</b>	143, 206
32 10 6 777 504 SK	<b>36501</b>	143, 206
32 10 6 780 985 S1	<b>43774</b>	199, 200
32 10 6 780 985 SK	<b>31785</b>	199, 200
32 10 6 782 252 SK	<b>26505</b>	126, 147, 149, 151, 153, 189, 192
32 10 6 784 716 S1	<b>40091</b>	169, 171, 177, 185
32 10 6 784 716 SK	<b>34253</b>	169, 171, 177, 185
32 10 6 784 719 S1	<b>40092</b>	169, 171, 177, 185
32 10 6 784 719 SK	<b>34253</b>	169, 171, 177, 185
32 10 6 792 029 S1	<b>44717</b>	129, 155, 157
32 10 6 792 029 SK1	<b>43626</b>	128, 128, 129, 154, 154, 155, 156, 156, 157
32 10 6 792 030 S1	<b>44718</b>	129, 155, 157

**Ref. - No.**


32 10 6 792 030 SK1	<b>43626</b>	128, 128, 129, 154, 154, 155, 156, 156, 157
32 10 6 793 496 S1	<b>43774</b>	199, 200
32 10 6 793 496 SK	<b>31785</b>	199, 200
32 10 6 793 621 S1	<b>46257</b>	192, 192
32 10 6 793 621 S1	<b>46265</b>	192, 192
32 10 6 793 621 SK	<b>38007</b>	147, 192
32 10 6 793 622 S1	<b>46258</b>	192, 192
32 10 6 793 622 S1	<b>46265</b>	192, 192
32 10 6 793 622 SK	<b>38007</b>	147, 192
32 10 6 799 960 S1	<b>44287</b>	129, 131, 155, 157
32 10 6 799 960 S2	<b>44297</b>	129, 131, 155, 157
32 10 6 799 965 S1	<b>44288</b>	129, 131, 155, 157
32 10 6 799 965 S2	<b>44298</b>	129, 131, 155, 157
32 11 1 096 897 SK	<b>36501</b>	143, 206
32 11 1 117 426 S1	<b>03284</b>	132, 133, 135, 137
32 11 1 127 104 S1	<b>03321</b>	133, 135, 137, 202
32 13 1 092 876 S1	<b>12643</b>	162, 208
32 21 1 096 898 SK	<b>36501</b>	143, 206
32 21 1 139 786 S1	<b>12647</b>	139, 204
32 21 6 756 368 S1	<b>40522</b>	183
32 21 6 760 470 S1	<b>40523</b>	195
32 21 6 762 243 S1	<b>43507</b>	125, 149, 151, 153, 191
32 21 6 762 243 S1	<b>46280</b>	190, 191
32 21 6 762 243 SK	<b>27751</b>	125, 148, 148, 149, 151, 153, 191
32 21 6 762 244 S1	<b>43508</b>	125, 149, 151, 153, 191
32 21 6 762 244 S1	<b>46280</b>	190, 191
32 21 6 762 244 SK	<b>27751</b>	125, 148, 148, 149, 151, 153, 191
32 21 6 773 741 S1	<b>43774</b>	199, 200
32 21 6 773 741 SK	<b>31785</b>	199, 200
32 30 3 418 204 S1	<b>40552</b>	193
33 30 6 772 241 S1	<b>40363</b>	737, 739, 743, 749
33 30 6 772 242 S1	<b>40364</b>	737, 739, 743, 749
33 32 1 090 030 S1	<b>34687</b>	735, 755
33 32 1 090 030 S2	<b>34695</b>	737, 739, 743, 749
33 32 1 090 030 S3	<b>34706</b>	747
33 32 1 090 504 S1	<b>18901</b>	735, 737, 739, 743, 747, 749, 755, 761

Ref. - No.

Car  
Division 

Ref. - No.



Ref. - No.



33 32 1 090 504 S2	<b>34687</b>	735, 755
33 32 1 090 504 S3	<b>34692</b>	735, 755
33 32 1 090 504 S4	<b>34695</b>	737, 739, 743, 749
33 32 1 090 504 S5	<b>34698</b>	737, 739, 743, 749
33 32 1 090 504 S6	<b>34706</b>	747
33 32 1 090 504 S7	<b>34707</b>	747
33 32 1 090 745 S1	<b>40575</b>	735, 747
33 32 1 090 815 S1	<b>34675</b>	735
33 32 1 090 816 S1	<b>34676</b>	735
33 32 1 091 620 S1	<b>34687</b>	735, 755
33 32 1 091 620 S2	<b>34695</b>	737, 739, 743, 749
33 32 1 091 620 S3	<b>34706</b>	747
33 32 1 094 209 S1	<b>34675</b>	735
33 32 1 094 210 S1	<b>34676</b>	735
33 32 1 095 411 S1	<b>38255</b>	755
33 32 1 095 412 S1	<b>38256</b>	755
33 32 1 095 414 S2	<b>40792</b>	755
33 32 1 095 631 S1	<b>18901</b>	735, 737, 739, 743, 747, 749, 755, 761
33 32 1 095 631 S2	<b>34687</b>	735, 755
33 32 1 095 631 S3	<b>34692</b>	735, 755
33 32 1 095 631 S4	<b>34695</b>	737, 739, 743, 749
33 32 1 095 631 S5	<b>34698</b>	737, 739, 743, 749
33 32 1 095 631 S6	<b>34706</b>	747
33 32 1 095 631 S7	<b>34707</b>	747
33 32 1 096 797 S1	<b>40576</b>	735, 737, 739, 743, 749
33 32 1 097 264 S1	<b>40575</b>	735, 747
33 32 1 125 665 S1	<b>26766</b>	732, 733, 745, 746
33 32 1 126 476 S1	<b>26766</b>	732, 733, 745, 746
33 32 2 282 065 S1	<b>40576</b>	735, 737, 739, 743, 749
33 32 2 296 222 SK1	<b>34692</b>	735, 755
33 32 6 750 371 S7	<b>34707</b>	747
33 32 6 758 141 S1	<b>40363</b>	737, 739, 743, 749
33 32 6 758 142 S1	<b>40364</b>	737, 739, 743, 749
33 32 6 763 473 S1	<b>40360</b>	721, 729
33 32 6 765 425 S1	<b>43542</b>	721, 729, 751
33 32 6 767 748 S1	<b>18901</b>	735, 737, 739, 743, 747, 749, 755, 761
33 32 6 767 748 S2	<b>34687</b>	735, 755
33 32 6 767 748 S3	<b>34692</b>	735, 755
33 32 6 767 748 S4	<b>34695</b>	737, 739, 743, 749

33 32 6 767 748 S5	<b>34698</b>	737, 739, 743, 749
33 32 6 767 748 S6	<b>34706</b>	747
33 32 6 767 748 S7	<b>34707</b>	747
33 32 6 767 759 S1	<b>40363</b>	737, 739, 743, 749
33 32 6 767 760 S1	<b>40364</b>	737, 739, 743, 749
33 32 6 767 831 S1	<b>34675</b>	735
33 32 6 767 832 S1	<b>34676</b>	735
33 32 6 768 268 S1	<b>40576</b>	735, 737, 739, 743, 749
33 32 6 768 269 S2	<b>40792</b>	755
33 32 6 768 273 S1	<b>38255</b>	755
33 32 6 768 274 S1	<b>38256</b>	755
33 32 6 768 791 S1	<b>40575</b>	735, 747
33 32 6 769 971 S1	<b>40363</b>	737, 739, 743, 749
33 32 6 769 972 S1	<b>40364</b>	737, 739, 743, 749
33 32 6 770 742 S2	<b>40792</b>	755
33 32 6 770 747 S1	<b>38255</b>	755
33 32 6 770 748 S1	<b>38256</b>	755
33 32 6 770 749 S1	<b>34687</b>	735, 755
33 32 6 770 749 S2	<b>34695</b>	737, 739, 743, 749
33 32 6 770 749 S3	<b>34706</b>	747
33 32 6 770 753 S1	<b>40576</b>	735, 737, 739, 743, 749
33 32 6 770 775 S1	<b>40363</b>	737, 739, 743, 749
33 32 6 770 776 S1	<b>40364</b>	737, 739, 743, 749
33 32 6 770 859 S1	<b>38255</b>	755
33 32 6 770 860 S1	<b>38256</b>	755
33 32 6 774 793 S1	<b>40363</b>	737, 739, 743, 749
33 32 6 774 794 S1	<b>40364</b>	737, 739, 743, 749
33 32 6 774 795 S1	<b>40576</b>	735, 737, 739, 743, 749
33 32 6 774 796 S1	<b>33373</b>	755
33 32 6 774 796 S2	<b>40792</b>	755
33 32 6 777 424 S1	<b>40576</b>	735, 737, 739, 743, 749
33 32 6 777 980 S1	<b>40360</b>	721, 729
33 32 6 782 237 S1	<b>43543</b>	721, 729
33 32 6 782 238 S1	<b>43544</b>	721, 729
passend für / to fit: <b>CHEVROLET</b>		
13219090	<b>39362</b>	211
13219141	<b>34959</b>	211, 218, 220
13230774	<b>43718</b>	211, 220


**Ref. - No.**


13272605	<b>43719</b>	211, 220
13272606	<b>43720</b>	211, 220
13278357	<b>39606</b>	211, 218
13278358	<b>44446</b>	211, 211, 211
13313749	<b>43719</b>	211, 220
13313750	<b>43720</b>	211, 220
13321342	<b>39362</b>	211
13334021	<b>43718</b>	211, 220
13334022	<b>43719</b>	211, 220
13334023	<b>43720</b>	211, 220
90235040	<b>03142</b>	212, 215, 216
93740621	<b>31720</b>	218, 219
93740722	<b>26794</b>	209, 213
93740723	<b>26795</b>	209, 213
93741074	<b>26796</b>	215, 215, 215
93741077	<b>30915</b>	215
93741091	<b>30915</b>	215
93741092	<b>31172</b>	215, 215, 215
95947829	<b>34775</b>	219
95967294	<b>34772</b>	219
96207628	<b>27513</b>	762
96225858	<b>27441</b>	212, 214
96225859	<b>27442</b>	212, 212, 214
96261378	<b>31712</b>	218, 219
96261379	<b>31711</b>	218, 219
96275798	<b>23753</b>	209, 213, 217, 218
96300222	<b>28045</b>	762
96300627	<b>28044</b>	217
96316765	<b>17506</b>	215
96378346	<b>32492</b>	214
96380613	<b>28712</b>	215
96391856	<b>32757</b>	214, 217
96391875	<b>23753</b>	209, 213, 217, 218
96391876	<b>28045</b>	762
96403099	<b>27514</b>	214, 217
96403100	<b>27515</b>	214, 217
96407485	<b>26797</b>	214, 217
96407486	<b>26798</b>	214, 217
96535081	<b>30605</b>	209, 213
96535082	<b>30606</b>	209, 213
96535087	<b>30917</b>	209, 213
96535089	<b>26792</b>	209, 213
96626150	<b>31708</b>	762

**Ref. - No.**


96626247	<b>28671</b>	210
96626248	<b>28672</b>	210
96639904	<b>28665</b>	212
96639905	<b>28670</b>	212, 212
96653381	<b>30916</b>	209, 213
96870465	<b>30605</b>	209, 213
96870466	<b>30606</b>	209, 213
96996460	<b>31708</b>	762
13278358 S1	<b>44447</b>	211, 211, 211
96490218 SK	<b>32610</b>	214, 217
9662 6235 SK	<b>28347</b>	210
9662 6236 SK	<b>28347</b>	210

passend für / to fit:

**CHRYSLER**

104272	<b>29564</b>	222, 224
4616570	<b>29564</b>	222, 224
04879321AA	<b>29564</b>	222, 224
04879321AB	<b>29564</b>	222, 224
04879321AC	<b>29564</b>	222, 224
05097971AA	<b>01263</b>	221
05103955AA	<b>07200</b>	763
05104059AA	<b>17114</b>	223
05104060AA	<b>17115</b>	223
05104066AA	<b>18299</b>	223
05104075AA	<b>12196</b>	223
05133818AA	<b>22657</b>	223
05139559AA	<b>12196</b>	223
4879225AA	<b>29564</b>	222, 224
4879321AA	<b>29564</b>	222, 224
4879321AB	<b>29564</b>	222, 224
4879321AC	<b>29564</b>	222, 224
4895 482AA	<b>34316</b>	221, 222
4895 482AB	<b>34316</b>	221, 222
4895 483AA	<b>34315</b>	221, 222
4895 483AB	<b>34315</b>	221, 222
68013814AA	<b>36130</b>	763
68019 643AA	<b>34383</b>	222, 224
68019 643AB	<b>34383</b>	222, 224
68032068AA	<b>01261</b>	221

passend für / to fit:

**CITROËN**

3812.E0	<b>19935</b>	247
3812.E0	<b>39041</b>	247

Ref. - No.

Car  
Division 

Ref. - No.



Ref. - No.



3812.E0	<b>39042</b>	247
4018.E0	<b>28351</b>	269
5094.E0	<b>22715</b>	247
3812.E1	<b>19927</b>	235, 237, 239, 244
3812.E1	<b>38899</b>	235, 237, 239, 244
3812.E1	<b>38900</b>	235, 237, 239, 244
1414.80	<b>30034</b>	233
1415.80	<b>30035</b>	233
3520.48	<b>10123</b>	259, 276
3520.50	<b>10123</b>	259, 276
3520.51	<b>10123</b>	259, 276
3520.54	<b>17786</b>	276
3520.76	<b>11278</b>	260
3520.77	<b>12153</b>	260
3520.78	<b>15977</b>	226, 275
3520.79	<b>15979</b>	226, 275
3520.80	<b>19731</b>	226, 275
3520.81	<b>19733</b>	226, 275
3520.92	<b>19731</b>	226, 275
3520.93	<b>19733</b>	226, 275
3520.94	<b>12044</b>	267, 271
3520.95	<b>12385</b>	268, 269
3521.31	<b>10127</b>	259, 276
3521.33	<b>10127</b>	259, 276
3521.34	<b>10127</b>	259, 276
3521.37	<b>17787</b>	276
3521.52	<b>11277</b>	260
3521.53	<b>11277</b>	260
3521.53	<b>12152</b>	260
3521.64	<b>12045</b>	267, 271
3521.65	<b>12385</b>	268, 269
3521.81	<b>19120</b>	277
3521.83	<b>12045</b>	267, 271
3521.85	<b>12045</b>	267, 271
3523.20	<b>09058</b>	259, 276
3523.23	<b>10252</b>	276
3523.31	<b>09070</b>	276
3523.49	<b>09019</b>	259, 276
3523.52	<b>18347</b>	226, 275
3523.53	<b>21934</b>	226, 275
3523.62	<b>17781</b>	227, 228, 279, 281
3523.64	<b>18347</b>	226, 275
3523.80	<b>39686</b>	249, 265, 266

3523.81	<b>22271</b>	277
3523.82	<b>22273</b>	277
3523.83	<b>23405</b>	227, 229, 280
3523.84	<b>26128</b>	253
3523.87	<b>26129</b>	253
3523.91	<b>21850</b>	230, 247, 249, 250, 251, 265
3523.92	<b>18179</b>	230, 247, 249, 250, 251, 265, 266
3523.93	<b>21613</b>	268, 269
3523.94	<b>21611</b>	268, 269
3523.95	<b>26127</b>	253
3523.98	<b>22635</b>	235, 237, 239, 240, 244
3523.99	<b>22636</b>	235, 237, 239, 240, 244
3561.08	<b>12375</b>	260
3640.17	<b>11784</b>	260
3640.21	<b>11417</b>	231
3640.26	<b>11284</b>	260
3640.28	<b>11829</b>	253, 277, 278
3640.33	<b>22269</b>	269
3640.34	<b>11829</b>	253, 277, 278
3640.36	<b>11850</b>	226, 275
3640.42	<b>17723</b>	227, 281
3640.43	<b>17723</b>	227, 281
3640.50	<b>17715</b>	227
3640.51	<b>17715</b>	227
3640.53	<b>21490</b>	230, 247, 249, 250, 251, 265, 266
3640.54	<b>22269</b>	269
3640.55	<b>22267</b>	269
3640.56	<b>22022</b>	237, 239, 243, 244
3640.57	<b>28356</b>	255, 257
3640.58	<b>28355</b>	255, 257
3640.58	<b>38490</b>	255, 257
3640.59	<b>28600</b>	235, 239
3640.60	<b>21490</b>	230, 247, 249, 250, 251, 265, 266
3640.61	<b>28599</b>	235, 243
3640.62	<b>28599</b>	235, 243
3640.65	<b>22022</b>	237, 239, 243, 244
3640.66	<b>28600</b>	235, 239



Ref. - No.



3640.67	<b>29385</b>	270
3640.68	<b>21490</b>	230, 247, 249, 250, 251, 265, 266
3640.69	<b>28355</b>	255, 257
3640.69	<b>38490</b>	255, 257
3640.70	<b>21490</b>	230, 247, 249, 250, 251, 265, 266
3640.71	<b>11829</b>	253, 277, 278
3640.72	<b>28355</b>	255, 257
3640.72	<b>38490</b>	255, 257
3640.73	<b>21490</b>	230, 247, 249, 250, 251, 265, 266
3640.74	<b>28356</b>	255, 257
3640.76	<b>29385</b>	270
3640.77	<b>38025</b>	240, 261, 263
3656.04	<b>44400</b>	254, 254, 255, 256, 256, 257
3656.04	<b>44480</b>	255, 257
3657.04	<b>44400</b>	254, 254, 255, 256, 256, 257
3657.04	<b>44480</b>	255, 257
3717.42	<b>39041</b>	247
3812.E2	<b>27427</b>	258
3812.27	<b>18281</b>	260
3817.11	<b>10900</b>	260
3817.14	<b>10659</b>	225, 247, 274, 277, 278
3817.16	<b>10660</b>	225, 247, 274, 277, 278
3817.18	<b>09317</b>	227, 228, 229, 247, 259, 276, 279, 280, 281
3817.30	<b>10659</b>	225, 247, 274, 277, 278
3817.31	<b>10660</b>	225, 247, 274, 277, 278
3817.32	<b>40005</b>	225, 274
3817.33	<b>40005</b>	225, 274
3817.34	<b>40064</b>	274
3817.35	<b>40004</b>	274
3817.37	<b>17751</b>	277, 278
3817.38	<b>17753</b>	277, 278

Ref. - No.



3817.41	<b>10659</b>	225, 247, 274, 277, 278
3817.41	<b>39042</b>	247
3817.42	<b>10660</b>	225, 247, 274, 277, 278
3817.43	<b>17751</b>	277, 278
3817.44	<b>17753</b>	277, 278
3817.47	<b>30876</b>	274
3817.50	<b>09317</b>	227, 228, 229, 247, 259, 276, 279, 280, 281
3817.50	<b>39043</b>	247
3817.50	<b>39292</b>	228, 279, 281
3817.50	<b>39293</b>	228, 279
3817.50	<b>39294</b>	229
3817.50	<b>39295</b>	229
3817.53	<b>22020</b>	253
3817.54	<b>22021</b>	253
3817.55	<b>21491</b>	235, 237, 239, 244
3817.55	<b>38900</b>	235, 237, 239, 244
3817.56	<b>21492</b>	235, 237, 239, 244
3817.56	<b>38899</b>	235, 237, 239, 244
3817.59	<b>22020</b>	253
3817.60	<b>22021</b>	253
3817.63	<b>28318</b>	233
3817.63	<b>39590</b>	233
3817.64	<b>28319</b>	233
3817.64	<b>39591</b>	233
3817.65	<b>28580</b>	257
3817.66	<b>28581</b>	257
3817.67	<b>28710</b>	243
3817.67	<b>39033</b>	243
3817.68	<b>28711</b>	243
3817.68	<b>39034</b>	243
3817.70	<b>32192</b>	270
3817.71	<b>36261</b>	250, 251
3817.71	<b>44942</b>	251
3817.72	<b>36262</b>	250, 251
3817.72	<b>44947</b>	251
3817.73	<b>37860</b>	249, 258, 265, 266, 272
3817.73	<b>44941</b>	249, 265
3817.74	<b>34477</b>	261



Ref. - No.

Car  
Division 

Ref. - No.



Ref. - No.



3817.74	<b>39296</b>	261
3817.75	<b>31972</b>	230, 249, 265
3817.75	<b>44923</b>	249, 265
3817.75	<b>44933</b>	230
3817.76	<b>31971</b>	230, 249, 265
3817.76	<b>44924</b>	249, 265
3817.76	<b>44934</b>	230
3817.77	<b>32193</b>	270
3817.80	<b>43548</b>	255
3817.81	<b>43547</b>	255
3817.86	<b>32767</b>	273
3817.86	<b>39290</b>	273
3817.87	<b>32768</b>	273
3817.87	<b>39291</b>	273
3817.88	<b>31972</b>	230, 249, 265
3817.88	<b>44923</b>	249, 265
3817.88	<b>44933</b>	230
3817.89	<b>31971</b>	230, 249, 265
3817.89	<b>44924</b>	249, 265
3817.89	<b>44934</b>	230
3817.91	<b>36068</b>	240, 263
3817.92	<b>36067</b>	240, 263
4001.33	<b>36850</b>	233
4001.33	<b>39590</b>	233
4001.33	<b>39591</b>	233
4001.69	<b>39296</b>	261
4001.77	<b>36841</b>	273
4001.77	<b>39290</b>	273
4001.77	<b>39291</b>	273
4059.09	<b>11280</b>	267, 271
4059.09	<b>38980</b>	267, 271
4059.12	<b>39684</b>	258, 271
4060.43	<b>39295</b>	229
4066.18	<b>12809</b>	260
4066.19	<b>12810</b>	260
4066.22	<b>39294</b>	229
4066.32	<b>19917</b>	225, 274
4066.37	<b>19919</b>	277
4066.41	<b>18187</b>	267, 271
4066.41	<b>38980</b>	267, 271
4066.42	<b>19921</b>	277, 278
4066.43	<b>39198</b>	228, 229, 259, 279, 280, 281

4066.43	<b>39292</b>	228, 279, 281
4066.44	<b>38905</b>	228, 259, 279
4066.44	<b>39293</b>	228, 279
4066.64	<b>38738</b>	253
4066.69	<b>38899</b>	235, 237, 239, 244
4066.69	<b>38900</b>	235, 237, 239, 244
4066.69	<b>38907</b>	235, 237, 239, 244
4066.71	<b>39562</b>	257
4066.73	<b>29207</b>	247
4066.73	<b>39041</b>	247
4066.73	<b>39042</b>	247
4066.73	<b>39043</b>	247
4066.74	<b>38738</b>	253
4066.79	<b>38918</b>	258
4066.80	<b>38740</b>	242, 242, 243, 261, 261, 261
4066.80	<b>39033</b>	243
4066.80	<b>39034</b>	243
4066.82	<b>44797</b>	230, 249, 251, 265, 266
4066.82	<b>44923</b>	249, 265
4066.82	<b>44924</b>	249, 265
4066.82	<b>44933</b>	230
4066.82	<b>44934</b>	230
4066.82	<b>44935</b>	266
4066.82	<b>44941</b>	249, 265
4066.82	<b>44942</b>	251
4066.82	<b>44947</b>	251
4066.83	<b>36654</b>	258, 272
4066.83	<b>39029</b>	258, 272
4066.84	<b>38921</b>	261
4066.84	<b>39296</b>	261
4066.85	<b>44797</b>	230, 249, 251, 265, 266
4066.85	<b>44923</b>	249, 265
4066.85	<b>44924</b>	249, 265
4066.85	<b>44933</b>	230
4066.85	<b>44934</b>	230
4066.85	<b>44935</b>	266
4066.85	<b>44941</b>	249, 265
4066.85	<b>44942</b>	251
4066.85	<b>44947</b>	251
4066.86	<b>39227</b>	270


**Ref. - No.**


4066.92	<b>44797</b>	230, 249, 251, 265, 266
4066.92	<b>44923</b>	249, 265
4066.92	<b>44924</b>	249, 265
4066.92	<b>44933</b>	230
4066.92	<b>44934</b>	230
4066.92	<b>44935</b>	266
4066.92	<b>44941</b>	249, 265
4066.92	<b>44942</b>	251
4066.92	<b>44947</b>	251
4066.93	<b>44797</b>	230, 249, 251, 265, 266
4066.93	<b>44923</b>	249, 265
4066.93	<b>44924</b>	249, 265
4066.93	<b>44933</b>	230
4066.93	<b>44934</b>	230
4066.93	<b>44935</b>	266
4066.93	<b>44941</b>	249, 265
4066.93	<b>44942</b>	251
4066.93	<b>44947</b>	251
4066.95	<b>39237</b>	273
4066.95	<b>39290</b>	273
4066.95	<b>39291</b>	273
5087.32	<b>11422</b>	276
5087.35	<b>12064</b>	267, 271
5087.37	<b>12840</b>	268, 269
5087.45	<b>17969</b>	235, 237, 239, 240, 241, 244, 263
5087.46	<b>11423</b>	227, 229, 279, 280, 281
5087.48	<b>19225</b>	253, 277
5087.49	<b>18427</b>	278
5087.50	<b>19397</b>	230, 247, 248, 249, 251, 265, 265, 266
5087.51	<b>19403</b>	258
5087.52	<b>22846</b>	257
5087.53	<b>22847</b>	257
5087.56	<b>28601</b>	272
5087.57	<b>36440</b>	250, 251, 266
5087.58	<b>30401</b>	245, 248, 249, 261, 265, 265
5087.59	<b>17969</b>	235, 237, 239, 240, 241, 244, 263

**Ref. - No.**


5087.60	<b>19225</b>	253, 277
5087.61	<b>11423</b>	227, 229, 279, 280, 281
5087.62	<b>19397</b>	230, 247, 248, 249, 251, 265, 265, 266
5087.64	<b>19397</b>	230, 247, 248, 249, 251, 265, 265, 266
5087.65	<b>32194</b>	273
5087.66	<b>17969</b>	235, 237, 239, 240, 241, 244, 263
5087.68	<b>27435</b>	243
5087.69	<b>27434</b>	243
5087.70	<b>32194</b>	273
5087.71	<b>43770</b>	240, 241, 263
5087.74	<b>17969</b>	235, 237, 239, 240, 241, 244, 263
5087.77	<b>19397</b>	230, 247, 248, 249, 251, 265, 265, 266
5087.78	<b>19397</b>	230, 247, 248, 249, 251, 265, 265, 266
5087.79	<b>32194</b>	273
5091.10	<b>27438</b>	233
5093.15	<b>12065</b>	267, 268, 269, 271
5094.E2	<b>39682</b>	247, 251
5094.56	<b>21914</b>	275
5094.57	<b>21915</b>	226, 275
5094.59	<b>21250</b>	226, 275
5094.65	<b>17817</b>	227, 279, 280, 281
5094.66	<b>21820</b>	281
5094.69	<b>12066</b>	267, 271
5094.77	<b>21818</b>	227, 229
5094.83	<b>39626</b>	253
5094.88	<b>22715</b>	247
5094.89	<b>40187</b>	247, 249, 251, 265
5094.91	<b>39625</b>	237
5094.96	<b>34802</b>	235, 244
5094.98	<b>40082</b>	255
5094.99	<b>33965</b>	255, 257
5172.58	<b>39181</b>	764
5178.46	<b>27489</b>	764, 765
5178.47	<b>27014</b>	765
5178.48	<b>30398</b>	764
5178.49	<b>30399</b>	764

Ref. - No.

Car  
Division 

Ref. - No.



5178.52	<b>27489</b>	764, 765
5178.57	<b>44721</b>	765
6933.14	<b>40004</b>	274
6947.78	<b>40004</b>	274
3812.E3	<b>27424</b>	257
5094.E3	<b>40187</b>	247, 249, 251, 265
3812.E4	<b>40610</b>	228, 228, 228, 280, 280, 280
4001.E4	<b>36840</b>	270
5094.E4	<b>42780</b>	230, 249, 265
91 516 336	<b>10123</b>	259, 276
91 516 337	<b>10127</b>	259, 276
95 597 955	<b>19222</b>	231
95 603 309	<b>22684</b>	226
95 614 999	<b>22872</b>	226
95 615 000	<b>22873</b>	226
96 032 460	<b>11847</b>	278
96 083 570	<b>19124</b>	277
96 110 483	<b>19009</b>	227, 228, 279, 281
96 133 608	<b>22872</b>	226
96 133 609	<b>22873</b>	226
96 145 457	<b>19716</b>	277
96 158 745	<b>10277</b>	279, 281
3521.E5	<b>17725</b>	227, 228, 279, 280, 281
3812.E5	<b>29625</b>	247
3812.E5	<b>39043</b>	247
5094.E5	<b>36977</b>	273
13057 82080	<b>12066</b>	267, 271
14 401 772 80	<b>38735</b>	272
16 075 024 80	<b>41337</b>	245
16 075 025 80	<b>44722</b>	245
16 075 106 80	<b>37350</b>	258
16 075 107 80	<b>37349</b>	258
16 085 321 80	<b>44722</b>	245
16 086 520 80	<b>38740</b>	242, 242, 243, 261, 261, 261
16 099 106 80	<b>36286</b>	245, 261
16 099 482 80	<b>43548</b>	255
16 099 483 80	<b>43547</b>	255
16 108 176 80	<b>45352</b>	252
16 109 762 80	<b>39227</b>	270

Ref. - No.



3521.E6	<b>17725</b>	227, 228, 279, 280, 281
3812.E6	<b>40080</b>	239
5094.E6	<b>39685</b>	230
94 040 664 18	<b>18187</b>	267, 271
96 719 188 80	<b>37095</b>	266, 266
96 829 541 80	<b>43770</b>	240, 241, 263
96 857 197 80	<b>39682</b>	247, 251
96 857 198 80	<b>42779</b>	230, 266
96 857 199 80	<b>39683</b>	249, 265, 266
96 857 200 80	<b>42780</b>	230, 249, 265
96 872 667 80	<b>39685</b>	230
96 872 668 80	<b>42779</b>	230, 266
97 500 011 80	<b>11847</b>	278
98 032 864 80	<b>37471</b>	240, 263
98 032 865 80	<b>37470</b>	240, 263
98 049 474 80	<b>36440</b>	250, 251, 266
98 056 073 80	<b>44191</b>	249, 265
98 056 073 80	<b>45151</b>	265
98 056 074 80	<b>44190</b>	249, 265
98 056 074 80	<b>45150</b>	265
98 069 071 80	<b>44720</b>	250, 252
98 071 300 80	<b>27489</b>	764, 765
98 090 457 80	<b>44720</b>	250, 252
3812.E7	<b>27424</b>	257
5094.E7	<b>42779</b>	230, 266
3812.E8	<b>27428</b>	243
3812.E8	<b>39033</b>	243
3812.E8	<b>39034</b>	243
3521.E9	<b>18425</b>	229, 280
3812.E9	<b>28607</b>	250, 251
3812.E9	<b>44942</b>	251
3812.E9	<b>44947</b>	251
16 085 321 80 SK	<b>44722</b>	245
3520.H5 S1	<b>19009</b>	227, 228, 279, 281
3520.C1	<b>19121</b>	277
3520.C3	<b>12044</b>	267, 271
3520.C5	<b>12044</b>	267, 271
3520.G9	<b>12044</b>	267, 271
3520.G9 S	<b>22102</b>	267, 271
3520.G9 S1	<b>22100</b>	267, 271
3520.G9 S2	<b>22102</b>	267, 271
3520.H4 S2	<b>28125</b>	227, 228, 279, 281


**Ref. - No.**


3520.H5	<b>17722</b>	227, 228, 279, 280, 281
3520.H5 S2	<b>28125</b>	227, 228, 279, 281
3520.H6	<b>17722</b>	227, 228, 279, 280, 281
3520.H9	<b>18424</b>	229, 280
3520.J3	<b>18424</b>	229, 280
3520.J4	<b>18424</b>	229, 280
3520.K3	<b>22787</b>	253
3520.K8	<b>22385</b>	230, 247, 250, 251
3520.K8	<b>40841</b>	230, 247, 251
3520.K8 S1	<b>40841</b>	230, 247, 251
3520.L0	<b>12385</b>	268, 269
3520.L2	<b>18424</b>	229, 280
3520.L3	<b>22633</b>	235, 237, 244
3520.L3	<b>38700</b>	235, 239
3520.L3	<b>44621</b>	235, 239
3520.L3 S3	<b>44621</b>	235, 239
3520.L4	<b>22633</b>	235, 237, 244
3520.L4	<b>38700</b>	235, 239
3520.L4	<b>44621</b>	235, 239
3520.L4 S3	<b>44621</b>	235, 239
3520.L9	<b>22633</b>	235, 237, 244
3520.L9	<b>38700</b>	235, 239
3520.L9	<b>44621</b>	235, 239
3520.N1	<b>22633</b>	235, 237, 244
3520.N1	<b>38700</b>	235, 239
3520.N1	<b>44621</b>	235, 239
3520.N3	<b>12385</b>	268, 269
3520.P1	<b>44621</b>	235, 239
3520.P1 S3	<b>44621</b>	235, 239
3520.P3	<b>22385</b>	230, 247, 250, 251
3520.P4	<b>12044</b>	267, 271
3520.P6	<b>26645</b>	258
3520.P8	<b>12044</b>	267, 271
3520.P9	<b>22633</b>	235, 237, 244
3520.P9	<b>38700</b>	235, 239
3520.P9	<b>44621</b>	235, 239
3520.P9 S3	<b>44621</b>	235, 239
3520.Q0	<b>22633</b>	235, 237, 244
3520.Q0	<b>38700</b>	235, 239
3520.Q1 SK	<b>32116</b>	255, 257
3520.Q2	<b>31718</b>	233

**Ref. - No.**


3520.Q2 S1	<b>22911</b>	233
3520.Q2 S2	<b>30034</b>	233
3520.Q2 S3	<b>30035</b>	233
3520.Q2 S4	<b>30036</b>	233
3520.Q3	<b>18424</b>	229, 280
3520.Q5	<b>18424</b>	229, 280
3520.Q9	<b>44621</b>	235, 239
3520.Q9 S3	<b>44621</b>	235, 239
3520.R0	<b>22633</b>	235, 237, 244
3520.R0	<b>38700</b>	235, 239
3520.R0	<b>44621</b>	235, 239
3520.R1	<b>22633</b>	235, 237, 244
3520.R1	<b>38700</b>	235, 239
3520.R1	<b>44621</b>	235, 239
3520.R1 S3	<b>44621</b>	235, 239
3520.R2	<b>22633</b>	235, 237, 244
3520.R2	<b>38700</b>	235, 239
3520.R2	<b>44621</b>	235, 239
3520.R3	<b>22633</b>	235, 237, 244
3520.R3	<b>38700</b>	235, 239
3520.R3	<b>44621</b>	235, 239
3520.R3 S3	<b>44621</b>	235, 239
3520.R4	<b>22633</b>	235, 237, 244
3520.R4	<b>38700</b>	235, 239
3520.R4	<b>44621</b>	235, 239
3520.R4 S3	<b>44621</b>	235, 239
3520.R5	<b>22633</b>	235, 237, 244
3520.R5	<b>38700</b>	235, 239
3520.R5	<b>44621</b>	235, 239
3520.R5 S3	<b>44621</b>	235, 239
3520.R6	<b>44621</b>	235, 239
3520.R6 S3	<b>44621</b>	235, 239
3520.R7	<b>29142</b>	243
3520.R7 S1	<b>28731</b>	243
3520.R7 S2	<b>28732</b>	243
3520.R8	<b>37690</b>	258, 272
3520.S0	<b>31297</b>	270
3520.S0 S1	<b>31092</b>	270
3520.S0 S2	<b>31091</b>	270
3520.S1	<b>31297</b>	270
3520.S1 S1	<b>31092</b>	270
3520.S1 S2	<b>31091</b>	270
3520.S2	<b>22385</b>	230, 247, 250, 251

Ref. - No.

Car  
Division

Ref. - No.



Ref. - No.



3520.S2	<b>40841</b>	230, 247, 251
3520.S2 S1	<b>40841</b>	230, 247, 251
3520.S5	<b>37350</b>	258
3520.V0	<b>38170</b>	245, 261
3520.V1	<b>22633</b>	235, 237, 244
3520.V1	<b>38700</b>	235, 239
3520.V1	<b>44621</b>	235, 239
3520.V1 S1	<b>22633</b>	235, 237, 244
3520.V1 S2	<b>38700</b>	235, 239
3520.V1 S3	<b>44621</b>	235, 239
3520.V2	<b>37840</b>	249, 265
3520.V3	<b>18424</b>	229, 280
3520.V8	<b>37690</b>	258, 272
3520.W2 SK	<b>32116</b>	255, 257
3520.W3	<b>29144</b>	273
3520.W4	<b>37350</b>	258
3520.W7	<b>37470</b>	240, 263
3520.X0	<b>37350</b>	258
3520.X9	<b>38170</b>	245, 261
3520.Y4	<b>29144</b>	273
3521.C9	<b>12045</b>	267, 271
3521.C9 S	<b>22101</b>	267, 271
3521.C9 S1	<b>22101</b>	267, 271
3521.F3	<b>18425</b>	229, 280
3521.F4	<b>18425</b>	229, 280
3521.G3	<b>22788</b>	253
3521.H0	<b>37349</b>	258
3521.H1	<b>26646</b>	258
3521.H2	<b>12386</b>	268, 269
3521.H4	<b>18425</b>	229, 280
3521.H5	<b>22634</b>	235, 237, 244
3521.H5	<b>38701</b>	235, 239
3521.H5	<b>44620</b>	235, 239
3521.H5 S3	<b>44620</b>	235, 239
3521.H6	<b>22634</b>	235, 237, 244
3521.H6	<b>38701</b>	235, 239
3521.H6	<b>44620</b>	235, 239
3521.H6 S3	<b>44620</b>	235, 239
3521.J1	<b>22634</b>	235, 237, 244
3521.J1	<b>38701</b>	235, 239
3521.J1	<b>44620</b>	235, 239
3521.J1 S3	<b>44620</b>	235, 239
3521.J2	<b>22634</b>	235, 237, 244

3521.J2	<b>38701</b>	235, 239
3521.J2	<b>44620</b>	235, 239
3521.J2 S3	<b>44620</b>	235, 239
3521.J3	<b>12386</b>	268, 269
3521.K1	<b>44620</b>	235, 239
3521.K1 S3	<b>44620</b>	235, 239
3521.K3	<b>22384</b>	230, 247, 250, 251
3521.K3	<b>40840</b>	230, 247, 251
3521.K3 S1	<b>40840</b>	230, 247, 251
3521.K4	<b>12045</b>	267, 271
3521.K6	<b>26646</b>	258
3521.K8	<b>22634</b>	235, 237, 244
3521.K8	<b>38701</b>	235, 239
3521.K8	<b>44620</b>	235, 239
3521.K8 S3	<b>44620</b>	235, 239
3521.L0	<b>12045</b>	267, 271
3521.L1	<b>22634</b>	235, 237, 244
3521.L1	<b>38701</b>	235, 239
3521.L1	<b>44620</b>	235, 239
3521.L1 S3	<b>44620</b>	235, 239
3521.L2 SK	<b>32116</b>	255, 257
3521.L3	<b>31719</b>	233
3521.L3 S1	<b>22911</b>	233
3521.L3 S2	<b>30034</b>	233
3521.L3 S3	<b>30035</b>	233
3521.L3 S4	<b>30036</b>	233
3521.L4	<b>18425</b>	229, 280
3521.L6	<b>18425</b>	229, 280
3521.N1	<b>22634</b>	235, 237, 244
3521.N1	<b>38701</b>	235, 239
3521.N1	<b>44620</b>	235, 239
3521.N1 S3	<b>44620</b>	235, 239
3521.N2	<b>22634</b>	235, 237, 244
3521.N2	<b>38701</b>	235, 239
3521.N2	<b>44620</b>	235, 239
3521.N2 S3	<b>44620</b>	235, 239
3521.N3	<b>22634</b>	235, 237, 244
3521.N3	<b>38701</b>	235, 239
3521.N3	<b>44620</b>	235, 239
3521.N3 S3	<b>44620</b>	235, 239
3521.N4	<b>22634</b>	235, 237, 244
3521.N4	<b>38701</b>	235, 239
3521.N4	<b>44620</b>	235, 239


**Ref. - No.**


3521.N4 S3	<b>44620</b>	235, 239
3521.N5	<b>22634</b>	235, 237, 244
3521.N5	<b>38701</b>	235, 239
3521.N5	<b>44620</b>	235, 239
3521.N5 S3	<b>44620</b>	235, 239
3521.N6	<b>22634</b>	235, 237, 244
3521.N6	<b>38701</b>	235, 239
3521.N6	<b>44620</b>	235, 239
3521.N6 S3	<b>44620</b>	235, 239
3521.N7	<b>44620</b>	235, 239
3521.N7 S3	<b>44620</b>	235, 239
3521.N8	<b>29143</b>	243
3521.N9	<b>37689</b>	258, 272
3521.P1	<b>31298</b>	270
3521.P1 S1	<b>31092</b>	270
3521.P1 S2	<b>31091</b>	270
3521.P2	<b>31298</b>	270
3521.P2 S1	<b>31092</b>	270
3521.P2 S2	<b>31091</b>	270
3521.P3	<b>22384</b>	230, 247, 250, 251
3521.P3	<b>40840</b>	230, 247, 251
3521.P3 S1	<b>40840</b>	230, 247, 251
3521.P6	<b>37349</b>	258
3521.Q0 SK	<b>32116</b>	255, 257
3521.R1	<b>38171</b>	245, 261
3521.R2	<b>22634</b>	235, 237, 244
3521.R2	<b>38701</b>	235, 239
3521.R2	<b>44620</b>	235, 239
3521.R2 S1	<b>22634</b>	235, 237, 244
3521.R2 S2	<b>38701</b>	235, 239
3521.R2 S3	<b>44620</b>	235, 239
3521.R3	<b>37839</b>	249, 265
3521.R4	<b>18425</b>	229, 280
3521.S0	<b>37689</b>	258, 272
3521.S5 SK	<b>32116</b>	255, 257
3521.S6	<b>29145</b>	273
3521.S7	<b>37349</b>	258
3521.S9	<b>37471</b>	240, 263
3521.T2	<b>37349</b>	258
3521.V0	<b>38171</b>	245, 261
3521.V5	<b>29145</b>	273
3523.43	<b>10251</b>	278
3523.50	<b>11756</b>	226, 275

**Ref. - No.**


3523.51	<b>11777</b>	226, 275
3523.75	<b>17781</b>	227, 228, 279, 281
3523.84 S1	<b>26192</b>	253
3523.AA	<b>22636</b>	235, 237, 239, 240, 244
3523.AL	<b>26933</b>	255, 257
3523.AP	<b>36285</b>	269
3523.AQ	<b>27015</b>	255, 257
3523.AR	<b>26127</b>	253
3523.AT	<b>22636</b>	235, 237, 239, 240, 244
3523.AV	<b>26932</b>	255, 257
3523.AW	<b>26933</b>	255, 257
3523.AZ	<b>26933</b>	255, 257
3523.CA	<b>26932</b>	255, 257
3523.CC	<b>28732</b>	243
3523.CE	<b>28731</b>	243
3523.CJ	<b>39686</b>	249, 265, 266
3523.CS	<b>36286</b>	245, 261
3523.CW	<b>37095</b>	266, 266
3523.CZ	<b>37993</b>	239, 240, 241, 263
3523.EA	<b>37993</b>	239, 240, 241, 263
3523.EC	<b>38004</b>	239, 240, 241, 263
3523.EE	<b>38004</b>	239, 240, 241, 263
3640.42 S1	<b>31812</b>	228, 279, 281
3640.43 S1	<b>31812</b>	228, 279, 281
3640.50 S1	<b>31811</b>	228, 279, 280
3640.51 S1	<b>31811</b>	228, 279, 280
3640.69 S1	<b>38490</b>	255, 257
3640.77 S1	<b>38025</b>	240, 261, 263
3656.04 S1	<b>44400</b>	254, 254, 255, 256, 256, 257
3656.04 S2	<b>44480</b>	255, 257
3657.04 S1	<b>44400</b>	254, 254, 255, 256, 256, 257
3657.04 S2	<b>44480</b>	255, 257
3812.99	<b>11847</b>	278
3812.A9	<b>11853</b>	277
3812.A4	<b>11831</b>	267, 271
3812.A4	<b>38980</b>	267, 271
3812.A4 S1	<b>38980</b>	267, 271
3812.A6	<b>22115</b>	278
3812.C0	<b>17766</b>	227, 228, 279, 281

Ref. - No.

Car  
Division 

Ref. - No.



Ref. - No.



3812.C0	<b>39292</b>	228, 279, 281
3812.C0	<b>39293</b>	228, 279
3812.C0 S1	<b>39292</b>	228, 279, 281
3812.C0 S2	<b>39293</b>	228, 279
3812.C6	<b>27432</b>	229, 280
3812.C6	<b>39294</b>	229
3812.C6	<b>39295</b>	229
3812.C6 S1	<b>39295</b>	229
3812.C6 S2	<b>39294</b>	229
3812.C8	<b>19937</b>	253
3812.E0 S4	<b>39041</b>	247
3812.E0 S5	<b>39042</b>	247
3812.E1 S1	<b>38899</b>	235, 237, 239, 244
3812.E1 S2	<b>38900</b>	235, 237, 239, 244
3812.E5 S3	<b>39043</b>	247
3812.E8 S1	<b>39033</b>	243
3812.E8 S2	<b>39034</b>	243
3812.E9 S1	<b>44942</b>	251
3812.E9 S2	<b>44947</b>	251
3812.F0	<b>36669</b>	258, 272
3812.F0	<b>39029</b>	258, 272
3812.F0 S1	<b>39029</b>	258, 272
3812.F2	<b>31970</b>	249, 265
3812.F2	<b>44923</b>	249, 265
3812.F2	<b>44924</b>	249, 265
3812.F2 S1	<b>44923</b>	249, 265
3812.F2 S2	<b>44924</b>	249, 265
3812.F3	<b>40493</b>	255
3812.F4	<b>34803</b>	230
3812.F4	<b>44933</b>	230
3812.F4	<b>44934</b>	230
3812.F4 S1	<b>44933</b>	230
3812.F4 S2	<b>44934</b>	230
3812.F6	<b>33958</b>	240, 263
3812.F7	<b>36691</b>	266
3812.F7	<b>44935</b>	266
3812.F7 S1	<b>44935</b>	266
3812.F8	<b>38560</b>	249, 265
3812.F8	<b>44941</b>	249, 265
3812.F8 S1	<b>44941</b>	249, 265
3817.36 S1	<b>40004</b>	274
3817.41 S5	<b>39042</b>	247
3817.42 S4	<b>39041</b>	247

3817.50 S1	<b>39292</b>	228, 279, 281
3817.50 S1	<b>39295</b>	229
3817.50 S2	<b>39293</b>	228, 279
3817.50 S2	<b>39294</b>	229
3817.50 S3	<b>39043</b>	247
3817.55 S2	<b>38900</b>	235, 237, 239, 244
3817.56 S1	<b>38899</b>	235, 237, 239, 244
3817.63 S2	<b>39590</b>	233
3817.64 S3	<b>39591</b>	233
3817.67 S1	<b>39033</b>	243
3817.67 S2	<b>39034</b>	243
3817.73 S1	<b>39029</b>	258, 272
3817.74 S1	<b>39296</b>	261
3817.86 S2	<b>39290</b>	273
3817.87 S3	<b>39291</b>	273
3817.A5	<b>37860</b>	249, 258, 265, 266, 272
3817.A5	<b>44935</b>	266
3817.A5	<b>44941</b>	249, 265
4001.33 S1	<b>36850</b>	233
4001.33 S1	<b>39590</b>	233
4001.33 S2	<b>39590</b>	233
4001.33 S3	<b>39591</b>	233
4001.69 S1	<b>32551</b>	261
4001.69 S1	<b>39296</b>	261
4001.77 S1	<b>36841</b>	273
4001.77 S2	<b>39290</b>	273
4001.77 S3	<b>39291</b>	273
4001.E4 S1	<b>36840</b>	270
4006.24 S	<b>12034</b>	268, 269
4006.24 S1	<b>12034</b>	268, 269
4018.A3	<b>11281</b>	268, 269
4018.A4	<b>12025</b>	268, 269
4018.H4	<b>11281</b>	268, 269
4059.09 S1	<b>38980</b>	267, 271
4066.20	<b>18027</b>	228, 259, 281
4066.22	<b>18042</b>	228, 229, 259, 279, 280, 281
4066.30	<b>18185</b>	277
4066.43	<b>18043</b>	227, 229, 279, 280, 281
4066.52	<b>18042</b>	228, 229, 259, 279, 280, 281


**Ref. - No.**


4066.18 S	<b>12811</b>	260
4066.18 S1	<b>12811</b>	260
4066.19 S	<b>12812</b>	260
4066.19 S1	<b>12812</b>	260
4066.22 S2	<b>39294</b>	229
4066.41 S1	<b>38980</b>	267, 271
4066.41 SK	<b>23841</b>	267, 271
4066.43 S1	<b>39198</b>	228, 229, 259, 279, 280, 281
4066.43 S1	<b>39292</b>	228, 279, 281
4066.43 S1	<b>39295</b>	229
4066.44 S1	<b>39293</b>	228, 279
4066.69 S1	<b>38899</b>	235, 237, 239, 244
4066.69 S2	<b>38900</b>	235, 237, 239, 244
4066.73 S3	<b>39043</b>	247
4066.73 S4	<b>39041</b>	247
4066.73 S5	<b>39042</b>	247
4066.80 S1	<b>39033</b>	243
4066.80 S2	<b>39034</b>	243
4066.83 S1	<b>39029</b>	258, 272
4066.84 S1	<b>39296</b>	261
4066.95 S2	<b>39290</b>	273
4066.95 S3	<b>39291</b>	273
4066.A3	<b>39238</b>	233
4066.A3	<b>39590</b>	233
4066.A3	<b>39591</b>	233
4066.A3 S2	<b>39590</b>	233
4066.A3 S3	<b>39591</b>	233
5081.L0	<b>38735</b>	272
5081.N9	<b>36889</b>	270
5081.N9 S1	<b>36889</b>	270
5081.Q3	<b>38735</b>	272
5087.33	<b>17612</b>	226
5087.40	<b>17129</b>	275, 277
5087.35 S	<b>12080</b>	267, 271
5087.35 S1	<b>12080</b>	267, 271
5087.37 S	<b>12841</b>	268, 269
5087.37 S1	<b>12841</b>	268, 269
5091.10 S1	<b>27438</b>	233
5094.65 S1	<b>37765</b>	227, 279, 280, 281
5094.A0	<b>37202</b>	255
5094.A1	<b>33964</b>	255
5094.A7	<b>27438</b>	233

**Ref. - No.**


5094.A7 S1	<b>27438</b>	233
5094.A8	<b>37199</b>	233
5094.C4	<b>39682</b>	247, 251
5094.C5	<b>39681</b>	242, 242, 243
5094.C6	<b>39166</b>	245, 261
5094.C8	<b>40490</b>	273
5094.F2	<b>39683</b>	249, 265, 266
5097.39 S1	<b>37765</b>	227, 279, 280, 281
5170.F5	<b>36883</b>	766
5170.F5 S1	<b>36883</b>	766
5170.F6	<b>36883</b>	766
5170.F6 S1	<b>36883</b>	766
5175.CF	<b>26931</b>	765
6822.R9	<b>27438</b>	233
6822.S0	<b>27438</b>	233
6822.TV	<b>27438</b>	233
6925.B2	<b>40004</b>	274
96 147 514	<b>17612</b>	226
98 056 073 80 S1	<b>45151</b>	265
98 056 074 80 S1	<b>45150</b>	265
passend für / to fit: <b>DACIA</b>		
60 01 547 138	<b>27447</b>	284, 285, 286
60 01 547 140	<b>27446</b>	285, 286
60 01 547 519	<b>29638</b>	285, 286
60 01 547 520	<b>29637</b>	285, 286
60 01 547 606	<b>27725</b>	285, 286
60 01 547 607	<b>29650</b>	285, 286
60 01 547 610	<b>29623</b>	285, 286
60 01 547 611	<b>29624</b>	285, 286
60 01 550 441	<b>27725</b>	285, 286
60 01 550 442	<b>29623</b>	285, 286
60 01 550 443	<b>29624</b>	285, 286
60 01 550 446	<b>29637</b>	285, 286
60 01 550 447	<b>29638</b>	285, 286
60 01 550 909	<b>29637</b>	285, 286
60 01 550 910	<b>29638</b>	285, 286
60 40 002 245	<b>26304</b>	285, 286
60 40 096 299	<b>26304</b>	285, 286
77 01 455 905	<b>34309</b>	282
77 01 455 906	<b>34308</b>	282
77 01 460 886	<b>34309</b>	282
77 01 468 820	<b>34308</b>	282



Ref. - No.

Car  
Division

Ref. - No.



Ref. - No.



77 01 468 821	<b>34309</b>	282
82 00 277 960	<b>27447</b>	284, 285, 286
82 00 814 411	<b>37305</b>	283, 767
82 00 820 918	<b>29638</b>	285, 286
82 00 820 930	<b>29637</b>	285, 286
82 00 839 107	<b>36436</b>	767
82 00 839 119	<b>36395</b>	767
82 00 839 121	<b>36387</b>	767
82 00 839 124	<b>36396</b>	767
82 00 841 004	<b>36435</b>	767
82 00 852 550	<b>37726</b>	283
82 01 108 332	<b>43444</b>	283
82 01 108 339	<b>43443</b>	283
82 01 108 350	<b>37281</b>	283
82 01 108 358	<b>39234</b>	283
40 16 023 08R	<b>40808</b>	283
40 16 047 93R	<b>23996</b>	285, 286
48 52 004 10R	<b>29624</b>	285, 286
48 52 028 67R	<b>29623</b>	285, 286
54 50 042 69R	<b>29638</b>	285, 286
54 50 113 62R	<b>29637</b>	285, 286
54 56 027 88R	<b>37675</b>	283
54 61 142 37R	<b>37726</b>	283
55 11 078 94R	<b>36436</b>	767
60 01 550 442 S1	<b>34332</b>	285, 285, 286, 286
60 01 550 442 S2	<b>37621</b>	285, 286
60 01 550 443 S2	<b>37622</b>	285, 286
60 01 550 446 S1	<b>34333</b>	285, 286
60 01 550 446 S2	<b>40253</b>	285, 286
60 01 550 447 S2	<b>40254</b>	285, 286
77 00 763 538 S1	<b>26339</b>	285, 285, 286, 286
82 00 298 455 S	<b>23996</b>	285, 286
82 00 298 455 S1	<b>23996</b>	285, 286
82 01 108 332 S1	<b>43462</b>	283
82 01 108 339 S1	<b>43461</b>	283
82 01 108 350 SK	<b>37281</b>	283
82 01 108 358 SK	<b>39233</b>	283

passend für / to fit:

**DAEWOO**

520808	<b>17503</b>	293
520838	<b>17504</b>	295
521 255	<b>26796</b>	293, 293, 293

02875013	<b>03212</b>	288, 292, 294, 294, 294, 294, 294
07846696	<b>02629</b>	288, 292, 294
07848281	<b>02633</b>	288, 292, 294
07848282	<b>02634</b>	288, 292, 294
26001806	<b>02636</b>	288, 292, 294
26001807	<b>02635</b>	288, 292, 294
26200639	<b>02629</b>	288, 292, 294
90235040	<b>03142</b>	288, 292, 294
93740621	<b>31720</b>	296
93740722	<b>26794</b>	290
93740723	<b>26795</b>	290
93741074	<b>26796</b>	293, 293, 293
93741077	<b>30915</b>	293
93741091	<b>30915</b>	293
93741092	<b>31172</b>	293, 293, 293
94788122	<b>02620</b>	288, 292, 294
96185969	<b>06157</b>	288, 292, 294
96185970	<b>06158</b>	288, 292, 294
96185973	<b>03141</b>	288, 292, 294
96205809	<b>17502</b>	293, 295
96207628	<b>27513</b>	768
96213119	<b>26793</b>	293
96218397	<b>06157</b>	288, 292, 294
96218398	<b>06158</b>	288, 292, 294
96225858	<b>27441</b>	289, 293
96225859	<b>27442</b>	289, 293
96261378	<b>31712</b>	296
96261379	<b>31711</b>	296
96268439	<b>22801</b>	295
96268440	<b>22802</b>	295
96268454	<b>26662</b>	295
96268455	<b>26663</b>	295
96275018	<b>02635</b>	288, 292, 294
96275019	<b>02636</b>	288, 292, 294
96275798	<b>23753</b>	287, 290, 295, 295, 295, 296
96300222	<b>28045</b>	768
96300627	<b>28044</b>	295, 295, 295
96300648	<b>17505</b>	295
96305974	<b>22801</b>	295
96305975	<b>22802</b>	295
96316765	<b>17506</b>	293


**Ref. - No.**


96335966	<b>03141</b>	288, 292, 294
96378346	<b>32492</b>	291, 295
96380613	<b>28712</b>	293
96391856	<b>32757</b>	291, 295
96391875	<b>23753</b>	287, 290, 295, 295, 295, 296
96391876	<b>28045</b>	768
96403099	<b>27514</b>	291, 295, 295
96403100	<b>27515</b>	291, 295, 295
96407485	<b>26797</b>	291, 295
96407486	<b>26798</b>	291, 295
96535081	<b>30605</b>	290
96535082	<b>30606</b>	290
96535087	<b>30917</b>	287, 290
96535089	<b>26792</b>	290
96653381	<b>30916</b>	287, 290
96870465	<b>30605</b>	290
96870466	<b>30606</b>	290
02875013 S1	<b>03207</b>	288, 292, 294
96268454 S1	<b>28695</b>	295
96268455 S1	<b>28696</b>	295
96305974 S1	<b>28695</b>	295
96305975 S1	<b>28696</b>	295
96490218 SK	<b>32610</b>	291, 295
passend für / to fit: <b>DAIHATSU</b>		
45460-87401	<b>27966</b>	300
45503-87102	<b>28433</b>	297
45503-87215	<b>27964</b>	297, 299, 299, 299
45503-87710	<b>27969</b>	297, 297, 297, 298
45503-87711	<b>27967</b>	297, 297, 297
45503-87714	<b>27971</b>	297, 297, 297, 298
45503-97203	<b>27965</b>	298, 299, 299, 299
45503-97204	<b>27970</b>	298, 299, 299, 299
45503-97401	<b>28210</b>	299, 300
48802-87703	<b>27972</b>	769, 769, 769, 769, 769
45460-87401-000	<b>27966</b>	300
45503-87102-000	<b>28433</b>	297
45503-87215-000	<b>27964</b>	297, 299, 299, 299
45503-87710-000	<b>27969</b>	297, 297, 297, 298
45503-87711-000	<b>27967</b>	297, 297, 297
45503-87712-000	<b>27969</b>	297, 297, 297, 298

**Ref. - No.**


45503-87713-000	<b>27967</b>	297, 297, 297
45503-87714-000	<b>27971</b>	297, 297, 297, 298
45503-97203-000	<b>27965</b>	298, 299, 299, 299
45503-97204-000	<b>27970</b>	298, 299, 299, 299
45503-97401-000	<b>28210</b>	299, 300
48802-87703-000	<b>27972</b>	769, 769, 769, 769, 769
45503-B1010	<b>27968</b>	300
48821-B1010	<b>28272</b>	300
48831-B1010	<b>28271</b>	300
passend für / to fit: <b>FIAT</b>		
2170345	<b>44373</b>	324, 324, 325
4339248	<b>12375</b>	312, 340
4402649	<b>15885</b>	346
4402672	<b>12546</b>	326
4410145	<b>11282</b>	303, 341, 346
5927292	<b>19477</b>	329
5927293	<b>37568</b>	305, 336, 346
5939683	<b>10569</b>	346
5939685	<b>10570</b>	346
5958244	<b>11282</b>	303, 341, 346
5958246	<b>10790</b>	346
5960321	<b>12571</b>	326
5960834	<b>12547</b>	326
5960835	<b>12547</b>	326
5995503	<b>14235</b>	326
7079382	<b>44372</b>	324, 324, 325
7081851	<b>44373</b>	324, 324, 325
7520850	<b>30875</b>	325, 337
7543028	<b>12555</b>	316, 345
7543760	<b>12291</b>	316, 345
7544738	<b>12377</b>	316, 345
7550860	<b>11282</b>	303, 341, 346
7563151	<b>12376</b>	346
7567282	<b>11277</b>	312, 340
7567282	<b>12152</b>	312, 340
7567283	<b>11278</b>	312, 340
7567283	<b>12153</b>	312, 340
7567284	<b>11284</b>	312, 340
7576731	<b>11277</b>	312, 340
7576732	<b>11278</b>	312, 340
7591215	<b>12476</b>	303, 306, 341

Ref. - No.

Car  
Division 

Ref. - No.



Ref. - No.



7591216	<b>12475</b>	303, 306, 341
7591277	<b>12291</b>	316, 345
7601057	<b>11977</b>	342
7601062	<b>11978</b>	342
7601261	<b>12546</b>	326
7601642	<b>12062</b>	304, 306, 307, 342
7603476	<b>12685</b>	346
7633721	<b>11282</b>	303, 341, 346
7635125	<b>11282</b>	303, 341, 346
7636995	<b>12059</b>	305, 336
7636996	<b>12060</b>	305, 336
7645160	<b>14339</b>	329, 341
7669756	<b>10793</b>	305, 336
7673581	<b>19477</b>	329
7673582	<b>37568</b>	305, 336, 346
7674700	<b>12291</b>	316, 345
7674701	<b>12292</b>	316, 345
7674825	<b>12291</b>	316, 345
7676967	<b>19477</b>	329
7678717	<b>12476</b>	303, 306, 341
7678718	<b>12475</b>	303, 306, 341
7695185	<b>11277</b>	312, 340
7695185	<b>12152</b>	312, 340
7695186	<b>11278</b>	312, 340
7695186	<b>12153</b>	312, 340
7695190	<b>11277</b>	312, 340
7695191	<b>11278</b>	312, 340
7700064	<b>14083</b>	305, 336
7700064	<b>43649</b>	305, 336
7701491	<b>11283</b>	329
7705615	<b>10569</b>	346
7705616	<b>10570</b>	346
7736514	<b>23167</b>	775
7736515	<b>23169</b>	775
7747956	<b>36862</b>	771, 775
7750977	<b>10571</b>	329
7750978	<b>10572</b>	329
7750990	<b>36496</b>	311, 330, 339
7752285	<b>11279</b>	302, 329, 330
7760424	<b>12063</b>	304, 306, 307, 342
7769900	<b>26754</b>	775
7769901	<b>26755</b>	775
7777239	<b>29505</b>	304, 342

7777240	<b>29506</b>	304, 342
9940260	<b>43644</b>	308
9941625	<b>12040</b>	303, 341
9945562	<b>12041</b>	302, 329
9945836	<b>12025</b>	313, 314
9946948	<b>11283</b>	329
9946949	<b>11279</b>	302, 329, 330
9947437	<b>12475</b>	303, 306, 341
9947438	<b>12476</b>	303, 306, 341
9947713	<b>12759</b>	307, 322, 323
9947714	<b>12758</b>	303, 307, 311, 322, 323
9947719	<b>12758</b>	303, 307, 311, 322, 323
9947720	<b>46005</b>	304, 306, 322
9947926	<b>46005</b>	304, 306, 322
9948288	<b>10793</b>	305, 336
9948343	<b>43640</b>	330
9948344	<b>14339</b>	329, 341
9949143	<b>10793</b>	305, 336
9949217	<b>19965</b>	338
9949218	<b>19963</b>	305, 338
9950775	<b>46005</b>	304, 306, 322
46402681	<b>10571</b>	329
46402682	<b>10572</b>	329
46402684	<b>12569</b>	302, 329
46407372	<b>11977</b>	342
46407373	<b>11978</b>	342
46413122	<b>12768</b>	322, 323
46423822	<b>29505</b>	304, 342
46423823	<b>29506</b>	304, 342
46429834	<b>12570</b>	302, 329
46429835	<b>12569</b>	302, 329
46430002	<b>10571</b>	329
46430003	<b>10572</b>	329
46454077	<b>43953</b>	311, 325
46454078	<b>43955</b>	311, 325
46454595	<b>12537</b>	325, 339
46454596	<b>12538</b>	325, 339
46454597	<b>12539</b>	325, 337, 339
46454598	<b>12540</b>	325, 337, 339
46456049	<b>12559</b>	304, 306, 307, 322
46456050	<b>12558</b>	304, 306, 307, 322



Ref. - No.



46456189	<b>12474</b>	311, 325, 337, 339
46456660	<b>12473</b>	311, 325, 337, 339
46474556	<b>12559</b>	304, 306, 307, 322
46474557	<b>12558</b>	304, 306, 307, 322
46519893	<b>30161</b>	770, 773, 774
46519894	<b>30161</b>	770, 773, 774
46519897	<b>30160</b>	770, 773, 774
46519898	<b>30160</b>	770, 773, 774
46522142	<b>17993</b>	323
46525407	<b>17994</b>	323
46527567	<b>12758</b>	303, 307, 311, 322, 323
46539000	<b>21953</b>	311, 325, 339
46539001	<b>21955</b>	311, 325, 339
46539278	<b>12539</b>	325, 337, 339
46539279	<b>12540</b>	325, 337, 339
46545660	<b>15768</b>	330
46545660	<b>40670</b>	330
46545661	<b>15769</b>	330
46545661	<b>40671</b>	330
46546776	<b>12540</b>	325, 337, 339
46546777	<b>12539</b>	325, 337, 339
46548345	<b>37573</b>	323
46551732	<b>15768</b>	330
46551732	<b>40670</b>	330
46551790	<b>15769</b>	330
46551790	<b>40671</b>	330
46738807	<b>36612</b>	311, 325, 337, 339
46745364	<b>12473</b>	311, 325, 337, 339
46745365	<b>12474</b>	311, 325, 337, 339
46748578	<b>43955</b>	311, 325
46748579	<b>43953</b>	311, 325
46764746	<b>17994</b>	323
46764747	<b>17993</b>	323
46767267	<b>28606</b>	772
46777741	<b>21953</b>	311, 325, 339
46777742	<b>21955</b>	311, 325, 339
46777764	<b>36613</b>	311, 325, 337, 339
46790552	<b>36612</b>	311, 325, 337, 339
46799278	<b>28606</b>	772
46813841	<b>21953</b>	311, 325, 339
46813842	<b>21955</b>	311, 325, 339
46821119	<b>39284</b>	311

Ref. - No.



46821120	<b>39284</b>	311
46841320	<b>36613</b>	311, 325, 337, 339
50515276	<b>27414</b>	319, 331, 332
50515568	<b>38586</b>	319, 331
50515569	<b>38586</b>	319, 331
50700443	<b>36281</b>	338, 338, 338
50700464	<b>19469</b>	301, 305, 338
50700778	<b>36282</b>	338, 338, 338
50700779	<b>19959</b>	338
50700779	<b>40759</b>	338
50700797	<b>19961</b>	338
50700797	<b>40761</b>	338
50700941	<b>19469</b>	301, 305, 338
50701178	<b>39283</b>	327, 328
50702953	<b>34283</b>	327
50703128	<b>32443</b>	327, 328
50703128	<b>40680</b>	327, 328
50703129	<b>32444</b>	327, 328
50703129	<b>40681</b>	327, 328
50703231	<b>37572</b>	320
50703232	<b>37571</b>	320
50703296	<b>27433</b>	327
50703541	<b>38593</b>	338, 338
50705197	<b>31091</b>	315
50705198	<b>31092</b>	315
50705214	<b>39507</b>	327, 328
50705629	<b>29385</b>	315
50705943	<b>39283</b>	327, 328
50705944	<b>39507</b>	327, 328
50706598	<b>27421</b>	338, 339
50707302	<b>39506</b>	327, 328
50708621	<b>38585</b>	301
50708823	<b>40177</b>	301
50708824	<b>40177</b>	301
50709579	<b>34759</b>	301
50709579	<b>40710</b>	301
50709580	<b>34760</b>	301
50709580	<b>40711</b>	301
50709786	<b>38585</b>	301
50710287	<b>38585</b>	301
50710612	<b>38585</b>	301
50710620	<b>34760</b>	301
50710620	<b>40711</b>	301

Ref. - No.

Car  
Division

Ref. - No.



Ref. - No.



50710621	<b>34759</b>	301
50710621	<b>40710</b>	301
51701045	<b>12768</b>	322, 323
51704008	<b>32194</b>	317, 319, 321, 333
51712407	<b>21953</b>	311, 325, 339
51712408	<b>21955</b>	311, 325, 339
51713088	<b>36613</b>	311, 325, 337, 339
51717001	<b>28606</b>	772
51741130	<b>22379</b>	309
51744226	<b>36613</b>	311, 325, 337, 339
51748652	<b>23002</b>	309
51748653	<b>23001</b>	309
51755681	<b>34940</b>	771
51769073	<b>21953</b>	311, 325, 339
51769074	<b>21955</b>	311, 325, 339
51772988	<b>44208</b>	311
51772989	<b>44208</b>	311
51772992	<b>44207</b>	311
51772993	<b>44207</b>	311
51774007	<b>44208</b>	311
51774008	<b>44207</b>	311
51783056	<b>29145</b>	317, 319, 321, 333
51783057	<b>29144</b>	317, 319, 321, 333
51784192	<b>36841</b>	317, 333
51784192	<b>39290</b>	317, 333
51784192	<b>39291</b>	317, 333
51785487	<b>40490</b>	317, 317, 317, 321, 321, 321, 333, 333, 333
51785488	<b>36977</b>	317, 333
51795269	<b>19469</b>	301, 305, 338
51795704	<b>27421</b>	338, 339
51796570	<b>37573</b>	323
51797442	<b>38587</b>	305
51801136	<b>19469</b>	301, 305, 338
51803183	<b>22379</b>	309
51805269	<b>19469</b>	301, 305, 338
51809106	<b>19963</b>	305, 338
51809107	<b>19963</b>	305, 338
51815479	<b>32194</b>	317, 319, 321, 333
51815480	<b>32194</b>	317, 319, 321, 333
51832937	<b>17994</b>	323
51832938	<b>17993</b>	323

51839039	<b>29145</b>	317, 319, 321, 333
51839040	<b>29144</b>	317, 319, 321, 333
51839218	<b>37572</b>	320
51839219	<b>37571</b>	320
51842192	<b>15768</b>	330
51842192	<b>40670</b>	330
51842193	<b>15769</b>	330
51842193	<b>40671</b>	330
51848645	<b>33811</b>	311
51856869	<b>39283</b>	327, 328
51856870	<b>39507</b>	327, 328
51856871	<b>39506</b>	327, 328
51856872	<b>27433</b>	327
51857019	<b>38585</b>	301
51857020	<b>38585</b>	301
51857021	<b>34759</b>	301
51857021	<b>40710</b>	301
51857022	<b>34760</b>	301
51857022	<b>40711</b>	301
51857133	<b>32443</b>	327, 328
51857133	<b>40680</b>	327, 328
51857134	<b>32444</b>	327, 328
51857134	<b>40681</b>	327, 328
51861102	<b>28359</b>	319
51866700	<b>21953</b>	311, 325, 339
51866700	<b>43953</b>	311, 325
51866701	<b>21955</b>	311, 325, 339
51866701	<b>43955</b>	311, 325
51874461	<b>29145</b>	317, 319, 321, 333
51874462	<b>29144</b>	317, 319, 321, 333
51892272	<b>29144</b>	317, 319, 321, 333
51892273	<b>29145</b>	317, 319, 321, 333
51895366	<b>29145</b>	317, 319, 321, 333
51895367	<b>29144</b>	317, 319, 321, 333
51896150	<b>40177</b>	301
51898527	<b>33811</b>	311
51935875	<b>33811</b>	311
55700751	<b>28733</b>	317, 319, 321, 333
55700753	<b>27414</b>	319, 331, 332
55700770	<b>38586</b>	319, 331
55702727	<b>38586</b>	319, 331
55703232	<b>28475</b>	317, 319, 321, 333
55703312	<b>28475</b>	317, 319, 321, 333


**Ref. - No.**


55703627	<b>29145</b>	317, 319, 321, 333
55703629	<b>29144</b>	317, 319, 321, 333
60570627	<b>12061</b>	304, 306, 307, 342
60801621	<b>40544</b>	308
60806355	<b>12476</b>	303, 306, 341
60806356	<b>12475</b>	303, 306, 341
60806408	<b>12062</b>	304, 306, 307, 342
60807583	<b>12061</b>	304, 306, 307, 342
60809242	<b>12061</b>	304, 306, 307, 342
60813013	<b>12559</b>	304, 306, 307, 322
60813014	<b>12558</b>	304, 306, 307, 322
60813347	<b>12559</b>	304, 306, 307, 322
60813348	<b>12558</b>	304, 306, 307, 322
60815431	<b>30160</b>	770, 773, 774
60815432	<b>30161</b>	770, 773, 774
71737047	<b>12044</b>	334, 343
71737048	<b>12045</b>	334, 343
71738285	<b>12559</b>	304, 306, 307, 322
71738286	<b>12558</b>	304, 306, 307, 322
71740107	<b>23003</b>	309
71740112	<b>27775</b>	771
71740113	<b>31067</b>	771
71742688	<b>28638</b>	336
71747915	<b>29505</b>	304, 342
71747916	<b>29506</b>	304, 342
77362278	<b>28351</b>	314
77362279	<b>39684</b>	334, 344
77362280	<b>27427</b>	344
77362380	<b>43666</b>	320
77362502	<b>43666</b>	320
77362506	<b>22959</b>	327
77362507	<b>22907</b>	301, 327
77362508	<b>22909</b>	301, 327
77363712	<b>26153</b>	309
77363713	<b>26152</b>	309
77363828	<b>39237</b>	317, 319, 321, 331, 332, 333
77363828	<b>39290</b>	317, 333
77363828	<b>39291</b>	317, 333
77363829	<b>28618</b>	319
77363830	<b>28619</b>	319
77364009	<b>32192</b>	315
77364253	<b>32193</b>	315

**Ref. - No.**


77364254	<b>39227</b>	315, 316
77364568	<b>32767</b>	317, 319, 321, 333
77364568	<b>39290</b>	317, 333
77364569	<b>32768</b>	317, 319, 321, 333
77364569	<b>39291</b>	317, 333
77364571	<b>39237</b>	317, 319, 321, 331, 332, 333
77364571	<b>39290</b>	317, 333
77364571	<b>39291</b>	317, 333
77365815	<b>46007</b>	328
77367001	<b>22907</b>	301, 327
77367002	<b>22909</b>	301, 327
82387676	<b>12556</b>	308
82392503	<b>12556</b>	308
82406867	<b>12560</b>	308
82406868	<b>12561</b>	308
82412746	<b>40544</b>	308
82421632	<b>12556</b>	308
82446499	<b>12557</b>	308
82461081	<b>29505</b>	304, 342
82461082	<b>29506</b>	304, 342
82480038	<b>12560</b>	308
82480039	<b>12561</b>	308
91200382	<b>11282</b>	303, 341, 346
93501180	<b>11977</b>	342
93501181	<b>11978</b>	342
93501485	<b>19961</b>	338
93501485	<b>40761</b>	338
93501486	<b>19959</b>	338
93501486	<b>40759</b>	338
93501487	<b>26645</b>	344
93501488	<b>26646</b>	344
93501837	<b>29385</b>	315
98845024	<b>43642</b>	310, 310, 311
98845025	<b>43642</b>	310, 310, 311
98845026	<b>43645</b>	310, 310, 311
98845030	<b>12758</b>	303, 307, 311, 322, 323
98845031	<b>12473</b>	311, 325, 337, 339
98845032	<b>12474</b>	311, 325, 337, 339
1300473080	<b>22269</b>	314
1300716080	<b>12840</b>	313, 314
1300720080	<b>12065</b>	313, 314, 334, 343

Ref. - No.

Car  
Division 

Ref. - No.



1302368080	<b>22267</b>	314
1305782080	<b>12066</b>	334, 343
1306003080	<b>11280</b>	334, 343
1306003080	<b>38980</b>	334, 343
1306716080	<b>11281</b>	313, 314
1308600080	<b>12385</b>	313, 314
1308601080	<b>12386</b>	313, 314
1308664080	<b>12064</b>	334, 343
1313056080	<b>12065</b>	313, 314, 334, 343
1313083080	<b>12044</b>	334, 343
1313084080	<b>12045</b>	334, 343
1316735080	<b>12044</b>	334, 343
1316736080	<b>12045</b>	334, 343
1317240080	<b>12385</b>	313, 314
1317241080	<b>12386</b>	313, 314
1317389080	<b>12044</b>	334, 343
1317390080	<b>12045</b>	334, 343
1317425080	<b>12064</b>	334, 343
1320786080	<b>12385</b>	313, 314
1320787080	<b>12386</b>	313, 314
1330515080	<b>22267</b>	314
1331209080	<b>19403</b>	344
1331640080	<b>22267</b>	314
1331641080	<b>22269</b>	314
1331938080	<b>12385</b>	313, 314
1331940080	<b>12386</b>	313, 314
1339465080	<b>12385</b>	313, 314
1339467080	<b>12386</b>	313, 314
1346384080	<b>26645</b>	344
1346385080	<b>26646</b>	344
1350658080	<b>36889</b>	315
1352225080	<b>31298</b>	315
1352226080	<b>31298</b>	315
1352227080	<b>31297</b>	315
1352228080	<b>31297</b>	315
1355449080	<b>36883</b>	772
1356060080	<b>37350</b>	344
1356061080	<b>37349</b>	344
1357572080	<b>36889</b>	315
1368628080	<b>37350</b>	344
1368629080	<b>37349</b>	344
1369845080	<b>36883</b>	772
1369943080	<b>36840</b>	315, 316

Ref. - No.



1372870080	<b>36840</b>	315, 316
1376345080	<b>32192</b>	315
1376346080	<b>32193</b>	315
1400099680	<b>28601</b>	335
1400245280	<b>38735</b>	335
1401239480	<b>37689</b>	335, 344
1401239580	<b>37690</b>	335, 344
1401381380	<b>36669</b>	335
1401381380	<b>39029</b>	335
1440123280	<b>38735</b>	335
1440177280	<b>38735</b>	335
1497407080	<b>37689</b>	335, 344
1497408080	<b>37690</b>	335, 344
1497552080	<b>36669</b>	335
9403817738	<b>37860</b>	335, 344
9403817738	<b>39029</b>	335
9404059080	<b>11280</b>	334, 343
9404066418	<b>18187</b>	334, 343
9404066418	<b>38980</b>	334, 343
9404066838	<b>36654</b>	335, 344
9404066838	<b>39029</b>	335
9566950880	<b>11831</b>	334, 343
9566950880	<b>38980</b>	334, 343
9750000280	<b>12809</b>	312, 340
9750000380	<b>12810</b>	312, 312, 340, 340
9750079980	<b>10900</b>	312, 340
9790002680	<b>18281</b>	312, 340
7636995 SK	<b>37568</b>	305, 336, 346
7636996 SK	<b>37568</b>	305, 336, 346
9941582 SK	<b>14101</b>	303, 306, 341
9945564 SK	<b>14085</b>	302, 329, 330
9946947 SK	<b>14339</b>	329, 341
1300716080 S	<b>12841</b>	313, 314
1300716080 S1	<b>12841</b>	313, 314
1306716080 S	<b>12034</b>	313, 314
1306716080 S1	<b>12034</b>	313, 314
1316735080 S	<b>22102</b>	334, 343
1316735080 S1	<b>22100</b>	334, 343
1316735080 S2	<b>22102</b>	334, 343
1316736080 S	<b>22101</b>	334, 343
1316736080 S1	<b>22101</b>	334, 343
1317425080 S	<b>12080</b>	334, 343
1317425080 S1	<b>12080</b>	334, 343



Ref. - No.



1320755080 SK	<b>21611</b>	313, 314
1320756080 SK	<b>21613</b>	313, 314
1350658080 S1	<b>36889</b>	315
1352225080 S1	<b>31092</b>	315
1352225080 S2	<b>31091</b>	315
1352226080 S1	<b>31092</b>	315
1352226080 S2	<b>31091</b>	315
1352227080 S1	<b>31092</b>	315
1352227080 S2	<b>31091</b>	315
1352228080 S1	<b>31092</b>	315
1352228080 S2	<b>31091</b>	315
1355449080 S1	<b>36883</b>	772
1357572080 S1	<b>36889</b>	315
1369845080 S1	<b>36883</b>	772
1369943080 S1	<b>36840</b>	315, 316
1372870080 S1	<b>36840</b>	315, 316
1401381380 S1	<b>39029</b>	335
46423822 S1	<b>19459</b>	304, 342
46423822 S2	<b>19457</b>	304, 342
46423823 S1	<b>19458</b>	304, 342
46430002 S	<b>19475</b>	329
46430002 S1	<b>19477</b>	329
46430002 S2	<b>19475</b>	329
46430003 S	<b>19476</b>	329
46430003 S1	<b>19476</b>	329
46545660 S	<b>19472</b>	327, 330
46545660 S1	<b>19473</b>	330
46545660 S3	<b>40670</b>	330
46545661 S	<b>19472</b>	327, 330
46545661 S1	<b>19473</b>	330
46545661 S3	<b>40671</b>	330
46551377 SK	<b>43955</b>	311, 325
46551732 S3	<b>40670</b>	330
46551790 S3	<b>40671</b>	330
46743786 SK	<b>36496</b>	311, 330, 339
46743788 SK	<b>36496</b>	311, 330, 339
46748581 SK	<b>43955</b>	311, 325
46777741 SK	<b>43953</b>	311, 325
46794066 SK	<b>43955</b>	311, 325
46813841 SK	<b>43953</b>	311, 325
46813842 SK	<b>43955</b>	311, 325
46815638 SK	<b>43953</b>	311, 325
46815639 SK	<b>43955</b>	311, 325

Ref. - No.



46830164 SK	<b>43953</b>	311, 325
46836606 SK	<b>43955</b>	311, 325
46836607 SK	<b>43953</b>	311, 325
46843299 SK	<b>43640</b>	330
46843300 SK	<b>43640</b>	330
50700779 S1	<b>40759</b>	338
50700779 SK1	<b>36281</b>	338, 338, 338
50700779 SK2	<b>36282</b>	338, 338, 338
50700797 S1	<b>40761</b>	338
50700797 SK1	<b>36281</b>	338, 338, 338
50700797 SK2	<b>36282</b>	338, 338, 338
50703128 S	<b>19472</b>	327, 330
50703128 S1	<b>34283</b>	327
50703128 S1	<b>40680</b>	327, 328
50703129 S	<b>19472</b>	327, 330
50703129 S1	<b>34283</b>	327
50703129 S1	<b>40681</b>	327, 328
50709579 S	<b>19472</b>	327, 330
50709579 S1	<b>40710</b>	301
50709579 SK	<b>40177</b>	301
50709580 S	<b>19472</b>	327, 330
50709580 S1	<b>40711</b>	301
50709580 SK	<b>40177</b>	301
50710620 S	<b>19472</b>	327, 330
50710620 S1	<b>40711</b>	301
50710620 SK	<b>40177</b>	301
50710621 S	<b>19472</b>	327, 330
50710621 S1	<b>40710</b>	301
50710621 SK	<b>40177</b>	301
51705417 SK	<b>43640</b>	330
51712407 SK	<b>43953</b>	311, 325
51712408 SK	<b>43955</b>	311, 325
51727863 SK	<b>43953</b>	311, 325
51727865 SK	<b>43955</b>	311, 325
51747324 SK	<b>43955</b>	311, 325
51748740 S1	<b>34213</b>	771
51755681 S1	<b>36112</b>	771
51769073 SK	<b>43953</b>	311, 325
51769074 SK	<b>43955</b>	311, 325
51772988 SK	<b>44208</b>	311
<b>51772989 SK</b>	<b>44208</b>	<b>311</b>
51772992 SK	<b>44207</b>	311
51772993 SK	<b>44207</b>	311



Ref. - No.

Car  
Division 

Ref. - No.



Ref. - No.



51783009 S1	<b>34213</b>	771
51783056 SK1	<b>28420</b>	317, 319, 321, 333
51783057 SK1	<b>28420</b>	317, 319, 321, 333
51784192 S1	<b>36841</b>	317, 333
51784192 S2	<b>39290</b>	317, 333
51784192 S3	<b>39291</b>	317, 333
51842192 S	<b>19472</b>	327, 330
51842192 S1	<b>19473</b>	330
51842192 S3	<b>40670</b>	330
51842193 S	<b>19472</b>	327, 330
51842193 S1	<b>19473</b>	330
51842193 S3	<b>40671</b>	330
51857021 S	<b>19472</b>	327, 330
51857021 S1	<b>40710</b>	301
51857021 SK	<b>40177</b>	301
51857022 S	<b>19472</b>	327, 330
51857022 S1	<b>40711</b>	301
51857022 SK	<b>40177</b>	301
51857133 S	<b>19472</b>	327, 330
51857133 S1	<b>34283</b>	327
51857133 S1	<b>40680</b>	327, 328
51857134 S	<b>19472</b>	327, 330
51857134 S1	<b>34283</b>	327
51857134 S1	<b>40681</b>	327, 328
51861102 SK	<b>28359</b>	319
51866700 SK	<b>43953</b>	311, 325
51866701 SK	<b>43955</b>	311, 325
51895366 SK	<b>28475</b>	317, 319, 321, 333
51895366 SK1	<b>28420</b>	317, 319, 321, 333
51895366 SK2	<b>28733</b>	317, 319, 321, 333
51895367 SK	<b>28475</b>	317, 319, 321, 333
51895367 SK1	<b>28420</b>	317, 319, 321, 333
51895367 SK2	<b>28733</b>	317, 319, 321, 333
55703627 SK1	<b>28420</b>	317, 319, 321, 333
55703629 SK1	<b>28420</b>	317, 319, 321, 333
60570627 S1	<b>12096</b>	304, 306, 307, 342
60570627 S2	<b>36829</b>	304, 306, 307, 342
60807583 S1	<b>12096</b>	304, 306, 307, 342
60807583 S2	<b>36829</b>	304, 306, 307, 342
60809242 S1	<b>12096</b>	304, 306, 307, 342
60809242 S2	<b>36829</b>	304, 306, 307, 342
71737047 S1	<b>22100</b>	334, 343
71737047 S1	<b>22101</b>	334, 343

71737048 S2	<b>22102</b>	334, 343
71747915 S1	<b>19459</b>	304, 342
71747915 S2	<b>19457</b>	304, 342
71747916 S1	<b>19458</b>	304, 342
71747916 S1	<b>19459</b>	304, 342
7663114 S1	<b>36862</b>	771, 775
7663115 S1	<b>36862</b>	771, 775
7700064 S1	<b>43649</b>	305, 336
7719062 S1	<b>24687</b>	770, 770, 770, 775, 775, 775
77363828 S2	<b>39290</b>	317, 333
77363828 S3	<b>39291</b>	317, 333
77364568 S2	<b>39290</b>	317, 333
77364569 S3	<b>39291</b>	317, 333
77364571 S2	<b>39290</b>	317, 333
77364571 S3	<b>39291</b>	317, 333
7736514 S3	<b>19244</b>	770, 775
7736515 S3	<b>19244</b>	770, 775
93501485 S1	<b>40761</b>	338
93501486 S1	<b>40759</b>	338
9403817738 S1	<b>39029</b>	335
9404066418 SK	<b>23841</b>	334, 343
9404066838 S1	<b>39029</b>	335
9566950880 S1	<b>38980</b>	334, 343
9750000280 S	<b>12811</b>	312, 340
9750000280 S1	<b>12811</b>	312, 340
9750000380 S	<b>12812</b>	312, 340
9750000380 S1	<b>12812</b>	312, 340
98810139 SK	<b>43953</b>	311, 325
98810140 SK	<b>43955</b>	311, 325
9949217 S1	<b>19965</b>	338
K04766435AA	<b>43622</b>	773
K04766962AA	<b>43451</b>	318
K68052655AA	<b>43622</b>	773
passend für / to fit:		
<b>FORD</b>		
0 622 170	<b>10110</b>	422
0 622 171	<b>10111</b>	422
1 000 445	<b>09119</b>	353, 357, 359, 361, 391, 393, 409
1 001 395	<b>11996</b>	386
1 001 396	<b>11996</b>	386
1 001 397	<b>11997</b>	386


**Ref. - No.**


1 001 398	<b>11997</b>	386
1 001 713	<b>27330</b>	780, 783, 784
1 003 609	<b>19449</b>	363, 365, 393
1 004 018	<b>07989</b>	353, 357, 359, 361, 363, 365, 371, 393, 409, 411, 420
1 007 602	<b>18503</b>	386
1 009 591	<b>12002</b>	386
1 010 037	<b>14232</b>	363, 365, 411
1 011 665	<b>12098</b>	414
1 011 857	<b>08169</b>	362, 365, 411
1 011 858	<b>08167</b>	362, 365, 411
1 012 632	<b>18501</b>	386
1 012 814	<b>21257</b>	362, 371, 392, 411
1 014 654	<b>14231</b>	363, 365, 411
1 015 260	<b>14243</b>	363, 411
1 015 263	<b>14245</b>	363
1 015 264	<b>14244</b>	363, 411
1 015 265	<b>14246</b>	363
1 015 546	<b>08096</b>	352, 408
1 015 547	<b>08097</b>	352, 408
1 020 174	<b>08169</b>	362, 365, 411
1 020 175	<b>08167</b>	362, 365, 411
1 020 214	<b>14245</b>	363
1 020 219	<b>14247</b>	365
1 020 220	<b>14246</b>	363
1 020 221	<b>14248</b>	365
1 020 496	<b>11996</b>	386
1 020 497	<b>11997</b>	386
1 021 219	<b>14243</b>	363, 411
1 021 220	<b>14244</b>	363, 411
1 023 058	<b>09137</b>	399, 401
1 024 130	<b>12835</b>	352, 408
1 029 836	<b>12638</b>	414
1 030 025	<b>18062</b>	361, 361, 361, 363, 363, 363, 364, 364, 365, 391, 391, 391, 393, 393, 393, 411, 411, 411
1 030 026	<b>18129</b>	357, 357, 357
1 030 027	<b>18060</b>	359, 359, 359
1 030 277	<b>05664</b>	399, 401
1 030 278	<b>05666</b>	399, 401
1 032 099	<b>19980</b>	393

**Ref. - No.**


1 032 100	<b>21282</b>	393
1 032 101	<b>19981</b>	393
1 032 102	<b>21281</b>	393
1 032 567	<b>08780</b>	360
1 032 689	<b>10165</b>	392
1 034 417	<b>10165</b>	392
1 035 690	<b>10382</b>	348, 400
1 035 691	<b>10383</b>	348, 400
1 035 929	<b>09118</b>	353, 357, 359, 361, 393, 409
1 039 103	<b>10159</b>	426, 427, 428
1 039 511	<b>23053</b>	776, 786
1 043 158	<b>05666</b>	399, 401
1 043 159	<b>05664</b>	399, 401
1 044 014	<b>10170</b>	362, 365, 411
1 044 571	<b>10021</b>	386
1 045 413	<b>19721</b>	414
1 045 655	<b>14243</b>	363, 411
1 045 656	<b>14244</b>	363, 411
1 046 038	<b>14247</b>	365
1 046 039	<b>14245</b>	363
1 046 072	<b>14248</b>	365
<b>1 046 073</b>	<b>14246</b>	<b>363</b>
1 046 444	<b>19980</b>	393
1 046 445	<b>21282</b>	393
1 046 455	<b>19981</b>	393
1 046 455	<b>21282</b>	393
1 046 458	<b>21281</b>	393
1 047 145	<b>10159</b>	426, 427, 428
1 047 797	<b>18062</b>	361, 361, 361, 363, 363, 363, 364, 364, 365, 391, 391, 391, 393, 393, 393, 411, 411, 411
1 047 798	<b>18129</b>	357, 357, 357
1 047 852	<b>18060</b>	359, 359, 359
1 047 853	<b>17119</b>	353, 353, 353, 357, 357, 357, 409, 409, 409
1 054 209	<b>23053</b>	776, 786
1 054 986	<b>10210</b>	359
1 054 987	<b>10211</b>	359
1 054 988	<b>05640</b>	357
1 054 989	<b>05639</b>	357

Ref. - No.

Car  
Division

Ref. - No.



Ref. - No.



1 055 191	<b>14232</b>	363, 365, 411
1 055 194	<b>10162</b>	426, 427, 428
1 058 279	<b>05920</b>	353, 409
1 058 280	<b>05921</b>	353, 409
1 058 378	<b>11998</b>	386
1 058 380	<b>11999</b>	386
1 061 570	<b>18495</b>	371
1 061 631	<b>07989</b>	353, 357, 359, 361, 363, 365, 371, 393, 409, 411, 420
1 061 659	<b>23047</b>	777, 778, 781
1 061 666	<b>32582</b>	777
1 061 668	<b>24211</b>	777, 778, 779, 781, 782
1 063 226	<b>14245</b>	363
1 063 233	<b>14247</b>	365
1 063 236	<b>14243</b>	363, 411
1 063 246	<b>14248</b>	365
1 063 248	<b>14246</b>	363
1 063 255	<b>14244</b>	363, 411
1 063 372	<b>14231</b>	363, 365, 411
1 063 985	<b>19980</b>	393
1 063 986	<b>19981</b>	393
1 063 987	<b>21282</b>	393
1 063 988	<b>21281</b>	393
1 064 128	<b>32582</b>	777
1 067 818	<b>07989</b>	353, 357, 359, 361, 363, 365, 371, 393, 409, 411, 420
1 067 918	<b>18497</b>	371
1 070 337	<b>01808</b>	361
1 070 338	<b>01810</b>	361
1 071 336	<b>07989</b>	353, 357, 359, 361, 363, 365, 371, 393, 409, 411, 420
1 071 683	<b>14245</b>	363
1 071 690	<b>14247</b>	365
1 071 694	<b>14243</b>	363, 411
1 071 701	<b>14246</b>	363
1 071 702	<b>14248</b>	365
1 072 279	<b>14244</b>	363, 411
1 072 435	<b>36685</b>	786
1 072 446	<b>36685</b>	786

1 072 447	<b>36685</b>	786
1 073 214	<b>15681</b>	371
1 073 215	<b>15682</b>	371
1 073 217	<b>19452</b>	371
1 073 249	<b>23125</b>	777
1 074 282	<b>09137</b>	399, 401
1 074 305	<b>12800</b>	371
1 074 306	<b>12801</b>	371
1 085 517	<b>21959</b>	354, 389, 412, 416, 417
1 085 520	<b>17921</b>	371, 420, 431
1 090 730	<b>15681</b>	371
1 090 738	<b>15682</b>	371
1 092 376	<b>11996</b>	386
1 092 377	<b>11998</b>	386
1 092 380	<b>11999</b>	386
1 092 382	<b>11997</b>	386
1 094 222	<b>29994</b>	391
1 094 226	<b>29993</b>	391
1 097 316	<b>10382</b>	348, 400
1 097 323	<b>10383</b>	348, 400
1 102 948	<b>21252</b>	401
1 102 950	<b>21733</b>	401
1 105 524	<b>24211</b>	777, 778, 779, 781, 782
1 106 269	<b>19299</b>	348, 399, 401
1 107 013	<b>12800</b>	371
1 107 015	<b>12801</b>	371
1 107 068	<b>19279</b>	371
1 111 156	<b>19276</b>	386
1 111 410	<b>21282</b>	393
1 111 411	<b>05640</b>	357
1 111 412	<b>21281</b>	393
1 111 413	<b>05639</b>	357
1 111 769	<b>19279</b>	371
1 116 579	<b>21675</b>	403
1 116 602	<b>24219</b>	403
1 117 698	<b>19651</b>	403
1 117 801	<b>21017</b>	787
1 117 857	<b>19859</b>	787
1 117 859	<b>19858</b>	787
1 118 695	<b>24219</b>	403
1 118 920	<b>19859</b>	787


**Ref. - No.**


1 118 921	<b>19858</b>	787
1 119 588	<b>24223</b>	787
1 121 508	<b>11996</b>	386
1 121 509	<b>11997</b>	386
1 121 510	<b>12102</b>	386
1 124 242	<b>19857</b>	787
1 124 418	<b>24220</b>	787
1 125 699	<b>27355</b>	348, 399, 401, 414
1 127 646	<b>19825</b>	403
1 127 648	<b>21019</b>	787
1 128 483	<b>21674</b>	403
1 128 725	<b>21855</b>	348, 399, 401, 414
1 130 273	<b>07989</b>	353, 357, 359, 361, 363, 365, 371, 393, 409, 411, 420
1 130 452	<b>21017</b>	787
1 135 077	<b>07989</b>	353, 357, 359, 361, 363, 365, 371, 393, 409, 411, 420
1 136 072	<b>23047</b>	777, 778, 781
1 138 160	<b>15681</b>	371
1 138 161	<b>15682</b>	371
1 138 275	<b>22406</b>	429, 430
1 138 313	<b>21849</b>	402
1 138 314	<b>21849</b>	402
1 139 926	<b>21674</b>	403
1 139 928	<b>21675</b>	403
1 141 293	<b>21252</b>	401
1 141 294	<b>21251</b>	401
1 141 774	<b>12002</b>	386
1 146 130	<b>21682</b>	367, 385
1 146 131	<b>21681</b>	367, 385
1 146 150	<b>21021</b>	367, 385
1 149 802	<b>21674</b>	403
1 149 803	<b>21675</b>	403
1 152 852	<b>24225</b>	367, 385
1 202 548	<b>19874</b>	367, 385
1 202 549	<b>19873</b>	367, 385
1 203 093	<b>19830</b>	777, 777, 777, 781, 781, 781
1 203 923	<b>21674</b>	403
1 203 924	<b>21675</b>	403
1 206 474	<b>19857</b>	787

**Ref. - No.**


1 207 447	<b>21682</b>	367, 385
1 207 448	<b>21681</b>	367, 385
1 207 973	<b>15681</b>	371
1 207 974	<b>15682</b>	371
1 209 035	<b>19279</b>	371
1 209 949	<b>21251</b>	401
1 212 807	<b>21682</b>	367, 385
1 212 808	<b>21681</b>	367, 385
1 212 809	<b>15681</b>	371
1 212 810	<b>15682</b>	371
1 214 911	<b>21682</b>	367, 385
1 214 912	<b>21681</b>	367, 385
1 217 036	<b>19721</b>	414
1 219 697	<b>19651</b>	403
1 223 792	<b>22408</b>	373, 375, 377, 379, 381, 382, 383, 395, 396
1 223 923	<b>27299</b>	778, 779, 781, 782
1 225 488	<b>29994</b>	391
1 225 490	<b>29993</b>	391
1 230 909	<b>22408</b>	373, 375, 377, 379, 381, 382, 383, 395, 396
1 231 452	<b>27299</b>	778, 779, 781, 782
1 233 552	<b>11997</b>	386
1 233 553	<b>11996</b>	386
1 234 258	<b>11998</b>	386
1 234 259	<b>11999</b>	386
1 234 371	<b>28096</b>	373, 375, 379, 381
1 234 375	<b>28095</b>	373, 375, 379, 381
1 234 382	<b>24849</b>	373, 375, 379, 381
1 235 258	<b>11998</b>	386
1 251 937	<b>28542</b>	379, 381, 395
1 253 969	<b>27299</b>	778, 779, 781, 782
1 304 120	<b>27299</b>	778, 779, 781, 782
1 305 960	<b>38978</b>	373, 375, 379, 381, 383, 395
1 307 891	<b>24219</b>	403
1 310 333	<b>27299</b>	778, 779, 781, 782
1 311 416	<b>21674</b>	403
1 311 417	<b>21675</b>	403
1 317 446	<b>29224</b>	373, 375, 377, 379, 381, 383

Ref. - No.

Car  
Division 

Ref. - No.



Ref. - No.



1 317 447	<b>29223</b>	373, 375, 377, 379, 381, 383
1 317 453	<b>28541</b>	373, 375, 383
1 317 609	<b>23047</b>	777, 778, 781
1 328 380	<b>28096</b>	373, 375, 379, 381
1 328 381	<b>28095</b>	373, 375, 379, 381
1 328 670	<b>28096</b>	373, 375, 379, 381
1 328 671	<b>28095</b>	373, 375, 379, 381
1 329 730	<b>23047</b>	777, 778, 781
1 330 219	<b>14245</b>	363
1 330 235	<b>14246</b>	363
1 330 236	<b>14247</b>	365
1 330 237	<b>14248</b>	365
1 330 238	<b>14243</b>	363, 411
1 330 239	<b>14244</b>	363, 411
1 332 074	<b>28096</b>	373, 375, 379, 381
1 332 075	<b>28095</b>	373, 375, 379, 381
1 332 453	<b>23257</b>	420, 431
1 332 454	<b>29652</b>	420, 431
1 332 455	<b>29651</b>	420, 431
1 332 463	<b>23259</b>	790
1 334 215	<b>36519</b>	377, 379, 381, 382, 395
1 335 548	<b>27299</b>	778, 779, 781, 782
1 344 966	<b>15681</b>	371
1 344 968	<b>15682</b>	371
1 345 913	<b>44499</b>	778, 778, 778, 779, 779, 779, 780, 780, 780
1 348 191	<b>28096</b>	373, 375, 379, 381
1 348 192	<b>28095</b>	373, 375, 379, 381
1 348 231	<b>44308</b>	373, 373, 373, 375, 375, 375
1 353 188	<b>12002</b>	386
1 355 048	<b>29652</b>	420, 431
1 355 050	<b>29651</b>	420, 431
1 355 149	<b>28096</b>	373, 375, 379, 381
1 355 151	<b>28095</b>	373, 375, 379, 381
1 361 653	<b>12002</b>	386
1 362 650	<b>28096</b>	373, 375, 379, 381
1 362 651	<b>28095</b>	373, 375, 379, 381
1 370 709	<b>22469</b>	429, 430
1 370 710	<b>22470</b>	429, 430

1 370 741	<b>22406</b>	429, 430
1 377 349	<b>39835</b>	785
1 377 398	<b>39835</b>	785
1 377 416	<b>30830</b>	784, 788, 789
1 377 449	<b>36733</b>	784, 788, 789
1 377 655	<b>28541</b>	373, 375, 383
1 377 849	<b>27897</b>	387, 404, 419
1 381 443	<b>36733</b>	784, 788, 789
1 387 628	<b>36733</b>	784, 788, 789
1 388 549	<b>29224</b>	373, 375, 377, 379, 381, 383
1 404 785	<b>29223</b>	373, 375, 377, 379, 381, 383
1 417 351	<b>36704</b>	430
1 420 795	<b>31846</b>	373, 375, 379, 381, 383
1 420 858	<b>31845</b>	373, 375, 379, 381, 383
1 425 853	<b>30830</b>	784, 788, 789
1 426 770	<b>36733</b>	784, 788, 789
1 433 271	<b>34384</b>	387, 404, 419
1 433 273	<b>30724</b>	387, 404, 419
1 433 274	<b>30723</b>	387, 404, 419
1 433 372	<b>34293</b>	387, 404, 419
1 436 095	<b>21681</b>	367, 385
1 436 097	<b>21681</b>	367, 385
1 436 097	<b>21682</b>	367, 385
1 438 315	<b>22862</b>	429, 430
1 438 350	<b>22861</b>	429, 430
1 448 621	<b>19980</b>	393
1 448 622	<b>19981</b>	393
1 451 914	<b>21999</b>	420, 429, 430, 431
1 457 609	<b>45999</b>	784, 788, 789
1 469 024	<b>34584</b>	387, 404, 419
1 469 026	<b>34583</b>	387, 404, 419
1 469 208	<b>27299</b>	778, 779, 781, 782
1 469 212	<b>21021</b>	367, 385
1 470 387	<b>30380</b>	373, 375, 379, 381, 383
1 471 446	<b>07989</b>	353, 357, 359, 361, 363, 365, 371, 393, 409, 411, 420
1 476 246	<b>11988</b>	347, 388



Ref. - No.



1 477 858	<b>28096</b>	373, 375, 379, 381
1 477 860	<b>28095</b>	373, 375, 379, 381
1 481 650	<b>10109</b>	422
1 481 651	<b>10108</b>	422
1 487 402	<b>19830</b>	777, 777, 777, 781, 781, 781
1 488 110	<b>31846</b>	373, 375, 379, 381, 383
1 488 111	<b>31845</b>	373, 375, 379, 381, 383
1 490 759	<b>22406</b>	429, 430
1 495 685	<b>27524</b>	429, 430
1 500 682	<b>44528</b>	778, 778, 779, 779, 781, 781, 782, 782, 783, 783
1 501 853	<b>34902</b>	395
1 501 855	<b>34901</b>	395
1 502 086	<b>36768</b>	395
1 502 087	<b>36767</b>	395
1 502 681	<b>39835</b>	785
1 507 181	<b>34584</b>	387, 404, 419
1 507 182	<b>34583</b>	387, 404, 419
1 510 270	<b>28542</b>	379, 381, 395
1 518 904	<b>36882</b>	368, 369
1 520 778	<b>36882</b>	368, 369
1 521 773	<b>36881</b>	368, 369
1 522 081	<b>21674</b>	403
1 522 130	<b>21675</b>	403
1 525 372	<b>23257</b>	420, 431
1 528 314	<b>34747</b>	368
1 532 421	<b>36882</b>	368, 369
1 532 433	<b>36881</b>	368, 369
1 540 281	<b>19469</b>	394
1 540 724	<b>36882</b>	368, 369
1 540 725	<b>36881</b>	368, 369
1 541 485	<b>34902</b>	395
1 541 488	<b>34901</b>	395
1 545 338	<b>40834</b>	347, 368, 369, 421, 432
1 545 339	<b>40833</b>	347, 368, 369, 421, 432
1 545 457	<b>32019</b>	347, 368, 369, 421, 432

Ref. - No.



1 546 259	<b>22907</b>	394
1 546 260	<b>22909</b>	394
1 553 246	<b>22862</b>	429, 430
1 570 284	<b>31846</b>	373, 375, 379, 381, 383
1 570 285	<b>31845</b>	373, 375, 379, 381, 383
1 580 517	<b>19469</b>	394
1 596 574	<b>34384</b>	387, 404, 419
1 610 366	<b>03310</b>	389, 390, 412, 413, 415, 416, 417, 418
1 613 139	<b>11990</b>	347
1 619 061	<b>03310</b>	389, 390, 412, 413, 415, 416, 417, 418
1 619 120	<b>07843</b>	351, 355, 415, 416, 417, 418
1 632 679	<b>06179</b>	354, 389, 390, 412, 413, 416, 417, 418
1 634 900	<b>14527</b>	351, 407
1 634 901	<b>09494</b>	351, 407
1 637 182	<b>12087</b>	351, 407
1 637 183	<b>12087</b>	351, 407
1 637 184	<b>12088</b>	351, 407
1 637 185	<b>12088</b>	351, 407
1 639 574	<b>34759</b>	394
1 639 575	<b>34760</b>	394
1 652 651	<b>12020</b>	350, 350, 350, 406, 406, 406
1 652 910	<b>06170</b>	349, 351, 405, 407
1 656 752	<b>06172</b>	354, 389, 390, 412, 413, 415, 416, 417, 418
1 659 374	<b>12532</b>	356, 356, 356, 358, 358, 358, 360, 360, 360
1 661 237	<b>07989</b>	353, 357, 359, 361, 363, 365, 371, 393, 409, 411, 420
1 661 562	<b>12531</b>	356, 358, 360
1 679 376	<b>22140</b>	403
1 679 382	<b>21781</b>	366, 366, 367, 384, 384, 385
1 679 384	<b>24849</b>	373, 375, 379, 381

Ref. - No.

Car  
Division 

Ref. - No.



Ref. - No.



1 679 388	<b>30380</b>	373, 375, 379, 381, 383
1 679 390	<b>17118</b>	399, 401
1 679 401	<b>18130</b>	371
1 686 594	<b>22408</b>	373, 375, 377, 379, 381, 382, 383, 395, 396
1 700 809	<b>36882</b>	368, 369
1 700 810	<b>36881</b>	368, 369
1 706 970	<b>21682</b>	367, 385
1 706 971	<b>21681</b>	367, 385
1 708 222	<b>36882</b>	368, 369
1 708 226	<b>36881</b>	368, 369
1 710 791	<b>14245</b>	363
1 710 792	<b>14243</b>	363, 411
1 710 795	<b>14246</b>	363
1 710 796	<b>14244</b>	363, 411
1 712 696	<b>36882</b>	368, 369
1 712 697	<b>36881</b>	368, 369
1 714 484	<b>38814</b>	377, 382, 396, 432
1 714 576	<b>40882</b>	377, 382, 396, 432
1 714 700	<b>40881</b>	377, 382, 396, 432
1 719 542	<b>44528</b>	778, 778, 779, 779, 781, 781, 782, 782, 783, 783
1 723 323	<b>36768</b>	395
1 723 324	<b>36767</b>	395
1 730 933	<b>29224</b>	373, 375, 377, 379, 381, 383
1 730 934	<b>29223</b>	373, 375, 377, 379, 381, 383
1 734 686	<b>27299</b>	778, 779, 781, 782
1 735 889	<b>22862</b>	429, 430
1 735 890	<b>22861</b>	429, 430
1 737 309	<b>36882</b>	368, 369
1 748 237	<b>40882</b>	377, 382, 396, 432
1 748 239	<b>40881</b>	377, 382, 396, 432
1 754 076	<b>40503</b>	377
1 761 200	<b>21021</b>	367, 385
1 762 149	<b>22408</b>	373, 375, 377, 379, 381, 382, 383, 395, 396
1 763 991	<b>40514</b>	421, 422

1 780 102	<b>40882</b>	377, 382, 396, 432
1 780 103	<b>40881</b>	377, 382, 396, 432
1 780 104	<b>38814</b>	377, 382, 396, 432
1 783 320	<b>39835</b>	785
1 796 515	<b>10110</b>	422
1 796 516	<b>10111</b>	422
1 826 501	<b>40882</b>	377, 382, 396, 432
1 826 505	<b>40881</b>	377, 382, 396, 432
1 851 900	<b>22408</b>	373, 375, 377, 379, 381, 382, 383, 395, 396
1 865 033	<b>39207</b>	784, 788
1 865 034	<b>39208</b>	784, 788
1 883 046	<b>32418</b>	373, 375, 379, 381, 383, 395
1 954 430	<b>15270</b>	397
1 954 431	<b>15269</b>	397
1 954 778	<b>23171</b>	397
1 954 821	<b>24016</b>	786
1 961 668	<b>15266</b>	397
3 043 575	<b>21257</b>	362, 371, 392, 411
3 405 915	<b>12905</b>	410
3 410 591	<b>15411</b>	410
3 410 592	<b>15412</b>	410
3 703 255	<b>12909</b>	410
3 707 090	<b>12908</b>	410
3 707 333	<b>17923</b>	371, 420, 431
3 707 533	<b>17921</b>	371, 420, 431
3 799 085	<b>15413</b>	789
3 903 147	<b>19875</b>	400
3 903 149	<b>19877</b>	400
3 904 122	<b>12757</b>	348, 398, 400, 402
4 041 450	<b>22155</b>	429, 430
4 041 489	<b>30299</b>	429
4 041 490	<b>38961</b>	429, 790
4 042 022	<b>22862</b>	429, 430
4 042 023	<b>22861</b>	429, 430
4 042 024	<b>22153</b>	429, 430
4 045 250	<b>21257</b>	362, 371, 392, 411
4 047 091	<b>22406</b>	429, 430
4 048 739	<b>08761</b>	356, 358, 360, 392
4 049 981	<b>33916</b>	398
4 059 923	<b>22469</b>	429, 430


**Ref. - No.**


4 059 924	<b>22470</b>	429, 430
4 111 327	<b>19879</b>	402
4 118 933	<b>21849</b>	402
4 118 934	<b>21849</b>	402
4 119 193	<b>12757</b>	348, 398, 400, 402
4 120 734	<b>21999</b>	420, 429, 430, 431
4 131 788	<b>22155</b>	429, 430
4 140 393	<b>22862</b>	429, 430
4 140 394	<b>22861</b>	429, 430
4 164 518	<b>22862</b>	429, 430
4 164 521	<b>22861</b>	429, 430
4 173 761	<b>21999</b>	420, 429, 430, 431
4 330 628	<b>22925</b>	367, 385
4 342 539	<b>22767</b>	367, 385
4 346 344	<b>43460</b>	790
4 366 973	<b>29652</b>	420, 431
4 366 974	<b>29651</b>	420, 431
4 367 012	<b>23257</b>	420, 431
4 371 925	<b>29652</b>	420, 431
4 371 926	<b>29651</b>	420, 431
4 372 130	<b>22862</b>	429, 430
4 372 131	<b>22861</b>	429, 430
4 372 132	<b>22153</b>	429, 430
4 381 840	<b>34728</b>	420, 431
4 381 927	<b>21999</b>	420, 429, 430, 431
4 385 316	<b>38958</b>	420, 431
4 386 870	<b>21999</b>	420, 429, 430, 431
4 419 559	<b>38958</b>	420, 431
4 436 609	<b>23259</b>	790
4 440 885	<b>43460</b>	790
4 462 153	<b>33916</b>	398
4 472 940	<b>22767</b>	367, 385
4 519 467	<b>27524</b>	429, 430
4 531 299	<b>43460</b>	790
4 539 871	<b>29652</b>	420, 431
4 540 774	<b>22862</b>	429, 430
4 540 775	<b>22861</b>	429, 430
4 540 787	<b>22153</b>	429, 430
4 577 976	<b>22470</b>	429, 430
4 602 026	<b>36515</b>	429, 430
4 602 027	<b>36517</b>	429, 430
4 602 028	<b>22469</b>	429, 430
4 709 303	<b>37163</b>	790

**Ref. - No.**


4 775 683	<b>12757</b>	348, 398, 400, 402
4 964 972	<b>38958</b>	420, 431
5 021 410	<b>02959</b>	349, 350, 355, 356, 358, 405, 406
5 021 411	<b>11988</b>	347, 388
5 021 413	<b>06301</b>	354, 390, 413, 415, 416, 417, 418
5 021 414	<b>06302</b>	354, 390, 413, 415, 416, 417, 418
5 021 415	<b>08767</b>	389, 412
5 021 423	<b>10108</b>	422
5 021 424	<b>10109</b>	422
5 021 426	<b>02958</b>	355
5 021 429	<b>11991</b>	388
5 021 430	<b>10161</b>	423
5 021 440	<b>10110</b>	422
5 021 441	<b>10111</b>	422
5 021 442	<b>10163</b>	423, 424
5 021 443	<b>10157</b>	424
5 021 444	<b>10156</b>	424
5 021 445	<b>10158</b>	424, 425
5 021 446	<b>12574</b>	425
5 021 447	<b>12575</b>	425
5 021 449	<b>12677</b>	425
5 021 458	<b>05624</b>	351, 407
5 021 459	<b>05623</b>	351, 407
5 021 460	<b>08084</b>	415, 417
5 021 461	<b>08095</b>	415, 417
5 021 464	<b>04094</b>	389, 412
5 021 465	<b>04011</b>	389, 412
5 021 661	<b>06170</b>	349, 351, 405, 407
5 024 332	<b>08096</b>	352, 408
5 024 333	<b>08097</b>	352, 408
5 025 557	<b>12678</b>	425
5 025 558	<b>12677</b>	425
5 025 676	<b>10162</b>	426, 427, 428
5 027 451	<b>07954</b>	398
5 027 452	<b>07973</b>	398
5 030 221	<b>10590</b>	414
5 030 222	<b>10591</b>	414
6 009 974	<b>11990</b>	347
6 060 971	<b>11991</b>	388



Ref. - No.

Car  
Division

Ref. - No.



Ref. - No.



6 081 391	<b>02959</b>	349, 350, 355, 356, 358, 405, 406
6 087 888	<b>09156</b>	349, 405
6 087 889	<b>09157</b>	349, 405
6 087 890	<b>09209</b>	349, 405, 407
6 107 025	<b>06170</b>	349, 351, 405, 407
6 110 512	<b>11991</b>	388
6 114 616	<b>08084</b>	415, 417
6 114 617	<b>08095</b>	415, 417
6 120 231	<b>06301</b>	354, 390, 413, 415, 416, 417, 418
6 120 232	<b>06302</b>	354, 390, 413, 415, 416, 417, 418
6 120 237	<b>03310</b>	389, 390, 412, 413, 415, 416, 417, 418
6 127 744	<b>03304</b>	349, 350, 355, 355, 355, 405, 406
6 128 736	<b>03310</b>	389, 390, 412, 413, 415, 416, 417, 418
6 128 814	<b>02959</b>	349, 350, 355, 356, 358, 405, 406
6 130 558	<b>02958</b>	355
6 130 559	<b>02958</b>	355
6 130 560	<b>02958</b>	355
6 131 083	<b>05682</b>	415, 417
6 144 628	<b>06172</b>	354, 389, 390, 412, 413, 415, 416, 417, 418
6 148 436	<b>10108</b>	422
6 148 439	<b>10109</b>	422
6 148 996	<b>10157</b>	424
6 148 999	<b>10156</b>	424
6 149 939	<b>08084</b>	415, 417
6 149 940	<b>08095</b>	415, 417
6 150 970	<b>18076</b>	423, 426, 427, 428
6 150 971	<b>18077</b>	423, 426, 427, 428
6 150 977	<b>19451</b>	423
6 154 161	<b>10161</b>	423
6 156 463	<b>12567</b>	423
6 156 467	<b>05621</b>	423, 426, 427, 428
6 158 242	<b>17595</b>	424, 425
6 160 070	<b>05621</b>	423, 426, 427, 428
6 160 988	<b>08767</b>	389, 412

6 163 015	<b>01001</b>	356, 360
6 163 018	<b>12532</b>	356, 356, 356, 358, 358, 358, 360, 360, 360
6 172 639	<b>10157</b>	424
6 172 640	<b>10156</b>	424
6 172 641	<b>10156</b>	424
6 172 643	<b>10163</b>	423, 424
6 172 647	<b>10158</b>	424, 425
6 172 648	<b>10158</b>	424, 425
6 176 882	<b>12020</b>	350, 350, 350, 406, 406, 406
6 177 346	<b>03308</b>	350, 352, 356, 358, 360, 362, 365, 389, 390, 392, 406, 408, 412, 413, 417
6 177 347	<b>03308</b>	350, 352, 356, 358, 360, 362, 365, 389, 390, 392, 406, 408, 412, 413, 417
6 180 350	<b>08760</b>	352, 408
6 182 818	<b>21959</b>	354, 389, 412, 416, 417
6 185 334	<b>09484</b>	349, 350, 405, 406
6 185 335	<b>12639</b>	417
6 185 336	<b>05682</b>	415, 417
6 185 338	<b>08768</b>	354, 389, 390, 412, 413, 416, 418
6 185 809	<b>18876</b>	353, 357, 359, 361, 363, 365, 409, 411, 776
6 186 082	<b>07989</b>	353, 357, 359, 361, 363, 365, 371, 393, 409, 411, 420
6 188 004	<b>07989</b>	353, 357, 359, 361, 363, 365, 371, 393, 409, 411, 420
6 192 705	<b>06179</b>	354, 389, 390, 412, 413, 416, 417, 418
6 193 085	<b>05640</b>	357
6 193 086	<b>05639</b>	357
6 197 238	<b>10168</b>	352, 408
6 517 356	<b>11500</b>	426, 427, 428


**Ref. - No.**


6 521 811	<b>23135</b>	427, 428
6 521 812	<b>23133</b>	427, 428
6 525 843	<b>05920</b>	353, 409
6 525 844	<b>05921</b>	353, 409
6 589 456	<b>12678</b>	425
6 589 457	<b>12677</b>	425
6 608 818	<b>14739</b>	423, 426, 427, 428
6 615 742	<b>05920</b>	353, 409
6 615 743	<b>05921</b>	353, 409
6 639 188	<b>08761</b>	356, 358, 360, 392
6 645 154	<b>05640</b>	357
6 645 156	<b>05639</b>	357
6 687 191	<b>10159</b>	426, 427, 428
6 714 195	<b>21855</b>	348, 399, 401, 414
6 737 692	<b>10167</b>	398
6 770 224	<b>05920</b>	353, 409
6 770 225	<b>05921</b>	353, 409
6 772 173	<b>12757</b>	348, 398, 400, 402
6 790 115	<b>01311</b>	399, 401
6 790 700	<b>08761</b>	356, 358, 360, 392
6 792 900	<b>12574</b>	425
6 792 901	<b>10156</b>	424
6 792 901	<b>12575</b>	425
6 829 045	<b>38991</b>	776, 786
6 829 046	<b>38992</b>	776, 786
6 832 049	<b>10166</b>	398
6 867 577	<b>24377</b>	776, 786
6 869 950	<b>21352</b>	423, 426, 427, 428
6 869 951	<b>10160</b>	426, 427, 428
6 870 549	<b>01312</b>	399
6 935 233	<b>03307</b>	350, 352, 356, 358, 360, 362, 365, 389, 390, 392, 406, 408, 412, 413, 417
6 935 233	<b>03308</b>	350, 352, 356, 358, 360, 362, 365, 389, 390, 392, 406, 408, 412, 413, 417
6 954 470	<b>05664</b>	399, 401
6 954 471	<b>05666</b>	399, 401
6 960 036	<b>10324</b>	348, 399, 401
6 969 518	<b>08780</b>	360
7 014 210	<b>23051</b>	786

**Ref. - No.**


7 038 517	<b>01001</b>	356, 360
7 102 392	<b>18876</b>	353, 357, 359, 361, 363, 365, 409, 411, 776
7 144 202	<b>24918</b>	776, 786
7 144 204	<b>24916</b>	786
7 152 269	<b>01808</b>	361
7 152 270	<b>01809</b>	361
7 152 271	<b>01810</b>	361
7 152 272	<b>01811</b>	361
7 152 277	<b>10210</b>	359
7 152 278	<b>05640</b>	357
7 152 280	<b>10211</b>	359
7 152 281	<b>05639</b>	357
7 200 944	<b>11996</b>	386
7 200 945	<b>11997</b>	386
7 200 946	<b>19276</b>	386
7 200 957	<b>19453</b>	386
7 201 717	<b>22988</b>	386, 783, 784
7 243 564	<b>08096</b>	352, 408
7 243 565	<b>08097</b>	352, 408
7 257 202	<b>18539</b>	356, 360, 392
7 260 111	<b>19721</b>	414
7 292 960	<b>12638</b>	414
7 294 415	<b>10167</b>	398
7 294 416	<b>10166</b>	398
7 351 747	<b>05920</b>	353, 409
7 351 748	<b>05921</b>	353, 409
7 398 676	<b>11996</b>	386
7 398 678	<b>11997</b>	386
7 398 680	<b>12102</b>	386
-	<b>18061</b>	359, 359, 359
1 009 751 S1	<b>33820</b>	363, 363, 364, 365, 411, 411
1 011 665 S1	<b>12099</b>	414
1 020 496 S1	<b>12001</b>	386
1 043 158 S1	<b>33095</b>	399, 401
1 043 159 S1	<b>33096</b>	399, 401
1 047 853 S1	<b>18129</b>	357, 357, 357
1 058 279 S1	<b>33116</b>	353, 409
1 058 280 S1	<b>33115</b>	353, 409
1 061 668 S1	<b>30000</b>	777, 778, 779, 781, 782

Ref. - No.

Car  
Division 

Ref. - No.



Ref. - No.



1 061 670 S1	<b>34249</b>	777, 777, 778, 778
1 061 670 S2	<b>34250</b>	777, 778
1 063 987 S1	<b>33100</b>	393
1 063 988 S1	<b>33099</b>	393
1 064 128 S1	<b>37000</b>	777
1 064 128 S2	<b>38666</b>	777
1 070 337 S1	<b>33102</b>	361
1 070 338 S1	<b>33101</b>	361
1 071 683 S1	<b>33884</b>	363
1 071 690 S1	<b>33886</b>	365
1 071 701 S1	<b>33883</b>	363
1 071 702 S1	<b>33885</b>	365
1 072 446 S1	<b>36685</b>	786
1 111 411 S1	<b>33104</b>	357
1 111 413 S1	<b>33103</b>	357
1 128 725 S1	<b>27400</b>	348, 348, 399, 399, 401, 401, 414, 414
1 212 807 S1	<b>22138</b>	367, 385
1 212 807 S2	<b>22139</b>	367, 385
1 225 490 S1	<b>29992</b>	391
1 311 416 S1	<b>22136</b>	403
1 311 416 S2	<b>22137</b>	403
1 329 730 S1	<b>30004</b>	777, 778, 781
1 330 238 S1	<b>33882</b>	363, 411
1 330 239 S1	<b>33881</b>	363, 411
1 361 653 S1	<b>24863</b>	386
1 377 655 S1	<b>37729</b>	373, 375, 383
1 377 655 S2	<b>37730</b>	373, 375, 383
1 426 770 S1	<b>43406</b>	784, 788, 789
1 448 621 S1	<b>33098</b>	393
1 448 622 S1	<b>33097</b>	393
1 457 609 S2	<b>46000</b>	784, 788, 789
1 477 858 S2	<b>27912</b>	373, 375, 379, 381, 383, 395
1 477 858 S3	<b>32418</b>	373, 375, 379, 381, 383, 395
1 477 858 S4	<b>40624</b>	373, 379
1 477 860 S4	<b>40623</b>	373, 379
1 502 086 S1	<b>32092</b>	395, 395
1 502 087 S1	<b>32091</b>	395, 395
1 507 181 S1	<b>32163</b>	387, 404, 419
1 507 181 S3	<b>36964</b>	387, 404, 419
1 507 182 S1	<b>36963</b>	387, 404, 419

1 507 182 S2	<b>36962</b>	387, 404, 419
1 510 270 S1	<b>37741</b>	379, 381
1 510 270 S2	<b>37742</b>	379, 381
1 566 810 S1	<b>39208</b>	784, 788
1 566 810 S2	<b>43403</b>	784, 788, 789
1 566 837 S1	<b>39207</b>	784, 788
1 570 284 S1	<b>40626</b>	373, 375, 379, 381, 383
1 570 285 S1	<b>40625</b>	373, 375, 379, 381, 383
1 596 574 S1	<b>34371</b>	419
1 596 574 S2	<b>37761</b>	387, 404, 419
1 596 574 S3	<b>37762</b>	387, 404, 419
1 619 061 S	<b>03309</b>	389, 390, 412, 413, 415, 416, 417, 418
1 619 061 S1	<b>03309</b>	389, 390, 412, 413, 415, 416, 417, 418
1 639 574 S	<b>19472</b>	394
1 639 575 S	<b>19472</b>	394
1 659 374 S1	<b>08761</b>	356, 358, 360, 392
1 661 562 S1	<b>12665</b>	356, 358, 360
1 714 891 S1	<b>37261</b>	780, 783
1 737 309 S1	<b>37017</b>	368, 369
1 737 309 S2	<b>37018</b>	368, 369
1 737 309 S3	<b>38543</b>	368, 369
1 762 784 S1	<b>46288</b>	394
1 763 991 SK	<b>40514</b>	421, 422
1 780 104 S1	<b>43525</b>	377, 382, 396, 432
1 780 104 S2	<b>43526</b>	377, 382, 396, 432
1 814 315 S1	<b>37261</b>	780, 783
1 883 046 S1	<b>32418</b>	373, 375, 379, 381, 383, 395
2M513042BD	<b>15681</b>	371
3 736 028 S1	<b>21750</b>	429, 429
3 904 122 S1	<b>12807</b>	348, 398, 400, 402
4 045 250 S	<b>21259</b>	362, 371, 392, 411
4 045 250 S1	<b>21259</b>	362, 371, 392, 411
4 111 327 S1	<b>37686</b>	402
4 119 193 S1	<b>12807</b>	348, 398, 400, 402
4 472 940 S1	<b>37715</b>	367, 385
4 472 940 S2	<b>37716</b>	367, 385
6 127 744 S	<b>03303</b>	349, 350, 355, 355, 355, 405, 406


**Ref. - No.**


6 127 744 S1	<b>03303</b>	349, 350, 355, 355, 355, 405, 406
6 160 070 S	<b>05958</b>	423, 426, 427, 428
6 160 070 S1	<b>05958</b>	423, 426, 427, 428
6 177 346 S	<b>03307</b>	350, 352, 356, 358, 360, 362, 365, 389, 390, 392, 406, 408, 412, 413, 417
6 203 229 S1	<b>24387</b>	399, 399, 401, 401
6 203 229 S2	<b>24393</b>	357, 357, 361, 361, 393, 393
6 869 950 S	<b>21353</b>	423, 426, 427, 428
6 869 950 S1	<b>21353</b>	423, 426, 427, 428
6 935 233 S1	<b>03307</b>	350, 352, 356, 358, 360, 362, 365, 389, 390, 392, 406, 408, 412, 413, 417
8V513051BG	<b>36881</b>	368, 369
93BB5K792AB	<b>38992</b>	776, 786
passend für / to fit: <b>HONDA</b>		
51215-S6D-G10 S1	<b>31237</b>	442
51220-S04-003	<b>19387</b>	433, 438, 439, 440, 441, 444, 447
51220-S84-A02	<b>15495</b>	434, 435, 436, 453
51220-SH3-003	<b>19387</b>	433, 438, 439, 440, 441, 444, 447
51220-SK7-013	<b>19387</b>	433, 438, 439, 440, 441, 444, 447
51220-SM1-A01	<b>15495</b>	434, 435, 436, 453
51220-SM1-A02	<b>15495</b>	434, 435, 436, 453
51220-SM4-013	<b>15495</b>	434, 435, 436, 453
51220-SR3-003	<b>19387</b>	433, 438, 439, 440, 441, 444, 447
51320-S04-003	<b>19686</b>	440, 441, 444
51320-S2H-003	<b>24961</b>	449
51320-S5A-003	<b>24949</b>	442, 445, 449, 452
51320-S84-A01	<b>24939</b>	436
51320-SAA-003	<b>24963</b>	450
51320-SAA-J01	<b>31570</b>	450
51320-SEA-E01	<b>28053</b>	437, 791
51320-SK3-000	<b>23819</b>	443
51320-SMG-E01	<b>30924</b>	443

**Ref. - No.**


51320-SS0-003	<b>29795</b>	451
51320-STK-A01	<b>29529</b>	446
51320-SZ3-003	<b>29708</b>	451, 452
51320-SZ3-013	<b>29708</b>	451, 452
51320-TA0-A01	<b>33650</b>	437
51321-S2H-003	<b>24962</b>	449
51321-S5A-003	<b>24950</b>	442, 445, 449, 452
51321-S84-A01	<b>24940</b>	436
51321-SAA-003	<b>24964</b>	450
51321-SAA-J01	<b>31569</b>	450
51321-SEA-E01	<b>28054</b>	437, 791
51321-SZ3-003	<b>29707</b>	451, 452
51321-SZ3-013	<b>29707</b>	451, 452
51325-TA0-A01	<b>33649</b>	437
51350-S04-G00	<b>31804</b>	440
51350-S04-G00	<b>31805</b>	440
51350-S5T-Z00	<b>30429</b>	442
51350-S5T-Z01	<b>30429</b>	442
51350-S6D-G00	<b>30425</b>	442
51350-S6F-E00	<b>30432</b>	442
51350-S6F-E01	<b>30432</b>	442
51350-SAA-E01	<b>32420</b>	450
51350-SAA-E11	<b>32420</b>	450
51355-S1A-E00	<b>24970</b>	436
51355-S84-A00	<b>24970</b>	436
51360-S04-G00	<b>31804</b>	440
51360-S04-G00	<b>31805</b>	440
51360-S04-G00 S1	<b>31804</b>	440
51360-S04-G00 S2	<b>31805</b>	440
51360-S5T-Z00	<b>30430</b>	442
51360-S5T-Z01	<b>30430</b>	442
51360-S6D-G00	<b>30426</b>	442
51360-S6F-E00	<b>30433</b>	442
51360-S6F-E01	<b>30433</b>	442
51360-SAA-E01	<b>32419</b>	450
51360-SAA-E01 S1	<b>31216</b>	450
51360-SAA-E01 S2	<b>32415</b>	450
51360-SAA-E01 S3	<b>32416</b>	450
51360-SAA-E11	<b>32419</b>	450
51360-SAA-E11 S1	<b>31216</b>	450
51360-SAA-E11 S2	<b>32415</b>	450
51360-SAA-E11 S3	<b>32416</b>	450
51360-SAA-G02 S1	<b>31216</b>	450

Ref. - No.

Car  
Division

Ref. - No.



Ref. - No.



51365-S1A-E00	<b>24971</b>	436
51365-S84-A00	<b>24971</b>	436
51391-S5A-024	<b>30427</b>	442
51391-S5T-Z01	<b>30431</b>	442
51391-SDA-A03	<b>34245</b>	437
51391-SEA-004	<b>34245</b>	437
51392-S5A-004	<b>30428</b>	442, 445, 449, 452
51392-SR3-014	<b>19729</b>	438, 439, 440, 447, 448
51392-SR3-024	<b>19729</b>	438, 439, 440, 447, 448
51450-S0A-003	<b>23757</b>	436
51450-S1A-E01	<b>23757</b>	436
51450-SH3-000	<b>15477</b>	438, 447
51450-SH3-023	<b>15477</b>	438, 447
51450-SH3-030	<b>15477</b>	438, 447
51450-SM4-023	<b>15455</b>	435
51450-SR3-013	<b>15553</b>	439, 448
51450-SR3-023	<b>15553</b>	439, 448
51460-S0A-003	<b>23755</b>	436
51460-S1A-E01	<b>23755</b>	436
51460-S1A-E01 S1	<b>26276</b>	436
51460-SH3-000	<b>15478</b>	438, 447
51460-SH3-023	<b>15478</b>	438, 447
51460-SH3-030	<b>15478</b>	438, 447
51460-SM4-023	<b>15535</b>	435
51460-SR0-A02	<b>15555</b>	439, 448
51460-SR3-013	<b>15555</b>	439, 448
51460-SR3-023	<b>15555</b>	439, 448
51810-SDA-A01	<b>34203</b>	437
51810-SH3-003	<b>17837</b>	438, 439, 440, 447, 448
51810-SH3-004	<b>17837</b>	438, 439, 440, 447, 448
52320-S04-003	<b>28048</b>	792, 794
52320-S10-003	<b>28046</b>	795
52320-S5A-013	<b>24953</b>	793
52320-S84-A01	<b>24944</b>	791
52320-S9A-003	<b>28051</b>	795
52320-SNA-A01	<b>28462</b>	793
52320-SS0-003	<b>29687</b>	796
52320-SWA-A01	<b>29528</b>	795
52320-TA0-A01	<b>32603</b>	791

52321-S04-003	<b>28049</b>	792, 794
52321-S10-003	<b>28047</b>	795
52321-S5A-013	<b>24954</b>	793, 794
52321-S9A-003	<b>28052</b>	795
52321-SNA-A01	<b>28461</b>	793
52321-SWA-A01	<b>29527</b>	795
52325-S84-A01	<b>24945</b>	791
52325-TA0-A01	<b>32602</b>	791
52365-SH3-000	<b>17841</b>	792, 794, 796
52385-SR3-000	<b>18183</b>	792, 794, 795
52622-SH3-010	<b>17839</b>	792, 794, 796
53010-SAA-J01	<b>24968</b>	450
53010-SDA-A01	<b>34356</b>	437
53010-SMG-E01	<b>34770</b>	443
53010-SWA-A01	<b>34183</b>	446
53010-SWC-G01	<b>34182</b>	446
53010-SWC-G02	<b>34182</b>	446
53010-TF0-003	<b>34774</b>	451
53011-SAA-J01	<b>24969</b>	450
53011-SMG-E01	<b>34773</b>	443
53521-S9A-003	<b>24955</b>	445
53540-S04-003	<b>15539</b>	439, 441, 444, 448
53540-S04-013	<b>15539</b>	439, 441, 444, 448
53540-S1A-E01	<b>24932</b>	436
53540-SAA-003	<b>34092</b>	450
53540-SDA-A01	<b>29288</b>	437
53540-SEL-T01	<b>34092</b>	450
53540-SH3-013	<b>15501</b>	438, 447
53540-SK3-E01	<b>12944</b>	443
53540-SM4-003	<b>15497</b>	434, 435
53540-SR3-003	<b>15539</b>	439, 441, 444, 448
53540-SX8-T01	<b>24956</b>	449, 451
53541-S5A-003	<b>24946</b>	442, 445
53560-S04-003	<b>15541</b>	439, 441, 444, 448
53560-S04-013	<b>15541</b>	439, 441, 444, 448
53560-S1A-E01	<b>24931</b>	436
53560-SAA-003	<b>34091</b>	450
53560-SDA-A01	<b>29287</b>	437
53560-SEL-T01	<b>34091</b>	450
53560-SH3-013	<b>15502</b>	438, 447
53560-SM4-003	<b>15498</b>	434, 435
53560-SR3-003	<b>15541</b>	439, 441, 444, 448
53610-TL1-G01	<b>34771</b>	437


**Ref. - No.**


passend für / to fit:

**HYUNDAI**

54830-1E000	<b>28735</b>	455, 476
54830-2E000	<b>28121</b>	474
54840-1E000	<b>28734</b>	455, 476
55530-2E000	<b>27477</b>	801
56820-1E000	<b>30090</b>	455, 476
56820-2E000	<b>26927</b>	474
57724-1E000	<b>31749</b>	455, 476
57724-2E000	<b>31748</b>	474
51760-38000	<b>29282</b>	472, 472, 472, 477, 477, 477
54500-02050	<b>31313</b>	456, 471
54500-02051	<b>31313</b>	456, 471
54500-02052	<b>31313</b>	456, 471
54500-22000	<b>26917</b>	454, 459, 467
54500-22100	<b>26917</b>	454, 459, 467
54500-25000	<b>22823</b>	454, 475
54501-02050	<b>31314</b>	456, 471
54501-02051	<b>31314</b>	456, 471
54501-02052	<b>31314</b>	456, 471
54501-22000	<b>26918</b>	454, 459, 467
54501-22100	<b>26918</b>	454, 459, 467
54501-25000	<b>22824</b>	454, 475
54501-26000	<b>27946</b>	469
54502-26000	<b>27947</b>	469
54510-43150	<b>28113</b>	461
54510-43151	<b>28113</b>	461
54510-43152	<b>28113</b>	461
54530-02050	<b>26841</b>	456, 471
54530-25000	<b>24907</b>	454, 459, 462, 475
54540-43150	<b>28112</b>	461
54540-43151	<b>28112</b>	461
54540-43152	<b>28112</b>	461
54551-26000	<b>29666</b>	469
54555-02000	<b>31365</b>	456, 471
54555-02001	<b>31365</b>	456, 471
54555-02002	<b>31365</b>	456, 471
54555-26000	<b>29665</b>	469
54556-02000	<b>31366</b>	456, 471
54556-02001	<b>31366</b>	456, 471
54556-02002	<b>31366</b>	456, 471
54820-02000	<b>26589</b>	456

**Ref. - No.**


54830-17010	<b>24925</b>	454, 465, 466, 475
54830-17020	<b>24924</b>	454, 465, 466, 475
54830-25010	<b>24925</b>	454, 465, 466, 475
54830-25020	<b>24924</b>	454, 465, 466, 475
54830-26000	<b>24929</b>	469
54830-26100	<b>24929</b>	469
54830-28000	<b>28122</b>	464
54830-29000	<b>24915</b>	457, 464
54830-29500	<b>24915</b>	457, 464
54830-36000	<b>28659</b>	471
54830-36100	<b>28659</b>	471
54830-37010	<b>28122</b>	464
54830-37020	<b>28122</b>	464
54840-26000	<b>24928</b>	469
54840-26100	<b>24928</b>	469
55530-17000	<b>33495</b>	800
55530-26600	<b>28124</b>	800
55530-29000	<b>24922</b>	797, 798, 800
55530-29500	<b>24922</b>	797, 798, 800
55530-38000	<b>26588</b>	801, 802
55530-38010	<b>26588</b>	801, 802
55530-38600	<b>28268</b>	801, 802
55540-26600	<b>28123</b>	800
55580-37020	<b>28512</b>	472, 801
56540-02000	<b>24910</b>	456, 471
56540-22000	<b>29693</b>	454, 459, 467
56540-24000	<b>26601</b>	458, 467, 468
56540-24001	<b>26601</b>	458, 467, 468
56540-25000	<b>27811</b>	454, 475
56820-02500	<b>26186</b>	456, 471
56820-21000	<b>27150</b>	458, 467, 468
56820-21100	<b>27150</b>	458, 467, 468
56820-21110	<b>27150</b>	458, 467, 468
56820-22000	<b>24909</b>	454, 457
56820-25000	<b>26519</b>	454, 457, 458, 465, 466, 475
56820-28500	<b>24909</b>	454, 457
56820-28520	<b>24909</b>	454, 457
56820-38000	<b>29272</b>	472, 477
56820-38900	<b>29273</b>	472, 477
57716-34000	<b>28111</b>	472, 474
57724-38000	<b>27813</b>	472, 477
57724-38010	<b>27813</b>	472, 477

Ref. - No.

Car  
Division 

Ref. - No.



Ref. - No.



57730-29000	<b>24914</b>	457, 464
57730-29001	<b>24914</b>	457, 464
57730-33100	<b>30112</b>	471
57730-43010	<b>30111</b>	461
57755-02000	<b>24911</b>	456, 471
57755-17000	<b>28285</b>	465, 466
57755-22000	<b>28093</b>	454, 459, 467
57755-25000	<b>27811</b>	454, 475
57780-38000	<b>29272</b>	472, 477
57780-38010	<b>29273</b>	472, 477
57785-26200	<b>24923</b>	469
54500-1E100	<b>30866</b>	455, 476
54501-1E100	<b>30867</b>	455, 476
54830-2E100	<b>28121</b>	474
55530-2E100	<b>27477</b>	801
51760-1G000	<b>29704</b>	455, 476
54403-38A00 S1	<b>30863</b>	472, 477
54500-1C000	<b>24904</b>	459
54500-4A000	<b>30015</b>	460
54500-4A600	<b>30015</b>	460
54501-1C000	<b>24903</b>	459
54501-4A000	<b>30016</b>	460
54501-4A600	<b>30016</b>	460
54503-25A00	<b>24907</b>	454, 459, 462, 475
54503-2BA00	<b>26301</b>	457, 469, 474
54503-3BA00	<b>26301</b>	457, 469, 474
54503-3BA00 S1	<b>29667</b>	469
54510-43152 S1	<b>28113</b>	461
54530-07000 S1	<b>29705</b>	461
54530-24A00	<b>27240</b>	458, 464, 467, 468
54530-28A00	<b>27240</b>	458, 464, 467, 468
54530-2B000	<b>26301</b>	457, 469, 474
54530-3B000	<b>26301</b>	457, 469, 474
54530-3B000 S1	<b>29667</b>	469
54540-43152 S1	<b>28112</b>	461
54830-0X000	<b>32066</b>	461
54830-1C000	<b>24906</b>	459
54830-1G000	<b>28735</b>	455, 476
54830-1J000	<b>34559</b>	462
54830-2B000	<b>28575</b>	463, 470
54830-2B200	<b>28575</b>	463, 470
54830-2C000	<b>24913</b>	457
54830-2H100	<b>31764</b>	458, 463

54830-36101 S1	<b>28659</b>	471
54830-3A000	<b>24927</b>	474
54830-3K000	<b>31105</b>	460, 473
54830-3K010	<b>31105</b>	460, 473
54830-3L000	<b>31105</b>	460, 473
54830-4A000	<b>31194</b>	460, 465
54830-4A002	<b>31194</b>	460, 465
54830-4A003	<b>31194</b>	460, 465
54830-4H000	<b>32064</b>	461
54840-0X000	<b>32067</b>	461
54840-1C000	<b>24905</b>	459
54840-1G000	<b>28734</b>	455, 476
54840-1J000	<b>34560</b>	462
54840-2B000	<b>28576</b>	463, 470
54840-2B200	<b>28576</b>	463, 470
54840-2C000	<b>24912</b>	457
54840-3A000	<b>24926</b>	474
54840-4H000	<b>32065</b>	461
55530-1H000	<b>31765</b>	799
55530-2B000	<b>28514</b>	799, 800
55530-2H000	<b>31765</b>	799
55530-3K000	<b>31095</b>	798, 801
55530-3K001	<b>31095</b>	798, 801
55530-4A000	<b>28267</b>	798, 798, 798
55530-4H000	<b>32062</b>	799
55540-4H000	<b>32063</b>	799
55830-25000 S1	<b>28266</b>	797, 802
56540-2H000	<b>33448</b>	458, 463
56820-1E900	<b>30089</b>	455, 476
56820-2E900	<b>26926</b>	474
56820-2H000	<b>34659</b>	458, 463
56820-2H090	<b>34660</b>	458, 463
56820-4A600	<b>30243</b>	460, 465
57724-0X000	<b>32763</b>	461
57724-2B000	<b>30091</b>	470
57724-3A000	<b>28111</b>	472, 474
57729-4A010	<b>30092</b>	460, 465
57755-1C000	<b>24908</b>	459
passend für / to fit: <b>JAGUAR</b>		
C2S 3248	<b>19825</b>	478, 479
C2S 39552	<b>19651</b>	478, 479
C2S 39661	<b>21674</b>	478, 479


**Ref. - No.**


C2S3 9661 S1	<b>22136</b>	478, 479
C2S3 9661 S2	<b>22137</b>	478, 479
C2S3 9661 S3	<b>22140</b>	478, 479
C2S 39662	<b>21675</b>	478, 479
passend für / to fit: <b>KIA</b>		
54830-2E000	<b>28121</b>	492
55530-2E000	<b>27477</b>	806
55580-3E000	<b>29954</b>	806
56820-1E000	<b>30090</b>	490
56820-2E000	<b>26927</b>	492
57724-2E000	<b>31748</b>	492
51760-38000	<b>29282</b>	484, 484, 484, 486, 486, 486
54530-25000	<b>24907</b>	487
54830-07000	<b>31250</b>	487
54840-07000	<b>31251</b>	487
55530-17000	<b>33495</b>	804
55530-38600	<b>28268</b>	804, 805
56820-07000	<b>30014</b>	487
56820-25000	<b>26519</b>	482
56820-38000	<b>29272</b>	484, 485, 486
56820-38900	<b>29273</b>	484, 485, 486
57724-07000	<b>29283</b>	487
57724-07100	<b>29283</b>	487
57724-38010	<b>27813</b>	484, 486
57780-38000	<b>29272</b>	484, 485, 486
57780-38010	<b>29273</b>	484, 485, 486
54811-3E010	<b>29753</b>	493
55580-3E050	<b>29955</b>	806
54811-3E060	<b>29754</b>	493
54500-1E100	<b>30866</b>	490
54501-1E100	<b>30867</b>	490
54830-2E100	<b>28121</b>	492
55530-2E100	<b>27477</b>	806
0K011-34-160A	<b>32059</b>	488, 492
0K2A1-34-150A	<b>34615</b>	803, 805, 806
0K2A1-34-150B	<b>34615</b>	803, 805, 806
0K2A5-34-150	<b>31193</b>	485
0K2A5-34-150A	<b>31193</b>	485
0K2A5-34-150B	<b>31193</b>	485
0K2FA-34-150	<b>34042</b>	481
0K2FA-34-170	<b>34041</b>	481

**Ref. - No.**


0K2M2-28-150	<b>34615</b>	803, 805, 806
0K2N1-34-150A	<b>30127</b>	480, 485, 491
0K2N1-34-170A	<b>30126</b>	480, 485, 491
0K33C-34-150A	<b>31192</b>	489
0K33C-34-160A	<b>31191</b>	489
0K552-34-160B	<b>32061</b>	482
51760-1G000	<b>29704</b>	490
54403-38A00 S1	<b>30863</b>	484, 485
54503-25A00	<b>24907</b>	487
54810-3E000 S1	<b>31093</b>	493
54820-FD000	<b>31107</b>	489
54830-1F000	<b>28121</b>	492
54830-1G000	<b>28735</b>	490
54830-1J000	<b>34559</b>	493
54830-2F000	<b>29340</b>	482
54830-2G000	<b>32578</b>	481, 484, 486
54830-2H100	<b>31764</b>	483
54830-3L000	<b>31105</b>	485
54830-4D000	<b>34657</b>	482
54830-FD000	<b>31108</b>	489
54840-1G000	<b>28734</b>	490
54840-1J000	<b>34560</b>	493
54840-2F000	<b>29341</b>	482
54840-4D000	<b>34658</b>	482
55530-1F000	<b>27477</b>	806
55530-1H000	<b>31765</b>	803
55530-2H000	<b>31765</b>	803
55530-3K001	<b>31095</b>	805
55530-4D000	<b>34617</b>	803
56540-2H000	<b>33448</b>	483
56820-1E900	<b>30089</b>	490
56820-2E900	<b>26926</b>	492
56820-2H000	<b>34659</b>	483
56820-2H090	<b>34660</b>	483
57724-1G000	<b>33449</b>	490
57724-1G100	<b>33450</b>	490
KB092-32-280	<b>17059</b>	488
KDX53-32-240	<b>33451</b>	480, 489
KDX53-32-240A	<b>33451</b>	480, 489
KDX53-32240 B	<b>33451</b>	480, 489
KKY01-32-280	<b>17059</b>	488
KKY01-34-310	<b>27232</b>	488



Ref. - No.

Car  
Division

Ref. - No.



Ref. - No.



passend für / to fit:

**LANCIA**

4402672	<b>12546</b>	504
4410145	<b>11282</b>	494, 497
5958244	<b>11282</b>	494, 497
5958246	<b>10790</b>	504
5960321	<b>12571</b>	504
7550860	<b>11282</b>	494, 497
7591215	<b>12476</b>	494, 496
7591216	<b>12475</b>	494, 496
7601057	<b>11977</b>	495
7601062	<b>11978</b>	495
7601261	<b>12546</b>	504
7601642	<b>12062</b>	495, 496
7601647	<b>12061</b>	495, 496
7633721	<b>11282</b>	494, 497
7635125	<b>11282</b>	494, 497
7669756	<b>10793</b>	497
7678717	<b>12476</b>	494, 496
7678718	<b>12475</b>	494, 496
7701491	<b>11283</b>	502
7736514	<b>23167</b>	809
7736515	<b>23169</b>	809
7750977	<b>10571</b>	502
7750978	<b>10572</b>	502
7752285	<b>11279</b>	502
7760424	<b>12063</b>	495, 496
7769900	<b>26754</b>	809
7769901	<b>26755</b>	809
7777239	<b>29505</b>	495, 496
7777240	<b>29506</b>	495, 496
9939556	<b>12556</b>	500
9940260	<b>43644</b>	500
9941625	<b>12040</b>	494, 496
9945562	<b>12041</b>	502
9946948	<b>11283</b>	502
9946949	<b>11279</b>	502
9947437	<b>12475</b>	494, 496
9947438	<b>12476</b>	494, 496
9947714	<b>12758</b>	495
9947719	<b>12758</b>	495
9947720	<b>46005</b>	498
9947919	<b>18215</b>	501

9947920	<b>18214</b>	501
9947926	<b>46005</b>	498
9948288	<b>10793</b>	497
9948296	<b>43643</b>	498
9949143	<b>10793</b>	497
9949218	<b>19963</b>	497
9950775	<b>46005</b>	498
46402681	<b>10571</b>	502
46402682	<b>10572</b>	502
46402684	<b>12569</b>	502
46402825	<b>33010</b>	807
46407372	<b>11977</b>	495
46407373	<b>11978</b>	495
46413122	<b>12768</b>	495, 498
46423822	<b>29505</b>	495, 496
46423823	<b>29506</b>	495, 496
46429834	<b>12570</b>	502
46429835	<b>12569</b>	502
46430002	<b>10571</b>	502
46430003	<b>10572</b>	502
46456049	<b>12559</b>	495, 496
46456050	<b>12558</b>	495, 496
46474556	<b>12559</b>	495, 496
46474557	<b>12558</b>	495, 496
46522142	<b>17993</b>	498
46525407	<b>17994</b>	498
46527567	<b>12758</b>	495
46545749	<b>43452</b>	807
46739490	<b>37575</b>	498
46764746	<b>17994</b>	498
46764747	<b>17993</b>	498
50700464	<b>19469</b>	497, 503
50700941	<b>19469</b>	497, 503
50701813	<b>43452</b>	807
50702712	<b>37575</b>	498
50703231	<b>37572</b>	498, 503
50703232	<b>37571</b>	498, 503
51701045	<b>12768</b>	495, 498
51795269	<b>19469</b>	497, 503
51797442	<b>38587</b>	497
51801136	<b>19469</b>	497, 503
51805269	<b>19469</b>	497, 503
51809106	<b>19963</b>	497



Ref. - No.



51809107	<b>19963</b>	497
51832937	<b>17994</b>	498
51832938	<b>17993</b>	498
51839218	<b>37572</b>	498, 503
51839219	<b>37571</b>	498, 503
51909775	<b>46006</b>	503
60570627	<b>12061</b>	495, 496
60671724	<b>43455</b>	501
60671725	<b>43456</b>	501
60671726	<b>39471</b>	808
60671727	<b>39472</b>	808
60682636	<b>33010</b>	807
60801621	<b>40544</b>	500
60806355	<b>12476</b>	494, 496
60806356	<b>12475</b>	494, 496
60806408	<b>12062</b>	495, 496
60809242	<b>12061</b>	495, 496
60813013	<b>12559</b>	495, 496
60813014	<b>12558</b>	495, 496
60813347	<b>12559</b>	495, 496
60813348	<b>12558</b>	495, 496
60813377	<b>12768</b>	495, 498
71737047	<b>12044</b>	505
71737048	<b>12045</b>	505
71738285	<b>12559</b>	495, 496
71738286	<b>12558</b>	495, 496
71747915	<b>29505</b>	495, 496
71747916	<b>29506</b>	495, 496
77362279	<b>39684</b>	499
77362280	<b>27427</b>	499
77362380	<b>43666</b>	498
77362502	<b>43666</b>	498
77365815	<b>46007</b>	503
82387676	<b>12556</b>	500
82392503	<b>12556</b>	500
82406867	<b>12560</b>	500
82406868	<b>12561</b>	500
82412746	<b>40544</b>	500
82421632	<b>12556</b>	500
82461082	<b>29506</b>	495, 496
82480038	<b>12560</b>	500
82480039	<b>12561</b>	500
91200382	<b>11282</b>	494, 497

Ref. - No.



93501487	<b>26645</b>	499
93501488	<b>26646</b>	499
1305782080	<b>12066</b>	505
1306003080	<b>11280</b>	505
1306003080	<b>38980</b>	505
1308664080	<b>12064</b>	505
1313056080	<b>12065</b>	505
1313083080	<b>12044</b>	505
1313084080	<b>12045</b>	505
1316735080	<b>12044</b>	505
1316736080	<b>12045</b>	505
1317425080	<b>12064</b>	505
1331209080	<b>19403</b>	499
1346384080	<b>26645</b>	499
1346385080	<b>26646</b>	499
1356060080	<b>37350</b>	499
1356061080	<b>37349</b>	499
1368628080	<b>37350</b>	499
1368629080	<b>37349</b>	499
1401239480	<b>37689</b>	499
1401239580	<b>37690</b>	499
1497407080	<b>37689</b>	499
1497408080	<b>37690</b>	499
9403817738	<b>37860</b>	499
9404059080	<b>11280</b>	505
9404066418	<b>18187</b>	505
9404066418	<b>38980</b>	505
9404066838	<b>36654</b>	499
9566950880	<b>11831</b>	505
9566950880	<b>38980</b>	505
7719062 S1	<b>24687</b>	809, 809
9941582 SK	<b>14101</b>	494, 496
9945564 SK	<b>14085</b>	502
9946947 SK	<b>14339</b>	502
1316735080 S	<b>22102</b>	505
1316735080 S1	<b>22100</b>	505
1316735080 S2	<b>22102</b>	505
1316736080 S	<b>22101</b>	505
1316736080 S1	<b>22101</b>	505
1317425080 S	<b>12080</b>	505
1317425080 S1	<b>12080</b>	505
60570627 S1	<b>12096</b>	495, 496
60570627 S2	<b>36829</b>	495, 496

Ref. - No.

Car  
Division 

Ref. - No.



60807583 S1	<b>12096</b>	495, 496
60807583 S2	<b>36829</b>	495, 496
60809242 S1	<b>12096</b>	495, 496
60809242 S2	<b>36829</b>	495, 496
71737047 S1	<b>22100</b>	505
71737047 S1	<b>22101</b>	505
71737048 S2	<b>22102</b>	505
7736514 S3	<b>19244</b>	809
7736515 S3	<b>19244</b>	809
9404066418 SK	<b>23841</b>	505
9566950880 S1	<b>38980</b>	505
K04766866AA	<b>39641</b>	808
passend für / to fit: <b>LAND ROVER</b>		
AH32-51819-AA	<b>40079</b>	514
ANR 3304	<b>28469</b>	512
FTC 3570	<b>14121</b>	506, 512
FTC 3571	<b>34745</b>	506, 512
LR 000068	<b>40426</b>	511
LR 000068	<b>40427</b>	511
LR 002609	<b>30724</b>	511
LR 002610	<b>30723</b>	511
LR 002624	<b>36962</b>	511
LR 002624	<b>36964</b>	511
LR 002624	<b>40427</b>	511
LR 002625	<b>36962</b>	511
LR 002625	<b>36963</b>	511
LR 002625	<b>40426</b>	511
LR 002626	<b>34885</b>	511
LR 002876	<b>34886</b>	811
LR 007205	<b>36962</b>	511
LR 007205	<b>36964</b>	511
LR 007205	<b>40427</b>	511
LR 007205	<b>46121</b>	511
LR007205 S2	<b>36962</b>	511
LR007205 S3	<b>36964</b>	511
LR 007205 SK	<b>46121</b>	511
LR 007206	<b>36962</b>	511
LR 007206	<b>36963</b>	511
LR 007206	<b>40426</b>	511
LR 007206	<b>46121</b>	511
LR007206 S1	<b>36963</b>	511

Ref. - No.



LR007206 S2	<b>36962</b>	511
LR007206 SK	<b>46121</b>	511
LR 010671	<b>39737</b>	507
LR 010672	<b>39738</b>	507, 509
LR 010675	<b>37800</b>	514
LR 014145	<b>34854</b>	507
LR 015344	<b>40079</b>	514
LR 018346	<b>46295</b>	512
LR 018347	<b>40079</b>	514
LR 023715	<b>45689</b>	514
LR 025986	<b>45689</b>	514
LR 030047	<b>28470</b>	513
LR 030048	<b>34853</b>	811
LR 032644	<b>44795</b>	810, 811, 812
LR 055291	<b>45689</b>	514
QFK 500010	<b>40581</b>	507, 509
QFK 500020	<b>40582</b>	507, 509
QFK 500030	<b>40491</b>	514
QFS000010	<b>14124</b>	512
QFS000060	<b>14125</b>	512
QFS1000060	<b>14124</b>	512
QJB 100220	<b>34546</b>	510
QJB 100230	<b>34545</b>	510
QJB500010	<b>39737</b>	507
QJB 500040	<b>37800</b>	514
QJB500050	<b>40052</b>	513
QJB500060	<b>40492</b>	513
QJB500080	<b>39738</b>	507, 509
RBJ 102440	<b>31259</b>	510
RBJ 102450	<b>31258</b>	510
RBJ 102920	<b>31259</b>	510
RBJ 102930	<b>31258</b>	510
RBJ 500680	<b>31259</b>	510
RBJ 500680 S1	<b>31312</b>	510
RBJ 500690	<b>31258</b>	510
RBJ 500690 S1	<b>31312</b>	510
RBK000010	<b>44490</b>	513
RBK000011	<b>44490</b>	513
RBK000012	<b>44490</b>	513
RBK000040	<b>44795</b>	810, 811, 812
RBK000041	<b>44795</b>	810, 811, 812
RBK000042	<b>44795</b>	810, 811, 812
RBK500012	<b>44795</b>	810, 811, 812


**Ref. - No.**


RBK500014	<b>44795</b>	810, 811, 812
RBK500030	<b>44687</b>	508, 509, 514
RBK500040	<b>40887</b>	508, 509
RBK 500130	<b>31312</b>	510
RBK500150	<b>44490</b>	513
RBK500161	<b>44687</b>	508, 509, 514
RBK500170	<b>44687</b>	508, 509, 514
RBK500210	<b>44490</b>	513
RBK500220	<b>44795</b>	810, 811, 812
RBK500230	<b>40887</b>	508, 509
RBK500280	<b>40887</b>	508, 509
RBM000010	<b>28470</b>	513
RBM 000011	<b>28470</b>	513
RBM 100170	<b>34359</b>	510
RBM 100171	<b>34359</b>	510
RBM 100172	<b>34359</b>	510
RBM 100223	<b>28468</b>	506
RBM 500110	<b>34854</b>	507
RBM 500140	<b>34878</b>	507
RBM 500150	<b>34877</b>	507
RBM 500180	<b>34854</b>	507
RBM 500190	<b>34854</b>	507
RBM 500200	<b>28470</b>	513
RBX000010	<b>46538</b>	510
RBX101160	<b>45041</b>	510
RBX101690	<b>40204</b>	506
RBX101700	<b>40034</b>	810
RBX101710	<b>40033</b>	810
RBX101790	<b>45041</b>	510
RBX500280	<b>40079</b>	514
RBX500531	<b>45689</b>	514
RGD000130	<b>34853</b>	811
RGD 000311	<b>34746</b>	810, 812
RGD 000312	<b>34746</b>	810, 812
RGD 100682	<b>28467</b>	810
RGD 500131	<b>34853</b>	811
RGD 500150	<b>34853</b>	811
RGX 100960	<b>34761</b>	810
RHF000010	<b>44778</b>	811
RHF000011	<b>44778</b>	811
RHF000260	<b>44778</b>	811
RHF500031	<b>45148</b>	810, 812
RHF500100	<b>45148</b>	810, 812

**Ref. - No.**


RTC 5869	<b>14122</b>	506
RTC 5870	<b>14123</b>	506
RVU500010	<b>44545</b>	514
RVU500011	<b>44545</b>	514
SGH000010	<b>40492</b>	513
STC 1870	<b>14125</b>	512
STC 1871	<b>14124</b>	512
TIQ000030	<b>40052</b>	513
TIQ000040	<b>40492</b>	513

passend für / to fit:

**LEXUS**

43330-09160	<b>28701</b>	521
43330-39435	<b>23589</b>	515, 516, 520
45046-09020	<b>23585</b>	515, 516, 520
45046-19175	<b>12913</b>	515
45046-29255	<b>23585</b>	515, 516, 520
45046-29305	<b>12913</b>	515
45046-69135	<b>27512</b>	518
45047-69085	<b>27511</b>	518
45460-39635	<b>30226</b>	517
45470-39225	<b>30225</b>	517
45503-09230	<b>29352</b>	517
45503-29355	<b>23583</b>	515, 516
45503-39055	<b>23583</b>	515, 516
45503-39135	<b>23583</b>	515, 516
45503-39155	<b>33446</b>	518
45503-39225	<b>29352</b>	517
45503-39235	<b>29361</b>	518
45503-39265	<b>29361</b>	518
45503-69015	<b>28091</b>	520
45503-69025	<b>34618</b>	520
48068-33010	<b>22965</b>	515
48068-33020	<b>22965</b>	515
48068-33030	<b>22969</b>	516
48069-33010	<b>22967</b>	515
48069-33020	<b>22967</b>	515
48069-33030	<b>22971</b>	516
48655-07010	<b>26465</b>	515
48810-33010	<b>23575</b>	516, 520
48810-60040	<b>27336</b>	518
48817-30010	<b>34662</b>	815, 815, 815
48820-06040	<b>28592</b>	521
48820-22041	<b>34664</b>	519

Ref. - No.

Car  
Division 

Ref. - No.



Ref. - No.



48820-24010	<b>31715</b>	522
48820-28050	<b>23636</b>	517, 521
48820-33010	<b>18107</b>	515
48820-33020	<b>23577</b>	516, 520
48820-42030	<b>28513</b>	519
48820-60050	<b>27335</b>	518
48830-06020	<b>23579</b>	813
48830-06030	<b>26520</b>	814, 816
48830-30070	<b>32759</b>	814, 816
48830-30080	<b>32759</b>	814, 816
48830-32020	<b>18105</b>	813
48830-32040	<b>28059</b>	815
48830-33010	<b>23579</b>	813
48830-48010	<b>26520</b>	814, 816
48830-60030	<b>27287</b>	814
90179-08062	<b>34662</b>	815, 815, 815
90948-02126	<b>34662</b>	815, 815, 815
90948-02127	<b>34662</b>	815, 815, 815
43330-09560 S1	<b>28701</b>	521
43340-09010 S1	<b>28700</b>	521
48802-60090 S1	<b>34662</b>	815, 815, 815
48810-0K010	<b>27336</b>	518
48810-0K020	<b>27336</b>	518
48820-0K030	<b>27335</b>	518
48820-0K040	<b>27335</b>	518

passend für / to fit:

**MAZDA**

1E00-32-125	<b>03308</b>	529
1E00-32-240	<b>10170</b>	529
1E00-32-280A	<b>08169</b>	529
1E00-34-153A	<b>14232</b>	529
1E00-34-156	<b>18876</b>	529
1E00-34-170	<b>07989</b>	529
1E00-34-300A	<b>14245</b>	529
1E00-34-300B	<b>14245</b>	529
1E00-34-300D	<b>14245</b>	529
1E00-34-300E	<b>14245</b>	529
1E00-34-300F	<b>14245</b>	529
1E00-34-350A	<b>14246</b>	529
1E00-34-350B	<b>14246</b>	529
1E00-34-350D	<b>14246</b>	529
1E00-34-350E	<b>14246</b>	529
1E00-34-350F	<b>14246</b>	529

1E01-32-280A	<b>08167</b>	529
1E01-34-153A	<b>14231</b>	529
1E01-34-170	<b>07989</b>	529
1E01-34-170A	<b>07989</b>	529
1E01-34-300A	<b>14243</b>	529
1E01-34-300B	<b>14243</b>	529
1E01-34-300C	<b>14243</b>	529
1E01-34-300D	<b>14243</b>	529
1E01-34-300E	<b>14243</b>	529
1E01-34-300F	<b>14243</b>	529
1E01-34-350A	<b>14244</b>	529
1E01-34-350B	<b>14244</b>	529
1E01-34-350D	<b>14244</b>	529
1E01-34-350E	<b>14244</b>	529
1E01-34-350F	<b>14244</b>	529
8AB1-32-280	<b>17059</b>	528, 530
8AB2-32-280	<b>12904</b>	528, 531, 532, 536, 538, 541
8AG4-32-280	<b>12905</b>	533, 535, 537, 539, 540, 542
B01A-34-550	<b>14167</b>	531, 532, 538
B01A-34-550A	<b>14167</b>	531, 532, 538
B092-32-280	<b>17059</b>	528, 530
B25D-32-240	<b>26999</b>	533, 540
B25D-32-250	<b>27000</b>	533, 540
B25D-34-470	<b>29846</b>	533, 540
B26R-28-170	<b>19236</b>	819, 822
B26R-34-170	<b>19237</b>	533, 540
B30H-28-170B	<b>22465</b>	819, 822
B32H-34-250E S1	<b>29357</b>	524, 526
B32H-34-250E S2	<b>27912</b>	524, 526
B32H-34-250E S3	<b>27913</b>	524, 526
B32H-34-250E S4	<b>32418</b>	524, 526
B37F-28-170	<b>33761</b>	817, 817, 817
B37F-28-170A	<b>33761</b>	817, 817, 817
B455-32-24X	<b>12906</b>	531, 532
B455-32-25X	<b>12907</b>	531, 532
B455-32-280	<b>12904</b>	528, 531, 532, 536, 538, 541
B455-34-550	<b>14147</b>	531
B456-32-25X	<b>12907</b>	531, 532
BBM2-34-170	<b>33762</b>	525
BBM2-34-170A	<b>33762</b>	525


**Ref. - No.**


BBM3-34-170	<b>33762</b>	525
BC1D-28-170	<b>19235</b>	819
BC1D-28-170A	<b>19235</b>	819
BP4K-28-170C	<b>27299</b>	817, 817, 817, 818
BP4K-28-170D	<b>27299</b>	817, 817, 817, 818
BP4K-28-170F	<b>27299</b>	817, 817, 817, 818
BP4K-28-500C	<b>24211</b>	817, 818
BP4K-28-C10B	<b>23047</b>	817, 818
BP4K-34-156A	<b>44308</b>	524, 525, 526
BP4K-34-156B	<b>44308</b>	524, 525, 526
BP4K-34-170B	<b>22408</b>	524, 526
<b>BP4K-34-170C</b>	<b>22408</b>	<b>524, 526</b>
BP4K-34-170D	<b>22408</b>	524, 526
BP4L-32-240	<b>33129</b>	524, 525, 526
BP4L-32-280	<b>34481</b>	524, 525, 526
BP4L-32-290	<b>34480</b>	524, 525, 526
BTDA-34-550	<b>14167</b>	531, 532, 538
C236-28-500A	<b>24211</b>	817, 818
D031-34-310A	<b>27232</b>	528
D031-34-320A	<b>27232</b>	528
D102-32-240	<b>33920</b>	536
D102-32-240A	<b>33920</b>	536
D102-32-250	<b>33919</b>	536
D102-32-250A	<b>33919</b>	536
D651-32-240	<b>32019</b>	523
DD32-34-156	<b>24225</b>	523
DD32-34-170	<b>21021</b>	523
DD32-34-300	<b>21682</b>	523
DD32-34-350	<b>21681</b>	523
DE90-32-240	<b>22767</b>	523
DE90-32-280	<b>19874</b>	523
DE90-32-290	<b>19873</b>	523
EA01-28-170	<b>23715</b>	820
EA01-28-170A	<b>23715</b>	820
EA01-28-170B	<b>23715</b>	820
EA01-28-170C	<b>23715</b>	820
EA01-28-170D	<b>23715</b>	820
EA03-34-170	<b>23714</b>	538
EA03-34-170A	<b>23714</b>	538
EC01-34-150	<b>33916</b>	542
EC01-34-150A	<b>33916</b>	542
F151-28-170	<b>33914</b>	822, 823
F151-32-240	<b>33923</b>	541

**Ref. - No.**


F151-34-150	<b>33918</b>	539, 541, 820
F151-34-170	<b>33917</b>	539, 541, 820
F189-34-150	<b>33918</b>	539, 541, 820
F189-34-170	<b>33917</b>	539, 541, 820
G030-99-356	<b>17631</b>	534
G26A-32-290	<b>24023</b>	527
GA2A-32-280A	<b>12905</b>	533, 535, 537, 539, 540, 542
GA2A-34-150	<b>15411</b>	532, 535, 542, 821
GA2A-34-150A	<b>15411</b>	532, 535, 542, 821
GA2A-34-170	<b>15412</b>	532, 535, 542, 821
GA2A-34-170A	<b>15412</b>	532, 535, 542, 821
GA2B-28-170A	<b>15413</b>	819
GA2B-28-170B	<b>15413</b>	819
GA2C-28-170B	<b>15413</b>	819
GA6B-34-300A	<b>12908</b>	535
GA6B-34-300E	<b>12908</b>	535
GA6B-34-350A	<b>12909</b>	535
GA6B-34-350E	<b>12909</b>	535
GE4T-28-170	<b>23055</b>	820
GE4T-32-240	<b>33002</b>	535
GE4T-32-240A	<b>33002</b>	535
GF22-34-300A	<b>17061</b>	534
GF22-34-350A	<b>17071</b>	534
GJ6A-28-170A	<b>21874</b>	818
GJ6A-28-170B	<b>21874</b>	818
GJ6A-34-150A	<b>21876</b>	527
GJ6A-34-170A	<b>21875</b>	527
GJ6A-34-300A	<b>23313</b>	527
GJ6A-34-300B	<b>23313</b>	527
GJ6A-34-300C	<b>23313</b>	527
GJ6A-34-300D	<b>23313</b>	527
GJ6A-34-300E	<b>23313</b>	527
GJ6A-34-J00	<b>23732</b>	527
GJ6A-34-J00B	<b>23732</b>	527
GJ6A-34-J00C	<b>23732</b>	527
GJ6A-34-J00D	<b>23732</b>	527
GJ6A-34-J50B	<b>23731</b>	527
GJ6A-34-J50C	<b>23731</b>	527
GJ6A-34-J50D	<b>23731</b>	527
GJ6E-32-240	<b>33130</b>	527
GJ6E-32-24X	<b>33130</b>	527
GJ6E-32-280	<b>24024</b>	527

Ref. - No.

Car  
Division 

Ref. - No.



Ref. - No.



GJ6E-32-280A	<b>24024</b>	527
GJ6E-32-290	<b>24023</b>	527
GJ6E-32-290A	<b>24023</b>	527
GJ83-34-300A	<b>17061</b>	534
GJ83-34-300B	<b>17061</b>	534
GJ83-34-350A	<b>17071</b>	534
GJ83-34-350B	<b>17071</b>	534
GR1A-34-J00	<b>23732</b>	527
GR1A-34-J50	<b>23731</b>	527
GS1D-28-170	<b>33763</b>	818
GS1D-32-240	<b>33498</b>	528
GS1D-34-150	<b>33765</b>	528
GS1D-34-170	<b>33764</b>	528
L206-34-150A	<b>34777</b>	536
L206-34-170A	<b>34776</b>	536
LC62-32-240	<b>33128</b>	537
LC62-32-240A	<b>33128</b>	537
LC62-32-240B	<b>33128</b>	537
LC62-34-170	<b>22463</b>	533, 537, 540
LC62-34-170A	<b>22463</b>	533, 537, 540
LC62-34-170B	<b>22463</b>	533, 537, 540
LC62-34-300C	<b>31742</b>	537
LC62-34-350C	<b>31741</b>	537
LC70-34-170	<b>23713</b>	537
LX62-34-170	<b>22463</b>	533, 537, 540
NA01-34-170	<b>23375</b>	538, 821
NC10-32-240	<b>33921</b>	539
NC10-32-240A	<b>33921</b>	539
NC10-32-250	<b>33922</b>	539
NC10-32-250A	<b>33922</b>	539
NC10-34-150	<b>23712</b>	539
NC10-34-170	<b>23711</b>	539

passend für / to fit:  
**MERCEDES-BENZ**

901 222 06 27	<b>12196</b>	661, 662
601 320 04 11	<b>02850</b>	576, 582
601 320 07 11	<b>07196</b>	576, 578, 580
611 320 03 11	<b>10245</b>	831
000 320 00 28	<b>01209</b>	631
601 320 03 28	<b>02566</b>	830
608 320 00 28	<b>01209</b>	631
608 320 01 28	<b>01209</b>	631
631 320 00 28	<b>01209</b>	631

631 320 02 28	<b>01209</b>	631
163 320 00 32 S1	<b>32626</b>	862
164 320 12 32	<b>29504</b>	857, 858, 863, 864, 865
164 320 13 32	<b>32531</b>	625, 630, 632
164 320 21 32	<b>32531</b>	625, 630, 632
251 320 12 32	<b>32531</b>	625, 630, 632
463 320 01 32 S1	<b>31521</b>	624
115 320 00 47	<b>07568</b>	546, 548, 648, 650
123 320 00 47	<b>02525</b>	825
124 320 01 47	<b>08941</b>	652
124 320 18 47	<b>17100</b>	554, 572
124 320 19 47	<b>14953</b>	558, 652
124 320 21 47	<b>17099</b>	554, 562
201 320 01 47	<b>02524</b>	827, 829, 873
201 320 08 47	<b>17101</b>	570, 572
309 320 00 73	<b>05657</b>	624
667 320 00 73	<b>06844</b>	883
601 320 00 83	<b>07196</b>	576, 578, 580
601 320 01 83	<b>07207</b>	576
115 320 15 89	<b>05165</b>	824, 866, 871
115 320 17 89	<b>05165</b>	824, 866, 871
123 320 09 89	<b>02317</b>	825, 866, 882, 883
124 320 02 89	<b>02891</b>	827, 829, 835, 845, 853, 873, 878, 880
124 320 04 89	<b>19841</b>	845, 853, 873
140 320 08 89	<b>21262</b>	867
140 320 11 89	<b>08828</b>	640
140 320 12 89	<b>08863</b>	640
140 320 17 89	<b>21256</b>	867
140 320 35 89	<b>21262</b>	867
168 320 05 89	<b>19332</b>	583
168 320 07 89	<b>19332</b>	583
168 320 10 89	<b>19332</b>	583
168 320 11 89	<b>19332</b>	583
169 320 05 89 S1	<b>33627</b>	832, 833
169 320 09 89	<b>29855</b>	585, 588
169 320 13 89	<b>29855</b>	585, 588
172 320 00 89	<b>43692</b>	881
203 320 04 89	<b>19333</b>	593, 595, 603, 607
203 320 07 89	<b>19864</b>	837, 843, 847
203 320 08 89	<b>19865</b>	837, 843, 847
203 320 18 89 S1	<b>19861</b>	595



Ref. - No.



203 320 21 89 S1	<b>19685</b>	593, 595, 603, 607
203 320 25 89	<b>19333</b>	593, 595, 603, 607
203 320 26 89 S1	<b>19685</b>	593, 595, 603, 607
203 320 28 89	<b>19333</b>	593, 595, 603, 607
203 320 29 89	<b>19685</b>	593, 595, 603, 607
203 320 29 89 S1	<b>19685</b>	593, 595, 603, 607
203 320 30 89 S1	<b>19861</b>	595
204 320 04 89	<b>29694</b>	838, 848, 851, 856, 860
204 320 05 89	<b>29695</b>	838, 848, 851, 856, 860
204 320 07 89	<b>38053</b>	597, 613, 627
204 320 07 89 S1	<b>38054</b>	597, 613, 627
204 320 17 89	<b>36301</b>	597, 613
204 320 18 89	<b>36302</b>	597, 613
204 320 22 89	<b>38055</b>	597, 613, 627
204 320 22 89 S1	<b>38056</b>	597, 613, 627
204 320 37 89	<b>33484</b>	597, 613
204 320 38 89	<b>33485</b>	597, 613
210 320 21 89	<b>11022</b>	615
210 320 22 89	<b>11023</b>	615
210 320 36 89	<b>11022</b>	615
210 320 36 89 S1	<b>22247</b>	615
210 320 36 89 S2	<b>38498</b>	615
210 320 37 89	<b>11023</b>	615
211 320 08 89	<b>21356</b>	850, 855, 875
211 320 08 89 S1	<b>39427</b>	850, 855, 875
211 320 09 89	<b>21357</b>	611, 619
211 320 09 89 S1	<b>26001</b>	611, 619
211 320 10 89	<b>21358</b>	611, 619
211 320 10 89 S1	<b>22262</b>	611, 619
211 320 10 89 S2	<b>26001</b>	611, 619
211 320 33 89	<b>21356</b>	850, 855, 875
211 320 33 89 S1	<b>23763</b>	850, 855, 875
211 320 33 89 S2	<b>39427</b>	850, 855, 875
211 320 38 89	<b>21358</b>	611, 619
211 320 39 89	<b>21357</b>	611, 619
212 320 11 89	<b>39601</b>	609, 623
212 320 12 89	<b>39600</b>	609, 623
212 320 25 89 S1	<b>43557</b>	609, 623
212 320 26 89 S1	<b>43556</b>	609, 623
220 320 15 89	<b>23235</b>	643
220 320 16 89	<b>23236</b>	643

Ref. - No.



220 320 36 89	<b>22075</b>	861, 869
221 320 01 89	<b>32075</b>	644
221 320 02 89	<b>32076</b>	644
221 320 19 89	<b>29696</b>	840, 870
221 320 22 89	<b>29697</b>	840, 870
230 320 05 89	<b>37035</b>	653
230 320 05 89 S1	<b>37037</b>	653
230 320 06 89	<b>37036</b>	653
230 320 06 89 S1	<b>37038</b>	653
246 320 00 89 S1	<b>40820</b>	586, 587, 601, 626
246 320 04 89 S1	<b>43553</b>	832, 833, 841
246 320 06 89 S1	<b>40820</b>	586, 587, 601, 626
414 320 01 89	<b>24267</b>	666
414 320 02 89	<b>24267</b>	666
414 320 03 89	<b>24267</b>	666
415 320 01 89	<b>21015</b>	608
639 320 00 89	<b>24577</b>	665
639 320 01 89	<b>24575</b>	665
639 320 02 89	<b>24577</b>	665
639 320 03 89	<b>24575</b>	665
639 320 04 89	<b>24577</b>	665
639 320 05 89	<b>24575</b>	665
901 320 00 89	<b>17117</b>	882
901 320 02 89	<b>17114</b>	661
901 320 02 89 S1	<b>17114</b>	661
901 320 02 89	<b>18279</b>	661
901 320 03 89	<b>17115</b>	661
901 320 03 89 S1	<b>17115</b>	661
901 320 05 89	<b>29698</b>	882
901 320 06 89	<b>31429</b>	882
905 320 04 89	<b>22417</b>	662
905 320 05 89	<b>22418</b>	662
905 320 05 89 S1	<b>22419</b>	662
906 320 13 89	<b>37325</b>	883, 883, 883
906 320 17 89	<b>28480</b>	663
906 320 18 89	<b>28481</b>	663
000 321 00 50	<b>02881</b>	576, 578, 580, 582
000 321 01 50	<b>02881</b>	576, 578, 580, 582
000 321 03 50	<b>02881</b>	576, 578, 580, 582
601 321 03 50	<b>07200</b>	576, 578, 580, 582, 830, 831, 882, 883
602 321 00 50	<b>07199</b>	576, 578, 580, 582
602 321 02 50	<b>07199</b>	576, 578, 580, 582



Ref. - No.

Car  
Division

Ref. - No.



Ref. - No.



602 321 03 50	<b>07199</b>	576, 578, 580, 582
602 321 04 50	<b>07199</b>	576, 578, 580, 582
171 323 00 17	<b>33755</b>	659
906 323 01 40	<b>40417</b>	663
211 323 00 68 S1	<b>27066</b>	611, 619, 643, 654
220 323 03 68 S1	<b>27066</b>	611, 619, 643, 654
638 323 02 68	<b>17207</b>	664
638 323 03 68	<b>17208</b>	664
638 323 04 68	<b>21801</b>	664
638 323 05 68	<b>21799</b>	664
123 323 05 85	<b>06226</b>	552
123 323 12 85	<b>01080</b>	552
124 323 18 85	<b>17680</b>	556, 564, 566, 572, 657
124 323 23 85	<b>08944</b>	652
124 323 26 85	<b>17679</b>	556, 560, 564, 566
124 323 27 85	<b>14952</b>	558, 566, 574, 657
124 323 30 85	<b>17680</b>	556, 564, 566, 572, 657
124 323 31 85	<b>17679</b>	556, 560, 564, 566
124 323 33 85	<b>17678</b>	556, 558, 560, 564, 566
124 323 37 85	<b>14944</b>	554, 562, 568, 572
124 323 38 85	<b>17680</b>	556, 564, 566, 572, 657
124 323 41 85	<b>14950</b>	554, 558, 562
124 323 42 85	<b>17679</b>	556, 560, 564, 566
124 323 44 85	<b>17680</b>	556, 564, 566, 572, 657
124 323 44 85 S2	<b>18047</b>	556, 564
124 323 44 85 S1	<b>18057</b>	566, 657
124 323 45 85	<b>17679</b>	556, 560, 564, 566
124 323 45 85 S2	<b>18048</b>	556, 560, 564
124 323 45 85 S1	<b>18058</b>	566
124 323 49 85	<b>14942</b>	554, 562, 566, 572, 591, 605, 617, 652
124 323 50 85	<b>14952</b>	558, 566, 574, 657
124 323 51 85	<b>17678</b>	556, 558, 560, 564, 566
124 323 54 85	<b>15525</b>	554, 562, 591, 605, 657
124 323 54 85 S1	<b>18045</b>	554, 562, 591, 605

124 323 56 85	<b>14950</b>	554, 558, 562
124 323 56 85 S1	<b>18046</b>	554, 562
126 323 01 85	<b>01085</b>	638
129 323 01 85	<b>17805</b>	591, 605, 617, 624, 652
140 323 09 85	<b>01987</b>	615, 640
140 323 10 85	<b>01982</b>	615, 640
140 323 14 85	<b>15522</b>	640
140 323 19 85	<b>15520</b>	615
168 323 03 85	<b>30852</b>	583, 585
201 323 49 85	<b>14948</b>	554, 570, 572
202 323 02 85	<b>17473</b>	591, 605
202 323 02 85 S1	<b>18102</b>	591, 605
203 323 05 85	<b>23902</b>	593, 603, 607
203 323 06 85	<b>17807</b>	593, 603, 607
203 323 20 85	<b>17807</b>	593, 603, 607
203 323 21 85	<b>23902</b>	593, 603, 607
210 323 14 85	<b>15381</b>	615
638 323 02 85	<b>18075</b>	664, 665, 883, 884
901 323 01 85	<b>18604</b>	661
901 323 01 85 S1	<b>36701</b>	661
901 323 02 85	<b>18299</b>	661
904 323 00 85	<b>18874</b>	661
904 323 00 85 S1	<b>36700</b>	661
901 323 00 88	<b>36504</b>	661
901 323 00 88 S1	<b>36700</b>	661
901 323 00 88 S2	<b>36701</b>	661
901 323 02 88	<b>36504</b>	661
901 323 02 88 S1	<b>36700</b>	661
901 323 02 88 S2	<b>36701</b>	661
638 326 00 16	<b>18165</b>	884
638 326 01 16	<b>18165</b>	884
639 326 02 16	<b>33687</b>	884
639 326 06 16	<b>33687</b>	884
124 326 00 81	<b>34567</b>	835, 845
164 326 06 81	<b>37948</b>	857, 858, 863, 864, 865
201 326 10 81	<b>01079</b>	825, 827, 829, 873
201 326 14 81	<b>01083</b>	829, 835, 845, 873
203 326 00 81	<b>36388</b>	837, 843, 847
203 326 01 81	<b>36389</b>	837, 843, 847
203 326 02 81	<b>36390</b>	837, 847
203 326 03 81	<b>36391</b>	837, 843


**Ref. - No.**


203 326 08 81	<b>36392</b>	837, 847
203 326 12 81	<b>36393</b>	837, 847
611 326 00 81	<b>10248</b>	831
901 326 00 81	<b>11864</b>	882
901 326 01 81	<b>39511</b>	882
904 326 08 81	<b>18875</b>	882, 883, 883, 883
904 326 09 81	<b>36130</b>	882, 883
904 326 10 81	<b>32493</b>	661
906 326 03 81	<b>38536</b>	883
906 326 07 81	<b>38536</b>	883
906 326 09 81	<b>18075</b>	664, 665, 883, 884
601 326 04 82	<b>02567</b>	830
602 326 02 82	<b>07197</b>	576, 578, 580
602 326 04 82	<b>07205</b>	576
602 326 08 82	<b>02848</b>	576, 582
156 330 01 00 SK	<b>43698</b>	586, 587
156 330 01 00 SK1	<b>43699</b>	586, 587, 601, 626
156 330 02 00 SK	<b>43698</b>	586, 587
156 330 02 00 SK1	<b>43699</b>	586, 587, 601, 626
156 330 05 00 SK	<b>43698</b>	586, 587
156 330 05 00 SK1	<b>43699</b>	586, 587, 601, 626
156 330 06 00 SK	<b>43698</b>	586, 587
156 330 06 00 SK1	<b>43699</b>	586, 587, 601, 626
212 330 39 00	<b>44228</b>	623
212 330 39 00 S1	<b>44258</b>	622, 623
212 330 40 00	<b>44229</b>	623
212 330 40 00 S1	<b>44259</b>	622, 623
246 330 47 00 SK5	<b>40966</b>	586, 587, 601
246 330 47 00 SK	<b>40971</b>	586, 587, 601
246 330 47 00 SK1	<b>43698</b>	586, 587
246 330 47 00 SK2	<b>43699</b>	586, 587, 601, 626
246 330 47 00 SK3	<b>44170</b>	586, 587
246 330 48 00 SK5	<b>40967</b>	586, 587, 601
246 330 48 00 SK	<b>40971</b>	586, 587, 601
246 330 48 00 SK1	<b>43698</b>	586, 587
246 330 48 00 SK2	<b>43699</b>	586, 587, 601, 626
246 330 48 00 SK3	<b>44170</b>	586, 587
107 330 01 03	<b>01717</b>	544, 545, 547, 633, 645, 647, 649
110 330 00 03	<b>01717</b>	544, 545, 547, 633, 645, 647, 649
115 330 07 03	<b>01717</b>	544, 545, 547, 633, 645, 647, 649

**Ref. - No.**


115 330 08 03	<b>01717</b>	544, 545, 547, 633, 645, 647, 649
123 330 04 03	<b>06595</b>	551
123 330 07 03	<b>06595</b>	551
123 330 15 03	<b>06595</b>	551
123 330 18 03	<b>06595</b>	551
124 330 08 03	<b>02386</b>	553, 555, 559, 561, 563, 565
124 330 09 03	<b>02385</b>	553, 555, 559, 561, 563, 565
124 330 14 03	<b>21292</b>	567
124 330 15 03	<b>21293</b>	567
126 330 03 03	<b>07258</b>	635, 637
126 330 04 03	<b>07259</b>	635, 637
126 330 05 03	<b>07258</b>	635, 637
126 330 06 03	<b>07259</b>	635, 637
129 330 02 03	<b>14137</b>	557, 651
129 330 03 03	<b>14137</b>	557, 651
140 330 00 03	<b>04786</b>	639
163 330 00 03	<b>22613</b>	629
163 330 00 03 S1	<b>26629</b>	629
163 330 00 03 S2	<b>39503</b>	629
163 330 01 03	<b>22613</b>	629
163 330 01 03 S1	<b>26629</b>	629
163 330 01 03 S2	<b>39503</b>	629
163 330 02 03	<b>22612</b>	629
163 330 02 03 S1	<b>26628</b>	629
163 330 02 03 S2	<b>39502</b>	629
163 330 04 03	<b>22612</b>	629
163 330 04 03 S1	<b>26628</b>	629
163 330 04 03 S2	<b>39502</b>	629
164 330 11 03	<b>36585</b>	625, 630
164 330 11 03 S1	<b>37864</b>	625, 630
164 330 12 03	<b>36586</b>	625, 630
164 330 12 03 S1	<b>37865</b>	625, 630
169 330 04 03 S1	<b>36149</b>	585
169 330 04 03 S2	<b>36150</b>	585
169 330 05 03	<b>26018</b>	585, 588
169 330 05 03 S1	<b>34845</b>	585, 588
169 330 06 03	<b>26019</b>	585, 588
169 330 06 03 S1	<b>34844</b>	585, 588
169 330 07 03 S1	<b>36151</b>	585
169 330 07 03 S2	<b>36152</b>	585

Ref. - No.

Car  
Division

Ref. - No.



Ref. - No.



169 330 08 03 S1	<b>33833</b>	585, 588
169 330 08 03 S2	<b>34844</b>	585, 588
169 330 09 03 S1	<b>34833</b>	585, 588
169 330 09 03 S2	<b>34845</b>	585, 588
201 330 07 03	<b>07778</b>	569, 571, 573
201 330 12 03	<b>07779</b>	569, 571, 573
201 330 15 03	<b>07778</b>	569, 571, 573
201 330 16 03	<b>07779</b>	569, 571, 573
203 330 19 03	<b>22615</b>	593, 603, 607, 659
203 330 19 03 S1	<b>30066</b>	593, 603, 607
203 330 19 03 S2	<b>40248</b>	659
203 330 20 03	<b>22614</b>	593, 603, 607, 659
203 330 20 03 S1	<b>30065</b>	593, 603, 607
203 330 20 03 S2	<b>40249</b>	659
203 330 23 03	<b>22615</b>	593, 603, 607, 659
203 330 23 03 S1	<b>40248</b>	659
203 330 24 03	<b>22614</b>	593, 603, 607, 659
203 330 24 03 S1	<b>40249</b>	659
203 330 39 03	<b>22615</b>	593, 603, 607, 659
203 330 39 03 S1	<b>30066</b>	593, 603, 607
203 330 39 03 S2	<b>40248</b>	659
203 330 40 03	<b>22614</b>	593, 603, 607, 659
203 330 40 03 S1	<b>30065</b>	593, 603, 607
203 330 40 03 S2	<b>40249</b>	659
203 330 98 03	<b>30065</b>	593, 603, 607
203 330 99 03	<b>30066</b>	593, 603, 607
204 330 09 03	<b>39955</b>	597, 613, 660
204 330 09 03 S1	<b>40140</b>	597, 613
204 330 09 03 S2	<b>40166</b>	597, 613
204 330 10 03	<b>39956</b>	597, 613, 660
204 330 10 03 S1	<b>40141</b>	597, 613
204 330 10 03 S2	<b>40167</b>	597, 613
211 330 01 03	<b>26759</b>	611, 619
211 330 02 03	<b>26758</b>	611, 619
211 330 23 03	<b>26759</b>	611, 619
211 330 24 03	<b>26758</b>	611, 619
211 330 25 03	<b>26759</b>	611, 619
211 330 26 03	<b>26758</b>	611, 619
211 330 27 03	<b>26759</b>	611, 619
211 330 28 03	<b>26758</b>	611, 619
212 330 21 03	<b>36505</b>	623
212 330 21 03 S1	<b>38970</b>	623
212 330 21 03 S2	<b>38971</b>	623

212 330 22 03	<b>38968</b>	609, 623
212 330 22 03 S1	<b>38970</b>	623
212 330 23 03	<b>38969</b>	609, 623
212 330 23 03 S1	<b>38971</b>	623
221 330 15 03	<b>38631</b>	600, 644
221 330 15 03 S1	<b>38632</b>	600, 644
221 330 16 03	<b>29513</b>	600, 644
221 330 16 03 S1	<b>38632</b>	600, 644
221 330 20 03 S1	<b>44214</b>	644
221 330 34 03 S1	<b>44214</b>	644
221 330 39 03	<b>38631</b>	600, 644
221 330 39 03 S1	<b>38632</b>	600, 644
221 330 99 03	<b>38632</b>	600, 644
230 330 02 03	<b>23087</b>	599, 641, 653
230 330 04 03	<b>23087</b>	599, 641, 653
251 330 07 03	<b>43696</b>	632
251 330 08 03	<b>43695</b>	632
602 330 00 03	<b>03388</b>	575, 577, 579, 581
602 330 01 03	<b>03388</b>	575, 577, 579, 581
602 330 03 03	<b>03388</b>	575, 577, 579, 581
602 330 04 03	<b>03388</b>	575, 577, 579, 581
602 330 07 03	<b>06250</b>	575, 577, 579, 581
602 330 09 03	<b>03386</b>	575
602 330 10 03	<b>03386</b>	575
602 330 53 03	<b>03386</b>	575
602 330 54 03	<b>03386</b>	575
631 330 03 03	<b>17572</b>	631
631 330 04 03	<b>17574</b>	631
631 330 05 03	<b>17573</b>	631
631 330 06 03	<b>17575</b>	631
631 330 07 03	<b>17573</b>	631
000 330 10 07	<b>28511</b>	611, 619, 654
000 330 10 07 S1	<b>29195</b>	611, 619
115 330 22 07	<b>03935</b>	546, 548, 648
115 330 23 07	<b>03936</b>	546, 548, 648
115 330 30 07	<b>03935</b>	546, 548, 648
115 330 31 07	<b>03936</b>	546, 548, 648
115 330 36 07	<b>03935</b>	546, 548, 648
115 330 37 07	<b>03936</b>	546, 548, 648
115 330 38 07	<b>03935</b>	546, 548, 648
115 330 39 07	<b>03936</b>	546, 548, 648
123 330 46 07	<b>05952</b>	552, 636


**Ref. - No.**


123 330 47 07	<b>05953</b>	552, 636
123 330 52 07	<b>05952</b>	552, 636
123 330 53 07	<b>05953</b>	552, 636
124 330 18 07	<b>14034</b>	572
124 330 19 07	<b>14035</b>	572
124 330 30 07	<b>05023</b>	554, 556, 558, 560, 562, 564, 566, 574, 652
124 330 31 07	<b>05040</b>	554, 556, 558, 560, 562, 564, 566, 574, 652
124 330 34 07	<b>15694</b>	554, 556, 558, 560, 562, 564, 566, 652
124 330 35 07	<b>15695</b>	554, 556, 558, 560, 562, 564, 566, 652
124 330 38 07	<b>05021</b>	570
124 330 39 07	<b>05022</b>	570
126 330 06 07	<b>02940</b>	638
126 330 07 07	<b>02941</b>	638
140 330 54 07	<b>14227</b>	640
140 330 55 07	<b>14226</b>	640
140 330 58 07	<b>14227</b>	640
140 330 59 07	<b>14226</b>	640
140 330 60 07	<b>05388</b>	640
140 330 63 07	<b>05388</b>	640
140 330 76 07	<b>14227</b>	640
140 330 77 07	<b>14226</b>	640
140 330 82 07	<b>05388</b>	640
163 330 04 07	<b>28019</b>	629
163 330 05 07	<b>28020</b>	629
164 330 17 07 S1	<b>40596</b>	625, 630, 632
164 330 18 07 S1	<b>40596</b>	625, 630, 632
164 330 25 07 S1	<b>40596</b>	625, 630, 632
164 330 26 07 S1	<b>40596</b>	625, 630, 632
164 330 29 07 S1	<b>40596</b>	625, 630, 632
164 330 30 07 S1	<b>40596</b>	625, 630, 632
164 330 34 07 S1	<b>40596</b>	625, 630, 632
164 330 35 07 S1	<b>40596</b>	625, 630, 632
168 330 08 07	<b>15563</b>	583
168 330 09 07	<b>15564</b>	583
168 330 11 07	<b>15563</b>	583
168 330 12 07	<b>15564</b>	583
168 330 17 07	<b>15563</b>	583

**Ref. - No.**


168 330 18 07	<b>15564</b>	583
168 330 23 07	<b>15563</b>	583
168 330 24 07	<b>15564</b>	583
168 330 99 07 S1	<b>33108</b>	583
169 330 05 07	<b>30198</b>	585, 588
169 330 05 07 S4	<b>40387</b>	585, 588
169 330 06 07	<b>30199</b>	585, 588
169 330 06 07 S4	<b>40388</b>	585, 588
169 330 07 07	<b>30198</b>	585, 588
169 330 07 07 S4	<b>40387</b>	585, 588
169 330 08 07	<b>30199</b>	585, 588
169 330 08 07 S4	<b>40388</b>	585, 588
169 330 09 07 S3	<b>18073</b>	583, 585, 588
169 330 09 07 S2	<b>18074</b>	583, 585, 588
169 330 09 07	<b>30198</b>	585, 588
169 330 09 07 S1	<b>30198</b>	585, 588
169 330 09 07 S4	<b>40387</b>	585, 588
169 330 10 07 S3	<b>18073</b>	583, 585, 588
169 330 10 07 S2	<b>18074</b>	583, 585, 588
169 330 10 07	<b>30199</b>	585, 588
169 330 10 07 S1	<b>30199</b>	585, 588
169 330 10 07 S4	<b>40388</b>	585, 588
170 330 01 07	<b>05269</b>	591, 657
170 330 01 07 S1	<b>33134</b>	591, 657
170 330 02 07	<b>05271</b>	591, 657
170 330 02 07 S1	<b>33134</b>	591, 657
201 330 38 07	<b>05021</b>	570
201 330 39 07	<b>05022</b>	570
201 330 40 07	<b>14036</b>	556, 564
201 330 41 07	<b>14037</b>	556, 564
202 330 20 07	<b>10796</b>	591, 605, 615, 657
202 330 20 07 S1	<b>40280</b>	591, 605, 615, 657
202 330 26 07	<b>05269</b>	591, 657
202 330 27 07	<b>05271</b>	591, 657
202 330 30 07	<b>10797</b>	591, 605, 615, 657
202 330 30 07 S1	<b>40279</b>	591, 605, 615, 657
202 330 31 07	<b>10796</b>	591, 605, 615, 657
202 330 31 07 S1	<b>40280</b>	591, 605, 615, 657
202 330 36 07	<b>10797</b>	591, 605, 615, 657
202 330 36 07 S1	<b>40279</b>	591, 605, 615, 657
202 330 41 07	<b>05269</b>	591, 657
202 330 42 07	<b>05271</b>	591, 657
202 330 48 07	<b>10797</b>	591, 605, 615, 657

Ref. - No.

Car  
Division 

Ref. - No.



202 330 48 07 S1	<b>40279</b>	591, 605, 615, 657
202 330 49 07	<b>10796</b>	591, 605, 615, 657
202 330 49 07 S1	<b>40280</b>	591, 605, 615, 657
208 330 04 07	<b>10797</b>	591, 605, 615, 657
208 330 04 07 S1	<b>40279</b>	591, 605, 615, 657
208 330 05 07	<b>10796</b>	591, 605, 615, 657
208 330 05 07 S1	<b>40280</b>	591, 605, 615, 657
208 330 13 07	<b>10797</b>	591, 605, 615, 657
208 330 13 07 S1	<b>40279</b>	591, 605, 615, 657
208 330 14 07	<b>10796</b>	591, 605, 615, 657
208 330 14 07 S1	<b>40280</b>	591, 605, 615, 657
210 330 22 07	<b>10797</b>	591, 605, 615, 657
210 330 22 07 S1	<b>40279</b>	591, 605, 615, 657
210 330 23 07	<b>10796</b>	591, 605, 615, 657
210 330 23 07 S1	<b>40280</b>	591, 605, 615, 657
210 330 25 07	<b>10797</b>	591, 605, 615, 657
210 330 25 07 S1	<b>40279</b>	591, 605, 615, 657
210 330 26 07	<b>10796</b>	591, 605, 615, 657
210 330 26 07 S1	<b>40280</b>	591, 605, 615, 657
210 330 34 07	<b>14522</b>	615
210 330 34 07 S2	<b>40341</b>	615
210 330 35 07	<b>14523</b>	615
210 330 35 07 S2	<b>40342</b>	615
210 330 45 07	<b>14523</b>	615
210 330 45 07 S2	<b>40342</b>	615
210 330 50 07	<b>10797</b>	591, 605, 615, 657
210 330 50 07 S1	<b>40279</b>	591, 605, 615, 657
210 330 51 07	<b>10796</b>	591, 605, 615, 657
210 330 51 07 S1	<b>40280</b>	591, 605, 615, 657
210 330 61 07	<b>14522</b>	615
210 330 61 07 S2	<b>40341</b>	615
210 330 62 07	<b>14523</b>	615
210 330 62 07 S2	<b>40342</b>	615
210 330 76 07	<b>14522</b>	615
210 330 76 07 S1	<b>38498</b>	615
210 330 76 07 S2	<b>40341</b>	615
210 330 77 07	<b>14523</b>	615
210 330 77 07 S1	<b>38498</b>	615
210 330 77 07 S2	<b>40342</b>	615
210 330 87 07	<b>10797</b>	591, 605, 615, 657
210 330 87 07 S1	<b>33134</b>	591, 657
210 330 87 07 S2	<b>38498</b>	615
210 330 87 07 S3	<b>40279</b>	591, 605, 615, 657

Ref. - No.



210 330 88 07	<b>10796</b>	591, 605, 615, 657
210 330 88 07 S1	<b>33134</b>	591, 657
210 330 88 07 S2	<b>38498</b>	615
210 330 88 07 S3	<b>40280</b>	591, 605, 615, 657
210 330 90 07	<b>14522</b>	615
210 330 90 07 S2	<b>40341</b>	615
210 330 91 07	<b>14523</b>	615
210 330 91 07 S2	<b>40342</b>	615
210 330 98 07 S1	<b>33134</b>	591, 657
210 330 99 07	<b>38498</b>	615
211 330 00 07 S1	<b>29195</b>	611, 619
211 330 43 07	<b>21445</b>	611, 619
211 330 43 07 S1	<b>26000</b>	611, 619
211 330 43 07 S2	<b>26001</b>	611, 619
211 330 44 07	<b>21446</b>	611, 619
211 330 44 07 S2	<b>26000</b>	611, 619
211 330 44 07 S3	<b>26001</b>	611, 619
211 330 44 07 S1	<b>33348</b>	611, 619
211 330 67 07	<b>21445</b>	611, 619
211 330 67 07 S2	<b>26000</b>	611, 619
211 330 67 07 S3	<b>26001</b>	611, 619
211 330 67 07 S1	<b>33210</b>	611, 619
211 330 68 07	<b>21446</b>	611, 619
211 330 68 07 S2	<b>26000</b>	611, 619
211 330 68 07 S3	<b>26001</b>	611, 619
211 330 68 07 S1	<b>33348</b>	611, 619
211 330 81 07	<b>24545</b>	611, 619
211 330 81 07 S1	<b>26000</b>	611, 619
211 330 81 07 S2	<b>26001</b>	611, 619
211 330 81 07 S4	<b>40160</b>	619, 621
211 330 81 07 S3	<b>40293</b>	611, 619
211 330 82 07	<b>24546</b>	611, 619
211 330 82 07 S1	<b>26000</b>	611, 619
211 330 82 07 S2	<b>26001</b>	611, 619
211 330 82 07 S4	<b>40160</b>	619, 621
211 330 82 07 S3	<b>40292</b>	611, 619
211 330 89 07	<b>21445</b>	611, 619
211 330 89 07 S2	<b>29195</b>	611, 619
211 330 89 07 S1	<b>33210</b>	611, 619
211 330 90 07	<b>21446</b>	611, 619
211 330 90 07 S2	<b>29195</b>	611, 619
211 330 90 07 S1	<b>33348</b>	611, 619
211 330 91 07	<b>24545</b>	611, 619



Ref. - No.



211 330 91 07 S4	<b>40160</b>	619, 621
211 330 91 07 S1	<b>40293</b>	611, 619
211 330 92 07	<b>24546</b>	611, 619
211 330 92 07 S4	<b>40160</b>	619, 621
211 330 92 07 S1	<b>40292</b>	611, 619
211 330 99 07	<b>28511</b>	611, 619, 654
211 330 99 07 S1	<b>29195</b>	611, 619
219 330 01 07	<b>21445</b>	611, 619
219 330 01 07 S1	<b>33210</b>	611, 619
219 330 02 07	<b>21446</b>	611, 619
219 330 02 07 S1	<b>33348</b>	611, 619
220 330 14 07	<b>39840</b>	599, 643
220 330 15 07	<b>39841</b>	599, 643
220 330 43 07	<b>30255</b>	643
220 330 43 07 S1	<b>40365</b>	643
220 330 44 07	<b>30256</b>	643
220 330 44 07 S1	<b>40366</b>	643
220 330 69 07 S1	<b>40157</b>	599, 643
220 330 70 07 S1	<b>40157</b>	599, 643
220 330 81 07	<b>30255</b>	643
220 330 81 07 S1	<b>40365</b>	643
220 330 82 07	<b>30256</b>	643
220 330 82 07 S1	<b>40366</b>	643
220 330 83 07	<b>39840</b>	599, 643
220 330 84 07	<b>39841</b>	599, 643
220 330 86 07 S1	<b>28488</b>	599, 643, 654
220 330 86 07	<b>36243</b>	599, 643, 654
220 330 86 07 S2	<b>36260</b>	599, 643, 654
220 330 89 07	<b>30255</b>	643
220 330 89 07 S1	<b>40365</b>	643
220 330 90 07	<b>30256</b>	643
220 330 90 07 S1	<b>40366</b>	643
220 330 91 07 S1	<b>28488</b>	599, 643, 654
220 330 91 07	<b>36243</b>	599, 643, 654
220 330 91 07 S2	<b>36260</b>	599, 643, 654
220 330 93 07	<b>39840</b>	599, 643
220 330 93 07 S1	<b>40157</b>	599, 643
220 330 94 07	<b>39841</b>	599, 643
220 330 94 07 S1	<b>40157</b>	599, 643
221 330 03 07	<b>32231</b>	600, 644
221 330 04 07	<b>32232</b>	600, 644
221 330 43 07 S1	<b>33210</b>	611, 619
221 330 67 07	<b>38057</b>	644

Ref. - No.



221 330 68 07	<b>38058</b>	644
221 330 81 07	<b>38057</b>	644
221 330 82 07	<b>38058</b>	644
221 330 89 07	<b>32231</b>	600, 644
221 330 90 07	<b>32232</b>	600, 644
246 330 17 07 SK3	<b>40966</b>	586, 587, 601
246 330 17 07 SK2	<b>40971</b>	586, 587, 601
246 330 17 07 SK	<b>43698</b>	586, 587
246 330 17 07 SK1	<b>43699</b>	586, 587, 601, 626
246 330 17 07 SK4	<b>44170</b>	586, 587
246 330 18 07 SK3	<b>40967</b>	586, 587, 601
246 330 18 07 SK2	<b>40971</b>	586, 587, 601
246 330 18 07 SK	<b>43698</b>	586, 587
246 330 18 07 SK1	<b>43699</b>	586, 587, 601, 626
246 330 18 07 SK4	<b>44170</b>	586, 587
251 330 07 07	<b>28368</b>	625, 630, 632
251 330 08 07	<b>28369</b>	625, 630, 632
901 330 16 07	<b>36252</b>	661
901 330 17 07	<b>36253</b>	661
901 330 18 07	<b>36252</b>	661
901 330 19 07	<b>36253</b>	661
901 330 24 07	<b>36252</b>	661
901 330 25 07	<b>36253</b>	661
906 330 40 07 S1	<b>30151</b>	663
906 330 40 07	<b>37612</b>	663
906 330 41 07 S1	<b>30151</b>	663
906 330 41 07	<b>37611</b>	663
211 330 99 10 S1	<b>29195</b>	611, 619
638 330 00 10	<b>22917</b>	664
638 330 01 10	<b>22919</b>	664
638 330 05 10	<b>22917</b>	664
638 330 06 10	<b>22919</b>	664
639 330 04 10	<b>24532</b>	665
639 330 05 10	<b>24533</b>	665
203 330 01 11	<b>21439</b>	593, 603, 607, 627, 659
203 330 01 11	<b>28493</b>	597, 613, 627, 660
203 330 01 11	<b>38484</b>	593, 603, 607, 659
203 330 01 11 S3	<b>40349</b>	597, 613, 660
203 330 02 11	<b>21440</b>	593, 603, 607, 627, 659
203 330 02 11	<b>28494</b>	597, 613, 627, 660
203 330 02 11	<b>38485</b>	593, 603, 607, 659

Ref. - No.

Car  
Division 

Ref. - No.



Ref. - No.



203 330 02 11 S3	<b>40350</b>	597, 613, 660
203 330 19 11	<b>21441</b>	593, 603, 607, 659
203 330 19 11 S1	<b>33208</b>	593, 603, 607, 659
203 330 20 11	<b>21442</b>	593, 603, 607, 659
203 330 20 11 S1	<b>33209</b>	593, 603, 607, 659
203 330 33 11	<b>21441</b>	593, 603, 607, 659
203 330 33 11 S1	<b>33208</b>	593, 603, 607, 659
203 330 34 11	<b>21442</b>	593, 603, 607, 659
203 330 34 11 S1	<b>33209</b>	593, 603, 607, 659
203 330 35 11	<b>21439</b>	593, 603, 607, 627, 659
203 330 35 11	<b>28493</b>	597, 613, 627, 660
203 330 35 11	<b>38484</b>	593, 603, 607, 659
203 330 35 11 S3	<b>40349</b>	597, 613, 660
203 330 36 11	<b>21440</b>	593, 603, 607, 627, 659
203 330 36 11	<b>28494</b>	597, 613, 627, 660
203 330 36 11	<b>38485</b>	593, 603, 607, 659
203 330 36 11 S3	<b>40350</b>	597, 613, 660
203 330 39 11 S1	<b>21439</b>	593, 603, 607, 627, 659
203 330 39 11 S1	<b>23700</b>	593, 603, 607, 659
203 330 39 11 S2	<b>23701</b>	593, 603, 607
203 330 39 11 S3	<b>23702</b>	593, 603, 607
203 330 39 11	<b>28493</b>	597, 613, 627, 660
203 330 39 11 S4	<b>38484</b>	593, 603, 607, 659
203 330 39 11 S3	<b>40349</b>	597, 613, 660
203 330 40 11 S1	<b>21440</b>	593, 603, 607, 627, 659
203 330 40 11	<b>28494</b>	597, 613, 627, 660
203 330 40 11 S2	<b>38485</b>	593, 603, 607, 659
203 330 40 11 S3	<b>40350</b>	597, 613, 660
204 330 19 11	<b>21441</b>	593, 603, 607, 659
204 330 19 11 S1	<b>33208</b>	593, 603, 607, 659
204 330 20 11	<b>21442</b>	593, 603, 607, 659
204 330 20 11 S1	<b>33209</b>	593, 603, 607, 659
204 330 29 11 S1	<b>45290</b>	597, 613
204 330 29 11 S2	<b>45292</b>	597, 613
204 330 30 11 S	<b>45291</b>	597, 613
204 330 30 11 S2	<b>45293</b>	597, 613
204 330 31 11	<b>31731</b>	597, 613, 660
204 330 31 11 S2	<b>40380</b>	597, 613, 660
204 330 32 11	<b>31732</b>	597, 613, 660

204 330 32 11 S2	<b>40381</b>	597, 613, 660
204 330 43 11 S1	<b>28493</b>	597, 613, 627, 660
204 330 43 11 S3	<b>40349</b>	597, 613, 660
204 330 44 11 S1	<b>28494</b>	597, 613, 627, 660
204 330 44 11 S3	<b>40350</b>	597, 613, 660
204 330 67 11 S1	<b>29452</b>	597, 613, 623, 660
204 330 67 11	<b>31731</b>	597, 613, 660
204 330 67 11 S2	<b>40380</b>	597, 613, 660
204 330 68 11 S1	<b>29452</b>	597, 613, 623, 660
204 330 68 11	<b>31732</b>	597, 613, 660
204 330 68 11 S2	<b>40381</b>	597, 613, 660
211 330 11 11	<b>21443</b>	611, 619, 654
211 330 11 11 S3	<b>40309</b>	619
211 330 12 11	<b>21444</b>	611, 619, 654
211 330 12 11 S3	<b>40310</b>	619
211 330 15 11	<b>21443</b>	611, 619, 654
211 330 15 11 S1	<b>26000</b>	611, 619
211 330 15 11 S2	<b>26001</b>	611, 619
211 330 15 11 S3	<b>40309</b>	619
211 330 16 11	<b>21444</b>	611, 619, 654
211 330 16 11 S1	<b>26000</b>	611, 619
211 330 16 11 S2	<b>26001</b>	611, 619
211 330 16 11 S3	<b>40310</b>	619
211 330 29 11	<b>21443</b>	611, 619, 654
211 330 29 11 S1	<b>26000</b>	611, 619
211 330 29 11 S2	<b>26001</b>	611, 619
211 330 29 11 S3	<b>40309</b>	619
211 330 30 11	<b>21444</b>	611, 619, 654
211 330 30 11 S1	<b>26000</b>	611, 619
211 330 30 11 S2	<b>26001</b>	611, 619
211 330 30 11 S3	<b>40310</b>	619
211 330 43 11 S1	<b>27882</b>	611, 619, 654
211 330 43 11 S2	<b>33352</b>	611, 619, 654
211 330 44 11 S1	<b>27883</b>	611, 619, 654
211 330 44 11 S2	<b>33351</b>	611, 619, 654
212 330 29 11	<b>44228</b>	623
212 330 29 11 S1	<b>44258</b>	622, 623
212 330 30 11	<b>44229</b>	623
212 330 30 11 S1	<b>44259</b>	622, 623
220 330 43 11	<b>23216</b>	599, 643
220 330 43 11 S1	<b>33350</b>	599, 643
220 330 44 11	<b>23215</b>	599, 643
220 330 44 11 S1	<b>33349</b>	599, 643


**Ref. - No.**


220 330 57 11	<b>23216</b>	599, 643
220 330 57 11 S1	<b>33350</b>	599, 643
220 330 58 11	<b>23215</b>	599, 643
220 330 58 11 S1	<b>33349</b>	599, 643
221 330 23 11	<b>30194</b>	600, 644
221 330 24 11	<b>30195</b>	600, 644
221 330 63 11 S1	<b>30194</b>	600, 644
221 330 64 11 S1	<b>30195</b>	600, 644
230 330 17 11	<b>21443</b>	611, 619, 654
230 330 17 11 S3	<b>40309</b>	619
230 330 18 11	<b>21444</b>	611, 619, 654
230 330 18 11 S3	<b>40310</b>	619
000 330 00 18	<b>21560</b>	593, 599, 603, 607, 611, 619, 643, 654, 659
000 330 00 18 S1	<b>26000</b>	611, 619
110 330 02 18 SK	<b>01129</b>	543, 549, 550, 634, 646
110 330 02 18	<b>01130</b>	543, 549, 550, 634, 646
110 330 03 18 SK	<b>01129</b>	543, 549, 550, 634, 646
110 330 03 18	<b>01131</b>	543, 549, 550, 634, 646
201 330 00 18	<b>08073</b>	554, 556, 558, 560, 562, 564, 566, 568, 570, 572, 574, 652
202 330 00 18	<b>07752</b>	591, 605, 657
202 330 01 18	<b>07752</b>	591, 605, 657
202 330 01 18 S1	<b>33134</b>	591, 657
210 330 00 18	<b>07758</b>	615
210 330 00 18 S1	<b>38498</b>	615
601 330 00 19	<b>04581</b>	576, 578
601 330 03 19	<b>10062</b>	576, 578
601 330 04 19	<b>10063</b>	576, 578
611 330 00 19	<b>03652</b>	580, 582
611 330 03 19	<b>10204</b>	580, 582
611 330 04 19	<b>10205</b>	580, 582
210 330 04 27	<b>01433</b>	591, 605, 615, 617, 621, 643, 657
220 330 04 27	<b>23417</b>	599, 611, 619, 643, 654

**Ref. - No.**


638 330 00 27	<b>19562</b>	664, 664, 664
000 330 06 35 S1	<b>40290</b>	624
000 330 50 35	<b>08204</b>	575, 577, 579, 581
000 330 85 35	<b>12975</b>	624
000 330 85 35 S1	<b>40290</b>	624
001 330 38 35	<b>17561</b>	567
001 330 39 35	<b>17562</b>	567
001 330 40 35	<b>17563</b>	567
001 330 43 35	<b>17558</b>	567
001 330 53 35	<b>14140</b>	557, 651
001 330 54 35	<b>14141</b>	557, 651
001 330 62 35	<b>04919</b>	639
001 330 63 35	<b>04874</b>	639
001 330 70 35	<b>14140</b>	557, 651
001 330 74 35	<b>09115</b>	589, 604, 655
001 330 77 35	<b>09115</b>	589, 604, 655
123 330 13 35	<b>07381</b>	552
126 330 11 35	<b>08851</b>	638
126 330 13 35	<b>08852</b>	638
138 330 13 35 S1	<b>33110</b>	583
163 330 00 35	<b>21637</b>	629
163 330 01 35	<b>21637</b>	629
164 330 09 35	<b>28365</b>	625, 630, 632
168 330 11 35	<b>12565</b>	583
168 330 12 35	<b>12566</b>	583
168 330 13 35	<b>23221</b>	583
168 330 13 35 S1	<b>33109</b>	583
168 330 15 35	<b>12565</b>	583
168 330 15 35 S1	<b>33109</b>	583
168 330 16 35	<b>12566</b>	583
168 330 16 35 S1	<b>33110</b>	583
168 330 98 35	<b>33109</b>	583
168 330 99 35 S1	<b>33110</b>	583
210 330 00 35	<b>01433</b>	591, 605, 615, 617, 621, 643, 657
211 330 02 35	<b>23417</b>	599, 611, 619, 643, 654
211 330 03 35	<b>01433</b>	591, 605, 615, 617, 621, 643, 657
211 330 03 35 S1	<b>33134</b>	591, 657
211 330 03 35 S2	<b>38498</b>	615
211 330 04 35	<b>23417</b>	599, 611, 619, 643, 654



Ref. - No.

Car  
Division

Ref. - No.



Ref. - No.



212 330 00 35	<b>36884</b>	609, 623
212 330 00 35 S1	<b>36885</b>	609, 623
212 330 01 35	<b>36884</b>	609, 623
212 330 01 35 S1	<b>36885</b>	609, 623
220 330 06 35	<b>01433</b>	591, 605, 615, 617, 621, 643, 657
460 330 04 35	<b>17564</b>	624, 631
460 330 12 35	<b>17564</b>	624, 631
601 330 04 35	<b>03387</b>	575, 577, 579, 581
601 330 05 35	<b>06250</b>	575, 577, 579, 581
601 330 06 35	<b>03387</b>	575, 577, 579, 581
601 330 52 35	<b>06250</b>	575, 577, 579, 581
601 330 53 35	<b>03387</b>	575, 577, 579, 581
602 330 54 35	<b>08322</b>	575
602 330 55 35	<b>08323</b>	575
602 330 57 35	<b>08322</b>	575
602 330 58 35	<b>08323</b>	575
602 330 59 35	<b>08322</b>	575
602 330 60 35	<b>08323</b>	575
631 330 04 35	<b>17565</b>	631
211 330 01 38	<b>21445</b>	611, 619
211 330 01 38 S2	<b>21445</b>	611, 619
211 330 01 38	<b>21446</b>	611, 619
211 330 01 38 S2	<b>21446</b>	611, 619
211 330 01 38 SK	<b>29195</b>	611, 619
211 330 01 38 S1	<b>33210</b>	611, 619
211 330 01 38 S1	<b>33348</b>	611, 619
221 330 02 41	<b>30195</b>	600, 644
115 330 16 75	<b>01692</b>	546, 548, 648, 650
115 330 17 75	<b>01693</b>	546, 548, 648, 650
123 330 13 75	<b>04103</b>	552
123 330 14 75	<b>04184</b>	552, 638
124 330 02 75	<b>08561</b>	554, 558, 560, 562, 566, 572, 574, 652
124 330 05 75	<b>08561</b>	554, 558, 560, 562, 566, 572, 574, 652
124 330 06 75	<b>09674</b>	554, 558, 560, 562, 566, 574, 652
124 330 07 75	<b>14233</b>	572
124 330 07 75 S1	<b>14233</b>	572
124 330 09 75	<b>09747</b>	556, 564
126 330 00 75	<b>08687</b>	638
163 330 00 75	<b>40189</b>	629

163 330 01 75	<b>24212</b>	629, 862
170 330 00 75	<b>10404</b>	591, 605, 657
201 330 00 75	<b>06350</b>	570
201 330 01 75	<b>09189</b>	556, 564
201 330 02 75	<b>09168</b>	570
202 330 00 75	<b>10379</b>	591
208 330 00 75	<b>22785</b>	605
208 330 00 75 S1	<b>22785</b>	605
208 330 01 75	<b>10404</b>	591, 605, 657
210 330 01 75	<b>11155</b>	615
210 330 04 75	<b>11155</b>	615
601 332 53 06 S	<b>04581</b>	576, 578
601 332 50 50	<b>04576</b>	576, 578
246 333 01 00	<b>40966</b>	586, 587, 601
246 333 02 00	<b>40967</b>	586, 587, 601
163 333 00 01	<b>23939</b>	629
163 333 01 01	<b>23940</b>	629
115 333 30 14	<b>01698</b>	546, 548
115 333 35 14	<b>01698</b>	546, 548
116 333 40 14	<b>08403</b>	552, 636, 638
116 333 40 14 S1	<b>08720</b>	636
116 333 40 14 SP	<b>08720</b>	636
116 333 63 14	<b>04981</b>	552, 636
124 333 42 14	<b>08562</b>	652
124 333 43 14	<b>08563</b>	652
126 333 30 14	<b>08002</b>	638
126 333 33 14	<b>08001</b>	638
126 333 38 14	<b>08842</b>	638
126 333 54 14	<b>08002</b>	638
164 333 03 14	<b>26385</b>	625, 630, 632
164 333 04 14	<b>37950</b>	625, 630, 632
164 333 12 14	<b>40596</b>	625, 630, 632
168 333 06 14	<b>18073</b>	583, 585, 588
168 333 07 14	<b>18074</b>	583, 585, 588
169 333 00 14	<b>18074</b>	583, 585, 588
169 333 01 14	<b>18073</b>	583, 585, 588
202 333 62 14	<b>11192</b>	591, 605, 615, 657
202 333 64 14	<b>10356</b>	591, 657
202 333 67 14	<b>08905</b>	591, 657
202 333 77 14	<b>11192</b>	591, 605, 615, 657
202 333 84 14 S1	<b>10404</b>	591, 605, 657
202 333 87 14	<b>09404</b>	591, 657


**Ref. - No.**


203 333 02 14	<b>21219</b>	593, 597, 603, 607, 613, 623, 627, 659
203 333 03 14	<b>21408</b>	593, 603, 607, 659
203 333 05 14	<b>29540</b>	593, 603, 607, 659
203 333 09 14	<b>21408</b>	593, 603, 607, 659
203 333 10 14	<b>21219</b>	593, 597, 603, 607, 613, 623, 627, 659
203 333 10 14	<b>34732</b>	597, 613, 627, 660
203 333 10 14 S1	<b>44989</b>	597, 611, 613, 627, 660
204 333 04 14	<b>29452</b>	597, 613, 623, 660
204 333 10 14	<b>21219</b>	593, 597, 603, 607, 613, 623, 627, 659
204 333 10 14	<b>34732</b>	597, 613, 627, 660
204 333 10 14 S1	<b>44989</b>	597, 611, 613, 627, 660
204 333 11 14	<b>34732</b>	597, 613, 627, 660
204 333 11 14 S1	<b>44989</b>	597, 611, 613, 627, 660
210 333 68 14	<b>11153</b>	617, 621, 643
211 333 10 14	<b>21530</b>	611, 619, 654
211 333 11 14	<b>21410</b>	611, 619
211 333 22 14	<b>22654</b>	611, 619
211 333 22 14 S1	<b>29195</b>	611, 619
211 333 25 14	<b>21530</b>	611, 619, 654
211 333 28 14	<b>21530</b>	611, 619, 654
211 333 29 14	<b>27880</b>	611, 619, 654
212 333 00 14	<b>33625</b>	623
212 333 03 14	<b>44987</b>	609, 623
220 333 27 14	<b>36167</b>	621, 643
220 333 28 14	<b>36168</b>	621, 643
220 333 31 14	<b>28488</b>	599, 643, 654
221 333 07 14	<b>28269</b>	600, 644
221 333 08 14	<b>31299</b>	600, 644
221 333 19 14	<b>29347</b>	600, 644
230 333 01 14	<b>28488</b>	599, 643, 654
230 333 06 14 S1	<b>21410</b>	611, 619
246 333 00 14	<b>40966</b>	586, 587, 601
246 333 01 14	<b>40971</b>	586, 587, 601
246 333 01 14 S2	<b>44170</b>	586, 587
246 333 02 14	<b>40967</b>	586, 587, 601
246 333 05 14	<b>40978</b>	626
246 333 06 14	<b>40977</b>	626

**Ref. - No.**


638 333 00 14	<b>21853</b>	664, 665
638 333 08 14	<b>21852</b>	664
638 333 08 14 S1	<b>21854</b>	664
639 333 02 14	<b>21853</b>	664, 665
639 333 03 14	<b>21853</b>	664, 665
901 333 02 14	<b>22657</b>	661
906 333 00 14	<b>30295</b>	663
906 333 01 14	<b>31479</b>	663
115 333 05 27	<b>01720</b>	546, 548
115 333 08 27	<b>03667</b>	546, 548, 648, 650
115 333 10 27	<b>01719</b>	546, 548, 648, 650
115 333 11 27	<b>01719</b>	546, 548, 648, 650
116 333 09 27	<b>03668</b>	552, 636, 638
124 333 01 27	<b>02380</b>	554, 556, 558, 560, 562, 564, 566, 570, 572, 574, 652
124 333 03 27	<b>02380</b>	554, 556, 558, 560, 562, 564, 566, 570, 572, 574, 652
140 333 03 27	<b>08078</b>	640
168 333 02 27 S1	<b>32296</b>	583
169 333 01 27	<b>31334</b>	585, 588
169 333 03 27	<b>31334</b>	585, 588
202 333 00 27	<b>01433</b>	591, 605, 615, 617, 621, 643, 657
210 333 04 27	<b>01433</b>	591, 605, 615, 617, 621, 643, 657
220 333 01 27	<b>23417</b>	599, 611, 619, 643, 654
220 333 02 27	<b>23417</b>	599, 611, 619, 643, 654
220 333 03 27	<b>23417</b>	599, 611, 619, 643, 654
220 333 07 27	<b>23417</b>	599, 611, 619, 643, 654
414 333 01 27	<b>34335</b>	666
414 333 02 27	<b>34335</b>	666
638 333 00 27	<b>19562</b>	664, 664, 664
639 333 02 27	<b>24578</b>	665, 665, 665
639 333 02 27 S1	<b>24578</b>	665, 665, 665
639 333 04 27	<b>24578</b>	665, 665, 665
901 333 07 27	<b>12196</b>	661, 662

Ref. - No.

Car  
Division

Ref. - No.



901 333 11 27	<b>12196</b>	661, 662
901 333 12 27	<b>12196</b>	661, 662
906 333 02 27	<b>30151</b>	663
220 333 04 37	<b>23417</b>	599, 611, 619, 643, 654
000 333 10 71	<b>40168</b>	597, 600, 609, 613, 623, 627, 644, 659, 660
220 333 00 76 S1	<b>43698</b>	586, 587
220 333 00 76 S2	<b>43699</b>	586, 587, 601, 626
000 338 07 10	<b>01712</b>	544, 545, 547, 633, 635, 637, 645, 647, 649
000 338 08 10	<b>01713</b>	544, 545, 547, 551, 633, 635, 637, 645, 647, 649
000 338 19 10	<b>01712</b>	544, 545, 547, 633, 635, 637, 645, 647, 649
000 338 20 10	<b>01713</b>	544, 545, 547, 551, 633, 635, 637, 645, 647, 649
000 338 43 10	<b>07781</b>	569, 571, 573
000 338 44 10	<b>07780</b>	569, 571, 573
000 338 45 10	<b>07781</b>	569, 571, 573
000 338 47 10	<b>07238</b>	551, 553, 555, 559, 561, 563, 565
000 338 49 10	<b>07782</b>	569, 571, 573
000 338 50 10	<b>01713</b>	544, 545, 547, 551, 633, 635, 637, 645, 647, 649
000 338 51 10	<b>07238</b>	551, 553, 555, 559, 561, 563, 565
000 338 52 10	<b>01712</b>	544, 545, 547, 633, 635, 637, 645, 647, 649
000 338 53 10	<b>01713</b>	544, 545, 547, 551, 633, 635, 637, 645, 647, 649
000 338 54 10	<b>02384</b>	553, 555, 559, 561, 563, 565

Ref. - No.



000 338 55 10	<b>01712</b>	544, 545, 547, 633, 635, 637, 645, 647, 649
000 338 56 10	<b>02379</b>	553, 555, 559, 561, 563, 565
000 338 59 10	<b>02383</b>	553, 555, 559, 561, 563, 565
000 338 60 10	<b>07781</b>	569, 571, 573
000 338 61 10	<b>07780</b>	569, 571, 573
000 338 62 10	<b>07781</b>	569, 571, 573
000 338 63 10	<b>07782</b>	569, 571, 573
631 338 03 10	<b>11873</b>	631
631 338 04 10	<b>11874</b>	631
631 338 05 10	<b>17564</b>	624, 631
000 338 15 15	<b>01717</b>	544, 545, 547, 633, 645, 647, 649
000 338 38 15	<b>01717</b>	544, 545, 547, 633, 645, 647, 649
163 338 00 15	<b>22613</b>	629
163 338 00 15 S1	<b>26629</b>	629
163 338 00 15 S2	<b>39503</b>	629
163 338 01 15	<b>22612</b>	629
163 338 01 15 S1	<b>26628</b>	629
163 338 01 15 S2	<b>39502</b>	629
163 338 02 15	<b>21638</b>	629
163 338 02 15 S1	<b>39501</b>	629
163 338 02 15 S2	<b>39502</b>	629
163 338 02 15 S3	<b>39503</b>	629
171 338 00 15 S1	<b>32165</b>	659
171 338 00 15 S2	<b>40248</b>	659
171 338 00 15 S3	<b>40249</b>	659
203 338 02 15	<b>33832</b>	595
204 338 00 15	<b>31523</b>	597, 607, 613
204 338 00 15 S1	<b>40140</b>	597, 613
204 338 00 15 S2	<b>40141</b>	597, 613
204 338 00 15 S3	<b>40166</b>	597, 613
204 338 00 15 S4	<b>40167</b>	597, 613
204 338 03 15	<b>31524</b>	597, 600, 613, 623, 627, 644
204 338 04 15	<b>31523</b>	597, 607, 613
204 338 04 15 S1	<b>40140</b>	597, 613


**Ref. - No.**


204 338 04 15 S2	<b>40141</b>	597, 613
204 338 04 15 S3	<b>40166</b>	597, 613
204 338 04 15 S4	<b>40167</b>	597, 613
204 338 05 15	<b>31524</b>	597, 600, 613, 623, 627, 644
210 338 04 15	<b>11958</b>	615
210 338 04 15 S1	<b>33014</b>	615
210 338 04 15 S1	<b>33016</b>	615
210 338 05 15	<b>11959</b>	615
210 338 05 15 S1	<b>33014</b>	615
210 338 06 15	<b>11960</b>	615
210 338 06 15 S1	<b>33016</b>	615
210 338 98 15	<b>33014</b>	615
210 338 98 15 S1	<b>38498</b>	615
210 338 99 15	<b>33016</b>	615
210 338 99 15 S1	<b>38498</b>	615
220 338 05 15	<b>23087</b>	599, 641, 653
220 338 07 15	<b>22620</b>	593, 599, 603, 607, 611, 619, 641, 653
220 338 10 15	<b>23087</b>	599, 641, 653
230 338 00 15	<b>22620</b>	593, 599, 603, 607, 611, 619, 641, 653
230 338 00 15 S1	<b>23137</b>	599, 641, 653
230 338 00 15 S1	<b>30065</b>	593, 603, 607
230 338 00 15 S1	<b>30066</b>	593, 603, 607
230 338 01 15	<b>23087</b>	599, 641, 653
906 338 02 27	<b>30151</b>	663
205 350 61 03	<b>37793</b>	838, 848, 851, 856
205 350 62 03	<b>37794</b>	838, 848, 851, 856
205 350 63 03	<b>37797</b>	838, 848, 851, 856, 860
205 350 65 03	<b>37798</b>	838, 848, 851, 856
205 350 66 03	<b>37799</b>	838, 848, 851, 856
124 350 65 06	<b>17271</b>	834, 837
124 350 68 06	<b>17270</b>	834, 837
140 350 35 06	<b>09194</b>	867
140 350 36 06	<b>10269</b>	867
140 350 56 06	<b>23463</b>	867
140 350 60 06	<b>23469</b>	867
164 350 14 06	<b>38656</b>	857, 858, 863, 865
204 350 15 06	<b>37793</b>	838, 848, 851, 856

**Ref. - No.**


204 350 16 06	<b>37794</b>	838, 848, 851, 856
204 350 21 06 S1	<b>30643</b>	838, 848, 851, 856, 860
204 350 21 06	<b>37795</b>	838, 848, 851, 856
204 350 22 06 S1	<b>30643</b>	838, 848, 851, 856, 860
204 350 22 06	<b>37796</b>	838, 848, 851, 856
204 350 27 06	<b>37797</b>	838, 848, 851, 856, 860
210 350 33 06	<b>17265</b>	826, 828, 834, 837, 843, 844, 847, 852, 872, 877, 879
210 350 33 06 S1	<b>40037</b>	826, 828, 834, 837, 844, 847, 852, 872, 877, 879
210 350 34 06	<b>17266</b>	826, 828, 834, 837, 843, 844, 847, 852, 872, 877, 879
210 350 34 06 S1	<b>33353</b>	834, 837, 843, 844, 847, 852, 872, 877, 879
210 350 38 06	<b>17267</b>	826, 828, 834, 837, 843, 844, 847, 852, 872, 877, 879
210 350 38 06 S1	<b>17300</b>	826, 828, 834, 843, 844, 847, 852, 872, 877, 879
210 350 38 06 S1	<b>33354</b>	834, 837, 843, 844, 847, 852, 872, 877, 879
210 350 45 06	<b>17273</b>	826, 828, 834, 837, 843, 844, 847, 852, 872, 877, 879, 880
211 350 97 06	<b>24011</b>	849, 854, 874
211 350 98 06	<b>24000</b>	849, 854, 874
211 350 99 06	<b>24001</b>	849, 854, 874
220 350 22 06	<b>23033</b>	839, 869
220 350 22 06 S1	<b>40405</b>	839, 869
220 350 24 06	<b>23034</b>	839, 869
220 350 24 06 S1	<b>40404</b>	839, 869
220 350 26 06	<b>23035</b>	839, 868, 869
220 350 26 06 S1	<b>23800</b>	868, 868

Ref. - No.

Car  
Division

Ref. - No.



Ref. - No.



220 350 26 06 S2	<b>23801</b>	868
220 350 26 06 S3	<b>40406</b>	839, 869
220 350 27 06	<b>23035</b>	839, 868, 869
220 350 27 06 S1	<b>40406</b>	839, 869
220 350 31 06	<b>23459</b>	839, 868, 869
221 350 02 06	<b>32129</b>	840, 870
221 350 04 06	<b>32131</b>	840, 870
221 350 06 06	<b>32132</b>	840, 870
221 350 07 06	<b>32077</b>	840, 870
221 350 08 06	<b>32078</b>	840, 870
221 350 10 06	<b>32130</b>	840, 870
230 350 20 06 S1	<b>23694</b>	849, 854
230 350 20 06	<b>23966</b>	849, 854, 874
230 350 27 06 SK	<b>23507</b>	850, 855, 875
230 350 27 06 S1	<b>23694</b>	849, 854
230 350 27 06	<b>23962</b>	849, 854, 874
230 350 27 06 S1	<b>34501</b>	849, 854, 874
230 350 27 06 S1	<b>34570</b>	849, 854, 874
230 350 28 06 SK	<b>23507</b>	850, 855, 875
230 350 28 06 S1	<b>23694</b>	849, 854
230 350 28 06	<b>23963</b>	849, 854, 874
230 350 28 06 S1	<b>34501</b>	849, 854, 874
230 350 28 06 S1	<b>34570</b>	849, 854, 874
230 350 35 06 SK	<b>23507</b>	850, 855, 875
230 350 35 06 S1	<b>23694</b>	849, 854
230 350 35 06	<b>23964</b>	849, 854, 874
230 350 35 06 S1	<b>34571</b>	849, 854, 874
230 350 36 06 SK	<b>23507</b>	850, 855, 875
230 350 36 06 S1	<b>23694</b>	849, 854
230 350 36 06	<b>23965</b>	849, 854, 874
230 350 36 06 S1	<b>34571</b>	849, 854, 874
140 350 88 08 S1	<b>36485</b>	834, 837, 843, 844, 847, 852, 868, 877, 879, 881
140 350 88 08 S1	<b>36486</b>	834, 837, 843, 844, 847, 852, 867, 877, 879, 881
202 350 58 08 S1	<b>36485</b>	834, 837, 843, 844, 847, 852, 868, 877, 879, 881

202 350 58 08 S1	<b>36486</b>	834, 837, 843, 844, 847, 852, 867, 877, 879, 881
202 350 96 08 S1	<b>36485</b>	834, 837, 843, 844, 847, 852, 868, 877, 879, 881
202 350 96 08 S1	<b>36486</b>	834, 837, 843, 844, 847, 852, 867, 877, 879, 881
163 350 00 13 S1	<b>26119</b>	862
163 350 01 13 S1	<b>26119</b>	862
204 350 00 29	<b>37797</b>	838, 848, 851, 856, 860
230 350 03 29	<b>24008</b>	849, 854, 874
230 350 04 29	<b>24007</b>	849, 854, 874
140 350 45 41 S1	<b>36485</b>	834, 837, 843, 844, 847, 852, 868, 877, 879, 881
140 350 45 41 S1	<b>36486</b>	834, 837, 843, 844, 847, 852, 867, 877, 879, 881
140 350 49 41 S1	<b>36485</b>	834, 837, 843, 844, 847, 852, 868, 877, 879, 881
140 350 49 41 S1	<b>36486</b>	834, 837, 843, 844, 847, 852, 867, 877, 879, 881
124 350 01 53	<b>05218</b>	826, 828, 834, 844, 852, 872, 877
124 350 01 53 S	<b>05218</b>	826, 828, 834, 844, 852, 872, 877
124 350 01 53	<b>06230</b>	826, 828, 834, 835, 837, 843, 844, 845, 847, 852, 872, 877, 878, 880
140 350 18 53 S	<b>09807</b>	868, 868, 868
140 350 18 53	<b>09808</b>	868, 868
140 350 30 53 S	<b>09807</b>	868, 868, 868
140 350 30 53	<b>09808</b>	868, 868
140 350 34 53 S	<b>09807</b>	868, 868, 868
140 350 34 53 S1	<b>09807</b>	868, 868, 868
201 350 29 53	<b>05218</b>	826, 828, 834, 844, 852, 872, 877


**Ref. - No.**


201 350 32 53	<b>05218</b>	826, 828, 834, 844, 852, 872, 877
204 350 05 53	<b>37798</b>	838, 848, 851, 856
204 350 06 53	<b>37799</b>	838, 848, 851, 856
210 350 06 53	<b>05218</b>	826, 828, 834, 844, 852, 872, 877
210 350 09 53	<b>06230</b>	826, 828, 834, 835, 837, 843, 844, 845, 847, 852, 872, 877, 878, 880
210 350 18 53	<b>05218</b>	826, 828, 834, 844, 852, 872, 877
210 350 21 53	<b>06230</b>	826, 828, 834, 835, 837, 843, 844, 845, 847, 852, 872, 877, 878, 880
220 350 04 53	<b>23217</b>	839, 869
220 350 04 53 S1	<b>23219</b>	839, 869
220 350 04 53 S2	<b>24600</b>	839, 869
221 350 11 53	<b>32105</b>	840, 870
221 350 12 53	<b>32106</b>	840, 870
140 350 08 70	<b>06619</b>	852, 868, 877
140 350 10 70	<b>06619</b>	852, 868, 877
140 350 11 70	<b>06619</b>	852, 868, 877
201 350 10 70	<b>06619</b>	852, 868, 877
203 350 00 72	<b>36916</b>	837, 843, 847
203 350 00 72 S1	<b>36916</b>	837, 843, 847
203 350 04 72	<b>36916</b>	837, 843, 847
203 350 04 72 S1	<b>36916</b>	837, 843, 847
124 350 05 75	<b>11136</b>	847, 873, 878, 880
129 351 21 42	<b>12399</b>	837, 843, 847, 853, 881
210 351 18 42	<b>36485</b>	834, 837, 843, 844, 847, 852, 868, 877, 879, 881
210 351 19 42	<b>36486</b>	834, 837, 843, 844, 847, 852, 867, 877, 879, 881

**Ref. - No.**


246 352 01 00	<b>40976</b>	832, 833, 841, 859
163 352 04 01	<b>26039</b>	862
163 352 04 01 S1	<b>40609</b>	862
163 352 05 01	<b>26038</b>	862
163 352 05 01 S1	<b>40608</b>	862
205 352 05 08	<b>21968</b>	838, 848, 849, 850, 851, 854, 855, 856, 860, 874, 875
164 352 01 27	<b>32476</b>	857, 863, 865
164 352 03 27	<b>32476</b>	857, 863, 865
201 352 00 27	<b>02354</b>	837, 843, 845, 878, 880
201 352 00 27	<b>21174</b>	827, 829, 835, 837, 838, 839, 840, 843, 845, 847, 848, 849, 851, 853, 854, 856, 860, 861, 868, 869, 870, 873, 874, 876, 878, 880, 881
204 352 00 27	<b>21174</b>	827, 829, 835, 837, 838, 839, 840, 843, 845, 847, 848, 849, 851, 853, 854, 856, 860, 861, 868, 869, 870, 873, 874, 876, 878, 880, 881
220 352 00 27	<b>21174</b>	827, 829, 835, 837, 838, 839, 840, 843, 845, 847, 848, 849, 851, 853, 854, 856, 860, 861, 868, 869, 870, 873, 874, 876, 878, 880, 881
220 352 02 27	<b>21174</b>	827, 829, 835, 837, 838, 839, 840, 843, 845, 847, 848, 849, 851, 853, 854, 856, 860, 861, 868, 869, 870, 873, 874, 876, 878, 880, 881
221 352 00 27	<b>21174</b>	827, 829, 835, 837, 838, 839, 840, 843, 845, 847, 848, 849, 851, 853, 854, 856, 860, 861, 868, 869, 870, 873, 874, 876, 878, 880, 881

Ref. - No.

Car  
Division 

Ref. - No.



221 352 01 27	<b>21174</b>	827, 829, 835, 837, 838, 839, 840, 843, 845, 847, 848, 849, 851, 853, 854, 856, 860, 861, 868, 869, 870, 873, 874, 876, 878, 880, 881
230 352 00 27	<b>21174</b>	827, 829, 835, 837, 838, 839, 840, 843, 845, 847, 848, 849, 851, 853, 854, 856, 860, 861, 868, 869, 870, 873, 874, 876, 878, 880, 881
123 352 02 35 S	<b>04996</b>	824, 825, 866, 871
638 352 06 50	<b>19478</b>	884
639 352 03 50	<b>26387</b>	884
115 352 32 65	<b>04977</b>	824, 825, 866, 871
115 352 36 65	<b>04977</b>	824, 825, 866, 871
123 352 05 65	<b>04977</b>	824, 825, 866, 871
123 352 05 65 S	<b>04996</b>	824, 825, 866, 871
124 352 34 65	<b>01305</b>	847, 873, 878, 880
124 352 35 65	<b>11136</b>	847, 873, 878, 880
124 352 36 65	<b>01303</b>	827, 835, 837, 845, 847, 853, 873, 878, 880, 881
124 352 37 65	<b>01303</b>	827, 835, 837, 845, 847, 853, 873, 878, 880, 881
124 352 43 65	<b>08818</b>	827, 829, 835, 837, 843, 845, 847, 853, 873, 878, 880, 881
124 352 70 65	<b>01303</b>	827, 835, 837, 845, 847, 853, 873, 878, 880, 881
124 352 84 65	<b>01303</b>	827, 835, 837, 845, 847, 853, 873, 878, 880, 881
126 352 01 65	<b>04977</b>	824, 825, 866, 871
126 352 01 65 S	<b>04996</b>	824, 825, 866, 871
126 352 01 65 S1	<b>04996</b>	824, 825, 866, 871
129 352 00 65	<b>01303</b>	827, 835, 837, 845, 847, 853, 873, 878, 880, 881
140 352 44 65	<b>22659</b>	867

Ref. - No.



140 352 80 65	<b>01304</b>	868
140 352 86 65	<b>01304</b>	868
164 352 01 65	<b>26386</b>	857, 858, 863, 864, 865
201 352 36 65	<b>05053</b>	829
201 352 87 65	<b>08818</b>	827, 829, 835, 837, 843, 845, 847, 853, 873, 878, 880, 881
201 352 88 65	<b>08818</b>	827, 829, 835, 837, 843, 845, 847, 853, 873, 878, 880, 881
202 352 00 65	<b>01303</b>	827, 835, 837, 845, 847, 853, 873, 878, 880, 881
202 352 01 65	<b>01303</b>	827, 835, 837, 845, 847, 853, 873, 878, 880, 881
203 352 00 65	<b>34056</b>	837, 843, 847
204 352 03 65	<b>30643</b>	838, 848, 851, 856, 860
204 352 10 65	<b>29751</b>	838, 848, 851, 856, 860, 876
210 352 06 65	<b>22670</b>	867
220 352 02 65	<b>22446</b>	839, 840, 849, 854, 869, 870, 874
220 352 13 65	<b>22446</b>	839, 840, 849, 854, 869, 870, 874
222 352 08 65	<b>22446</b>	839, 840, 849, 854, 869, 870, 874
230 352 14 65	<b>34570</b>	849, 854, 874
230 352 15 65	<b>21968</b>	838, 848, 849, 850, 851, 854, 855, 856, 860, 874, 875
230 352 16 65	<b>34501</b>	849, 854, 874
230 352 18 65	<b>34571</b>	849, 854, 874
246 352 01 65	<b>40973</b>	832, 833, 841, 859
246 352 02 65	<b>40974</b>	832, 833, 841, 859
246 352 09 65	<b>40975</b>	832, 833, 841, 859
246 352 10 65	<b>40976</b>	832, 833, 841, 859
204 353 00 43	<b>21968</b>	838, 848, 849, 850, 851, 854, 855, 856, 860, 874, 875


**Ref. - No.**


204 353 01 43	<b>45905</b>	838, 848, 856, 876
309 406 16 05	<b>02734</b>	575, 577, 579
601 430 04 35	<b>02317</b>	825, 866, 882, 883
601 430 05 35	<b>02317</b>	825, 866, 882, 883
203 460 23 00	<b>29657</b>	593, 603, 607
203 460 23 00 SK	<b>33475</b>	593, 597, 603, 607, 611, 613, 619, 623, 659, 660
210 460 23 00	<b>23844</b>	615, 616
220 460 10 00	<b>27248</b>	599, 641, 653
414 460 08 00	<b>31052</b>	666
638 460 21 00 S1	<b>31519</b>	661, 664
638 460 22 00 S1	<b>31519</b>	661, 664
638 460 26 00 S1	<b>31519</b>	661, 664
638 460 29 00 S1	<b>31519</b>	661, 664
901 460 27 00 S1	<b>31519</b>	661, 664
901 460 28 00 S1	<b>31519</b>	661, 664
901 460 41 00 S1	<b>31519</b>	661, 664
901 460 42 00 S1	<b>31519</b>	661, 664
901 460 55 00	<b>26325</b>	661, 664
901 460 55 00 S1	<b>38013</b>	661
124 460 79 01	<b>14224</b>	557
129 460 15 01	<b>14225</b>	651, 655
140 460 29 01	<b>14223</b>	639
211 460 98 03	<b>26761</b>	611, 619
211 460 99 03	<b>26762</b>	611, 619
000 460 00 05	<b>01729</b>	545, 547
107 460 02 05	<b>03669</b>	647, 649
107 460 05 05	<b>03669</b>	647, 649
107 460 06 05	<b>03669</b>	647, 649
114 460 02 05	<b>01729</b>	545, 547
114 460 03 05	<b>01729</b>	545, 547
115 460 15 05	<b>01729</b>	545, 547
115 460 16 05	<b>01729</b>	545, 547
116 460 06 05	<b>03670</b>	551, 635
116 460 09 05	<b>03670</b>	551, 635
123 460 06 05	<b>03670</b>	551, 635
123 460 09 05	<b>03670</b>	551, 635
123 460 12 05	<b>06374</b>	551
123 460 15 05	<b>03670</b>	551, 635
123 460 16 05	<b>06374</b>	551
124 460 08 05	<b>02381</b>	553, 555, 561, 563, 565

**Ref. - No.**


124 460 09 05	<b>02382</b>	553, 555, 561, 563, 565
124 460 12 05	<b>06467</b>	553, 555, 559, 561, 563, 565
126 460 06 05	<b>07256</b>	637
126 460 07 05	<b>10153</b>	637
126 460 08 05	<b>07256</b>	637
126 460 09 05	<b>10153</b>	637
140 460 08 05	<b>04882</b>	639
164 460 00 05	<b>30037</b>	625, 630, 632
164 460 00 05 S1	<b>37864</b>	625, 630
164 460 00 05 S1	<b>37865</b>	625, 630
201 460 14 05	<b>08038</b>	569, 571, 573
201 460 15 05	<b>08038</b>	569, 571, 573
202 460 04 05	<b>01665</b>	589, 604
202 460 05 05	<b>22839</b>	589, 604
309 460 08 05	<b>02734</b>	575, 577, 579
309 460 13 05	<b>02734</b>	575, 577, 579
309 460 29 05	<b>02734</b>	575, 577, 579
309 460 31 05	<b>02734</b>	575, 577, 579
414 460 00 05 S1	<b>34576</b>	666
414 460 00 05 S2	<b>34577</b>	666
414 460 01 05 S1	<b>34578</b>	666
414 460 01 05 S2	<b>34579</b>	666
414 460 02 05	<b>33690</b>	666
414 460 02 05 S1	<b>34577</b>	666
414 460 02 05 S2	<b>34579</b>	666
415 460 00 05	<b>36095</b>	608
415 460 01 05	<b>36094</b>	608
601 460 00 05	<b>02734</b>	575, 577, 579
601 460 01 05	<b>02734</b>	575, 577, 579
601 460 08 05	<b>03389</b>	575, 577, 579, 581
601 460 09 05	<b>03389</b>	575, 577, 579, 581
601 460 10 05	<b>03389</b>	575, 577, 579, 581
601 460 11 05	<b>03389</b>	575, 577, 579, 581
601 460 11 05	<b>03389</b>	575, 577, 579, 581
601 460 12 05	<b>03389</b>	575, 577, 579, 581
601 460 13 05	<b>03389</b>	575, 577, 579, 581
601 460 14 05	<b>03389</b>	575, 577, 579, 581
601 460 15 05	<b>03389</b>	575, 577, 579, 581
601 460 18 05	<b>03389</b>	575, 577, 579, 581
631 460 07 05	<b>17577</b>	631
638 460 00 05	<b>21450</b>	664



Ref. - No.

Car  
Division

Ref. - No.



Ref. - No.



638 460 02 05 SK	<b>12194</b>	664
638 460 02 05	<b>21450</b>	664
901 460 02 05	<b>21449</b>	661
901 460 02 05 S1	<b>38013</b>	661
124 460 00 19	<b>05841</b>	545, 547, 551, 633, 635, 637, 647, 649
124 460 01 19	<b>05114</b>	553, 555, 559, 561, 563, 565, 567
126 460 08 19	<b>05841</b>	545, 547, 551, 633, 635, 637, 647, 649
140 460 08 19	<b>01989</b>	639
202 460 03 19	<b>01952</b>	589, 604, 655
000 460 21 48	<b>08204</b>	575, 577, 579, 581
000 460 22 48	<b>08212</b>	575, 577, 579, 581
000 460 41 48	<b>08204</b>	575, 577, 579, 581
000 460 42 48	<b>08212</b>	575, 577, 579, 581
000 460 45 48	<b>08204</b>	575, 577, 579, 581
000 460 46 48	<b>08212</b>	575, 577, 579, 581
000 460 72 48	<b>12975</b>	624
000 460 72 48 S1	<b>40290</b>	624
000 460 85 48	<b>08204</b>	575, 577, 579, 581
000 460 86 48	<b>08212</b>	575, 577, 579, 581
002 460 16 48	<b>12975</b>	624
002 460 16 48 S1	<b>40290</b>	624
638 460 00 48	<b>12194</b>	664
639 460 00 48	<b>33703</b>	665
639 460 00 48 S1	<b>33707</b>	665
639 460 03 48	<b>33702</b>	665
639 460 03 48 S1	<b>33706</b>	665
639 460 04 48	<b>33703</b>	665
639 460 04 48 S1	<b>33707</b>	665
639 460 05 48	<b>33702</b>	665
639 460 05 48 S1	<b>33706</b>	665
901 460 00 48	<b>12197</b>	661
901 460 00 48 S1	<b>38013</b>	661
901 460 01 48	<b>12197</b>	661
901 460 01 48 S1	<b>38013</b>	661
901 460 02 48	<b>12197</b>	661
901 460 02 48 S1	<b>38013</b>	661
906 460 00 48	<b>31273</b>	663
906 460 01 48	<b>31273</b>	663
906 460 01 48 S1	<b>33078</b>	663
906 460 03 48	<b>31273</b>	663

123 460 00 50	<b>05841</b>	545, 547, 551, 633, 635, 637, 647, 649
124 460 00 50	<b>05841</b>	545, 547, 551, 633, 635, 637, 647, 649
124 460 01 50	<b>05841</b>	545, 547, 551, 633, 635, 637, 647, 649
201 460 00 50	<b>02345</b>	569, 571, 573
638 460 00 55	<b>12195</b>	664
638 460 02 55	<b>12195</b>	664
639 460 00 55	<b>30096</b>	665
639 460 00 55 S1	<b>33706</b>	665
639 460 00 55 S1	<b>33707</b>	665
639 460 02 55	<b>30096</b>	665
639 460 02 55 SK	<b>30096</b>	665
639 460 02 55 S1	<b>33706</b>	665
639 460 02 55 S1	<b>33707</b>	665
901 460 01 55	<b>12198</b>	661
901 460 01 55 S1	<b>38013</b>	661
901 460 02 55	<b>12198</b>	661
901 460 02 55 S1	<b>38013</b>	661
901 460 04 55	<b>12198</b>	661
901 460 04 55 S1	<b>38013</b>	661
906 460 00 55 SK	<b>30706</b>	663
906 460 00 55 S1	<b>33078</b>	663
906 460 01 55 SK	<b>30706</b>	663
906 460 01 55 S1	<b>33078</b>	663
906 460 99 55	<b>33078</b>	663
000 460 45 61	<b>19153</b>	624, 651
000 460 48 61	<b>19154</b>	624, 649, 651
000 460 48 61 S1	<b>19154</b>	624, 649, 651
107 460 00 61	<b>08694</b>	551, 635, 649
107 460 00 61 S1	<b>08694</b>	551, 635, 649
109 460 02 61	<b>08695</b>	544, 633, 647, 649
109 460 02 61 S1	<b>08695</b>	544, 633, 647, 649
124 460 01 61	<b>06470</b>	553, 555, 559, 561, 563, 565, 567, 589, 604, 651
126 460 00 61	<b>08696</b>	551, 637
126 460 00 61 S1	<b>08696</b>	551, 637
201 460 00 61	<b>06471</b>	553, 555, 565, 569, 571, 573
000 460 37 80	<b>19145</b>	651
000 460 39 80	<b>19147</b>	651


**Ref. - No.**


000 460 43 80	<b>19153</b>	624, 651
000 460 44 80	<b>19150</b>	624, 651
000 460 45 80	<b>19152</b>	651
000 460 47 80	<b>19153</b>	624, 651
000 460 80 80	<b>19155</b>	651
163 460 00 80 S1	<b>26241</b>	629
203 460 00 80 S1	<b>26239</b>	593
210 460 00 80 S2	<b>23355</b>	615
220 460 00 80 S1	<b>26240</b>	641
163 460 01 96 SK	<b>36775</b>	629
000 463 10 29	<b>03387</b>	575, 577, 579, 581
000 463 32 29 S1	<b>40290</b>	624
631 463 00 29	<b>17566</b>	631
000 463 20 32	<b>01263</b>	544, 545, 547, 551, 633, 635, 637, 645, 647, 649
000 463 27 32	<b>01263</b>	544, 545, 547, 551, 633, 635, 637, 645, 647, 649
000 463 35 32	<b>01263</b>	544, 545, 547, 551, 633, 635, 637, 645, 647, 649
000 463 39 32	<b>01263</b>	544, 545, 547, 551, 633, 635, 637, 645, 647, 649
000 463 43 32	<b>01263</b>	544, 545, 547, 551, 633, 635, 637, 645, 647, 649
000 463 48 32	<b>01263</b>	544, 545, 547, 551, 633, 635, 637, 645, 647, 649
000 463 51 32	<b>01263</b>	544, 545, 547, 551, 633, 635, 637, 645, 647, 649
000 463 53 32	<b>01261</b>	553, 555, 557, 559, 561, 563, 565, 569, 571, 573, 589, 604, 651, 655
000 463 56 32	<b>31450</b>	624
000 463 60 32	<b>31450</b>	624
000 463 63 32	<b>37868</b>	567
000 463 66 32	<b>31449</b>	624

**Ref. - No.**


124 463 04 32	<b>01261</b>	553, 555, 557, 559, 561, 563, 565, 569, 571, 573, 589, 604, 651, 655
124 463 05 32	<b>37868</b>	567
140 463 01 32	<b>27572</b>	639
140 463 03 32	<b>27572</b>	639
193 463 00 32	<b>01263</b>	544, 545, 547, 551, 633, 635, 637, 645, 647, 649
163 463 00 66	<b>27573</b>	629
163 463 00 66 S1	<b>27637</b>	629
211 463 03 66	<b>34367</b>	611, 619, 653
220 463 00 66	<b>23609</b>	599, 641
171 463 00 96 S1	<b>29657</b>	593, 603, 607
171 463 00 96 S2	<b>33475</b>	593, 597, 603, 607, 611, 613, 619, 623, 659, 660
203 463 02 96 S1	<b>29657</b>	593, 603, 607
203 463 02 96 S1	<b>33475</b>	593, 597, 603, 607, 611, 613, 619, 623, 659, 660
203 463 03 96	<b>29658</b>	611, 619, 660
204 463 02 96 S1	<b>33475</b>	593, 597, 603, 607, 611, 613, 619, 623, 659, 660
204 463 02 96 S2	<b>40166</b>	597, 613
204 463 02 96 S3	<b>40167</b>	597, 613
211 463 03 96 S1	<b>34134</b>	595, 621, 641
414 463 00 96	<b>31052</b>	666
115 586 00 32	<b>07568</b>	546, 548, 648, 650
123 586 00 32	<b>02525</b>	825
601 586 00 32	<b>07196</b>	576, 578, 580
601 586 01 32	<b>07207</b>	576
110 586 00 33	<b>01129</b>	543, 549, 550, 634, 646
110 586 00 33	<b>01130</b>	543, 549, 550, 634, 646
110 586 00 33	<b>01131</b>	543, 549, 550, 634, 646
110 586 04 33	<b>01130</b>	543, 549, 550, 634, 646

Ref. - No.

Car  
Division

Ref. - No.



Ref. - No.



110 586 05 33	<b>01131</b>	543, 549, 550, 634, 646
111 586 00 33	<b>01124</b>	543, 549, 550, 634, 646
115 586 00 33	<b>01693</b>	546, 548, 648, 650
115 586 01 33	<b>01692</b>	546, 548, 648, 650
115 586 04 33	<b>01693</b>	546, 548, 648, 650
116 586 01 33	<b>04995</b>	552, 636
123 586 00 33	<b>04184</b>	552, 638
123 586 03 33	<b>04103</b>	552
123 586 04 33	<b>04184</b>	552, 638
126 586 00 33	<b>08687</b>	638
601 586 50 33	<b>04581</b>	576, 578
115 586 02 35	<b>04996</b>	824, 825, 866, 871
000 586 52 46	<b>08710</b>	624, 649
000 586 84 46	<b>19158</b>	624, 649
107 586 02 46	<b>08694</b>	551, 635, 649
109 586 00 46	<b>08695</b>	544, 633, 647, 649
123 586 00 46	<b>05841</b>	545, 547, 551, 633, 635, 637, 647, 649
123 586 02 46	<b>05841</b>	545, 547, 551, 633, 635, 637, 647, 649
168 981 03 18	<b>21401</b>	831
168 981 03 18 S1	<b>21402</b>	831
168 981 05 18	<b>21401</b>	831
168 981 05 18 S1	<b>21402</b>	831
005 990 59 00 S1	<b>43698</b>	586, 587
005 990 59 00 S2	<b>43699</b>	586, 587, 601, 626
001 990 89 03 S1	<b>43698</b>	586, 587
001 990 89 03 S2	<b>43699</b>	586, 587, 601, 626
001 990 90 03 S1	<b>43698</b>	586, 587
001 990 90 03 S2	<b>43699</b>	586, 587, 601, 626
004 990 81 04 S1	<b>40157</b>	599, 643
000 990 66 11 S1	<b>43698</b>	586, 587
000 990 66 11 S2	<b>43699</b>	586, 587, 601, 626
002 990 70 50 S1	<b>43698</b>	586, 587
002 990 70 50 S2	<b>43699</b>	586, 587, 601, 626
246 990 00 56 S1	<b>43698</b>	586, 587
246 990 01 56 S2	<b>43699</b>	586, 587, 601, 626
211 990 00 99	<b>23505</b>	850, 855, 875
211 990 02 99	<b>23507</b>	850, 855, 875
211 990 03 99	<b>23694</b>	849, 854
000000 002483 S1	<b>29279</b>	600, 611, 619, 644

000000 003275 S1	<b>43698</b>	586, 587
000000 003275 S2	<b>43699</b>	586, 587, 601, 626
000000 003281 S1	<b>43698</b>	586, 587
000000 003281 S2	<b>43699</b>	586, 587, 601, 626
000000 005268 S1	<b>43698</b>	586, 587
000000 005268 S2	<b>43699</b>	586, 587, 601, 626
000000 005272 S1	<b>43698</b>	586, 587
000000 005272 S2	<b>43699</b>	586, 587, 601, 626
000000 007799 S1	<b>43698</b>	586, 587
000000 007799 S2	<b>43699</b>	586, 587, 601, 626
601 330 00 19/2	<b>04587</b>	576, 578
115 330 17 75/2	<b>01695</b>	648, 650
601 332 53 06/2S	<b>04587</b>	576, 578
111 586 00 33/2	<b>01120</b>	543, 549, 550, 634, 646
115 586 00 33/2	<b>01695</b>	648, 650
115 586 04 33/2	<b>01695</b>	648, 650
601 586 50 33/2	<b>04587</b>	576, 578
910105 014016 S1	<b>40160</b>	619, 621
910105 014016 S2	<b>43698</b>	586, 587
910105 014016 S3	<b>43699</b>	586, 587, 601, 626
910112 014000 S1	<b>43698</b>	586, 587
910112 014000 S2	<b>43699</b>	586, 587, 601, 626
913023 010002 S1	<b>43698</b>	586, 587
913023 010002 S2	<b>43699</b>	586, 587, 601, 626
passend für / to fit: <b>MINI</b>		
31 10 6 779 437	<b>21485</b>	667
31 10 6 779 438	<b>21486</b>	667
31 12 4 015 707	<b>21483</b>	667
31 12 4 015 708	<b>21484</b>	667
31 12 4 048 627	<b>36140</b>	669
31 12 4 048 628	<b>36141</b>	669
31 12 4 048 629	<b>36875</b>	669
31 12 4 048 630	<b>36877</b>	669
31 12 6 753 991	<b>21485</b>	667
31 12 6 753 992	<b>21486</b>	667
31 12 6 756 309	<b>21487</b>	667
31 12 6 757 551	<b>22438</b>	667
31 12 6 757 561	<b>33574</b>	667
31 12 6 757 562	<b>33575</b>	667
31 12 6 761 409	<b>21483</b>	667
31 12 6 761 410	<b>21484</b>	667


**Ref. - No.**


31 12 6 767 530	<b>30919</b>	669
31 12 6 772 235	<b>40619</b>	669
31 12 6 772 236	<b>40620</b>	669
31 12 6 772 301	<b>36140</b>	669
31 12 6 772 302	<b>36141</b>	669
31 12 6 772 303	<b>36875</b>	669
31 12 6 772 304	<b>36877</b>	669
31 12 9 803 788	<b>40495</b>	668, 668, 669
31 35 1 507 989	<b>22482</b>	667
31 35 1 507 993	<b>39054</b>	667, 669
31 35 6 754 810	<b>39054</b>	667, 669
31 35 6 757 069	<b>34892</b>	667
31 35 6 757 146	<b>34891</b>	667, 669
31 35 6 758 302	<b>39054</b>	667, 669
31 35 6 759 537	<b>22481</b>	667, 669
31 35 6 772 843	<b>34893</b>	669
31 35 6 778 831	<b>22481</b>	667, 669
31 35 9 806 351	<b>40955</b>	669
31 35 9 806 352	<b>40956</b>	669
32 10 6 777 522	<b>32204</b>	667
32 10 6 778 437	<b>30818</b>	669
32 10 6 778 438	<b>30819</b>	669
32 10 6 778 547	<b>34303</b>	669
32 10 6 778 548	<b>34304</b>	669
32 10 6 778 560	<b>36575</b>	669
32 11 6 754 563	<b>21488</b>	667
32 11 6 754 564	<b>21489</b>	667
32 11 6 761 557	<b>32203</b>	667
32 11 6 761 558	<b>32204</b>	667
32 11 6 761 560	<b>29304</b>	667
32 11 6 777 521	<b>32203</b>	667
32 11 6 780 785	<b>21488</b>	667
32 11 6 780 786	<b>21489</b>	667
32 13 6 756 757	<b>32182</b>	667
32 13 6 761 559	<b>29303</b>	667
32 21 6 754 565	<b>21495</b>	667
32 21 6 754 566	<b>21496</b>	667
33 32 1 490 085	<b>37744</b>	885
33 32 6 760 054	<b>37744</b>	885
33 32 6 768 724	<b>37744</b>	885
33 32 6 768 726	<b>37744</b>	885
33 32 6 769 020	<b>37744</b>	885
33 32 6 769 023	<b>37744</b>	885

**Ref. - No.**


33 50 6 772 789	<b>22473</b>	885, 885, 885
33 50 6 781 133	<b>22473</b>	885, 885, 885
33 50 9 803 515	<b>43573</b>	885, 885
33 50 9 803 516	<b>43574</b>	885, 885
33 55 1 507 999	<b>22473</b>	885, 885, 885
33 55 1 508 001	<b>39052</b>	885
33 55 6 754 823	<b>39052</b>	885
33 55 6 756 151	<b>39053</b>	885
33 55 6 772 788	<b>39051</b>	885
31 12 4 048 627 SK	<b>36143</b>	669
31 12 4 048 628 SK	<b>36143</b>	669
31 12 6 772 301 SK	<b>36143</b>	669
31 12 6 772 302 SK	<b>36143</b>	669
32 10 6 778 547 SK	<b>34299</b>	669
32 10 6 778 548 SK	<b>34299</b>	669

passend für / to fit:

**mitsubishi**

4013A009	<b>38170</b>	670, 679, 682
4013A010	<b>38171</b>	670, 679, 682
4013A135	<b>33610</b>	673
4013A135 S1	<b>33609</b>	673
4013A135 S2	<b>34201</b>	673
4013A135 S3	<b>34202</b>	673
4013A136	<b>33611</b>	673
4013A136 S1	<b>33609</b>	673
4013A136 S2	<b>34201</b>	673
4013A136 S3	<b>34202</b>	673
4013A150	<b>33611</b>	673
4013A150 S1	<b>33609</b>	673
4013A150 S2	<b>34201</b>	673
4013A150 S3	<b>34202</b>	673
4013A281	<b>38170</b>	670, 679, 682
4013A282	<b>38171</b>	670, 679, 682
4056A014	<b>15414</b>	670, 672, 674, 675, 676, 686, 687
4056A021	<b>27983</b>	886, 887
4056A026	<b>34733</b>	674, 675
4056A031	<b>15677</b>	671
4056A037	<b>32870</b>	887
4056A038	<b>27981</b>	672, 676
4056A040	<b>31709</b>	682
4056A052	<b>30588</b>	673
4056A111	<b>31559</b>	888

Ref. - No.

Car  
Division 

Ref. - No.



Ref. - No.



4056A112	<b>31560</b>	888
4056A133	<b>30843</b>	685
4056A134	<b>30844</b>	685
4156A014	<b>30398</b>	888
4156A028	<b>39181</b>	670, 679, 888
4410A173	<b>32002</b>	680
4422A012	<b>32551</b>	682
4422A018	<b>34477</b>	679, 682
4422A036	<b>31522</b>	685, 687
4422A048	<b>44722</b>	670, 679
4422A055	<b>34184</b>	674
4422A056	<b>31520</b>	678
4422A057	<b>31517</b>	682
4422A058	<b>44722</b>	670, 679
4422A076	<b>44722</b>	670, 679
4422A077	<b>34184</b>	674
AW311699 S1	<b>28200</b>	671, 672, 673, 675, 676, 677, 688
M884359	<b>26867</b>	886, 889
MB176308	<b>15071</b>	680, 683
MB176309	<b>15072</b>	681, 683
MB192430	<b>15074</b>	675, 687, 688
MB192499	<b>15074</b>	675, 687, 688
MB241818	<b>15073</b>	681
MB288119	<b>15075</b>	681
MB303374 S1	<b>28200</b>	671, 672, 673, 675, 676, 677, 688
MB303375 S1	<b>28200</b>	671, 672, 673, 675, 676, 677, 688
MB349444 S1	<b>28200</b>	671, 672, 673, 675, 676, 677, 688
MB349445 S1	<b>28200</b>	671, 672, 673, 675, 676, 677, 688
MB349463 S1	<b>28200</b>	671, 672, 673, 675, 676, 677, 688
MB349464 S1	<b>28200</b>	671, 672, 673, 675, 676, 677, 688
MB349963 S1	<b>28200</b>	671, 672, 673, 675, 676, 677, 688
MB349964 S1	<b>28200</b>	671, 672, 673, 675, 676, 677, 688
MB430350 S1	<b>28200</b>	671, 672, 673, 675, 676, 677, 688

MB430351 S1	<b>28200</b>	671, 672, 673, 675, 676, 677, 688
MB430406 S1	<b>28200</b>	671, 672, 673, 675, 676, 677, 688
MB430407 S1	<b>28200</b>	671, 672, 673, 675, 676, 677, 688
MB513206 S1	<b>28200</b>	671, 672, 673, 675, 676, 677, 688
MB518041 S1	<b>28200</b>	671, 672, 673, 675, 676, 677, 688
MB518042 S1	<b>28200</b>	671, 672, 673, 675, 676, 677, 688
MB518043 S1	<b>28200</b>	671, 672, 673, 675, 676, 677, 688
MB518044 S1	<b>28200</b>	671, 672, 673, 675, 676, 677, 688
MB518206 S1	<b>28200</b>	671, 672, 673, 675, 676, 677, 688
MB518712 S1	<b>28200</b>	671, 672, 673, 675, 676, 677, 688
MB518713 S1	<b>28200</b>	671, 672, 673, 675, 676, 677, 688
MB518780	<b>27981</b>	672, 676
MB518892	<b>15414</b>	670, 672, 674, 675, 676, 686, 687
MB518960 S1	<b>28200</b>	671, 672, 673, 675, 676, 677, 688
MB518961 S1	<b>28200</b>	671, 672, 673, 675, 676, 677, 688
MB527383	<b>28112</b>	681
MB527384	<b>28113</b>	681
MB527650	<b>15300</b>	681
MB553249	<b>27926</b>	672, 676
MB564991	<b>15074</b>	675, 687, 688
MB573043	<b>15414</b>	670, 672, 674, 675, 676, 686, 687
MB573093 S1	<b>28200</b>	671, 672, 673, 675, 676, 677, 688
MB573094 S1	<b>28200</b>	671, 672, 673, 675, 676, 677, 688
MB573098 S1	<b>28200</b>	671, 672, 673, 675, 676, 677, 688
MB573540	<b>27981</b>	672, 676


**Ref. - No.**


MB576093 S1	<b>28200</b>	671, 672, 673, 675, 676, 677, 688
MB576094 S1	<b>28200</b>	671, 672, 673, 675, 676, 677, 688
MB598017	<b>28112</b>	681
MB598018	<b>28113</b>	681
MB598098	<b>30817</b>	888
MB633926 S1	<b>28188</b>	684
MB808909	<b>26862</b>	671
MB808910	<b>26863</b>	671
MB809220	<b>29378</b>	886, 887
MB809221	<b>29379</b>	886, 887
MB809354	<b>27983</b>	886, 887
MB831037	<b>15068</b>	680, 684, 686
MB831038	<b>15069</b>	680, 684, 686
MB831043	<b>15272</b>	680, 684, 686
MB831044	<b>15273</b>	684, 686
MB860817 S1	<b>28200</b>	671, 672, 673, 675, 676, 677, 688
MB860818 S1	<b>28200</b>	671, 672, 673, 675, 676, 677, 688
MB860829	<b>15070</b>	680, 684, 686
MB864164	<b>15300</b>	681
MB891787 S1	<b>28200</b>	671, 672, 673, 675, 676, 677, 688
MB891788 S1	<b>28200</b>	671, 672, 673, 675, 676, 677, 688
MB891789 S1	<b>28200</b>	671, 672, 673, 675, 676, 677, 688
MB891790 S1	<b>28200</b>	671, 672, 673, 675, 676, 677, 688
MB892981	<b>34733</b>	674, 675
MB892982	<b>15414</b>	670, 672, 674, 675, 676, 686, 687
MB907163 S1	<b>28200</b>	671, 672, 673, 675, 676, 677, 688
MB907164 S1	<b>28200</b>	671, 672, 673, 675, 676, 677, 688
MB912077 S1	<b>28200</b>	671, 672, 673, 675, 676, 677, 688
MB912078 S1	<b>28200</b>	671, 672, 673, 675, 676, 677, 688

**Ref. - No.**


MB912519	<b>15074</b>	675, 687, 688
MB949343	<b>27928</b>	674, 675
MN101368	<b>30401</b>	670, 679, 682
MN103259	<b>34184</b>	674
MN133617	<b>19673</b>	671
MN133617 S1	<b>28200</b>	671, 672, 673, 675, 676, 677, 688
MN133618	<b>19674</b>	671
MN133618 S1	<b>28200</b>	671, 672, 673, 675, 676, 677, 688
MN184133	<b>36286</b>	670, 682
MN184194	<b>30399</b>	886, 887, 888
MN186217	<b>33610</b>	673
MN186217 S1	<b>33609</b>	673
MN186217 S2	<b>34201</b>	673
MN186217 S3	<b>34202</b>	673
MN186218	<b>33611</b>	673
MN186218 S1	<b>33609</b>	673
MN186218 S2	<b>34201</b>	673
MN186218 S3	<b>34202</b>	673
MR102014	<b>29377</b>	886, 887
MR131680	<b>15677</b>	671
MR132551	<b>27985</b>	684
MR132552	<b>27986</b>	684
MR179479	<b>19673</b>	671
MR179479 S1	<b>28200</b>	671, 672, 673, 675, 676, 677, 688
MR179480	<b>19674</b>	671
MR179480 S1	<b>28200</b>	671, 672, 673, 675, 676, 677, 688
MR241341 S1	<b>28200</b>	671, 672, 673, 675, 676, 677, 688
MR241342 S1	<b>28200</b>	671, 672, 673, 675, 676, 677, 688
MR241349	<b>31556</b>	673, 677, 678
MR244901	<b>15403</b>	671
MR267876	<b>27985</b>	684
MR267877	<b>27986</b>	684
MR272116	<b>15677</b>	671
MR272117	<b>28220</b>	886
MR272118	<b>19399</b>	889
MR272118 S1	<b>26867</b>	886, 889




**Ref. - No.**


<b>01001</b>	7 038 517	356, 360
<b>01022</b>	33 32 6 770 824	724, 727, 752, 758, 759, 760
<b>01023</b>	33 32 1 136 311	724, 727, 752, 758, 759
<b>01032</b>	31 12 1 141 098	161
<b>01034</b>	31 12 1 141 097	161
<b>01071</b>	31 12 1 139 988	161, 179
<b>01078</b>	31 12 1 139 987	161, 179
<b>01079</b>	201 326 10 81	825, 827, 829, 873
<b>01080</b>	123 323 12 85	552
<b>01083</b>	201 326 14 81	829, 835, 845, 873
<b>01085</b>	126 323 01 85	638
<b>01120</b>	111 586 00 33/2	543, 549, 550, 634, 646
<b>01124</b>	111 586 00 33	543, 549, 550, 634, 646
<b>01129</b>	110 586 00 33	543, 549, 550, 634, 646
<b>01130</b>	110 330 02 18	543, 549, 550, 634, 646
<b>01131</b>	110 330 03 18	543, 549, 550, 634, 646
<b>01209</b>	631 320 02 28	631
<b>01261</b>	68032068AA	221
<b>01261</b>	124 463 04 32	553, 555, 557, 559, 561, 563, 565, 569, 571, 573, 589, 604, 651, 655
<b>01263</b>	05097971AA	221
<b>01263</b>	000 463 51 32	544, 545, 547, 551, 633, 635, 637, 645, 647, 649
<b>01264</b>	437 407 151 A	33, 34
<b>01269</b>	437 407 152 A	33, 34
<b>01303</b>	202 352 01 65	827, 835, 837, 845, 847, 853, 873, 878, 880, 881
<b>01304</b>	140 352 86 65	868
<b>01305</b>	124 352 34 65	847, 873, 878, 880
<b>01311</b>	6 790 115	399, 401
<b>01312</b>	6 870 549	399


**Ref. - No.**


<b>01433</b>	211 330 03 35	591, 605, 615, 617, 621, 643, 657
<b>01521</b>	855 407 365 A	21, 23, 25, 27, 101, 103, 105
<b>01522</b>	855 407 366 A	21, 23, 25, 27, 101, 103, 105
<b>01523</b>	4A0 411 327 A	35
<b>01665</b>	202 460 04 05	589, 604
<b>01668</b>	31 12 1 136 607	179, 187
<b>01671</b>	31 35 1 127 414	134
<b>01672</b>	31 35 1 129 139	134, 136, 138
<b>01673</b>	31 35 1 133 738	161
<b>01674</b>	31 35 1 135 805	161
<b>01675</b>	32 31 1 115 092	132, 158, 160, 172, 178, 186, 202
<b>01676</b>	32 31 1 153 993	133, 135, 137
<b>01692</b>	115 330 16 75	546, 548, 648, 650
<b>01693</b>	115 330 17 75	546, 548, 648, 650
<b>01695</b>	115 330 17 75/2	648, 650
<b>01698</b>	115 333 35 14	546, 548
<b>01706</b>	33 55 1 131 155	724, 733, 746
<b>01712</b>	000 338 55 10	544, 545, 547, 633, 635, 637, 645, 647, 649
<b>01713</b>	000 338 53 10	544, 545, 547, 551, 633, 635, 637, 645, 647, 649
<b>01717</b>	107 330 01 03	544, 545, 547, 633, 645, 647, 649
<b>01719</b>	115 333 11 27	546, 548, 648, 650
<b>01720</b>	115 333 05 27	546, 548
<b>01729</b>	000 460 00 05	545, 547
<b>01808</b>	1 070 337	361
<b>01809</b>	7 152 270	361
<b>01810</b>	1 070 338	361
<b>01811</b>	7 152 272	361
<b>01847</b>	32 21 1 136 450	158, 160, 172, 178, 186
<b>01926</b>	431 407 183 A	32, 33, 34, 37
<b>01932</b>	893 407 181	27, 29, 31, 107, 109, 110, 111
<b>01934</b>	443 411 327	33
<b>01935</b>	431 419 831	33, 34, 35, 36, 37





Ref. - No.

Car  
Division

Ref. - No.



Ref. - No.



<b>01952</b>	202 460 03 19	589, 604, 655
<b>01982</b>	140 323 10 85	615, 640
<b>01987</b>	140 323 09 85	615, 640
<b>01989</b>	140 460 08 19	639
<b>02052</b>	893 407 365 F	25, 27, 107
<b>02053</b>	893 407 366 F	25, 27, 107
<b>02057</b>	8A0 407 365	29, 31, 107, 109, 110
<b>02058</b>	8A0 407 366	29, 31, 107, 109, 110
<b>02234</b>	811 419 812	17, 18, 20, 22
<b>02243</b>	823 407 365 C	17
<b>02244</b>	823 407 365 E	17, 19, 21, 101, 103
<b>02266</b>	811 419 801 E	18, 20, 22, 24, 26, 28, 30, 100, 102, 104, 106, 108, 110
<b>02267</b>	811 419 802 J	18, 20, 22, 100, 102, 104
<b>02268</b>	811 419 812 A	18, 20, 22, 24, 26, 28, 30, 100, 102, 104, 106, 108, 110
<b>02277</b>	443 419 801 E	33, 34
<b>02279</b>	443 419 802 E	33, 34
<b>02317</b>	123 320 09 89	825, 866, 882, 883
<b>02317</b>	601 430 05 35	825, 866, 882, 883
<b>02345</b>	201 460 00 50	569, 571, 573
<b>02354</b>	201 352 00 27	837, 843, 845, 878, 880
<b>02379</b>	000 338 56 10	553, 555, 559, 561, 563, 565
<b>02380</b>	124 333 03 27	554, 556, 558, 560, 562, 564, 566, 570, 572, 574, 652
<b>02381</b>	124 460 08 05	553, 555, 561, 563, 565
<b>02382</b>	124 460 09 05	553, 555, 561, 563, 565
<b>02383</b>	000 338 59 10	553, 555, 559, 561, 563, 565
<b>02384</b>	000 338 54 10	553, 555, 559, 561, 563, 565
<b>02385</b>	124 330 09 03	553, 555, 559, 561, 563, 565

<b>02386</b>	124 330 08 03	553, 555, 559, 561, 563, 565
<b>02524</b>	201 320 01 47	827, 829, 873
<b>02525</b>	123 320 00 47	825
<b>02566</b>	601 320 03 28	830
<b>02567</b>	601 326 04 82	830
<b>02620</b>	94788122	288, 292, 294
<b>02629</b>	07846696	288, 292, 294
<b>02633</b>	07848281	288, 292, 294
<b>02634</b>	07848282	288, 292, 294
<b>02635</b>	26001807	288, 292, 294
<b>02636</b>	26001806	288, 292, 294
<b>02682</b>	31 12 1 124 622	159, 161, 167, 173, 179, 194, 197, 750
<b>02734</b>	309 460 31 05	575, 577, 579
<b>02757</b>	867 411 313	17
<b>02848</b>	602 326 08 82	576, 582
<b>02850</b>	601 320 04 11	576, 582
<b>02881</b>	000 321 00 50	576, 578, 580, 582
<b>02891</b>	124 320 02 89	827, 829, 835, 845, 853, 873, 878, 880
<b>02940</b>	126 330 06 07	638
<b>02941</b>	126 330 07 07	638
<b>02958</b>	6 130 560	355
<b>02959</b>	5 021 410	349, 350, 355, 356, 358, 405, 406
<b>03141</b>	96335966	288, 292, 294
<b>03142</b>	90235040	212, 215, 216
<b>03142</b>	90235040	288, 292, 294
<b>03207</b>	02875013 S1	288, 292, 294
<b>03212</b>	02875013	288, 292, 294, 294, 294, 294, 294
<b>03284</b>	32 11 1 117 426 S1	132, 133, 135, 137
<b>03303</b>	6 127 744 S1	349, 350, 355, 355, 355, 405, 406
<b>03304</b>	6 127 744	349, 350, 355, 355, 355, 405, 406
<b>03307</b>	6 935 233 S1	350, 352, 356, 358, 360, 362, 365, 389, 390, 392, 406, 408, 412, 413, 417


**Ref. - No.**


<b>03308</b>	6 935 233	350, 352, 356, 358, 360, 362, 365, 389, 390, 392, 406, 408, 412, 413, 417
<b>03308</b>	1E00-32-125	529
<b>03309</b>	1 619 061 S1	389, 390, 412, 413, 415, 416, 417, 418
<b>03310</b>	1 619 061	389, 390, 412, 413, 415, 416, 417, 418
<b>03320</b>	32 11 1 127 104	133, 135, 137, 202
<b>03321</b>	32 11 1 127 104 S1	133, 135, 137, 202
<b>03386</b>	602 330 09 03	575
<b>03387</b>	601 330 04 35	575, 577, 579, 581
<b>03388</b>	602 330 03 03	575, 577, 579, 581
<b>03389</b>	601 460 15 05	575, 577, 579, 581
<b>03461</b>	823 411 313 A	17, 19, 21, 25, 101, 103
<b>03551</b>	893 407 366 A	25
<b>03553</b>	893 407 365 A	25
<b>03607</b>	861 407 151 B	17
<b>03610</b>	855 407 365	25, 101
<b>03612</b>	855 407 366	25, 101
<b>03652</b>	611 330 00 19	580, 582
<b>03667</b>	115 333 08 27	546, 548, 648, 650
<b>03668</b>	116 333 09 27	552, 636, 638
<b>03669</b>	107 460 06 05	647, 649
<b>03670</b>	123 460 15 05	551, 635
<b>03822</b>	31 12 1 139 131	141, 205
<b>03825</b>	31 12 6 758 510	141, 205
<b>03935</b>	115 330 38 07	546, 548, 648
<b>03936</b>	115 330 39 07	546, 548, 648
<b>04011</b>	5 021 465	389, 412
<b>04037</b>	31 12 9 058 818	159
<b>04047</b>	33 32 9 058 822	723, 725, 732, 741, 745, 758
<b>04052</b>	33 32 9 061 945	723, 725, 732, 741, 745, 758
<b>04060</b>	31 12 9 058 814	134, 136
<b>04094</b>	5 021 464	389, 412
<b>04103</b>	123 330 13 75	552
<b>04184</b>	123 330 14 75	552, 638
<b>04220</b>	31 35 1 091 764	134, 136, 138, 141, 142, 203, 205


**Ref. - No.**


<b>04421</b>	443 419 811 D	33, 34, 35, 37
<b>04422</b>	443 419 812 D	33, 34, 35, 37
<b>04576</b>	601 332 50 50	576, 578
<b>04581</b>	601 330 00 19	576, 578
<b>04585</b>	31 35 1 134 582	141, 159, 161, 173, 179, 187
<b>04587</b>	601 330 00 19/2	576, 578
<b>04786</b>	140 330 00 03	639
<b>04874</b>	001 330 63 35	639
<b>04882</b>	140 460 08 05	639
<b>04919</b>	001 330 62 35	639
<b>04977</b>	126 352 01 65	824, 825, 866, 871
<b>04981</b>	116 333 63 14	552, 636
<b>04995</b>	116 586 01 33	552, 636
<b>04996</b>	126 352 01 65 S1	824, 825, 866, 871
<b>05021</b>	124 330 38 07	570
<b>05022</b>	124 330 39 07	570
<b>05023</b>	124 330 30 07	554, 556, 558, 560, 562, 564, 566, 574, 652
<b>05040</b>	124 330 31 07	554, 556, 558, 560, 562, 564, 566, 574, 652
<b>05053</b>	201 352 36 65	829
<b>05114</b>	124 460 01 19	553, 555, 559, 561, 563, 565, 567
<b>05165</b>	115 320 15 89	824, 866, 871
<b>05218</b>	210 350 18 53	826, 828, 834, 844, 852, 872, 877
<b>05269</b>	170 330 01 07	591, 657
<b>05271</b>	170 330 02 07	591, 657
<b>05388</b>	140 330 82 07	640
<b>05621</b>	6 160 070	423, 426, 427, 428
<b>05623</b>	5 021 459	351, 407
<b>05624</b>	5 021 458	351, 407
<b>05639</b>	1 111 413	357
<b>05640</b>	1 111 411	357
<b>05657</b>	309 320 00 73	624
<b>05664</b>	1 043 159	399, 401
<b>05666</b>	1 043 158	399, 401
<b>05682</b>	6 185 336	415, 417
<b>05747</b>	33 32 1 126 476	732, 733, 745, 746



<b>05841</b>	126 460 08 19	545, 547, 551, 633, 635, 637, 647, 649
<b>05920</b>	1 058 279	353, 409
<b>05921</b>	1 058 280	353, 409
<b>05952</b>	123 330 46 07	552, 636
<b>05953</b>	123 330 47 07	552, 636
<b>05958</b>	6 160 070 S1	423, 426, 427, 428
<b>06043</b>	31 12 1 136 605	161
<b>06157</b>	96218397	288, 292, 294
<b>06158</b>	96218398	288, 292, 294
<b>06170</b>	1 652 910	349, 351, 405, 407
<b>06172</b>	1 656 752	354, 389, 390, 412, 413, 415, 416, 417, 418
<b>06179</b>	6 192 705	354, 389, 390, 412, 413, 416, 417, 418
<b>06213</b>	31 12 1 139 456	161, 179
<b>06226</b>	123 323 05 85	552
<b>06230</b>	210 350 21 53	826, 828, 834, 835, 837, 843, 844, 845, 847, 852, 872, 877, 878, 880
<b>06250</b>	601 330 05 35	575, 577, 579, 581
<b>06301</b>	5 021 413	354, 390, 413, 415, 416, 417, 418
<b>06302</b>	5 021 414	354, 390, 413, 415, 416, 417, 418
<b>06350</b>	201 330 00 75	570
<b>06374</b>	123 460 16 05	551
<b>06463</b>	31 12 1 123 025	132
<b>06464</b>	31 12 1 123 026	132
<b>06467</b>	124 460 12 05	553, 555, 559, 561, 563, 565
<b>06470</b>	124 460 01 61	553, 555, 559, 561, 563, 565, 567, 589, 604, 651
<b>06471</b>	201 460 00 61	553, 555, 565, 569, 571, 573
<b>06595</b>	123 330 18 03	551
<b>06619</b>	140 350 11 70	852, 868, 877
<b>06625</b>	32 11 1 139 313	139, 204
<b>06628</b>	32 11 1 139 315	139, 204
<b>06629</b>	32 11 1 139 316	139, 204

<b>06636</b>	32 11 1 139 318	139
<b>06639</b>	33 55 1 126 932	723, 724, 732, 741, 745, 758
<b>06641</b>	32 11 1 139 314	139, 204
<b>06660</b>	31 12 9 058 815	134, 136
<b>06661</b>	31 12 9 058 931	134, 136, 138, 203
<b>06792</b>	31 12 1 127 725	134, 136, 138, 203
<b>06793</b>	31 12 1 127 726	134, 136, 138, 203
<b>06795</b>	33 32 1 092 247	724, 727, 752, 759, 760
<b>06844</b>	667 320 00 73	883
<b>07196</b>	601 320 07 11	576, 578, 580
<b>07197</b>	602 326 02 82	576, 578, 580
<b>07199</b>	602 321 02 50	576, 578, 580, 582
<b>07200</b>	05103955AA	763
<b>07200</b>	601 321 03 50	576, 578, 580, 582, 830, 831, 882, 883
<b>07205</b>	602 326 04 82	576
<b>07207</b>	601 320 01 83	576
<b>07224</b>	31 12 9 059 288	141, 142, 205
<b>07225</b>	32 21 1 136 452	158, 160, 164, 172, 178, 180, 186
<b>07238</b>	000 338 51 10	551, 553, 555, 559, 561, 563, 565
<b>07248</b>	33 55 1 135 307	725, 733, 746, 758
<b>07256</b>	126 460 08 05	637
<b>07258</b>	126 330 05 03	635, 637
<b>07259</b>	126 330 06 03	635, 637
<b>07348</b>	32 11 1 117 426	132, 133, 135, 137
<b>07349</b>	32 11 1 125 131	132
<b>07381</b>	123 330 13 35	552
<b>07512</b>	31 12 1 139 991	159, 161, 173, 179
<b>07513</b>	31 12 1 139 992	159, 161, 173, 179
<b>07538</b>	431 407 181 F	32, 33, 34, 37
<b>07557</b>	811 407 181 A	19, 21, 25, 101, 103
<b>07558</b>	857 407 181	19, 21, 23, 25, 27, 29, 31, 101, 103, 105, 107, 109, 110, 111, 694, 695
<b>07568</b>	115 320 00 47	546, 548, 648, 650
<b>07629</b>	4A0 407 181 A	35, 36
<b>07701</b>	861 407 183	17
<b>07752</b>	202 330 01 18	591, 605, 657


**Ref. - No.**


<b>07758</b>	210 330 00 18	615
<b>07778</b>	201 330 15 03	569, 571, 573
<b>07779</b>	201 330 16 03	569, 571, 573
<b>07780</b>	000 338 61 10	569, 571, 573
<b>07781</b>	000 338 60 10	569, 571, 573
<b>07782</b>	000 338 63 10	569, 571, 573
<b>07843</b>	1 619 120	351, 355, 415, 416, 417, 418
<b>07856</b>	357 407 182	39, 45, 49, 121
<b>07954</b>	5 027 451	398
<b>07965</b>	31 12 6 758 513	141, 205
<b>07966</b>	31 12 6 758 514	141, 205
<b>07973</b>	5 027 452	398
<b>07989</b>	1 130 273	353, 357, 359, 361, 363, 365, 371, 393, 409, 411, 420
<b>07989</b>	1E01-34-170A	529
<b>08001</b>	126 333 33 14	638
<b>08002</b>	126 333 54 14	638
<b>08029</b>	811 419 831 B	18, 20, 22, 24, 26, 28, 30, 100, 102, 104, 106, 108, 110, 111
<b>08038</b>	201 460 15 05	569, 571, 573
<b>08073</b>	201 330 00 18	554, 556, 558, 560, 562, 564, 566, 568, 570, 572, 574, 652
<b>08078</b>	140 333 03 27	640
<b>08084</b>	5 021 460	415, 417
<b>08095</b>	5 021 461	415, 417
<b>08096</b>	1 015 546	352, 408
<b>08097</b>	1 015 547	352, 408
<b>08167</b>	1 020 175	362, 365, 411
<b>08167</b>	1E01-32-280A	529
<b>08169</b>	1 020 174	362, 365, 411
<b>08169</b>	1E00-32-280A	529
<b>08204</b>	000 460 85 48	575, 577, 579, 581
<b>08212</b>	000 460 86 48	575, 577, 579, 581
<b>08322</b>	602 330 57 35	575
<b>08323</b>	602 330 58 35	575
<b>08403</b>	116 333 40 14	552, 636, 638
<b>08561</b>	124 330 05 75	554, 558, 560, 562, 566, 572, 574, 652


**Ref. - No.**


<b>08562</b>	124 333 42 14	652
<b>08563</b>	124 333 43 14	652
<b>08570</b>	31 12 1 126 253	134, 136, 138, 203
<b>08571</b>	31 12 1 126 254	134, 136, 138, 203
<b>08572</b>	32 11 1 125 186	133, 135, 137
<b>08574</b>	32 11 1 126 757	133, 135, 137, 202
<b>08575</b>	32 11 1 125 187	133, 135, 137
<b>08580</b>	32 21 1 129 014	158, 172
<b>08581</b>	32 21 1 135 666	158, 160, 172, 178, 186
<b>08582</b>	32 21 1 135 820	158, 160, 172, 178, 186
<b>08583</b>	32 21 1 135 819	158, 160, 172, 178, 186
<b>08687</b>	126 330 00 75	638
<b>08694</b>	107 460 00 61	551, 635, 649
<b>08695</b>	109 460 02 61	544, 633, 647, 649
<b>08696</b>	126 460 00 61	551, 637
<b>08710</b>	000 586 52 46	624, 649
<b>08720</b>	116 333 40 14 S1	636
<b>08760</b>	6 180 350	352, 408
<b>08761</b>	4 048 739	356, 358, 360, 392
<b>08767</b>	5 021 415	389, 412
<b>08768</b>	6 185 338	354, 389, 390, 412, 413, 416, 418
<b>08780</b>	1 032 567	360
<b>08818</b>	201 352 88 65	827, 829, 835, 837, 843, 845, 847, 853, 873, 878, 880, 881
<b>08828</b>	140 320 11 89	640
<b>08842</b>	126 333 38 14	638
<b>08851</b>	126 330 11 35	638
<b>08852</b>	126 330 13 35	638
<b>08863</b>	140 320 12 89	640
<b>08905</b>	202 333 67 14	591, 657
<b>08906</b>	32 21 1 123 464	158, 172
<b>08920</b>	31 35 1 095 695	180
<b>08925</b>	32 21 1 138 864	160
<b>08941</b>	124 320 01 47	652
<b>08944</b>	124 323 23 85	652
<b>09001</b>	31 12 1 139 999	179, 187
<b>09002</b>	31 12 1 140 000	179, 187
<b>09005</b>	31 12 9 068 753	163, 208



Ref. - No.

Car  
Division 

Ref. - No.



Ref. - No.



<b>09008</b>	893 407 365 E	27
<b>09009</b>	893 407 366 E	27
<b>09019</b>	3523.49	259, 276
<b>09055</b>	8A0 511 247 B	694
<b>09056</b>	443 511 247 D	696, 697, 718
<b>09058</b>	3523.20	259, 276
<b>09070</b>	3523.31	276
<b>09086</b>	4A0 511 247 B	696, 697, 718
<b>09087</b>	4A0 511 249	697, 718
<b>09115</b>	001 330 77 35	589, 604, 655
<b>09118</b>	1 035 929	353, 357, 359, 361, 393, 409
<b>09119</b>	1 000 445	353, 357, 359, 361, 391, 393, 409
<b>09137</b>	1 074 282	399, 401
<b>09156</b>	6 087 888	349, 405
<b>09157</b>	6 087 889	349, 405
<b>09168</b>	201 330 02 75	570
<b>09189</b>	201 330 01 75	556, 564
<b>09194</b>	140 350 35 06	867
<b>09209</b>	6 087 890	349, 405, 407
<b>09317</b>	3817.50	227, 228, 229, 247, 259, 276, 279, 280, 281
<b>09404</b>	202 333 87 14	591, 657
<b>09484</b>	6 185 334	349, 350, 405, 406
<b>09494</b>	1 634 901	351, 407
<b>09523</b>	895 407 147 A	29, 31, 107, 109, 110
<b>09524</b>	895 407 148 A	29, 31, 107, 109, 110
<b>09527</b>	893 407 147 C	19, 21, 23, 25, 27, 101, 103, 105, 107, 111
<b>09528</b>	893 407 148 C	19, 21, 23, 25, 27, 101, 103, 105, 107, 111
<b>09674</b>	124 330 06 75	554, 558, 560, 562, 566, 574, 652
<b>09747</b>	124 330 09 75	556, 564
<b>09807</b>	140 350 34 53 S1	868, 868, 868
<b>09808</b>	140 350 30 53	868, 868
<b>10018</b>	4D0 407 181 H	59, 83, 95

<b>10019</b>	4D0 407 515 C	57, 81, 93
<b>10020</b>	4D0 407 182 G	59, 63, 67, 71, 83, 95
<b>10021</b>	1 044 571	386
<b>10022</b>	4D0 411 327 G	59, 95
<b>10023</b>	4D0 411 327 H	59, 83, 95, 99, 117
<b>10035</b>	31 35 1 095 661	163
<b>10036</b>	31 35 1 095 662	163
<b>10037</b>	33 55 1 095 696	747
<b>10038</b>	33 55 1 095 532	735
<b>10062</b>	601 330 03 19	576, 578
<b>10063</b>	601 330 04 19	576, 578
<b>10073</b>	4D0 407 183 P	59, 83, 94, 94, 95
<b>10108</b>	5 021 423	422
<b>10109</b>	5 021 424	422
<b>10110</b>	5 021 440	422
<b>10111</b>	5 021 441	422
<b>10123</b>	3520.51	259, 276
<b>10127</b>	3521.34	259, 276
<b>10153</b>	126 460 09 05	637
<b>10156</b>	6 792 901	424
<b>10157</b>	6 172 639	424
<b>10158</b>	6 172 648	424, 425
<b>10159</b>	1 047 145	426, 427, 428
<b>10160</b>	6 869 951	426, 427, 428
<b>10161</b>	5 021 430	423
<b>10162</b>	1 055 194	426, 427, 428
<b>10163</b>	6 172 643	423, 424
<b>10165</b>	1 034 417	392
<b>10166</b>	7 294 416	398
<b>10167</b>	7 294 415	398
<b>10168</b>	6 197 238	352, 408
<b>10170</b>	1 044 014	362, 365, 411
<b>10170</b>	1E00-32-240	529
<b>10204</b>	611 330 03 19	580, 582
<b>10205</b>	611 330 04 19	580, 582
<b>10210</b>	1 054 986	359
<b>10211</b>	1 054 987	359
<b>10245</b>	611 320 03 11	831
<b>10248</b>	611 326 00 81	831
<b>10251</b>	3523.43	278
<b>10252</b>	3523.23	276
<b>10269</b>	140 350 36 06	867


**Ref. - No.**


<b>10277</b>	96 158 745	279, 281
<b>10324</b>	6 960 036	348, 399, 401
<b>10356</b>	202 333 64 14	591, 657
<b>10379</b>	202 330 00 75	591
<b>10382</b>	1 097 316	348, 400
<b>10383</b>	1 097 323	348, 400
<b>10404</b>	170 330 00 75	591, 605, 657
<b>10569</b>	7705615	346
<b>10570</b>	7705616	346
<b>10571</b>	46430002	329
<b>10571</b>	46430002	502
<b>10572</b>	46430003	329
<b>10572</b>	46430003	502
<b>10590</b>	5 030 221	414
<b>10591</b>	5 030 222	414
<b>10659</b>	3817.41	225, 247, 274, 277, 278
<b>10660</b>	3817.42	225, 247, 274, 277, 278
<b>10662</b>	4A0 407 151	35, 36
<b>10663</b>	4A0 407 152	35, 36
<b>10790</b>	5958246	346
<b>10790</b>	5958246	504
<b>10793</b>	7669756	305, 336
<b>10793</b>	7669756	497
<b>10796</b>	210 330 88 07	591, 605, 615, 657
<b>10797</b>	210 330 87 07	591, 605, 615, 657
<b>10800</b>	4A0 407 183 D	35, 36
<b>10814</b>	1J0 407 181	45, 49, 121
<b>10900</b>	3817.11	260
<b>10900</b>	9750079980	312, 340
<b>11022</b>	210 320 36 89	615
<b>11023</b>	210 320 37 89	615
<b>11091</b>	1J0 407 151 C	45, 49
<b>11136</b>	124 352 35 65	847, 873, 878, 880
<b>11137</b>	8E0 407 505 A	57, 61, 69, 81
<b>11138</b>	8E0 407 506 A	57, 61, 69, 81
<b>11153</b>	210 333 68 14	617, 621, 643
<b>11155</b>	210 330 04 75	615
<b>11192</b>	202 333 77 14	591, 605, 615, 657
<b>11224</b>	4D0 407 510 K	57
<b>11225</b>	4D0 407 509 K	57
<b>11277</b>	3521.52	260


**Ref. - No.**


<b>11277</b>	7695190	312, 340
<b>11278</b>	3520.76	260
<b>11278</b>	7695191	312, 340
<b>11279</b>	9946949	302, 329, 330
<b>11279</b>	9946949	502
<b>11280</b>	4059.09	267, 271
<b>11280</b>	1306003080	334, 343
<b>11280</b>	1306003080	505
<b>11281</b>	4018.A3	268, 269
<b>11281</b>	1306716080	313, 314
<b>11282</b>	7633721	303, 341, 346
<b>11282</b>	7633721	494, 497
<b>11283</b>	9946948	329
<b>11283</b>	9946948	502
<b>11284</b>	3640.26	260
<b>11284</b>	7567284	312, 340
<b>11350</b>	4D0 407 151 P	59, 83, 95
<b>11351</b>	8E0 407 694 E	59, 83
<b>11352</b>	8E0 407 693 E	59, 83
<b>11354</b>	4B0 419 801 M	57, 81, 93
<b>11417</b>	3640.21	231
<b>11422</b>	5087.32	276
<b>11423</b>	5087.61	227, 229, 279, 280, 281
<b>11500</b>	6 517 356	426, 427, 428
<b>11756</b>	3523.50	226, 275
<b>11777</b>	3523.51	226, 275
<b>11784</b>	3640.17	260
<b>11814</b>	32 21 1 141 345	180
<b>11815</b>	32 21 1 141 346	180
<b>11816</b>	32 21 1 096 057	180
<b>11817</b>	32 11 1 094 673	162
<b>11818</b>	32 11 1 094 674	162
<b>11819</b>	31 12 1 141 723	180
<b>11820</b>	31 12 1 141 724	180
<b>11821</b>	31 12 1 142 087	180
<b>11822</b>	31 12 1 142 088	180
<b>11829</b>	3640.71	253, 277, 278
<b>11831</b>	3812.A4	267, 271
<b>11831</b>	9566950880	334, 343
<b>11831</b>	9566950880	505
<b>11847</b>	3812.99	278
<b>11850</b>	3640.36	226, 275



Ref. - No.

Car Division



Ref. - No.



Ref. - No.



11853	3812.A9	277
11864	901 326 00 81	882
11873	631 338 03 10	631
11874	631 338 04 10	631
11958	210 338 04 15	615
11959	210 338 05 15	615
11960	210 338 06 15	615
11977	93501180	342
11977	46407372	495
11978	93501181	342
11978	46407373	495
11988	1 476 246	347, 388
11990	1 613 139	347
11991	5 021 429	388
11996	1 233 553	386
11997	1 233 552	386
11998	1 234 258	386
11999	1 234 259	386
12001	1 020 496 S1	386
12002	1 361 653	386
12020	1 652 651	350, 350, 350, 406, 406, 406
12025	4018.A4	268, 269
12025	9945836	313, 314
12034	4006.24 S1	268, 269
12034	1306716080 S1	313, 314
12040	9941625	303, 341
12040	9941625	494, 496
12041	9945562	302, 329
12041	9945562	502
12044	3520.P8	267, 271
12044	71737047	334, 343
12044	71737047	505
12045	3521.K4	267, 271
12045	71737048	334, 343
12045	71737048	505
12059	7636995	305, 336
12060	7636996	305, 336
12061	60570627	1, 3, 15
12061	60570627	304, 306, 307, 342
12061	60570627	495, 496
12062	7601642	1, 3, 15
12062	7601642	304, 306, 307, 342

12062	7601642	495, 496
12063	7760424	304, 306, 307, 342
12063	7760424	495, 496
12064	5087.35	267, 271
12064	1317425080	334, 343
12064	1317425080	505
12065	5093.15	267, 268, 269, 271
12065	1313056080	313, 314, 334, 343
12065	1313056080	505
12066	5094.69	267, 271
12066	1305782080	334, 343
12066	1305782080	505
12080	5087.35 S1	267, 271
12080	1317425080 S1	334, 343
12080	1317425080 S1	505
12087	1 637 182	351, 407
12088	1 637 184	351, 407
12096	60570627 S1	1, 3, 15
12096	60570627 S1	304, 306, 307, 342
12096	60570627 S1	495, 496
12098	1 011 665	414
12099	1 011 665 S1	414
12102	1 121 510	386
12152	3521.53	260
12152	7695185	312, 340
12153	3520.77	260
12153	7695186	312, 340
12194	638 460 00 48	664
12195	638 460 00 55	664
12196	05104075AA	223
12196	901 333 12 27	661, 662
12197	901 460 01 48	661
12198	901 460 01 55	661
12291	7591277	316, 345
12292	7674701	316, 345
12299	33 32 6 770 749	735, 737, 739, 743, 747, 749, 755, 761
12307	32 13 1 132 798	133, 135, 137, 202
12308	32 13 1 128 685	133, 137
12375	3561.08	260
12375	4339248	312, 340
12376	7563151	346
12377	7544738	316, 345


**Ref. - No.**


<b>12378</b>	31 12 1 094 233	163
<b>12379</b>	31 12 1 094 234	163
<b>12380</b>	32 21 1 138 850	178
<b>12385</b>	3520.N3	268, 269
<b>12385</b>	1339465080	313, 314
<b>12386</b>	3521.J3	268, 269
<b>12386</b>	1339467080	313, 314
<b>12399</b>	129 351 21 42	837, 843, 847, 853, 881
<b>12473</b>	46456660	311, 325, 337, 339
<b>12474</b>	46456189	311, 325, 337, 339
<b>12475</b>	9947437	1, 3, 15
<b>12475</b>	9947437	303, 306, 341
<b>12475</b>	9947437	494, 496
<b>12476</b>	9947438	1, 3, 15
<b>12476</b>	9947438	303, 306, 341
<b>12476</b>	9947438	494, 496
<b>12528</b>	31 12 6 777 851	144, 206
<b>12529</b>	31 12 6 777 852	144, 206
<b>12531</b>	1 661 562	356, 358, 360
<b>12532</b>	1 659 374	356, 356, 356, 358, 358, 358, 360, 360, 360
<b>12537</b>	46454595	325, 339
<b>12538</b>	46454596	325, 339
<b>12539</b>	46539278	325, 337, 339
<b>12540</b>	46539279	325, 337, 339
<b>12546</b>	7601261	326
<b>12546</b>	7601261	504
<b>12547</b>	5960835	326
<b>12555</b>	7543028	316, 345
<b>12556</b>	60511622	6
<b>12556</b>	82387676	308
<b>12556</b>	82387676	500
<b>12557</b>	60510360	6
<b>12558</b>	46474557	1, 3, 15
<b>12558</b>	46474557	304, 306, 307, 322
<b>12558</b>	46474557	495, 496
<b>12559</b>	46474556	1, 3, 15
<b>12559</b>	46474556	304, 306, 307, 322
<b>12559</b>	46474556	495, 496
<b>12560</b>	60588844	6
<b>12560</b>	82480038	308


**Ref. - No.**


<b>12560</b>	82480038	500
<b>12561</b>	60588843	6
<b>12561</b>	82480039	308
<b>12561</b>	82480039	500
<b>12565</b>	168 330 15 35	583
<b>12566</b>	168 330 16 35	583
<b>12567</b>	6 156 463	423
<b>12569</b>	46429835	302, 329
<b>12569</b>	46429835	502
<b>12570</b>	46429834	302, 329
<b>12570</b>	46429834	502
<b>12571</b>	5960321	326
<b>12571</b>	5960321	504
<b>12574</b>	5 021 446	425
<b>12575</b>	5 021 447	425
<b>12576</b>	31 12 0 006 482	165, 180
<b>12580</b>	33 32 6 768 791	735, 747
<b>12581</b>	33 32 6 767 831	735
<b>12582</b>	33 32 6 767 832	735
<b>12620</b>	31 12 1 141 717	163, 208
<b>12621</b>	31 12 1 141 718	163, 208
<b>12622</b>	31 12 1 092 023	163, 208
<b>12623</b>	31 12 1 092 024	163, 208
<b>12638</b>	1 029 836	414
<b>12639</b>	6 185 335	417
<b>12642</b>	32 13 1 092 876	162, 208
<b>12643</b>	32 13 1 092 876 S1	162, 208
<b>12646</b>	32 21 1 139 786	139, 204
<b>12647</b>	32 21 1 139 786 S1	139, 204
<b>12658</b>	1J0 407 365 H	45, 49
<b>12660</b>	1J0 407 366 H	45, 49
<b>12665</b>	1 661 562 S1	356, 358, 360
<b>12677</b>	6 589 457	425
<b>12678</b>	6 589 456	425
<b>12683</b>	32 21 1 091 723	164
<b>12684</b>	32 21 1 091 724	164
<b>12685</b>	7603476	346
<b>12696</b>	32 10 6 774 220	143, 206
<b>12697</b>	32 10 6 774 221	143, 206
<b>12698</b>	32 10 6 777 503	143, 206
<b>12699</b>	32 10 6 777 504	143, 206
<b>12700</b>	33 32 6 775 551	724, 727, 759, 760
<b>12757</b>	4 775 683	348, 398, 400, 402





Ref. - No.

Car  
Division

Ref. - No.



Ref. - No.



12758	9947714	1, 3, 15
12758	9947714	303, 307, 311, 322, 323
12758	9947714	495
12759	9947713	307, 322, 323
12768	51701045	322, 323
12768	51701045	495, 498
12800	1 107 013	371
12801	1 107 015	371
12807	4 119 193 S1	348, 398, 400, 402
12809	4066.18	260
12809	9750000280	312, 340
12810	4066.19	260
12810	9750000380	312, 312, 340, 340
12811	4066.18 S1	260
12811	9750000280 S1	312, 340
12812	4066.19 S1	260
12812	9750000380 S1	312, 340
12835	1 024 130	352, 408
12840	5087.37	268, 269
12840	1300716080	313, 314
12841	5087.37 S1	268, 269
12841	1300716080 S1	313, 314
12903	32 21 1 141 592	164, 180
12904	8AB2-32-280	528, 531, 532, 536, 538, 541
12905	3 405 915	410
12905	GA2A-32-280A	533, 535, 537, 539, 540, 542
12906	B455-32-24X	531, 532
12907	B456-32-25X	531, 532
12908	3 707 090	410
12908	GA6B-34-300E	535
12909	3 703 255	410
12909	GA6B-34-350E	535
12913	45046-29305	515
12944	53540-SK3-E01	443
12975	000 330 85 35	624
14034	124 330 18 07	572
14035	124 330 19 07	572
14036	201 330 40 07	556, 564
14037	201 330 41 07	556, 564

14081	8A0 407 181	19, 21, 23, 25, 27, 29, 31, 101, 103, 105, 107, 109, 110, 111, 694, 695
14083	7700064	305, 336
14085	9945564 SK	302, 329, 330
14085	9945564 SK	502
14101	9941582 SK	303, 306, 341
14101	9941582 SK	494, 496
14121	FTC 3570	506, 512
14122	RTC 5869	506
14123	RTC 5870	506
14124	QFS000010	512
14125	QFS000060	512
14137	129 330 02 03	557, 651
14140	001 330 70 35	557, 651
14141	001 330 54 35	557, 651
14146	811 411 327 A	19, 21, 25, 27, 101, 103
14147	B455-34-550	531
14148	893 407 147 G	19, 21, 25, 101, 103
14167	BTDA-34-550	531, 532, 538
14168	1J0 422 804 H	43, 47
14170	1J0 422 803 H	43, 47
14172	1J0 422 804 A	43, 47
14174	1J0 422 803 A	43, 47
14180	1J0 422 811 B	43, 47
14182	1J0 422 812 B	43, 47
14184	1J0 422 811 A	43, 47
14186	1J0 422 812 A	43, 47
14223	140 460 29 01	639
14224	124 460 79 01	557
14225	129 460 15 01	651, 655
14226	140 330 77 07	640
14227	140 330 76 07	640
14231	1 063 372	363, 365, 411
14231	1E01-34-153A	529
14232	1 055 191	363, 365, 411
14232	1E00-34-153A	529
14233	124 330 07 75 S1	572
14235	5995503	326
14240	8A0 407 175	29, 31, 107, 109, 110


**Ref. - No.**


<b>14242</b>	811 407 175 A	17, 19, 21, 25, 101, 103
<b>14243</b>	1 710 792	363, 411
<b>14243</b>	1E01-34-300F	529
<b>14244</b>	1 710 796	363, 411
<b>14244</b>	1E01-34-350F	529
<b>14245</b>	1 710 791	363
<b>14245</b>	1E00-34-300F	529
<b>14246</b>	1 710 795	363
<b>14246</b>	1E00-34-350F	529
<b>14247</b>	1 330 236	365
<b>14248</b>	1 330 237	365
<b>14260</b>	857 407 175	21, 23, 25, 27, 101, 103, 105, 107
<b>14310</b>	4D0 407 505 H	93
<b>14339</b>	9946947 SK	329, 341
<b>14339</b>	9946947 SK	502
<b>14440</b>	1J0 407 365 H S1	45, 49
<b>14444</b>	1J0 407 366 H S1	45, 49
<b>14522</b>	210 330 76 07	615
<b>14523</b>	210 330 77 07	615
<b>14527</b>	1 634 900	351, 407
<b>14716</b>	1J0 411 314 C	45, 51
<b>14718</b>	1J0 411 314 T	51, 121
<b>14739</b>	6 608 818	423, 426, 427, 428
<b>14923</b>	33 32 6 770 786	724, 727, 752
<b>14942</b>	124 323 49 85	554, 562, 566, 572, 591, 605, 617, 652
<b>14944</b>	124 323 37 85	554, 562, 568, 572
<b>14948</b>	201 323 49 85	554, 570, 572
<b>14950</b>	124 323 56 85	554, 558, 562
<b>14952</b>	124 323 50 85	558, 566, 574, 657
<b>14953</b>	124 320 19 47	558, 652
<b>15068</b>	MR296269	680, 684, 686
<b>15069</b>	MR296270	680, 684, 686
<b>15070</b>	MB860829	680, 684, 686
<b>15071</b>	MB176308	680, 683
<b>15072</b>	MB176309	681, 683
<b>15073</b>	MB241818	681
<b>15074</b>	MB912519	675, 687, 688
<b>15075</b>	MB288119	681
<b>15266</b>	1 961 668	397
<b>15269</b>	1 954 431	397


**Ref. - No.**


<b>15270</b>	1 954 430	397
<b>15272</b>	MB831043	680, 684, 686
<b>15273</b>	MB831044	684, 686
<b>15300</b>	MB527650	681
<b>15381</b>	210 323 14 85	615
<b>15402</b>	MR476457	671, 673, 676, 677
<b>15403</b>	MR244901	671
<b>15410</b>	4D0 411 317 J	59
<b>15411</b>	3 410 591	410
<b>15411</b>	GA2A-34-150A	532, 535, 542, 821
<b>15412</b>	3 410 592	410
<b>15412</b>	GA2A-34-170A	532, 535, 542, 821
<b>15413</b>	3 799 085	789
<b>15413</b>	GA2C-28-170B	819
<b>15414</b>	4056A014	670, 672, 674, 675, 676, 686, 687
<b>15455</b>	51450-SM4-023	435
<b>15477</b>	51450-SH3-023	438, 447
<b>15478</b>	51460-SH3-023	438, 447
<b>15495</b>	51220-SM4-013	434, 435, 436, 453
<b>15497</b>	53540-SM4-003	434, 435
<b>15498</b>	53560-SM4-003	434, 435
<b>15501</b>	53540-SH3-013	438, 447
<b>15502</b>	53560-SH3-013	438, 447
<b>15520</b>	140 323 19 85	615
<b>15522</b>	140 323 14 85	640
<b>15525</b>	124 323 54 85	554, 562, 591, 605, 657
<b>15535</b>	51460-SM4-023	435
<b>15539</b>	53540-S04-013	439, 441, 444, 448
<b>15541</b>	53560-S04-013	439, 441, 444, 448
<b>15553</b>	51450-SR3-023	439, 448
<b>15555</b>	51460-SR0-A02	439, 448
<b>15563</b>	168 330 23 07	583
<b>15564</b>	168 330 24 07	583
<b>15677</b>	MR272116	671
<b>15681</b>	1 344 966	371
<b>15682</b>	1 344 968	371
<b>15694</b>	124 330 34 07	554, 556, 558, 560, 562, 564, 566, 652
<b>15695</b>	124 330 35 07	554, 556, 558, 560, 562, 564, 566, 652
<b>15768</b>	51842192	330



Ref. - No.

Car  
Division 

Ref. - No.



Ref. - No.



<b>15769</b>	51842193	330
<b>15885</b>	4402649	346
<b>15977</b>	3520.78	226, 275
<b>15979</b>	3520.79	226, 275
<b>15986</b>	823 411 327 B	19, 21, 101
<b>17059</b>	KB092-32-280	488
<b>17059</b>	B092-32-280	528, 530
<b>17061</b>	GJ83-34-300B	534
<b>17071</b>	GJ83-34-350B	534
<b>17099</b>	124 320 21 47	554, 562
<b>17100</b>	124 320 18 47	554, 572
<b>17101</b>	201 320 08 47	570, 572
<b>17114</b>	05104059AA	223
<b>17114</b>	901 320 02 89 S1	661
<b>17115</b>	05104060AA	223
<b>17115</b>	901 320 03 89 S1	661
<b>17117</b>	901 320 00 89	882
<b>17118</b>	1 679 390	399, 401
<b>17119</b>	1 047 853	353, 353, 353, 357, 357, 357, 409, 409, 409
<b>17129</b>	5087.40	275, 277
<b>17136</b>	31 12 1 092 609	165
<b>17137</b>	31 12 1 092 610	165
<b>17207</b>	638 323 02 68	664
<b>17208</b>	638 323 03 68	664
<b>17214</b>	8D0 411 318 D	59, 83
<b>17216</b>	8D0 411 317 D	59, 83
<b>17265</b>	210 350 33 06	826, 828, 834, 837, 843, 844, 847, 852, 872, 877, 879
<b>17266</b>	210 350 34 06	826, 828, 834, 837, 843, 844, 847, 852, 872, 877, 879
<b>17267</b>	210 350 38 06	826, 828, 834, 837, 843, 844, 847, 852, 872, 877, 879
<b>17270</b>	124 350 68 06	834, 837
<b>17271</b>	124 350 65 06	834, 837
<b>17273</b>	210 350 45 06	826, 828, 834, 837, 843, 844, 847, 852, 872, 877, 879, 880

<b>17300</b>	210 350 38 06 S1	826, 828, 834, 843, 844, 847, 852, 872, 877, 879
<b>17318</b>	50509340	2, 4, 10
<b>17319</b>	50509339	2, 4, 10
<b>17377</b>	31 35 6 780 847	144, 206
<b>17473</b>	202 323 02 85	591, 605
<b>17502</b>	96205809	293, 295
<b>17503</b>	520808	293
<b>17504</b>	520838	295
<b>17505</b>	96300648	295
<b>17506</b>	96316765	215
<b>17506</b>	96316765	293
<b>17558</b>	001 330 43 35	567
<b>17561</b>	001 330 38 35	567
<b>17562</b>	001 330 39 35	567
<b>17563</b>	001 330 40 35	567
<b>17564</b>	631 338 05 10	624, 631
<b>17565</b>	631 330 04 35	631
<b>17566</b>	631 463 00 29	631
<b>17572</b>	631 330 03 03	631
<b>17573</b>	631 330 07 03	631
<b>17574</b>	631 330 04 03	631
<b>17575</b>	631 330 06 03	631
<b>17577</b>	631 460 07 05	631
<b>17595</b>	6 158 242	424, 425
<b>17612</b>	5087.33	226
<b>17631</b>	G030-99-356	534
<b>17676</b>	893 419 802	24, 26, 28, 30, 106, 108, 110
<b>17678</b>	124 323 51 85	556, 558, 560, 564, 566
<b>17679</b>	124 323 45 85	556, 560, 564, 566
<b>17680</b>	124 323 44 85	556, 564, 566, 572, 657
<b>17715</b>	3640.51	227
<b>17722</b>	3520.H5	227, 228, 279, 280, 281
<b>17723</b>	3640.42	227, 281
<b>17725</b>	3521.E5	227, 228, 279, 280, 281
<b>17751</b>	3817.43	277, 278
<b>17753</b>	3817.44	277, 278


**Ref. - No.**


<b>17766</b>	3812.C0	227, 228, 279, 281
<b>17779</b>	33 55 1 094 619	727
<b>17781</b>	3523.75	227, 228, 279, 281
<b>17786</b>	3520.54	276
<b>17787</b>	3521.37	276
<b>17805</b>	129 323 01 85	591, 605, 617, 624, 652
<b>17807</b>	203 323 20 85	593, 603, 607
<b>17817</b>	5094.65	227, 279, 280, 281
<b>17837</b>	51810-SH3-004	438, 439, 440, 447, 448
<b>17839</b>	52622-SH3-010	792, 794, 796
<b>17841</b>	52365-SH3-000	792, 794, 796
<b>17921</b>	1 085 520	371, 420, 431
<b>17923</b>	3 707 333	371, 420, 431
<b>17969</b>	5087.74	235, 237, 239, 240, 241, 244, 263
<b>17993</b>	51832938	323
<b>17993</b>	51832938	498
<b>17994</b>	51832937	323
<b>17994</b>	51832937	498
<b>18027</b>	4066.20	228, 259, 281
<b>18042</b>	4066.22	228, 229, 259, 279, 280, 281
<b>18043</b>	4066.43	227, 229, 279, 280, 281
<b>18045</b>	124 323 54 85 S1	554, 562, 591, 605
<b>18046</b>	124 323 56 85 S1	554, 562
<b>18047</b>	124 323 44 85 S2	556, 564
<b>18048</b>	124 323 45 85 S2	556, 560, 564
<b>18057</b>	124 323 44 85 S1	566, 657
<b>18058</b>	124 323 45 85 S1	566
<b>18060</b>	1 047 852	359, 359, 359
<b>18061</b>	-	359, 359, 359
<b>18062</b>	1 047 797	361, 361, 361, 363, 363, 363, 364, 364, 365, 391, 391, 391, 393, 393, 393, 411, 411, 411
<b>18073</b>	169 330 10 07 S3	583, 585, 588
<b>18073</b>	168 333 06 14	583, 585, 588
<b>18074</b>	168 333 07 14	583, 585, 588
<b>18075</b>	906 326 09 81	664, 665, 883, 884
<b>18076</b>	6 150 970	423, 426, 427, 428


**Ref. - No.**


<b>18077</b>	6 150 971	423, 426, 427, 428
<b>18084</b>	8A0 407 465 C	31
<b>18086</b>	8A0 407 465	25, 27, 29, 31, 107, 109, 110
<b>18102</b>	202 323 02 85 S1	591, 605
<b>18105</b>	48830-32020	813
<b>18107</b>	48820-33010	515
<b>18129</b>	1 047 798	357, 357, 357
<b>18130</b>	1 679 401	371
<b>18143</b>	33 32 6 770 813	724, 727, 752, 758, 759, 760
<b>18165</b>	638 326 01 16	884
<b>18179</b>	3523.92	230, 247, 249, 250, 251, 265, 266
<b>18183</b>	52385-SR3-000	792, 794, 795
<b>18185</b>	4066.30	277
<b>18187</b>	4066.41	267, 271
<b>18187</b>	9404066418	334, 343
<b>18187</b>	9404066418	505
<b>18214</b>	9947920	2, 4, 7, 10
<b>18214</b>	9947920	501
<b>18215</b>	9947919	2, 4, 7, 10
<b>18215</b>	9947919	501
<b>18216</b>	60613575	689, 690, 692
<b>18264</b>	1J0 411 315 J	45, 51
<b>18266</b>	1J0 411 315 G	45, 51
<b>18268</b>	46843389	2, 4, 10
<b>18279</b>	901 320 02 89	661
<b>18281</b>	3812.27	260
<b>18281</b>	9790002680	312, 340
<b>18299</b>	05104066AA	223
<b>18299</b>	901 323 02 85	661
<b>18347</b>	3523.52	226, 275
<b>18424</b>	3520.V3	229, 280
<b>18425</b>	3521.R4	229, 280
<b>18427</b>	5087.49	278
<b>18492</b>	4D0 511 523 C	694, 696, 697
<b>18495</b>	1 061 570	371
<b>18497</b>	1 067 918	371
<b>18501</b>	1 012 632	386
<b>18503</b>	1 007 602	386
<b>18539</b>	7 257 202	356, 360, 392
<b>18604</b>	901 323 01 85	661



Ref. - No.

Car Division



Ref. - No.



Ref. - No.



18686	31 12 6 783 376	144, 206
18687	31 12 6 756 063	144, 206
18688	31 12 6 756 064	144, 206
18802	31 12 2 343 353	144, 144, 206
18802	31 12 2 343 359	144, 144, 206
18803	31 12 2 343 352	144, 144, 206
18842	4A0 399 413 A	35, 36
18844	4A0 407 183 D S1	35, 36
18874	904 323 00 85	661
18875	904 326 08 81	882, 883, 883, 883
18876	7 102 392	353, 357, 359, 361, 363, 365, 409, 411, 776
18876	1E00-34-156	529
18890	4A0 407 151 S1	35, 36
18892	4A0 407 152 S1	35, 36
18901	33 32 6 767 748	735, 737, 739, 743, 747, 749, 755, 761
19009	3520.H5 S1	227, 228, 279, 281
19022	4D0 411 317 K	83, 95
19120	3521.81	277
19121	3520.C1	277
19124	96 083 570	277
19145	000 460 37 80	651
19147	000 460 39 80	651
19150	000 460 44 80	624, 651
19152	000 460 45 80	651
19153	000 460 47 80	624, 651
19154	000 460 48 61	624, 649, 651
19155	000 460 80 80	651
19158	000 586 84 46	624, 649
19222	95 597 955	231
19225	5087.60	253, 277
19235	BC1D-28-170A	819
19236	B26R-28-170	819, 822
19237	B26R-34-170	533, 540
19244	7736515 S3	770, 775
19244	7736515 S3	809
19276	1 111 156	386
19279	1 209 035	371
19296	1J0 411 315 D	51, 121
19298	1J0 411 316 D	51, 121
19299	1 106 269	348, 399, 401

19332	168 320 11 89	583
19333	203 320 28 89	593, 595, 603, 607
19336	8N0 422 811 A	47, 121
19342	8N0 422 812 A	47, 121
19387	51220-S04-003	433, 438, 439, 440, 441, 444, 447
19397	5087.78	230, 247, 248, 249, 251, 265, 265, 266
19399	MR272118	889
19403	5087.51	258
19403	1331209080	344
19403	1331209080	499
19449	1 003 609	363, 365, 393
19451	6 150 977	423
19452	1 073 217	371
19453	7 200 957	386
19457	71747915 S2	304, 342
19458	71747916 S1	304, 342
19459	71747915 S1	304, 342
19469	51801136	301, 305, 338
19469	1 580 517	394
19469	51801136	497, 503
19472	51842193 S	327, 330
19472	1 639 575 S	394
19473	51842193 S1	330
19475	46430002 S2	329
19476	46430003 S1	329
19477	46430002 S1	329
19478	638 352 06 50	884
19518	6R0 411 315 A	39, 41
19562	638 333 00 27	664, 664, 664
19569	895 407 203	107, 109, 110
19651	1 219 697	403
19651	C2S 39552	478, 479
19665	31 30 6 781 545	183
19666	31 30 6 781 546	183
19667	31 35 6 750 703	197
19668	31 35 6 750 704	197
19669	31 35 1 095 664	165
19670	33 50 6 781 538	749
19671	33 55 1 096 735	755
19673	MN133617	671
19674	MN133618	671


**Ref. - No.**


<b>19685</b>	203 320 29 89 S1	593, 595, 603, 607
<b>19686</b>	51320-S04-003	440, 441, 444
<b>19702</b>	8D0 411 318 D S1	59, 83
<b>19704</b>	8D0 411 317 D S1	59, 83
<b>19716</b>	96 145 457	277
<b>19721</b>	1 217 036	414
<b>19729</b>	51392-SR3-024	438, 439, 440, 447, 448
<b>19731</b>	3520.92	226, 275
<b>19733</b>	3520.93	226, 275
<b>19760</b>	443 505 351 P	696, 697
<b>19762</b>	443 505 352 P	696, 697
<b>19808</b>	893 505 365 C	694, 695
<b>19810</b>	893 505 366 C	694, 695
<b>19820</b>	1J0 407 151 C S1	45, 45, 49, 49
<b>19822</b>	1J0 407 151 C S2	45, 45, 49, 49
<b>19825</b>	1 127 646	403
<b>19825</b>	C2S 3248	478, 479
<b>19830</b>	1 487 402	777, 777, 777, 781, 781, 781
<b>19841</b>	124 320 04 89	845, 853, 873
<b>19857</b>	1 206 474	787
<b>19858</b>	1 118 921	787
<b>19859</b>	1 118 920	787
<b>19861</b>	203 320 30 89 S1	595
<b>19862</b>	32 13 1 094 629	139, 204
<b>19864</b>	203 320 07 89	837, 843, 847
<b>19865</b>	203 320 08 89	837, 843, 847
<b>19873</b>	1 202 549	367, 385
<b>19873</b>	DE90-32-290	523
<b>19874</b>	1 202 548	367, 385
<b>19874</b>	DE90-32-280	523
<b>19875</b>	3 903 147	400
<b>19877</b>	3 903 149	400
<b>19879</b>	4 111 327	402
<b>19917</b>	4066.32	225, 274
<b>19919</b>	4066.37	277
<b>19921</b>	4066.42	277, 278
<b>19926</b>	4B0 407 515	57, 61, 69, 81
<b>19927</b>	3812.E1	235, 237, 239, 244
<b>19932</b>	4B3 407 151 K	59, 83, 95
<b>19935</b>	3812.E0	247
<b>19937</b>	3812.C8	253


**Ref. - No.**


<b>19959</b>	50700779	338
<b>19961</b>	50700797	338
<b>19963</b>	9949218	305, 338
<b>19963</b>	9949218	497
<b>19965</b>	9949217 S1	338
<b>19980</b>	1 448 621	393
<b>19981</b>	1 448 622	393
<b>21015</b>	415 320 01 89	608
<b>21017</b>	1 130 452	787
<b>21019</b>	1 127 648	787
<b>21021</b>	1 761 200	367, 385
<b>21021</b>	DD32-34-170	523
<b>21077</b>	31 35 2 227 203	141
<b>21126</b>	N 104 253 01 S1	59
<b>21174</b>	204 352 00 27	827, 829, 835, 837, 838, 839, 840, 843, 845, 847, 848, 849, 851, 853, 854, 856, 860, 861, 868, 869, 870, 873, 874, 876, 878, 880, 881
<b>21182</b>	31 12 1 141 961	165
<b>21183</b>	31 12 1 141 962	165
<b>21194</b>	4D0 407 183 AC	59, 63, 71, 83, 95
<b>21196</b>	8E0 407 693 AG	59, 63, 71, 83, 95
<b>21198</b>	8E0 407 694 AG	59, 63, 71, 83, 95
<b>21204</b>	60630757	7
<b>21205</b>	60628255	691
<b>21206</b>	60628284	691
<b>21219</b>	204 333 10 14	593, 597, 603, 607, 613, 623, 627, 659
<b>21250</b>	5094.59	226, 275
<b>21251</b>	1 141 294	401
<b>21252</b>	1 141 293	401
<b>21256</b>	140 320 17 89	867
<b>21257</b>	4 045 250	362, 371, 392, 411
<b>21258</b>	60695895	7
<b>21259</b>	4 045 250 S1	362, 371, 392, 411
<b>21260</b>	60695896	7
<b>21262</b>	140 320 35 89	867
<b>21281</b>	1 063 988	393
<b>21282</b>	1 063 987	393
<b>21292</b>	124 330 14 03	567
<b>21293</b>	124 330 15 03	567



Ref. - No.

Car  
Division

Ref. - No.



Ref. - No.



<b>21305</b>	33 32 6 774 796	755
<b>21352</b>	6 869 950	423, 426, 427, 428
<b>21353</b>	6 869 950 S1	423, 426, 427, 428
<b>21356</b>	211 320 33 89	850, 855, 875
<b>21357</b>	211 320 39 89	611, 619
<b>21358</b>	211 320 38 89	611, 619
<b>21401</b>	168 981 03 18	831
<b>21402</b>	168 981 05 18 S1	831
<b>21408</b>	203 333 09 14	593, 603, 607, 659
<b>21410</b>	211 333 11 14	611, 619
<b>21425</b>	33 32 6 777 424	735, 737, 739, 743, 749
<b>21439</b>	203 330 39 11 S1	593, 603, 607, 627, 659
<b>21440</b>	203 330 40 11 S1	593, 603, 607, 627, 659
<b>21441</b>	204 330 19 11	593, 603, 607, 659
<b>21442</b>	204 330 20 11	593, 603, 607, 659
<b>21443</b>	211 330 15 11	611, 619, 654
<b>21444</b>	211 330 16 11	611, 619, 654
<b>21445</b>	211 330 89 07	611, 619
<b>21446</b>	211 330 90 07	611, 619
<b>21449</b>	901 460 02 05	661
<b>21450</b>	638 460 02 05	664
<b>21455</b>	31 12 6 760 275	197
<b>21456</b>	31 12 6 760 276	197
<b>21461</b>	31 12 1 139 789	134, 136, 138, 141, 203, 205
<b>21462</b>	31 12 1 139 790	134, 136, 138, 141, 203, 205
<b>21463</b>	31 12 1 136 531	141, 142, 205, 205
<b>21464</b>	31 12 1 136 532	141, 142, 205, 205
<b>21465</b>	31 12 1 136 531 S1	141, 142, 205, 205
<b>21466</b>	31 12 6 758 513 S1	141
<b>21467</b>	31 12 6 758 514 S1	141
<b>21468</b>	31 12 9 058 814 S1	134, 134, 136, 136
<b>21469</b>	31 12 9 058 814 S2	134, 134, 136, 136
<b>21470</b>	31 12 9 058 815 S1	134, 134, 136, 136
<b>21471</b>	31 12 9 058 815 S2	134, 136, 136
<b>21472</b>	31 12 9 058 931 S1	134, 134, 136, 136, 138, 138, 203, 203
<b>21473</b>	31 12 9 058 931 S2	134, 136, 136, 138, 138, 203, 203

<b>21483</b>	31 12 6 761 409	667
<b>21484</b>	31 12 6 761 410	667
<b>21485</b>	31 10 6 779 437	667
<b>21486</b>	31 10 6 779 438	667
<b>21487</b>	31 12 6 756 309	667
<b>21488</b>	32 11 6 780 785	667
<b>21489</b>	32 11 6 780 786	667
<b>21490</b>	3640.73	230, 247, 249, 250, 251, 265, 266
<b>21491</b>	3817.55	235, 237, 239, 244
<b>21492</b>	3817.56	235, 237, 239, 244
<b>21495</b>	32 21 6 754 565	667
<b>21496</b>	32 21 6 754 566	667
<b>21497</b>	KIT 01	59
<b>21498</b>	KIT 02	59, 83
<b>21499</b>	KIT 03	59, 63, 83, 94, 94, 95
<b>21500</b>	8D0 498 998	59, 81
<b>21501</b>	KIT 04	59, 63, 83, 95
<b>21502</b>	8D0 498 998 S1	59, 83
<b>21503</b>	KIT 05	57
<b>21505</b>	KIT 06	57, 61, 81, 93
<b>21513</b>	31 12 6 777 939	175, 183
<b>21514</b>	31 12 6 777 940	175, 183
<b>21517</b>	31 12 6 769 715	197
<b>21530</b>	211 333 10 14	611, 619, 654
<b>21560</b>	000 330 00 18	593, 599, 603, 607, 611, 619, 643, 654, 659
<b>21611</b>	3523.94	268, 269
<b>21611</b>	1320755080 SK	313, 314
<b>21613</b>	3523.93	268, 269
<b>21613</b>	1320756080 SK	313, 314
<b>21620</b>	31 12 6 769 717	197
<b>21621</b>	31 12 6 769 718	197
<b>21637</b>	163 330 01 35	629
<b>21638</b>	163 338 02 15	629
<b>21674</b>	1 522 081	403
<b>21674</b>	C2S 39661	478, 479
<b>21675</b>	1 522 130	403
<b>21675</b>	C2S 39662	478, 479
<b>21681</b>	1 706 971	367, 385
<b>21681</b>	DD32-34-350	523


**Ref. - No.**


<b>21682</b>	1 706 970	367, 385
<b>21682</b>	DD32-34-300	523
<b>21698</b>	1J0 422 831 B	43, 47
<b>21700</b>	6E0 419 831	40
<b>21733</b>	1 102 950	401
<b>21739</b>	31 12 6 774 831	183
<b>21740</b>	31 12 6 774 832	183
<b>21750</b>	3 736 028 S1	429, 429
<b>21781</b>	1 679 382	366, 366, 367, 384, 384, 385
<b>21799</b>	638 323 05 68	664
<b>21801</b>	638 323 04 68	664
<b>21818</b>	5094.77	227, 229
<b>21820</b>	5094.66	281
<b>21840</b>	4F0 498 811 A SK	57, 65, 69, 81, 85
<b>21841</b>	31 12 0 304 308	183
<b>21849</b>	1 138 313	402
<b>21850</b>	3523.91	230, 247, 249, 250, 251, 265
<b>21852</b>	638 333 08 14	664
<b>21853</b>	638 333 00 14	664, 665
<b>21854</b>	638 333 08 14 S1	664
<b>21855</b>	1 128 725	348, 399, 401, 414
<b>21874</b>	GJ6A-28-170B	818
<b>21875</b>	GJ6A-34-170A	527
<b>21876</b>	GJ6A-34-150A	527
<b>21892</b>	8D0 407 509 G	57, 93
<b>21893</b>	8D0 407 510 G	57, 93
<b>21904</b>	8E0 407 509 A	57, 61, 69, 81, 93
<b>21906</b>	8E0 407 510 A	57, 61, 69, 81, 93
<b>21914</b>	5094.56	275
<b>21915</b>	5094.57	226, 275
<b>21920</b>	8E0 411 317	63, 67, 71
<b>21922</b>	8E0 411 318	63, 67, 71
<b>21924</b>	8E0 411 317 S1	63, 67, 71
<b>21926</b>	8E0 411 318 S1	63, 67, 71
<b>21928</b>	8E0 407 151 R	63, 67, 71
<b>21934</b>	3523.53	226, 275
<b>21953</b>	51866700	311, 325, 339
<b>21955</b>	51866701	311, 325, 339
<b>21959</b>	6 182 818	354, 389, 412, 416, 417


**Ref. - No.**


<b>21968</b>	205 352 05 08	838, 848, 849, 850, 851, 854, 855, 856, 860, 874, 875
<b>21999</b>	1 451 914	420, 429, 430, 431
<b>22020</b>	3817.59	253
<b>22021</b>	3817.60	253
<b>22022</b>	3640.65	237, 239, 243, 244
<b>22042</b>	8E0 419 801 B	61, 69
<b>22044</b>	4F0 419 811 E	57, 61, 69, 81, 93
<b>22046</b>	8E0 407 181 C	63, 67, 71
<b>22075</b>	220 320 36 89	861, 869
<b>22100</b>	3520.G9 S1	267, 271
<b>22100</b>	71737047 S1	334, 343
<b>22100</b>	71737047 S1	505
<b>22101</b>	3521.C9 S1	267, 271
<b>22101</b>	71737047 S1	334, 343
<b>22101</b>	71737047 S1	505
<b>22102</b>	3520.G9 S2	267, 271
<b>22102</b>	71737048 S2	334, 343
<b>22102</b>	71737048 S2	505
<b>22115</b>	3812.A6	278
<b>22136</b>	1 311 416 S1	403
<b>22136</b>	C2S3 9661 S1	478, 479
<b>22137</b>	1 311 416 S2	403
<b>22137</b>	C2S3 9661 S2	478, 479
<b>22138</b>	1 212 807 S1	367, 385
<b>22139</b>	1 212 807 S2	367, 385
<b>22140</b>	1 679 376	403
<b>22140</b>	C2S3 9661 S3	478, 479
<b>22153</b>	4 540 787	429, 430
<b>22155</b>	4 131 788	429, 430
<b>22247</b>	210 320 36 89 S1	615
<b>22262</b>	211 320 10 89 S1	611, 619
<b>22267</b>	3640.55	269
<b>22267</b>	1331640080	314
<b>22269</b>	3640.54	269
<b>22269</b>	1331641080	314
<b>22271</b>	3523.81	277
<b>22273</b>	3523.82	277
<b>22367</b>	31 12 1 092 609 S1	165
<b>22368</b>	31 12 1 092 610 S1	165
<b>22379</b>	51803183	309
<b>22384</b>	3521.P3	230, 247, 250, 251





Ref. - No.

Car  
Division 

Ref. - No.



Ref. - No.



<b>22385</b>	3520.S2	230, 247, 250, 251
<b>22406</b>	1 138 275	429, 430
<b>22408</b>	1 851 900	373, 375, 377, 379, 381, 382, 383, 395, 396
<b>22408</b>	BP4K-34-170D	524, 526
<b>22417</b>	905 320 04 89	662
<b>22418</b>	905 320 05 89	662
<b>22419</b>	905 320 05 89 S1	662
<b>22438</b>	31 12 6 757 551	667
<b>22446</b>	220 352 13 65	839, 840, 849, 854, 869, 870, 874
<b>22463</b>	LC62-34-170B	533, 537, 540
<b>22465</b>	B30H-28-170B	819, 822
<b>22469</b>	1 370 709	429, 430
<b>22470</b>	1 370 710	429, 430
<b>22473</b>	33 50 6 772 789	885, 885, 885
<b>22481</b>	31 35 6 778 831	667, 669
<b>22482</b>	31 35 1 507 989	667
<b>22612</b>	163 330 04 03	629
<b>22613</b>	163 330 01 03	629
<b>22614</b>	203 330 40 03	593, 603, 607, 659
<b>22615</b>	203 330 39 03	593, 603, 607, 659
<b>22620</b>	230 338 00 15	593, 599, 603, 607, 611, 619, 641, 653
<b>22628</b>	32 13 6 751 026	167, 181, 193, 195
<b>22633</b>	3520.V1 S1	235, 237, 244
<b>22634</b>	3521.R2 S1	235, 237, 244
<b>22635</b>	3523.98	235, 237, 239, 240, 244
<b>22636</b>	3523.AA	235, 237, 239, 240, 244
<b>22654</b>	211 333 22 14	611, 619
<b>22657</b>	05133818AA	223
<b>22657</b>	901 333 02 14	661
<b>22659</b>	140 352 44 65	867
<b>22670</b>	210 352 06 65	867
<b>22684</b>	95 603 309	226
<b>22715</b>	5094.E0	247
<b>22767</b>	4 472 940	367, 385
<b>22767</b>	DE90-32-240	523
<b>22785</b>	208 330 00 75 S1	605
<b>22787</b>	3520.K3	253

<b>22788</b>	3521.G3	253
<b>22794</b>	1J0 411 314 P	51, 121
<b>22801</b>	96268439	295
<b>22802</b>	96268440	295
<b>22804</b>	1J0 411 314 R	45, 51
<b>22823</b>	54500-25000	454, 475
<b>22824</b>	54501-25000	454, 475
<b>22839</b>	202 460 05 05	589, 604
<b>22846</b>	5087.52	257
<b>22847</b>	5087.53	257
<b>22861</b>	1 735 890	429, 430
<b>22862</b>	1 553 246	429, 430
<b>22872</b>	96 133 608	226
<b>22873</b>	96 133 609	226
<b>22907</b>	77367001	301, 327
<b>22907</b>	1 546 259	394
<b>22909</b>	77367002	301, 327
<b>22909</b>	1 546 260	394
<b>22911</b>	3520.Q2 S1	233
<b>22917</b>	638 330 00 10	664
<b>22919</b>	638 330 01 10	664
<b>22925</b>	4 330 628	367, 385
<b>22959</b>	77362506	327
<b>22965</b>	48068-33020	515
<b>22967</b>	48069-33020	515
<b>22969</b>	48068-33030	516
<b>22971</b>	48069-33030	516
<b>22988</b>	7 201 717	386, 783, 784
<b>23001</b>	51748653	309
<b>23002</b>	51748652	309
<b>23003</b>	71740107	309
<b>23033</b>	220 350 22 06	839, 869
<b>23034</b>	220 350 24 06	839, 869
<b>23035</b>	220 350 27 06	839, 868, 869
<b>23046</b>	4D0 411 327 J	63, 67, 71, 85, 99
<b>23047</b>	1 329 730	777, 778, 781
<b>23047</b>	BP4K-28-C10B	817, 818
<b>23051</b>	7 014 210	786
<b>23053</b>	1 054 209	776, 786
<b>23055</b>	GE4T-28-170	820
<b>23087</b>	230 330 04 03	599, 641, 653
<b>23125</b>	1 073 249	777
<b>23133</b>	6 521 812	427, 428


**Ref. - No.**


<b>23135</b>	6 521 811	427, 428
<b>23137</b>	230 338 00 15 S1	599, 641, 653
<b>23143</b>	51749713	689, 690
<b>23145</b>	60629903	689, 690
<b>23161</b>	51834093	2, 4, 10
<b>23163</b>	51834094	2, 4, 10
<b>23167</b>	7736514	775
<b>23167</b>	7736514	809
<b>23169</b>	7736515	775
<b>23169</b>	7736515	809
<b>23171</b>	1 954 778	397
<b>23215</b>	220 330 58 11	599, 643
<b>23216</b>	220 330 57 11	599, 643
<b>23217</b>	220 350 04 53	839, 869
<b>23219</b>	220 350 04 53 S1	839, 869
<b>23221</b>	168 330 13 35	583
<b>23229</b>	31 12 2 180 455	197
<b>23235</b>	220 320 15 89	643
<b>23236</b>	220 320 16 89	643
<b>23250</b>	4A1 498 020	36, 37
<b>23257</b>	1 332 453	420, 431
<b>23259</b>	1 332 463	790
<b>23313</b>	GJ6A-34-300E	527
<b>23355</b>	210 460 00 80 S2	615
<b>23356</b>	1K0 511 327 AP	701, 717
<b>23358</b>	1K0 511 327 AR	701
<b>23359</b>	31 12 6 765 992	167, 175
<b>23361</b>	31 12 0 305 612	167, 175
<b>23366</b>	1J0 411 336 D	45, 51, 55, 121
<b>23375</b>	NA01-34-170	538, 821
<b>23405</b>	3523.83	227, 229, 280
<b>23417</b>	211 330 04 35	599, 611, 619, 643, 654
<b>23459</b>	220 350 31 06	839, 868, 869
<b>23463</b>	140 350 56 06	867
<b>23469</b>	140 350 60 06	867
<b>23505</b>	211 990 00 99	850, 855, 875
<b>23507</b>	211 990 02 99	850, 855, 875
<b>23566</b>	8E0 505 172 B	707
<b>23568</b>	8E0 505 172 A	707, 708
<b>23575</b>	48810-33010	516, 520
<b>23577</b>	48820-33020	516, 520
<b>23579</b>	48830-33010	813


**Ref. - No.**


<b>23583</b>	45503-39135	515, 516
<b>23585</b>	45046-29255	515, 516, 520
<b>23589</b>	43330-39435	515, 516, 520
<b>23604</b>	1K0 511 439 E	701, 705, 706, 711, 713, 717
<b>23606</b>	1K0 511 327 AP S1	701, 717
<b>23609</b>	220 463 00 66	599, 641
<b>23636</b>	48820-28050	517, 521
<b>23694</b>	211 990 03 99	849, 854
<b>23700</b>	203 330 39 11 S1	593, 603, 607, 659
<b>23701</b>	203 330 39 11 S2	593, 603, 607
<b>23702</b>	203 330 39 11 S3	593, 603, 607
<b>23711</b>	NC10-34-170	539
<b>23712</b>	NC10-34-150	539
<b>23713</b>	LC70-34-170	537
<b>23714</b>	EA03-34-170A	538
<b>23715</b>	EA01-28-170D	820
<b>23731</b>	GR1A-34-J50	527
<b>23732</b>	GR1A-34-J00	527
<b>23753</b>	96391875	209, 213, 217, 218
<b>23753</b>	96391875	287, 290, 295, 295, 295, 296
<b>23755</b>	51460-S0A-003	436
<b>23757</b>	51450-S0A-003	436
<b>23763</b>	211 320 33 89 S1	850, 855, 875
<b>23800</b>	220 350 26 06 S1	868, 868
<b>23801</b>	220 350 26 06 S2	868
<b>23819</b>	51320-SK3-000	443
<b>23841</b>	4066.41 SK	267, 271
<b>23841</b>	9404066418 SK	334, 343
<b>23841</b>	9404066418 SK	505
<b>23844</b>	210 460 23 00	615, 616
<b>23888</b>	33 32 6 770 059	747, 761
<b>23889</b>	33 32 6 770 060	747, 761
<b>23902</b>	203 323 21 85	593, 603, 607
<b>23923</b>	32 21 1 095 955	143
<b>23924</b>	32 21 1 095 956	143
<b>23925</b>	32 21 1 096 059	164
<b>23935</b>	32 21 6 751 277	195
<b>23936</b>	32 21 1 096 327	195
<b>23939</b>	163 333 00 01	629
<b>23940</b>	163 333 01 01	629
<b>23952</b>	33 32 6 770 859	755



Ref. - No.

Car Division 



Ref. - No.



Ref. - No.



<b>23953</b>	33 32 6 770 860	755
<b>23962</b>	230 350 27 06	849, 854, 874
<b>23963</b>	230 350 28 06	849, 854, 874
<b>23964</b>	230 350 35 06	849, 854, 874
<b>23965</b>	230 350 36 06	849, 854, 874
<b>23966</b>	230 350 20 06	849, 854, 874
<b>23996</b>	40 16 047 93R	285, 286
<b>24000</b>	211 350 98 06	849, 854, 874
<b>24001</b>	211 350 99 06	849, 854, 874
<b>24007</b>	230 350 04 29	849, 854, 874
<b>24008</b>	230 350 03 29	849, 854, 874
<b>24011</b>	211 350 97 06	849, 854, 874
<b>24016</b>	1 954 821	786
<b>24023</b>	G26A-32-290	527
<b>24024</b>	GJ6E-32-280A	527
<b>24122</b>	1K0 411 315 R	55, 113, 123
<b>24211</b>	1 061 668	777, 778, 779, 781, 782
<b>24211</b>	BP4K-28-500C	817, 818
<b>24212</b>	163 330 01 75	629, 862
<b>24219</b>	1 307 891	403
<b>24220</b>	1 124 418	787
<b>24223</b>	1 119 588	787
<b>24225</b>	1 152 852	367, 385
<b>24225</b>	DD32-34-156	523
<b>24240</b>	31 12 0 393 540	127, 149, 151, 153, 189, 191, 207
<b>24267</b>	414 320 03 89	666
<b>24293</b>	31 12 1 141 097 S1	161
<b>24294</b>	31 12 1 141 098 S1	161, 161
<b>24295</b>	31 12 1 141 097 S2	161, 161
<b>24296</b>	31 12 1 141 098 S2	161, 161
<b>24297</b>	31 12 1 139 999 S1	179, 179
<b>24298</b>	31 12 1 140 000 S1	179, 179
<b>24299</b>	31 12 1 139 999 S2	179, 179, 187, 187
<b>24300</b>	31 12 1 140 000 S2	179, 179, 187, 187
<b>24377</b>	6 867 577	776, 786
<b>24387</b>	6 203 229 S1	399, 399, 401, 401
<b>24390</b>	1K0 407 182	52, 55, 113, 123, 124
<b>24393</b>	6 203 229 S2	357, 357, 361, 361, 393, 393
<b>24532</b>	639 330 04 10	665

<b>24533</b>	639 330 05 10	665
<b>24545</b>	211 330 81 07	611, 619
<b>24546</b>	211 330 82 07	611, 619
<b>24575</b>	639 320 05 89	665
<b>24577</b>	639 320 04 89	665
<b>24578</b>	639 333 02 27 S1	665, 665, 665
<b>24600</b>	220 350 04 53 S2	839, 869
<b>24623</b>	31 30 6 781 547	166, 167
<b>24625</b>	31 30 6 781 548	166, 167
<b>24687</b>	7719062 S1	693
<b>24687</b>	7719062 S1	770, 770, 770, 775, 775, 775
<b>24687</b>	7719062 S1	809, 809
<b>24800</b>	8E0 498 998	63, 71
<b>24802</b>	8E0 498 998 S1	63, 71
<b>24804</b>	KIT 07	63, 71
<b>24808</b>	KIT 08	63, 71
<b>24832</b>	KIT 09	83
<b>24834</b>	KIT 10	83
<b>24849</b>	1 679 384	373, 375, 379, 381
<b>24863</b>	1 361 653 S1	386
<b>24900</b>	4B3 498 998	83
<b>24902</b>	4B3 498 998 S1	83
<b>24903</b>	54501-1C000	459
<b>24904</b>	54500-1C000	459
<b>24905</b>	54840-1C000	459
<b>24906</b>	54830-1C000	459
<b>24907</b>	54503-25A00	454, 459, 462, 475
<b>24907</b>	54503-25A00	487
<b>24908</b>	57755-1C000	459
<b>24909</b>	56820-22000	454, 457
<b>24910</b>	56540-02000	456, 471
<b>24911</b>	57755-02000	456, 471
<b>24912</b>	54840-2C000	457
<b>24913</b>	54830-2C000	457
<b>24914</b>	57730-29001	457, 464
<b>24915</b>	54830-29500	457, 464
<b>24916</b>	7 144 204	786
<b>24918</b>	7 144 202	776, 786
<b>24922</b>	55530-29500	797, 798, 800
<b>24923</b>	57785-26200	469
<b>24924</b>	54830-17020	454, 465, 466, 475
<b>24925</b>	54830-17010	454, 465, 466, 475


**Ref. - No.**


<b>24926</b>	54840-3A000	474
<b>24927</b>	54830-3A000	474
<b>24928</b>	54840-26100	469
<b>24929</b>	54830-26100	469
<b>24931</b>	53560-S1A-E01	436
<b>24932</b>	53540-S1A-E01	436
<b>24939</b>	51320-S84-A01	436
<b>24940</b>	51321-S84-A01	436
<b>24944</b>	52320-S84-A01	791
<b>24945</b>	52325-S84-A01	791
<b>24946</b>	53541-S5A-003	442, 445
<b>24949</b>	51320-S5A-003	442, 445, 449, 452
<b>24950</b>	51321-S5A-003	442, 445, 449, 452
<b>24953</b>	52320-S5A-013	793
<b>24954</b>	52321-S5A-013	793, 794
<b>24955</b>	53521-S9A-003	445
<b>24956</b>	53540-SX8-T01	449, 451
<b>24961</b>	51320-S2H-003	449
<b>24962</b>	51321-S2H-003	449
<b>24963</b>	51320-SAA-003	450
<b>24964</b>	51321-SAA-003	450
<b>24968</b>	53010-SAA-J01	450
<b>24969</b>	53011-SAA-J01	450
<b>24970</b>	51355-S1A-E00	436
<b>24971</b>	51365-S1A-E00	436
<b>25268</b>	4A0 419 811 A	35
<b>25270</b>	4A0 419 812 A	35
<b>25272</b>	4D0 505 465 D	710
<b>25274</b>	4A0 419 802 A	36, 81
<b>25276</b>	8D0 501 530	703, 704
<b>25278</b>	4A0 505 389	697, 718
<b>25280</b>	4E0 505 548 L	710
<b>25282</b>	4E0 505 547 L	710
<b>25290</b>	4A0 419 801 A	36
<b>26000</b>	211 330 81 07 S1	611, 619
<b>26001</b>	211 330 81 07 S2	611, 619
<b>26018</b>	169 330 05 03	585, 588
<b>26019</b>	169 330 06 03	585, 588
<b>26038</b>	163 352 05 01	862
<b>26039</b>	163 352 04 01	862
<b>26045</b>	1K0 423 810 A	52, 53, 113
<b>26078</b>	33 55 6 764 428	721, 729
<b>26080</b>	31 12 9 064 875	141, 142


**Ref. - No.**


<b>26082</b>	1K0 407 365 C	55, 113
<b>26083</b>	1K0 407 366 C	55, 113
<b>26096</b>	1K0 423 811 J	52, 53
<b>26097</b>	1K0 423 812 J	52, 53
<b>26098</b>	8Z0 423 803 F	40
<b>26119</b>	163 350 01 13 S1	862
<b>26127</b>	3523.AR	253
<b>26128</b>	3523.84	253
<b>26129</b>	3523.87	253
<b>26130</b>	33 50 6 781 540	737, 739, 743
<b>26132</b>	33 50 6 781 539	749
<b>26137</b>	31 10 3 451 881	194
<b>26138</b>	31 10 3 451 882	194
<b>26151</b>	8E0 422 821 C	61, 65, 69
<b>26152</b>	77363713	309
<b>26153</b>	77363712	309
<b>26181</b>	3 412 781	194
<b>26181</b>	31 10 3 412 781	194
<b>26182</b>	31 12 0 307 882	194
<b>26186</b>	56820-02500	456, 471
<b>26192</b>	3523.84 S1	253
<b>26208</b>	33 32 6 765 425	721, 729, 751
<b>26239</b>	203 460 00 80 S1	593
<b>26240</b>	220 460 00 80 S1	641
<b>26241</b>	163 460 00 80 S1	629
<b>26276</b>	51460-S1A-E01 S1	436
<b>26301</b>	54503-2BA00	457, 469, 474
<b>26304</b>	60 40 002 245	285, 286
<b>26325</b>	901 460 55 00	661, 664
<b>26339</b>	77 00 763 538 S1	285, 285, 286, 286
<b>26344</b>	1J0 411 314 S	45, 51, 121
<b>26347</b>	7L0 422 831 A S1	119
<b>26347</b>	32 10 6 765 782	167, 175
<b>26385</b>	164 333 03 14	625, 630, 632
<b>26386</b>	164 352 01 65	857, 858, 863, 864, 865
<b>26387</b>	639 352 03 50	884
<b>26409</b>	33 32 6 771 828	724, 727, 752, 758, 759, 760
<b>26465</b>	48655-07010	515
<b>26505</b>	32 10 6 765 234	126, 147, 149, 151, 153, 189, 192



Ref. - No.

Car  
Division

Ref. - No.



Ref. - No.



<b>26519</b>	56820-25000	454, 457, 458, 465, 466, 475
<b>26519</b>	56820-25000	482
<b>26520</b>	48830-48010	814, 816
<b>26535</b>	8N0 407 181 B	39, 49, 121
<b>26588</b>	55530-38010	801, 802
<b>26589</b>	54820-02000	456
<b>26600</b>	8D0 498 998 B	59, 83
<b>26601</b>	56540-24001	458, 467, 468
<b>26628</b>	163 330 04 03 S1	629
<b>26629</b>	163 330 01 03 S1	629
<b>26633</b>	31 35 6 751 079	145
<b>26634</b>	31 35 6 751 080	145
<b>26637</b>	32 10 6 774 335	195
<b>26641</b>	31 12 2 282 121	144, 206
<b>26642</b>	31 12 2 282 122	144, 206
<b>26643</b>	33 32 6 792 553	721, 722, 729, 730, 731, 751
<b>26644</b>	33 31 3 418 342	752
<b>26645</b>	3520.P6	258
<b>26645</b>	1346384080	344
<b>26645</b>	1346384080	499
<b>26646</b>	3521.K6	258
<b>26646</b>	1346385080	344
<b>26646</b>	1346385080	499
<b>26655</b>	31 12 2 341 297	144, 144
<b>26656</b>	31 12 2 341 828	144, 144
<b>26662</b>	96268454	295
<b>26663</b>	96268455	295
<b>26700</b>	8N0 407 365 C	49, 121
<b>26754</b>	7769900	775
<b>26754</b>	7769900	809
<b>26755</b>	7769901	775
<b>26755</b>	7769901	809
<b>26758</b>	211 330 28 03	611, 619
<b>26759</b>	211 330 27 03	611, 619
<b>26761</b>	211 460 98 03	611, 619
<b>26762</b>	211 460 99 03	611, 619
<b>26766</b>	33 32 1 126 476 S1	732, 733, 745, 746
<b>26792</b>	96535089	209, 213
<b>26792</b>	96535089	290
<b>26793</b>	96213119	293
<b>26794</b>	93740722	209, 213

<b>26794</b>	93740722	290
<b>26795</b>	93740723	209, 213
<b>26795</b>	93740723	290
<b>26796</b>	93741074	215, 215, 215
<b>26796</b>	93741074	293, 293, 293
<b>26797</b>	96407485	214, 217
<b>26797</b>	96407485	291, 295
<b>26798</b>	96407486	214, 217
<b>26798</b>	96407486	291, 295
<b>26841</b>	54530-02050	456, 471
<b>26862</b>	MB808909	671
<b>26863</b>	MB808910	671
<b>26867</b>	MR272118 S1	886, 889
<b>26917</b>	54500-22100	454, 459, 467
<b>26918</b>	54501-22100	454, 459, 467
<b>26926</b>	56820-2E900	474
<b>26926</b>	56820-2E900	492
<b>26927</b>	56820-2E000	474
<b>26927</b>	56820-2E000	492
<b>26931</b>	5175.CF	765
<b>26932</b>	3523.CA	255, 257
<b>26933</b>	3523.AZ	255, 257
<b>26999</b>	B25D-32-240	533, 540
<b>27000</b>	B25D-32-250	533, 540
<b>27010</b>	4F0 407 693 H	85
<b>27012</b>	4F0 407 694 H	85
<b>27014</b>	5178.47	765
<b>27015</b>	3523.AQ	255, 257
<b>27059</b>	31 10 3 418 341	194
<b>27066</b>	211 323 00 68 S1	611, 619, 643, 654
<b>27067</b>	32 30 3 418 202	193
<b>27069</b>	1K0 199 231 J	55
<b>27071</b>	1K0 199 232 J	55
<b>27076</b>	1K0 407 151 AC	55
<b>27078</b>	1K0 407 152 AC	55
<b>27086</b>	32 13 1 096 910	143, 206
<b>27095</b>	1J0 422 803 H SK	43, 47
<b>27095</b>	1J0 422 804 H SK	43, 47
<b>27095</b>	1J0 422 810 B	43, 47
<b>27150</b>	56820-21110	458, 467, 468
<b>27158</b>	32 10 6 767 781	125, 126, 149, 151, 153, 189, 191, 207


**Ref. - No.**


<b>27159</b>	32 10 6 767 782	125, 126, 149, 151, 153, 189, 191, 207
<b>27160</b>	31 35 1 097 021	197
<b>27193</b>	33 32 6 777 980	721, 729
<b>27195</b>	31 30 3 414 299	194
<b>27196</b>	31 30 3 414 300	194
<b>27198</b>	33 50 3 414 297	752
<b>27199</b>	31 35 6 765 933	127, 149, 151, 153, 189, 191, 207
<b>27200</b>	31 35 6 765 934	127, 149, 151, 153, 189, 191, 207
<b>27204</b>	32 10 6 776 946	167, 175, 181, 183
<b>27210</b>	32 10 6 777 479	167, 175
<b>27212</b>	31 10 3 443 127	194
<b>27213</b>	31 10 3 443 128	194
<b>27232</b>	KKY01-34-310	488
<b>27232</b>	D031-34-310A	528
<b>27240</b>	54530-24A00	458, 464, 467, 468
<b>27248</b>	220 460 10 00	599, 641, 653
<b>27250</b>	1J0 411 314 S S1	45, 51, 121
<b>27264</b>	4E0 407 510 E	85, 96
<b>27265</b>	4E0 407 509 E	85, 96
<b>27287</b>	48830-60030	814
<b>27294</b>	1J0 411 314 P S1	51, 121
<b>27299</b>	1 734 686	778, 779, 781, 782
<b>27299</b>	BP4K-28-170D	817, 817, 817, 818
<b>27304</b>	1J0 411 314 R S1	45, 51, 121
<b>27318</b>	1J0 411 314 T S1	51
<b>27330</b>	1 001 713	780, 783, 784
<b>27335</b>	48820-60050	518
<b>27336</b>	48810-60040	518
<b>27355</b>	1 125 699	348, 399, 401, 414
<b>27400</b>	1 128 725 S1	348, 348, 399, 399, 401, 401, 414, 414
<b>27411</b>	4F0 505 465 N	708
<b>27414</b>	50515276	11, 12, 13
<b>27414</b>	50515276	319, 331, 332
<b>27421</b>	51795704	690, 691, 693
<b>27421</b>	51795704	338, 339
<b>27422</b>	51795703	690, 691, 693
<b>27424</b>	3812.E7	257
<b>27427</b>	3812.E2	258
<b>27427</b>	77362280	344


**Ref. - No.**


<b>27427</b>	77362280	499
<b>27428</b>	3812.E8	243
<b>27432</b>	3812.C6	229, 280
<b>27433</b>	51856872	327
<b>27434</b>	5087.69	243
<b>27435</b>	5087.68	243
<b>27438</b>	5091.10 S1	233
<b>27441</b>	96225858	212, 214
<b>27441</b>	96225858	289, 293
<b>27442</b>	96225859	212, 212, 214
<b>27442</b>	96225859	289, 293
<b>27446</b>	60 01 547 140	285, 286
<b>27447</b>	82 00 277 960	284, 285, 286
<b>27477</b>	55530-2E100	801
<b>27477</b>	55530-1F000	806
<b>27484</b>	4E0 407 181 B	75, 79, 85, 87, 89, 91, 97, 99, 117
<b>27489</b>	98 071 300 80	764, 765
<b>27502</b>	4E0 407 506 E	85, 96
<b>27503</b>	4E0 407 505 E	85, 96
<b>27511</b>	45047-69085	518
<b>27512</b>	45046-69135	518
<b>27513</b>	96207628	762
<b>27513</b>	96207628	768
<b>27514</b>	96403099	214, 217
<b>27514</b>	96403099	291, 295, 295
<b>27515</b>	96403100	214, 217
<b>27515</b>	96403100	291, 295, 295
<b>27524</b>	1 495 685	429, 430
<b>27572</b>	140 463 03 32	639
<b>27573</b>	163 463 00 66	629
<b>27606</b>	4A0 425 021	32, 33, 34, 35, 37
<b>27611</b>	4D0 425 021 D	57, 81, 93
<b>27613</b>	8A1 425 021	26, 28, 30, 106, 108
<b>27637</b>	163 463 00 66 S1	629
<b>27638</b>	6Q0 411 314 P	41
<b>27640</b>	6Q0 411 314 Q	39
<b>27642</b>	6Q0 411 314 R	39
<b>27716</b>	32 10 6 765 235 SK	126, 148, 148, 149, 151, 153, 189, 207
<b>27718</b>	32 10 6 765 235	126, 149, 151, 153, 189, 207



Ref. - No.

Car  
Division

Ref. - No.



Ref. - No.



<b>27719</b>	32 10 6 765 236	126, 149, 151, 153, 189, 207
<b>27725</b>	60 01 550 441	285, 286
<b>27726</b>	N 034 790 8 S1	83, 93
<b>27749</b>	32 21 6 762 243	125, 149, 151, 153, 191
<b>27750</b>	32 21 6 762 244	125, 149, 151, 153, 191
<b>27751</b>	32 21 6 762 243 SK	125, 148, 148, 149, 151, 153, 191
<b>27775</b>	71740112	771
<b>27811</b>	56540-25000	454, 475
<b>27813</b>	57724-38010	472, 477
<b>27813</b>	57724-38010	484, 486
<b>27864</b>	8E0 505 465 D	707, 708
<b>27865</b>	1J0 505 466 B	699, 714
<b>27866</b>	1J0 505 466 C	699, 714
<b>27867</b>	4E0 411 317 E	85, 97
<b>27880</b>	211 333 29 14	611, 619, 654
<b>27882</b>	211 330 43 11 S1	611, 619, 654
<b>27883</b>	211 330 44 11 S1	611, 619, 654
<b>27897</b>	1 377 849	387, 404, 419
<b>27912</b>	1 477 858 S2	373, 375, 379, 381, 383, 395
<b>27912</b>	B32H-34-250E S2	524, 526
<b>27913</b>	B32H-34-250E S3	524, 526
<b>27925</b>	MR448255	685
<b>27926</b>	MB553249	672, 676
<b>27927</b>	MR403027	671
<b>27928</b>	MR594674	674, 675
<b>27929</b>	MR455089	687
<b>27930</b>	MR455090	687
<b>27946</b>	54501-26000	469
<b>27947</b>	54502-26000	469
<b>27964</b>	45503-87215-000	297, 299, 299, 299
<b>27965</b>	45503-97203-000	298, 299, 299, 299
<b>27966</b>	45460-87401-000	300
<b>27967</b>	45503-87713-000	297, 297, 297
<b>27968</b>	45503-B1010	300
<b>27969</b>	45503-87712-000	297, 297, 297, 298
<b>27970</b>	45503-97204-000	298, 299, 299, 299
<b>27971</b>	45503-87714-000	297, 297, 297, 298

<b>27972</b>	48802-87703-000	769, 769, 769, 769, 769
<b>27981</b>	4056A038	672, 676
<b>27983</b>	4056A021	886, 887
<b>27985</b>	MR267876	684
<b>27986</b>	MR267877	684
<b>27987</b>	MR992309	680
<b>27988</b>	MR992310	680
<b>27989</b>	MR374521	684
<b>27990</b>	MR374522	684
<b>28019</b>	163 330 04 07	629
<b>28020</b>	163 330 05 07	629
<b>28044</b>	96300627	217
<b>28044</b>	96300627	295, 295, 295
<b>28045</b>	96391876	762
<b>28045</b>	96391876	768
<b>28046</b>	52320-S10-003	795
<b>28047</b>	52321-S10-003	795
<b>28048</b>	52320-S04-003	792, 794
<b>28049</b>	52321-S04-003	792, 794
<b>28051</b>	52320-S9A-003	795
<b>28052</b>	52321-S9A-003	795
<b>28053</b>	51320-SEA-E01	437, 791
<b>28054</b>	51321-SEA-E01	437, 791
<b>28059</b>	48830-32040	815
<b>28091</b>	45503-69015	520
<b>28093</b>	57755-22000	454, 459, 467
<b>28095</b>	1 477 860	373, 375, 379, 381
<b>28096</b>	1 477 858	373, 375, 379, 381
<b>28098</b>	1J0 422 810 A	43, 47
<b>28111</b>	57716-34000	472, 474
<b>28112</b>	54540-43152 S1	461
<b>28112</b>	MB527383	681
<b>28113</b>	54510-43152 S1	461
<b>28113</b>	MB527384	681
<b>28121</b>	54830-2E100	474
<b>28121</b>	54830-1F000	492
<b>28122</b>	54830-37020	464
<b>28123</b>	55540-26600	800
<b>28124</b>	55530-26600	800
<b>28125</b>	3520.H5 S2	227, 228, 279, 281
<b>28188</b>	MB633926 S1	684


**Ref. - No.**


<b>28200</b>	MR179480 S1	671, 672, 673, 675, 676, 677, 688
<b>28210</b>	45503-97401-000	299, 300
<b>28212</b>	4F0 505 465 P	708
<b>28220</b>	MR272117	886
<b>28266</b>	55830-25000 S1	797, 802
<b>28267</b>	55530-4A000	798, 798, 798
<b>28268</b>	55530-38600	801, 802
<b>28268</b>	55530-38600	804, 805
<b>28269</b>	221 333 07 14	600, 644
<b>28271</b>	48831-B1010	300
<b>28272</b>	48821-B1010	300
<b>28285</b>	57755-17000	465, 466
<b>28288</b>	31 30 6 781 541	175
<b>28289</b>	31 30 6 781 542	175
<b>28291</b>	33 32 6 777 425	737, 739
<b>28292</b>	33 32 6 777 426	737, 739
<b>28293</b>	33 30 6 772 241	737, 739, 743, 749
<b>28294</b>	33 30 6 772 242	737, 739, 743, 749
<b>28318</b>	3817.63	233
<b>28319</b>	3817.64	233
<b>28347</b>	9662 6235 SK	210
<b>28351</b>	4018.E0	269
<b>28351</b>	77362278	314
<b>28355</b>	3640.69	255, 257
<b>28356</b>	3640.74	255, 257
<b>28359</b>	51861102 SK	319
<b>28365</b>	164 330 09 35	625, 630, 632
<b>28368</b>	251 330 07 07	625, 630, 632
<b>28369</b>	251 330 08 07	625, 630, 632
<b>28420</b>	51895366 SK1	11
<b>28420</b>	51895366 SK1	317, 319, 321, 333
<b>28433</b>	45503-87102-000	297
<b>28461</b>	52321-SNA-A01	793
<b>28462</b>	52320-SNA-A01	793
<b>28467</b>	RGD 100682	810
<b>28468</b>	RBM 100223	506
<b>28469</b>	ANR 3304	512
<b>28470</b>	LR 030047	513
<b>28475</b>	55703232	11
<b>28475</b>	55703232	317, 319, 321, 333
<b>28480</b>	906 320 17 89	663
<b>28481</b>	906 320 18 89	663


**Ref. - No.**


<b>28488</b>	220 333 31 14	599, 643, 654
<b>28493</b>	204 330 43 11 S1	597, 613, 627, 660
<b>28494</b>	204 330 44 11 S1	597, 613, 627, 660
<b>28511</b>	000 330 10 07	611, 619, 654
<b>28512</b>	55580-37020	472, 801
<b>28513</b>	48820-42030	519
<b>28514</b>	55530-2B000	799, 800
<b>28541</b>	1 377 655	373, 375, 383
<b>28542</b>	1 510 270	379, 381, 395
<b>28575</b>	54830-2B200	463, 470
<b>28576</b>	54840-2B200	463, 470
<b>28580</b>	3817.65	257
<b>28581</b>	3817.66	257
<b>28582</b>	4F0 407 183 E	67, 71, 85
<b>28592</b>	48820-06040	521
<b>28599</b>	3640.62	235, 243
<b>28600</b>	3640.66	235, 239
<b>28601</b>	5087.56	272
<b>28601</b>	1400099680	335
<b>28606</b>	51717001	772
<b>28607</b>	3812.E9	250, 251
<b>28618</b>	77363829	11
<b>28618</b>	77363829	319
<b>28619</b>	77363830	11
<b>28619</b>	77363830	319
<b>28621</b>	8N0 407 182 A	49, 55, 121
<b>28638</b>	71742688	336
<b>28659</b>	54830-36101 S1	471
<b>28665</b>	96639904	212
<b>28670</b>	96639905	212, 212
<b>28671</b>	96626247	210
<b>28672</b>	96626248	210
<b>28695</b>	96305974 S1	295
<b>28696</b>	96305975 S1	295
<b>28700</b>	43340-09010 S1	521
<b>28701</b>	43330-09560 S1	521
<b>28710</b>	3817.67	243
<b>28711</b>	3817.68	243
<b>28712</b>	96380613	215
<b>28712</b>	96380613	293
<b>28731</b>	3520.R7 S1	243
<b>28732</b>	3520.R7 S2	243
<b>28733</b>	55700751	11





Ref. - No.

Car  
Division

Ref. - No.



Ref. - No.



<b>28733</b>	55700751	317, 319, 321, 333
<b>28734</b>	54840-1E000	455, 476
<b>28734</b>	54840-1G000	490
<b>28735</b>	54830-1E000	455, 476
<b>28735</b>	54830-1G000	490
<b>29142</b>	3520.R7	243
<b>29143</b>	3521.N8	243
<b>29144</b>	51895367	11
<b>29144</b>	3520.Y4	273
<b>29144</b>	51895367	317, 319, 321, 333
<b>29145</b>	51895366	11
<b>29145</b>	3521.V5	273
<b>29145</b>	51895366	317, 319, 321, 333
<b>29195</b>	211 330 00 07 S1	611, 619
<b>29207</b>	4066.73	247
<b>29223</b>	1 730 934	373, 375, 377, 379, 381, 383
<b>29224</b>	1 730 933	373, 375, 377, 379, 381, 383
<b>29242</b>	31 12 6 760 181	167
<b>29243</b>	31 12 6 760 182	167
<b>29253</b>	31 12 6 774 825	167
<b>29254</b>	31 12 6 774 826	167
<b>29272</b>	56820-38000	472, 477
<b>29272</b>	56820-38000	484, 485, 486
<b>29273</b>	56820-38900	472, 477
<b>29273</b>	56820-38900	484, 485, 486
<b>29279</b>	000000 002483 S1	600, 611, 619, 644
<b>29282</b>	51760-38000	472, 472, 472, 477, 477, 477
<b>29282</b>	51760-38000	484, 484, 484, 486, 486, 486
<b>29283</b>	57724-07100	487
<b>29287</b>	53560-SDA-A01	437
<b>29288</b>	53540-SDA-A01	437
<b>29303</b>	32 13 6 761 559	667
<b>29304</b>	32 11 6 761 560	667
<b>29321</b>	32 10 6 777 268	181
<b>29323</b>	32 10 6 777 268 SK	181, 183
<b>29340</b>	54830-2F000	482
<b>29341</b>	54840-2F000	482
<b>29346</b>	4F0 407 183 C	71
<b>29347</b>	221 333 19 14	600, 644

<b>29352</b>	45503-39225	517
<b>29357</b>	B32H-34-250E S1	524, 526
<b>29361</b>	45503-39265	518
<b>29366</b>	31 35 1 093 108	163, 165
<b>29377</b>	MR102014	886, 887
<b>29378</b>	MR491345	886, 887
<b>29379</b>	MR491346	886, 887
<b>29385</b>	3640.76	270
<b>29385</b>	93501837	315
<b>29399</b>	50704361	5, 8, 16
<b>29400</b>	50704362	5, 8, 16
<b>29406</b>	MR403441	678
<b>29419</b>	77363706	5, 8, 16
<b>29420</b>	77363707	5, 8, 16
<b>29450</b>	4E0 407 182 C	85, 97
<b>29452</b>	204 333 04 14	597, 613, 623, 660
<b>29459</b>	1K0 505 465 AA	717
<b>29461</b>	1K0 505 465 AA S1	698, 701, 713, 717
<b>29504</b>	164 320 12 32	857, 858, 863, 864, 865
<b>29505</b>	71747915	304, 342
<b>29505</b>	71747915	495, 496
<b>29506</b>	71747916	304, 342
<b>29506</b>	71747916	495, 496
<b>29513</b>	221 330 16 03	600, 644
<b>29527</b>	52321-SWA-A01	795
<b>29528</b>	52320-SWA-A01	795
<b>29529</b>	51320-STK-A01	446
<b>29540</b>	203 333 05 14	593, 603, 607, 659
<b>29543</b>	31 12 6 768 297	166, 167
<b>29544</b>	31 12 6 768 298	166, 167
<b>29545</b>	31 12 6 767 651	167
<b>29564</b>	04879321AC	222, 224
<b>29610</b>	37 11 6 771 929	198, 199, 201, 201
<b>29611</b>	37 11 6 771 930	198, 199, 201, 201
<b>29612</b>	33 55 6 771 937	756
<b>29615</b>	31 35 6 773 023	198, 199, 201, 201
<b>29616</b>	31 35 6 773 024	198, 199, 201, 201
<b>29620</b>	8Z0 419 803 A	40
<b>29621</b>	8Z0 419 804 A	40
<b>29623</b>	60 01 550 442	285, 286
<b>29624</b>	60 01 550 443	285, 286
<b>29625</b>	3812.E5	247


**Ref. - No.**


<b>29637</b>	54 50 113 62R	285, 286
<b>29638</b>	54 50 042 69R	285, 286
<b>29650</b>	60 01 547 607	285, 286
<b>29651</b>	1 355 050	420, 431
<b>29652</b>	1 355 048	420, 431
<b>29657</b>	203 460 23 00	593, 603, 607
<b>29658</b>	203 463 03 96	611, 619, 660
<b>29665</b>	54555-26000	469
<b>29666</b>	54551-26000	469
<b>29667</b>	54503-3BA00 S1	469
<b>29682</b>	1K0 505 203 A	39, 701, 713, 717
<b>29687</b>	52320-SS0-003	796
<b>29688</b>	MR510267	684
<b>29689</b>	1K0 505 279 A	39, 701, 713, 717
<b>29690</b>	1K0 505 171 C	701, 713, 717
<b>29693</b>	56540-22000	454, 459, 467
<b>29694</b>	204 320 04 89	838, 848, 851, 856, 860
<b>29695</b>	204 320 05 89	838, 848, 851, 856, 860
<b>29696</b>	221 320 19 89	840, 870
<b>29697</b>	221 320 22 89	840, 870
<b>29698</b>	901 320 05 89	882
<b>29704</b>	51760-1G000	455, 476
<b>29704</b>	51760-1G000	490
<b>29705</b>	54530-07000 S1	461
<b>29706</b>	893 411 327 E	29, 31
<b>29707</b>	51321-SZ3-013	451, 452
<b>29708</b>	51320-SZ3-013	451, 452
<b>29751</b>	204 352 10 65	838, 848, 851, 856, 860, 876
<b>29753</b>	54811-3E010	493
<b>29754</b>	54811-3E060	493
<b>29767</b>	8Z0 407 182 C	41
<b>29795</b>	51320-SS0-003	451
<b>29839</b>	8Z0 407 183 A	41
<b>29846</b>	B25D-34-470	533, 540
<b>29855</b>	169 320 09 89	585, 588
<b>29938</b>	1K0 505 553 A	698, 701, 702, 713, 717
<b>29940</b>	8E0 505 185 C	707
<b>29944</b>	8K0 407 182 B	75, 79, 87, 89, 91, 117


**Ref. - No.**


<b>29954</b>	55580-3E000	806
<b>29955</b>	55580-3E050	806
<b>29992</b>	1 225 490 S1	391
<b>29993</b>	1 094 226	391
<b>29994</b>	1 225 488	391
<b>30000</b>	1 061 668 S1	777, 778, 779, 781, 782
<b>30004</b>	1 329 730 S1	777, 778, 781
<b>30014</b>	56820-07000	487
<b>30015</b>	54500-4A600	460
<b>30016</b>	54501-4A600	460
<b>30034</b>	3520.Q2 S2	233
<b>30035</b>	3520.Q2 S3	233
<b>30036</b>	3520.Q2 S4	233
<b>30037</b>	164 460 00 05	625, 630, 632
<b>30065</b>	203 330 98 03	593, 603, 607
<b>30066</b>	203 330 99 03	593, 603, 607
<b>30089</b>	56820-1E900	455, 476
<b>30089</b>	56820-1E900	490
<b>30090</b>	56820-1E000	455, 476
<b>30090</b>	56820-1E000	490
<b>30091</b>	57724-2B000	470
<b>30092</b>	57729-4A010	460, 465
<b>30096</b>	639 460 02 55 SK	665
<b>30111</b>	57730-43010	461
<b>30112</b>	57730-33100	471
<b>30126</b>	0K2N1-34-170A	480, 485, 491
<b>30127</b>	0K2N1-34-150A	480, 485, 491
<b>30151</b>	906 333 02 27	663
<b>30160</b>	46519898	689
<b>30160</b>	46519898	770, 773, 774
<b>30161</b>	46519894	689
<b>30161</b>	46519894	770, 773, 774
<b>30194</b>	221 330 63 11 S1	600, 644
<b>30195</b>	221 330 64 11 S1	600, 644
<b>30198</b>	169 330 09 07 S1	585, 588
<b>30199</b>	169 330 10 07 S1	585, 588
<b>30218</b>	8K0 407 183 A	75, 79, 117
<b>30225</b>	45470-39225	517
<b>30226</b>	45460-39635	517
<b>30243</b>	56820-4A600	460, 465
<b>30255</b>	220 330 89 07	643
<b>30256</b>	220 330 90 07	643



Ref. - No.

Car  
Division

Ref. - No.



Ref. - No.



<b>30295</b>	906 333 00 14	663
<b>30299</b>	4 041 489	429
<b>30380</b>	1 679 388	373, 375, 379, 381, 383
<b>30398</b>	5178.48	764
<b>30398</b>	4156A014	888
<b>30399</b>	5178.49	764
<b>30399</b>	MN184194	886, 887, 888
<b>30401</b>	5087.58	245, 248, 249, 261, 265, 265
<b>30401</b>	MN101368	670, 679, 682
<b>30425</b>	51350-S6D-G00	442
<b>30426</b>	51360-S6D-G00	442
<b>30427</b>	51391-S5A-024	442
<b>30428</b>	51392-S5A-004	442, 445, 449, 452
<b>30429</b>	51350-S5T-Z01	442
<b>30430</b>	51360-S5T-Z01	442
<b>30431</b>	51391-S5T-Z01	442
<b>30432</b>	51350-S6F-E01	442
<b>30433</b>	51360-S6F-E01	442
<b>30494</b>	8E0 501 541 S	704
<b>30509</b>	3C0 407 365 B	55
<b>30510</b>	3C0 407 366 B	55
<b>30514</b>	31 12 6 770 849	127, 149, 151, 153, 189, 191
<b>30515</b>	31 12 6 770 850	127, 149, 151, 153, 189, 191
<b>30516</b>	31 12 6 769 797	127, 149, 151, 153, 189, 191, 207
<b>30517</b>	31 12 6 769 798	127, 149, 151, 153, 189, 191, 207
<b>30588</b>	4056A052	673
<b>30605</b>	96870465	209, 213
<b>30605</b>	96870465	290
<b>30606</b>	96870466	209, 213
<b>30606</b>	96870466	290
<b>30643</b>	204 352 03 65	838, 848, 851, 856, 860
<b>30654</b>	4E0 419 821 A	96
<b>30687</b>	8E0 505 203 D	704, 708
<b>30688</b>	8E0 501 541 K	708
<b>30696</b>	8D0 407 515 C	65, 69, 81, 85, 92, 92, 93, 96

<b>30706</b>	906 460 01 55 SK	663
<b>30723</b>	1 433 274	387, 404, 419
<b>30723</b>	LR 002610	511
<b>30724</b>	1 433 273	387, 404, 419
<b>30724</b>	LR 002609	511
<b>30778</b>	4A0 411 327 F	35, 697
<b>30817</b>	MB598098	888
<b>30818</b>	32 10 6 778 437	669
<b>30819</b>	32 10 6 778 438	669
<b>30829</b>	8Z0 423 810 G	40
<b>30830</b>	1 425 853	784, 788, 789
<b>30843</b>	4056A133	685
<b>30844</b>	4056A134	685
<b>30852</b>	168 323 03 85	583, 585
<b>30863</b>	54403-38A00 S1	472, 477
<b>30863</b>	54403-38A00 S1	484, 485
<b>30866</b>	54500-1E100	455, 476
<b>30866</b>	54500-1E100	490
<b>30867</b>	54501-1E100	455, 476
<b>30867</b>	54501-1E100	490
<b>30875</b>	7520850	325, 337
<b>30876</b>	3817.47	274
<b>30902</b>	4F0 501 541	708
<b>30907</b>	7L0 407 021 B	118, 118, 119
<b>30915</b>	93741077	215
<b>30915</b>	93741077	293
<b>30916</b>	96653381	209, 213
<b>30916</b>	96653381	287, 290
<b>30917</b>	96535087	209, 213
<b>30917</b>	96535087	287, 290
<b>30919</b>	31 12 6 767 530	669
<b>30924</b>	51320-SMG-E01	443
<b>30982</b>	7L0 505 554	715
<b>30983</b>	7L0 505 553	715
<b>31030</b>	4E0 411 317 E S1	85, 97
<b>31052</b>	414 460 08 00	666
<b>31064</b>	33 55 1 138 104	724, 727, 733, 759
<b>31067</b>	71740113	771
<b>31091</b>	3520.S0 S2	270
<b>31091</b>	1352228080 S2	315
<b>31092</b>	3520.S0 S1	270
<b>31092</b>	1352228080 S1	315
<b>31093</b>	54810-3E000 S1	493


**Ref. - No.**


<b>31095</b>	55530-3K001	798, 801
<b>31095</b>	55530-3K001	805
<b>31105</b>	54830-3L000	460, 473
<b>31105</b>	54830-3L000	485
<b>31107</b>	54820-FD000	489
<b>31108</b>	54830-FD000	489
<b>31172</b>	93741092	215, 215, 215
<b>31172</b>	93741092	293, 293, 293
<b>31191</b>	0K33C-34-160A	489
<b>31192</b>	0K33C-34-150A	489
<b>31193</b>	0K2A5-34-150B	485
<b>31194</b>	54830-4A003	460, 465
<b>31216</b>	51360-SAA-E11 S1	450
<b>31222</b>	32 10 6 774 336 SK	193, 193, 193, 195, 195, 195
<b>31224</b>	32 10 6 774 336	195
<b>31225</b>	32 10 3 444 999	193
<b>31237</b>	51215-S6D-G10 S1	442
<b>31250</b>	54830-07000	487
<b>31251</b>	54840-07000	487
<b>31253</b>	1K0 407 183 E	55
<b>31258</b>	RBJ 500690	510
<b>31259</b>	RBJ 500680	510
<b>31273</b>	906 460 03 48	663
<b>31277</b>	8E0 407 693 AL	67, 71
<b>31278</b>	1K0 423 831 A S1	52, 53, 113, 123, 124
<b>31281</b>	8E0 407 694 AL	67, 71
<b>31297</b>	3520.S0	270
<b>31297</b>	1352227080	315
<b>31298</b>	3521.P1	270
<b>31298</b>	1352225080	315
<b>31299</b>	221 333 08 14	600, 644
<b>31312</b>	RBK 500130	510
<b>31313</b>	54500-02052	456, 471
<b>31314</b>	54501-02052	456, 471
<b>31331</b>	8E0 407 510 P	57, 61, 65, 69, 81, 93
<b>31332</b>	8E0 407 509 P	57, 61, 65, 69, 81, 93
<b>31333</b>	33 32 6 770 829	721, 729, 751
<b>31334</b>	169 333 03 27	585, 588
<b>31343</b>	8K0 411 327 B	73, 79, 87, 91, 99


**Ref. - No.**


<b>31344</b>	7L0 407 077	118, 118, 119
<b>31345</b>	7L8 411 313 B	119
<b>31348</b>	1J0 411 314 AC	45, 51, 121, 699
<b>31350</b>	8Z0 411 314 B	41
<b>31365</b>	54555-02002	456, 471
<b>31366</b>	54556-02002	456, 471
<b>31392</b>	4F0 407 183 F	85
<b>31429</b>	901 320 06 89	882
<b>31449</b>	000 463 66 32	624
<b>31450</b>	000 463 60 32	624
<b>31468</b>	8K0 407 515	75, 77, 115
<b>31479</b>	906 333 01 14	663
<b>31485</b>	3C0 407 365 B S1	55
<b>31486</b>	3C0 407 366 B S1	55
<b>31496</b>	4F0 422 821 D	85
<b>31517</b>	4422A057	682
<b>31519</b>	901 460 42 00 S1	661, 664
<b>31520</b>	4422A056	678
<b>31521</b>	463 320 01 32 S1	624
<b>31522</b>	4422A036	685, 687
<b>31523</b>	204 338 04 15	597, 607, 613
<b>31524</b>	204 338 05 15	597, 600, 613, 623, 627, 644
<b>31540</b>	31 12 6 765 597	127, 149, 151, 153, 189, 191
<b>31551</b>	8K0 411 327 A	75, 79, 87, 91
<b>31556</b>	MR954887	673, 677, 678
<b>31559</b>	4056A111	888
<b>31560</b>	4056A112	888
<b>31569</b>	51321-SAA-J01	450
<b>31570</b>	51320-SAA-J01	450
<b>31696</b>	4H0 422 810 A	73, 77, 99, 115, 123
<b>31706</b>	7L0 411 317	119
<b>31708</b>	96996460	762
<b>31709</b>	4056A040	682
<b>31711</b>	96261379	218, 219
<b>31711</b>	96261379	296
<b>31712</b>	96261378	218, 219
<b>31712</b>	96261378	296
<b>31715</b>	48820-24010	522
<b>31718</b>	3520.Q2	233
<b>31719</b>	3521.L3	233
<b>31720</b>	93740621	218, 219



Ref. - No.

Car Division 



Ref. - No.



Ref. - No.



<b>31720</b>	93740621	296
<b>31731</b>	204 330 67 11	597, 613, 660
<b>31732</b>	204 330 68 11	597, 613, 660
<b>31741</b>	LC62-34-350C	537
<b>31742</b>	LC62-34-300C	537
<b>31748</b>	57724-2E000	474
<b>31748</b>	57724-2E000	492
<b>31749</b>	57724-1E000	455, 476
<b>31755</b>	8K0 501 541	705, 706, 709, 711, 714
<b>31756</b>	4E0 505 203 D	710
<b>31757</b>	4E0 505 203 B	710
<b>31764</b>	54830-2H100	458, 463
<b>31764</b>	54830-2H100	483
<b>31765</b>	55530-1H000	799
<b>31765</b>	55530-1H000	803
<b>31785</b>	32 10 6 793 496 SK	199, 200
<b>31804</b>	51360-S04-G00 S1	440
<b>31805</b>	51360-S04-G00 S2	440
<b>31811</b>	3640.51 S1	228, 279, 280
<b>31812</b>	3640.42 S1	228, 279, 281
<b>31842</b>	1J0 505 466 B S1	699, 714, 717
<b>31843</b>	1J0 505 466 C S1	699, 714
<b>31845</b>	1 570 285	373, 375, 379, 381, 383
<b>31846</b>	1 570 284	373, 375, 379, 381, 383
<b>31970</b>	3812.F2	249, 265
<b>31971</b>	3817.89	230, 249, 265
<b>31972</b>	3817.88	230, 249, 265
<b>32002</b>	4410A173	680
<b>32019</b>	1 545 457	347, 368, 369, 421, 432
<b>32019</b>	D651-32-240	523
<b>32021</b>	32 21 6 767 860	167
<b>32028</b>	31 35 1 095 271	144
<b>32031</b>	33 55 1 093 663	735
<b>32037</b>	33 32 6 763 092	721, 729, 751
<b>32039</b>	MR455091	688
<b>32040</b>	MR455092	688
<b>32059</b>	0K011-34-160A	488, 492
<b>32061</b>	0K552-34-160B	482
<b>32062</b>	55530-4H000	799

<b>32063</b>	55540-4H000	799
<b>32064</b>	54830-4H000	461
<b>32065</b>	54840-4H000	461
<b>32066</b>	54830-0X000	461
<b>32067</b>	54840-0X000	461
<b>32071</b>	MR403419	678
<b>32072</b>	MR403420	678
<b>32073</b>	1K0 511 327 AQ	701, 711, 717
<b>32075</b>	221 320 01 89	644
<b>32076</b>	221 320 02 89	644
<b>32077</b>	221 350 07 06	840, 870
<b>32078</b>	221 350 08 06	840, 870
<b>32091</b>	1 502 087 S1	395, 395
<b>32092</b>	1 502 086 S1	395, 395
<b>32105</b>	221 350 11 53	840, 870
<b>32106</b>	221 350 12 53	840, 870
<b>32116</b>	3520.W2 SK	255, 257
<b>32129</b>	221 350 02 06	840, 870
<b>32130</b>	221 350 10 06	840, 870
<b>32131</b>	221 350 04 06	840, 870
<b>32132</b>	221 350 06 06	840, 870
<b>32163</b>	1 507 181 S1	387, 404, 419
<b>32165</b>	171 338 00 15 S1	659
<b>32179</b>	8N0 422 803 C	47, 121
<b>32180</b>	8N0 422 804 C	47, 121
<b>32182</b>	32 13 6 756 757	667
<b>32192</b>	3817.70	270
<b>32192</b>	1376345080	315
<b>32193</b>	3817.77	270
<b>32193</b>	1376346080	315
<b>32194</b>	5087.79	273
<b>32194</b>	51815479	317, 319, 321, 333
<b>32203</b>	32 11 6 777 521	667
<b>32204</b>	32 10 6 777 522	667
<b>32226</b>	8D0 505 171	703
<b>32231</b>	221 330 89 07	600, 644
<b>32232</b>	221 330 90 07	600, 644
<b>32296</b>	168 333 02 27 S1	583
<b>32318</b>	8E0 407 505 P	57, 65, 69
<b>32319</b>	8E0 407 506 P	57, 65, 69
<b>32321</b>	4F0 407 151 A	85
<b>32407</b>	33 32 9 061 946	732, 733, 741, 745, 746


**Ref. - No.**


<b>32412</b>	31 10 3 438 623	194
<b>32415</b>	51360-SAA-E11 S2	450
<b>32416</b>	51360-SAA-E11 S3	450
<b>32418</b>	1 883 046 S1	373, 375, 379, 381, 383, 395
<b>32418</b>	B32H-34-250E S4	524, 526
<b>32419</b>	51360-SAA-E11	450
<b>32420</b>	51350-SAA-E11	450
<b>32430</b>	33 32 6 763 471	721, 729, 751
<b>32443</b>	51857133	327, 328
<b>32444</b>	51857134	327, 328
<b>32453</b>	5Q0 505 323 C	698, 701, 702, 713, 717, 719
<b>32476</b>	164 352 03 27	857, 863, 865
<b>32491</b>	8E0 505 465 AF S1	704
<b>32492</b>	96378346	214
<b>32492</b>	96378346	291, 295
<b>32493</b>	904 326 10 81	661
<b>32531</b>	164 320 21 32	625, 630, 632
<b>32541</b>	1K0 199 232 J S1	55
<b>32542</b>	1K0 199 231 J S1	55
<b>32551</b>	4001.69 S1	261
<b>32551</b>	4422A012	682
<b>32578</b>	54830-2G000	481, 484, 486
<b>32582</b>	1 064 128	777
<b>32595</b>	8E0 505 465 D S1	707
<b>32597</b>	8N0 422 810 C	47, 121
<b>32602</b>	52325-TA0-A01	791
<b>32603</b>	52320-TA0-A01	791
<b>32610</b>	96490218 SK	214, 217
<b>32610</b>	96490218 SK	291, 295
<b>32611</b>	31 10 6 770 685	167
<b>32612</b>	31 10 6 770 686	167
<b>32625</b>	1K0 511 327 AS	705, 711, 713
<b>32626</b>	163 320 00 32 S1	862
<b>32627</b>	1K0 423 810 A S1	52, 53
<b>32628</b>	1K0 423 810 A S2	52, 53
<b>32680</b>	31 30 6 781 549	166, 167
<b>32681</b>	31 30 6 781 550	166, 167
<b>32693</b>	37 10 6 775 189	740, 750
<b>32757</b>	96391856	214, 217
<b>32757</b>	96391856	291, 295
<b>32759</b>	48830-30080	814, 816


**Ref. - No.**


<b>32763</b>	57724-0X000	461
<b>32767</b>	3817.86	273
<b>32767</b>	77364568	317, 319, 321, 333
<b>32768</b>	3817.87	273
<b>32768</b>	77364569	317, 319, 321, 333
<b>32852</b>	4D0 419 831 D S1	93
<b>32854</b>	8E0 419 831 A	61, 65, 69
<b>32855</b>	8E0 419 831 B	61, 65, 69
<b>32870</b>	4056A037	887
<b>32879</b>	33 55 2 283 743	727, 759, 760
<b>32956</b>	1K0 501 529 F	701, 713, 717
<b>32957</b>	1K0 501 530 C	701, 713, 717
<b>33002</b>	GE4T-32-240A	535
<b>33010</b>	60682636	689, 690, 692
<b>33010</b>	60682636	807
<b>33014</b>	210 338 98 15	615
<b>33016</b>	210 338 99 15	615
<b>33078</b>	906 460 99 55	663
<b>33095</b>	1 043 158 S1	399, 401
<b>33096</b>	1 043 159 S1	399, 401
<b>33097</b>	1 448 622 S1	393
<b>33098</b>	1 448 621 S1	393
<b>33099</b>	1 063 988 S1	393
<b>33100</b>	1 063 987 S1	393
<b>33101</b>	1 070 338 S1	361
<b>33102</b>	1 070 337 S1	361
<b>33103</b>	1 111 413 S1	357
<b>33104</b>	1 111 411 S1	357
<b>33108</b>	168 330 99 07 S1	583
<b>33109</b>	168 330 98 35	583
<b>33110</b>	168 330 99 35 S1	583
<b>33115</b>	1 058 280 S1	353, 409
<b>33116</b>	1 058 279 S1	353, 409
<b>33128</b>	LC62-32-240B	537
<b>33129</b>	BP4L-32-240	524, 525, 526
<b>33130</b>	GJ6E-32-24X	527
<b>33134</b>	210 330 98 07 S1	591, 657
<b>33208</b>	204 330 19 11 S1	593, 603, 607, 659
<b>33209</b>	204 330 20 11 S1	593, 603, 607, 659
<b>33210</b>	211 330 89 07 S1	611, 619
<b>33348</b>	211 330 90 07 S1	611, 619
<b>33349</b>	220 330 58 11 S1	599, 643
<b>33350</b>	220 330 57 11 S1	599, 643



Ref. - No.

Car  
Division

Ref. - No.



Ref. - No.



<b>33351</b>	211 330 44 11 S2	611, 619, 654
<b>33352</b>	211 330 43 11 S2	611, 619, 654
<b>33353</b>	210 350 34 06 S1	834, 837, 843, 844, 847, 852, 872, 877, 879
<b>33354</b>	210 350 38 06 S1	834, 837, 843, 844, 847, 852, 872, 877, 879
<b>33363</b>	8E0 407 694 E S1	59, 83
<b>33364</b>	8E0 407 693 E S1	59, 83
<b>33365</b>	8E0 407 694 AG S1	59, 63, 71, 83, 95
<b>33366</b>	8E0 407 693 AG S1	59, 63, 71, 83, 95
<b>33367</b>	8E0 407 509 A S1	57, 61, 69, 81, 93
<b>33368</b>	8E0 407 510 A S1	57, 61, 69, 81, 93
<b>33370</b>	8E0 407 151 R S1	63, 67, 71
<b>33371</b>	31 12 1 092 023 S1	163
<b>33372</b>	31 12 6 769 717 S1	197
<b>33373</b>	33 32 6 774 796 S1	755
<b>33377</b>	31 35 1 094 556	144, 206
<b>33378</b>	31 35 1 094 554	144
<b>33379</b>	31 35 1 097 179	144
<b>33380</b>	31 35 1 094 555	144
<b>33381</b>	31 35 6 765 574	127, 149, 151, 153, 207
<b>33382</b>	31 35 6 761 591	167
<b>33383</b>	31 35 6 763 267	183
<b>33446</b>	45503-39155	518
<b>33448</b>	56540-2H000	458, 463
<b>33448</b>	56540-2H000	483
<b>33449</b>	57724-1G000	490
<b>33450</b>	57724-1G100	490
<b>33451</b>	KDX53-32240 B	480, 489
<b>33475</b>	204 463 02 96 S1	593, 597, 603, 607, 611, 613, 619, 623, 659, 660
<b>33477</b>	4F0 501 529 E	708
<b>33484</b>	204 320 37 89	597, 613
<b>33485</b>	204 320 38 89	597, 613
<b>33491</b>	33 50 6 781 537	737, 739, 743
<b>33492</b>	33 55 6 777 635	740, 744, 750
<b>33495</b>	55530-17000	800
<b>33495</b>	55530-17000	804
<b>33498</b>	GS1D-32-240	528

<b>33511</b>	32 10 6 793 497	199, 200
<b>33512</b>	32 10 6 793 496	199, 200
<b>33548</b>	8K0 411 317 E	73, 79
<b>33574</b>	31 12 6 757 561	667
<b>33575</b>	31 12 6 757 562	667
<b>33576</b>	8Z0 411 315 C	41, 41, 41
<b>33592</b>	8D0 419 831 K S1	57, 61, 65, 69, 81, 93
<b>33593</b>	4D0 419 831 E S1	57, 81, 93
<b>33594</b>	8D0 419 831 J S1	57
<b>33598</b>	4E0 505 203 A	710
<b>33609</b>	4013A135 S1	673
<b>33610</b>	4013A135	673
<b>33611</b>	4013A150	673
<b>33625</b>	212 333 00 14	623
<b>33627</b>	169 320 05 89 S1	832, 833
<b>33649</b>	51325-TA0-A01	437
<b>33650</b>	51320-TA0-A01	437
<b>33687</b>	639 326 02 16	884
<b>33690</b>	414 460 02 05	666
<b>33702</b>	639 460 05 48	665
<b>33703</b>	639 460 04 48	665
<b>33706</b>	639 460 05 48 S1	665
<b>33707</b>	639 460 04 48 S1	665
<b>33725</b>	7L0 407 183 A	119, 715
<b>33755</b>	171 323 00 17	659
<b>33761</b>	B37F-28-170A	817, 817, 817
<b>33762</b>	BBM2-34-170A	525
<b>33763</b>	GS1D-28-170	818
<b>33764</b>	GS1D-34-170	528
<b>33765</b>	GS1D-34-150	528
<b>33811</b>	51935875	311
<b>33820</b>	1 009 751 S1	363, 363, 364, 365, 411, 411
<b>33832</b>	203 338 02 15	595
<b>33833</b>	169 330 08 03 S1	585, 588
<b>33881</b>	1 330 239 S1	363, 411
<b>33882</b>	1 330 238 S1	363, 411
<b>33883</b>	1 071 701 S1	363
<b>33884</b>	1 071 683 S1	363
<b>33885</b>	1 071 702 S1	365
<b>33886</b>	1 071 690 S1	365
<b>33914</b>	F151-28-170	822, 823


**Ref. - No.**


<b>33916</b>	4 462 153	398
<b>33916</b>	EC01-34-150A	542
<b>33917</b>	F151-34-170	539, 541, 820
<b>33918</b>	F151-34-150	539, 541, 820
<b>33919</b>	D102-32-250A	536
<b>33920</b>	D102-32-240A	536
<b>33921</b>	NC10-32-240A	539
<b>33922</b>	NC10-32-250A	539
<b>33923</b>	F151-32-240	541
<b>33930</b>	MR392730	671, 688
<b>33958</b>	3812.F6	240, 263
<b>33964</b>	5094.A1	255
<b>33965</b>	5094.99	255, 257
<b>33971</b>	1K0 199 231 N	55
<b>33972</b>	1K0 199 232 N	55
<b>33973</b>	8J0 407 183	55
<b>34041</b>	0K2FA-34-170	481
<b>34042</b>	0K2FA-34-150	481
<b>34056</b>	203 352 00 65	837, 843, 847
<b>34091</b>	53560-SAA-003	450
<b>34092</b>	53540-SAA-003	450
<b>34134</b>	211 463 03 96 S1	595, 621, 641
<b>34175</b>	31 10 6 771 194	199, 201
<b>34176</b>	31 10 6 771 897	199, 201
<b>34182</b>	53010-SWC-G02	446
<b>34183</b>	53010-SWA-A01	446
<b>34184</b>	4422A077	674
<b>34201</b>	4013A135 S2	673
<b>34202</b>	4013A135 S3	673
<b>34203</b>	51810-SDA-A01	437
<b>34213</b>	51783009 S1	771
<b>34245</b>	51391-SDA-A03	437
<b>34249</b>	1 061 670 S1	777, 777, 778, 778
<b>34250</b>	1 061 670 S2	777, 778
<b>34253</b>	32 10 6 784 716 SK	169, 171, 177, 185
<b>34257</b>	31 35 1 093 263	163
<b>34258</b>	31 35 1 091 555	180
<b>34259</b>	33 55 1 096 893	755
<b>34283</b>	51857133 S1	327
<b>34286</b>	50704948	5, 8, 16
<b>34287</b>	50704947	5, 8, 16
<b>34293</b>	1 433 372	387, 404, 419
<b>34299</b>	32 10 6 778 547 SK	669


**Ref. - No.**


<b>34303</b>	32 10 6 778 547	669
<b>34304</b>	32 10 6 778 548	669
<b>34308</b>	77 01 468 820	282
<b>34309</b>	77 01 468 821	282
<b>34315</b>	4895 483AB	221, 222
<b>34316</b>	4895 482AB	221, 222
<b>34326</b>	33 32 6 770 985	756
<b>34332</b>	60 01 550 442 S1	285, 285, 286, 286
<b>34333</b>	60 01 550 446 S1	285, 286
<b>34335</b>	414 333 02 27	666
<b>34356</b>	53010-SDA-A01	437
<b>34359</b>	RBM 100172	510
<b>34367</b>	211 463 03 66	611, 619, 653
<b>34371</b>	1 596 574 S1	419
<b>34383</b>	68019 643AB	222, 224
<b>34384</b>	1 596 574	387, 404, 419
<b>34477</b>	3817.74	261
<b>34477</b>	4422A018	679, 682
<b>34480</b>	BP4L-32-290	524, 525, 526
<b>34481</b>	BP4L-32-280	524, 525, 526
<b>34501</b>	230 352 16 65	849, 854, 874
<b>34520</b>	4F0 407 693 J	85
<b>34521</b>	4F0 407 694 J	85
<b>34545</b>	QJB 100230	510
<b>34546</b>	QJB 100220	510
<b>34559</b>	54830-1J000	462
<b>34559</b>	54830-1J000	493
<b>34560</b>	54840-1J000	462
<b>34560</b>	54840-1J000	493
<b>34567</b>	124 326 00 81	835, 845
<b>34570</b>	230 352 14 65	849, 854, 874
<b>34571</b>	230 352 18 65	849, 854, 874
<b>34575</b>	8A0 505 172 B	703
<b>34576</b>	414 460 00 05 S1	666
<b>34577</b>	414 460 00 05 S2	666
<b>34578</b>	414 460 01 05 S1	666
<b>34579</b>	414 460 01 05 S2	666
<b>34583</b>	1 507 182	387, 404, 419
<b>34584</b>	1 507 181	387, 404, 419
<b>34615</b>	0K2M2-28-150	803, 805, 806
<b>34617</b>	55530-4D000	803
<b>34618</b>	45503-69025	520
<b>34630</b>	MR586053	889





Ref. - No.

Car  
Division

Ref. - No.



Ref. - No.



<b>34647</b>	31 12 6 758 513 S2	141, 205
<b>34648</b>	31 12 6 758 514 S2	141, 205
<b>34655</b>	31 12 2 341 219	163
<b>34656</b>	31 12 2 341 296	163
<b>34657</b>	54830-4D000	482
<b>34658</b>	54840-4D000	482
<b>34659</b>	56820-2H000	458, 463
<b>34659</b>	56820-2H000	483
<b>34660</b>	56820-2H090	458, 463
<b>34660</b>	56820-2H090	483
<b>34662</b>	48802-60090 S1	815, 815, 815
<b>34664</b>	48820-22041	519
<b>34670</b>	31 12 6 760 275 S1	197
<b>34671</b>	31 12 6 760 276 S1	197
<b>34675</b>	33 32 6 767 831 S1	735
<b>34676</b>	33 32 6 767 832 S1	735
<b>34687</b>	33 32 6 770 749 S1	735, 755
<b>34692</b>	33 32 2 296 222 SK1	735, 755
<b>34695</b>	33 32 6 770 749 S2	737, 739, 743, 749
<b>34698</b>	33 32 6 767 748 S5	737, 739, 743, 749
<b>34706</b>	33 32 6 770 749 S3	747
<b>34707</b>	33 32 6 767 748 S7	747
<b>34728</b>	4 381 840	420, 431
<b>34732</b>	204 333 11 14	597, 613, 627, 660
<b>34733</b>	4056A026	674, 675
<b>34745</b>	FTC 3571	506, 512
<b>34746</b>	RGD 000312	810, 812
<b>34747</b>	1 528 314	368
<b>34759</b>	51857021	301
<b>34759</b>	1 639 574	394
<b>34760</b>	51857022	301
<b>34760</b>	1 639 575	394
<b>34761</b>	RGX 100960	810
<b>34770</b>	53010-SMG-E01	443
<b>34771</b>	53610-TL1-G01	437
<b>34772</b>	95967294	219
<b>34773</b>	53011-SMG-E01	443
<b>34774</b>	53010-TF0-003	451
<b>34775</b>	95947829	219
<b>34776</b>	L206-34-170A	536
<b>34777</b>	L206-34-150A	536
<b>34802</b>	5094.96	235, 244
<b>34803</b>	3812.F4	230

<b>34813</b>	32 21 6 777 451	167
<b>34821</b>	8K0 407 694 N S1	75, 79, 117
<b>34822</b>	8K0 407 693 N S1	75, 79, 117
<b>34833</b>	169 330 09 03 S1	585, 588
<b>34839</b>	8J0 199 231	123, 123, 123
<b>34844</b>	169 330 08 03 S2	585, 588
<b>34845</b>	169 330 09 03 S2	585, 588
<b>34853</b>	LR 030048	811
<b>34854</b>	LR 014145	507
<b>34877</b>	RBM 500150	507
<b>34878</b>	RBM 500140	507
<b>34884</b>	1K0 505 311 AB	698, 701, 713, 717
<b>34885</b>	LR 002626	511
<b>34886</b>	LR 002876	811
<b>34891</b>	31 35 6 757 146	667, 669
<b>34892</b>	31 35 6 757 069	667
<b>34893</b>	31 35 6 772 843	669
<b>34901</b>	1 541 488	395
<b>34902</b>	1 541 485	395
<b>34940</b>	51755681	771
<b>34959</b>	13219141	211, 218, 220
<b>36047</b>	1K0 501 529 J	698, 701, 717
<b>36049</b>	8K0 407 151 D	75, 79, 87, 91, 117
<b>36051</b>	6R0 407 365 A	39
<b>36052</b>	6R0 407 366 A	39
<b>36054</b>	8K0 407 152 D	75, 79, 87, 91, 117
<b>36058</b>	8K0 407 505 B	75, 77, 115
<b>36059</b>	8K0 407 506 B	75, 77, 115
<b>36060</b>	8K0 407 509 B	75, 77, 115
<b>36061</b>	8K0 407 510 B	75, 77, 115
<b>36067</b>	3817.92	240, 263
<b>36068</b>	3817.91	240, 263
<b>36082</b>	31 12 6 768 818	147, 192
<b>36094</b>	415 460 01 05	608
<b>36095</b>	415 460 00 05	608
<b>36112</b>	51755681 S1	771
<b>36130</b>	68013814AA	763
<b>36130</b>	904 326 09 81	882, 883
<b>36140</b>	31 12 6 772 301	669
<b>36141</b>	31 12 6 772 302	669
<b>36143</b>	31 12 6 772 301 SK	669
<b>36149</b>	169 330 04 03 S1	585
<b>36150</b>	169 330 04 03 S2	585


**Ref. - No.**


<b>36151</b>	169 330 07 03 S1	585
<b>36152</b>	169 330 07 03 S2	585
<b>36156</b>	60695895 S1	7
<b>36157</b>	60695895 S2	7
<b>36158</b>	60695895 S3	7
<b>36159</b>	51842925 S2	5, 8, 15
<b>36160</b>	50708721	5, 8, 15
<b>36161</b>	50708722	5, 8, 15
<b>36162</b>	51842925 S1	5, 8, 15
<b>36167</b>	220 333 27 14	621, 643
<b>36168</b>	220 333 28 14	621, 643
<b>36225</b>	31 35 6 777 319	169, 171, 177, 185
<b>36243</b>	220 330 91 07	599, 643, 654
<b>36252</b>	901 330 24 07	661
<b>36253</b>	901 330 25 07	661
<b>36260</b>	220 330 91 07 S2	599, 643, 654
<b>36261</b>	3817.71	250, 251
<b>36262</b>	3817.72	250, 251
<b>36281</b>	50700779 SK1	338, 338, 338
<b>36282</b>	50700779 SK2	338, 338, 338
<b>36285</b>	3523.AP	269
<b>36286</b>	16 099 106 80	245, 261
<b>36286</b>	MN184133	670, 682
<b>36301</b>	204 320 17 89	597, 613
<b>36302</b>	204 320 18 89	597, 613
<b>36314</b>	33 32 6 774 476	756, 757
<b>36328</b>	31 12 6 771 893	199, 201
<b>36329</b>	31 12 6 771 894	199, 201
<b>36334</b>	31 12 6 776 417	199, 201
<b>36335</b>	31 12 6 776 418	199, 201
<b>36375</b>	31 12 9 069 035	141, 205
<b>36387</b>	82 00 839 121	767
<b>36388</b>	203 326 00 81	837, 843, 847
<b>36389</b>	203 326 01 81	837, 843, 847
<b>36390</b>	203 326 02 81	837, 847
<b>36391</b>	203 326 03 81	837, 843
<b>36392</b>	203 326 08 81	837, 847
<b>36393</b>	203 326 12 81	837, 847
<b>36395</b>	82 00 839 119	767
<b>36396</b>	82 00 839 124	767
<b>36401</b>	33 32 6 782 237	721, 729, 751
<b>36402</b>	33 32 6 782 238	721, 729, 751
<b>36435</b>	82 00 841 004	767


**Ref. - No.**


<b>36436</b>	55 11 078 94R	767
<b>36440</b>	98 049 474 80	250, 251, 266
<b>36485</b>	210 351 18 42	834, 837, 843, 844, 847, 852, 868, 877, 879, 881
<b>36486</b>	210 351 19 42	834, 837, 843, 844, 847, 852, 867, 877, 879, 881
<b>36496</b>	7750990	311, 330, 339
<b>36501</b>	32 10 6 777 503 SK	143, 206
<b>36504</b>	901 323 02 88	661
<b>36505</b>	212 330 21 03	623
<b>36506</b>	8K0 422 817 B S1	73, 77, 87, 89, 91, 115
<b>36507</b>	8K0 422 818 B S1	73, 77, 87, 89, 91, 115
<b>36515</b>	4 602 026	429, 430
<b>36517</b>	4 602 027	429, 430
<b>36519</b>	1 334 215	377, 379, 381, 382, 395
<b>36525</b>	33 30 6 786 980	753
<b>36546</b>	4H0 422 810 A S5	73, 77, 87, 89, 91, 115, 123
<b>36547</b>	4H0 422 810 A S6	73, 77, 87, 89, 91, 115, 123
<b>36575</b>	32 10 6 778 560	669
<b>36580</b>	4H0 407 515 B	87, 89, 91, 99
<b>36585</b>	164 330 11 03	625, 630
<b>36586</b>	164 330 12 03	625, 630
<b>36597</b>	8K0 407 506 N	75, 77, 89, 115
<b>36598</b>	8K0 407 505 N	75, 77, 89, 115
<b>36602</b>	8K0 407 509 N	75, 77, 87, 89, 91, 115
<b>36603</b>	8K0 407 510 N	75, 77, 87, 89, 91, 115
<b>36612</b>	46790552	311, 325, 337, 339
<b>36613</b>	51744226	311, 325, 337, 339
<b>36620</b>	51805870	9
<b>36630</b>	1J0 411 305 B S1	51
<b>36654</b>	4066.83	258, 272
<b>36654</b>	9404066838	335, 344
<b>36654</b>	9404066838	499
<b>36657</b>	33 55 6 776 559	756, 757



Ref. - No.

Car Division 



Ref. - No.



Ref. - No.



<b>36669</b>	3812.F0	258, 272
<b>36669</b>	1401381380	335
<b>36671</b>	50515274	692
<b>36672</b>	50515275	692
<b>36685</b>	1 072 446 S1	786
<b>36691</b>	3812.F7	266
<b>36700</b>	901 323 02 88 S1	661
<b>36701</b>	901 323 02 88 S2	661
<b>36704</b>	1 417 351	430
<b>36733</b>	1 426 770	784, 788, 789
<b>36735</b>	1K0 407 365 C S1	55, 113
<b>36736</b>	1K0 407 366 C S1	55, 113
<b>36767</b>	1 723 324	395
<b>36768</b>	1 723 323	395
<b>36775</b>	163 460 01 96 SK	629
<b>36800</b>	8E0 422 821 C S1	61, 65, 69
<b>36827</b>	31 10 6 778 015	199, 201
<b>36829</b>	60570627 S2	1, 3, 15
<b>36829</b>	60570627 S2	304, 306, 307, 342
<b>36829</b>	60570627 S2	495, 496
<b>36837</b>	31 12 6 773 949	199, 201
<b>36838</b>	31 12 6 773 950	199, 201
<b>36840</b>	4001.E4 S1	270
<b>36840</b>	1369943080 S1	315, 316
<b>36840</b>	1372870080 S1	315, 316
<b>36841</b>	4001.77 S1	273
<b>36841</b>	51784192 S1	317, 333
<b>36850</b>	4001.33 S1	233
<b>36862</b>	7747956	771, 775
<b>36873</b>	8K0 411 317 B	73
<b>36875</b>	31 12 6 772 303	669
<b>36877</b>	31 12 6 772 304	669
<b>36881</b>	1 712 697	368, 369
<b>36881</b>	8V513051BG	368, 369
<b>36882</b>	1 737 309	368, 369
<b>36883</b>	5170.F5 S1	766
<b>36883</b>	1369845080 S1	772
<b>36884</b>	212 330 01 35	609, 623
<b>36885</b>	212 330 01 35 S1	609, 623
<b>36889</b>	5081.N9 S1	270
<b>36889</b>	1357572080 S1	315
<b>36897</b>	31 35 6 773 512	147
<b>36904</b>	31 35 6 770 003	167

<b>36905</b>	31 35 6 764 113	167, 175
<b>36910</b>	7L0 422 818 D	119
<b>36911</b>	7L0 422 817 D	119
<b>36916</b>	203 350 00 72 S1	837, 843, 847
<b>36938</b>	8K0 422 831 S1	75, 77, 99, 115
<b>36955</b>	4Z7 407 151 G S1	83
<b>36962</b>	1 507 182 S2	387, 404, 419
<b>36962</b>	LR007205 S2	511
<b>36963</b>	1 507 182 S1	387, 404, 419
<b>36963</b>	LR007206 S1	511
<b>36964</b>	1 507 181 S3	387, 404, 419
<b>36964</b>	LR007205 S3	511
<b>36977</b>	5094.E5	273
<b>36977</b>	51785488	317, 333
<b>36989</b>	8K0 505 465 G S1	705, 706, 709, 711, 714
<b>36992</b>	33 32 6 765 534	721, 729, 751
<b>36993</b>	33 32 6 765 535	721, 729, 751
<b>37000</b>	1 064 128 S1	777
<b>37017</b>	1 737 309 S1	368, 369
<b>37018</b>	1 737 309 S2	368, 369
<b>37035</b>	230 320 05 89	653
<b>37036</b>	230 320 06 89	653
<b>37037</b>	230 320 05 89 S1	653
<b>37038</b>	230 320 06 89 S1	653
<b>37069</b>	6Q0 411 314 Q S1	39
<b>37077</b>	6Q0 411 314 P S1	41
<b>37079</b>	8Z0 411 314 B S1	41
<b>37089</b>	6Q0 411 314 R S2	39
<b>37095</b>	3523.CW	266, 266
<b>37139</b>	1J0 411 314 AC S1	51, 121
<b>37163</b>	4 709 303	790
<b>37178</b>	8E0 407 506 A S1	57, 61, 69, 81
<b>37179</b>	8E0 407 505 A S2	57, 61, 69, 81
<b>37182</b>	1K0 407 152 AC S1	54, 55
<b>37183</b>	1K0 407 151 AC S1	54, 55
<b>37199</b>	5094.A8	233
<b>37202</b>	5094.A0	255
<b>37203</b>	7L0 422 810 D	119
<b>37205</b>	7L0 422 803 D	119
<b>37206</b>	7L0 422 804 D	119
<b>37247</b>	31 30 6 787 163	195
<b>37249</b>	31 30 6 787 164	195


**Ref. - No.**


<b>37261</b>	1 814 315 S1	780, 783
<b>37263</b>	32 10 6 793 623	147, 192
<b>37264</b>	32 10 6 793 624	147, 192
<b>37276</b>	8K0 411 317 B S1	73
<b>37281</b>	82 01 108 350 SK	283
<b>37305</b>	82 00 814 411	283, 767
<b>37325</b>	906 320 13 89	883, 883, 883
<b>37331</b>	4E0 419 811 E	96
<b>37332</b>	4E0 419 801 E S2	96
<b>37338</b>	4E0 419 811 E S1	96
<b>37340</b>	8K0 407 689 G S1	74, 74, 75, 78, 78, 79, 86, 86, 87, 90, 90, 91, 116, 116, 117
<b>37349</b>	16 075 107 80	258
<b>37349</b>	1368629080	344
<b>37349</b>	1368629080	499
<b>37350</b>	16 075 106 80	258
<b>37350</b>	1368628080	344
<b>37350</b>	1368628080	499
<b>37436</b>	4G0 423 810 A	87, 89, 91, 99, 115
<b>37443</b>	33 32 6 770 969	756
<b>37444</b>	33 32 6 770 970	756
<b>37451</b>	33 32 6 779 387	756
<b>37452</b>	33 32 6 779 388	756
<b>37470</b>	3520.W7	240, 263
<b>37471</b>	3521.S9	240, 263
<b>37568</b>	5927293	305, 336, 346
<b>37571</b>	51839219	320
<b>37571</b>	51839219	498, 503
<b>37572</b>	51839218	320
<b>37572</b>	51839218	498, 503
<b>37573</b>	51796570	323
<b>37574</b>	51754198	2, 4, 10
<b>37575</b>	50702712	498
<b>37591</b>	1K0 423 811 K S1	113
<b>37592</b>	1K0 423 812 K S1	113
<b>37611</b>	906 330 41 07	663
<b>37612</b>	906 330 40 07	663
<b>37621</b>	60 01 550 442 S2	285, 286
<b>37622</b>	60 01 550 443 S2	285, 286
<b>37657</b>	6Q0 411 314 P S2	41
<b>37659</b>	6Q0 411 314 R S4	39


**Ref. - No.**


<b>37660</b>	6Q0 411 314 Q S2	39
<b>37675</b>	54 56 027 88R	283
<b>37676</b>	33 55 6 786 429	740
<b>37677</b>	33 50 6 785 607	722, 730, 731, 751
<b>37678</b>	33 50 6 785 608	722, 730, 731, 751
<b>37686</b>	4 111 327 S1	402
<b>37689</b>	3521.S0	258, 272
<b>37689</b>	1401239480	335, 344
<b>37689</b>	1401239480	499
<b>37690</b>	3520.V8	258, 272
<b>37690</b>	1401239580	335, 344
<b>37690</b>	1401239580	499
<b>37692</b>	8J0 423 812 S1	123
<b>37693</b>	8J0 423 811 S1	123
<b>37715</b>	4 472 940 S1	367, 385
<b>37716</b>	4 472 940 S2	367, 385
<b>37726</b>	54 61 142 37R	283
<b>37729</b>	1 377 655 S1	373, 375, 383
<b>37730</b>	1 377 655 S2	373, 375, 383
<b>37741</b>	1 510 270 S1	379, 381
<b>37742</b>	1 510 270 S2	379, 381
<b>37744</b>	33 32 6 768 724	885
<b>37761</b>	1 596 574 S2	387, 404, 419
<b>37762</b>	1 596 574 S3	387, 404, 419
<b>37764</b>	1J0 422 831 B S1	43, 47
<b>37765</b>	5094.65 S1	227, 279, 280, 281
<b>37793</b>	205 350 61 03	838, 848, 851, 856
<b>37794</b>	205 350 62 03	838, 848, 851, 856
<b>37795</b>	204 350 21 06	838, 848, 851, 856
<b>37796</b>	204 350 22 06	838, 848, 851, 856
<b>37797</b>	205 350 63 03	838, 848, 851, 856, 860
<b>37798</b>	205 350 65 03	838, 848, 851, 856
<b>37799</b>	205 350 66 03	838, 848, 851, 856
<b>37800</b>	QJB 500040	514
<b>37839</b>	3521.R3	249, 265
<b>37840</b>	3520.V2	249, 265
<b>37860</b>	3817.73	249, 258, 265, 266, 272
<b>37860</b>	9403817738	335, 344
<b>37860</b>	9403817738	499
<b>37864</b>	164 330 11 03 S1	625, 630
<b>37865</b>	164 330 12 03 S1	625, 630



Ref. - No.

Car  
Division 

Ref. - No.



Ref. - No.



<b>37868</b>	124 463 05 32	567
<b>37935</b>	31 35 1 091 228	141, 205
<b>37937</b>	31 35 1 090 268	141, 205
<b>37938</b>	31 35 1 090 186	141, 205
<b>37945</b>	31 35 1 090 263	141, 205
<b>37946</b>	31 35 1 090 300	141, 205
<b>37948</b>	164 326 06 81	857, 858, 863, 864, 865
<b>37950</b>	164 333 04 14	625, 630, 632
<b>37959</b>	33 32 6 780 438	740, 744, 750
<b>37993</b>	3523.EA	239, 240, 241, 263
<b>38000</b>	31 12 6 775 967	168, 168, 169, 170, 170, 171, 176, 176, 177, 184, 184, 185
<b>38002</b>	31 12 6 775 967 SK1	168, 168, 168, 168, 169, 170, 170, 170, 170, 171, 176, 176, 176, 176, 177, 184, 184, 185
<b>38004</b>	3523.EE	239, 240, 241, 263
<b>38007</b>	32 10 6 793 621 SK	147, 192
<b>38009</b>	32 10 6 793 621	147, 192
<b>38010</b>	32 10 6 793 622	147, 192
<b>38013</b>	901 460 55 00 S1	661
<b>38025</b>	3640.77 S1	240, 261, 263
<b>38053</b>	204 320 07 89	597, 613, 627
<b>38054</b>	204 320 07 89 S1	597, 613, 627
<b>38055</b>	204 320 22 89	597, 613, 627
<b>38056</b>	204 320 22 89 S1	597, 613, 627
<b>38057</b>	221 330 81 07	644
<b>38058</b>	221 330 82 07	644
<b>38071</b>	31 35 6 768 771	147, 192
<b>38072</b>	31 35 6 768 772	147, 192
<b>38074</b>	33 53 6 765 584	721, 729
<b>38170</b>	3520.X9	245, 261
<b>38170</b>	4013A281	670, 679, 682
<b>38171</b>	3521.V0	245, 261
<b>38171</b>	4013A282	670, 679, 682
<b>38180</b>	1K0 407 152 BC S1	55, 123
<b>38181</b>	1K0 407 151 BC S1	55, 123
<b>38255</b>	33 32 6 770 859 S1	755
<b>38256</b>	33 32 6 770 860 S1	755
<b>38271</b>	31 12 6 775 959	168, 169, 184, 185
<b>38272</b>	31 12 6 775 960	168, 169, 184, 185

<b>38278</b>	31 12 6 775 979	171, 177
<b>38300</b>	4H0 411 317 A S1	75, 79, 87, 89, 91, 99
<b>38393</b>	31 12 6 775 145	169, 185
<b>38403</b>	5Q0 407 183 E	52
<b>38404</b>	5Q0 407 182	52, 124
<b>38484</b>	203 330 39 11 S4	593, 603, 607, 659
<b>38485</b>	203 330 40 11 S2	593, 603, 607, 659
<b>38490</b>	3640.69 S1	255, 257
<b>38498</b>	210 330 99 07	615
<b>38536</b>	906 326 07 81	883
<b>38540</b>	8K0 411 317 D S1	75, 79, 87, 89, 91, 117
<b>38543</b>	1 737 309 S3	368, 369
<b>38547</b>	8K0 407 183 D	75, 79, 117
<b>38560</b>	3812.F8	249, 265
<b>38582</b>	51795575 S1	690, 691, 693
<b>38585</b>	51857019	301
<b>38586</b>	50515569	11
<b>38586</b>	50515569	319, 331
<b>38587</b>	51797442	305
<b>38587</b>	51797442	497
<b>38592</b>	50704867	5, 8, 16
<b>38593</b>	50703541	338, 338
<b>38621</b>	6Q0 423 831 D	39, 40
<b>38622</b>	6Q0 423 831 D S1	39, 40
<b>38631</b>	221 330 39 03	600, 644
<b>38632</b>	221 330 99 03	600, 644
<b>38656</b>	164 350 14 06	857, 858, 863, 865
<b>38659</b>	1K0 407 183 G	113
<b>38666</b>	1 064 128 S2	777
<b>38700</b>	3520.V1 S2	235, 239
<b>38701</b>	3521.R2 S2	235, 239
<b>38735</b>	14 401 772 80	272
<b>38735</b>	1440123280	335
<b>38738</b>	4066.74	253
<b>38740</b>	4066.80	242, 242, 243, 261, 261, 261
<b>38769</b>	8D0 511 327 C	699, 714
<b>38774</b>	8E0 501 529 P	704
<b>38785</b>	8Z0 423 810 F	39, 40, 41
<b>38811</b>	7L0 407 182 E	119
<b>38814</b>	1 780 104	377, 382, 396, 432


**Ref. - No.**


<b>38839</b>	7L0 407 021 B S1	118, 118, 119
<b>38845</b>	1K0 505 223 K	698, 701, 717
<b>38846</b>	1K0 505 224 K	698, 701, 717
<b>38854</b>	4B0 419 810 M	57, 81, 93
<b>38899</b>	3812.E1 S1	235, 237, 239, 244
<b>38900</b>	3812.E1 S2	235, 237, 239, 244
<b>38905</b>	4066.44	228, 259, 279
<b>38907</b>	4066.69	235, 237, 239, 244
<b>38918</b>	4066.79	258
<b>38921</b>	4066.84	261
<b>38947</b>	8Z0 419 811 A	40
<b>38948</b>	8Z0 419 812 A	40
<b>38958</b>	4 419 559	420, 431
<b>38961</b>	4 041 490	429, 790
<b>38968</b>	212 330 22 03	609, 623
<b>38969</b>	212 330 23 03	609, 623
<b>38970</b>	212 330 22 03 S1	623
<b>38971</b>	212 330 23 03 S1	623
<b>38978</b>	1 305 960	373, 375, 379, 381, 383, 395
<b>38980</b>	3812.A4 S1	267, 271
<b>38980</b>	9566950880 S1	334, 343
<b>38980</b>	9566950880 S1	505
<b>38991</b>	6 829 045	776, 786
<b>38992</b>	6 829 046	776, 786
<b>38992</b>	93BB5K792AB	776, 786
<b>39029</b>	3812.F0 S1	258, 272
<b>39029</b>	1401381380 S1	335
<b>39033</b>	3812.E8 S1	243
<b>39034</b>	3812.E8 S2	243
<b>39041</b>	3812.E0 S4	247
<b>39042</b>	3812.E0 S5	247
<b>39043</b>	3812.E5 S3	247
<b>39051</b>	33 55 6 772 788	885
<b>39052</b>	33 55 6 754 823	885
<b>39053</b>	33 55 6 756 151	885
<b>39054</b>	31 35 6 758 302	667, 669
<b>39076</b>	4F0 498 811 S1	61, 69
<b>39077</b>	4F0 498 811 A S1	61, 65, 69
<b>39081</b>	8K0 501 529 N	705, 706, 709, 711, 714
<b>39082</b>	8K0 501 530 N	705, 706, 709, 711, 714


**Ref. - No.**


<b>39086</b>	33 32 6 775 683	740, 744, 750
<b>39087</b>	33 55 6 772 082	756
<b>39088</b>	33 32 6 792 551	722, 730, 731
<b>39094</b>	7L0 505 323 A	715
<b>39166</b>	5094.C6	245, 261
<b>39181</b>	5172.58	764
<b>39181</b>	4156A028	670, 679, 888
<b>39191</b>	4G0 407 183 A	89, 91
<b>39198</b>	4066.43 S1	228, 229, 259, 279, 280, 281
<b>39207</b>	1 865 033	784, 788
<b>39208</b>	1 865 034	784, 788
<b>39227</b>	16 109 762 80	270
<b>39227</b>	77364254	315, 316
<b>39230</b>	3C0 199 231 E S1	113
<b>39233</b>	82 01 108 358 SK	283
<b>39234</b>	82 01 108 358	283
<b>39237</b>	77363828	11, 12, 13
<b>39237</b>	4066.95	273
<b>39237</b>	77363828	317, 319, 321, 331, 332, 333
<b>39238</b>	4066.A3	233
<b>39283</b>	51856869	327, 328
<b>39284</b>	46821119	311
<b>39290</b>	4001.77 S2	273
<b>39290</b>	51784192 S2	317, 333
<b>39291</b>	4001.77 S3	273
<b>39291</b>	51784192 S3	317, 333
<b>39292</b>	3812.C0 S1	228, 279, 281
<b>39293</b>	3812.C0 S2	228, 279
<b>39294</b>	3812.C6 S2	229
<b>39295</b>	3812.C6 S1	229
<b>39296</b>	4001.69 S1	261
<b>39353</b>	8K0 505 323 F	705, 709, 711, 714
<b>39354</b>	8K0 505 324 F	705, 709, 711, 714
<b>39355</b>	8R0 407 515	75, 77, 115
<b>39362</b>	13219090	211
<b>39394</b>	4E0 505 548 M	97, 710
<b>39395</b>	4E0 505 547 M	97, 710
<b>39427</b>	211 320 33 89 S2	850, 855, 875
<b>39471</b>	60671726	808
<b>39472</b>	60671727	808
<b>39501</b>	163 338 02 15 S1	629



<b>39502</b>	163 330 04 03 S2	629
<b>39503</b>	163 330 01 03 S2	629
<b>39506</b>	51856871	327, 328
<b>39507</b>	51856870	327, 328
<b>39511</b>	901 326 01 81	882
<b>39535</b>	8D0 505 465	703
<b>39536</b>	8D0 505 466	703
<b>39557</b>	6R0 407 151 F	39
<b>39558</b>	6R0 407 152 F	39
<b>39562</b>	4066.71	257
<b>39564</b>	4H0 422 810 A S1	123
<b>39565</b>	4H0 422 810 A S2	123
<b>39590</b>	4001.33 S2	233
<b>39591</b>	4001.33 S3	233
<b>39600</b>	212 320 12 89	609, 623
<b>39601</b>	212 320 11 89	609, 623
<b>39606</b>	8N0 422 831 S1	47, 121
<b>39606</b>	13278357	211, 218
<b>39625</b>	5094.91	237
<b>39626</b>	5094.83	253
<b>39641</b>	K04766866AA	808
<b>39644</b>	8Z0 407 151 J S1	41
<b>39645</b>	8Z0 407 152 J S1	41
<b>39648</b>	1K0 511 327 AR S1	701
<b>39649</b>	1K0 511 327 AS S1	705, 711, 713
<b>39650</b>	1K0 511 327 AQ S1	701
<b>39675</b>	32 10 6 784 790	169, 171, 177, 185
<b>39676</b>	32 10 6 784 796	169, 171, 177, 185
<b>39677</b>	32 10 6 784 716	169, 171, 177, 185
<b>39678</b>	32 10 6 784 719	169, 171, 177, 185
<b>39681</b>	5094.C5	242, 242, 243
<b>39682</b>	5094.E2	247, 251
<b>39683</b>	5094.F2	249, 265, 266
<b>39684</b>	4059.12	258, 271
<b>39684</b>	77362279	334, 344
<b>39684</b>	77362279	499
<b>39685</b>	5094.E6	230
<b>39686</b>	3523.80	249, 265, 266
<b>39737</b>	LR 010671	507
<b>39738</b>	LR 010672	507, 509
<b>39754</b>	KIT 11	67, 71
<b>39758</b>	KIT 12	67, 71
<b>39817</b>	8E0 511 327 A	704, 704, 704

<b>39824</b>	31 35 6 753 913	167, 175, 183
<b>39835</b>	1 783 320	785
<b>39840</b>	220 330 93 07	599, 643
<b>39841</b>	220 330 94 07	599, 643
<b>39896</b>	4M0 411 317 S1	73, 79, 87, 89, 91, 99, 117
<b>39940</b>	6R0 423 811 A S1	39
<b>39941</b>	6R0 423 812 A S1	39
<b>39951</b>	4F0 422 821 D S1	85
<b>39955</b>	204 330 09 03	597, 613, 660
<b>39956</b>	204 330 10 03	597, 613, 660
<b>39979</b>	31 12 6 775 971	170, 171, 176, 177
<b>39980</b>	31 12 6 775 972	170, 171, 176, 177
<b>39985</b>	4E0 501 529 G S1	710, 710, 710
<b>40004</b>	3817.36 S1	274
<b>40005</b>	3817.33	225, 274
<b>40033</b>	RBX101710	810
<b>40034</b>	RBX101700	810
<b>40037</b>	210 350 33 06 S1	826, 828, 834, 837, 844, 847, 852, 872, 877, 879
<b>40052</b>	QJB500050	513
<b>40057</b>	32 10 6 785 993	169, 171, 177, 185
<b>40059</b>	32 10 6 791 561	169, 171, 177, 185, 200
<b>40064</b>	3817.34	274
<b>40079</b>	LR 018347	514
<b>40080</b>	3812.E6	239
<b>40082</b>	5094.98	255
<b>40091</b>	32 10 6 784 716 S1	169, 171, 177, 185
<b>40092</b>	32 10 6 784 719 S1	169, 171, 177, 185
<b>40103</b>	1K0 407 151 AC S2	55
<b>40104</b>	1K0 407 152 AC S2	55
<b>40114</b>	4B3 407 151 K S1	59, 83, 95
<b>40140</b>	204 338 04 15 S1	597, 613
<b>40141</b>	204 338 04 15 S2	597, 613
<b>40157</b>	004 990 81 04 S1	599, 643
<b>40160</b>	910105 014016 S1	619, 621
<b>40165</b>	7L0 412 333 A	118, 118, 119
<b>40166</b>	204 338 04 15 S3	597, 613
<b>40167</b>	204 338 04 15 S4	597, 613


**Ref. - No.**


<b>40168</b>	000 333 10 71	597, 600, 609, 613, 623, 627, 644, 659, 660
<b>40177</b>	51857022 SK	301
<b>40187</b>	5094.E3	247, 249, 251, 265
<b>40189</b>	163 330 00 75	629
<b>40204</b>	RBX101690	506
<b>40248</b>	171 338 00 15 S2	659
<b>40249</b>	171 338 00 15 S3	659
<b>40253</b>	60 01 550 446 S2	285, 286
<b>40254</b>	60 01 550 447 S2	285, 286
<b>40262</b>	4F0 407 694 H S1	85
<b>40263</b>	4F0 407 693 H S1	85
<b>40279</b>	210 330 87 07 S3	591, 605, 615, 657
<b>40280</b>	210 330 88 07 S3	591, 605, 615, 657
<b>40290</b>	000 330 85 35 S1	624
<b>40292</b>	211 330 82 07 S3	611, 619
<b>40293</b>	211 330 81 07 S3	611, 619
<b>40303</b>	31 12 1 141 717 S2	163
<b>40304</b>	31 12 1 141 718 S2	163
<b>40305</b>	31 12 6 774 831 S1	183
<b>40306</b>	31 12 6 774 832 S1	183
<b>40309</b>	211 330 15 11 S3	619
<b>40310</b>	211 330 16 11 S3	619
<b>40313</b>	31 10 2 348 045	167
<b>40314</b>	31 10 2 348 046	167
<b>40314</b>	31 12 6 774 826 S1	167
<b>40341</b>	210 330 76 07 S2	615
<b>40342</b>	210 330 77 07 S2	615
<b>40349</b>	204 330 43 11 S3	597, 613, 660
<b>40350</b>	204 330 44 11 S3	597, 613, 660
<b>40360</b>	33 32 6 777 980 S1	721, 729
<b>40361</b>	31 12 2 347 951	167
<b>40362</b>	31 12 2 347 952	167
<b>40363</b>	33 32 2 347 991	737, 739, 743, 749
<b>40364</b>	33 32 2 347 992	737, 739, 743, 749
<b>40365</b>	220 330 89 07 S1	643
<b>40366</b>	220 330 90 07 S1	643
<b>40369</b>	31 12 2 347 963	167
<b>40370</b>	31 12 2 347 965	167
<b>40371</b>	31 12 6 777 939 S1	175, 183
<b>40372</b>	31 12 6 777 940 S1	175, 183
<b>40375</b>	31 12 1 142 087 S1	180


**Ref. - No.**


<b>40376</b>	31 12 1 142 088 S1	180
<b>40380</b>	204 330 67 11 S2	597, 613, 660
<b>40381</b>	204 330 68 11 S2	597, 613, 660
<b>40387</b>	169 330 09 07 S4	585, 588
<b>40388</b>	169 330 10 07 S4	585, 588
<b>40389</b>	31 10 6 786 951	195
<b>40391</b>	31 12 6 777 653	169, 171, 177, 185
<b>40392</b>	31 10 6 786 959	195, 195, 195
<b>40397</b>	4F0 407 151 A S1	85
<b>40403</b>	7L0 407 021 B S2	119
<b>40404</b>	220 350 24 06 S1	839, 869
<b>40405</b>	220 350 22 06 S1	839, 869
<b>40406</b>	220 350 27 06 S1	839, 869
<b>40412</b>	8K0 407 152 D S1	75, 79, 87, 91, 117
<b>40413</b>	8K0 407 151 D S1	75, 79, 87, 91, 117
<b>40417</b>	906 323 01 40	663
<b>40426</b>	LR 000068	511
<b>40426</b>	LR 007206	511
<b>40427</b>	LR 000068	511
<b>40427</b>	LR 007205	511
<b>40431</b>	1K0 501 529 J S1	698, 701, 717
<b>40438</b>	1K0 501 529 H S1	701, 713, 717
<b>40438</b>	1K0 501 530 C S1	701, 713, 717
<b>40439</b>	1K0 501 529 F S1	701, 713, 717
<b>40490</b>	5094.C8	273
<b>40490</b>	51785487	317, 317, 317, 321, 321, 321, 333, 333, 333
<b>40491</b>	QFK 500030	514
<b>40492</b>	QJB500060	513
<b>40493</b>	3812.F3	255
<b>40494</b>	33 30 6 786 993	753
<b>40495</b>	31 12 9 803 788	668, 668, 669
<b>40496</b>	31 12 6 855 743	129, 131, 155, 157
<b>40497</b>	31 12 6 854 729	129, 131, 155, 157
<b>40503</b>	1 754 076	377
<b>40514</b>	1 763 991 SK	421, 422
<b>40515</b>	32 10 6 765 235 S1	126, 149, 151, 153, 189, 207
<b>40516</b>	32 10 6 765 236 S1	126, 149, 151, 153, 189, 207
<b>40522</b>	32 10 6 777 268 S1	183
<b>40522</b>	32 21 6 756 368 S1	183





Ref. - No.

Car Division 



Ref. - No.



Ref. - No.



40523	32 10 6 774 336 S1	195
40536	8J0 407 365 S1	123, 124
40537	8J0 407 366 S1	123, 124
40539	8J0 407 365	122, 123, 124, 124
40540	8J0 407 366	122, 123, 124, 124
40544	82412746	6, 6, 6, 14, 14, 15
40544	82412746	308
40544	82412746	500
40552	32 10 3 444 999 S1	193
40571	31 12 6 771 893 S1	199, 201
40572	31 12 6 771 894 S1	199, 201
40573	31 12 2 181 694 SK1	197
40574	31 12 2 181 694 SK2	197
40575	33 32 6 768 791 S1	735, 747
40576	33 32 6 777 424 S1	735, 737, 739, 743, 749
40581	QFK 500010	507, 509
40582	QFK 500020	507, 509
40591	1K0 505 543 A	701, 713, 717
40596	164 333 12 14	625, 630, 632
40603	31 12 6 773 949 S1	199, 201
40604	31 12 6 773 950 S1	199, 201
40608	163 352 05 01 S1	862
40609	163 352 04 01 S1	862
40610	3812.E4	228, 228, 228, 280, 280, 280
40619	31 12 6 772 235	669
40620	31 12 6 772 236	669
40623	1 477 860 S4	373, 379
40624	1 477 858 S4	373, 379
40625	1 570 285 S1	373, 375, 379, 381, 383
40626	1 570 284 S1	373, 375, 379, 381, 383
40668	5Q0 407 365 A S1	52
40669	5Q0 407 366 A S1	52
40670	51842192 S3	330
40671	51842193 S3	330
40680	51857133 S1	327, 328
40681	51857134 S1	327, 328
40710	51857021 S1	301
40711	51857022 S1	301
40743	8E0 407 510 P S1	65, 69, 93

40744	8E0 407 509 P S1	65, 69, 93
40745	8E0 407 505 P S1	65, 69, 93
40746	8E0 407 506 P S1	65, 69, 93
40759	50700779 S1	338
40761	50700797 S1	338
40792	33 32 6 774 796 S2	755
40808	40 16 023 08R	283
40820	246 320 06 89 S1	586, 587, 601, 626
40821	31 12 6 768 983	146, 147, 192, 192
40822	31 12 6 768 984	146, 147, 192, 192
40833	1 545 339	347, 368, 369, 421, 432
40834	1 545 338	347, 368, 369, 421, 432
40840	3521.P3 S1	230, 247, 251
40841	3520.S2 S1	230, 247, 251
40845	31 12 6 768 988	147, 192
40853	31 12 6 768 983 S1	147, 192
40854	31 12 6 768 984 S1	147, 192
40878	60628294	691
40879	60628295	691
40881	1 826 505	377, 382, 396, 432
40882	1 826 501	377, 382, 396, 432
40887	RBK500280	508, 509
40893	31 30 6 792 211	129, 131, 155, 157
40894	31 30 6 792 212	129, 131, 155, 157
40930	4G0 407 689 C	74, 74, 75, 78, 78, 79, 86, 86, 87, 90, 90, 91, 116, 116, 117
40937	32 10 2 353 823	125, 149, 151, 153, 191
40955	31 35 9 806 351	669
40956	31 35 9 806 352	669
40966	246 333 01 00	586, 587, 601
40967	246 333 02 00	586, 587, 601
40971	246 333 01 14	586, 587, 601
40973	246 352 01 65	832, 833, 841, 859
40974	246 352 02 65	832, 833, 841, 859
40975	246 352 09 65	832, 833, 841, 859
40976	246 352 01 00	832, 833, 841, 859
40977	246 333 06 14	626
40978	246 333 05 14	626


**Ref. - No.**


<b>40992</b>	4H0 422 818 A	99
<b>40993</b>	4H0 422 817 A	99
<b>40995</b>	4H0 422 810 A S4	99
<b>40996</b>	4H0 422 810 A S3	99
<b>41337</b>	16 075 024 80	245
<b>42779</b>	5094.E7	230, 266
<b>42780</b>	5094.E4	230, 249, 265
<b>43403</b>	1 566 810 S2	784, 788, 789
<b>43406</b>	1 426 770 S1	784, 788, 789
<b>43443</b>	82 01 108 339	283
<b>43444</b>	82 01 108 332	283
<b>43450</b>	60614514	15
<b>43451</b>	K04766962AA	318
<b>43452</b>	50701813	807
<b>43453</b>	60612436	693
<b>43454</b>	60612435	693
<b>43455</b>	60671724	501
<b>43456</b>	60671725	501
<b>43460</b>	4 531 299	790
<b>43461</b>	82 01 108 339 S1	283
<b>43462</b>	82 01 108 332 S1	283
<b>43464</b>	6R0 423 804 D	39
<b>43465</b>	6R0 423 803 D	39
<b>43507</b>	32 21 6 762 243 S1	125, 149, 151, 153, 191
<b>43508</b>	32 21 6 762 244 S1	125, 149, 151, 153, 191
<b>43525</b>	1 780 104 S1	377, 382, 396, 432
<b>43526</b>	1 780 104 S2	377, 382, 396, 432
<b>43542</b>	33 32 6 765 425 S1	721, 729, 751
<b>43543</b>	33 32 6 782 237 S1	721, 729
<b>43544</b>	33 32 6 782 238 S1	721, 729
<b>43546</b>	32 10 6 854 893	129, 131, 155, 157
<b>43547</b>	16 099 483 80	255
<b>43548</b>	16 099 482 80	255
<b>43550</b>	32 10 6 795 845	129, 131, 155, 157, 199, 200
<b>43553</b>	246 320 04 89 S1	832, 833, 841
<b>43556</b>	212 320 26 89 S1	609, 623
<b>43557</b>	212 320 25 89 S1	609, 623
<b>43573</b>	33 50 9 803 515	885, 885
<b>43574</b>	33 50 9 803 516	885, 885
<b>43622</b>	K68052655AA	773


**Ref. - No.**


<b>43626</b>	32 10 6 792 029 SK1	128, 128, 129, 154, 154, 155, 156, 156, 157
<b>43640</b>	9948343	330
<b>43641</b>	9947718	1, 3, 15
<b>43642</b>	98845024	310, 310, 311
<b>43643</b>	9948296	498
<b>43644</b>	9940260	308
<b>43644</b>	9940260	500
<b>43645</b>	98845026	310, 310, 311
<b>43649</b>	7700064 S1	305, 336
<b>43666</b>	77362502	320
<b>43666</b>	77362502	498
<b>43692</b>	172 320 00 89	881
<b>43695</b>	251 330 08 03	632
<b>43696</b>	251 330 07 03	632
<b>43698</b>	246 990 00 56 S1	586, 587
<b>43699</b>	246 990 01 56 S2	586, 587, 601, 626
<b>43718</b>	13334021	211, 220
<b>43719</b>	13334022	211, 220
<b>43720</b>	13334023	211, 220
<b>43733</b>	5Q0 505 171	698, 719
<b>43741</b>	8K0 407 693 T S1	75, 79
<b>43742</b>	8K0 407 694 T S1	75, 79
<b>43757</b>	31 12 6 798 107	168, 169, 184, 185
<b>43758</b>	31 12 6 798 108	168, 169, 184, 185
<b>43761</b>	31 12 6 794 203	170, 171, 176, 177
<b>43762</b>	31 12 6 794 204	170, 171, 176, 177
<b>43770</b>	5087.71	240, 241, 263
<b>43774</b>	32 10 6 793 496 S1	199, 200
<b>43788</b>	3C0 199 231 F	113
<b>43795</b>	4G0 423 810 A S2	87, 89, 91, 115
<b>43796</b>	4G0 423 810 A S1	87, 89, 91, 115
<b>43953</b>	46813841 SK	311, 325
<b>43955</b>	46813842 SK	311, 325
<b>44161</b>	9948297	7
<b>44170</b>	246 333 01 14 S2	586, 587
<b>44190</b>	98 056 074 80	249, 265
<b>44191</b>	98 056 073 80	249, 265
<b>44205</b>	8J0 407 151 D	123
<b>44207</b>	51772992 SK	311
<b>44208</b>	51772988 SK	311
<b>44214</b>	221 330 34 03 S1	644



Ref. - No.

Car Division



Ref. - No.



Ref. - No.



44217	8J0 407 151 D S1	123
44218	8J0 407 151 D S2	123
44226	1S0 423 812 A	39
44227	1S0 423 811 A	39
44228	212 330 39 00	623
44229	212 330 40 00	623
44258	212 330 39 00 S1	622, 623
44259	212 330 40 00 S1	622, 623
44270	8K0 407 151 F	75, 79, 87, 91, 117
44271	8K0 407 152 F	75, 79, 87, 91, 117
44281	32 10 6 799 966	129, 131, 155, 157
44282	32 10 6 799 967	129, 131, 155, 157
44284	33 55 6 766 510	737, 739, 743
44285	32 10 6 799 960	129, 131, 155, 157
44286	32 10 6 799 965	129, 131, 155, 157
44287	32 10 6 799 960 S1	129, 131, 155, 157
44288	32 10 6 799 965 S1	129, 131, 155, 157
44297	32 10 6 799 960 S2	129, 131, 155, 157
44298	32 10 6 799 965 S2	129, 131, 155, 157
44308	1 348 231	373, 373, 373, 375, 375, 375
44308	BP4K-34-156B	524, 525, 526
44341	1J0 422 803 H S1	43, 47
44342	1J0 422 804 H S1	43, 47
44346	1J0 422 804 A S1	43, 47
44347	1J0 422 803 A S1	43, 47
44372	7079382	324, 324, 325
44373	7081851	324, 324, 325
44378	8N0 407 151 D	49, 121
44379	8N0 407 152 D	49, 121
44400	3656.04 S1	254, 254, 255, 256, 256, 257
44446	13278358	211, 211, 211
44447	13278358 S1	211, 211, 211
44452	8N0 407 151 D S1	49, 120, 121
44453	8N0 407 152 D S1	49, 120, 121
44480	3656.04 S2	255, 257
44490	RBK500210	513
44499	1 345 913	778, 778, 778, 779, 779, 779, 780, 780, 780

44520	51749713 SK	689, 689, 689, 690, 690, 690, 692, 692, 692
44528	1 719 542	778, 778, 779, 779, 781, 781, 782, 782, 783, 783
44545	RVU500011	514
44600	4D0 501 529 H	710, 710, 710
44620	3521.R2 S3	235, 239
44621	3520.V1 S3	235, 239
44622	33 50 3 404 616	752
44644	9947923	2, 4, 10
44657	32 10 6 797 617	129, 155, 157
44658	32 10 6 797 618	129, 155, 157
44669	32 10 6 792 029	129, 155, 157
44670	32 10 6 792 030	129, 155, 157
44687	RBK500170	508, 509, 514
44717	32 10 6 792 029 S1	129, 155, 157
44718	32 10 6 792 030 S1	129, 155, 157
44720	98 069 071 80	250, 252
44721	5178.57	765
44722	16 075 025 80	245
44722	4422A076	670, 679
44764	7L0 407 182 G	118, 118, 119
44778	RHF000260	811
44795	LR 032644	810, 811, 812
44797	4066.82	230, 249, 251, 265, 266
44923	3812.F2 S1	249, 265
44924	3812.F2 S2	249, 265
44933	3812.F4 S1	230
44934	3812.F4 S2	230
44935	3812.F7 S1	266
44941	3812.F8 S1	249, 265
44942	3812.E9 S1	251
44947	3812.E9 S2	251
44987	212 333 03 14	609, 623
44989	204 333 11 14 S1	597, 611, 613, 627, 660
45041	RBX101790	510
45091	31 12 6 855 741	129, 131, 155, 157
45092	31 12 6 855 742	129, 131, 155, 157
45093	31 12 6 852 991	129, 131, 155, 157

