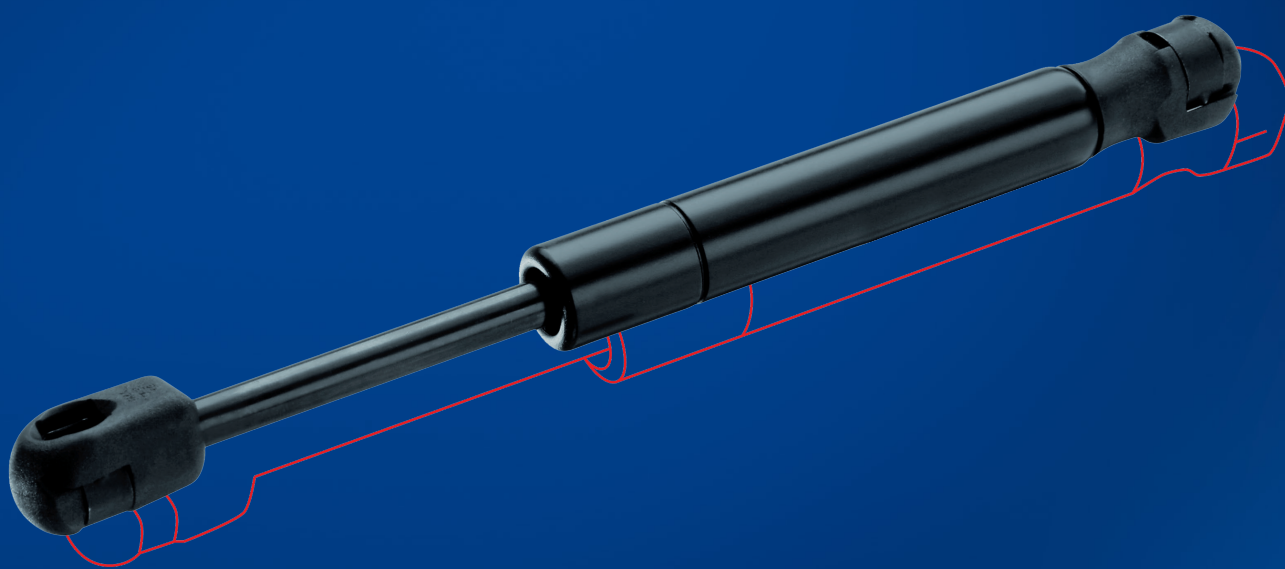


## Gas springs and dampers

Gas springs and dampers in one catalogue.



# INDIVIDUALLY STRONG, UNBEATABLE AS A TEAM

The bilstein group is a family-run, independent group of companies providing a single strong umbrella under which the prestigious product brands febi, SWAG and Blue Print are united.

As a leading specialist in the global automotive aftermarket, the bilstein group offers spare parts and repair solutions to fit all popular makes of cars and commercial vehicles.

The range, which is exceptional in its breadth and depth, comprises approximately 47,000 different products and is supplemented by practice-oriented services. The bilstein group can therefore meet even the highest requirements.



## Solutions "Made in Germany" – At home all over the world

febi bilstein is one of the world's leading manufacturers and suppliers of passenger car and commercial vehicle spare parts in the independent aftermarket.

With a product line of over 22,000 different parts, we offer a complete and constantly growing range of professional vehicle repair products for all current vehicle models.

### Focusing on our customers' interests

As a strong partner to the vehicle trade and workshops, our top priorities are quality assurance and service. This is why you will only find products of tested original equipment quality at febi.

### Looking to the future

As a supplier and manufacturer, we use the know-how we have acquired over many years and state-of-the-art manufacturing technologies in order to meet the growing expectations of the market at all times. For this reason we are continually investing in the expansion of our in-house production, testing equipment and machinery. Only this way we are able to fulfil both our own requirements and our partners' expectations in terms of credible quality assurance.

### febi bilstein added value

- Original equipment quality
- Manufacturing expertise
- Technology leader
- Just in time delivery in 140 countries



# User notes: clear and simple

The febi catalogue contains the following information:

- 1 Vehicle type (alphabetical order)
- 2 Model (alphabetical order)
- 3 Model year
- 4 febi number
- 5 Model specifications (incl. exceptions and distinctions). The symbols and abbreviations used here (e.g. mot = Engine number / ID) are explained on a fold-out flap at the end of the catalogue.

The screenshot shows a page from the febi catalogue for Mercedes-Benz. The page is titled "C-Klasse (BM 203)" and "C-Klasse (BM 204)". It lists various models and their corresponding febi numbers. The page is annotated with five red callouts:

- 1: Points to the "MERCEDES-BENZ" logo.
- 2: Points to the "C-Klasse (BM 203)" header.
- 3: Points to the model year range "(00 → 07)".
- 4: Points to a febi number "24327" in the table.
- 5: Points to a model specification "(CL203)" next to a car icon.

Model	febi number	febi number
C-Klasse (BM 203) (00 → 07)		
←	24733	-
→	24739	-
← (CL203)	24733	27739
→ (CL203)	24739	27739
→	24733	24327
C-Klasse (BM 204) (07 →)		
←	30880	-
→	30881	-
← (ex.)	-	30882
→	-	30883
CL (BM 215) (99 → 06)		
← (ch.) → A 006189	27731	-
→ (ch.) → A 006189	27731	-
← (ch.) A 006190 →	27731	-
→ (ch.) A 006190 →	27731	-

Die Einbau darf nur durch geschultes Fachpersonal erfolgen. / The installation may exclusively be performed by trained specialist staff. 41

# Find every part: quick and convenient

- You know the vehicle type and the vehicle manufacturer's reference number:

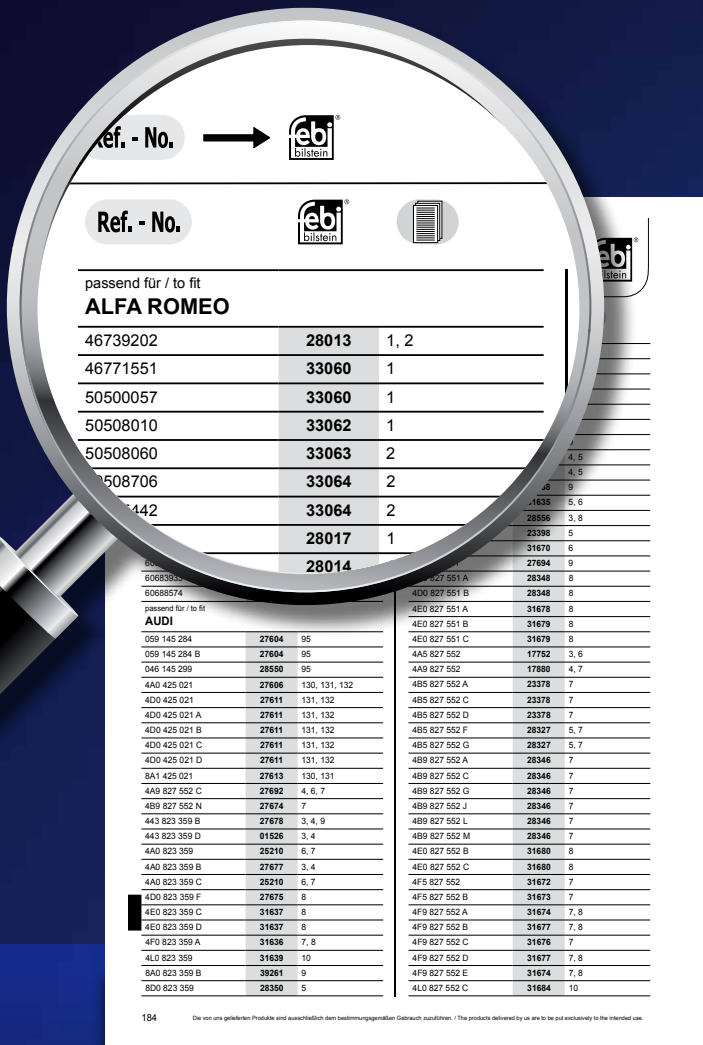
Reference number → febi number → Page number

- The positioning of the reference numbers corresponds to the vehicle manufacturers' sorting sequence.

febi number → Reference number → Page number

- This list is sorted by febi number in ascending order.

**Note:** On the catalogue cover, you will find a list of symbols and abbreviations with explanations in different languages.



184 Die von uns gelieferten Produkte sind ausschließlich dem bestimmungsgemäßen Gebrauch anzuhelfen. / The products delivered by us are to be used exclusively for the intended use.

950 823 359	31630	0	470 823 225 C	31639	10
950 823 359 B	31631	0	470 823 225 E	31641	11 0
950 823 359	31629	10	470 823 225 D	31633	11 0
950 823 359 V	31628	11 0	470 823 225 C	31635	11
950 823 359 D	31633	0	470 823 225 B	31633	11 0
950 823 359 C	31633	0	470 823 225 V	31634	11 0
950 823 359 E	31634	0	470 823 225 D	31635	11
950 823 359 D	31634	0 11	470 823 225 C	31636	11
950 823 359	31635	0 11 12	470 823 225 B	31637	11
950 823 359	31636	0 11 12	470 823 225 A	31638	11
950 823 359	31637	0 11 12	470 823 225	31639	11



## ALFA-ROMEO

145 (930)	1	-	-
146 (930)	1	-	-
147 (937)	1	-	-
156 (932)	1	-	-
156 Sportwagon	1	-	-
159	1	-	-
159 Sportwagon	1	-	-
Brera	1	-	-
GT	2	-	-
Mito	2	-	-
Spider	2	-	-

## AUDI

80/90/quattro (89/8A)	3	-	132
80/90/Avantquattro (8C/B4)	3	-	132
80/90/Avant/quattro (8C/B4)	3	-	132
100 (44/C3)	3	-	132
100 Avant (44/C3)	3	-	132
100 (4A/C4)	3	-	132
100 Avant (4A/C4)	4	-	132
200/Avant (44/44Q)	4	-	132
A1 (8x1/8xA)	4	-	-
A2 (8Z0)	4	-	-
A3/quattro (8L1)	4	95	-
A3/quattro/S3 (8P)	4	-	-
A3 Cabriolet	5	-	-
A4/S4/quattro (8D2/B5)	5	-	-
A4 Avant/RS4/quattro (8D5/B5)	5	-	-
A4/S4/quattro (8E2/B6)	5	-	-
A4 Avant/S4 Avant/quattro (8E2/B6)	5	-	-
A4/S4/Avant/quattro (8K)	5	-	-
A4 Avant/S4 Avant/quattro (8K)	5	-	-
A4/RS4/quattro (8EC)	5	95	-
A4 / Avant (8D_)	-	95	-
A4 Avant/S4+RS4 Avant/quattro (8ED)	6	95	-
A4 Cabrio/S4+RS4 Cabrio/quattro (8H7/8HE)	6	-	-
A4 Allroad	6	-	-
A5 Coupé/Sportback/Cabriolet	6	-	-
A6/S6/quattro (4A/C4)	6	-	-
A6 Avant/S6 Avant/quattro (4A/C4)	7	-	-
A6/S6/RS6/quattro (4B/C5)	7	-	-
A6 Avant/S6+RS6 Avant/quattro (4B/C5)	7	-	-
A6/S6/RS6 Avant/quattro (4F)	7	-	-
A6 Allroad quattro (4BH)	7	-	-
A6 Allroad	8	-	-
A8/S8/quattro (4D2/4D8)	8	-	-
A8/S8/quattro (4E)	8	-	-
Cabriolet (8G7/B4)	8	-	-
Coupé/quattro (81/85)	8	-	-



## AUDI

Coupe (89/8B)	8	-	-
TT Coupé (8N3)	9	-	-
TT Coupé (8J3)	9	-	-
TT Roadster (8N9)	9	-	-
TT Roadster (8J9)	9	-	-
V8 (44/4C)	9	-	-
Q3 (8U)	9	-	-
Q5 (8R)	9	-	-
Q7 (4L)	10	-	-
Quattro/Sport quattro (85)	10	-	-

## BMW

1'er (E81/82/87/LCI/88)	11	-	-
3'er (E30)	11	-	-
3'er (E36)	11	96	-
3'er (E46)	12	96	-
3'er / LCI (E90)	12	-	-
3'er Touring (E91/LCI)	12	-	-
3'er / LCI (E92)	12	-	-
3'er (E93/LCI)	12	-	-
5'er (E28)	13	-	-
5'er (E34)	13	97	-
5'er (E39)	13	97	-
5'er (E60/LCI)	13	98	-
5'er Touring (E61/LCI)	13	98	-
6'er (E24)	13	-	-
7'er (E23)	14	-	-
7'er (E32)	14	98	-
7'er (E38)	14	98	-
7'er (E65/66)	14	-	-
7'er (F01/F02/F04)	14	-	-
8'er (E31)	-	99	-
X1 (E84)	14	-	-
X3 I (E83/LCI)	14	100	-
X5 I (E53)	14	100	-
X5 (E70/LCI)	15	-	-
X6 (E71/72)	15	-	-
Z3	-	101	-
Z3 Roadster (E36/7)	15	-	-
Z3 Coupé (E36)	15	-	-
Z4 (E85)	15	-	-

## CITROËN

C1	16	-	-
C2	16	-	-
C3	16	-	-
C3 Picasso	16	-	-
C4	16	-	-
C4 Picasso	16	-	-
C4 Grand Picasso	17	-	-
C5 I+II+III	17	102	-
C6	18	102	-
C8	18	102	-
C-Crosser	18	-	-

**CITROËN**

Berlingo I+II (M49/M59)	18	102	-
Berlingo III (B9)	18	-	-
Evasion	18	103	-
Jumpy I+II	-	103	-
Jumpy III	19	-	-
Nemo Kombi / Kasten	19	-	-
Saxo	19	-	-
Xantia I (X1)	19	103	-
Xantia II (X2)	19	103	-
XM (Y3)	-	103	-
XM (Y4)	-	103	-
Xsara I	19	104	-
Xsara II	19	-	-
Xsara Picasso	20	-	-
ZX	20	104	-

**FIAT**

500	21	-	-
Brava (182)	21	-	-
Bravo (182)	21	-	-
Bravo II Nuova (182)	21	-	-
Cinquecento (170)	21	-	-
Croma (194)	21	-	-
Fiorino Nuovo/Qubo Nuovo (225)	21	-	-
Idea	21	-	-
Linea (323)	22	-	-
Marea Weekend (185)	22	-	-
Multipla (186)	22	-	-
Panda (169) II Nuova	22	-	-
Punto (176)	22	-	-
Punto (188)	22	-	-
Grande Punto (199)	22	-	-
Punto EVO	23	-	-
Scudo (220P/L)	-	105	-
Scudo Nuovo (270)	23	-	-
Stilo (192)	23	-	-
Sedici	23	-	-
Seicento (187)	23	-	-
Ulysse (220)	23	105	-
Ulysse II Nuovo (179AX)	-	105	-

**FORD**

Escort 81	24	-	-
Escort 86	24	-	-
Escort 91	24	-	-
Escort 95	24	-	-
Fiesta 89	24-25	-	-
Fiesta 96	25	-	-
Fiesta 02	25	-	-
Fiesta 08	25	-	-
Fiesta 13	25	-	-
Focus 98	26	-	-
Focus 04	26	-	-
Focus C-MAX 03	26	-	-

**FORD**

Focus C-MAX 07	27	-	-
Focus 08 Turnier	27	-	-
Fusion 02	27	-	-
Galaxy 95	27	-	-
Galaxy 00	27	-	-
Galaxy 06	27	-	-
KA 97	27	-	-
KA 08	27	-	-
Kuga 08	28	-	-
Mondeo 93	28	-	-
Mondeo 97	28	-	-
Mondeo 00	29	-	-
Mondeo 07	29	-	-
Puma 97	29	-	-
Scorpio 95	-	106	-
S-Max 06	30	-	-
Tourneo Connect 02	30	-	-
Transit 86	30	-	-
Transit 92	30	-	-
Transit 95	30	-	-
Transit 00	30	-	-
Transit 06	30	-	-
Transit Connect 02	31	-	-

**HONDA**

Civic V	32	-	-
Civic VII	32	-	-
CRV III	32	-	-

**HYUNDAI**

i10	33	-	-
i20	33	-	-
Accent (LC)	33	-	-
Atos (MX)	33	-	-
Atos Prime (MX)	33	-	-
Coupe (RD/GK)	33	-	-
Elantra (XD)	33	-	-
Getz (TB)	33	-	-
Lantra II Wagon (J2)	34	-	-
Matrix (FC)	34	-	-
Santa Fé (SM)	34	-	-
Sonata V	34	-	-
Sonata IV	34	-	-
Trajet	34	-	-
Tucson (JM)	34	-	-
Verna (LC)	35	-	-
XG 350	35	-	-

**KIA**

Carens II	36	-	-
Carnival II	36	-	-
Sorento	36	-	-



## LANCIA

Musa (350)	37	-	-
Phedra (179)	-	107	-
Zeta (220)	37	-	-

## LEXUS

GS	38	-	-
IS	38	-	-

## MAZDA

121 (JASM/JBSM)	39	-	-
626 (GE)	39	-	-
Mazda 6 (GG)	39	-	-
Mazda 6 (GY)	39	-	-
MX-5 (NC)	39	-	-

## MERCEDES-BENZ

BM 110/111	-	-	135
BM 114/115	-	-	135
BM 123	40	-	135
BM 124	40	108 - 110	135
190 (BM 201)	40	110 - 111	135
A-Klasse (BM 168)	40	-	-
A-Klasse (BM 169)	40	-	-
B-Klasse (BM 245)	40	-	-
C-Klasse (BM 202)	40	112	136
C-Klasse (BM 203)	41	113	-
C-Klasse (BM 204)	41	113	-
CL (BM 215)	41	113	-
CL (BM 216)	42	-	-
CLK (BM 208)	42	113	136
CLK (BM 209)	42	113	-
CLS (BM 219)	42	114	-
E-Klasse (BM 210)	43	114	-
E-Klasse (BM 211)	43	115	-
E-Klasse (BM 212)	43	-	-
G-Klasse (BM 460/461)	-	115	136
G-Klasse (BM 463)	-	115 - 116	136
GL- Klasse (BM 164)	44	-	-
GLK-Klasse (BM 204)	44	-	-
M-Klasse (BM 163)	44	116	-
M-Klasse (BM 164)	44	116	-
R-Klasse (BM 251)	45	117	-
S-Klasse (BM 108/109)	-	-	136
S-Klasse (BM 116)	-	-	136
S-Klasse (BM 126)	-	117	137
S-Klasse (BM 140)	45	117	137
S-Klasse (BM 220)	45	117 - 118	-
S-Klasse (BM 221)	45	-	-
SL (BM 113)	-	-	137
SL (BM 107)	-	118	137
SL (BM 129)	45	118	137
SL (BM 230)	46	119	-
SLK (BM 170)	46	119	137
SLK (BM 171)	46	119	-

## MERCEDES-BENZ

Sprinter I (BM 901/902/903/904)	-	120	-
Sprinter II (BM 906)	-	120	-
Vaneo (BM 414)	46	-	-
V-Klasse/Vito (BM 638)	46	-	-
Viano/Vito (BM 639)	46	-	-
Vito / V-Klasse (BM 638)	-	120	-

## MINI

Mini One / One D / Cooper / Cooper S (R50/R53)	47	-	-
Mini Cabriolet One / Cooper / Cooper S (R52)	47	-	-
Mini Clubman / LCI (R55)	47	-	-
Mini Coupé / LCI (R56)	47	-	-
Mini Cabrio / LCI (R57)	47	-	-
Mini Coupé (R58)	47	-	-
Mini Roadster (R59)	47	-	-

## MITSUBISHI

Carisma	48	-	-
Outlander II	48	-	-
Space Star	48	-	-

## NISSAN

Almera II (N16)	49	-	-
Kubistar (X76)	49	-	-
Micra (K11)	49	-	-
Micra (K12E)	49	-	-
Primera (P11/WP11)	49	-	-
X-Trail (T30)	49	-	-

## OPEL

Agila A	50	-	-
Astra F	51	-	-
Astra G	51	121	-
Astra H	51	-	-
Astra J	52	-	-
Calibra	52	-	-
Corsa B	52	-	-
Corsa C	52	-	-
Corsa C Combo	52	-	-
Corsa D	52	-	-
Frontera B	-	121	-
Insignia	53	-	-
Kadett E	53	-	-
Meriva A	53	-	-
Omega A	53	-	-
Omega B	53	121	-
Signum	53	121	-
Sintra	-	121	-
Vectra A	53	-	-
Vectra B	53	122	-
Vectra C	54	122	-
Vivaro	54	-	-





## OPEL

Zafira A	54	122	-
Zafira B	54	-	-

## PEUGEOT

106 I	55	-	-
107	55	-	-
205 I	55	-	-
205 II	55	-	-
206	55	206	-
206 CC	55	-	-
206 SW	55	-	-
207	56	-	-
306	56	123	-
306 Restyling	56	-	-
307	56	-	-
307 SW	56	-	-
308	57	-	-
406	57	123	-
407	57	123	-
605	-	123	-
607	58	124	-
806	58	124	-
807	58	124	-
3008	58	-	-
4007	58	-	-
Bipper Kombi / Kasten	58	-	-
Expert III	58	-	-
Partner / Partner Kasten (B9)	59	-	-
Partner I (M49)	59	-	-
Partner II (M59)	59	-	-
Expert I+II	-	124	-
Partner I+II (M49/M59)	-	124	-

## PORSCHE

911/Cabriolet (964)	60	-	-
911/Cabriolet (993)	60	-	-
911/Cabriolet (996)	60	-	-
911/Cabriolet (997)	60	-	-
924	60	-	-
944	60	-	-
Boxster (986)	60	-	-
Boxster (987)	61	-	-
Cayenne (955)	61	-	-
Cayman (987)	61	-	-

## RENAULT

Clio I	62	-	-
Clio II	62	-	-
Clio III	62	-	-
Dacia Duster	62	-	-
Dacia Sandero	62	-	-
Espace II	62	-	-
Espace III	62	-	-
Espace IV	62	-	-

## RENAULT

Kangoo I	63	-	-
Laguna I	63	-	-
Laguna II	63	-	-
Laguna III	63	-	-
Megane I	63	-	-
Megane II	64	-	-
Megane II CC	64	-	-
Megane III	64	-	-
Modus	64	-	-
Rapid	64	-	-
Scenic I	65	-	-
Scenic II	65	-	-
Scenic III	65	-	-
Grand Scenic III	65	-	-
Twingo I	65	-	-
Twingo II	65	-	-

## ROVER

75	66	-	-
----	----	---	---

## SAAB

900 I	67	-	-
900 II	67	-	-
9000	67	-	-
9-3 I	67	-	-
9-3 II	68	-	-
9-5 I	68	-	-
9000	-	125	-

## SEAT

Alhambra (7V8/7V9)	69	-	-
Alhambra (710)	69	-	-
Cardoba II (6K2)	-	126	-
Cordoba Vario (6K5)	69	-	-
Exeo ST	69	-	-
Golf Plus (5M1/521)	69	-	-
Ibiza (6K1)	69	-	-
Ibiza (6L1)	69	-	-
Ibiza (6J1)	70	-	-
Ibiza II (6K1)	-	126	-
Leon/4x4 (1M1)	70	126	-
Leon (1P1)	70	-	-
Toledo (1L2)	70	-	-
Toledo (1M2)	70	-	-
Toledo (5P2)	70	-	-
Toledo II (1M2)	-	126	-

## SKODA

Fabia (6Y2/6Y3/6Y5)	71	-	-
Fabia (5J2)	71	-	-
Fabia (5J5)	71	-	-
Felicia (6U1/6U5)	71	-	-
Octavia/4x4 (1U1/1U5)	71	-	-
Octavia (1U_/1Z_)	-	127	-



## ŠKODA

Octavia (1Z3/1Z5)	72	-	-
Roomster (5J)	72	-	-
Superb (3U4)	72	127	-
Superb (3T4/3T5)	72	-	-

## SMART

Smart (BM450)	73	-	-
Fortwo (BM451)	73	-	-
City Coupé (BM 450)	-	-	138

## SUZUKI

Wagon R+	74	-	-
----------	----	---	---

## TOYOTA

Avensis (T22)	75	-	-
Avensis (T25)	75	-	-
Aygo	75	-	-
Carina E	75	-	-
Corolla (E10)	75	-	-
Corolla (E11)	75	-	-
Corolla (E12)	75	-	-
Corolla Verso	75	-	-
Prius	76	-	-
Yaris	76	-	-

## VAUXHALL

Agila A	77	-	-
Astra Mk II	77	-	-
Astra Mk III	77	-	-
Astra Mk IV	77	128	-
Astra Mk V	78	-	-
Astra Mk VI	78	-	-
Calibra	78	-	-
Carlton Mk III	78	-	-
Cavalier Mk III	78	-	-
Corsa	79	-	-
Corsa Mk II	79	-	-
Corsa Mk III	79	-	-
Corsa C Combo	79	-	-
Frontera Mk II	-	128	-
Insignia	79	-	-
Meriva MK I	79	-	-
Omega	80	128	-
Signum	80	128	-
Sintra	-	128	-
Vectra	80	129	-
Vectra MK I	80	-	-
Vectra MK II	81	129	-
Vivaro	81	-	-
Zafira	-	129	-
Zafira MK I	81	-	-
Zafira MK II	81	-	-



## VOLKSWAGEN

Bora/4motion (1J2)	82	-	-
Bora / Variant (1J2/5)	-	130	-
Bora Variant/4motion (1J6)	82	-	-
Caddy III (2K)	82	-	-
Caddy 4/4motion/Caddy Maxi (2CA/2CB/2CH/2CJ)	82	-	-
Fox/Crossfox (5Z1)	82	-	-
Crosstoura/Touran (1T)	82	-	-
Crosstouran (1T)	82	-	-
EOS	83	-	-
Golf 2/Syncro (19E/1G1)	83	-	-
Golf 3/Syncro (1H1)	83	-	-
Golf 3 Variant/Syncro (1H5)	83	-	-
Golf 3 Cabriolet (1E7)	83	-	-
Golf 4/Variant/4motion (1J1)	83	-	-
Golf 4 Cabriolet (1E7)	83	-	-
Golf 5/4motion (1K1)	84	-	-
Golf IV / Variant (1J1/5)	-	130	-
Golf VI (5K)	84	-	-
Golf VI/Variant/4motion	84	-	-
Golf 6 Cabrio	84	-	-
Jetta (1K2)	84	-	-
Lupo (6X1/6E1)	84	-	-
New Beetle (9C1/1C1)	84	130	-
New Beetle Cabrio (1Y7)	84	-	-
Passat Variant (32B)	85	-	-
Passat Variant (3A2/35I)	85	-	-
Passat / Variant (3B_)	-	130	-
Passat/Variant (3B2/3B5)	-	-	139
Passat/4motion (3B2)	85	-	-
Passat/Variant 4motion (3B2/3B5)	-	-	139
Passat Variant/4motion (3B5)	85	-	-
Passat/4motion (3B3)	85	-	-
Passat Variant/4motion (3B6)	85	-	-
Passat Variant/4motion (3C)	86	-	-
Passat/4motion(3C2)	86	-	-
Passat CC/4motion	86	-	-
Passat 6/4motion	86	-	-
Passat 6/Variant+Variant 4motion+Alltrack+Alltrack 4motion	86	-	-
Polo (6N1/6N2)	86	-	-
Polo (9N)	86	-	-
Polo Classic Avant (6KV2)	86	-	-
Polo Classic / Variant (6KV2/5)	-	131	-
Polo (6R)	87	-	-
Scirocco (137)	87	-	-
Sharan (7M6/7M8/7M9)	87	-	-
Sharan /4motion (7N1)	87	-	-
Tiguan (5N)	87	-	-
Touareg (7LA/7L6/7L7)	87	-	-
Touran (1T1/1T2)	87	-	-
Touran (GP2)	88	-	-

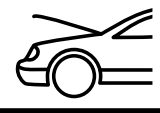


## VOLKSWAGEN

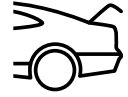
Transporter (T4)	-	-	139
Transporter/Syncro (T3)	88	-	-
Transporter/Syncro (T4) (ch.) → 70-N-151781	88	-	-
Transporter/Syncro (T4) (ch.) → 70-N-151782	89	-	-
Transporter/4motion (T5)	89	-	-
Transporter T5/4motion+T5 Multivan/4motion	89	-	-
up! (CHYA/CHYB/CPGA)	90	-	-
Vento (1H2)	90	-	-

## VOLVO

740	91	-	-
760	91	-	-
850	91	-	-
940 I / II	91	-	-
960 I	91	-	-
960 II	91	-	-
C 30	92	-	-
C 70 II	92	-	-
S 40 I	92	-	-
S 40 II	92	-	-
S 60 I	92	-	-
S 70	92	-	-
S 80 I	92	-	-
S 80 II	92	-	-
S 90	93	-	-
V 40 I	93	-	-
V 50	93	-	-
V 70 I	93	-	-
V 70 II	93	-	-
V 70 III	93	-	-
V 90	94	-	-
XC 60	94	-	-
XC 70 III	94	-	-
XC 70 Cross Country II	94	-	-



<b>145 (930)</b> (94 → 00)		
	-	28017
<b>146 (930)</b> (95 → 00)		
(ex.)	-	28014
<b>147 (937)</b> (00 → 10)		
	28013	33060
<b>156 (932)</b> (97 → 05)		
(ex.)	28016	28018
<b>156 Sportwagon</b> (00 → 06)		
	28016	28015
<b>159</b> (05 → 11)		
	33059	33061
<b>159 Sportwagon</b> (05 → 11)		
	-	33062
<b>Brera</b> (06 → 10)		
	33059	-



## GT

(03 → 10)

28013

33063

## Mito

(08 → )

-

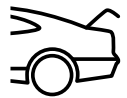
33064

## Spider

(06 → 12)

33059

-



**80/90/quattro (89/8A)**  
(86 → 92)

-

01189

**80/90/quattro (8C/B4)**  
(92 → 96)

28556

28345

**80/90/Avant/quattro (8C/B4)**  
(92 → 96)



28556

27691



28556

27696

**100 (44/C3)**  
(82 → 91)



(ch.) → 44-F-115150

01526

-

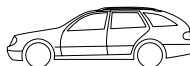


(ch.) 44-F-115151 →

27678

-

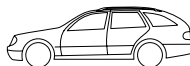
**100 Avant (44/C3)**  
(82 → 91)



(ch.) → 44-F-115150

01526

-



(ch.) 44-F-115151 →

27678

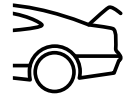
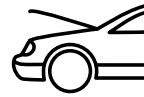
-

**100 (4A/C4)**  
(91 → 94)



27677

17752



## 100 Avant (4A/C4)

(91 → 94)



(ex.)

27677

17880



27677

27692

## 200/Avant (44/44Q)

(83 → 91)

(ch.) → 44-F-115150

01526

-

(ch.) 44-F-115151 →

27678

-

## A1 (8x1/8xA)

(10 →)



-

39259



-

39260

## A2 (8Z0)

(00 → 05)

(ch.) 8Z0-1-055001 →

-

27676

## A3/quattro (8L1)

(96 → 03)

(ch.) → 8L-2-090000

25208

23394

(ch.) 8L-2-090001 →

25208

27682

## A3/quattro/S3 (8P)

(03 → 12)



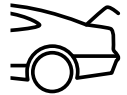
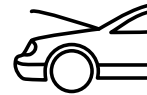
31634

31663



31634

31662



**A3 Cabriolet**

(08 →)



31634

31664

**A4/S4/quattro (8D2/B5)**

(95 → 01)

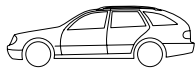


28350

23398

**A4 Avant/RS4/quattro (8D5/B5)**

(95 → 01)



28350

23394

**A4/S4/quattro (8E2/B6)**

(01 → 05)



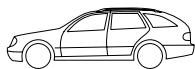
(ch.) 8E-1-000001 → 8E-5-400000

27690

28327

**A4 Avant/S4 Avant/quattro (8E2/B6)**

(01 → 05)



(ch.) 8E-1-000001 → 8E-5-400000

27690

29428

**A4/S4/Avant/quattro (8K)**

(07 → )

\*10 →

31635

37483\*

**A4 Avant/S4 Avant/quattro (8K)**

(08 →)



-

31667



-

31666

**A4/RS4/quattro (8EC)**

(05 → )

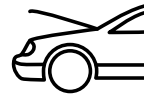


\*(ex.) 2,0 TFSI / 1,9 TDI

27690\*

29429





## A4 Avant/S4+RS4 Avant/quattro (8ED)

(05 → )



\*(ex.) 2,0 TFSI / 1,9 TDI

27690\*

29430

## A4 Cabrio/S4+RS4Cabrio/quattro (8H7/8HE)

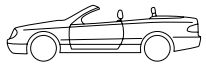
(03 → )



→ 06

27695

28343



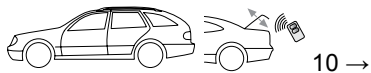
07 →

27690

28343

## A4 Allroad

(09 → )



10 →

31635

31667



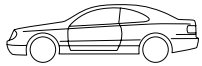
(ex.)

31635

31666

## A5 Coupe/Sportback/Cabriolet

(07 → )



31635

37491

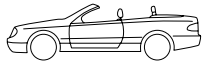


5

\*(PR-5NC)

31635

37492\*



31635

31670

## A6/S6/quattro (4A/C4)

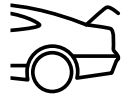
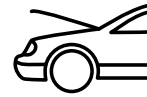
(95 → 97)



4

25210

17752



**A6 Avant/S6 Avant/quattro (4A/C4)**

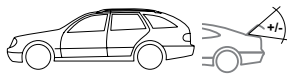
(95 → 97)



(ex.)

25210

17880



25210

27692

**A6/S6/RS6/quattro (4B/C5)**

(97 → 05)



4

(ch.) → 4B-Y-130134

27693

23378



4

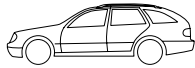
(ch.) 4B-Y-130135 →

27693

28327

**A6 Avant/S6+RS6 Avant/quattro (4B/C5)**

(97 → 05)



27693

28346

**A6/S6/RS6 Avant/quattro (4F)**

(04 →)



(ch.)

→ 4F-6-250000 (ex.)



31636

31676



(ex.)

31636

31677



31636

31674



4

31636

31672



4

(ex.)

31636

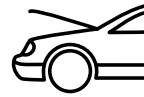
31673

**A6 Allroad quattro (4BH)**

(00 → 05)

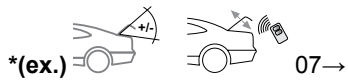
27693

27674



## A6 Allroad

(05 →)



31636

31677\*



31636

31674

## A8/S8/quattro (4D2/4D8)

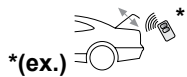
(94 → 03)

27675

28348

## A8/S8/quattro (4E)

(04 →)



31637

31678\*



31637

31679



31637

31680

## Cabriolet (8G7/B4)

(92 → 00)

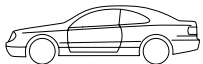


28556

29431

## Coupe/quattro (81/85)

(81 → 88)

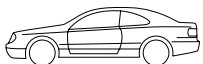


-

31466

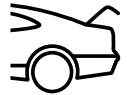
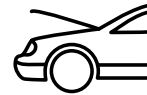
## Coupe (89/8B)

(89 → 96)



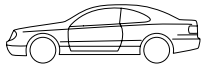
28556

29432



### TT Coupe (8N3)

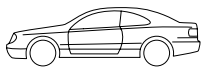
(98 → 06)



(ch.) → 8N-1-010000

29445

27172



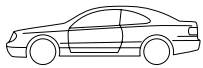
(ch.) 8N-1-010001 → 8N-3-050000

29445

27683

### TT Coupe (8J3)

(06 → )

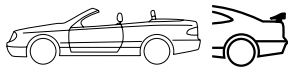


29433

27172

### TT Roadster (8N9)

(02 → 06 )



(ch.) 8N-2-026001→

29445

27684

### TT Roadster (8J9)

(06 → )



29433

27172

### V8 (44/4C)

(88 → 94)

27678

27694

### Q3 (8U)

(11 → )

39261

39262

### Q5 (8R)

(08 → )



\*(ex.)

31638

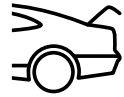
31681\*



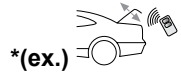
\*

31638

31831\*



## Q7 (4L) (06 →)



31639

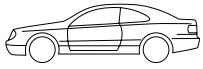
31683\*



31639

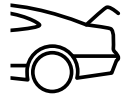
31684\*

## Quattro/Sport quattro (85) (80 →91)



-

31466



**1'er (E81/82/87/LCI/88)**

(04 → )

\*(ex.) (E82) / (E88)

27586

29259\*

(E82) / (E88)

27586

34505

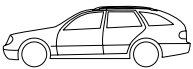
**3'er (E30)**

(82 → 94)



08240

-



08240

31025

**3'er (E36)**

(90 → 99)



01784

25085

09/94 → \*(ex.) ,

01783

27585\*



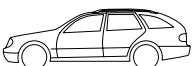
01784

01786



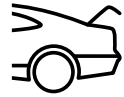
01783

01786



01783

27601



## 3'er (E46) (98 → 05)



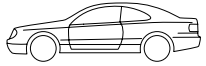
12350

27587



12350

38231



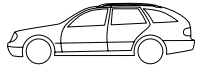
12350

12349



12350

12349



12350

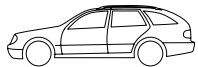
27590

## 3'er / LCI (E90) (05 → 12)

27599

34200

## 3'er Touring (E91/LCI) (05 → 12)



27599

34506

## 3'er / LCI (E92) (06 → )

-

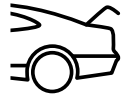
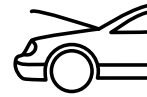
34200

## 3'er (E93/LCI) (06 → )



-

34508



**5'er (E28)**  
(81 → 87)



08231

-

**5'er (E34)**  
(88 → 97)



08823

01787



08823

29263



08823

29264

**5'er (E39)**  
(95 → 04)



12640

27602



12640

29364



12640

27597

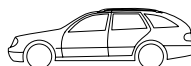
**5'er (E60/LCI)**  
(04 → 10)



26057

-

**5'er Touring (E61/LCI)**  
(04 → 11)



26057

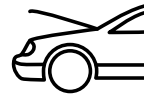
-

**6'er (E24)**  
(76 → 89)

08218

-





## 7'er (E23) (77 → 86)



08218

-

## 7'er (E32) (86 → 94)



08850

01785

## 7'er (E38) (94 → 01)



12641

27596

## 7'er (E65/66) (01 → )



23649

-

## 7'er (F01/F02/F04) (08 → )

with active engine hood

34510

-

(ex.) active engine hood

34512

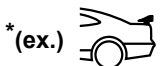
-

## X1 (E84) (09 → )

36960

-

## X3 I (E83/LCI) (04 → 10 )



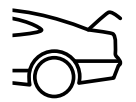
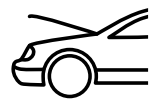
27591

27588\*

## X5 I (E53) (00 → 07)

27595

27594



**X5 (E70/LCI)**  
(07 →)

34514	-
-------	---

**X6 (E71/72)**  
(08 →)

34514	-
-------	---

**Z3 Roadster (E36/7)**  
(95 → 03)

\* 10/95 → 04/99

33538	30233*
-------	--------

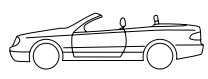
\* 04/99 → 01/03

33538	30234*
-------	--------

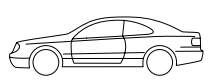
**Z3 Coupe (E36)**  
(97 → 03)

33538	-
-------	---

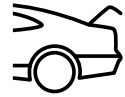
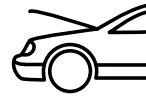
**Z4 (E85)**  
(03 → )



27593	27600
-------	-------



27593	-
-------	---



## C1

(05 → )

-

28002

## C2

(03 → )

-

28003

## C3

(02 → 09)

(ex.) Pluriel

-

28004

## C3 Picasso

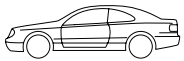
(09 → )

-

34449

## C4

(04 → )



-

34447



06 →

-

34448



→ 09

-

34446

## C4 Picasso

(07 → )

-

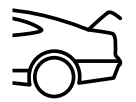
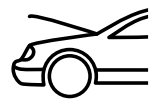
34445



→ O 11577

-

34444



**C4 Grand Picasso**  
(06 → )



-	31411
---	-------

-	34441
---	-------

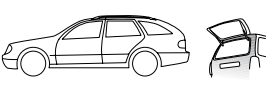


-	34442
---	-------

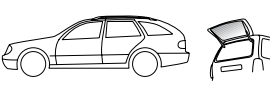
**C5 I**  
(01 → 04)



-	34440
---	-------



-	28005
---	-------

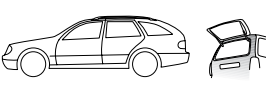


-	29260
---	-------

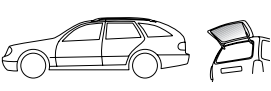
**C5 II**  
(04 → 08)



-	34439
---	-------



-	28005
---	-------



-	29260
---	-------

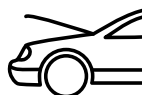
**C5 III**  
(08 → )



-	34438
---	-------



-	34437
---	-------



## C6

(05 →)

-

34436

## C8

(02 →)

-

34434

## C-Crosser

(07 →)

-

33393

## Berlingo I+II (M49/M59)

(96 → 08)

-

34433

## Berlingo III (B9)

(08 →)

\*O → 11829

-

34430\*

\*O 11830 →

-

34424\*



-

34425\*



-

34431\*

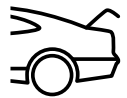
## Evasion

(94 → 02)

O 6945 → 7632

-

14500

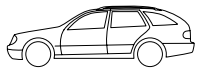


**Jumpy III**  
(07 →)

-

34429

**Nemo Kombi / Kasten**  
(08 →)



-

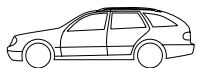
34428

**Saxo**  
(96 → 03)

-

29197

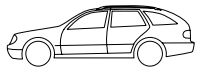
**Xantia I (X1)**  
(93 → 98)



-

28006

**Xantia II (X2)**  
(98 → 03)



-

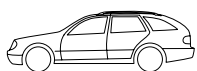
28006

**Xsara I**  
(97 → 00)



28010

28007



28010

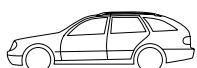
28008

**Xsara II**  
(00 → 05)



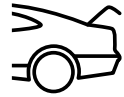
28011

28007



28011

28008



## Xsara Picasso

(99 →)

O 09842 →  
mit Lift-O-Mat Gasfeder/with Lift-O-Mat gas spring

-

34427

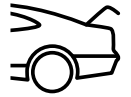
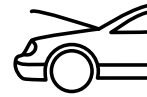
## ZX

(91 → 98)



-

28009



**500**  
(07 → 12)

-

33347

**Brava (182)**  
(95 → 01)

-

28041

**Bravo (182)**  
(98 → 05)

-

28042

**Bravo II Nuova (198)**  
(07 →)

-

33339

**Cinquecento (170)**  
(91 → 99)

-

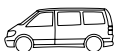
31084

**Croma (194)**  
(05 → 10)

-

33344

**Fiorino Nuovo / Qubo Nuovo (225)**  
(08 →)



-

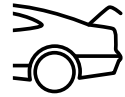
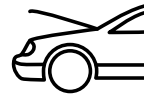
34428

**Idea**  
(03 → 12)

-

33338





## Linea (323)

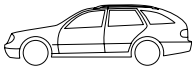
(07 →)

-

33343

## Marea Weekend (185)

(97 → 05)

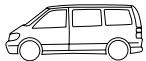


-

14063

## Multipla (186)

(98 → 02)



-

28040

## Panda (169) II Nuova

(03 → 09)

-

33337

## Punto (176)

(93 → 99)

-

14061

## Punto (188)

(99 → 05)



-

28037



-

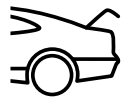
28036

## Grande Punto (199)

(05 → 12)

-

33346



**Punto EVO**

(09 → 11)

-

33346

**Scudo Nuovo (270)**

(07 →)

-

34429

**Stilo (192)**

(01 → 07)



-

28038



-

28039



-

33340\*



-

33341\*



-

33342\*

**Sedici**

(06 → 11)

-

33345

**Seicento (187)**

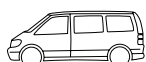
(98 → 10)

-

31084

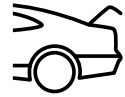
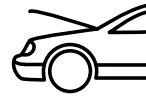
**Ulysse (220)**

(94 → 02)

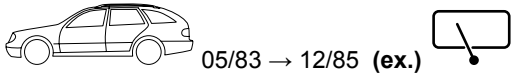


-

14500



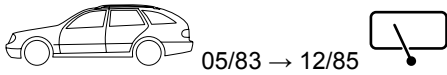
## Escort 81 (83 → 85)



05/83 → 12/85 (ex.)

-

17585

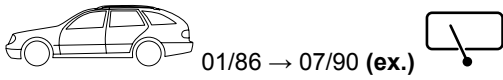


05/83 → 12/85

-

17585

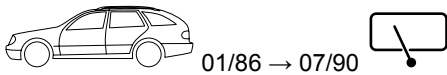
## Escort 86 (86 → 90)



01/86 → 07/90 (ex.)

-

17585

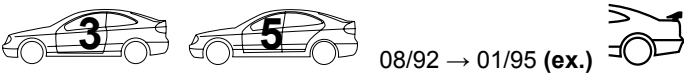


01/86 → 07/90

-

17585

## Escort 91 (90 → 95)



08/92 → 01/95 (ex.)

-

14655



08/92 → 01/95

-

14657

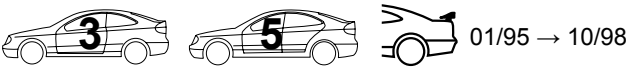
## Escort 95 (95 → 98)



01/95 → 10/98 (ex.)

-

14655



01/95 → 10/98

-

14657



01/95 → 03/99

-

27761

## Fiesta 89 (89 → 95)



03/89 → 03/93 (ex.)

-

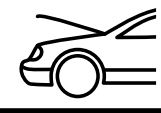
27786



03/89 → 03/93

-

27759



**Fiesta 89**  
(89 → 95)

<b>3</b> <b>5</b>	04/93 → 12/95 (ex.)	-	27782
-------------------	---------------------	---	-------

**Fiesta 96**  
(95 → 02)

<b>3</b> <b>5</b>	11/95 → 01/02 (ex.)	-	27774
-------------------	---------------------	---	-------

<b>3</b> <b>5</b>	11/95 → 01/02	-	05755
-------------------	---------------	---	-------

**Fiesta 02**  
(01 → 08)

<b>3</b>	11/01 →	-	27784
----------	---------	---	-------

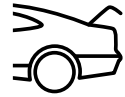
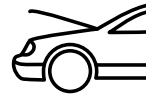
<b>5</b>	11/01 →	-	27757
----------	---------	---	-------

**Fiesta 08**  
(08 → 13)










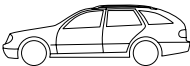
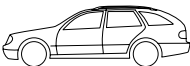
	07/08 →	-	38234
--	---------	---	-------

**Fiesta 13**  
(08 → 13)

		-	38234
--	--	---	-------



## Focus 98 (98 → 04)

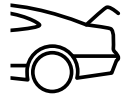
 	08/98 → 12/00	-	27773
 	12/00 → 12/02	-	27776
 	12/02 → 07/04	-	27776
 	12/02 → 07/04	-	27785
	02/99 → 11/04	-	27777
	11/98 → 02/01	-	27758
	02/01 → 12/02	-	27778

## Focus 04 (04 → 08)

 	07/04 → 11/07	-	27768
	07/04 → 11/07	-	27770
	07/04 → 11/07	-	27767

## Focus C-MAX 03 (03 → 07)

	06/03 → 02/07	-	27766
--	---------------	---	-------



**Focus C-MAX 07**

(07 → 11)

02/07 →

-

27766

**Focus 08 Turnier**

(08 → 11)

→ 03/08

-

27767

03/08 →

-

31947

**Fusion 02**

(02 → )

06/02 →

-

27787

**Galaxy 95**

(95 → 00)

11/95 → 03/00

-

23390

**Galaxy 00**

(00 → 06)

04/00 → 08/06

27664

23390

**Galaxy 06**

(06 → )

04/06 →

-

31949

**KA 97**

(97 → 08)

09/96 →

-

17586

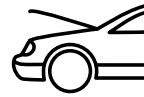
**KA 08**

(08 → )

09/08 →

-




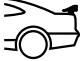




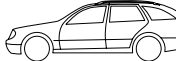
31950







## Kuga 08 (08 → 13)

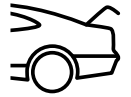
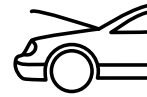
02/08 →	-	31956
 03/08 →	-	31946

## Mondeo 93 (93 → 96)

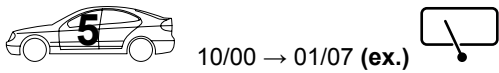
 01/93 → 07/96 (ex.) 	-	05756
 01/93 → 07/96 	-	17587
 01/93 → 07/96 (ex.) 	-	17588
 01/93 → 07/96 	-	17589
 01/93 → 07/96	-	17590

## Mondeo 97 (96 → 00)

 08/96 → 09/00 (ex.) 	-	05756
 08/96 → 09/00 	-	17587
 08/96 → 09/00 (ex.) 	-	17588
 08/96 → 09/00 	-	17589
 08/96 → 09/00	-	17590



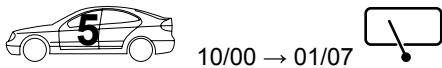
**Mondeo 00**  
(00 → 07)



10/00 → 01/07 (ex.)

27771

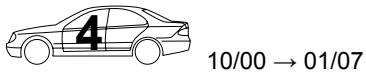
27779



10/00 → 01/07

27771

27779



10/00 → 01/07

27771

27760

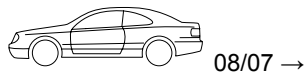


10/02 → 01/07

27771

27762

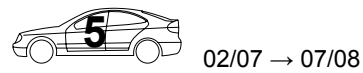
**Mondeo 07**  
(07 → )



08/07 →

-

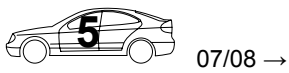
31954



02/07 → 07/08

-

31951



07/08 →

-

31952



03/07 → 07/08

-

31953

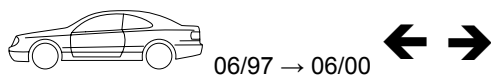


03/07 →

-

31955

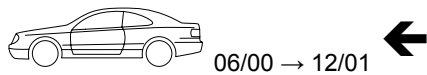
**Puma 97**  
(97 → 01)



06/97 → 06/00

-

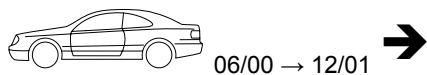
27789



06/00 → 12/01

-

27789

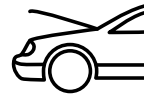


06/00 → 12/01

-

27769





## S-Max 06

(06 → )

03/06 →

-

31948

## Tourneo Connect 02

(02 → )



06/02 →

-

34507

## Transit 86

(85 → 91)

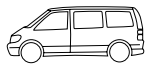


11/85 → 07/91 (ex.)



-

14659



11/85 → 07/91

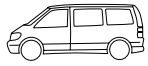


-

14661

## Transit 92

(91 → 94)



08/91 → 07/94 (ex.)



-

14659



08/91 → 07/94



-

14661

## Transit 95

(94 → 99)

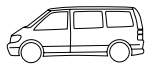


08/94 → 12/99 (ex.)



-

14659



08/94 → 12/99

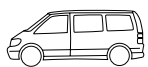


-

14661

## Transit 00

(00 → 06)



01/00 → 04/06

-

27772

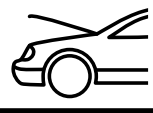
## Transit 06

(06 → )

04/06 →

-

27772

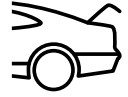


**Transit Connect 02**  
(02 → )

06/02 →

-

34507



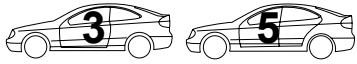
## Civic V (95 → 01)



-

28043

## Civic VII (06 →)



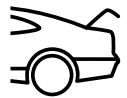
-

31049

## CRV III (07 →)

-

31050



**i10**

(10/07 →)

-

33560

**i20**

(08/08 →)

-

33561

**Accent (LC)**

(99 → 05)

-

29405

**Atos (MX)**

(98 → )

-

28087

**Atos Prime (MX)**

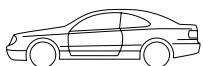
(99 → )

-

29294

**Coupe (RD/GK)**

(96 → )



29295

29300

**Elantra (XD)**

(00 → 06)

-

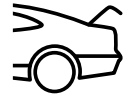
29284

**Getz (TB)**

(02 → 07)

-

27939



## Lantra II Wagon (J2)

(02/96 → 07/00 )

-

33562

## Matrix (FC)

(01 → )

-

27938

## Santa Fé (SM)

(00 → 06)



27936

27921



27936

27937

## Sonata V

(11/04 → )

33563

33564

## Sonata IV

(01 → 04)

29296

33847

## Trajeto

(01/00 → 12/06)

-

33565

## Tucson (JM)

(04 → 10)



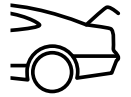
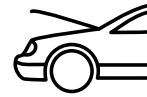
-

29297



-

29298



**Verna (LC)**  
(99 → 05)

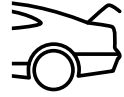
-

29405

**XG 350**  
(03 → )

-

29299



**Carenis II**  
(02 → )

-

28065

**Carnival II**  
(01 → )

07/02 → 09/05

28064

28063

**Sorento**  
(02 → )



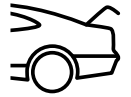
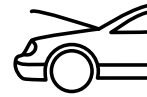
28062

28060



28062

28061



**Musa (350)**  
(04 → 07)

-

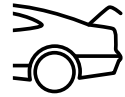
33338

**Zeta (220)**  
(94 → 02)

-

14500





## GS

(05 →)



GS 300 / 350 / 430 / 450H / 460

29285

28089

## IS

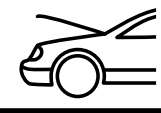
(05 →)



IS 250 / 300 / 350

29286

-



**121 (JASM/JBSM)**  
(95 → 02)



-

05755

**626 (GE)**  
(92 → 98)



-

17055

**Mazda 6 (GG)**  
(02 → 07)



-

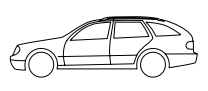
29401



-

29402

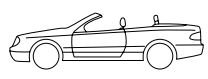
**Mazda 6 (GY)**  
(02 → 07)



-

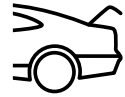
29404

**MX-5 (NC)**  
(05 → )



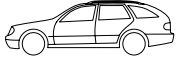
-

29403



## BM 123

(77 → 85)



-

08139

## BM 124 Cabriolet

(91 → 98)



(ch.) → C 018272

-

27741



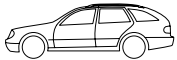
(ch.) C 018273 →

-

28561

## BM 124

(85 → 96)



-

08140

## 190 (BM 201)

(82 → 91)



01956

-

## A-Klasse (BM 168)

(97 → 04)

-

24707

## A-Klasse (BM 169)

(04 → )

-

24711

## B-Klasse (BM 245)

(05 → )



-

27736

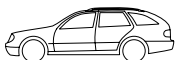
## C-Klasse (BM 202)

(93 → 00)



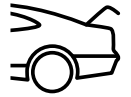
11734

-



11734

30439



**C-Klasse (BM 203)**

(00 → 07)



24733

-



24739

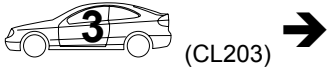
-



(CL203)

24733

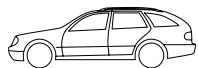
27739



(CL203)

24739

27739



24733

24327

**C-Klasse (BM 204)**

(07 →)



30880

-



30881

-



(ex.)

-

30882

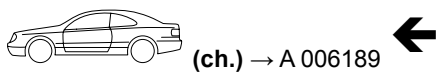


-

30883

**CL (BM 215)**

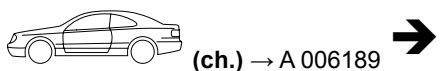
(99 → 06)



(ch.) → A 006189

27731

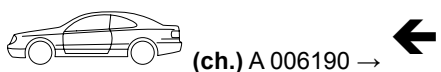
-



(ch.) → A 006189

27731

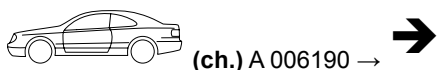
-



(ch.) A 006190 →

27731

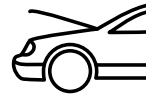
-



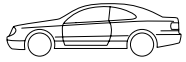
(ch.) A 006190 →

27731

-



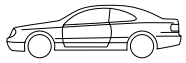
## CL (BM 216) (06 → )



27733

-

## CLK (BM 208) (97 → 02)



27737

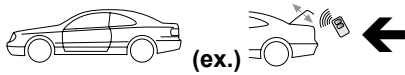
-



27737

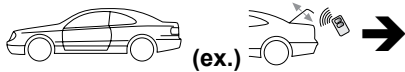
27738

## CLK (BM 209) (02 → )



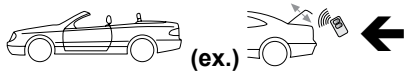
24733

-



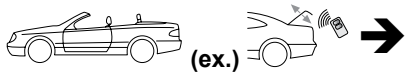
24739

-



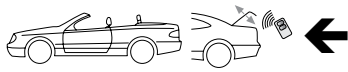
24733

27832



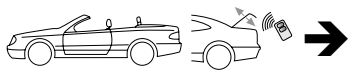
24739

27832



24733

27746



24739

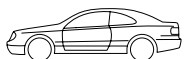
27746



-

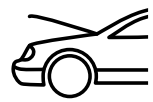
37274\*

## CLS (BM 219) (04 → )



27743

-



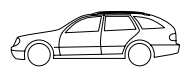
**E-Klasse (BM 210)**

(95 → 02)



02640

-



02640

03913

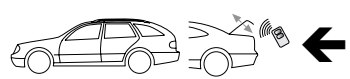
**E-Klasse (BM 211)**

(02 → 08 )



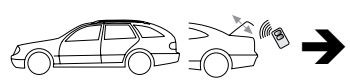
27743

-



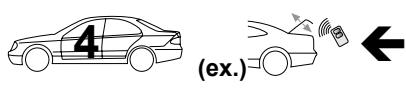
27743

27011



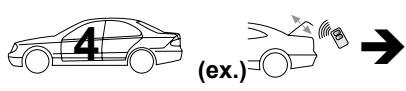
27743

27011



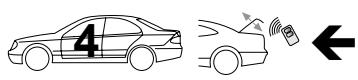
-

32045



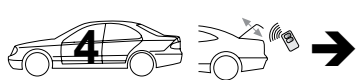
-

32046



-

32047



-

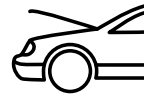
32048

**E-Klasse (BM 212)**

(09 → )

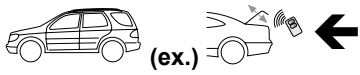
30879

-



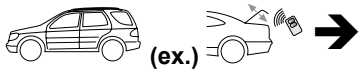
## GL-Klasse (BM 164)

(06 → )



-

29336



-

29336



-

29338



-

29339

## GLK-Klasse (BM 204)

(08 → )

37085

-

## M-Klasse (BM 163)

(98 → 05)

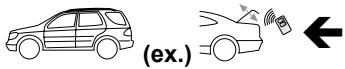


22622

22621

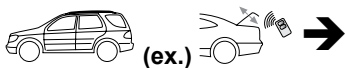
## M-Klasse (BM 164)

(05 → )



24737

28562



24731

28563



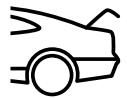
24737

29334



24731

29334



**R-Klasse (BM 251)**

(06 →)



(ch.) → A 114965

24738

-



-

24709



-

24718

**S-Klasse (BM 140)**

(91 → 98)



BM 140.051,057 500SEL/S500, 600SEL/S600

01956

-

**S-Klasse (BM 220)**

(98 → 05)



(ch.) → A 097774



24713

-



(ch.) → A 097774



24713

-



(ch.) A 097775 →



24713

-



(ch.) A 097775 →



24713

-

**S-Klasse (BM 221)**

(05 →)

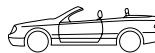


27733

27747

**SL (BM 129)**

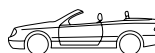
(89 → 01)



(ch.) → F 018805

-

27742

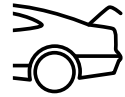


(ch.) F 018806 →

-

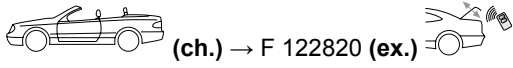
27734





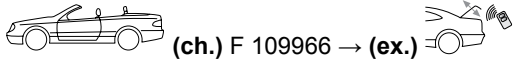
## SL (BM 230)

(01 → )



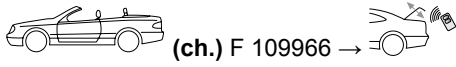
27745

27744



27745

27830



27745

27831

## SLK (BM 170)

(96 → 04)



24735

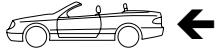
-

-

34112

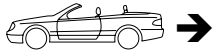
## SLK (BM 171)

(04 → )



24710

-



24719

-

-

28559

## Vaneo (BM 414)

(04 → )



-

27740

## V-Klasse/Vito (BM 638)

(04 → )

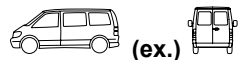


-

07832

## Viano/Vito (BM 639)

(04 → )



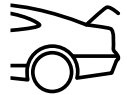
-

27748



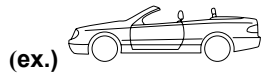
-

24712



**Mini One / One D / Cooper / Cooper S (R50/R53)**

(01 → 06)

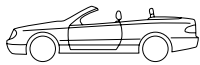


27598

27589

**Mini Cabriolet One / Cooper / Cooper S (R52)**

(04 → 06)



27598

-

**Mini Clubman / LCI (R55)**

(07 → )

34517

-

**Mini Coupe / LCI (R56)**

(06 → )

34517

34518

**Mini Cabrio / LCI (R57)**

(07 → )

34517

-

**Mini Coupe (R58)**

(11 → )

34517

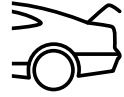
-

**Mini Roadster (R59)**

(11 → )

34517

-



## Carisma

(95 → 06)



-

29291

## Outlander II

(06 →)

-

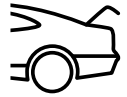
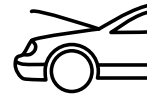
33393

## Space Star

(98 → 04)

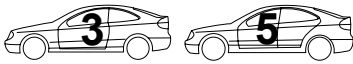
-

29293



**Almera II (N16)**

(00 → )

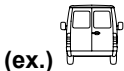


-

27886

**Kubistar (X76)**

(03 → )



-

27903

**Micra (K11)**

(92 → 03)

-

29977

**Micra (K12E)**

(03 → )

-

27909

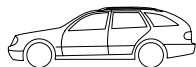
**Primera (P11/WP11)**

(96 → 02)



-

27890



-

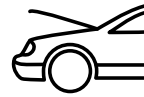
27896

**X-Trail (T30)**

(01 → )

-

27911

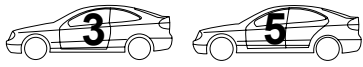


## Agila A (00 → 07)

-

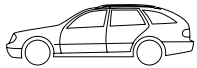
29198

## Astra F (91 → 98)



-

27644



-

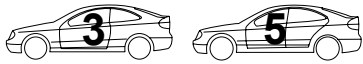
27645



-

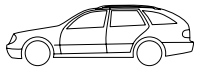
25135

## Astra G (98 → 05)



-

27614



-

27641



-

34509

## Astra H (05 → )



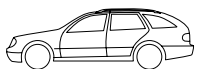
27603

27619



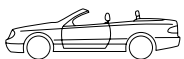
27603

27605



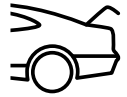
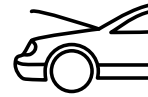
27603

27607



27603

27625



**Astra J**  
(09 → )



-

36220

**Calibra**  
(90 → 97)

-

27643

**Corso B**  
(93 → 00)



-

27647



(ch.) 2R000001 →

-

27646

**Corso C**  
(00 → 06)



-

27626

**Corso C Combo**  
(06 → 10)

-

33974

**Corso D**  
(06 → )



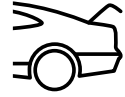
-

27621



-

27622

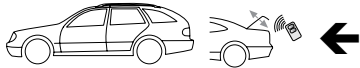


## Insignia (08 →)



-

36248



-

36249



-

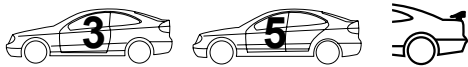
36250

## Kadett E (84 → 91)



-

25125



-

25126

## Meriva A (03 → 10)

-

27646

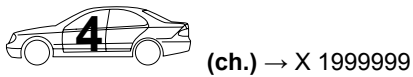
## Omega A (86 → 94)



-

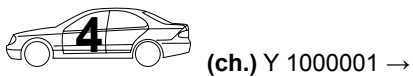
27648

## Omega B (94 → 03)



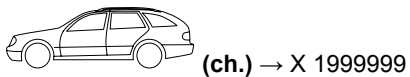
27627

25133



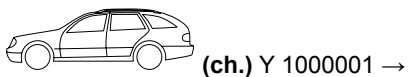
27610

25133



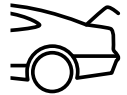
27627

25132



27610

25132



### Signum

(03 → 08)

(ch.) → 5 1999999

27617

29281

(ch.) 6 1000001 →

-

29281

### Vectra A

(88 → 95)



-

27649

### Vectra B

(95 → 03)



(ch.) → W 5999999/W 7999999

27616

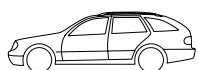
27609



(ch.) X 7000001 →

27616

27609



27616

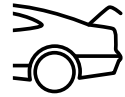
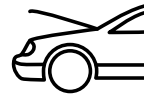
27628

(ch.) X 1000001 →

-

34443





## Vectra C

(03 → 08)



(ch.) → 5 1999999/5 8999999

27617

-



(ch.) → 5 1999999/5 8999999

27617

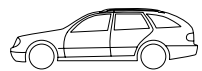
27629



(ch.) 6 1000001 →

-

27629

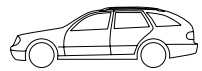


(ch.) → 5 1999999/5 8999999 (ex.)



27617

27623

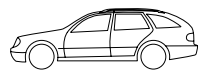


(ch.) 6 1000001 → (ex.)



-

27623

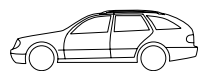


(ch.) → 5 1999999/5 8999999



27617

-



(ch.) → 5 1999999/5 8999999



27617

-

## Vivaro

(01 →)

-

34515

## Zafira A

(98 → 05)

-

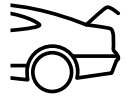
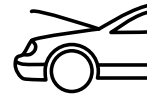
27608

## Zafira B

(05 → 11)

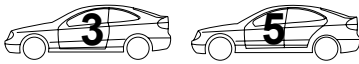
-

27620



**106 I**

(91 → 96)

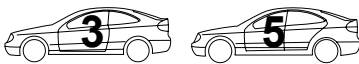


-

11895

**107**

(05 → )

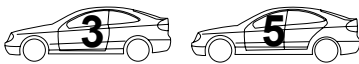


-

28002

**205 I**

(83 → 87)

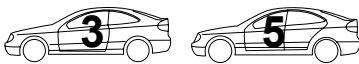


-

11897

**205 II**

(87 → 98)

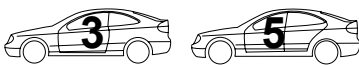


-

11897

**206**

(98 → )



-

18563

**206 CC**

(00 → )



-

27905

**206 SW**

(02 → )



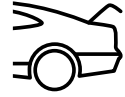
-

29262



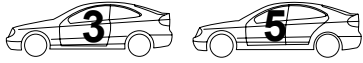
-

29261



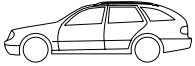
## 207

(06 →)



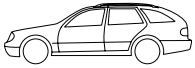
-

34421



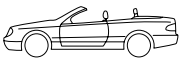
-

34435



-

34420

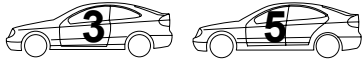


-

34422

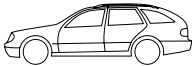
## 306

(94 → 02)



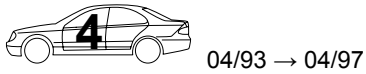
28027

11897



28027

28026



04/93 → 04/97

-

38235

## 306 Restyling

(05/97 → 05/01)



-

38235

## 307

(03 →)

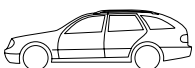


-

34419

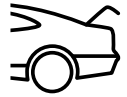
## 307 SW

(07 →)

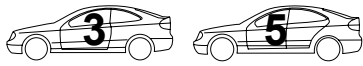


-

28028

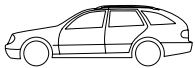


## 308 (07 → )



-

34417



-

34414



-

34415



-

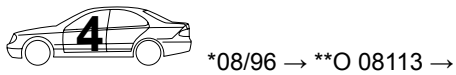
34416



-

34418

## 406 (95 → 04)



\*08/96 → \*\*O 08113 →

28031\*

28030\*\*



28031

28029

## 407 (04 → )



-

28032



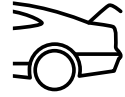
-

28033



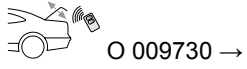
-

28034



## 607

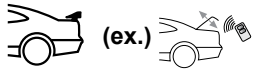
(00 →)



0 009730 →

-

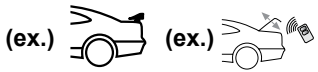
34411



(ex.)

-

34412



(ex.)

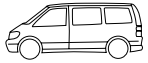
(ex.)

-

34413

## 806

(94 → 02)



0 6945 → 7632

-

14500

## 807

(02 →)

-

34434

## 3008

(09 →)

-

34410

## 4007

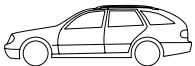
(07 →)

-

33393

## Bipper Kombi / Kasten

(08 →)



-

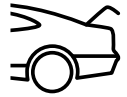
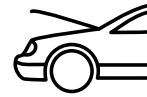
34428

## Expert III

(07 →)

-

34429



**Partner / Partner Kasten (B9)**

(08 →)

	-	34425
	-	34431
O 11830 →	-	34424
O 11829 →	-	34430

**Partner I (M49)**

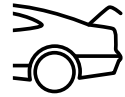
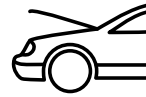
(96 → 03)

-	34433
---	-------

**Partner II (M59)**

(03 → 08)

-	34433
---	-------



## 911/Cabriolet (964)

(89 → 94)

27915

-

## 911/Cabriolet (993)

(94 → 98)

27915

-

## 911/Cabriolet (996)

(98 → 05)

27884

-

## 911/Cabriolet (997)

(05 → )

(ex.) GT3/Turbo

27902

27899

GT3/Turbo

27902

-

## 924

(80 → 88)

25301

-

## 944

(81 → 91)

25301

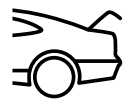
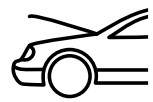
-

## Boxster (986)

(97 → 04)

27884

27898



**Boxster (987)**  
(05 → )

27902

27907

**Cayenne (955)**  
(03 → )



29267

29269



29267

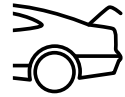
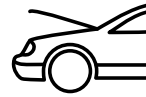
29268

**Cayman (987)**  
(05 → )

-

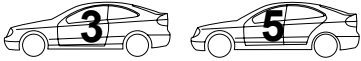
32984





## Clio I

(90 → 98)

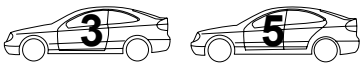


-

25311

## Clio II

(98 → 05)



-

27885

## Clio III

(05 → )

-

32896

## Dacia Duster

(10 → )

38232

38233

## Dacia Sandero

(08 → )

-

31438

## Espace II

(91 → 96)

-

31029

## Espace III

(96 → 02)



(ex.)

-

27910

## Espace IV

(02 → )

\*→ 16/07/2004

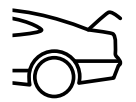
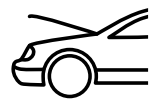
32892\*

32897

\*17/07/2004 →

32893\*

32898



## Kangoo I (98 → 08)

(ex.)	-	27903
-------	---	-------

## Laguna I (93 → 01)

	-	29444
--	---	-------

## Laguna II (01 → 07)

	-	32899
--	---	-------

## Laguna III (07 →)

	-	32900
--	---	-------

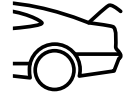
	-	32901
--	---	-------

## Megane I (96 → 03)

	-	27906
--	---	-------

	-	27904
--	---	-------

	-	30095
--	---	-------



## Megane II (02 → 08)



-

27914



-

27895



-

27893



-

27894



-

27891

## Megane II CC (03 → 10)

-

38236

## Megane III (08 → )



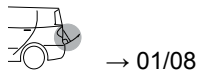
32894

32902\*

## Modus (04 → )

-

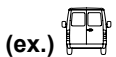
32903



-

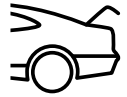
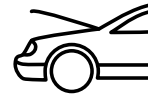
32904

## Rapid (85 → 98)



-

29895



## Scenic I (96 → 03)

(ex.)  / 4X4	-	27887
 (ex.) 4X4	-	27888
 (ex.) 4X4	-	27889

## Scenic II (03 → )

(ex.) 	-	27919
	-	27920
	-	27892

## Scenic III (09 → )

32895	32906
-------	-------

## Grand Scenic III (09 → )

-	32907
---	-------

## Twingo I (93 → 07)

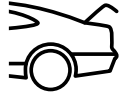
-	27901
---	-------

## Twingo II (07 → )

-	32908
---	-------

# ROVER

Car  
Division



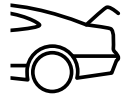
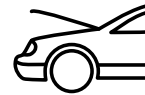
**75**

(99 → 05)



-

28088

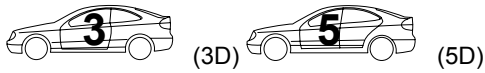


**900 I**  
(78 → 94)

-

29935

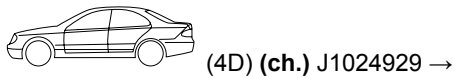
**900 II**  
(95 → 98)



27654

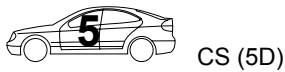
27655

**9000**  
(85 → 98)



-

29256



-

27656

**9-3 I**  
(98 → 02)



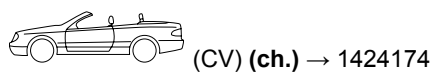
27654

27653



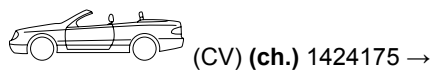
29204

27653



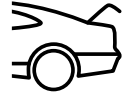
27654

27650



29204

27650

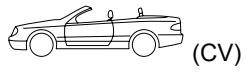


## 9-3 II (02 → )



29257

-



29257

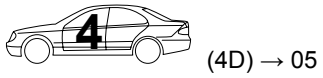
-



29257

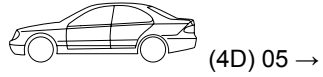
29258

## 9-5 I (97 → 10)



27651

27652



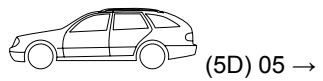
-

27652



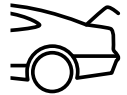
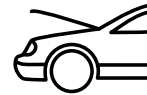
27651

29205



-

29205



**Alhambra (7V8/7V9)**

(96 → 10)

27664

23390

**Alhambra (710)**

(10 → )

\*PR-4E0

38188

38189\*

**Cordoba Vario (6K5)**

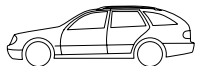
(97 → 02 )

-

31028

**Exeo ST**

(09 → )



-

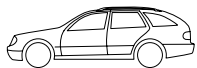
31648

**Ibiza (6K1)**

(93 → 02)

-

27709



(97 → 99)

-

31028

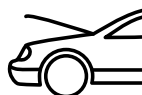
**Ibiza (6L1)**

(02 → 09)

-

27710





## Ibiza (6J1)

(08 →)



-

31649



-

31650

## Leon/4x4 (1M1)

(99 → 06)

27705

27708

## Leon (1P1)

(05 →)

-

34113

## Toledo (1L2)

(91 → 99)

-

27707

## Toledo (1M2)

(99 → 04)

27705

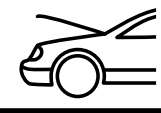
27706

## Toledo (5P2)

(04 → 09)

-

31651



**Fabia (6Y2/6Y3/6Y5)**  
(99 → 08)



-	31652
-	31652
-	31653

**Fabia (5J2)**  
(06 →)

-	31654
---	-------

**Fabia (5J5)**  
(07 →)



-	31654
---	-------

**Felicia (6U1/6U5)**  
(94 → 01)

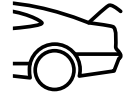


-	29320
-	29320

**Octavia/4x4 (1U1/1U5)**  
(97 → 08)



-	27713
-	27715
-	27712



## Octavia (1Z3/1Z5)

(04 →)



-

31656



-

31657

## Roomster (5J)

(06 →)

-

31658

## Superb (3U4)

(02 → 08)



27711

29436

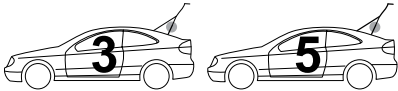


-

29435

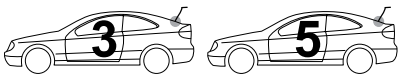
## Superb (3T4/3T5)

(08 →)



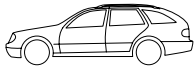
31633

31659



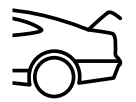
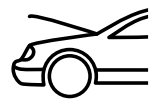
31633

31660

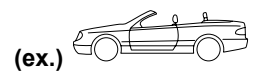


31633

38237



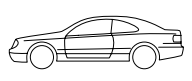
**Smart (BM450)**  
(98 → 04)



-

27732

**FORTWO (BM451)**  
(07 →)

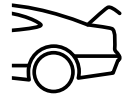
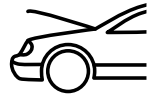


-

30351

SUZUKI

Car  
Division

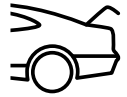
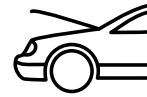


**Wagon R+**  
(00 → )

02 →

-

29198



**Avensis (T22)**

(97 → 03)

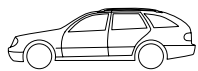


-

28078

**Avensis (T25)**

(03 → 08)



-

28080

**Aygo**

(05 → )

-

28002

**Carina E**

(92 → 96)



-

28077

**Corolla (E10)**

(92 → 97)

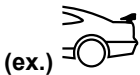


-

26270

**Corolla (E11)**

(97 → 02)



-

29978

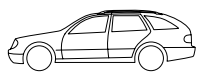


-

29979

**Corolla (E12)**

(02 → )

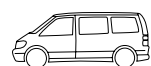


-

28085

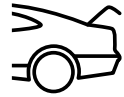
**Corolla Verso**

(04 → 09)



-

28084



## Prius

(03 → 05)

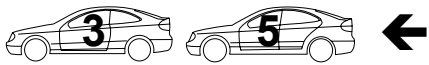


-

29290

## Yaris

(99 → 05)

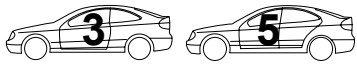


-

26268

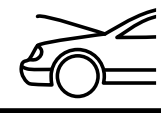
## Yaris

(05 → )



-

28081



**Agila A**  
(00 → 07)

-	29198
---	-------

**Astra Mk II**  
(84 → 91)

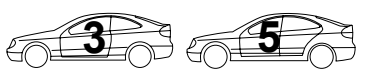


-	25125
---	-------

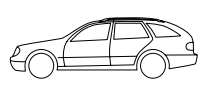


-	25126
---	-------

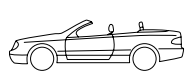
**Astra Mk III**  
(91 → 98)



-	27644
---	-------

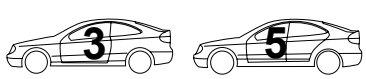


-	27645
---	-------

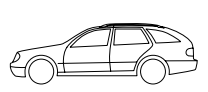


-	25135
---	-------

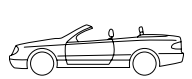
**Astra Mk IV**  
(98 → 05)



-	27614
---	-------

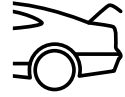


-	27641
---	-------



-	34509
---	-------





## Astra Mk V (05 → )



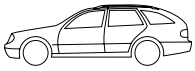
27603

27619



27603

27605



27603

27607



27603

27625

## Astra Mk VI (09 → )



-

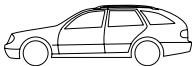
36220

## Calibra (90 → 97)

-

27643

## Carlton Mk III (86 → 94)



-

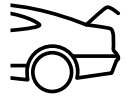
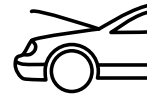
27648

## Cavalier Mk III (88 → 95)



-

27649



**Corsa**

(93 → 00)



(ex.)



-

27647



(ch.) 2R000001 →

-

27646

**Corsa Mk II**

(00 → 06)



-

27626

**Corsa Mk III**

(06 → )



-

27621



-

27622

**Corsa C Combo**

(06 → 10)

-

33974

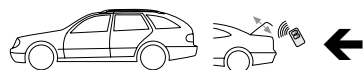
**Insignia**

(08 →)



-

36248



-

36249



(ex.)

-

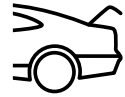
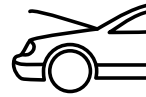
36250

**Meriva MK I**

(03 →10)

-

27646



## Omega (94 → 03)



(ch.) → X 1999999

27627

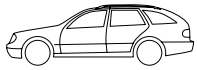
25132



(ch.) Y 1000001 →

27610

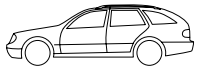
25132



(ch.) → X 1999999

27627

25133



(ch.) Y 1000001 →

27610

25133

## Signum (03 → 08)

(ch.) → 5 1999999

27617

29281

(ch.) 6 1000001 →

-

29281

## Vectra (95 → 03)



(ch.) → W 5999999/W 7999999

27616

27609



(ch.) X 7000001 →

27616

27609



27616

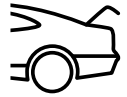
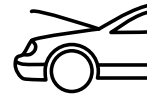
27628

## Vectra MK I (96 → 02)

(ch.) X 1000001 →

-

34443



**Vectra Mk II**

(03 → 08)



(ch.) → 5 1999999/5 8999999

27617

-



(ch.) → 5 1999999/5 8999999

27617

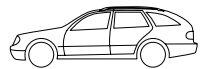
27629



(ch.) 6 1000001 →

-

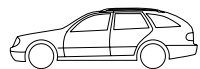
27629



(ch.) → 5 1999999/5 8999999 (ex.)

27617

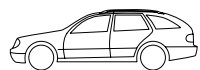
27623



(ch.) 6 1000001 → (ex.)

-

27623

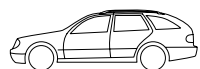


(ch.) → 5 1999999/5 8999999



27617

-



(ch.) → 5 1999999/5 8999999



27617

-

**Vivaro**

(01 →)

-

34515

**Zafira MK I**

(98 → 05)

-

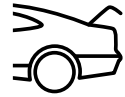
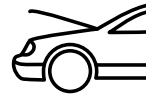
27608

**Zafira Mk II**

(05 → 11)

-

27620



## Bora/4motion (1J2)

(98 → 05)



(ch.) → 1J-1-560000

23386

-



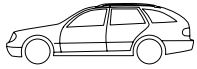
(ch.) 1J-1-560001 → / \*00→05

23386

29435\*

## Bora Variant/4motion (1J6)

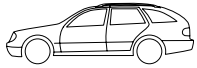
(98 → 05)



(ch.) → 1J-1-560000

23386

23380



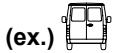
(ch.) 1J-1-560001 →

23386

23388

## Caddy III (2K)

(04 →)



(ex.)

-

31645

## Caddy 4/4motion/Caddy Maxi (2CA/2CB/2CH/2CJ)

(10 →)

38190

-

## Fox/Crossfox (5Z1)

(03 →)



-

38192



05 →

-

38192

## Crosstouran/Touran (1T)

(03 →)

-

37482

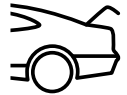
## Crosstouran (1T)

(07 →)

\*(PR-6P1)

38190

38191\*



## EOS

(06 →)

31632

31646

## Golf 2/Syncro (19E/1G1)

(83 → 92)



(ch.) 19-E-780001 →

-

01186

## Golf 3/Syncro (1H1)

(91 → 97)

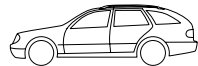


-

01185

## Golf 3 Variant/Syncro (1H5)

(93 → 99)

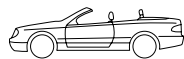


-

25230

## Golf 3 Cabriolet (1E7)

(94 → 98)

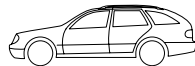


-

27659

## Golf 4/Variant/4motion (1J1)

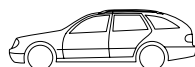
(97 → 05)



(ch.) → 1J-1-560000

25208

23380



(ch.) 1J-1-560001 →

23386

23388

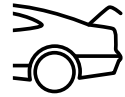
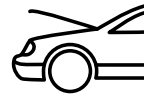
## Golf 4 Cabriolet (1E7)

(98 → 02)



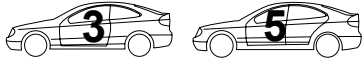
23386

27659



## Golf 5/4motion (1K1)

(04 → )



29434

27666

## Golf VI (5K)

(08 → )

(ex.) Japan

31631

31644

## Golf VI/Variant/4motion

(08 → )

31631

-

## Golf 6 Cabrio

(11 → )

31631

37495

## Jetta (1K2)

(05 → 10)

29434

37501

## Lupo (6X1/6E1)

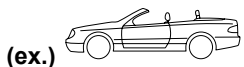
(98 → 05)

29275

25208

## New Beetle (9C1/1C1)

(98 → )



29395

29274

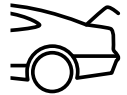
## New Beetle Cabrio (1Y7)

(03 → )



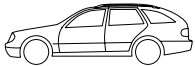
29395

-



## Passat Variant (32B)

(80 → 88)

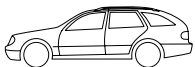


-

01187

## Passat Variant (3A2/35I)

(88 → 97)



-

01188

## Passat/4motion (3B2)

(97 → 00)



(ex.)



23382

23398

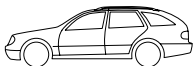


23382

-

## Passat Variant/4motion (3B5)

(97 → 00)



23382

23380

## Passat/4motion (3B3)

(00 → 05)



(ch.) → 3B-4-080000 / \*(ex.) W8

27693\*

29435



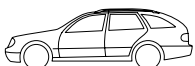
(ch.) 3B-4-080001 → / \*(ex.) W8

27693\*

29436

## Passat Variant/4motion (3B6)

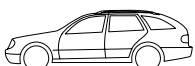
(00 → 05)



(ch.) → 3B-4-080000

27693

23388

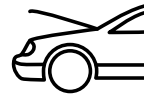


(ch.) 3B-4-080001 → \*(ex.) W8

27693\*

23380





## Passat Variant/4motion (3C)

(05 →)

31629

31641

## Passat/4motion (3C2)

(05 →)

31629

31640

## Passat CC/4motion

(08 →)

31630

-

## Passat 6/4motion

(10 →)

37480

37479

## Passat 6/Variant+Variant 4motion+Alltrack+Alltrack 4motion

(10 →)

\*(PR-4E2)

37480

37481\*

## Polo (6N1/6N2)

(95 → 02)

-

28557

## Polo (9N)

(02 →)

29438

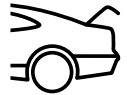
27665

## Polo Classic Avant (6KV2)

(97 → 02)

-

31028



## Polo (6R)

(09 → )

-

31642

## Scirocco (137)

(08 → )

-

31647

## Sharan (7M6/7M8/7M9)

(95 → )

27664

23390

## Sharan/4 motion (7N1)

(10 → )

\*(PR-4E0+6P1/6P5)

38188

38189\*

## Tiguan (5N)

(07 → )

(ex.) Japan

-

31643

## Touareg (7LA/7L6/7L7)

(02 → )



27663

29439



27663

27667

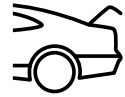
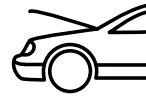
## Touran (1T1/1T2)

(03 → )

\*03 → 06

29440

27673\*



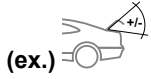
## Touran (GP2) (10 → )

\*(PR-6P1)

38190

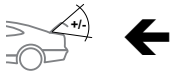
38191\*

## Transporter/Syncro (T3) (79 → 92)



-

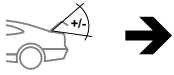
01190



(ch.) 25-C-102001 →

-

27661



(ch.) 25-C-102001 →

-

27660

## Transporter/Syncro (T4) (ch.) → 70-N-151781 (90 → 03)

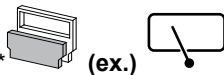
\*LHD VR6(150kW)/TDI(110kW) \*\* (ex.)



27668\*

28555\*\*

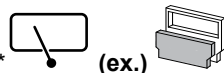
\*LHD VR6(150kW)/TDI(110kW) \*\*



27668\*

27669\*\*

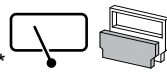
\*LHD VR6(150kW)/TDI(110kW) \*\*



27668\*

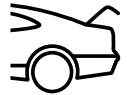
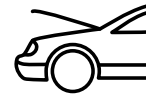
28552\*\*

\*LHD VR6(150kW)/TDI(110kW) \*\*



27668\*

23396\*\*



## Transporter/Syncro (T4) (ch.) 70-N-151782 → (90 → 03)

*LHD VR6(150kW)/TDI(110kW) ** (ex.)		27668*	28554**
*LHD VR6(150kW)/TDI(110kW) **	(ex.)	27668*	27671**
*LHD VR6(150kW)/TDI(110kW) **	(ex.)	27668*	27672**
*LHD VR6(150kW)/TDI(110kW) **	(ex.)	27668*	28553**
*LHD VR6(150kW)/TDI(110kW) **		27668*	27658**

## Transporter/4motion (T5) (03 → )

*03 → 09 (PR-K4A/K4B/K4J/5NC/5NJ)	29441	23392*
Multivan/Caravelle	-	29442

## Transporter T5/4motion+T5 Multivan/4motion (09 → )

(ex.) (PR-A8E/A8Z/A9W/A9X/A9Y/QL0/QL4))	-	23392
---	---	-------



## up! (CHYA/CHYB/CPGA)

(11 → )

10/2011 →

-

38187

CPGA 12 →

-

38187

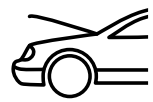
## Vento (1H2)

(91 → 98 )



-

28558



**740**  
(85 → 92)

	-	14929
--	---	-------

**760**  
(86 → 92)

	-	14929
--	---	-------

**850**  
(91 → 97)

(ex.)	-	22717
	-	14928

**940 I / II**  
(90 → 98)

	-	14929
(ex.)	-	22716

**960 I**  
(90 → 94)

	27634	14929
--	-------	-------

**960 II**  
(94 → 96)

(ex.)	-	22716
-------	---	-------



## C 30

(06 →)

36214

-

## C 70 II

(06 →)

36214

-

## S 40 I

(95 → 03)

22718

27630

## S 40 II

(04 → 12)

36214

36210

## S 60 I

(00 → 11)

\*→ (ch.) 470971

27636\*

27632

## S 70

(96 → 00)

-

27631

## S 80 I

(98 → 06)

\*→ 03

27636

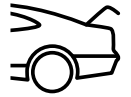
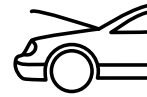
27635\*

## S 80 II

(06 →)

36208

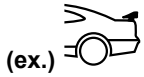
36207



**S 90**  
(97 → 98)

27634

-



-

22716

**V 40 I**  
(95 → 04)

22718

17323

**V 50**  
(04 → 12)

\*(ch.) → 479981

36214

36219\*

\*(ch.) 479982 →

36214

36206\*

**V 70 I**  
(97 → 00)

-

14928

**V 70 II**  
(00 → 07)

\*(ch.) → FC1 669226  
(ch.) → FC2 667581

27636\*

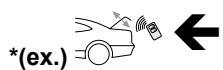
27633

**V 70 III**  
(07 →)



36208

36209\*



36208

36747\*





## V 90 (97 → 98)

27634

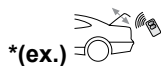
14929

## XC 60 (2010 →)



36211

36212\*

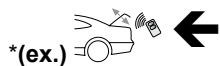


\*(ex.)

36211

36213\*

## XC 70 III (07 →)



\*(ex.)

36208

36747\*



\*(ex.)

36208

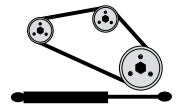
36209\*

## XC 70 Cross Country II (00 → 07)

\*→ (ch.) 283695

27636\*

27633



**A3 (8L1)**

(98 → 03)

1.9 TDI (mot.) AHF / AGR / ALH / ASV

21690

**A4 / Avant (8D\_/8E\_)**

(98 → 07)

2.5 TDI (mot.) AFB / AKE / AKN / AYM / BAU / BCZ / BDG / BDH / BFC

27604

**A6 / Avant / Allroad (4A/4B)**

(98 → 05)

2.5 TDI (mot.) AFB / AKE / AKN / AYM / BAU / BCZ / BDG / BDH / BFC

27604

2.5 TDI (mot.) AAT / AEL

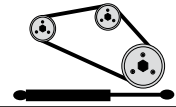
28550

**A8 (4D\_)**

(94 → 03)

2.5 TDI (mot.) AFB / AKE / AKN / AYM / BAU / BCZ / BDG / BDH / BFC

27604



**3`er (E 36)**  
(93 → 00)

**316 i / 318 i (mot.) M43**

→ 09/95

03801  
18485

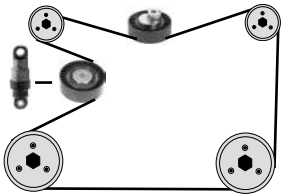
**318 iS (mot.) M42 / M44**

03801  
18485

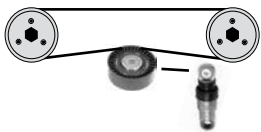
**318 tds / 325 td/tds (mot.) M41 / M51**

01579

**320 i / 325 i / 328 i (mot.) M50 / M52**



04987  
18483



**AC**

04968  
18484

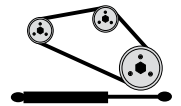
**3`er (E 46)**  
(98 → 05)

**318 d / 320 d (mot.) M47**

14996

**320 i → 330 i (mot.) M52 / M54**

04987  
18483



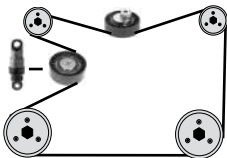
**5`er (E 34)**

(88 → 95)

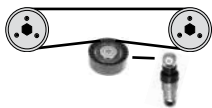
**518 i (mot.) M43**

**03801  
18485**

**520 i / 525 i (mot.) M50**



**04987  
18483**



**AC**

**04968  
18484**

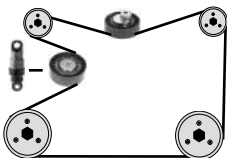
**525 td/tds (mot.) M51**

**01579**

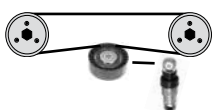
**5`er (E 39)**

(95 → 03)

**520 i → 530 i (mot.) M52 / M54**



**04987  
18483**

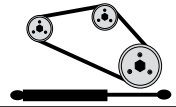


**AC**

**04968  
18484**

**520 d (mot.) M47**

**14996**



**525 td/tds (mot.) M51**

01579

**535 i / 540 i (mot.) M62**

09/97 →



11332  
27561

09/97 →



11330  
27560

**5`er (E 60/61)**  
(03 → )

**520 i / 525 i / 530 i (mot.) M54**

04987  
18483

**7`er (E 32)**  
(86 → 94)

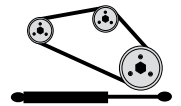
**750 i/iL (mot.) M70**

08744

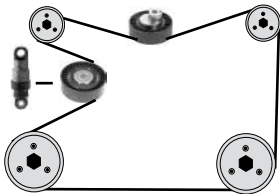
**7`er (E 38)**  
(94 → 01)

**725 tds (mot.) M51**

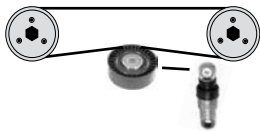
01579



**728 i/iL (mot.) M52**



04987  
18483



**AC**

04968  
18484

**735 i/iL / 740 i/iL (mot.) M62**

09/97 →



11332  
27561

09/97 →



11330  
27560

**8`er (E 31)**

(93 → 96)

**840 Ci (mot.) M62**

09/97 →



11332  
27561

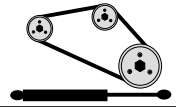
09/97 →



11330  
27560

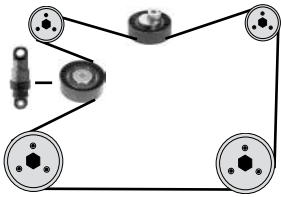
**850 i (mot.) M70**

08744



**X 3 (E 83)**  
(03 →)

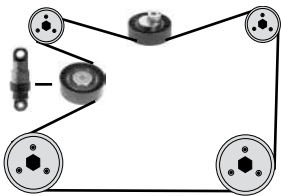
**2.5 / 3.0 (mot.) M54**



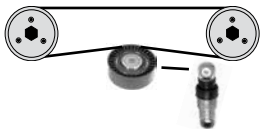
04987  
18483

**X 5 (E 53)**  
(00 → 07)

**3.0 (mot.) M54**



04987  
18483



AC

04968  
18484

**4.4 / 4.6 (mot.) M62**

09/97 →

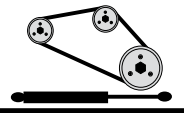


11332  
27561

09/97 →

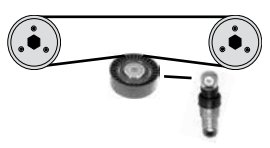


11330  
27560



**Z 3**  
(95 → 03)

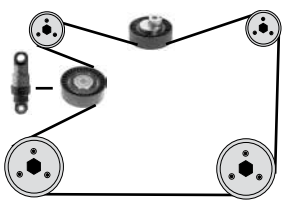
**2.0 (mot.) M54**



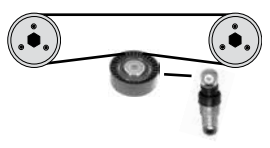
**AC**

**04968  
18484**

**2.8 (mot.) M52**



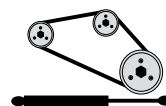
**04987  
18483**



**AC**

**04968  
18484**





## Berlingo I+II (M49/M59)

(96 → 08)

1.9 D (mot.) DW8 / DW8B / XUD

**AC** servo 

19072

## C5 I

(01 → 04)

3.0 V6 (mot.) ES9J4S

28278

## C5 II

(04 → 08)

3.0 V6 (mot.) ES9A

28278

## C5 III

(08 →)

3.0 V6 (mot.) ES9A

28278

## C6

(05 →)

3.0 V6 (mot.) ES9A

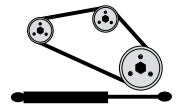
28278

## C8

(02 →)

3.0 V6 (mot.) ES9J4S

28278



**Evasion**

(94 → 02)

1.9 TD / 2.1 TD (mot.) XUD

**AC** servo

19072

**Jumpy I+II**

(94 → 07)

1.9 D / 1.9 TD (mot.) DW8 / DW8B / XUD

**AC** servo

19072

**Xantia (X1)**

(93 → 01)

1.9 D / 1.9 TD / 2.1 TD (mot.) XUD

**AC** servo

19072

**Xantia (X2)**

(97 → 03)

3.0 V6 (mot.) ES9J4

28278

**XM (Y3)**

(89 → 00)

1.9 D / 1.9 TD / 2.1 TD (mot.) XUD

**AC** servo

O 06779 →

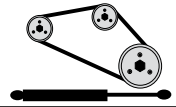
19072

**XM (Y4)**

(97 → 00)

3.0 V6 (mot.) ES9J4

28278



## Xsara (N1) (97 → 05)

1.9 D (mot.) DW8B

**AC** servo 

19072

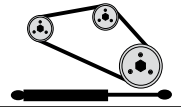
## ZX (N2) (91 → 97)

1.9 D / 1.9 TD (mot.) XUD

**AC** servo 

0 06629 →

19072



**Scudo (220P/L)**  
(96 → 07)

1.9 D / 1.9 TD (mot.) DW8 / XUD

**AC** servo

19072

**Ulysse (220)**  
(94 → 02)

1.9 TD / 2.1 TD (mot.) XUD

**AC** servo

19072

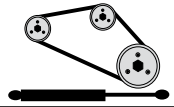
**Ulysse II Nuovo (179AX)**  
(02 → 10)

3,0 V6

28278

**FORD**

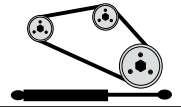
**Car  
Division**



**Scorpio 95**  
(10/94 → 06/98)

**2,5 Turbo Diesel**

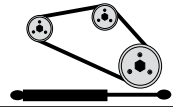
**28261**



**Phedra (179)**  
(02 → 10)

**3,0 V6**

**28278**



## BM 124 (E-Klasse) (85 → 95)

### 200 / 200 E / 200 T / 200 TE / 230 E / 230 TE / 230 CE (mot.) M 102.922, 963, 982



(mot.) 102.922 (mot. no.) 000935 → 054114  
 (mot.) 102.963 (mot. no.) 000001 → 006316  
 (mot.) 102.982 (mot. no.) 000996 → 086551

05760



(mot.) 102.922 (mot. no.) 054115 →  
 (mot.) 102.963 (mot. no.) 006317 →  
 (mot.) 102.982 (mot. no.) 086552 →

06597



(mot.) 102.922 (mot. no.) 000255 → 021733  
 (mot.) 102.963 (mot. no.) 000001 → 000335  
 (mot.) 102.982 (mot. no.) 000659 → 083196

05760



(mot.) 102.922 (mot. no.) 021734 →  
 (mot.) 102.963 (mot. no.) 000336 →  
 (mot.) 102.982 (mot. no.) 083197 →

06597

### 200 / 200 CE / 200 TE / E 200 (mot.) M 111.940

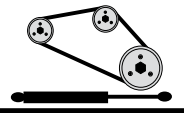
19995

### 200 D / 200 TD / E 200 D (mot.) OM 601.912

08779

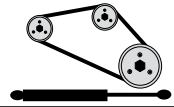
### 220 / 220 CE / 220 TE / E 220 (mot.) M 111.960

19995



<b>250 D / 250 TD / E 250/T D (mot.) OM 605.911</b>			<b>08779</b>
<b>250 D Turbodiesel / 250 TD Turbodiesel / E 250/T Turbo-D (mot.) OM 602.962</b>			<b>08778</b>
<b>260 E (mot.) M 103.940</b>			
	(mot. no.) 027640 →		<b>08778</b>
<b>280 E / 280 TE / E 280 (mot.) M 104.942</b>			
	(mot. no.) → 005789		<b>08778</b>
	(mot. no.) → 048696		<b>08778</b>
<b>300 E / 300 CE / 300 TE (mot.) M 103.980, 983</b>			
	(mot.) 103.983	(mot. no.) 032928 →	<b>08778</b>
<b>300 E-24 / 300 CE-24 / 300 TE-24 (mot.) M 104.980</b>			
			<b>08778</b>
<b>300 D / 300 TD (mot.) OM 603.912</b>			
			<b>06569</b>
<b>E 300 D Turbo / E 300 TD Turbo (mot.) OM 606.910</b>			
			<b>08779</b>





## BM 124 (E-Klasse)

(85 → 95)

### 300 D / 300 TD / 300 TD Turbo / E 300 TD Turbo (mot.) OM 603.960

(mot. no.) → 049508

06569

(mot. no.) 049509 →

08779

### 320 E / 320 CE / 320 TE / E 320 / E 36 AMG (mot.) M 104.992



(mot. no.) → 004356

08778

## BM 201 (190)

(83 → 92)

### 190 (mot.) M 102.924



(mot. no.) → 040718

06597



(mot. no.) → 010273

06597

### 190 D (mot.) OM 601.911

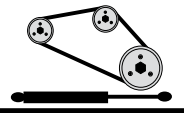
06569

### 190 D 2.5 / 2.5 D-Turbo (mot.) OM 602.911, 961

06569

### 190 E 1.8 (mot.) M 102.910, 919

06597



**190 E 2.0 / 2.3 (mot.) M 102.962, 985**

	(mot.) 102.962	(mot. no.) 159206 →	06597
	(mot.) 102.962	(mot. no.) 080537 →	06597
	(mot.) 102.985	(mot. no.) 020298 →	06597
	(mot.) 102.985	(mot. no.) 064022 →	06597

**190 E 2.3 16V (mot.) M 102.983**

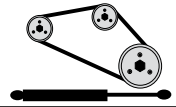
		(mot. no.) 006950 →	05760
		(mot. no.) 000003 →	05760

**190 E 2.5 16V (mot.) M 102.990, 991, 992**

05760

**190 E 2.6 (mot.) M 103.942**

08778



## C-Klasse (BM 202)

(92 → 01)

**C 180 / C 180 T / C200 / C200 T (mot.) M 111.920, 921, 941, 945**

19995

**C200 Kompressor / C200 T Kompressor (mot.) M 111.944, 961**

19995

**C 200 D / C 200 T D (mot.) OM 601.913**

08779

**C 200 TD / C 220 D / C 220 T D (mot.) OM 604.910, 915**

08779

**C230 / C 230 T / C 230 Kompressor / C 230 T Kompressor (mot.) M 111.974, 975**

19995

**C240 / C 240 T / C 280 / C 280 T / C 43 / C 43 T (mot.) M 112.910, 915, 920, 944**

17510

**C 250 D / C 250 T D / C 250 D-Turbo (mot.) OM 605.910, 960**

08779

**C280 / C 280 T / C 36 AMG / C 36 T AMG (mot.) M 104.941**



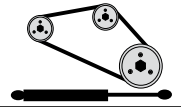
(mot. no.) → 004058

08778



(mot. no.) → 034966

08778



**C-Klasse (BM 203)**

(00 → 07)

C 230/T / C 280/T / C 350/T (mot.) M 272.920, 940, 941, 970

27454

C 240 / C 240 T / C 320 / C 320 T (mot.) M 112.912, 946

17510

**C-Klasse (BM 204)**

(07 → )

C 230/T / C 280/T / C 350/T (mot.) M 272.911, 921, 947, 948, 960, 961, 971

27454

**CL (BM 215)**

(99 → 06)

CL 500 (mot.) M 113.960

17510

**CLK (BM 208)**

(97 → 02)

CLK 200 / CLK 200 Kompressor / CLK 230 Kompressor (mot.) M 111.944, 945, 975

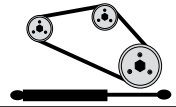
19995

**CLK (BM 209)**

(02 → )

CLK 280 / CLK 350 (mot.) M 272.940, 960

27454



## CLS (BM 219)

(04 → )

CLS 280 / CLS 350 / CLS 350 CGI (mot.) M 272.943, 964, 985

27454

## E-Klasse (BM 210)

(95 → 03)

E 200 / E 200 T / E 200 Kompressor / E 200 T Kompressor (mot.) M 111.942, 947

19995

E 200 D / E 220 T D / E 220 D / E 220 T D (mot.) OM 604.912, 917

08779

E 240 / E 240 T (mot.) M 112.911, 914

17510

E 250 D / E 250 T D / E 250 D-Turbo / E 250 T D-Turbo (mot.) OM 605.912, 962

08779

E 280 / E 280 T (mot.) M 112.921

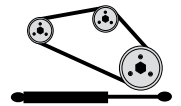
17510

E 290 Turbodiesel / E 290 T Turbodiesel (mot.) OM 602.982

08779

E 300 D / E 300 T D / E 300 D-Turbo / E 300 T D-Turbo (mot.) OM 606.912, 962

08779



**E 430 / E 430 T / E 55 AMG / E 55 T AMG (mot.) M 113.940, 980**

17510

**E-Klasse (BM 211)**

(03 → )

**E 230/T / E 280/T / E 350/T / E 350/T CGI (mot.) M 272.922, 943, 944, 964, 972, 985**

27454

**G-Klasse (BM 460/461)**

(79 → )

**250 GD / 290 GD / 290 GD-Turbo (mot.) OM 602.930, 939, 983**

08779

**250 GD / 290 GD / 290 GD-Turbo (mot.) OM 602.938, 946**

06569

**G-Klasse (BM 463)**

(89 → )

**200 GE / 230 GE (mot.) M 102.965, 989**

→ 93

06597

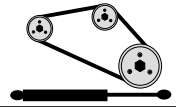
**250 GD (mot.) OM 602.931**

06569

**300 GE / G 300 (mot.) M 103.987**

→ 93

06597



## G-Klasse (BM 463)

(89 → )

### 300 GD / G 300 D (mot.) OM 603.931

→ 93

06569

### 350 GD-Turbo (mot.) OM 603.972

→ 93

06569

### G 300 D-Turbo (mot.) OM 606.964

→ 93

08779

### G 320 (mot.) M 112.945

93 →

17510

### G 500 / G 55 AMG (mot.) M 113.962

93 →

17510

## M-Klasse (BM 163)

(98 → 05)

### ML 230 (mot.) M 111.977

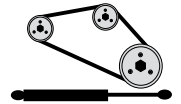
19995

## M-Klasse (BM 164)

(05 → )

### ML 350 (mot.) M 272.967

27454



**R-Klasse (BM 251)**

(05 → )

R 280 / R 350 (mot.) M 272.945, 967

27454

**S-Klasse (BM 126)**

(80 → 90)

260 SE (mot.) M 103.941 / 300 SE (mot.) M 103.981

06569

**S-Klasse (BM 140)**

(91 → 99)

300 SE / SEL / S 320 (mot.) M 104.990, 944, 994



(mot.) 104.944

(mot. no.) → 007447

08778



(mot.) 104.994

(mot. no.) → 031209

08778

300 SD Turbo / S 350 D Turbo (mot.) OM 603.971

08779

S 300 D Turbo (mot.) OM 606.961

08779

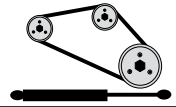
**S-Klasse (BM 220)**

(98 → 05)

S 280 / S 350 (mot.) M 272.946, 965, 975

27454





## S-Klasse (BM 220)

(98 → 05)

S 430 / S 500 (mot.) M 113.941, 960

17510

## SL (BM 107)

(71 → 89)

SL 300 (mot.) M 103.982

08778

## SL (BM 129)

(89 → 01)

SL 280 (mot.) M 104.943

08778

SL 280 (mot.) M 112.923

17510

SL 300 (mot.) M 103.984

06569

SL 300-24 (mot.) M 104.981

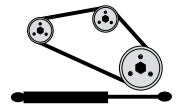
08778

SL 320 (mot.) M 104.991



(mot. no.) → 009985

08778



**SL 320 (mot.) M 112.943**

17510

**SL (BM 230)**

(01 → )

**SL 350 (mot.) M 272.966**

27454

**SL 350 / SL 500 / SL 55 AMG (mot.) M 112.973 / M 113.993, 992**

17510

**SLK (BM 170)**

(96 → 04)

**SLK 200 (mot.) M 111.943, 946**

19995

**SLK 230 Kompressor (mot.) M 111.973**

19995

**SLK 320 (mot.) M 112.947**

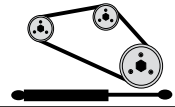
17510

**SLK (BM 171)**

(04 → )

**SLK 280 / SLK 350 (mot.) M 272.942, 963**

27454



## Sprinter I (BM 901/902/903/904) (95 → 06)

208 D → 408 D (mot.) OM 601.943 / 210 D, 412 D OM 602.980

08779

214 / 314 / 414 (mot.) M 111.979, 984

19995

## Sprinter II (BM 906) (06 → )

209 CDI → 509 CDI  
211 CDI → 511 CDI  
215 CDI → 515 CDI  
218 CDI → 518 CDI

(mot.) M 272.979

27454

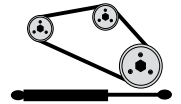
## Vito / V-Klasse (BM 638) (95 → 04)

108 D / 110 D / 230 TD (mot.) OM 601.942, 970

19995

113 / 114 (mot.) M 111.948, 950, 978, 980

19995



### Astra G

(98 → 04)

2.0 TD / 2.2 TD (mot.) X20DTH / X20DTL / Y20DTH / Y22DTR

14373

### Frontera B

(98 → 02)

2.2 TD (mot.) X22DTH / Y22DTH

14373

### Omega B

(94 → 03)

2.0 TD / 2.2 TD (mot.) X20DTH / Y22DTH

14373

2.5 TD (mot.) U25TD / X25TD

01579

### Signum

(03 → 08)

2.0 TD / 2.2 TD (mot.) Y20DTH / Y22DTR

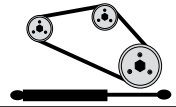
14373

### Sintra

(97 → 99)

2.2 TD (mot.) X22DTH

14373



## **Vectra B** (96 → 02)

**2.0 TD / 2.2 TD (mot.) X20DTH / X20DTL / Y20DTH / Y22DTR**

**14373**

## **Vectra C** (02 → 08)

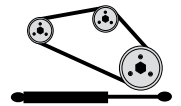
**2.0 TD / 2.2 TD (mot.) Y20DTH / Y22DTR**

**14373**

## **Zafira A** (98 → 05)

**2.0 TD / 2.2 TD (mot.) X20DTH / X20DTL / Y20DTH / Y22DTR**

**14373**



**206**  
(98 → )

1.9 D (mot.) DW8

**AC** servo

19072

**306**  
(94 → 02)

1.9 D / 1.9 TD (mot.) DW8 / DW8B / XUD

**AC** servo

19072

**406**  
(95 → 04)

1.9 TD (mot.) XUD

**AC** servo

19072

3.0 V6 / 24V (mot.) ES9J4 / ES9J4S

28278

**407**  
(04 → )

3.0 V6 / 24V (mot.) ES9A

28278

**605**  
(89 → 99)

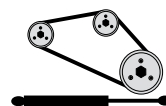
2.1 TD (mot.) XUD

**AC** servo

19072

3.0 V6 / 24V (mot.) ES9J4

28278



## 607

(00 →)

3.0 V6 / 24V (mot.) ES9J4S

28278

## 806

(94 → 02)

1.9 TD / 2.1 TD (mot.) XUD

**AC** servo 

19072

## 807

(02 →)

3.0 V6 / 24V (mot.) ES9J4S

28278

## Expert I+II

(95 → 07)

1.9 D / 1.9 TD (mot.) XUD

**AC** servo 

19072

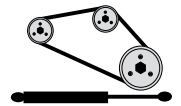
## Partner I+II (M49/M59)

(96 → 08)

1.9 D (mot.) DW8 / DW8B / XUD

**AC** servo 

19072



**9000**

(94 → 98)

**2.0-16 / 2.0-16 Turbo**

09778

**2.3-16 / 2.3-16 Turbo**

09778

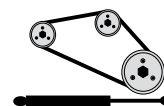
**9-3 II**

(02 → )

**2.2 TD (mot.) X22DTH**

14373



**Cordoba II (6K2)**

(99 → 02)

**1.9 TDI (mot.) AGR / ALH / ASV**

21690

**Ibiza II (6K1)**

(99 → 02)

**1.9 TDI (mot.) AGR / ALH / ASV**

21690

**Leon (1M1)**

(00 → 06)

**1.9 TDI (mot.) AHF / AGR / ALH / ASV**

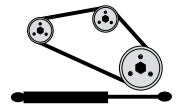
21690

**Toledo II (1M2)**

(99 → 05)

**1.9 TDI (mot.) AHF / AGR / ALH / ASV**

21690



**Octavia (1U\_/1Z\_)**  
(98 → )

**1.9 SDI (mot.) AQM**

21690

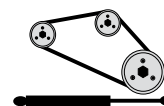
**1.9 TDI (mot.) AHF / AGR / ALH / ASV**

21690

**Superb (3U4)**  
(02 → )

**2.5 TDI (mot.) AYM / BDG**

27604



**Astra Mk IV**

(98 → 04)

2.0 TD / 2.2 TD (mot.) X20DTH / X20DTL / Y20DTH / Y22DTR

14373

**Frontera Mk II**

(98 → 02)

2.2 TD (mot.) X22DTH / Y22DTH

14373

**Omega**

(94 → 03)

2.0 TD / 2.2 TD (mot.) X20DTH / Y22DTH

14373

2.5 TD (mot.) U25TD / X25TD

01579

**Signum**

(03 → 08)

2.0 TD / 2.2 TD (mot.) Y20DTH / Y22DTR

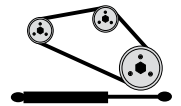
14373

**Sintra**

(97 → 99)

2.2 TD (mot.) X22DTH

14373



### Vectra

(96 → 02)

2.0 TD / 2.2 TD (mot.) X20DTH / X20DTL / Y20DTH / Y22DTR

14373

### Vectra Mk II

(02 → 08)

2.0 TD / 2.2 TD (mot.) Y20DTH / Y22DTR

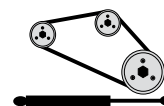
14373

### Zafira

(98 → 05)

2.0 TD / 2.2 TD (mot.) X20DTH / X20DTL / Y20DTH / Y22DTR

14373



## Bora / Variant (1J2/5)

(98 → 05)

### 1.9 SDI (mot.) AGP / AQM

21690

### 1.9 TDI (mot.) AHF / AGR / ALH / ASV

21690

## Golf IV / Variant (1J1/5)

(98 → 05)

### 1.9 SDI (mot.) AGP / AQM

21690

### 1.9 TDI (mot.) AHF / AGR / ALH / ASV

21690

## New Beetle (9C1/1C1)

(98 → )

### 1.9 TDI (mot.) ALH

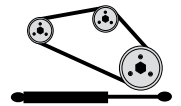
21690

## Passat / Variant (3B\_)

(96 → 05)

### 2.5 TDI (mot.) AFB / AKN / BAU / BDG / BDH

27604



**Polo Classic / Variant (6KV2/5)**  
(95 → 02)

**1.9 TDI (mot.) AGR / ALH / ASV**

00 → 02

**21690**



## 80/90 (89/8A)

(86 → 92)

**LHD** servo 

(ch.) 89-H-300000 →

2.3 (mot.) 7A

27613

## 80/90 quattro (89/8A)

(86 → 92)

**LHD**

27613

## 80/90/Avant (8C/B4)

(92 → 96)

**LHD** servo 

2.6 (mot.) AAH  
2.8 (mot.) ABC/ACZ

27613

## 80/90/Avant quattro (8C/B4)

(92 → 96)

2.0 (mot.) 6A/ABK/ACE/ADW  
2.3 (mot.) ABY/NG  
2.6/2.8 (mot.) AAH/ABC/ACZ

27691

## 100/Avant/quattro (44/C3)

(82 → 91)

27606

## 100/Avant quattro (4A/C4)

(91 → 94)

servo 

2.2 (mot.) AAN  
4.2 (mot.) ABH

27606

## 200/Avant quattro (44/44Q)

(88 → 91)

27606



### A4/S4/Avant/quattro (8D2/B5)

(95 → 01)

95 → 98	servo	1.8 (mot.) AJL 2.4 (mot.) ALF/AGA/AJG 2.5 TDI (mot.) AFB 2.7 (mot.) AGB 2.8 (mot.) ACK/ALG	27611
99	LHD servo (ch.) → 8D-X-303809	1.8 (mot.) AJL 2.4 (mot.) ALF/AGA/AJG 2.5 TDI (mot.) AFB 2.7 (mot.) AGB 2.8 (mot.) ACK/ALG	27611
99 → 00	RHD servo (ch.) 8D-X-303810 → 8D-Y-005048	1.8 (mot.) AJL 2.4 (mot.) ALF/AGA/AJG 2.5 TDI (mot.) AFB 2.7 (mot.) AGB 2.8 (mot.) ACK/ALG	27611

### A6/S6/Avant quattro (4A/C4)

(95 → 97)

	servo	2.2 (mot.) AAN 4.2 (mot.) AEC	27606
--	-------	----------------------------------	-------

### A6/Avant (4B/C5)

(97 → 05)

	servo	(ch.) → 4B-X-09000	27611
--	-------	--------------------	-------

### A6/S6/Avant quattro (4B/C5)

(97 → 05)

	servo	(ch.) → 4B-X-065000	27611
--	-------	---------------------	-------

### A8/S8 quattro (4D2/4D8)

(94 → 03)

→ 99	servo		27611
------	-------	--	-------

### Cabriolet (8G7/B4)

(92 → 00)

	LHD servo	2.6/2.8 (mot.) AAH/ABC/ACZ	27613
--	-----------	----------------------------	-------





## Coupe (89/8B)

(89 → 96)

→ 94

**LHD** servo 

2.3 (mot.) 7A  
2.6 (mot.) AAH  
2.8 (mot.) ABC/ACZ

27611

95 →

**LHD**

2.6 (mot.) AAH  
2.8 (mot.) ABC

27611

## Coupe quattro (89/8B)

(89 → 96)

**LHD**

27611

## V8 (44/4C)

(88 → 94)

servo 

hydraulic pump

27606



**BM 110/111**

(59 → 68)

01263

**BM 114/115**

(68 → 77)

01263

**BM 123**

(77 → 85)

01263

**BM 123**

(77 → 85)

01263

**BM 124**

(84 → 93)

(ex.) 4matic

01263

4matic

37868

**190 (BM 201)**

(82 → 93)

01261



## C-Klasse (BM 202)

(93 → 01)

01261

## CLK (BM 208)

(97 → 02)

01261

## G-Klasse (BM 460)

(89 →)

31450

## G-Klasse (BM 461/463)

(89 →)

ØA 50 mm

31449

ØA 39 mm

31450

## S-Klasse (BM 108/109)

(66 → 72)

01263

## S-Klasse (BM 116)

(72 → 80)

01263



**S-Klasse (BM 126)**

(79 → 91)

01263

**S-Klasse (BM 140)**

(91 → 98)

27572

**SL (BM 107)**

(71 → 89)

01263

**SL (BM 113)**

(63 → 71)

01263

**SL (BM 129)**

(89 → 01)

01261

**SLK (BM 170)**

(96 → 04)

01261

**SMART**

**Car  
Division**



**City Coupe (BM 450)**  
(98 → 04)

**27569**



### Passat/Variant (3B2/3B5)

(97 → 00)

**LHD** servo

(ch.) → 3B-YE014881 **2.3 (mot.) AGZ**  
 (ch.) → 3B-YD050000 **2.5 TDI (mot.) AFB/AKN**  
 (ch.) → 3B-YP044943 **2.8 (mot.) ACK/AHA/ALG/APR/ATX/ATQ/AQD**

27611

**RHD** servo

(ch.) → 3B-YE072038 **2.3 (mot.) AGZ**  
 (ch.) → 3B-YD092138 **2.5 TDI (mot.) AFB/AKN**  
 (ch.) → 3B-YP038674 **2.8 (mot.) ACK/AHA/ALG/APR/ATX/ATQ/AQD**

27611

### Passat/Variant 4motion (3B2/3B5)

(97 → 00)

**LHD** servo

(ch.) → 3B-YE014881 **1.8 (mot.) ADR/APT**  
 (ch.) → 3B-YD050000 **1.9 TDI (mot.) AFN/AHU/ATJ/AVG**  
 (ch.) → 3B-YP044943 **2.3 (mot.) AGZ**  
**2.5 TDI (mot.) AFB/AKN**  
**2.8 (mot.) ACK/AHA/ALG/APR/ATQ/AQD**

27611

**RHD** servo

(ch.) → 3B-YE072038 **2.3 (mot.) AGZ**  
 (ch.) → 3B-YD092138 **2.5 TDI (mot.) AFB/AKN**  
 (ch.) → 3B-YP038674 **2.8 (mot.) ACK/AHA/ALG/APR/ATQ/AQD**

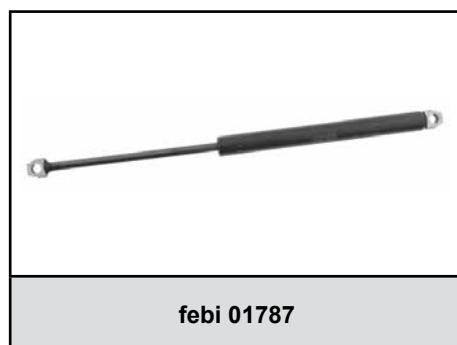
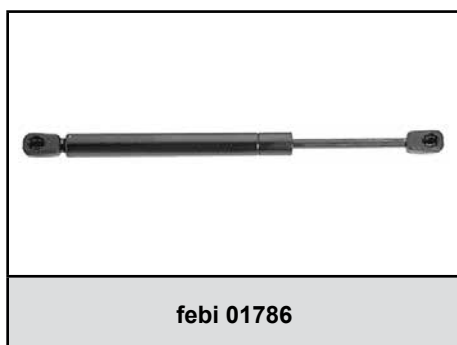
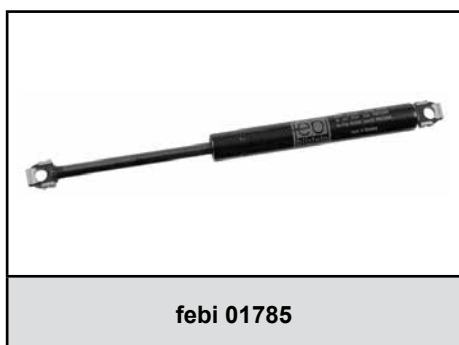
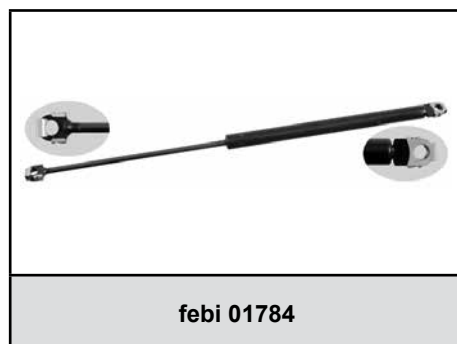
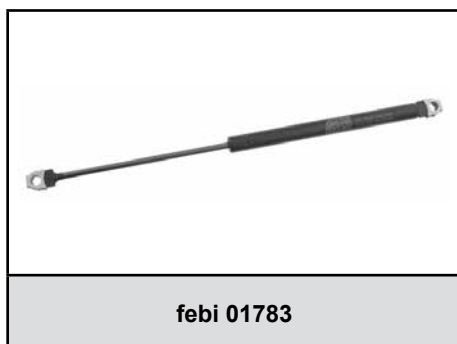
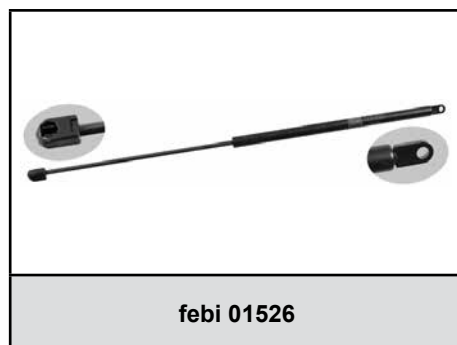
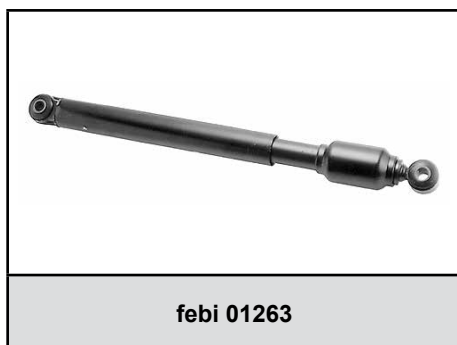
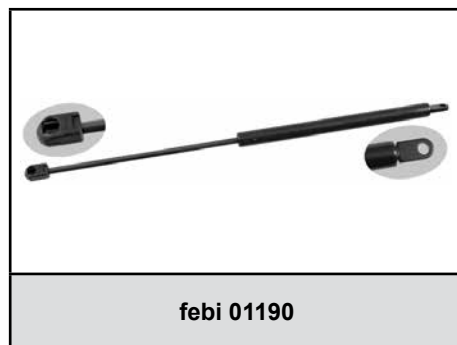
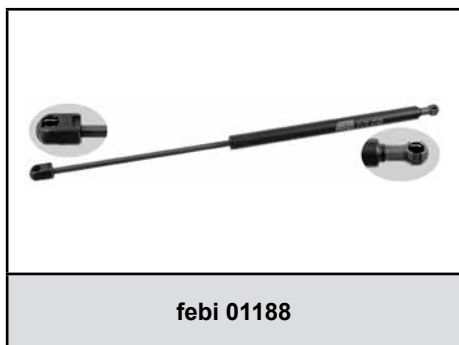
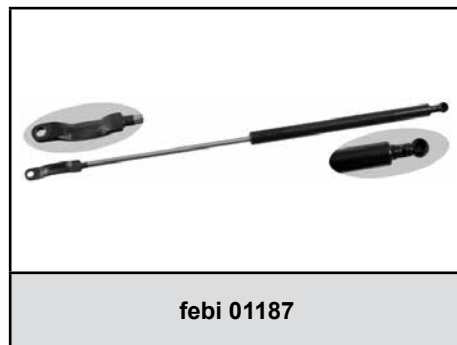
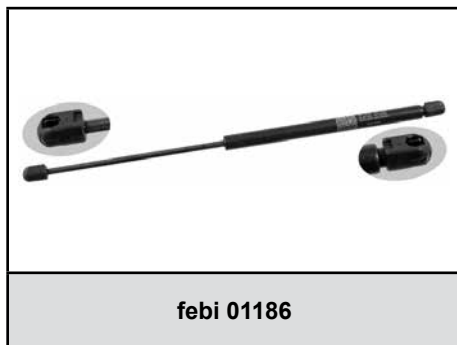
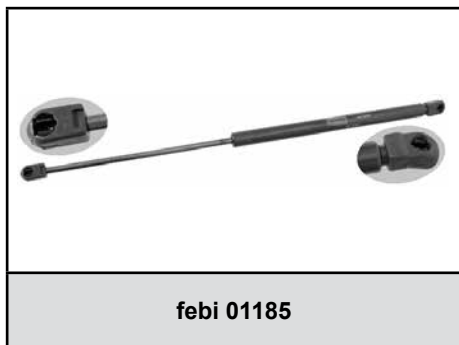
27611

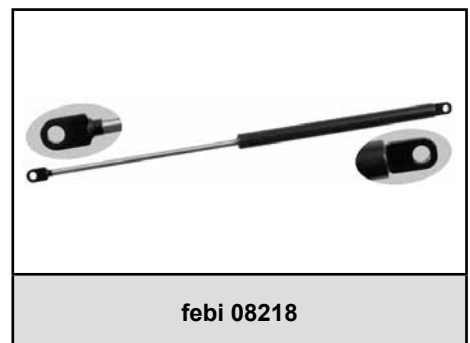
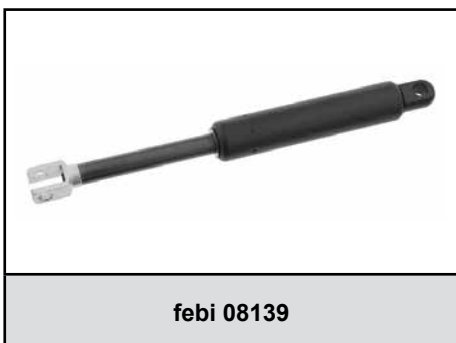
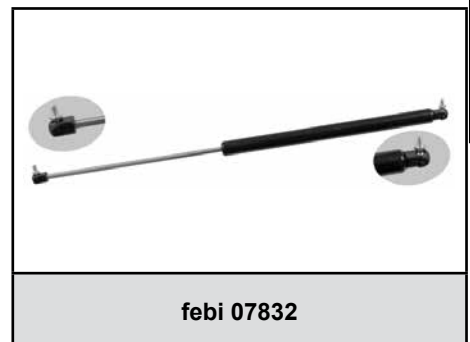
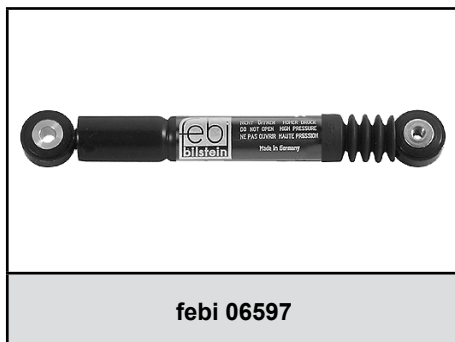
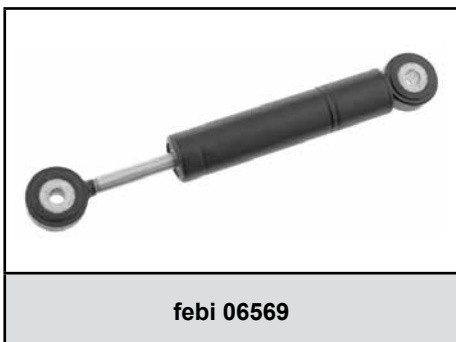
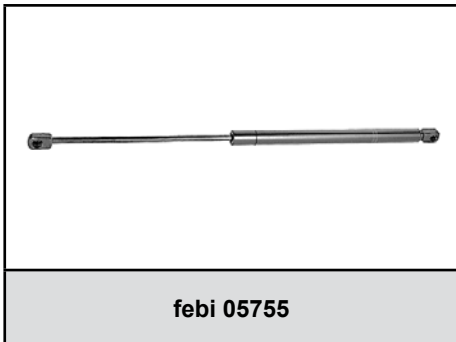
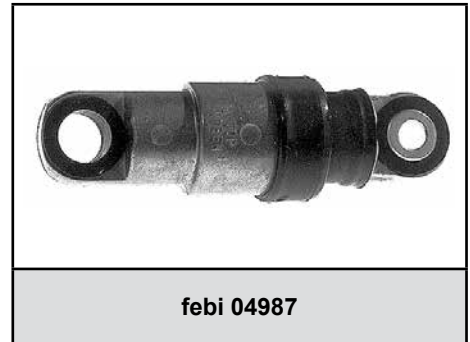
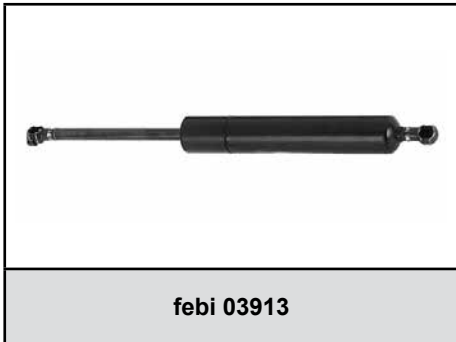
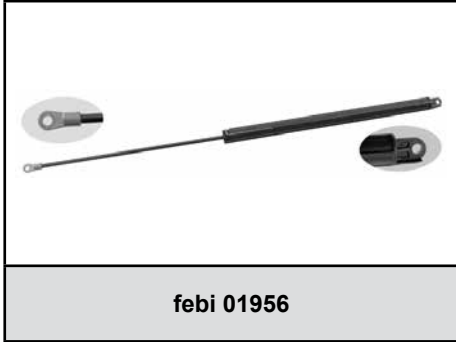
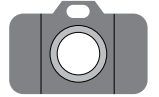
### Transporter (T4)

(91 → 96)

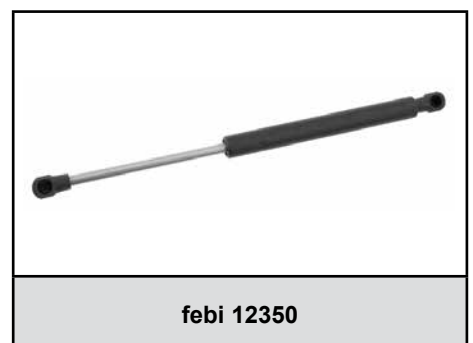
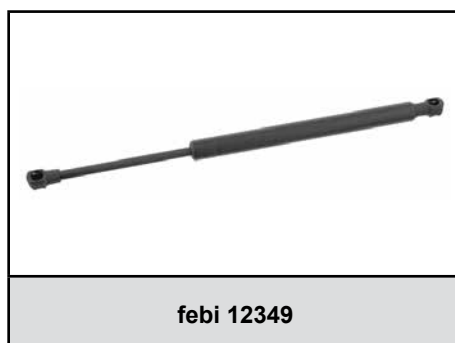
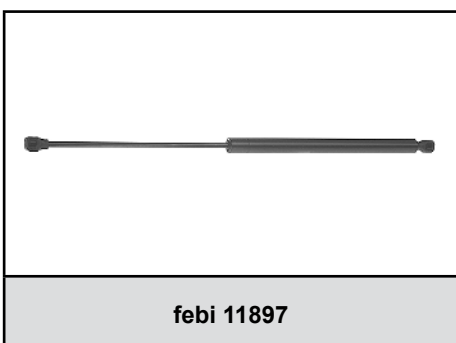
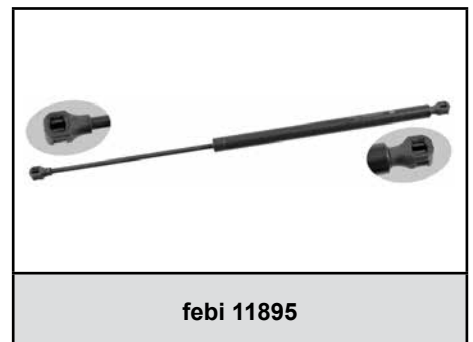
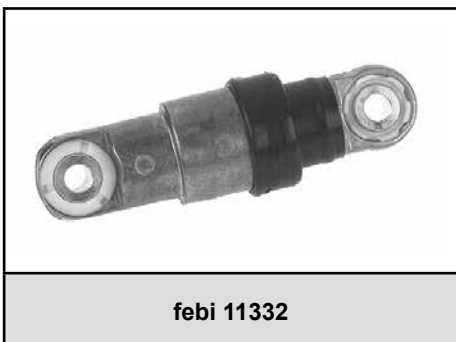
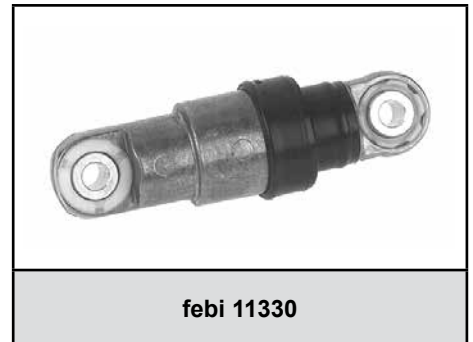
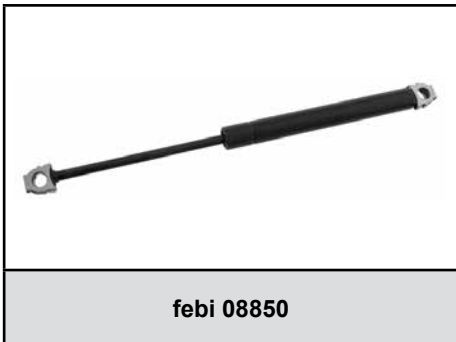
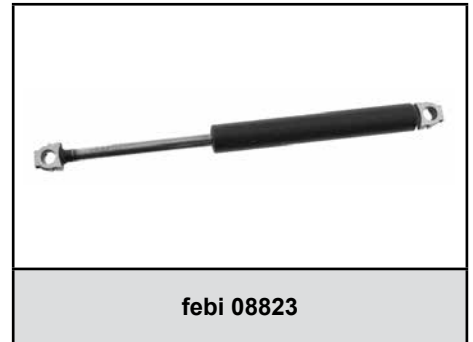
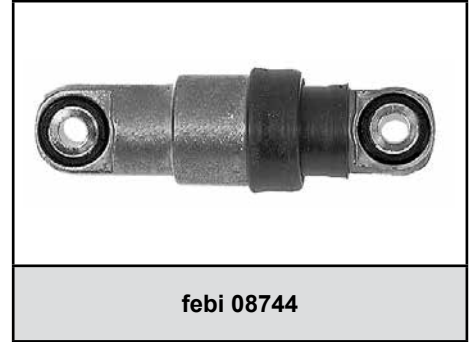
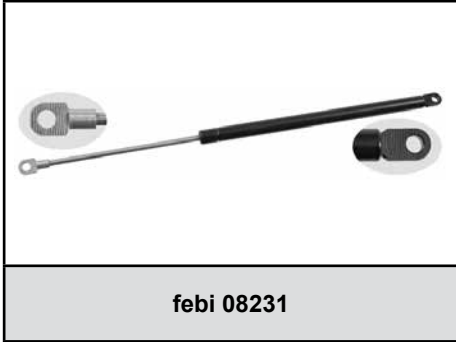
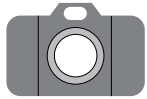
(ch.) → 70-T-199000

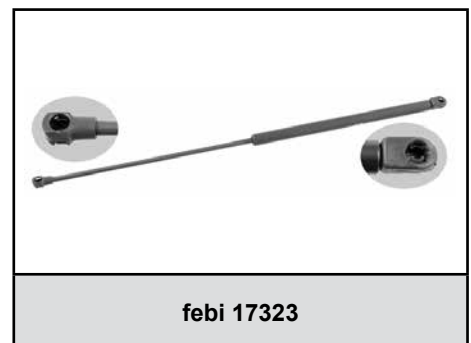
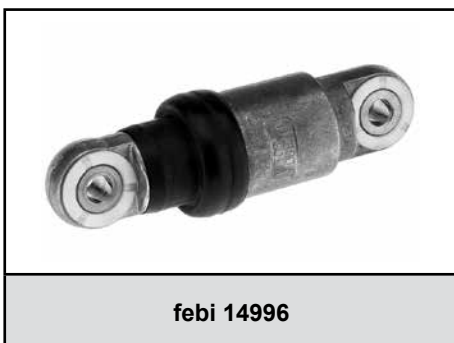
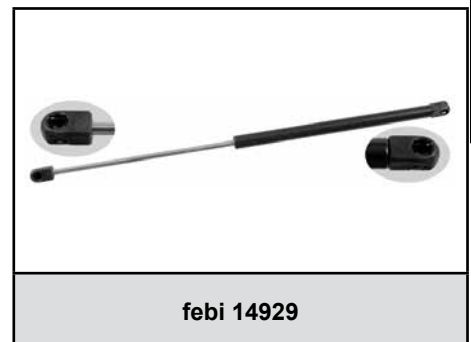
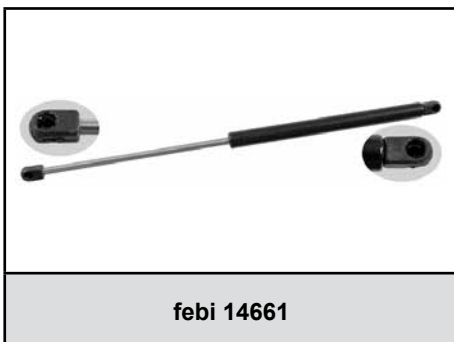
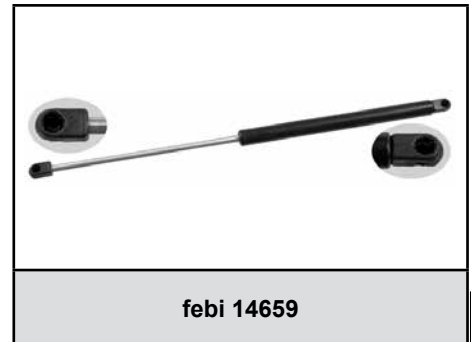
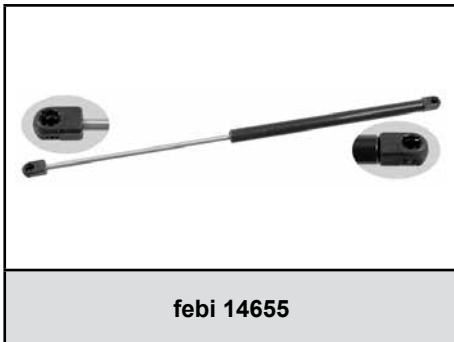
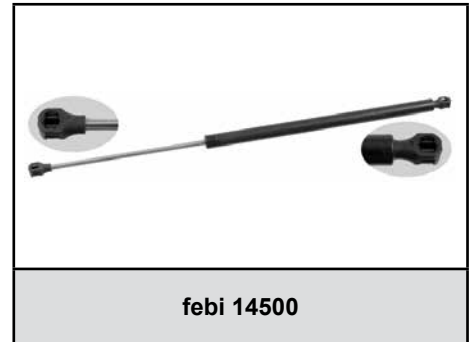
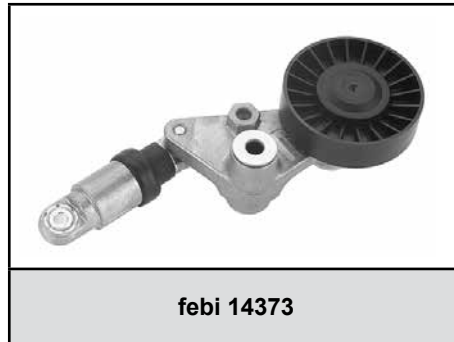
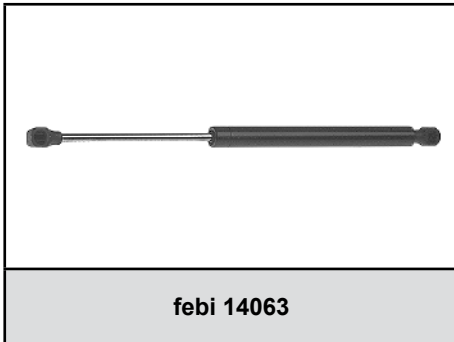
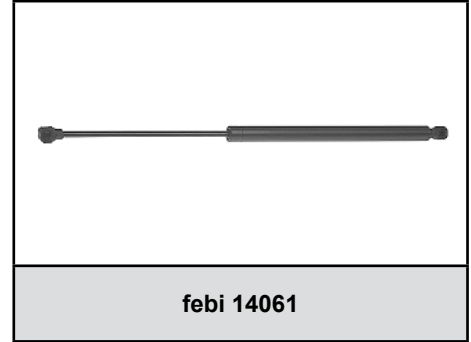
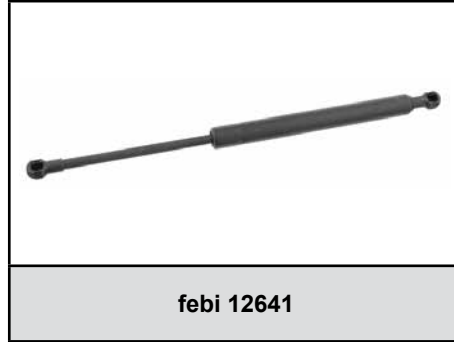
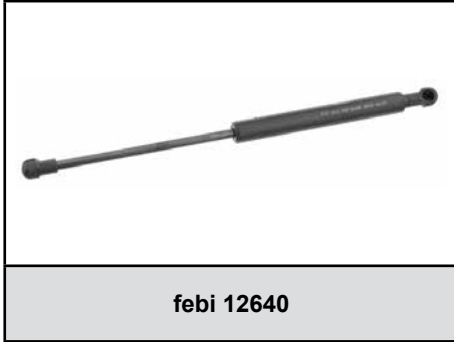
27612

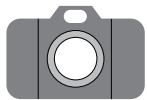












febi 17510



febi 17585



febi 17586



febi 17587



febi 17588



febi 17589



febi 17590



febi 17752



febi 17880



febi 18483



febi 18484



febi 18485



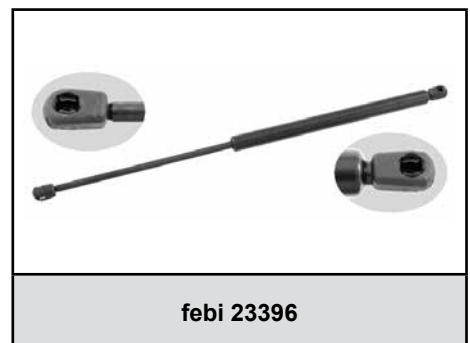
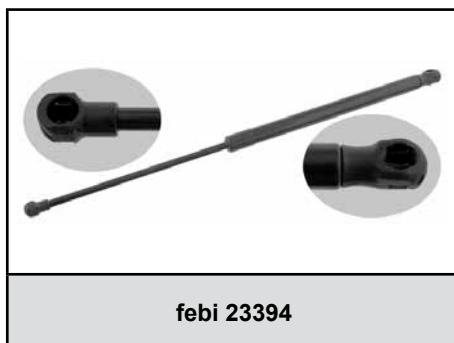
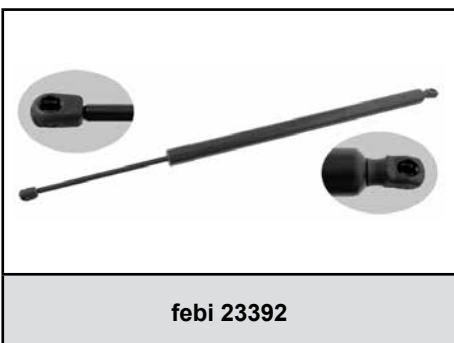
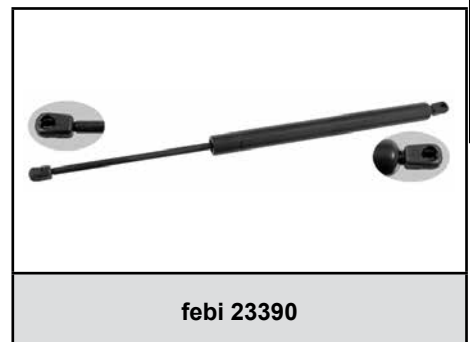
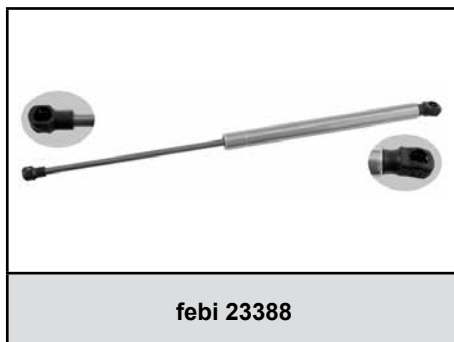
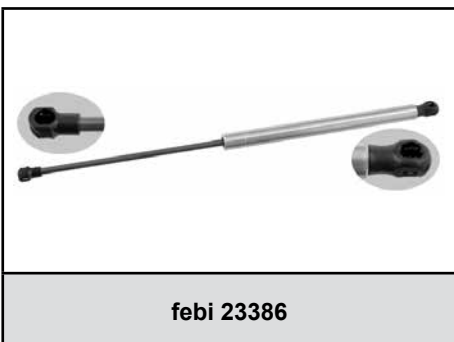
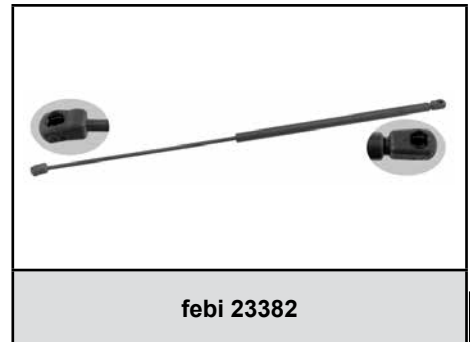
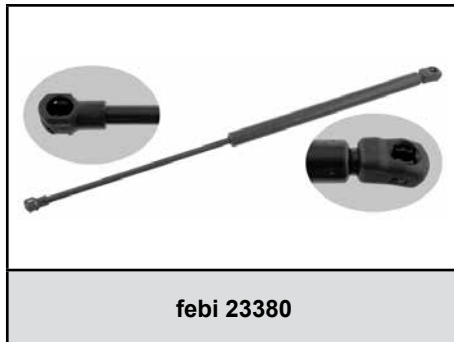
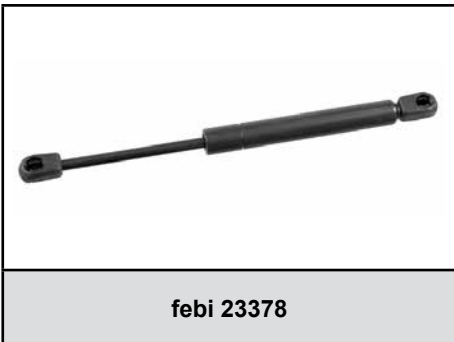
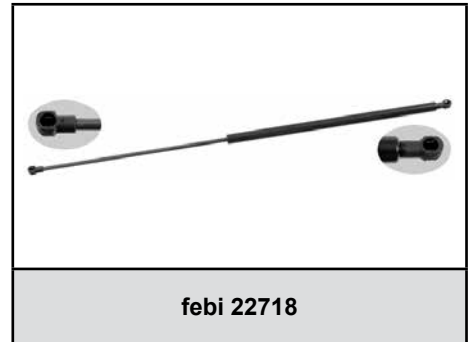
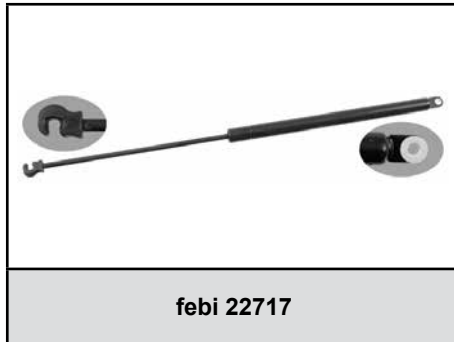
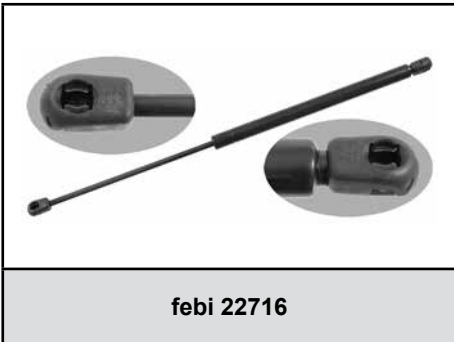
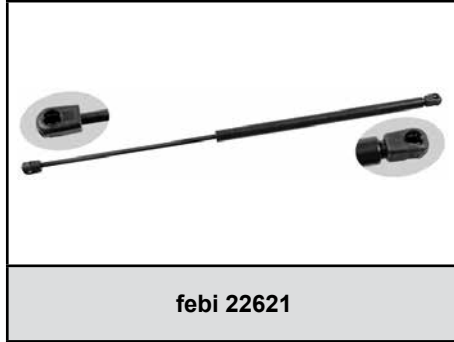
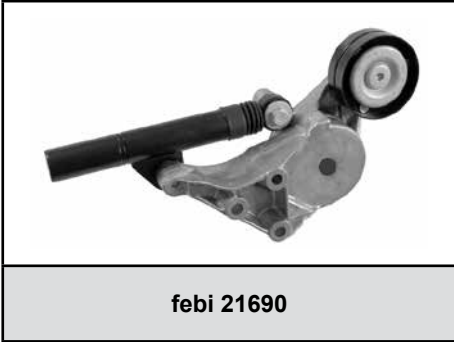
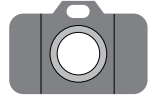
febi 18563

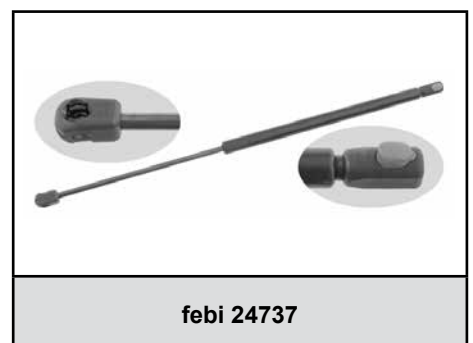
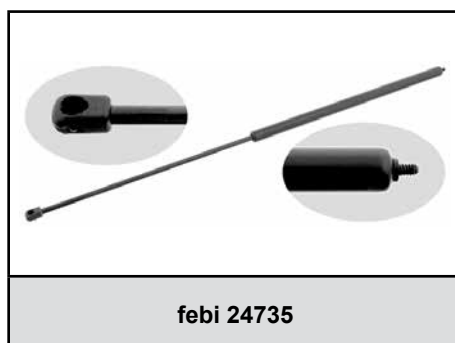
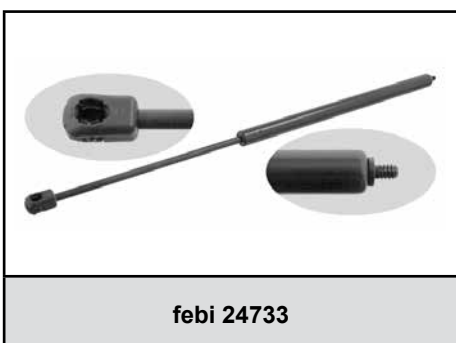
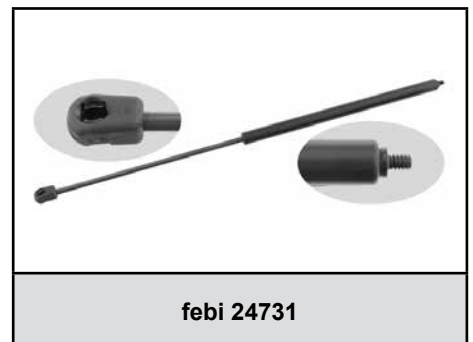
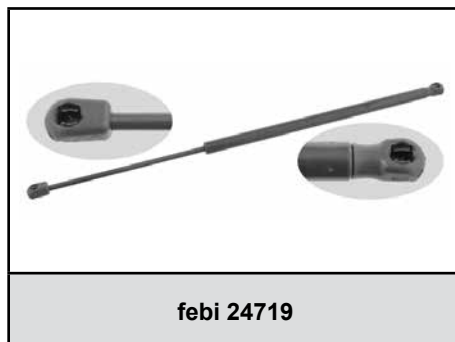
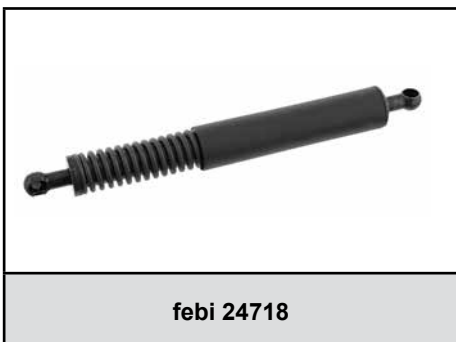
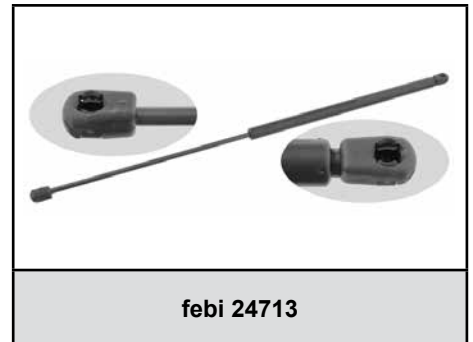
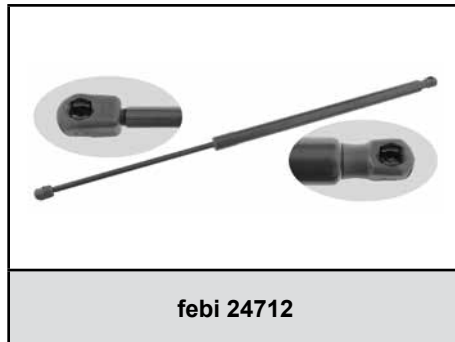
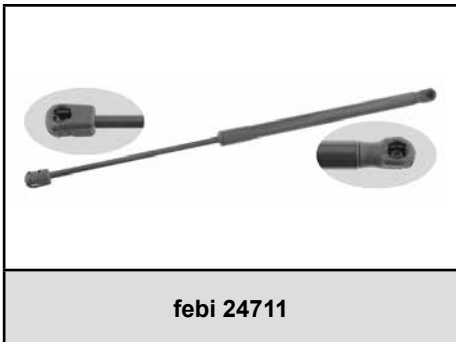
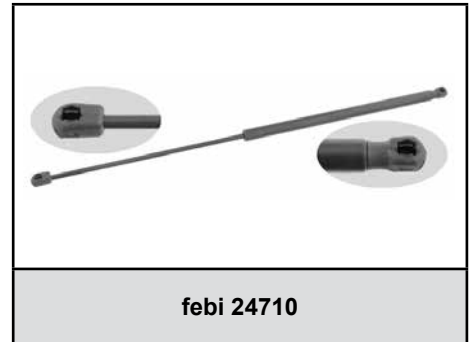
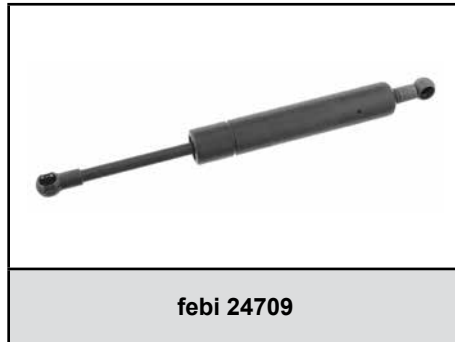
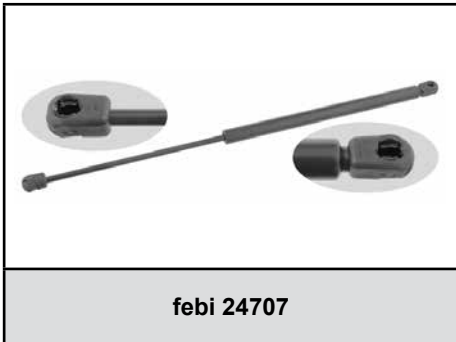
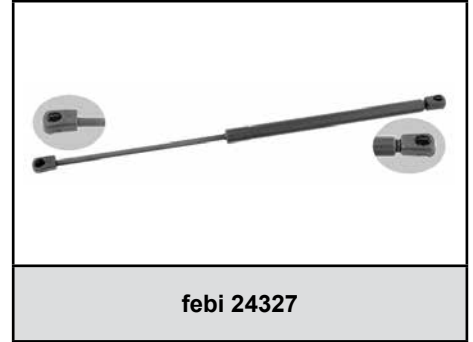
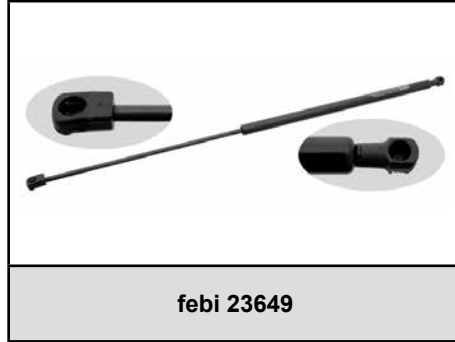
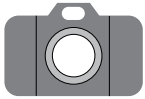


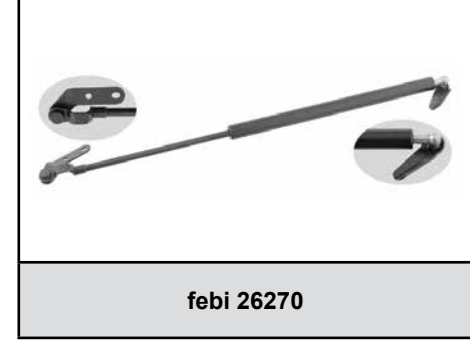
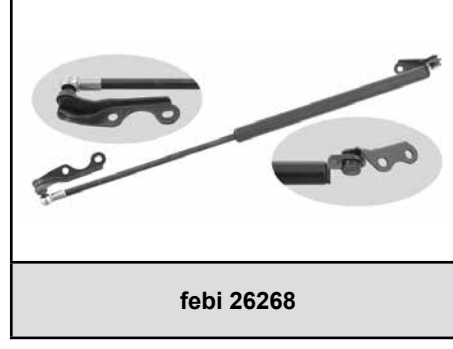
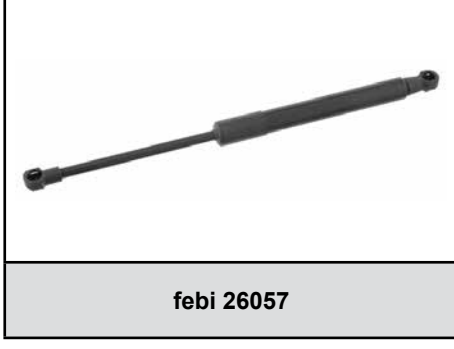
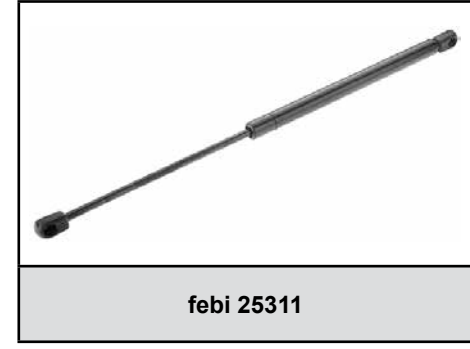
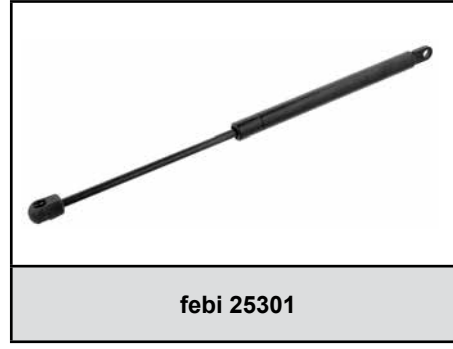
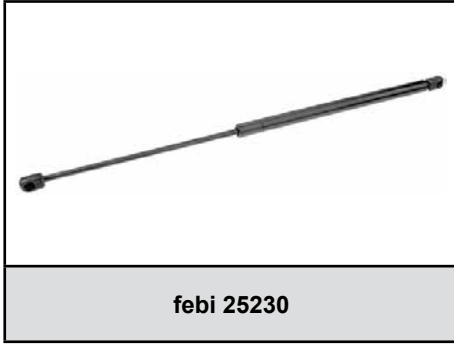
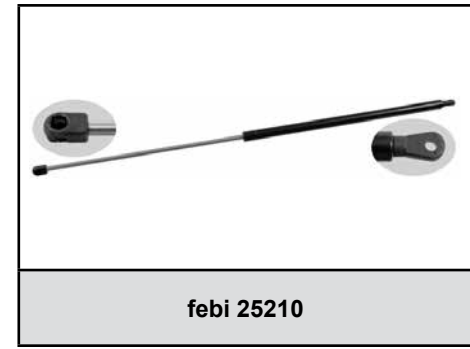
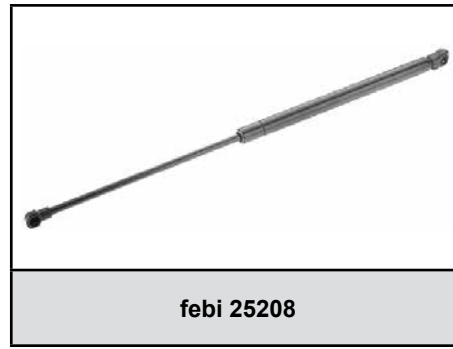
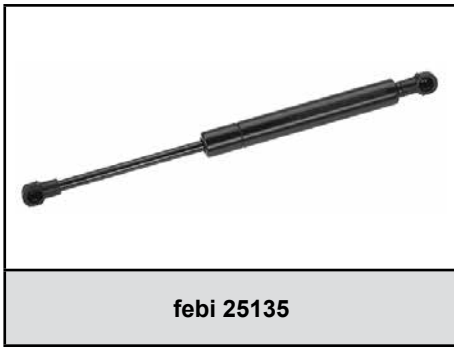
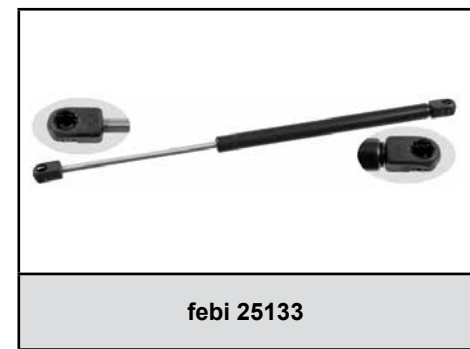
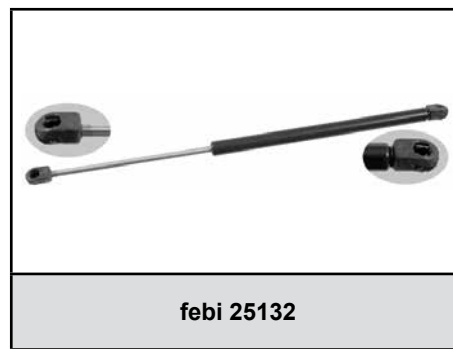
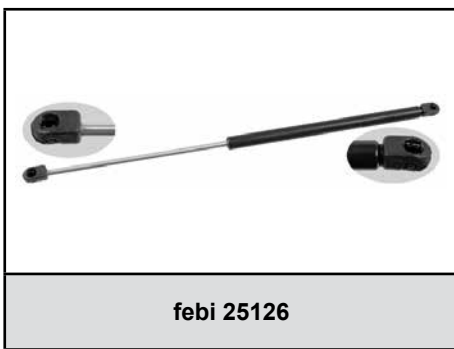
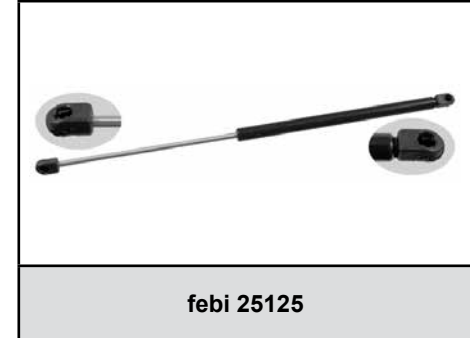
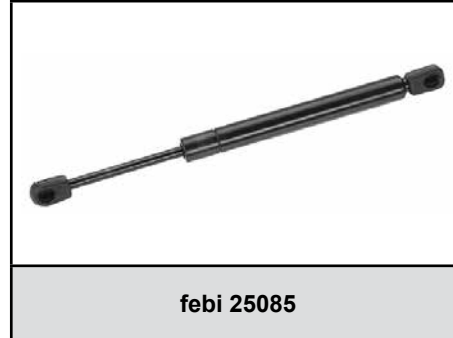
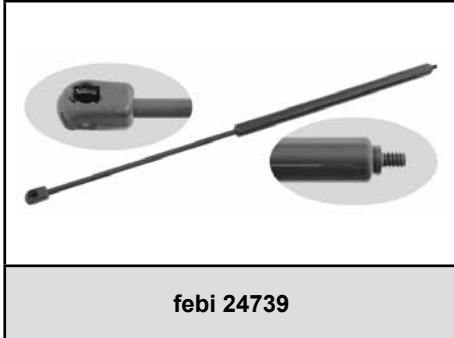
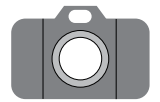
febi 19072

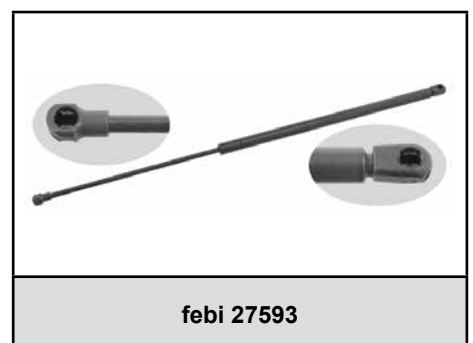
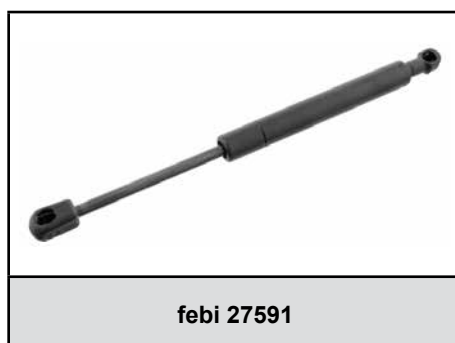
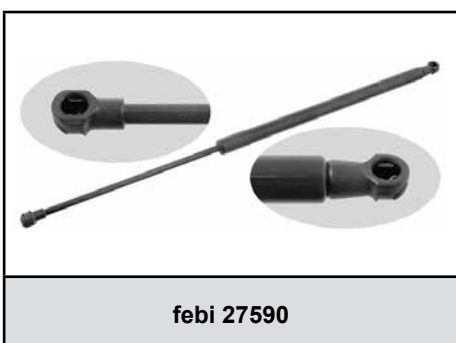
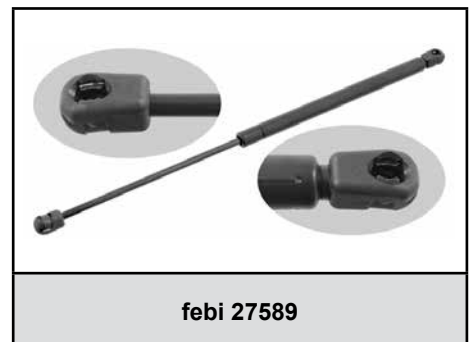
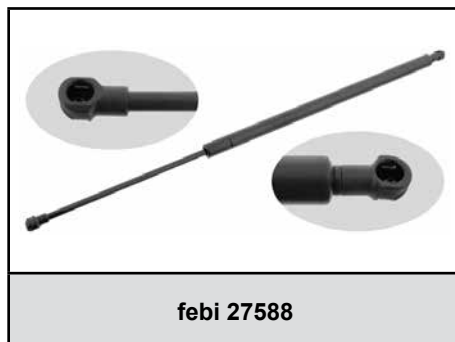
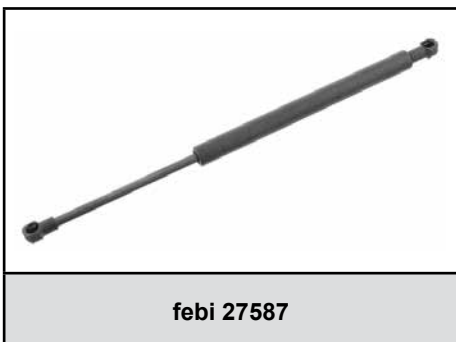
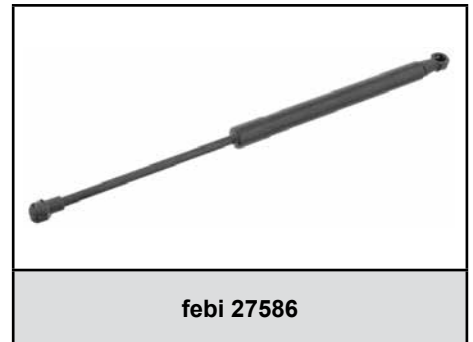
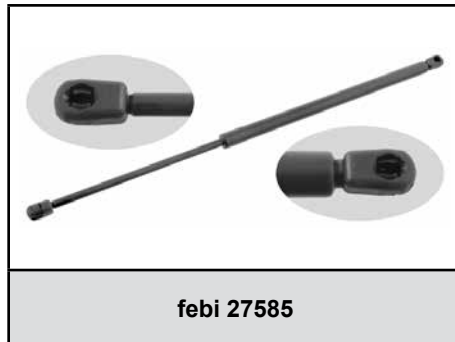
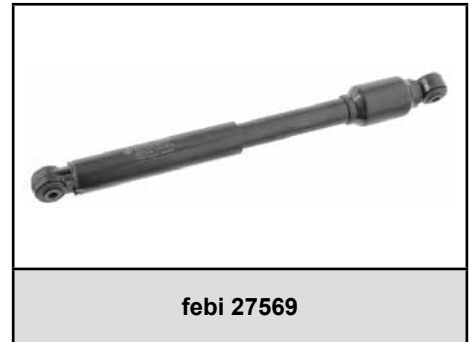
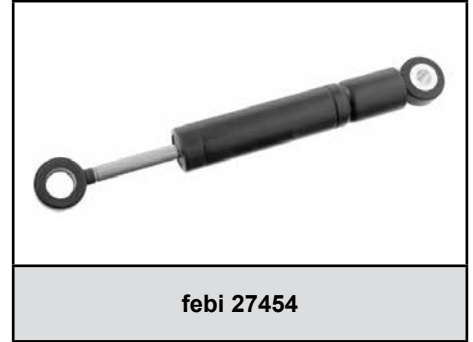
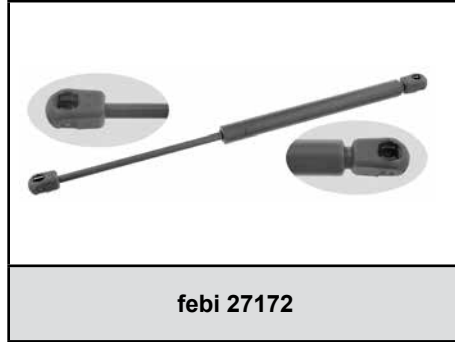
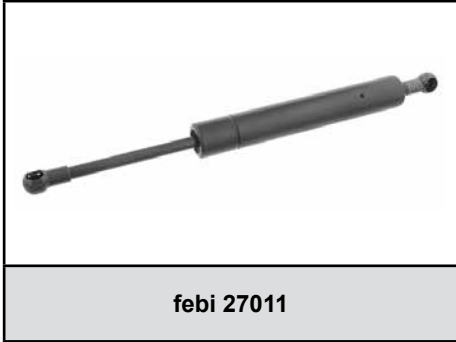
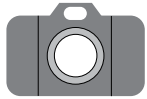


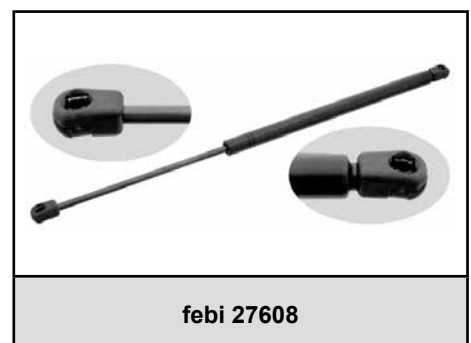
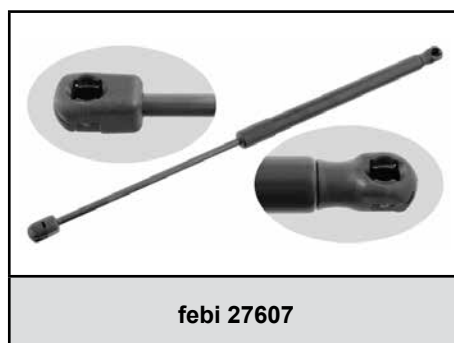
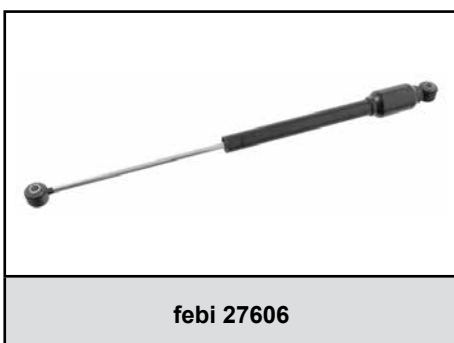
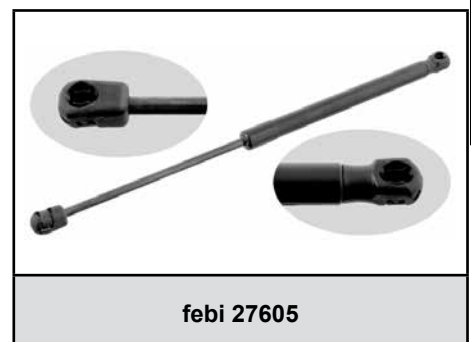
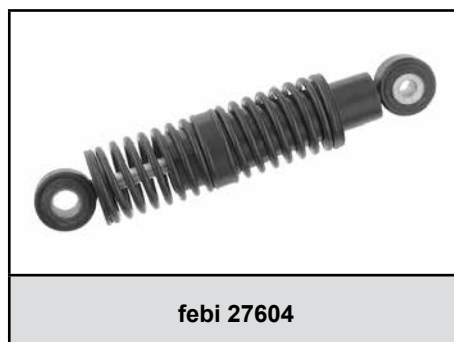
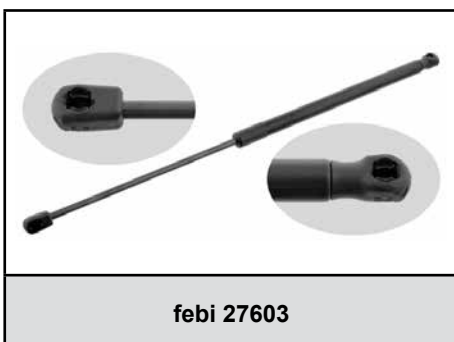
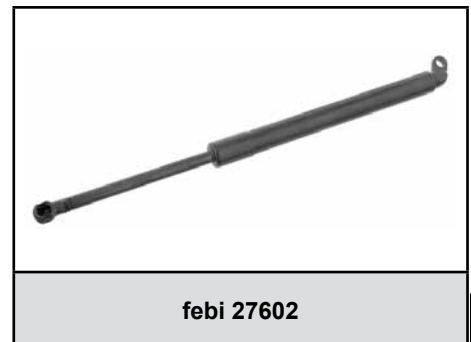
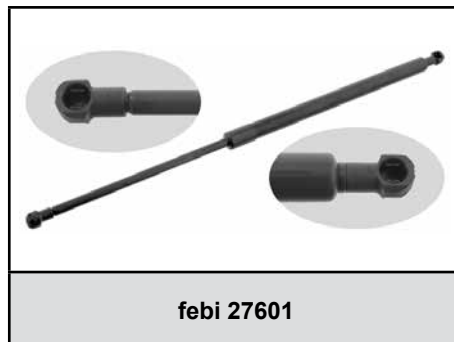
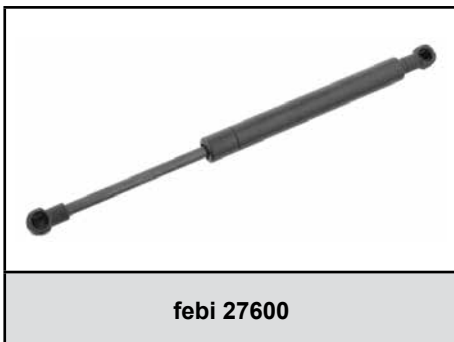
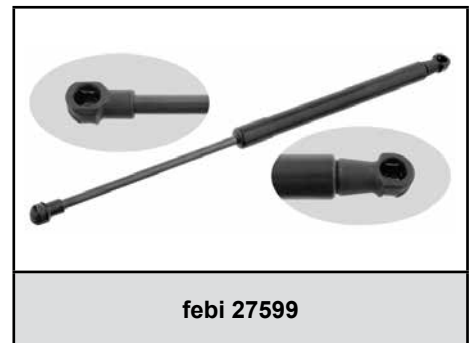
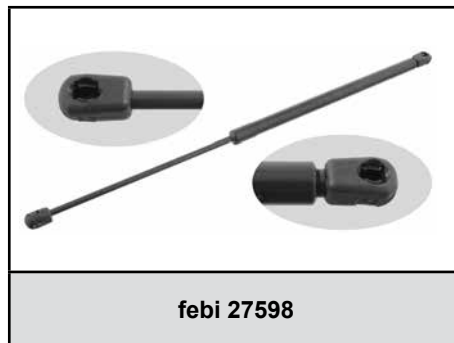
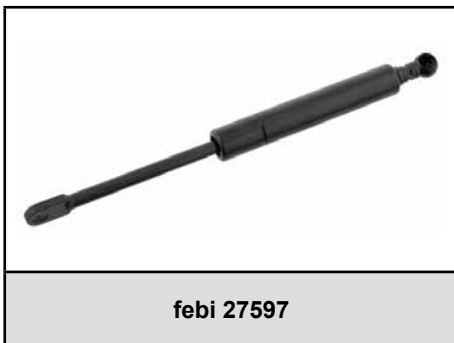
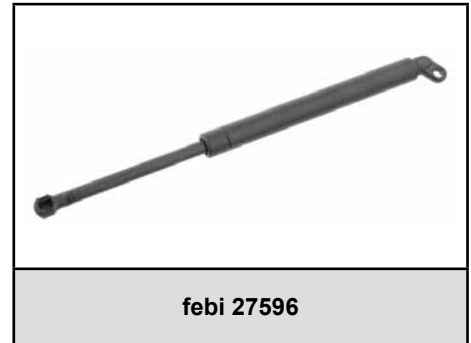
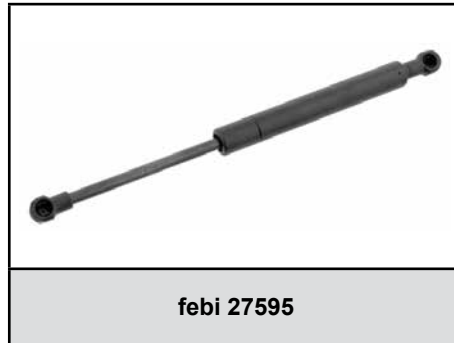
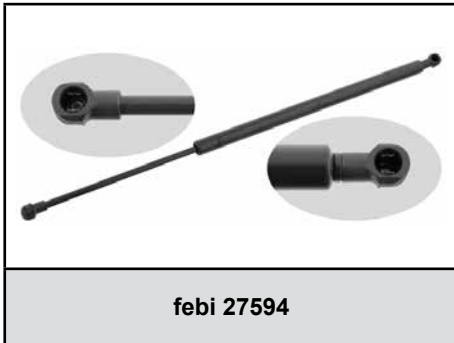
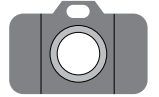
febi 19995



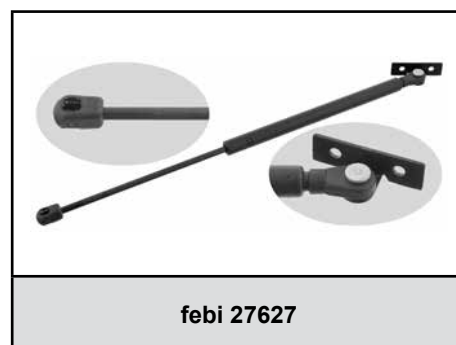
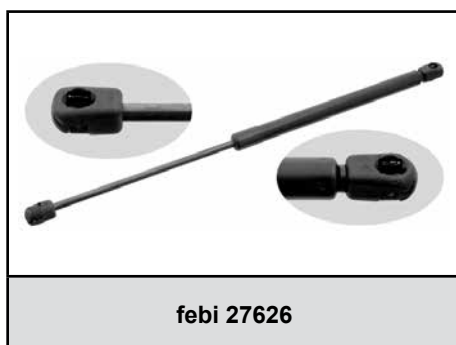
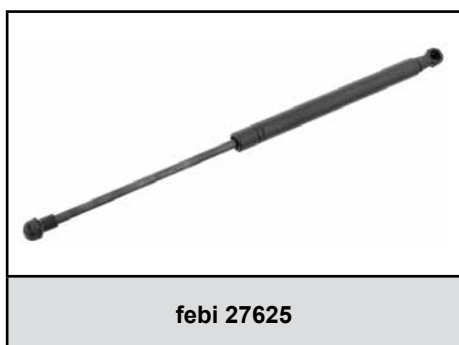
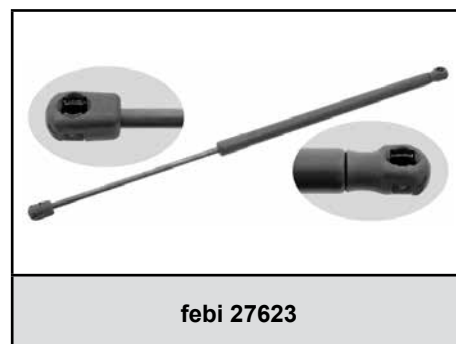
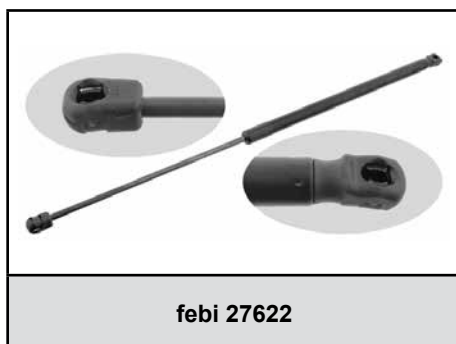
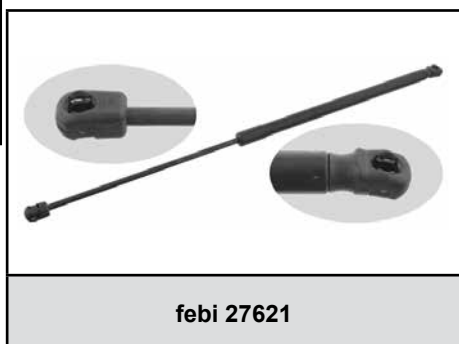
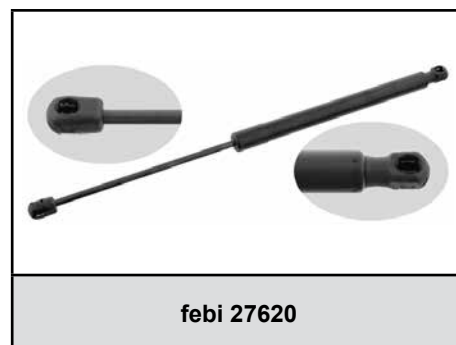
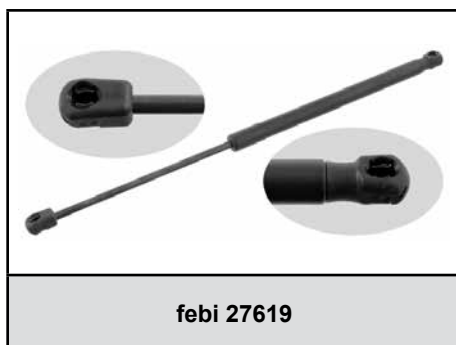
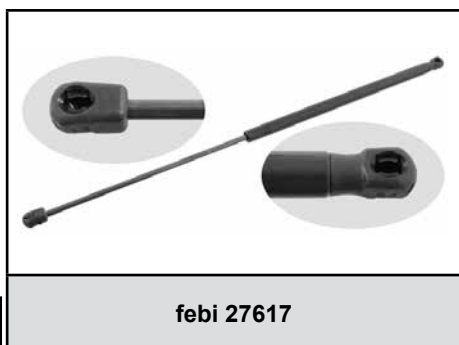
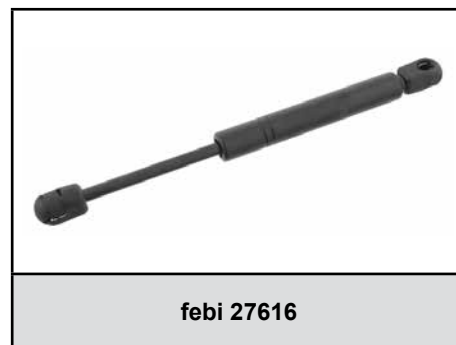
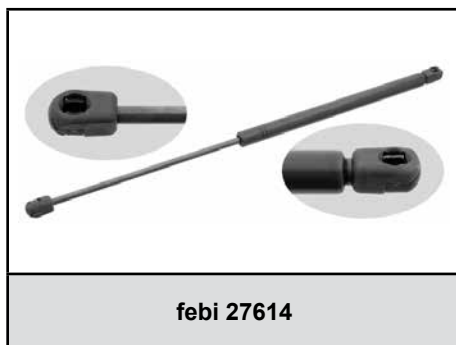
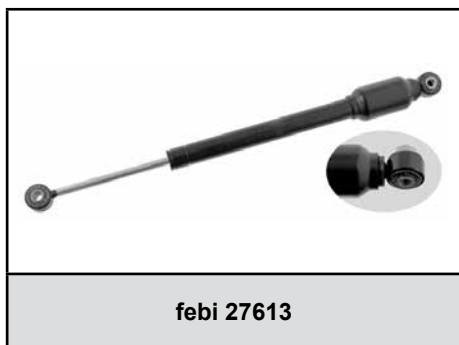
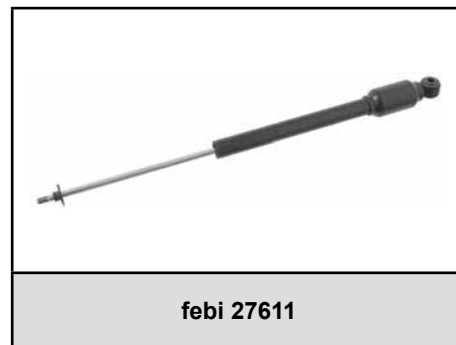
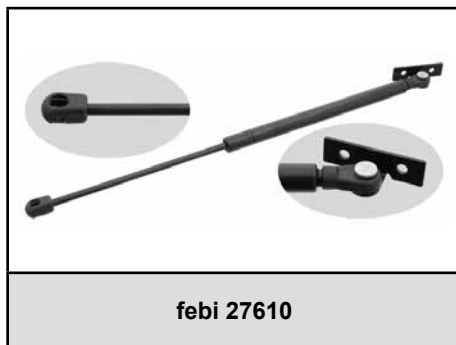
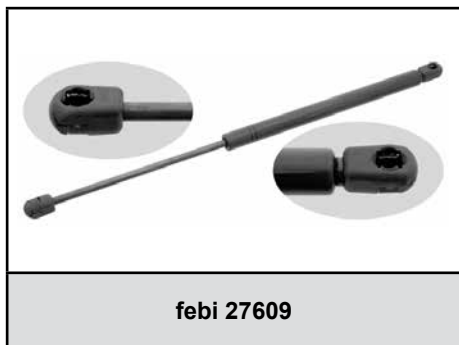
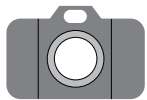


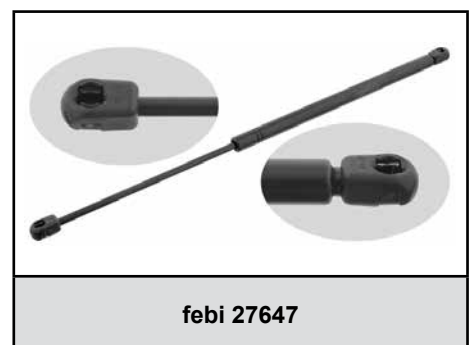
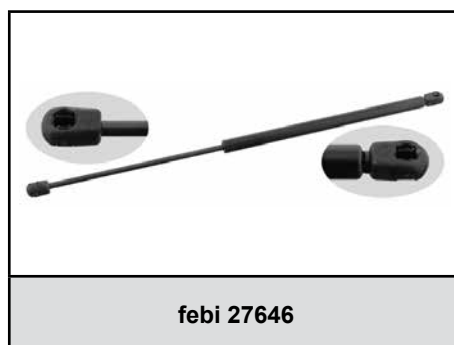
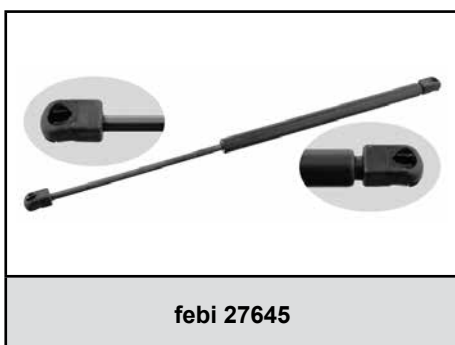
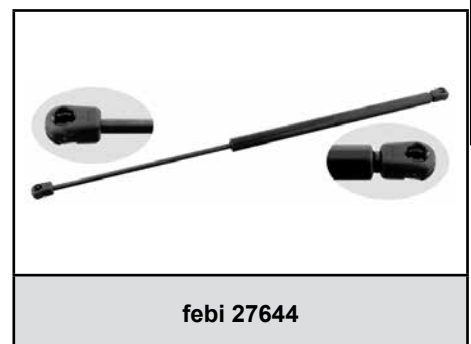
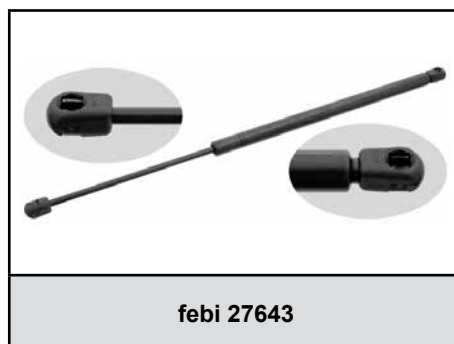
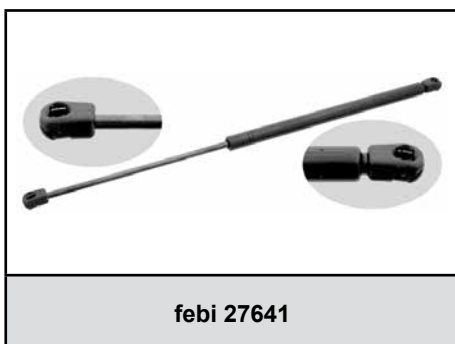
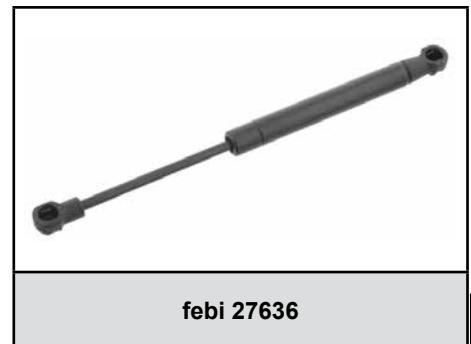
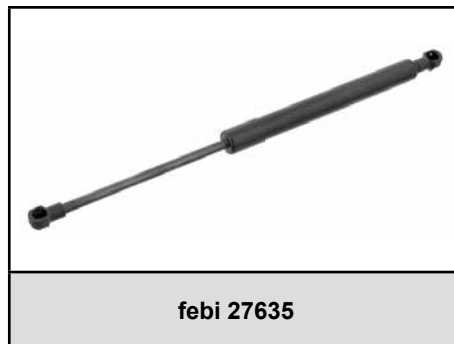
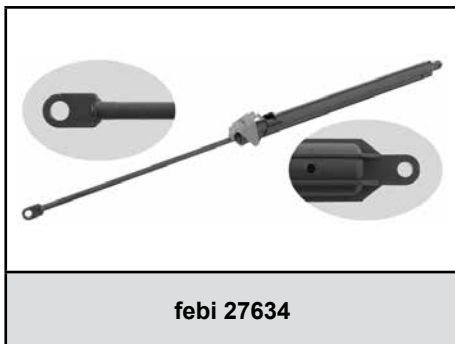
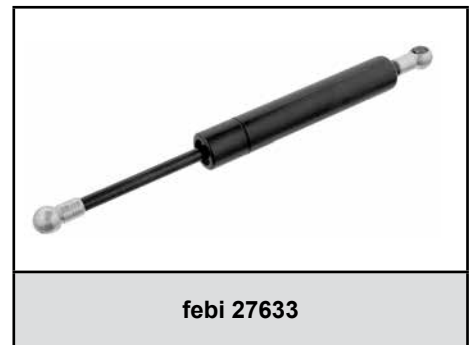
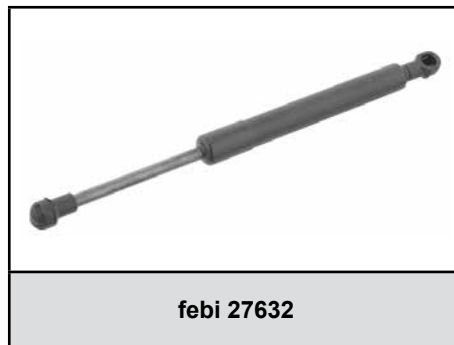
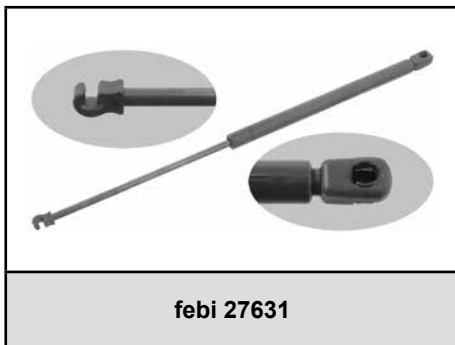
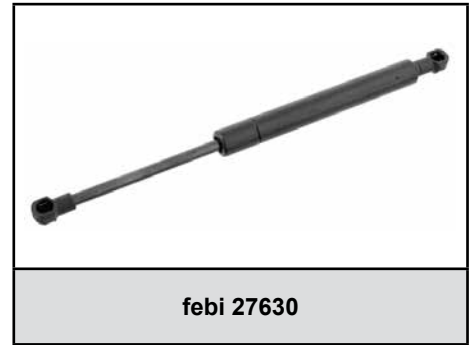
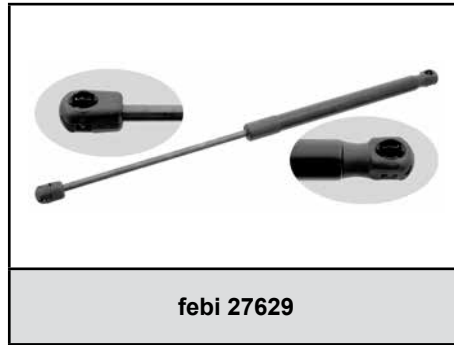
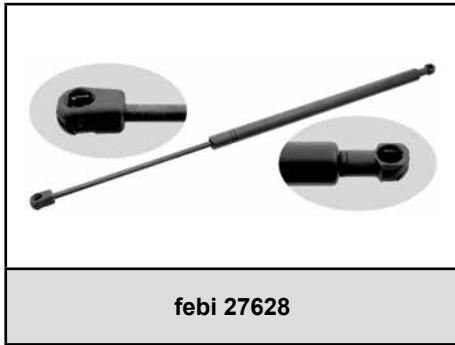
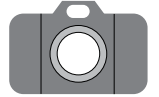


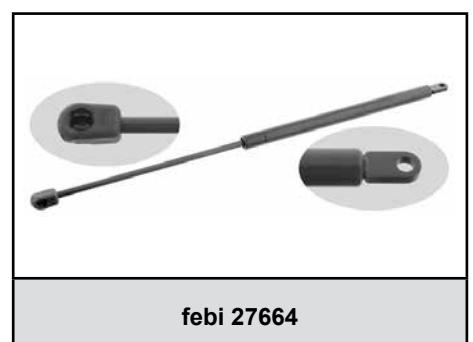
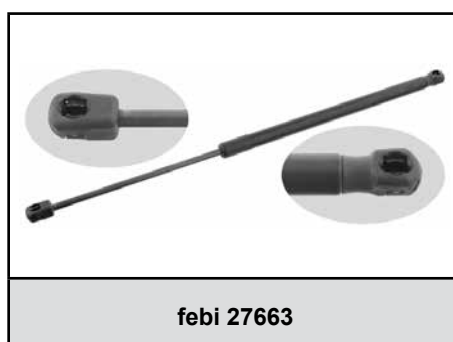
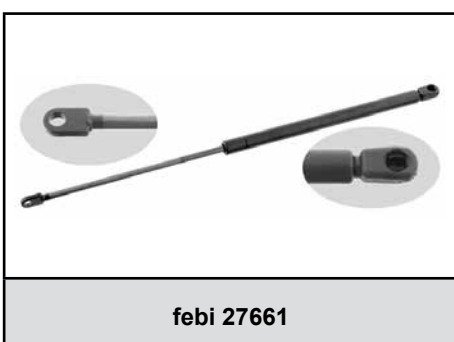
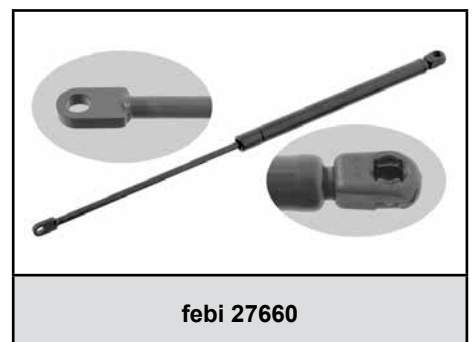
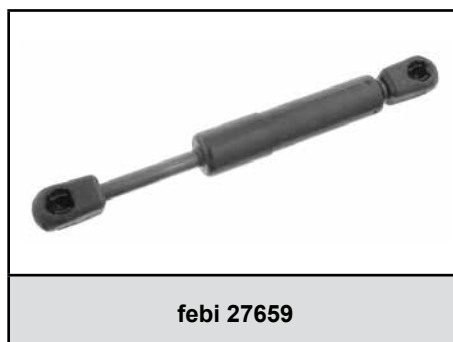
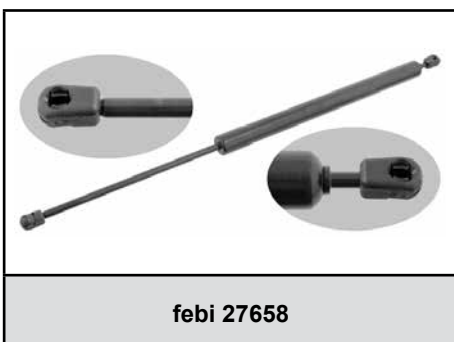
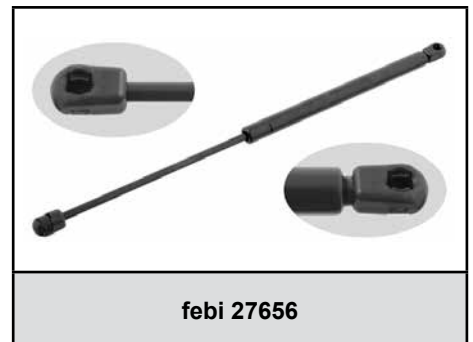
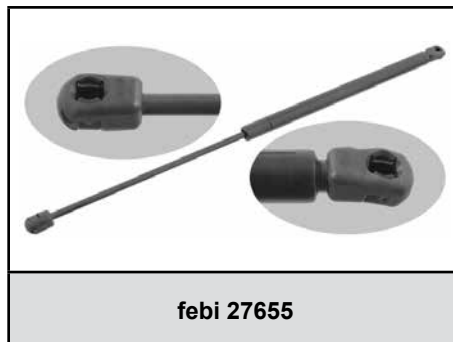
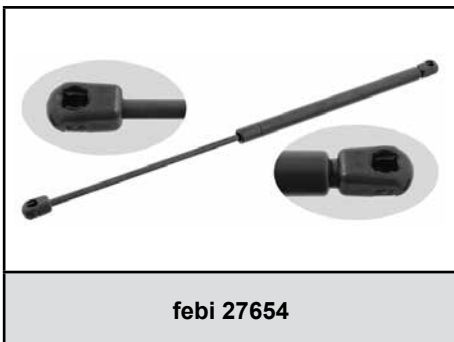
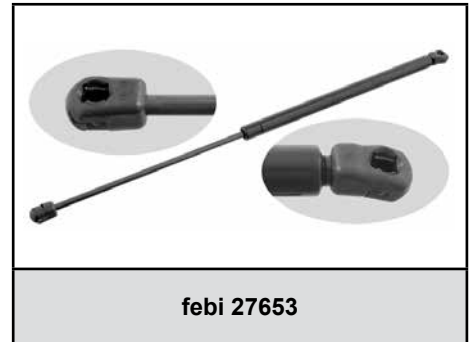
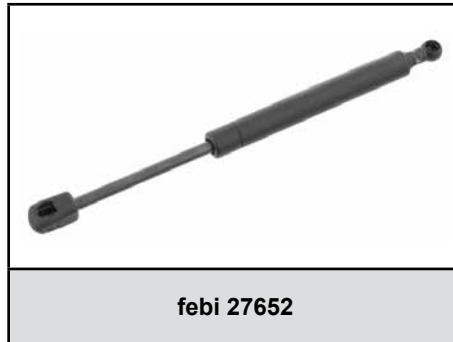
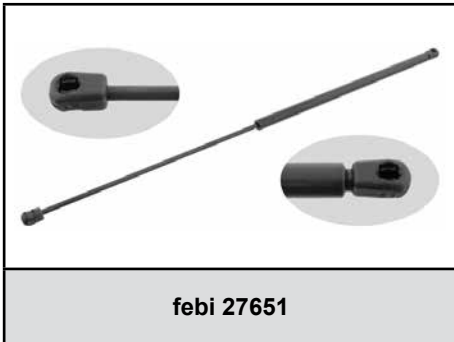
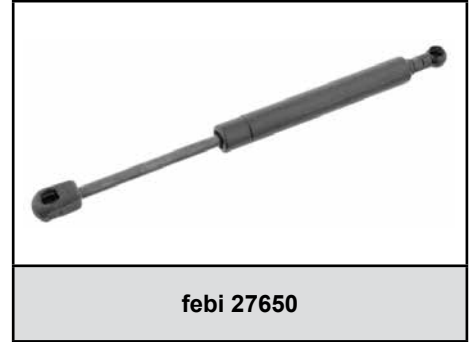
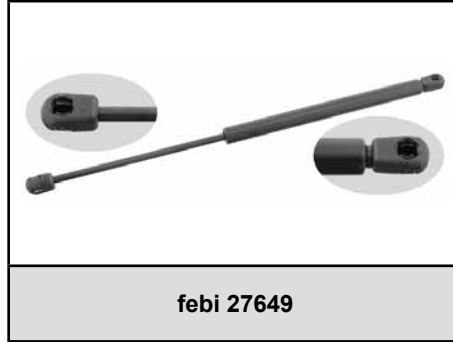
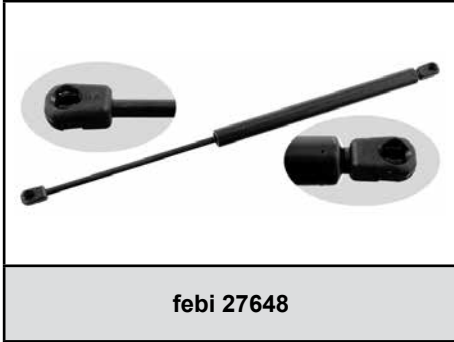
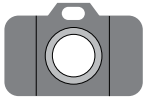


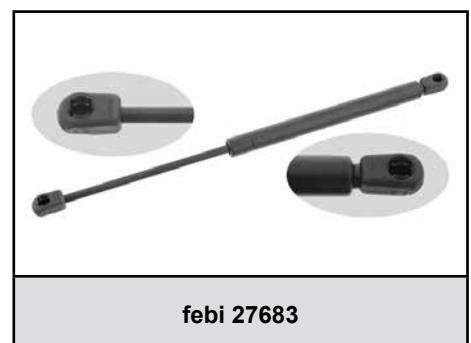
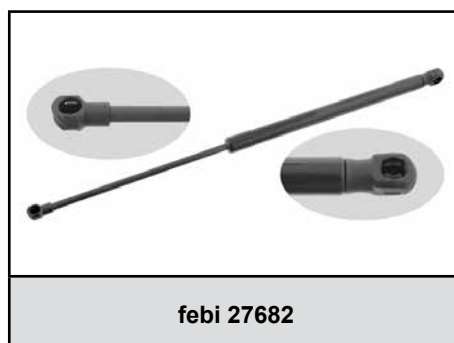
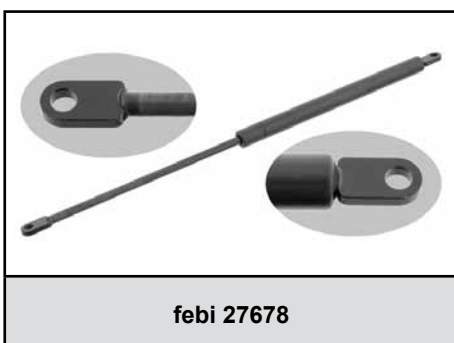
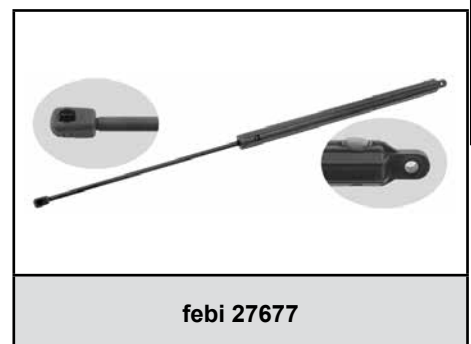
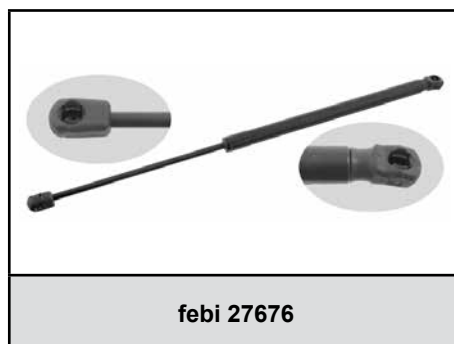
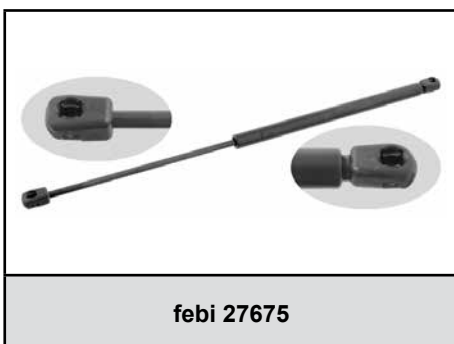
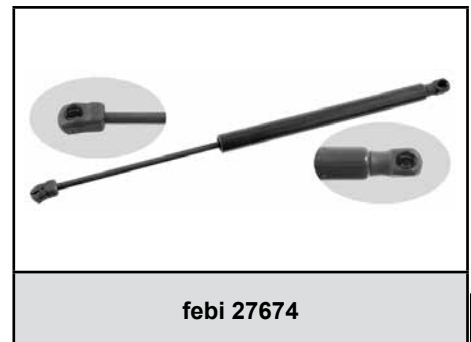
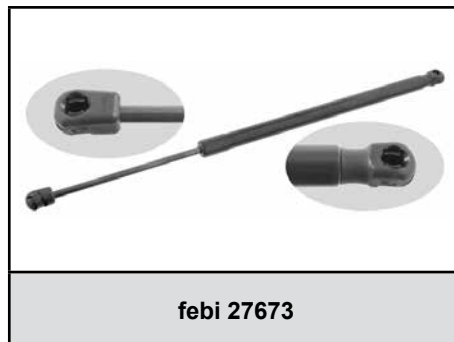
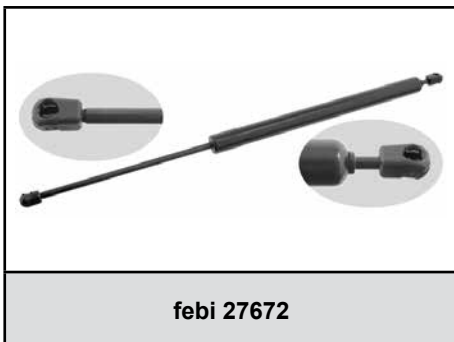
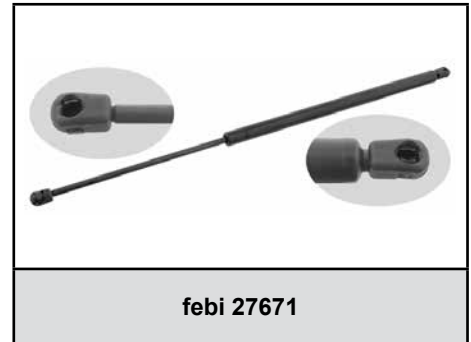
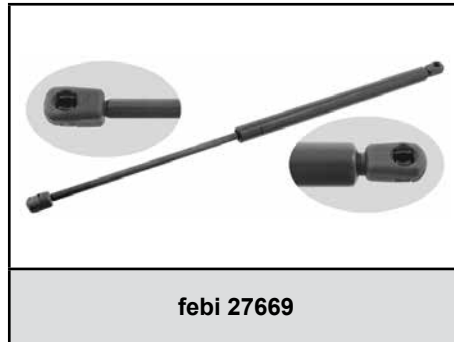
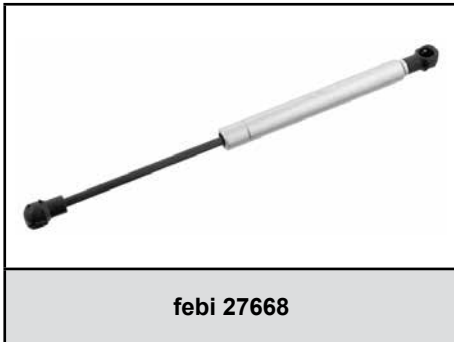
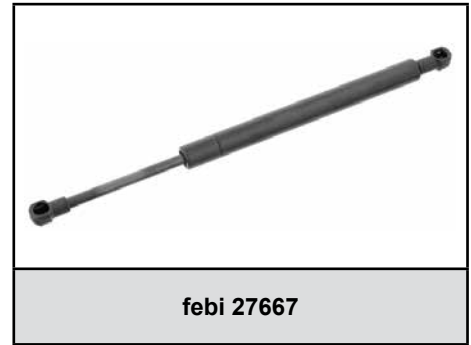
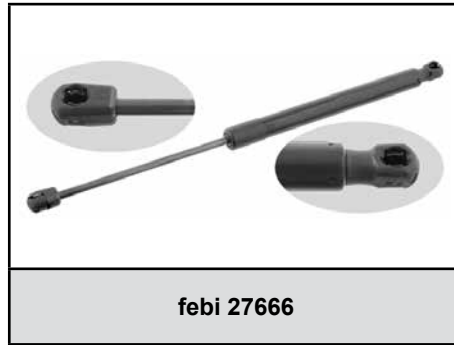
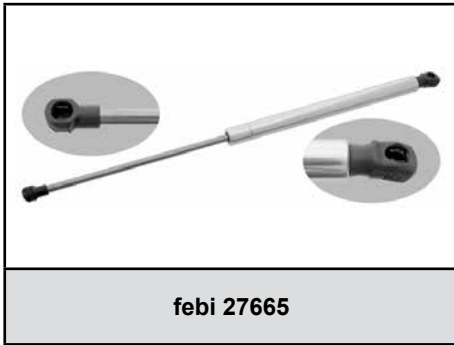


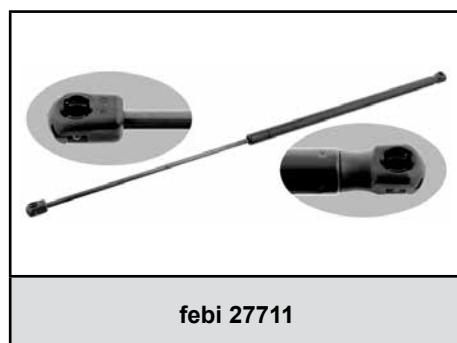
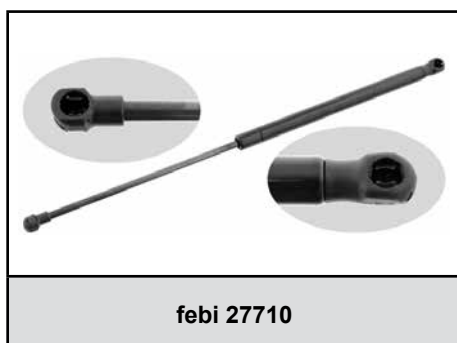
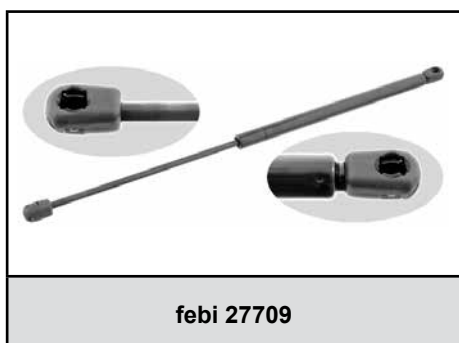
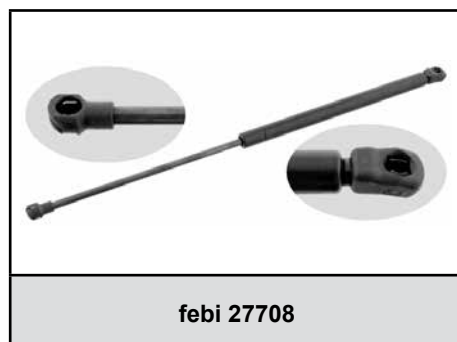
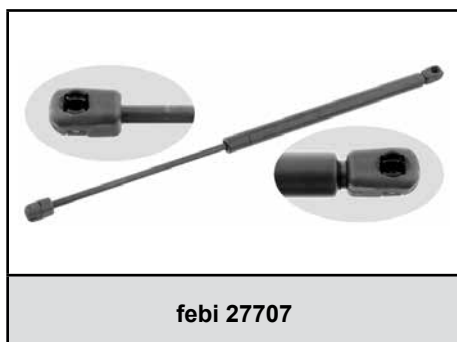
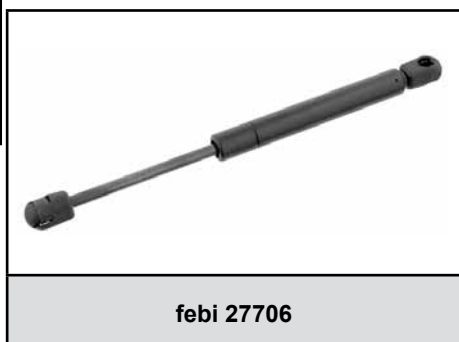
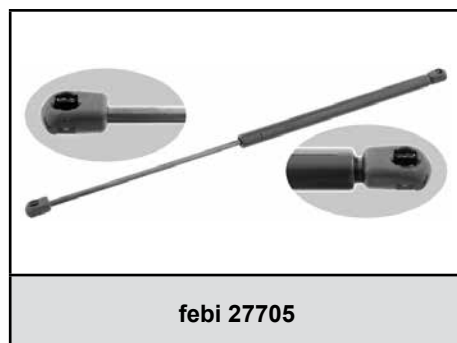
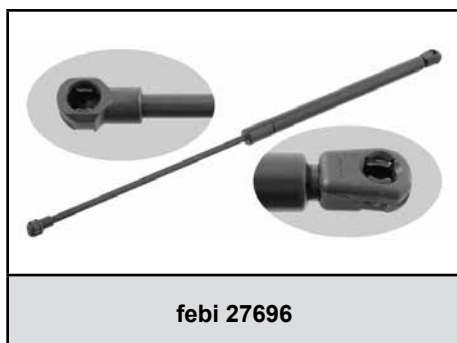
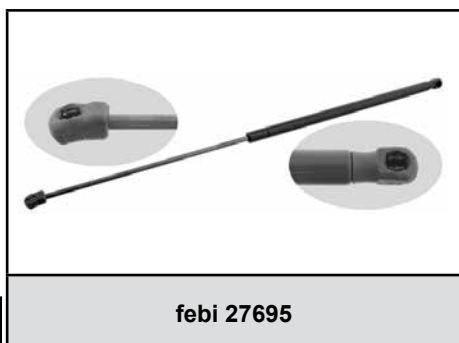
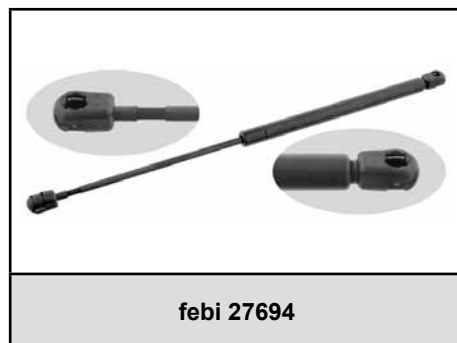
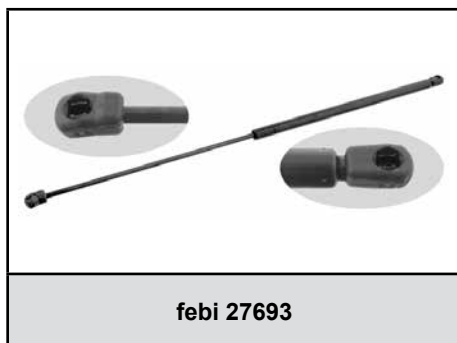
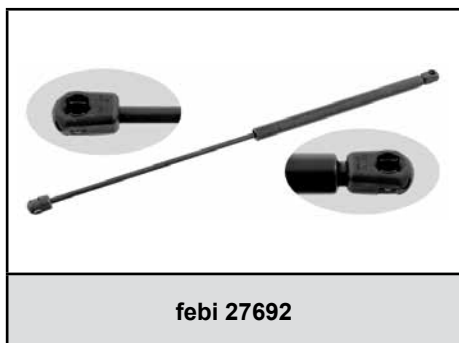
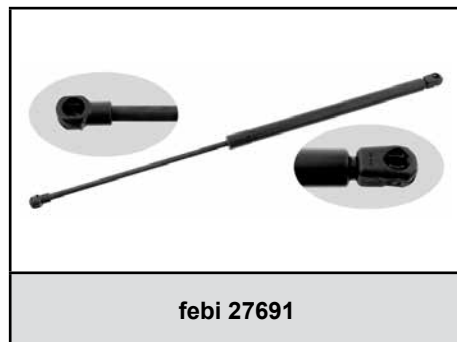
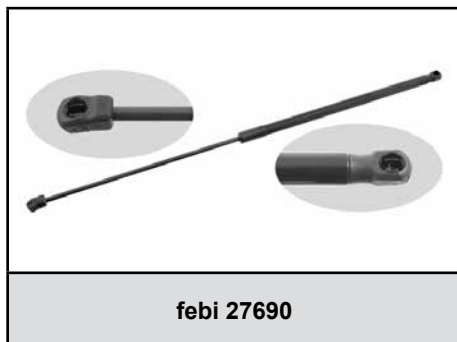
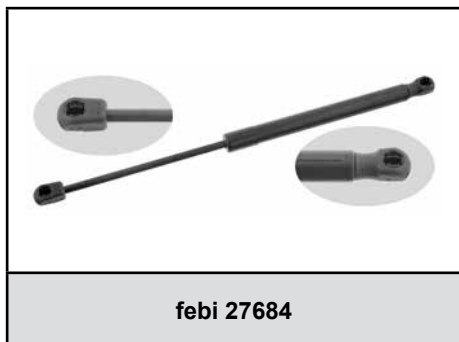
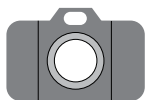


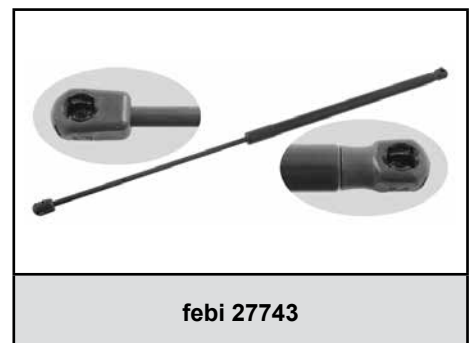
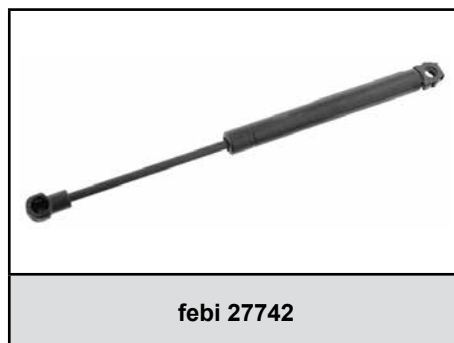
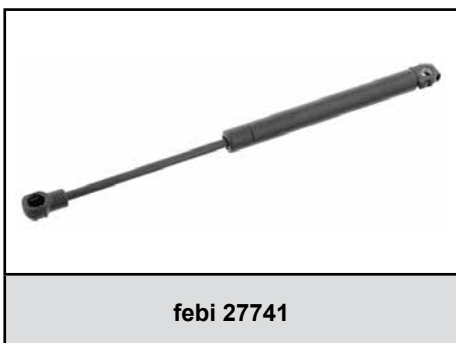
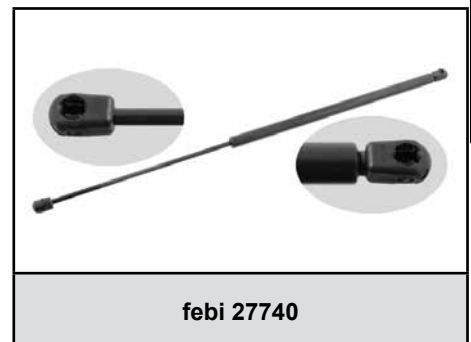
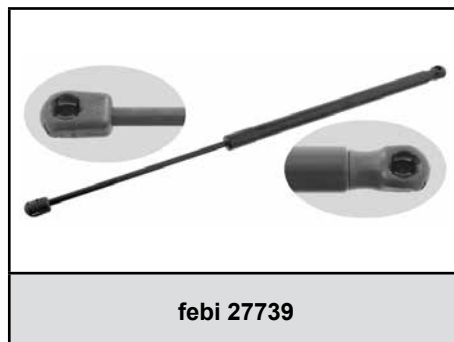
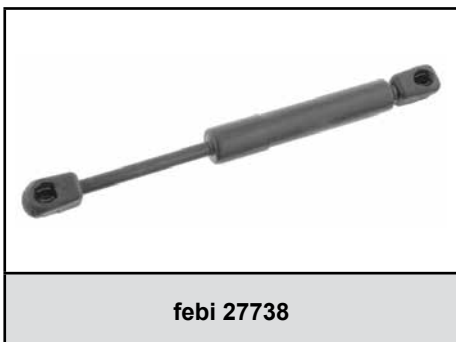
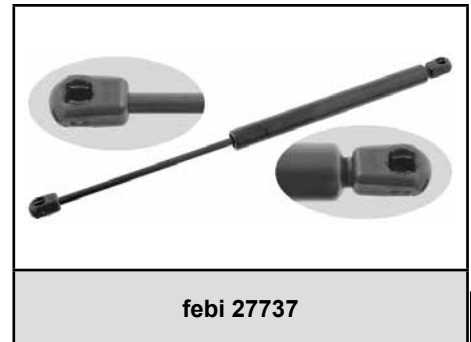
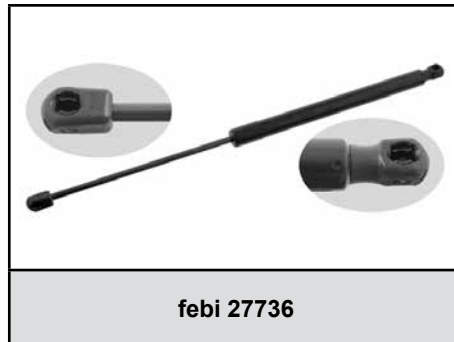
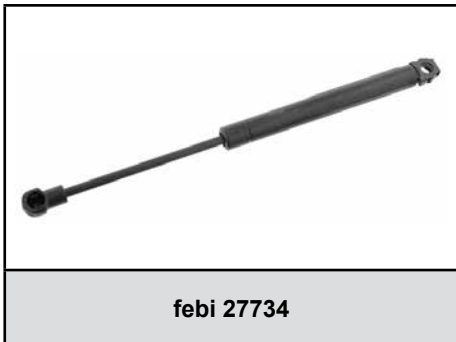
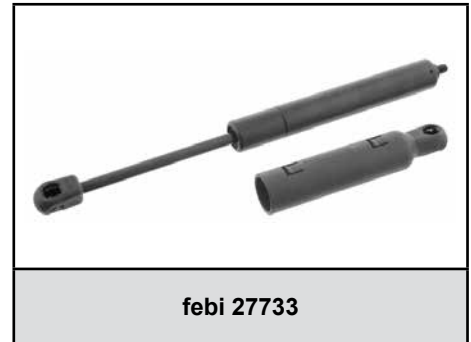
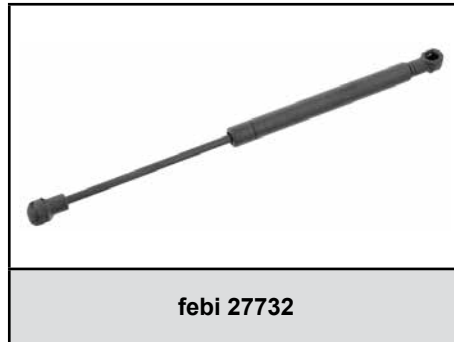
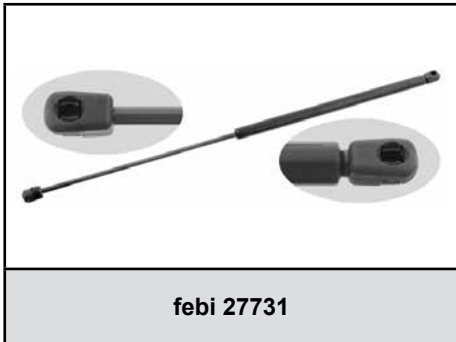
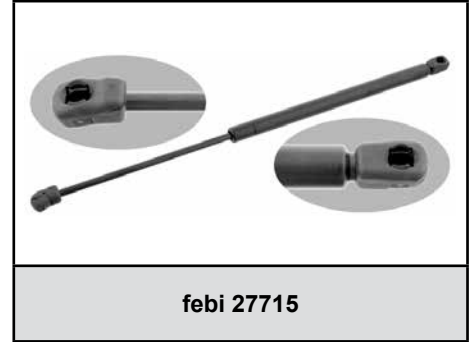
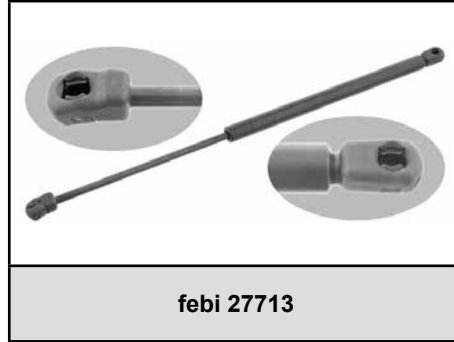
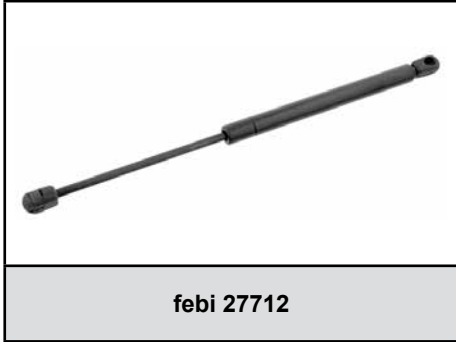
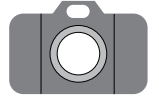


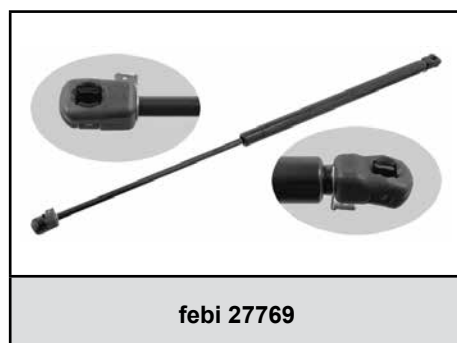
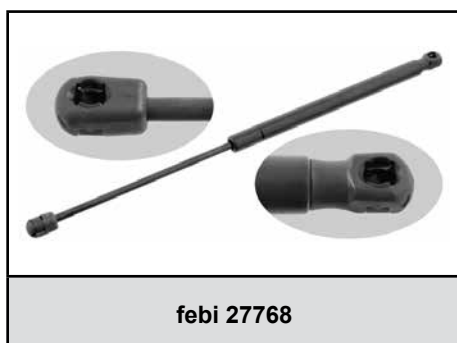
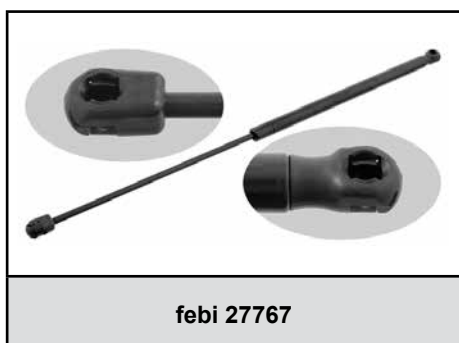
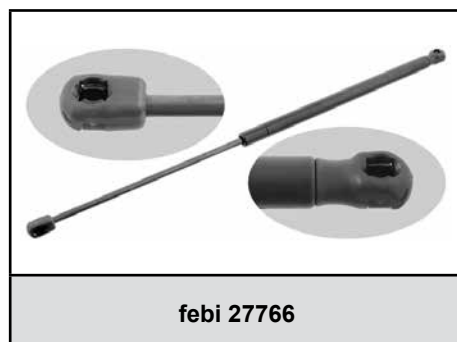
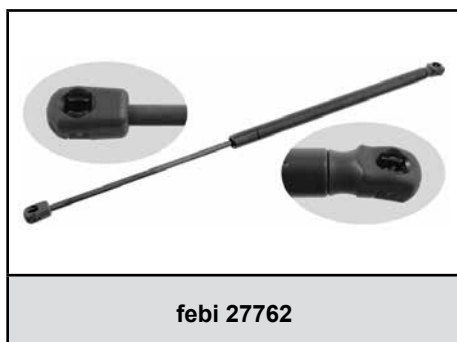
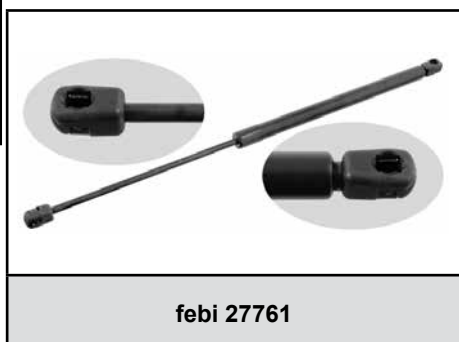
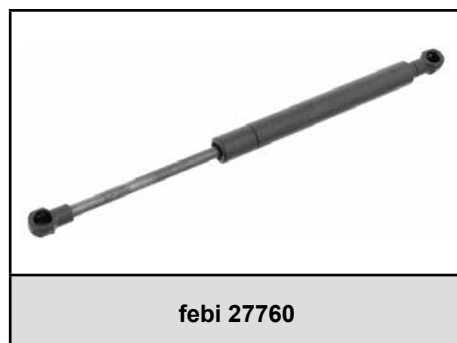
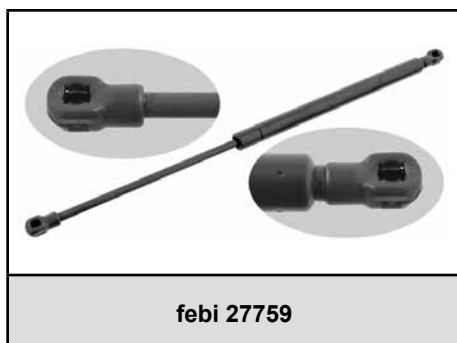
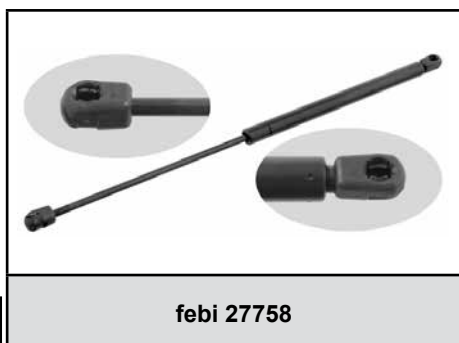
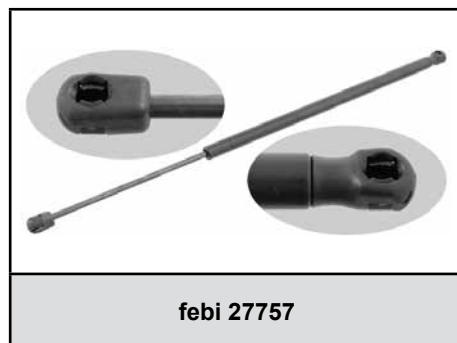
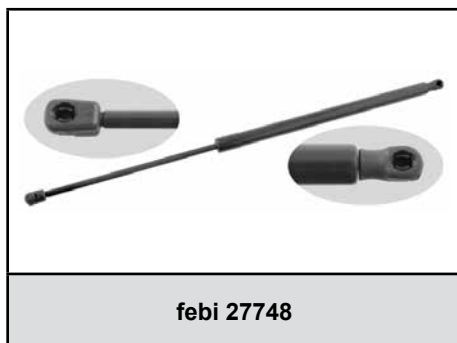
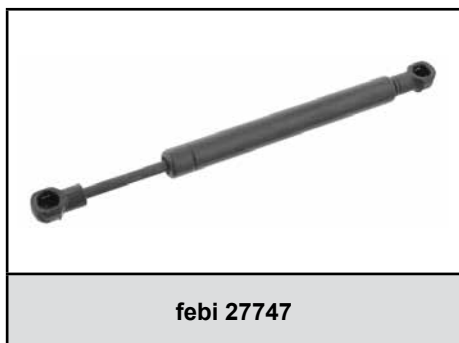
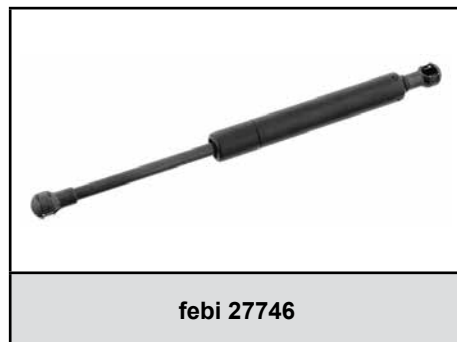
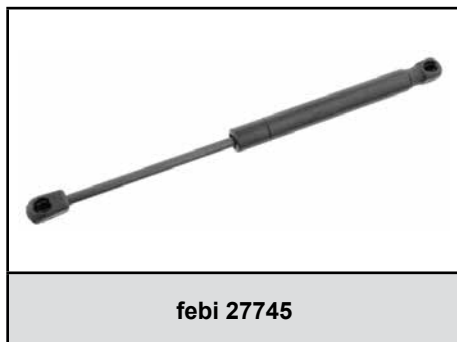
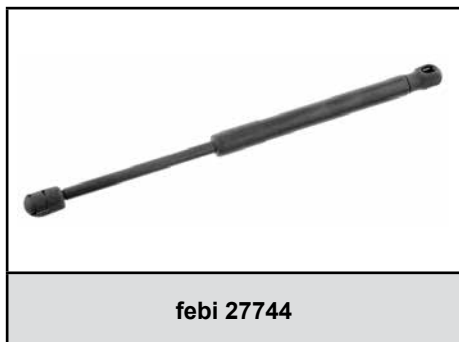
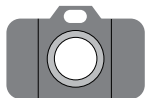


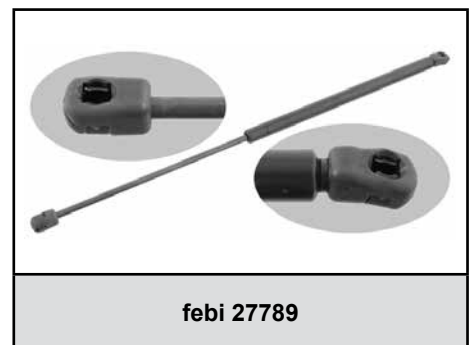
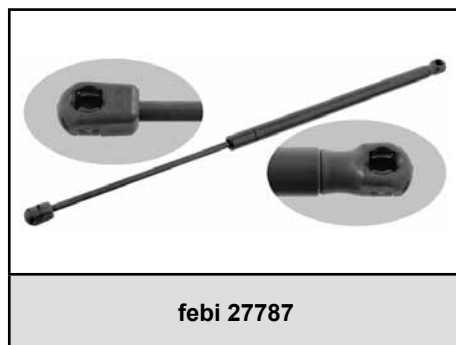
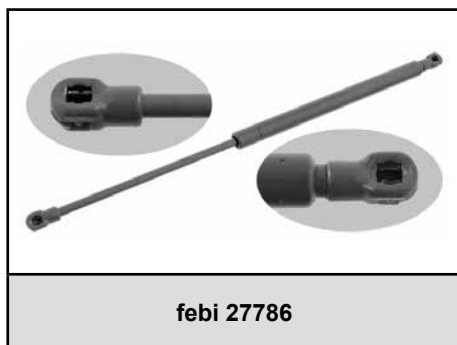
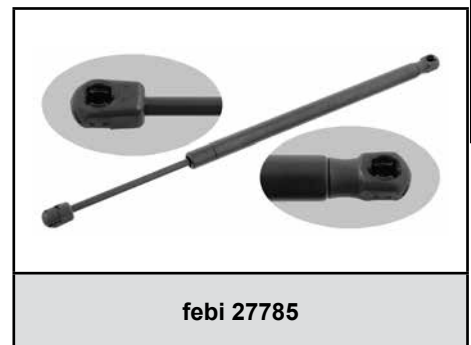
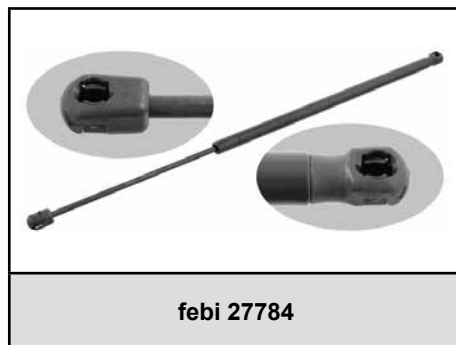
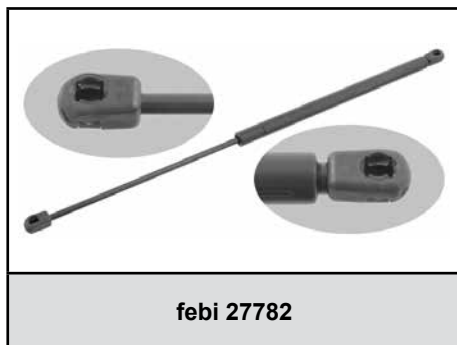
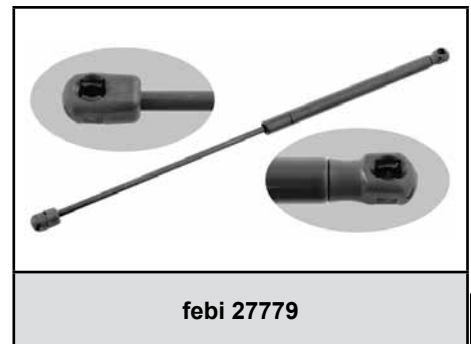
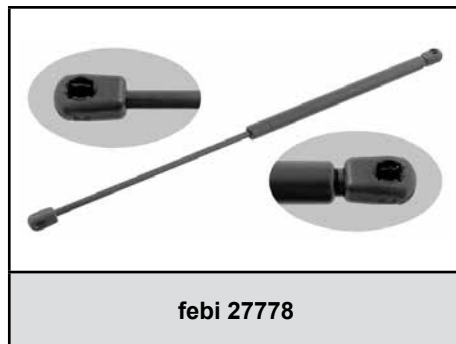
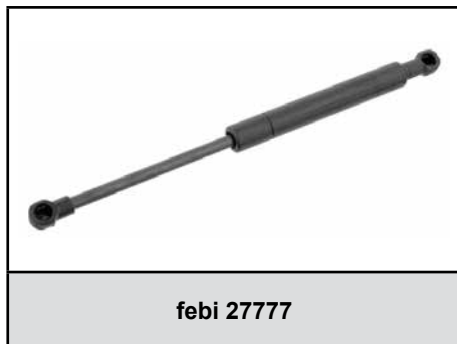
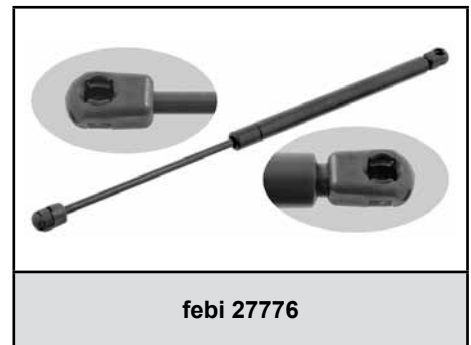
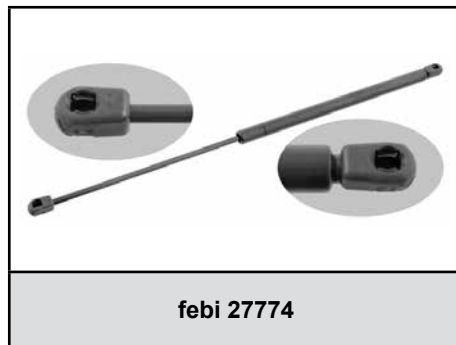
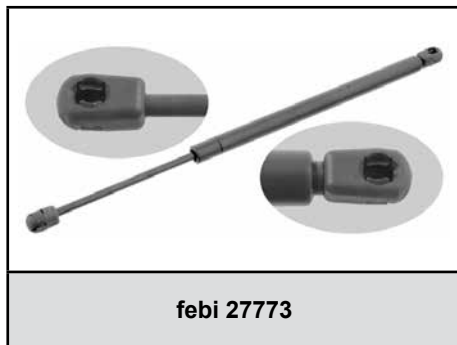
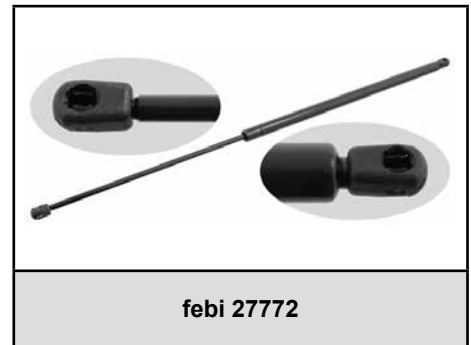
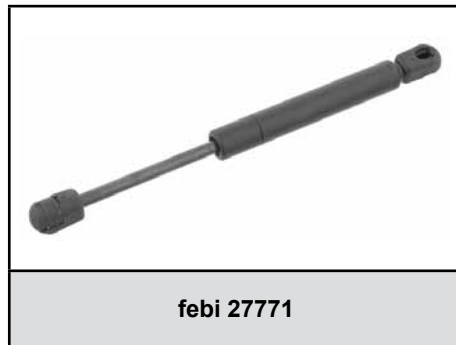
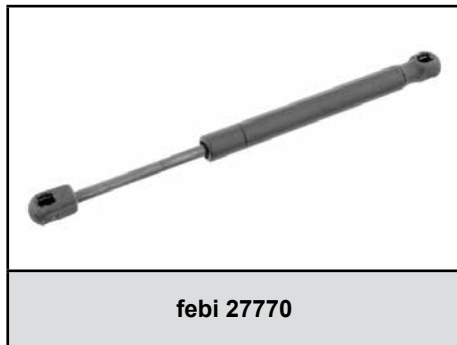
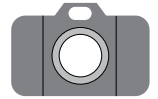




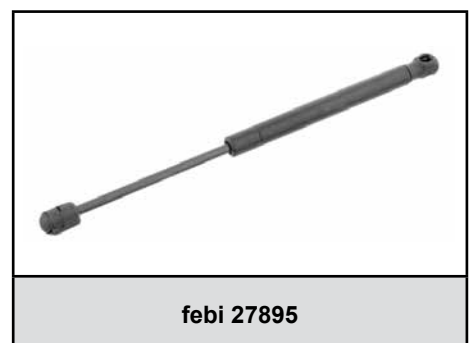
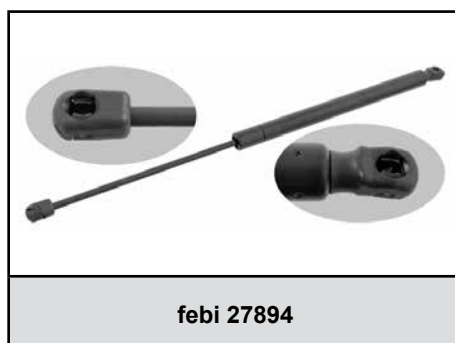
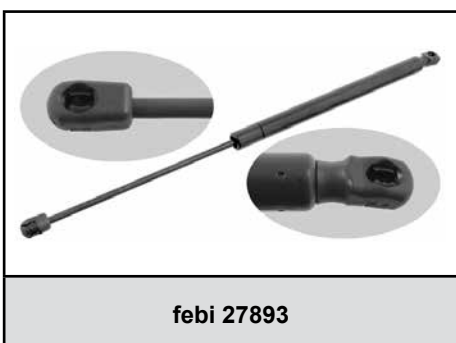
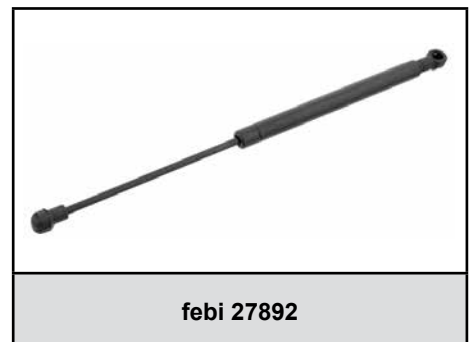
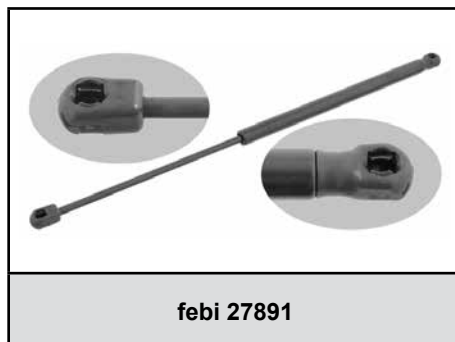
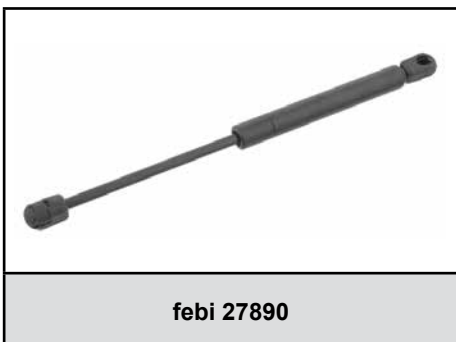
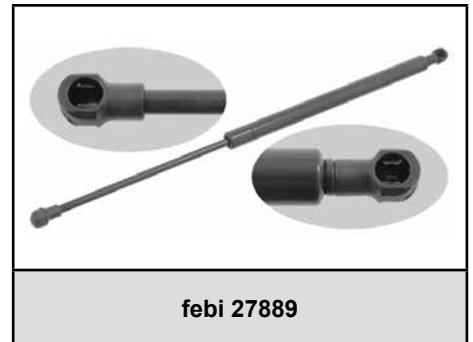
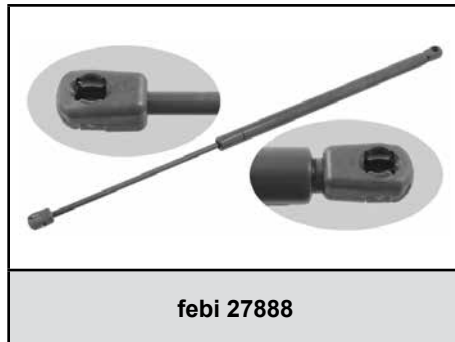
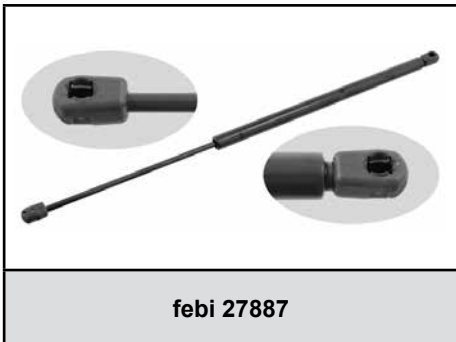
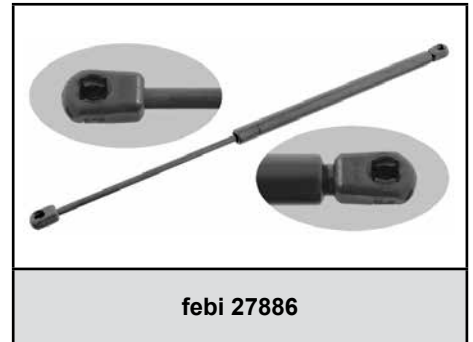
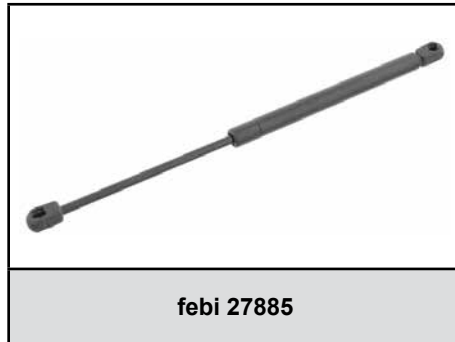
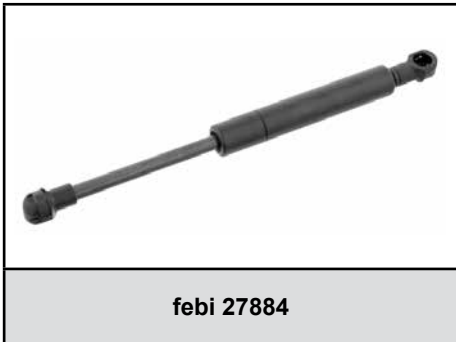
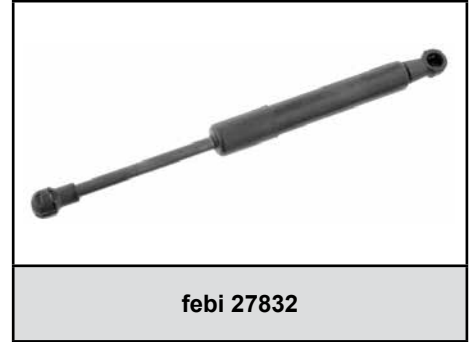
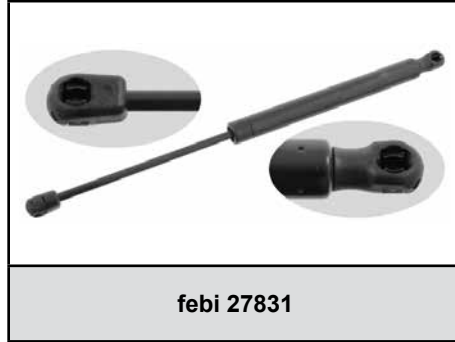
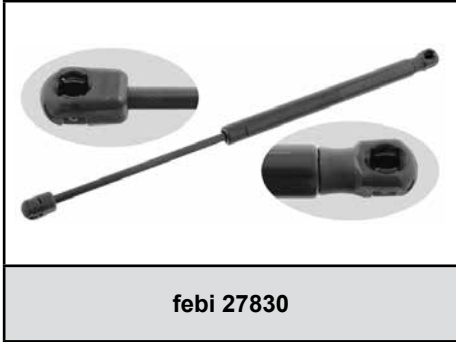
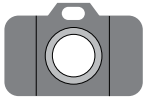


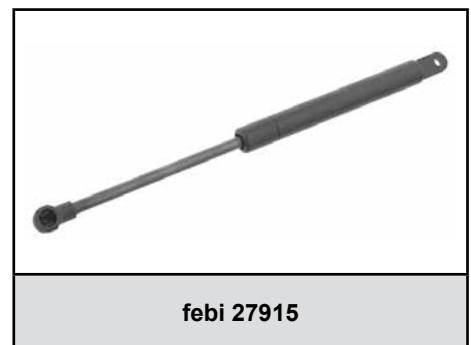
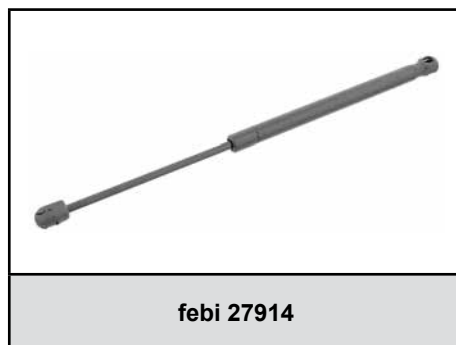
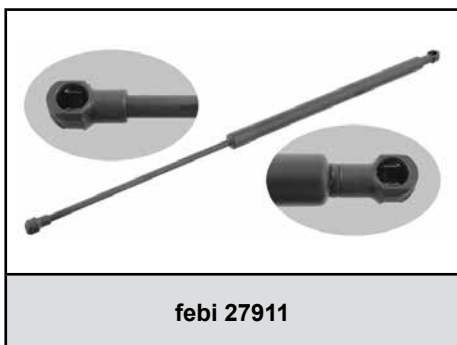
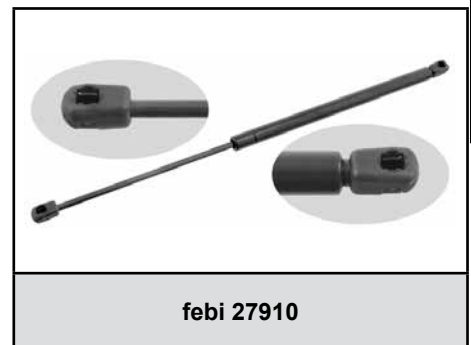
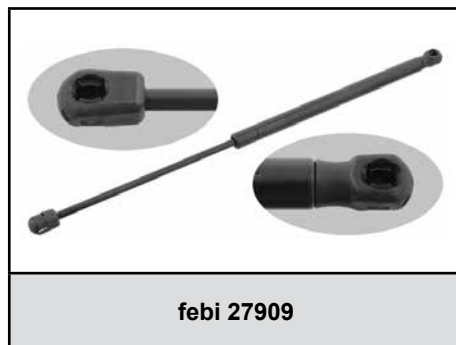
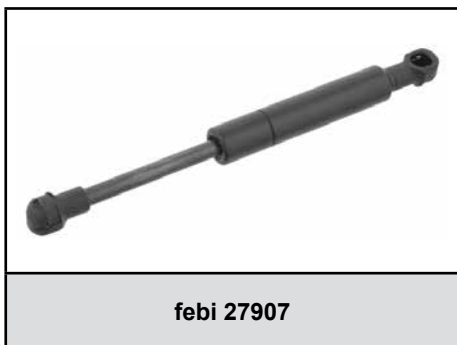
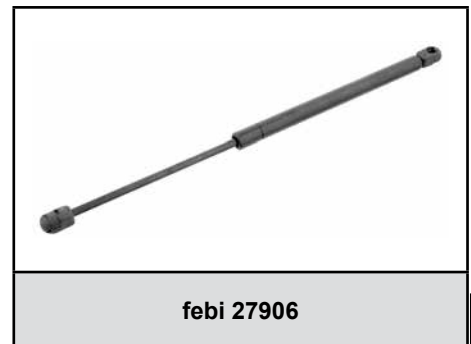
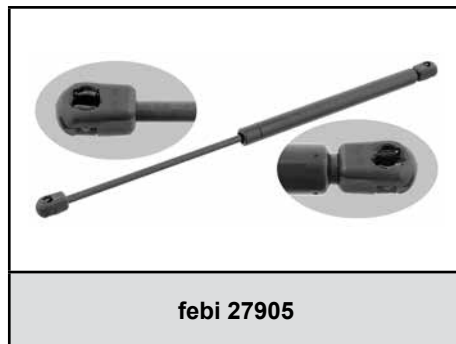
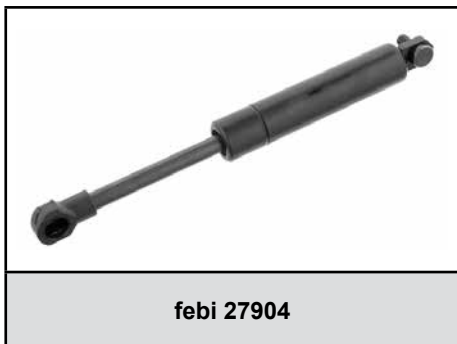
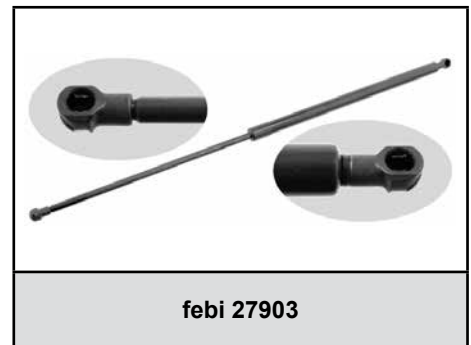
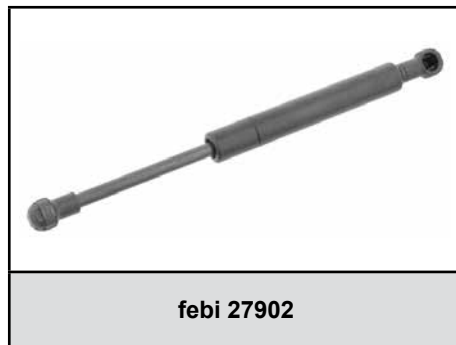
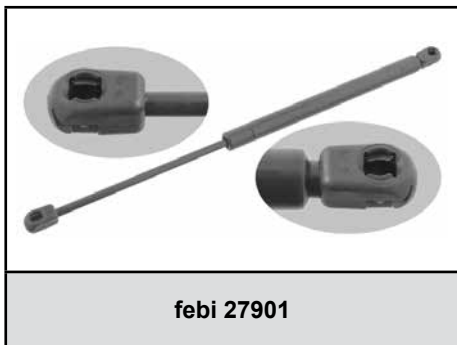
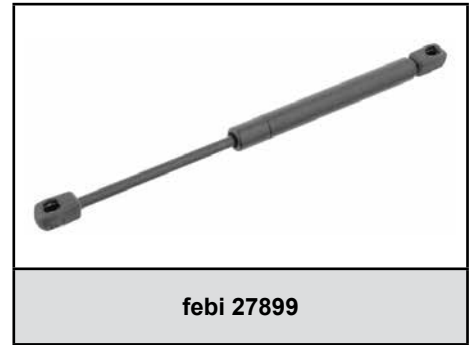
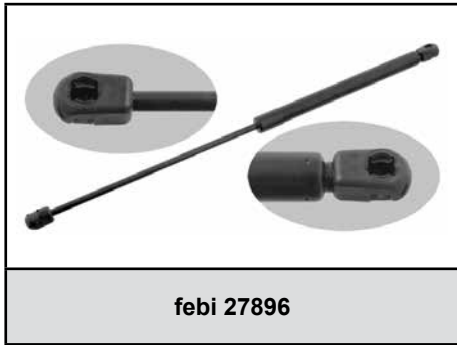
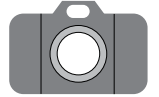


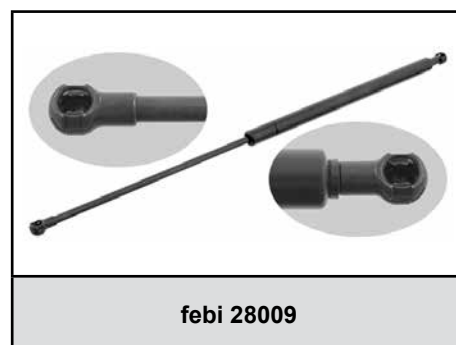
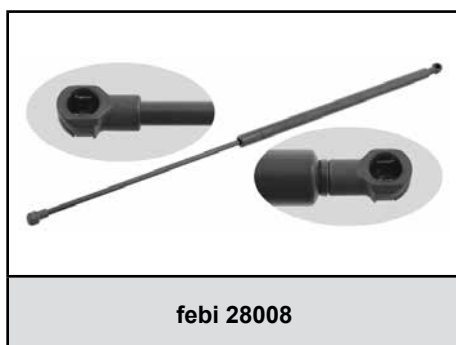
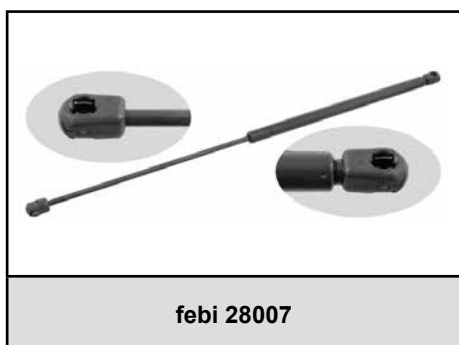
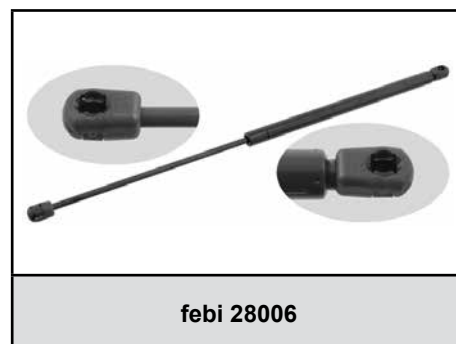
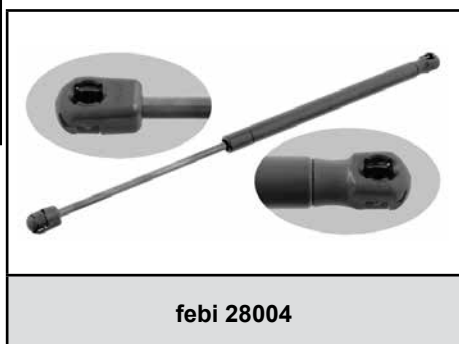
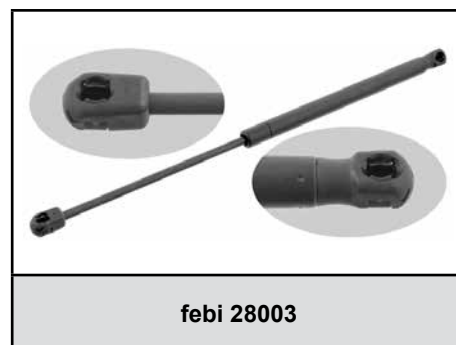
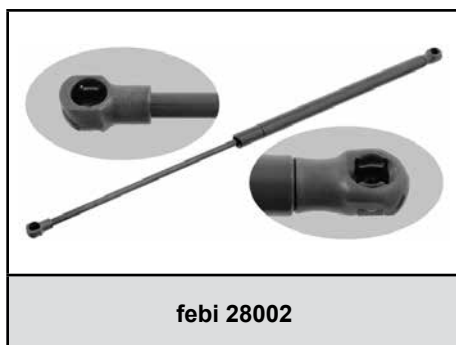
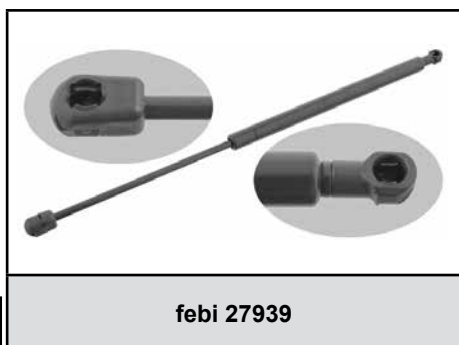
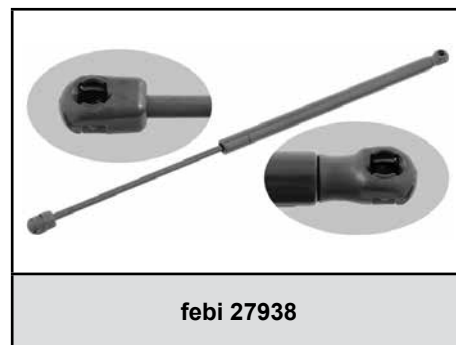
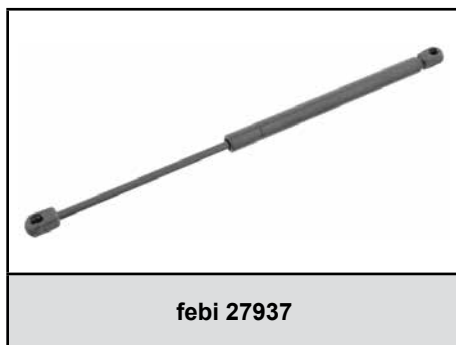
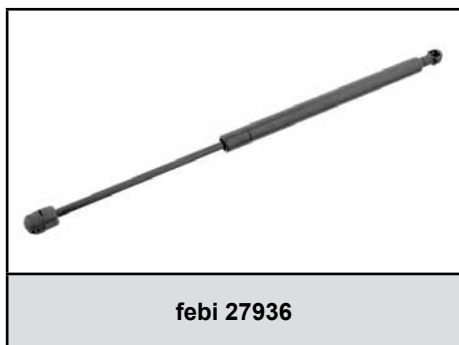
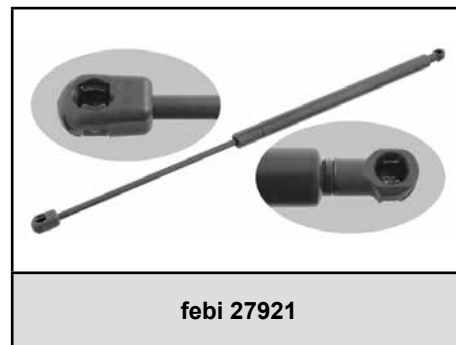
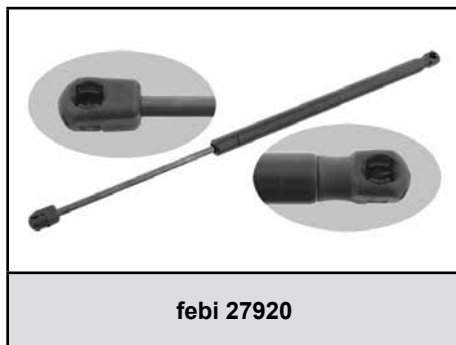
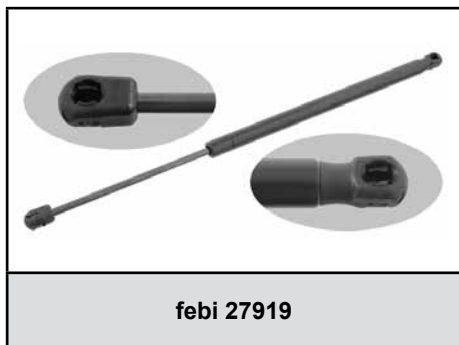
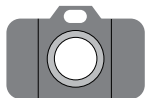


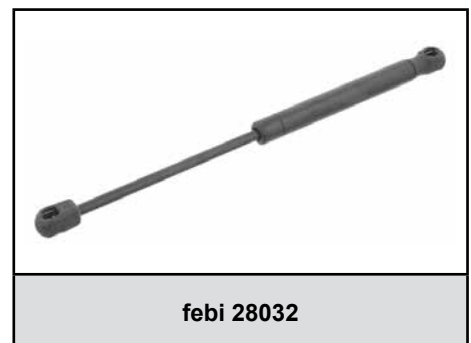
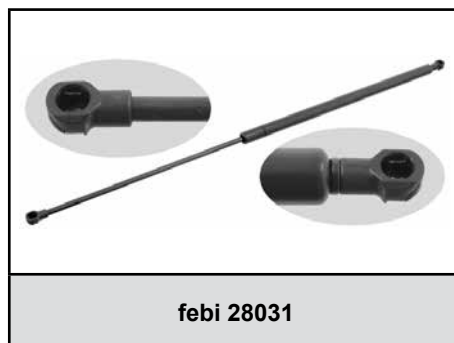
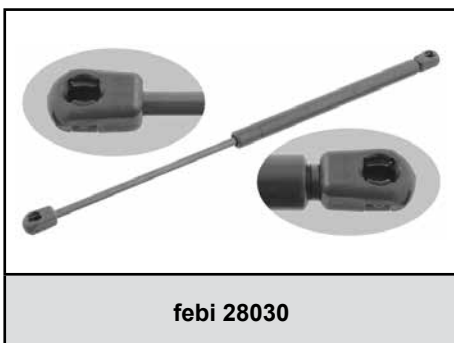
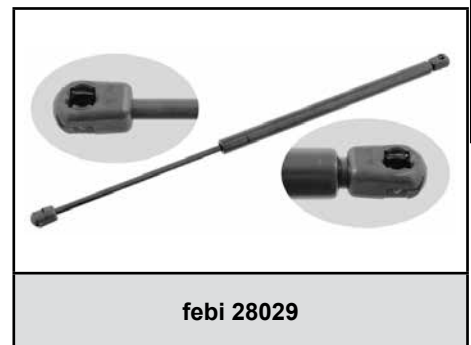
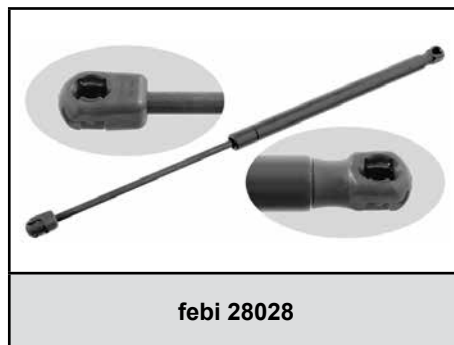
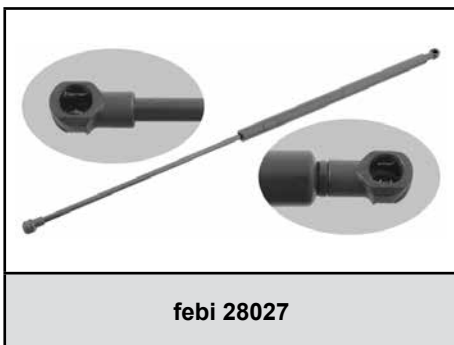
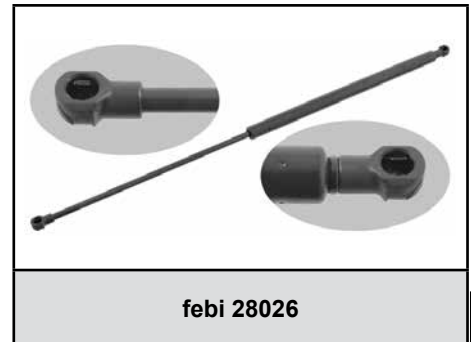
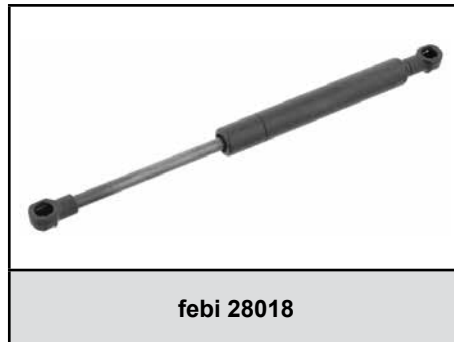
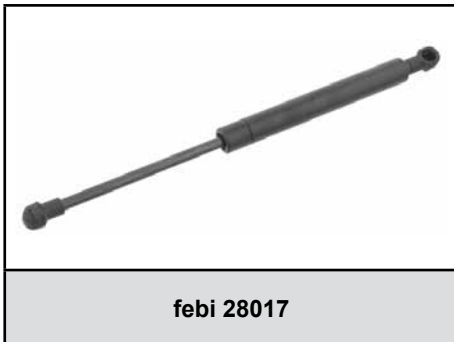
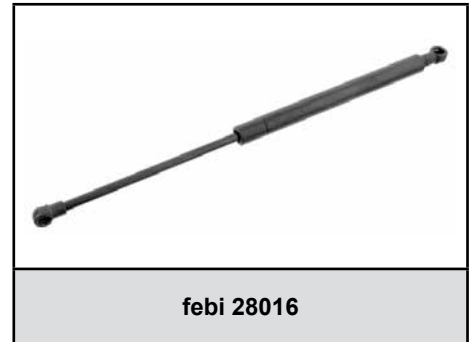
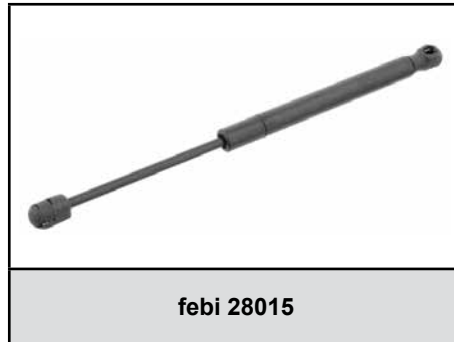
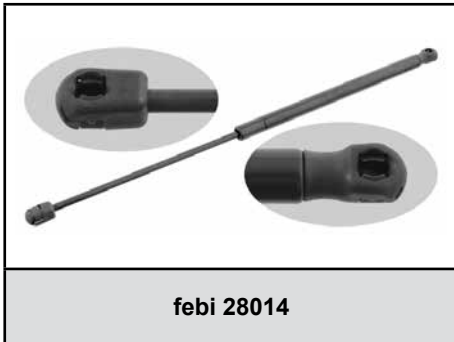
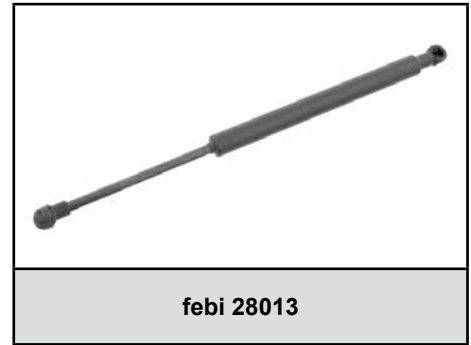
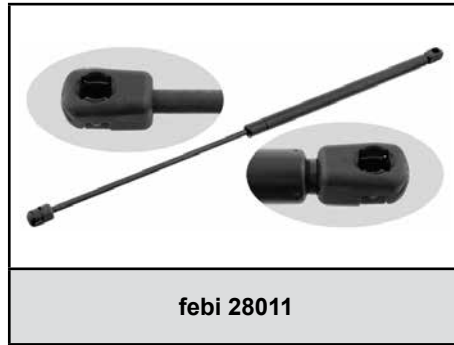
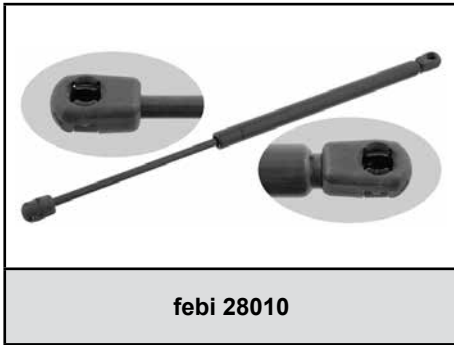
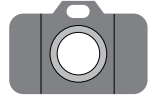


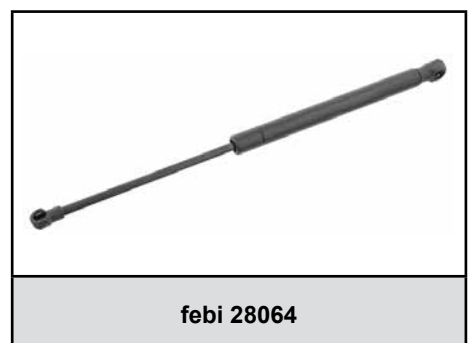
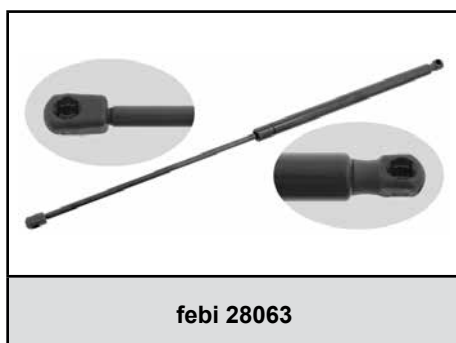
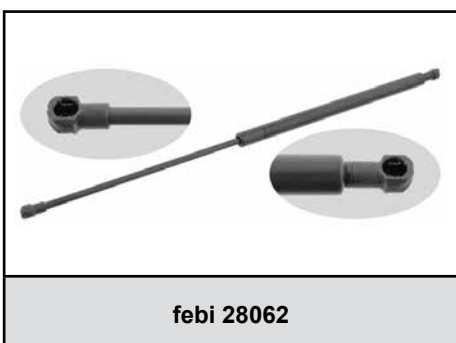
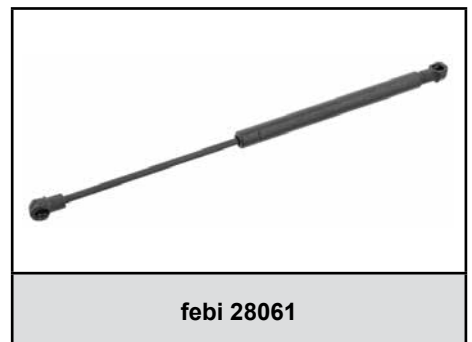
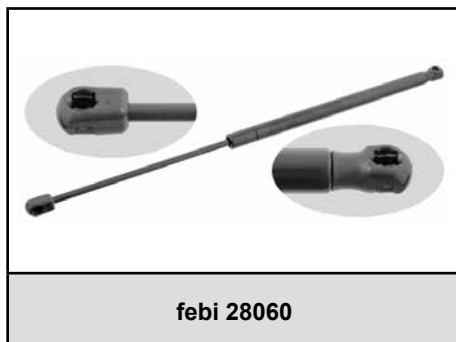
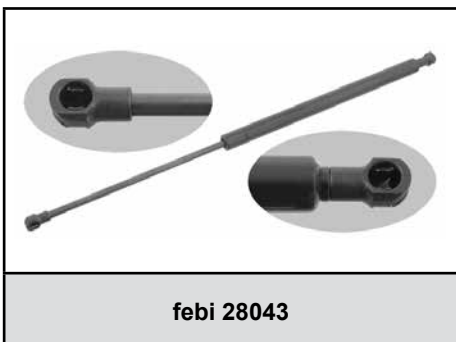
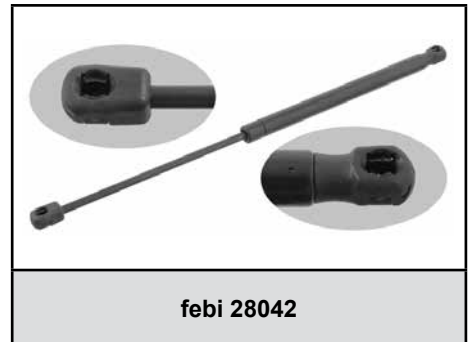
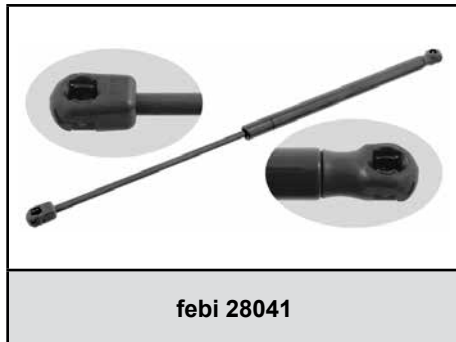
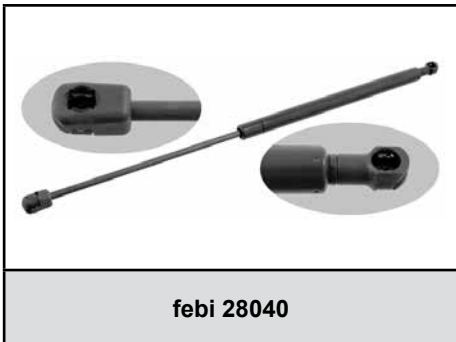
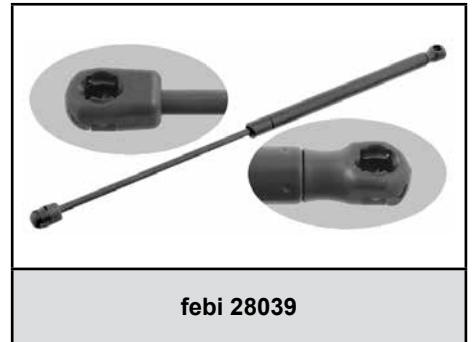
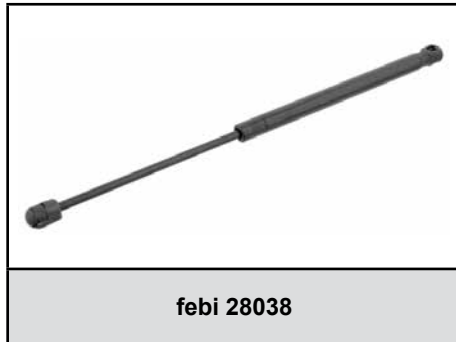
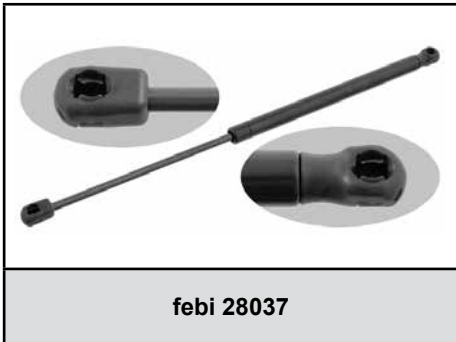
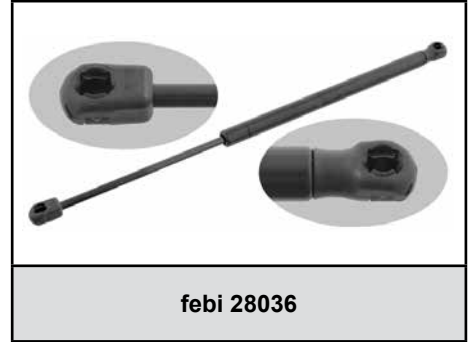
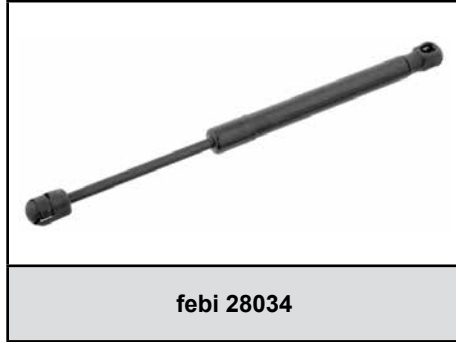
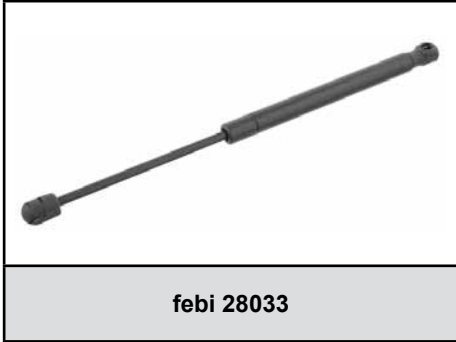
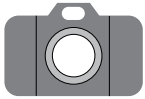


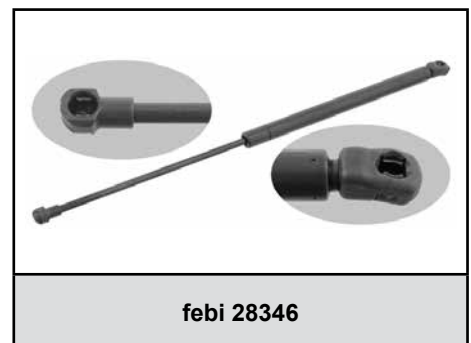
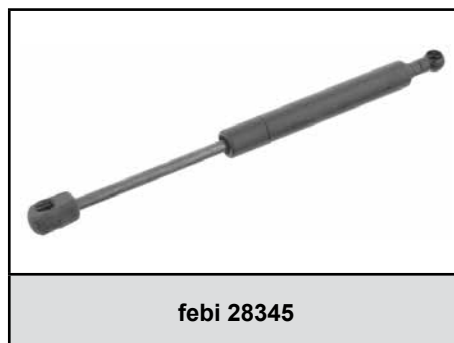
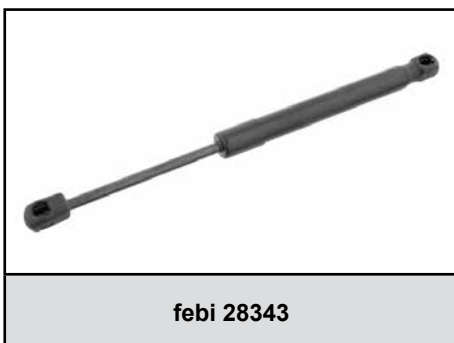
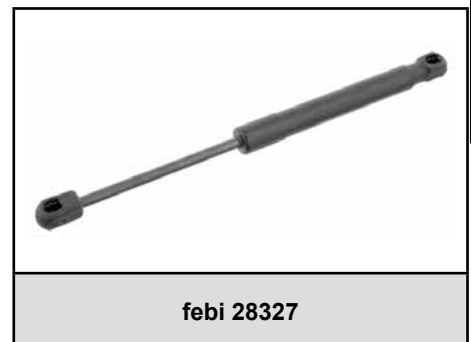
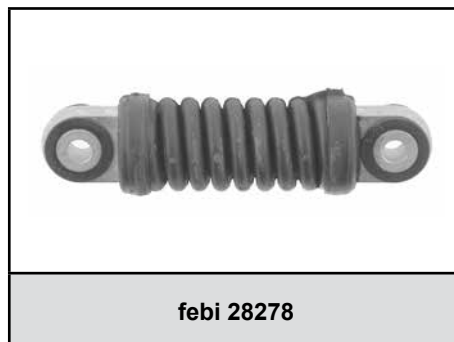
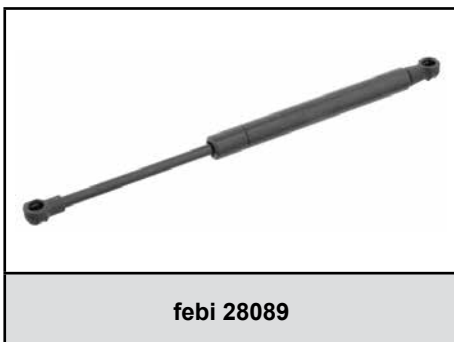
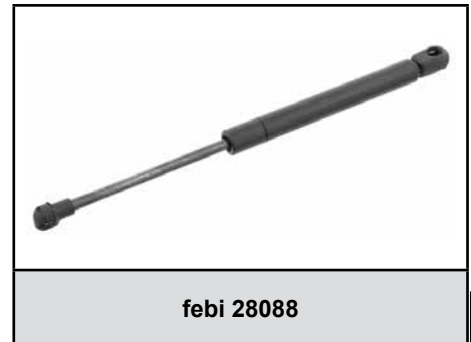
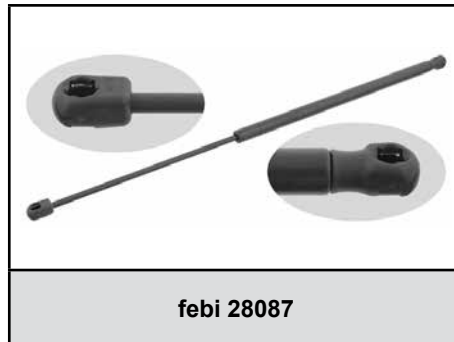
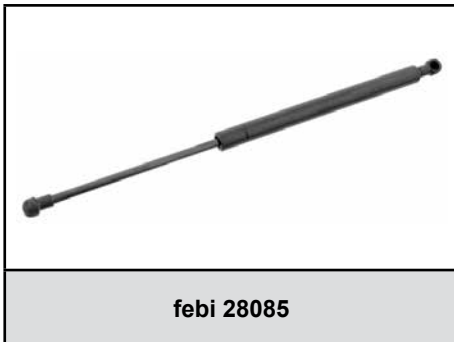
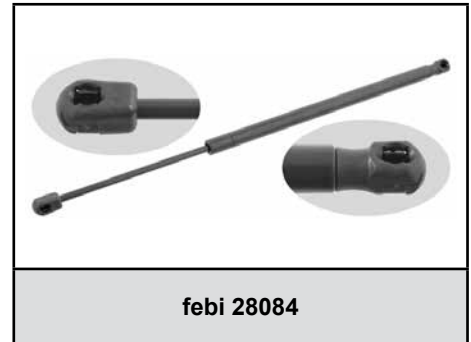
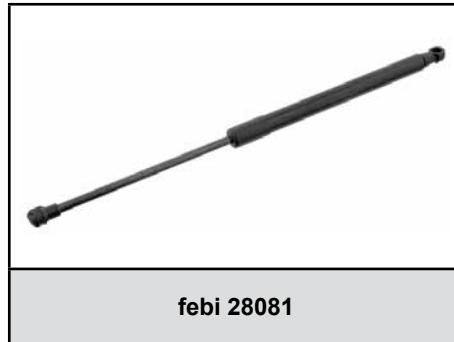
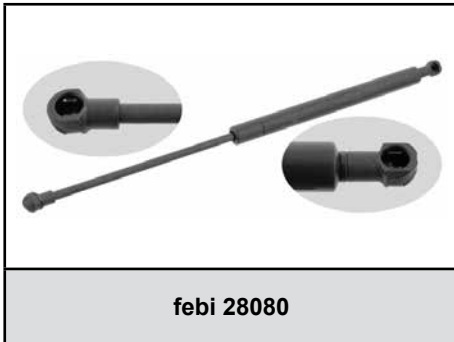
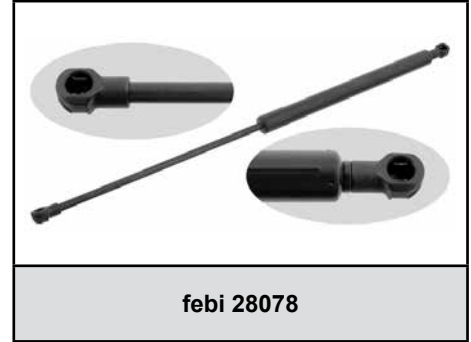
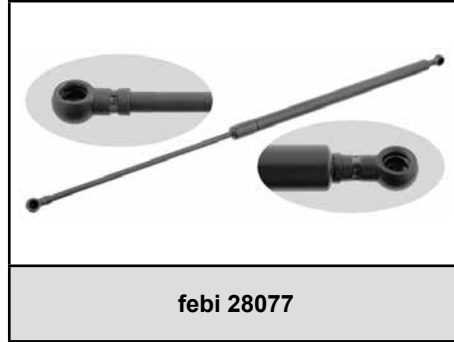
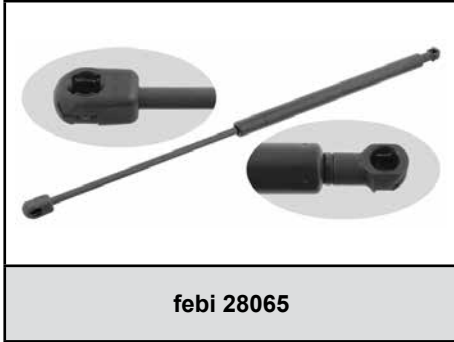
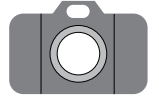


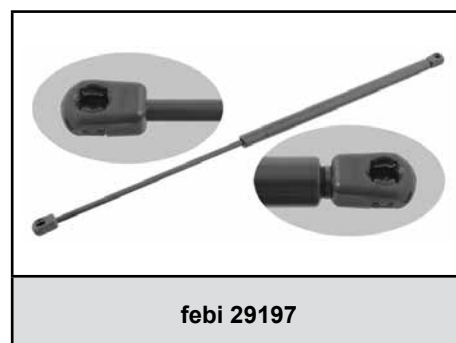
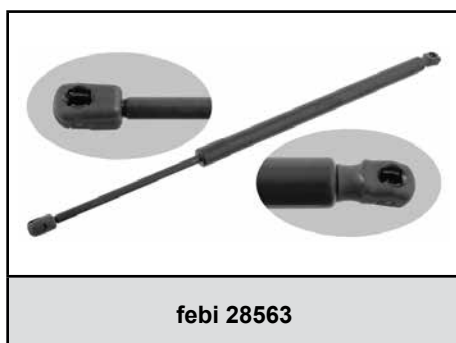
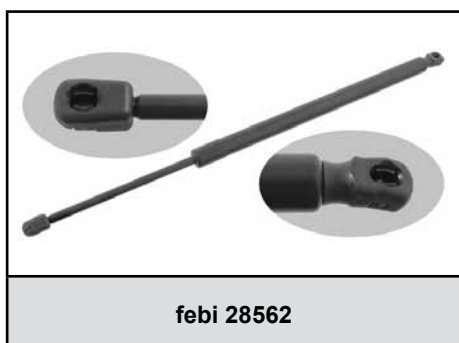
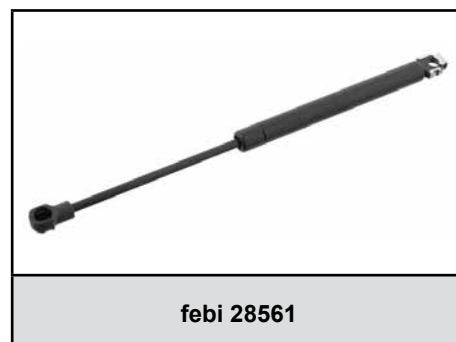
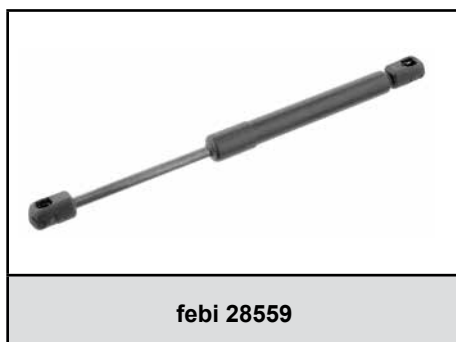
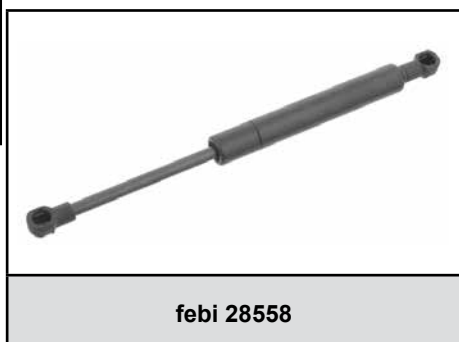
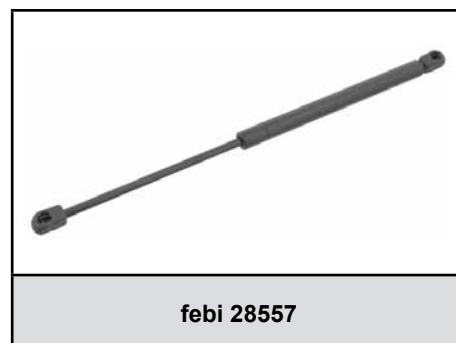
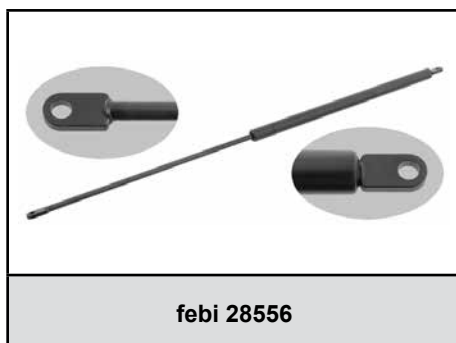
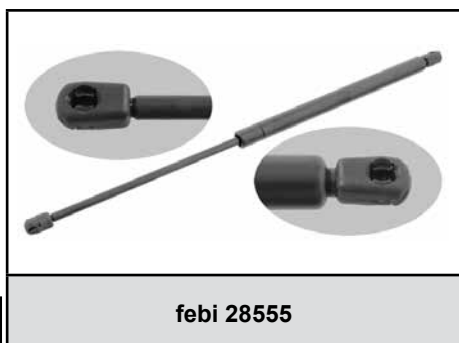
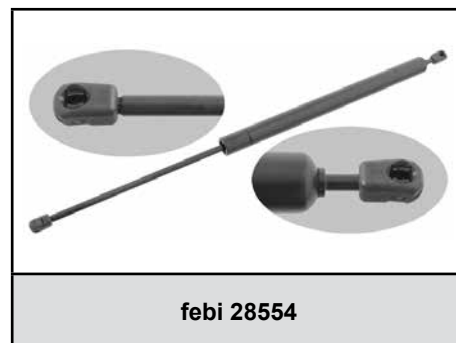
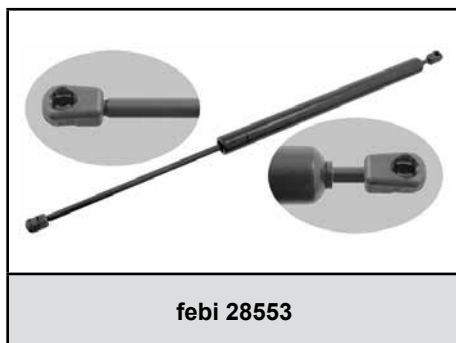
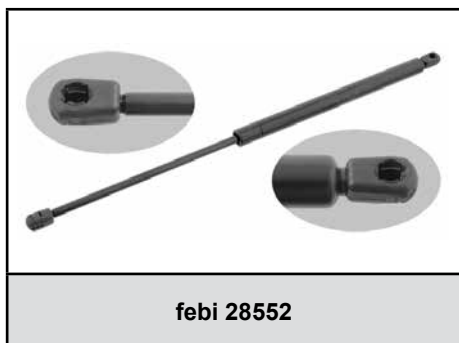
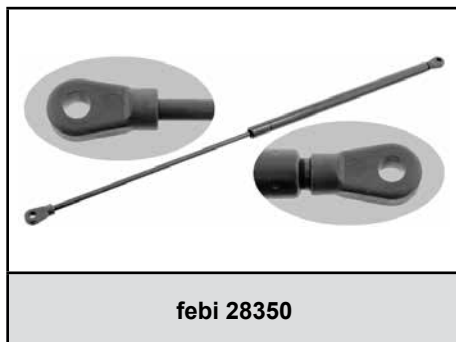
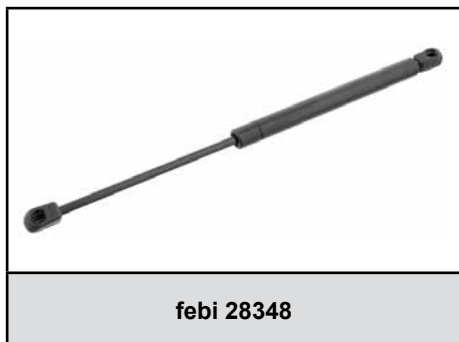
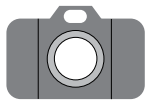


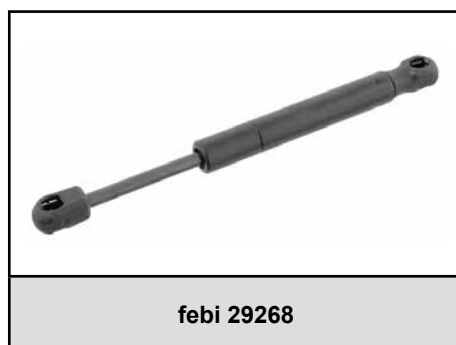
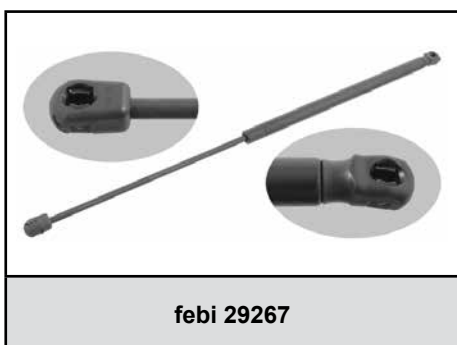
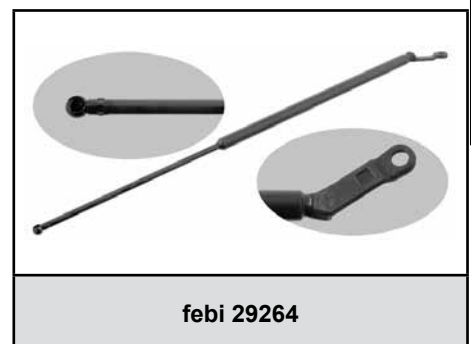
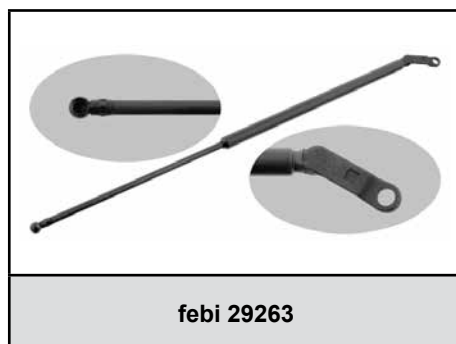
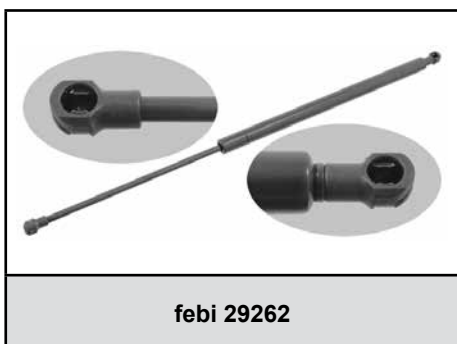
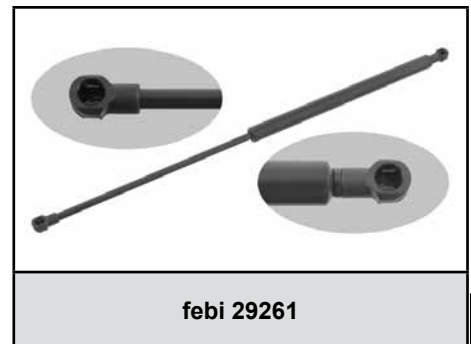
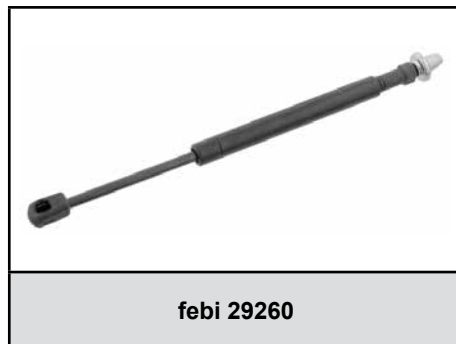
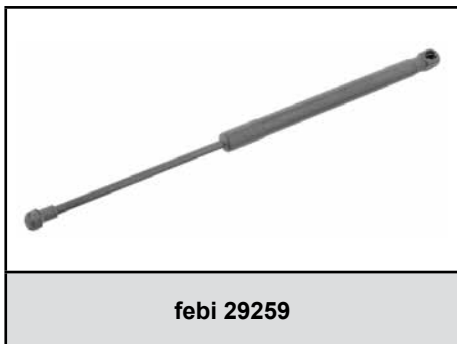
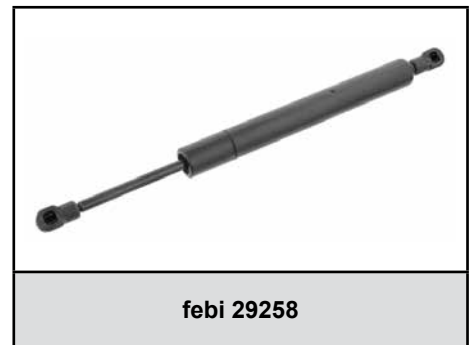
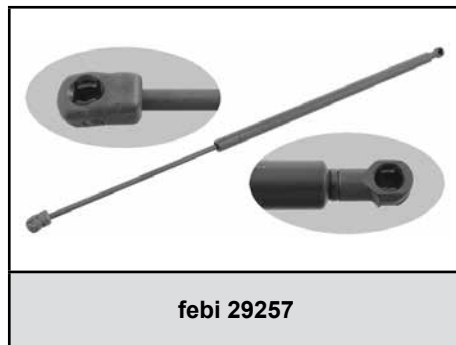
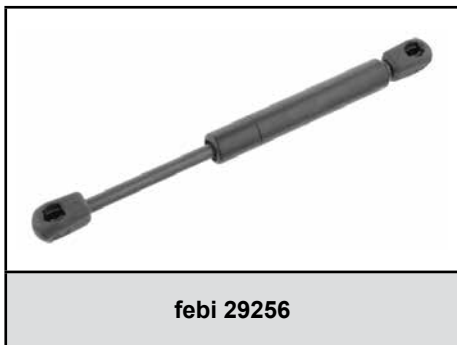
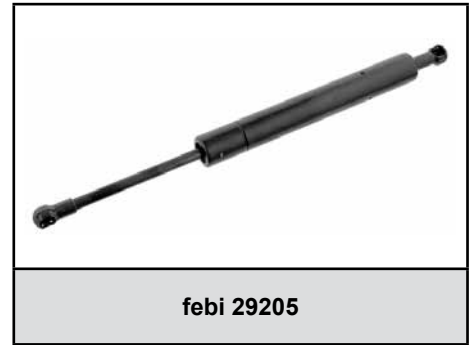
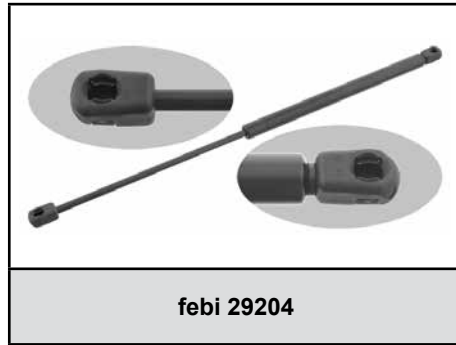
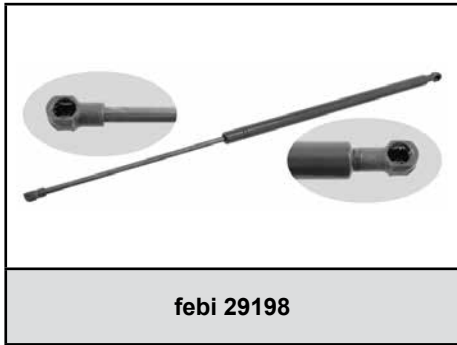
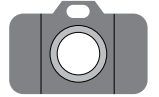




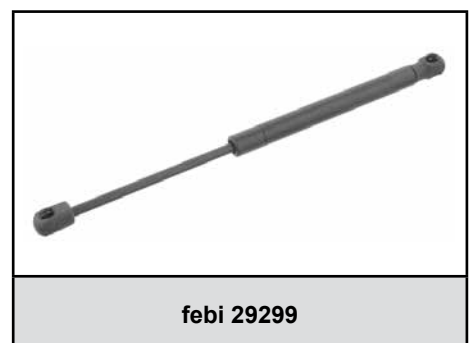
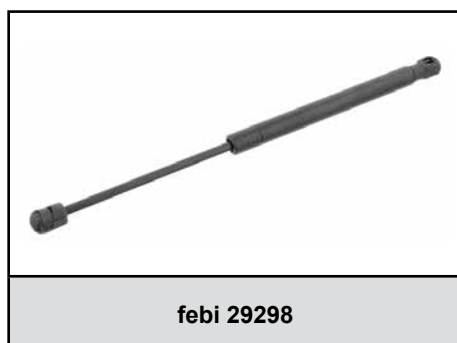
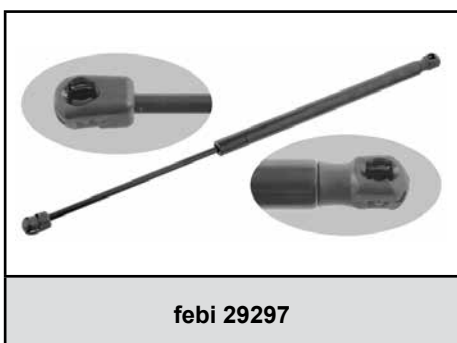
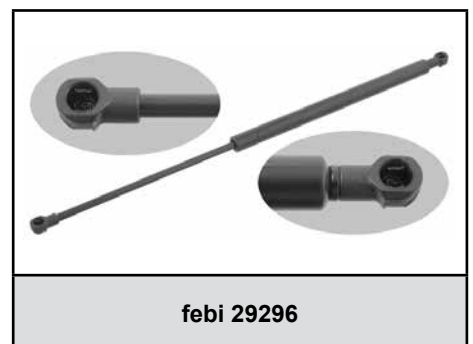
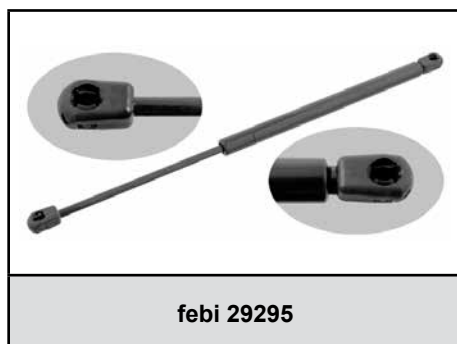
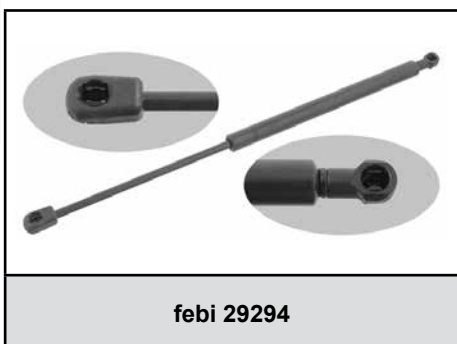
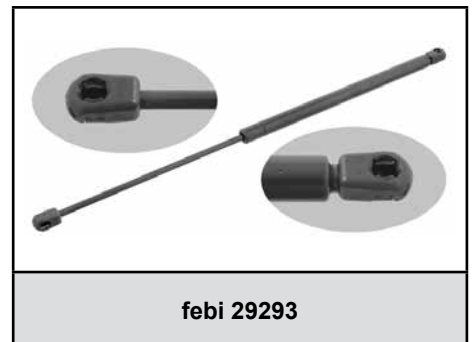
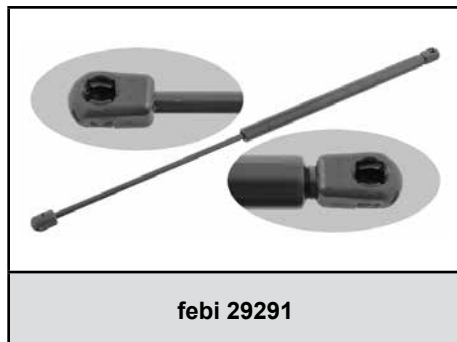
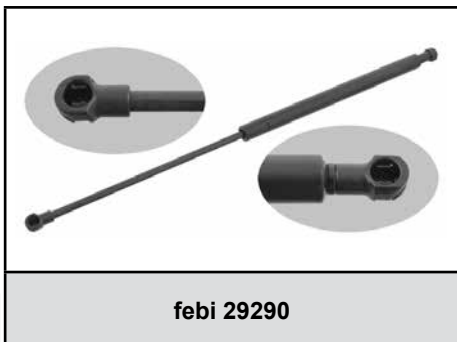
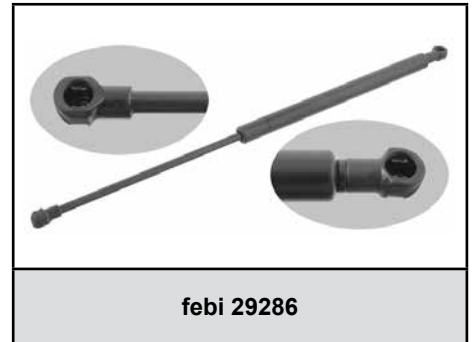
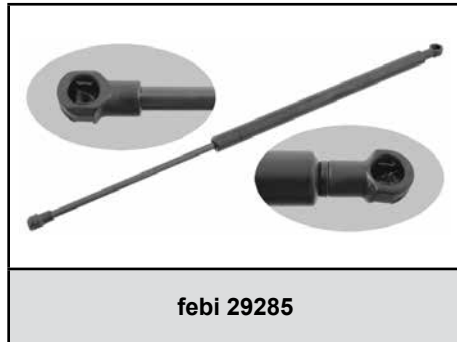
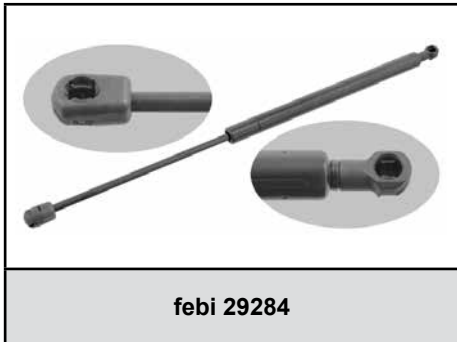
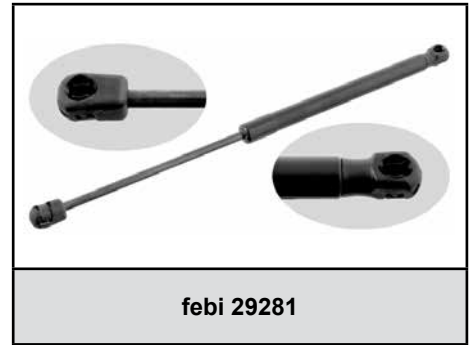
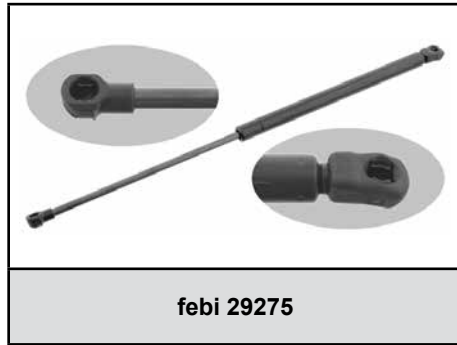
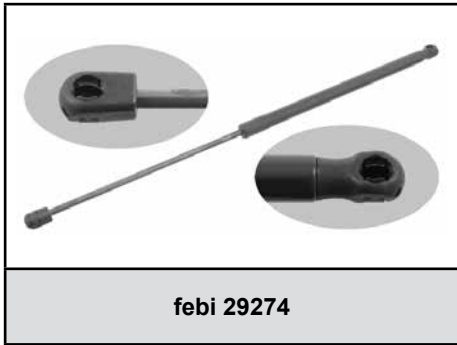
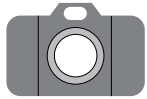


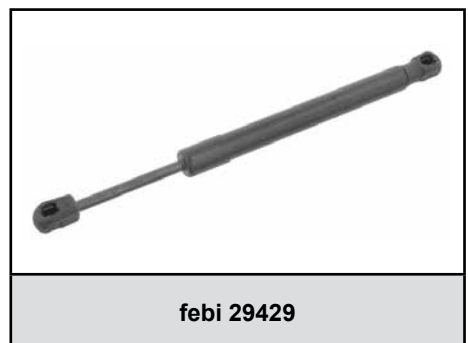
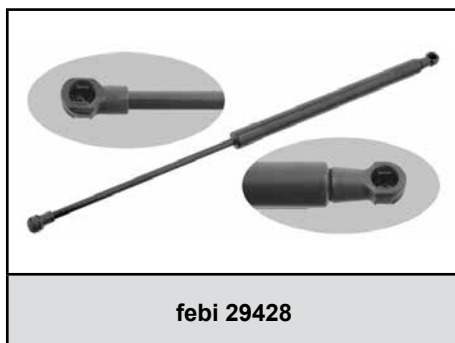
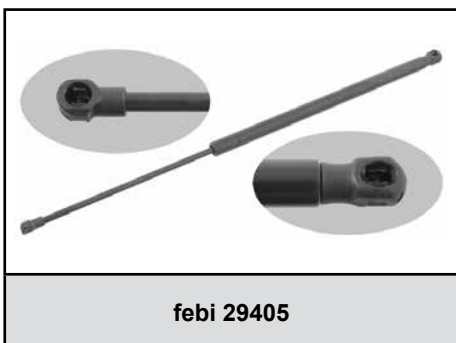
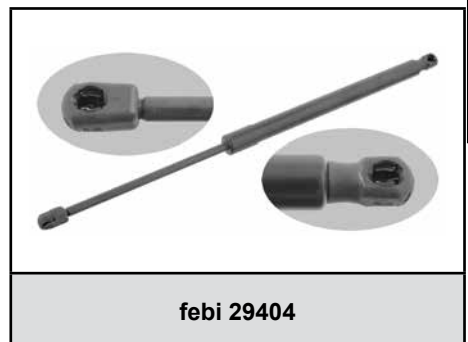
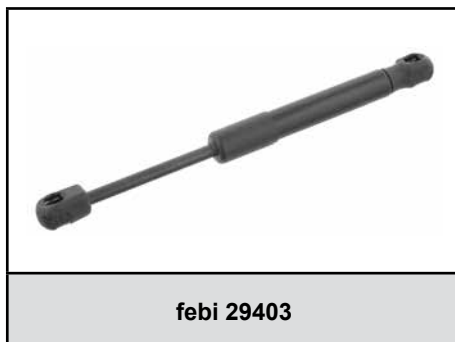
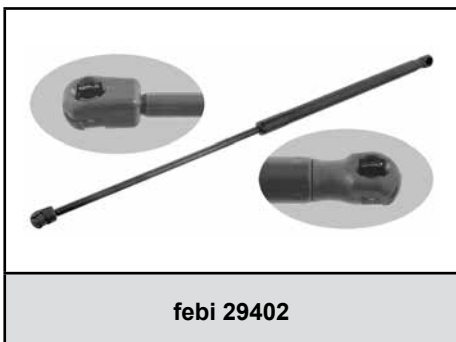
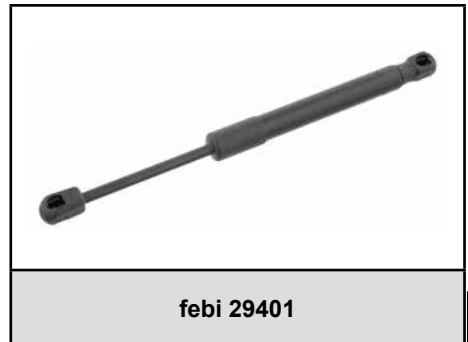
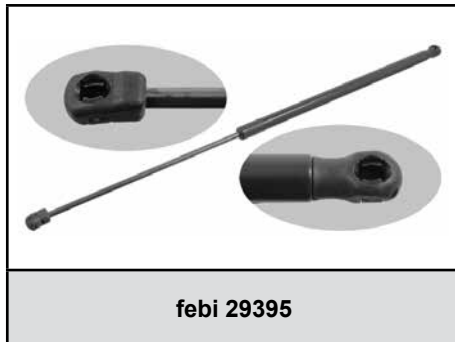
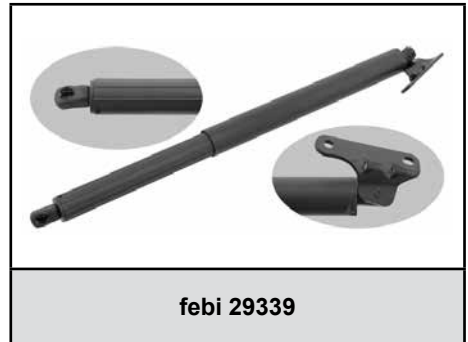
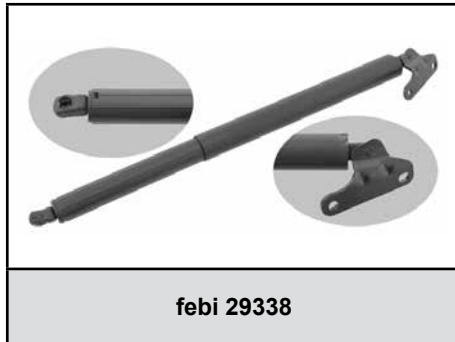
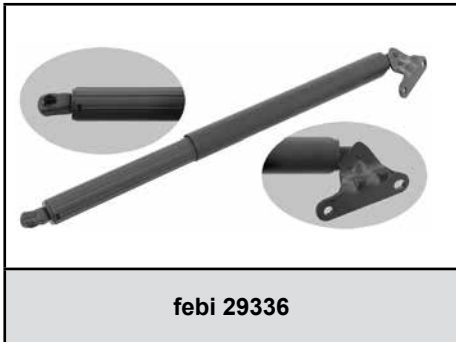
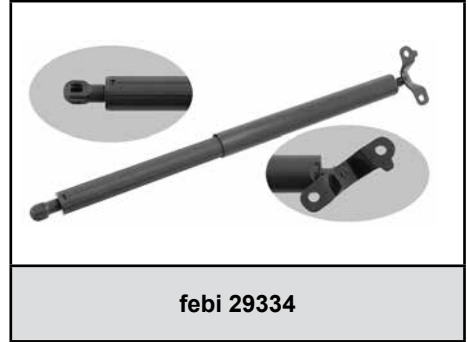
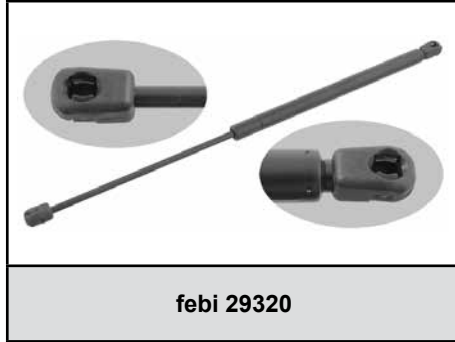
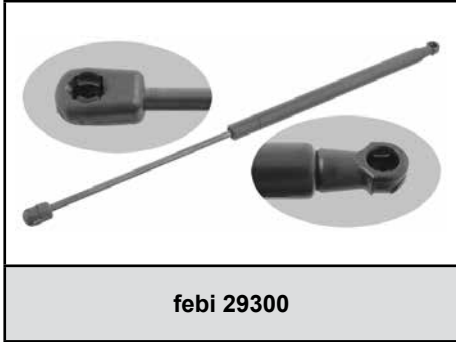
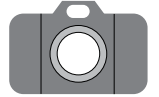


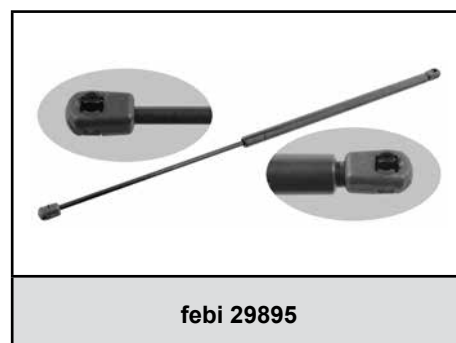
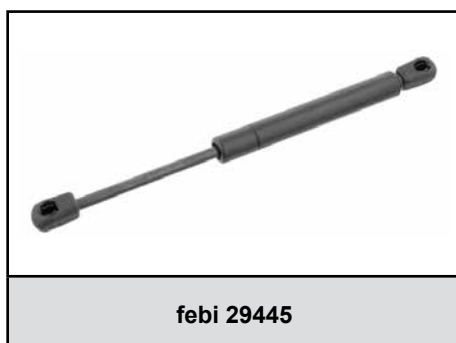
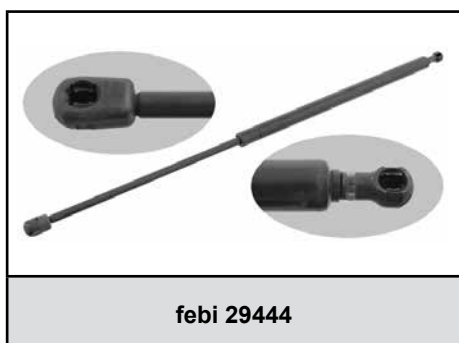
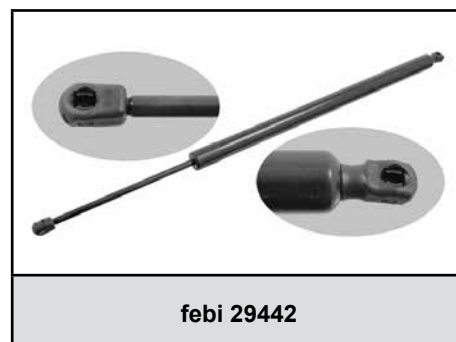
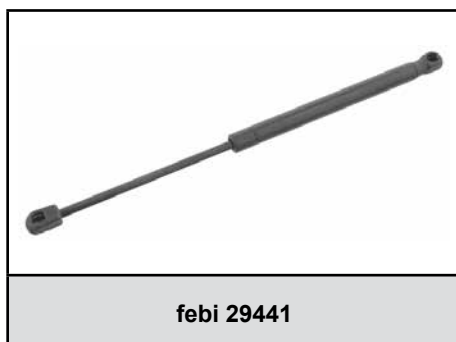
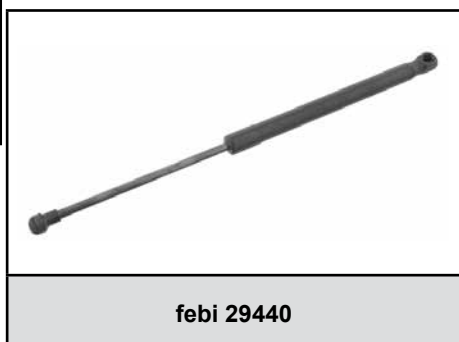
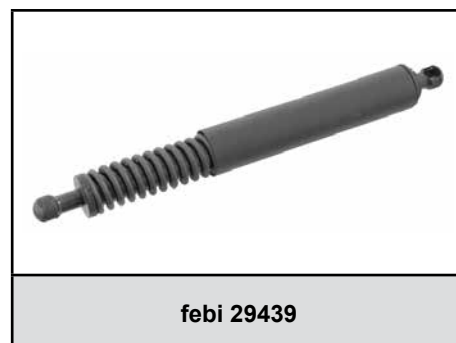
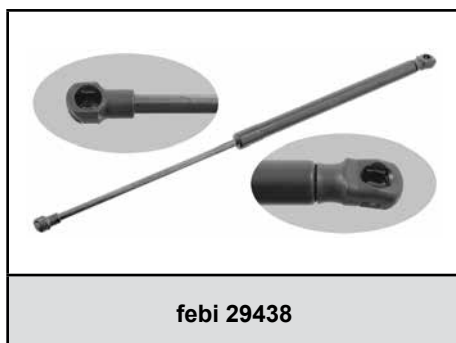
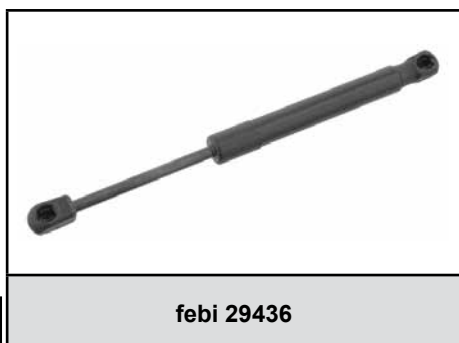
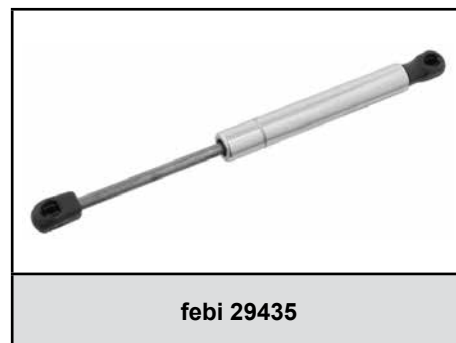
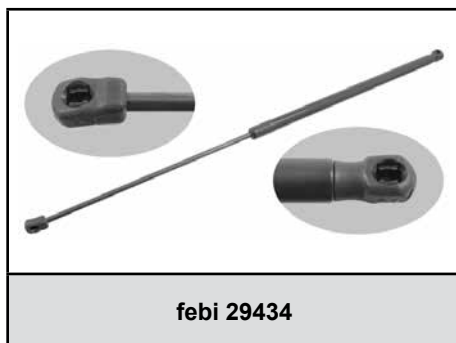
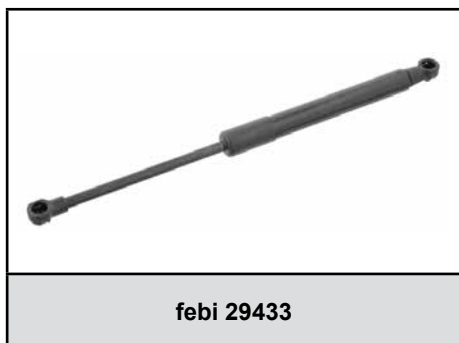
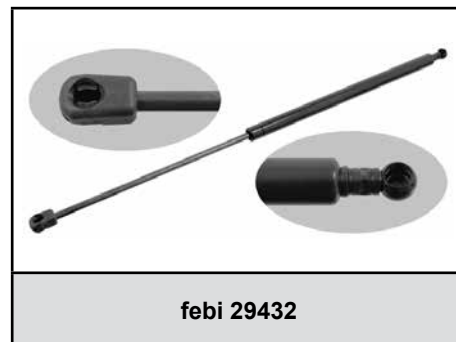
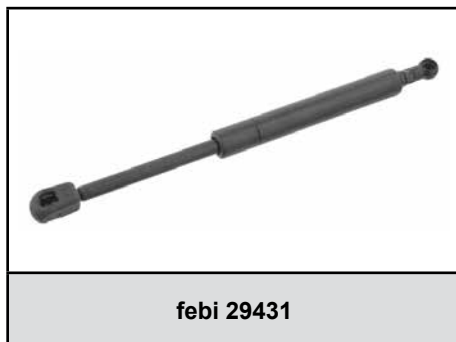
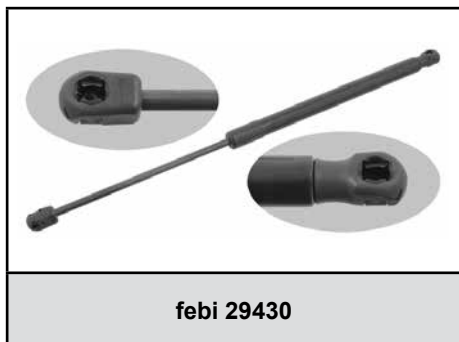
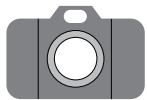


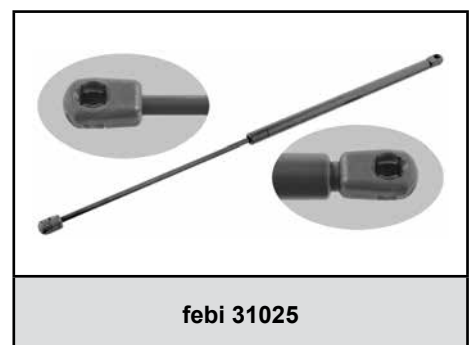
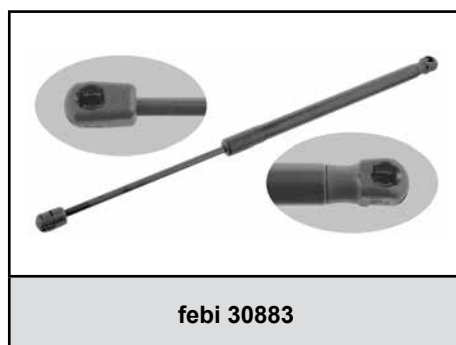
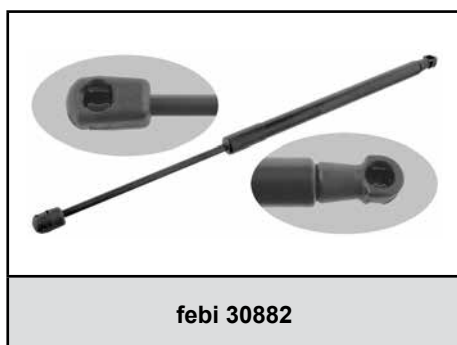
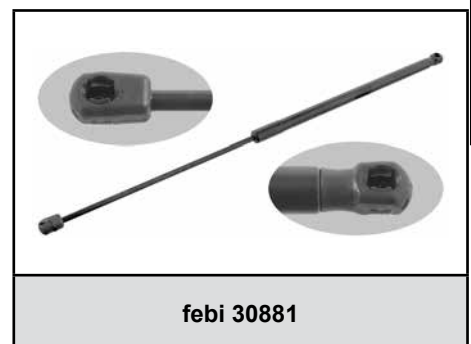
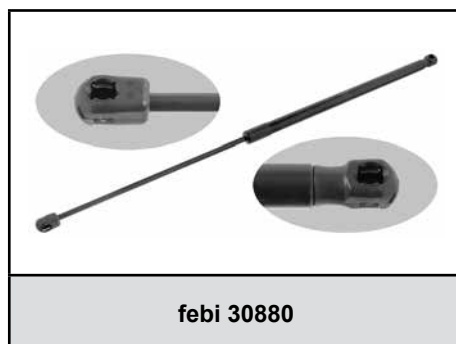
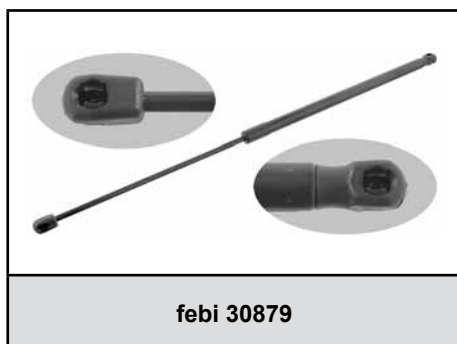
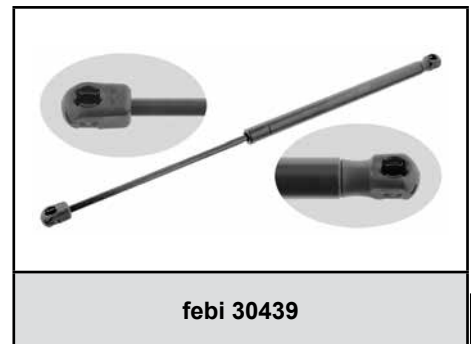
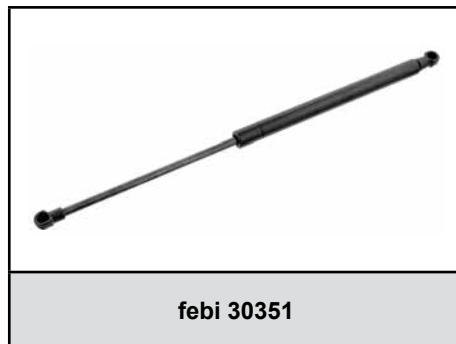
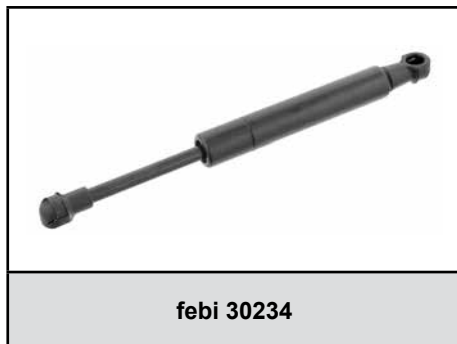
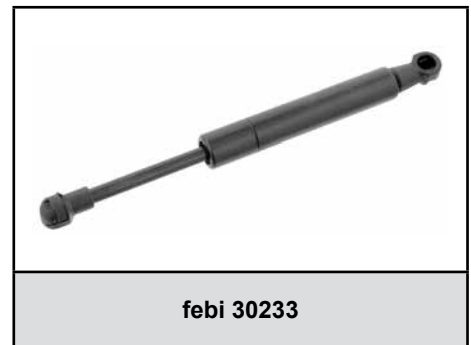
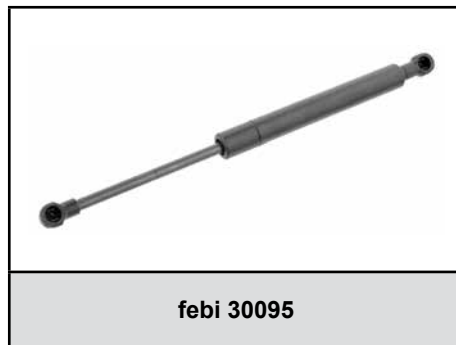
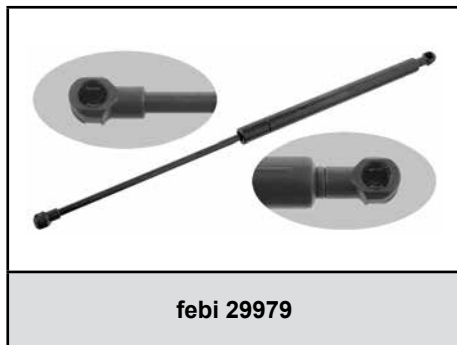
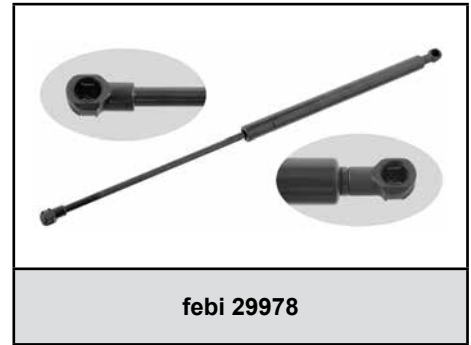
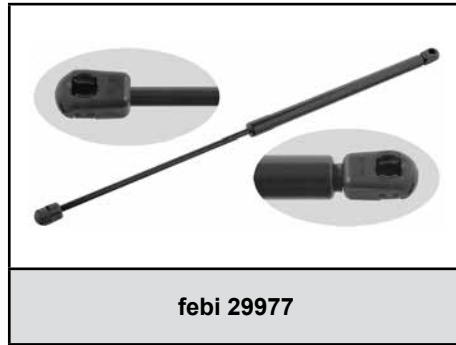
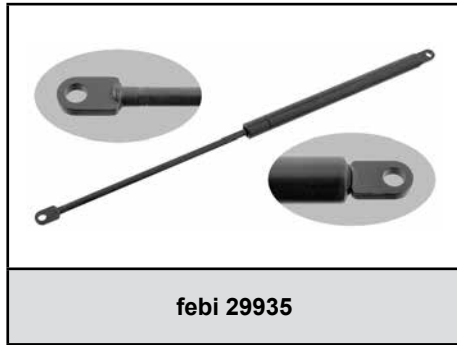
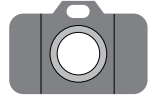


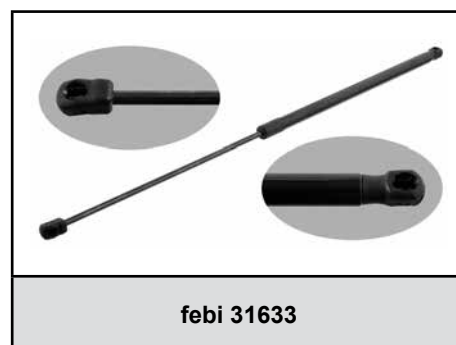
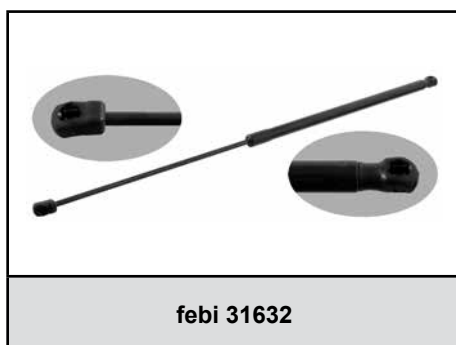
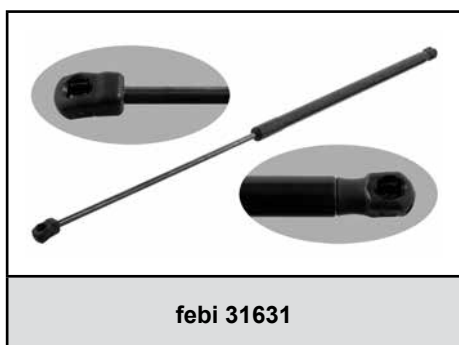
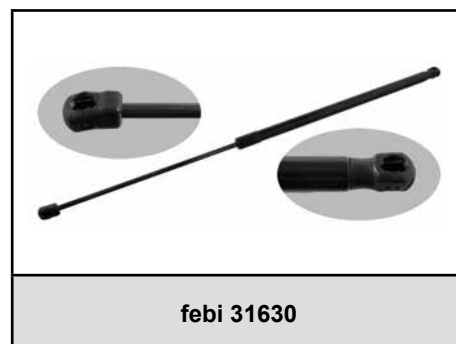
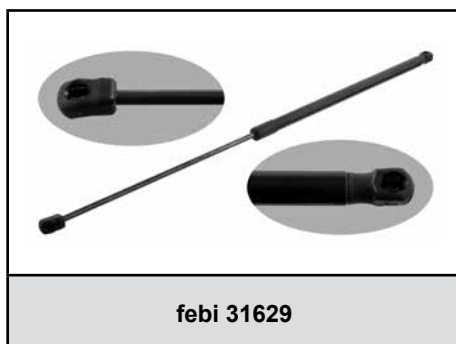
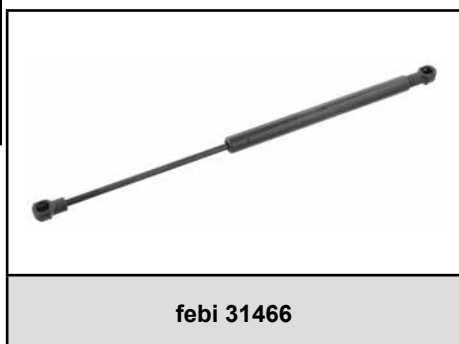
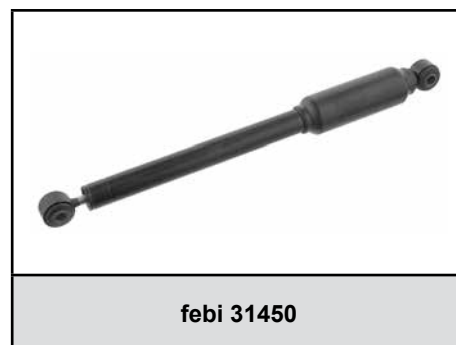
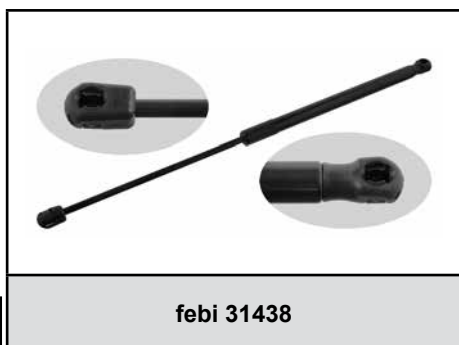
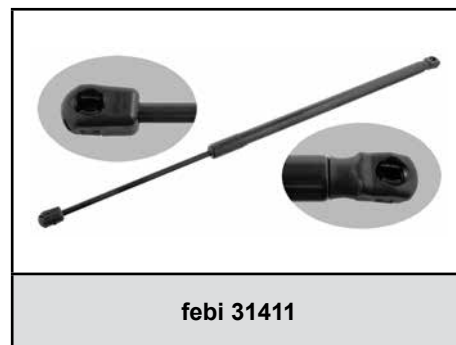
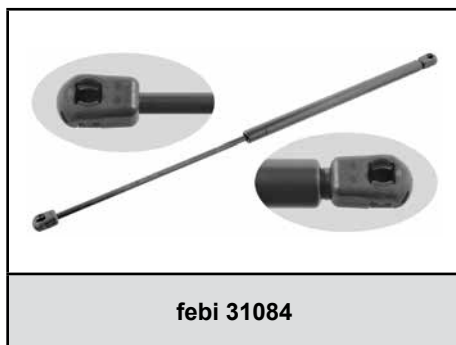
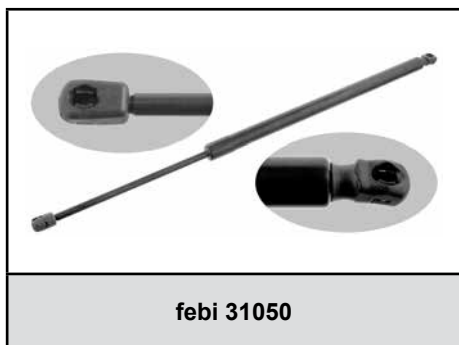
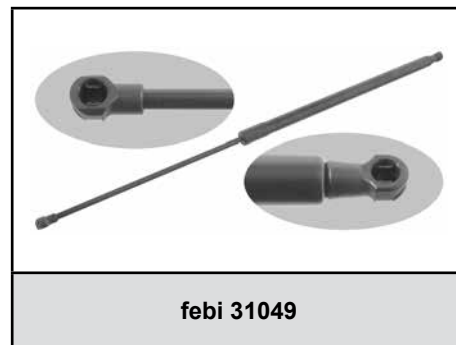
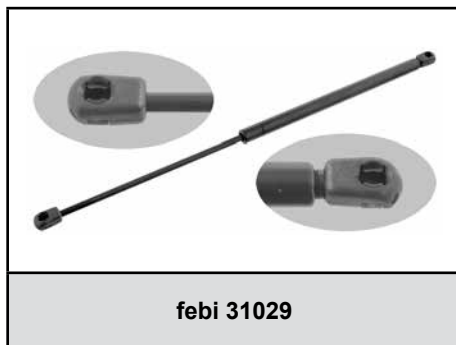
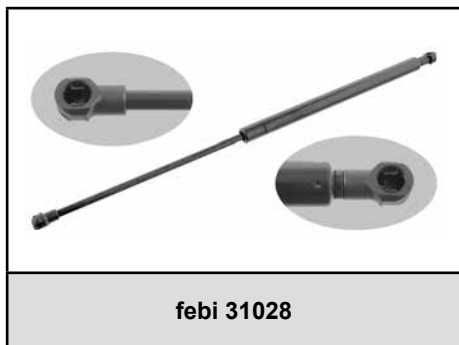
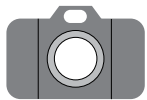


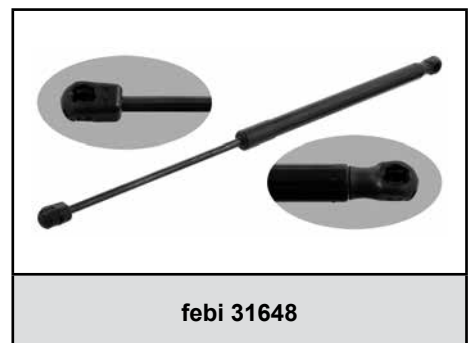
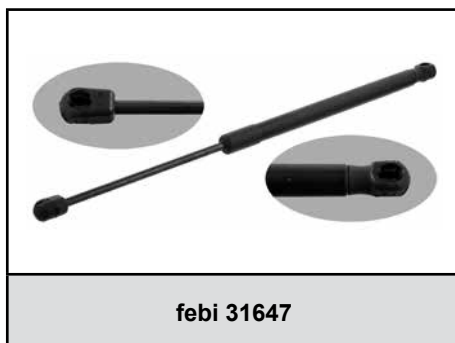
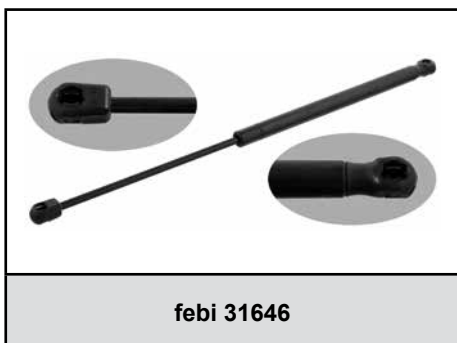
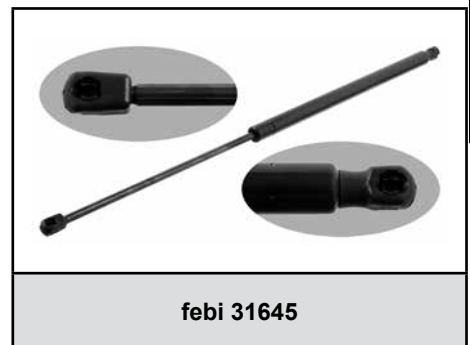
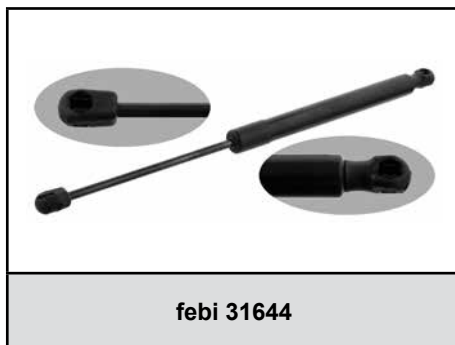
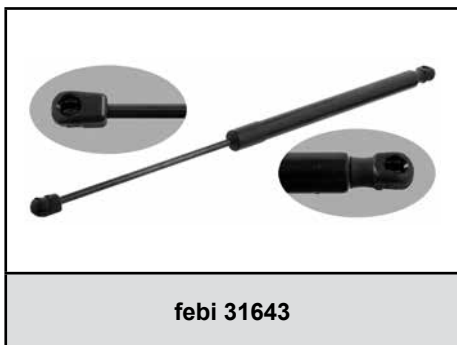
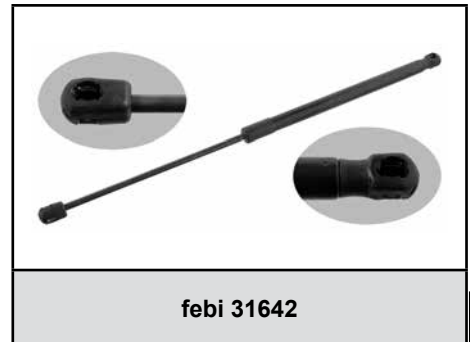
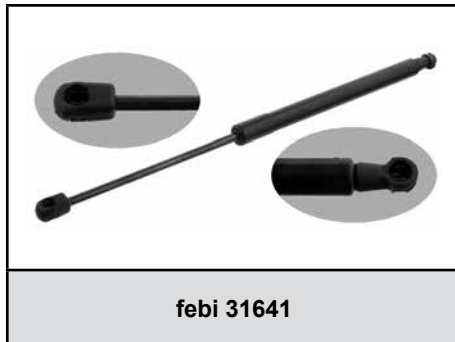
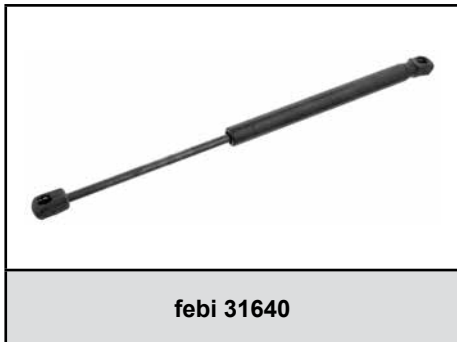
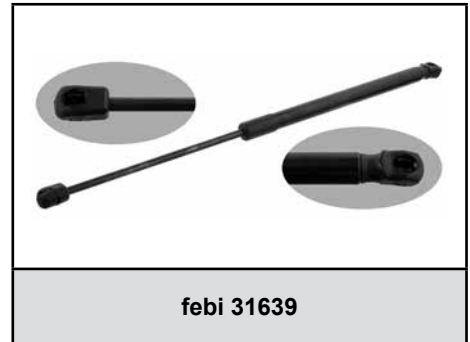
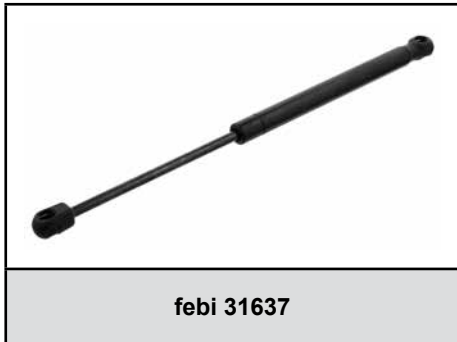
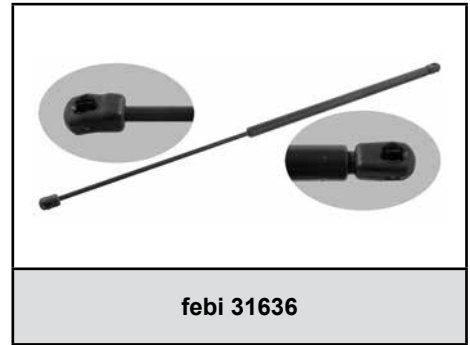
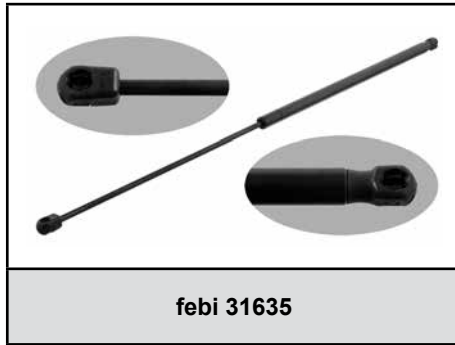
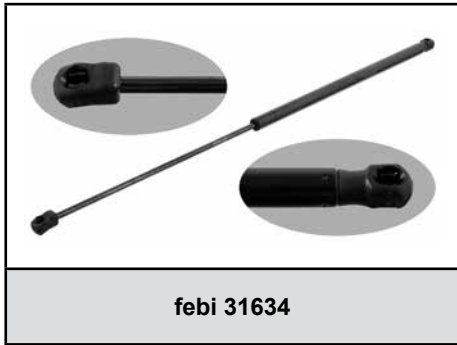
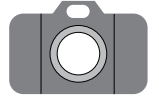


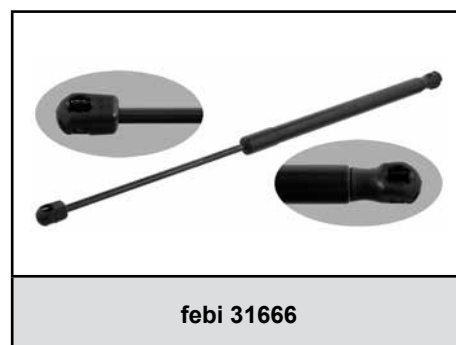
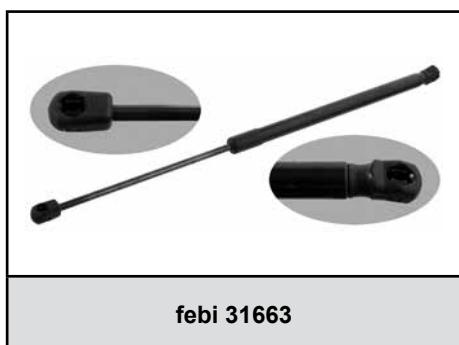
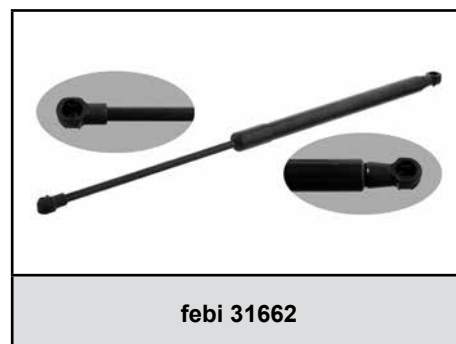
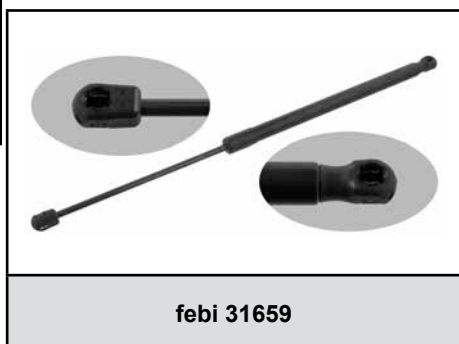
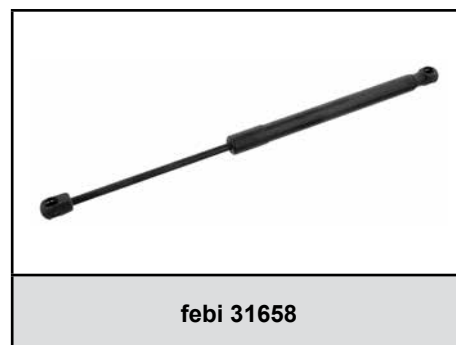
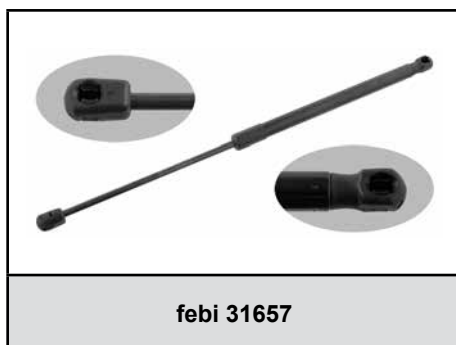
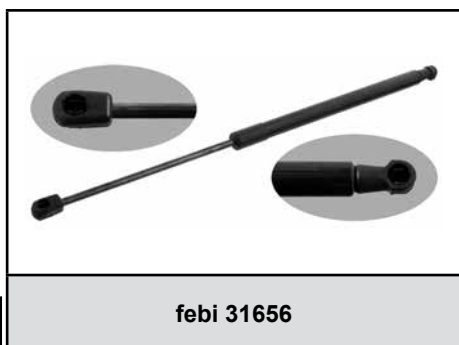
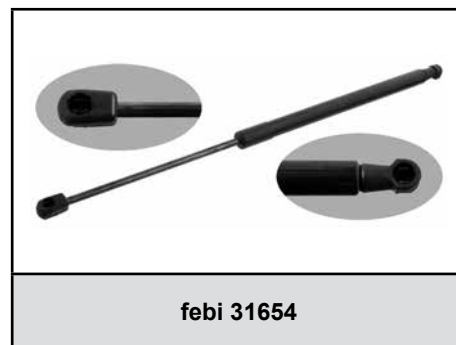
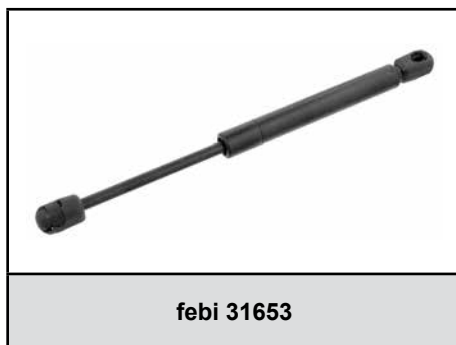
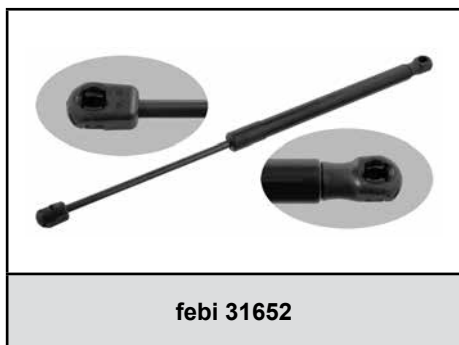
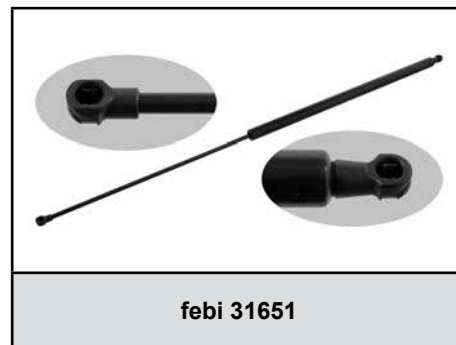
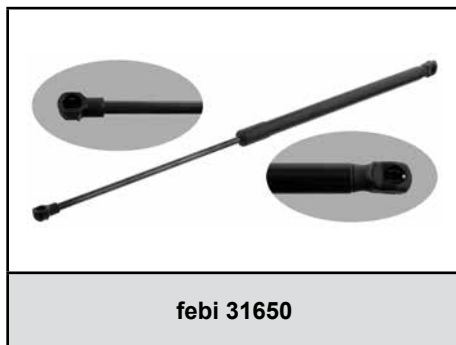
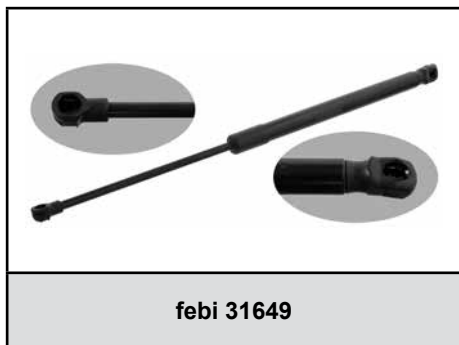
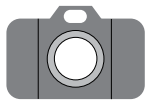


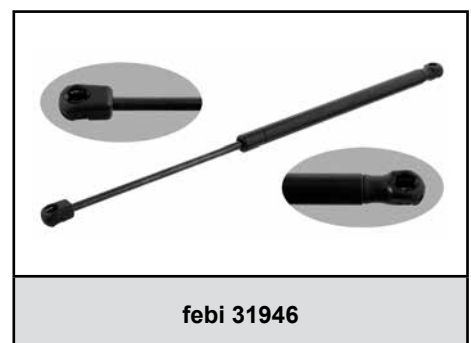
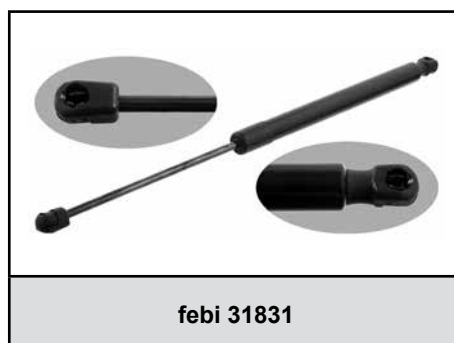
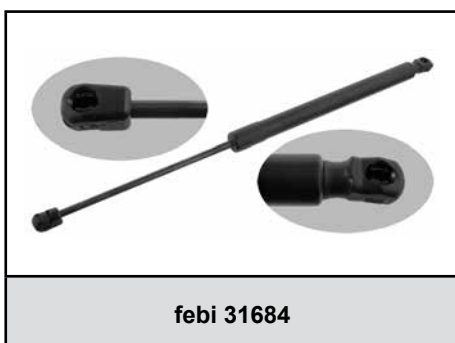
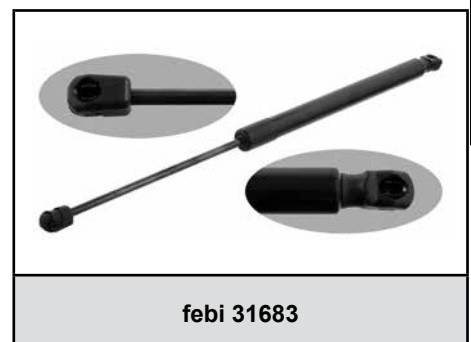
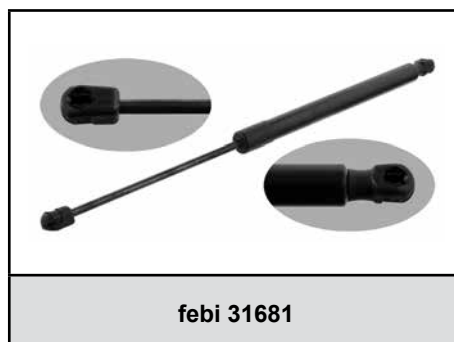
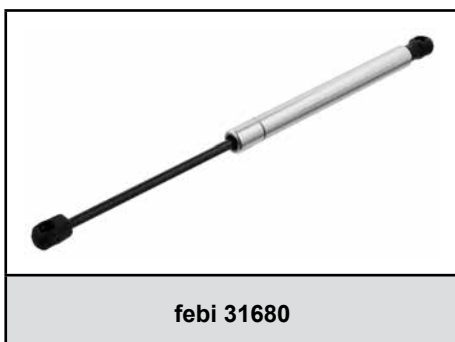
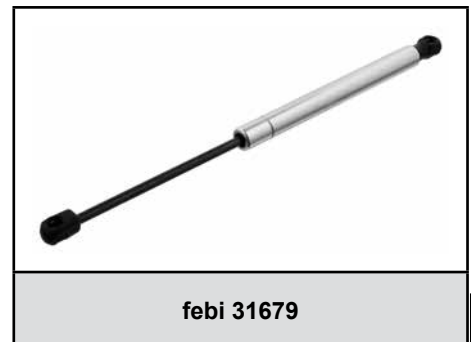
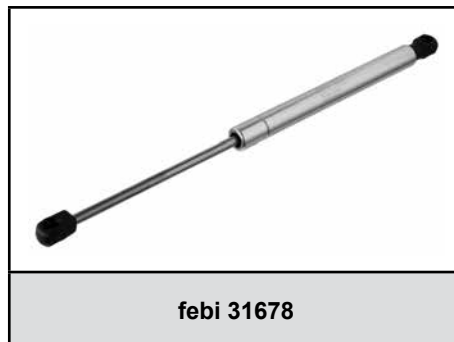
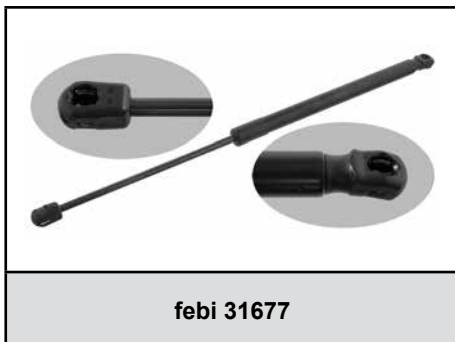
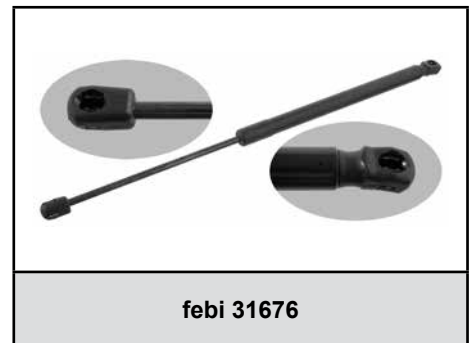
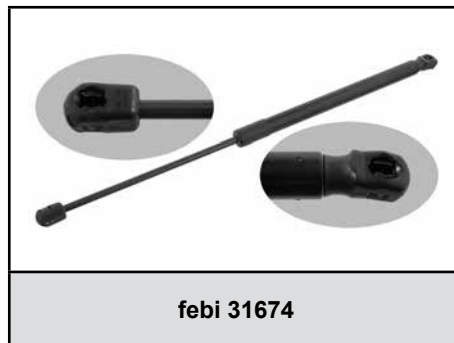
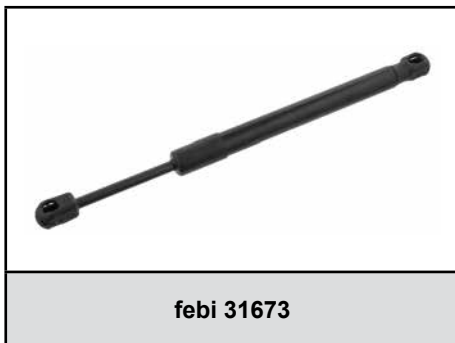
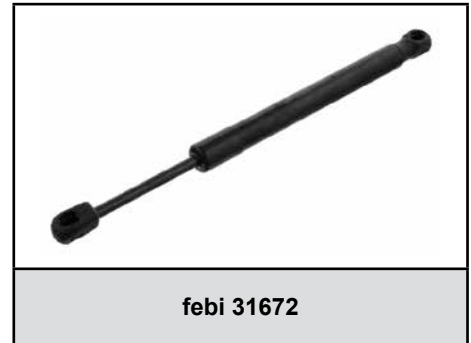
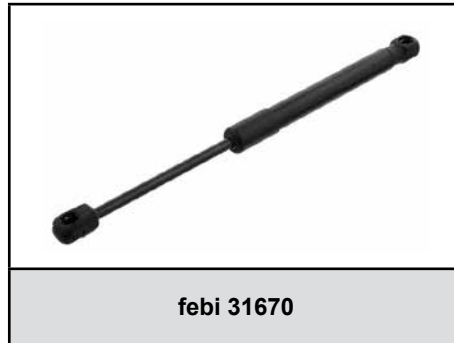
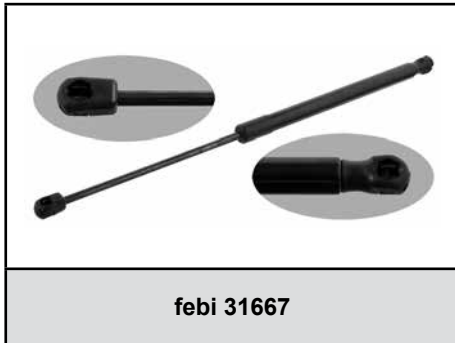
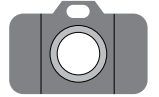




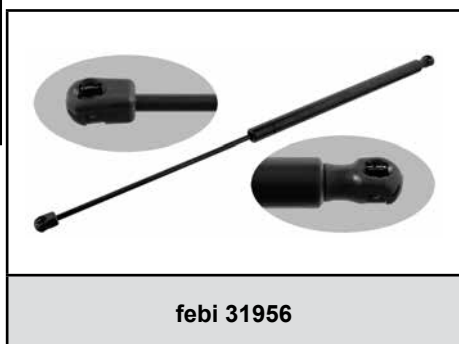
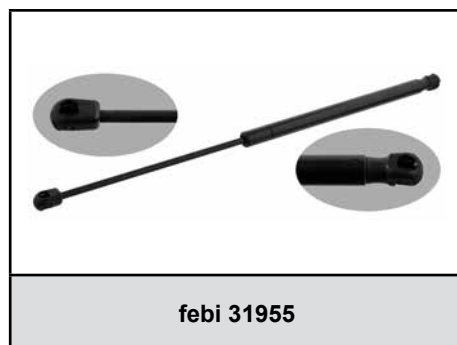
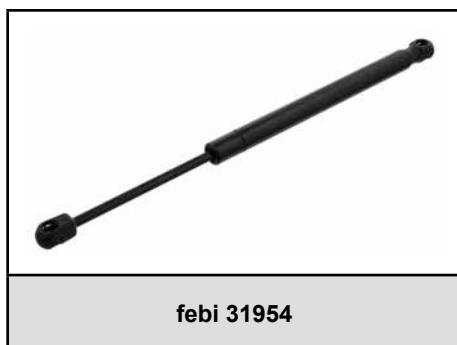
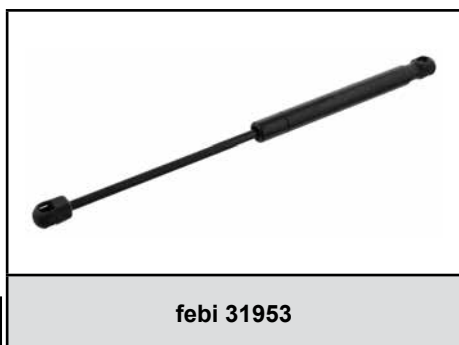
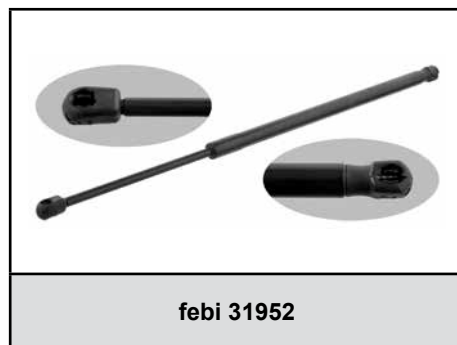
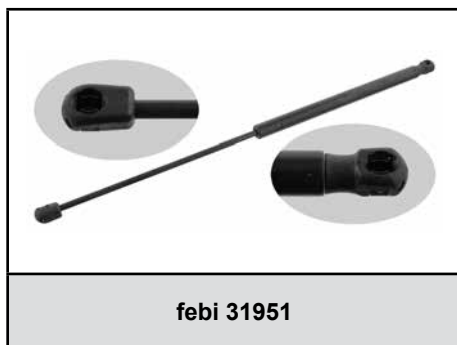
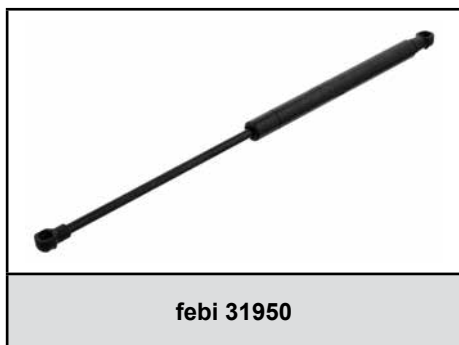
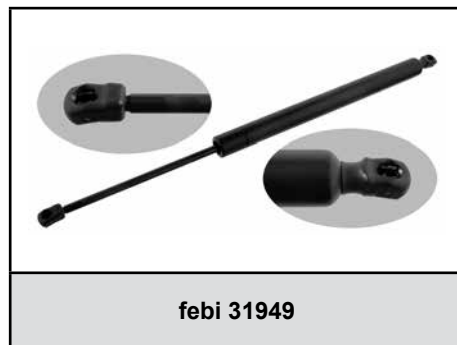
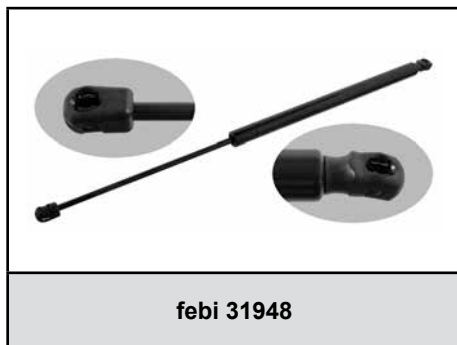
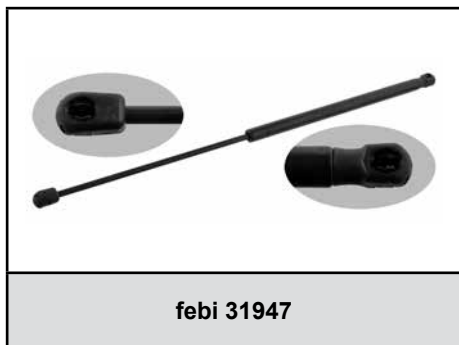
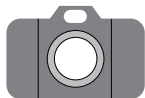


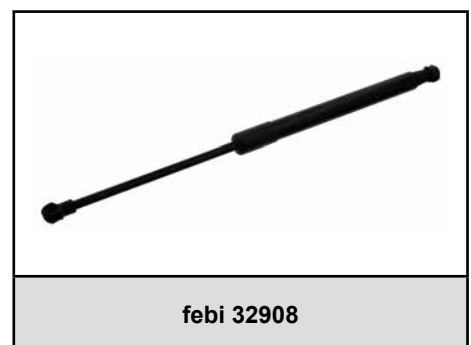
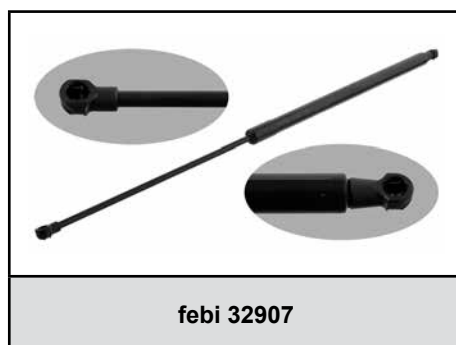
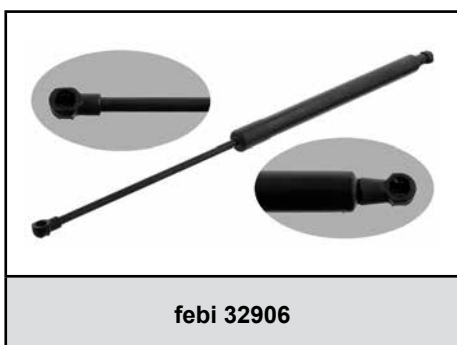
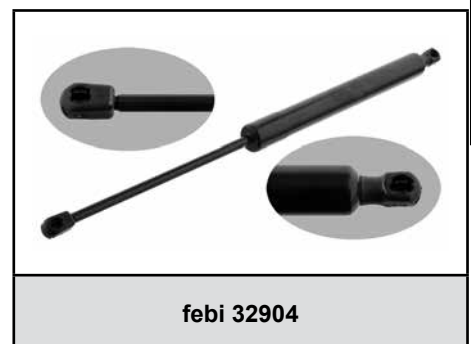
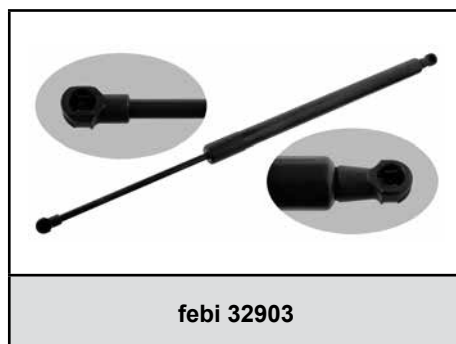
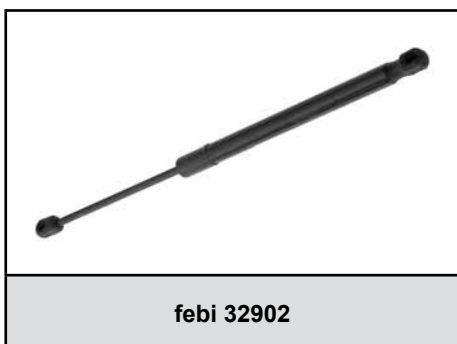
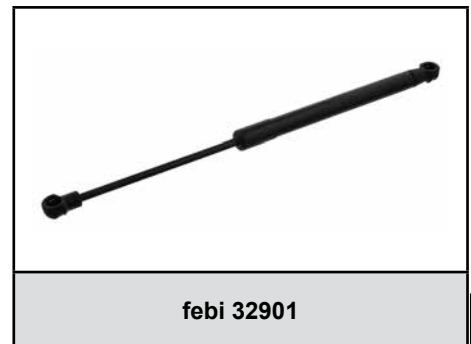
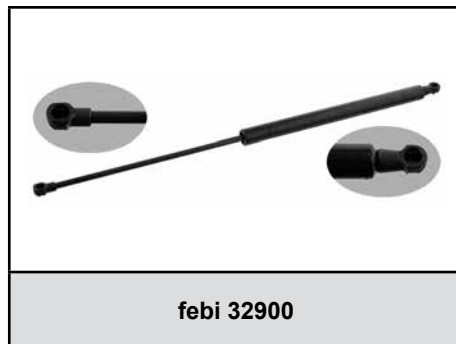
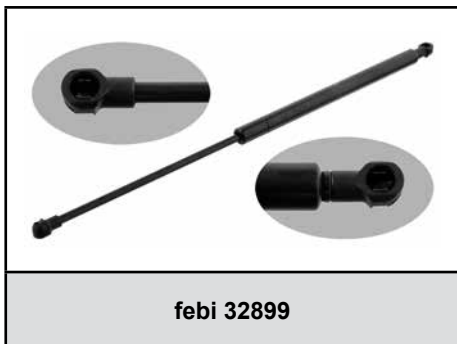
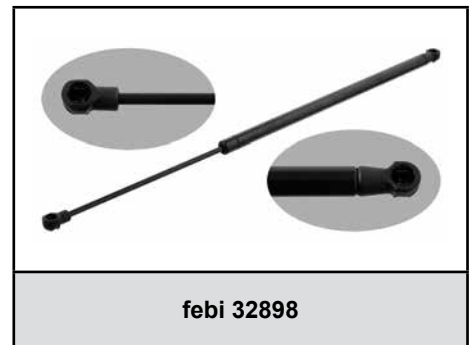
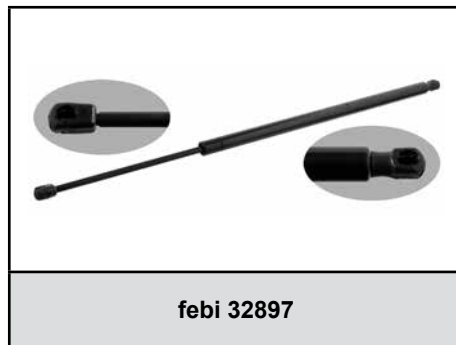
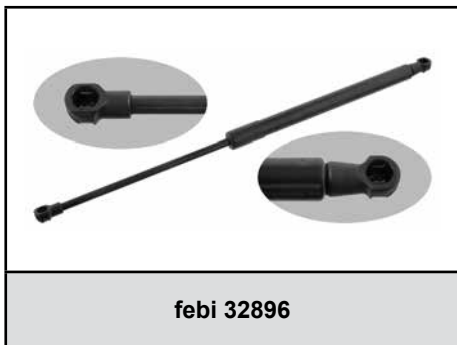
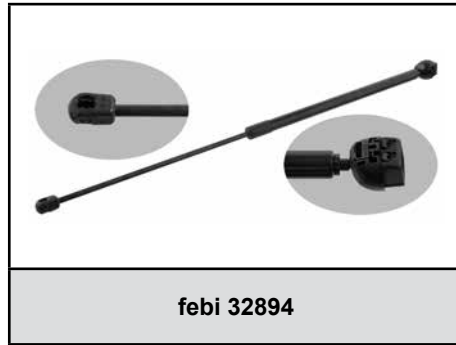
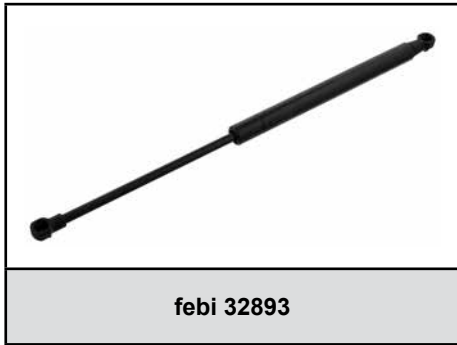
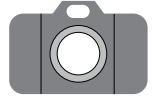


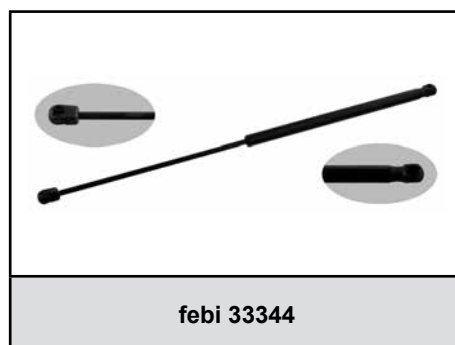
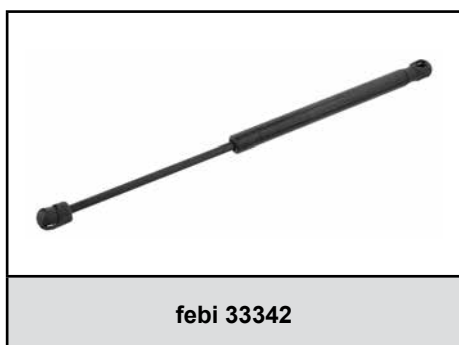
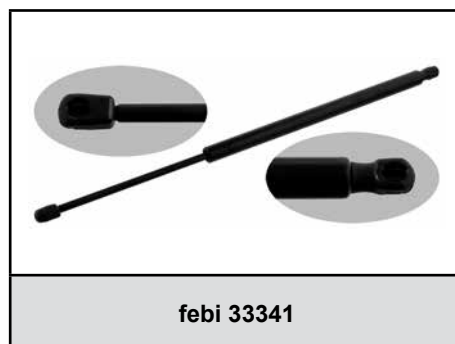
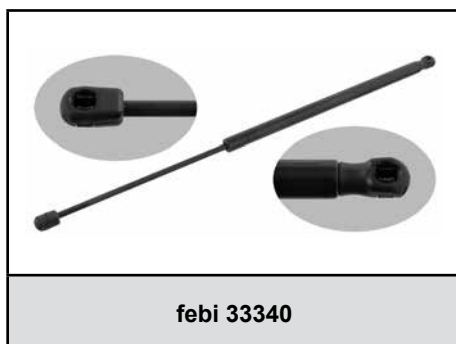
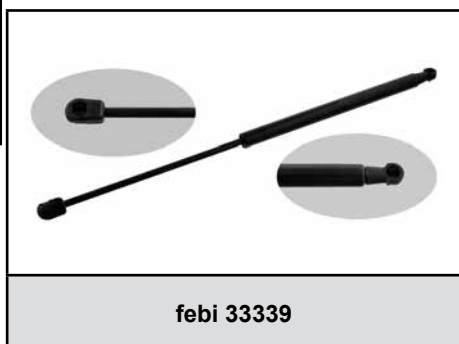
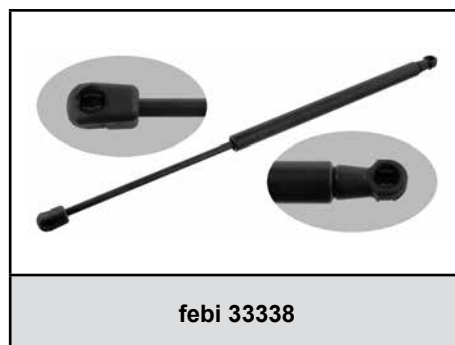
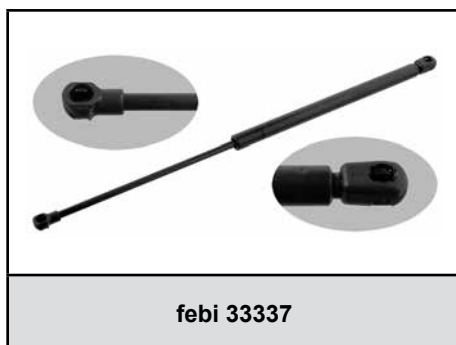
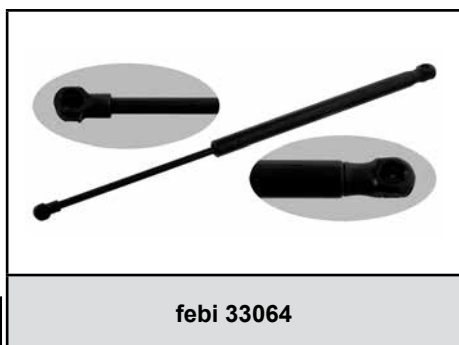
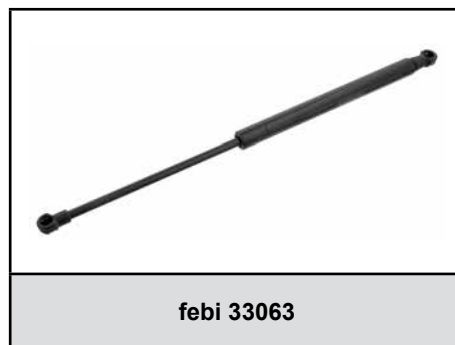
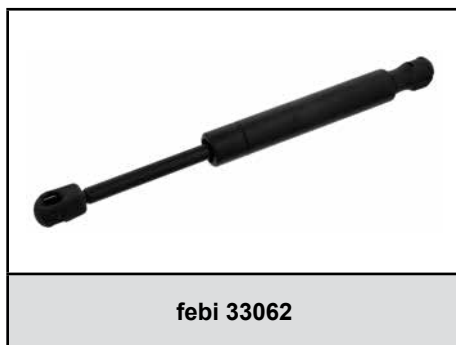
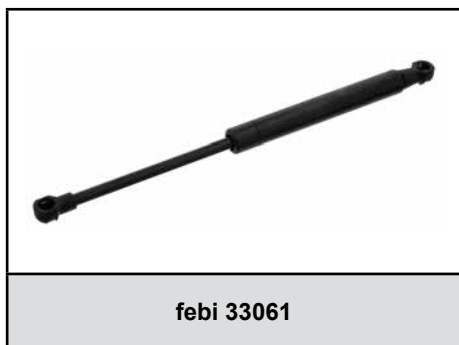
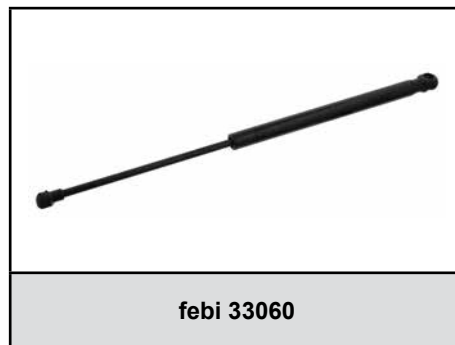
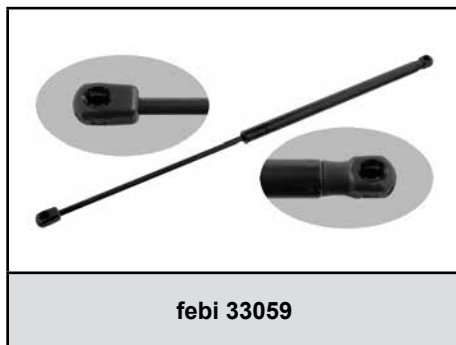
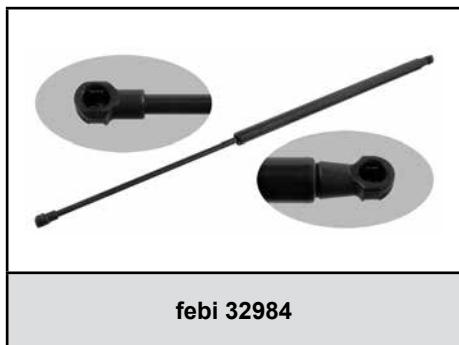
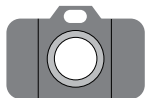


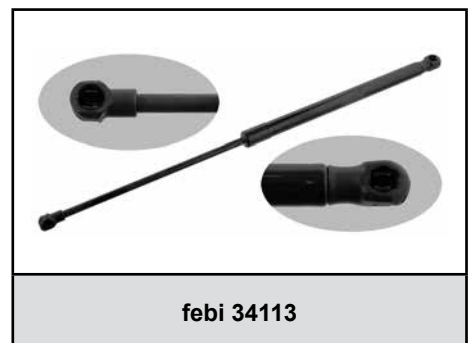
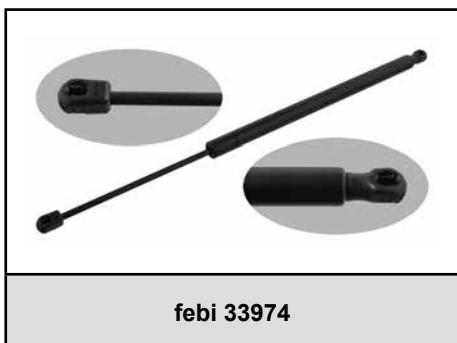
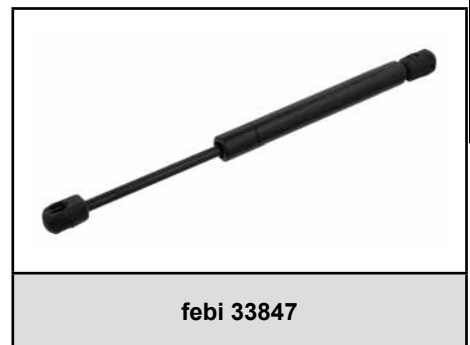
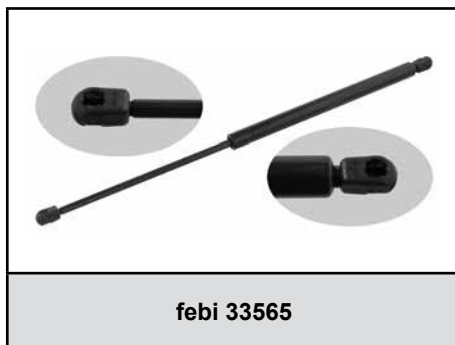
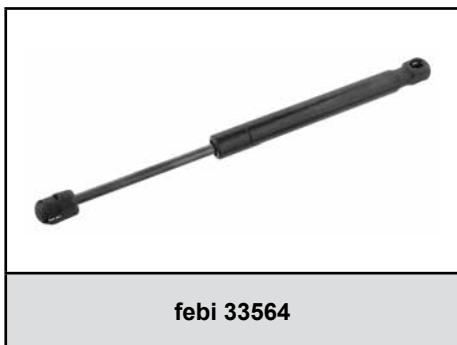
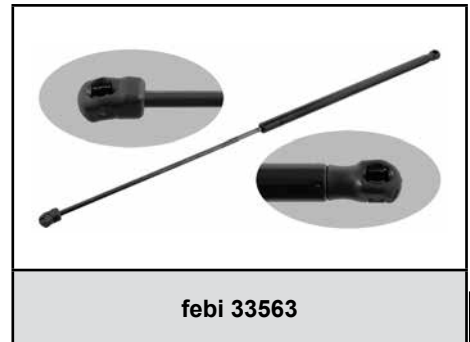
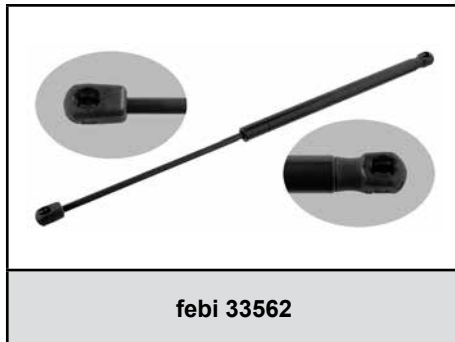
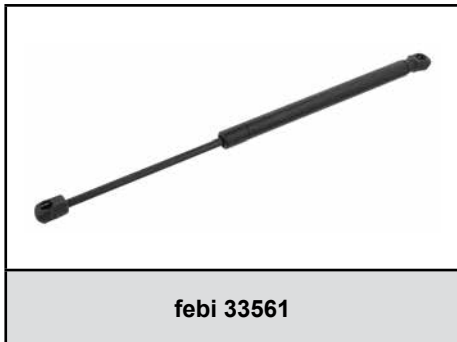
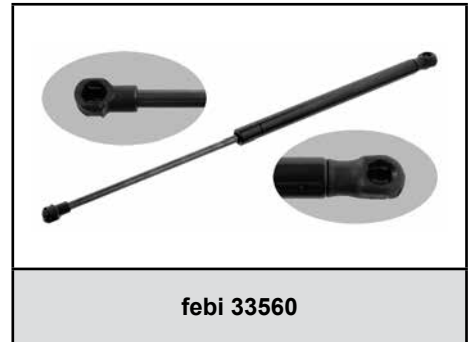
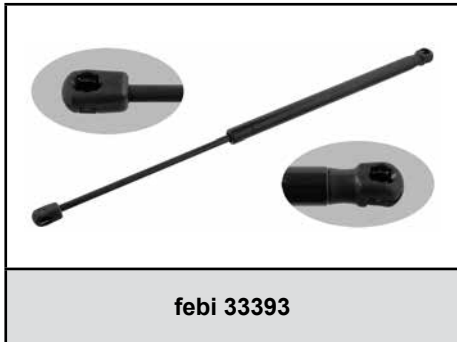
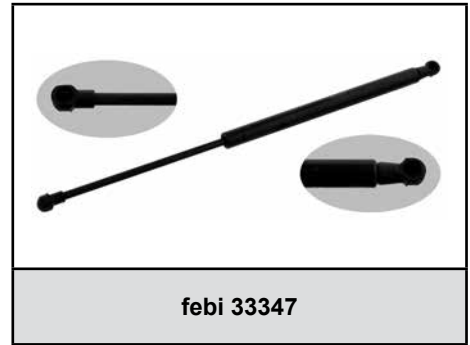
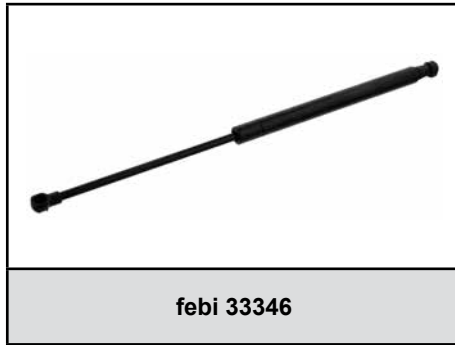
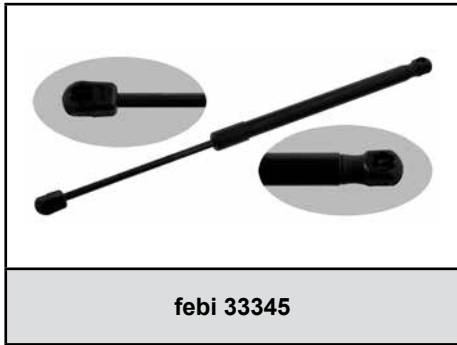
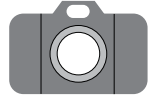


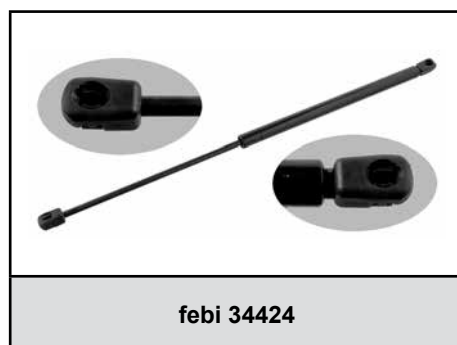
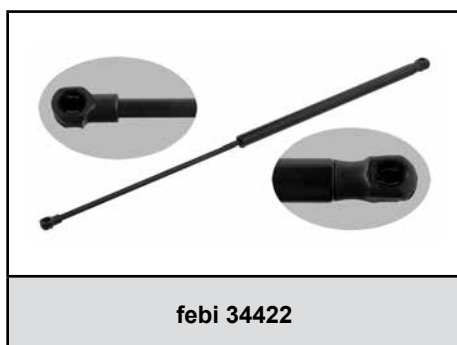
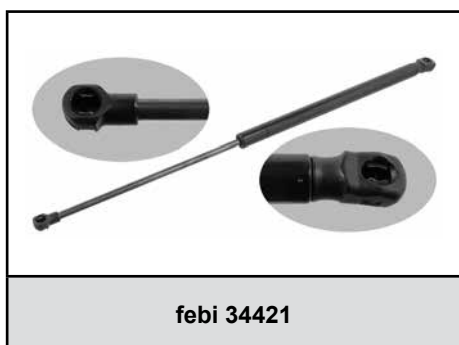
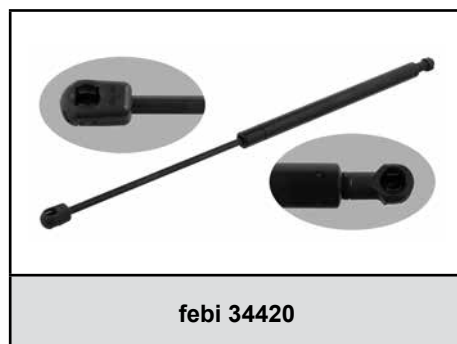
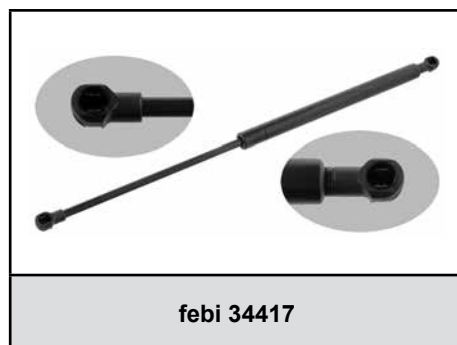
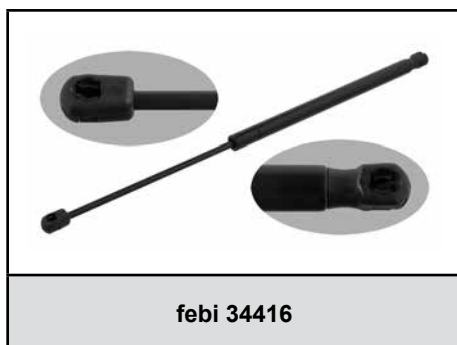
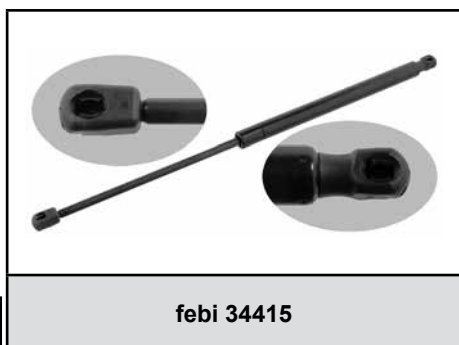
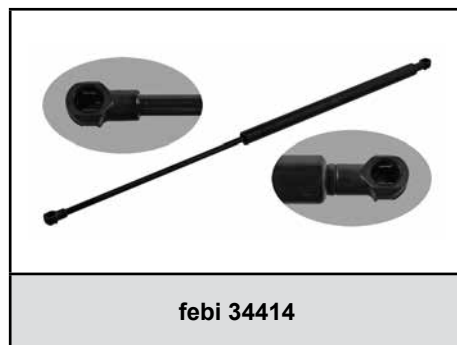
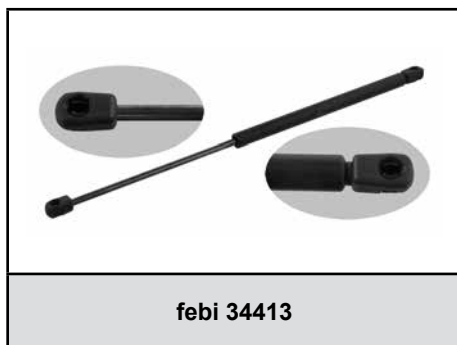
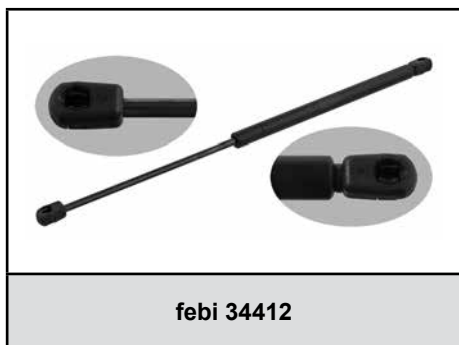
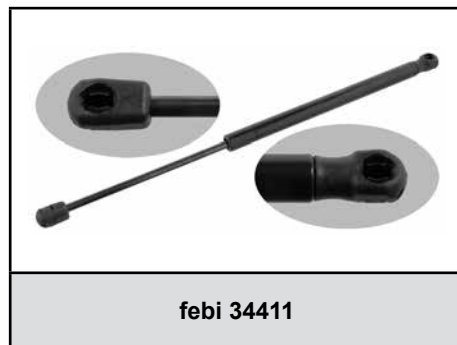
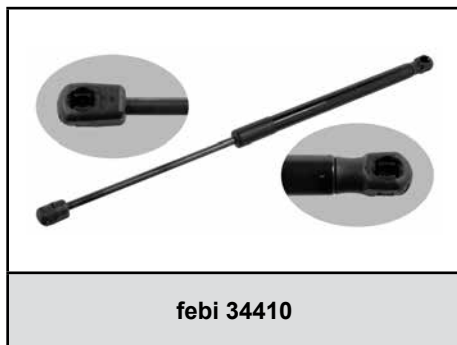
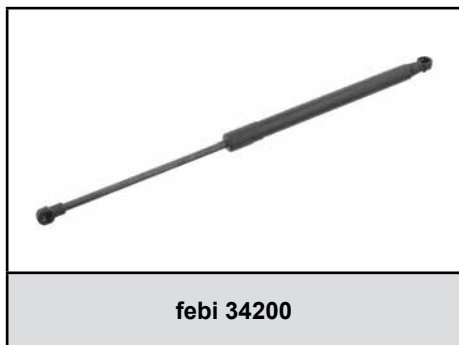
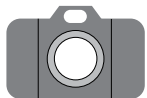


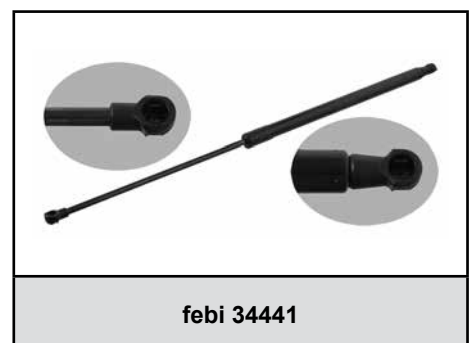
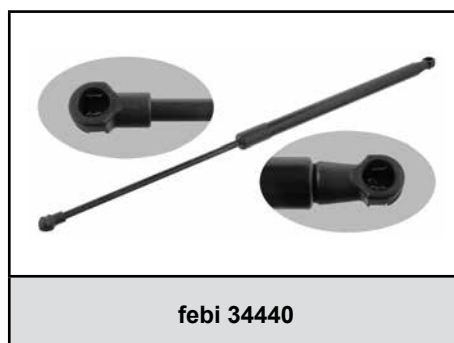
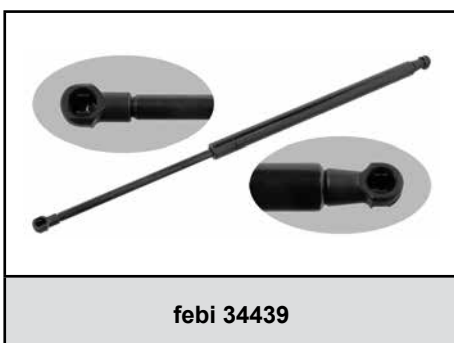
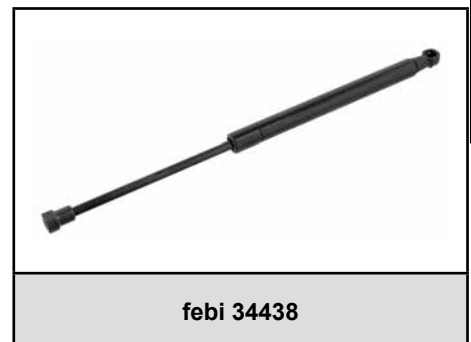
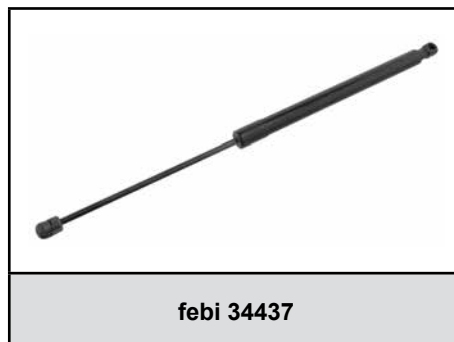
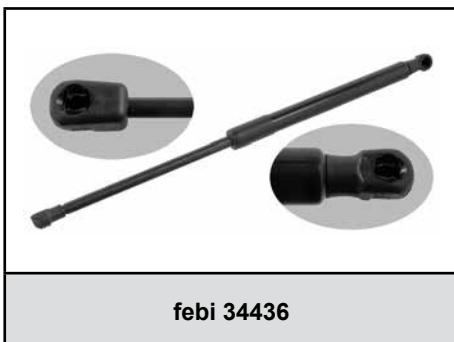
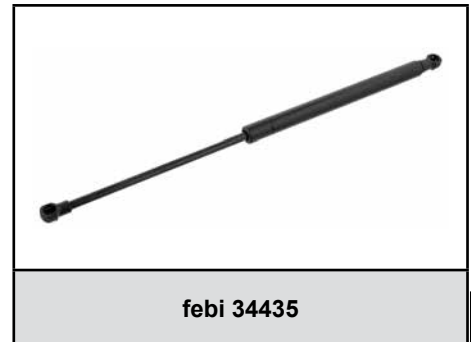
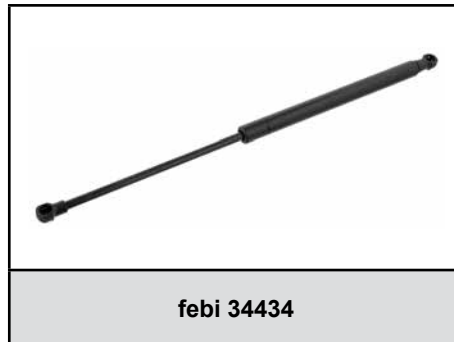
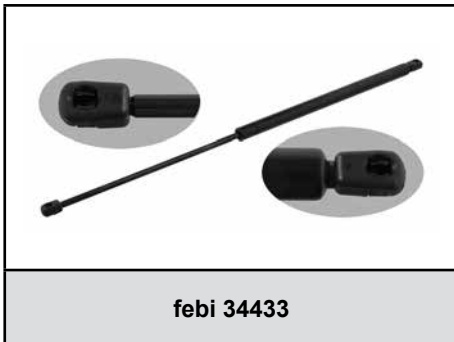
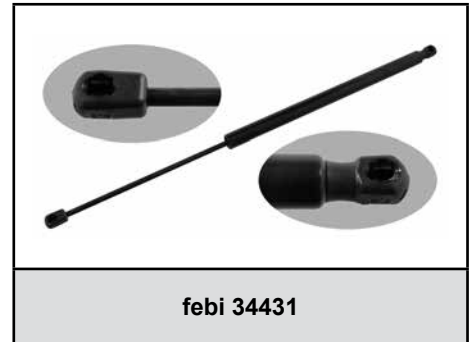
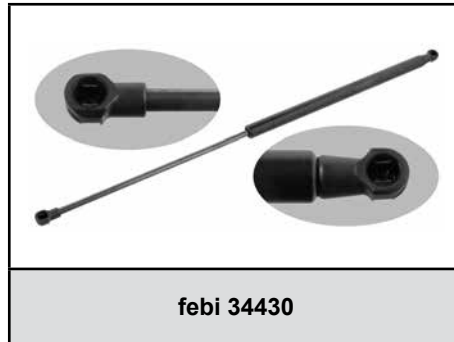
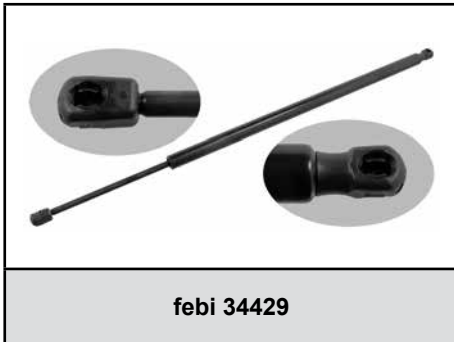
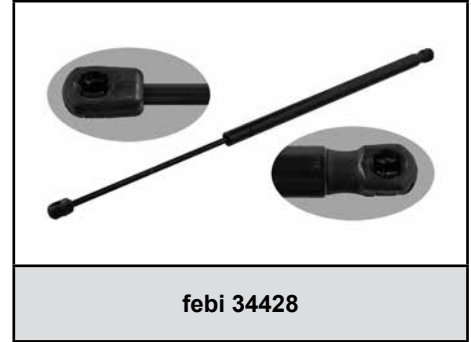
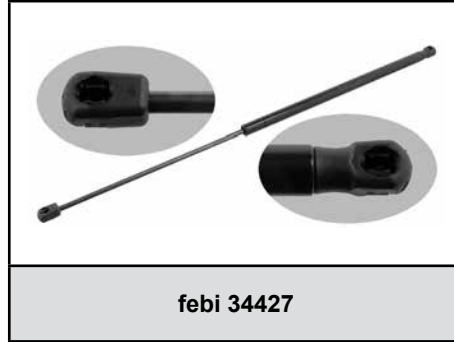
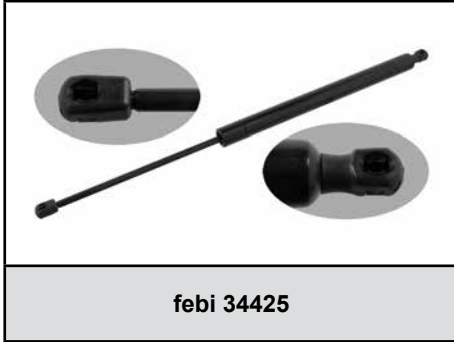
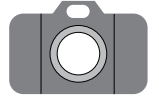


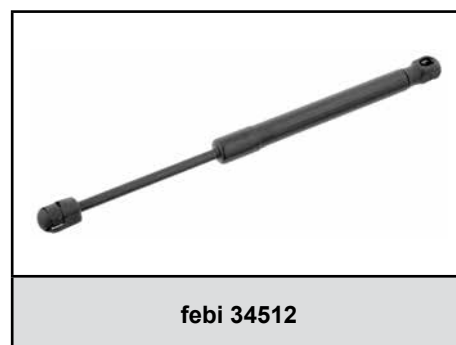
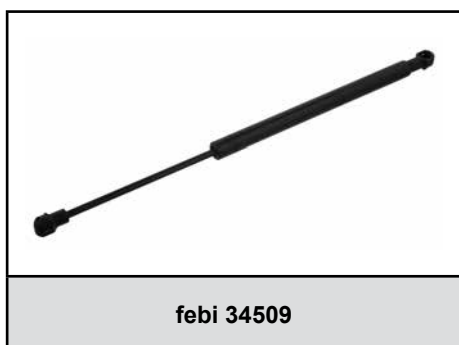
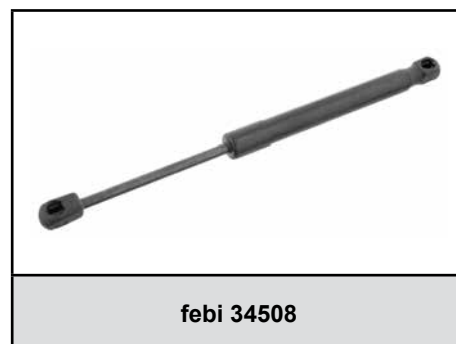
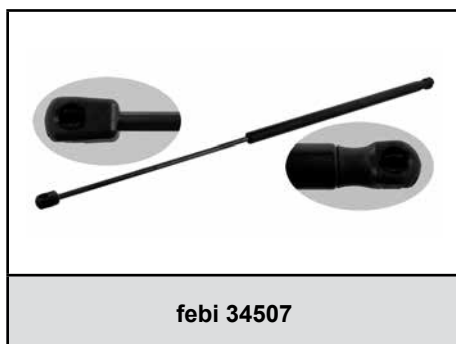
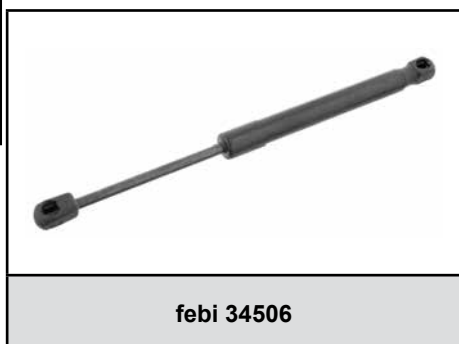
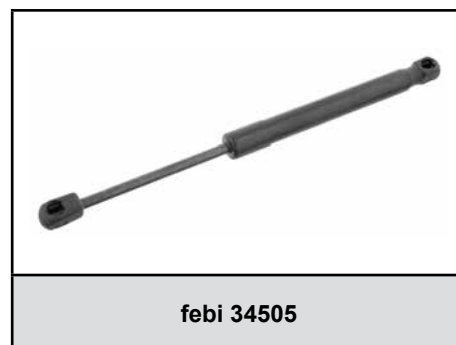
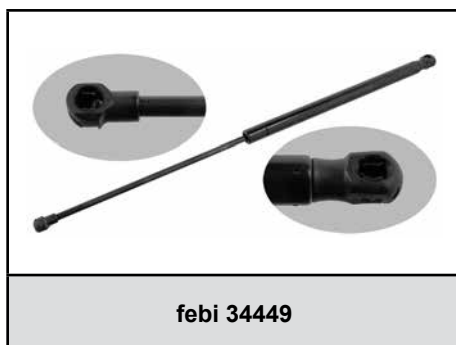
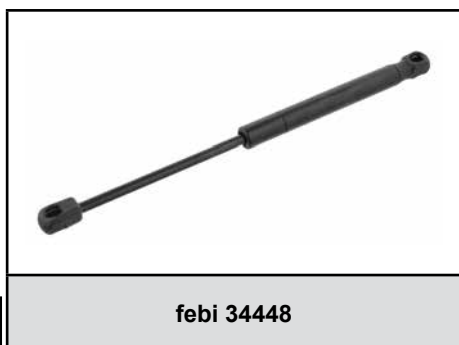
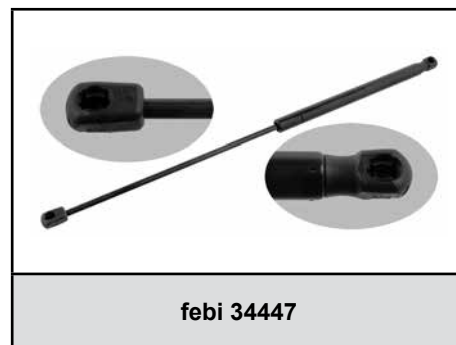
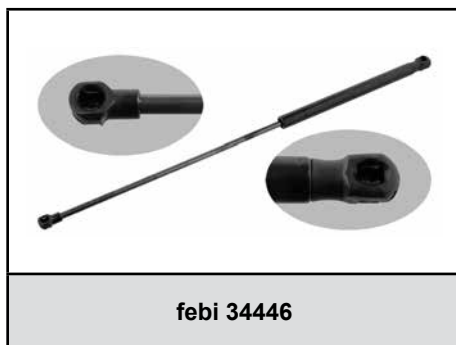
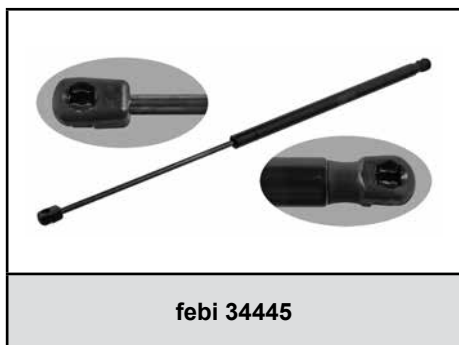
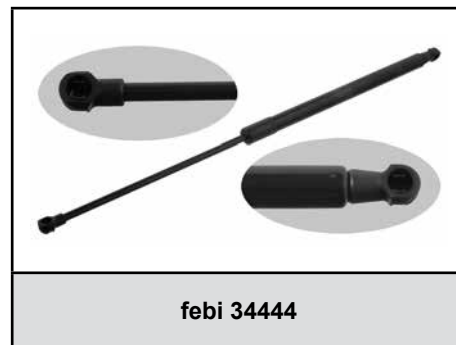
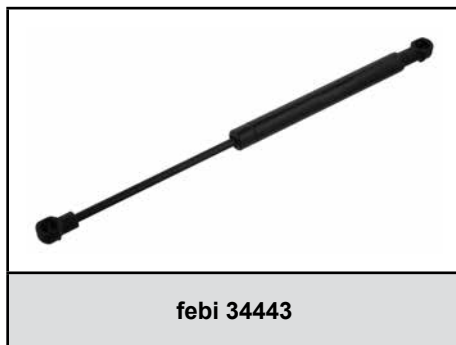
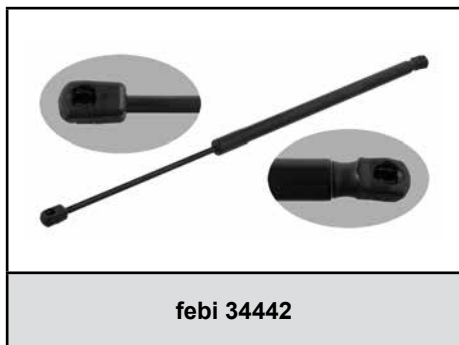
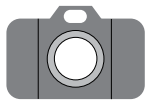


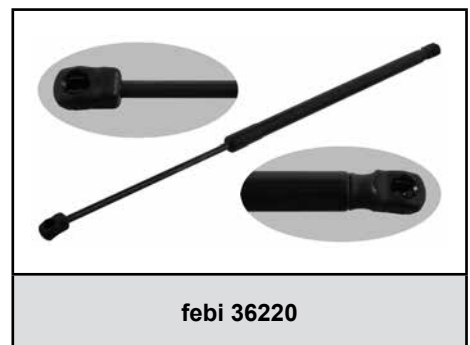
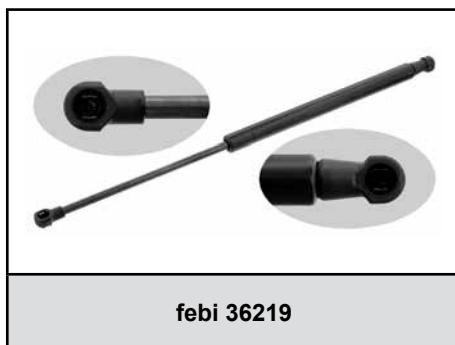
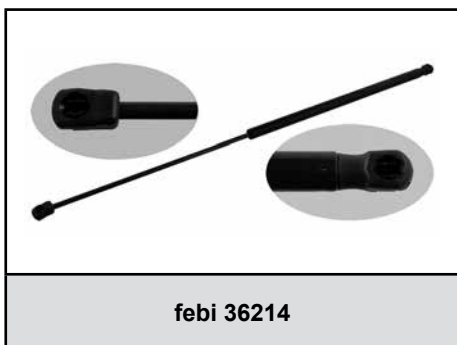
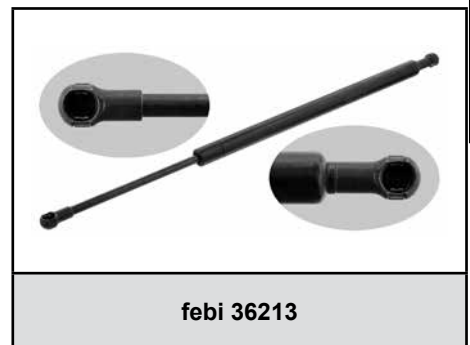
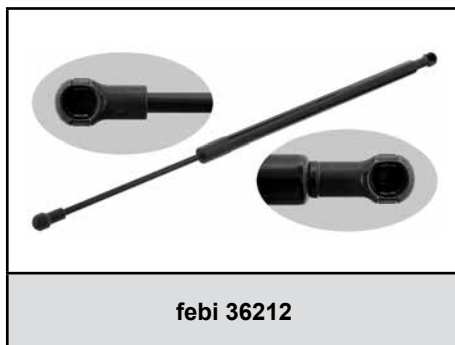
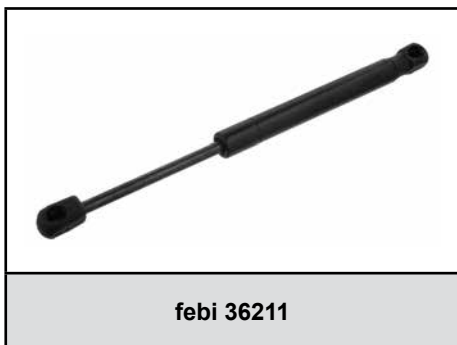
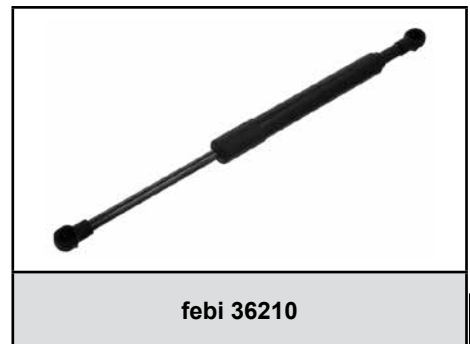
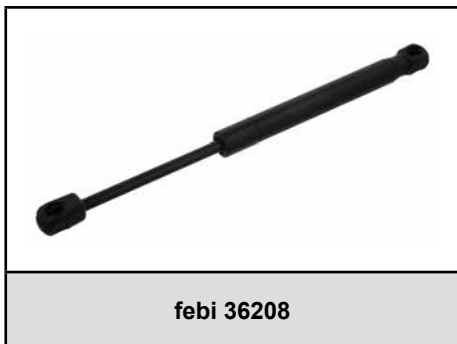
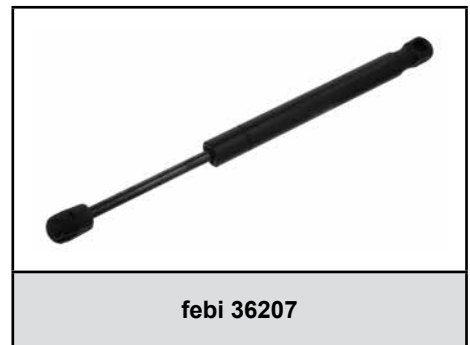
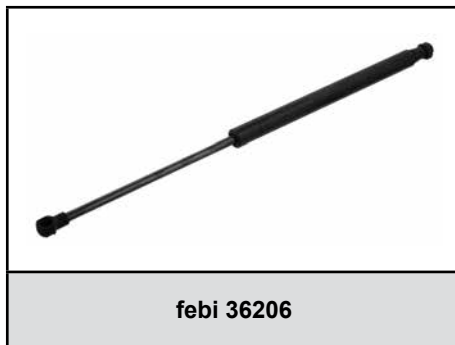
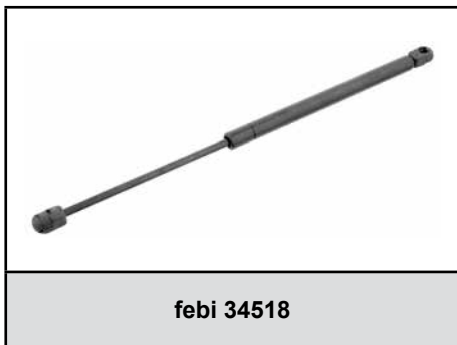
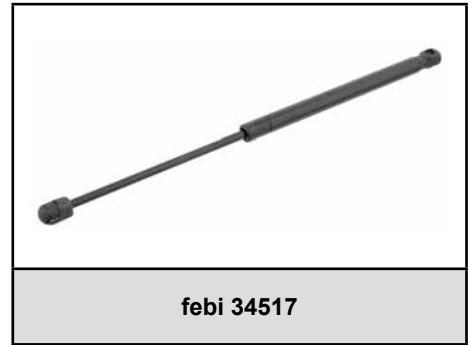
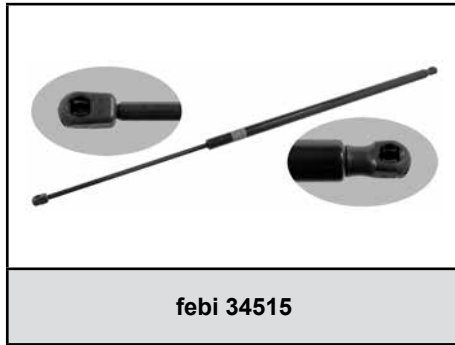
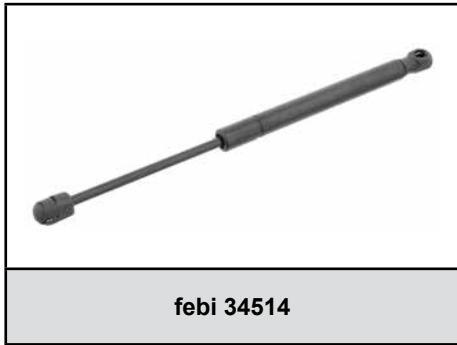
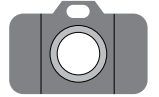




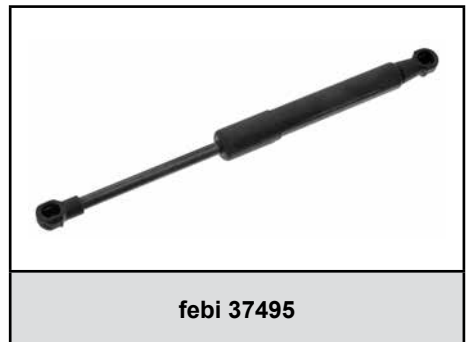
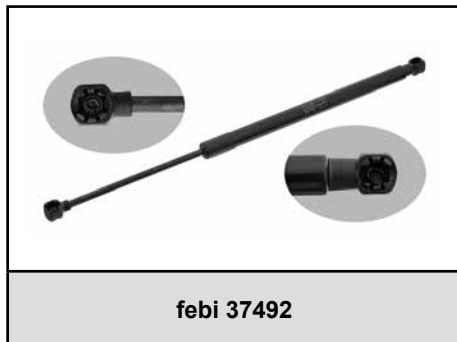
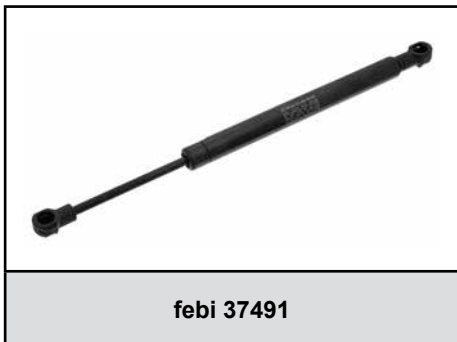
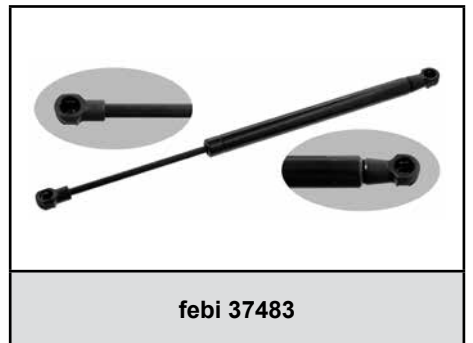
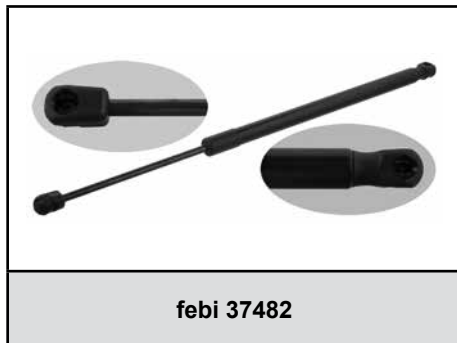
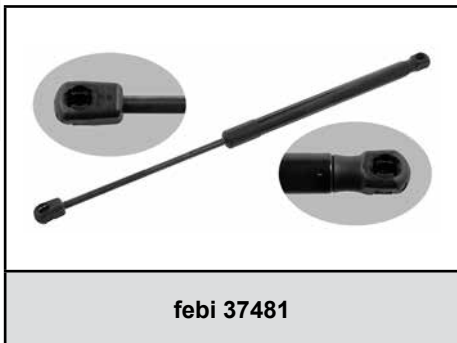
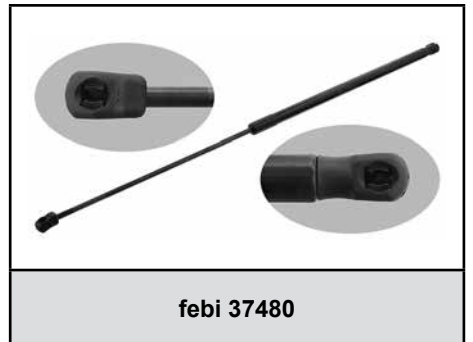
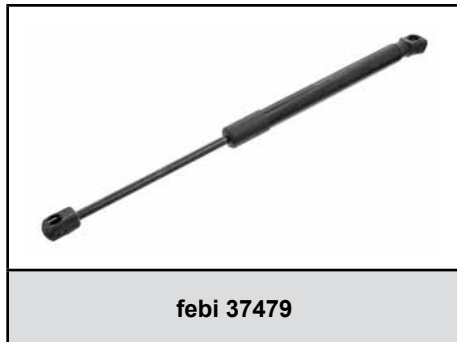
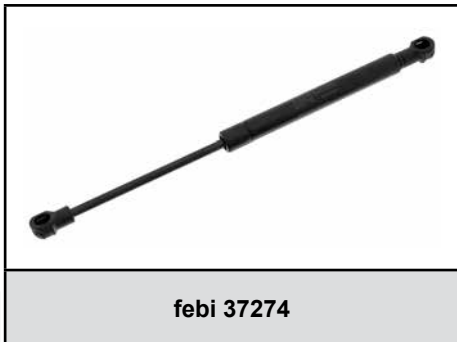
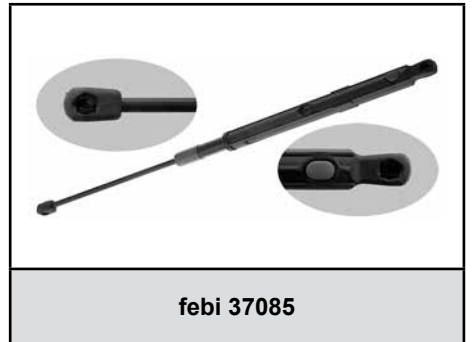
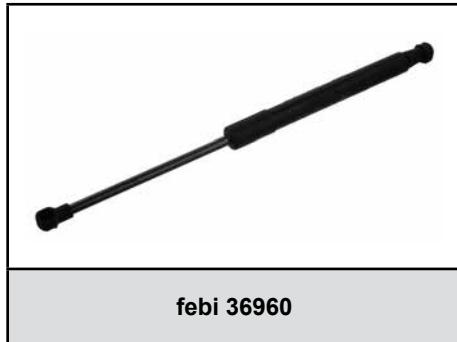
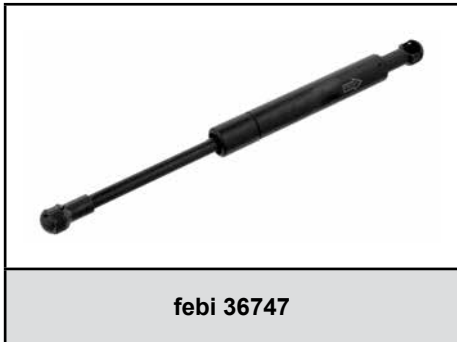
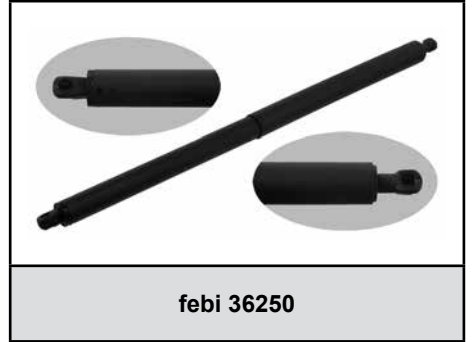
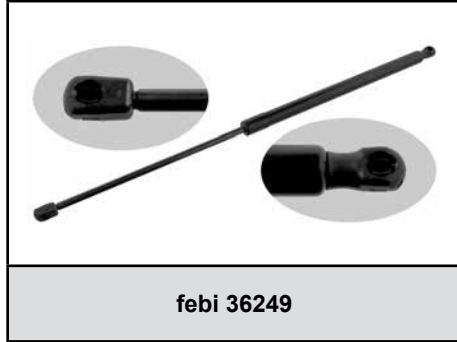
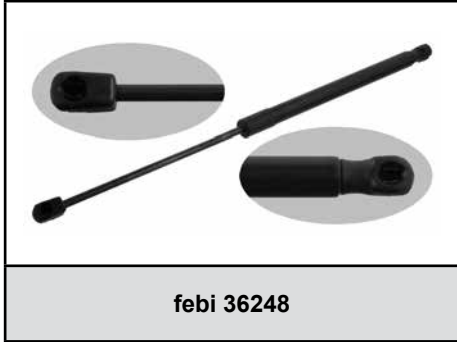
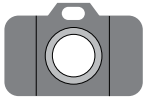


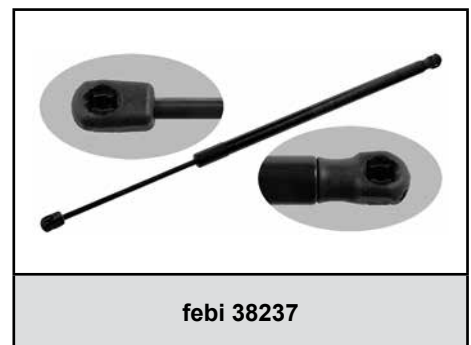
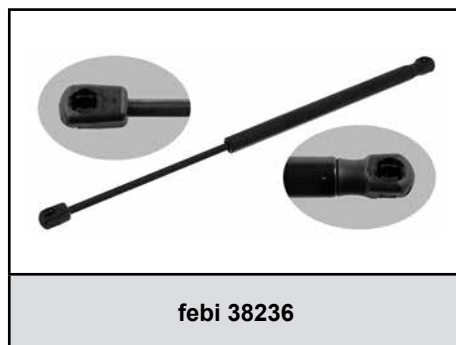
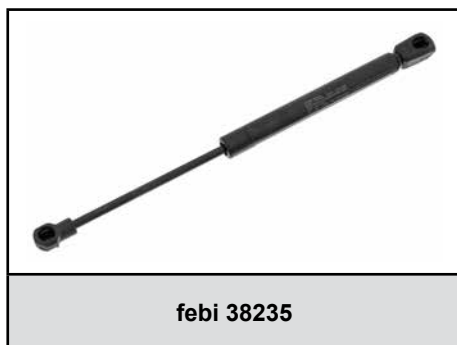
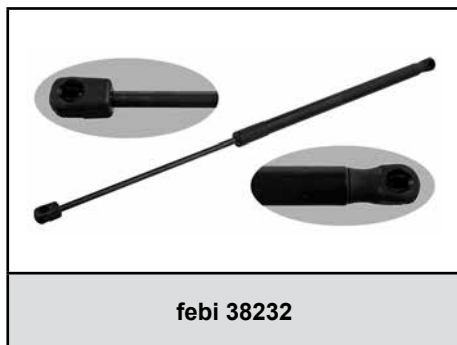
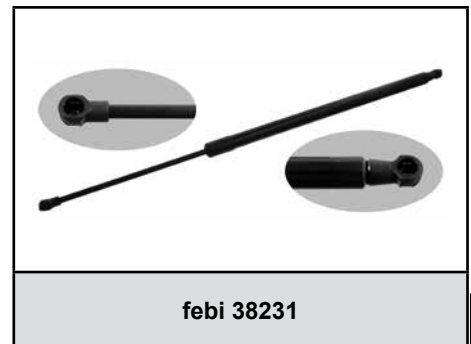
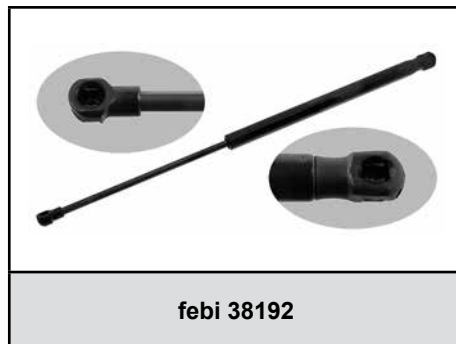
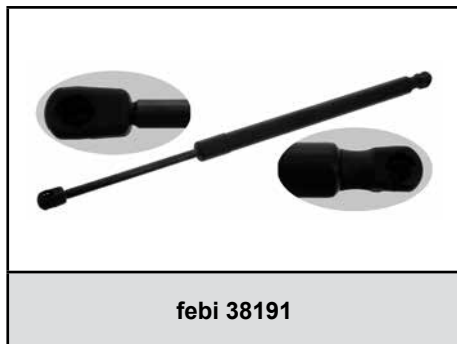
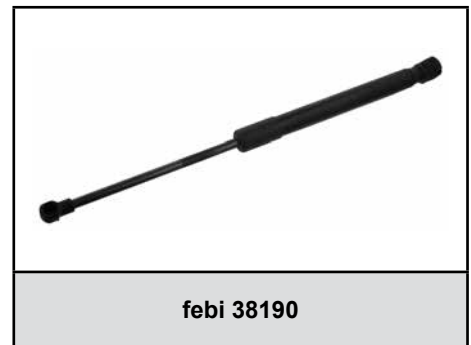
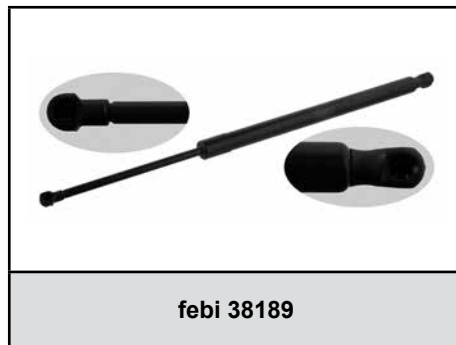
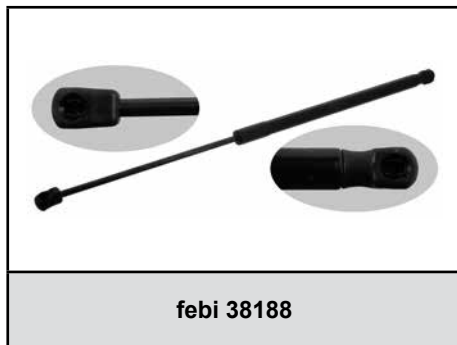
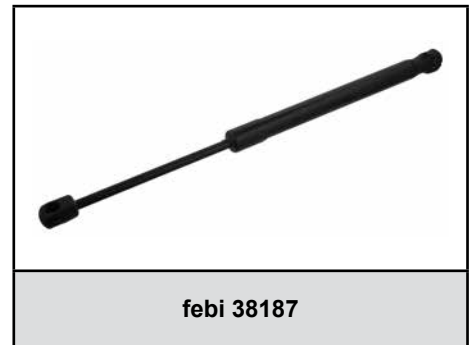
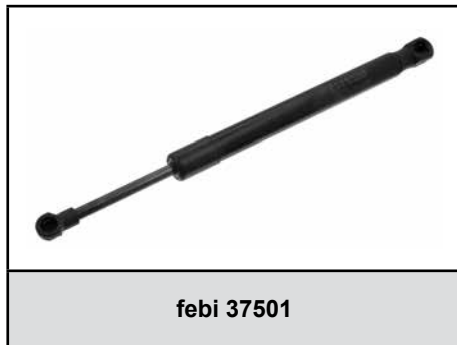
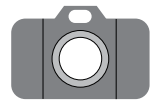


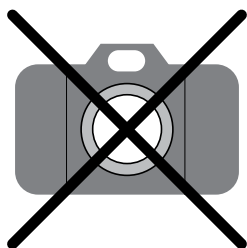
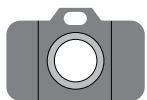




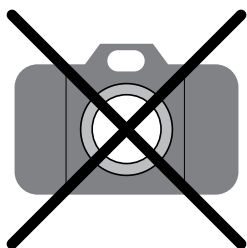




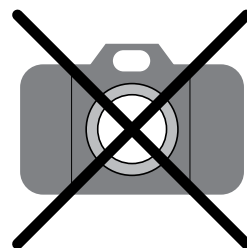




febi 39259



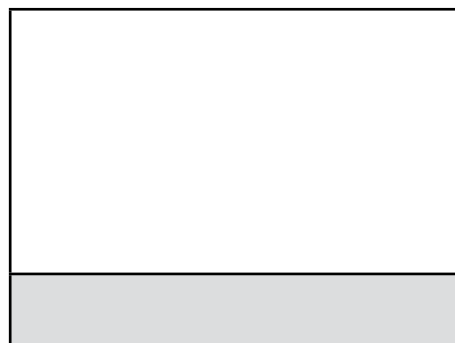
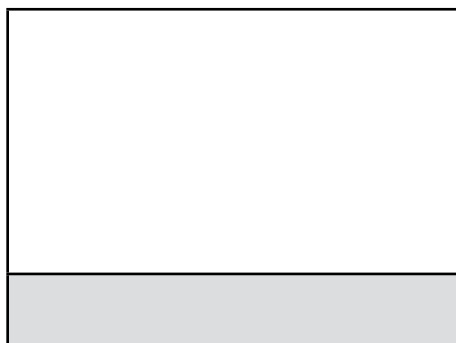
febi 39260



febi 39261



febi 39262





Ref. - No.



### ALFA ROMEO

46739202	<b>28013</b>	1, 2
46771551	<b>33060</b>	1
50500057	<b>33060</b>	1
50508010	<b>33062</b>	1
50508060	<b>33063</b>	2
50508706	<b>33064</b>	2
50515442	<b>33064</b>	2
60567794	<b>28017</b>	1
60604823	<b>28014</b>	1
60651067	<b>28018</b>	1
60654724	<b>28016</b>	1
60664833	<b>28015</b>	1
60680087	<b>33061</b>	1
60683933	<b>33062</b>	1
60688574	<b>33059</b>	1, 2

### AUDI

059 145 284	<b>27604</b>	95
059 145 284 B	<b>27604</b>	95
046 145 299	<b>28550</b>	95
4A0 425 021	<b>27606</b>	130, 131, 132
4D0 425 021	<b>27611</b>	131, 132
4D0 425 021 A	<b>27611</b>	131, 132
4D0 425 021 B	<b>27611</b>	131, 132
4D0 425 021 C	<b>27611</b>	131, 132
4D0 425 021 D	<b>27611</b>	131, 132
8A1 425 021	<b>27613</b>	130, 131
4A9 827 552 C	<b>27692</b>	4, 6, 7
4B9 827 552 N	<b>27674</b>	7
443 823 359 B	<b>27678</b>	3, 4, 9
443 823 359 D	<b>01526</b>	3, 4
4A0 823 359	<b>25210</b>	6, 7
4A0 823 359 B	<b>27677</b>	3, 4
4A0 823 359 C	<b>25210</b>	6, 7
4D0 823 359 F	<b>27675</b>	8
4E0 823 359 C	<b>31637</b>	8
4E0 823 359 D	<b>31637</b>	8
4F0 823 359 A	<b>31636</b>	7, 8
4L0 823 359	<b>31639</b>	10
8A0 823 359 B	<b>39261</b>	9
8D0 823 359	<b>28350</b>	5

Ref. - No.



8D0 823 359 B	<b>28350</b>	5
8E0 823 359	<b>27690</b>	5, 6
8E0 823 359 A	<b>27690</b>	5, 6
8H0 823 359	<b>27695</b>	6
8J0 823 359 C	<b>29433</b>	9
8L0 823 359	<b>25208</b>	4
8N0 823 359	<b>29445</b>	9
8P0 823 359	<b>31634</b>	4, 5
8P0 823 359 B	<b>31634</b>	4, 5
8R0 823 359 A	<b>31638</b>	9
8T0 823 359	<b>31635</b>	5, 6
8A0 823 360 A	<b>28556</b>	3, 8
3B5 827 550	<b>23398</b>	5
8F0 827 550 A	<b>31670</b>	6
441 827 551	<b>27694</b>	9
4D0 827 551 A	<b>28348</b>	8
4D0 827 551 B	<b>28348</b>	8
4E0 827 551 A	<b>31678</b>	8
4E0 827 551 B	<b>31679</b>	8
4E0 827 551 C	<b>31679</b>	8
4A5 827 552	<b>17752</b>	3, 6
4A9 827 552	<b>17880</b>	4, 7
4B5 827 552 A	<b>23378</b>	7
4B5 827 552 C	<b>23378</b>	7
4B5 827 552 D	<b>23378</b>	7
4B5 827 552 F	<b>28327</b>	5, 7
4B5 827 552 G	<b>28327</b>	5, 7
4B9 827 552 A	<b>28346</b>	7
4B9 827 552 C	<b>28346</b>	7
4B9 827 552 G	<b>28346</b>	7
4B9 827 552 J	<b>28346</b>	7
4B9 827 552 L	<b>28346</b>	7
4B9 827 552 M	<b>28346</b>	7
4E0 827 552 B	<b>31680</b>	8
4E0 827 552 C	<b>31680</b>	8
4F5 827 552	<b>31672</b>	7
4F5 827 552 B	<b>31673</b>	7
4F9 827 552 A	<b>31674</b>	7, 8
4F9 827 552 B	<b>31677</b>	7, 8
4F9 827 552 C	<b>31676</b>	7
4F9 827 552 D	<b>31677</b>	7, 8
4F9 827 552 E	<b>31674</b>	7, 8
4L0 827 552 C	<b>31684</b>	10

Ref. - No.

Car  
Division

Ref. - No.



Ref. - No.



4L0 827 552 E	<b>31683</b>	10
4L0 827 552 F	<b>31684</b>	10
855 827 552 G	<b>31466</b>	8, 10
893 827 552	<b>01189</b>	3
895 827 552 A	<b>29432</b>	8
8A5 827 552	<b>28345</b>	3
8A5 827 552 A	<b>28345</b>	3
8A9 827 552 A	<b>27691</b>	3, 130
8A9 827 552 C	<b>27696</b>	3
8D5 827 552 B	<b>23398</b>	5
8D5 827 552 C	<b>23398</b>	5
8D5 827 552 F	<b>23398</b>	5
8D9 827 552	<b>23394</b>	4, 5
8D9 827 552 F	<b>23394</b>	4, 5
8E5 827 552 B	<b>28327</b>	5, 7
8E5 827 552 C	<b>29429</b>	5
8E5 827 552 J	<b>29429</b>	5
8E9 827 552 E	<b>29428</b>	5
8E9 827 552 K	<b>29430</b>	6
8G0 827 552 C	<b>29431</b>	8
8H0 827 552 A	<b>28343</b>	6
8H0 827 552 B	<b>28343</b>	6
8K9 827 552	<b>31666</b>	5, 6
8K9 827 552 A	<b>31667</b>	5, 6
8K9 827 552 B	<b>31666</b>	5, 6
8N7 827 552 C	<b>27684</b>	9
8N8 827 552	<b>27172</b>	9
8N8 827 552 A	<b>27172</b>	9
8N8 827 552 B	<b>27683</b>	9
8P3 827 552 B	<b>31662</b>	4
8P3 827 552 C	<b>31662</b>	4
8P4 827 552 B	<b>31663</b>	4
8P7 827 552	<b>31664</b>	5
8P7 827 552 A	<b>31664</b>	5
8P7 827 552 C	<b>31664</b>	5
8P7 827 552 D	<b>31664</b>	5
8R0 827 552	<b>31681</b>	9
8R0 827 552 A	<b>31831</b>	9
8T8 827 552	<b>37492</b>	6
8T8 827 552 B	<b>37492</b>	6
8U0 827 552 A	<b>39262</b>	9
8X3 827 552	<b>39259</b>	4
8X4 827 552	<b>39260</b>	4

8Z0 827 552 B	<b>27676</b>	4
8K5 827 919	<b>37483</b>	5
8K5 827 919 A	<b>37483</b>	5
8T0 827 919	<b>37491</b>	6
8Z0 898 552	<b>27676</b>	4
8A9 827 552 D	<b>27691</b>	3, 130
8D9 827 552 H	<b>27682</b>	4
8N7827552A	<b>27684</b>	9
046 903 133 B	<b>28550</b>	95
038 903 315 C	<b>21690</b>	95

**BMW**

11 28 1 247 051	<b>03801</b>	96, 97
11 28 1 247 051 S1	<b>18485</b>	96, 97
11 28 1 247 052	<b>18485</b>	96, 97
11 28 1 709 613	<b>11332</b>	98, 99, 100
11 28 1 709 613 KPL	<b>27561</b>	98, 99, 100
11 28 1 715 626	<b>08744</b>	98, 99
11 28 1 717 188	<b>04987</b>	96, 97, 98, 99, 100, 101
11 28 1 717 188 S1	<b>18483</b>	96, 97, 98, 99, 100, 101
11 28 1 717 210	<b>04968</b>	96, 97, 99, 100, 101
11 28 1 717 210 S1	<b>18484</b>	96, 97, 99, 100, 101
11 28 1 722 789	<b>18483</b>	96, 97, 98, 99, 100, 101
11 28 1 726 773	<b>18483</b>	96, 97, 98, 99, 100, 101
11 28 1 726 774	<b>18483</b>	96, 97, 98, 99, 100, 101
11 28 1 742 858 KPL	<b>27561</b>	98, 99, 100
11 28 1 742 859 KPL	<b>27560</b>	98, 99, 100
11 28 1 745 545	<b>11330</b>	98, 99, 100
11 28 1 745 545 KPL	<b>27560</b>	98, 99, 100
11 28 1 745 546	<b>27561</b>	98, 99, 100
11 28 1 745 547	<b>27560</b>	98, 99, 100
11 28 1 745 904 KPL	<b>27561</b>	98, 99, 100
11 28 1 747 459 KPL	<b>27560</b>	98, 99, 100
11 28 2 243 510	<b>01579</b>	96, 97, 98
11 28 2 244 424	<b>01579</b>	96, 97, 98
11 28 2 246 769	<b>01579</b>	96, 97, 98
11 28 2 247 226	<b>14996</b>	96, 97
11 28 2 248 168	<b>01579</b>	96, 97, 98



Ref. - No.



11 28 2 248 169	<b>14996</b>	96, 97
11 28 7 838 797	<b>18483</b>	96, 97, 98, 99, 100, 101
41 61 2 990 344	<b>36960</b>	14
41 62 7 166 758	<b>34505</b>	11
51 23 1 129 190	<b>27599</b>	12
51 23 1 868 555	<b>08231</b>	13
51 23 1 869 147	<b>08218</b>	13, 14
51 23 1 906 286	<b>08240</b>	11
51 23 1 907 962	<b>08231</b>	13
51 23 1 908 465	<b>08850</b>	14
51 23 1 927 129	<b>08231</b>	13
51 23 1 944 119	<b>08823</b>	13
51 23 1 960 852	<b>01783</b>	11
51 23 3 400 352	<b>27591</b>	14
51 23 7 008 745	<b>26057</b>	13
51 23 7 016 178	<b>27593</b>	15
51 23 7 060 550	<b>27599</b>	12
51 23 7 118 370	<b>27586</b>	11
51 23 7 148 346	<b>34514</b>	15
51 23 7 183 741	<b>34510</b>	14
51 23 7 185 032	<b>34512</b>	14
51 23 8 119 558	<b>01784</b>	11
51 23 8 150 077	<b>12641</b>	14
51 23 8 174 866	<b>12640</b>	13
51 23 8 202 688	<b>12350</b>	12
51 23 8 240 596	<b>23649</b>	14
51 23 8 397 401	<b>33538</b>	15
51 23 8 402 551	<b>27595</b>	14
51 24 1 908 431	<b>01785</b>	14
51 24 1 934 270	<b>01787</b>	13
51 24 1 947 096	<b>31025</b>	11
51 24 1 960 862	<b>01786</b>	11
51 24 3 400 379	<b>27588</b>	14
51 24 3 414 711	<b>27588</b>	14
51 24 4 212 802	<b>12349</b>	12
51 24 4 365 788	<b>34200</b>	12
51 24 4 394 052	<b>34200</b>	12
51 24 7 016 186	<b>27600</b>	15
51 24 7 060 622	<b>29259</b>	11
51 24 7 060 623	<b>34200</b>	12
51 24 7 118 885	<b>38231</b>	12
51 24 7 127 875	<b>34506</b>	12

Ref. - No.



51 24 7 129 194	<b>34200</b>	12
51 24 7 129 215	<b>34508</b>	12
51 24 7 250 308	<b>34200</b>	12
51 24 8 110 327	<b>01787</b>	13
51 24 8 149 327	<b>29263</b>	13
51 24 8 149 328	<b>29264</b>	13
51 24 8 151 579	<b>25085</b>	11
51 24 8 171 158	<b>27601</b>	11
51 24 8 171 480	<b>27596</b>	14
51 24 8 190 688	<b>27597</b>	13
51 24 8 206 652	<b>27585</b>	11
51 24 8 220 072	<b>29364</b>	13
51 24 8 220 075	<b>12349</b>	12
51 24 8 222 913	<b>27602</b>	13
51 24 8 227 895	<b>27587</b>	12
51 24 8 230 070	<b>27585</b>	11
51 24 8 232 873	<b>27590</b>	12
51 24 8 245 031	<b>27601</b>	11
51 24 8 254 281	<b>12349</b>	12
51 24 8 399 087	<b>30233</b>	15
51 24 8 402 405	<b>27594</b>	14
51 24 8 410 755	<b>30234</b>	15
51 24 9 067 135	<b>25085</b>	11

**CITROËN**

5751.41	<b>28278</b>	102, 103
5751.44	<b>19072</b>	102, 103, 104
5751.81	<b>19072</b>	102, 103, 104
7925.11	<b>28010</b>	19
7925.13	<b>28011</b>	19
8731.94	<b>28009</b>	20
8731.A8	<b>28006</b>	19
8731.C0	<b>29197</b>	19
8731.C1	<b>14500</b>	18
8731.E0	<b>34433</b>	18
8731.E3	<b>28007</b>	19
8731.E4	<b>28008</b>	19
8731.E7	<b>29197</b>	19
8731.F4	<b>28005</b>	17
8731.F5	<b>34440</b>	17
8731.F6	<b>34440</b>	17
8731.F7	<b>29260</b>	17
8731.G3	<b>28004</b>	16

Ref. - No.

Car  
Division 

Ref. - No.



Ref. - No.



8731.G6	<b>34434</b>	18
8731.H8	<b>28003</b>	16
8731.H9	<b>34427</b>	20
8731.J8	<b>34446</b>	16
8731.J9	<b>34447</b>	16
8731.K0	<b>34447</b>	16
8731.K1	<b>34439</b>	17
8731.K2	<b>34439</b>	17
8731.K8	<b>34436</b>	18
8731.L0	<b>28002</b>	16
8731.L8	<b>34427</b>	20
8731.L9	<b>34448</b>	16
8731.N8	<b>34441</b>	17
8731.N9	<b>31411</b>	17
8731.P0	<b>34442</b>	17
8731.P1	<b>34444</b>	16
8731.P2	<b>34445</b>	16
8731.P4	<b>34445</b>	16
8731.P5	<b>34429</b>	19
8731.P6	<b>34433</b>	18
8731.Q1	<b>33393</b>	18
8731.Q2	<b>33393</b>	18
8731.Q9	<b>34429</b>	19
8731.R6	<b>34437</b>	17
8731.R7	<b>34438</b>	17
8731.R8	<b>34430</b>	18
8731.R9	<b>34431</b>	18
8731.S0	<b>34425</b>	18
8731.S8	<b>34449</b>	16
8731.T0	<b>34445</b>	16
8731.T1	<b>34445</b>	16
8731.V0	<b>34428</b>	19
8731.V6	<b>34424</b>	18

**FIAT**

07634947	<b>31084</b>	21, 23
07686794	<b>31084</b>	21, 23
07734566	<b>14061</b>	22
07774707	<b>28042</b>	21
1354844080	<b>34428</b>	21
1498071080	<b>34429</b>	23
46420780	<b>14063</b>	22
46453503	<b>31084</b>	21, 23

46514867	<b>28040</b>	22
46524678	<b>28036</b>	22
46744596	<b>28037</b>	22
46762434	<b>33340</b>	23
46783650	<b>28041</b>	21
46784994	<b>28038</b>	23
46784995	<b>28039</b>	23
46812168	<b>33342</b>	23
46827091	<b>33337</b>	22
46830389	<b>33338</b>	21
46835404	<b>31084</b>	21, 23
51702090	<b>33346</b>	22, 23
51709681	<b>33340</b>	23
51716995	<b>33341</b>	23
51734960	<b>33344</b>	21
51736743	<b>33340</b>	23
51736744	<b>33340</b>	23
51736745	<b>33341</b>	23
51736746	<b>33341</b>	23
51778432	<b>33346</b>	22, 23
51785412	<b>33347</b>	21
51794446	<b>28040</b>	22
51801718	<b>33343</b>	22
51812267	<b>33339</b>	21
71743352	<b>33345</b>	23
71743353	<b>33345</b>	23
9405751819	<b>19072</b>	105
9620038880	<b>28278</b>	105
9622553680	<b>14500</b>	23
9623659880	<b>19072</b>	105
9626493880	<b>14500</b>	23
9632155180	<b>19072</b>	105
9633056680	<b>19072</b>	105

**FORD**

1 008 276	<b>27774</b>	25
1 008 277	<b>05755</b>	25
1 009 060	<b>23390</b>	27
1 020 155	<b>05756</b>	28
1 020 156	<b>17587</b>	28
1 025 425	<b>17586</b>	27
1 034 930	<b>27789</b>	29
1 047 212	<b>23390</b>	27



Ref. - No.



1 072 394	<b>27777</b>	26
1 074 368	<b>27773</b>	26
1 075 742	<b>27761</b>	24
1 079 800	<b>27758</b>	26
1 088 369	<b>27789</b>	29
1 092 108	<b>27777</b>	26
1 093 705	<b>27758</b>	26
1 094 814	<b>23390</b>	27
1 117 046	<b>27779</b>	29
1 117 246	<b>27760</b>	29
1 117 394	<b>27762</b>	29
1 119 688	<b>27779</b>	29
1 120 611	<b>27779</b>	29
1 120 812	<b>27771</b>	29
1 121 248	<b>27769</b>	29
1 124 003	<b>27777</b>	26
1 133 865	<b>27664</b>	27
1 136 483	<b>27778</b>	26
1 141 159	<b>27757</b>	25
1 146 649	<b>27778</b>	26
1 150 277	<b>27776</b>	26
1 211 497	<b>27787</b>	27
1 224 731	<b>27757</b>	25
1 229 461	<b>27785</b>	26
1 232 189	<b>27762</b>	29
1 251 915	<b>27784</b>	25
1 252 377	<b>27766</b>	26, 27
1 313 218	<b>27785</b>	26
1 321 021	<b>27768</b>	26
1 336 159	<b>27770</b>	26
1 336 230	<b>27767</b>	26, 27
1 349 309	<b>27767</b>	26, 27
1 376 673	<b>27770</b>	26
1 434 296	<b>31948</b>	30
1 434 313	<b>31949</b>	27
1 436 155	<b>27787</b>	27
1 460 415	<b>27784</b>	25
1 477 578	<b>31951</b>	29
1 477 988	<b>31955</b>	29
1 481 998	<b>31948</b>	30
1 484 158	<b>31953</b>	29
1 484 371	<b>31951</b>	29
1 492 389	<b>31952</b>	29

Ref. - No.



1 495 030	<b>31953</b>	29
1 496 865	<b>31954</b>	29
1 502 096	<b>27768</b>	26
1 514 965	<b>38234</b>	25
1 520 777	<b>31946</b>	28
1 523 356	<b>38234</b>	25
1 537 538	<b>31956</b>	28
1 539 291	<b>31947</b>	27
1 542 413	<b>31950</b>	27
1 549 615	<b>31951</b>	29
1 553 003	<b>31948</b>	30
1 553 975	<b>31952</b>	29
1 592 821	<b>31955</b>	29
1 608 113	<b>31948</b>	30
1 650 686	<b>17585</b>	24
1 650 687	<b>17585</b>	24
1 666 068	<b>38234</b>	25
1 684 313	<b>31946</b>	28
1 684 709	<b>31956</b>	28
1 708 365	<b>31946</b>	28
1 729 322	<b>31956</b>	28
4 134 632	<b>27772</b>	30
4 134 633	<b>27772</b>	30
4 378 216	<b>34507</b>	30, 31
6 142 657	<b>14659</b>	30
6 142 658	<b>14661</b>	30
6 734 732	<b>27786</b>	24
6 734 734	<b>27759</b>	24
6 789 158	<b>17588</b>	28
6 844 981	<b>17589</b>	28
6 885 988	<b>27761</b>	24
6 900 216	<b>14655</b>	24
6 900 217	<b>14657</b>	24
6 934 502	<b>17590</b>	28
6 965 594	<b>27782</b>	25
6 965 595	<b>27774</b>	25
7 020 592	<b>05756</b>	28

## HONDA

74820-SMG-E01	<b>31049</b>	32
74820-SMG-E02	<b>31049</b>	32
74820-SMG-E03	<b>31049</b>	32
74820-ST3-E01	<b>28043</b>	32



Ref. - No.

Car  
Division

Ref. - No.



Ref. - No.



74820-ST3-E02	<b>28043</b>	32
74820-ST3-E51	<b>28043</b>	32
74820-ST3-E52	<b>28043</b>	32
74820-SWA-A01	<b>31050</b>	32
74870-SWA-A01	<b>31050</b>	32

**HYUNDAI**

81161-26000	<b>27936</b>	34
81161-26001	<b>27936</b>	34
81161-2C000	<b>29295</b>	33
81161-2C001	<b>29295</b>	33
81161-3D000	<b>29296</b>	34
81161-3D001	<b>29296</b>	34
81161-3K000	<b>33563</b>	34
81770-02030	<b>28087</b>	33
81770-02031	<b>28087</b>	33
81770-02040	<b>28087</b>	33
81770-02041	<b>28087</b>	33
81770-06010	<b>29294</b>	33
81770-06011	<b>29294</b>	33
81770-0X000	<b>33560</b>	33
81770-17010	<b>27938</b>	34
81770-17011	<b>27938</b>	34
81770-17030	<b>27938</b>	34
81770-17031	<b>27938</b>	34
81770-1C000	<b>27939</b>	33
81770-1C001	<b>27939</b>	33
81770-1J000	<b>33561</b>	33
81770-1J010	<b>33561</b>	33
81770-25220	<b>29405</b>	33, 35
81770-25230	<b>29405</b>	33, 35
81771-26010	<b>27921</b>	34
81771-26011	<b>27921</b>	34
81771-29200	<b>33562</b>	34
81771-29220	<b>33562</b>	34
81771-29221	<b>33562</b>	34
81771-2C020	<b>29300</b>	33
81771-2D210	<b>29284</b>	33
81771-2D211	<b>29284</b>	33
81771-2D220	<b>29284</b>	33
81771-2D720	<b>29284</b>	33
81771-2E000	<b>29297</b>	34
81771-38500	<b>29299</b>	35

81771-39501	<b>29299</b>	35
81771-3A000	<b>33565</b>	34
81771-3A001	<b>33565</b>	34
81771-3D000	<b>33847</b>	34
81771-3D001	<b>33847</b>	34
81771-3D002	<b>33847</b>	34
81771-3K000	<b>33564</b>	34
81771-3K001	<b>33564</b>	34
81780-02030	<b>28087</b>	33
81780-02031	<b>28087</b>	33
81780-02040	<b>28087</b>	33
81780-02041	<b>28087</b>	33
81780-1J000	<b>33561</b>	33
81780-1J010	<b>33561</b>	33
81780-25220	<b>29405</b>	33, 35
81780-25230	<b>29405</b>	33, 35
87170-26010	<b>27937</b>	34
87170-26011	<b>27937</b>	34
87170-2E020	<b>29298</b>	34

**KIA**

OK2FB-62-620	<b>28065</b>	36
OK2FB-62-620A	<b>28065</b>	36
OK2FB-62-620B	<b>28065</b>	36
OK2FB-63-620	<b>28065</b>	36
OK2FB-63-620A	<b>28065</b>	36
OK2FB-63-620B	<b>28065</b>	36
OK53Y-56-620	<b>28064</b>	36
OK53Y-56-630	<b>28064</b>	36
OK53Y-62-620	<b>28063</b>	36
OK53Y-63-620	<b>28063</b>	36
OK53Z-56-620	<b>28064</b>	36
OK53Z-56-620A	<b>28064</b>	36
OK53Z-56-630	<b>28064</b>	36
OK53Z-56-630A	<b>28064</b>	36
OK53Z-62-620	<b>28063</b>	36
OK53Z-62-620A	<b>28063</b>	36
OK53Z-63-620	<b>28063</b>	36
OK53Z-63-620A	<b>28063</b>	36
81181-3E000	<b>28062</b>	36
81181-3E001	<b>28062</b>	36
81181-3E010	<b>28062</b>	36
81181-3E011	<b>28062</b>	36


**Ref. - No.**


81771-3E010	<b>28060</b>	36
81771-3E011	<b>28060</b>	36
81771-3E020	<b>28060</b>	36
81771-3E021	<b>28060</b>	36
81781-3E010	<b>28060</b>	36
81781-3E011	<b>28060</b>	36
81781-3E020	<b>28060</b>	36
81781-3E021	<b>28060</b>	36
87170-3E000	<b>28061</b>	31
87170-3E010	<b>28061</b>	31
87180-3E000	<b>28061</b>	31
87180-3E010	<b>28061</b>	31

**LANCIA**

46830389	<b>33338</b>	37
9622553680	<b>14500</b>	37
9626493880	<b>14500</b>	37

**LEXUS**

53440-0W090	<b>29285</b>	38
53440-0W091	<b>29285</b>	38
53440-0W100	<b>29286</b>	38
53440-0W101	<b>29286</b>	38
53450-0W070	<b>29285</b>	38
53450-0W071	<b>29285</b>	38
53450-0W080	<b>29286</b>	38
53450-0W081	<b>29286</b>	38
64530-0W090	<b>28089</b>	38
64530-0W091	<b>28089</b>	38

**MAZDA**

1E00-62-620	<b>05755</b>	39
G21B-62-620	<b>29404</b>	39
G21B-63-620	<b>29404</b>	39
GD8V-63-620B	<b>17055</b>	39
GJ6A-56-930	<b>29401</b>	39
GJ6E-56-930	<b>29401</b>	39
GJ6J-62-620	<b>29402</b>	39
GJ6J-63-620	<b>29402</b>	39
GJ6L-62-620	<b>29402</b>	39
GJ6L-63-620	<b>29402</b>	39
NF79-56-930B	<b>29403</b>	32
NF80-56-930B	<b>29403</b>	32

**Ref. - No.**

**MERCEDES-BENZ**

102 200 04 14	<b>05760</b>	106, 109
102 200 07 14	<b>05760</b>	106, 109
102 200 08 14	<b>06597</b>	106, 108, 109, 113
102 200 12 14	<b>06597</b>	106, 108, 109, 113
102 200 14 14	<b>06597</b>	106, 108, 109, 113
102 200 15 14	<b>05760</b>	106, 109
103 200 01 14	<b>08778</b>	107, 108, 109, 110, 115, 116
111 200 04 14	<b>19995</b>	106, 110, 111, 112, 114, 117, 118
112 200 00 14	<b>17510</b>	110, 111, 112, 113, 114, 116, 117
272 200 01 14	<b>27454</b>	111, 112, 113, 114, 115, 117, 118
601 200 03 14	<b>06569</b>	107, 108, 113, 114, 115, 116
601 200 05 14	<b>06569</b>	107, 108, 113, 114, 115, 116
603 200 01 14	<b>06569</b>	107, 108, 113, 114, 115, 116
603 200 03 14	<b>06569</b>	107, 108, 113, 114, 115, 116
604 200 01 14	<b>06569</b>	107, 108, 113, 114, 115, 116
604 200 02 14	<b>08779</b>	106, 107, 108, 110, 112, 113, 114, 115, 118
604 200 03 14	<b>06569</b>	107, 108, 113, 114, 115, 116
000 463 43 32	<b>01263</b>	133, 134, 135
000 463 48 32	<b>01263</b>	133, 134, 135
000 463 51 32	<b>01263</b>	133, 134, 135
000 463 53 32	<b>01261</b>	131, 133, 134, 135
000 463 56 32	<b>31450</b>	134
000 463 60 32	<b>31450</b>	134
000 463 63 32	<b>37868</b>	133
000 463 66 32	<b>31449</b>	134
124 463 04 32	<b>01261</b>	131, 133, 134, 135
124 463 05 32	<b>37868</b>	133
140 463 01 32	<b>27572</b>	135
140 463 03 32	<b>27572</b>	135

Ref. - No.

Car  
Division 

Ref. - No.



Ref. - No.



193 463 00 32	<b>01263</b>	133, 134, 135
209 690 00 59	<b>37274</b>	42
163 740 00 45	<b>22621</b>	44
163 740 03 45 S1	<b>22621</b>	44
163 740 03 45	<b>22621</b>	44
164 740 01 45	<b>28562</b>	44
164 740 02 45	<b>28563</b>	44
164 740 03 45	<b>29334</b>	44
164 740 04 45	<b>29334</b>	44
164 740 05 45	<b>29338</b>	44
164 740 06 45	<b>29339</b>	44
169 740 00 45	<b>24711</b>	40
203 740 00 45	<b>24327</b>	41
204 740 01 45	<b>30883</b>	41
251 740 00 45	<b>24709</b>	45
251 740 02 45	<b>24718</b>	45
124 750 04 36	<b>27741</b>	40
124 750 06 36	<b>28561</b>	40
170 750 00 36	<b>34112</b>	46
171 750 00 36	<b>28559</b>	46
208 750 00 36	<b>27738</b>	42
208 750 03 36	<b>27738</b>	42
221 750 02 36	<b>27747</b>	45
230 750 00 36	<b>27744</b>	46
163 880 00 29	<b>22622</b>	44
164 880 00 29	<b>24737</b>	44
164 880 01 29	<b>24731</b>	44
170 880 02 29 S1	<b>24735</b>	46
171 880 01 29	<b>24710</b>	46
201 880 02 29	<b>01956</b>	40, 45
201 880 03 29	<b>01956</b>	40, 45
202 880 00 29	<b>11734</b>	40
203 880 00 29	<b>24739</b>	41, 42
203 880 04 29	<b>24733</b>	41, 42
204 880 00 29	<b>30879</b>	43
208 880 00 29	<b>27737</b>	42
208 880 01 29	<b>27737</b>	42
210 880 02 29	<b>02640</b>	43
210 880 04 29	<b>02640</b>	43
211 880 00 29	<b>27743</b>	42, 43
211 880 03 29	<b>27743</b>	42, 43
215 880 00 29	<b>27731</b>	41
220 880 03 29	<b>24713</b>	45

221 880 03 29	<b>27733</b>	42, 45
230 880 00 29	<b>27745</b>	46
251 880 01 29	<b>24738</b>	45
251 880 02 29	<b>24738</b>	45
000 980 24 64	<b>01956</b>	40, 45
000 980 25 64	<b>01956</b>	40, 45
000 980 37 64	<b>01956</b>	40, 45
001 980 80 64	<b>03913</b>	43
123 980 00 64	<b>08139</b>	40
123 980 01 64	<b>08139</b>	40
124 980 01 64	<b>08140</b>	40
124 980 02 64	<b>08140</b>	40
129 980 05 64	<b>27742</b>	45
129 980 06 64	<b>27734</b>	45
164 980 01 64	<b>29336</b>	44
164 980 02 64	<b>29336</b>	44
168 980 01 64	<b>24707</b>	40
168 980 09 64	<b>24707</b>	40
168 980 11 64	<b>24707</b>	40
168 980 12 64	<b>24707</b>	40
169 980 08 64	<b>27736</b>	40
171 980 01 64	<b>24719</b>	46
202 980 03 64	<b>30439</b>	40
203 980 01 64	<b>27739</b>	41
203 980 03 64	<b>24327</b>	41
204 980 00 64	<b>30880</b>	41
204 980 05 64	<b>37085</b>	44
204 980 09 64	<b>30881</b>	41
204 980 11 64	<b>30882</b>	41
209 980 00 64	<b>27832</b>	42
209 980 01 64	<b>27746</b>	42
209 980 03 64	<b>27832</b>	42
209 980 04 64	<b>27832</b>	42
209 980 05 64	<b>27832</b>	42
211 980 03 64	<b>27011</b>	43
211 980 04 64	<b>27011</b>	43
211 980 07 64	<b>32046</b>	43
211 980 11 64	<b>32045</b>	43
211 980 13 64	<b>32047</b>	43
211 980 14 64	<b>32048</b>	43
211 980 15 64	<b>32045</b>	43
211 980 16 64	<b>32046</b>	43
211 980 17 64	<b>32045</b>	43



Ref. - No.



211 980 18 64	<b>32046</b>	43
211 980 19 64	<b>32045</b>	43
211 980 20 64	<b>32046</b>	43
211 980 21 64	<b>32045</b>	43
211 980 22 64	<b>32046</b>	43
230 980 01 64	<b>27830</b>	46
230 980 02 64	<b>27831</b>	46
414 980 00 64	<b>27740</b>	46
638 980 03 64	<b>07832</b>	46
639 980 01 64	<b>24712</b>	46
639 980 03 64	<b>27748</b>	46

**MINI**

41 61 6 801 259	<b>27598</b>	47
41 62 6 801 258	<b>27589</b>	47
51 23 4 360 740	<b>27598</b>	47
51 23 7 066 566	<b>27598</b>	47
51 23 7 148 864	<b>34517</b>	47
51 23 7 160 818	<b>27598</b>	47
51 23 7 175 020	<b>27598</b>	47
51 24 7 148 902	<b>34518</b>	47

**MITSUBISHI**

5802A007	<b>33393</b>	48
5802A008	<b>33393</b>	48
MB927791	<b>29291</b>	48
MR101555	<b>29291</b>	48
MR248939	<b>29293</b>	48
MR248940	<b>29293</b>	48

**NISSAN**

84430-2F000	<b>27890</b>	49
84430-2F010	<b>27890</b>	49
90450-00QAA	<b>27903</b>	49
90450-4F110	<b>29977</b>	49
90450-4F111	<b>29977</b>	49
90450-8H31A	<b>27911</b>	42
90450-AX000	<b>27909</b>	49
90450-AX610	<b>27909</b>	49
90450-AX61B	<b>27909</b>	49
90450-BM400	<b>27886</b>	49
90450-EQ30A	<b>27911</b>	42
90451-4F110	<b>29977</b>	49

Ref. - No.



90451-4F111	<b>29977</b>	49
90451-8H31A	<b>27911</b>	42
90451-AX000	<b>27909</b>	49
90451-EQ30A	<b>27911</b>	42
90452-2F725	<b>27896</b>	49
90452-6F100	<b>27896</b>	49

**OPEL**

0132 016	<b>36220</b>	51
0132 020	<b>36249</b>	52
0132 531	<b>34509</b>	50
0132 532	<b>27619</b>	50
0132 670	<b>27626</b>	51
0132 675	<b>25132</b>	52
0132 677	<b>27614</b>	50
0132 681	<b>27609</b>	53
0132 691	<b>27623</b>	54
0132 702	<b>25125</b>	52
0132 703	<b>25126</b>	52
0132 704	<b>25125</b>	52
0132 708	<b>27648</b>	52
0132 709	<b>27648</b>	52
0132 715	<b>27649</b>	53
0132 716	<b>27649</b>	53
0132 717	<b>27643</b>	51
0132 718	<b>27647</b>	51
0132 719	<b>27645</b>	50
0132 720	<b>27645</b>	50
0132 721	<b>27644</b>	50
0132 724	<b>27647</b>	51
0132 725	<b>27646</b>	51, 52
0132 731	<b>27628</b>	53
0132 739	<b>27641</b>	50
0132 742	<b>27608</b>	54
0132 743	<b>27605</b>	50
0132 749	<b>27620</b>	54
0132 757	<b>27607</b>	50
0132 865	<b>29281</b>	53
0176 105	<b>36248</b>	52
0176 124	<b>36248</b>	52
0176 387	<b>34443</b>	53
0176 413	<b>27622</b>	51
0176 414	<b>27621</b>	51

Ref. - No.

Car  
Division

Ref. - No.



Ref. - No.



0176 537	<b>27623</b>	54
0176 538	<b>29281</b>	53
0176 541	<b>36249</b>	52
0176 541	<b>36250</b>	52
0176 604	<b>25135</b>	50
0176 605	<b>25133</b>	52
0176 608	<b>27629</b>	54
0176 609	<b>29281</b>	53
0176 674	<b>36248</b>	52
0176 676	<b>36250</b>	52
0176 725	<b>27629</b>	54
1178 224	<b>27617</b>	53, 54
1180 401	<b>27627</b>	52
1180 402	<b>27616</b>	53
1180 403	<b>27610</b>	52
1180 405	<b>27603</b>	50
1340 530	<b>14373</b>	119, 120
1340 538	<b>01579</b>	119
1340 545	<b>14373</b>	119, 120
1340 548	<b>14373</b>	119, 120
1340 549	<b>14373</b>	119, 120
1340 552	<b>01579</b>	119
1340 653	<b>01579</b>	119
4414 419	<b>34515</b>	54
4705 684 SK	<b>29198</b>	50
4705 685 SK	<b>29198</b>	50
4706 265 SK	<b>29198</b>	50
4706 266 SK	<b>29198</b>	50
5132 267	<b>33974</b>	51
5176 765	<b>27625</b>	50

**PEUGEOT**

5751.41	<b>28278</b>	121, 122
5751.44	<b>19072</b>	121, 122
5751.81	<b>19072</b>	121, 122
7925.08	<b>28031</b>	57
7925.09	<b>28027</b>	56
7925.10	<b>28031</b>	57
7925.18	<b>34419</b>	56
7925.22	<b>34418</b>	57
7925.23	<b>34418</b>	57
8731.85	<b>11895</b>	55
8731.86	<b>11895</b>	55

8731.93	<b>11897</b>	55, 56
8731.A2	<b>38235</b>	56
8731.C1	<b>14500</b>	58
8731.C5	<b>28029</b>	57
8731.E0	<b>34433</b>	59
8731.E1	<b>28026</b>	56
8731.E2	<b>11897</b>	55, 56
8731.E6	<b>18563</b>	55
8731.F0	<b>28030</b>	57
8731.F2	<b>27905</b>	55
8731.F8	<b>28028</b>	56
8731.G4	<b>29261</b>	55
8731.G5	<b>29262</b>	55
8731.G6	<b>34434</b>	58
8731.G9	<b>34413</b>	58
8731.H4	<b>34411</b>	58
8731.H6	<b>34411</b>	58
8731.J3	<b>28002</b>	55
8731.J6	<b>28033</b>	57
8731.K4	<b>28032</b>	57
8731.K5	<b>28034</b>	57
8731.L0	<b>28002</b>	55
8731.L7	<b>34421</b>	56
8731.N6	<b>34422</b>	56
8731.P5	<b>34429</b>	58
8731.P6	<b>34433</b>	59
8731.P8	<b>34435</b>	56
8731.P9	<b>34420</b>	56
8731.Q0	<b>34420</b>	56
8731.Q1	<b>33393</b>	58
8731.Q2	<b>33393</b>	58
8731.Q5	<b>34415</b>	57
8731.Q6	<b>34417</b>	57
8731.Q7	<b>34416</b>	57
8731.Q8	<b>34414</b>	57
8731.Q9	<b>34429</b>	58
8731.R8	<b>34430</b>	59
8731.R9	<b>34431</b>	59
8731.S0	<b>34425</b>	59
8731.S7	<b>34422</b>	56
8731.T3	<b>28034</b>	57
8731.T4	<b>34410</b>	58
8731.V0	<b>34428</b>	58



Ref. - No.



8731.V6	<b>34424</b>	59
9614.V4	<b>34412</b>	58
96 200 388 80	<b>28278</b>	121, 122
96 523 712 80	<b>34419</b>	56

**PORSCHE**

964 511 331 00	<b>27915</b>	60
993 511 331 00	<b>27915</b>	60
944 511 351 00	<b>25301</b>	60
944 511 351 01	<b>25301</b>	60
955 511 359 00	<b>29267</b>	61
955 511 359 00	<b>29269</b>	61
955 512 528 00	<b>29268</b>	61
955 512 550 01	<b>29269</b>	61
955 512 550 02	<b>29269</b>	61
955 512 550 03	<b>29269</b>	61
955 512 550 04	<b>29269</b>	61
955 512 550 05	<b>29269</b>	61
955 512 550 06	<b>29269</b>	61
955 512 550 07	<b>29269</b>	61
986 512 551 01	<b>27898</b>	60
987 512 551 01	<b>27907</b>	61
987 512 551 03	<b>32984</b>	61
987 512 551 04	<b>32984</b>	61
987 512 551 05	<b>27907</b>	61
996 511 551 01	<b>27884</b>	60
997 511 551 01	<b>27902</b>	60, 61
997 512 551 00	<b>27899</b>	60

**RENAULT**

60 25 106 762	<b>31029</b>	62
60 25 300 735	<b>27910</b>	62
65 47 000 08R	<b>32895</b>	65
65 47 100 03R	<b>32894</b>	64
65 47 129 43R	<b>38232</b>	62
77 00 303 139	<b>27903</b>	63
77 00 303 186	<b>27903</b>	63
77 00 430 022	<b>27889</b>	65
77 00 434 465	<b>27887</b>	65
77 00 800 311	<b>25311</b>	62
77 00 807 057	<b>29895</b>	64
77 00 815 135	<b>27901</b>	65
77 00 828 451	<b>27906</b>	63

Ref. - No.



77 00 828 454	<b>27888</b>	65
77 00 838 487	<b>27904</b>	63
77 00 838 612	<b>30095</b>	63
77 00 842 152	<b>29444</b>	63
77 00 842 153	<b>29444</b>	63
77 00 842 256	<b>27885</b>	62
77 00 843 698	<b>27906</b>	63
77 00 846 772	<b>29444</b>	63
77 00 846 773	<b>29444</b>	63
77 01 057 303	<b>38236</b>	64
82 00 000 902	<b>32899</b>	63
82 00 003 020	<b>32899</b>	63
82 00 021 974	<b>32897</b>	62
82 00 021 975	<b>32897</b>	62
82 00 025 105	<b>32898</b>	62
82 00 051 750	<b>27914</b>	64
82 00 091 749	<b>32892</b>	62
82 00 119 497	<b>27895</b>	64
82 00 119 498	<b>27893</b>	64
82 00 119 500	<b>27920</b>	65
82 00 130 187	<b>27892</b>	65
82 00 135 264	<b>27891</b>	64
82 00 174 571	<b>27919</b>	65
82 00 212 598	<b>27894</b>	64
82 00 219 322	<b>32903</b>	64
82 00 219 323	<b>32904</b>	64
82 00 299 546	<b>32896</b>	62
82 00 362 400	<b>32893</b>	62
82 00 377 199	<b>27919</b>	65
82 00 377 789	<b>27920</b>	65
82 00 385 560	<b>32908</b>	65
82 00 461 349	<b>32904</b>	64
82 00 735 264	<b>31438</b>	62
84 43 000 04R	<b>32900</b>	63
84 43 100 02R	<b>32900</b>	63
90 45 000 04R	<b>32906</b>	65
90 45 100 01R	<b>32902</b>	64
90 45 100 05R	<b>32907</b>	65
90 45 200 04R	<b>38233</b>	62
90 46 000 01R	<b>32901</b>	63

**ROVER**

BMH 500010	<b>28088</b>	61
------------	--------------	----

Ref. - No.

Car  
Division

Ref. - No.



Ref. - No.

**SAAB**

12 768 264	<b>29205</b>	68
12 785 021	<b>29257</b>	68
12 797 509	<b>29258</b>	68
30 586 552	<b>29204</b>	67
40 06 060	<b>27656</b>	67
40 28 064	<b>09778</b>	123
43 06 411	<b>27656</b>	67
43 23 994	<b>27654</b>	67
43 24 307	<b>27655</b>	67
43 26 468	<b>27655</b>	67
45 75 478	<b>14373</b>	123
46 99 260	<b>29205</b>	68
48 54 717	<b>27653</b>	67
48 54 733	<b>27653</b>	67
48 54 741	<b>27650</b>	67
48 54 758	<b>27650</b>	67
48 55 094	<b>27652</b>	68
48 55 128	<b>27651</b>	68
49 01 419	<b>09778</b>	123
50 22 082	<b>27653</b>	67
51 17 015	<b>27652</b>	68
51 83 017	<b>29204</b>	67
53 60 821	<b>27651</b>	68
53 60 839	<b>27652</b>	68
69 76 369	<b>29256</b>	67
91 80 809	<b>14373</b>	123
92 93 580	<b>29935</b>	67

**SEAT**

1M0 823 359 A	<b>27705</b>	70
7M3 823 359	<b>27664</b>	69
7M3 823 359 A	<b>27664</b>	69
7M3 823 359 B	<b>27664</b>	69
7N0 823 359	<b>38188</b>	69
1L0 827 550	<b>27707</b>	70
1L0 827 550 A	<b>27707</b>	70
1M5 827 550 B	<b>27706</b>	70
1M6 827 550 A	<b>27708</b>	70
1P0 827 550	<b>34113</b>	70
1P0 827 550 A	<b>34113</b>	70
1P9 827 550	<b>34113</b>	70

3R9 827 550	<b>31648</b>	69
5P5 827 550 A	<b>31651</b>	70
6J3 827 550	<b>31649</b>	70
6J4 827 550 B	<b>31650</b>	70
6K0 827 550	<b>31028</b>	69
6K0 827 550 A	<b>31028</b>	69
6K6 827 550	<b>27709</b>	69
6K6 827 550 A	<b>27709</b>	69
6L6 827 550 B	<b>27710</b>	69
7M0 827 550 D	<b>23390</b>	69
7M0 827 550 F	<b>23390</b>	69
7M0 827 550 G	<b>23390</b>	69
7N0 827 550	<b>38189</b>	69
038 903 315 C	<b>21690</b>	124

**SKODA**

059 145 284	<b>27604</b>	121
059 145 284 B	<b>27604</b>	121
3T0 823 359	<b>31633</b>	72
3U0 823 359	<b>27711</b>	72
1U6 827 550 E	<b>27713</b>	71
1U6 827 550 F	<b>27713</b>	71
1U6 827 550 H	<b>27715</b>	71
1U9 827 550 B	<b>27712</b>	71
1Z5 827 550	<b>31656</b>	72
1Z5 827 550 B	<b>31656</b>	72
1Z5 827 550 C	<b>31656</b>	72
1Z5 827 550 D	<b>31656</b>	72
1Z5 827 550 E	<b>31656</b>	72
1Z9 827 550	<b>31657</b>	72
3B5 827 550 E	<b>29435</b>	72
3T5 827 550	<b>31659</b>	72
3T9 827 550	<b>38237</b>	72
5J6 827 550 B	<b>31654</b>	71
5J7 827 550	<b>31658</b>	72
6Y0 827 550 C	<b>31652</b>	71
6Y5 827 550 A	<b>31653</b>	71
6U0 827 551	<b>29320</b>	71
6U0 827 551 B	<b>29320</b>	71
3T5 827 552	<b>31660</b>	72
038 903 315 C	<b>21690</b>	125



Ref. - No.



**SMART**

0000618V007000000	<b>27732</b>	73
0004873V002	<b>27569</b>	131
0004873V002000000	<b>27569</b>	131
451 988 00 04	<b>30351</b>	73

**SUZUKI**

81850-84E00-000 SK	<b>29198</b>	71
81860-84E00-000 SK	<b>29198</b>	71

**TOYOTA**

68950-02020	<b>29978</b>	75
68950-02030	<b>29979</b>	75
68950-02080	<b>28085</b>	75
68950-02081	<b>28085</b>	75
68950-09080	<b>28078</b>	75
68950-09090	<b>29978</b>	75
68950-09100	<b>29979</b>	75
68950-09150	<b>28080</b>	75
68950-09320	<b>28080</b>	75
68950-09340	<b>28080</b>	75
68950-09341	<b>28080</b>	75
68950-0D020	<b>28081</b>	71
68950-0D021	<b>28081</b>	71
68950-0D022	<b>28081</b>	71
68950-0F010	<b>28084</b>	75
68950-0F011	<b>28084</b>	75
68950-0F012	<b>28084</b>	75
68950-0H010	<b>28002</b>	75
68950-0W250	<b>29290</b>	76
68950-0W251	<b>29290</b>	76
68950-0W252	<b>29290</b>	76
68950-80020	<b>28077</b>	75
68960-02010	<b>29978</b>	75
68960-02020	<b>29979</b>	75
68960-02070	<b>28085</b>	75
68960-02071	<b>28085</b>	75
68960-09050	<b>28078</b>	75
68960-09060	<b>29978</b>	75
68960-09070	<b>29979</b>	75
68960-09100	<b>28080</b>	75
68960-09250	<b>28080</b>	75

Ref. - No.



68960-09260	<b>28080</b>	75
68960-09261	<b>28080</b>	75
68960-0D010	<b>28081</b>	71
68960-0D011	<b>28081</b>	71
68960-0D012	<b>28081</b>	71
68960-0F010	<b>28084</b>	75
68960-0F011	<b>28084</b>	75
68960-0F012	<b>28084</b>	75
68960-0W240	<b>29290</b>	76
68960-0W241	<b>29290</b>	76
68960-0W242	<b>29290</b>	76
68960-19525	<b>26270</b>	75
68960-59025	<b>26268</b>	76
68960-59026	<b>26268</b>	76

**VAUXHALL**

09114311	<b>27626</b>	79
09118848	<b>01579</b>	126
09146281	<b>27610</b>	80
09152393	<b>27609</b>	80
09180255	<b>27629</b>	81
09180256	<b>29281</b>	80
09180809	<b>14373</b>	121, 126, 127
09210307 SK	<b>29198</b>	77
09210308 SK	<b>29198</b>	77
09212659 SK	<b>29198</b>	77
09212660 SK	<b>29198</b>	77
13101335	<b>27623</b>	81
13122695	<b>27607</b>	78
13128759	<b>27620</b>	81
13182309	<b>27622</b>	79
13182537	<b>27621</b>	79
13191401	<b>29281</b>	80
13220159	<b>27619</b>	78
13241974	<b>27629</b>	81
13243589	<b>27625</b>	78
13246577	<b>36248</b>	79
13247867	<b>27623</b>	81
13247868	<b>29281</b>	80
13247949	<b>36250</b>	79
13258179	<b>36220</b>	78
13278257	<b>36249</b>	79
13321298	<b>36248</b>	79



Ref. - No.

Car  
Division

Ref. - No.



Ref. - No.



13332570	<b>36248</b>	79
13332885	<b>36249</b>	79
24454473	<b>27617</b>	80, 81
24463829	<b>27605</b>	78
24465295	<b>27603</b>	78
90159607	<b>25125</b>	77
90191627	<b>25126</b>	77
90191920	<b>25125</b>	77
90227934	<b>27649</b>	78
90227936	<b>27649</b>	78
90246620	<b>27648</b>	78
90246621	<b>27648</b>	78
90341282	<b>27644</b>	77
90341377	<b>27645</b>	77
90341378	<b>27645</b>	77
90346469	<b>27643</b>	78
90379025	<b>27627</b>	80
90379054	<b>25133</b>	80
90379081	<b>25132</b>	80
90388707	<b>27646</b>	79
90463253	<b>34443</b>	80
90463721	<b>27616</b>	80
90463781	<b>27628</b>	80
90481269	<b>27647</b>	79
90481270	<b>27647</b>	79
90486893	<b>25135</b>	77
90502421	<b>14373</b>	121, 126, 127
90509168	<b>01579</b>	126
90521517	<b>27614</b>	77
90542637	<b>14373</b>	121, 126, 127
90542638	<b>14373</b>	121, 126, 127
90543873	<b>01579</b>	126
90559245	<b>27641</b>	77
90579440	<b>27608</b>	81
91163328	<b>33974</b>	79
91166378	<b>34515</b>	81
91168256	<b>34515</b>	81
9199 932	<b>34509</b>	77

**VOLKSWAGEN**

059 145 284	<b>27604</b>	128
059 145 284 B	<b>27604</b>	128
1C0 823 359 A	<b>29395</b>	84

1C0 823 359 B	<b>29395</b>	84
1C0 823 359 C	<b>29395</b>	84
1C0 823 359 D	<b>29395</b>	84
1C0 823 359 E	<b>29395</b>	84
1J0 823 359 C	<b>23386</b>	82, 83
1J0 823 359 D	<b>23386</b>	82, 83
1K0 823 359 A	<b>29434</b>	84
1Q0 823 359	<b>31632</b>	83
1T0 823 359	<b>29440</b>	87
1T0 823 359 A	<b>29440</b>	87
1T0 823 359 C	<b>29440</b>	87
1T0 823 359 D	<b>38190</b>	82, 88
3AA 823 359 A	<b>37480</b>	86
3B0 823 359 A	<b>23382</b>	85
3B0 823 359 B	<b>23382</b>	85
3B0 823 359 C	<b>27693</b>	85
3B0 823 359 D	<b>27693</b>	85
3C0 823 359 A	<b>31629</b>	86
3C8 823 359	<b>31630</b>	86
4B0 823 359 B	<b>27693</b>	85
4B0 823 359 C	<b>27693</b>	85
5K0 823 359 B	<b>31631</b>	84
5K0 823 359 C	<b>31631</b>	84
5K0 823 359 D	<b>31631</b>	84
6E0 823 359 C	<b>29275</b>	84
6Q0 823 359	<b>29438</b>	86
6Q0 823 359 A	<b>29438</b>	86
6Q0 823 359 C	<b>29438</b>	86
6X0 823 359	<b>29275</b>	84
6X0 823 359 A	<b>29275</b>	84
7D0 823 359 A	<b>27668</b>	88, 89
7H0 823 359 A	<b>29441</b>	89
7H0 823 359 B	<b>29441</b>	89
7H0 823 359 C	<b>29441</b>	89
7L6 823 359 A	<b>27663</b>	87
7L6 823 359 B	<b>27663</b>	87
7M3 823 359	<b>27664</b>	87
7M3 823 359 A	<b>27664</b>	87
7M3 823 359 B	<b>27664</b>	87
7N0 823 359	<b>38188</b>	87
8L0 823 359	<b>23386</b>	82, 83
8L0 823 359	<b>25208</b>	83, 84
1J0 827 359 A	<b>23386</b>	82, 83



Ref. - No.



191 827 550	<b>01186</b>	83
191 827 550 B	<b>01186</b>	83
1C0 827 550 A	<b>29274</b>	84
1C0 827 550 B	<b>29274</b>	84
1C0 827 550 C	<b>29274</b>	84
1C0 827 550 D	<b>29274</b>	84
1C0 827 550 E	<b>29274</b>	84
1C0 827 550 F	<b>29274</b>	84
1E0 827 550	<b>27659</b>	83
1E0 827 550 A	<b>27659</b>	83
1E0 827 550 B	<b>27659</b>	83
1H5 827 550 A	<b>28558</b>	90
1H5 827 550 B	<b>28558</b>	90
1H6 827 550	<b>01185</b>	83
1H6 827 550 A	<b>01185</b>	83
1H9 827 550 A	<b>25230</b>	83
1J6 827 550	<b>23380</b>	82, 83, 85
1J6 827 550 C	<b>23388</b>	82, 83, 85
1J6 827 550 E	<b>23380</b>	82, 83, 85
1J9 827 550	<b>23380</b>	82, 83, 85
1K5 827 550 C	<b>37501</b>	84
1K6 827 550 D	<b>27666</b>	84
1K6 827 550 E	<b>27666</b>	84
1K6 827 550 F	<b>27666</b>	84
1K8 827 550 A	<b>31647</b>	87
1Q0 827 550 B	<b>31646</b>	83
1S6 827 550 D	<b>38187</b>	90
1T0 827 550 A	<b>27673</b>	87
1T0 827 550 B	<b>27673</b>	87
1T0 827 550 C	<b>27673</b>	87
1T0 827 550 E	<b>37482</b>	82
1T0 827 550 H	<b>38191</b>	82, 88
2K0 827 550	<b>31645</b>	82
2K0 827 550 A	<b>31645</b>	82
331 827 550 C	<b>01187</b>	85
333 827 550	<b>01188</b>	85
3A9 827 550	<b>01188</b>	85
3AE 827 550 A	<b>37479</b>	86
3AF 827 550 B	<b>37481</b>	86
3B5 827 550	<b>23398</b>	85
3B5 827 550 A	<b>23398</b>	85
3B5 827 550 E	<b>29435</b>	82, 85
3B5 827 550 G	<b>29436</b>	85

Ref. - No.



3B9 827 550	<b>23380</b>	82, 83, 85
3C5 827 550 A	<b>31640</b>	86
3C5 827 550 B	<b>31640</b>	86
3C5 827 550 C	<b>31640</b>	86
3C9 827 550 A	<b>31641</b>	86
5K6 827 550 B	<b>31644</b>	84
5K7 827 550 A	<b>37495</b>	84
5K7 827 550 B	<b>37495</b>	84
5N0 827 550	<b>31643</b>	87
5Z6 827 550 B	<b>38192</b>	82
6E0 827 550 A	<b>29275</b>	84
6E0 827 550 C	<b>29275</b>	84
6K0 827 550	<b>31028</b>	86
6K0 827 550 A	<b>31028</b>	86
6N0 827 550 A	<b>28557</b>	86
6Q6 827 550	<b>27665</b>	86
6Q6 827 550 C	<b>27665</b>	86
6R6 827 550 A	<b>31642</b>	87
7H0 827 550	<b>23392</b>	89
7H0 827 550 C	<b>29442</b>	89
7L6 827 550 A	<b>29439</b>	87
7L6 827 550 D	<b>29439</b>	87
7L6 827 550 K	<b>29439</b>	87
7L6 827 550 P	<b>29439</b>	87
7M0 827 550 D	<b>23390</b>	87
7M0 827 550 F	<b>23390</b>	87
7M0 827 550 G	<b>23390</b>	87
7N0 827 550	<b>38189</b>	87
8D5 827 552 B	<b>23398</b>	85
8D5 827 552 C	<b>23398</b>	85
8D5 827 552 F	<b>23398</b>	85
251 829 331 A	<b>01190</b>	88
251 829 331 B	<b>27661</b>	88
701 829 331 AB	<b>27658</b>	89
701 829 331 F	<b>28555</b>	88
701 829 331 G	<b>28552</b>	88
701 829 331 H	<b>23396</b>	88
701 829 331 J	<b>27669</b>	88
701 829 331 Q	<b>28554</b>	89
701 829 331 R	<b>28553</b>	89
701 829 331 S	<b>27672</b>	89
701 829 331 T	<b>27671</b>	89
7D0 829 331 D	<b>28554</b>	89




**Ref. - No.**


<b>01185</b>	1H6 827 550 A	83
<b>01186</b>	191 827 550 B	83
<b>01187</b>	331 827 550 C	85
<b>01188</b>	3A9 827 550	85
<b>01189</b>	893 827 552	3
<b>01190</b>	251 829 331 A	88
<b>01261</b>	124 463 04 32	131, 133, 134, 135
<b>01263</b>	000 463 51 32	133, 134, 135
<b>01526</b>	443 823 359 D	3, 4
<b>01579</b>	11 28 2 248 168	96, 97, 98
<b>01579</b>	09118848	126
<b>01579</b>	1340 653	119
<b>01783</b>	51 23 1 960 852	11
<b>01784</b>	51 23 8 119 558	11
<b>01785</b>	51 24 1 908 431	14
<b>01786</b>	51 24 1 960 862	11
<b>01787</b>	51 24 8 110 327	13
<b>01956</b>	201 880 03 29	40, 45
<b>02640</b>	210 880 04 29	43
<b>03801</b>	11 28 1 247 051	96, 97
<b>03913</b>	001 980 80 64	43
<b>04968</b>	11 28 1 717 210	96, 97, 99, 100, 101
<b>04987</b>	11 28 1 717 188	96, 97, 98, 99, 100, 101
<b>05755</b>	1 008 277	25
<b>05755</b>	1E00-62-620	39
<b>05756</b>	1 020 155	28
<b>05760</b>	102 200 15 14	106, 109
<b>06569</b>	604 200 03 14	107, 108, 113, 114, 115, 116
<b>06597</b>	102 200 14 14	106, 108, 109, 113
<b>07832</b>	638 980 03 64	46
<b>08139</b>	123 980 01 64	40
<b>08140</b>	124 980 01 64	40
<b>08218</b>	51 23 1 869 147	13, 14
<b>08231</b>	51 23 1 927 129	13
<b>08240</b>	51 23 1 906 286	11
<b>08744</b>	11 28 1 715 626	98, 99
<b>08778</b>	103 200 01 14	107, 108, 109, 110, 115, 116
<b>08779</b>	604 200 02 14	106, 107, 108, 110, 112, 113, 114, 115, 118


**Ref. - No.**


<b>08823</b>	51 23 1 944 119	13
<b>08850</b>	51 23 1 908 465	14
<b>09778</b>	49 01 419	123
<b>11330</b>	11 28 1 745 545	98, 99, 100
<b>11332</b>	11 28 1 709 613	98, 99, 100
<b>11734</b>	202 880 00 29	40
<b>11895</b>	8731.85	55
<b>11897</b>	8731.93	55, 56
<b>12349</b>	51 24 8 254 281	12
<b>12350</b>	51 23 8 202 688	12
<b>12640</b>	51 23 8 174 866	13
<b>12641</b>	51 23 8 150 077	14
<b>14061</b>	07734566	22
<b>14063</b>	46420780	22
<b>14373</b>	09180809	121, 126, 127
<b>14373</b>	91 80 809	123
<b>14373</b>	1340 530	119, 120
<b>14500</b>	9626493880	23
<b>14500</b>	8731.C1	18
<b>14500</b>	8731.C1	58
<b>14500</b>	9626493880	37
<b>14655</b>	6 900 216	24
<b>14657</b>	6 900 217	24
<b>14659</b>	6 142 657	30
<b>14661</b>	6 142 658	30
<b>14928</b>	3509482	91, 93
<b>14928</b>	9187315	91, 93
<b>14928</b>	9485548	91, 93
<b>14929</b>	1355263	91, 94
<b>14929</b>	6846014	91, 94
<b>14929</b>	9463056	91, 94
<b>14996</b>	11 28 2 248 169	96, 97
<b>17055</b>	GD8V-63-620B	39
<b>17323</b>	30803472	93
<b>17510</b>	112 200 00 14	110, 111, 112, 113, 114, 116, 117
<b>17585</b>	1 650 687	24
<b>17586</b>	1 025 425	27
<b>17587</b>	1 020 156	28
<b>17588</b>	6 789 158	28
<b>17589</b>	6 844 981	28
<b>17590</b>	6 934 502	28
<b>17752</b>	4A5 827 552	3, 6

Ref. - No.

Car  
Division

Ref. - No.



17880	4A9 827 552	4, 7
18483	11 28 7 838 797	96, 97, 98, 99, 100, 101
18484	11 28 1 717 210 S1	96, 97, 99, 100, 101
18485	11 28 1 247 051 S1	96, 97
18563	8731.E6	55
19072	9405751819	105
19072	5751.81	102, 103, 104
19072	5751.81	121, 122
19995	111 200 04 14	106, 110, 111, 112, 114, 117, 118
21690	038 903 315 C	95
21690	038 903 315 C	128, 129
21690	038 903 315 C	125
21690	038 903 315 C	124
22621	163 740 03 45 S1	44
22622	163 880 00 29	44
22716	3526575	91, 93
22717	3509350	91
22717	3512998	91
22718	30819865	92, 93
23378	4B5 827 552 D	7
23380	1J6 827 550 E	82, 83, 85
23382	3B0 823 359 B	85
23386	1J0 823 359 D	82, 83
23388	1J6 827 550 C	82, 83, 85
23390	1 094 814	27
23390	7M0 827 550 G	87
23390	7M0 827 550 G	69
23392	7H0 827 550	89
23394	8D9 827 552 F	4, 5
23396	701 829 331 H	88
23398	8D5 827 552 F	5
23398	8D5 827 552 F	85
23649	51 23 8 240 596	14
24327	203 740 00 45	41
24707	168 980 12 64	40
24709	251 740 00 45	45
24710	171 880 01 29	46
24711	169 740 00 45	40
24712	639 980 01 64	46
24713	220 880 03 29	45
24718	251 740 02 45	45



Ref. - No.



24719	171 980 01 64	46
24731	164 880 01 29	44
24733	203 880 04 29	41, 42
24735	170 880 02 29 S1	46
24737	164 880 00 29	44
24738	251 880 02 29	45
24739	203 880 00 29	41, 42
25085	51 24 8 151 579	11
25125	90159607	77
25125	0132 704	52
25126	90191627	77
25126	0132 703	52
25132	90379081	80
25132	0132 675	52
25133	90379054	80
25133	0176 605	52
25135	90486893	77
25135	0176 604	50
25208	8L0 823 359	4
25208	8L0 823 359	83, 84
25210	4A0 823 359 C	6, 7
25230	1H9 827 550 A	83
25301	944 511 351 01	60
25311	77 00 800 311	62
26057	51 23 7 008 745	13
26268	68960-59026	76
26270	68960-19525	75
27011	211 980 03 64	43
27172	8N8 827 552 A	9
27454	272 200 01 14	111, 112, 113, 114, 115, 117, 118
27560	11 28 1 745 547	98, 99, 100
27561	11 28 1 745 546	98, 99, 100
27569	0004873V002000000	131
27572	140 463 03 32	135
27585	51 24 8 206 652	11
27586	51 23 7 118 370	11
27587	51 24 8 227 895	12
27588	51 24 3 400 379	14
27589	41 62 6 801 258	47
27590	51 24 8 232 873	12
27591	51 23 3 400 352	14
27593	51 23 7 016 178	15


**Ref. - No.**


<b>27594</b>	51 24 8 402 405	14
<b>27595</b>	51 23 8 402 551	14
<b>27596</b>	51 24 8 171 480	14
<b>27597</b>	51 24 8 190 688	13
<b>27598</b>	41 61 6 801 259	47
<b>27598</b>	51 23 4 360 740	47
<b>27598</b>	51 23 7 066 566	47
<b>27598</b>	51 23 7 160 818	47
<b>27598</b>	51 23 7 175 020	47
<b>27599</b>	51 23 7 060 550	12
<b>27600</b>	51 24 7 016 186	15
<b>27601</b>	51 24 8 245 031	11
<b>27602</b>	51 24 8 222 913	13
<b>27603</b>	24465295	78
<b>27603</b>	1180 405	50
<b>27604</b>	059 145 284 B	95
<b>27604</b>	059 145 284 B	128
<b>27604</b>	059 145 284 B	121
<b>27605</b>	24463829	78
<b>27605</b>	0132 743	50
<b>27606</b>	4A0 425 021	130, 131, 132
<b>27607</b>	13122695	78
<b>27607</b>	0132 757	50
<b>27608</b>	90579440	81
<b>27608</b>	0132 742	54
<b>27609</b>	09152393	80
<b>27609</b>	0132 681	53
<b>27610</b>	09146281	80
<b>27610</b>	1180 403	52
<b>27611</b>	4D0 425 021 D	131, 132
<b>27613</b>	8A1 425 021	130, 131
<b>27614</b>	90521517	77
<b>27614</b>	0132 677	50
<b>27616</b>	90463721	80
<b>27616</b>	1180 402	53
<b>27617</b>	24454473	80, 81
<b>27617</b>	1178 224	53, 54
<b>27619</b>	13220159	78
<b>27619</b>	0132 532	50
<b>27620</b>	13128759	81
<b>27620</b>	0132 749	54
<b>27621</b>	13182537	79
<b>27621</b>	0176 414	51


**Ref. - No.**


<b>27622</b>	13182309	79
<b>27622</b>	0176 413	51
<b>27623</b>	13247867	81
<b>27623</b>	0176 537	54
<b>27625</b>	13243589	78
<b>27625</b>	5176 765	50
<b>27626</b>	09114311	79
<b>27626</b>	0132 670	51
<b>27627</b>	90379025	80
<b>27627</b>	1180 401	52
<b>27628</b>	90463781	80
<b>27628</b>	0132 731	53
<b>27629</b>	13241974	81
<b>27629</b>	0176 725	54
<b>27630</b>	30852059	92
<b>27630</b>	30852060	92
<b>27631</b>	9159604	92
<b>27631</b>	9187795	92
<b>27631</b>	9187796	92
<b>27631</b>	9485546	92
<b>27631</b>	9485547	92
<b>27632</b>	30716057	92
<b>27632</b>	30799160	92
<b>27632</b>	31278321	92
<b>27632</b>	8650233	92
<b>27632</b>	8652462	92
<b>27633</b>	30674494	93
<b>27633</b>	30799161	93
<b>27633</b>	8643038	93
<b>27634</b>	3526163	91, 93, 94
<b>27635</b>	9483297	92
<b>27636</b>	9154605	92, 93, 94
<b>27641</b>	90559245	77
<b>27641</b>	0132 739	50
<b>27643</b>	90346469	78
<b>27643</b>	0132 717	51
<b>27644</b>	90341282	77
<b>27644</b>	0132 721	50
<b>27645</b>	90341378	77
<b>27645</b>	0132 719	50
<b>27646</b>	90388707	79
<b>27646</b>	0132 725	51, 52
<b>27647</b>	90481269	79

Ref. - No.

Car  
Division

Ref. - No.



27647	0132 718	51
27648	90246621	78
27648	0132 709	52
27649	90227936	78
27649	0132 715	53
27650	48 54 758	67
27651	53 60 821	68
27652	53 60 839	68
27653	50 22 082	67
27654	43 23 994	67
27655	43 24 307	67
27656	43 06 411	67
27658	7D0 829 331 G	89
27659	1E0 827 550 B	83
27660	251 829 332	88
27661	251 829 331 B	88
27663	7L6 823 359 B	87
27664	1 133 865	27
27664	7M3 823 359 A	87
27664	7M3 823 359 A	69
27665	6Q6 827 550	86
27666	1K6 827 550 F	84
27667	7L6 845 587 A	87
27668	7D0 823 359 A	88, 89
27669	701 829 331 J	88
27671	701 829 331 T	89
27672	7D0 829 331 F	89
27673	1T0 827 550 C	87
27674	4B9 827 552 N	7
27675	4D0 823 359 F	8
27676	8Z0 898 552	4
27677	4A0 823 359 B	3, 4
27678	443 823 359 B	3, 4, 9
27682	8D9 827 552 H	4
27683	8N8 827 552 B	9
27684	8N7 827 552 C	9
27690	8E0 823 359 A	5, 6
27691	8A9 827 552 D	3, 130
27692	4A9 827 552 C	4, 6, 7
27693	3B0 823 359 D	85
27694	441 827 551	9
27695	8H0 823 359	6
27696	8A9 827 552 C	3



Ref. - No.



27705	1M0 823 359 A	70
27706	1M5 827 550 B	70
27707	1L0 827 550	70
27708	1M6 827 550 A	70
27709	6K6 827 550	69
27710	6L6 827 550 B	69
27711	3U0 823 359	72
27712	1U9 827 550 B	71
27713	1U6 827 550 F	71
27715	1U6 827 550 H	71
27731	215 880 00 29	41
27732	0000618V007000000	73
27733	221 880 03 29	42, 45
27734	129 980 06 64	45
27736	169 980 08 64	40
27737	208 880 00 29	42
27738	208 750 03 36	42
27739	203 980 01 64	41
27740	414 980 00 64	46
27741	124 750 04 36	40
27742	129 980 05 64	45
27743	211 880 00 29	42, 43
27744	230 750 00 36	46
27745	230 880 00 29	46
27746	209 980 01 64	42
27747	221 750 02 36	45
27748	639 980 03 64	46
27757	1 141 159	25
27758	1 093 705	26
27759	6 734 734	24
27760	1 117 246	29
27761	1 075 742	24
27762	1 232 189	29
27766	1 252 377	26, 27
27767	1 349 309	26, 27
27768	1 321 021	26
27769	1 121 248	29
27770	1 376 673	26
27771	1 120 812	29
27772	4 134 633	30
27773	1 074 368	26
27774	1 008 276	25
27776	1 150 277	26


**Ref. - No.**


<b>27777</b>	1 124 003	26
<b>27778</b>	1 146 649	26
<b>27779</b>	1 119 688	29
<b>27782</b>	6 965 594	25
<b>27784</b>	1 251 915	25
<b>27785</b>	1 313 218	26
<b>27786</b>	6 734 732	24
<b>27787</b>	1 436 155	27
<b>27789</b>	1 088 369	29
<b>27830</b>	230 980 01 64	46
<b>27831</b>	230 980 02 64	46
<b>27832</b>	209 980 05 64	42
<b>27884</b>	996 511 551 01	60
<b>27885</b>	77 00 842 256	62
<b>27886</b>	90450-BM400	49
<b>27887</b>	77 00 434 465	65
<b>27888</b>	77 00 828 454	65
<b>27889</b>	77 00 430 022	65
<b>27890</b>	84430-2F010	49
<b>27891</b>	82 00 135 264	64
<b>27892</b>	82 00 130 187	65
<b>27893</b>	82 00 119 498	64
<b>27894</b>	82 00 212 598	64
<b>27895</b>	82 00 119 497	64
<b>27896</b>	90452-6F100	49
<b>27898</b>	986 512 551 01	60
<b>27899</b>	997 512 551 00	60
<b>27901</b>	77 00 815 135	65
<b>27902</b>	997 511 551 01	60, 61
<b>27903</b>	77 00 303 186	63
<b>27903</b>	90450-00QAA	49
<b>27904</b>	77 00 838 487	63
<b>27905</b>	8731.F2	55
<b>27906</b>	77 00 843 698	63
<b>27907</b>	987 512 551 05	61
<b>27909</b>	90450-AX61B	49
<b>27910</b>	60 25 300 735	62
<b>27911</b>	90450-EQ30A	42
<b>27914</b>	82 00 051 750	64
<b>27915</b>	993 511 331 00	60
<b>27919</b>	82 00 377 199	65
<b>27920</b>	82 00 377 789	65
<b>27921</b>	81771-26011	34


**Ref. - No.**


<b>27936</b>	81161-26001	34
<b>27937</b>	87170-26011	34
<b>27938</b>	81770-17010	34
<b>27939</b>	81770-1C000	33
<b>28002</b>	8731.L0	16
<b>28002</b>	68950-0H010	75
<b>28002</b>	8731.L0	55
<b>28003</b>	8731.H8	16
<b>28004</b>	8731.G3	16
<b>28005</b>	8731.F4	17
<b>28006</b>	8731.A8	19
<b>28007</b>	8731.E3	19
<b>28008</b>	8731.E4	19
<b>28009</b>	8731.94	20
<b>28010</b>	7925.11	19
<b>28011</b>	7925.13	19
<b>28013</b>	46739202	1, 2
<b>28014</b>	60604823	1
<b>28015</b>	60664833	1
<b>28016</b>	60654724	1
<b>28017</b>	60567794	1
<b>28018</b>	60651067	1
<b>28026</b>	8731.E1	56
<b>28027</b>	7925.09	56
<b>28028</b>	8731.F8	56
<b>28029</b>	8731.C5	57
<b>28030</b>	8731.F0	57
<b>28031</b>	7925.10	57
<b>28032</b>	8731.K4	57
<b>28033</b>	8731.J6	57
<b>28034</b>	8731.T3	57
<b>28036</b>	46524678	22
<b>28037</b>	46744596	22
<b>28038</b>	46784994	23
<b>28039</b>	46784995	23
<b>28040</b>	51794446	22
<b>28041</b>	46783650	21
<b>28042</b>	07774707	21
<b>28043</b>	74820-ST3-E52	32
<b>28060</b>	81781-3E010	36
<b>28061</b>	87170-3E010	31
<b>28062</b>	81181-3E000	36
<b>28063</b>	0K53Z-62-620	36



Ref. - No.

Car  
Division

Ref. - No.



28064	0K53Z-56-620	36
28065	0K2FB-63-620	36
28077	68950-80020	75
28078	68960-09050	75
28080	68950-09341	75
28081	68960-0D012	71
28084	68950-0F010	75
28085	68960-02070	75
28087	81770-02041	33
28088	BMH 500010	61
28089	64530-0W091	38
28278	9620038880	105
28278	5751.41	102, 103
28278	5751.41	121, 122
28327	4B5 827 552 G	5, 7
28343	8H0 827 552 B	6
28345	8A5 827 552 A	3
28346	4B9 827 552 M	7
28348	4D0 827 551 B	8
28350	8D0 823 359 B	5
28550	046 145 299	95
28552	701 829 331 G	88
28553	7D0 829 331 E	89
28554	7D0 829 331 D	89
28555	701 829 331 F	88
28556	8A0 823 360 A	3, 8
28557	6N0 827 550 A	86
28558	1H5 827 550 B	90
28559	171 750 00 36	46
28561	124 750 06 36	40
28562	164 740 01 45	44
28563	164 740 02 45	44
29197	8731.C0	19
29198	81850-84E00-000 SK	71
29198	4706 265 SK	50
29204	30 586 552	67
29205	12 768 264	68
29256	69 76 369	67
29257	12 785 021	68
29258	12 797 509	68
29259	51 24 7 060 622	11
29260	8731.F7	17
29261	8731.G4	55



Ref. - No.



29262	8731.G5	55
29263	51 24 8 149 327	13
29264	51 24 8 149 328	13
29267	955 511 359 00	61
29268	955 512 528 00	61
29269	955 512 550 06	61
29274	1C0 827 550 E	84
29275	6E0 823 359 C	84
29281	13247868	80
29281	0176 538	53
29284	81771-2D720	33
29285	53450-0W071	38
29286	53450-0W081	38
29290	68960-0W242	76
29291	MB927791	48
29291	MR101555	48
29293	MR248939	48
29293	MR248940	48
29294	81770-06011	33
29295	81161-2C001	33
29296	81161-3D001	34
29297	81771-2E000	34
29298	87170-2E020	34
29299	81771-39501	35
29300	81771-2C020	33
29320	6U0 827 551 B	71
29334	164 740 03 45	44
29336	164 980 01 64	44
29338	164 740 05 45	44
29339	164 740 06 45	44
29364	51 24 8 220 072	13
29395	1C0 823 359 E	84
29401	GJ6E-56-930	39
29402	GJ6J-62-620	39
29403	NF79-56-930B	32
29404	G21B-62-620	39
29405	81780-25230	33, 35
29428	8E9 827 552 E	5
29429	8E5 827 552 J	5
29430	8E9 827 552 K	6
29431	8G0 827 552 C	8
29432	895 827 552 A	8
29433	8J0 823 359 C	9


**Ref. - No.**


<b>29434</b>	1K0 823 359 A	84
<b>29435</b>	3B5 827 550 E	82, 85
<b>29435</b>	3B5 827 550 E	72
<b>29436</b>	3B5 827 550 G	85
<b>29438</b>	6Q0 823 359 C	86
<b>29439</b>	7L6 827 550 P	87
<b>29440</b>	1T0 823 359 A	87
<b>29441</b>	7H0 823 359 C	89
<b>29442</b>	7H0 827 550 C	89
<b>29444</b>	77 00 846 772	63
<b>29445</b>	8N0 823 359	9
<b>29895</b>	77 00 807 057	64
<b>29935</b>	92 93 580	67
<b>29977</b>	90450-4F111	49
<b>29978</b>	68960-02010	75
<b>29979</b>	68960-02020	75
<b>30095</b>	77 00 838 612	63
<b>30233</b>	51 24 8 399 087	15
<b>30234</b>	51 24 8 410 755	15
<b>30351</b>	451 988 00 04	73
<b>30439</b>	202 980 03 64	40
<b>30879</b>	204 880 00 29	43
<b>30880</b>	204 980 00 64	41
<b>30881</b>	204 980 09 64	41
<b>30882</b>	204 980 11 64	41
<b>30883</b>	204 740 01 45	41
<b>31025</b>	51 24 1 947 096	11
<b>31028</b>	6K0 827 550	86
<b>31028</b>	6K0 827 550	69
<b>31029</b>	60 25 106 762	62
<b>31049</b>	74820-SMG-E03	32
<b>31050</b>	74820-SWA-A01	32
<b>31084</b>	46835404	21, 23
<b>31411</b>	8731.N9	17
<b>31438</b>	82 00 735 264	62
<b>31449</b>	000 463 66 32	134
<b>31450</b>	000 463 60 32	134
<b>31466</b>	855 827 552 G	8, 10
<b>31629</b>	3C0 823 359 A	86
<b>31630</b>	3C8 823 359	86
<b>31631</b>	5K0 823 359 D	84
<b>31632</b>	1Q0 823 359	83
<b>31633</b>	3T0 823 359	72


**Ref. - No.**


<b>31634</b>	8P0 823 359 B	4, 5
<b>31635</b>	8T0 823 359	5, 6
<b>31636</b>	4F0 823 359 A	7, 8
<b>31637</b>	4E0 823 359 D	8
<b>31638</b>	8R0 823 359 A	9
<b>31639</b>	4L0 823 359	10
<b>31640</b>	3C5 827 550 C	86
<b>31641</b>	3C9 827 550 A	86
<b>31642</b>	6R6 827 550 A	87
<b>31643</b>	5N0 827 550	87
<b>31644</b>	5K6 827 550 B	84
<b>31645</b>	2K0 827 550 A	82
<b>31646</b>	1Q0 827 550 B	83
<b>31647</b>	1K8 827 550 A	87
<b>31648</b>	3R9 827 550	69
<b>31649</b>	6J3 827 550	70
<b>31650</b>	6J4 827 550 B	70
<b>31651</b>	5P5 827 550 A	70
<b>31652</b>	6Y0 827 550 C	71
<b>31653</b>	6Y5 827 550 A	71
<b>31654</b>	5J6 827 550 B	71
<b>31656</b>	1Z5 827 550 E	72
<b>31657</b>	1Z9 827 550	72
<b>31658</b>	5J7 827 550	72
<b>31659</b>	3T5 827 550	72
<b>31660</b>	3T5 827 552	72
<b>31662</b>	8P3 827 552 C	4
<b>31663</b>	8P4 827 552 B	4
<b>31664</b>	8P7 827 552 D	5
<b>31666</b>	8K9 827 552 B	5, 6
<b>31667</b>	8K9 827 552 A	5, 6
<b>31670</b>	8F0 827 550 A	6
<b>31672</b>	4F5 827 552	7
<b>31673</b>	4F5 827 552 B	7
<b>31674</b>	4F9 827 552 E	7, 8
<b>31676</b>	4F9 827 552 C	7
<b>31677</b>	4F9 827 552 D	7, 8
<b>31678</b>	4E0 827 551 A	8
<b>31679</b>	4E0 827 551 C	8
<b>31680</b>	4E0 827 552 C	8
<b>31681</b>	8R0 827 552	9
<b>31683</b>	4L0 827 552 E	10
<b>31684</b>	4L0 827 552 F	10

Ref. - No.

Car  
Division

Ref. - No.



31831	8R0 827 552 A	9
31946	1 708 365	28
31947	1 539 291	27
31948	1 434 296	30
31949	1 434 313	27
31950	1 542 413	27
31951	1 484 371	29
31952	1 492 389	29
31953	1 495 030	29
31954	1 496 865	29
31955	1 477 988	29
31956	1 729 322	28
32045	211 980 19 64	43
32046	211 980 20 64	43
32047	211 980 13 64	43
32048	211 980 14 64	43
32892	82 00 091 749	62
32893	82 00 362 400	62
32894	65 47 100 03R	64
32895	65 47 000 08R	65
32896	82 00 299 546	62
32897	82 00 021 974	62
32898	82 00 025 105	62
32899	82 00 000 902	63
32900	84 43 000 04R	63
32901	90 46 000 01R	63
32902	90 45 100 01R	64
32903	82 00 219 322	64
32904	82 00 461 349	64
32906	90 45 000 04R	65
32907	90 45 100 05R	65
32908	82 00 385 560	65
32984	987 512 551 04	61
33059	60688574	1, 2
33060	50500057	1
33061	60680087	1
33062	50508010	1
33063	50508060	2
33064	50515442	2
33337	46827091	22
33338	46830389	21
33338	46830389	37
33339	51812267	21



Ref. - No.



33340	51736744	23
33341	51736745	23
33342	46812168	23
33343	51801718	22
33344	51734960	21
33345	71743352	23
33346	51778432	22, 23
33347	51785412	21
33393	8731.Q1	18
33393	8731.Q1	58
33393	5802A007	48
33393	5802A008	48
33538	51 23 8 397 401	15
33560	81770-0X000	33
33561	81780-1J000	33
33562	81771-29221	34
33563	81161-3K000	34
33564	81771-3K000	34
33565	81771-3A001	34
33847	81771-3D002	34
33974	91163328	79
33974	5132 267	51
34112	170 750 00 36	46
34113	1P0 827 550 A	70
34200	51 24 7 250 308	12
34410	8731.T4	58
34411	8731.H4	58
34412	9614.V4	58
34413	8731.G9	58
34414	8731.Q8	57
34415	8731.Q5	57
34416	8731.Q7	57
34417	8731.Q6	57
34418	7925.23	57
34419	7925.18	56
34420	8731.P9	56
34421	8731.L7	56
34422	8731.S7	56
34424	8731.V6	18
34424	8731.V6	59
34425	8731.S0	18
34425	8731.S0	59
34427	8731.L8	20


**Ref. - No.**


<b>34428</b>	1354844080	21
<b>34428</b>	8731.V0	19
<b>34428</b>	8731.V0	58
<b>34429</b>	1498071080	23
<b>34429</b>	8731.P5	19
<b>34429</b>	8731.P5	58
<b>34430</b>	8731.R8	18
<b>34430</b>	8731.R8	59
<b>34431</b>	8731.R9	18
<b>34431</b>	8731.R9	59
<b>34433</b>	8731.E0	18
<b>34433</b>	8731.E0	59
<b>34434</b>	8731.G6	18
<b>34434</b>	8731.G6	58
<b>34435</b>	8731.P8	56
<b>34436</b>	8731.K8	18
<b>34437</b>	8731.R6	17
<b>34438</b>	8731.R7	17
<b>34439</b>	8731.K1	17
<b>34440</b>	8731.F6	17
<b>34441</b>	8731.N8	17
<b>34442</b>	8731.P0	17
<b>34443</b>	90463253	80
<b>34443</b>	0176 387	53
<b>34444</b>	8731.P1	16
<b>34445</b>	8731.T0	16
<b>34446</b>	8731.J8	16
<b>34447</b>	8731.J9	16
<b>34448</b>	8731.L9	16
<b>34449</b>	8731.S8	16
<b>34505</b>	41 62 7 166 758	11
<b>34506</b>	51 24 7 127 875	12
<b>34507</b>	4 378 216	30, 31
<b>34508</b>	51 24 7 129 215	12
<b>34509</b>	9199 932	77
<b>34509</b>	0132 531	50
<b>34510</b>	51 23 7 183 741	14
<b>34512</b>	51 23 7 185 032	14
<b>34514</b>	51 23 7 148 346	15
<b>34515</b>	91168256	81
<b>34515</b>	4414 419	54
<b>34517</b>	51 23 7 148 864	47
<b>34518</b>	51 24 7 148 902	47


**Ref. - No.**


<b>36206</b>	31276851	93
<b>36207</b>	30649836	92
<b>36207</b>	30779837	92
<b>36208</b>	30649516	92, 93, 94
<b>36209</b>	31217640	93, 94
<b>36210</b>	30674203	92
<b>36210</b>	30674971	92
<b>36210</b>	30799158	92
<b>36210</b>	31218465	92
<b>36210</b>	31297829	92
<b>36211</b>	30784935	94
<b>36212</b>	30779343	94
<b>36212</b>	31297524	94
<b>36213</b>	31297156	94
<b>36213</b>	31335392	94
<b>36214</b>	31218478	92, 93
<b>36214</b>	9483570	92, 93
<b>36219</b>	30674718	93
<b>36219</b>	30716189	93
<b>36219</b>	30799159	93
<b>36219</b>	30799188	93
<b>36219</b>	31278322	93
<b>36220</b>	13258179	78
<b>36220</b>	0132 016	51
<b>36248</b>	13332570	79
<b>36248</b>	0176 124	52
<b>36249</b>	13332885	79
<b>36249</b>	0132 020	52
<b>36250</b>	13247949	79
<b>36250</b>	0176 676	52
<b>36747</b>	31298337	93, 94
<b>36747</b>	31335344	93, 94
<b>36747</b>	31335795	93, 94
<b>36960</b>	41 61 2 990 344	14
<b>37085</b>	204 980 05 64	44
<b>37274</b>	209 690 00 59	42
<b>37479</b>	3AE 827 550 A	86
<b>37480</b>	3AA 823 359 A	86
<b>37481</b>	3AF 827 550 B	86
<b>37482</b>	1T0 827 550 E	82
<b>37483</b>	8K5 827 919 A	5
<b>37491</b>	8T0 827 919	6
<b>37492</b>	8T8 827 552 B	6



	febi-no.		upper
Ref. No.	reference number		lower
	engine hood		sedan 4-door
	hatchback		coupe
	box-/ Tailboard		convertible
	(ex.) Tailgate		hatchback 3-door
	steering-damper		hatchback 5-door
	Belt Drive		estate
(ex.)	except / excluding		MPV
(ch.)	chassis number		Wing-door
(mot.)	engine code		variable opening angle
(mot. no.)	Engine Number		for rear lid with detachable screen
LHD	left-hand drive		rear-window
RHD	right - hand drive		for tailgate with remote closing
AC	air conditioning		Emergency Triangle
servo	power steering		Panelling
	manual transmission		rear-window wiper
	automatic transmission		rear spoiler
	left		Overall hatchback
	right		Lower hatchback door