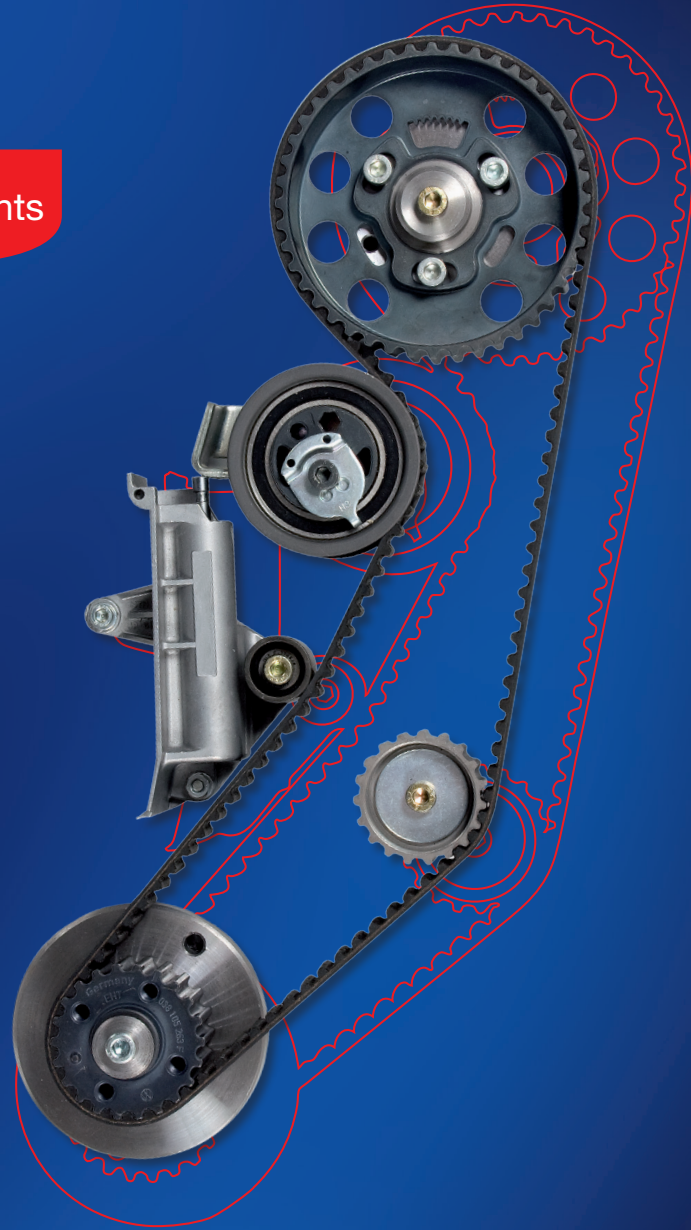


# Engine Timing Components

- Including Auxiliary Drive Components



# INDIVIDUALLY STRONG, UNBEATABLE AS A TEAM

The bilstein group is a family-run, independent group of companies providing a single strong umbrella under which the prestigious product brands febi, SWAG and Blue Print are united.

As a leading specialist in the global automotive aftermarket, the bilstein group offers spare parts and repair solutions to fit all popular makes of cars and commercial vehicles.

The range, which is exceptional in its breadth and depth, comprises approximately 47,000 different products and is supplemented by practice-oriented services. The bilstein group can therefore meet even the highest requirements.



## Solutions „Made in Germany“ – At home all over the world

With a product line of over 30,000 different parts for cars and commercial vehicles, febi bilstein offers a complete and constantly growing range of professional vehicle repair products for all current vehicle makes and models.

### Focusing on our customers' interests

As a strong partner to the vehicle trade and workshops, our top priorities are quality assurance and service. This is why you will only find products of tested original equipment quality at febi bilstein.

### Looking to the future

As a supplier and manufacturer, we use the know-how we have acquired over many years and state-of-the-art manufacturing technologies in order to meet the growing expectations of the market at all times. For this reason we are continually investing in the expansion of our in-house production, testing equipment and machinery at febi bilstein. Only this way are we able to fulfil both our own requirements and our partners' expectations in terms of credible quality assurance.

### febi bilstein added value

- Original equipment quality
- Manufacturing expertise
- Just in time delivery in more than 140 countries



# User notes: clear and simple

The febi catalogue contains the following information:

- 1 Vehicle type (alphabetical order)
- 2 Model (alphabetical order)
- 3 Model year
- 4 Engine Capacity
- 5 febi number
- 6 febi number repair kit
- 7 Reference number
- 8 Part description in German and English
- 9 Restrictions and exceptions in general, the parts shown apply to all engine and design variants; exceptions are highlighted in this list
- 10 Dimensions

**OPEL Cascada**  
(03/13-)

**1,4**  
(A14NEL / A14NET / B1,4NEL / B1,4NET)

34161

17617

29629

Rep. Satz / rep. kit  
febi 34162

22370

(1) Steuerkette geschlossen / timing chain endless  
(2) Steuerkette offen / timing chain open  
Spezialwerkzeug zur Montage notwendig / requires special tools for mounting

Ref.-No.	Ref.-No.	Ref.-No.	Ref.-No.	Ref.-No.
17617	0637 241	Steuerkette / timing chain	(1)	130 E
22370	1340 267	Riemenspanner / belt tensioner	(2)	130N
29629	0637 241 S1	Steuerkette / timing chain	(1)	130 E
34161	0638 059	Kettenspanner / chain tensioner	(1)	130 E
34162	0637 241 S2	Rep. Satz Steuerkette / rep. kit timing chain	(1)	130 E

Der Einbau darf nur durch geschultes Fachpersonal erfolgen. / The installation may exclusively be performed by trained specialist staff.

837

# Find every part: quick and convenient

- You know the vehicle type and the vehicle manufacturer's reference number:

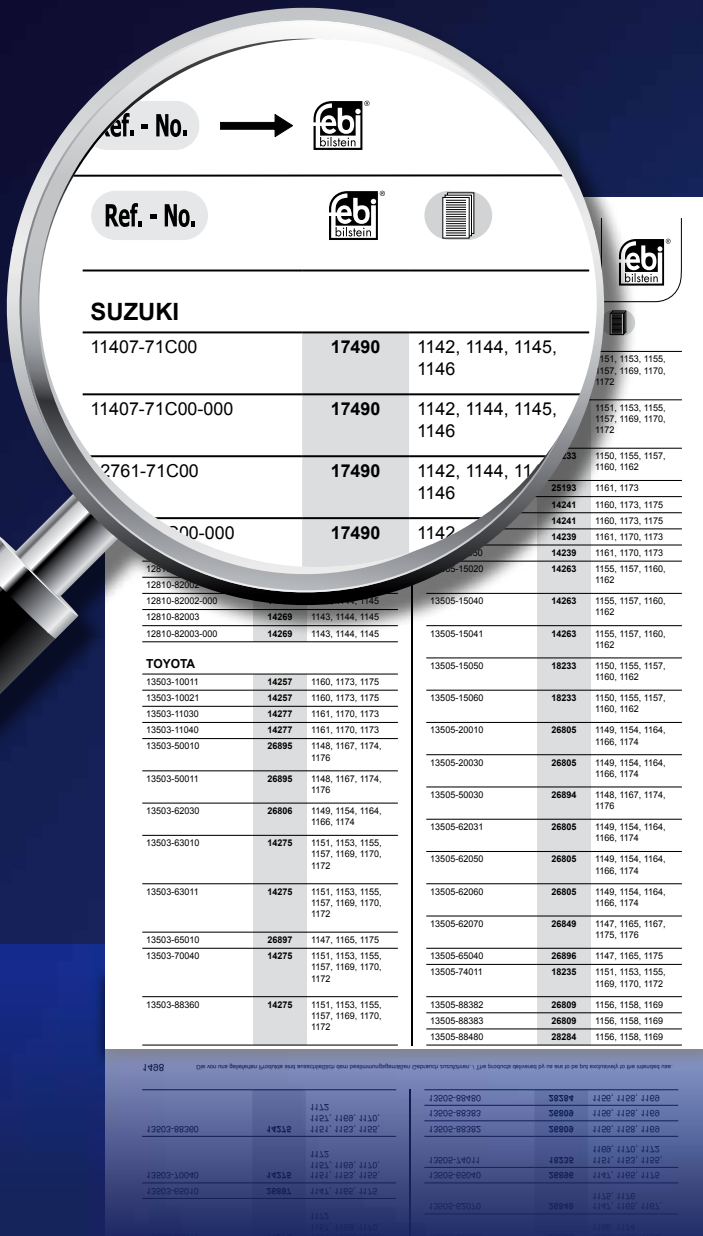
Reference number → febi number → Page number

- The positioning of the reference numbers corresponds to the vehicle manufacturer's sorting sequence:

febi number → Reference number → Page number

- This list is sorted by febi number in ascending order.

**Note:** On the catalogue cover, you will find a list of symbols and abbreviations with explanations in different languages.



**ALFA-ROMEO**

145 / 146	1-3
147	4-6
155	7-8
166	11
156 / Sportwagon	9
159 / Sportwagon	10-11
Brera	12
G+V	15
Giulietta	13-14
Giulietta MY	14
GT	16
Mito	17
Mito MY	18
Spider 916	19
Spider 939	20
Spider Nuovo	21

**AUDI**

100 (43)	32
100 (44)	33-34
100 (4A)	35-37
200 (43)	32
200 (44)	33-34
50 (86)	22
80 (81)	24-25
80 (82/83/84)	23
80 (89/8A)	26-28
80 (8C)	29-31
90 (81)	24-25
90 (89/8A)	26-28
A1 (8X)	38
A2 (8Z)	39
A3 (8L)	40-41
A3 (8P)	42-45
A3 Cabrio	42
A4 (8D)	46-53
A4 (8E/8H)	54-55
A4 Cabrio (8H)	50-53
A5 (8T)	55
A6 (4A)	56
A6 (4B)	56-58
A6 (4B2/4B5)	59-61
A6 (8D)	35-37
A6/S6 (4F)	62-63
A8 (4D)	64-66
A8/S8 (4E)	67-68
Cabrio (8G)	69-71
Coupe (8B)	73-75
Coupe (8G)	72
Q5 (8R)	76
Q7 (4L)	76
S4 (8K)	55
S5 (8F)	55
TT (5J)	79

**AUDI**

TT (8N)	77
TT / Quattro	78
V8 (44/4C)	80

**BMW**

1502 - 2002	81
1'er (E81/E82/E87LCI/E88)	83-85
1'er (E82/E88)	86
1'er (F20/F21)	87-89
2500 - 3,3 Li (E3)	82
2'er (F22)	90
3'er (E21)	91-92
3'er (E30)	93-95
3'er (E36)	96-101
3'er (E46)	102-105
3'er (E90 - E93/LCI)	106-112
3'er (F30/F31/F34)	113-115
4'er (F32/F33/F36)	116-117
5'er (E12)	118-119
5'er (E28)	120-122
5'er (E34)	123-130
5'er (E39)	131-135
5'er (E60/LCI/E61/LCI)	136-140
5'er (F10/F11)	142-145
5'er Gran Turismo (F07)	141
6'er (E24)	146-147
6'er (E63/LCI/E64/LCI)	148-151
6'er (F12/F13)	152-153
7'er (E23)	154
7'er (E32/E38)	155-162
7'er (E65/E66)	163-166
7'er (F01/F02/F04)	166-167
8'er (E31)	168-171
X1 (E84)	172-174
X3 I (E83/LCI)	175-177
X3 II (F25)	178-179
X5 I (E53)	180-183
X5 II (E70/LCI)	184-186
X6 (E71)	187-188
Z 8	204
Z1	189
Z3	190-196
Z4 I (E85)	197-201
Z4 II (E89)	202-203

**CHEVROLET**

Aveo	205-207
Captiva	207-209
Cruze / Cruze Notchback	210-211
Epica	212
Evanda	211
HHR	213
Kalos	214
Lacetti	215

**CHEVROLET**

Matiz / Spark	216
Nubira	217
Orlando	218
Rezzo / Tacuma	218
Volt	219

**CHRYSLER**

Crossfire	220
GS Daytona Shelby Coupe	221
Le Baron / Le Baron Cabriolet	221-222
Neon	222-223
Neon II	223
PT Cruiser	224
Sebring / Sebring Cabriolet	225
Stratus	225-226
Voyager II / Voyager III	227

**CITROËN**

AX	228-229
Berlingo I + II	230-233
Berlingo III	234
C1	235
C15	259
C2	235-238
C25	260
C3 I	238-240
C3 II	241
C3 III	241
C3 Picasso	243
C3 Pluriel	242
C4 Grand Picasso	248-249
C4 I	244-246
C4 II	247
C5 I	250-251
C5 I + II	252-253
C5 III	254-255
C6	256
C8	257-258
DS3	261
DS4 / DS5	262-263
Evasion	264-266
Jumper I / Jumper II	267
Jumpy I+ II	267
Jumpy III	268
Nemo	268
Saxo	269-273
Xantia	274-277
XM	278-281
Xsara II	282-285
Xsara Picasso	286-287
ZX	288-294

**DACIA**

Duster	295
--------	-----

**DACIA**

Logan 1	296
Logan 2	297-298
Logan MCV / Pick-Up	297
Sandero 1	299
Sandero 2	300

**DAEWOO**

Espero	301
Evanda	302
Kalos	303
Lacetti	304
Lanos	305
Leganza	306
Matiz	307
Nexia	308
Nubira	309-310
Rezzo / Tacuma	311

**DODGE**

Caravan II	312
Neon I	312
Neon II	313
Stratus	314

**FIAT**

500 MY	316
500 Nuova	315
Barchetta (183)	317
Brava I (182), Bravo I (182)	318-321
Bravo II Nuova (198)	321-322
Bravo Nuova MY	322
Cinquecento	323
Coupe (175)	324-326
Croma (154)	327
Croma (194)	328
Doblo (119) / Cargo (223)	329-330
Doblo Nuovo Cargo (152/263)	330
Ducato (230)	331
Fiorino (146)	332
Fiorino Nuovo (225)	333
Grande Punto / Abarth (199)	354
Idea	334
Linea (323)	335
Marea / Marea SW (185)	336-339
Multipla (186)	340
Palio / Palio Rest. (178)	341-343
Palio / Siena Extra Europa Rest. (178/BX)	343
Palio Weekend / Siena Rest. (178)	344
Panda Classic (312)	346
Panda II Nuova (169)	345
Panda MY (169)	347
Panda Nuova (312)	347

**FIAT**

Punto Evo / Abarth	355
Punto I (176)	348-351
Punto II (188)	352-353
Punto MY 13	356
Punto Nuova MY 12 (199)	356
Qubo (225)	357
Scudo (220)	357-358
Seicento (187)	358
Siena / Siena Rest. (220)	359-360
Stilo / SW (192)	361-362
Strada (178 E)	363-364
Tipo (160) / Tempra (159)	365-368
Ulysse I (220)	369-371
Ulysse II (179)	372-373
Uno (146)	374-375
Uno Mondo	376

**FORD**

B-Max	377
Capri 73 / 75	378
Consul / Granada	378
Cougar	379
Ecosport 13	379
Escort 81	380
Escort 83	381
Escort 86	382
Escort 91	383-385
Escort 95	386-388
Fiesta 02	399
Fiesta 08	400
Fiesta 13	401
Fiesta 76	389
Fiesta 84	390-391
Fiesta 89	392-394
Fiesta 96	395-398
Focus 04	405-406
Focus 08	407-408
Focus 11	409
Focus 99	402-404
Focus Cabriolet 06	410
Focus C-Max 03	411
Focus C-Max 07	412
Focus C-Max 11	413
Fusion 02	414
Galaxy 06	416-417
Galaxy 95 / 00	414-415
Granada 85	417
KA	418-419
Kuga 08	420
Kuga 13	420
Maverick 00	421
Maverick 01	422
Maverick 07	422
Mondeo 00	424

**FORD**

Mondeo 01	425
Mondeo 07	425-427
Mondeo 93 / 97	423-424
Orion 83	428
Orion 86	429
Orion 91	430-432
Probe	432
Puma	433
Ranger	434
Scorpio 85 / 92	434-435
Sierra 83	436
Sierra 87	437-440
S-Max 06	440-442
Street KA 03	443
Tanus / Cortina	444
Tourneo Connect 02	445
Transit	446
Transit 06	448
Transit 86	447
Transit 95 / 00	448
Transit Connect 02	449
Transit Connect 13	449

**HONDA**

Accord IV / V	450
Accord IX	452
Accord VI / VII	450-451
Accord VIII / Tourer	451
Civic Coupe	459
Civic II / III	453-454
Civic IV / V	454-456
Civic VI	456-457
Civic VII	457-458
Concerto	460
CR-V I	460
CR-V II	461
CR-V III	462
CRX II / III	461
FR-V	463
HR-V	464
Integra	464
Legend / Accord	465
Logo (GA3)	466
Prelude IV / V	466
Shuttle	467
Stream	467

**HYUNDAI**

Accent / Verna	468
Atos / Prime	469
Centennial	470
Coupe	491
Coupe (GK)	472
Coupe (RD)	471

## HYUNDAI

Elanta (XD)	474-475
Elantra	473
Excel	476
Galloper	477
Getz	478
H-1	479-480
H-100	480
i10	481
i30	481
Lantra (J1)	482-484
Lantra (J2)	483-485
Matrix / Lavita	486
Pony	487
Santa Fe	488-489
Santamo	490
Santro	490
Sonata	492-493
Sonata III EF	493-494
Sonata IV (EU)	494-495
Terracan	496
Trajet	497-498
Trajet (FO)	499
Tucson (JM)	500
XG25 / XG30	501

## KIA

Avella	502
Carens I	503
Carens II	504
Carnival I + II	505-506
Cee'd	508
Cerato	507
Clarus	509
Credos	510
Joice	511
Magentis (GD)	512
Mentor I / II	513
Opirus	515
Optima	516
Picanto	517
Pride	518
Retona	519
Rio I	520
Rio II	521
Sephia I	522
Shuma	523
Sorento	524
Spectra	525
Sportage	514
Sportage (K00)	526

## LANCIA

Dedra / SW (835)	527-532
Delta I (831)	533-534

## LANCIA

Delta II (836)	535-538
Delta III (844)	539
Delta MY	540
Kappa (838)	541-542
Lybra / SW (839)	543-545
Musa (350)	546
Phedra (179)	547-548
Thema / SW (834)	549
Thesis (841)	550-551
Y (840A)	553-554
Y 10 (156)	552
Ypsilon (843)	555
Ypsilon New (846)	556
Zeta (220)	557-559

## LAND ROVER

Freelander	560
------------	-----

## LEXUS

ES250 / E300 (V10/V20/V21/V30)	561
GS300 (JZS147)	561
GS300 / GS400 / GS430 (JZS160)	561
GS300 / GS400 / GS430 (UZS)	562
GX470 (UZJ)	562
IS200 / IS300 (JCE10)	563
LS400 / LS430 / LX470 (UCF/ UZJ)	564
RX300 / RX400 H (U1/U3/U15/ U38)	564
SC300 (JZZ)	565
SC400 / SC430 (JZZ/UZZ)	566

## MAZDA

121 / 323	567
2	568
3 (BK/BL)	569
323 (BA)	571,573
323 (BF/BG)	570
323 (BJ)	572-573
5 (CR/CW)	569
626 (GD/GV)	574
626 (GE)	575
626 (GF/GW)	575
B1600 -> 2600	576
Demio	576
MPV (LW)	580
MX-3 (EC)	577
MX-5 (NA/NB/NC)	578
MX-6 (GE)	579
Premacy (CP)	581
Tribute (EP)	581
Xedos 6	582
Xedos 9	583

## MERCEDES-BENZ

190er (BM 201)	606-615
207/307D/407D - 210/310D/410D (BM 601/602/309/611)	616-619
A-Klasse (BM 168)	620
A-Klasse (BM 169)	620
B-Klasse (BM 245)	621
BM 110 (Heckflosse)	584
BM 111 (Heckflosse)	585-586
BM 114 ( / 8 )	587-589
BM 115 ( / 8 )	590-591
BM 123	592-596
BM 124	597-605
C-Klasse (BM 202)	622-626
C-Klasse (BM 203)	627-630
C-Klasse (BM 204)	631-634
CLK-Klasse (BM 207)	641-642
CLK-Klasse (BM 208)	643-644
CLK-Klasse (BM 209)	645-648
CL-Klasse (BM 215)	635-638
CL-Klasse (BM 216)	639-641
CLS-Klasse (BM 219)	649-651
E-Klasse (BM 207)	652
E-Klasse (BM 210)	653-661
E-Klasse (BM 211)	662-665
E-Klasse (BM 212)	666-669
G-Klasse (BM 460)	670-671,675
G-Klasse (BM 461)	672-675
G-Klasse (BM 463)	676-683
GLK-Klasse (BM 204)	683
Maybach (BM 240)	684
M-Klasse (BM 163)	685-686
M-Klasse (BM 164)	687-688
R-Klasse (BM 251)	689-690
S-Klasse (BM 108)	691-692
S-Klasse (BM 109)	692
S-Klasse (BM 116)	693-696
S-Klasse (BM 126)	697-701
S-Klasse (BM 140)	702-705
S-Klasse (BM 220)	706-709
S-Klasse (BM 221)	710-711
S-Klasse (BM 222)	712
SLK-Klasse (BM 170)	736-738
SLK-Klasse (BM 171)	739-741
SLK-Klasse (BM 172)	741-742
SL-Klasse (BM 107)	713-720
SL-Klasse (BM 113)	721-732
SL-Klasse (BM 230)	732-735
SL-Klasse (BM 231)	735
SLR-Klasse (BM 199)	742
SLS-Klasse (BM 197)	743
Sprinter (BM 901-904)	744
Sprinter 224/322/324/524 (BM 906)	745-746
T2 (BM 667)	747-748



**MERCEDES-BENZ**

Transporter (BM 601/602/611)	749
Vaneo (BM 414)	750
Vito / Viano (BM 639)	754-755
Vito / V-Klasse (BM 638)	751-753

**MINI**

Mini II (R50/R52)	756
Mini II (R52/R53)	757
Mini II (R55/R56/R57)	758
Mini II (R55/R56/R57/R58/R59)	759
Mini II (R55LCI/R56LCI/R57LCI/R58/R59)	761
Mini II (R55LCI/R56LCI/R57LCI/R58/R60/R61)	760

**MITSUBISHI**

Carimsa (DA_)	762
Colt III (C51A/C52A/C58A)	763
Colt IV (CA1A/CA4A/CB4A/CC4A/CD4A)	764
Colt V (CJ1A/CJ2A/CJ4A)	765
Colt VI (Z32A/Z34A/Z36A)	766
Eclipse I (D22A/D27A)	767
Galant III (E15A) / Galant IV (E33A/E38A/E39)	768
Galant V (E52A/E55A/E75A)	769
Galant V (E54A/E88A)	770
Galant VI (EA2A/W/EA3A/W)	771-772
Galant VII	772
Grandis (NA4W)	773
L 200 (K62T/K75T)	780
L300 I	781
L300 II (P13T)	782
Lancer (CS)	778
Lancer (CS9A/W/CT9A)	779
Lancer (CY2A)	779
Lancer III (C12V)	774
Lancer IV (C61A/C62A/C68A) / Lancer V (CB1A/CB8A/W)	775
Lancer V (CK4A)	776
Lancer VI (CK1A/CK2A)	777
Lancer VII (CS1A/CS3A/W)	778
Outlander (CU2W)	783
Pajero II (V2_W/V4_W/V_7W/K90/K96W)	784
Pajero Pinin (H66W)	785
Sapporo	786
Sigma	787
Space Gear (PA3V/W/PA4V/W/PB3V)	788
Space Runner (M64W)	791
Space Runner (N11W/N21W/M63W)	790
Space Star (DG1A/DG3A)	789

**MITSUBISHI**

Space Star (DG5A)	789
Space Wagon	794
Space Wagon (N31W/N41W)	792
Space Wagon (N33W/N43W)	793
Space Wagon (N34W)	793
Starion (A183A)	795

**NISSAN**

Cherry / Sunny / Prairie	796
King Cab/Urvan (D21/E23+24/720)	797
Kubistar (X76)	798-800
Micra (K10)	801
Primastar (X83)	802

**OPEL**

Adam	803
Agila A	804-805
Antara	806
Ascona B	807
Ascona B+C / Manta B	808-809
Astra F	810-815
Astra G	816-823
Astra H	824-828
Astra J	829-830
Calibra	831-836
Cascada	837
Combo D	838
Corsa A	838-840
Corsa B	841-844
Corsa C	845-848
Corsa D	849-851
Frontera A + B	852
GT	853
Insignia	854-855
Kadett C	856
Kadett D	856
Kadett E	857-860
Meriva A	861-865
Meriva B	866
Mokka	867
Omega A	868-870
Omega B	871-873
Rekord E / Commodore C / Monza / Senator A	874
Senator B	875
Signum	875-878
Sintra	879-880
Speedster	881-882
Tigra A	883
Tigra B	884-886
Vectra A	887-891
Vectra B	892-897
Vectra C	898-900
Vivaro	901

**OPEL**

Zafira A	902-905
Zafira B	906-908
Zafira C	909-910

**PEUGEOT**

106	911-914
107	914
205	915-916
206	917-921
207	924-926
208	926
306	927-933
307	934-936
308	937-938
309	939-942
405	943-946
406	948-952
407	953-954
508	955
605	956-957
607	958
806	959-960
807	961
1007	962-963
3008	964
206 +	923
206 CC	922
405 II	947
Boxer / J5	965
Expert I + II	966-967
Expert III	968
Partner I + II	969-971
Partner III	971-972
Partner Tepee III	972
RCZ	973

**PORSCHE**

911	974-978
964	974-975
993	974-975
911 T	974
914 / 6	974
924 S / 944 S	980
928 S	981
Boxster	982-983
Cayman	984-985
GT3-1	979
GT3-2	979

**RENAULT**

Avantime	986
Clio 1	987-990
Clio 2	991-994
Clio 3	995-996

**RENAULT**

Clio 4	997
Duster	997
Espace 1 / 2	998
Espace 3	999-1000
Espace 4	1001
Fluence	1001
Kangoo 1	1002-1003
Kangoo 2	1004
Laguna 1	1005-1009
Laguna 2	1010-1011
Laguna 3	1012
Logan 1	1013-1014
Logan 2	1016
Logan MVC / Pick-Up	1015
Megane 1 / Scenic 1	1017-1021
Megane 2 / Scenic 2	1022-1023
Megane 3	1023
Megane Generation	1024
Modus	1025
R19	1028-1030
R21	1031-1032
R5	1027
Rapid	1026
Safrane	1033-1034
Sandero 1	1035
Sandero 2	1036
Scenic 2	1037
Scenic 3	1038
Trafic 1	1039
Trafic 2	1040
Twingo 1	1041-1042
Twingo 2	1043
Vel Satis	1044
Wind	1045

**ROVER**

25 / 45	1046
75	1047-1048
100	1047
114	1049
200	1047, 1049
400	1050
416	1050
420 / 618-623 / 820 / 827	1051
Maestro / Montego	1052
MG ZR	1054
MG ZS	1054
MG ZT	1053
MGF	1052

**SAAB**

9000	1058-1060
900 II	1055
900 II	1056-1057

**SAAB**

9-3 I	1061
9-3 II	1062-1063
9-5 I	1064-1065

**SCION**

Scion TC (ANT10)	1066
Scion XD (ZSP110)	1066

**SEAT**

Alhambra (7M)	1067-1068
Alhambra (7N)	1069
Altea (5P)	1070-1074
Arosa (6H)	1075-1076
Exeo (3R)	1093
Ibiza (6J)	1094-1095
Ibiza (6K) / Cordoba (6K)	1077-1088
Ibiza (6L) / Cordoba (6L)	1089-1092
Inca (6K9)	1096
Leon (1M)	1097-1099
Leon (1P)	1100-1102
Toledo (KG3)	1111
Toledo I (1L)	1103-1104
Toledo II (1M)	1105-1108
Toledo III (5P)	1109-1110

**ŠKODA**

Fabia (6Y)	1112-1113
Fabia II (5J)	1114-1116
Felicia (6U) / Pick-Up (6U)	1117
Octavia (1U)	1118-1120
Octavia (1Z)	1121-1123
Rapid (N)	1124
Roomster (5J)	1125-1127
Suberb (3T)	1127, 1130
Suberb (3U)	1128-1129
Yeti 4x4 (5L)	1131

**SMART**

Fortwo / Roadster (BM 450/452)	1132
--------------------------------	------

**SUBARU**

Forester (S10)	1133
Forester (S11)	1134
Impreza (G10)	1135
Impreza (G11)	1136
Justy IV (M300)	1137
Legacy (B11)	1139
Legacy I / II (B10)	1138
Legacy III (B12)	1140
Legacy IV (B13)	1140
Outback	1141

**SUZUKI**

Baleno	1142
--------	------

**SUZUKI**

Samurai	1143
Swift I	1143
Swift II	1144
Vitara	1145
X-90	1146

**TOYOTA**

4 Runner (VZN)	1147-1148
4 Runner / Truck (VZN130)	1147
Aurion (ACV40) / Auris (ACV40)	1149
Avalon (X10/X20)	1149
Avensis (T22)	1150-1151
Avensis (T25)/Avensis Verso (M20)	1152
Aygo (KGB10)	1152
Camry (V10/V20/V30/V31/V36/V40/V41)	1154
Camry (V2/V1/V10/V20)	1153
Carina (T17/T19)	1155-1156
Celica (T16/T18/T20)	1157-1158
Celica (T23)	1159
Corolla (E11)	1161-1163
Corolla (E8/E9/E10)	1160
Corolla (EE80)	1161
Corolla / Corolla Verso	1163
Highlander (U2)	1164
Hilux (VZN)	1165
Hilux (VZN130)	1165
Kluger (U28)	1166
Land Cruiser / Land Cruiser Prado (J9)	1167
Land Cruiser 100 (UZJ)	1167
Land Crusier 200 (UZJ)	1168
Mr 2 (W2)	1169
Mr 2 (W3)	1169
Paseo	1170
Picnic (XM10)	1170
Prius (ZVW30)	1171
RAV 4 I (SXA1)	1172
RAV 4 II (ACA/CLA/ZCA)	1172
Sequoia (UCK)	1174
Sienna (L2/10)	1174
Starlet (EP81/EP91)	1173
T100 (VCK) / (RCK)	1175
Tacoma (VZN)	1175
Tercel	1175
Tundra (VCK)	1176
Vios (ZSP92)	1177
Wish (ZNE10)	1178
Yaris (KSP90/ZSP90)	1178

**VAUXHALL**

Adam	1179
Agila Mk I / A	1180-1181
Antara	1182

**VAUXHALL**

Astra Mk I	1183
Astra Mk II	1184-1186
Astra Mk III / F	1187-1191
Astra Mk IV / G	1192-1199
Astra Mk V / H	1200-1204
Astra Mk VI / J	1205-1207
Calibra	1208-1212
Carlton Mk I / Viceroy / Royale / Royale Coupe	1213
Carlton Mk II	1214-1216
Cascade	1217
Cavalier Mk I	1218-1220
Cavalier Mk II	1220
Cavalier Mk III	1221-1225
Combo D	1226
Corsa Mk I / B	1227-1230
Corsa Mk II / C	1231-1236
Corsa Mk III / D	1237-1239
Frontera Mk I / Mk II	1240
GT	1241
Insignia	1242-1243
Meriva Mk I / A	1244-1248
Meriva Mk II / B	1249
Mokka	1250
Nova	1251-1252
Omega B	1253-1255
Senator	1256
Signum	1256-1259
Sintra	1260-1261
Speedster	1262-1263
Tigra Mk I / A	1264
Tigra Mk II / B	1265-1267
Vectra Mk I / B	1268-1273
Vectra Mk II / C	1274-1276
Vivaro	1277
Zafira Mk I / A	1278-1281
Zafira Mk II / B	1282-1284
Zafira Mk III / C	1285-1286

**VOLKSWAGEN**

Caddy (14)	1287
Caddy (2K)	1289-1290
Caddy 2 / Pickup (9K/9U)	1288
Caddy 4 (2C)	1291
CC (358)	1291
Corrado (50)	1292-1294
Eos (1F)	1296-1297
Fox (5Z)	1295
Golf 1 (17) / Jetta 1 (16)	1298
Golf 1 Cabriolet	1298
Golf 2 (19/1G) / Jetta 2 (16)	1299-1301
Golf 3 / Vento (1H)	1302-1306
Golf 3 Cabriolet (1E)	1307
Golf 4 / Bora (1J)	1308-1311

**VOLKSWAGEN**

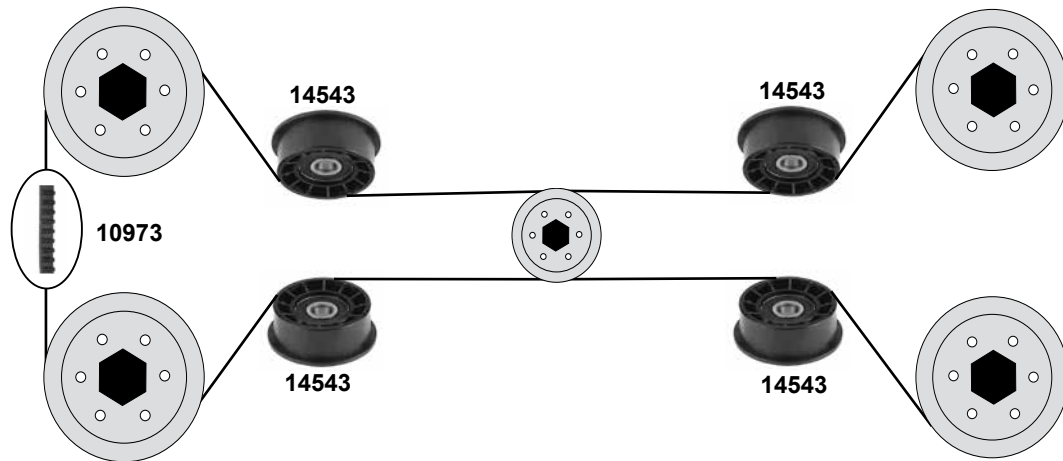
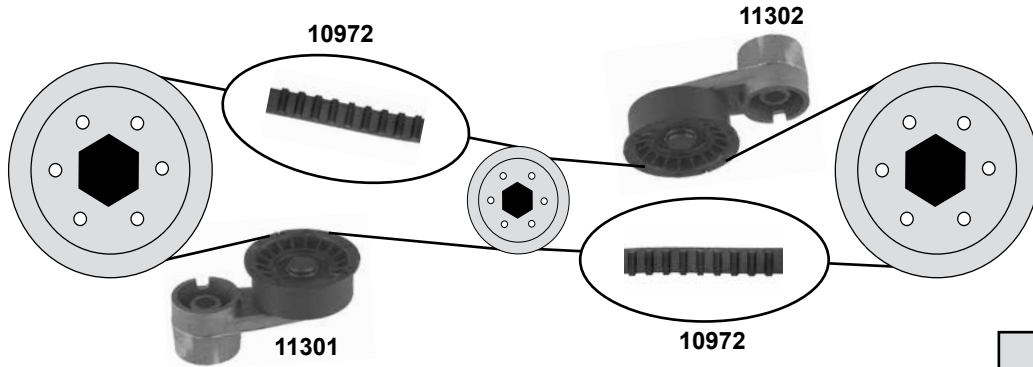
Golf 5 (1K)	1312,1314
Golf 5 Plus (1K)	1315-1316
Golf 5 Plus (5M)	1317
Golf 5 Variant (1K)	1313
Golf 6 / Golf 6 Plus (1K)	1318
Golf 6 / Golf 6 Plus (5K)	1319-1321
Golf 6 Cabrio (51)	1322
Jetta (1K)	1323-1325
LT (21)	1327
LT (2D)	1326
Lupo (6X)	1328-1329
New Beetle (5C)	1334-1335
New Beetle (9C/1C)	1330-1333
New Beetle Cabrio (1Y)	1336
Passat 1 + 2 / Santana (32)	1337
Passat 3 (31/3A)	1338-1340
Passat 4 (3B)	1341-1348
Passat 5	1349-1350
Passat 6	1351
Passat CC	1352
Phaeton	1353
Polo 1 / Derby (86)	1354
Polo 2 (86C)	1354
Polo 3 (6N)	1355-1357
Polo 3 (6V)	1358
Polo 4 (9N)	1359-1362
Polo 5 (6R)	1363-1364
Scirocco 2 (53)	1365
Scirocco 3 (137)	1366-1367
Sharan (7M)	1368-1371
Sharan (7N)	1372
Tiguan (5N)	1373
Touareg (7L)	1376
Touran (1T)	1374-1375
Transporter Typ 4 (70/7D)	1377-1379

**VOLVO**

240 → 260	1380
260	1381
340	1382
480	1385-1386
740	1387
850	1389-1390
960	1392-1393
340 → 360	1383
440 → 460	1384
740 → 760	1388
940 → 960	1391
C 30	1394-1396
C 70 II	1397
S 40 I	1398-1399
S 40 II	1400-1402
S 60 I	1405
S 60 II	1406-1407

**VOLVO**

S 70 I	1409
S 80 I	1414-1415
S 80 II	1416-1419
S 90	1420
V 40 Cross Country	1403-1404
V 40 I	1398-1399
V 40 II	1403-1404
V 50	1400-1402
V 60	1406-1407
V 70 I	1409
V 70 II	1410
V 70 III	1411-1413
V 90	1420
XC 60	1408
XC 70 I	1409
XC 70 II	1410
XC 70 III	1413
XC 90	1421-1423



(1) Motoren mit hydraulischen Stößeln / engines with hydraulic cam followers



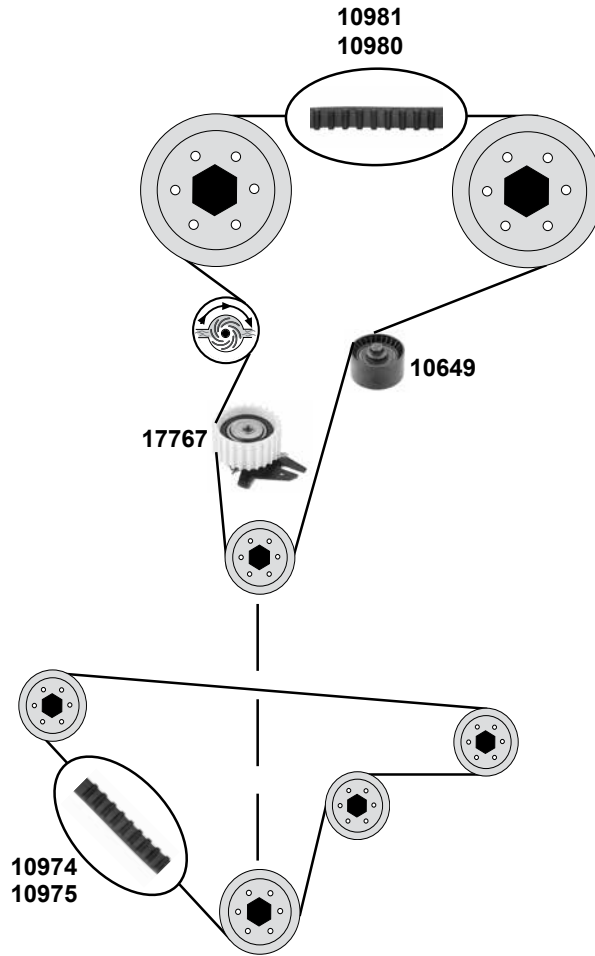
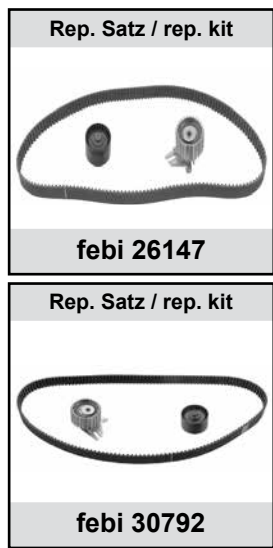
Ref. - No.



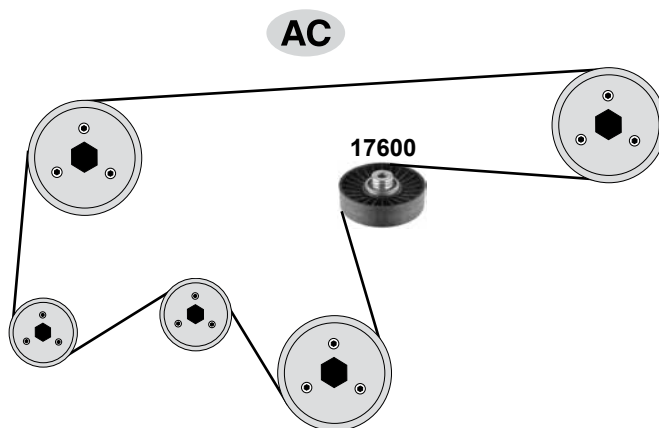
<b>10972</b>	60515034	Zahnriemen / timing belt	(1)	Z 100 B17
<b>10973</b>	60556211	Zahnriemen / timing belt		Z 121 B20
<b>11301</b>	60504224	Spannrolle / tension roller		
<b>11302</b>	60504225	Spannrolle / tension roller		
<b>11308</b>	60515034 S1	Rep. Satz Zahnriemen / rep. kit timing belt	(1)	
<b>14543</b>	60504226	Umlenkrolle / deflection pulley		ØA 60 ØI 12 H24



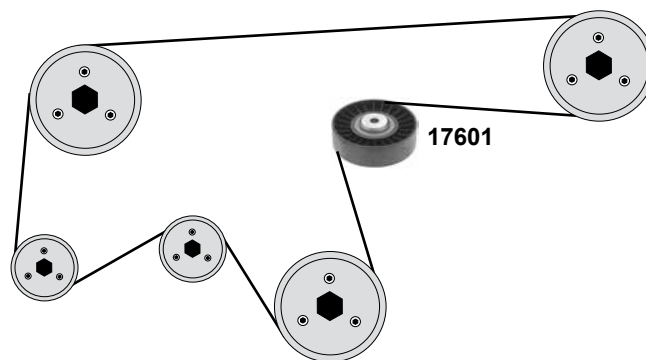
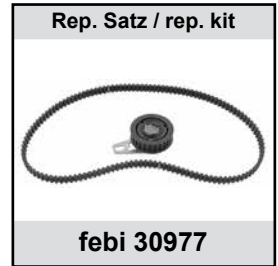
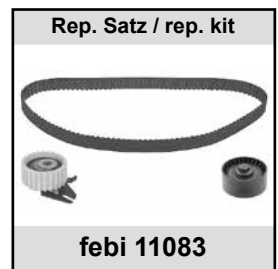
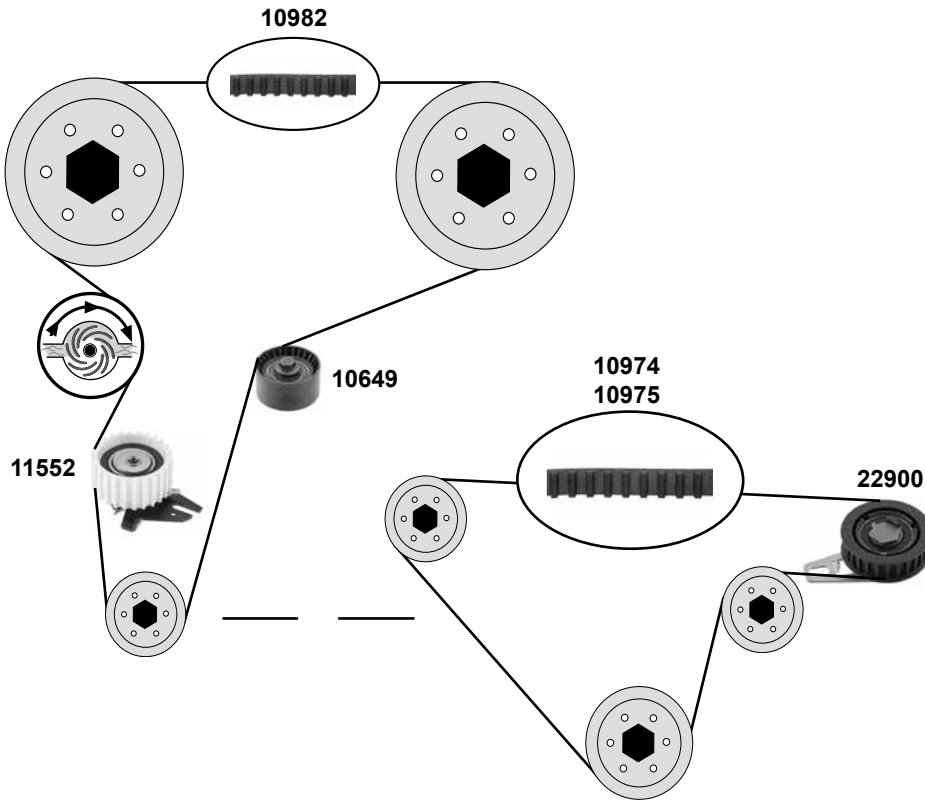
**1,4 / 1,6**



**1,4 TS / 1,6 TS / 1,8 TS**



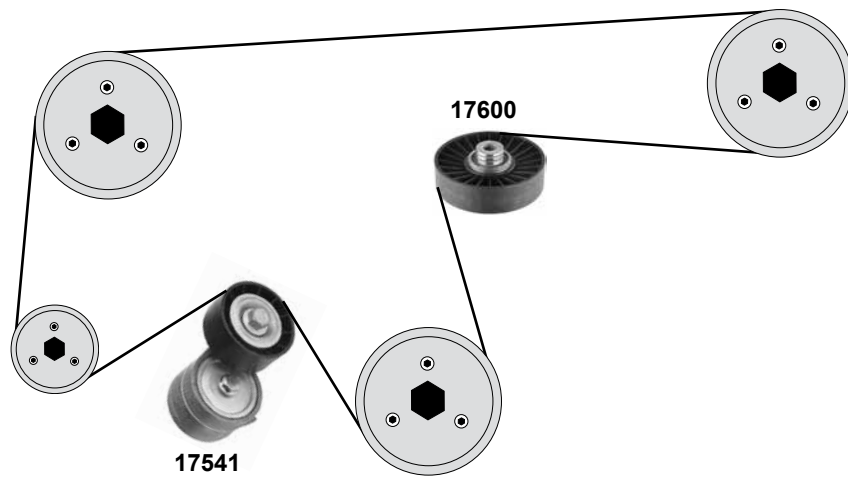
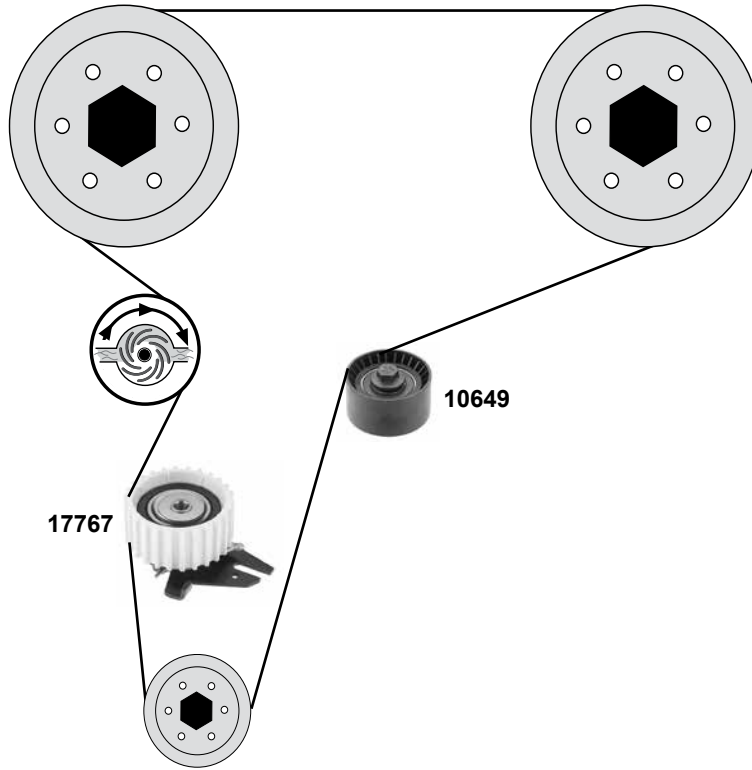
	Ref. - No.			
<b>10649</b>	60671573	Umlenkrolle / deflection pulley		ØA 57 H35
<b>10974</b>	7722331	Zahnriemen Ausgleichswelle / timing belt balance shaft	(mot.) → 0117878	Z 126 B15
<b>10975</b>	55221254	Zahnriemen Ausgleichswelle / timing belt balance shaft	(mot.) 0117879 →	Z 130
<b>10980</b>	55225504	Zahnriemen / timing belt	(mot.) 1,4 TS	Z 163
<b>10981</b>	55210626	Zahnriemen / timing belt	(mot.) 1,6	Z 166
<b>17600</b>	73501924	Umlenkrolle / deflection pulley	→ 00	ØA 90 H24,5
<b>17767</b>	55192240	Spannrolle / tension roller		Ø 64,7 B28,7
<b>26147</b>	71736725	Rep. Satz Zahnriemen / rep. kit timing belt	(mot.) 1,6	
<b>30792</b>	71736729	Rep. Satz Zahnriemen / rep. kit timing belt	(mot.) 1,4 TS	Z 163 B24



	Ref. - No.			
<b>10649</b>	60671573	Umlenkrolle / deflection pulley		ØA 57 H35
<b>10974</b>	7722331	Zahnriemen Ausgleichwelle / timing belt balance shaft	(mot.) → 0117878	Z 126 B15
<b>10975</b>	55221254	Zahnriemen Ausgleichwelle / timing belt balance shaft	(mot.) 0117879 →	Z 130
<b>10982</b>	55210628	Zahnriemen / timing belt		Z 168 B24
<b>11083</b>	71736724	Rep. Satz Zahnriemen / rep. kit timing belt		
<b>11552</b>	55192239	Spannrolle / tension pulley		ØA 65 H29
<b>17601</b>	60602136	Umlenkrolle / deflection pulley	AC	
<b>22900</b>	55221253	Spannrolle / tension roller	(mot.) 2,0	Ø64 B19,4 Z 25
<b>30977</b>	55221254 S1	Rep. Satz Zahnriemen / rep. kit timing belt	(mot.) 2,0 16 / 97→	Z 130 B15



### 1,6



(1) (mot.) 1,6 TS / → 10 / AC



Ref. - No.

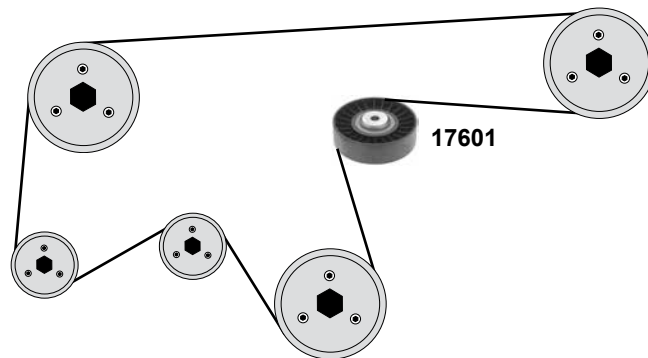
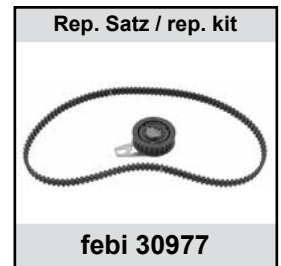
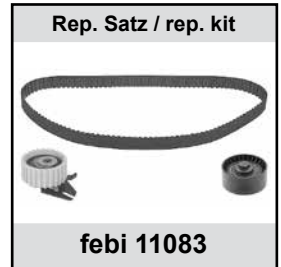
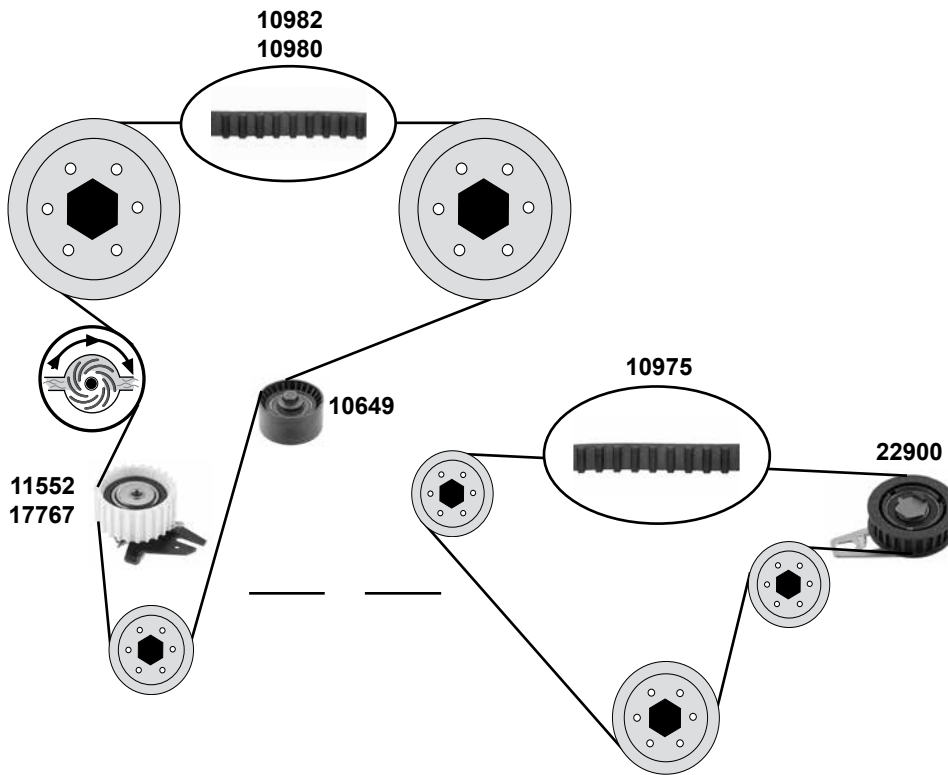


**10649** 60671573  
**17541** 46524692  
**17600** 73501924  
**17767** 55192240

Umlenkrolle / deflection pulley  
 RiemenSpanner / belt tensioner  
 Umlenkrolle / deflection pulley  
 Spannrolle / tension roller

(1)

ØA 57 H35  
 ØA 90 H24,5  
 Ø64,7 B28,7

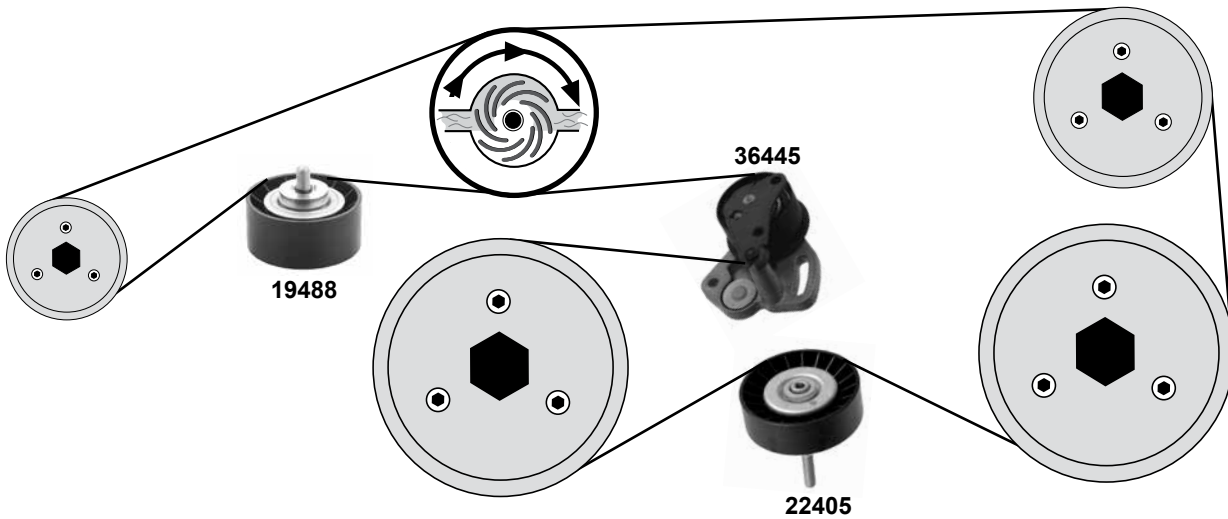


	Ref. - No.			
10649	60671573	Umlenkrolle / deflection pulley		ØA 57 H35
10975	55221254	Zahnriemen / timing belt		Z 130 B15
10980	60807260	Zahnriemen / timing belt		Z163 B24
10982	55210628	Zahnriemen / timing belt	(mot.) 1,6 TS	Z 168 B24
11083	71736724	Rep. Satz Zahnriemen / rep. kit timing belt	(mot.) 2,0	
11552	55192239	Spannrolle / tension pulley	(mot.) 2,0	ØA 65 H29
17601	60602136	Umlenkrolle / deflection pulley	(mot.) 2,0 (ex.) JTS	
17767	55192240	Spannrolle / tension pulley	AC	
22900	55221253	Spannrolle / tension roller	(mot.) 1,6 TS /JTS	Ø64,7 B28,7
30792	71736729	Rep. Satz Zahnriemen / rep. kit timing belt	(mot.) 2,0	Ø 64 B19,4
30977	55221254 S1	Rep. Satz Zahnriemen / rep. kit timing belt	(mot.) 1,6 TS	
			(mot.) 2,0	





### 3,2 GTA



Ref. - No.

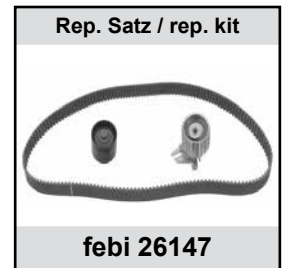
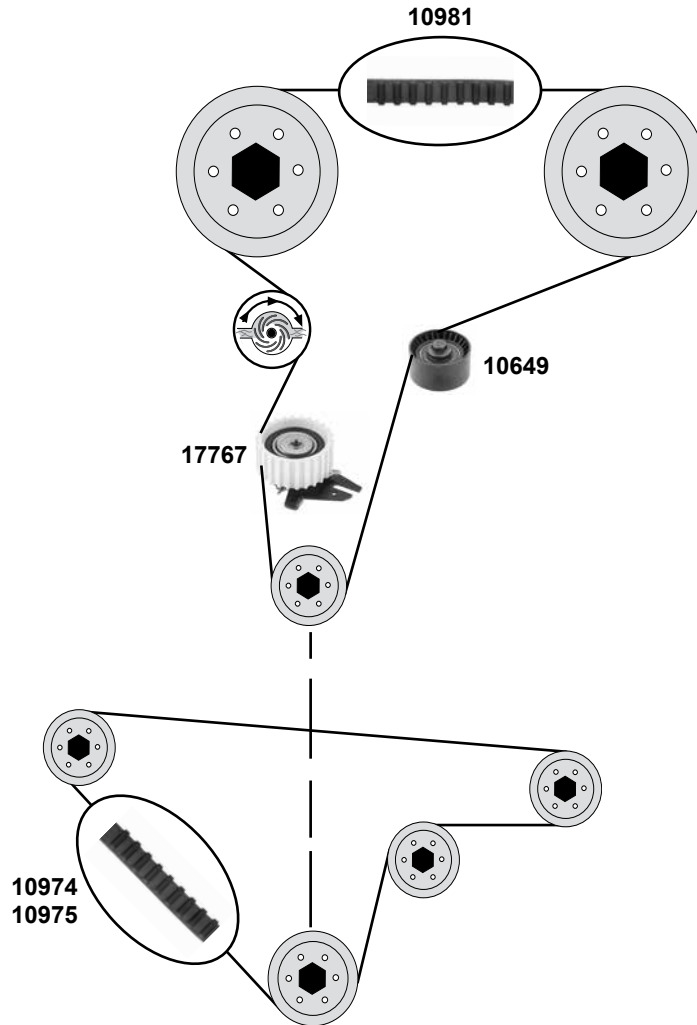


19488	55190052
22405	55190054
36445	55191536

Umlenkrolle / deflection pulley
Umlenkrolle / deflection pulley
Riemenspanner / belt tensioner

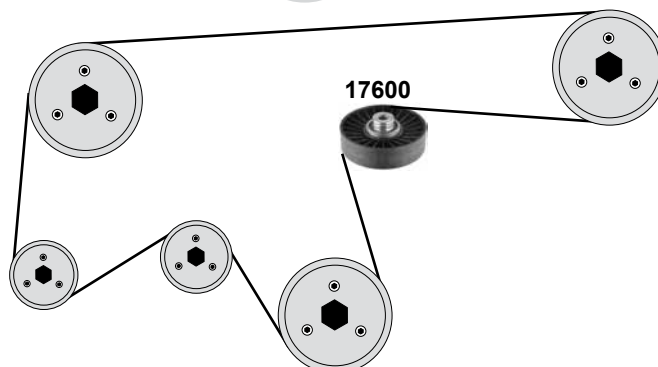
→ 10

ØA 65 B29
ØA 80 H26
ØA 60 B33



**1,6 TS / 1,8 TS**

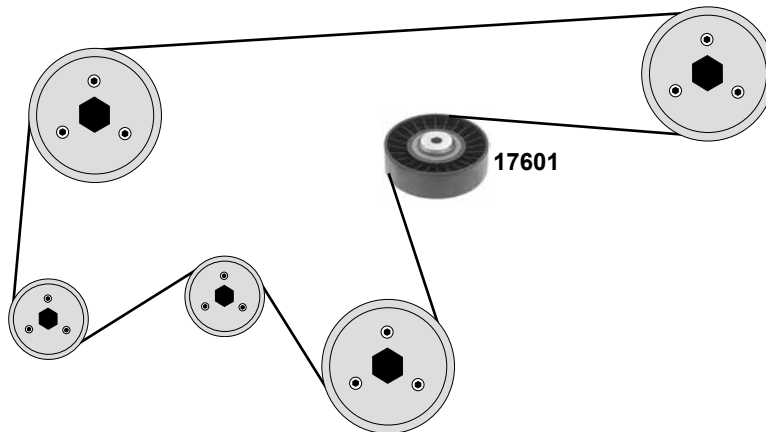
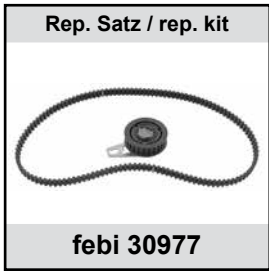
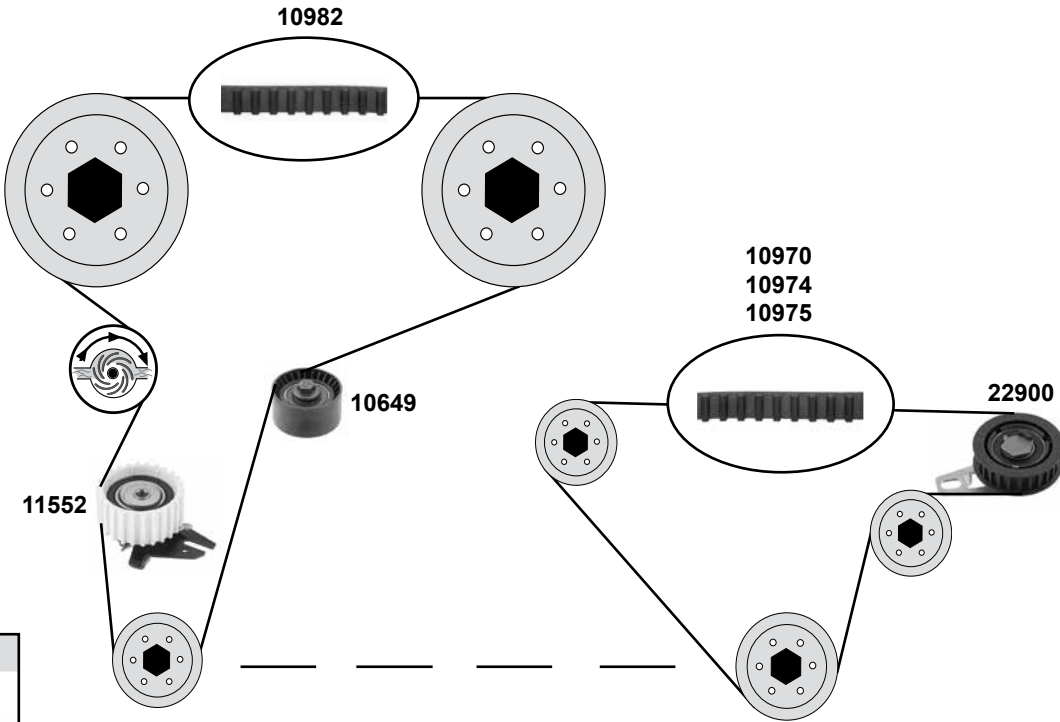
**AC**



	Ref. - No.			
<b>10649</b>	60671573	Umlenkrolle / deflection pulley		ØA 57 H35
<b>10974</b>	7722331	Zahnriemen Ausgleichwelle / timing belt balance shaft	(mot.) → 0087812	Z 126 B15
<b>10975</b>	55221254	Zahnriemen Ausgleichwelle / timing belt balance shaft	(mot.) 008713 →	Z 130
<b>10981</b>	55210626	Zahnriemen / timing belt		Z 166
<b>17600</b>	73501924	Umlenkrolle / deflection pulley	96 →	ØA 90 H24,5
<b>17767</b>	55192240	Spannrolle / tension roller		Ø64,7 B28,7
<b>26147</b>	71736725	Rep. Satz Zahnriemen / rep. kit timing belt		

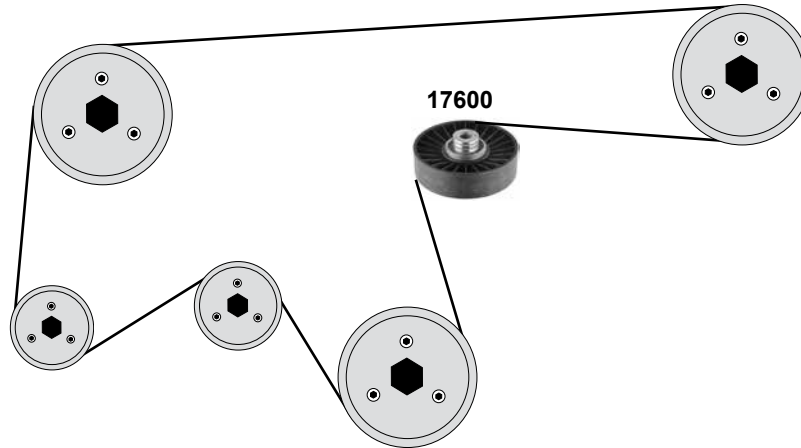


1,8 / 2,0

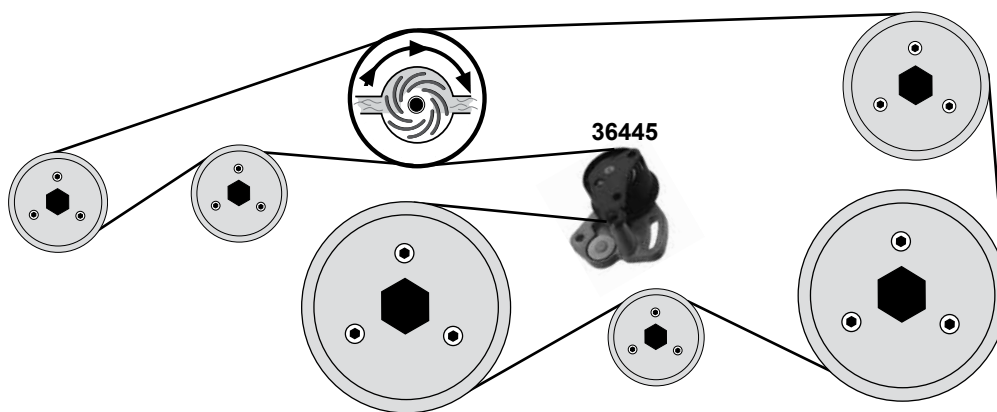


Ref. - No.				
<b>10649</b>	60671573	Umlenkrolle/ deflection pulley	96 → 97	ØA 57 H35
<b>10970</b>	60807260	Zahnriemen Ausgleichswelle / timing belt balance shaft	(mot.) 2,0 Turbo	Z 97
<b>10974</b>	7722331	Zahnriemen Ausgleichswelle / timing belt balance shaft	(mot.) → 0087812	Z 126 B15
<b>10975</b>	55221254	Zahnriemen Ausgleichswelle / timing belt balance shaft	(mot.) 0088713 →	Z 130
<b>10982</b>	55210628	Zahnriemen / timing belt		Z 168 B24
<b>11552</b>	55192239	Spannrolle / tension roller	96 → 97	ØA 65 H29
<b>17601</b>	60602136	Umlenkrolle / deflection pulley		
<b>22900</b>	55221253	Spannrolle / tension roller	(mot.) 2,0 AC	Ø64 B19,4 Z 25
<b>30977</b>	55221253	Rep. Satz Zahnriemen / rep. kit timing belt	(mot.) 2,0 / 96 → 97	

**AC**



**2,5 / 3,2 GTA**



(1) 97 → 02 (mot.) 2,5  
01 → 05 (mot.) 2,5 / 3,2 GTA



Ref. - No.



**17600**  
**36445**

73501924  
55191536

Umlenkrolle / deflection pulley  
Riemenspanner / belt tensioner

(1)

ØA 90 H24,5  
ØA 60 B33

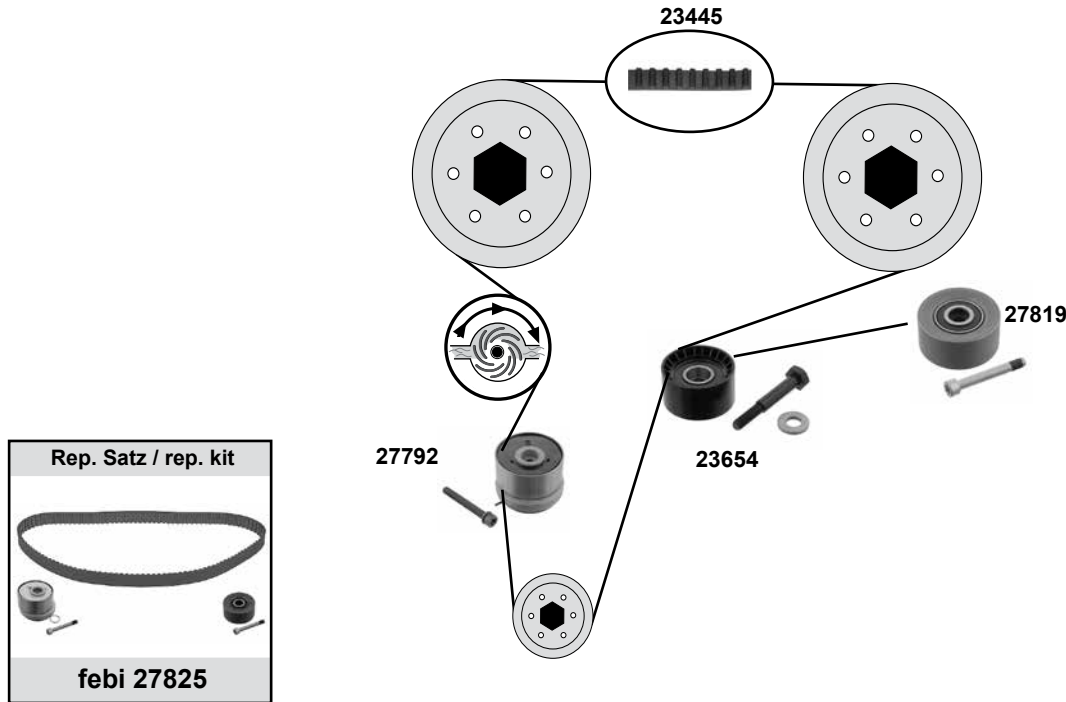
# ALFA ROMEO 159 / SPORTWAGON (939)

(05→11)

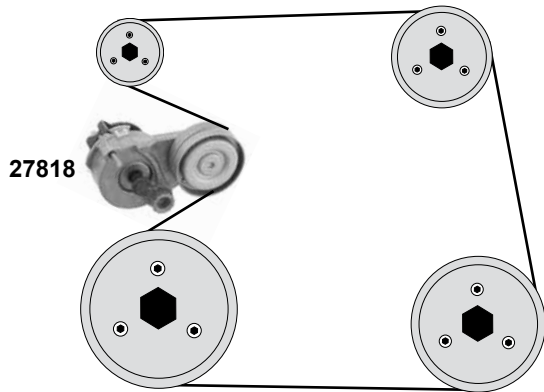
Car  
Division



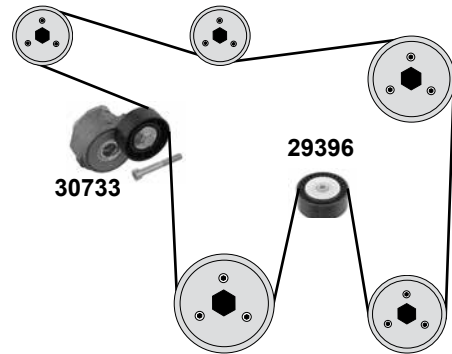
## 1,8 / TBI 103 , 147kW



## 1,8 103kW



## 1,8 147kW



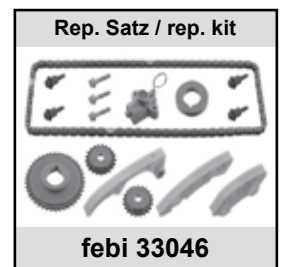
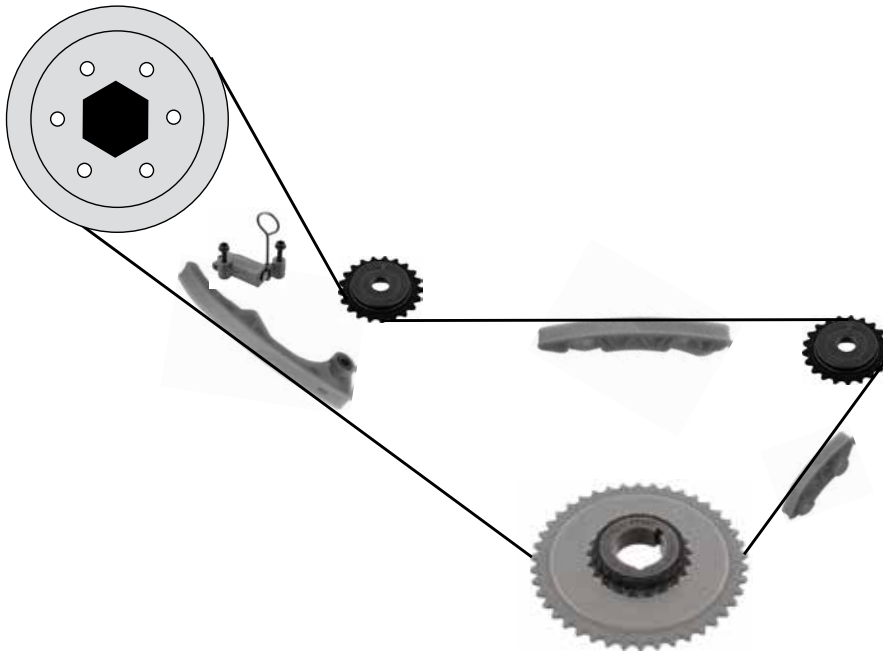
(1) 05 → 08 1,8 (103kW)  
08 → CC1.8 (ex.) Turbo Motoren / (ex.) turbo engines

(2) 1.8 (147kW) Turbo Motoren / turbo engines / AC

(3) 1,8 103kW 159/Sportwagon →11



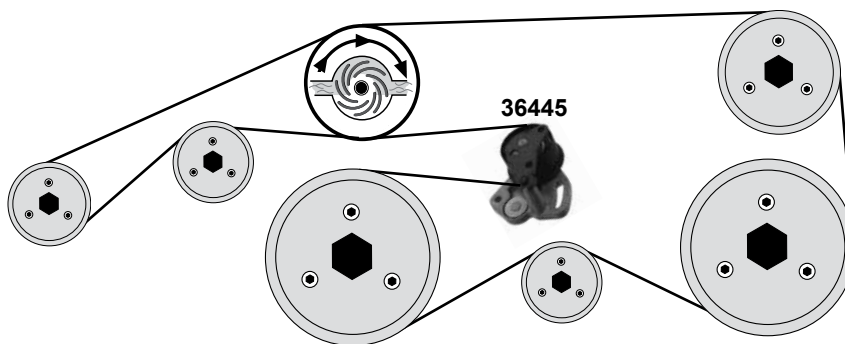
Ref. - No.				
23445	71739873	Zahnriemen / timing belt	(3)	Z146 B24
23654	55187100	Umlenkrolle / deflection pulley	159 147 kW	ØA 53 B23
27792	55574864	Spannrolle / tension roller	(3)	ØA 66 B29
27818	55563512	Riemenspanner / belt tensioner	(1)	
27819	71739801	Umlenkrolle / deflection pulley	(3)	ØA 61
27825	71739873 S1	Rep. Satz Zahnriemen / rep. kit timing belt	(3)	
29396	51758383	Umlenkrolle / deflection pulley		ØA 70 B26
30733	51773551	Riemenspanner / belt tensioner	(2)	ØA 65



**166**

(98→07)

**2,5 / 3,0 / 3,2 V6**

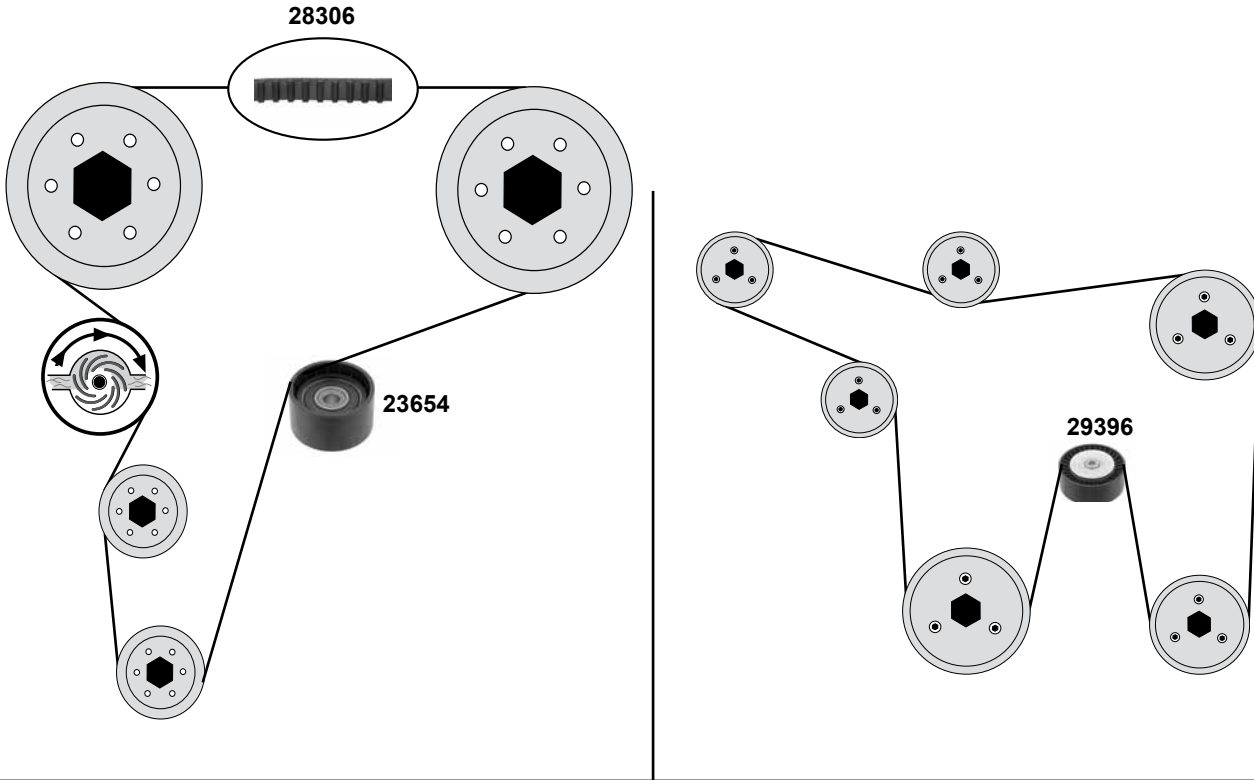


# ALFA ROMEO BRERA (05→10)

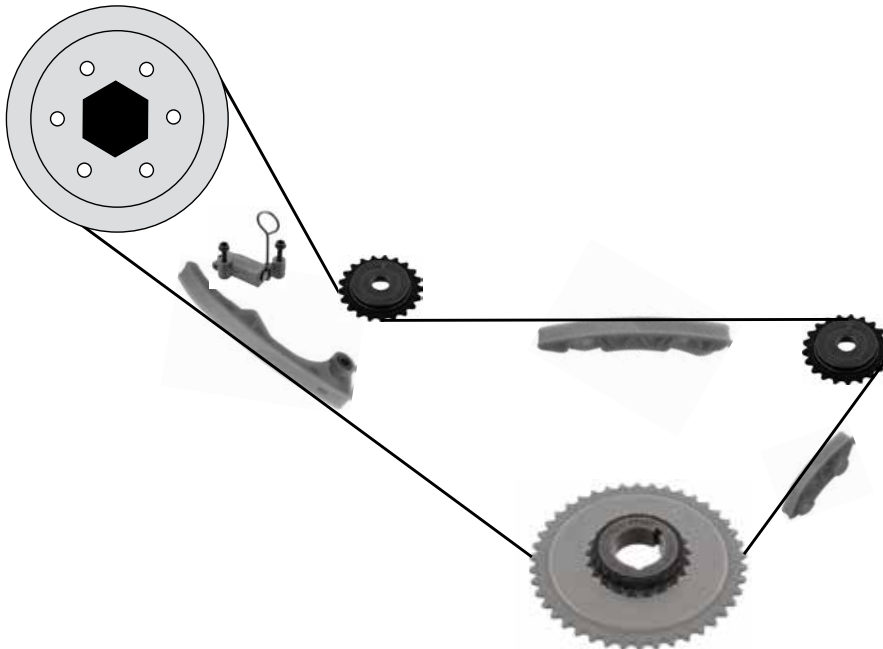
Car  
Division



## 1,8 TBi / 147kW



## 2,2 16V GDI



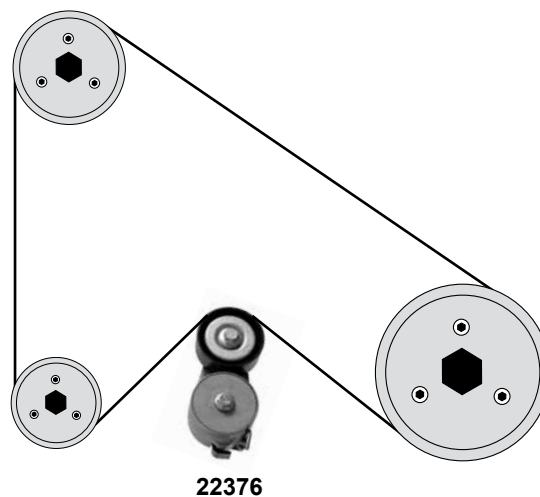
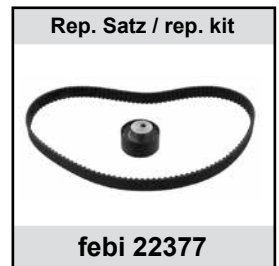
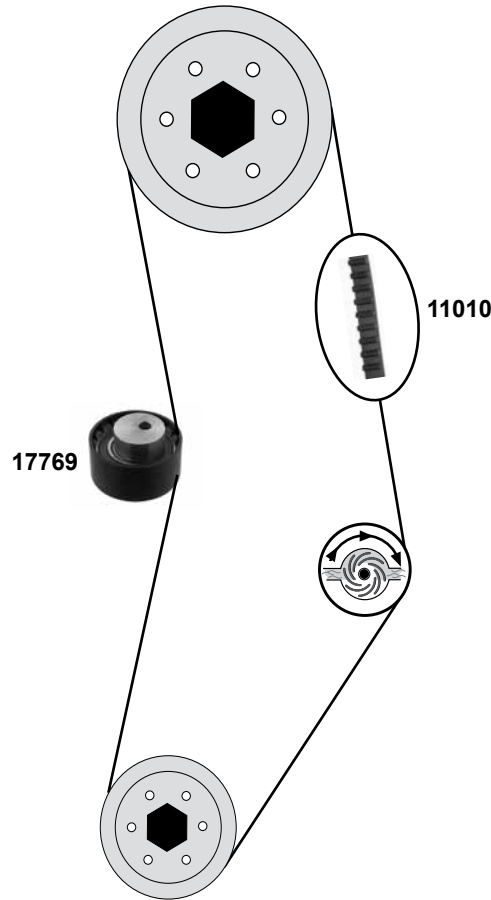
Rep. Satz / rep. kit

febi 33046

Ref. - No.	Umlenkrolle / deflection pulley	Zahnriemen / timing belt	Umlenkrolle / deflection pulley	Rep. Satz Steuerkette / rep. kit timing chain
23654	55187100			
28306	55183528			
29396	51758383			
33046	71739362 S1			

Coupe

ØA 53 B23  
Z 199 B24  
ØA 70 B26  
134 E



Ref. - No.



**11010**  
**17769**  
**22376**  
**22377**

46403659  
55248394  
55232827  
71736717

Zahnriemen / timing belt  
Spannrolle / tension roller  
Riemenspanner / belt tensioner  
Rep. Satz Zahnriemen / rep. kit timing belt

→13

Z 124 B22  
ØA 60 B29  
ØA 65 B23,5  
Z 124 B22



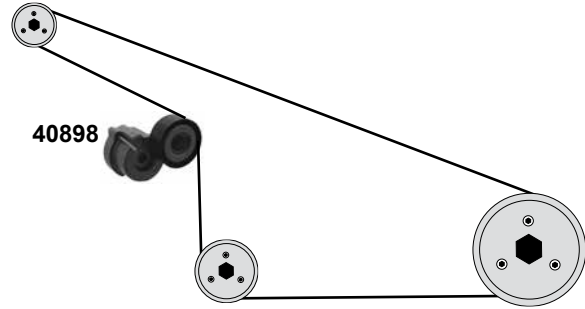
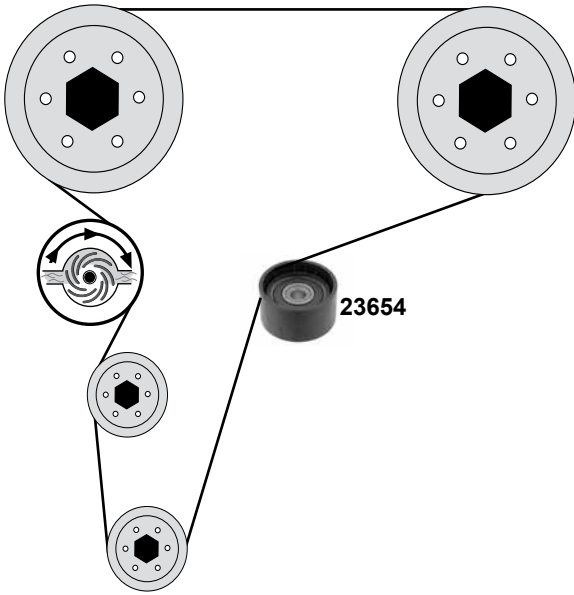
# ALFA ROMEO GIULIETTA (940)

(10→13)

Car  
Division



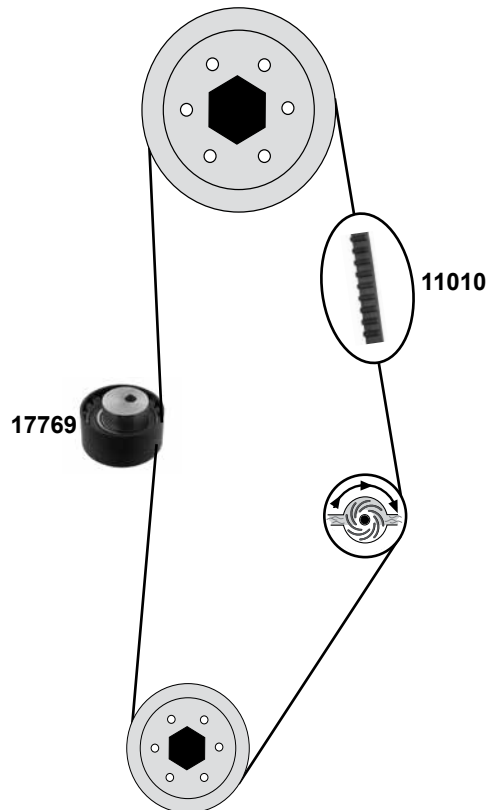
1,8



# GIULIETTA MY

(13→)

1,4



(1) (ex.) tropische Länder / (ex.) tropical Countries



Ref. - No.



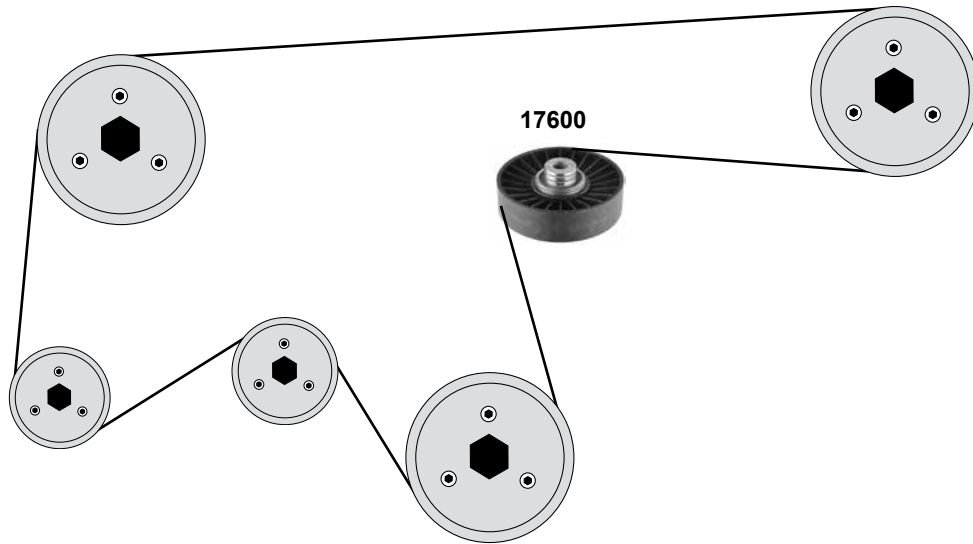
**11010** 46403659  
**17769** 55248394  
**23654** 55187100  
**40898** 51820520

Zahnriemen / timing belt  
Spannrolle / tension roller  
Umlenkrolle / deflection pulley  
Riemenspanner / belt tensioner

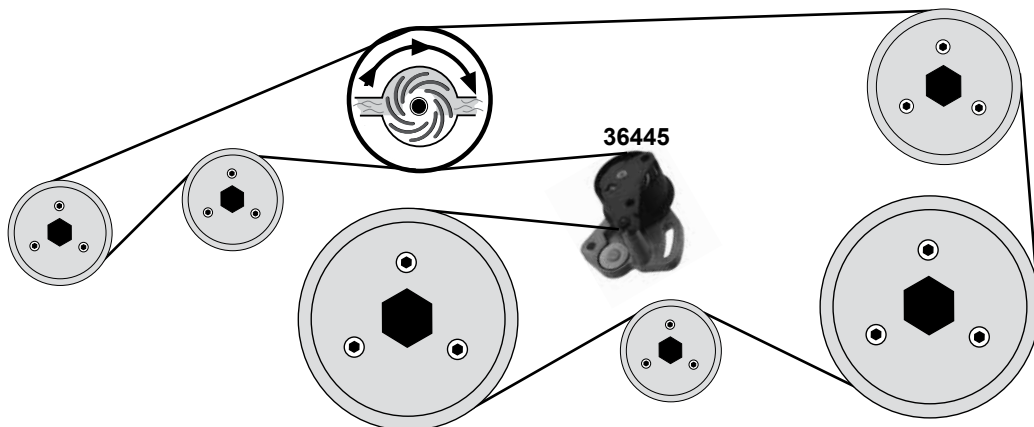
13 →  
TBI  
(1)

Z 124 B22  
ØA 60 B29  
ØA 53 B23  
ØA 65 x 26

AC



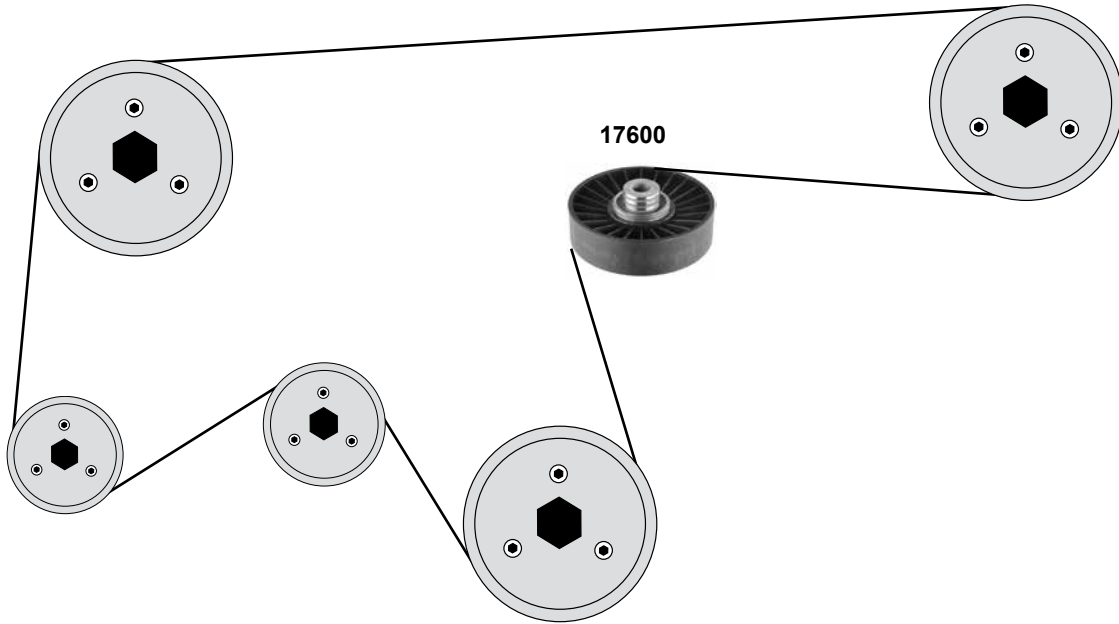
3,0 / 3,2 V6



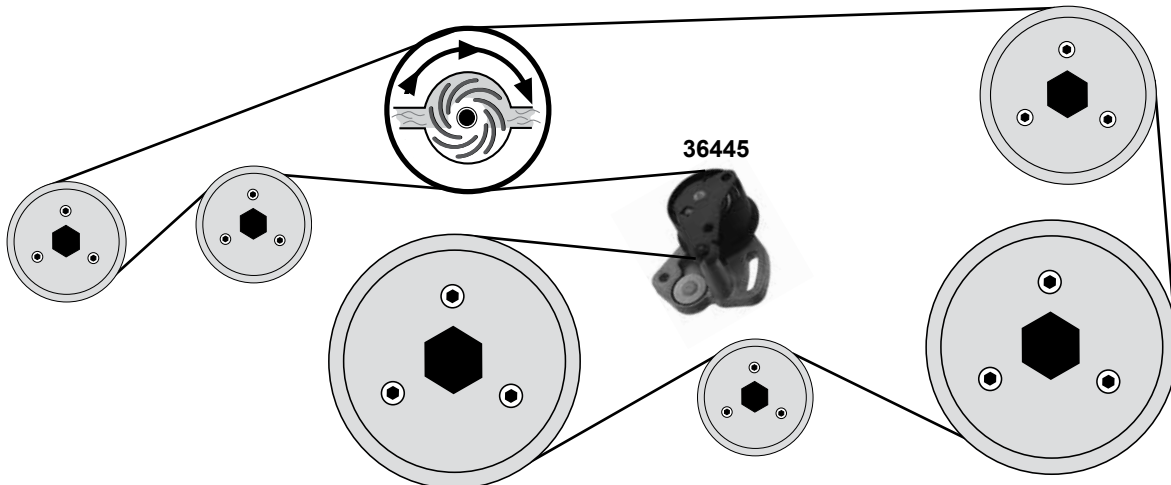


### 1,8 TS

AC



### 3,2 V6



Ref. - No.

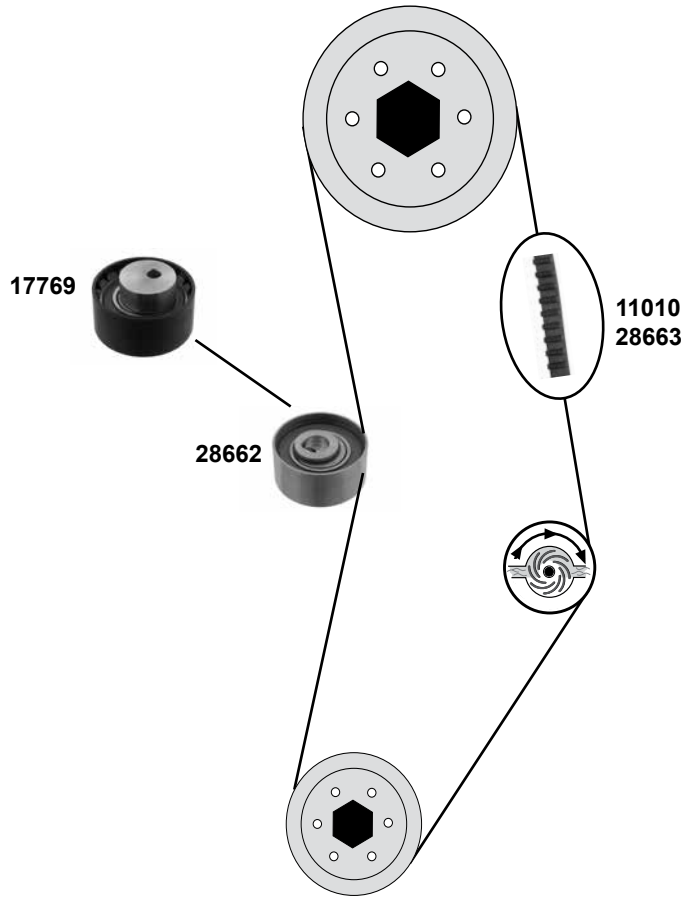


**17600** 73501924  
**36445** 55191536

Umlenkrolle / deflection pulley  
Riemenspanner / belt tensioner

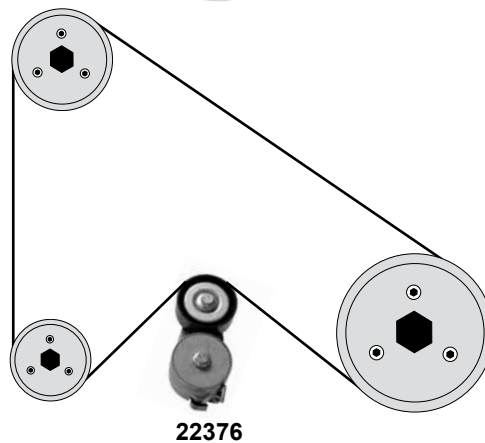
ØA 90 H24,5  
ØA 60 B33

**1,4 8V (51kW,57kW) 16V (77kW,88kW,99kW,110kW,114kW,119kW))**



**AC**

**1,4**

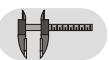


(1) 57kW / 77kW / 88kW / 99kW / 110kW / 119kW  
(3) 51kW,57kW

(2) 57kW / 77kW / 88kW / 99kW / 110kW / 114 / 119kW



Ref. - No.



Ref. - No.	Description	Quantity	Part No.
11010	Zahnriemen / timing belt	(2) →11	Z 124 B22
17769	Spannrolle / tension roller	(2) →11	ØA 60 B29
22376	Riemenspanner / belt tensioner	(1)	ØA 65 B23,5
28662	Spannrolle / tension roller	(3) 11	ØA 55,5 B26
28663	Zahnriemen / timing belt	(3) 11	Z 129 B22
28664	Rep. Satz Zahnriemen / rep. kit timing belt	(3) 11	Z 129 B22

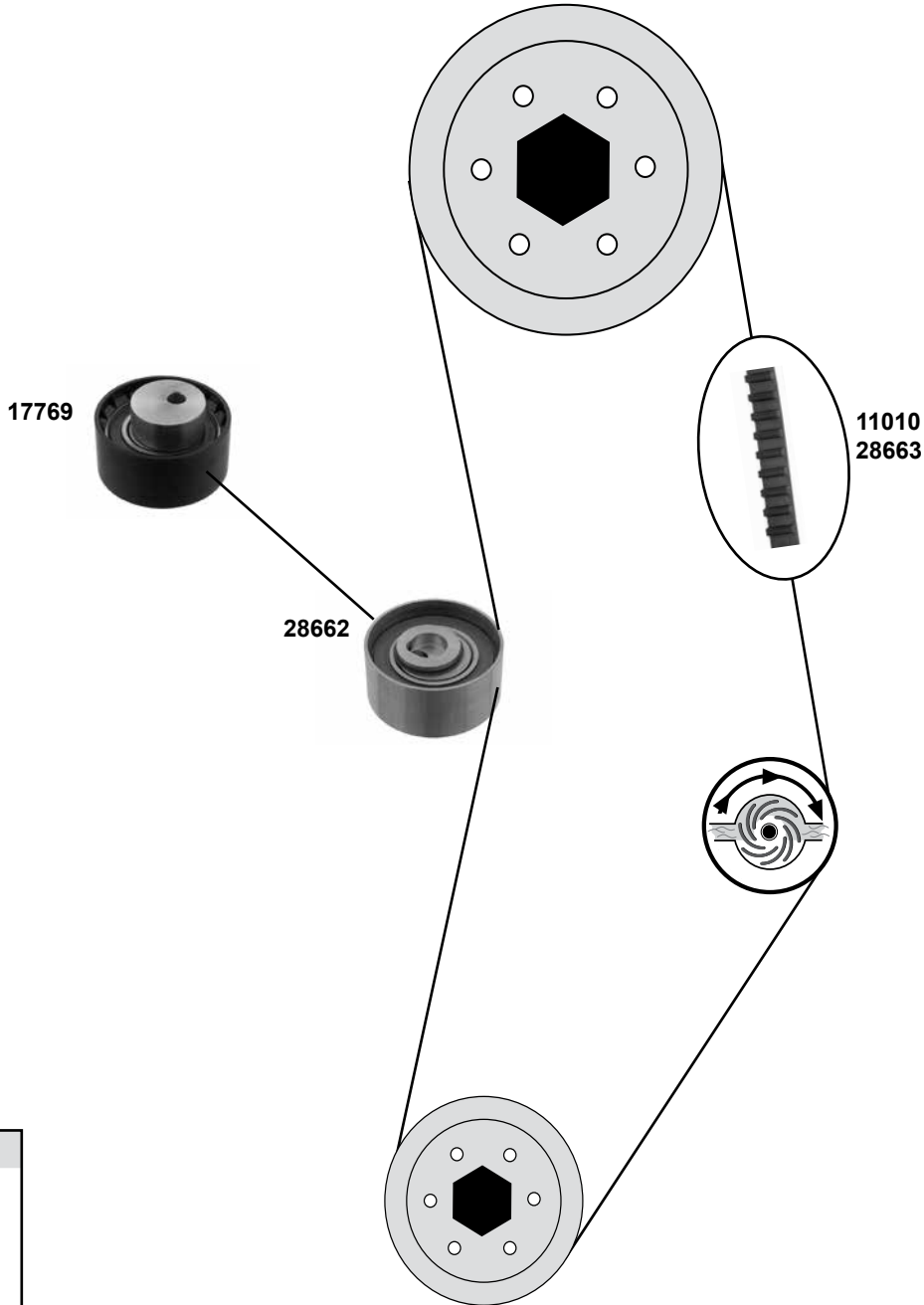
# ALFA ROMEO MITO MY

(13→)

Car  
Division



1,4 8V (51kW,57kW) 16V (77kW,88kW,99kW,110kW,114kW,119kW))



(1) 57kW / 77kW / 88kW / 99kW / 110kW / 114 / 119kW

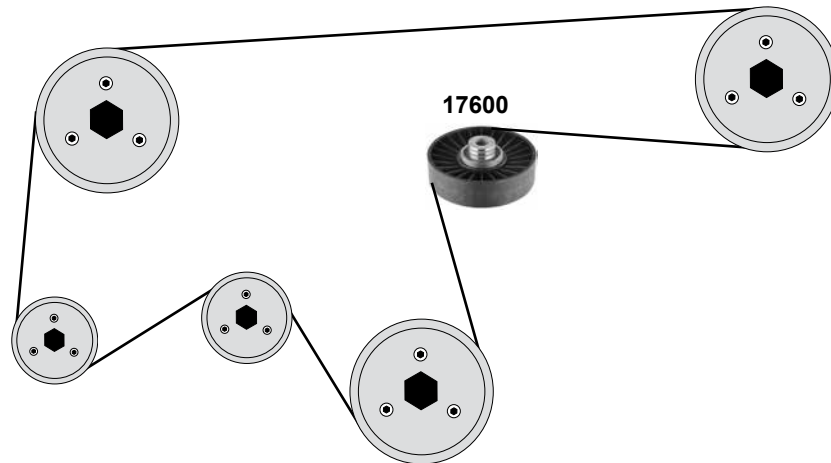


Ref. - No.

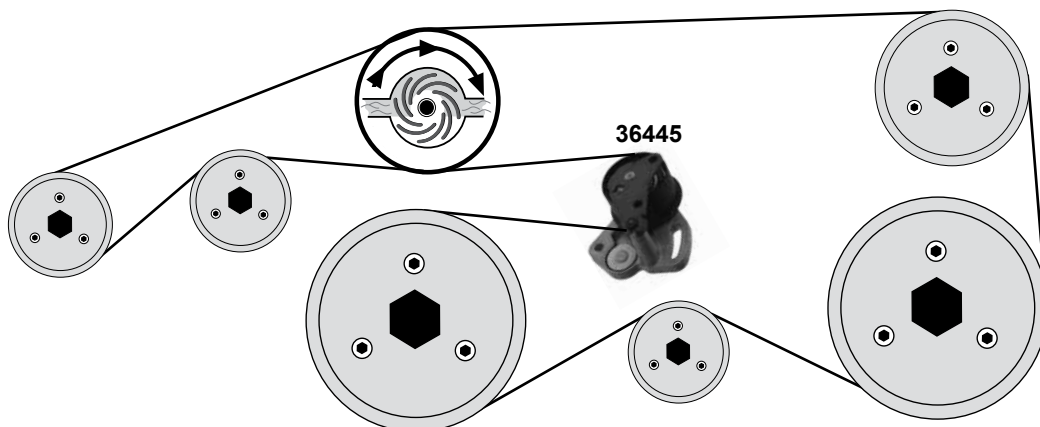


Ref. - No.	Description	Quantity	Dimensions
11010	Zahnriemen / timing belt	(1) 11→	Z 124 B22
17769	Spannrolle / tension roller	(1) 11→	ØA 60 B29
28662	Spannrolle / tension roller	(mot.) 1,4 8V	ØA 55,5 B26
28663	Zahnriemen / timing belt	(mot.) 1,4 8V	Z 129 B22
28664	Rep. Satz Zahnriemen / rep. kit timing belt	(mot.) 1,4 8V	Z 129 B22

AC



3,0 / 3,2 V6



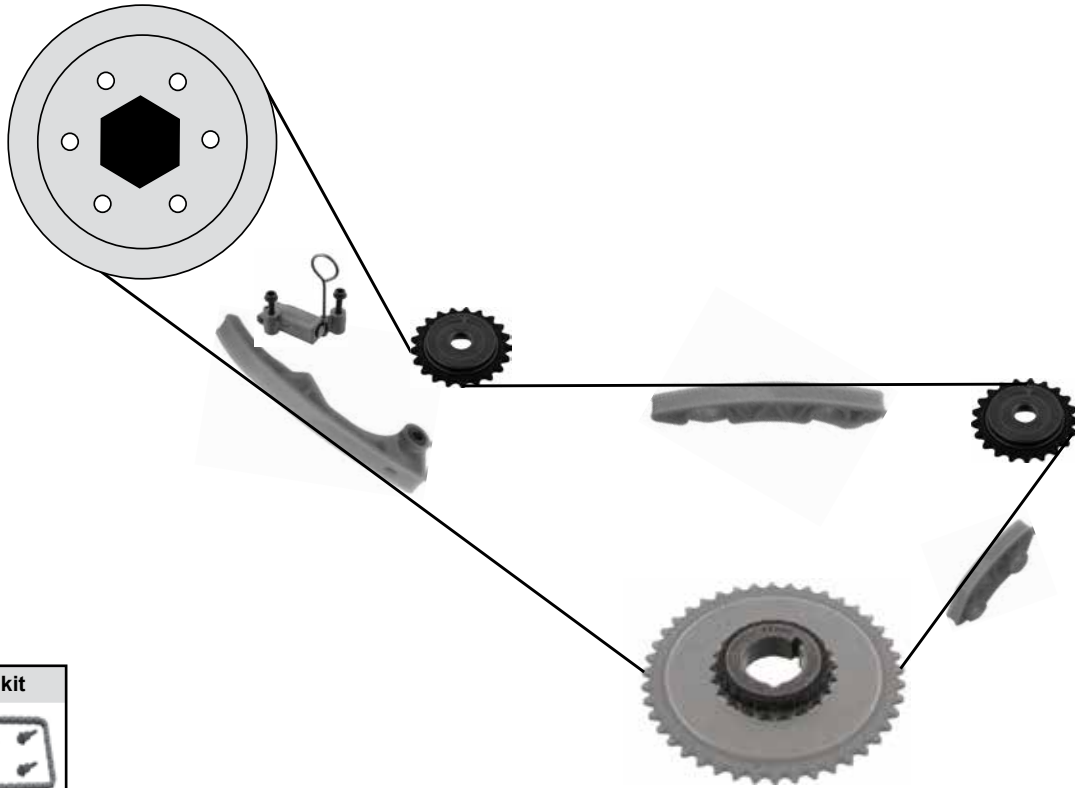
# ALFA ROMEO SPIDER (939)

(06→10)

Car  
Division



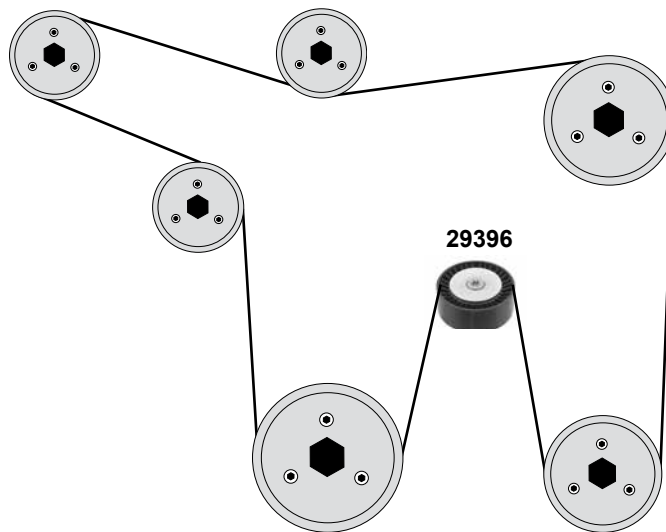
## 2,2 16V GDI



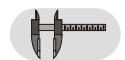
Rep. Satz / rep. kit

febi 33046

## 1,8 147kW



Ref. - No.

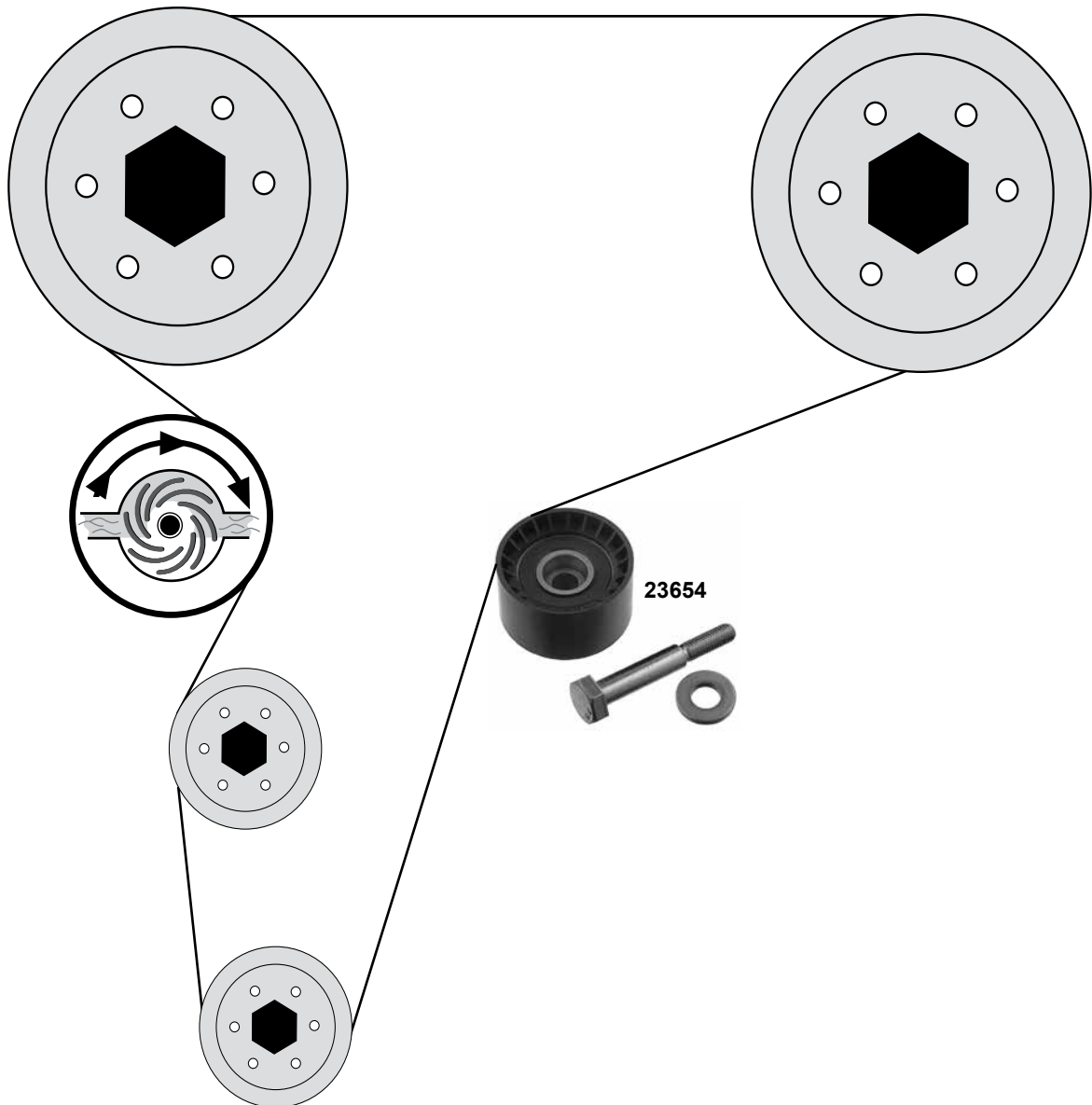


29396  
33046

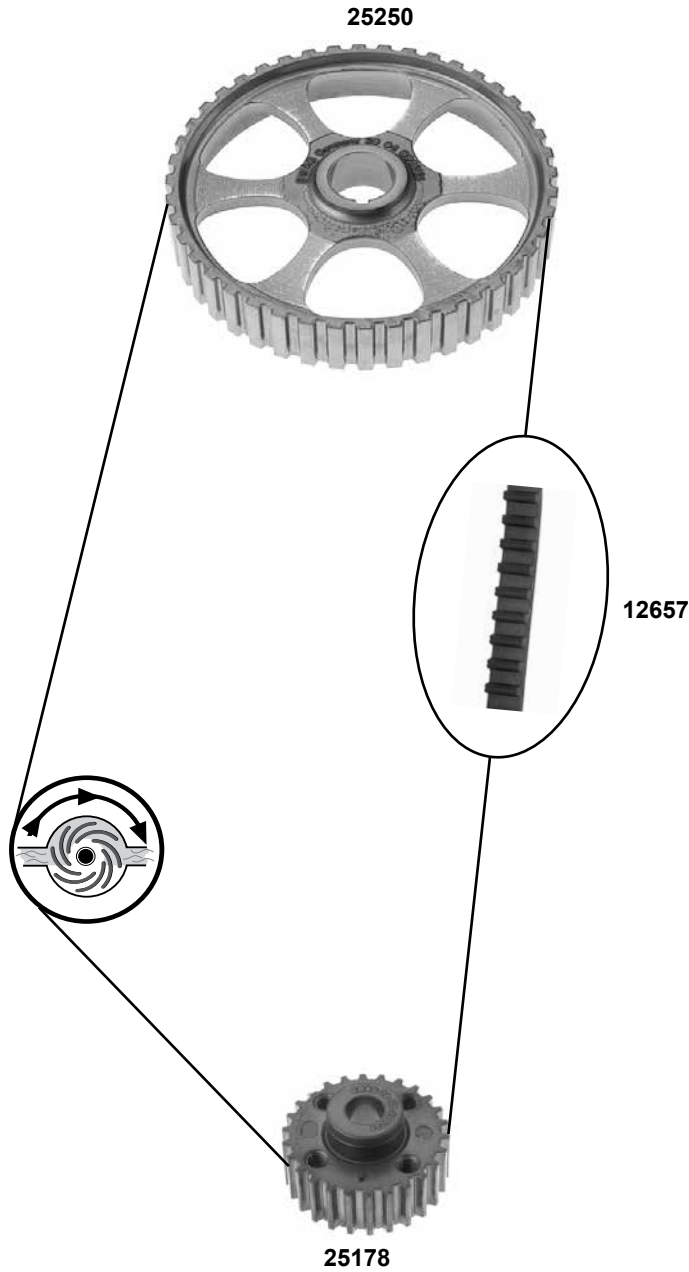
51758383  
71739362 S1

Umlenkrolle / deflection pulley  
Rep. Satz Steuerkette / rep. kit timing chain

ØA 70 B26  
134 E







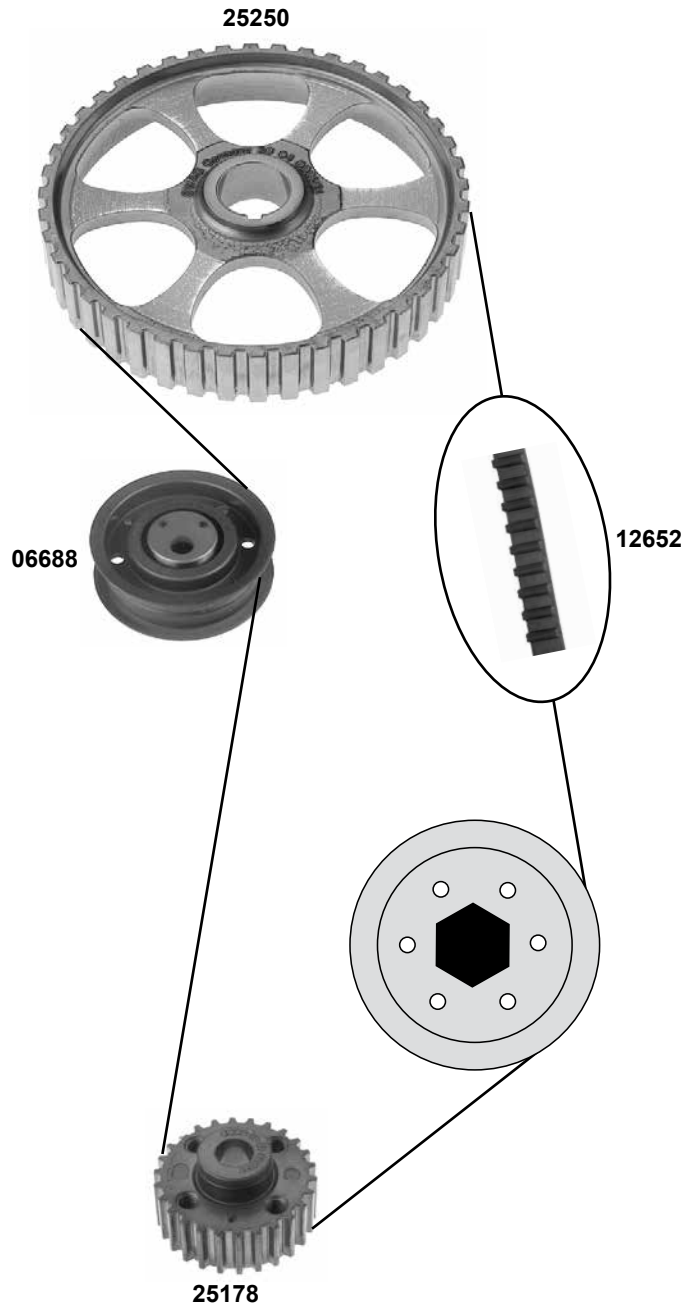
**Ref. - No.**



<b>12657</b>	052 109 119
<b>25178</b>	049 105 263 B
<b>25250</b>	049 109 111 C

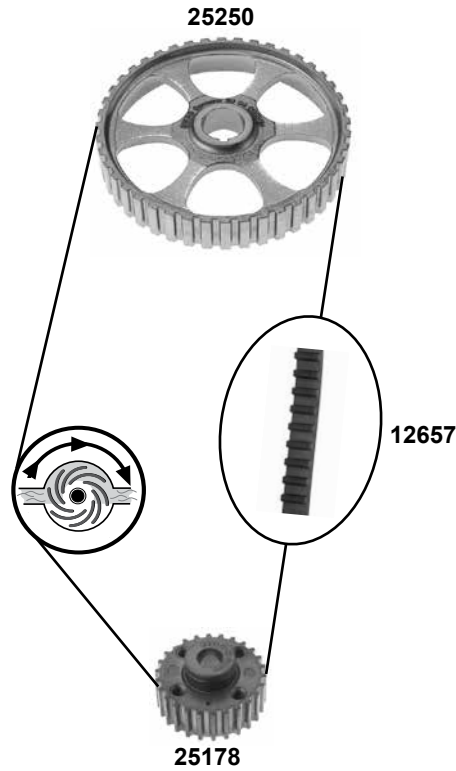
Zahnriemen / timing belt
Kurbelwellenrad / crankshaft gear
Nockenwellenrad / camshaft gear

Z 108 B18
Z 22
Z 44

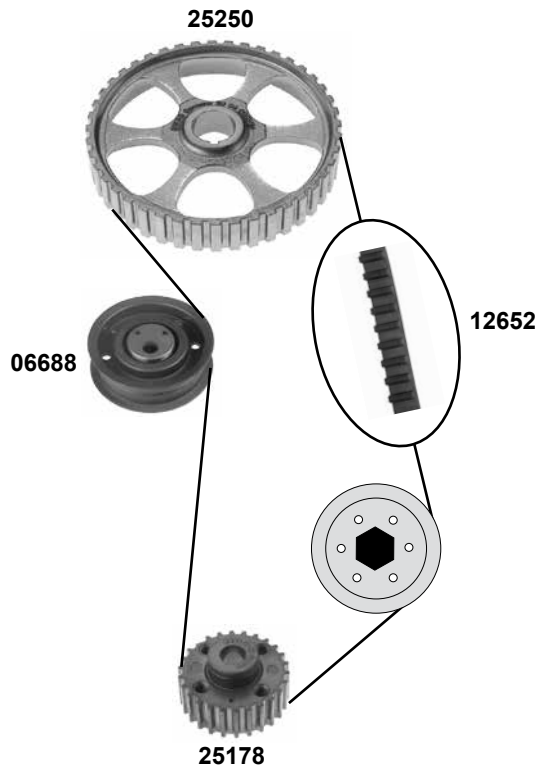


	Ref. - No.			
<b>06688</b>	026 109 243 L	Spannrolle / tension roller		ØA 72 ØI 10 B20
<b>12652</b>	056 109 119 A	Zahnriemen / timing belt		Z 121 B18
<b>14574</b>	051 198 119	Rep. Satz Zahnriemen / rep. kit timing belt		
<b>25178</b>	049 105 263 B	Kurbelwellenrad / crankshaft gear		Z 22
<b>25250</b>	049 109 111 C	Nockenwellenrad / camshaft gear		Z 44

**1,3**  
(FY/FZ)



**1,3→1,8**  
(ex. FY/FZ)

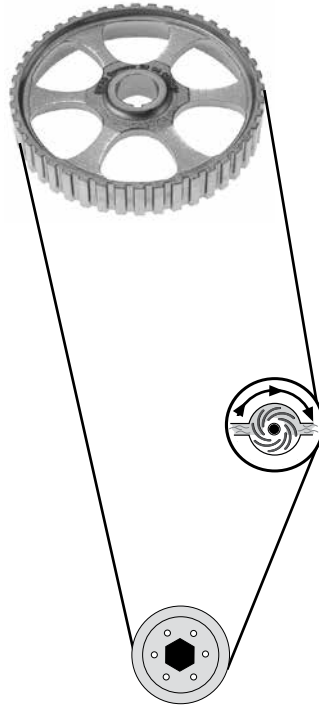


Ref. - No.



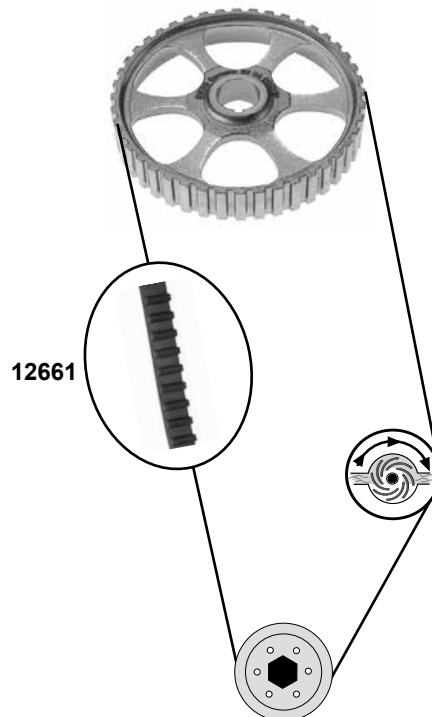
<b>06688</b>	026 109 243 L	Spannrolle / tension roller	ØA72 ØI10 B20
<b>12652</b>	056 109 119 A	Zahnriemen / timing belt	Z 121 B18
<b>12657</b>	052 109 119	Zahnriemen / timing belt	Z 108 B18
<b>25178</b>	049 105 263 B	Kurbelwellenrad / crankshaft gear	Z 22
<b>25250</b>	049 109 111 C	Nockenwellenrad / camshaft gear	Z 44

25250



**(ch.) 81-E- 000 001→**

25250



12661

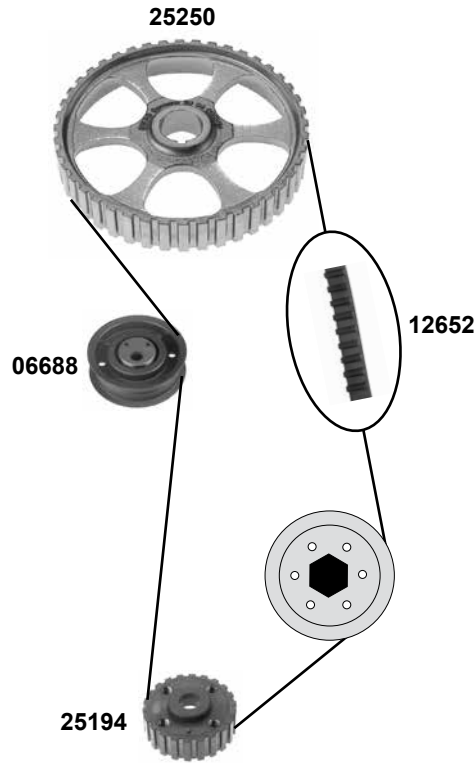
# AUDI

## 80 / 90 (89/8A)

(87→92)

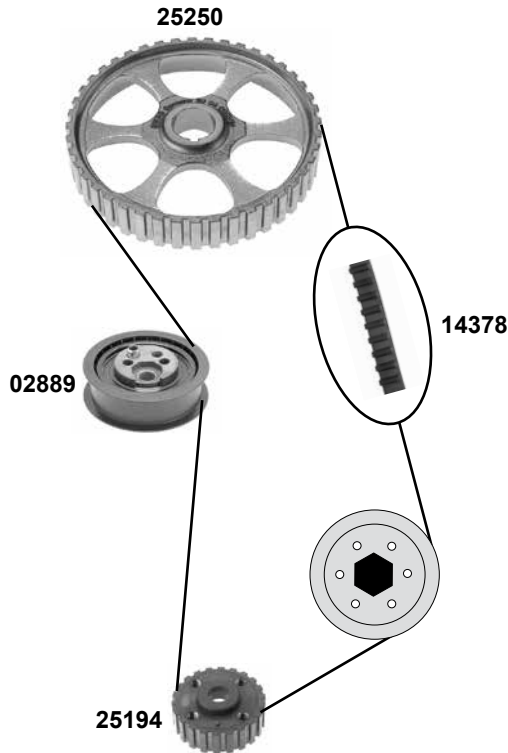
### 1,6→2,0





(ex. AAD/6A/PS)

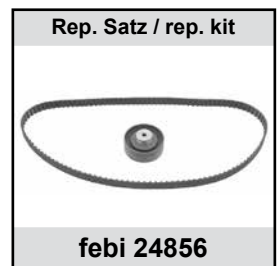
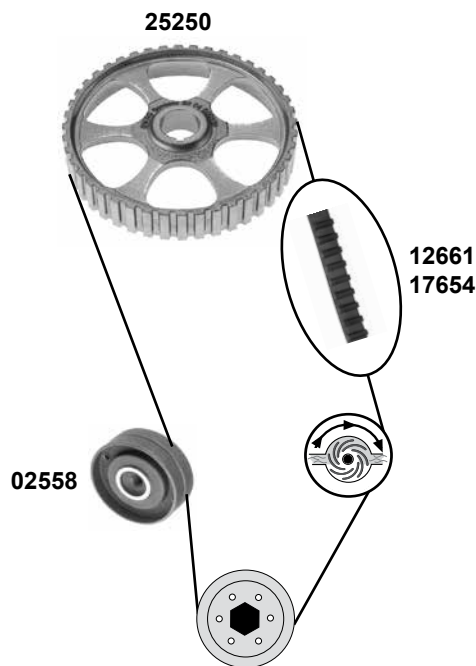
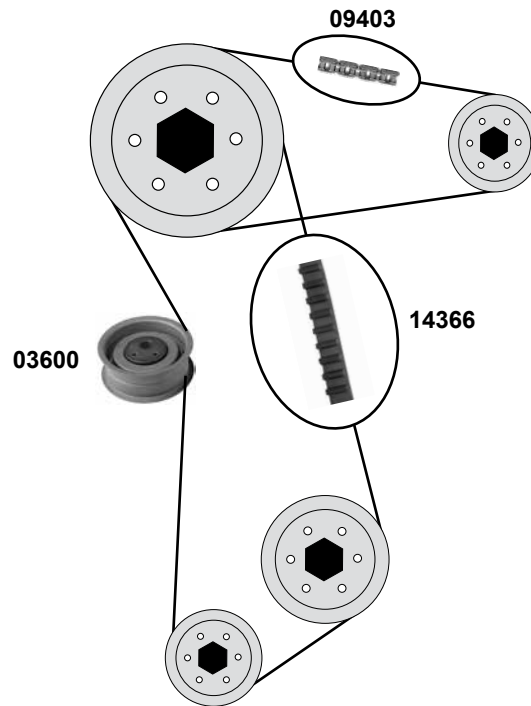


### 2,0

(AAD)



	Ref. - No.			
02889	048 109 243 A	Spannrolle / tension roller	90 → 92	ØA72 Ø111 B19
06688	026 109 243 L	Spannrolle / tension roller		ØA72 Ø110 B20
12652	056 109 119 A	Zahnriemen / timing belt		Z 121 B18
14378	037 109 119 C	Zahnriemen / timing belt	08/90 → 12/91	Z 124 B18
14574	051 198 119	Rep. Satz Zahnriemen / rep. kit timing belt		
14622	037 109 119 C S2	Rep. Satz Zahnriemen / rep. kit timing belt	08/90 → 12/91	
25194	049 105 263 C	Kurbelwellenrad / crankshaft gear		Z 22
25250	049 109 111 C	Nockenwellenrad / camshaft gear		Z 44

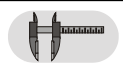


(1) (mot.) PS (ch.) → 89 - J - 394 742  
(mot.) KV (ch.) → 89 - J - 394 746  
(mot.) NG (ch.) → 89 - J - 394 702

(2) (mot.) PS (ch.) 89 - J - 394 743 →  
(mot.) KV (ch.) 89 - J - 394 746 →  
(mot.) NG (ch.) 89 - J - 394 702 →



Ref. - No.



Part No.	Ref. - No.	Description	Notes	Dimensions
02558	069 109 243 B	Umlenkrolle / deflection pulley	(1) (ex.) Super Torque	ØA69 Ø18 B27
03600	051 109 243	Spannrolle / tension roller		ØA72 B27
09403	077 109 120	Steuerkette / timing chain		455 / 44 E
12661	034 109 119	Zahnriemen / timing belt	(1) (ex.) Super Torque	Z 120 B18
14366	027 109 119 C	Zahnriemen / timing belt		Z 147 B25
14606	027 109 119 C S1	Rep. Satz Zahnriemen / rep. kit timing belt		
17654	074 109 119	Zahnriemen / timing belt	(2) Super Torque	Z 142 B19
24856	034 109 119 S1	Rep. Satz Zahnriemen / rep. kit timing belt	(1) (ex.) Super Torque	Z 120 B18
25250	049 109 111 C	Nockenwellenrad / camshaft gear	(1) (ex.) Super Torque	Z 44

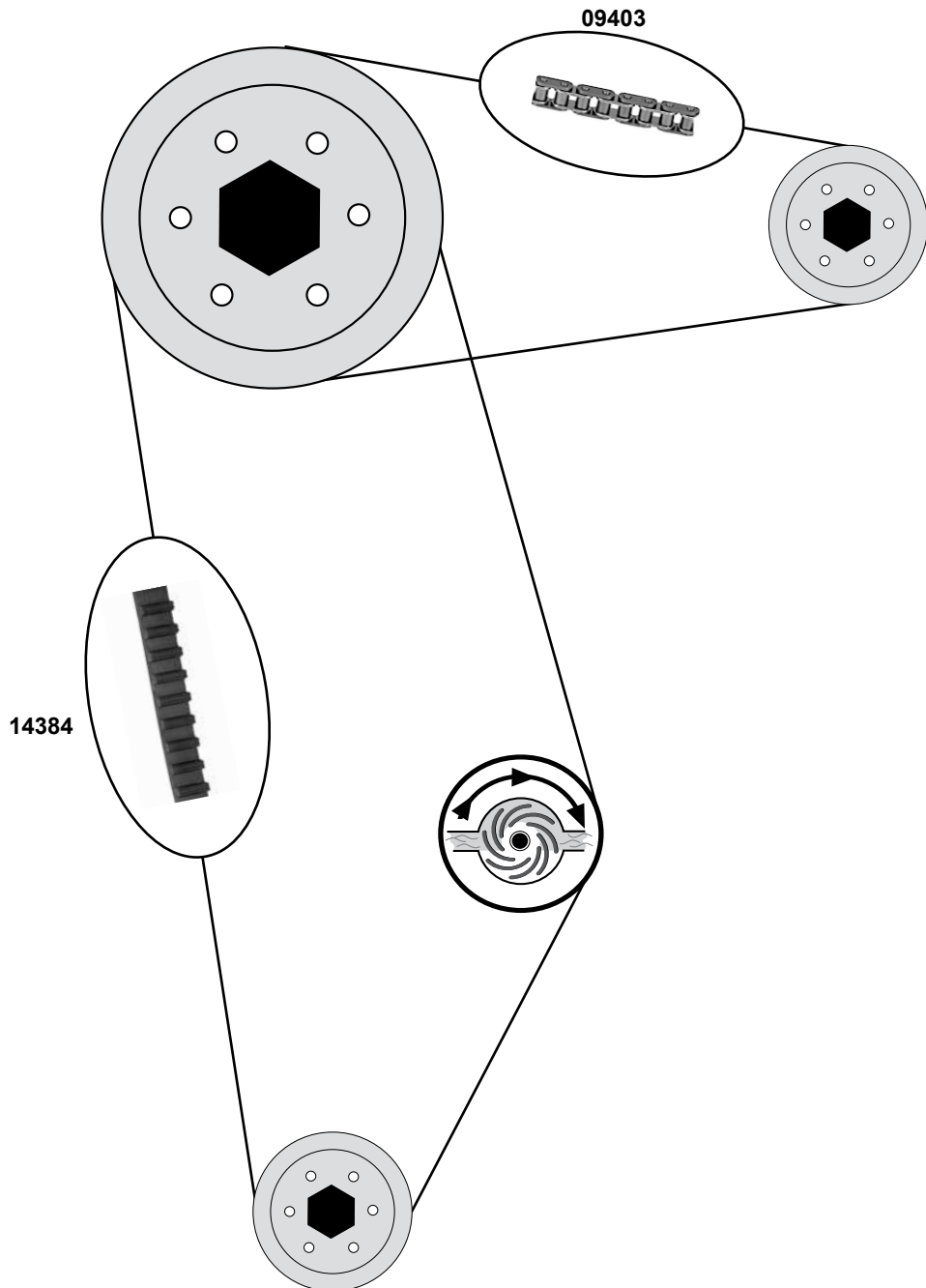
passend für / to fit

**AUDI**  
**80 / 90 (89/8A)**  
(87→92)

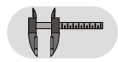
Car  
Division 



**1,6→2,0**  
(ex. AAD/6A/PS)



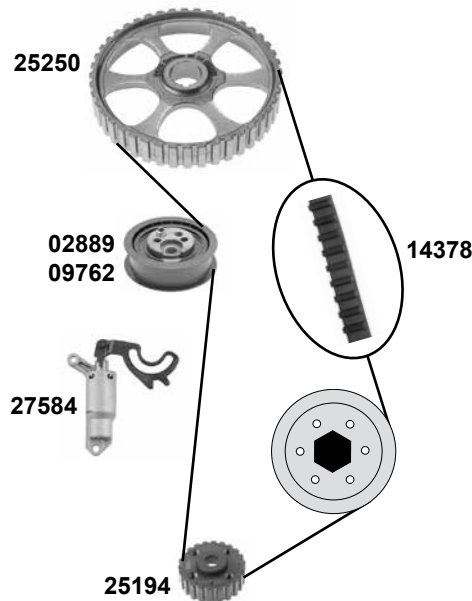
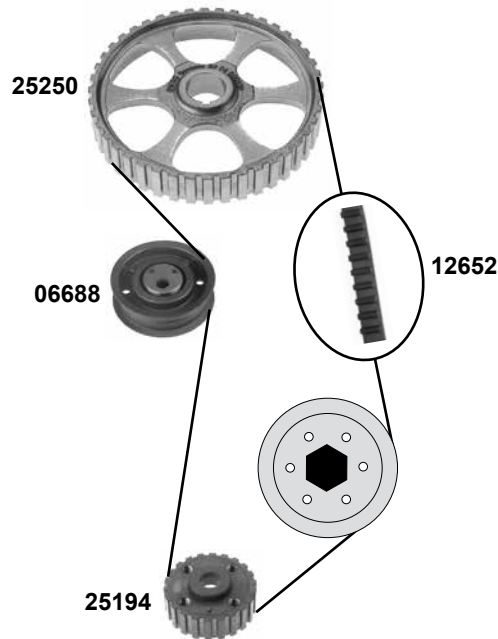
Ref. - No.



**09403** 077 109 120  
**14384** 054 109 119 G

Steuerkette / timing chain  
Zahnriemen / timing belt

455 / 44 E  
Z 147 B19



(1) (ch.) → 8C-N-300 000 / (ch.) → 8G-S-075 037

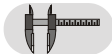
(2) (mot.) ABK/ABT/ADW (ch.) → 8G-S-075 037

Audi 80 quattro (mot.) ADW Länderausführung: Gemeinschaft Unabhängiger Staaten / Country Version: Community of Independent States

(3) Audi 80 (mot.) ABM/ADA / Audi 80 Avant (mot.) ADA



Ref. - No.



02889	048 109 243 A	Spannrolle / tension roller	(2)	ØA72 Ø111 B19
06688	026 109 243 L	Spannrolle / tension roller	(3)	ØA72 Ø110 B20
09762	026 109 243 J	Spannrolle / tension roller	(ch.) 8C-S- 075 038 →	ØA66 Ø111 B18
12652	056 109 119 A	Zahnriemen / timing belt		Z 121 B18
14378	037 109 119 C	Zahnriemen / timing belt		Z 124 B18
14574	051 198 119	Rep. Satz Zahnriemen / rep. kit timing belt		
14622	037 109 119 C S2	Rep. Satz Zahnriemen / rep. kit timing belt	(1)	
14658	037 109 119 C S2	Rep. Satz Zahnriemen / rep. kit timing belt	(ch.) 8C-S- 075 038 →	
25194	049 105 263 C	Kurbelwellenrad / crankshaft gear		Z 22
25250	049 109 111 C	Nockenwellenrad / camshaft gear		Z 44
27584	050 109 479 A	Riemenspanner / belt tensioner	(ch.) 8C-S- 075 038 →	



# AUDI

## 80 (8C)

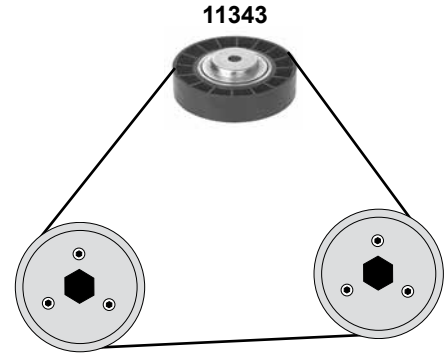
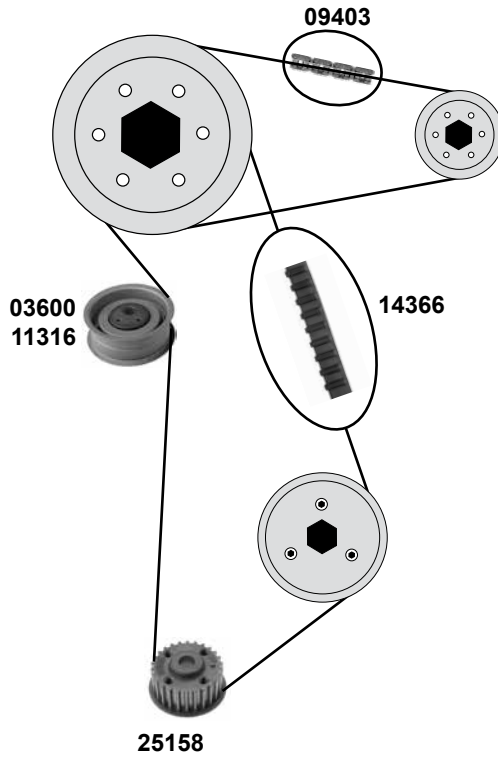
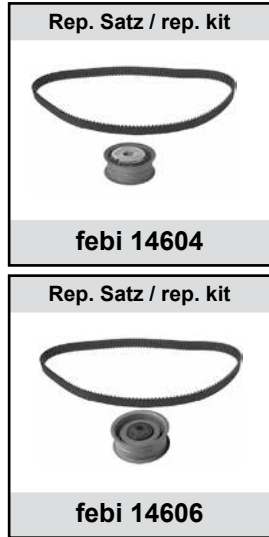
(92→96)

Car  
Division



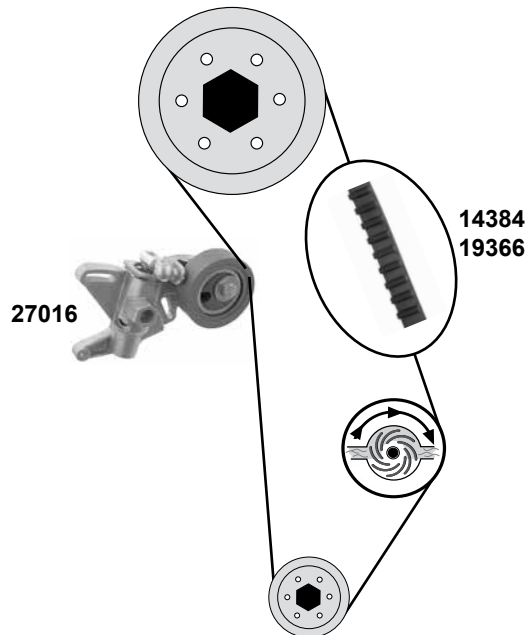
### 2,0 16V

(6A / ACE)



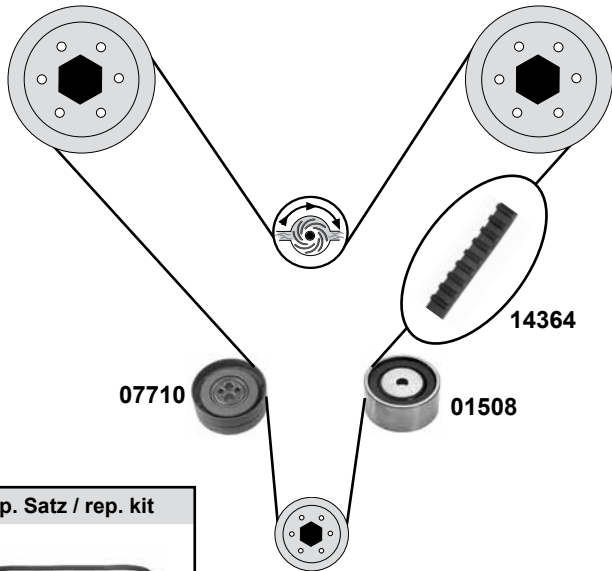
### 2,2 / 2,3

(NG / ABY)

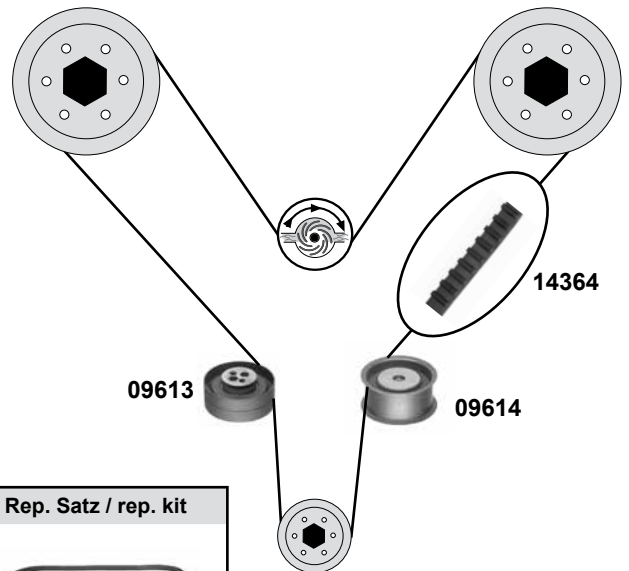


	Ref. - No.			
<b>03600</b>	051 109 243	Spannrolle / tension roller	(mot.) ACE → 017 139	ØA 72 B27
<b>09403</b>	077 109 120	Steuerkette / timing chain		455 / 44 E
<b>11316</b>	051 109 243 A	Spannrolle / tension roller	(mot.) ACE 017 140 →	ØA 72 ØI 8 B27
<b>11343</b>	053 903 341	Umlenkrolle / deflection pulley		ØA 78 ØI 8 B18
<b>14366</b>	027 109 119 C	Zahnriemen / timing belt		Z 147 B25
<b>14384</b>	054 109 119 G	Zahnriemen / timing belt	(mot.) NG	Z 147 B19
<b>14604</b>	027 198 119	Rep. Satz Zahnriemen / rep. kit timing belt	(mot.) ACE 017 140 →	
<b>14606</b>	027 109 119 C S1	Rep. Satz Zahnriemen / rep. kit timing belt	(mot.) ACE → 017 139	
<b>19366</b>	054 109 119 H	Zahnriemen / timing belt	(mot.) ABY	Z 151 B19
<b>25158</b>	027 105 263 B	Kurbelwellenrad / crankshaft gear		Z 26
<b>27016</b>	054 109 479	Riemenspanner / belt tensioner	(mot.) NG	

(ch.) → 8C - S - 025 820



(ch.) 8C - S - 025 821 →

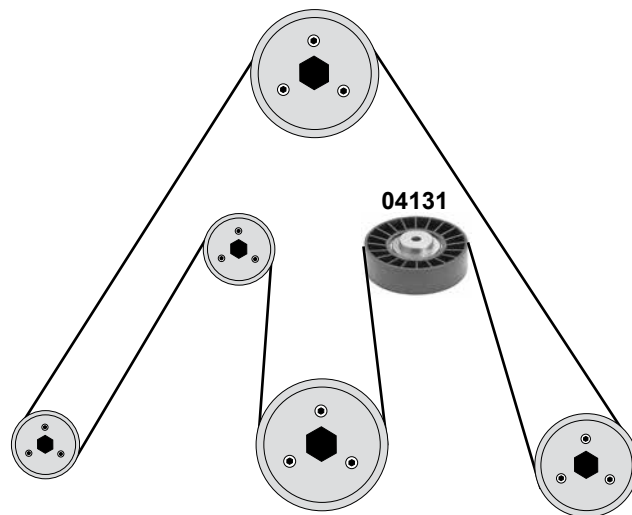


Rep. Satz / rep. kit

**febi 14642**

Rep. Satz / rep. kit

**febi 14640**

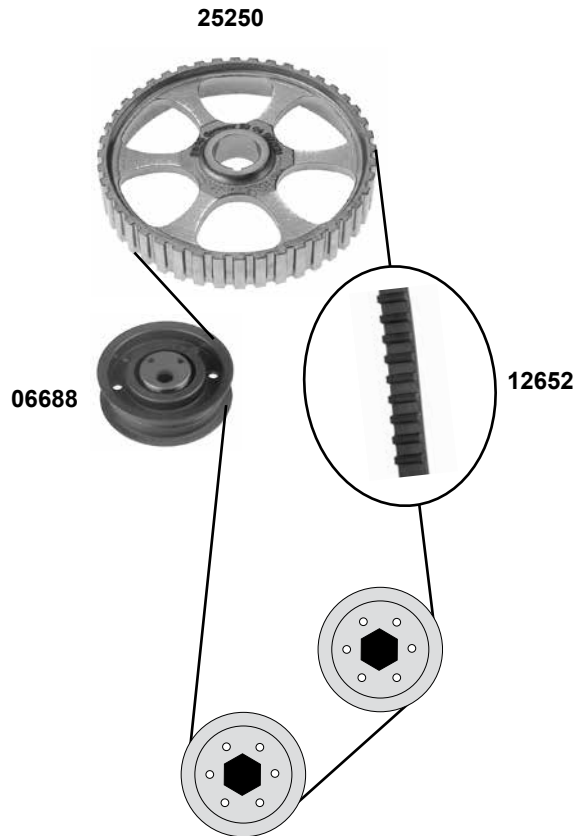


(1) (ex.) AC → 95 (mot.) AAH/ABC / ACZ (ch.) → 8C-S-012 677 AC (mot.) AAH/ABC (ch.) → 8C-R-060 922

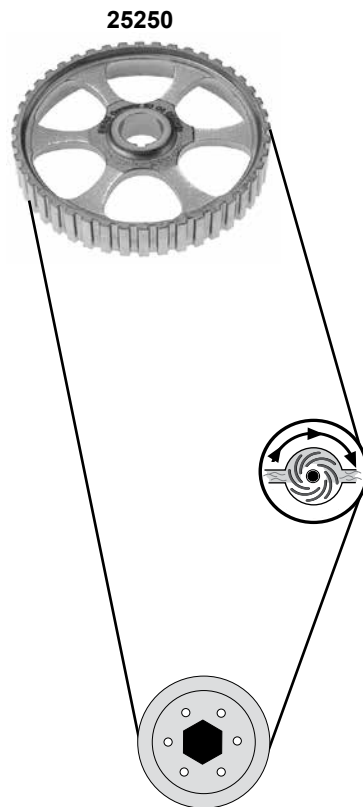
	Ref. - No.			
01508	078 109 244 F	Umlenkrolle / deflection pulley	(1)	ØA59 Ø18 B28
04131	078 903 341 J	Umlenkrolle / deflection pulley		ØA90 Ø18 B25
07710	078 109 243 C	Spannrolle / tension roller		ØA 83 Ø1 10 B23
09613	078 109 243 K	Spannrolle / tension roller		ØA72 Ø18 B27
09614	078 109 244 G	Umlenkrolle / deflection pulley		ØA59 Ø110 B26
14364	078 109 119 D	Zahnriemen / timing belt		Z 239 B25,4
14640	078 198 119 A	Rep. Satz Zahnriemen / rep. kit timing belt		
14642	078 109 119 D S1	Rep. Satz Zahnriemen / rep. kit timing belt		





**AUDI**  
**100 / 200 (43)**  
(77→83)

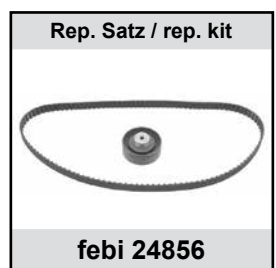
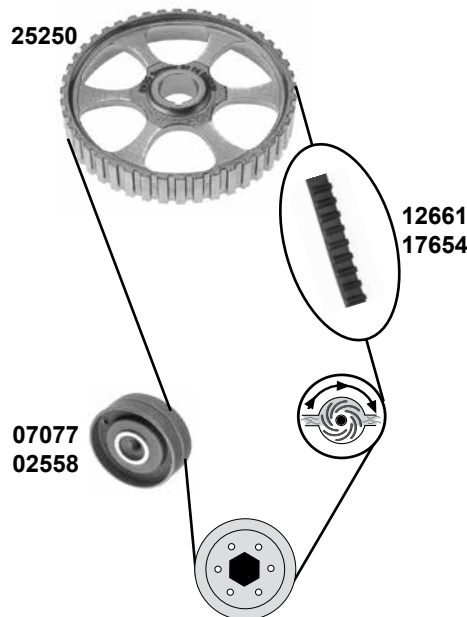
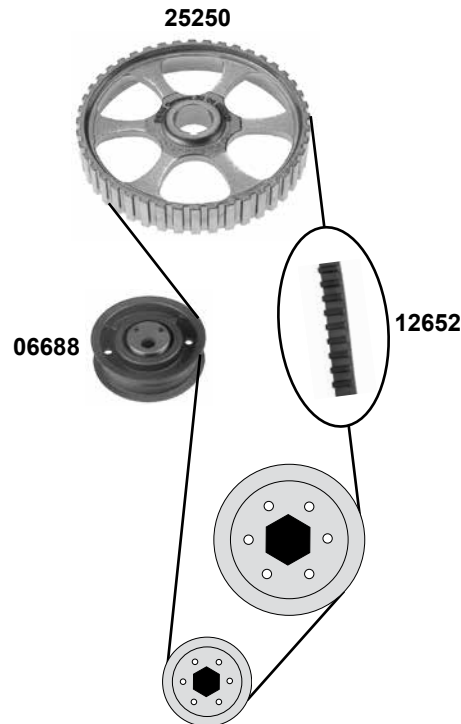
**1,6 → 2,0**  
4 Zyl.



**1,9 → 2,2**  
5 Zyl.



	Ref. - No.			
<b>06688</b>	026 109 243 L	Spannrolle / tension roller	(mot.) WA / YV	ØA 72 ØI 10 B20
<b>12652</b>	056 109 119 A	Zahnriemen / timing belt		Z 121 B18
<b>14574</b>	051 198 119	Rep. Satz Zahnriemen / rep. kit timing belt		
<b>25250</b>	049 109 111 C	Nockenwellenrad / camshaft gear		Z 44



**1,9 5 Zyl.**  
(WH)



(1) (ch.) 44 D 200 001 →

(2) (ch.) 44 E 000 001 →

(3) Audi 100/Avant (mot.) DR/DS/JW/NP/PH/RS/SH/4B  
Audi 100 quattro/Avant quattro (mot.) JW/NP/PH/SH/4B



Ref. - No.

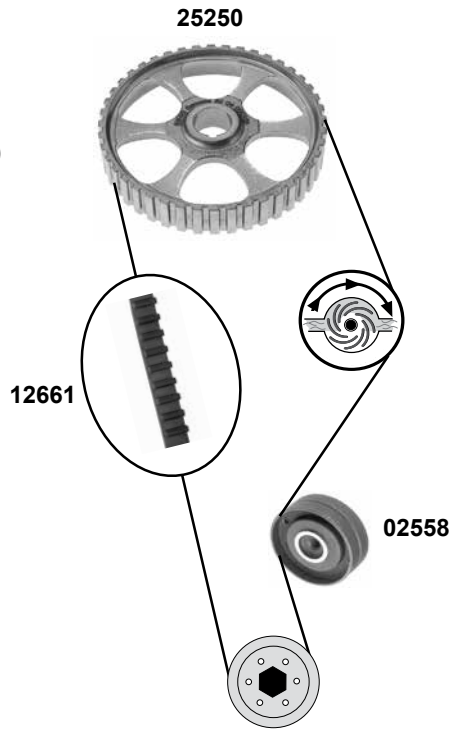
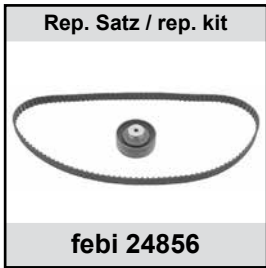


Ref. - No.	Description	Notes	Dimensions
02558	Umlenkrolle / deflection pulley	(2) (ex.) Super Torque	ØA69 Ø18 B27
06688	Spannrolle / tension roller	(3)	ØA72 Ø110 B20
07077	Umlenkrolle / deflection pulley	83 → 84 Super Torque	ØA69 Ø18
12652	Zahnriemen / timing belt		Z 121 B18
12661	Zahnriemen / timing belt	(2) (ex.) Super Torque	Z 120 B18
14574	Rep. Satz Zahnriemen / rep. kit timing belt		
17654	Zahnriemen / timing belt	(1) Super Torque	Z 142 B19
24856	Rep. Satz Zahnriemen / rep. kit timing belt	(2) (ex.) Super Torque	Z 120 B18
25250	Nockenwellenrad / camshaft gear	(ex.) Super Torque	Z 44

**AUDI**  
**100 (44)**  
(84→88)

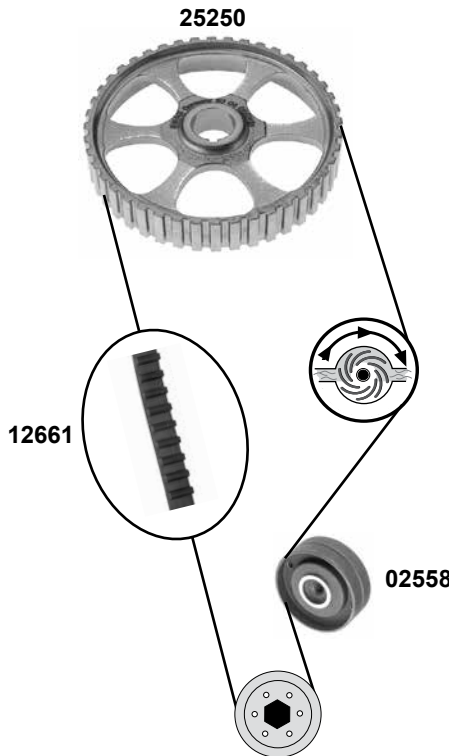
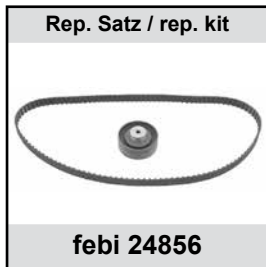
**2,0**  
(SL/KP)

**2,2 / 2,3 (2,23)**  
(WB/WC/KF/WU/KU/KZ/HX/MC/NF/PX)



**200 (44)**  
(84→91)

**2,2 / 2,3 (2,23)**  
(JY/KG/KH/KU/WC/MC/1B/2B)



(1) Audi 100 (ch.) 44 E 000 001 → / Audi 200 (ch.) 44 E 012 001 →

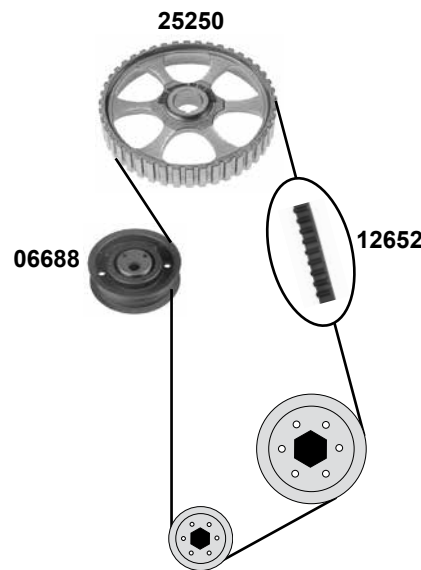


Ref. - No.

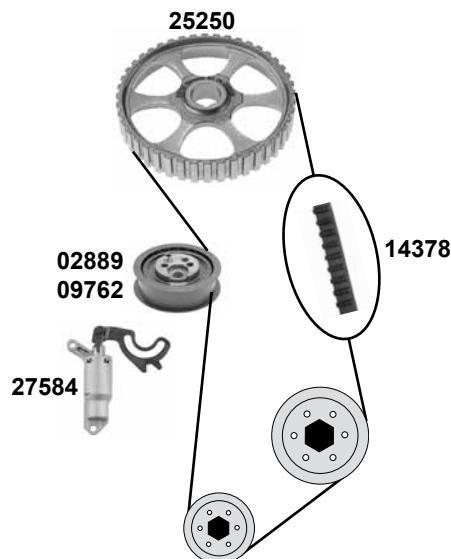


<b>02558</b>	069 109 243 B	Umlenkrolle / deflection pulley	(1)	ØA69 Ø18 B27
<b>12661</b>	034 109 119	Zahnriemen / timing belt	(1)	Z 120 B18
<b>24856</b>	034 109 119 S1	Rep. Satz Zahnriemen / rep. kit timing belt	(1)	Z 120 B18
<b>25250</b>	049 109 111 C	Nockenwellenrad / camshaft gear		Z 44

**1,6**  
(ABB)



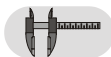
**2,0**  
(AAD/AAE/ABK/ADW/AEE)



- (1) (mot.) AAD / AAE / ABK
- (2) Audi 100/Avant (4A) (mot.) AAD / AAE / ABK / ADW
- (3) (mot.) ABK / AEE / ADW / AAD / AAE
- (4) Audi A6/Avant (4A) (mot.) AAE / ABK (ch.) → 4A-S-060 808
- (5) Audi A6/Avant (4A) (mot.) ADW (ch.) → 4A-S-060 808 / 4A-V-000 001
- (6) Audi 100 quattro/100 Avant quattro (4A) (mot.) AAD



Ref. - No.



Ref. - No.	Description	Notes	Dimensions
02889	Spannrolle / tension roller	(2) (4) (5) (6)	ØA72 ØI 11 B19
06688	Spannrolle / tension roller		ØA72 ØI 10 B20
09762	Spannrolle / tension roller	(1) (ch.) 4A-S-060809 →	ØA66 ØI 11
12652	Zahnriemen / timing belt		Z 121 B18
14378	Zahnriemen / timing belt	(3)	Z 124 B18
14574	Rep. Satz Zahnriemen / rep. kit timing belt		
14622	Rep. Satz Zahnriemen / rep. kit timing belt	(2) 08/91 → 07/96	
14658	Rep. Satz Zahnriemen / rep. kit timing belt	(1) (ch.) 4A-S-060809 →	
25250	Nockenwellenrad / camshaft gear	(1)	Z 44
27584	Riemenspanner / belt tensioner	(ch.) 4A-S-060809 →	

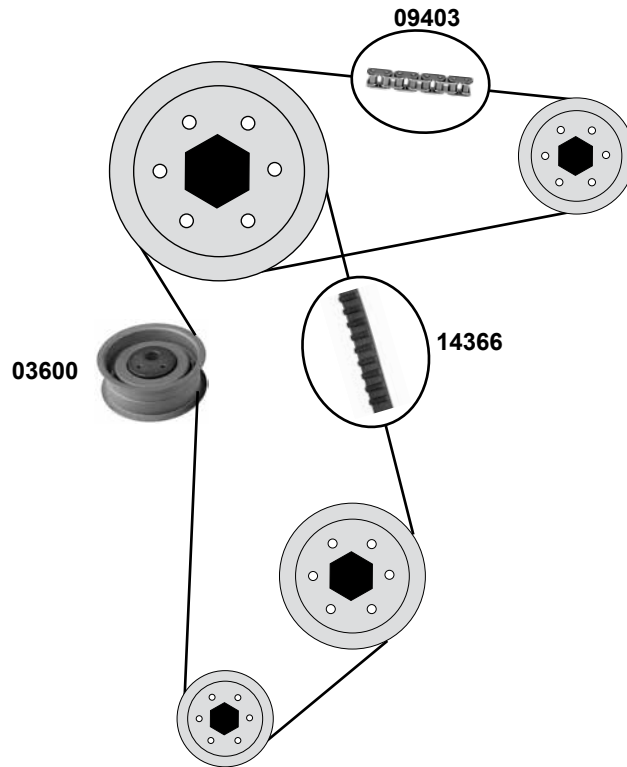
# AUDI 100 / A6 (4A/8D)

(91→97)

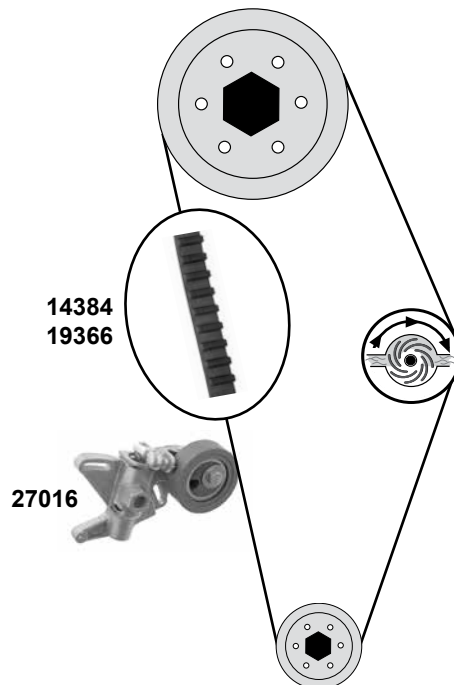
Car  
Division



## 2,0 16V (ACE)



## 2,3 (AAN/AAR)



Ref. - No.



**03600**

051 109 243

Spannrolle / tension roller

**09403**

077 109 120

Steuerkette / timing chain

**14366**

027 109 119 C

Zahnriemen / timing belt

**14384**

054 109 119 G

Zahnriemen / timing belt

**14606**

027 109 119 C S1

Rep. Satz Zahnriemen / rep. kit timing belt

**19366**

054 109 119 H

Zahnriemen / timing belt

**27016**

054 109 479

Riemenspanner / belt tensioner

(mot.) AAR

(mot.) AAN

(mot.) AAR

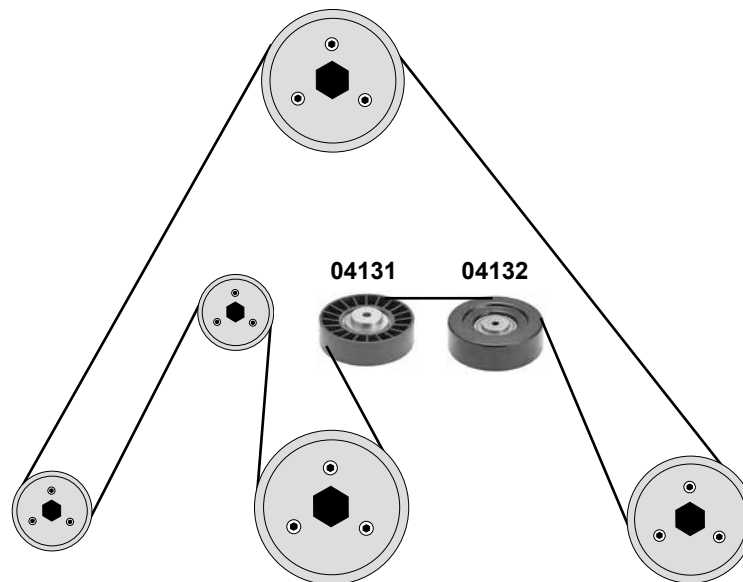
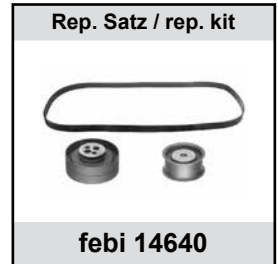
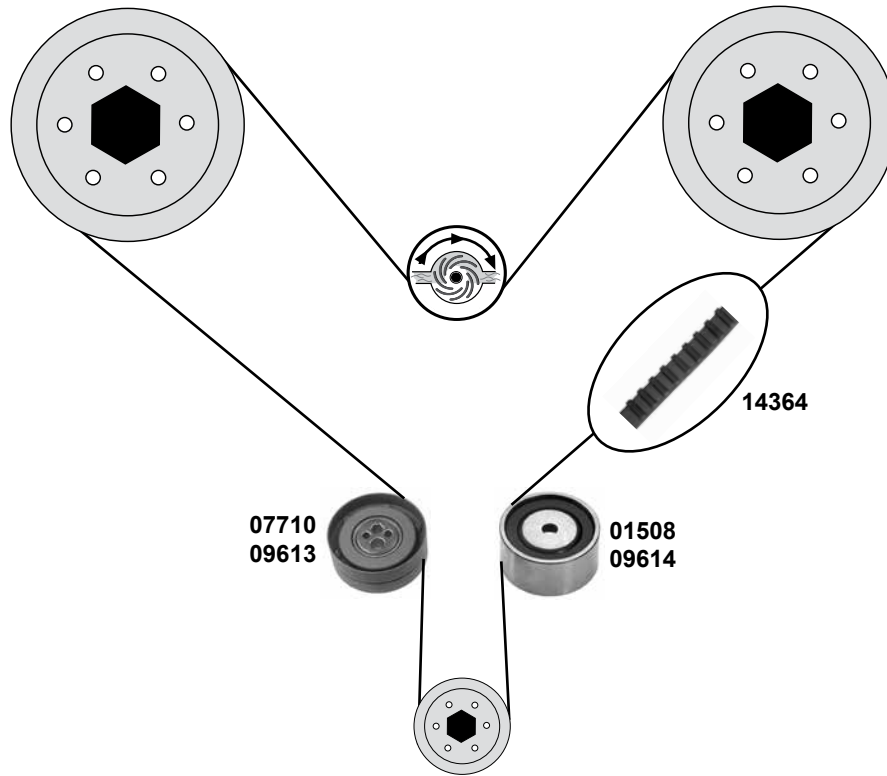
ØA 72 B27

455 / 44 E

Z 147 B25

Z 147 B19

Z 151 B19



	Ref. - No.			
<b>01508</b>	078 109 244 F	Umlenkrolle / deflection pulley	(ch.) → 4A-S-026 714	ØA 59 ØI 8 B28
<b>04131</b>	078 903 341 J	Umlenkrolle / deflection pulley	(ch.) 4A-N-023 927 →	ØA 90 ØI 8 B25
<b>04132</b>	078 903 341 B	Umlenkrolle / deflection pulley	(ch.) → 4A-N-023 926	ØA 105 ØI 8 B33
<b>07710</b>	078 109 243 C	Spannrolle / tension roller	(ch.) → 4A-S-026 714	ØA 83 ØI 10 B23
<b>09613</b>	078 109 243 K	Spannrolle / tension roller	(ch.) 4A-S-026 715 →	ØA 72 ØI 8 B27
<b>09614</b>	078 109 244 G	Umlenkrolle / deflection pulley	(ch.) 4A-S-026 715 →	ØA 59 ØI 10 B26
<b>14364</b>	078 109 119 D	Zahnriemen / timing belt		Z 239 B25,4
<b>14640</b>	078 198 119 A	Rep. Satz Zahnriemen / rep. kit timing belt	(ch.) 4A-S-026 715 →	
<b>14642</b>	078 109 119 D S1	Rep. Satz Zahnriemen / rep. kit timing belt	(ch.) → 4A-S-026 714	

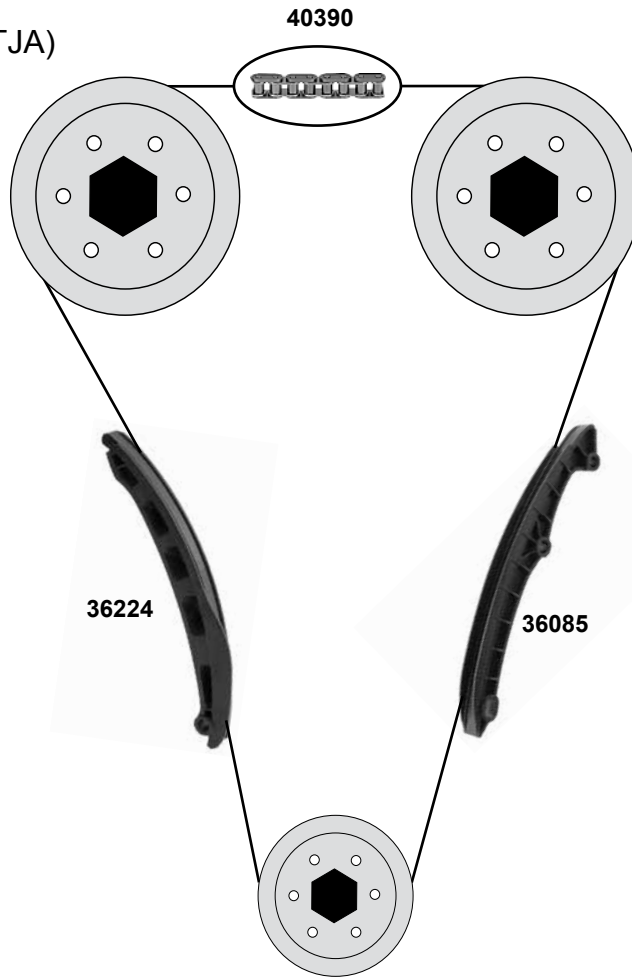


# AUDI A1 (8X) (11→)

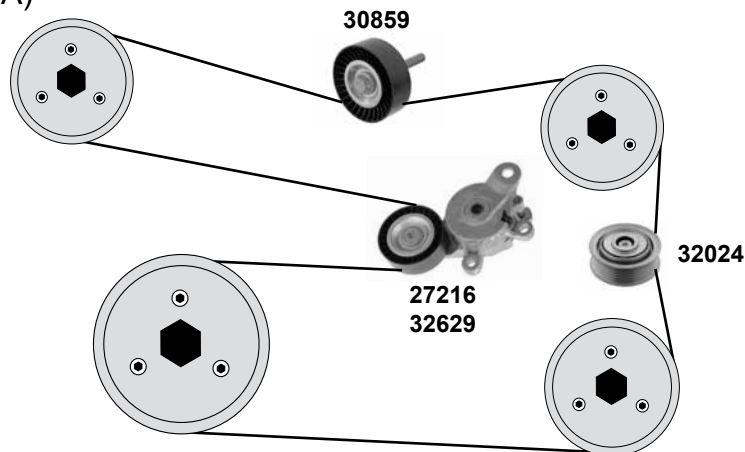
Car  
Division



## 1,4 B (CAVG/CAXA/CNVA/CTHG/CTJA)



## 1,2 / 1,4 (CBZA/CAXA/CAVG/CNVA)



Ref. - No.



<b>27216</b>	6Q0 145 299
<b>30859</b>	1J0 145 276
<b>32024</b>	03C 145 276 C
<b>32629</b>	03C 145 299 Q
<b>36085</b>	03C 109 469 K
<b>36224</b>	03C 109 509 P
<b>40390</b>	03C 109 158 A

Riemenspanner / belt tensioner
Umlenkrolle / deflection pulley
Umlenkrolle / deflection pulley
Riemenspanner / belt tensioner
Gleitschiene/ sliding rail
Gleitschiene/ sliding rail
Steuerkette / timing chain

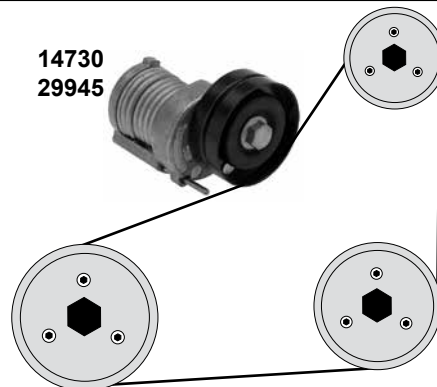
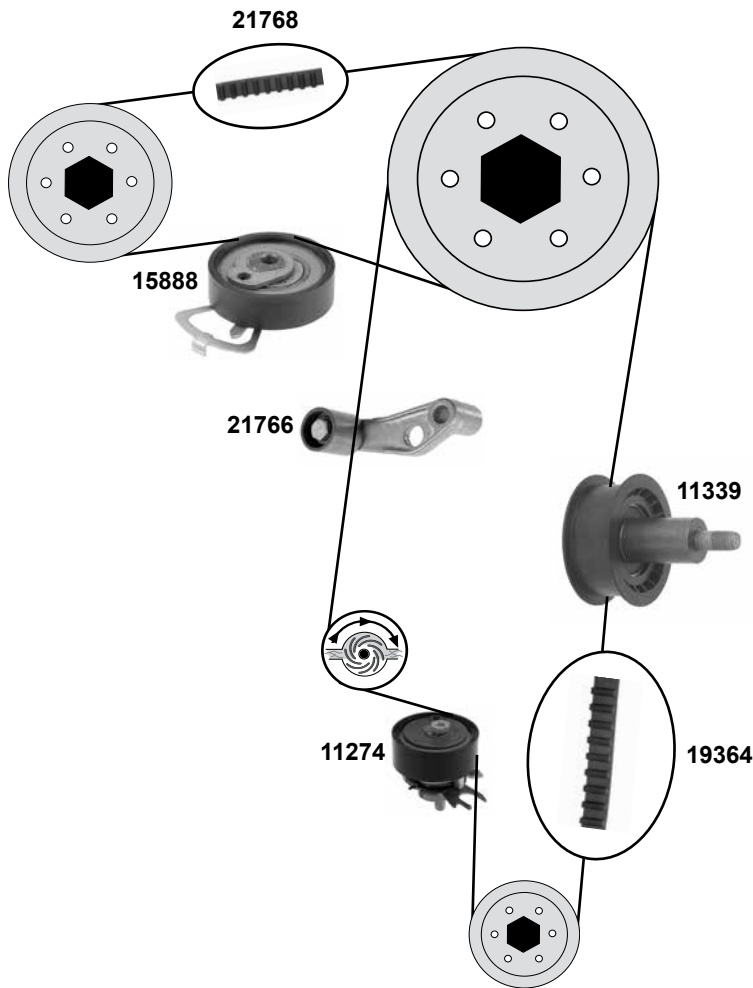
(ex.) CAVG
AC (ex.) CAVG/CBZA
(ex.) AC / CAXA
AC (ex.) CAVG

ØA76 B26
ØA81 B37

130 E



**1,4 / 1,6**  
(AUA/BBY/BAD)



**1,4 / 1,6**  
(AUA/BBY/BAD)

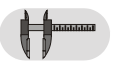


(1) (mot.) AUA/BBY/BAD **AC**

(2) (mot.) AMF/ANY/BHC/ATL



Ref. - No.



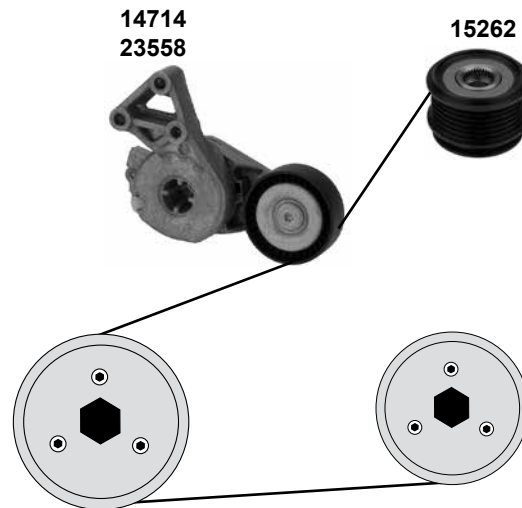
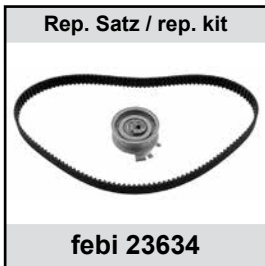
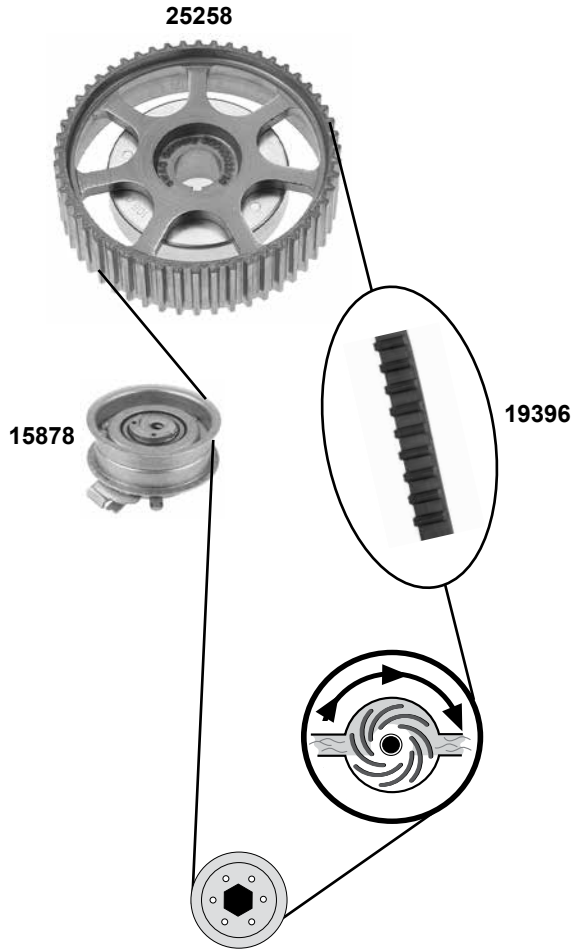
<b>11274</b>	036 109 243 AD	Spannrolle / tension roller	(ch.) → 8Z-N5 011 050	ØA 80 ØI 8 B25
<b>11339</b>	036 109 244 J	Umlenkrolle / deflection pulley	(ch.) → 8Z-5-004 800	ØA 56 B22
<b>14730</b>	030 145 299 F	Riemenspanner / belt tensioner	(1)	ØA 70 B26
<b>15888</b>	036 109 243 AE	Spannrolle / tension roller	(ch.) → 8Z-N5 011 050	ØA 60 B19
<b>19364</b>	036 109 119 Q	Zahnriemen / timing belt		Z 130 B20
<b>21766</b>	036 109 181 A	Umlenkrolle / deflection pulley	(ch.) → 8Z-5-004 800	ØA 28 B30
<b>21768</b>	036 109 119 P	Zahnriemen / timing belt		Z 58 B17
<b>21770</b>	036 109 119 Q S1	Rep. Satz Zahnriemen / rep. kit timing belt	(ch.) → 8Z-5-004 800	
<b>21772</b>	036 109 119 Q S2	Rep. Satz Zahnriemen / rep. kit timing belt		
<b>21774</b>	036 109 119 P S1	Rep. Satz Zahnriemen / rep. kit timing belt	(ch.) → 8Z-5-004 800	
<b>29945</b>	045 903 315 A	Riemenspanner / belt tensioner	(2)	

# AUDI A3 (8L) (97→04)

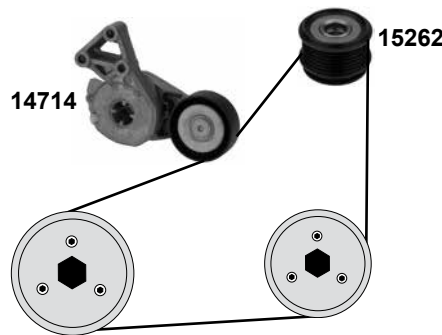
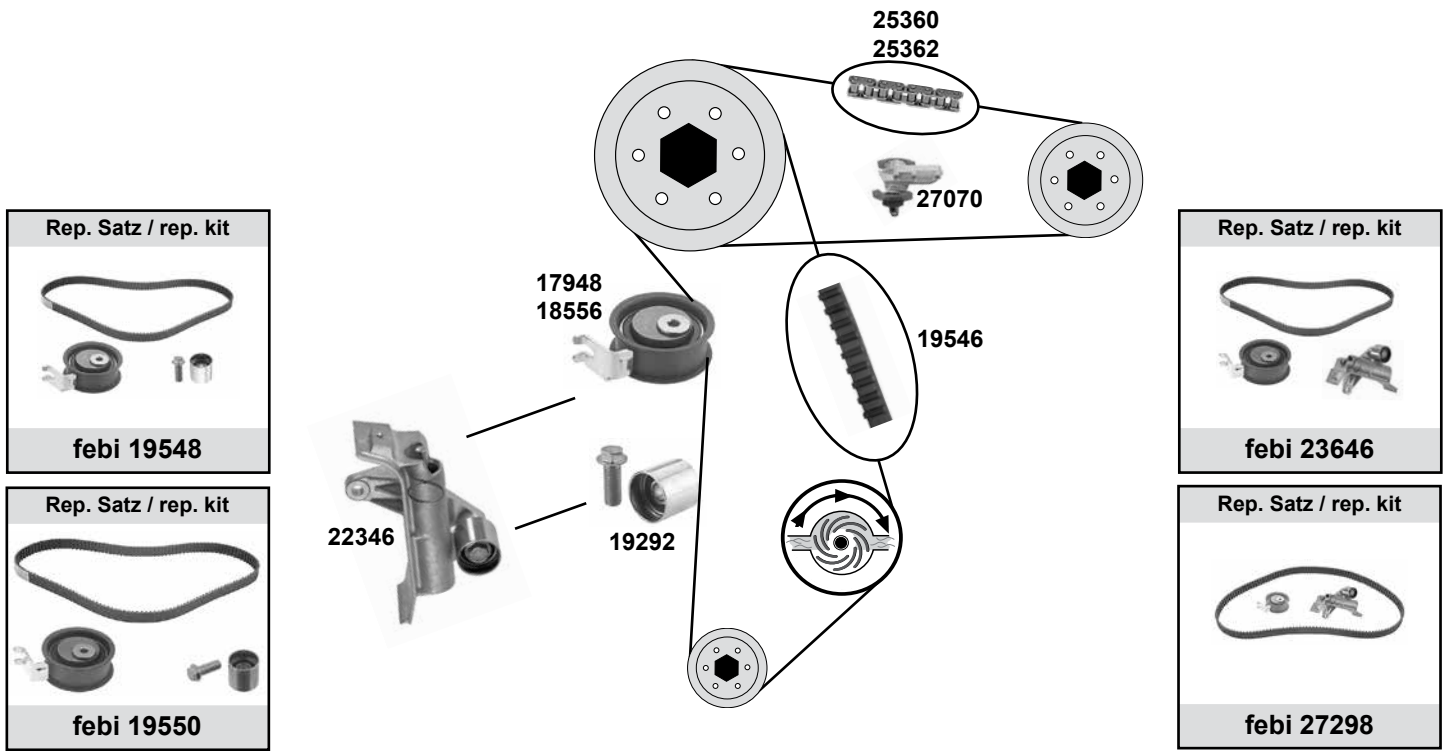
Car  
Division



## 1,6 (AEH/AKL/APF/AVU/BEQ)



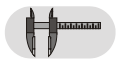
	Ref. - No.			
14714	06A 903 315 E	Riemenspanner / belt tensioner	(ex.) AC	ØA 70 B24
15262	022 903 119 C	Riemenscheibe Generator / belt pulley alternator	(ch) 8L-W-095 001→	ØA56 Ø117
15878	06A 109 479 C	Spannrolle / tension roller		ØA 72 B25,5 / 29
19396	06A 109 119 C	Zahnriemen / timing belt		Z 138 B23
23558	032 145 299 A	Riemenspanner / belt tensioner	(ex.) APF / AC servo	
23634	06A 198 119	Rep. Satz Zahnriemen / rep. kit timing belt		
25258	06A 109 105 C	Nockenwellenrad / camshaft gear	(mot.) AVU	Z 52



(1) (mot.) AGU / AJQ / APP / APY / AQA / ARZ / AUL



Ref. - No.



Ref. - No.	Description	Notes	Dimensions
14714	06A 903 315 E Riemenspanner / belt tensioner		ØA 70 B24
15262	022 903 119 C Riemenscheibe Generator / belt pulley alternator		ØA56 Ø117
17948	06B 109 243 Spannrolle / tension roller		ØA 72 B30
18556	06B 109 243 F Spannrolle / tension roller		ØA 72 B31
19292	06B 109 244 Umlenkrolle / deflection pulley		ØA28,5 B27
19546	06B 109 119 A Zahnriemen / timing belt		Z150 B23
19548	06A 198 119 A Rep. Satz Zahnriemen / rep. kit timing belt	(ch.) → 8L-Y-125 000	
19550	06B 109 119 A S2 Rep. Satz Zahnriemen / rep. kit timing belt	(ch.) 8L-Y-125 000 →	
22346	06B 109 477 Riemenspanner / belt tensioner		
23646	06B 109 119 A S3 Rep. Satz Zahnriemen / rep. kit timing belt	(ch.) 8L-Y-125 000 →	
25360	058 109 229 B Steuerkette / timing chain	(ch.) 8L-Y-125 000 →	
25362	058 109 229 Steuerkette / timing chain	(ex.) APY	50E
27070	058 109 217 B Kettenspanner / chain tensioner	(mot.) APY	50E
27298	06B 109 119 A S5 Rep. Satz Zahnriemen / rep. kit timing belt	(1)	
		(ch.) 8L-Y-125 000 →	

# AUDI A3 / Cabrio (8P)

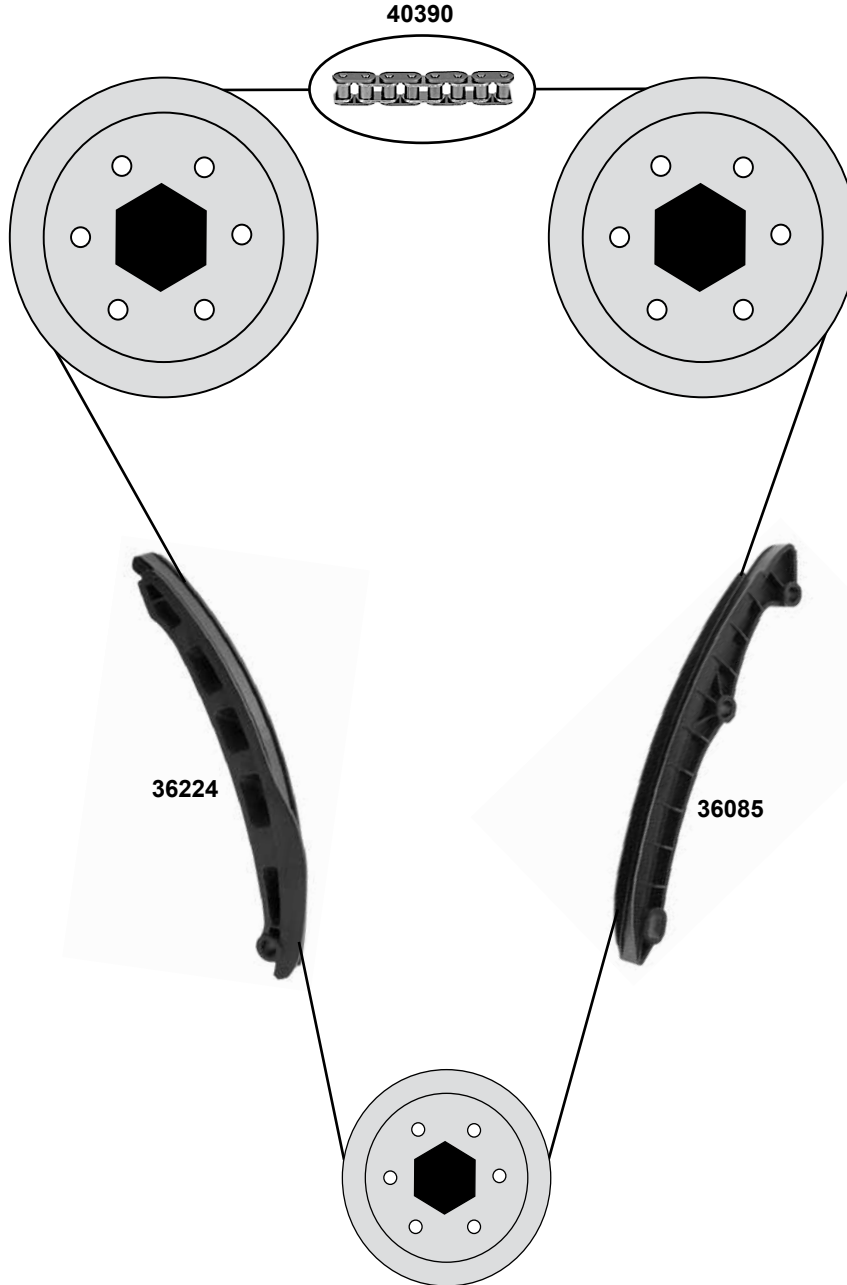
(04→)

Car  
Division



## 1,4 / 1,6 B

(BAG/BLF/BLP/CAXC/CMSA)



(1) A3 Cabrio (mot.) CAXC 08→13



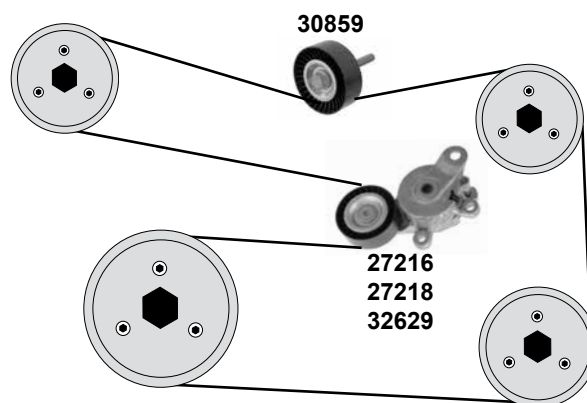
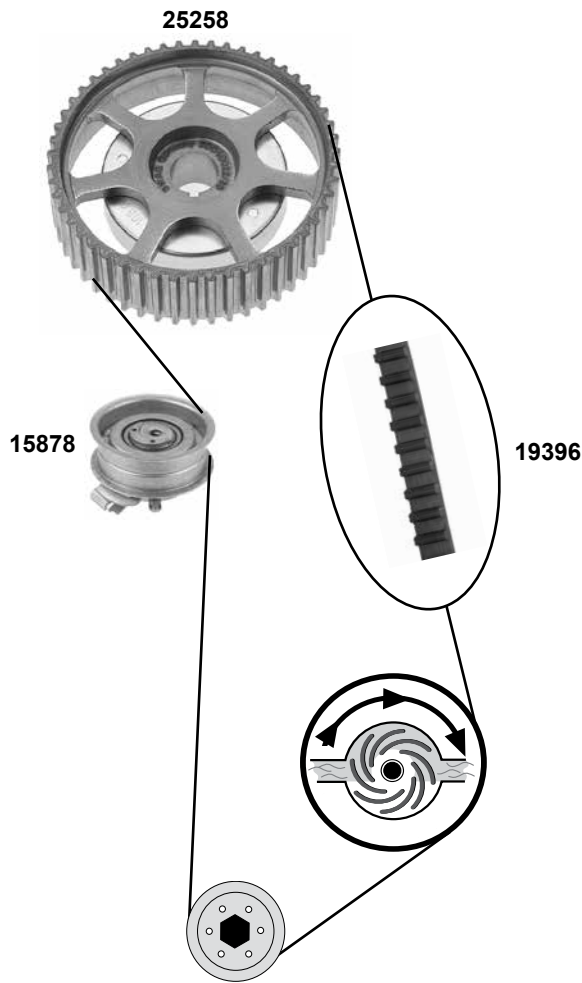
Ref. - No.



**36085** 03C 109 469 K  
**36224** 03C 109 509 P  
**40390** 03C 109 158 A

Gleitschiene/ sliding rail  
Gleitschiene/ sliding rail  
Steuerkette / timing chain

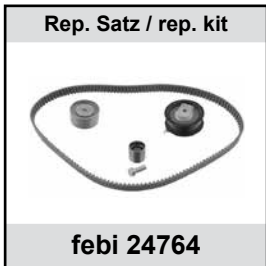
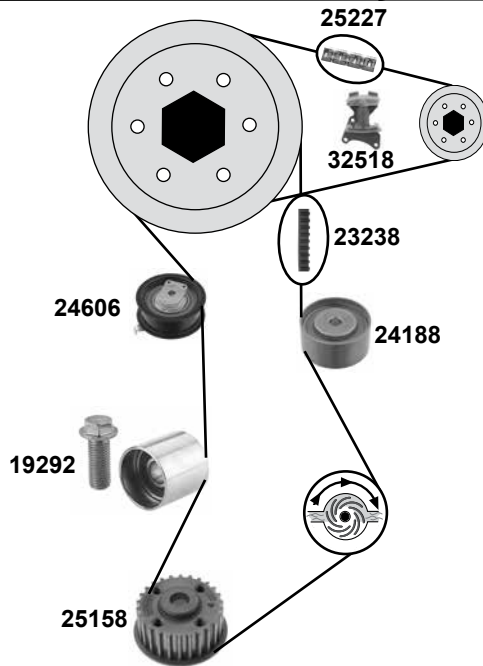
130 E



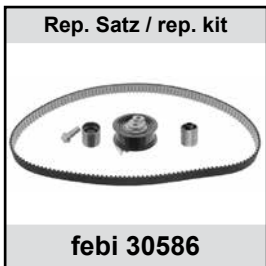
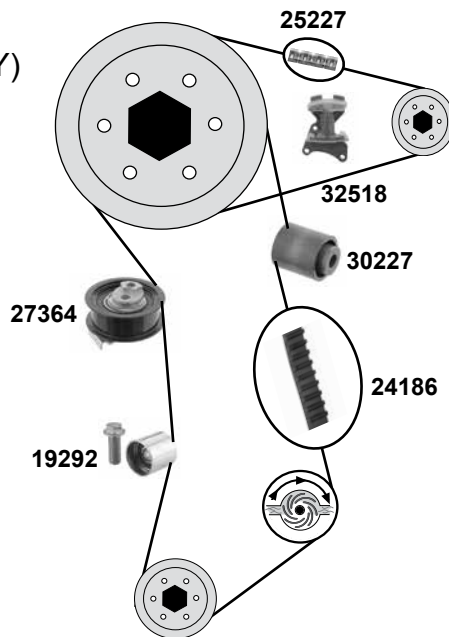
	Ref. - No.			
15878	06A 109 479 C	Spannrolle / tension roller		ØA 72 B25,5 / 29
19396	06A 109 119 C	Zahnriemen / timing belt		Z 138 B23
23634	06A 198 119	Rep. Satz Zahnriemen / rep. kit timing belt		
25258	06A 109 105 C	Nockenwellenrad / camshaft gear		Z 52
27216	6Q0 145 299	Riemenspanner / belt tensioner	(ex.) AC	
27218	03C 145 299 C	Riemenspanner / belt tensioner	AC (ex.) CAXC/CMSA	
30859	1J0 145 276	Umlenkrolle / deflection pulley	AC	ØA76 B26
32629	03C 145 299 Q	Riemenspanner / belt tensioner	AC CAXC/CMSA	

# AUDI A3 (8P) (04→)

## 2,0 16V (AXW/BMB)



## 2,0 16V (BLY/BLX/BLR/BVY/BVZ/AXX/BWA/BPY)



(1) (ch.) → 8P-6A118 000 / (ch.) → 8P-6B012 500

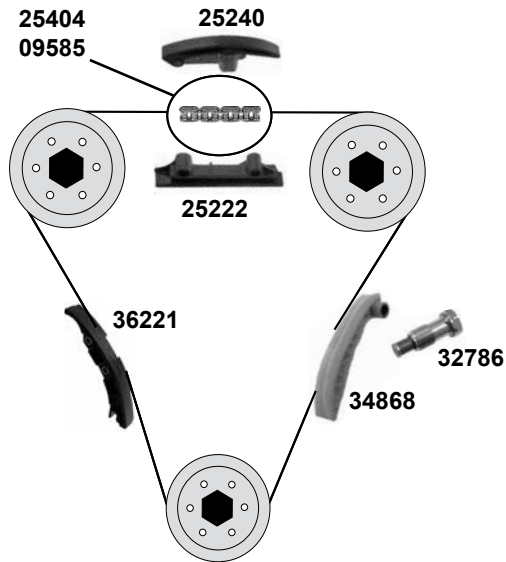
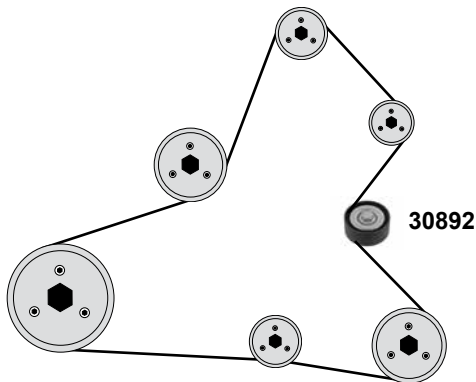
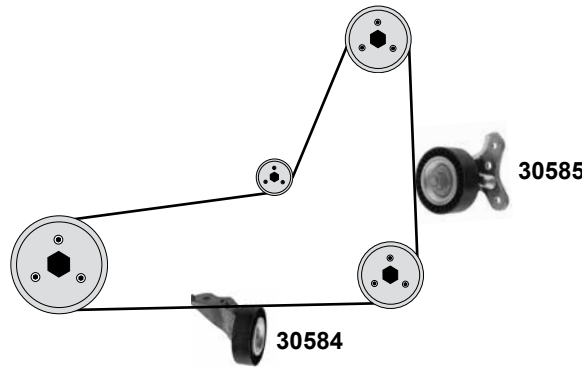
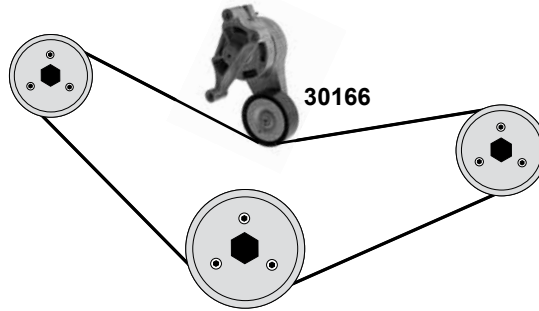
(2) (mot.) AXW / BMB / AXX / BLY / BLX / BLR / BVY / BVZ / BHZ / BPY / BZC → 08



Ref. - No.



Ref. - No.	Description	Notes	Dimensions
19292	06B 109 244 Umlenkrolle / deflection pulley	(1) (ex.) BMB	ØA 28,5 B27
23238	06D 109 119 Zahnriemen / timing belt	(1)	Z 145
24186	06D 109 119 B Zahnriemen / timing belt	(1)	Z 148
24188	06D 109 244 A Umlenkrolle / deflection pulley	(1)	
24606	06D 109 243 Spannrolle / tension roller	(1)	ØA 67
24764	06F 198 119 Rep. Satz Zahnriemen / rep. kit timing chain	(1)	Z 145
25158	027 105 263 B Kurbelwellenrad / crankshaft gear	(1)	Z 26
25227	06D 109 229 B Steuerkette / timing chain	(ex.) BMB	42E
27364	06D 109 243 B Spannrolle / tension roller	(1)	ØA 77 B25
30227	06D 109 244 E Umlenkrolle / deflection pulley	(1)	ØA 28,5 B33,5
30586	06F 198 119 A Rep. Satz Zahnriemen / rep. kit timing belt	(1)	
32518	06F 109 217 A Kettenspanner / chain tensioner	(2)	



Ref. - No.



<b>09585</b>	03H 109 465	Steuerkette / timing chain		70E
<b>25222</b>	021 109 469	Gleitschiene / sliding rail		
<b>25240</b>	021 109 467	Kettenspanner / chain tensioner		
<b>25404</b>	066 109 503 C	Steuerkette / timing chain		98E
<b>30166</b>	06F 903 315	Riemenspanner / belt tensioner		
<b>30584</b>	07K 145 172 C	Umlenkrolle / deflection pulley	11→	ØA 73 B21,85
<b>30585</b>	07K 145 172 B	Umlenkrolle / deflection pulley	11→	ØA 64,1 B21,85
<b>30892</b>	022 145 276 A	Umlenkrolle / deflection pulley		ØA 65 B28
<b>32786</b>	03H 109 507	Kettenspanner / chain tensioner		
<b>34868</b>	066 109 509 A	Gleitschiene / sliding rail		
<b>36221</b>	066 109 513 A	Gleitschiene / sliding rail		
<b>36222</b>	03H 109 503 S1	Rep. Satz Steuerkette / rep. kit timing chain		

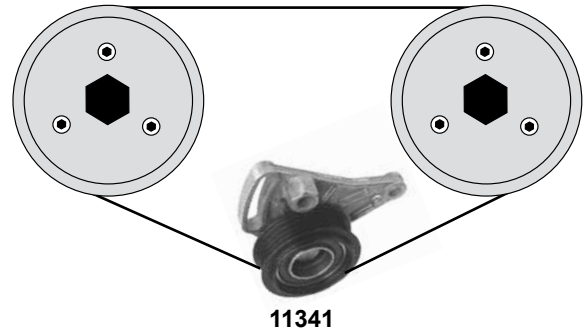
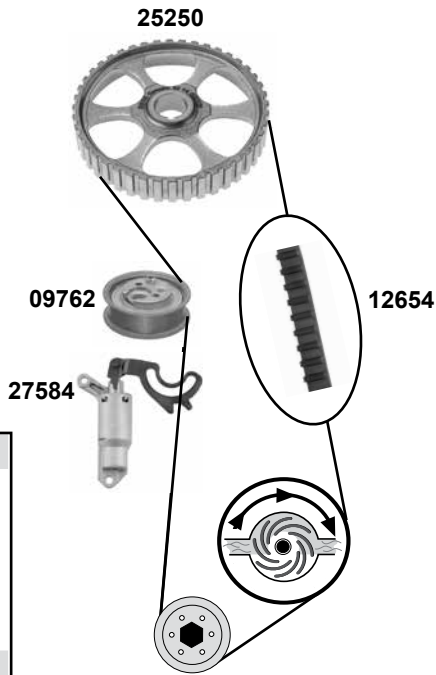


# AUDI A4 (8D) (95→01)

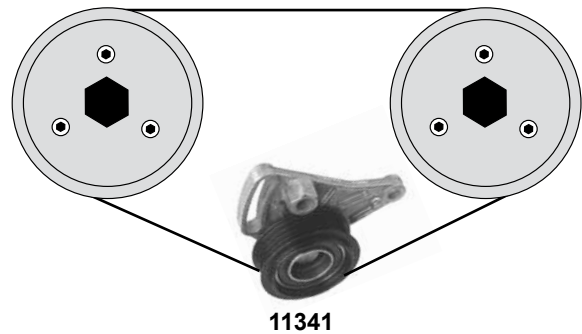
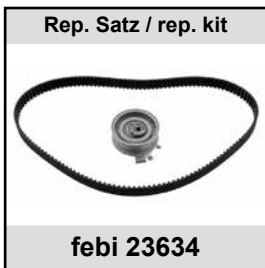
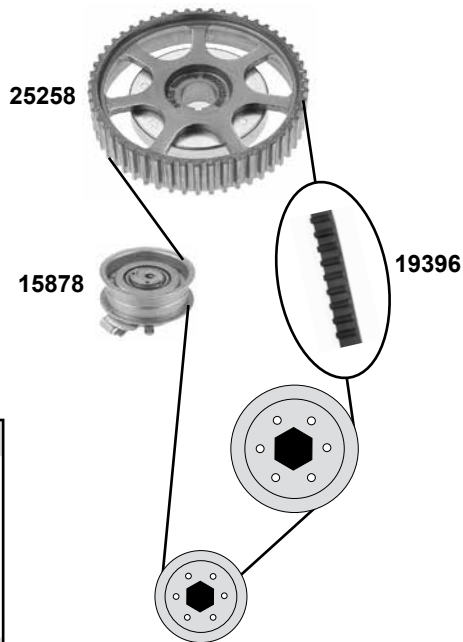
Car  
Division



**1,6**  
(ADP)



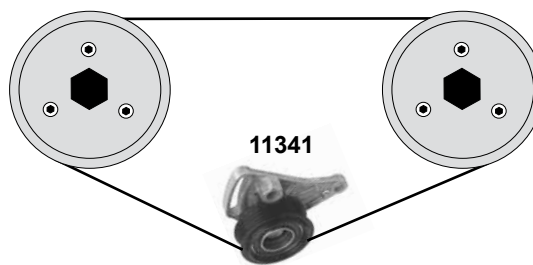
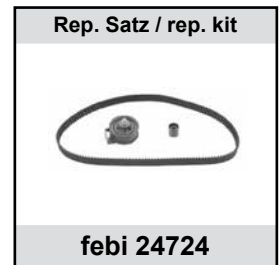
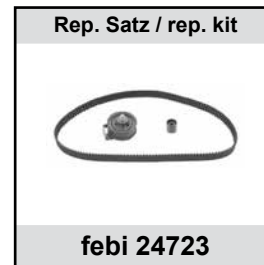
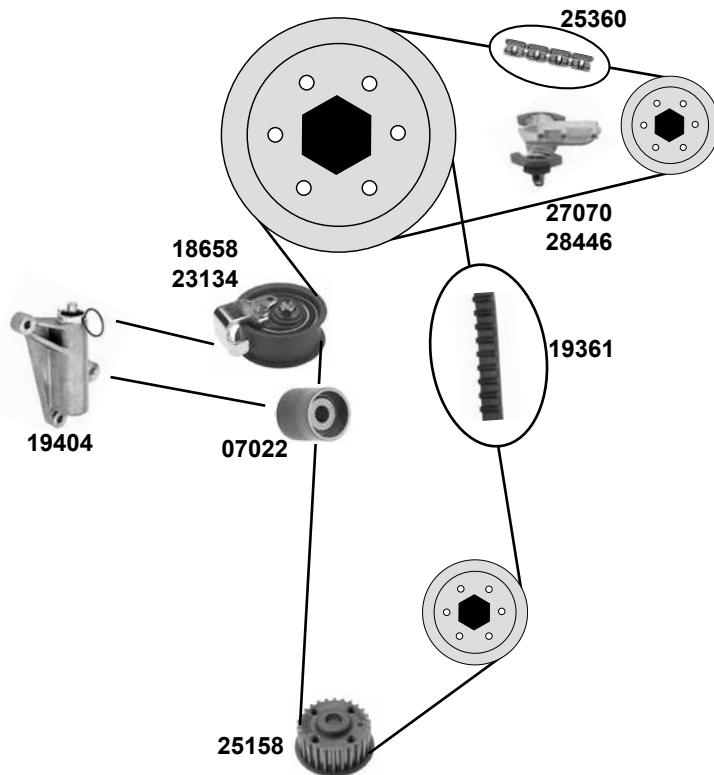
**1,6**  
(AHL/ARM/ANA/ALZ)



Ref. - No.



<b>09762</b>	026 109 243 J	Spannrolle / tension roller		ØA 66 ØI11 B18
<b>11341</b>	058 260 511	Spannrolle / tension roller	AC	ØA 60 B15,5 Z 121 B18
<b>12654</b>	026 109 119 B	Zahnriemen / timing belt		Z 121 B18
<b>14662</b>	026 198 119	Rep. Satz Zahnriemen / rep. kit timing belt		
<b>15878</b>	06A 109 479 C A	Spannrolle / tension roller		ØA 72 B25,5 / 29
<b>19396</b>	06A 109 119 C	Zahnriemen / timing belt		Z 138 B23
<b>23634</b>	06A 198 119	Rep. Satz Zahnriemen / rep. kit timing belt		
<b>25250</b>	049 109 111 C	Nockenwellenrad / camshaft gear		Z 44
<b>25258</b>	06A 109 105 C	Nockenwellenrad / camshaft gear		Z 52
<b>27584</b>	050 109 479 A	Riemenspanner / belt tensioner		



(1) (ch.) → 8D-T-155 000

(2) (ch.) 8D-T-155 010 →  
(mot.) APT / ARG / AVV  
(mot.) APU 020001 →  
(mot.) ANB 020001 →  
(mot.) AJL 010001 →  
(mot.) AJL 010001 →

(3) (ch.) 8D-T-155 001 →  
(mot.) APU → 020000  
(mot.) ANB → 020000  
(mot.) AJL → 010000  
(mot.) AFY → 010000

(4) (mot.) AEB/AJL/ANB/APU

(5) (ch.) 8D-T-155 001 →  
(mot.) ADR/AEB/AFY

(6) (ch.) → 8D-T-155 000  
(mot.) ADR/AEB/AFY

(7) (mot.) ADR/AFY 95 → 97  
(mot.) AFY (ex.ADR) 98 → 01

(8) (mot.) ADR/AFY/AEB/AJL/  
APT/ARG/AVV/APU/  
ANB



Ref. - No.

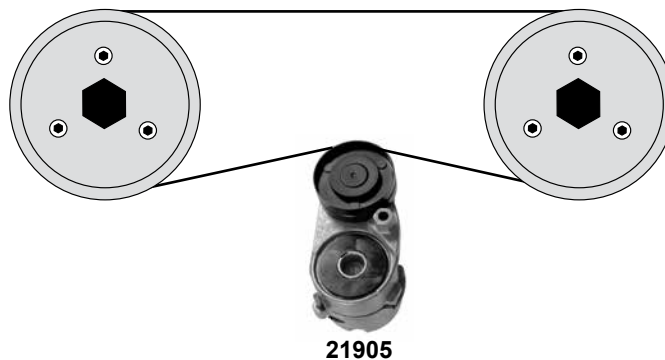
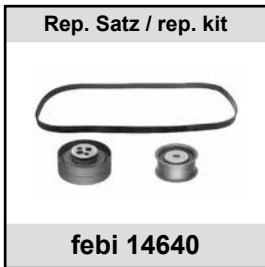
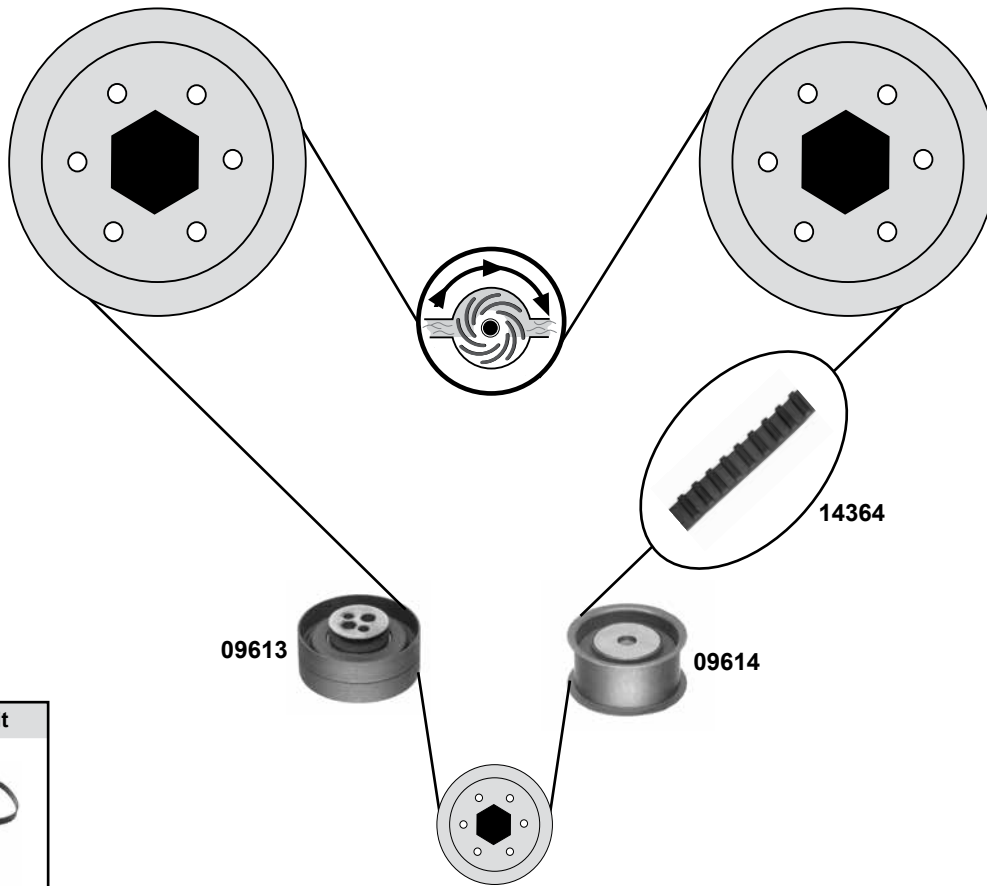


<b>07022</b>	058 109 244	Umlenkrolle / deflection pulley
<b>11341</b>	058 260 511	Spannrolle / tension roller
<b>18658</b>	058 109 243 E	Spannrolle / tension roller
<b>19361</b>	058 109 119 C	Zahnriemen / timing belt
<b>19404</b>	058 109 479 B	Riemenspanner / belt tensioner
<b>21100</b>	058 198 479	Rep. Satz Zahnriemen / rep. kit timing belt
<b>23126</b>	058 198 479 A	Rep. Satz Zahnriemen / rep. kit timing belt
<b>23134</b>	058 109 243 D	Spannrolle / tension roller
<b>24723</b>	058 198 119	Rep. Satz Zahnriemen / rep. kit timing belt
<b>24724</b>	058 198 119 A	Rep. Satz Zahnriemen / rep. kit timing belt
<b>25158</b>	027 105 263 B	Kurbelwellenrad / crankshaft gear
<b>25360</b>	058 109 229 B	Rollenkette / roller chain
<b>27070</b>	058 109 217 B	Kettenspanner / chain tensioner
<b>28446</b>	058 109 217 D	Kettenspanner / chain tensioner

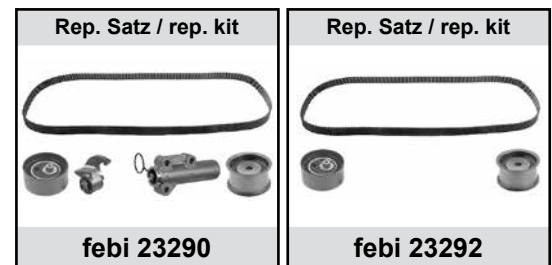
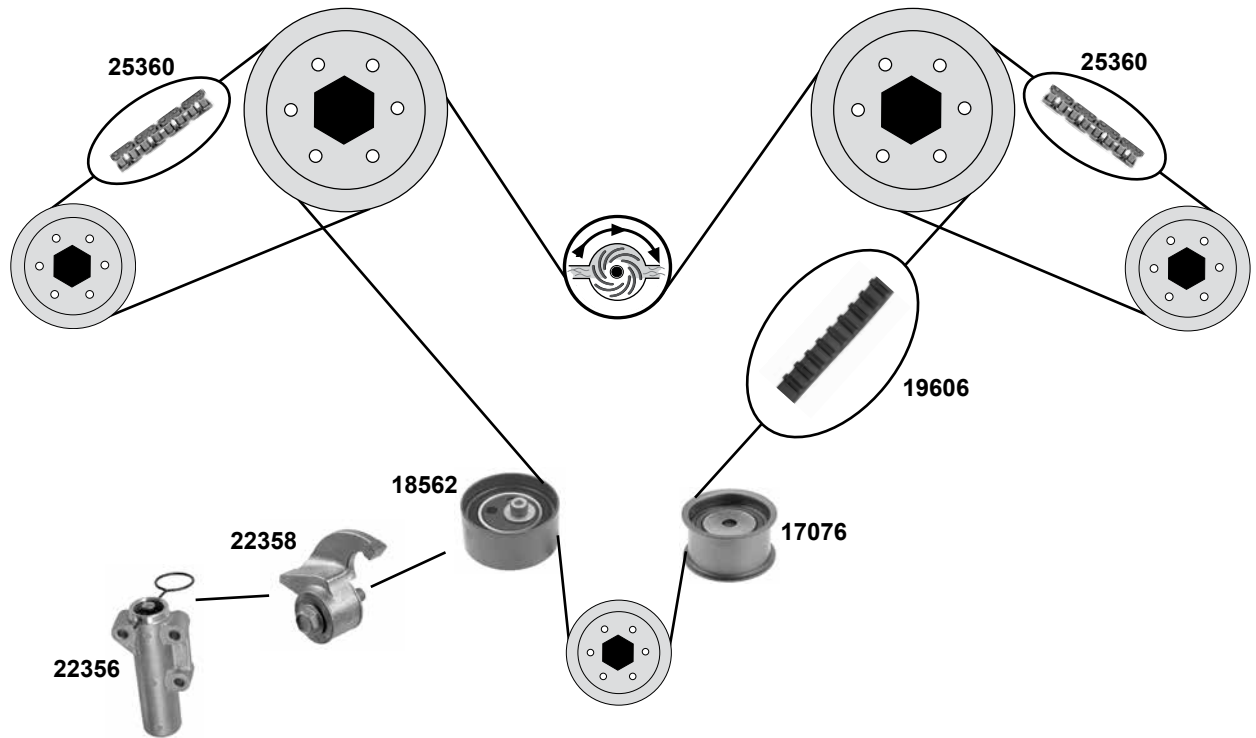
(8)	ØA 66 Ø111 B25
AC	ØA 60 B15,5
(3)	ØA 72 B32,5 Z 153 B19
(2)	
(1)	
(1)	ØA 72 B32,5
(5)	
(6)	
	Z 26 50E
(4)	
(7)	



**2,4 / 2,6 / 2,8 V6 (12V)**  
(AFU/AAH/ABC/ACZ)



	Ref. - No.			
<b>09613</b>	078 109 243 K	Spannrolle / tension roller		ØA 72 ØI 8 B27 ØA 59 ØI 10 B26 Z 239 B25,4
<b>09614</b>	078 109 244 G	Umlenkrolle / deflection pulley		
<b>14364</b>	078 109 119 D	Zahnriemen / timing belt		
<b>14640</b>	078 198 119 A	Rep. Satz Zahnriemen / rep. kit timing belt		
<b>21905</b>	078 903 133 AB	Riemenspanner / belt tensioner		



	Ref. - No.			
<b>17076</b>	078 109 244 H	Umlenkrolle / deflection pulley		ØA 59 ØI 10 B31
<b>18562</b>	078 109 243 R	Spannrolle / tension roller		ØA 73,2 B32
<b>19606</b>	078 109 119 H	Zahnriemen / timing belt		Z 253
<b>22356</b>	078 109 479 E	Riemenspanner / belt tensioner		
<b>22358</b>	078 109 487 A	Riemenspanner / belt tensioner		
<b>23290</b>	078 198 479 S1	Rep. Satz Zahnriemen / rep. kit timing belt		
<b>23292</b>	078 198 119	Rep. Satz Zahnriemen / rep. kit timing belt		
<b>25360</b>	058 109 229 B	Rollenkette / roller chain		50E

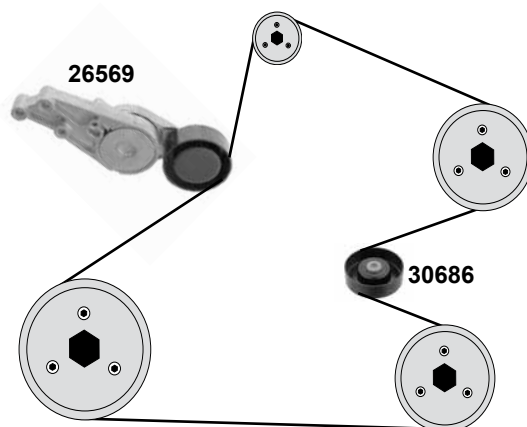
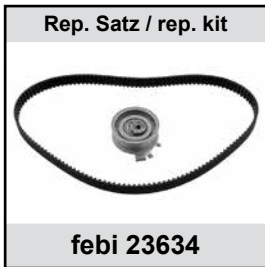
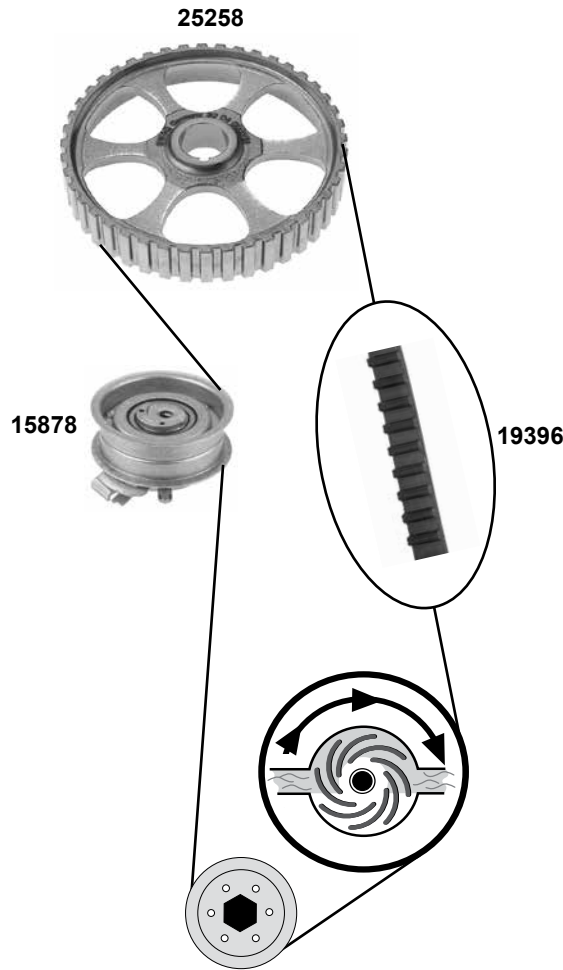
# AUDI A4 / Cabrio (8D/8H)

(01→05)

Car  
Division

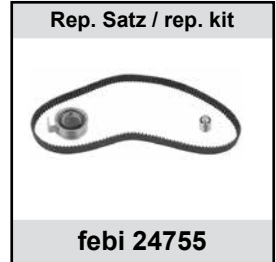
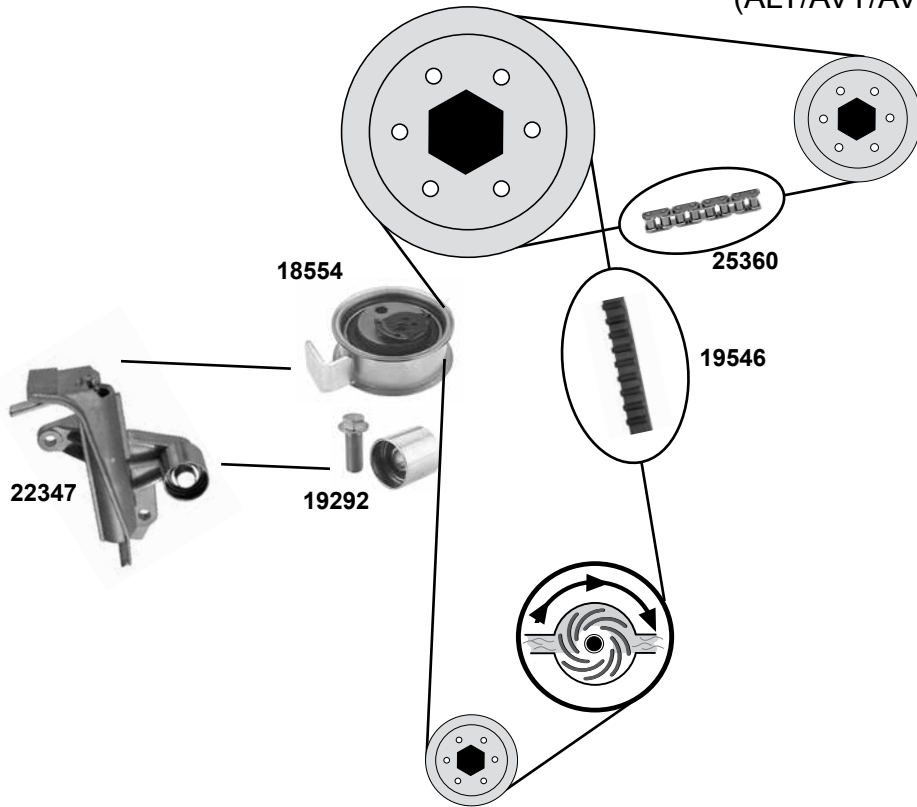


**1,6**  
(ALZ)

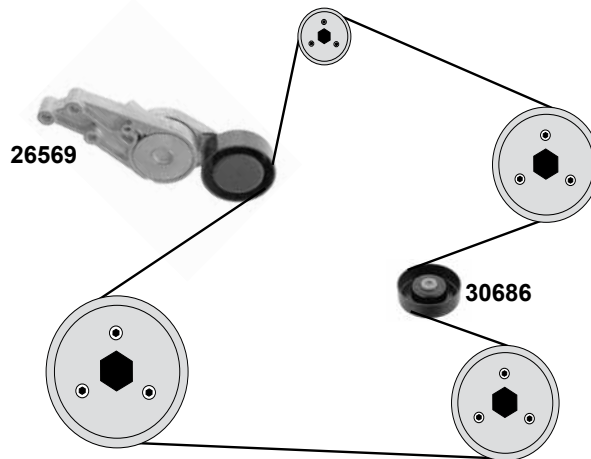


	Ref. - No.			
15878	06A 109 479 C	Spannrolle / tension roller		ØA 72 B25,5 / 29
19396	06A 109 119 C	Zahnriemen / timing belt		Z 138 B23
23634	06A 198 119	Rep. Satz Zahnriemen / rep. kit timing belt		
25258	06A 109 105 C	Nockenwellenrad / camshaft gear		Z 52
26569	06B 903 133 E	Riemenspanner / belt tensioner		ØA 76 B27,6
30686	06B 903 341 B	Umlenkrolle / deflection pulley	AC	ØA 90 B24,6

**1,8 / 2,0**  
(ALT/AVT/AVJ/AWT/AMB/BFB/BEX)



**1,8**  
(AVJ/AMB/BFB/BEX)



(1) (ex.) (mot.) ALT/AVJ/AWT

(2) Cabrio 03 → 09 (mot.) ALT/BFB / A4 avant quattro 8D-1-042385 → (ex.)(mot.) AVT/BEX



Ref. - No.



Ref. - No.	Description	Quantity	Notes
<b>18554</b>	06B 109 243 B Spannrolle / tension roller	(1)	ØA 72 B31
<b>19292</b>	06B 109 244 Umlenkrolle / deflection pulley	(1)	ØA 28,5 B27
<b>19546</b>	06B 109 119 A Zahnriemen / timing belt	(1)	Z 150 B23
<b>22347</b>	06B 109 477 A Riemenspanner / belt tensioner	(1)	
<b>23642</b>	06B 109 119 F S4 Rep. Satz Zahnriemen / rep. kit timing belt	(1)	
<b>24755</b>	06B 198 119 A Rep. Satz Zahnriemen / rep. kit timing belt	(2)	
<b>25360</b>	058 109 229 B Rollenkette / roller chain	(1)	50E
<b>26569</b>	06B 903 133 E Riemenspanner / belt tensioner	(1)	ØA 76 B27,6
<b>30686</b>	06B 903 341 B Umlenkrolle / deflection pulley	AC	ØA 90 B24,6

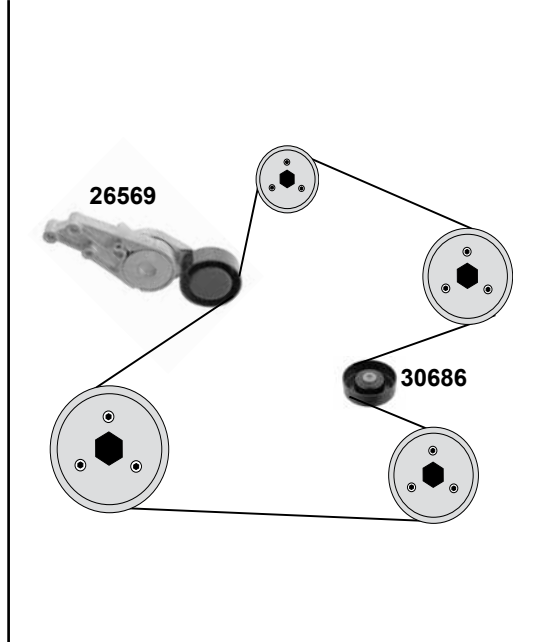
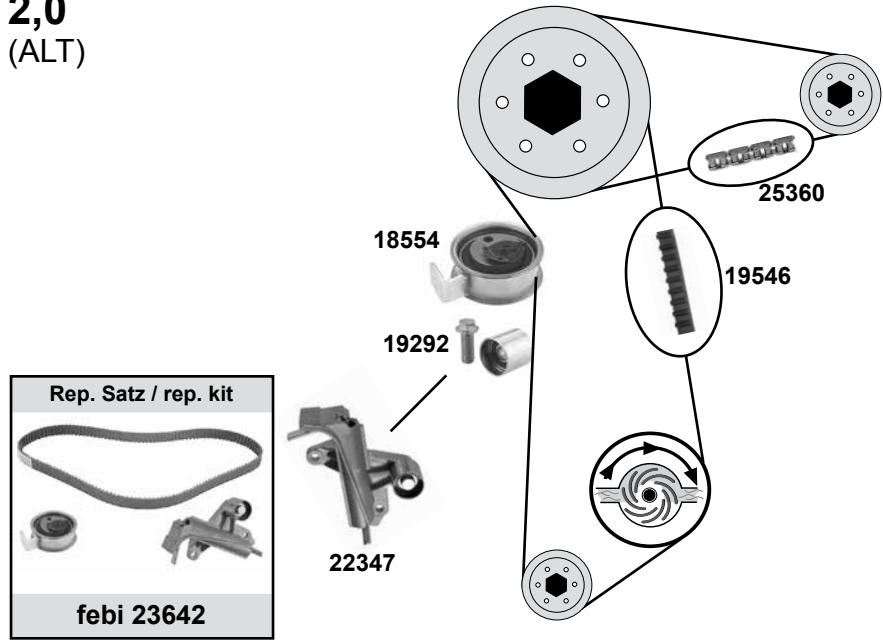
# AUDI A4 / Cabrio (8D/8H)

(01→04)

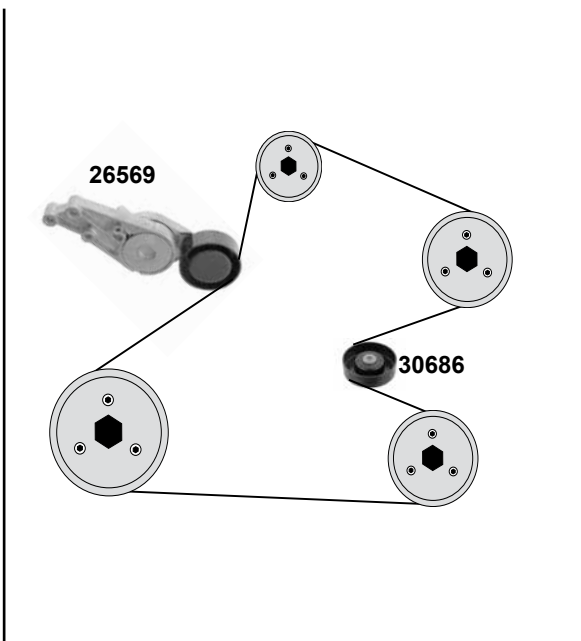
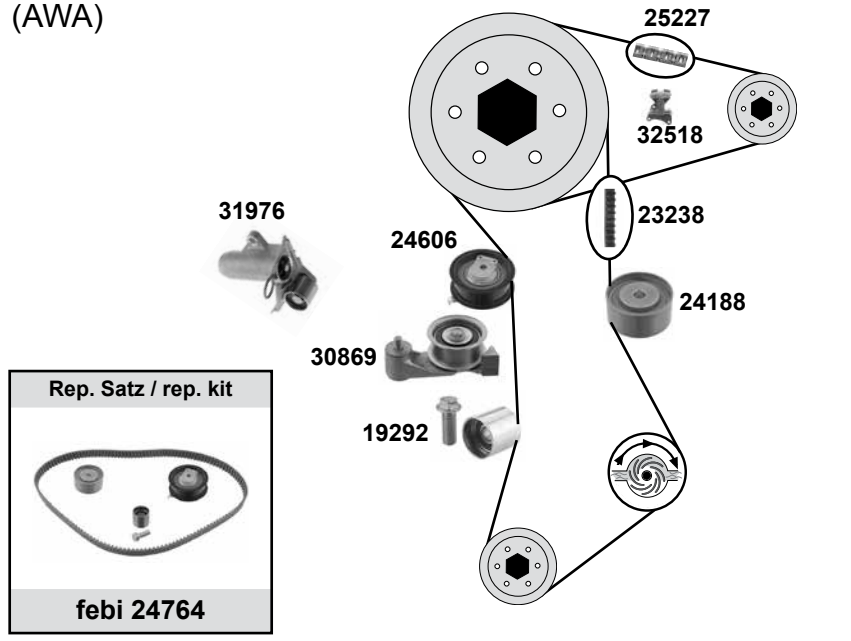
Car  
Division



## 2,0 (ALT)

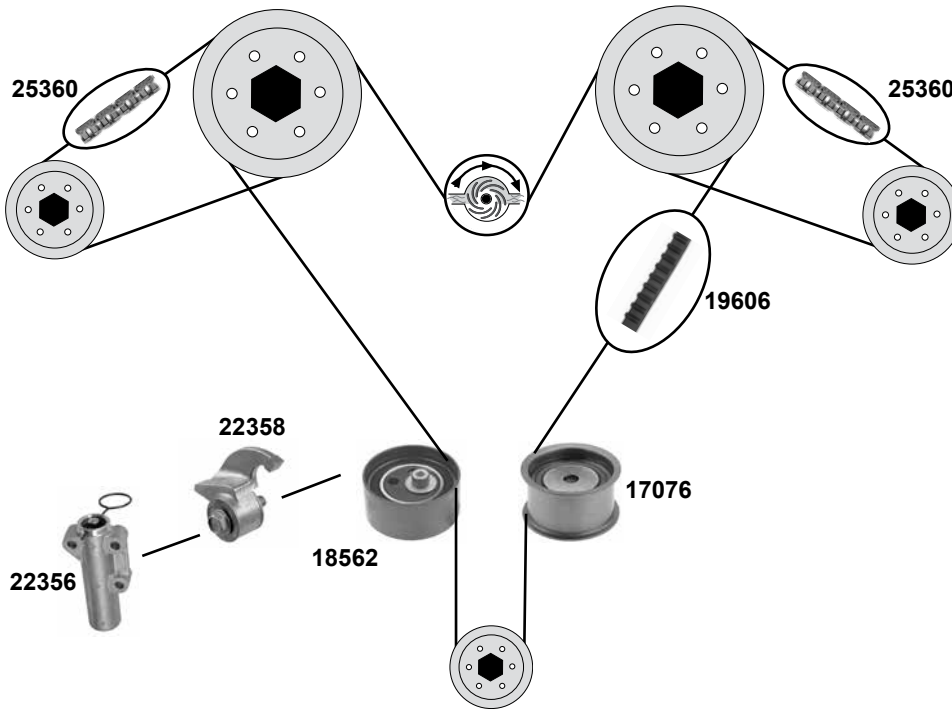


## 2,0 FSI (AWA)

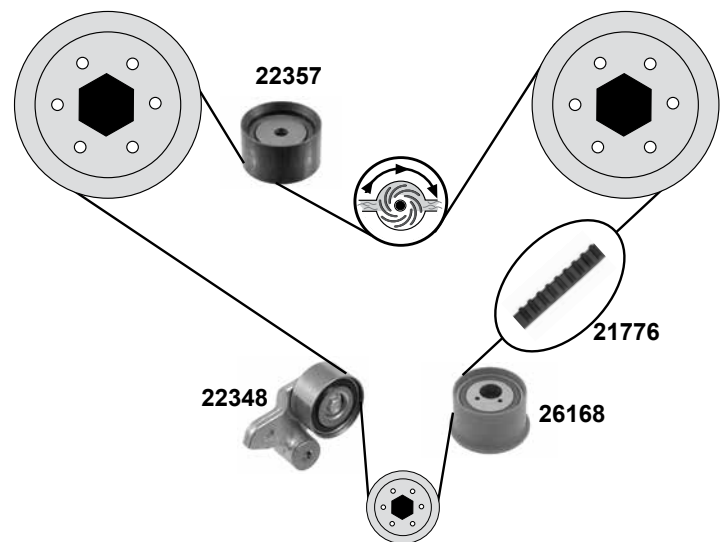
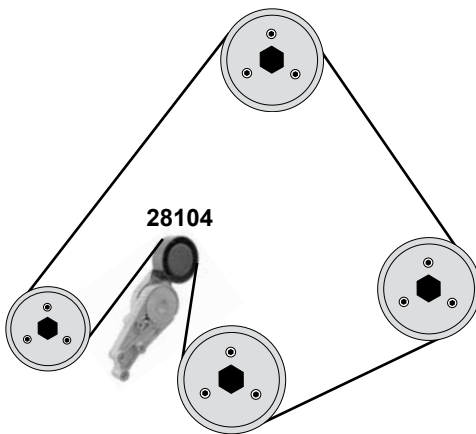


Ref. - No.				
18554	06B 109 243 B	Spannrolle / tension roller		ØA 72 B3
19292	06B 109 244	Umlenkrolle / deflection pulley	(ch.) 8E-3-390001 →	ØA 28,5 B27 Z 150 B23
19546	06B 109 119 A	Zahnriemen / timing belt		
22347	06B 109 477 A	Riemenspanner / belt tensioner		
23238	06D 109 119	Zahnriemen / timing belt	(ch.) 8E-3-390001 →	Z 145
23642	06B 109 119 F S4	Rep. Satz Zahnriemen / rep. kit timing belt		
24188	06D 109 244 A	Umlenkrolle / deflection pulley	(ch.) 8E-3-390001 →	
24606	06D 109 243	Spannrolle / tension roller	(ch.) 8E-3-390001 →	ØA 67
24764	06F 198 119	Rep. Satz Zahnriemen / rep. kit timing chain	(ch.) 8E-3-390001 →	Z 145
25227	06D 109 229 B	Steuerkette / timing chain		42E
25360	058 109 229 B	Steuerkette / timing chain		50E
26569	06B 903 133 E	Riemenspanner / belt tensioner		ØA 76 B27,6
30686	06B 903 341 B	Umlenkrolle / deflection pulley	AC	ØA 90 B24,6
30869	06D 109 485 A	Riemenspanner / belt tensioner	(ch.) → 8E-3-390000	
31976	06D 109 477 A	Riemenspanner / belt tensioner	(ch.) → 8E-3-390000	
32518	06F 109 217 A	Kettenspanner / chain tensioner		

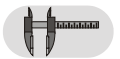
**2,4**  
(BDV/AMM)



**3,0**  
(ASN/BBJ/AVK)



Ref. - No.



<b>17076</b>	078 109 244 H	Umlenkrolle / deflection pulley		
<b>18562</b>	078 109 243 R	Spannrolle / tension roller		
<b>19606</b>	078 109 119 H	Zahnriemen / timing belt		
<b>21776</b>	06C 109 119 C	Zahnriemen / timing belt		
<b>22348</b>	06C 109 485 A	Spannrolle / tension roller		
<b>22356</b>	078 109 479 E	Riemenspanner / belt tensioner		
<b>22357</b>	06C 109 244	Umlenkrolle / deflection pulley		
<b>22358</b>	078 109 487 A	Riemenspanner / belt tensioner		
<b>23290</b>	078 198 479 S1	Rep. Satz Zahnriemen / rep. kit timing belt		
<b>23292</b>	078 198 119	Rep. Satz Zahnriemen / rep. kit timing belt		
<b>25360</b>	058 109 229 B	Rollenkette / roller chain		
<b>26168</b>	06C 109 244 C	Umlenkrolle / deflection pulley		
<b>28104</b>	06C 903 133 B	Riemenspanner / belt tensioner		



# AUDI A4 (8E/8H) (05→)

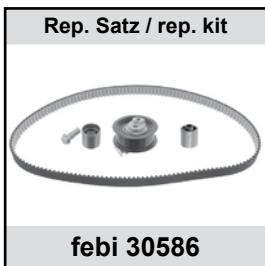
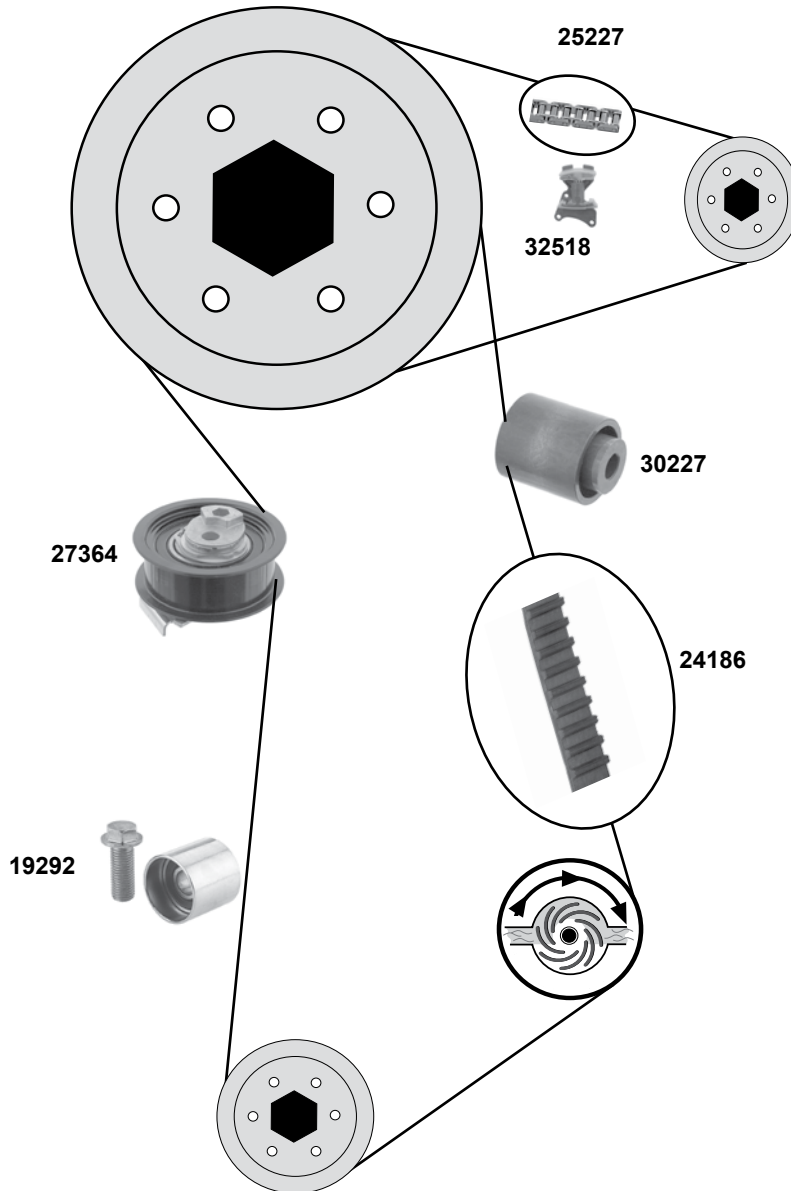
Car  
Division



## 2,0 16V

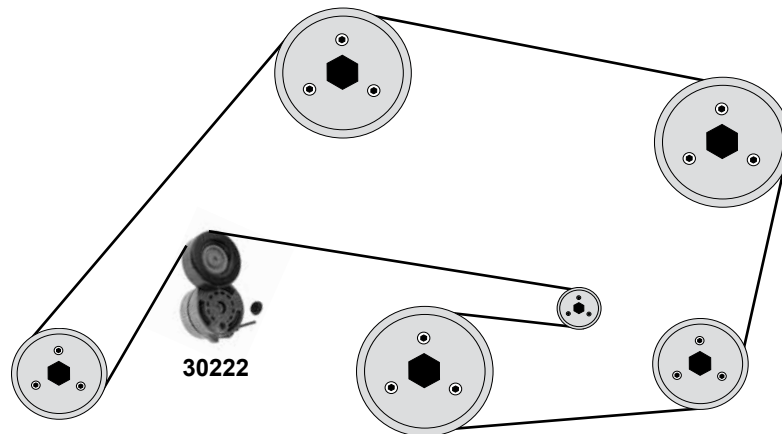
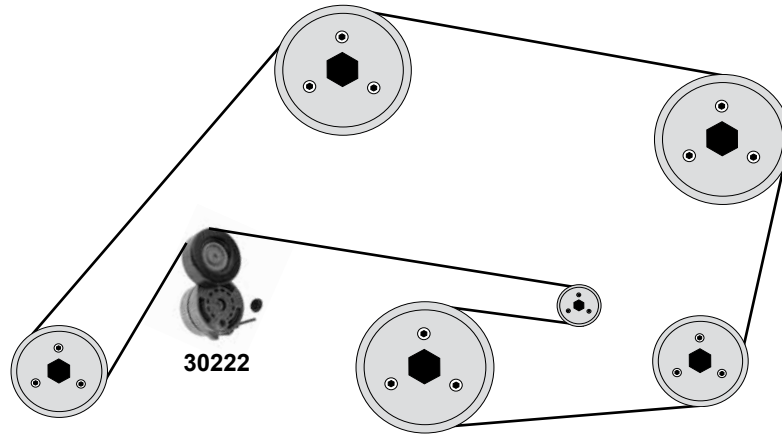
(BGB/BUL/BWE/BPG/BWT/BYK/BPJ)

S4 / avant / quattro (ch.) 8E-5-400 000 →  
S4 cabrio / quattro (mot.) BWE/BWT 05 →



Ref. - No.			
19292	06B 109 244	Umlenkrolle / deflection pulley	ØA 28,5 B27
24186	06D 109 119 B	Zahnriemen / timing belt	Z 148 B23
25227	06D 109 229 B	Rollenkette / roller chain	42E
27364	06D 109 243 B	Spannrolle / tension roller	ØA 77 B25
30227	06D 109 244 E	Umlenkrolle / deflection pulley	ØA 28,5 B33,5
30586	06F 198 119 A	Rep. Satz Zahnriemen / rep. kit timing belt	
32518	06F 109 217 A	Kettenspanner / chain tensioner	

→ 08



(1) A4 / S4 avant / quattro 05 → 08 (mot.) AUK/BKH / (mot.) CALA/CAKA/CCBA 08 →  
cabrio / quattro 07 → 09 (mot.) AUK  
A5 / S5 coupe 08 → / cabrio 10 →



Ref. - No.



Riemenspanner / belt tensioner



(1)



30222

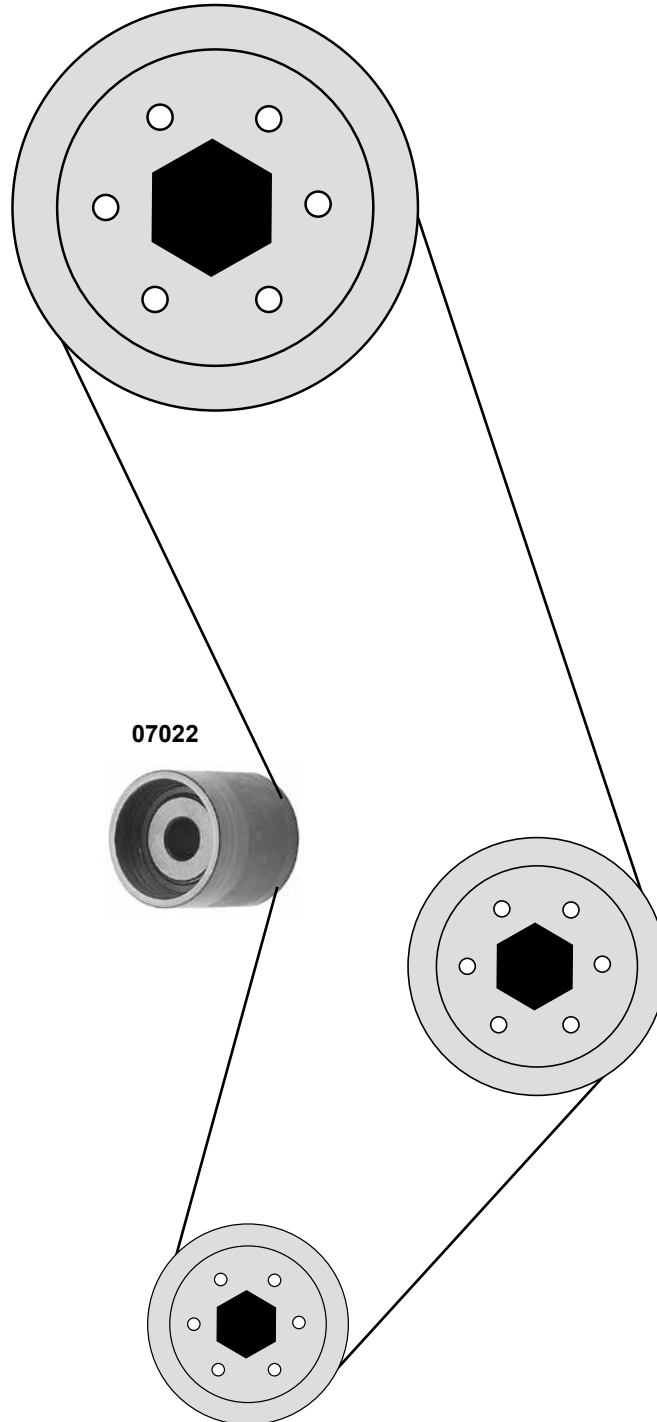
06E 903 133 E

# AUDI A6 (4A/4B) (85→05)

Car  
Division



## 1,8 B (ADR/AEB/AFY/AJL/ANB/APU/ARK/)



07022



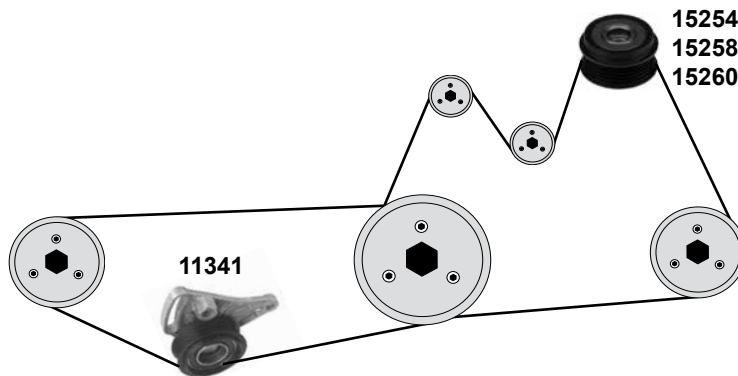
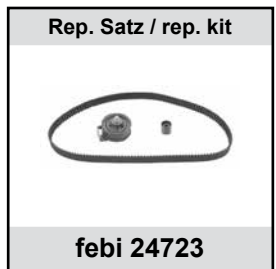
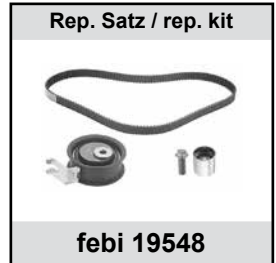
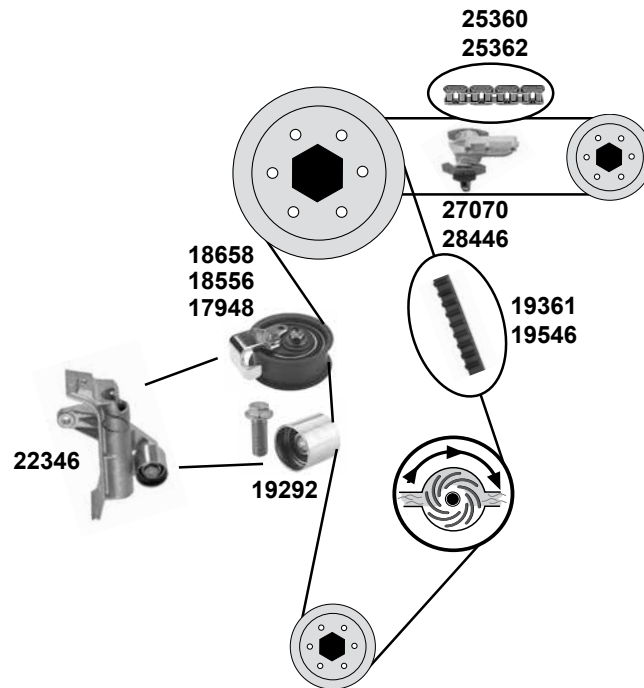
- |                                          |        |                         |
|------------------------------------------|--------|-------------------------|
| (1) A6 (4A) /Avant/quattro/Avant quattro | (mot.) | ADR                     |
| A6 (4B) /Avant                           | (mot.) | AEB/AFY/AJL/ANB/APU/ARK |
| A6 quattro (4B) / Avant quattro          | (mot.) | AEB/AJL/ANB/APU/ARK     |



Ref. - No.



07022 03L 109 244 D Umlenkrolle / deflection pulley (1) ØA 28 ØI 8 B29



(1) (ch.) 4BX000 001 →

(3) (mot.) AEB/AJL/APU/ARK/ANB/AFY

(2) (mot.) AEB/ AJL (ch.) → 4BW220 000

(4) (mot.) AEB/AJL/ANB/APU



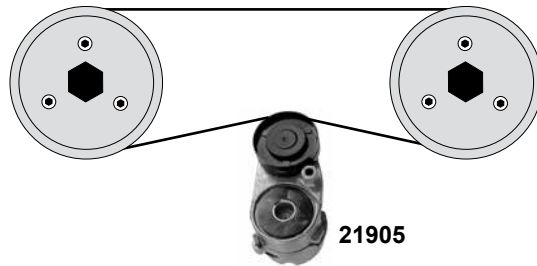
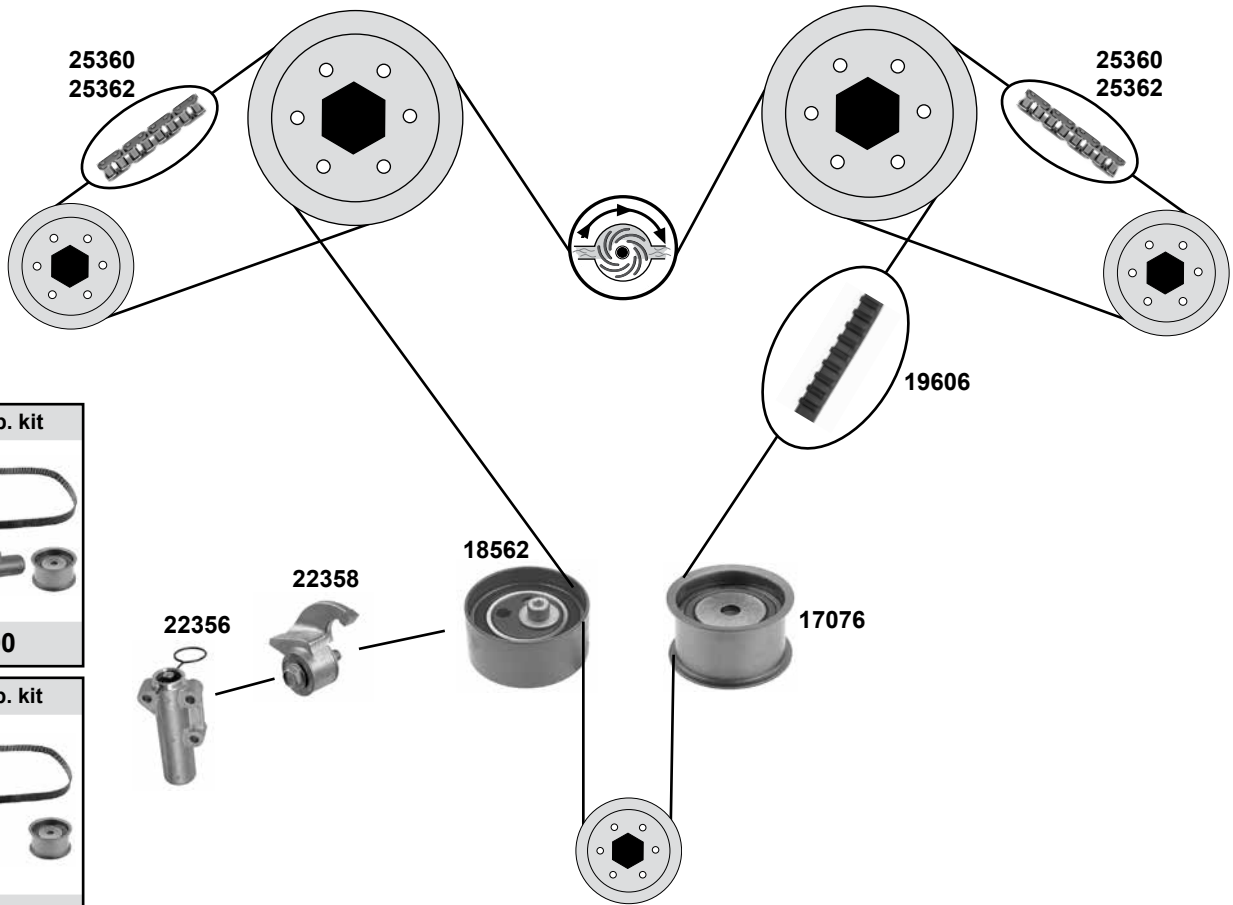
Ref. - No.



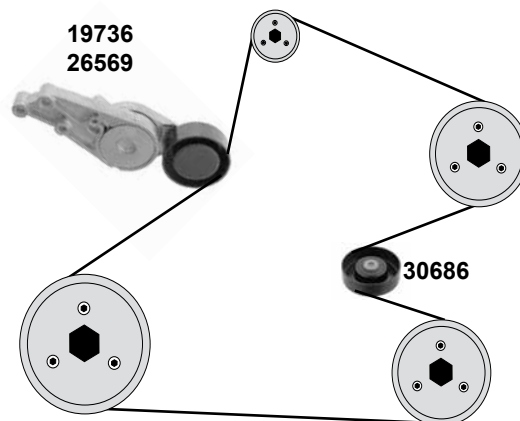
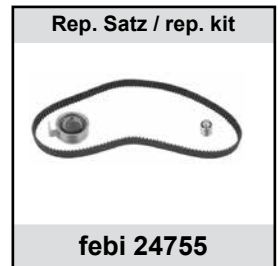
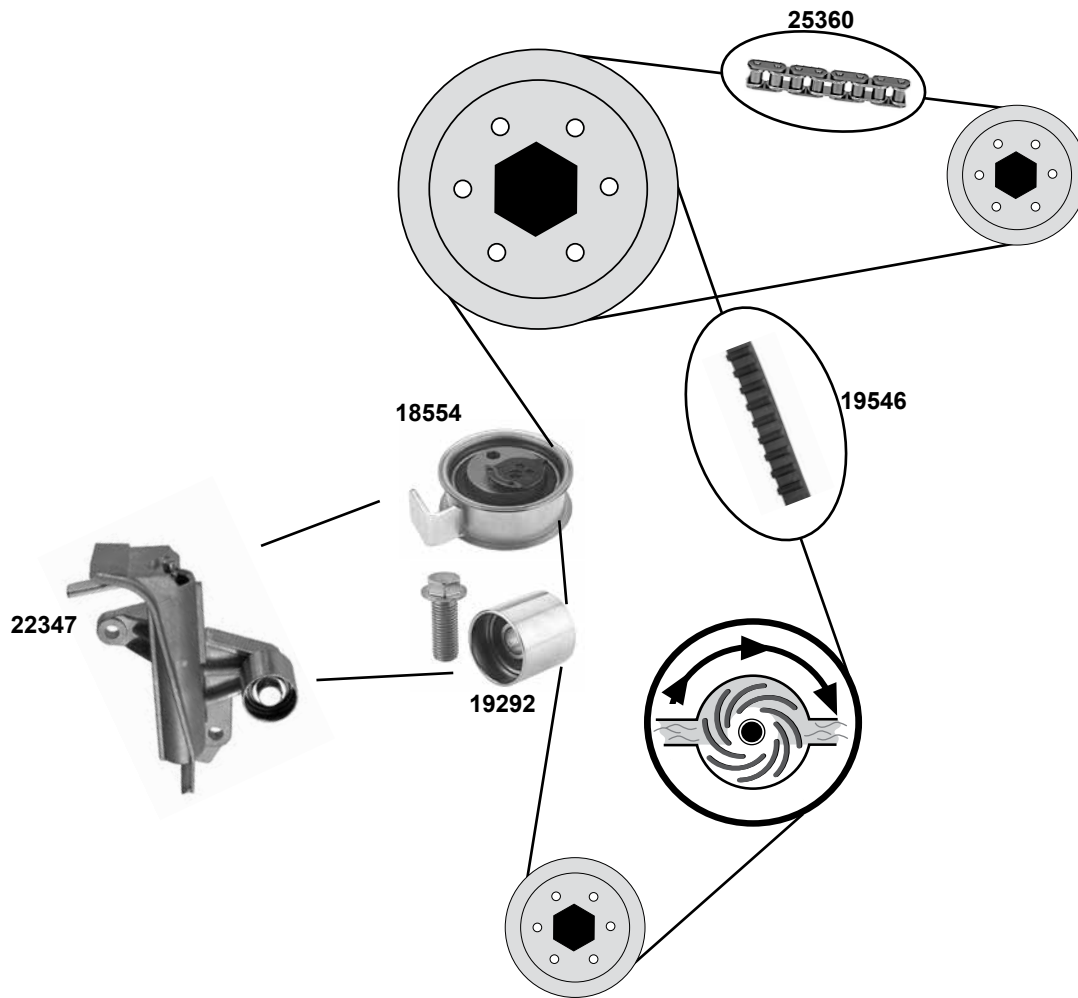
Ref. - No.	Description	Notes	Dimensions
<b>11341</b>	Spannrolle / tension roller	AC	ØA 60 B15,5
<b>15254</b>	Riemenscheibe Generator / belt pulley alternator	(ch.) 4B-X-000-001→	(120A Valeo)
<b>15258</b>	Riemenscheibe Generator / belt pulley alternator	(2)	
<b>15260</b>	Riemenscheibe Generator / belt pulley alternator	(1)	
<b>17948</b>	Spannrolle / tension roller	AJP/AQE/ARH	ØA 72 B30
<b>18556</b>	Spannrolle / tension roller	AWT	ØA 73 B31
<b>18658</b>	Spannrolle / tension roller	(3)	ØA 72 B32,5
<b>19292</b>	Umlenkrolle / deflection pulley	(3)	ØA28,5 B27
<b>19361</b>	Zahnriemen / timing belt	(3)	Z 153 B19
<b>19546</b>	Zahnriemen / timing belt	AJP/AQE/ARH/AWT	Z 150 B23
<b>19548</b>	Rep. Satz Zahnriemen / rep. kit timing belt	AJP/AQE/ARH	
<b>22346</b>	Riemenspanner / belt tensioner	AJP/AQE/ARH/AWT	
<b>24723</b>	Rep. Satz Zahnriemen / rep. kit timing belt	(4)	
<b>25360</b>	Rollenkette / roller chain	(ch.) 4B-X-115 001→	50E
<b>25362</b>	Rollenkette / roller chain	(ch.) → 4B-X-115 001	50E
<b>27070</b>	Kettenspanner / chain tensioner	(3)	
<b>28446</b>	Kettenspanner / chain tensioner	(mot.) AFY	



**2,4 / 2,7 / 2,8 V6 (30V)**



	Ref. - No.			
17076	078 109 244 H	Umlenkrolle / deflection pulley		ØA 59 ØI 10 B31
18562	078 109 243 R	Spannrolle / tension roller		ØA 73,2 B32
19606	078 109 119 H	Zahnriemen / timing belt		Z 253
21905	078 903 133 AB	Riemenspanner / belt tensioner		
22356	078 109 479 E	Riemenspanner / belt tensioner		
22358	078 109 487 A	Riemenspanner / belt tensioner		
23290	078 198 479 S1	Rep. Satz Zahnriemen / rep. kit timing belt		
23292	078 198 119	Rep. Satz Zahnriemen / rep. kit timing belt		
25360	058 109 229 B	Steuerkette / timing chain	(ch.) 4B-X- 115 001 →	50E
25362	058 109 229	Steuerkette / timing chain	(ch.) → 4B-X- 115 001	50E



	Ref. - No.			
<b>18554</b>	06B 109 243 B	Spannrolle / tension roller		ØA 72 B31
<b>19292</b>	06B 109 244	Umlenkrolle / deflection pulley		ØA28,5 B27
<b>19546</b>	06B 109 119 A	Zahnriemen / timing belt		Z 150 B23
<b>19736</b>	058 903 133 D	Riemenspanner / belt tensioner	(ex.) (mot.) ALT	ØA 37 B21
<b>22347</b>	06B 109 477 A	Riemenspanner / belt tensioner		
<b>23642</b>	06B 109 119 F S4	Rep. Satz Zahnriemen / rep. kit timing belt		
<b>24755</b>	06B 198 119 A	Rep. Satz Zahnriemen / rep. kit timing belt		Z 150 B23
<b>25360</b>	058 109 229 B	Rollenkette / roller chain	(ch.) 4B-X-115 001→	50E
<b>26569</b>	06B 903 133 E	Riemenspanner / belt tensioner	(mot.) ALT	ØA 76 B27,6
<b>30686</b>	06B 903 341 B	Umlenkrolle / deflection pulley	AC	ØA 90 B24,6

# AUDI

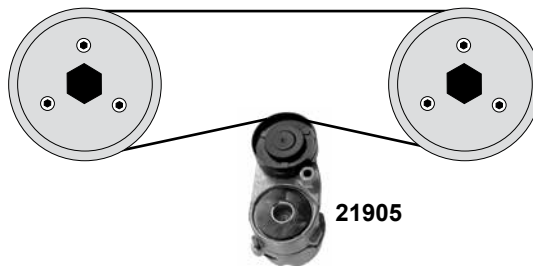
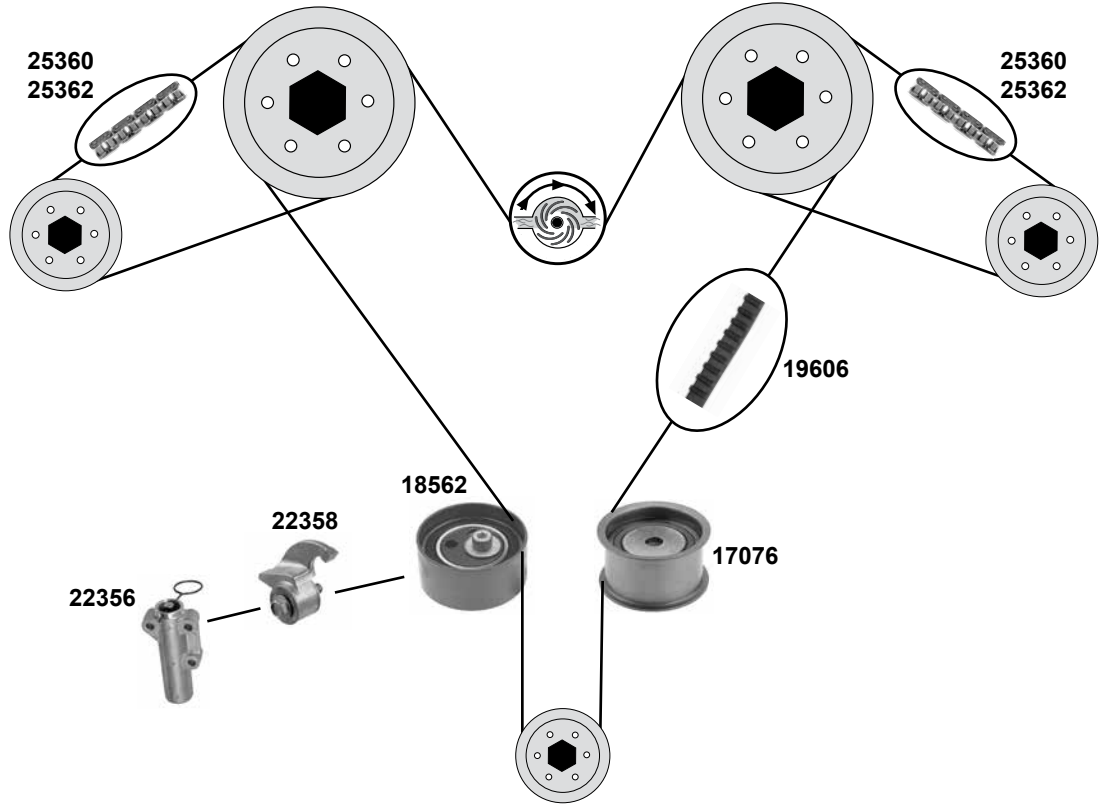
## A6 (4B2/4B5)

(02→05)

Car  
Division

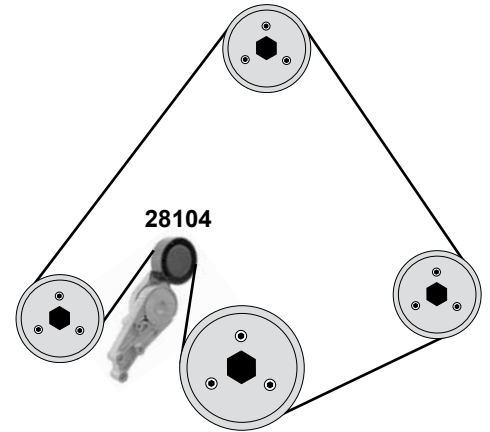
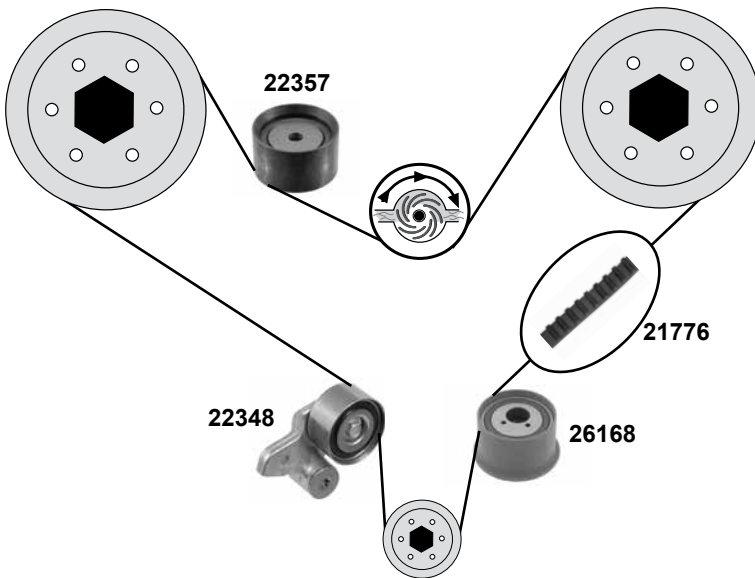


### 2,4 / 2,7 / 2,8 V6 (30V)

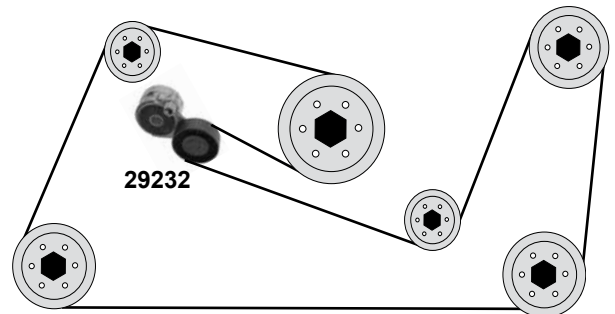
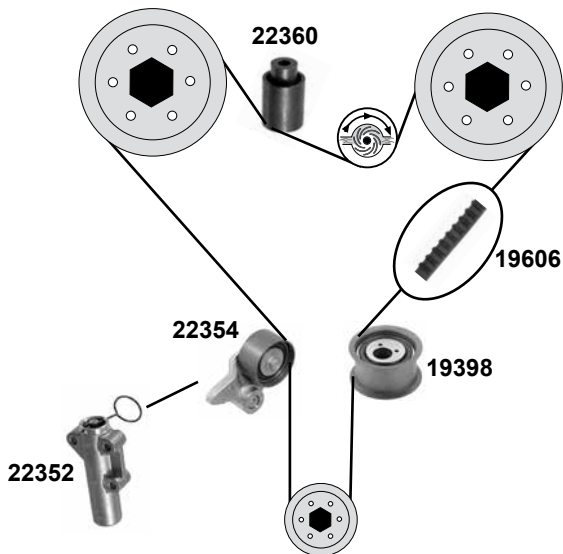


	Ref. - No.			
17076	078 109 244 H	Spannrolle / tension roller		ØA 59 ØI 10 B31
18562	078 109 243 R	Spannrolle / tension roller		ØA 73,2 B32
19606	078 109 119 H	Zahnriemen / timing belt		Z 253
21905	078 903 133 AB	Riemenspanner / belt tensioner		
22356	078 109 479 E	Riemenspanner / belt tensioner		
22358	078 109 487 A	Riemenspanner / belt tensioner		
23290	078 198 479 S1	Rep. Satz Zahnriemen / rep. kit timing belt		
23292	078 198 119	Rep. Satz Zahnriemen / rep. kit timing belt		
25360	058 109 229 B	Rollenkette / roller chain	(ch.) 4B-X- 115 001 →	50E
25362	058 109 229	Rollenkette / roller chain	(ch.) → 4B-X- 115 001	50E

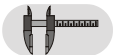
**3,0 V6**  
(ASN/BBJ)



**4,2 V8**  
(ASG/ANK/ARS/AQJ)



Ref. - No.



<b>19398</b>	077 109 244 E	Umlenkrolle / deflection pulley		ØA 58
<b>19606</b>	078 109 119 H	Zahnriemen / timing belt		Z 253
<b>21776</b>	06C 109 119 C	Zahnriemen / timing belt		Z 281 B30
<b>22348</b>	06C 109 485 A	Spannrolle / tension roller		
<b>22352</b>	077 109 479 D	Riemenspanner / belt tensioner		
<b>22354</b>	077 109 485 E	Spannrolle / tension roller		
<b>22357</b>	06C 109 244	Umlenkrolle / deflection pulley		
<b>22360</b>	077 109 244 C	Umlenkrolle / deflection pulley		
<b>26168</b>	06C 109 244 C	Umlenkrolle / deflection pulley		ØA 59 B37,5
<b>28104</b>	06C 903 133 B	Riemenspanner / belt tensioner		
<b>29232</b>	077 903 133 E	Riemenspanner / belt tensioner	(ch.) → 8E-5-400 000	

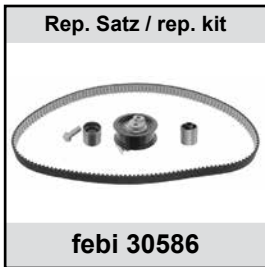
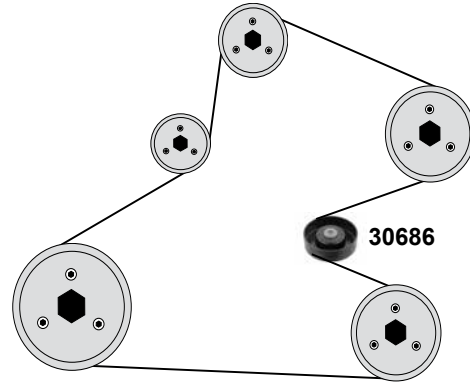
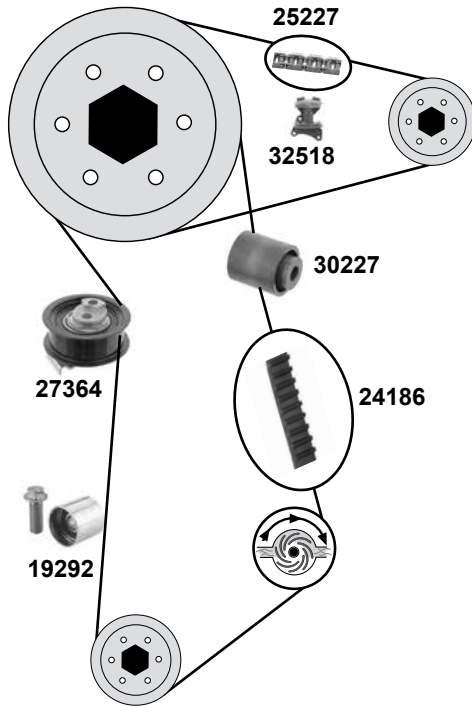


# AUDI A6 (4F) (05→)

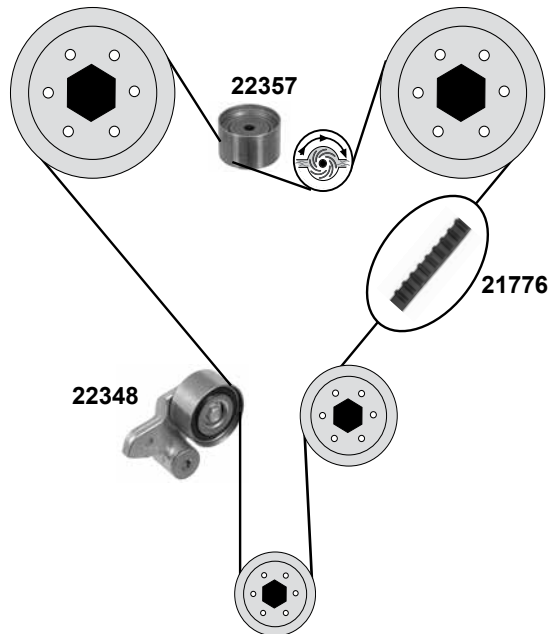
Car  
Division



## 2,0 16V (BPJ/BYK)



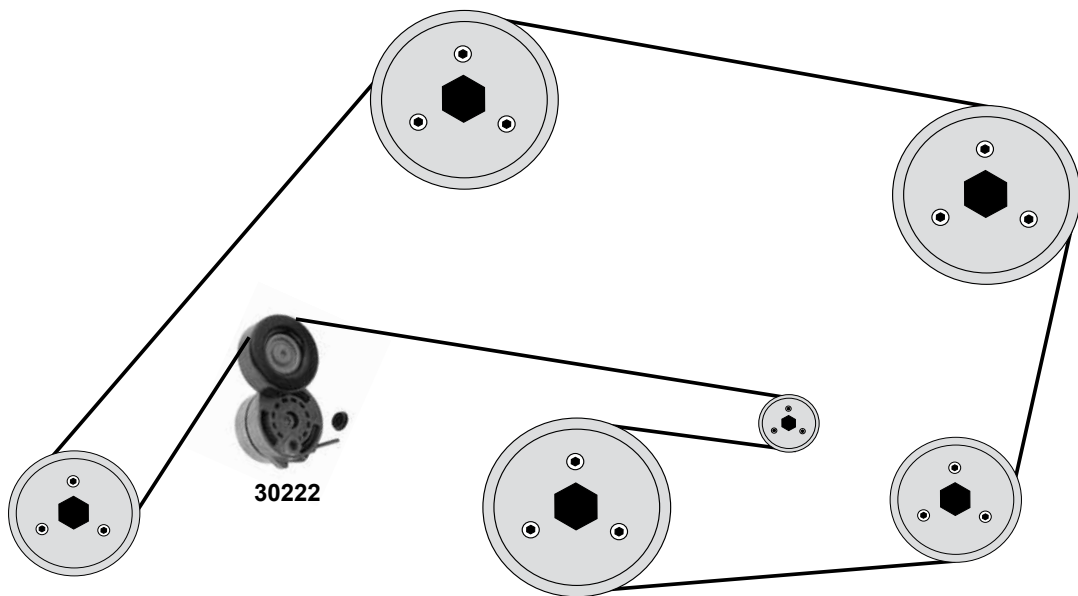
## 3,0 V6 (BBJ)



Ref. - No.



19292	06B 109 244	Umlenkrolle / deflection pulley		ØA 28,5 B27
21776	06C 109 119 C	Zahnriemen / timing belt		Z 281 B30
22348	06C 109 485 A	Spannrolle / tension roller		
22357	06C 109 244	Umlenkrolle / deflection pulley		Z 148 B23
24186	06D 109 119 B	Zahnriemen / timing belt		42E
25227	06D 109 229 B	Steuerkettem / timing chain	(mot.) BVY/BWA	ØA 77 B25
27364	06D 109 243 B	Spannrolle / tension roller		ØA 28,5 B33,5
30227	06D 109 244 E	Umlenkrolle / deflection pulley		
30586	06F 198 119 A	Rep. Satz Zahnriemen / rep. kit timing belt		
30686	06B 903 341 B	Umlenkrolle / deflection pulley	AC	ØA 90 B24,6
32518	06F 109 217 A	Kettenspanner / chain tensioner		



(1) avant / quattro 05 → 11  
allroad quattro 07 → (mot.) CAJA / AUK



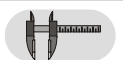
Ref. - No.



Riemenspanner / belt tensioner



(1)



30222

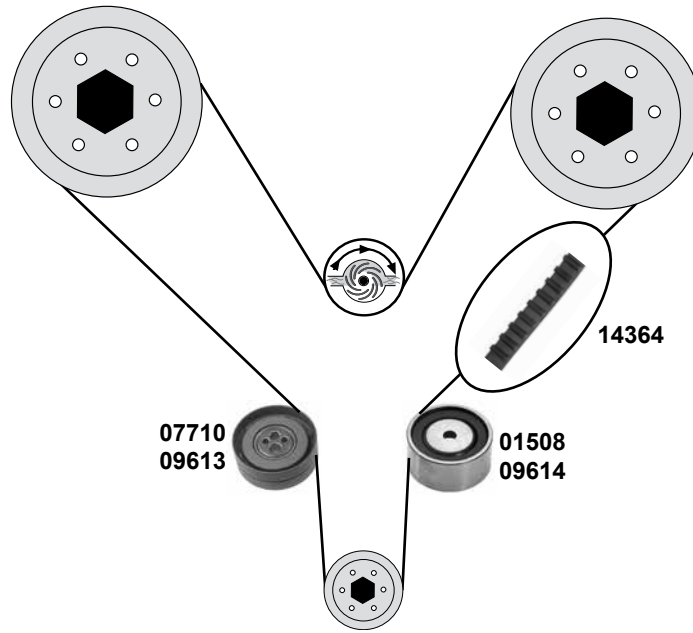
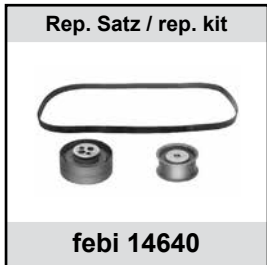
06E 903 133 E

# AUDI A8 (4D) (94→99)

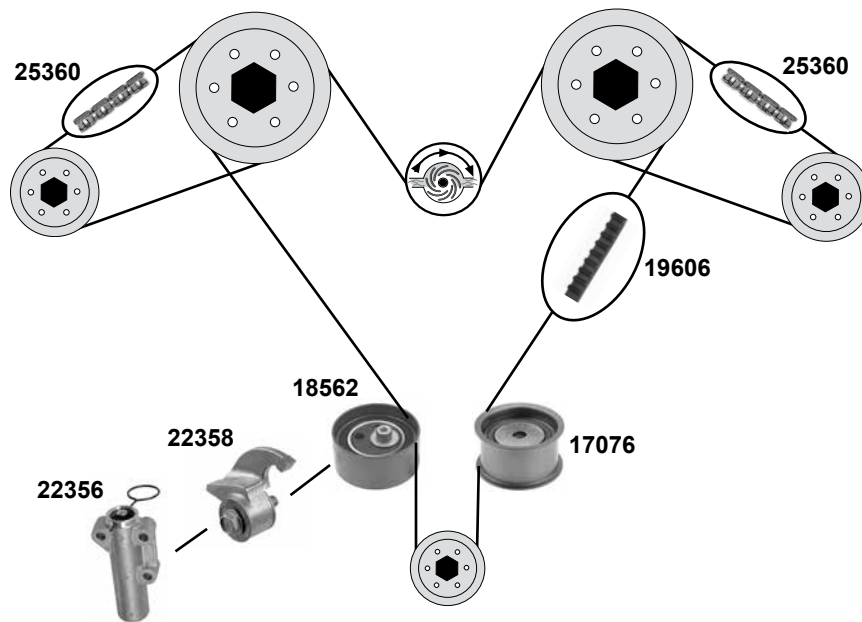
Car  
Division



## 2,8 V6 (12V) (AAH/AEJ)



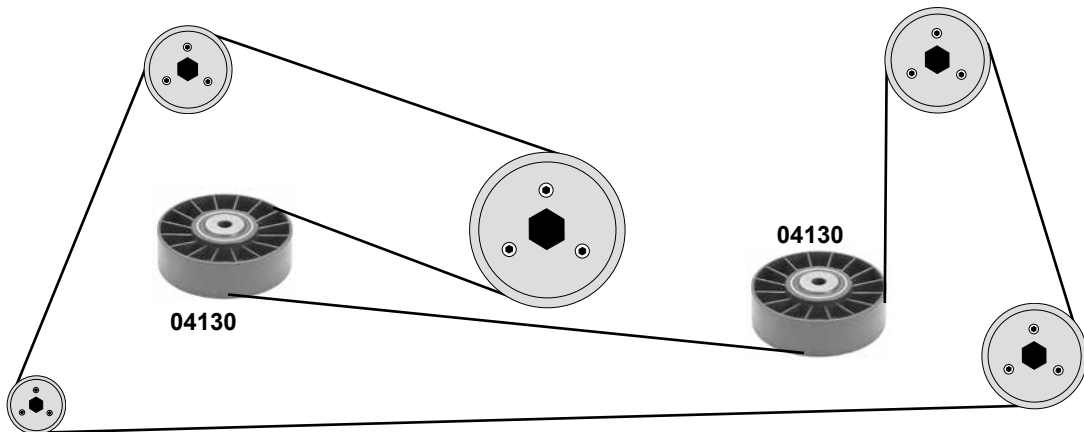
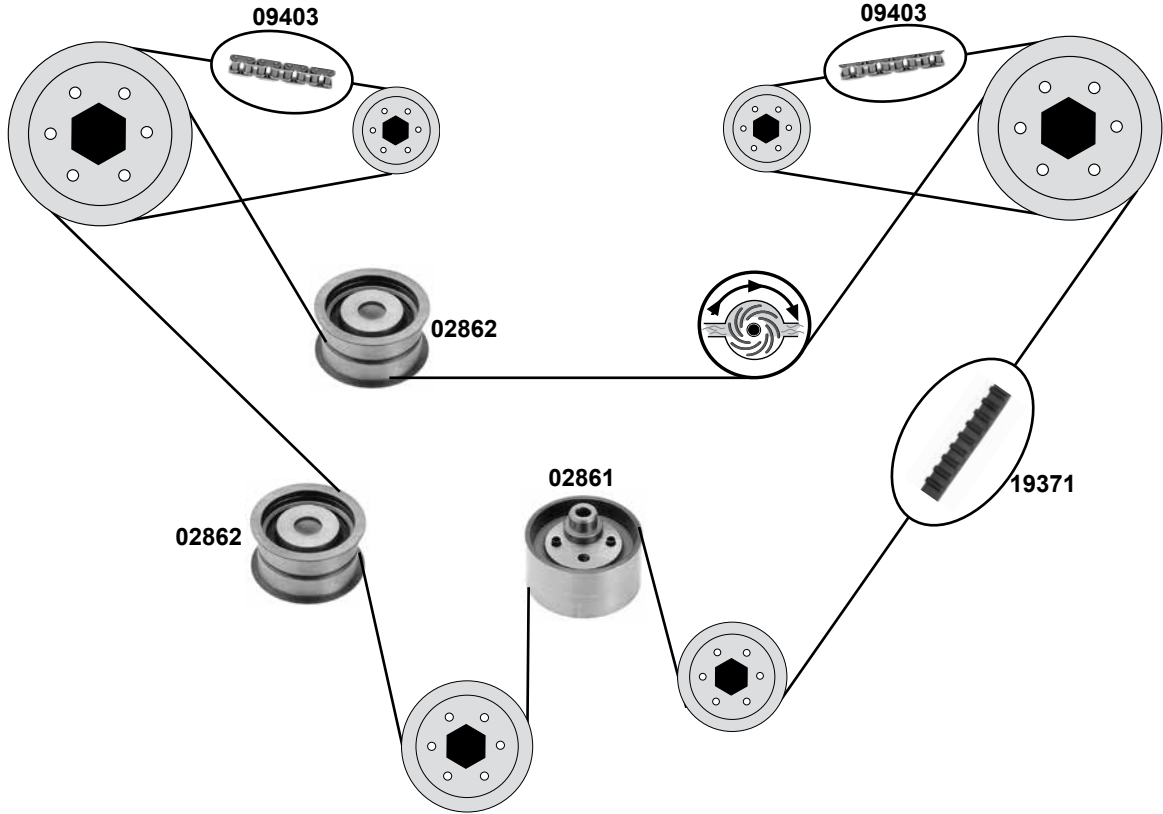
## 2,8 V6 30V (ACK/ALG/APR/AQD/AMX)



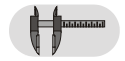
Ref. - No.



Part No.	Ref. - No.	Description	Notes	Dimensions
01508	078 109 244 F	Umlenkrolle / deflection pulley	(ch.) → 4D-S-000 496	ØA 59 ØI 8 B28
07710	078 109 243 C	Spannrolle / tension roller	(ch.) → 4D-S-000 496	ØA 83 ØI 10 B23
09613	078 109 243 K	Spannrolle / tension roller	(ch.) 4D-S-000 497 →	ØA 72 ØI 8 B27
09614	078 109 244 G	Umlenkrolle / deflection pulley	(ch.) 4D-S-000 497 →	ØA 59 ØI 10 B26
14364	078 109 119 D	Zahnriemen / timing belt		Z 239 B25,4
14640	078 198 119 A	Rep. Satz Zahnriemen / rep. kit timing belt	(ch.) 4D-S-000 497 →	
14642	078 109 119 D S1	Rep. Satz Zahnriemen / rep. kit timing belt	(ch.) → 4D-S-000 496	
17076	078 109 244 H	Umlenkrolle / deflection pulley		ØA 59 ØI 10 B31
18562	078 109 243 R	Spannrolle / tension roller		ØA 73,2 B32
19606	078 109 119 H	Zahnriemen / timing belt		Z 253
22356	078 109 479 E	Riemenspanner / belt tensioner		
22358	078 109 487 A	Riemenspanner / belt tensioner		
23290	078 198 479 S1	Rep. Satz Zahnriemen / rep. kit timing belt		
23292	078 198 119	Rep. Satz Zahnriemen / rep. kit timing belt		
25360	058 109 229 B	Rollenkette / roller chain		50E



Ref. - No.



<b>02861</b>	077 109 243 A	Spannrolle / tension roller
<b>02862</b>	077 109 244 A	Umlenkrolle / deflection pulley
<b>04130</b>	077 903 341	Umlenkrolle / deflection pulley
<b>09403</b>	077 109 120	Rollenkette / roller chain
<b>19371</b>	077 109 119 D	Zahnriemen / timing belt

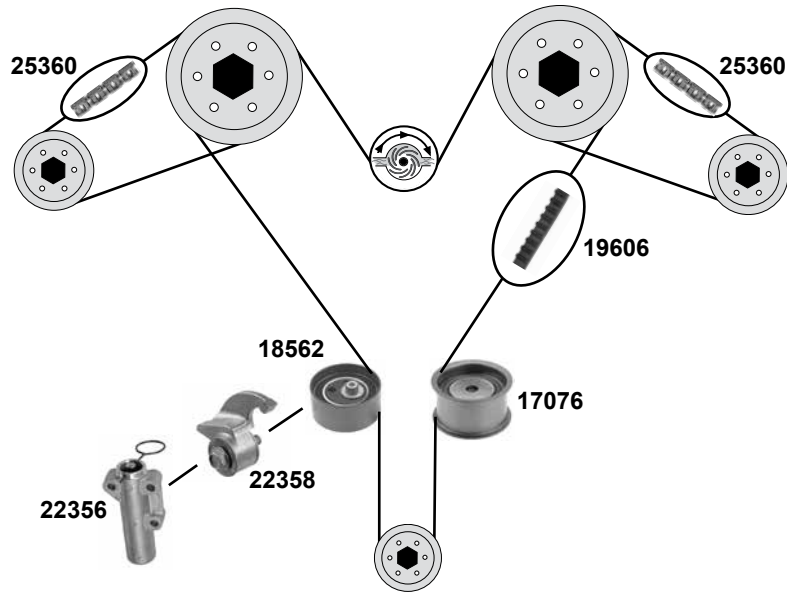
ØA 65	ØI 8,5	B34
ØA 60	ØI 16	B32
ØA 85	ØI 8	B25
455 / 44 E		
Z 299 B30		

# AUDI A8 (4D) (99→03)

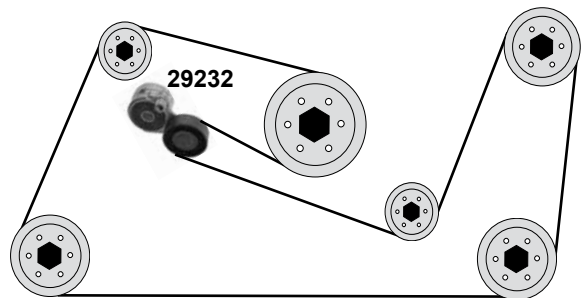
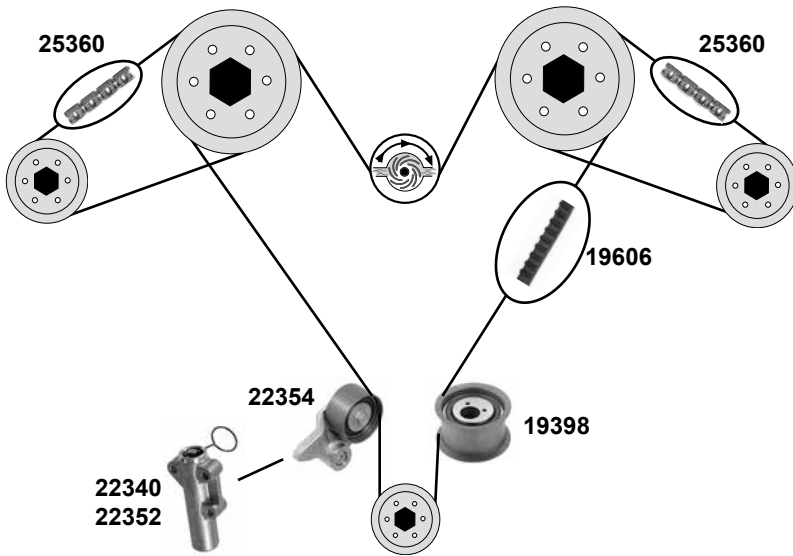
Car  
Division 



## 2,8 V6 (APR/AQD/AMX)



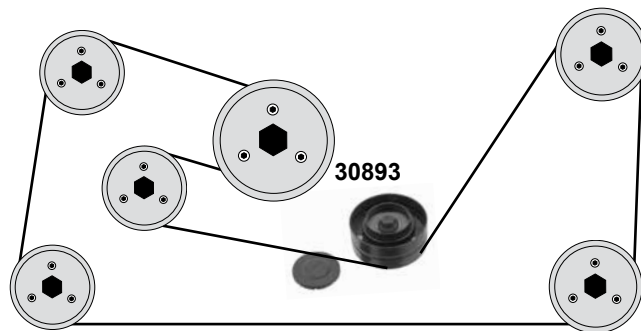
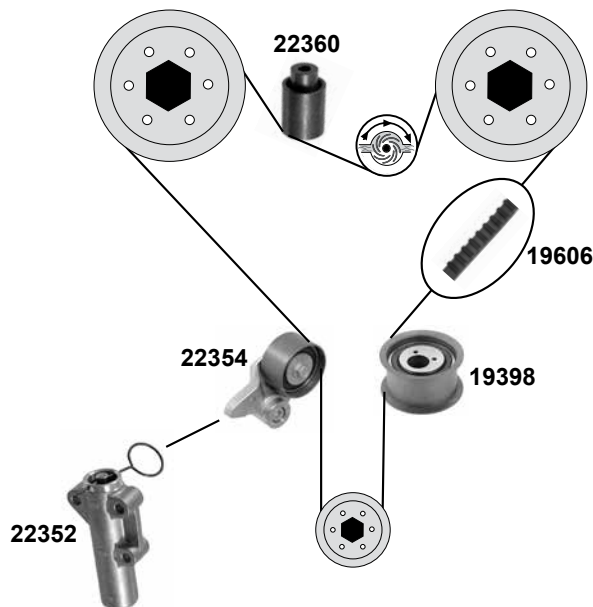
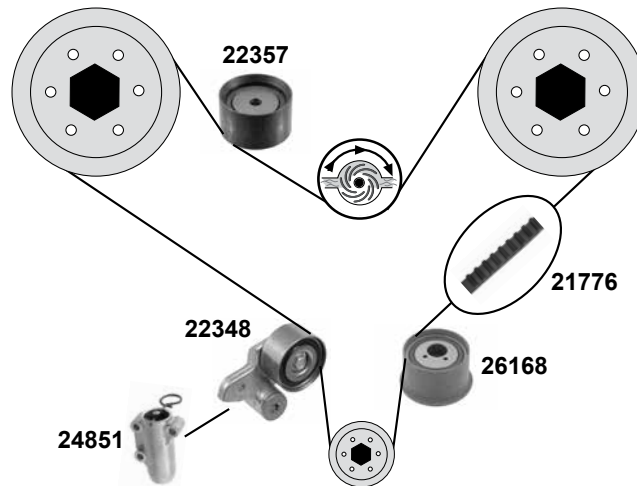
## 3,7 V8 (AQQ/AKC)



Ref. - No.



17076	078 109 244 H	Umlenkrolle / deflection pulley	ØA 59 ØI 10 B31
18562	078 109 243 R	Spannrolle / tension roller	ØA 73,2 B32
19398	077 109 244 E	Umlenkrolle / deflection pulley	ØA 58
19606	078 109 119 H	Zahnriemen / timing belt	Z 253
22340	059 109 479 B	Riemenspanner / belt tensioner	(ch.) → 4D-Y-016 500
22352	077 109 479 D	Riemenspanner / belt tensioner	(ch.) 4D-Y-016 501 →
22354	077 109 485 E	Spannrolle / tension roller	(ch.) 4D-Y-016 501 →
22356	078 109 479 E	Riemenspanner / belt tensioner	
22358	078 109 487 A	Riemenspanner / belt tensioner	
23290	078 198 479 S1	Rep. Satz Zahnriemen / rep. kit timing belt	
23292	078 198 119	Rep. Satz Zahnriemen / rep. kit timing belt	
25360	058 109 229 B	Steuerkette / timing chain	50E
29232	077 903 133 E	Riemenspanner / belt tensioner	



Ref. - No.



<b>19398</b>	077 109 244 E	Umlenkrolle / deflection pulley	
<b>19606</b>	078 109 119 H	Zahnriemen / timing belt	
<b>21776</b>	06C 109 119 C	Zahnriemen / timing belt	
<b>22348</b>	06C 109 485 A	Spannrolle / tension roller	
<b>22352</b>	077 109 479 D	Riemenspanner / belt tensioner	
<b>22354</b>	077 109 485 E	Spannrolle / tension roller	
<b>22357</b>	06C 109 244	Umlenkrolle / deflection pulley	
<b>22360</b>	077 109 244 C	Umlenkrolle / deflection pulley	
<b>24851</b>	06C 109 479 A	Riemenspanner / belt tensioner	
<b>26168</b>	06C 109 244 C	Umlenkrolle / deflection pulley	
<b>30893</b>	077 109 244 F	Umlenkrolle / deflection pulley	

→ 07

ØA 58  
Z 253  
Z 281 B30

ØA 59 B37,5  
ØA 78 B30

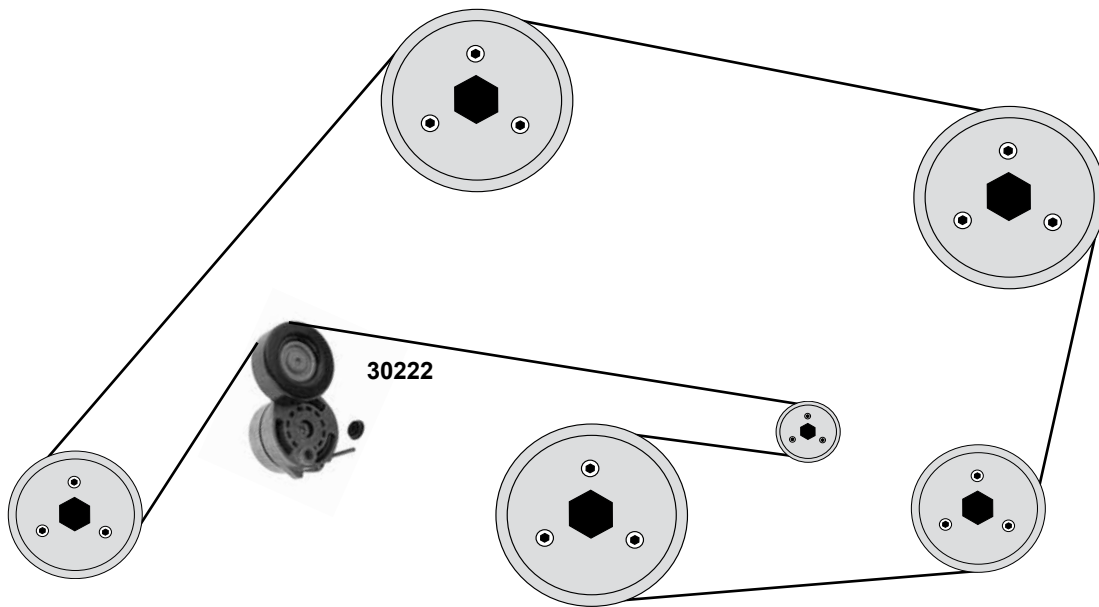
passend für / to fit

**AUDI**  
**A8/S8 (4E)**  
(04→)

**Car**  
**Division**



**2,8 / 3,2**  
(BPK/BDX/CJBA)



Ref. - No.



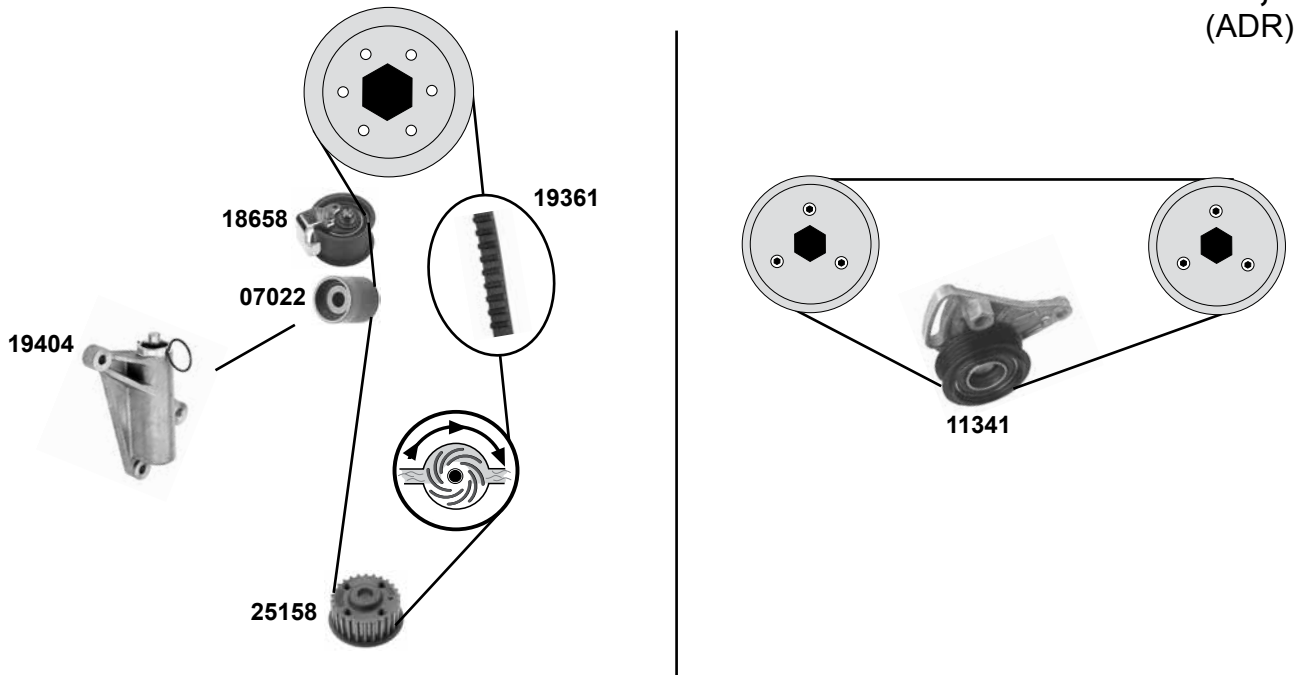
30222

06E 903 133 Q

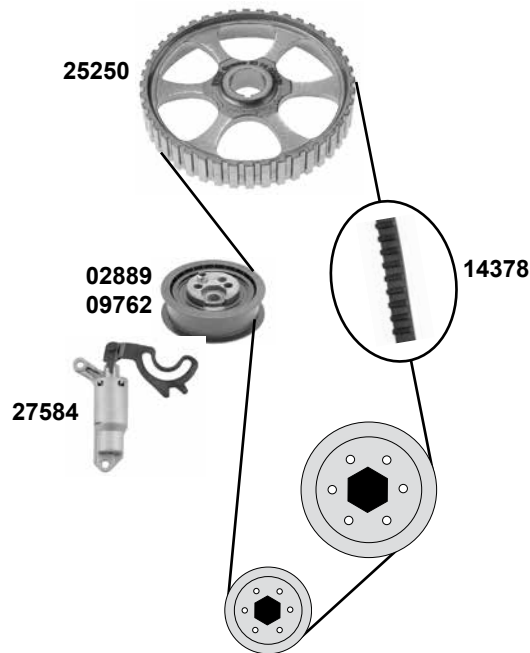
Riemenspanner / belt tensioner

→ 10

**1,8**  
(ADR)



**2,0**  
(ABK)



	Ref. - No.			
<b>02889</b>	048 109 243 A	Spannrolle / tension roller	(ch.) →8G-S-002 743	ØA72 ØI 11 B11
<b>07022</b>	058 109 244	Umlenkrolle / deflection pulley		ØA28 ØI 8 B29
<b>09762</b>	026 109 243 J	Spannrolle / tension roller	(ch.) 8G-S-002 744 →	ØA66 ØI 11 B18
<b>11341</b>	058 260 511	Spannrolle / tension roller	AC	ØA 60 B15,5
<b>14378</b>	037 109 119 C	Zahnriemen / timing belt	01/93 → 10/98	Z 124 B18
<b>14622</b>	037 109 119 C S2	Rep. Satz Zahnriemen / rep. kit timing belt	(ch.) 8G-S-002 744 →	
<b>14658</b>	037 109 119 C S2	Rep. Satz Zahnriemen / rep. kit timing belt		
<b>18658</b>	058 109 243 E	Spannrolle / tension roller		ØA72 B32,5
<b>19361</b>	058 109 119 C	Zahnriemen / timing belt		Z 153 B19
<b>19404</b>	058 109 479 B	Riemenspanner / belt tensioner		
<b>25158</b>	027 105 263 B	Kurbelwellenrad / crankshaft gear		Z 26
<b>25250</b>	049 109 111 C	Nockenwellenrad / camshaft gear		Z 44
<b>27584</b>	050 109 479 A	Riemenspanner / belt tensioner	(ch.) 8G-S-002 744 →	



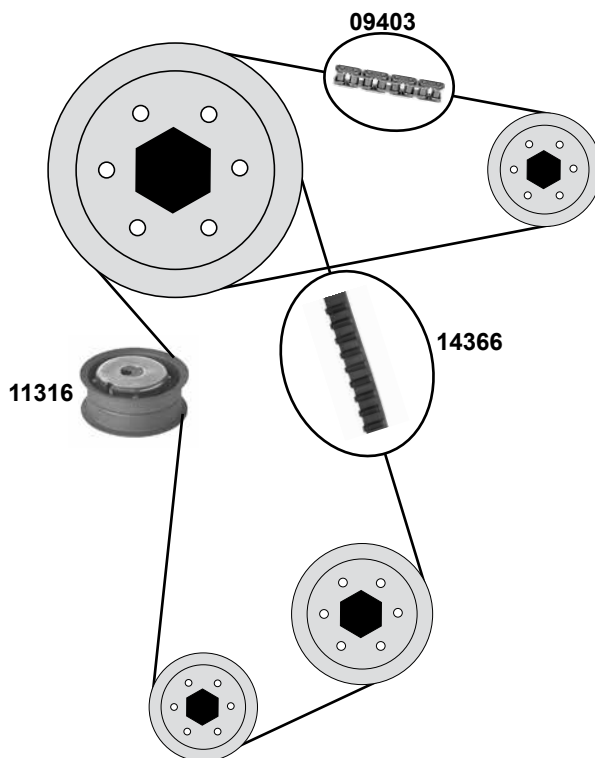
# AUDI Cabrio (8G)

(92→00)

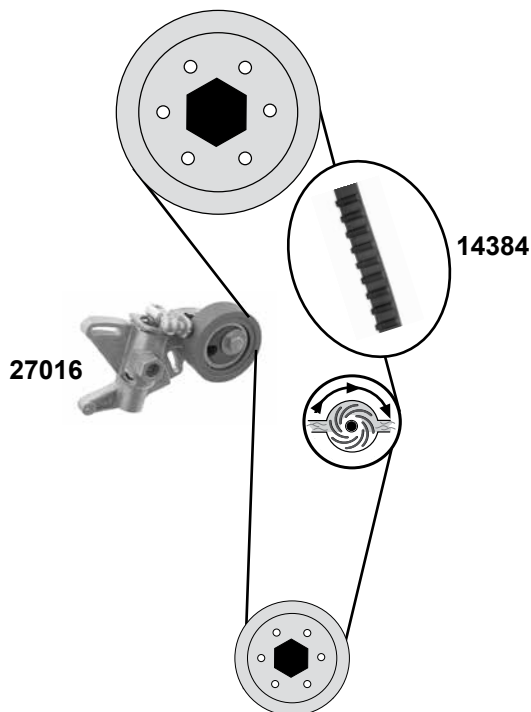
Car Division 



## 2,0 16V (ACE)



## 2,3 (NG)



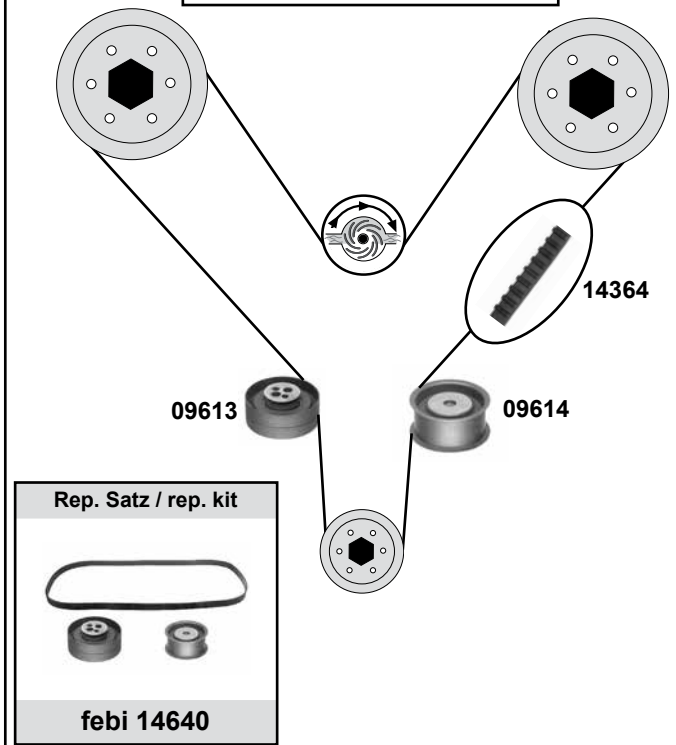
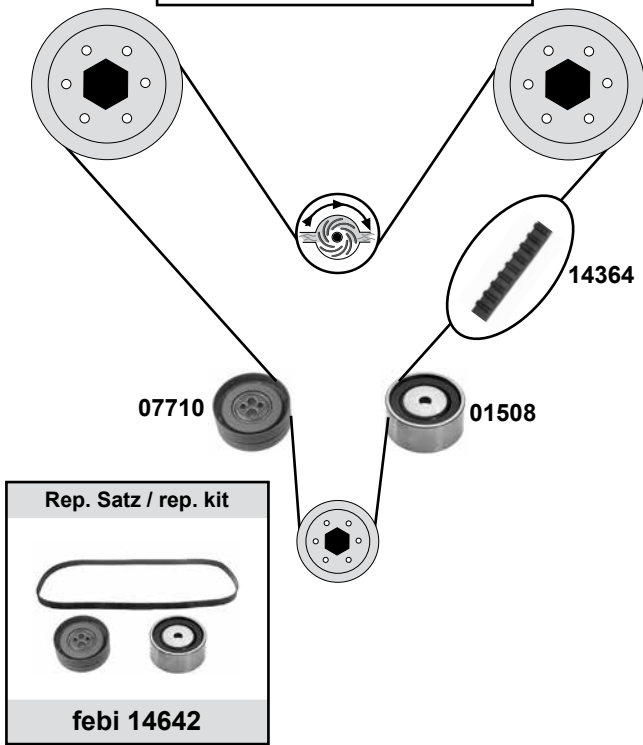
Ref. - No.



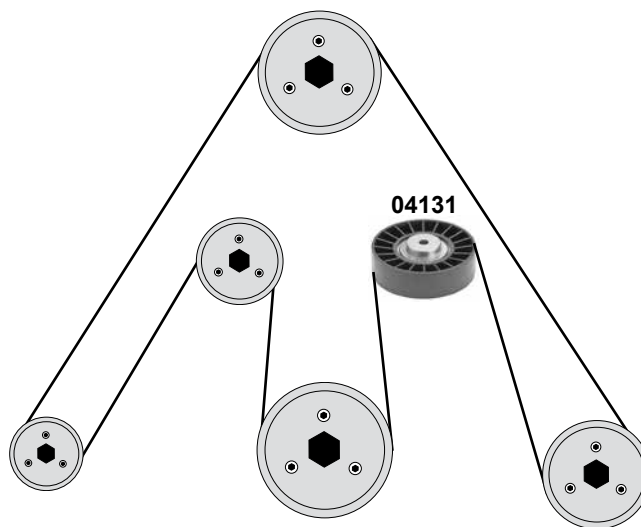
<b>09403</b>	077 109 120	Rollenkette, einfach / roller chain, simple	455 / 44 E
<b>11316</b>	051 109 243 A	Spannrolle / tension roller	ØA 80 ØI 10 B29
<b>14366</b>	027 109 119 C	Zahnriemen / timing belt	Z 147 B25
<b>14384</b>	054 109 119 G	Zahnriemen / timing belt	Z 147 B19
<b>14604</b>	027 198 119	Rep. Satz Zahnriemen / rep. kit timing belt	
<b>27016</b>	054 109 479	Riemenspanner / belt tensioner	

(ch.) → 8G-S-001 302

(ch.) 8G-S-001 302 →



(ch.) → 8G-R-003 280

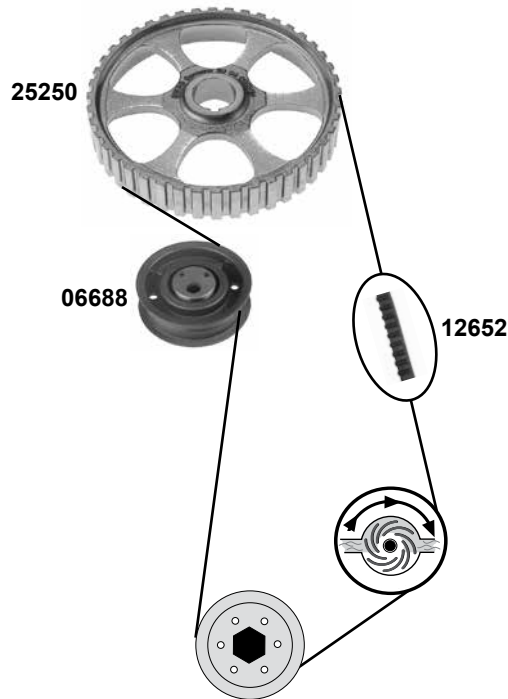


	Ref. - No.			
<b>01508</b>	078 109 244 F	Umlenkrolle / deflection pulley		ØA 59 ØI 8 B28
<b>04131</b>	078 903 341 J	Umlenkrolle / deflection pulley		ØA 90 ØI 8 B25
<b>07710</b>	078 109 243 C	Spannrolle / tension roller		ØA 83 ØI 10 B23
<b>09613</b>	078 109 243 K	Spannrolle / tension roller		ØA 72 ØI 8 B27
<b>09614</b>	078 109 244 G	Umlenkrolle / deflection pulley		ØA 59 ØI 10 B26
<b>14364</b>	078 109 119 D	Zahnriemen / timing belt		Z 239 B25,4
<b>14640</b>	078 198 119 A	Rep. Satz Zahnriemen / rep. kit timing belt		
<b>14642</b>	078 109 119 D S1	Rep. Satz Zahnriemen / rep. kit timing belt		

# AUDI Coupe (8G)

(81→88)

1,6 / 1,8



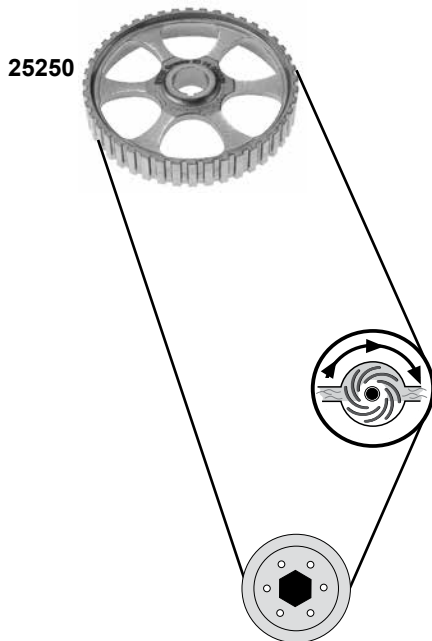
Rep. Satz / rep. kit



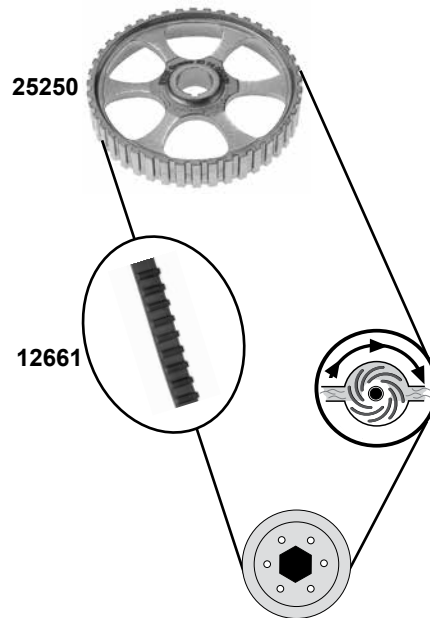
febi 14574





1,9 → 2,3  
5 Zyl.

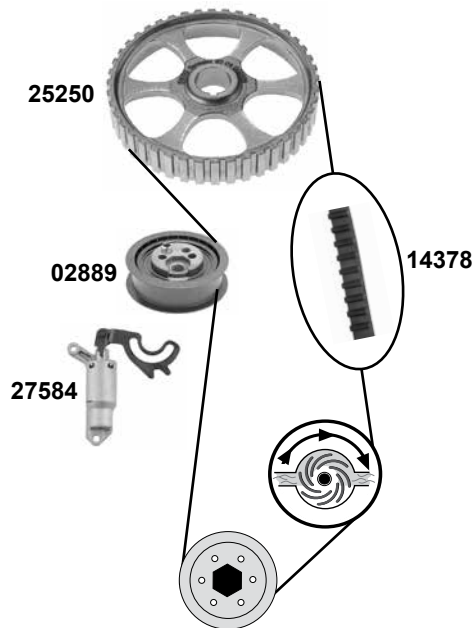
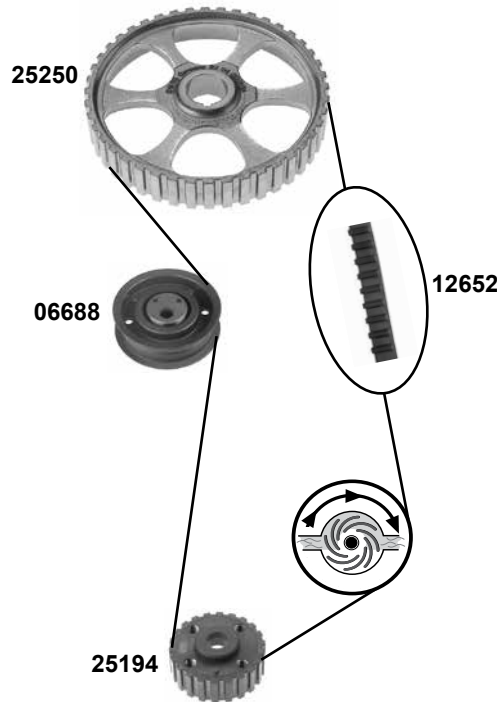
(ch.) → 85-D- 250 000



(ch.) 85-E- 000 001 →



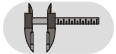
	Ref. - No.			
06688	026 109 243 L	Spannrolle / tension roller		ØA72 ØI10 B20
12652	056 109 119 A	Zahnriemen / timing belt		Z 121 B18
12661	034 109 119	Zahnriemen / timing belt		Z 120 B18
25250	049 109 111 C	Nockenwellenrad / camshaft gear		Z 44



(1) (mot.) AAD  
(mot.) ABK (ch.) → 8B-S-001 503



Ref. - No.



Ref. - No.	Description	Notes	Dimensions
02889	Spannrolle / tension roller	(1)	ØA72 Ø111 B19
06688	Spannrolle / tension roller		ØA72 Ø110 B20
12652	Zahnriemen / timing belt		Z 121 B18
14378	Zahnriemen / timing belt		Z 124 B18
14574	Rep. Satz Zahnriemen / rep. kit timing belt		
14622	Rep. Satz Zahnriemen / rep. kit timing belt	08/90 →	
25194	Kurbelwellenrad / crankshaft gear		Z 22
25250	Nockenwellenrad / camshaft gear		Z 44
27584	Riemenspanner / belt tensioner	(mot.) ABK	

# AUDI

## Coupe (8B)

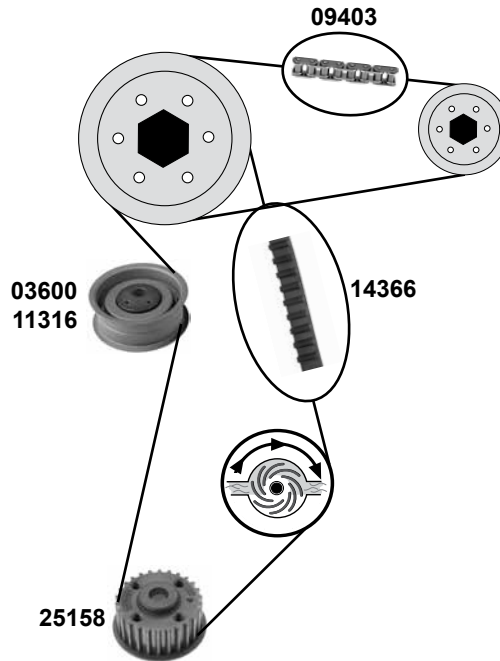
(89→96)

Car  
Division



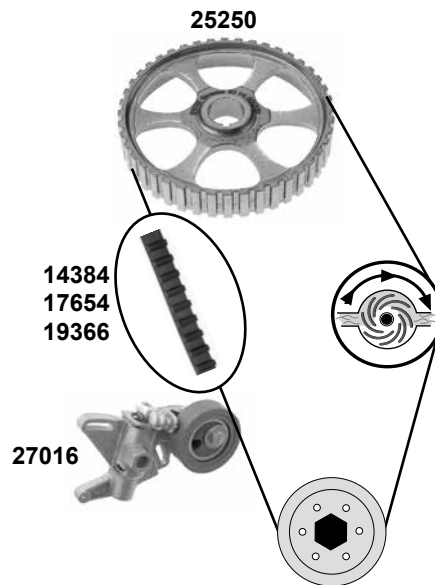
### 2,0 16V

(ACE/6A)



### 2,2 / 2,3

(KV/NG/ABY)



(1) (mot.) KV alle /all  
(mot.) NG

(2) (mot.) NG (ch.) 8B- M - 033 001 →

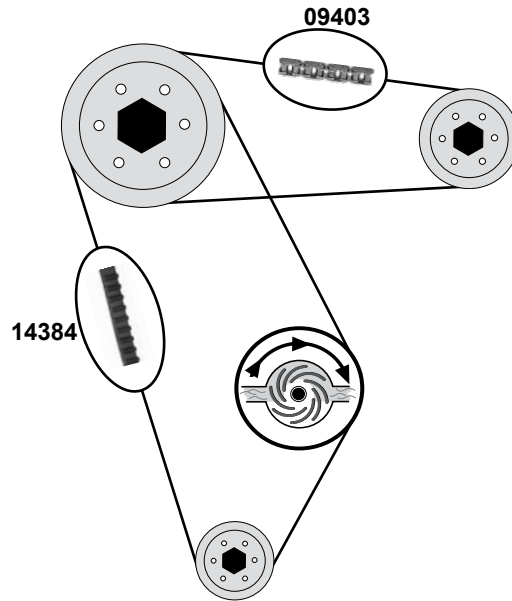


Ref. - No.



Ref. - No.	Description	Notes	Dimensions
03600	Spannrolle / tension roller	(mot.) ACE → 017 139	ØA 72 B27
09403	Rollenkette, einfach / roller chain, simple	(mot.) ACE 017 140 →	455 / 44 E
11316	Spannrolle / tension roller	(mot.) ACE → 017 139	ØA 72 ØI 8 B27
14366	Zahnriemen / timing belt	(2) (ex.) Super Torque	Z 147 B25
14384	Zahnriemen / timing belt	(mot.) ACE 017 140 →	Z 147 B19
14604	Rep. Satz Zahnriemen / rep. kit timing belt	(mot.) ACE → 017 139	
14606	Rep. Satz Zahnriemen / rep. kit timing belt	(1) Super Torque	Z 142 B19
17654	Zahnriemen / timing belt	(mot.) ABY	Z 151 B19
19366	Zahnriemen / timing belt		Z 26
25158	Kurbelwellenrad / crankshaft gear	(ex.) Super Torque	Z 44
25250	Nockenwellenrad / camshaft gear	(2)	
27016	Riemenspanner / belt tensioner		

**2,0 / 2,2 / 2,3 20V**  
(NM/7A/3B/ABY)



**2,6 / 2,8 V6**  
(AAH/ABC/AFC/AGZ)

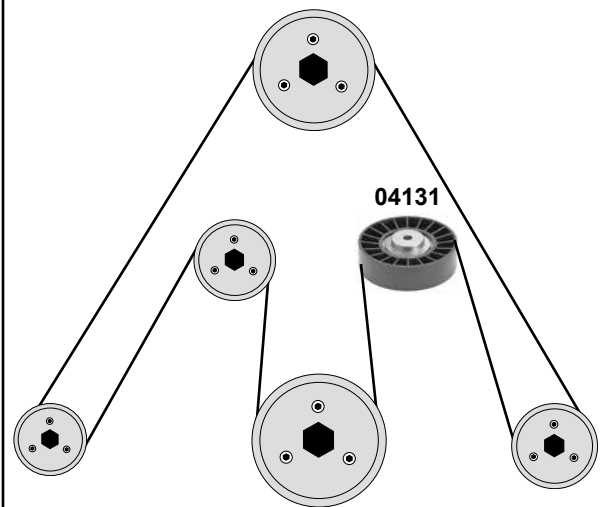
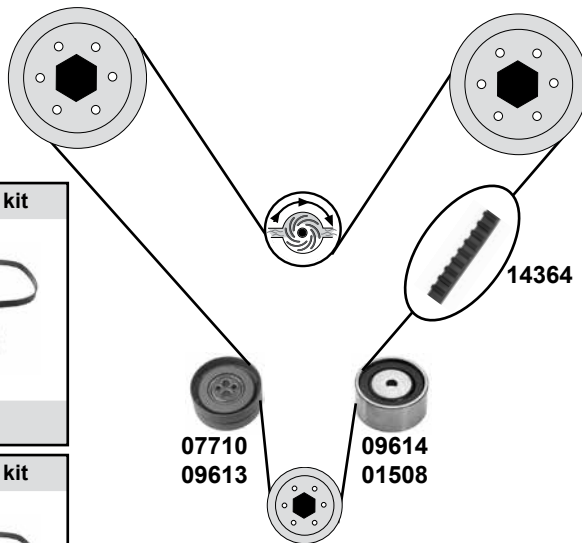
**(ch.)** → 8B-R-001 635

Rep. Satz / rep. kit

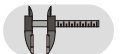
**febi 14640**

Rep. Satz / rep. kit

**febi 14642**



Ref. - No.



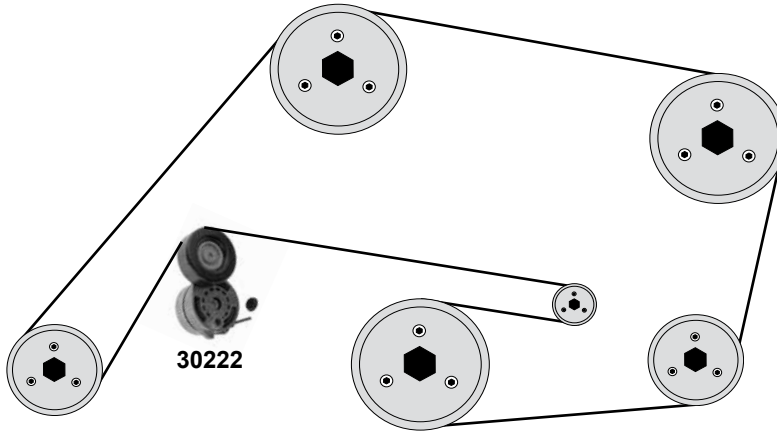
<b>01508</b>	078 109 244 F	Umlenkrolle / deflection pulley	(ch.) → 8B-S-000 544	ØA 59 ØI 8 B28
<b>04131</b>	078 903 341 J	Umlenkrolle / deflection pulley	(mot.) AAH/ABC	ØA 90 ØI 8 B25
<b>07710</b>	078 109 243 C	Spannrolle / tension roller	(ch.) → 8B-S-000 544	ØA 83 ØI 10 B23 455 / 44 E
<b>09403</b>	077 109 120	Rollenkette, einfach / roller chain, simple	(ch.) 8B-S-000 545 →	ØA 72 ØI 8 B27
<b>09613</b>	078 109 243 K	Spannrolle / tension roller	(ch.) 8B-S-000 545 →	Ø A 59 ØI 10 B26 Z 239 B25,4 Z 147 B19
<b>09614</b>	078 109 244 G	Umlenkrolle / deflection pulley	(ch.) 8B-S -000 545 →	
<b>14364</b>	078 109 119 D	Zahnriemen / timing belt	(ch.) → 8B-S-000 544	
<b>14384</b>	054 109 119 G	Zahnriemen / timing belt		
<b>14640</b>	078 198 119 A	Rep. Satz Zahnriemen / rep. kit timing belt		
<b>14642</b>	078 109 119 D S1	Rep. Satz Zahnriemen / rep. kit timing belt		

**AUDI**  
**Q5 (8R)**  
(09→)

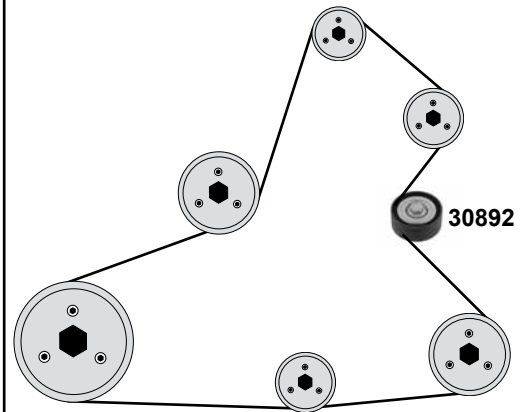
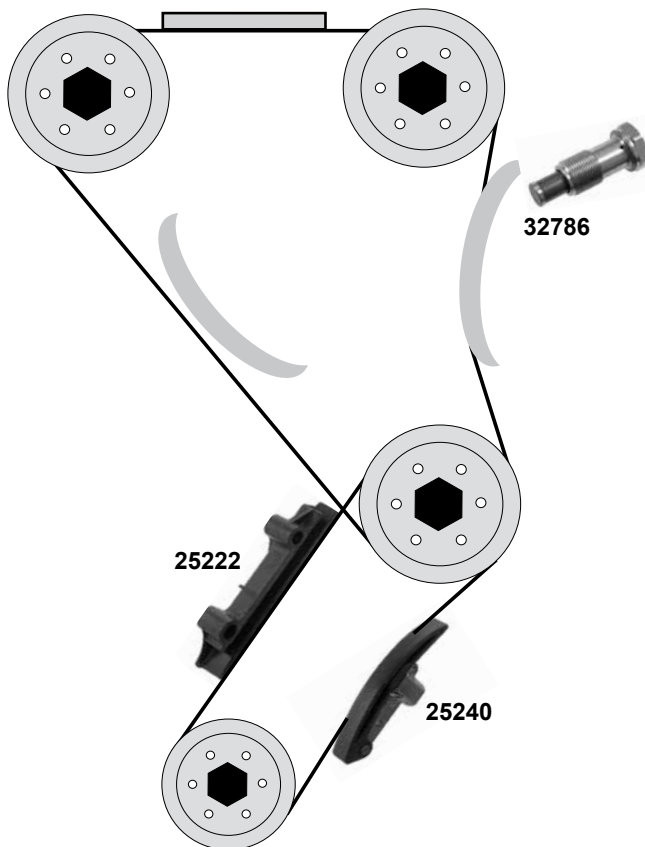
Car  
Division



**3,2**  
(CALB)



**Q7 (4L)**  
(07→)  
**3,6 FSi**  
(BHK)

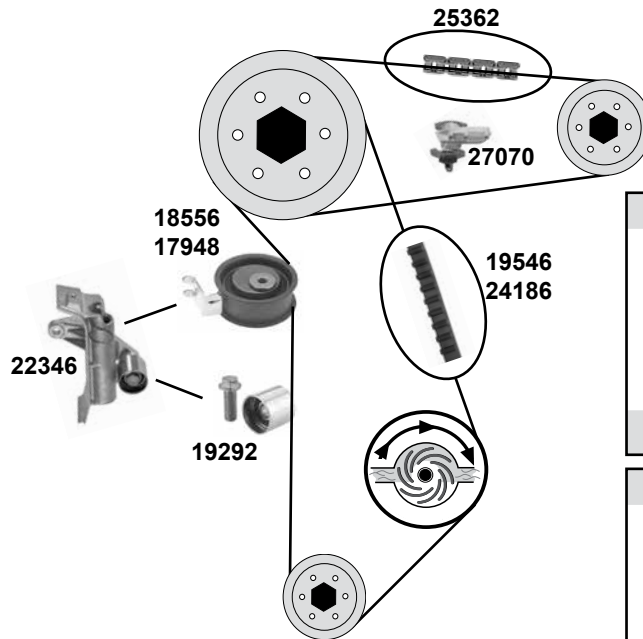


Ref. - No.

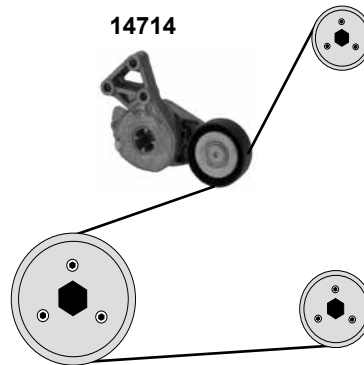


25222	021 109 469	Gleitschiene / sliding rail
25240	021 109 467	Kettenspanner / chain tensioner
30222	06E 903 133 Q	Riemenspanner / belt tensioner
30892	022 145 276 A	Umlenkrolle / deflection pulley
32786	03H 109 507	Kettenspanner / chain tensioner

ØA 65 B28



<p>Rep. Satz / rep. kit</p> <p><b>febi 19548</b></p>	<p>Rep. Satz / rep. kit</p> <p><b>febi 19550</b></p>
<p>Rep. Satz / rep. kit</p> <p><b>febi 23646</b></p>	<p>Rep. Satz / rep. kit</p> <p><b>febi 37642</b></p>



(1) (mot.) ARY / AUQ / BAM / BFV / BVR



Ref. - No.



Ref. - No.	Description	Notes	Dimensions
<b>14714</b>	06A 903 315 E Riemenspanner / belt tensioner		ØA 70 B24
<b>17948</b>	06B 109 243 Spannrolle / tension roller		ØA 72 B30
<b>18556</b>	06B 109 243 F Spannrolle / tension roller		ØA 72 B31
<b>19292</b>	06B 109 244 Umlenkrolle / deflection pulley		ØA28,5 B27
<b>19546</b>	06B 109 119 A Zahnriemen / timing belt		Z 150 B23
<b>19548</b>	06A 198 119 A Rep. Satz Zahnriemen / rep. kit timing belt	(ch.) → 8N-Y-095 000	Z 150 B23
<b>19550</b>	06B 109 119 A S2 Rep. Satz Zahnriemen / rep. kit timing belt	(ch.) 8N-Y-095 001 →	Z 150 B23
<b>22346</b>	06B 109 477 Riemenspanner / belt tensioner	(ch.) 8N-Y-095 001 →	
<b>23646</b>	06B 109 119 A S3 Rep. Satz Zahnriemen / rep. kit timing belt	(ch.) 8N-Y-095 001 →	Z 150 B23
<b>24186</b>	06D 109 119 B Zahnriemen / timing belt		Z 148
<b>25362</b>	058 109 229 Steuerkette / timing chain		50E
<b>27070</b>	058 109 217 B Kettenspanner / chain tensioner	(mot.) AJQ/APP/APX	
<b>37642</b>	06A 198 119 B Rep. Satz Zahnriemen / rep. kit timing belt	(1)	



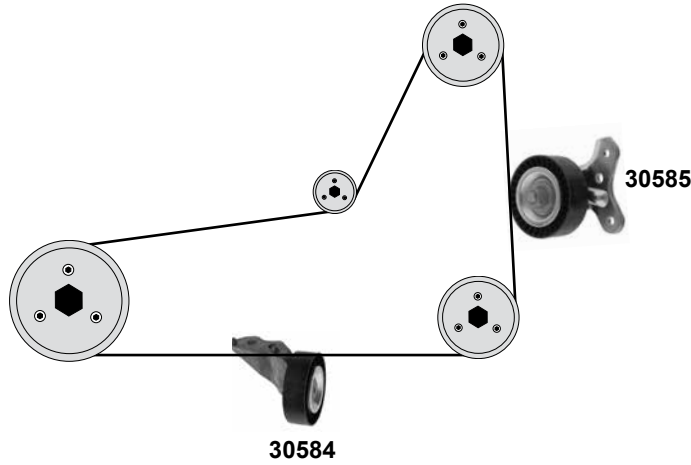
# AUDI TT / Quattro

(03→)

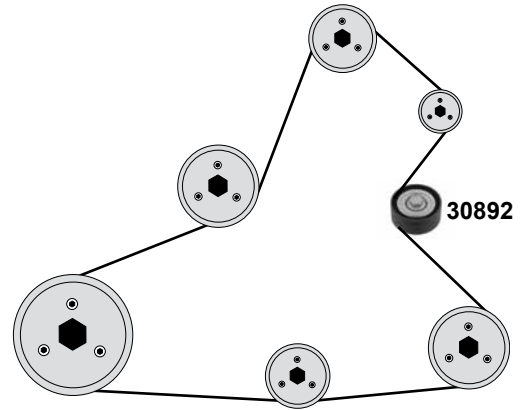
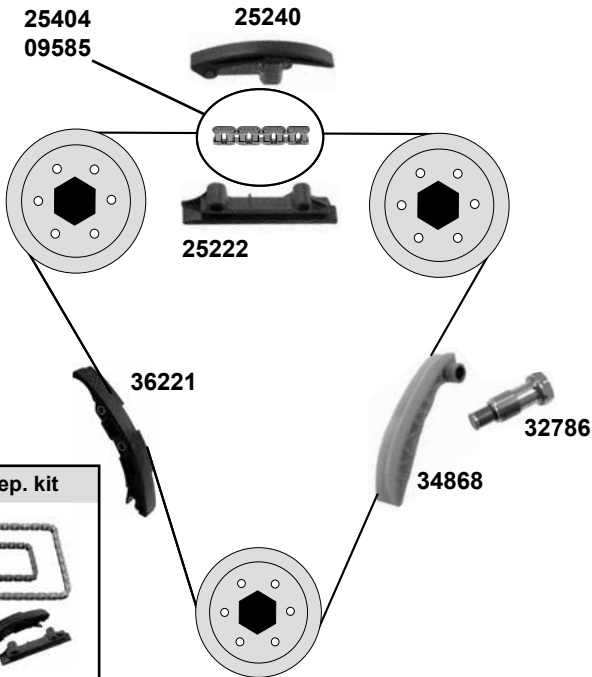
Car  
Division



## 2,5 (CEPA/CEPB)



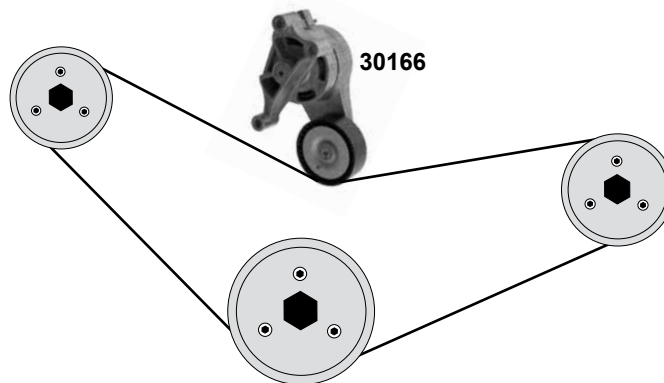
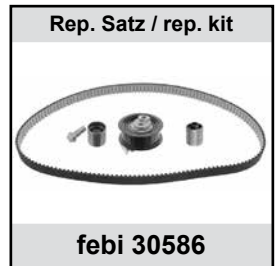
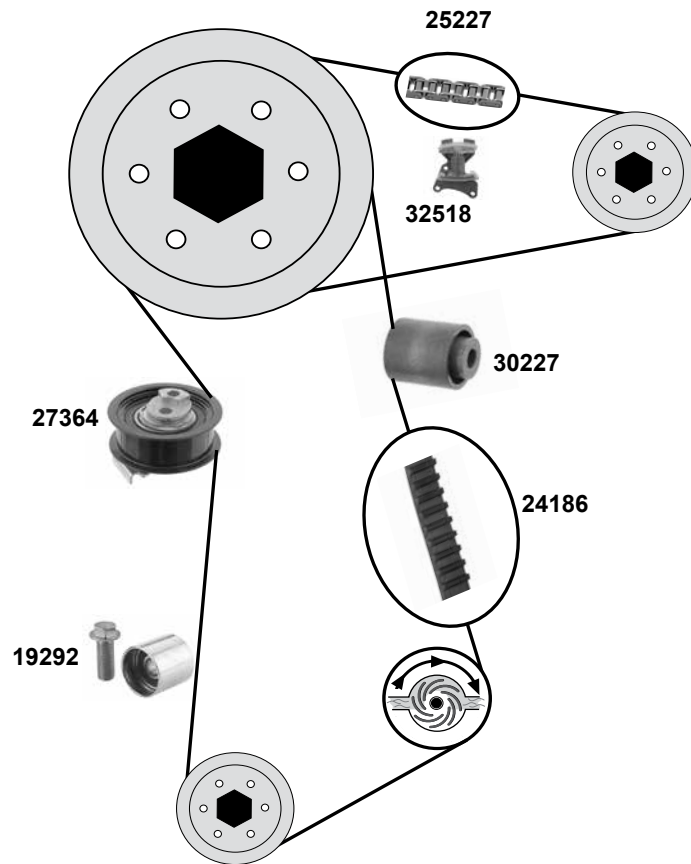
## 3,2 (BHE/BPF/BUB)



Ref. - No.



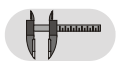
09585	03H 109 465	Steuerkette / timing chain	(mot.) BUB 06→	70E
25222	021 109 469	Gleitschiene / sliding rail	(mot.) BUB 06→	
25240	021 109 467	Kettenspanner / chain tensioner	(mot.) BUB 06→	
25404	066 109 503 C	Steuerkette / timing chain		98E
30584	07K 145 172 C	Umlenkrolle / deflection pulley	10 →	ØA 73 B21,85
30585	07K 145 172 B	Umlenkrolle / deflection pulley	10 →	ØA 64,1 B21,85
30892	022 145 276 A	Umlenkrolle / deflection pulley	(mot.) BUB	ØA 65 B28
32786	03H 109 507	Kettenspanner / chain tensioner		
34868	066 109 509 A	Gleitschiene / sliding rail	(mot.) BUB 06→	
36221	066 109 513 A	Gleitschiene / sliding rail	(mot.) BUB 06→	
36222	03H 109 503 S1	Rep. Satz Steuerkette / rep. kit timing chain	(mot.) BUB 06→	



- (1) → 10 (mot.) BWA / BPY
- (2) (ex.) (mot.) CDLA / CDLB / CDMA



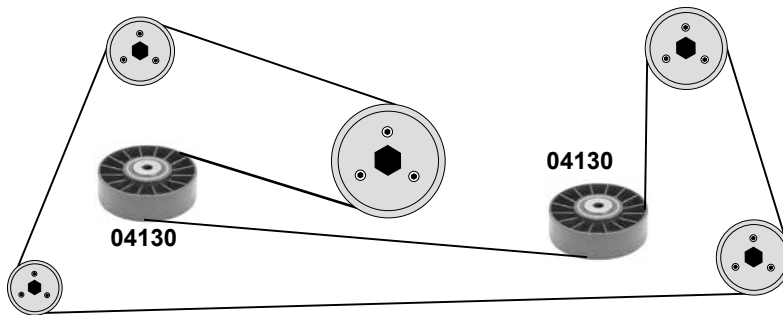
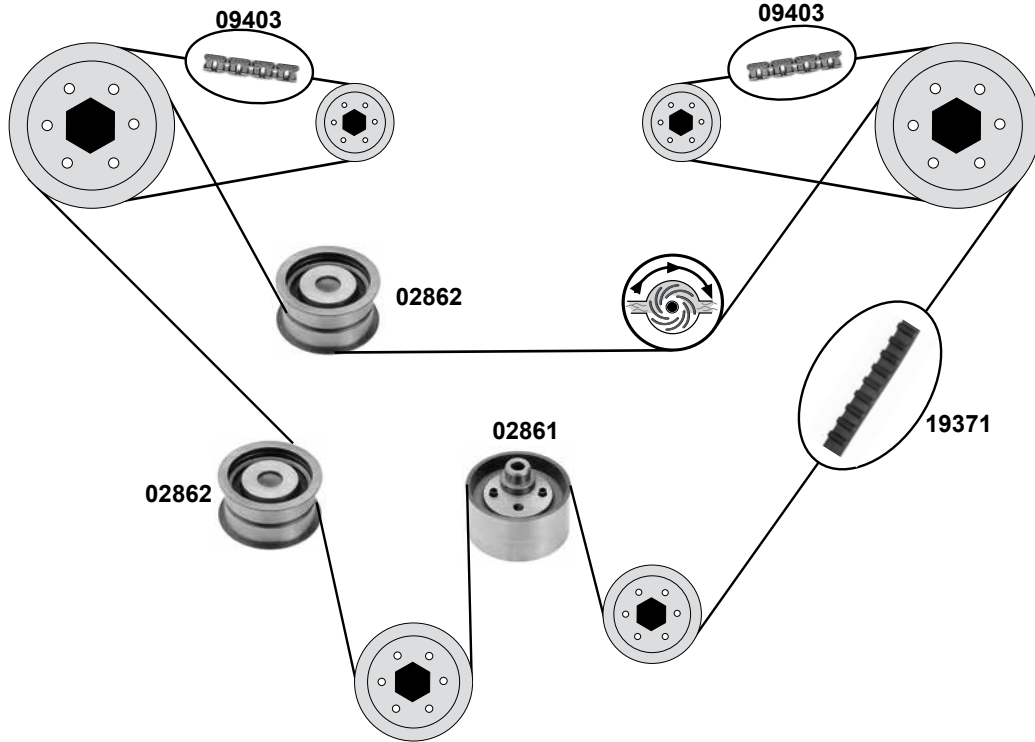
Ref. - No.



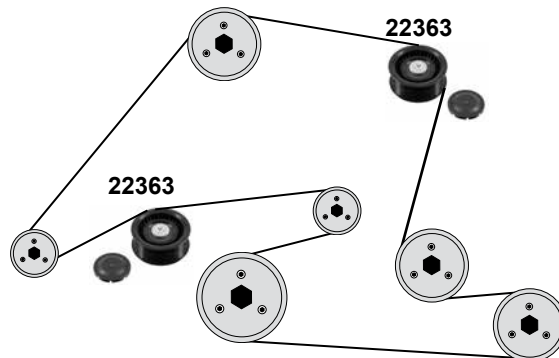
Ref. - No.	Description	Quantity	Dimensions
<b>19292</b>	06B 109 244 Umlenkrolle / deflection pulley	(2)	ØA28,5 B27
<b>24186</b>	06D 109 119 B Zahnriemen / timing belt	(2)	Z 148
<b>25227</b>	06D 109 229 B Steuerkette / timing chain	(2)	42E
<b>27364</b>	06D 109 243 B Spannrolle / tension roller	(2)	ØA 77 B25
<b>30166</b>	06F 903 315 Riemenspanner / belt tensioner		
<b>30227</b>	06D 109 244 E Umlenkrolle / deflection pulley	(2)	
<b>30586</b>	06F 198 119 A Rep. Satz Zahnriemen / rep. kit timing belt	(2)	
<b>32518</b>	06F 109 217 A Kettenspanner / chain tensioner	(1)	




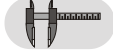
# AUDI V8 (44/4C) (89→94)

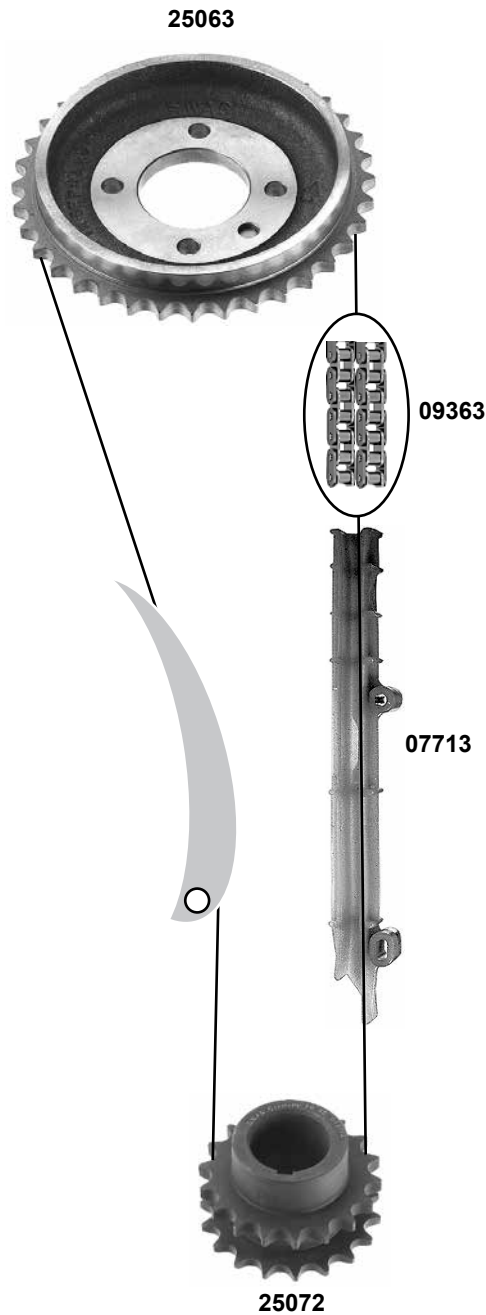
## 3,6 / 4,2 V8 (PT/ABH)



## 6,0 V8 (BHT/BSB/BTE/CEJA)

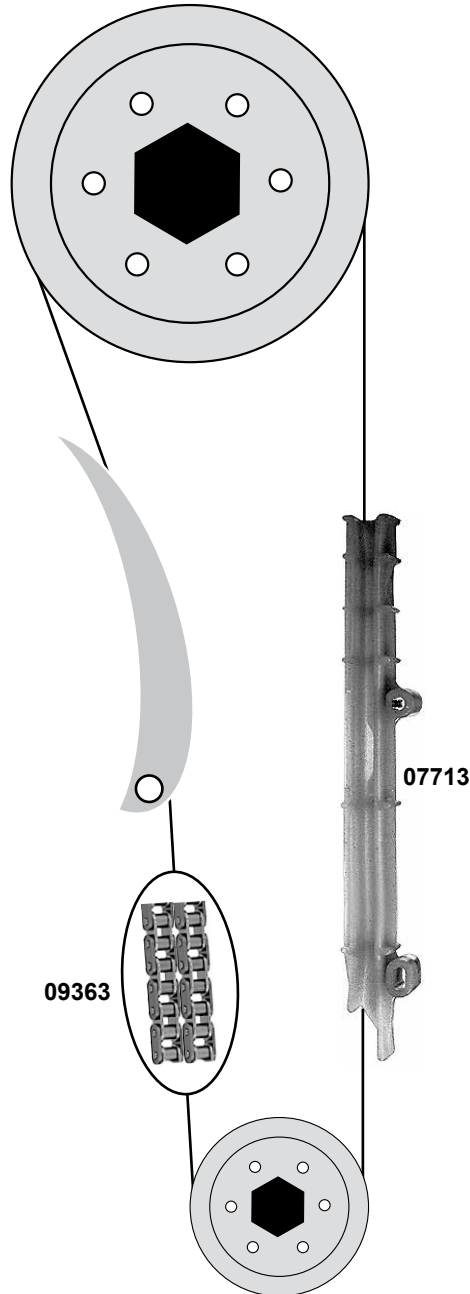


	Ref. - No.			
02861	077 109 243 A	Spannrolle / tension roller		ØA 65 ØI 8,5 B34
02862	077 109 244 A	Umlenkrolle / deflection pulley		ØA 60 ØI 16 B32
04130	077 903 341	Umlenkrolle / deflection pulley		ØA 85 ØI 8 B25
09403	077 109 120	Steuerkette / timing chain		455 / 44 E
19371	077 109 119 D	Zahnriemen / timing belt		Z 299 B30
22363	07D 145 276 C	Umlenkrolle / deflection pulley		

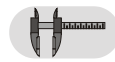


	Ref. - No.			
<b>07713</b>	11 31 1 253 236	Gleitschiene / sliding rail		
<b>09363</b>	11 31 0 731 105	Steuerkette, zweifach / timing chain, double		94 E
<b>25063</b>	11 31 1 265 006	Nockenwellenrad / camshaft gear		Z 36
<b>25072</b>	11 21 1 265 010	Kurbelwellenrad / crankshaft gear		Z 18

**(M30)**



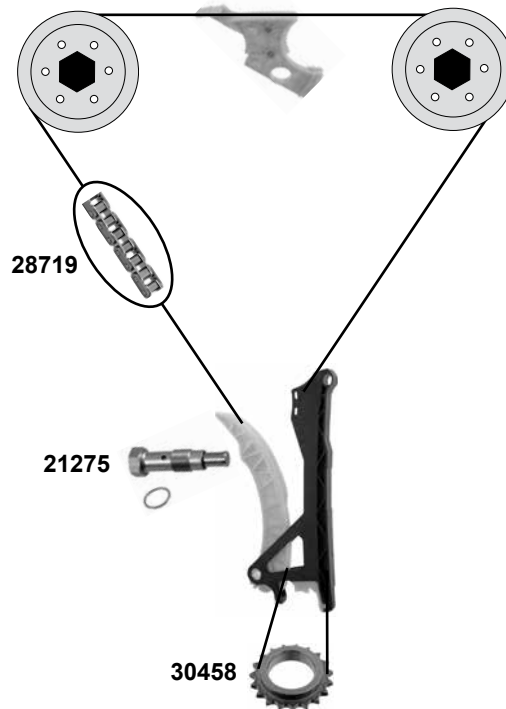
**Ref. - No.**



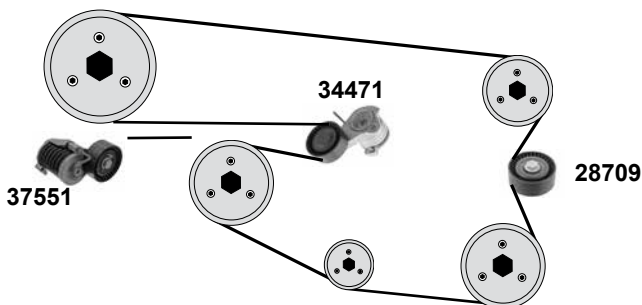
**07713** 11 31 1 253 236  
**09363** 11 31 0 731 105

Gleitschiene / sliding rail  
Rollenkette, zweifach / roller chain, double

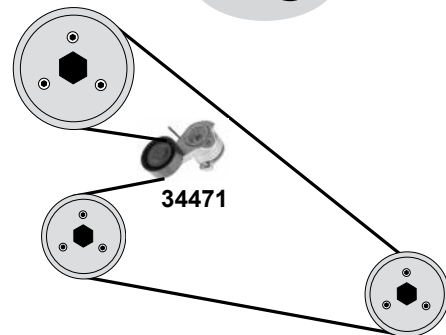
D94 E



**AC**



(ex.) **AC**



- (1) Rep. Satz Schraube für Steuerkette /  
rep. kit screw for timing chain  
febi 33845



- (2) E81,E87 LCI: 116i, 118i, 120i / E82: 120i / E88: 118i, 120i / E 87: 116i, 118i, 120i alle/all

- (3) E81,E87 LCI,E88: 120i / Nur Fahrzeuge mit Aktivlenkung und LHD / only vehicles with active steering and LHD



Ref. - No.



Ref. - No.	Description	Notes	Dimensions
21275	Kettenspanner / chain tensioner		
28709	Umlenkrolle / deflection pulley		80x28
28719	Steuerkette / timing chain		144 E
30335	Rep. Satz Steuerkette / rep. kit timing chain		144 E
30458	Kurbelwellenrad / crankshaft gear	(2)	Z19
33845	Rep. Satz Schraube / rep. kit screw	(1)	
34471	Riemenspanner / belt tensioner	(ex.) active	70x28
37551	Riemenspanner / belt tensioner	(3)	ØA 70 B 28

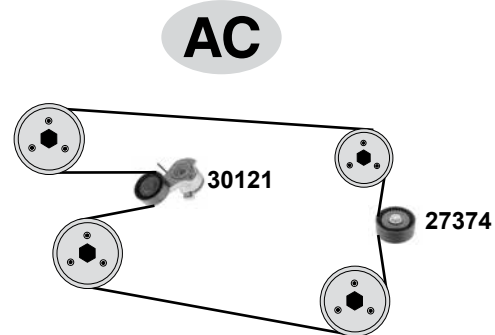
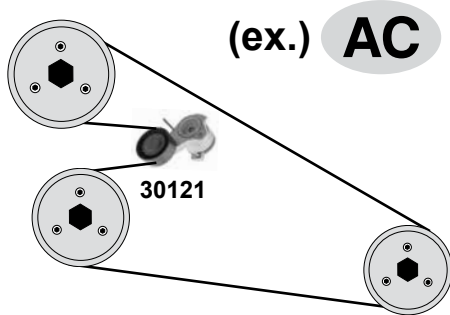
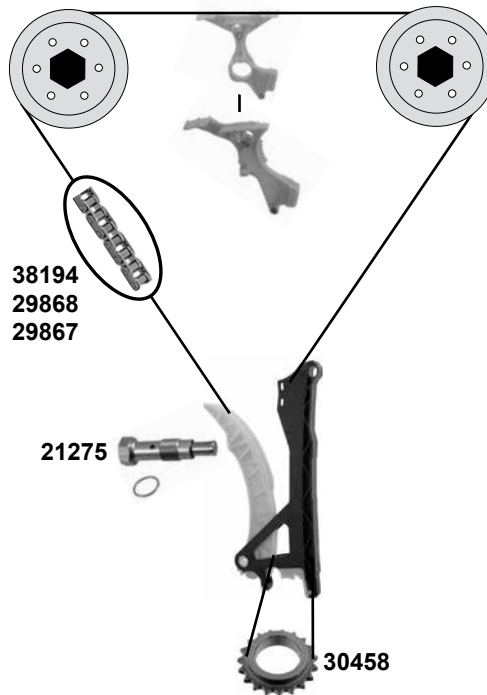
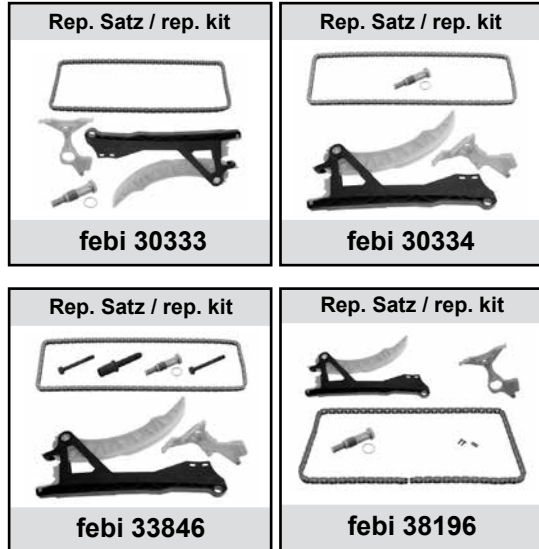
# BMW 1'er (E81/82/87/LCI/88)

(04→12)

Car  
Division



## 116 i / 118 i / 120 i (N46/N / N45/N)



- (1) Rep. Satz Schraube für Steuerkette /  
rep. kit screw for timing chain  
**febi 33845**



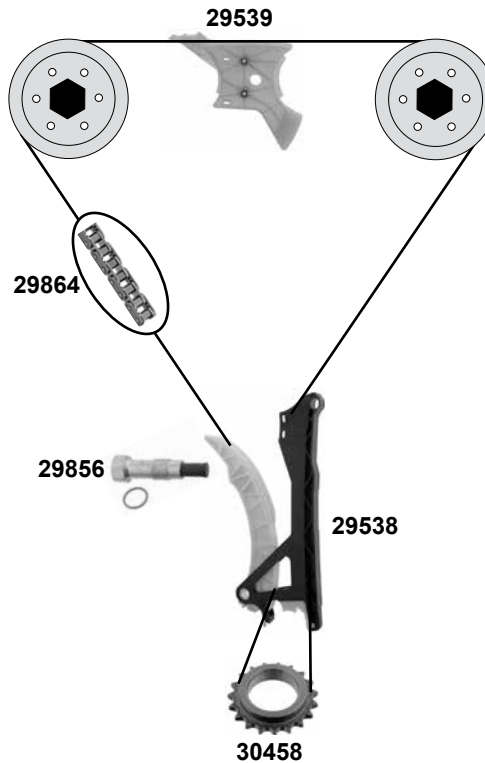
- (2) (mot.) N46/N **30334** mit/with (1)
- (3) E81,E87 LCI: 116i, 118i, 120i (mot.) N46/N/ E82: 120i / E88: 118i, 120i (mot.) N46/N / E 87: 116i, 118i, 120i  
alle/all
- (4) E 81 116i (mot.) N45N / E87/LCI 116i (mot.) N45/N



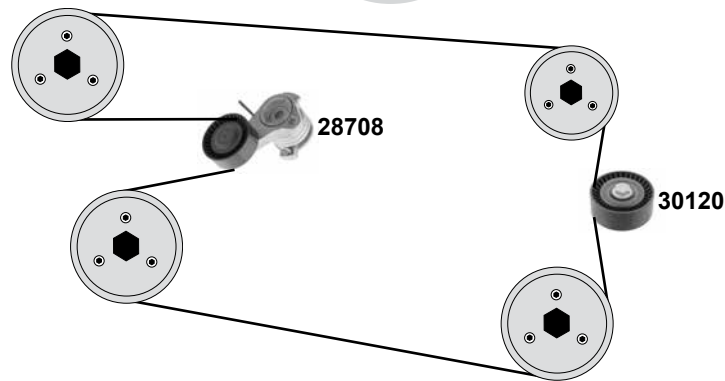
Ref. - No.



Ref. - No.	Description	Notes	Dimensions
21275	11 31 7 567 680 Kettenspanner / chain tensioner		
27374	11 28 1 440 378 Umlenkrolle / deflection pulley		70x26
29867	11 31 1 439 853 Steuerkette / timing chain	(mot.) N 45/N	138 E
29868	11 31 1 439 854 Steuerkette / timing chain	(mot.) N 46/N	142 E
30121	11 28 7 524 267 RiemenSpanner / belt tensioner		ØA 70 B 26
30333	11 31 1 439 853 S1 Rep.Satz Steuerkette / rep. kit timing chain	(mot.) N 45/N	138 E
30334	11 31 1 439 854 S1 Rep. Satz Steuerkette / rep. kit timing chain	(mot.) N 46/N	
30458	11 31 7 502 180 Kurbelwellenrad / crankshaft gear	(3)	Z 19
33845	11 23 7 503 107 S1 Rep. Satz Schraube / rep. kit screw	(1)	
33846	11 31 1 439 854 S2 Rep. Satz Steuerkette / rep. kit timing chain	(2)	142 E
38194	11 31 1 439 853 S3 Steuerkette / timing chain	(4)	138 N
38196	11 31 1 439 859 S5 Rep.Satz Steuerkette / rep. kit timing chain	(4)	138 N



**AC**



- (1) (mot.) N52 E 81 / 87/LCI 130i / (mot.) N52 E 82 / E88 125i
- (2) (mot.) N52N E 81 / 87/LCI 130i / (mot.) N51 / N52N E 82 / E88 125i / 128i
- (3) (mot.) N52/N 87/LCI 130i / (mot.) N52N E81 (mot.) N52N / N51 E82 125i, (128i USA) / (mot.) N52N E88 125i, (128i USA)



Ref. - No.



	Ref. - No.			
<b>28708</b>	11 28 7 530 314	Riemenspanner/ belt tensioner		70x26
<b>29538</b>	11 31 7 585 020	Gleitschiene / sliding rail	(2)	
<b>29539</b>	11 31 7 592 850	Gleitschiene / sliding rail	(2)	
<b>29856</b>	11 31 7 584 723	Kettenspanner / chain tensioner	(2)	
<b>29864</b>	11 31 7 584 084	Steuerkette / timing chain	(2)	148 E
<b>30120</b>	11 28 7 535 860	Umlenkrolle / deflection pulley	(1)	80x26
<b>30338</b>	11 31 7 584 084 S1	Rep. Satz Steuerkette / rep. kit timing chain	(2)	148 E
<b>30458</b>	11 31 7 502 180	Kurbelwellenrad / crankshaft gear	(3)	Z19



# BMW 1 'er (E82/E88)

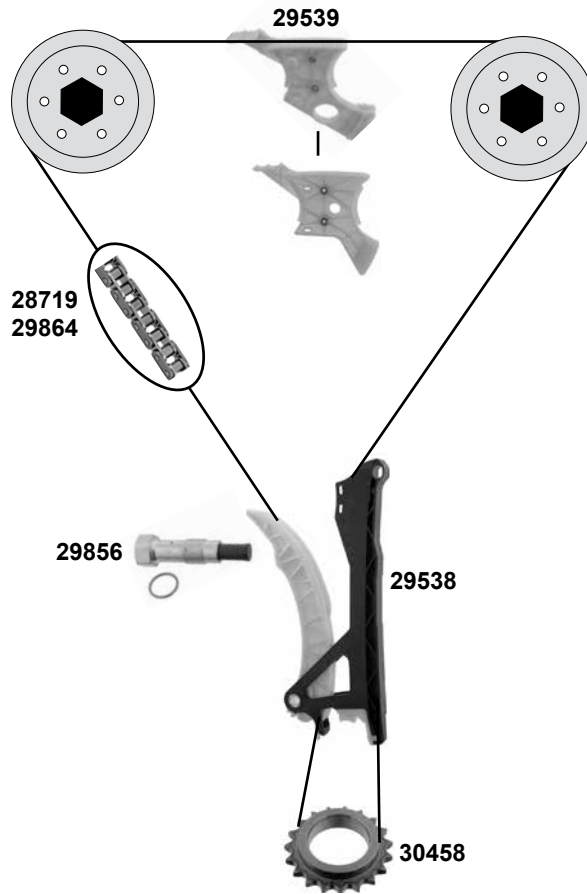
(07→13)

Car  
Division



## 135 i / M Coupe

(N54/N55)



Rep. Satz / rep. kit



febi 30337

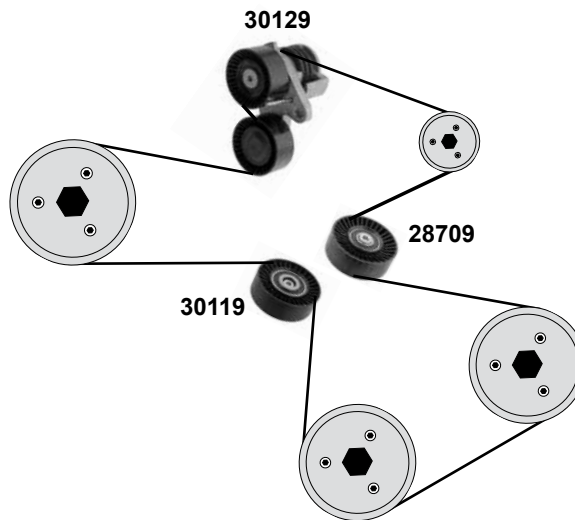
Rep. Satz / rep. kit



febi 30338

## 135 i / M Coupe

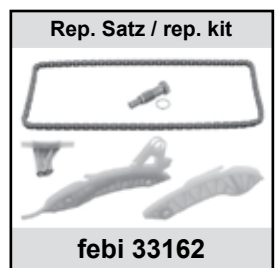
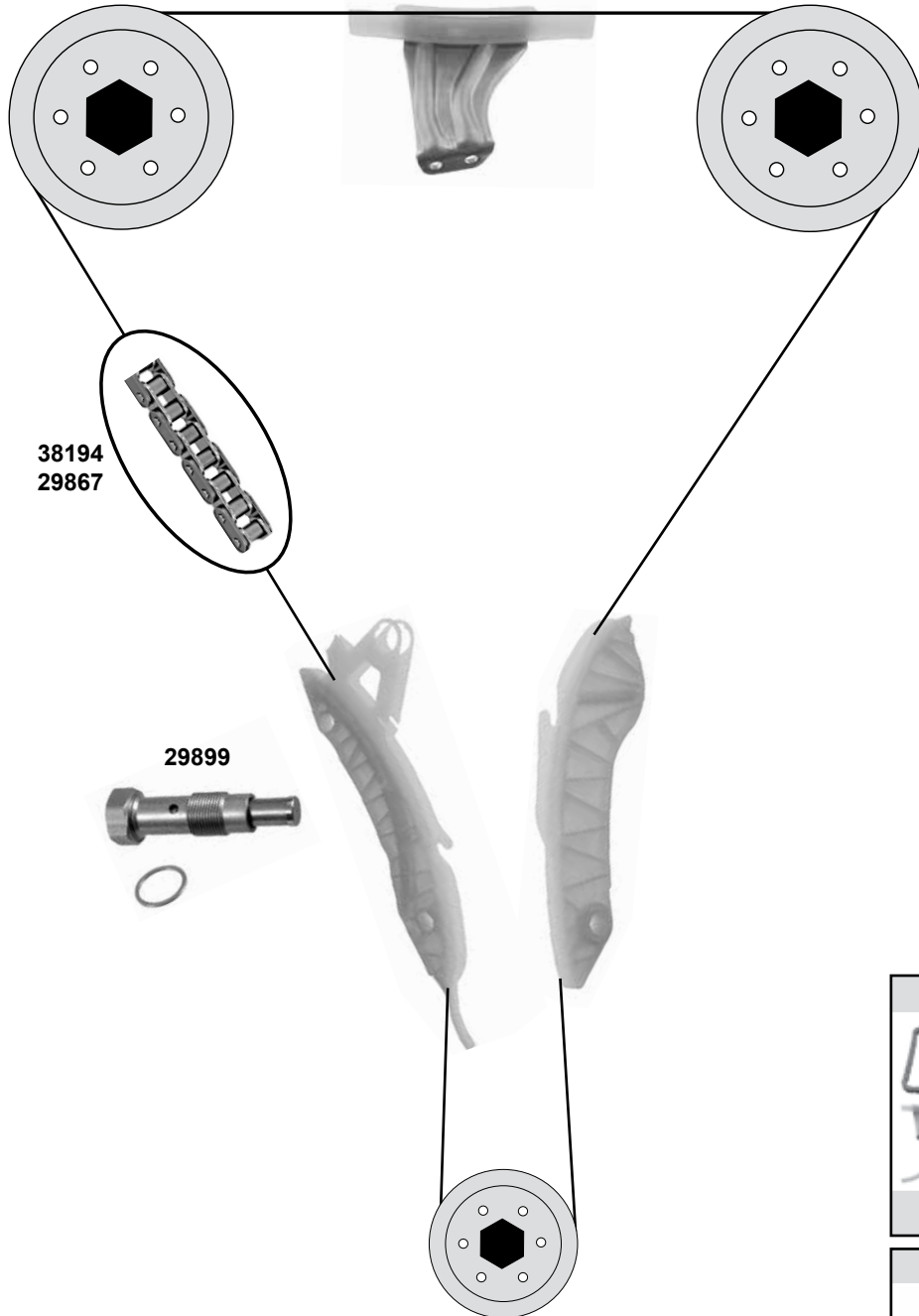
(N54)



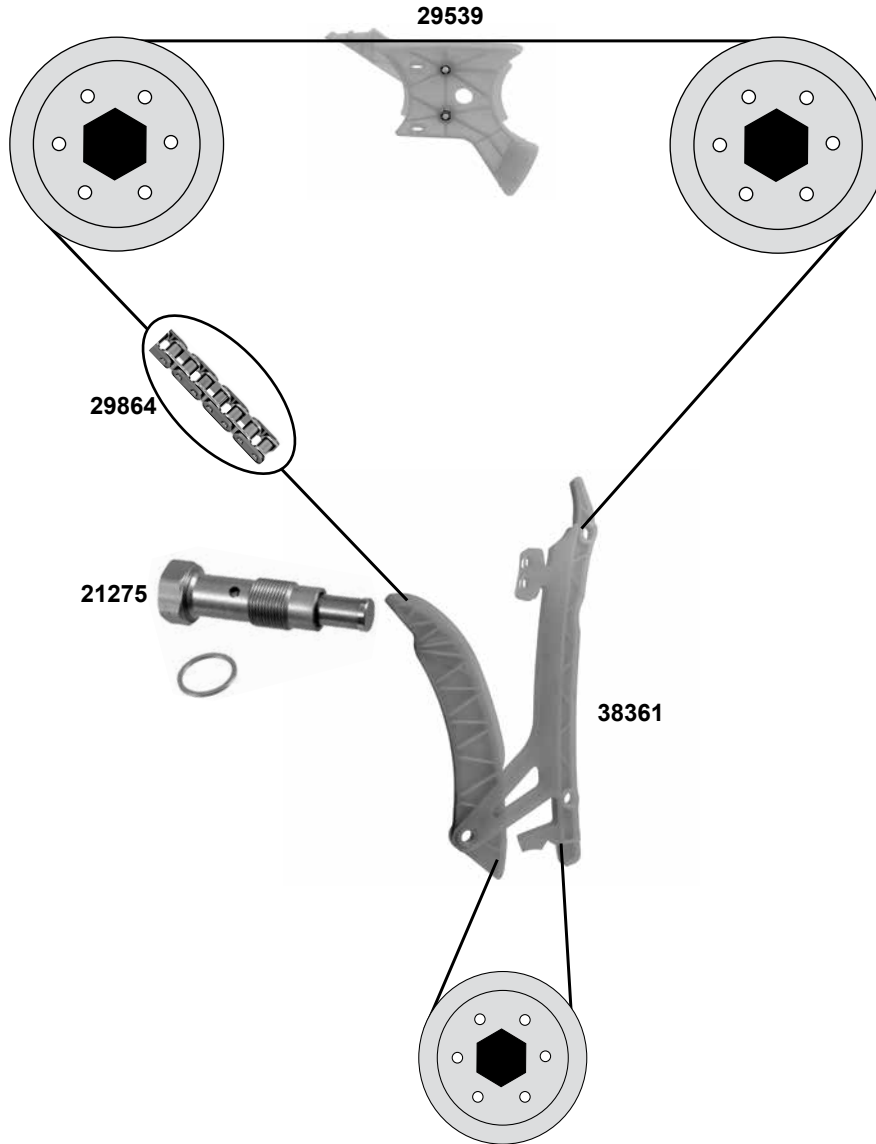
Ref. - No.



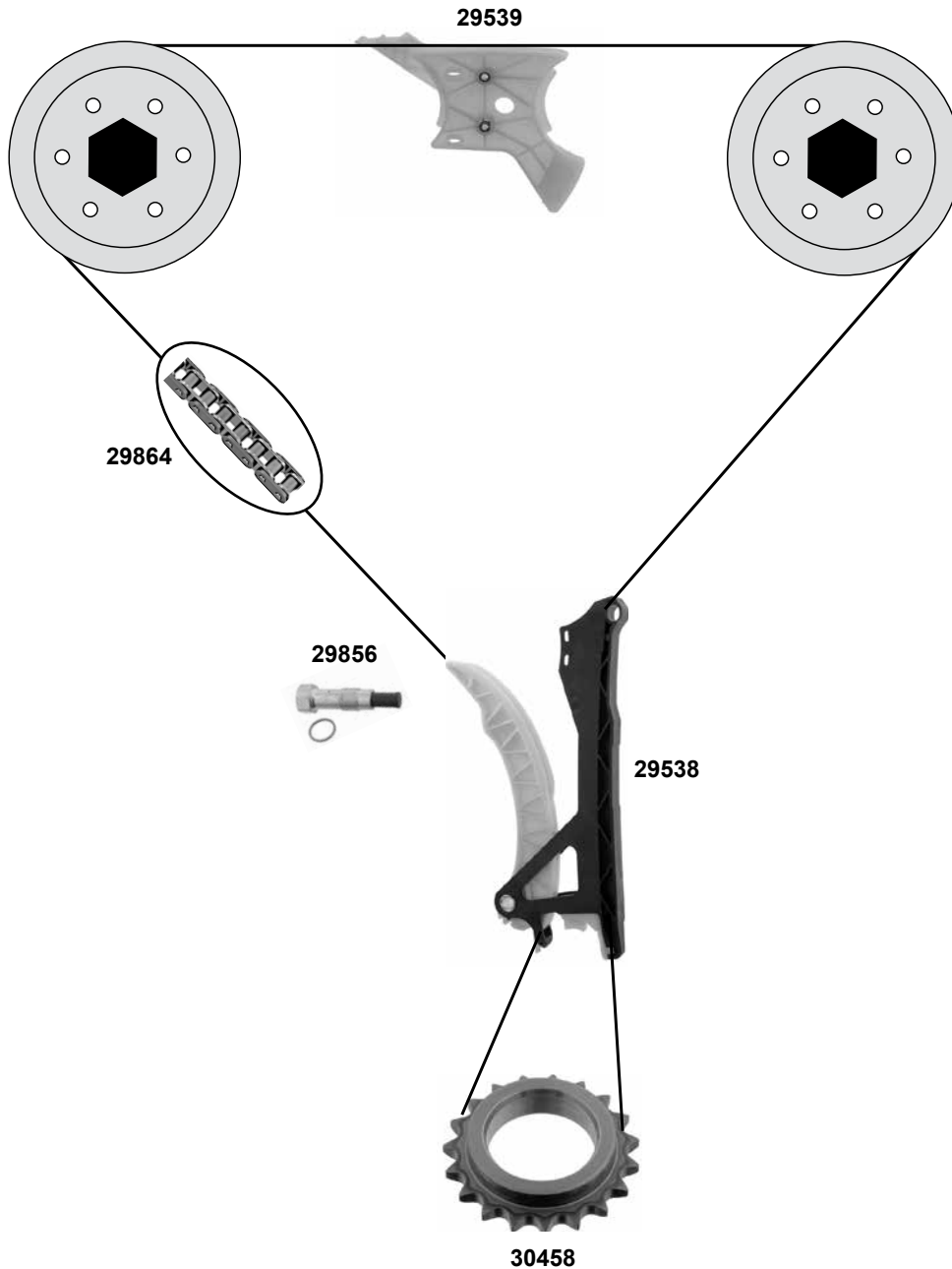
<b>28709</b>	11 28 7 556 251	Umlenkrolle / deflection pulley	(mot.) N54	80x28
<b>28719</b>	11 31 7 516 088	Steuerkette / timing chain	(mot.) N54	144 E
<b>29538</b>	11 31 7 585 020	Gleitschiene / sliding rail	(mot.) N55	
<b>29539</b>	11 31 7 592 850	Gleitschiene / sliding rail	(mot.) N55	
<b>29856</b>	11 31 7 584 723	Kettenspanner / chain tensioner		
<b>29864</b>	11 31 7 584 084	Steuerkette / timing chain	(mot.) N55	148 E
<b>30119</b>	11 28 7 557 851	Umlenkrolle / deflection pulley	(mot.) N54	90x30
<b>30129</b>	11 28 7 563 927	Riemenspanner / belt tensioner	(mot.) N54	70x30
<b>30337</b>	11 31 7 516 088 S2	Rep. Satz Steuerekette / rep. kit timing chain	(mot.) N54	144 E
<b>30338</b>	11 31 7 584 084	Rep. Satz Steuerekette / rep. kit timing chain	(mot.) N55	148 E
<b>30458</b>	11 31 7 502 180	Kurbelwellenrad / crankshaft gear	(mot.) N54	Z19



	Ref. - No.			
<b>29867</b>	11 31 1 439 853	Steuerkette einfach / timing chain simplex		138 E
<b>29899</b>	11 31 4 609 483	Kettenspanner / chain tensioner		
<b>33162</b>	11 31 1 439 853 S2	Rep. Satz Steuerkette / rep. kit timing chain		138 E
<b>38194</b>	11 31 1 439 853 S3	Steuerkette / timing chain		138 N
<b>38195</b>	11 31 1 439 853 S4	Rep. Satz Steuerkette / rep. kit timing chain		138 N



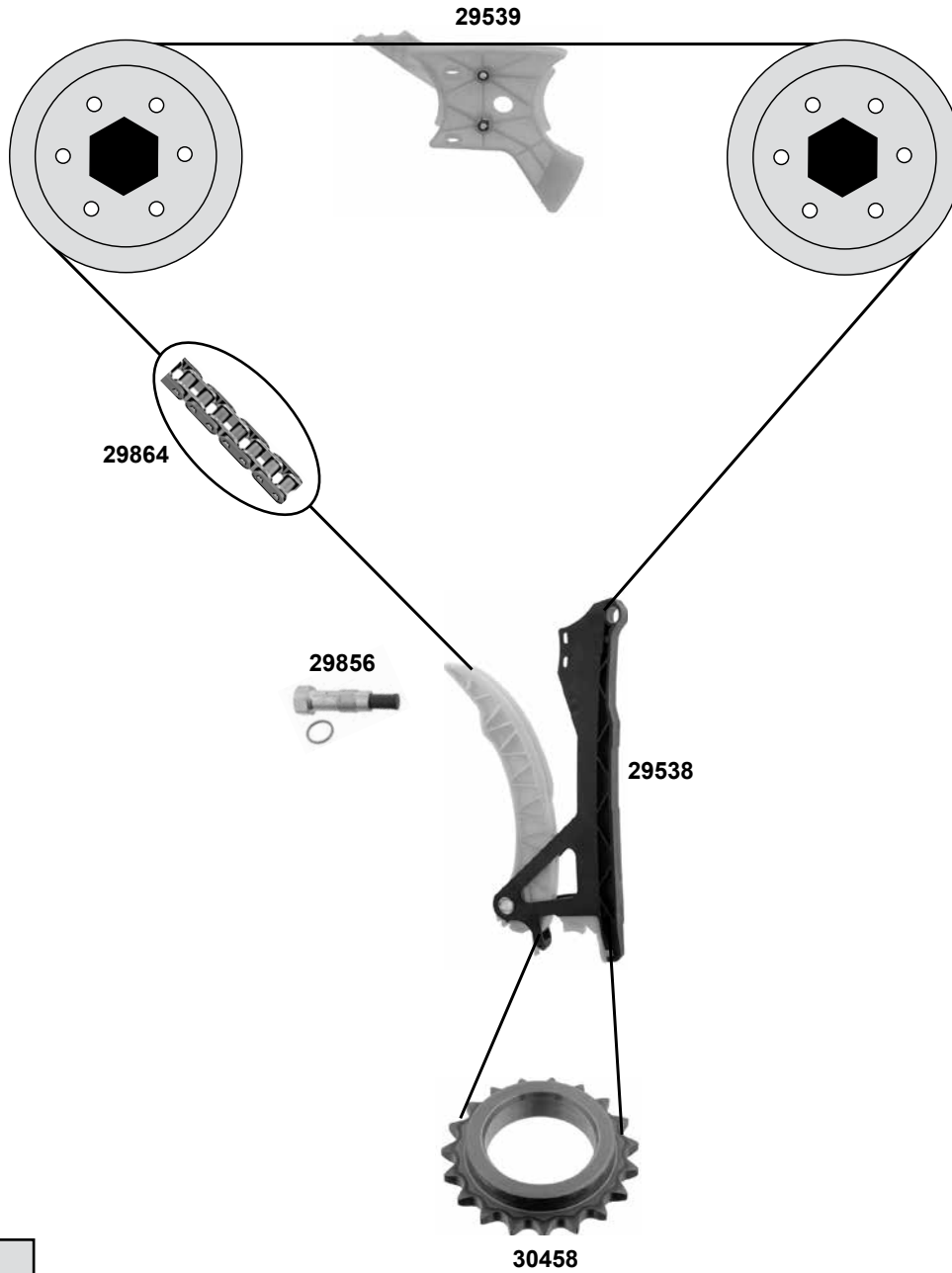
	Ref. - No.	Description	Information	Part No.
<b>21275</b>	11 31 7 567 680	Kettenspanner / chain tensioner		M22x1,25
<b>29539</b>	11 31 7 592 850	Gleitschiene / sliding rail		
<b>29864</b>	11 31 7 584 084	Steuerkette einfach / roller chain simplex		148 E
<b>38361</b>	11 31 7 592 877	Gleitschiene / sliding rail		
<b>38362</b>	11 31 7 584 084 S2	Rep. Satz Steuerkette / rep. kit timing chain		148 E



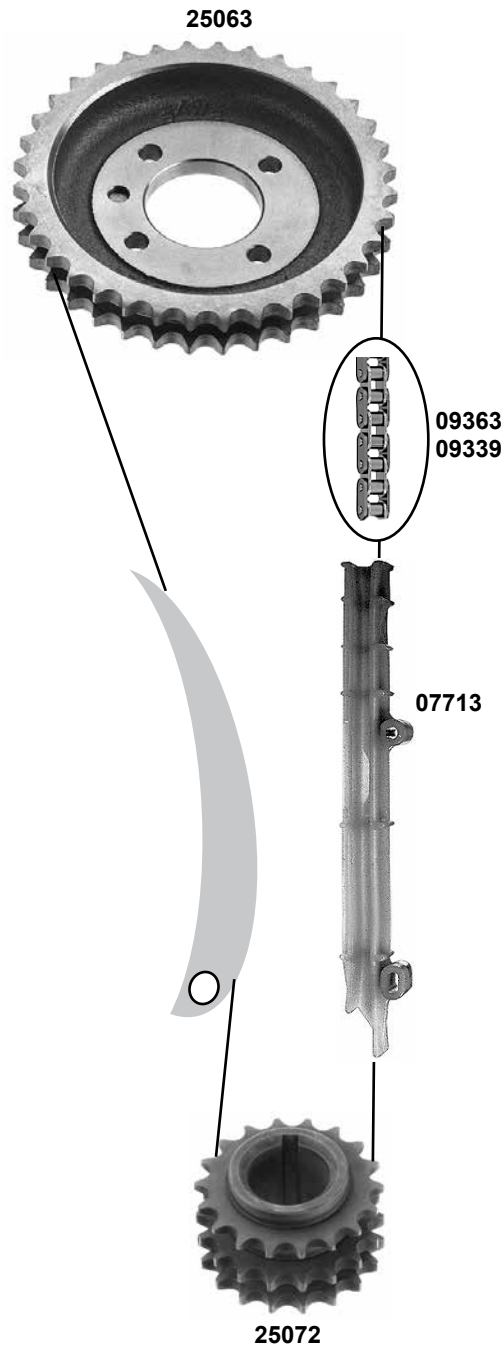
	Ref. - No.			
<b>29538</b>	11 31 7 585 020	Gleitschiene / sliding rail		
<b>29539</b>	11 31 7 592 850	Gleitschiene / sliding rail		
<b>29856</b>	11 31 7 584 723	Kettenspanner / chain tensioner		
<b>29864</b>	11 31 7 584 084	Steuerkette / timing chain		148 E
<b>30338</b>	11 31 7 584 084 S1	Rep. Satz Steuerkette / rep. kit timing chain		148 E
<b>30458</b>	11 31 7 502 180	Kurbelwellenrad / crankshaft gear		Z19



**M 235 i / ix**  
(N55)



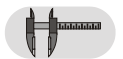
	Ref. - No.			
<b>29538</b>	11 31 7 585 020	Gleitschiene / sliding rail		
<b>29539</b>	11 31 7 592 850	Gleitschiene / sliding rail		
<b>29856</b>	11 31 7 584 723	Kettenspanner / chain tensioner		
<b>29864</b>	11 31 7 584 084	Steuerkette / timing chain		148 E
<b>30338</b>	11 31 7 584 084 S1	Rep. Satz Steuerkette / rep. kit timing chain		148 E
<b>30458</b>	11 31 7 502 180	Kurbelwellenrad / crankshaft gear		Z19



(1) 315 / 318i alle / all  
316 / 318 / 320 Modell: 11/78 →



Ref. - No.



<b>07713</b>	11 31 1 253 236	Gleitschiene / sliding rail		
<b>09339</b>	11 31 1 716 986	Steuerkette einfach / timing chain simple	Modell 11/78 →	94 E
<b>09363</b>	11 31 0 731 105	Steuerkette zweifach / timing chain double	Modell →11/78	94 E
<b>25063</b>	11 31 1 265 006	Nockenwellenrad / crankshaft gear	Modell 11/78 →	Z 36
<b>25072</b>	11 21 1 265 010	Kurbelwellenrad / camshaft gear	(1)	Z 18

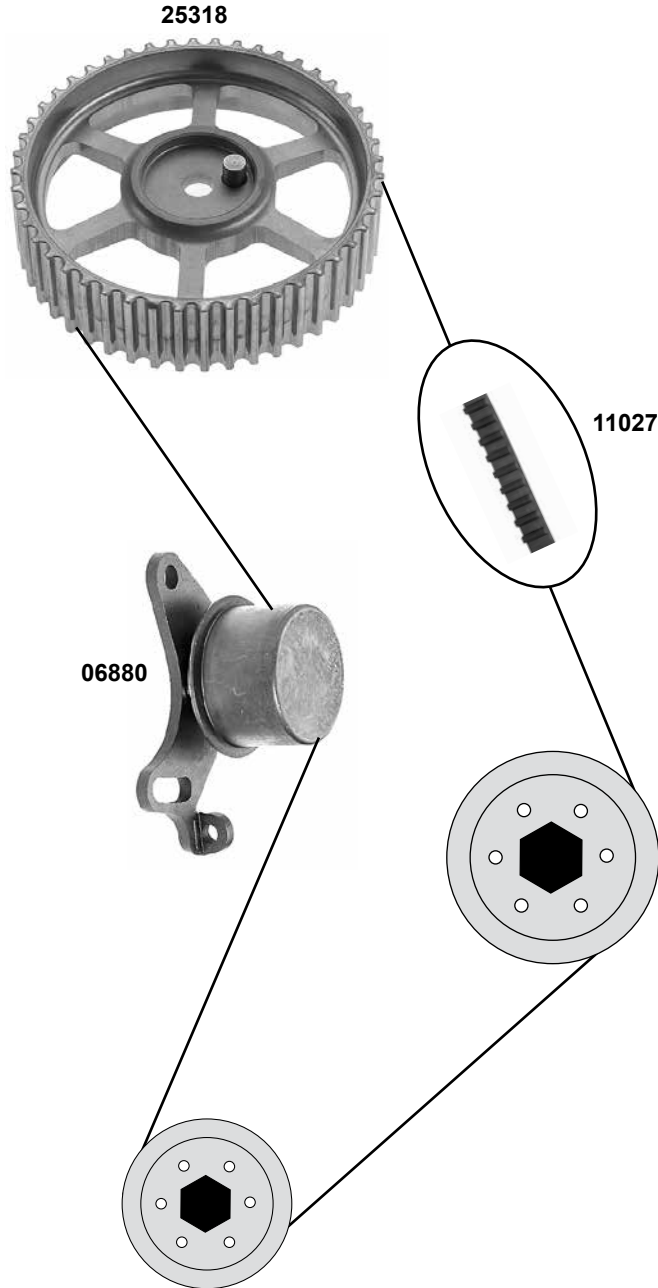
# BMW 3 'er (E21)

(75→84)

Car  
Division



**320 → 323 i**  
(M20)



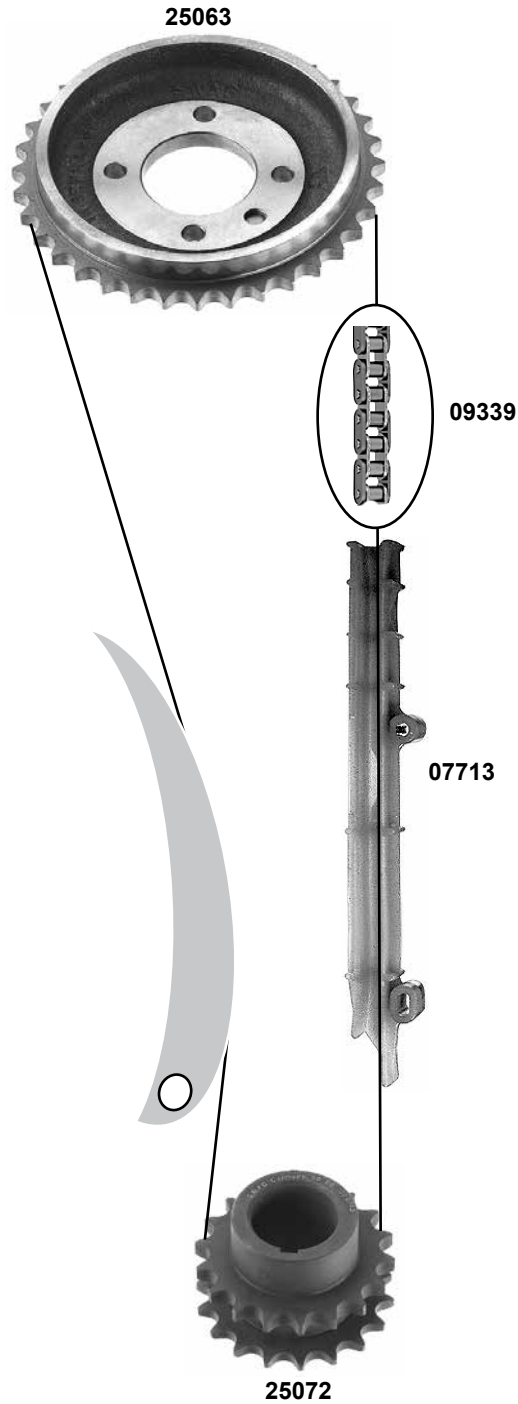
(1) 320 Modell: 10/81 →  
323i Modell: 01/80 →



Ref. - No.



<b>06880</b>	11 31 1 711 153	Spannrolle / tension roller		ØA 49,5
<b>11027</b>	11 31 1 713 361	Zahnriemen / timing belt		Z 127 B25,4
<b>11028</b>	11 31 1 713 361 S1	Rep. Satz Zahnriemen / rep. kit timing belt		
<b>25318</b>	11 31 1 714 988	Nockenwellenrad / camshaft gear	(1)	Z 48



Ref. - No.



**07713**  
**09339**  
**25063**  
**25072**

11 31 1 253 236  
11 31 1 716 986  
11 31 1 265 006  
11 21 1 265 010

Gleitschiene / sliding rail  
Steuerkette einfach / timing chain simple  
Nockenwellenrad / camshaft gear  
Kurbelwellenrad / crankshaft gear

94 E  
Z 36  
Z 18



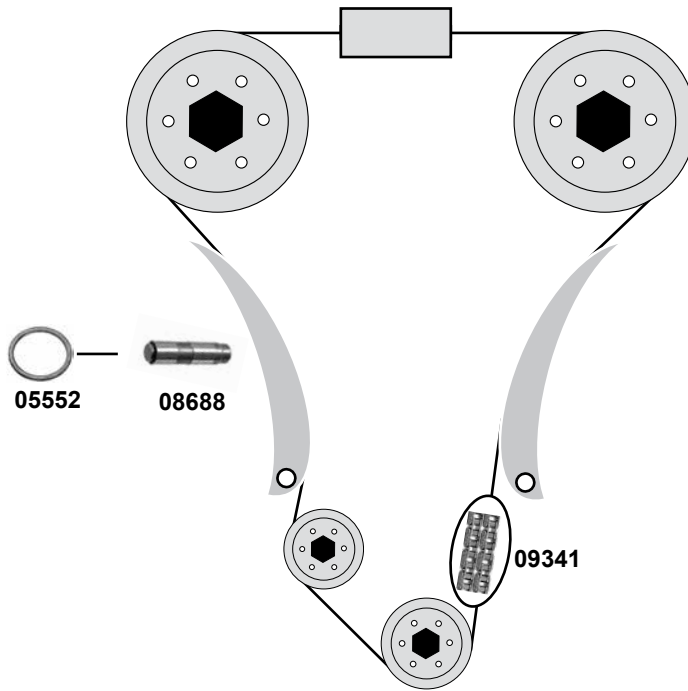
# BMW 3'er (E30)

(82→92)

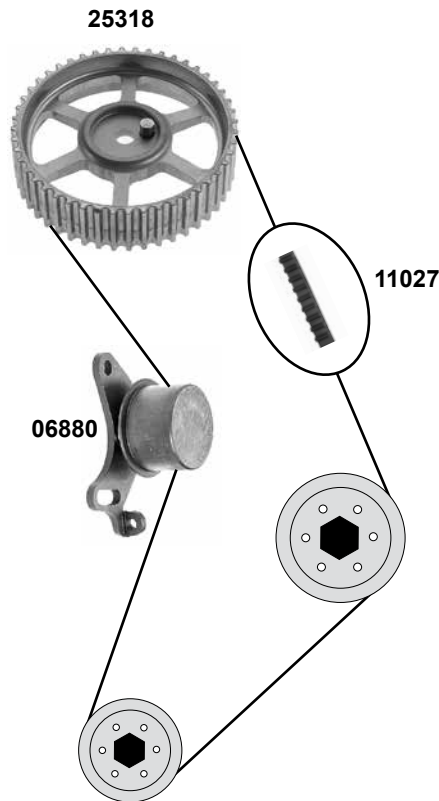
Car  
Division



## 318 iS (M42)

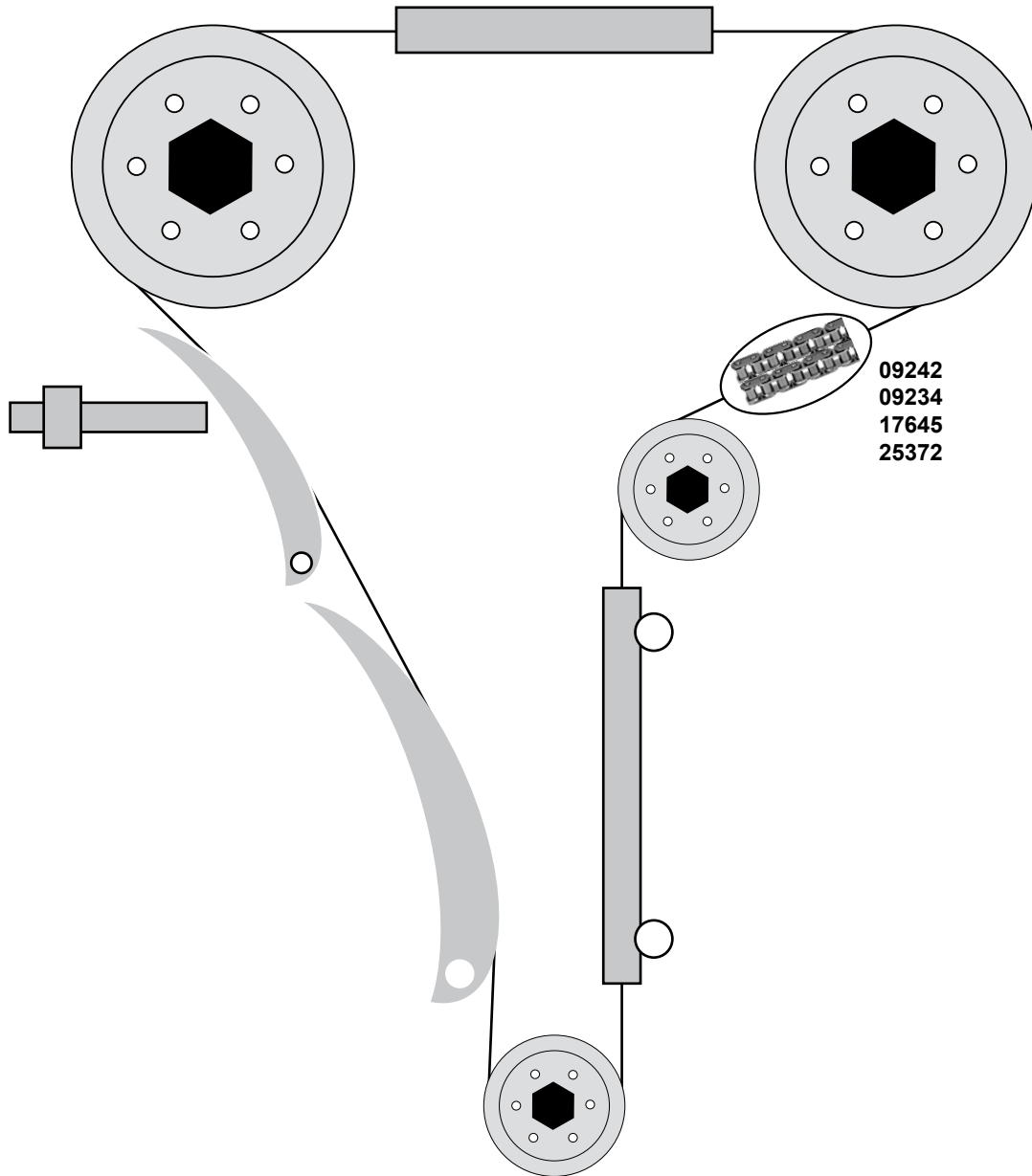


## 320 i → 325 i/iX (M20)



Ref. - No.			
05552	07 11 9 963 355	Alu-Dichtring / alu-seal ring	ØI 22 x ØA27
06880	11 31 1 711 153	Spannrolle / tension roller	ØA49,5
08688	11 31 1 743 187	Kettenspanner / chain tensioner	18 x 68
09341	11 31 1 247 160	Steuerkette zweifach / timing chain double	120 E
11027	11 31 1 713 361	Zahnriemen / timing belt	Z 127 B25,4
11028	11 31 1 713 361 S1	Rep. Satz Zahnriemen / rep. kit timing belt	
25318	11 31 1 714 988	Nockenwellenrad / camshaft gear	Z 48

323i Modell → 10/86



09242  
09234  
17645  
25372



(1) Nietverschluss / riveted link / bouchon de rivet / rivetti

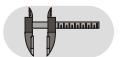
(3) normal / regular / normal / normale / normalizado

(2) Federverschluß / split link / fermeture de ressort / falsa maglia

(4) verstärkt / reinforced / renforcée / förstärkt / rinforzato



Ref. - No.



**09234**  
**09242**  
**17645**  
**25372**

11 31 1 403 081  
11 31 1 403 081 S1  
11 31 1 403 081 S2  
11 31 1 403 081

Steuerkette zweifach / timing chain double  
Steuerkette zweifach / timing chain double  
Steuerkette zweifach / timing chain double  
Steuerkette zweifach / timing chain double

(1)  
(2)  
(3)  
(4)

D126 N  
D126 F  
D126 E  
D126 E

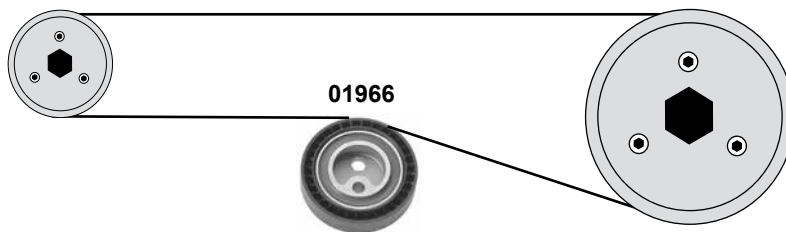
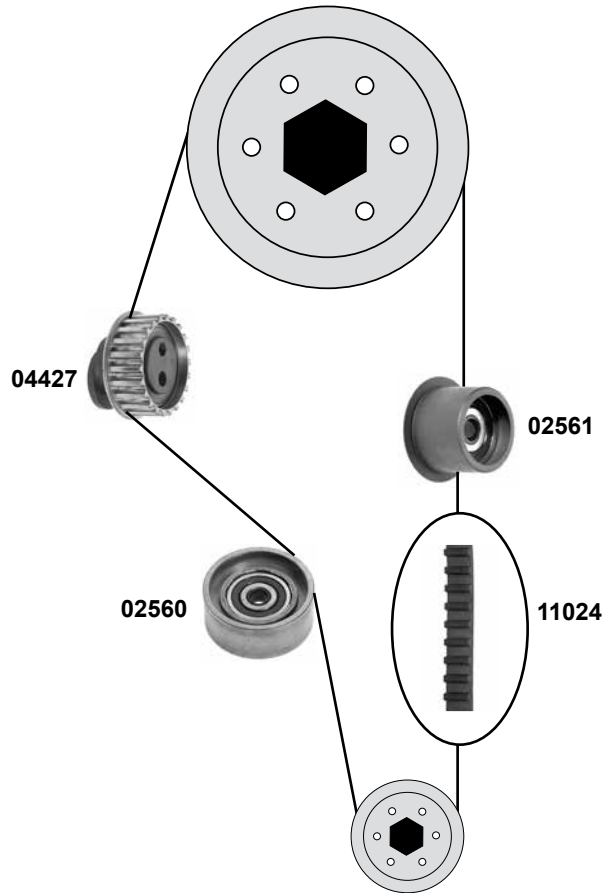
# BMW 3 'er (E36)

(90→94)

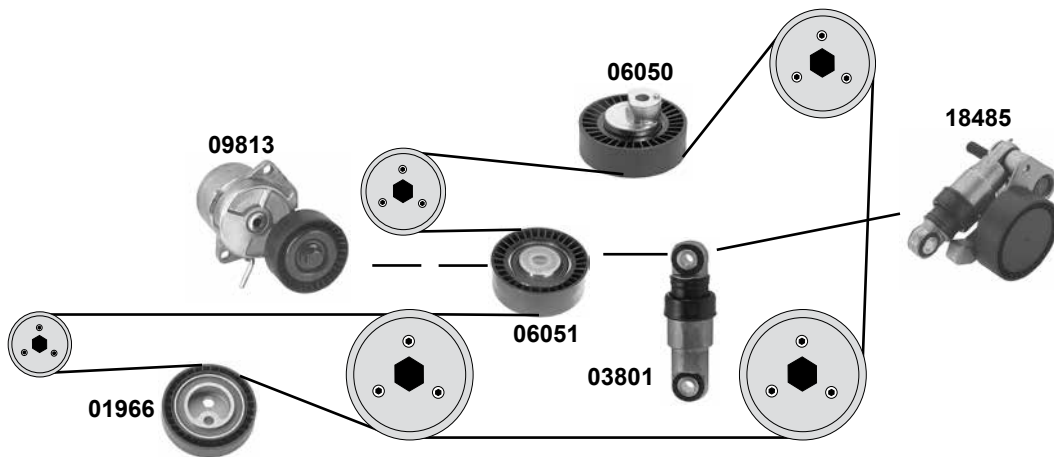
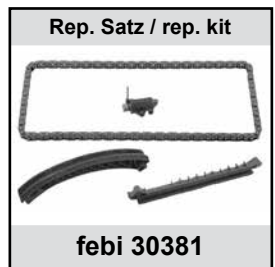
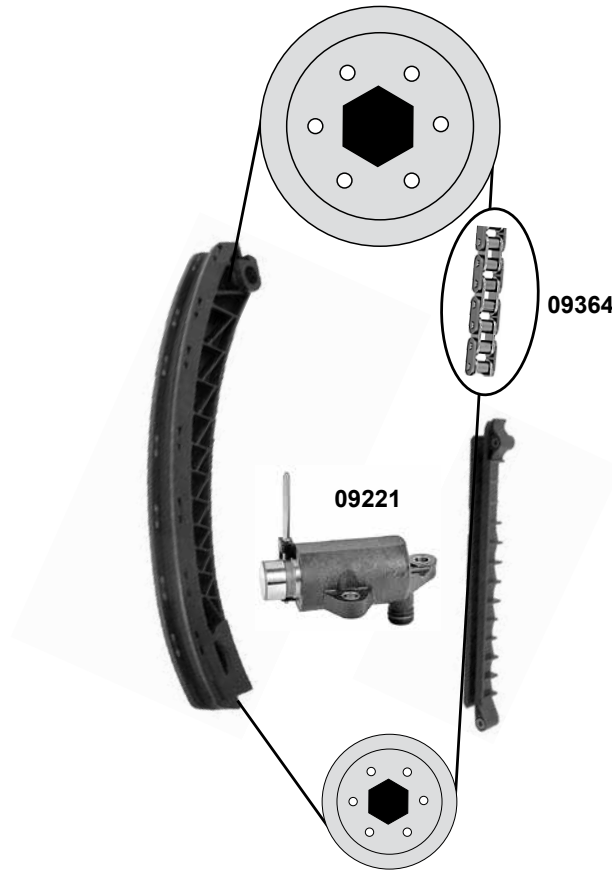
Car  
Division



## 316 i / 318 i (M40)



Ref. - No.				
01966	11 28 2 245 087	Spannrolle / tension roller	AC	Ø 80
02560	11 31 1 721 264	Umlenkrolle / deflection pulley		50 x 21
02561	11 31 1 708 806	Umlenkrolle / deflection pulley		32/40 x 25
04427	11 31 1 727 611	Spannrolle / tension roller		65 / 33 x 23 x 47,7
11024	11 31 1 734 608	Zahnriemen / timing belt		Z 110 B21
11026	11 31 1 734 608 S2	Rep. Satz Zahnriemen / rep. kit timing belt		Z 110 B21



(1) Modell: → 09/95 mit 70 Ampere Generator / Alternator

(2) Modell: → 09/95 alle / all // Modell: 09/95 → mit 80 Ampere Generator / Alternator



Ref. - No.



Ref. - No.	Description	Model	Dimensions
01966	Spannrolle / tension roller		Ø 80
03801	Riemenspanner / belt tensioner	Modell → 09/95	
06050	Umlenkrolle / deflection pulley	(1)	80 x 24,5
06051	Spannrolle / tension roller	(2)	70 x 24,5
09221	Kettenspanner / chain tensioner		
09364	Steuerkette, einfach / timing chain, simple		106 E
09813	Riemenspanner / belt tensioner	Modell 09/95 →	70 x 26
18485	Riemenspanner / belt tensioner	Modell → 09/95	70 x 26
30381	Rep. Satz Steuerkette / rep. kit timing chain		106 E

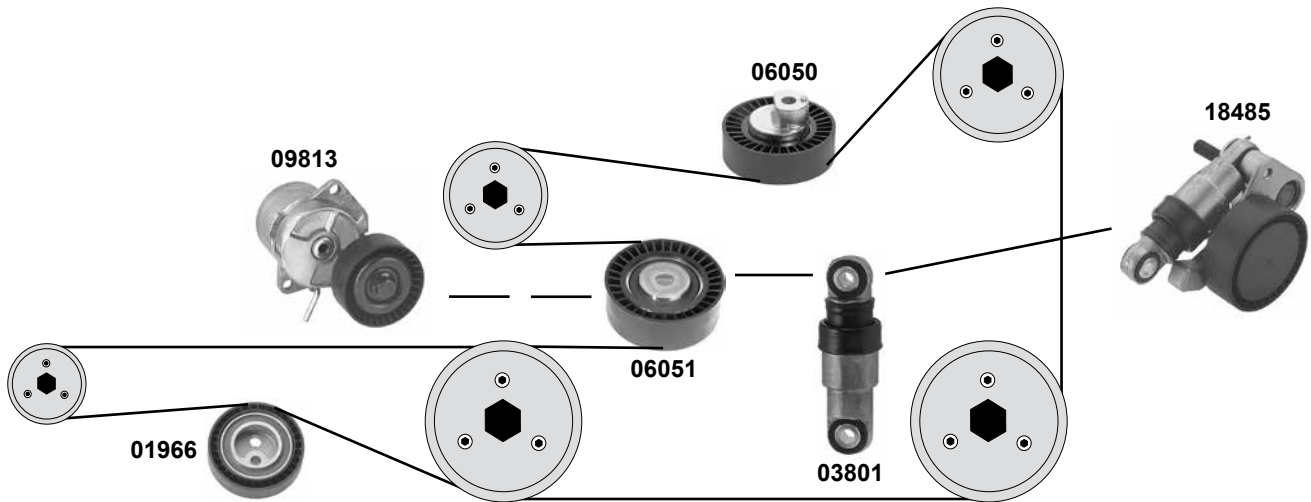
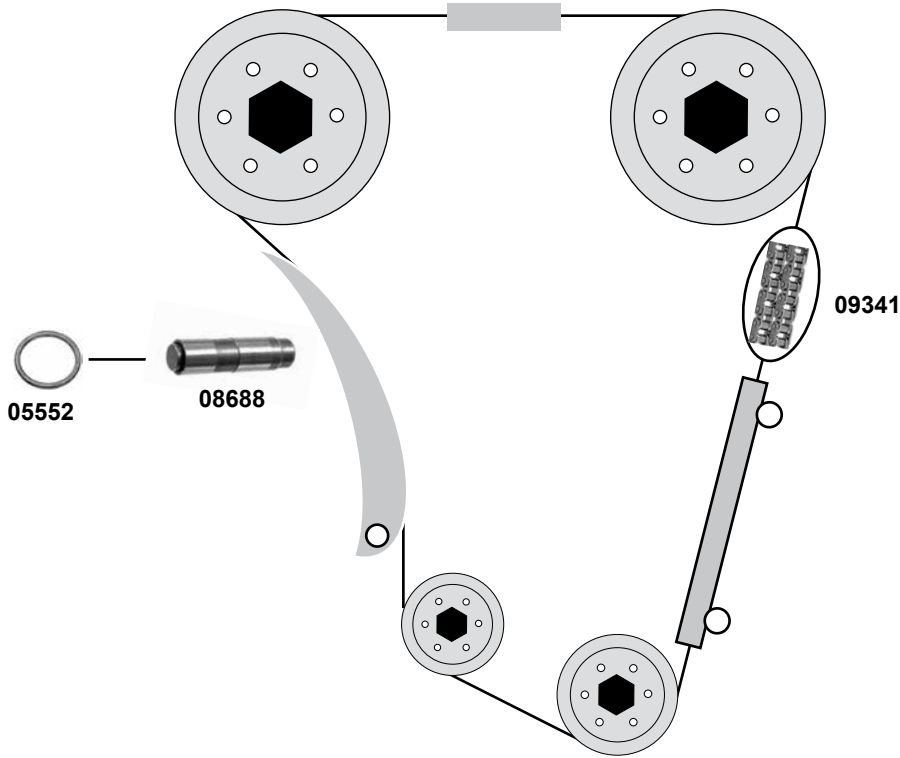
# BMW 3 'er (E36)

(90→99)

Car  
Division 



## 318 iS (M42/M44)



(1) (mot.) M42 mit 70 Ampere Generator / Alternator

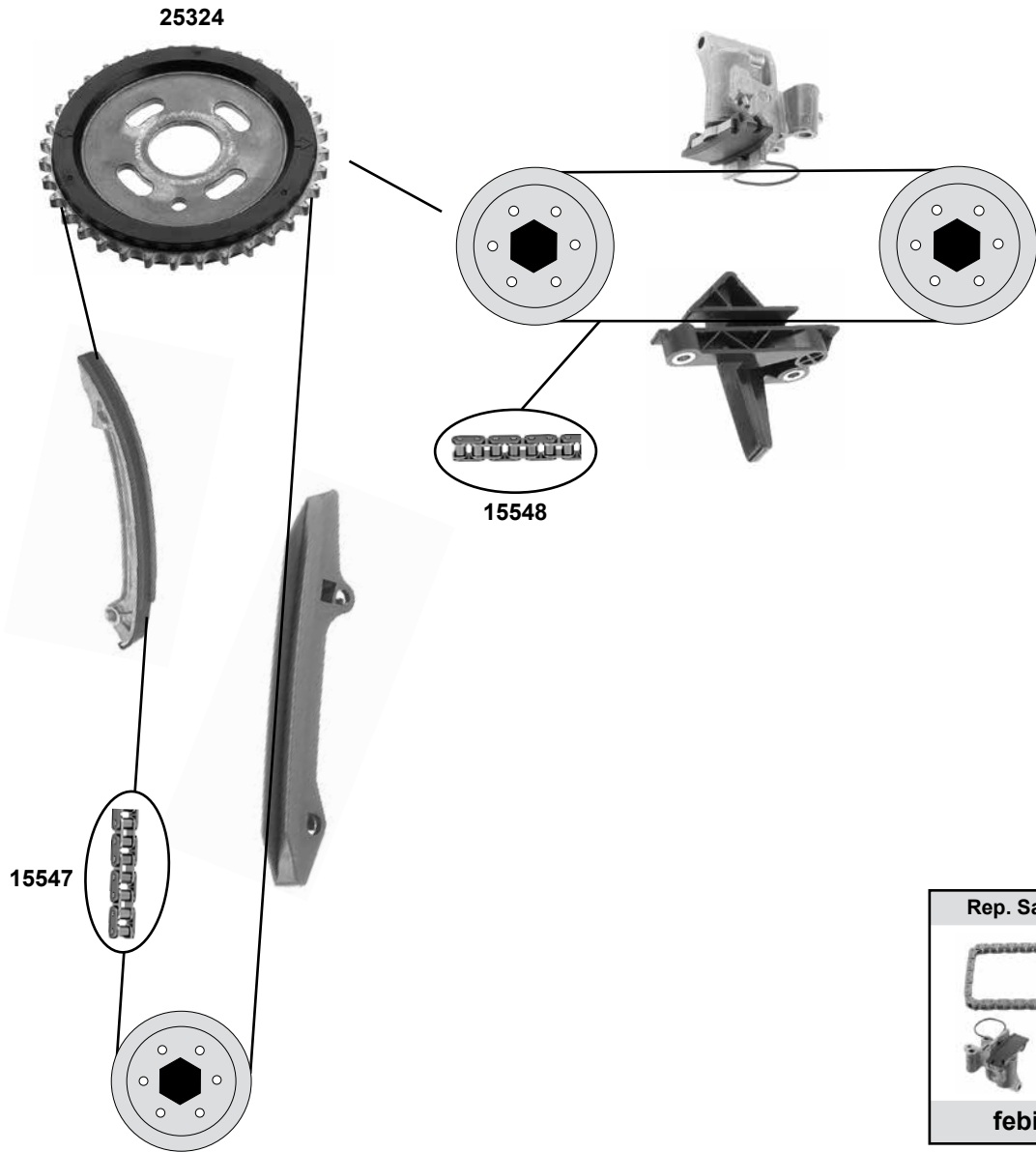
(2) (mot.) M44 mit 80 Ampere Generator / Alternator



Ref. - No.



Ref. - No.	Description	Notes	Dimensions
01966	Spannrolle / tension roller		Ø 80
03801	Riemenspanner / belt tensioner		
05552	Alu-Dichtring / alu-seal ring		22 x 27
06050	Umlenkrolle / deflection pulley	(1)	80 x 24,5
06051	Spannrolle / tension roller	(2)	70 x 24,5
08688	Kettenspanner / chain tensioner		18 x 68
09341	Steuerkette zweifach / timing chain double		D120 E
09813	Riemenspanner / belt tensioner	(mot.) M44	70 x 26
18485	Riemenspanner / belt tensioner	(2)	70 x 26



	Ref. - No.			
<b>15547</b>	11 31 1 432 176	Steuerkette / timing chain		104 E
<b>15548</b>	11 31 1 432 177	Steuerkette / timing chain		58 E
<b>25324</b>	11 31 1 722 841	Nockenwellenrad / camshaft gear		Z 36
<b>30331</b>	11 31 1 432 177 S1	Rep. Satz Steuerkette / rep. kit timing chain		58 E
<b>30409</b>	11 31 1 432 176 S1	Rep. Satz Steuerkette / rep. kit timing chain	→ Modell 09/94	104 E
<b>30410</b>	11 31 1 432 176 S2	Rep. Satz Steuerkette / rep. kit timing chain	Modell 09/94 →	104 E

# BMW 3 'er (E36)

(90→99)

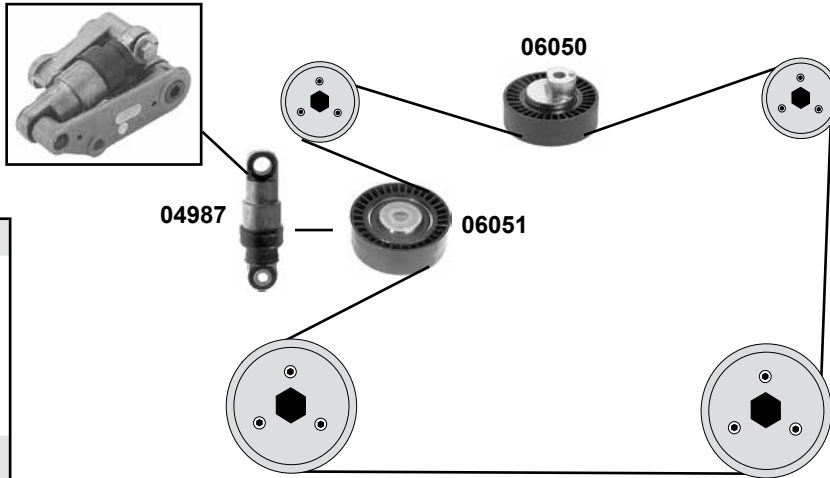
Car  
Division



## 320i / 323i/ 325i / 328i (M50/M52)

18483

### Hydraulisch / hydraulic

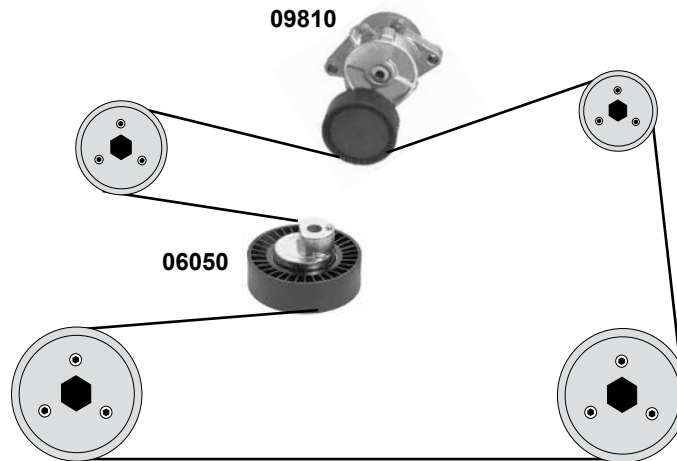


Umbausatz / mounting kit

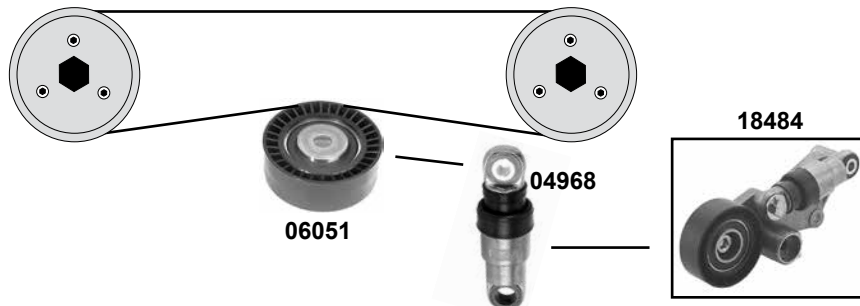


febi 32017

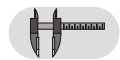
### Mechanisch / mechanical



## AC

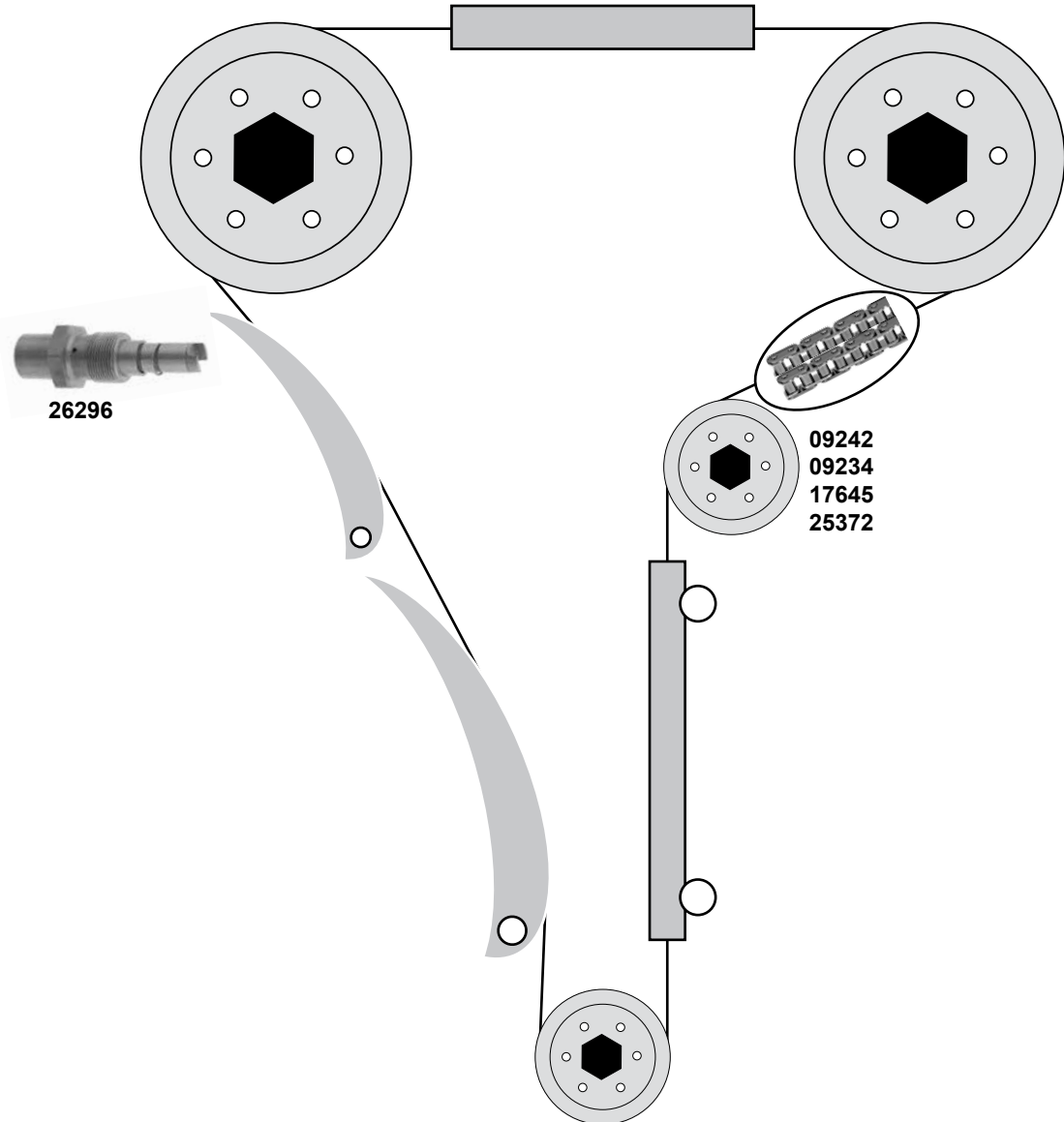


Ref. - No.



<b>04968</b>	11 28 1 717 210	Schwingungsdämpfer / vibration damper
<b>04987</b>	11 28 1 717 188	Schwingungsdämpfer / vibration damper
<b>06050</b>	11 28 7 841 228	Umlenkrolle / deflection pulley
<b>06051</b>	11 28 1 748 131	Spannrolle / tension roller
<b>09810</b>	11 28 1 427 252	Riemenspanner / belt tensioner
<b>18483</b>	11 28 7 838 797	Riemenspanner / belt tensioner
<b>18484</b>	11 28 1 717 210 S1	Riemenspanner / belt tensioner
<b>32017</b>	11 28 7 938 797 S1	Umbausatz für Riemenspanner / mounting kit for belt tensioner

80 x 24,5  
70 x 24,5  
70 x 24,5



26296

09242  
09234  
17645  
25372



(1) Nietverschluß / riveted link / bouchon de rivet / rivetti

(3) normal / regular / normal / normale / normalizado

(2) Federverschluß / split link / fermeture de ressort / falsa maglia

(4) verstärkt / reinforced / renforcée / förstärkt / rinforzato



Ref. - No.



**09234**  
**09242**  
**17645**  
**25372**  
**26296**

11 31 1 403 081  
11 31 1 403 081 S1  
11 31 1 403 081 S2  
11 31 1 403 081  
11 31 1 405 081

Steuerkette zweifach / timing chain double  
Steuerkette zweifach / timing chain double  
Steuerkette zweifach / timing chain double  
Steuerkette zweifach / timing chain double  
Kettenspanner / chain tensioner

(1)  
(2)  
(3)  
(4)

D 126 N  
D 126 F  
D 126 E  
D 126 E



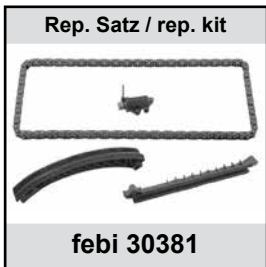
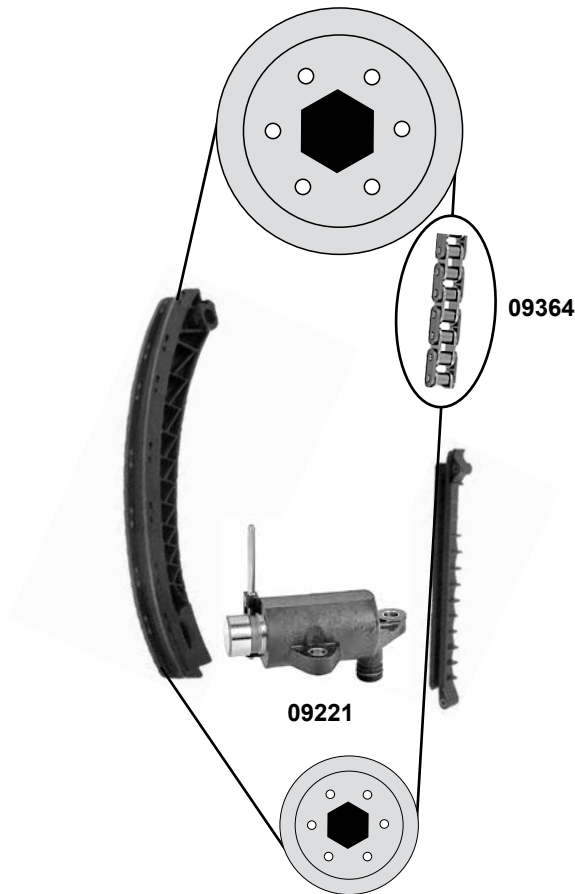
# BMW 3 'er (E46)

(98→01)

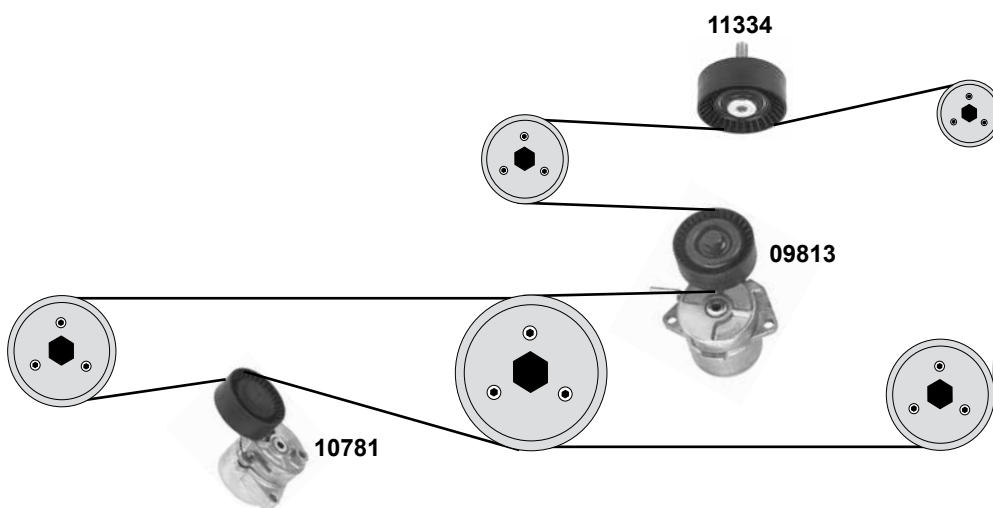
Car  
Division



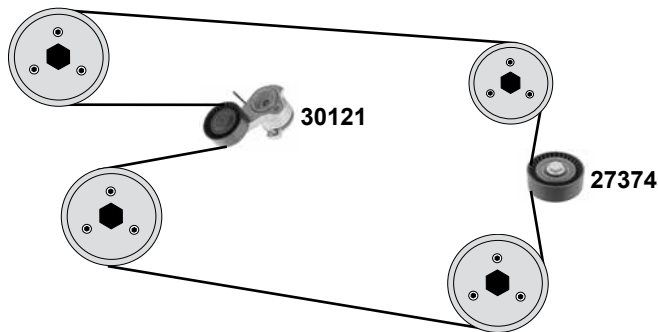
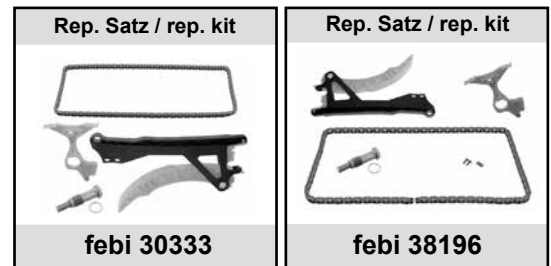
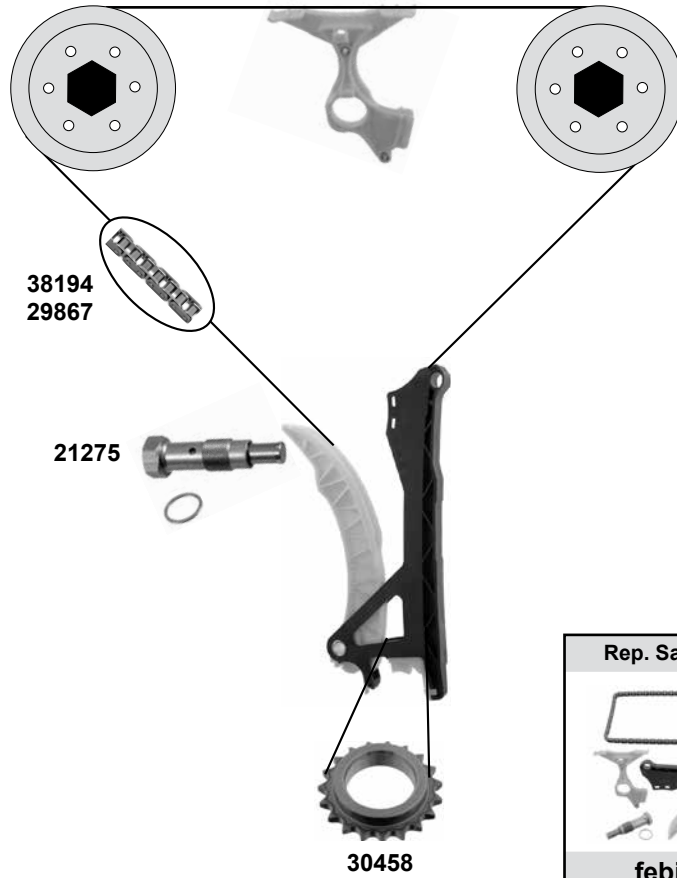
## 316 i / 318 i (M43)



(M43)



	Ref. - No.			
09221	11 31 1 247 952	Kettenspanner / chain tighener		
09364	11 31 1 734 392	Steuerkette / timing chain		
09813	11 28 1 432 104	Riemenspanner / belt tensioner		106 E
10781	11 28 1 433 571	Riemenspanner / belt tensioner		70 x 26
11334	11 28 1 435 594	Umlenkrolle / deflection pulley		70 / 78 x 26
30381	11 31 1 734 392 S1	Rep. Satz Steuerkette / rep. kit timing chain		70 x 26



(1) Rep. Satz Schraube für Steuerkette /  
rep. kit screw for timing chain  
**febi 33845**



	Ref. - No.			
<b>21275</b>	11 31 7 567 680	Kettenspanner / chain tensioner		
<b>27374</b>	11 28 1 440 378	Umlenkrolle / deflection pulley	AC	70x26
<b>29867</b>	11 31 1 439 853	Steuerkette / timing chain		138 E
<b>30121</b>	11 28 7 524 267	Riemenspanner / belt tensioner		AØ 70 B26
<b>30333</b>	11 31 1 439 853 S1	Rep.Satz Steuerkette / rep. kit timing chain		138 E
<b>30458</b>	11 31 7 502 180	Kurbelwellenrad / crankshaft gear		Z19
<b>33845</b>	11 23 7 503 107 S1	Rep. Satz Schraube / rep. kit screw	(1)	
<b>38194</b>	11 31 1 439 853 S3	Steuerkette / timing chain		138 N
<b>38196</b>	11 31 1 439 859 S5	Rep.Satz Steuerkette / rep. kit timing chain		138 N

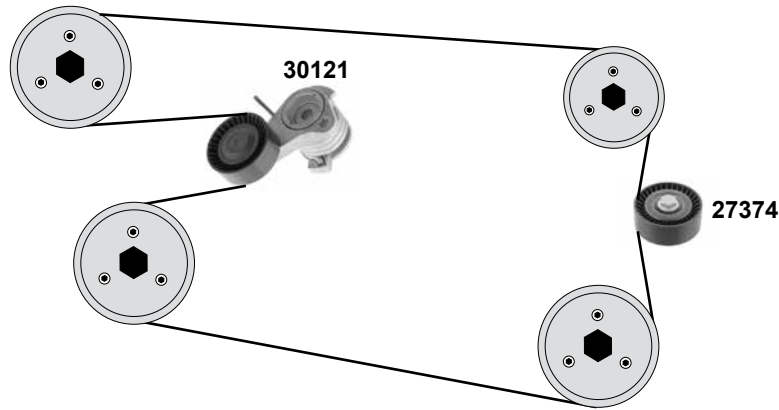
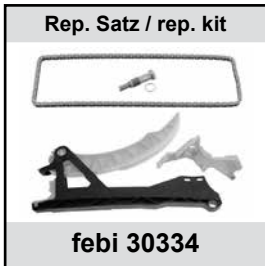
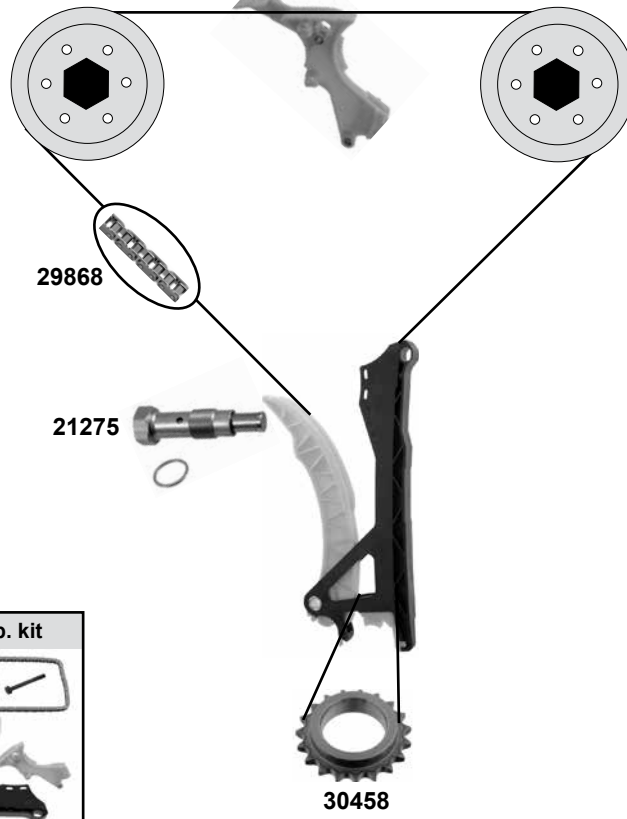
# BMW 3 'er (E46)

(01→07)

Car  
Division



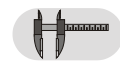
## 316 i / 318 i (N42/N46)



(1) Rep. Satz Schraube für Steuerkette /  
rep. kit screw for timing chain  
**febi 33845**



Ref. - No.



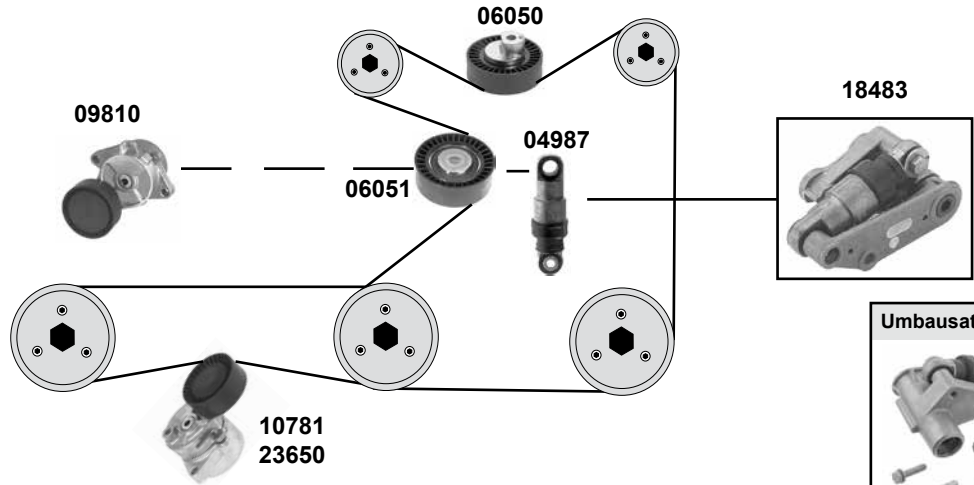
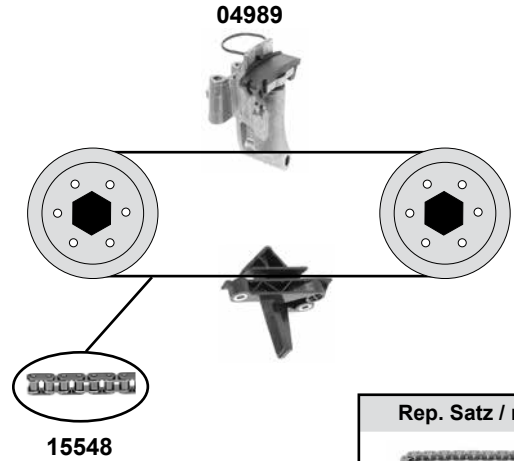
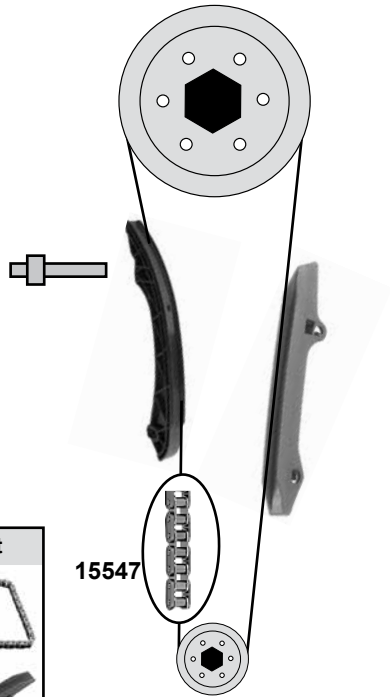
<b>21275</b>	11 31 7 567 680	Kettenspanner / chain tensioner
<b>27374</b>	11 28 1 440 378	Umlenkrolle / deflection pulley
<b>29868</b>	11 31 1 439 854	Steuerkette / timing chain
<b>30121</b>	11 28 7 524 267	Riemenspanner / belt tensioner
<b>30334</b>	11 31 1 439 854 S1	Rep. Satz Steuerkette / rep. kit timing chain
<b>30458</b>	11 31 7 502 180	Kurbelwellenrad / crankshaft gear
<b>33845</b>	11 23 7 503 107 S1	Rep. Satz Schraube / rep. kit screw
<b>33846</b>	13 52 2 248 729 S1	Rep. Satz Steuerkette / rep. kit timing chain

AC

70x26  
138 E  
70x26  
138 E  
Z19

(1)  
**febi 30334 mit/with (1)**

**320 i → 330 xi**  
(M52/M54)



	Ref. - No.			
<b>04987</b>	11 28 1 717 188	Riemenspanner / belt tensioner		
<b>04989</b>	11 31 1 738 700	Kettenspanner / chain tensioner		
<b>06050</b>	11 28 7 841 228	Umlenkrolle / deflection pulley		80 x 24,5
<b>06051</b>	11 28 1 748 131	Spannrolle / tension roller		70 x 24,5
<b>09810</b>	11 28 1 427 252	Riemenspanner / belt tensioner	mechanisch	70 x 24,5
<b>10781</b>	11 28 1 433 571	Riemenspanner / belt tensioner	Modell: → 09/02	70 / 78 x 26
<b>15547</b>	11 31 1 432 176	Steuerkette / timing chain		104 E
<b>15548</b>	11 31 1 432 177	Steuerkette / timing chain		58 E
<b>18483</b>	11 28 7 838 797	Riemenspanner / belt tensioner	hydraulisch	
<b>23650</b>	11 28 7 512 758	Riemenspanner / belt tensioner	Modell: 09/02 →	70x24,5
<b>30331</b>	11 31 1 432 177 S1	Rep. Satz Steuerkette / rep. kit timing chain		58 E
<b>30410</b>	11 31 1 432 176 S2	Rep. Satz Steuerkette / rep. kit timing chain		104 E
<b>32017</b>	11 28 7 938 797 S1	Umbausatz für Riemenspanner/ mounting kit for belt tensioner		

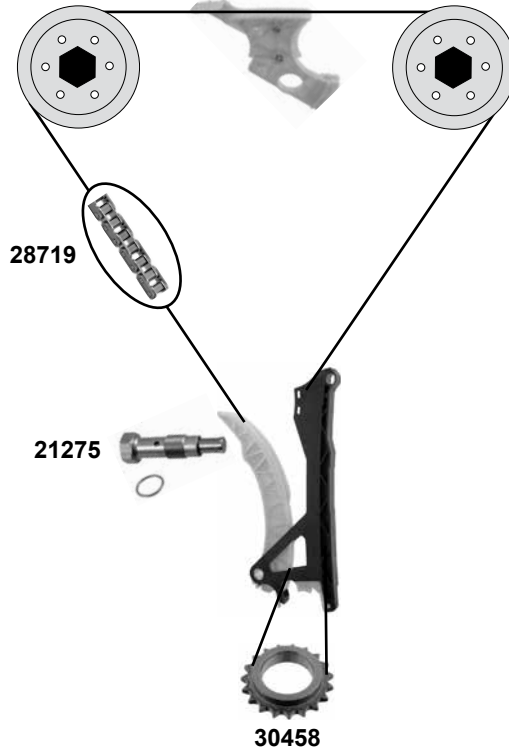
# BMW 3'er (E90/LCI / E91/LCI / E92/LCI / E93/LCI)

(05→12)

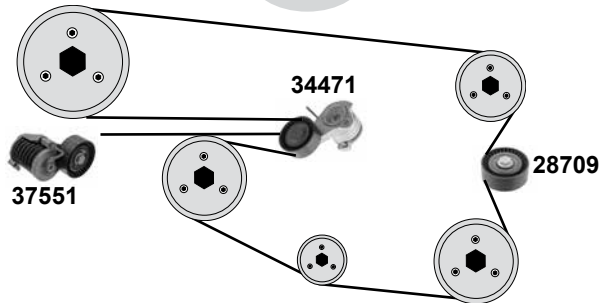
Car  
Division



## 316i / 318i / 320i/Si (N43)



### AC



(1) Rep. Satz Schraube für Steuerkette /  
rep. kit screw for timing chain

febi 33845



(2) (ex.) active

(3) E90/LCI 316i, 318i, 320i/xi / E91/LCI 318i, 320i/xi / E92 316i, 320i / E93 320i

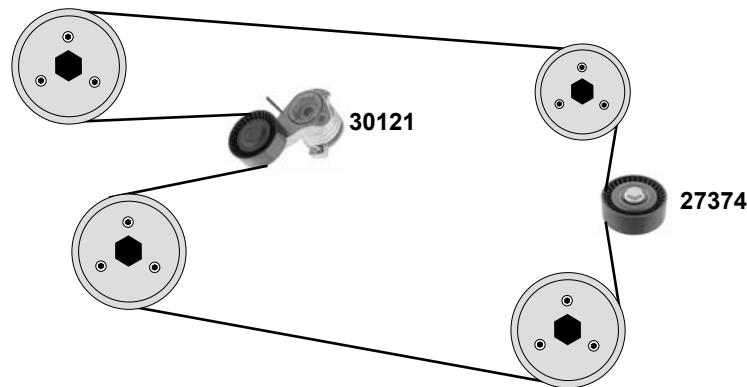
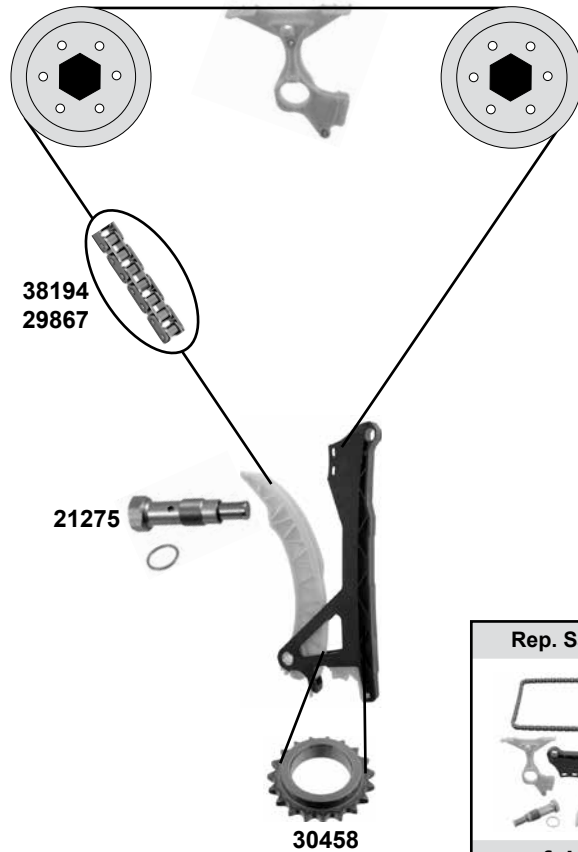
(4) E90/LCI / E91/LCI / E92/LCI / E93: 120i / Nur Fahrzeuge mit Aktivlenkung und LHD / only vehicles with active steering and LHD



Ref. - No.



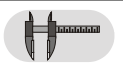
Ref. - No.	Description	Quantity	Dimensions
21275	Kettenspanner / chain tensioner		
28709	Umlenkrolle / deflection pulley		80x28
28719	Steuerkette / timing chain		144 E
30335	Rep. Satz Steuerkette / rep. kit timing chain		144 E
30458	Kurbelwellenrad / crankshaft gear	(3)	Z19
33845	Rep. Satz Schraube / rep. kit screw	(1)	
34471	Riemenspanner / belt tensioner	(2)	70x28
37551	Riemenspanner / belt tensioner	(4)	ØA 70 B 28



(1) Rep. Satz Schraube für Steuerkette /  
rep. kit screw for timing chain  
**febi 33845**



Ref. - No.



<b>21275</b>	11 31 7 567 680	Kettenspanner / chain tensioner	
<b>27374</b>	11 28 1 440 378	Umlenkrolle / deflection pulley	70x26
<b>29867</b>	11 31 1 439 853	Steuerkette / timing chain	138 E
<b>30121</b>	11 28 7 524 267	Riemenspanner / belt tensioner	70x26
<b>30333</b>	11 31 1 439 853 S1	Rep. Satz Steuerkette / rep. kit timing chain	138 E
<b>30458</b>	11 31 7 502 180	Kurbelwellenrad / crankshaft gear	Z 19
<b>33845</b>	11 23 7 503 107 S1	Rep. Satz Schraube / rep. kit screw	(1)
<b>38194</b>	11 31 1 439 853 S3	Steuerkette / timing chain	138 N
<b>38196</b>	11 31 1 439 859 S5	Rep.Satz Steuerkette / rep. kit timing chain	138 N

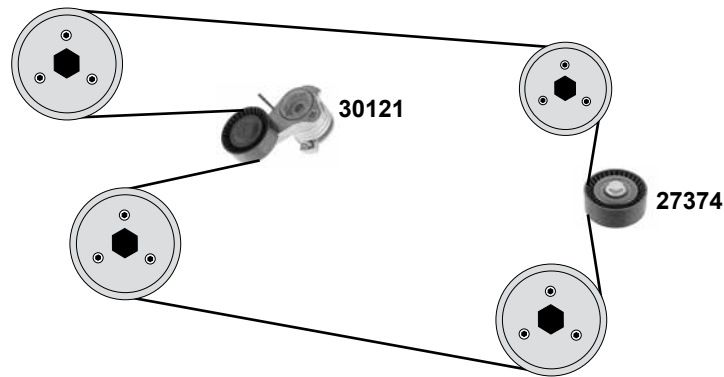
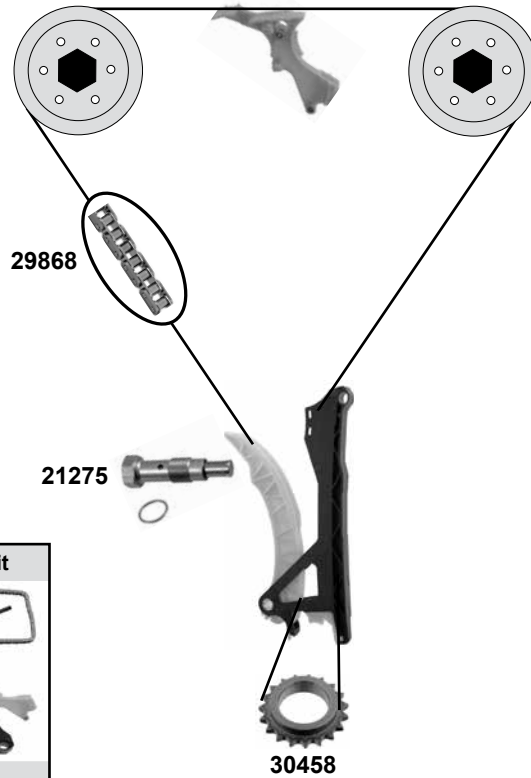
# BMW 3'er (E90/LCI / E91/LCI / E92/LCI / E93/LCI)

(05→12)

Car  
Division 



## 318i / 320i (N46/N)







(1) Rep. Satz Schraube für Steuerkette /  
rep. kit screw for timing chain  
**febi 33845**

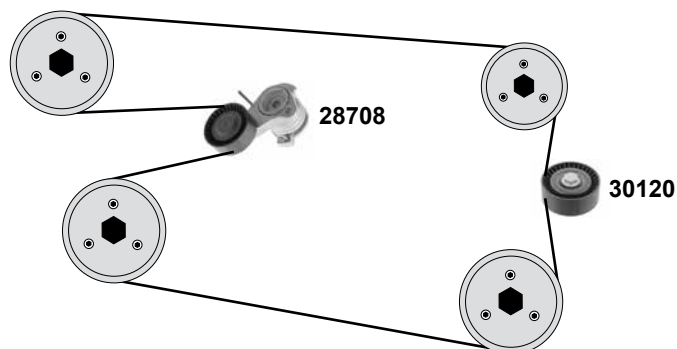
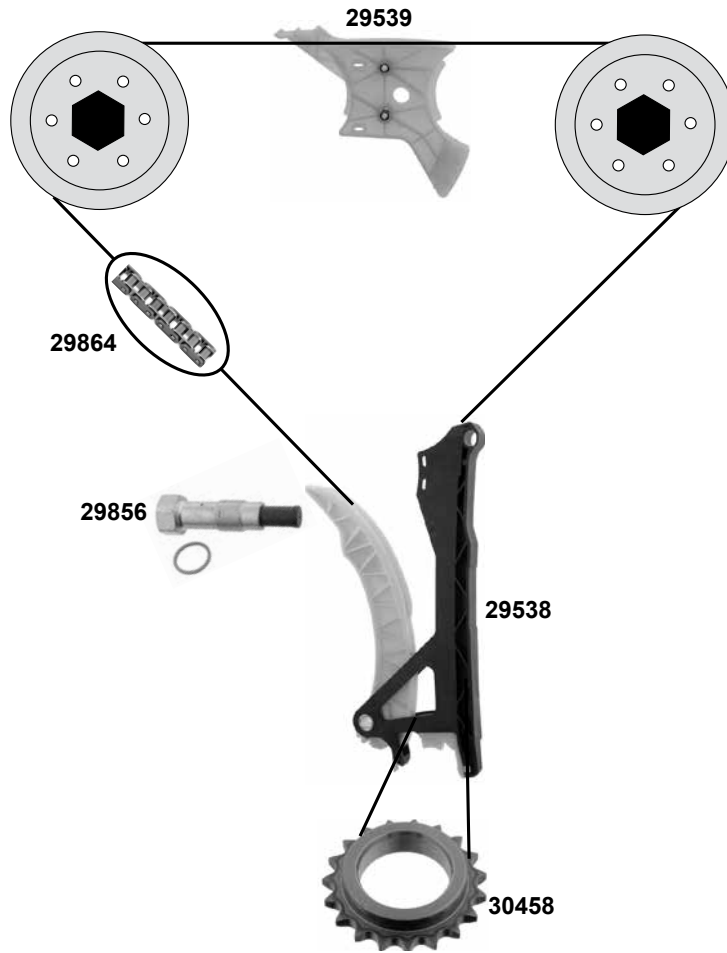


(2) **febi 30334** mit/with (1)

(3) E90/LCI,E91/LCI,E92,E93

	Ref. - No.			
<b>21275</b>	11 31 7 567 680	Kettenspanner / chain tensioner		
<b>27374</b>	11 28 1 440 378	Umlenkrolle / deflection pulley	<b>AC</b>	70x26
<b>29868</b>	11 31 1 439 854	Steuerkette / timing chain		142 E
<b>30121</b>	11 28 7 524 267	Riemenspanner / belt tensioner		70x26
<b>30334</b>	11 31 1 439 854 S1	Rep. Satz Steuerkette / rep. kit timing chain		142 E
<b>30458</b>	11 31 7 502 180	Kurbelwellenrad / crankshaft gear	<b>(3)</b>	Z19
<b>33845</b>	11 23 7 503 107 S1	Rep. Satz Schraube / rep. kit screw	<b>(1)</b>	
<b>33846</b>	11 23 7 503 107 S1	Rep. Satz Steuerkette / rep. kit timing chain	<b>(2)</b>	142 E

**323i, 325i/xi, 328i/xi, 330i/xi**  
(N51/N52/N52N)



Ref. - No.



**29538**

11 31 7 585 020

Gleitschiene / sliding rail

**29539**

11 31 7 592 850

Gleitschiene / sliding railL

**29856**

11 31 7 584 723

Kettenspanner / chain tensioner

**29864**

11 31 7 584 084

Steuerkette / timing chain

**30338**

11 31 7 584 084 S1

Rep. Satz Steuerkette / rep. kit timing chain

**30458**

11 31 7 502 180

Kurbelwellenrad / crankshaft gear

148 E

148 E

Z19



**BMW**

**3'er (E90/LCI / E91/LCI / E92/LCI / E93/LCI)**

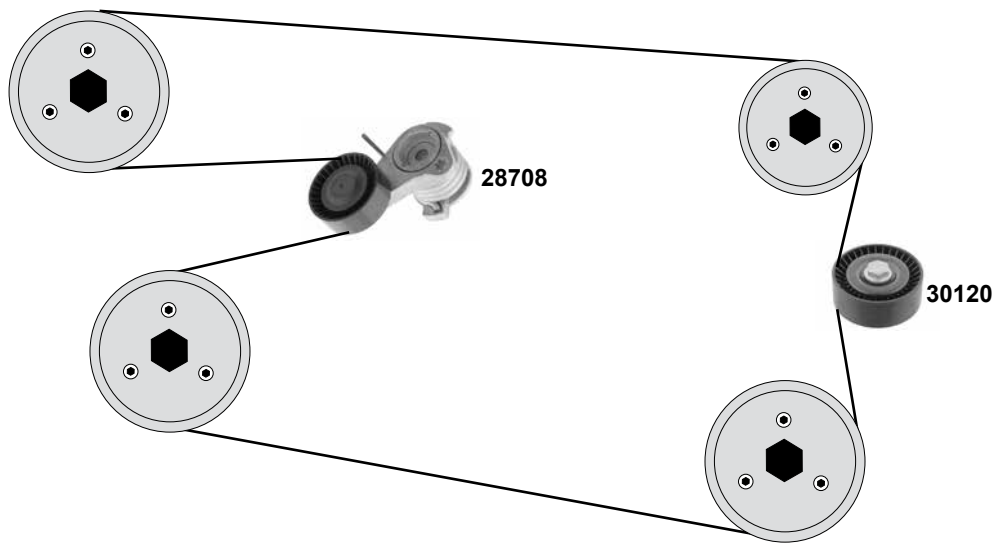
(06→12)

**Car  
Division**



**323i, 325i/xi, 328i/xi, 330i/xi**

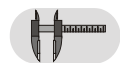
(N51/N52/N52N)



**(1)** E 90/LCI 323i,325xi,328i,330i/xi **(mot.)** N51,N52N,N53 / E90/LCI 325i **(mot.)** N53 Fahrzeuge mit Aktivlenkung/ vehicles with active steering / E91/LCI 323i,325xi,328i/xi,330xi **(mot.)** N52/N,N53 / E91/LCI 325i,330i **(mot.)** N53 Fahrzeuge mit Aktivlenkung/ vehicles with active steering / E92/LCI 323i,325xi,328i/xi,330xi **(mot.)** N52N,N53 / E92/LCI 325i,330i **(mot.)** N53 Fahrzeuge mit Aktivlenkung/ vehicles with active steering / E93/LCI 323i,325i,328i,330i **(mot.)** N52N,N53 / E93/LCI 325i,330i **(mot.)** N53 Fahrzeuge mit Aktivlenkung/ vehicles with active steering



**Ref. - No.**

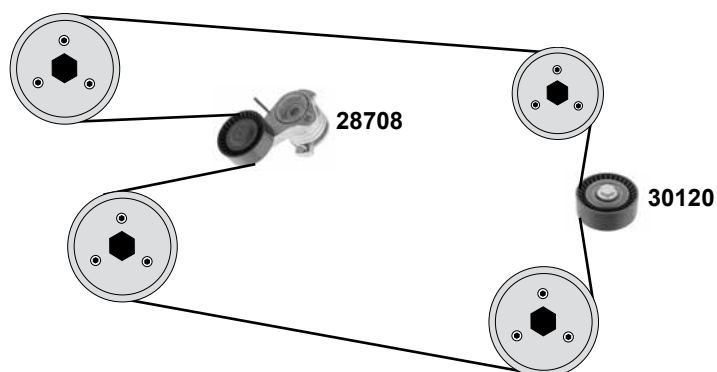
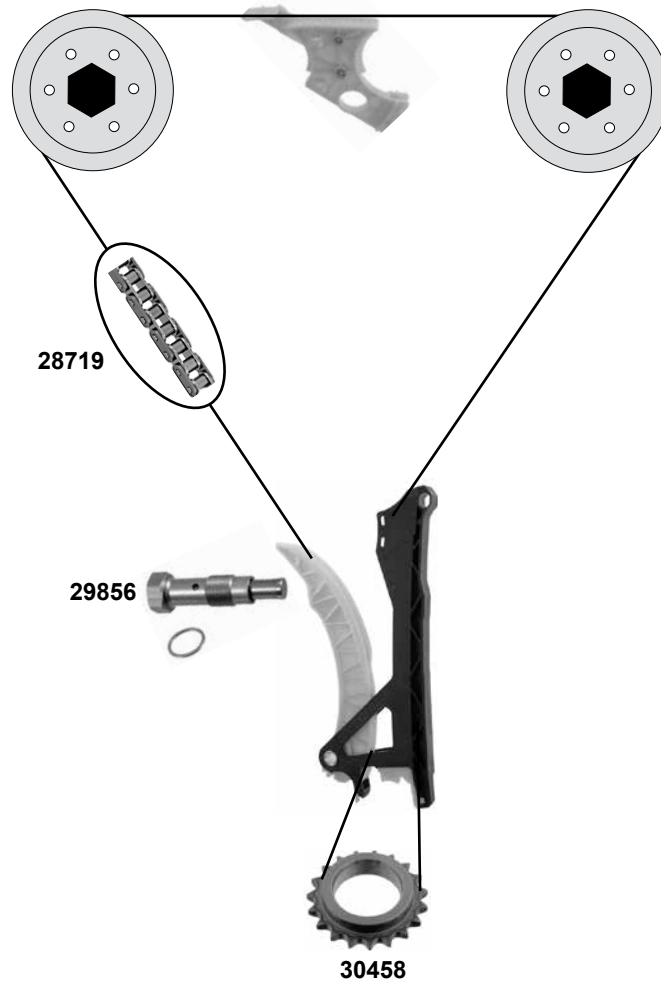


**28708** 11 28 7 530 314  
**30120** 11 28 7 535 860

Riemenspanner / belt tensioner  
Umlenkrolle / deflection pulley

(N52/N52N)  
**(1)**

ØA 70  
80x26



(1) active / (ex.) 4x4



Ref. - No.



<b>28708</b>	11 28 7 530 314	Riemenspanner / belt tensioner		70x26
<b>28719</b>	11 31 7 516 088	Steuerkette / timing chain		144 E
<b>29856</b>	11 31 7 584 723	Kettenspanner / chain tensioner		
<b>30120</b>	11 28 7 535 860	Umlenkrolle / deflection pulley	(1)	80x26
<b>30337</b>	11 31 7 516 088 S2	Rep. Satz Steuerkette / rep. kit timing chain		144 E
<b>30458</b>	11 31 7 502 180	Kurbelwellenrad / crankshaft gear		Z19

# BMW 3'er (E90/LCI / E91/LCI / E92/LCI / E93/LCI)

(06→12)

Car  
Division



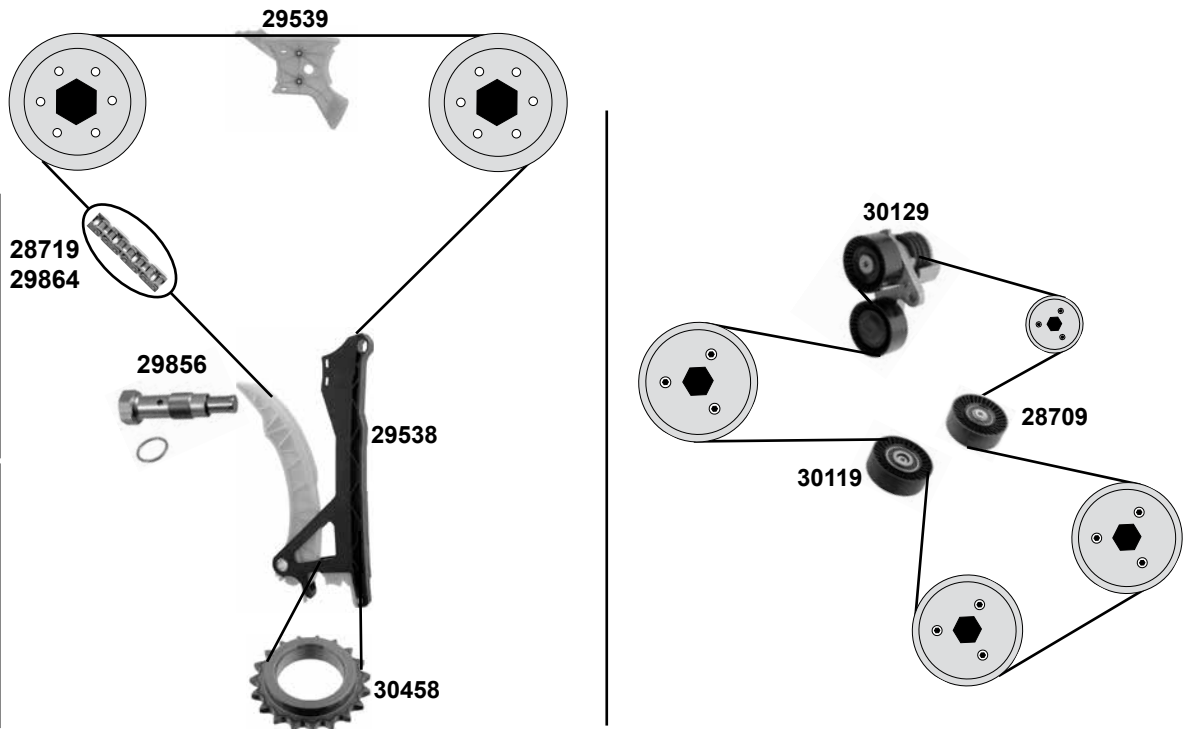
## 335 i/xi (N54/N55)

Rep. Satz / rep. kit

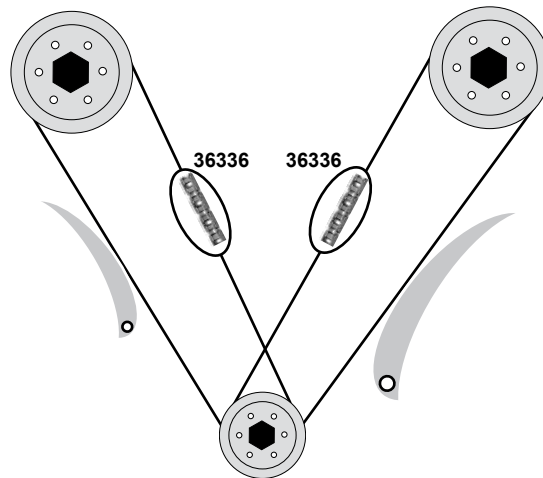
**febi 30337**

Rep. Satz / rep. kit

**febi 30338**



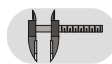
## M3 (S65)



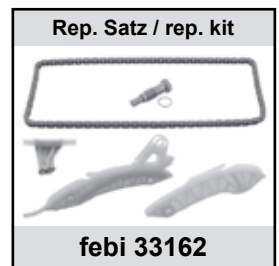
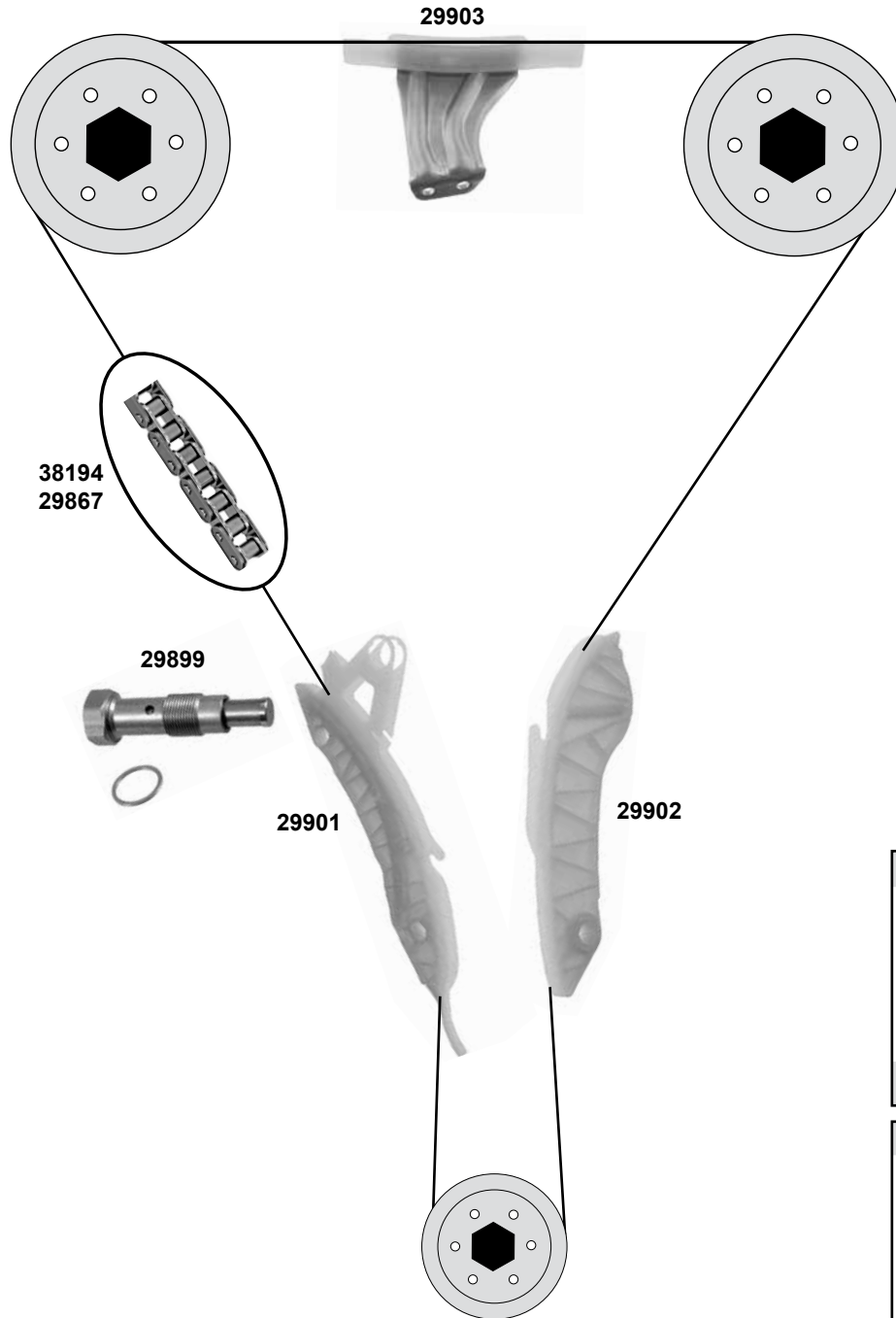
- (1) (mot.) N54 AC servo
- (2) E90LCI/91LCI/92LCI 335 i/xi / E93 335i
- (3) E90LCI/91LCI/92LCI 335 i/xi / E93 335i / E92 LCI, E93 LCI 335i →09/10



Ref. - No.



Ref. - No.	Description	Quantity	Notes	Dimensions
28709	Umlenkrolle / deflection pulley	(1)		80x28
28719	Steuerkette / timing chain	(mot.) N54		144E
29538	Gleitschiene / sliding rail	(2) (mot.) N55		148 E
29539	Gleitschiene / sliding rail	(2) (mot.) N55		148 E
29856	Kettenspanner / chain tensioner	(2)		
29864	Steuerkette / timing chain	(3) (mot.) N55		148E
30119	Umlenkrolle / deflection pulley	(1)		
30129	Riemenspanner / belt tensioner	(1)		
30337	Rep. Satz Steuerkette / rep. kit timing chain	(mot.) N54		144E
30338	Rep. Satz Steuerkette / rep. kit timing chain	(2) (mot.) N55		148 E
30458	Kurbelwellenrad / crankshaft gear	E92/93 (mot.) N55		Z19
36336	Steuerkette / timing chain			106 E



	Ref. - No.			
<b>29867</b>	11 31 1 439 853	Steuerkette einfach / timing chain simplex		138 E
<b>29899</b>	11 31 4 609 483	Kettenspanner / chain tensioner		
<b>29901</b>	11 31 7 577 301	Gleitschiene / sliding rail		
<b>29902</b>	11 31 7 533 879	Gleitschiene / sliding rail		
<b>29903</b>	11 31 7 577 631	Gleitschiene / sliding rail		
<b>33162</b>	11 31 1 439 853 S2	Rep. Satz Steuerkette / rep. kit timing chain		138 E
<b>38194</b>	11 31 1 439 853 S3	Steuerkette / timing chain		138 N
<b>38195</b>	11 31 1 439 853 S4	Rep. Satz Steuerkette / rep. kit timing chain		138 N

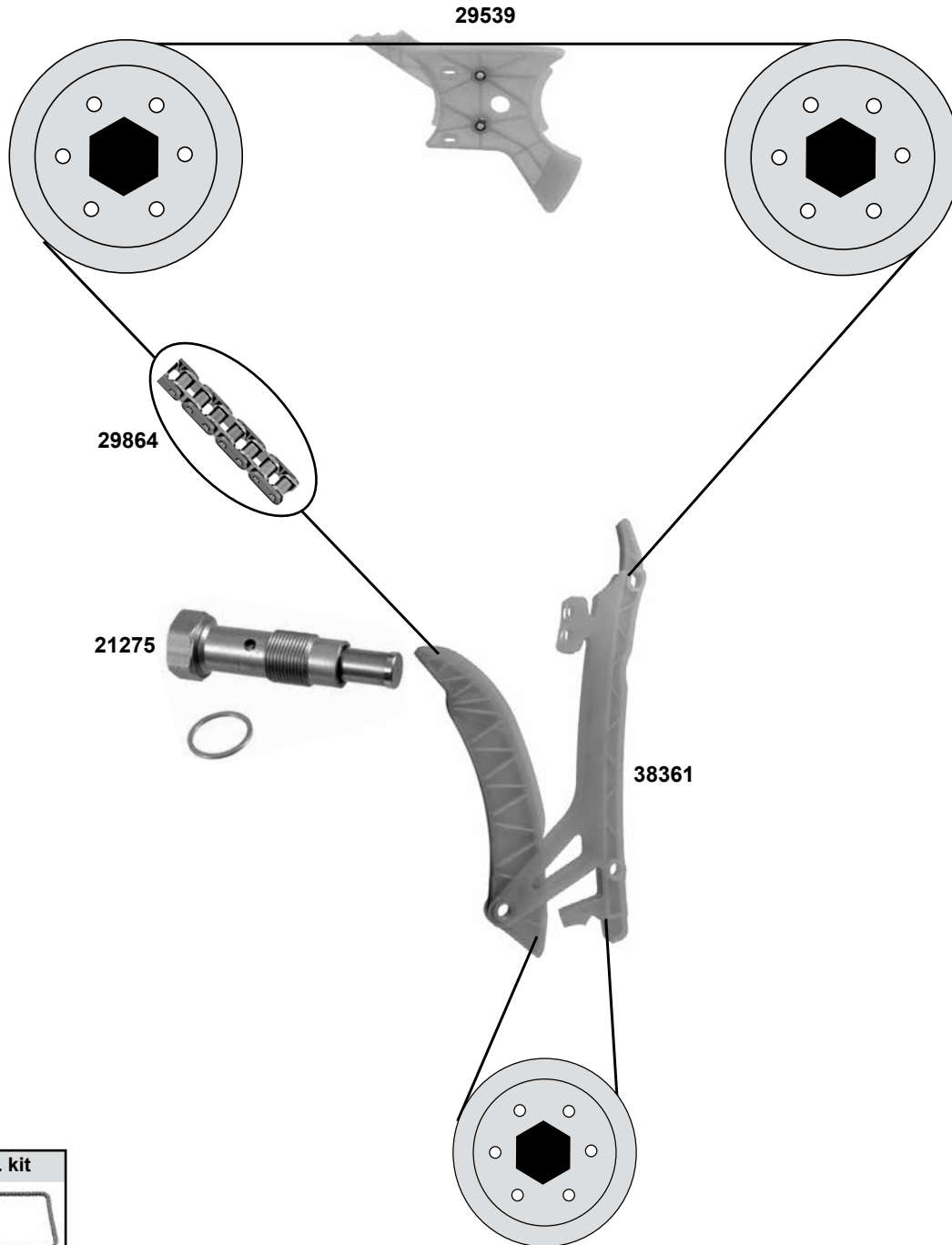
**BMW**  
**3 'er (F 30 / F31 / F34)**

(11→)

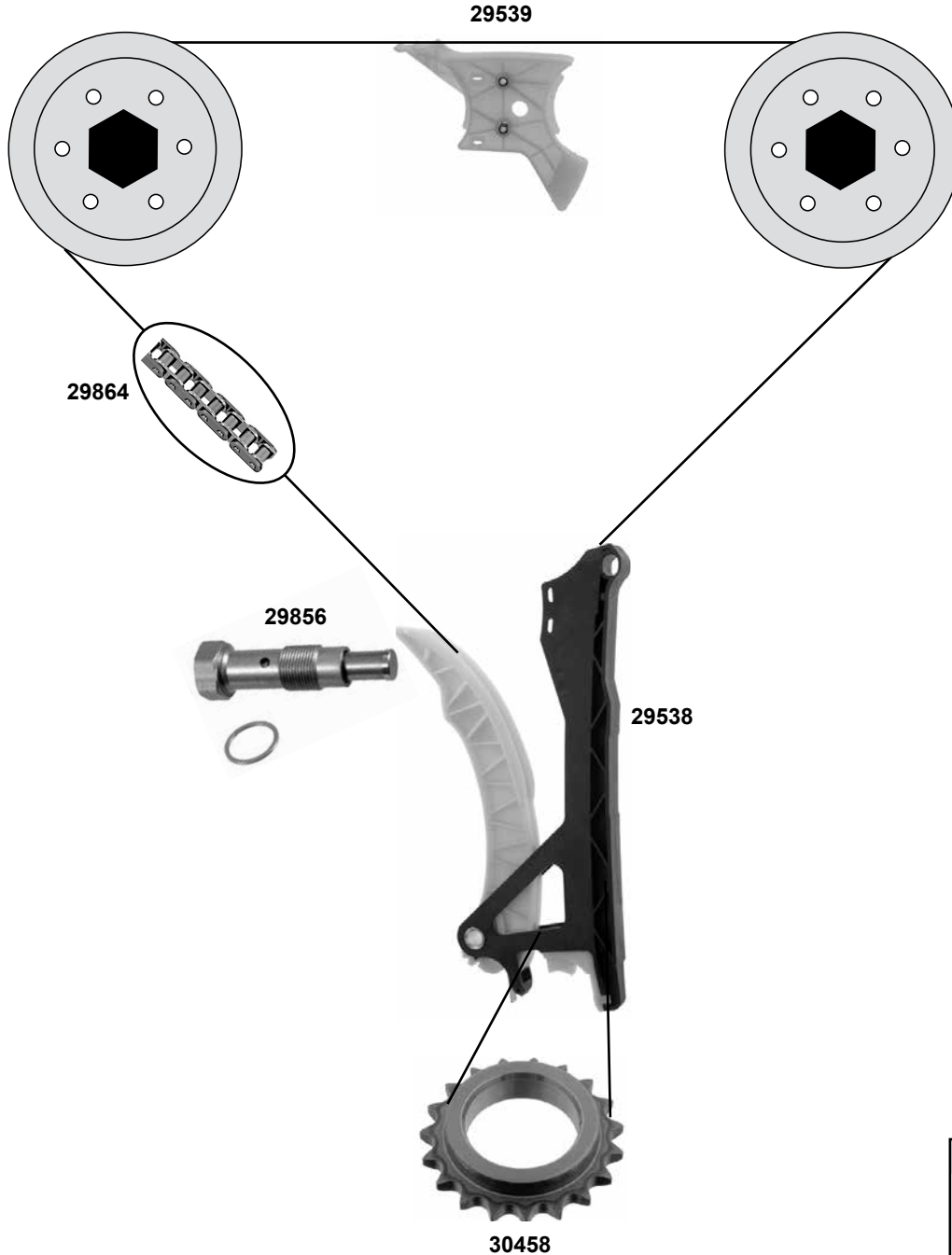
**Car  
Division**



**320 / 328 i/ix**  
N20 / N26



	<b>Ref. - No.</b>	Description	Information	Torque
<b>21275</b>	11 31 7 567 680	Kettenspanner / chain tensioner		M22x1,25
<b>29539</b>	11 31 7 592 850	Gleitschiene / sliding rail		
<b>29864</b>	11 31 7 584 084	Steuerkette einfach / roller chain simplex		148 E
<b>38361</b>	11 31 7 592 877	Gleitschiene / sliding rail		
<b>38362</b>	11 31 7 584 084 S2	Rep. Satz Steuerkette / rep. kit timing chain		148 E



	Ref. - No.			
<b>29538</b>	11 31 7 585 020	Gleitschiene / sliding rail		
<b>29539</b>	11 31 7 592 850	Gleitschiene / sliding rail		
<b>29856</b>	11 31 7 584 723	Kettenspanner / chain tensioner		
<b>29864</b>	11 31 7 584 084	Steuerkette / timing chain		148E
<b>30338</b>	11 31 7 584 084 S1	Rep. Satz Steuerkette / rep. kit timing chain		148 E
<b>30458</b>	11 31 7 502 180	Kurbelwellenrad / crankshaft gear		

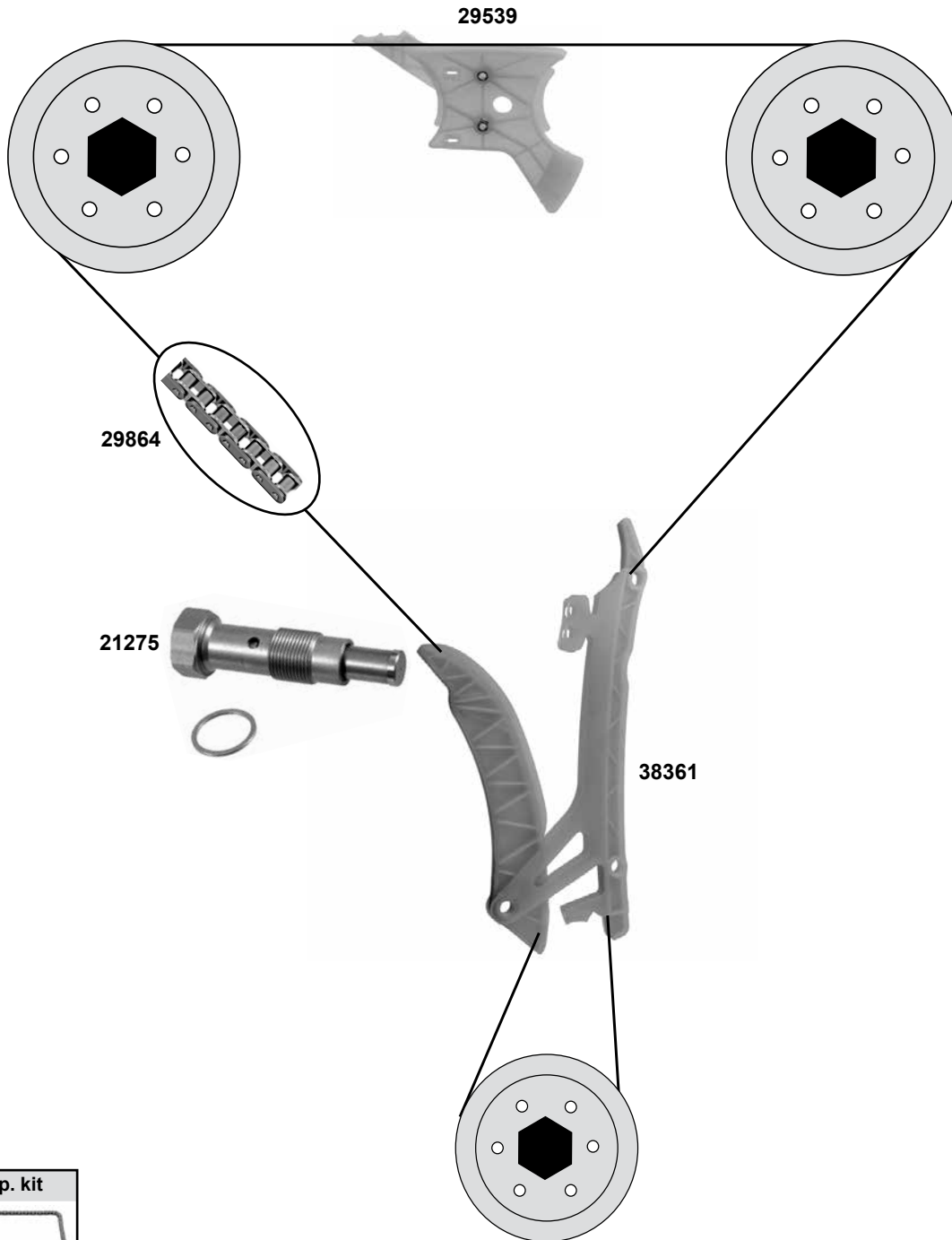
# BMW 4 'er (F 32 / F33 / F36)

(11→)

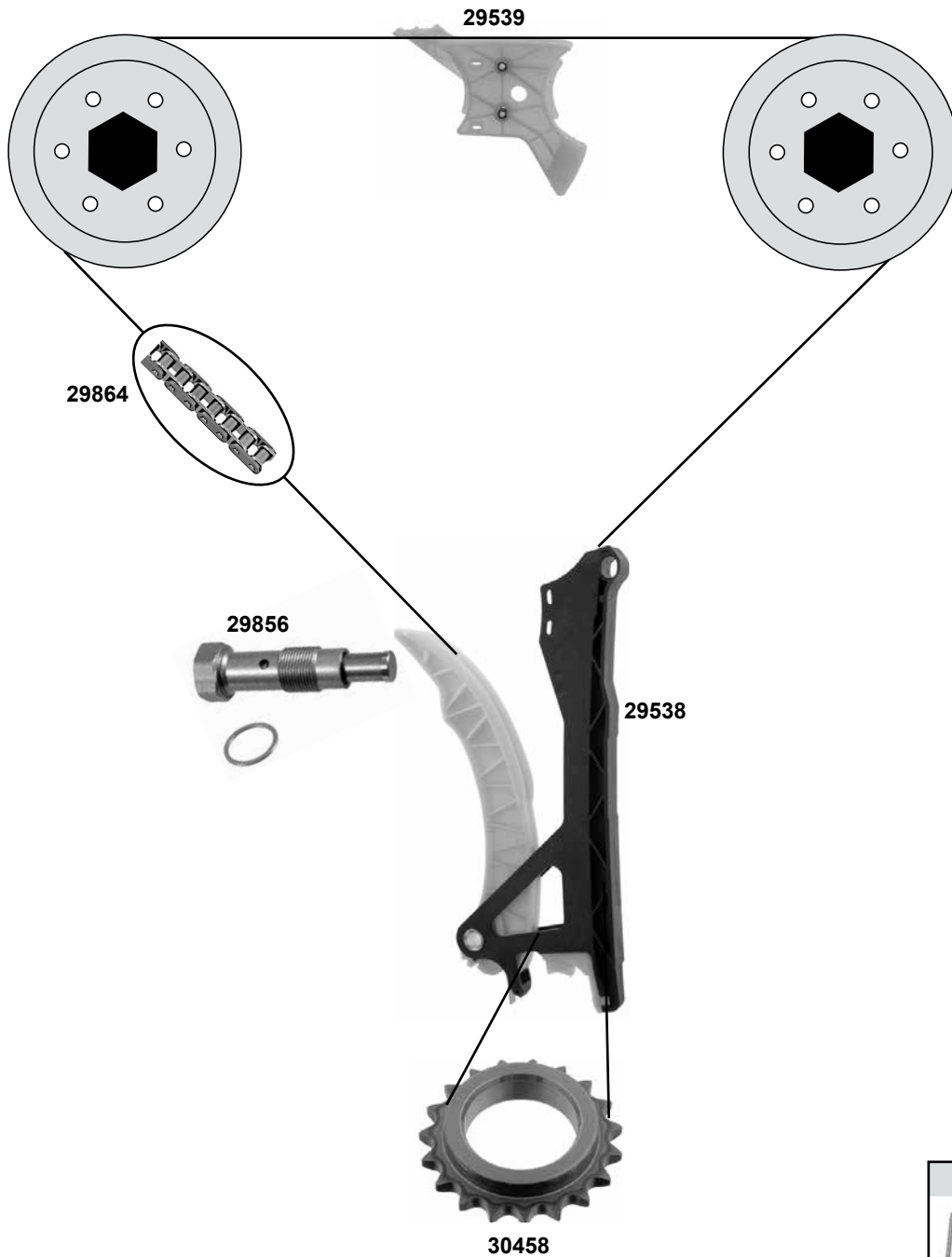
Car  
Division



## 420 / 428 i/ix N20 / N26



	Ref. - No.			
21275	11 31 7 567 680	Kettenspanner / chain tensioner		M22x1,25
29539	11 31 7 592 850	Gleitschiene / sliding rail		
29864	11 31 7 584 084	Steuerkette einfach / roller chain simplex		148 E
38361	11 31 7 592 877	Gleitschiene / sliding rail		
38362	11 31 7 584 084 S2	Rep. Satz Steuerkette / rep. kit timing chain		148 E



	Ref. - No.			
<b>29538</b>	11 31 7 585 020	Gleitschiene / sliding rail		
<b>29539</b>	11 31 7 592 850	Gleitschiene / sliding rail		
<b>29856</b>	11 31 7 584 723	Kettenspanner / chain tensioner		
<b>29864</b>	11 31 7 584 084	Steuerkette / timing chain		148E
<b>30338</b>	11 31 7 584 084 S1	Rep. Satz Steuerkette / rep. kit timing chain		148 E
<b>30458</b>	11 31 7 502 180	Kurbelwellenrad / crankshaft gear		



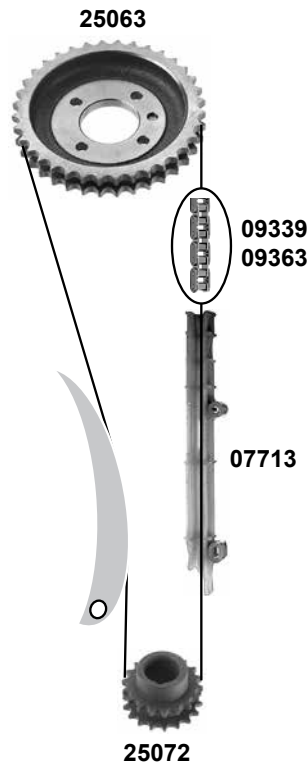
# BMW 5 'er (E12)

(72→81)

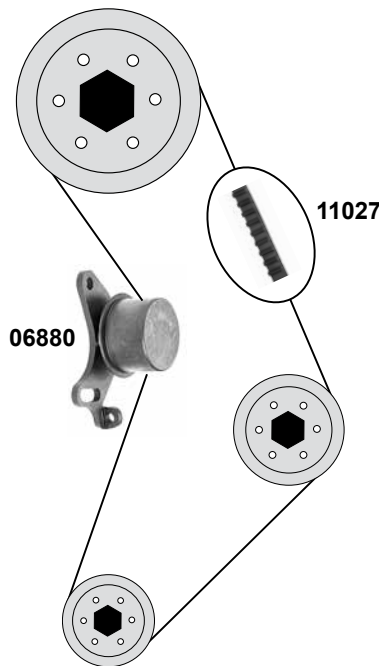
Car  
Division



**518 → 520**  
( M10 )



**520**  
(M20)

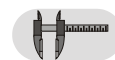


(1) Modell: → 11/78

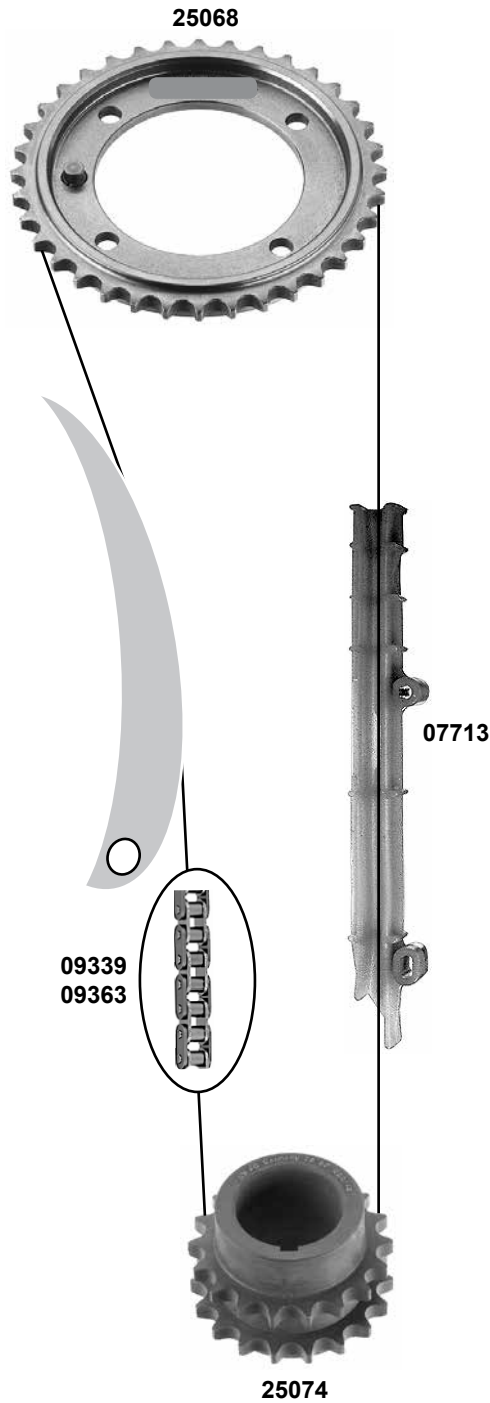
(2) Modell: 11/78 →



Ref. - No.



Ref. - No.	Description	Quantity	Notes
06880	Spannrolle / tension roller		Ø 49,5
07713	Gleitschiene / sliding rail		
09339	Steuerkette, einfach / timing chain, simple	(2)	94 E
09363	Steuerkette, zweifach / timing chain, double	(1)	D94 E
11027	Zahnriemen / timing belt		Z 127 B25,4
11028	Rep. Satz Zahnriemen / rep. kit timing belt		
25063	Nockenwellenrad / camshaft gear	(2)	Z 36
25072	Kurbelwellenrad / cranshaft gear	(2)	Z 18

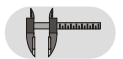


(1) Modell: → 11/78

(2) Modell: 11/78 →



Ref. - No.



Ref. - No.	Description	Quantity	Notes
<b>07713</b>	Gleitschiene / sliding rail		
<b>09339</b>	Steuerkette, einfach / timing chain, simple	(2)	94 E
<b>09363</b>	Steuerkette, zweifach / timing chain, double	(1)	D94 E
<b>25068</b>	Nockenwellenrad / crankshaft gear	(2)	Z 36
<b>25074</b>	Kurbelwellenrad / crankshaft gear	(2)	Z 18

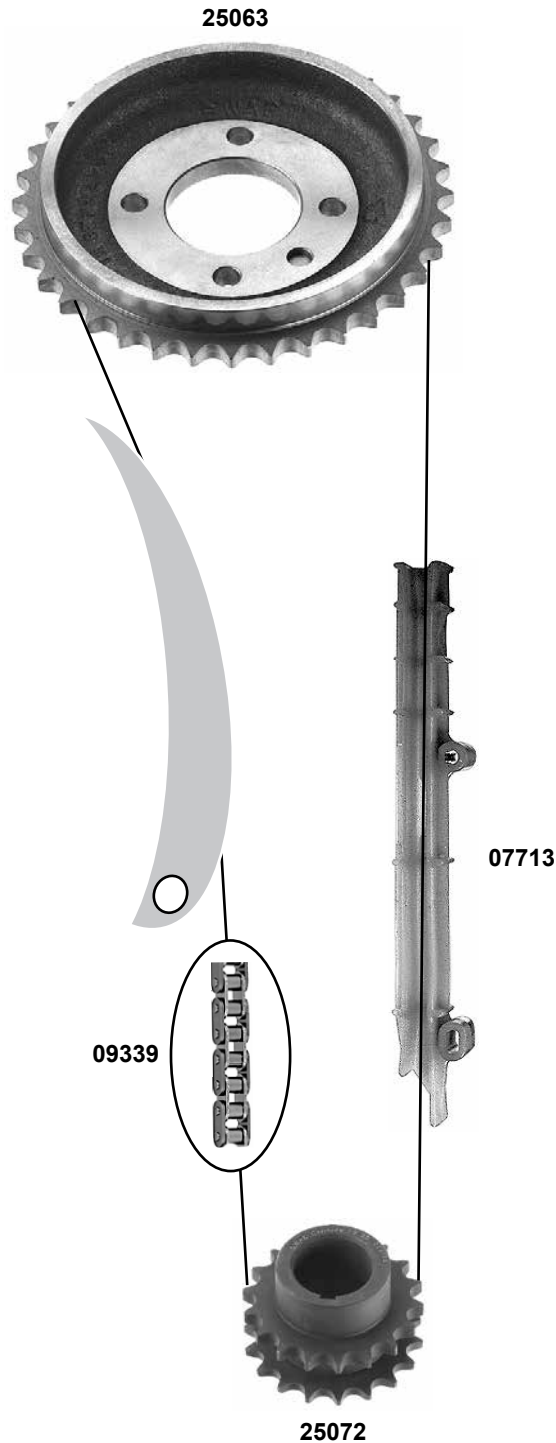
**BMW**  
**5 'er (E28)**

(80→90)

**Car  
Division**



**518 / 518 i**  
(M10)

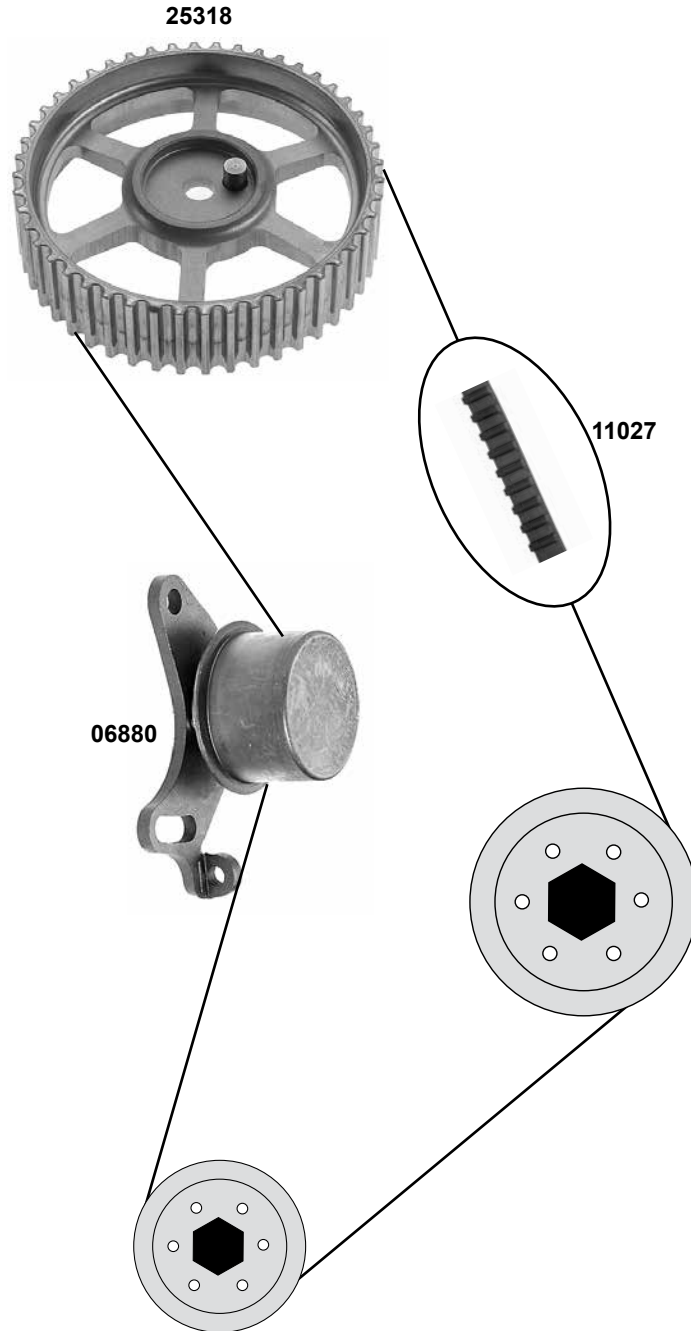


Ref. - No.

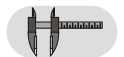


<b>07713</b>	11 31 1 253 236	Gleitschiene / sliding rail
<b>09339</b>	11 31 1 716 986	Steuerkette, einfach / timing chain, simple
<b>25063</b>	11 31 1 265 006	Nockenwellenrad / camshaft gear
<b>25072</b>	11 21 1 265 010	Kurbelwellenrad / crankshaft gear

94 E  
Z 36  
Z 18



Ref. - No.



<b>06880</b>	11 31 1 711 153	Spannrolle / tension roller
<b>11027</b>	11 31 1 713 361	Zahnriemen / timing belt
<b>11028</b>	11 31 1 713 361 S1	Rep. Satz Zahnriemen / rep. kit timing belt
<b>25318</b>	11 31 1 714 988	Nockenwellenrad / camshaft gear

ØA 49,5
Z 127 B25,4
Z 48

# BMW 5 'er (E28)

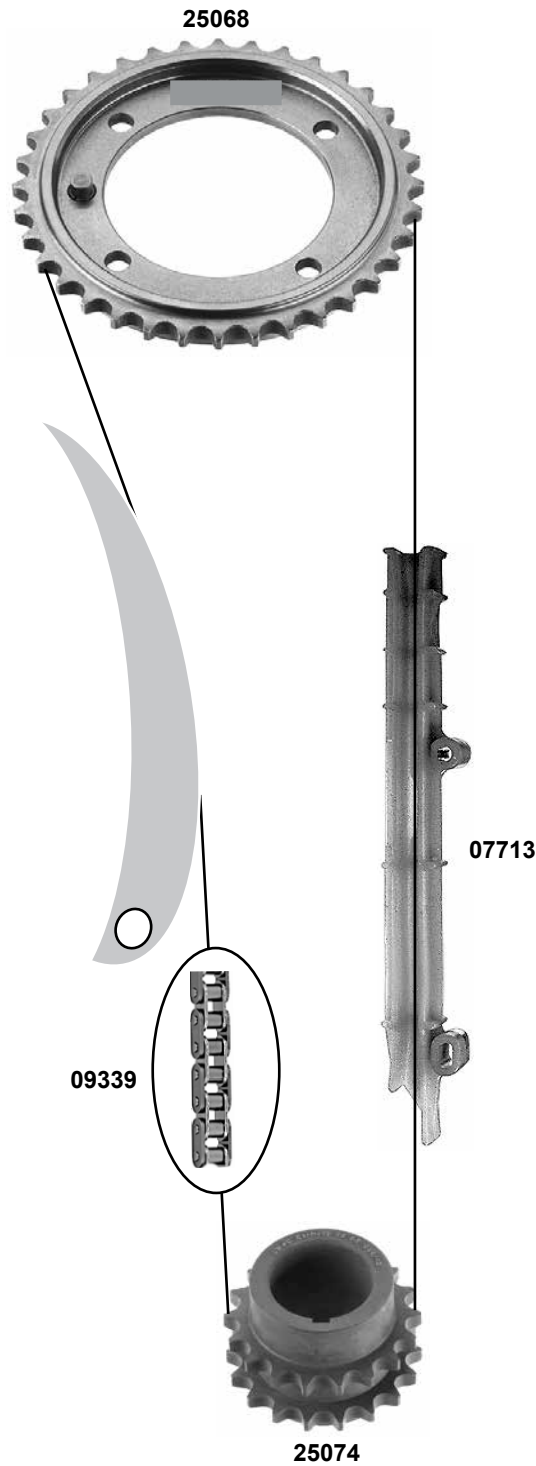
(80→90)

Car  
Division



## 525i → M 535i

(M30)

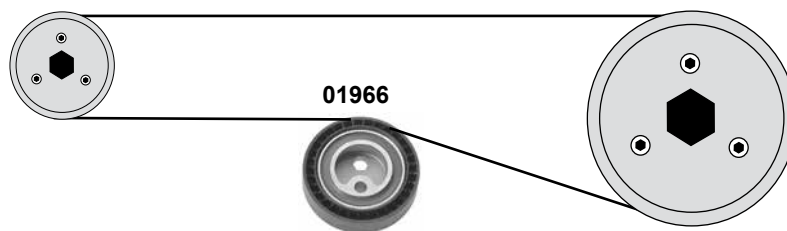
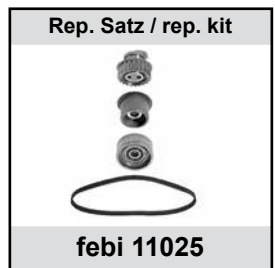
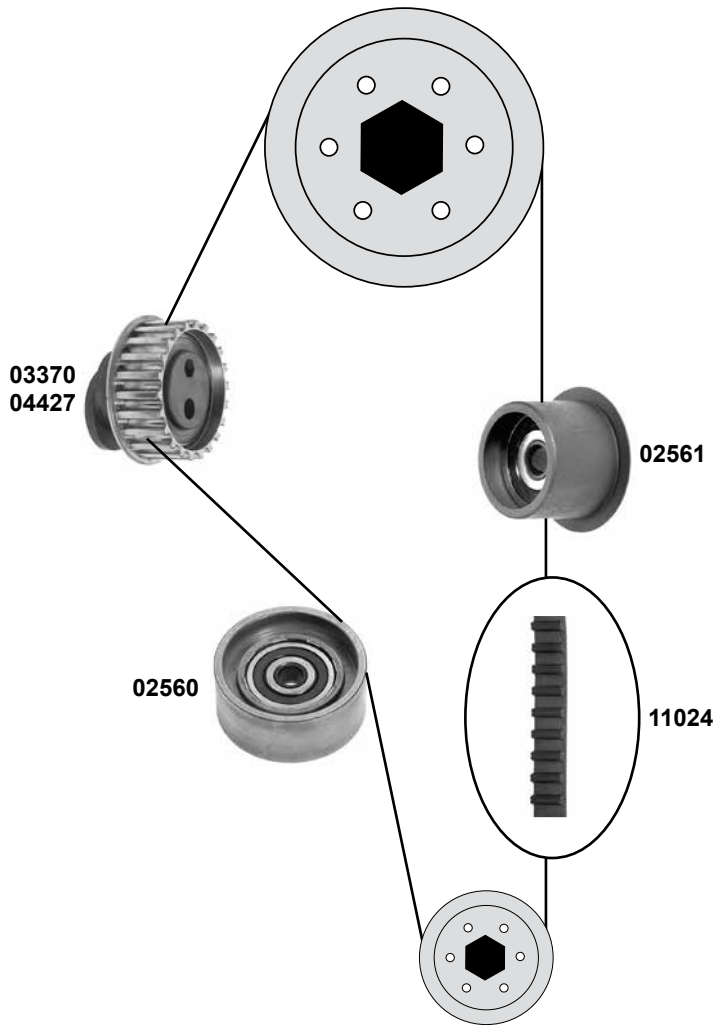


Ref. - No.



<b>07713</b>	11 31 1 253 236	Gleitschiene / sliding rail
<b>09339</b>	11 31 1 716 986	Steuerkette, einfach / timing chain, simple
<b>25068</b>	11 31 1 278 990	Nockenwellenrad / camshaft gear
<b>25074</b>	11 21 1 265 011	Kurbelwellenrad / crankshaft gear

94 E  
Z 36  
Z 18



	Ref. - No.			
<b>01966</b>	11 28 2 245 087	Spannrolle / tension roller		Ø 80
<b>02560</b>	11 31 1 721 264	Umlenkrolle / deflection pulley		50 x 21
<b>02561</b>	11 31 1 708 806	Umlenkrolle / deflection pulley		32/40 x 25
<b>03370</b>	11 31 1 721 245	Spannrolle / tension roller	Modell: → 09/91	65/33 x 23 x 55,4
<b>04427</b>	11 31 1 727 611	Spannrolle / tension roller	Modell: 09/91 →	65/33 x 23 x 47,7
<b>11024</b>	11 31 1 734 608	Zahnriemen / timing belt		Z 110 B21
<b>11025</b>	11 31 1 734 608 S1	Rep. Satz Zahnriemen / rep. kit timing belt	Modell: → 09/91	
<b>11026</b>	11 31 1 734 608 S2	Rep. Satz Zahnriemen / rep. kit timing belt	Model: 09/91 →	

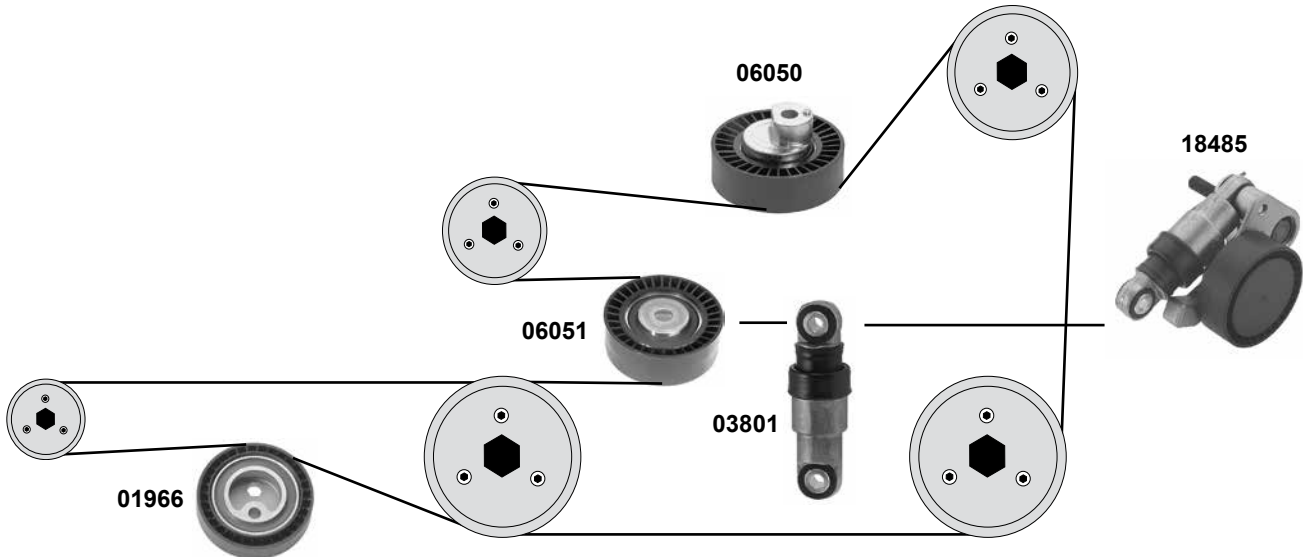
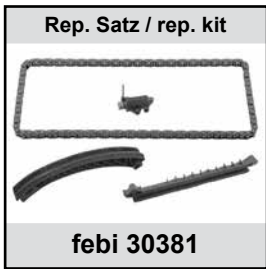
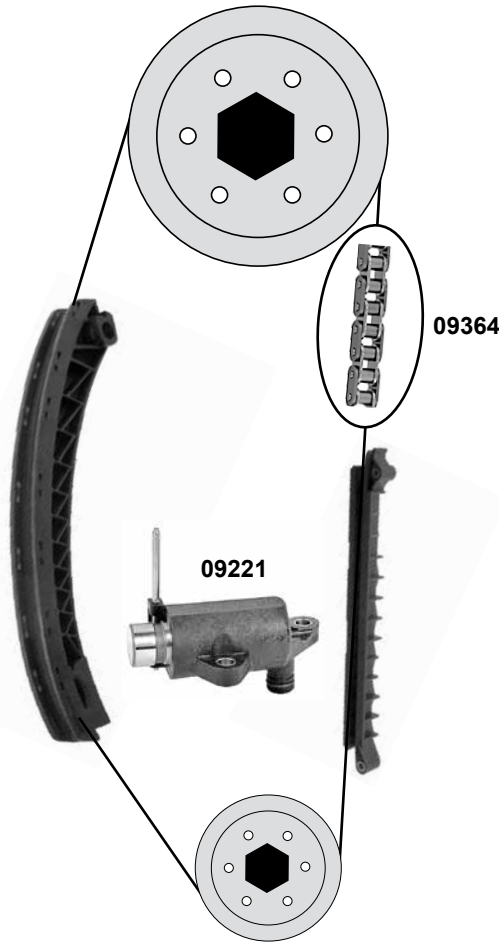
# BMW 5 'er (E34)

(94→95)

Car  
Division



## 518 i (M43)



Ref. - No.

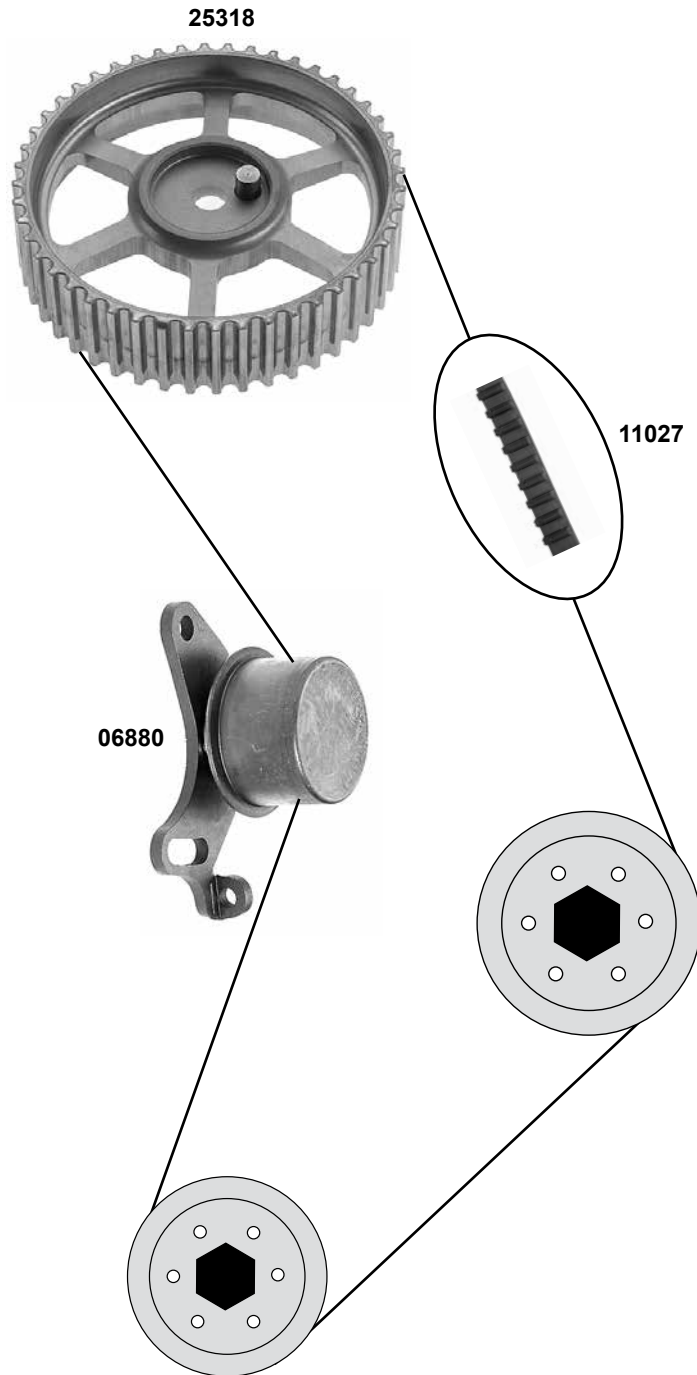


<b>01966</b>	11 28 2 245 087	Spannrolle / tension roller
<b>03801</b>	11 28 1 247 051	Schwingungsdämpfer / vibration damper
<b>06050</b>	11 28 7 841 228	Umlenkrolle / deflection pulley
<b>06051</b>	11 28 1 748 131	Spannrolle / tension roller
<b>09221</b>	11 31 1 247 952	Kettenspanner / chain tensioner
<b>09364</b>	11 31 1 734 392	Steuerkette, zweifach / timing chain, double
<b>18485</b>	11 28 1 247 051 S1	Riemenspanner / belt tensioner
<b>30381</b>	11 31 1 734 392 S1	Rep. Satz Steuerkette / rep. kit timing chain

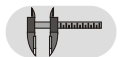
Ø 80

80 x 24,5  
70 x 24,5

106 E  
ØA 70 ØI 26  
106 E



Ref. - No.



<b>06880</b>	11 31 1 711 153	Spannrolle / tension roller
<b>11027</b>	11 31 1 713 361	Zahnriemen / timing belt
<b>11028</b>	11 31 1 713 361 S1	Rep. Satz Zahnriemen / rep. kit timing belt
<b>25318</b>	11 31 1 714 988	Nockenwellenrad / camshaft gear

ØA49,5
Z 127 B25,4
Z 48



# BMW 5 'er (E34)

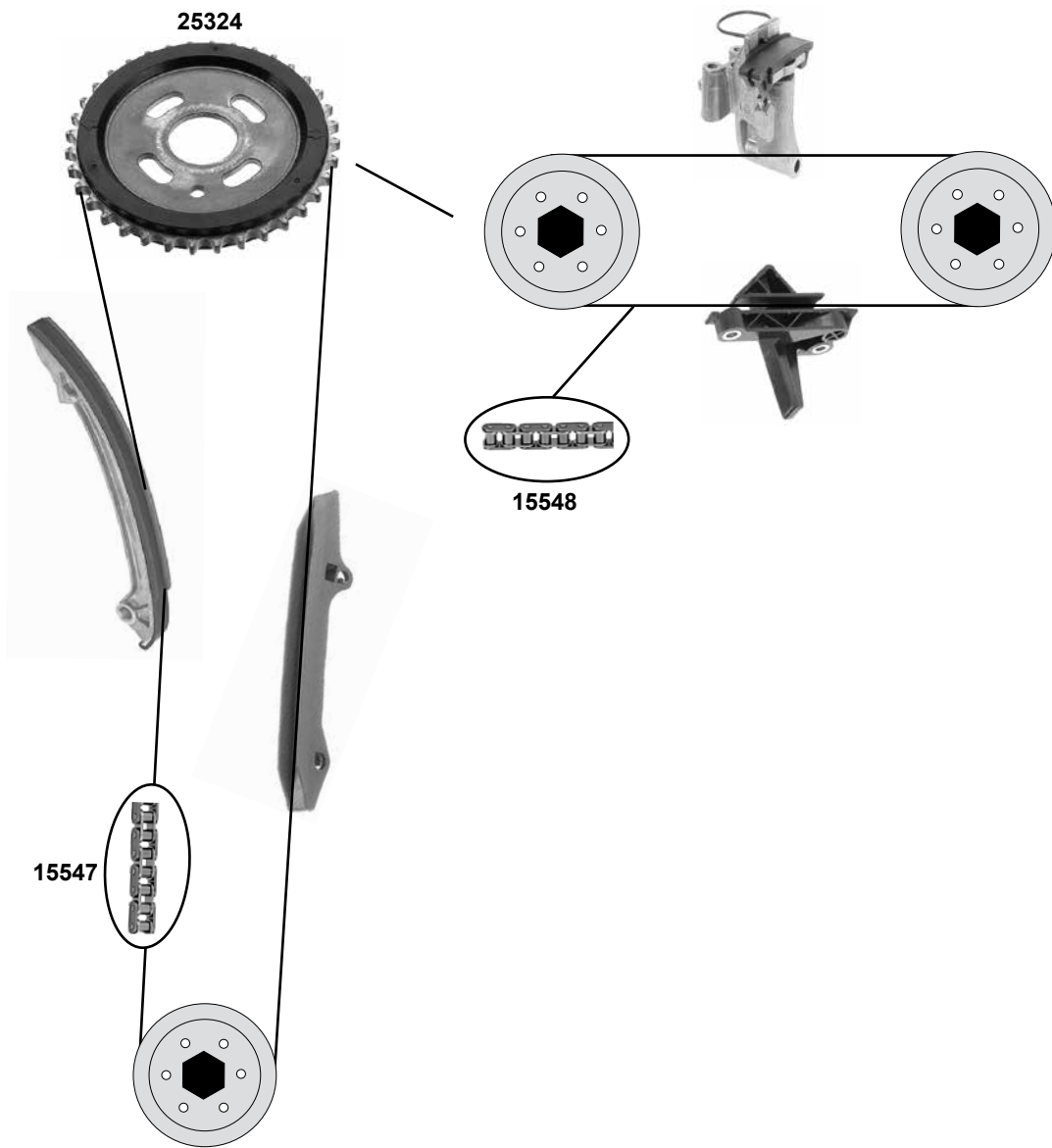
(88→97)

Car  
Division



## 520 i / 525 i/ix

(M50)



Rep. Satz / rep. kit

**febi 30331**

Rep. Satz / rep. kit

**febi 30409**

Rep. Satz / rep. kit

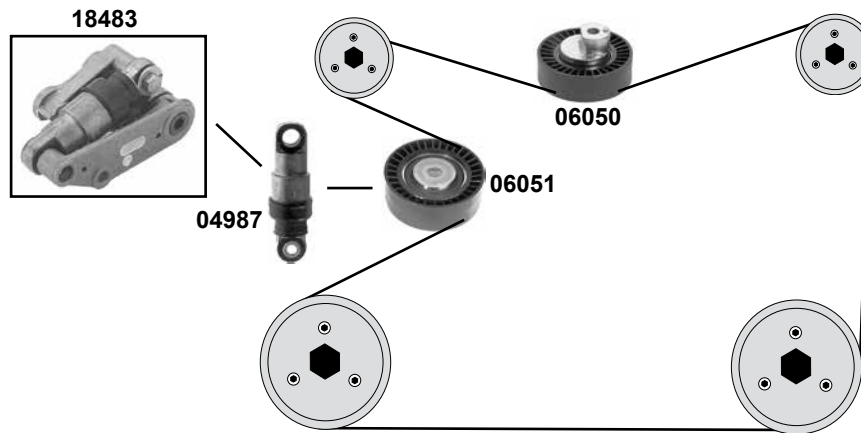
**febi 30410**

Ref. - No.			
<b>15547</b>	11 31 1 432 176	Steuerkette / timing chain	104 E
<b>15548</b>	11 31 1 432 177	Steuerkette / timing chain	58 E
<b>25324</b>	11 31 1 722 841	Nockenwellenrad / camshaft gear	Z 36
<b>30331</b>	11 31 1 432 177 S1	Rep. Satz Steuerkette / rep. kit timing chain	58 E
<b>30409</b>	11 31 1 432 176 S1	Rep. Satz Steuerkette / rep. kit timing chain	104 E
<b>30410</b>	11 31 1 432 176 S2	Rep. Satz Steuerkette / rep. kit timing chain	104 E

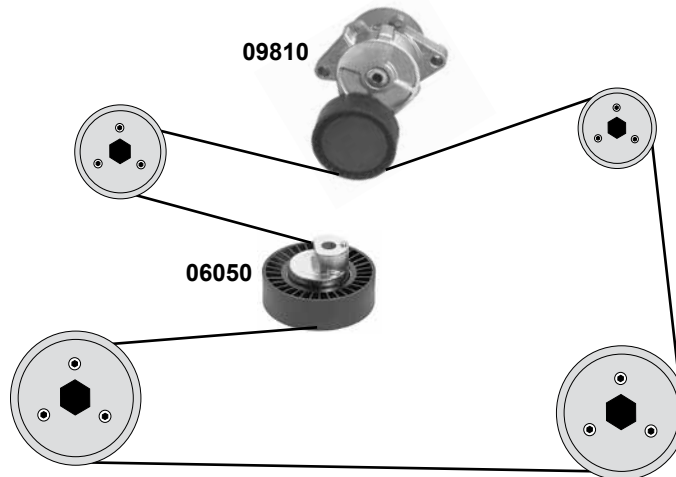
→ Modell: 09/94  
Modell 09/94 →

**Hydraulisch / hydraulic**

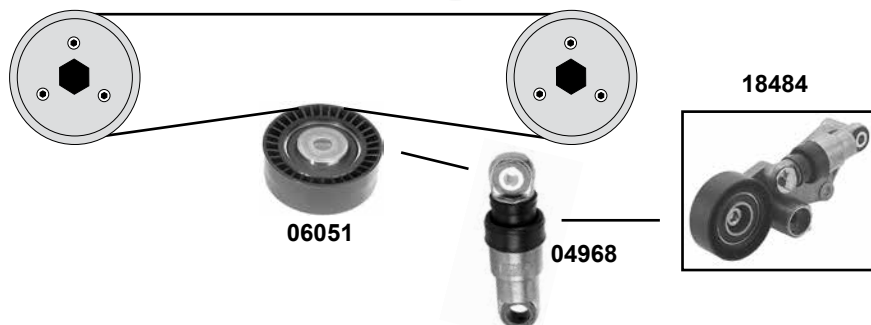
**520 i / 525 i/ix**  
(M50)



**Mechanisch / mechanical**



**AC**



Ref. - No.



<b>04968</b>	11 28 1 717 210	Schwingungsdämpfer / vibration damper
<b>04987</b>	11 28 1 717 188	Schwingungsdämpfer / vibration damper
<b>06050</b>	11 28 7 841 228	Umlenkrolle / deflection pulley
<b>06051</b>	11 28 1 748 131	Spannrolle / tension roller
<b>09810</b>	11 28 1 427 252	Riemenspanner / belt tensioner
<b>18483</b>	11 28 7 838 797	Riemenspanner / belt tensioner
<b>18484</b>	11 28 1 717 210 S1	Riemenspanner / belt tensioner
<b>32017</b>	11 28 7 938 797 S1	Umbausatz für Riemenspanner/ mounting kit for belt tensioner

80 x 24,5  
70 x 24,5  
70 x 24,5

**BMW**  
**5 'er (E34)**

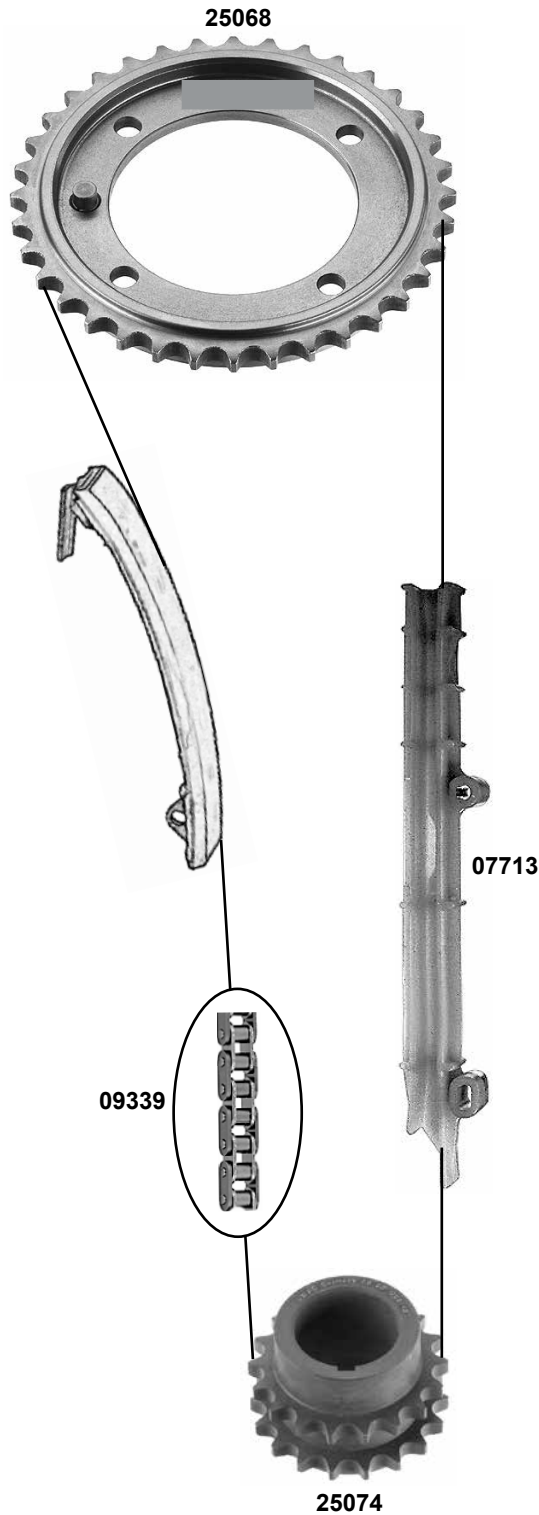
(88→97)

**Car  
Division**



**530 i / 535 i**

(M30)



Ref. - No.



**07713**

11 31 1 253 236

Gleitschiene / sliding rail

**09339**

11 31 1 716 986

Steuerkette, einfach / timing chain, simple

**25068**

11 31 1 278 990

Nockenwellenrad / camshaft gear

**25074**

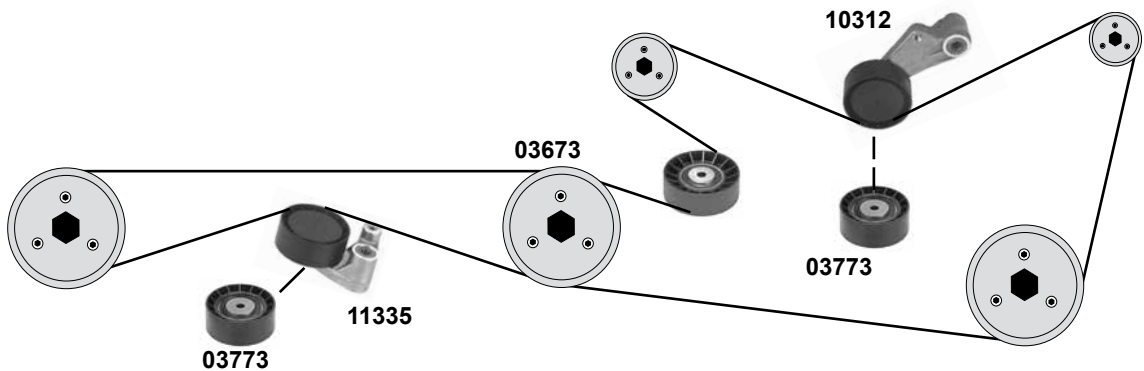
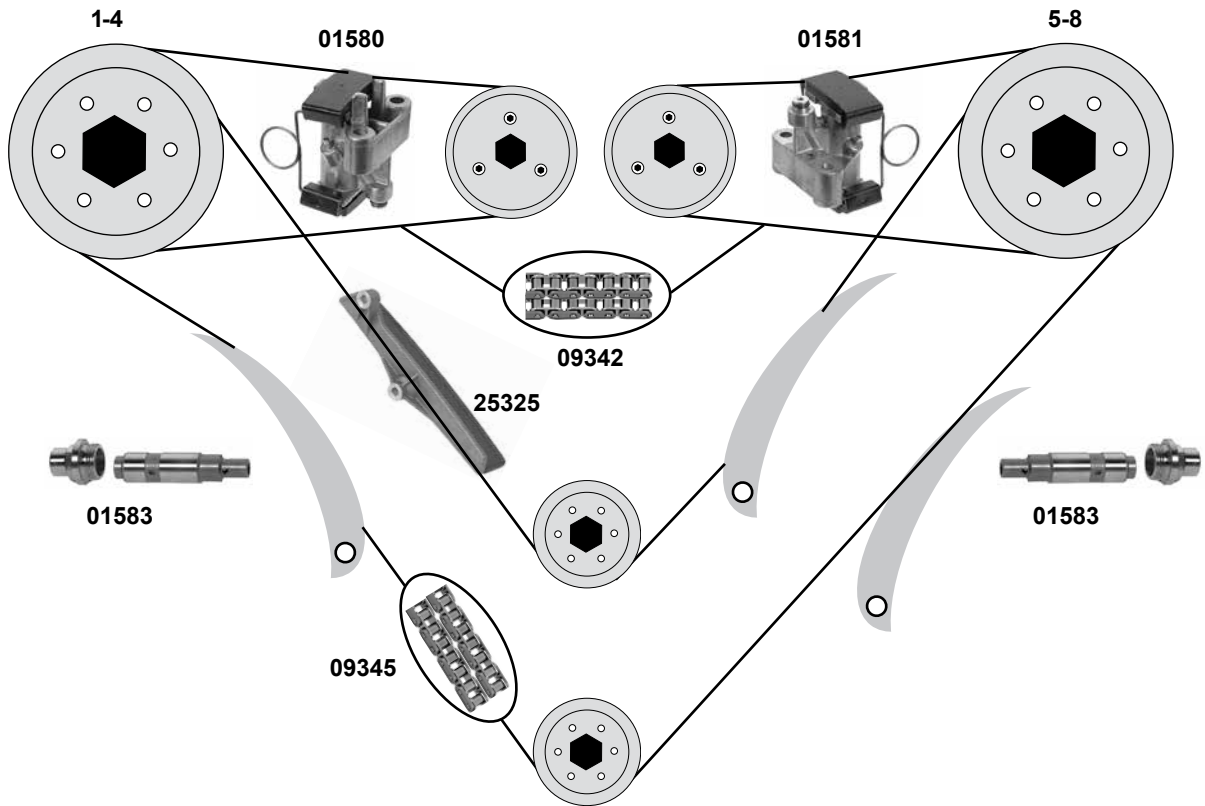
11 21 1 265 011

Kurbelwellenrad / crankshaft gear

94 E

Z 36

Z 18



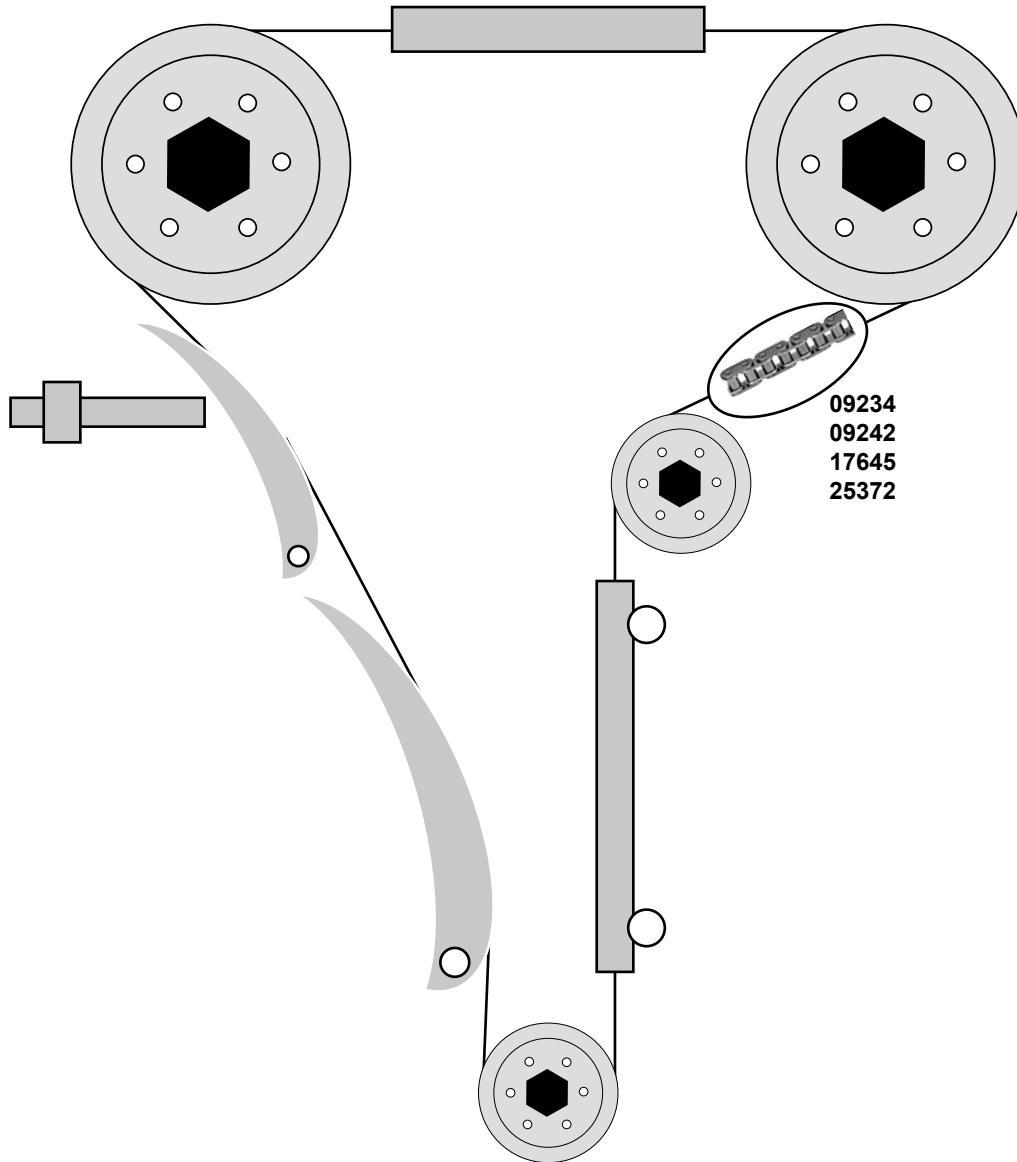
	Ref. - No.			
<b>01580</b>	11 31 1 725 441	Kettenspanner / chain tensioner		
<b>01581</b>	11 31 1 725 442	Kettenspanner / chain tensioner		
<b>01583</b>	11 31 7 531 813	Kettenspanner / chain tensioner		
<b>03673</b>	11 28 1 731 838	Umlenkrolle / deflection pulley		Ø 80 x 28
<b>03773</b>	11 28 1 731 220	Spannrolle / tension roller		Ø 70 x 28
<b>09342</b>	11 31 7 512 359	Steuerkette, zweifach / timing chain, double		D54 E
<b>09345</b>	11 31 1 736 020	Steuerkette, zweifach / timing chain, double		D192 E
<b>10312</b>	11 28 1 736 724	Spannrolle / tension roller		70 x 28
<b>11335</b>	11 28 1 702 013	Spannrolle / tension roller		ØA 70
<b>25325</b>	11 31 1 741 247	Führungsschiene / guide rail		

**BMW**  
**5 'er (E34)**  
(88→97)

**Car  
Division**



**M 5**  
(B3.6 / B3.8)



**09234**  
**09242**  
**17645**  
**25372**



(1) Nietverschluß / riveted link / bouchon de rivet / rivetti

(3) normal / regular / normal / normale / normalizado

(2) Federverschluß / split link / fermeture de ressort / falsa maglia

(4) verstärkt / reinforced / renforcée / förstärkt / rinforzato



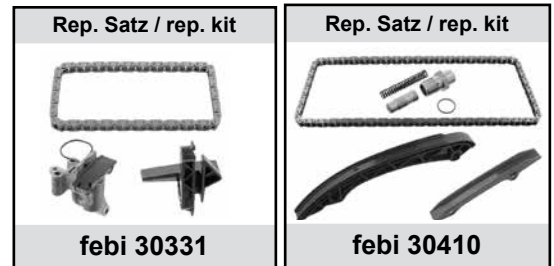
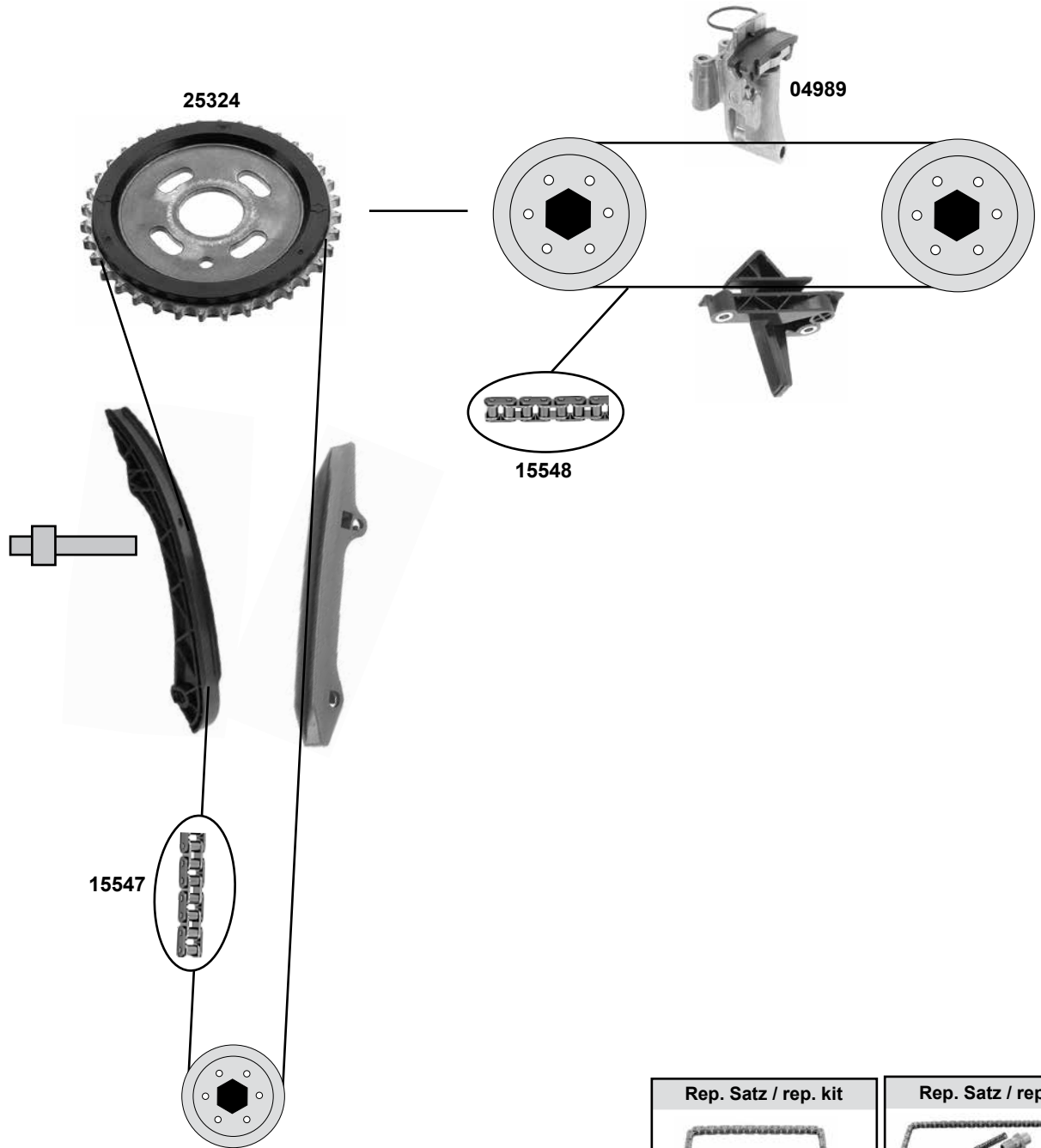
**Ref. - No.**



<b>09234</b>	11 31 1 403 081	Steuerkette zweifach / timing Chain double
<b>09242</b>	11 31 1 403 081 S1	Steuerkette zweifach / timing Chain double
<b>17645</b>	11 31 1 403 081 S2	Steuerkette zweifach / timing Chain double
<b>25372</b>	11 31 1 403 081	Steuerkette zweifach / timing Chain double

(1)  
(2)  
(3)  
(4)

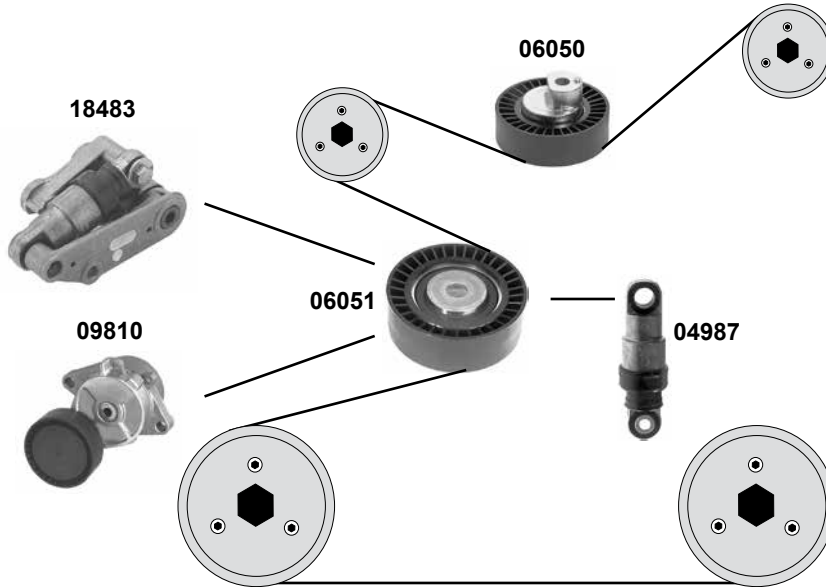
D126 N  
D126 F  
D126 E  
D126 E



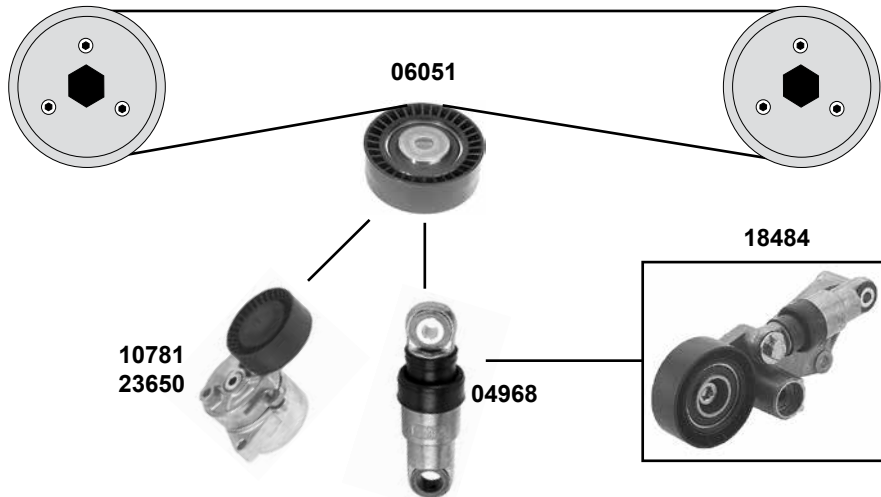
	Ref. - No.			
<b>04989</b>	11 31 1 738 700	Kettenspanner / chain tensioner		
<b>15547</b>	11 31 1 432 176	Steuerkette / timing chain		104 E
<b>15548</b>	11 31 1 432 177	Steuerkette / timing chain		58 E
<b>25324</b>	11 31 1 722 841	Nockenwellenrad / camshaft gear	Modell: → 09/98	Z 36
<b>30331</b>	11 31 1 432 177 S1	Rep. Satz Steuerkette / rep. kit timing chain		58 E
<b>30410</b>	11 31 1 432 176 S2	Rep. Satz Steuerkette / rep. kit timing chain		104 E



**520 i → 530 i**  
(M52 / M54)



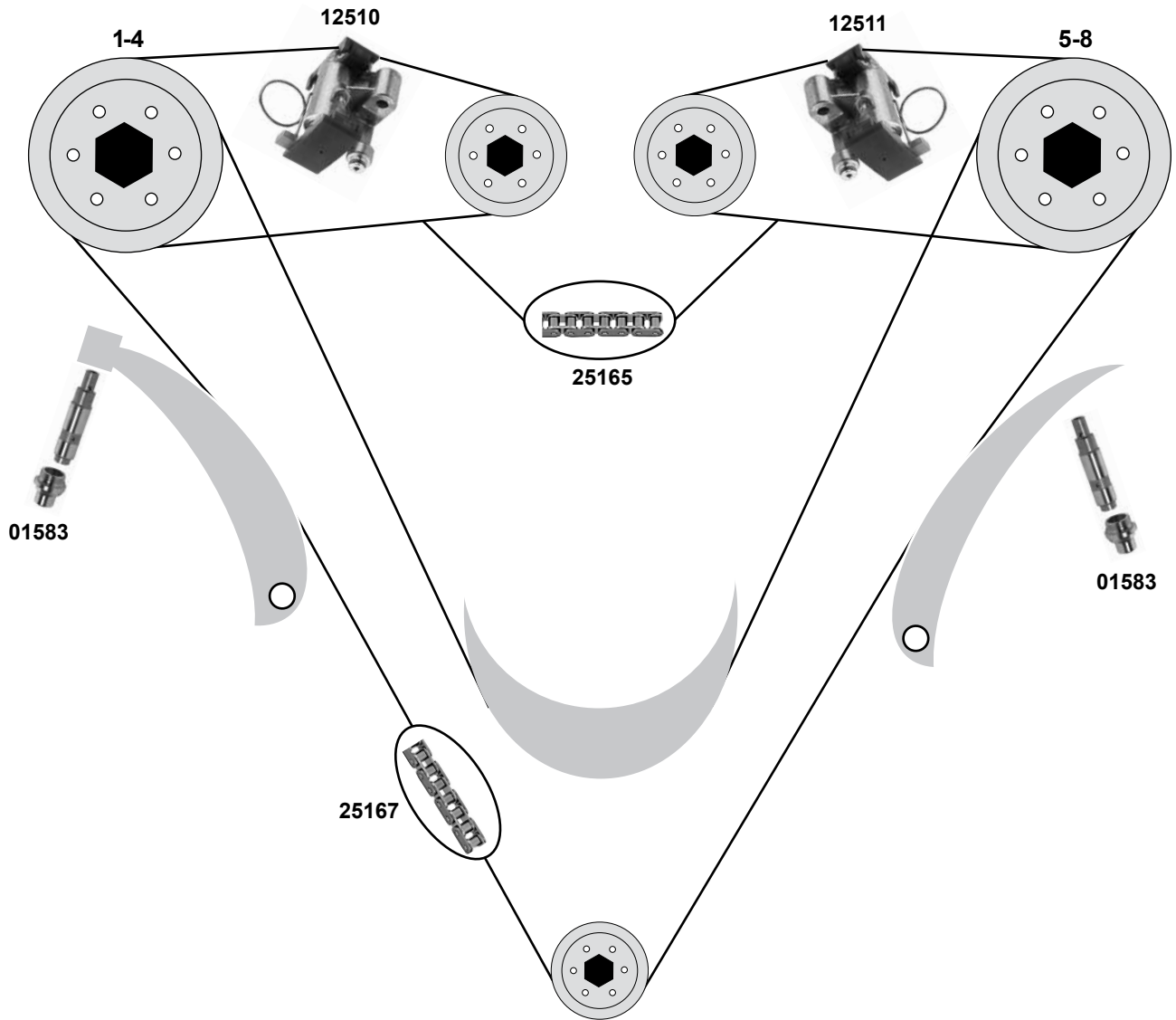
**AC**



Ref. - No.



<b>04968</b>	11 28 1 717 210	Schwingungsdämpfer / vibration damper	Modell: → 03/98	
<b>04987</b>	11 28 1 717 188	Schwingungsdämpfer / vibration damper		
<b>06050</b>	11 28 7 841 228	Umlenkrolle / deflection pulley		80 x 24,5
<b>06051</b>	11 28 1 748 131	Spannrolle / tension roller		70 x 24,5
<b>09810</b>	11 28 1 427 252	Riemenspanner / belt tensioner		70 x 24,5
<b>10781</b>	11 28 1 433 571	Riemenspanner / belt tensioner	Modell: 03/98 → 09/02	70 / 78 x 26
<b>18483</b>	11 28 7 838 797	Riemenspanner / belt tensioner		
<b>18484</b>	11 28 1 717 210 S1	Riemenspanner / belt tensioner	Modell: → 09/02	
<b>23650</b>	11 28 7 512 758	Riemenspanner / belt tensioner	Modell: 09/02 →	70 x 24,5
<b>32017</b>	11 28 7 938 797 S1	Umbausatz für Riemenspanner / mounting kit for belt tensioner		



Ref. - No.



<b>01583</b>	11 31 7 531 813	Kettenspanner / chain tensioner
<b>12510</b>	11 31 1 435 026	Kettenspanner / chain tensioner
<b>12511</b>	11 31 1 435 027	Kettenspanner / chain tensioner
<b>25165</b>	11 31 1 406 167	Steuerkette / timing chain
<b>25167</b>	11 31 1 741 746	Steuerkette / timing chain

54 E  
188 E



# BMW 5 'er (E39)

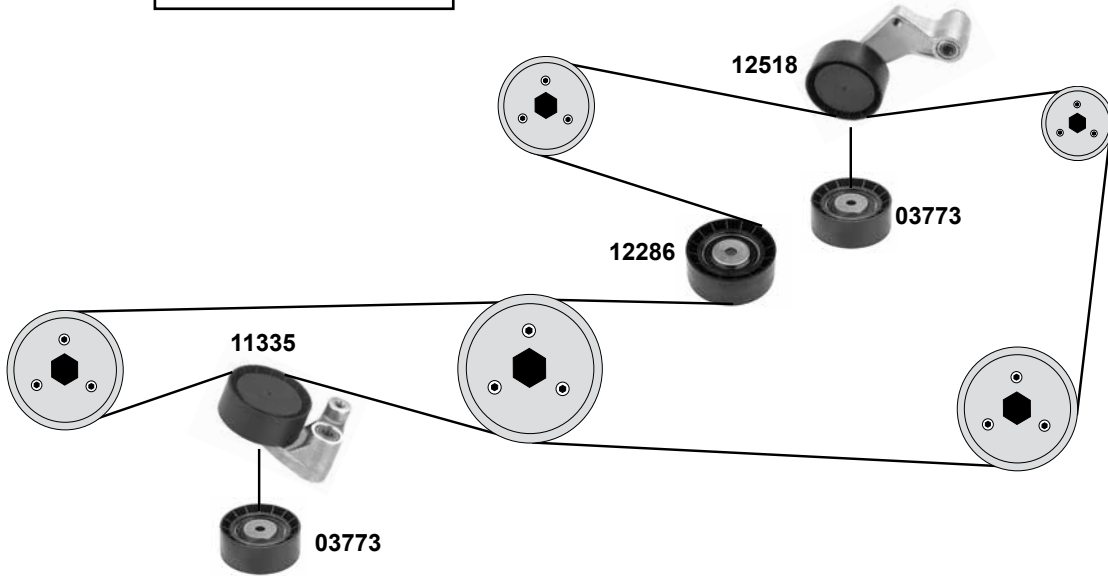
(95→04)

Car  
Division

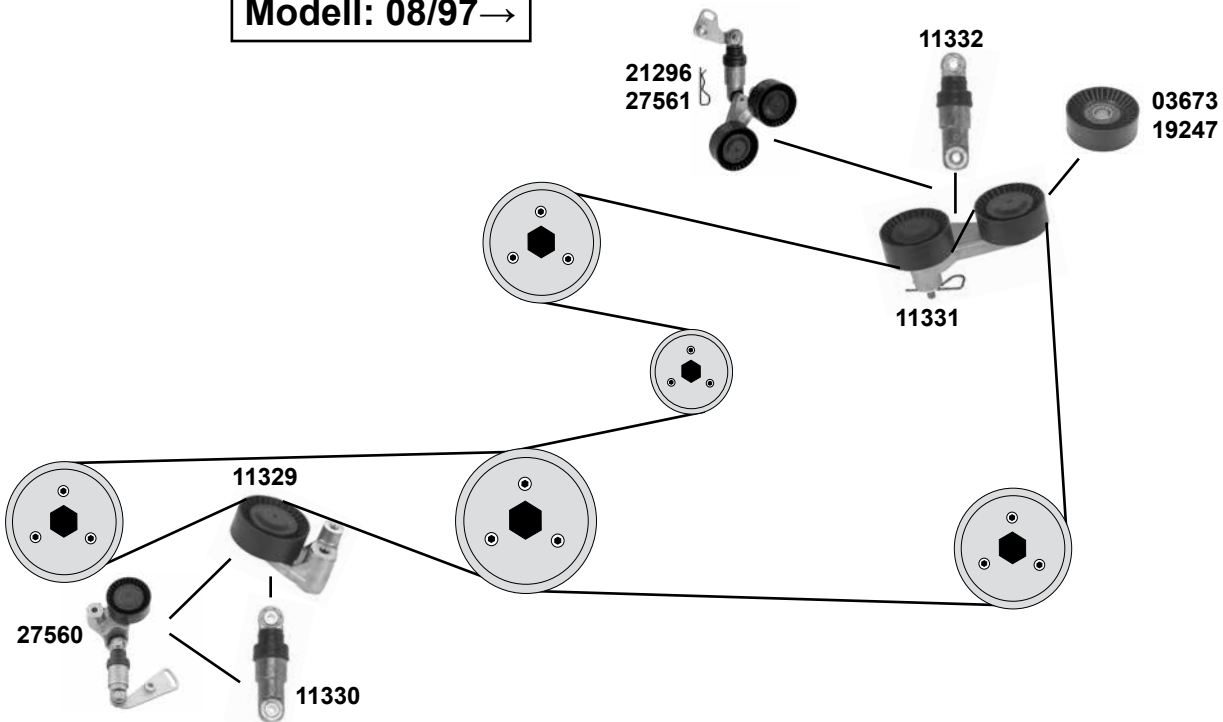


**535 i / 540 i**  
(M62)

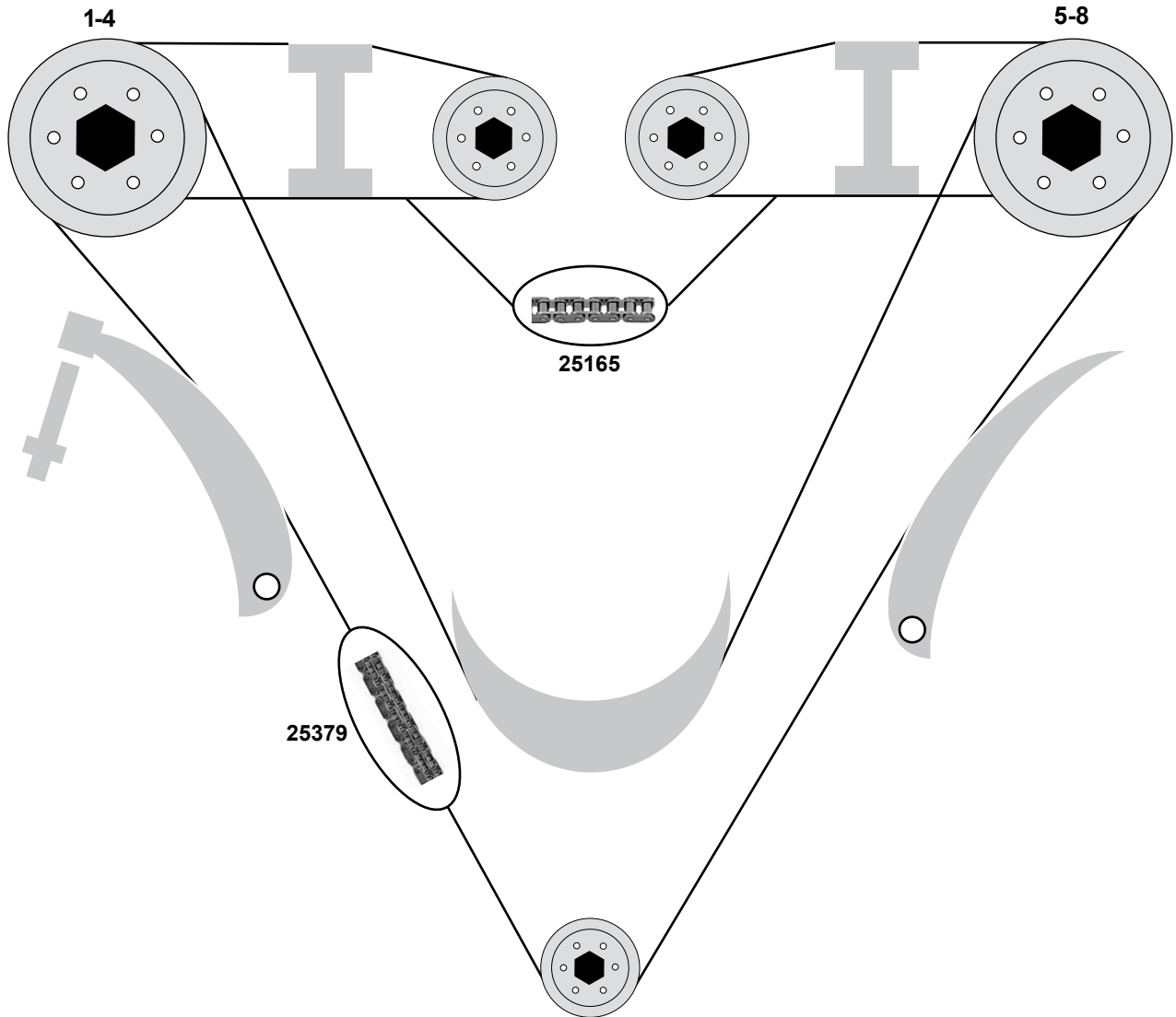
**Modell: → 08/97**



**Modell: 08/97 →**



	Ref. - No.			
<b>03673</b>	11 28 1 731 838	Umlenkrolle / deflection pulley	09/98 → 05/99	ØA 80 x 28
<b>03773</b>	11 28 1 731 220	Spannrolle / tension roller		Ø 70 x 28
<b>11329</b>	11 28 1 742 859	Spannrolle / tension roller		70 x 26
<b>11330</b>	11 28 1 745 545	Schwingungsdämpfer / vibration damper		
<b>11331</b>	11 28 1 742 858	Spannrolle / tension roller	→ 09/98	70 x 28
<b>11332</b>	11 28 1 709 613	Schwingungsdämpfer / vibration damper	09/98 →	
<b>11335</b>	11 28 1 702 013	Spannrolle / tension roller		70 x 28
<b>12286</b>	11 28 1 704 500	Umlenkrolle / deflection Pulley		9 x 70 x 28
<b>12518</b>	11 28 1 742 013	Spannrolle / Tension roller		Ø 70 x 28
<b>19247</b>	11 28 7 500 560	Umlenkrolle / deflection pulley	05/99 →	ØA 80 x 28
<b>21296</b>	11 28 7 515 865 S1	Riemenspanner / belt tensioner	09/98 →	
<b>27560</b>	11 28 1 745 547	Riemenspanner / belt tensioner	09/97 →	Ø 70 x 26
<b>27561</b>	11 28 1 745 546	Riemenspanner / belt tensioner	08/97 → 09/98	Ø 70 x 26



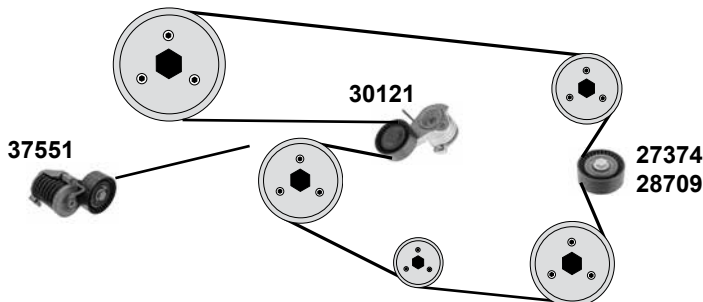
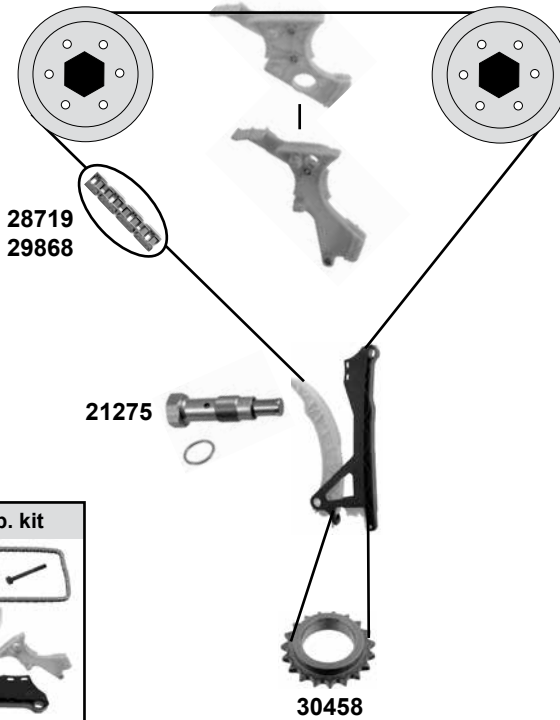
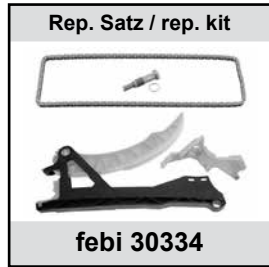
# BMW 5'er (E60 LCI/ E61 LCI)

(07→11)

Car  
Division



## 520 i (N43/N46N)



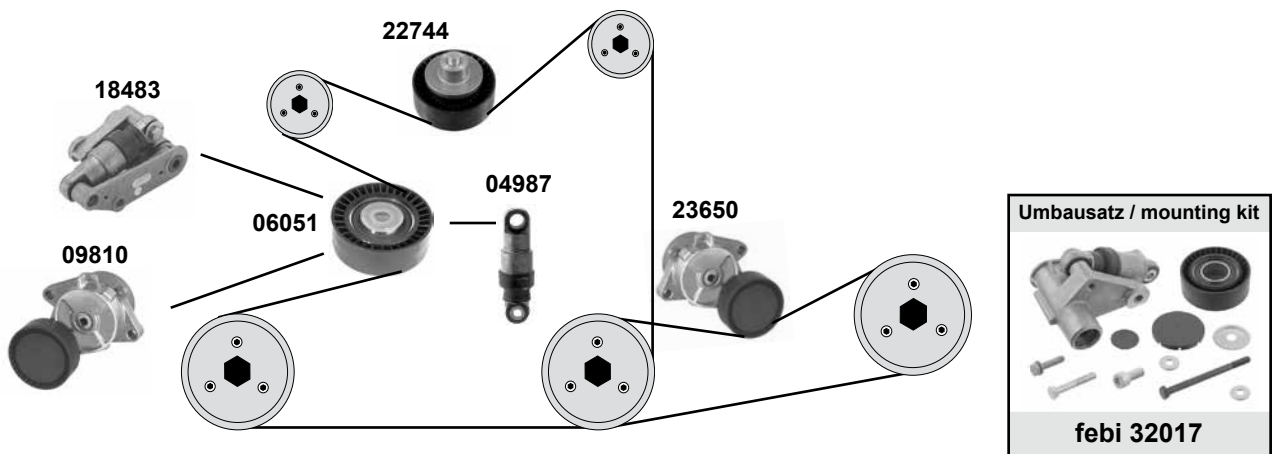
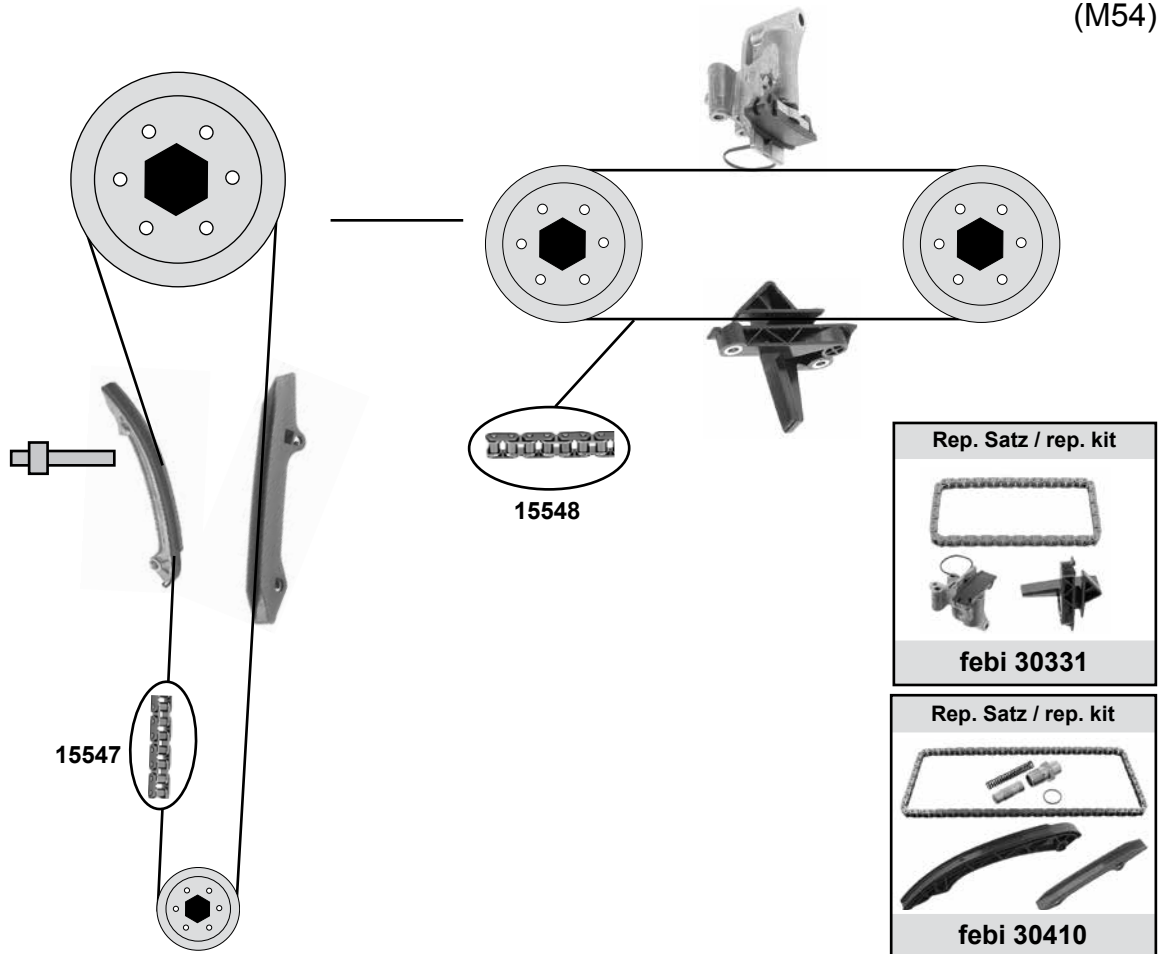
(1) Rep. Satz Schraube für Steuerkette /  
rep. kit screw for timing chain  
**febi 33845**



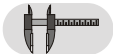
(2) (mot.) N46N /febi **30334** mit/with (1)

(3) Nur Fahrzeuge mit Aktivlenkung und LHD / only vehicles with active steering and LHD

	Ref. - No.			
<b>21275</b>	11 31 7 567 680	Kettenspanner / chain tensioner		M22x1,25
<b>27374</b>	11 28 1 440 378	Umlenkrolle / deflection pulley	(mot.) N46N	70x26
<b>28709</b>	11 28 7 556 251	Umlenkrolle / deflection pulley	(mot.) N43	80x28
<b>28719</b>	11 31 7 516 088	Steuerkette / timing chain	(mot.) N43	144 E
<b>29868</b>	11 31 1 439 854	Steuerkette / timing chain	(mot.) N46N	142 E
<b>30121</b>	11 28 7 524 267	Riemenspanner / belt tensioner	(mot.) N46N	70x26
<b>30334</b>	11 31 1 439 854 S1	Rep. Satz Steuerkette / rep. kit timing chain	(mot.) N46N	142 E
<b>30335</b>	11 31 7 516 088 S1	Rep. Satz Steuerkette / rep. kit timing chain	(mot.) N43	144 E
<b>30458</b>	11 31 7 502 180	Kurbelwellenzahnrad / crankshaft gear		Z19
<b>33845</b>	11 23 7 503 107 S1	Rep. Satz Schraube / rep. kit screw	(1)	
<b>33846</b>	11 31 1 439 854 S2	Rep. Satz Steuerkette / rep. kit timing chain	(2)	142 E
<b>37551</b>	11 28 7 558 969	Riemenspanner / belt tensioner	(3)	ØA 70 B28



Ref. - No.



<b>04987</b>	11 28 1 717 188	Schwingungsdämpfer / vibration damper	
<b>06051</b>	11 28 1 748 131	Spannrolle / tension roller	70 x 24,5
<b>09810</b>	11 28 1 427 252	Riemenspanner / belt tensioner	70 x 24,5
<b>15547</b>	11 31 1 432 176	Steuerkette / roller chain	104 E
<b>15548</b>	11 31 1 432 177	Steuerkette / roller chain	58 E
<b>18483</b>	11 28 7 838 797	Riemenspanner / belt tensioner	
<b>22744</b>	11 28 7 516 847	Umlenkrolle / deflection pulley	ØA 75 x 26
<b>23650</b>	11 28 7 512 758	Riemenspanner / belt tensioner	70 x 24,5
<b>30331</b>	11 31 1 432 177 S1	Rep. Satz Steuerkette / rep. kit timing chain	58 E
<b>30410</b>	11 31 1 432 176 S2	Rep. Satz Steuerkette / rep. kit timing chain	104 E
<b>32017</b>	11 28 7 938 797 S1	Umbausatz für Riemenspanner/ mounting kit for belt tensioner	

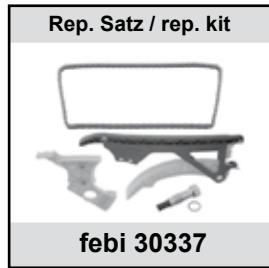
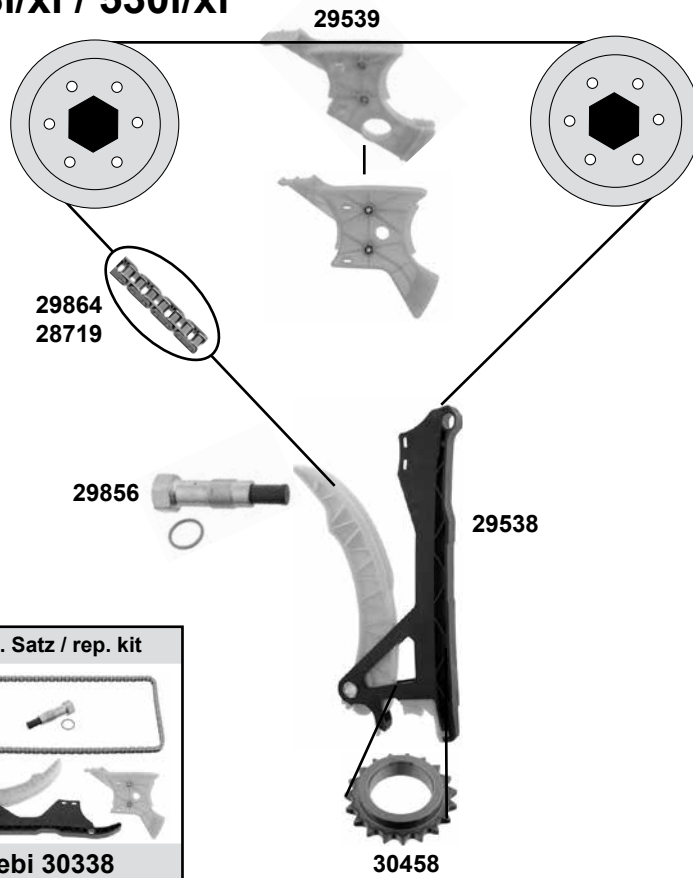
# BMW 5'er (E60/LCI / E61/LCI)

(04→11)

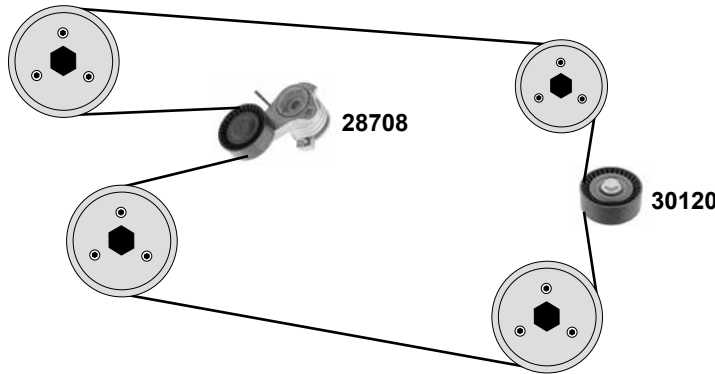
Car  
Division



## 523i / 525i/xi / 528i/xi / 530i/xi (N52/N / N53)



## 523i / 525i/xi / 528i/xi / 530i/xi (N51 / N52/N / N53)



- (1) (mot.) N52/N (ex.) 528 i/xi
- (2) E60/LCI (mot.) N52/N / E61/LCI (mot.) N52/N (ex.) 528 i/xi

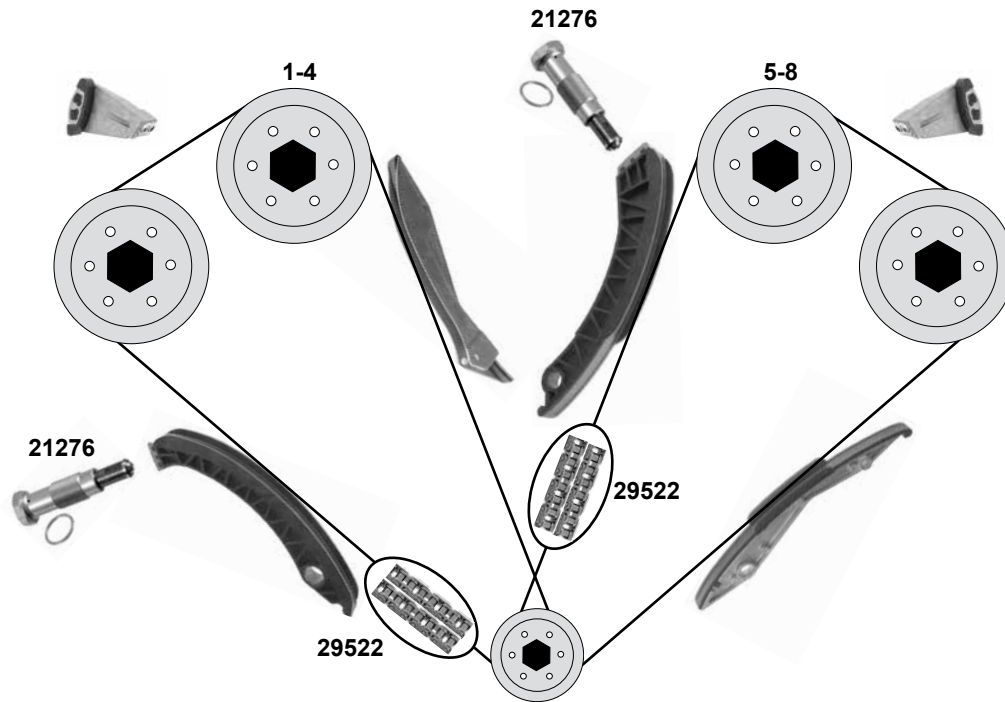


Ref. - No.



Ref. - No.	Description	Notes	Dimensions
28708	Riemenspanner / belt tensioner	(ex.) N51	70x26
28719	Steuerkette / roller chain	(mot.) N53	144 E
29538	Gleitschiene / sliding rail	(1)	
29539	Gleitschiene / sliding rail	(1)	
29856	Kettenspanner / chain tensioner	(1)	
29864	Steuerkette / roller chain	(2)	148 E
30120	Umlenkrolle / deflection pulley		80x26
30337	Rep. Satz Steuerkette / rep. kit timing chain	(mot.) N53	144 E
30338	Rep. Satz Steuerkette / rep. kit timing chain	(1)	148 E
30458	Kurbelwellenzahnrad / crankshaft gear	(ex.) 528i/xi	Z19

**540 i / 545 i / 550 i**  
(N62 / N62N)



Rep. Satz / rep. kit



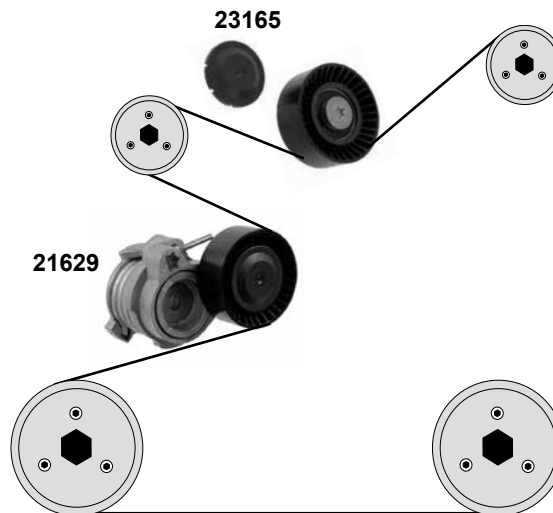
febi 30339

Rep. Satz / rep. kit



febi 30340

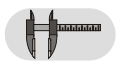
**540 i / 545 i / 550 i**  
(N62 / N62N)



(1) (mot.) → 01/05 Ref.-No.11 31 7 533 488/11 31 7 548 033 erneuern / replace !  
kein Satzinhalt / No contents of the kit !



Ref. - No.



21276	11 31 1 439 552	Kettenspanner / chain tensioner	
21629	11 28 7 549 588	Riemenspanner / belt tensioner	
23165	11 28 7 549 557	Umlenkrolle / deflection pulley	
29522	11 31 7 504 468	Steuerkette, zweifach / roller chain, double	
30339	11 31 7 504 468 S1	Rep. Satz Steuerkette / rep. kit timing chain	1-4 Zyl.
30340	11 31 7 504 468 S2	Rep. Satz Steuerkette / rep. kit timing chain	(1) 5-8 Zyl.

ØA 70 B26  
75 x 26  
D140 E  
D140 E  
D140 E

# BMW 5 'er (E60 / LCI)

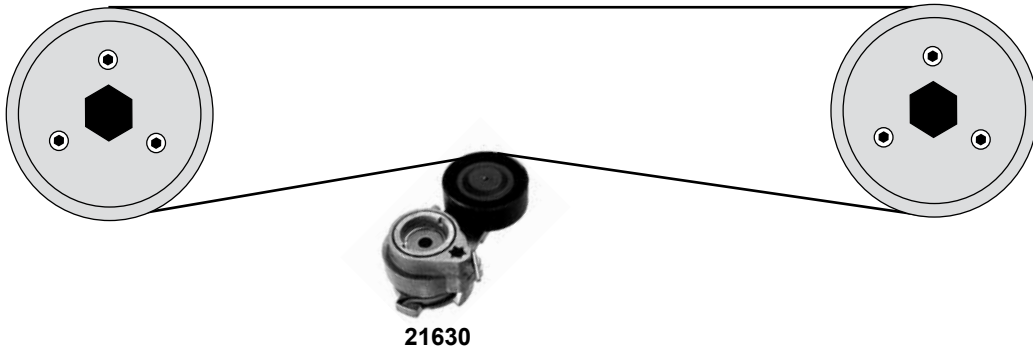
(03→11)

Car  
Division



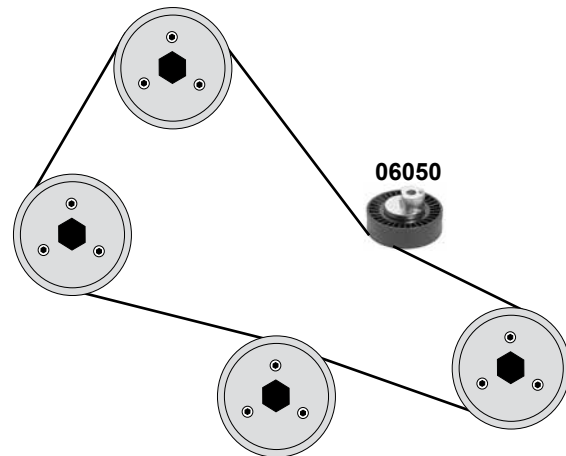
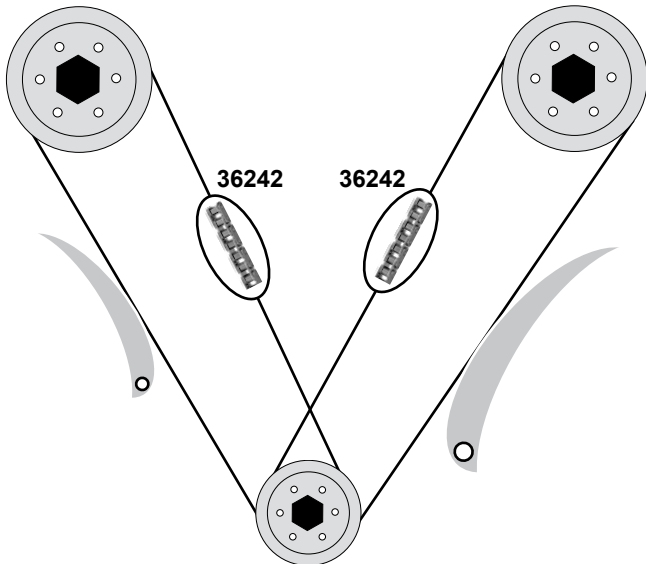
## 540 i (E60 LCI)

(N62N)



## M 5 (E60)

(S85)



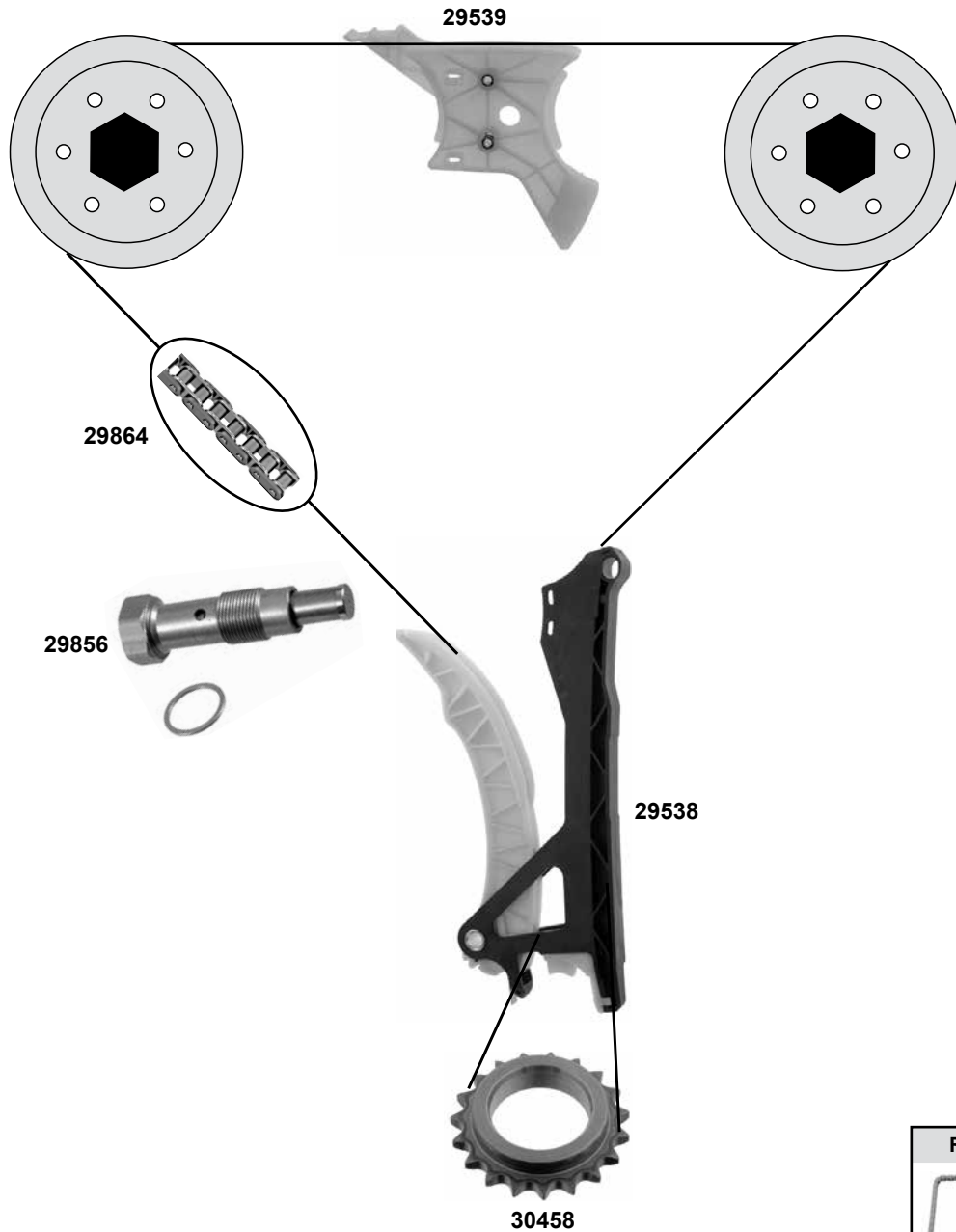
Ref. - No.



**06050** 11 28 7 841 228  
**21630** 11 28 7 549 589  
**36242** 11 31 7 834 163

Umlenkrolle / deflection pulley  
Riemenspanner/ belt tensioner  
Steuerkette / roller chain

80 x 24,5  
70x24,5  
106 E



	Ref. - No.			
<b>29538</b>	11 31 7 585 020	Gleitschiene / sliding rail		
<b>29539</b>	11 31 7 592 850	Gleitschiene / sliding rail		
<b>29856</b>	11 31 7 584 723	Kettenspanner / chain tensioner		
<b>29864</b>	11 31 7 584 084	Steuerkette / roller chain		148 E
<b>30338</b>	11 31 7 584 084 S1	Rep. Satz Steuerkette / rep. kit timing chain		148 E
<b>30458</b>	11 31 7 502 180	Kurbelwellenzahnrad / crankshaft gear		Z19



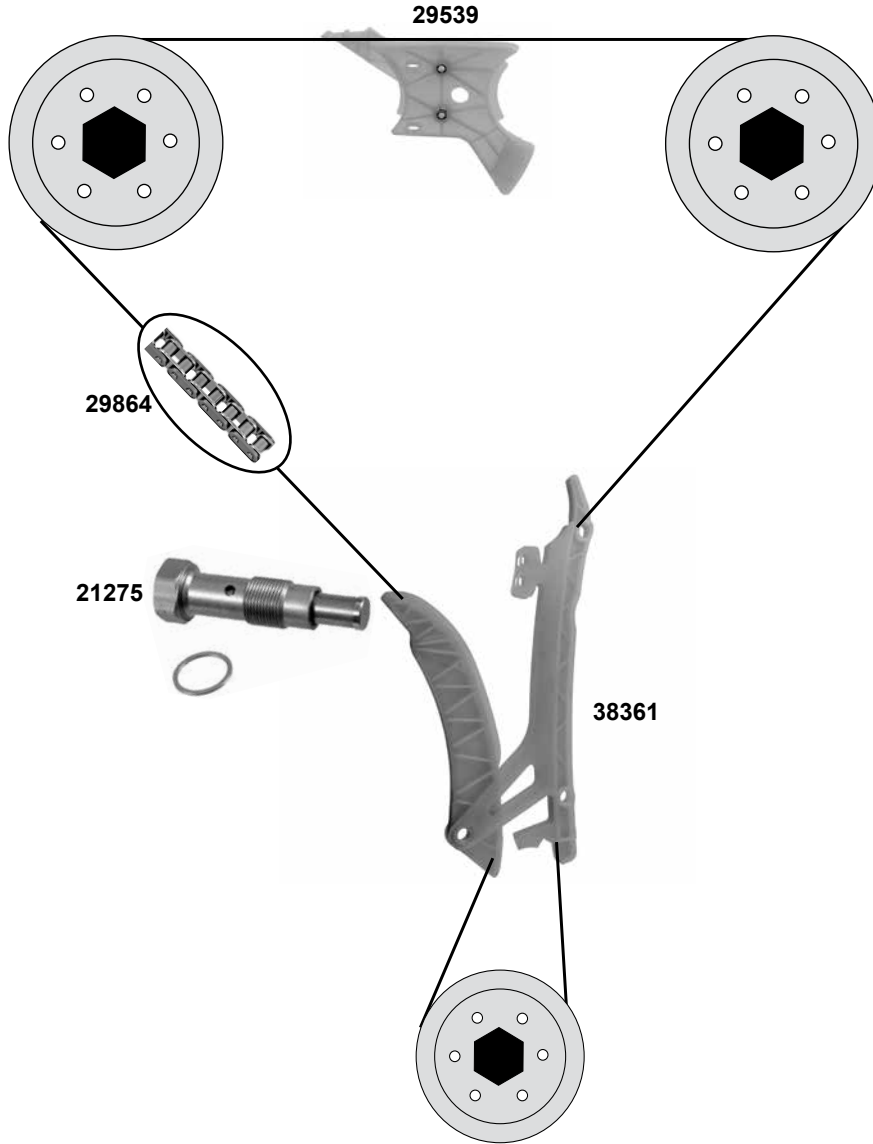
# BMW 5 'er (F10/F11)

(11→)

Car  
Division



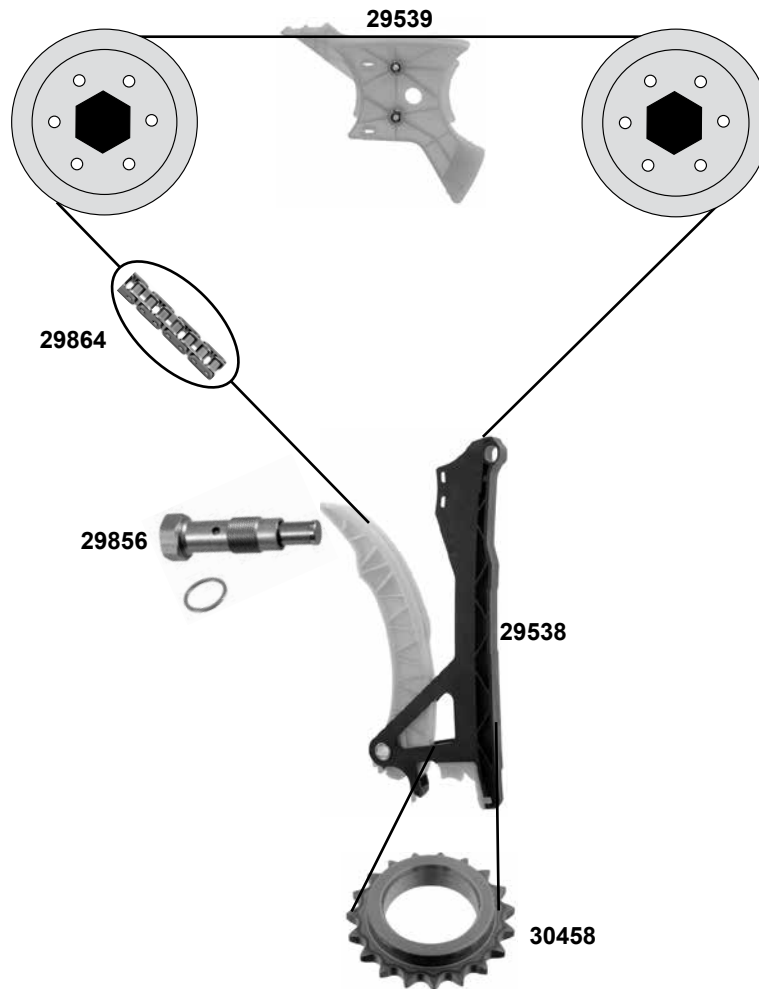
## 520 i / 528 i/xi (N20)



	Ref. - No.			
<b>21275</b>	11 31 7 567 680	Kettenspanner / chain tensioner		M22x1,25
<b>29539</b>	11 31 7 592 850	Gleitschiene / sliding rail		
<b>29864</b>	11 31 7 584 084	Steuerkette einfach / roller chain simplex		148 E
<b>38361</b>	11 31 7 592 877	Gleitschiene / sliding rail		
<b>38362</b>	11 31 7 584 084 S2	Rep. Satz Steuerkette / rep. kit timing chain		148 E

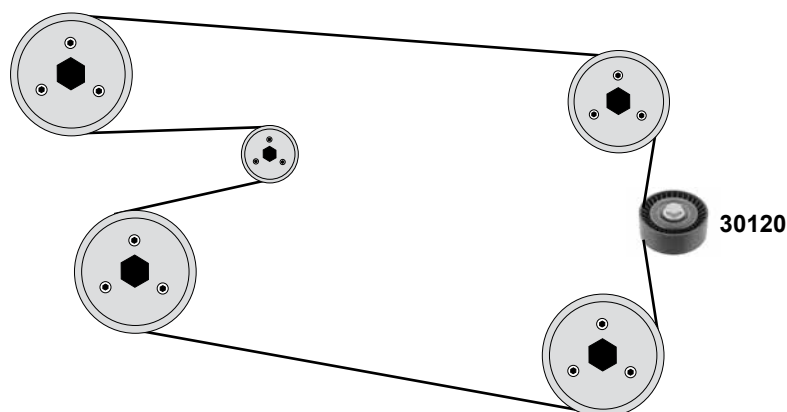


**523 i / 528i / 535i/xi**  
(N52N/N55)



**5 'er (F11)**  
(10→)

**523 i / 528i**  
(N52N)



	Ref. - No.			
<b>29538</b>	11 31 7 585 020	Gleitschiene / sliding rail		
<b>29539</b>	11 31 7 592 850	Gleitschiene / sliding rail		
<b>29856</b>	11 31 7 584 723	Kettenspanner / chain tensioner		
<b>29864</b>	11 31 7 584 084	Steuerkette / timing chain		148 E
<b>30120</b>	11 28 7 535 860	Umlenkrolle / deflection pulley		80x26
<b>30338</b>	11 31 7 584 084 S1	Rep. Satz Steuerkette / rep. kit timing chain		148 E
<b>30458</b>	11 31 7 502 180	Kurbelwellenzahnrad / crankshaft gear		Z19

# BMW 5 'er (F10/F11)

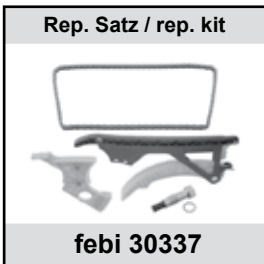
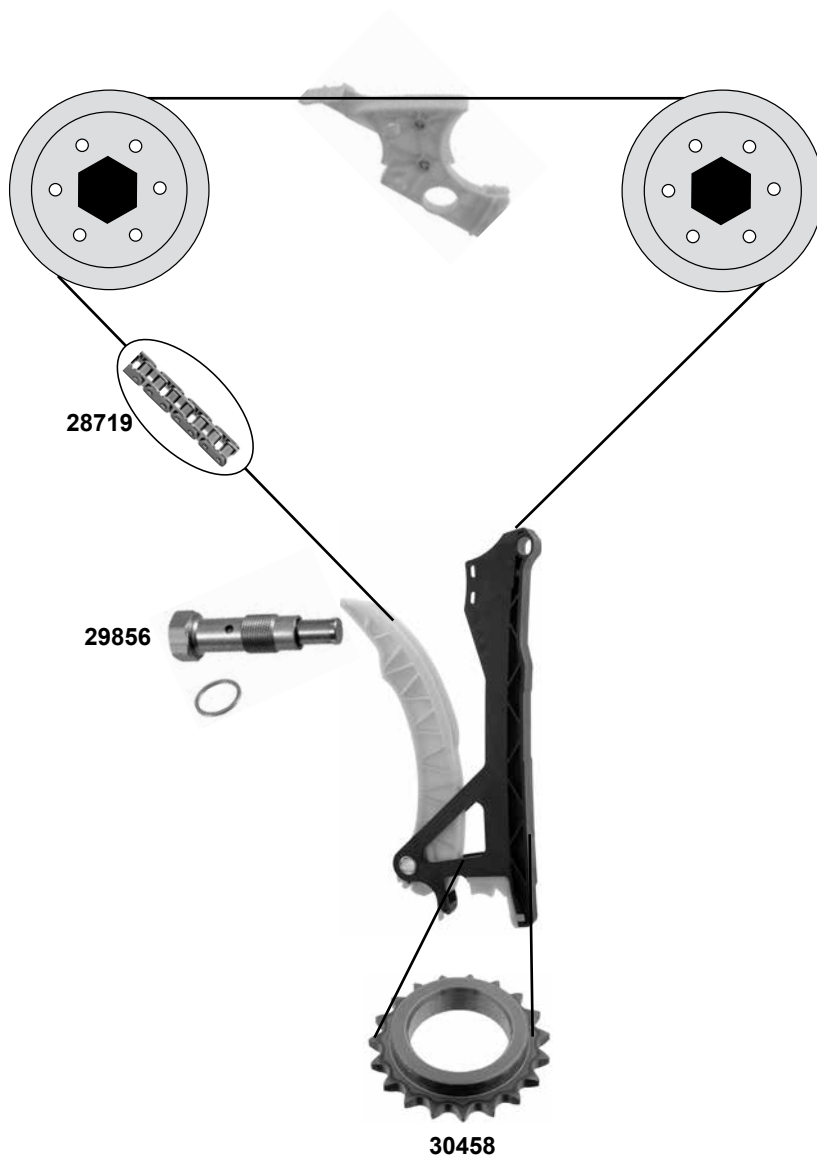
(10→11)

Car  
Division



## 523 i / 528i

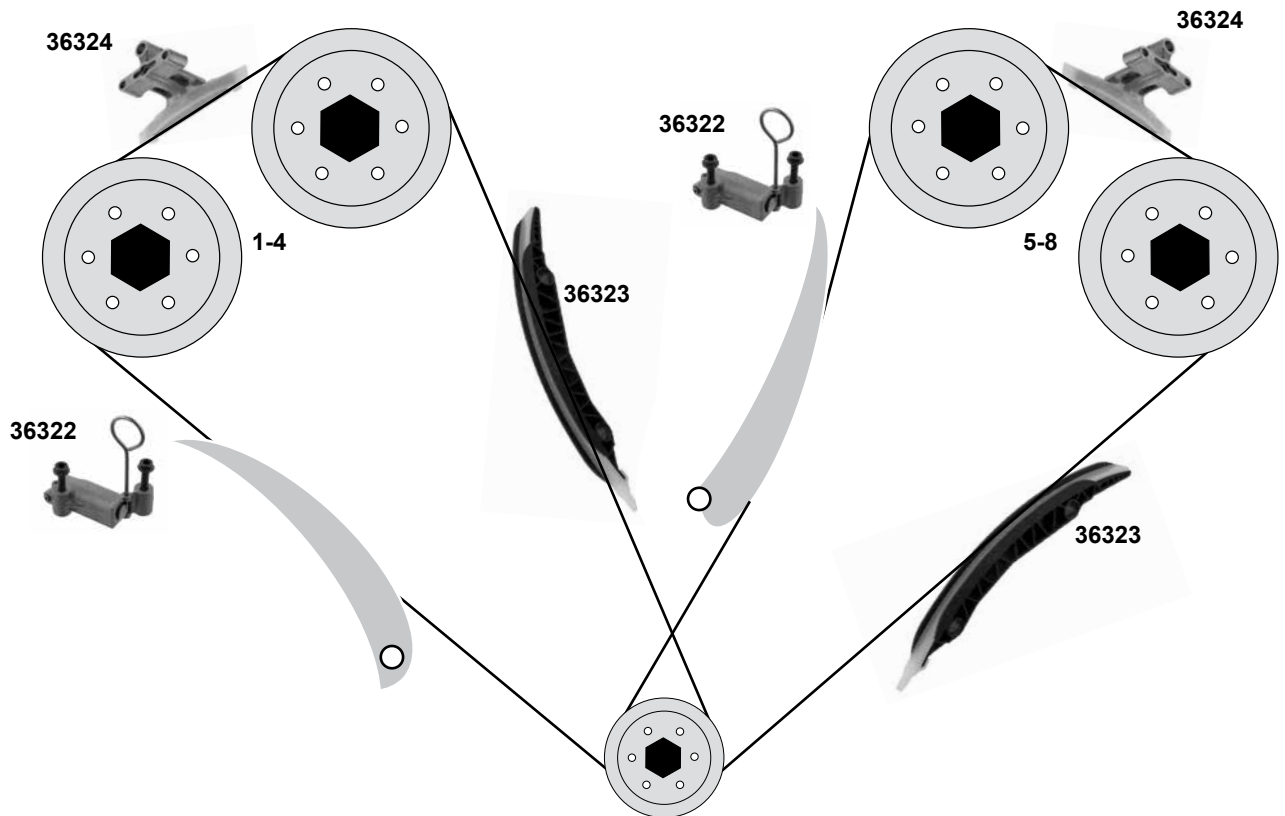
(N53)



Ref. - No.



<b>28719</b>	11 31 7 516 088	Steuerkette / timing chain	144 E
<b>29856</b>	11 31 7 584 723	Kettenspanner / chain tensioner	
<b>30338</b>	11 31 7 584 084 S1	Rep. Satz Steuerkette / rep. kit timing chain	144 E
<b>30458</b>	11 31 7 502 180	Kurbelwellenzahnrad / crankshaft gear	Z19



# BMW 6 'er (E24)

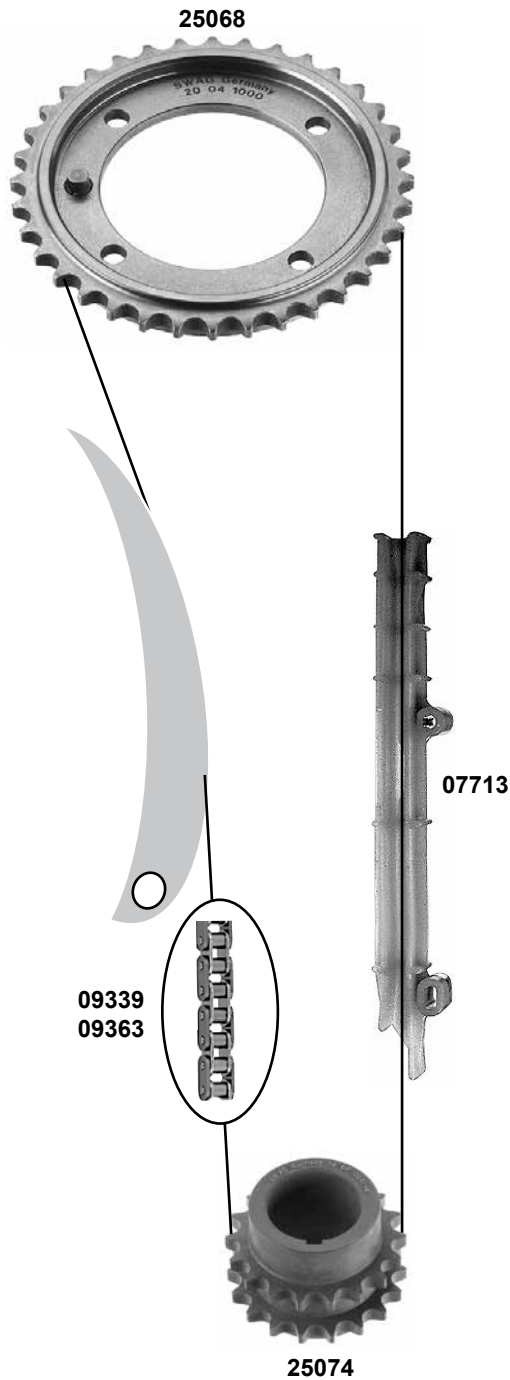
(79→90)

Car  
Division



## 628 i → 635 CSi

(M30)



Ref. - No.

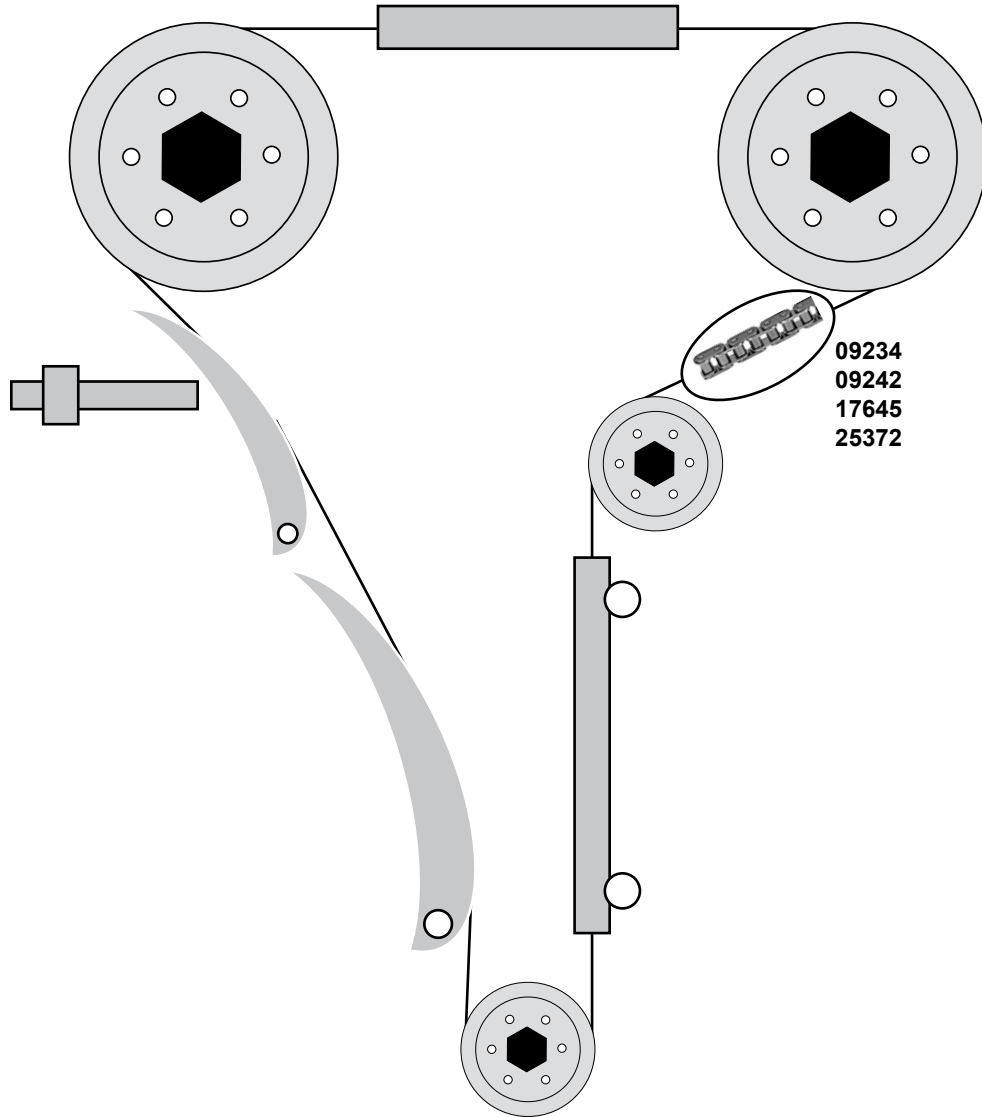


<b>07713</b>	11 31 1 253 236
<b>09339</b>	11 31 1 716 986
<b>09363</b>	11 31 0 731 105
<b>25068</b>	11 31 1 278 990
<b>25074</b>	11 21 1 265 011

Gleitschiene / sliding rail
Steuerkette, einfach / roller chain, simple
Steuerkette, zweifach / roller chain, double
Nockenwellenrad / camshaft gear
Kurbelwellenzahnrad / crankshaft gear

Modell: 09/78 →
Modell: → 09/78
Modell: 09/78 →
Modell: 09/78 →

94 E
D94 E
Z 36
Z 18



09234  
09242  
17645  
25372



(1) Nietverschluß / riveted link / bouchon de rivet / rivetti

(2) Federverschluß / split link / fermeture de ressort / falsa maglia

(3) normal / regular / normal / normale / normalizado

(4) verstärkt / reinforced / renforcée / förstärkt / rinforzato



Ref. - No.



**09234**  
**09242**  
**17645**  
**25372**

11 31 1 403 081  
11 31 1 403 081 S1  
11 31 1 403 081 S2  
11 31 1 403 081

Steuerkette zweifach / roller chain double  
Steuerkette zweifach / roller chain double  
Steuerkette zweifach / roller chain double  
Steuerkette zweifach / roller chain double

(1)  
(2)  
(3)  
(4)

D126 N  
D126 F  
D126 E  
D126E

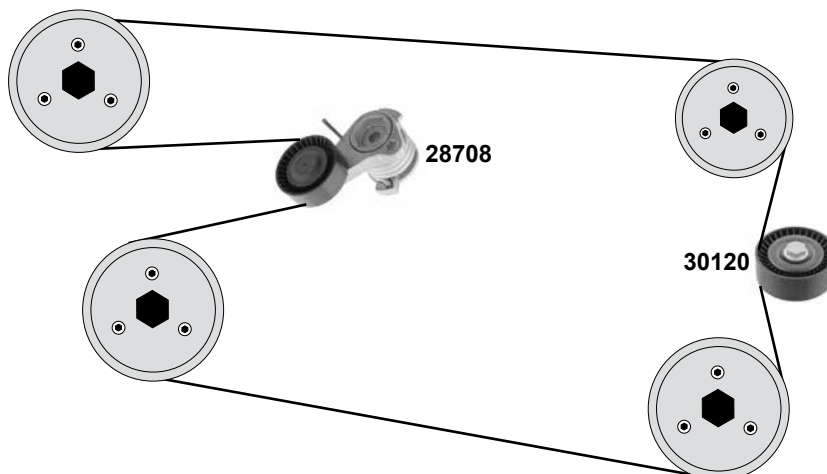
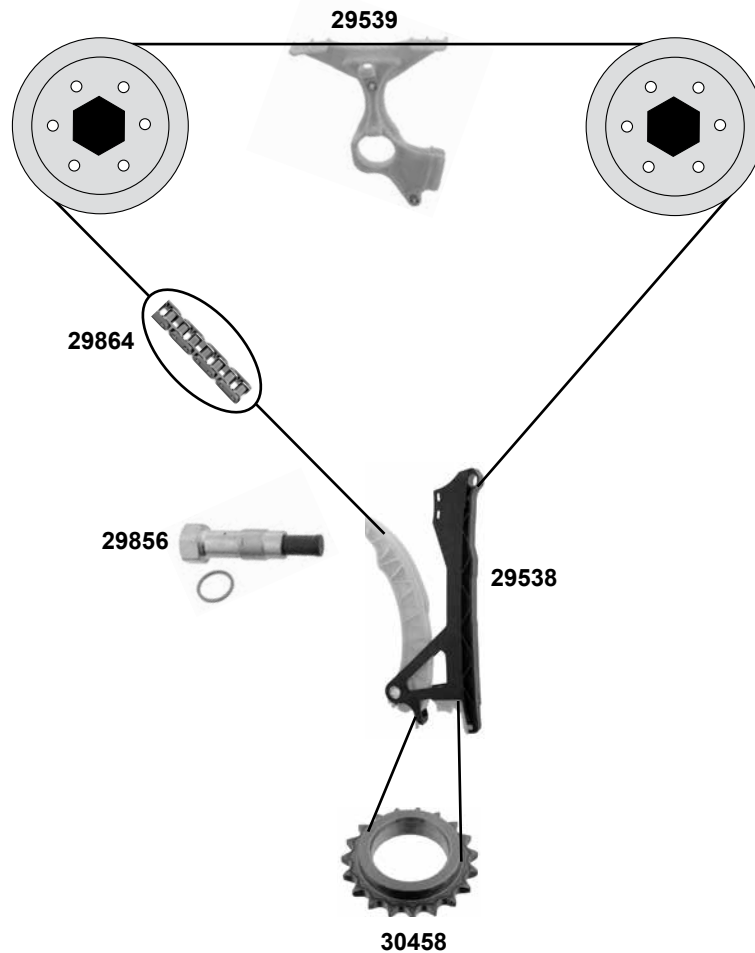
# BMW 6'er (E63/LCI / E64/LCI)

(03→07)

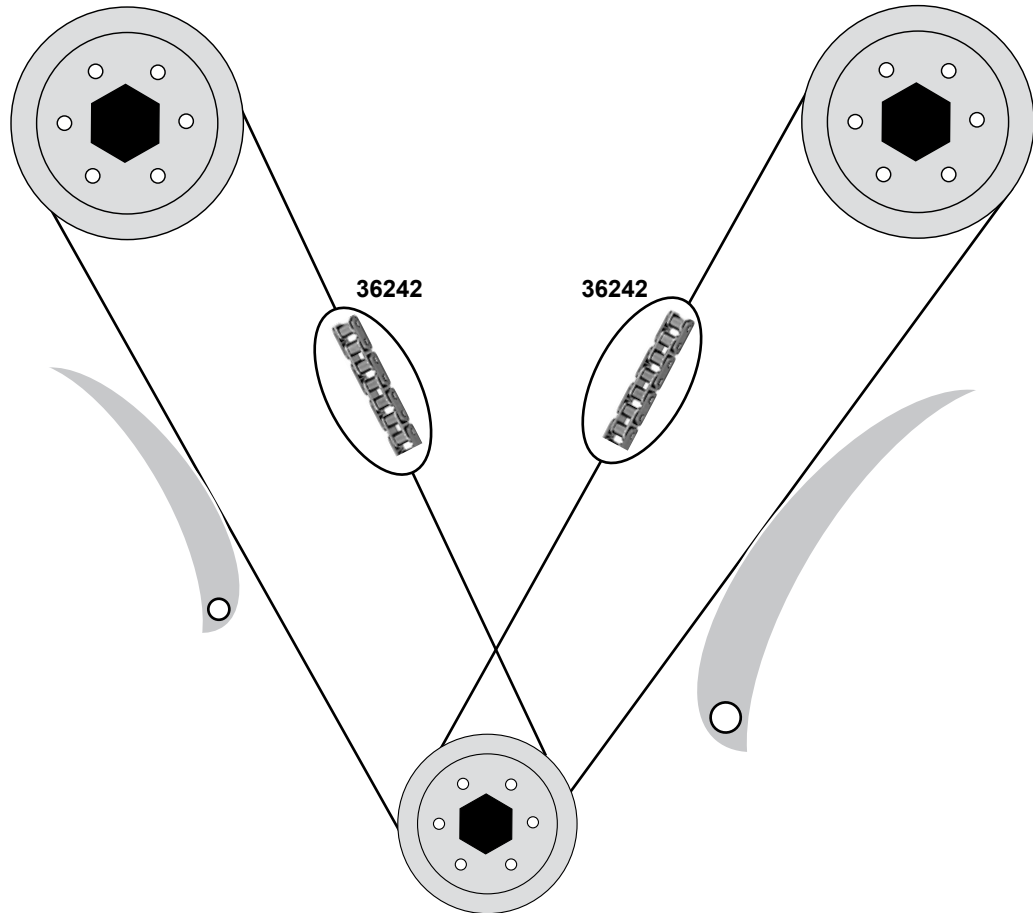
Car  
Division



## 630i / 630 Ci (N52/N)



	Ref. - No.			
<b>28708</b>	11 28 7 530 314	Riemenspanner / belt tensioner		70x26
<b>29538</b>	11 31 7 585 020	Gleitschiene / sliding rail	630i	
<b>29539</b>	11 31 7 592 850	Gleitschiene / sliding rail	630i	
<b>29856</b>	11 31 7 584 723	Kettenspanner / chain tensioner	630i	
<b>29864</b>	11 31 7 584 084	Steuerkette / roller chain	630i	148 E
<b>30120</b>	11 28 7 535 860	Umlenkrolle / deflection pulley	630i	80x26
<b>30338</b>	11 31 7 584 084 S1	Rep. Satz Steuerkette / rep. kit timing chain	630i	148 E
<b>30458</b>	11 31 7 502 180	Kurbelwellenzahnrad / crankshaft gear	630i	Z 19 B11,5





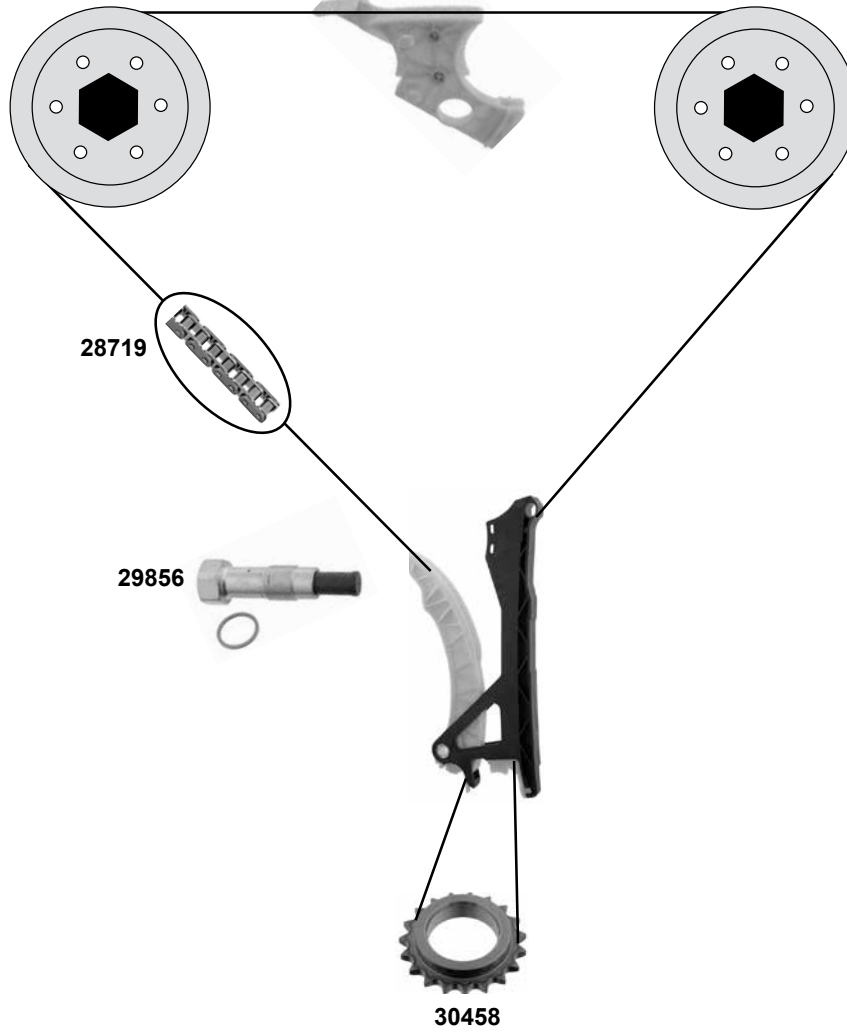
# BMW 6'er (E63/E64)

(07→11)

Car  
Division

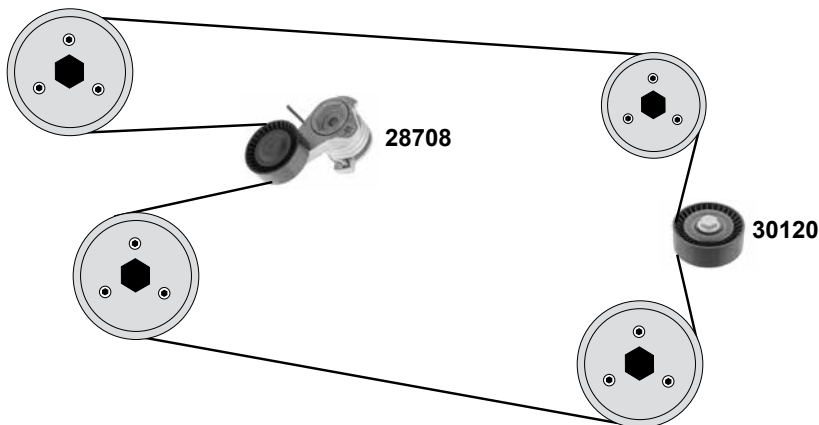


## 630 i (N53)

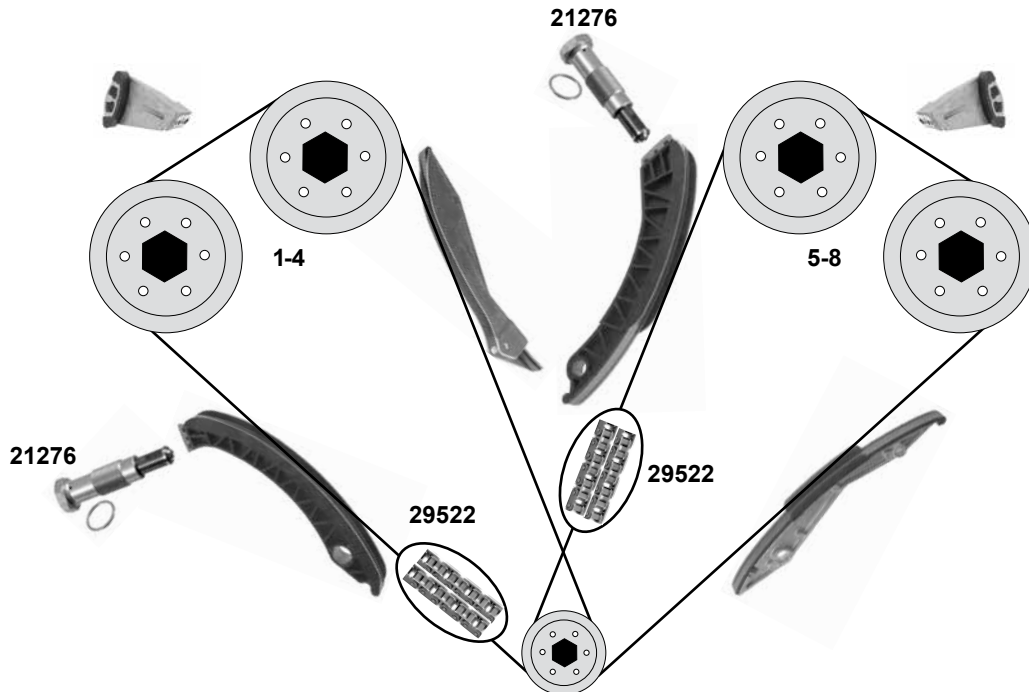


Rep. Satz / rep. kit

febi 30337



	Ref. - No.			
28708	11 28 7 530 314	Riemenspanner / belt tensioner		70x26
28719	11 31 7 516 088	Steuerkette / roller chain		144 E
29856	11 31 7 584 723	Kettenspanner / chain tensioner		
30120	11 28 7 535 860	Umlenkrolle / deflection pulley		80x26
30337	11 31 7 516 088 S2	Rep. Satz Steuerkette / rep. kit timing chain		144 E
30458	11 31 7 502 180	Kurbelwellenzahnrad / crankshaft gear		Z 19 B11,5



Rep. Satz / rep. kit

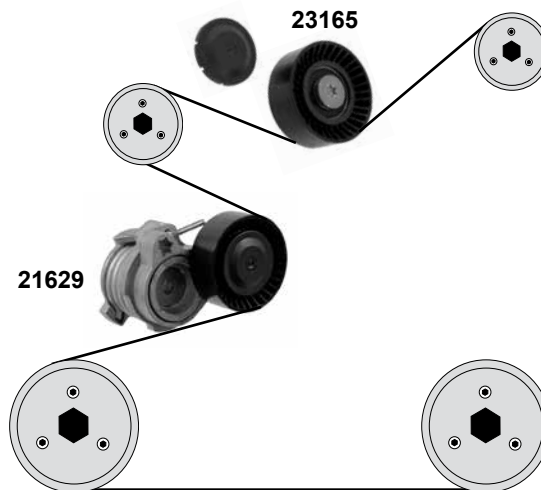


febi 30339

Rep. Satz / rep. kit



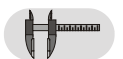
febi 30340



(1) (mot.) → 01/05 OE.No.11 31 7 533 488/11 31 7 548 033 erneuern / replace !  
Kein Satzinhalt / No contents of the kit !



Ref. - No.



<b>21276</b>	11 31 1 439 552	Kettenspanner / chain tensioner
<b>21629</b>	11 28 7 549 588	Riemenspanner / belt tensioner
<b>23165</b>	11 28 7 549 557	Umlenkrolle / deflection pulley
<b>29522</b>	11 31 7 504 468	Steuerkette, zweifach / roller chain, double
<b>30339</b>	11 31 7 504 468 S1	Rep. Satz Steuerkette / rep. kit timing chain
<b>30340</b>	11 31 7 504 468 S2	Rep. Satz Steuerkette / rep. kit timing chain

1-4 Zyl  
(1) 5-8 Zyl.

ØA 70 B26  
ØA 75 B26  
D140 E  
D140 E  
D140 E

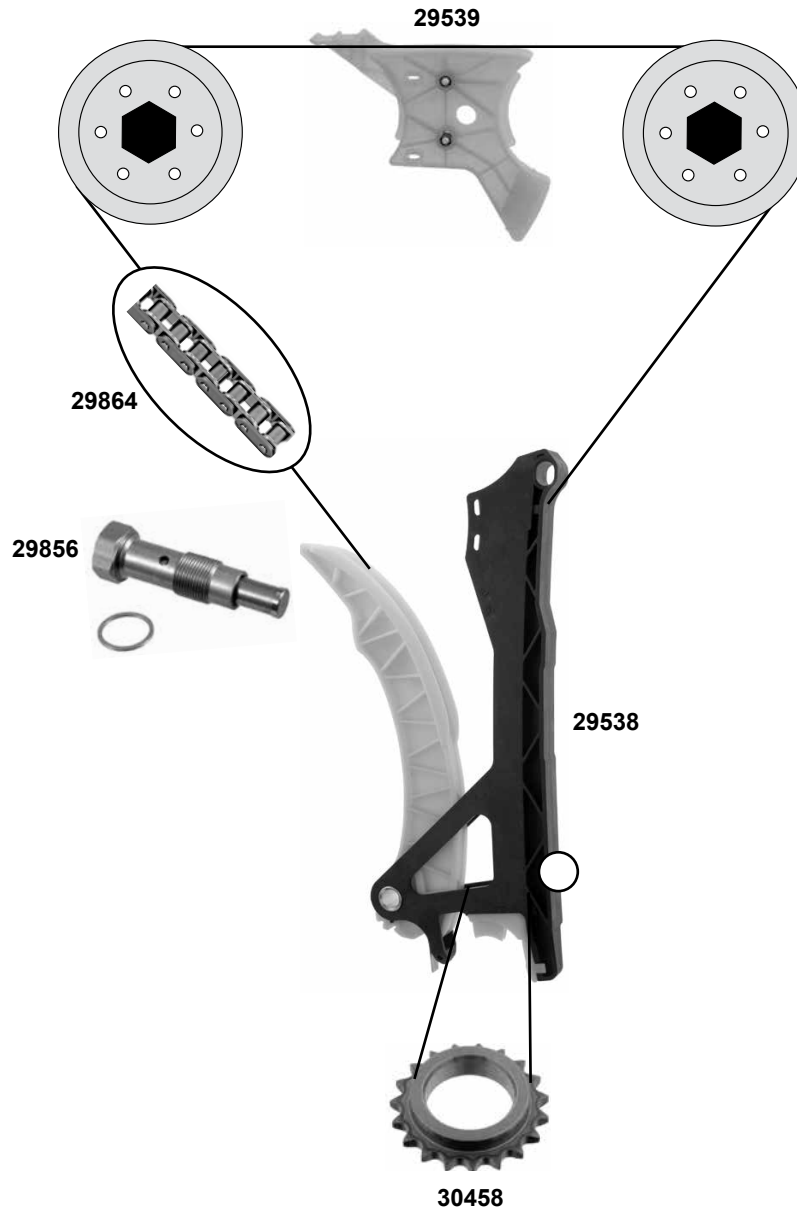
# BMW 6'er (F12/F13)

(11→)

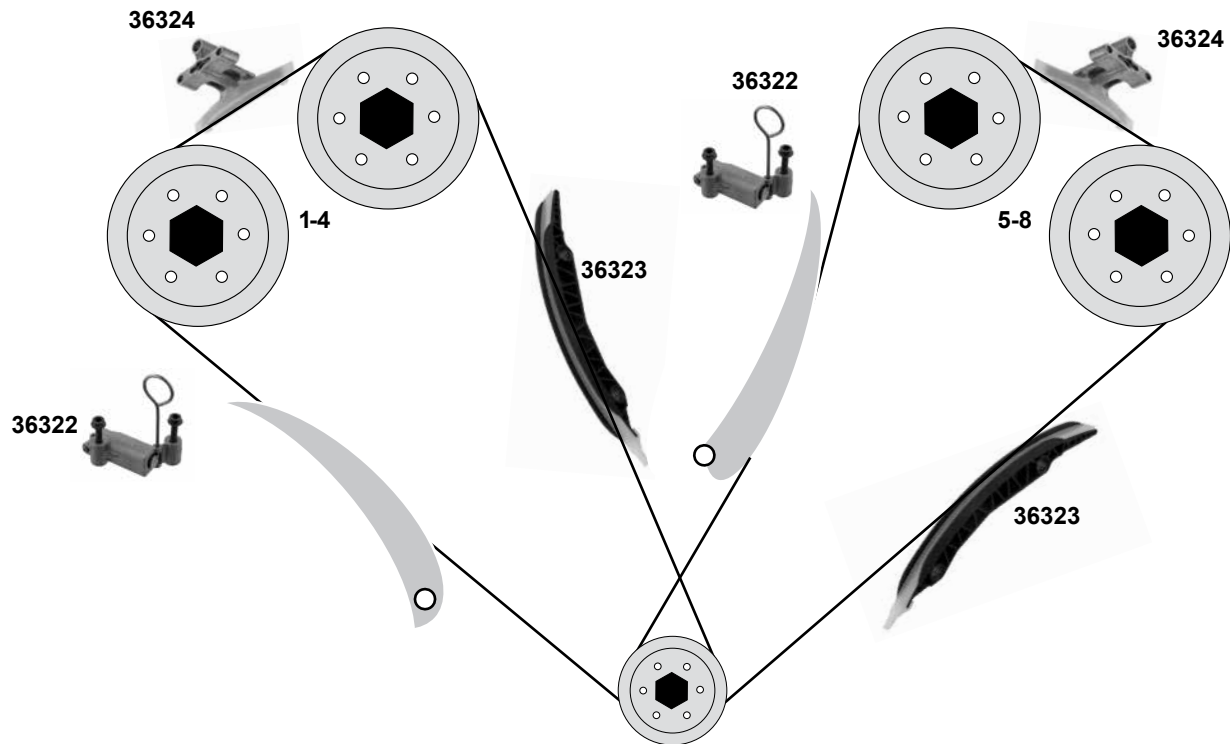
Car  
Division



## 640i (N55)



	Ref. - No.			
<b>29538</b>	11 31 7 585 020	Gleitschiene / sliding rail		
<b>29539</b>	11 31 7 592 850	Gleitschiene / sliding rail		
<b>29856</b>	11 31 7 584 723	Kettenspanner / chain tensioner		
<b>29864</b>	11 31 7 584 084	Steuerkette / roller chain		148 E
<b>30338</b>	11 31 7 584 084 S1	Rep. Satz Steuerkette / rep. kit timing chain		148 E
<b>30458</b>	11 31 7 502 180	Kurbelwellenzahnrad / crankshaft gear		Z19

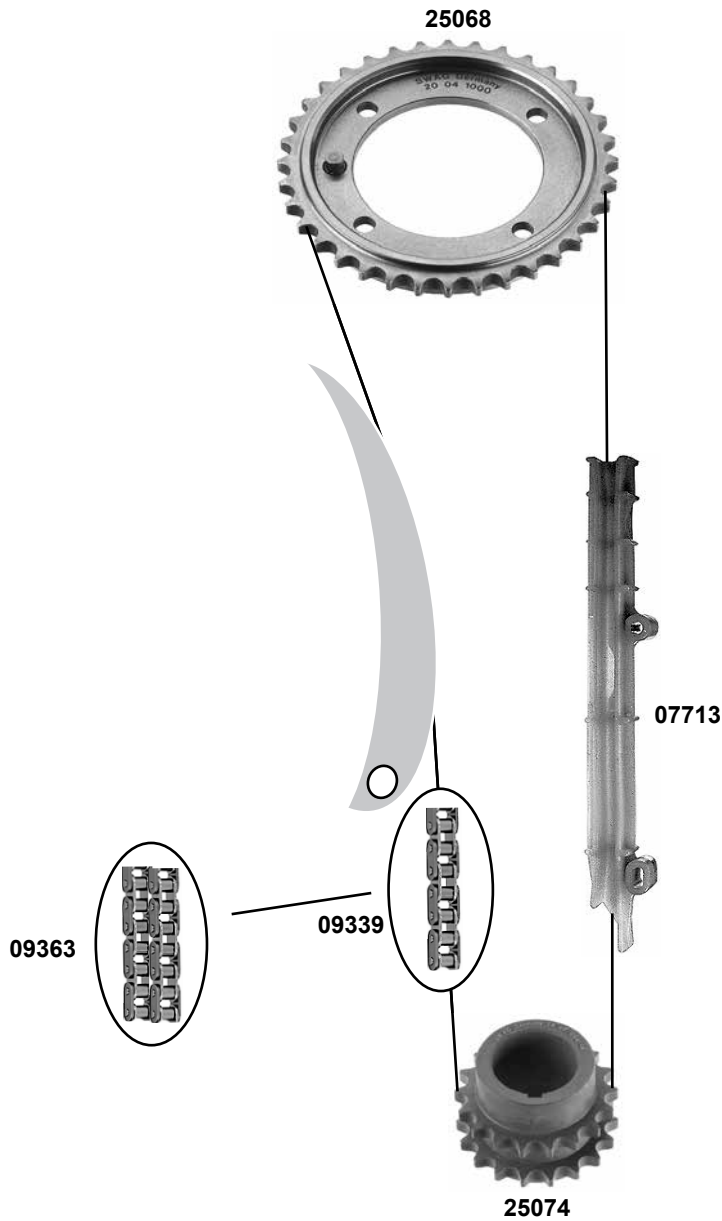


**BMW**  
**7 'er ( E23 )**  
(77→86)

**Car  
Division**



**728 → 745 i**  
(M30)



Ref. - No.

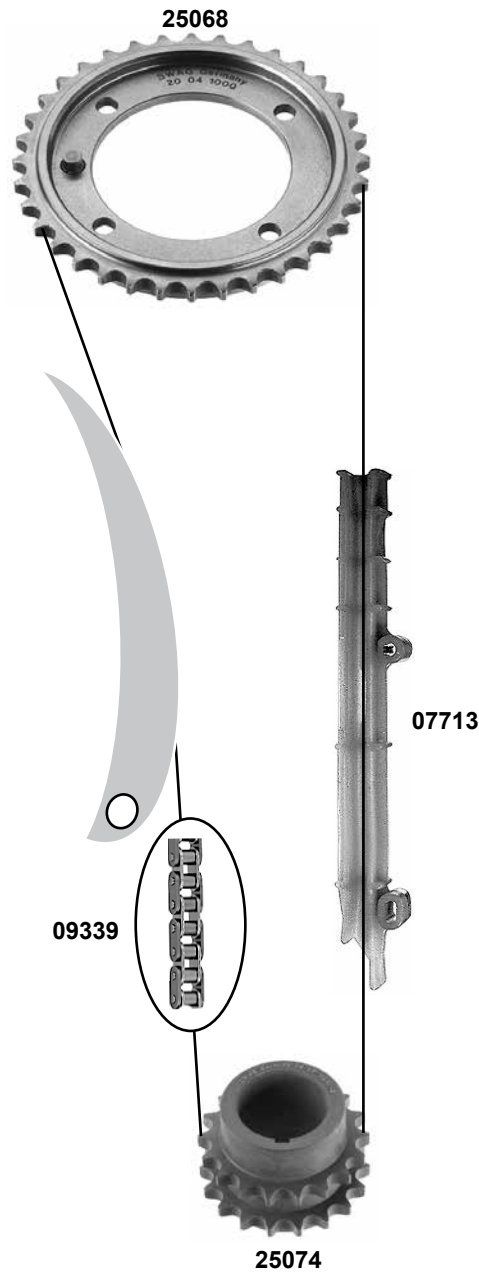


<b>07713</b>	11 31 1 253 236
<b>09339</b>	11 31 1 716 986
<b>09363</b>	11 31 0 731 105
<b>25068</b>	11 31 1 278 990
<b>25074</b>	11 21 1 265 011

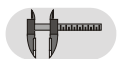
Gleitschiene / sliding rail
Steuerkette, einfach / roller chain, simple
Steuerkette, zweifach / roller chain, double
Nockenwellenrad / camshaft gear
Kurbelwellenzahnrad / crankshaft gear

Modell: 11/78 →
Modell: → 11/78
Modell: 11/78 →
Modell: 11/78 →

94 E
D 94 E
Z 36
Z 18



Ref. - No.



**07713**  
**09339**  
**25068**  
**25074**

11 31 1 253 236  
11 31 1 716 986  
11 31 1 278 990  
11 21 1 265 011

Gleitschiene / sliding rail  
Steuerkette, einfach / roller chain, simple  
Nockenwellenrad / camshaft gear  
Kurbelwellenzahnrad / crankshaft gear

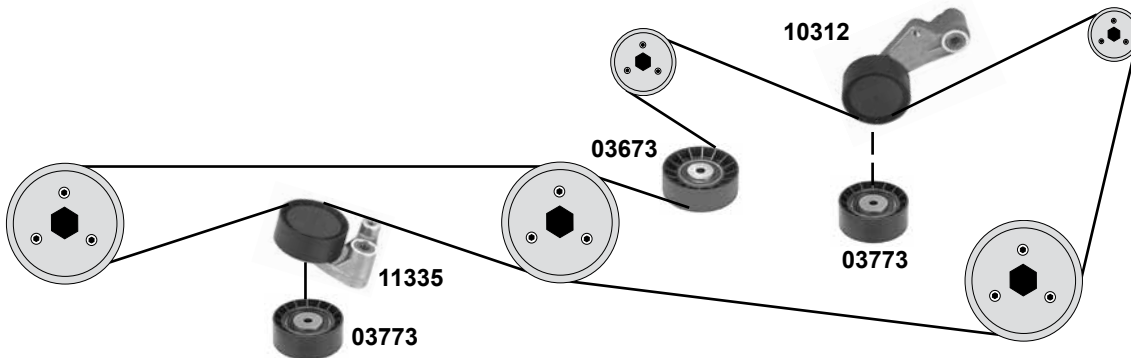
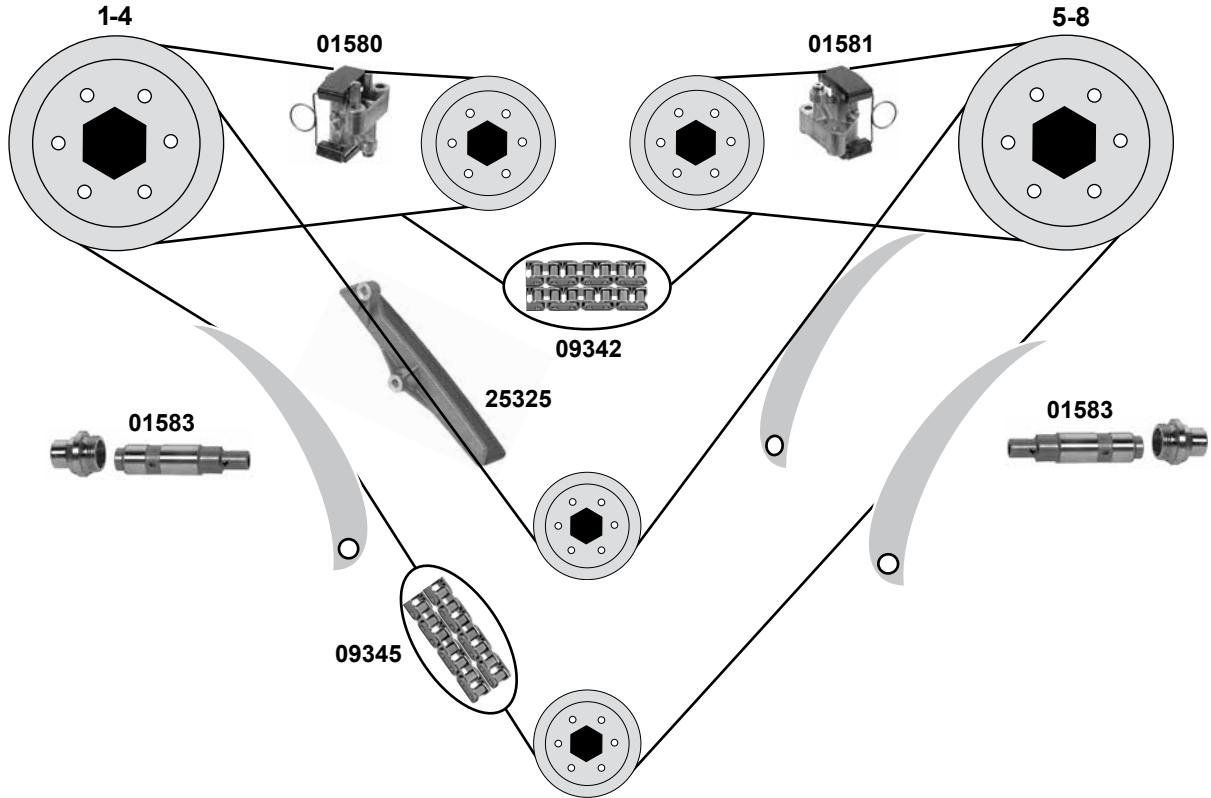
94 E  
Z 36  
Z 18

# BMW 7 'er (E32/E38) (92→95)

Car  
Division 



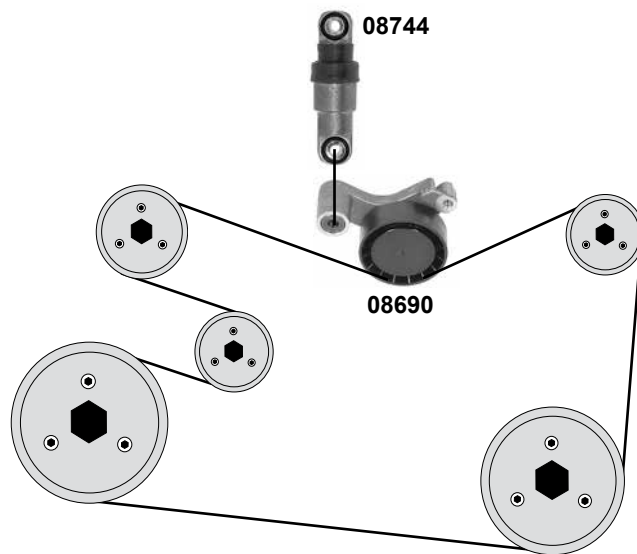
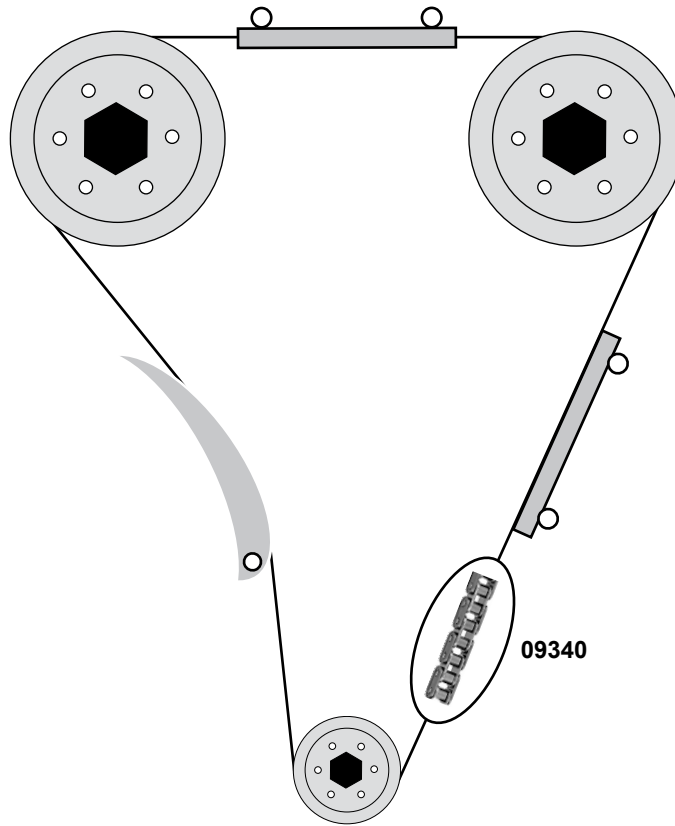
## 730 i/iL → 740 i/iL (M60)



Ref. - No.



<b>01580</b>	11 31 1 725 441	Kettenspanner / chain tensioner	
<b>01581</b>	11 31 1 725 442	Kettenspanner / chain tensioner	
<b>01583</b>	11 31 7 531 813	Kettenspanner / chain tensioner	
<b>03673</b>	11 28 1 731 838	Umlenkrolle / deflection pulley	Ø 80 x 28
<b>03773</b>	11 28 1 731 220	Spannrolle / tension roller	Ø 70 x 28
<b>09342</b>	11 31 7 512 359	Steuerkette, zweifach / roller chain, double	D54 E
<b>09345</b>	11 31 1 736 020	Steuerkette, zweifach / roller chain, double	D192 E
<b>10312</b>	11 28 1 736 724	Spannrolle / tension roller	70 x 28
<b>11335</b>	11 28 1 702 013	Spannrolle / tension roller	70 x 28
<b>25325</b>	11 31 1 741 247	Gleitschiene / guide rail	



Ref. - No.



**08690**  
**08744**  
**09340**

11 28 1 720 039  
11 28 1 715 626  
11 31 1 710 155

Spannrolle / tension roller  
Schwingungsdämpfer / vibration damper  
Steuerkette, einfach / roller chain, simple

24,5 x 75  
146 E



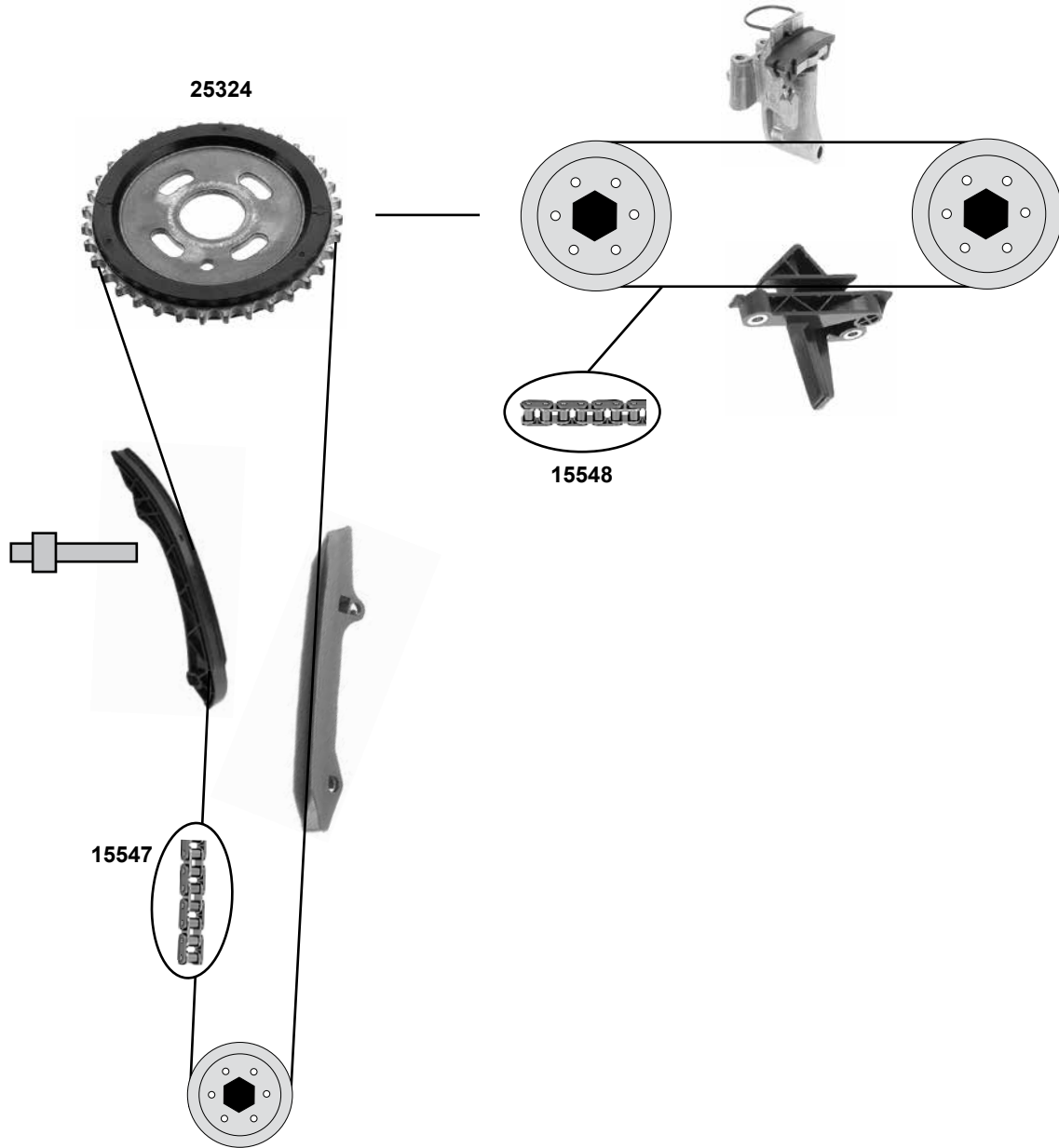
# BMW 7 'er (E38)

(94→01)

Car  
Division



## 728 i/iL (M52)



Rep. Satz / rep. kit

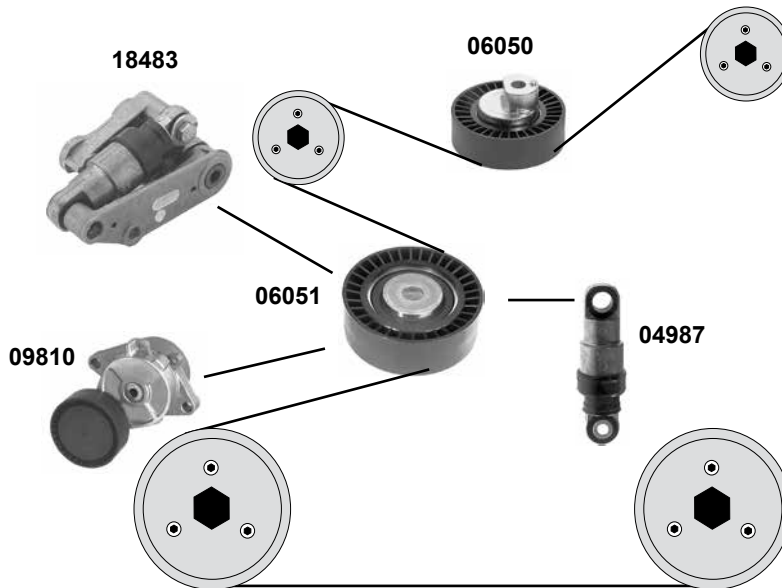
febi 30331

Rep. Satz / rep. kit

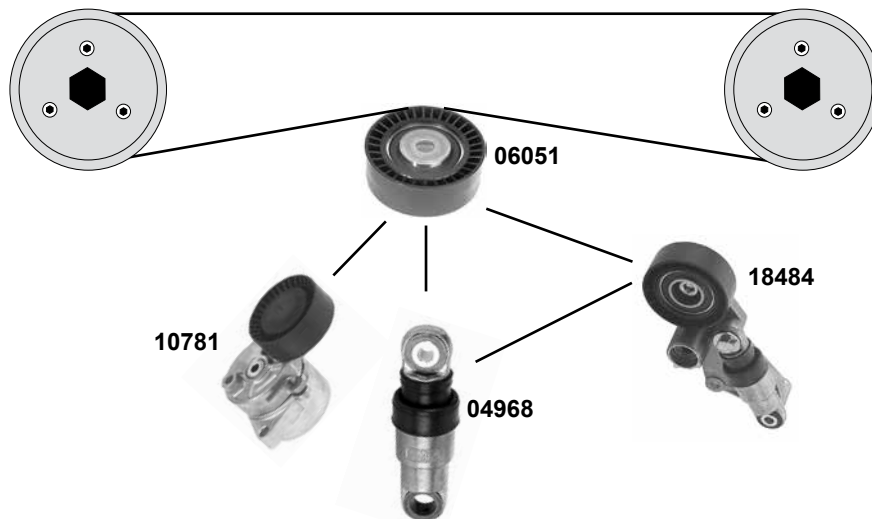
febi 30410

Ref. - No.			
15547	11 31 1 432 176	Steuerkette / timing chain	104 E
15548	11 31 1 432 177	Steuerkette / timing chain	58 E
25324	11 31 1 722 841	Nockenwellenrad / camshaft gear	Z 36
30331	11 31 1 432 177 S1	Rep. Satz Steuerkette / rep. kit timing chain	58 E
30410	11 31 1 432 176 S2	Rep. Satz Steuerkette / rep. kit timing chain	104 E

Modell: → 09/98



**AC**



	Ref. - No.			
<b>04968</b>	11 28 1 717 210	Schwingungsdämpfer / vibration damper	Modell → 03/98	80 x 24,5 70 x 24,5 70 x 24,5 70 / 78 x 26
<b>04987</b>	11 28 1 717 188	Schwingungsdämpfer / vibration damper		
<b>06050</b>	11 28 7 841 228	Umlenkrolle / deflection pulley		
<b>06051</b>	11 28 1 748 131	Spannrolle / tension roller		
<b>09810</b>	11 28 1 427 252	Riemenspanner / belt tensioner		
<b>10781</b>	11 28 1 433 571	Riemenspanner / belt tensioner		
<b>18483</b>	11 28 7 838 797	Riemenspanner / belt tensioner		
<b>18484</b>	11 28 1 717 210 S1	Riemenspanner / belt tensioner		
<b>32017</b>	11 28 7 938 797 S1	Umbausatz für Riemenspanner/ mounting kit for belt tensioner		

# BMW 7 'er (E38)

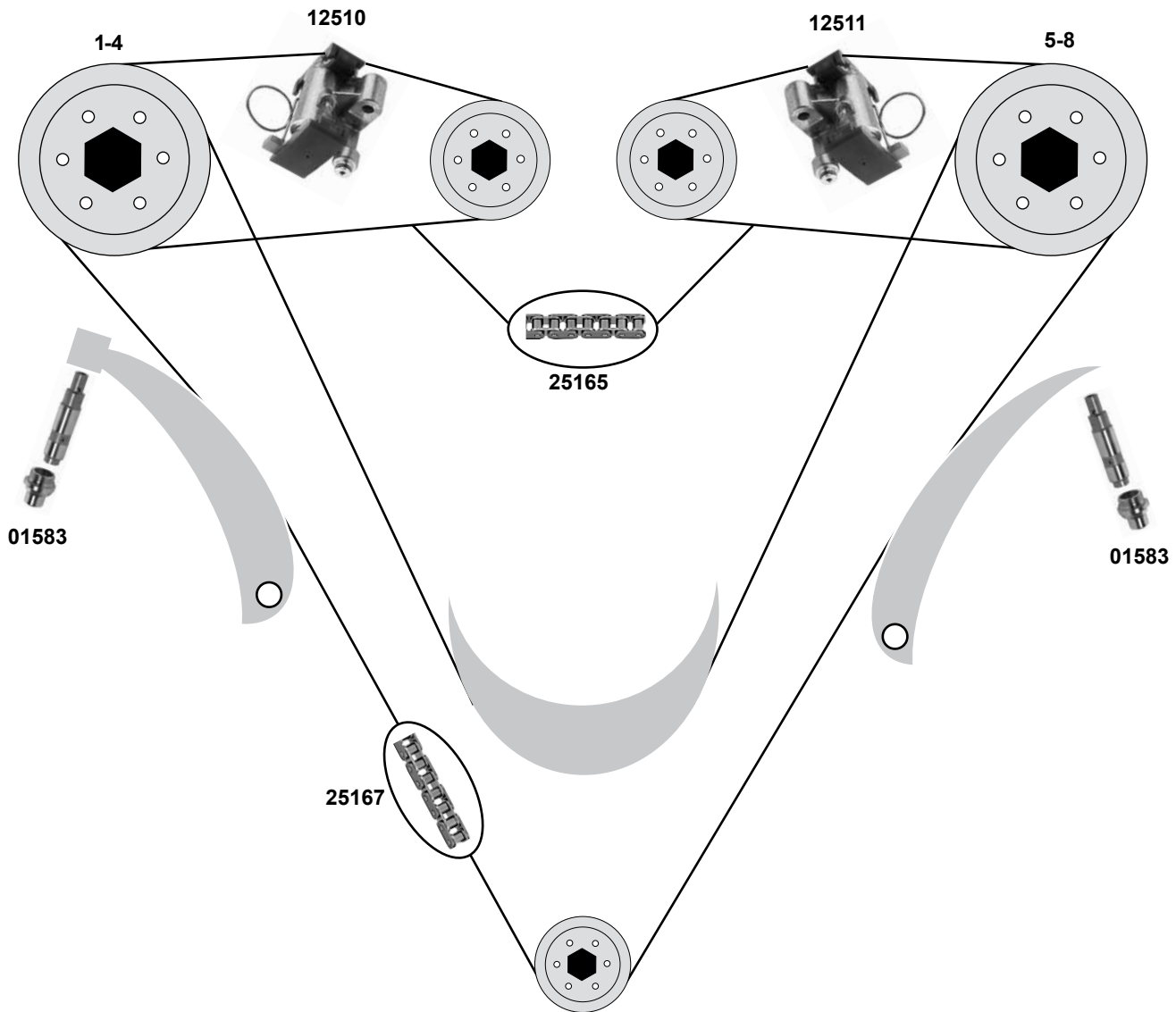
(94→01)

Car  
Division



## 735 i/iL / 740 i/iL

(M62)



Ref. - No.

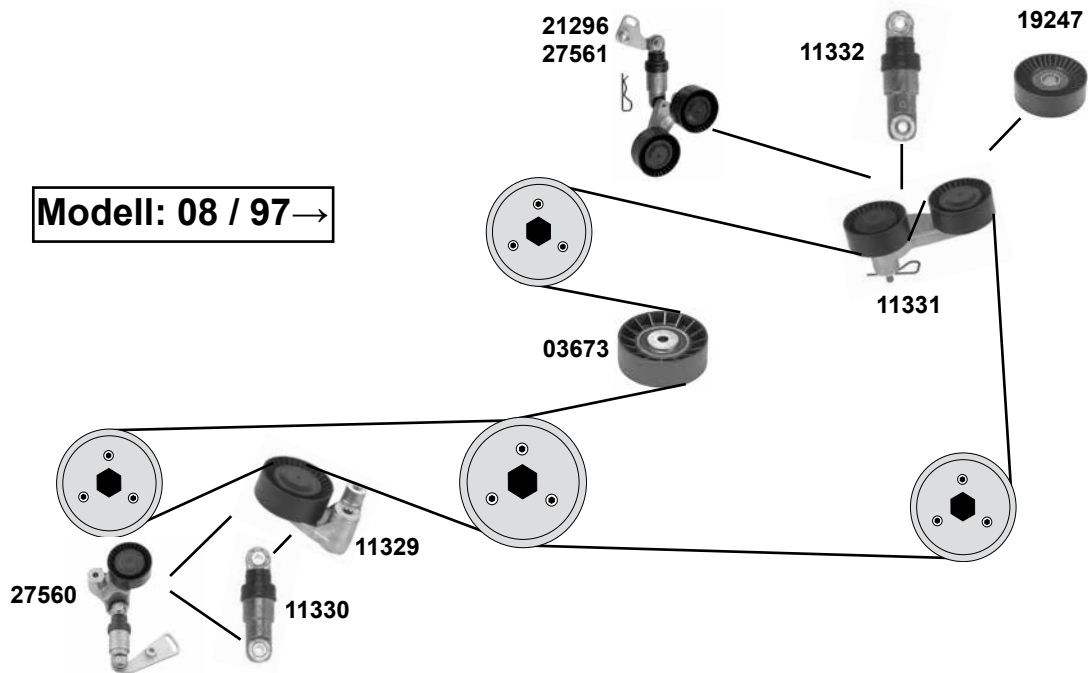
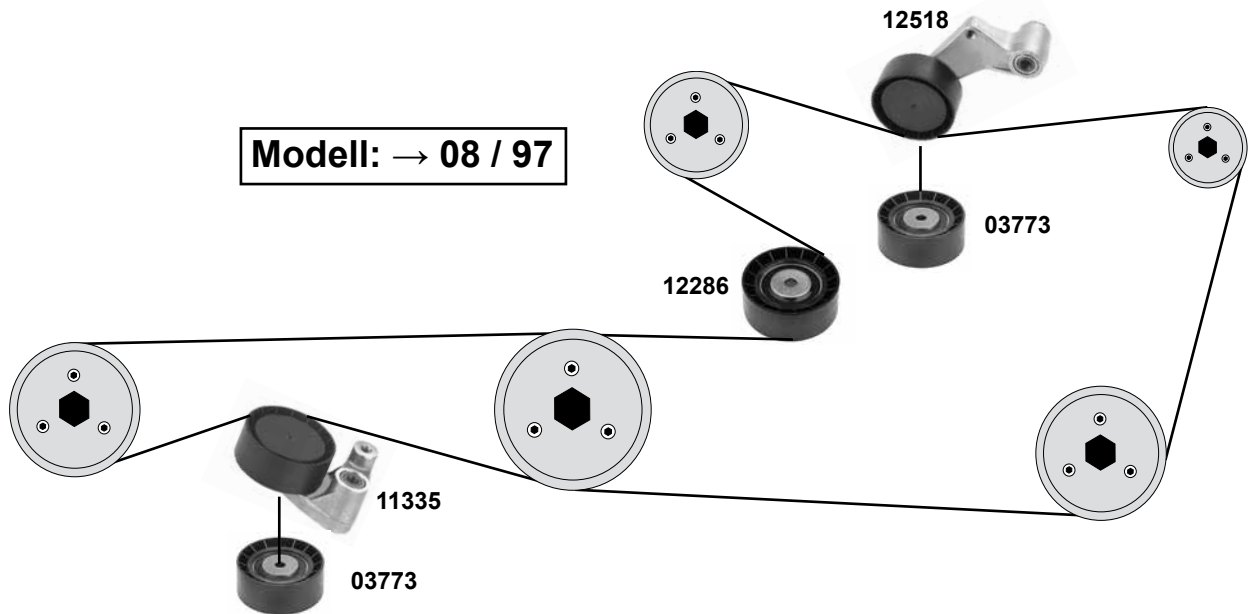


<b>01583</b>	11 31 7 531 813
<b>12510</b>	11 31 1 435 026
<b>12511</b>	11 31 1 435 027
<b>25165</b>	11 31 1 406 167
<b>25167</b>	11 31 1 741 746

Kettenspanner / chain tensioner
Kettenspanner / chain tensioner
Kettenspanner / chain tensioner
Steuerkette / roller chain
Steuerkette / roller chain

54 E  
188 E

**735 i/iL / 740 i/Li**  
(M62)



	Ref. - No.			
<b>03673</b>	11 28 1 731 838	Umlenkrolle / deflection pulley	09/98 → 05/99	Ø 80 x 28
<b>03773</b>	11 28 1 731 220	Spannrolle / tension roller		Ø 70 x 28
<b>11329</b>	11 28 1 742 859	Spannrolle / tension roller		Ø 70 x 28
<b>11330</b>	11 28 1 745 545	Schwingungsdämpfer / vibration damper		
<b>11331</b>	11 28 1 742 858	Spannrolle / tension roller	→ 09/98	Ø 70 x 28
<b>11332</b>	11 28 1 709 613	Schwingungsdämpfer / vibration damper	09/98 →	
<b>11335</b>	11 28 1 702 013	Spannrolle / tension roller		Ø 70 x 28
<b>12286</b>	11 28 1 704 500	Umlenkrolle / deflection pulley		9 x 70 x 28
<b>12518</b>	11 28 1 742 013	Spannrolle / tension roller		Ø 70 x 28
<b>19247</b>	11 28 7 500 560	Umlenkrolle / deflection pulley	05/99 →	ØA 80 x 28
<b>21296</b>	11 28 7 515 865 S1	Riemenspanner / belt tensioner	09/98 →	
<b>27560</b>	11 28 1 745 547	Riemenspanner / belt tensioner	09/97 →	Ø 70 x 26
<b>27561</b>	11 28 1 745 546	Riemenspanner / belt tensioner	08/97 → 09/98	Ø 70 x 28

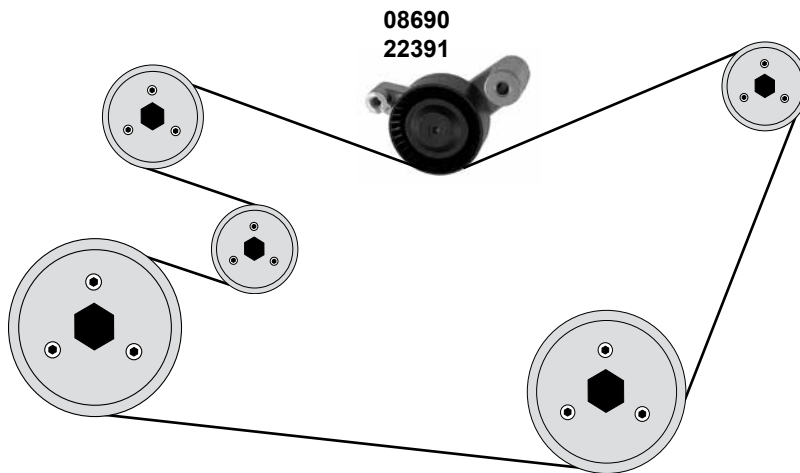
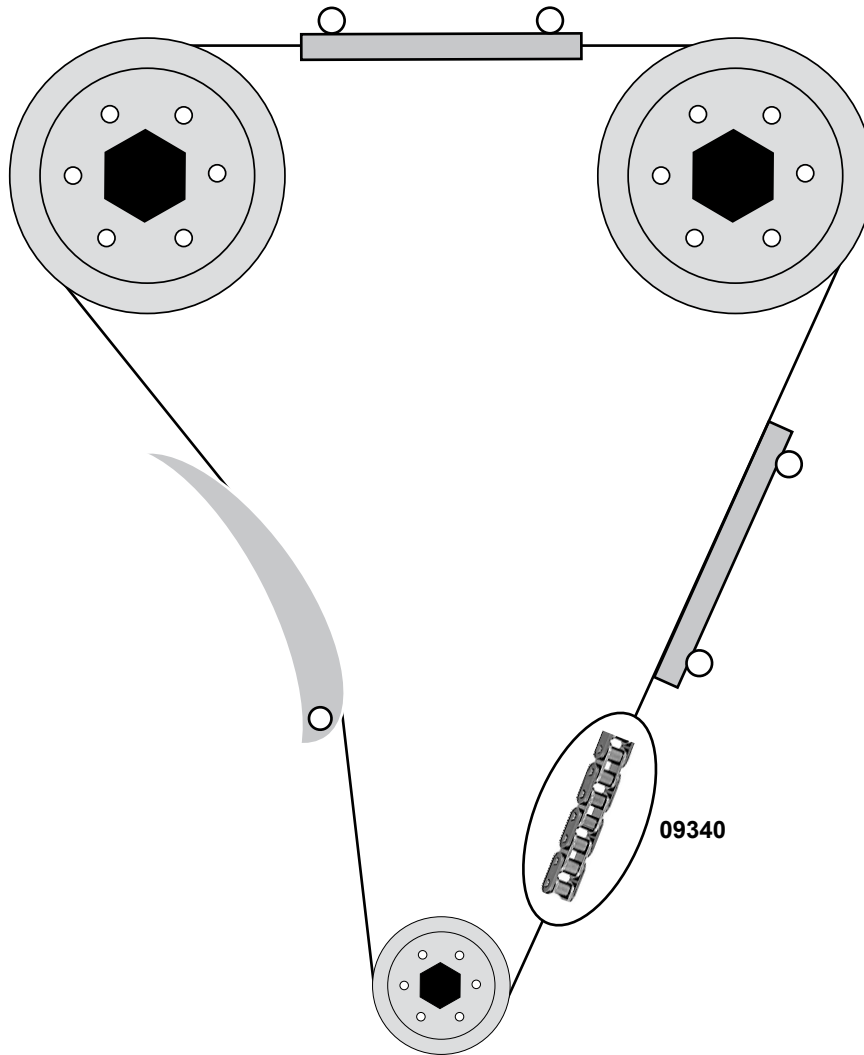
# BMW 7 'er (E38)

(94→01)

Car  
Division



## 750 i/iL (M73)



Ref. - No.

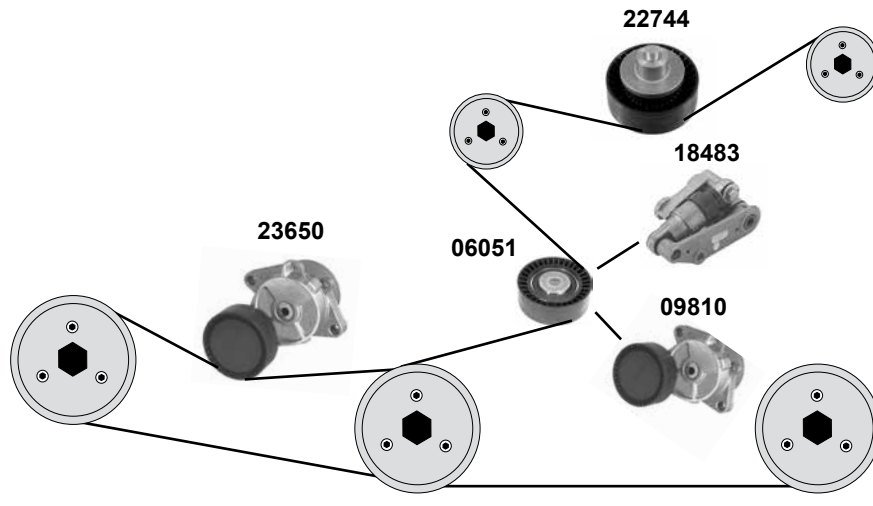
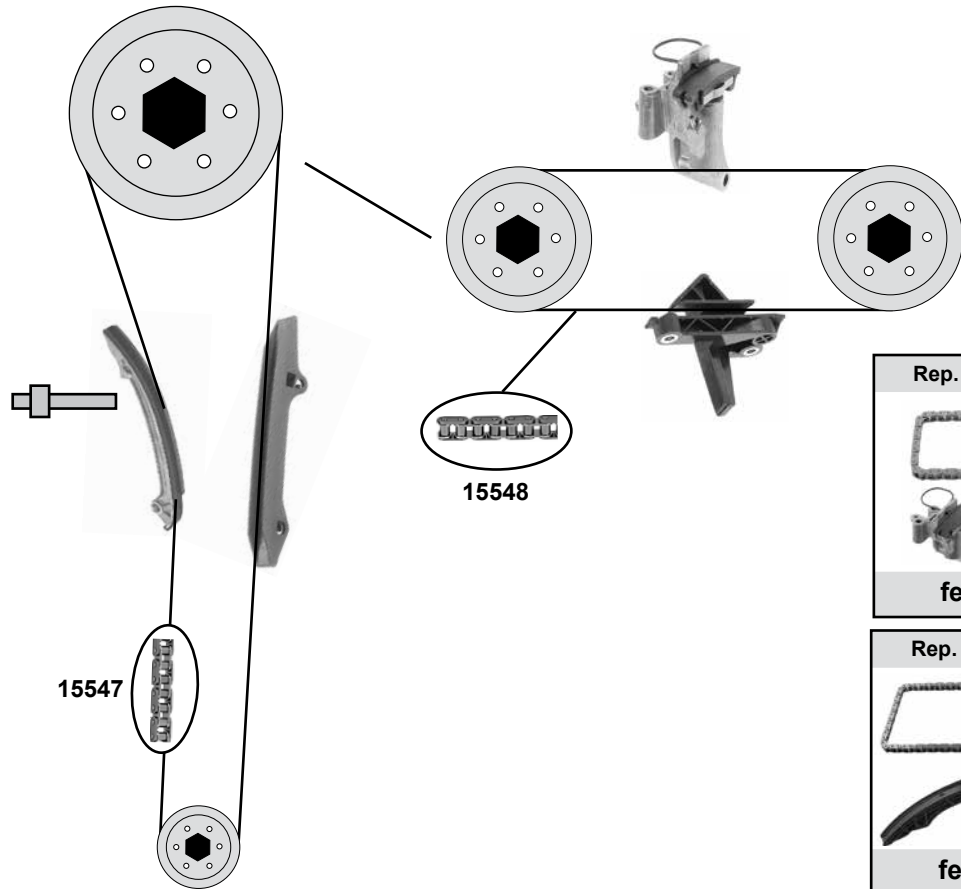


<b>08690</b>	11 28 1 720 039
<b>09340</b>	11 31 1 710 155
<b>22391</b>	11 28 1 745 550

Spannrolle / tension roller
Steuerkette, einfach / roller chain, simple
Spannrolle / tension roller

Modell: → 09/98
09/98 →

24,5 x 75
458 / 146 E



	Ref. - No.			
<b>06051</b>	11 28 1 748 131	Spannrolle / tension roller		70 x 24,5
<b>09810</b>	11 28 1 427 252	Riemenspanner / belt tensioner	mechanisch/ mechanical	70 x 24,5
<b>15547</b>	11 31 1 432 176	Steuerkette / roller chain		104 E
<b>15548</b>	11 31 1 432 177	Steuerkette / roller chain		58 E
<b>18483</b>	11 28 7 838 797	Riemenspanner / belt tensioner	hydraulisch/ hydraulic	
<b>22744</b>	11 28 7 516 847	Umlenkrolle / deflection pulley		ØA 75 x 26
<b>23650</b>	11 28 7 512 758	Riemenspanner / belt tensioner		70 x 24,5
<b>30331</b>	11 31 1 432 177 S1	Rep. Satz Steuerkette / rep. kit timing chain		58 E
<b>30410</b>	11 31 1 432 176 S2	Rep. Satz Steuerkette / rep. kit timing chain		104 E
<b>32017</b>	11 28 7 938 797 S1	Umbausatz für Riemenspanner/ mounting kit for belt tensioner		

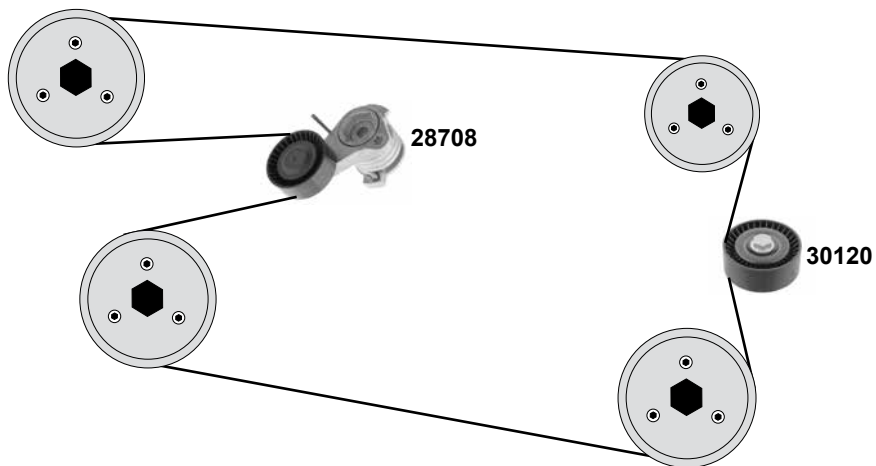
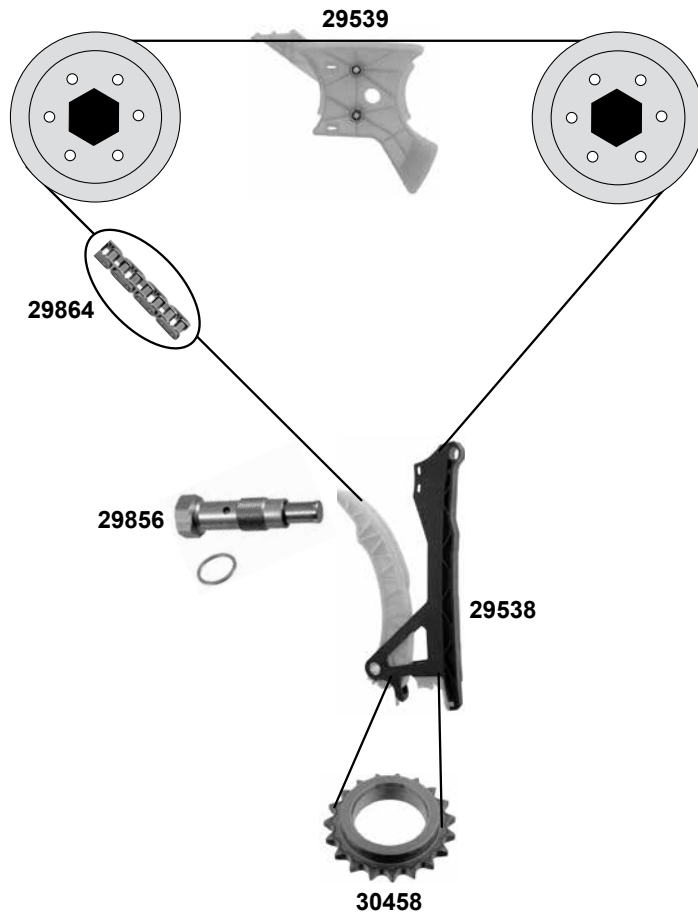
# BMW 7 'er (E65/E66)

(05→08)

Car  
Division

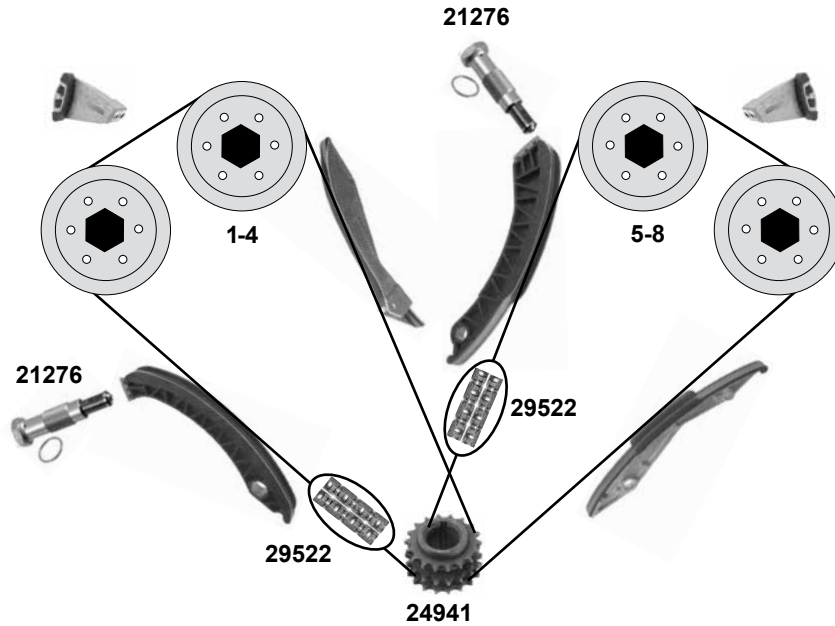


## 730 i/Li (N52)



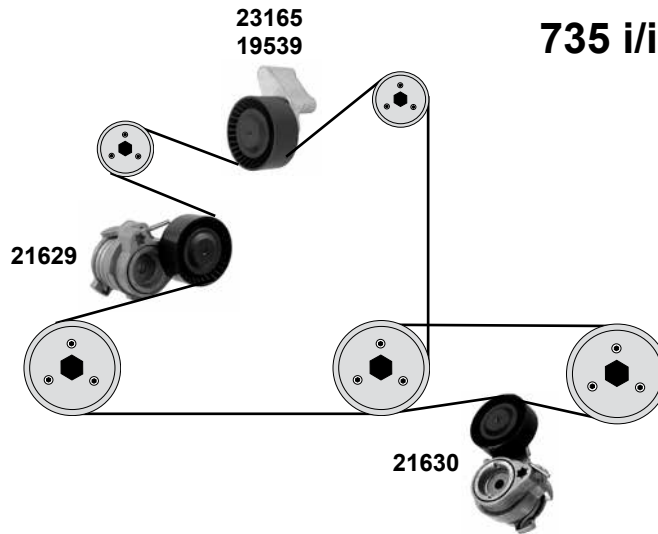
	Ref. - No.			
<b>28708</b>	11 28 7 530 314	Riemenspanner/ belt tensioner		70x26
<b>29538</b>	11 31 7 585 020	Gleitschiene / sliding rail	E65 730i / E66 730Li	
<b>29539</b>	11 31 7 592 850	Gleitschiene / sliding rail	E65 730i / E66 730Li	
<b>29856</b>	11 31 7 584 723	Kettenspanner / chain tensioner	E65 730i / E66 730Li	
<b>29864</b>	11 31 7 584 084	Steuerkette / roller chain	E65 730i / E66 730Li	148E
<b>30120</b>	11 28 7 535 860	Umlenkrolle / deflection pulley		80x26
<b>30338</b>	11 31 7 584 084 S1	Rep. Satz Steuerkette / rep. kit timing chain	E65 730i / E66 730Li	148 E
<b>30458</b>	11 31 7 502 180	Kurbelwellenzahnrad / crankshaft gear	E65 730i / E66 730Li	Z19

**735 i/Li / 740i/Li / 745i/Li / 750 i/Li**  
(N62/N62N)



Rep. Satz / rep. kit
<b>febi 30339</b>
Rep. Satz / rep. kit
<b>febi 30340</b>

**735 i/iL / 745i/iL / 745 LiS**  
(N62)  
**760 i/iL / 760 LiS**  
(N73)



- (1) 760i alle / all  
735 i/iL, 745 i/iL → 09/03
- (2) (mot.) N62/N62N 10/03 →
- (3) E65 735i,740i,745i,750i / E66 735i,740i,745i,750i
- (4) (mot.) → 01/05 Ref.-No.11 31 7 533 488/11 31 7 548 033 erneuern / replace !  
kein Satzinhalt / No contents of the kit !



	Ref. - No.			
<b>19539</b>	11 28 7 574 834	Umlenkrolle / deflection pulley	(1)	ØA 70 B26
<b>21276</b>	11 31 1 439 552	Kettenspanner / chain tensioner	(mot.) N62	
<b>21629</b>	11 28 7 549 588	Riemenspanner / belt tensioner		ØA 70 B26
<b>21630</b>	11 28 7 549 589	Riemenspanner / belt tensioner	AC (1)	ØA 70 B24,5
<b>23165</b>	11 28 7 549 557	Umlenkrolle / deflection pulley	(2)	ØA 75 B26
<b>24941</b>	11 21 7 504 725	Kurbelwellenzahnrad / camshaft gear	(mot.) N62	
<b>29522</b>	11 31 7 504 468	Steuerkette, zweifach / roller chain, double	(mot.) N62	D 140 E
<b>30339</b>	11 31 7 504 468 S1	Rep. Satz Steuerkette / rep. kit timing chain	1-4	D140 E
<b>30340</b>	11 31 7 504 468 S2	Rep. Satz Steuerkette / rep. kit timing chain	(3) (4) 5-8	D140 E



# BMW 7'er (E65/E66)

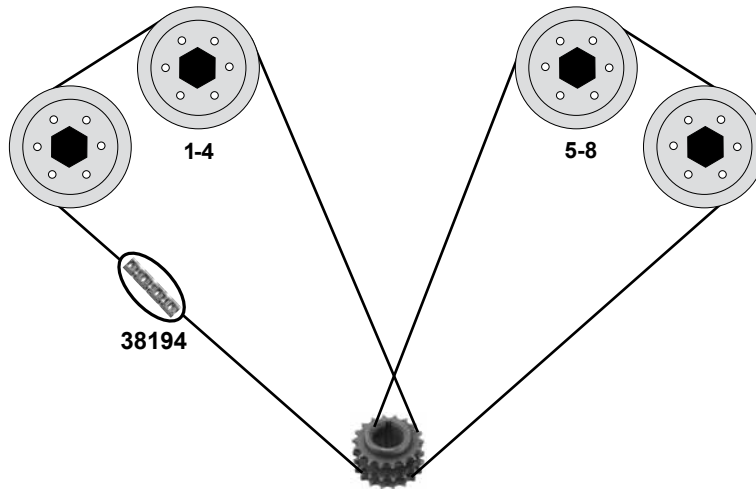
(01→08)

Car  
Division



## 760 i/Li

(N73)

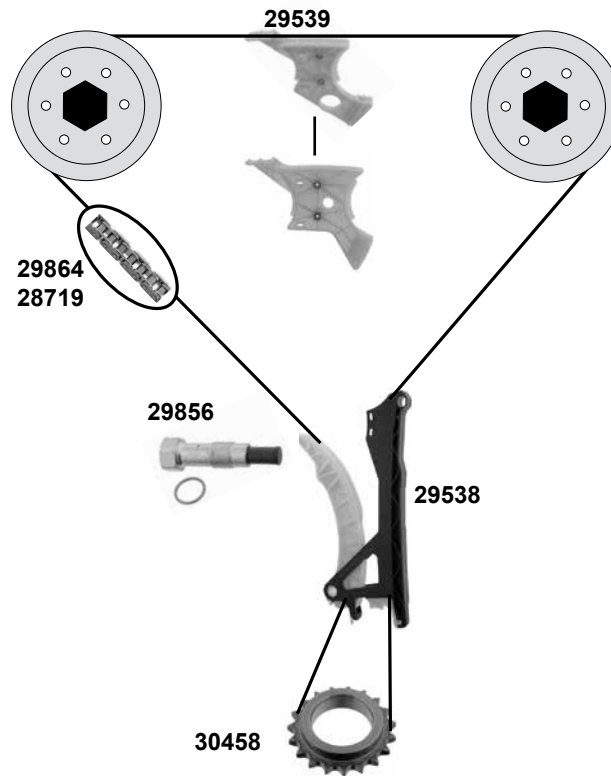


## 7'er (F01/F02)

(08→)

### 730 i/Li / 740 i/Li

(N52/N/N54)



(1) F 01 730i (mot.) (mot.) N52N / F 02 730Li (mot.) N52N

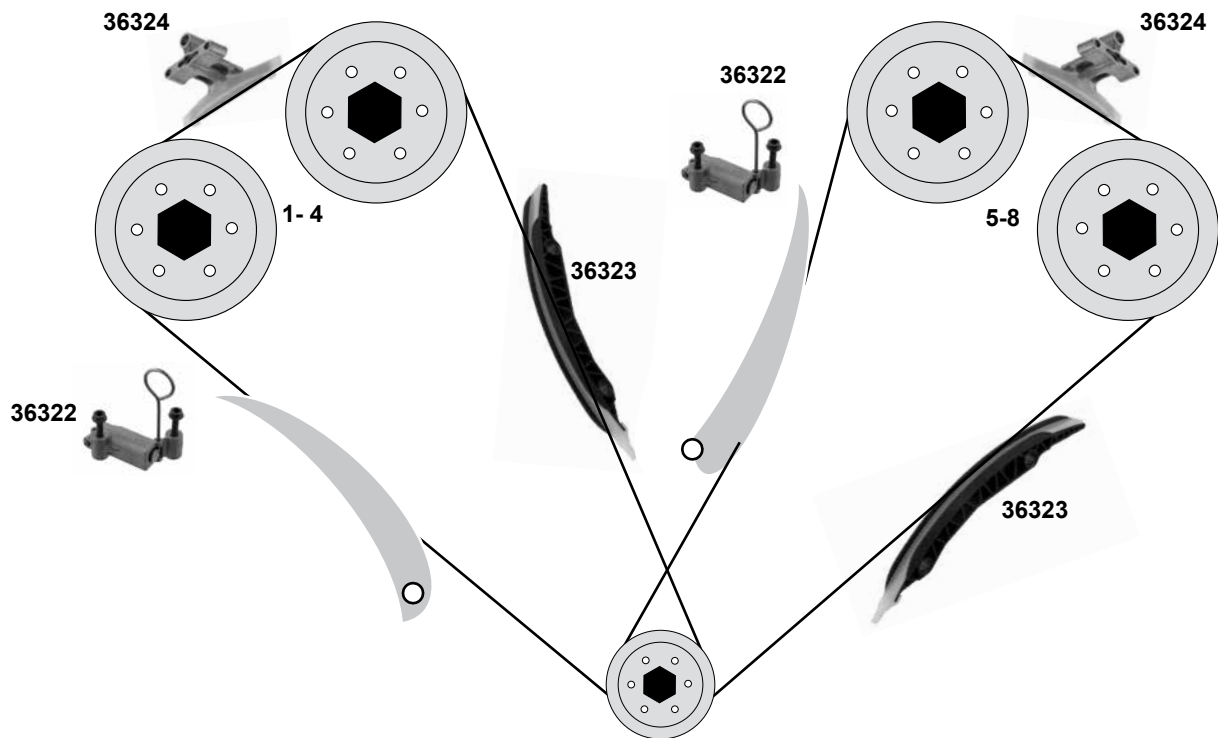
(2) F 01 730i (mot.) (mot.) N52/N / F 02 730Li (mot.) N52N

(3) F01 730/740i / F02 730/740Li



Ref. - No.			
28719	11 31 7 516 088	Steuerkette / roller chain	(mot.) N54 144E
29538	11 31 7 585 020	Gleitschiene / sliding rail	(1)
29539	11 31 7 592 850	Gleitschiene / sliding rail	(1)
29856	11 31 7 584 723	Kettenspanner / chain tensioner	
29864	11 31 7 584 084	Steuerkette / roller chain	(2) 148E
30337	11 31 7 516 088 S1	Rep. Satz Steuerkette / rep. kit timing chain	(mot.) N54 144E
30338	11 31 7 584 084 S1	Rep. Satz Steuerkette / rep. kit timing chain	(1) 148E
30458	11 31 7 502 180	Kurbelwellenzahnrad / crankshaft gear	(3) Z19
38194	11 31 1 439 853 S3	Steuerkette / timing chain	138 E

**750 i/ix / 750 Li/Lix / 7 Hybrid/L**  
(N63)



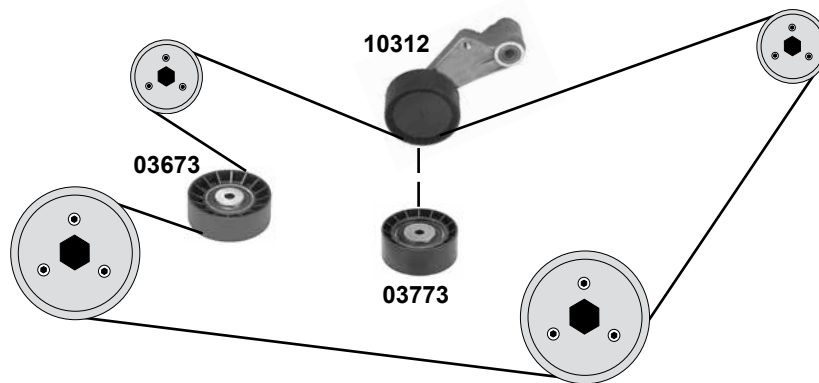
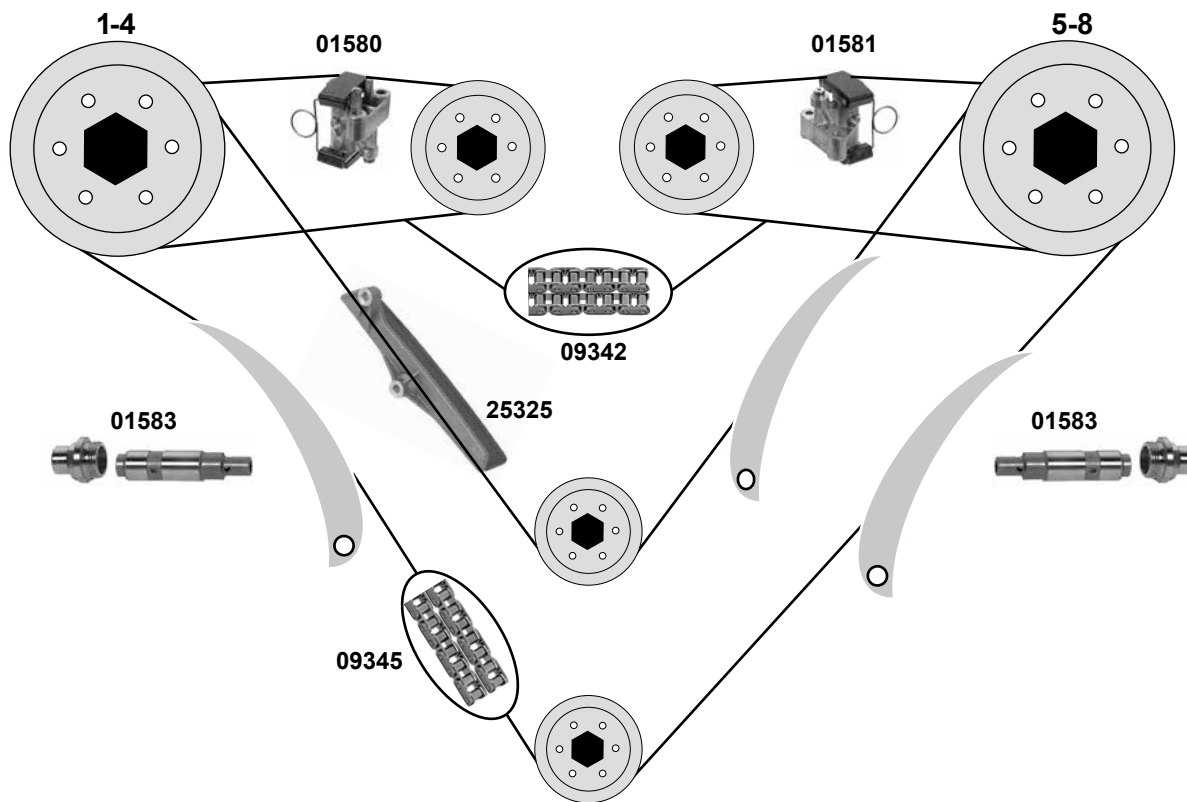
# BMW 8'er (E31)

(90→99)

Car  
Division 



## 840 Ci (M60)

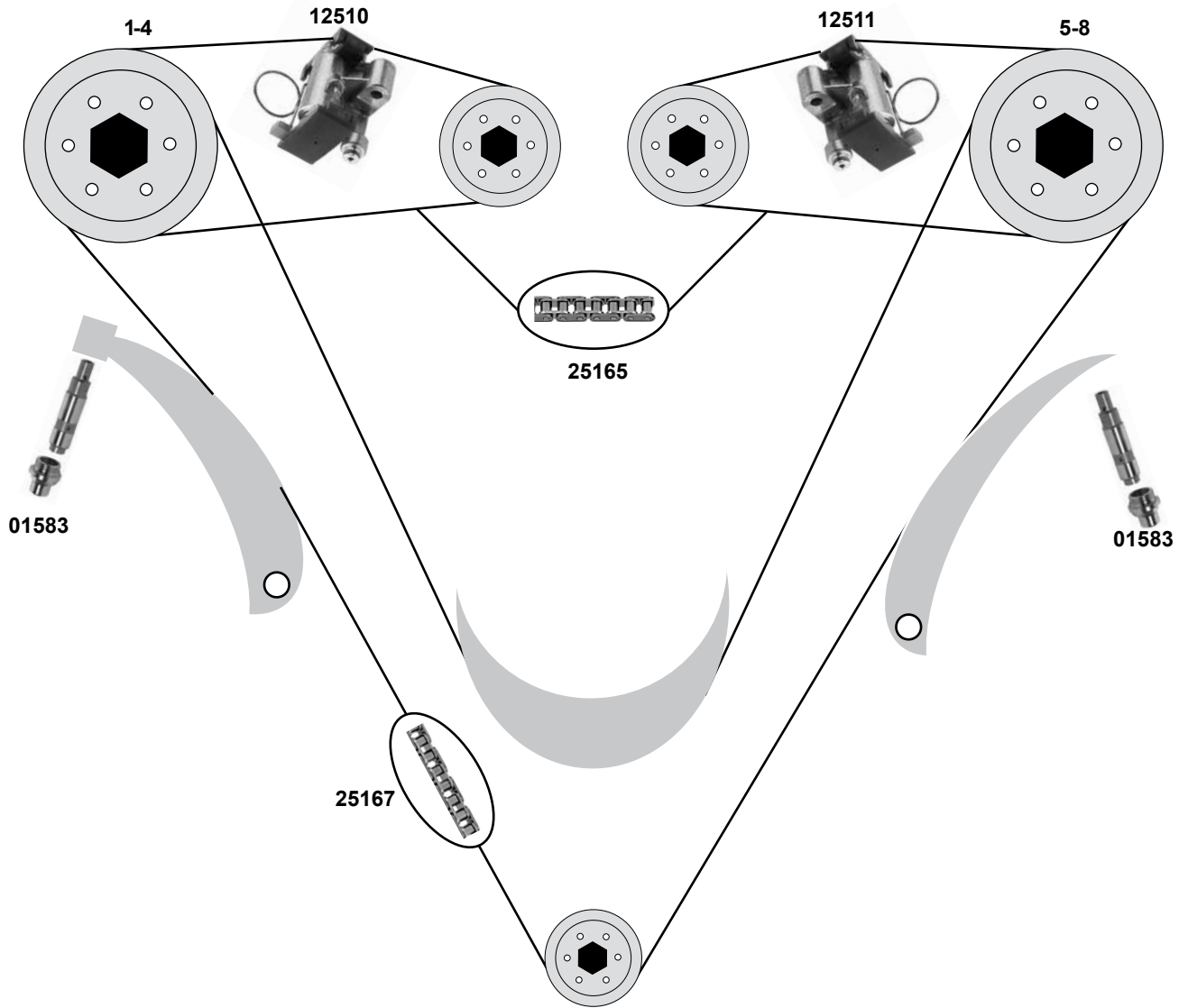


Ref. - No.



<b>01580</b>	11 31 1 725 441	Kettenspanner / chain tensioner
<b>01581</b>	11 31 1 725 442	Kettenspanner / chain tensioner
<b>01583</b>	11 31 7 531 813	Kettenspanner / chain tensioner
<b>03673</b>	11 28 1 731 838	Umlenkrolle / deflection pulley
<b>03773</b>	11 28 1 731 220	Spannrolle / tension roller
<b>09342</b>	11 31 7 512 359	Steuerkette, zweifach / timing chain, double
<b>09345</b>	11 31 1 736 020	Steuerkette, zweifach / timing chain, double
<b>10312</b>	11 28 1 736 724	Spannrolle / tension roller
<b>25325</b>	11 31 1 741 247	Gleitschiene / guide rail

Ø 80 x 28  
Ø 70 x 28  
D54 E  
D192 E  
70 x 28



Ref. - No.



<b>01583</b>	11 31 7 531 813	Kettenspanner / chain tensioner
<b>12510</b>	11 31 1 435 026	Kettenspanner / chain tensioner
<b>12511</b>	11 31 1 435 027	Kettenspanner / chain tensioner
<b>25165</b>	11 31 1 406 167	Steuerkette / timing chain
<b>25167</b>	11 31 1 741 746	Steuerkette / timing chain

54 E  
188 E

# BMW 8 'er (E31)

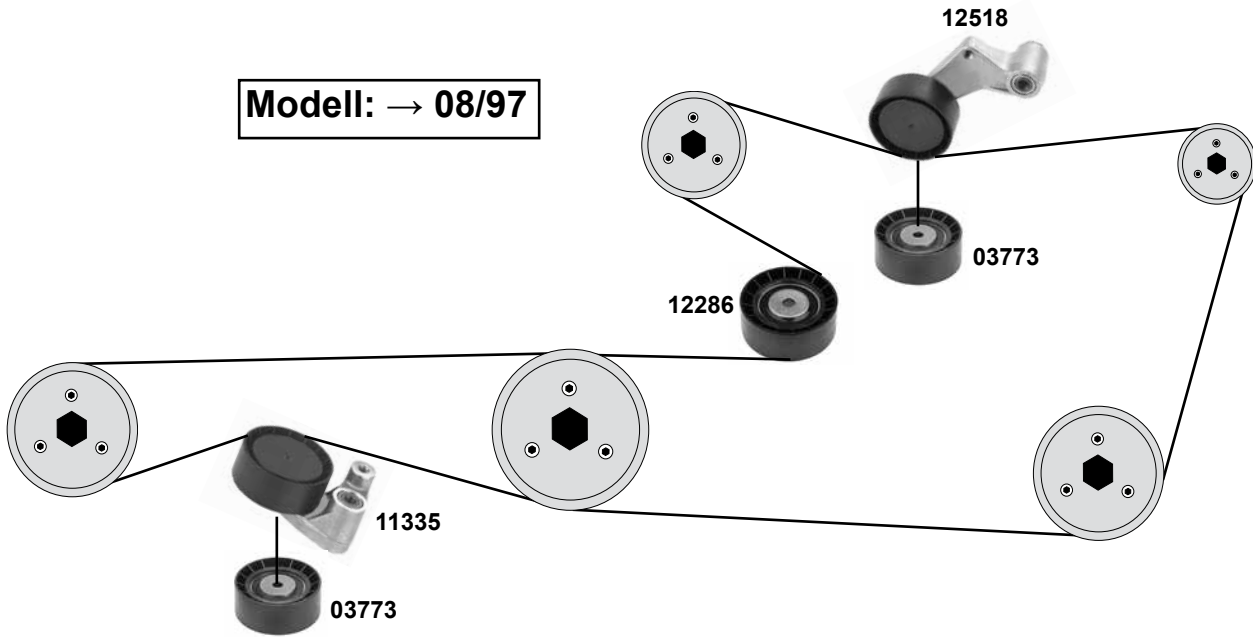
(90→99)

Car  
Division

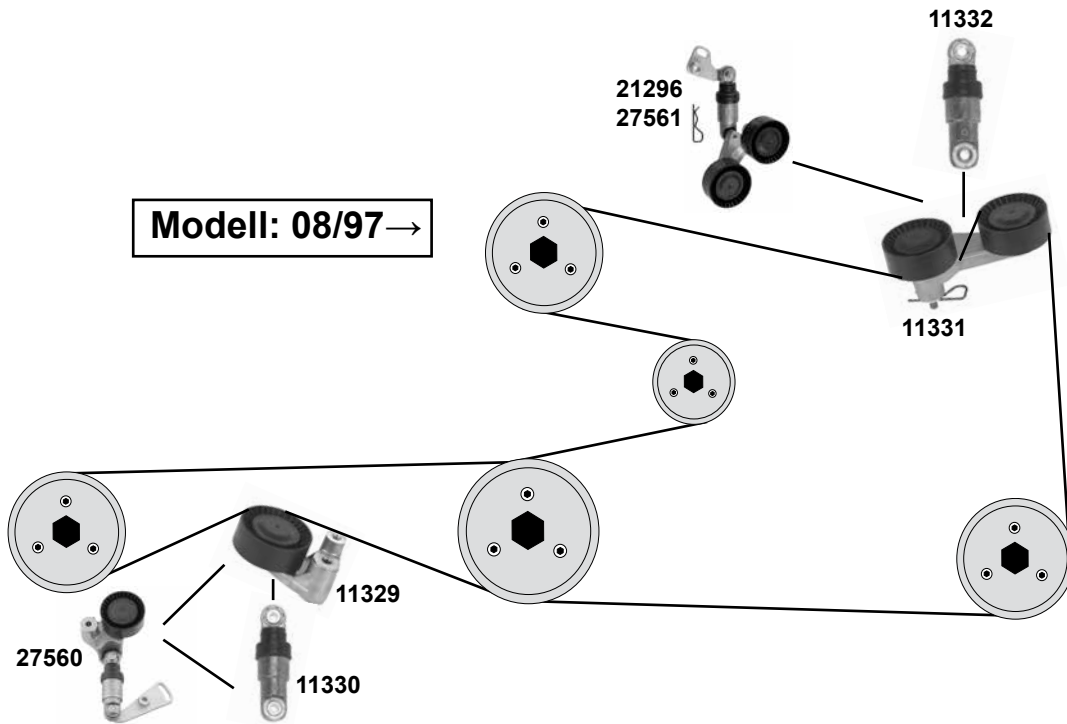


## 840 Ci (M62)

**Modell: → 08/97**



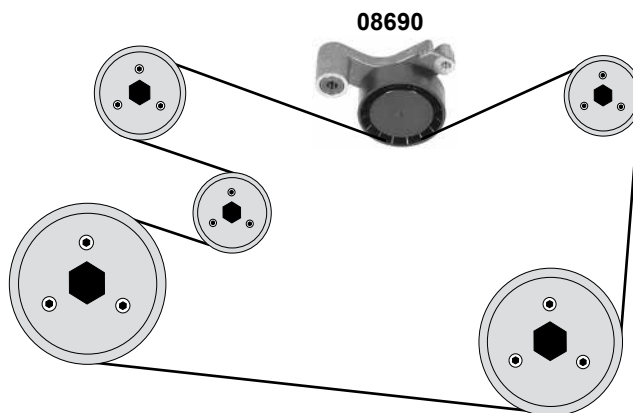
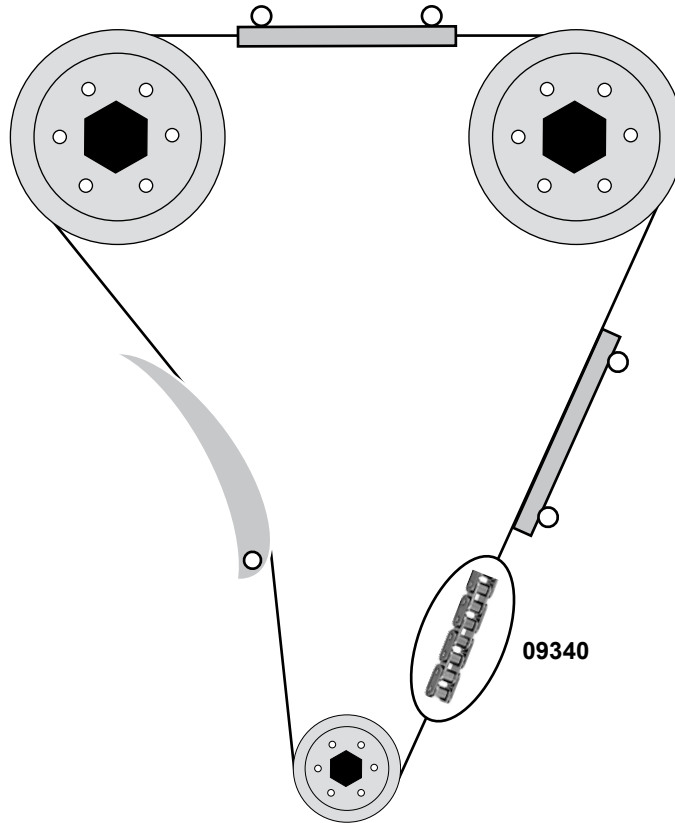
**Modell: 08/97→**



Ref. - No.



<b>03773</b>	11 28 1 731 220	Spannrolle / tension roller		Ø 70 x 28
<b>11329</b>	11 28 1 742 859	Spannrolle / tension roller	<b>AC</b>	Ø 70 x 26
<b>11330</b>	11 28 1 745 545	Schwingungsdämpfer / vibration damper	<b>AC</b>	
<b>11331</b>	11 28 1 742 858	Spannrolle / tension roller	Modell: → 09/98	Ø 70 x 28
<b>11332</b>	11 28 1 709 613	Schwingungsdämpfer / vibration damper		
<b>11335</b>	11 28 1 702 013	Spannrolle / tension roller		Ø 70 x 28
<b>12286</b>	11 28 1 704 500	Umlenkrolle / deflection pulley		Ø 70 x 28
<b>12518</b>	11 28 1 742 013	Spannrolle / tension roller		Ø 70 x 28
<b>21296</b>	11 28 7 515 865 S1	Riemenspanner / belt tensioner	09/98 →	
<b>27560</b>	11 28 1 745 547	Riemenspanner / belt tensioner	<b>AC</b> 09/97→	Ø 70 x 26
<b>27561</b>	11 28 1 745 546	Riemenspanner / belt tensioner	08/97→09/98	



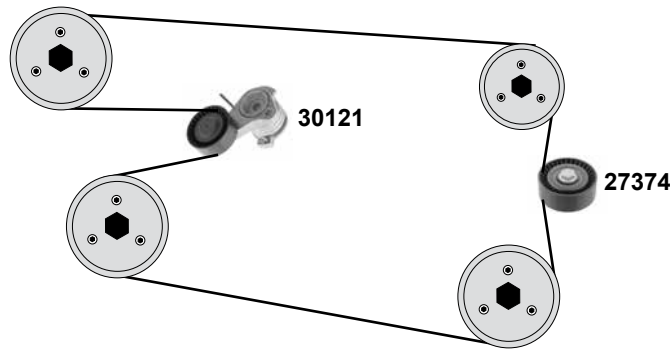
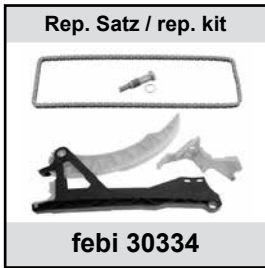
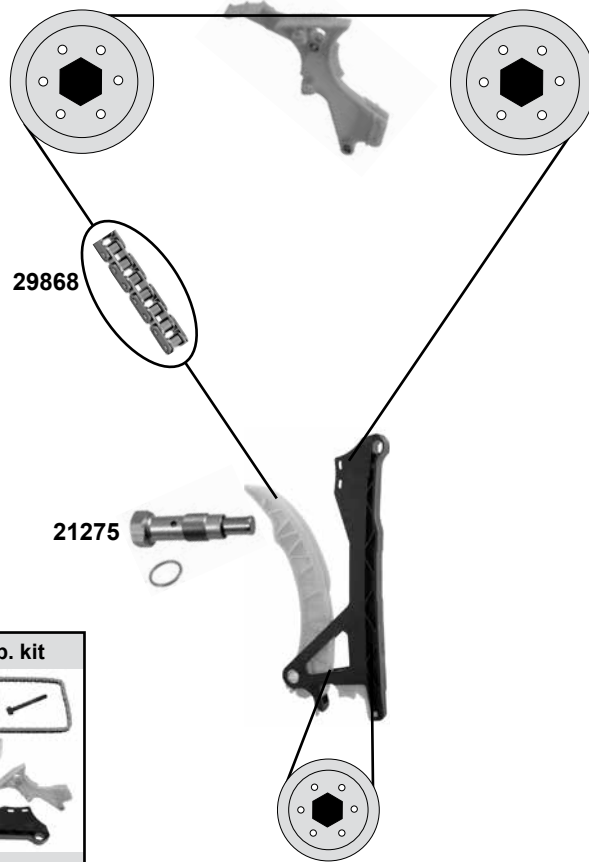
# BMW X 1 (E84)

(10→)

Car  
Division



**1,8 i**  
(N 46 N)



(1) Rep. Satz Schraube für Steuerkette /  
rep. kit screw for timing chain  
**febi 33845**



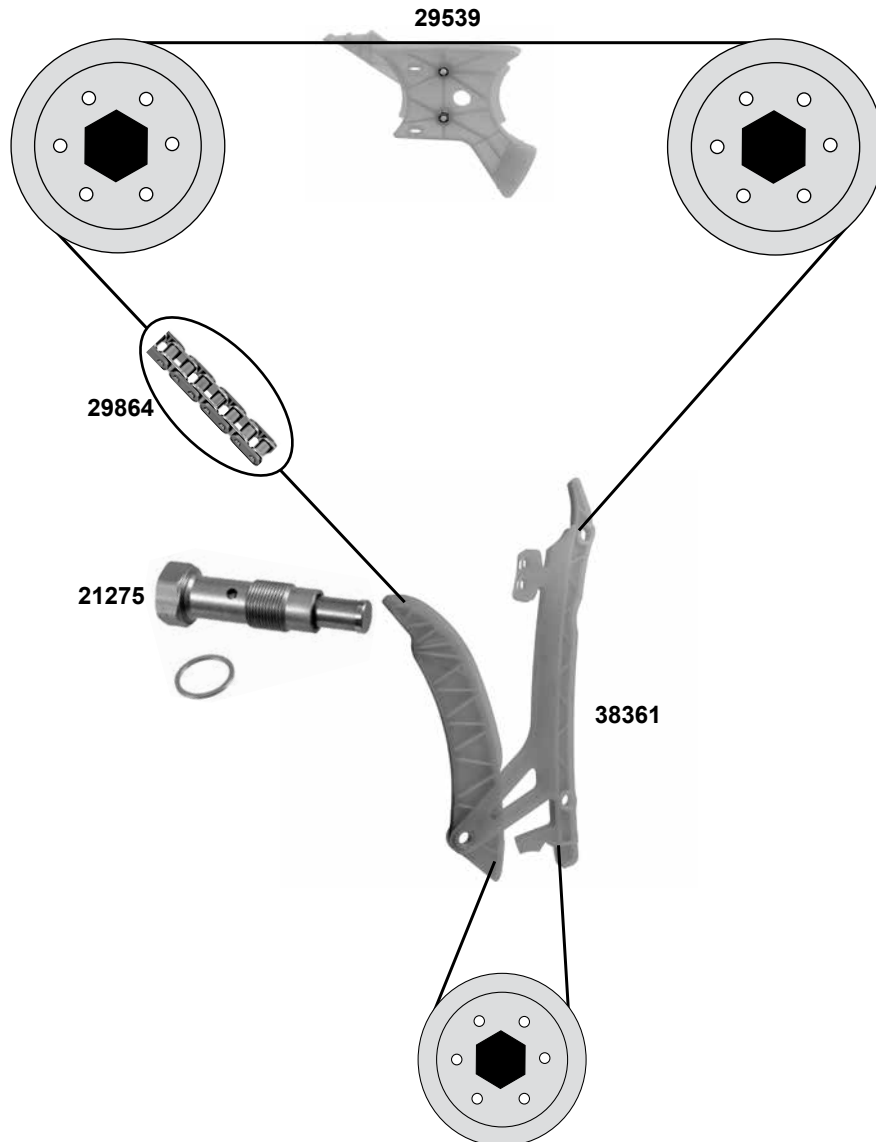
(2) **febi 30334** mit/with (1)



Ref. - No.



<b>21275</b>	11 31 7 567 680	Kettenspanner / chain tensioner		
<b>27374</b>	11 28 1 440 378	Umlenkrolle / deflection pulley		70x26
<b>29868</b>	11 31 1 439 854	Steuerkette / timing chain		142 E
<b>30121</b>	11 28 7 524 267	Riemenspanner / belt tensioner		70x26
<b>30334</b>	11 31 1 439 854 S1	Rep. Satz Steuerkette / rep. kit timing chain		142 E
<b>33845</b>	11 23 7 503 107 S1	Rep. Satz Schraube / rep. kit screw	(1)	
<b>33846</b>	11 31 1 439 854 S2	Rep. Satz Steuerkette / rep. kit timing chain	(2)	142 E



	Ref. - No.			
<b>21275</b>	11 31 7 567 680	Kettenspanner / chain tensioner		M22x1,25
<b>29539</b>	11 31 7 592 850	Gleitschiene / sliding rail		
<b>29864</b>	11 31 7 584 084	Steuerkette einfach / roller chain simplex		
<b>38361</b>	11 31 7 592 877	Gleitschiene / sliding rail		
<b>38362</b>	11 31 7 584 084 S2	Rep. Satz Steuerkette / rep. kit timing chain		



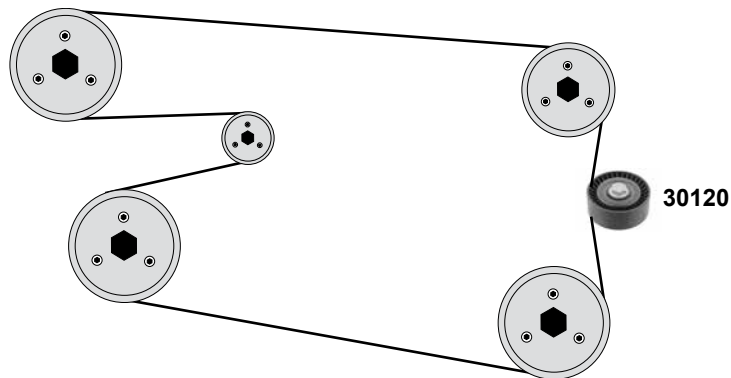
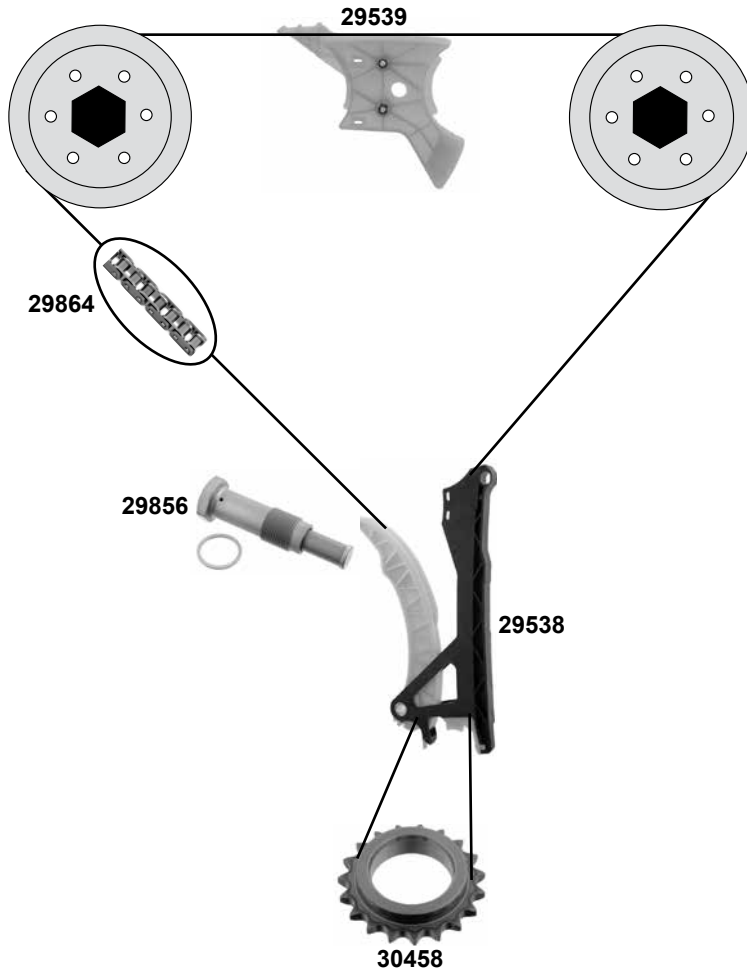
# BMW X 1 (E84)

(09→)

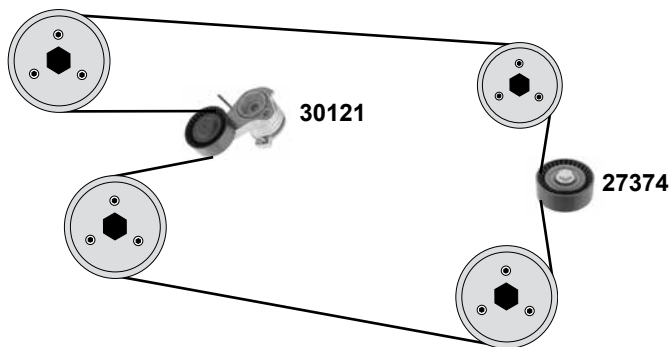
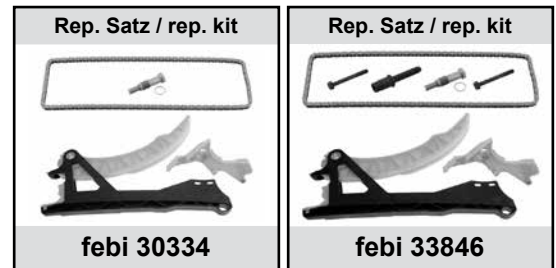
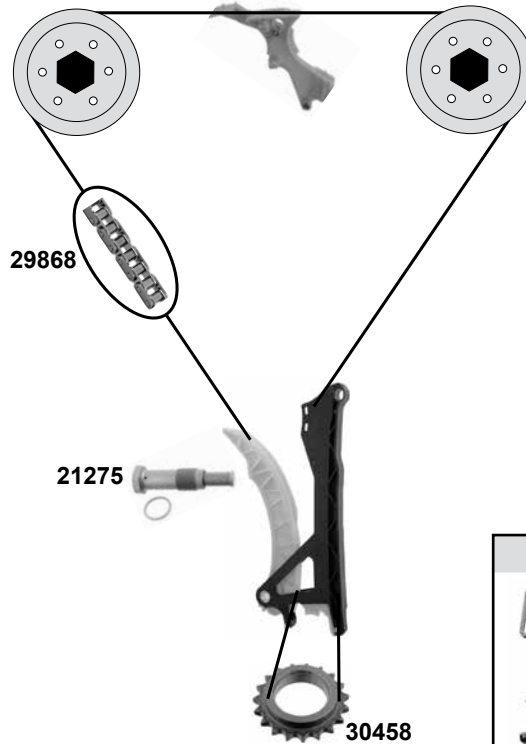
Car  
Division



## 2,5 iX / 2,8 iX (N52 N)



	Ref. - No.			
29538	11 31 7 585 020	Gleitschiene / sliding rail		
29539	11 31 7 592 850	Gleitschiene / sliding rail		
29856	11 31 7 584 723	Kettenspanner / chain tensioner		
29864	11 31 7 584 084	Steuerkette / roller chain		148 E
30120	11 28 7 535 860	Umlenkrolle / deflection pulley		80x26
30338	11 31 7 584 084 S1	Rep. Satz Steuerkette / rep. kit timing chain		148 E
30458	11 31 7 502 180	Kurbelwellenzahnrad / crankshaft gear	2,8 ix	Z19



(1) Rep. Satz Schraube für Steuerkette /  
rep. kit screw for timing chain  
**febi 33845**



	Ref. - No.			
<b>21275</b>	11 31 7 567 680	Kettenspanner / chain tensioner		
<b>27374</b>	11 28 1 440 378	Umlenkrolle / deflection pulley		70x26
<b>29868</b>	11 31 1 439 854	Steuerkette / timing chain		142 E
<b>30121</b>	11 28 7 524 267	Riemenspanner / belt tensioner		70x26
<b>30334</b>	11 31 1 439 854 S1	Rep. Satz Steuerkette / rep. kit timing chain		142 E
<b>30458</b>	11 31 7 502 180	Kurbelwellenzahnrad / crankshaft gear		Z19
<b>33845</b>	11 23 7 503 107 S1	Rep. Satz Schraube / rep. kit screw	(1)	
<b>33846</b>	11 31 1 439 854 S2	Rep. Satz Steuerkette / rep. kit timing chain	febi 30334mit/with (1)	142 E

# BMW X 3 I (E83)

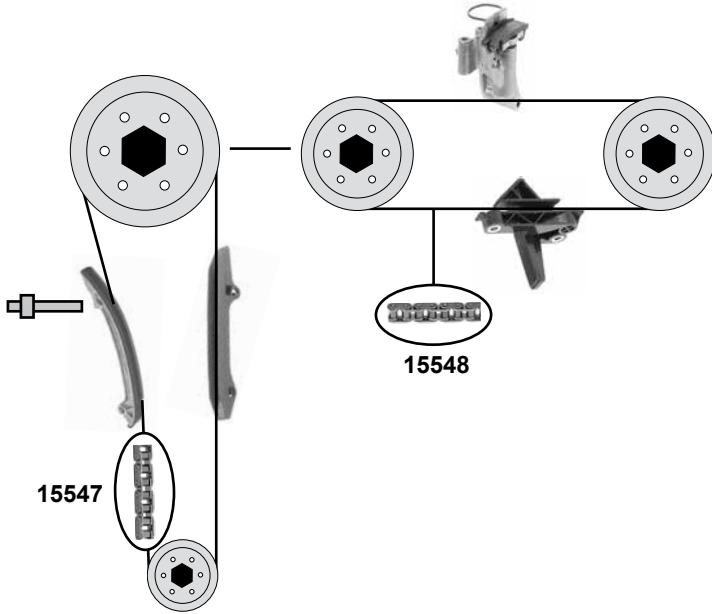
(04→06)

Car  
Division

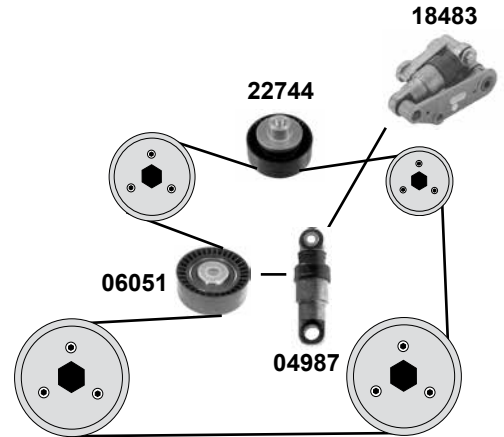


**2,5 / 3,0**  
(M54)

04989



## Hydraulisch / hydraulic



Rep. Satz / rep. kit



febi 30331

Rep. Satz / rep. kit



febi 30410

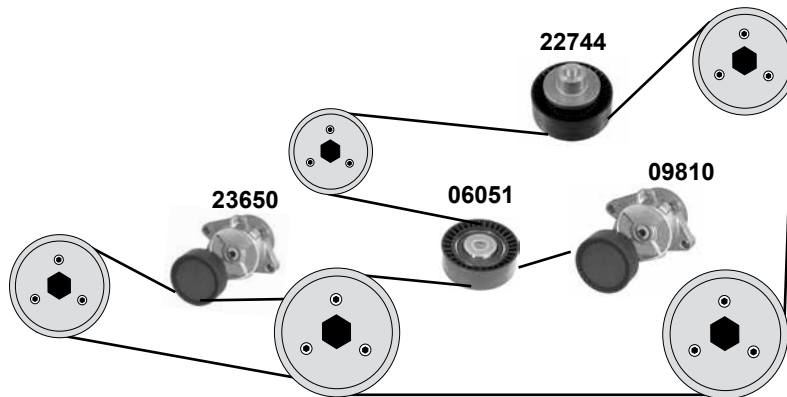
Umbausatz / mounting kit



febi 32017

**2,5 / 3,0**  
(M54)

## Mechanisch / mechanical

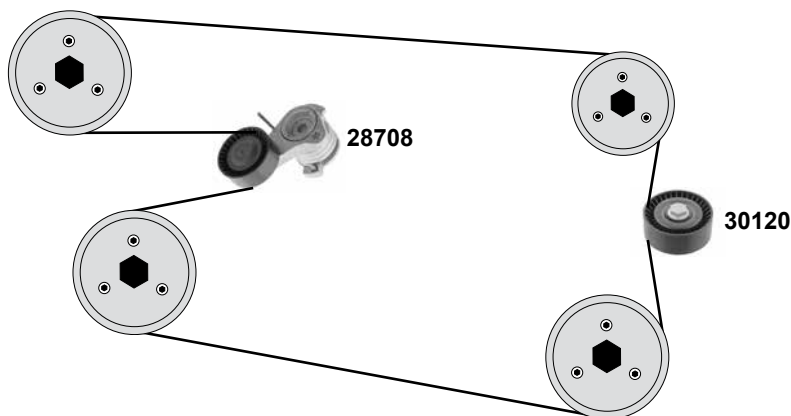
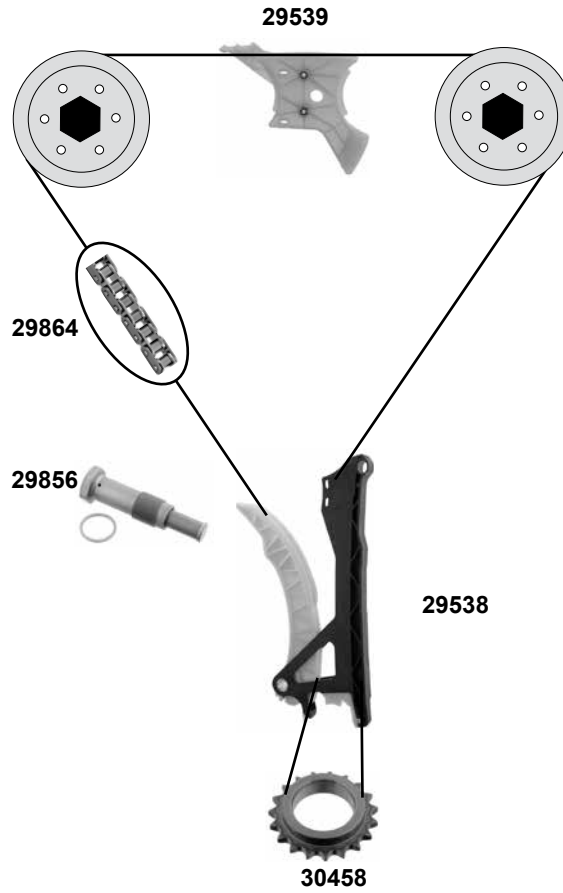


Ref. - No.

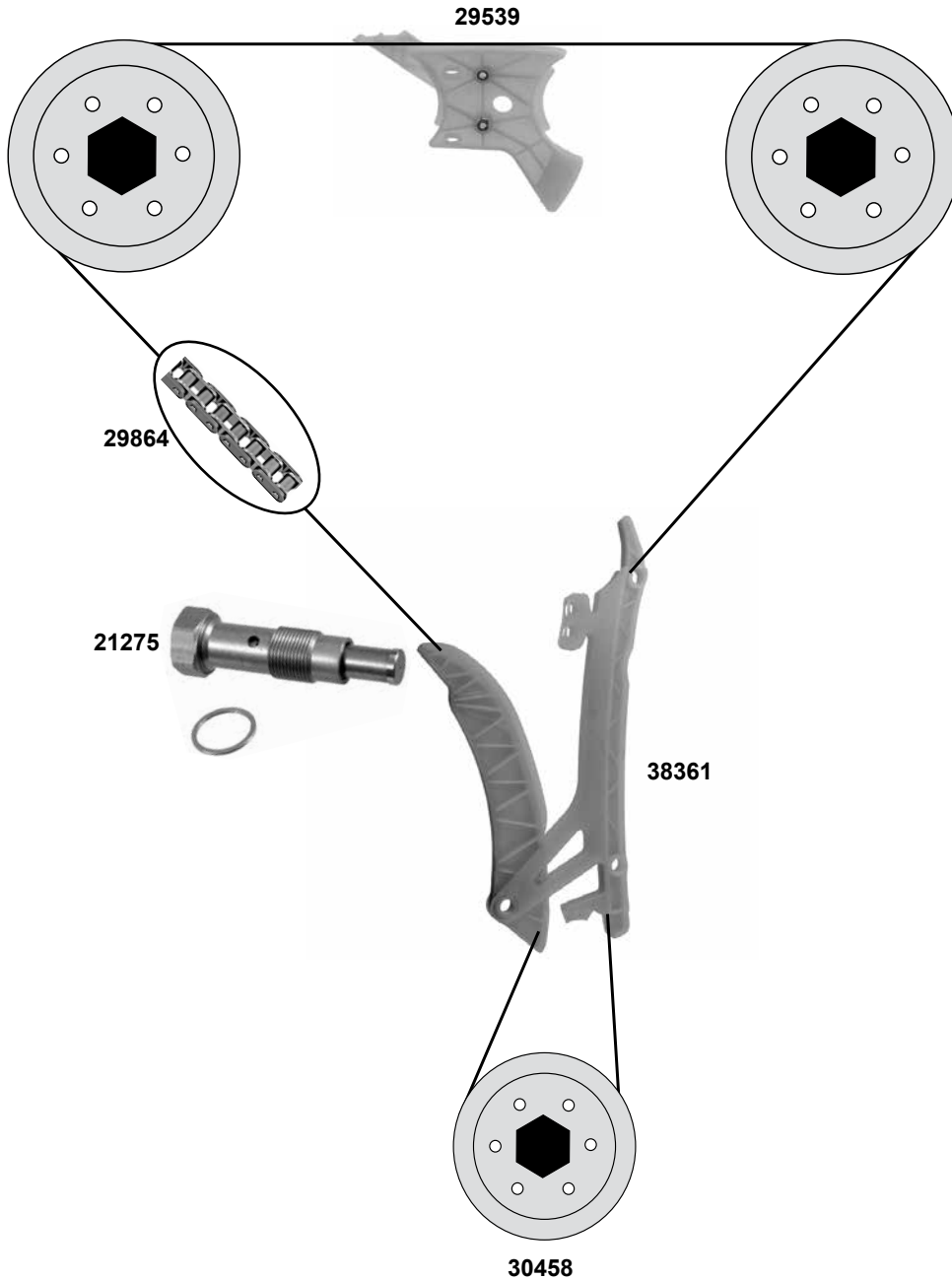


04987	11 28 1 717 188	Schwingungsdämpfer / vibration damper	
04989	11 31 1 738 700	Kettenspanner / chain tensioner	
06051	11 28 1 748 131	Spannrolle / tension roller	Ø 70 x 24,5
09810	11 28 1 427 252	Riemenspanner / belt tensioner	70 x 24,5
15547	11 31 1 432 176	Steuerkette / timing chain	104 E
15548	11 31 1 432 177	Steuerkette / timing chain	58 E
18483	11 28 7 838 797	Riemenspanner / belt tensioner	
22744	11 28 7 516 847	Umlenkrolle / deflection pulley	Ø 80 x 24,5
23650	11 28 7 512 758	Riemenspanner / belt tensioner	70 x 24,5
30331	11 31 1 432 177 S1	Rep. Satz Steuerkette / rep. kit timing chain	58 E
30410	11 31 1 432 176 S2	Rep. Satz Steuerkette / rep. kit timing chain	104 E
32017	11 28 7 938 797 S1	Umbausatz für Riemenspanner/ mounting kit for belt tensioner	

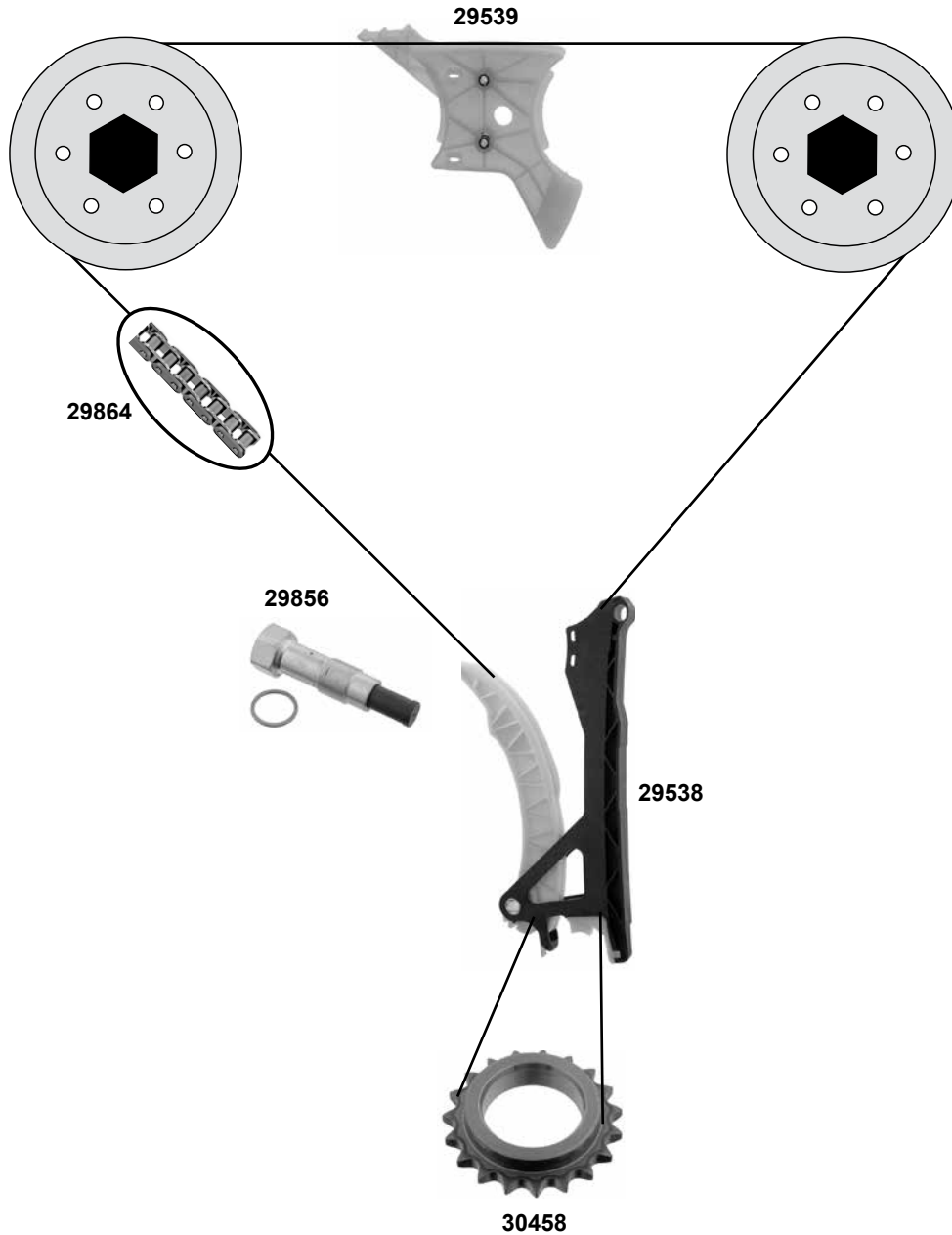
AC



	Ref. - No.			
<b>28708</b>	11 28 7 530 314	Riemenspanner/ belt tensioner		70x26
<b>29538</b>	11 31 7 585 020	Gleitschiene / sliding rail		
<b>29539</b>	11 31 7 592 850	Gleitschiene / sliding rail		
<b>29856</b>	11 31 7 584 723	Kettenspanner / chain tensioner		
<b>29864</b>	11 31 7 584 084	Steuerkette / roller chain		148 E
<b>30120</b>	11 28 7 535 860	Umlenkrolle / deflection pulley		80x26
<b>30338</b>	11 31 7 584 084 S1	Rep. Satz Steuerekette / rep. kit timing chain		148 E
<b>30458</b>	11 31 7 502 180	Kurbelwellenzahnrad / crankshaft gear		Z19



	Ref. - No.			
<b>21275</b>	11 31 7 567 680	Kettenspanner / chain tensioner		M22x1,25
<b>29539</b>	11 31 7 592 850	Gleitschiene / sliding rail		
<b>29864</b>	11 31 7 584 084	Steuerkette einfach / roller chain simplex		148 E
<b>30458</b>	11 31 7 502 180	Kurbelwellenzahnrad / crankshaft gear		Z19
<b>38361</b>	11 31 7 592 877	Gleitschiene / sliding rail		
<b>38362</b>	11 31 7 584 084 S2	Rep. Satz Steuerkette / rep. kit timing chain		148 E



	Ref. - No.			
<b>29538</b>	11 31 7 585 020	Gleitschiene / sliding rail		
<b>29539</b>	11 31 7 592 850	Gleitschiene / sliding rail		
<b>29856</b>	11 31 7 584 723	Kettenspanner / chain tensioner		
<b>29864</b>	11 31 7 584 084	Steuerkette / roller chain		148 E
<b>30338</b>	11 31 7 584 084 S1	Rep. Satz Steuerkette / rep. kit timing chain		148 E
<b>30458</b>	11 31 7 502 180	Kurbelwellenzahnrad / crankshaft gear		Z19

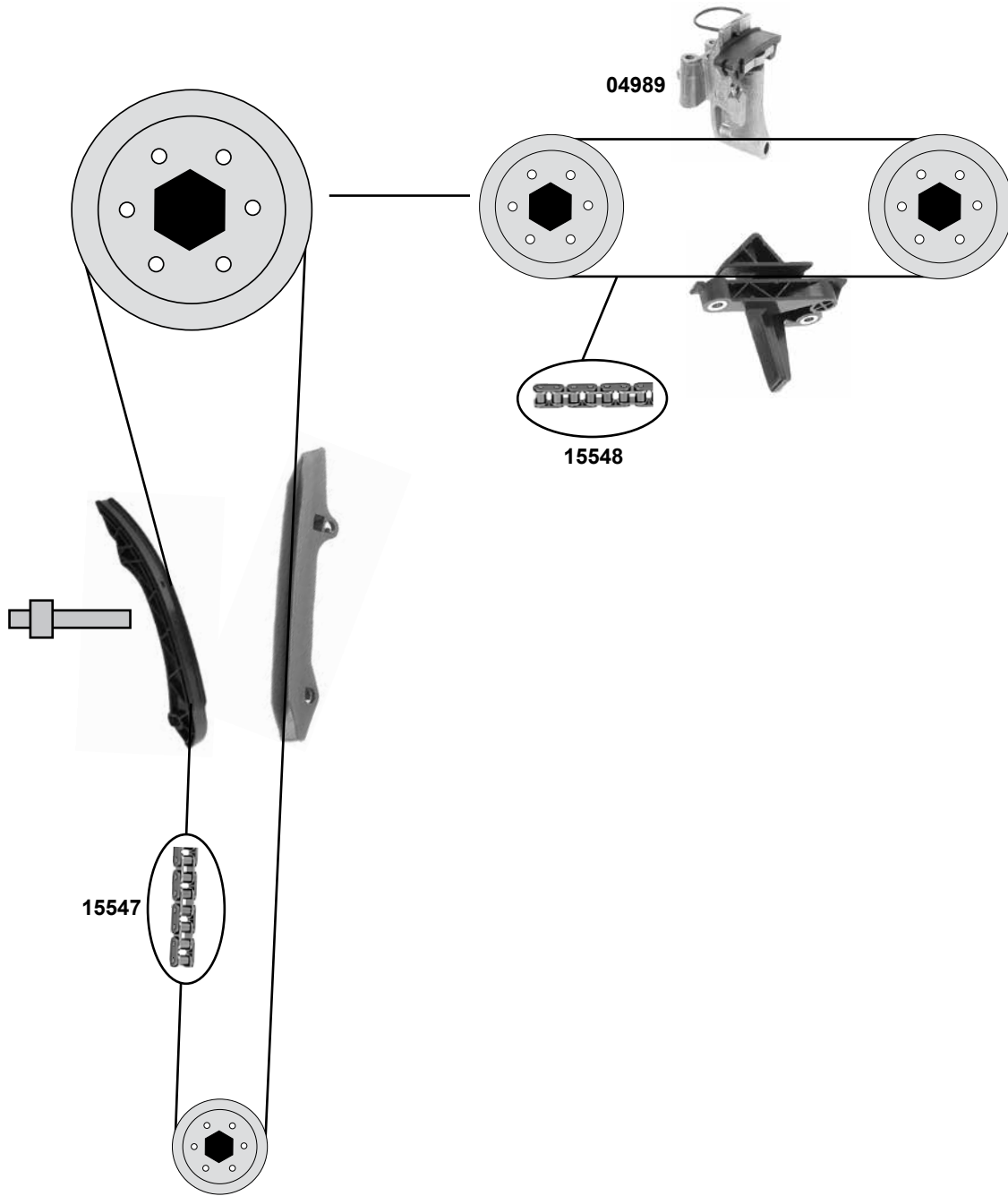
# BMW X 5 I (E53)

(00→06)

Car  
Division



**2,5i / 3,0i**  
(M54)



Rep. Satz / rep. kit

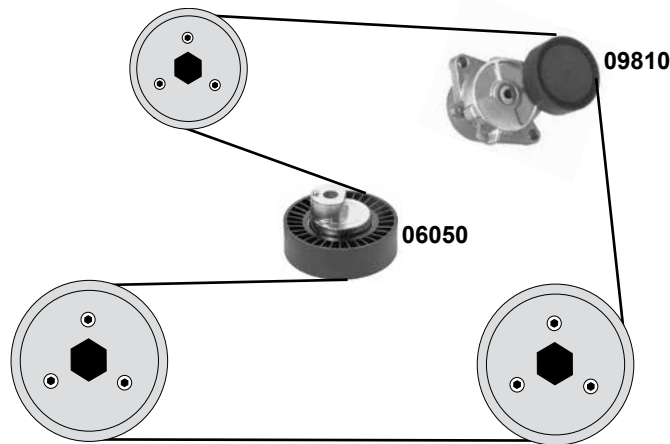
**febi 30331**

Rep. Satz / rep. kit

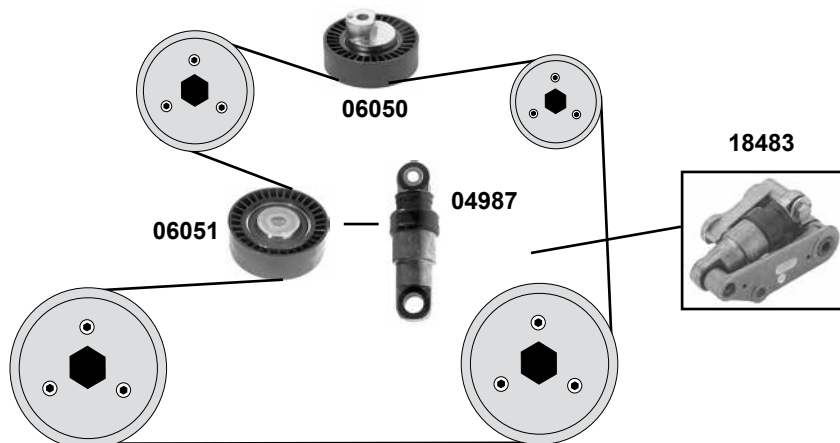
**febi 30410**

	Ref. - No.			
<b>04989</b>	11 31 1 738 700	Kettenspanner / chain tensioner		
<b>15547</b>	11 31 1 432 176	Steuerkette / timing chain		104 E
<b>15548</b>	11 31 1 432 177	Steuerkette / timing chain		58 E
<b>30331</b>	11 31 1 432 177 S1	Rep. Satz Steuerkette / rep. kit timing chain		
<b>30410</b>	11 31 1 432 176 S2	Rep. Satz Steuerkette / rep. kit timing chain		104 E

**Mechanisch / mechanical**



**Hydraulisch / hydraulic**

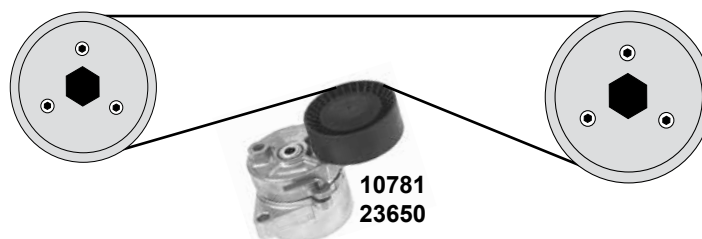


**Umbausatz / mounting kit**



**febi 32017**

**AC**



Ref. - No.



<b>04987</b>	11 28 1 717 188	Schwingungsdämpfer / vibration damper		
<b>06050</b>	11 28 7 841 228	Umlenkrolle / deflection pulley		Ø 80 x 24,5
<b>06051</b>	11 28 1 748 131	Spannrolle / tension roller		Ø 70 x 24,5
<b>09810</b>	11 28 1 427 252	Riemenspanner / belt tensioner		70 x 24,5
<b>10781</b>	11 28 1 433 571	Riemenspanner / belt tensioner	Modell → 09/02	Ø 70 / 78 x 26
<b>18483</b>	11 28 7 838 797	Riemenspanner / belt tensioner		
<b>23650</b>	11 28 7 512 758	Riemenspanner / belt tensioner	Modell 09/02 →	70 x 24,5
<b>32017</b>	11 28 7 938 797 S1	Umbausatz für Riemenspanner/ mounting kit for belt tensioner		



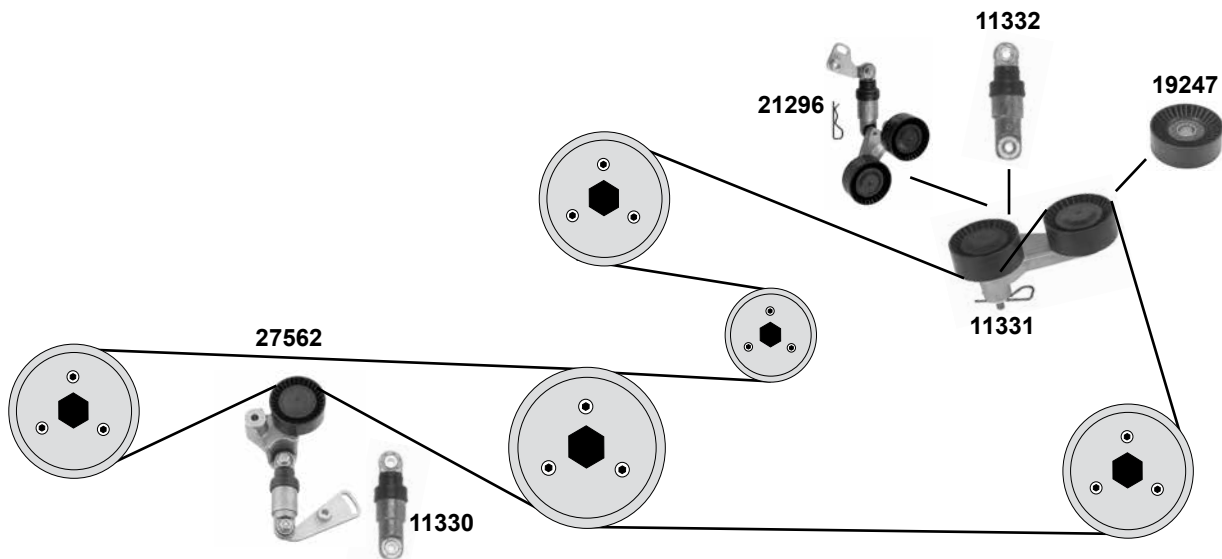
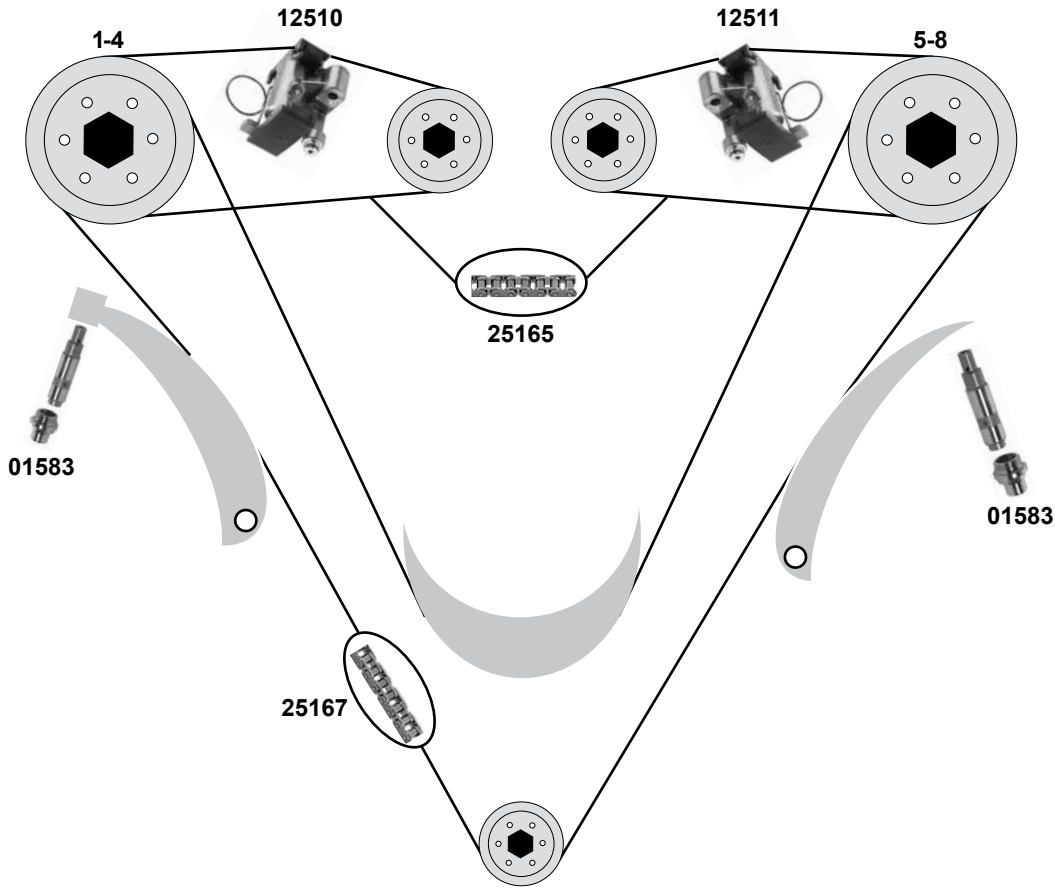
# BMW X 5 I (E53)

(00→03)

Car  
Division



**4,4 / 4,6**  
(M62)



Ref. - No.



01583

11 31 7 531 813

Kettenspanner / chain tensioner

11330

11 28 1 745 545

Schwingungsdämpfer / vibration damper

11331

11 28 1 742 858

Spannrolle / tension roller

11332

11 28 1 709 613

Schwingungsdämpfer / vibration damper

12510

11 31 1 435 026

Kettenspanner / chain tensioner

12511

11 31 1 435 027

Kettenspanner / chain tensioner

19247

11 28 7 500 560

Umlenkrolle / deflection pulley

21296

11 28 7 515 865 S1

Riemenspanner / belt tensioner

25165

11 31 1 406 167

Steuerkette / timing chain

25167

11 31 1 741 746

Steuerkette / timing chain

27562

11 28 1 745 819 KPL

Riemenspanner / belt tensioner

AC (mot.) 4,4l  
Modell: → 09/98

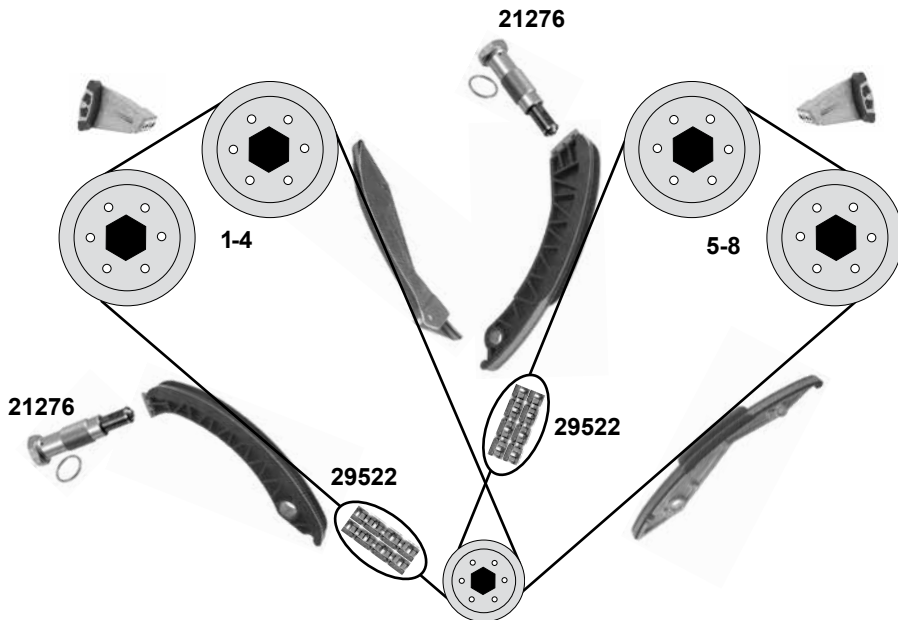
Ø 70 x 28

05/99 →

ØA 80 x 28

54 E  
188 E

AC (mot.) 4,6l



Rep. Satz / rep. kit

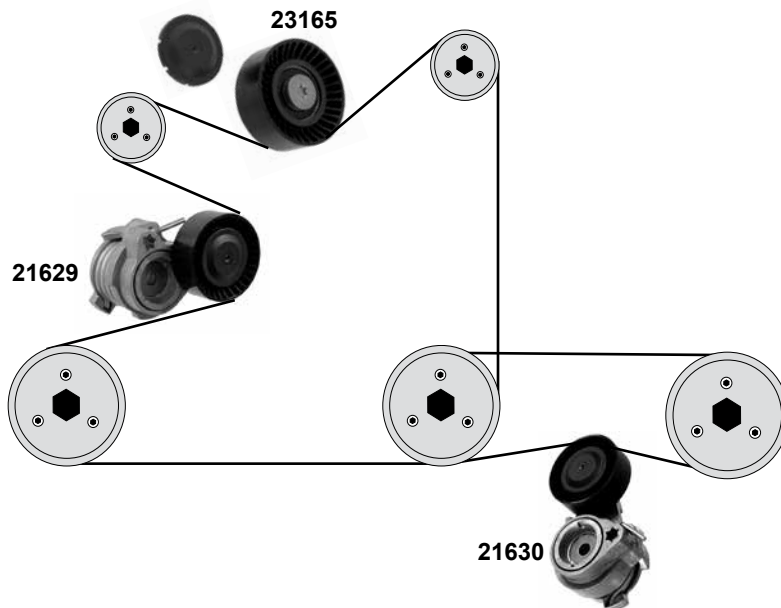


febi 30339

Rep. Satz / rep. kit



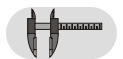
febi 30340



(1) (mot.) → 01/05 OE.No.11 31 7 533 488/11 31 7 548 033 erneuern / replace ! Kein Satzhalt / No contents of the kit !



Ref. - No.



**21276**

11 31 1 439 552

Kettenspanner / chain tensioner

**21629**

11 28 7 549 588

Riemenspanner / belt tensioner

**21630**

11 28 7 549 589

Riemenspanner / belt tensioner

**23165**

11 28 7 549 557

Umlenkrolle / deflection pulley

**29522**

11 31 7 504 468

Steuerkette, zweifach / timing chain, double

**30339**

11 31 7 504 468 S1

Rep. Satz Steuerkette / rep. kit timing chain

**30340**

11 31 7 504 468 S2

Rep. Satz Steuerkette / rep. kit timing chain

AC

1-4 Zyl.

(1) 5-8 Zyl.

ØA 70 B26  
ØA 70 B24,5  
ØA 75 B26  
D 140 E  
D 140 E  
D 140 E

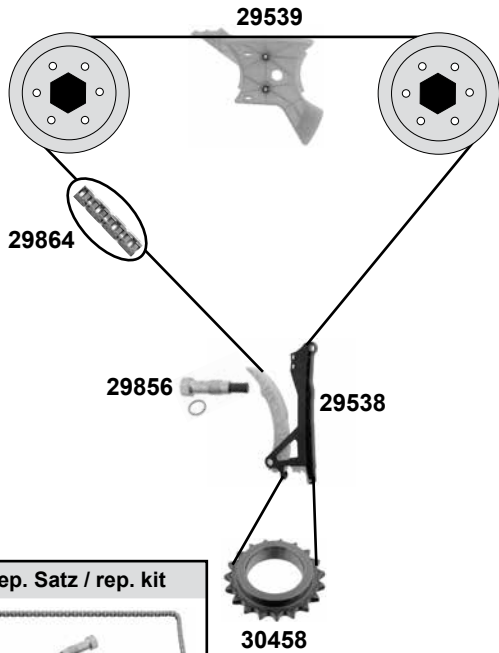
# BMW X 5 II / LCI (E70)

(06→13)

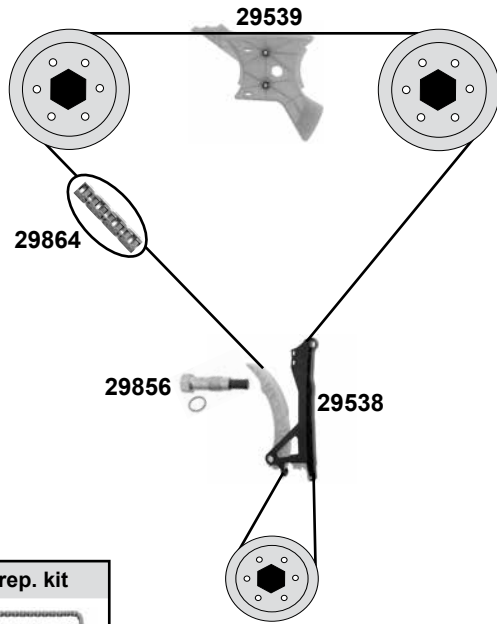
Car  
Division



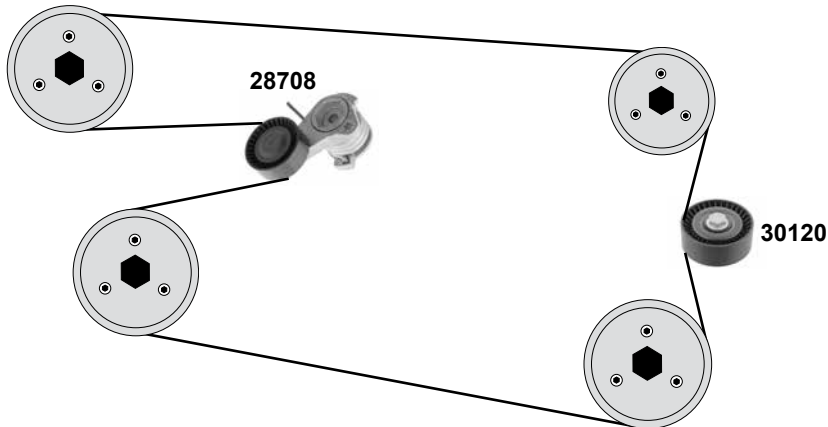
## 3,0 Si (N52N)



## 3,5 iX (N55)



(N52N)



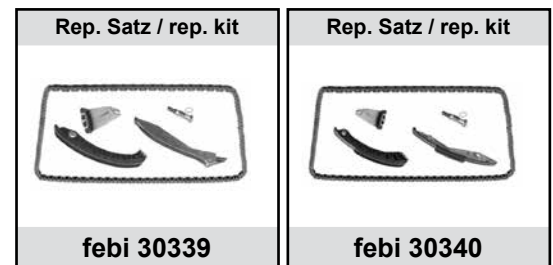
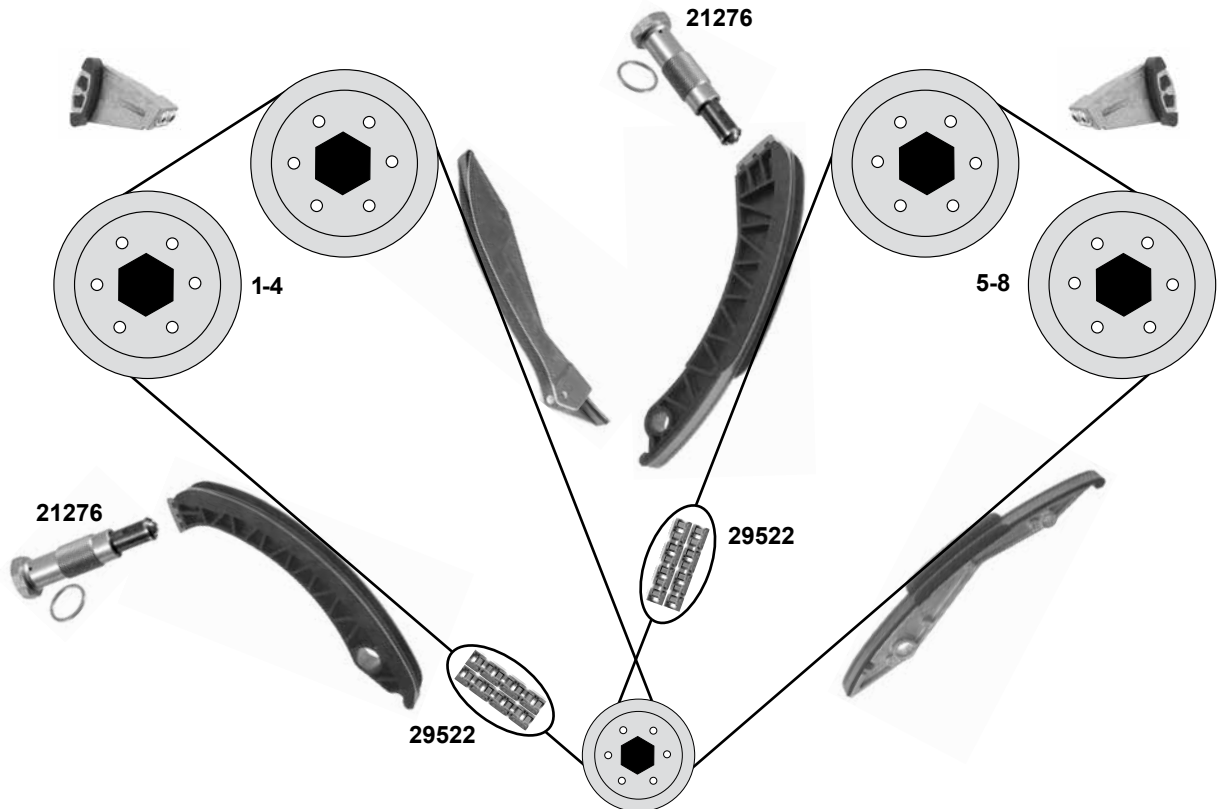
(1) (ex.) aktives Fahrwerk/ adaptive drive  
(ex.) AC mit 4-Zonen-Regelung / with 4-zone-control



Ref. - No.



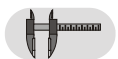
28708	11 28 7 530 314	Riemenspanner/ belt tensioner	(1)	70x26
29538	11 31 7 585 020	Gleitschiene / sliding rail		148 E
29539	11 31 7 592 850	Gleitschiene / sliding rail		80x26
29538	11 31 7 585 020	Gleitschiene / sliding rail		148 E
29539	11 31 7 592 850	Gleitschiene / sliding rail		Z19
29856	11 31 7 584 723	Kettenspanner / chain tensioner		
29864	11 31 7 584 084	Steuerkette / timing chain		
30120	11 28 7 535 860	Umlenkrolle / deflection pulley		
30338	11 31 7 584 084 S1	Rep. Satz Steuerkette / rep. kit timing chain		
30458	11 31 7 502 180	Kurbelwellenzahnrad / crankshaft gear		



(1) (mot.) → 01/05 OE.No.11 31 7 533 488/11 31 7 548 033 erneuern / replace ! Kein Satzinhalt / No contents of the kit !



Ref. - No.



<b>21276</b>	11 31 1 439 552	Kettenspanner / chain tensioner
<b>29522</b>	11 31 7 504 468	Steuerkette, zweifach / timing chain, double
<b>30339</b>	11 31 7 504 468 S1	Rep. Satz Steuerkette / rep. kit timing chain
<b>30340</b>	11 31 7 504 468 S2	Rep. Satz Steuerkette / rep. kit timing chain

1-4 Zyl.  
(1) / 5-8 Zyl.

D 140 E  
D 140 E  
D 140 E

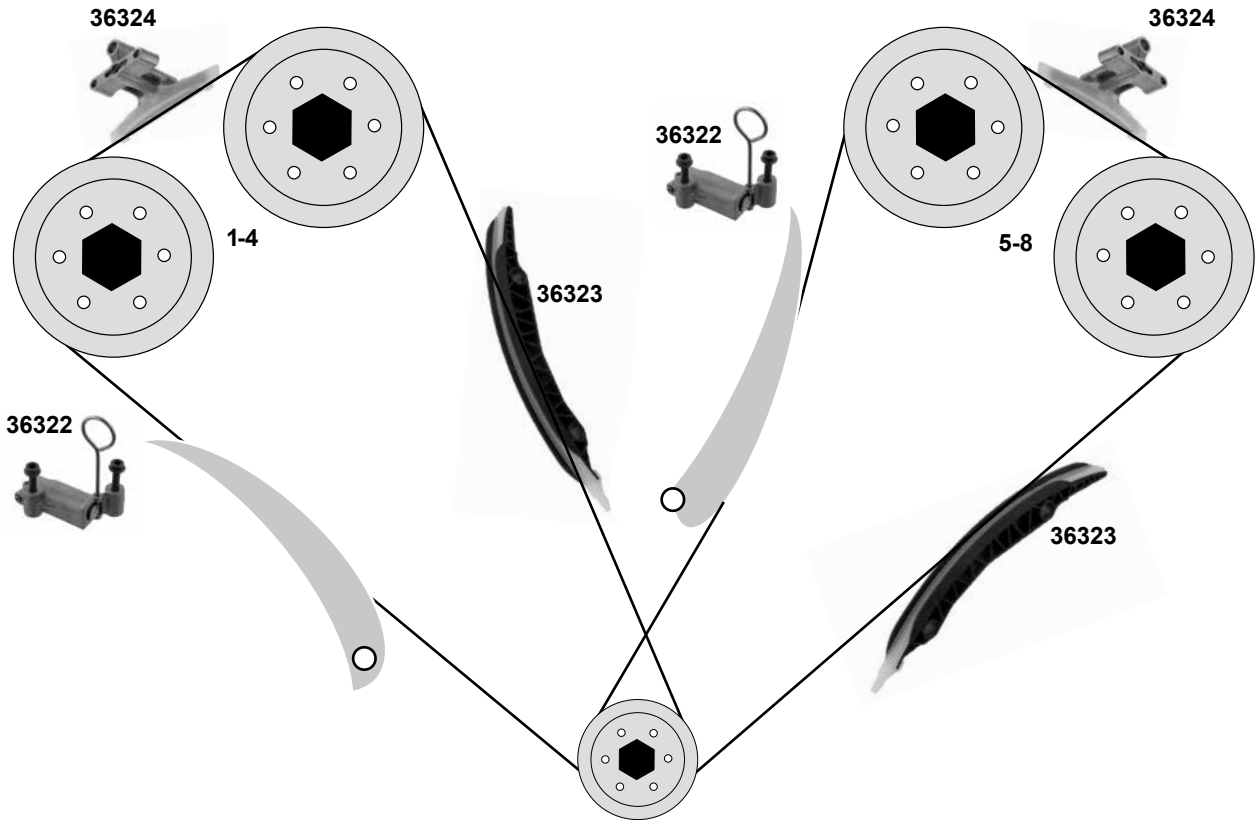
# BMW X 5 II LCI (E70)

(10→13)

Car  
Division



## 5,0 ix (N63)

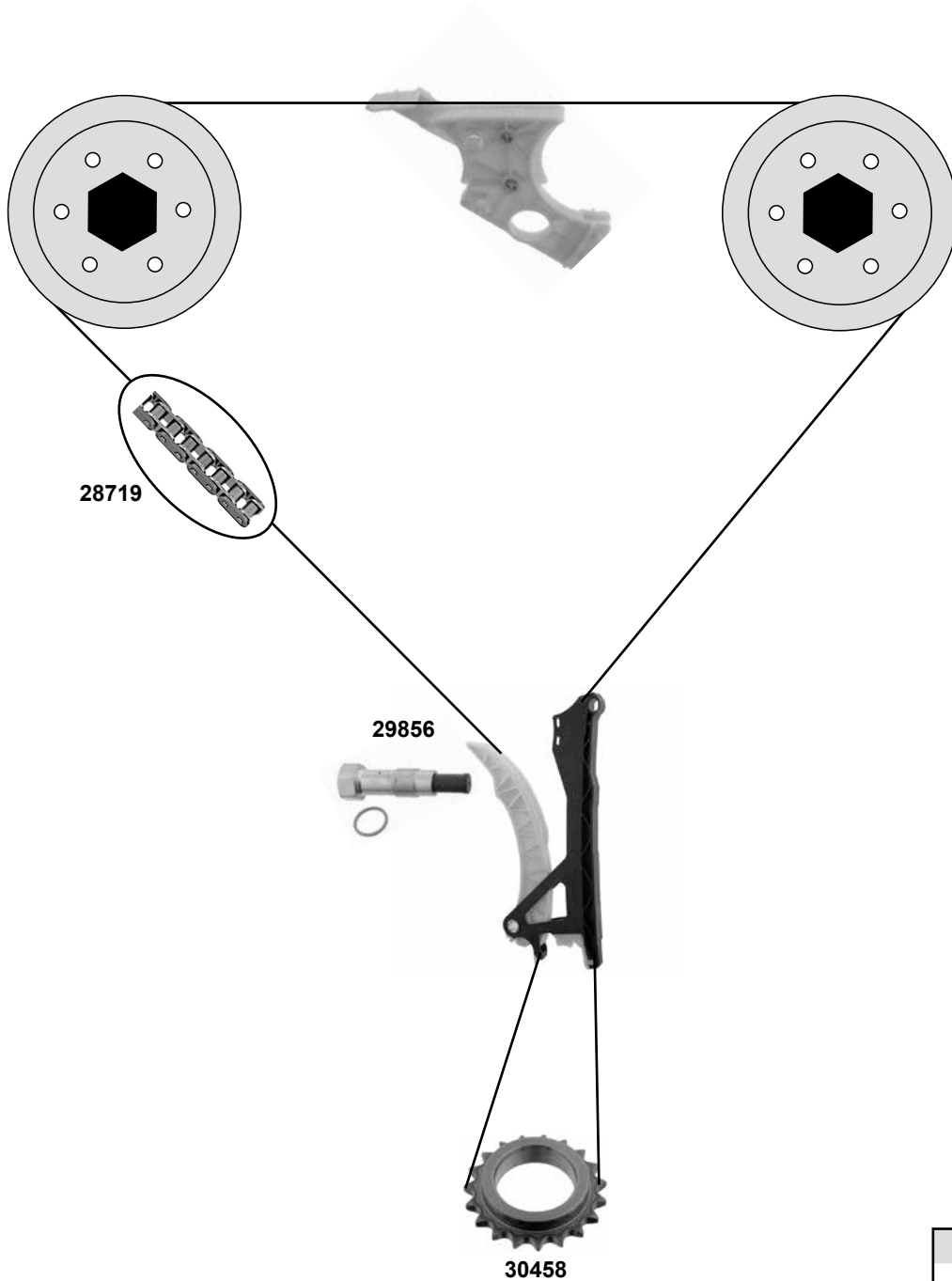


Ref. - No.



36322	11 31 7 557 741
36323	11 31 7 574 397
36324	11 31 7 565 242

Kettenspanner / chain tensioner
Führungsschiene / timing chain guide
Gleitschiene / sliding rail



Ref. - No.



<b>28719</b>	11 31 7 516 088	Steuerkette / roller chain	144 E
<b>29856</b>	11 31 7 584 723	Kettenspanner / chain tensioner	
<b>30337</b>	11 31 7 516 088 S2	Rep. Satz Steuerkette / rep. kit timing chain	144 E
<b>30458</b>	11 31 7 502 180	Kurbelwellenzahnrad / crankshaft gear	Z19

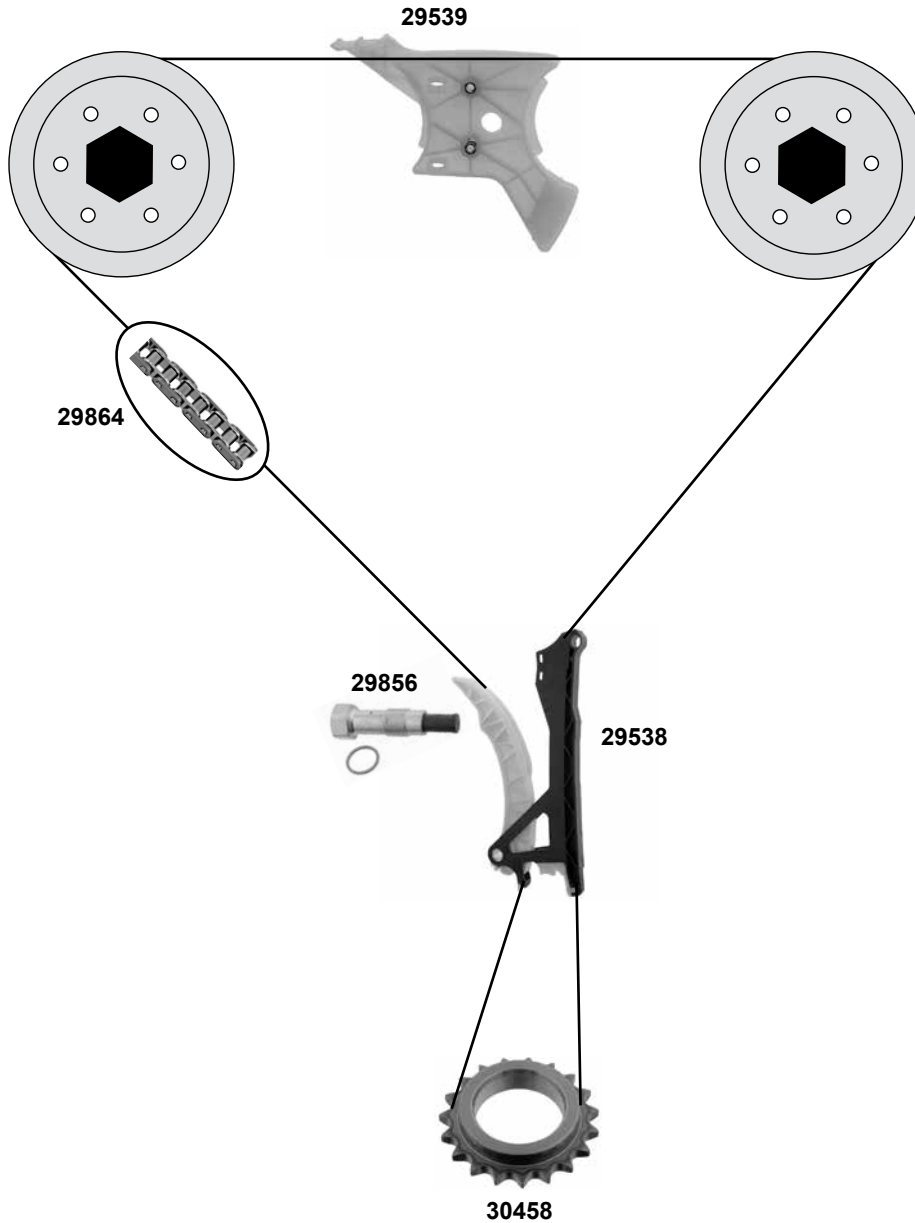
# BMW X 6 (E 71)

(08→)

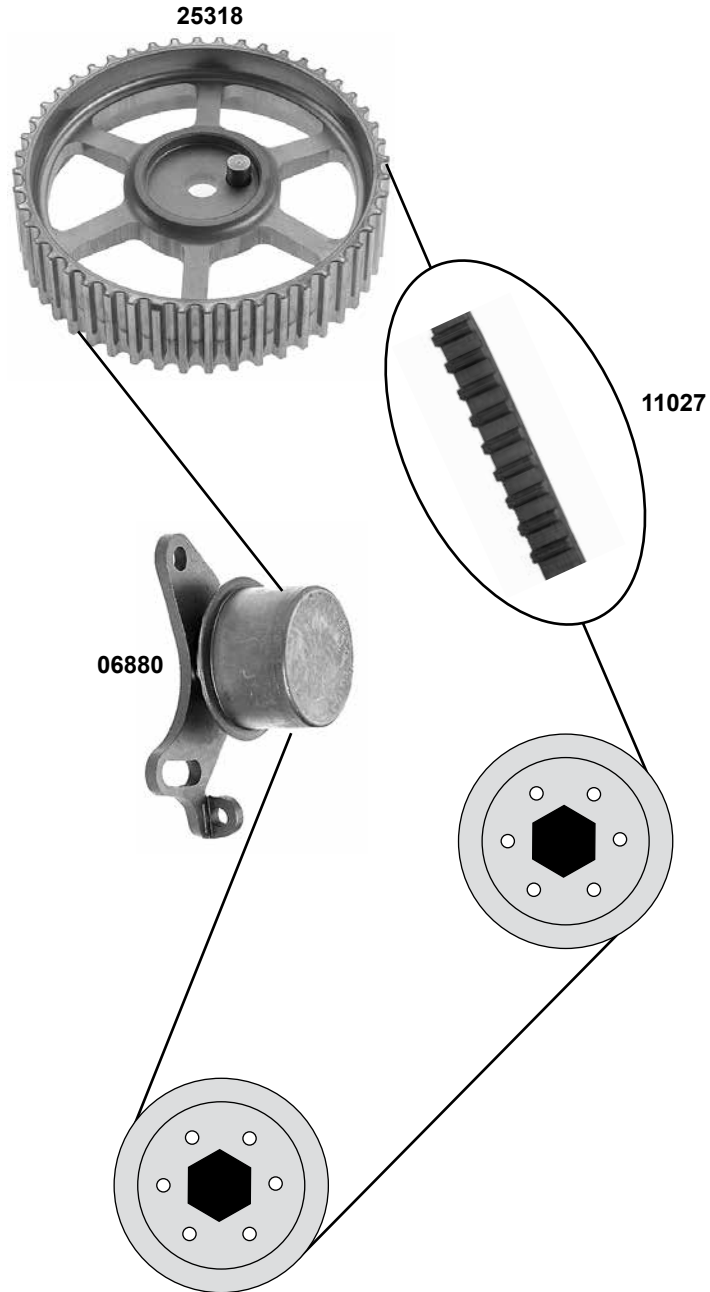
Car  
Division



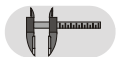
## 3,5 ix / 4,0 ix (N55)



Ref. - No.	Ref. - No.	Ref. - No.	Ref. - No.
29538	11 31 7 585 020	Gleitschiene / sliding rail	
29539	11 31 7 592 850	Gleitschiene / sliding rail	
29856	11 31 7 584 723	Kettenspanner / chain tensioner	
29864	11 31 7 584 084	Steuerkette / timing chain	148 E
30338	11 31 7 584 084 S1	Rep. Satz Steuerkette / rep. kit timing chain	148 E
30458	11 31 7 502 180	Kurbelwellenzahnrad / crankshaft gear	Z19



Ref. - No.



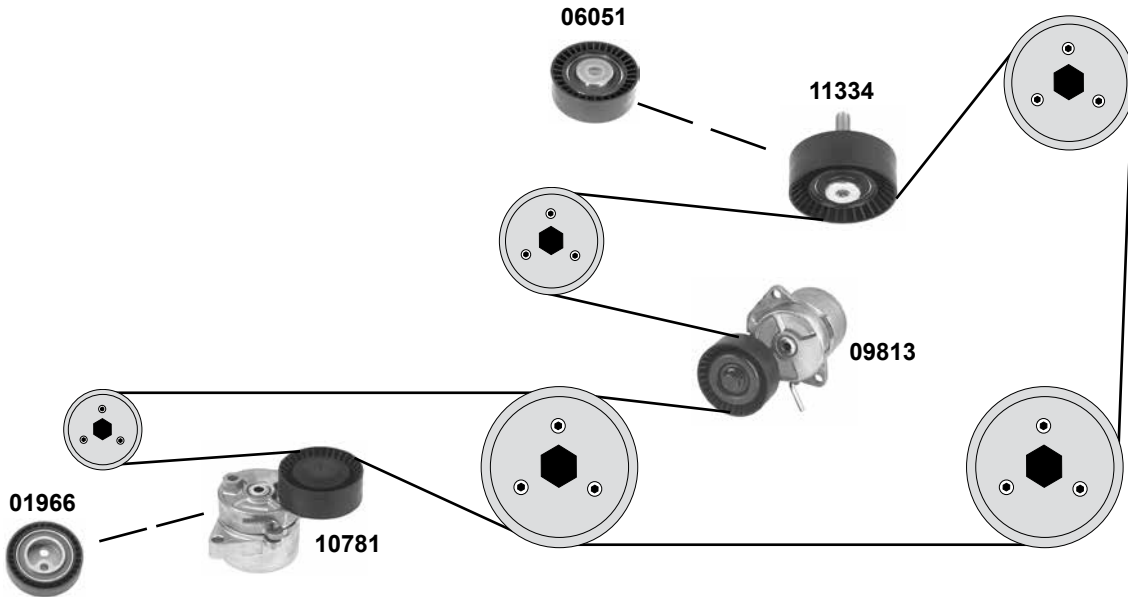
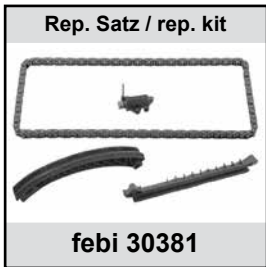
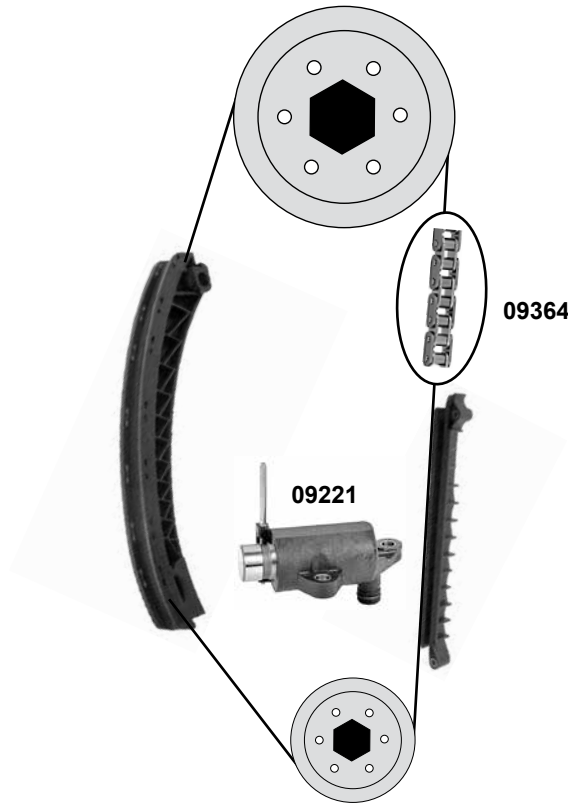
**06880**  
**11027**  
**11028**  
**25318**

11 31 1 711 153  
11 31 1 713 361  
11 31 1 713 361 S1  
11 31 1 714 988

Spannrolle / tension roller  
Zahnriemen / timing belt  
Rep. Satz Zahnriemen / rep. kit timing belt  
Nockenwellenrad / camshaft gear

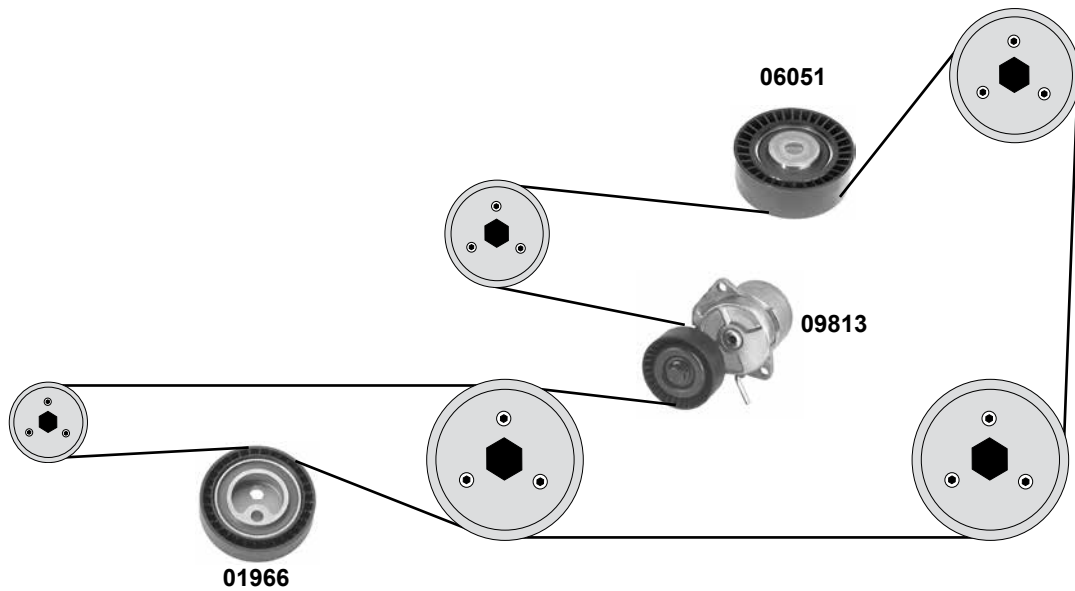
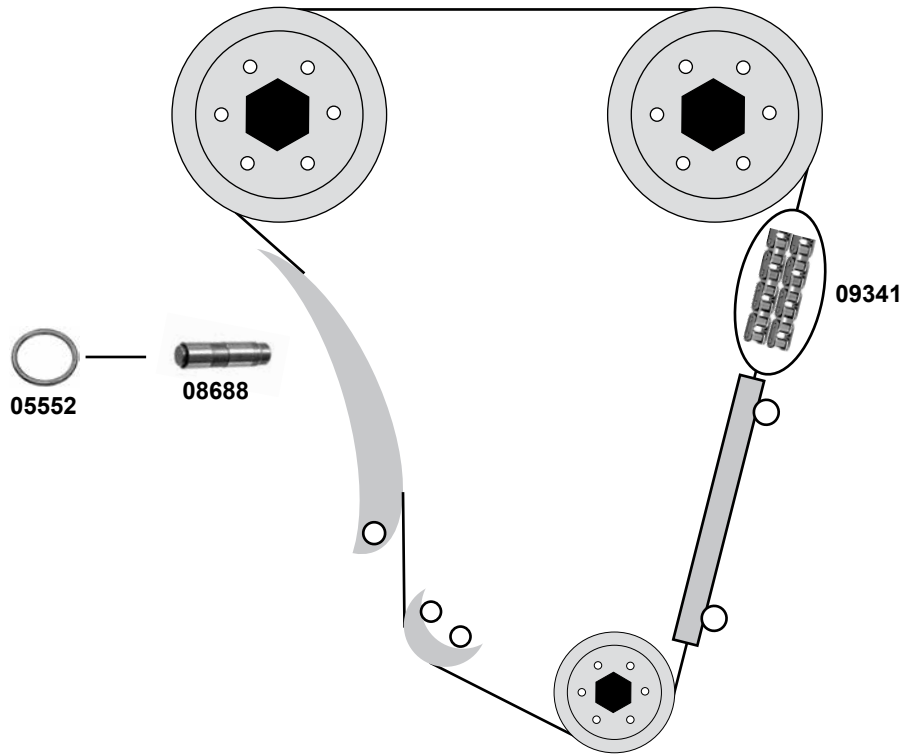
ØA49,5  
Z 127 B25,4  
Z 48





(1) (mot.)1,8 / nur Heisslandausführung / only warm country implemantation mit 80 Ampere Generator / Alternator

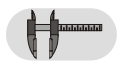
	Ref. - No.			
01966	11 28 2 245 087	Spannrolle / tension roller	(mot.) 1,8	Ø 80
06051	11 28 1 748 131	Spannrolle / tension roller	(1)	70 x 24,5
09221	11 31 1 247 952	Kettenspanner / chain tension		
09364	11 31 1 734 392	Steuerkette / timing chain		106 E
09813	11 28 1 432 104	Riemenspanner / belt tensioner		Ø 70 x 26
10781	11 28 1 433 571	Riemenspanner / belt tensioner	AC (mot.) 1,9	Ø 70/78 x 26
11334	11 28 1 435 594	Umlenkrolle / deflection pulley	(mot.) 1,9	Ø 70 x 26
30381	11 31 1 734 392 S1	Rep. Satz Steuerkette / rep. kit timing chain		106 E



(1) mit 80 Ampere Generator / Alternator



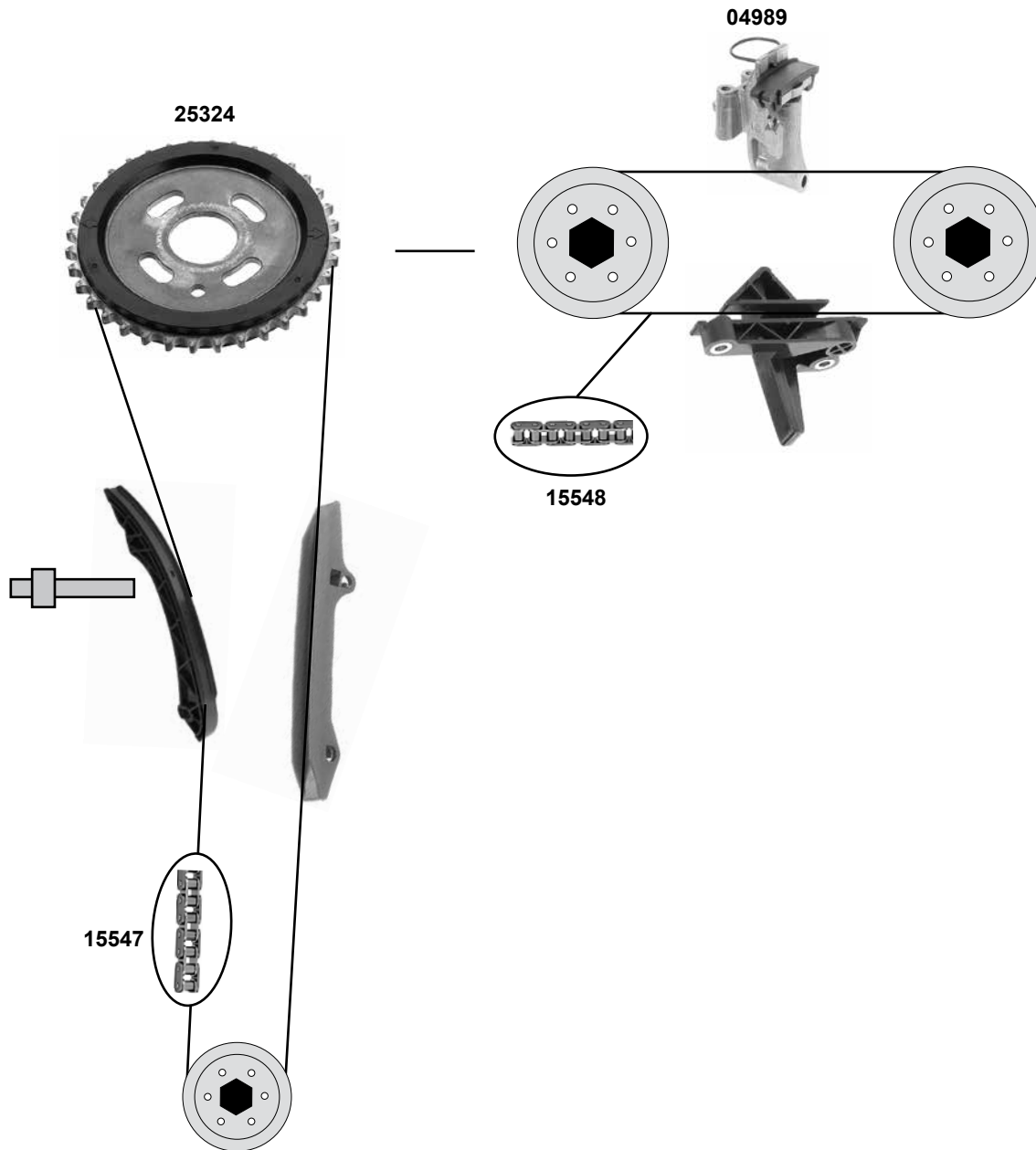
Ref. - No.



Ref. - No.	Description	Notes	Dimensions
<b>01966</b>	Spannrolle / tension roller	AC	Ø 80
<b>05552</b>	Alu-Dichtring / alu-seal ring		22 x 27
<b>06051</b>	Spannrolle / tension roller	(1)	70 x 24,5
<b>08688</b>	Kettenspanner / chain tighener		18 x 68
<b>09341</b>	Steuerkette, zweifach / timing chain, double		D120 E
<b>09813</b>	Riemenspanner / belt tensioner		70 x 26



**2,0 → 3,0 i**  
(M52/M54)



Ref. - No.



**04989**

11 31 1 738 700

Kettenspanner / chain tensioner

**15547**

11 31 1 432 176

Steuerkette / timing chain

**15548**

11 31 1 432 177

Steuerkette / timing chain

**25324**

11 31 1 722 841

Nockenwellenrad / camshaft gear

**30331**

11 31 1 432 177 S1

Rep. Satz Steuerkette / rep. kit timing chain

**30410**

11 31 1 432 176 S2

Rep. Satz Steuerkette / rep. kit timing chain

(mot.) 2,8 → 09/98

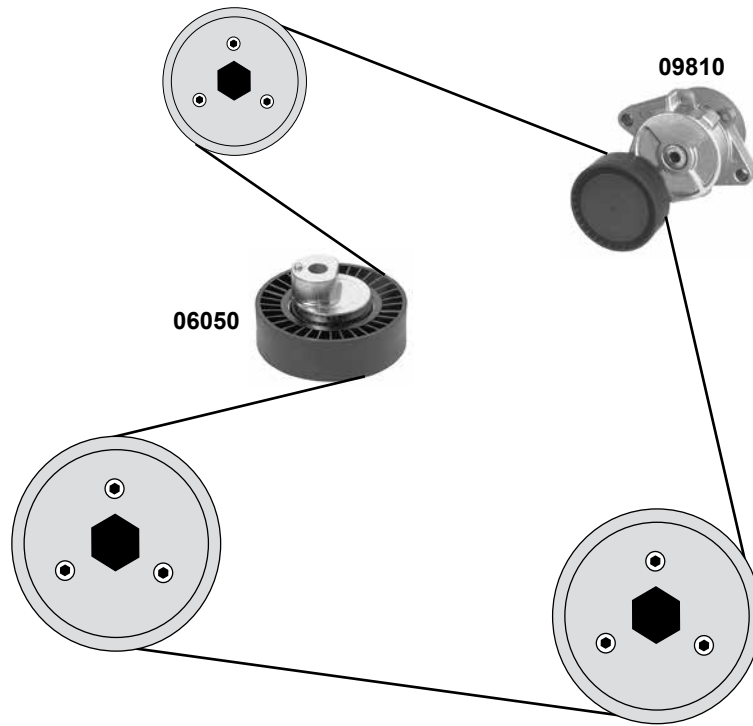
104 E

58 E

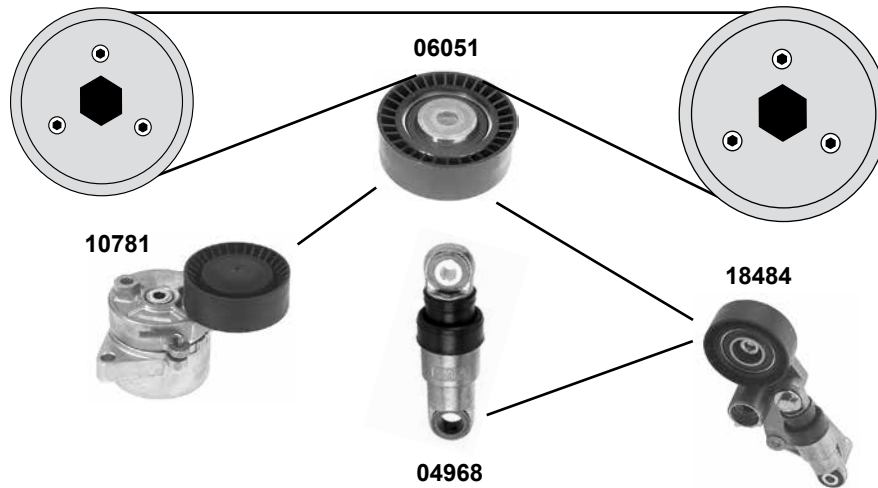
Z 36

58 E

104 E



## AC

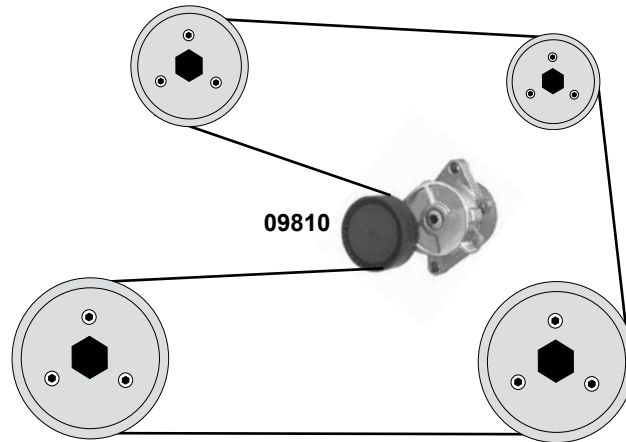


	Ref. - No.			
<b>04968</b>	11 28 1 717 210	Schwingungsdämpfer / vibration damper	(mot.) 2,0	
<b>06050</b>	11 28 7 841 228	Umlenkrolle / deflection pulley	(mot.) 2,0	Ø 80 x 24,5
<b>06051</b>	11 28 1 748 131	Spannrolle / tension roller		Ø 70 x 24,5
<b>09810</b>	11 28 1 427 252	Riemenspanner / belt tensioner		70 x 24,5
<b>10781</b>	11 28 1 433 571	Riemenspanner / belt tensioner	(mot.) 2,2	70 / 78 x 26
<b>18484</b>	11 28 1 717 210 S1	Riemenspanner / belt tensioner	(mot.) 2,0	

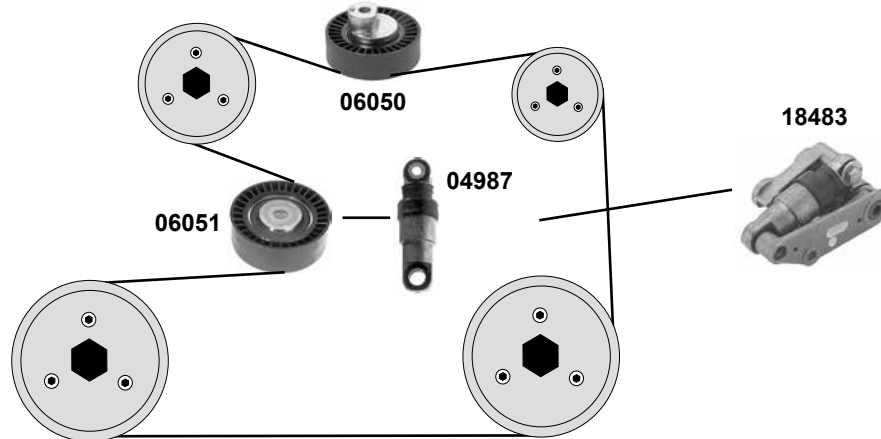


**2,8**  
(M52)

**Mechanisch / mechanical**



**Hydraulisch / hydraulic**

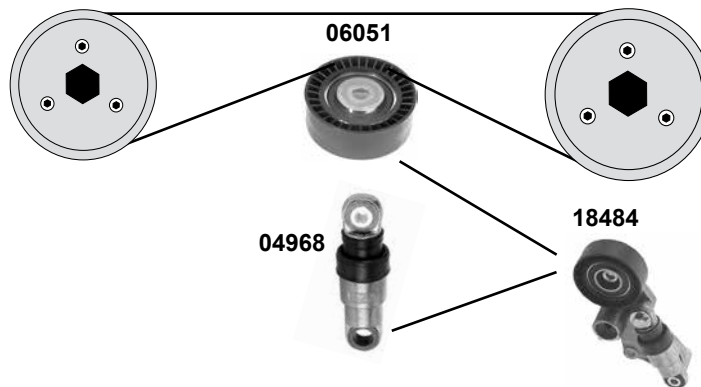


Umbausatz / mounting kit



febi 32017

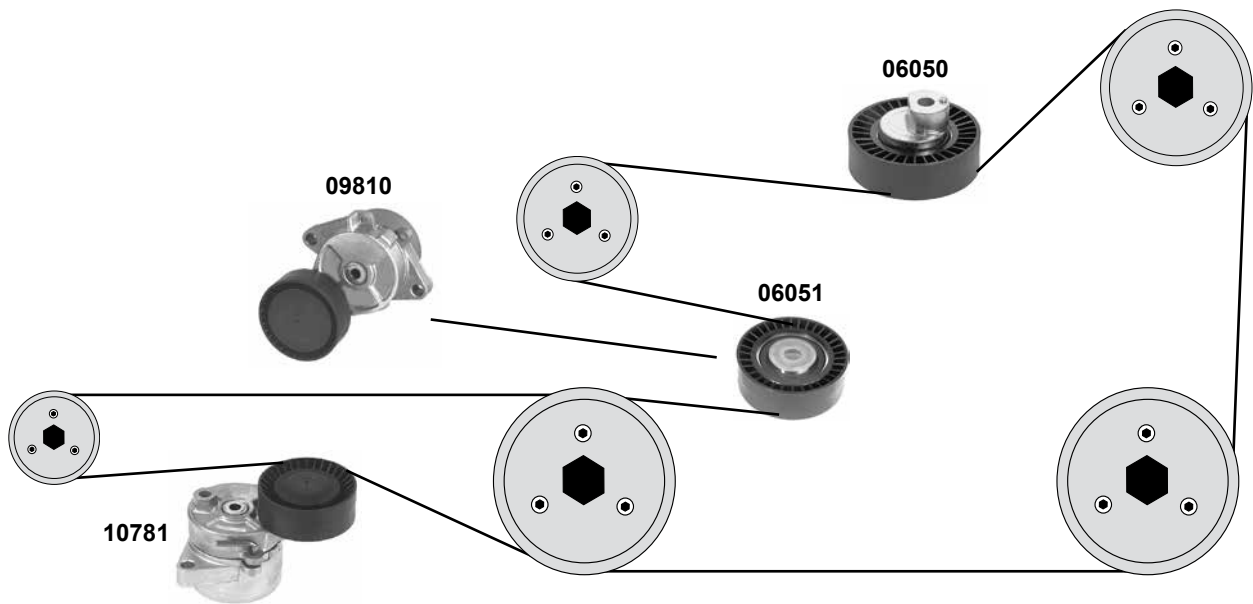
**AC**



Ref. - No.



<b>04968</b>	11 28 1 717 210	Schwingungsdämpfer / vibration damper	
<b>04987</b>	11 28 1 717 188	Schwingungsdämpfer / vibration damper	
<b>06050</b>	11 28 7 841 228	Umlenkrolle / deflection pulley	Ø80 x 24,5
<b>06051</b>	11 28 1 748 131	Spannrolle / tension roller	Ø 70 x 24,5
<b>09810</b>	11 28 1 427 252	Riemenspanner / belt tensioner	70 x 24,5
<b>18483</b>	11 28 7 838 797	Riemenspanner / belt tensioner	70 x 24,5
<b>18484</b>	11 28 1 717 210 S1	Riemenspanner / belt tensioner	
<b>32017</b>	11 28 7 938 797 S1	Umbausatz für Riemenspanner/ mounting kit for belt tensioner	



Ref. - No.



**06050**  
**06051**  
**09810**  
**10781**

11 28 7 841 228  
11 28 1 748 131  
11 28 1 427 252  
11 28 1 433 571

Umlenkrolle / deflection pulley  
Spannrolle / tension roller  
Riemenspanner / belt tensioner  
Riemenspanner / belt tensioner

Ø 80 x 24,5  
Ø 70 x 24,5  
70 x 24,5  
70 / 78 x 26

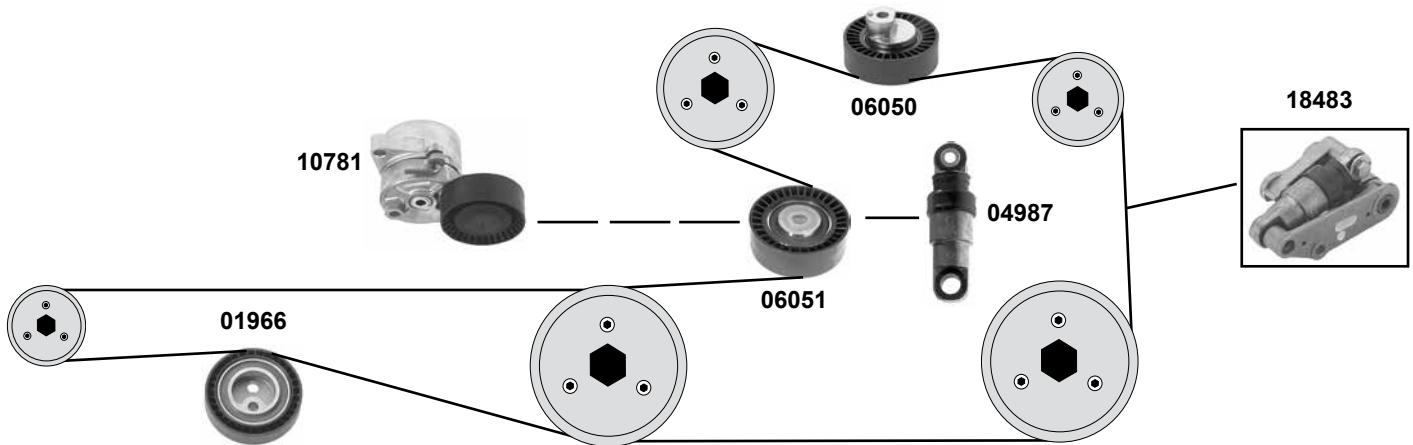
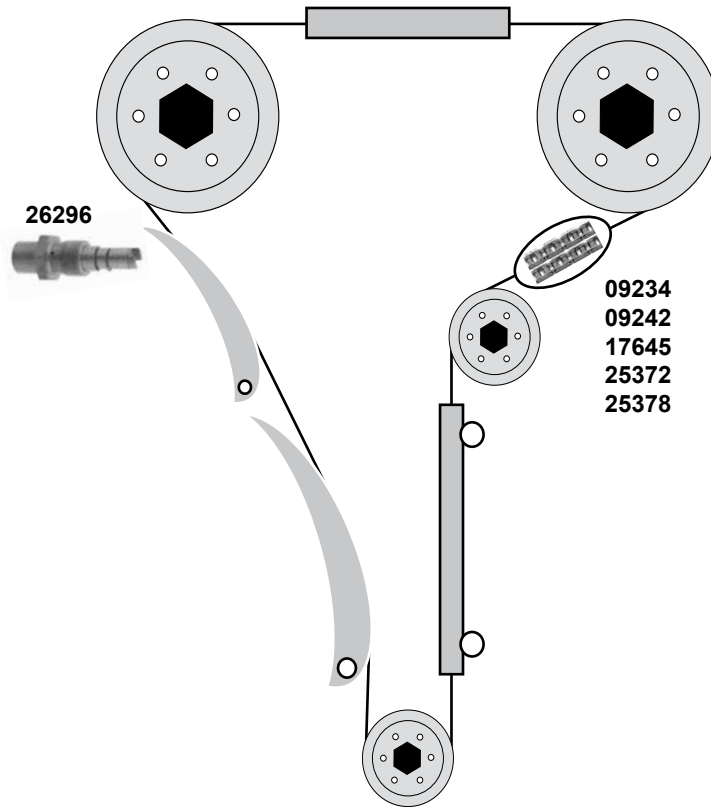
# BMW Z3

(95→03)

Car  
Division



## M 3,2 (B32 / S50 / S54)



(1) Nietverschluß / riveted link / bouchon de rivet / rivetti

(3) normal / regular / normal / normale / normalizado

(2) Federverschluß / split link / fermeture de ressort / falsa maglia

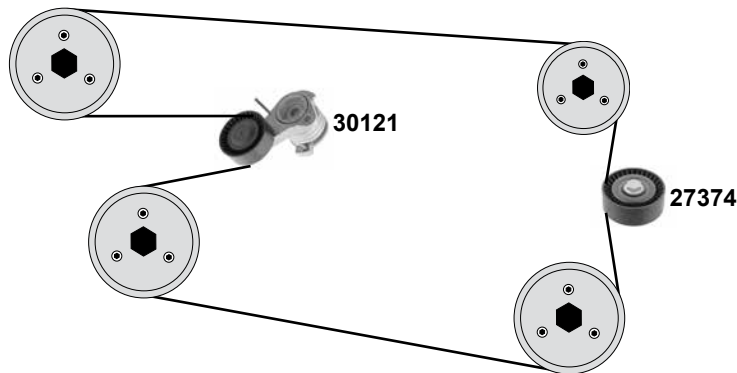
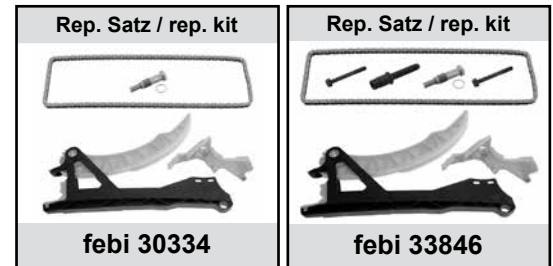
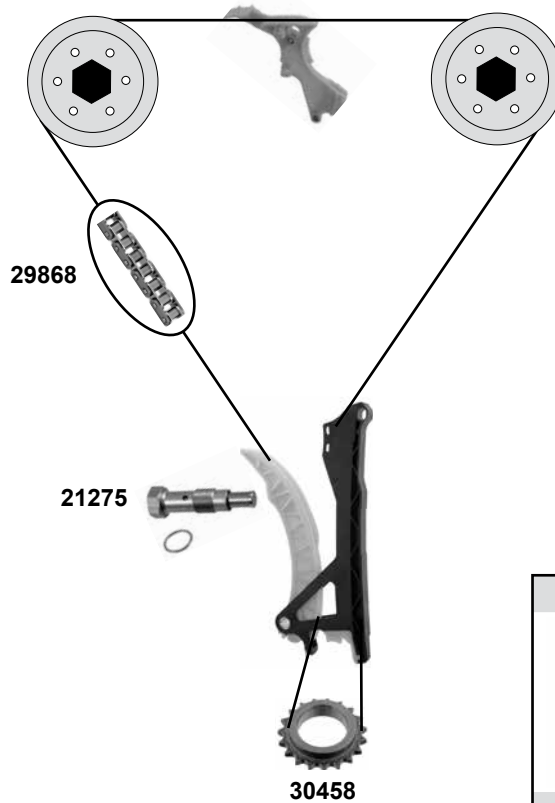
(4) verstärkt / reinforced / renforcée / förstärkt / rinforzato



Ref. - No.



01966	11 28 2 245 087	Spannrolle / tension roller		Ø 80
04987	11 28 1 717 188	Schwingungsdämpfer / vibration damper		
06050	11 28 7 841 228	Umlenkrolle / deflection pulley		Ø 80 x 24,5
06051	11 28 1 748 131	Spannrolle / tension roller		Ø 70 x 24,5
09234	11 31 1 403 081	Steuerkette, zweifach / timing chain, double	(1) (ex.) (mot.) S54	D 126 N
09242	11 31 1 403 081 S1	Steuerkette, zweifach / timing chain, double	(2) (ex.) (mot.) S54	D 126 F
10781	11 28 1 433 571	Riemenspanner / belt tensioner	mechanisch	70 / 78 x 26
17645	11 31 1 403 081 S2	Rollenkette, zweifach / timing chain, double	(3) (ex.) (mot.) S54	D 126 E
18483	11 28 7 838 797	Riemenspanner / belt tensioner	hydraulisch	
25372	11 31 1 403 081	Steuerkette, zweifach / timing chain, double	(4) (ex.) (mot.) S54	D 126 E
25378	11 31 7 830 869	Steuerkette, zweifach / timing chain, double	(mot.) S54	124 E
26296	11 31 1 405 081	Kettenspanner / chain tensioner	(mot.) S50	



(1) Rep. Satz Schraube für Steuerkette /  
rep. kit screw for timing chain  
**febi 33845**



(2) (mot.) N46  
**febi 30334** mit/with (1)



Ref. - No.



<b>21275</b>	11 31 7 567 680	Kettenspanner / chain tensioner		
<b>27374</b>	11 28 1 440 378	Umlenkrolle / deflection pulley		70x26
<b>29868</b>	11 31 1 439 854	Steuerkette / timing chain		142 E
<b>30121</b>	11 28 7 524 267	Riemenspanner / belt tensioner		70x26
<b>30334</b>	11 31 1 439 854 S1	Rep. Satz Steuerkette / rep. kit timing chain		142 E
<b>30458</b>	11 31 7 502 180	Kurbelwellenzahnrad / crankshaft gear	N46	Z19
<b>33845</b>	11 23 7 503 107 S1	Rep. Satz Schraube / rep. kit screw	(1)	
<b>33846</b>	11 31 1 439 854 S2	Rep. Satz Steuerkette / rep. kit timing chain	(2)	142 E



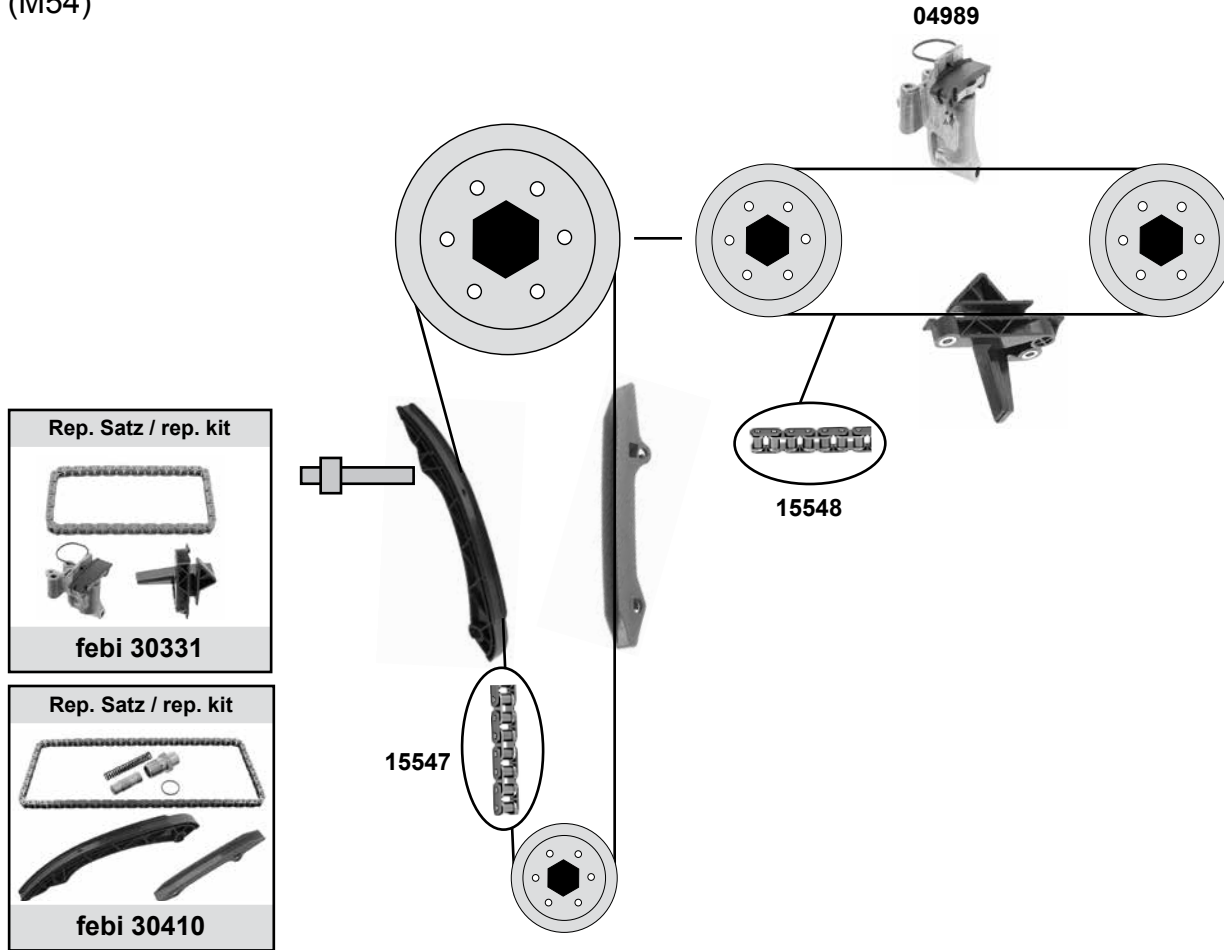
# BMW Z4 I

(03→09)

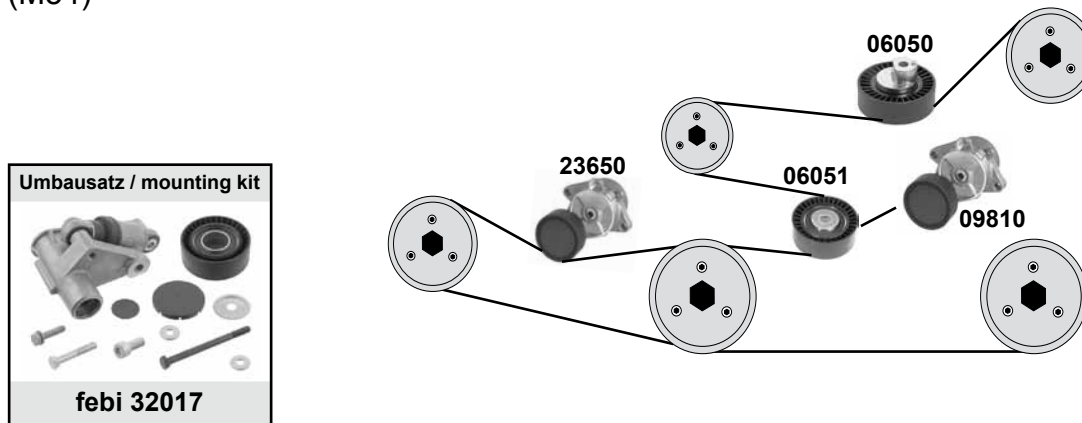
Car  
Division



**2,2 / 2,5 / 3,0**  
(M54)



**2,2 / 2,5 / 3,0i**  
(M54)



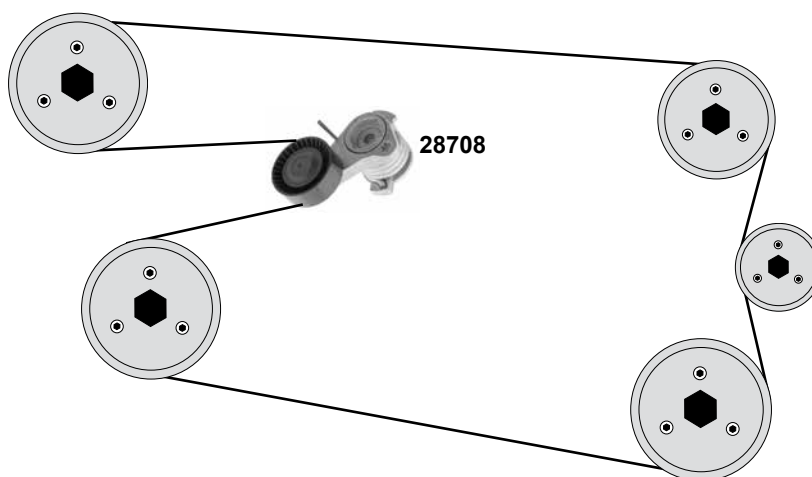
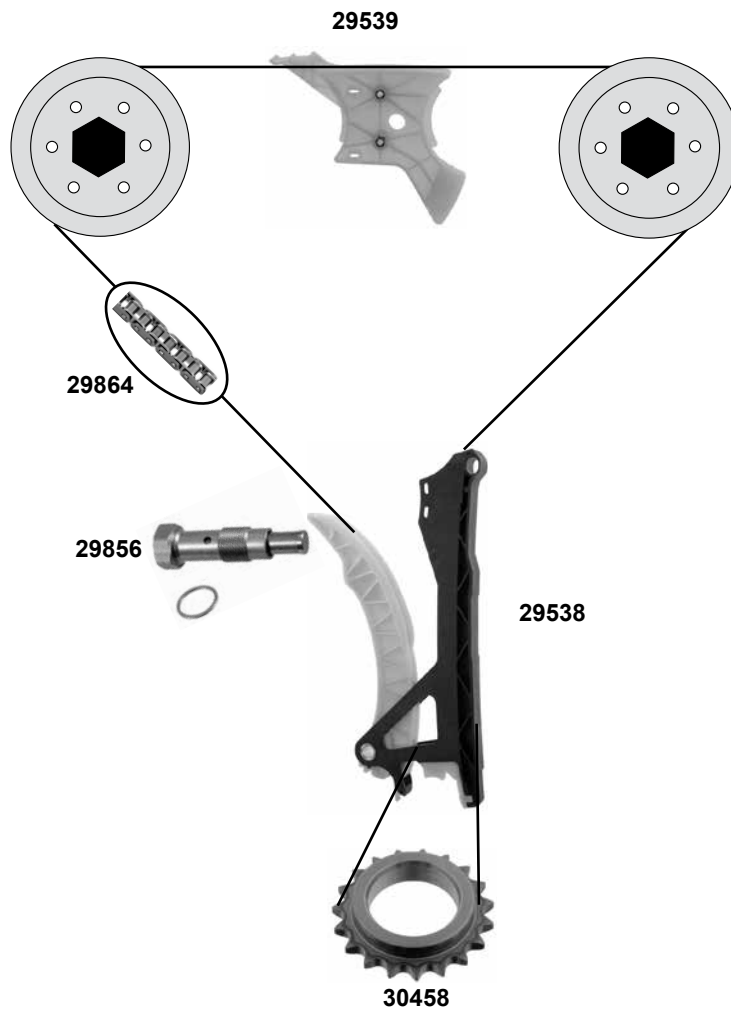
Ref. - No.



04989	11 31 1 738 700	Kettenspanner / chain tensioner	
06050	11 28 7 841 228	Umlenkrolle / deflection pulley	Ø 80 x 24,5
06051	11 28 1 748 131	Spannrolle / tension roller	Ø 70 x 24,5
09810	11 28 1 427 252	Riemenspanner / belt tensioner	70 x 24,5
15547	11 31 1 432 176	Steuerkette / timing chain	104 E
15548	11 31 1 432 177	Steuerkette / timing chain	58 E
23650	11 28 7 512 758	Riemenspanner / belt tensioner	70 x 24,5
30331	11 31 1 432 177 S1	Rep. Satz Steuerkette / rep. kit timing chain	58 E
30410	11 31 1 432 176 S2	Rep. Satz Steuerkette / rep. kit timing chain	104 E
32017	11 28 7 938 797 S1	Umbausatz für Riemenspanner/ mounting kit for belt tensioner	



**2,5i/si / 3,0i/si**  
(N52/N)



	Ref. - No.			
<b>28708</b>	11 28 7 530 314	Riemenspanner/ belt tensioner	(mot.) N52	70x26
<b>29538</b>	11 31 7 585 020	Gleitschiene / sliding rail	(mot.) N52N	
<b>29539</b>	11 31 7 592 850	Gleitschiene / sliding rail	(mot.) N52N	
<b>29856</b>	11 31 7 584 723	Kettenspanner / chain tensioner	(mot.) N52N	
<b>29864</b>	11 31 7 584 084	Steuerkette / timing chain	(mot.) N52N	148 E
<b>30338</b>	11 31 7 584 084 S1	Rep. Satz Steuerkette / rep. kit timing chain	(mot.) N52N	148 E
<b>30458</b>	11 31 7 502 180	Kurbelwellenzahnrad / crankshaft gear	(mot.) N52	Z19

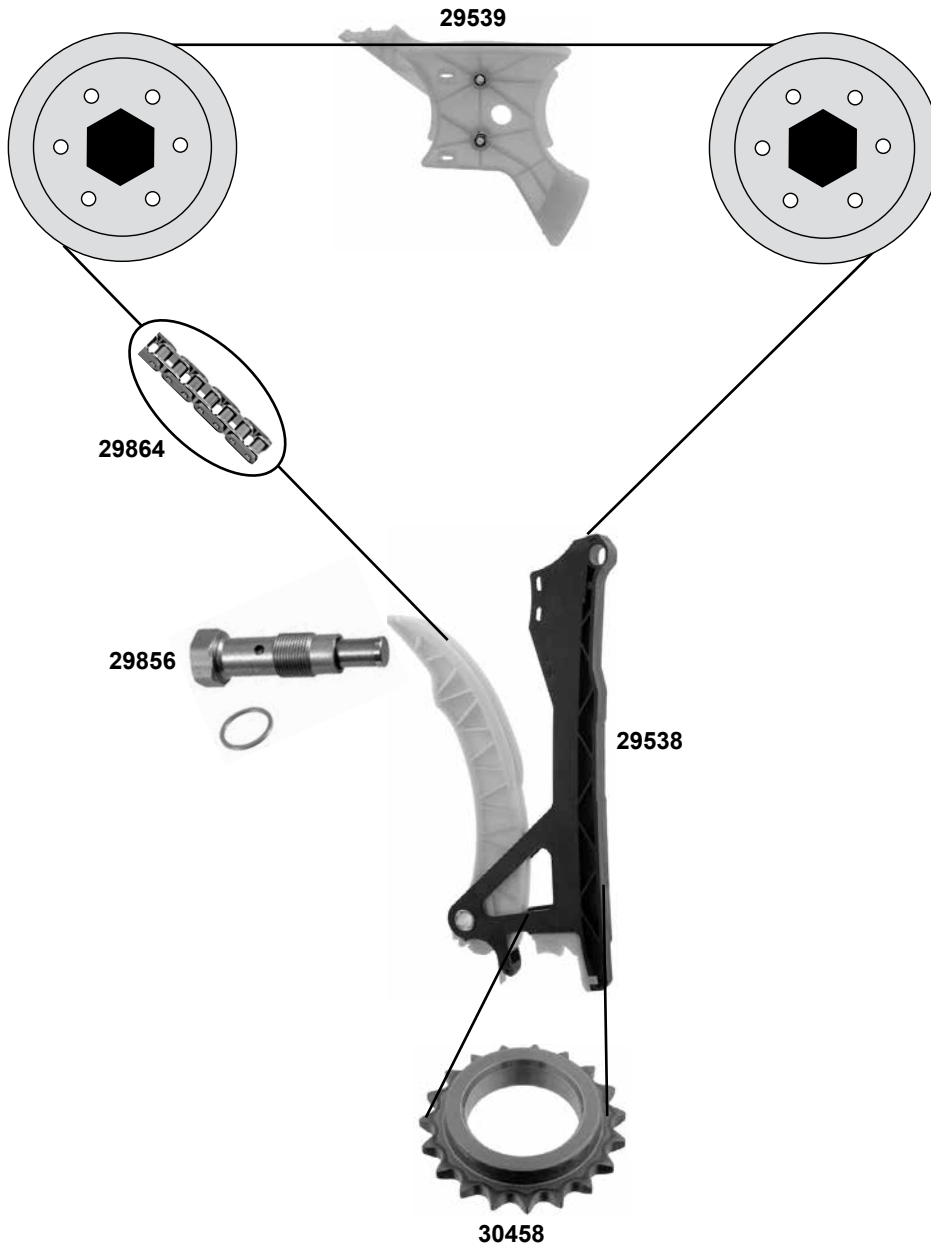
# BMW Z4 I (E86)

(06→09)

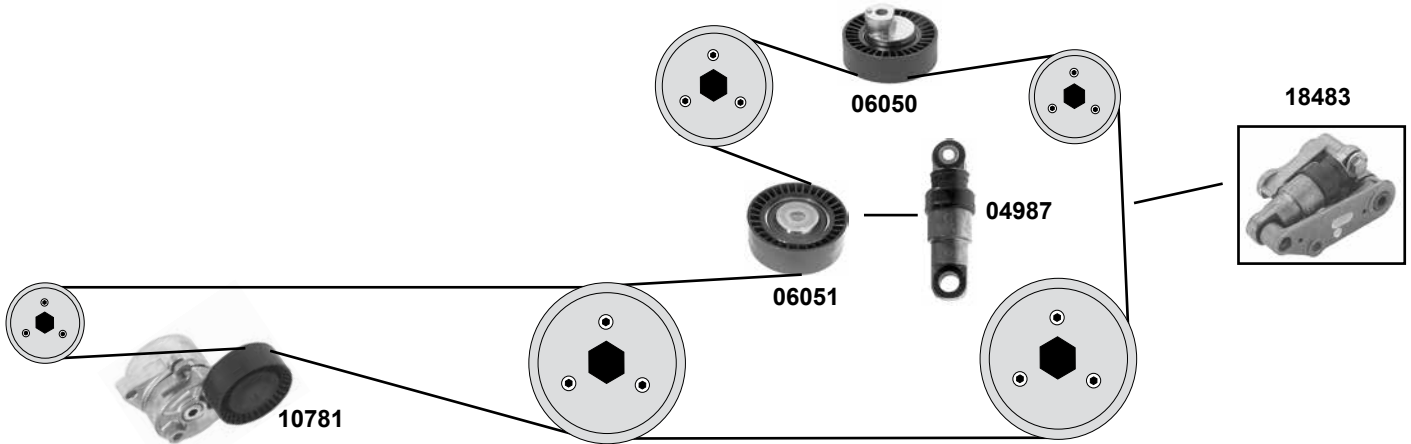
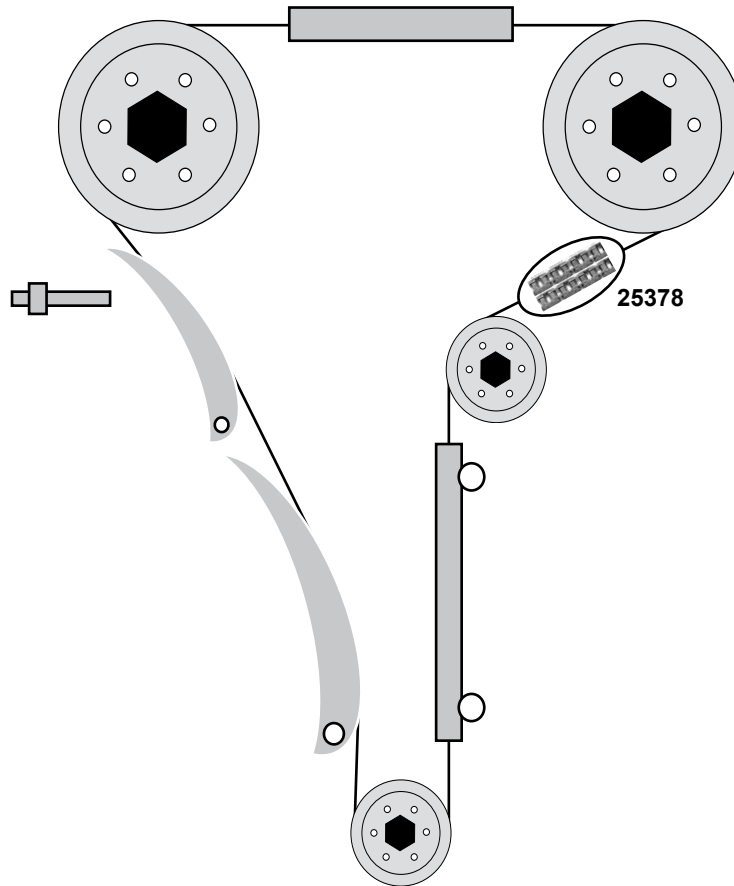
Car  
Division



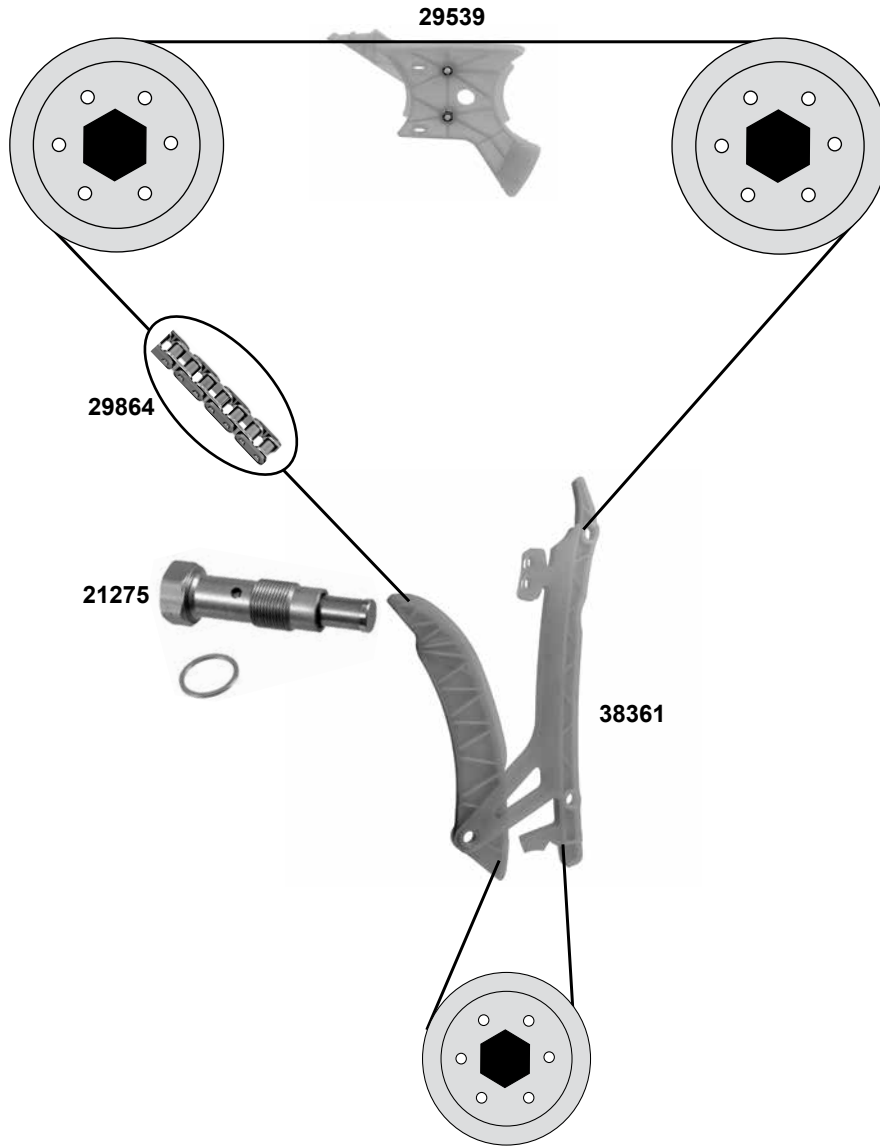
## 3,0 Si (N52/N)






	Ref. - No.			
29538	11 31 7 585 020	Gleitschiene / sliding rail		
29539	11 31 7 592 850	Gleitschiene / sliding rail		
29856	11 31 7 584 723	Kettenspanner / chain tensioner		
29864	11 31 7 584 084	Steuerkette / timing chain		148 E
30338	11 31 7 584 084 S1	Rep. Satz Steuerkette / rep. kit timing chain		148 E
30458	11 31 7 502 180	Kurbelwellenzahnrad / crankshaft gear	(mot.) N52	Z19

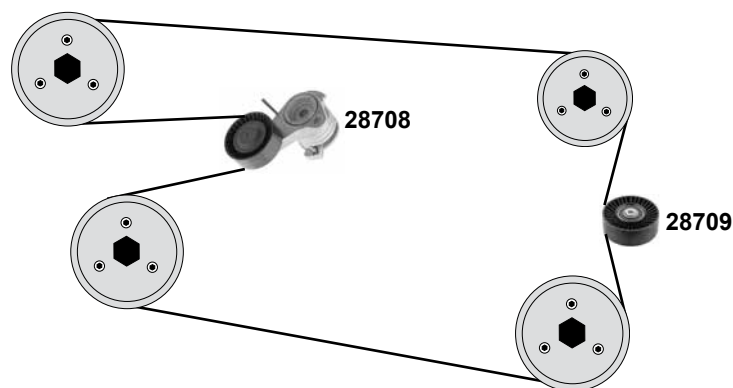
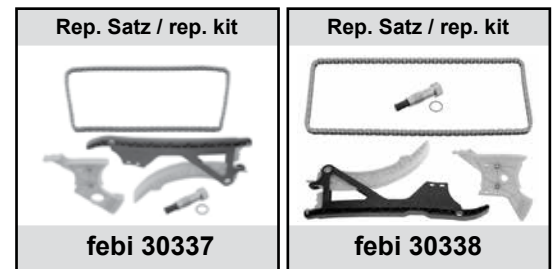
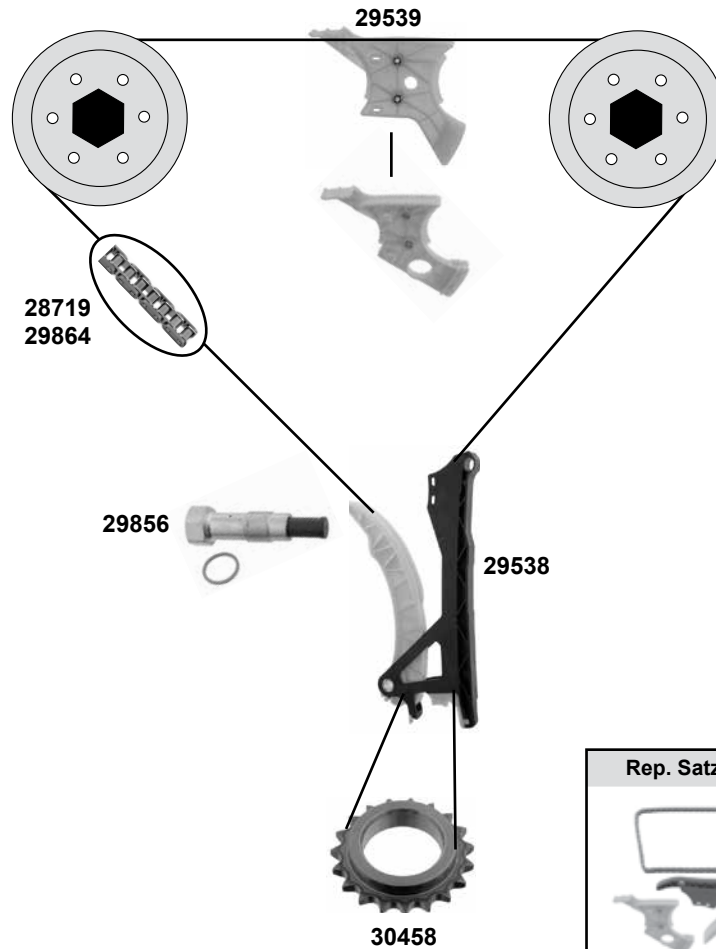


	Ref. - No.			
<b>04987</b>	11 28 1 717 188	Schwingungsdämpfer / vibration damper	<b>mechanisch</b> <b>hydraulisch</b>	Ø 80 x 24,5 Ø 70 x 24,5 70 / 78 x 26 D124 E
<b>06050</b>	11 28 7 841 228	Umlenkrolle / deflection pulley		
<b>06051</b>	11 28 1 748 131	Spannrolle / tension roller		
<b>10781</b>	11 28 1 433 571	Riemenspanner / belt tensioner		
<b>18483</b>	11 28 7 838 797	Riemenspanner / belt tensioner		
<b>25378</b>	11 31 7 830 869	Steuerkette, zweifach / timing chain, double		
<b>32017</b>	11 28 7 938 797 S1	Umbausatz für Riemenspanner/ mounting kit for belt tensioner		



	Ref. - No.			
<b>21275</b>	11 31 7 567 680	Kettenspanner / chain tensioner		M22x1,25
<b>29539</b>	11 31 7 592 850	Gleitschiene / sliding rail		
<b>29864</b>	11 31 7 584 084	Steuerkette einfach / roller chain simplex		148 E
<b>38361</b>	11 31 7 592 877	Gleitschiene / sliding rail		
<b>38362</b>	11 31 7 584 084 S2	Rep. Satz Steuerkette / rep. kit timing chain		148 E

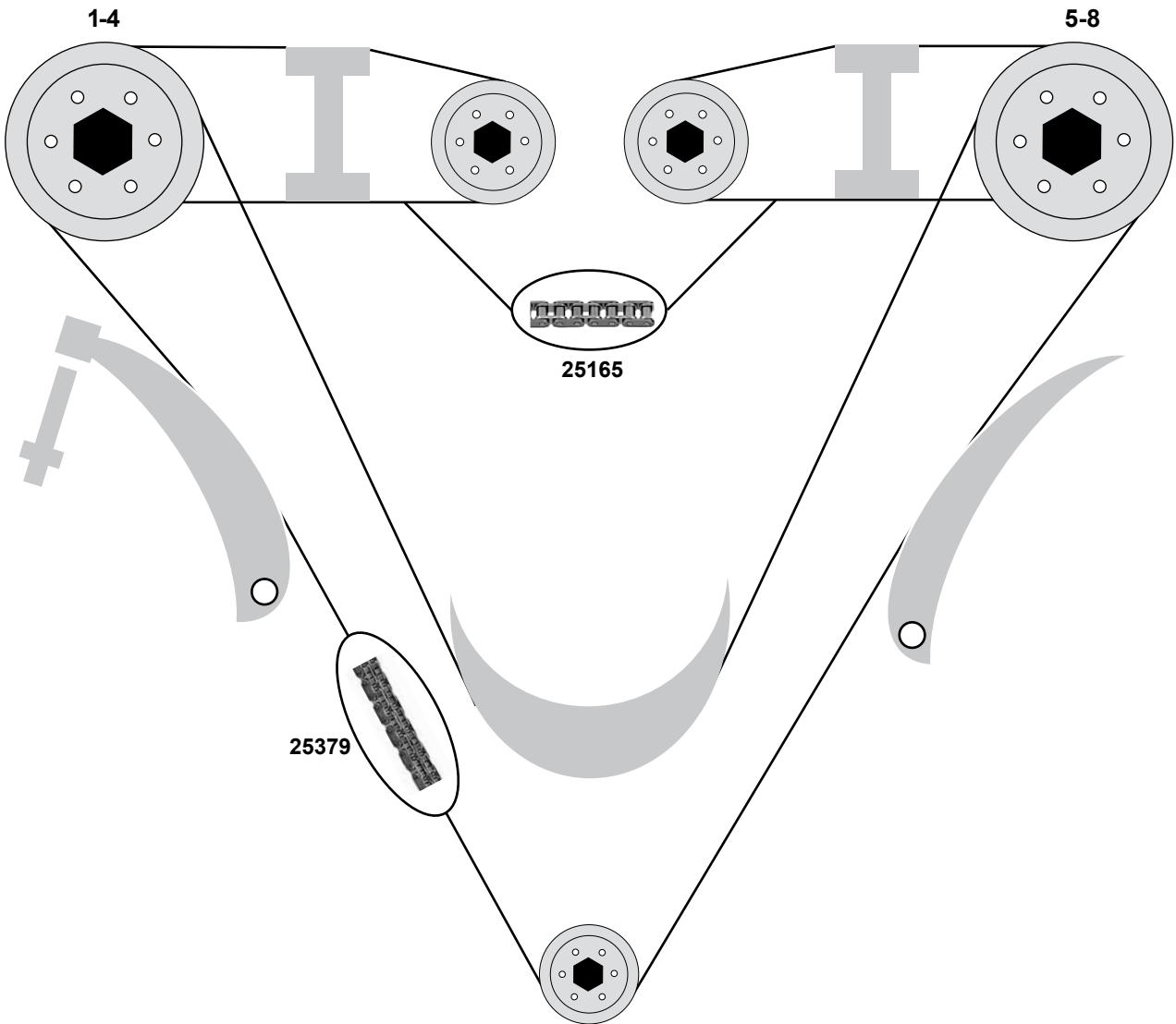
**2,3i / 3,0i / 3,5i/is**  
(N52N/N54)



	Ref. - No.			
<b>28708</b>	11 28 7 530 314	Riemenspanner / belt tensioner	(mot.) N52N 2,3i/3,0i	70x26
<b>28709</b>	11 28 7 556 251	Umlenkrolle / deflection pulley	(mot.) N54 3,5i/is	80x28
<b>28719</b>	11 31 7 516 088	Steuerkette / timing chain	(mot.) N54	144 E
<b>29538</b>	11 31 7 585 020	Gleitschiene / sliding rail	(mot.) N52N (ex.) 3,5is	
<b>29539</b>	11 31 7 592 850	Gleitschiene / sliding rail	(mot.) N52N (ex.) 3,5is	
<b>29856</b>	11 31 7 584 723	Kettenspanner / chain tensioner		
<b>29864</b>	11 31 7 584 084	Steuerkette / timing chain	(mot.) N52N (ex.) 3,5is	148 E
<b>30337</b>	11 31 7 516 088 S2	Rep. Satz Steuerkette / rep. kit timing chain	(mot.) N52N 3,5i/si	144 E
<b>30338</b>	11 31 7 584 084 S1	Rep. Satz Steuerkette / rep. kit timing chain	(mot.) N52N (ex.) 3,5is	148 E
<b>30458</b>	11 31 7 502 180	Kurbelwellenzahnrad / crankshaft gear	(ex.) 3,5is	Z19



**4,9**  
(S38)



Ref. - No.



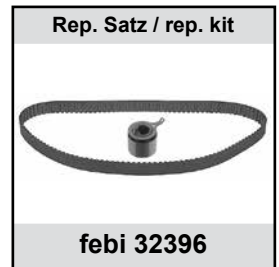
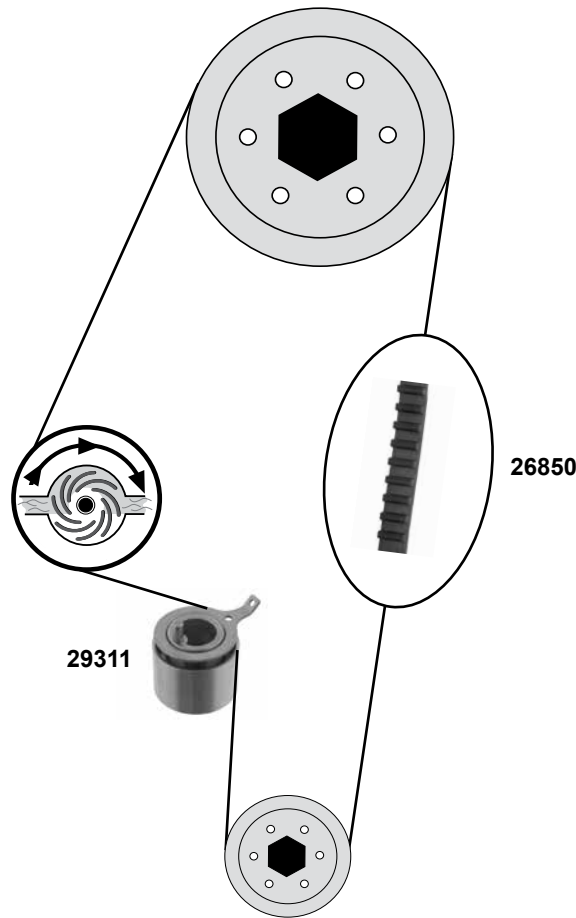
**25165**  
**25379**

11 31 1 406 167  
11 31 1 407 052

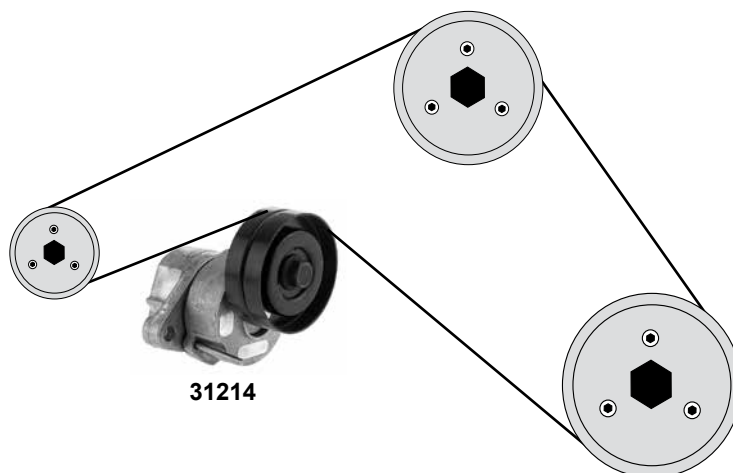
Steuerkette / timing chain  
Steuerkette / timing chain

54 E  
D 188E

**1,2**  
(SOHC)



**1,4 / 1,6**  
(DOHC)



Ref. - No.



**26850** 96610029  
**29311** 94580139  
**31214** 96966707  
**32396** 96610029 S1

Zahnriemen / timing belt  
Spannrolle / tension roller  
Riemenspanner / belt tensioner  
Rep. Satz Zahnriemen / rep. kit timing belt

Z109 B25  
ØA 42 B28  
ØA 75 B28



# CHEVROLET Aveo (T300)

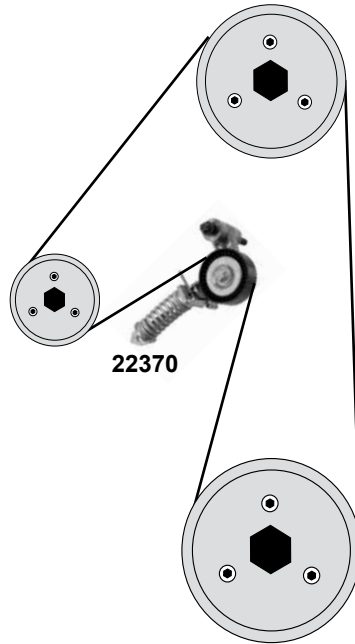
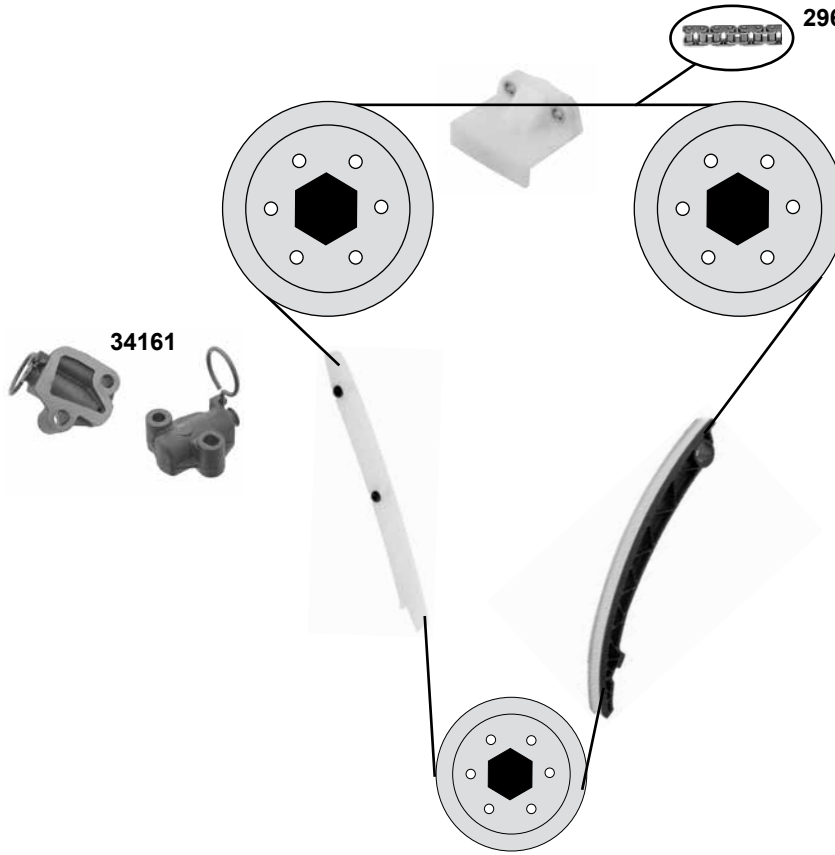
(11→)

Car  
Division

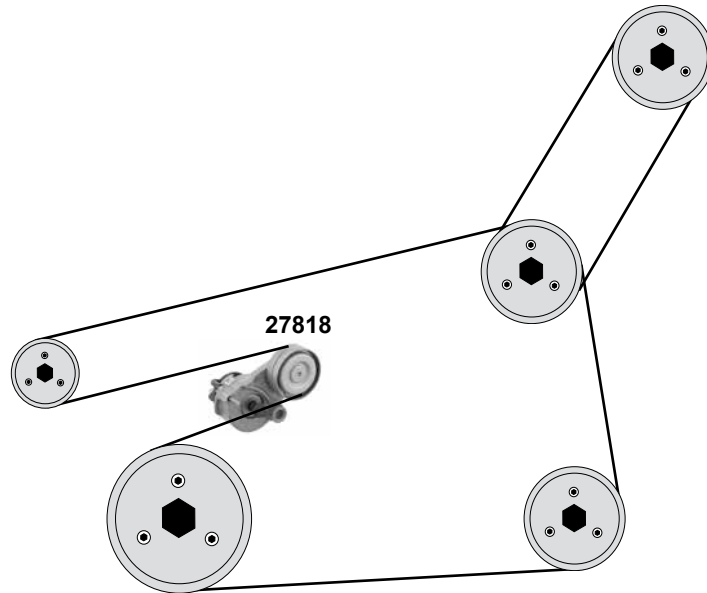


**1,2 / 1,4**  
(LDC /LWD / LDD)

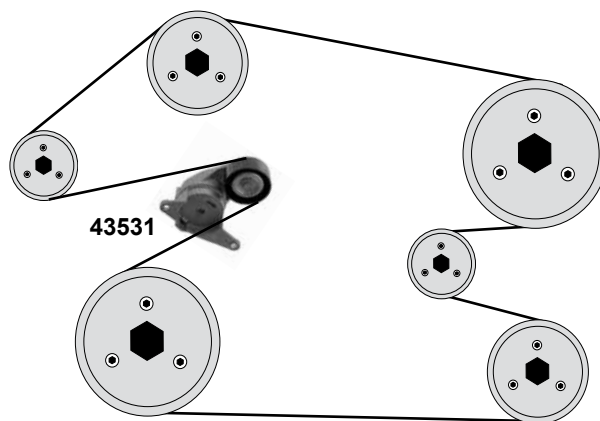
17617  
29629



febi bilstein	Ref. - No.			
17617	55562234	Steuerkette / timing chain	Simplex	130 E
22370	55565236	Riemenspanner / belt tensioner		
29629	55562234 S1	Steuerkette / timing chain	Simplex	130 N
34161	55562235	Kettenspanner / chain tensioner		
34162	55562234 S2	Rep. Satz Steuerkette / rep kit timing chain	(ex.) LWD	
34163	55562234 S3	Rep. Satz Steuerkette / rep kit timing chain	(ex.) LWD	

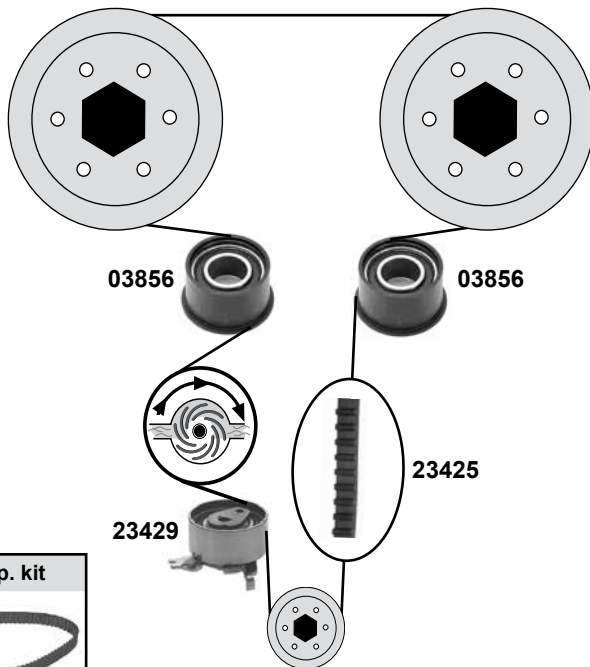


**Captiva (C100)**  
(06→10)  
**3,2 V6**  
(LU1)

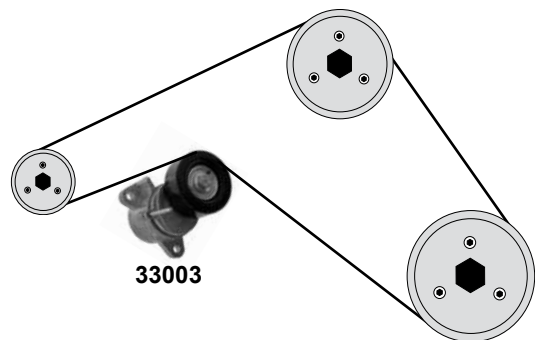


# CHEVROLET Captiva (07→)

**2,0**  
(DOHC)



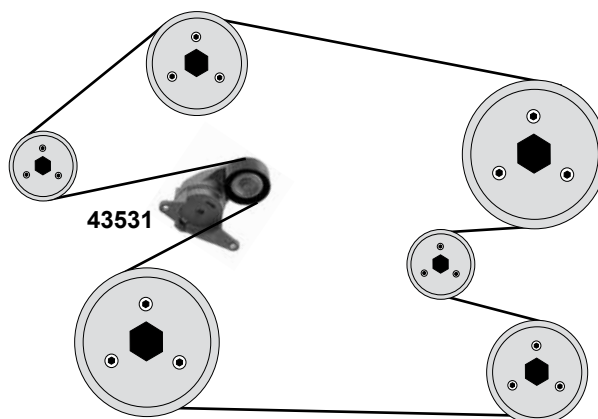
**2,4**



## Captiva (C100)

(10→12)

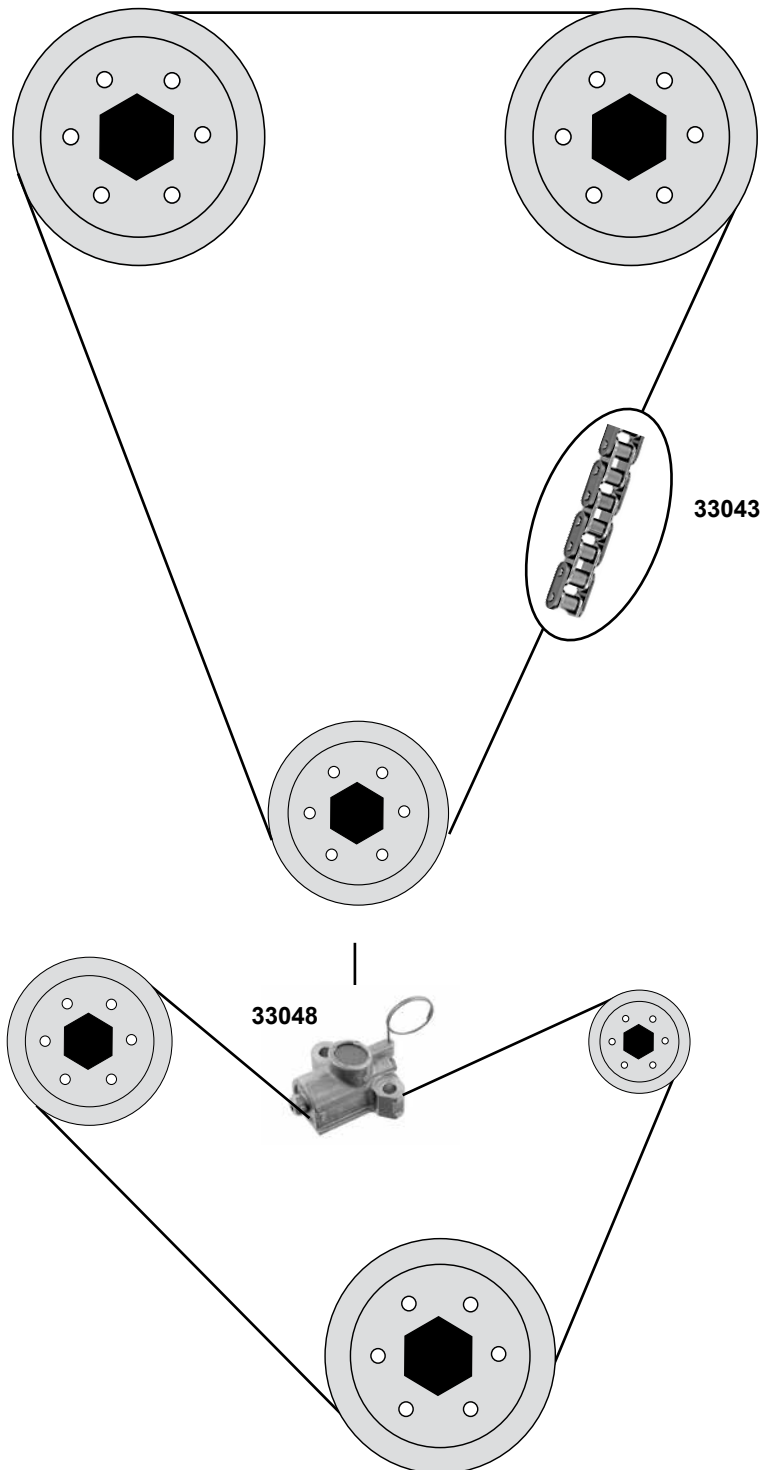
**3,0**  
(LF1)



Ref. - No.



<b>03856</b>	09128738	Umlenkrolle / deflection pulley		ØA 58,5 B29,5
<b>23425</b>	09128722	Zahnriemen / timing belt		Z 171 B24
<b>23427</b>	09128722 S1	Rep. Satz Zahnriemen / rep. kit timing belt		
<b>23429</b>	90528603	Spannrolle / tension roller		Ø 59
<b>33003</b>	96435138	Riemenspanner / belt tensioner		ØA 69,85/27,65
<b>43531</b>	12626644	Riemenspanner / belt tensioner		70 X 31



# CHEVROLET

## Cruze

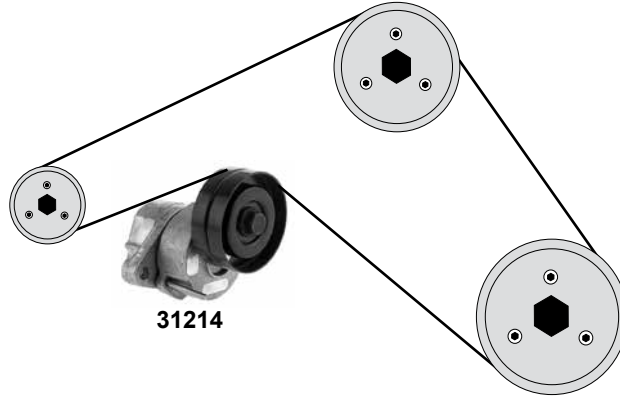
(01/09→)

Car  
Division



### 1,6

(DOHC)

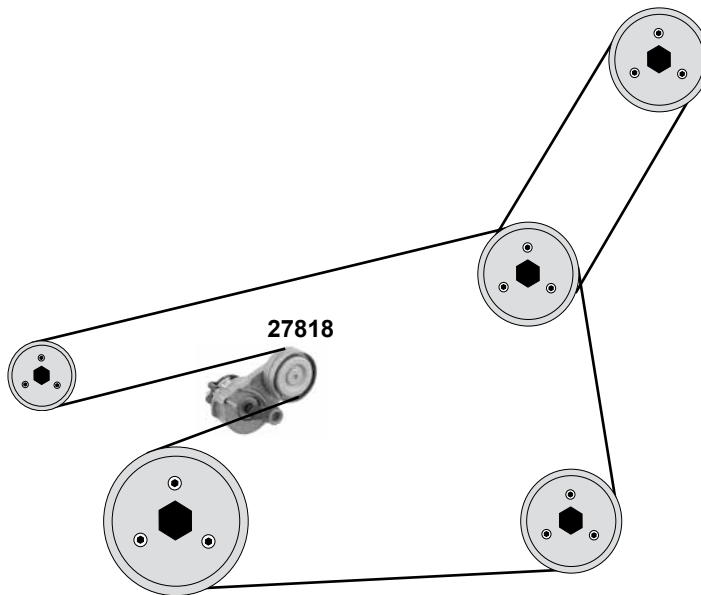


## Cruze Notchback (J300)

(09→12)

### 1,6 / 1,8

(LDE / LXV / 2HO)



(1) (ch.) XUFJF696JA3000241→



Ref. - No.



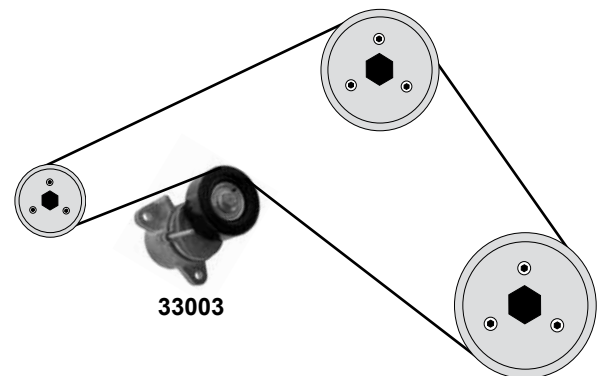
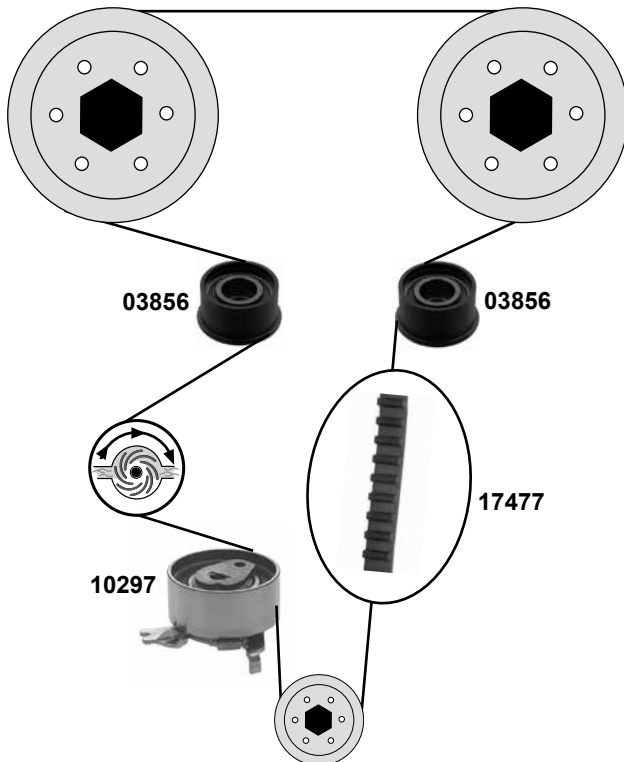
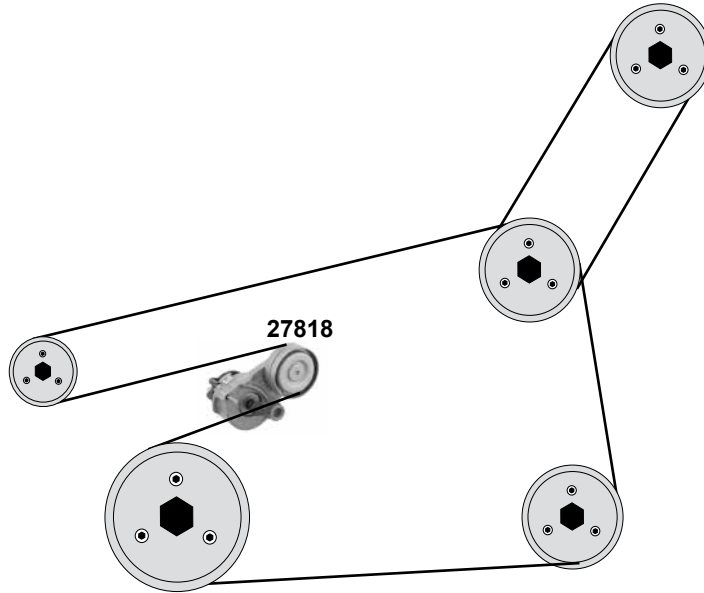
27818  
31214

25189926  
96966707

Riemenspanner / belt tensioner  
Riemenspanner / belt tensioner

(1)

Ø A 75 B28



Ref. - No.



**03856** 09128738  
**10297** 09158004  
**17477** 92066312  
**27818** 25189926  
**33003** 96435138

Umlenkrolle / deflection pulley  
Spannrolle / tension roller  
Zahnriemen / timing belt  
Riemenspanner / belt tensioner  
Riemenspanner / belt tensioner

ØA 52,5 B27  
ØA 59 B26  
Z169 B24

(ch.) 176152 → ØA 69,85/27,65

# CHEVROLET

## Epica

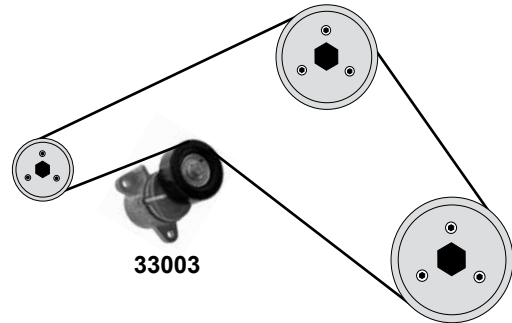
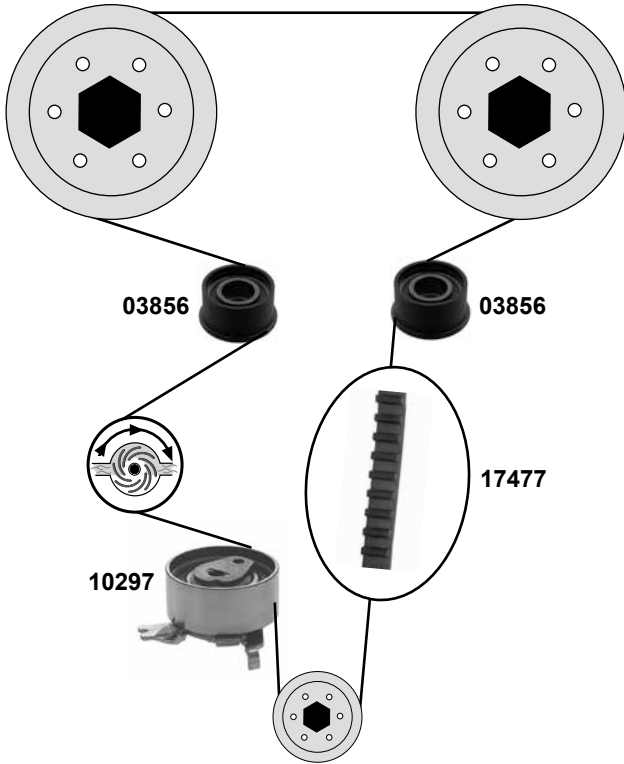
(05→)

Car  
Division



**2,0**

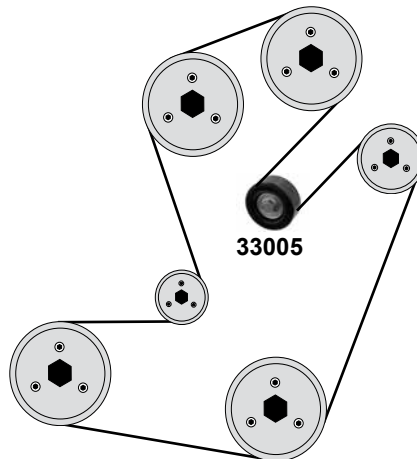
(DOHC)



**2,0 / 2,5**

(DOHC)

**AC**



(1) (mot.) 2,0 DOHC 01/07 →

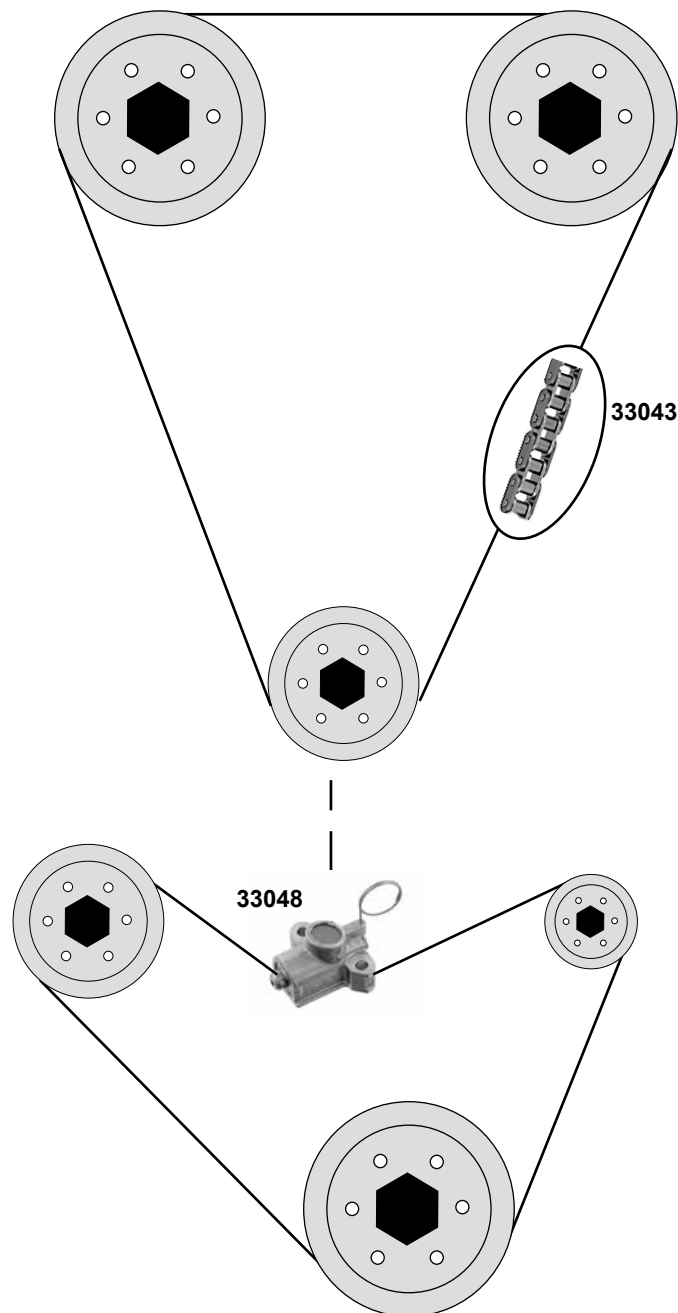
(2) (mot.) 2,5 DOHC 01/05 → 01/07



Ref. - No.



<b>03856</b>	09128738	Umlenkrolle / deflection pulley	(1)	ØA 52,5 B 27
<b>10297</b>	09158004	Spannrolle / tension roller	(1)	ØA 59 B26
<b>17477</b>	92066312	Zahnriemen / timing belt	(1)	Z169 B24
<b>33003</b>	96435138	Riemenspanner / belt tensioner	(1) (ch.) 176152 →	ØA 69,85/27,65
<b>33005</b>	96960692	Umlenkrolle / deflection pulley	(1) (2)	





# CHEVROLET

## Kalos

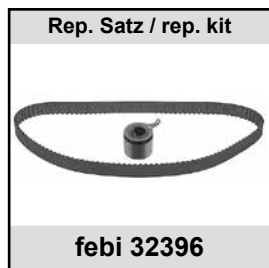
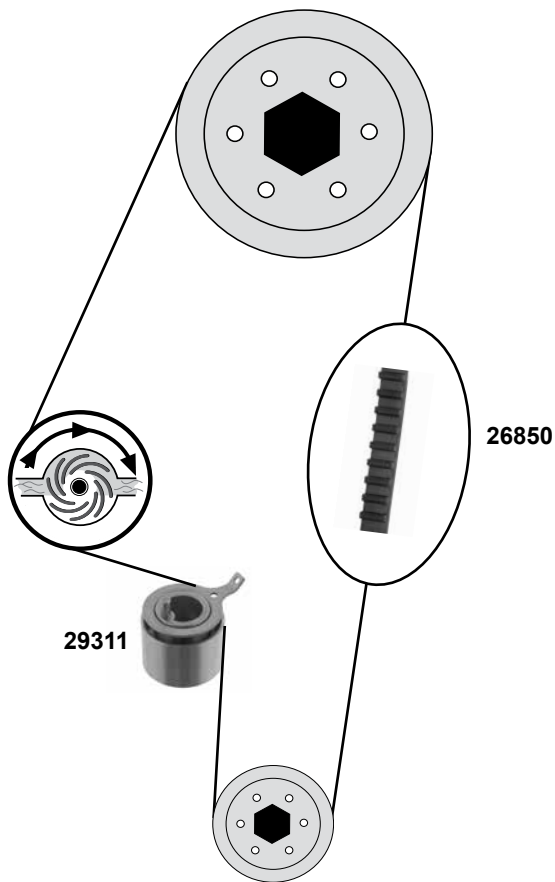
(05→)

Car  
Division



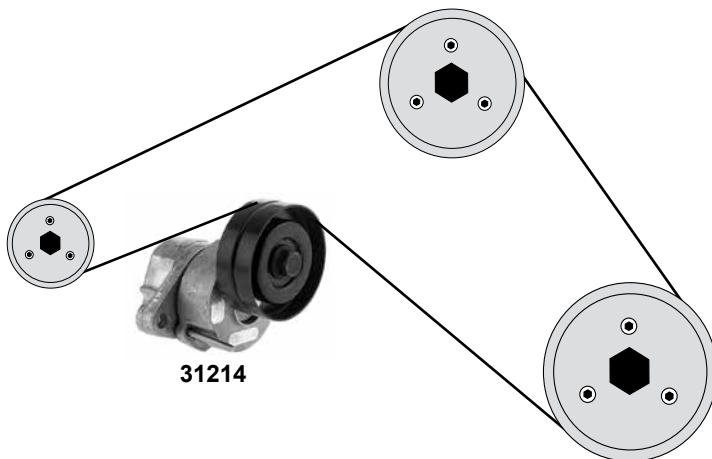
**1,2**

(SOHC)



**1,4**

(DOHC)



Ref. - No.



**26850**

96610029

Zahnriemen / timing belt

Z109 B25

**29311**

94580139

Spannrolle / tension roller

Ø A 42 B28

**31214**

96966707

Riemenspanner / belt tensioner

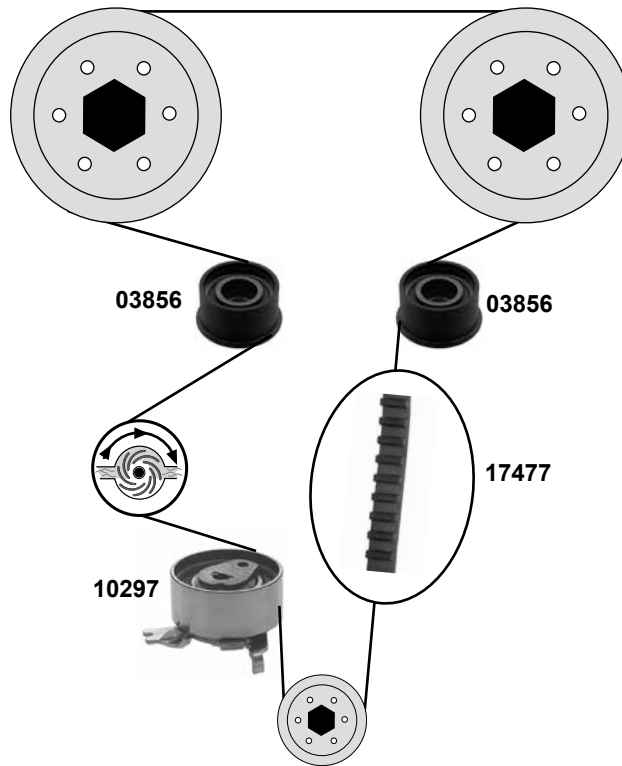
Ø A 75 B28

**32396**

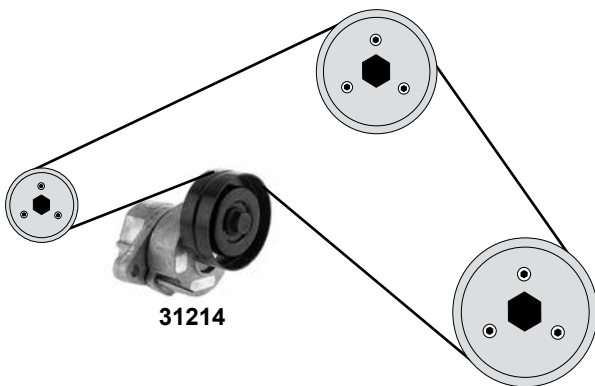
96610029 S1

Rep. Satz Zahnriemen / rep. kit timing belt

**1,8 / 2,0**  
DOHC

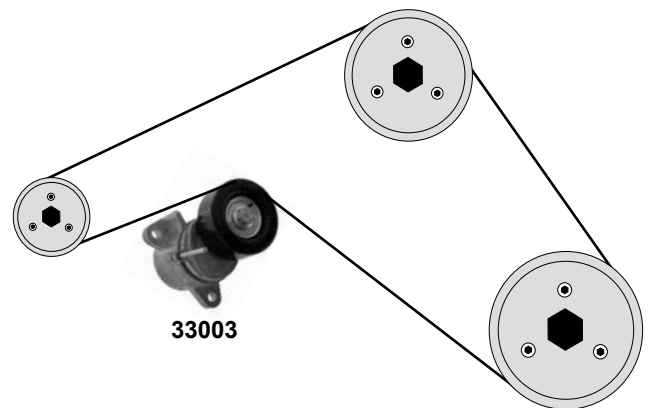


**1,4 / 1,6**  
(DOHC)



**31214**

**1,8 / 2,0**  
DOHC



**33003**



Ref. - No.



<b>03856</b>	09128738	Umlenkrolle / deflection pulley
<b>10297</b>	09158004	Spannrolle / tension roller
<b>17477</b>	92066312	Zahnriemen / timing belt
<b>31214</b>	96966707	Riemenspanner / belt tensioner
<b>33003</b>	96435138	Riemenspanner / belt tensioner

(mot.) 1,8  
(mot.) 2,0

ØA 52,5 B 27
ØA 59 B26
Z169 B24
Ø A 75 B28
ØA 69,85 27,65

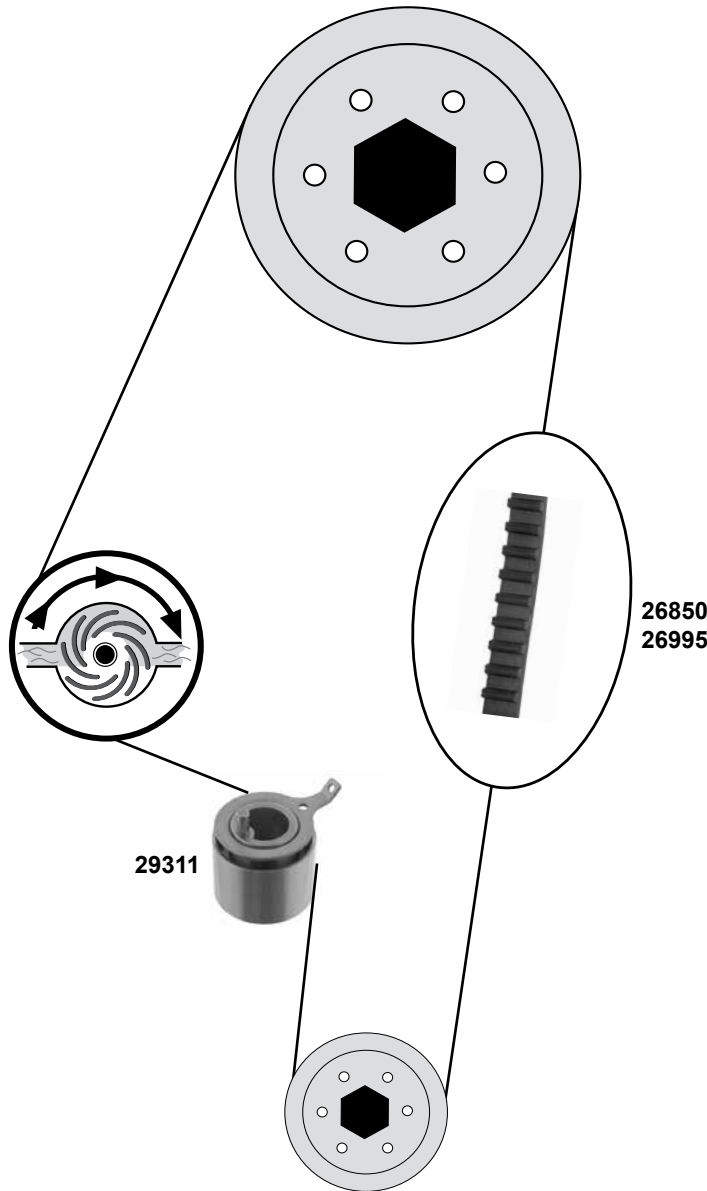
# CHEVROLET Matiz/Spark

(05→)

Car  
Division



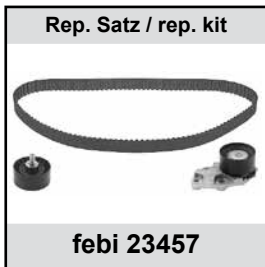
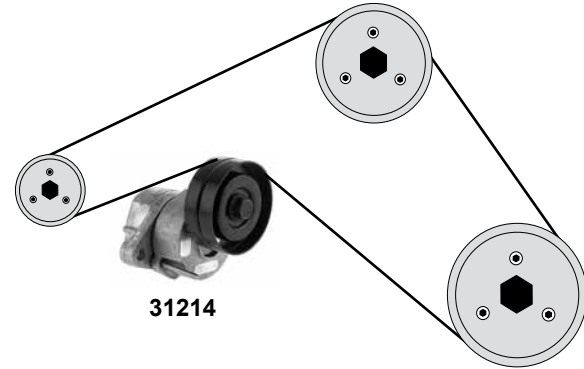
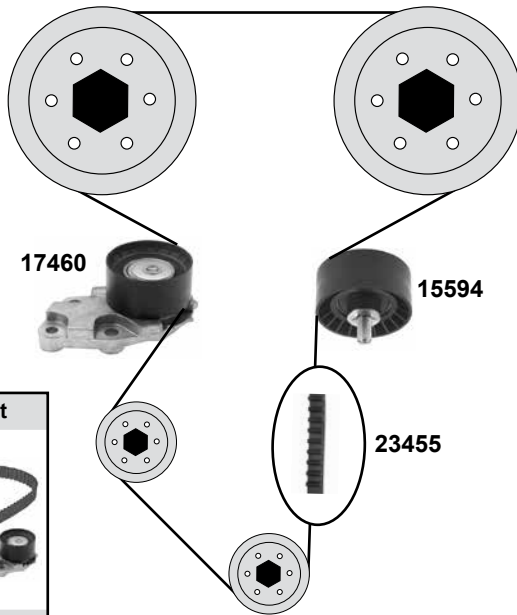
0,8 / 1,0



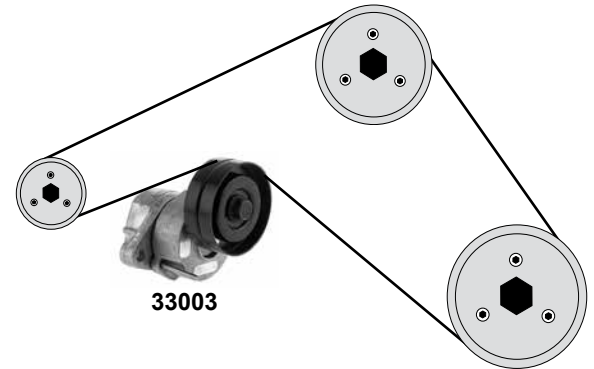
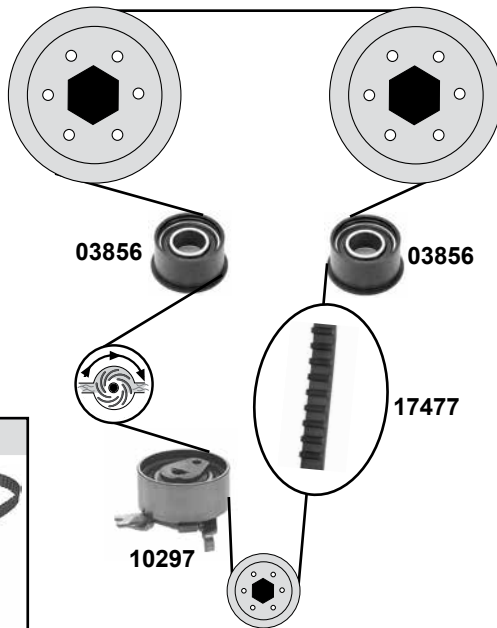
	Ref. - No.			
26850	96610029	Zahnriemen / timing belt	(mot.) 1,0	Z109 B25
26995	96352965	Zahnriemen / timing belt	(mot.) 0,8	Z107 B25
29311	94580139	Spannrolle / tension roller		ØA 34 H42
31428	96352965 S1	Rep. Satz Zahnriemen / rep. kit timing belt	(mot.) 0,8	
32396	96610029 S1	Rep. Satz Zahnriemen / rep. kit timing belt	(mot.) 1,0	Z109 B25



**1.6**  
DOHC



**2.0**  
DOHC



Ref. - No.



<b>03856</b>	09128738	Umlenkrolle / deflection pulley	ØA 52.5 B29.5
<b>10297</b>	09158004	Spannrolle / tension roller	ØA 59 B26
<b>15594</b>	96350526	Umlenkrolle / deflection pulley	ØA 64 H29
<b>17460</b>	96350550	Spannrolle / tension roller	ØA 60 B29
<b>17477</b>	92066312	Zahnriemen / timing belt	Z169 B24
<b>17478</b>	92066312 S1	Rep. Satz Zahnriemen / rep. kit timing belt	
<b>23455</b>	96814098	Zahnriemen / timing belt	Z 127 B25,4
<b>23457</b>	96814098 S1	Rep. Satz Zahnriemen / rep. kit timing belt	
<b>31214</b>	96966707	Riemenspanner / belt tensioner	
<b>33003</b>	96435138	Riemenspanner / belt tensioner	ØA 69,85

→ (ch.) 766687

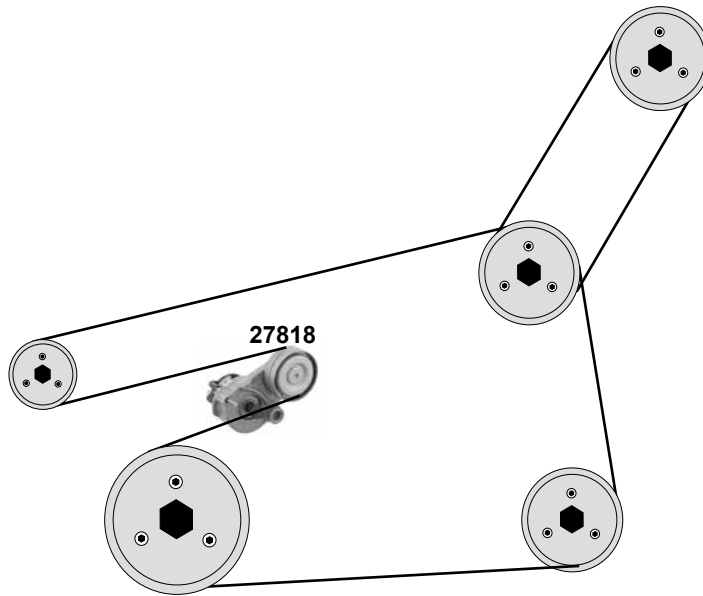
# CHEVROLET Orlando (J309)

(10→)

Car  
Division



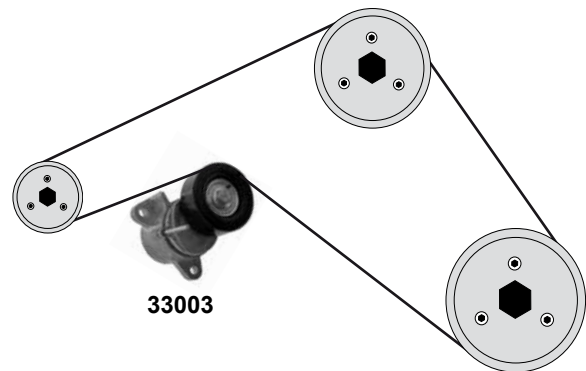
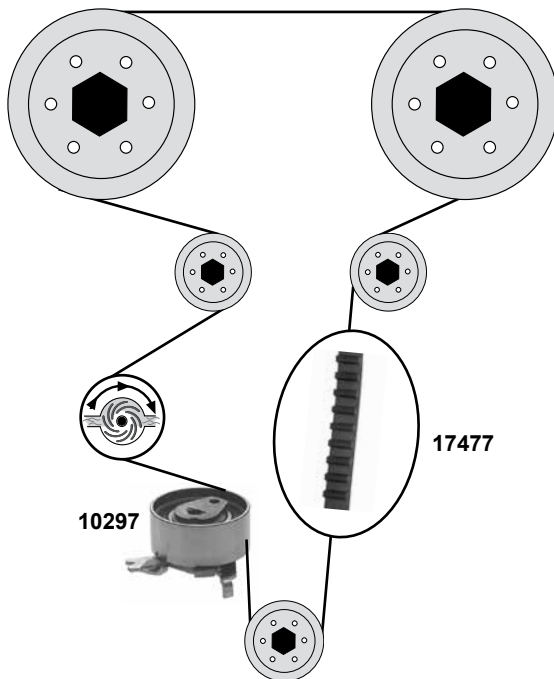
**1,6 / 1,8**  
(LDE / 2HO)



## Rezzo / Tacuma

(05→)

**2,0**  
DOHC



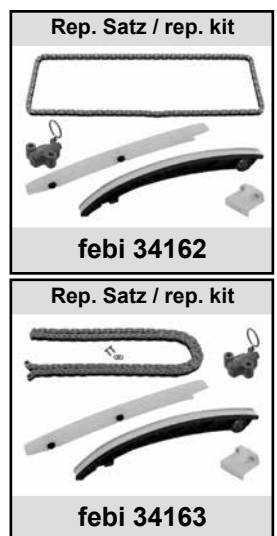
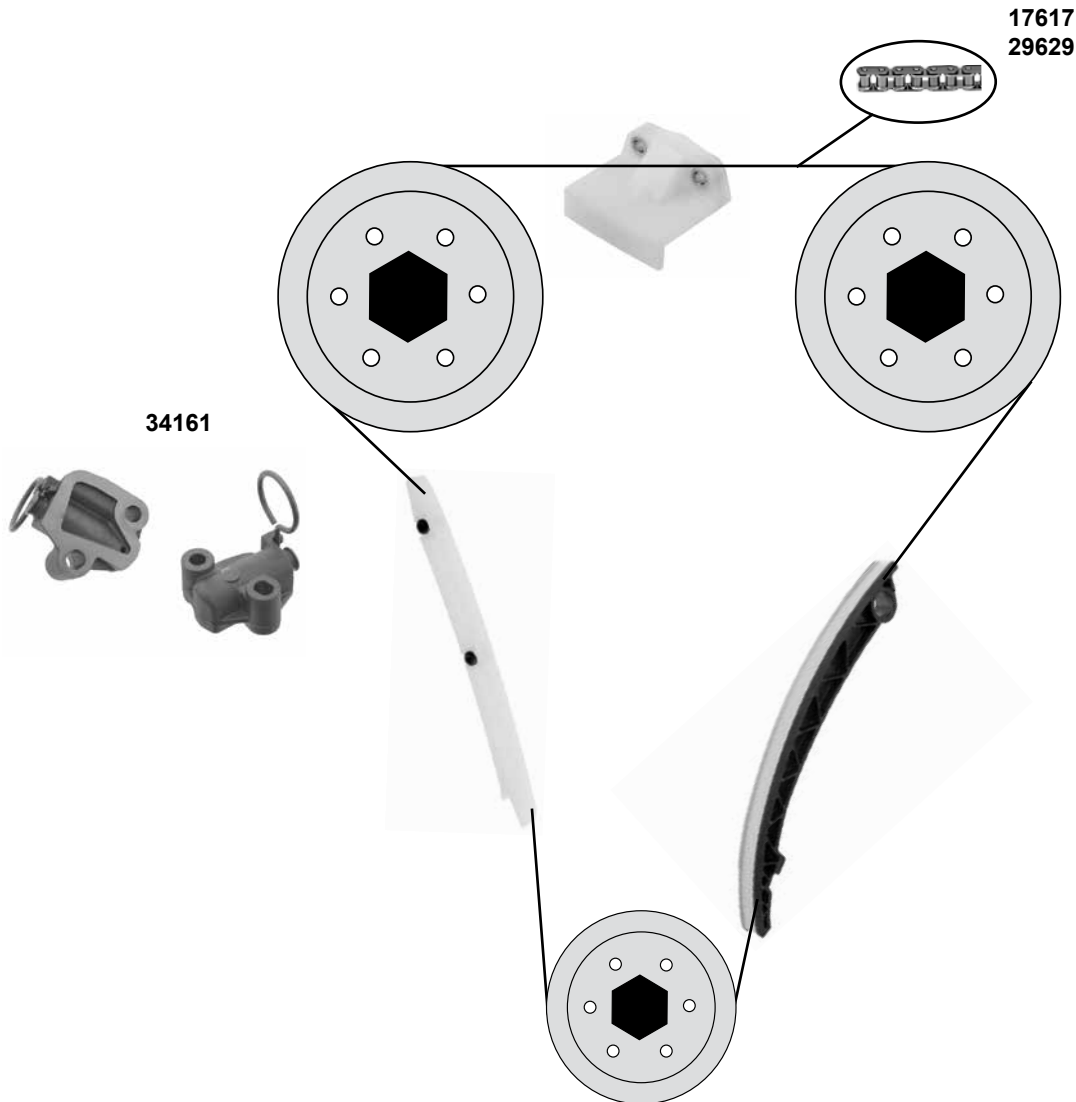
Ref. - No.



10297	09158004
17477	92066312
27818	25189926
33003	96435138

Spannrolle / tension roller
Zahnriemen / timing belt
Riemenspanner / belt tensioner
Riemenspanner / belt tensioner

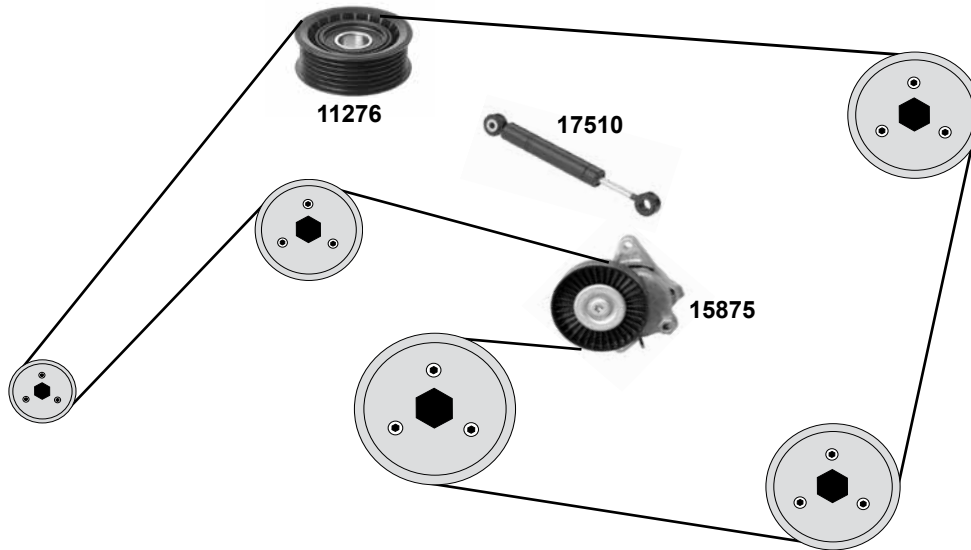
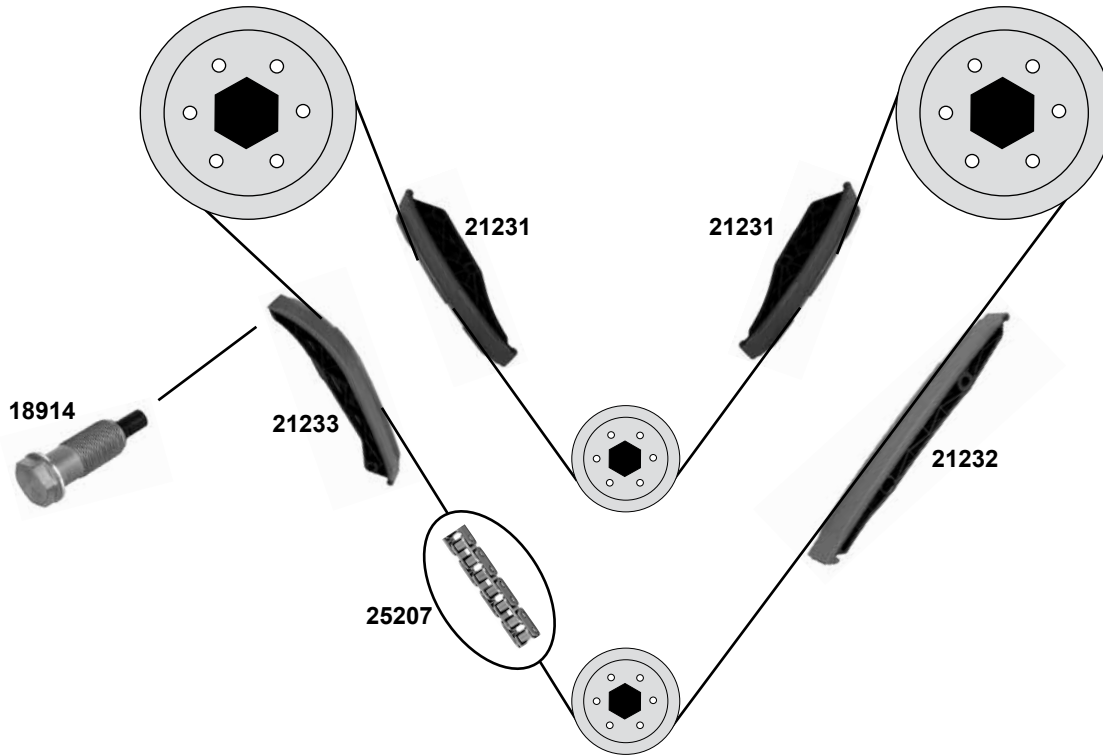
ØA 59 B26
Z169 B24
ØA 69,85 B27,65



	Ref. - No.			
17617	55562234	Steuerkette / timing chain	Simplex	130 E
29629	55562234 S1	Steuerkette / timing chain	Simplex	130 N
34161	55562235	Kettenspanner / chain tensioner		
34162	55562234 S2	Rep. Satz Steuerkette / rep kit timing chain		
34163	55562234 S3	Rep. Satz Steuerkette / rep kit timing chain		

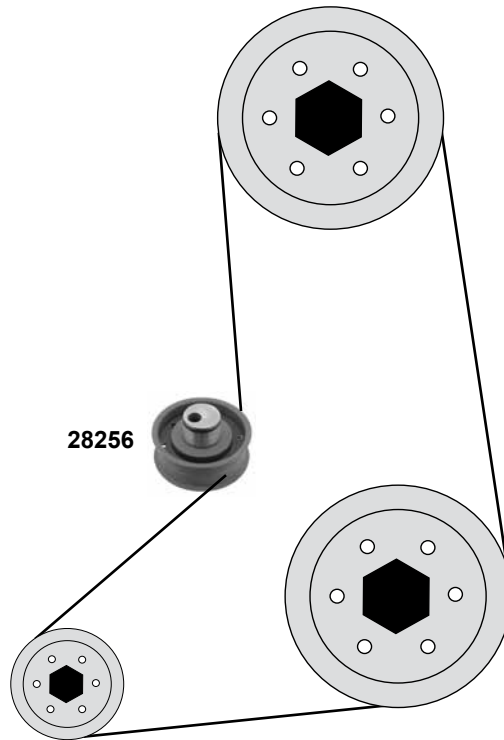


## 3,2 V6

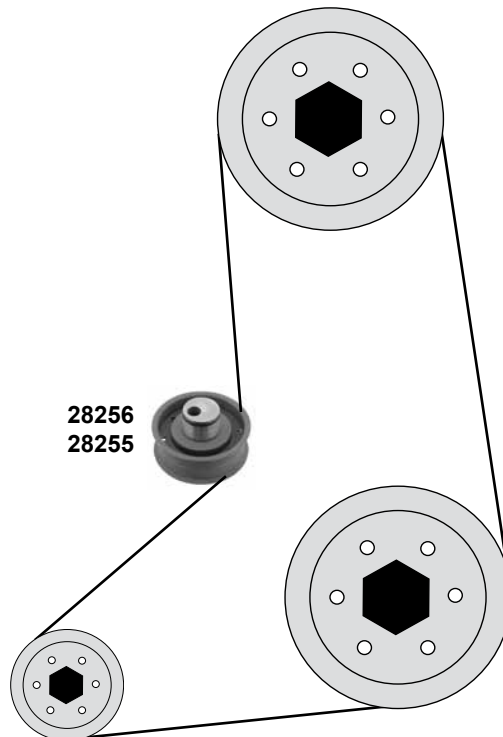


	Ref. - No.			
<b>11276</b>	000 202 00 19	Umlenkrolle / deflection pulley		Ø A 64 ØI 17 B23
<b>15875</b>	112 200 09 70	Riemenspanner / belt tensioner		Ø 95
<b>17510</b>	112 200 00 14	Schwingungsdämpfer / vibration damper		55 N - 600 N
<b>18914</b>	112 050 07 11	Kettenspanner / chain tightener		
<b>21231</b>	112 052 01 16	Gleitschiene / sliding rail		
<b>21232</b>	112 052 00 16	Gleitschiene / sliding rail		
<b>21233</b>	112 052 02 16	Gleitschiene / sliding rail		
<b>25207</b>	003 997 68 94	Steuerkette zweifach / timing chain double		168 E

**2,2 i**  
(EDR)



**Le Baron**  
(86→94)  
**2,2 i / 2,5 i**  
(EDR/EDM/EDT)



(1) 2,2 i Turbo 09/86 → 01/91 / 2,5 i Turbo 01/89 → 12/94



Ref. - No.



Spannrolle / tension roller  
Spannrolle / tension roller



(1)  
(1)



ØA 54 B30,5  
ØA 70 B24,5



# CHRYSLER Le Baron Cabriolet

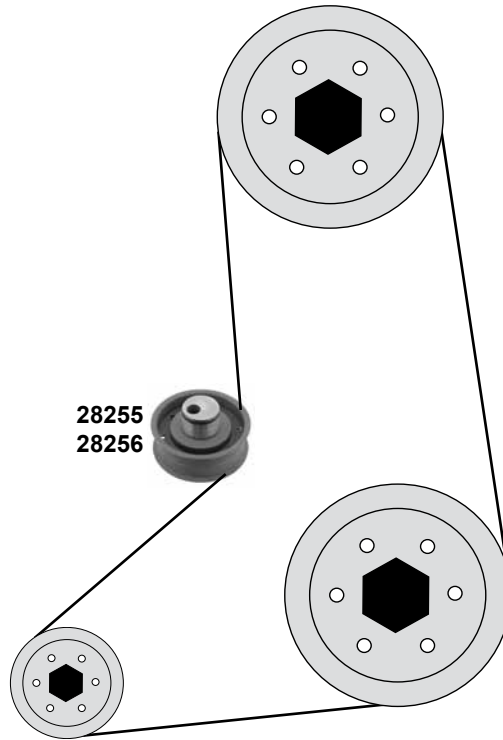
(86→96)

Car  
Division



**2,2 i / 2,5 i**

(EDR/EDM/EDT)

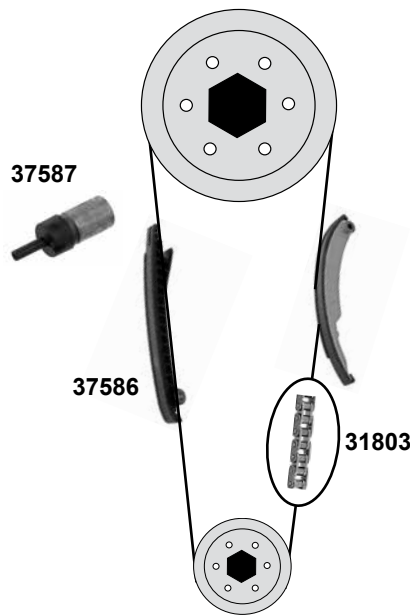


# Neon (PL)

(94→00)

**1,6**

(EJD)



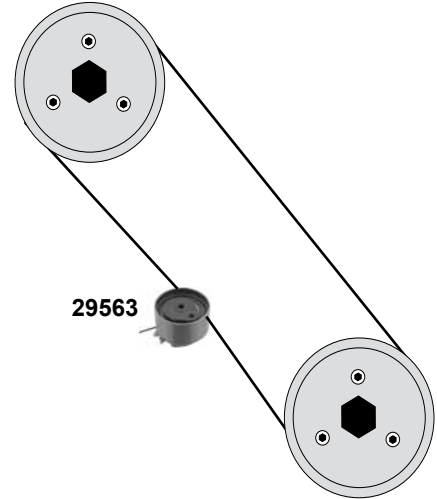
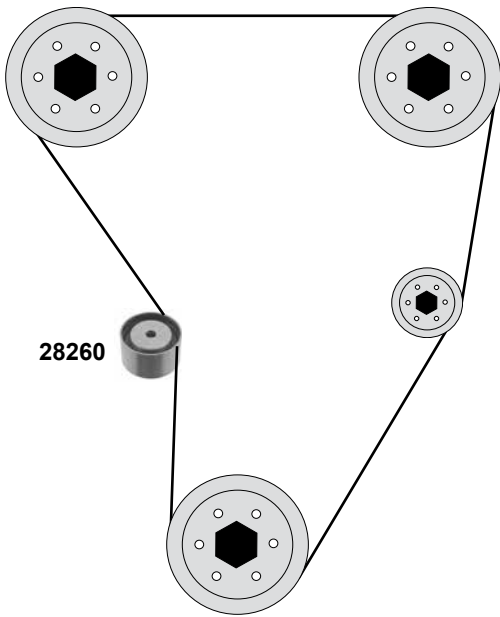
(1) 2,2 i Turbo 09/86 → 12/90 / 2,5 i 09/86 → 12/93 / 2,5 i Turbo 01/89 → 12/93



Ref. - No.



<b>28255</b>	04273241	Spannrolle / tension roller	(1)	ØA 54 B30,5
<b>28256</b>	04315705	Spannrolle / tension roller	(1)	ØA 70 B24,5
<b>31803</b>	04777699AA	Steuerkette / timing chain		112 E
<b>37586</b>	04777707AA	Führungsschiene / timing chain guide		
<b>37587</b>	04693261AB	Kettenspanner / chain tightener		
<b>37590</b>	04777699 AA S1	Rep. Satz Steuerkette / rep. kit timing chain		

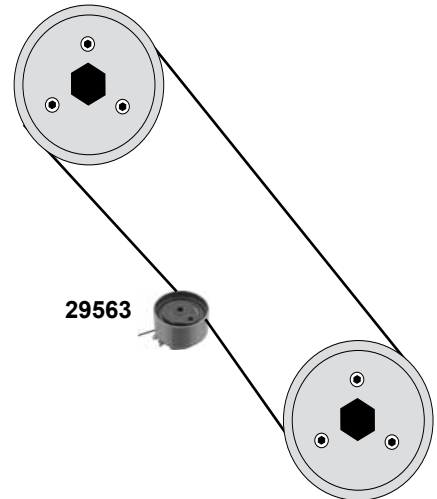
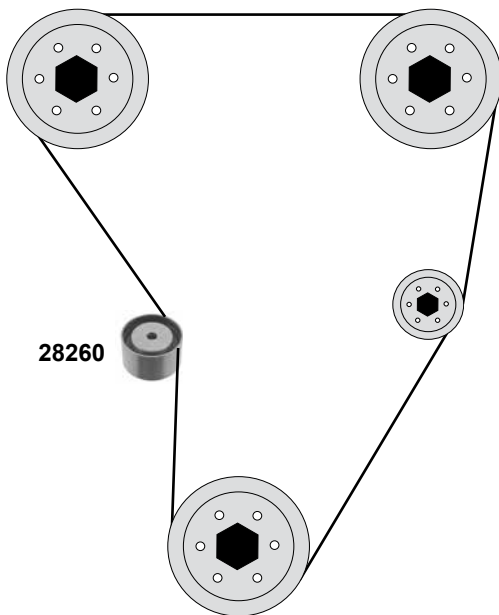


## Neon II

(99→)

**2,0 16V**

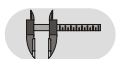
(420H)



(1) Neon (PL) 1,8 (85KW) 09/97 → 08/99 / 2,0 (107/98KW) 06/94 → 08/99 / 2,0 (109KW) 04/96 → 08/99



Ref. - No.



**28260**  
**29563**

04777017  
04884320AA

Umlenkrolle / deflection pulley  
Spannrolle / tension roller

(1)

ØA 70 B24,5  
ØA 67 B33

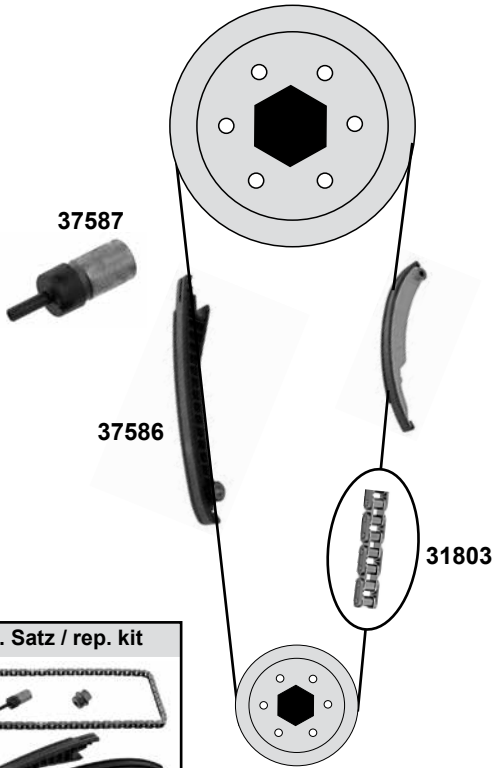
# CHRYSLER PT Cruiser

(06/00→)

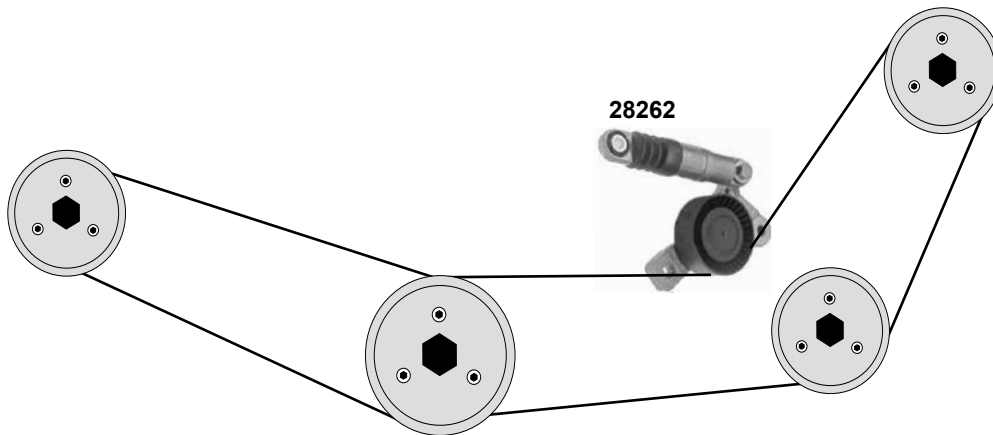
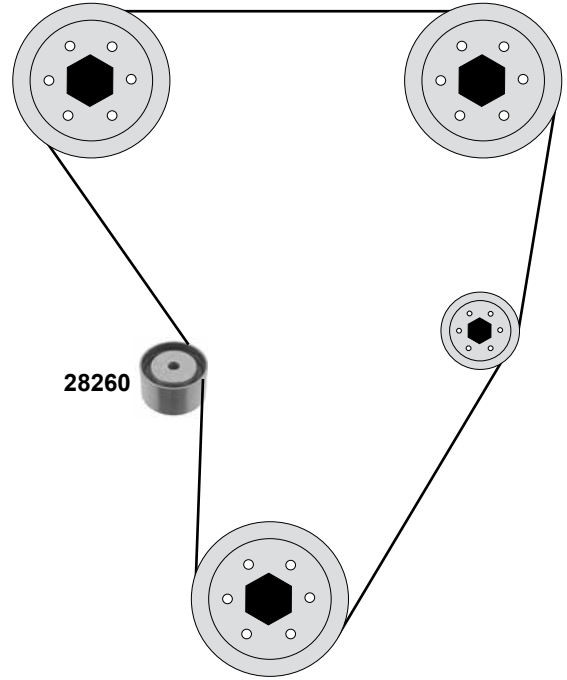
Car  
Division



**1,6**



**2,0**



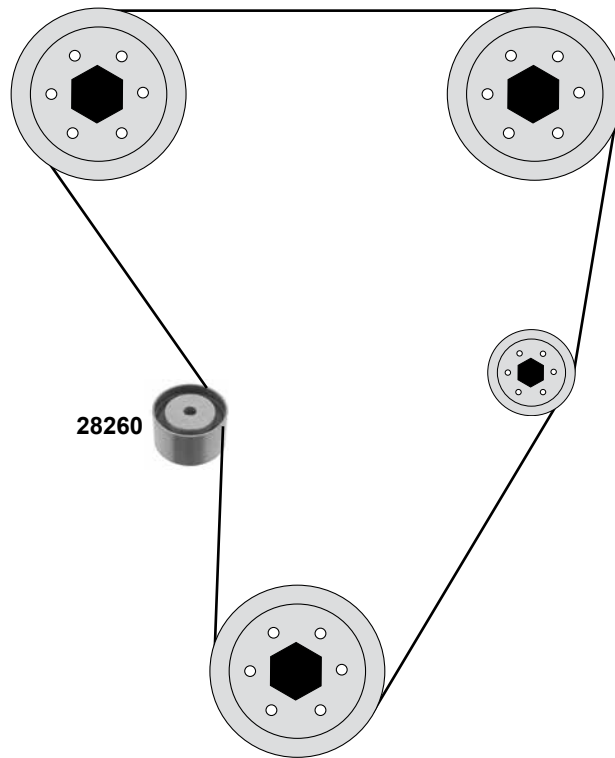
Ref. - No.



<b>28260</b>	04777017	Umlenkrolle / deflection pulley
<b>28262</b>	04792495AB	Riemenspanner / belt tensioner
<b>31803</b>	04777699AA	Steuerkette / timing chain
<b>37586</b>	04777707AA	Führungsschiene / timing chain guide
<b>37587</b>	04693261AB	Kettenspanner / chain tightener
<b>37590</b>	04777699 AA S1	Rep. Satz Steuerkette / rep. kit timing chain

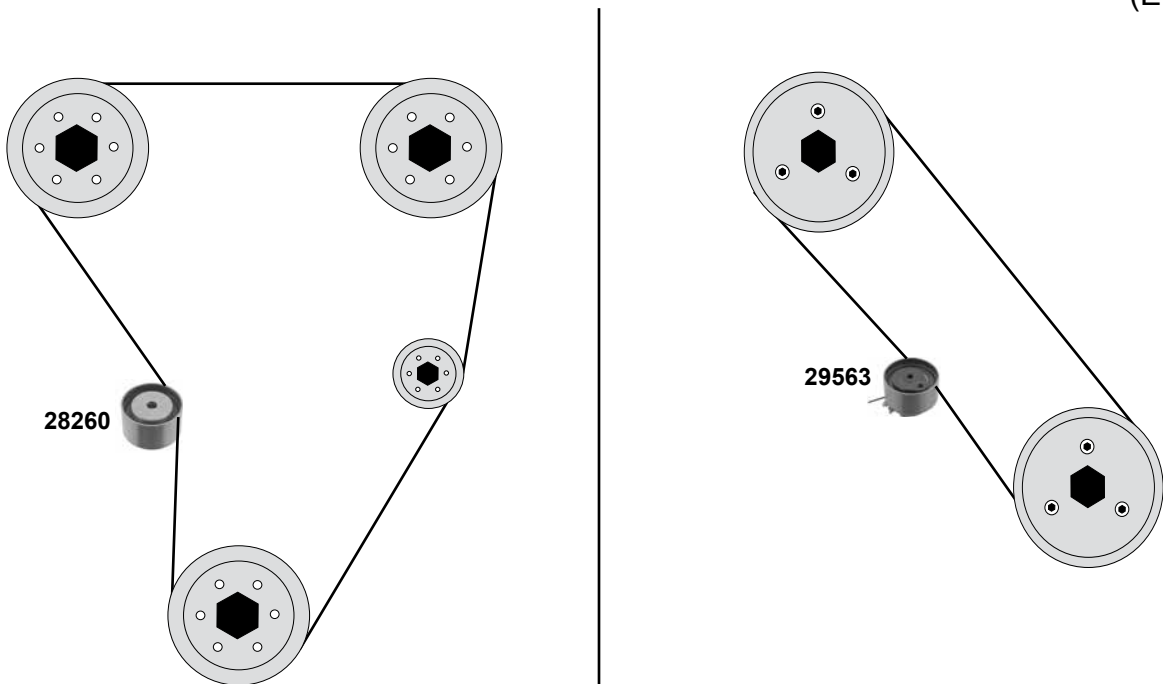
ØA 70 B24,5

112 E



## Stratus (JA)

(95 → 01)  
**2,0 16V/LE**  
(ECB/C00)



(1) Cabriolet (JX) 2,0 LE 06/96 → 04/01



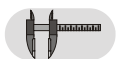
Ref. - No.



Umlenkrolle / deflection pulley  
Spannrolle / tension roller



(1)



ØA 70 B24,5  
ØA 67 B33

28260  
29563

04777017  
04884320AA

passend für / to fit

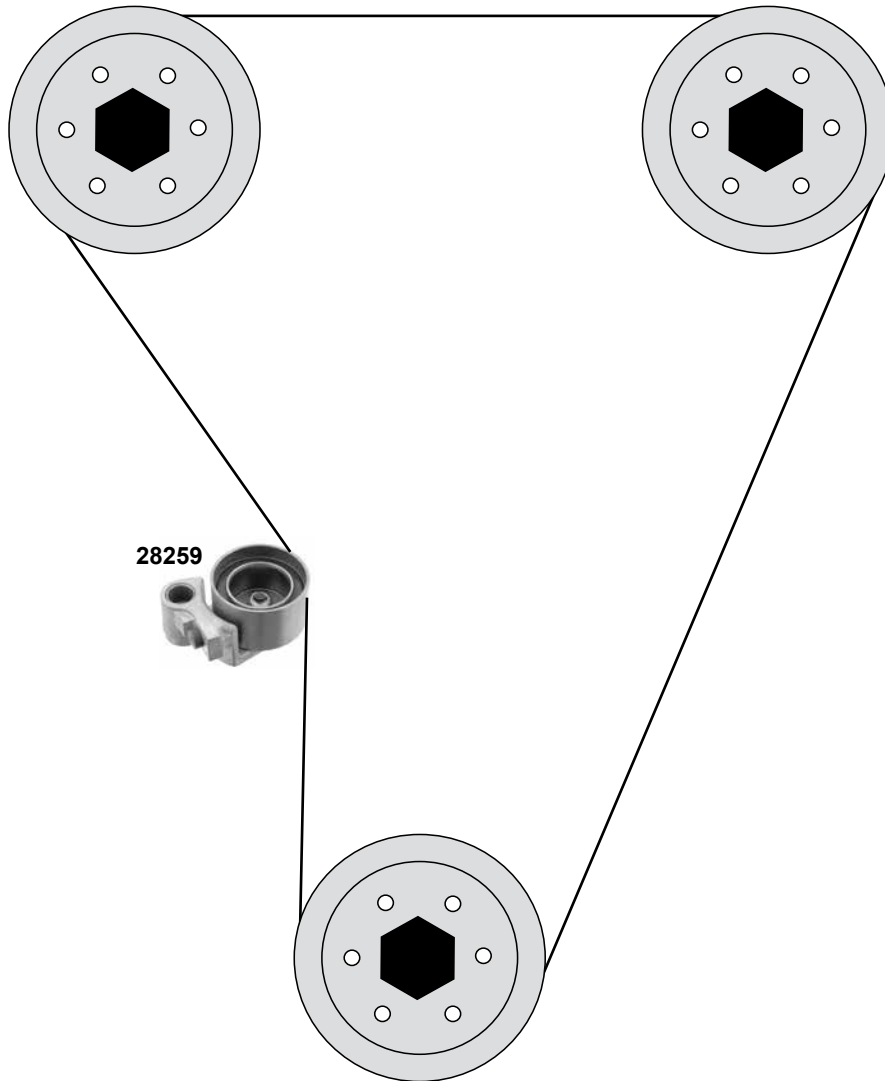
# CHRYSLER Stratus (JA)

(95→01)

Car  
Division



**2,4 16V**  
(EDZ)



Ref. - No.

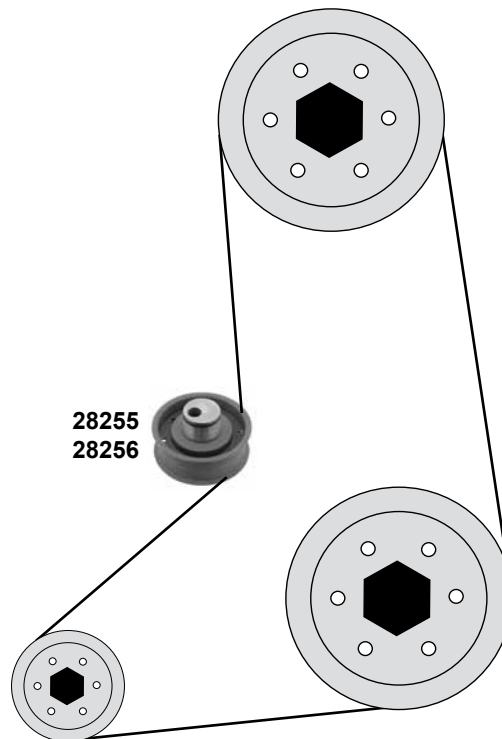


28259

04621454

Spannrolle / tension roller

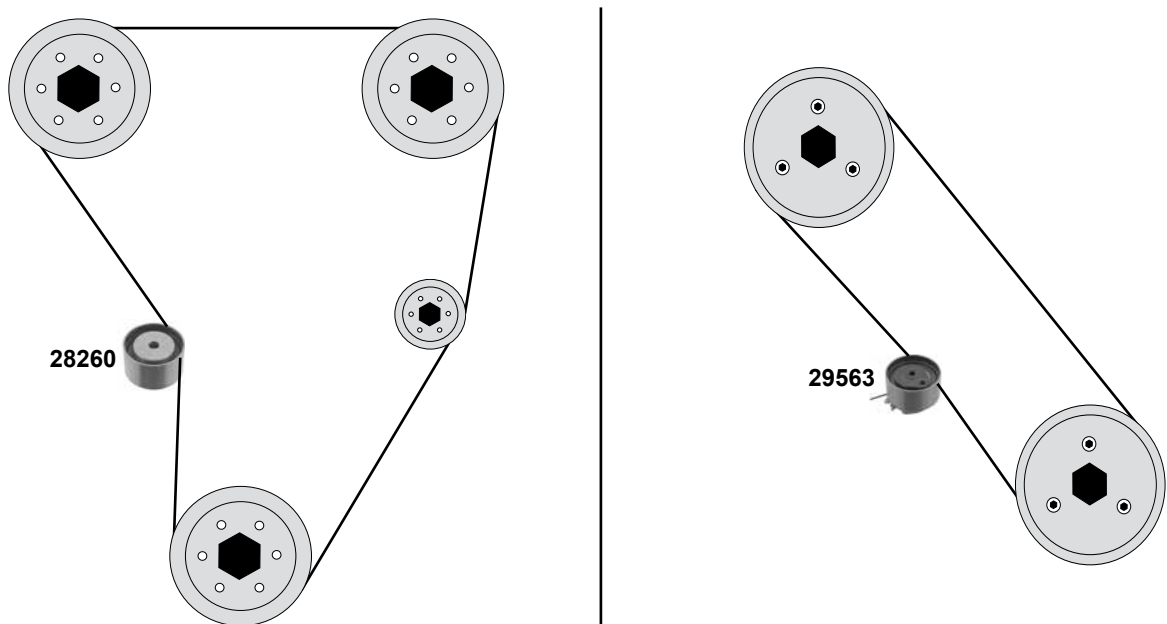
ØA 70 B24,5



## Voyager III (GS)

(95→01)

2,0 i



Ref. - No.



<b>28255</b>	04273241
<b>28256</b>	04315705
<b>28260</b>	04777017
<b>29563</b>	04884320AA

Spannrolle / tension roller
Spannrolle / tension roller
Umlenkrolle / deflection pulley
Spannrolle / tension roller

ØA 54 B33,5
ØA 70 B24,5
ØA 70 B24,5
ØA 67 B33

passend für / to fit

# CITROËN AX

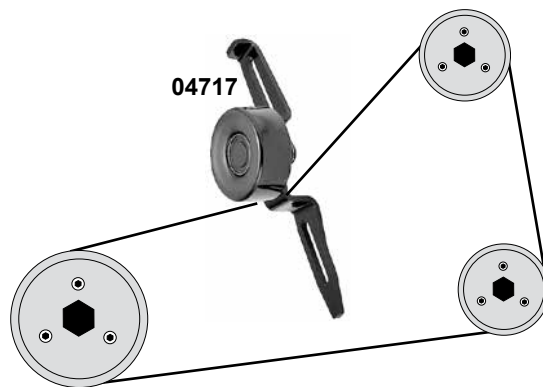
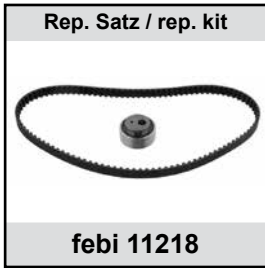
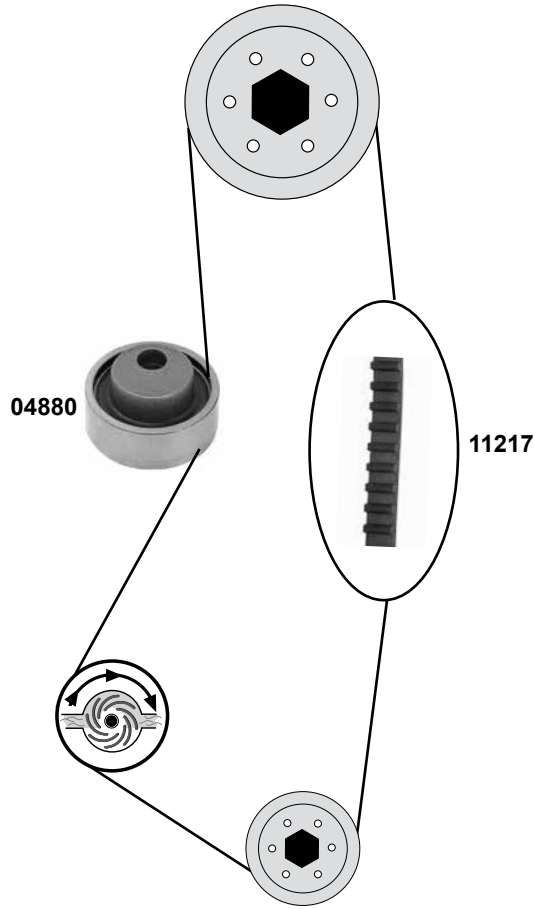
(86→98)

Car  
Division



## 1,0 / 1,1 / 1,3

(TU1/TU1M/TU2J2/TU9M)



Ref. - No.

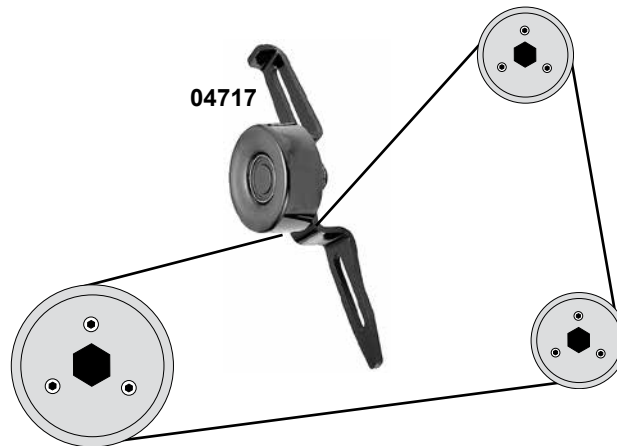
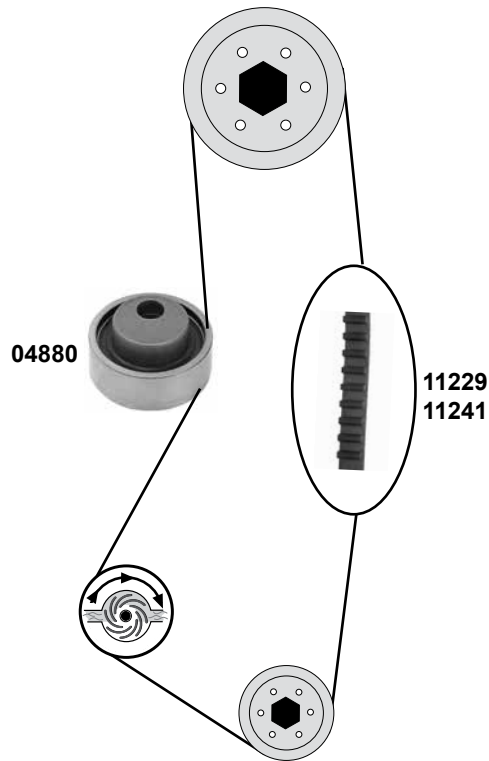


04717 6453.G4  
 04880 0829.54  
 11217 0816.56  
 11218 0831.13

Spannrolle / tension roller  
 Spannrolle / tension roller  
 Zahnriemen / timing belt  
 Rep. Satz Zahnriemen / rep. kit timing belt

AC

ØA 66 B26  
 ØA 59 ØI 13 B22  
 Z 104 B17



- (1) Guss Motorblock / cast engine block / coulé bloc-moteur / colado bloque-motor / ghisa monoblocco
- (2) Aluminium Motorblock / aluminum engine block / aluminium bloc-moteur / aliminio bloque-motor / monoblocco d'alluminio



Ref. - No.



Ref. - No.	Description	AC	Dimensions
04717	Spannrolle / tension roller	AC	
04880	Spannrolle / tension roller		ØA 59 ØI 13 B22
11229	Zahnriemen / timing belt	(1)	Z 101 B17
11230	Rep. Satz Zahnriemen / rep. kit timing belt	(1)	
11241	Zahnriemen / timing belt	(2)	Z 108 B17
11242	Rep. Satz Zahnriemen / rep. kit timing belt	(2)	



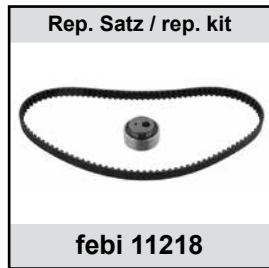
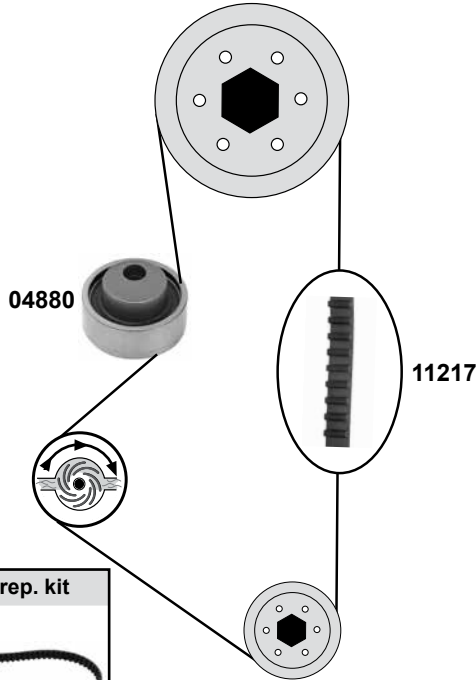
# CITROËN Berlingo I+II (96→08)

Car  
Division

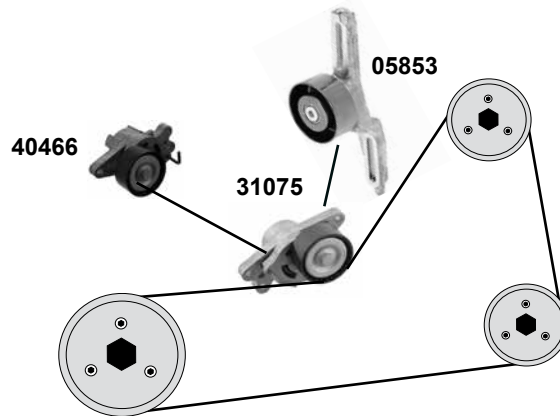
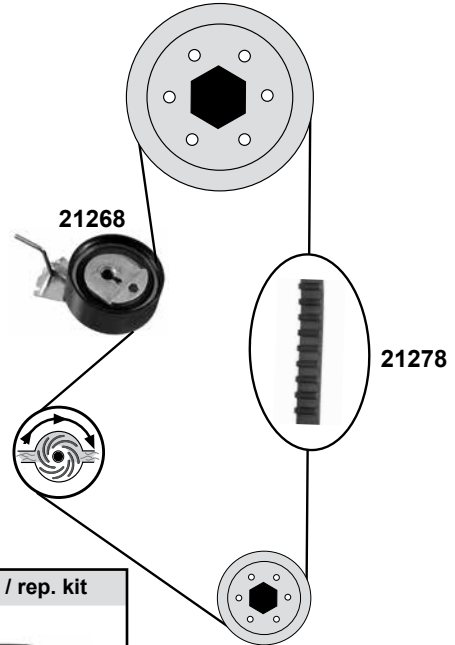


**1,1**  
(TU1M/TU1JP)

→ **M 3762433**



**M 3762434** →



(1) (mot.) TU1JP 02 → AC O 09457 -10562

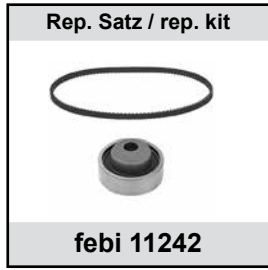
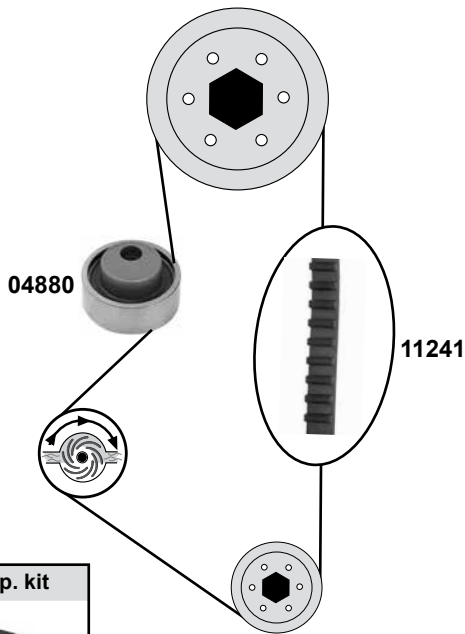


Ref. - No.



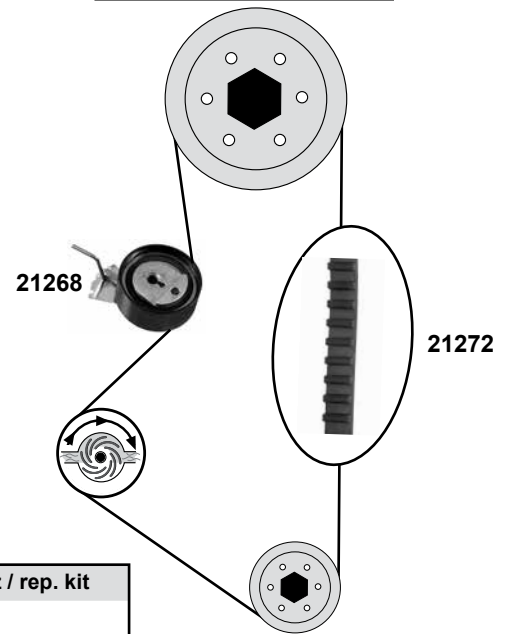
<b>04880</b>	0829.54	Spannrolle / tension roller		ØA 59 ØI 13 B22
<b>05853</b>	6453.S5	Spannrolle / tension roller	AC → 02	ØA 68 B26,5
<b>11217</b>	0816.56	Zahnriemen / timing belt		Z 104 B17
<b>11218</b>	0831.Q3	Rep. Satz Zahnriemen / rep. kit timing belt		
<b>21268</b>	0829.90	Spannrolle / tension roller		ØA 60 B25
<b>21278</b>	0816.F0	Zahnriemen / timing belt		Z 100 B17
<b>21280</b>	0831.84	Rep. Satz Zahnriemen / rep. kit timing belt		
<b>31075</b>	5751.A2	Spannrolle / tension roller	(mot.) TU1JP AC 02 →	ØA 60
<b>40466</b>	5751.A2	Riemenspanner / belt tensioner	(1)	ØA 60 B26

→ M 3666765

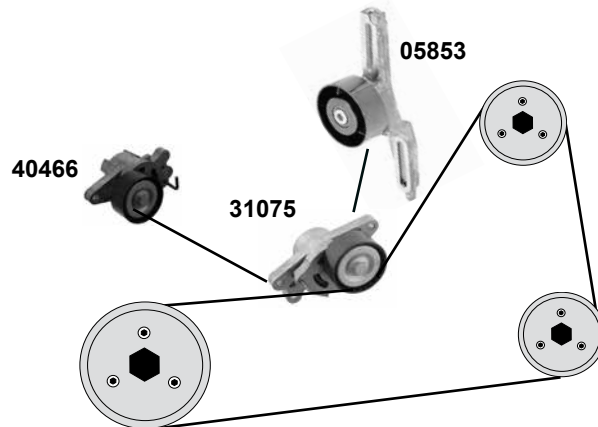


M 3666766 →

1,4 (TU3JP)



1,4 (TU3JP / TU3A)



(1) (mot.) TU3JP 02 → AC O 09457 -10562

(2) (mot.) TU3JP AC servo → 02



Ref. - No.



04880	0829.54	Spannrolle / tension roller		ØA 59 ØI 13
05853	6453.S5	Spannrolle / tension roller	(2)	ØA 65 B26,5
11241	0816.44	Zahnriemen / timing belt		Z 104 B17
11242	0831.Q4	Rep. Satz Zahnriemen / rep. kit timing belt		
21268	0829.90	Spannrolle / tension roller		ØA 60 B25
21272	0816.F2	Zahnriemen / timing belt		Z 104 B17
21274	0831.S0	Rep. Satz Zahnriemen / rep. kit timing belt		
31075	5751.A2	Riemenspanner / belt tensioner	AC servo  02 →	ØA 60
40466	5751.A2	Riemenspanner / belt tensioner	(1)	ØA 60 B26

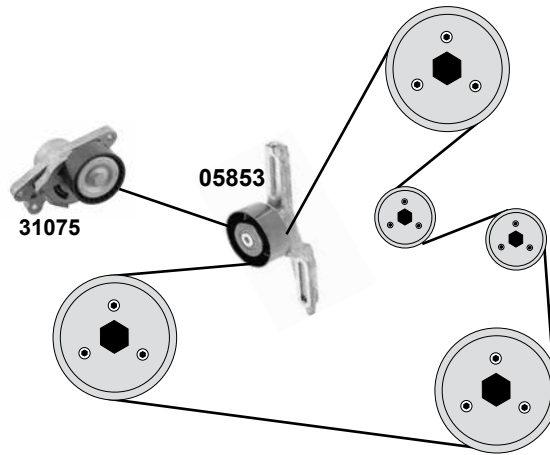
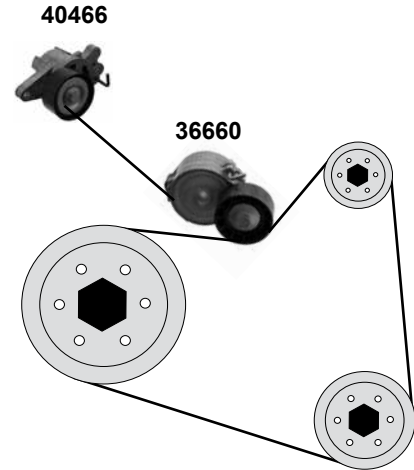
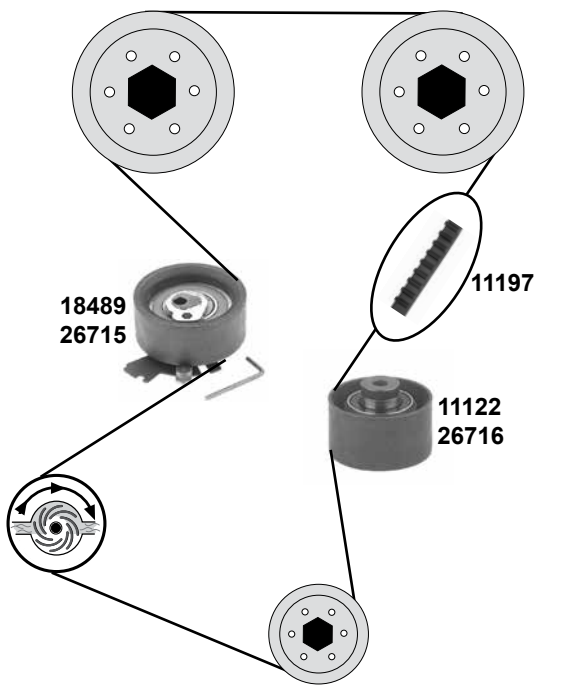
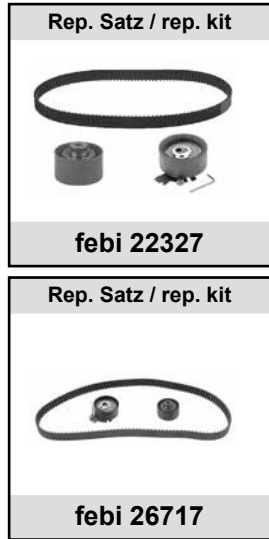
# CITROËN Berlingo I+II

(96→08)

Car  
Division



**1,6 16 V**  
(TU5JP4)

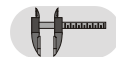


(1) → 02 / O 08764 → 11253  
02 → / → (mot.) 1806404

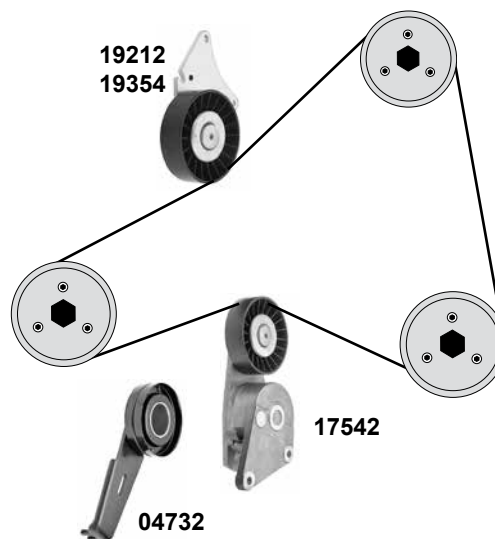
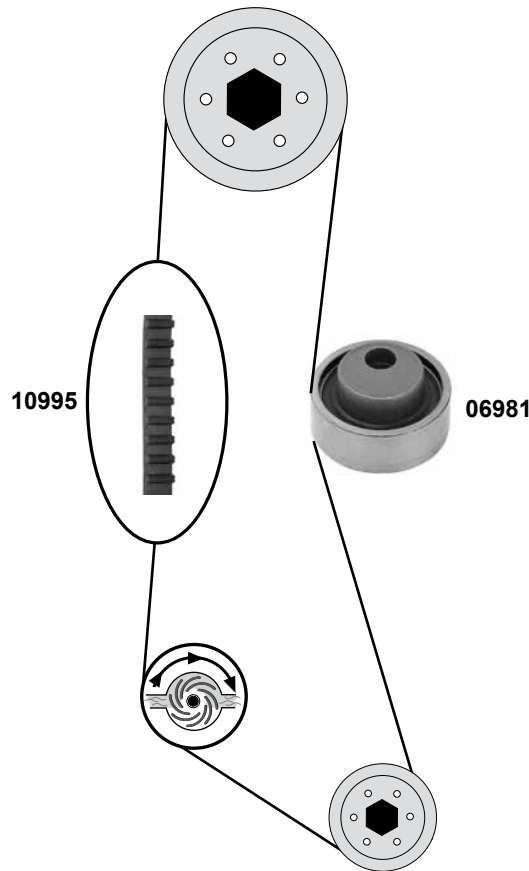
(2) 02 → / → (mot.) 1806405

(3) 02 → / Ac O12110 →

(4) 02 → / Ac O9457 → 10310



febi bilstein	Ref. - No.			
05853	6453.S5	Spannrolle / tension roller	Ac → 02	ØA 65 H 26,5
11122	0830.61	Umlenkrolle / deflection pulley	(1)	ØA 57 ØI 59 B32
11197	0816.H6	Zahnriemen / timing belt	→ 02	Z 134 B25,4
18489	0829.C7	Spannrolle / tension roller	(1)	ØA 73 B31
22327	0831.V1	Rep. Satz Zahnriemen / rep. kit timing belt	(1)	
26715	0829.C8	Spannrolle / tension roller	(2)	ØA 70 B30
26716	0830.62	Umlenkrolle / deflection pulley	(2)	ØA 60 B30
26717	0831.R9	Rep. Satz Zahnriemen / rep. kit timing belt	(2)	Z 134 B25,4
31075	5751.A2	Riemenspanner / belt tensioner	02 → Ac alle / all	ØA 60
36660	5751.E9	Riemenspanner / belt tensioner	(3)	ØA 60 B25
40466	5751.A2	Riemenspanner / belt tensioner	(4)	ØA 60 B26



	Ref. - No.			
<b>04732</b>	5751.18	Spannrolle / tension roller	(ex.) servo	ØA 90 ØI 8 B24,5
<b>06981</b>	0829.29	Spannrolle / tension roller		ØA 59 ØI 13 B22
<b>10995</b>	0816.71	Zahnriemen / timing belt		Z 114 B22
<b>11244</b>	0816.71 S1	Rep. Satz Zahnriemen / rep. kit timing belt		
<b>17542</b>	5751.35	Riemenspanner / belt tensioner	AC servo	ØA 70
<b>19212</b>	5751.37	Umlenkrolle / deflection pulley	AC	ØA 90
<b>19354</b>	5751.36	Umlenkrolle / deflection pulley	AC	

# CITROËN Berlingo III

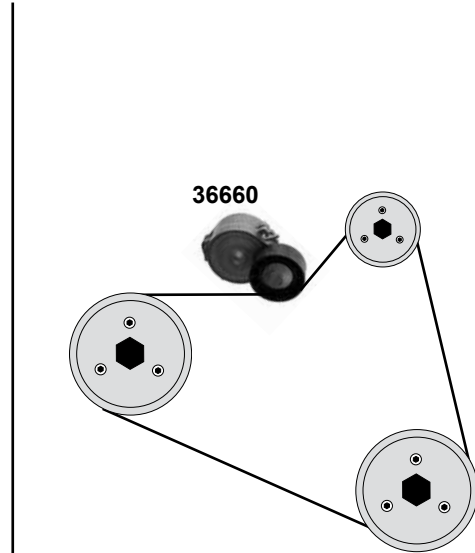
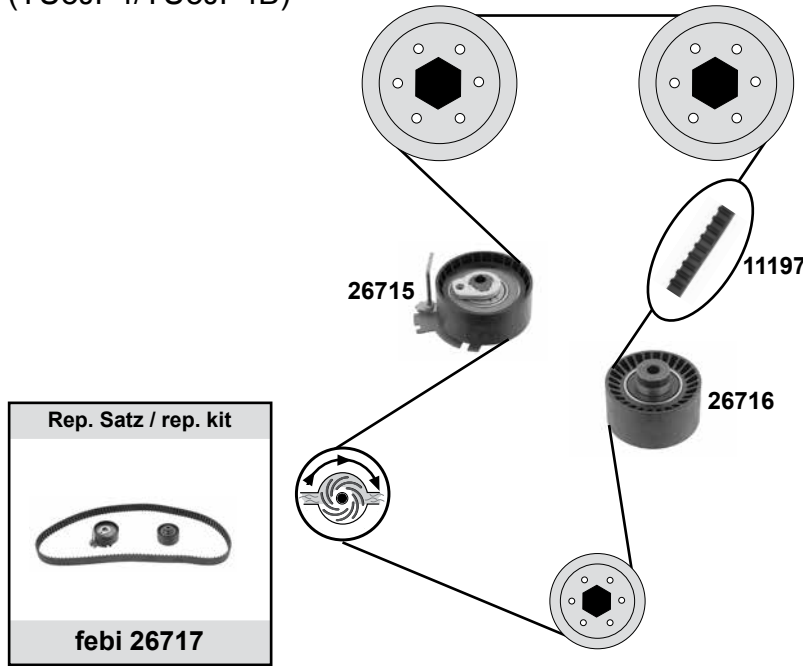
(08→)

Car  
Division



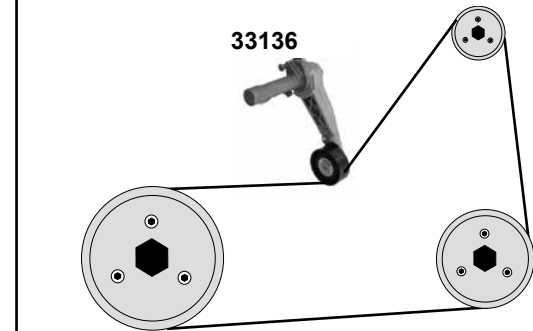
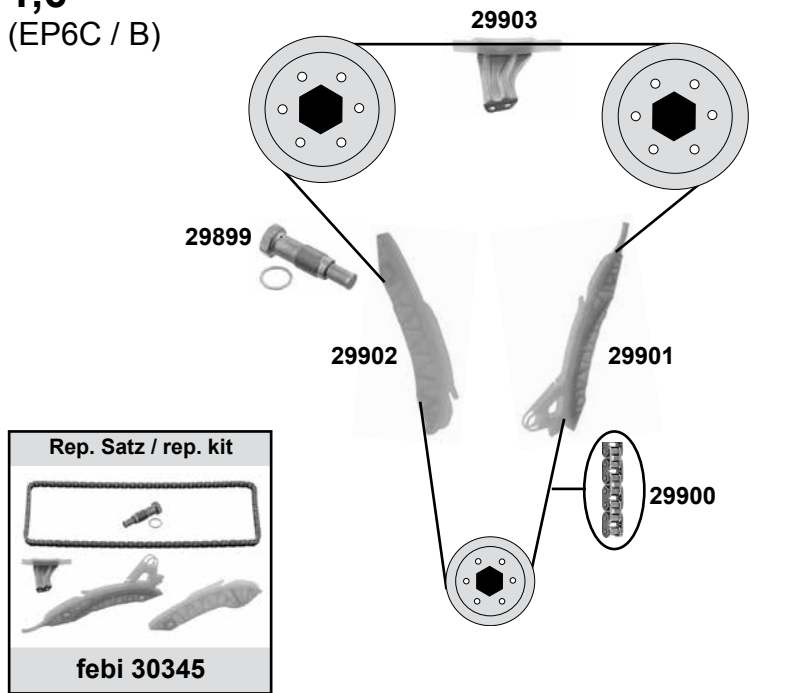
## 1,6 16 V

(TU5JP4/TU5JP4B)



## 1,6

(EP6C / B)



Ref. - No.



11197	0816.H6	Zahnriemen / timing belt
26715	0829.C8	Spannrolle / tension roller
26716	0830.62	Umlenkrolle / deflection pulley
26717	0831.L3	Rep. Satz Zahnriemen / rep. kit timing belt
29899	0829.E1	Kettenspanner / chain tensioner
29900	0816.J2	Steuerkette / timing chain
29901	0818.30	Gleitschiene / sliding rail
29902	0818.33	Gleitschiene / sliding rail
29903	0818.41	Gleitschiene / sliding rail
30345	0816.J2 S1	Rep. Satz Steuerekette / rep kit timing chain
33136	5751.G9	Riemenspanner / belt tensioner
36660	5751.E9	Riemenspanner / belt tensioner

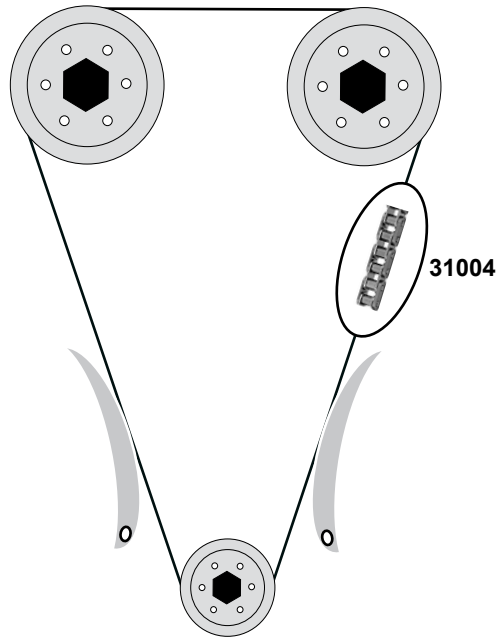
(mot.) EP6C  
(mot.) EP6C  
(mot.) EP6C  
(mot.) EP6C  
(mot.) EP6C  
(mot.) EP6C  
(mot.) EP6C

AC

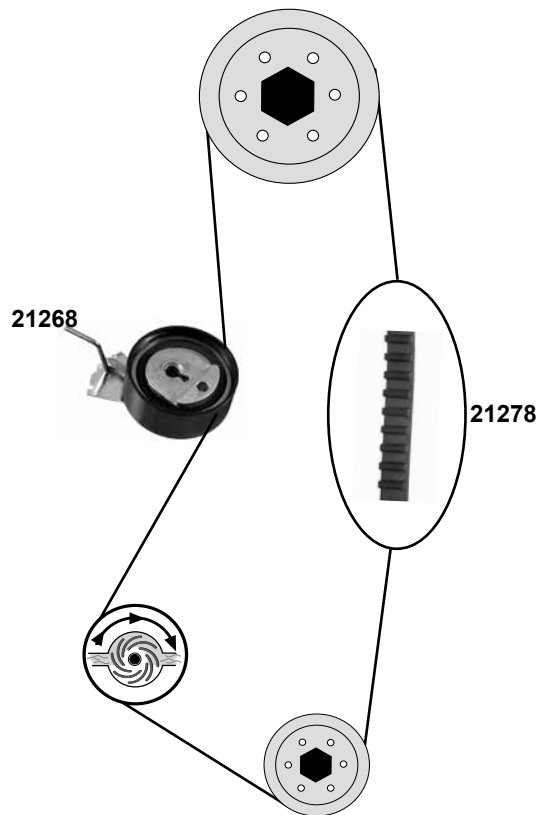
Z 134 B25,4  
ØA 70 B30  
ØA 60 B30  
Z 134 B25,4  
M 22x1,5  
138 E

ØA 65 B25  
ØA 60 B25

**1,0**  
(1KRFE)



**C2**  
(03→10)  
**1,1**  
(TU1JP)



Ref. - No.



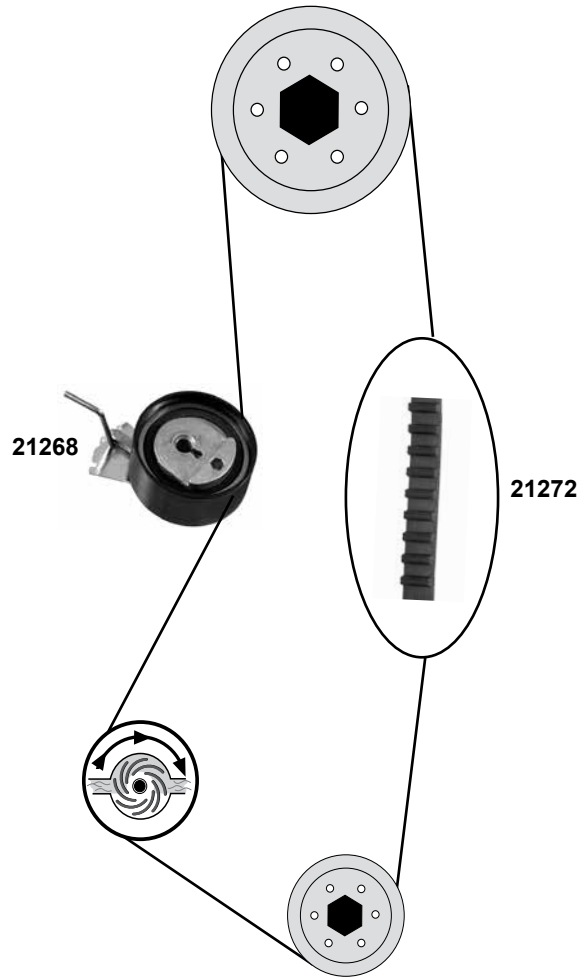
<b>21268</b>	0829.90	Spannrolle / tension roller
<b>21278</b>	0816.F0	Zahnriemen / timing belt
<b>21280</b>	0831.84	Rep. Satz Zahnriemen / rep. kit timing belt
<b>31004</b>	0816.H1	Steuerkette / timing chain

ØA 60 B25  
Z 100 B17

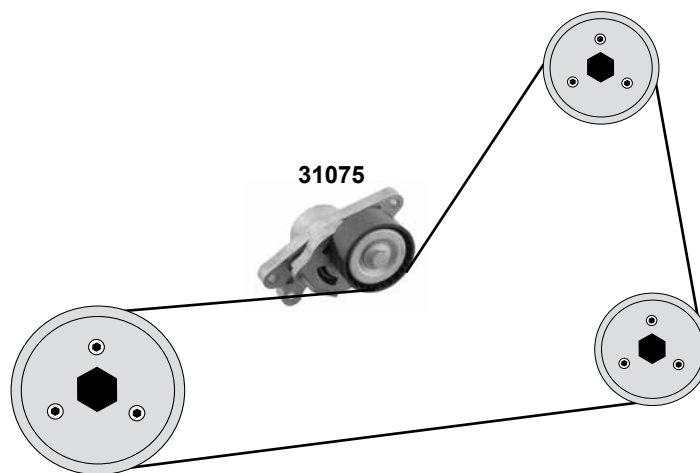
124 E



**1,4**  
(TU3JP)



**1,4**  
(TU3AF)



Ref. - No.



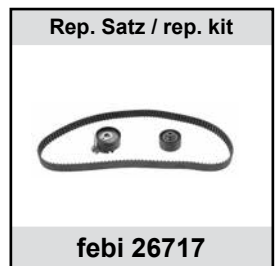
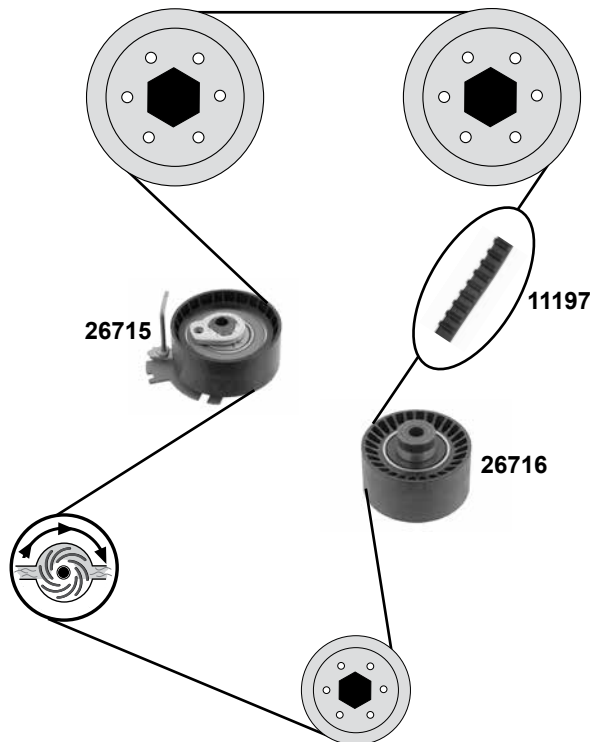
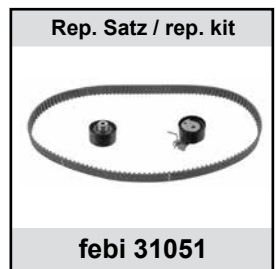
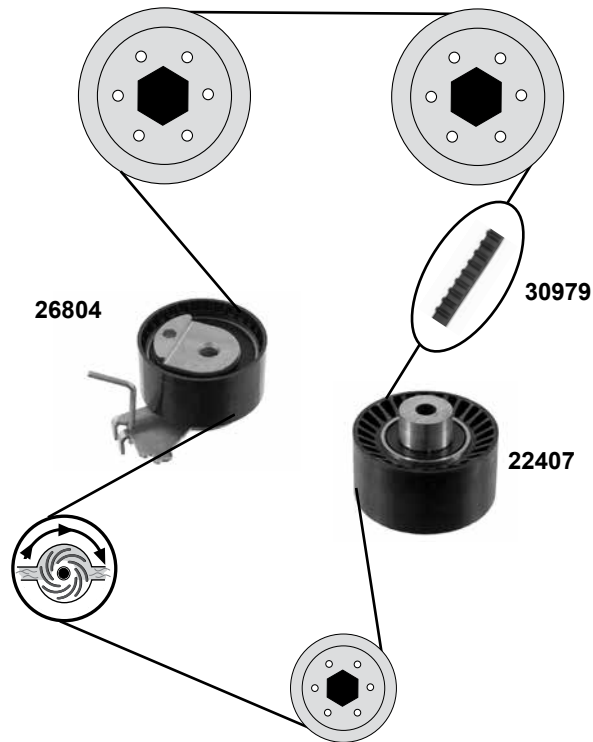
**21268**  
**21272**  
**21274**  
**31075**

0829.90  
0816.F2  
0831.86  
5751.A2

Spannrolle / tension roller  
Zahnriemen / timing belt  
Rep. Satz Zahnriemen / rep. kit timing belt  
Riemenspanner / belt tensioner

06→

ØA 60 B25  
Z 104 B17  
ØA 60



Ref. - No.



<b>11197</b>	0816.H6	Zahnriemen / timing belt
<b>22407</b>	0830.60	Umlenkrolle / deflection pulley
<b>26715</b>	0829.C8	Spannrolle / tension roller
<b>26716</b>	0830.62	Umlenkrolle / deflection pulley
<b>26717</b>	0831.R9	Rep. Satz Zahnriemen / rep. kit timing belt
<b>26804</b>	0829.C6	Spannrolle / tension roller
<b>30979</b>	0816.H5	Zahnriemen / timing belt
<b>31051</b>	0831.V0	Rep. Satz Zahnriemen / rep. kit timing belt

Z 134 B25,4
ØA 40 B30,5
ØA 70 B30
ØA 60 B30
Z 134 B25,4
ØA 60 B29
Z 135 B25



passend für / to fit

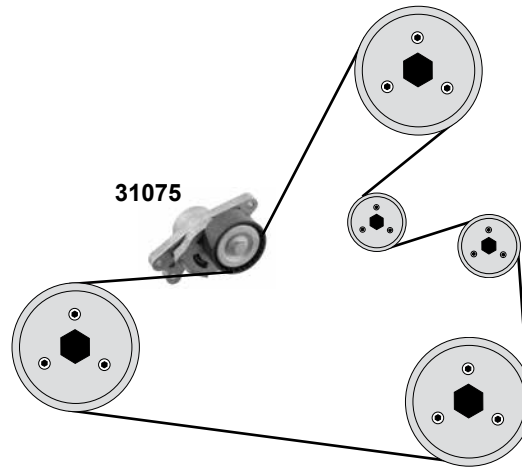
# CITROËN C2

(03→10)

Car  
Division



## 1,6 16 V (TU5JP4)

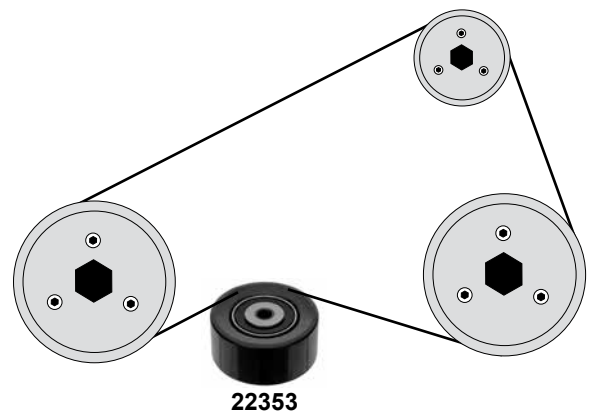
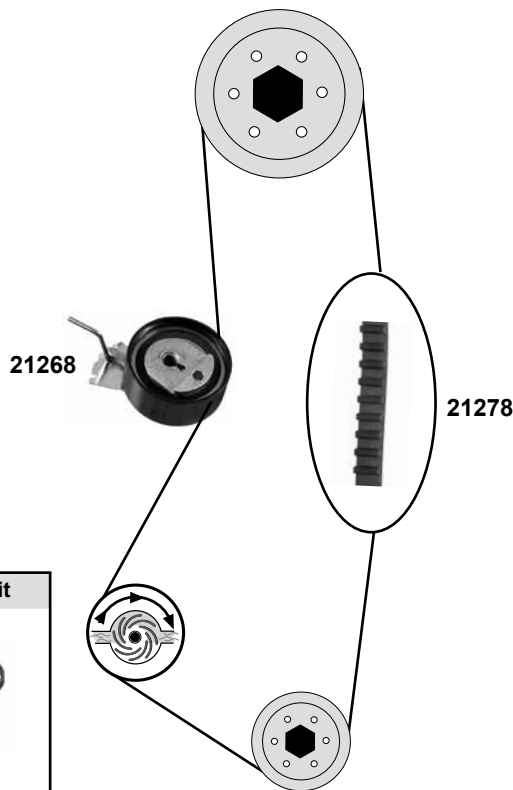


## C3

(02→05)

### 1,1

(TU1JP)



Ref. - No.



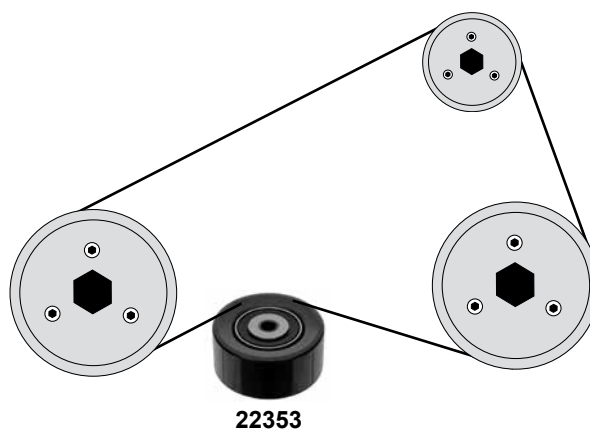
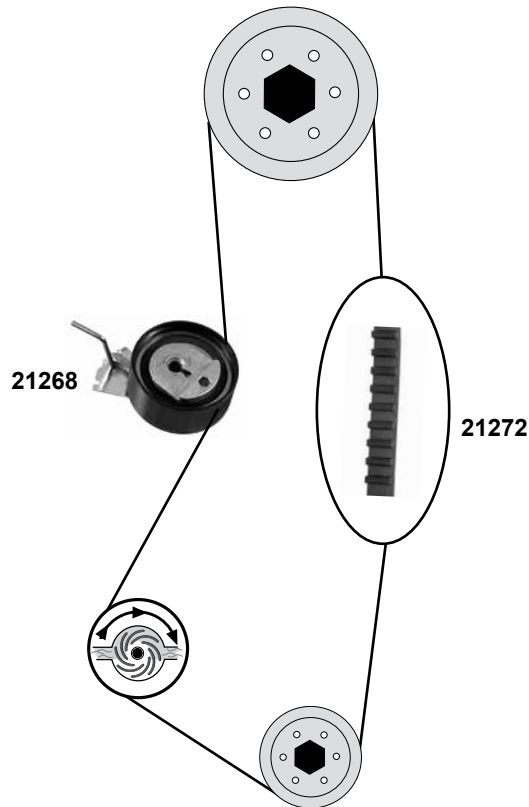
21268	0829.90	Spannrolle / tension roller
21278	0816.F0	Zahnriemen / timing belt
21280	0831.S1	Rep. Satz Zahnriemen / rep. kit timing belt
22353	5751.91	Umlenkrolle / deflection pulley
31075	5751.A2	Riemenspanner / belt tensioner

AC

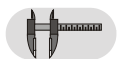
06→ (China Version)

ØA 60 B25  
Z 100 B17

ØA 57 Ø1 59 B32  
ØA 60



Ref. - No.



21268  
21272  
21274  
22353

0829.90  
0816.F2  
0831.86  
5751.91

Spannrolle / tension roller  
Zahnriemen / timing belt  
Rep. Satz Zahnriemen / rep. kit timing belt  
Umlenkrolle / deflection pulley

AC

ØA 60 B25  
Z 104 B17

ØA 57 ØI 59 B32

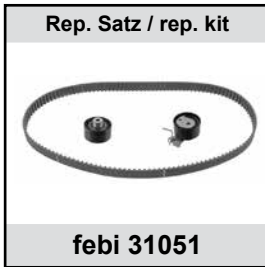
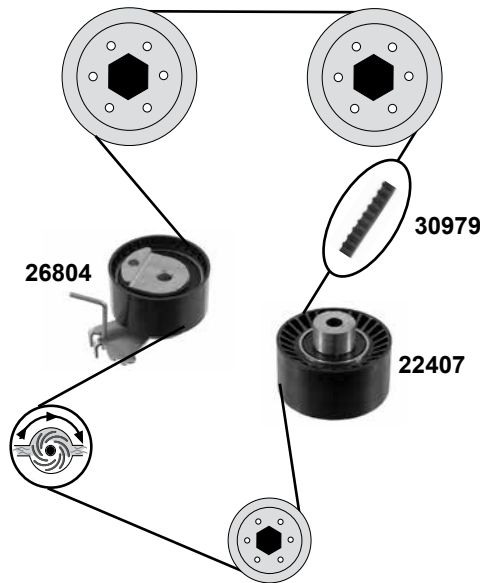
# CITROËN C3

(02→05)

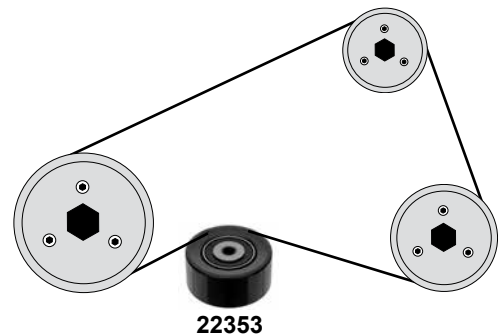
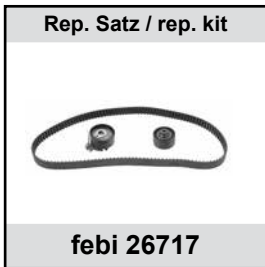
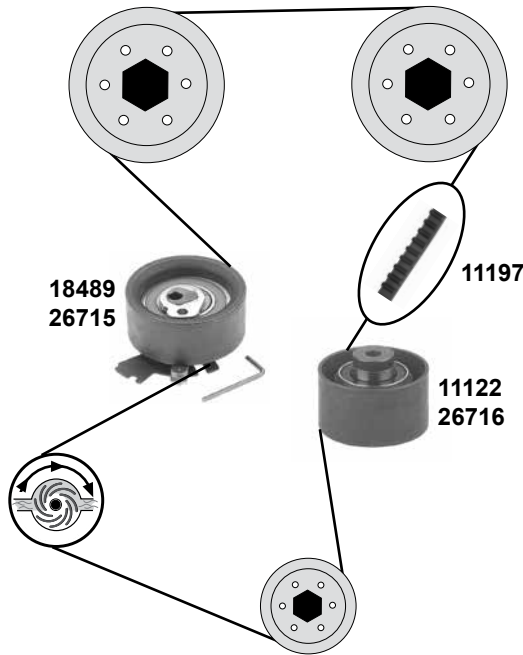
Car  
Division



## 1,4 16 V (ET3J4)



## 1,6 16 V (TU5JP4)



(1) O 09128/09555/09275 →  
→ O 11253  
→ (mot.) 1806404

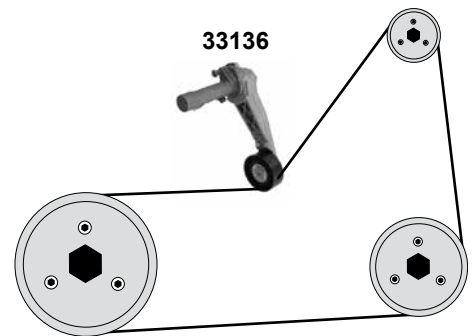
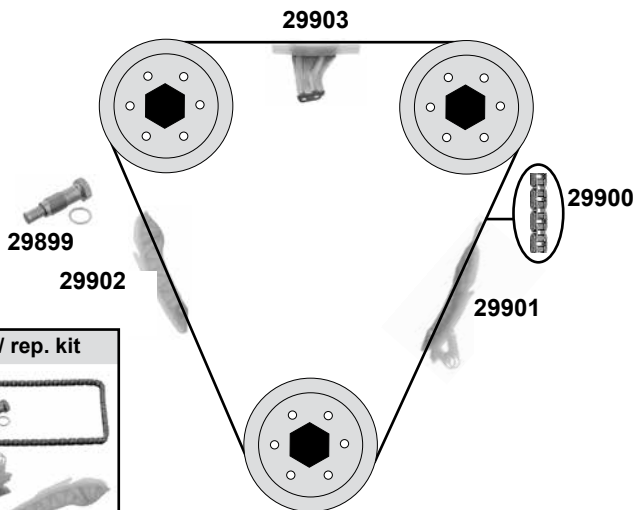
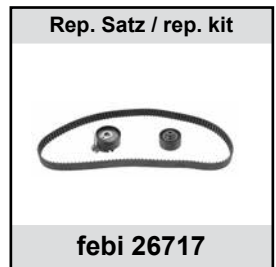
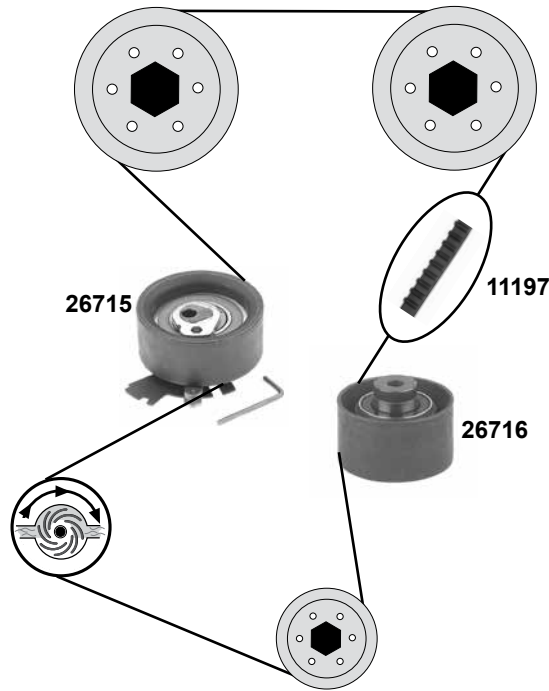
(2) O 09128/09555/09275 →  
(mot.) 1806405 →



Ref. - No.



Ref. - No.	Description	Quantity	Dimensions
11122	Umlenkrolle / deflection pulley	(1)	ØA 57 ØI 59 B32
11197	Zahnriemen / timing belt	(1)	Z 134 B25,4
18489	Spannrolle / tension roller	(1)	ØA 73 B31
22327	Rep. Satz Zahnriemen / rep. kit timing belt	(1)	
22353	Umlenkrolle / deflection pulley	AC	ØA 57 ØI 59 B32
22407	Umlenkrolle / deflection pulley	(1)	ØA 40 B30,5
26715	Spannrolle / tension roller	(2)	ØA 70 B30
26716	Umlenkrolle / deflection pulley	(2)	ØA 60 B30
26717	Rep. Satz Zahnriemen / rep. kit timing belt	(2)	Z 134 B25,4
26804	Spannrolle / tension roller	(1)	ØA 60 B29
30979	Zahnriemen / timing belt	(1)	Z 135 B25
31051	Rep. Satz Zahnriemen / rep. kit timing belt	(1)	



Ref. - No.



11197	0816.H6	Zahnriemen / timing belt		Z 134 B25,4
26715	0829.C8	Spannrolle / tension roller		ØA 70 B30
26716	0830.62	Umlenkrolle / deflection pulley		ØA 60 B30
26717	0831.R9	Rep. Satz Zahnriemen / rep. kit timing belt		Z 134 B25,4
29899	0829.G3	Kettenspanner / chain tensioner		
29900	0816.J2	Steuerkette / timing chain		138 E
29901	0818.40	Gleitschiene / sliding rail		
29902	0818.33	Gleitschiene / sliding rail		
29903	0818.41	Gleitschiene / sliding rail		
30345	0816.J2.S1	Rep. Satz Steuerkette / rep kit timing chain		
33136	5751.G9	Riemenspanner / belt tensioner	AC	ØA 65 B25

passend für / to fit

# CITROËN C3 Pluriel

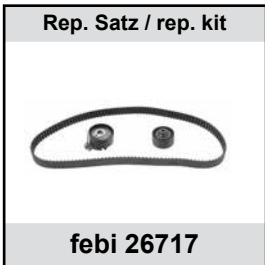
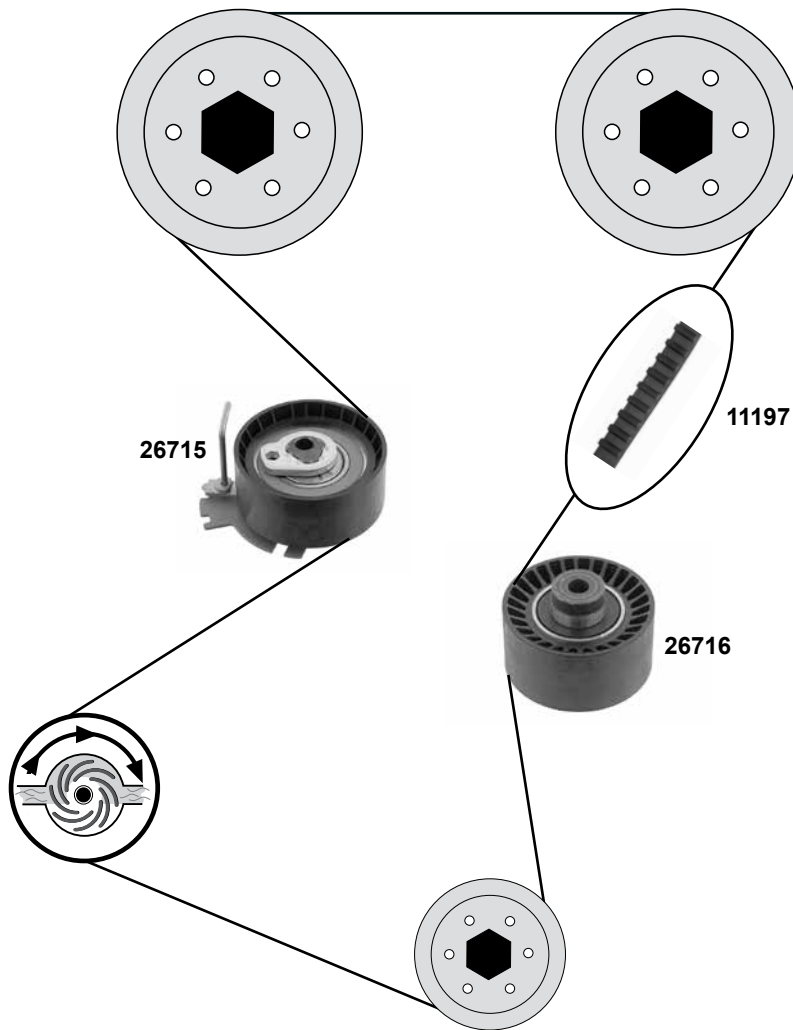
(03→10)

Car  
Division



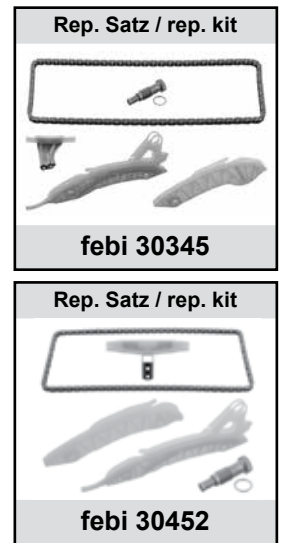
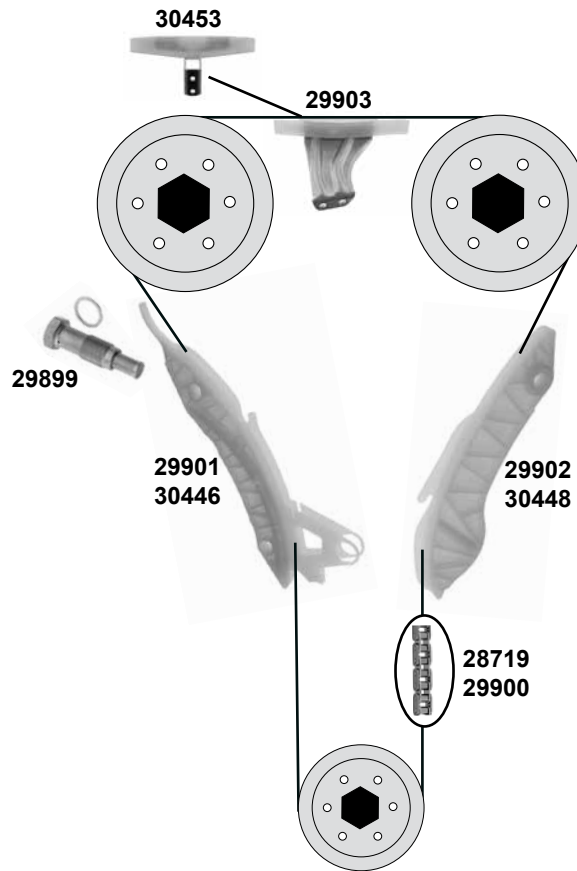
## 1,6 16 V

(TU5JP4/TU5JP4B)

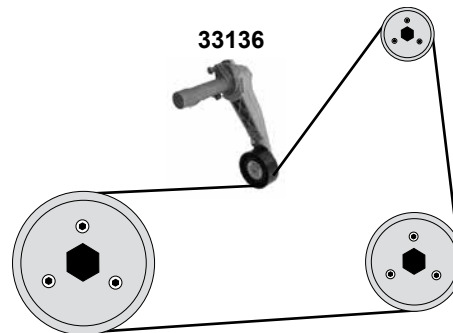


	Ref. - No.			
11197	0816.H6	Zahnriemen / timing belt		Z 134 B25,4
26715	0829.C8	Spannrolle / tension roller		ØA 70 B30
26716	0830.62	Umlenkrolle / deflection pulley		ØA 60 B30
26717	0831.R9	Rep. Satz Zahnriemen / rep. kit timing belt		Z 134 B25,4

**1,4 / 1,6**  
(EP3/EP6/EP6DT)



**1,4 / 1,6**  
(EP3/EP3C/EP3C GAS/EP6/EP6C)



(1) (mot.) EP3 / EP6 mit / with BE4R

(2) (mot.) EP6DT

(3) (mot.) EP3C / EP6C



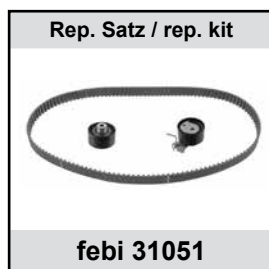
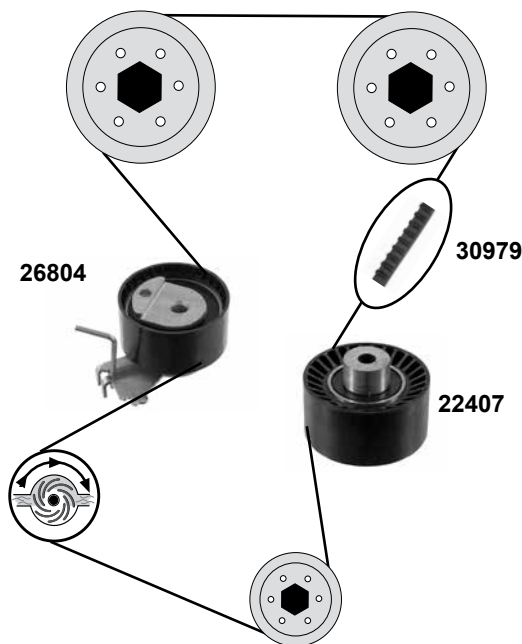
Ref. - No.



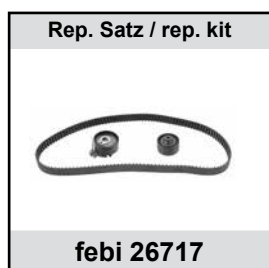
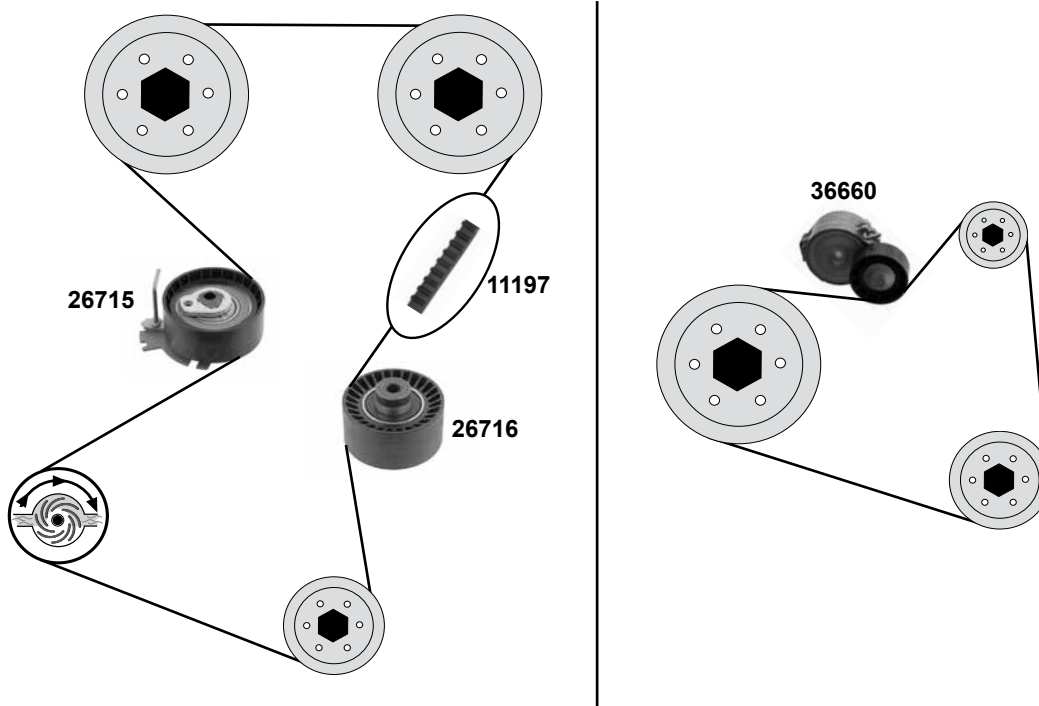
Ref. - No.	Description	Quantity	Notes
28719	0816.H9 Steuerkette / roller chain	(2)	
29899	0829.E1 Kettenspanner / chain tensioner	(1)	M 22x1,5
29900	0816.J2 Steuerkette / roller chain	(1)	138 E
29901	0818.40 Gleitschiene, links / sliding rail, left	(1)	
29902	0818.33 Gleitschiene rechts / sliding rail, right	(1)	
29903	0818.41 Gleitschiene oben / sliding rail, top	(1)	
30345	0816.J2 S1 Rep. Satz Steuerkette / rep kit timing chain	(1) (3)	
30446	0818.31 Gleitschiene / sliding rail	(2)	
30448	0818.30 Gleitschiene / sliding rail	(2)	
30452	0816.H9 S1 Rep. Satz Steuerkette / rep kit timing chain	(2)	
30453	0818.29 Gleitschiene / sliding rail	(2)	
33136	5751.G9 Riemenspanner / belt tensioner	AC	ØA 65 B25



## 1,4 16V (ET3J4)



## 1,6 16V (TU5JP4)



(1) O 10647 / 11012 / 10052 →

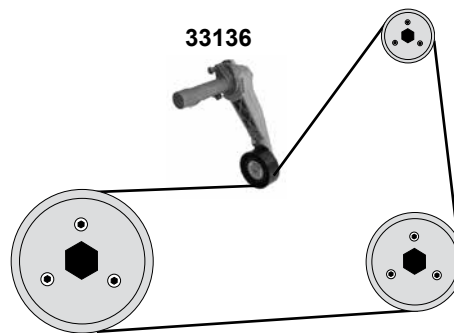
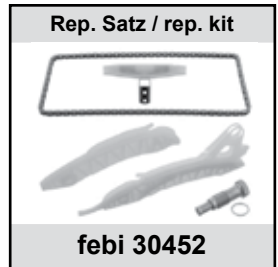
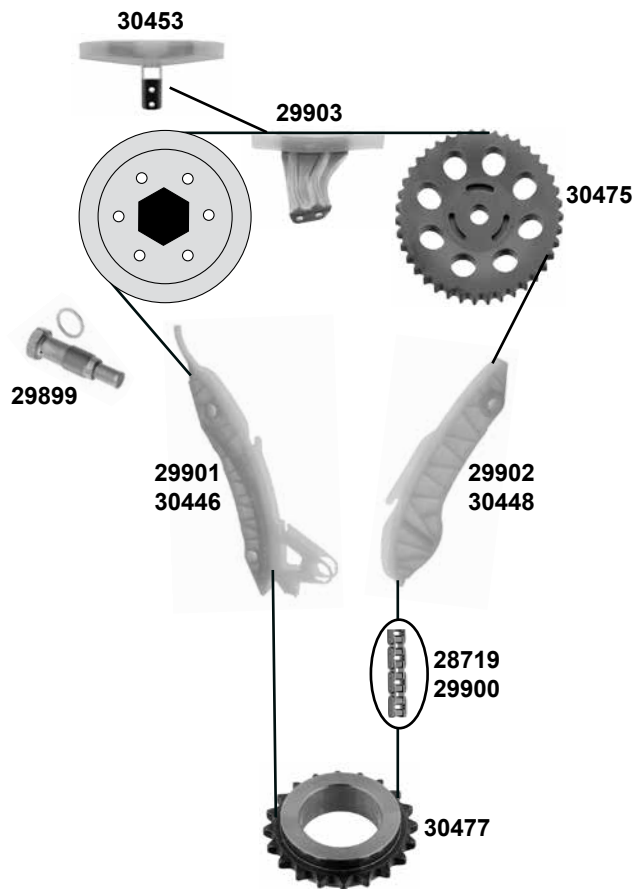
(2) AC (ex.) servo / → O 12620



Ref. - No.



11197	0816.H6	Zahriemen / timing belt	(1)	
22407	0830.60	Umlenkrolle / deflection pulley	(1)	ØA 40 B30,5
26715	0829.C8	Spannrolle / tension roller	(1)	ØA 70 B30
26716	0830.62	Umlenkrolle / deflection pulley	(1)	ØA 60 B30
26717	0831.R9	Rep. Satz Zahnriemen / rep. kit timing belt	(1)	Z 134 B25,4
26804	0829.C6	Spannrolle / tension roller	(1)	ØA 60 B29
30979	0816.H5	Zahriemen / timing belt	(1)	Z 135 B25
31051	0831.V0	Rep. Satz Zahnriemen / rep. kit timing belt	(1)	
36660	5751.E9	Riemenspanner / belt tensioner	(2)	ØA 60 B25



(1) (mot.) EP6 mit / with BE4R

(2) (mot.) EP6DT



Ref. - No.



28719	0816.H9	Steuerkette / roller chain	(2)	144 E
29899	0829.E1	Kettenspanner / chain tensioner	(1) (2)	M 22x1,5
29900	0816.J2	Steuerkette / roller chain	(1)	ØA 70 B30
29901	0818.40	Gleitschiene, links / sliding rail, left	(1)	ØA 60 B30
29902	0818.33	Gleitschiene rechts / sliding rail, right	(1)	Z 134 B25,
29903	0818.41	Gleitschiene oben / sliding rail, top	(1)	
30345	0816.J2 S1	Rep. Satz Steuerkette / rep kit timing chain	(mot.) EP6C	
30446	0818.31	Gleitschiene, links / sliding rail, left	(2)	
30448	0818.30	Gleitschiene rechts / sliding rail, right	(2)	
30452	0816.H9 S1	Rep. Satz Steuerkette / rep kit timing chain	(2)	
30453	0818.29	Gleitschiene oben / sliding rail, top	(2)	
30475	0805.H6	Nockenwellenrad / camshaft gear	(2)	Z 40
30477	0513.C8	Kurbelwellenzahnrad / crankshaft gear	(2)	Z 20
33136	5751.G9	Riemenspanner / belt tensioner	AC	ØA 65 B25



# CITROËN C4 I

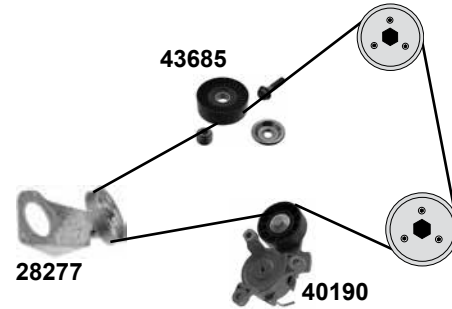
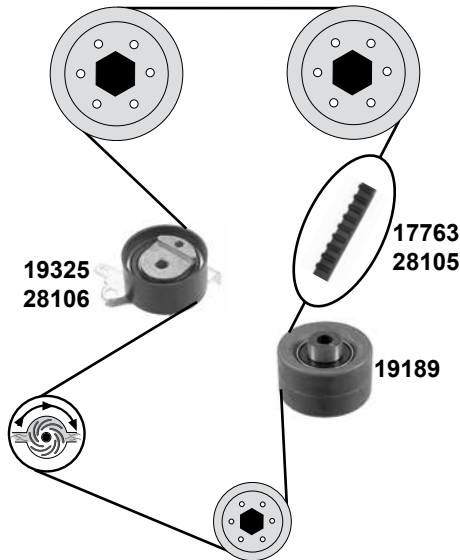
(04→09)

Car  
Division



## 2,0 16 V

(EW10J4 / EW10J4S EW10A)

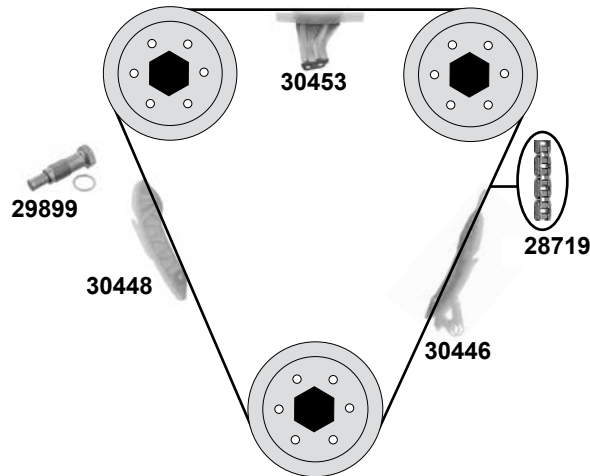


## C4 II

(09→)

1,6

(EP6CDT)



(1) (mot.) EW10J4

(2) (mot.) EW10A

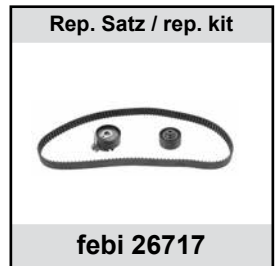
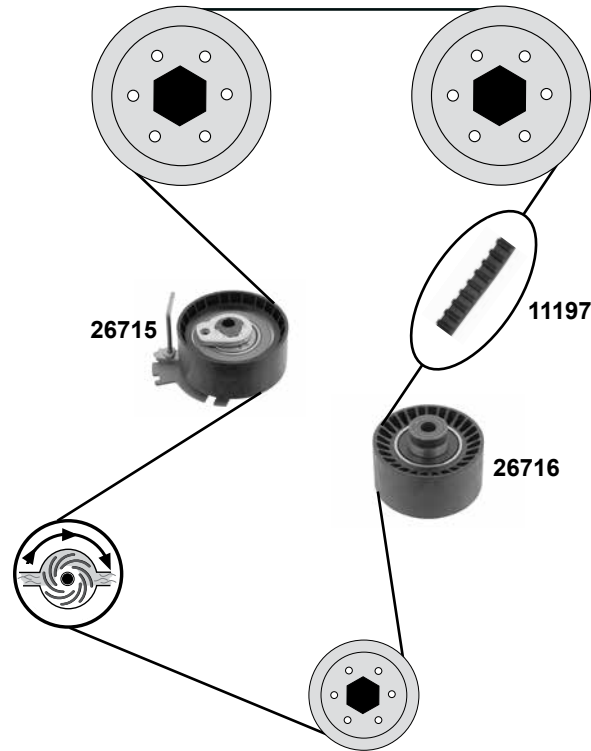
(3) (mot.) EW10A → O 10052 - 11270



Ref. - No.

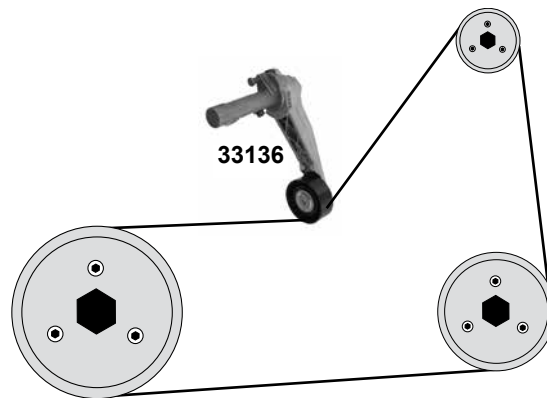


17763	0816.A1	Zahnriemen / timing belt	(1)	Z 153 B25,4
19189	0830.42	Umlenkrolle / deflection pulley	(1) (2)	ØA 60 B31
19325	0829.96	Spannrolle / tension roller	(1)	ØA 62 B29
22309	0831.T4	Rep. Satz Zahnriemen / rep. kit timing belt	(1)	Z 153 B25,4
28105	0816.G4	Zahnriemen / timing belt	(2)	Z 153 B25
28106	0829.A9	Spannrolle / tension roller	(2)	ØA 62 B29
28107	0831.V6	Rep. Satz Zahnriemen / rep. kit timing belt	(2)	Z 153 B25
28277	1628.WA	Umlenkrolle / deflection pulley	(1)	ØA 132 B28
28719	0816.H9	Steuerkette / timing chain		144 E
29899	0829.G3	Kettenspanner / chain tensioner		
30446	0818.31	Gleitschiene / sliding rail		
30448	0818.30	Gleitschiene / sliding rail		
30452	0816.H9 S1	Rep. Satz Steuerkette / rep kit timing chain		
30453	0818.29	Gleitschiene / sliding rail		
40190	5751.G8	Riemenspanner / belt tensioner	(3)	ØA 70 B25
43685	5751.E4	Umlenkrolle / deflection pulley	(ex.) EW10A	ØA 78 B25



**C4 II (B7)**  
(09→)  
**1,4 / 1,6**

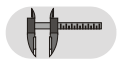
(EP3C/EP6C/EP6CDT/EP6CDTM/EP6CDTMD/EP6CG/EP6CDTX)



(1) (mot.) EP3C/EP6C/EP6CDT/EP6CDTM/EP6CDTMD/EP6CG AC (ex.) Start Stop  
(mot.) EP6CDTX AC



Ref. - No.



11197	0816.H6	Zahnriemen / timing belt		Z 134 B25,4
26715	0829.C8	Spannrolle / tension roller		ØA 70 B30
26716	0830.62	Umlenkrolle / deflection pulley		ØA 60 B30
26717	0831.R9	Rep. Satz Zahnriemen / rep. kit timing belt		Z 134 B25,4
33136	5751.G9	Riemenspanner / belt tensioner	(1)	ØA 65 B25

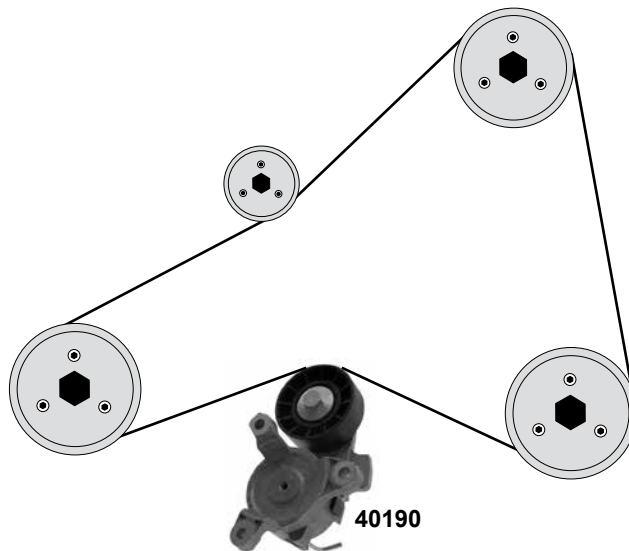
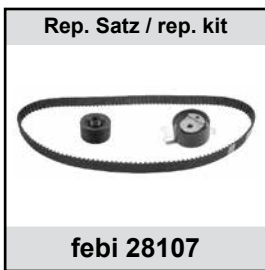
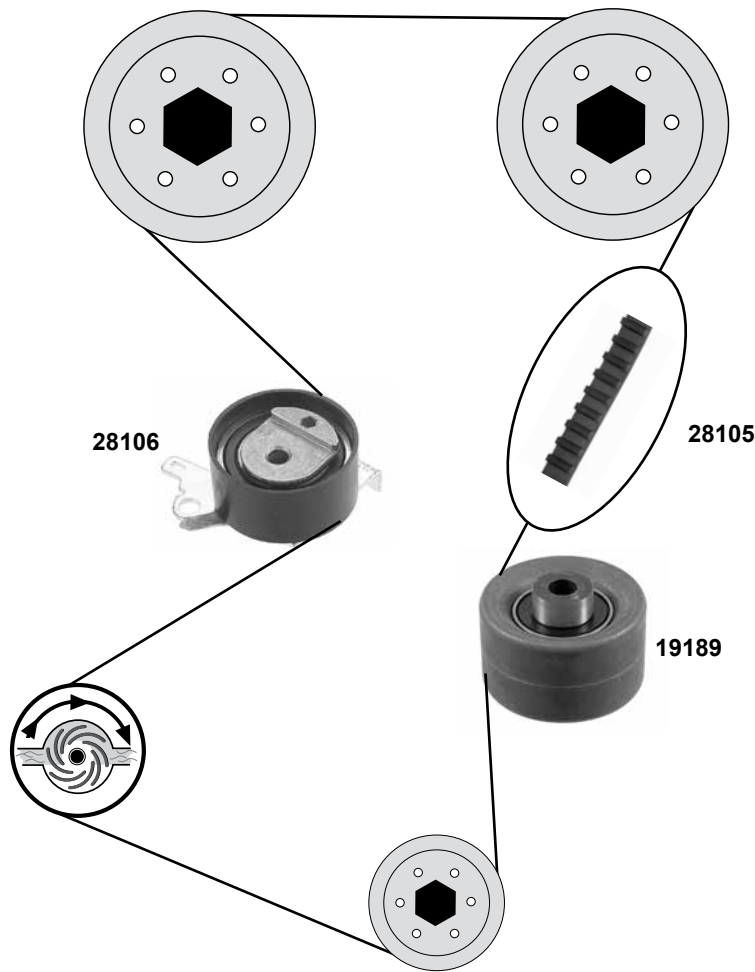
# CITROËN C4 Picasso

(07→)

Car  
Division



**1,6 16V / 2,0 16 V**  
(EW7A/EW10A)



Ref. - No.

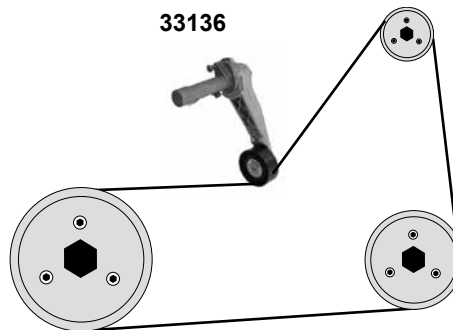
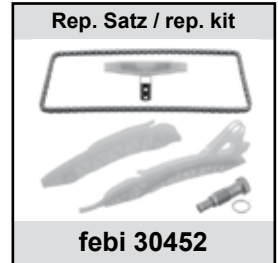
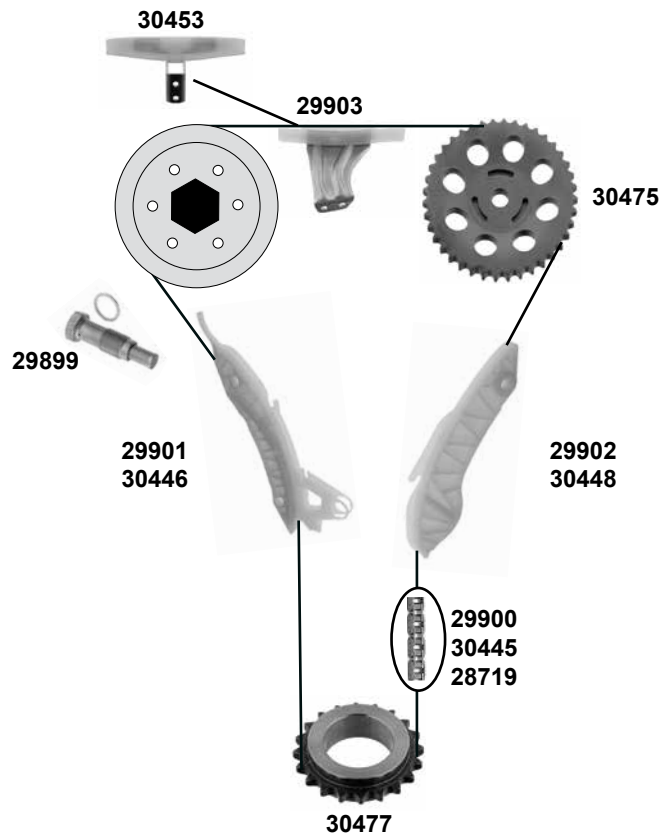


**19189** 0830.42  
**28105** 0816.G4  
**28106** 0829.A9  
**28107** 0831.V6  
**40190** 5751.G8

Umlenkrolle / deflection pulley  
Zahnriemen / timing belt  
Spannrolle / tension roller  
Rep. Satz Zahnriemen / rep. kit timing belt  
Riemenspanner / belt tensioner

ØA 60 B31  
Z 153 B25  
ØA 62 B29  
Z 153 B25  
ØA 70 B25

**1,6 16 V**  
(EP6/EP6C/EP6DT)



**1,6 16 V**  
(EP6/EP6C/EP6DT/EP6CDT)

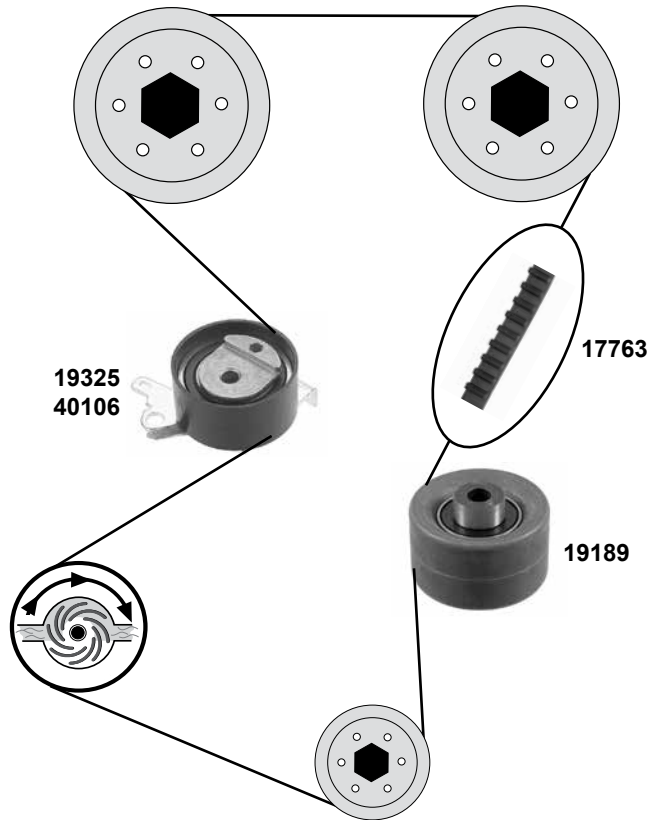


(1) (mot.) EP6 mit / with BE4R / 06→

	Ref. - No.			
28719	0816.H9	Steuerkette / roller chain	(mot.) EP6DT/EP6CDT	144 E
29899	0829.E1	Kettenspanner / chain tensioner	(1)	M 22x1,5
29900	0816.J2	Steuerkette / roller chain	(1)	138 E
29901	0818.40	Gleitschiene, links / sliding rail, left	(1)	ØA 60 B30
29902	0818.33	Gleitschiene rechts / sliding rail, right	(1)	Z 134 B25,4
29903	0818.41	Gleitschiene oben / sliding rail, top	(1)	
30345	0816.J2 S1	Rep. Satz Steuerkette / rep kit timing chain	(ex.) EP6DT	
30445	0816.H9	Steuerkette / timing chain	(mot.) EP6DT	138 E
30446	0818.31	Gleitschiene / sliding rail	(mot.) EP6DT	
30448	0818.30	Gleitschiene / sliding rail	(mot.) EP6DT	
30452	0816.H9 S1	Rep. Satz Steuerkette / rep kit timing chain	(mot.) EP6DT	
30453	0818.29	Gleitschiene / sliding rail	(mot.) EP6DT	
30475	0805.H6	Nockenwellenrad / camshaft gear	(mot.) EP6DT	Z 40
30477	0513.C8	Kurbelwellenzahnrad / crankshaft gear	(mot.) EP6DT	Z 20
33136	5751.G9	Riemenspanner / belt tensioner	AC	ØA 65 B25



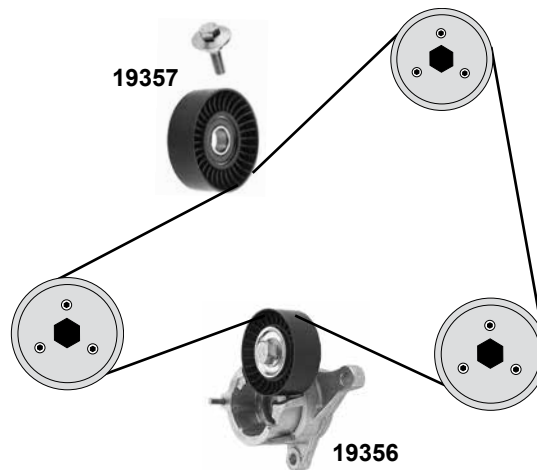
**1,8 16 V / 2,0 16V**  
(EW7J4/EW10D/EW10J4)



Rep. Satz / rep. kit



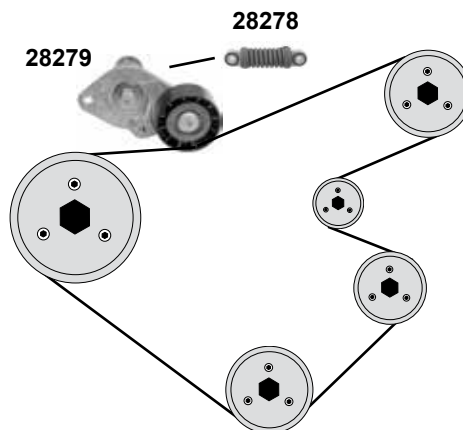
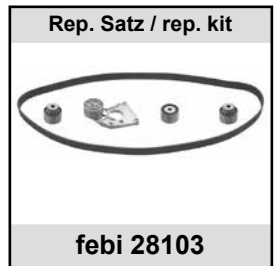
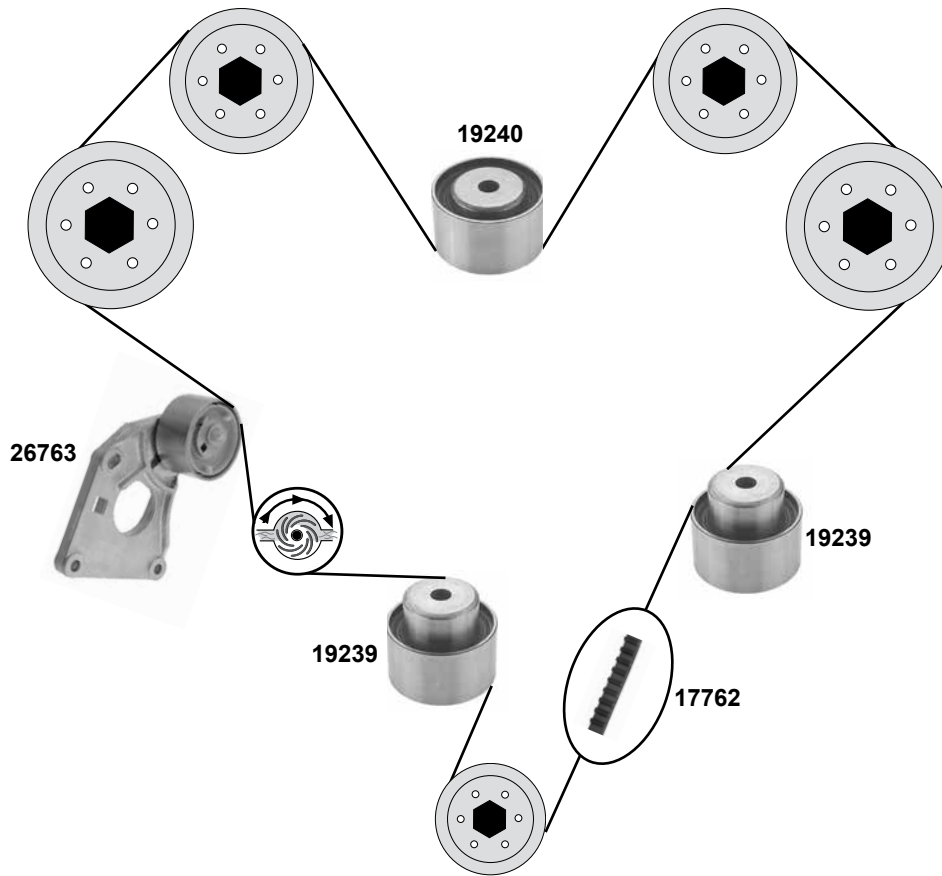
febi 22309



Ref. - No.



<b>17763</b>	0816.A1	Zahnriemen / timing belt	(ex.) EW10D	Z 153 B25,4
<b>19189</b>	0830.42	Umlenkrolle / deflection pulley		ØA 60 B30
<b>19325</b>	0829.96	Spannrolle / tension roller	(ex.) EW10D	ØA 62 B29
<b>19356</b>	5751.61	Riemenspanner / belt tensioner		ØA 65 B25
<b>19357</b>	5751.60	Umlenkrolle / deflection pulley		ØA 78 B25
<b>22309</b>	0831.T4	Rep. Satz Zahnriemen / rep. kit timing belt	(ex.) EW10D	
<b>40106</b>	0829.98	Spannrolle / tension roller	(mot.) EW10D	ØA 60 B29



	Ref. - No.			
17762	0816.H3	Zahnriemen / timing belt		Z 259 B32
19239	0830.58	Umlenkrolle / deflection pulley		ØA 65 B36
19240	0830.59	Umlenkrolle / deflection pulley		ØA 65 B36
26763	0829.C5	Spannrolle / tension roller		ØA 70 B36
28103	0831.V2	Rep. Satz Zahnriemen / rep. kit timing belt		Z 259 B32
28278	5751.41	Riemenspanner / belt tensioner		
28279	5751.A9	Riemenspanner / belt tensioner	(mot.) ES9J4S	ØA 65 B25,5

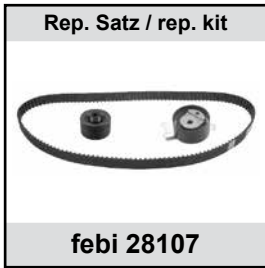
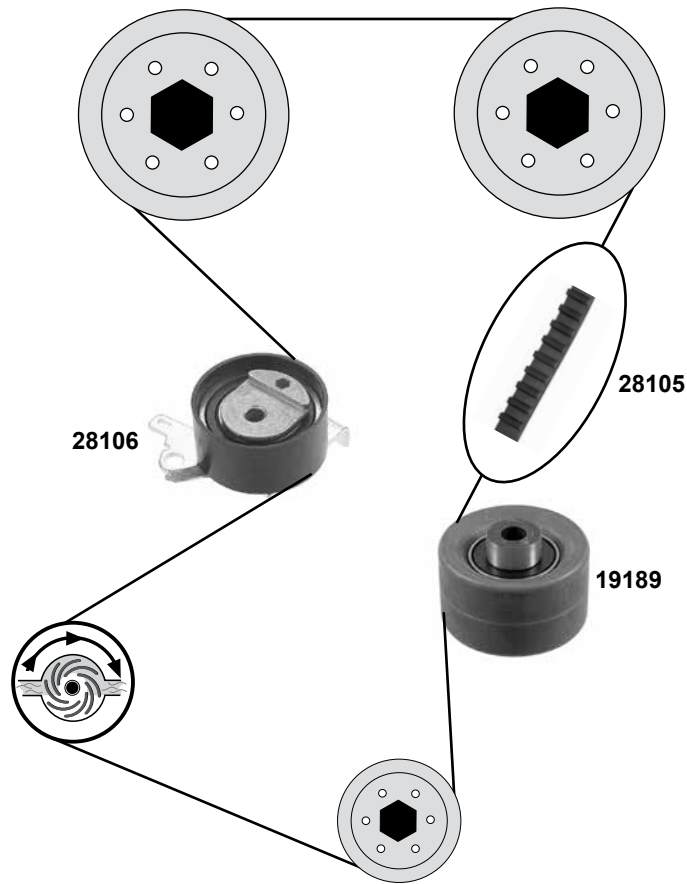
# CITROËN C5 II

(04→08)

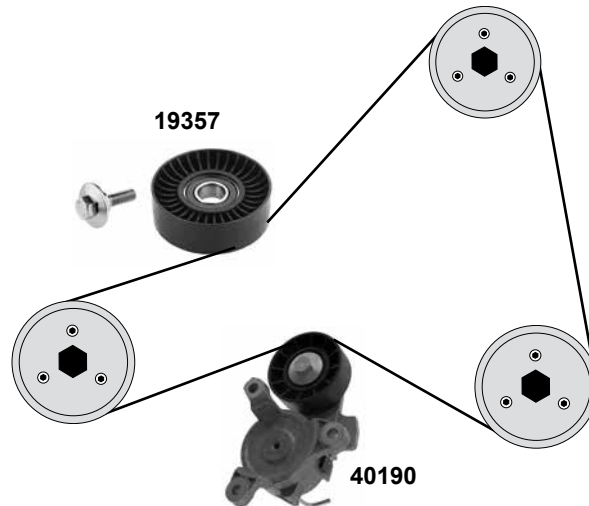
Car  
Division



**1,8 16V / 2,0 16 V**  
(EW7A/EW10A)



**1,8 16V**  
(EW7A / EW10A)



Ref. - No.



19189

0830.42

Umlenkrolle / deflection pulley

19357

5751.60

Umlenkrolle / deflection pulley

28105

0816.G4

Zahnriemen / timing belt

28106

0829.A9

Spannrolle / tension roller

28107

0831.V6

Rep. Satz Zahnriemen / rep. kit timing belt

40190

5751.G8

Riemenspanner / belt tensioner

(mot.) EW7A

ØA 60 B31

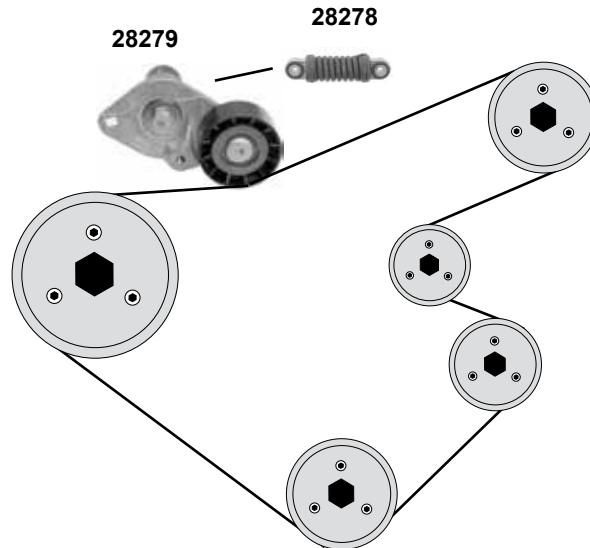
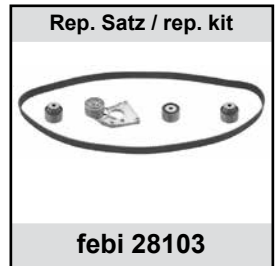
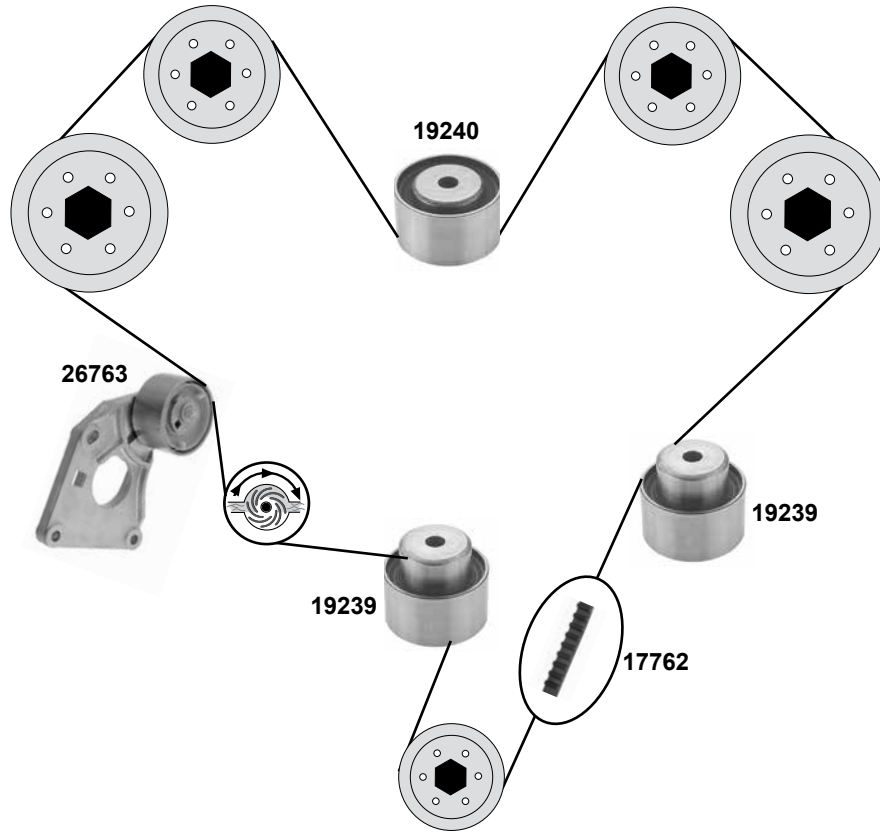
ØA 78 B25

Z 153 B25

ØA 62 B29

Z 153 B25

ØA 70 B25



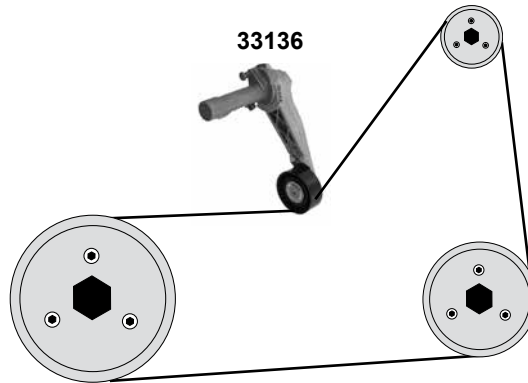
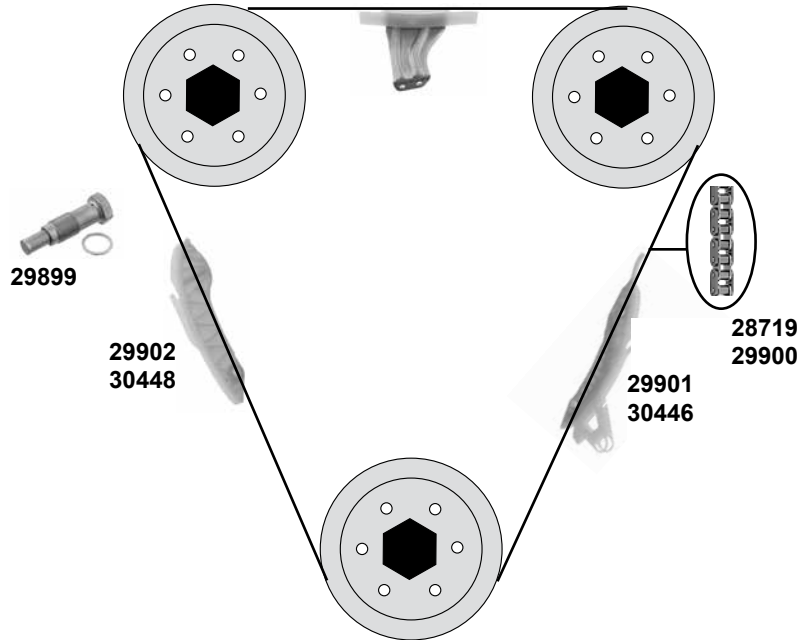
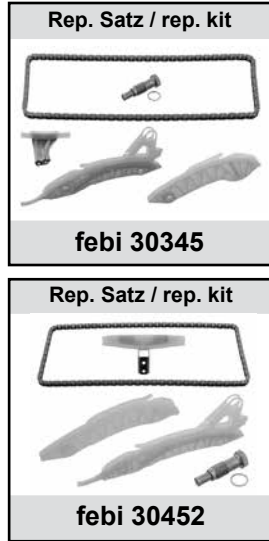
	Ref. - No.			
<b>17762</b>	0816.H3	Zahnriemen / timing belt		Z 259 B32
<b>19239</b>	0830.58	Umlenkrolle / deflection pulley		ØA 65 B36
<b>19240</b>	0830.59	Umlenkrolle / deflection pulley		ØA 65 B36
<b>26763</b>	0829.C5	Spannrolle / tension roller		ØA 70 B36
<b>28103</b>	0831.V2	Rep. Satz Zahnriemen / rep. kit timing belt		Z 259 B32
<b>28278</b>	5751.41	Riemenspanner / belt tensioner		
<b>28279</b>	5751.A9	Riemenspanner / belt tensioner	(mot.) ES9A	ØA 65 B25,5





**1,6**  
(EP6C / EP6CDT / EP6CDTM)

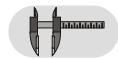
29903  
30453



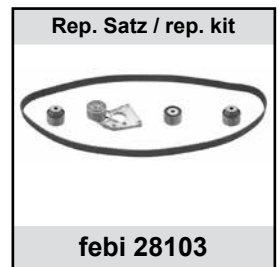
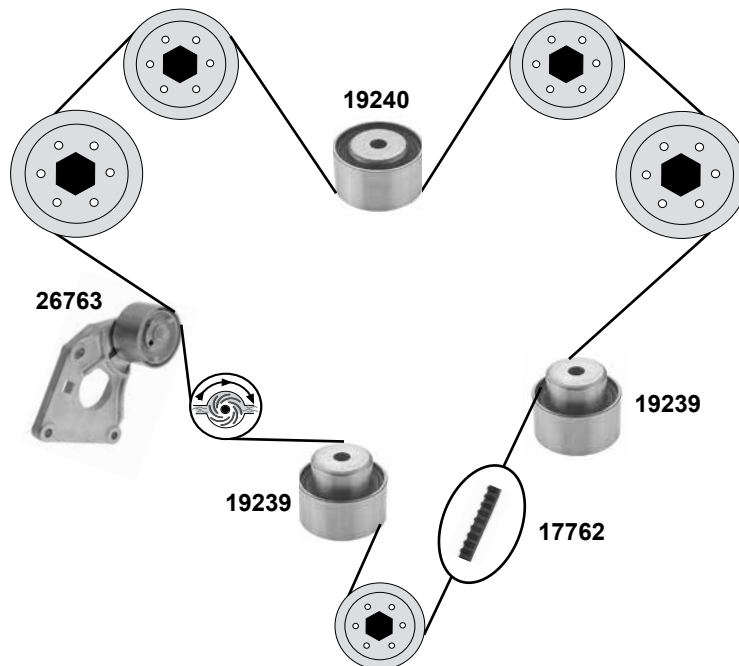
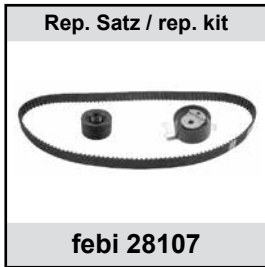
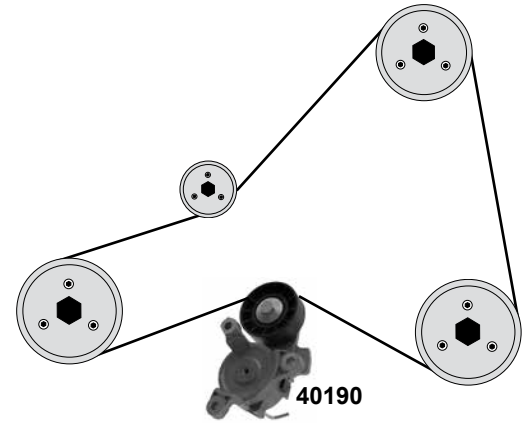
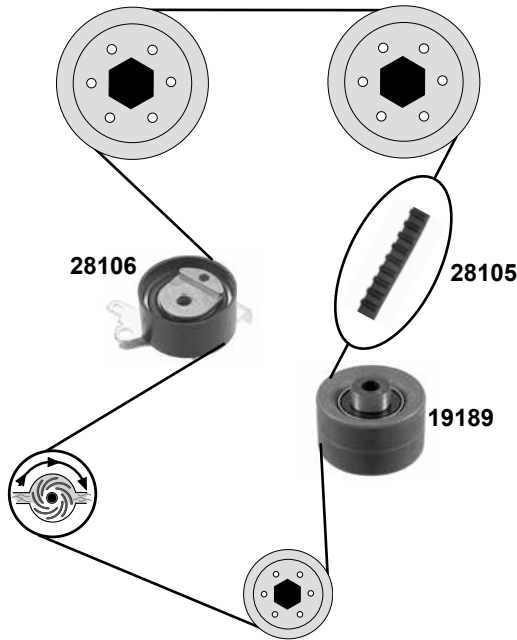
(1) (mot.) EP6C / EP6CDT / (mot.) EP6CDTM AC



Ref. - No.



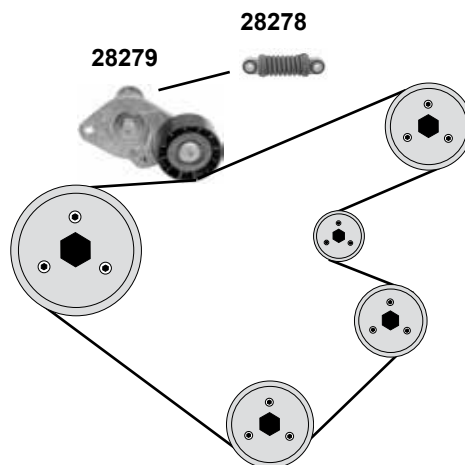
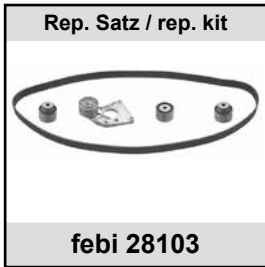
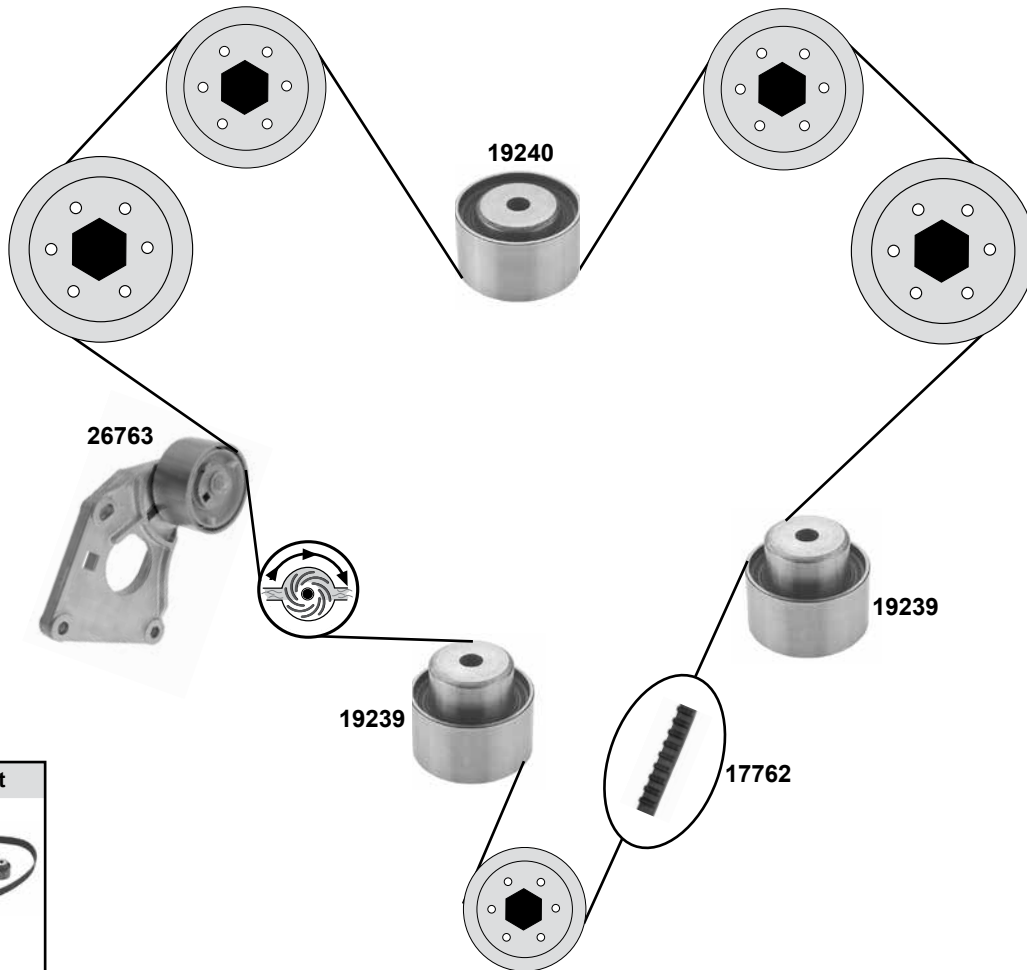
Ref. - No.	Description	Notes	Dimensions
28719	0816.9H Steuerkette / timing chain	(ex.) EP6CDTM	144 E
29899	0829.G3 Kettenspanner / chain tensioner		
29900	0816.J2 Steuerkette / timing chain	(mot.) EP6C	138 E
29901	0818.40 Gleitschiene / sliding rail	(mot.) EP6C	
29902	0818.33 Gleitschiene / sliding rail	(mot.) EP6C	
29903	0818.41 Gleitschiene / sliding rail	(mot.) EP6C	
30345	0816.J2 S1 Rep. Satz Steuerkette / rep. kit timing chain	(mot.) EP6C	
30446	0818.31 Gleitschiene / sliding rail	(mot.) EP6CDT	
30448	0818.30 Gleitschiene / sliding rail	(mot.) EP6CDT	
30452	0816.H9 S1 Rep. Satz Steuerkette / rep. kit timing chain	(mot.) EP6CDT	
30453	0818.29 Gleitschiene / sliding rail	(mot.) EP6CDT	
33136	5751.G9 Riemenspanner / belt tensioner	(1)	ØA65 B25



	Ref. - No.			
<b>17762</b>	0816.H3	Zahnriemen / timing belt		Z 259 B32
<b>19189</b>	0830.42	Umlenkrolle / deflection pulley	(mot.) EW10A	ØA 60 B31
<b>19239</b>	0830.58	Umlenkrolle / deflection pulley		ØA 65 B36
<b>19240</b>	0830.59	Umlenkrolle / deflection pulley		ØA 65 B36
<b>26763</b>	0829.C5	Spannrolle / tension roller		ØA 70 B36
<b>28103</b>	0831.V2	Rep. Satz Zahnriemen / rep. kit timing belt		
<b>28105</b>	0816.G4	Zahnriemen / timing belt	(mot.) EW10A	Z 153 B25
<b>28106</b>	0829.A9	Spannrolle / tension roller	(mot.) EW10A	ØA 62 B29
<b>28107</b>	0831.V6	Rep. Satz Zahnriemen / rep. kit timing belt	(mot.) EW10A	Z 153 B25
<b>40190</b>	5751.G8	Riemenspanner / belt tensioner		ØA 70 B25



**3,0 24 V**  
(ES9JA)



Ref. - No.



**17762**

0816.H3

Zahnriemen / timing belt

Z 259 B32

**19239**

0830.58

Umlenkrolle / deflection pulley

ØA 65 B36

**19240**

0830.59

Umlenkrolle / deflection pulley

ØA 65 B36

**26763**

0829.C5

Spannrolle / tension roller

ØA 70 B36

**28103**

0831.V2

Rep. Satz Zahnriemen / rep. kit timing belt

Z 259 B32

**28278**

5751.41

Riemenspanner / belt tensioner

(mot.) ES9J4S

ØA 65 B25,5

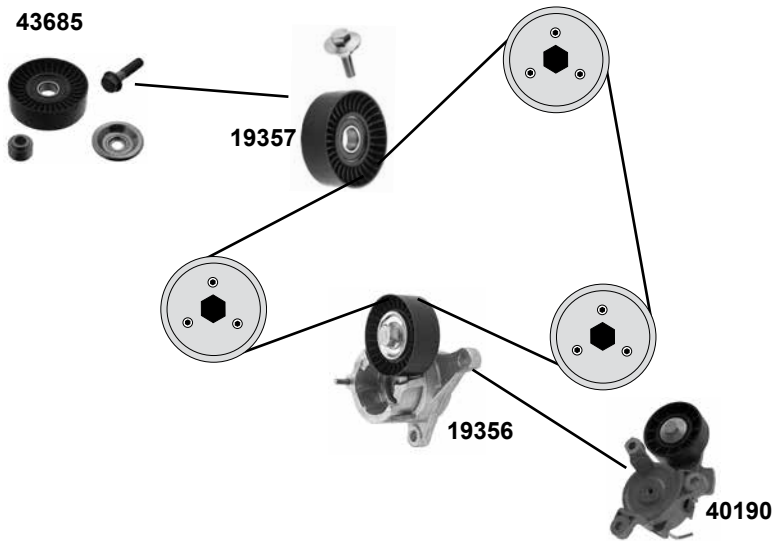
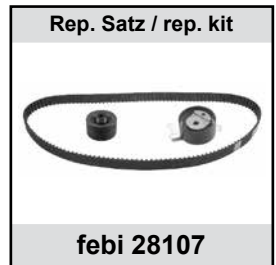
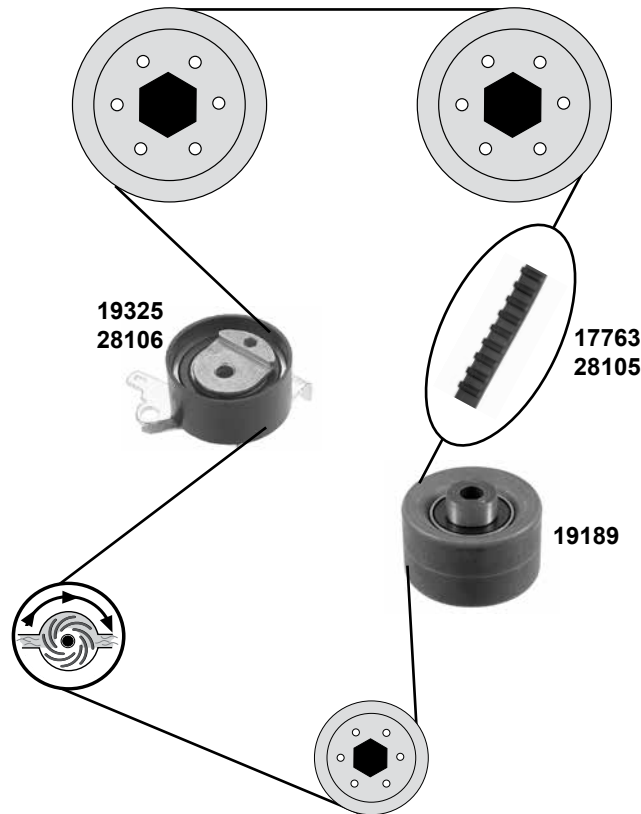
**28279**

5751.A9

Riemenspanner / belt tensioner



**2,0 16 V / 2,2 16V**  
(EW10A/EW10J4/EW12J4)



(1) (ex.) (mot.) EW10A → O 10247



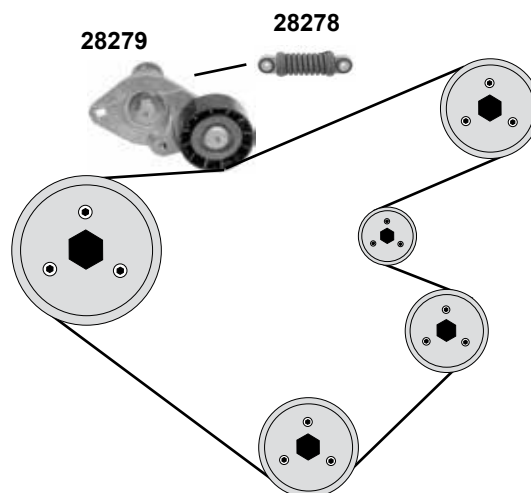
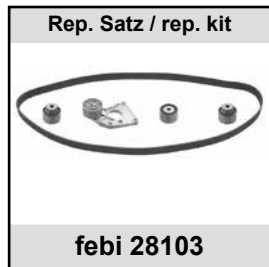
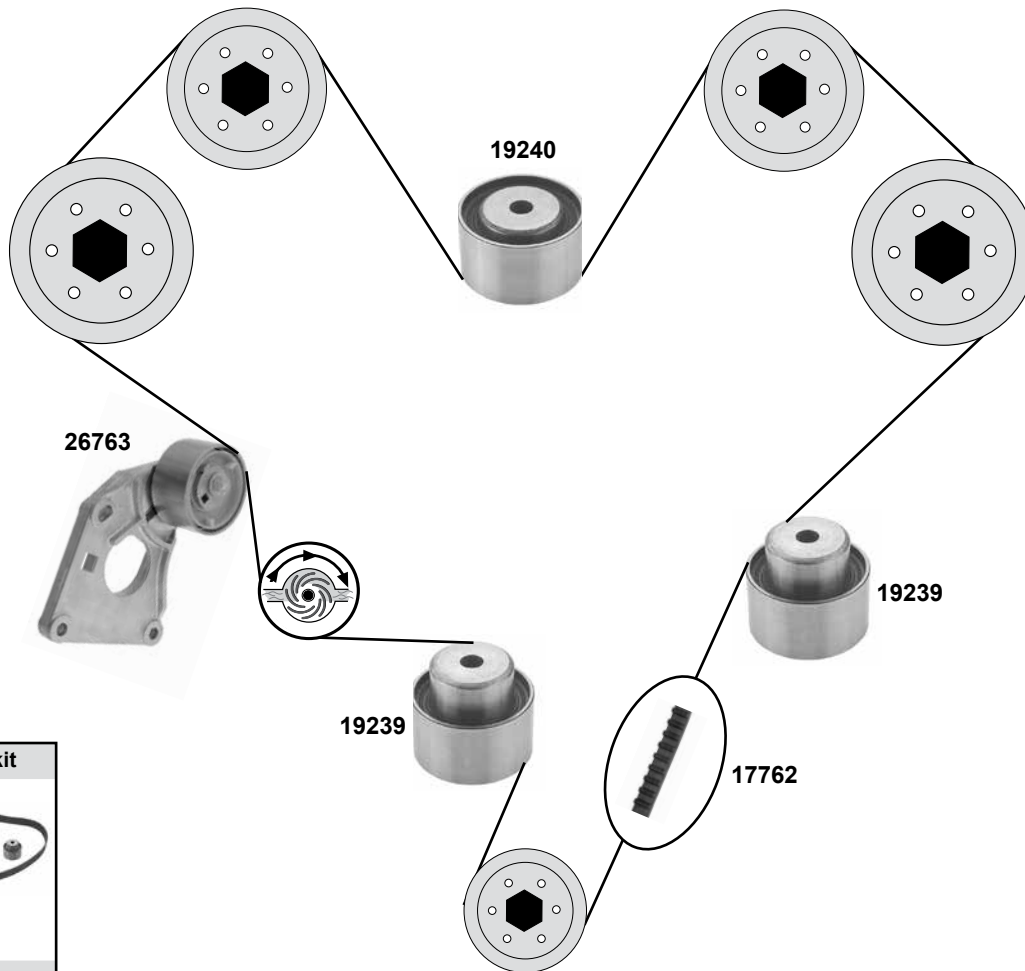
Ref. - No.



Ref. - No.	Description	Part No.	Notes
17763	Zahnriemen / timing belt	(ex.) (mot.) EW10A	Z 153 25,4
19189	Umlenkrolle / deflection pulley	(ex.) (mot.) EW10A	ØA 60 B30
19325	Spannrolle / tension roller	(ex.) (mot.) EW10A	Ø62 B29
19356	Riemenspanner / belt tensioner	(ex.) (mot.) EW10A	ØA 65 B25
19357	Umlenkrolle / deflection pulley	(1)	ØA 78 B25
22309	Rep. Satz Zahnriemen / rep. kit timing belt	(ex.) (mot.) EW10A	
28105	Zahnriemen / timing belt	(mot.) EW10A	Z 153 B25
28106	Spannrolle / tension roller	(mot.) EW10A	ØA 62 B29
28107	Rep. Satz Zahnriemen / rep. kit timing belt	(mot.) EW10A	Z 153 B25
40190	Riemenspanner / belt tensioner	(mot.) EW10A	ØA 70 B25
43685	Umlenkrolle / deflection pulley	(ex.) (mot.) EW10A	ØA 78 B25



## 3,0 24 V (ES9J4/ES9J4S)



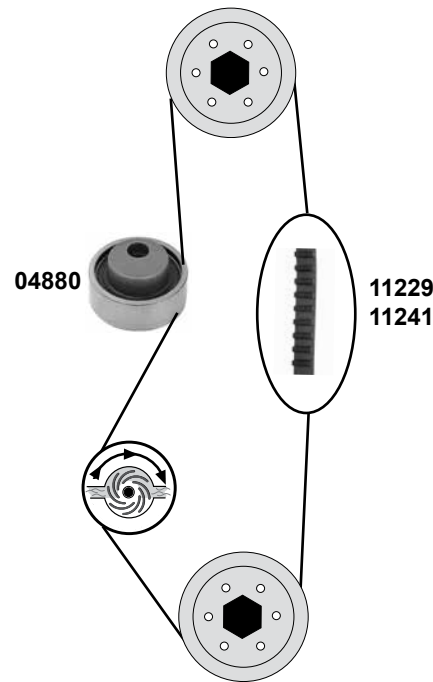
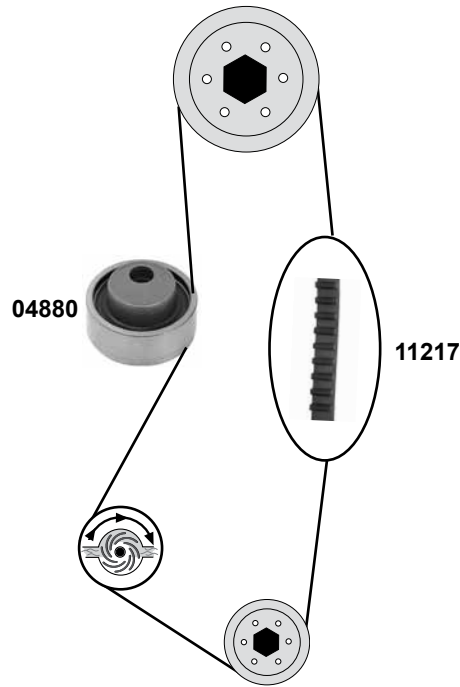
Ref. - No.



17762	0816.H3	Zahnriemen / timing belt
19239	0830.58	Umlenkrolle / deflection pulley
19240	0830.59	Umlenkrolle / deflection pulley
26763	0829.C5	Spannrolle / tension roller
28103	0831.V2	Rep. Satz Zahnriemen / rep. kit timing belt
28278	5751.41	Riemenspanner / belt tensioner
28279	5751.A9	Riemenspanner / belt tensioner

(mot.) ES9J4S

Z 259 B32
ØA 65 B36
ØA 65 B36
ØA 70 B36
Z 259 B32
ØA 65 B25,5



- (1) Guss Motorblock / cast engine block / coulé bloc-moteur / colado bloque-motor / ghisa monoblocco  
 (2) Aluminium Motorblock / aluminum engine block / aluminium bloc-moteur / aliminio bloque-motor / monoblocco d'alluminio



Ref. - No.



Ref. - No.	Description	Quantity	Part Number
04880	Spannrolle / tension roller		ØA 59 ØI 13 B22
11217	Zahnriemen / timing belt		Z 104 B17
11218	Rep. Satz Zahnriemen / rep. kit timing belt		
11229	Zahnriemen / timing belt	(1)	Z 101 B17
11230	Rep. Satz Zahnriemen / rep. kit timing belt	(1)	
11241	Zahnriemen / timing belt	(2)	Z 108 B17
11242	Rep. Satz Zahnriemen / rep. kit timing belt	(2)	

passend für / to fit

**CITROËN**  
**C25**

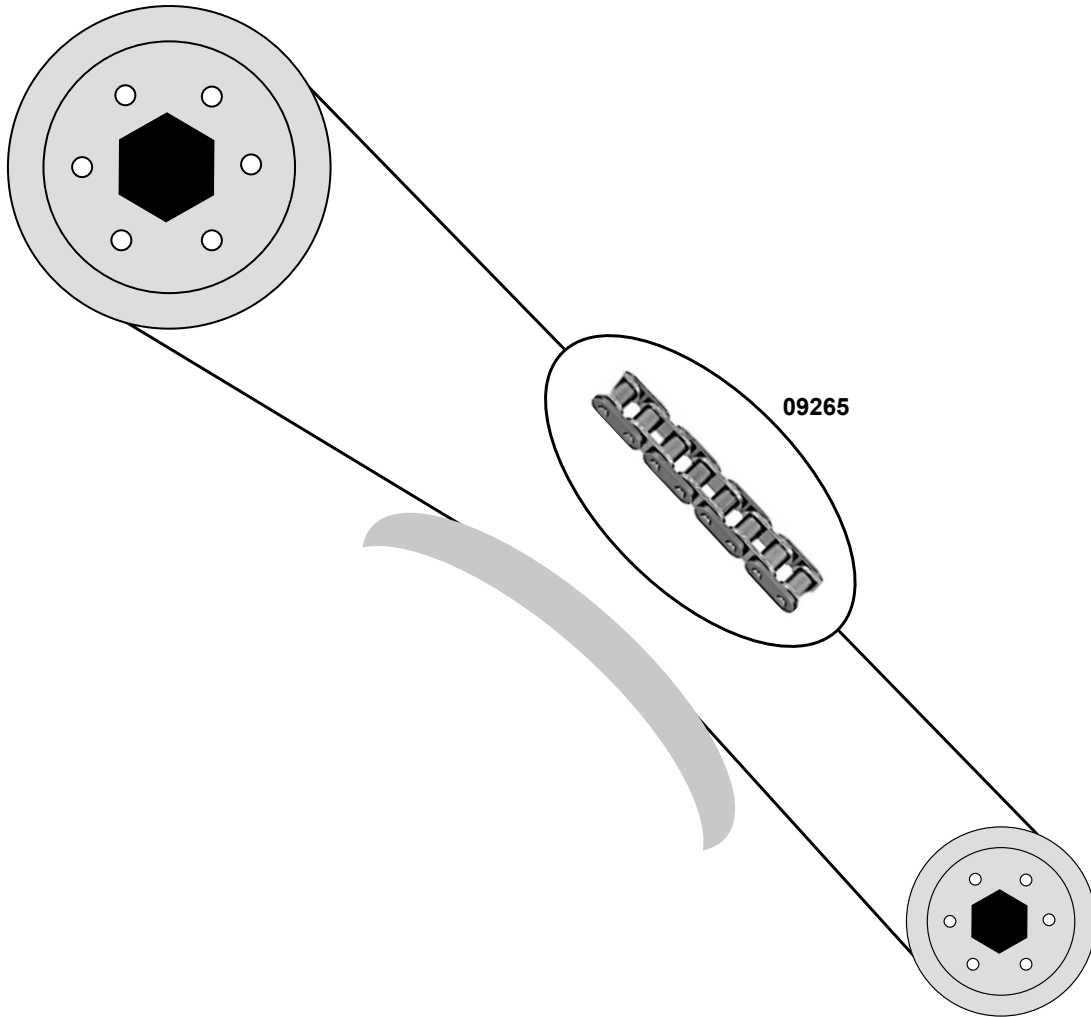
(82→94)

Car  
Division



**1,8 / 2,0**

(XM7T/XN1T/XN1TA)



Ref. - No.

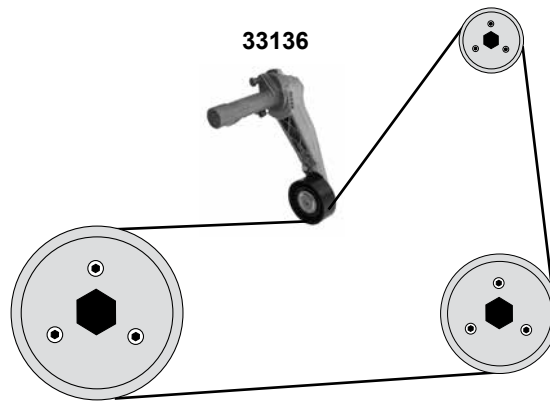
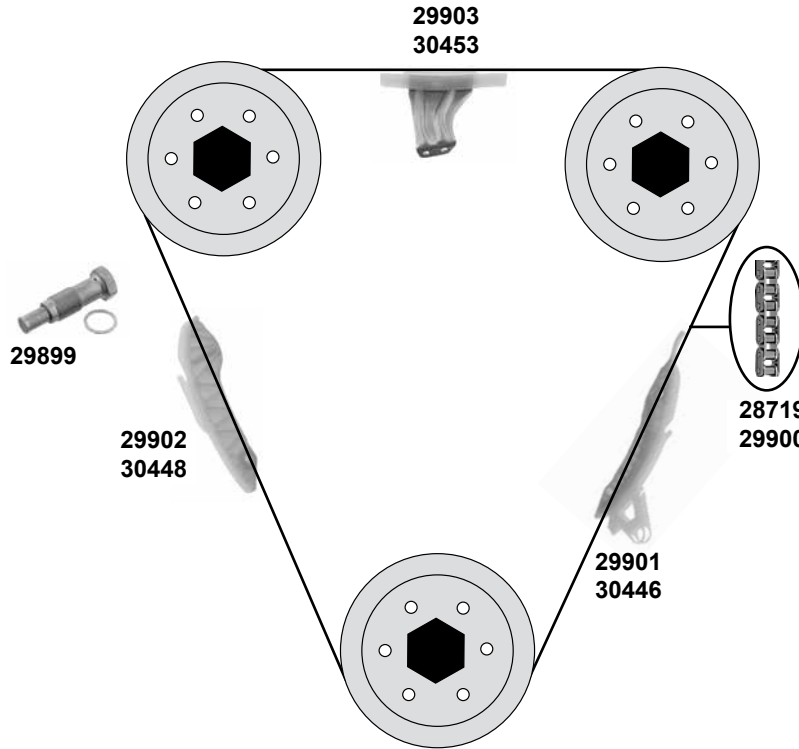


09265

78 03 002 000

Steuerkette / timing chain

455 / 58E



(1) (ex.) (mot.) EP3C/EP6C/EP6CDT/M

	Ref. - No.			
28719	0816.9H	Steuerkette / timing chain	(mot.)EP6DT / EP6DTS	144 E
29899	0829.G3	Kettenspanner / chain tensioner	(1)	
29900	0816.J2	Steuerkette / timing chain	(mot.) EP3C/EP6C	138 E
29901	0818.40	Gleitschiene / sliding rail	(mot.) EP3C/EP6C	
29902	0818.33	Gleitschiene / sliding rail	(mot.) EP3C/EP6C	
29903	0818.41	Gleitschiene / sliding rail	(mot.) EP3C/EP6C	
30345	0816.J2 S1	Rep. Satz Steuerkette / rep kit timing chain	(mot.) EP3C/EP6C	
30446	0818.31	Gleitschiene / sliding rail	(ex.) (mot.) EP3C/EP6C	
30448	0818.30	Gleitschiene / sliding rail	(ex.) (mot.) EP3C/EP6C	
30452	0816.H9 S1	Rep. Satz Steuerkette / rep kit timing chain	(ex.) (mot.) EP3C/EP6C	
30453	0818.29	Gleitschiene / sliding rail	(ex.) (mot.) EP3C/EP6C	
33136	5751.G9	Riemenspanner / belt tensioner	AC	ØA 65 B25



passend für / to fit

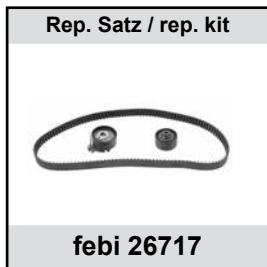
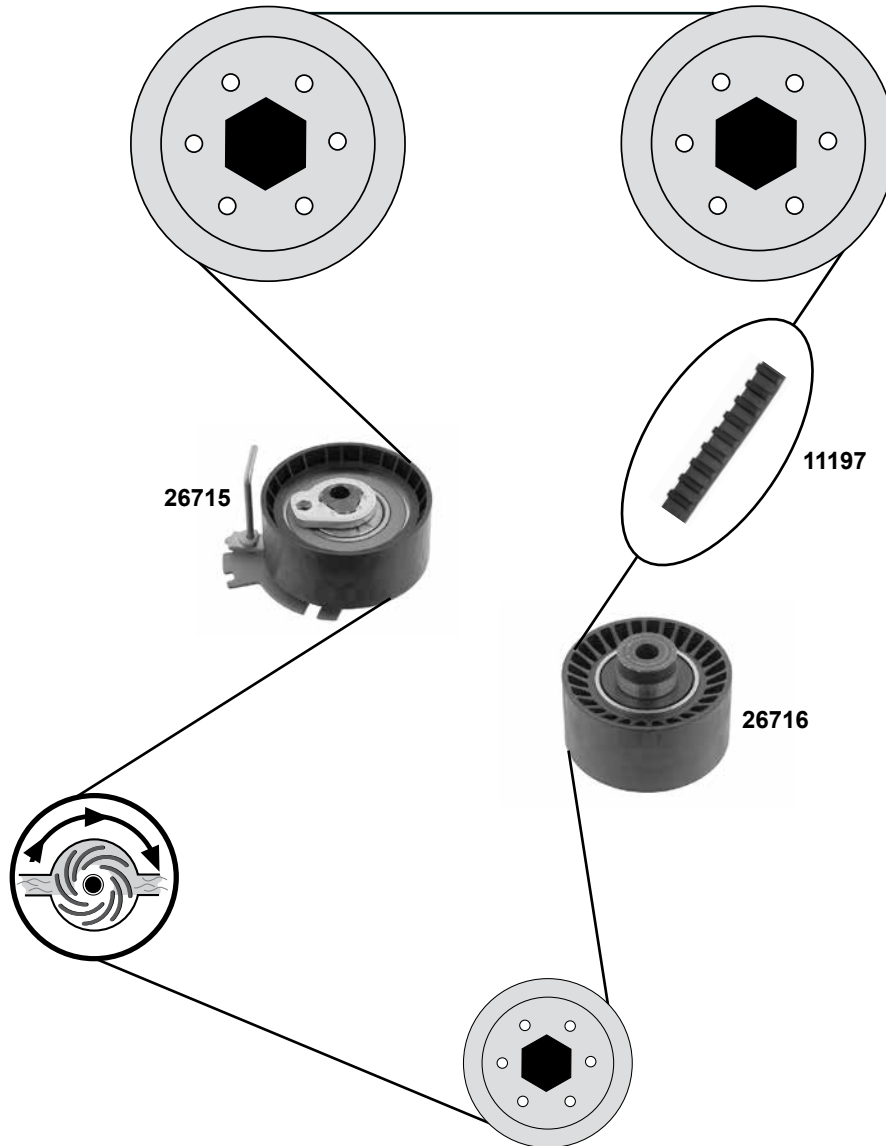
# CITROËN DS4

(11→)

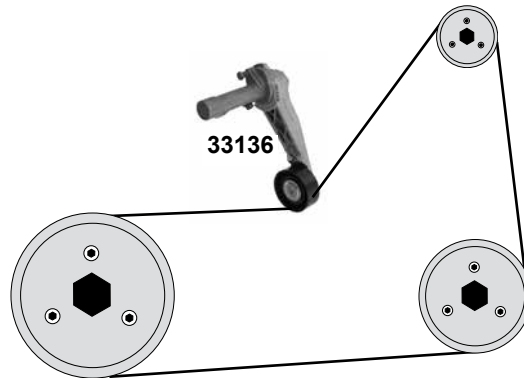
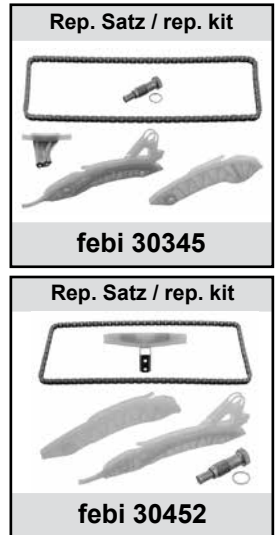
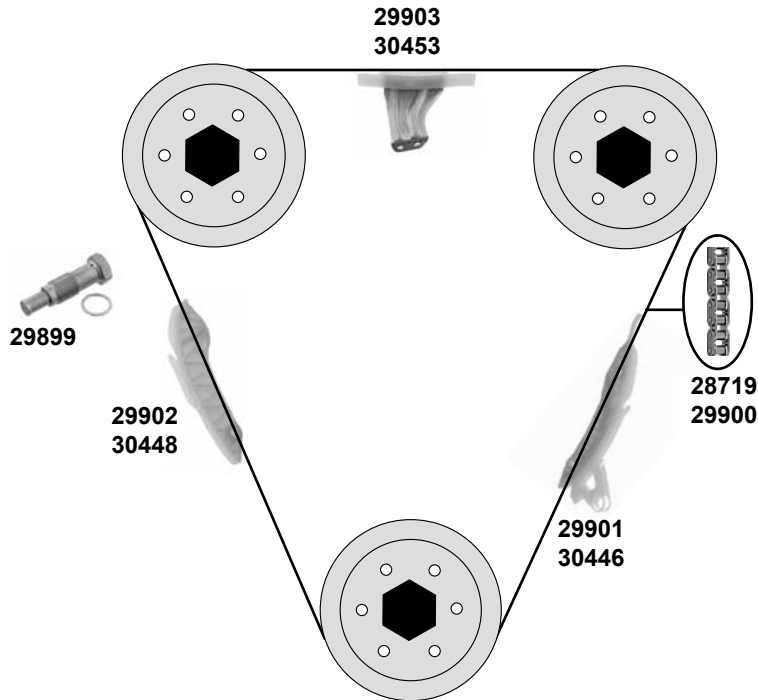
Car  
Division



**1,6 16 V**  
(TU5JP4)



	Ref. - No.			
11197	0816.H6	Zahnriemen / timing belt		Z 134 B25,4
26715	0829.C8	Spannrolle / tension roller		ØA 70 B30
26716	0830.62	Umlenkrolle / deflection pulley		ØA 60 B30
26717	0831.R9	Rep. Satz Zahnriemen / rep. kit timing belt		Z 134 B25,4



- (1) **DS5 (mot.)** EP6CTX
- (2) **DS4 (mot.)** EP6CDT / **DS5 (mot.)** EP6CDT
- (3) **DS4 (mot.)** EP3C/EP6CDTM/EP6C/EP6CDT/EP6CDTMD/EP6CG AC (ex.) Start Stop  
**DS5 (mot.)** EP6CDTMD/EP6CDTM/EP6CDT/EP6CDTX



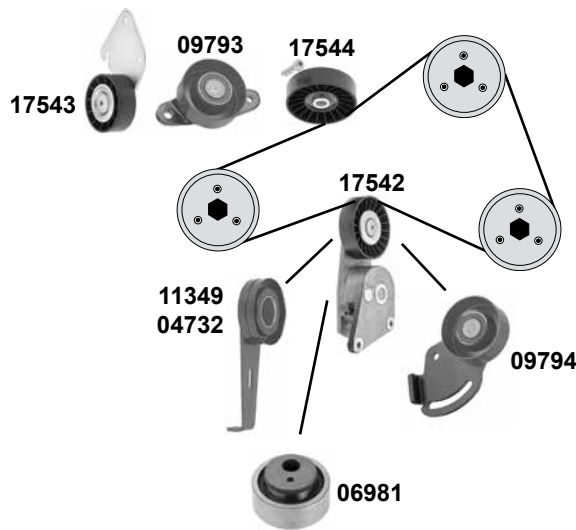
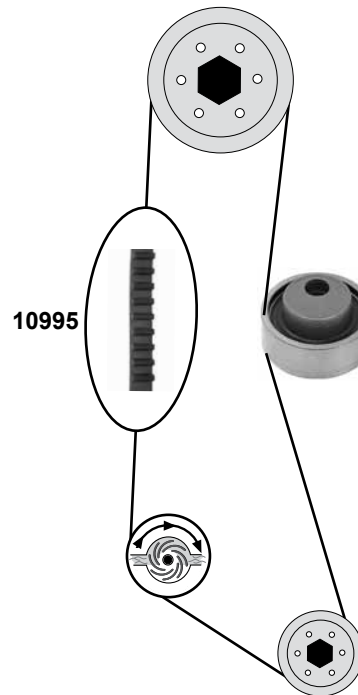
Ref. - No.



	Ref. - No.			
<b>28719</b>	0816.H9	Steuerkette / timing chain	(2)	144 E
<b>29899</b>	0829.G3	Kettenspanner / chain tensioner		
<b>29900</b>	0816.J2	Steuerkette / timing chain	(1)	138 E
<b>29901</b>	0818.40	Gleitschiene / sliding rail	(1)	
<b>29902</b>	0818.33	Gleitschiene / sliding rail	(1)	
<b>29903</b>	0818.41	Gleitschiene / sliding rail	(1)	
<b>30345</b>	0816.J2 S1	Rep. Satz Steuerkette / rep kit timing chain	(1)	
<b>30446</b>	0818.31	Gleitschiene / sliding rail	(2)	
<b>30448</b>	0818.30	Gleitschiene / sliding rail	(2)	
<b>30452</b>	0816.H9 S1	Rep. Satz Steuerkette / rep kit timing chain	(2)	
<b>30453</b>	0818.29	Gleitschiene / sliding rail	(2)	
<b>33136</b>	5751.G9	Riemenspanner / belt tensioner	(3)	ØA 65 B25



**1,8 / 2,0 8 V**  
(XU7JP/XU10J2/XU10J2TE)



(1) → O 07904 XU10J2 servo (ex.) AC  
→ O 07389 XU10J2 TE servo (ex.) AC

(3) → O 07389 alle / all AC servo

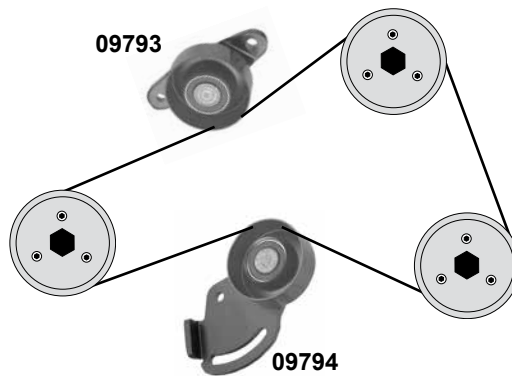
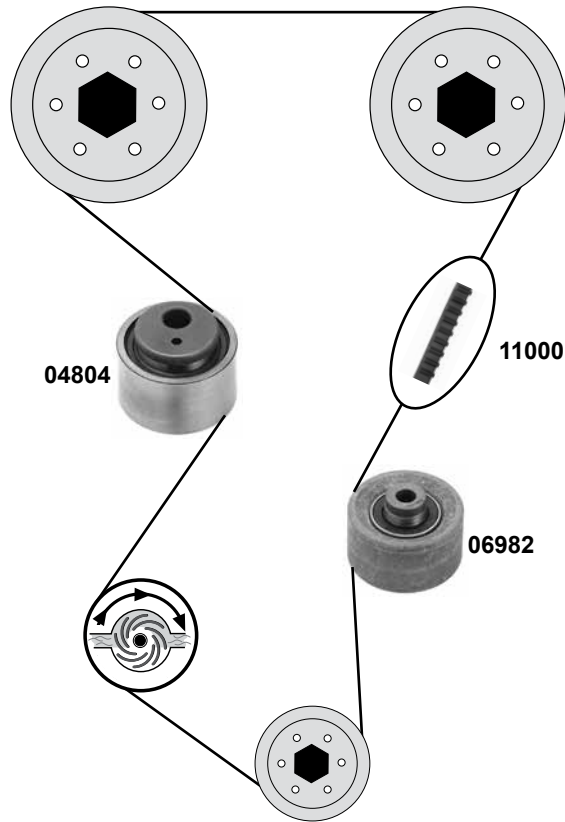
(4) O 07392 → XU10J2TE AC

(2) O 07905 → XU7JP / XU10J2 (ex.) AC

(5) O 07392 → XU10J2TE (ex.) AC



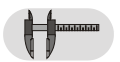
	Ref. - No.			
<b>04732</b>	5751.18	Spannrolle / tension roller	(1)	ØA 90 B24,5
<b>06981</b>	0829.29	Spannrolle / tension roller	(1)	ØA 59 Ø I 13 B22
<b>09793</b>	5751.33	Umlenkrolle / deflection pulley	(5)	ØA70 B25
<b>09794</b>	5751.32	Spannrolle / tension roller	(5)	ØA90 B25
<b>10995</b>	0816.71	Zahnriemen / timing belt	(5)	Z 114 B17
<b>11244</b>	0816.71 S1	Rep. Satz Zahnriemen / rep. kit timing belt	(5)	
<b>11349</b>	5751.53	Spannrolle / tension roller	(2)	ØA 90 B24
<b>17542</b>	5751.35	Riemenspanner / belt tensioner	AC servo	ØA 90 B25
<b>17543</b>	5751.34	Umlenkrolle / deflection pulley	(4)	ØA69,5 B24,5
<b>17544</b>	5751.20	Umlenkrolle / deflection pulley	(3)	ØA90 B25



(1) (ch.) O 07392→ (ex.) AC



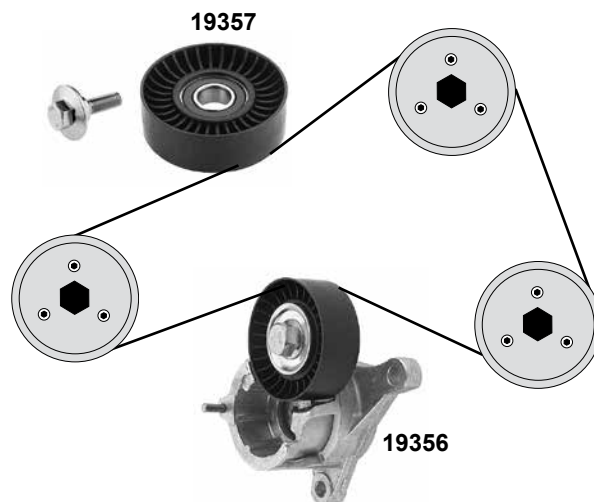
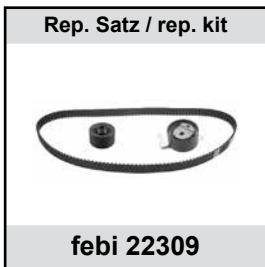
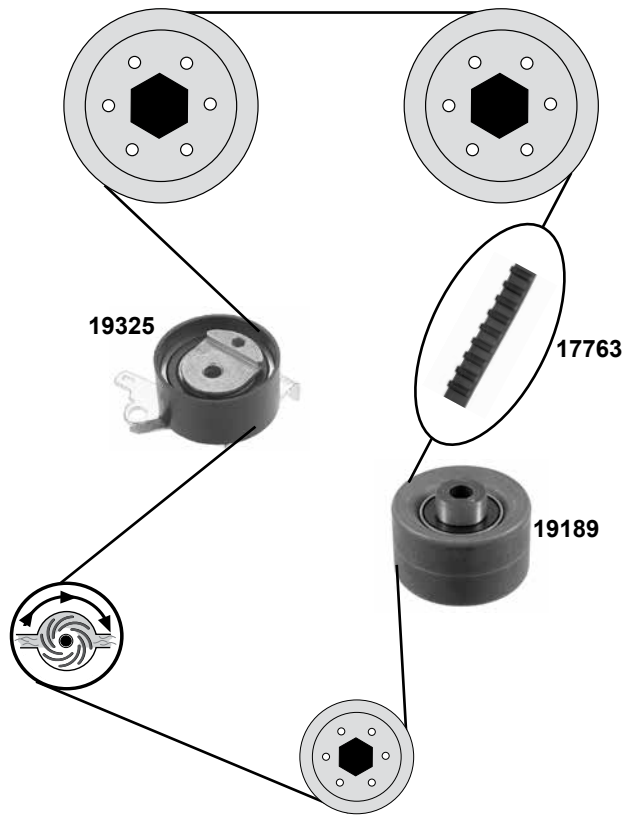
Ref. - No.



<b>04804</b>	0829.35	Spannrolle / tension roller		ØA 57 ØI13 B33
<b>06982</b>	0830.37	Umlenkrolle / deflection pulley		ØA 57 ØI10 B34
<b>09793</b>	5751.33	Umlenkrolle / deflection pulley	(1)	ØA70 B25
<b>09794</b>	5751.32	Spannrolle / tension roller	(1)	ØA90 B25
<b>11000</b>	0816.98	Zahnriemen / timing belt		
<b>11212</b>	0831.48	Rep. Satz Zahnriemen / rep. kit timing belt		



## 2,0 16 V (EW10J4)



Ref. - No.



**17763**  
**19189**  
**19325**  
**19356**  
**19357**  
**22309**

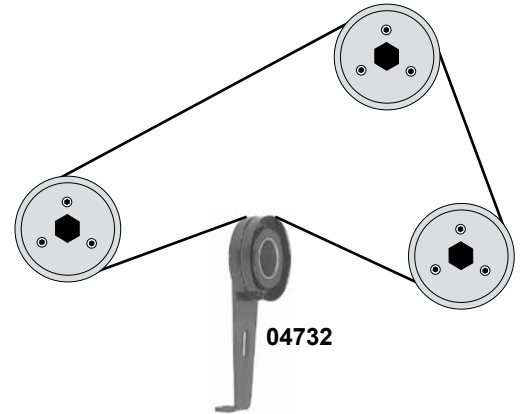
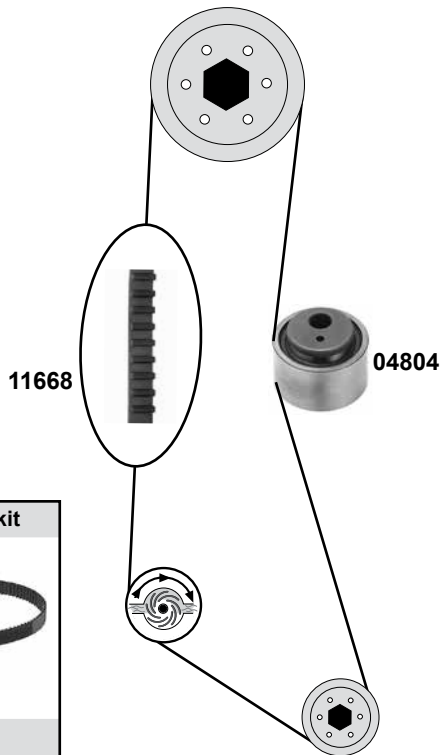
0816.A1  
0830.42  
0829.96  
5751.61  
5751.60  
0831.T4

Zahnriemen / timing belt  
Umlenkrolle / deflection pulley  
Spannrolle / tension roller  
Riemenspanner / belt tensioner  
Umlenkrolle / deflection pulley  
Rep. Satz Zahnriemen / rep. kit timing belt

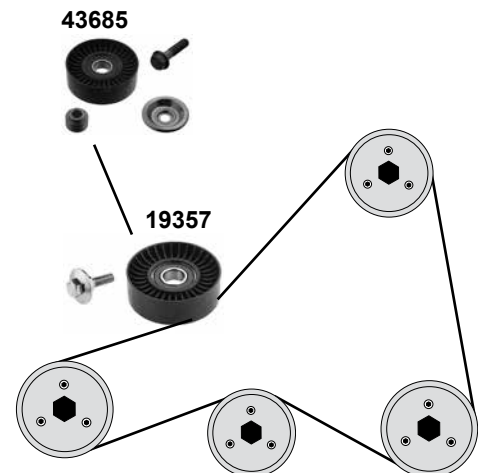
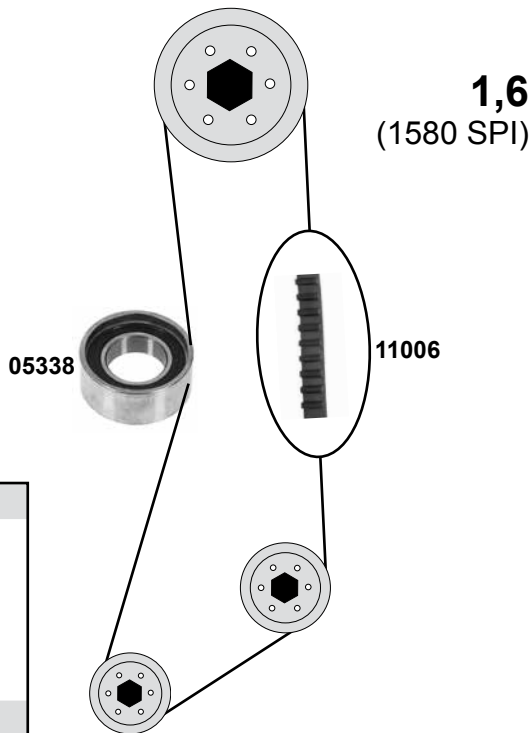
Z 153 25,4  
ØA 60 B30  
ØA 62 B29  
ØA 65 B25  
ØA 78 B25



**2,0**  
(XU10J2)



**Jumpy I+II**  
(94→07)  
**2,0 16 V**  
(EW)



Ref. - No.

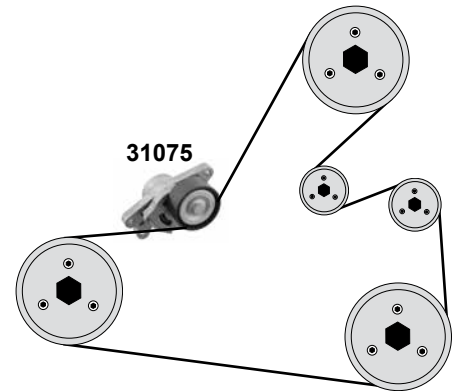
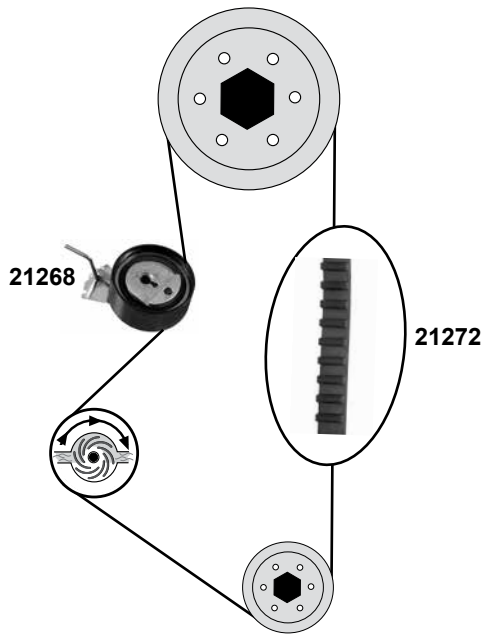


<b>04732</b>	5751.18	Spannrolle / tension roller	AC	ØA 90 ØI 29 B24,5
<b>04804</b>	0829.35	Spannrolle / tension roller		ØA 57 ØI 13 B32
<b>05338</b>	26 207 509	Spannrolle / tension roller		ØA 57 ØI 30 B24
<b>11006</b>	0816.79	Zahnriemen / timing belt		Z 138 / B15
<b>11072</b>	0816.79 S1	Rep. Satz Zahnriemen / rep. kit timing belt		
<b>11668</b>	0816.69	Zahnriemen / timing belt		Z 114 7 B25,4
<b>11669</b>	0831.35	Rep. Satz Zahnriemen / rep. kit timing belt		
<b>19357</b>	5751.60	Umlenkrolle / deflection pulley	→ O 10247	ØA 78 B25
<b>43685</b>	5751.E4	Umlenkrolle / deflection pulley	→ O 10614	ØA 78 B25



**1,4**

(TU3A / TU3AES)

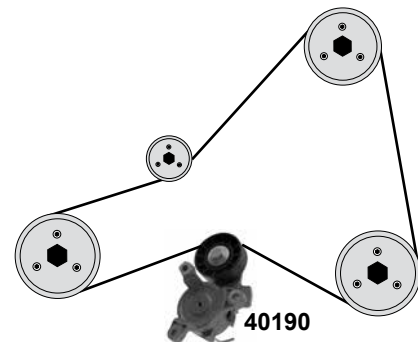
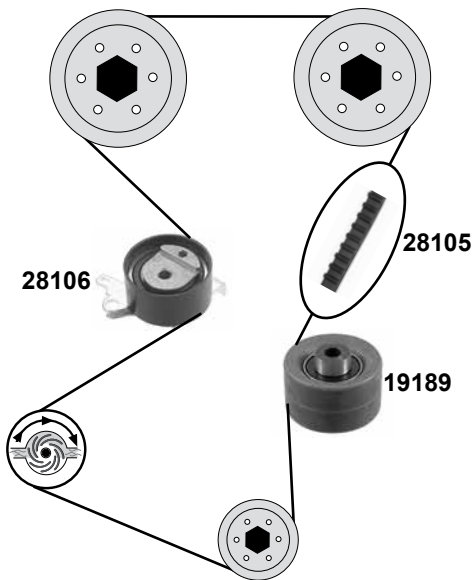


## Jumpy III

(07→)

**2,0 i 16V**

(EW10A)



Ref. - No.

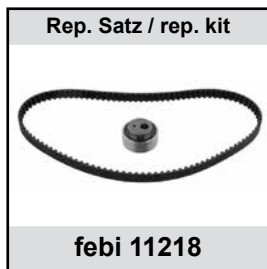
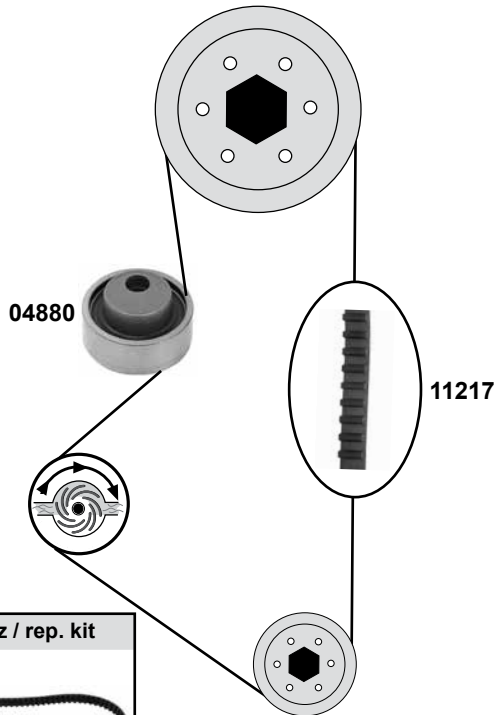


19189	0830.42	Umlenkrolle / deflection pulley
21268	0829.90	Spannrolle / tension roller
21272	0816.F2	Zahnriemen / timing belt
21274	0831.S0	Rep. Satz Zahnriemen / rep. kit timing belt
28105	0816.G4	Zahnriemen / timing belt
28106	0829.A9	Spannrolle / tension roller
28107	0831.V6	Rep. Satz Zahnriemen / rep. kit timing belt
31075	5751.C8	Riemenspanner / belt tensioner
40190	5751.G8	Riemenspanner / belt tensioner

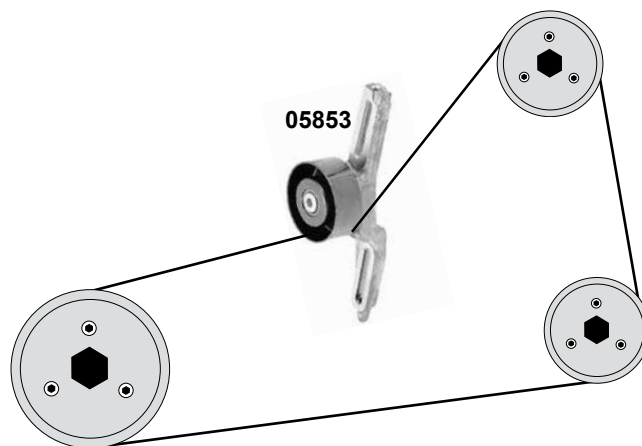
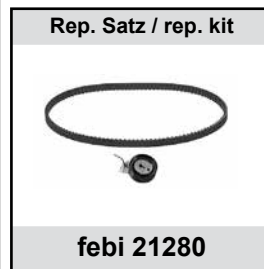
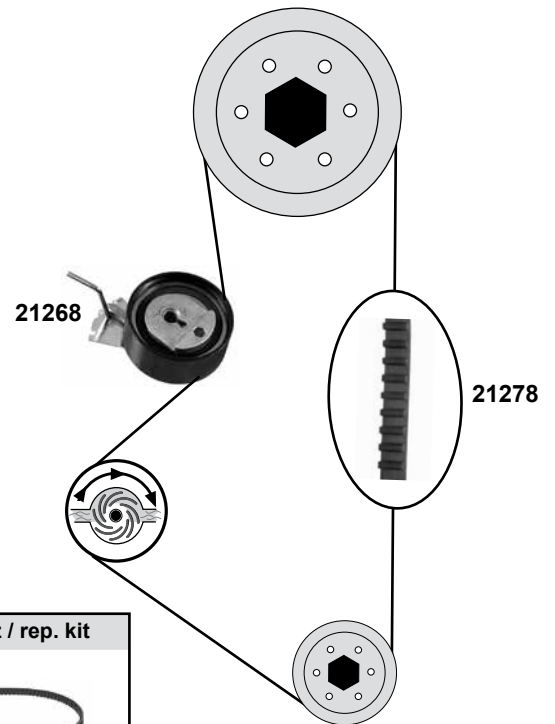
(mot.) TU3A

ØA 60 B31
ØA 60 B25
Z 104
Z 153 B25
ØA 62 B29
Z 153 B25
ØA 60
ØA 70 B25

(mot.) → M 3762433



(mot.) M 3762434 →

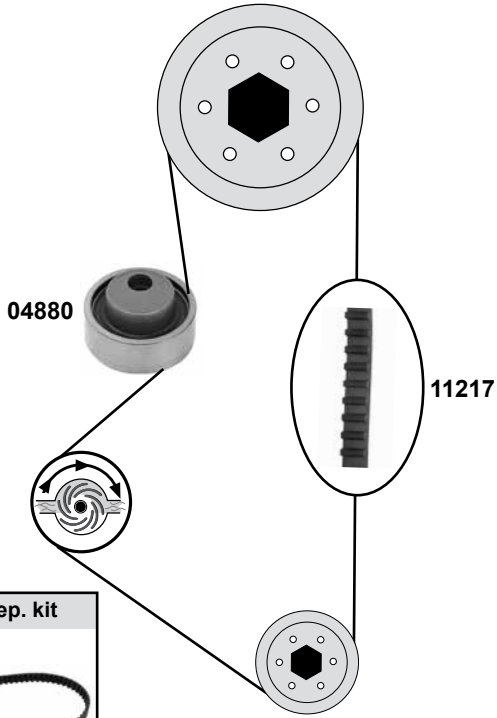


	Ref. - No.			
<b>04880</b>	0829.54	Spannrolle / tension roller	AC	ØA 59 ØI 13 B22
<b>05853</b>	6453.S5	Spannrolle / tension roller		ØA 68 B26,5
<b>11217</b>	0816.56	Zahnriemen / timing belt		Z 104 B17
<b>11218</b>	0831.13	Rep. Satz Zahnriemen / rep. kit timing belt		
<b>21268</b>	0829.90	Spannrolle / tension roller		ØA 60 B25
<b>21278</b>	0816.F0	Zahnriemen / timing belt		Z 100 B17
<b>21280</b>	0831.84	Rep. Satz Zahnriemen / rep. kit timing belt		

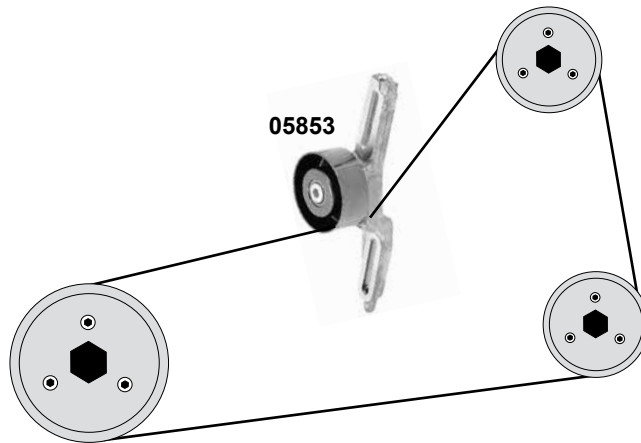
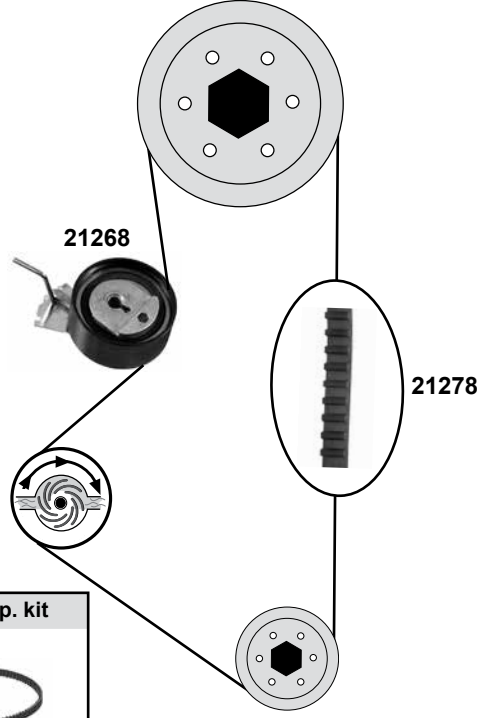






**1,1**  
(TU9M)

(mot.) → M 3762433

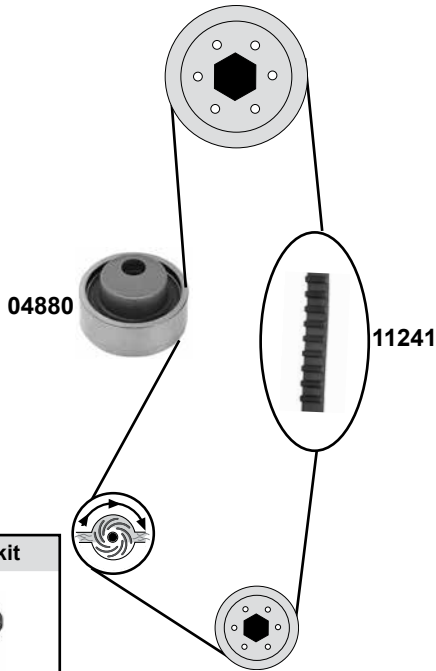


(mot.) M 3762434 →



	Ref. - No.			
<b>04880</b>	0829.54	Spannrolle / tension roller		ØA 59 ØI 13 B22
<b>05853</b>	6453.S5	Spannrolle / tension roller	AC	ØA 68 B26,5
<b>11217</b>	0816.56	Zahnriemen / timing belt		Z 104 B17
<b>11218</b>	0831.13	Rep. Satz Zahnriemen / rep. kit timing belt		
<b>21268</b>	0829.90	Spannrolle / tension roller		ØA 60 B25
<b>21278</b>	0816.F0	Zahnriemen / timing belt		Z 100 B17
<b>21280</b>	0831.84	Rep. Satz Zahnriemen / rep. kit timing belt		

→ **O 09008**

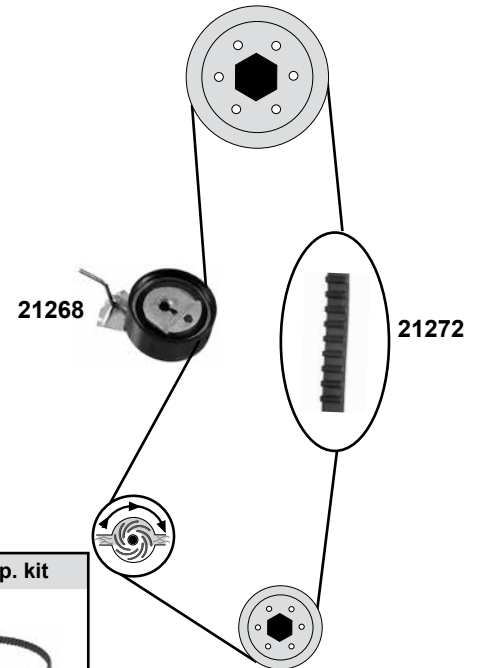


Rep. Satz / rep. kit



**febi 11242**

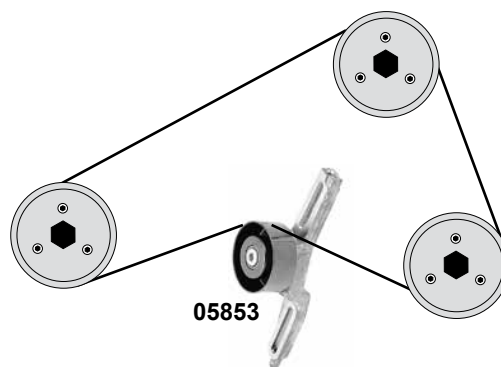
**O 09009**→



Rep. Satz / rep. kit



**febi 21274**



**05853**



Ref. - No.



**04880**

0829.54

Spannrolle / tension roller

**05853**

6453.S5

Spannrolle / tension roller

**11241**

0816.44

Zahnriemen / timing belt

**11242**

0831.14

Rep. Satz Zahnriemen / rep. kit timing belt

**21268**

0829.90

Spannrolle / tension roller

**21272**

0816.F2

Zahnriemen / timing belt

**21274**

0831.86

Rep. Satz Zahnriemen / rep. kit timing belt

AC

ØA 59 ØI 13 B22

ØA 65 26,5

Z 108 B17

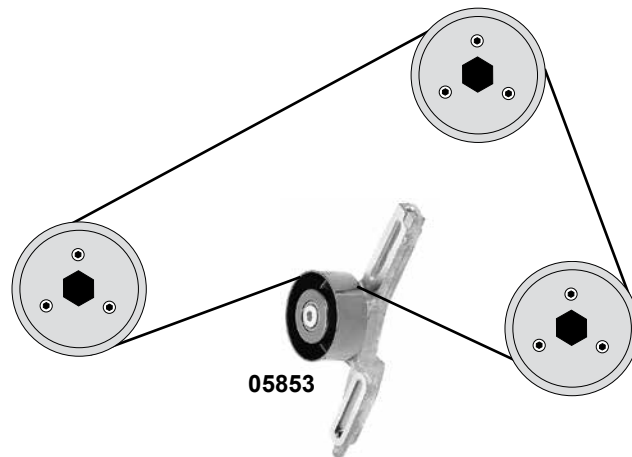
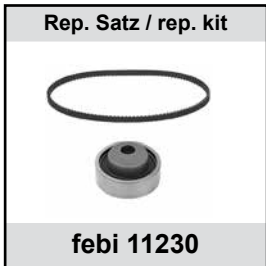
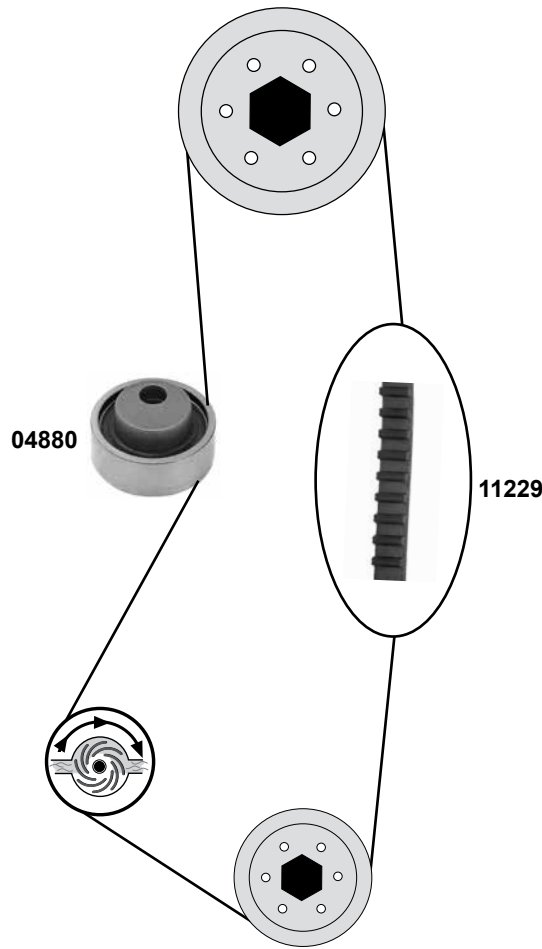
ØA 60 B25

Z 104 B17



**1,6**

(TU5JP)



Ref. - No.

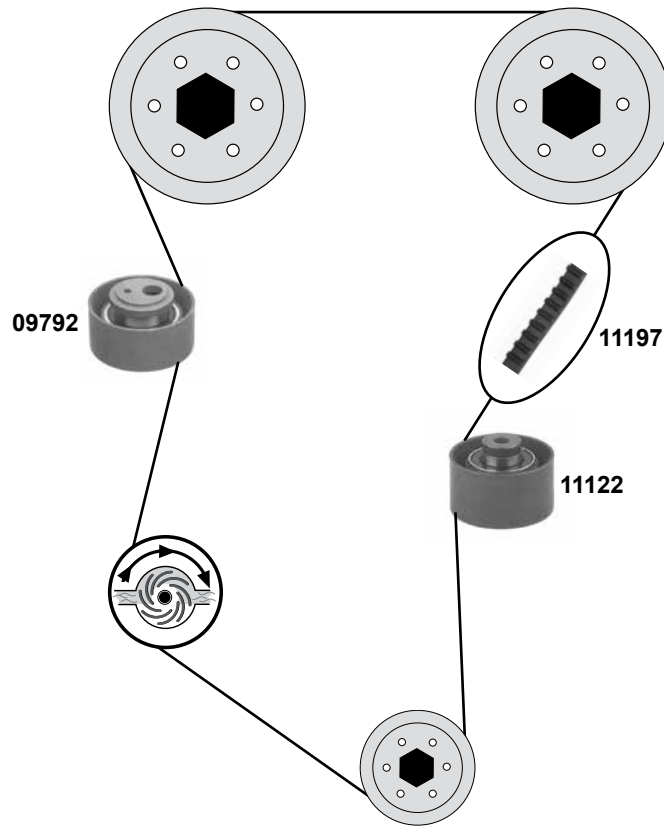


**04880** 0829.54  
**05853** 6453.S5  
**11229** 0816.55  
**11230** 0831.28

Spannrolle / tension roller  
 Spannrolle / tension roller  
 Zahnriemen / timing belt  
 Rep. Satz Zahnriemen / rep. kit timing belt

AC

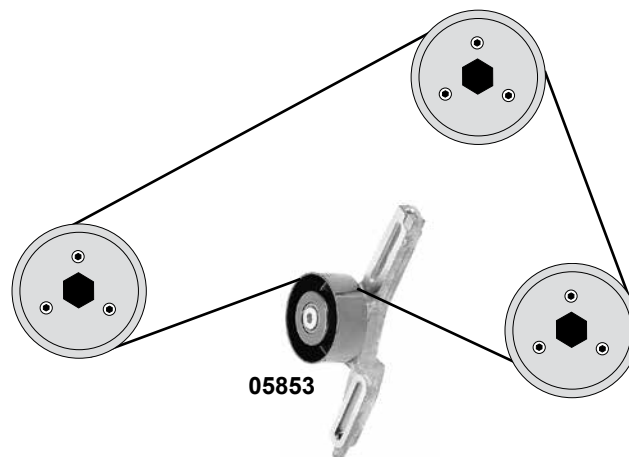
ØA 59 ØI 13 B22  
 ØA 65 26,5  
 Z 101 B17



Rep. Satz / rep. kit



febi 11198



Ref. - No.



**05853**  
**09792**  
**11122**  
**11197**  
**11198**

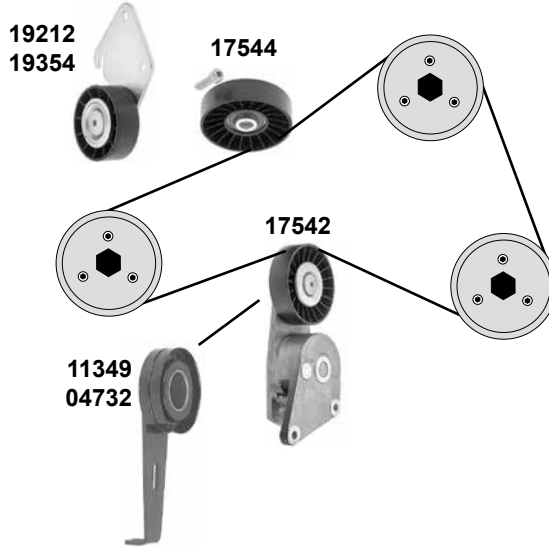
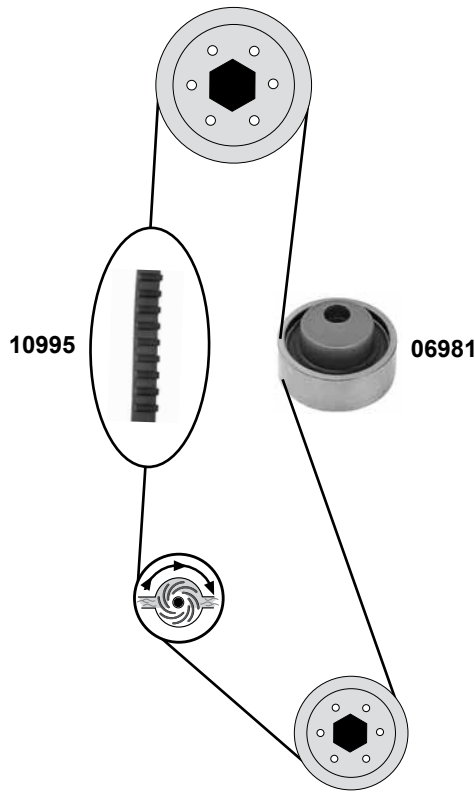
6453.S5  
0829.49  
0830.61  
0816.H6  
0816.E0 S2


Spannrolle / tension roller  
Spannrolle / tension roller  
Umlenkrolle / deflection pulley  
Zahnriemen / timing belt  
Rep. Satz Zahnriemen / rep. kit timing belt

AC

ØA 65 26,5  
ØA 70 B32  
ØA 57 B32  
Z 134 / B25,4

**1,6→2,0 8V**  
(XU (ex.) 16V)





(1) → O 07904 (ex.) servo 

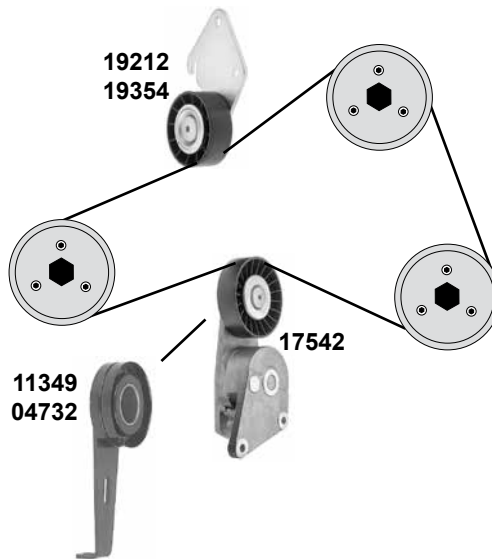
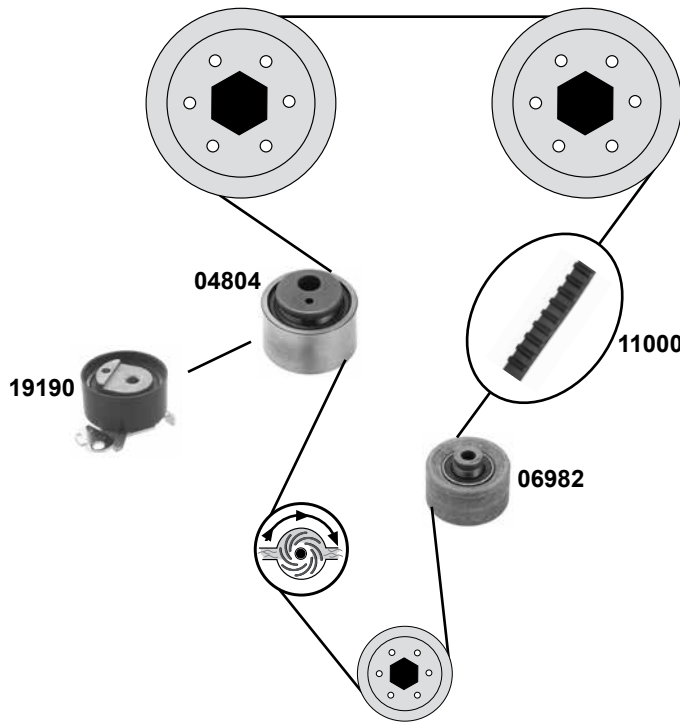
(2) O 07905 → (ex.) AC



Ref. - No.



<b>04732</b>	5751.18	Spannrolle / tension roller	(1)	ØA 90 B24,5
<b>06981</b>	0829.29	Spannrolle / tension roller		ØA 59 Ø I 13 B22
<b>10995</b>	0816.71	Zahnriemen / timing belt		Z 114 B17
<b>11244</b>	0816.71 S1	Rep. Satz Zahnriemen / rep. kit timing belt		
<b>11349</b>	5751.53	Spannrolle / tension roller	(2)	ØA 90 B24
<b>17542</b>	5751.35	Riemenspanner / belt tensioner	AC servo 	ØA 90 B25
<b>17544</b>	5751.20	Umlenkrolle / deflection pulley	AC servo 	ØA90 B25
<b>19212</b>	5751.37	Umlenkrolle / deflection pulley	AC	ØA 70
<b>19354</b>	5751.36	Umlenkrolle / deflection pulley	AC	ØA 90



(1) → O 07904 (ex.) servo

(2) O 07905→(ex.)



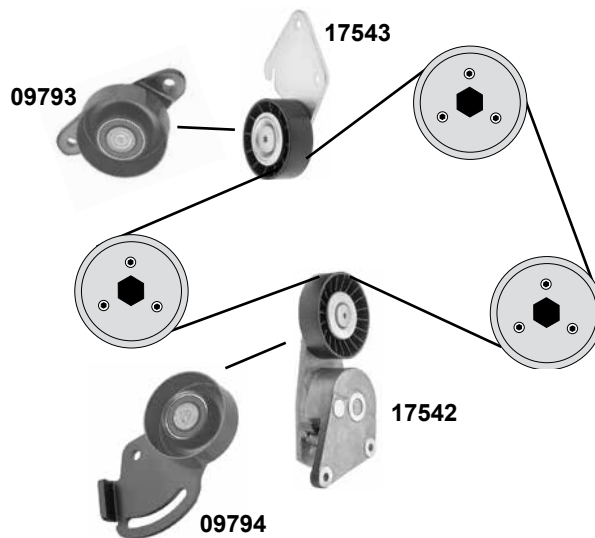
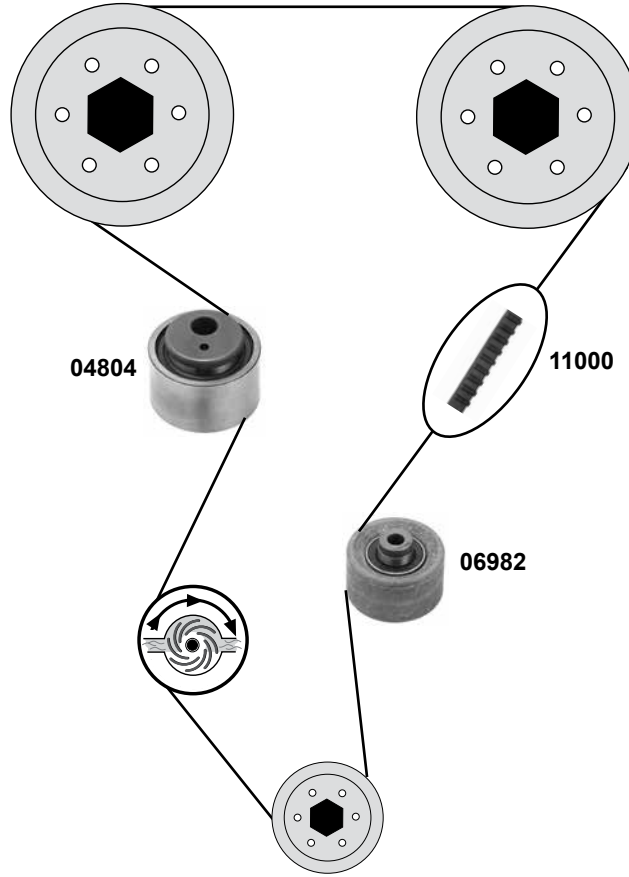
Ref. - No.



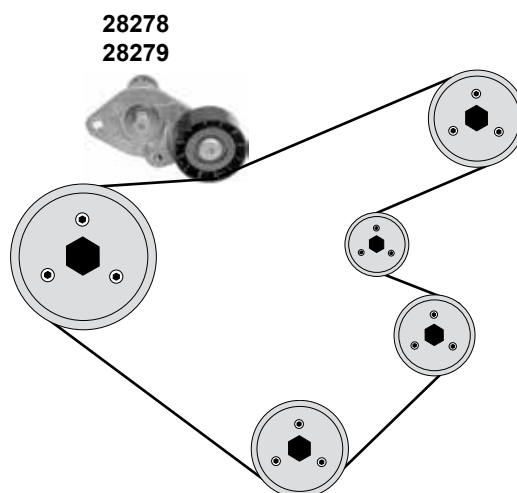
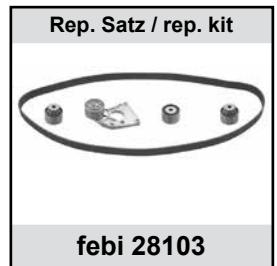
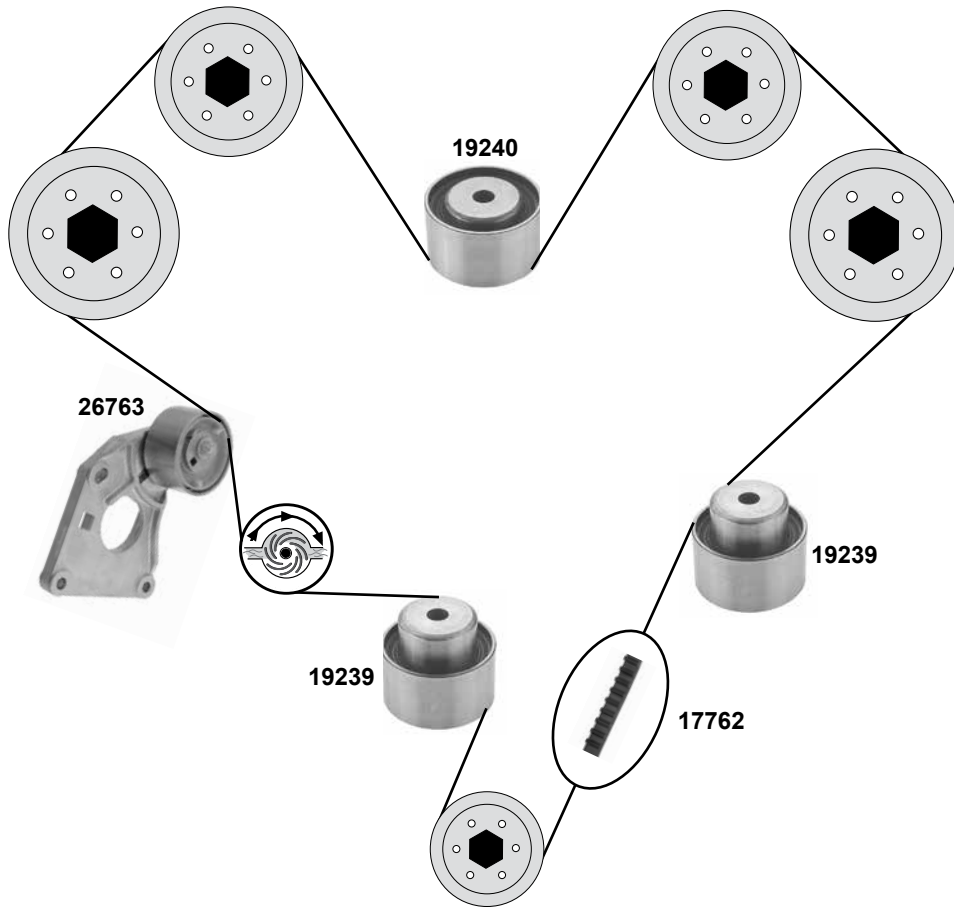
Ref. - No.	Description	Notes	Dimensions
<b>04732</b>	Spannrolle / tension roller	(1)	ØA 90 B24,5
<b>04804</b>	Spannrolle / tension roller	→ O 08469	ØA 57 ØI13 B33
<b>06982</b>	Umlenkrolle / deflection pulley		ØA 57 ØI10 B34
<b>11000</b>	Zahnriemen / timing belt		Z 136 B25,4
<b>11212</b>	Rep. Satz Zahnriemen / rep. kit timing belt		Z 136
<b>11349</b>	Spannrolle / tension roller	(2)	ØA 90 B24
<b>17542</b>	Riemenspanner / belt tensioner	AC + servo	ØA 90 B25
<b>19190</b>	Spannrolle / tension roller	O 08470 →	ØA 60 B29
<b>19212</b>	Umlenkrolle / deflection pulley	AC	ØA 70
<b>19354</b>	Umlenkrolle / deflection pulley	AC	ØA 90
<b>26139</b>	Rep. Satz Zahnriemen / rep. kit timing belt		Z 136 B25,4



**2,0 16 V**  
(XU10J4R)



	Ref. - No.			
<b>04804</b>	0829.35	Spannrolle / tension roller	→ O 08469, CEE 2000	ØA 57 Ø113 B33
<b>06982</b>	0830.37	Umlenkrolle / deflection pulley		ØA 57 Ø 110 B34
<b>09793</b>	5751.33	Umlenkrolle / deflection pulley	(ex.) AC	ØA70
<b>09794</b>	5751.32	Spannrolle / tension roller	(ex.) AC	ØA90
<b>11000</b>	0816.98	Zahnriemen / timing belt		
<b>11212</b>	0831.48	Rep. Satz Zahnriemen / rep. kit timing belt		
<b>17542</b>	5751.35	Riemenspanner / belt tensioner	AC servo	ØA 90 B25
<b>17543</b>	5751.34	Umlenkrolle / deflection pulley	AC	ØA 69,5 B24,5



	Ref. - No.			
17762	0816.H3	Zahnriemen / timing belt	98 → / O 8442 →	Z 259 B32
19239	0830.58	Umlenkrolle / deflection pulley		ØA 65 B36
19240	0830.59	Umlenkrolle / deflection pulley		ØA 65 B36
26763	0829.C5	Spannrolle / tension roller		ØA 70 B36
28103	0831.V2	Rep. Satz Zahnriemen / rep. kit timing belt		Z 259 B32
28278	5751.41	Riemenspanner / belt tensioner		ØA 65 B25,5
28279	5751.A9	Riemenspanner / belt tensioner		



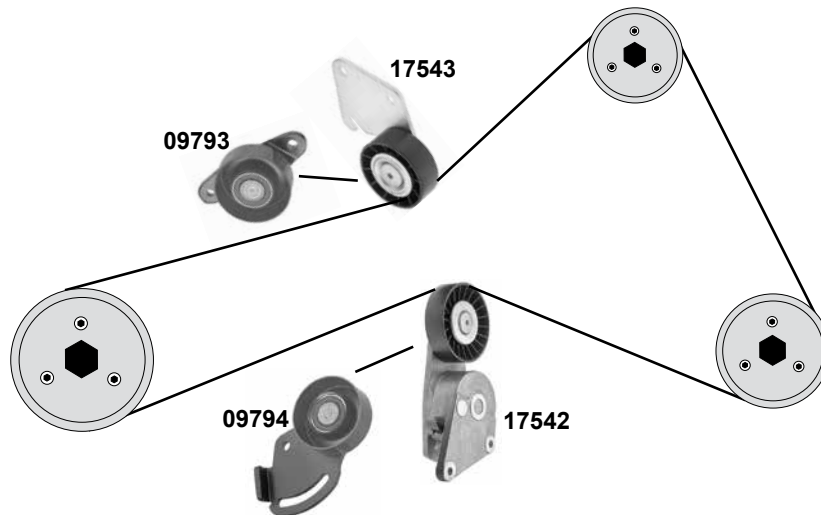
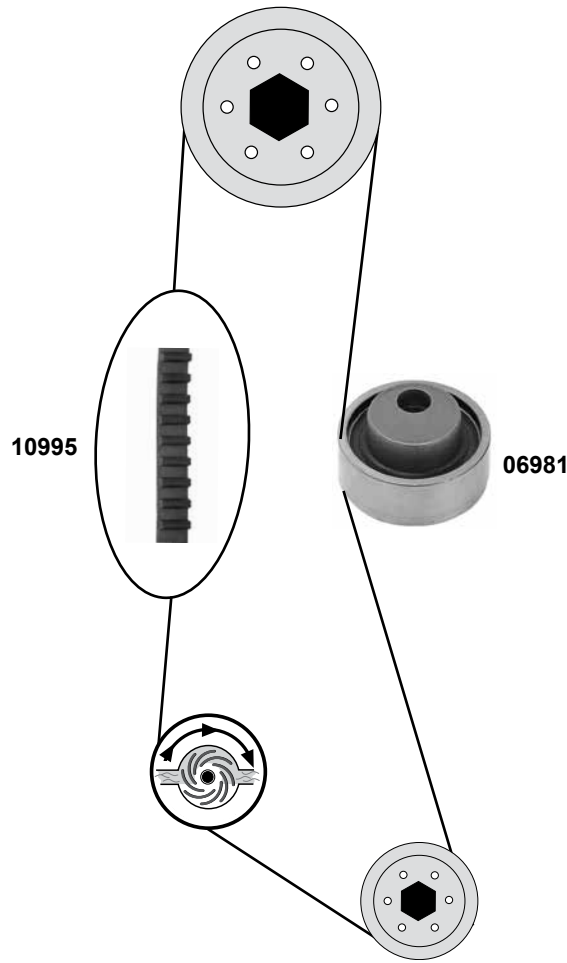
# CITROËN XM

(89→00)

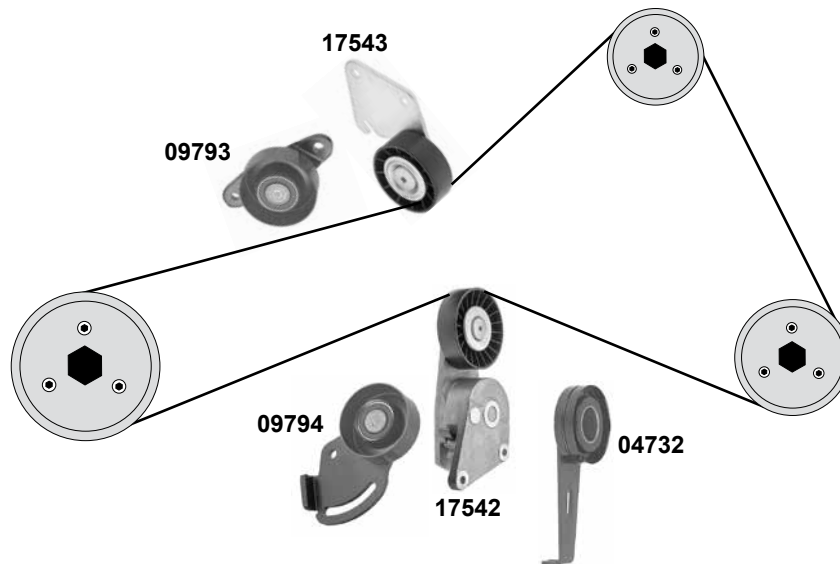
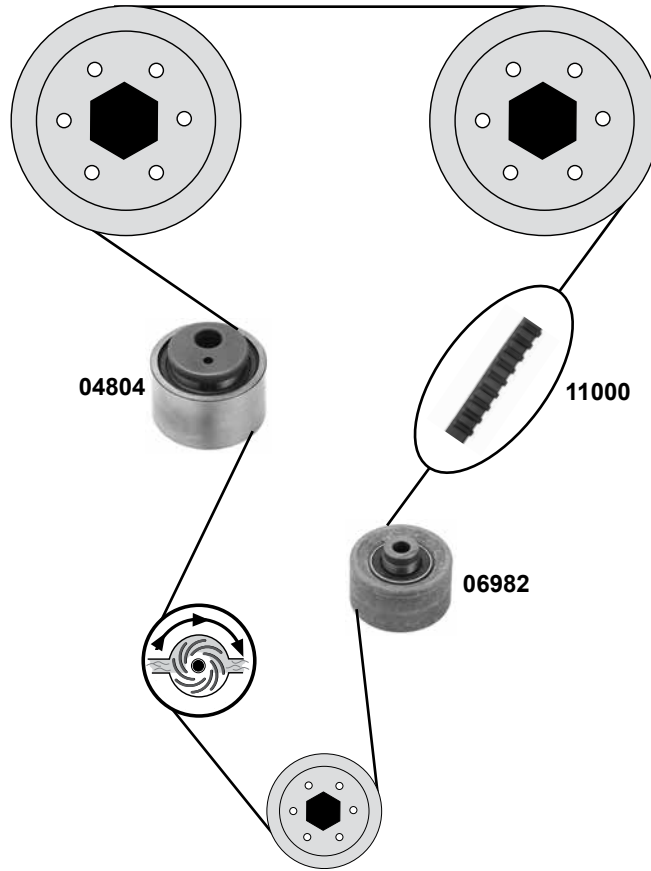
Car  
Division



**2,0 8V**  
(XU10J2/XU10J2TE)



febi bilstein	Ref. - No.			
06981	0829.29	Spannrolle / tension roller		ØA 59 ØI 13 B22
09793	5751.33	Umlenkrolle / deflection pulley	O 06779 → (ex.) AC	ØA70 B25
09794	5751.32	Spannrolle / tension roller	O 06779 → (ex.) AC	ØA90 B25
10995	0816.71	Zahnriemen / timing belt		Z 114 B17
11244	0816.71 S1	Rep. Satz Zahnriemen / rep. kit timing belt		
17542	5751.35	Riemenspanner / belt tensioner	AC servo	ØA 90 B25
17543	5751.34	Umlenkrolle / deflection pulley	AC	ØA69,5 B24,5



	Ref. - No.			
04732	5751.18	Spannrolle / tension roller	(ex.) servo	ØA 90 B24,5
04804	0829.35	Spannrolle / tension roller		ØA 57 ØI13 B33
06982	0830.37	Umlenkrolle / deflection pulley		ØA 57 Ø I10 B34
09793	5751.33	Umlenkrolle / deflection pulley	O 06779 → (ex.) AC	ØA70 B25
09794	5751.32	Spannrolle / tension roller	O 06779 → (ex.) AC	ØA90 B25
11000	0816.98	Zahnriemen / timing belt		Z 136
11212	0831.R5	Rep. Satz Zahnriemen / rep. kit timing belt		ØA 90 B25
17542	5751.35	Riemenspanner / belt tensioner	AC servo	ØA69,5 B24,5
17543	5751.34	Umlenkrolle / deflection pulley	AC	

passend für / to fit

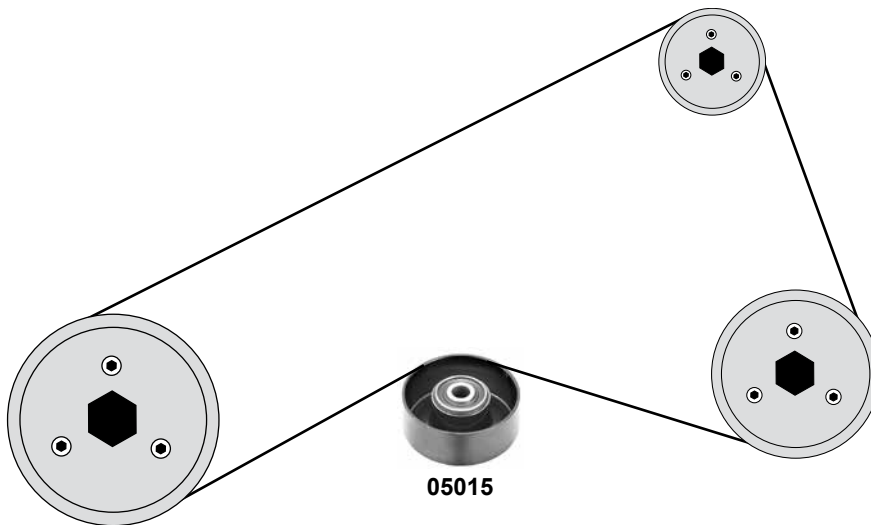
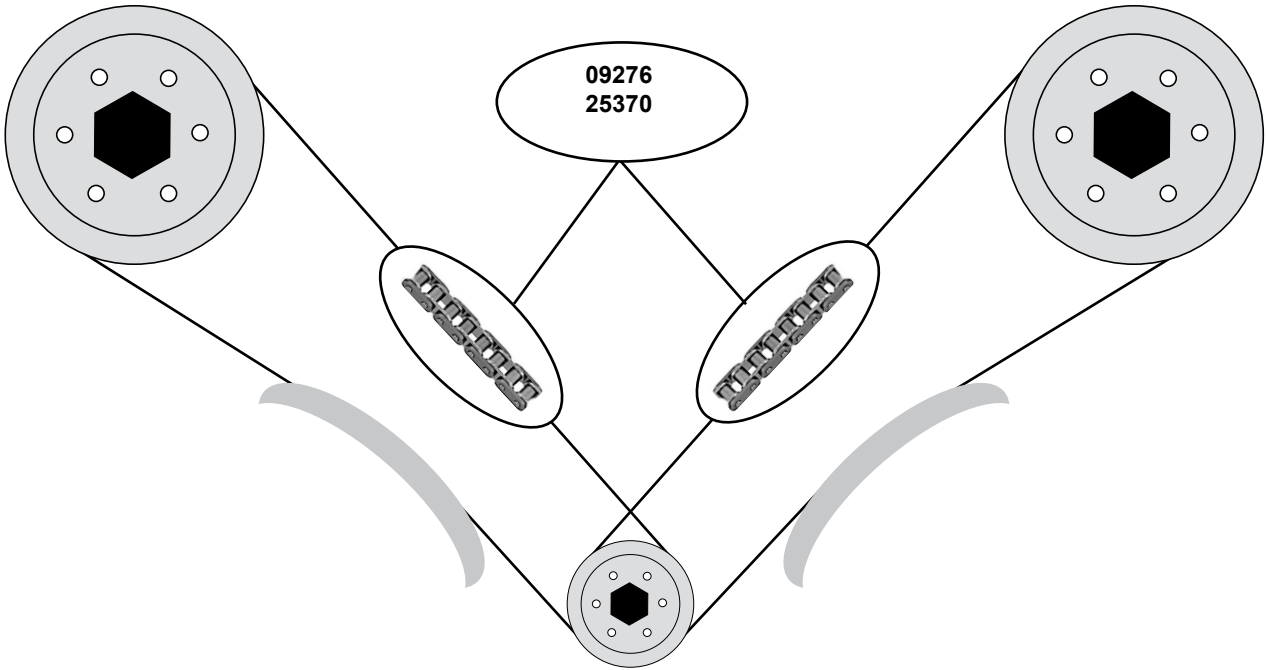
# CITROËN XM

(89→00)

Car  
Division



**3,0 / 3,0 24V**  
(ZPJ/ZPJ4)



Ref. - No.

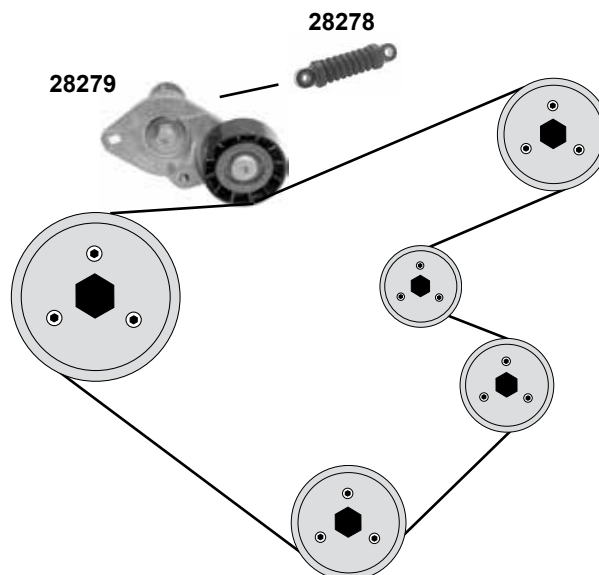
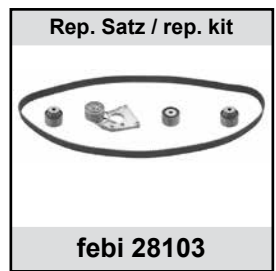
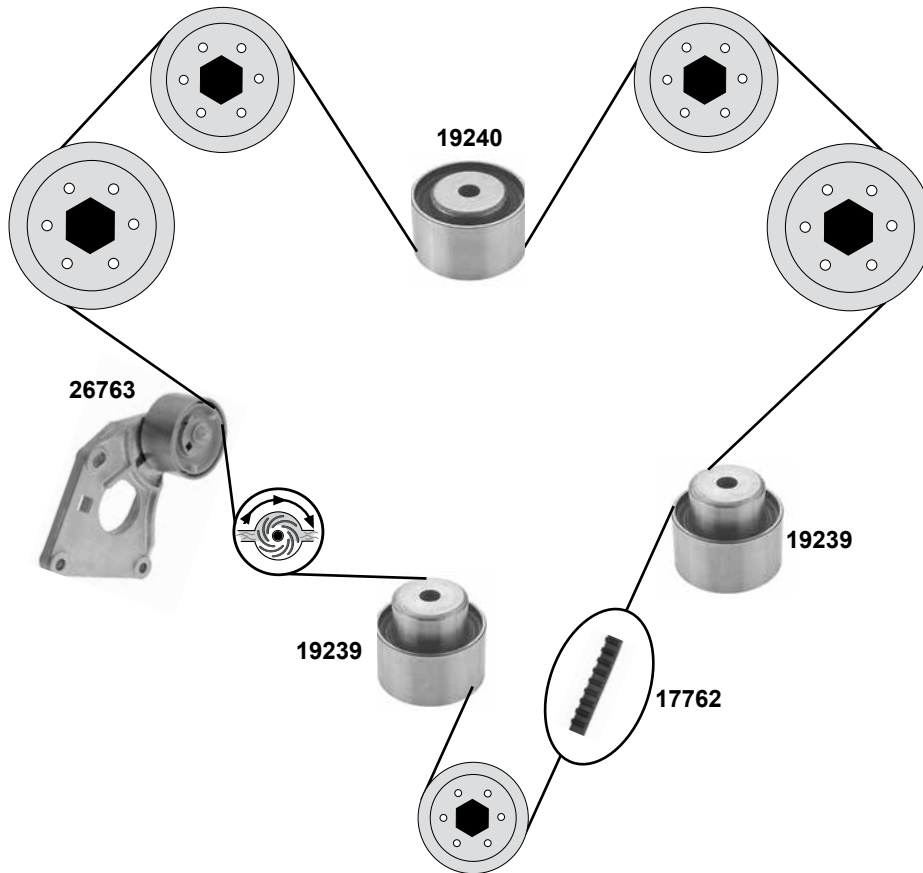


**05015** 1281.19  
**09276** 0816.13  
**25370** 0816.52

Spannrolle / tension roller  
Steuerkette einfach / timing chain simple  
Steuerkette einfach / timing chain simple

AC  
(mot.) ZPJ  
(mot.) ZPJ4

ØA 66 ØI 10B26  
455 / 94E  
94 E



Ref. - No.



**17762**

0816.H3

Zahnriemen / timing belt

Z 259 B32

**19239**

0830.58

Umlenkrolle / deflection pulley

ØA 65 B36

**19240**

0830.59

Umlenkrolle / deflection pulley

ØA 65 B36

**26763**

0829.C5

Spannrolle / tension roller

ØA 70 B36

**28103**

0831.V2

Rep. Satz Zahnriemen / rep. kit timing belt

Z 259 B32

**28278**

5751.41

Riemenspanner / belt tensioner

ØA 65 B25,5

**28279**

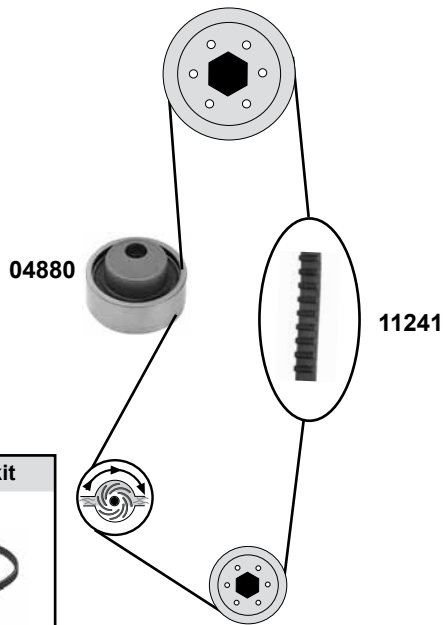
5751.A9

Riemenspanner / belt tensioner

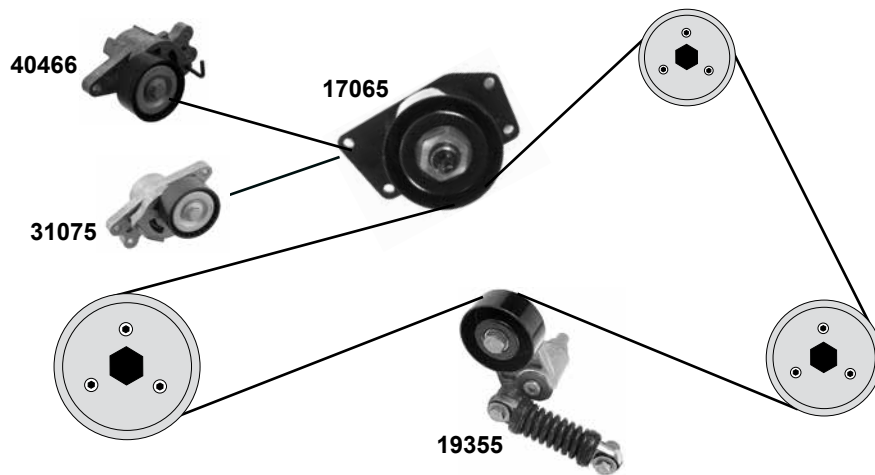
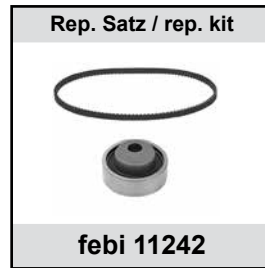
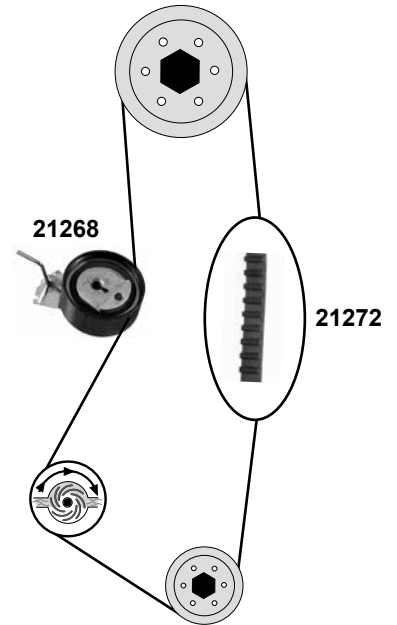


**1,4**  
(TU3JP)

→ **O 09008**



**O 09009**→



(1) Alle / all Benzin / gasoline TU AC O 09156→



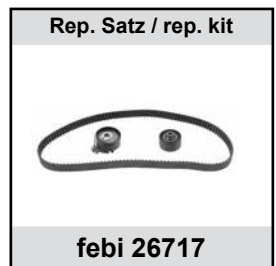
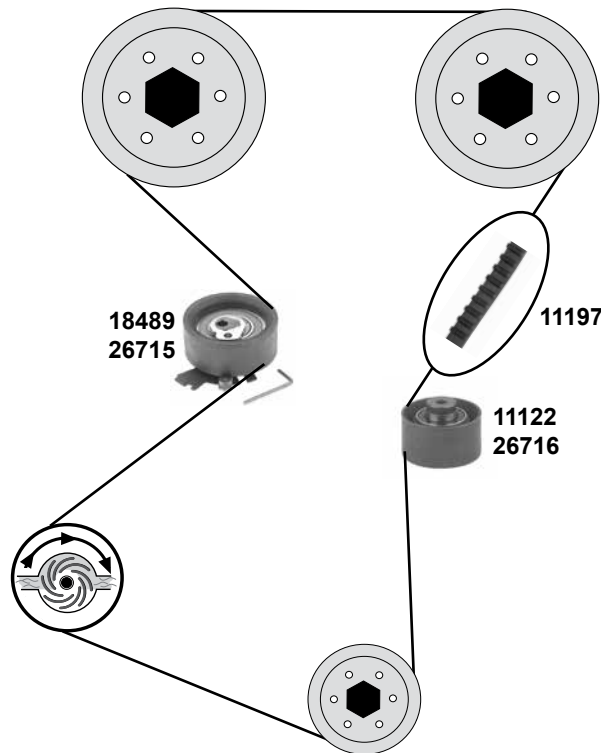
Ref. - No.



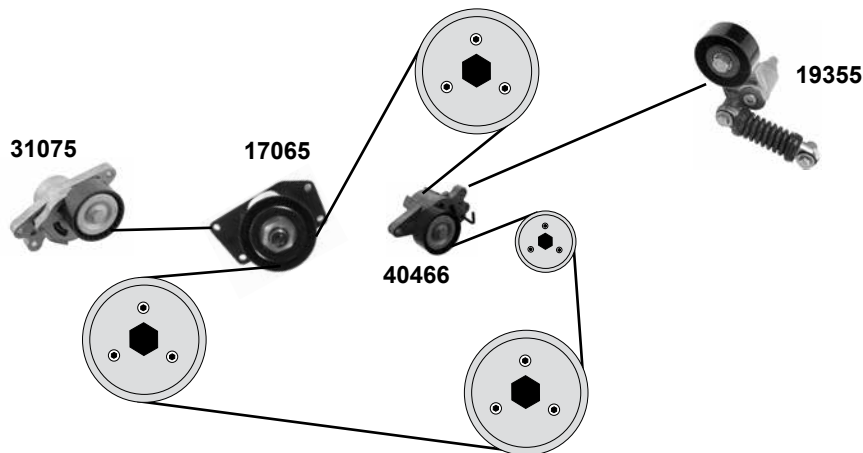
<b>04880</b>	0829.54	Spannrolle / tension roller		ØA 59 ØI 13 B22
<b>11241</b>	0816.44	Zahnriemen / timing belt		Z 108 B17
<b>11242</b>	0831.14	Rep. Satz Zahnriemen / rep. kit timing belt		
<b>17065</b>	5751.50	Umlenkrolle / deflection pulley	(ex.) AC	ØA 70 B27
<b>19355</b>	5751.52	Riemenspanner / belt tensioner	AC	ØA 65 B26,5
<b>21268</b>	0829.90	Spannrolle / tension roller		ØA 60 B25
<b>21272</b>	0816.F2	Zahnriemen / timing belt		Z 104 B17
<b>21274</b>	0831.86	Rep. Satz Zahnriemen / rep. kit timing belt		
<b>31075</b>	5751.A2	Riemenspanner / belt tensioner	AC O 09156 →	ØA 60
<b>40466</b>	5751.A2	Riemenspanner / belt tensioner	(1)	ØA 60 B26



**1,6 16V**  
(TU5JP4)



**1,6 16V**  
(TU5JP / TU5JP4)



(1) Alle / all Benzin / gasoline TU AC O 09156→

(2) (mot.) TU5JP4



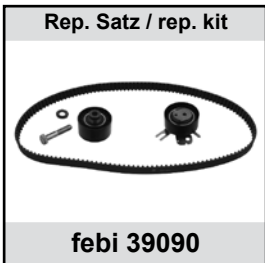
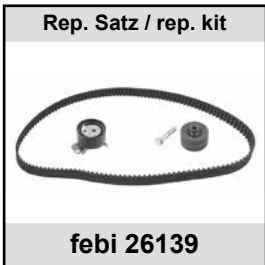
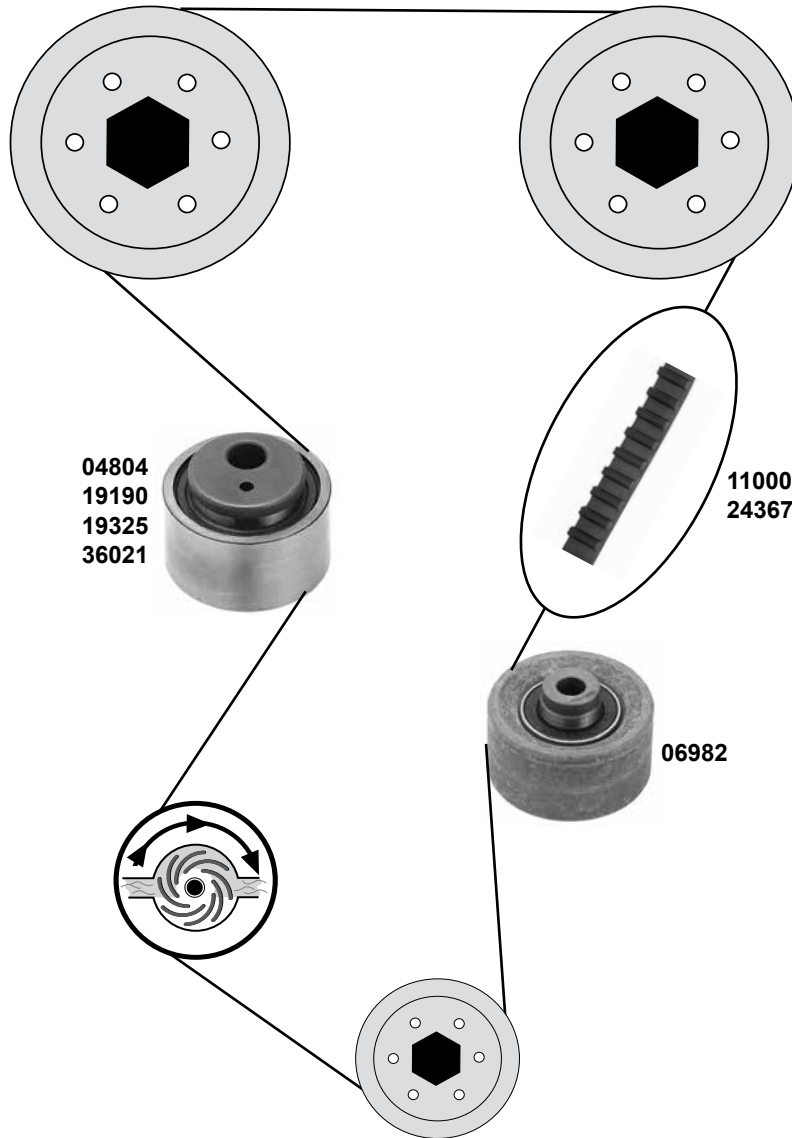
Ref. - No.



11122	0830.61	Umlenkrolle / deflection pulley	→ (mot.) 18064404	ØA 57 ØI 59 B32
11197	0816.H6	Zahnriemen / timing belt		Z 134 B25,4
17065	5751.50	Umlenkrolle / deflection pulley	(2) (ex.) AC	ØA 70 B27
18489	0829.C7	Spannrolle / tension roller	→ (mot.) 18064404	ØA 73 B31
19355	5751.52	Riemenspanner / belt tensioner	(2) AC → O 09155	ØA 65 B26,5
22327	0816.H6 S1	Rep. Satz Zahnriemen / rep. kit timing belt	→ (mot.) 18064404	
26715	0829.C8	Spannrolle / tension roller	(mot.) 18064405 →	ØA 70 B30
26716	0830.62	Umlenkrolle / deflection pulley	(mot.) 18064405 →	ØA 60 B30
26717	0831.R9	Rep. Satz Zahnriemen / rep. kit timing belt	(mot.) 18064405 →	Z 134 B25,4
31075	5751.A2	Riemenspanner / belt tensioner	AC O 09156 →	ØA 60
40466	5751.A2	Riemenspanner / belt tensioner	(1)	ØA 60 B26



**1,8 16V / 2,0 16V**  
XU7JP4 / XU10J4RS



(1) (mot.) XU10J4RS

(2) (mot.) XU7JP4 Orga-Nr. 7609

(3) Xsara (mot.) XU10J4RS 04.97 - 04.05 O 08547 → / Xsara II (mot.) XU10J4RS 10.97 - 08.05

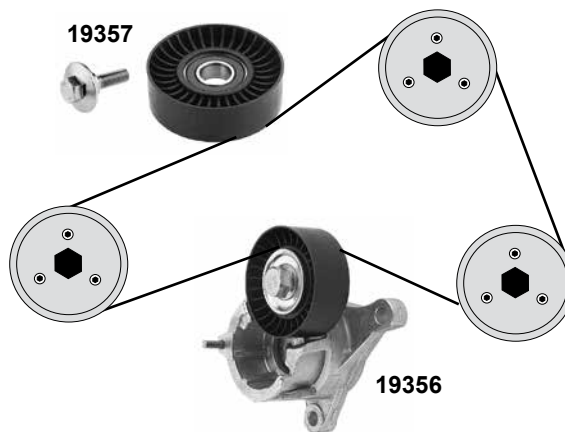
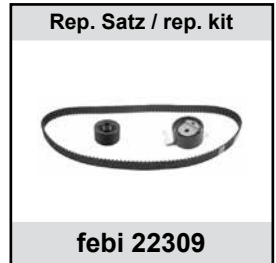
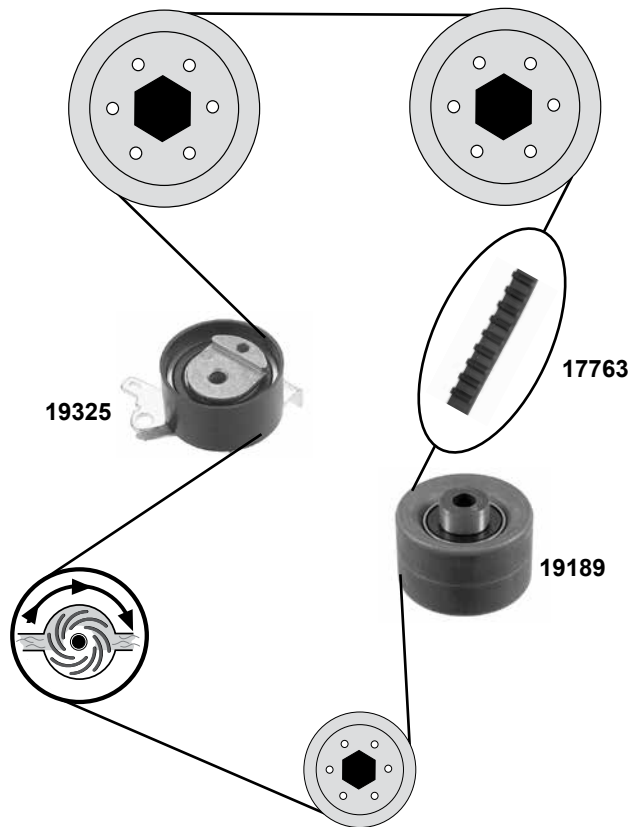


Ref. - No.



Ref. - No.	Description	Quantity	Dimensions
<b>04804</b>	Spannrolle / tension roller	(1)	ØA 57 ØI 13 B33
<b>06982</b>	Umlenkrolle / deflection pulley	(1)	ØA 60 ØI 10 B34
<b>11000</b>	Zahnriemen / timing belt	(1)	Z 136 B25,4
<b>11212</b>	Rep. Satz Zahnriemen / rep. kit timing belt	(1)	
<b>19190</b>	Spannrolle / tension roller	(2)	ØA 60 B29
<b>19325</b>	Spannrolle / tension roller	(2)	ØA 62 B29
<b>24367</b>	Zahnriemen / timing belt	(3)	Z 137 B25
<b>26139</b>	Rep. Satz Zahnriemen / rep. kit timing belt	(2)	Z 136 B25,4
<b>36021</b>	Spannrolle / tension roller	(3)	ØA 73,5 B29
<b>39090</b>	Rep. Satz Zahnriemen / rep. kit timing belt	(3)	

**2,0 16**  
(EW10J4)



	Ref. - No.			
<b>17763</b>	0816.A1	Zahnriemen / timing belt		Z 153 B25,4
<b>19189</b>	0830.42	Umlenkrolle / deflection pulley		ØA 60 B30
<b>19325</b>	0829.96	Spannrolle / tension roller		ØA 62 B29
<b>19356</b>	5751.61	Riemenspanner / belt tensioner		ØA 65 B25
<b>19357</b>	5751.60	Umlenkrolle / deflection pulley		ØA 78 B25
<b>22309</b>	0831.88	Rep. Satz Zahnriemen / rep. kit timing belt		



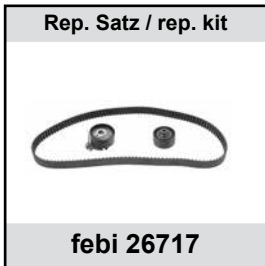
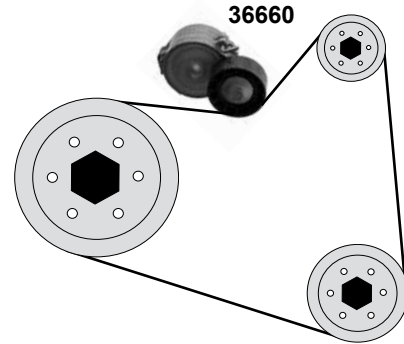
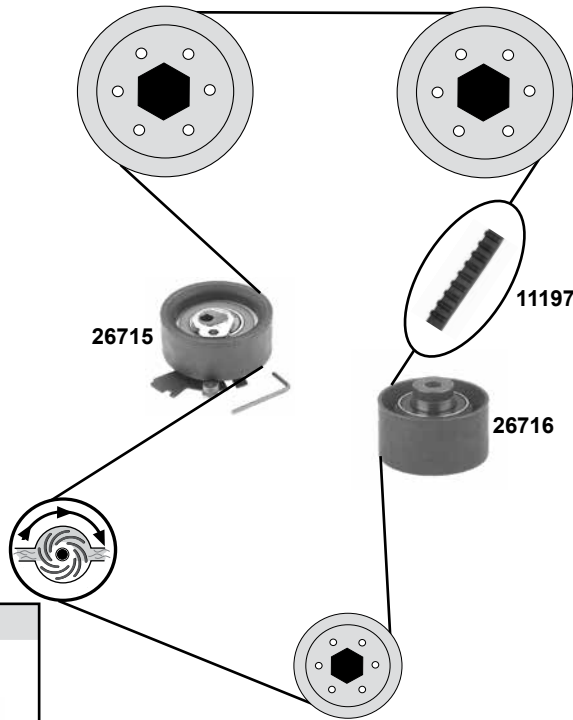
# CITROËN Xsara Picasso

(99→)

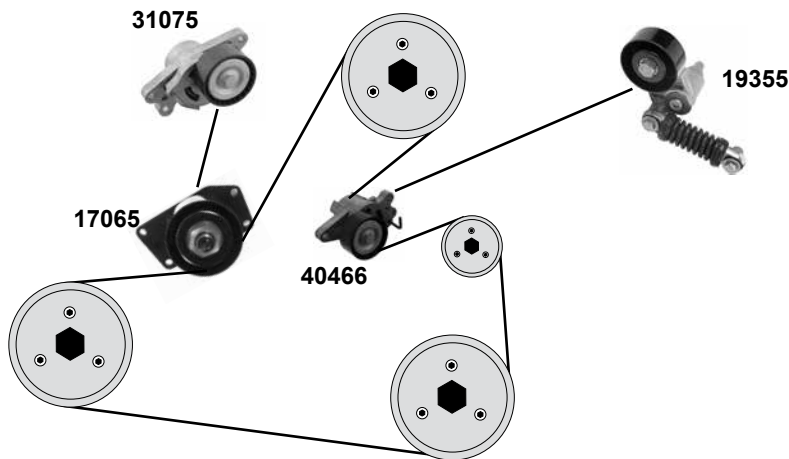
Car  
Division



## 1,6 16V (TU5JP4)



## 1,6 16V (TU5JP / TU5JP4)



(1) (mot.) TU5JP4

(2) (mot.) TU5JP servo AC O 09163 - 10555

(3) AC servo (mot.) TU5JP4 O10556→

(4) (mot.) TU5JP servo AC O 09163 →



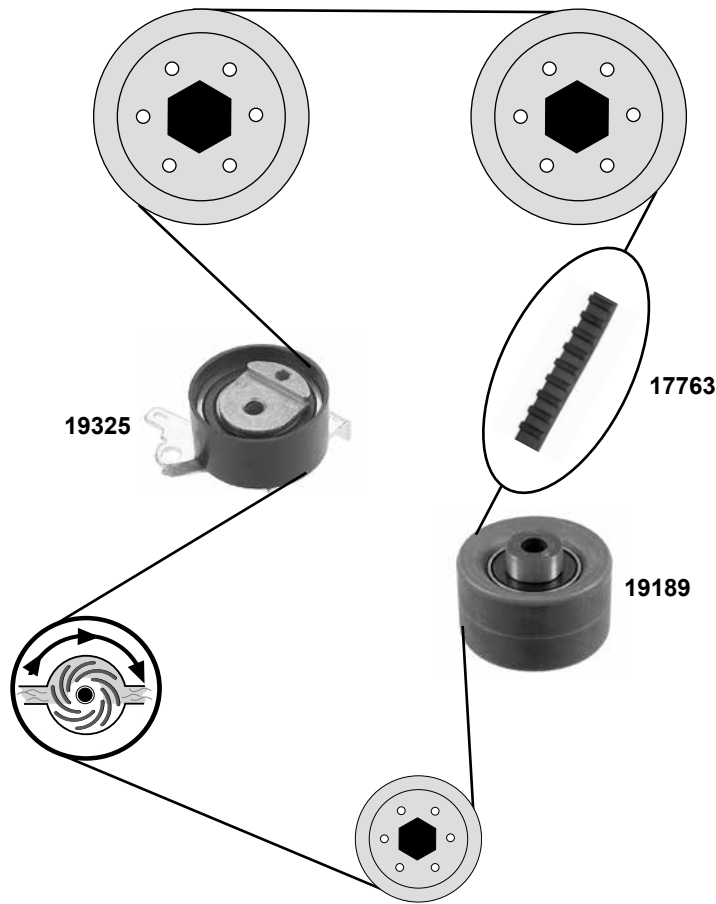
Ref. - No.



11197	0816.H6	Zahnriemen / timing belt		Z 134 B25,4
17065	5751.50	Umlenkrolle / deflection pulley	(1) (ex.) AC	ØA 70 B27
19355	5751.52	Riemenspanner / belt tensioner	(1) AC → O10555	ØA 65 B26,5
26715	0829.C8	Spannrolle / tension roller		ØA 70 B30
26716	0830.62	Umlenkrolle / deflection pulley		ØA 60 B30
26717	0831.R9	Rep. Satz Zahnriemen / rep. kit timing belt		Z 134 B25,4
31075	5751.A2	Riemenspanner / belt tensioner	(3) (4)	ØA 60
36660	5751.E9	Riemenspanner / belt tensioner	O10493 →	ØA 60 B25
40466	5751.A2	Riemenspanner / belt tensioner	(2)	ØA 60 B26



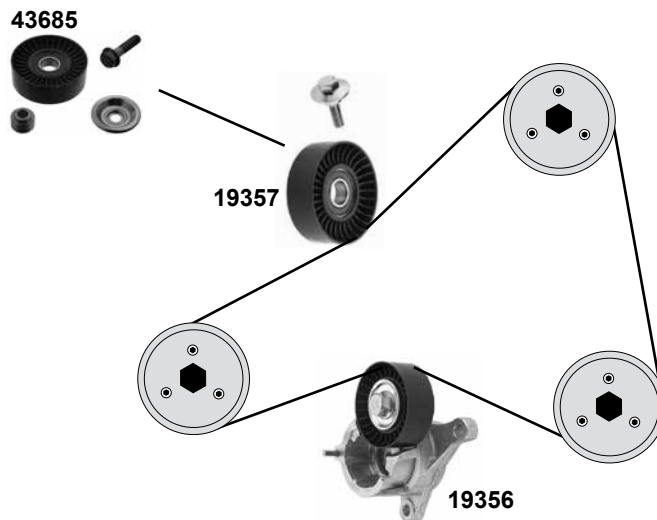
**1,8 / 2,0 16 V**  
(EW7J4/EW10J4)



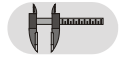
Rep. Satz / rep. kit



febi 22309



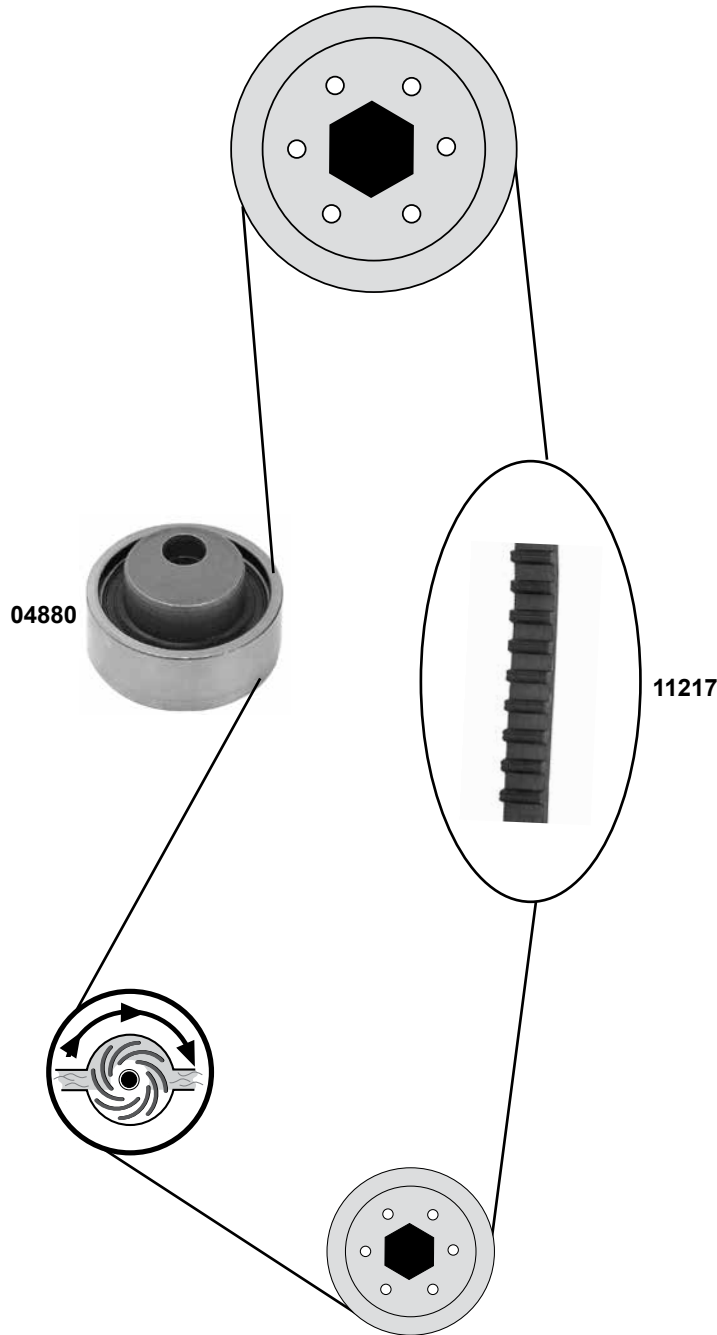
Ref. - No.



<b>17763</b>	0816.A1	Zahnriemen / timing belt		Z 153 B25,4
<b>19189</b>	0830.42	Umlenkrolle / deflection pulley		ØA 60 B30
<b>19325</b>	0829.96	Spannrolle / tension roller		ØA 62 B29
<b>19356</b>	5751.61	Riemenspanner / belt tensioner		ØA 65 B25
<b>19357</b>	5751.60	Umlenkrolle / deflection pulley	(mot.) EW7J4 01→04	ØA 78 B25
<b>22309</b>	0831.88	Rep. Satz Zahnriemen / rep. kit timing belt		
<b>43685</b>	5751.E4	Umlenkrolle / deflection pulley	(mot.) EW10J4	ØA 78 B25



**1,1**  
(TU1M)



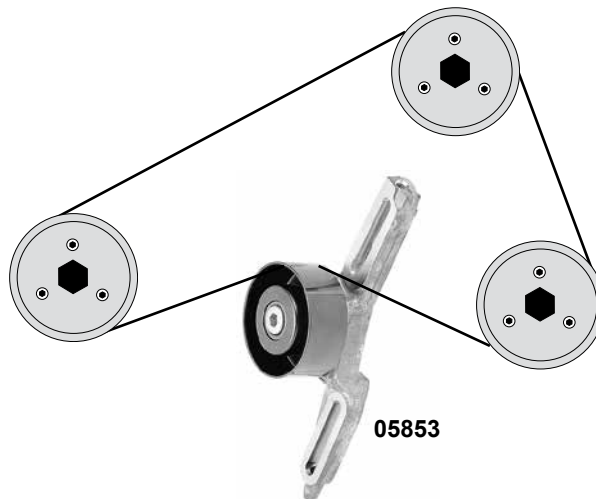
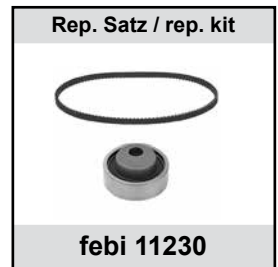
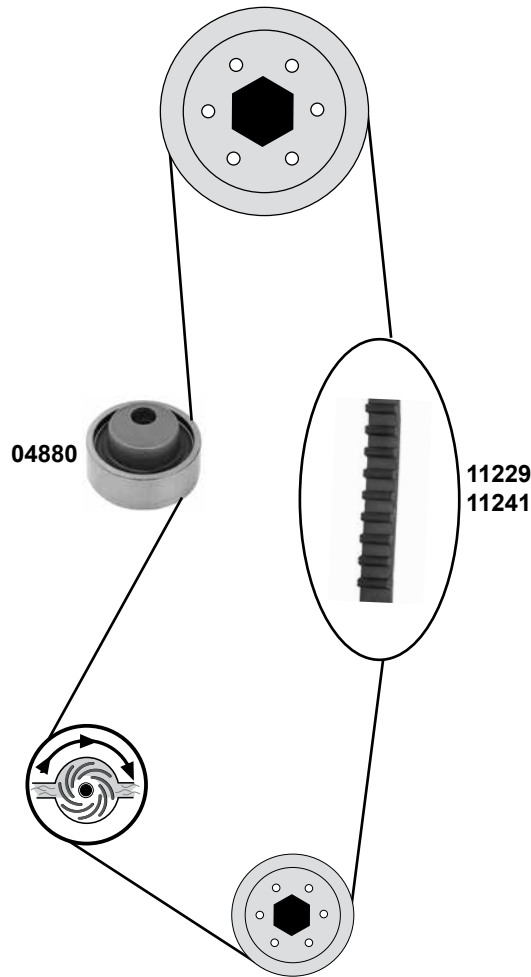
Ref. - No.



<b>04880</b>	0829.54
<b>11217</b>	0816.56
<b>11218</b>	0831.13

Spannrolle / tension roller
Zahnriemen / timing belt
Rep. Satz Zahnriemen / rep. kit timing belt

ØA 59 ØI 13 B22
Z 104 B17



(1) Guss Motorblock / cast engine block / coulé bloc-moteur / colado bloque-motor / ghisia monoblocco

(2) Aluminium Motorblock / aluminum engine block / aluminium bloc-moteur / aliminio bloque-motor / monoblocco d'alluminio



Ref. - No.



Ref. - No.	Description	AC	Dimensions
04880	Spannrolle / tension roller		ØA 59 ØI 13 B22
05853	Spannrolle / tension roller		ØA 68 B26,5
11229	Zahnriemen / timing belt	(1)	Z 101 B17
11230	Rep. Satz Zahnriemen / rep. kit timing belt	(1)	
11241	Zahnriemen / timing belt	(2)	Z 108 B17
11242	Rep. Satz Zahnriemen / rep. kit timing belt	(2)	

passend für / to fit

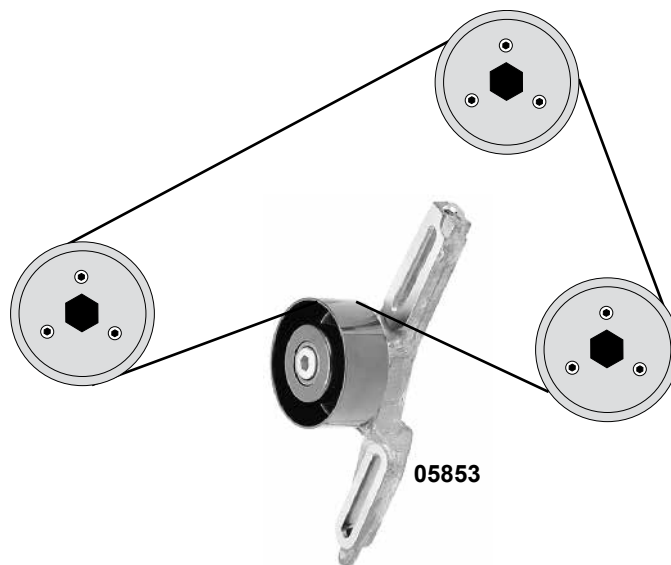
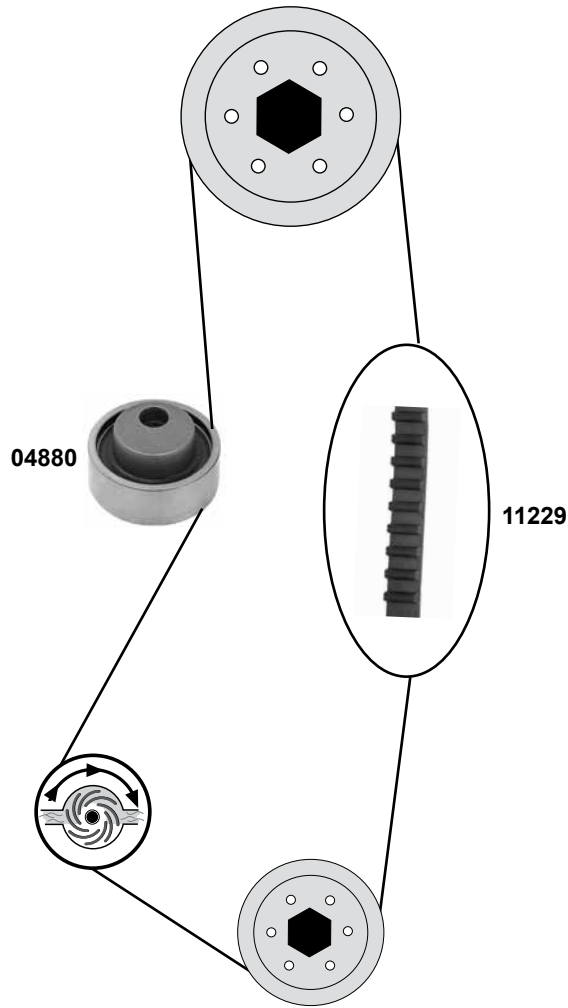
# CITROËN ZX

(91→97)

Car  
Division



**1,6**  
(TU5JP)



Ref. - No.



04880

0829.54

Spannrolle / tension roller

05853

6453.S5

Spannrolle / tension roller

AC

11229

0816.55

Zahnriemen / timing belt

ØA 59 ØI 13 B22

ØA 68 B26,5

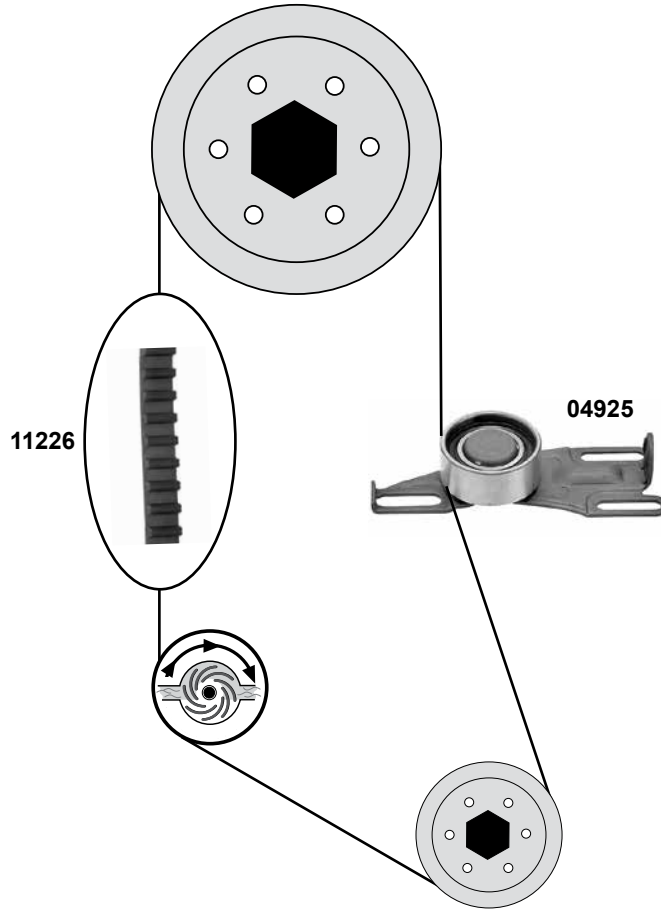
Z 101 B17

11230

0831.28

Rep. Satz Zahnriemen / rep. kit timing belt

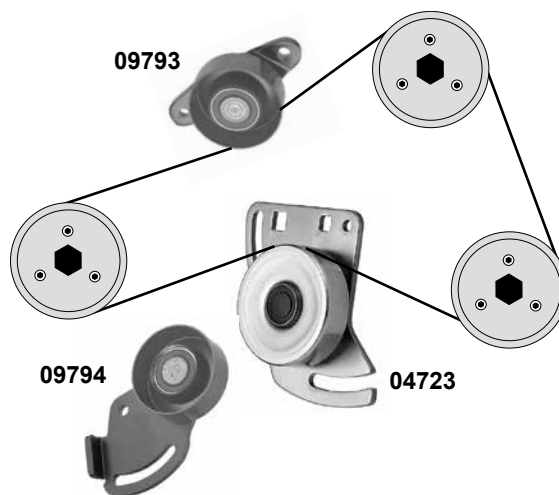
→ O 05546



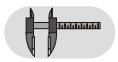
Rep. Satz / rep. kit



febi 11227



Ref. - No.



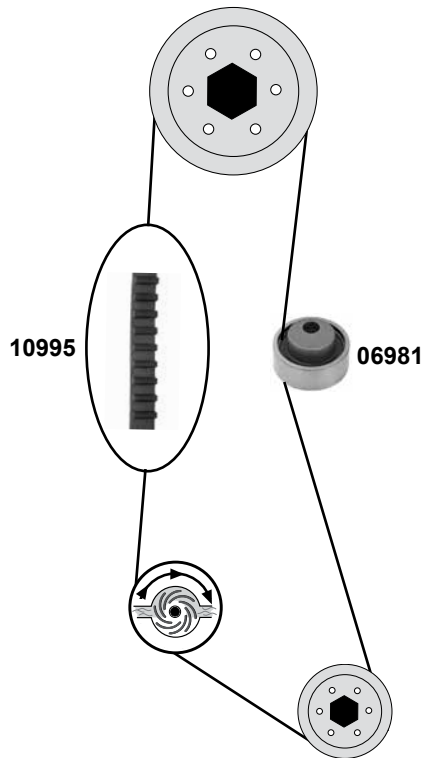
<b>04723</b>	6453.76	Spannrolle / tension roller	AC	ØA 58 B22,5
<b>04925</b>	0829.12	Spannrolle / tension roller		ØA 57 B24
<b>09793</b>	5751.33	Umlenkrolle / deflection pulley	(ex.) AC	ØA70 B25
<b>09794</b>	5751.32	Spannrolle / tension roller	(ex.) AC	ØA90 B25
<b>11226</b>	0816.67	Zahnriemen / timing belt		Z 113 B17
<b>11227</b>	0816.67 S1	Rep. Satz Zahnriemen / rep. kit timing belt		



## 1,6 8V→2,0 8V

(XU5M,XU9JA,XU9JAZ,XU5JP,XU7JP,XU10J2)

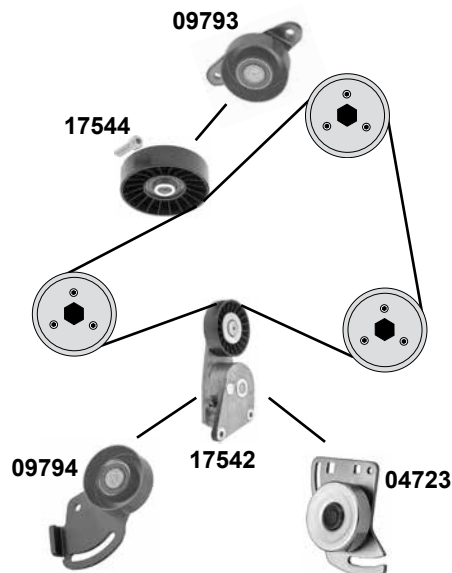
O 05546 →



Rep. Satz / rep. kit



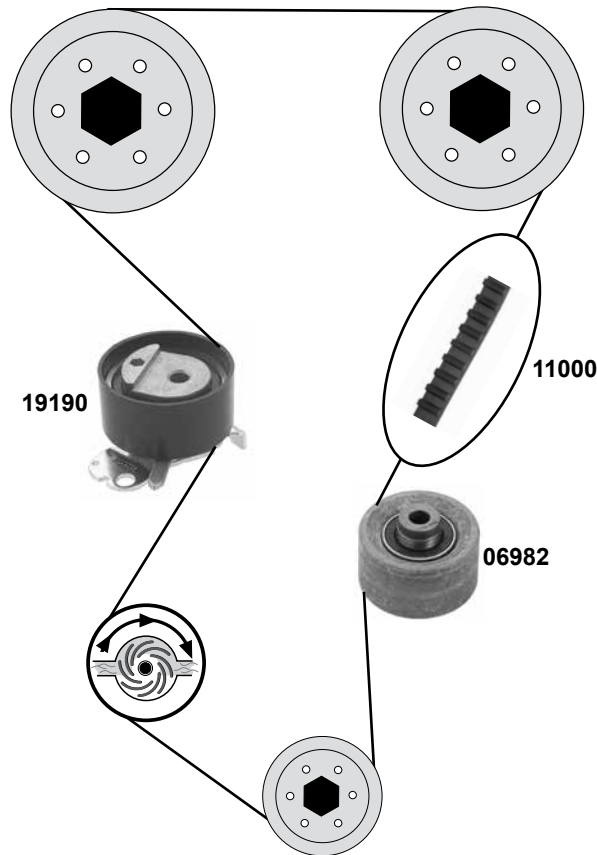
febi 11244



Ref. - No.



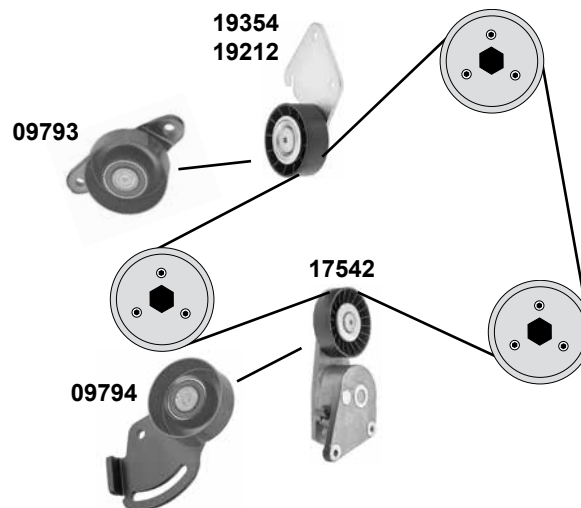
<b>04723</b>	5751.35	Riemenspanner / belt tensioner		ØA 58 B22,5
<b>06981</b>	0829.29	Spannrolle / tension roller		ØA 59 Ø I 13 B22
<b>09793</b>	5751.33	Umlenkrolle / deflection pulley	(ex.) AC	ØA70 B25
<b>09794</b>	5751.32	Spannrolle / tension roller	(ex.) AC	ØA90 B25
<b>10995</b>	0816.71	Zahnriemen / timing belt		Z 114 B17
<b>11244</b>	0816.71 S1	Rep. Satz Zahnriemen / rep. kit timing belt		
<b>17542</b>	5751.35	Riemenspanner / belt tensioner	AC servo	ØA 90 B25
<b>17544</b>	5751.20	Umlenkrolle / deflection pulley	AC servo	ØA90 B25



Rep. Satz / rep. kit



febi 26139



Ref. - No.



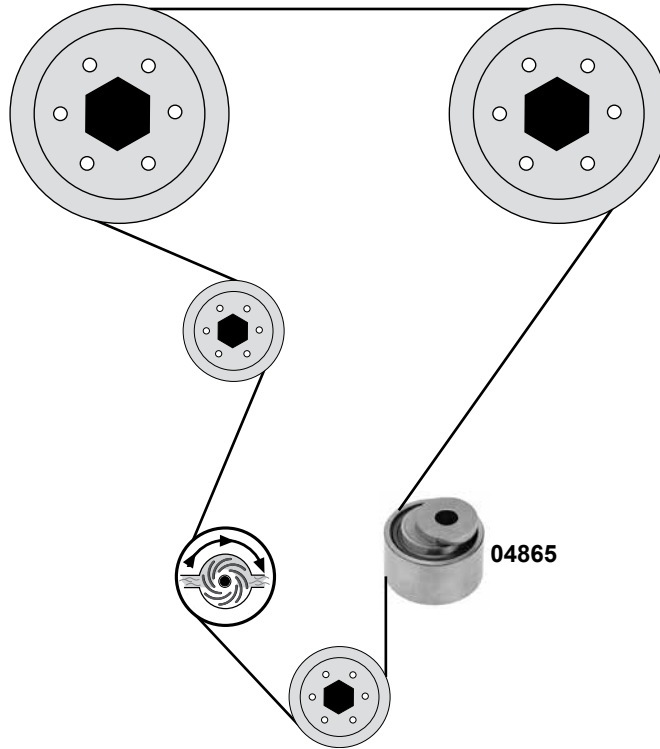
<b>06982</b>	0830.37	Umlenkrolle / deflection pulley		ØA 60 ØI 10 B34
<b>09793</b>	5751.33	Umlenkrolle / deflection pulley	(ex.) AC	ØA70 B25
<b>09794</b>	5751.32	Spannrolle / tension roller	(ex.) AC	ØA90 B25
<b>11000</b>	0816.98	Zahnriemen / timing belt		Z 136 B25,4
<b>17542</b>	5751.35	Riemenspanner / belt tensioner	AC servo	ØA 90 B25
<b>19190</b>	0829.69	Spannrolle / tension roller	CEE 95	ØA 60 B29
<b>19212</b>	5751.37	Umlenkrolle / deflection pulley	AC	ØA 70
<b>19354</b>	5751.36	Umlenkrolle / deflection pulley	AC	ØA 90
<b>26139</b>	0831.68	Rep. Satz Zahnriemen / rep. kit timing belt		Z 136 B25,4





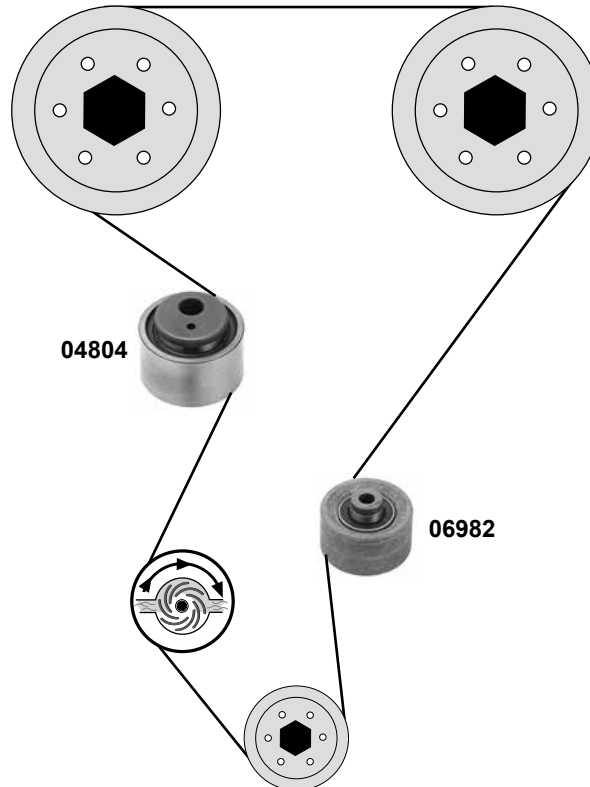
## 2,0 16V

(XU10J4/XU10J4TE)



## 2,0 16 V

(XU10J4RS)



Rep. Satz / rep. kit



febi 11212



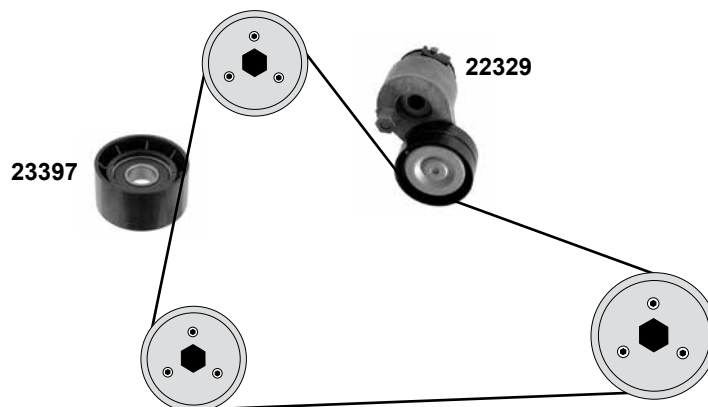
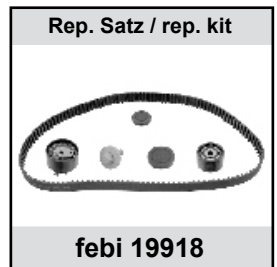
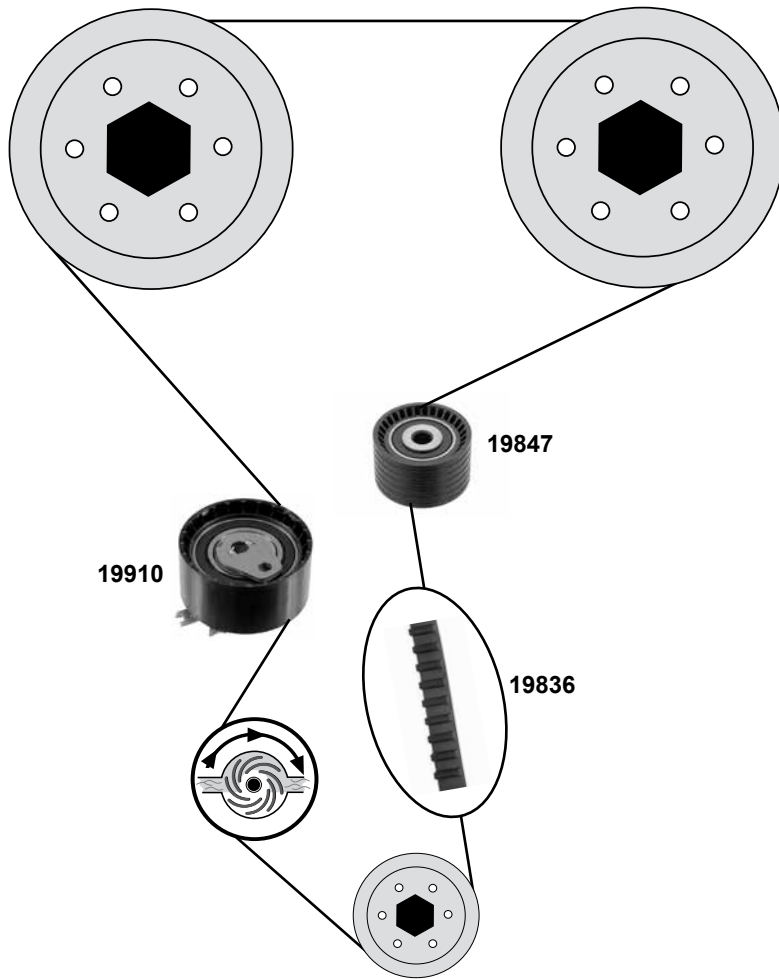
Ref. - No.



04804	0829.35
04865	0829.20
06982	0830.37
11212	0831.48

Spannrolle / tension roller
Spannrolle / tension roller
Umlenkrolle / deflection pulley
Rep. Satz Zahnriemen / rep. kit timing belt

ØA 57 ØI13 B33
ØA 57 ØI 13 B31
ØA 57 ØI10 B34



Ref. - No.



<b>19836</b>	82 00 537 026	Zahnriemen / timing belt	Z 132 B27
<b>19847</b>	77 00 107 150	Umlenkrolle / deflection pulley	ØA 54 B32
<b>19910</b>	77 00 108 117	Spannrolle / tension roller	ØA65 B32
<b>19918</b>	77 01 477 014	Rep. Satz Zahnriemen / rep. kit timing belt	
<b>22329</b>	82 00 071 402	Riemenspanner / belt tensioner	ØA65 B30
<b>23397</b>	82 00 285 009	Umlenkrolle / deflection pulley	ØA 60

# DACIA Logan 1 (04→13)

Car  
Division



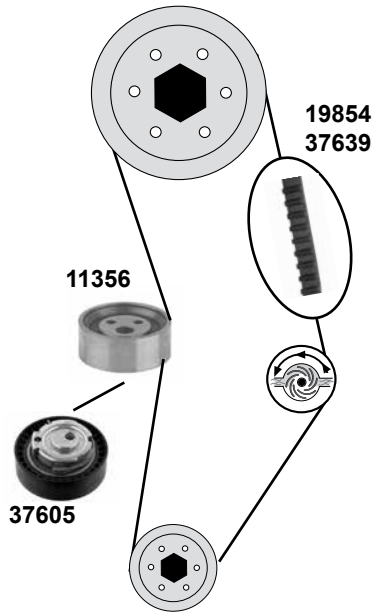
## 1,4 / 1,6 (K7J/K7M)

Rep. Satz / rep. kit

**febi 21725**

Rep. Satz / rep. kit

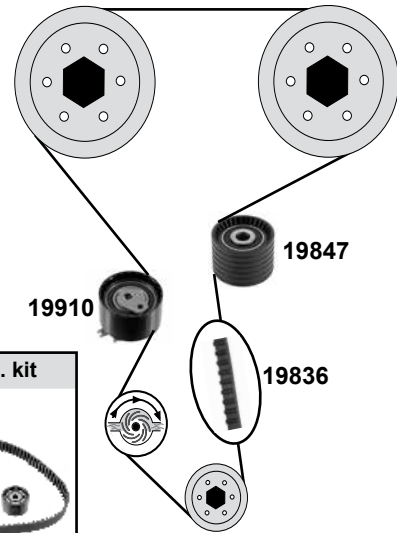
**febi 37640**



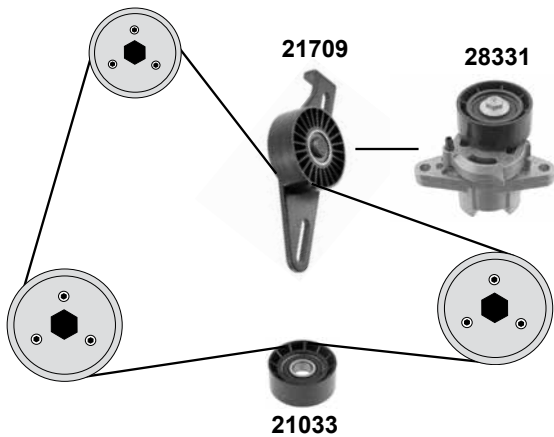
## 1,6 16V (K4M-690/694/698)

Rep. Satz / rep. kit

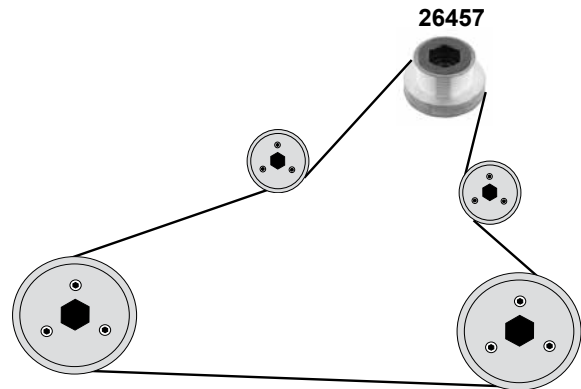
**febi 19918**



## 1,4 / 1,6 (K7J/K7M)



## 1,6 16V (K4M)



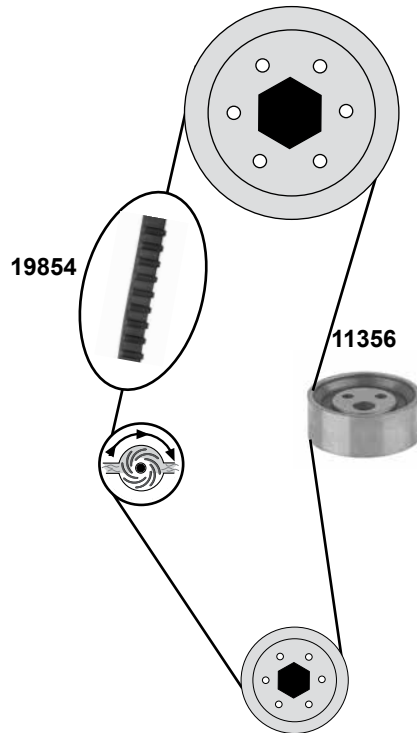
Ref. - No.



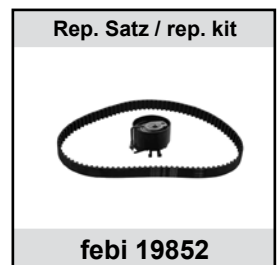
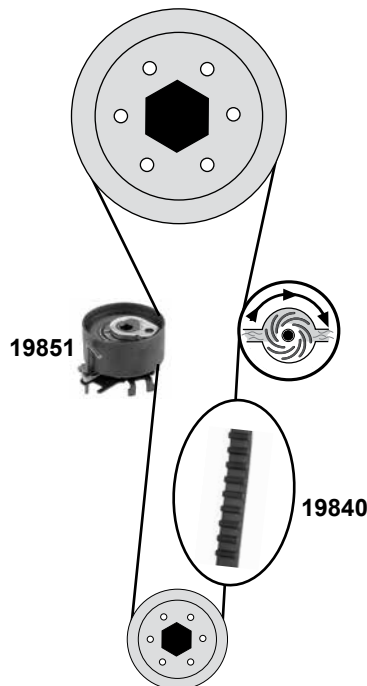
<b>11356</b>	82 00 211 784	Spannrolle / tension roller	
<b>19836</b>	82 00 537 026	Zahnriemen / timing belt	ØA 55 B22
<b>19847</b>	77 00 107 150	Umlenkrolle / deflection pulley	Z 132 B27
<b>19854</b>	82 00 537 021	Zahnriemen / timing belt	ØA 54 B32
<b>19910</b>	77 00 108 117	Spannrolle / tension roller	Z 96 B17
<b>19918</b>	77 01 477 014	Rep. Satz Zahnriemen / rep. kit timing belt	ØA 65 B32
<b>21033</b>	82 00 104 754	Umlenkrolle / deflection pulley	
<b>21709</b>	82 00 582 997	Riemenspanner / belt tensioner	<b>AC</b> ØA 60,2 ØI 17 B5,5
<b>21725</b>	77 01 477 024	Rep. Satz Zahnriemen / rep. kit timing belt	<b>(ex.) AC (mot.) K7J</b> ØA 70 B25,5
<b>26457</b>	77 00 110 616	Generatorfreilauf / alternator overrun pulley	→11/09
<b>28331</b>	82 00 277 606	Riemenspanner / belt tensioner	<b>Valeo / Bosch</b> ØA 78 B40,2
<b>37605</b>	82 00 908 180	Spannrolle / tension roller	<b>AC servo</b> ØA 60
<b>37639</b>	82 00 939 081	Zahnriemen / timing belt	ØA 73,5 H 22
<b>37640</b>	13 0C 174 80R	Rep. Satz Zahnriemen / rep. kit timing belt	Z 96 B17,3

11/09→

**1,4 / 1,6**  
(K7J-710/K7M-710,718)



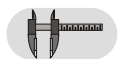
**Logan 2**  
(13→)  
**1,2 16V**  
(D4F)



(1) MCV (mot.) K7J-710 / K7M-710,718  
Pick-Up (mot.) K7M-710,718



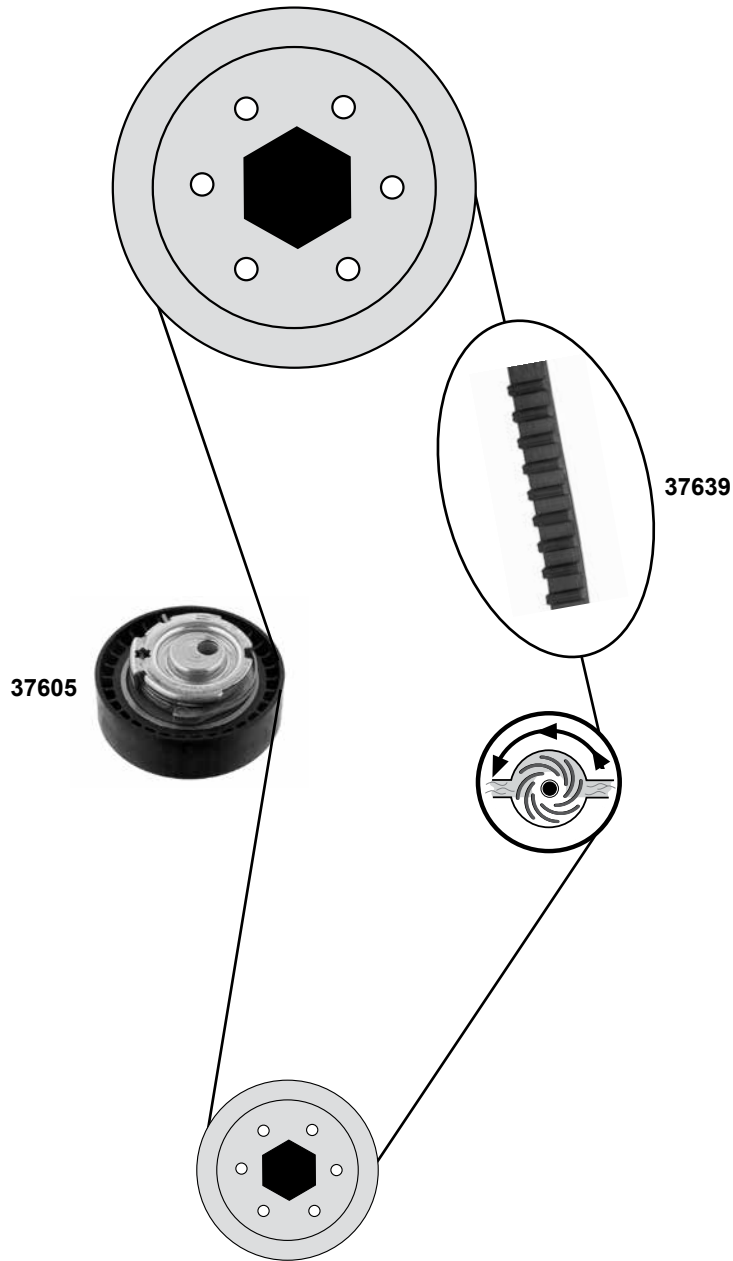
Ref. - No.



<b>11356</b>	82 00 211 784	Spannrolle / tension roller	ØA 55 B22
<b>19840</b>	82 00 106 085	Zahnriemen / timing belt	Z 95 B23,4
<b>19851</b>	82 00 704 394	Spannrolle / tension roller	ØA59 H28,3/24,45
<b>19852</b>	77 01 476 745	Rep. Satz Zahnriemen / rep. kit timing belt	Z 95 B23,4
<b>19854</b>	82 00 537 021	Zahnriemen / timing belt	Z 96 B17
<b>21725</b>	77 01 477 024	Rep. Satz Zahnriemen / rep. kit timing belt	(1)



**1,6**  
(K7M-712)



37605

37639

Rep. Satz / rep. kit



febi 37640



Ref. - No.



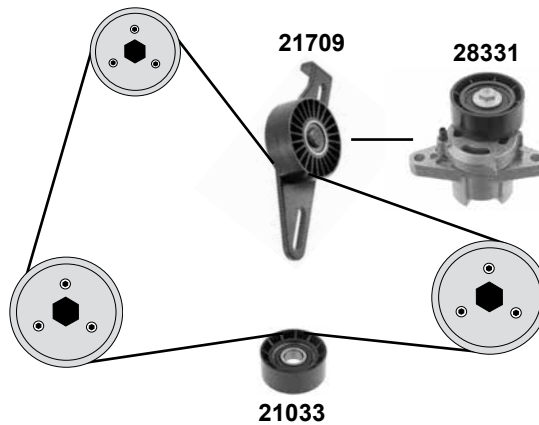
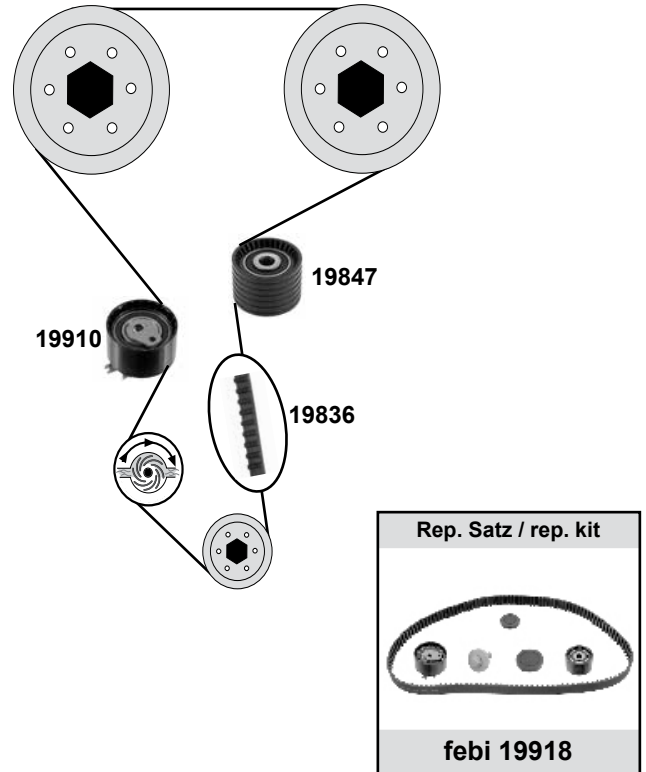
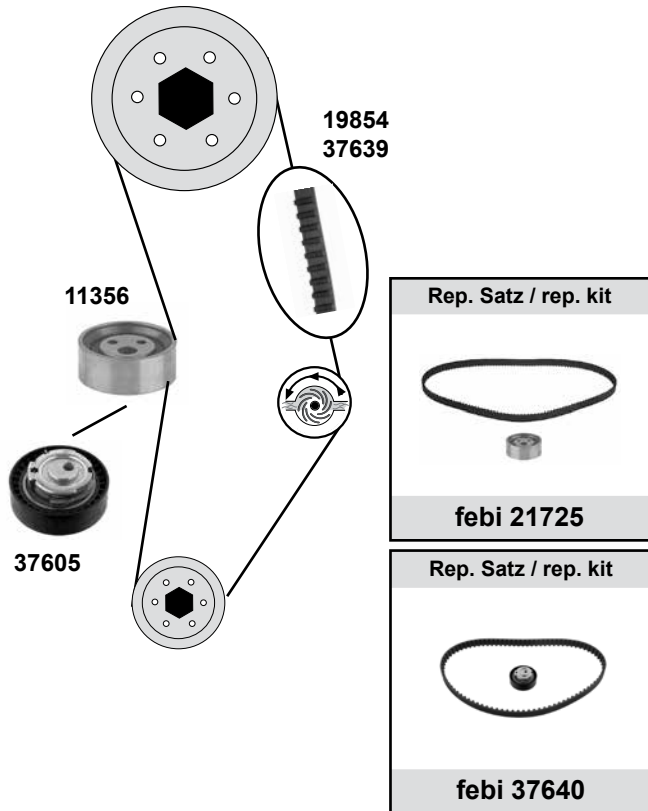
**37605** 82 00 908 180  
**37639** 82 00 939 081  
**37640** 13 0C 174 80R

Spannrolle / tension roller  
Zahnriemen / timing belt  
Rep. Satz Zahnriemen / rep. kit timing belt

ØA 73,5 H 22  
Z 96 B17,3

**1,4 / 1,6**  
(K7J/K7M)

**1,6 16V**  
(K4M-690/694/698)



**1,4 / 1,6 16V**  
(K7M/K7J)

	Ref. - No.			
11356	82 00 211 784	Spannrolle / tension roller	→11/09	ØA 55 B22
19836	82 00 537 026	Zahnriemen / timing belt		Z 132 B27
19847	77 00 107 150	Umlenkrolle / deflection pulley		ØA 54 B32
19854	82 00 537 021	Zahnriemen / timing belt	→11/09	Z 96 B17
19910	77 00 108 117	Spannrolle / tension roller		ØA 65 B32
19918	77 01 477 014	Rep. Satz Zahnriemen / rep. kit timing belt		
21033	82 00 104 754	Umlenkrolle / deflection pulley	<b>AC</b>	ØA 60,2 H 25,5
21709	82 00 582 997	Riemenspanner / belt tensioner	<b>(ex.) AC (mot.) K7J</b>	ØA 70 B25,5
21725	77 01 477 024	Rep. Satz Zahnriemen / rep. kit timing belt	→11/09	
28331	82 00 603 359	Riemenspanner / belt tensioner	<b>AC / servo</b>	ØA 60
37605	82 00 908 180	Spannrolle / tension roller	11/09→	ØA 73,5 H 22
37639	82 00 939 081	Zahnriemen / timing belt	11/09→	Z 96 B17,3
37640	13 0C 174 80R	Rep. Satz Zahnriemen / rep. kit timing belt	11/09→	

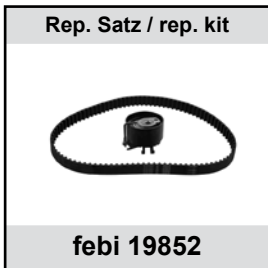
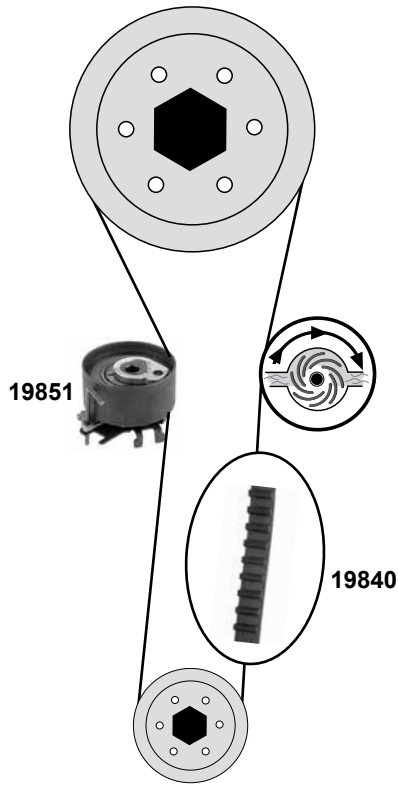
# DACIA Sandero 2

(13→)

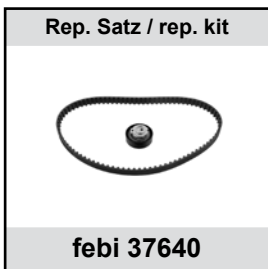
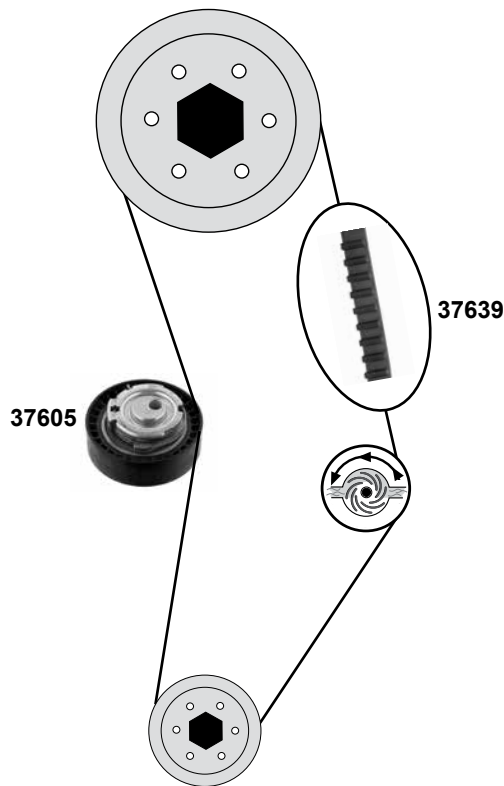
Car  
Division



## 1,2 16V (D4F)



## 1,6 (K7M-712)

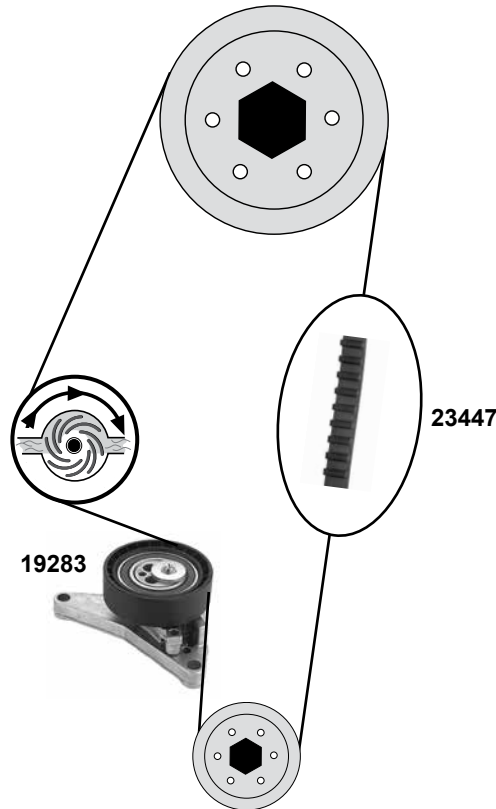


Ref. - No.

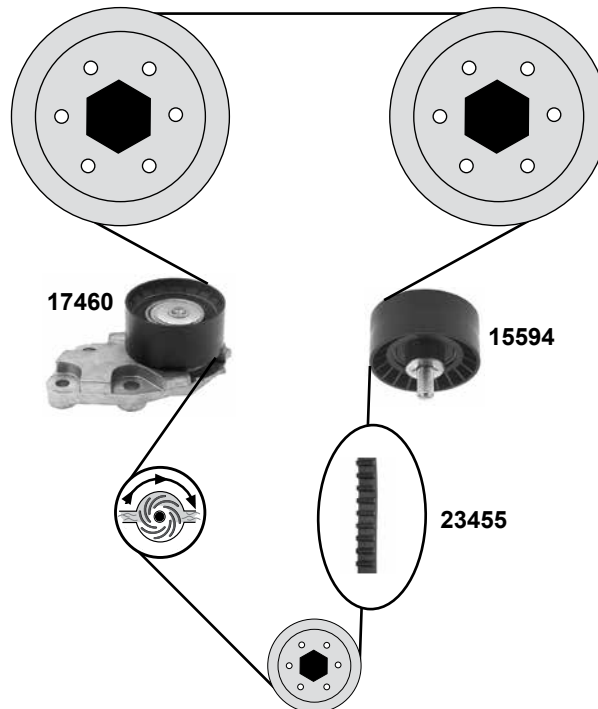


<b>19840</b>	82 00 106 085	Zahnriemen / timing belt	Z 95 B23,4
<b>19851</b>	82 00 704 394	Spannrolle / tension roller	ØA59 H28,3/24,45
<b>19852</b>	77 01 476 745	Rep. Satz Zahnriemen / rep. kit timing belt	Z 95 B23,4
<b>37605</b>	82 00 908 180	Spannrolle / tensioner bearing	ØA 73,5 H 22
<b>37639</b>	82 00 939 081	Zahnriemen / timing belt	Z 96 B17,3
<b>37640</b>	13 0C 174 80R	Rep. Satz Zahnriemen / rep. kit timing belt	

**1,8 / 2,0**  
(SOHC)



**1,5**  
(A15SMS DOHC)



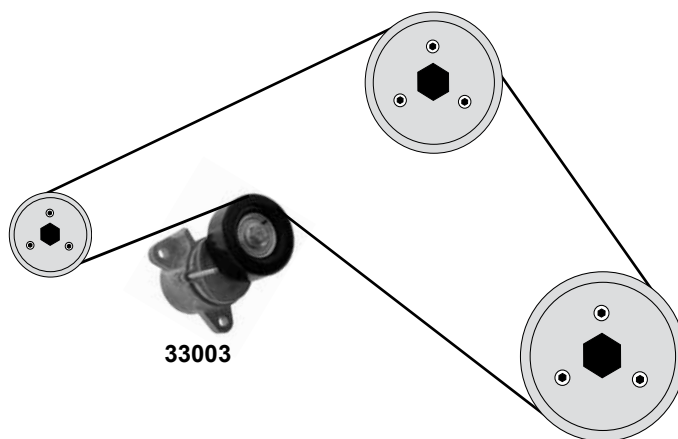
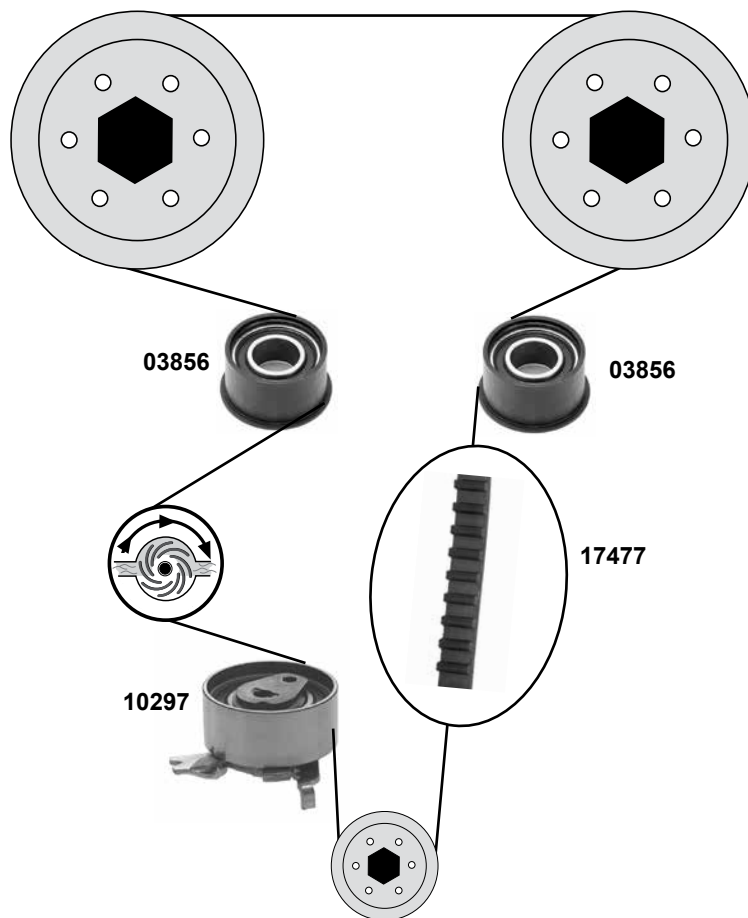
Ref. - No.



<b>15594</b>	96350526	Umlenkrolle / deflection pulley	ØA 64 H29
<b>17460</b>	96350550	Spannrolle / tension roller	ØA 60 B29
<b>19283</b>	93202400	Spannrolle / tension roller	ØA 72 B22
<b>23447</b>	10068553	Zahnriemen / timing belt	Z 125 B25
<b>23449</b>	10068553 S1	Rep. Satz Zahnriemen / rep. kit timing belt	
<b>23455</b>	96814098	Zahnriemen / timing belt	Z 127
<b>23457</b>	96814098 S1	Rep. Satz Zahnriemen / rep. kit timing belt	



**2,0**  
(DOHC)



(1) (ch.) 176152→

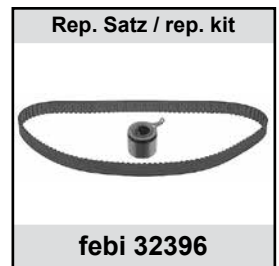
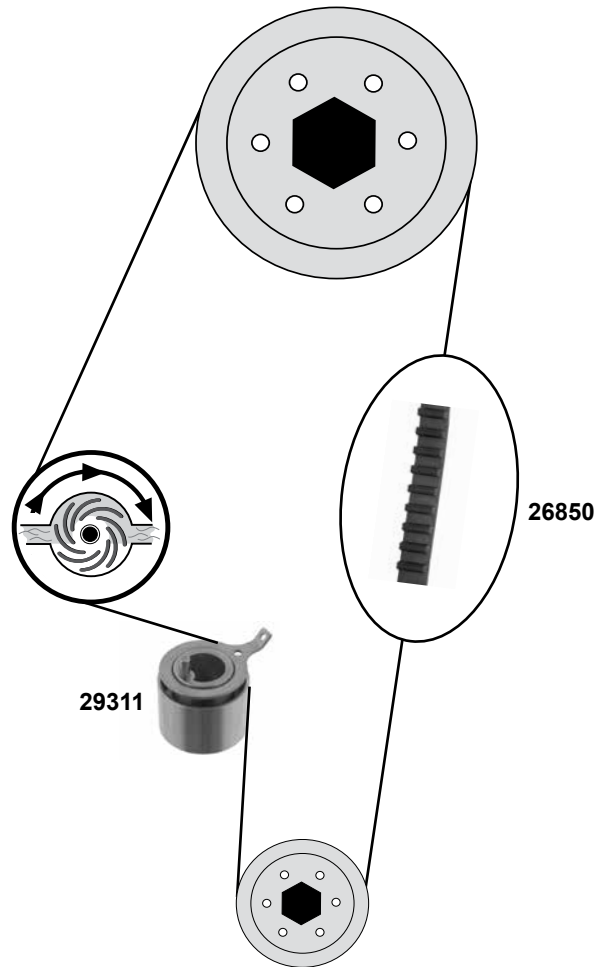


Ref. - No.

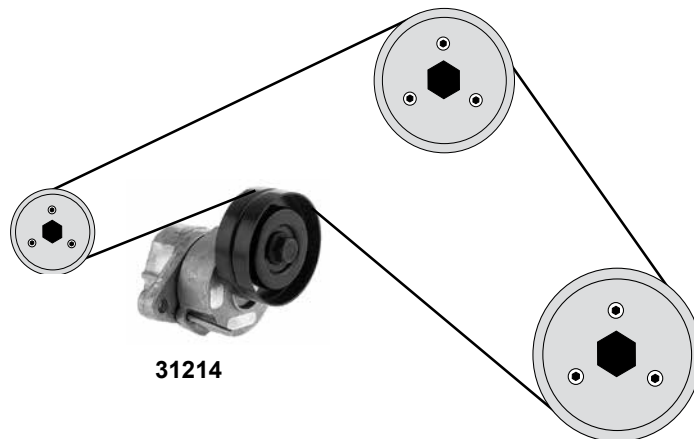


<b>03856</b>	09128738	Umlenkrolle / deflection pulley	(1)	ØA 52.5B29.5 ØA 59 B26 Z169 B24
<b>10297</b>	09158004	Spannrolle / tension roller		
<b>17477</b>	92066312	Zahnriemen / timing belt		
<b>17478</b>	92063917 S1	Rep. Satz Zahnriemen / rep. kit timing belt		
<b>33003</b>	96435138	Riemenspanner / belt tensioner		

**1,2**  
(SOHC)



**1,4**  
(DOHC)



Ref. - No.



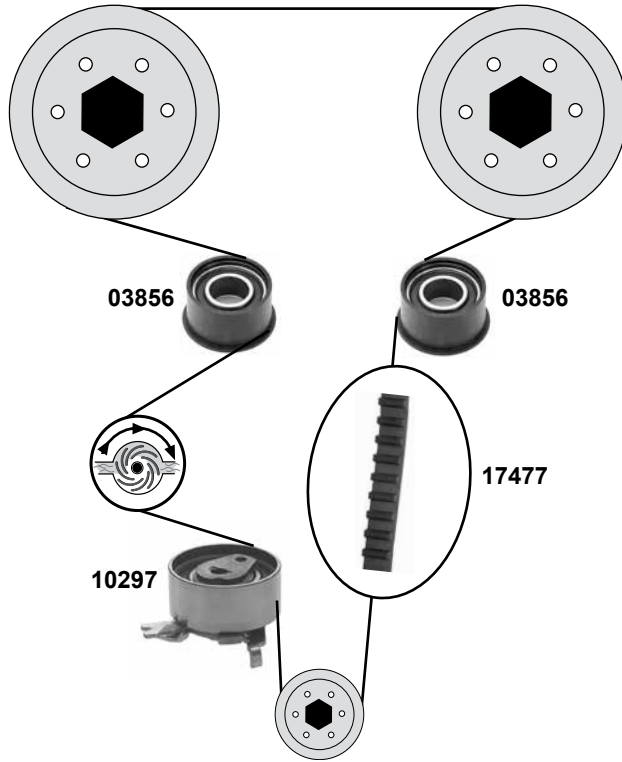
**26850** 96610029  
**29311** 94580139  
**31214** 96966707  
**32396** 96610029 S1

Zahnriemen / timing belt  
Spannrolle / tension roller  
Riemenspanner / belt tensioner  
Rep. Satz Zahnriemen / rep. kit timing belt

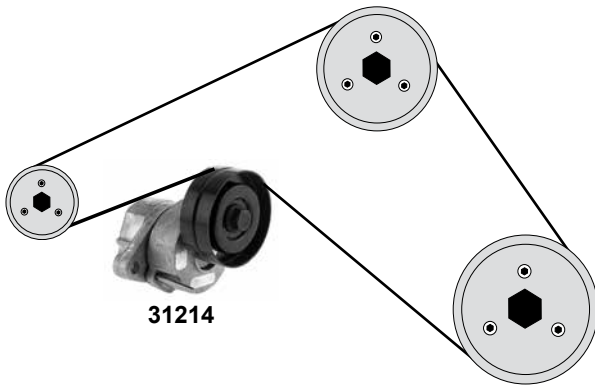
Z109 B25  
Ø A 42 B28  
Ø A 75 B28



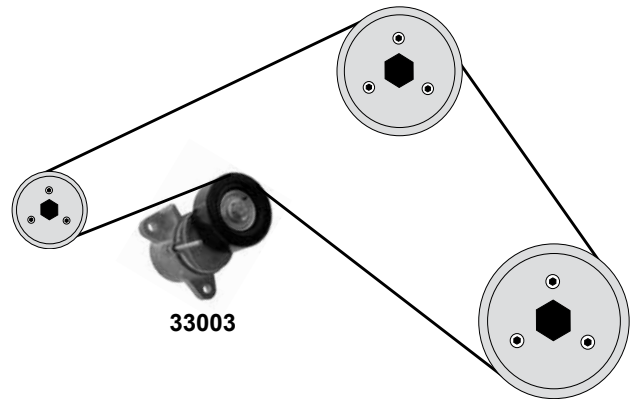
**1.8 / 2,0**  
DOHC



**1,4 / 1,6**



**1,8**



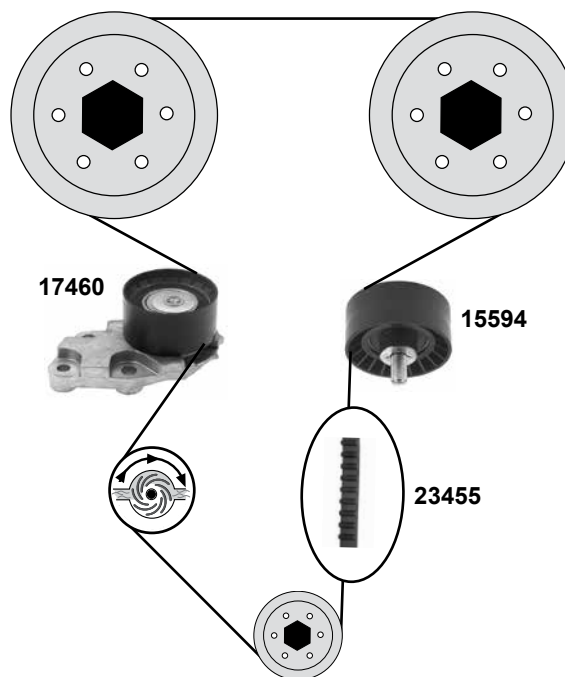
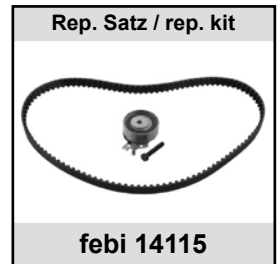
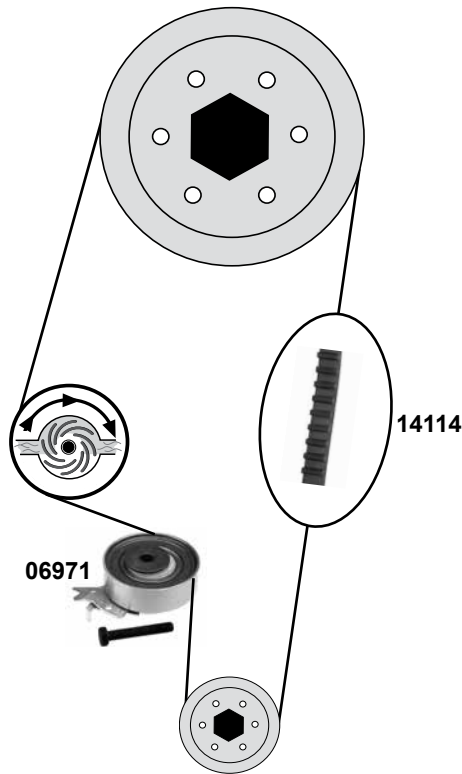
(1) → (ch.) 766687  
(2) (mot.) 1,8 DOHC



Ref. - No.



<b>03856</b>	09128738	Umlenkrolle / deflection pulley		ØA 52.5 B29.5
<b>10297</b>	09158004	Spannrolle / tension roller	(2)	ØA 59 B26
<b>17477</b>	92066312	Zahnriemen / timing belt		Z169 B24
<b>17478</b>	92063917 S1	Rep. Satz Zahnriemen / rep. kit timing belt		
<b>31214</b>	96966707	Riemenspanner / belt tensioner	(1)	ØA 69,85
<b>33003</b>	96435138	Riemenspanner / belt tensioner		



Ref. - No.



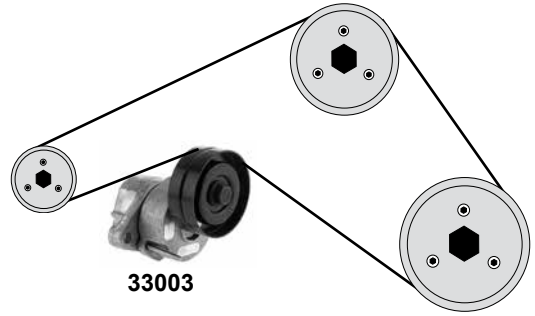
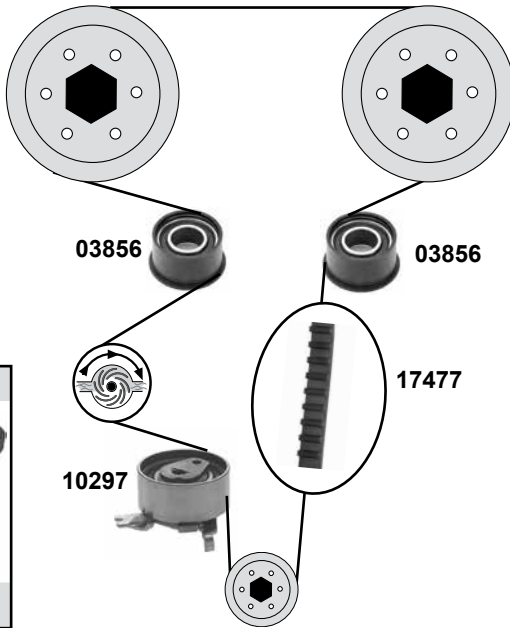
<b>06971</b>	90499401	Spannrolle / tension roller	Ø 59
<b>14114</b>	96352407	Zahnriemen / timing belt	Z 111 B17
<b>14115</b>	96183353 S1	Rep. Satz Zahnriemen / rep. kit timing belt	
<b>15594</b>	96350526	Umlenkrolle / deflection pulley	ØA 64 H29
<b>17460</b>	96350550	Spannrolle / tension roller	ØA 60 B29
<b>23455</b>	96814098	Zahnriemen / timing belt	Z 127 B25,4
<b>23457</b>	96814098 S1	Rep. Satz Zahnriemen / rep. kit timing belt	

# DAEWOO Leganza (97→04)

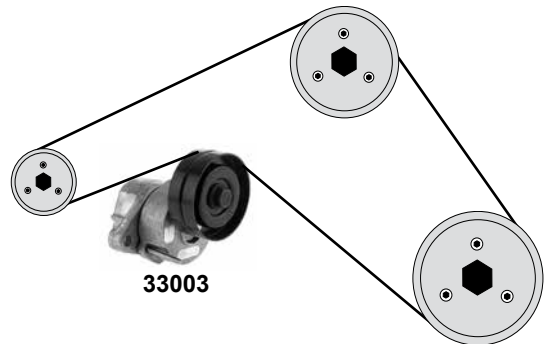
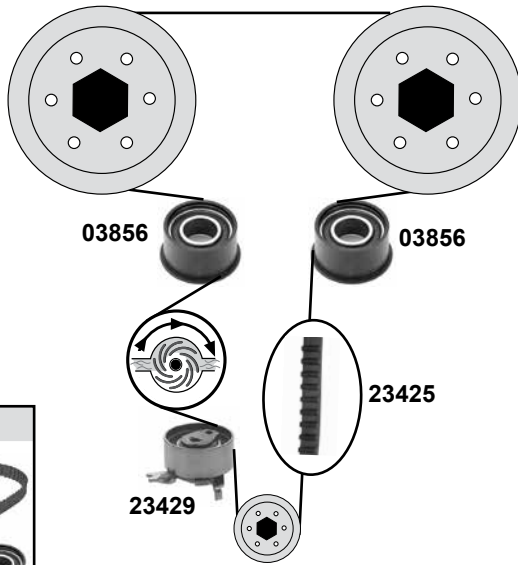
Car  
Division 



## 1,8 / 2,0 / 2,2 DOHC



## 2,2 DOHC

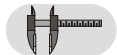


(1) (mot.) 2,2 :→02 / →(ch.) 289553

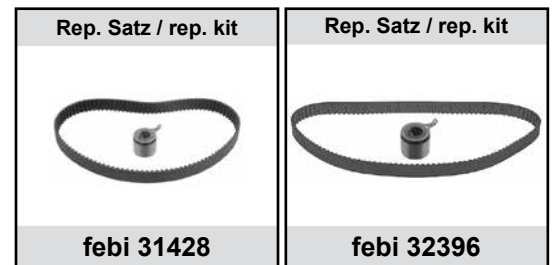
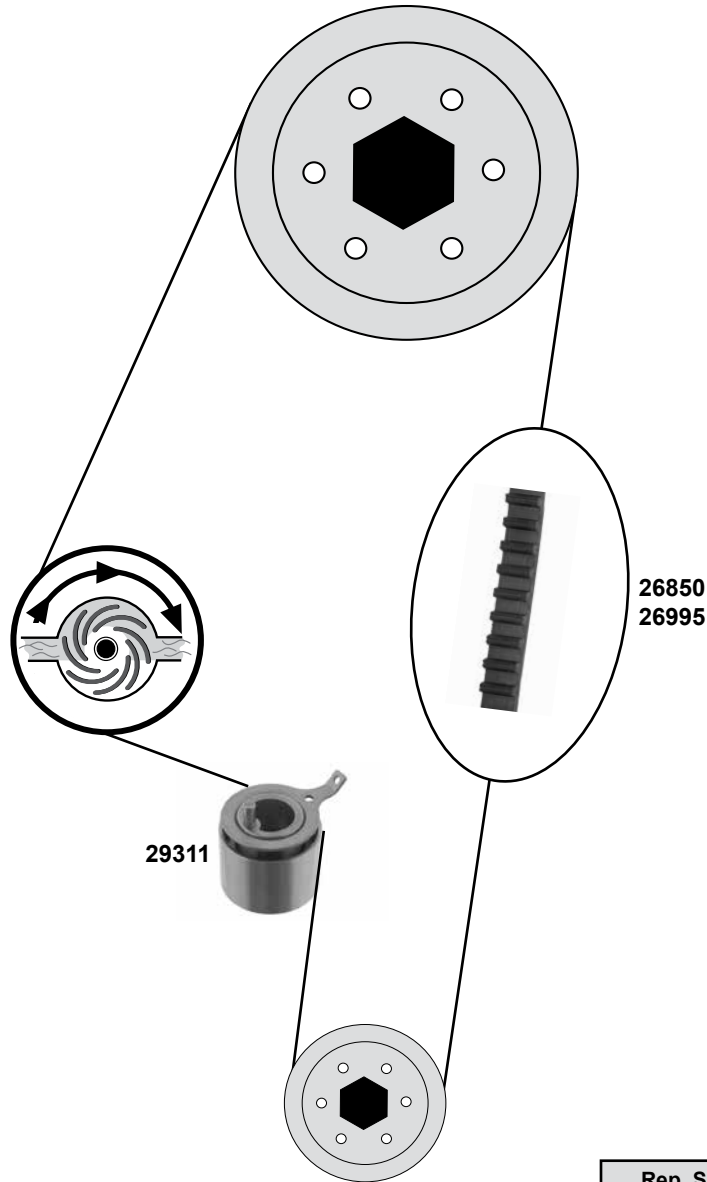
(2) (mot.) 2,0 :→04/04→ / →(ch.) 201838



Ref. - No.



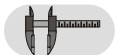
03856	09128738	Umlenkrolle / deflection pulley		ØA 52.5 B29.5
10297	09158004	Spannrolle / tension roller	(2)	ØA 59 B26
17477	92066312	Zahnriemen / timing belt	(mot.) 2,0	Z169 B24
17478	92063917 S1	Rep. Satz Zahnriemen / rep. kit timing belt	(2)	
23425	09128722	Zahnriemen / timing belt	(1)	Z 171 B24
23427	09128722 S1	Rep. Satz Zahnriemen / rep. kit timing belt	(1)	
23429	90528603	Spannrolle / tension roller	(1)	Ø 59
33003	96435138	Riemenspanner / belt tensioner	(mot.) 2,0→12/02	ØA 69,85



(1) (mot.) 1,0 (ch.) 857283→



Ref. - No.



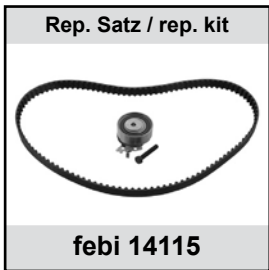
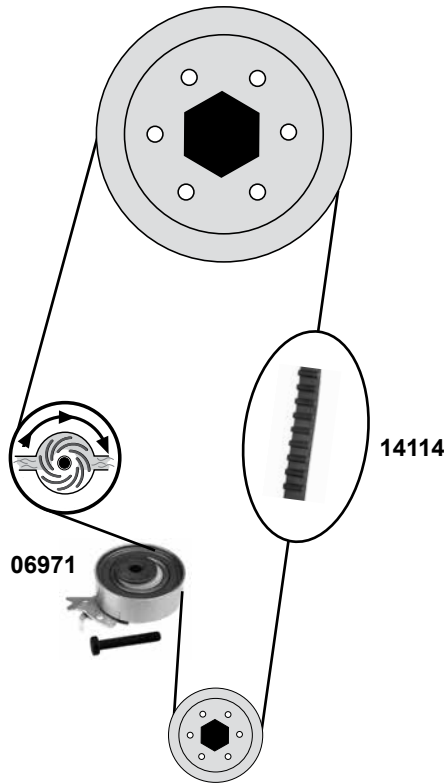
<b>26850</b>	96610029	Zahnriemen / timing belt	(1)	Z109 B25
<b>26995</b>	96352965	Zahnriemen / timing belt	(mot.) 0,8	Z107 B25,4
<b>29311</b>	94580139	Spannrolle / tension roller	(ch.) 857283→	ØA 34 H42
<b>31428</b>	96352965 S1	Rep. Satz Zahnriemen / rep. kit timing belt	(mot.) 0,8	
<b>32396</b>	96610029 S1	Rep. Satz Zahnriemen / rep. kit timing belt	(1)	Z 109 B25

# DAEWOO Nexia (95→97)

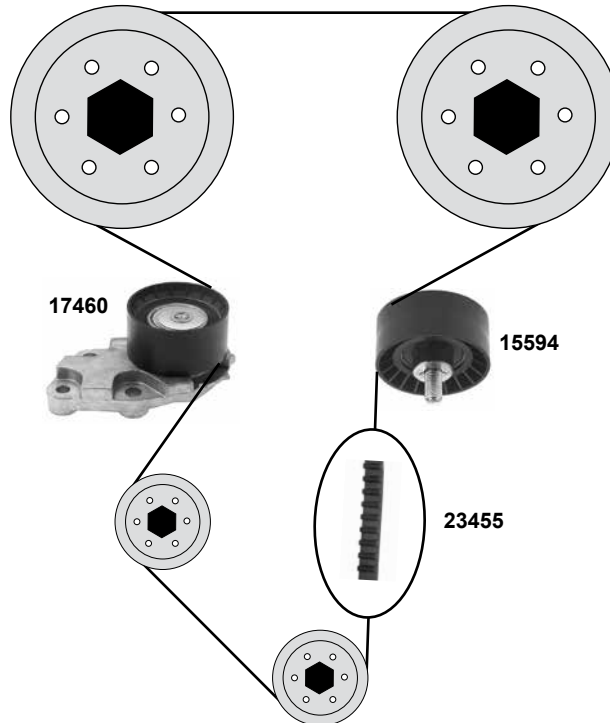
Car  
Division 







## 1,5 SOHC (G 15 MF)

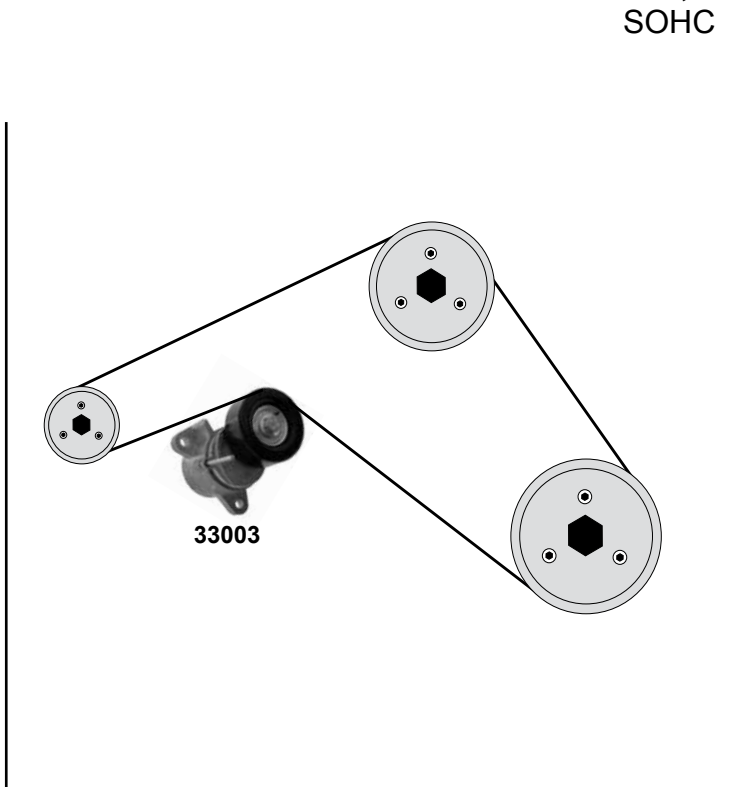
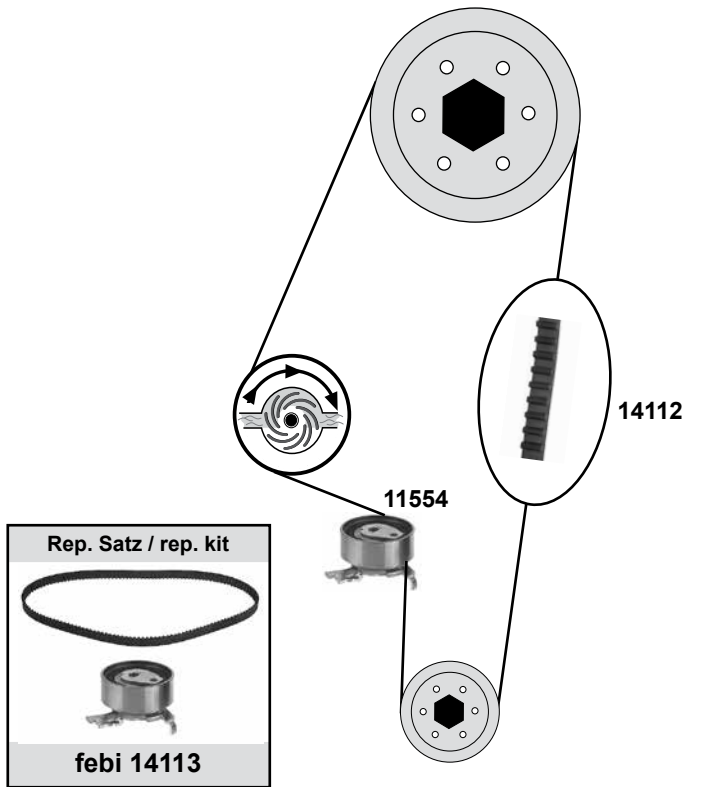


## 1,5 DOHC (A 15 MF)

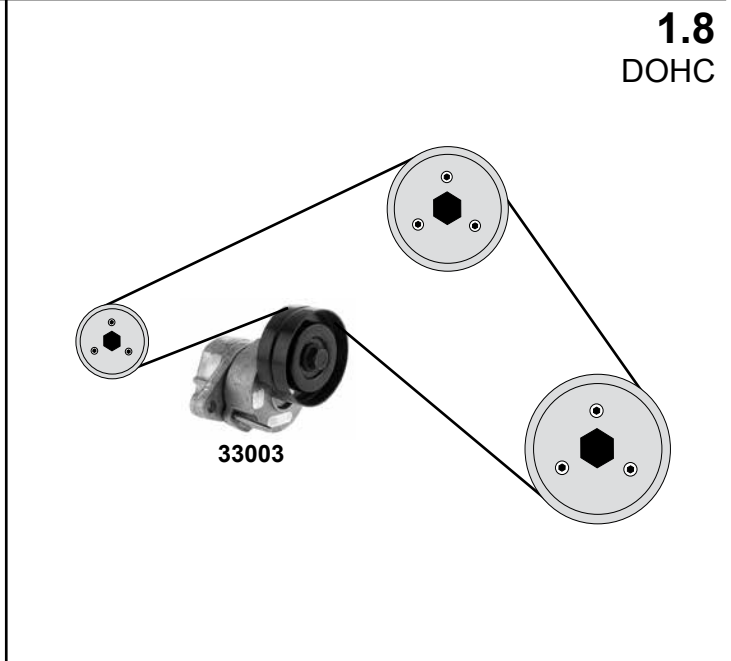
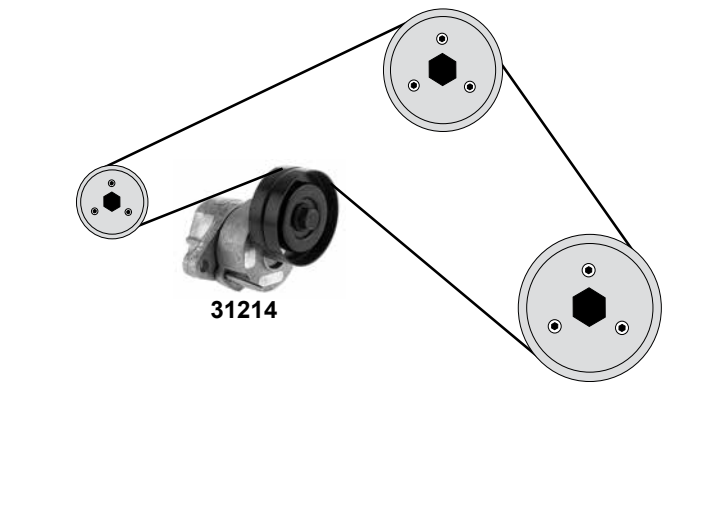


	Ref. - No.			
06971	90499401	Spannrolle / tension roller		Ø 59
14114	96352407	Zahnriemen / timing belt		Z 111 B17
14115	96183353 S1	Rep. Satz Zahnriemen / rep. kit timing belt		
15594	96350526	Umlenkrolle / deflection pulley	modell 91→08/94	ØA 64 H29
17460	96350550	Spannrolle / tension roller	modell 91→08/94	ØA 60 B29
23455	96814098	Zahnriemen / timing belt		Z 127 B25,4
23457	96814098 S1	Rep. Satz Zahnriemen / rep. kit timing belt		

**2,0**  
SOHC



**1.5 / 1,6**  
DOHC

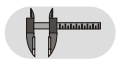


**1.8**  
DOHC

- (1) 05/97 → 07/00 (mot.) 1,6 DOHC (ch.) 469910→  
→ 07/00 (mot.) 1,5 / 1,6 DOHC (ch.) 497296→
- (2) → 99  
99 → 03 (ch.)→580669



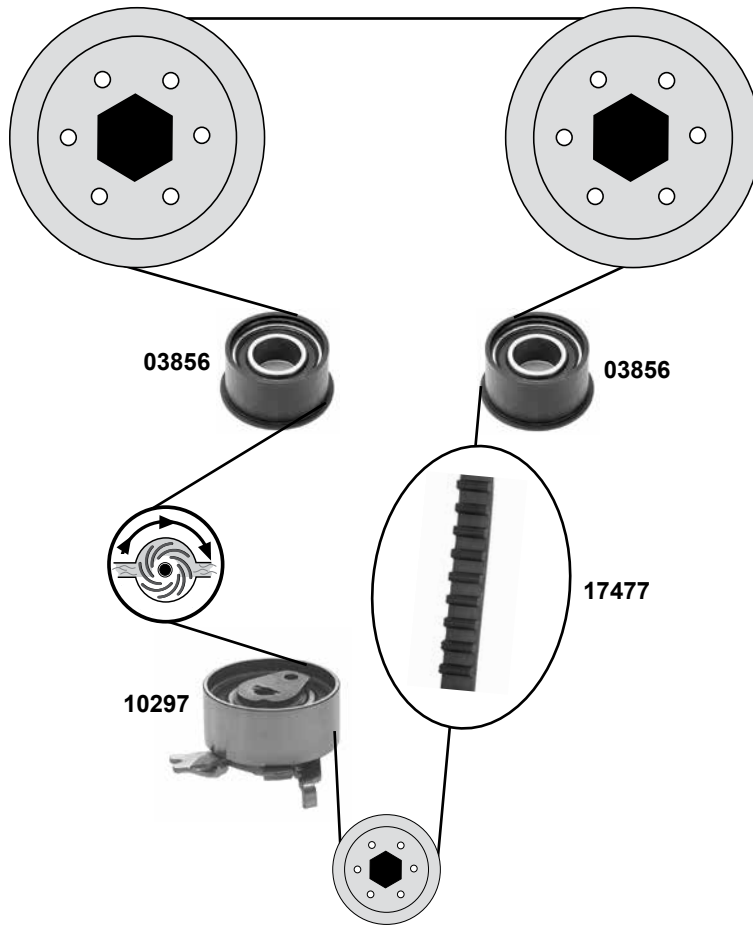
Ref. - No.



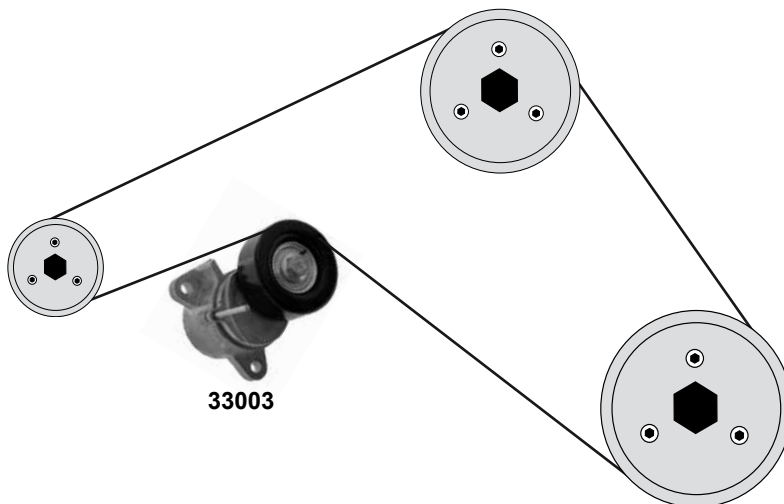
<b>11554</b>	09158003	Spannrolle / tension roller	(2)	ØA 59 B22
<b>14112</b>	92063918	Zahnriemen / timing belt	(2)	Z 146 B20
<b>14113</b>	92063918 S1	Rep. Satz Zahnriemen / rep. kit timing belt	(ch.)→580669	
<b>31214</b>	96966707	Riemenspanner / belt tensioner	(1)	ØA 75 B28
<b>33003</b>	96435138	Riemenspanner / belt tensioner		ØA 69,85 27,65



**1.8 / 2,0 / 2,2**  
DOHC



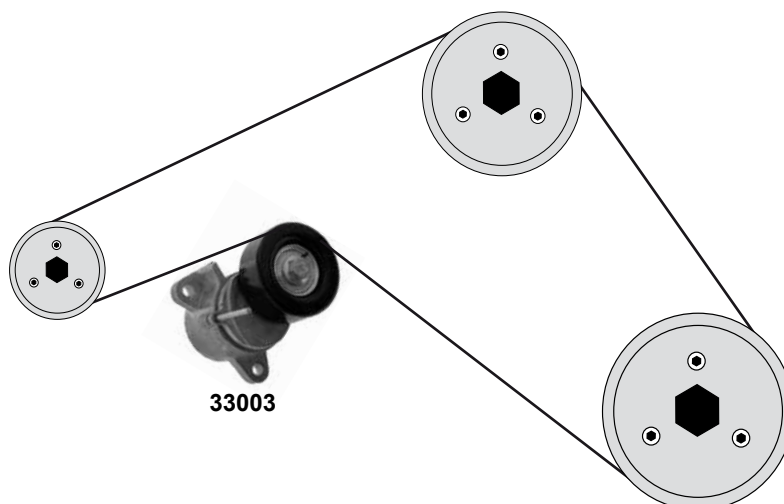
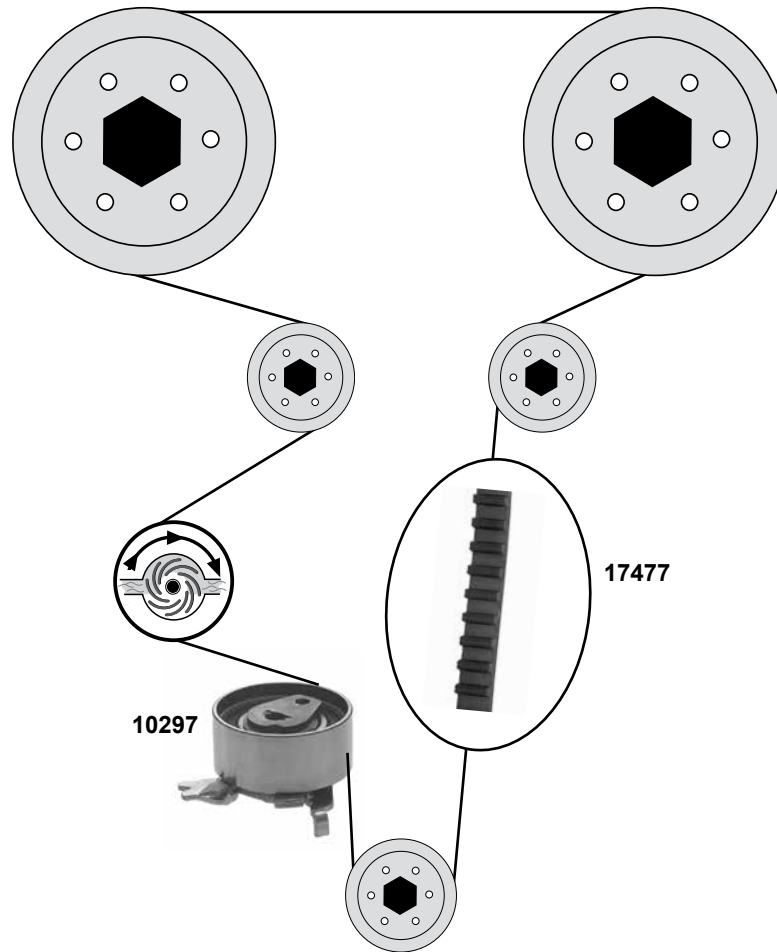
**1.8**  
DOHC



Ref. - No.



<b>03856</b>	09128738	Umlenkrolle / deflection pulley		ØA 52,5 B29,5
<b>10297</b>	09158004	Spannrolle / tension roller	(ex.) (mot.) 2,2	ØA 59 B26
<b>17477</b>	92066312	Zahnriemen / timing belt	(ex.) (mot.) 2,2	Z169 B24
<b>17478</b>	92063917 S1	Rep. Satz Zahnriemen / rep. kit timing belt	(ex.) (mot.) 2,2	
<b>33003</b>	96435138	Riemenspanner / belt tensioner		ØA 69,85 B27,65



Ref. - No.



**10297** 09158004  
**17477** 92066312  
**33003** 96435138

Spannrolle / tension roller  
Zahnriemen / timing belt  
Riemenspanner / belt tensioner

ØA 59 B26  
Z169 B24  
ØA 69,85 27,65

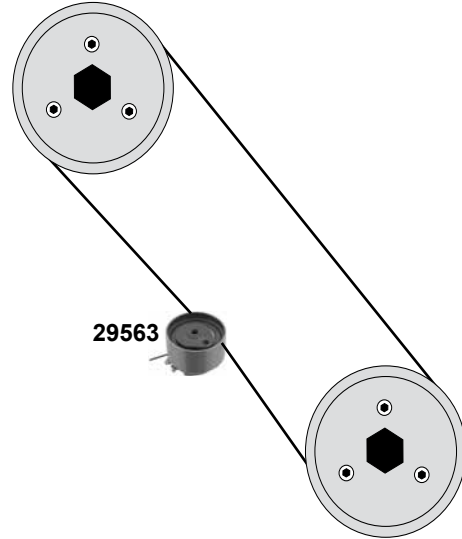
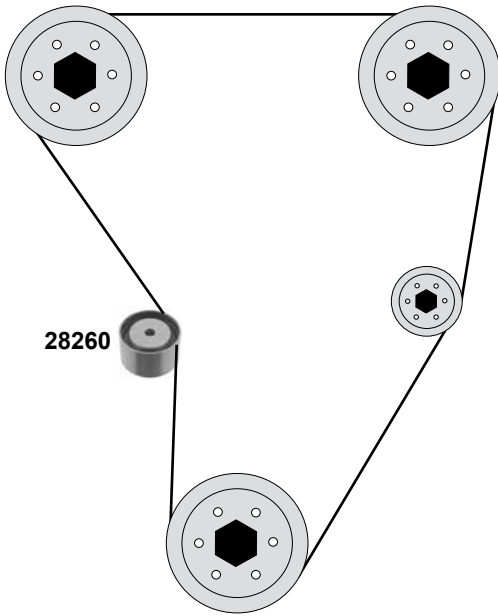
# DODGE Caravan II

(95→01)

Car  
Division



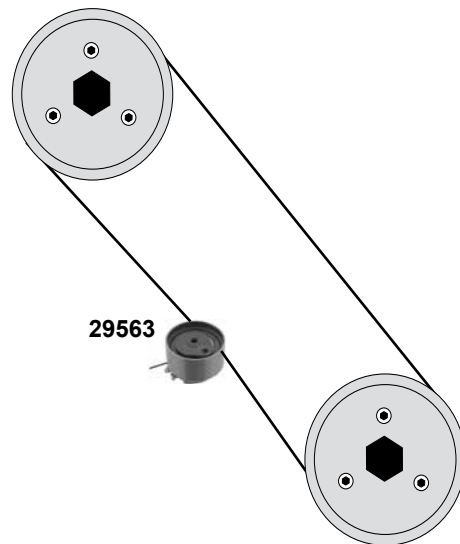
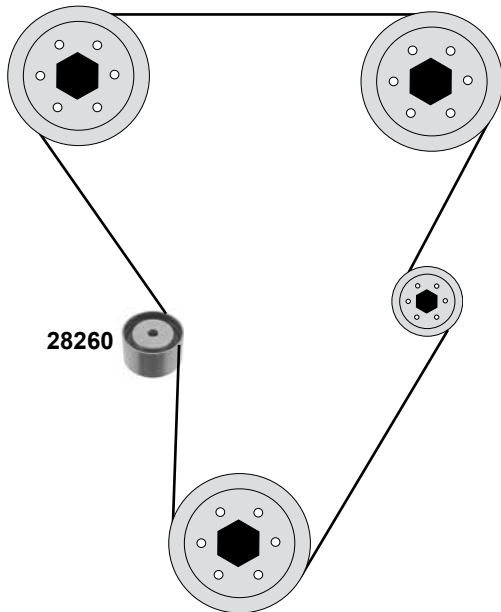
2,0 i



# Neon I

(94→99)

2,0 16V  
ECB/ECC



(1) Neon I 2,0 (109KW/112KW) 04/96 → 08/99



Ref. - No.



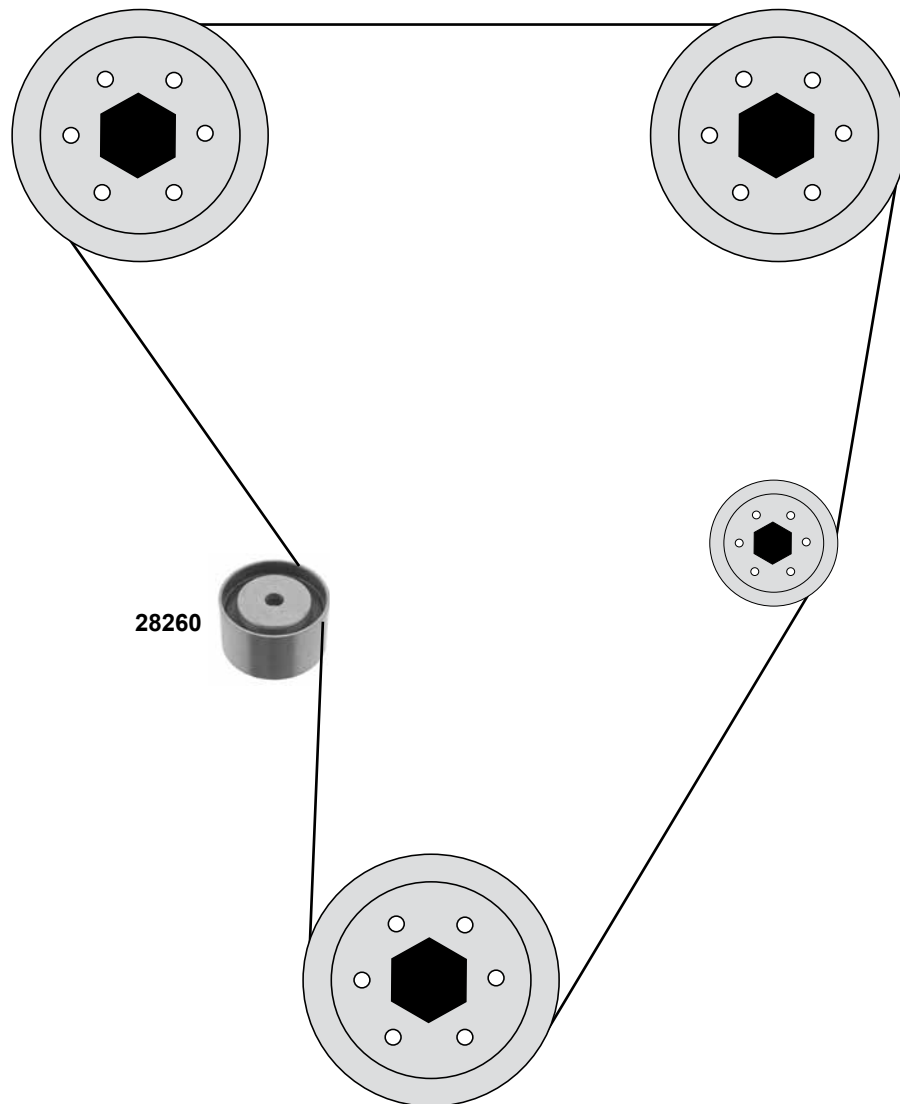
28260  
29563

04777017  
04884320AA

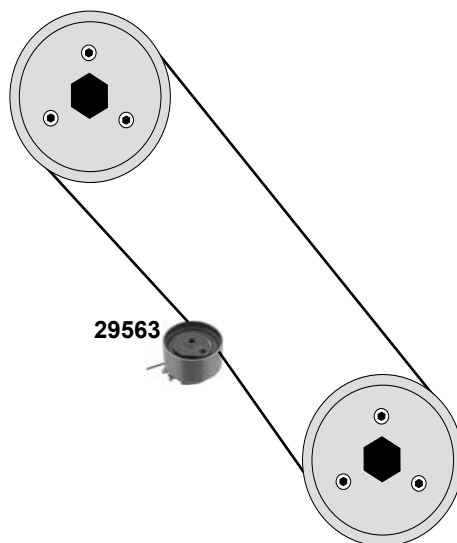
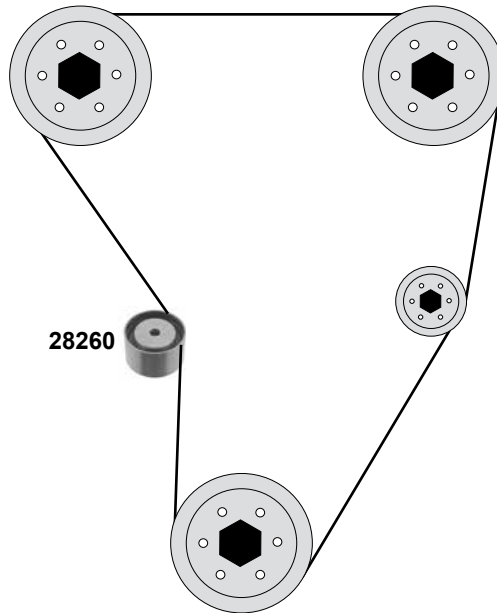
Umlenkrolle / deflection pulley  
Spannrolle / tension roller

(1)

ØA 70 B24,5  
ØA 67 B33



## 2,0 16V (ECB)



Ref. - No.



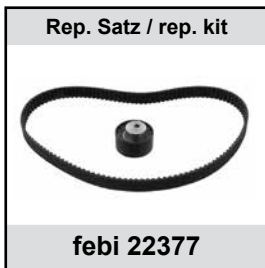
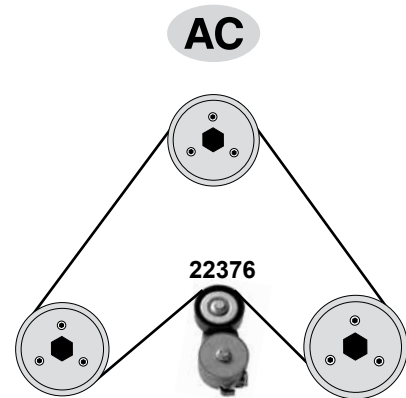
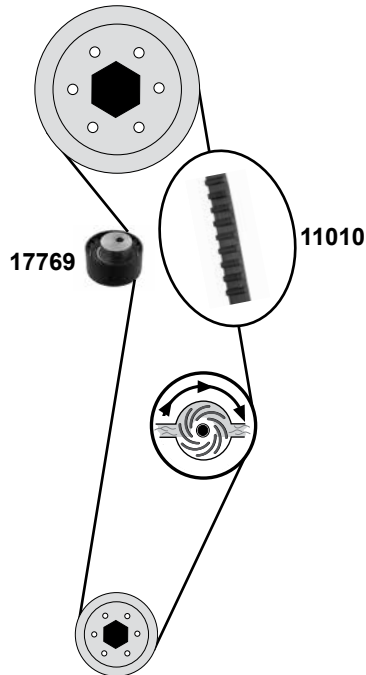
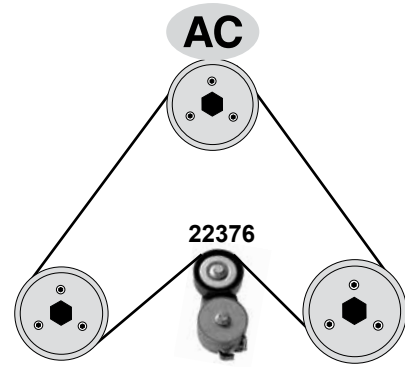
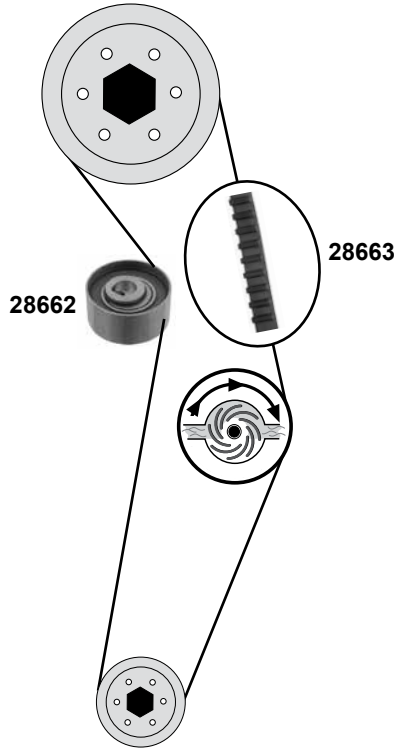
28260  
29563

04777017  
04884320AA

Umlenkrolle / deflection pulley  
Spannrolle / tension roller

12/96→  
12/96→

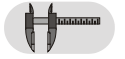
ØA 70 B24,5  
ØA 67 B33



- (1) 500 74kW →12 / 500 Abarth 08→ / 1,4  
(2) 500 Nuova →12 1,4 / 500 Abarth 08 / 1,4



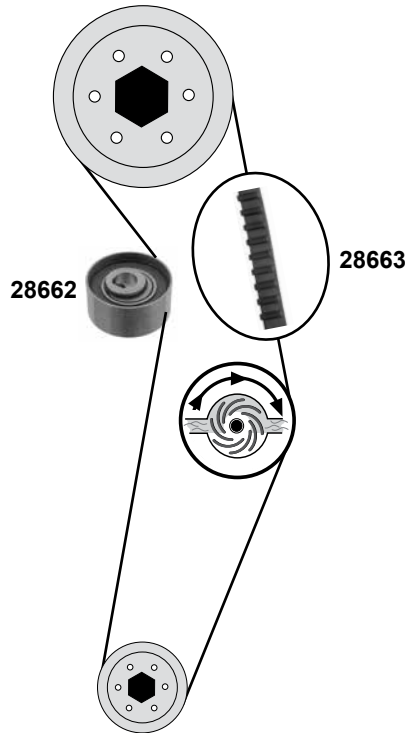
Ref. - No.



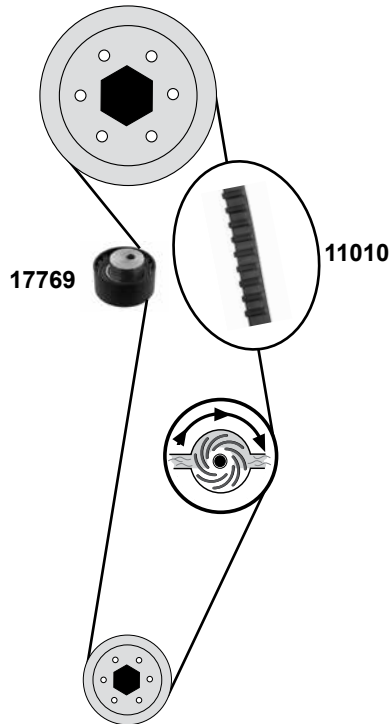
<b>11010</b>	46403659	Zahnriemen / timing belt	(1)	Z 124 B22
<b>17769</b>	55248394	Spannrolle / tension roller	(2)	ØA60 H29
<b>22376</b>	55195023	Riemenspanner / belt tensioner	incl. <b>ABARTH</b>	ØA 65 B23,5
<b>22377</b>	71736717	Rep. Satz Zahnriemen / rep. kit timing belt	incl. <b>ABARTH</b>	Z 124 B22
<b>28662</b>	55233759	Spannrolle / tension roller		ØA55,5 B26
<b>28663</b>	71753156	Zahnriemen / timing belt		Z 129 B22
<b>28664</b>	71775900	Rep.Satz. Zahnriemen / rep.kit.timing belt		

# FIAT 500 MY (12→)

## 1,2 8V



## 1,4



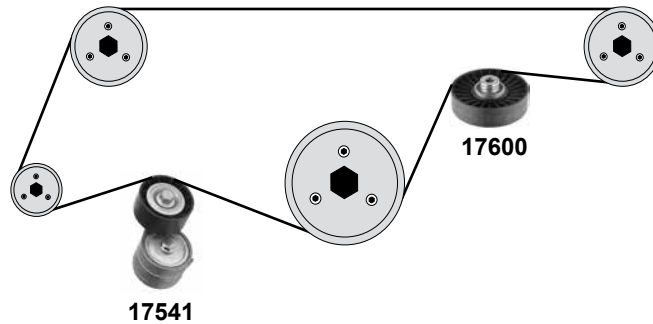
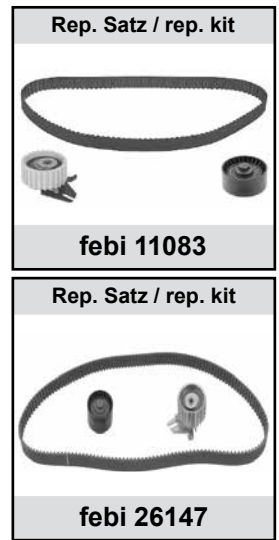
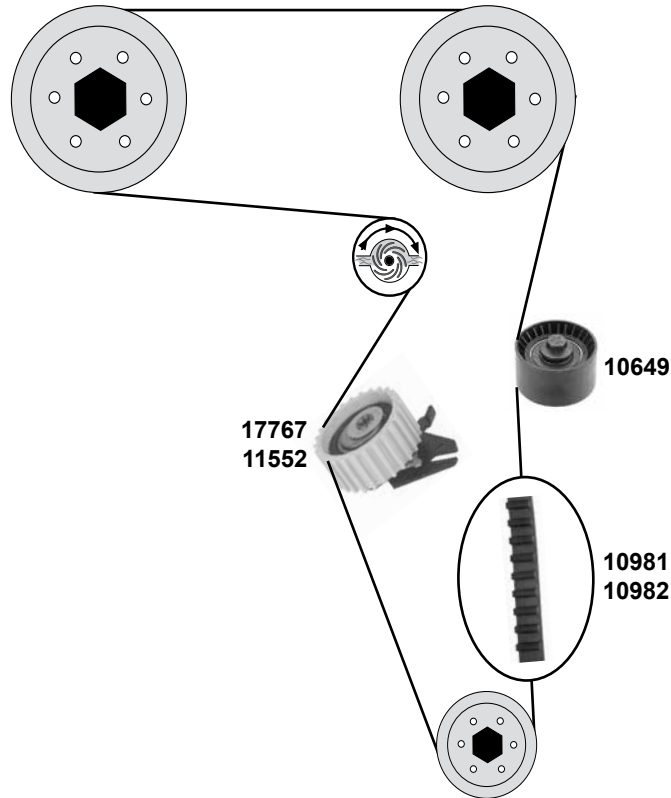
- (1) 500 MY 74kW / 500 MY Abarth 1,4/ 500 L 1,4
- (2) 500 MY 1,4 16 V 74kW / 500 MY Abarth 1,4/ 500 L 1,4



Ref. - No.



<b>11010</b>	46403659	Zahnriemen / timing belt	(1)	Z 124 B 22
<b>17769</b>	55248394	Spannrolle / tension roller	(2)	ØA60 H29
<b>28662</b>	55233759	Spannrolle / tension roller		ØA55,5 B26
<b>28663</b>	71753156	Zahnriemen / timing belt		Z 129 B22
<b>28664</b>	71775900	Rep.Satz. Zahnriemen / rep.kit.timing belt		



(1) (mot.) 183A.1000 / → 05/98



Ref. - No.



<b>10649</b>	60671573	Umlenkrolle / deflection roller	(1)	Ø A57 H29/35
<b>10981</b>	55210626	Zahnriemen / timing belt	(mot.) 188A.6000	Z 166 B24
<b>10982</b>	55210628	Zahnriemen / timing belt	(1)	Z 168 B24
<b>11083</b>	71736724	Rep. Satz Zahnriemen / rep. kit timing belt	(1)	Z 168 B24
<b>11552</b>	55192239	Spannrolle / tension roller		ØA 65 H29
<b>17541</b>	46524692	Riemenspanner / belt tensioner		
<b>17600</b>	7350 1924	Umlenkrolle / deflection pulley	AC	ØA90 H24,5
<b>17767</b>	55192240	Spannrolle / tension roller	05/98 →	ØA64,7 H28,7
<b>26147</b>	71736725	Rep. Satz Zahnriemen / rep. kit timing belt	(mot.) 188A.6000	Z 166 B24



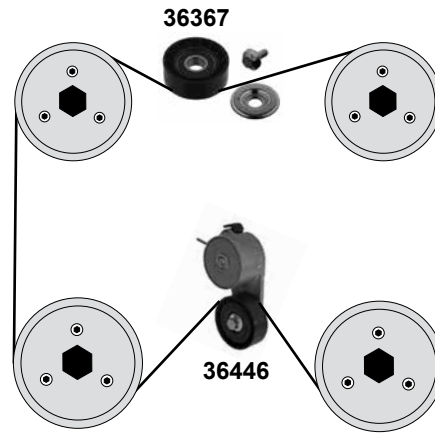
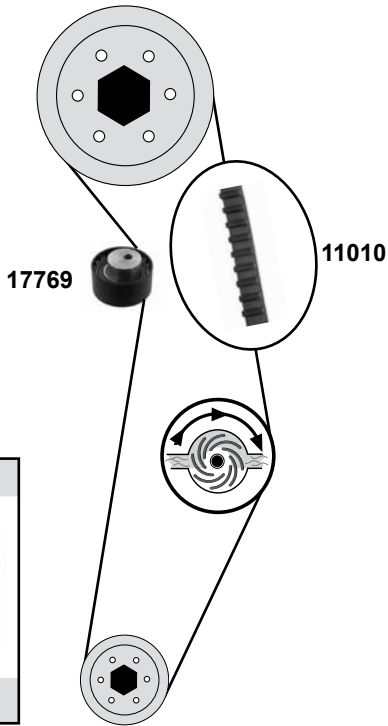
# FIAT Brava I / Bravo (182)

(95→01)

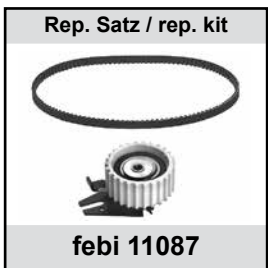
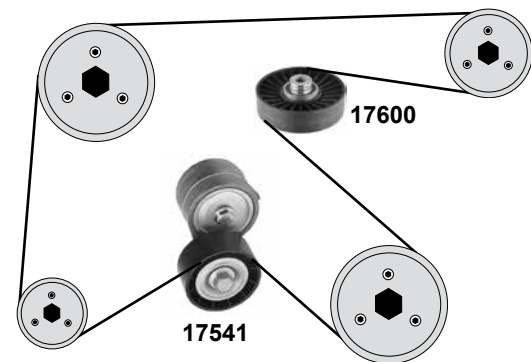
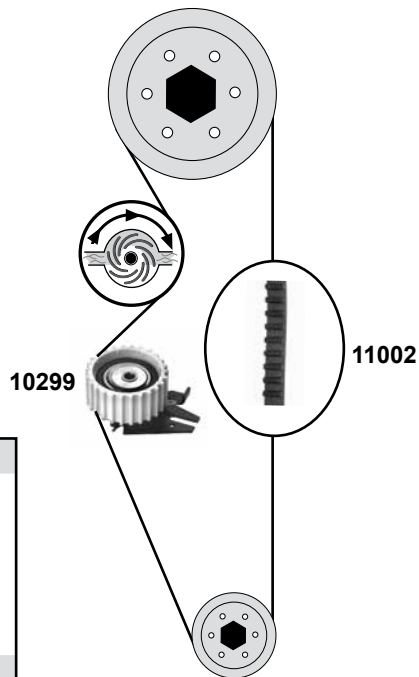
Car  
Division



## 1,2 16V



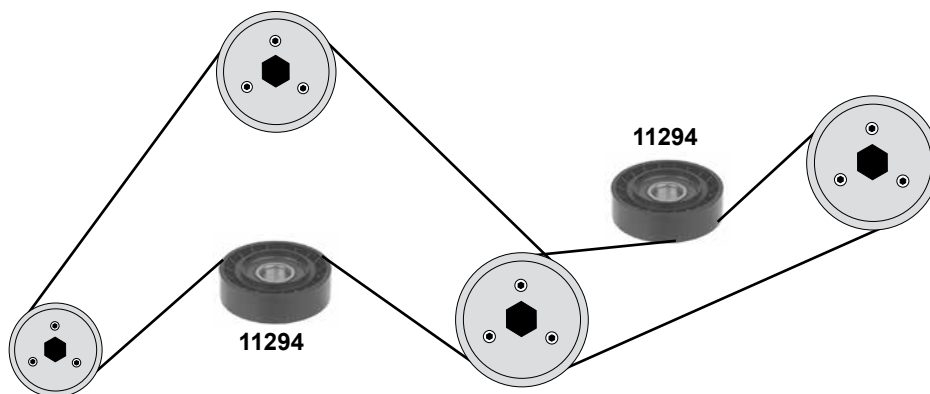
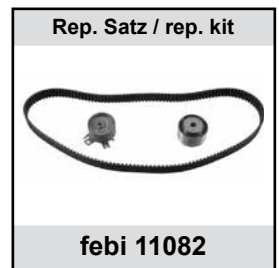
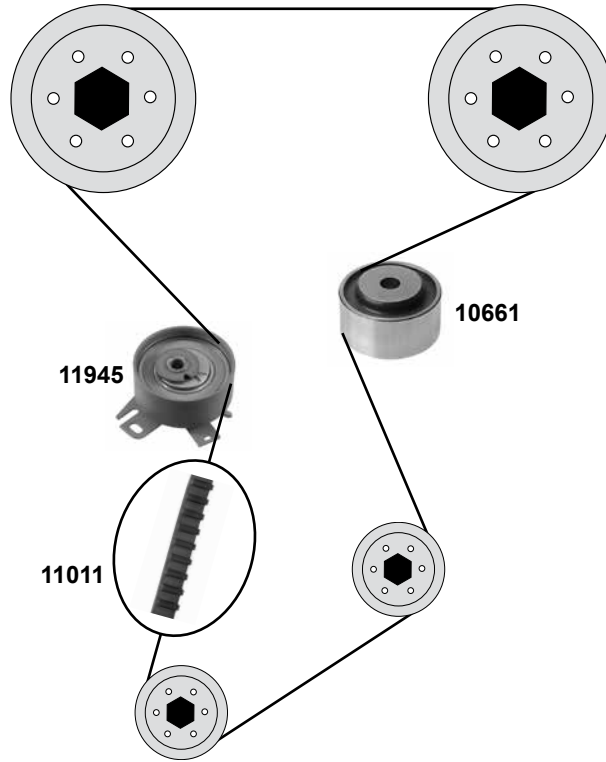
## 1,4 12V



Ref. - No.



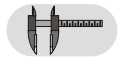
10299	55196971	Spannrolle / tension roller			ØA65 H29
11002	7762910	Zahnriemen / timing belt			Z 134 B18
11010	46403659	Zahnriemen / timing belt			Z 124 B22
11087	7762910 S1	Rep. Satz Zahnriemen / rep.kit timing belt			Z 134 B18
17541	46524692	Riemenspanner / belt tensioner			
17600	73501924	Umlenkrolle / deflection pulley		AC	ØA90 H24,5
17769	55248394	Spannrolle / tension roller		98→	ØA60 H29
22377	71736717	Rep. Satz Zahnriemen / rep.kit timing belt		98→	Z 124 B22
36367	46742968	Umlenkrolle / deflection pulley		AC / 98→	ØA65 B23
36446	55193330	Riemenspanner / belt tensioner		98→	ØA65 B23



(1) Brava → 98



Ref. - No.



<b>10661</b>	55211287	Umlenkrolle / deflection pulley	(1)	ØA65 H30,4 / 35,4
<b>11011</b>	55188191	Zahnriemen / timing belt		Z 158 B24
<b>11082</b>	71736715	Rep. Satz Zahnriemen / rep. kit timing belt		Z 158 B24
<b>11294</b>	46424716	Spannrolle / tension roller		ØA80 H24
<b>11945</b>	71734799	Spannrolle / tension roller		ØA60 H29

# FIAT

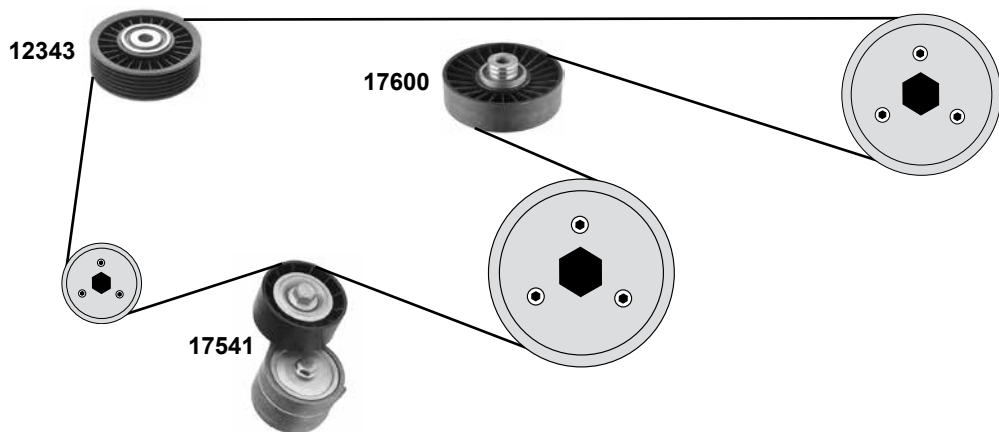
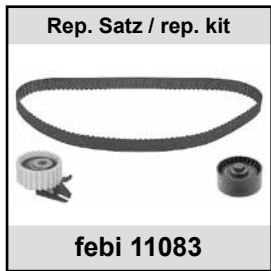
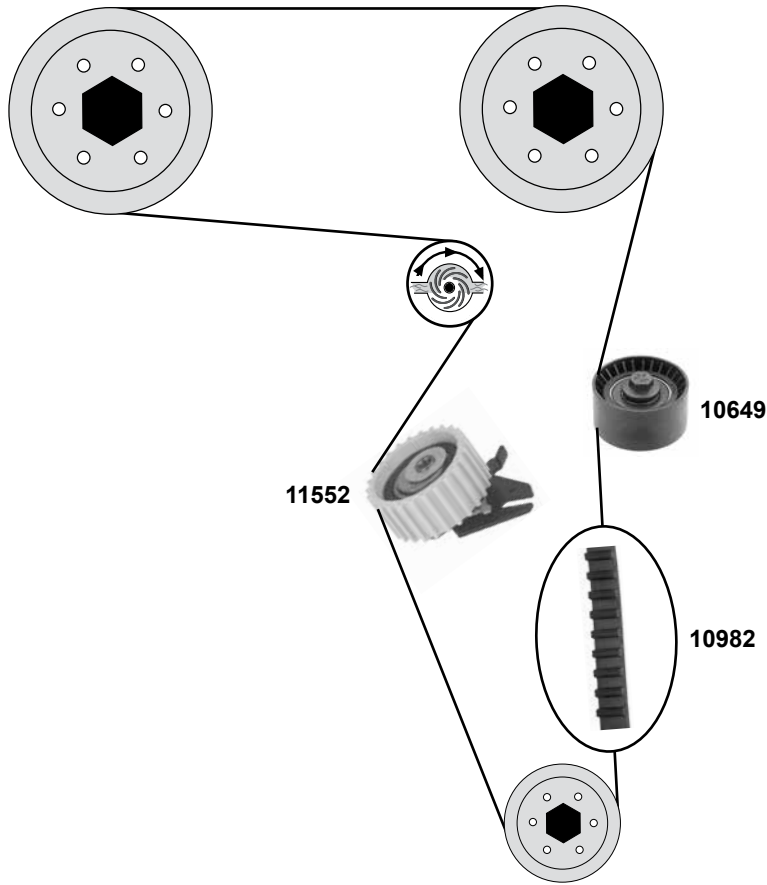
## Brava I / Bravo (182)

(95→01)

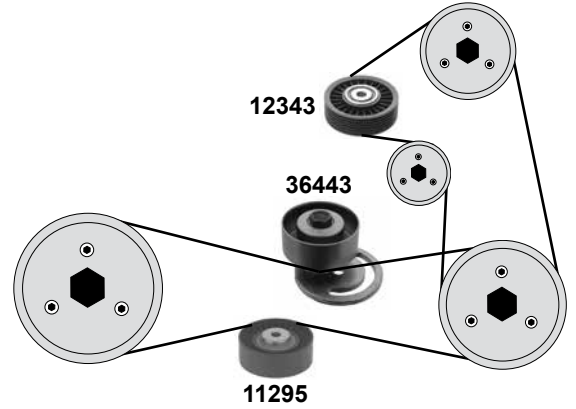
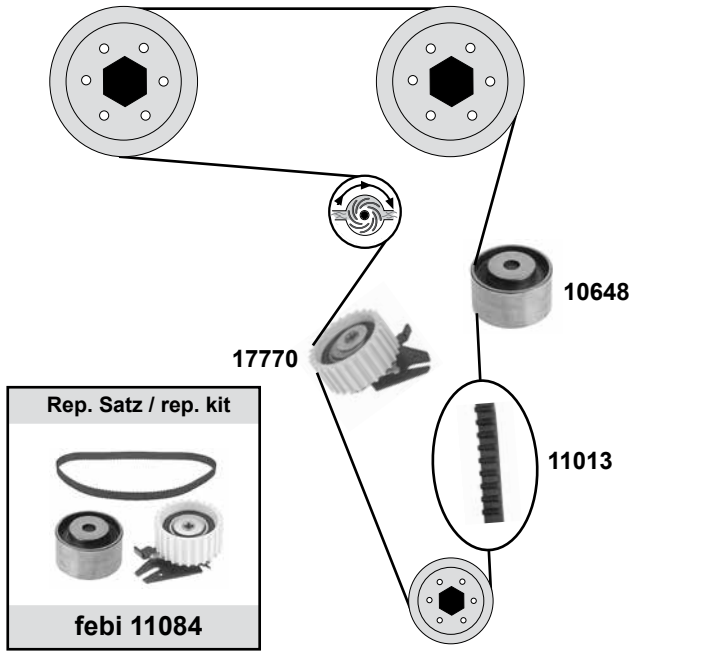
Car  
Division



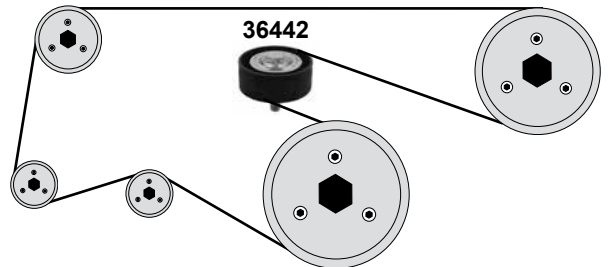
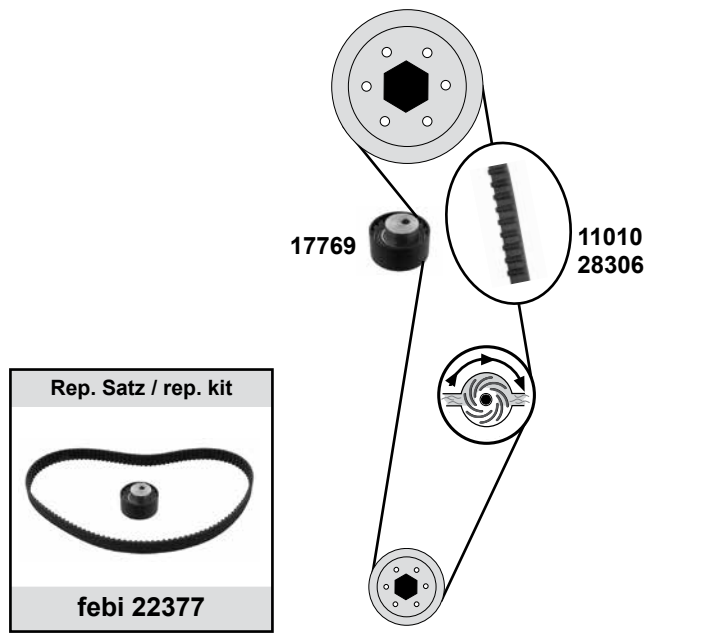
### 1,8 16V



Ref. - No.	Icon	Description	AC	Dimensions
10649		Umlenkrolle / deflection roller		ØA57 H29/35
10982		Zahnriemen / timing belt		Z 168 B24
11083		Rep. Satz Zahnriemen / rep. kit timing belt		Z 168 B24
11552		Spannrolle / tension roller		ØA65 H29
12343		Umlenkrolle / deflection pulley	AC	ØA80 Ø1 10 H23
17541		Riemenspanner / belt tensioner		
17600		Umlenkrolle / deflection pulley	AC	ØA90 H24,5



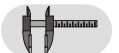
**Bravo Nuova II (198)**  
(07→09)  
**1,4**



(1) (mot.) 1,4 110kW / 1,9 110kW AC



Ref. - No.



10648	71736493	Umlenkrolle / deflection pulley		ØA53
11010	46403659	Zahnriemen / timing belt	→09 1,4 16 V	Z 124 B22
11013	46541065	Zahnriemen / timing belt		Z 167 B24
11084	46541065 S1	Rep. Satz Zahnriemen / rep. kit timing belt		Z 167 B24
11295	46547564	Spannrolle / tension roller	(mot.) → 1140488	ØA80 H28,5
12343	7740252	Umlenkrolle / deflection pulley	AC	ØA80 Ø1 10 H23
17769	55248394	Spannrolle / tension roller	1,4	ØA60 H29
17770	55192773	Spannrolle / tension roller		
22377	71736717	Rep. Satz Zahnriemen / rep. kit timing belt	1,4 16 V	Z 124 B22
28306	55183528	Zahnriemen / timing belt		Z 199 B24
36442	60671789	Umlenkrolle / deflection pulley	(1)	ØA65 B25
36443	46441096	Riemenspanner / belt tensioner	1,4 16 V	ØA65 B26

# FIAT

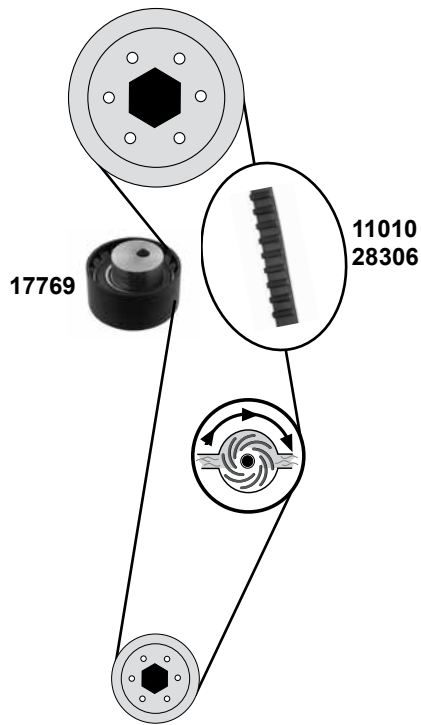
## Bravo II Nuova (198)

(07→09)

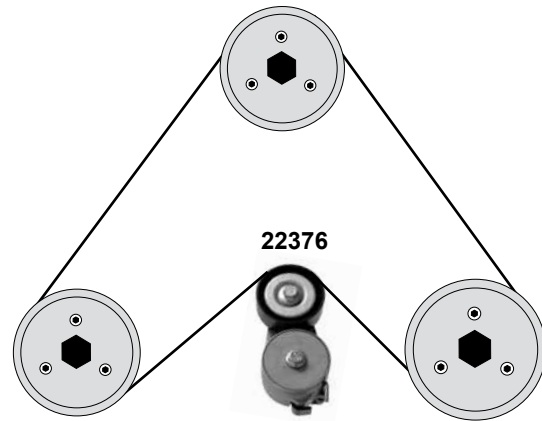
Car  
Division



1,4



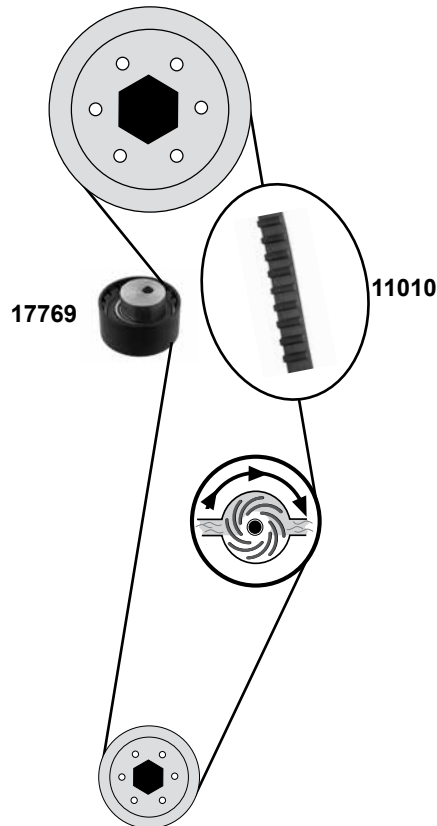
AC



## Bravo Nuova MY

(10→)

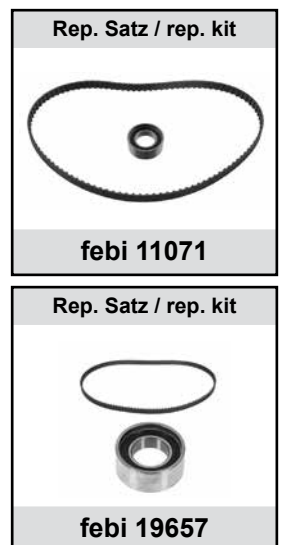
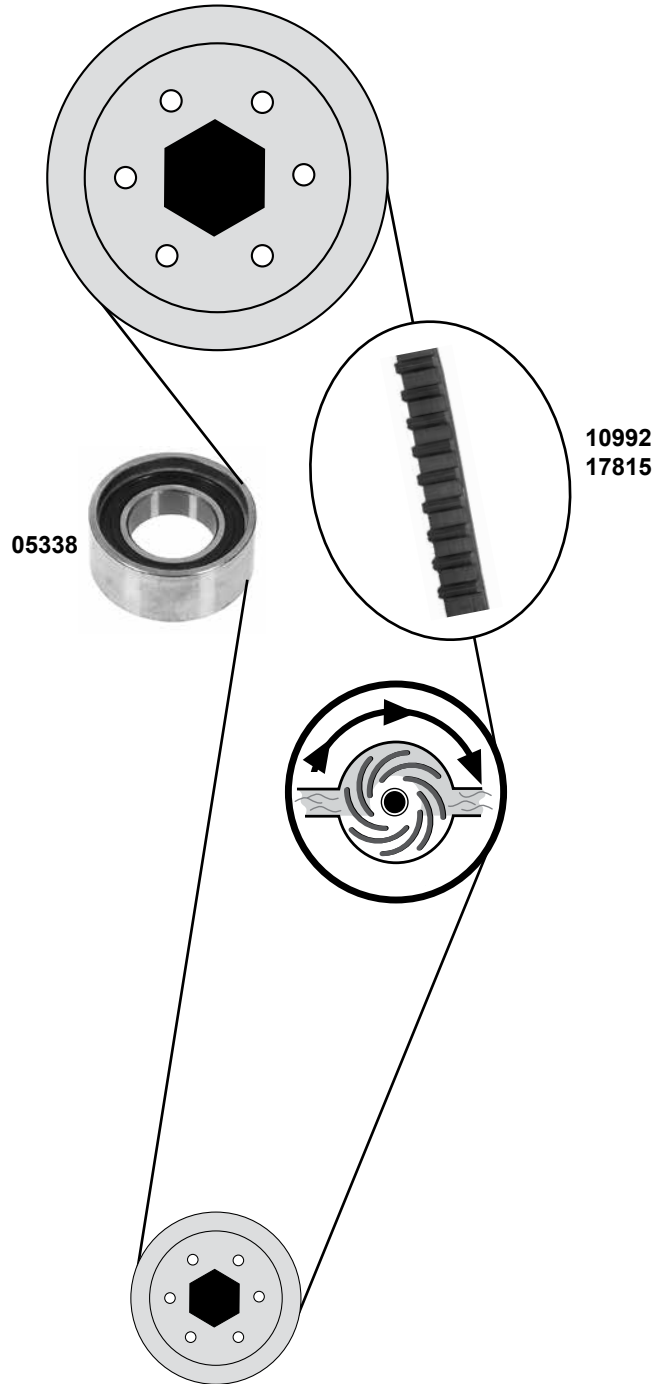
1,4



Ref. - No.



<b>11010</b>	46403659	Zahnriemen / timing belt	1,4	Z 124 B 22
<b>17769</b>	55248394	Spannrolle / tenson roller	1,4	ØA60 H29
<b>22376</b>	55195023	Riemenspanner / belt tensioner		ØA 65 B23,5
<b>28306</b>	55183528	Zahnriemen / timing belt	T-Jet 110kW	Z 199 B24



Ref. - No.



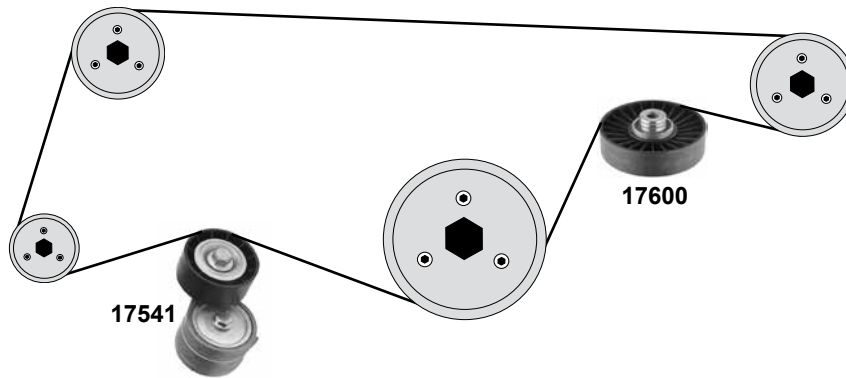
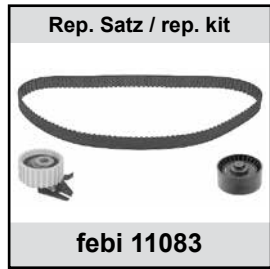
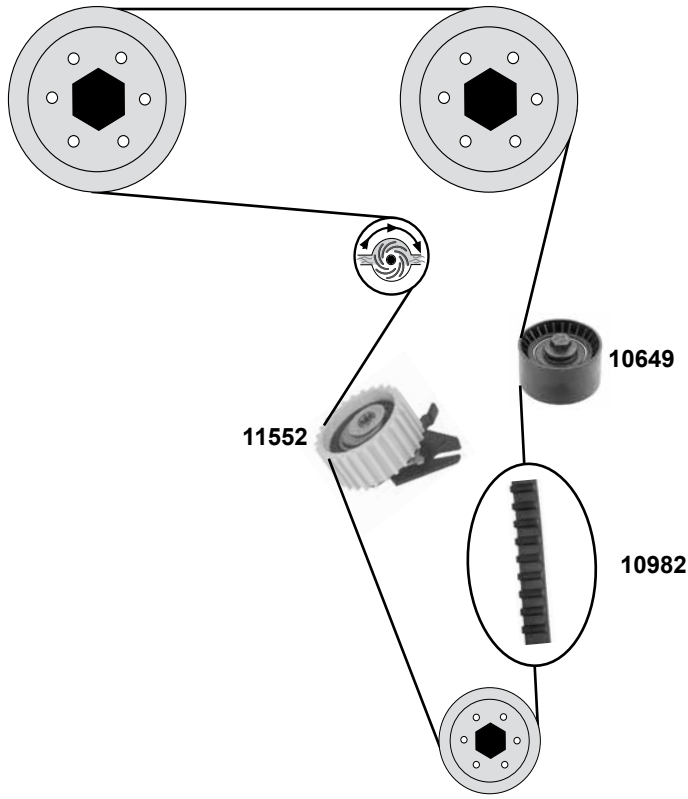
<b>05338</b>	71740977	Spannrolle / tension roller		ØA57 ØI 30 B24
<b>10992</b>	46474432	Zahnriemen / timing belt	(mot.) → 9042883	Z 104 B15
<b>11071</b>	7554701 S1	Rep.Satz. Zahnriemen / rep.kit.timing belt	(mot.) → 9042883	Z 104 B15
<b>17815</b>	55203786	Zahnriemen / timing belt	(mot.) 9042884 →	Z 125 B15
<b>19657</b>	46750865 S1	Rep.Satz. Zahnriemen / rep.kit.timing belt	(mot.) 9042884 →	Z125 B15

# FIAT Coupé (175) (94→00)

Car Division



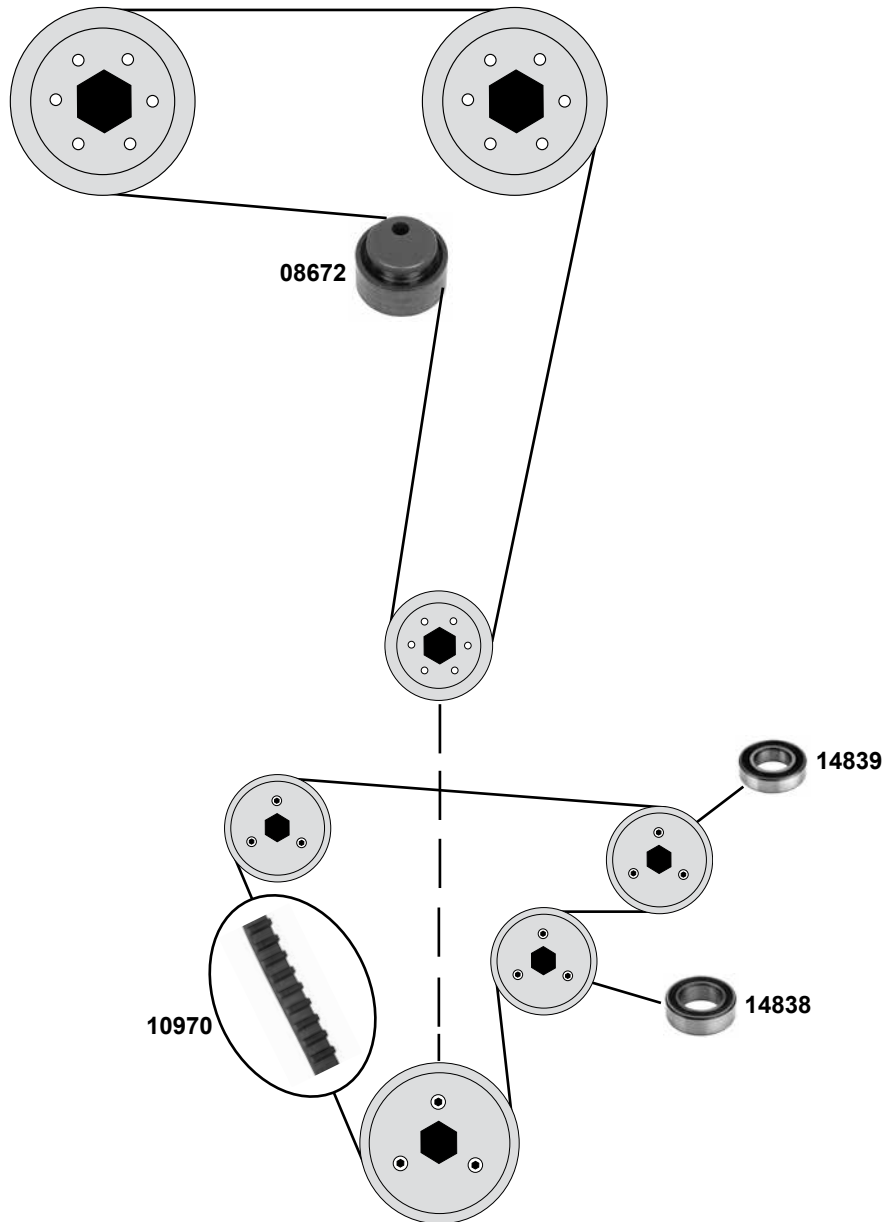
## 1,8 16V



Ref. - No.	Icon	Description	Part Number
10649		Umlenkrolle / deflection pulley	60671573
10982		Zahnriemen / timing belt	55210628
11083		Rep. Satz Zahnriemen / rep. kit timing belt	71736724
11552		Spannrolle / tension roller	55192239
17541		Riemenspanner / belt tensioner	46524692
17600		Umlenkrolle / deflection pulley	73501924

AC / 94 → 00

ØA57 H29/35  
Z 168 B24  
Z 168 B24  
ØA65 H29  
ØA90 H24,5



Ref. - No.



**08672** 5997325  
**10970** 7614999  
**14838** 5999795  
**14839** 7541712

Spannrolle / tension roller  
Zahnriemen Ausgleichsw. / timing belt balance shaft  
Umlenkrolle / deflection pulley  
Umlenkrolle / deflection pulley

ØA56 H27/39,5  
Z 97 B15  
ØA 68 ØI 40 H21  
ØA 47 ØI25 H12



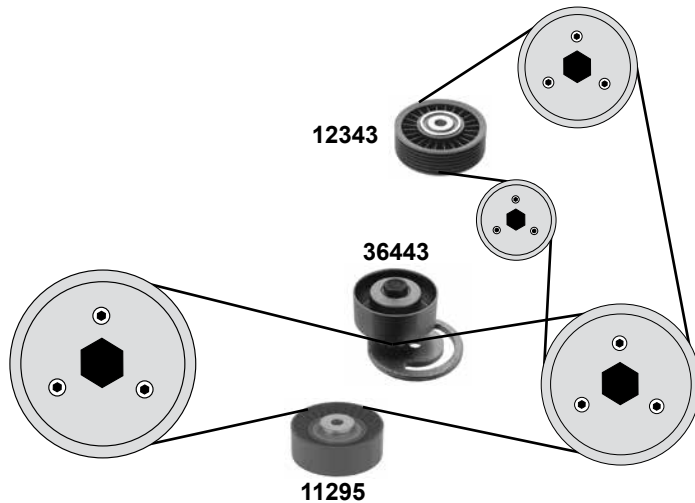
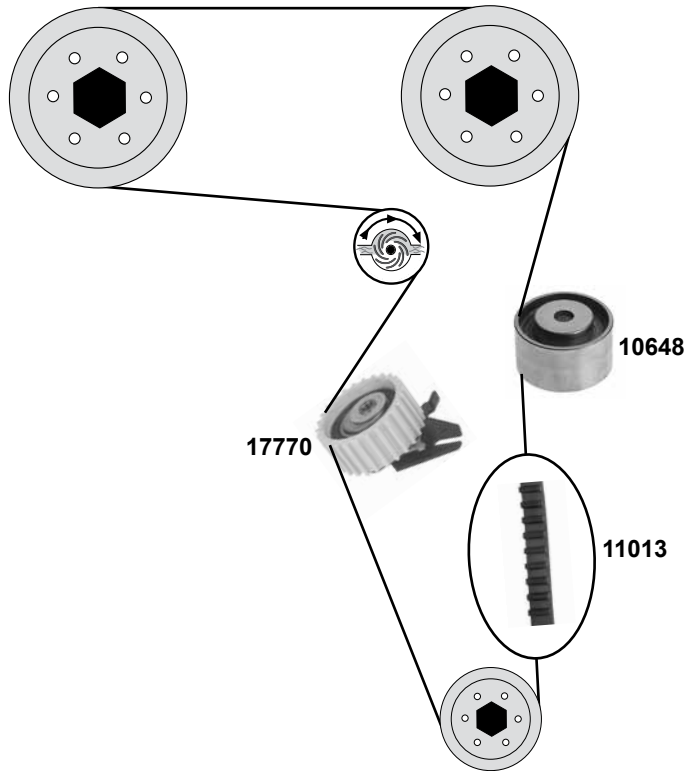
# FIAT Coupé (175)

(94→00)

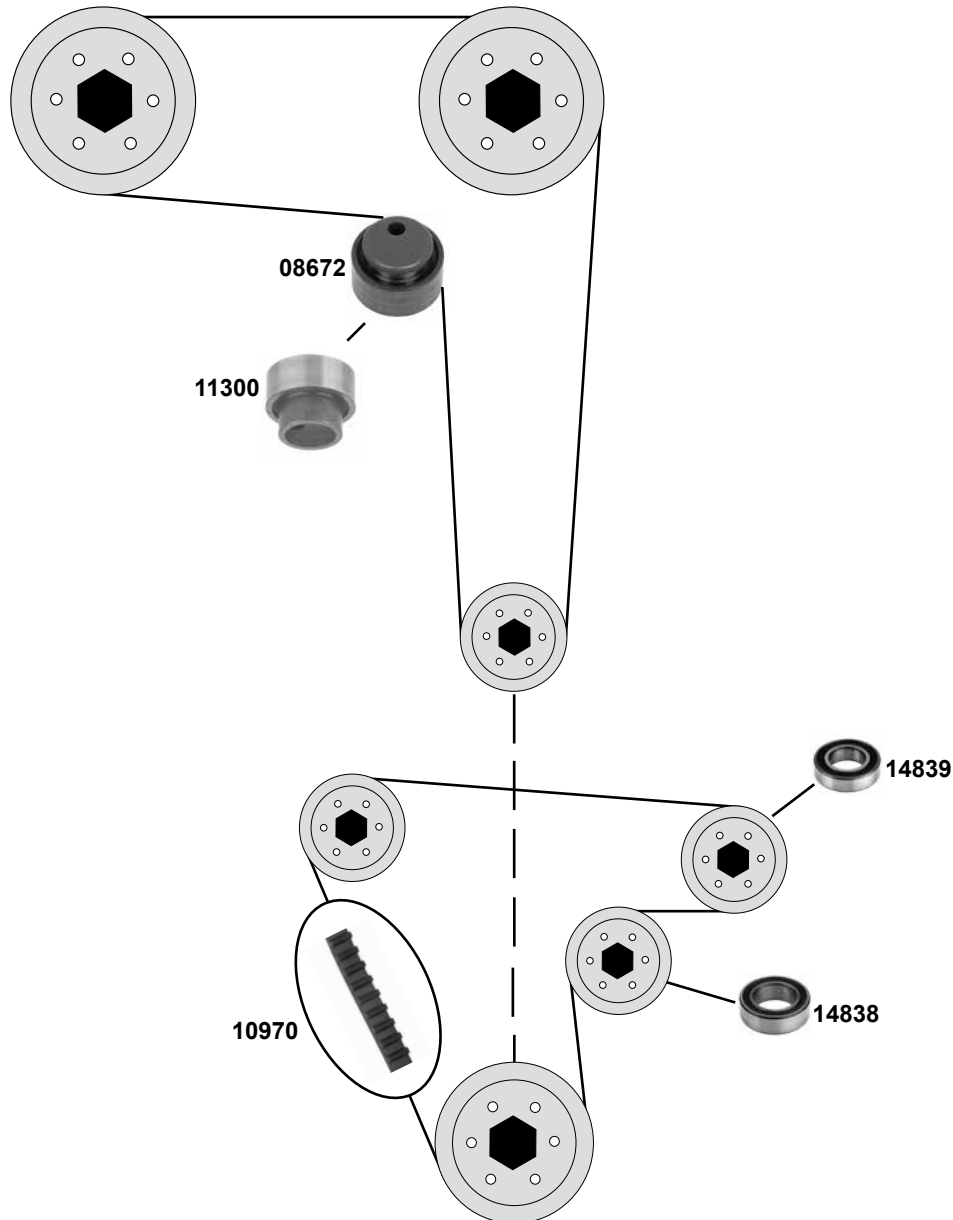
Car Division



2,0 20V



Ref. - No.	Part Name	Technical Data
10648	Umlenkrolle / deflection pulley	96→ 108 / 113 kW ØA53 H29/31
11013	Zahnriemen / timing belt	Z 167 B24
11084	Rep. Satz Zahnriemen / rep. kit timing belt	Z 167 B24
11295	Spannrolle / tension roller	(mot.) → 1140488 ØA 80 H 28,5
12343	Umlenkrolle / deflection pulley	AC ØA 80 ØI 10 H 23
17770	Spannrolle / tension roller	
36443	Riemenspanner / belt tensioner	ØA65 B26



	Ref. - No.			
<b>08672</b>	5997325	Spannrolle / tension roller	(mot.) 16V	ØA 57 H24
<b>10970</b>	7614999	Zahnriemen Ausgleichsw. / timing belt balance shaft		Z 97 B15
<b>11300</b>	7541718	Spannrolle / tension roller	(mot.) 8V	ØA 60 H25/46,5
<b>14838</b>	5999795	Umlenkrolle / deflection pulley		ØA 68 ØI 40 H21
<b>14839</b>	7541712	Umlenkrolle / deflection pulley		ØA 47 ØI 25 H12

# FIAT

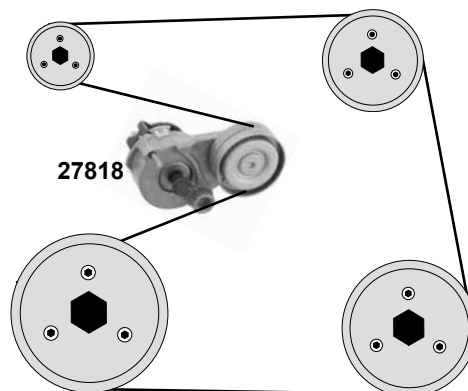
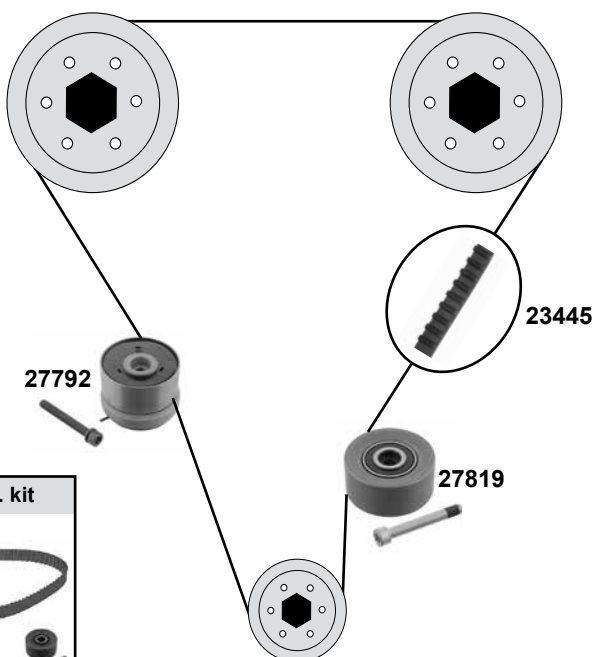
## Croma (194)

(05→00)

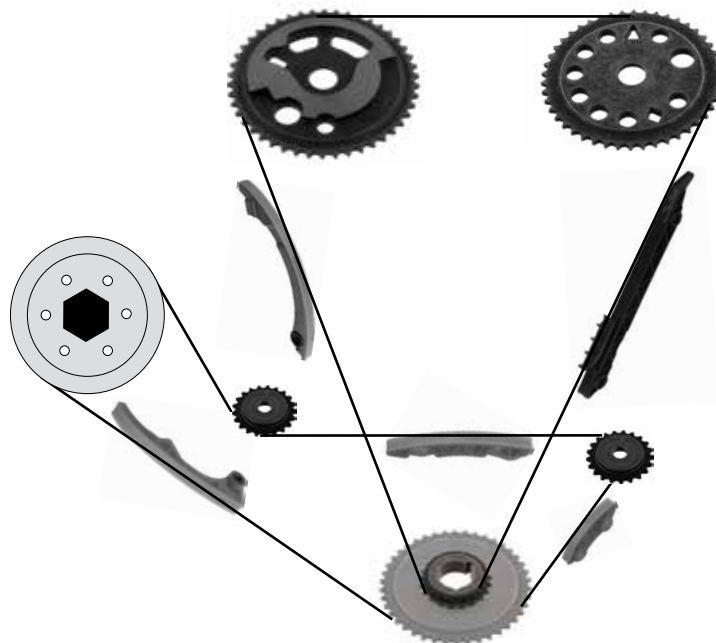
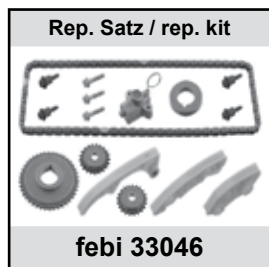
Car  
Division



### 1,8 16V



### 2,2 16V GDI



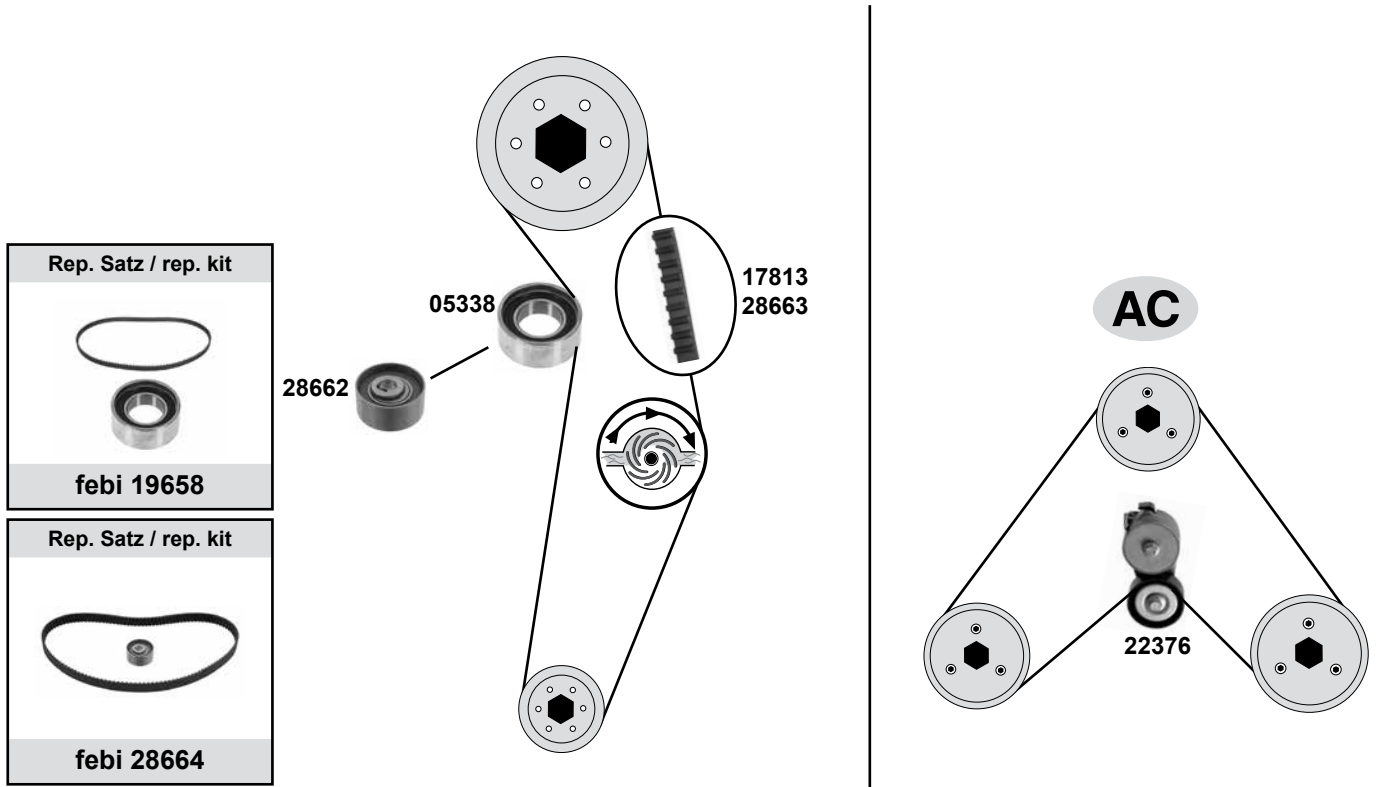
Ref. - No.



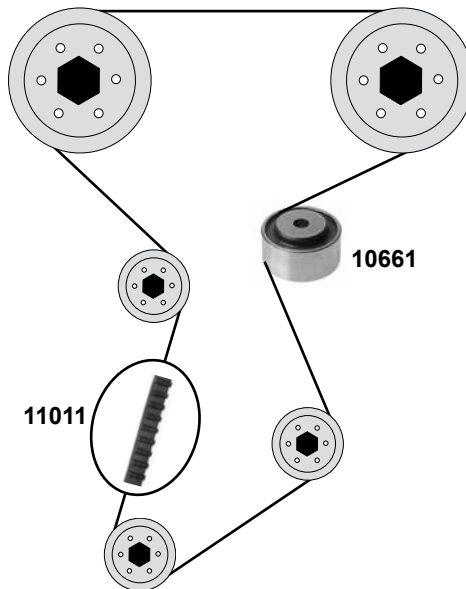
23445	71739873	Zahnriemen / timing belt	Z 146 B24
27792	55574864	Spannrolle / tension roller	ØA 66 B29
27818	55563512	Riemenspanner / belt tensioner	ØA 63
27819	71739801	Umlenkrolle / reversing pulley	ØA 61 B28
27825	71739873 S1	Rep. Satz Zahnriemen / rep. kit timing belt	Z 146 B24
33042	71739327 S1	Rep. Satz Steuerkette / rep. kit timing chain	148 E
33046	71771252 S1	Rep. Satz Steuerkette / rep. kit timing chain	134 E

1,2 8V / 1,4 8V

1,4



1,6



(1) (mot.) 1,2 8V (mot.) → 2533527



Ref. - No.



Part No.	Ref. - No.	Description	Quantity	Dimensions
05338	71740977	Spannrolle / tension roller	(1)	ØA 57 H24
10661	55211287	Umlenkrolle / deflection pulley	(1)	ØA 65 H30,4/35,4
11011	55188191	Zahnriemen / timing belt	(1)	Z 158 B24
17813	71719652	Zahnriemen / timing belt	(1)	Z 129 B15
19658	71771576	Rep. Satz Zahnriemen / rep. kit timing belt	(1)	Z 129
22376	55195023	Riemenspanner / belt tensioner		ØA 65 B23,5
28662	55233759	Spannrolle / tension roller	04→	ØA 55,5 B26
28663	71753156	Zahnriemen / timing belt	04→	Z 129 B22
28664	71775900	Rep.Satz Zahnriemen / rep.kit. timing belt	04→	

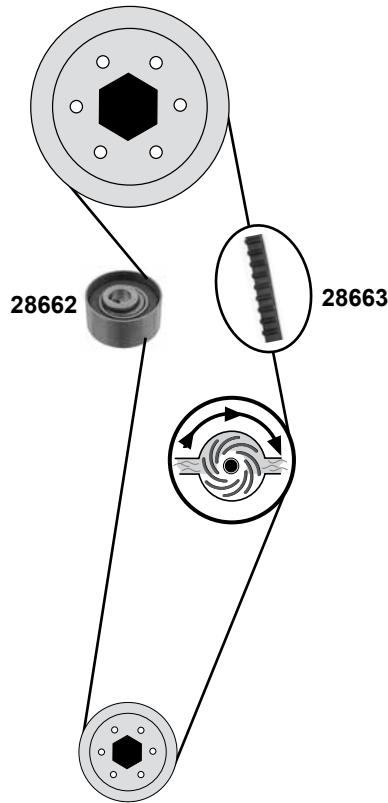
# FIAT Doblo / Cargo Rest. (119/223)

(05→09)

Car Division 



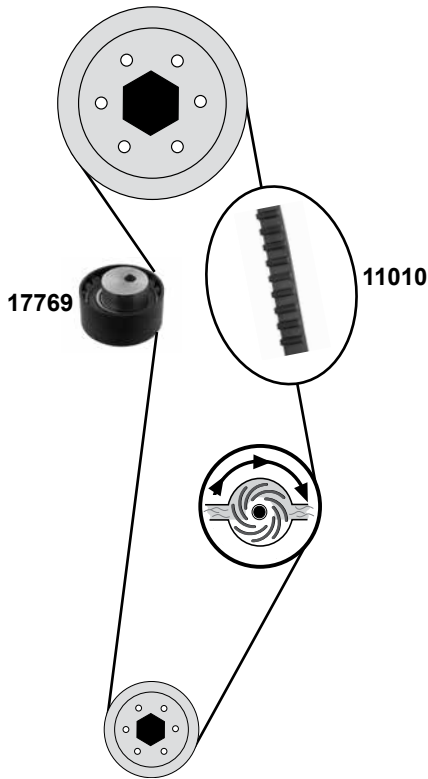
1,2 8V / 1,4 8V



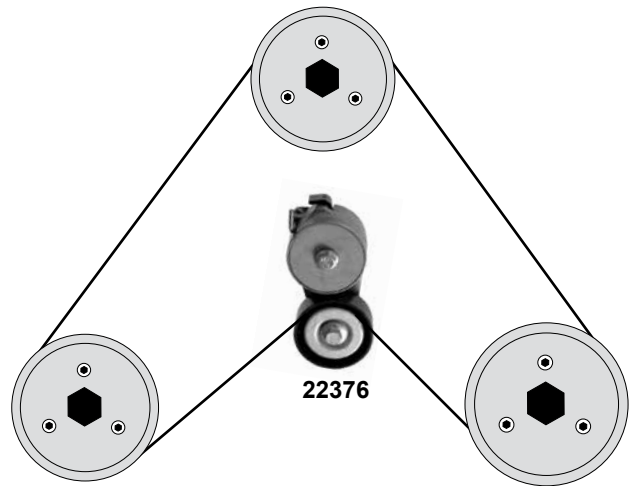
# Doblo Nuovo Cargo (152/263)




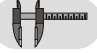
(09→)

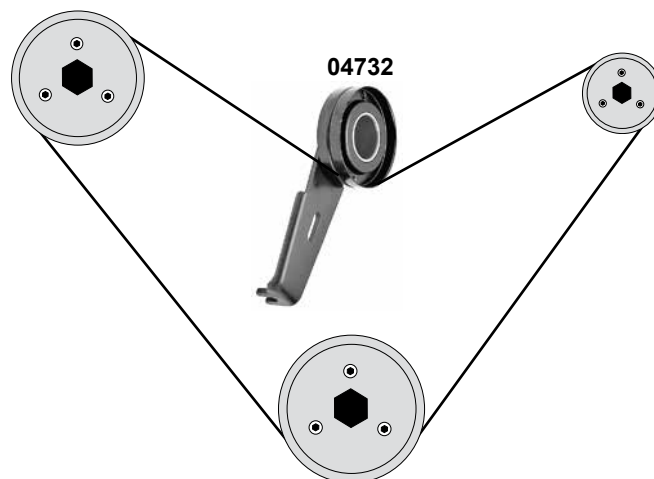
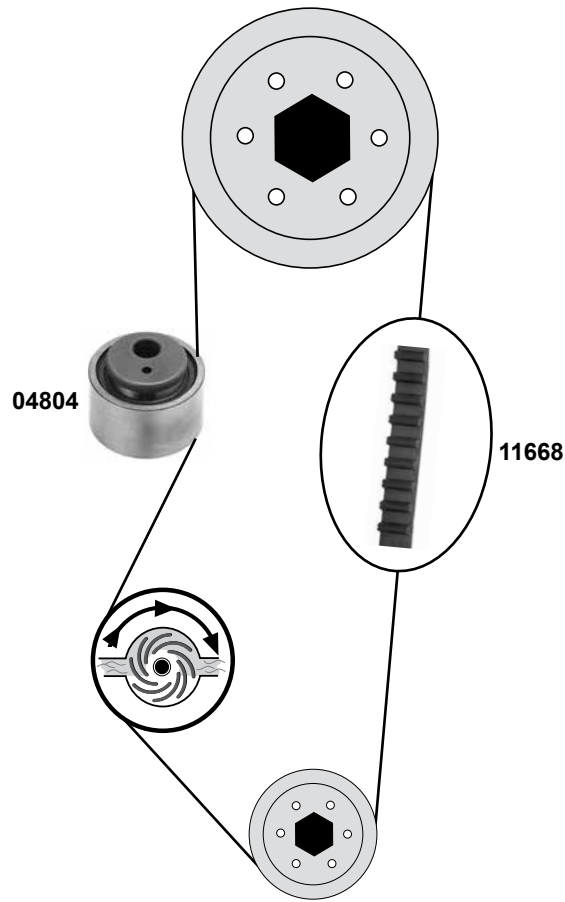
1,2 / 1,4



**AC**



	Ref. - No.			
<b>11010</b>	46403659	Zahnriemen / timing belt	1,4 70/85/88kW	Z 124 B 22
<b>17769</b>	55248394	Spannrolle / tension roller	1,2 / 1,4	ØA 60 B29
<b>22376</b>	55195023	Riemenspanner / belt tensioner	→05	ØA 65 B23,5
<b>28662</b>	55233759	Spannrolle / tension roller		ØA 55,5 B26
<b>28663</b>	71753156	Zahnriemen / timing belt		Z 129 B22
<b>28664</b>	71775900	Rep. Satz Zahnriemen / rep. kit timing belt		



Ref. - No.



**04732** 9608859180  
**04804** 9622574480  
**11668** 1473011080  
**11669** 9467627280

Spannrolle / tension roller  
Spannrolle / tension roller  
Zahnriemen / timing belt  
Rep. Satz Zahnriemen / rep. kit timing belt

AC

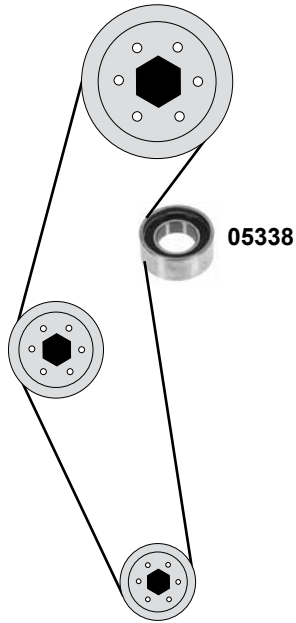
ØA 90 ØI 8/29 H24,5  
ØA 57 ØI 57 H33  
Z 114 B25,4  
Z 114 B25,4

**FIAT**  
**Fiorino (146)**  
(93→)

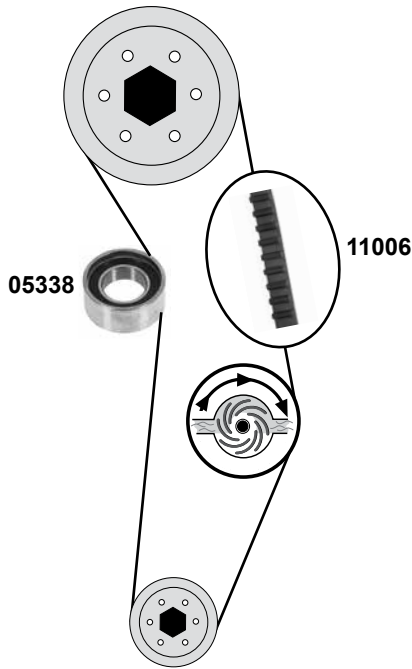
Car  
Division



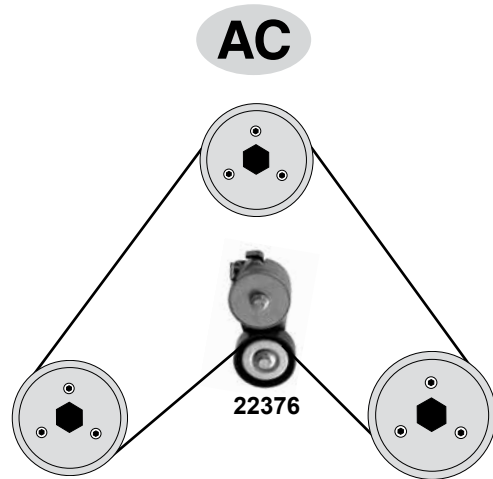
**1,3**



**1,4 / 1,6**



**1,4 8V 57kW**



Ref. - No.

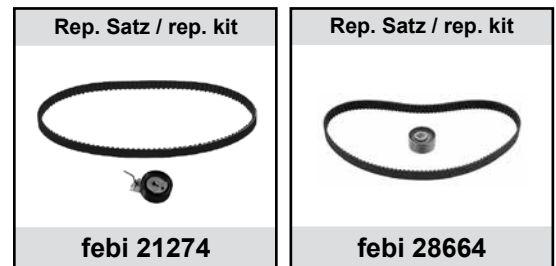
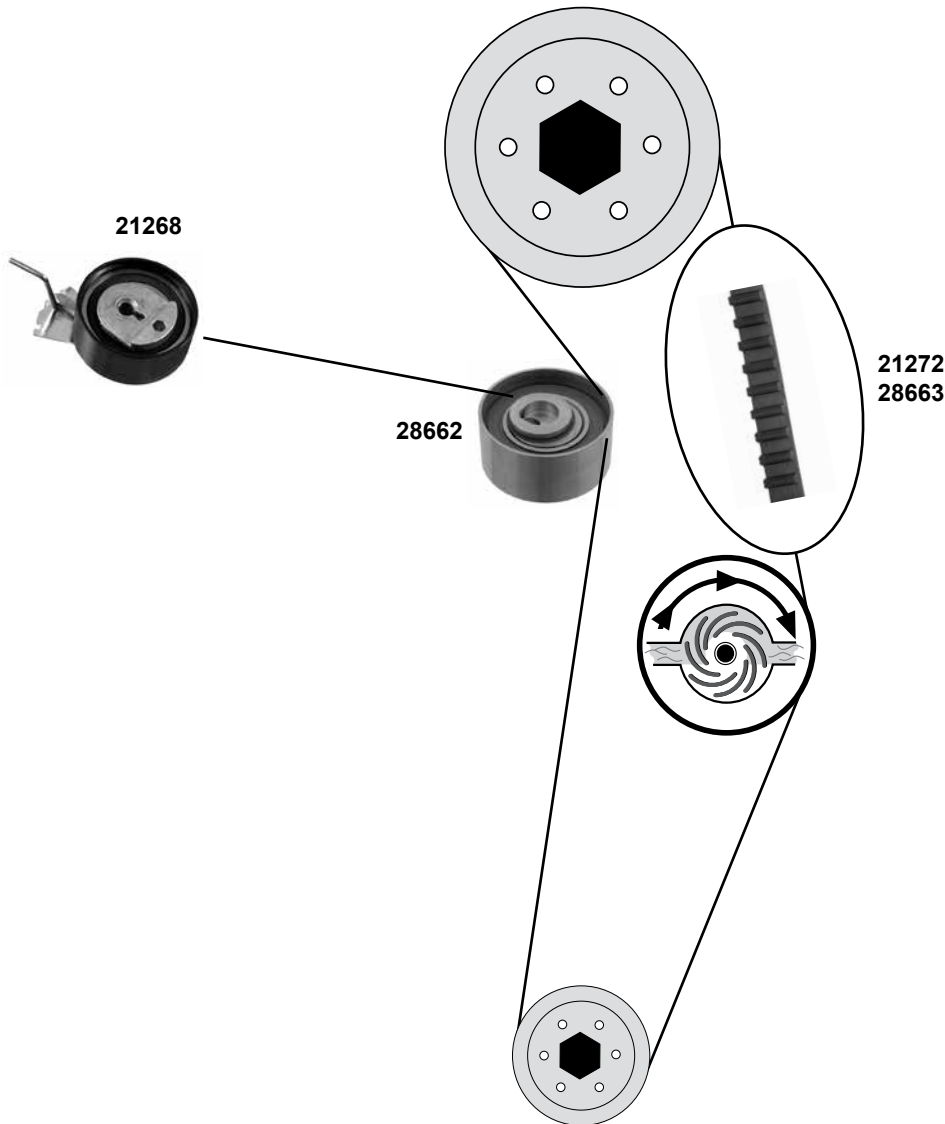


**05338** 71740977  
**11006** 71719005  
**22376** 55195023

Spannrolle / tension roller  
Zahnriemen / timing belt  
Riemenspanner / belt tensioner

→07

ØA 57 H24  
Z 138 B15  
ØA 65 B23,5

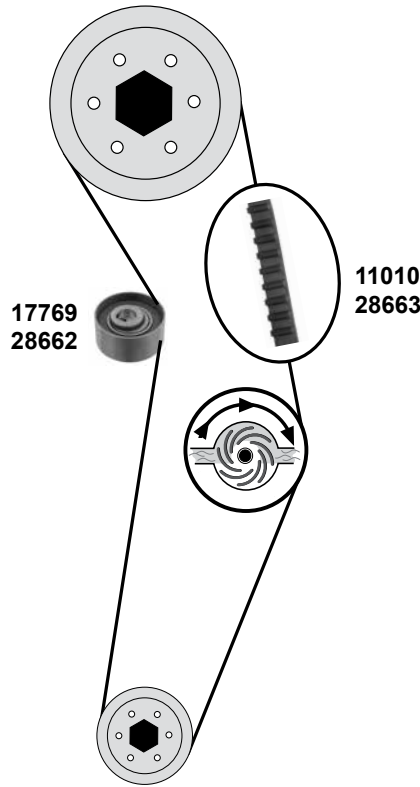


	Ref. - No.			
<b>21268</b>	9400829909	Spannrolle / tension roller	54kW	ØA 60 B25
<b>21272</b>	9467581780	Zahnriemen / timing belt	54kW	
<b>21274</b>	9400831869	Rep.Satz.Zahnriemen / rep.kit. timing belt	54kW / Euro 4	Z 104 B17
<b>28662</b>	55233759	Spannrolle / tension roller	57kW	ØA 55,5 B26
<b>28663</b>	71753156	Zahnriemen / timing belt	57kW	Z 129 B22
<b>28664</b>	71775900	Rep.Satz.Zahnriemen / rep.kit. timing belt	57kW	



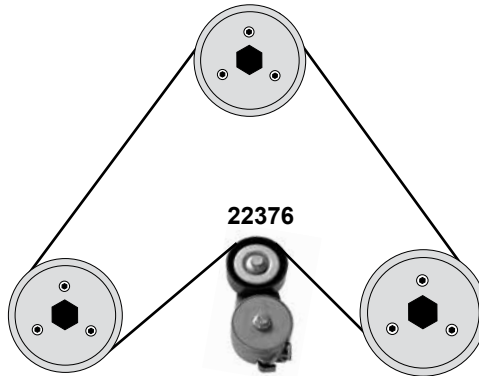


**1,2 16V / 1,4 8V / 16V**



**1,2 / 1,4**

**AC**



(1) (mot.) 1,2 59kW / (mot.) 1,4 16 V 66kW,70kW / (mot.) 1,4 8V

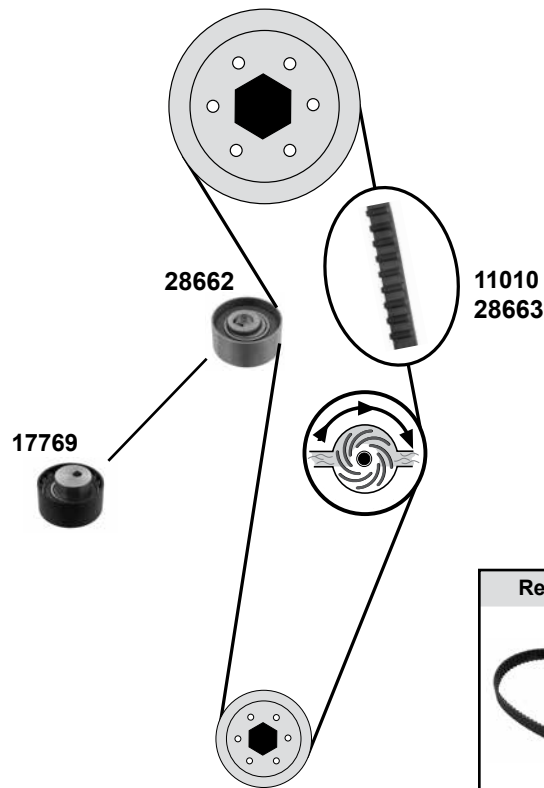


Ref. - No.



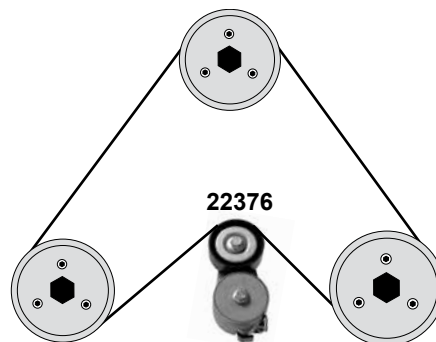
<b>11010</b>	46403659	Zahnriemen / timing belt	<b>(1)</b>	Z 124 B22
<b>17769</b>	55248394	Spannrolle / tension roller	<b>(1)</b>	ØA 60 H29
<b>22376</b>	55195023	Riemenspanner / belt tensioner		ØA 65 B23,5
<b>22377</b>	71736717	Rep. Satz Zahnriemen / rep. kit timing belt	<b>(ex.)</b> 1,4 8V	Z124 B22
<b>28662</b>	55233759	Spannrolle / tension roller	<b>(mot.)</b> 1,4 8V	ØA 55,5 B26
<b>28663</b>	71753156	Zahnriemen / timing belt	<b>(mot.)</b> 1,4 8V	Z 129 B22
<b>28664</b>	71775900	Rep.Satz Zahnriemen / rep.kit. timing belt	<b>(mot.)</b> 1,4 8V	

**1,4 8V / 1,4 16V CF4**



**1,4**

**AC**



	Ref. - No.			
<b>11010</b>	46403659	Zahnriemen / timing belt	1,4 16V 88kW	Z 124 B22
<b>17769</b>	55248394	Spannrolle / tension roller	1,4 16V 88kW	ØA60 H29
<b>22376</b>	55195023	Riemenspanner / belt tensioner	57kW / 88kW	ØA 65 B23,5
<b>22377</b>	71736717	Rep. Satz Zahnriemen / rep. kit timing belt	1,4 16V CF4	Z 124 B22
<b>28662</b>	55233759	Spannrolle / tension roller	1,4 8V	ØA55,5 B26
<b>28663</b>	71753156	Zahnriemen / timing belt	1,4 8V	Z 129 B22
<b>28664</b>	71775900	Rep.Satz Zahnriemen / rep.kit. timing belt	1,4 8V	

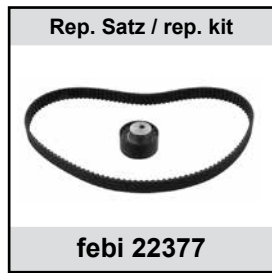
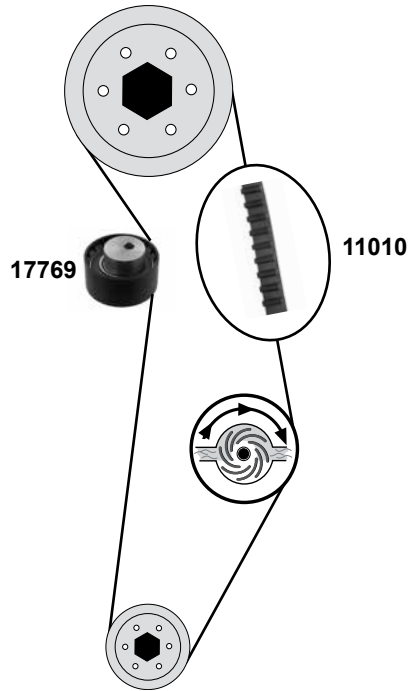
# FIAT Marea / Marea SW (185)

(96→02)

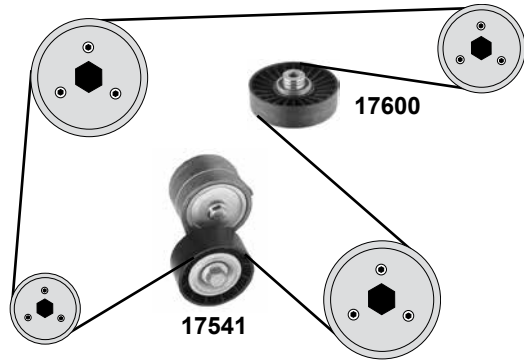
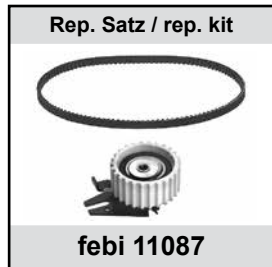
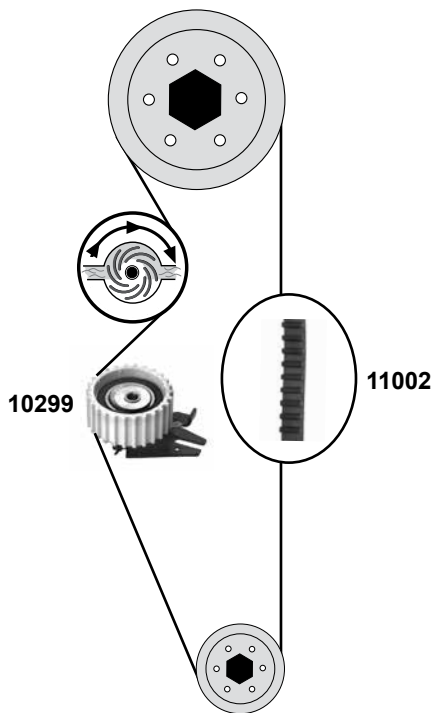
Car  
Division



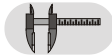
## 1,2 16V



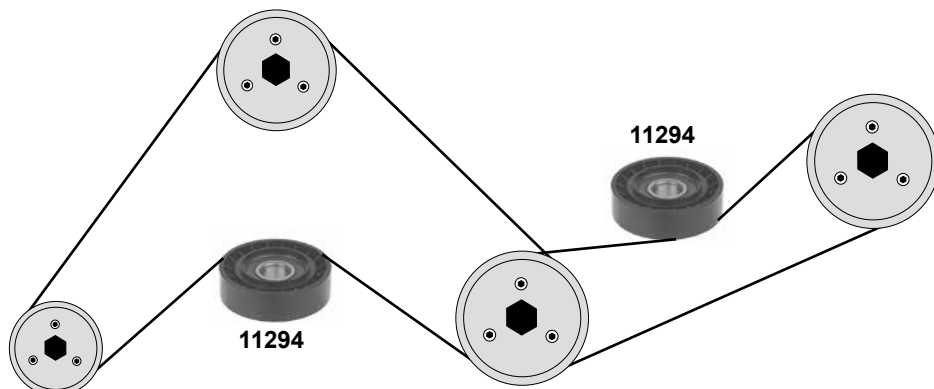
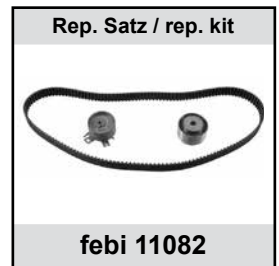
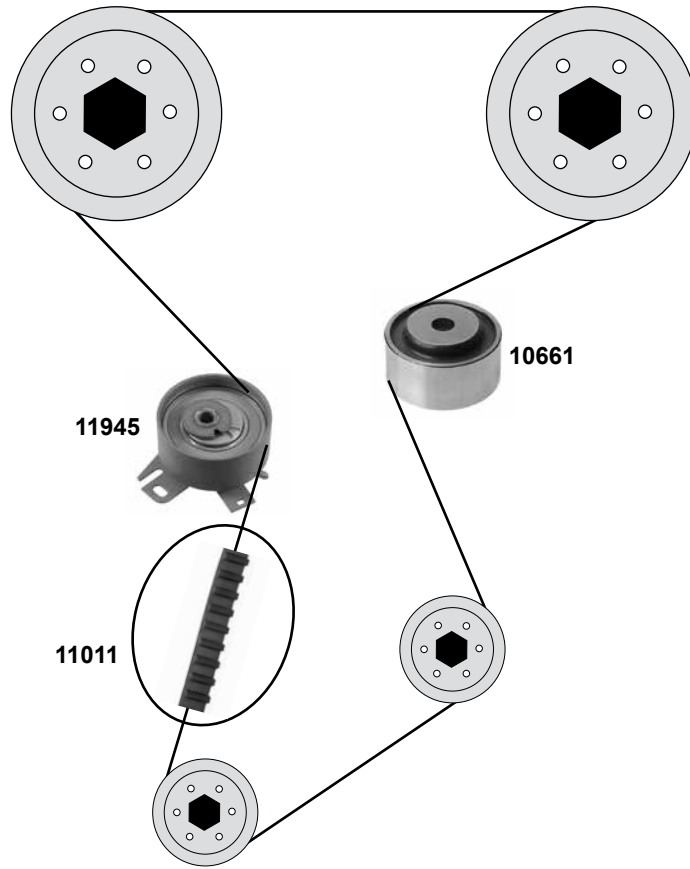
## 1,4



Ref. - No.



<b>10299</b>	55196971	Spannrolle / tension roller			Ø A 65 H29
<b>11002</b>	7762910	Zahnriemen / timing belt			Z 134 B18
<b>11010</b>	46403659	Zahnriemen / timing belt	99 →		Z 124 B22
<b>11087</b>	7762910 S1	Rep. Satz Zahnriemen / rep.kit timing belt			Z 134 B18
<b>17541</b>	46524692	Riemenspanner / belt tensioner			
<b>17600</b>	73501924	Umlenkrolle / deflection pulley	AC / 96 →		ØA 90 H24,5
<b>17769</b>	55248394	Spannrolle / tension roller	99 →		ØA 60 H29
<b>22377</b>	71736717	Rep. Satz Zahnriemen / rep.kit timing belt	99 →		Z 124 B22



Ref. - No.



<b>10661</b>	55211287	Umlenkrolle / deflection pulley	96 → 02	ØA 65 H30,4/35,4
<b>11011</b>	55188191	Zahnriemen / timing belt		Z 158 B24
<b>11082</b>	71736715	Rep. Satz Zahnriemen / rep. kit timing belt		Z 158 B24
<b>11294</b>	46424716	Spannrolle / tension roller		Ø A 80 H24
<b>11945</b>	71734799	Spannrolle / tension roller		Ø A 60 H29

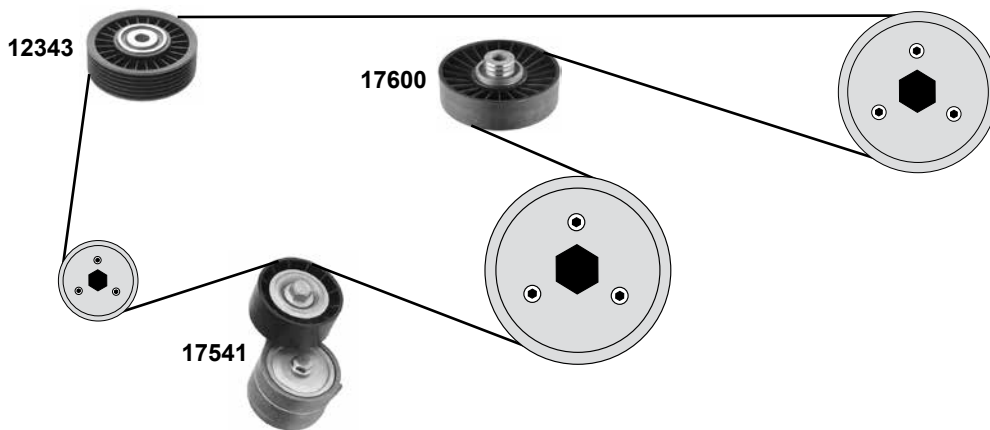
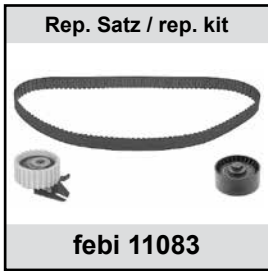
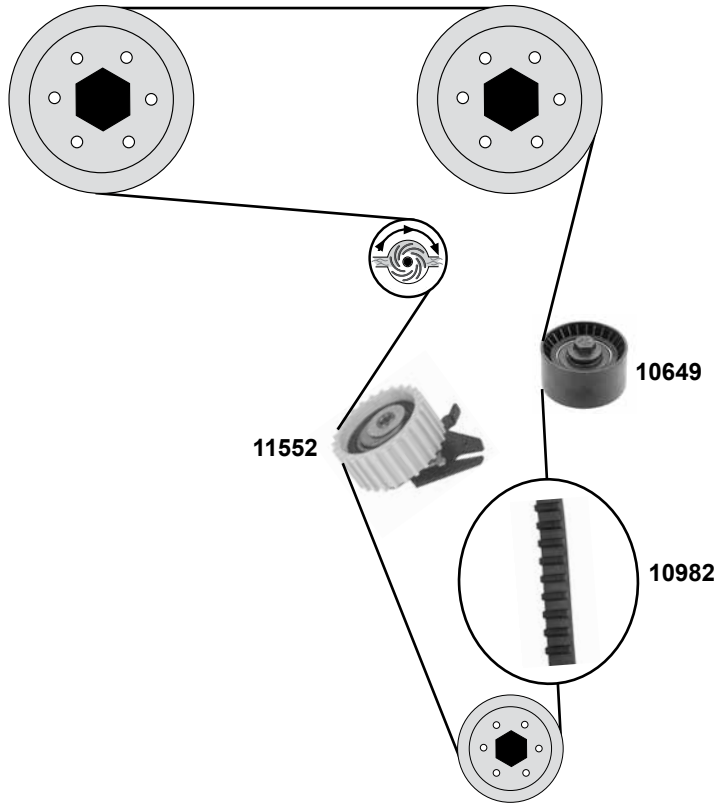
# FIAT Marea SW (185)

(96→02)

Car  
Division



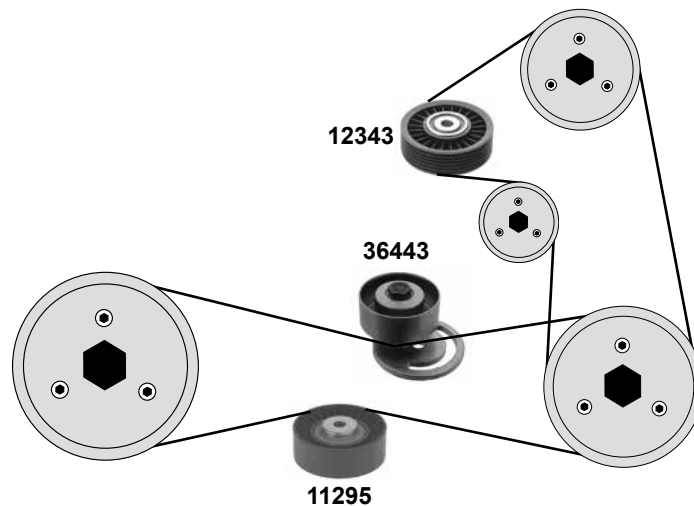
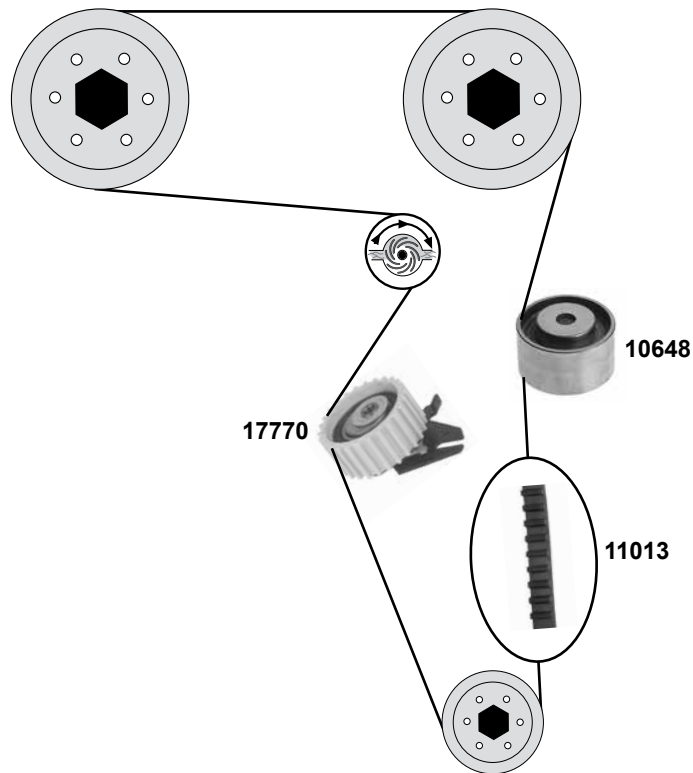
## 1,8 16V



Ref. - No.

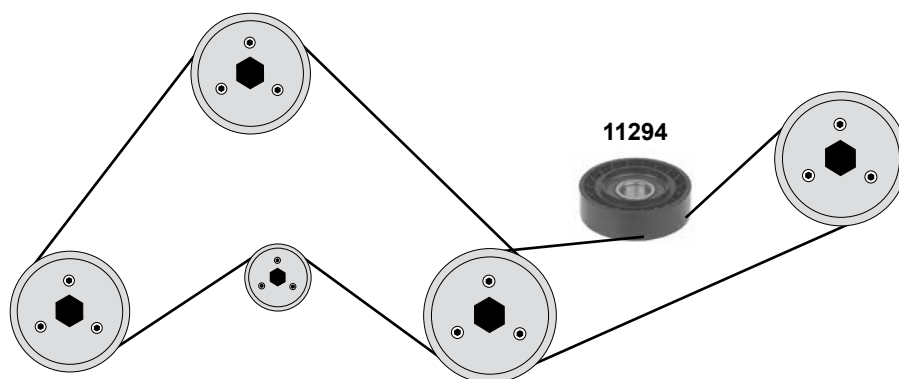
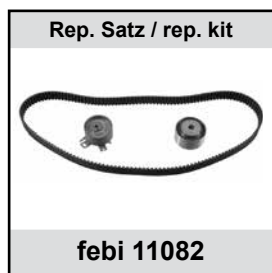
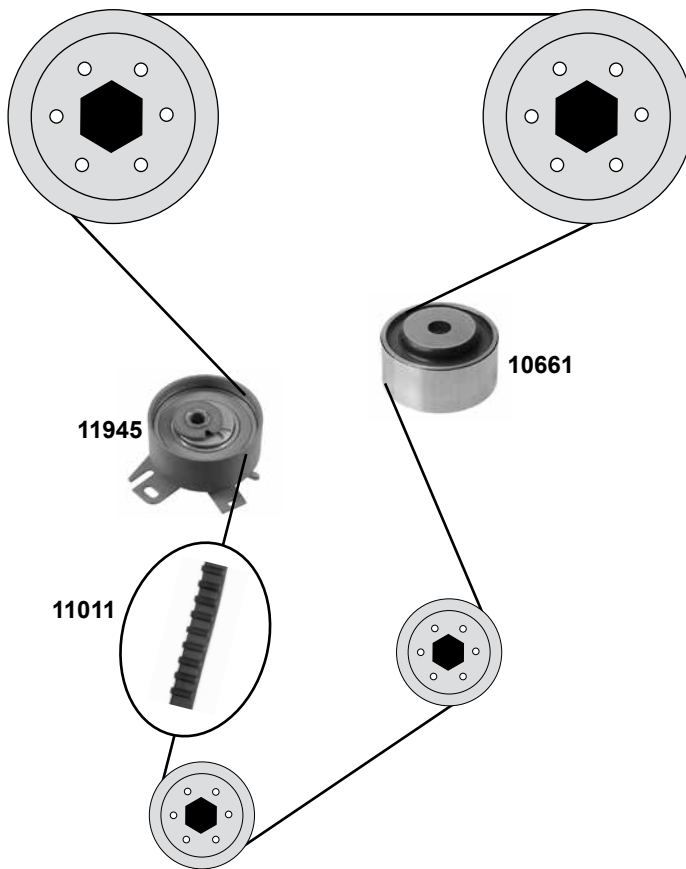






<b>10649</b>	60671573	Umlenkrolle / deflection pulley		ØA 57 H29/35
<b>10982</b>	55210628	Zahnriemen / timing belt		Z 168 B24
<b>11083</b>	71736724	Rep. Satz Zahnriemen / rep. kit timing belt		Z 168 B24
<b>11552</b>	55192239	Spannrolle / tension roller		ØA 65 H29
<b>12343</b>	7740252	Umlenkrolle / deflection pulley	AC	ØA 80 ØI 10 H 23
<b>17541</b>	46524692	Riemenspanner / belt tensioner		
<b>17600</b>	73501924	Umlenkrolle / deflection pulley	AC / 96 →02	ØA 90 H 24,5

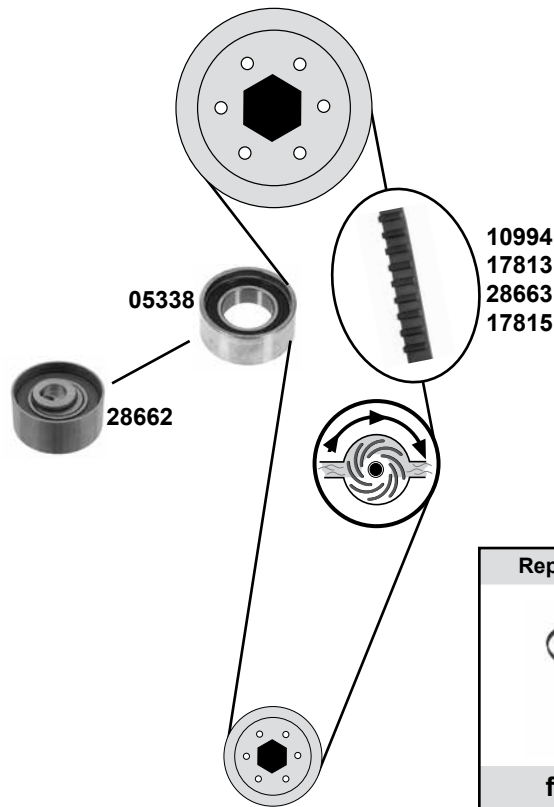


	Ref. - No.			
<b>10648</b>	73501924	Umlenkrolle / deflection pulley		ØA 53 H29/31
<b>11013</b>	46541065	Zahnriemen / timing belt	2,0 16V	Z 167 B24
<b>11084</b>	46541065 S1	Rep. Satz Zahnriemen / rep. kit timing belt	2,0 16V	Z 167 B24
<b>11295</b>	46547564	Spannrolle / tension roller	(mot.) → 1140488	ØA 80 H34,5
<b>12343</b>	7740252	Umlenkrolle / deflection pulley	AC 2,0 16V	ØA 80 ØI 10 H 23
<b>17770</b>	55192773	Spannrolle / tension roller	2,0 16V	
<b>36443</b>	46441096	Riemenspanner / belt tensioner	2,0 16V	ØA 65 B26

**1,6 16V**



	Ref. - No.			
<b>10661</b>	55211287	Umlenkrolle / deflection pulley	98 → 10	ØA 65 H30,4/35,4
<b>11011</b>	55188191	Zahnriemen / timing belt		Z 158 B24
<b>11082</b>	71736715	Rep. Satz Zahnriemen / rep. kit timing belt		
<b>11294</b>	46424716	Spannrolle / tension roller		ØA 80 H24
<b>11945</b>	71734799	Spannrolle / tension roller		ØA 60 H29



10994  
17813  
28663  
17815

05338

28662

Rep. Satz / rep. kit



febi 11076

Rep. Satz / rep. kit



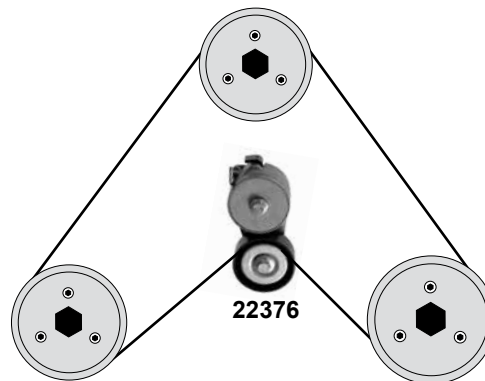
febi 19658

Rep. Satz / rep. kit



febi 28664

**AC**



22376



(1) (mot.) 1,1 M1 / 9042884 → / → 02



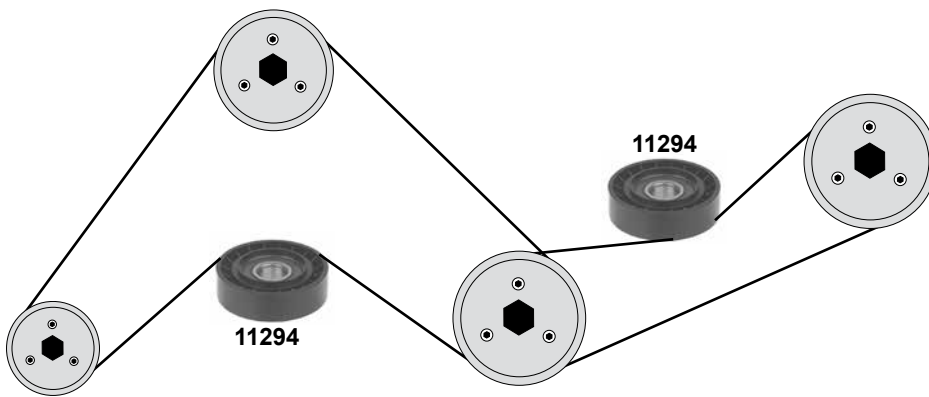
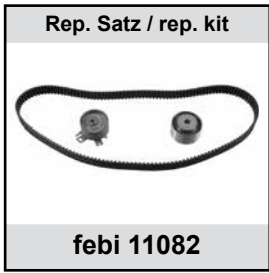
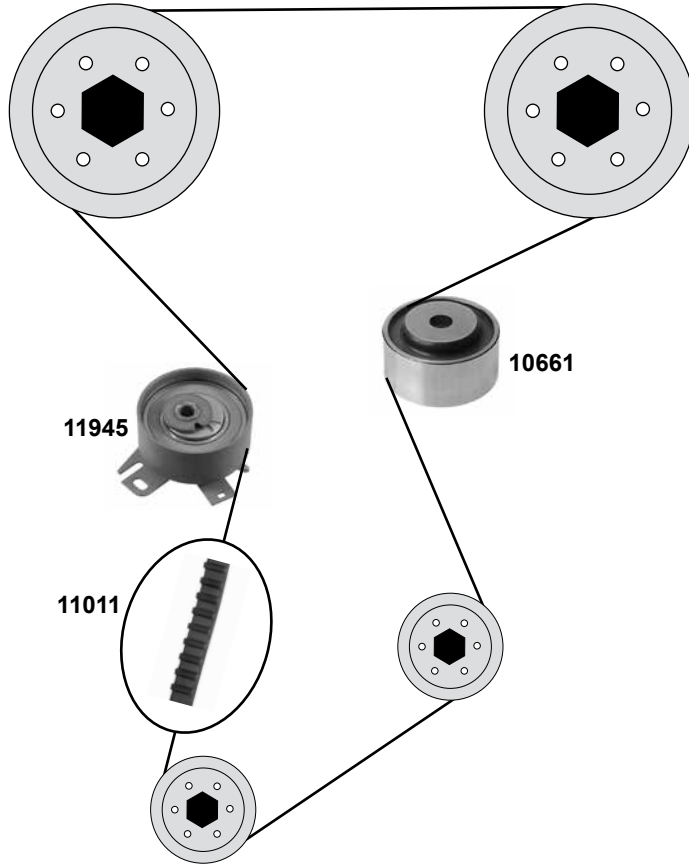
Ref. - No.



05338	71740977	Spannrolle / tension roller		ØA 57 H24
10994	71749474	Zahnriemen / timing belt	(mot.) → 9042883	Z 108 B15
11076	71749474 S1	Rep. Satz Zahnriemen / rep. kit timing belt	(mot.) → 9042883	Z 108 B15
17813	71719652	Zahnriemen / timing belt	(mot.) 9042883 →	Z 129 B15
17815	55203786	Zahnriemen / timing belt	(1)	Z 125 B15
19658	71771576	Rep. Satz Zahnriemen / rep. kit timing belt	(mot.) 9042884 →	Z 129 B15
22376	55195023	Spannrolle / tension roller	02 →	Ø A 65 B23,5
28662	55233759	Spannrolle / tension roller	(mot.) 2533528 →	Ø A55,5 B26
28663	71753156	Zahnriemen / timing belt	(mot.) 2533528 →	Z 129 B22
28664	71775900	Rep.Satz.Zahnriemen / rep.kit. timing belt	(mot.) 2533528 →	

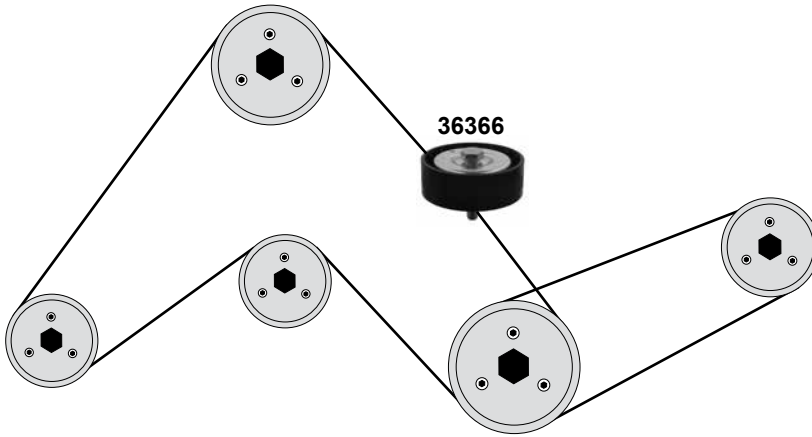


**1,6 16V**

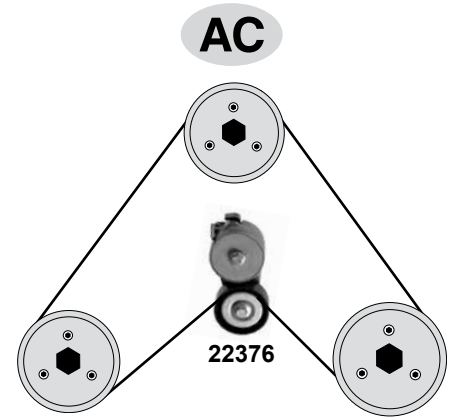


	Ref. - No.			
<b>10661</b>	55211287	Umlenkrolle / deflection pulley	97→	ØA 65 H30,4/35,4
<b>11011</b>	55188191	Zahnriemen / timing belt		Z 158 B24
<b>11082</b>	71736715	Rep. Satz Zahnriemen / rep. kit timing belt		Z 158 B24
<b>11294</b>	46424716	Spannrolle / tension roller		ØA 80 H24
<b>11945</b>	71734799	Spannrolle / tension roller		ØA 60 H29

1,2 44kW / 1,4 59kW



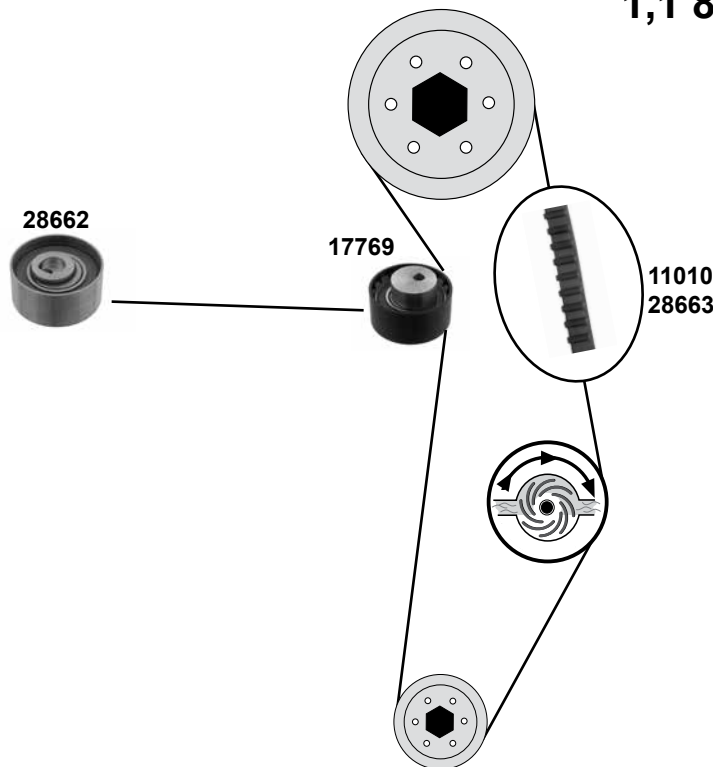
1,0 8V / 1,2 / 1,4 59kW



**Palio / Siena Extra Europa Rest. (178/BX)**

(02→11)

1,1 8V / 1,2 8V/16V / 1,4 8V



(1) **BM 178BX 1,1 8V / 1,2 8V / 1,4 8V / BM 178 1,2 8V / 1,4 8V**



Ref. - No.



<b>11010</b>	46403659	Zahnriemen / timing belt	1,2 16V	Z 124 B 22
<b>17769</b>	55248394	Spannrolle / tension roller	1,2 16V	ØA 60 B29
<b>22376</b>	55195023	Spannrolle / tension roller	→11	ØA 65 B23,5
<b>28662</b>	55233759	Spannrolle / tension roller	(1)	ØA55,5 B26
<b>28663</b>	71753156	Zahnriemen / timing belt	(1)	Z 129 B22
<b>28664</b>	71775900	Rep. Satz Zahnriemen / rep. kit timing belt	(1)	
<b>36366</b>	55204392	Spannrolle / tension roller		ØA 65 B23

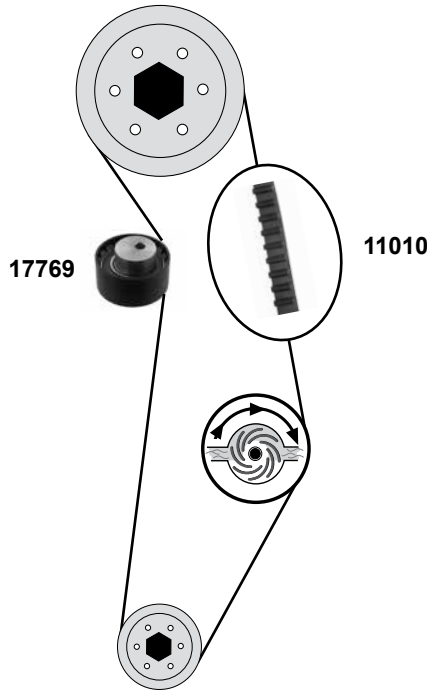
# FIAT Palio Weekend / Siena Rest. (178/DX)

(05→11)

Car  
Division 



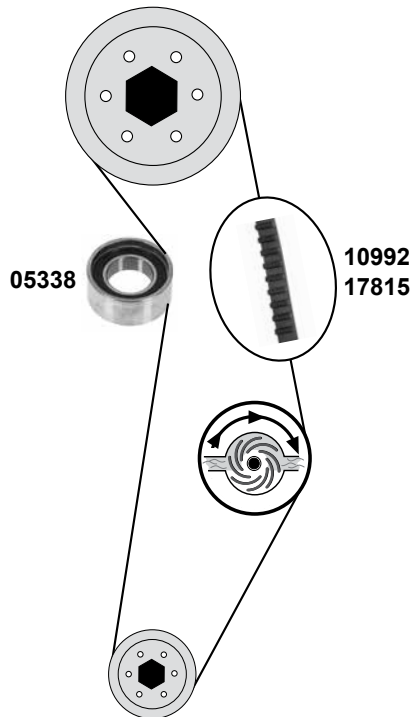
1,2 16V



## Panda I

(81→02)

(alle / all)



Rep. Satz / rep. kit



febi 11071

Rep. Satz / rep. kit



febi 19657



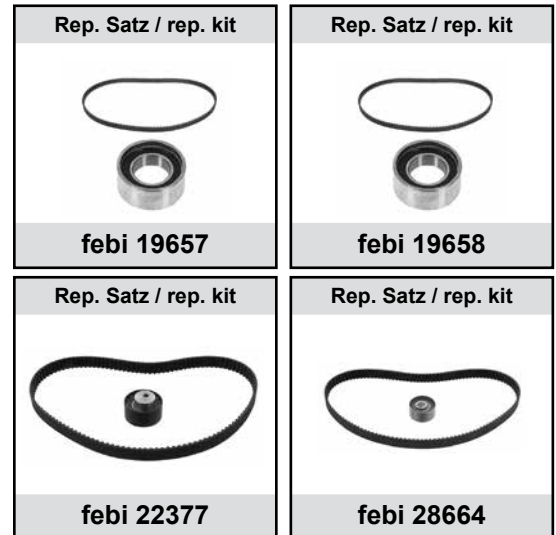
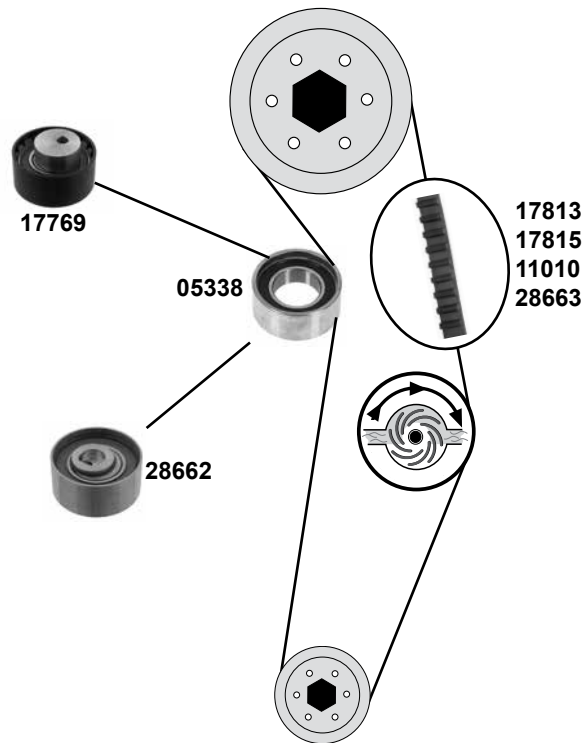
(1)	(mot.) 0,8 M2/M3	9042884 →	→ 03
	(mot.) 1,0 M1/M2/M5/M6	9042884 →	→ 03
	(mot.) 1,1 M3/M4 Eur II	9042884 →	→ 03



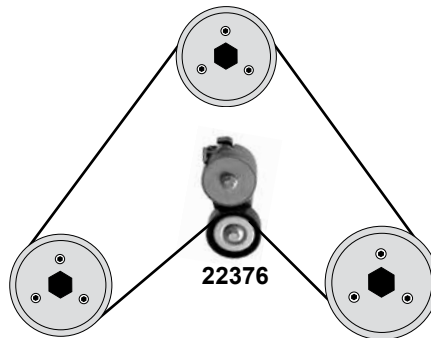
Ref. - No.



Ref. - No.	Description	Notes	Dimensions
05338	Spannrolle / tension roller		ØA 57
10992	Zahnriemen / timing belt	(mot.) → 9042883	Z 104 B15
11010	Zahnriemen / timing belt		Z 124 B 22
11071	Rep. Satz Zahnriemen / rep. kit timing belt	(mot.) → 9042883	Z 104 B15
17769	Spannrolle / tension roller		ØA 60 B 29
17815	Zahnriemen / timing belt	(1)	Z 125 B15
19657	Rep. Satz Zahnriemen / rep. kit timing belt	(mot.) 1,1 / 9042884 →	Z 125 B15



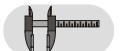
**AC**



- (1) (mot.) 1,1 M1 (mot.) → 2533527 →09
- (2) (mot.) 1,1 →09 / (mot.) 1,2 / (mot.) 1,4 16V 74kW
- (3) (mot.) 1,1 8V / (mot.) 1,2 8V 44 kW / (mot.) 2942435→



Ref. - No.



febi bilstein	Ref. - No.			
05338	71740977	Spannrolle / tension roller		ØA 57
11010	46403659	Zahnriemen / timing belt	(mot.) 1,4 16V →09	Z 124 B22
17769	55248394	Spannrolle / tension roller	(mot.) 1,4 74kW →09	ØA 60 B29
17813	71719652	Zahnriemen / timing belt	(mot.) 1,2 / → 2533528	Z 129 B15
17815	55203786	Zahnriemen / timing belt	(1)	Z 125 B15
19657	46750865 S1	Rep. Satz Zahnriemen / rep. kit timing belt	(mot.) 1,1 / 9042884 →	Z 125 B15
19658	71771576	Rep. Satz Zahnriemen / rep. kit timing belt	(mot.) 1,2 / → 2533528	Z 129 B15
22376	55195023	Spannrolle / tension roller	(2)	ØA65 B23,5
22377	71736717	Rep. Satz Zahnriemen / rep. kit timing belt	(mot.) 1,4 CF4	Z 124 B22
28662	55233759	Spannrolle / tension roller	(3) →09	ØA55,5 B26
28663	71753156	Zahnriemen / timing belt	(3) →09	Z 129 B22
28664	71775900	Rep.Satz.Zahnriemen / rep.kit. timing belt	(3) →09	

# FIAT

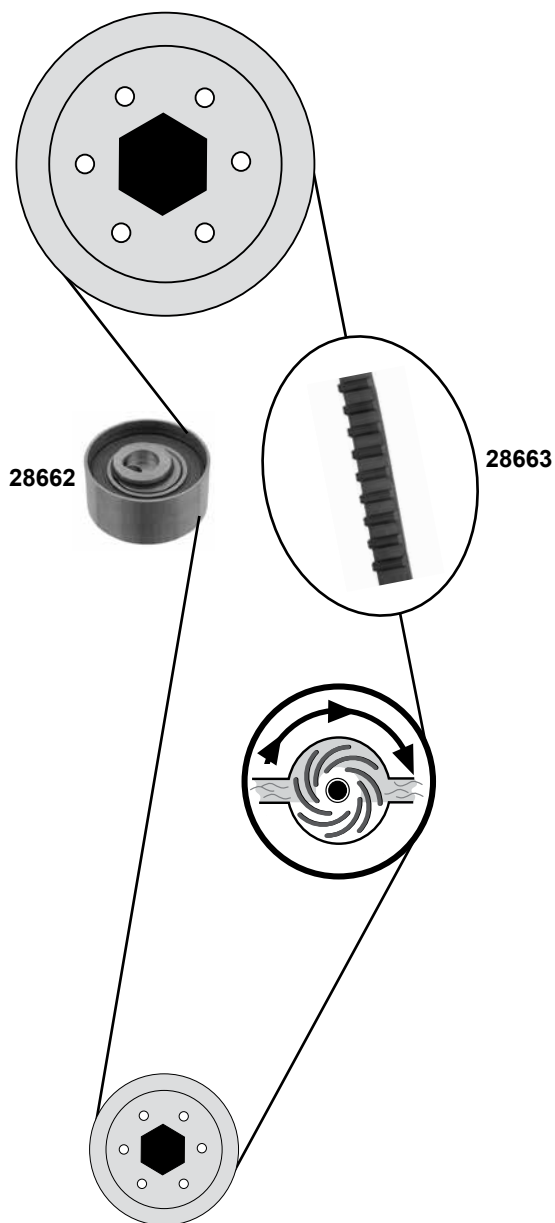
## Panda Classic (312)

(12→12)

Car  
Division



1,2 8V / 1,4 8V/16V



Rep. Satz / rep. kit



febi 28664



Ref. - No.

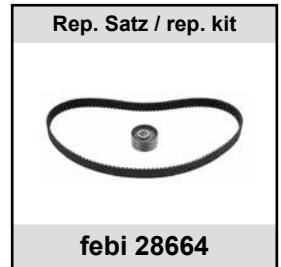
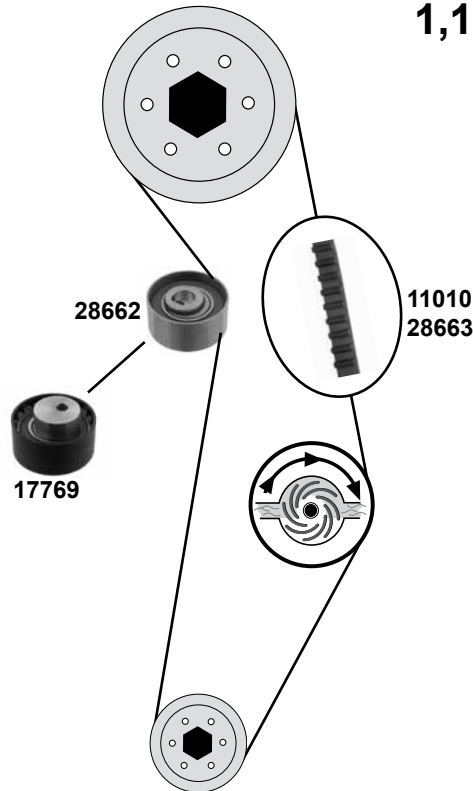


**28662** 55233759  
**28663** 71753156  
**28664** 71775900

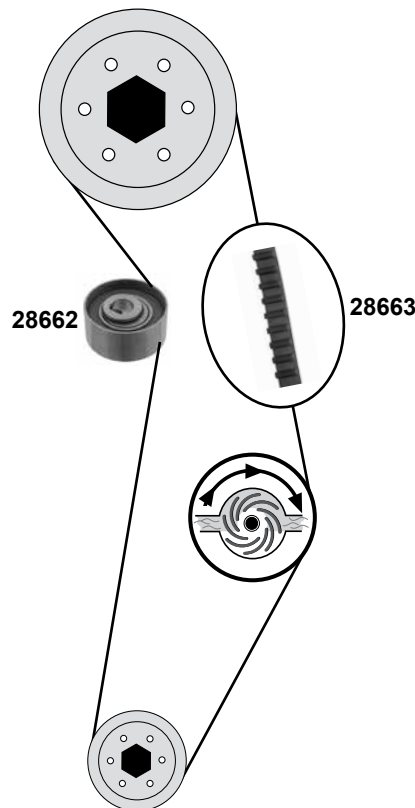
Spannrolle / tension roller  
Zahnriemen / timing belt  
Rep.Satz.Zahnriemen / rep.kit. timing belt

ØA 55,5 B26  
Z 129 B22

1,1 8V / 1,2 8V / 1,4 8V/16V



**Panda Nuova (312)**  
(12→)  
**1,2 8V**



Ref. - No.



**11010** 46403659  
**17769** 55248394  
**28662** 55233759  
**28663** 71753156  
**28664** 71775900

Zahnriemen / timing belt  
Spannrolle / tension roller  
Spannrolle / tension roller  
Zahnriemen / timing belt  
Rep.Satz.Zahnriemen / rep.kit. timing belt

→10 1,4 16V  
→10 1,4 16V 74kW

Z 124 B22  
ØA 60 B 29  
ØA 55,5 B26  
Z 129 B22

# FIAT

## Punto I (176)

(93→99)

Car  
Division



### 55

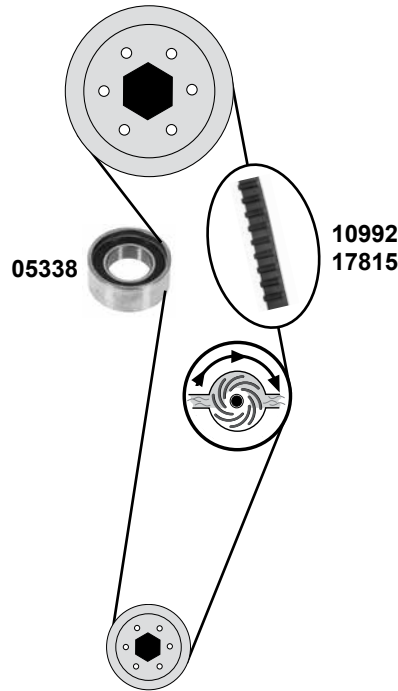
### 1,1 8V

Rep. Satz / rep. kit

febi 11071

Rep. Satz / rep. kit

febi 19657



### 60 / 75

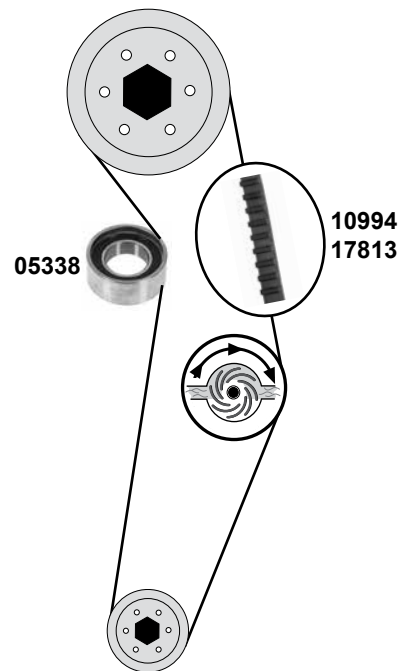
### 1,2 8V

Rep. Satz / rep. kit

febi 11076

Rep. Satz / rep. kit

febi 19658



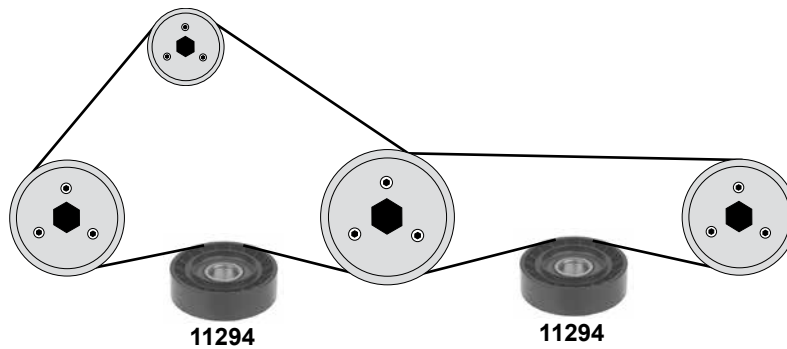
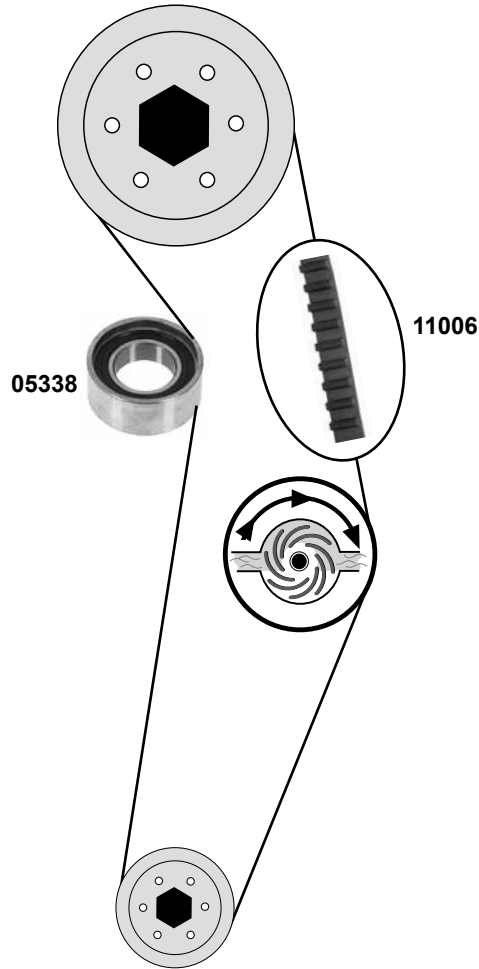
(1) (mot.) M1/M6 9042884 → 97 → 99



Ref. - No.



05338	71740977	Spannrolle / tension roller			ØA 57 H24
10992	46474432	Zahnriemen / timing belt	(mot.)	→ 9042883	Z 104 B15
10994	71749474	Zahnriemen / timing belt	(mot.)	→ 9042883	Z 108 B15
11071	7554701 S1	Rep. Satz Zahnriemen / rep. kit timing belt	(mot.)	→ 9042883	Z 104 B15
11076	71749474 S1	Rep. Satz Zahnriemen / rep. kit timing belt	(mot.)	→ 9042883	Z 108 B15
17813	71719652	Zahnriemen / timing belt	(mot.)	9042883 →	Z 129 B15
17815	55203786	Zahnriemen / timing belt	(1)		Z 125 B15
19657	46750865 S1	Rep. Satz Zahnriemen / rep. kit timing belt	(mot.)	9042883 →	Z 125 B15
19658	71771576	Rep. Satz Zahnriemen / rep. kit timing belt	(mot.)	9042883 →	Z 129 B15



Ref. - No.



**05338**  
**11006**  
**11072**  
**11294**

71740977  
71719005  
46408751 S1  
46424716

Spannrolle / tension roller  
Zahnriemen / timing belt  
Rep. Satz Zahnriemen / rep. kit timing belt  
Spannrolle / tension roller

ØA 57 H24  
Z 138 B15  
Z 138 B19  
ØA 80 H24



# FIAT

## Punto I (176)

(93→99)

Car  
Division



### 1,2 8V

Rep. Satz / rep. kit

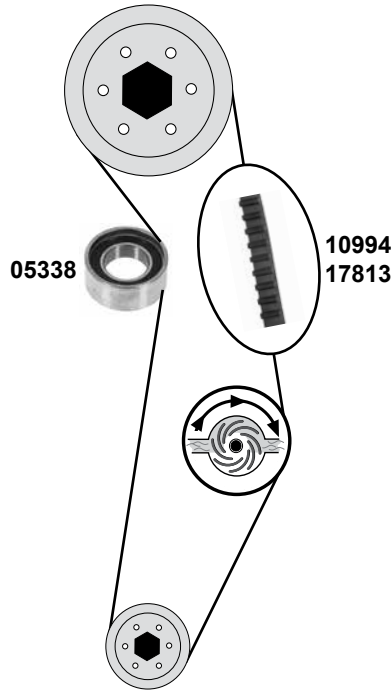


**febi 11076**

Rep. Satz / rep. kit




**febi 19658**

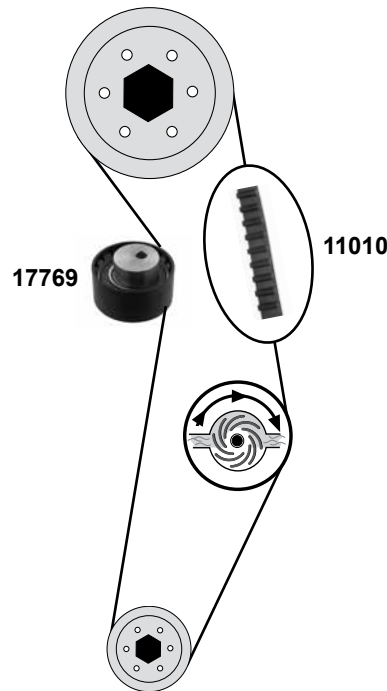


### 1,2 16V

Rep. Satz / rep. kit

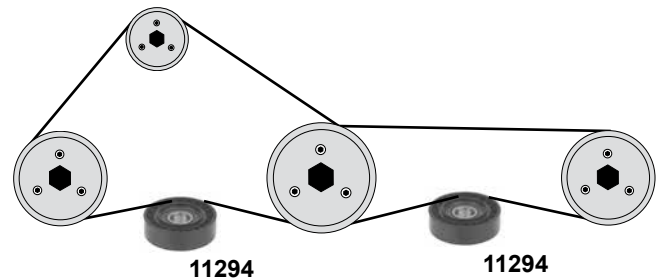
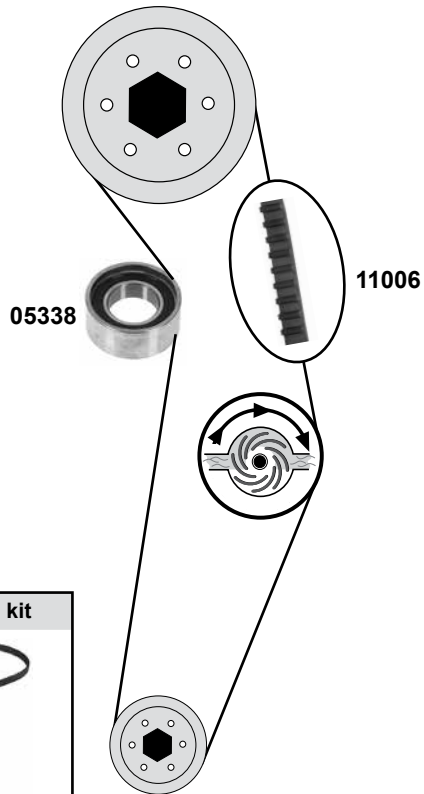


**febi 22377**

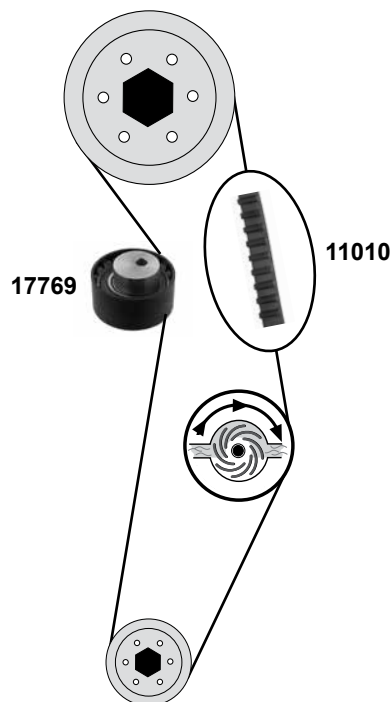


- (1) 97→ / (mot.) 9042883 →
- (2) 97→ / (mot.) → 9042883
- (3) 97→ / (mot.) → 9042883

	Ref. - No.			
05338	71740977	Spannrolle / tension roller	97→	ØA 57 H24
10994	71749474	Zahnriemen / timing belt	(3)	Z 108 B15
11010	46403659	Zahnriemen / timing belt	97→	Z 124 B22
11076	71749474 S1	Rep. Satz Zahnriemen / rep. kit timing belt	(2)	Z 108 B15
17769	55248394	Spannrolle / tension belt	97→ / 63 kW	ØA 60 H29
17813	71719652	Zahnriemen / timing belt	97→	Z 129 B15
19658	71771576	Rep. Satz Zahnriemen / rep. kit timing belt	(1)	Z 129 B15
22377	71736717	Rep. Satz Zahnriemen / rep. kit timing belt	97→	Z 124 B22



**Punto I Cabrio (176C)**  
(97→00)  
**1,2 16V**



	Ref. - No.			
<b>05338</b>	71740977	Spannrolle / tension roller	97→	ØA 57 H24
<b>11006</b>	71719005	Zahnriemen / timing belt	97→	Z 138 B15
<b>11010</b>	46403659	Zahnriemen / timing belt		Z 124 B22
<b>11072</b>	46408751 S1	Rep. Satz Zahnriemen / rep. kit timing belt	97→	Z 138 B15
<b>11294</b>	46424716	Spannrolle / tension roller	97→	ØA 80 H24
<b>17769</b>	55248394	Spannrolle / tension belt	63 kW	ØA 60 H29

# FIAT

## Punto II (188)


(99→10)

Car  
Division




### 1,2 8V

Rep. Satz / rep. kit




**febi 11076**

Rep. Satz / rep. kit

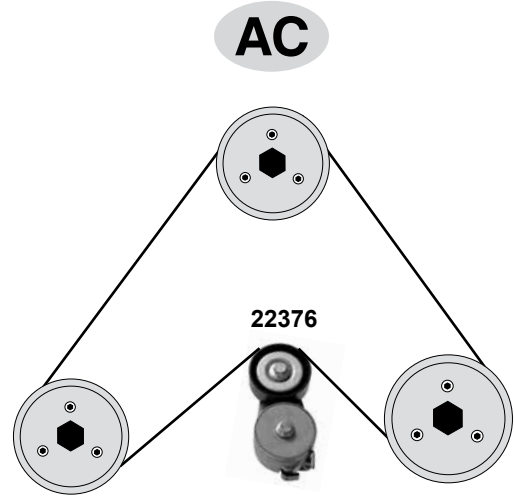
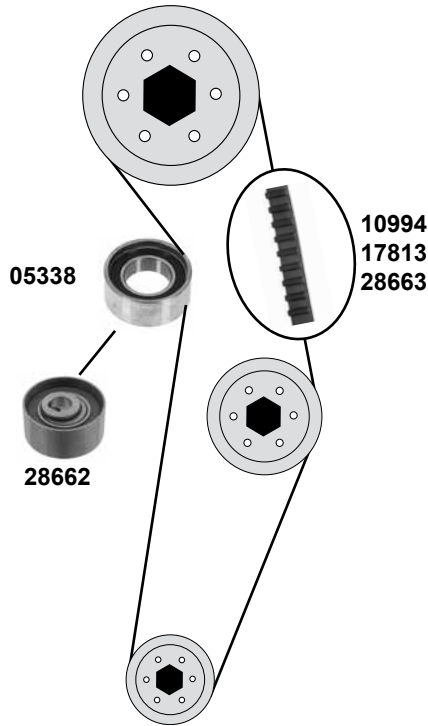


**febi 19658**

Rep. Satz / rep. kit




**febi 28664**

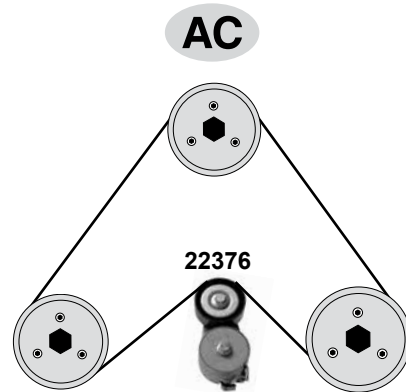
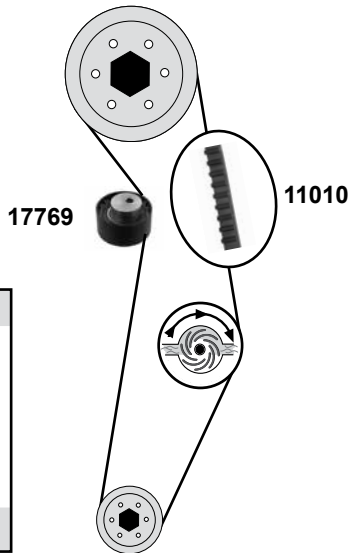


### 1,2 16V / 1,4 16V

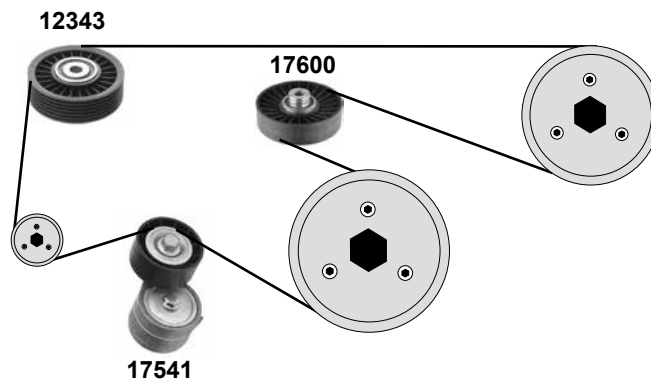
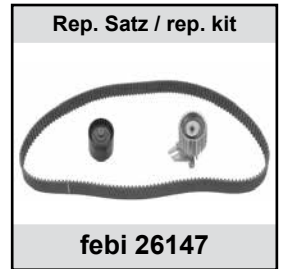
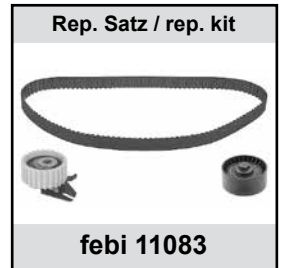
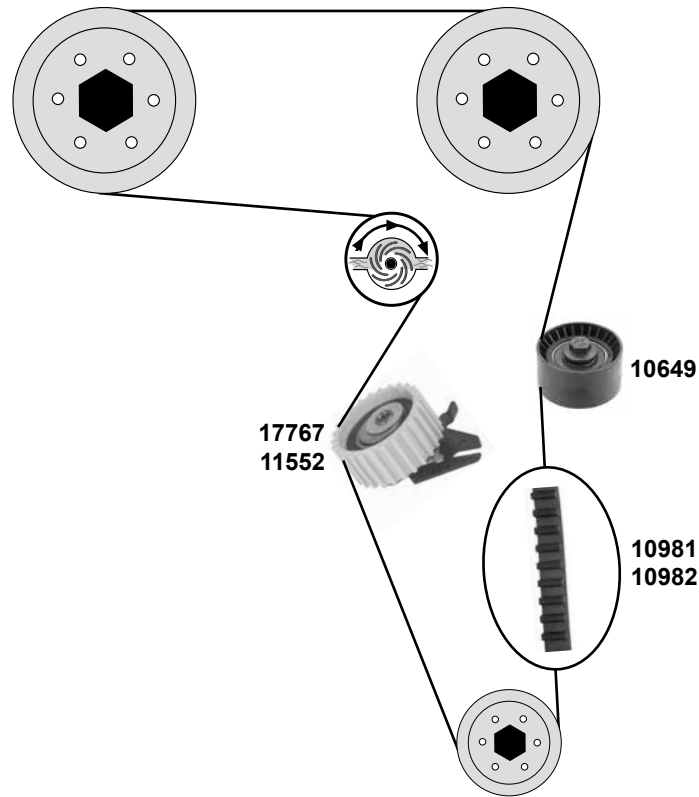
Rep. Satz / rep. kit



**febi 22377**



febi	Ref. - No.			
05338	71740977	Spannrolle / tension roller		ØA 57 H24
10994	71749474	Zahnriemen / timing belt	(mot.) 2533528 →	Z 108 B15
11010	46403659	Zahnriemen / timing belt		Z 124 B22
11076	71749474 S1	Rep. Satz Zahnriemen / rep. kit timing belt	(mot.) 2533528 →	Z 108 B15
17769	55248394	Spannrolle / tension roller	1,2 59kW	ØA 60 H29
17813	71719652	Zahnriemen / timing belt	(mot.) → 2533528	Z 129 B15
19658	71771576	Rep. Satz Zahnriemen / rep. kit timing belt	(mot.) → 2533528	Z 129 B15
22376	55195023	Riemenspanner / belt tensioner		ØA 65 B23,5
22377	71736717	Rep. Satz Zahnriemen / rep. kit timing belt		Z 124 B22
28662	55233759	Spannrolle / tension roller	03 →	ØA 55,5 B26
28663	71753156	Zahnriemen / timing belt	03 →	Z 129 B22
28664	71775900	Rep. Satz Zahnriemen / rep. kit timing belt	03 →	



	Ref. - No.			
<b>10649</b>	60671573	Umlenkrolle / deflection pulley		ØA 57 H29/35
<b>10981</b>	55210626	Zahnriemen / timing belt	(mot.) CF3/ CF4	Z 166 B24
<b>10982</b>	55210628	Zahnriemen / timing belt		Z 168 B24
<b>11083</b>	71736724	Rep. Satz Zahnriemen / rep. kit timing belt		Z 168 B24
<b>11552</b>	55192239	Spannrolle / tension roller		ØA 65 H29
<b>12343</b>	7740252	Umlenkrolle / deflection pulley	AC	ØA 80 ØI 10 H23
<b>17541</b>	46524692	Riemenspanner / belt tensioner		
<b>17600</b>	73501924	Umlenkrolle / deflection pulley	AC	ØA 90 H24,5
<b>17767</b>	55192240	Spannrolle / tension roller	(mot.) CF3/ CF4	ØA 64,7 H28,7
<b>26147</b>	71736725	Rep. Satz Zahnriemen / rep. kit timing belt	(mot.) CF3/ CF4	Z 166 B24

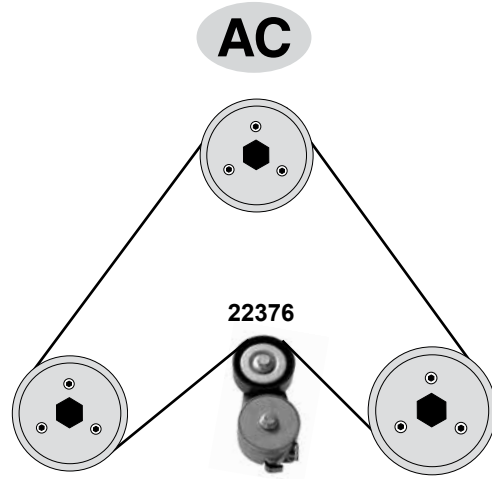
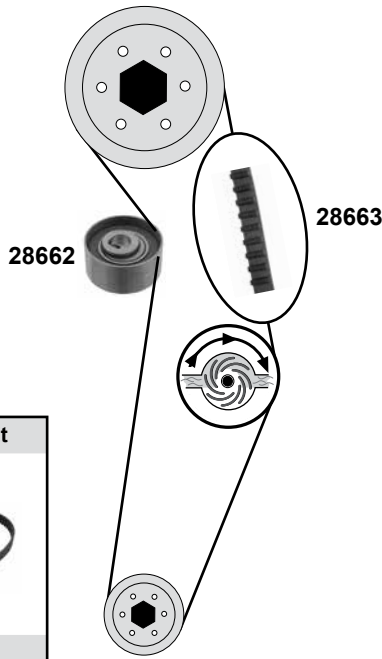
# FIAT Grande Punto (199)

(05→13)

Car Division 



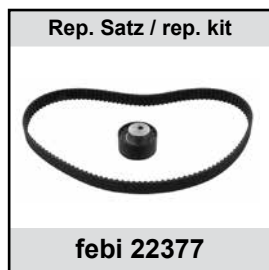
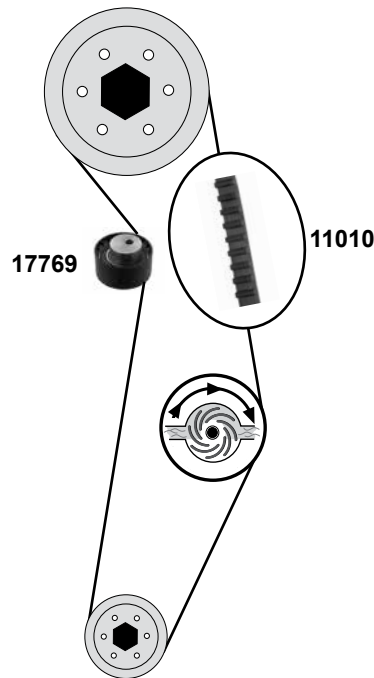
1,2 8V / 1,4 8V



# Grande Punto / Abarth (199)

(05→13)

1,4



(1) Grande Punto 1,4 16V →09 / Grande Punto Abarth 1,4 07→10

(2) Grande Punto 1,4 16V 70kW,88kW →09 / Grande Punto Abarth 1,4 07→10

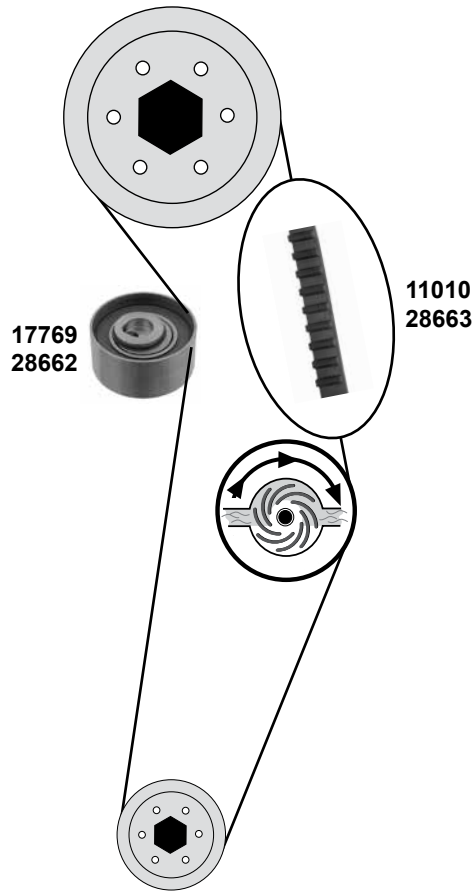


Ref. - No.



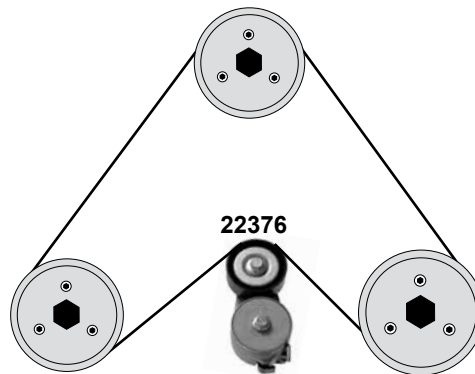
11010	46403659	Zahnriemen / timing belt	(1)	Z 124 B22
17769	55248394	Spannrolle / tension roller	(2)	ØA 60 H29
22376	55195023	Riemenspanner / belt tensioner	05→08	
22377	71736717	Rep. Satz Zahnriemen / rep. kit timing belt	incl. <b>ABARTH</b>	Z 124 B22
28662	55233759	Spannrolle / tension roller		ØA 55,5 B26
28663	71753156	Zahnriemen / timing belt		Z 129 B22
28664	71775900	Rep.Satz.Zahnriemen / rep.kit. timing belt		

**1,2 8V / 1,4 8V/16V**



**1,2 / 1,4**

**AC**



(1) incl. NUOVA + ABARTH



Ref. - No.



<b>11010</b>	46403659	Zahnriemen / timing belt	16V	Z 124 B 22
<b>17769</b>	55248394	Spannrolle / tension roller	16V	ØA 60 B29
<b>22376</b>	55195023	Riemenspanner / belt tensioner	(1) 1,2 1,4 8V	ØA 65 B23,5
<b>28662</b>	55233759	Spannrolle / tension roller	(ex.) 16V	ØA 55,5 B26
<b>28663</b>	71753156	Zahnriemen / timing belt	(ex.) 16V	Z 129 B22
<b>28664</b>	71775900	Rep.Satz.Zahnriemen / rep.kit. timing belt	(ex.) 16V	

# FIAT

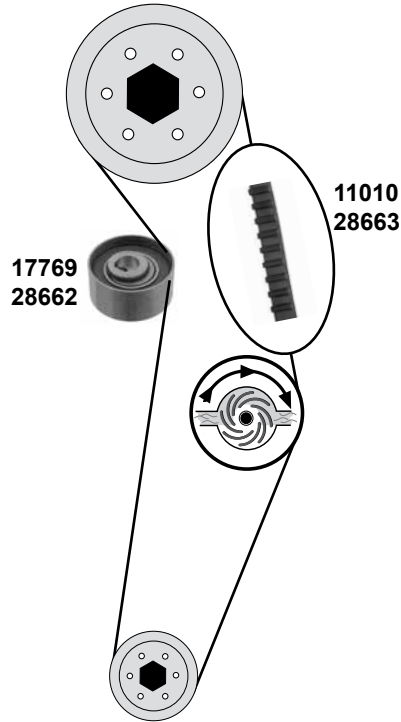
## Punto Nuova MY12 (199)

(12→13)

Car  
Division



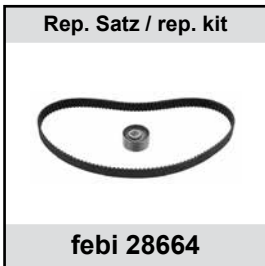
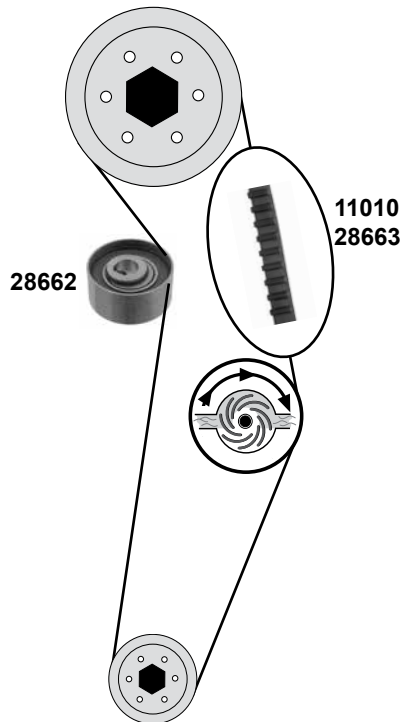
1,2 8V / 1,4 8V / 16V



## Punto MY13

(13→)

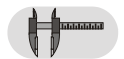
1,2 8V / 1,4 8V / 16V



- (1) Punto Nuova MY 1,4 16V / Punto Nuova MY Abarth 1,4 / Punto MY 13 1,4 16V  
 (2) Punto MY 12 1,4 16V 77kW,99kW / Punto MY 12 Abarth 1,4 / Punto MY 13 1,4 16V

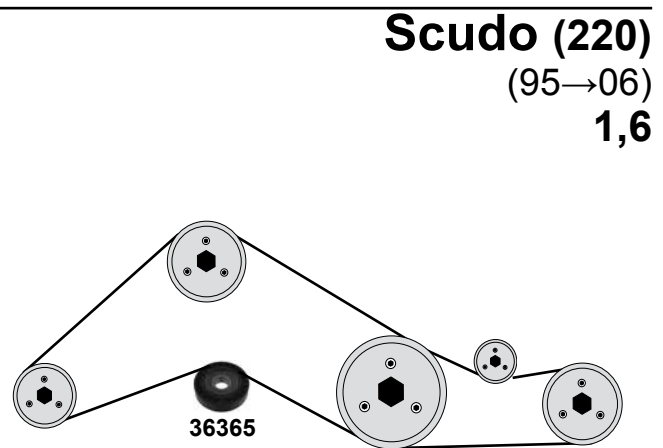
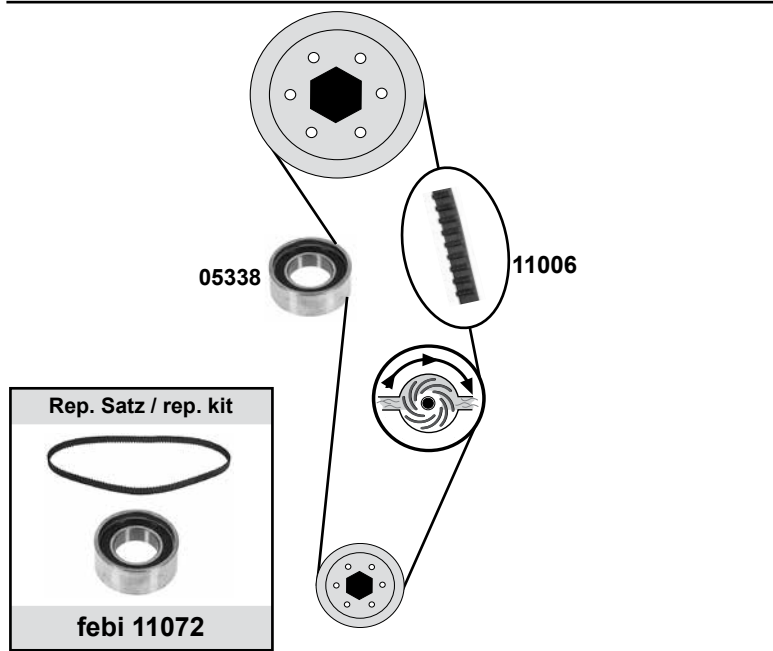
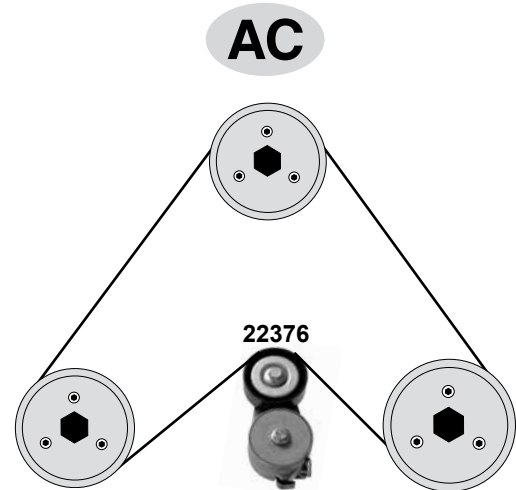
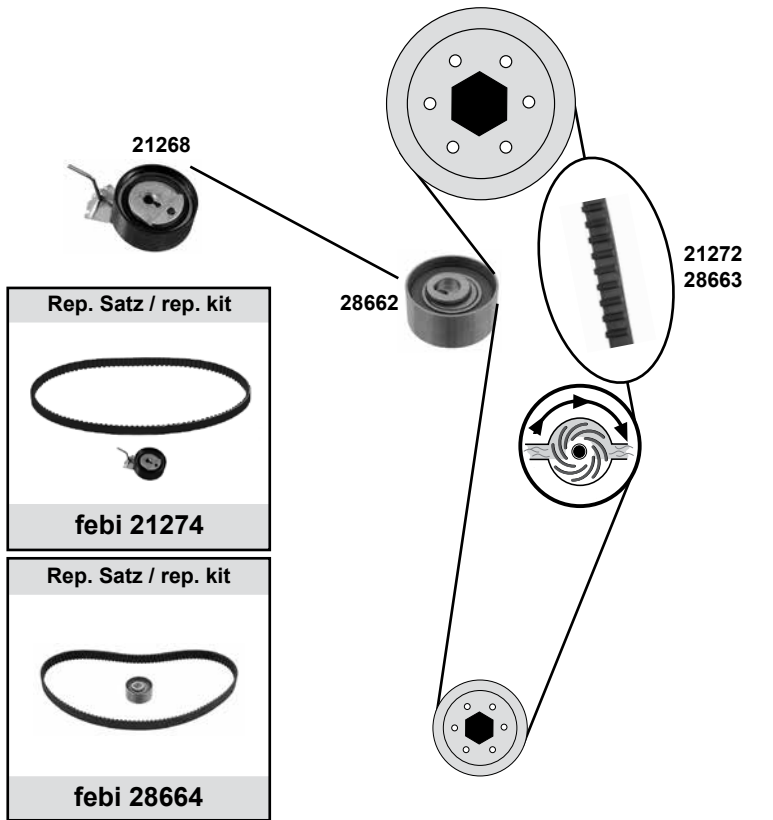


Ref. - No.



11010	46403659	Zahnriemen / timing belt	(1)	Z 124 B 22
17769	55248394	Spannrolle / tension roller	(2)	ØA 60 B29
28662	55233759	Spannrolle / tension roller	(ex.) 16V	ØA 55,5 B26
28663	71753156	Zahnriemen / timing belt	(ex.) 16V	Z 129 B22
28664	71775900	Rep.Satz.Zahnriemen / rep.kit. timing belt	(ex.) 16V	

**1,4 8V 54kW / 57kW**



**Scudo (220)**  
(95→06)  
**1,6**

	Ref. - No.			
<b>05338</b>	71740977	Spannrolle / tension roller		ØA 57 H24
<b>11006</b>	71719005	Zahnriemen / timing belt		Z 138 B15
<b>11072</b>	46408751 S1	Rep.Satz.Zahnriemen / rep.kit. timing belt		Z 138
<b>21268</b>	9400829909	Spannrolle / tension roller	54kW	ØA 60 B25
<b>21272</b>	9467581780	Zahnriemen / timing belt	54kW	
<b>21274</b>	9400831869	Rep.Satz.Zahnriemen / rep.kit. timing belt	54kW / Euro 4	Z 104 B17
<b>22376</b>	55195023	Riemenspanner / belt tensioner	57kW	ØA 65 B23,5
<b>28662</b>	55233759	Spannrolle / tension roller	57kW	ØA 55,5 B26
<b>28663</b>	71753156	Zahnriemen / timing belt	57kW	Z 129 B22
<b>28664</b>	71775900	Rep.Satz.Zahnriemen / rep.kit. timing belt	57kW	
<b>36365</b>	46439471	Umlenkrolle / deflection pulley	→ 04	ØA 80 B27

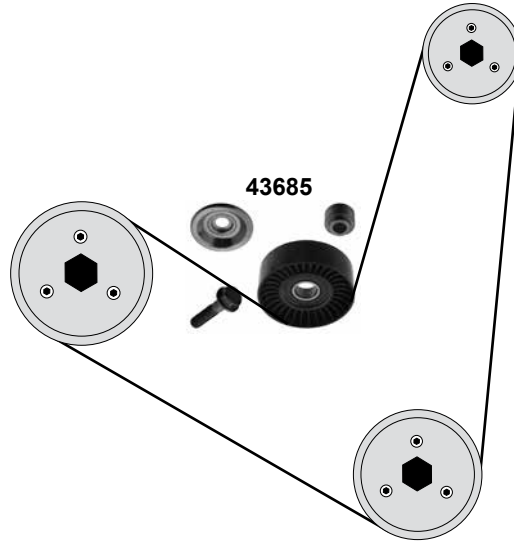


# FIAT Scudo (220) (95→07)

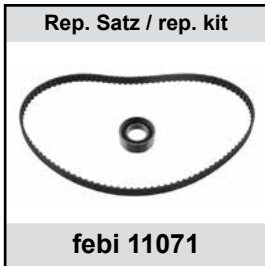
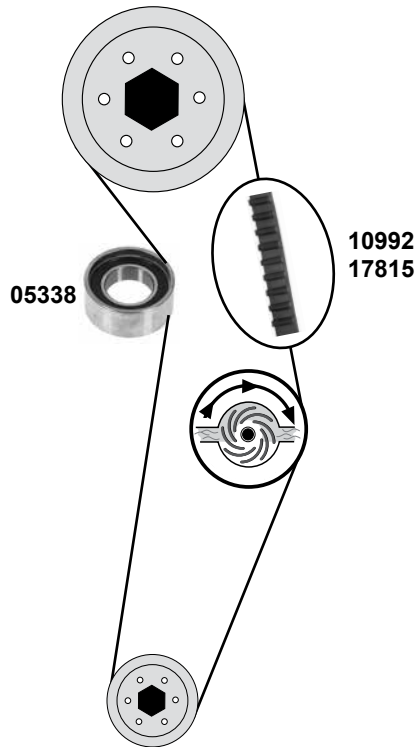
Car  
Division 



## 2,0 16V (100kW) (RFN)



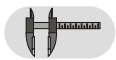
## Seicento (187) (98→10) 1,1



(1) (mot.) 187A1.000 → 2934169  
(mot.) 176B2.000 9042884 →

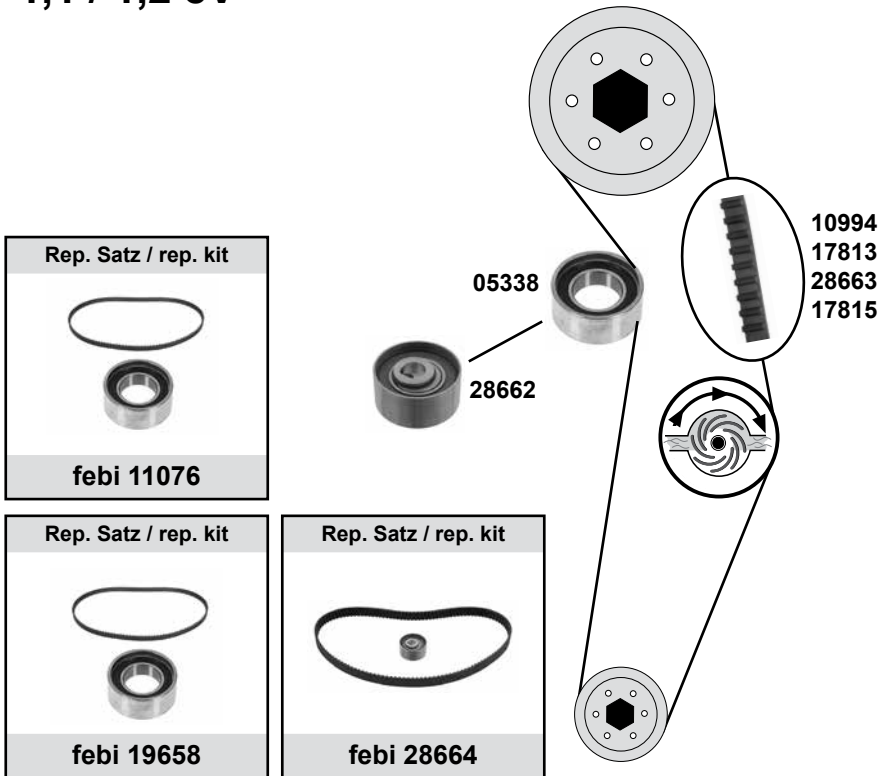


Ref. - No.

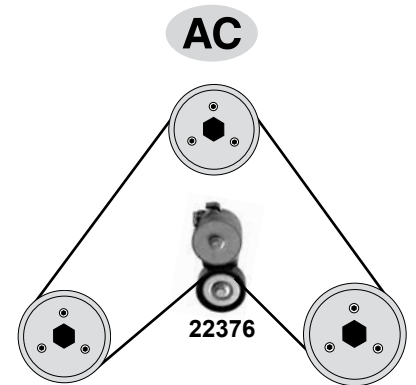


<b>05338</b>	71740977	Spannrolle / tension roller			ØA 57 H24
<b>10992</b>	46474432	Zahnriemen / timing belt		(mot.) → 9042882	Z 104 B15
<b>11071</b>	7554701 S1	Rep. Satz Zahnriemen / rep. kit timing belt		(mot.) → 9042882	Z 104 B15
<b>17815</b>	55203786	Zahnriemen / timing belt		(1)	Z 125 B15
<b>19657</b>	46750865 S1	Rep. Satz Zahnriemen / rep. kit timing belt		(mot.) 9042883 →	Z 125 B15
<b>43685</b>	9653342680	Umlenkrolle / deflection pulley			ØA 78 B25

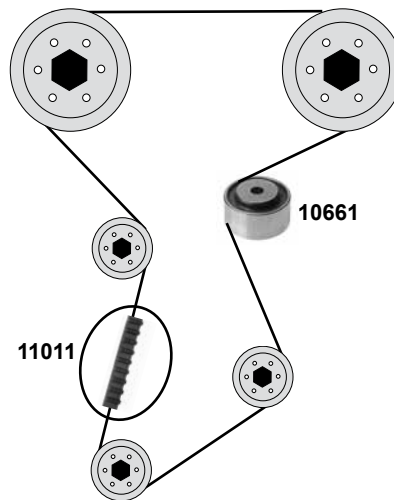
1,1 / 1,2 8V



1,2 16 V



1,6 16V



(1) (mot.) 1,1 M1 / 9042884 → / → 02

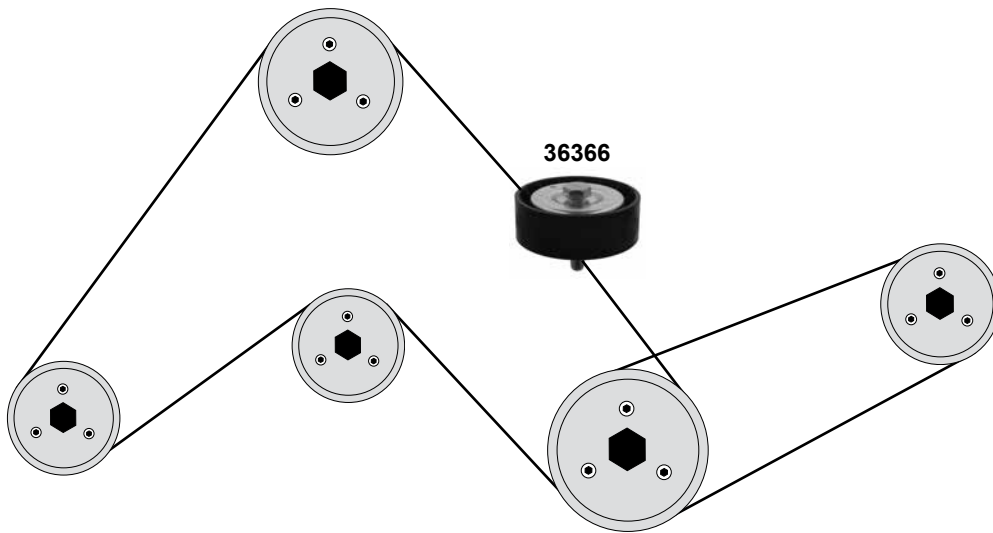


Ref. - No.

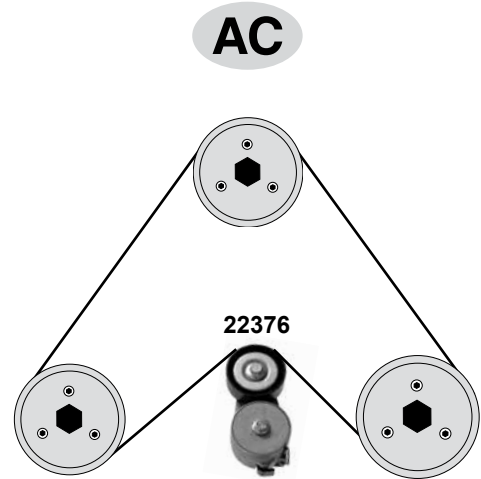
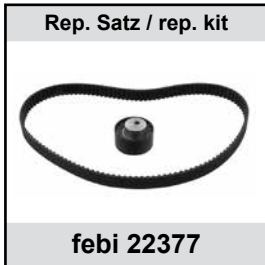
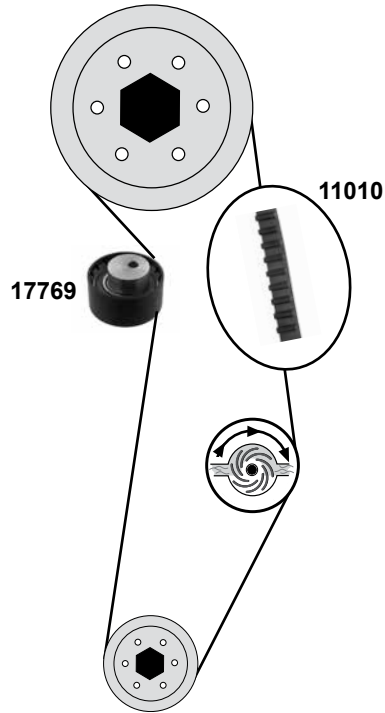


febi bilstein	Ref. - No.			
05338	71740977	Spannrolle / tension roller		ØA 57 H24
10661	55211287	Umlenkrolle / deflection pulley		ØA 65 B30,4
10994	71749474	Zahnriemen / timing belt	97 →	ØA 65 B30,4
11011	55188191	Zahnriemen / timing belt	(mot.) → 9042883	Z 108 B15
11076	71749474 S1	Rep. Satz Zahnriemen / rep. kit timing belt	(mot.) → 9042883	Z 158 B24
17813	71719652	Zahnriemen / timing belt	(mot.) 9042883 →	Z 108 B15
17815	55203786	Zahnriemen / timing belt	(1)	Z 129 B15
19658	71771576	Rep. Satz Zahnriemen / rep. kit timing belt	(mot.) 9042884 →	Z 125 B15
22376	55195023	Riemenspanner / belt tensioner	02 → 12	Z 129 B15
28662	55233759	Spannrolle / tension roller	(mot.) 2533528 →	ØA 65 B23,5
28663	71753156	Zahnriemen / timing belt	(mot.) 2533528 →	ØA 55,5 B26
28664	71775900	Rep.Satz.Zahnriemen / rep.kit. timing belt	(mot.) 2533528 →	Z 129 B22

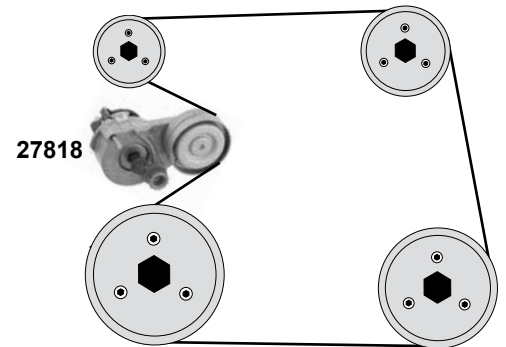
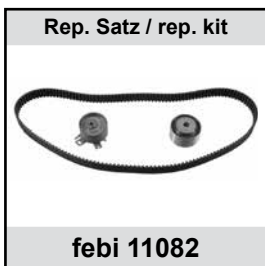
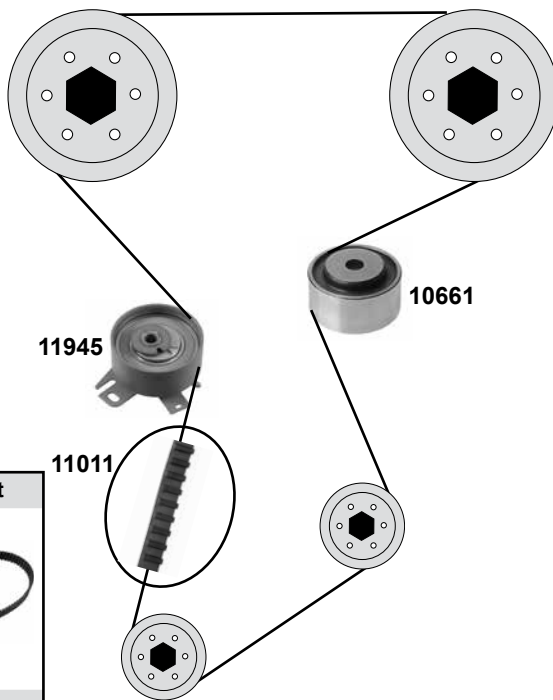
**1,2 44kW / 1,4 59kW**



**1,2 16V / 1,4 16V**



**1,6 16V**



Ref. - No.



<b>10661</b>	55211287	Umlenkrolle / deflection pulley	01 → 07	ØA 65 H30,4/35,4
<b>11010</b>	46403659	Zahnriemen / timing belt		Z 124 B22
<b>11011</b>	55188191	Zahnriemen / timing belt		Z 158 B24
<b>11082</b>	71736715	Rep. Satz Zahnriemen / rep. kit timing belt		Z 158 B25,36
<b>11945</b>	71734799	Spannrolle / tension roller		ØA 60 H29
<b>17769</b>	55248394	Spannrolle / tension roller		ØA 60 H29
<b>22376</b>	55195023	Riemenspanner / belt tensioner	01 → 07	ØA 65 B23,5
<b>22377</b>	71736717	Rep. Satz Zahnriemen / rep. kit timing belt		Z 124 B22,05
<b>27818</b>	55563512	Riemenspanner / belt tensioner	03 → 07	

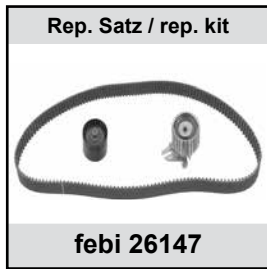
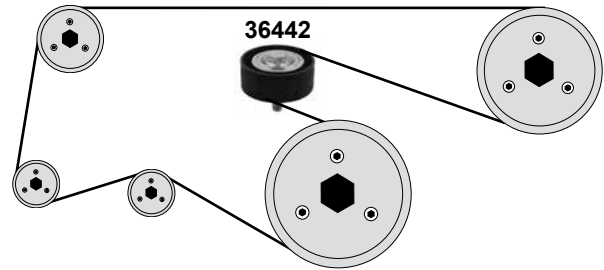
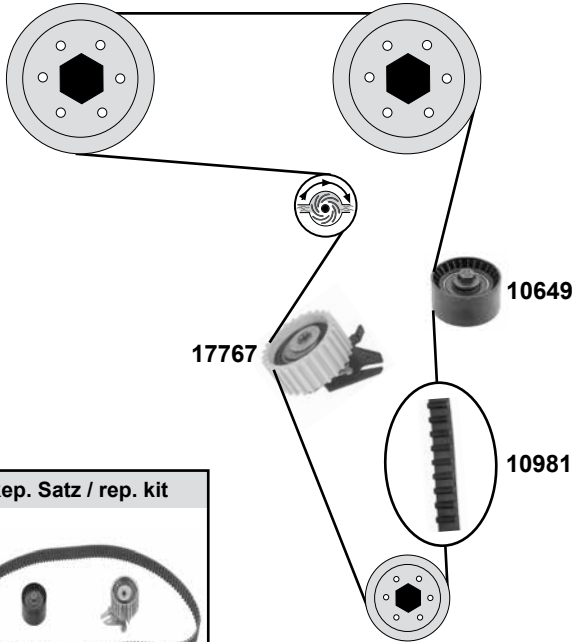
# FIAT Stilo / SW (192)

(01→07)

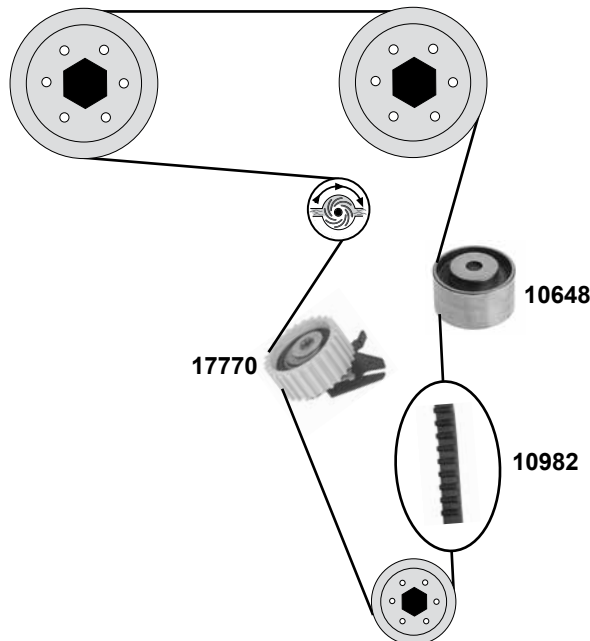
Car  
Division



## 1,8 16V



## 2,4 20V



Ref. - No.



10648	71736493	Umlenkrolle / deflection pulley		ØA 53
10649	60671573	Umlenkrolle / deflection pulley		ØA 57 H29/35
10981	55210626	Zahnriemen / timing belt		Z 166 B24
10982	55210628	Zahnriemen / timing belt		Z 168 B24
17767	55192240	Spannrolle / tension roller		ØA64,7 H28,7
17770	55192773	Spannrolle / tension roller		
26147	71736725	Rep. Satz Zahnriemen / rep. kit timing belt		Z 166 B24
36442	60671789	Umlenkrolle / deflection pulley	→03	ØA 65 B25

Rep. Satz / rep. kit

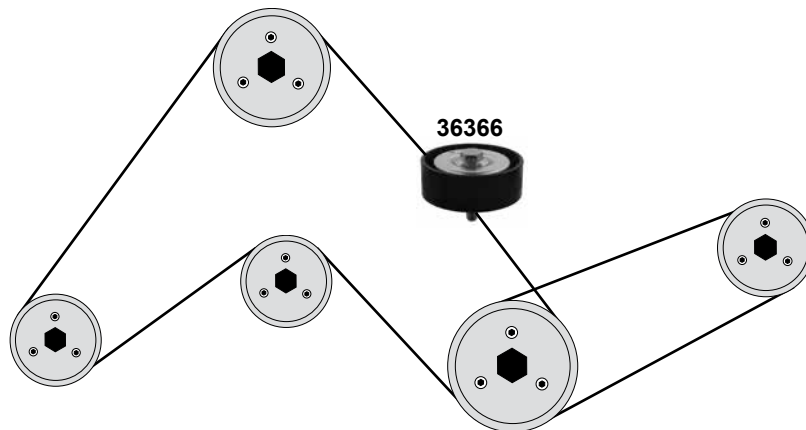
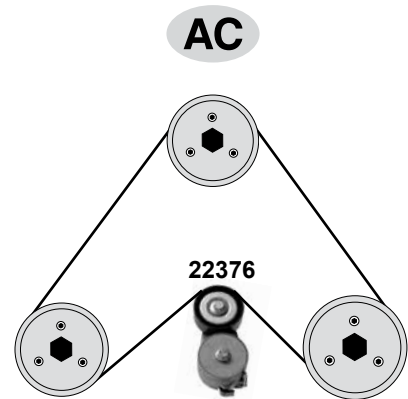
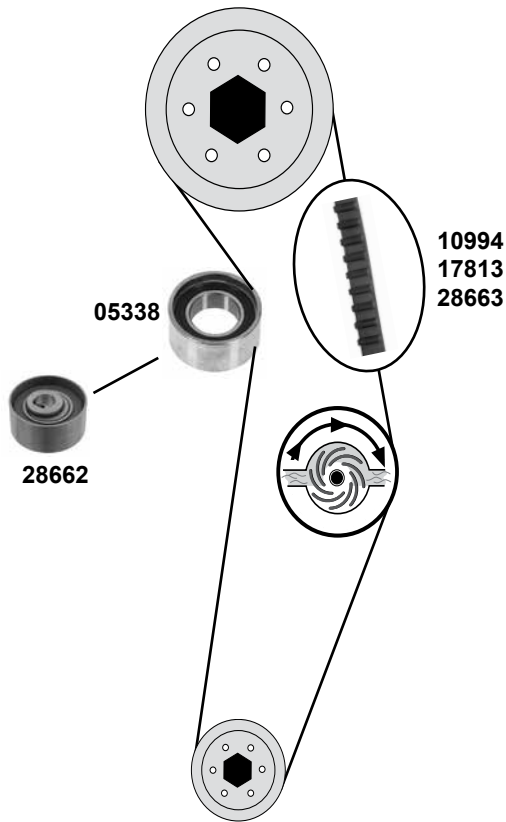
**febi 11076**

Rep. Satz / rep. kit

**febi 19658**

Rep. Satz / rep. kit

**febi 28664**



(1) 99→05 AC + servo



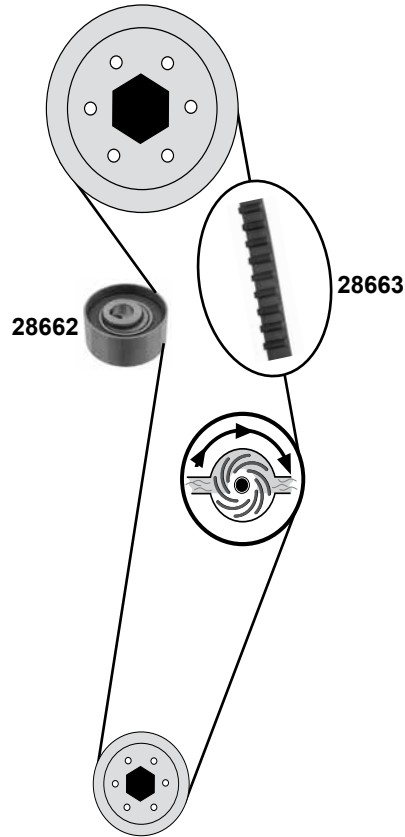
Ref. - No.



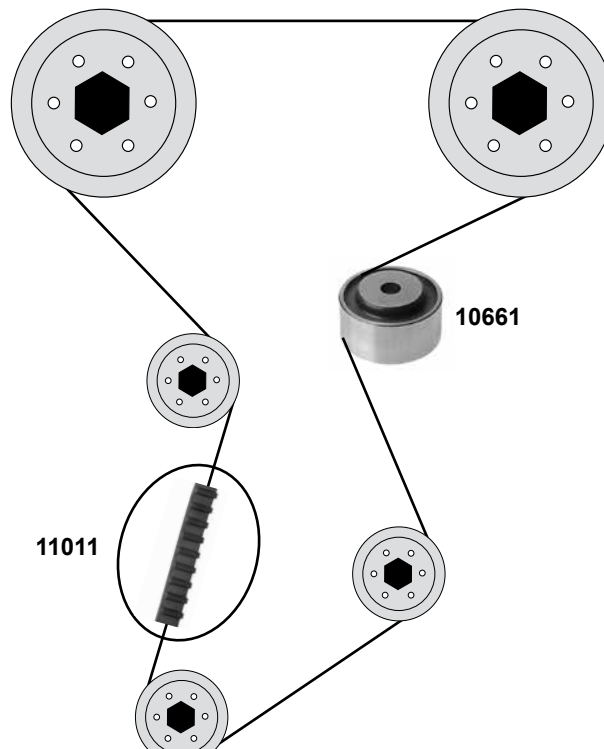
<b>05338</b>	71740977	Spannrolle / tension roller			ØA 57 H24
<b>10994</b>	71749474	Zahnriemen / timing belt		(mot.) → 9042883	Z 108 B15
<b>11076</b>	71749474 S1	Rep. Satz Zahnriemen / rep. kit timing belt		(mot.) → 9042883	Z 108 B14,8
<b>17813</b>	71719652	Zahnriemen / timing belt		(mot.) 9042883 →	Z 129 B15
<b>19658</b>	71771576	Rep. Satz Zahnriemen / rep. kit timing belt		(mot.) 9042883 →	T 129 B15
<b>22376</b>	55195023	Riemenspanner / belt tensioner		99 → 05	ØA 65 B23,5
<b>28662</b>	55233759	Spannrolle / tension roller		→ 05	ØA 55,5 B26
<b>28663</b>	71753156	Zahnriemen / timing belt		→ 05	Z 129 B22
<b>28664</b>	71775900	Rep. Satz Zahnriemen / rep. kit. timing belt		→ 05	
<b>36366</b>	55204392	Spannrolle / tension roller		(1)	ØA 65 B23

# FIAT Strada (178 E) (05→11)

## 1,2 8V



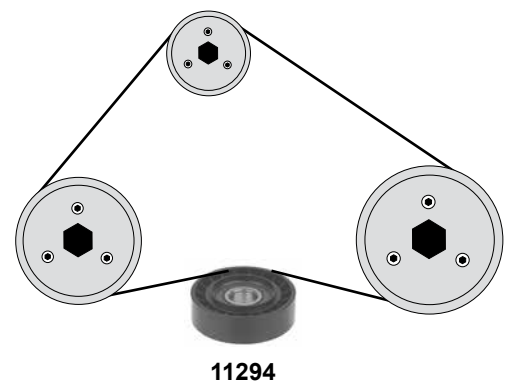
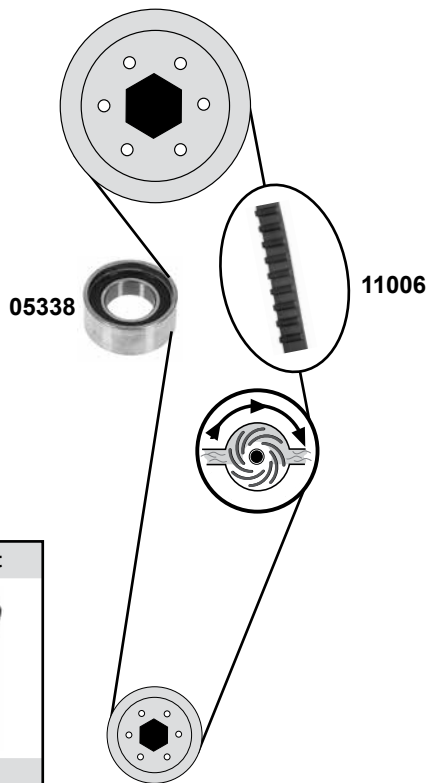
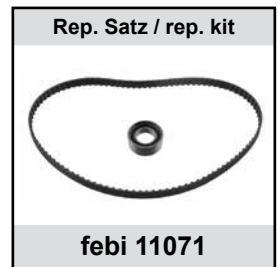
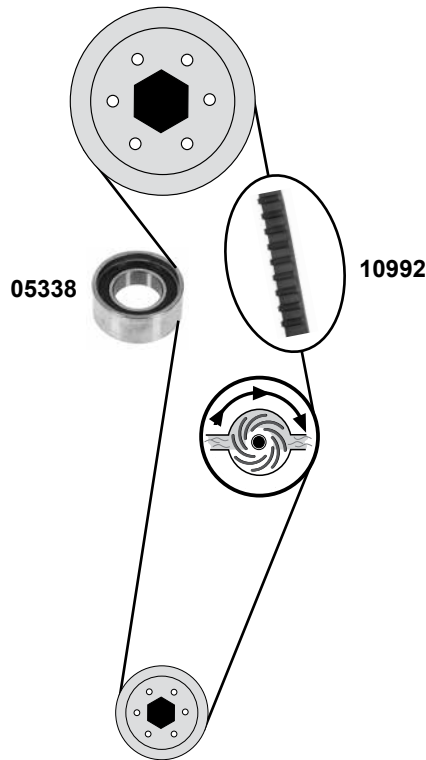
## 1,6 16V



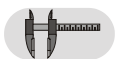
Ref. - No.



10661	55211287	Umlenkrolle / deflection pulley	97 →	ØA 65 B30,4
11011	55188191	Zahnriemen / timing belt		Z 158 B24
28662	55233759	Spannrolle / tension roller	→11	ØA 55,5 B26
28663	71753156	Zahnriemen / timing belt	→11	Z 129 B22
28664	71775900	Rep.Satz Zahnriemen / rep.kit. timing belt	→11	



Ref. - No.

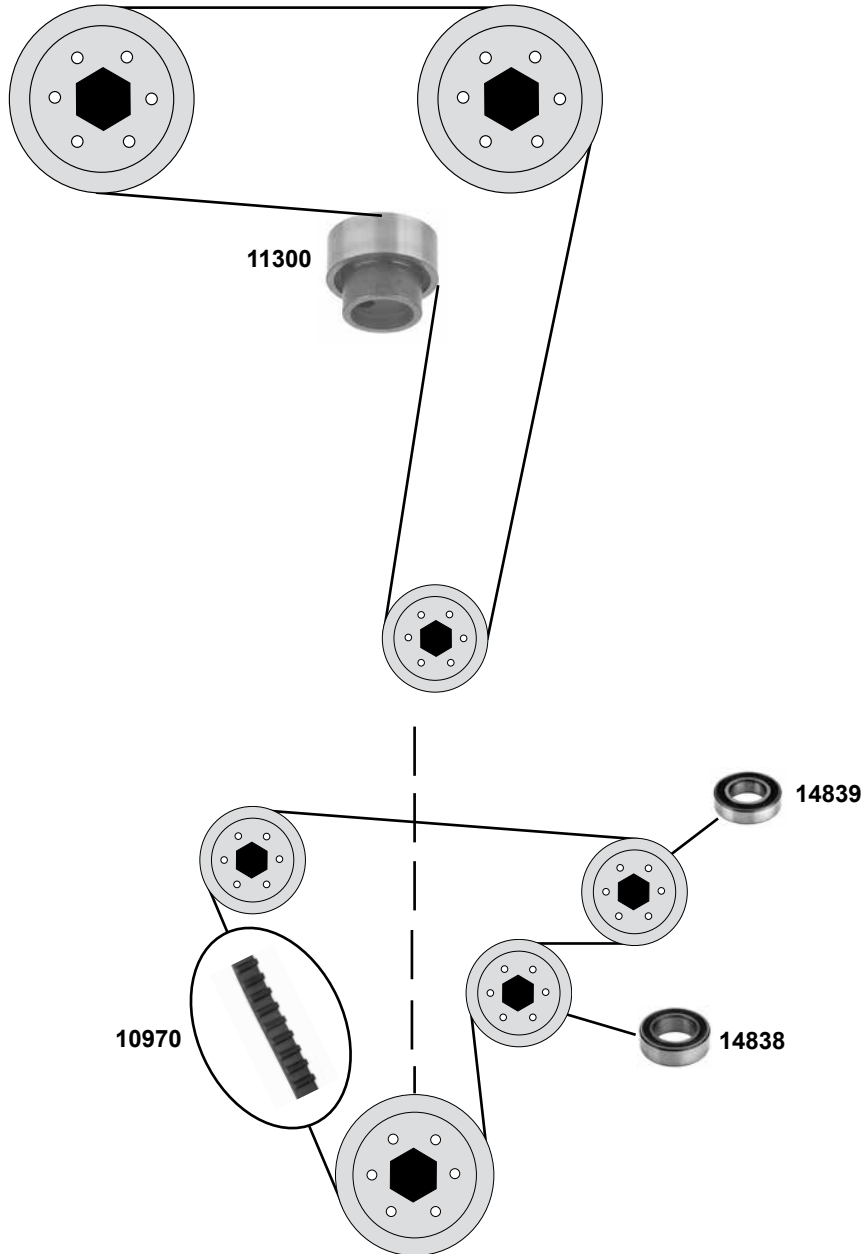


05338	71740977	Spannrolle / tension roller	ØA 57 H24
10992	46474432	Zahnriemen / timing belt	Z 104 B15
11006	71719005	Zahnriemen / timing belt	Z 138 B15
11071	7554701 S1	Rep. Satz Zahnriemen / rep. kit timing belt	Z 129 B22
11072	46408751 S1	Rep. Satz Zahnriemen / rep. kit timing belt	Z 138
11294	46424716	Spannrolle / tension roller	ØA 80 H24

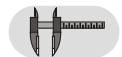




**1,8 8V**



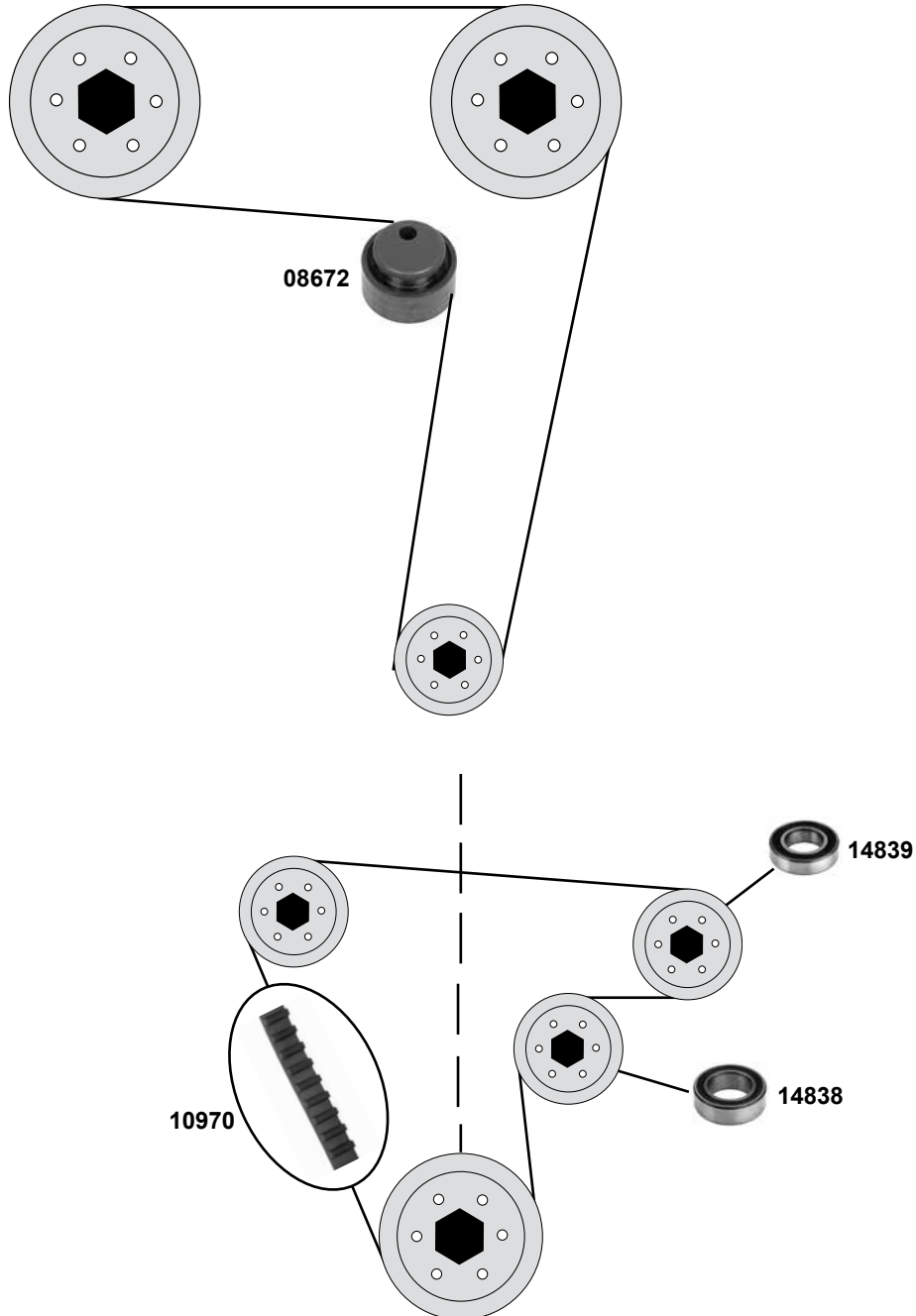
Ref. - No.



<b>10970</b>	7614999
<b>11300</b>	7541718
<b>14838</b>	5999795
<b>14839</b>	7541712

Zahnriemen Ausgleichsw. / timing belt balance shaft
Spannrolle / tension roller
Umlenkrolle / deflection pulley
Umlenkrolle / deflection pulley

Z 97 B15
ØA60 H25/46,5
ØA68 Ø1 40 H21
ØA47 Ø125 H12



Ref. - No.



**08672** 5997325  
**10970** 7614999  
**14838** 5999795  
**14839** 7541712

Spannrolle / tension roller  
Zahnriemen Ausgleichsw. / timing belt balance shaft  
Umlenkrolle / deflection pulley  
Umlenkrolle / deflection pulley

ØA56 H25/48  
Z 97 B15  
ØA68 ØI 40 H21  
ØA47 Ø I25 H12

# FIAT

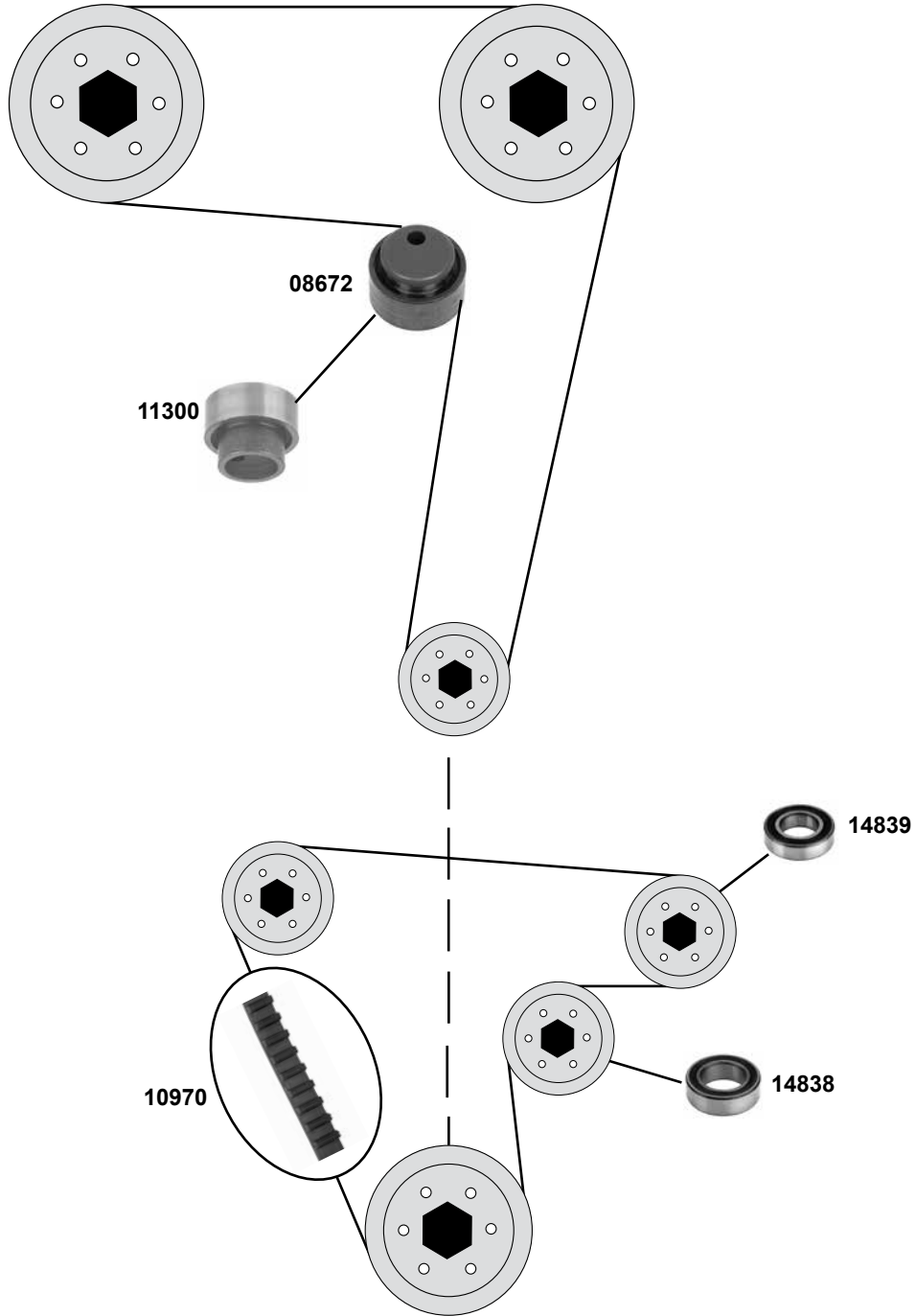
## Tipo (160) / Tempra (159)

(87→96)

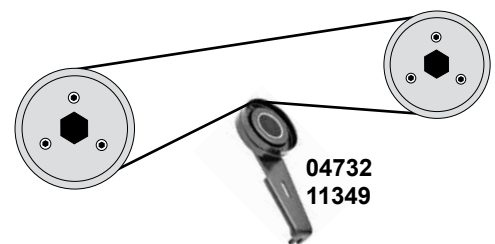
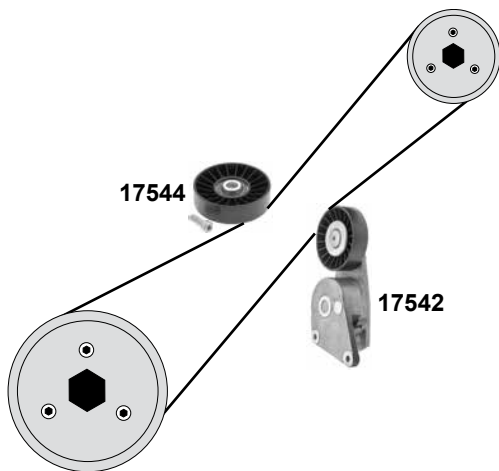
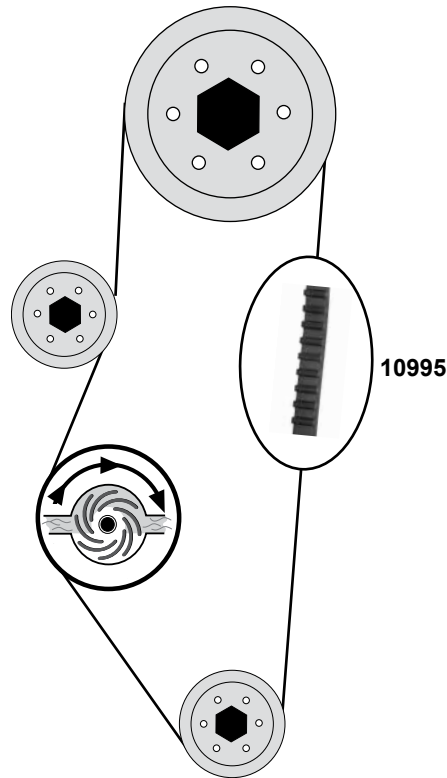
Car  
Division



2,0 8V / 16V



Ref. - No.	Icon	Description	Motor	Dimensions
08672		Spannrolle / tension roller	(mot.) 16 V	ØA56 H25/48
10970		Zahnriemen Ausgleichsw. / timing belt balance shaft		Z 97 B15
11300		Spannrolle / tension roller	(mot.) 8 V	ØA60 H25/46,5
14838		Umlenkrolle / deflection pulley		ØA68 Ø1 40 H21
14839		Umlenkrolle / deflection pulley		ØA47 Ø125 H12



Ref. - No.



<b>04732</b>	9608859180	Spannrolle / tension roller	Modell: 7/98 → AC AC	ØA 90 B24,5
<b>10995</b>	71739922	Zahnriemen / timing belt		Z 114 B17
<b>11244</b>	9467625780	Rep. Satz Zahnriemen / rep. kit timing belt		Z 114 B17
<b>11349</b>	9633802580	Spannrolle / tension roller		ØA 90 B24
<b>17542</b>	9626365280	Riemenspanner / belt tensioner		ØA 90 B25
<b>17544</b>	9608989980	Umlenkrolle / deflection pulley		ØA 90 B25

# FIAT

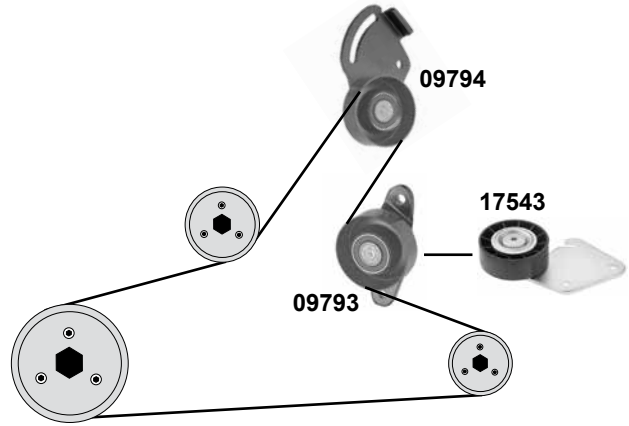
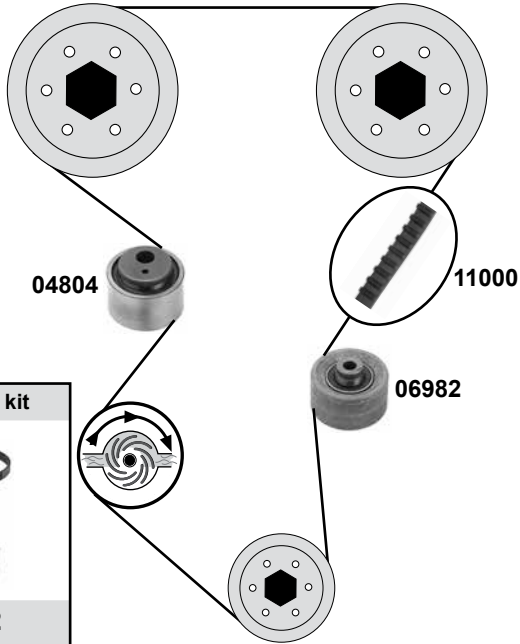
## Ulysse I (220)

(94→02)

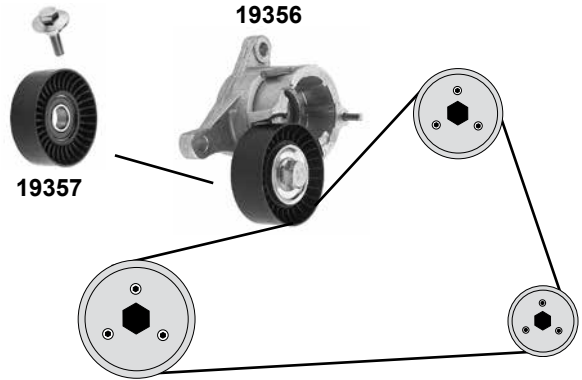
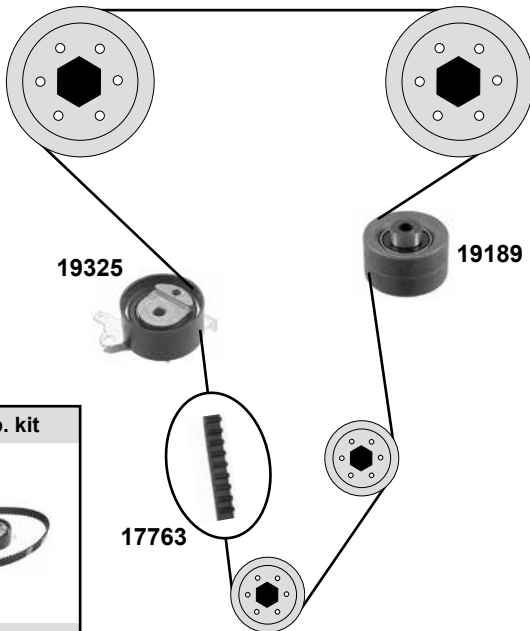
Car  
Division



### 2,0 16V



### 2,0 16V

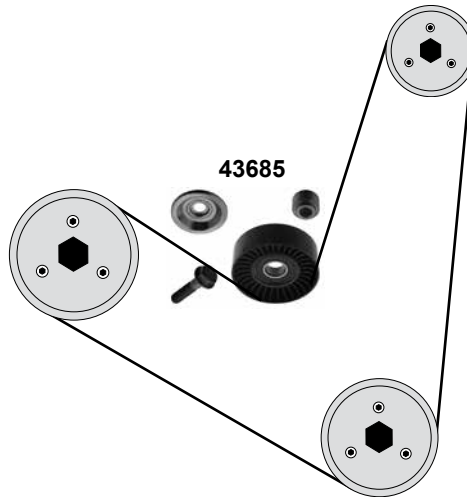


Ref. - No.

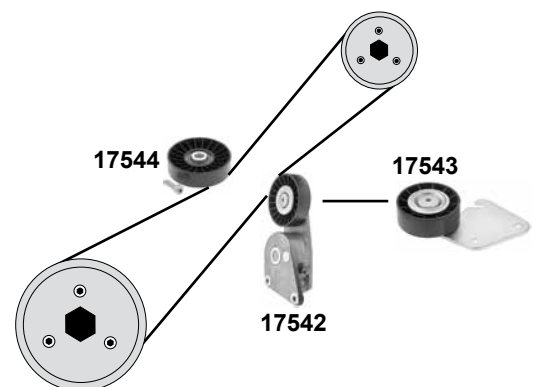
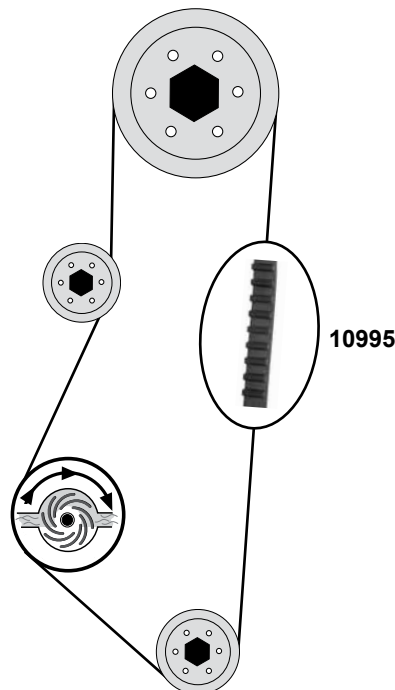


<b>04804</b>	9622574480	Spannrolle / tension roller		ØA57 Ø I 13 H 33
<b>06982</b>	9400830379	Umlenkrolle / deflection pulley		ØA60 Ø I 10 H 34
<b>09793</b>	9625621880	Umlenkrolle / deflection pulley		ØA70 B24,5
<b>09794</b>	9625621780	Spannrolle / tension roller		ØA70 B24,5
<b>11000</b>	71739919	Zahnriemen / timing belt		Z135 B25
<b>11212</b>	9400831489	Rep. Satz Zahnriemen / rep. kit timing belt		Z 136
<b>17543</b>	9622234180	Umlenkrolle / deflection pulley	AC	ØA 69,5 B24,5
<b>17763</b>	9400816190	Zahnriemen / timing belt		Z 153 B25,4
<b>19189</b>	9400830429	Umlenkrolle / deflection pulley		ØA 60 B31
<b>19325</b>	9400829929	Spannrolle / tension roller		ØA 62 B29
<b>19356</b>	9636207480	Riemenspanner / belt tensioner		ØA 65 B25
<b>19357</b>	9636640580	Umlenkrolle / deflection pulley		ØA78 B25
<b>22309</b>	9467628080	Rep. Satz Zahnriemen / rep. kit timing belt		Z 153

**AC**



**2,0 / 2,0 Turbo**  
(RFU/RGX)



<b>10995</b>	71739922	Zahnriemen / timing belt		Z 114 B17
<b>11244</b>	9467625780	Rep. Satz Zahnriemen / rep. kit timing belt		Z 114 B17
<b>17542</b>	9626365280	Riemenspanner / belt tensioner	<b>AC</b>	ØA90 B25
<b>17543</b>	9622234180	Umlenkrolle / deflection pulley	(mot.) 2,0 2/97 →	ØA69,5 B24,5
<b>17544</b>	9608989980	Umlenkrolle / deflection pulley	(mot.) 2,0 → 2/97	ØA90 B25
<b>43685</b>	9653342680	Umlenkrolle / deflection pulley		ØA78 B25

# FIAT

## Ulysse II (179)

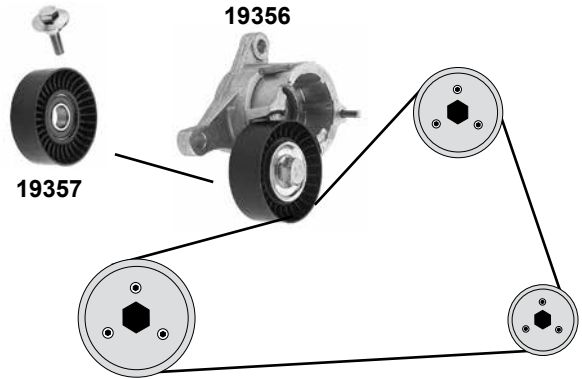
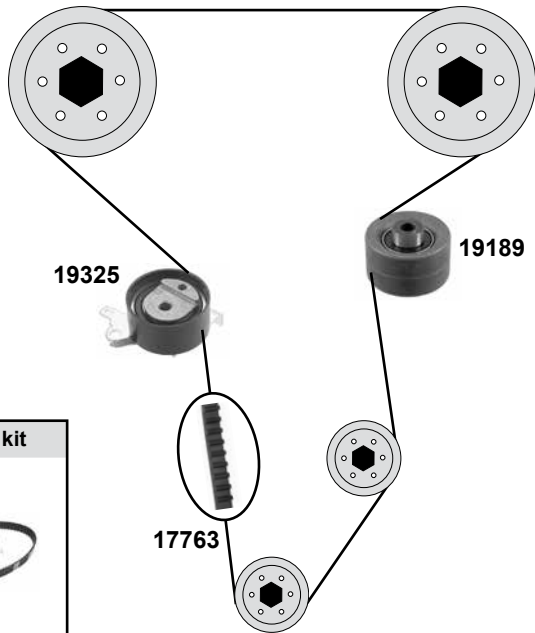
(01→10)

Car  
Division



### 2,0 16V / 2,2 16V

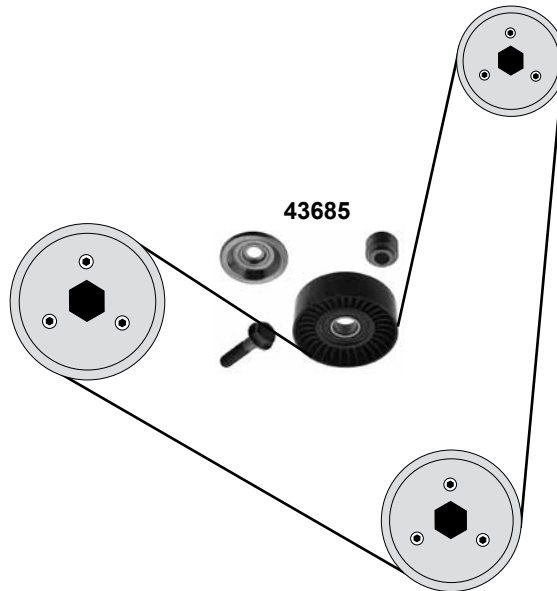
(RFN)



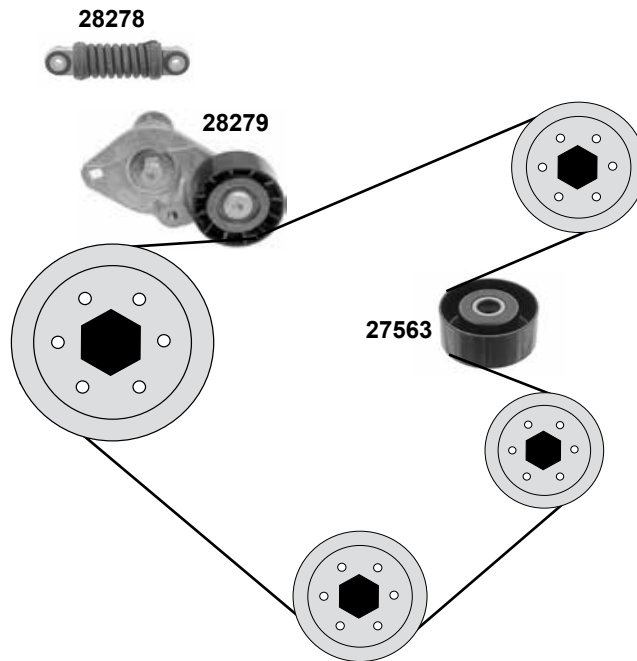
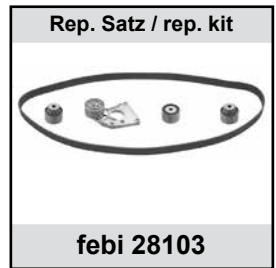
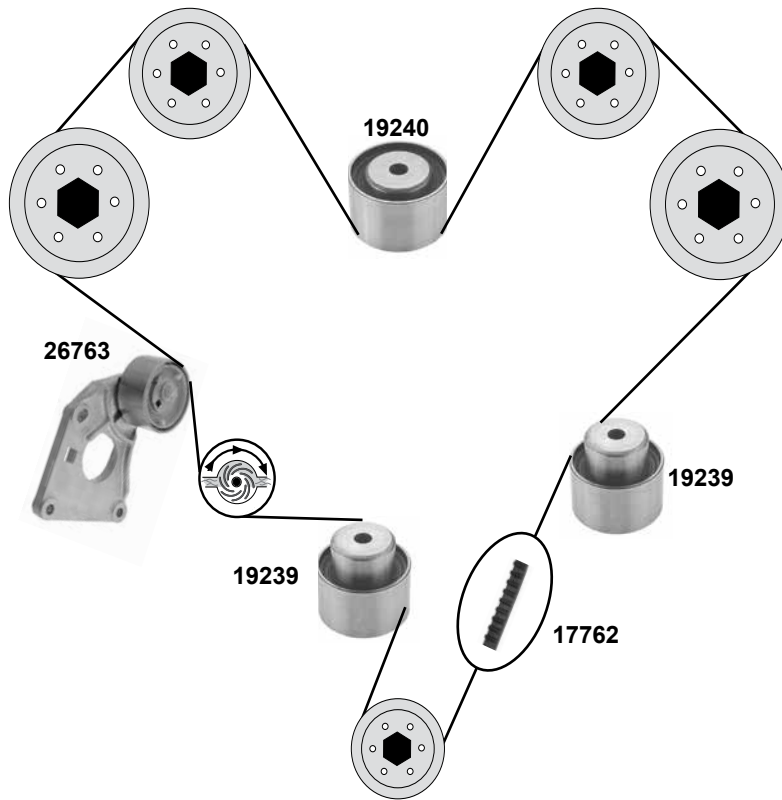
### 2,0 16V (100kW)

(RFN)

AC



Ref. - No.			
17763	9400816190	Zahnriemen / timing belt	Z 153 B25,4
19189	9400830429	Umlenkrolle / deflection pulley	ØA 60 B31
19325	9400829929	Spannrolle / tension roller	ØA 62 B29
19356	9636207480	Riemenspanner / belt tensioner	ØA 65 B25
19357	9636640580	Umlenkrolle / deflection pulley	ØA 78 B25
22309	9467628080	Rep. Satz Zahnriemen / rep. kit timing belt	Z 153
43685	9653342680	Umlenkrolle / deflection pulley	ØA78 B25



	Ref. - No.			
<b>17762</b>	9632959380	Zahnriemen / timing belt	→ 10	Z 259
<b>19239</b>	9400830589	Umlenkrolle / deflection pulley		ØA 65 B36/54
<b>19240</b>	9400830599	Umlenkrolle / deflection pulley		ØA 65 B36
<b>26763</b>	9467557280	Spannrolle / tension roller		ØA 70 B36
<b>27563</b>	9635638380	Umlenkrolle / deflection pulley		ØA 65 B26,5
<b>28103</b>	9467628880	Rep. Satz Zahnriemen / rep. kit timing belt		Z 259 B32
<b>28278</b>	9620038880	Riemenspanner / belt tensioner		
<b>28279</b>	9651019680	Riemenspanner / belt tensioner		ØA 65 B25,5



# FIAT

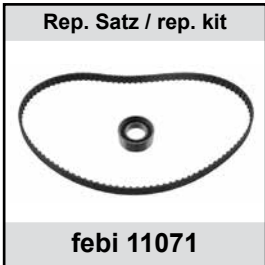
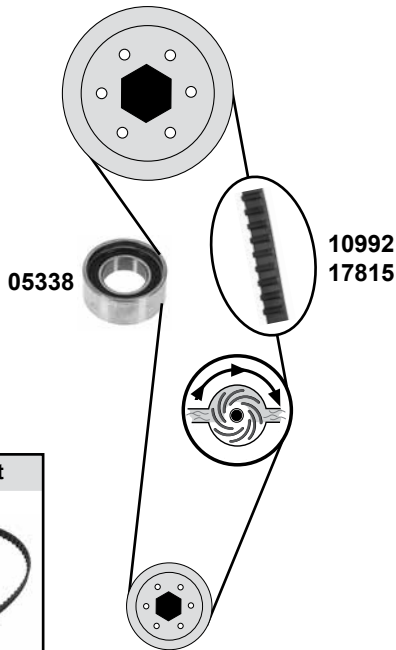
## Uno (146)

(85→95)

Car  
Division

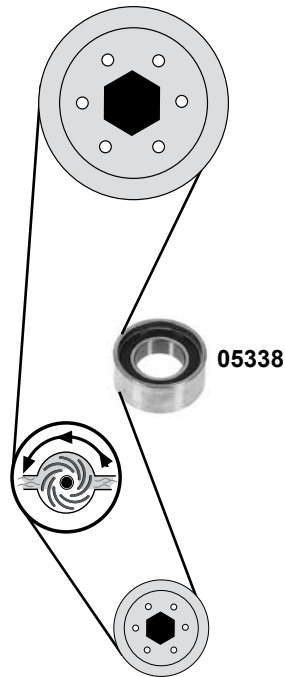


**1,0 / 1,1**



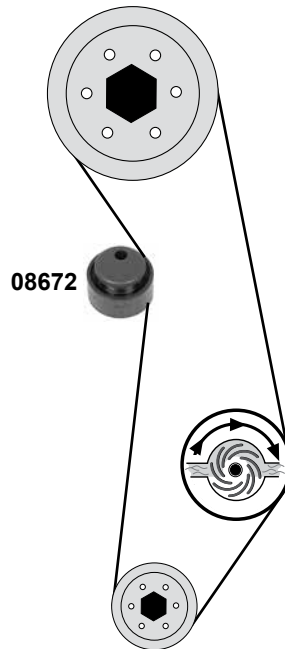
**1,0**

(146.C7.000/146.B4.000)



**1,1**

(146 A4.048)



(1)	(mot.) 1,0 M3/M5/M6	9042884 →	89 → 95
	(mot.) 1,1 M4/M7/M8	9042884 →	89 → 95



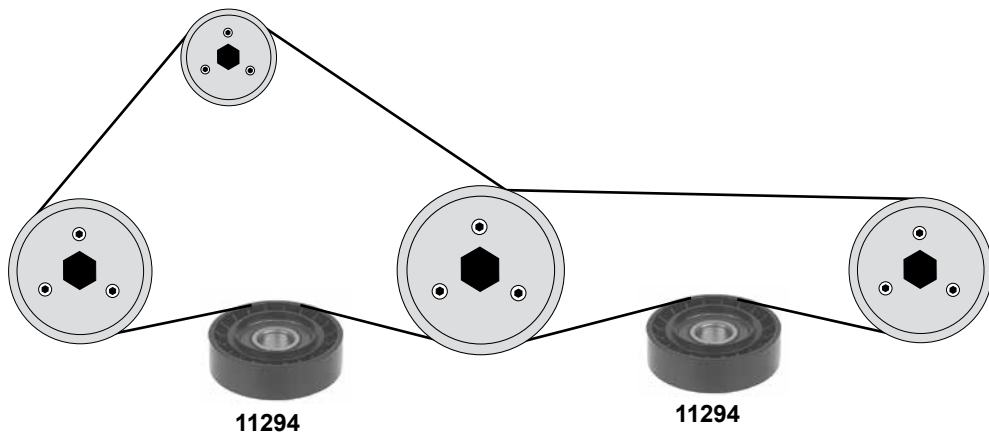
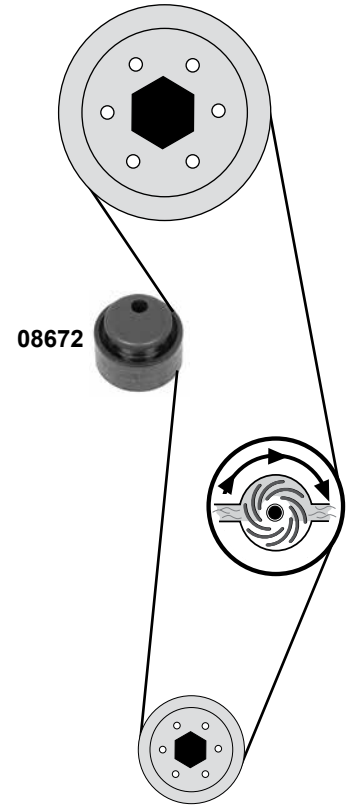
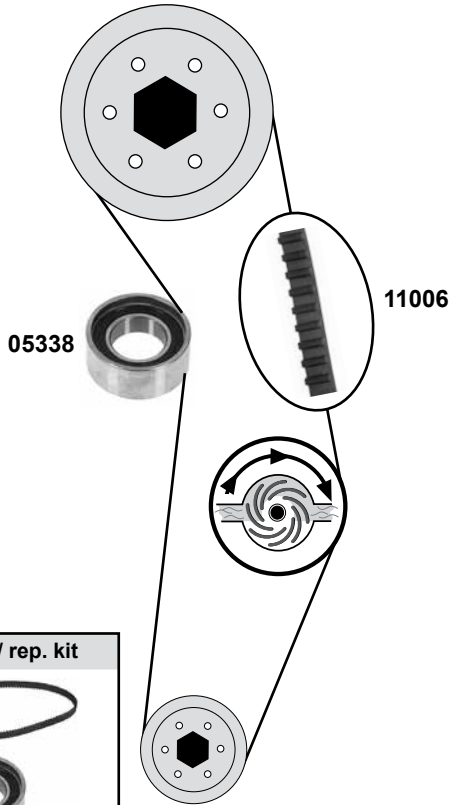
Ref. - No.



Part No.	Description	Dimensions
05338	Spannrolle / tension roller	ØA57 H24
08672	Spannrolle / tension roller	ØA56 / H27 / 39,5
10992	Zahnriemen / timing belt	(mot.) → 9042883 Z 104 B15
11071	Rep. Satz Zahnriemen / rep. kit timing belt	(mot.) → 9042883 Z 104 B15
17815	Zahnriemen / timing belt	(1) Z 125 B15

1,4

1,5



Ref. - No.



**05338**  
**08672**  
**11006**  
**11072**  
**11294**

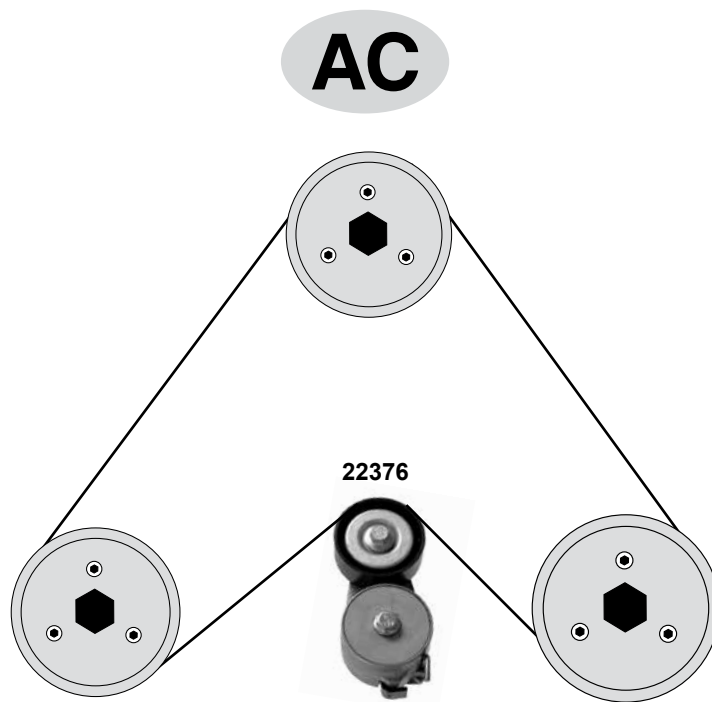
71740977  
5997325  
71719005  
46408751 S1  
46424716

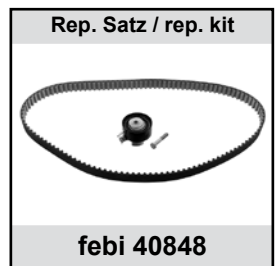
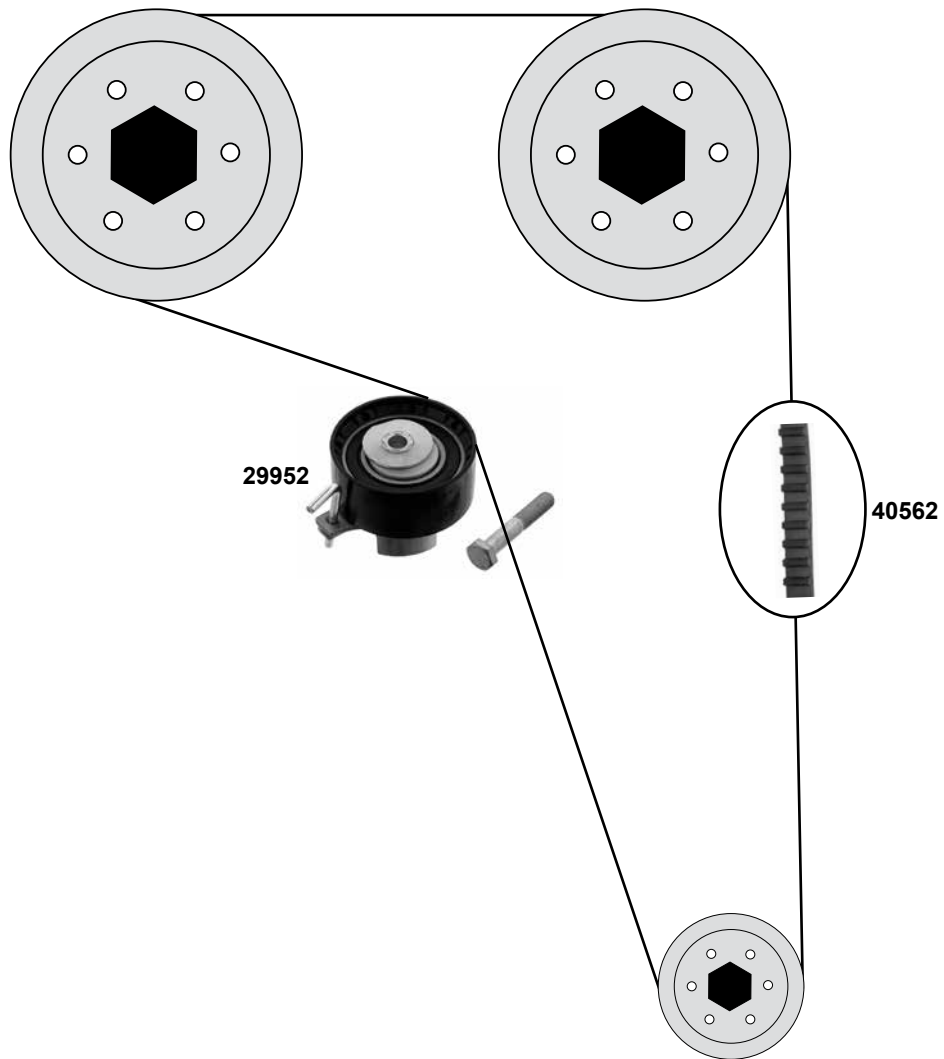
Spannrolle / tension roller  
Spannrolle / tension roller  
Zahnriemen / timing belt  
Rep. Satz Zahnriemen / rep. kit timing belt  
Spannrolle / tension roller

(mot.) 1,4

ØA 57 H24  
ØA 56 H27/39,5  
Z 138 B15  
Z 138  
ØA 80 H 24

**1,2 8V**





Ref. - No.



**29952**  
**40562**  
**40848**

1 376 164  
1 675 963  
1 672 144

Spannrolle / tension roller  
Zahnriemen / timing belt  
Rep. Satz Zahnriemen / rep. kit timing belt

ØA62 B26  
Z 117 B22

# FORD Capri 73 / 75

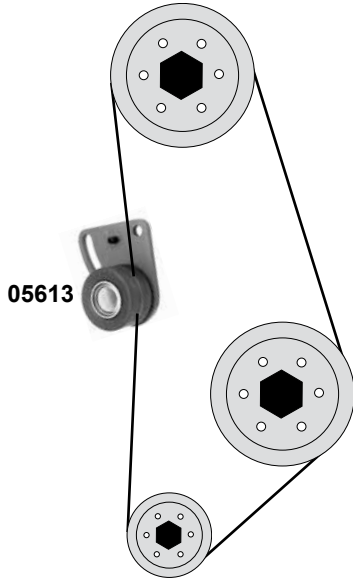
(09/72→04/86)

Car  
Division



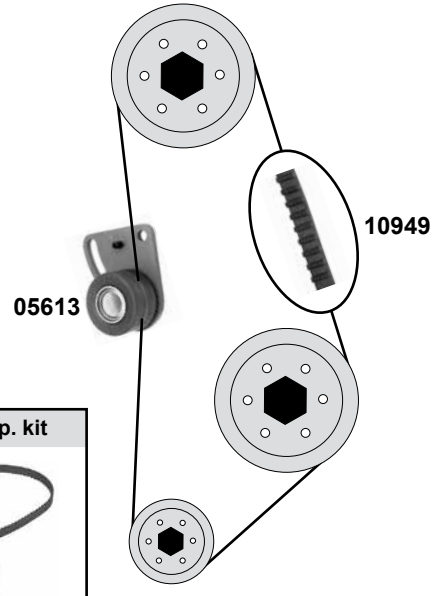
## 1,6 L / H / G

(OHC)



## 1,6 E

(OHC)



Rep. Satz / rep. kit

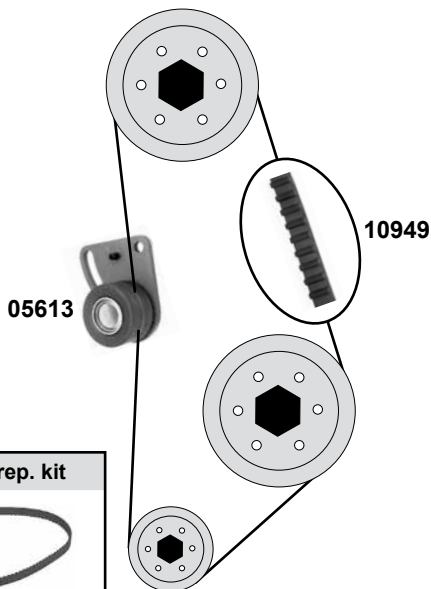
febi 11056

## Consul / Granada

(02/72→05/75)

## 1,6 E / 1,8H / 2,0

(OHC)



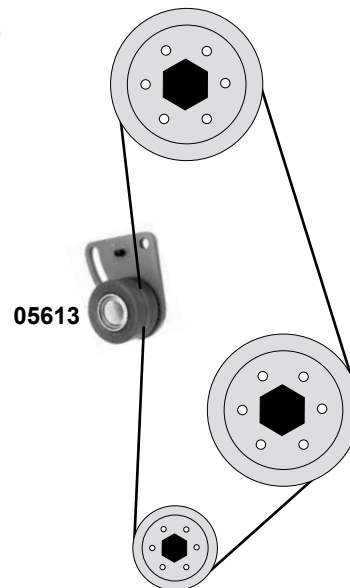
Rep. Satz / rep. kit

febi 11056

## 1,6 L / H / G

(OHC)

(08/81→04/85)



Ref. - No.



05613 1 496 915

10949 6 139 911

11056 6 139 911 S1

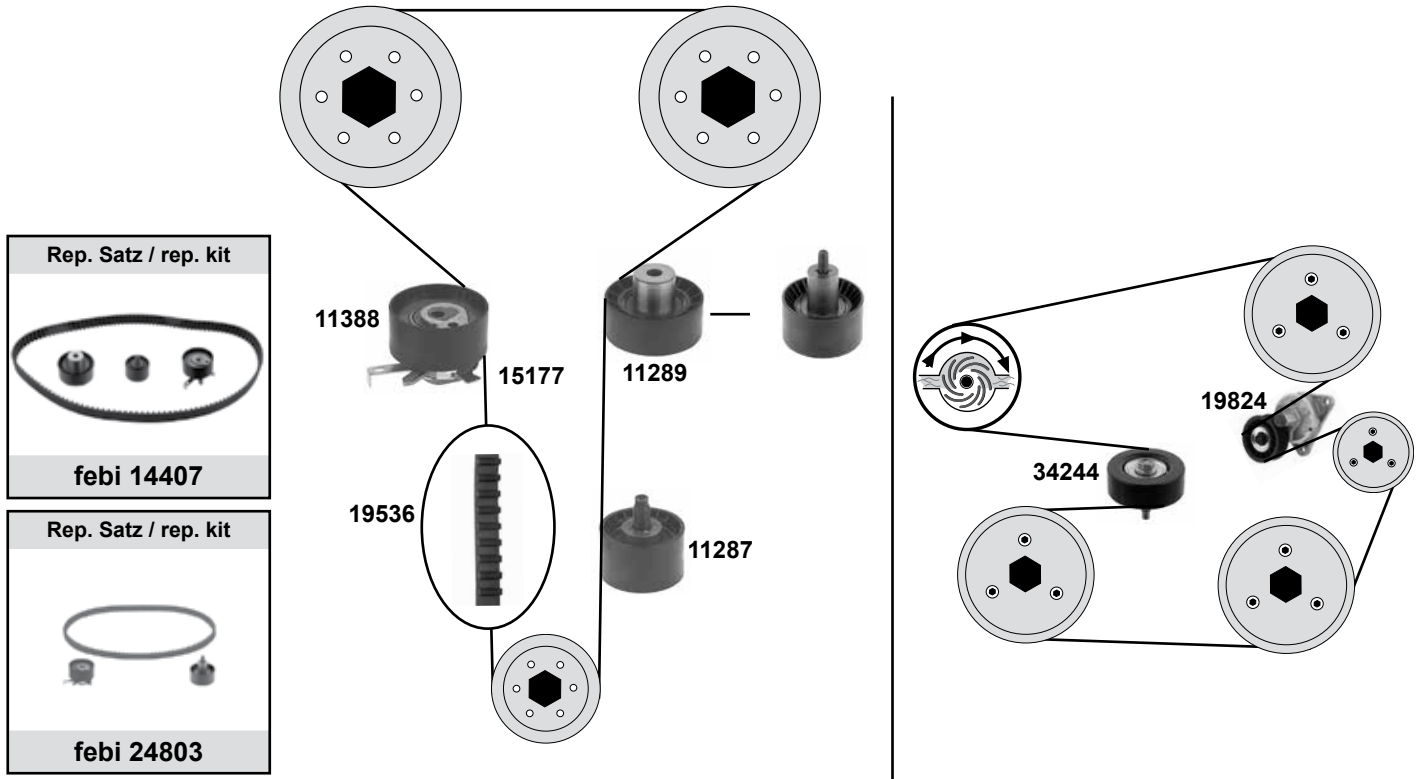
Spannrolle / tension roller

Zahnriemen / timing belt

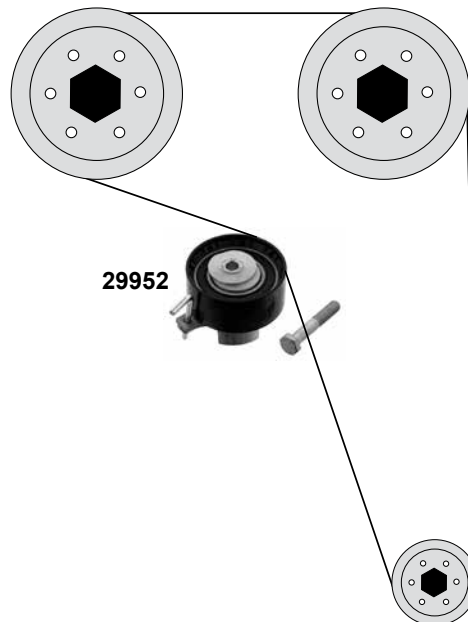
Rep. Satz Zahnriemen / rep. kit timing belt

ØA47 ØI27 B34,5

Z 122 B19



**Ecosport 13**  
(10/13→)  
**1,5**  
(Duratec)



	Ref. - No.			
11287	1 053 942	Umlenkrolle / deflection pulley	<b>Modell:</b> → 01/99	ØA47 ØI29 B51,5
11289	1 038 384	Umlenkrolle / deflection pulley		ØA70 ØI29 B47,9
11388	1 328 472	Spannrolle / tension roller	<b>Modell:</b> → 01/99 <b>Modell:</b> 01/99 →	ØA60 ØI29 B33,3
14407	1 000 156S1	Rep. Satz Zahnriemen / rep. kit timing belt		ØA60 ØI29 B69,5
15177	1 213 852	Umlenkrolle / deflection pulley	<b>Modell:</b> 01/99 →	Z 129 B25,4
19536	1 000 156	Zahnriemen / timing belt		Ø A 73
19824	1 073 096	Riemenspanner / belt tensioner	<b>Modell:</b> 01/99 →	Z 129 B25,4
24803	1 000 156S2	Rep. Satz Zahnriemen / rep. kit timing belt		ØA 62 B26
29952	1 376 164	Spannrolle / tension roller		Ø A 70 B25,5
34244	1 114 544	Umlenkrolle / deflection pulley		

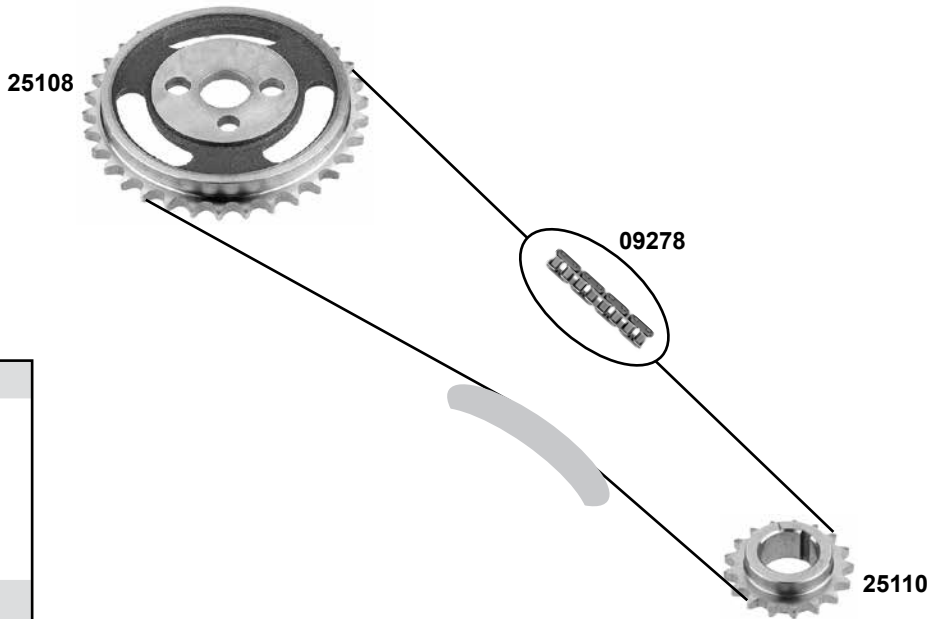
# FORD Escort 81

(08/80→12/85)

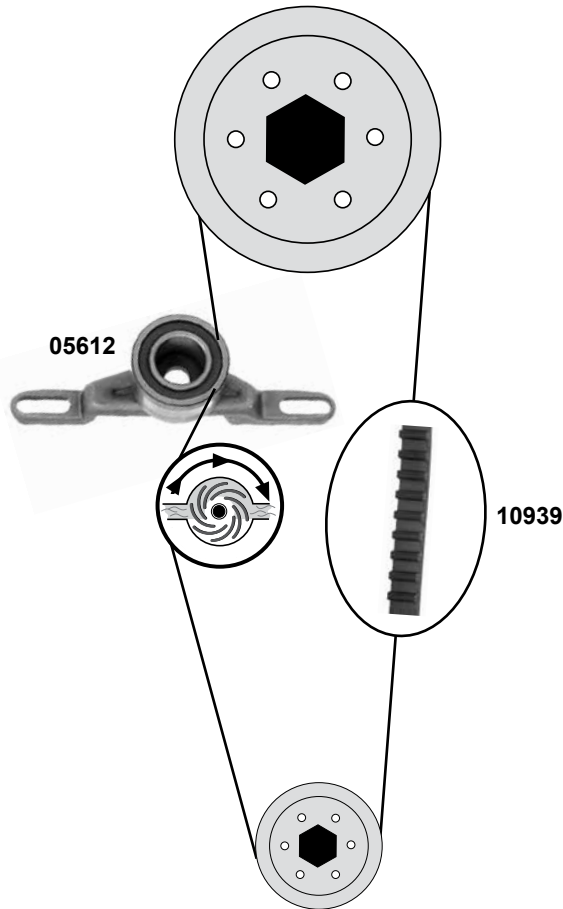
Car  
Division



**1,1**  
(OHV/BL)



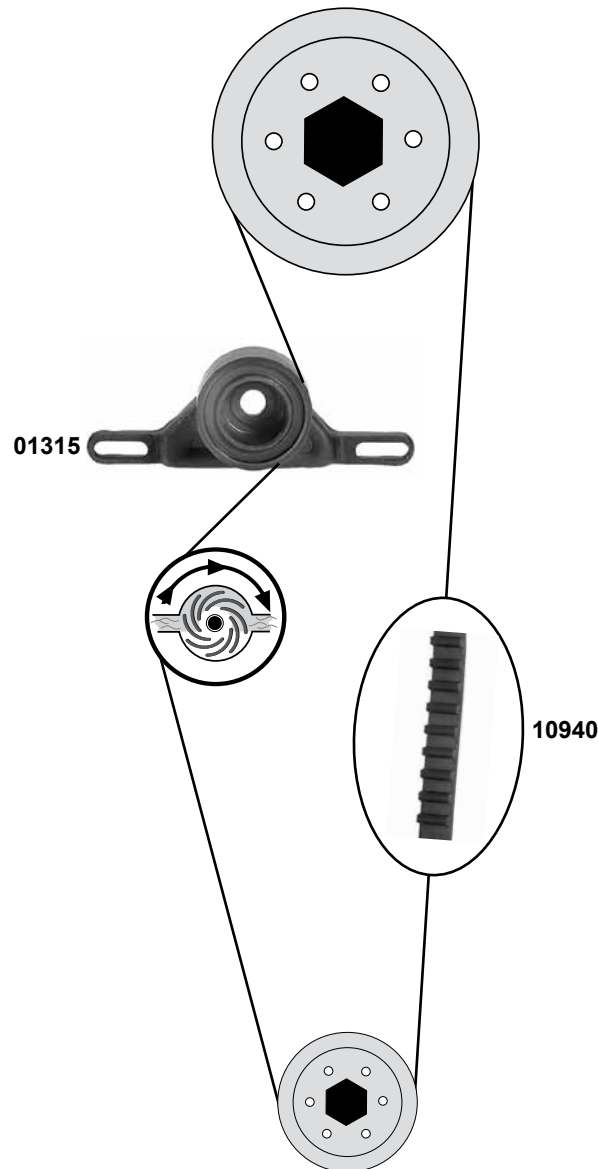
**1,1 / 1,3**  
(CVH/HL)



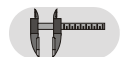
Ref. - No.



<b>05612</b>	6 089 286	Spannrolle / tension roller	ØA47 Ø129 B54
<b>09278</b>	6 156 318	Steuerkette / timing chain	455 / 45 N
<b>10939</b>	1 653 888	Zahnriemen / timing belt	Z 92 B19,8
<b>25108</b>	6 029 398	Nockenwellenrad / camshaft gear	Z 34
<b>25110</b>	1 434 861	Kurbelwellenrad / crankshaft gear	Z 17
<b>25159</b>	1 434 861 S2	Rep. Satz Steuerkette / rep. kit timing chain	



Ref. - No.



**01315** 6 182 891  
**10940** 6 711 046  
**11048** 6 711 046 S1

Spannrolle / tension roller  
Zahnriemen / timing belt  
Rep. Satz Zahnriemen / rep. kit timing belt

ØA89 Ø130 B54,5  
Z 97 B19,8



# FORD Escort 86

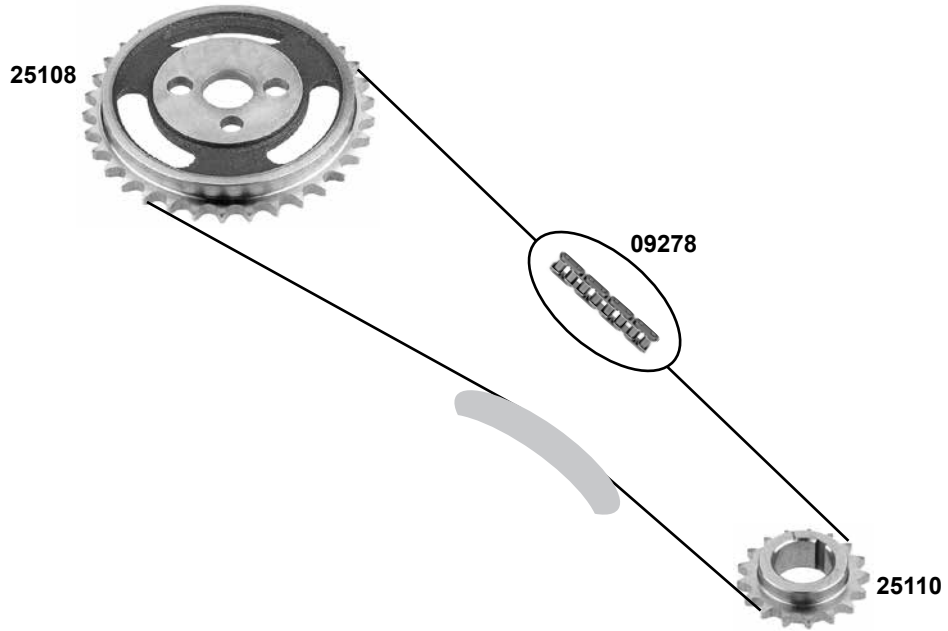
(01/86→07/90)

Car  
Division



## 1,1 / 1,3

(OHV/BL)

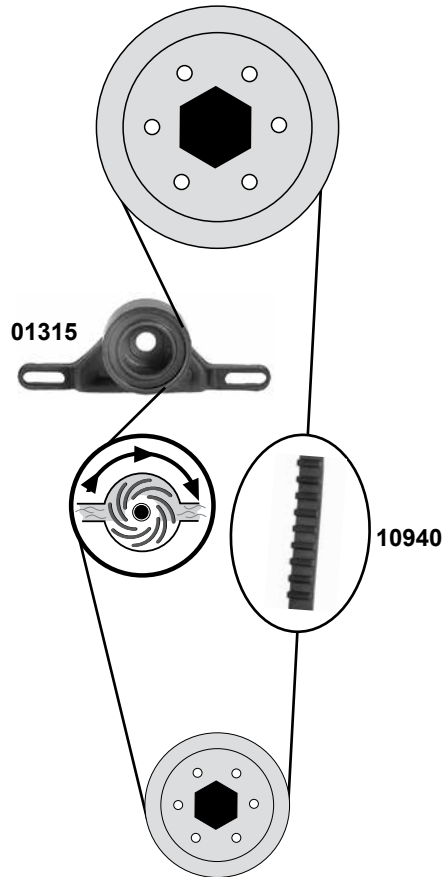


Rep. Satz / rep. kit

febi 25159

## 1,4 / 1,6

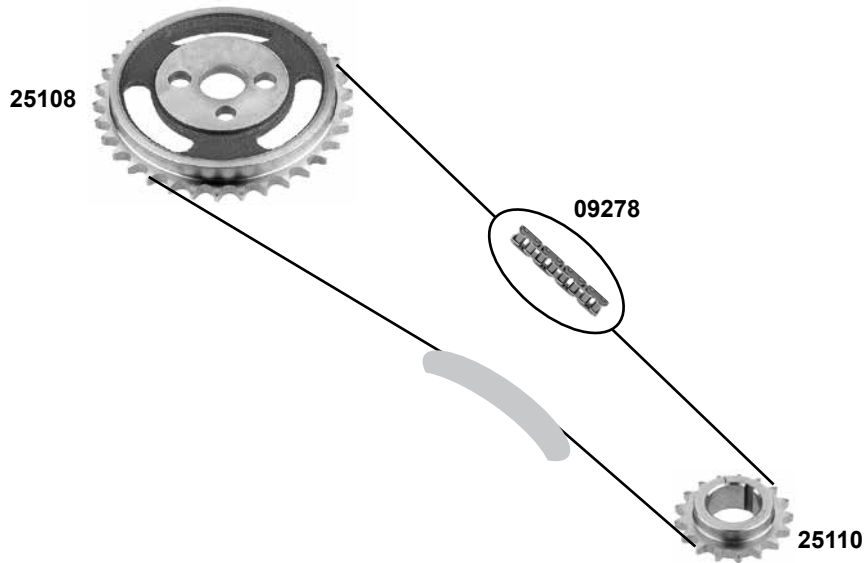
(CVH/HL)



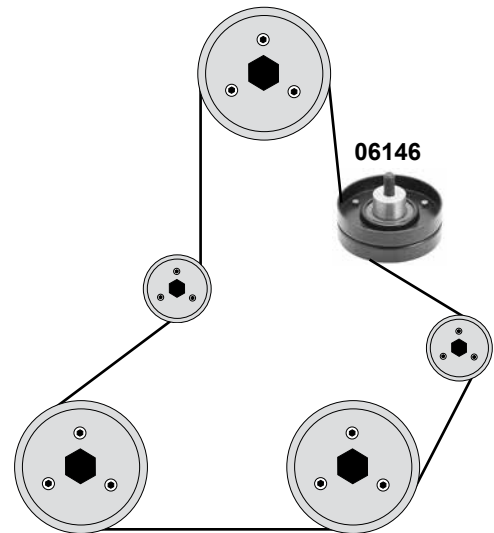
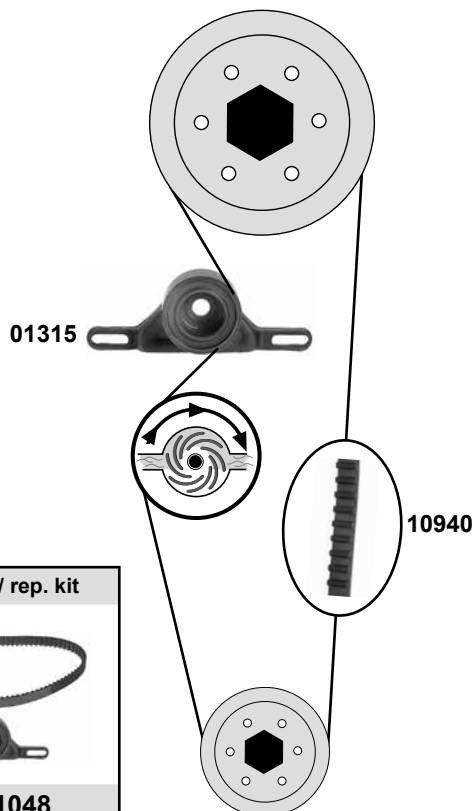
Rep. Satz / rep. kit

febi 11048

Ref. - No.			
01315	6 182 891	Spannrolle / tension roller	ØA89 Ø130 B54,5
09278	6 156 318	Steuerkette / timing chain	455 / 45 N
10940	6 711 046	Zahnriemen / timing belt	Z 97 B19,8
11048	6 711 046 S1	Rep. Satz Zahnriemen / rep. kit timing belt	Z 97 B19,8
25108	6 029 398	Nockenwellenrad / camshaft gear	Z 34
25110	1 434 861	Kurbelwellenzahnrad / crankshaft gear	Z 17
25159	1 434 861 S2	Rep. Satz Steuerkette / rep. kit timing chain	



**1,4 / 1,6**  
(Modell: →04/92)  
(CVH/HL)



Ref. - No.



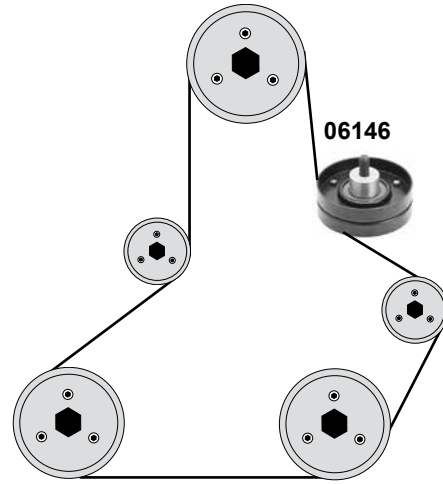
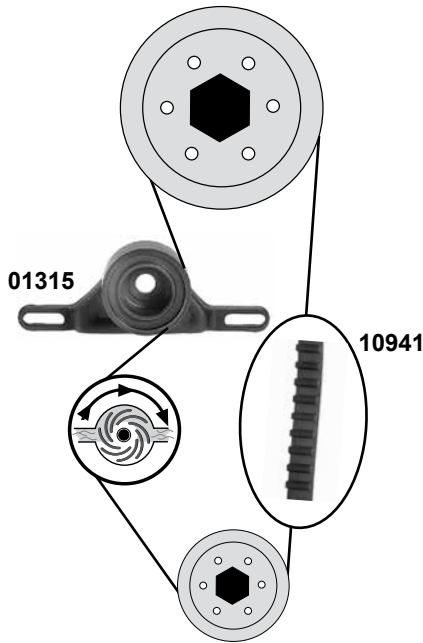
<b>01315</b>	6 182 891	Spannrolle / tension roller	<b>Modell:</b> → 04/92 servo  + AC	ØA89 Ø130 B54,5 ØA76 B26 455 / 4
<b>06146</b>	7 053 546	Umlenkrolle / deflection pulley		
<b>09278</b>	6 156 318	Steuerkette / timing chain	<b>Modell:</b> → 04/92 <b>Modell:</b> → 04/92	Z 97 B19,8
<b>10940</b>	6 711 046	Zahnriemen / timing belt		
<b>11048</b>	6 711 046 S1	Rep. Satz Zahnriemen / rep. kit timing belt		Z 34
<b>25108</b>	6 029 398	Nockenwellenrad / camshaft gear		Z 17
<b>25110</b>	1 434 861	Kurbelwellenzahnrad / crankshaft gear		
<b>25159</b>	1 434 861 S2	Rep. Satz Steuerkette / rep. kit timing chain		

# FORD Escort 91 (04/92→01/95)

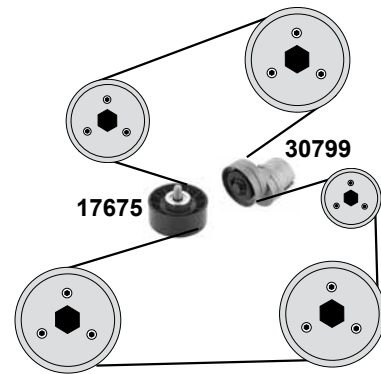
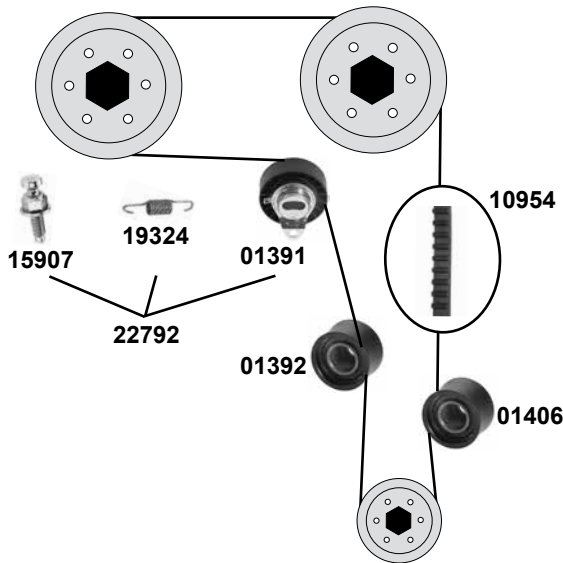
Car  
Division



## 1,6 (CVH/HL)



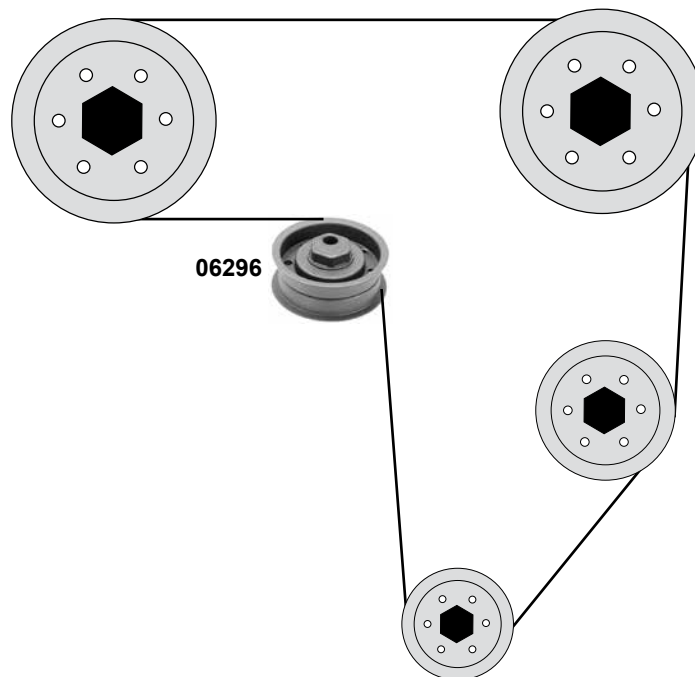
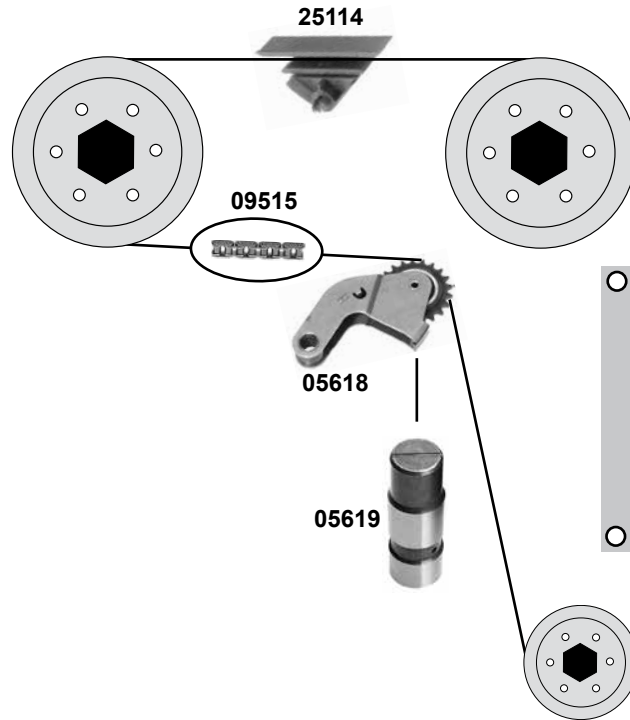
## 1,6 16V / 1,8 16V (Zetec E/ZH)



Ref. - No.



01315	6 182 891	Spannrolle / tension roller		
01391	6 635 941	Spannrolle / tension roller		ØA89 Ø130 B54,5
01392	6 635 942	Umlenkrolle / deflection pulley		ØA86 B30
01406	6 744 307	Umlenkrolle / deflection pulley		ØA21 Ø160 B30
06146	7 053 546	Umlenkrolle / deflection pulley		ØA21 Ø148 B30
10941	6 711 044	Zahnriemen / timing belt		ØA76 B26
10954	6 764 162	Zahnriemen / timing belt		Z 97 B21,6
11042	6 794 162 S1	Rep. Satz Zahnriemen / rep. kit timing belt		Z 131 B25,4
11049	6 711 044 S1	Rep. Satz Zahnriemen / rep. kit timing belt		Z 131 B25,4
15907	1 663 884	Schraube Spannrolle / screw tension roller		Z 97 B21,6
17675	1 015 375	Umlenkrolle / deflection pulley	servo  AC	
19324	7 024 224	Zugfeder / return spring		
22792	6 635 941 S	Rep Satz Spannrolle / rep kit tension roller		
30799	6 710 259	Riemenspanner / belt tensioner	servo  (ex.) AC	ØA 70 B28,7
			(mot.) 1,8 16V	ØA89 Ø130 B54,5
				ØA70 B26



Ref. - No.



<b>05618</b>	1 022 214	Kettenspanner / chain tensioner
<b>05619</b>	1 662 847	Kettenspanner / chain tensioner
<b>06296</b>	1 639 176	Umlenkrolle / deflection pulley
<b>09515</b>	7 079 279	Steuerkette / timing chain
<b>25114</b>	6 177 698	Gleitschiene / sliding rail

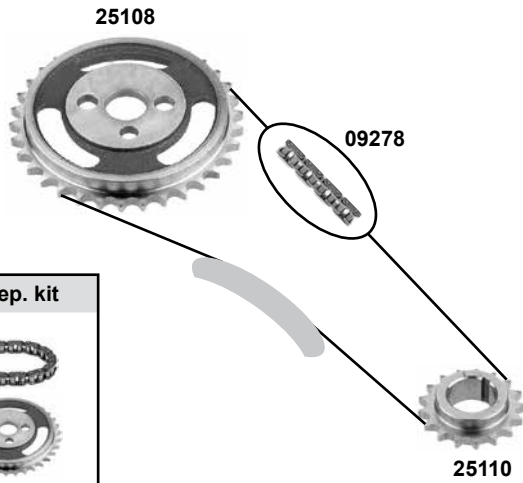
ØA20 B60,5  
ØA 82 B30  
458 / 138 E

# FORD Escort 95 (01/95→02/99)

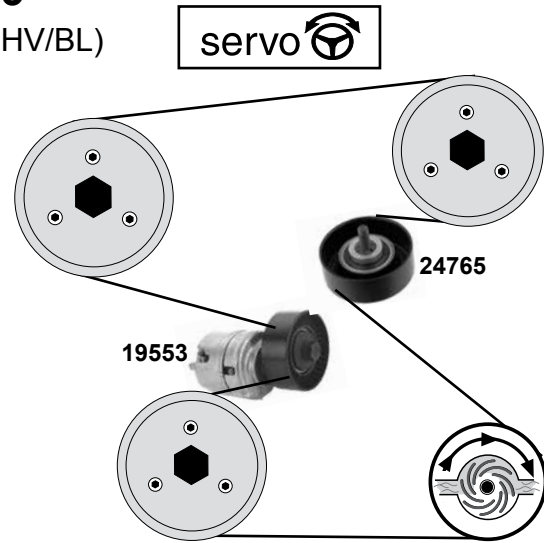
Car  
Division



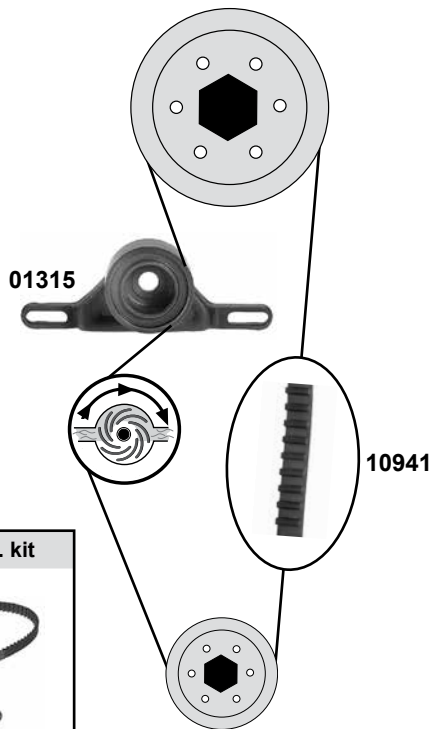
## 1,3 (OHV/BL)



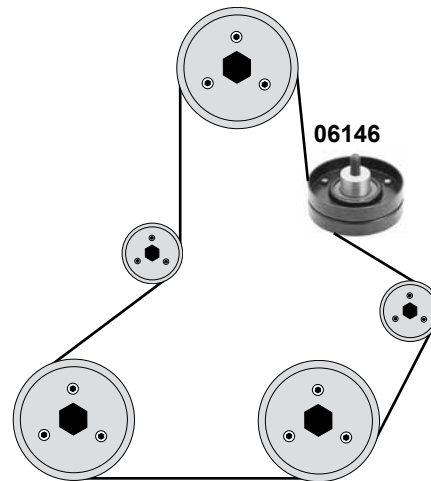
## 1,3 (OHV/BL)



## 1,4 / 1,6 (CVH/HL)



servo + AC

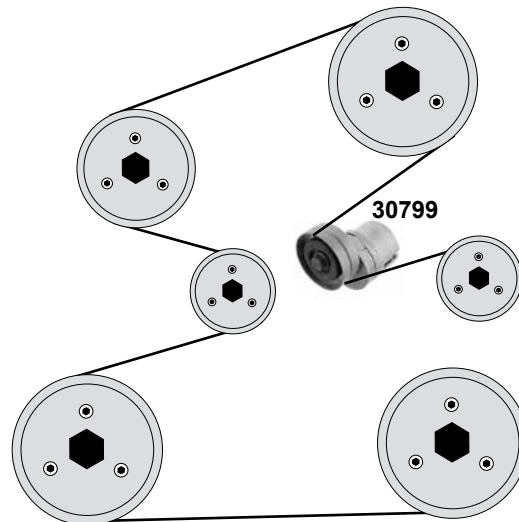
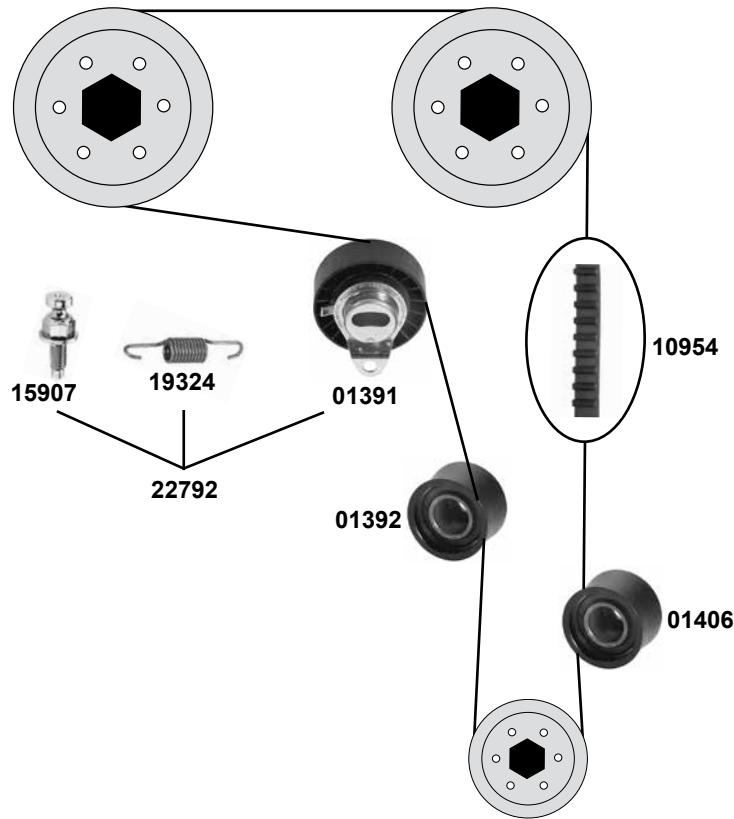


Ref. - No.



<b>01315</b>	6 182 891	Spannrolle / tension roller
<b>06146</b>	7 053 546	Umlenkrolle / deflection pulley
<b>09278</b>	6 156 318	Steuerkette / timing chain
<b>10941</b>	6 711 044	Zahnriemen / timing belt
<b>11049</b>	6 711 044 S1	Rep. Satz Zahnriemen / rep. kit timing belt
<b>19553</b>	1 004 549	Riemenspanner / belt tensioner
<b>24765</b>	1 139 951	Umlenkrolle / deflection pulley
<b>25108</b>	6 029 398	Nockenwellenrad / camshaft gear
<b>25110</b>	1 434 861	Kurbelwellenzahnrad / crankshaft gear
<b>25159</b>	1 434 861 S2	Rep. Satz Steuerkette / rep. kit timing chain

ØA89 ØI54,5 B30
ØA76 x B26
455 / 46 E
Z 97 B21,6
Z 97 B21,6
ØA70 B21
ØA70 H25
Z 34
Z 17



	Ref. - No.			
01391	6 635 941	Spannrolle / tension roller		ØA86 x 30
01392	6 635 942	Umlenkrolle / deflection pulley		ØA60 ØI21 B30
01406	6 744 307	Umlenkrolle / deflection pulley		ØA48 ØI21 B30
10954	6 764 162	Zahnriemen / timing belt		Z 131 B25,4
11042	6 794 162 S1	Rep. Satz Zahnriemen / rep. kit timing belt		
15907	1 663 884	Schraube Spannrolle / screw tension roller		
19324	7 024 224	Zugfeder / return spring		
22792	6 635 941 S	Rep. Satz Spannrolle / rep. kit tension roller		
30799	6 710 259	Riemenspanner / belt tensioner		ØA70 B26

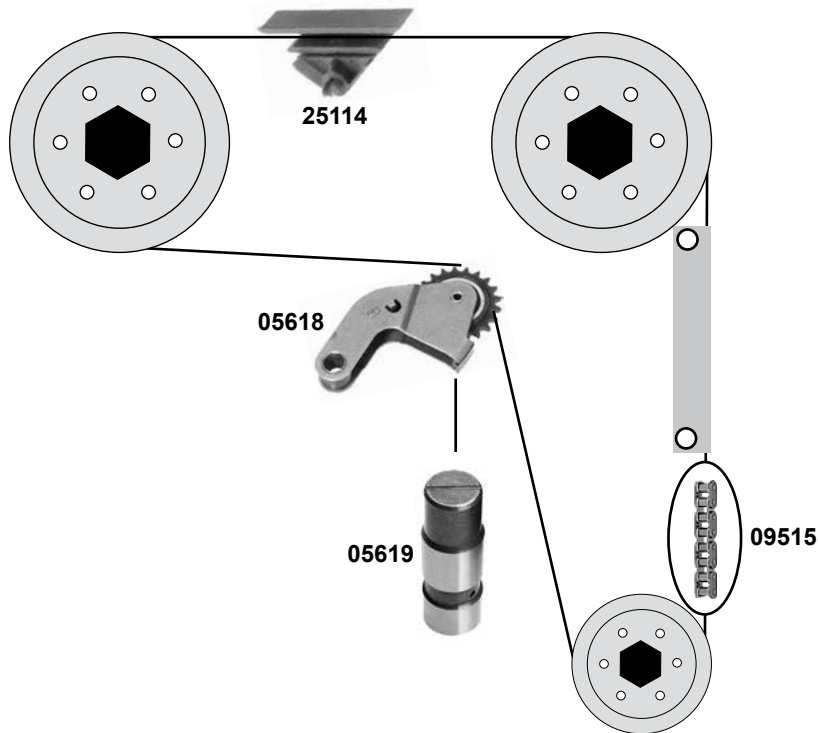
# FORD Escort 95

(01/95→08/96)

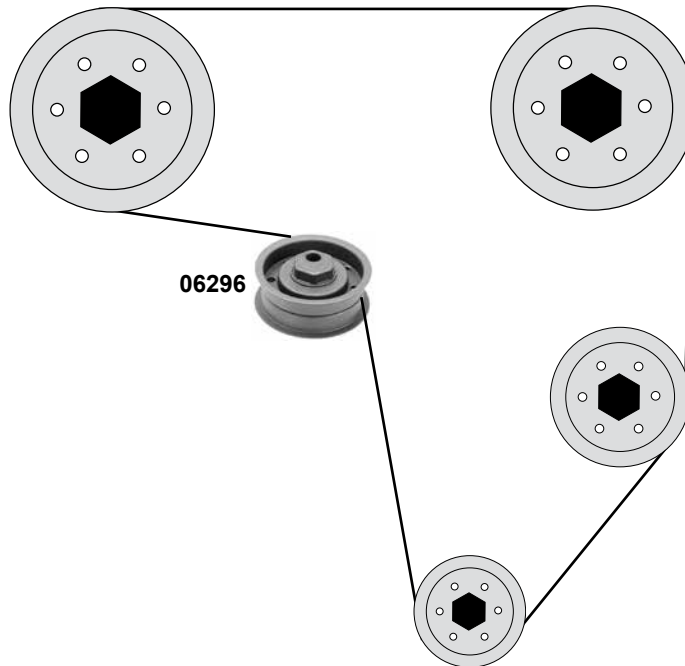
Car  
Division



## 2,0 (DOHC/DH)



## 2,0 Cosworth (DOHC/DL)



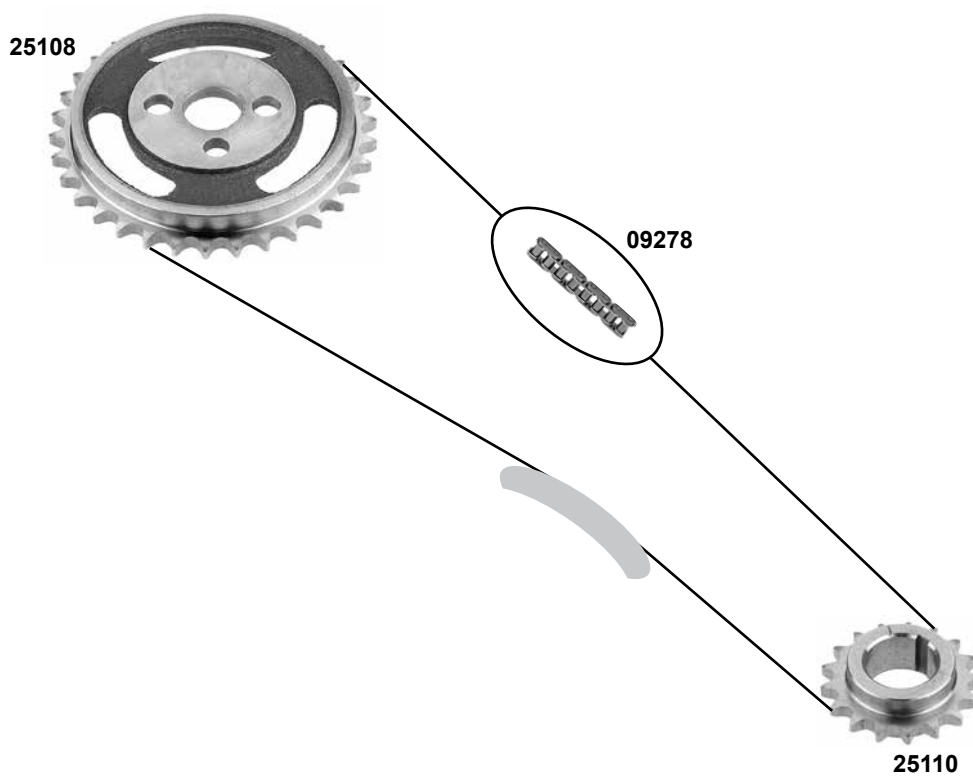
Ref. - No.



<b>05618</b>	1 022 214
<b>05619</b>	1 662 847
<b>06296</b>	1 639 176
<b>09515</b>	7 079 279
<b>25114</b>	6 177 698

Kettenspanner / chain tensioner
Kettenspanner / chain tensioner
Umlenkrolle / deflection pulley
Steuerkette / timing chain
Gleitschiene / sliding rail

ØA20 B60,5
ØA82 B30
458 / 138 E



	Ref. - No.			
<b>09278</b>	6 156 318	Steuerkette / timing chain timing chain		455 / 46 E
<b>25108</b>	6 029 398	Nockenwellenrad / camshaft gear		Z 34
<b>25110</b>	1 434 861	Kurbelwellenzahnrad / crankshaft gear		Z 17
<b>25159</b>	1 434 861 S2	Rep. Satz Steuerkette / rep. kit		



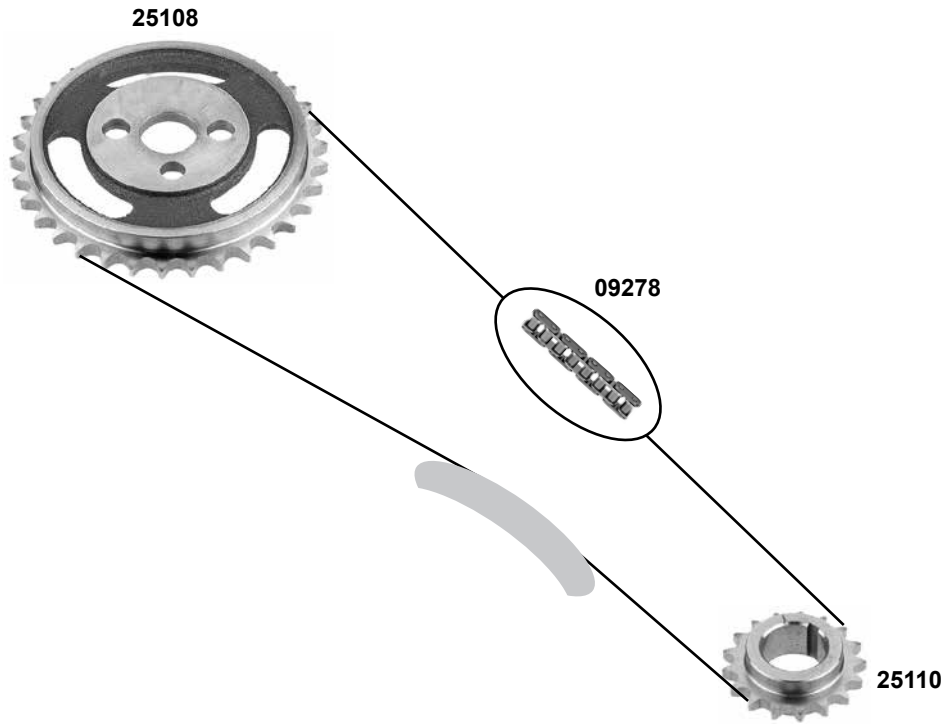
# FORD Fiesta 84

(08/83→02/89)

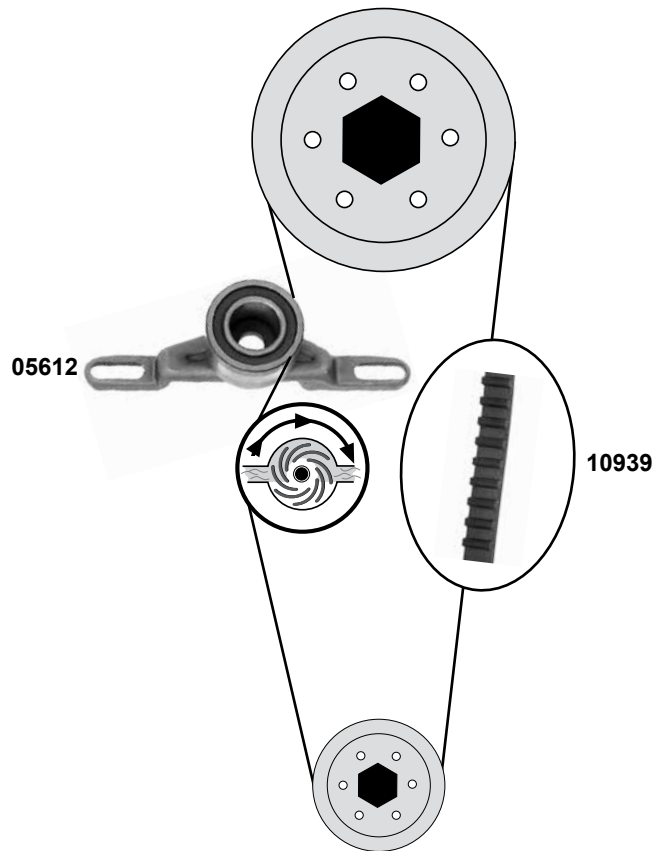
Car  
Division



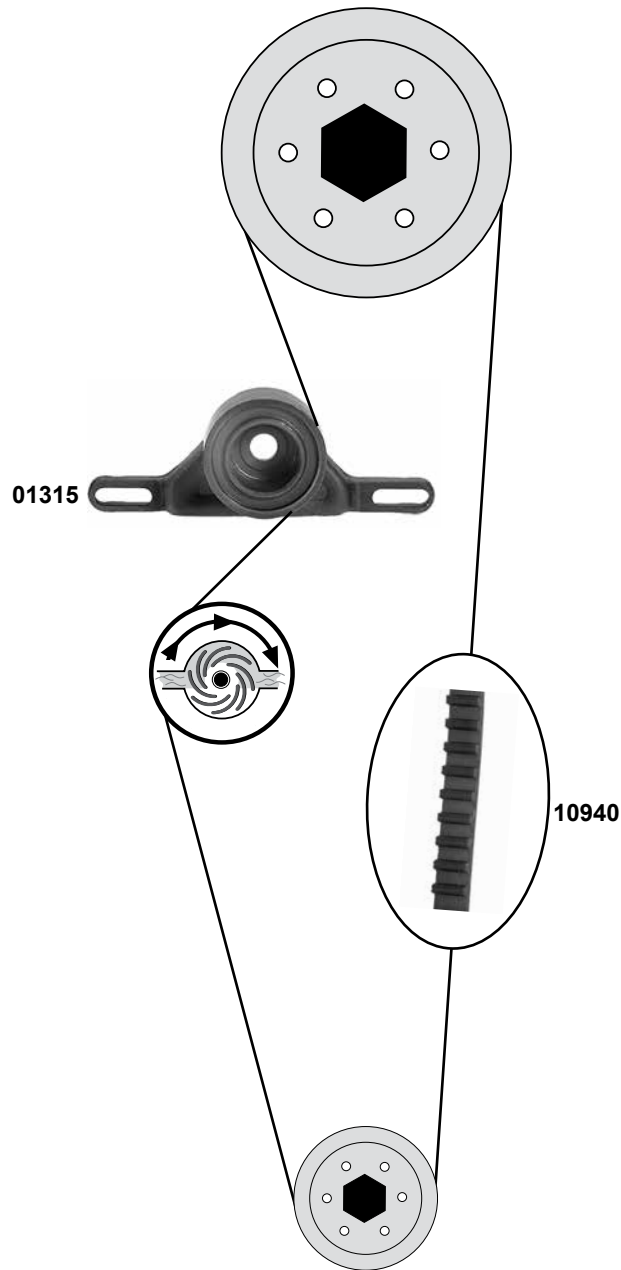
**1,3 → 1,6**  
(OHV/BL)



**1,1 / 1,3**  
(CVH/HL)



febi bilstein	Ref. - No.			
<b>05612</b>	6 089 286	Spannrolle / tension roller		ØA47 ØI 29 B54
<b>09278</b>	6 156 318	Steuerkette / timing chain		455 / 46 E
<b>10939</b>	1 653 888	Zahnriemen / timing belt		Z 92 B19,8
<b>25108</b>	6 029 398	Nockenwellenrad / camshaft gear		Z 34
<b>25110</b>	1 434 861	Kurbelwellenzahnrad / crankshaft gear		Z 17
<b>25159</b>	1 434 861 S2	Rep. Satz Steuerkette / rep. kit timing chain		



Ref. - No.



**01315**  
**10940**  
**11048**

6 182 891  
6 711 046  
6 711 046 S1

Spannrolle / tension roller  
Zahnriemen / timing belt  
Rep. Satz Zahnriemen / rep. kit timing belt

ØA89 Ø154,5 B30  
Z 97 B19,8

# FORD Fiesta 89

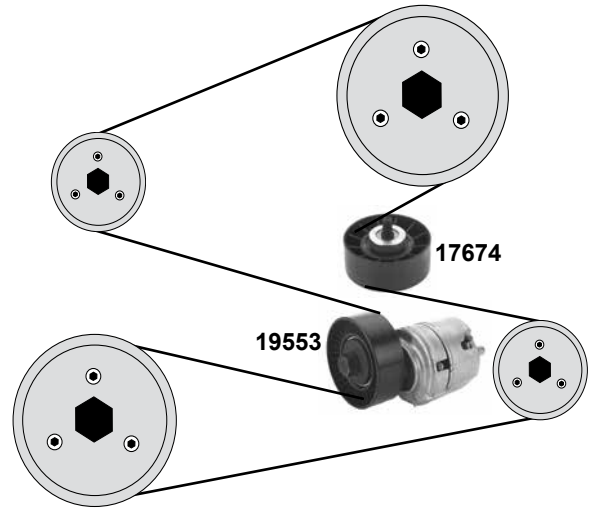
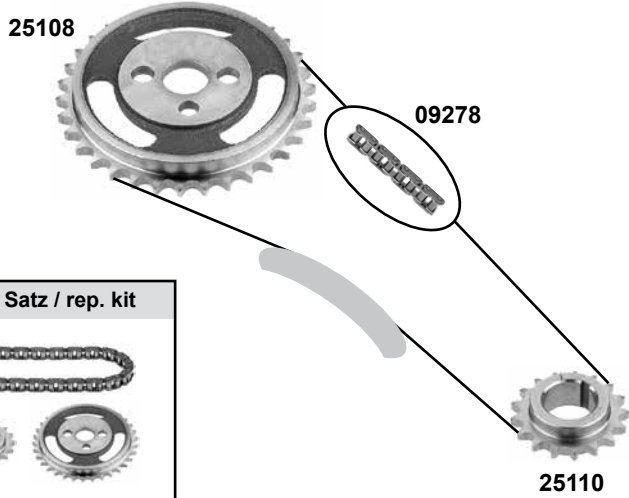
(03/89→08/96)

Car  
Division



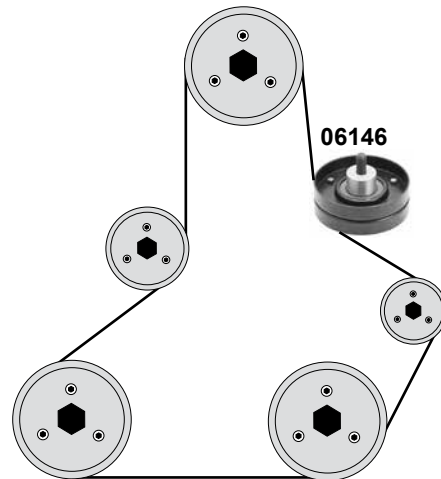
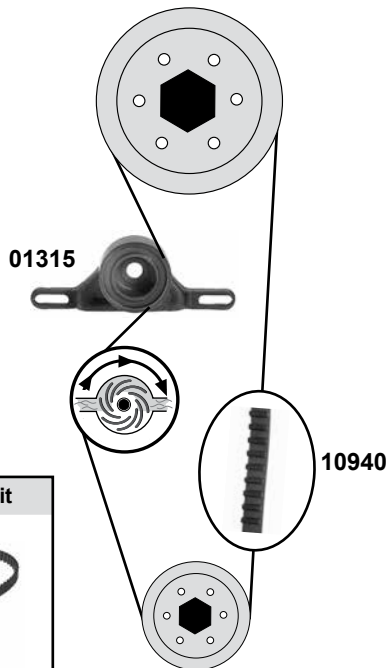
## 1,3

(OHV/BL)



## 1,4 / 1,6

(CVH/HL)



Ref. - No.



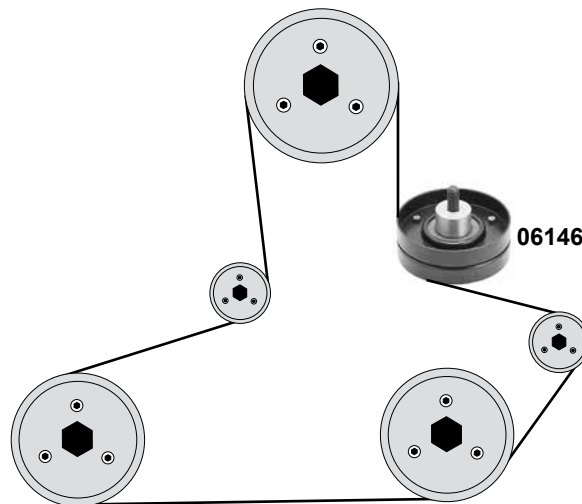
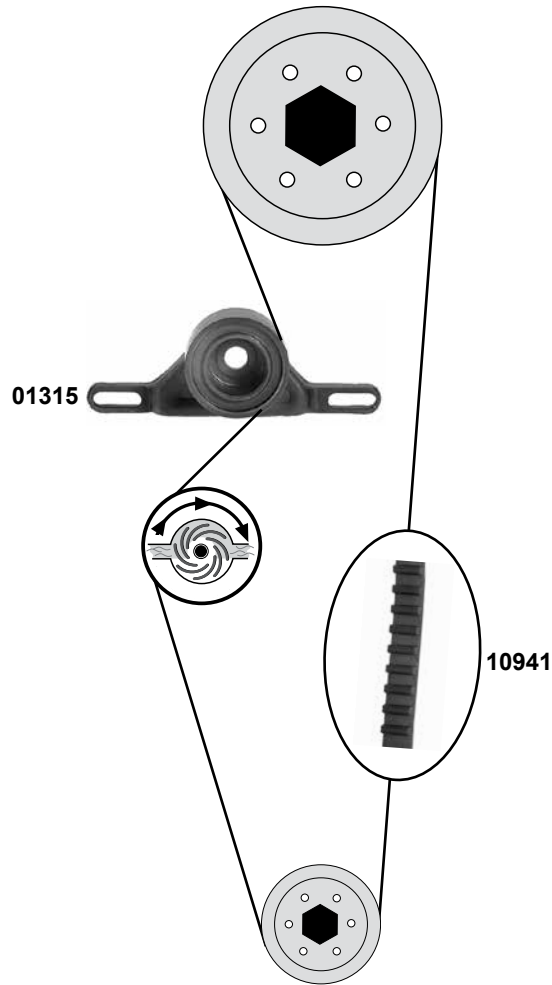
<b>01315</b>	6 182 891	Spannrolle / tension roller
<b>06146</b>	7 053 546	Umlenkrolle / deflection pulley
<b>09278</b>	6 156 318	Steuerkette / timing chain
<b>10940</b>	6 711 046	Zahnriemen / timing belt
<b>11048</b>	6 711 046 S1	Rep. Satz Zahnriemen / rep. kit timing belt
<b>17674</b>	6 200 285	Umlenkrolle / deflection pulley
<b>19553</b>	1 004 549	Riemenspanner / belt tensioner
<b>25108</b>	6 029 398	Nockenwellenrad / camshaft gear
<b>25110</b>	1 434 861	Kurbelwellenzahnrad / crankshaft gear
<b>25159</b>	1 434 861 S2	Rep. Satz Steuerkette / rep. kit timing chain

servo AC

servo

ØA89 ØI30 B54,5  
ØA76 B26  
455 / 46 E  
Z 97 B19,8

ØA70 B28,7  
ØA70 B21  
Z 34  
Z 17



Ref. - No.



**01315** 6 182 891  
**06146** 7 053 546  
**10941** 6 711 044  
**11049** 6 711 044 S1

Spannrolle / tension roller  
Umlenkrolle / deflection pulley  
Zahnriemen / timing belt  
Rep. Satz Zahnriemen / rep. kit timing belt

servo AC

ØA89 Ø154,5 B30  
ØA76 B26  
Z 97 B21,6  
Z 97 B21,6

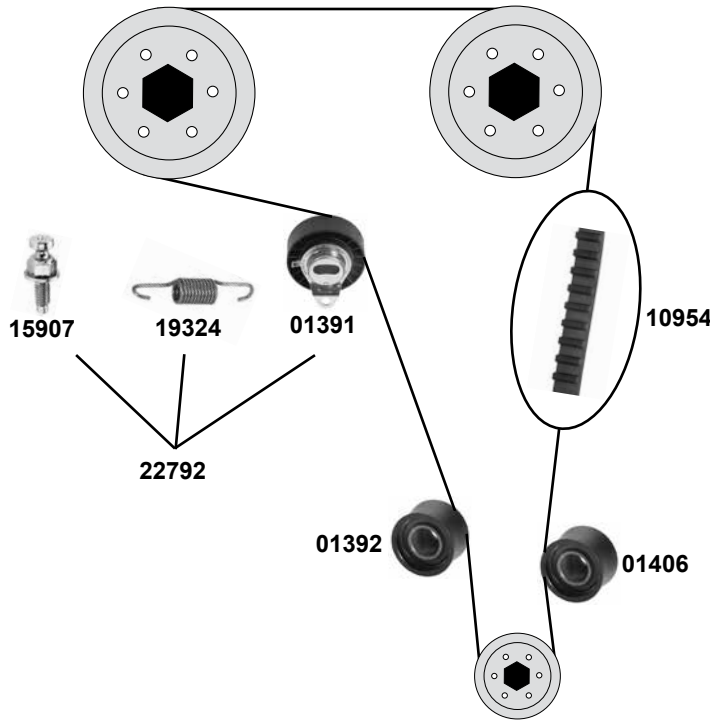
# FORD Fiesta 89

(03/92→08/96)

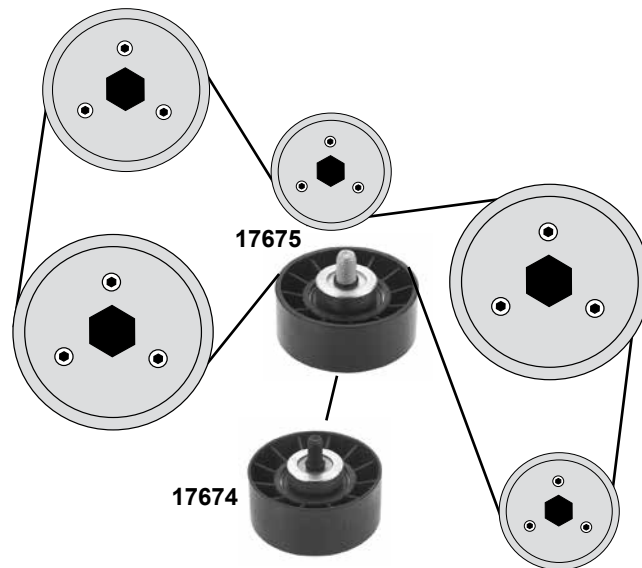
Car  
Division



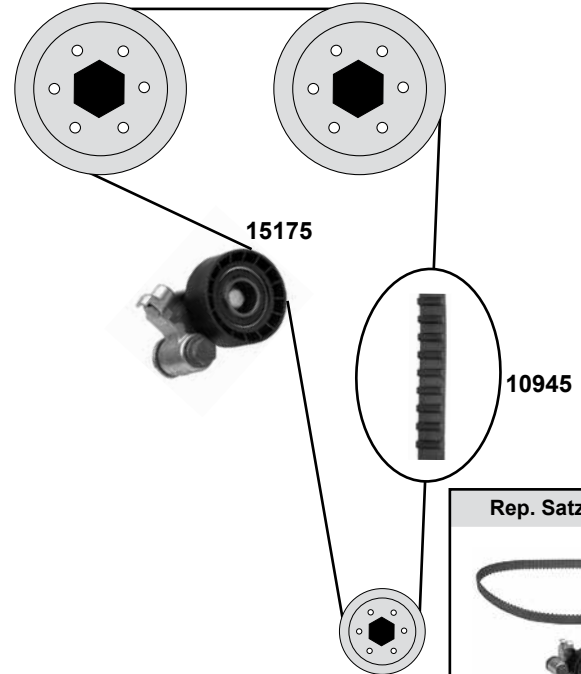
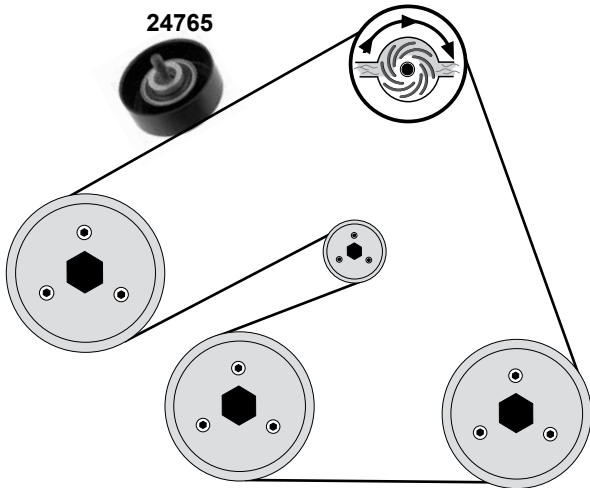
## 1,6 16V (Zetec E/ZH)



servo (ex.) AC oder / or AC (ex.) servo

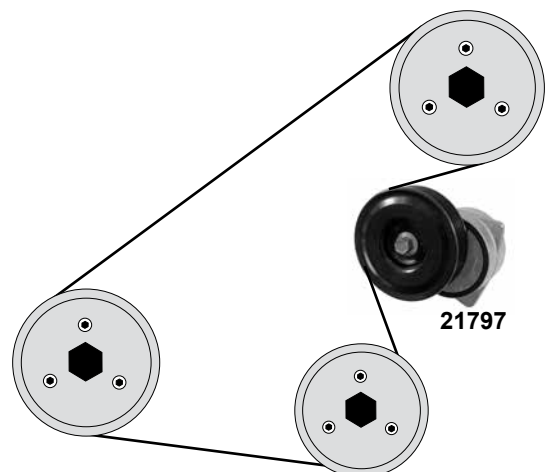
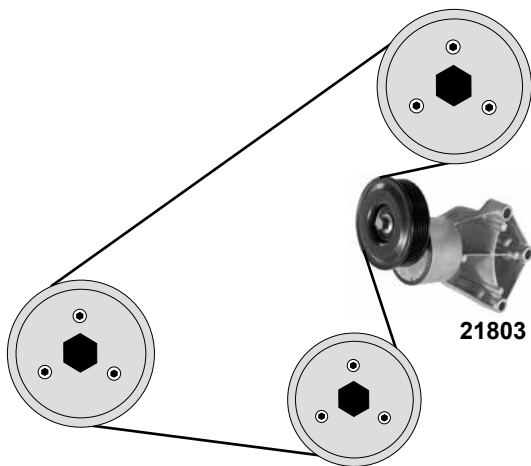


	Ref. - No.			
01391	6 635 941	Spannrolle / tension roller		ØA86 B30
01392	6 635 942	Umlenkrolle / deflection pulley		ØA21 ØI60 B30
01406	6 744 307	Umlenkrolle / deflection pulley		ØA21 ØI48 B30
10954	6 764 162	Zahnriemen / timing belt		Z 131 B25,4
11042	6 794 162 S1	Rep. Satz Zahnriemen / rep. kit timing belt		
15907	1 663 884	Schraube Spannrolle / screw tension roller		
17674	6 200 285	Umlenkrolle / deflection pulley	01/95 → 03/95	Ø A 70 B28,7
17675	1 015 375	Umlenkrolle / deflection pulley	04/95 →	Ø A 70 B28,7
19324	7 024 224	Zugfeder / return spring		
22792	6 635 941 S	Rep Satz Spannrolle / rep kit tension roller		ØA86 B30



servo (ex.) AC oder / or AC (ex.) servo

servo + AC



Ref. - No.



**10945**  
**15175**  
**15189**  
**21797**  
**21803**  
**24765**

1 004 299  
1 004 409  
1 004 299 S2  
1 077 689  
1 004 481  
1 139 951

Zahnriemen / timing belt  
Spannrolle / tension roller  
Rep. Satz Zahnriemen / rep. kit timing belt  
Riemenspanner / belt tensioner  
Riemenspanner / belt tensioner  
Umlenkrolle / deflection pulley

Z 117 B22  
ØA 62 B27  
ØA103 B28  
ØA103 B28  
ØA 70 H25

Modell 08/95 → 10/01

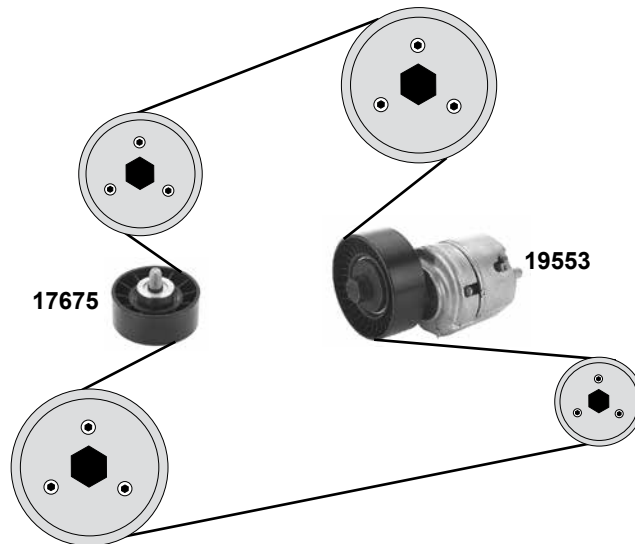
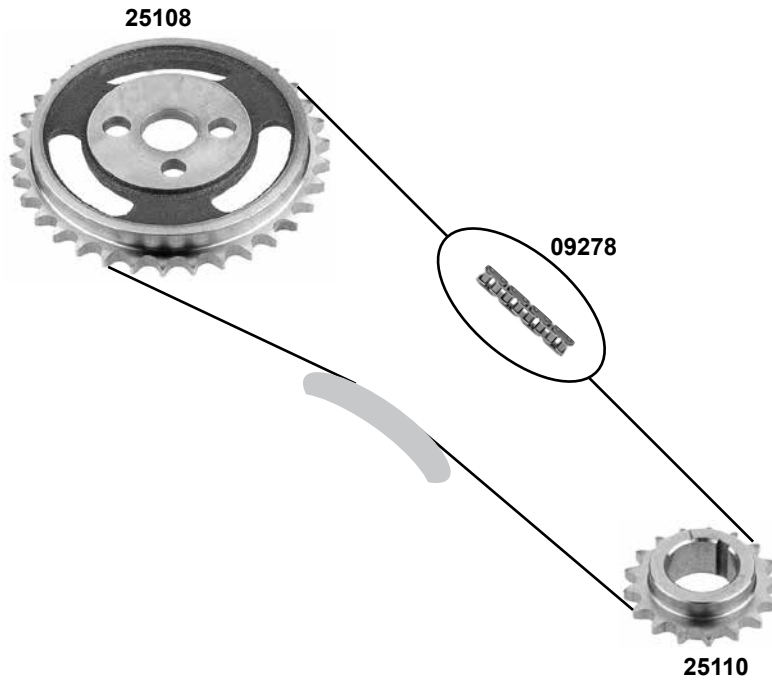
# FORD Fiesta 96

(08/95→02/02)

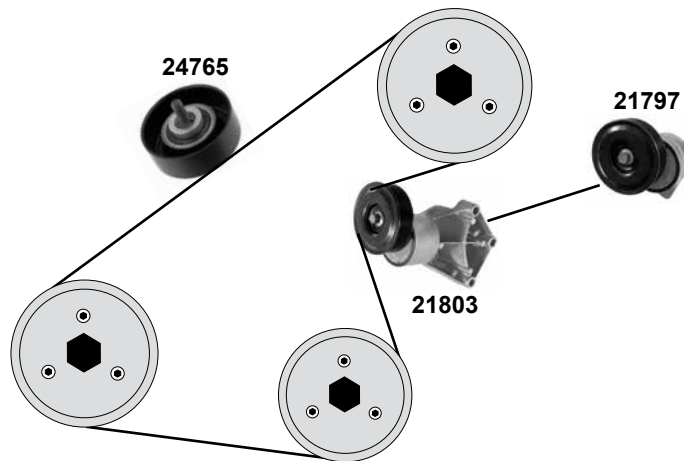
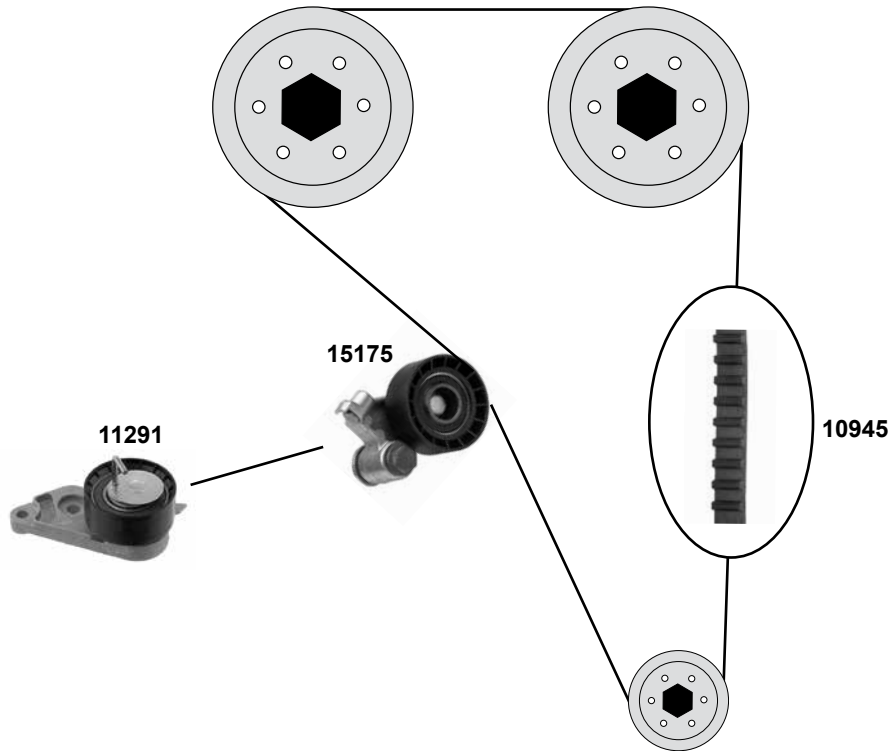
Car  
Division



**1,3**  
(OHV/BL)



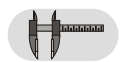
Ref. - No.				
<b>09278</b>	6 156 318	Steuerkette / timing chain		455 / 46 E
<b>17675</b>	1 015 375	Umlenkrolle / deflection pulley		ØA 70 B28,7
<b>19553</b>	1 004 549	Riemenspanner / belt tensioner	servo  (ex.) AC	ØA70 B21
<b>25108</b>	6 029 398	Nockenwellenrad / camshaft gear		Z 34
<b>25110</b>	1 434 861	Kurbelwellenzahnrad / crankshaft gear		Z 17
<b>25159</b>	1 434 861 S2	Rep. Satz Steuerkette / rep. kit timing chain		



- (1) servo + AC
- (2) servo (ex.) AC oder /or AC (ex.) servo



Ref. - No.



Ref. - No.	Description	Modell	Dimensions
<b>10945</b>	Zahnriemen / timing belt		Z 117 B22
<b>11286</b>	Rep. Satz Zahnriemen / rep. kit timing belt	<b>Modell</b> 02/97 → 12/01	
<b>11291</b>	Spannrolle / tension roller	<b>Modell</b> 02/97 → 12/01	ØA 60 B27
<b>15175</b>	Spannrolle / tension roller	<b>Modell</b> → 02/97	ØA 62 B27
<b>15189</b>	Rep. Satz Zahnriemen / rep. kit timing belt	<b>Modell</b> → 02/97	
<b>21797</b>	Riemenspanner / belt tensioner	(1)	ØA103 B28
<b>21803</b>	Riemenspanner / belt tensioner	(2)	ØA103 B28
<b>24765</b>	Umlenkrolle / deflection pulley	<b>Modell</b> 08/95 → 10/01	ØA 70 H25



# FORD Fiesta 96

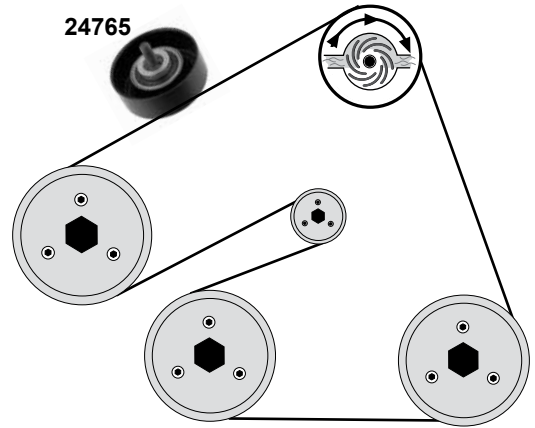
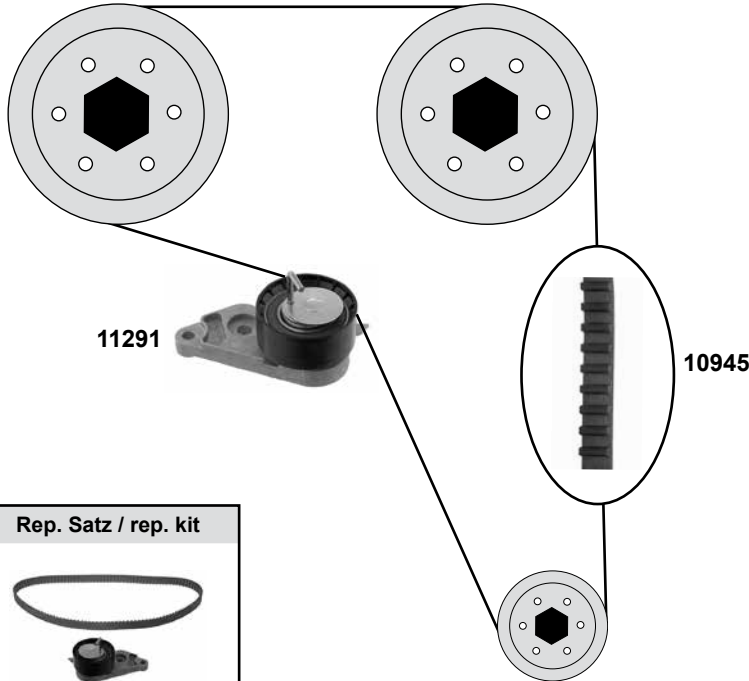
(02/97→10/01)

Car  
Division

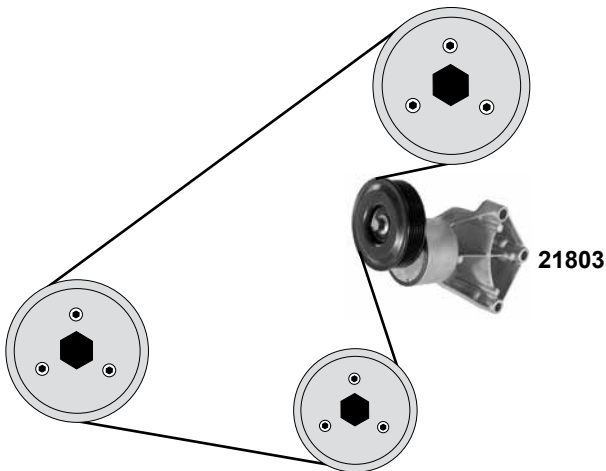


## 1,6 16V

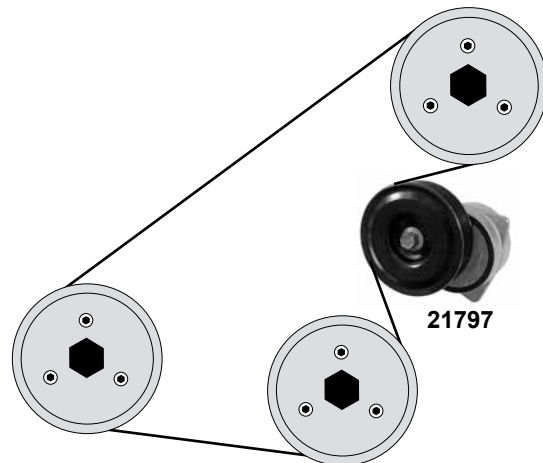
(Zetec S/ZH)



servo (ex.) AC oder / or AC (ex.) servo

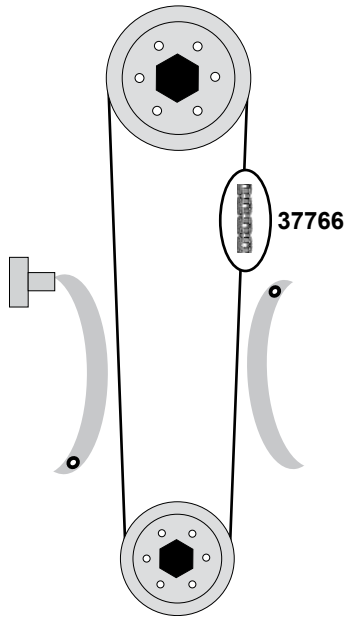


servo + AC

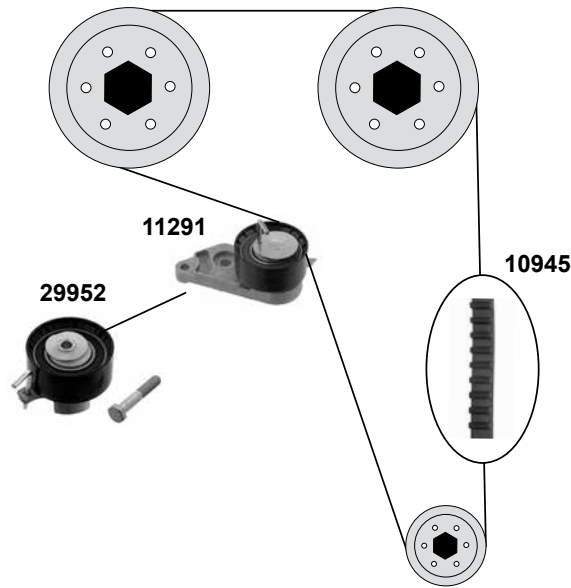


	Ref. - No.			
<b>10945</b>	1 004 299	Zahnriemen / timing belt		Z 117 B22
<b>11291</b>	1 361 840	Spannrolle / tension roller		ØA60 Ø126,6 B37,1
<b>11286</b>	1 004 299 S1	Rep. Satz Zahnriemen / rep. kit timing belt		
<b>21797</b>	1 077 689	Riemenspanner / belt tensioner		ØA103 H 28
<b>21803</b>	1 004 481	Riemenspanner / belt tensioner		ØA103 H 28
<b>24765</b>	1 139 951	Umlenkrolle / deflection pulley	<b>Modell 08/95 → 10/01</b>	ØA 70 H25

**1,3**  
(Duratec Racom)



**1,25 16V / 1,4 16V / 1,6 16V**  
(Zetec S/ZH)



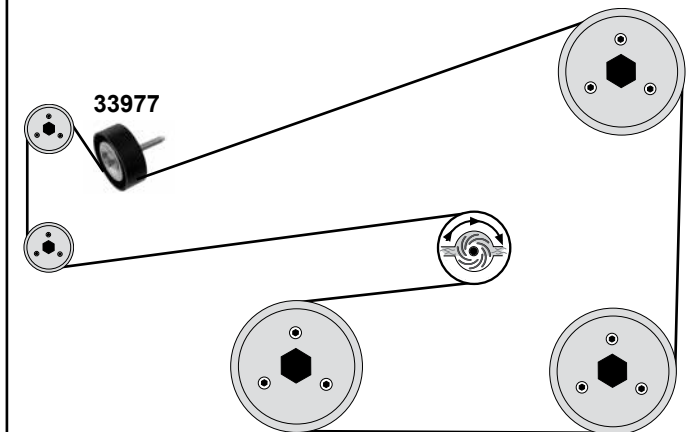
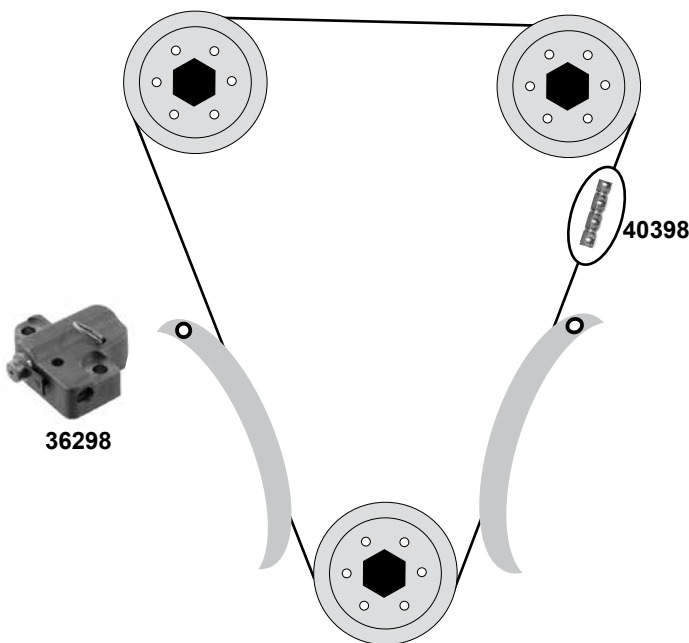
Rep. Satz / rep. kit

**febi 11286**

Rep. Satz / rep. kit

**febi 29958**

**2,0**  
(Duratec HE)



Ref. - No.



<b>10945</b>	1 004 299	Zahnriemen / timing belt		Z 117 B22
<b>11291</b>	1 361 840	Spannrolle / tension roller	→ 04/05	ØA60 ØI26,6 B37,1
<b>11286</b>	1 004 299 S1	Rep. Satz Zahnriemen / rep. kit timing belt	1,6 16V → 04/05	Z 117
<b>29952</b>	1 376 164	Spannrolle / tension roller	04/05 →	ØA62 B 26
<b>29958</b>	1 004 297 S3	Rep. Satz Zahnriemen / rep. kit timing belt	04/05 →	Z 117
<b>33977</b>	1 387 066	Umlenkrolle / deflection pulley	11/05 → / (ST 150)	ØA70 B25,5
<b>36298</b>	1 347 669	Kettenspanner / chain tensioner	11/04 →	
<b>37766</b>	1 089 822	Steuerkette / timing chain	05/02 →	114 E
<b>40398</b>	1 119 172	Steuerkette / timing chain	04 →	134 E

# FORD Fiesta 08

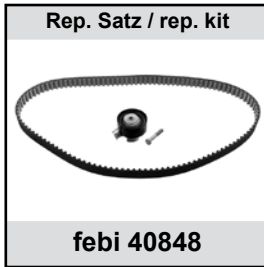
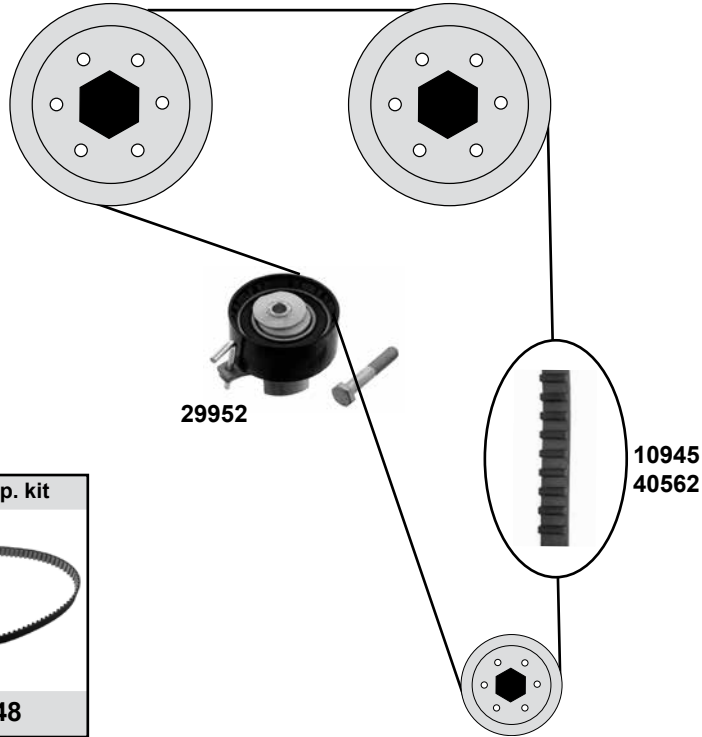
(07/08→10/12)

Car  
Division



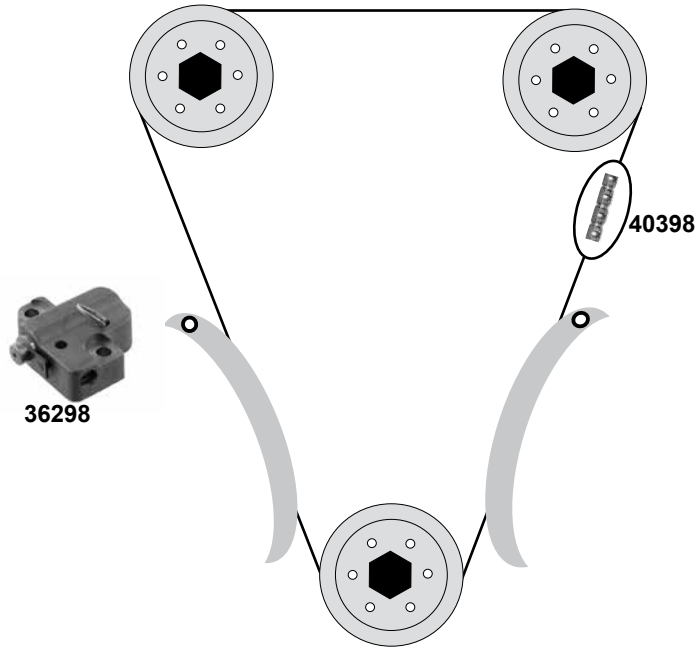
## 1,25 16V / 1,4 16V / 1,6 16V

(Zetec S/ZH)



## 2,0

(Duratec HE)



- (1) Zetec S 1,25 →10 / Zetec S 1,4 / 1,6 →12
- (2) Zetec S 1,25 10 → / Zetec S 1,4 01/12→
- (3) Zetec S 1,25 10 → / Zetec S 1,4 01/12→ / Zetec 1,6 08→

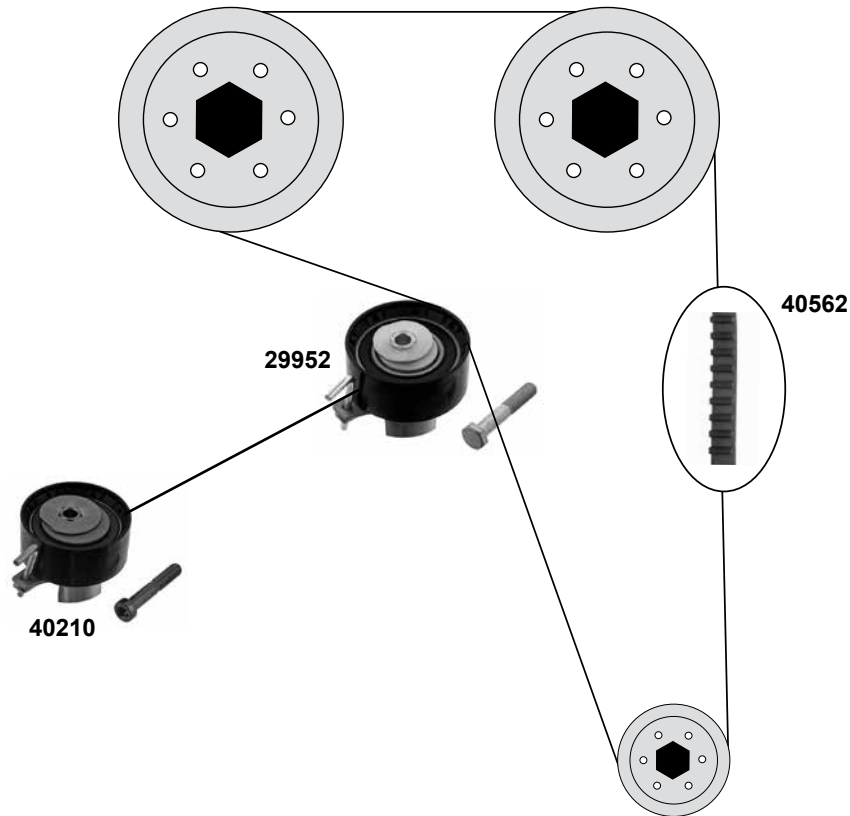


Ref. - No.



10945	1 004 299	Zahnriemen / timing belt	(1)	Z 117 B22
29952	1 376 164	Spannrolle / tension roller	(1) (3)	ØA62 B 26
29958	1 004 297 S3	Rep. Satz Zahnriemen / rep. kit timing belt	(1)	
36298	1 347 669	Kettenspanner / chain tensioner	→12/10	
40398	1 119 172	Steuerkette / timing chain		134 E
40562	1 675 963	Zahnriemen / timing belt	(2) (3)	Z 117 B22
40848	1 672 144	Rep. Satz Zahnriemen / rep. kit timing belt	(3)	

**1,25 16V / 1,4 16V / 1,6 16V / 1,6 Ecoboost**  
(Zetec S/ZH)

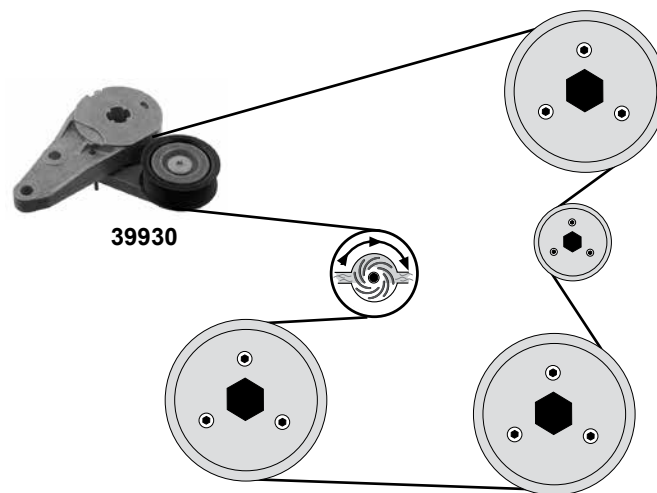


Rep. Satz / rep. kit

**febi 40848**

Rep. Satz / rep. kit

**febi 40849**



	Ref. - No.			
<b>29952</b>	1 376 164	Spannrolle / tension roller		ØA62 B 26
<b>39930</b>	1 685 618	Riemenspanner / belt tensioner	13→ /1,6 Ecoboost	ØA67 B 25
<b>40210</b>	1 685 747	Spannrolle / tension roller	1,6 Ecoboost	
<b>40562</b>	1 675 963	Zahnriemen / timing belt		Z 117 B22
<b>40848</b>	1 672 144	Rep. Satz Zahnriemen / rep. kit timing belt		
<b>40849</b>	1 672 144 S1	Rep. Satz Zahnriemen / rep. kit timing belt	1,6 Ecoboost	

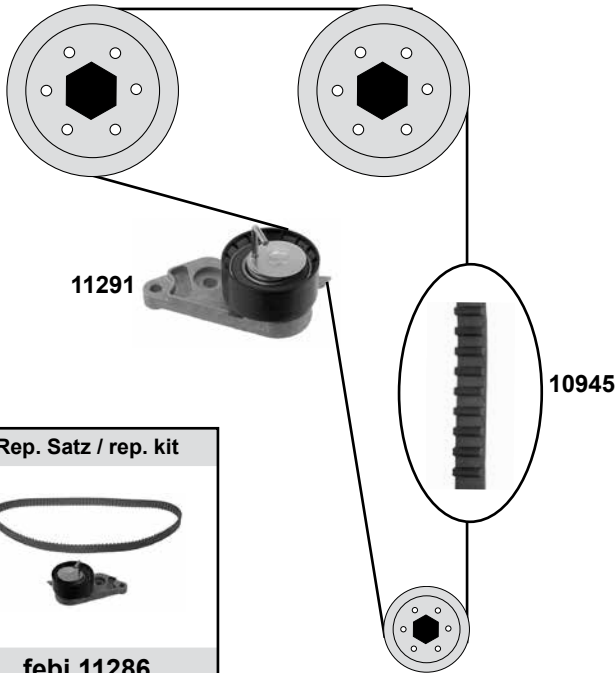
# FORD Focus 99

(08/98→07/04)

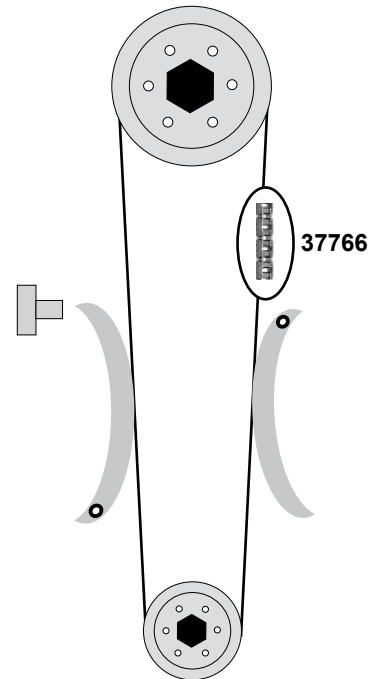
Car  
Division



## 1,4 16V / 1,6 16V (Zetec S/ZH)

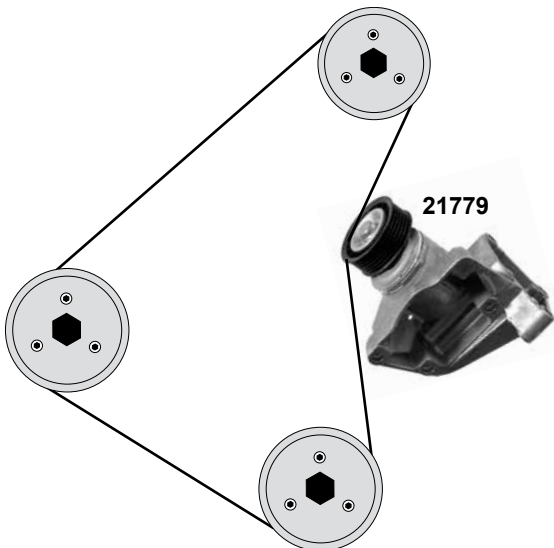


## 1,6 (Zetec Rocam)

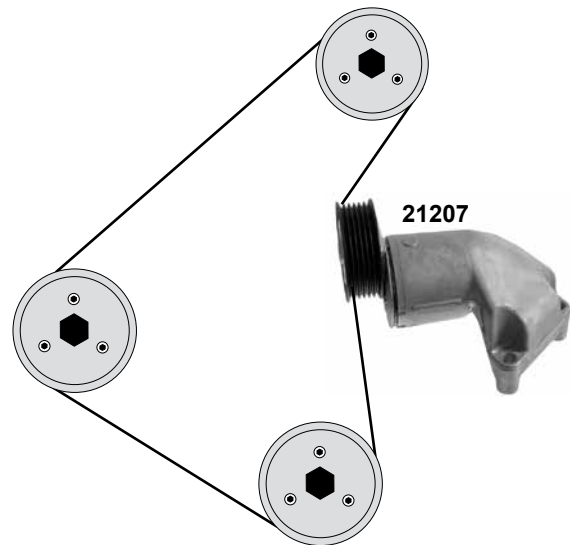


## 1,4 16V / 1,6 16V (Zetec S/ZH)

servo + AC



servo (ex.) AC

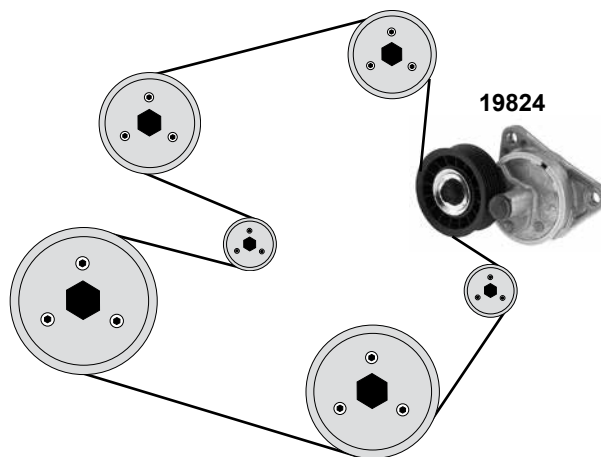
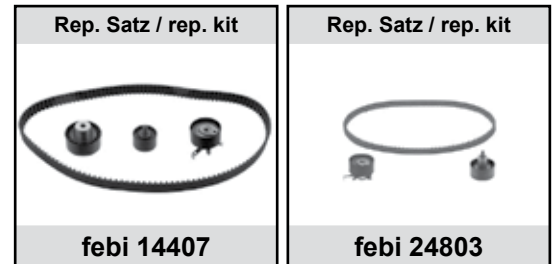
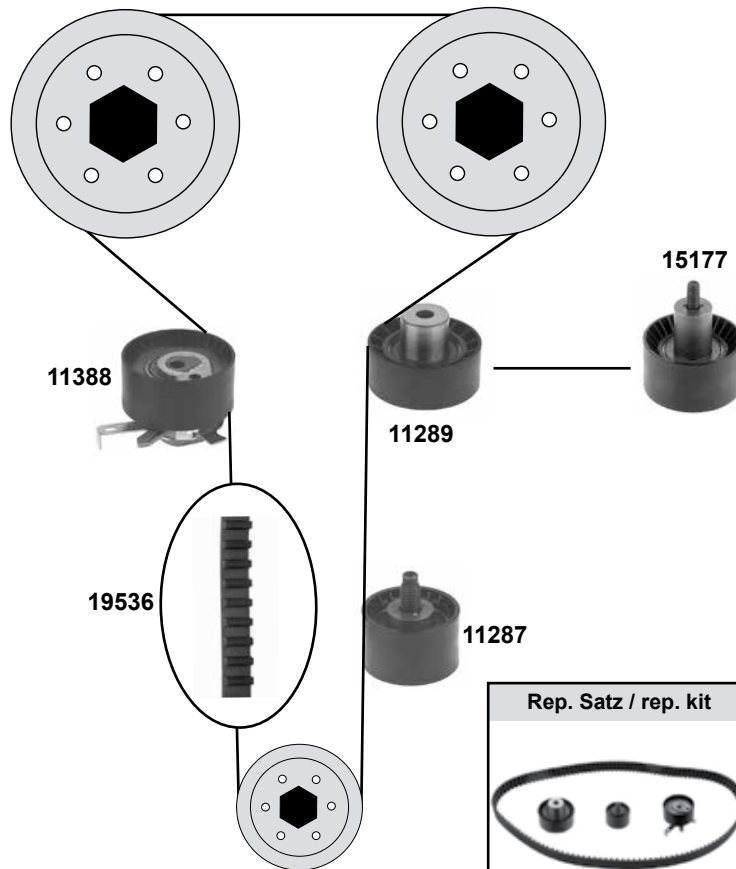


Ref. - No.



<b>10945</b>	1 004 299	Zahnriemen / timing belt	Z 117 B22
<b>11286</b>	1 004 299 S1	Rep Satz Zahnriemen / rep kit timing belt	
<b>11291</b>	1 361 840	Spannrolle / tension roller	ØA60 Ø126,6 B37,1
<b>21207</b>	1 114 737	Riemespanner / belt tensioner	ØA 69
<b>21779</b>	1 152 890	Riemespanner / belt tensioner	ØA 73
<b>37766</b>	1 089 822	Steuerkette / timing chain	114 E

09/02 →



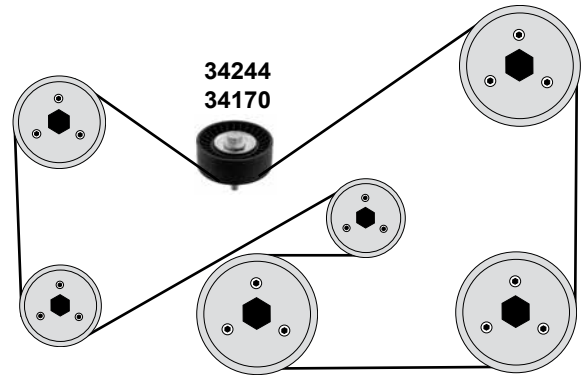
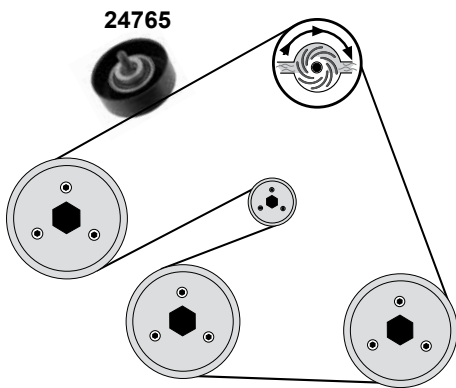
	Ref. - No.			
11287	1 053 942	Umlenkrolle / deflection pulley	→ 01/99	ØA47 Ø151,5 B29
11289	1 038 384	Umlenkrolle / deflection pulley	→ 01/99	ØA70 Ø147,9 B29
11388	1 328 472	Spannrolle / tension roller		ØA60 Ø133,3 B29
14407	1 000 156S1	Rep. Satz Zahnriemen / rep. kit timing belt	→ 01/99	
15177	1 213 852	Umlenkrolle / deflection pulley	01/99 →	ØA60 Ø169,5 B29
19536	1 000 156	Zahnriemen / timing belt		Z 129 B25,4
19824	1 073 096	Riemenspanner / belt tensioner		Ø A 73 B25
24803	1 000 156S2	Rep. Satz Zahnriemen / rep. kit timing belt	01/99 →	Z 129 B25,4



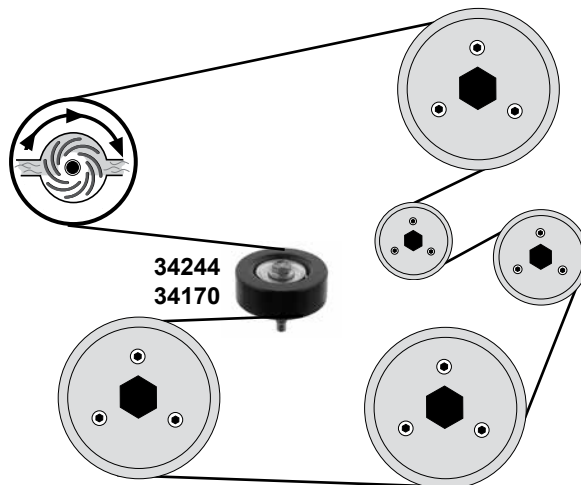
**1,4 / 1,6**  
 (Zetec S)

**1,6 / 1,8**  
 (Zetec E)

**AC**



**2,0**  
 (Zetec E)



Ref. - No.



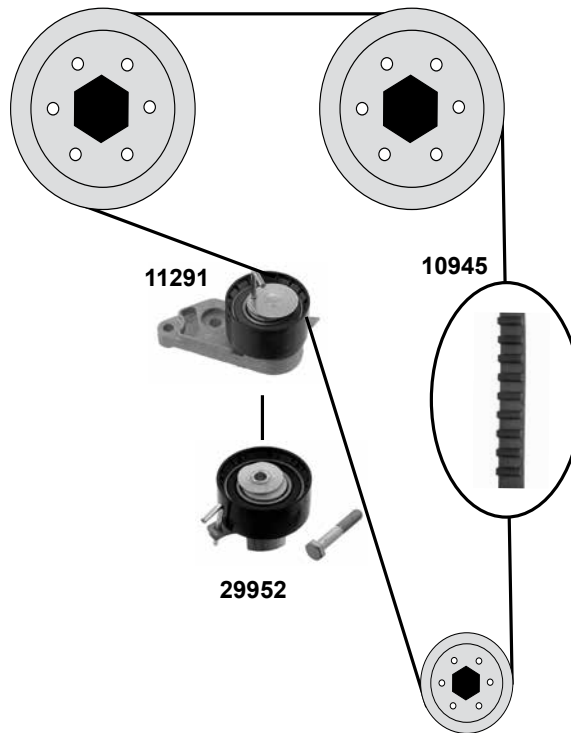
<b>24765</b>	1 139 951
<b>34170</b>	1 318 844
<b>34244</b>	1 114 544

Umlenkrolle / deflection pulley
Umlenkrolle / deflection pulley
Umlenkrolle / deflection pulley

06/01 →  
 → 06/01

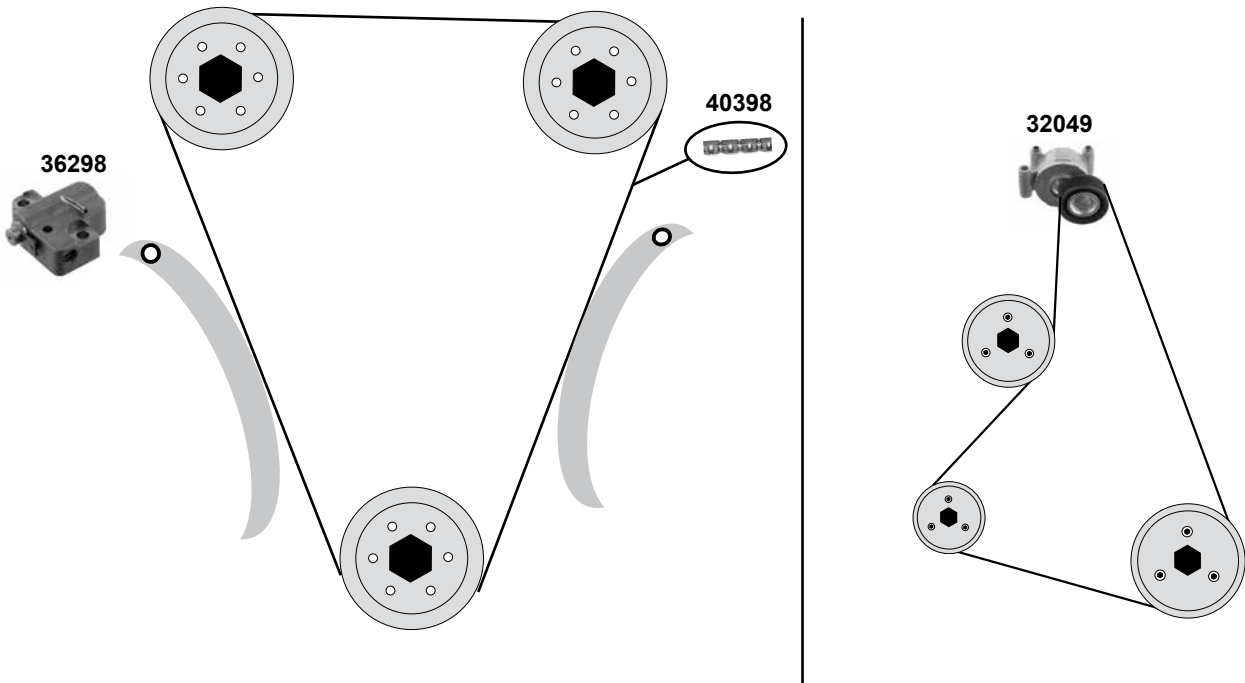
ØA 70 H25
ØA 70 B25,5
ØA 70 B25,5

**1,4 16V / 1,6 16V**  
(Zetec S/ZH)



Rep. Satz / rep. kit
<b>febi 11286</b>
Rep. Satz / rep. kit
<b>febi 29958</b>

**1,8 / 2,0**  
(Duratec)



	Ref. - No.			
<b>10945</b>	1 004 299	Zahnriemen / timing belt		Z 117 B22
<b>11286</b>	1 004 299 S1	Rep. Satz Zahnriemen / rep. kit timing belt	→ 04/05	
<b>11291</b>	1 361 840	Spannrolle / tension roller	→ 04/05	A60 Ø126,6 B37,1
<b>29952</b>	1 376 164	Spannrolle / tension roller	04/05 →	ØA62 B26
<b>29958</b>	1 004 297 S3	Rep. Satz Zahnriemen / rep. kit timing belt	04/05 →	
<b>32049</b>	1 315 781	Riemenspanner / belt tensioner		ØA72,5 B29
<b>36298</b>	1 347 669	Kettenspanner / chain tensioner		
<b>40398</b>	1 119 172	Steuerkette / timing chain		134 E

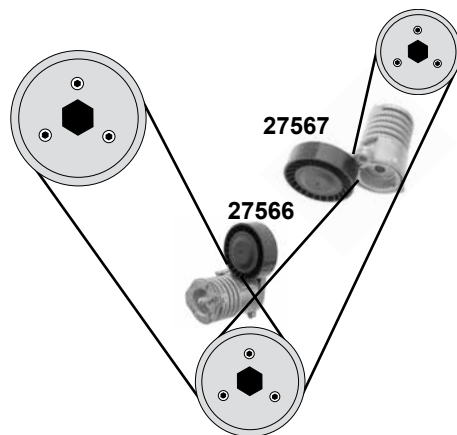
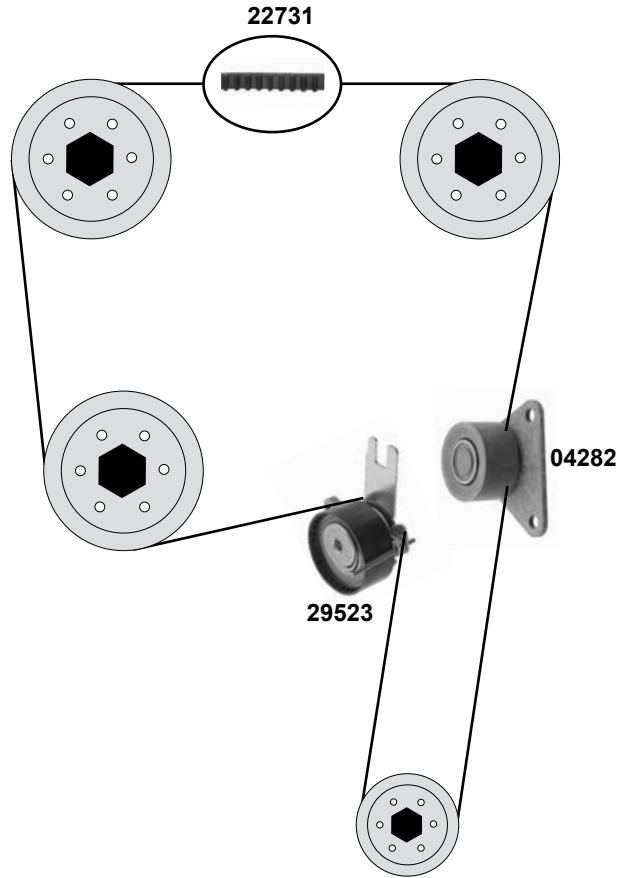





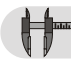
# FORD Focus 04

(07/04→12/07)

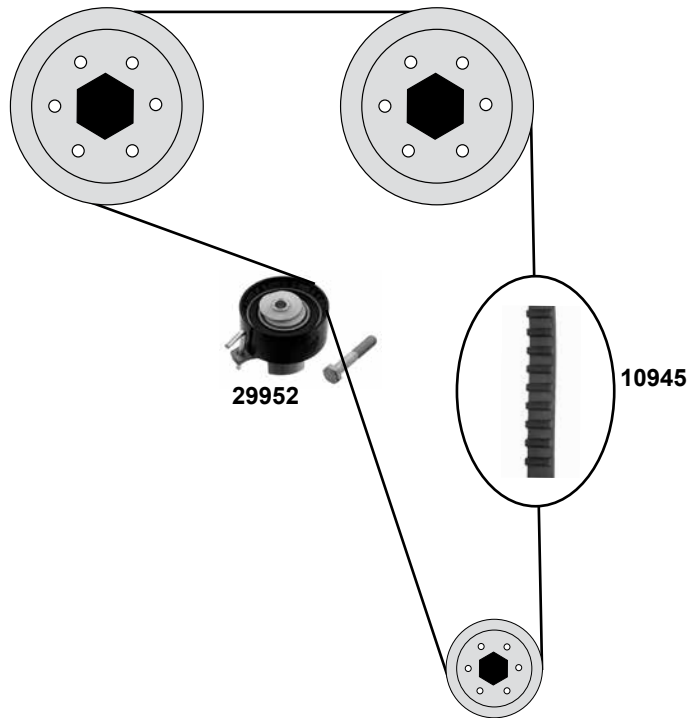
## 2,5 20 V

(Duratec Turbo)

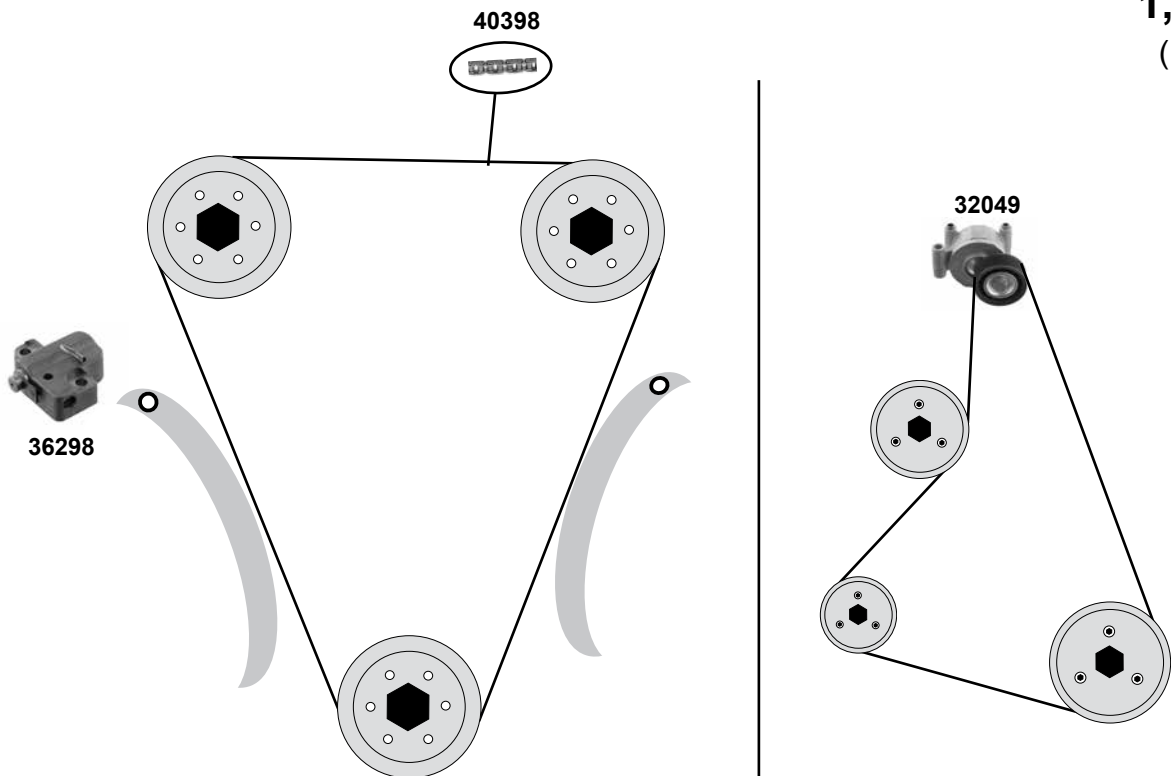


	Ref. - No.			
<b>04282</b>	1 371 753	Umlenkrolle / deflection pulley	10/05 →	ØA53 ØI24 B27
<b>22731</b>	1 372 015 S1	Zahnriemen / timing belt	10/05 →	Z 142 B23
<b>27566</b>	1 374 427	Riemenspanner / belt tensioner	10/05 →	ØA65 B21
<b>27567</b>	1 374 425	Riemenspanner / belt tensioner	10/05 →	
<b>29523</b>	1 388 493	Spannrolle / tension roller	10/05 →	ØA 60B26,5
<b>29524</b>	1 372 015	Rep.Satz Zahnriemen / rep.kit timing belt	10/05 →	

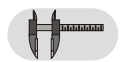
**1,4 16V / 1,6 16V**  
(Zetec S / ZH)



**1,8 / 2,0**  
(Duratec)



Ref. - No.



**10945**

1 004 299

Zahnriemen / timing belt

Z 117 B22

**29952**

1 376 164

Spannrolle / tension roller

ØA 62 B26

**29958**

1 004 297 S3

Rep. Satz Zahnriemen / rep. kit timing belt

**32049**

1 315 781

Riemenspanner / belt tensioner

ØA 72,5 B29

**36298**

1 347 669

Kettenspanner / chain tensioner

08→

**40398**

1 119 172

Steuerkette / timing chain

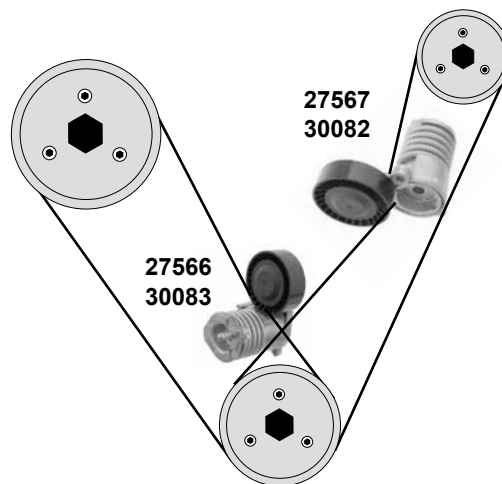
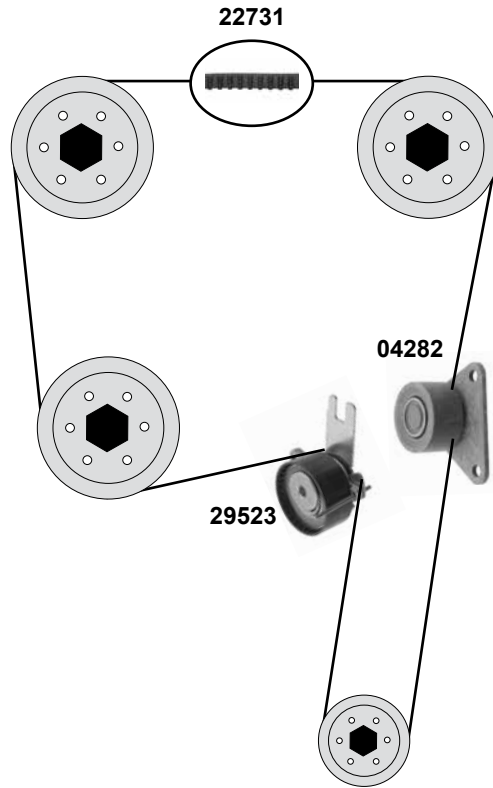
134 E





# FORD Focus 08

(12/07→12/10)

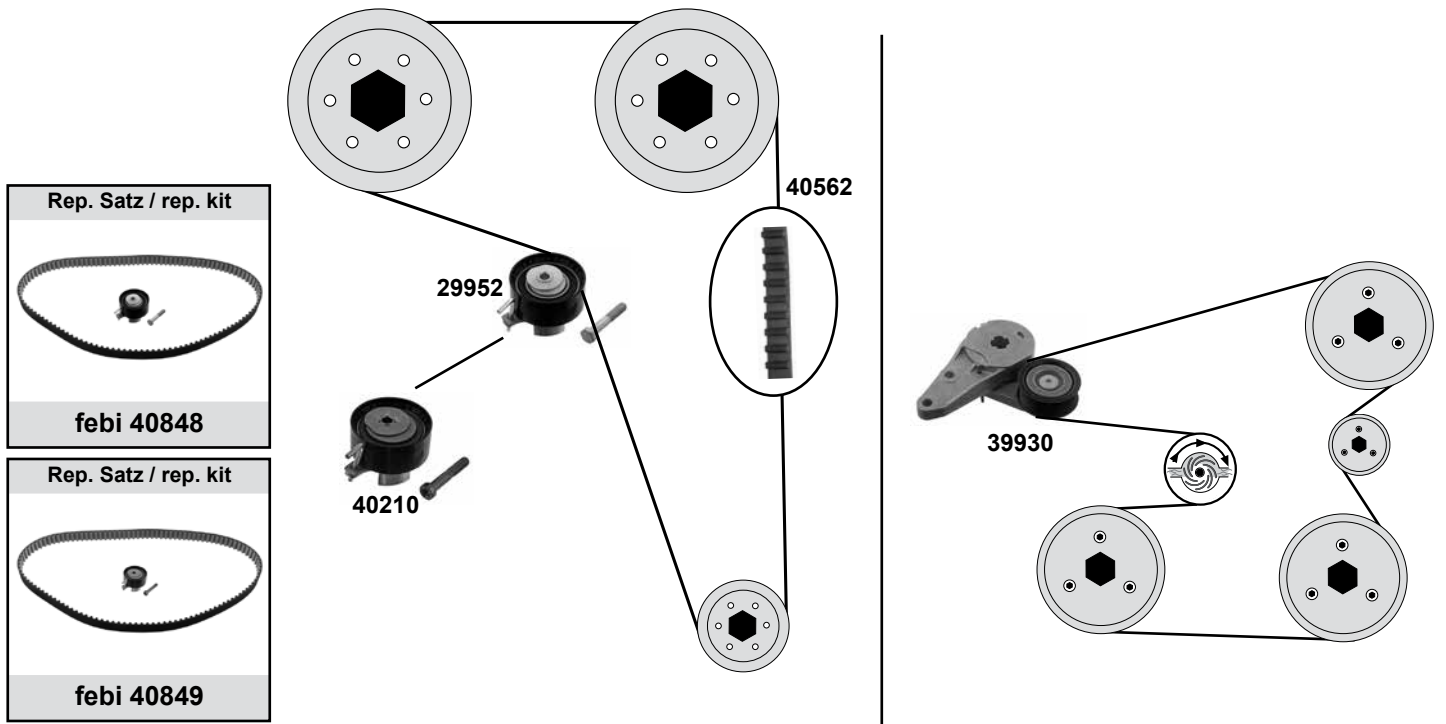
## 2,5 20 V

(Duratec Turbo)

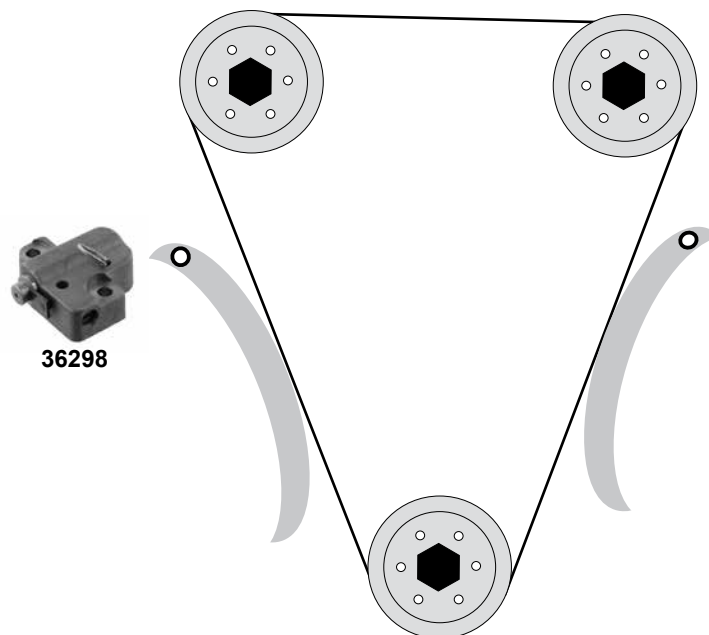


	Ref. - No.			
<b>04282</b>	1 371 753	Umlenkrolle / deflection pulley		ØA53 ØI 24 B27
<b>22731</b>	1 372 015 S1	Zahnriemen / timing belt		Z 142 B23
<b>27566</b>	1 374 427	Riemenspanner / belt tensioner	→ 04/08	ØA 65 B21
<b>27567</b>	1 374 425	Riemenspanner / belt tensioner	→ 04/08	ØA 70 B20
<b>29523</b>	1 388 493	Spannrolle / tension roller		ØA 60B26,5
<b>29524</b>	1 372 015	Rep.Satz Zahnriemen / rep.kit timing belt		
<b>30082</b>	1 540 603	Riemenspanner / belt tensioner	04/08 →	ØA 65 B21
<b>30083</b>	1 540 605	Riemenspanner / belt tensioner	04/08 →	ØA 65 B21

**1,6 16 V / Ecoboost**  
(Zetec S)



**1,8 / 2,0**  
(Duratec)



(1) 1,6 Sigma GTDI 01/11 → / 1,6 Zetec 01/11→10/12

	Ref. - No.			
29952	1 376 164	Spannrolle / tension roller		ØA62 B26
36298	1 347 669	Kettenspanner / chain tensioner		
39930	1 685 618	Riemenspanner / belt tensioner	1,6 Ecoboost	ØA67 B 25
40210	1 685 747	Spannrolle / tension roller	1,6 Ecoboost	
40562	1 675 963	Zahnriemen / timing belt	(1)	Z 117 B22
40848	1 672 144	Rep. Satz Zahnriemen / rep. kit timing belt	→12	
40849	1 672 144 S1	Rep. Satz Zahnriemen / rep. kit timing belt	1,6 Ecoboost	

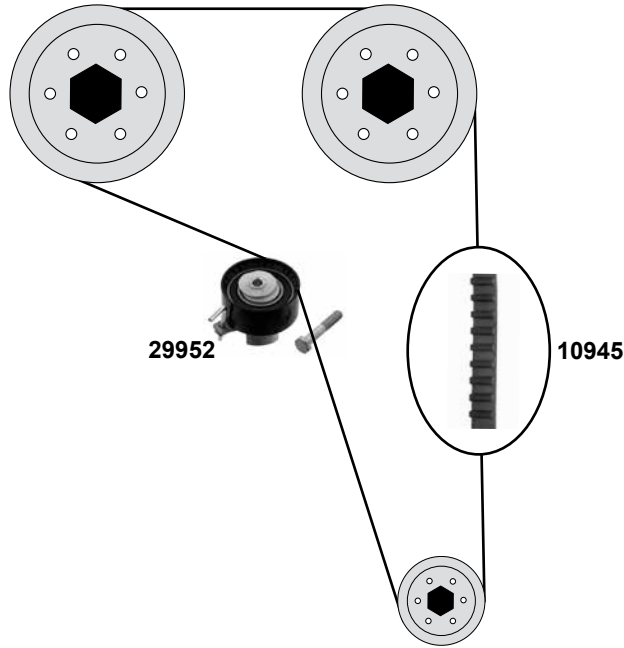
# FORD Focus Cabriolet 06

(07/06→07/10)

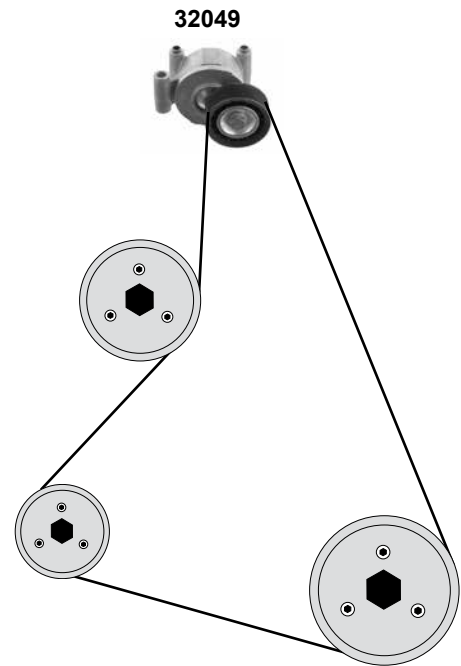
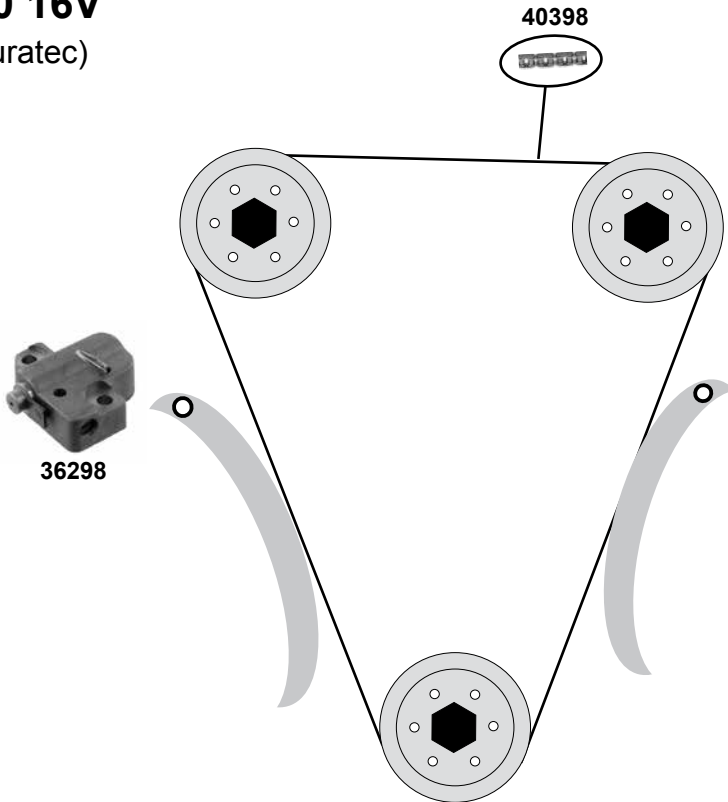
Car  
Division



## 1,6 16V (Zetec S/ZH)



## 2,0 16V (Duratec)



Ref. - No.

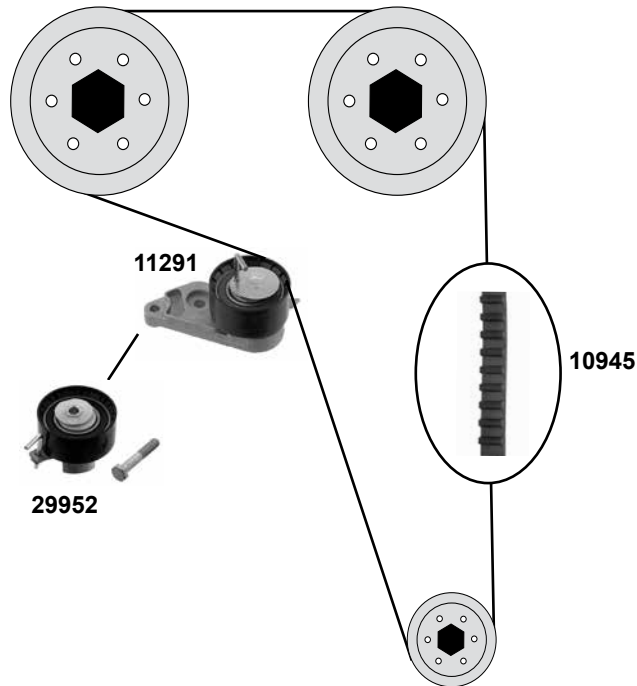


10945	1 004 299	Zahnriemen / timing belt
29952	1 376 164	Spannrolle / tension roller
29958	1 004 297 S3	Rep. Satz Zahnriemen / rep. kit timing belt
32049	1 315 781	Riemenspanner / belt tensioner
36298	1 347 669	Kettenspanner / chain tensioner
40398	1 119 172	Steuerkette / timing chain

07→

Z 117 B22  
ØA62 B26  
ØA72,5 B29  
134 E

**1,6 16V**  
(Zetec S/ZH)



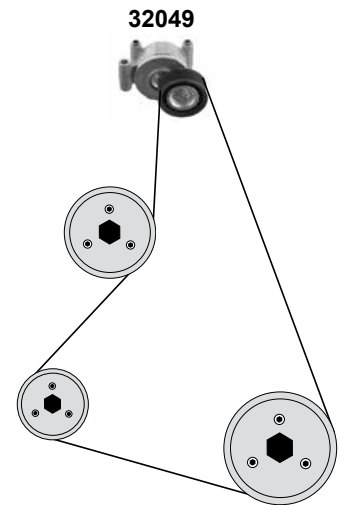
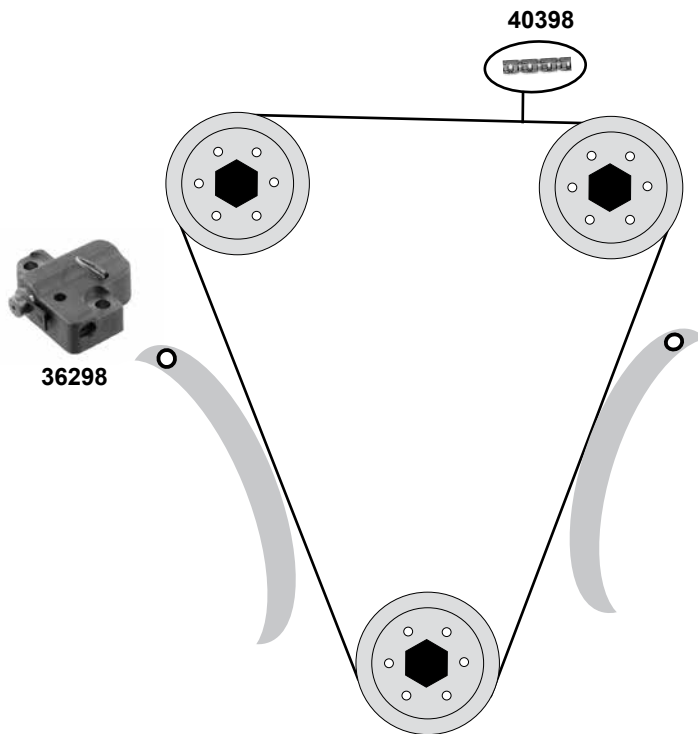
Rep. Satz / rep. kit

**febi 11286**

Rep. Satz / rep. kit

**febi 29958**

**1,8 16V** (Duratec)  
**2,0 16V** (Duratec)



(1) 1,8 Duratec 03→07 / 2,0 Duratec 04→07



Ref. - No.



<b>10945</b>	1 004 299	Zahnriemen / timing belt		Z 117 B22
<b>11286</b>	1 004 299 S1	Rep. Satz Zahnriemen / rep. kit timing belt	09/03 →	ØA60 ØI26,6 B37,1
<b>11291</b>	1 361 840	Spannrolle / tension roller	→ 04/05	ØA62 B26
<b>29952</b>	1 376 164	Spannrolle / tension roller	04/05 →	
<b>29958</b>	1 004 297 S3	Rep. Satz Zahnriemen / rep. kit timing belt	04/05 →	
<b>32049</b>	1 315 781	Riemenspanner / belt tensioner	09/03 →	ØA72,5 B29
<b>36298</b>	1 347 669	Kettenspanner / chain tensioner	09/03 →	
<b>40398</b>	1 119 172	Steuerkette / timing chain	<b>(1)</b>	134 E

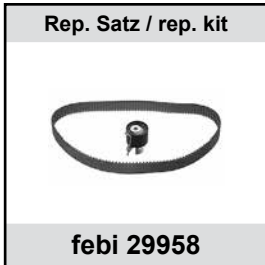
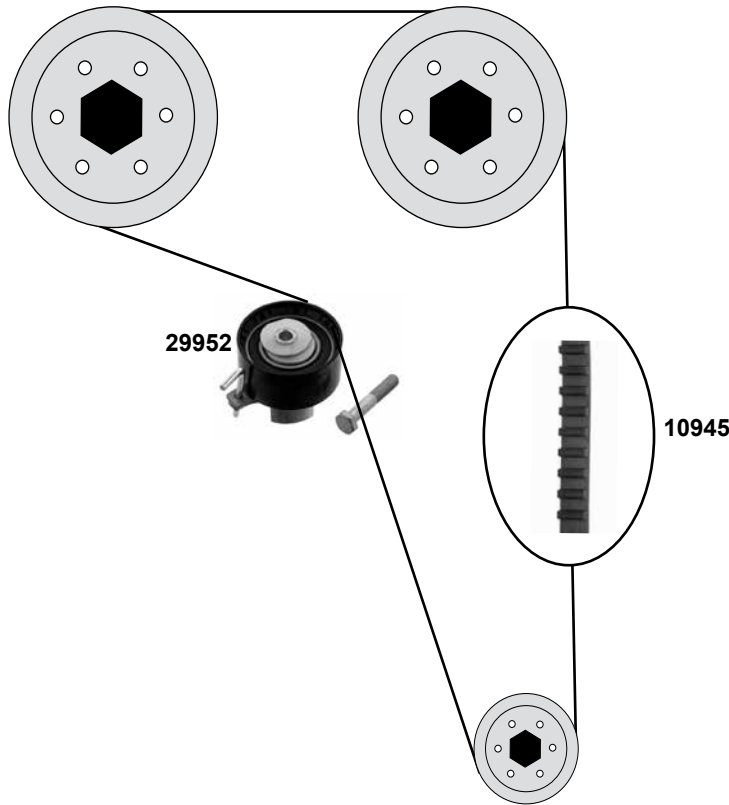
# FORD Focus C-Max 07

(03/07→07/10)

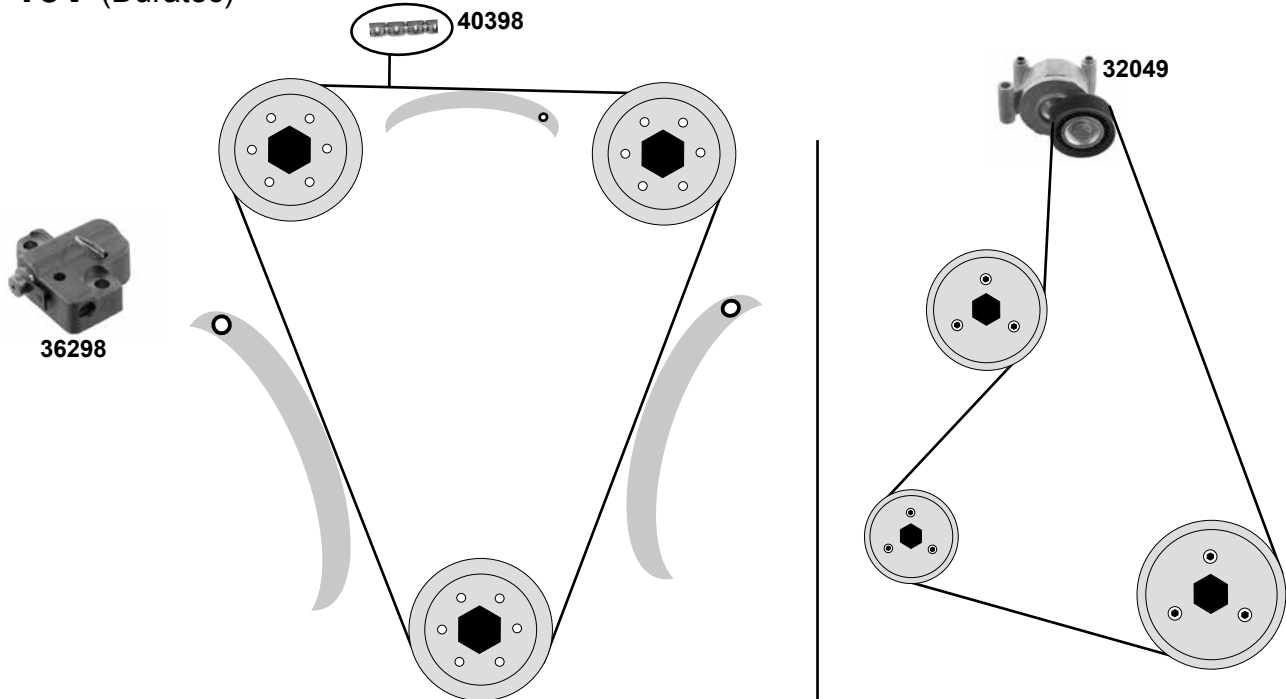
Car  
Division



## 1,6 16V (Zetec S/ZH)



## 1,8 16V (Duratec) 2,0 16V (Duratec)



Ref. - No.



10945

1 004 299

Zahnriemen / timing belt

Z 117 B22

29952

1 376 164

Spannrolle / tension roller

ØA62 B26

29958

1 004 297 S3

Rep. Satz Zahnriemen / rep. kit timing belt

→ 01/08 / (ex.) 1,8

ØA72,5 B29

32049

1 315 781

Riemenspanner / belt tensioner

36298

1 347 669

Kettenspanner / chain tensioner

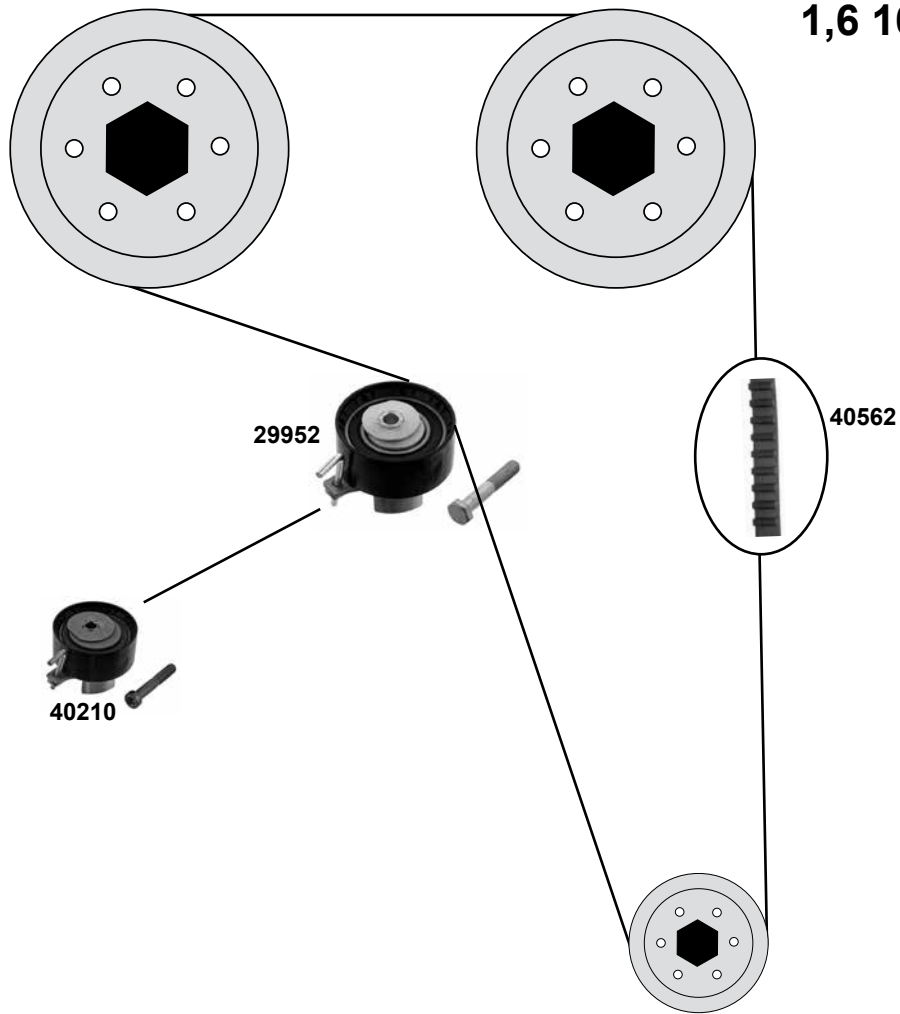
40398

1 119 172

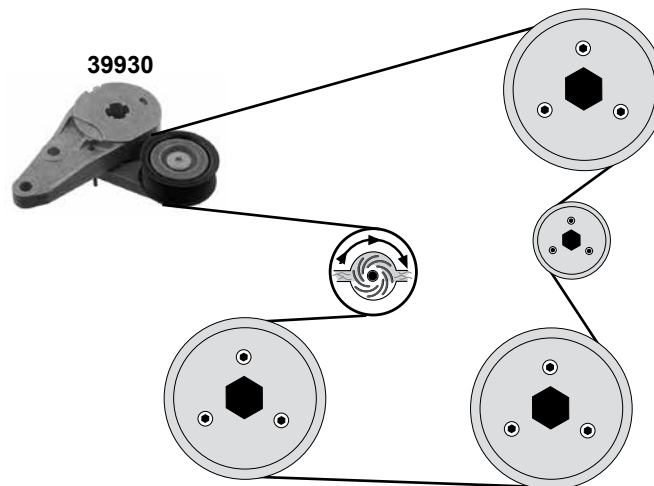
Steuerkette / timing chain

134 E

**1,6 16 V / EcoBoost**  
(Zetec S)



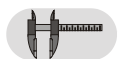
Rep. Satz / rep. kit
<b>febi 40848</b>
Rep. Satz / rep. kit
<b>febi 40849</b>



(1) 1,6 Sigma GTDI 08/10 → / 1,6 Zetec 08/10→05/11



Ref. - No.



Ref. - No.	Description	Application	Part Number
<b>29952</b>	Spannrolle / tension roller	1,6 EcoBoost <b>(1)</b> →11	ØA62 B26 ØA67 B 25
<b>39930</b>	Riemenspanner / belt tensioner		
<b>40210</b>	Spannrolle / tension roller	1,6 EcoBoost <b>(1)</b> →11	Z 117 B22
<b>40562</b>	Zahnriemen / timing belt		
<b>40848</b>	Rep. Satz Zahnriemen / rep. kit timing belt	1,6 EcoBoost	
<b>40849</b>	Rep. Satz Zahnriemen / rep. kit timing belt		

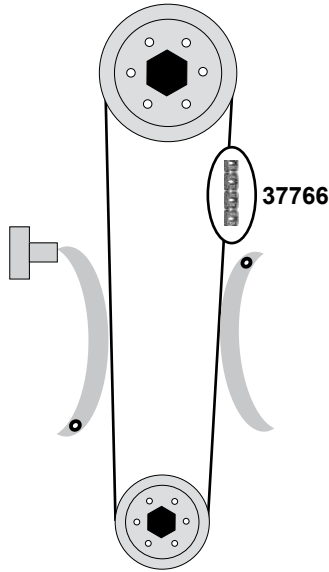


# FORD Fusion 02 (06/02→06/12)

Car  
Division

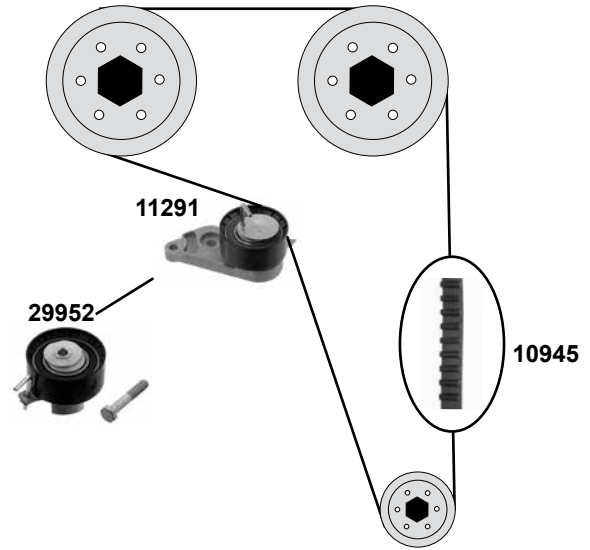


## 1,3 (Duratec Rocam)



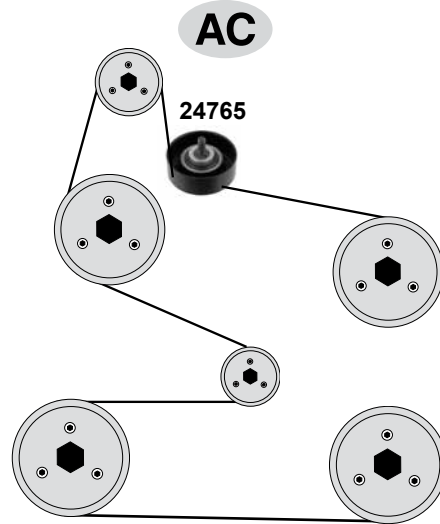
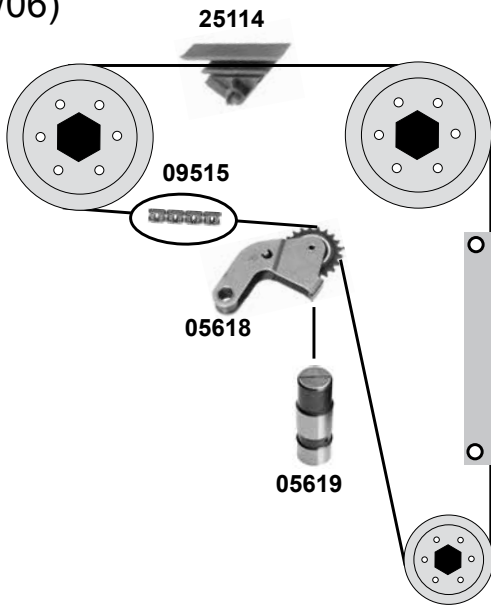
## 1,25 16V / 1,4 16V / 1,6 16V (Zetec S/ZH)

Rep. Satz / rep. kit
<b>febi 11286</b>
Rep. Satz / rep. kit
<b>febi 29958</b>



## Galaxy 95 / 00 (02/95→03/06)

### 2,0 / 2,3 (DOHC/DH)



(1) (mot.) 1,6 16V → 04/05

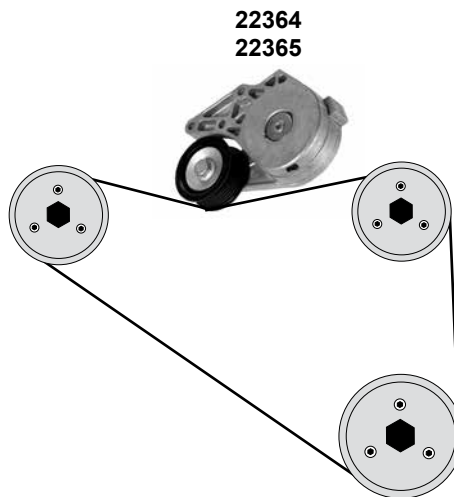
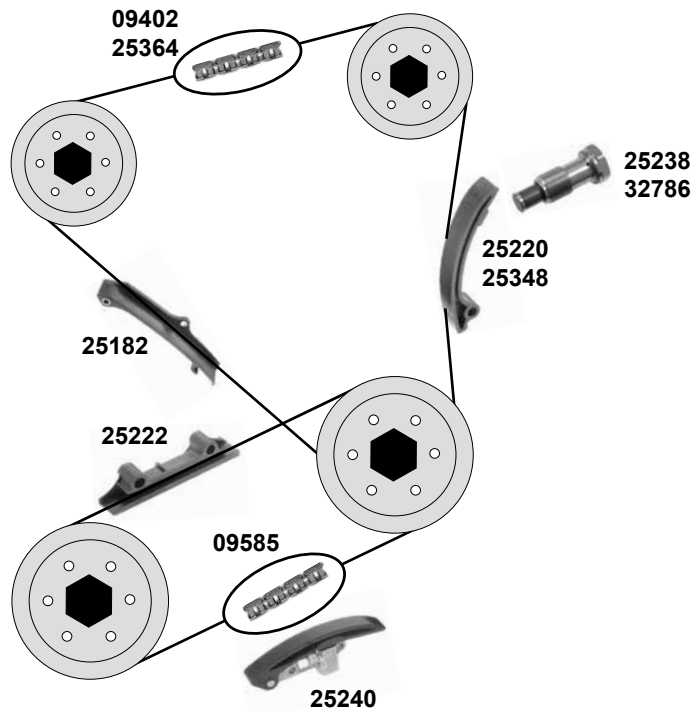
(2) (mot.) 1,6 16V → 04/05

(3) (mot.) 1,4 16V / 1,6 16V 04/05 →

(4) (mot.) Zetec S 1,25 → 06/12  
(mot.) Zetec S 1,4 / 1,6 → 11/08



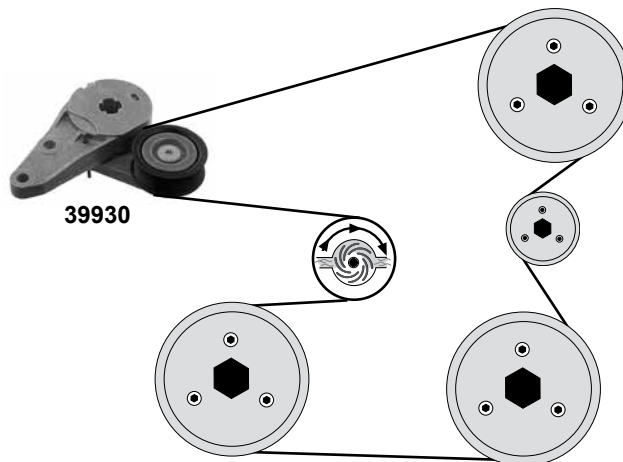
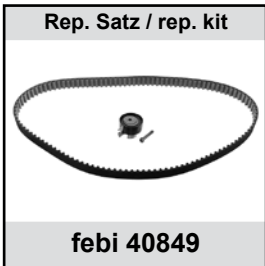
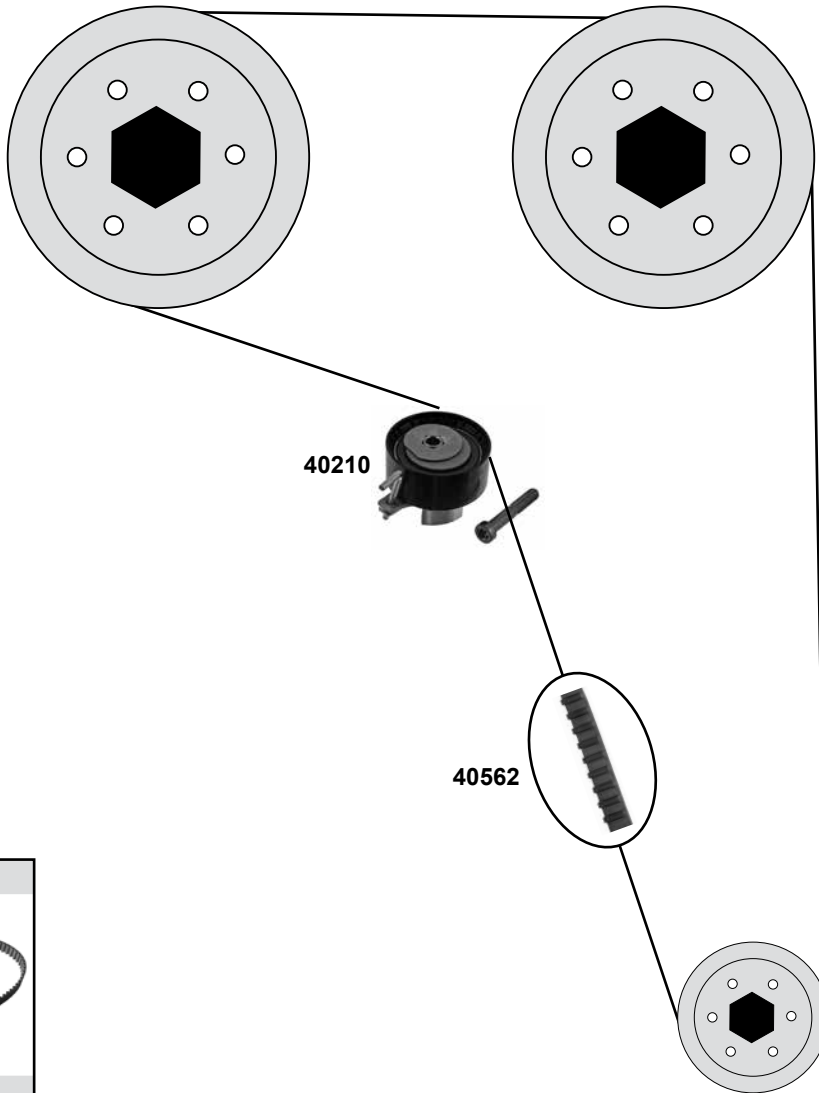
Ref. - No.			
05618	1 022 214	Kettenspanner / chain tensioner	
05619	1 662 847	Kettenspanner / chain tensioner	
09515	7 079 279	Steuerkette / timing chain	
10945	1 004 299	Zahnriemen / timing belt	
11291	1 361 840	Spannrolle / tension roller	(mot.) 2,0
11286	1 004 299 S1	Rep. Satz Zahnriemen / rep. kit timing belt	(4)
24765	1 139 951	Umlenkrolle / deflection pulley	(1)
25114	6 177 698	Gleitschiene / sliding rail	(2)
29952	1 376 164	Spannrolle / tension roller	→ 03/00
29958	1 004 297 S3	Rep. Satz Zahnriemen / rep. kit timing belt	(3)
37766	1 089 822	Steuerkette / timing chain	(3)
			ØA20 B60,5 458 / 138 E Z 117 B22 ØA60 Ø126,6 B37,1 ØA70 H25 ØA62 B26 114 E



	Ref. - No.			
<b>09402</b>	1 669 843	Steuerkette / timing chain	<b>Modell:</b> 11/94 → 09/96	D 455 / 90 E 458 / 70 E
<b>09585</b>	1 032 515	Steuerkette / timing chain	<b>Modell:</b> 11/94 → 03/00	
<b>22364</b>	1 106 830	Riemenspanner / belt tensioner	<b>Modell:</b> 02/95 → 02/00	
<b>22365</b>	1 139 712	Riemenspanner / belt tensioner	<b>Modell:</b> 04/00 → 02/06	
<b>25182</b>	1 086 533	Gleitschiene / sliding rail		
<b>25220</b>	1 072 680	Gleitschiene / sliding rail	<b>Modell:</b> 09/96 → 03/00	
<b>25222</b>	1 669 830	Gleitschiene / sliding rail		
<b>25238</b>	1 072 677	Kettenspanner / chain tensioner	<b>Modell:</b> 09/96 → 03/00	
<b>25240</b>	1 669 827	Kettenspanner / chain tensioner		
<b>25348</b>	1 669 848	Gleitschiene / sliding rail	<b>Modell:</b> 11/94 → 09/96	
<b>25364</b>	1 072 678	Steuerkette / timing chain	<b>Modell:</b> 09/96 → 03/00	
<b>32786</b>	1 118 152	Kettenspanner / chain tensioner	<b>Modell:</b> 04/00 → 02/01	



1,6 Ecoboost



Ref. - No.

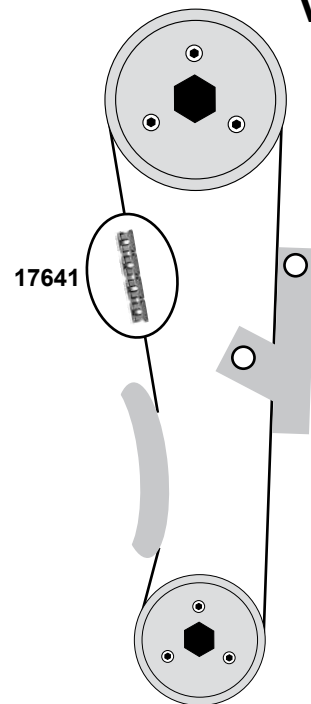
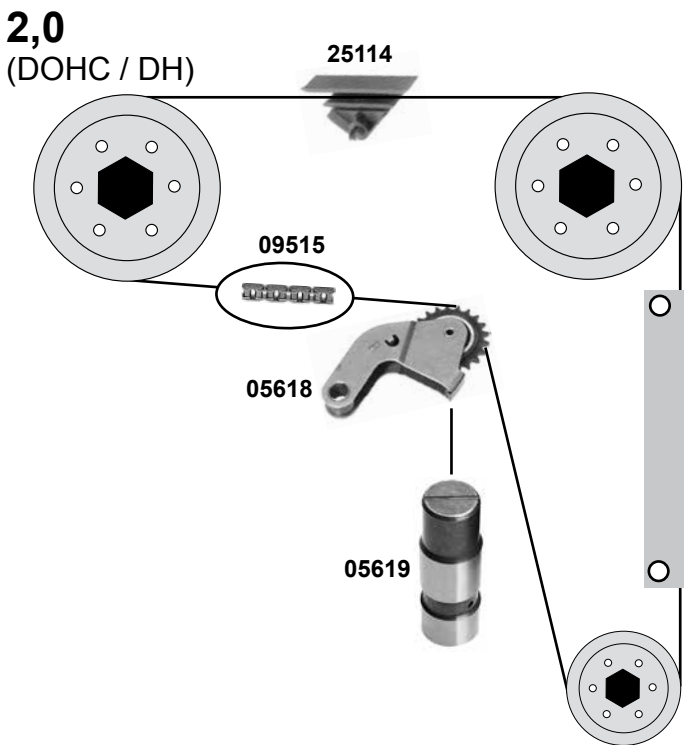
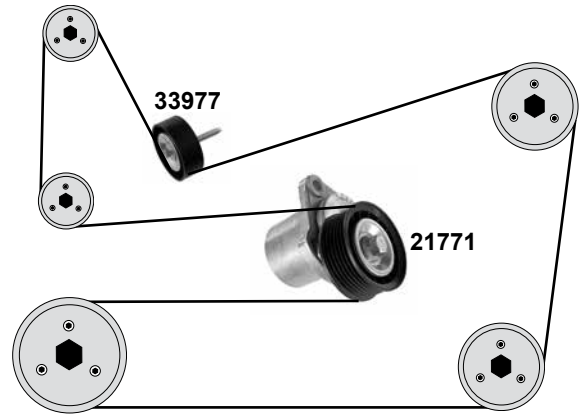
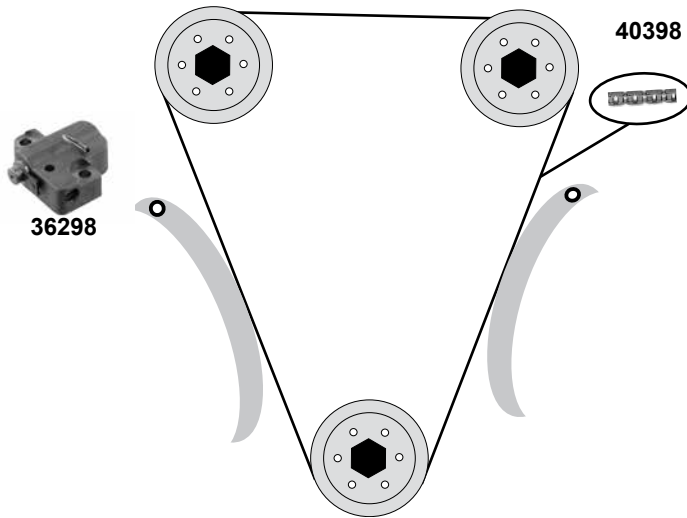


<b>39930</b>	1 685 618
<b>40210</b>	1 685 747
<b>40562</b>	1 675 963
<b>40849</b>	1 672 144 S1

Riemenspanner / belt tensioner
Spannrolle / tension roller
Zahnriemen / timing belt
Rep. Satz Zahnriemen / rep. kit timing belt

10→
10→
<b>1,6 Sigma GTDI 11/10→</b>

ØA67 B 25
Z 117 B22



(1) (mot.) 2,0 Duratec HE: 03/06 →  
(mot.) 2,3 Duratec HE: 09/07 →



Ref. - No.



<b>05618</b>	1 022 214	Kettenspanner / chain tensioner	
<b>05619</b>	1 662 847	Kettenspanner / chain tensioner	ØA20 B60,5
<b>09515</b>	7 079 279	Steuerkette einfach / timing chain simple	458 / 138 E
<b>17641</b>	6 959 172	Steuerkette / timing chain	458 / 60 E
<b>21771</b>	1 371 224	Riemenspanner / belt tensioner	ØA73 B29
<b>25114</b>	6 177 698	Gleitschiene / sliding rail	
<b>33977</b>	1 387 066	Umlenkrolle / deflection pulley	(1) ØA 70
<b>36298</b>	1 347 669	Kettenspanner / chain tensioner	
<b>40398</b>	1 119 172	Steuerkette / timing chain	2,0 HE / 145PS 134 E

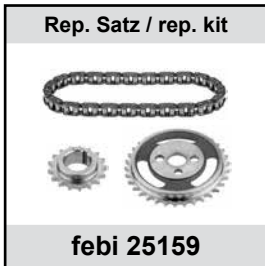
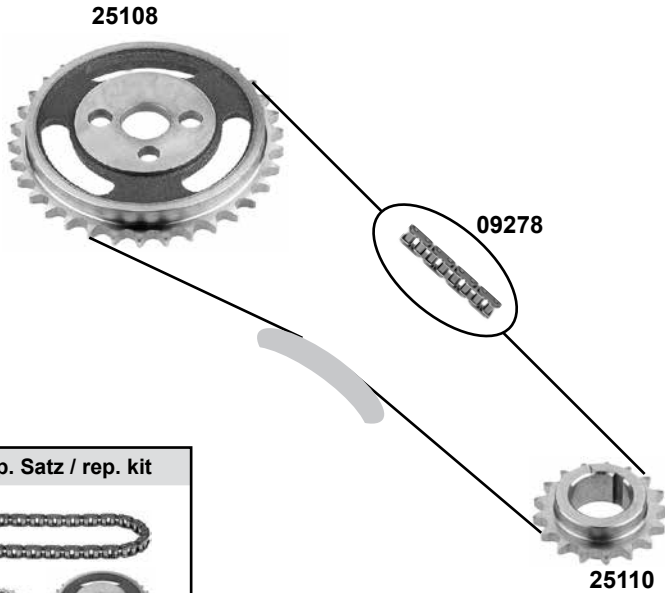
# FORD KA

(09/96→08/08)

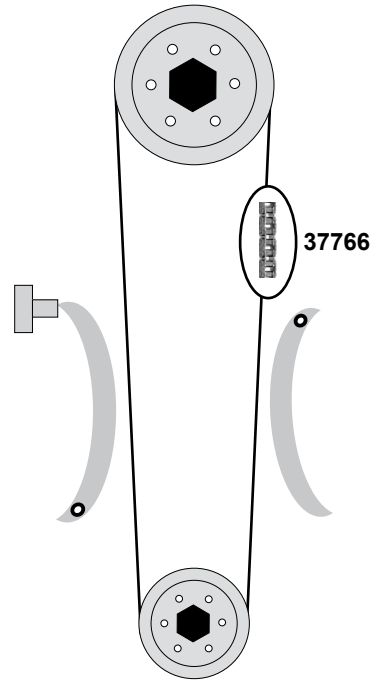
Car  
Division



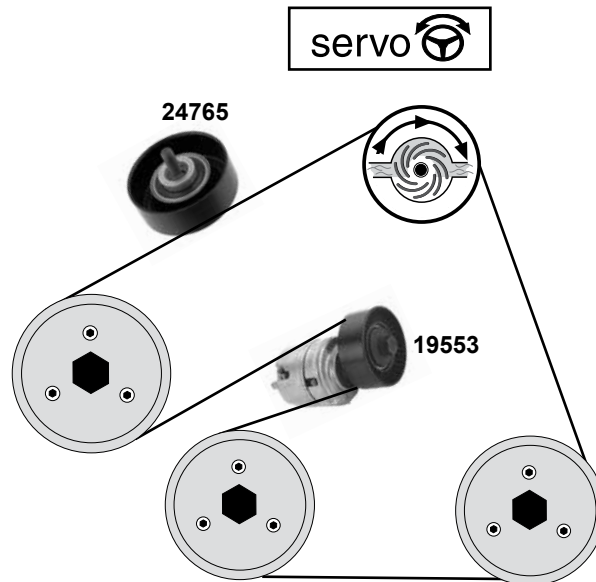
## 1,3 (OHV/BL)



## 1,3 (Duratec Rocam) 1,6 (Zetec Rocam)

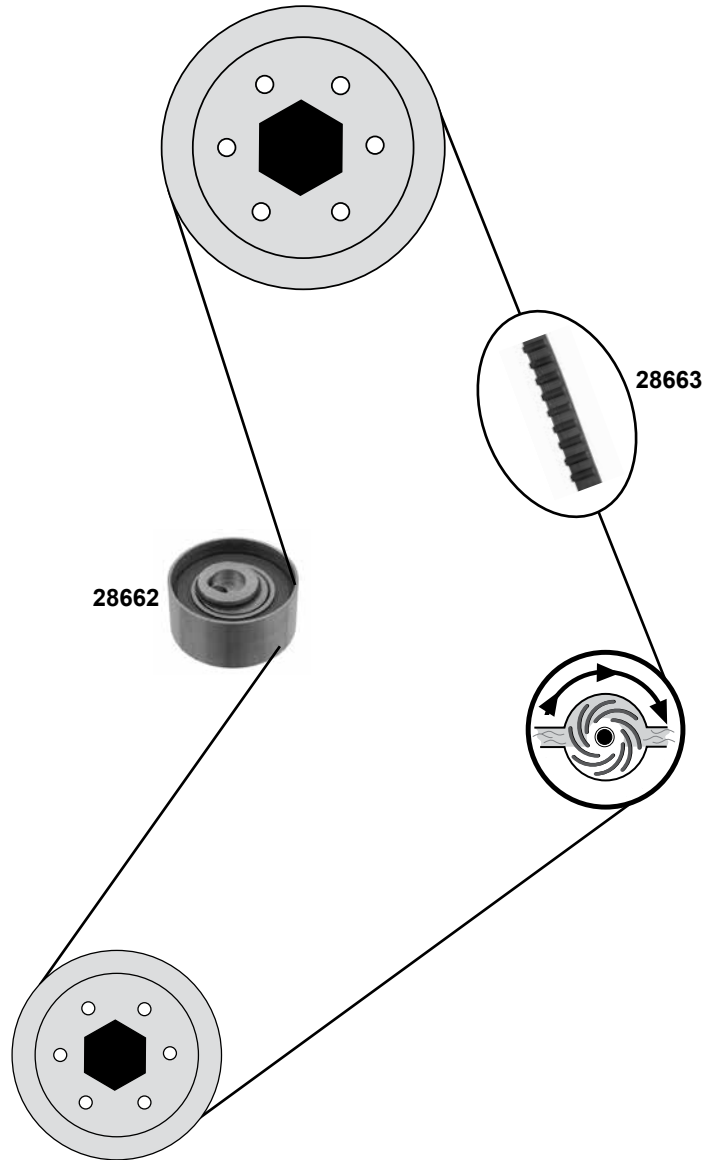


## 1,3 (OHV/BL)



Ref. - No.			
<b>09278</b>	6 156 318	Steuerkette / timing chain	455 / 46 E
<b>19553</b>	1 004 549	Riemenspanner / belt tensioner	ØA70 B21
<b>24765</b>	1 139 951	Umlenkrolle / deflection pulley	ØA70 H25
<b>25108</b>	6 029 398	Nockenwellenrad / camshaft gear	Z 34
<b>25110</b>	1 434 861	Kurbelwellenrad / crankshaft gear	Z 17
<b>25159</b>	1 434 861 S2	Rep. Satz Steuerkette / rep. kit timing chain	
<b>37766</b>	1 089 822	Steuerkette / timing chain	114 E

04/03 →



Ref. - No.



**28662**  
**28663**  
**28664**

1 535 439  
1 590 748  
1 590 748 S1

Spannrolle / tension roller  
Zahnriemen / timing belt  
Rep. Satz Zahnriemen / rep. kit timing chain

ØA55,5 B26  
Z 129

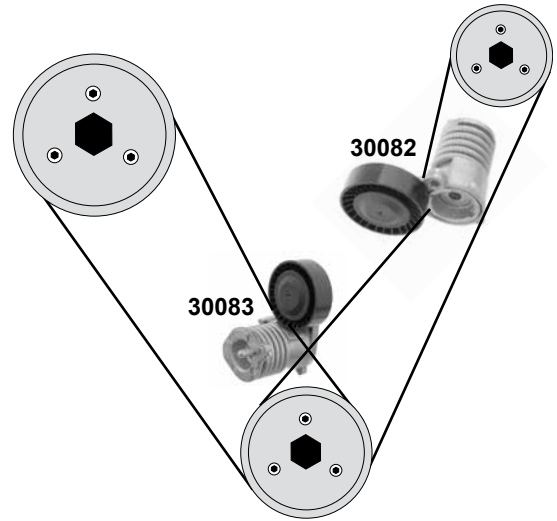
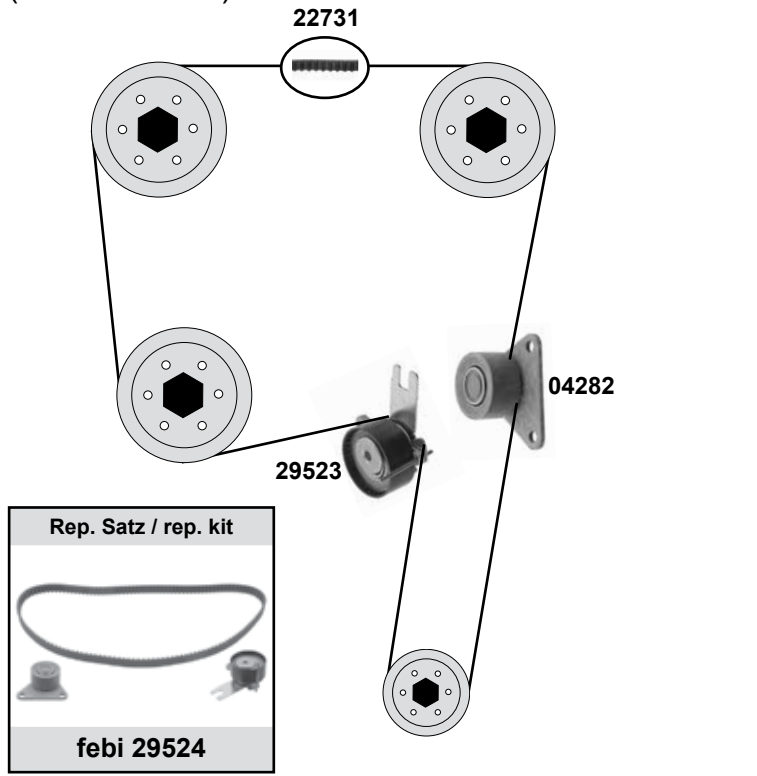
# FORD Kuga 08 (02/08→)

Car  
Division



## 2,5 20 V

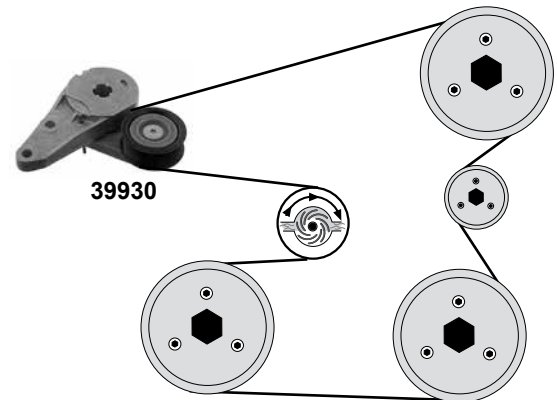
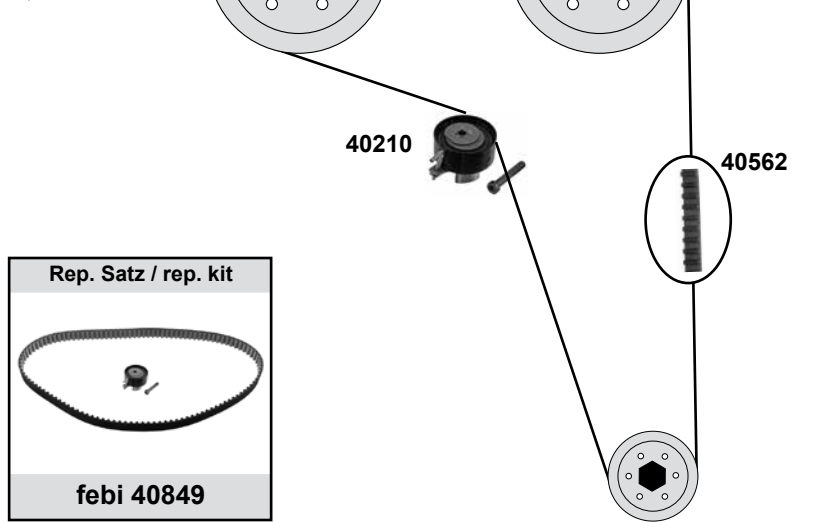
(Duratec Turbo)



## Kuga 13

(11/12→)

1,6 Ecoboost

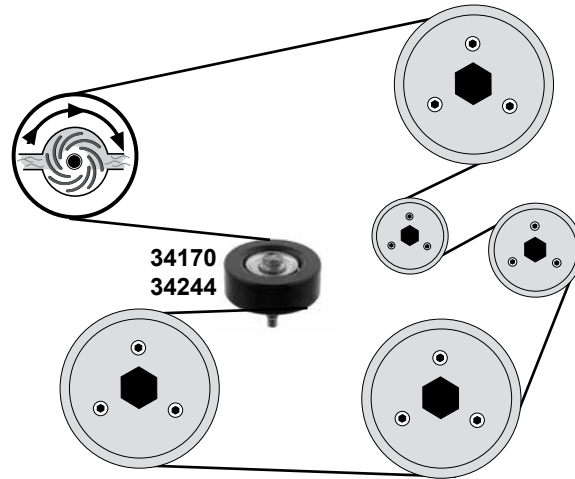


Ref. - No.

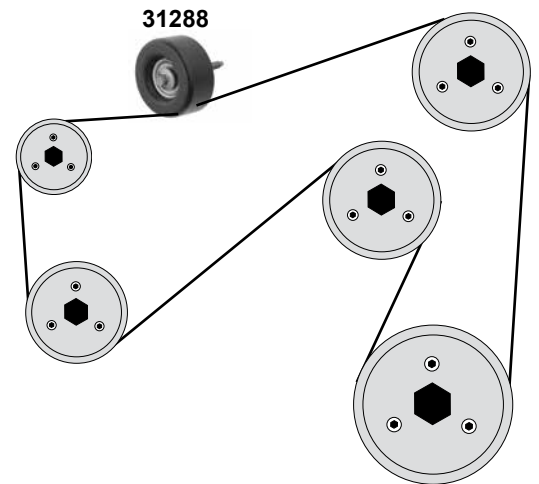
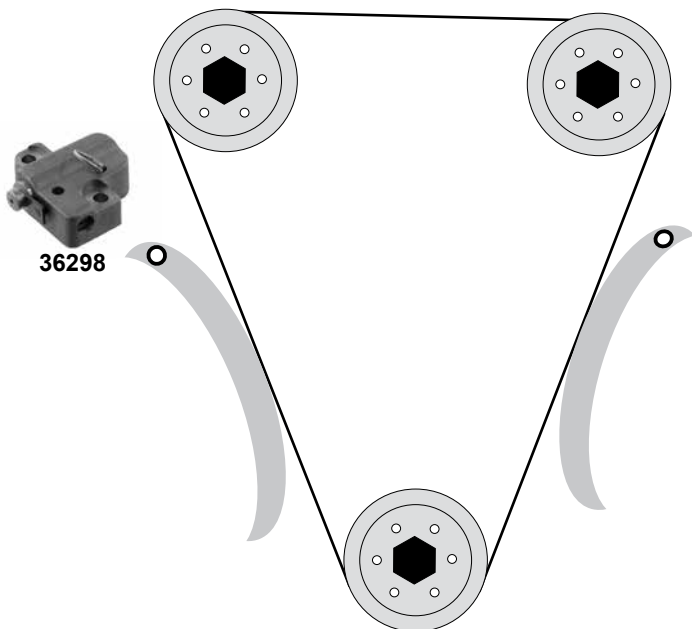


<b>04282</b>	1 371 753	Umlenkrolle / deflection pulley		ØA53 ØI24 B27
<b>22731</b>	1 372 015 S1	Zahnriemen / timing belt		Z 142 B23
<b>29524</b>	1 372 015	Rep.Satz Zahnriemen / rep.kit timing belt		
<b>29523</b>	1 388 493	Spannrolle / tension roller		ØA 60B26,5
<b>30082</b>	1 540 603	Riemenspanner / belt tensioner	→ 12/08	ØA65 B21
<b>30083</b>	1 540 605	Riemenspanner / belt tensioner	→ 12/08	ØA65 B21
<b>39930</b>	1 685 618	Riemenspanner / belt tensioner		ØA67 B 25
<b>40210</b>	1 685 747	Spannrolle / tension roller	1,6 Ecoboost	
<b>40562</b>	1 675 963	Zahnriemen / timing belt	1,6 Sigma GTDI 11/12→	Z 117 B22
<b>40849</b>	1 672 144 S1	Rep. Satz Zahnriemen / rep. kit timing belt		

**2,0**  
(Zetec E)



**2,3**  
(Duratec HE)



Ref. - No.



<b>31288</b>	1 387 385	Umlenkrolle / deflection pulley
<b>34170</b>	1 318 844	Umlenkrolle / deflection pulley
<b>34244</b>	1 114 544	Umlenkrolle / deflection pulley
<b>36298</b>	1 347 669	Kettenspanner / chain tensioner

12/03 →

12/03 →

ØA76 B30,5  
ØA70 B25,5  
ØA 70 B25,5



# FORD Maverick 01

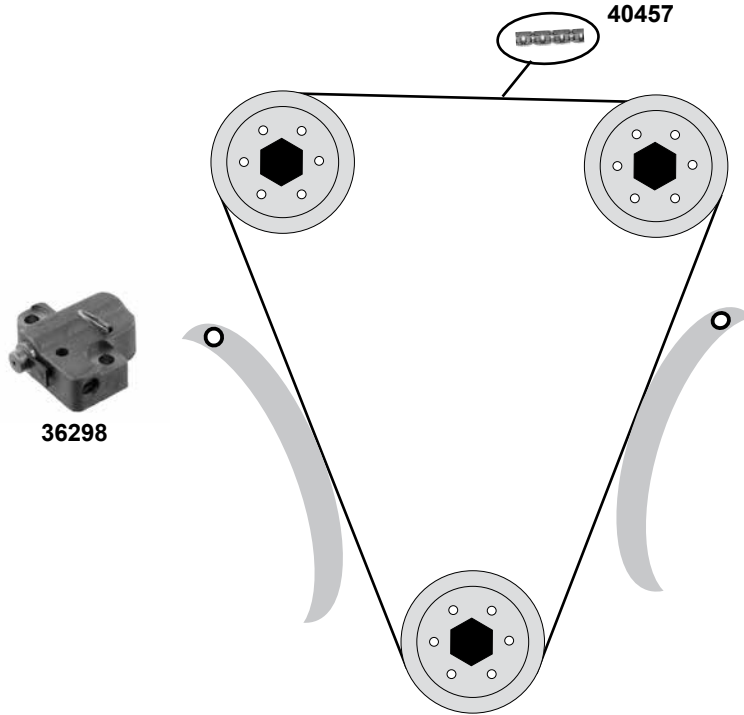
(01→06/06)

Car  
Division



**2,3**

(Duratec HE)

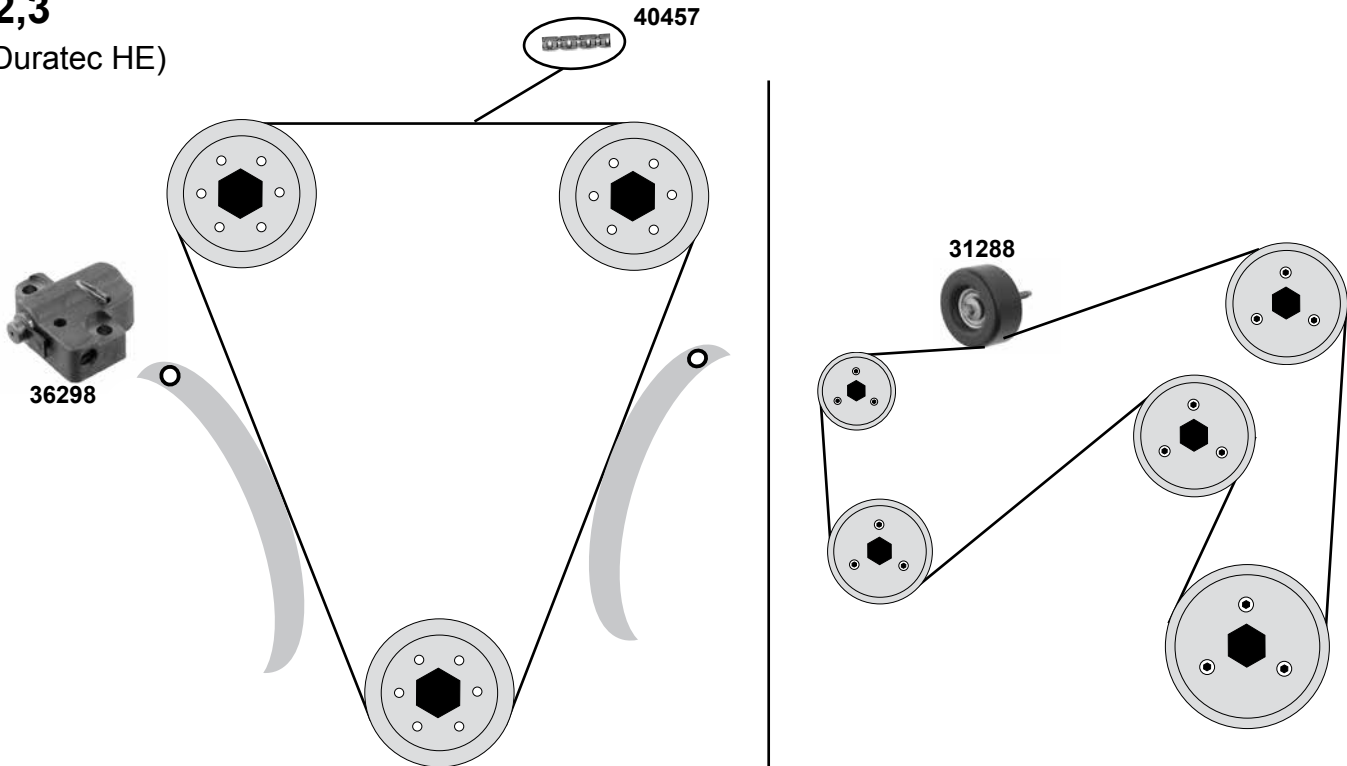


# Maverick 07

(05/06→)

**2,3**

(Duratec HE)



Ref. - No.

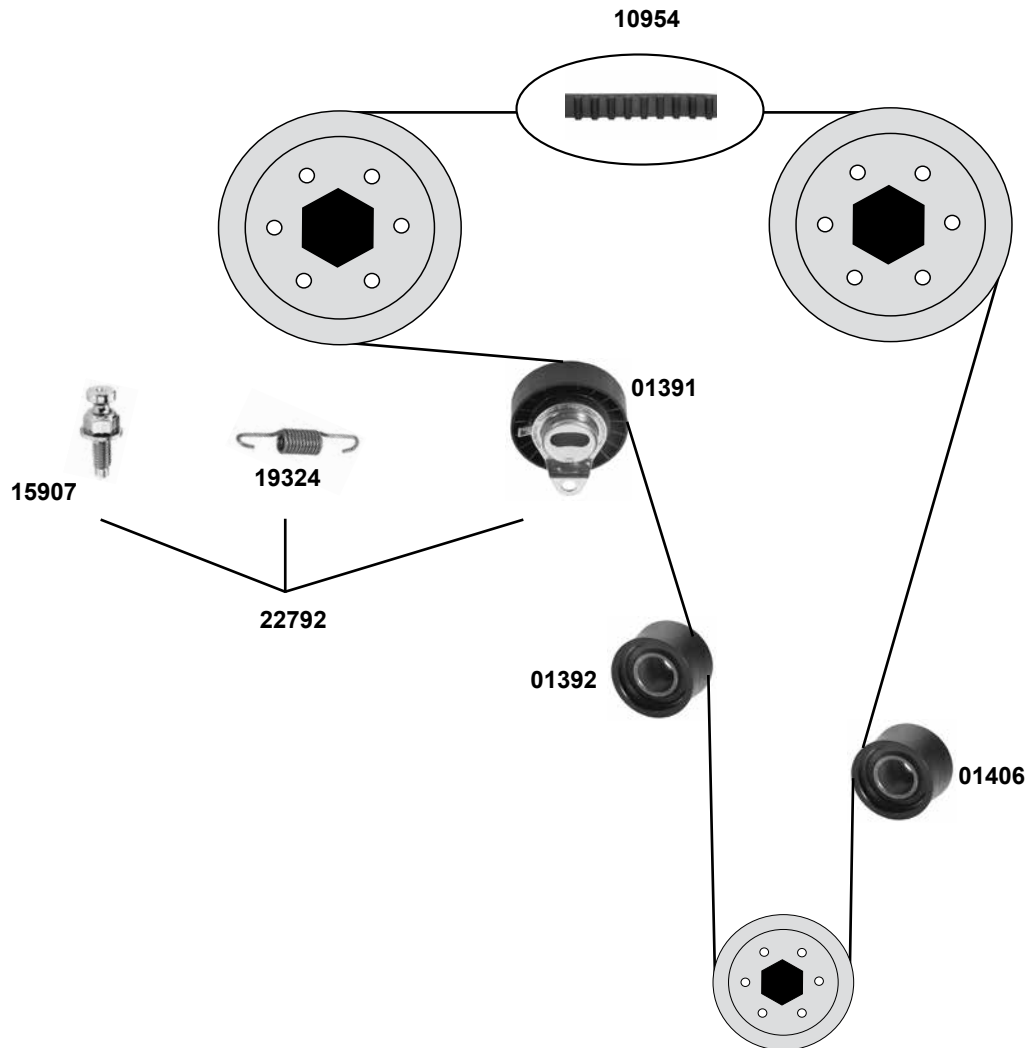


31288	1 387 385
36298	1 347 669
40457	1 124 373

Umlenkrolle / deflection pulley
Kettenspanner / chain tensioner
Steuerkette / timing chain

→07
03→07
→12

ØA76 B30,5
D 138 E



	Ref. - No.			
<b>01391</b>	6 635 941	Spannrolle / tension roller		ØA86 B30
<b>01392</b>	6 635 942	Umlenkrolle / deflection pulley		ØA60 ØI21 B30
<b>01406</b>	6 744 307	Umlenkrolle / deflection pulley		ØA48 ØI21 B30
<b>10954</b>	6 764 162	Zahnriemen / timing belt		Z 131 B25,4
<b>11042</b>	6 794 162 S1	Rep. Satz Zahnriemen / rep. kit timing belt		
<b>15907</b>	1 663 884	Schraube Spannrolle / screw tension roller		
<b>19324</b>	7 024 224	Zugfeder / return spring		
<b>22792</b>	6 635 941 S	Rep. Satz Spannrolle / rep kit tension roller		ØA86 B30

# FORD Mondeo 97

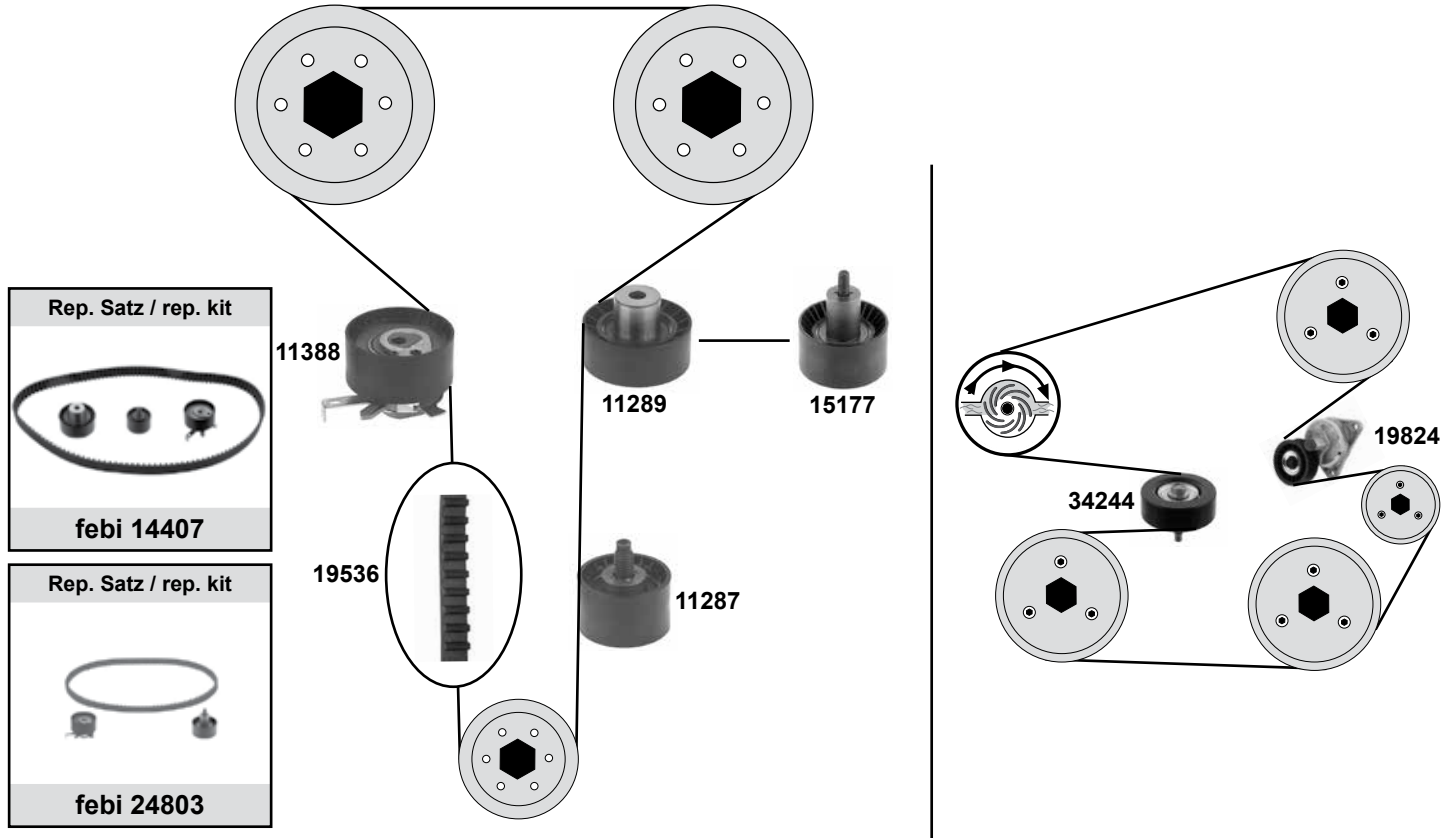
(05/98→09/00)

Car  
Division



## 1,6 16V / 1,8 16V / 2,0 16V

(Zetec E/ZH)

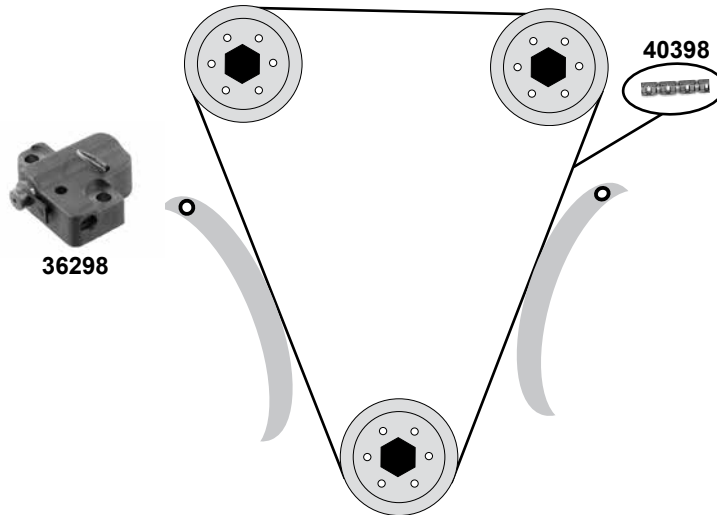


## Mondeo 00

(10/00→01/07)

1,8 / 2,0

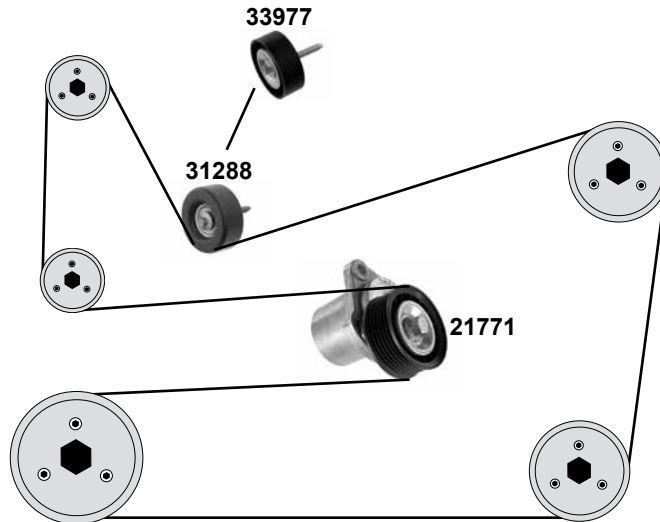
(Duratec HE)



Ref. - No.

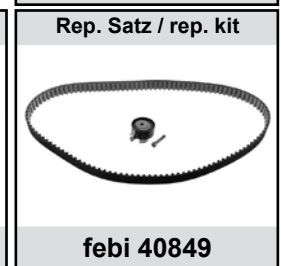
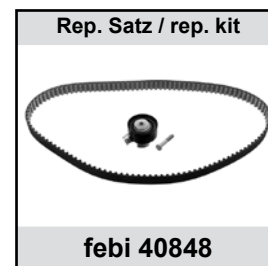
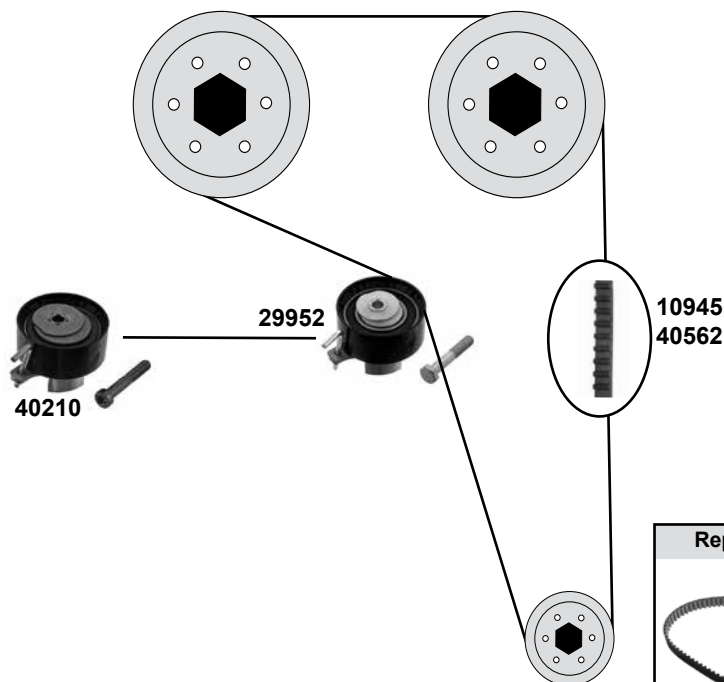


11287	1 053 942	Umlenkrolle / deflection pulley		ØA47 ØI29 B51,5
11289	1 038 384	Umlenkrolle / deflection pulley	05/98 → 01/99	ØA70 ØI29 B47,9
11388	1 328 472	Spannrolle / tension roller		ØA60 ØI29 B33,3
14407	1 000 156S1	Rep. Satz Zahnriemen / rep. kit timing belt	05/98 → 01/99	
15177	1 213 852	Umlenkrolle / deflection pulley	01/99 →	ØA60 ØI29 B69,5
19536	1 000 156	Zahnriemen / timing belt		Z 129 B25,4
19824	1 073 096	Riemenspanner / belt tensioner		ØA 73
24803	1 000 156S2	Rep. Satz Zahnriemen / rep. kit timing belt	01/99 →	Z 129 B25,4
34244	1 114 544	Umlenkrolle / deflection pulley		ØA 70 B25,5
36298	1 347 669	Kettenspanner / chain tensioner		
40398	1 119 172	Steuerkette / timing chain	→06 / 1,8 (ex.) 130PS	134 E



**Mondeo 07**  
(02/07→)

**1,6 16V / EcoBoost**  
(Zetec S/ZH)



(1) 1,6 Sigma GTDI 11/10→ / 1,6 Zetec 09/10→03/12 / 1,6 EcoBoost 10→



Ref. - No.



Ref. - No.	Description	Application	Dimensions
<b>10945</b>	Zahnriemen / timing belt		Z 117 B22
<b>21771</b>	Riemenspanner / belt tensioner		ØA 73
<b>29952</b>	Spannrolle / tension roller		ØA62 B26
<b>29958</b>	Rep. Satz Zahnriemen / rep. kit timing belt		→10
<b>31288</b>	Umlenkrolle / deflection pulley		ØA76 B30,5
<b>33977</b>	Umlenkrolle / deflection pulley	→ 11/05 11/05 → 01/07	ØA 70 B 25,5
<b>40210</b>	Spannrolle / tension roller	10→ / 1,6 EcoBoost	ØA 63 B 27
<b>40562</b>	Zahnriemen / timing belt	(1)	Z 117 B22
<b>40848</b>	Rep. Satz Zahnriemen / rep. kit timing belt	10→	
<b>40849</b>	Rep. Satz Zahnriemen / rep. kit timing belt	10→ / 1,6 EcoBoost	

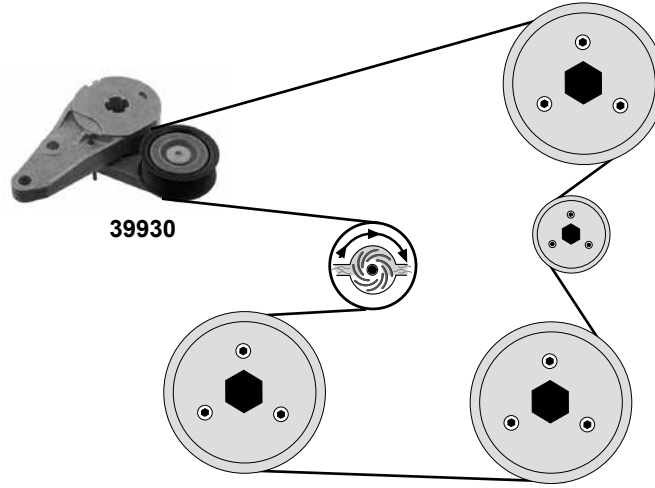
# FORD Mondeo 07

(02/07→)

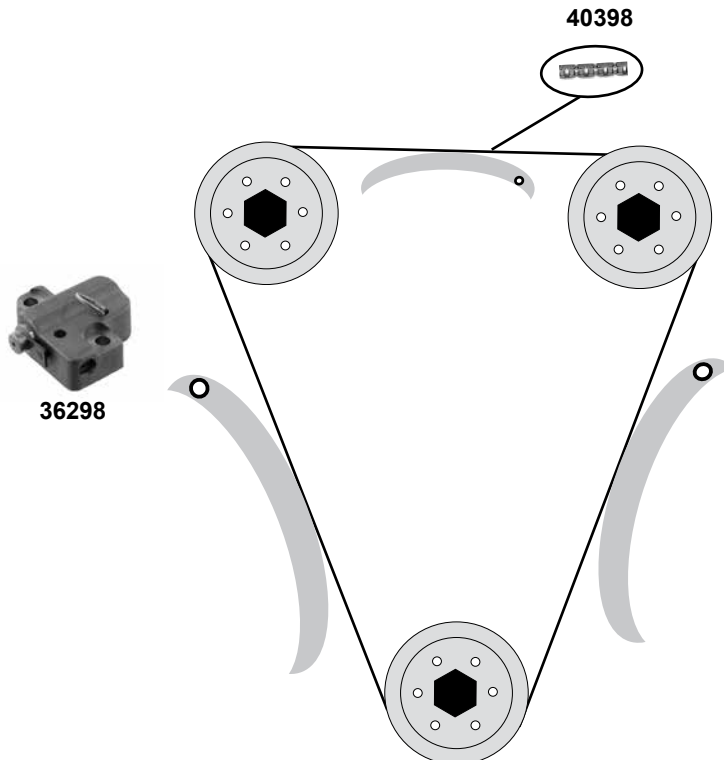
Car  
Division



## 1,6 16V (Zetec S/ZH)



## 1,8 / 2,0 (Duratec HE)



Ref. - No.



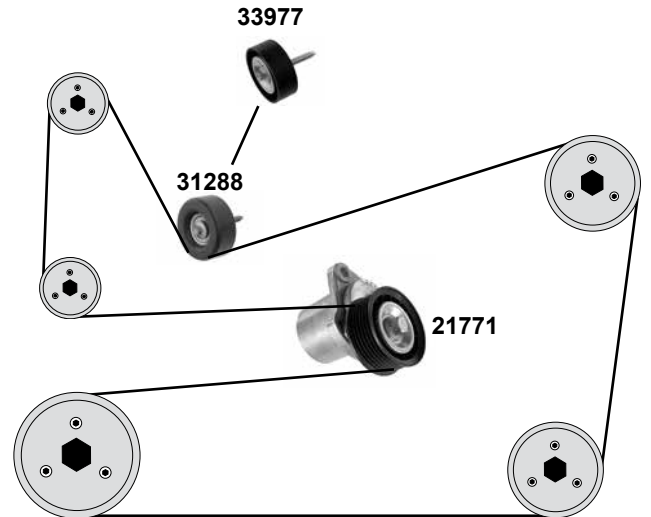
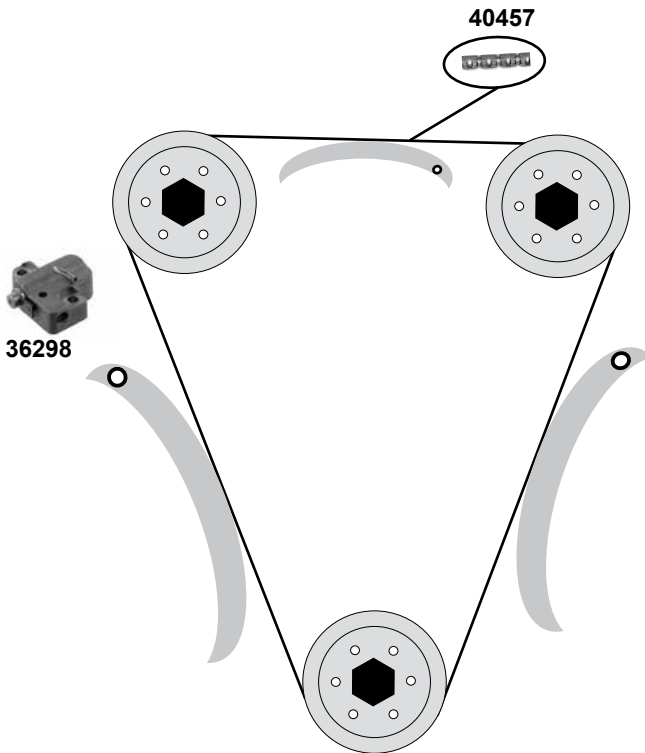
36298	1 347 669
39930	1 685 618
40398	1 119 172

Kettenspanner / chain tensioner  
Riemenspanner / belt tensioner  
Steuerkette / timing chain

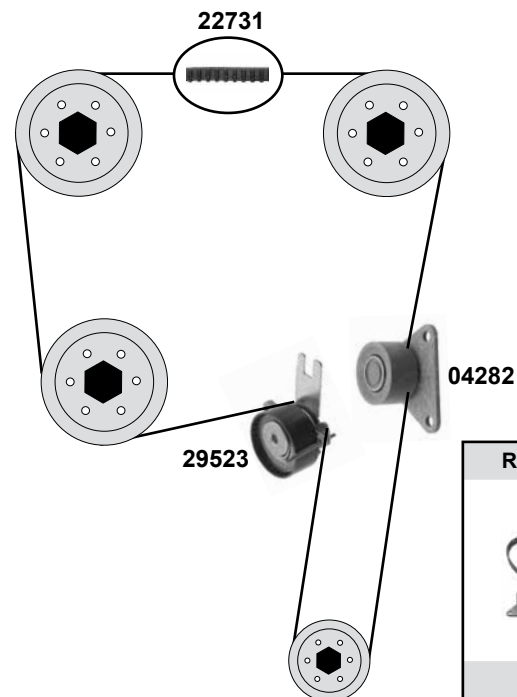
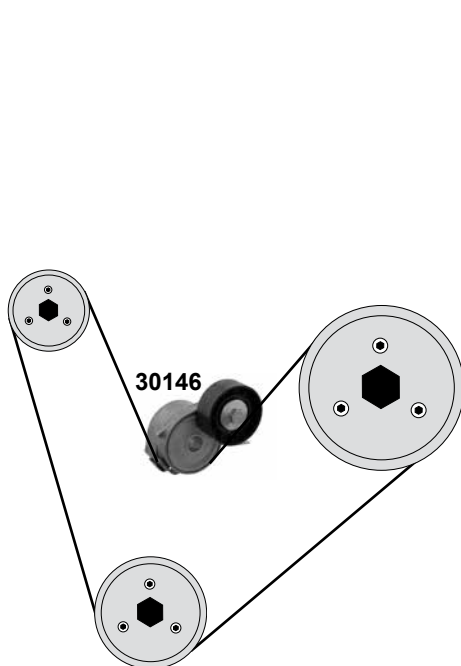
10→ / 1,6 Ecoboost  
2,0 HE (145 PS)

ØA67 B 25  
134 E

**2,0 / 2,3**  
(Duratec HE)



**2,5 Turbo**  
(Duratec)



Ref. - No.



<b>04282</b>	1 371 753	Umlenkrolle / deflection pulley		ØA53 ØI24 B27
<b>21771</b>	1 371 224	Riemenspanner / belt tensioner		ØA73 B29
<b>22731</b>	1 372 015 S1	Zahnriemen / timing belt		Z 142 B23
<b>29523</b>	1 388 493	Spannrolle / tension roller		ØA 60B26,5
<b>29524</b>	1 372 015	Rep.Satz Zahnriemen / rep.kit timing belt		
<b>30146</b>	1 563 519	Riemenspanner / belt tensioner		ØA73 B25
<b>31288</b>	1 387 385	Umlenkrolle / deflection pulley	(mot.) 2,3	ØA76 B30,5
<b>33977</b>	1 387 066	Umlenkrolle / deflection pulley	(mot.) 2,0	ØA 70 B 25,5
<b>36298</b>	1 347 669	Kettenspanner / chain tensioner		
<b>40457</b>	1 124 373	Steuerkette / timing chain	2,3 HE	D 138 E

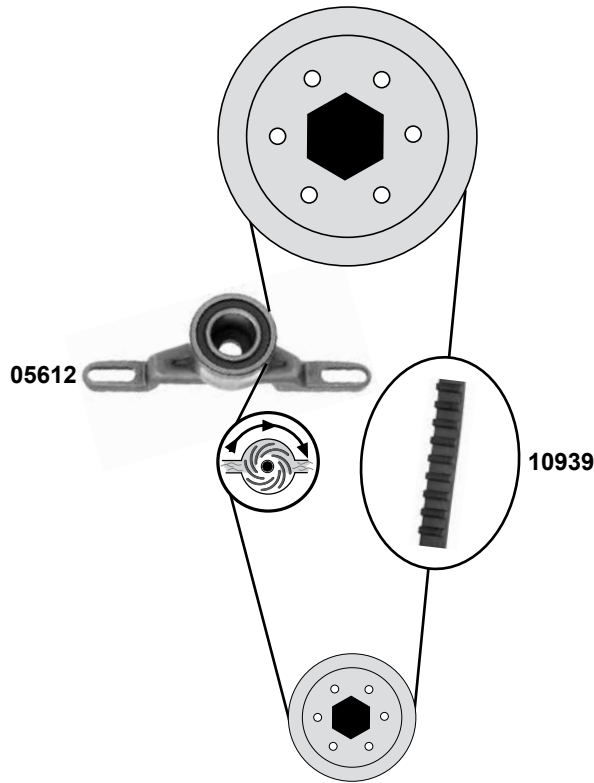
# FORD Orion 83

(06/83→12/85)

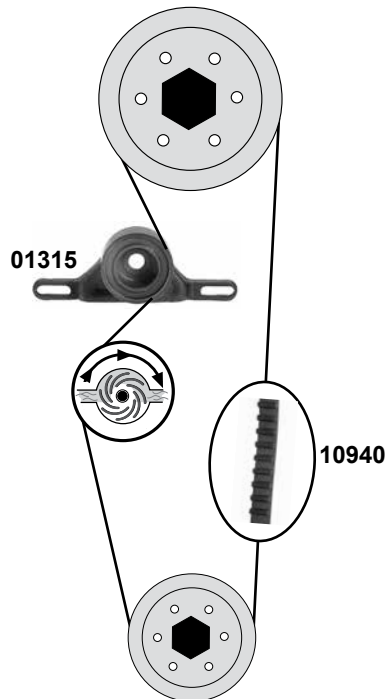
Car  
Division



## 1,3 (CVH/HL)



## 1,6 (CVH/HL)

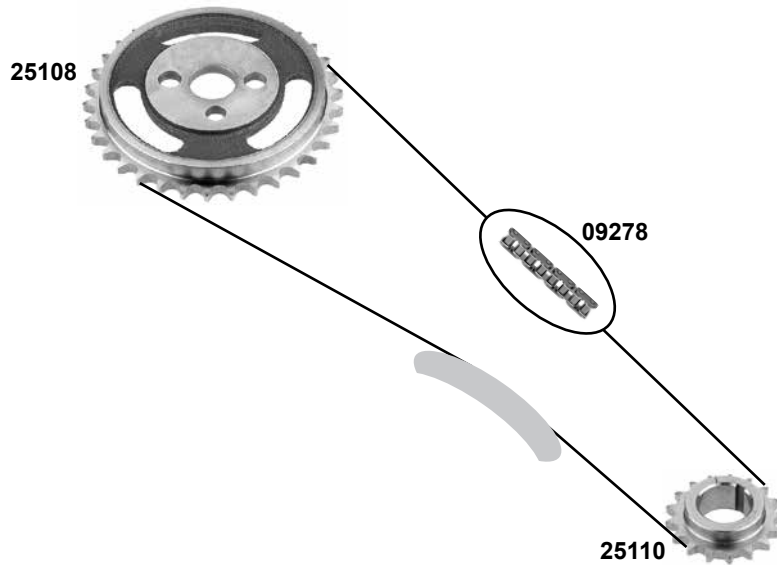


Ref. - No.

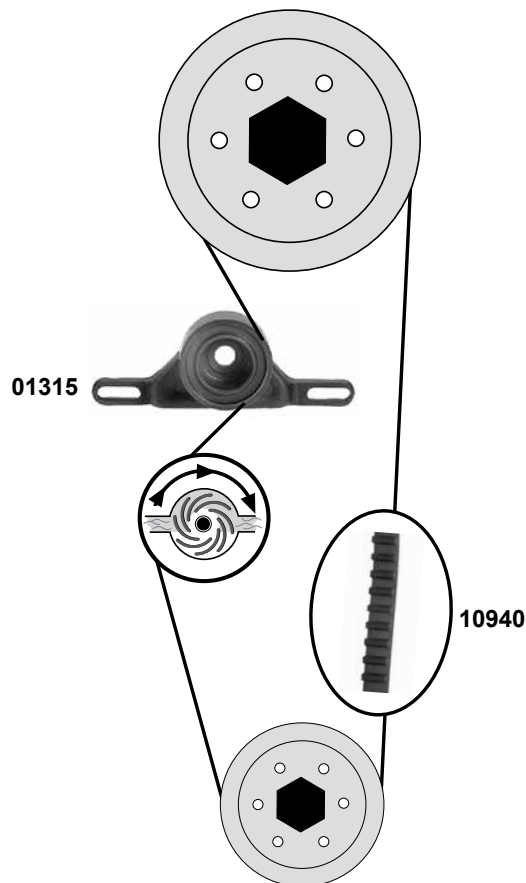


01315	6 182 891	Spannrolle / tension roller	ØA89 Ø154,5 B30
05612	6 089 286	Spannrolle / tension roller	ØA47 Ø154 B29
10939	1 653 888	Zahnriemen / timing belt	Z 92 B19,8
10940	6 711 046	Zahnriemen / timing belt	Z 97 B19,8
11048	6 711 046 S1	Rep. Satz Zahnriemen / rep. kit timing belt	

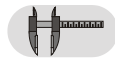
**1,3**  
(OHV/BL)



**1,4 / 1,6**  
(CVH/HL)



Ref. - No.



<b>01315</b>	6 182 891	Spannrolle / tension roller
<b>09278</b>	6 156 318	Steuerkette / timing chain
<b>10940</b>	6 711 046	Zahnriemen / timing belt
<b>11048</b>	6 711 046 S1	Rep. Satz Zahnriemen / rep. kit timing belt
<b>25108</b>	6 029 398	Nockenwellenrad / camshaft gear
<b>25110</b>	1 434 861	Kurbelwellenrad / crankshaft gear
<b>25159</b>	1 434 861 S2	Rep. Satz Steuerekette / rep. kit timing chain

ØA89 ØI30 B54,5
455 / 46 E
Z 97 B19,8
Z 34
Z 17



# FORD Orion 91

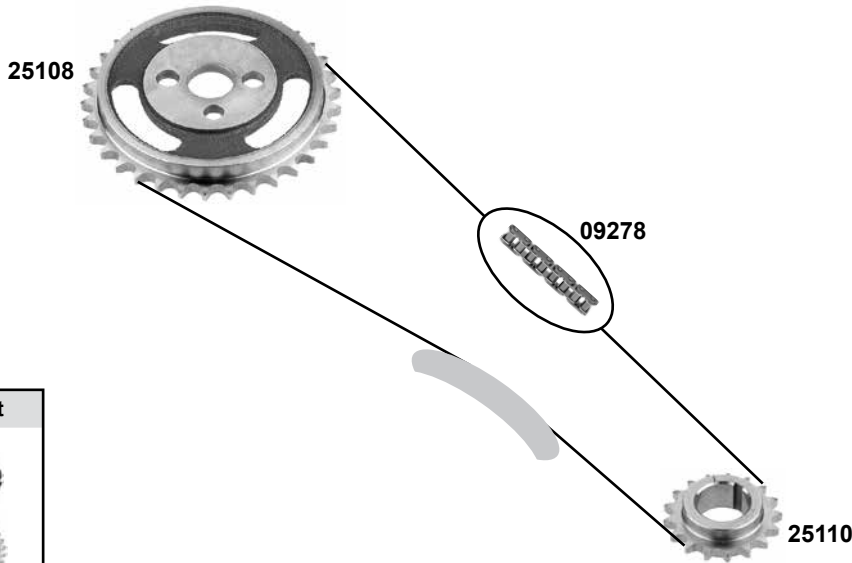
(08/90→10/93)

Car  
Division



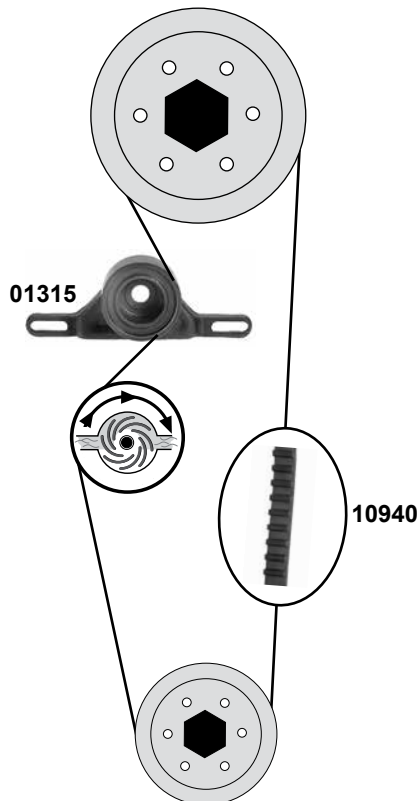
## 1,3

(OHV/BL)



## 1,4 / 1,6

(CVH/HL)  
(Modell:→04/92)



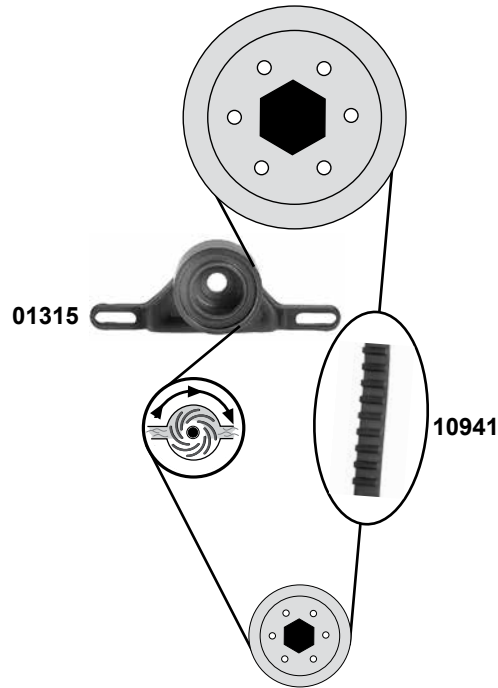
Ref. - No.



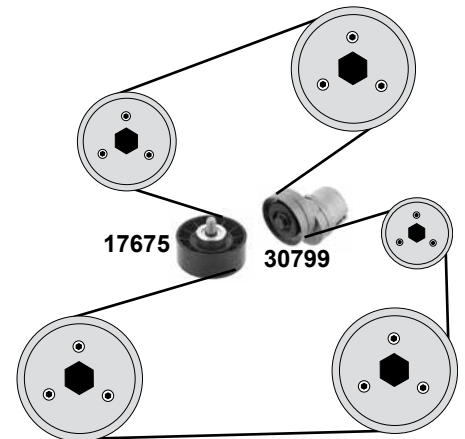
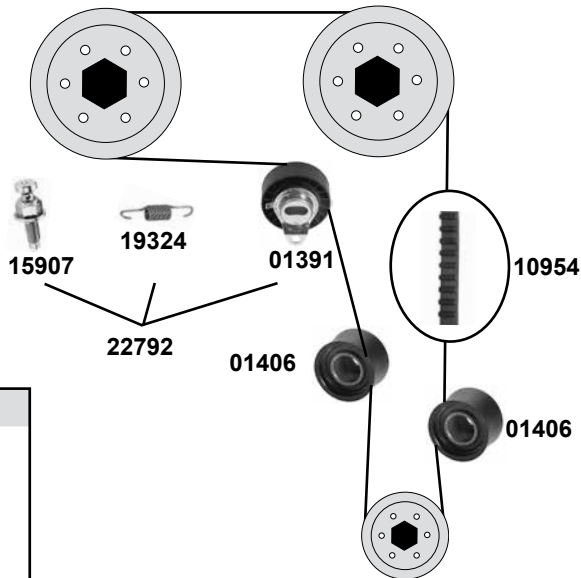
01315	6 182 891	Spannrolle / tension roller	ØA89 ØA54,5 B30
09278	6 156 318	Steuerkette Nietverschluß / timing chain riveted link	455 / 46 E
10940	6 711 046	Zahnriemen / timing belt	Z 97 B19,8
11048	6 711 046 S1	Rep. Satz Zahnriemen / rep. kit timing belt	
25108	6 029 398	Nockenwellenrad / camshaft gear	
25110	1 434 861	Kurbelwellenrad / crankshaft gear	Z 17
25159	1 434 861 S2	Rep. Satz Steuerekette / rep. kit timing chain	

mit / with febi: 09278

**1,4 / 1,6**  
(CVH/HL)



**1,6 16V / 1,8 16V**  
(Zetec E/ZH)



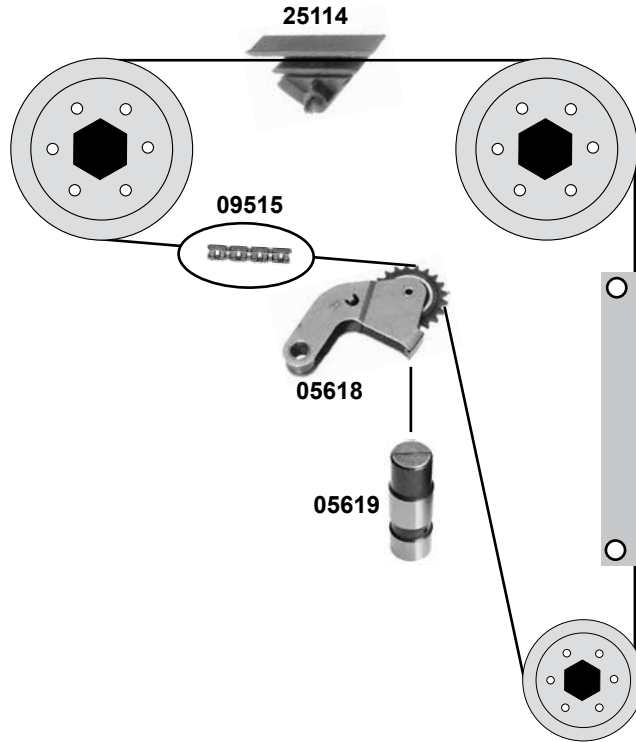
	Ref. - No.			
01315	6 182 891	Spannrolle / tension roller		ØA89 ØI30 B54,5
01391	6 635 941	Spannrolle / tension roller		ØA21 ØI60 B30
01406	6 744 307	Umlenkrolle / deflection pulley		ØA21 ØI48 B30
10941	6 711 044	Zahnriemen / timing belt		Z 97 B21,6
10954	6 764 162	Zahnriemen / timing belt		Z 131 B25,4
11042	6 794 162 S1	Rep. Satz Zahnriemen / rep. kit timing belt		
11049	6 711 044 S1	Rep. Satz Zahnriemen / rep. kit timing belt		
15907	1 663 884	Schraube Spannrolle / screw tension roller		
17675	1 015 375	Umlenkrolle / deflection pulley	servo  (ex.) AC	ØA 70 B28,7
19324	7 024 224	Zugfeder / return spring		
22792	6 635 941 S	Rep. Satz Spannrolle / rep kit tension roller		ØA89 ØI30 B54,5
30799	6 710 259	Riemenspanner / belt tensioner	(mot.) 1,8 16V	ØA 70 B26

**FORD**  
**Orion 91**  
(09/91→08/93)

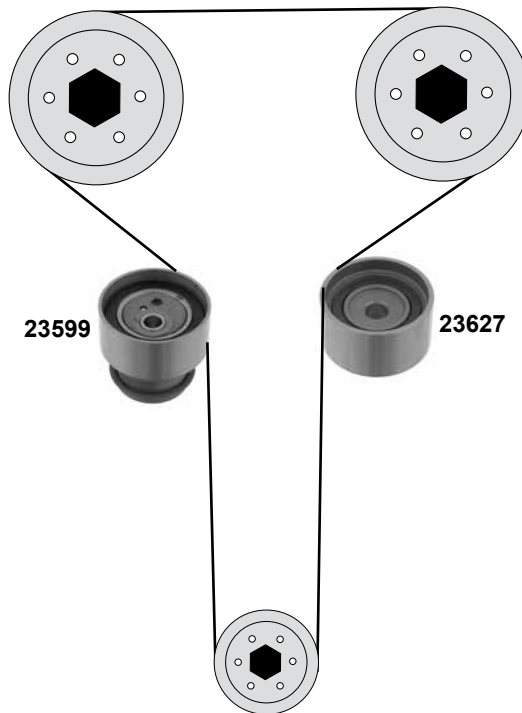
Car  
Division



**2,0**  
(DOHC/DH)



**Probe**  
(10/92→09/97)  
**2,0 16V**  
(DOHC)



Ref. - No.



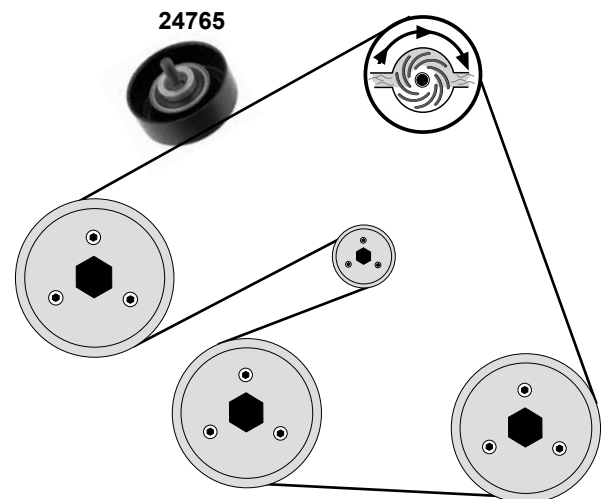
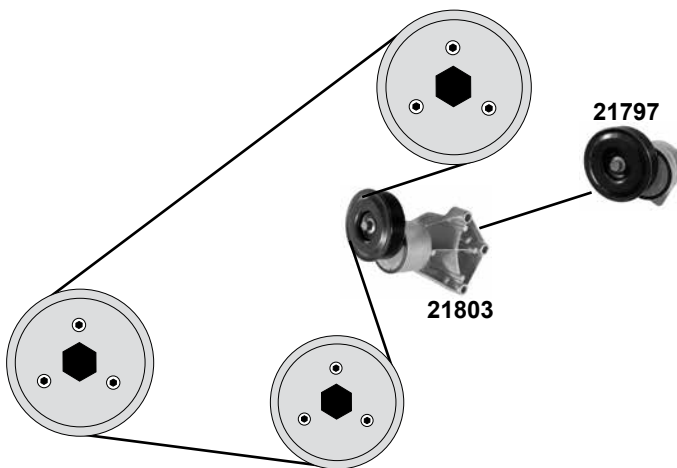
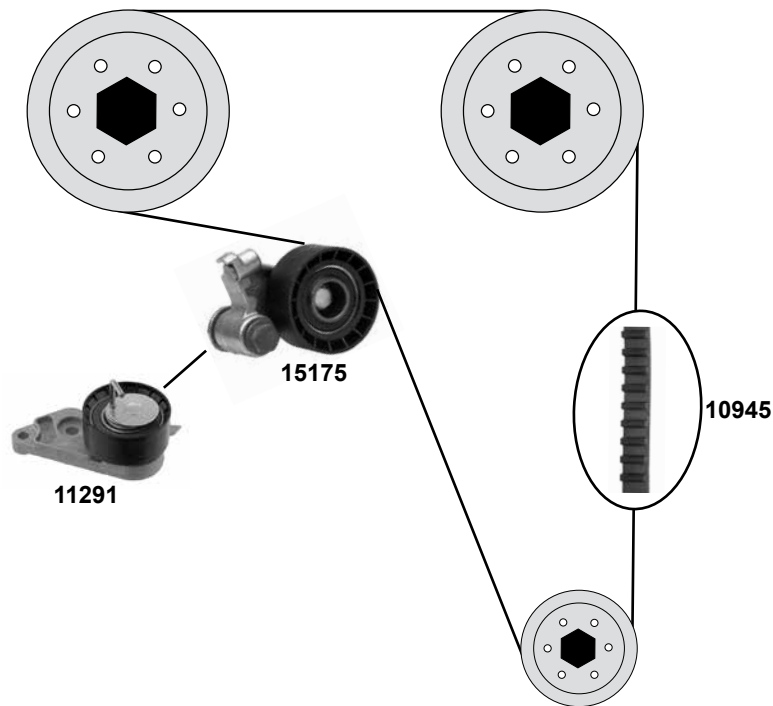
<b>05618</b>	1 022 214
<b>05619</b>	1 662 847
<b>09515</b>	7 079 279
<b>23599</b>	4 132 488
<b>23627</b>	3 396 014
<b>25114</b>	6 177 698

Kettenspanner / chain tensioner
Kettenspanner / chain tensioner
Steuerkette einfach / timing chain simple
Spannrolle / tension roller
Umlenkrolle / deflection pulley
Gleitschiene / sliding rail

ØA20 B60,5
458 / 138 E
ØA 62 28,5
ØA 52 H 28,5

## 1,4 16V / 1,6 16V / 1,7 16V

(Zetec S/ZH)



(1) (mot.) 1.4 16V → 02/97 // (ex.) 1.7 16V

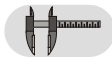
(3) servo + AC

(2) (mot.) 1.7 16V 02/97 →

(4) servo (ex.) AC oder /or AC (ex.) servo



Ref. - No.



Ref. - No.	Description	Quantity	Part Number
10945	Zahnriemen / timing belt		Z 117 B22
11291	Spannrolle / tension roller	(2)	ØA60 ØI26,6 B37,1
11286	Rep. Satz Zahnriemen / rep. kit timing belt	(2)	
15175	Spannrolle / tension roller	(1)	ØA 62 B27
15189	Rep. Satz Zahnriemen / rep. kit timing belt	(1)	
21797	Riemenspanner / belt tensioner	(3) (ex.) 1.7 16V	ØA103 B28
21803	Riemenspanner / belt tensioner	(4)	ØA103 B28
24765	Umlenkrolle / deflection pulley		ØA 70 H25

# FORD Ranger 12

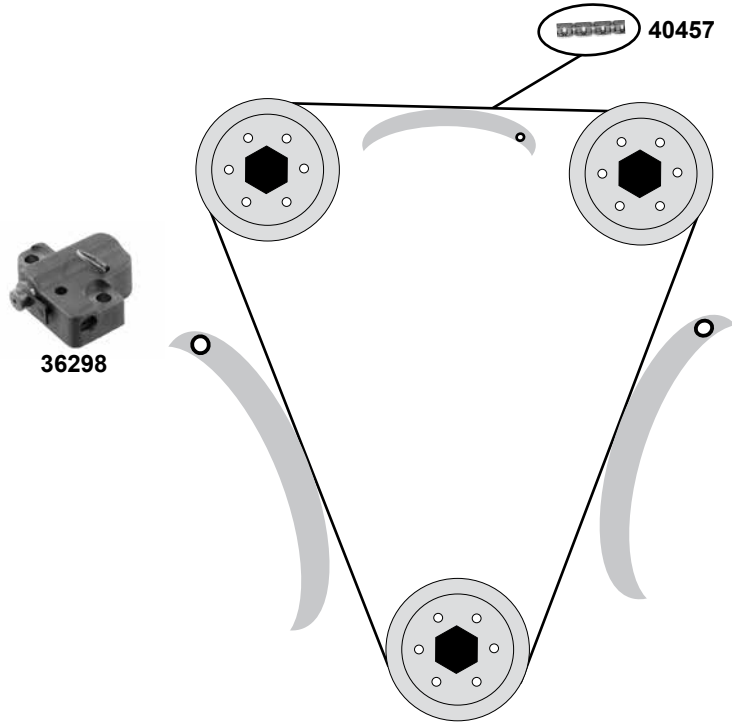
(09/11→)

Car  
Division



## 2,3

(Duratec HE)

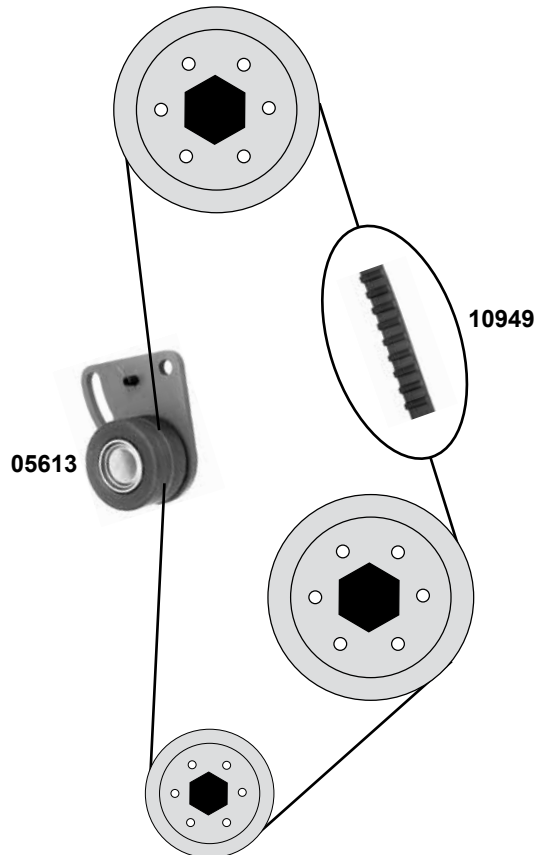


# Scorpio 85 / 92

(04/85→08/94)

## 1,8H / 2,0

(OHC)



Rep. Satz / rep. kit



febi 11056

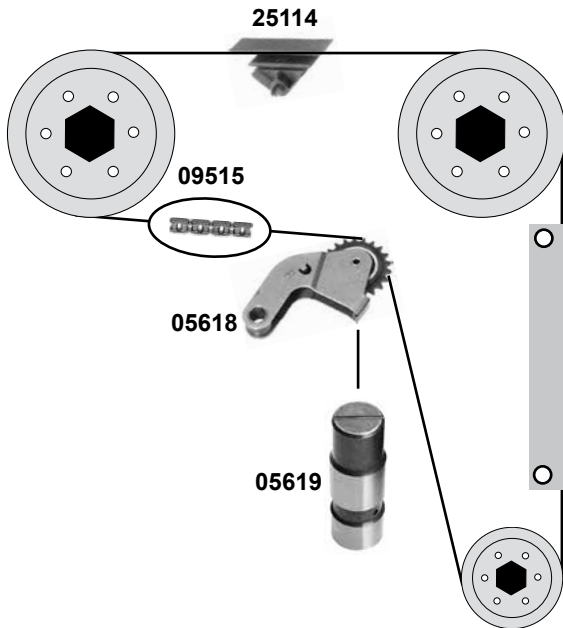


Ref. - No.

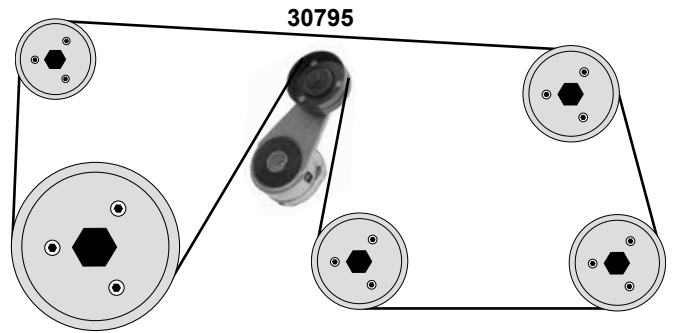


05613	1 496 915	Spannrolle / tension roller	ØA47 ØI27 B34,5
10949	6 139 911	Zahnriemen / timing belt	Z 122 B19
11056	6 139 911 S1	Rep. Satz Zahnriemen / rep. kit timing belt	
36298	1 347 669	Kettenspanner / chain tensioner	
40457	1 124 373	Steuerkette / timing chain	D 138 E

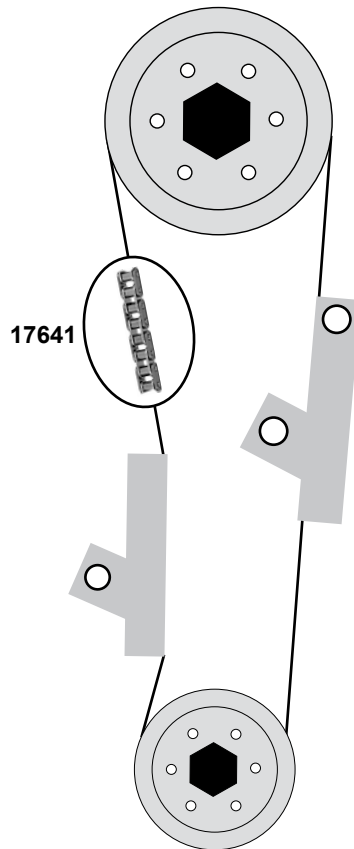
**2,0 / 2,3**  
(DOHC / DH)



**2,0 / 2,3**  
(DOHC/DH)



**2,4 / 2,9 V6**  
(TV)



Ref. - No.



<b>05618</b>	1 022 214	Kettenspanner / chain tensioner
<b>05619</b>	1 662 847	Kettenspanner / chain tensioner
<b>09515</b>	7 079 279	Steuerkette einfach / timing chain simple
<b>17641</b>	6 959 172	Steuerkette / timing chain
<b>25114</b>	6 177 698	Gleitschiene / sliding rail
<b>30795</b>	1 027 404	Riemenspanner / belt tensioner

ØA20 B60,5
458 / 138 E
458 / 60 E
ØA 76 B26

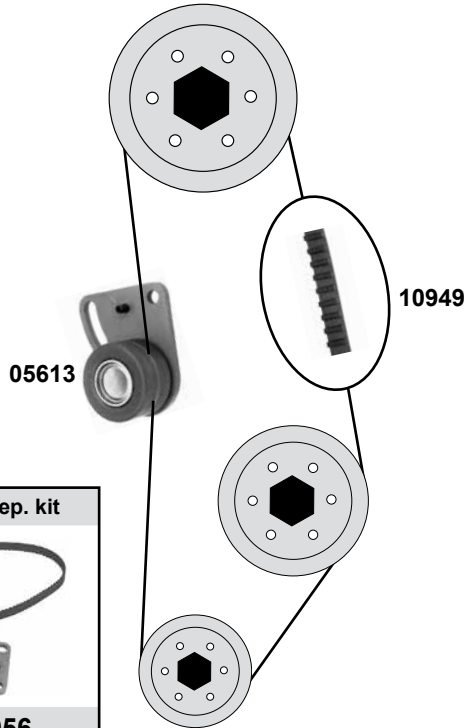
# FORD Sierra 83

(06/82→01/87)

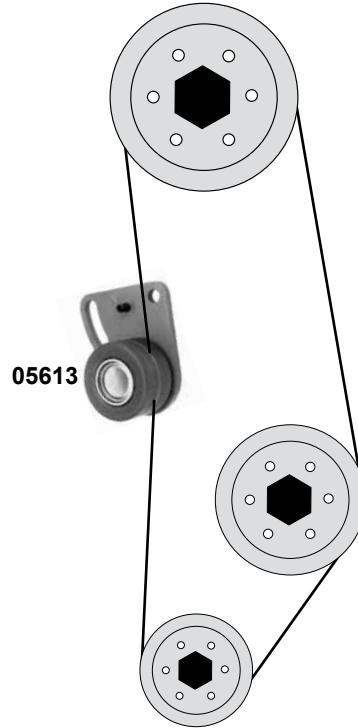
Car  
Division 



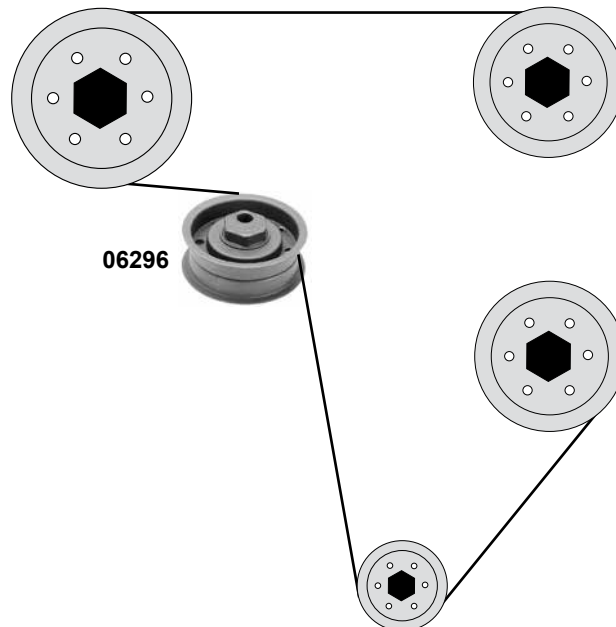
## 1,6E / 1,8H / 2,0 (OHC)



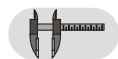
## 1,3 / 1,6 L / H / G (OHC)



## 2,0 Cosworth (DOHC/DL)



Ref. - No.

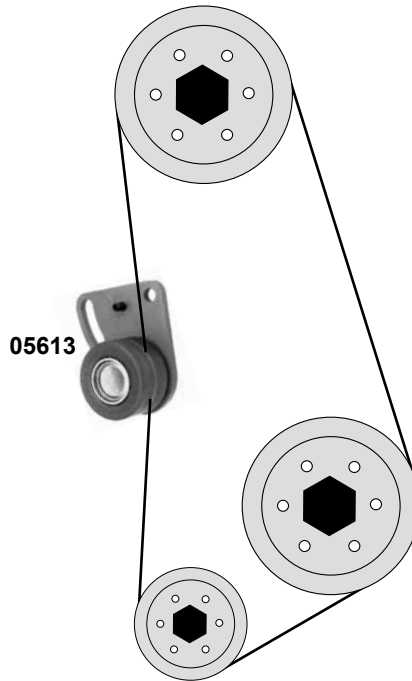


<b>05613</b>	1 496 915
<b>06296</b>	1 639 176
<b>10949</b>	6 139 911
<b>11056</b>	6 139 911 S1

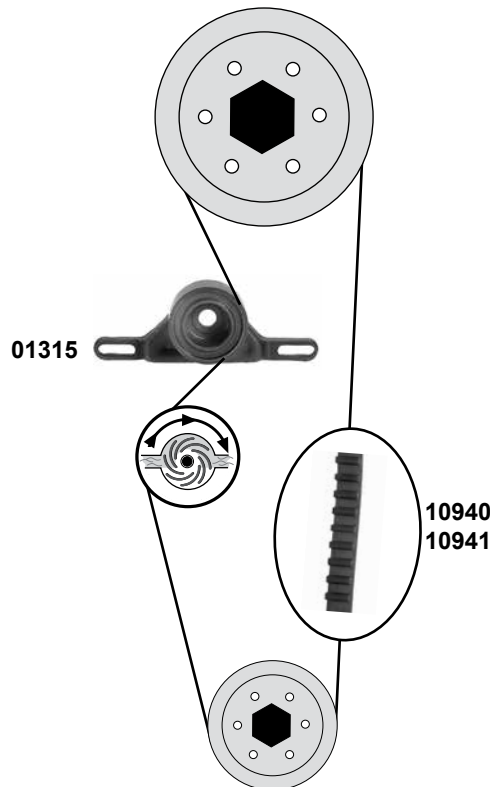
Spannrolle / tension roller
Umlenkrolle / deflection pulley
Zahnriemen / timing belt
Rep. Satz Zahnriemen / rep. kit timing belt

ØA47Ø127 B34,5
ØA 82 H 30
Z 122 B19

**1,3 / 1,6 L / H / G**  
(OHC)



**1,6**  
(CVH/HL)



Rep. Satz / rep. kit	
	<b>febi 11048</b>
Rep. Satz / rep. kit	
	<b>febi 11049</b>

	Ref. - No.			
<b>01315</b>	6 182 891	Spannrolle / tension roller		ØA89 ØI30 B54,5
<b>05613</b>	1 496 915	Spannrolle / tension roller		ØA47 ØI27 B34,5
<b>10940</b>	6 711 046	Zahnriemen / timing belt	<b>Modell:</b> 01/87 → 04/92	Z 97 B19,8
<b>10941</b>	6 711 044	Zahnriemen / timing belt	<b>Modell:</b> 04/92 → 02/93	Z 97 B21,6
<b>11048</b>	6 711 046 S1	Rep. Satz Zahnriemen / rep. kit timing belt	<b>Modell:</b> 01/87 → 04/92	
<b>11049</b>	6 711 044 S1	Rep. Satz Zahnriemen / rep. kit timing belt	<b>Modell:</b> 04/92 → 02/93	



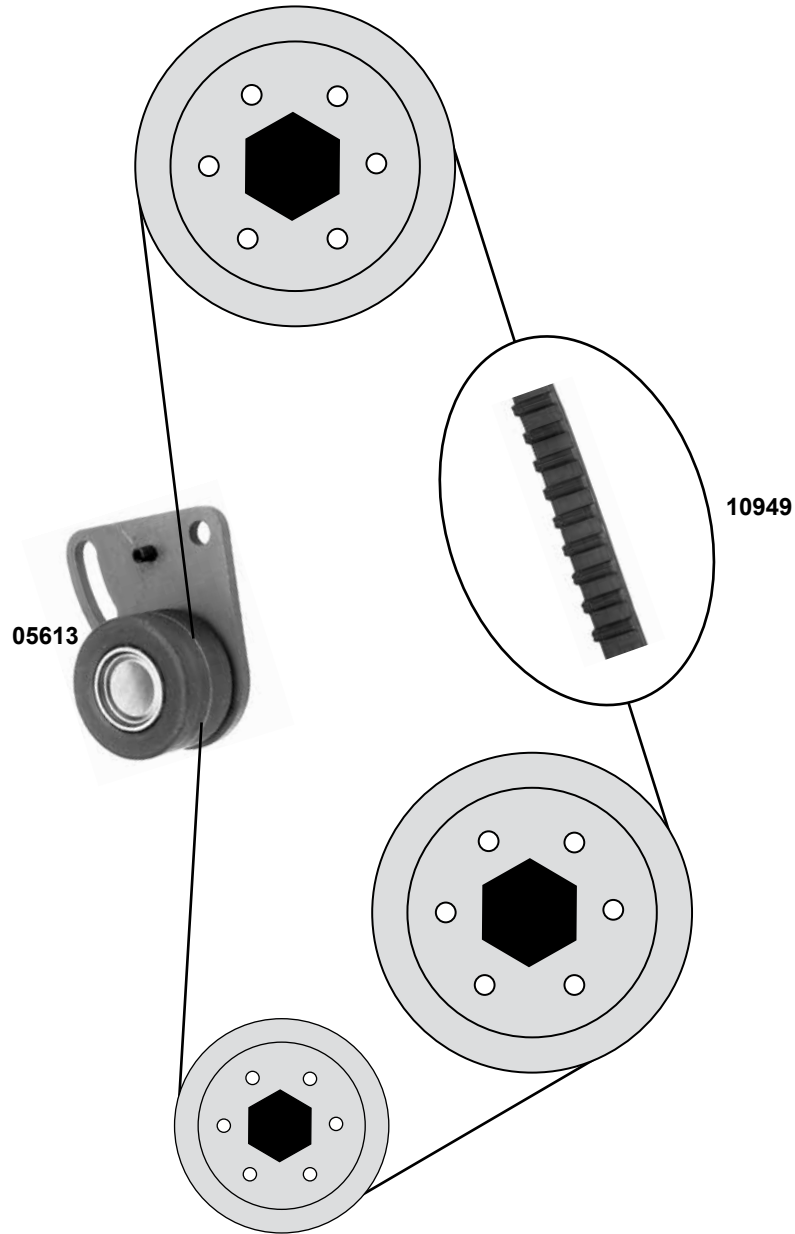
# FORD Sierra 87

(01/87→02/93)

Car  
Division



**1,6E / 1,8 H / 2,0**  
(OHC)



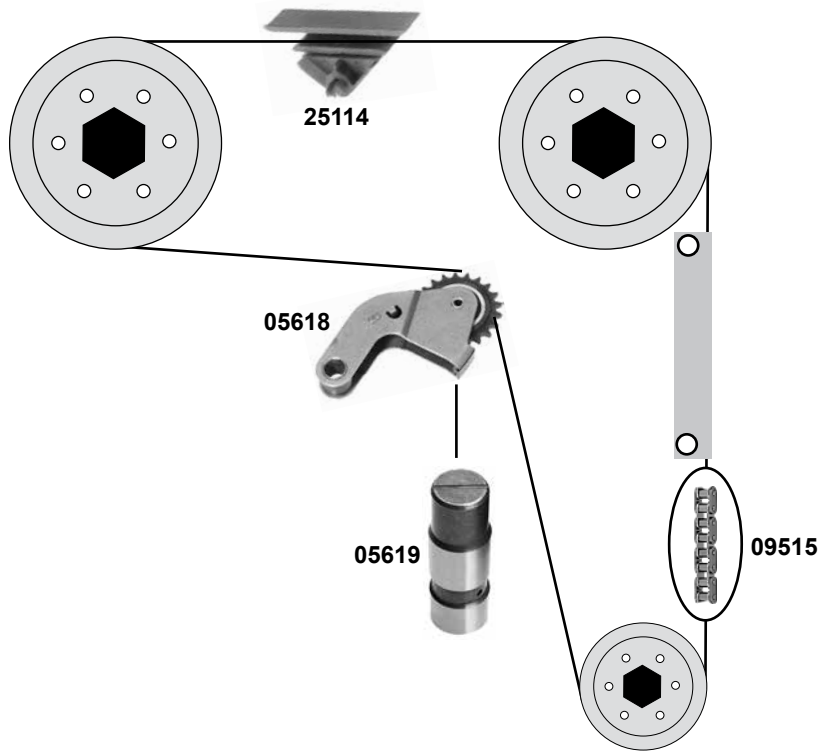
(1) (mot:) 1,8H → 05/88



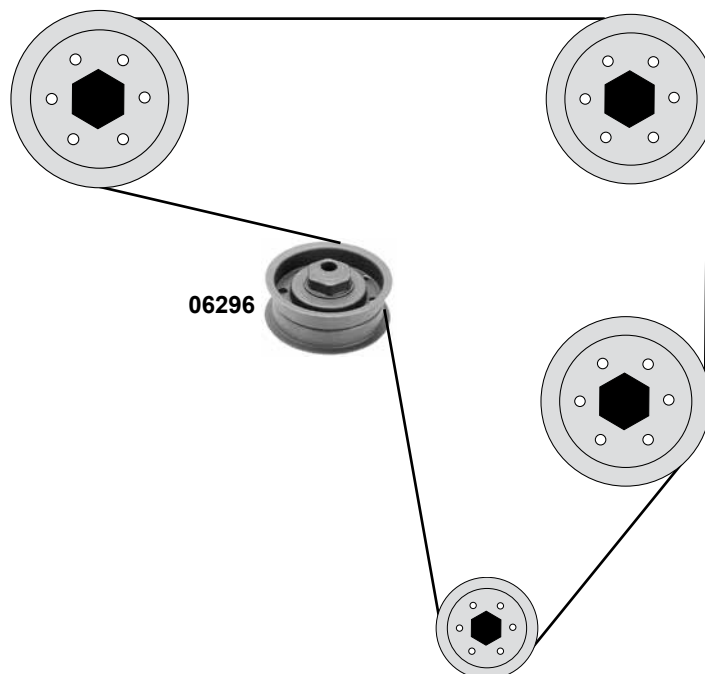
Ref. - No.



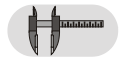
Ref. - No.	Description	Quantity	Model	Dimensions
05613	Spannrolle / tension roller	(1)	Modell: → 12/92	ØA47Ø127 B34,5
10949	Zahnriemen / timing belt	(1)	Modell: → 12/92	Z 122 B19
11056	Rep. Satz Zahnriemen / rep. kit timing belt	(1)	Modell: → 12/92	



**2,0 COSWORTH**  
(DOHC/DL)



Ref. - No.



<b>05618</b>	1 022 214	Kettenspanner / chain tensioner
<b>05619</b>	1 662 847	Kettenspanner / chain tensioner
<b>06296</b>	1 639 176	Umlenkrolle / deflection pulley
<b>09515</b>	7 079 279	Steuerkette einfach / timing chain simple
<b>25114</b>	6 177 698	Gleitschiene / sliding rail

ØA20 B60,5  
ØA82 B30  
458 / 138 E

# FORD Sierra 87

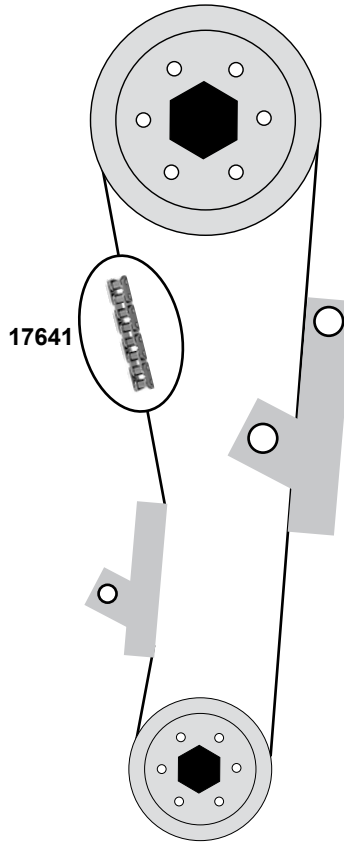
(02/87→02/93)

Car  
Division



## 2,4 / 2,9 V6

(TV)

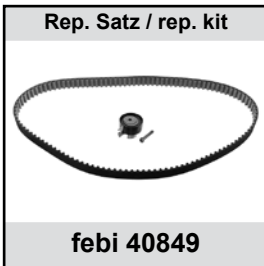
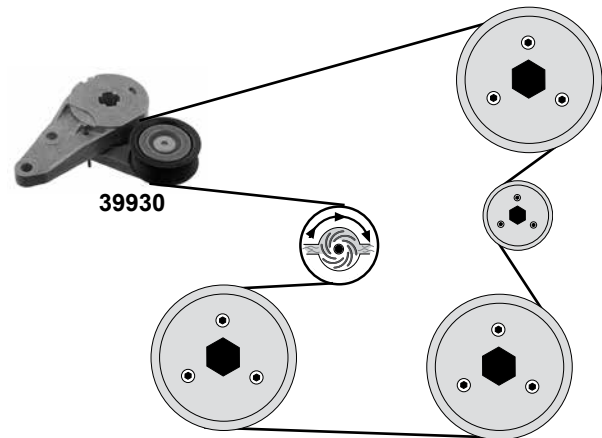
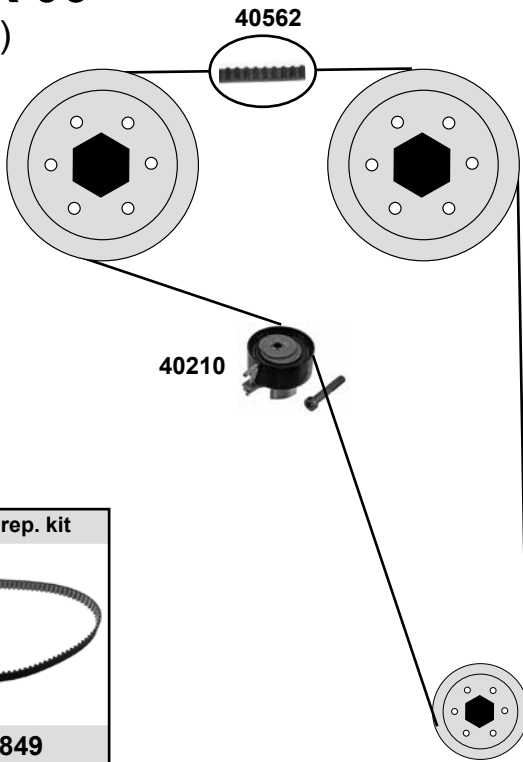


## S-MAX 06

(03/06→)

### 1,6

(Ecoboost)



Ref. - No.

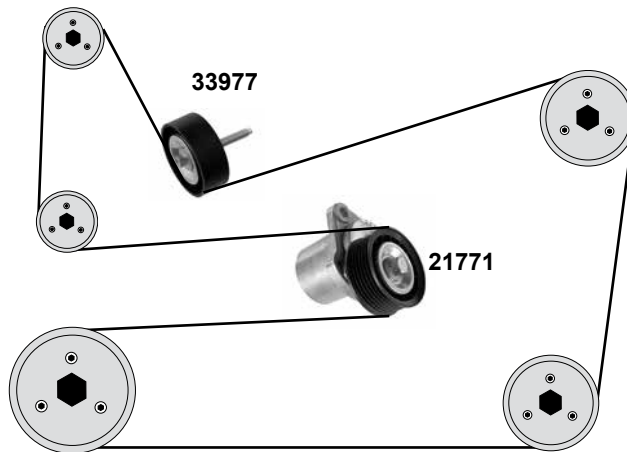
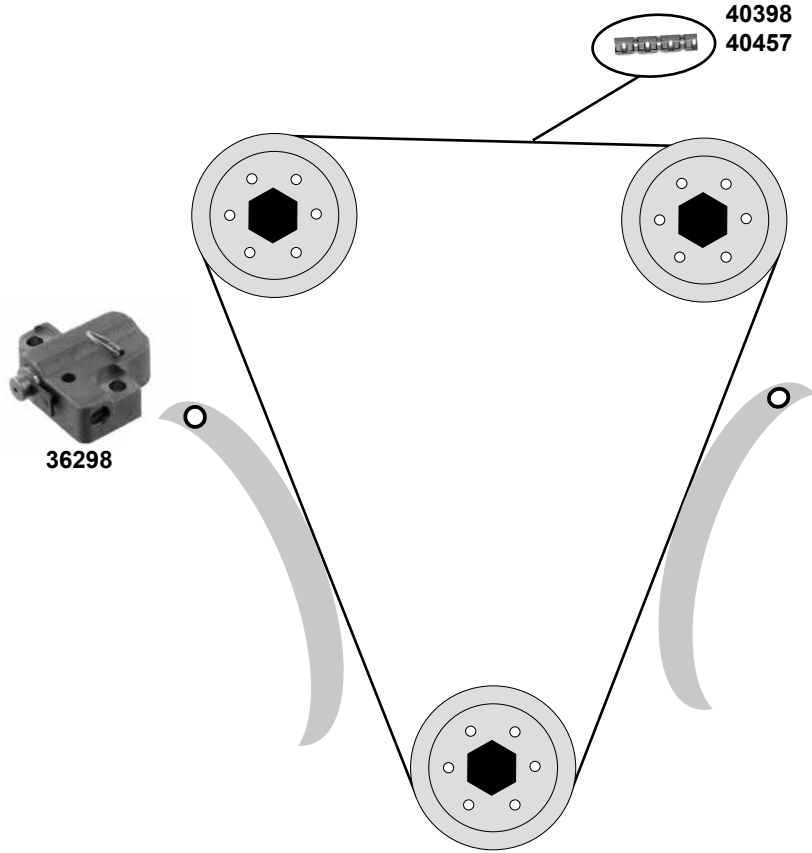


17641	6 959 172
39930	1 685 618
40210	1 685 747
40562	1 675 963
40849	1 672 144 S1

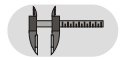
Steuerkette / timing chain
Riemenspanner / belt tensioner
Spannrolle / tension roller
Zahnriemen / timing belt
Rep. Satz Zahnriemen / rep. kit timing belt

10→
10→
1,6 Sigma GTDI 11/10→
10→

458 / 60 E
ØA67 B 25
Z 117 B22



Ref. - No.



**21771** 1 371 224  
**33977** 1 387 066  
**36298** 1 347 669  
**40398** 1 119 172  
**40457** 1 124 373

Riemenspanner / belt tensioner  
Umlenkrolle / deflection pulley  
Kettenspanner / chain tensioner  
Steuerkette / timing chain  
Steuerkette / timing chain

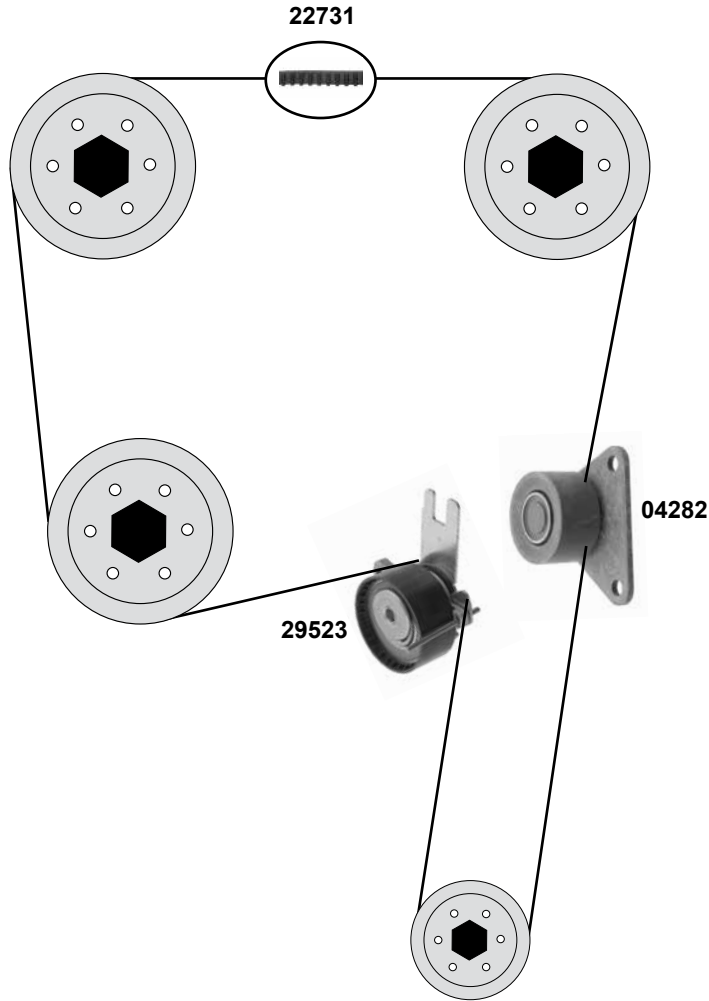
2,0 HE (145 PS)  
2,3 HE 07→

ØA73 B29  
ØA70 N25,5  
134 E  
D 138 E



## 2,5 Turbo

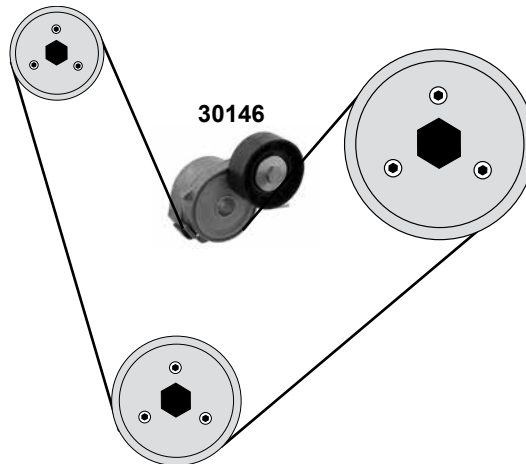
(Duratec)



Rep. Satz / rep. kit



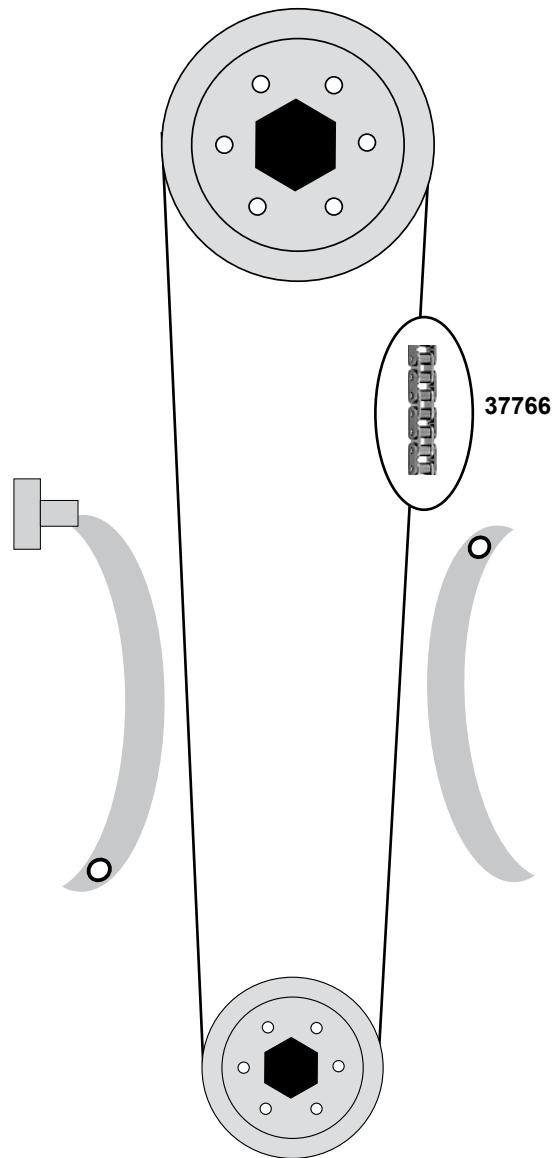
febi 29524



Ref. - No.



<b>04282</b>	1 371 753	Umlenkrolle / deflection pulley	ØA53 Ø124 B27
<b>22731</b>	1 372 015 S1	Zahnriemen / timing belt	Z 142 B23
<b>29523</b>	1 388 493	Spannrolle / tension roller	ØA 60B26,5
<b>29524</b>	1 372 015	Rep.Satz Zahnriemen / rep.kit timing belt	
<b>30146</b>	1 563 519	Riemenspanner / belt tensioner	ØA73 B25



# FORD Taunus / Cortina

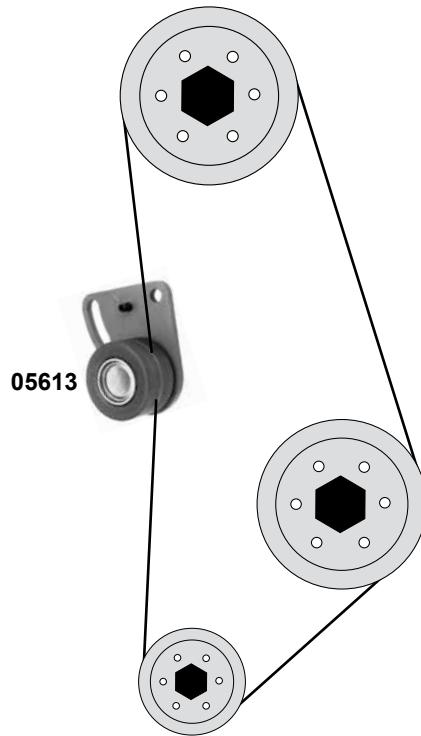
(08/70→06/82)

Car  
Division



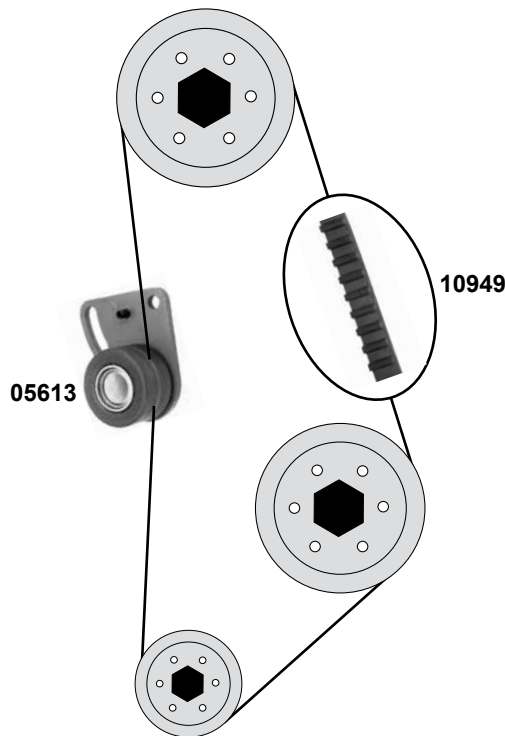
## 1,3 / 1,6 L / H / G

(OHC)



## 1,6E / 2,0 L / H / G

(OHC)



Rep. Satz / rep. kit



febi 11056



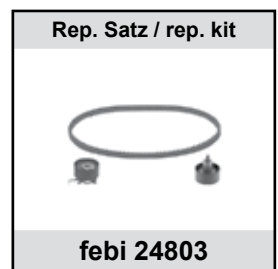
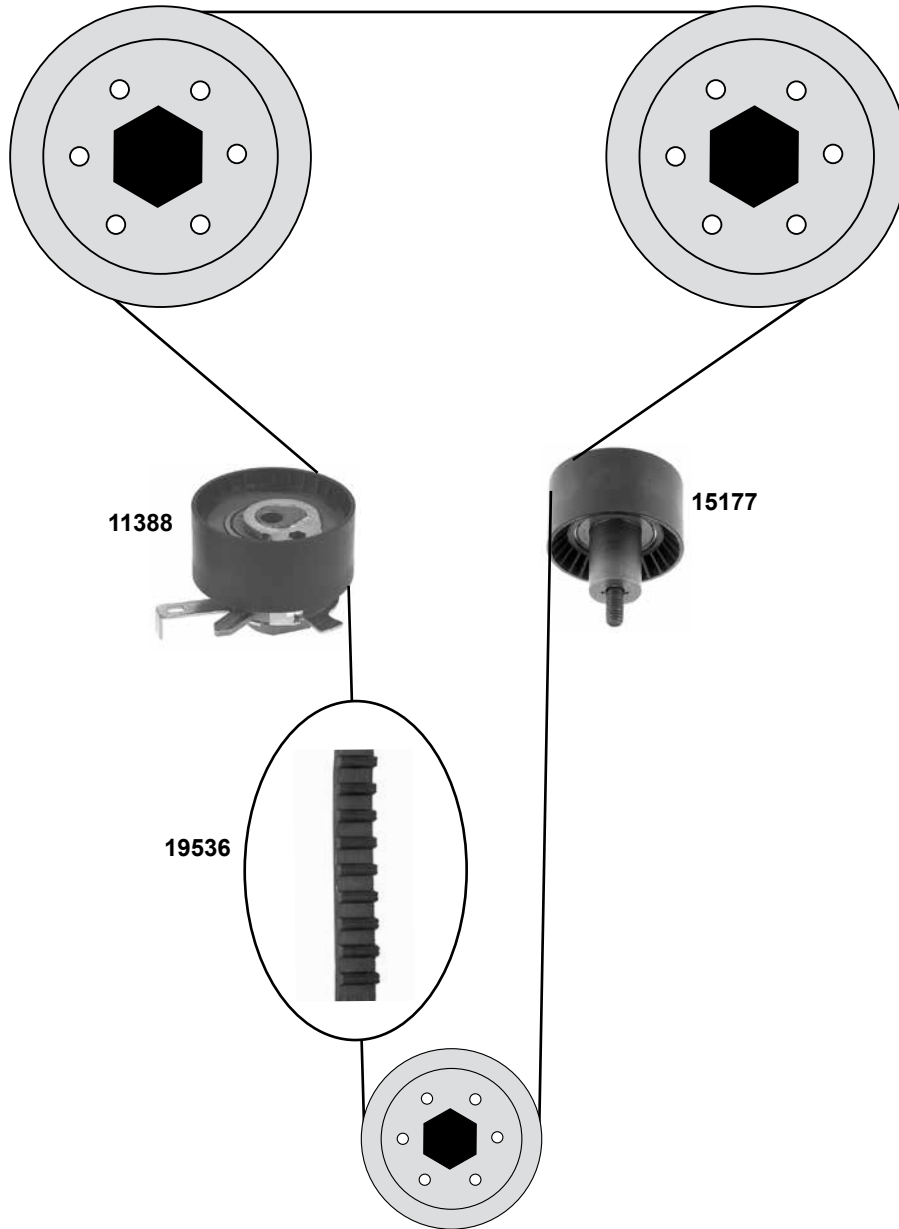
Ref. - No.



**05613** 1 496 915  
**10949** 6 139 911  
**11056** 6 139 911 S1

Spannrolle / tension roller  
Zahnriemen / timing belt  
Rep. Satz Zahnriemen / rep. kit timing belt

ØA47ØI27 B34,5  
Z 122 B19



	Ref. - No.			
<b>11388</b>	1 328 472	Spannrolle / tension roller	05/02 →	ØA60 ØI29 B33,3
<b>15177</b>	1 213 852	Umlenkrolle / deflection pulley	05/02 →	ØA60 ØI29 B69,5
<b>19536</b>	1 000 156	Zahnriemen / timing belt	05/02 →	Z 129 B25,4
<b>24803</b>	1 000 156 S2	Rep.Satz. Zahnriemen / rep.kit. timing belt	05/02 →	Z 129 B25,4



passend für / to fit

# FORD Transit

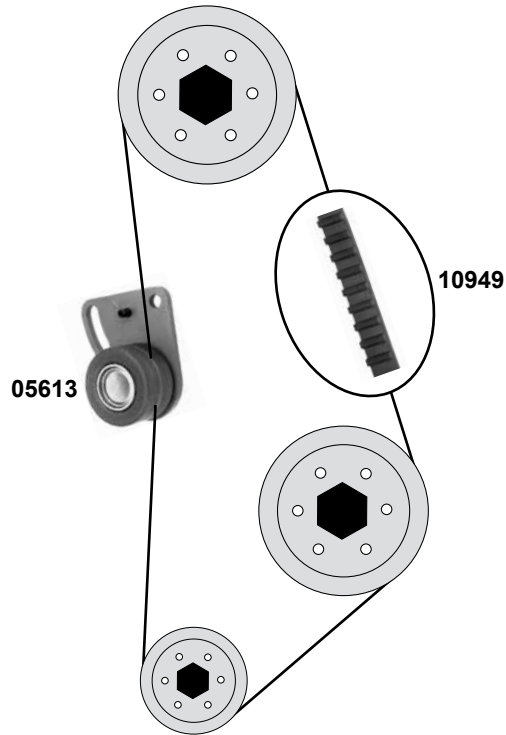
(02/78→08/94)

Car  
Division



## 1,6 / 2,0

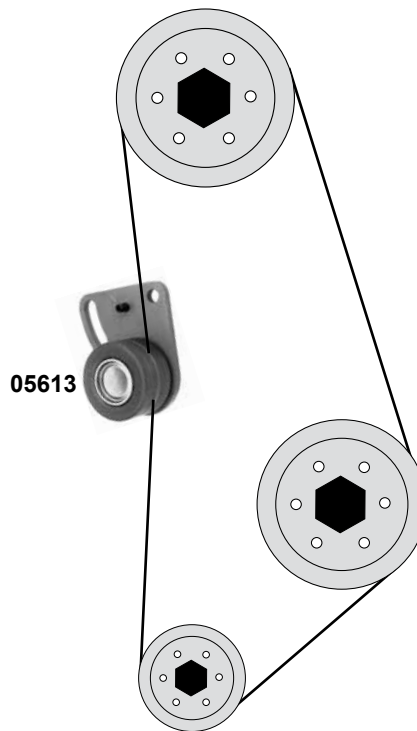
(OHC)



## 1,6 L / H / G

(OHC)

(→07/91)



Ref. - No.



05613

1 496 915

Spannrolle / tension roller

ØA47 B34,5

10949

6 139 911

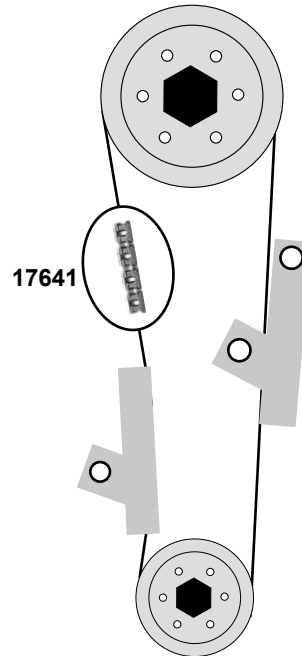
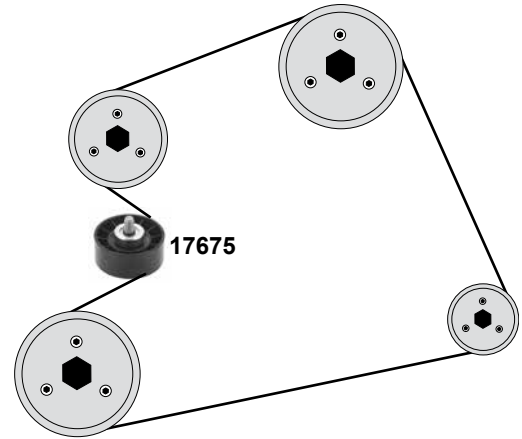
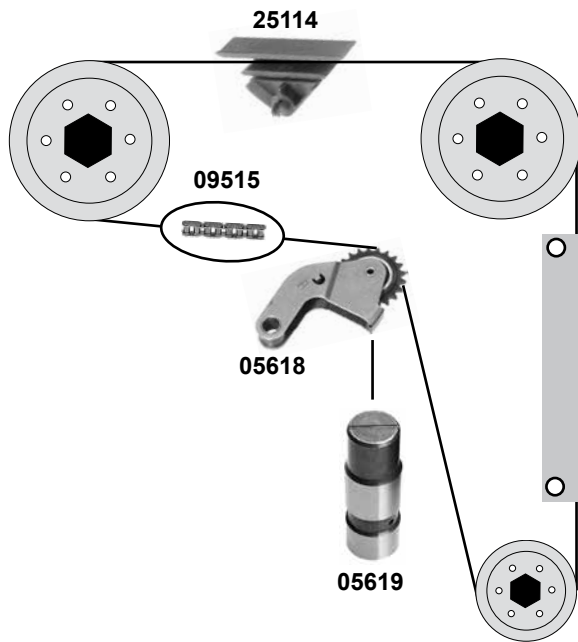
Zahnriemen / timing belt

Z 122 B19

11056

6 139 911 S1

Rep. Satz Zahnriemen / rep. kit timing belt



Ref. - No.



**05618**  
**05619**  
**09515**  
**17641**  
**17675**  
**25114**

1 022 214  
1 662 847  
7 079 279  
6 959 172  
1 015 375  
6 177 698

Kettenspanner / chain tensioner  
Kettenspanner / chain tensioner  
Steuerkette einfach / timing chain simple  
Steuerkette / timing chain  
Umlenkrolle / deflection pulley  
Gleitschiene / sliding rail

ØA20 B60,5  
458 / 138 E  
458 / 60 E  
ØA 70 B28,7

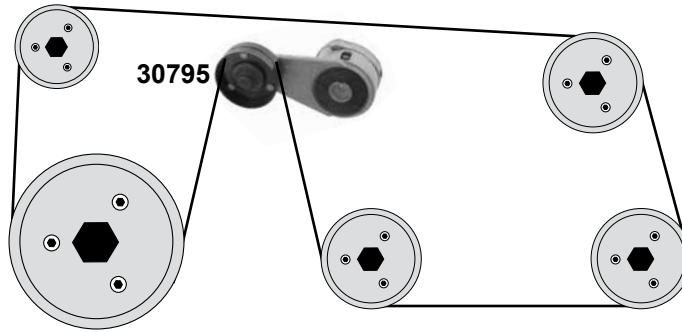
# FORD Transit 95 / 00

(08/94 → 11/06)

Car  
Division



## 2,0 / 2,3 DOHC

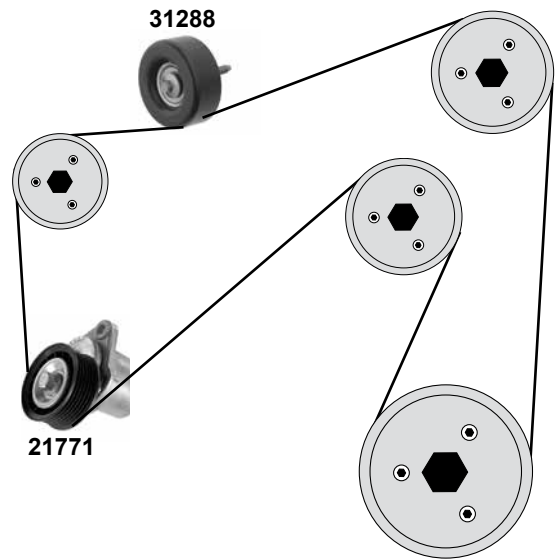
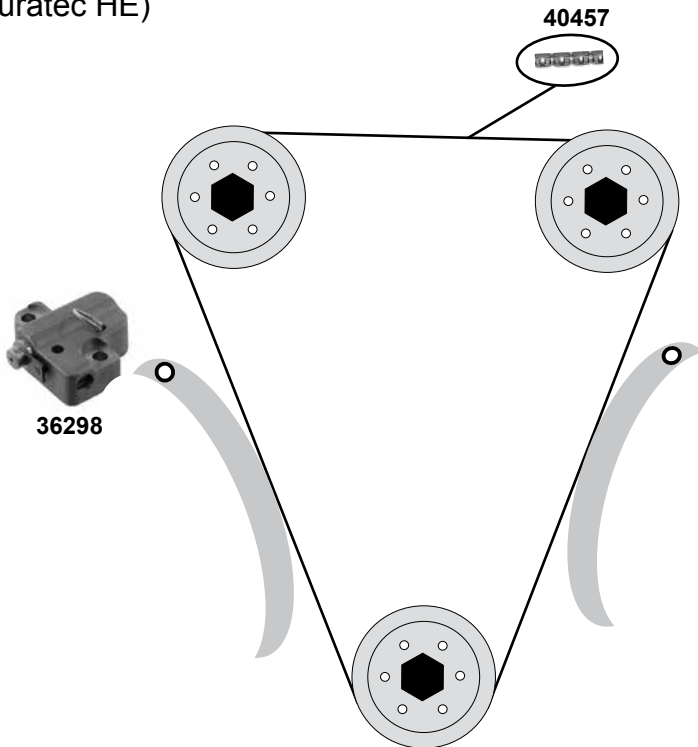


## Transit 06

(04/06 →)

2,3

(Duratec HE)



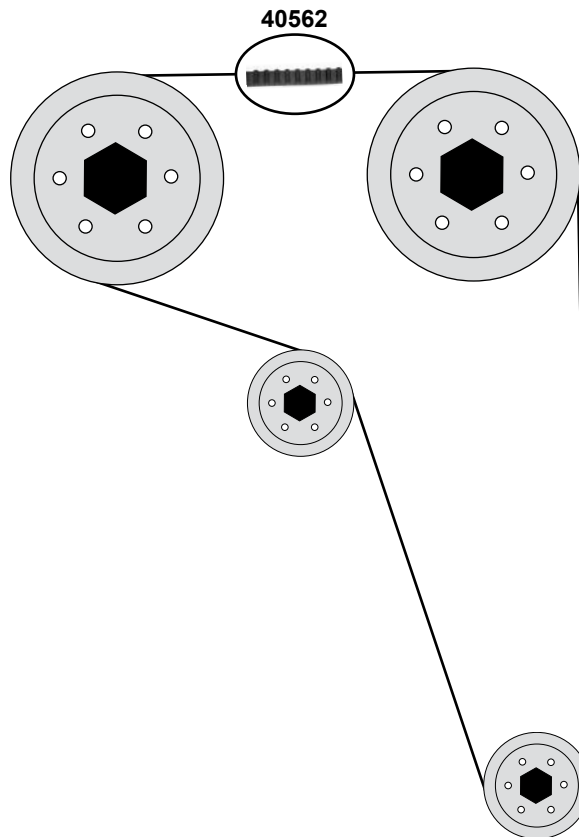
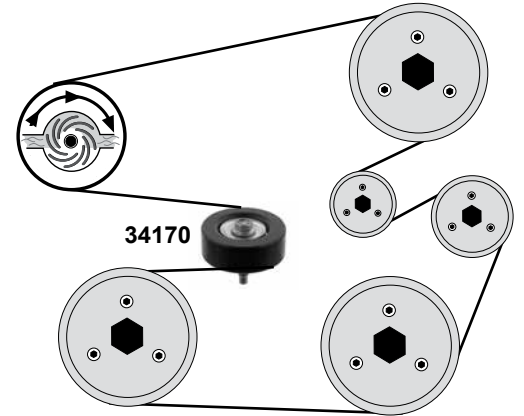
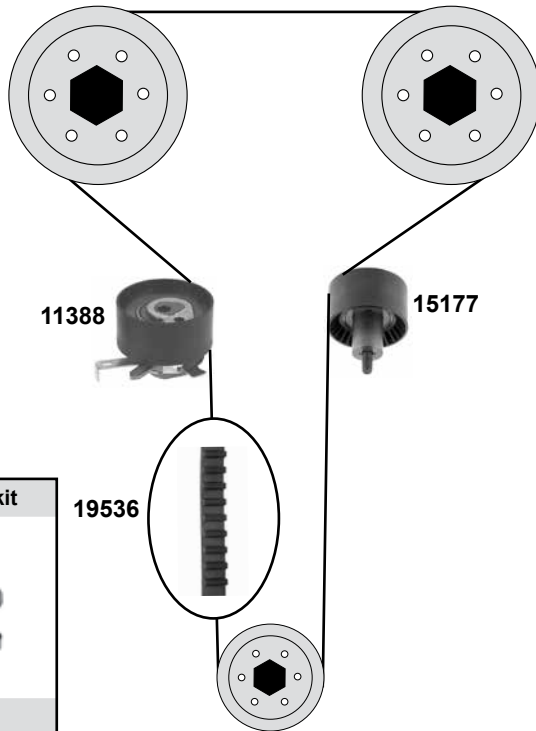
Ref. - No.



21771	1 371 224
30795	1 027 404
31288	1 387 385
36298	1 347 669
40457	1 124 373

Riemenspanner / belt tensioner
Riemenspanner / belt tensioner
Umlenkrolle / deflection pulley
Kettenspanner / chain tensioner
Steuerkette / timing chain

ØA73 B29
ØA76 B26
ØA76 B30,5
D 138 E



	Ref. - No.			
<b>11388</b>	1 328 472	Spannrolle / tension roller	05/02 →	ØA60 ØI29 B33,3
<b>15177</b>	1 213 852	Umlenkrolle / deflection pulley	05/02 →	ØA60 ØI29 B69,5
<b>19536</b>	1 000 156	Zahnriemen / timing belt	05/02 →	Z 129 B25,4
<b>24803</b>	1 000 156 S2	Rep.Satz. Zahnriemen / rep.kit. timing belt	05/02 →	Z 129 B25,4
<b>34170</b>	1 318 844	Umlenkrolle / deflection pulley		ØA 70 B25,5
<b>40562</b>	1 675 963	Zahnriemen / timing belt		Z 117 B22

# HONDA

## Accord IV / V

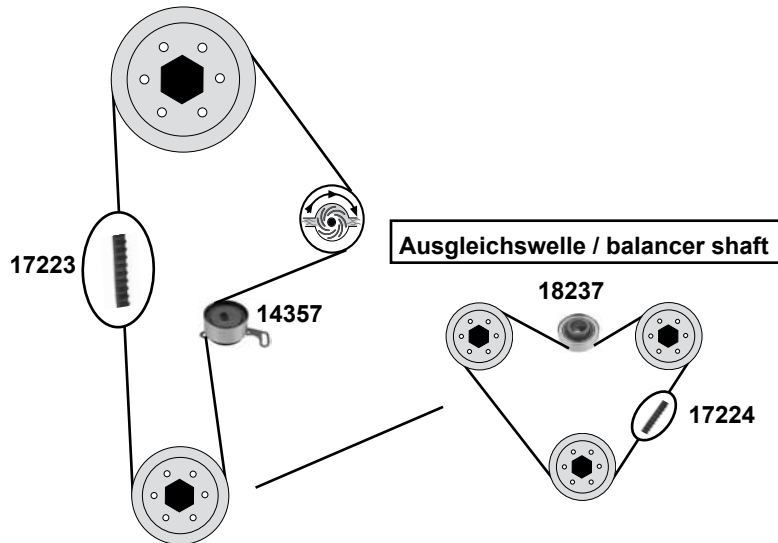
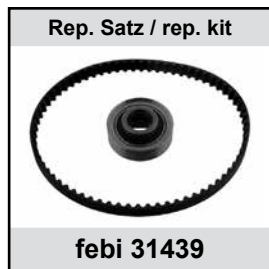
(90→98)

Car  
Division



### 2,0 / 2,2

(F20A2,F20A4-5,F20A6-A8/B3, F20Z1/Z2/Z3,F22A3,F22A7,F22A8,F22B5,H23A3)

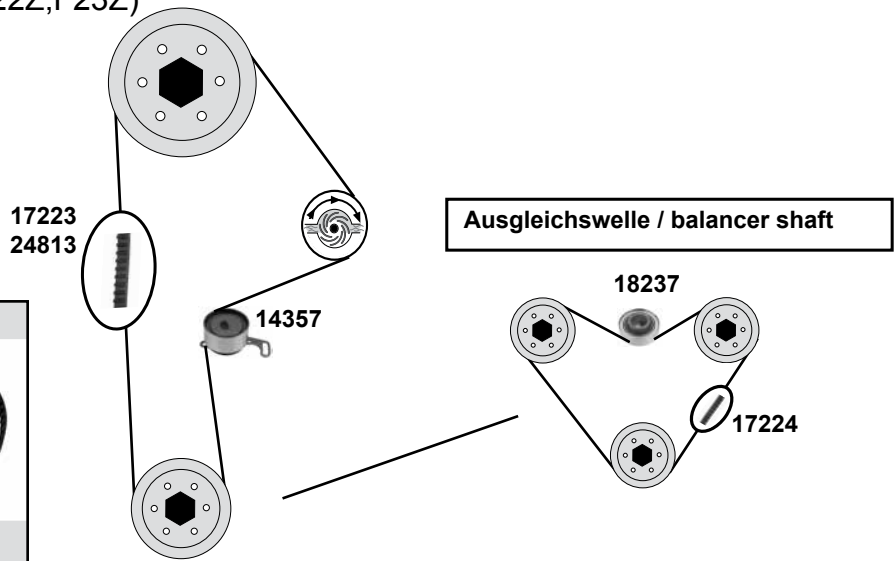
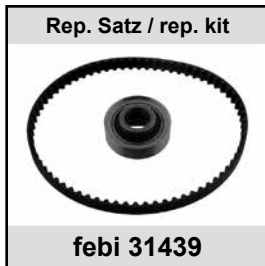


### Accord VI / VII

(96→02)

### 1,8 / 2,0 / 2,2 / 2,3 SOHC

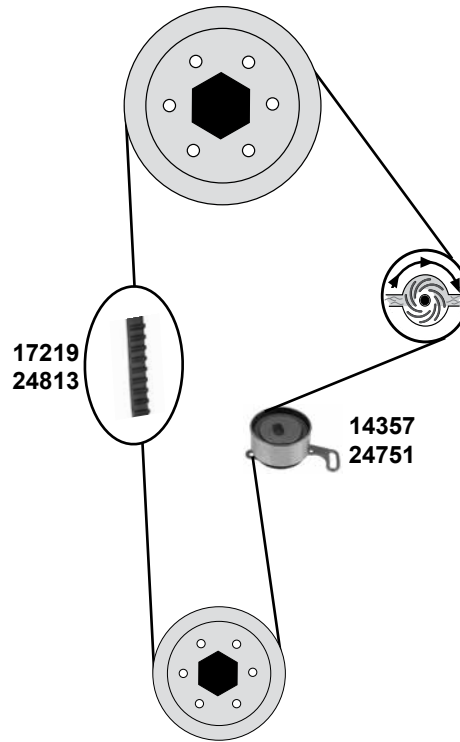
(F18A3/B2,F18B,F20B,F20A4/Z1,F22Z,F23Z)



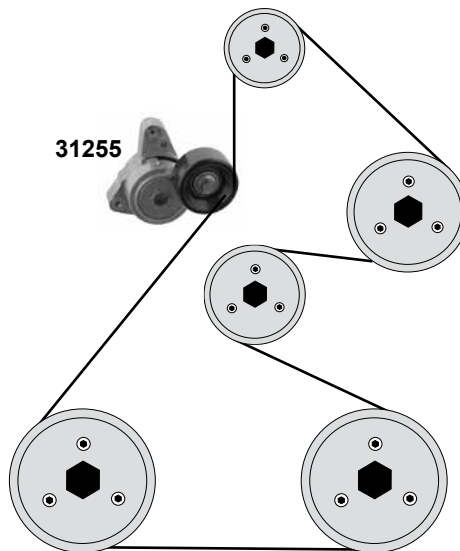
- (1) Accord IV/V : mot.F20A2/A4/A5/A7/A8/B3/Z1-Z3,F22A3/A7/B5    Accord VI : (mot.) F18A3 /F20A4
- (2) Accord VI / VII mot. F18B / F20B / F22Z / F23Z
- (3) (ex.) mot. F20A6 / F22A8
- (4) Accord IV/V: mot.F20A2/A4-A8/Z1-Z3/B3,F22A3/A7/A8/B5,H23A3  
Accord VI/VII: mot. F18A3/B2, F20B5-B7/Z1,F23Z5

febi bilstein	Ref. - No.			
14357	14510-PT0-004	Spannrolle / tension roller	(3)	Ø A 62 H27
17223	14400-P45-G01	Zahnriemen / timing belt	(1)	Z 113 B24
17224	13405-PT0-004	Zahnriemen / timing belt	(4)	Z 70 B16
18237	13404-PT0-004	Spannrolle / tension roller	(4)	Ø A
24813	14400-PDA-E01	Zahnriemen / timing belt	(2)	Z 112 B24
24814	14400-PDA-E01S1	Rep.Satz Zahnriemen / rep.kit timing belt	(2)	Z 112 B24
26076	14400-P45-G01 S1	Rep. Satz Zahnriemen / rep. kit timing belt	(1)	Z 113 B24
31439	13405-PT0-004 S1	Rep. Satz Zahnriemen / rep. kit timing belt	(4)	

**1,6 SOHC / 2,0 SOHC VTEC**  
(D16B6/B7) (F20B)



**Accord VIII / Tourer**  
(03→08)  
**2,0 2,4**  
(K20Z2) (K24A3)



	Ref. - No.			
<b>14357</b>	14510-PT0-003	Spannrolle / tension roller	(mot.) 2,0	Ø A 62 H27
<b>17219</b>	14400-P2E-004	Zahnriemen / timing belt	(mot.) 1,6	Z 104 B24
<b>24751</b>	14510-P2A-004	Spannrolle / tension roller	(mot.) 1,6	Ø A 53 H26
<b>24813</b>	14400-PDA-E01	Zahnriemen / tension roller	(mot.) 2,0	Z 112 B24
<b>24814</b>	14400-PDA-E01S1	Rep. Satz Zahnriemen / rep. kit timing belt	(mot.) 2,0	
<b>24817</b>	14400-P2E-004 S1	Rep. Satz Zahnriemen / rep. kit timing belt	(mot.) 1,6	
<b>31255</b>	31170-PNA-023	Riemenspanner / belt tensioner		Ø A 76 H33

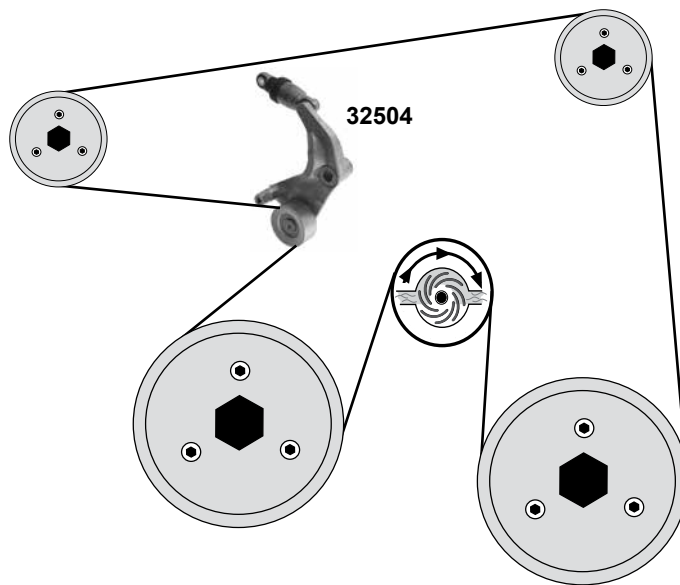
passend für / to fit

# HONDA Accord IX (07/08→)

Car  
Division 



**2,0**  
(R20A3)



Ref. - No.



32504

31170-RZP-G03

Riemenspanner / belt tensioner

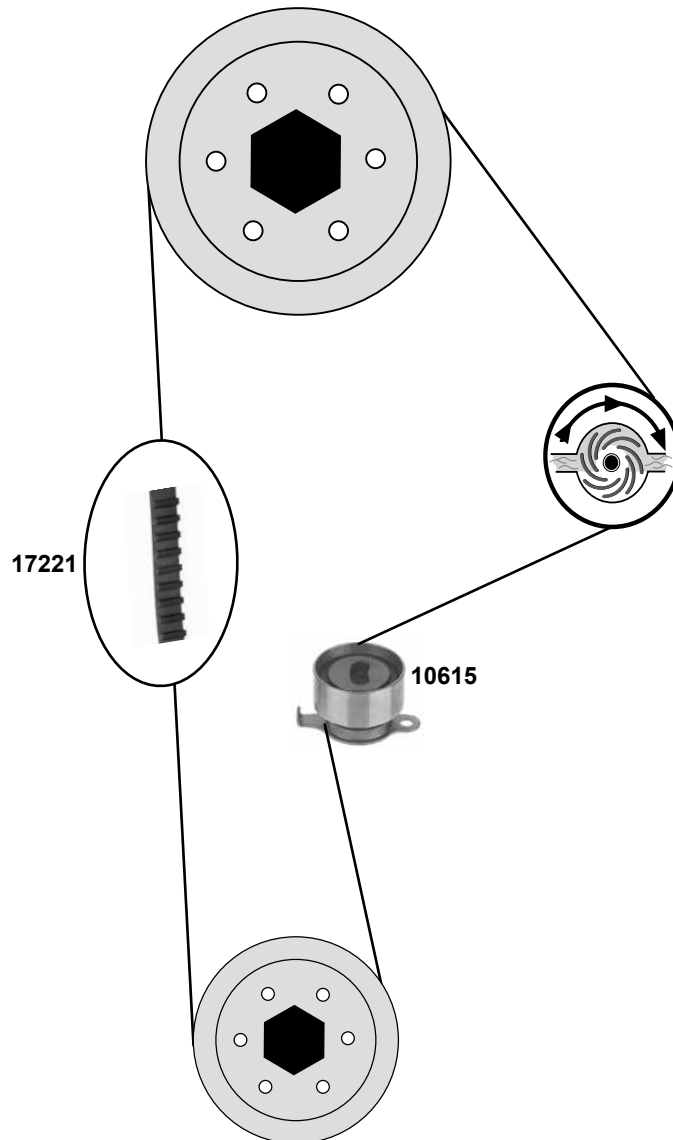
ØA 70 B30,5



**1,3 SOHC**  
(D13B1/B2)

**1,4 SOHC**  
(D14A1)

**1,5 SOHC**  
(D15B2)



Rep. Satz / rep. kit



**febi 26075**



Ref. - No.



<b>10615</b>	14510-PM7-004	Spannrolle / tension roller
<b>17221</b>	14400-P1J-E01	Zahnriemen / timing belt
<b>26075</b>	14400-P1J-E01 S1	Rep. Satz Zahnriemen / rep. kit timing belt

Ø A56,5 H26  
Z 106 B24  
Z 106 B24



# HONDA

## Civic III / IV / V

(87→01)

Car  
Division



### 1,3 SOHC

(D13B2)

### 1,4 SOHC

(D14A2/-A6/A8/Z1-Z4)

### 1,5 SOHC

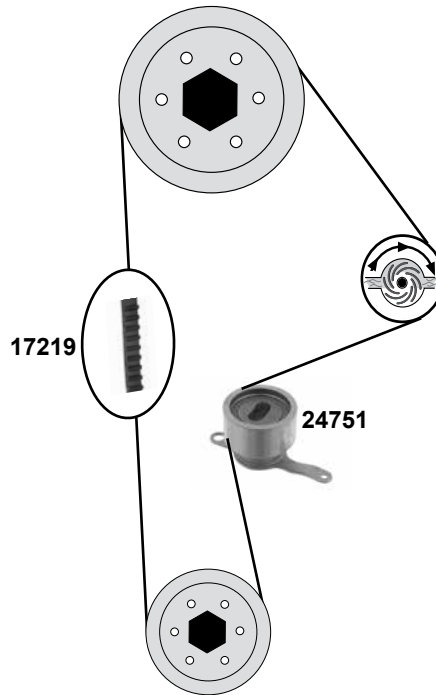
(D15Z1/Z3/Z6/Z8)

### 1,6 SOHC

(D16B2/B6/B7/Y3/W3/W4)

### 1,6 SOHC Vtec

(D16Y2/Y5)

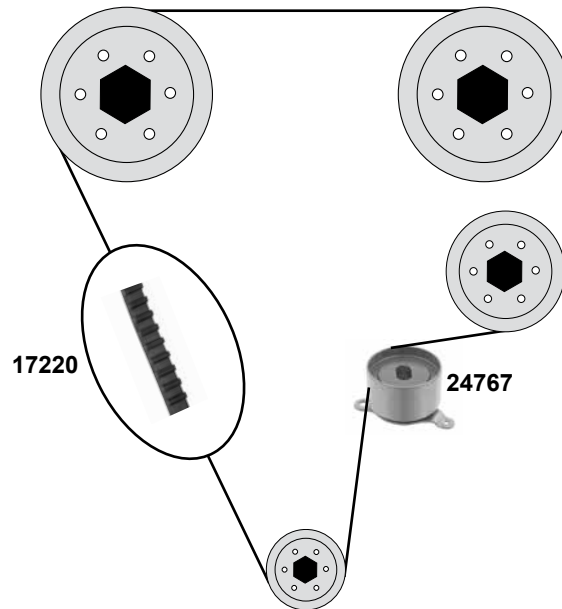


### 1,6 DOHC

(D16A9)

### 1,6 DOHC Vtec

(B16A1/D16A1/A2)



Rep. Satz / rep. kit



febi 24819



Ref. - No.



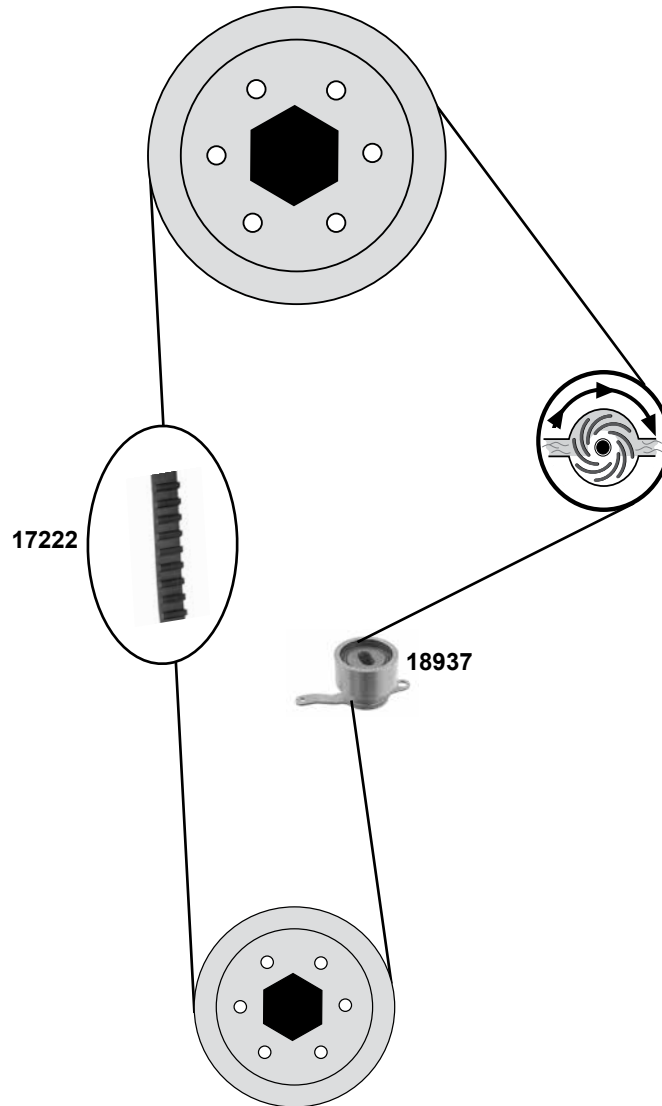
17219	14400-P1H-E01
17220	14400-PR3-004
24751	14510-P2A-004
24767	14510-P30-003
24819	14400-PR3-004 S1

Zahnriemen / timing belt
Zahnriemen / timing belt
Spannrolle / tension roller
Spannrolle / tension roller
Rep. Satz Zahnriemen / rep. kit. timing belt

(mot.) B16A1 (92 → 00)
(mot.) 1,4/1,5/1,6 (00)
(mot.) B16A1 (92 → 00)
(mot.) B16A1 (92 → 00)

Z 104 B 24
Z 124 B 26
Ø A 53 H26
Ø A 55 H30

**1,5 SOHC Vtec**  
(D15Z3/Z8)



Rep. Satz / rep. kit



**febi 26136**



Ref. - No.



<b>17222</b>	14400-P1G-E01	Zahnriemen / timing belt
<b>18937</b>	14520-P2A-306	Spannrolle / tension roller
<b>26136</b>	14400-P1G-E01 S1	Rep. Satz Zahnriemen / rep. kit timing belt

Z 103 B24  
Ø A53 H26  
Z 103 B24

# HONDA Civic V

(95→01)

Car  
Division



## 1,4 SOHC

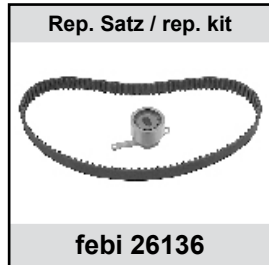
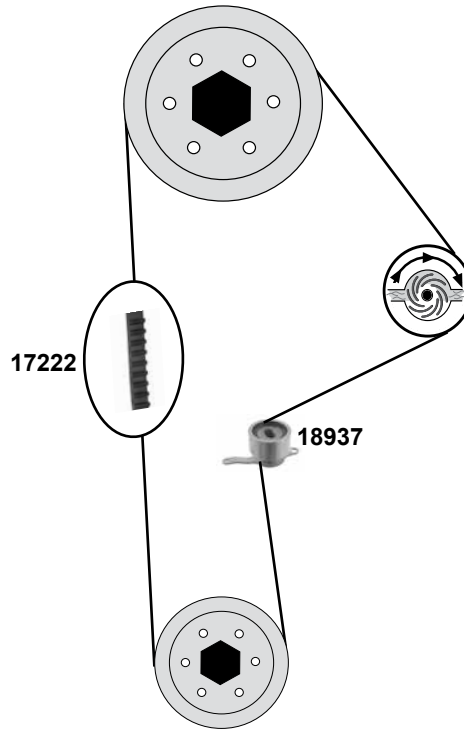
(D14A3/A4/A7)

## 1,5 SOHC Vtec

(D15Z6/Z8)

## 1,6 SOHC / Vtec

(D16B2)

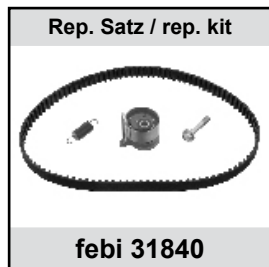
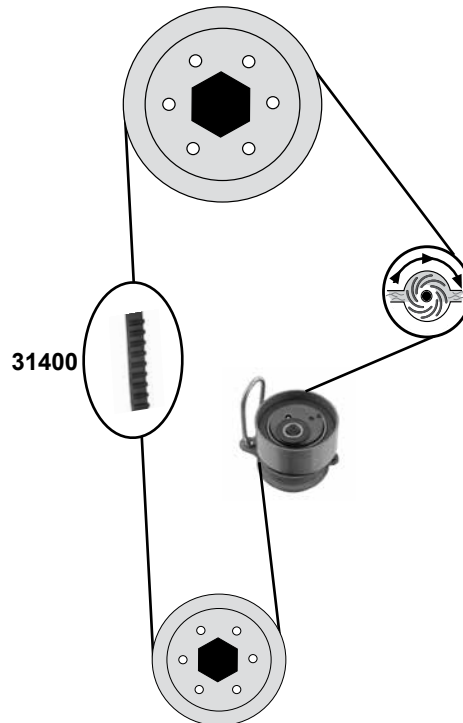


## Civic VI

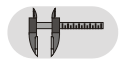
(01→05)

## 1,4 SOHC

(D14Z6)



Ref. - No.

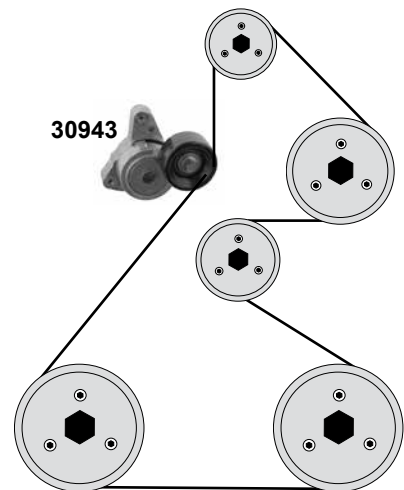
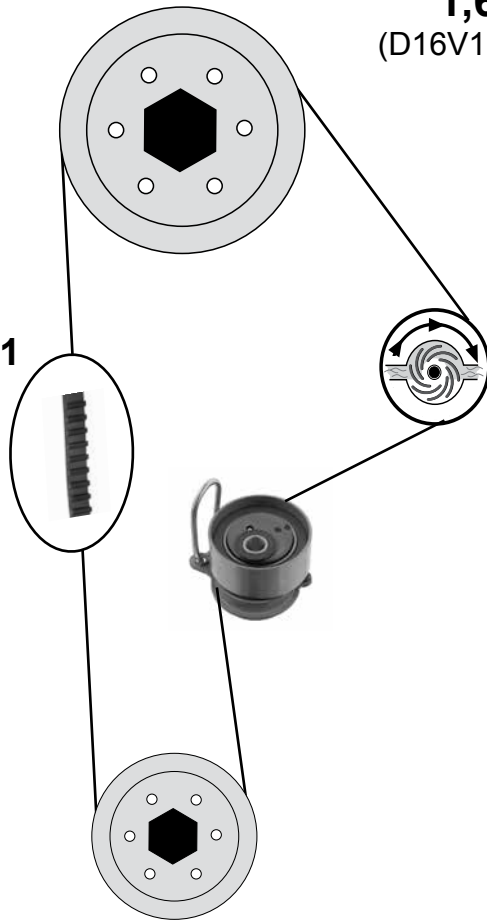
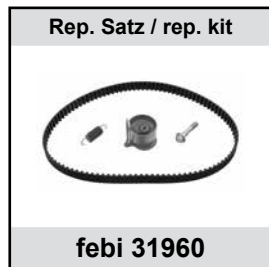


17222	14400-P1G-E01	Zahnriemen / timing belt		Z 103 B24
18937	14520-P2A-306	Spannrolle / tension roller		Ø A53 H26
26136	14400-P1G-E01 S1	Rep. Satz Zahnriemen / rep. kit timing belt		Z 103 B24
31400	14400-PLA-004	Zahnriemen / timing belt	02/01 → 09/05	Z 103 B22
31840	14400-P1G-E01 S1	Rep. Satz Zahnriemen / rep. kit timing belt	02/01 → 09/05	Z 103
31850	04145-PLC-315 S1	Rep. Satz Spannrolle / rep. kit tension roller		

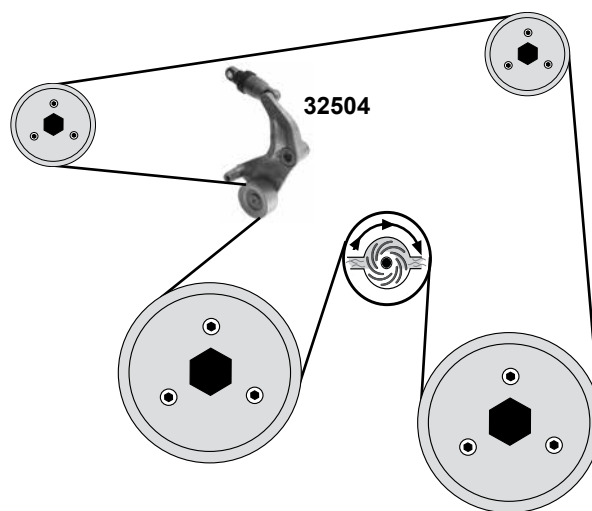
**1,6**  
(D16V1)

**2,0**  
(K20A2/3)

**24811**

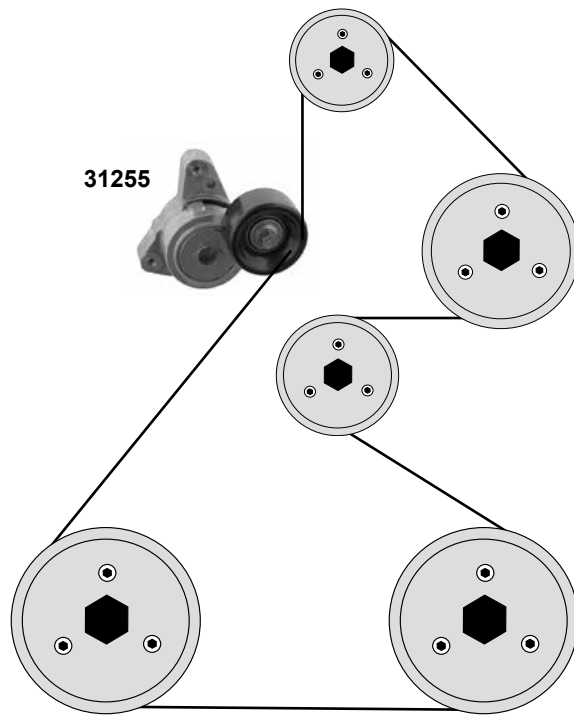


**Civic VII**  
(01/07→)  
**1,8**  
(R18A2)



	Ref. - No.			
<b>24811</b>	14400-PLM-014	Zahnriemen / timing belt	→ 09/05	Z 104 B22
<b>30943</b>	31170-PND-013	Riemenspanner / belt tensioner		
<b>31850</b>	04145-PLC-315 S1	Rep. Satz Spannrolle / rep.kit tension roller		
<b>31960</b>	14400-PLM-014 S1	Rep. Satz Zahnriemen / rep. kit timing belt	→ 09/05	Z 104 B22
<b>32504</b>	31170-RZP-G03	Riemenspanner / belt tensioner		ØA 70 B30,5

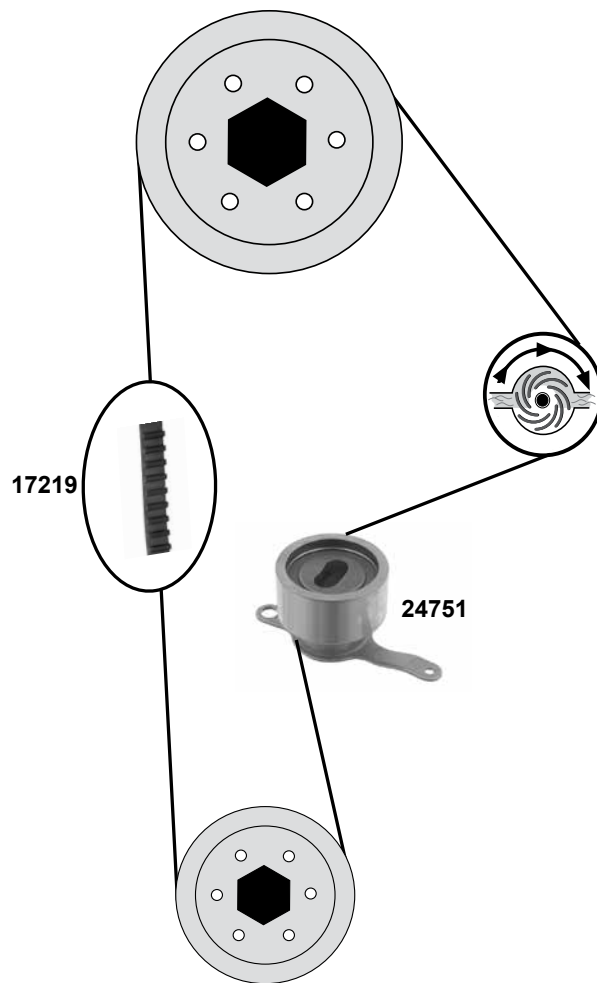
**2,0**  
(K20Z4)



**1,5 SOHC**  
(D15B7)

**1,6 SOHC**  
(D16Y7)

**1,6 SOHC Vtec**  
(D16Y6/Y8/Z6/Z9)



Rep. Satz / rep. kit



febi 24817



Ref. - No.



**17219**  
**24751**  
**24817**

14400-P1H-E01  
14510-P2A-004  
14400-P2E-004 S1

Zahnriemen / timing belt  
Spannrolle / tension roller  
Rep.Satz Zahnriemen / rep. kit timing belt

Z 104 B 24  
Ø A 53 H26

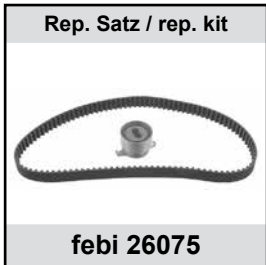
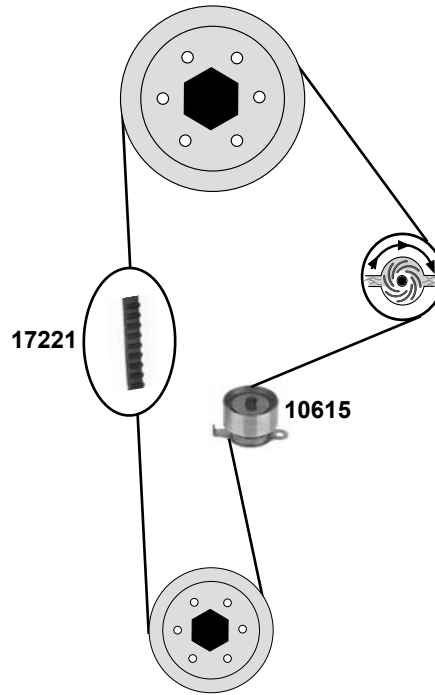
# HONDA Concerto

(89→95)

Car  
Division



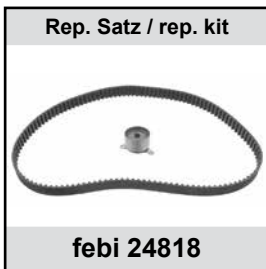
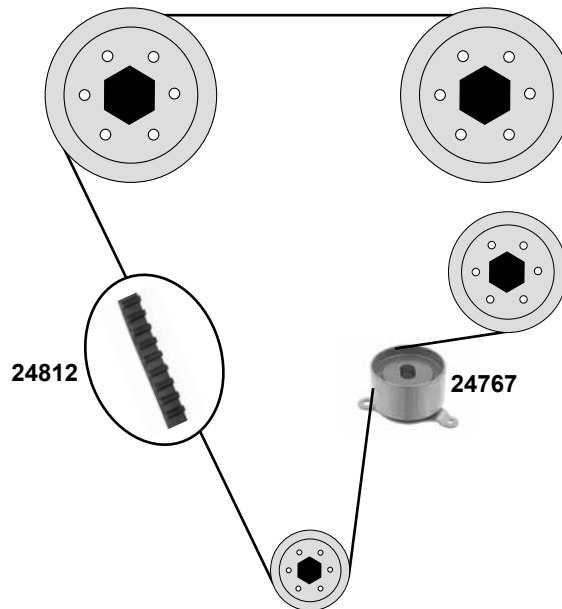
## 1,4 / 1,5 16V SOHC (D14A1/D14A8/D15B2)



## CR-V I

(97→01)

## 2,0 16V DOHC (B20B / B20Z)

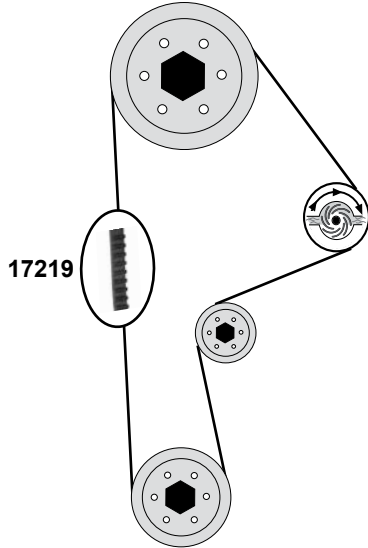


Ref. - No.



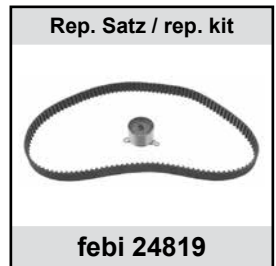
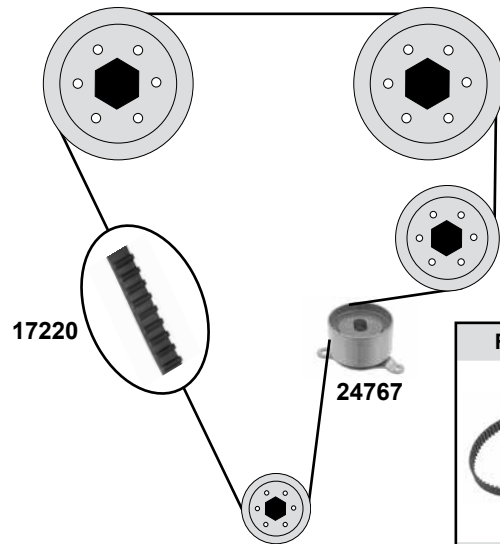
<b>10615</b>	14510-PM7-004	Spannrolle / tension roller	Ø A56,5 H26
<b>17221</b>	14400-P1J-E01	Zahnriemen / timing belt	Z 106 B24
<b>24767</b>	14510-P30-003	Spannrolle / tension roller	Ø A 55 H30
<b>24812</b>	14400-P7J-004	Zahnriemen / timing belt	Z 125 B26
<b>24818</b>	14400-P7J-004 S1	Rep. Satz Zahnriemen / rep. kit timing belt	
<b>26075</b>	14400-P1J-E01 S1	Rep. Satz Zahnriemen / rep. kit timing belt	Z 106 B24

**1,6 SOHC Vtec**  
(D16Y8/Z6/Z7)

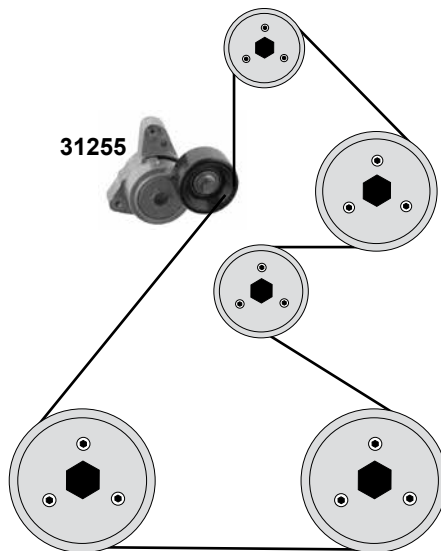


**1,6 DOHC**  
(D16A8/A9/Z5)

**1,6 DOHC Vtec**  
(B16A1/A2)



**CR-V II**  
(03→06)  
**2,0**  
(K20A4)



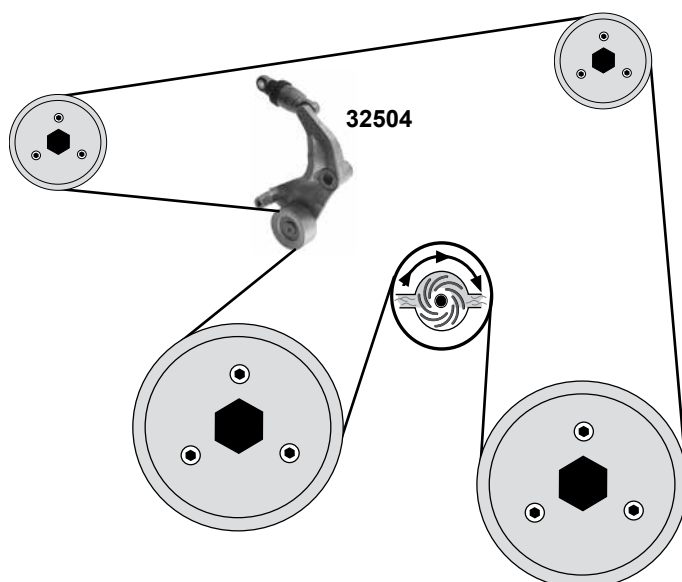
Ref. - No.



<b>17219</b>	14400-P1H-E01	Zahnriemen / timing belt		Z 104 B 24
<b>17220</b>	14400-PR3-004	Zahnriemen / timing belt		Z 124 B 26
<b>24767</b>	14510-P30-003	Spannrolle / tension roller	(mot.) B16A (92 → 97)	Ø A 55 B30
<b>24819</b>	14400-PR3-004 S1	Rep. Satz Zahnriemen / rep. kit. timing belt	(mot.) B16A (92 → 97)	
<b>31255</b>	31170-PNA-023	Spannrolle / tension roller		Ø A 76 H33

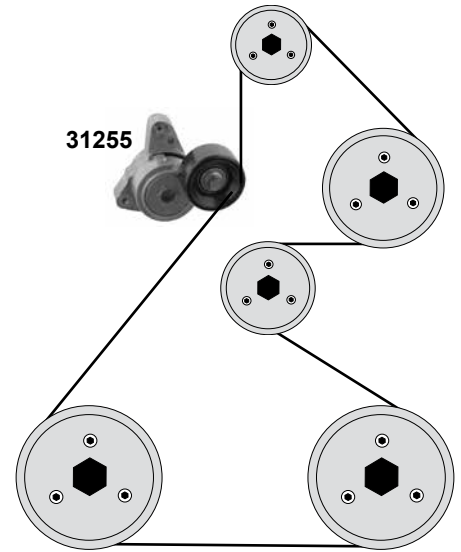
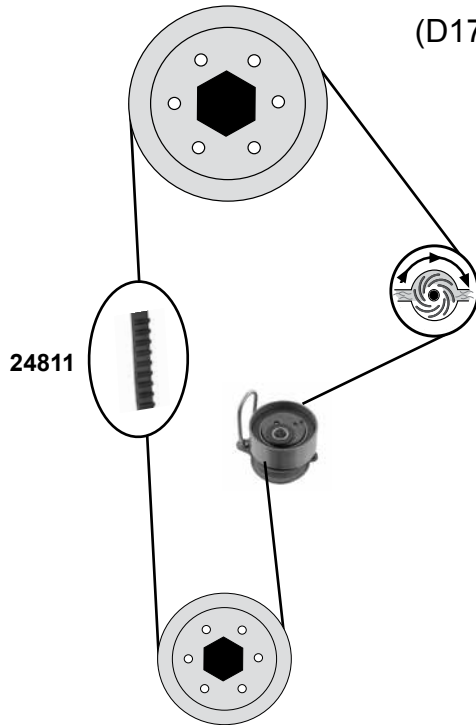


**2,0**  
(R20A2)

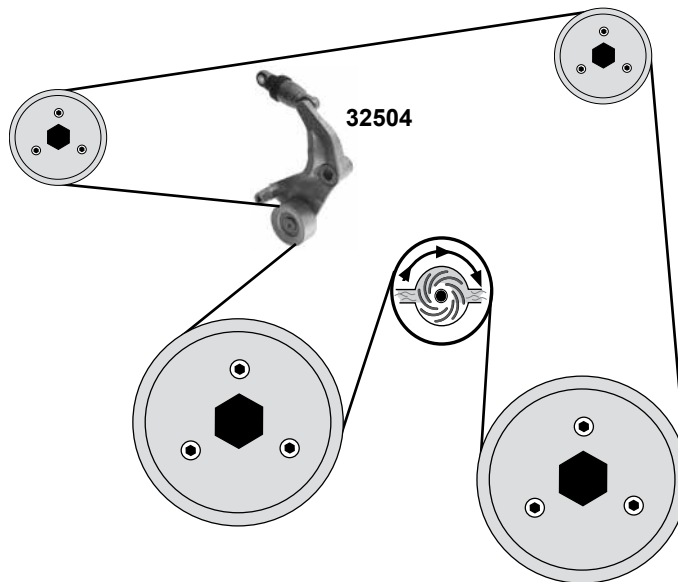


**1,7**  
(D17A2)

**2,0**  
(K20A1)



**1,8**  
(R18A1)



	Ref. - No.			
<b>24811</b>	14400-PLM-014	Zahnriemen / timing belt	→ 09/05	Z 104 B22
<b>31255</b>	31170-PNA-023	Riemenspanner / belt tensioner		Ø A 76 H33
<b>31840</b>	14400-PLA-004 S1	Rep. Satz Zahnriemen / rep. kit timing belt	→ 09/05	
<b>31850</b>	04145-PLC-315 S1	Rep. Satz Spannrolle / rep. kit tension roller		
<b>32504</b>	31170-RZP-G03	Riemenspanner / belt tensioner	01/07 →	ØA 70 B30,5

# HONDA HR-V

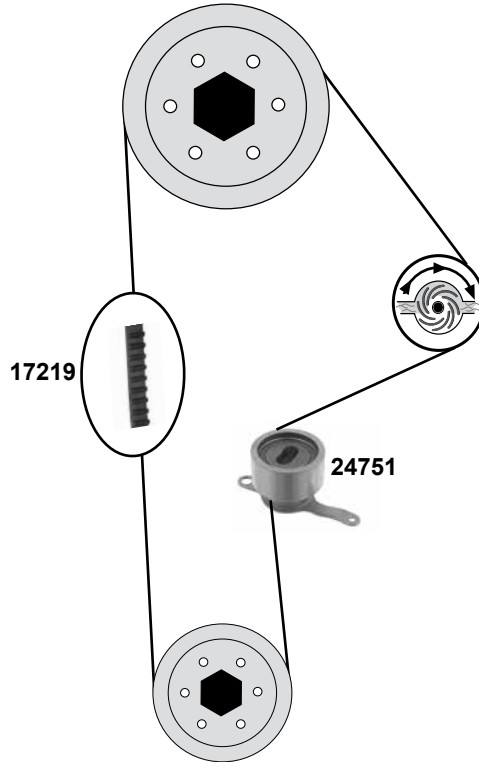
(98→05)

Car  
Division



## 1,6 SOHC

(D16W1/W2/W5)

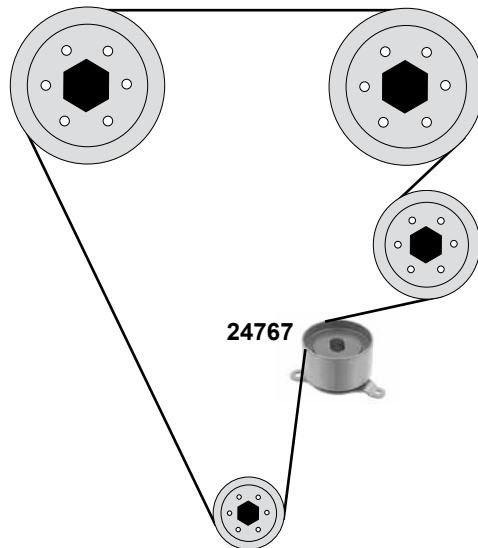


## Integra

(92→01)

## 1,8 DOHC Vtec

(B18C)



Ref. - No.

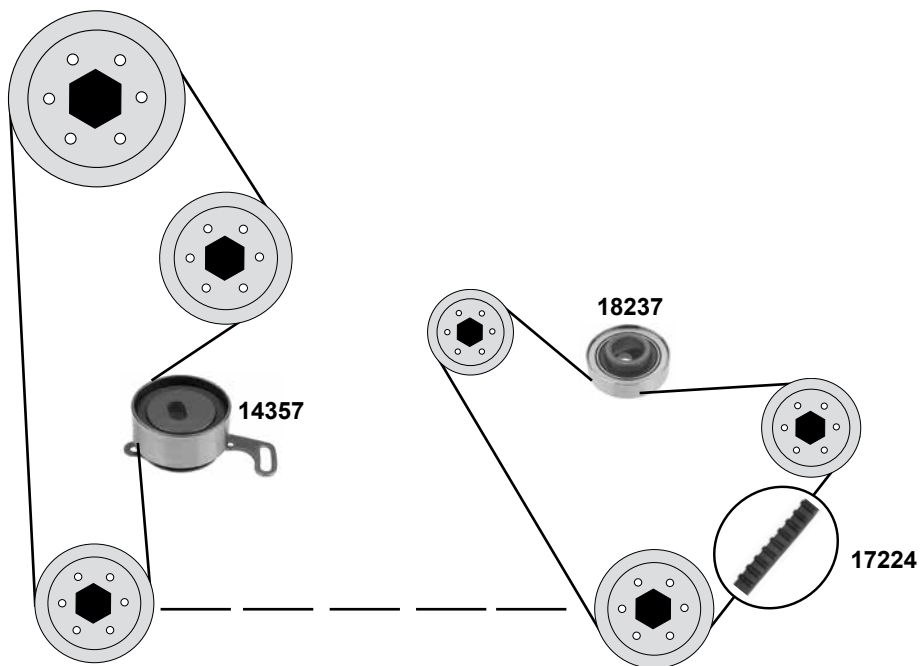


17219	14400-P1H-E01	Zahnriemen / timing belt
24751	14510-P2A-004	Spannrolle / tension roller
24767	14510-P30-003	Spannrolle / tension roller
24817	14400-P2E-004 S1	Rep.Satz Zahnriemen / rep. kit timing belt

(mot.) D16W (99 → 05)
(mot.) D16W (99 → 05)

Z 104 B 24
Ø A 53 H2
Ø A 55 H30

**SOHC ( Modell: 90→ )**  
(CB1/CB3/CB7/CE1/CE2/CC7/CE7/CE8/CE9/CF1)



Ref. - No.



**14357**  
**17224**  
**18237**

14510-PT0-004  
13405-PT0-004  
13404-PT0-004

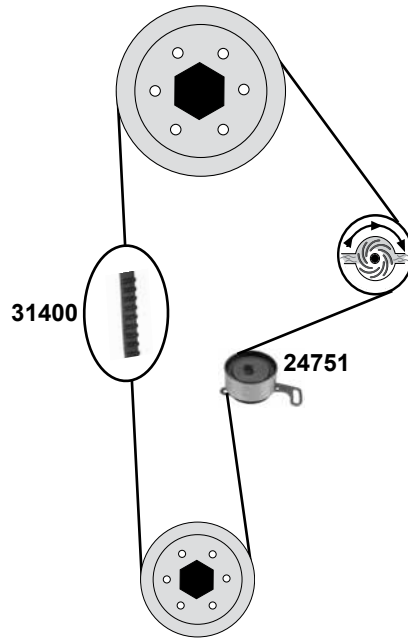
Spannrolle / tension roller  
Zahnriemen / timing belt  
Spannrolle / tension roller

(mot.) F20,F22

Ø A62 H27  
Z 70 B16  
Ø A70 H19



**1,3 SOHC**  
(D13B7)



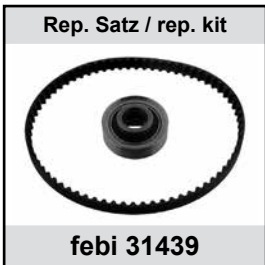
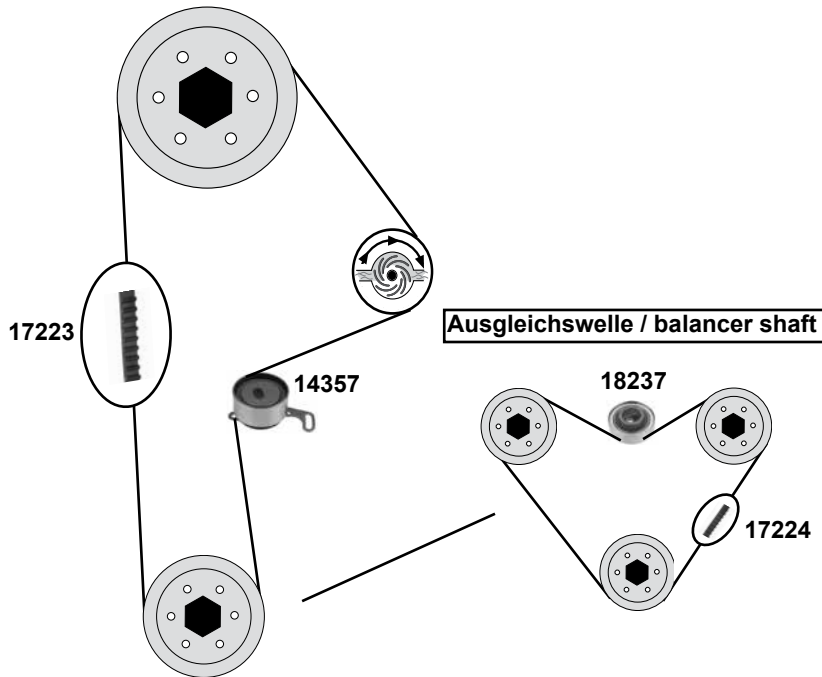
**Prelude IV/V**

(92→01)

**2,0 SOHC**  
(F20A4)

**2,2 SOHC**  
(F22A2)

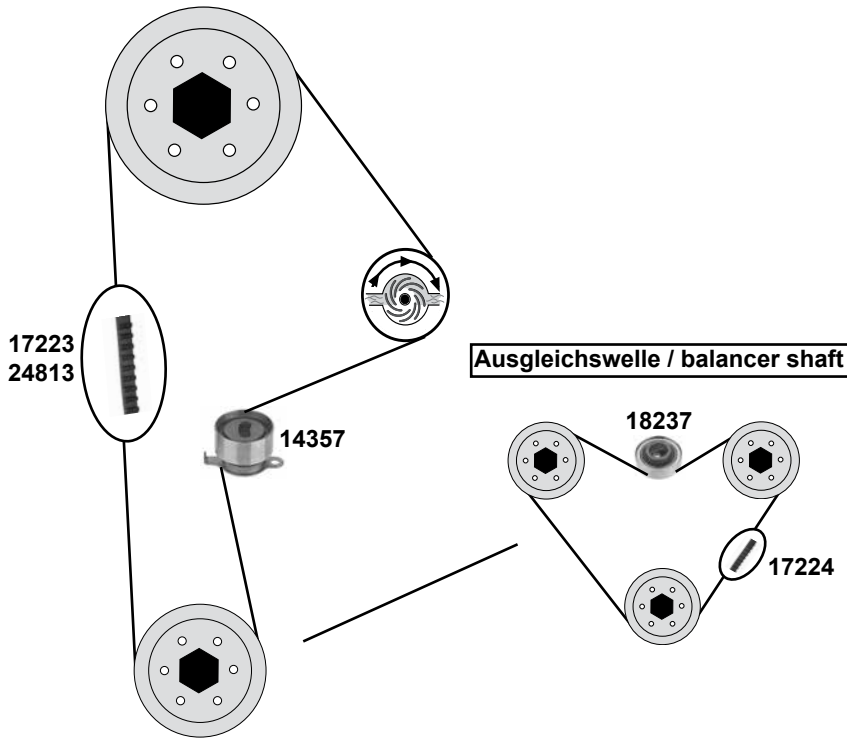
**2,3 SOHC**  
(H23A4)



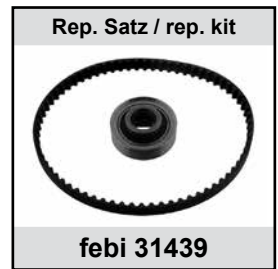
	Ref. - No.			
<b>14357</b>	14510-PT0-004	Spannrolle / tension roller	(ex.) (mot.) H23A4	Ø A 62 H27
<b>17223</b>	14400-P45-G01	Zahnriemen / timing belt	(ex.) (mot.) H23A4	Z 113 B24
<b>17224</b>	13405-PT0-004	Zahnriemen / timing belt	(ex.) (mot.) F22A2	Z 70 B16
<b>18237</b>	13404-PT0-004	Spannrolle / tension roller	(ex.) (mot.) F22A2	Ø A 70 B19
<b>24751</b>	14510-P2A-004	Spannrolle / tension roller		Ø A 53 H26
<b>26076</b>	14400-P45-G01 S1	Rep. Satz Zahnriemen / rep. kit timing belt	(ex.) (mot.) H23A4	Z 113 B24
<b>31400</b>	14400-PLA-004	Zahnriemen / timing belt	03/99 → 03/02	Z 103 B23
<b>31439</b>	13405-PT0-004 S1	Rep. Satz Zahnriemen / rep. kit timing belt	(ex.) (mot.) F22A2	

**2,2 SOHC**  
(F22B8)

**2,3 SOHC/Vtec**  
(F23A)



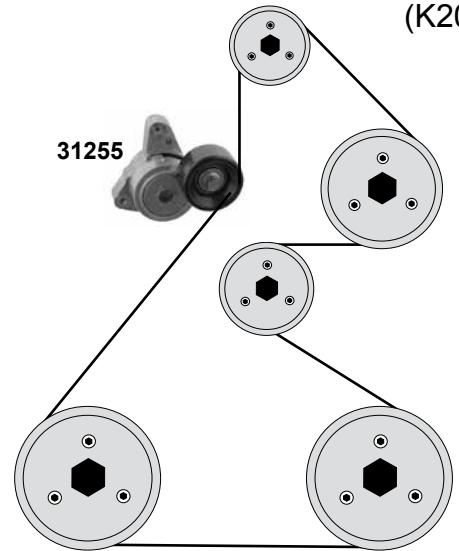
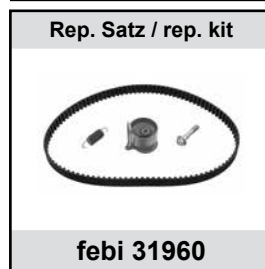
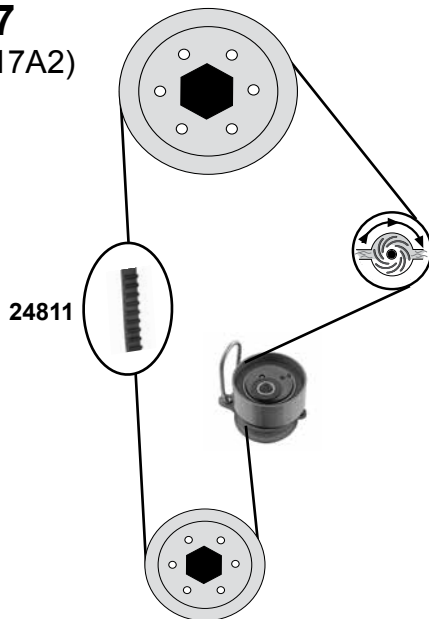
Ausgleichswelle / balancer shaft



**Stream**  
(01→)

**2,0**  
(K20A1)

**1,7**  
(D17A2)



14357	14510-PT0-004	Spannrolle / tension roller			Ø A62 H27
17223	14400-P45-G01	Zahnriemen / timing belt		(mot.) F22B8	Z 113 B24
17224	13405-PT0-004	Zahnriemen / timing belt		(mot.) F22B8	Z 70 B16
18237	13404-PT0-004	Spannrolle / tension roller		(mot.) F22B8	Ø A 70 B19
24811	14400-PLM-014	Zahnriemen / timing belt			Z 104 B22
24813	14400-PDA-E01	Zahnriemen / tension roller		(mot.) F23A	Z 112 B24
24814	14400-PDA-E01 S1	Rep. Satz Zahnriemen / rep. kit timing belt		(mot.) F23A	
26076	14400-P45-G01 S1	Rep. Satz Zahnriemen / rep. kit timing belt		(mot.) F22B8	Z 113 B24
31255	31170-PNA-023	Spannrolle / tension roller			Ø A 76 H33
31439	13405-PT0-004 S1	Rep. Satz Zahnriemen / rep. kit timing belt		(mot.) F22B8	Z 70 B16
31850	04145-PLC-315 S1	Rep. Satz Spannrolle / rep. kit tension roller			
31960	14400-PLM-014 S1	Rep. Satz Zahnriemen / rep. kit timing belt		05/01→	Z 104 B22

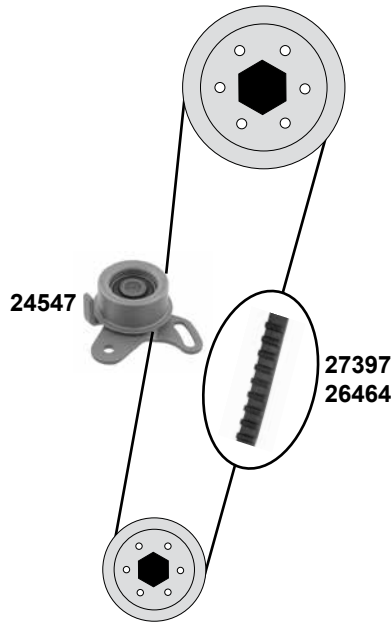
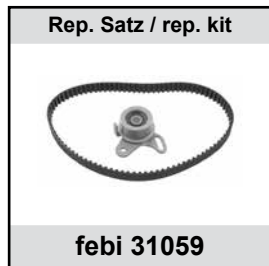
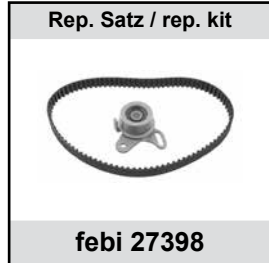
# HYUNDAI Accent / Verna

(10/94→)

Car  
Division



## 1,3 / 1,5 12V (SOHC)



## 1,4

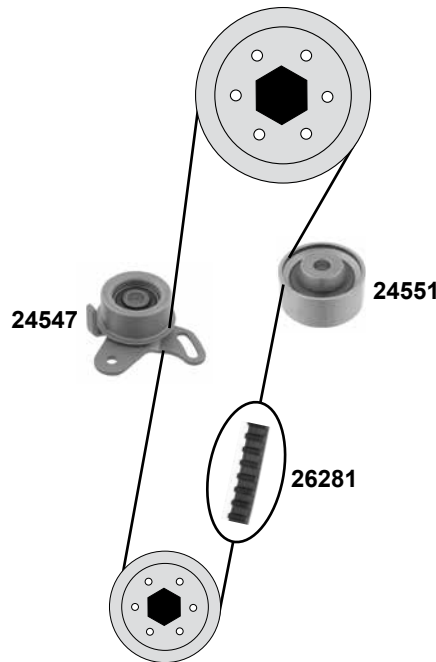
12/05→

## 1,5

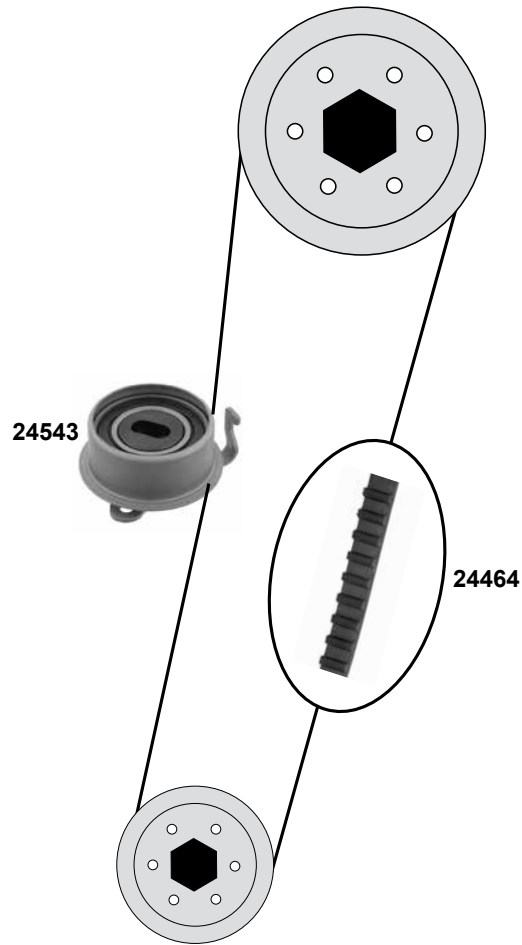
10/95→08/02

## 1,6

08/02→



febi bilstein	Ref. - No.			
24547	24410-26000	Spannrolle / tension roller		Ø A 60 B29
24551	24810-26020	Umlenkrolle / deflections pulley		Ø A 55 B25
26281	24312-26001	Zahnriemen / timing belt		Z 105
26464	24312-22613	Zahnriemen / timing belt	01/00 → 03/06	Z 110
27397	24312-22010	Zahnriemen / timing belt	→ 01/00	Z 92
27398	24312-22010 S1	Rep. Satz Zahnriemen / rep. kit timing belt	→ 01/00	Z 92
31059	24312-22613 S1	Rep. Satz Zahnriemen / rep. kit timing belt	01/00 → 03/06	Z 110
31061	24312-26001 S1	Rep. Satz Zahnriemen / rep. kit timing belt		Z 105



Rep. Satz / rep. kit



febi 24791



(1)	<b>Atos</b>	1,0	97 → 03
	<b>Atos Prime</b>	1,0	99 → 03
	<b>Atos Prime</b>	1,1	05 →



Ref. - No.

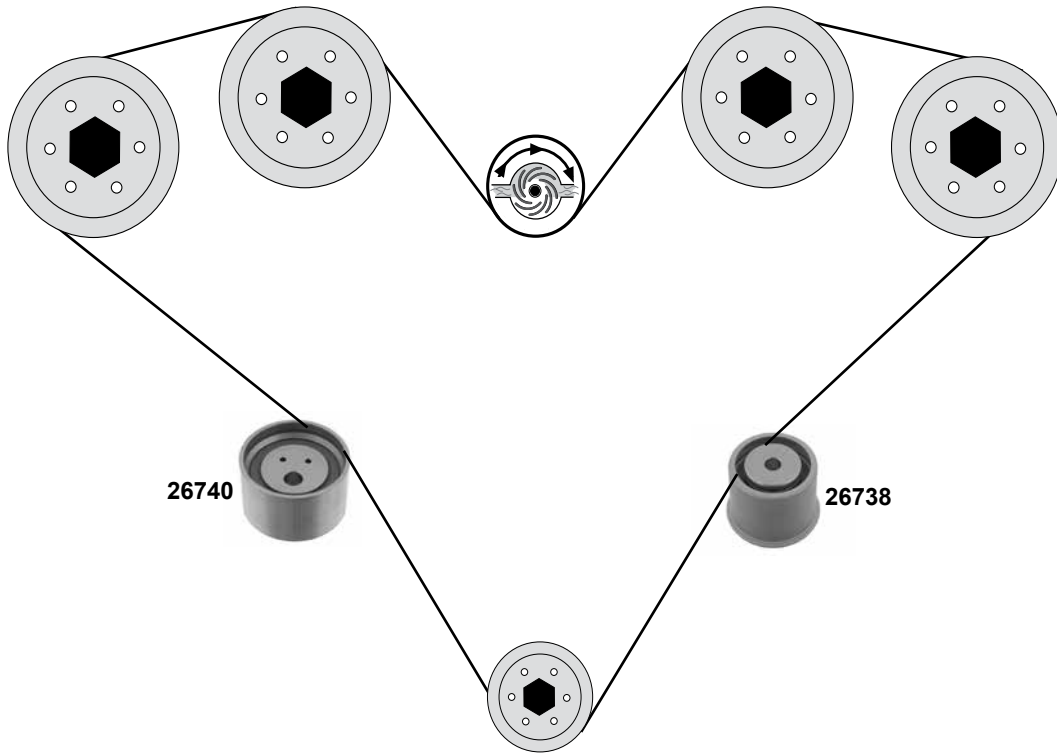


<b>24464</b>	24312-02701	Zahnriemen / timing belt	(1)	Z 101
<b>24543</b>	24410-02550	Spannrolle / tension roller	(1)	ØA 57 B25,5
<b>24791</b>	24312-02701	Rep. Satz Zahnriemen / rep. kit timing chain	(1)	Z 101





## 3,5 24V



26740

26738



Ref. - No.

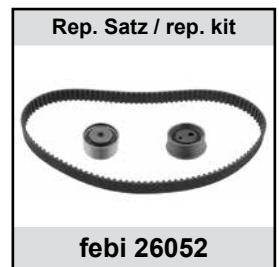
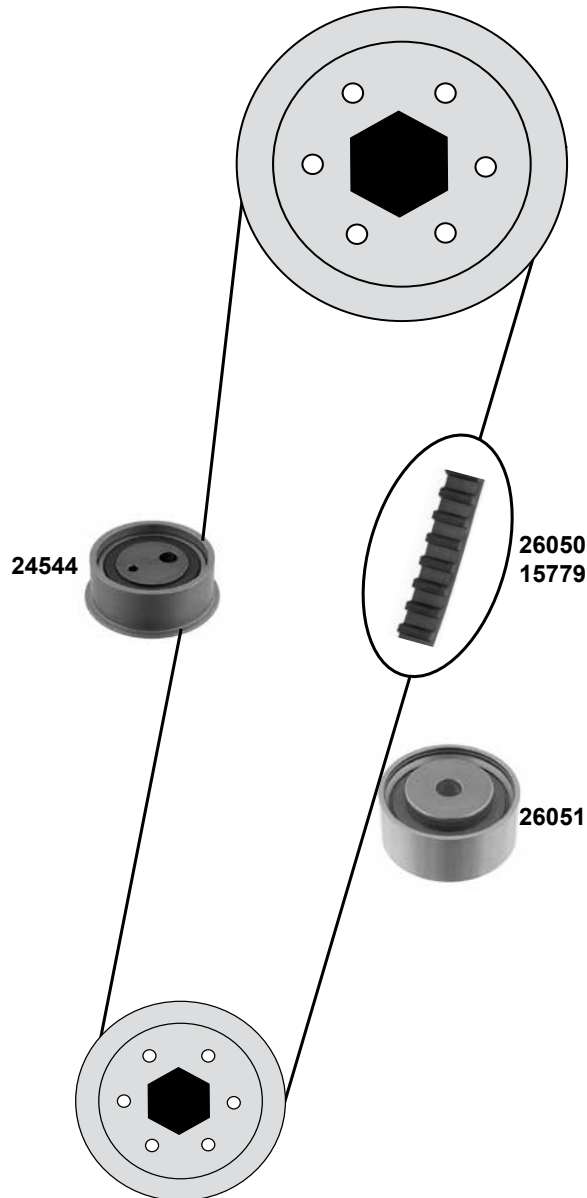


26738  
26740

24810-35530  
24450-35530

Umlenkrolle / deflection pulley  
Spannrolle / tension roller

ØA57,5 H38,5  
ØA60 B35



	Ref. - No.			
<b>15779</b>	24312-23001	Zahnriemen / timing belt	(mot.) 1,6 → 06/00	Z 111
<b>24544</b>	24410-23400	Spannrolle / tension roller	→ 09/01	ØA70 B30
<b>26050</b>	24312-23202	Zahnriemen / timing belt	(mot.) 2,0	Z 113
<b>26051</b>	24810-23400	Umlenkrolle / deflection pulley	(mot.) 1,6 → 09/01	ØA60 H28,5
<b>26052</b>	24312-23202 S1	Rep. Satz Zahnriemen / rep. kit timing belt	(mot.) 2,0 → 09/01	Z 113
<b>26903</b>	24312-23001 S1	Rep. Satz Zahnriemen / rep. kit timing belt	(mot.) 1,6 → 06/00	Z 113

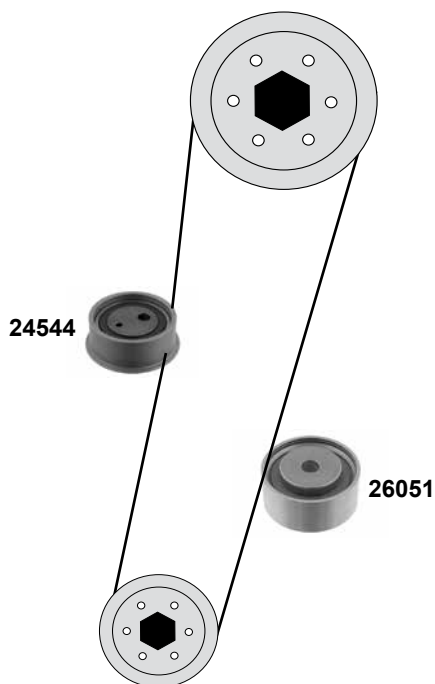
# HYUNDAI Coupe (GK)

(01→)

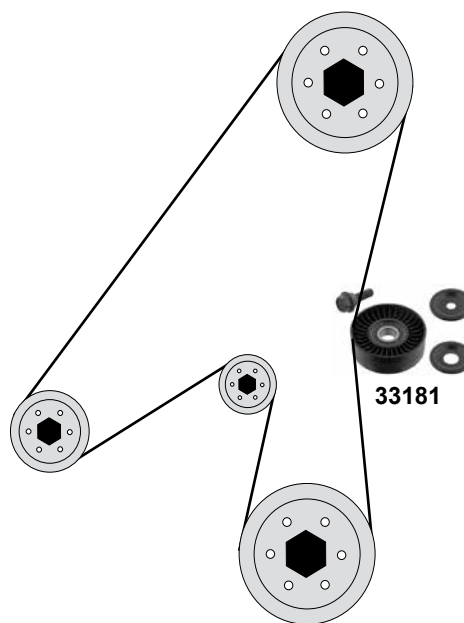
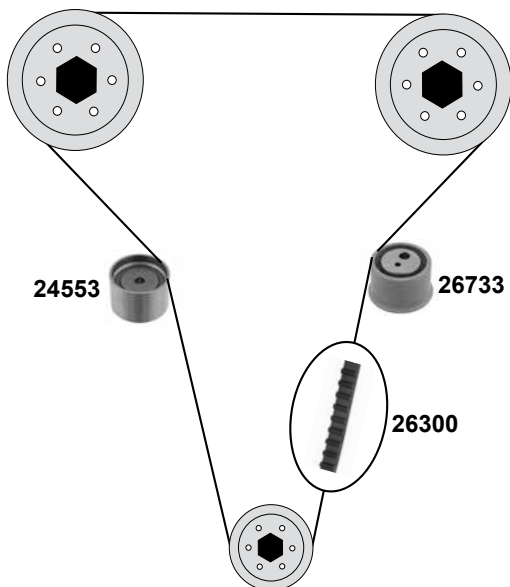
Car  
Division



## 2,0 16V



## 2,7 24V



Ref. - No.



<b>24544</b>	24410-23400
<b>24553</b>	24450-37120
<b>26051</b>	24810-23400
<b>26300</b>	24312-37500
<b>26733</b>	24810-37120
<b>33181</b>	25286-37100

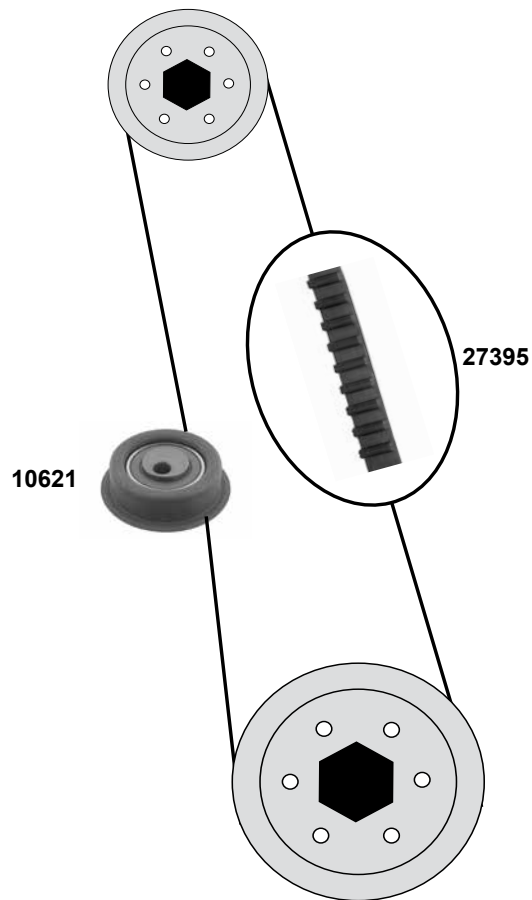
Spannrolle / tension roller
Spannrolle / tension roller
Umlenkrolle / deflection pulley
Zahnriemen / timing belt
Spannrolle / tensioner roller
Umlenkrolle / deflection pulley

→ 05/06

→ 10/08

ØA70 B30
ØA60 B35
ØA60 H28,5
Z 207
ØA57,5 B39

**für Ausgleichswelle / for balancer shaft**



Rep. Satz / rep. kit



febi 27396



Ref. - No.



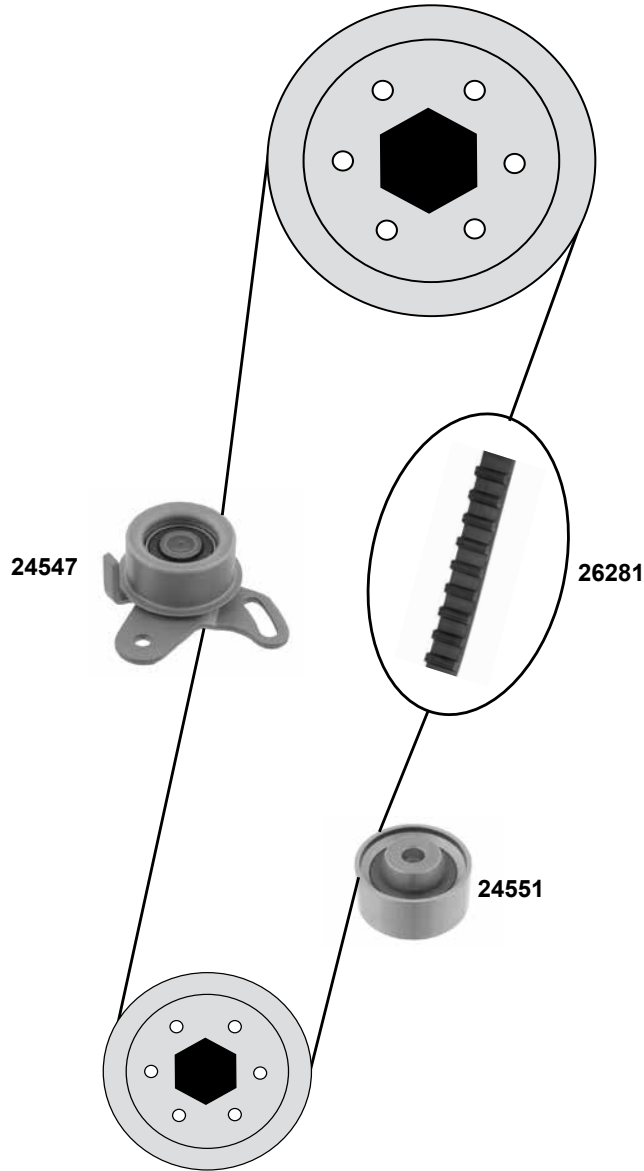
**10621** 23357-33130  
**27395** 23356-33160  
**27396** 23356-33160 S1

Spannrolle / tension roller  
Zahnriemen / timing belt  
Rep. Satz Zahnriemen / rep. kit timing belt

ØA 55 B19  
Z 65  
Z 65



1,6



Rep. Satz / rep. kit



febi 31061

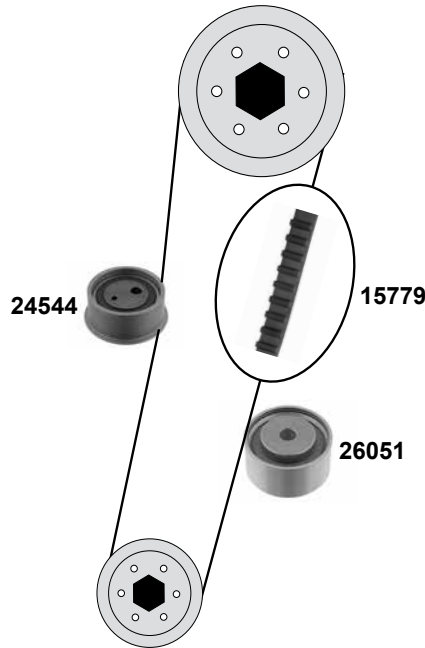


Ref. - No.

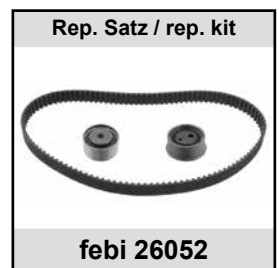
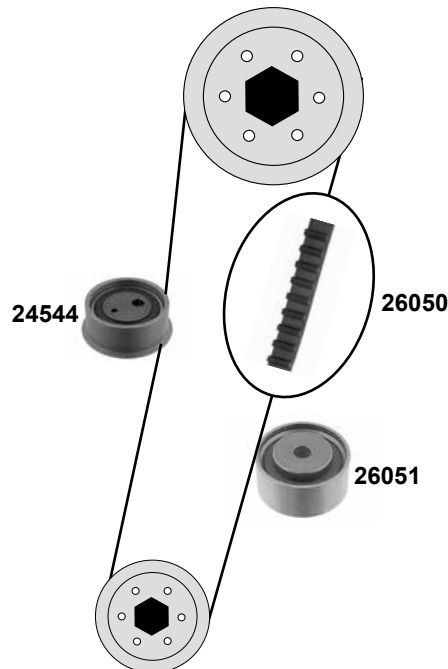


<b>24547</b>	24410-26000	Spannrolle / tension roller	→ 08/06	ØA 60 B29
<b>24551</b>	24810-26020	Umlenkrolle / deflection pulley	→ 08/06	ØA 55 B25
<b>26281</b>	24312-26001	Zahnriemen / timing belt	→ 08/06	Z 105
<b>31061</b>	34312-26001 S1	Rep. Satz Zahnriemen / rep. kit timing belt	→ 08/06	

**1,8 16V (DOHC)**



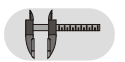
**2,0 (MPI)**



(1) (mot.) 1,8 → 08/06



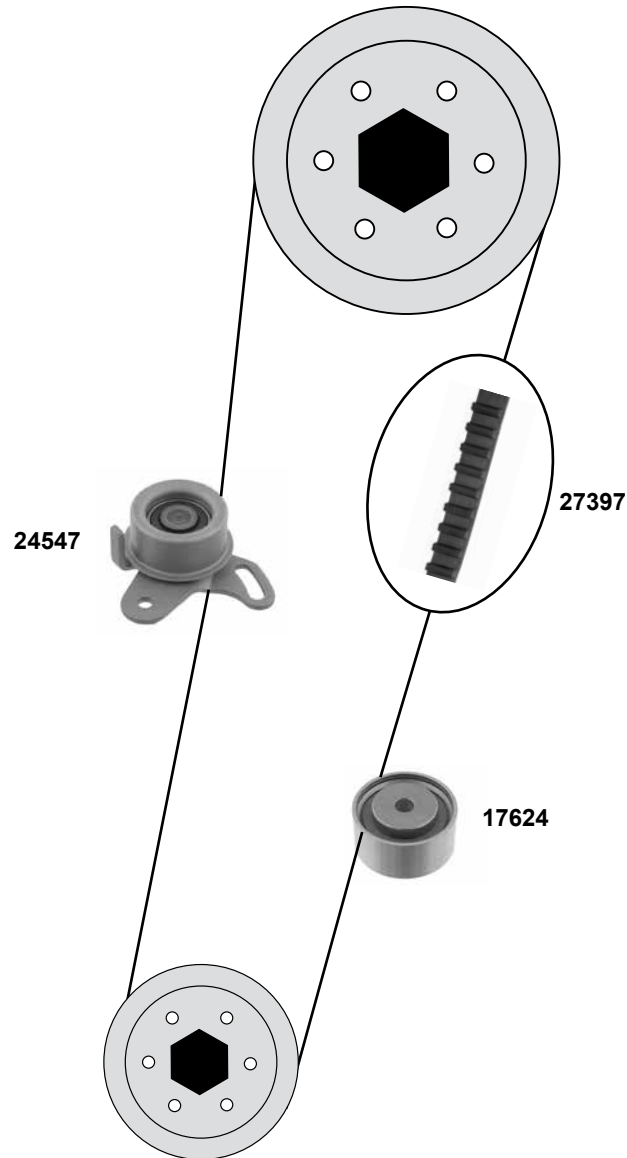
Ref. - No.



<b>15779</b>	24312-23001	Zahnriemen / timing belt	(mot.) 1,6→ 06/00	Z 111
<b>24544</b>	24410-23400	Spannrolle / tension roller	→ 09/01	ØA70 B30
<b>26050</b>	24312-23202	Zahnriemen / timing belt	(mot.) 2,0	Z 113
<b>26051</b>	24810-23400	Umlenkrolle / deflection pulley	(1)	ØA60 H28,5
<b>26052</b>	24312-23202 S1	Rep. Satz Zahnriemen / rep. kit timing belt	(mot.) 2,0 → 09/01	Z 113
<b>26903</b>	24312-23001 S1	Rep. Satz Zahnriemen / rep. kit timing belt		Z 111



## 1,3 / 1,5 12V (SOHC)



Rep. Satz / rep. kit



febi 27398



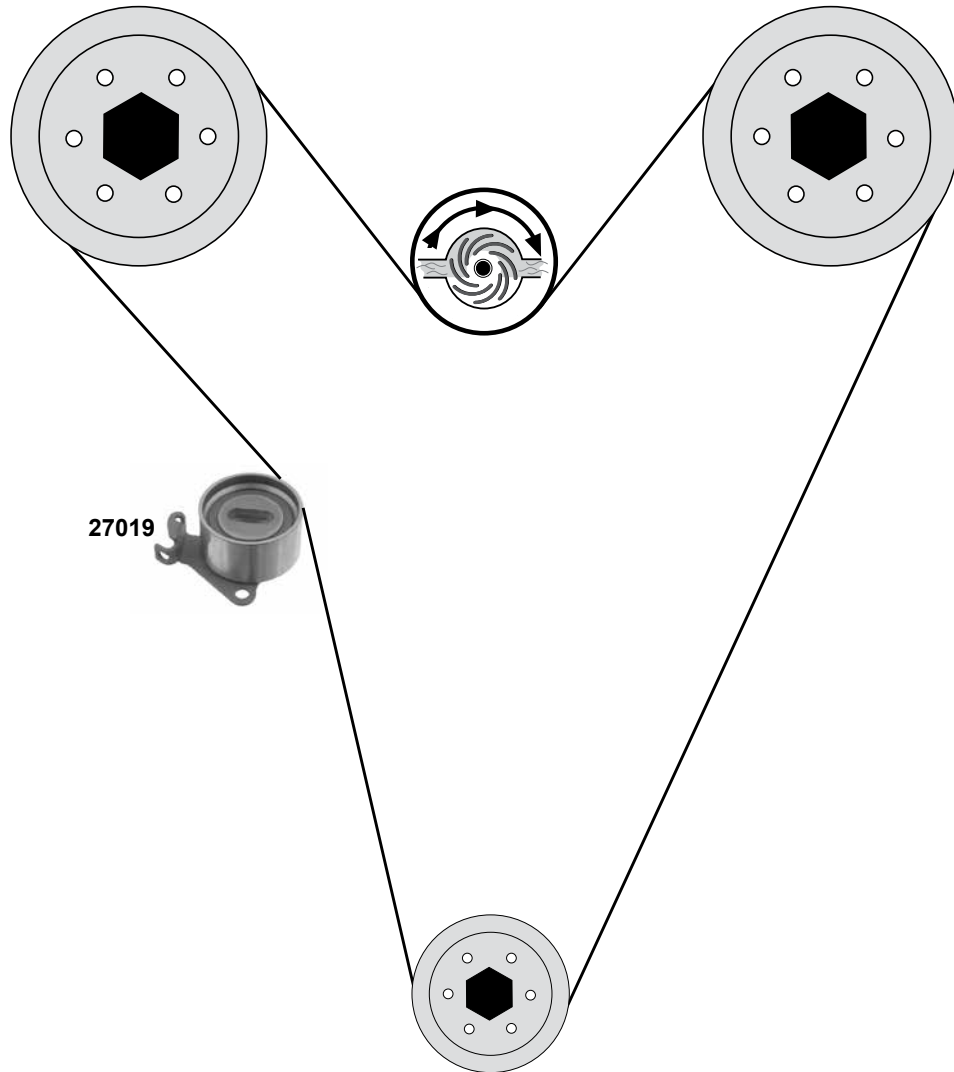
Ref. - No.



17624	24410-21010
24547	24410-26000
27397	24312-22010
27398	24312-22010 S1

Spannrolle / tension roller
Spannrolle / tension roller
Zahnriemen / timing belt
Rep. Satz Zahnriemen / rep. kit timing belt

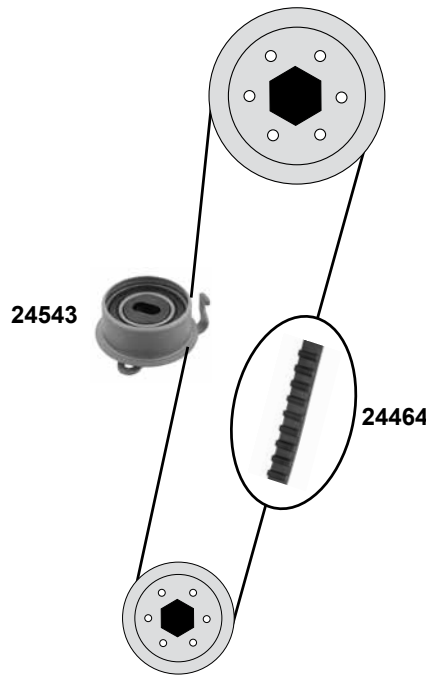
ØA 60 B36
ØA 60 B29
Z 92





# HYUNDAI Getz (02→)

1,1



1,3

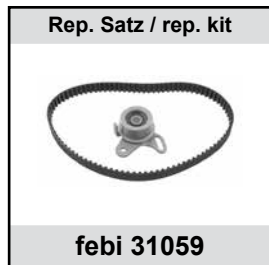
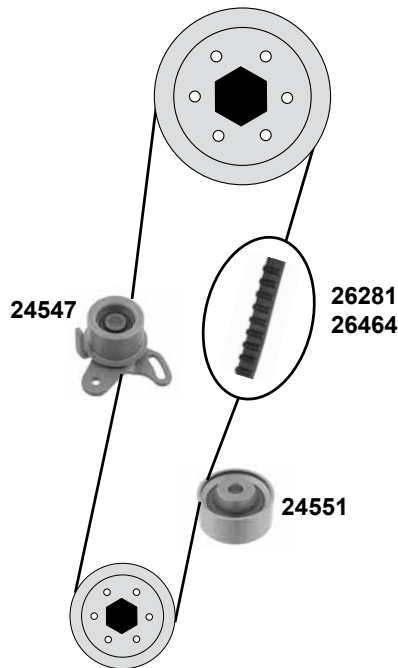
05/02→





1,4

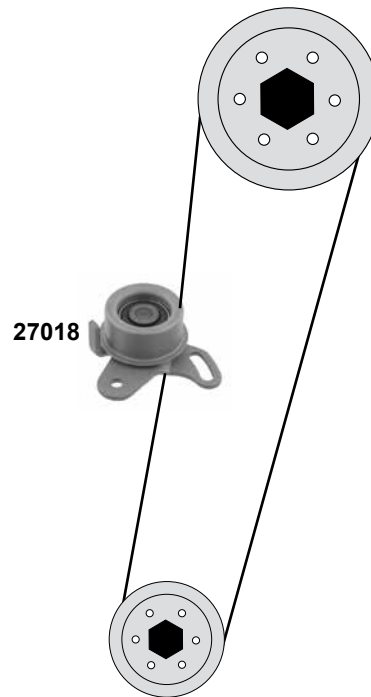
08/05→

1,6

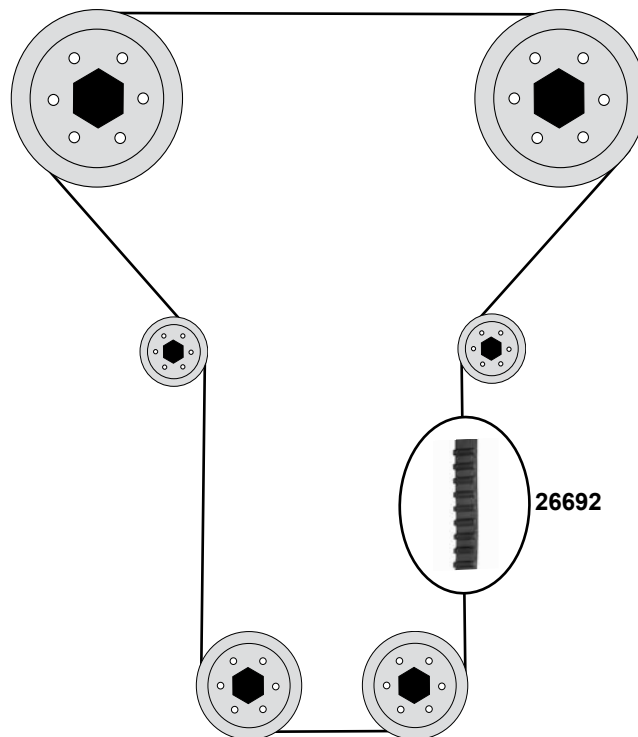
05/02→



	Ref. - No.			
24464	24312-02701	Zahnriemen / timing belt		Z 101
24543	24410-02550	Spannrolle / tension roller		ØA 57 B25,5
24547	24410-26000	Spannrolle / tension roller		ØA 60 B2
24551	24810-26020	Umlenkrolle / deflection pulley	(mot.) 1,4 / 1,6	ØA 55 B25
24791	24312-02701	Rep. Satz Zahnriemen / rep. kit timing chain		Z 101
26281	24312-26001	Zahnriemen / timing belt	(mot.) 1,4 / 1,6	Z 105
26464	24312-22613	Zahnriemen / timing belt	(mot.) 1,3	Z 110
31059	24312-22613 S1	Rep. Satz Zahnriemen / rep. kit timing chain	(mot.) 1,3	



**H-1**  
(07/01→01/05)  
**2,4**



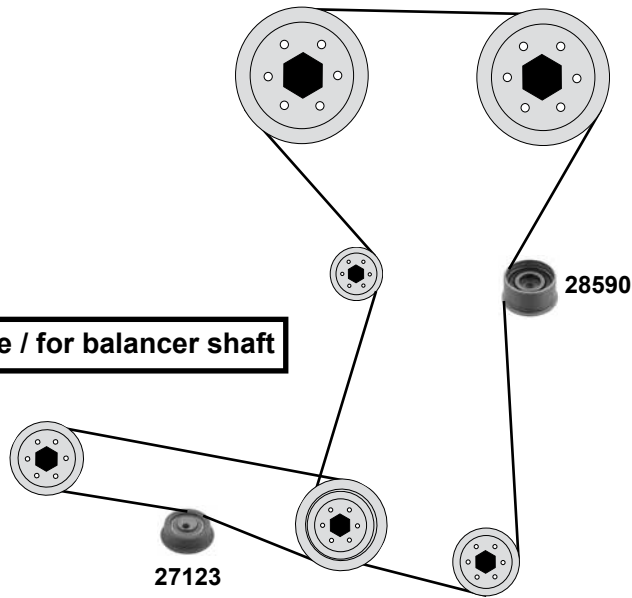
# HYUNDAI H-1

(07/01→05/07)

Car  
Division

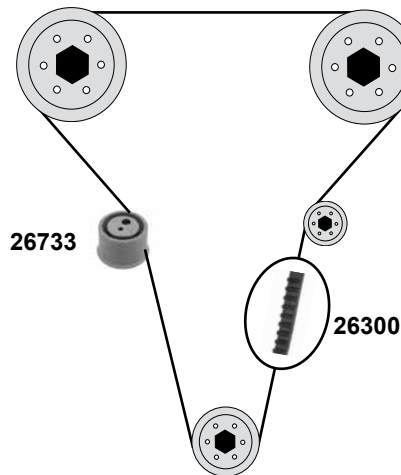


## 2,4 16V MPI



für Ausgleichswelle / for balancer shaft

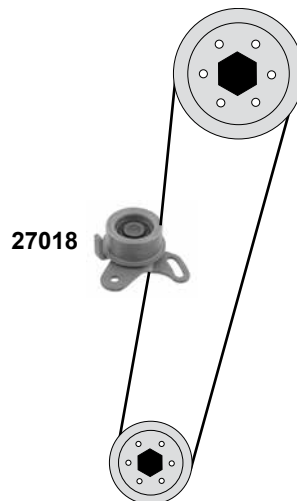
## 2,7



## H-100

(07/93→03/00)

## 2,4 (SOHC)



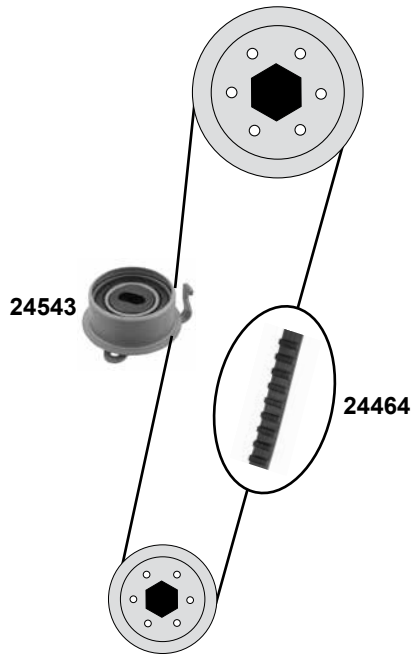
Ref. - No.



<b>26300</b>	24312-37500
<b>26733</b>	24810-37120
<b>27018</b>	24410-32020
<b>27123</b>	23357-38001
<b>28590</b>	24450-38011

Zahnriemen / timing belt
Spannrolle / tension roller
Spannrolle / tension roller
Spannrolle / tension roller
Spannrolle / tension roller

Z 207
ØA 57,5 B39
ØA 60 B29
ØA 55 B18
ØA 60,5 B33,5

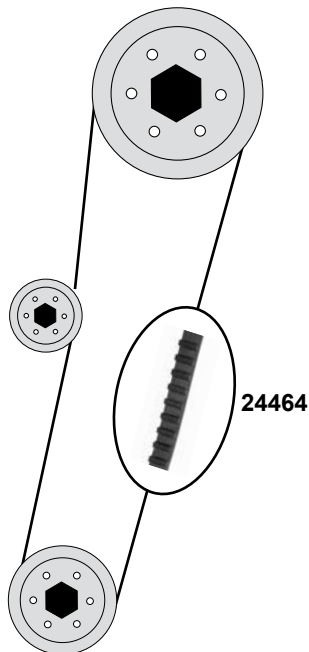


**i30**

(05/07→)

**i30cw**

(10/08→)



Ref. - No.



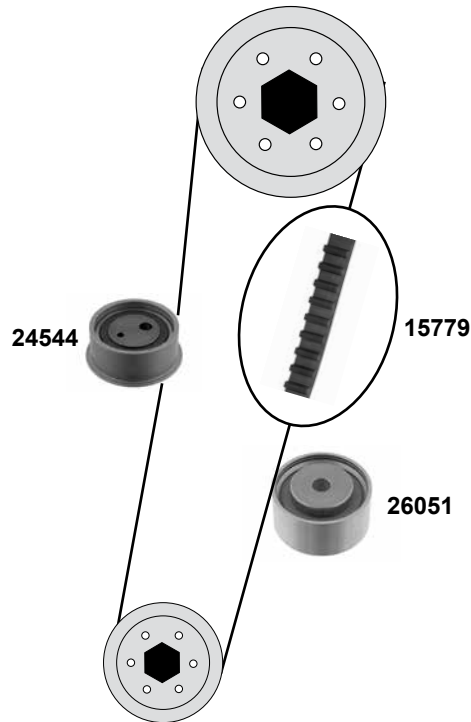
**24464** 24312-02701  
**24543** 24410-02550  
**24791** 24312-02701

Zahnriemen / timing belt  
Spannrolle / tension roller  
Rep. Satz Zahnriemen / rep. kit timing chain

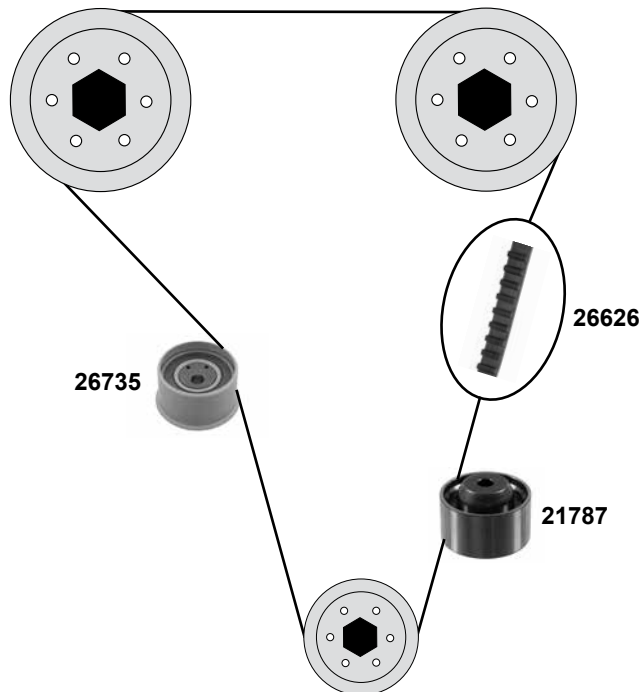
Z 101  
ØA 57 B25,5  
Z 101

# HYUNDAI Lantra (10/90→11/95)

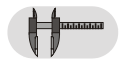
Car  
Division



# Lantra (10/90→11/95) 1,8 16V (DOHC)



Ref. - No.



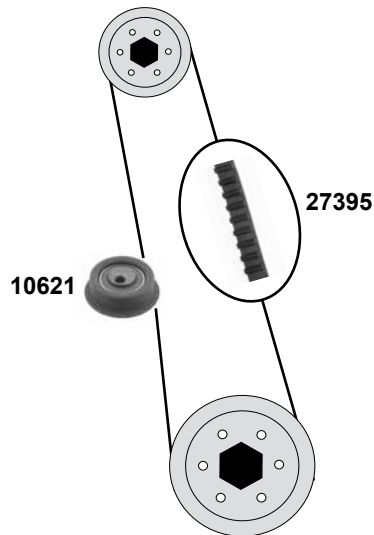
15779	24312-23001
21787	24810-33024
24544	24410-23400
26051	24810-23400
26626	24312-33160
26735	24450-33020

Zahnriemen / timing belt
Umlenkrolle / deflection pulley
Spannrolle / tension roller
Umlenkrolle / deflection pulley
Zahnriemen / timing belt
Spannrolle / tension roller

(mot.) 1,6→ 06/00
→ 09/01
→ 05/06

Z 111
ØA 60 B32
ØA70 B30
ØA60 H28,5
Z 153
ØA 60 B32,5

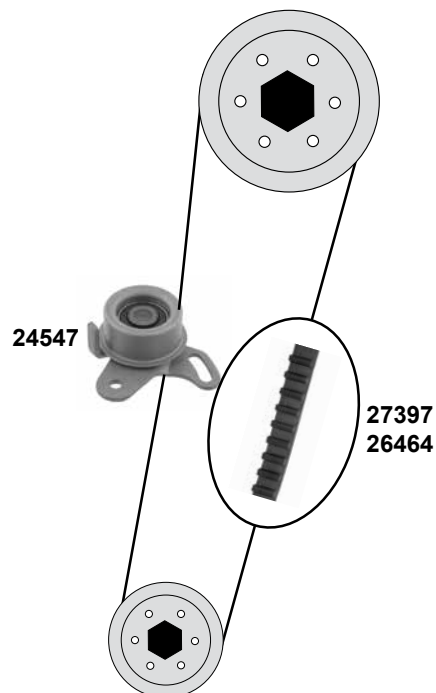
**für Ausgleichswelle / for balancer shaft**



Rep. Satz / rep. kit



febi 27396



**Lantra (J2)**  
(12/96→)  
**1,5 16V**

Rep. Satz / rep. kit



febi 27398

	Ref. - No.			
<b>10621</b>	23357-33130	Spannrolle / tension roller		ØA 55 B19
<b>24547</b>	24410-26000	Spannrolle / tension roller	→ 07/00	ØA 60 B29
<b>26464</b>	24312-22613	Zahnriemen / timing belt	11/98 →	Z 110
<b>27395</b>	23356-33160	Zahnriemen / timing belt		Z 65
<b>27396</b>	23356-33160 S1	Rep. Satz Zahnriemen / rep. kit timing belt		Z 65
<b>27397</b>	24312-22010	Zahnriemen / timing belt	→ 11/98	Z 92
<b>27398</b>	24312-22010 S1	Rep. Satz Zahnriemen / rep. kit timing belt	→ 11/98	Z 92

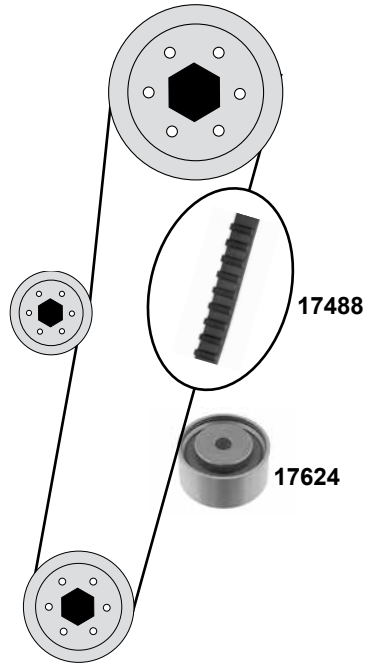
# HYUNDAI Lantra (J1)

(10/90→11/95)

Car  
Division



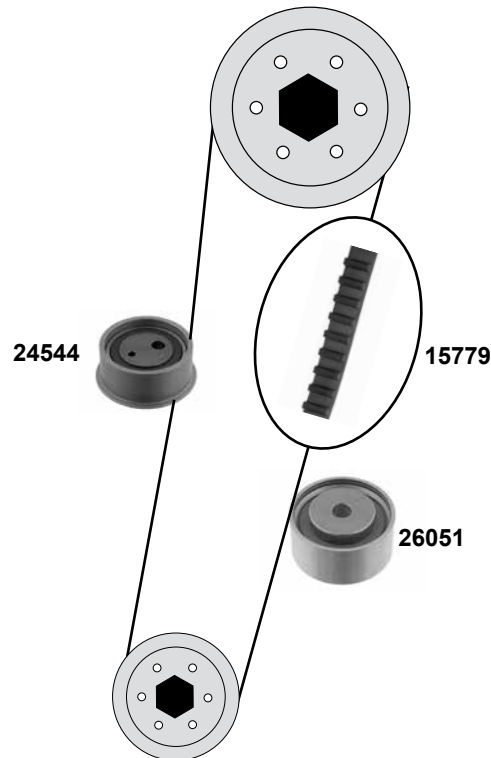
1,5 8V / 1,6 16V



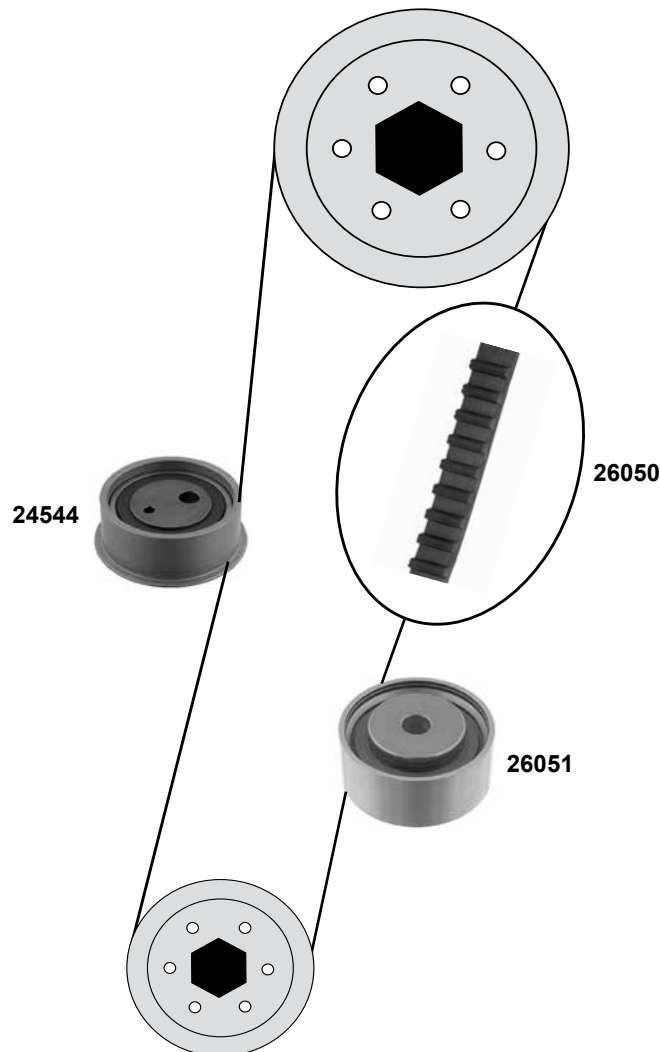
# Lantra (J2)

(11/95→)

1,6 16V  
1,8 16V



febi bilstein	Ref. - No.			
15779	24312-23001	Zahnriemen / timing belt	→ 07/00	Z 111
17488	24312-33060	Zahnriemen / timing belt	(mot.) 1,6 8V	Z 151 B29
17624	24410-21010	Spannrolle / tension roller	(mot.) 1,5 8V	ØA60 B26
24544	24410-23400	Spannrolle / tension roller	→ 09/00	ØA70 B30
26051	24810-23400	Umlenkrolle / deflection pulley	→ 09/00	ØA60 H28,5
26903	24312-23001 S1	Rep. Satz Zahnriemen / rep. kit timing belt	→ 07/00	Z 111



	Ref. - No.			
<b>24544</b>	24410-23400	Spannrolle / tension roller	(mot.) 2,0	ØA70 B30
<b>26050</b>	24312-23202	Zahnriemen / timing belt		Z 113
<b>26051</b>	24810-23400	Umlenkrolle / deflection pulley		ØA60 H28,5
<b>26052</b>	24312-23202 S1	Rep. Satz Zahnriemen / rep. kit timing belt		Z 113



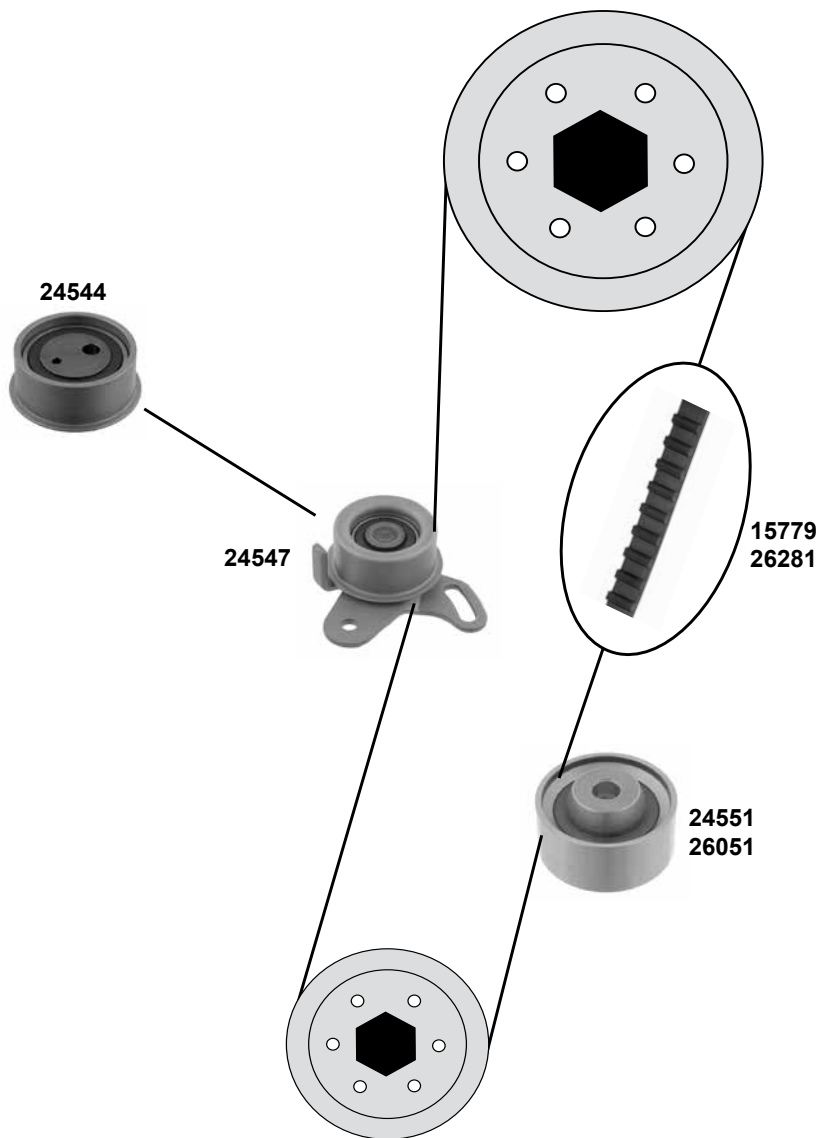
# HYUNDAI Matrix / Lavita

(05/01→)

Car  
Division



1,6 / 1,8 16V



(1) Lavita 02/07 →

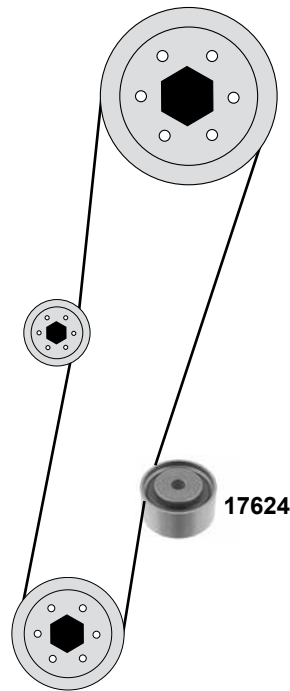
(2) Matrix 05/01 → // Lavita 04/08 →



Ref. - No.



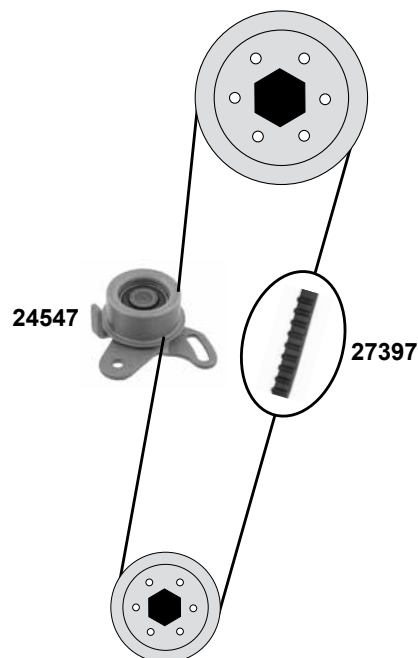
Ref. - No.	Description	Motor	Part No.
15779	Zahnriemen / timing belt	(mot.) 1,8 (1)	Z 105 B25,5
24544	Spannrolle / tension roller	(mot.) 1,8 → 05/06	ØA70 B30
24547	Spannrolle / tension roller	(mot.) 1,6 (1)	ØA60 B29
24551	Umlenkrolle / deflection pulley	(mot.) 1,6	ØA55 B25
26051	Umlenkrolle / deflection pulley	(mot.) 1,8 → (2)	ØA60 B28,5
26281	Zahnriemen / timing belt	(mot.) 1,6	Z 105 B22



**Pony**

(10/94→01/00)

**1,3 / 1,5 12V (SOHC)**



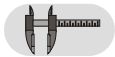
Rep. Satz / rep. kit



febi 27398



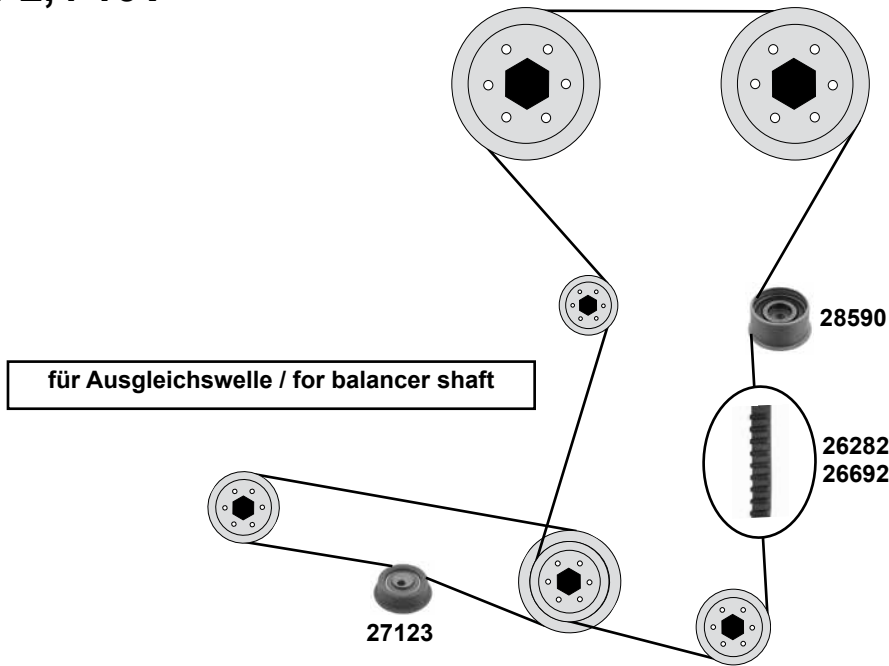
Ref. - No.



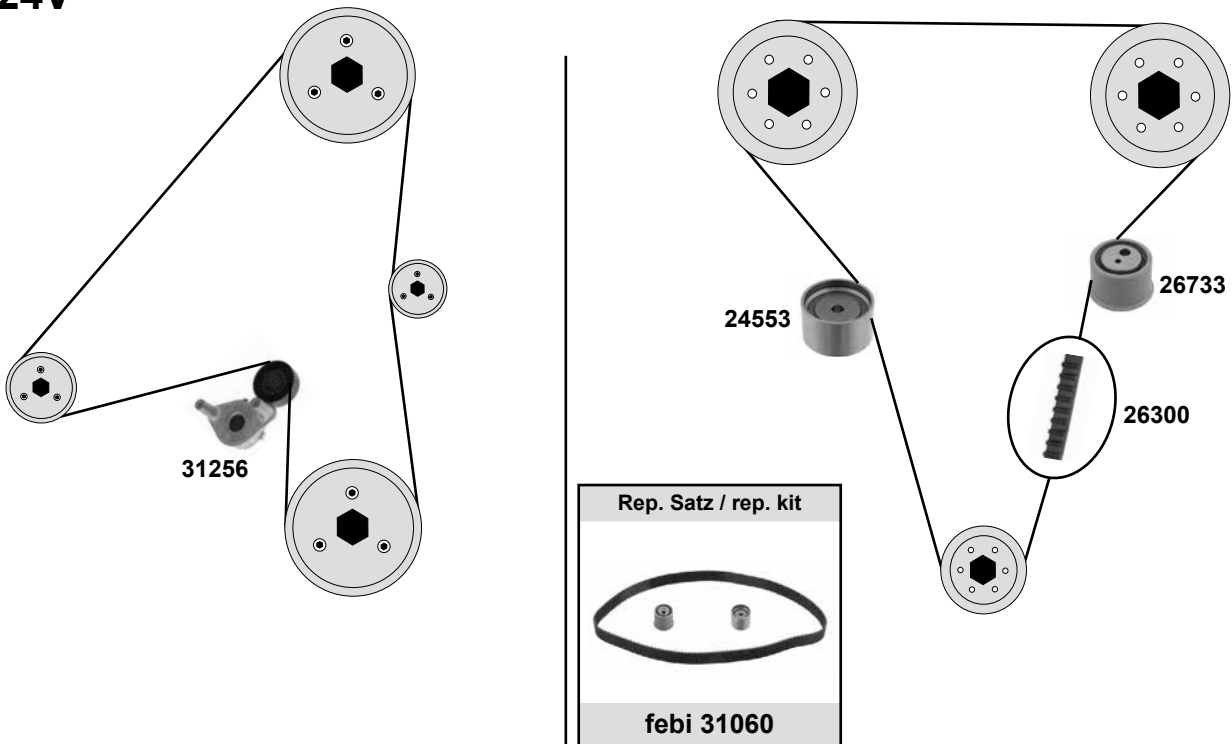
<b>17624</b>	24410-21010	Spannrolle / tension roller
<b>24547</b>	24410-26000	Spannrolle / tension roller
<b>27397</b>	24312-22010	Zahnriemen / timing belt
<b>27398</b>	24312-22010 S1	Rep. Satz Zahnriemen / rep. kit timing belt

ØA 60 B26
ØA 60 B29
Z 92
Z 92

## 2,0 / 2,4 16V



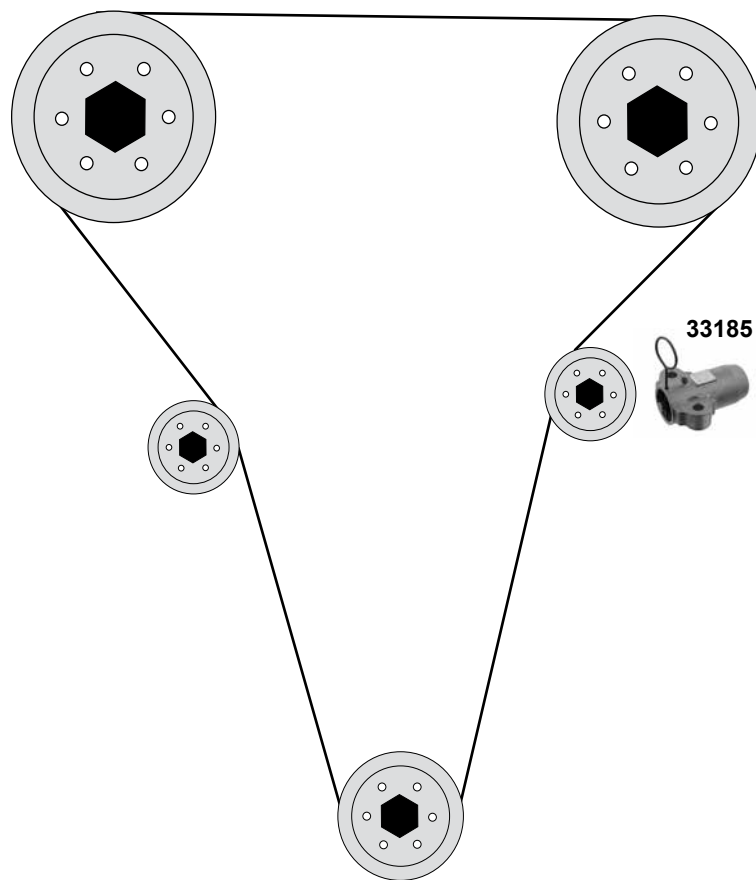
## 2,7 24V



Ref. - No.



24553	24450-37120	Umlenkrolle / deflection pulley	(mot.) 2,0	ØA 60 B35
26282	24312-38020	Zahnriemen / timing belt		Z 173
26300	24312-37500	Zahnriemen / timing belt	(mot.) 2,4	Z 207
26733	24810-37120	Spannrolle / tension roller		ØA 57,5 B39
26692	24312-38210	Zahnriemen / timing belt	Z 175	
27123	23357-38001	Spannrolle / tension roller	ØA 55 B18	
28590	24450-38011	Spannrolle / tension roller	ØA 60,5 B33,5	
31060	24312-37500 S1	Rep. Satz Zahnriemen / rep. kit timing chain	Z 207	
31256	25281-37120	Riemenspanner / belt tensioner		



# HYUNDAI Santamo

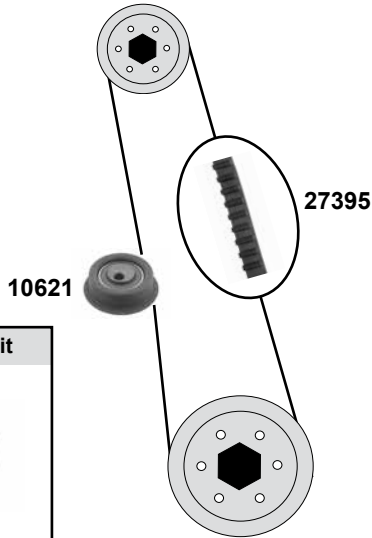
(99→)

Car  
Division



## 2,0 16V (SOHC)

für Ausgleichswelle / for balancer shaft



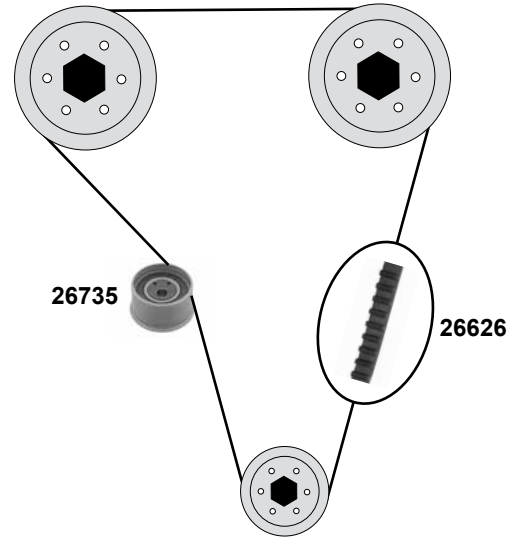
Rep. Satz / rep. kit



febi 27396

## 2,0 16V (DOHC)

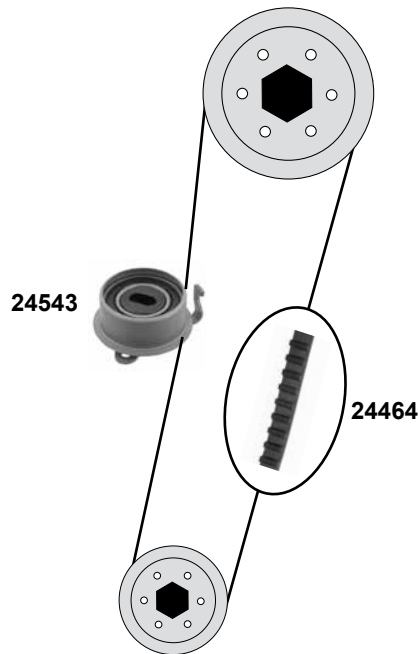
(09/98→01/02)



## Santro

(03→05)

1,0 (SOHC)



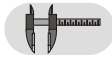
Rep. Satz / rep. kit



febi 24791

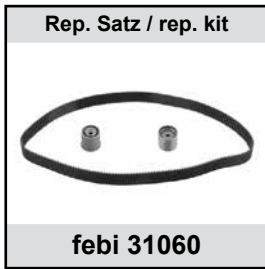
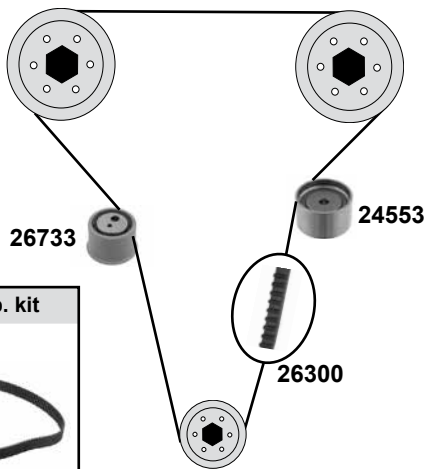


Ref. - No.

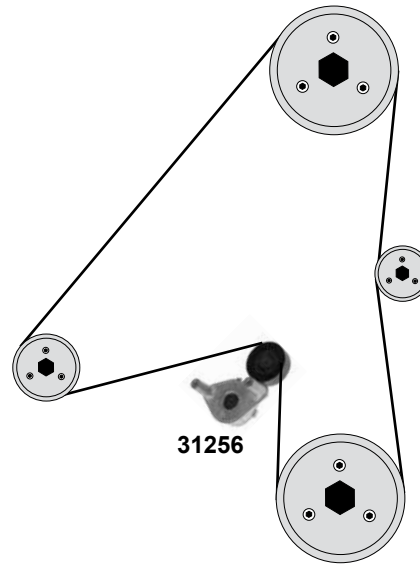


10621	23357-33130	Spannrolle / tension roller	ØA 55 B19
24464	24312-02701	Zahnriemen / timing belt	Z 101
24543	24410-02550	Spannrolle / tension roller	ØA 57 B25,5
24791	24312-02701	Rep. Satz Zahnriemen / rep. kit timing belt	Z 101
26626	24312-33160	Zahnriemen / timing belt	Z 153
26735	24450-33020	Spannrolle / tension roller	ØA 60 B32,5
27395	23356-33160	Zahnriemen / timing belt	Z 65
27396	23356-33160 S1	Rep. Satz Zahnriemen / rep. kit timing belt	Z 65

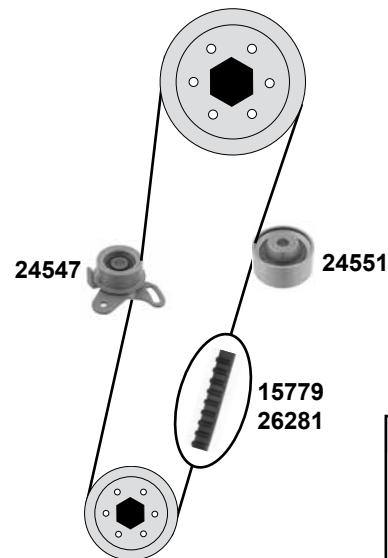
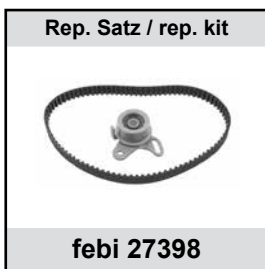
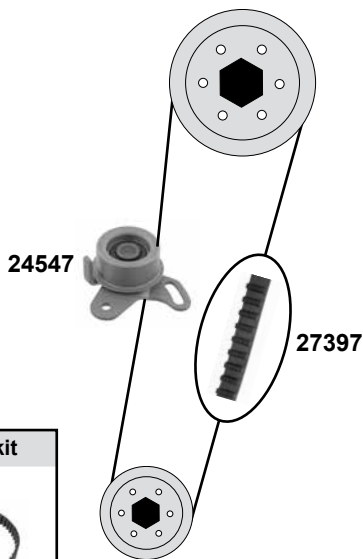
**1,5 12V (SOHC)**



**S Coupe**  
(07/93→05/96)



**Coupe**  
(12/96→06/00)



Ref. - No.

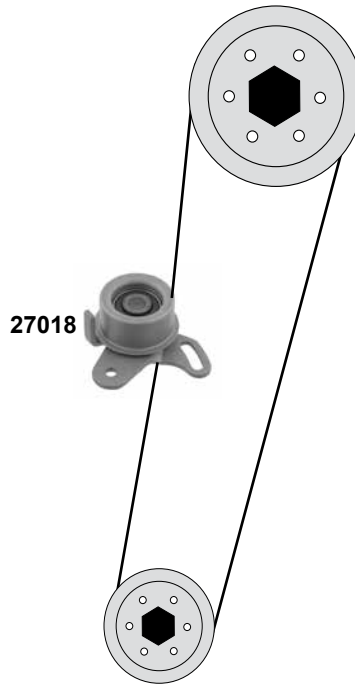


<b>15779</b>	24312-23001	Zahnriemen / timing belt	Z 111
<b>24547</b>	24410-26000	Spannrolle / tension roller	ØA 60 B29
<b>24551</b>	24810-26020	Umlenkrolle / deflection pulley	ØA 55 B25
<b>24553</b>	24450-37120	Umlenkrolle / deflection pulley	ØA 60 B35
<b>26281</b>	24312-26001	Zahnriemen / timing belt	Z 105
<b>26300</b>	24312-37500	Zahnriemen / timing belt	Z 207
<b>26733</b>	24810-37120	Spannrolle / tension roller	ØA 57,5 B39
<b>27397</b>	24312-22010	Zahnriemen / timing belt	Z 92
<b>27398</b>	24312-22010 S1	Rep. Satz Zahnriemen / rep. kit timing belt	Z 92
<b>31060</b>	34312-37500 S1	Rep. Satz Zahnriemen / rep. kit timing belt	Z 207
<b>31061</b>	34312-26001 S1	Rep. Satz Zahnriemen / rep. kit timing belt	Z 105
<b>31256</b>	25281-37120	Riemenspanner / belt tensioner	

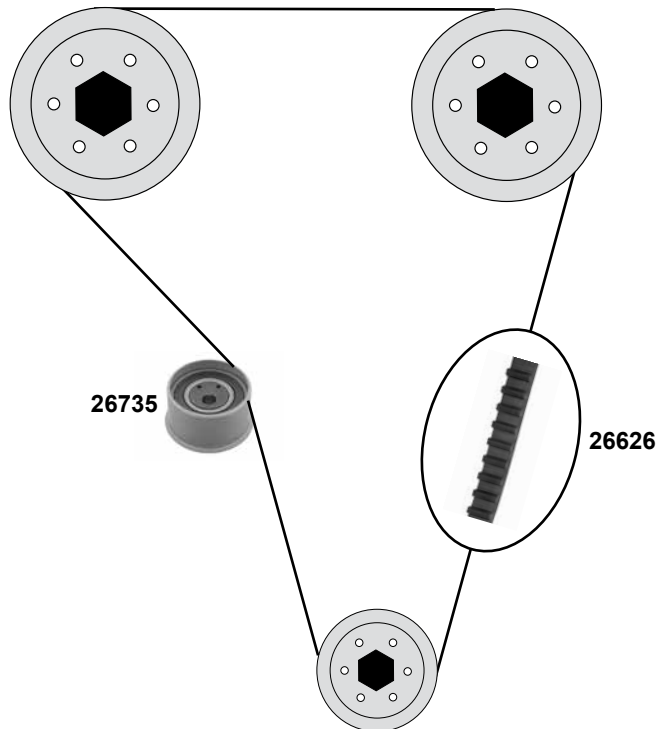
06/00 → 12/06



## 2,0 (SOHC)



## 2,0 16V (DOHC)



Ref. - No.



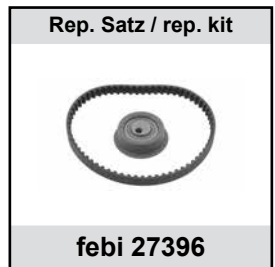
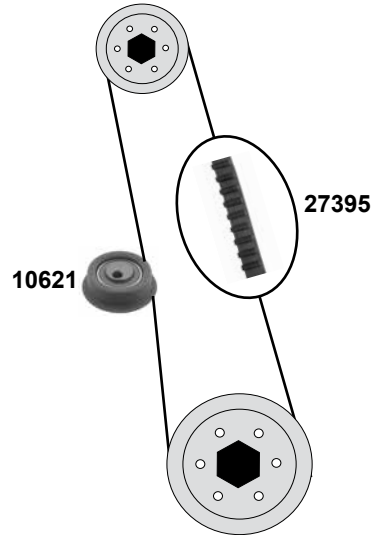
<b>26626</b>	24312-33160
<b>26735</b>	24450-33020
<b>27018</b>	24410-32020

Zahnriemen / timing belt
Spannrolle / tension roller
Spannrolle / tension roller

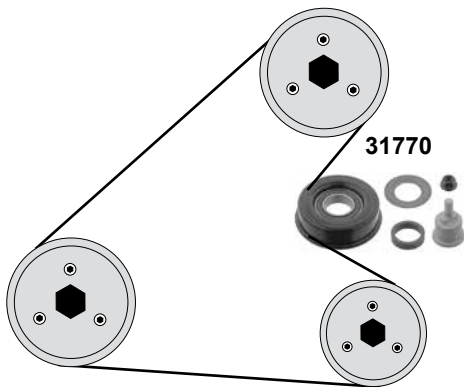
→ 10/93

Z 153
ØA 60 B32,5
ØA 60 B29

**für Ausgleichswelle / for balancer shaft**

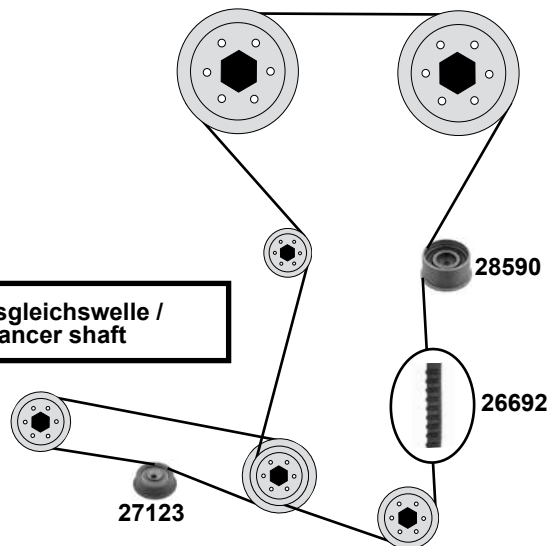


**AC**



**Sonata III EF**  
(03/98→10/01)  
**2,0 / 2,4 16V**

**für Ausgleichswelle / for balancer shaft**



(1) (mot.) 2,0 (mot.) 2,4 / 01/99 → 10/01



Ref. - No.



<b>10621</b>	23357-33130	Spannrolle / tension roller	(mot.) 2,4 01/99 → 10/01	ØA 55 B19
<b>26692</b>	24312-38210	Zahnriemen / timing belt		Z 175
<b>27123</b>	23357-38001	Spannrolle / tension roller	(1)	ØA 55 B18
<b>27395</b>	23356-33160	Zahnriemen / timing belt		Z 65
<b>27396</b>	23356-33160 S1	Rep. Satz Zahnriemen / rep. kit timing belt		Z 65
<b>28590</b>	24450-38011	Spannrolle / tension roller		ØA 60,5 B33,5
<b>31770</b>	57212-38100	Umlenkrolle / deflection pulley		ØA 90 IØ 29,90



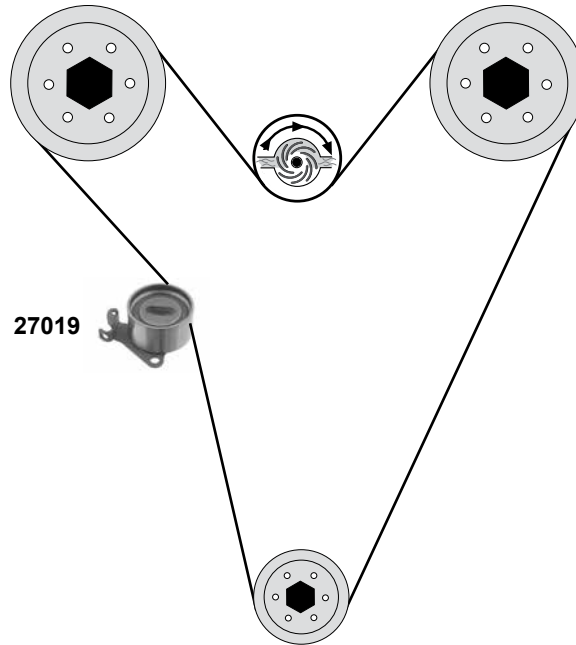
# HYUNDAI Sonata

(01/91→06/98)

Car  
Division



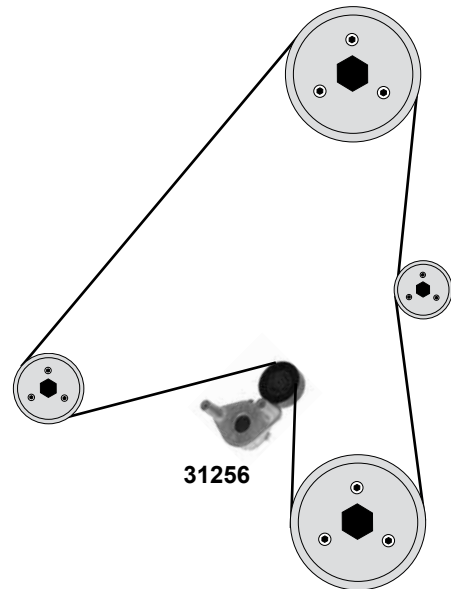
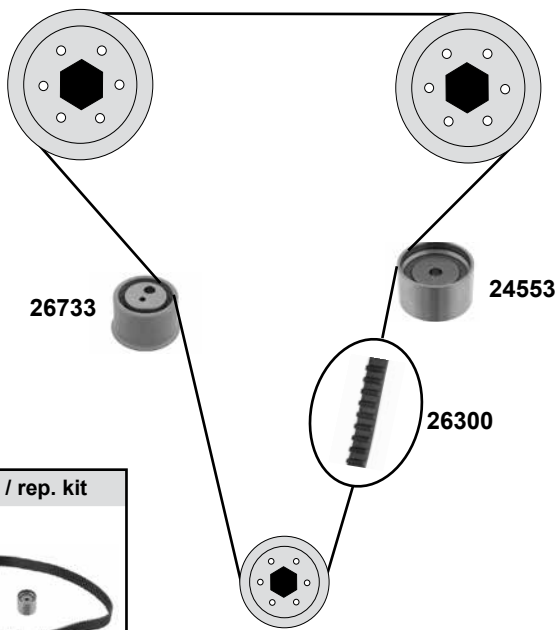
## 3,0 V6



## Sonata III (EF) / IV (EU)

(98→04)

2,5 / 2,7



Rep. Satz / rep. kit



febi 31060

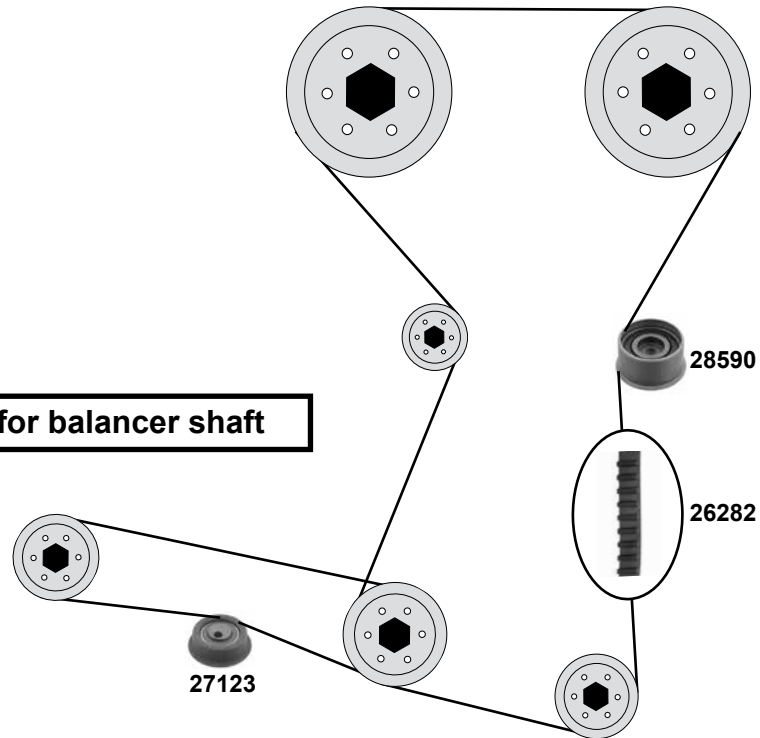


Ref. - No.

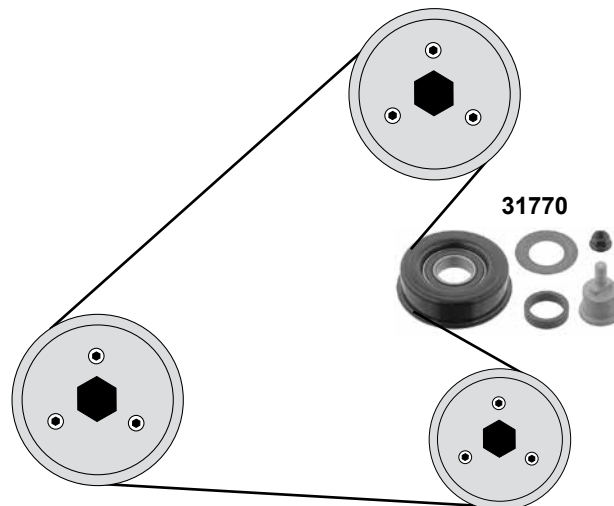


24553	24450-37120	Umlenkrolle / deflection pulley	ØA 60 B35
26300	24312-37500	Zahnriemen / timing belt	Z 207
26733	24810-37120	Spannrolle / tension roller	ØA 57,5 B39
27019	24410-35060	Spannrolle / tension roller	ØA 60 B32
31060	24312-37500 S1	Rep. Satz Zahnriemen / rep. kit timing chain	Z 207
31256	25281-37120	Riemenspanner / belt tensioner	

für Ausgleichswelle / for balancer shaft



**AC**



Ref. - No.



**26282** 24312-38020  
**27123** 23357-38001  
**28590** 24450-38011  
**31770** 57212-38100

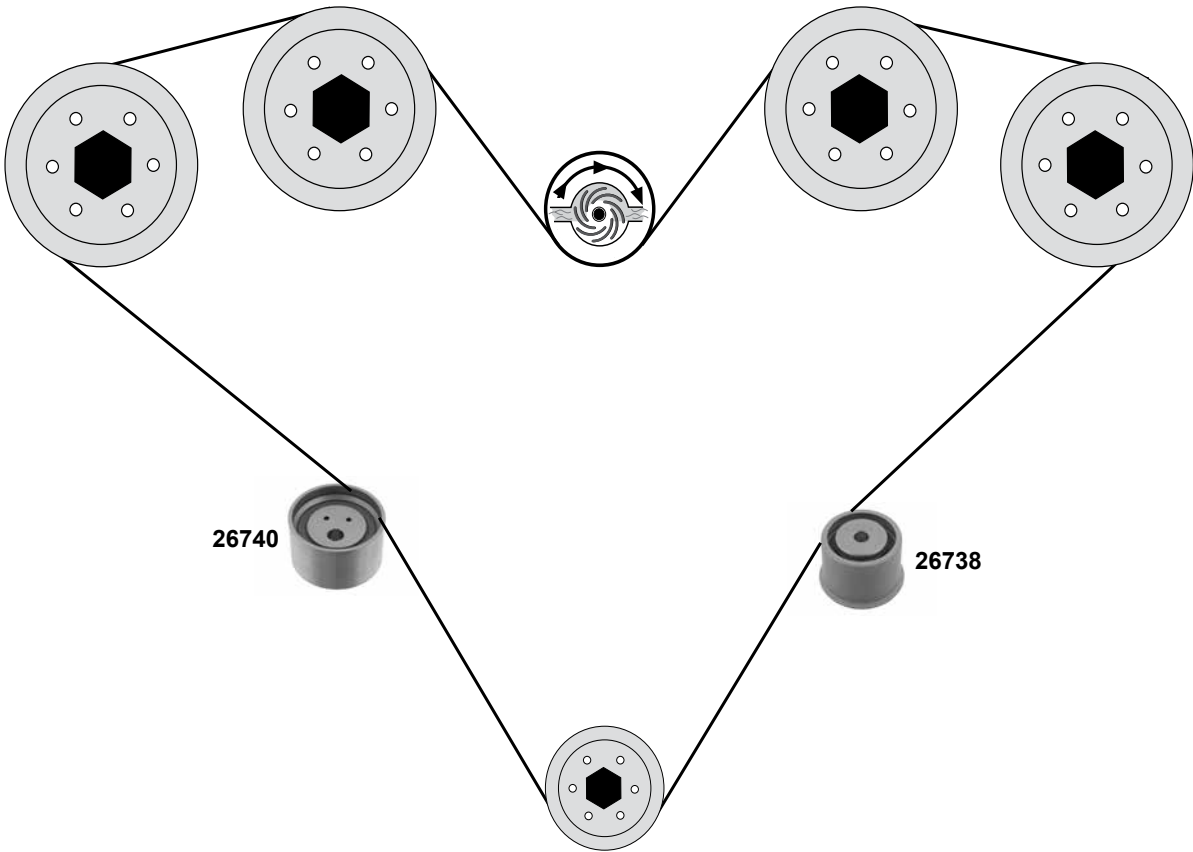
Zahnriemen / timing belt  
Spannrolle / tension roller  
Spannrolle / tension roller  
Umlenkrolle / deflection pulley

04/01 → 11/04  
04/01 → 11/04

Z 173  
ØA 55 B18  
ØA 60,5 B33,5  
ØA 90 IØ 29,90



## 3,5 24V

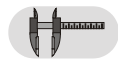


26740

26738



Ref. - No.

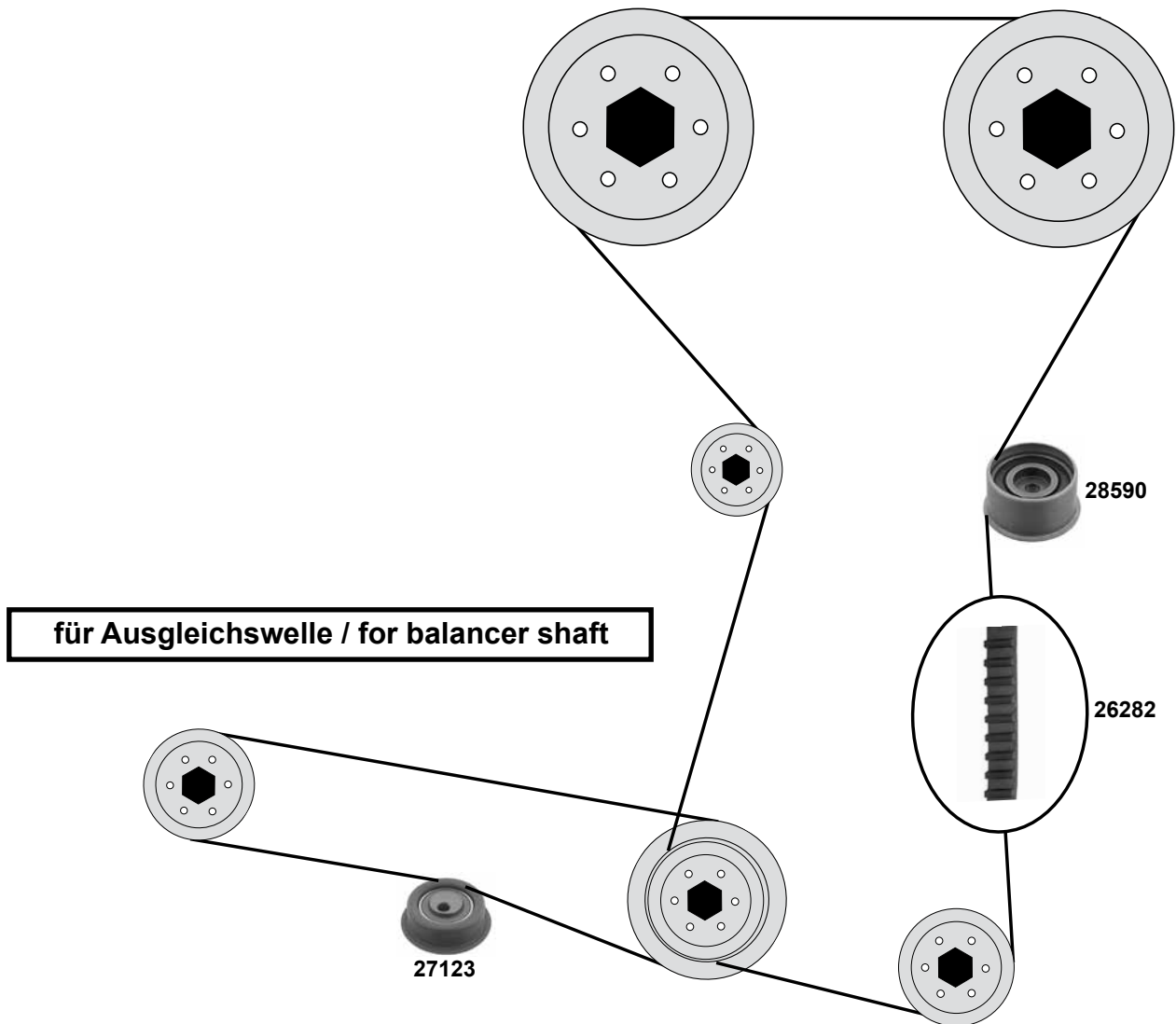


26738  
26740

24810-35530  
24450-35530

Umlenkrolle / deflection pulley  
Spannrolle / tension roller

ØA57,5 B38,5  
ØA60 B35



Ref. - No.



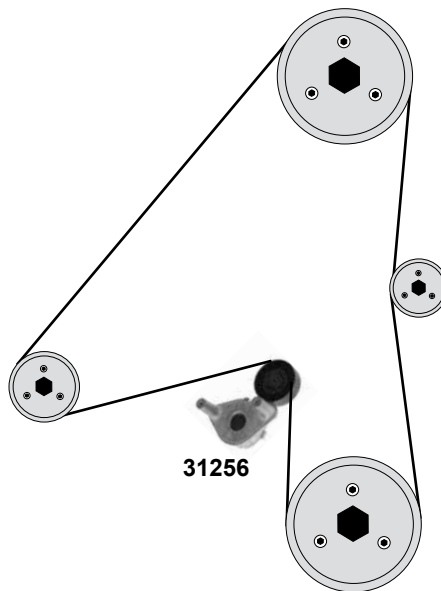
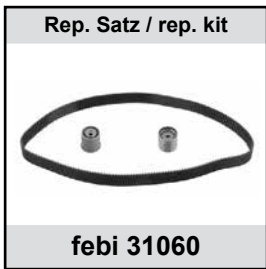
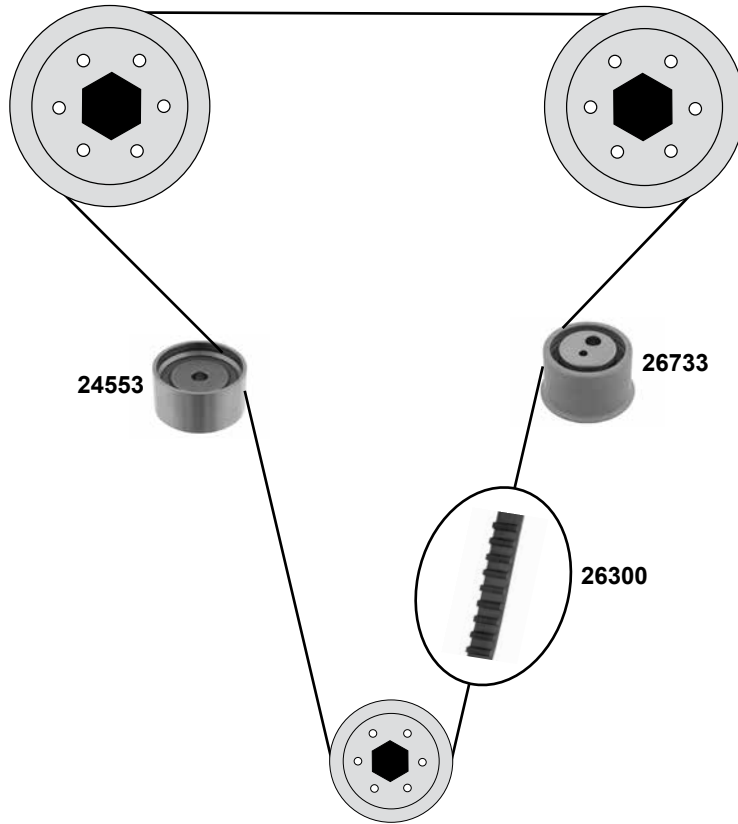
**26282** 24312-38020  
**27123** 23357-38001  
**28590** 24450-38011

Zahnriemen / timing belt  
Spannrolle / tension roller  
Spannrolle / tension roller

Z 173  
ØA 55 B1  
ØA 60,5 B33,5



## 2,7



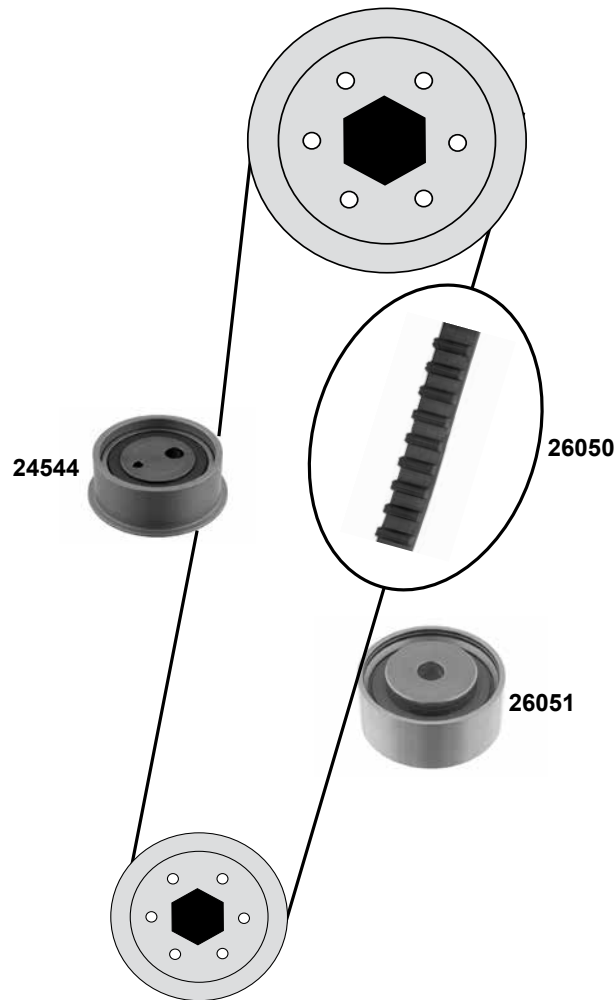
Ref. - No.



<b>24553</b>	24450-37120
<b>26300</b>	24312-37500
<b>26733</b>	24810-37120
<b>31060</b>	34312-37500 S1
<b>31256</b>	25281-37120

Umlenkrolle / deflection pulley
Zahnriemen / timing belt
Spannrolle / tension roller
Rep. Satz Zahnriemen / rep. kit timing chain
Riemenspanner / belt tensioner

ØA 60 B35
Z 207
ØA 57,5 B39
Z 207



Rep. Satz / rep. kit



febi 26052



Ref. - No.



**24544**  
**26050**  
**26051**  
**26052**

24410-23400  
24312-23202  
24810-23400  
24312-23202 S1

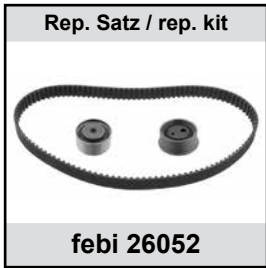
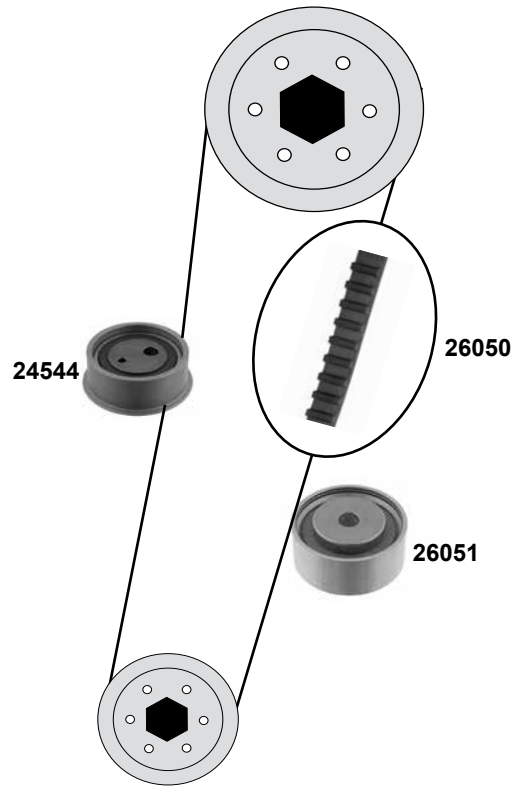
Spannrolle / tension roller  
Zahnriemen / timing belt  
Umlenkrolle / deflection pulley  
Rep. Satz Zahnriemen / rep. kit timing belt

02/04 → 05/06  
02/04 → 05/07

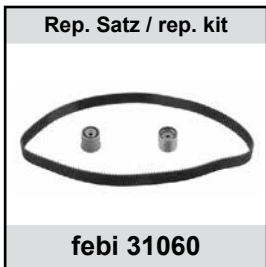
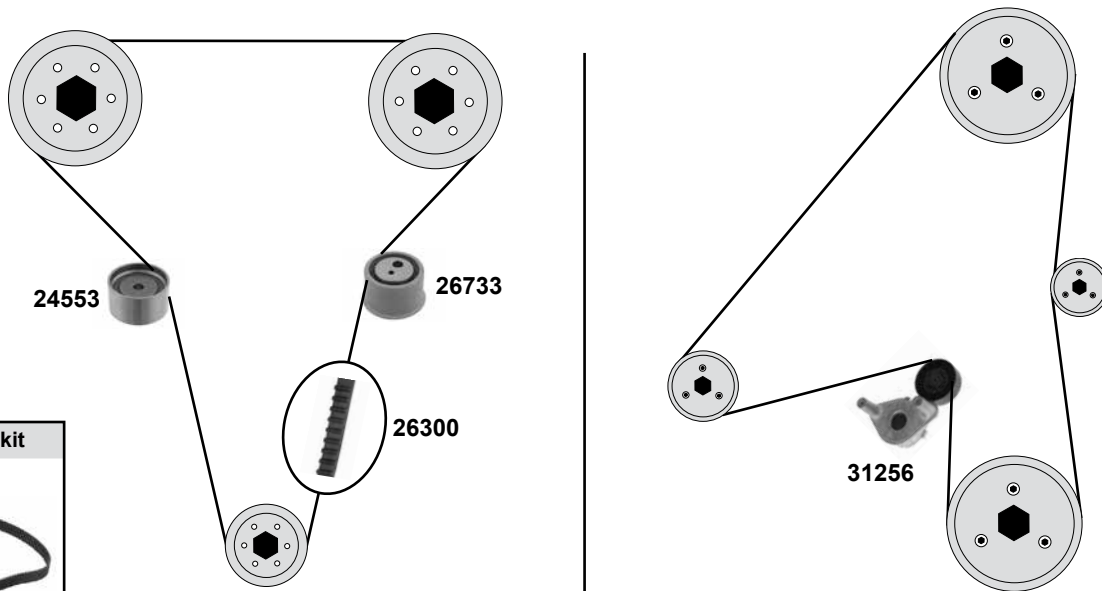
ØA70 B30  
Z 113  
ØA60 H28,5  
Z 113



## 2,0 (MPI)

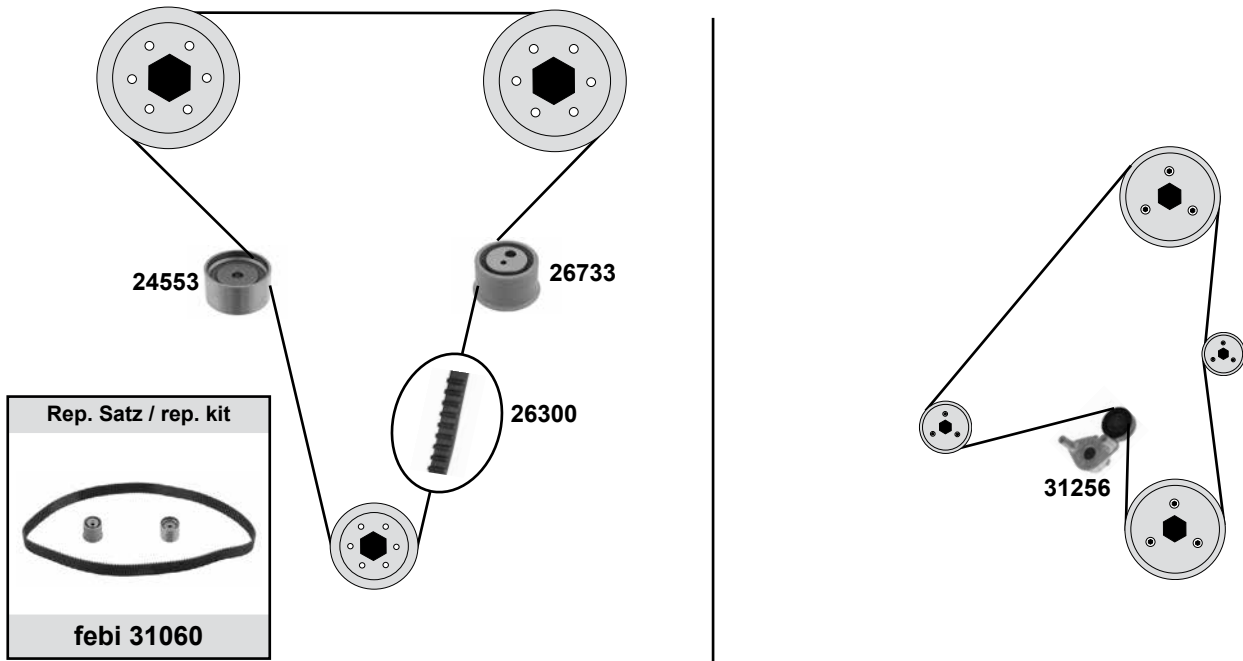


## 2,7

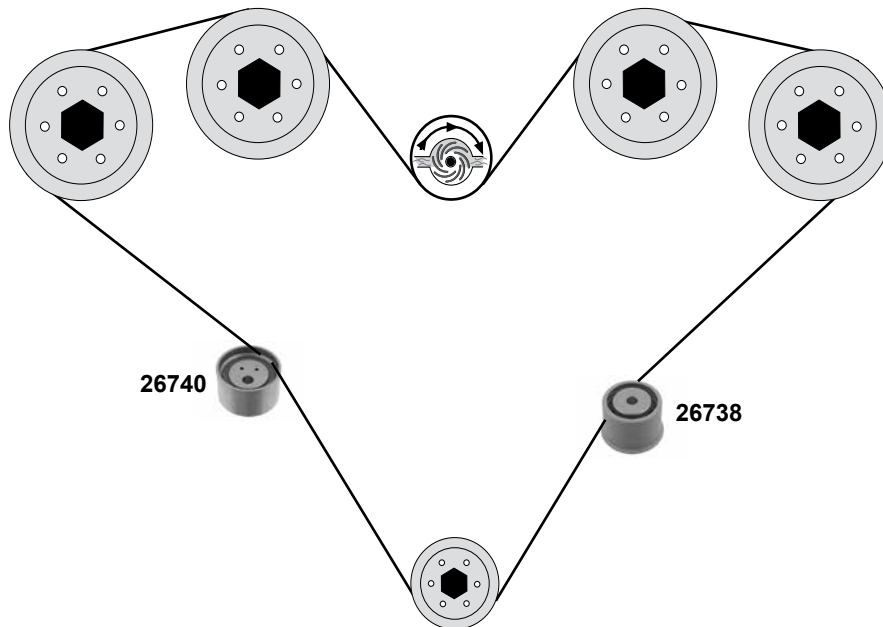


Part No.	Ref. - No.	Description	Validity	Dimensions
24544	24410-23400	Spannrolle / tension roller	04/04 → 05/06	ØA70 B30
24553	24450-37120	Umlenkrolle / deflection pulley	04/04 → 12/06	ØA60 B35
26050	24312-23202	Zahnriemen / timing belt		Z 113
26051	24810-23400	Umlenkrolle / deflection pulley	04/04 → 12/06	ØA60 H28,5
26052	24312-23202 S1	Rep. Satz Zahnriemen / rep. kit timing belt		Z 113
26300	24312-37500	Zahnriemen / timing belt	04/04 → 12/06	Z 207
26733	24810-37120	Spannrolle / tension roller	04/04 → 12/06	ØA 57,5 B39
31060	24312-37500 S1	Rep. Satz Zahnriemen / rep. kit timing belt	04/04 → 12/06	Z 207
31256	25281-37120	Riemenspanner / belt tensioner	04/04 → 12/06	

**2,5 24V**



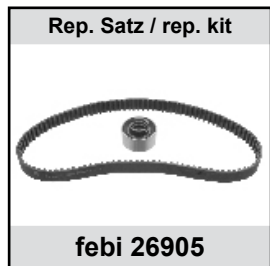
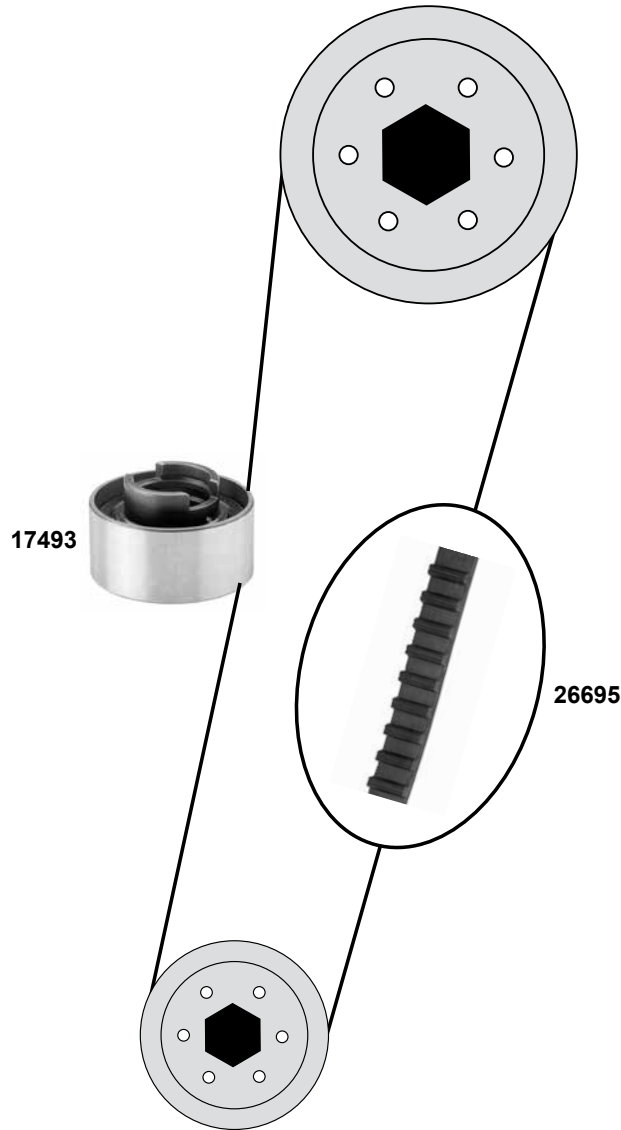
**3,0 / 3,5 24V**







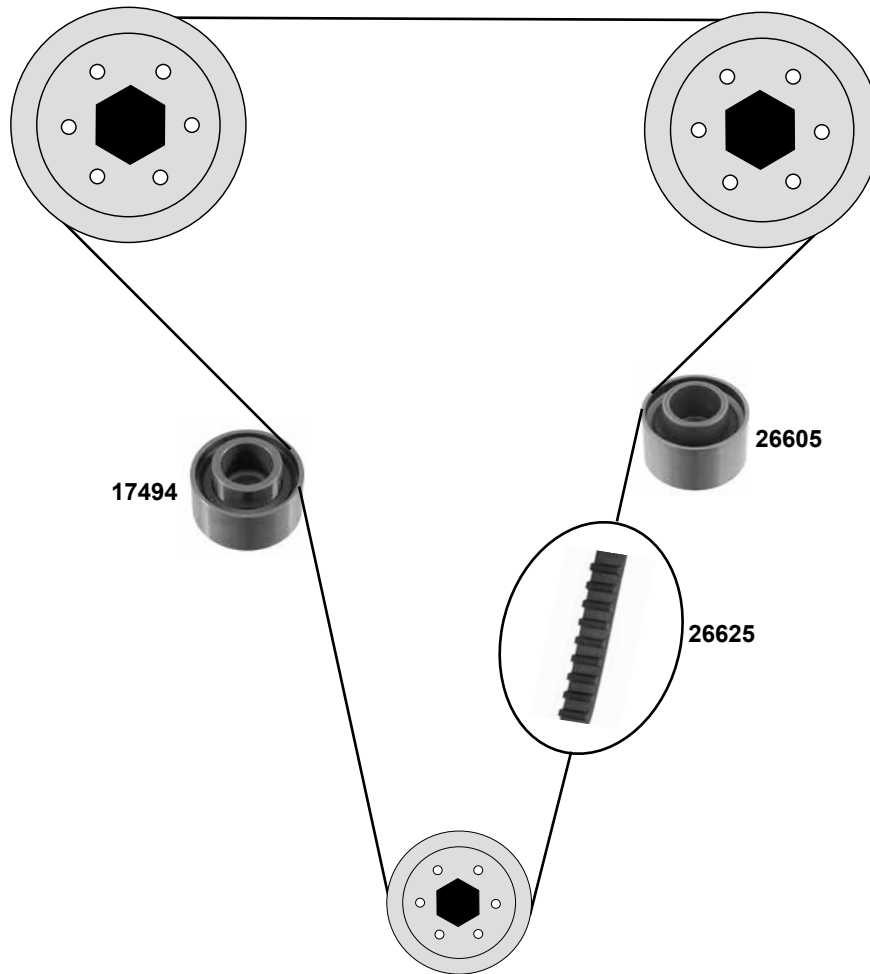
	Ref. - No.			
<b>24553</b>	24450-37120	Umlenkrolle / deflection pulley	<b>Modell XG25</b>	ØA60 B35
<b>26300</b>	24312-37500	Zahnriemen / timing belt	<b>Modell XG25</b>	Z 207
<b>26733</b>	24810-37120	Spannrolle / tension roller	<b>Modell XG25</b>	ØA 57,5 B39
<b>26738</b>	24810-35530	Umlenkrolle / deflection pulley		ØA57,5 H38,5
<b>26740</b>	24450-35530	Spannrolle / tension roller		ØA60 B35
<b>31060</b>	24312-37500 S1	Rep. Satz Zahnriemen / rep. kit timing belt	<b>Modell XG25</b>	Z 207
<b>31256</b>	25281-37120	Riemenspanner / belt tensioner	<b>Modell XG25</b>	



**1,3 8V (SOHC)**



	Ref. - No.			
<b>17493</b>	MB630-12-700E	Spannrolle / tension roller		Ø A 52 B25
<b>26695</b>	KK350-12-205	Zahnriemen / timing belt		Z 107
<b>26905</b>	KK350-12-205 S1	Rep. Satz Zahnriemen / rep. kit timing belt		Z 107



Ref. - No.



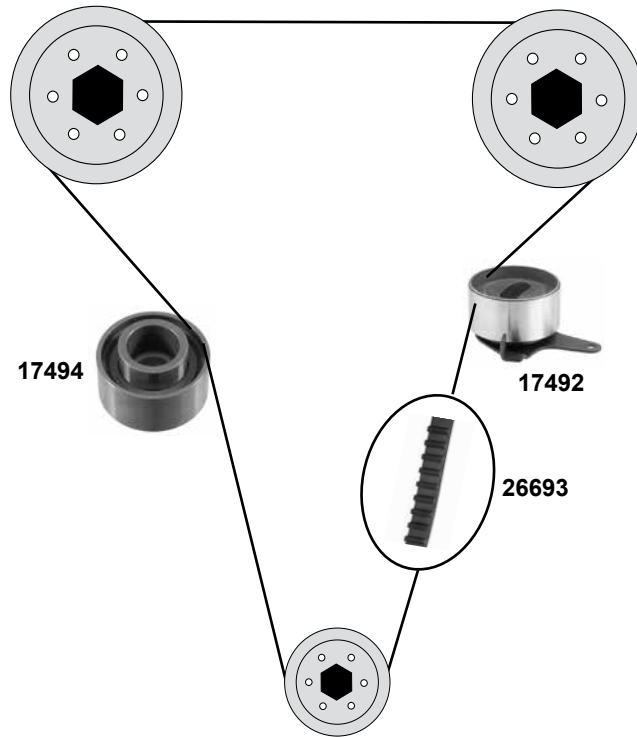
**17494** 0K938-12-730  
**26605** 0K247-12-700  
**26625** 0K247-12-205

Umlenkrolle / deflection pulley  
Spannrolle / tension roller  
Zahnriemen / timing belt

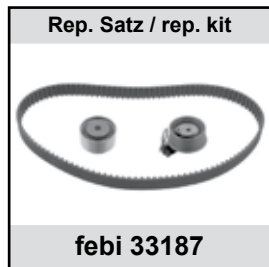
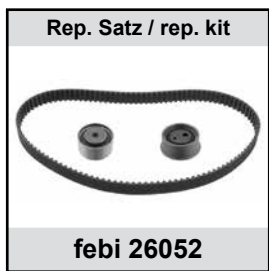
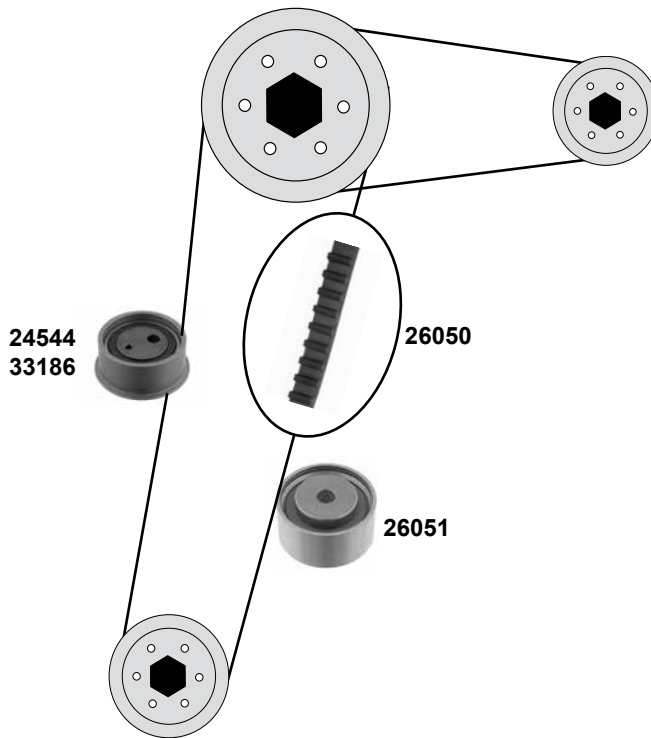
Ø A52 B28,5  
Ø A52 B28,5  
Z 154 B22





# KIA Carens II (02→)

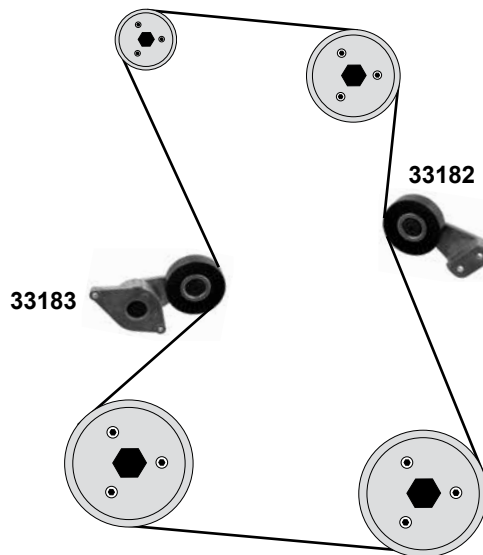
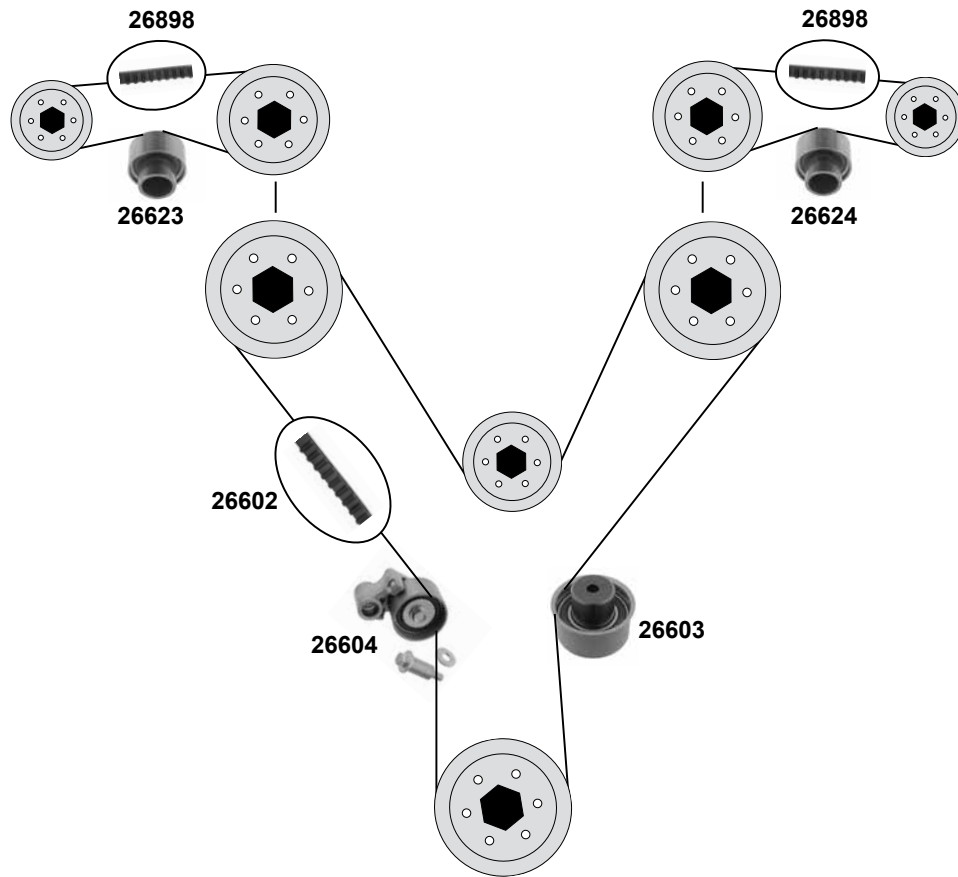
1,6



2,0 (MPI / DOHC)



	Ref. - No.			
17492	24410-2X701	Spannrolle / tension roller		ØA52 B28,5
17494	0K938-12-730	Umlenkrolle / deflection pulley		ØA52 B31
24544	24410-23500	Spannrolle / tension roller	09/04 → 05/06	ØA70 B30
26050	24312-23202	Zahnriemen / timing belt	09/04 → 08/06	Z 113 B25,
26051	24810-23500	Umlenkrolle / deflection pulley	09/04 → 05/06	ØA60 H28,5
26052	24312-23202 S1	Rep. Satz Zahnriemen / rep. kit timing belt	09/04 → 05/06	Z 111
26693	0K30E-12-205	Zahnriemen / timing belt	12/03 →	Z 137
33186	24410-23050	Spannrolle / tension roller	05/06 → 08/06	ØA 70 B30
33187	24312-23202 S2	Rep. Satz Zahnriemen / rep. kit timing belt		



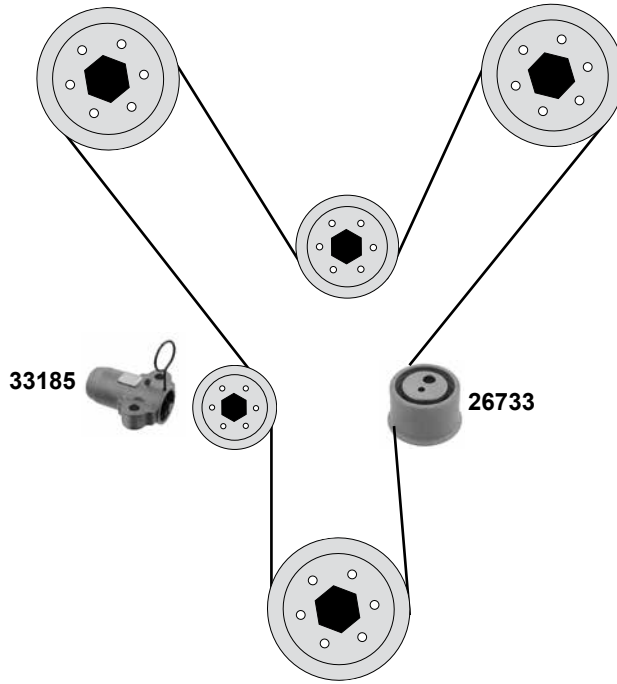
	Ref. - No.			
<b>26602</b>	OK9BV-12-205	Zahnriemen / timing belt	08/99 →	Z 176 B28
<b>26603</b>	OK9BV-12-730	Umlenkrolle / deflection pulley	08/99 →	Ø A 70 H35,5
<b>26604</b>	OK95K-12-750	Spannrolle / tension roller	08/99 →	Ø A60 H32
<b>26623</b>	OK9BV-12-790	Spannrolle / tension roller	08/99 →	Ø A60 H45,5
<b>26624</b>	OK9BV-12-780	Spannrolle / tension roller	08/99 →	Ø A60 H45,5
<b>26898</b>	OK9BV-12-206	Zahnriemen / timing belt	08/99 →	Z 59 B22
<b>33182</b>	OK9BV-10-730A	Umlenkrolle / deflection pulley	08/99 → 11.05	ØA 95,5 B26
<b>33183</b>	OK9BV-10-770	Riemenspanner / belt tensioner	08/99 → 11.05	ØA 95,5 B26

# KIA Carnival II (02→)

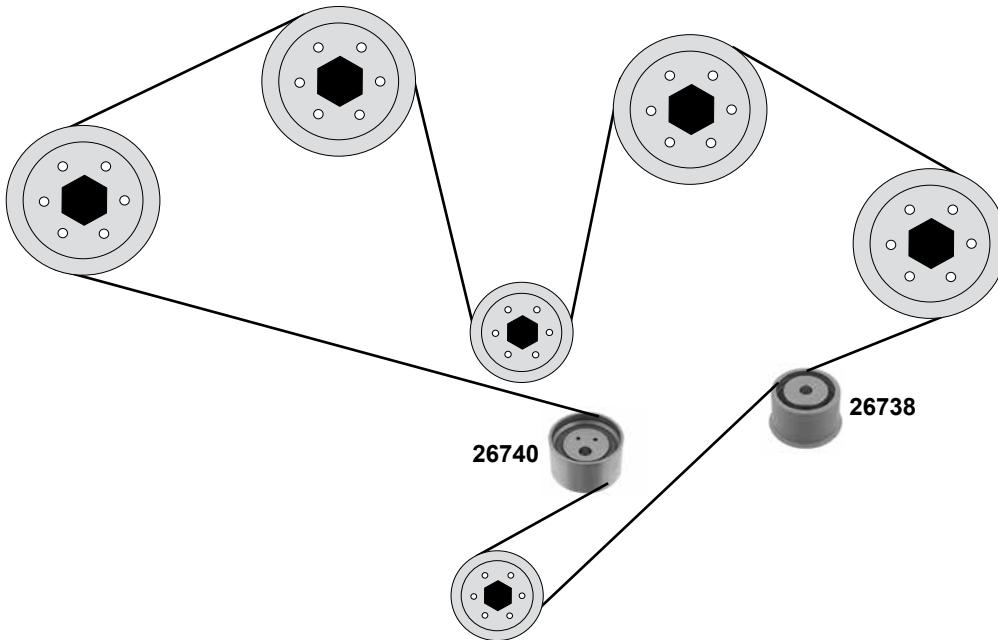
Car  
Division 



## 2,7 V6



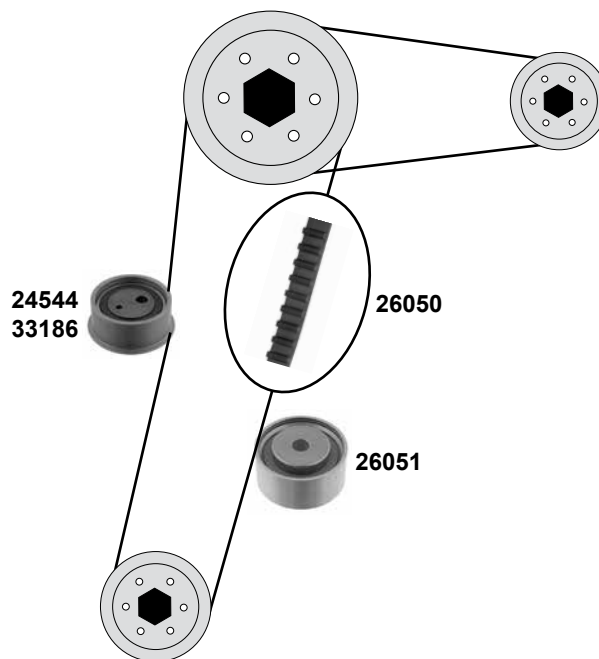
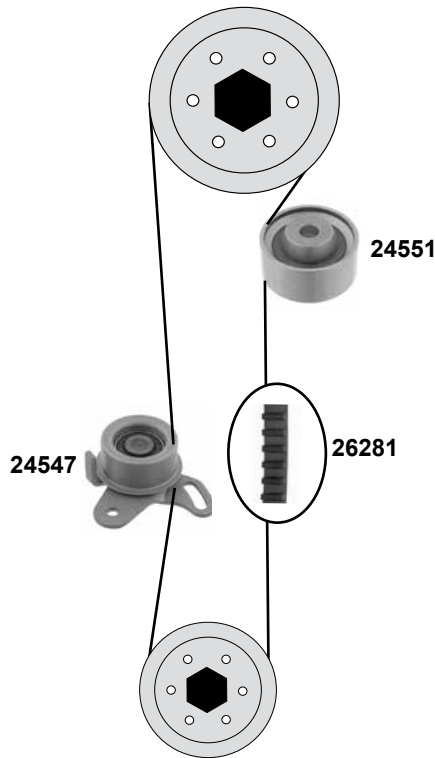
## 3,5 (24V, V6 DOHC)



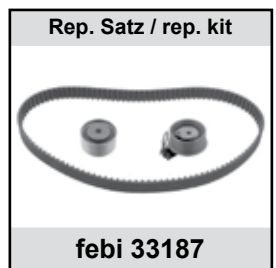
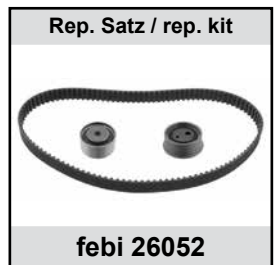
Ref. - No.



<b>26738</b>	24810-39810	Umlenkrolle / deflection pulley	07/02 → 09/05	ØA57,5 B38,5
<b>26733</b>	24810-37120	Spannrolle / tension roller	03/06 →	
<b>26740</b>	24450-35530	Spannrolle / tension roller	07/02 → 09/05	ØA60 H35
<b>33185</b>	24410-3E500	Riemenspanner / belt tensioner	04/06 →	

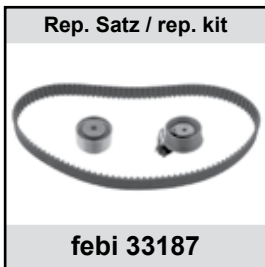
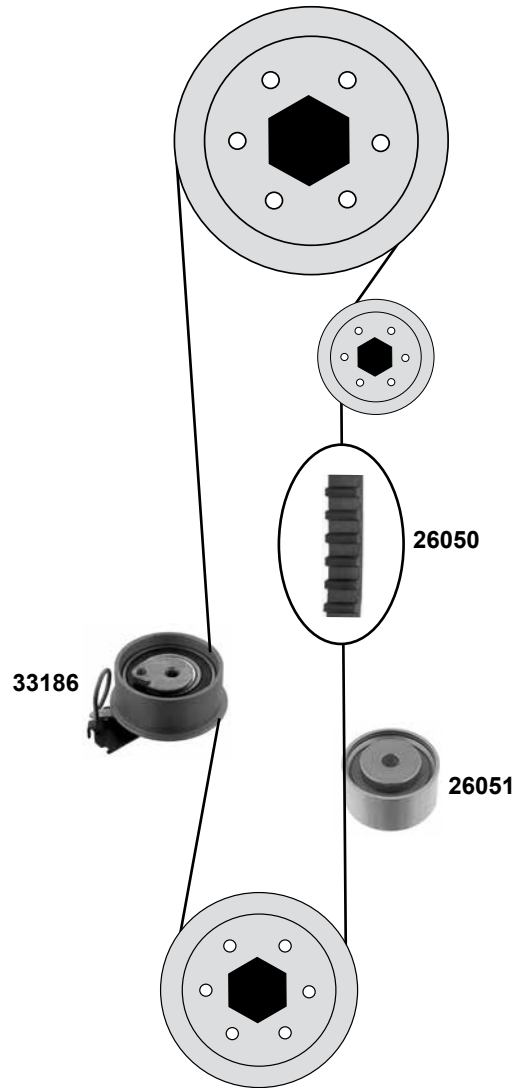






**2,0(MPI , DOHC)**

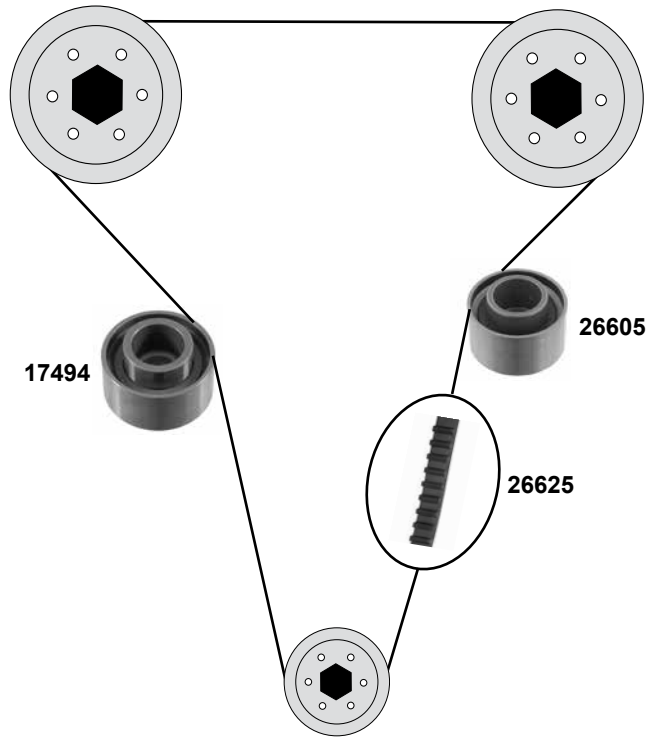


	Ref. - No.			
<b>24544</b>	24410-23500	Spannrolle / tension roller	02/04 → 05/06	ØA70 B30
<b>24547</b>	24410-26000	Spannrolle / tension roller	02/04 → 09/06	ØA60 B29
<b>24551</b>	24810-26020	Umlenkrolle / deflection pulley	02/04 → 05/06	ØA55 H25
<b>26050</b>	24312-23202	Zahnriemen / timing belt		Z 113 B25,4
<b>26051</b>	24810-23500	Umlenkrolle / deflection pulley		ØA60 H28,5
<b>26052</b>	24312-23202 S1	Rep. Satz Zahnriemen / rep. kit timing belt	02/04 → 05/06	Z 111
<b>26281</b>	24312-26001	Zahnriemen / timing belt	02/04 → 09/06	Z 105 B22
<b>31061</b>	24312-26001 S1	Rep. Satz Zahnriemen / rep. kit timing belt	02/04 → 10/06	
<b>33186</b>	24410-23050	Spannrolle / tension roller	05/06 →	ØA 70 B 30
<b>33187</b>	24312-23202 S2	Rep. Satz Zahnriemen / rep. kit timing belt	05/06 →	

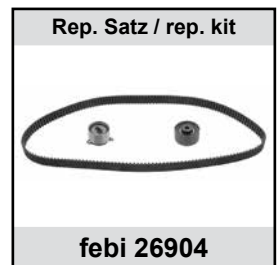
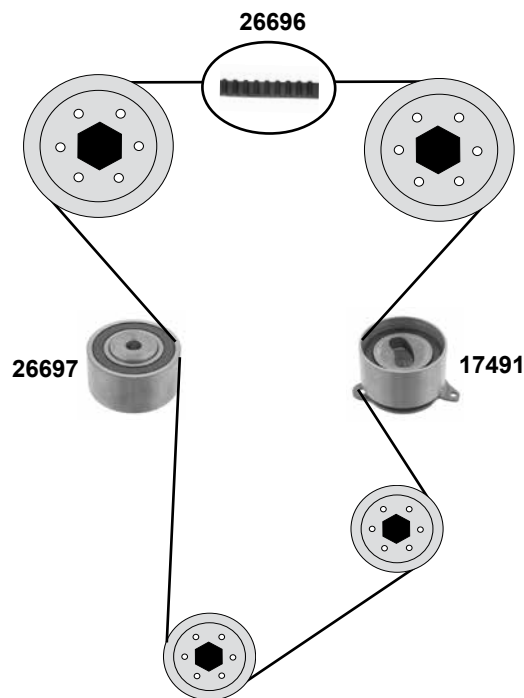
**2,0 (MPI / DOHC)**



	Ref. - No.			
<b>26050</b>	24312-23202	Zahnriemen / timing belt	05/06 →	Z 113 B25,4
<b>26051</b>	24810-23500	Umlenkrolle / deflection pulley		ØA60 H28,5
<b>33186</b>	24410-23050	Spannrolle / tension roller		ØA 70 B30
<b>33187</b>	24312-23202 S2	Rep. Satz Zahnriemen / rep. kit timing belt		



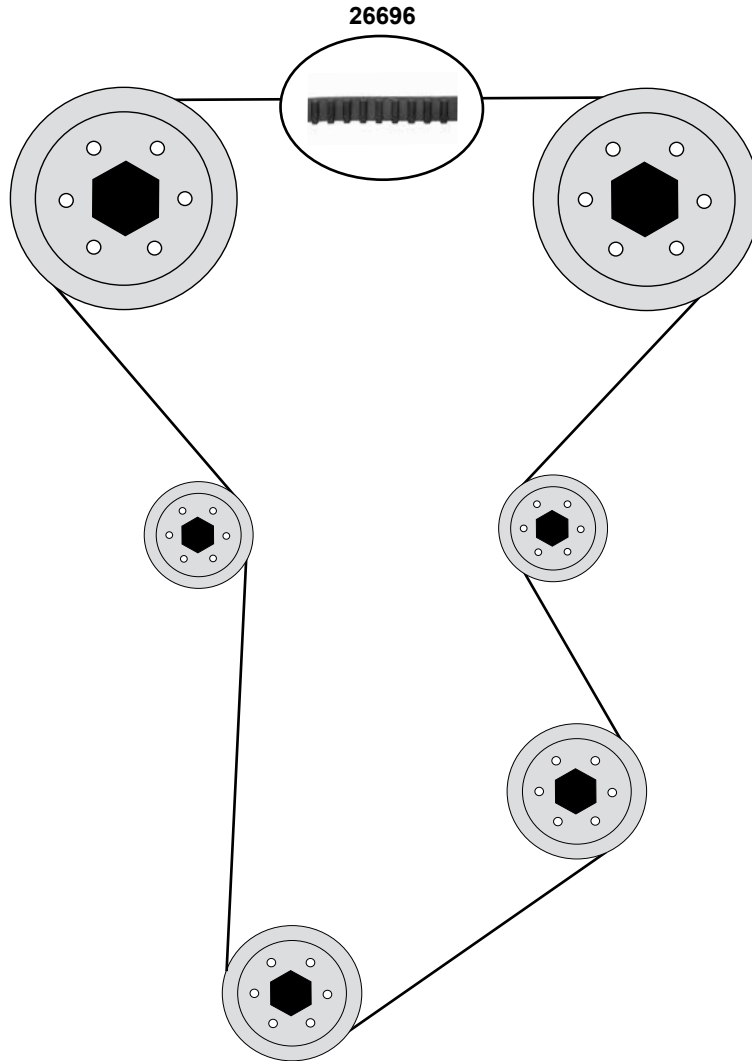
**2,0 16V(DOHC)**



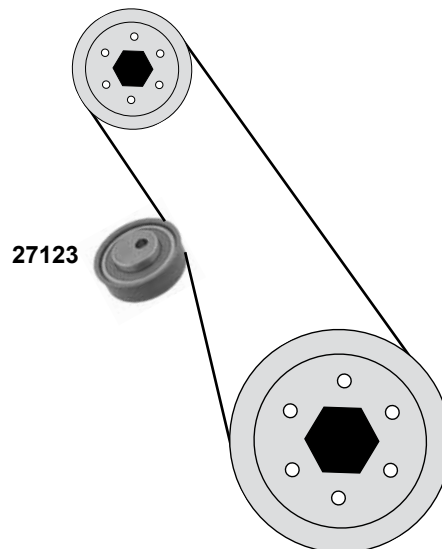
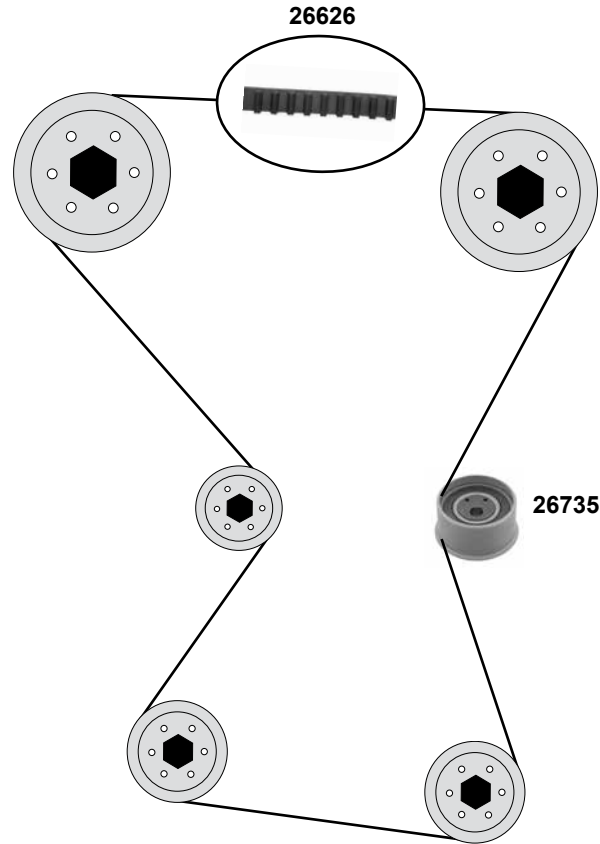
	Ref. - No.			
<b>17491</b>	OK972-12-700	Spannrolle / tension roller	07/96 → 04/00	ØA52 B28,5
<b>17494</b>	OK938-12-730	Umlenkrolle / deflection pulley		ØA52 B28,5
<b>26605</b>	OK247-12-700	Spannrolle / tension roller	07/96 → 04/00	ØA52 B28,5
<b>26625</b>	OK247-12-205	Zahnriemen / timing belt	07/96 → 04/00	Z 154 B22
<b>26696</b>	OK954-12-205	Zahnriemen / timing belt	07/96 → 04/00	Z 168
<b>26697</b>	OK955-12-730	Umlenkrolle / deflection pulley	07/96 → 12/00	ØA60 H30
<b>26904</b>	OK954-12-205 S1	Rep. Satz Zahnriemen / rep. kit timing belt	07/96 → 04/00	Z 168



**2,0 16V (DOHC)**



**2,0 16V (DOHC)**



Ref. - No.



<b>26626</b>	24312-33160
<b>26735</b>	24450-33020
<b>27123</b>	23357-38001

Zahnriemen / timing belt  
Spannrolle / tension roller  
Spannrolle / tension roller

Z 153 B29  
Ø A60 H32,5  
Ø A55 H18

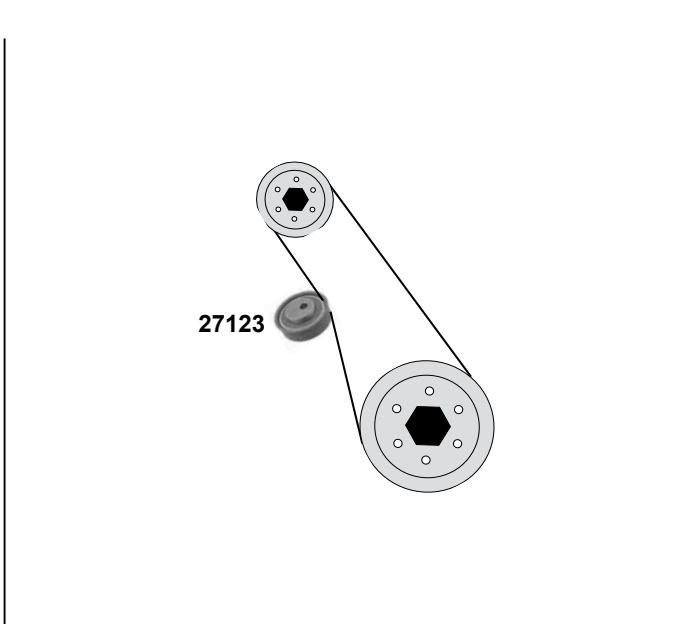
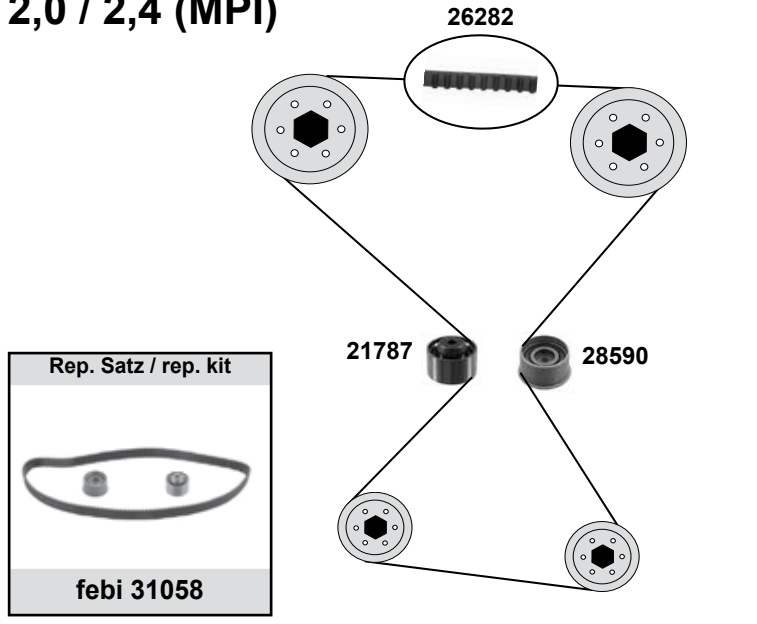
# KIA Magentis (GD)

(00→)

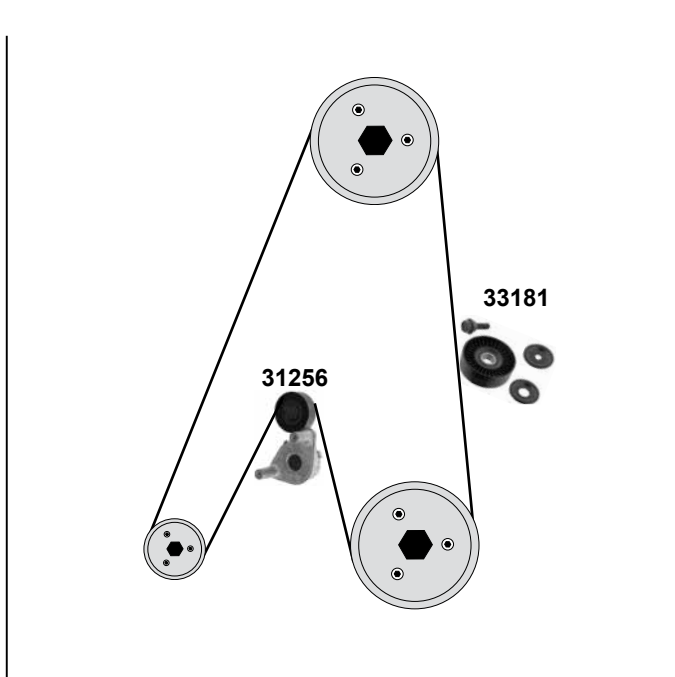
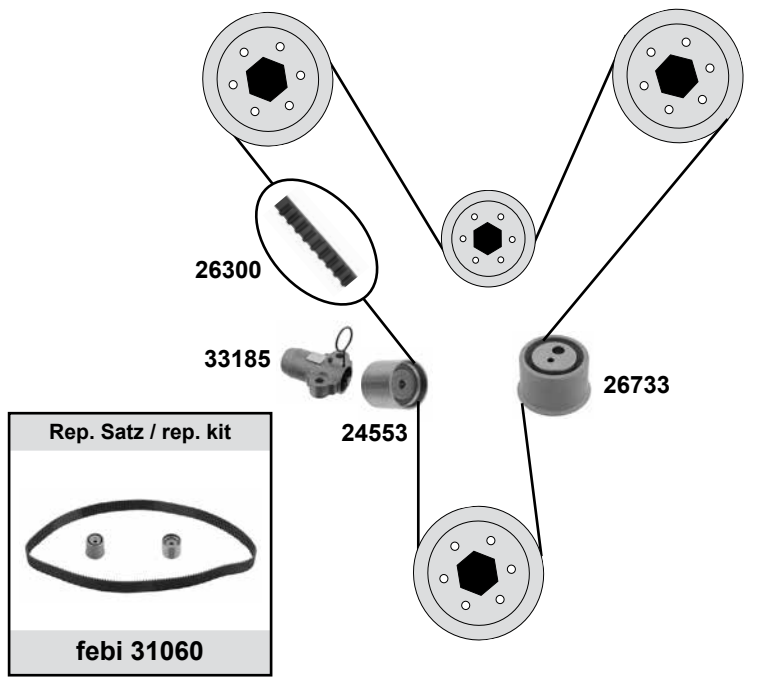
Car  
Division



## 2,0 / 2,4 (MPI)



## 2,5 V6 / 2,7 V6



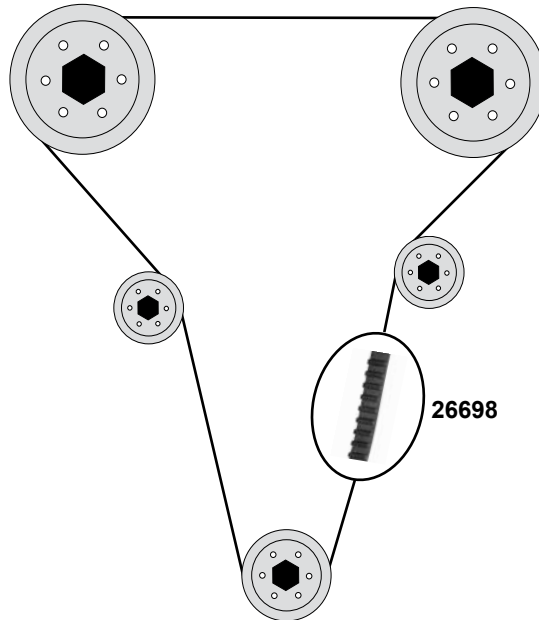
(1) (mot.) 2,5 V6 12/00 → / (mot.) 2,7 V6 10/05 →



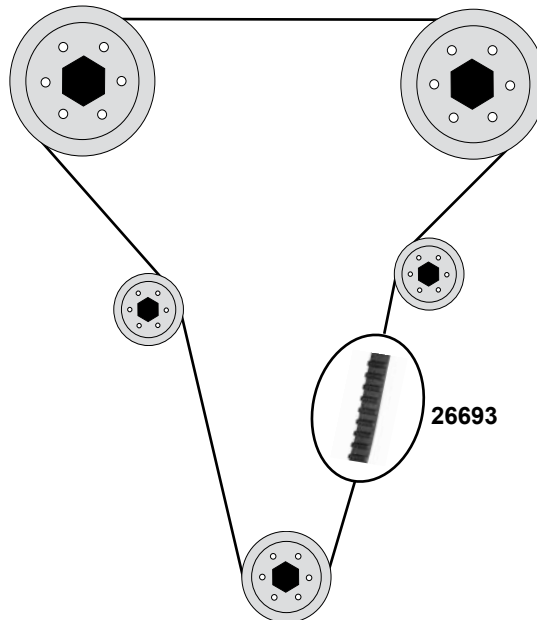
Ref. - No.



<b>21787</b>	24810-33024	Umlenkrolle / deflection pulley	12/00 → 09/05	ØA 60 B32
<b>24553</b>	24450-37100	Umlenkrolle / deflection pulley	12/00 → 09/05	ØA 60 B35
<b>26282</b>	24312-38020	Zahnriemen / timing belt	(mot.) 2,0 / 05/01 →	Z 173 B29
<b>26300</b>	24312-37500	Zahnriemen / timing belt	(1)	Z 207 B32
<b>26733</b>	24810-37120	Spannrolle / tension roller	(1)	ØA 57,5 H39
<b>27123</b>	23357-38001	Spannrolle / tension roller	(mot.) 2,0 / 12/00 → 09/05	ØA 55 H18
<b>28590</b>	24450-38011	Spannrolle / tension roller	(mot.) 2,4 / 12/00 → 09/05	
<b>31058</b>	24312-38020 S1	Rep. Satz Zahnriemen / rep. kit timing belt	12/00 → 09/05	
<b>31060</b>	24312-37500 S1	Rep. Satz Zahnriemen / rep. kit timing belt	12/00 → 09/05	Z 207
<b>31256</b>	25281-37120	Riemenspanner / belt tensioner	(mot.) 2,5 / 12/00 → 09/05	
<b>33181</b>	25286-37100	Umlenkrolle / deflection pulley	(mot.) 2,5 / 07/01 → 09/05	ØA 82 H25,8
<b>33185</b>	24410-3E500	Riemenspanner / belt tensioner	11/05 → 12/06	



**Mentor II**  
(00→04)  
**1,6**



Ref. - No.



**26693** OK30E-12-205  
**26698** OK203-12-205

Zahnriemen / timing belt  
Zahnriemen / timing belt

07/00 → 02/04  
09/95 → 06/00

Z 137  
Z 145 B22

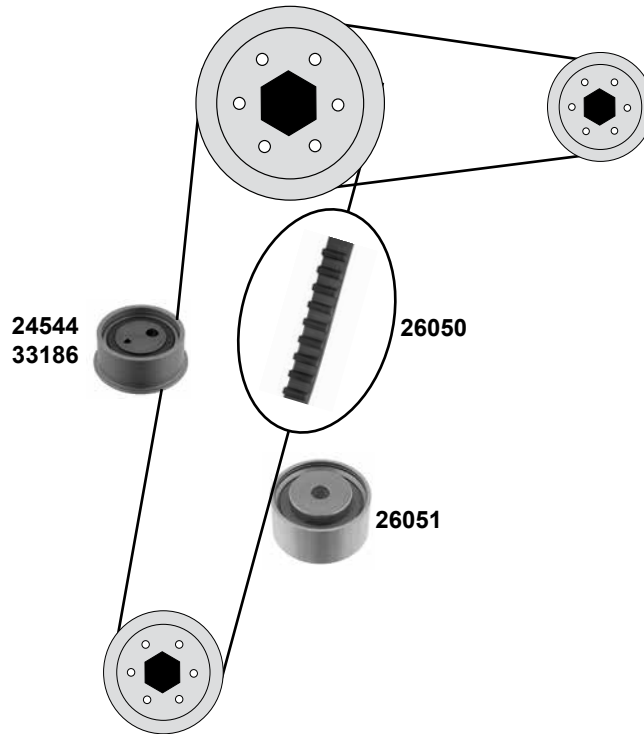
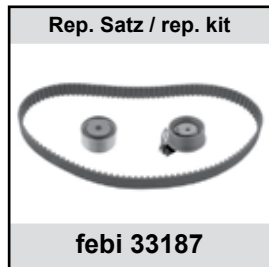
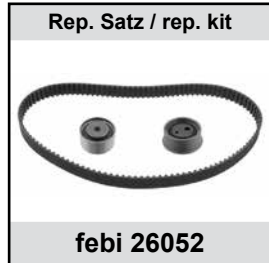
# KIA Sportage

(04→)

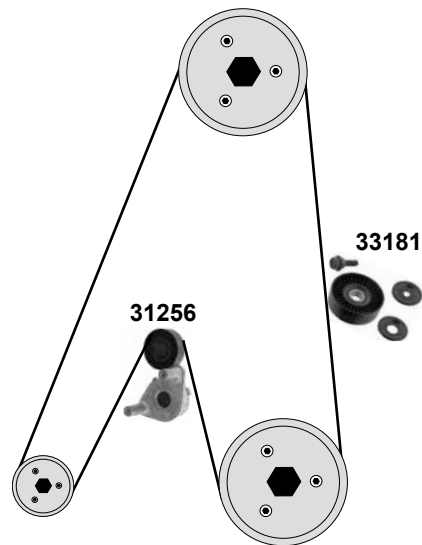
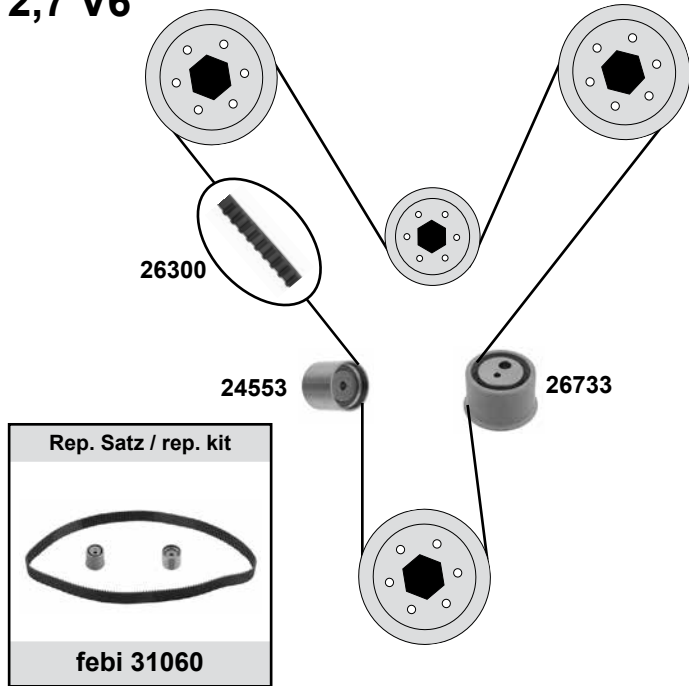
Car Division 







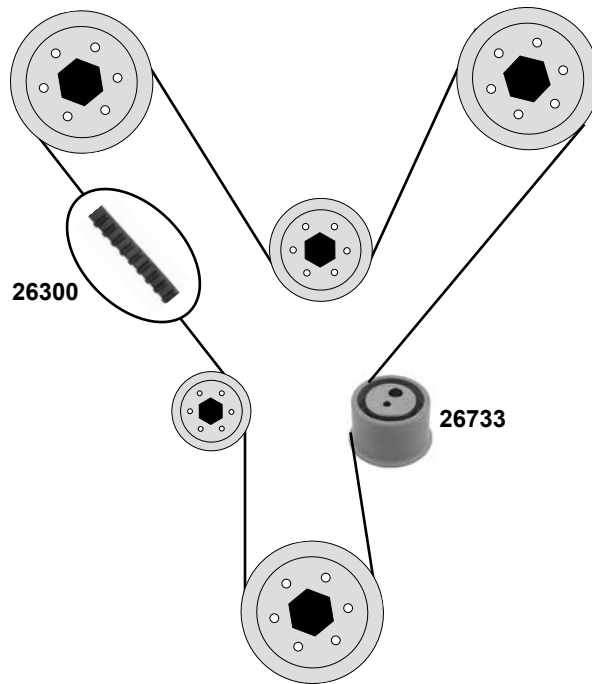
## 2,0 (MPI, DOHC)



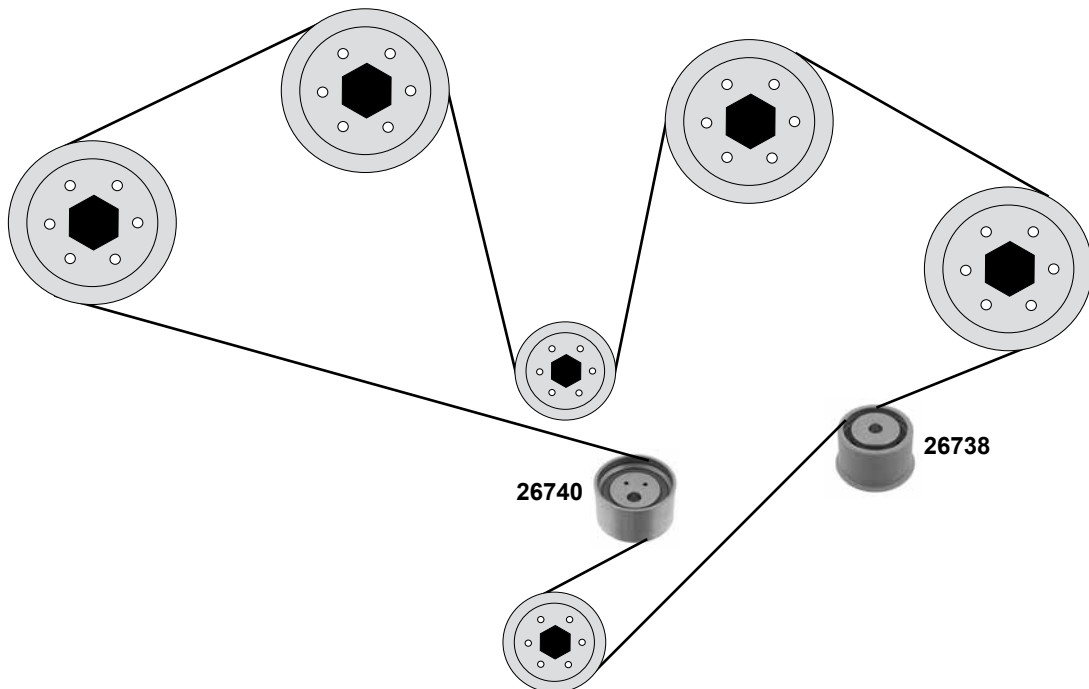
## 2,7 V6



	Ref. - No.			
24544	24410-23500	Spannrolle / tension roller	08/04 → 05/06	ØA 70 B30
24553	24450-37100	Umlenkrolle / deflection pulley	08/04 → 12/06	ØA 60 B35
26050	24312-23202	Zahnriemen / timing belt	08/04 →	Z 113
26051	24810-23500	Umlenkrolle / deflection pulley	08/04 → 05/06	ØA 60 H28,5
26052	24312-23202 S1	Rep. Satz Zahnriemen / rep. kit timing belt	08/04 → 05/06	Z 111
26300	24312-37500	Zahnriemen / timing belt	08/04 →	Z 207 B32
26733	24810-37120	Spannrolle / tension roller	08/04 →	ØA 57,5 H39
31060	24312-37500 S1	Rep. Satz Zahnriemen / rep. kit timing belt		Z 207
31256	25281-37120	Riemenspanner / belt tensioner	09/06 →	
33181	25286-37100	Umlenkrolle / deflection pulley	08/04 →	ØA 82 H25,8
33186	24410-23050	Spannrolle / tension roller	05/06 →	ØA 70 B30
33187	24312-23202 S2	Rep. Satz Zahnriemen / rep. kit timing belt	05/06 →	



**3,5 (24V, V6 DOHC)**



Ref. - No.



**26300**  
**26733**  
**26738**  
**26740**

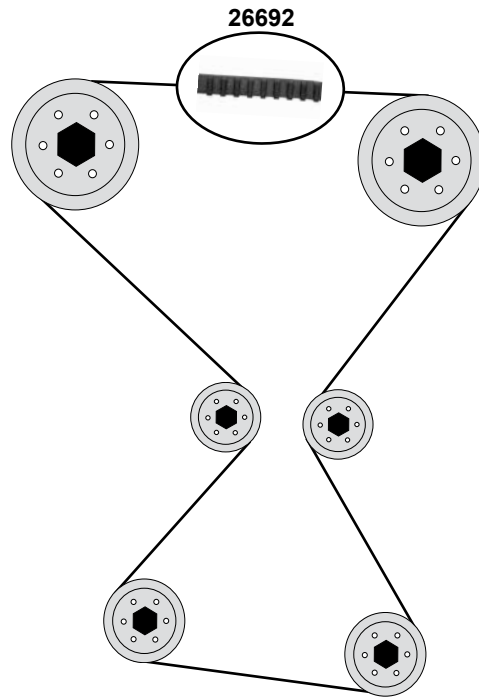
24312-37500  
24810-37120  
24810-39810  
24450-35530

Zahnriemen / timing belt  
Spannrolle / tension roller  
Umlenkrolle / deflection pulley  
Spannrolle / tension roller

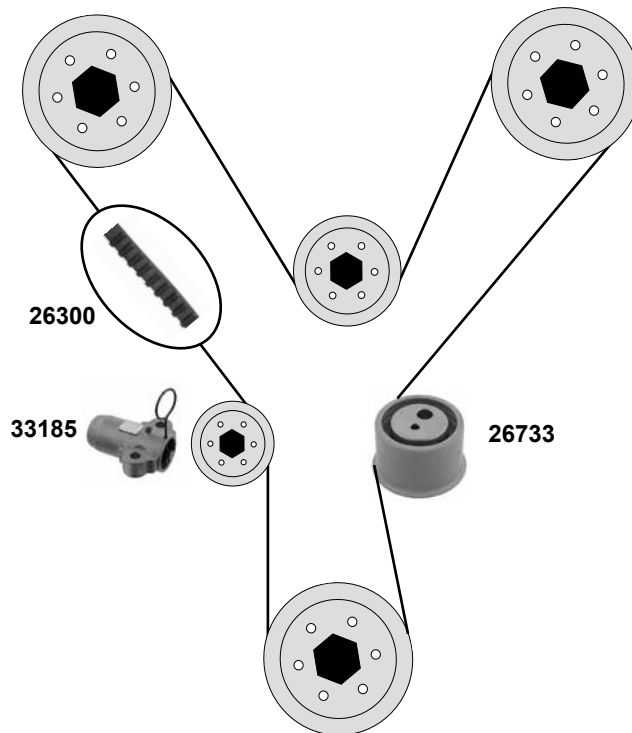
05/05 →  
05/05 →  
07/03 →  
07/03 →

Z 207 B32  
ØA 57,5 H39  
ØA 57,5 H38,5  
ØA 60 H35

**2,4**



**2,5 V6 / 2,7 V6**



(1) (mot.) 2,5 V6 12/00 → / (mot.) 2,7 V6 10/05 →



**Ref. - No.**

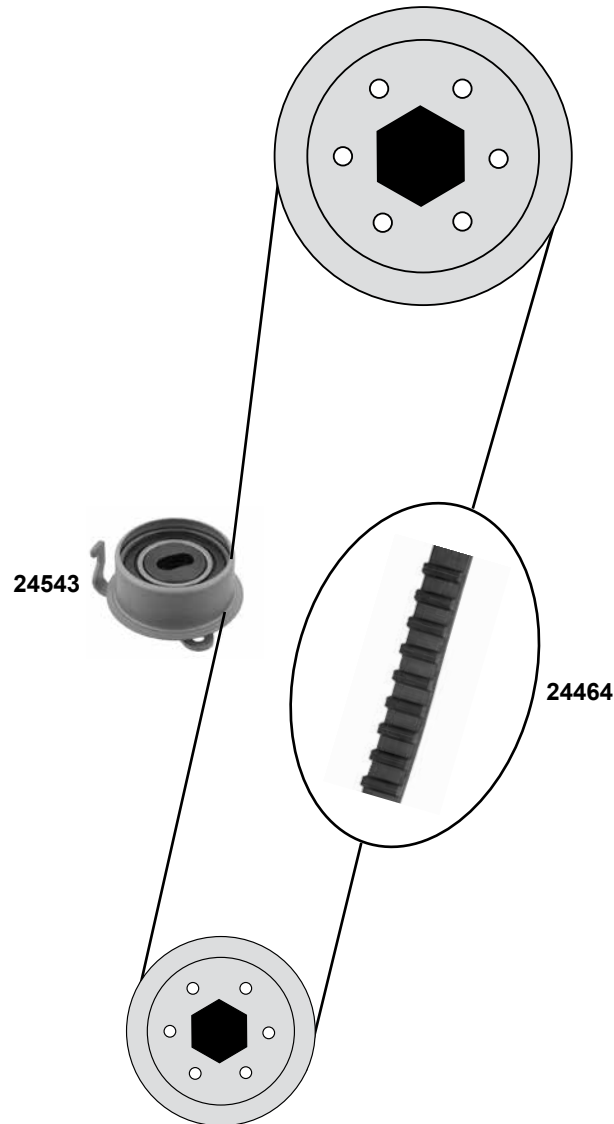


<b>26300</b>	24312-37500
<b>26692</b>	24312-38210
<b>26733</b>	24810-37120
<b>33185</b>	24410-3E500

Zahnriemen / timing belt
Zahnriemen / timing belt
Spannrolle / tension roller
Riemenspanner / belt tensioner

<b>(1)</b>
01/02 → 09/05
<b>(1)</b>
09/06 →

Z 207 B32
Z 175 B29
ØA 57,5 H39



Rep. Satz / rep. kit



febi 24791



(1) (mot.) 1,1 04 → 07 / (mot.) 1,0 05 → 07 / (mot.) 1,0 ; 1,1 07 →



Ref. - No.



<b>24464</b>	24312-02701	Zahnriemen / timing belt	(1)	Z 101 B20
<b>24543</b>	24410-02550	Spannrolle / tension roller	(1)	ØA 57 B25,5
<b>24791</b>	24312-02701 S1	Rep. Satz Zahnriemen / rep. kit timing belt	(1)	Z 101

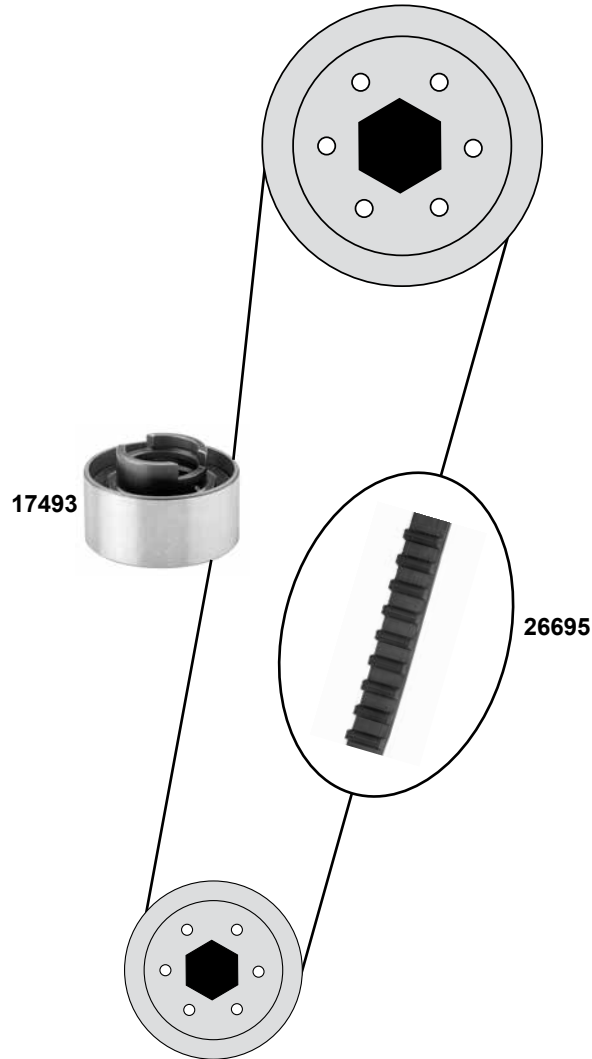


**1,1 8V (SOHC)**

01/92→01/00

**1,3 8V (SOHC)**

01/90→01/00



Rep. Satz / rep. kit



febi 26905



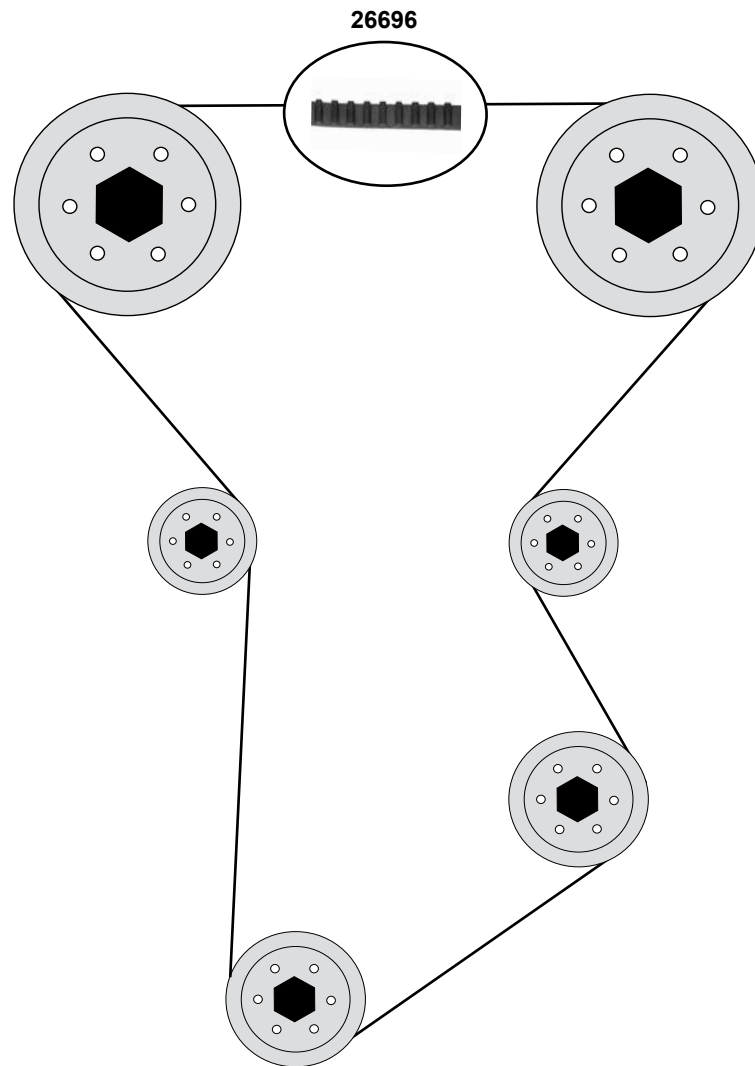
Ref. - No.



**17493** MB630-12-700E  
**26695** KK350-12-205  
**26905** KK350-12-205 S1

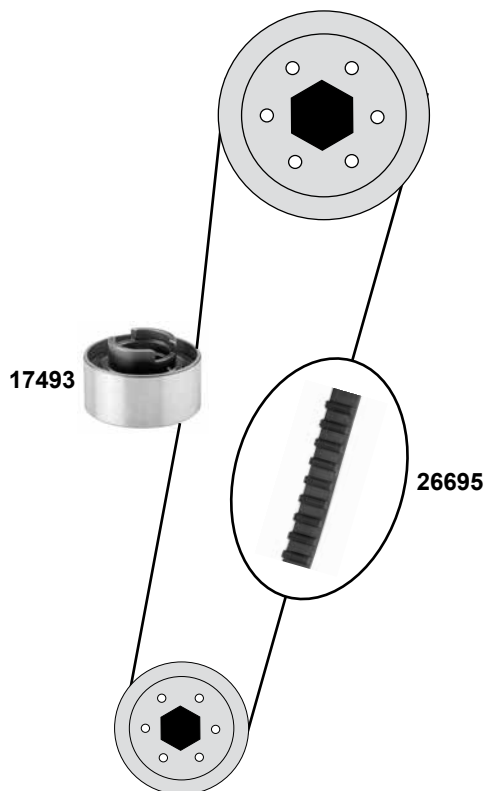
Spannrolle / tension roller  
Zahnriemen / timing belt  
Rep. Satz Zahnriemen / rep. kit timing belt

ØA 52 B25  
Z 107  
Z 107

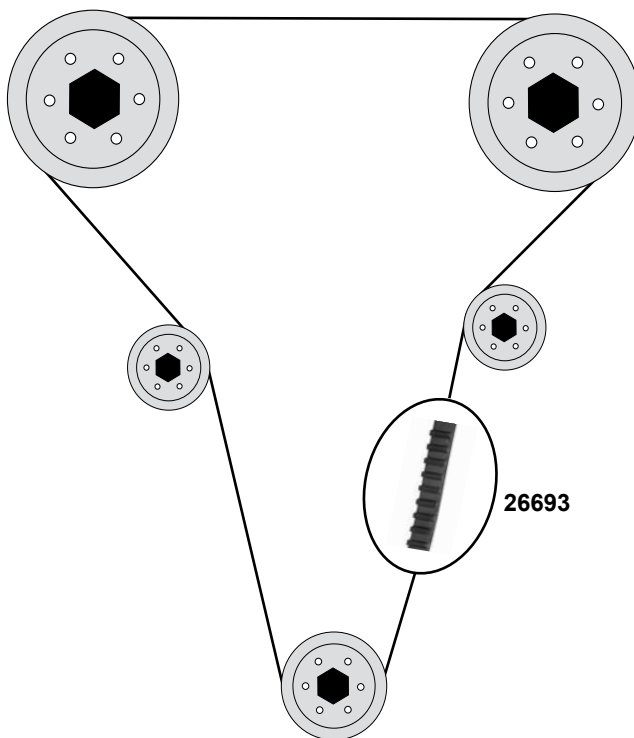




**1,3 8V (SOHC)**



**1,5**



Ref. - No.



<b>17493</b>	MB630-12-700E
<b>26695</b>	KK350-12-205
<b>26693</b>	OK30E-12-205
<b>26905</b>	KK350-12-205 S1

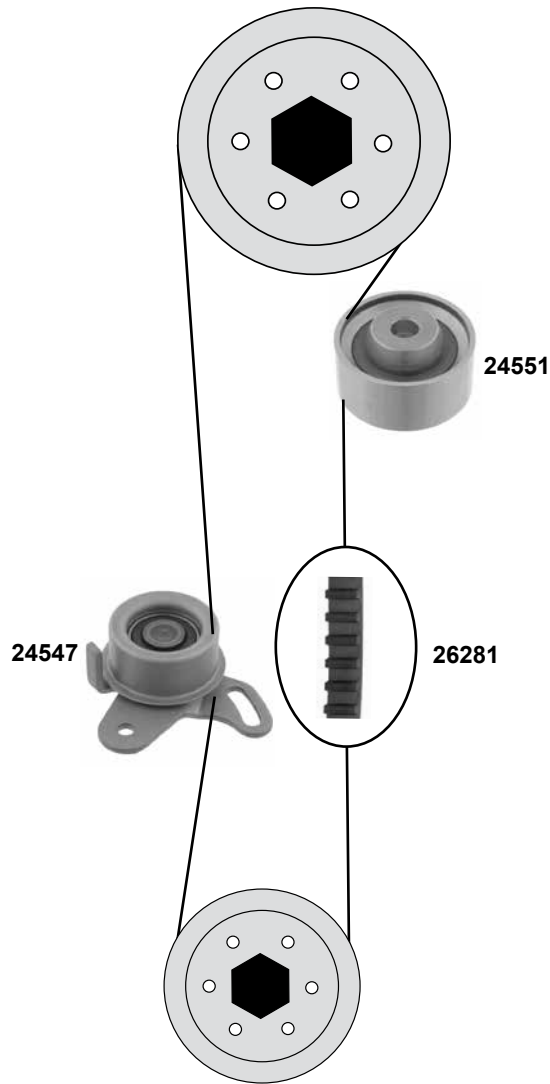
Spannrolle / tension roller
Zahnriemen / timing belt
Zahnriemen / timing belt
Rep. Satz Zahnriemen / rep. kit timing belt

04/00 → 05/05

ØA 52 B25
Z 107
Z 137
Z 107

**1,4 16V MPI (DOHC)**  
09/06→

**1,6 16V MPI (DOHC)**  
04/05→



	Ref. - No.			
<b>24547</b>	24410-26000	Spannrolle / tension roller		ØA60 B29
<b>24551</b>	24810-26020	Umlenkrolle / deflection pulley		ØA55 H25
<b>26281</b>	24312-26001	Zahnriemen / timing belt		Z 105 B22
<b>31061</b>	24312-26001 S1	Rep. Satz Zahnriemen / rep. kit timing belt	04.05 →	

# KIA Sephia I (93→04)

Car  
Division 

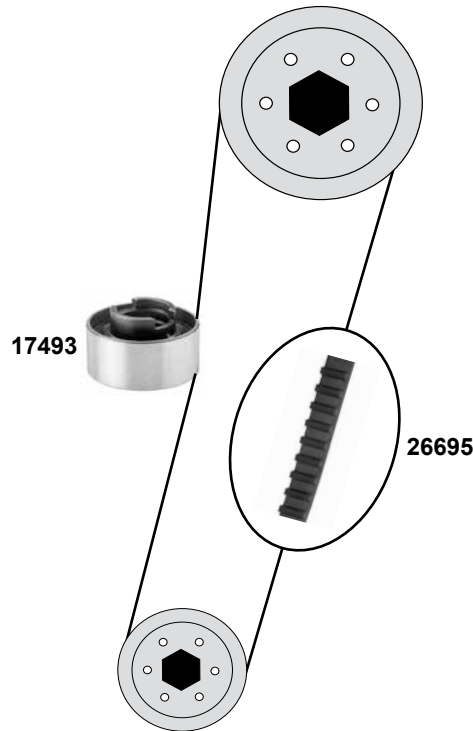


## 1,5 8V (SOHC)

02/96→

## 1,6 8V (SOHC)

04/94→02/96



## 1,5 16V (DOHC)

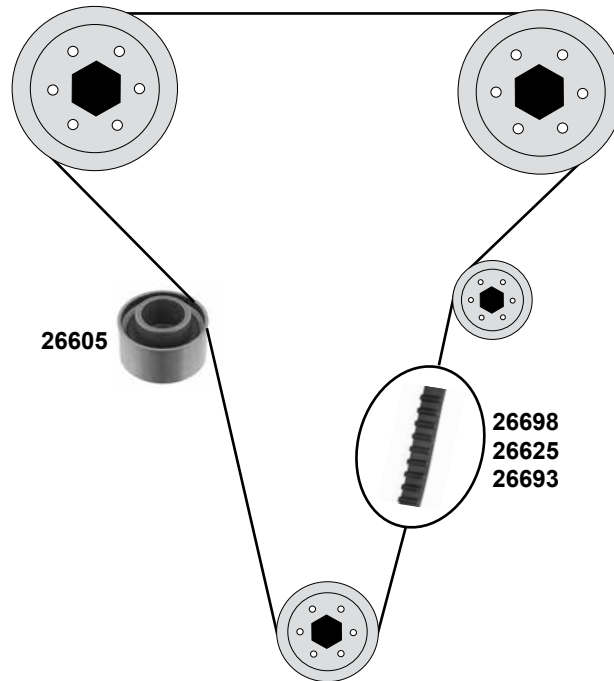
95→00

## 1,6 16V (DOHC)

00→04

## 1,8 16V (DOHC)

95→

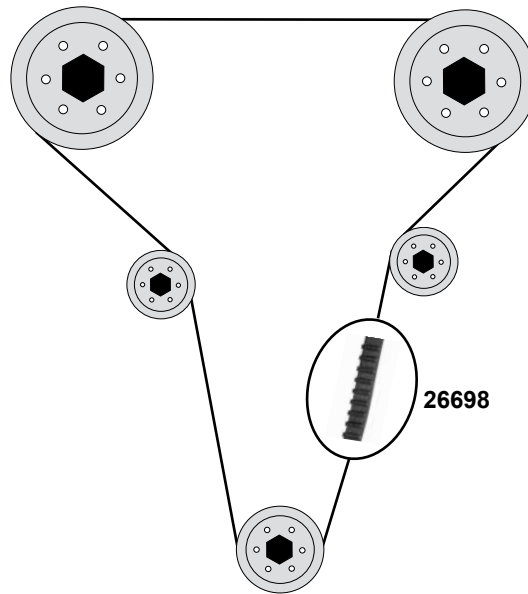


Ref. - No.

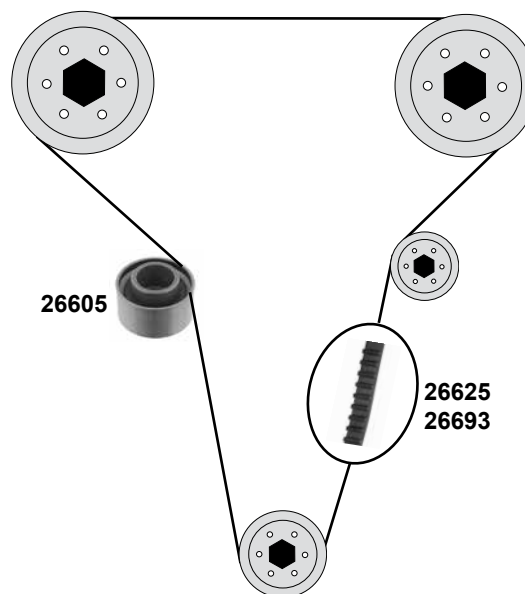


17493	MB630-12-700E	Spannrolle / tension roller		
26605	OK247-12-700	Spannrolle / tension roller	(mot.) 1,8 16V	ØA 52 B25
26625	OK247-12-205	Zahnriemen / tension roller	(mot.) 1,8 16V	ØA 52 B28,5
26693	OK30E-12-205	Zahnriemen / timing belt	(mot.) 1,6 16V	Z 154 B22
26695	KK350-12-205	Zahnriemen / timing belt		Z 137
26698	OK203-12-205	Zahnriemen / timing belt	(mot.) 1,5 16V	Z 107
26905	KK350-12-205 S1	Rep. Satz Zahnriemen / rep. kit timing belt		Z 145 B22
				Z 107

**1,5 16V (DOHC)**



**1,6 / 1,8**



Ref. - No.



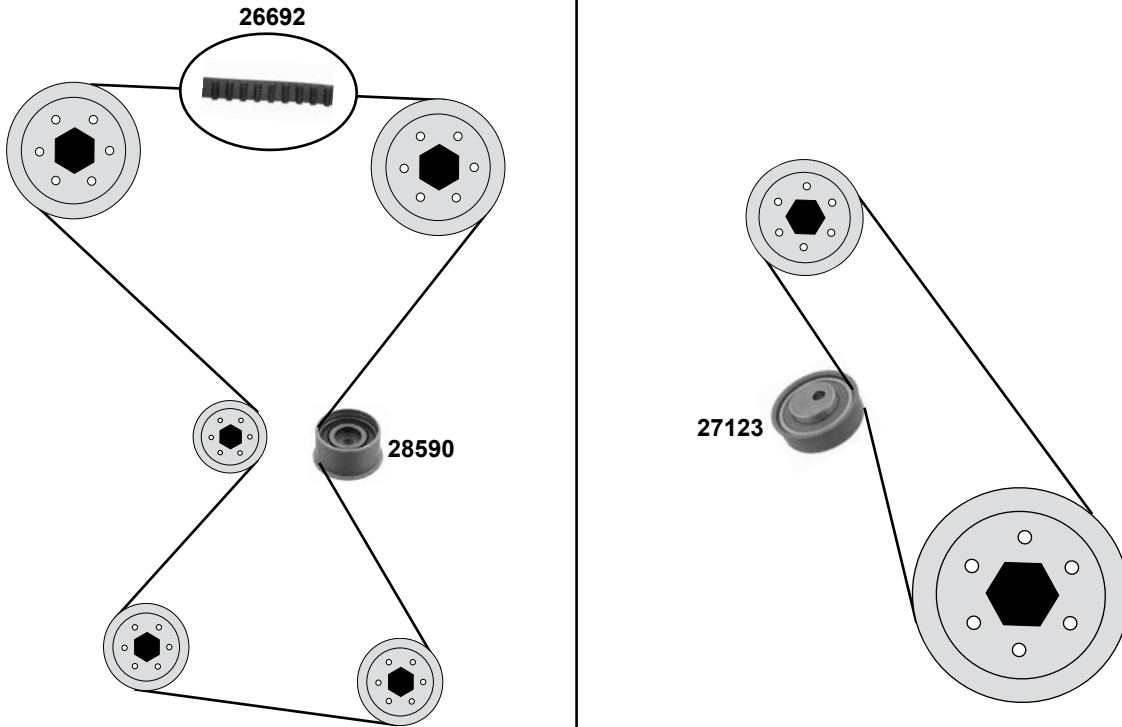
<b>26605</b>	OK247-12-700	Spannrolle / tension roller	(mot.) 1,8 (97 → 04)	Ø A 52 B28,5
<b>26625</b>	OK247-12-205	Zahnriemen / tension roller	(mot.) 1,8 (97 → 04)	Z 154 B22
<b>26693</b>	OK30E-12-205	Zahnriemen / timing belt	(mot.) 1,6 (00 → 04)	Z 137
<b>26698</b>	OK203-12-205	Zahnriemen / timing belt	(mot.) 1,5 16V (→ 00)	Z 145 B22

# KIA Sorento (02→)

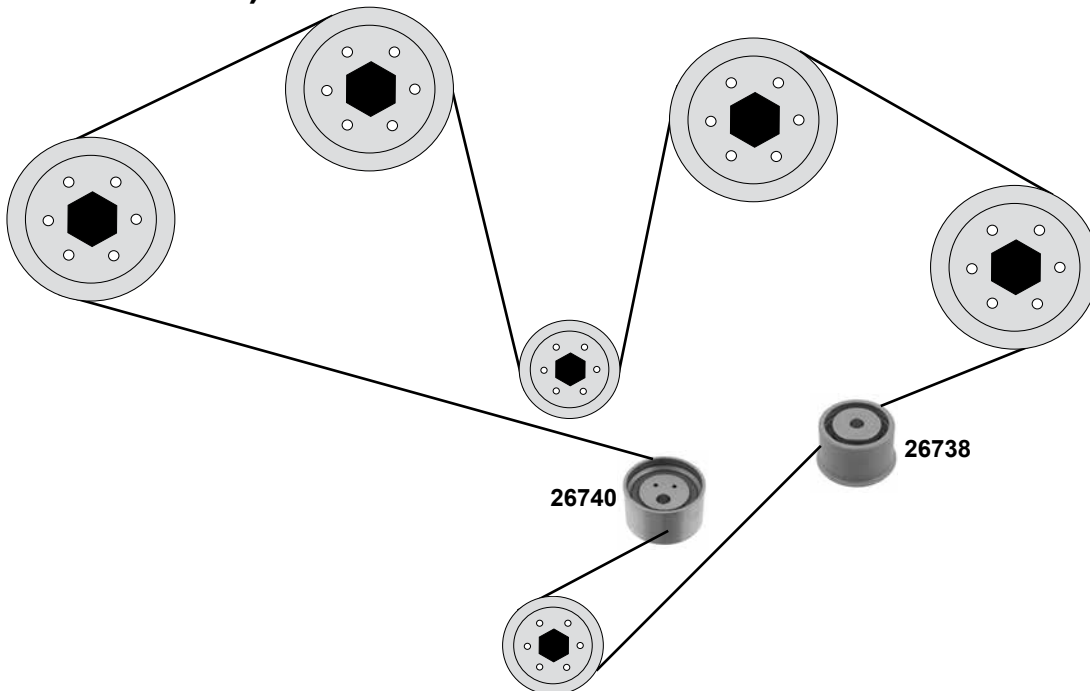
Car  
Division



## 2,4 16V



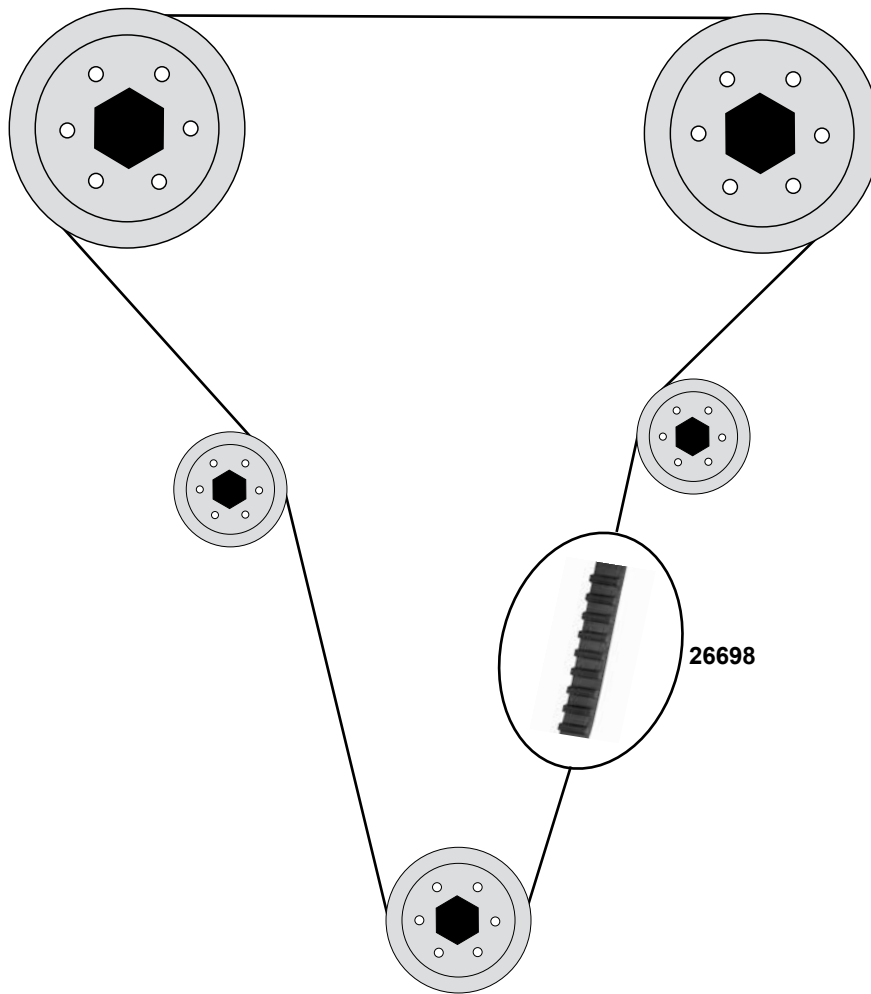
## 3,5 (24V / V6 DOHC)



Ref. - No.

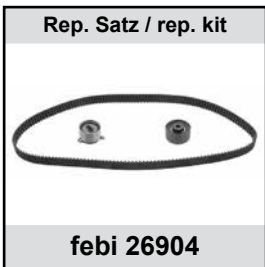
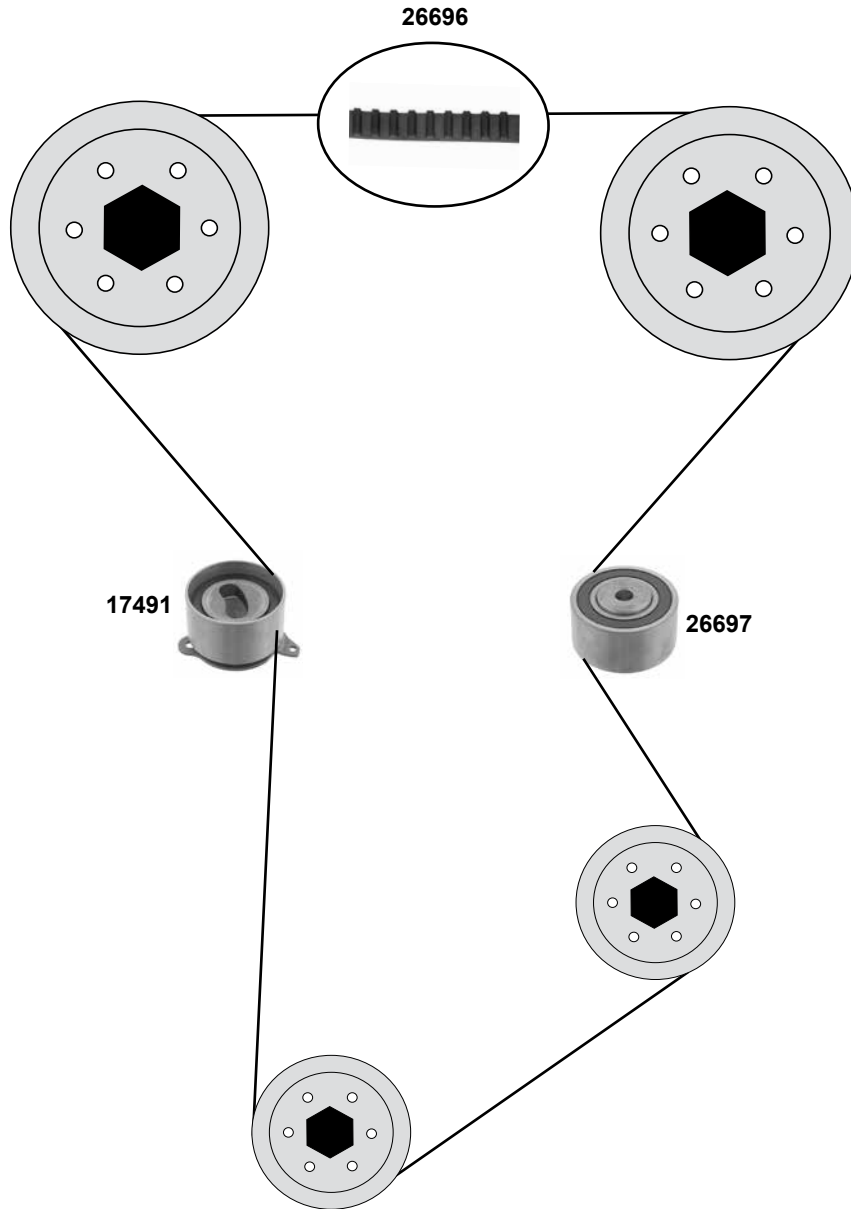


<b>26692</b>	24312-38210	Zahnriemen / timing belt	08/02 →	Z 175 B29
<b>26738</b>	24810-39810	Umlenkrolle / deflection pulley	12/02 →	ØA 57,5 H38,5
<b>26740</b>	24450-35530	Spannrolle / tension roller	12/02 →	ØA 60 H35
<b>27123</b>	23357-38001	Spannrolle / tension roller	12/02 → 04/06	ØA 55 H18
<b>28590</b>	24450-38011	Spannrolle / tension roller	12/02 → 04/06	ØA 60,5 H33,5

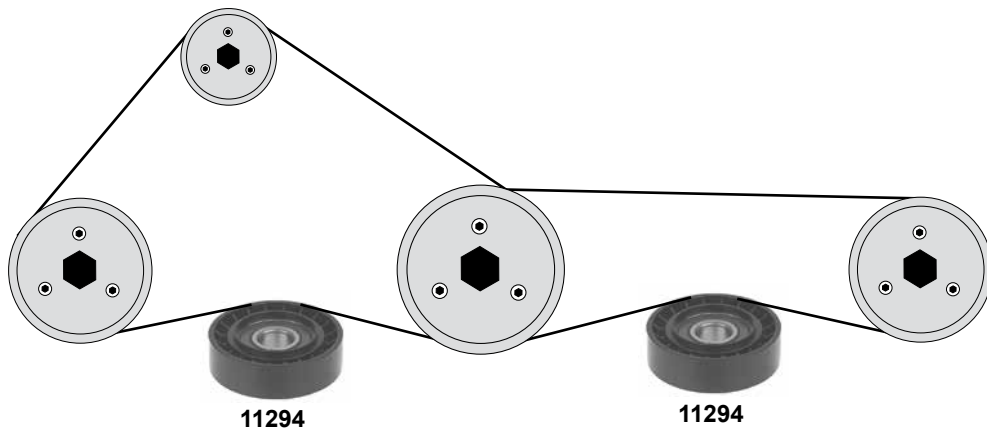
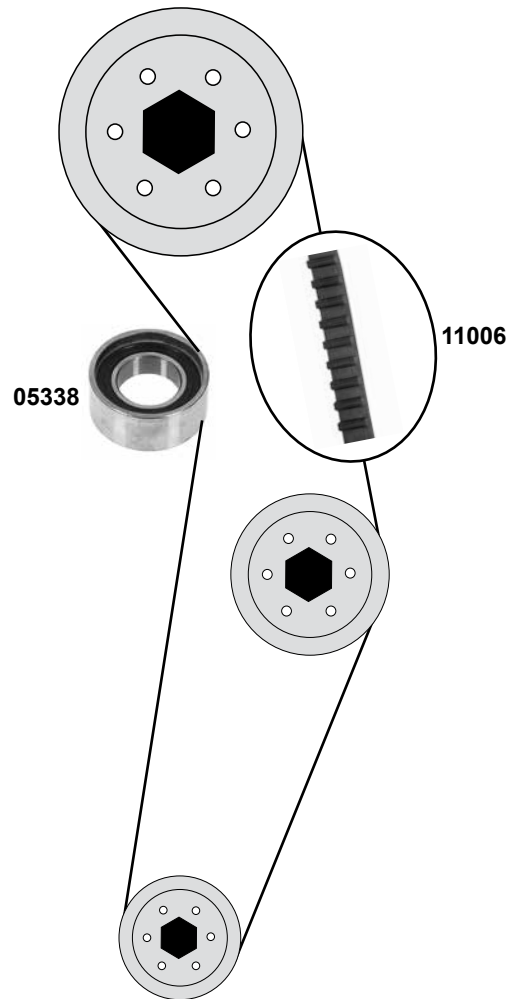




**2,0 16V (DOHC)**



	Ref. - No.			
<b>17491</b>	0K972-12-700	Spannrolle / tension roller	→ 05/03	ØA52 B28,5
<b>26696</b>	0K954-12-205	Zahnriemen / timing belt	→ 05/03	Z 168 B25,4
<b>26697</b>	0K955-12-730	Umlenkrolle / deflection pulley	→ 05/03	ØA60 H30
<b>26904</b>	0K954-12-205 S1	Rep. Satz Zahnriemen / rep. kit timing belt	→ 05/03	Z 168



Ref. - No.



**05338**  
**11006**  
**11072**  
**11294**

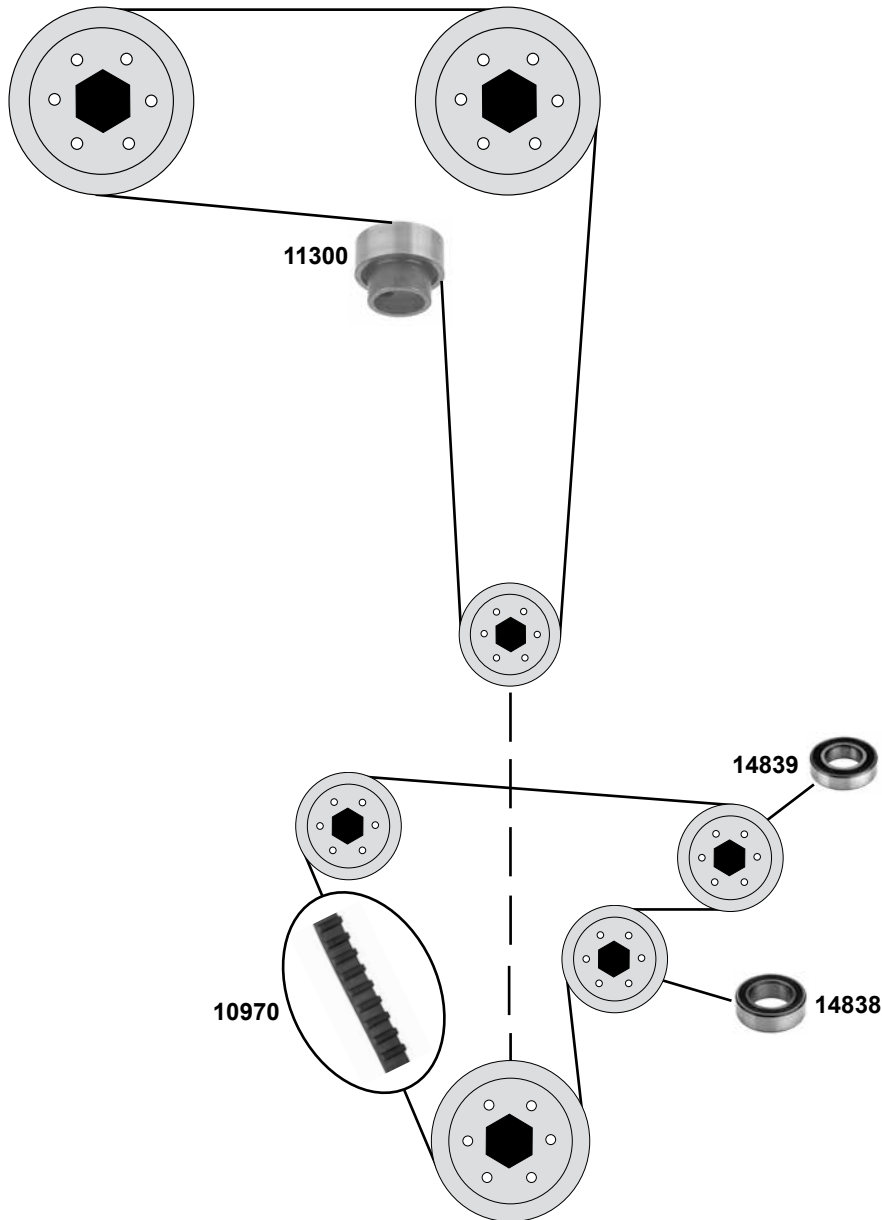
71740977  
71719005  
46408751 S1  
46424716

Spannrolle / tension roller  
Zahnriemen / timing belt  
Rep. Satz Zahnriemen / rep. kit timing belt  
Spannrolle / tension roller

ØA57 H24  
Z 138 B15  
ØA80 H24



1,8 / 2,0



Ref. - No.



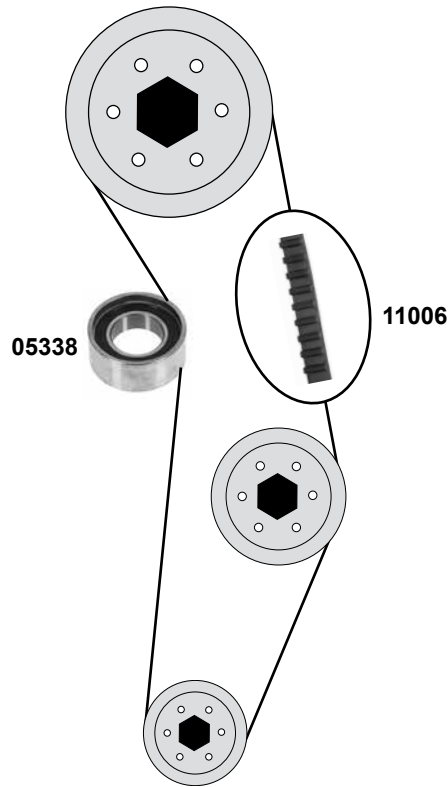
10970	7614999
11300	7541718
14838	5999795
14839	7541712

Zahnriemen Ausgleichsw. / timing belt balance shaft
Spannrolle / tension roller
Umlenkrolle / deflection pulley
Umlenkrolle / deflection pulley

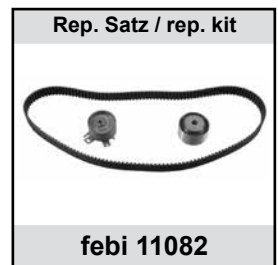
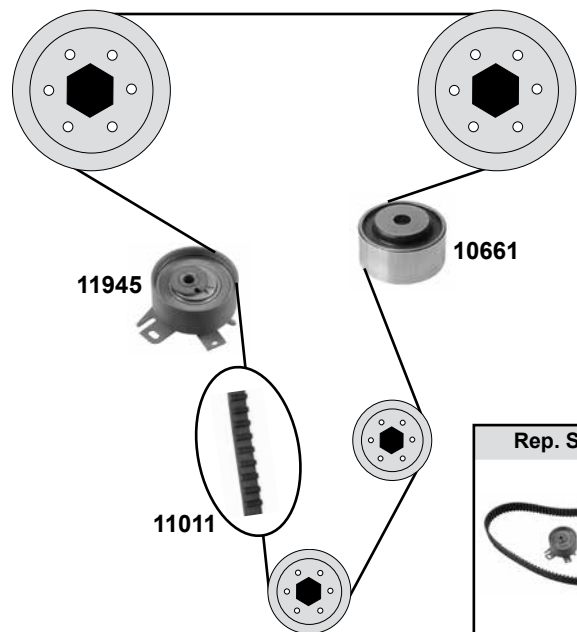
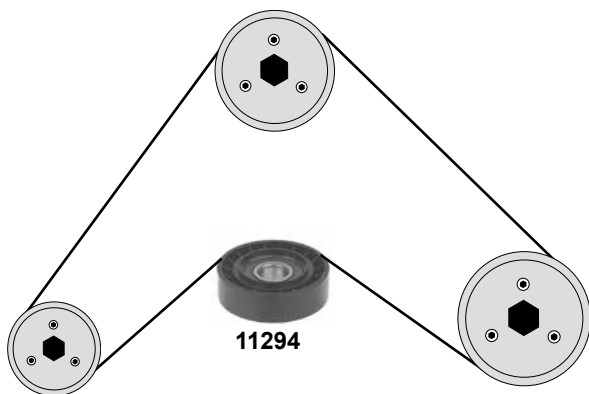
(mot.) 8V

Z 97 B15
ØA60 B46,5 B25
ØA68 ØI 40 H21
ØA47 ØI 25 H12

**1,6 8V**



**1,6 16V**

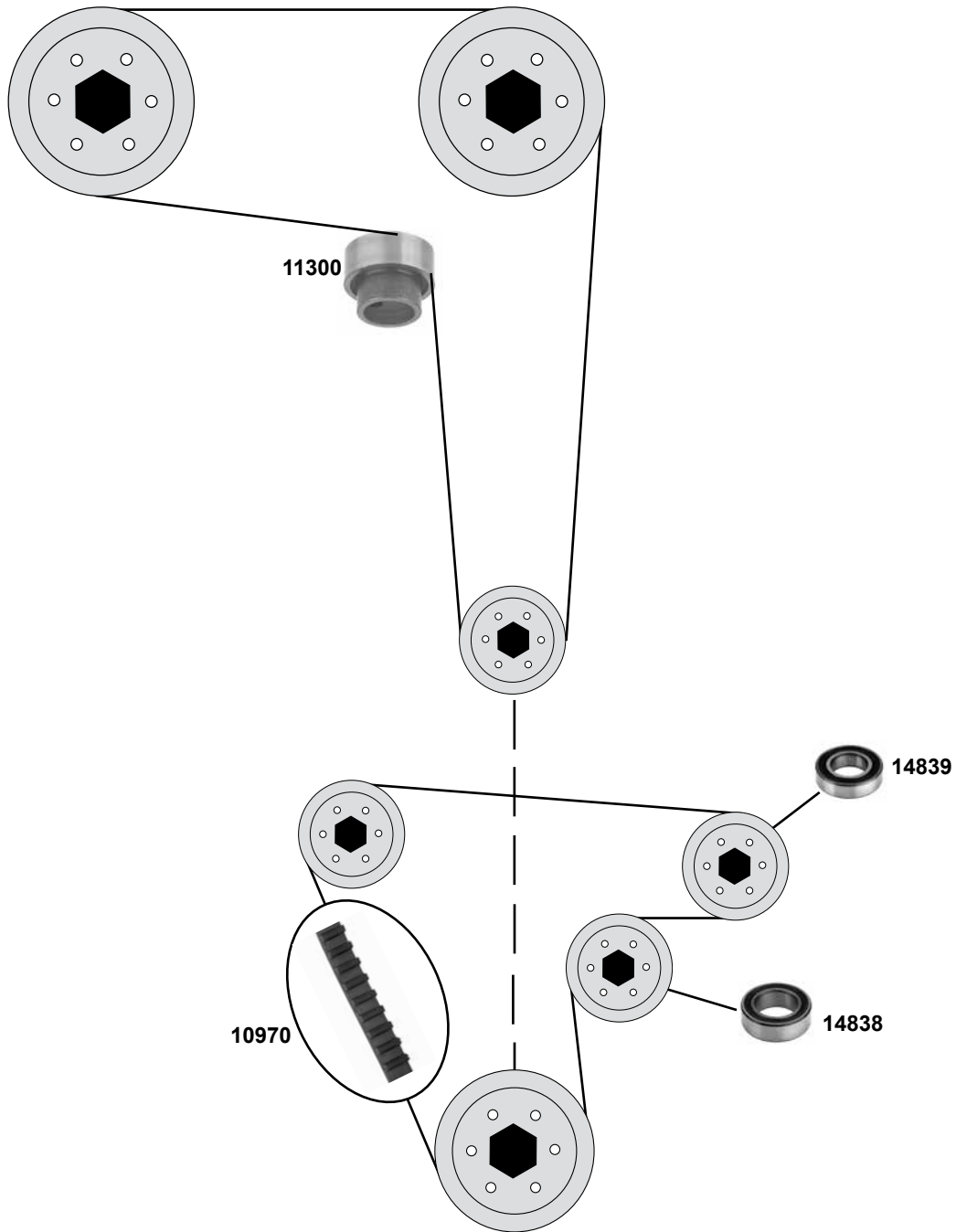


Ref. - No.



<b>05338</b>	71740977	Spannrolle / tension roller	ØA57 H24
<b>10661</b>	55211287	Umlenkrolle / deflection pulley	ØA65 H30,4 / 35,4
<b>11006</b>	71719005	Zahnriemen / timing belt	Z 138 B15
<b>11011</b>	55188191	Zahnriemen / timing belt	Z158 B25,4
<b>11072</b>	46408751 S1	Rep. Satz Zahnriemen / rep. kit timing belt	
<b>11082</b>	71736715	Rep. Satz Zahnriemen / rep. kit timing belt	
<b>11294</b>	46424716	Umlenkrolle / deflection pulley	ØA80 H24
<b>11945</b>	71734799	Spannrolle / tension roller	ØA60 H29

**1,8 / 2,0 8V**



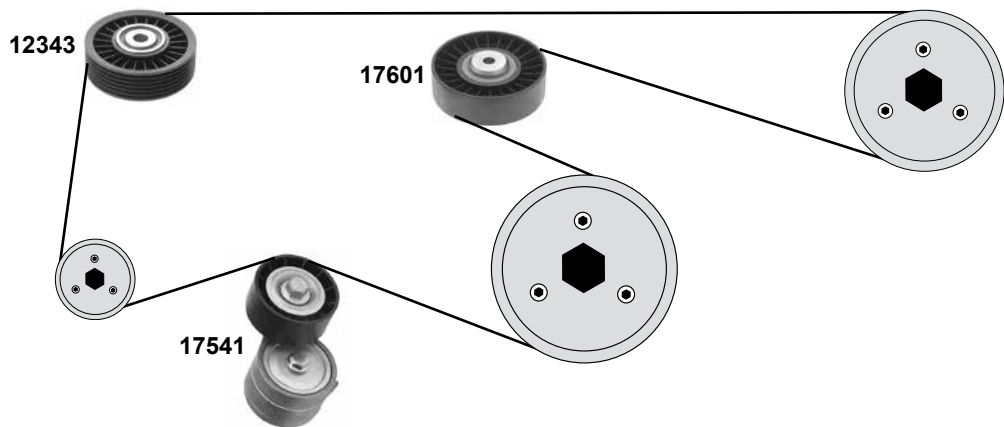
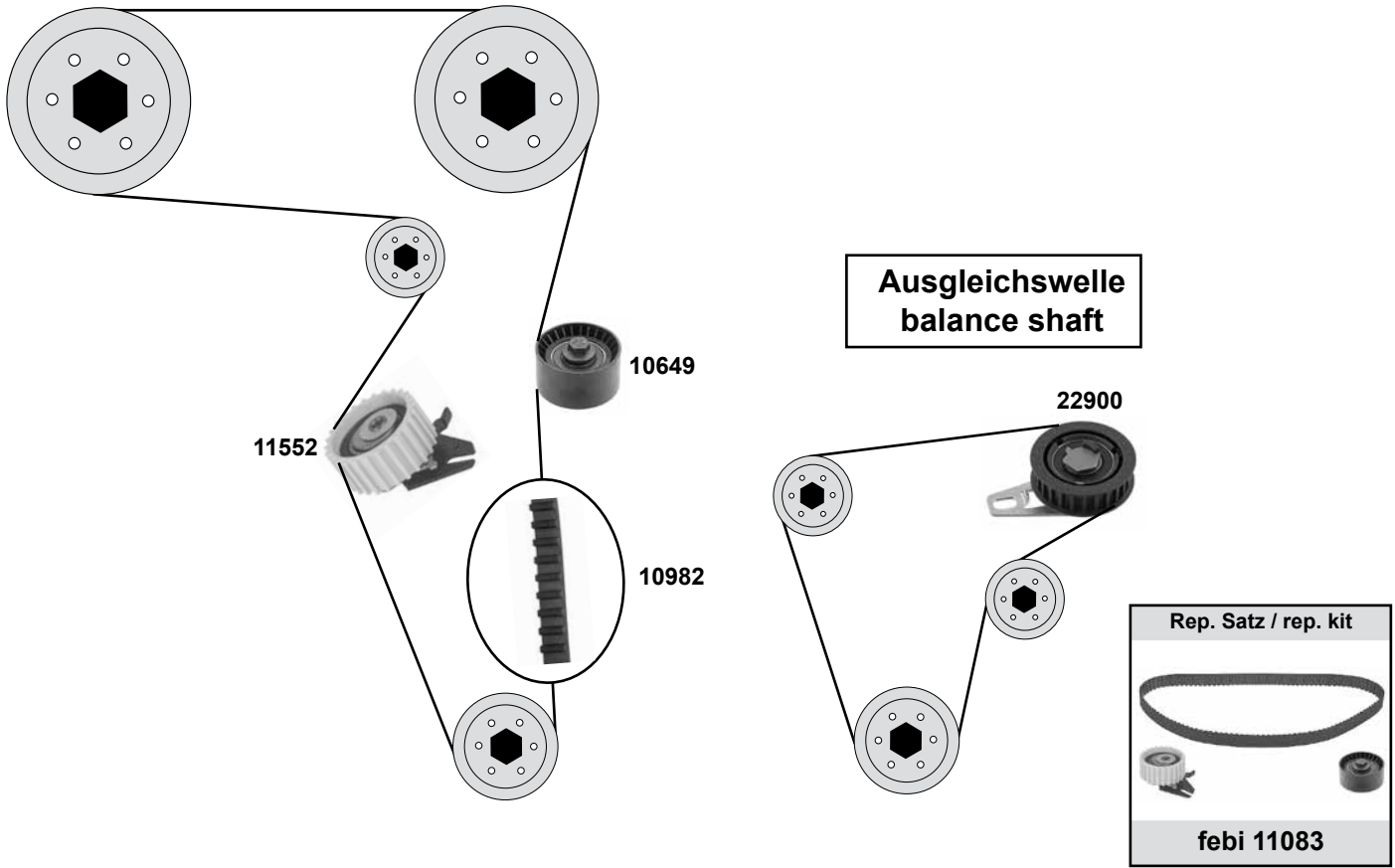
Ref. - No.



<b>10970</b>	7614999
<b>11300</b>	7541718
<b>14838</b>	5999795
<b>14839</b>	7541712

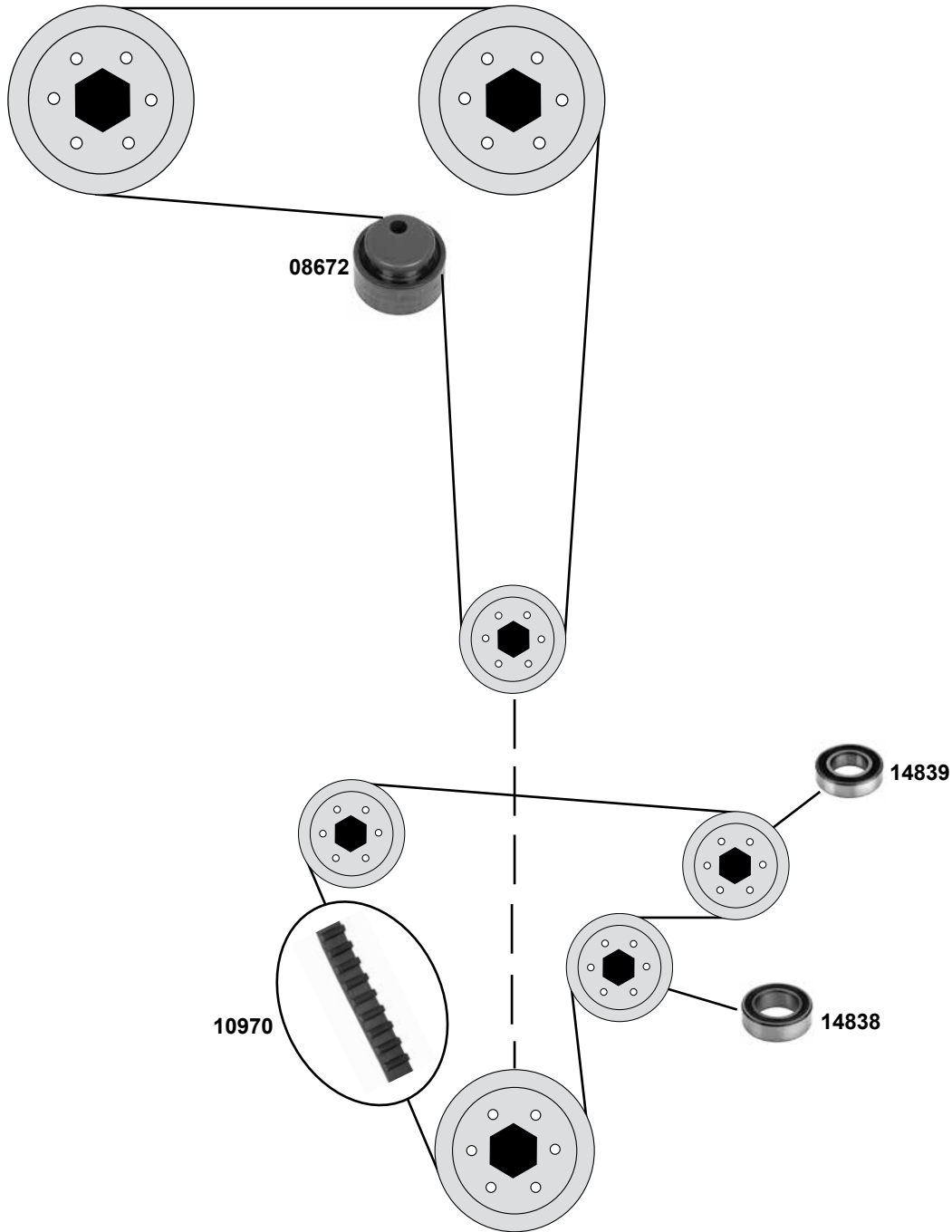
Zahnriemen Ausgleichsw. / timing belt balance shaft
Spannrolle / tension roller
Umlenkrolle / deflection pulley
Umlenkrolle / deflection pulley

Z 97 B15
ØA56 H27/ 39,5
ØA68 Ø1 40 H21
ØA47 Ø1 25 H12



	Ref. - No.			
<b>10649</b>	60652129	Umlenkrolle / deflection roller		ØA57 H29/35
<b>10982</b>	55210628	Zahnriemen / timing belt		Z 168 B24
<b>11083</b>	71736724	Rep. Satz Zahnriemen / rep. kit timing belt		
<b>11552</b>	55192239	Spannrolle / tension roller		ØA65 H29
<b>12343</b>	7740252	Umlenkrolle / deflection pulley	AC	ØA80 Ø110 H23
<b>17541</b>	46524692	Riemenspanner / belt tensioner		
<b>17601</b>	60602136	Umlenkrolle / deflection pulley	83kW / 96kW	ØA100 B29
<b>22900</b>	55221253	Spannrolle / tension roller		ØA 64 B19,4

**2,0 16 V**



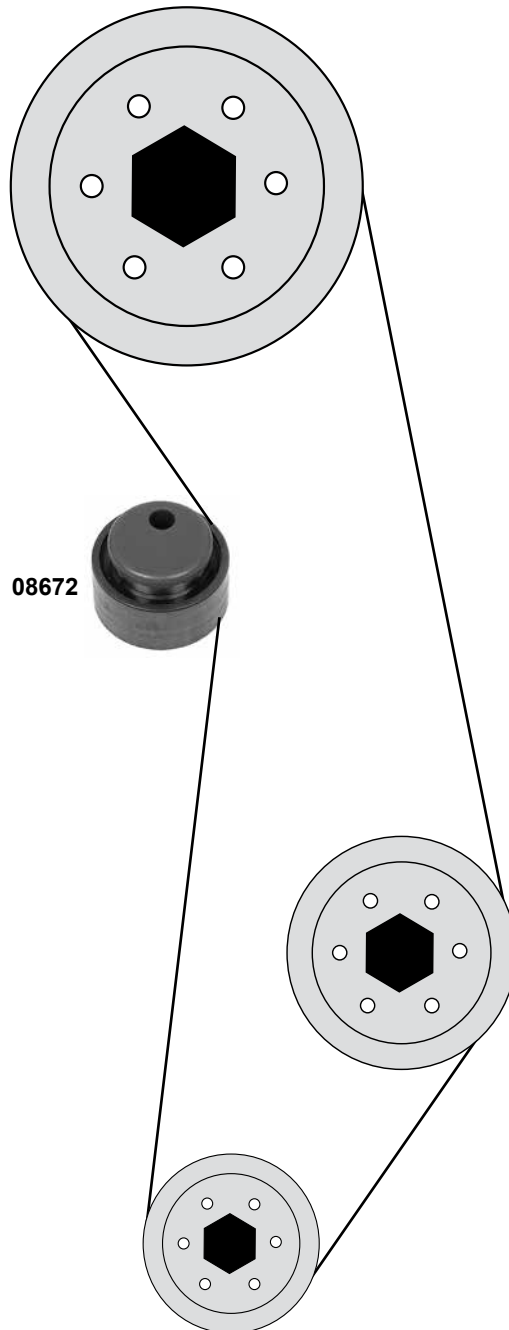
Ref. - No.



<b>08672</b>	5997325
<b>10970</b>	7614999
<b>14838</b>	5999795
<b>14839</b>	7541712

Spannrolle / tension roller
Zahnriemen Ausgleichsw. / timing belt balance shaft
Umlenkrolle / deflection pulley
Umlenkrolle / deflection pulley

ØA56 H27/39,5
Z 97 B15
ØA68 Ø1 40 H21
ØA47 Ø125 H12





# LANCIA

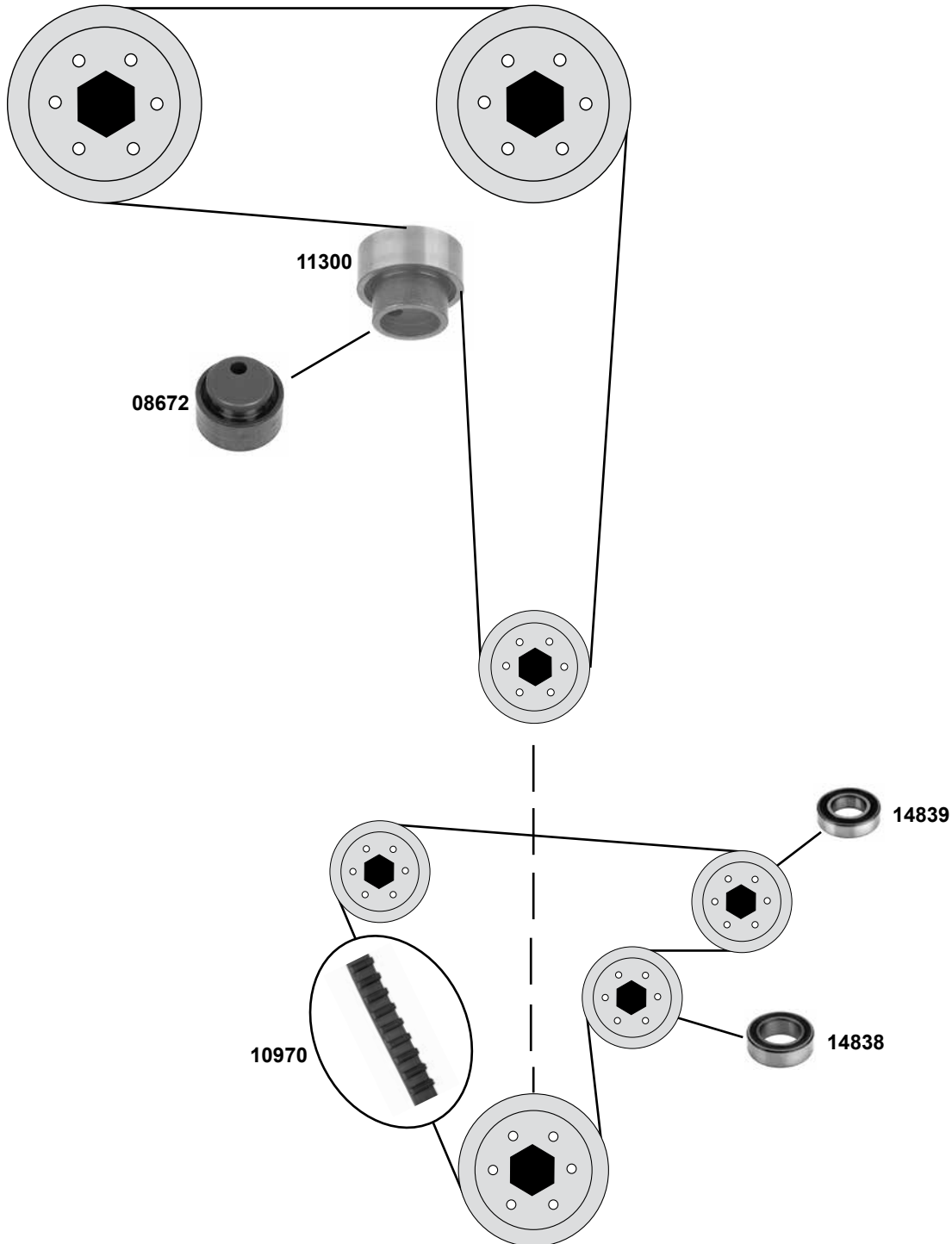
## Delta I (831)

(86→94)

Car  
Division



### 2,0 8V / 16V



Ref. - No.



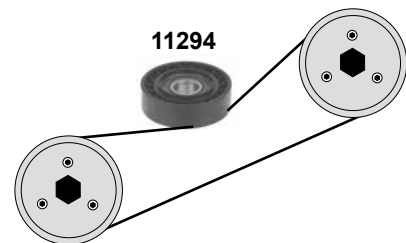
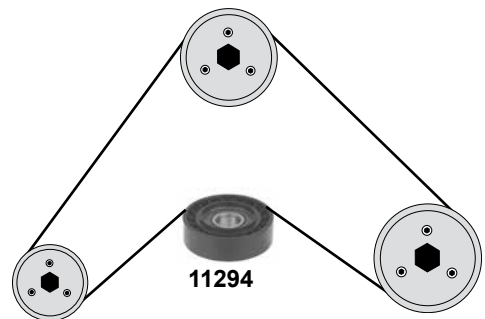
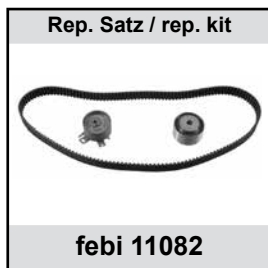
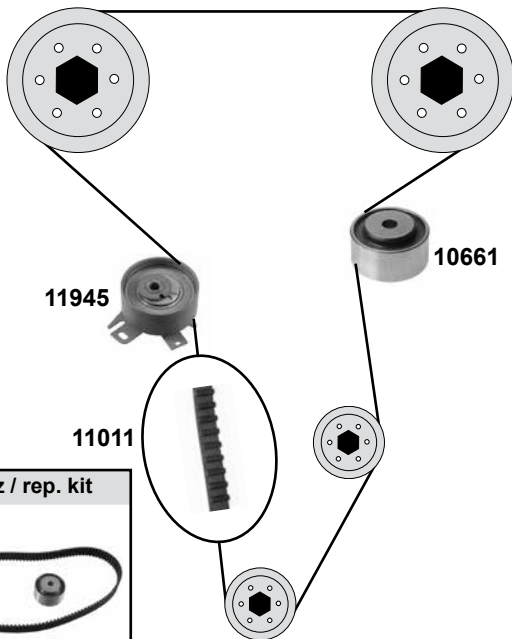
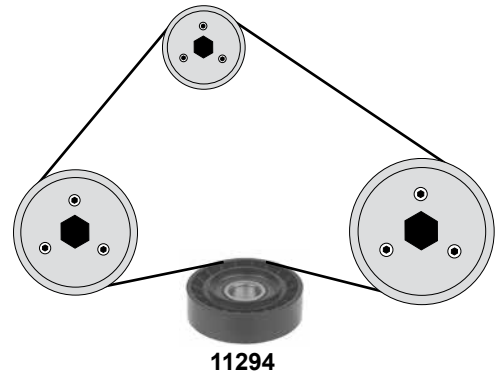
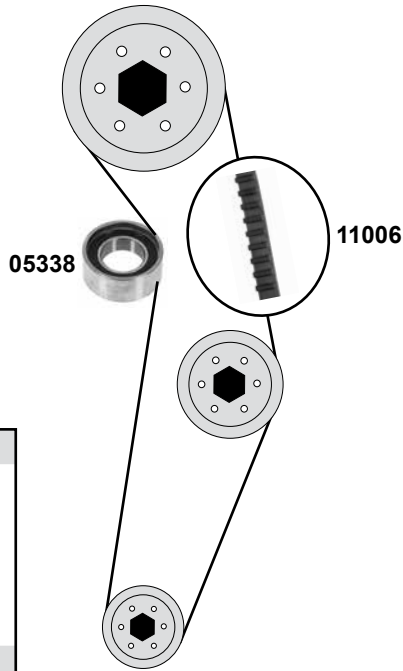
<b>08672</b>	5997325
<b>10970</b>	7614999
<b>11300</b>	7541718
<b>14838</b>	5999795
<b>14839</b>	7541712

Spannrolle / tension roller
Zahnriemen Ausgleichsw. / timing belt balance shaft
Spannrolle / tension roller
Umlenkrolle / deflection pulley
Umlenkrolle / deflection pulley

(mot.) 2,0 16V

(mot.) 2,0 8V

ØA 56 H 27/39,5
Z 97 B15
ØA 60 H 25/46,5
ØA 68 ØI 40 H21
ØA47 ØI 25 H12

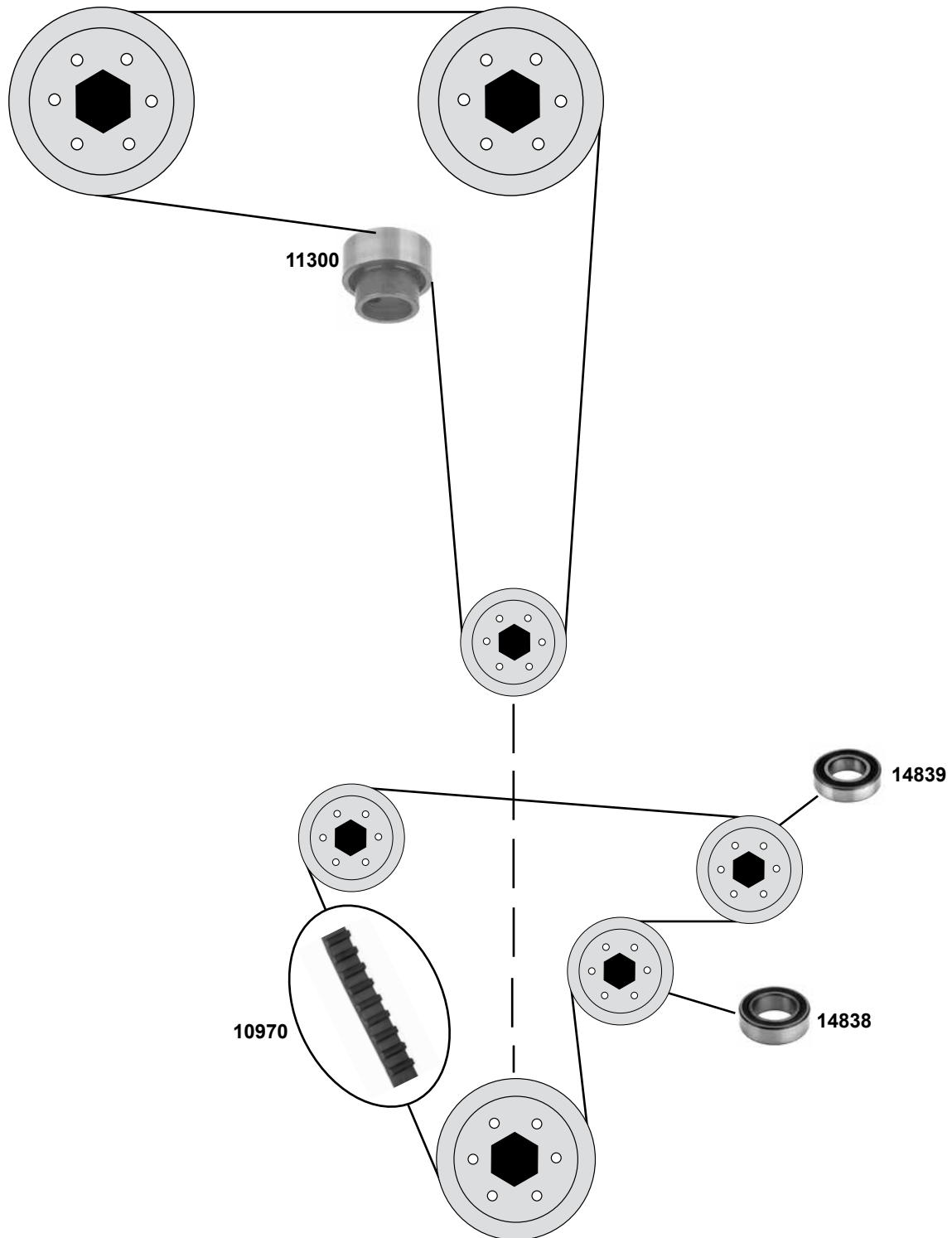


Ref. - No.



<b>05338</b>	71740977	Spannrolle / tension roller		
<b>10661</b>	55211287	Umlenkrolle / deflection pulley	93 → 99	ØA57 H24
<b>11006</b>	71719005	Zahnriemen / timing belt		ØA65 H30,4 / 35,4
<b>11011</b>	55188191	Zahnriemen / timing belt		Z 138 B15
<b>11072</b>	46408751 S1	Rep. Satz Zahnriemen / rep. kit timing belt		Z 158 B25,4
<b>11082</b>	71736715	Rep. Satz Zahnriemen / rep. kit timing belt		
<b>11294</b>	46424716	Spannrolle / tension roller		ØA80 H24
<b>11945</b>	71734799	Spannrolle / tension roller		ØA60 H29

**1,8 8V**



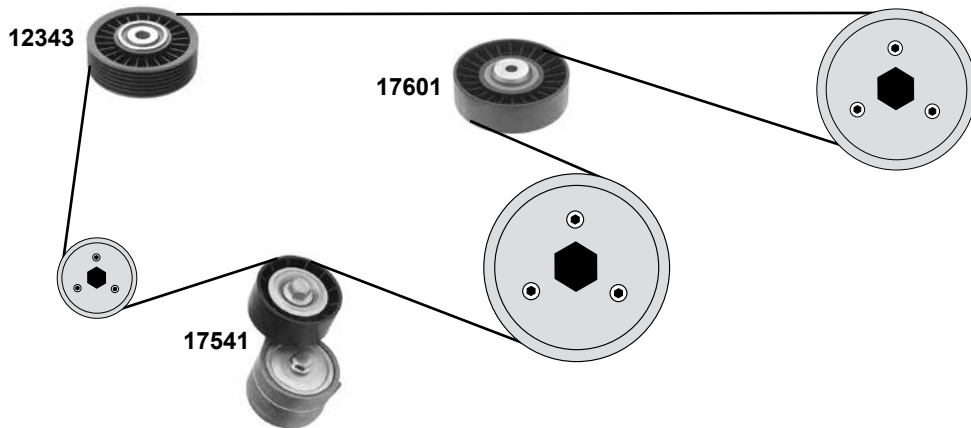
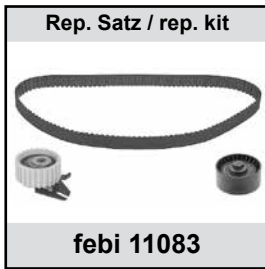
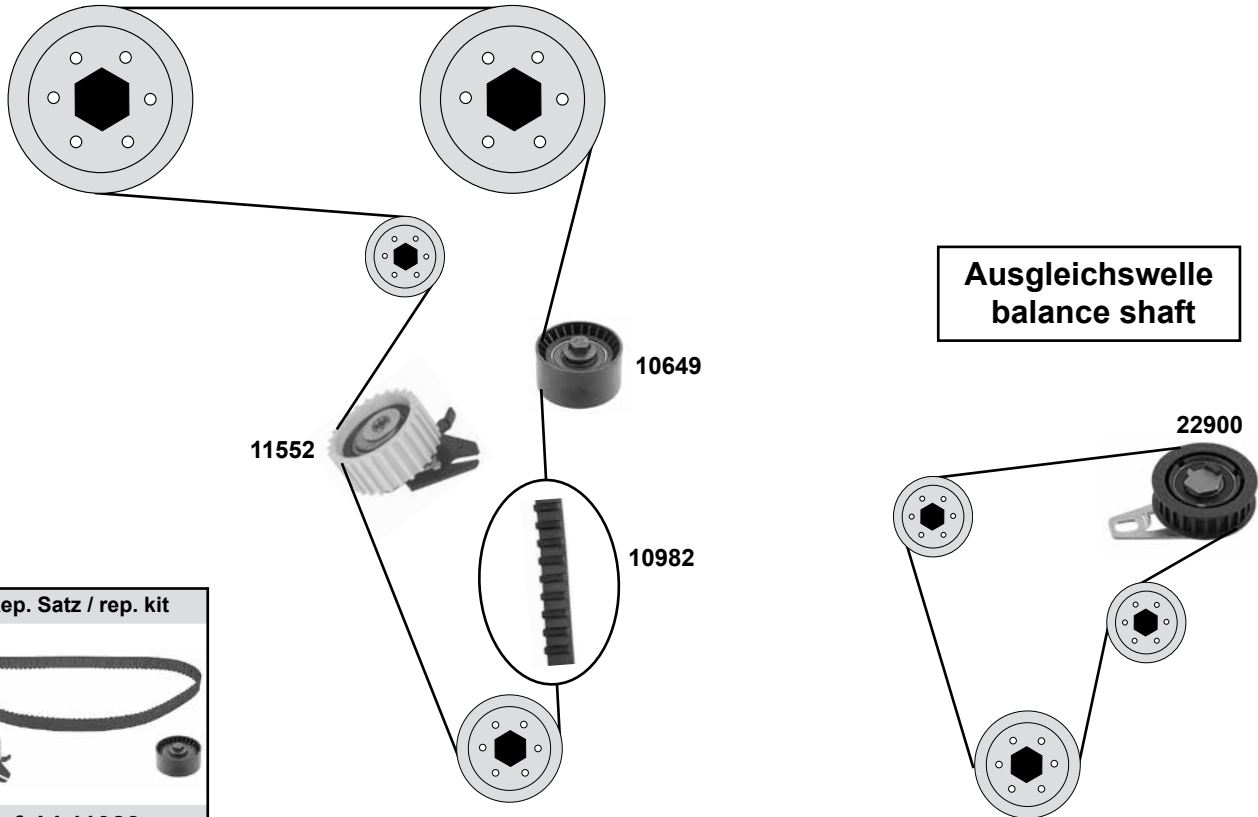
Ref. - No.



<b>10970</b>	7614999
<b>11300</b>	7541718
<b>14838</b>	5999795
<b>14839</b>	7541712

Zahnriemen Ausgleichsw. / timing belt balance shaft
Spannrolle / tension roller
Umlenkrolle / deflection pulley
Umlenkrolle / deflection pulley

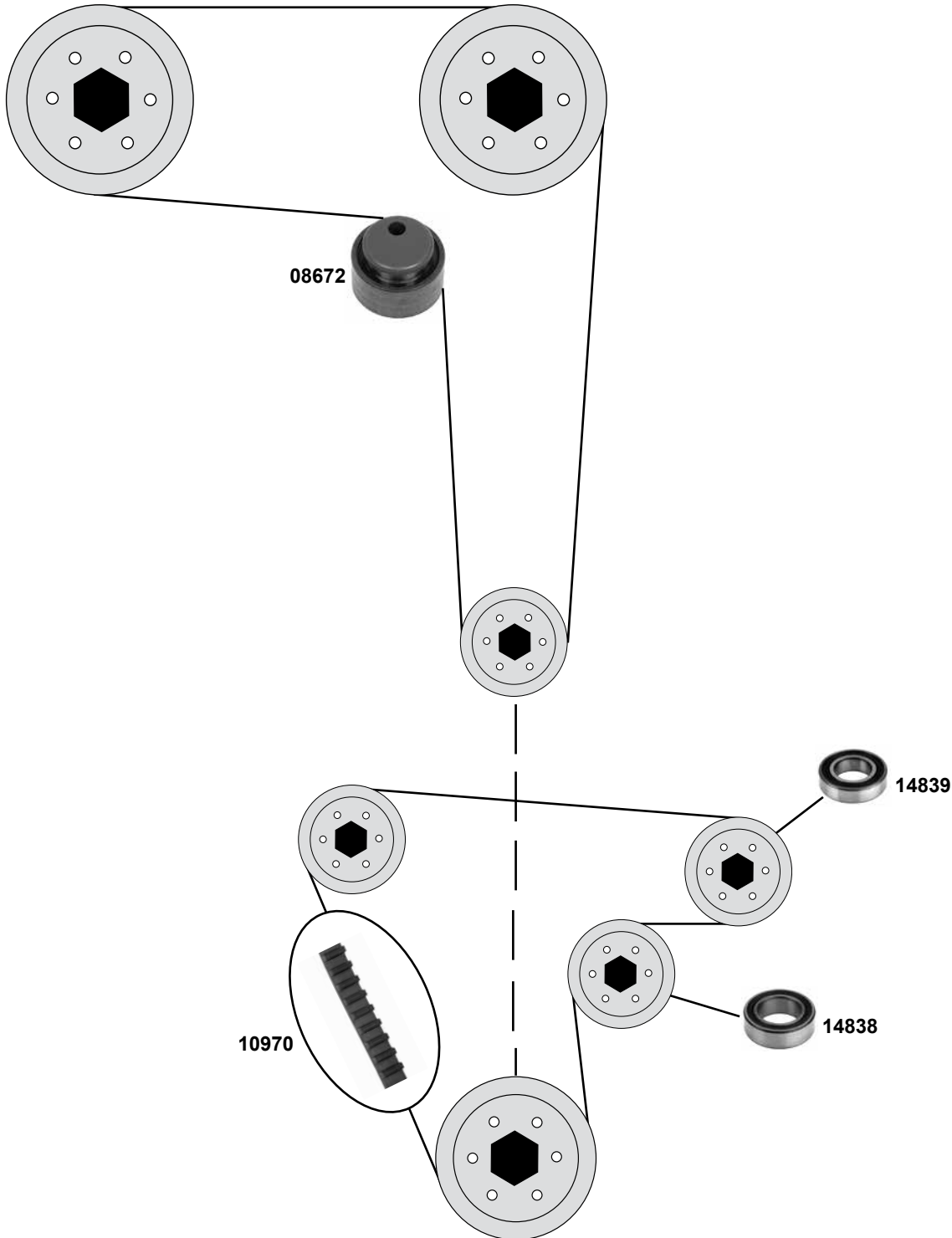
Z 97 B15
ØA56 H27 / 39,5
ØA68 ØI 40 H21
ØA47 ØI 25 H12



	Ref. - No.			
<b>10649</b>	60652129	Umlenkrolle / deflection roller		ØA57 H29/35
<b>10982</b>	55210628	Zahnriemen / timing belt		Z 168 B24
<b>11083</b>	71736724	Rep. Satz Zahnriemen / rep. kit timing belt		
<b>11552</b>	55192239	Spannrolle / tension roller		ØA65 H29
<b>12343</b>	7740252	Umlenkrolle / deflection pulley	AC	ØA50 Ø110 H23
<b>17541</b>	46524692	Riemenspanner / belt tensioner		
<b>17601</b>	60602136	Umlenkrolle / deflection pulley	83kW / 96kW	ØA100 B29
<b>22900</b>	55221253	Spannrolle / tension roller		ØA 64 B19,4



**2,0 16 V**



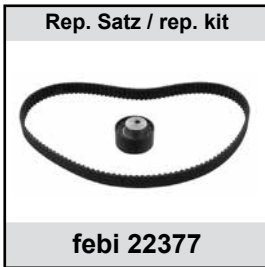
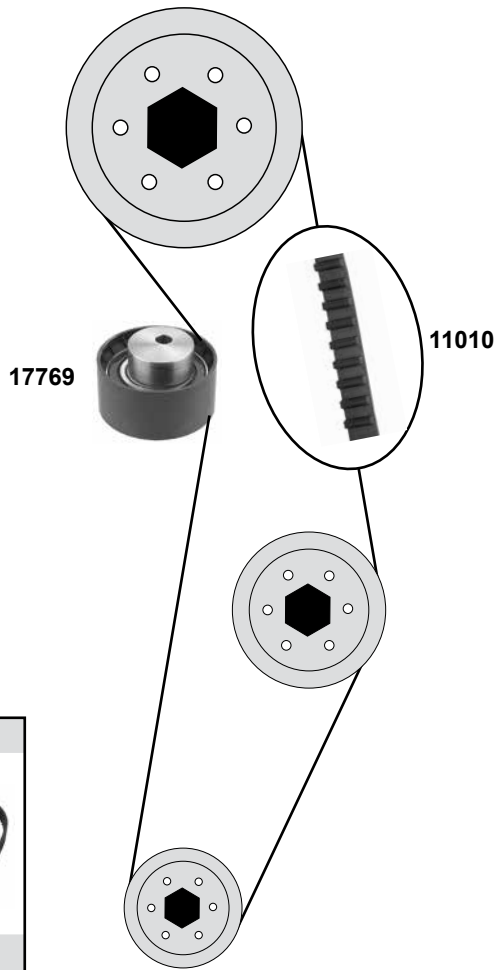
Ref. - No.



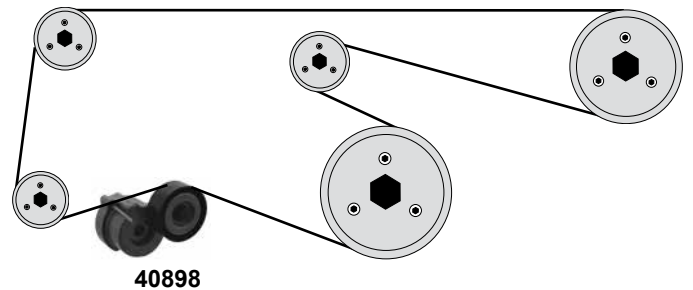
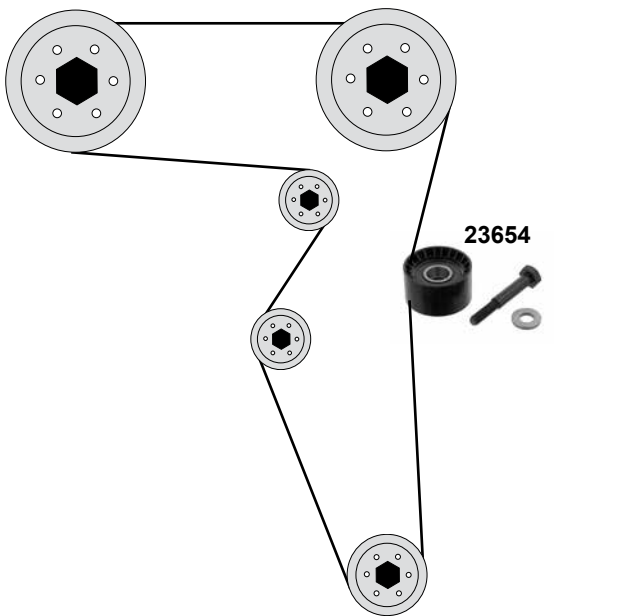
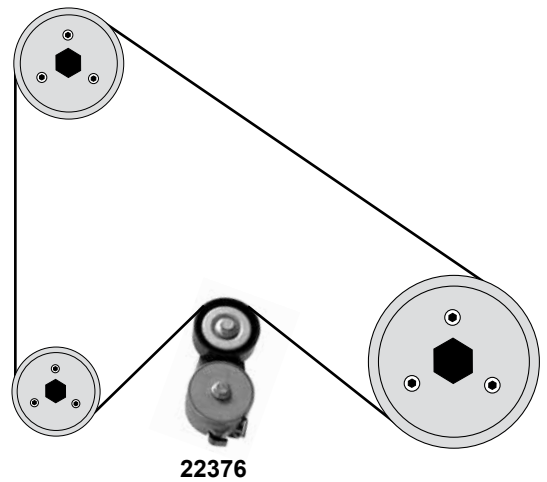
<b>08672</b>	5997325
<b>10970</b>	7614999
<b>14838</b>	5999795
<b>14839</b>	7541712

Spannrolle / tension roller
Zahnriemen Ausgleichsw. / timing belt blance shaft
Umlenkrolle / deflection pulley
Umlenkrolle / deflection pulley

ØA56 H27/39,5
Z 97 B15
ØA68 Ø1 40 H21
ØA47 Ø1 25 H12



**AC**



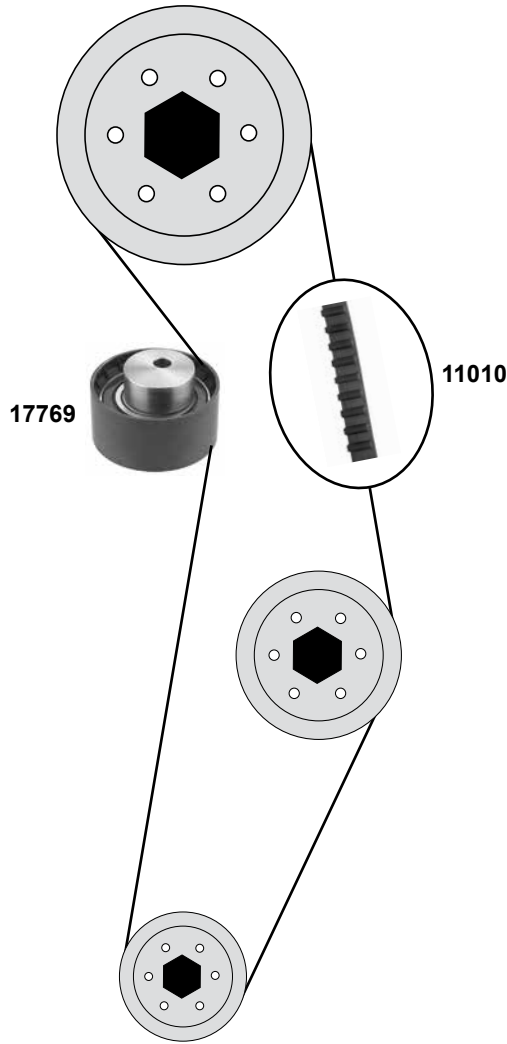
Ref. - No.



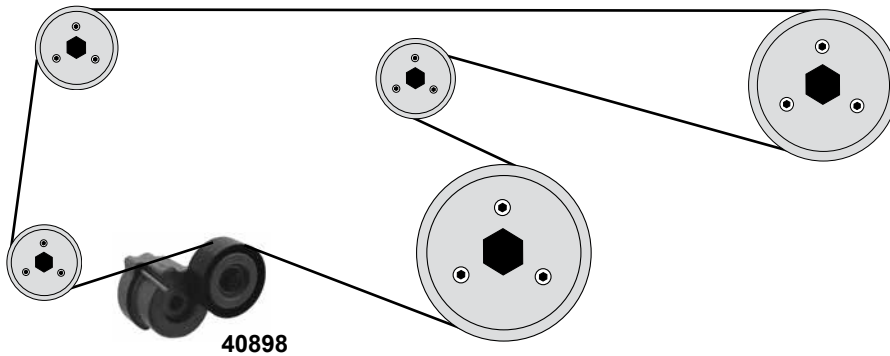
<b>11010</b>	46403659	Zahnriemen / timing belt	→11 1,4 16V	Z 124 B22
<b>17769</b>	55248394	Spannrolle / tension roller	→11 1,4 16V	ØA 60 H29
<b>22376</b>	55232827	Riemenspanner / belt tensioner	(mot.) 1,6 88kW	ØA 65 B23,5
<b>22377</b>	71736717	Rep. Satz Zahnriemen / rep. kit timing belt	1,4 16V	Z 124 B22
<b>23654</b>	55187100	Umlenkrolle / deflection pulley		
<b>40898</b>	51820520	Riemenspanner / belt tensioner	→11 AC	ØA 65 B 26



## 1,4 16 V



## 1,8 16 V



Ref. - No.



11010	46403659
17769	55248394
22377	71736717
40898	51820520

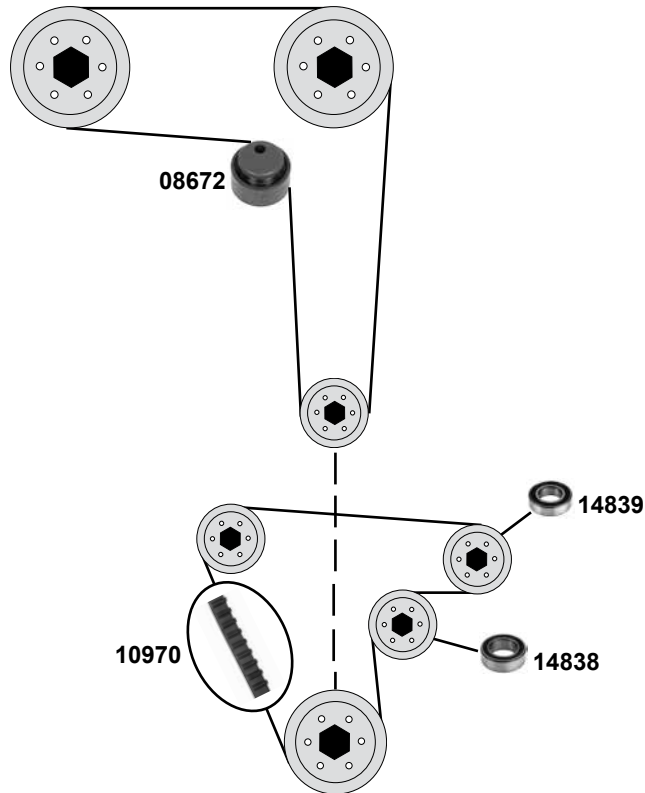
Zahnriemen / timing belt
Spannrolle / tension roller
Rep. Satz Zahnriemen / rep. kit timing belt
Riemenspanner / belt tensioner

→11 / 1,4 16V

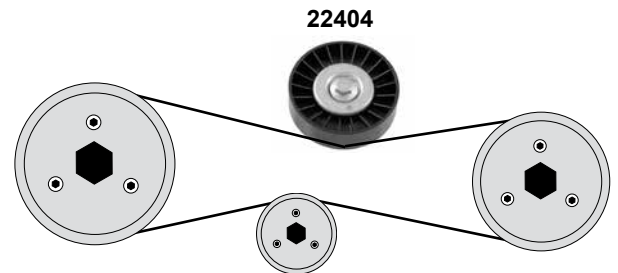
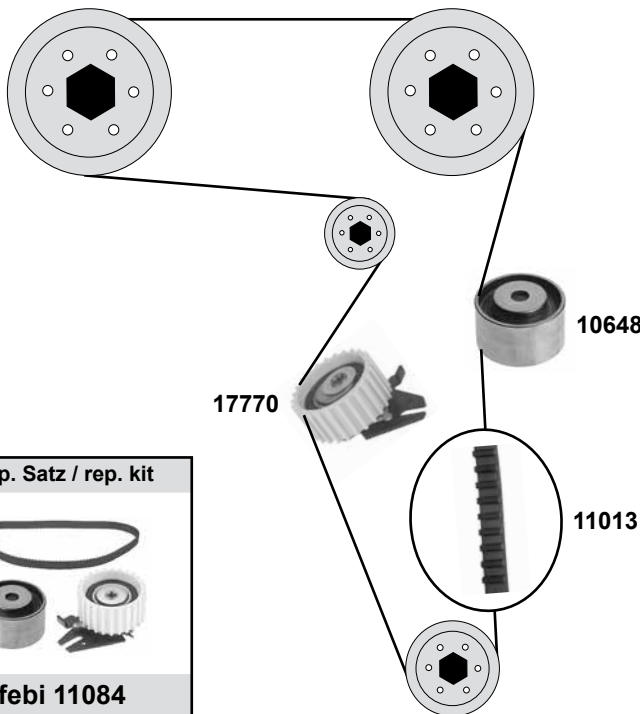
AC

Z 124 B22
ØA 60 H29
Z 124
ØA 65 B 26

**2,0 16 V Turbo**



**2,0 20V / 2,4 20V**



Ref. - No.



<b>08672</b>	5997325	Spannrolle / tension roller	ØA56 H27/39,5
<b>10648</b>	71736493	Umlenkrolle / deflection pulley	ØA53 B29
<b>10970</b>	7614999	Zahnriemen Ausgleichsw. / timing belt blance shaft	Z 97 B15
<b>11013</b>	46541065	Zahnriemen / timing belt	Z 167 B24
<b>11084</b>	46541065 S1	Rep. Satz Zahnriemen / rep. kit timing belt	
<b>14838</b>	5999795	Umlenkrolle / deflection pulley	ØA68 ØI 40 H21
<b>14839</b>	7541712	Umlenkrolle / deflection pulley	ØA47 ØI 25 H12
<b>17770</b>	55192773	Spannrolle / tension roller	ØA65 H30
<b>22404</b>	46547566	Umlenkrolle / deflection pulley	ØA90



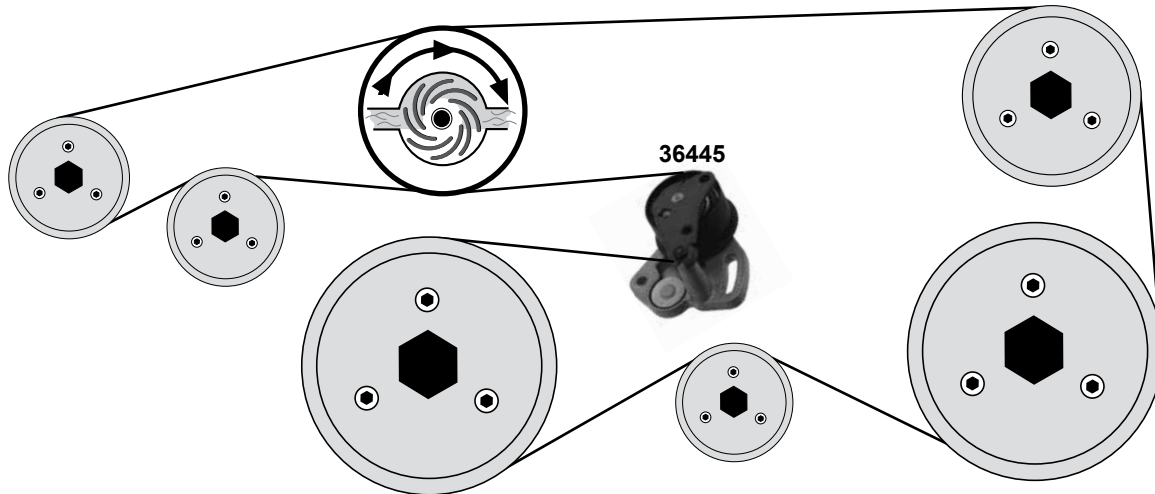
passend für / to fit

# LANCIA Kappa (838) (94→01)

Car  
Division



## 3,0 V6



Ref. - No.

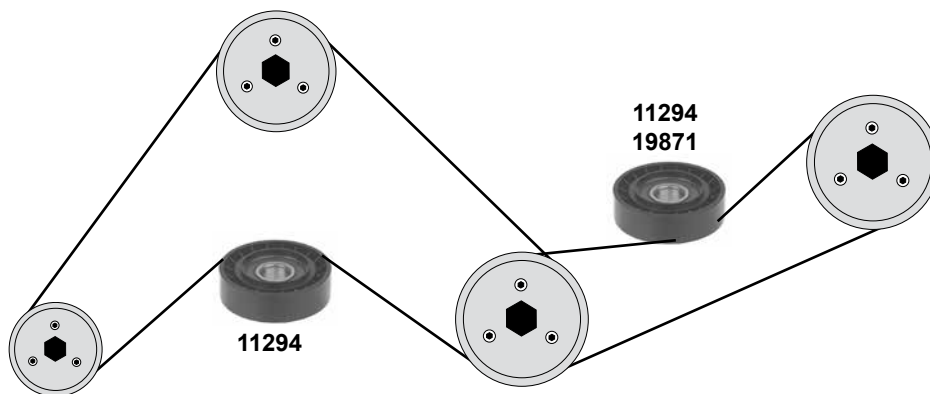
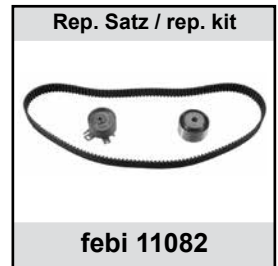
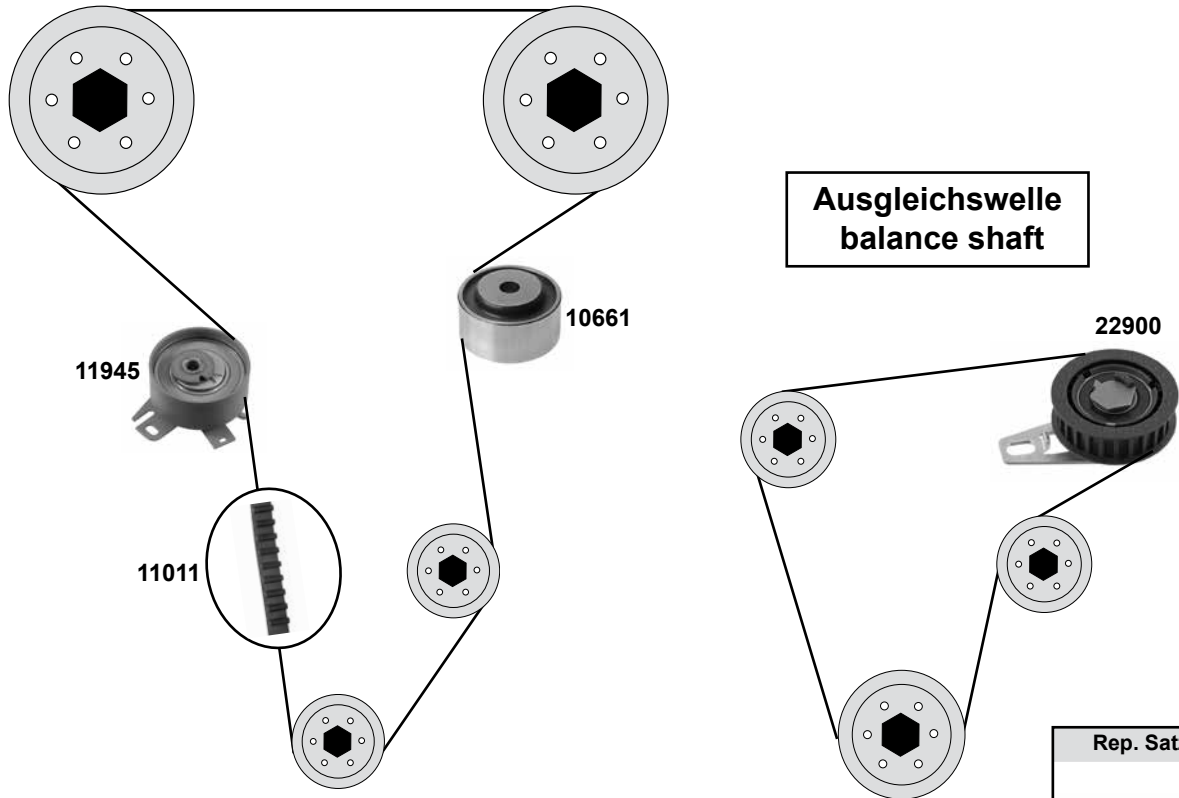


36445

55191536

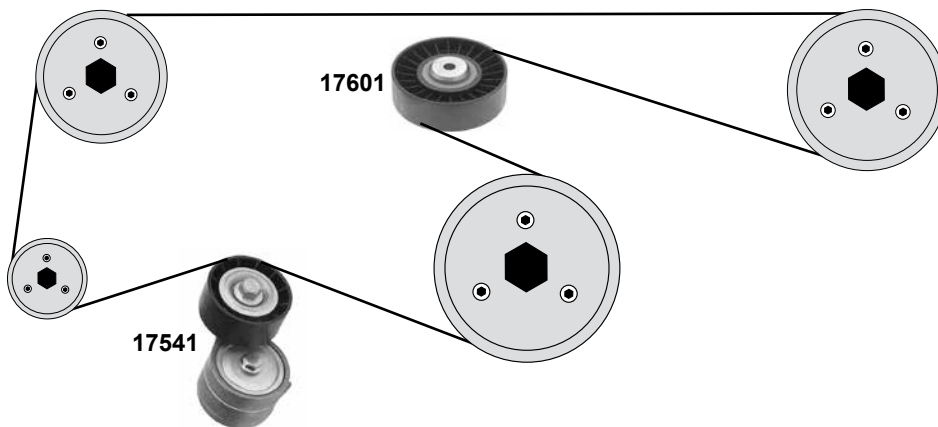
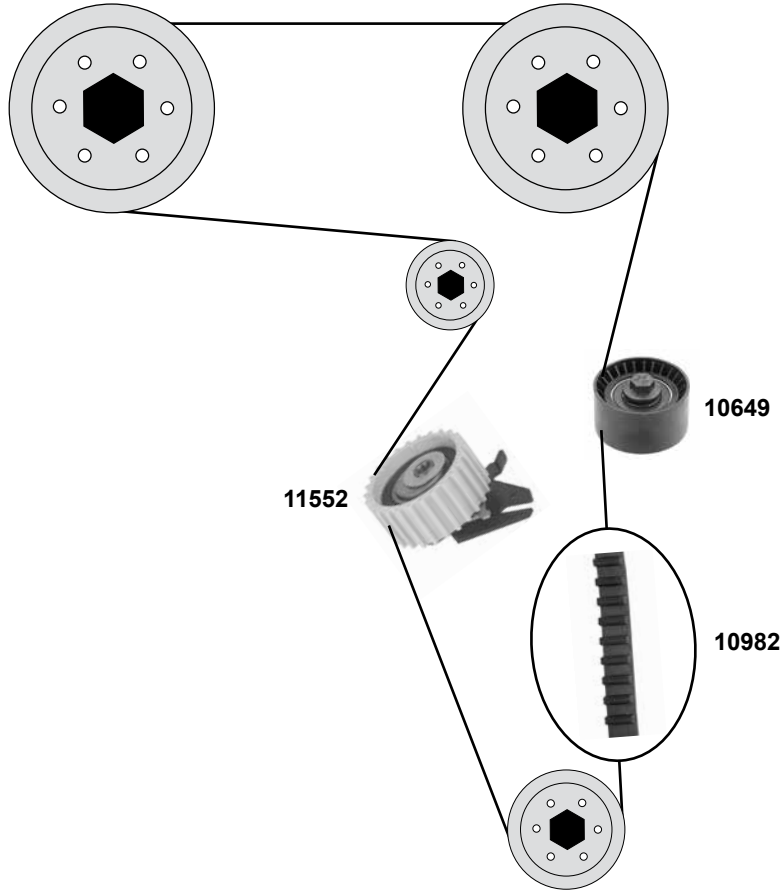
Riemenspanner / belt tensioner




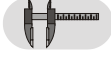
ØA 60 B33

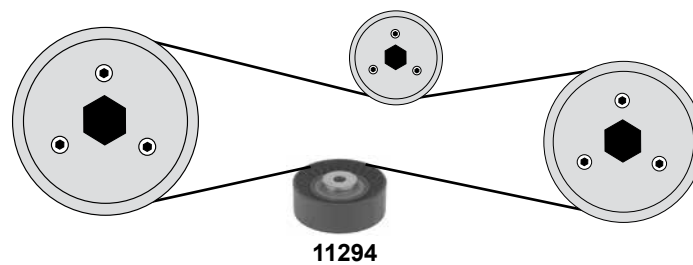
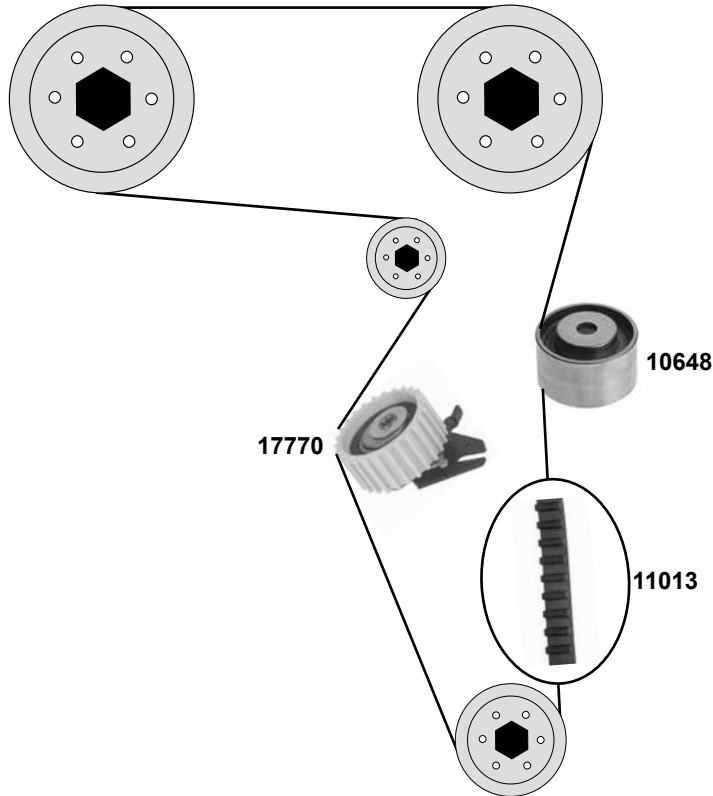


	Ref. - No.			
<b>10661</b>	55211287	Umlenkrolle / deflection pulley		ØA65 / H30,4 / 35,4
<b>11011</b>	55188191	Zahnriemen / timing belt		
<b>11082</b>	71736715	Rep. Satz Zahnriemen / rep. kit timing belt		
<b>11294</b>	46424716	Spannrolle / tension roller	→ 02/2000	ØA80 / H24
<b>11945</b>	71734799	Spannrolle / tension roller		ØA60 / H29
<b>19871</b>	46537101	Umlenkrolle / deflection pulley	02/2000 →	
<b>22900</b>	55221253	Spannrolle / tension roller		ØA 64 B19,4

**1,8 16V**



	Ref. - No.			
<b>10649</b>	60652129	Umlenkrolle / deflection pulley	<b>(Modell)</b> → 09/2003	ØA57 H29/35
<b>10982</b>	55210628	Zahnriemen / timing belt		Z 168 B24
<b>11083</b>	71736724	Rep. Satz Zahnriemen / rep. kit timing belt		
<b>11552</b>	55192239	Spannrolle / tension roller		ØA65 H29
<b>17541</b>	46524692	Riemenspanner / belt tensioner		
<b>17601</b>	60602136	Umlenkrolle / deflection pulley		ØA100 B29



Ref. - No.



**10648**  
**11013**  
**11084**  
**11294**  
**17770**

71736493  
0773 2676  
46541065  
46424716  
55192773

Umlenkrolle / deflection pulley  
Zahnriemen / timing belt  
Rep. Satz Zahnriemen / rep. kit timing belt  
Spannrolle / tension roller  
Spannrolle / tension roller

AC

ØA53 B29  
ØA65 H30

# LANCIA

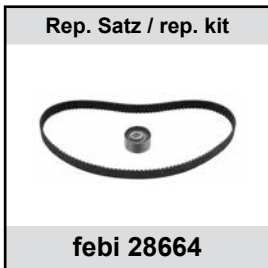
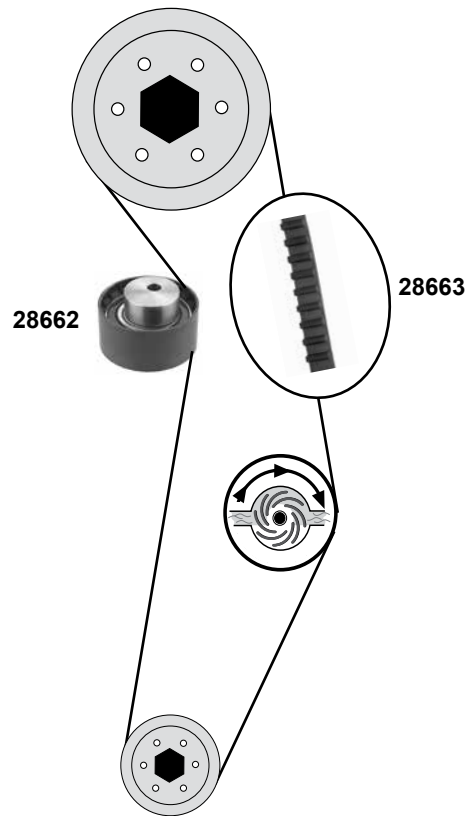
## Musa (350)

(04→12)

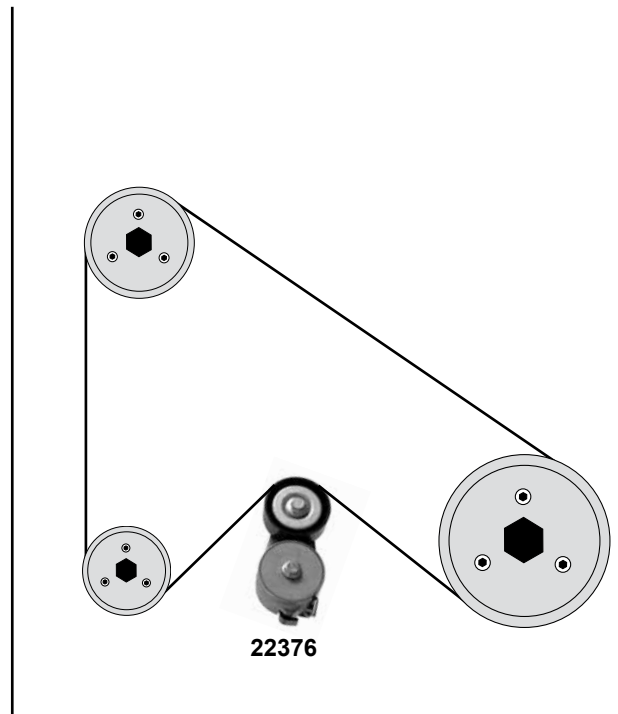
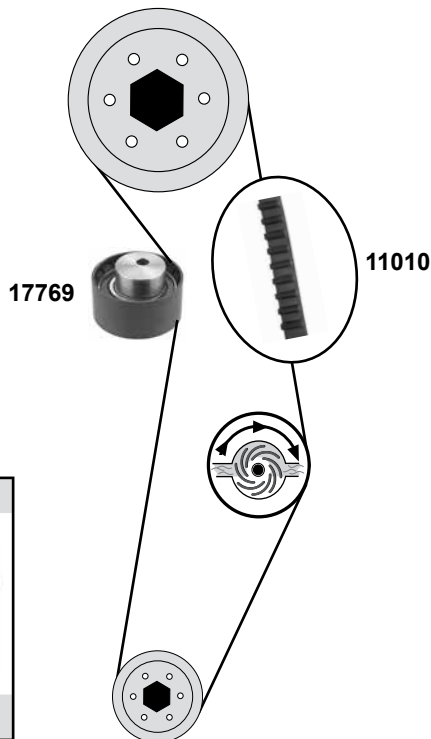
Car  
Division



### 1,4 8V



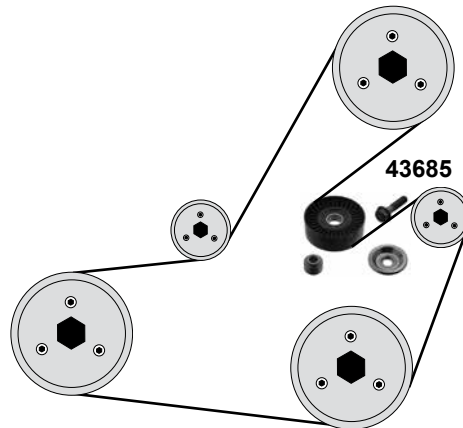
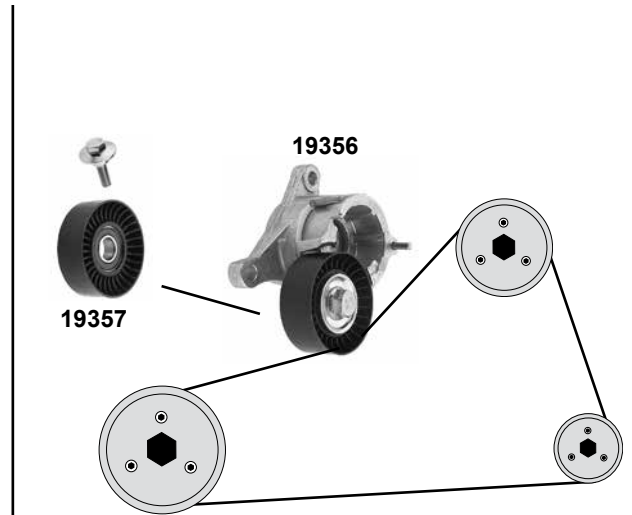
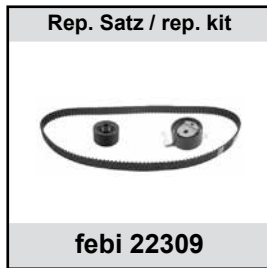
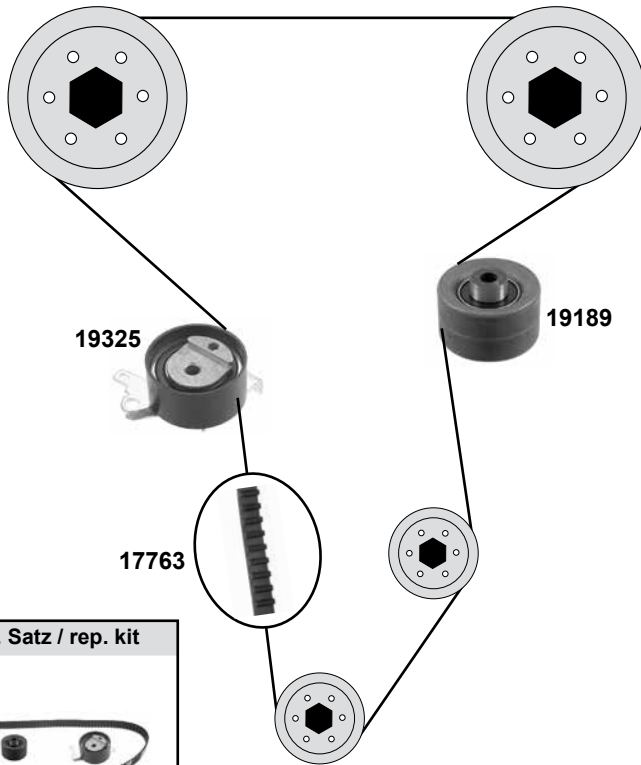
### 1,4 16V



Ref. - No.



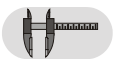
<b>11010</b>	46403659	Zahnriemen / timing belt	→12	Z 124 B22
<b>17769</b>	55248394	Spannrolle / tension roller	→12 66 / 70kW	ØA 60 H29
<b>22376</b>	55232827	Riemenspanner / belt tensioner		ØA 65 B23,5
<b>22377</b>	71736717	Rep. Satz Zahnriemen / rep. kit timing belt		Z 124 B22
<b>28662</b>	55233759	Spannrolle / tension roller	→ 12	ØA 55,5 B26
<b>28663</b>	71753156	Zahnriemen / timing belt	→ 12	Z 129 B22
<b>28664</b>	71775900	Rep. Satz Zahnriemen / rep. kit timing belt	→ 12	Z 129 B22



(1) 2,0 BZ (100kW) / (ex.) servo

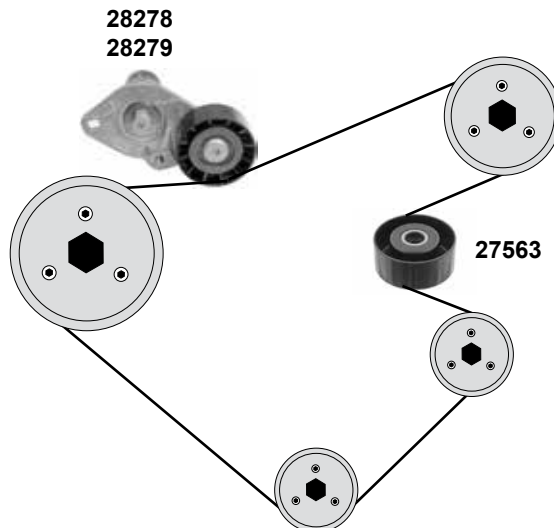
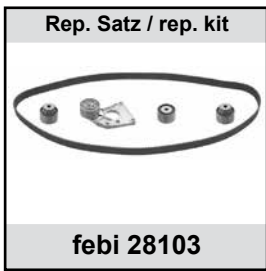
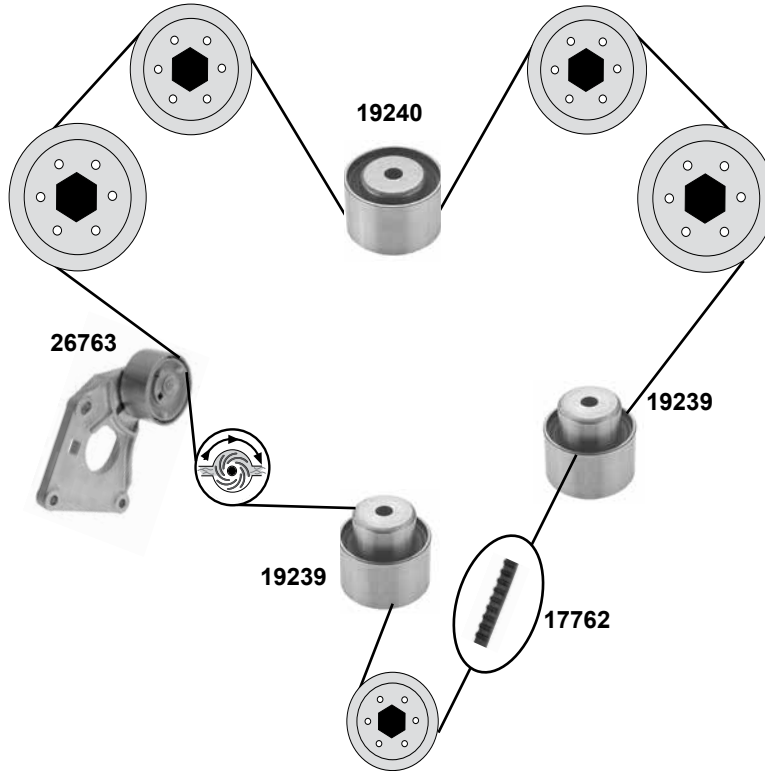






Ref. - No.

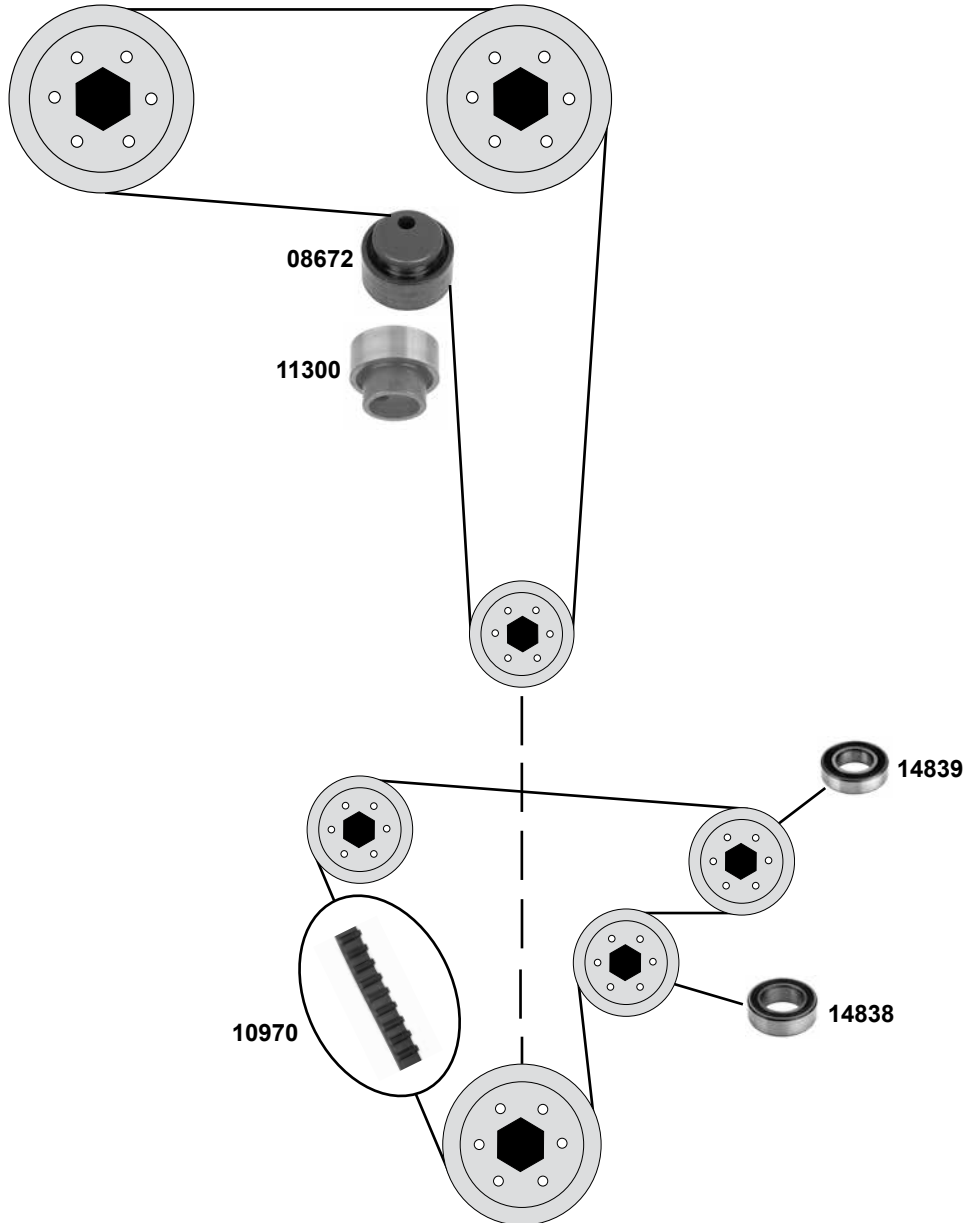


17763	9464464980	Zahnriemen / timing belt		Z 153 B25,4
19189	9400830429	Umlenkrolle / deflection pulley		ØA 60 B31
19325	9400829929	Spannrolle / tension roller		ØA 62 B29
19356	9636207480	Spannrolle / tension roller		ØA 65 B25
19357	9636640580	Spannrolle / tension roller		ØA78 B25
22309	9467628080	Rep. Satz Zahnriemen / rep. kit timing belt		Z 153 B25,4
43685	9653342680	Umlenkrolle / deflection pulley	(1)	ØA78 B25

**3,0 V6**



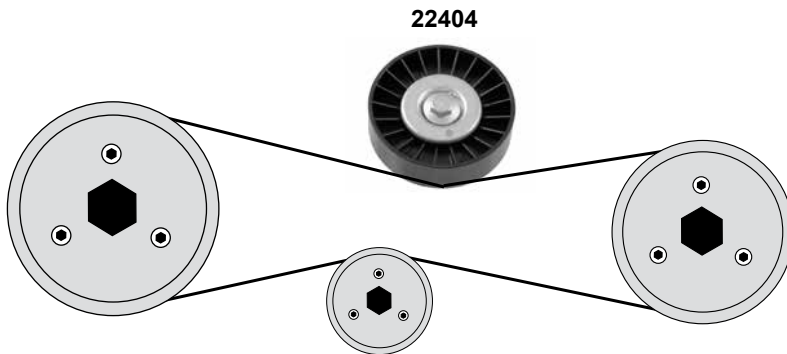
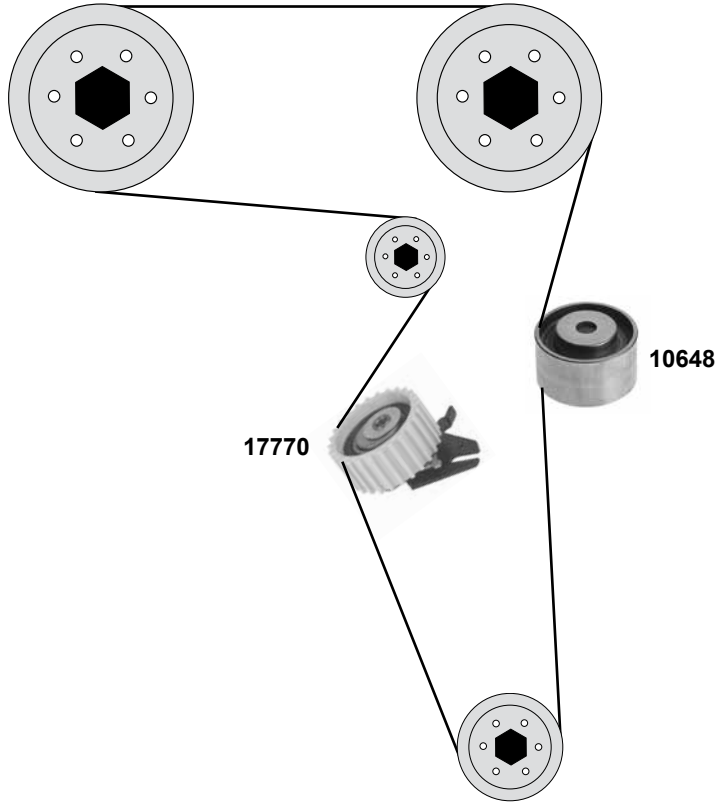
	Ref. - No.			
<b>17762</b>	9632959380	Zahnriemen / timing belt		Z 259
<b>19239</b>	9400830589	Umlenkrolle / deflection pulley		ØA 65 B36/54
<b>19240</b>	9400830599	Umlenkrolle / deflection pulley		ØA 65 B36
<b>26763</b>	9467557280	Spannrolle / tension roller		ØA 70 H36
<b>27563</b>	9635638380	Umlenkrolle / deflection pulley		ØA 65 B26,5
<b>28103</b>	9467628880	Rep. Satz Zahnriemen / rep. kit timing belt		Z 259
<b>28278</b>	9620038880	Riemenspanner / belt tensioner		
<b>28279</b>	9651019680	Riemenspanner / belt tensioner		ØA 65 B25,5



	Ref. - No.			
<b>08672</b>	5997325	Spannrolle / tension roller	(mot.) 16V	ØA56 H27/38,5
<b>10970</b>	7614999	Zahnriemen Ausgleichsw. / timing belt balance shaft		Z 97 B15
<b>11300</b>	7541718	Spannrolle / tension roller	(mot.) 8V	ØA60 H25/46,5
<b>14838</b>	5999795	Umlenkrolle / deflection pulley		ØA68 ØI 40 H21
<b>14839</b>	7541712	Umlenkrolle / deflection pulley		ØA47 ØI 25



**2,0 20V / 2,4 20V**



(1) 2.4 (ex.) 136kW / → 07



**Ref. - No.**

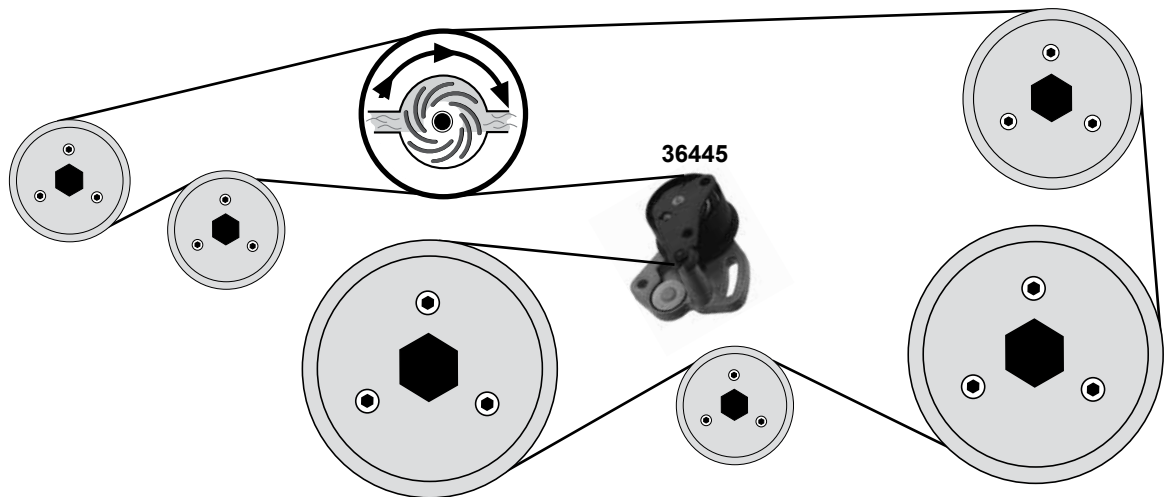


<b>10648</b>	71736493
<b>17770</b>	55192773
<b>22404</b>	46547566

Umlenkrolle / deflection pulley
Spannrolle / tension roller
Umlenkrolle / deflection pulley

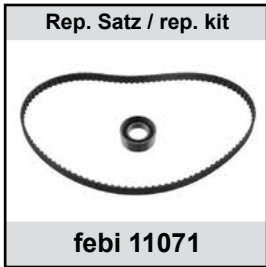
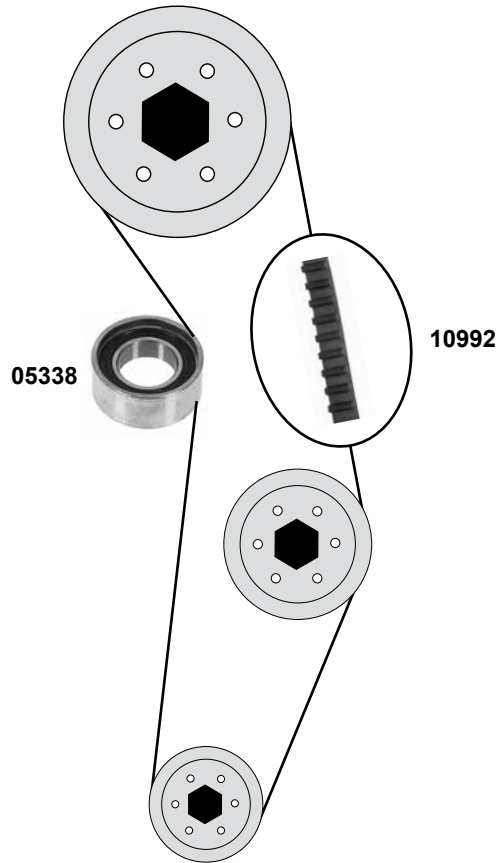
(1)

ØA53 B29
ØA65 H30
ØA90

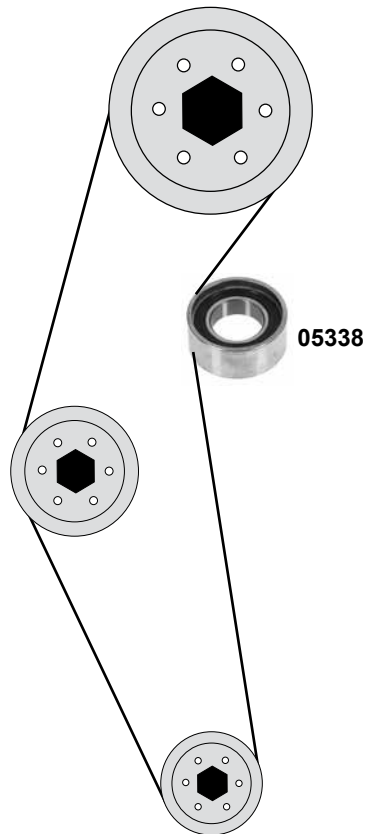




**1,1 / 1,2**



**1,3**



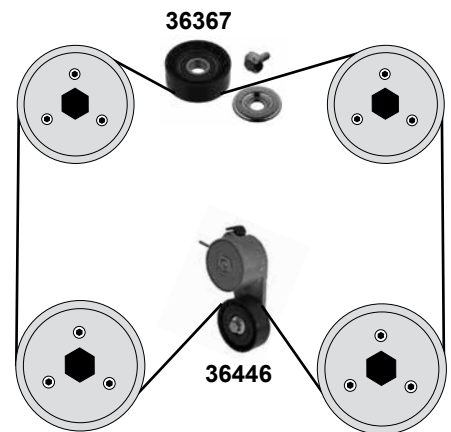
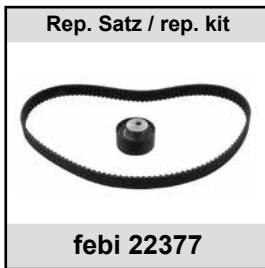
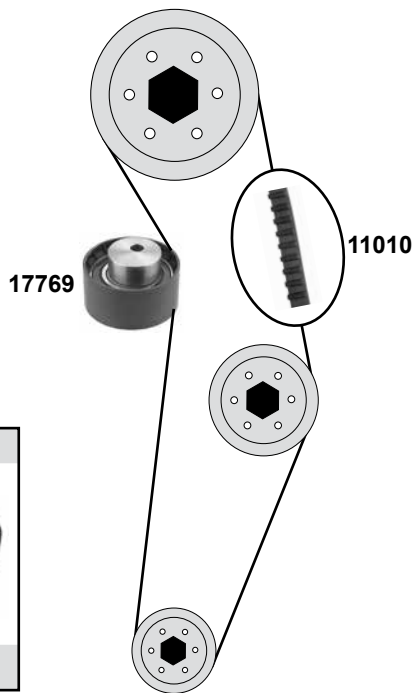
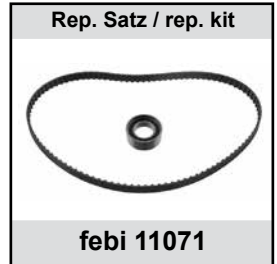
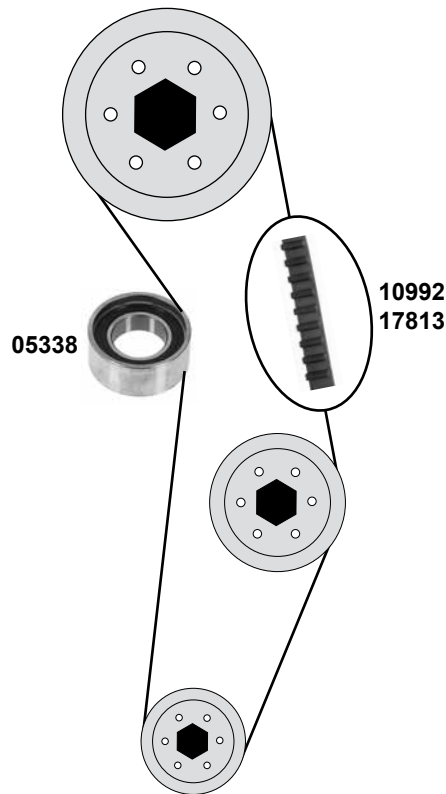
Ref. - No.



05338	71740977
10992	7554701
11071	7554701 S1

Spannrolle / tension roller
Zahnriemen / timing belt
Rep. Satz Zahnriemen / rep. kit timing belt

ØA57 H24
Z 104 B15

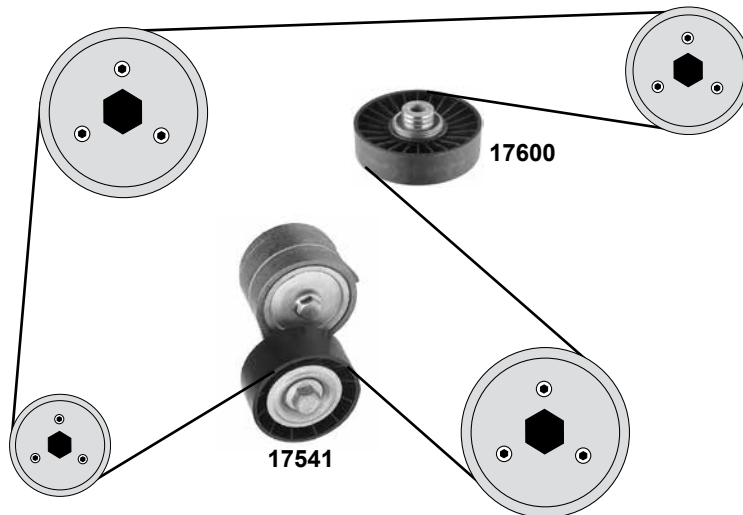
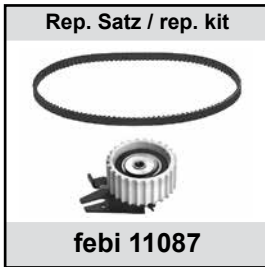
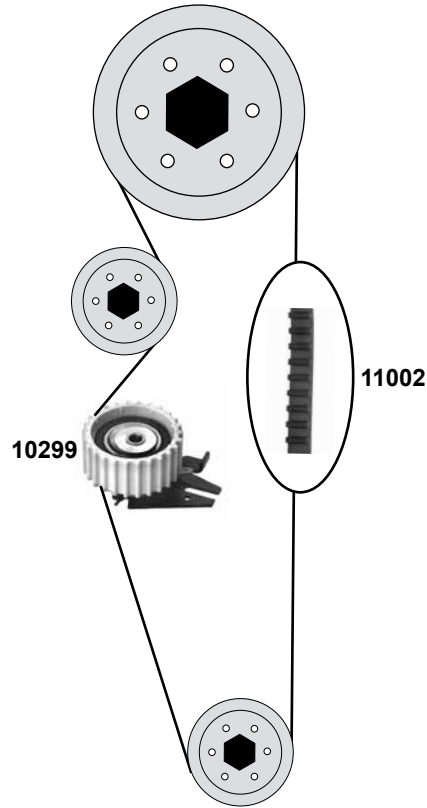






Ref. - No.



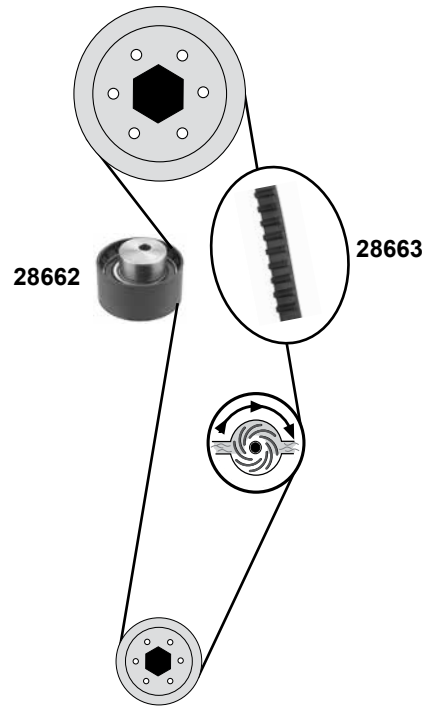
<b>05338</b>	71740977	Spannrolle / tension roller			ØA57 H24
<b>10992</b>	7554701	Zahnriemen / timing belt		(mot.) 1,1	Z 104 B15
<b>11010</b>	46403659	Zahnriemen / timing belt			Z 124 B22
<b>11071</b>	7554701 S1	Rep. Satz Zahnriemen / rep. kit timing belt		(mot.) 1,1	
<b>17769</b>	55248394	Spannrolle / tension roller			ØA60 H29
<b>17813</b>	71719652	Zahnriemen / timing belt		(mot.) 1,2 8V	Z 137 B25
<b>19658</b>	71771576	Rep. Satz Zahnriemen / rep. kit timing belt		(mot.) 1,2 8V	Z 137 B25
<b>22377</b>	71736717	Rep. Satz Zahnriemen / rep. kit timing belt			
<b>36367</b>	46742968	Umlenkrolle / deflection pulley		AC / 00→	ØA65 B23
<b>36446</b>	55193330	Riemenspanner / belt tensioner		AC / 00→	ØA65 B23

**1,4 12 V**



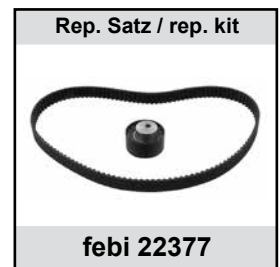
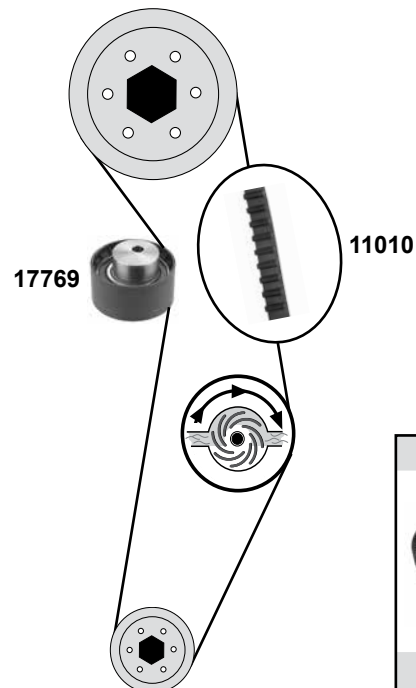
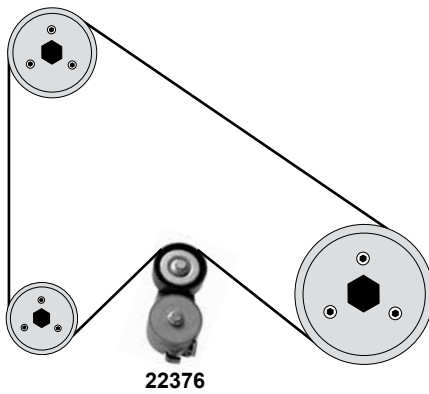
	Ref. - No.			
<b>10299</b>	55196971	Spannrolle / tension roller	→00	ØA65 H29
<b>11002</b>	7762910	Zahnriemen / timing belt	→00	Z 134 B18
<b>11087</b>	7762910 S1	Rep. Satz Zahnriemen / rep.kit timing belt		
<b>17541</b>	46524692	Riemenspanner / belt tensioner	AC	
<b>17600</b>	60610908	Umlenkrolle / deflection pulley	→ 00 / AC	ØA 90 ØI 10 H24,5

**1,2 8V / 1,4 8V**



**1,2 16V / 1,4 16V**

**AC**



(1) (mot.) 1,2 44kW / 59kW  
(mot.) 1,4 56kW / 80kW



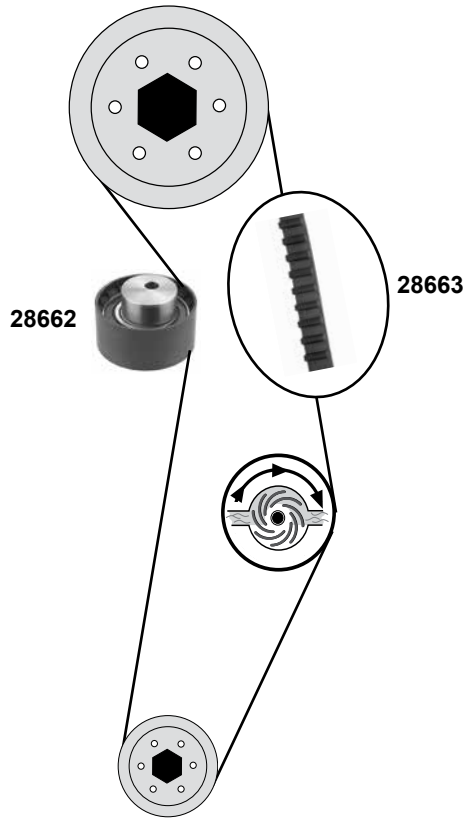
Ref. - No.



<b>11010</b>	46403659	Zahnriemen / timing belt	(1)	Z 124 B22
<b>17769</b>	55248394	Spannrolle / tension belt		ØA 60 H29
<b>22376</b>	55232827	Riemenspanner / belt tensioner		ØA 65 B23,5
<b>22377</b>	71736717	Rep. Satz Zahnriemen / rep. kit timing belt		Z 124 B22
<b>28662</b>	55233759	Spannrolle / tension belt		ØA 55,5 B26
<b>28663</b>	71753156	Zahnriemen / timing belt		Z 129 B22
<b>28664</b>	71775900	Rep. Satz Zahnriemen / rep. kit timing belt	Z 129 B22	

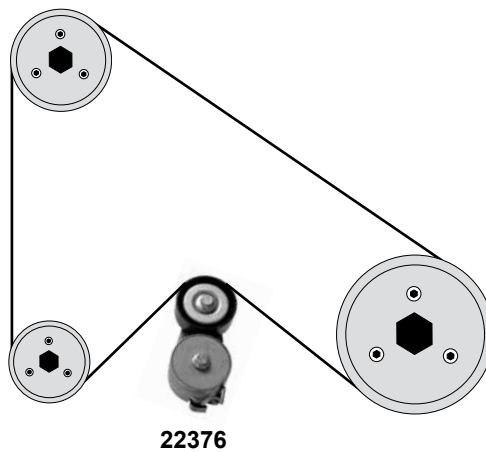


**1,2 8V**

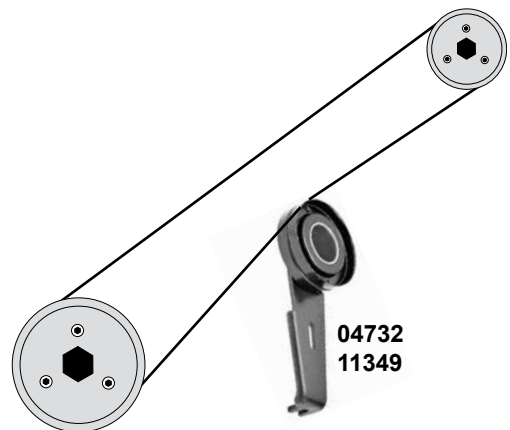
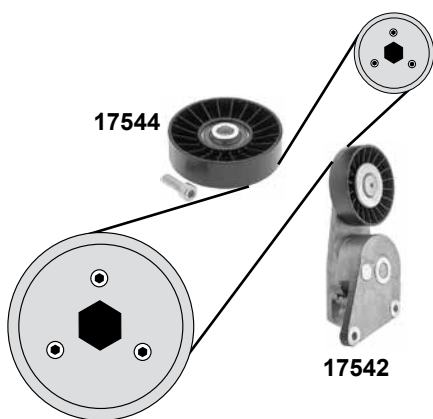
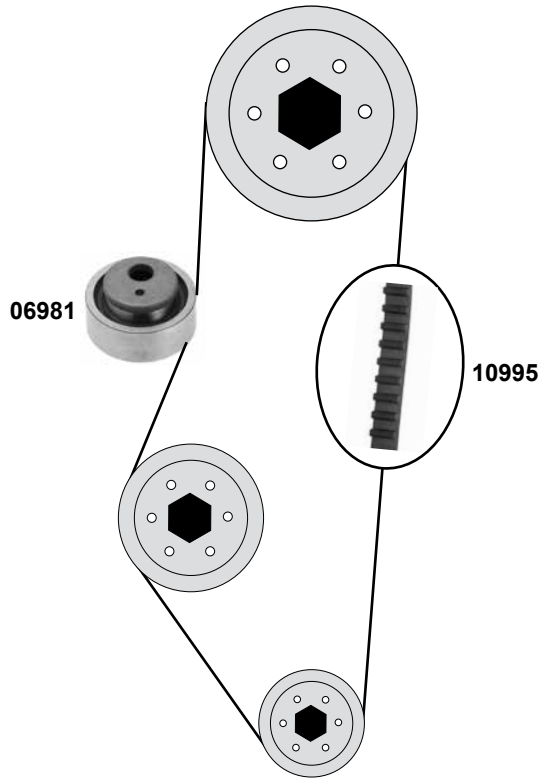


**1,2**

**AC**



	Ref. - No.			
<b>22376</b>	55232827	Riemenspanner / belt tensioner		ØA 65 B23,5
<b>28662</b>	55233759	Spannrolle / tension roller		ØA 55,5 B26
<b>28663</b>	71753156	Zahnriemen / timing belt		Z 129 B22
<b>28664</b>	71775900	Rep. Satz Zahnriemen / rep. kit timing belt		Z 129 B22



	Ref. - No.			
<b>04732</b>	9608859180	Spannrolle / tension roller	108 kW	ØA 90 B24,5
<b>06981</b>	9605266280	Spannrolle / tension roller		ØA59 H22/32,5
<b>10995</b>	71739922	Zahnriemen / timing belt		Z114 B17
<b>11244</b>	9467625780	Rep. Satz Zahnriemen / rep. kit timing belt		
<b>11349</b>	9633802580	Spannrolle / tension roller	Modell: 7/98 →	ØA90 H24
<b>17542</b>	9626365280	Riemenspanner / belt tensioner	AC	
<b>17544</b>	9608989980	Umlenkrolle / deflection pulley	AC	ØA90 H25



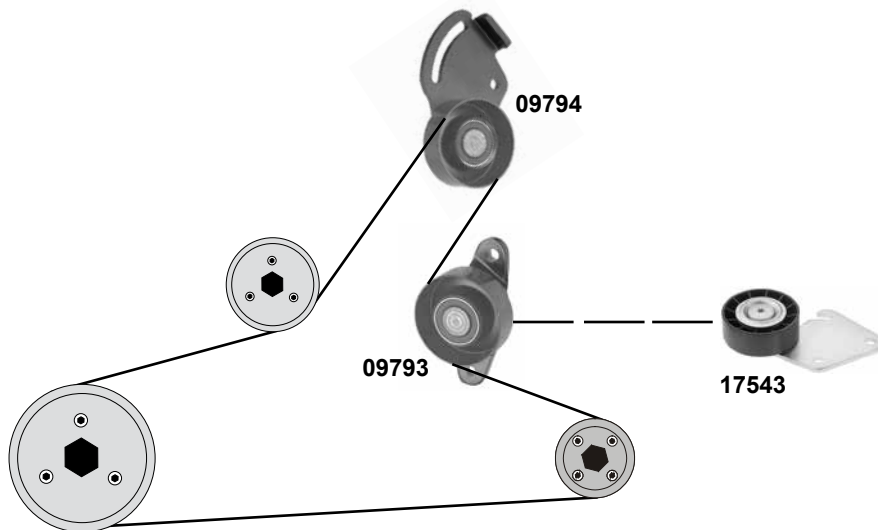
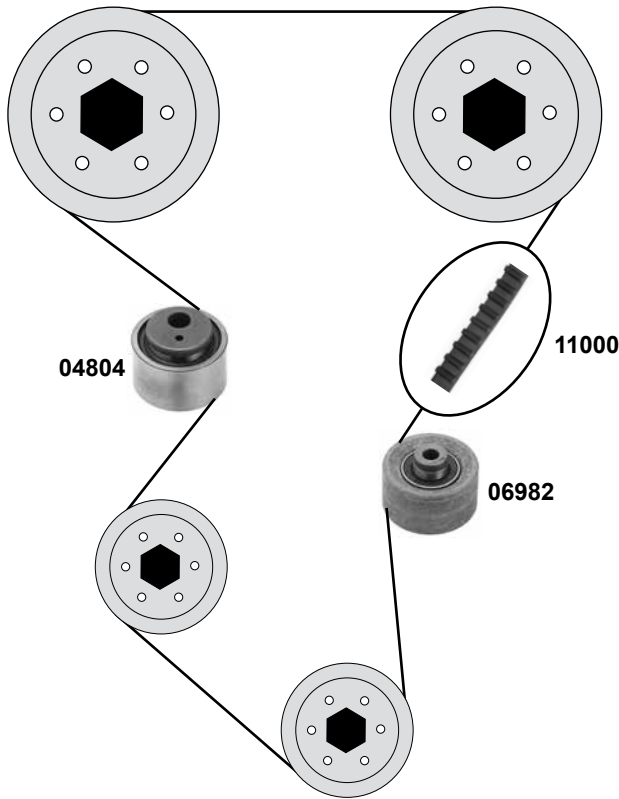
# LANCIA





## Zeta (220)

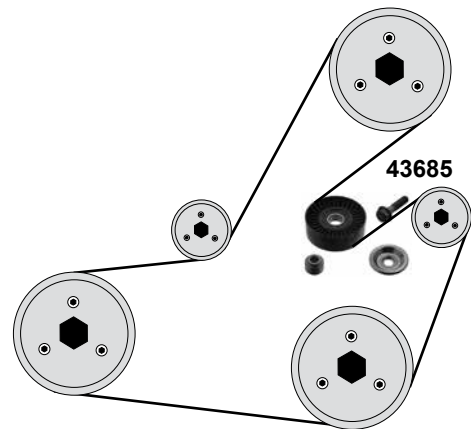
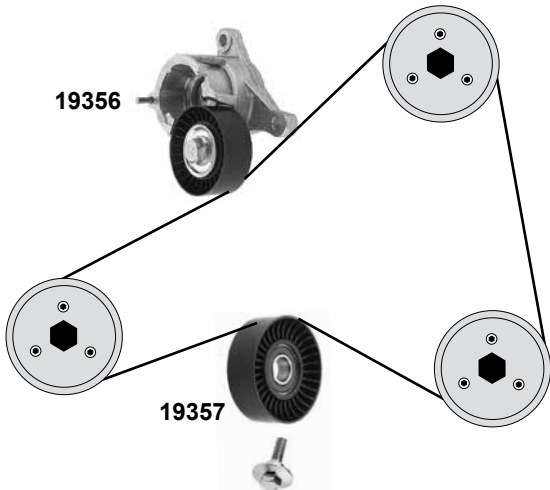
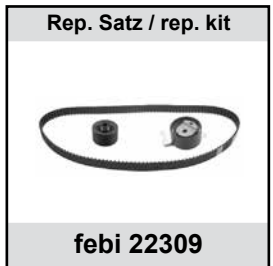
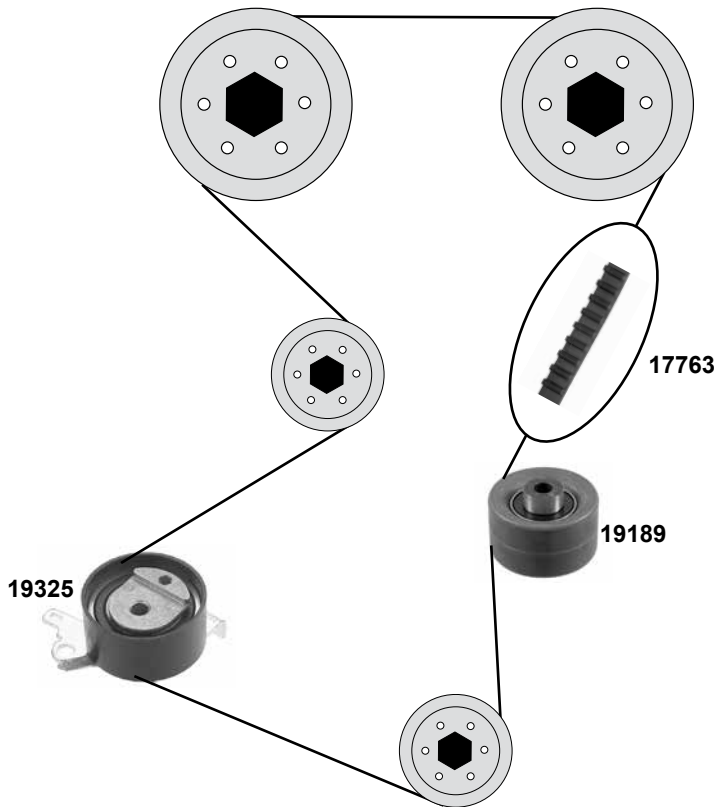
(94→02)

### 2,0 16V

(RFV)



	Ref. - No.			
04804	9622574480	Spannrolle / tension roller		ØA57 Ø113 H33
06982	9400830379	Umlenkrolle / deflection pulley		ØA60 Ø110 H34
09793	9625621880	Umlenkrolle / deflection pulley		ØA70 B24,5
09794	9625621780	Spannrolle / tension roller		ØA70 B24,5
11000	71739919	Zahnriemen / timing belt		Z 136 B25,4
11212	9400831489	Rep. Satz Zahnriemen / rep. kit timing belt		Z 136 B25,4
17543	9622234180	Umlenkrolle / deflection pulley		ØA69,5 H24,5



(1) 2,0 BZ 100kW (ex.) servo



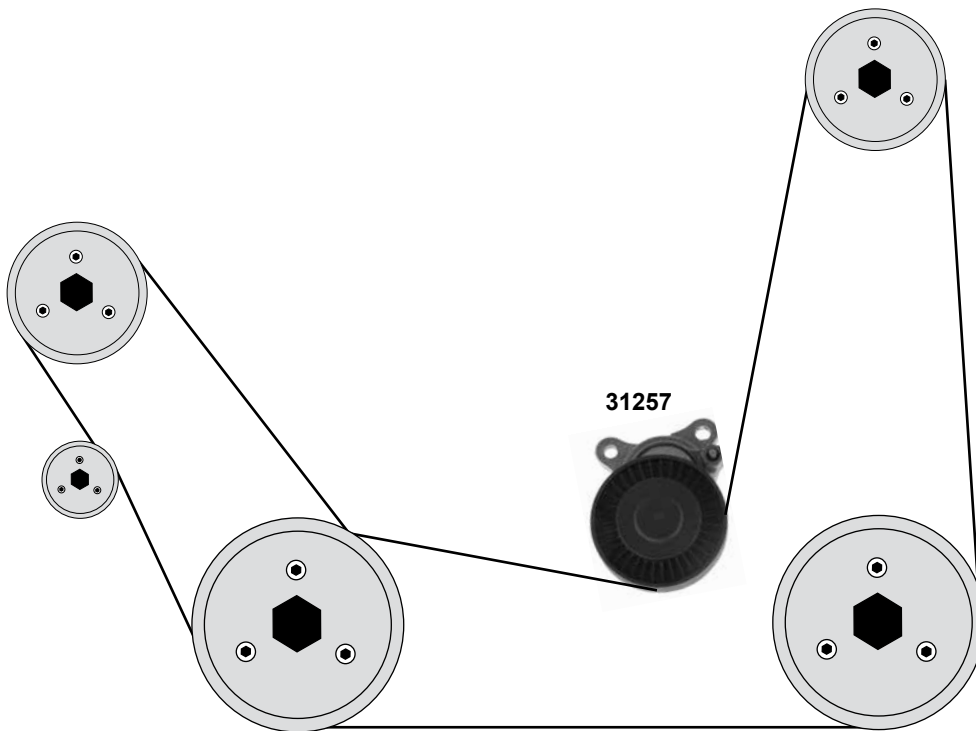
Ref. - No.



<b>17763</b>	9464464980	Zahnriemen / timing belt	(1)	Z 153 B25,4
<b>19189</b>	9400830429	Umlenkrolle / deflection pulley		ØA 60 B31
<b>19325</b>	9400829929	Spannrolle / tension roller		ØA 62 B29
<b>19356</b>	9636207480	Spannrolle / tension roller		ØA 65 B25
<b>19357</b>	9636640580	Spannrolle / tension roller		ØA78 B25
<b>22309</b>	9467628080	Rep. Satz Zahnriemen / rep. kit timing belt		
<b>43685</b>	9653342680	Umlenkrolle / deflection pulley		ØA78 B25



1,8



Ref. - No.



31257

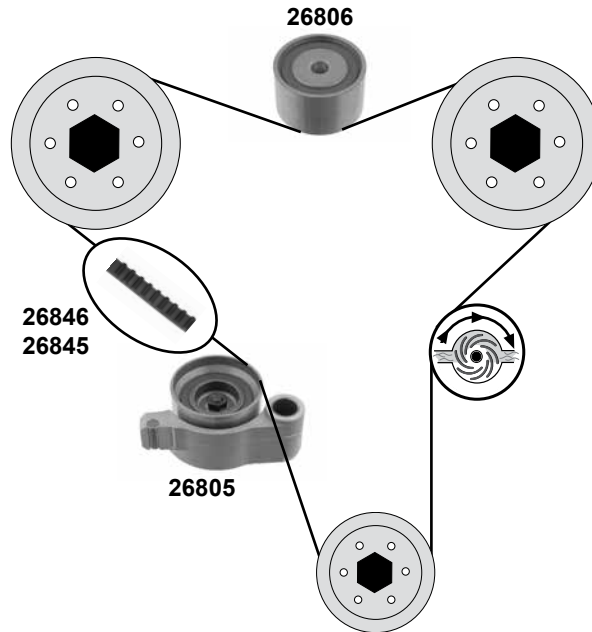
PQG 100180

Riemenspanner / belt tensioner

ØA 76,5 B14,5

**2,5 / 3,0 24 V**

(1MZFE / 2VZFE / 3VZFE)



**GS300 (JZS147)**

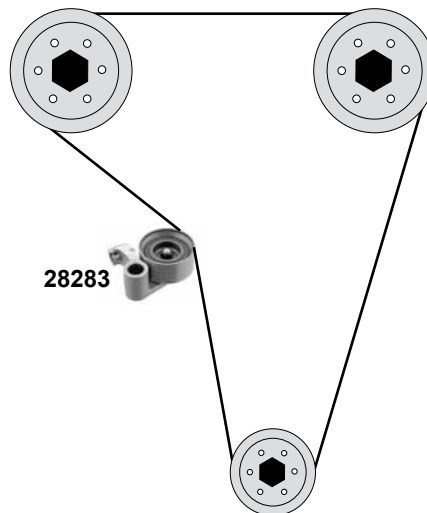
(01/93→08/97)

**GS300 / 400 / 430 (JZS160)**

(08/98→01/05)

**3,0 24 V**

(2JZGE)



(1) (mot.) 2VZFE 06/91→07/91  
(mot.) 1MZFE 09/96→  
(mot.) 3VZFE 03/92→08/96

(2) (mot.) 3VZFE 07/91→08/96

(3) Model MCV20 (mot.) 1MZFE 08/96→07/01  
Model MCV30 (mot.) 1MZFE 07/01→  
Model MCU1,15 (mot.) 1MZFE 01/98→02/03  
Model MCU3 (mot.) 3MZFE 02/03→02/06  
Model MHU3,38 (mot.) 3MZFE 03/05→



Ref. - No.



Part No.	Ref. - No.	Description	Quantity	Dimensions
26805	13505-20030	Spannrolle / tension roller	(1)	ØA 62 B36,5
26806	13503-62030	Umlenkrolle / deflection pulley	(1)	ØA 62 B36,5
26845	13568-29025	Zahnriemen / timing belt	(2)	Z 211 B32
26846	13568-62030	Zahnriemen / timing belt	(2)	Z 191 B32
28283	13505-46041	Spannrolle / tension roller	(3)	ØA 62 B28,5

# LEXUS GS300 / 400 / 430 (UZS)

(08/97→)

Car  
Division

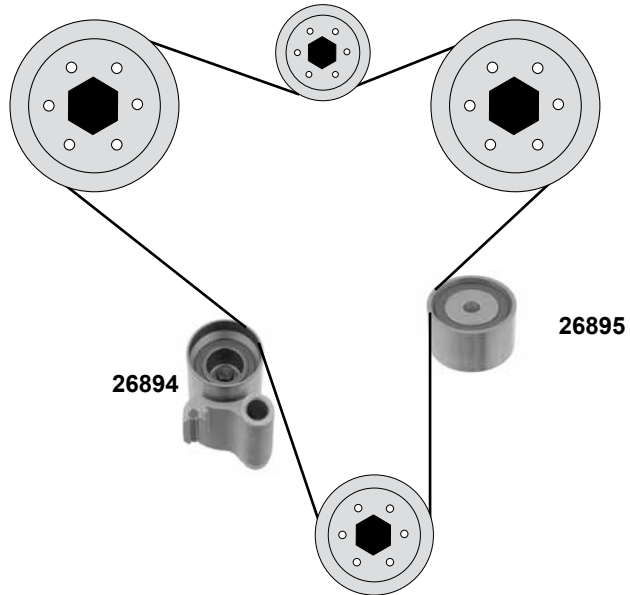
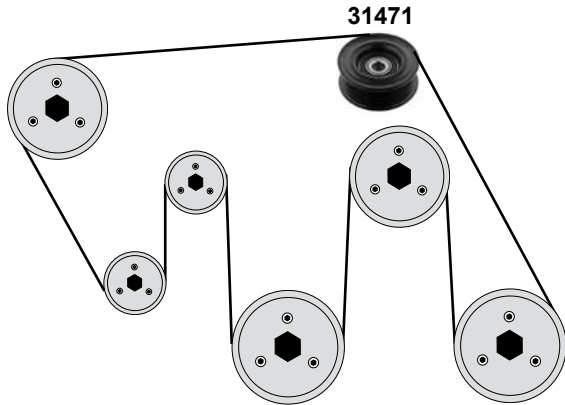


**4,0**

(1UZFE)→08/00

**4,3**

(3UZFE)

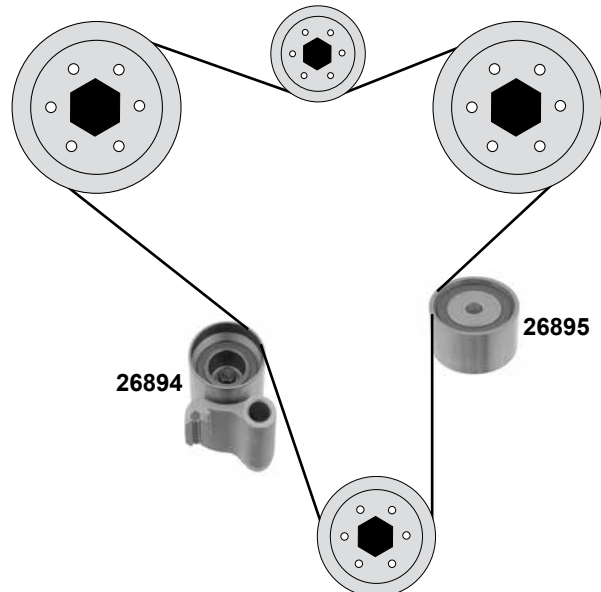
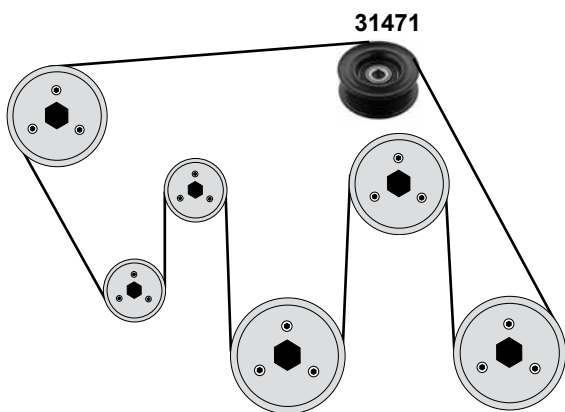


# GX470 (UZJ)

(11/02→)

**4,7**

(2UZFE)



(1) Modell GS 430 (UZS190) (mot.) **3UZFE** 01/05→09/07 / Modell GS 400 (UZS160) (mot.) **1UZFE** 08/97→07/00  
Modell GS 430 (UZS161) (mot.) **3UZFE** 08/97→01/05



Ref. - No.

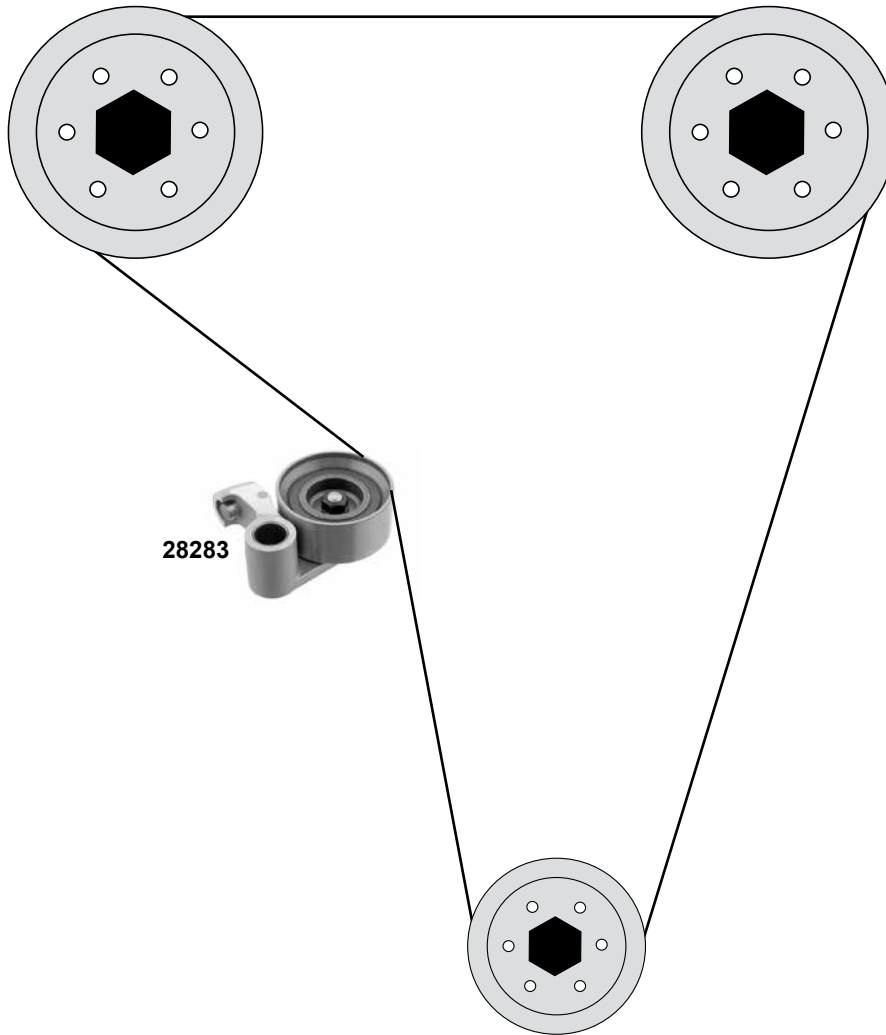


**26894** 13505-50030  
**26895** 13503-50011  
**31471** 16604-50030

Spannrolle / tension roller  
Umlenkrolle / deflection pulley  
Umlenkrolle / deflection pulley

(1)

ØA 62 B37,5  
ØA 66 B37,5  
ØA 75 H29

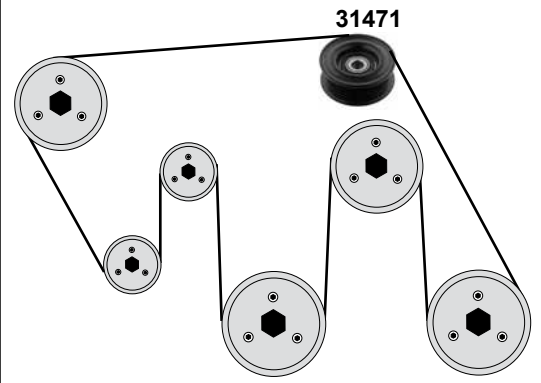
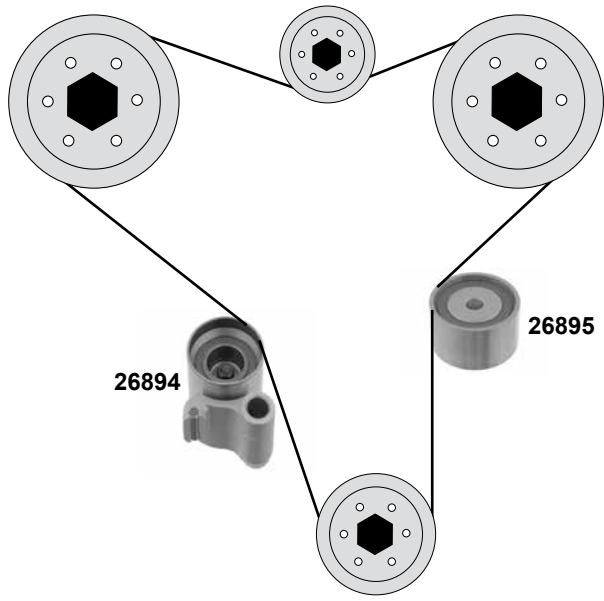


# LEXUS LS400 / 430 / LX470 (UCF / UZJ)

(97→)



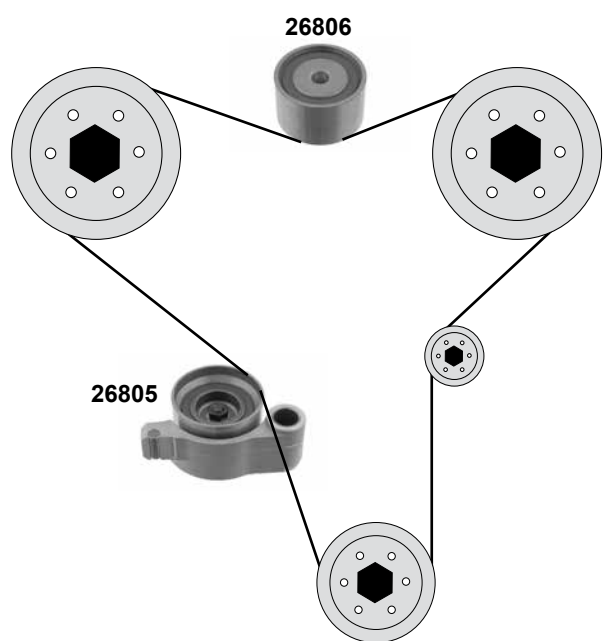
**4,0**  
(1UZFE)→08/00  
**4,3**  
(3UZFE) 08/00→  
**4,7**  
(2UZFE) 01/98→



# RX300 / 400 H (U1 / U3 /U15 / U38)

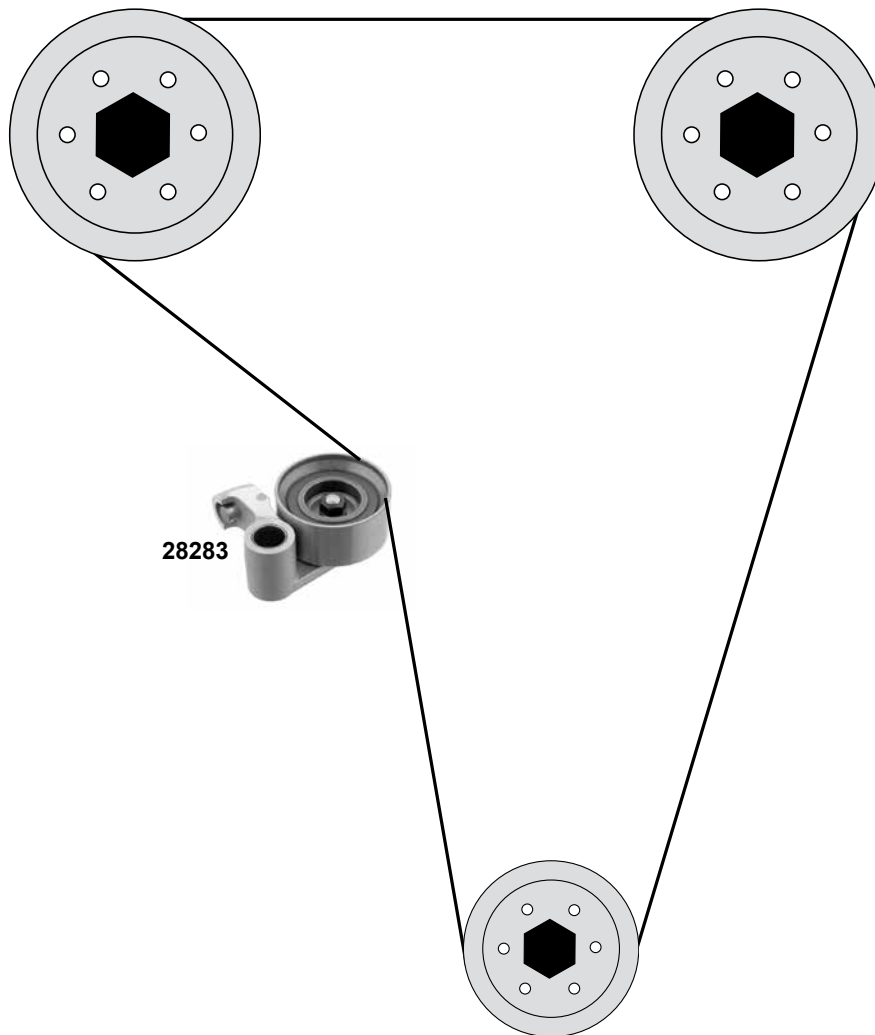
(98→)

**3,0 / 3,3 24 V**  
(1MZFE / 3MZFE)



- (1) (mot.) 1MZFE 01/98→02/03 / (mot.) 3VZFE 03/92→08/96  
Modell RX 300 (U3) (mot.) 3MZFE 02/03→02/06 / Modell RX 400 H (U3 / U38 ) (mot.) 3MZFE 03/05→
- (2) Modell LS 400 (UCF10) (mot.) 1UZFE 05/89→10/94 / Modell LS 400 (UCF20) (mot.) 1UZFE 11/94→08/00  
Modell LS 430 (UCF30) (mot.) 3UZFE 08/00→08/06 / Modell LX 470 (UZJ100) (mot.) 2UZFE 01/98→08/07

febi bilstein	Ref. - No.			
26805	13505-20030	Spannrolle / tension roller	(1)	ØA 62 B36,5
26806	13503-62030	Umlenkrolle / deflection pulley	(1)	ØA 62 B36,5
26894	13505-50030	Spannrolle / tension roller		ØA 62 B37,5
26895	13503-50011	Umlenkrolle / deflection pulley		ØA 66 B37,5
31471	16604-50030	Umlenkrolle / deflection pulley	(2)	ØA 75 H29





# LEXUS SC 400 / 430 (JZZ / UZZ)

(97→)

Car  
Division

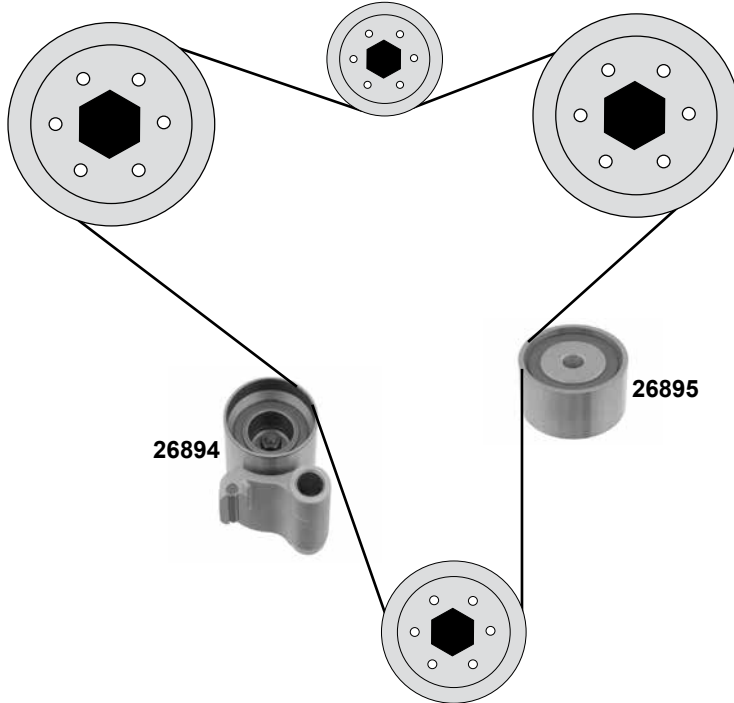


**4,0**

(1UZFE) 09/97→07/00

**4,3**

(3UZFE) 01/01→

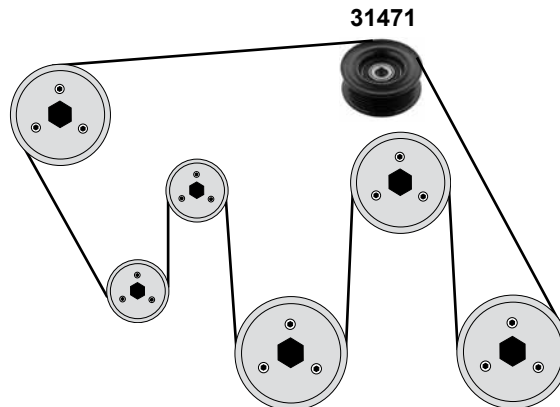


**4,0**

(1UZFE) 04/91→07/00

**4,3**

(3UZFE) 01/01→



Ref. - No.

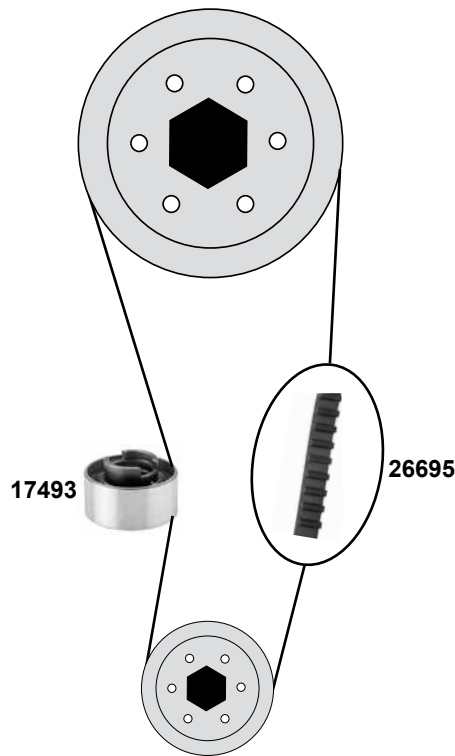


26894	13505-50030
26895	13503-50011
31471	16604-50030

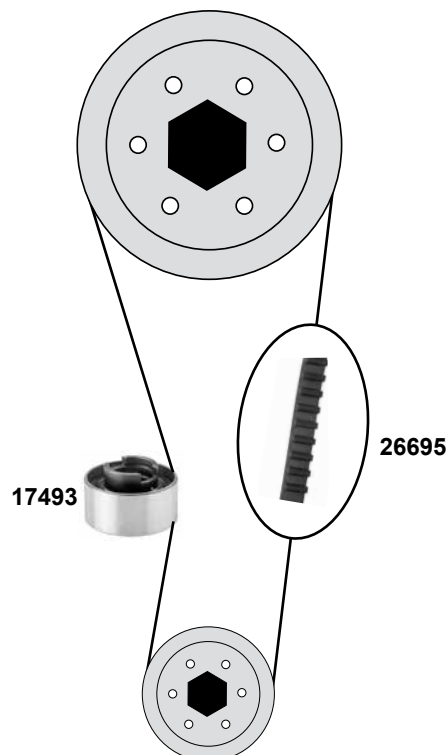
Spannrolle / tension roller
Umlenkrolle / deflection pulley
Umlenkrolle / deflection pulley

ØA 62 B37,5
ØA 66 B37,5
ØA 75 H29

**121 (DA/DB)**  
**1,1 / 1,3**



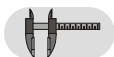
**323 (BF/BJ/BW/BG)**  
**1,3 → 1,8 8V**



(1) 323 (BF) 02/89→91 (mot.) 1,3 / 1,5 / **1,6 (ex.)** Turbo



Ref. - No.



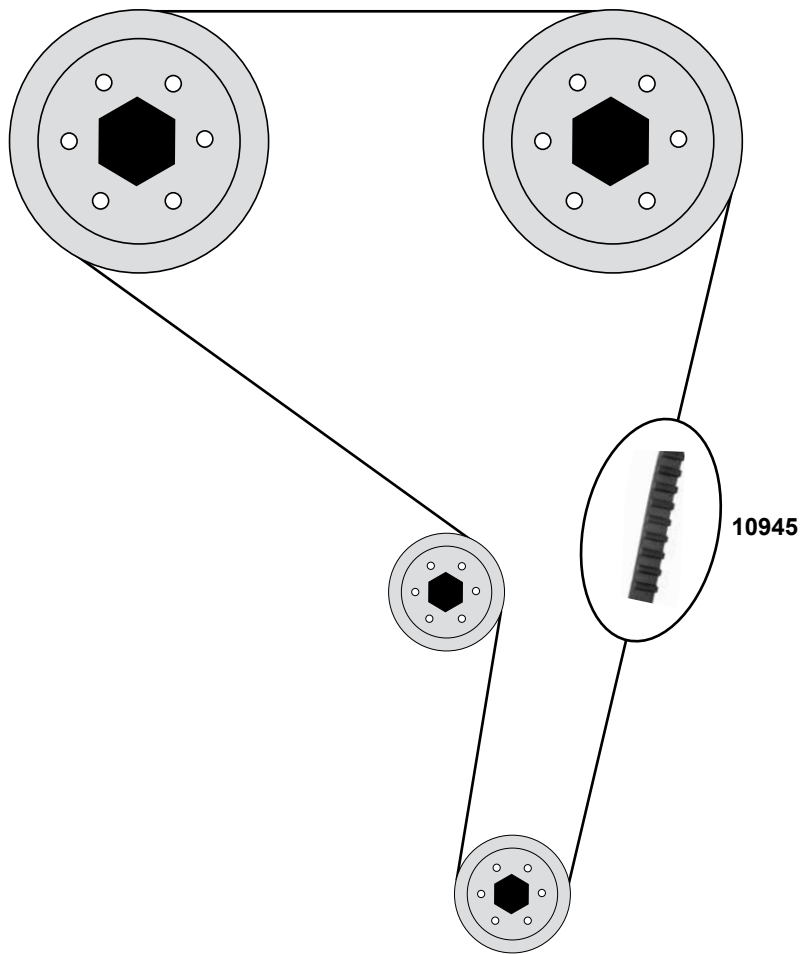
**17493** B630-12-700E  
**26695** BP02-12-205A  
**26905** BP02-12-205A S1

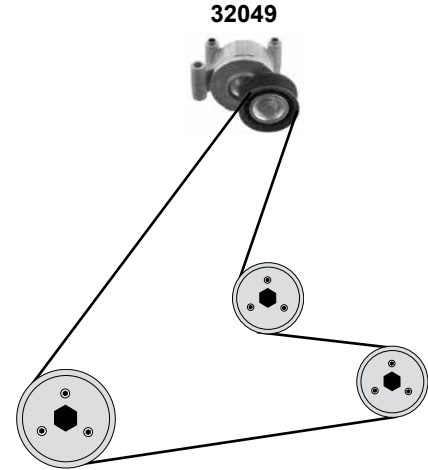
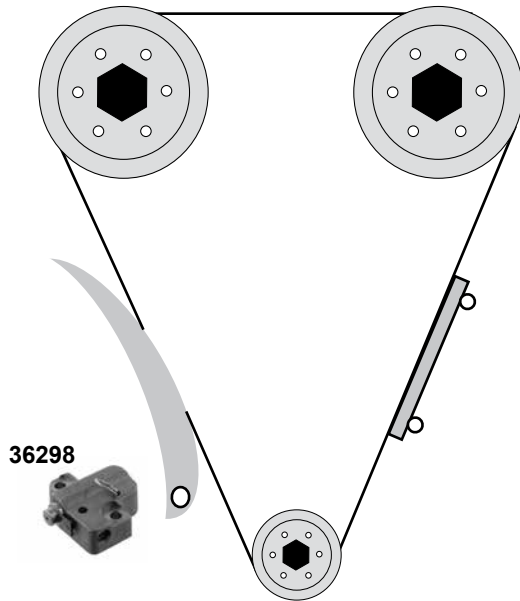
Spannrolle / tension roller  
Zahnriemen / timing belt  
Rep. Satz Zahnriemen / rep. kit timing belt

(1)

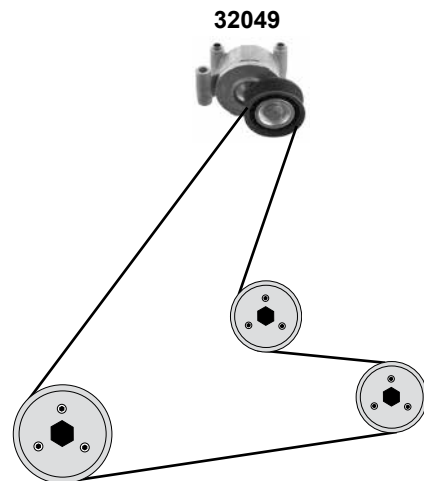
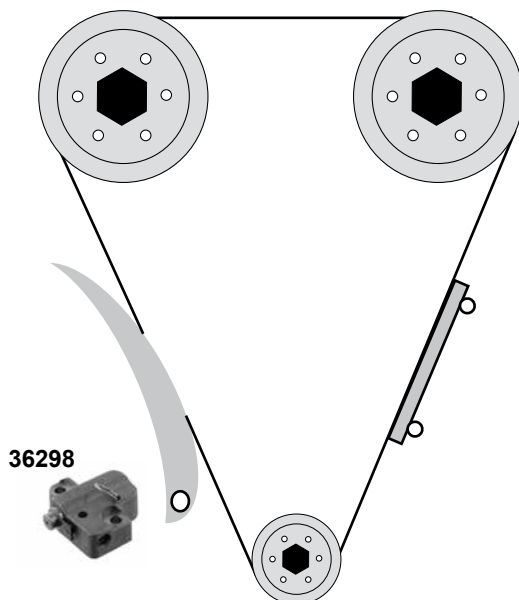
ØA 52 H25  
Z 107 B22  
Z 107 B22

**1,25 / 1,4 / 1,6**





**Mazda 5 (CR/CW)**  
(03→)  
**1,8 / 2,0**



(1) Mazda 3 (mot.) BL 06/09→  
Mazda 5 (mot.) CW 09/10→



Ref. - No.



Riemenspanner / belt tensioner  
Kettenspanner / chain tensioner



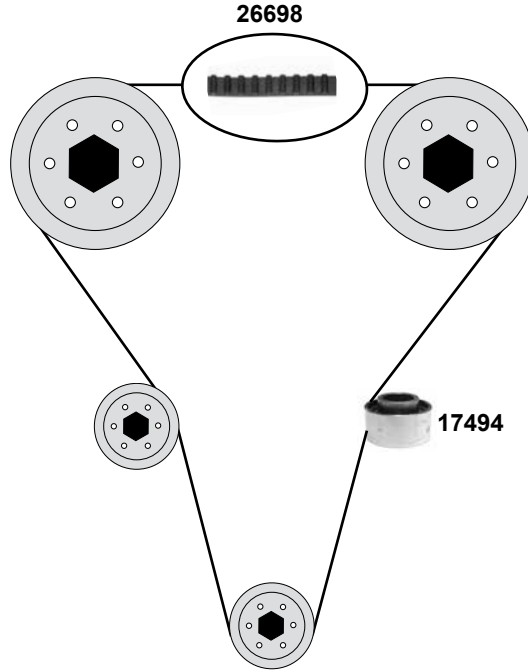
(ex.) CW  
(1)



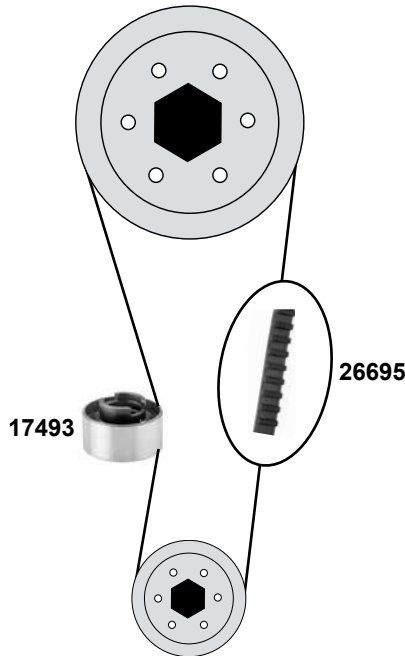
AØ 72,5 B29




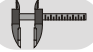
**MAZDA**  
**323 (BF / BG)**  
 (85→91)

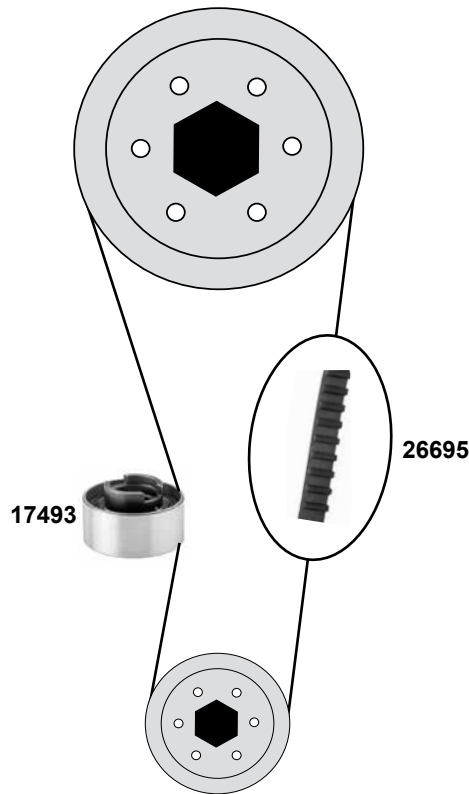
**1,6 16V TURBO / 1,8 16V DOHC**



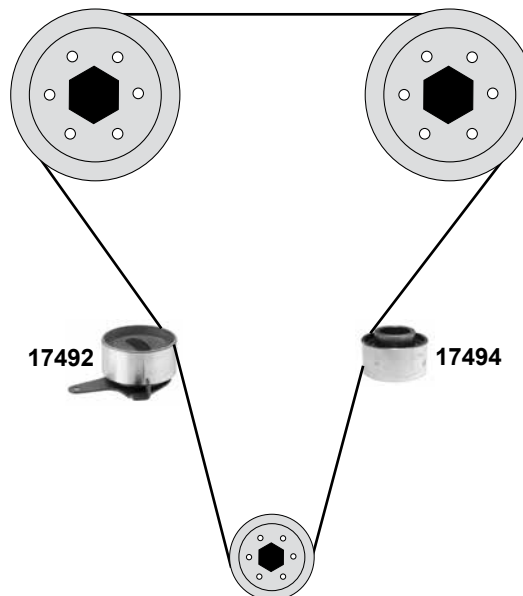
**323 (BG)**  
 (89→94)  
**1,3 16V**



	Ref. - No.			
17493	B630-12-700E	Spannrolle / tension roller	<b>(Modell)</b> →94	ØA 52 H25
17494	B660-12-730C	Umlenkrolle / deflection pulley		ØA 52 H31
26695	BP02-12-205A	Zahnriemen / timing belt		Z 107 B22
26698	B6S7-12-205D	Zahnriemen / timing belt		Z 145 B22
26905	BP02-12-205A S1	Rep. Satz Zahnriemen / rep. kit timing belt		Z 107 B22



**1,5 16V / 1,6 16V / 1,8 16V**



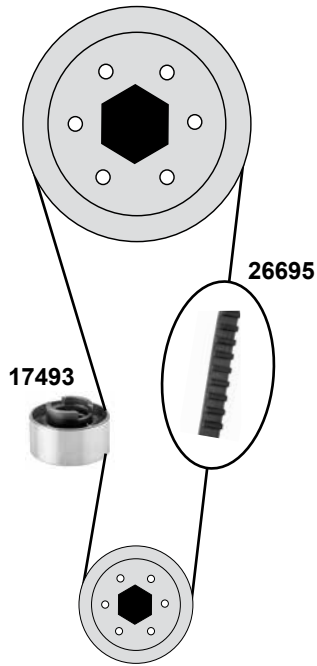
Ref. - No.



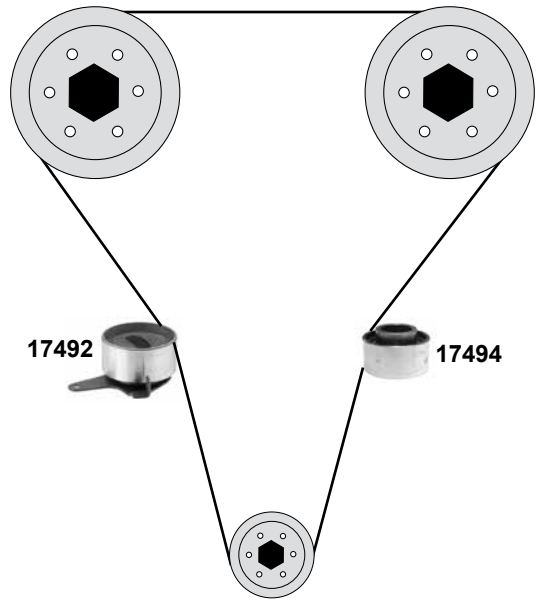
<b>17492</b>	B660-12-700F	Spannrolle / tension roller	<b>(Modell)→94</b>	ØA 52 H25
<b>17493</b>	B630-12-700E	Spannrolle / tension roller		ØA 52 H25
<b>17494</b>	B660-12-730C	Umlenkrolle / deflection pulley		ØA 52 H31
<b>26905</b>	BP02-12-205A S1	Rep. Satz Zahnriemen / rep. kit timing belt		Z 107 B22
<b>26695</b>	BP02-12-205A	Zahnriemen / timing belt		Z 107 B22



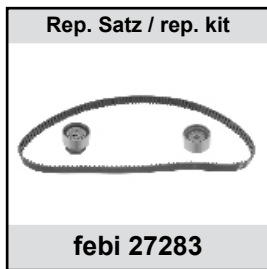
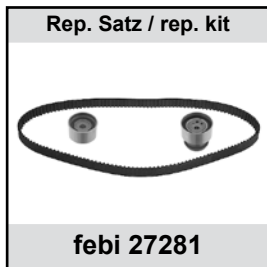
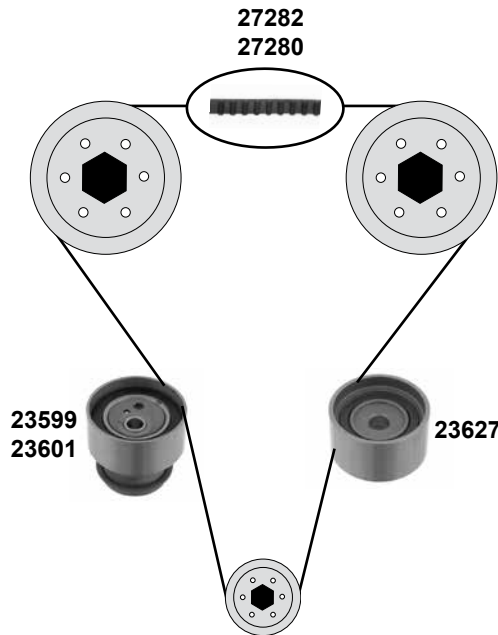
**1,3 16V**



**1,5 16V / 1,6 16V**



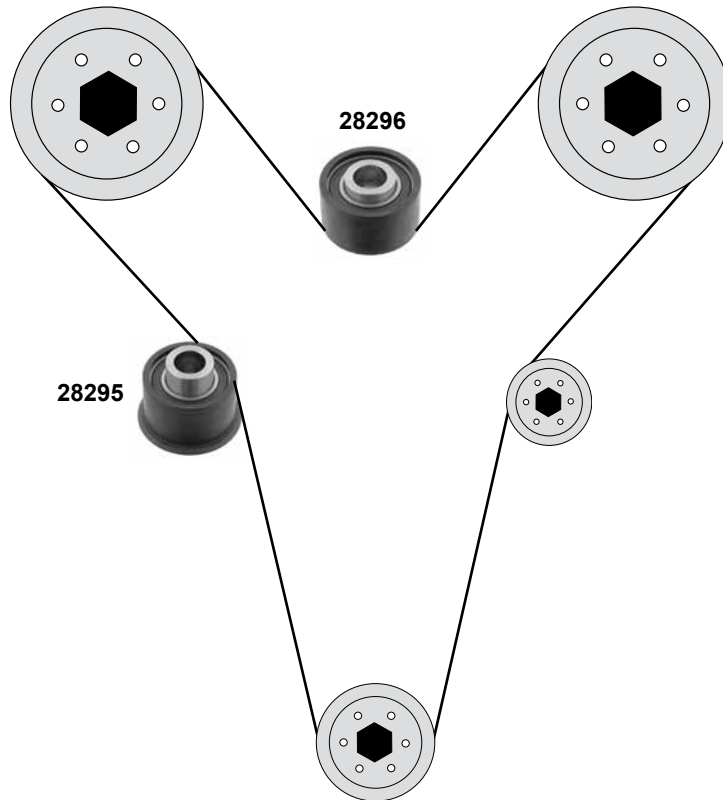
**1,8 16V / 2,0 16V**



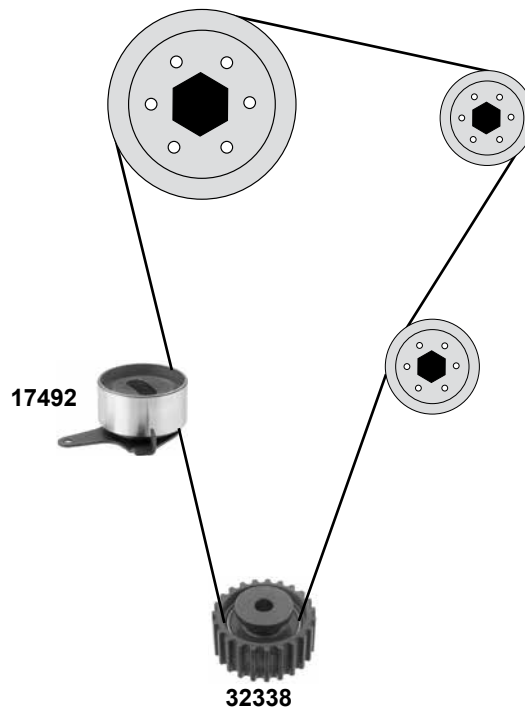
Ref. - No.



17492	B660-12-700F	Spannrolle / tension roller		
17493	B630-12-700E	Spannrolle / tension roller	(mot.) 1,3 16V	ØA 52 H 25
17494	B660-12-730C	Umlenkrolle / deflection pulley	(ex.) (mot.) 1,5 16V	ØA 52 H 31
23599	FS01-12-700B	Spannrolle / tension roller	(mot.) 2,0 16V	ØA 62 H 28,5
23601	FP01-12-700A	Spannrolle / tension roller	(mot.) 1,8 16V	ØA 62 H 28,5
23627	FS01-12-730A	Umlenkrolle / deflection pulley		ØA 52 H 28,5
26905	BP02-12-205A S1	Rep. Satz Zahnriemen / rep. kit timing belt	(mot.) 1,3 16V	Z 107 B22
26695	BP02-12-205A	Zahnriemen / timing belt	(mot.) 1,3 16V	Z 107 B22
27280	FP01-12-205A	Zahnriemen / timing belt	(mot.) 1,8 16V	Z 133 B25
27281	FP01-12-205A S1	Rep.Satz Zahnriemen / rep. kit timing belt	(mot.) 1,8 16V	
27282	FS01-12-205A	Zahnriemen / timing belt	(mot.) 2,0 16V	Z 135 B25
27283	FS01-12-205A S1	Rep. Satz Zahnriemen / rep. kit timing belt	(mot.) 2,0 16V	



**323/323F (BA/BJ)**  
(94→)  
**1,5 V16**



Ref. - No.



<b>17492</b>	B660-12-700F
<b>28295</b>	KL01-12-740
<b>28296</b>	KL01-12-730A
<b>32338</b>	Z501-12-730

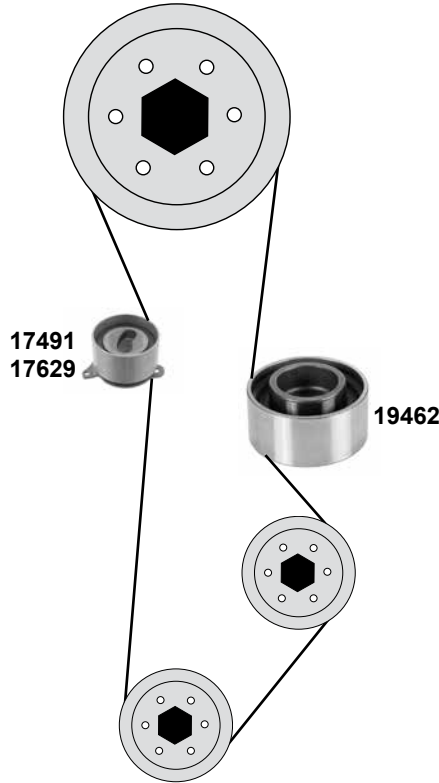
Spannrolle / tension roller
Umlenkrolle / deflection pulley
Umlenkrolle / deflection pulley
Umlenkrolle / deflection pulley

→ 97

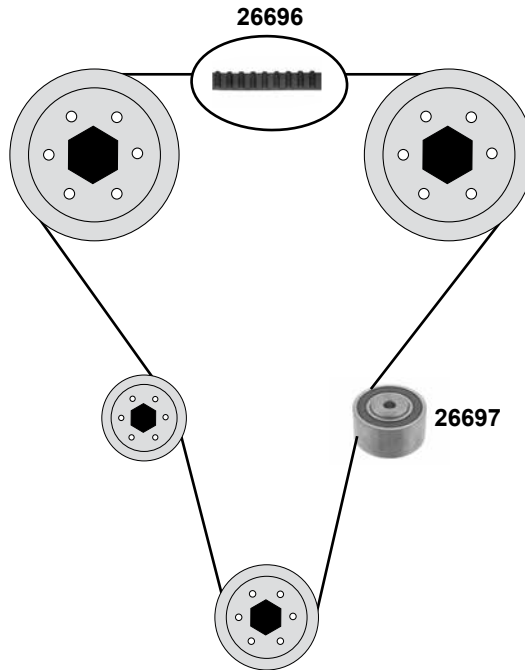
ØA 52 H25
ØA 60 H35
ØA 60 H35
ØA 57,5 B25,5




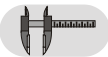


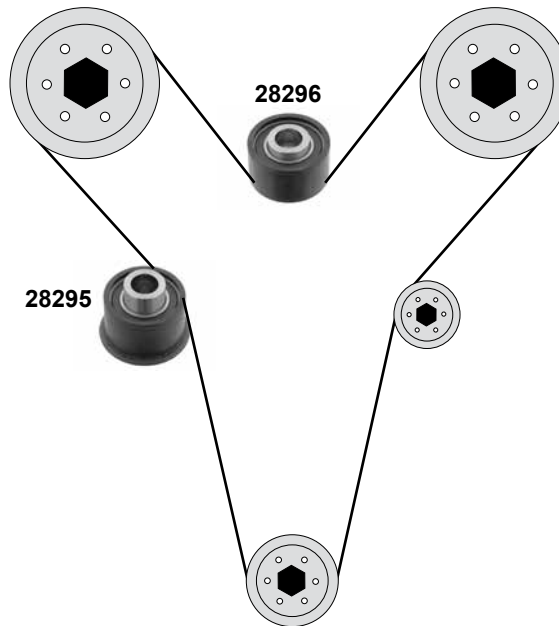
**1,6 / 1,8 / 2,0 / 2,2**



**2,0 16V (DOHC)**

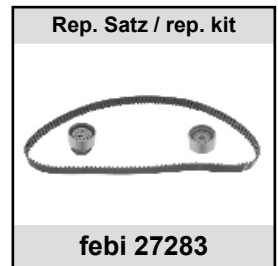
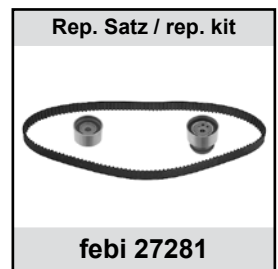
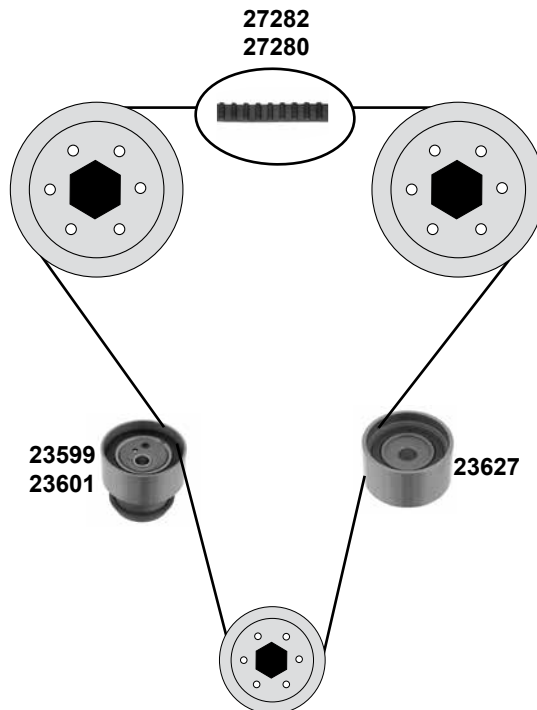


	Ref. - No.			
<b>17491</b>	FE1H-12-700A	Spannrolle / tension roller	(mot.) 1,6 / 1,8 / 2,0 OHC	ØA 52 H28,5
<b>17629</b>	F805-12-700C	Spannrolle / tension roller	(mot.) 1,6 / 2,0	
<b>19462</b>	FE1H-12-730A	Umlenkrolle / deflection pulley	(mot.) 1,8 / 2,0	ØA 60 H28,5
<b>26696</b>	FE3N-12-205	Zahnriemen / timing belt		Z 168
<b>26697</b>	FE3N-12-730	Umlenkrolle / deflection pulley		ØA 60 H30



**626 (GF / GW)**  
(97→02)

**1,8 16V / 2,0 16V**



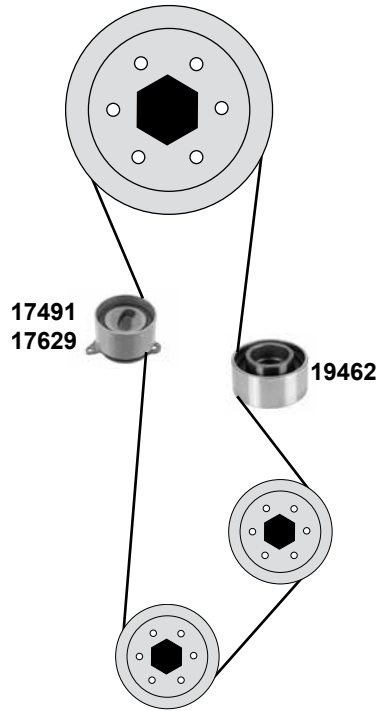
	Ref. - No.			
<b>23599</b>	FS01-12-700B	Spannrolle / tension roller	(mot.) 2,0 16 V	ØA 62 H 28,5
<b>23601</b>	FP01-12-700A	Spannrolle / tension roller	(mot.) 1,8 16 V	ØA 62 H 28,5
<b>23627</b>	FS01-12-730A	Umlenkrolle / deflection pulley		ØA 52 H 28,5
<b>27280</b>	FP01-12-205A	Zahnriemen / timing belt	(mot.) 1,8 16 V	Z 135 B25
<b>27281</b>	FP01-12-205A S1	Rep.Satz Zahnriemen / rep. kit timing belt	(mot.) 1,8 16V	
<b>27282</b>	FS01-12-205A	Zahnriemen / timing belt	(mot.) 2,0 16 V	Z 135 B25
<b>27283</b>	FS01-12-205A S1	Rep. Satz Zahnriemen / rep. kit timing belt	(mot.) 2,0 16 V	Z 135 B25
<b>28295</b>	KL01-12-740	Umlenkrolle / deflection pulley		ØA 60 H 35
<b>28296</b>	KL01-12-730A	Umlenkrolle / deflection pulley		ØA 60 H 35

**MAZDA**  
**B1600 → 2600**  
(82 →)

Car  
Division

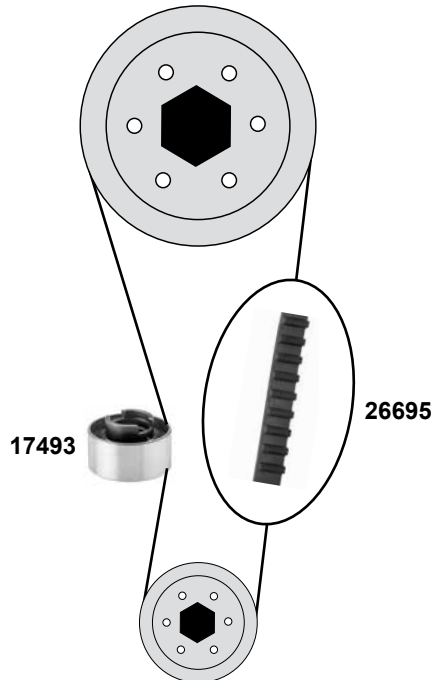


**1,6 / 1,8 / 2,0 / 2,2**  
(UF / UN)  
**(Modell: 84 → 99)**

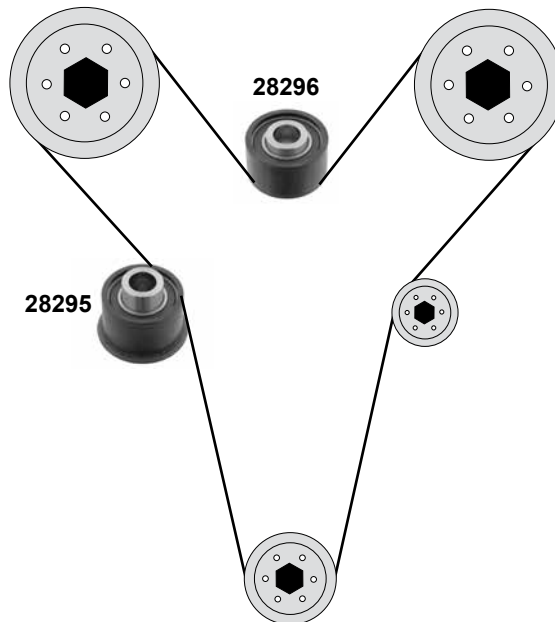
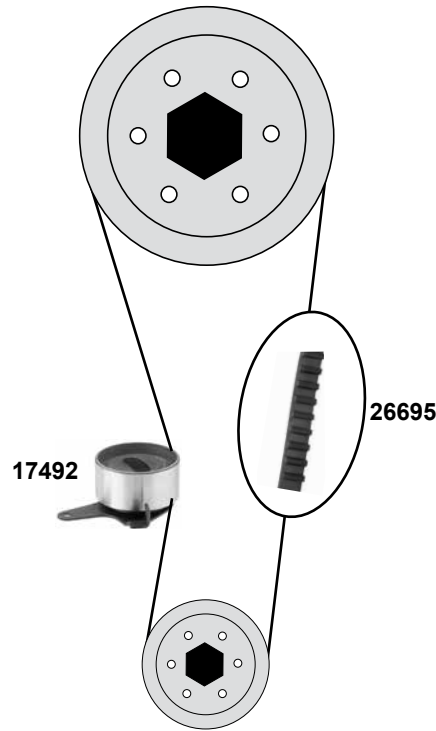


**Demio**  
(98 →)

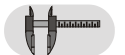
**1,3 16V / 1,5 16V**



	Ref. - No.			
17491	FE1H-12-700A	Spannrolle / tension roller	(mot.) 2,2	ØA 52 H28,5
17493	B630-12-700E	Spannrolle / tension roller		ØA 52 H25
17629	F805-12-700C	Spannrolle / tension roller	(ex.) (mot.) 2,2	
19462	FE1H-12-730A	Umlenkrolle / deflection pulley	(mot.) 2,0 / 2,2	ØA 60 H 28,5
26695	BP02-12-205A	Zahnriemen / timing belt		Z 107 B22
26905	BP02-12-205A S1	Rep. Satz Zahnriemen / rep. kit timing belt		Z 107 B22



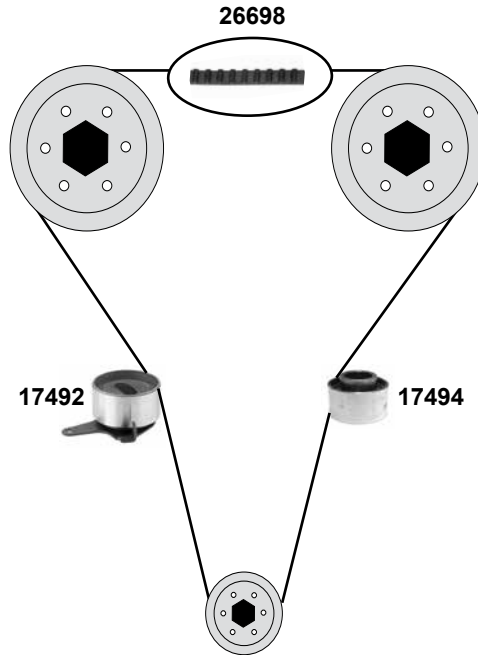
Ref. - No.



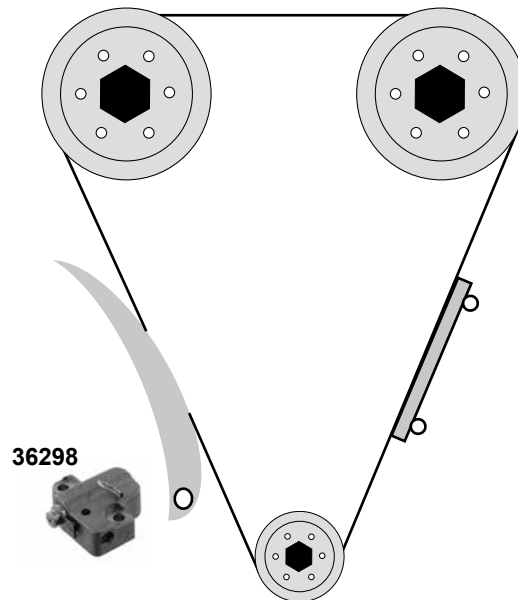
<b>17492</b>	B660-12-700F	Spannrolle / tension roller	ØA 52 H 25
<b>26695</b>	BP02-12-205A	Zahnriemen / timing belt	Z 107 B22
<b>26905</b>	BP02-12-205A S1	Rep. Satz Zahnriemen / rep. kit timing belt	Z 107 B22
<b>28295</b>	KL01-12-740	Umlenkrolle / deflection pulley	ØA 60 H 35
<b>28296</b>	KL01-12-730A	Umlenkrolle / deflection pulley	ØA 60 H 35

**MAZDA**  
**MX-5 (NA / NB)**  
 (89→)

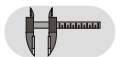
**1,6 16V / 1,8 16V**



**MX-5 (NC)**  
 (05→)  
**1,8 / 2,0**



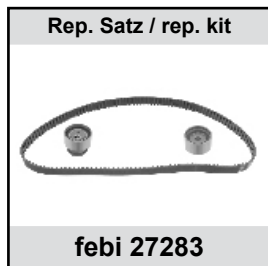
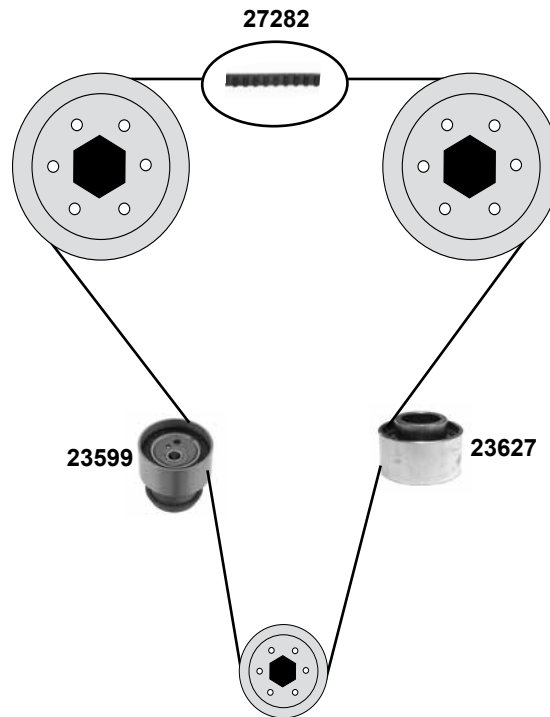
Ref. - No.



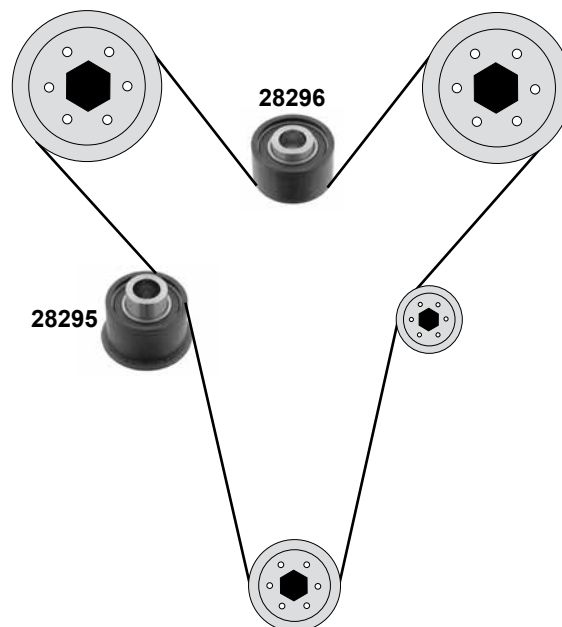
<b>17492</b>	B660-12-700F
<b>17494</b>	B660-12-730C
<b>26698</b>	B6S7-12-205D
<b>36298</b>	LF02-12-500

Spannrolle / tension roller
Umlenkrolle / deflection pulley
Zahnriemen / timing belt
Kettenspanner / chain tensioner

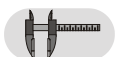
ØA 52 H25
ØA 52 H31
Z 145 B22



**MX-6 (GE)**  
(91→)  
**2,5 24V V6**

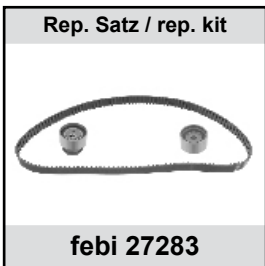
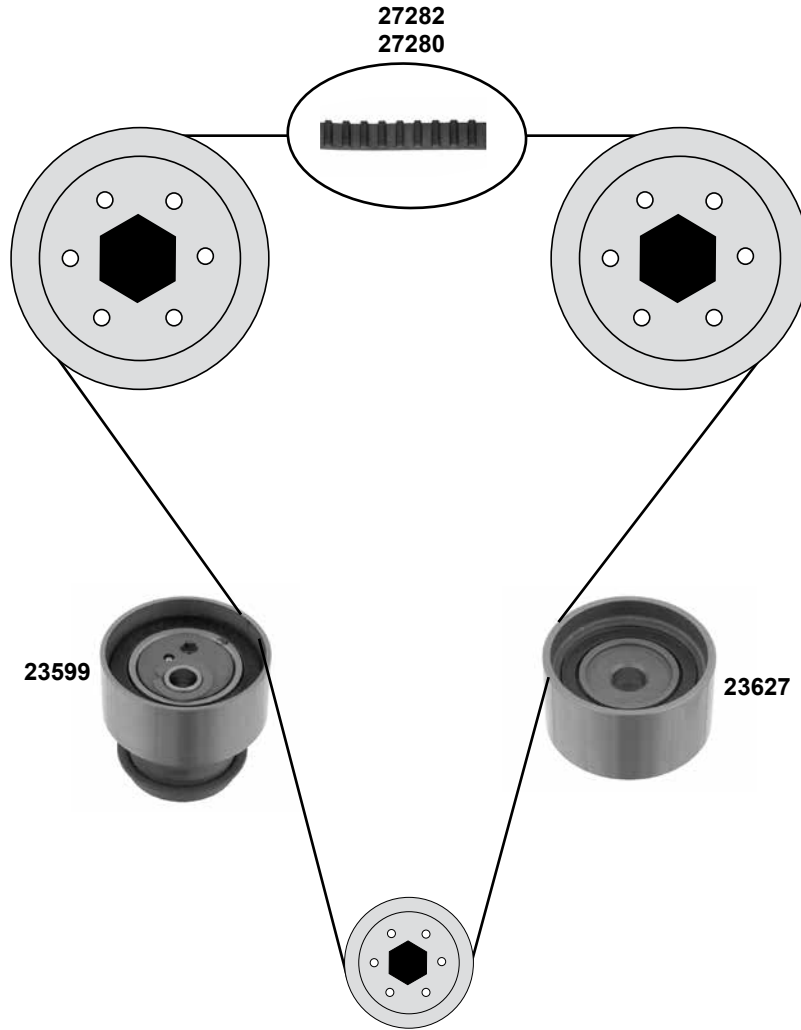






Ref. - No.

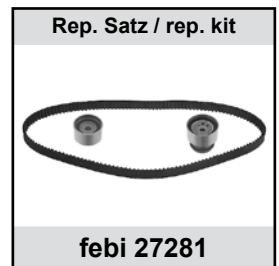
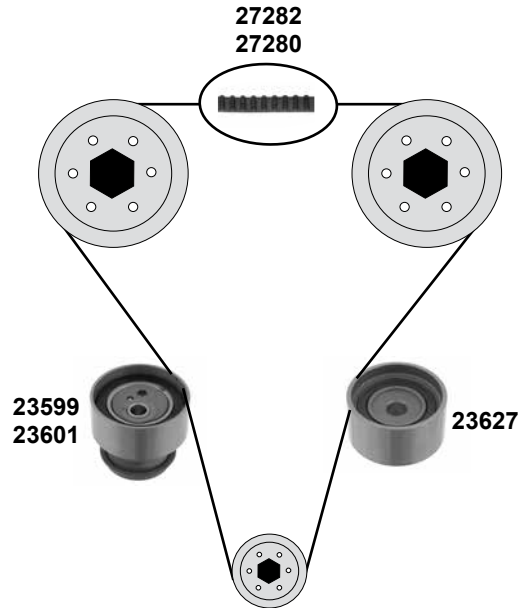


<b>23599</b>	FS01-12-700B	Spannrolle / tension roller	ØA 62 H28,5
<b>23627</b>	FS01-12-730A	Umlenkrolle / deflection pulley	ØA 52 H28,5
<b>27282</b>	FS01-12-205A	Zahnriemen / timing belt	Z 135 B25
<b>27283</b>	FS01-12-205A S1	Rep. Satz Zahnriemen / rep. kit timing belt	Z 135 B25
<b>28295</b>	KL01-12-740	Umlenkrolle / deflection pulley	ØA 60 H 35
<b>28296</b>	KL01-12-730A	Umlenkrolle / deflection pulley	ØA 60 H 35

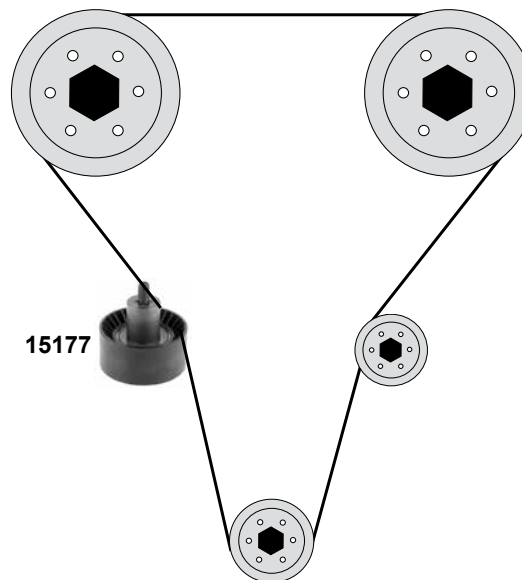
**1,8 16V / 2,0 16V**



	Ref. - No.			
<b>23599</b>	FS01-12-700B	Spannrolle / tension roller		ØA 62 H 28,5
<b>23627</b>	FS01-12-730A	Umlenkrolle / deflection pulley		ØA 52 H 28,5
<b>27280</b>	FP01-12-205A	Zahnriemen / timing belt	(mot.) 1,8 16V	Z 133 B25
<b>27282</b>	FS01-12-205A	Zahnriemen / timing belt	(mot.) 2,0 16V	Z 135 B25
<b>27283</b>	FS01-12-205A S1	Rep. Satz Zahnriemen / rep. kit timing belt	(mot.) 2,0 16V	Z 135 B25



**TRIBUTE (EP)**  
(00→)  
**2,0 16V**



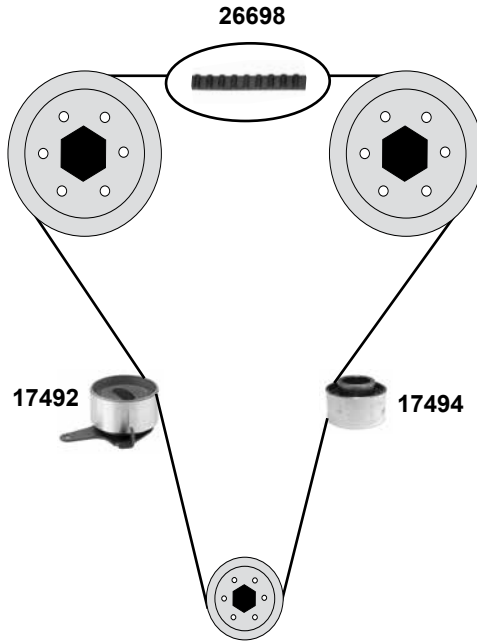
Ref. - No.



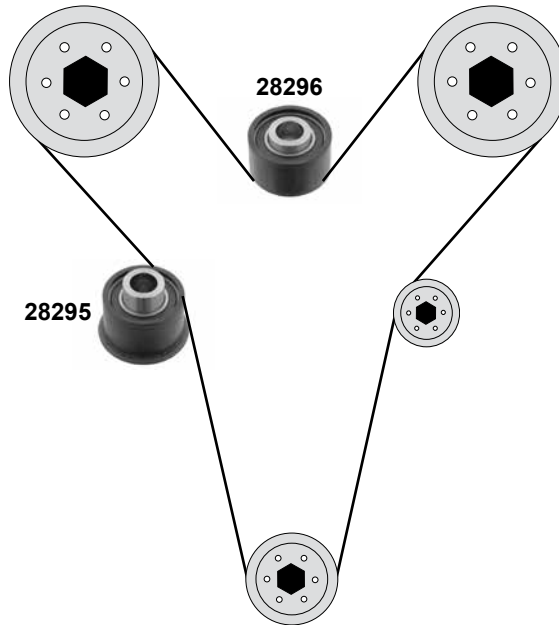
<b>15177</b>	YF09-12-730	Umlenkrolle / deflection pulley		ØA 60 H 29
<b>23599</b>	FS01-12-700B	Spannrolle / tension roller	(mot.) 2,0 16V	ØA 62 H 28,5
<b>23601</b>	FP01-12-700A	Spannrolle / tension roller	(mot.) 1,8 16V	ØA 62 H 28,5
<b>23627</b>	FS01-12-730A	Umlenkrolle / deflection pulley		ØA 52 H 28,5
<b>27280</b>	FP01-12-205A	Zahnriemen / timing belt	(mot.) 1,8 16V	Z 133 B25
<b>27281</b>	FP01-12-205A S1	Rep. Satz Zahnriemen / rep. kit timing belt	(mot.) 1,8 16V	
<b>27282</b>	FS01-12-205A	Zahnriemen / timing belt	(mot.) 2,0 16V	Z 135 B25






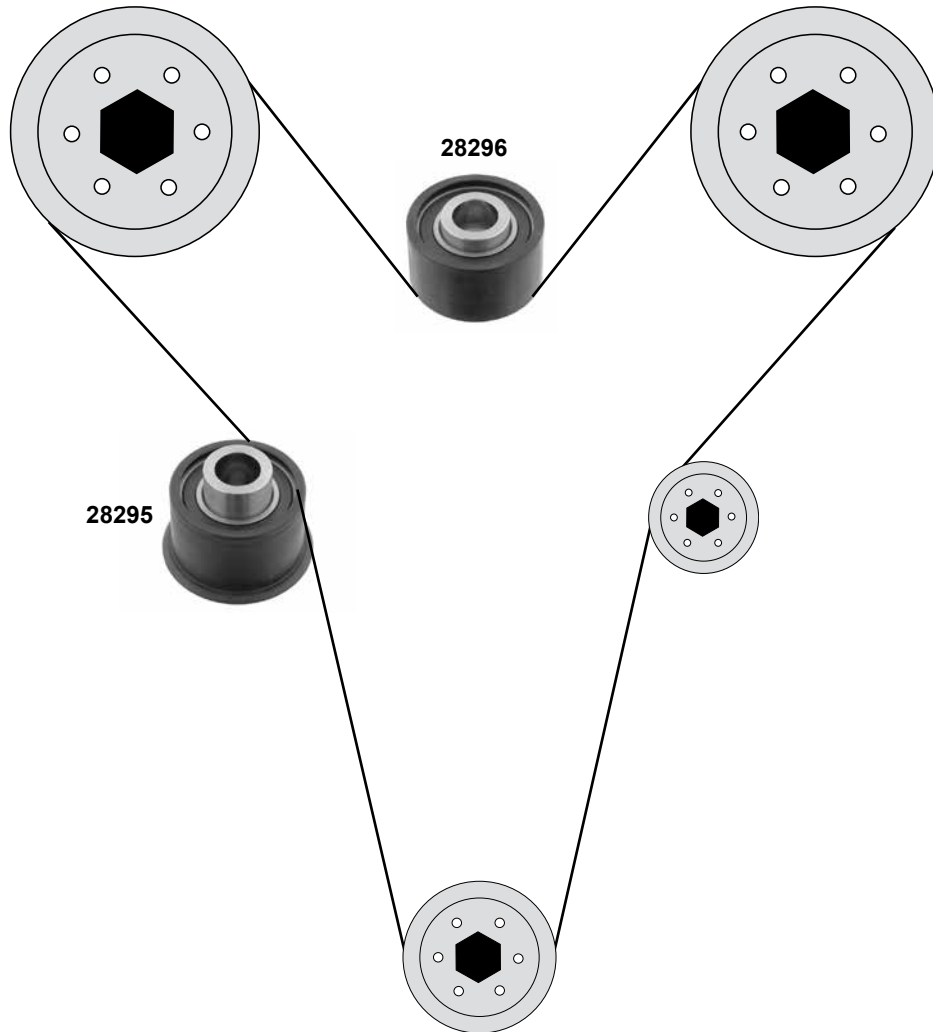
**1,6 16V (CA)**



**2,5 24V V6**



	Ref. - No.			
<b>17492</b>	B660-12-700F	Spannrolle / tension roller		ØA 52 H 25
<b>17494</b>	B660-12-730C	Umlenkrolle / deflection pulley		ØA 52 H 31
<b>26698</b>	B6S7-12-205D	Zahnriemen / timing belt		Z 145 B22
<b>28295</b>	KL01-12-740	Umlenkrolle / deflection pulley		ØA 60 H 35
<b>28296</b>	KL01-12-730A	Umlenkrolle / deflection pulley		ØA 60 H 35



# MERCEDES-BENZ BM 110 (Heckflosse)

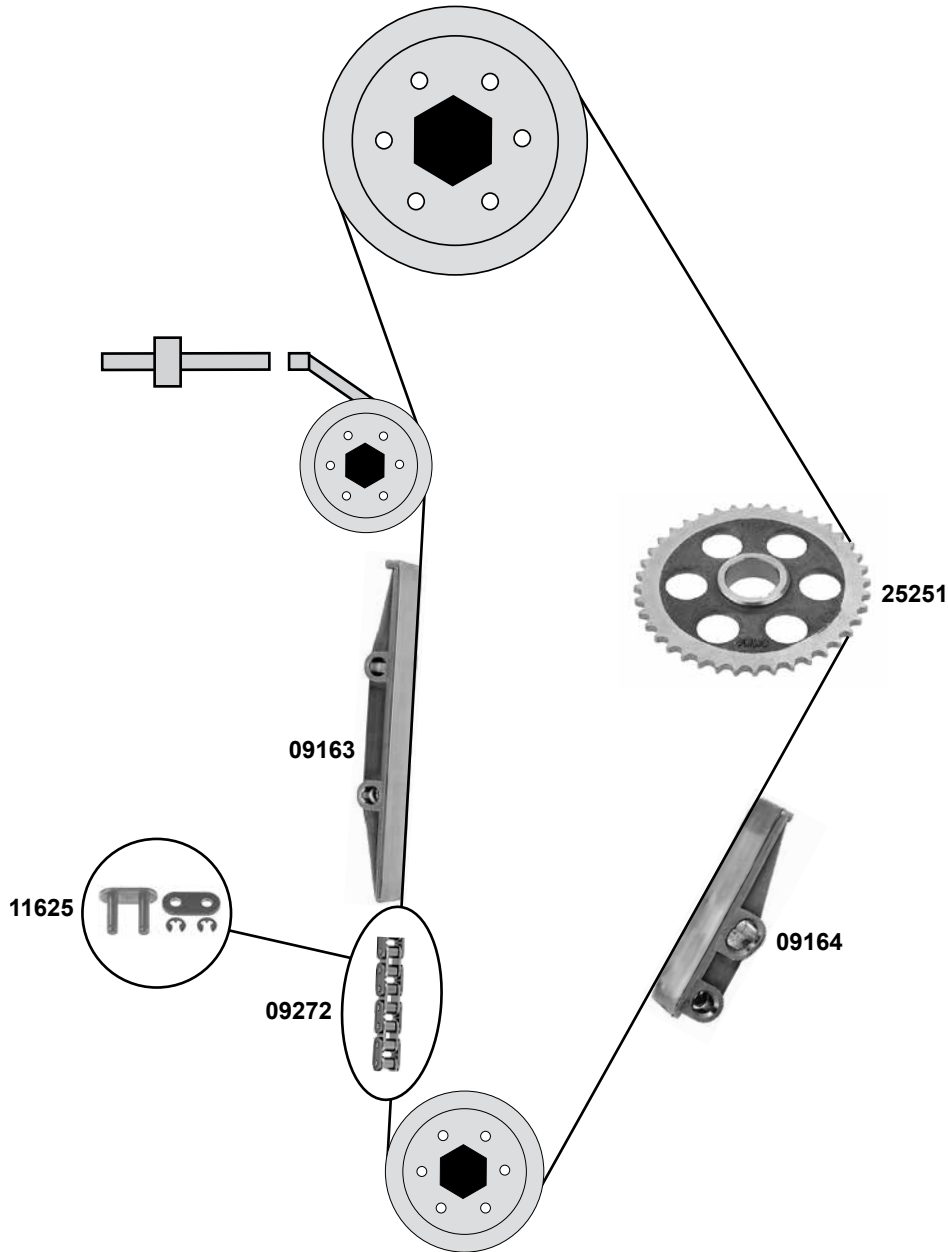
(61→68)

Car  
Division



**230**

(M 180.945, 950)



(1) Federverschluß / split link / fermeture de ressort / cierre de resorte / falsa maglia



Ref. - No.

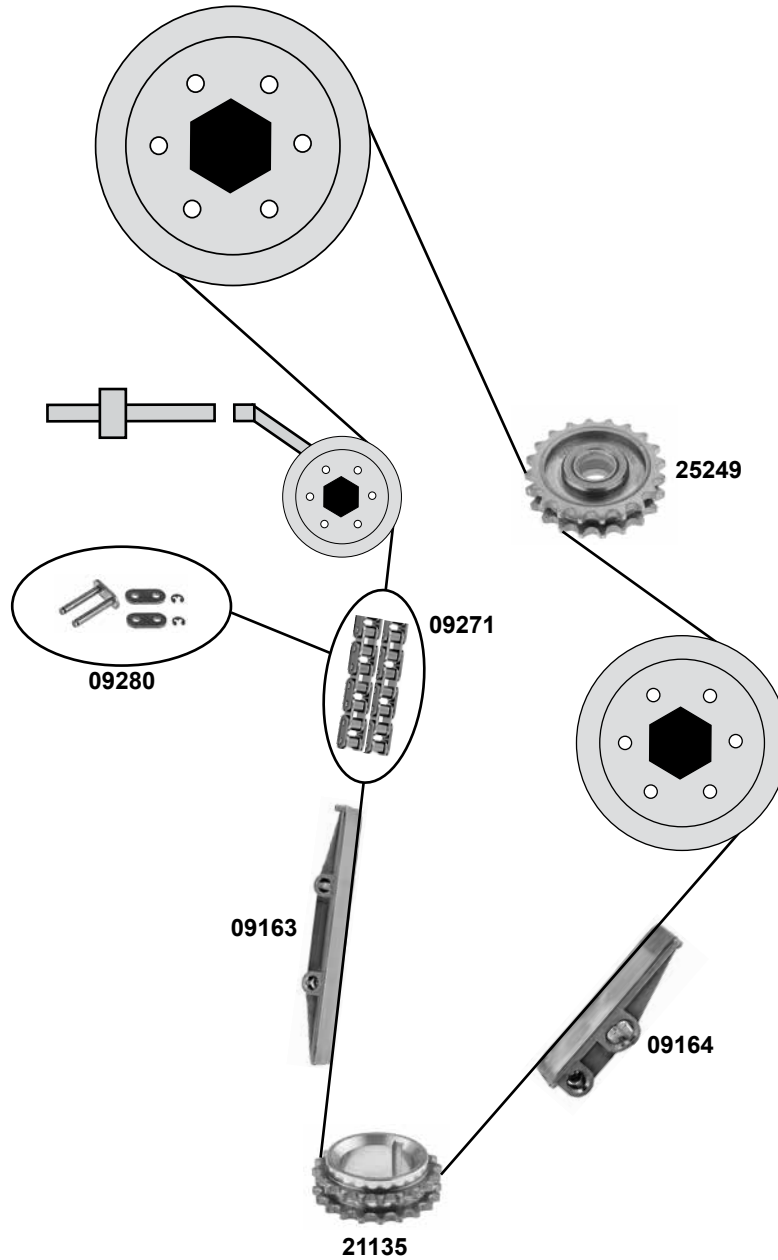


<b>09163</b>	115 052 04 16
<b>09164</b>	115 052 07 16
<b>09272</b>	000 997 68 94
<b>11625</b>	000 997 04 98
<b>25251</b>	114 052 01 02

Gleitschiene / sliding rail
Gleitschiene / sliding rail
Steuerkette / timing chain
Kettenglied / chain link
Zwischenrad / intermediate gear

(1)

455 / 124 F



(1) Federverschluß / split link / fermeture de ressort / cierre de resorte / falsa maglia



Ref. - No.



<b>09163</b>	115 052 04 16	Gleitschiene / sliding rail
<b>09164</b>	115 052 07 16	Gleitschiene / sliding rail
<b>09271</b>	000 997 46 94	Steuerkette / timing chain
<b>09280</b>	000 997 05 98	Kettenglied / chain link
<b>21135</b>	615 052 02 03	Kurbelwellenzahnrad / crankshaft gear
<b>25249</b>	621 050 04 09	Zwischenrad / intermediate gear

(1)

D 455 / 134 F  
11 / D 455  
Z 20 Ø1 36

# MERCEDES-BENZ

## BM 111 (Heckflosse)

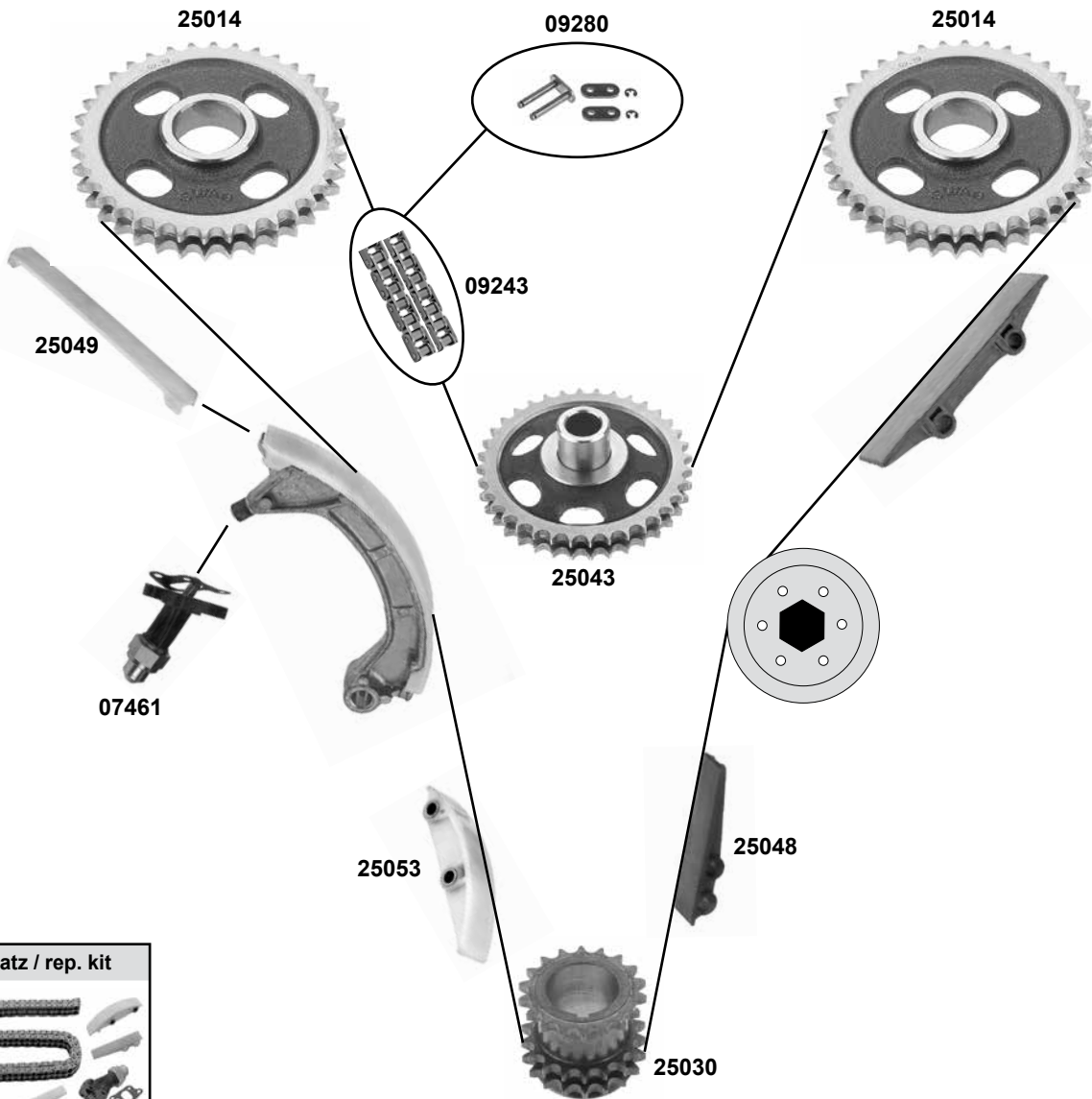
(65→71)

Car  
Division



### 280 SEC 3.5

(M 116. 980)



(1) Federverschluß / split link / fermeture de ressort / cierre de resorte / falsa maglia

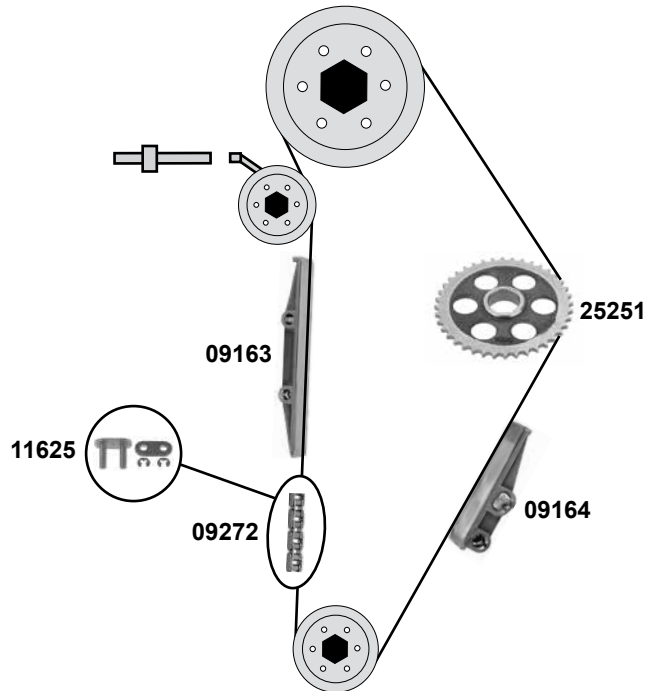


Ref. - No.

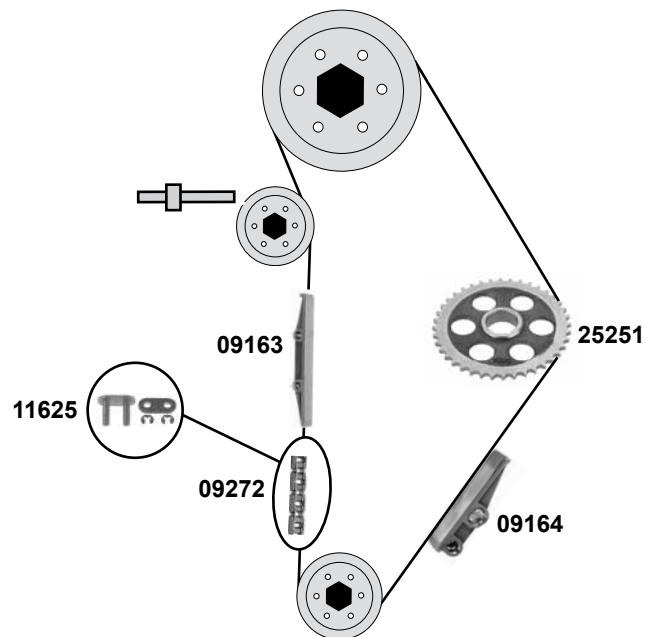


Ref. - No.	Description	Quantity	Notes
07461	Kettenspanner / chain tensioner		
09243	Steuerkette / timing chain		
09280	Kettenglied / chain link	(1)	D 455 / 186 F 11 / D 455
10411	Gleitschiene / sliding rail		
25014	Nockenwellenrad / camshaft gear		Z 36
25030	Kurbelwellenzahnrad / crankshaft gear		Z 18
25043	Zwischenrad / intermediate gear		Z 36
25049	Gleitschienenbelag / sliding rail lining		
25053	Gleitschiene / sliding rail		
30310	Rep.Satz Steuerkette / rep.kit. timing chain		

**230 / 230.6**  
(M 180. 954)



**250 / 250C**  
(M 114. 920)



(1) Federverschluß / split link / fermeture de ressort / cierre de resorte / falsa maglia



Ref. - No.



**09163**  
**09164**  
**09272**  
**11625**  
**25251**

115 052 04 16  
115 052 07 16  
000 997 68 94  
000 997 04 98  
114 052 01 02

Gleitschiene / sliding rail  
Gleitschiene / sliding rail  
Rollenkette einfach / roller chain simple  
Kettenglied / chain link  
Zwischenrad / intermediate gear

(1)

455 / 124 F  
11 / 455

# MERCEDES-BENZ BM 114 ( / 8)

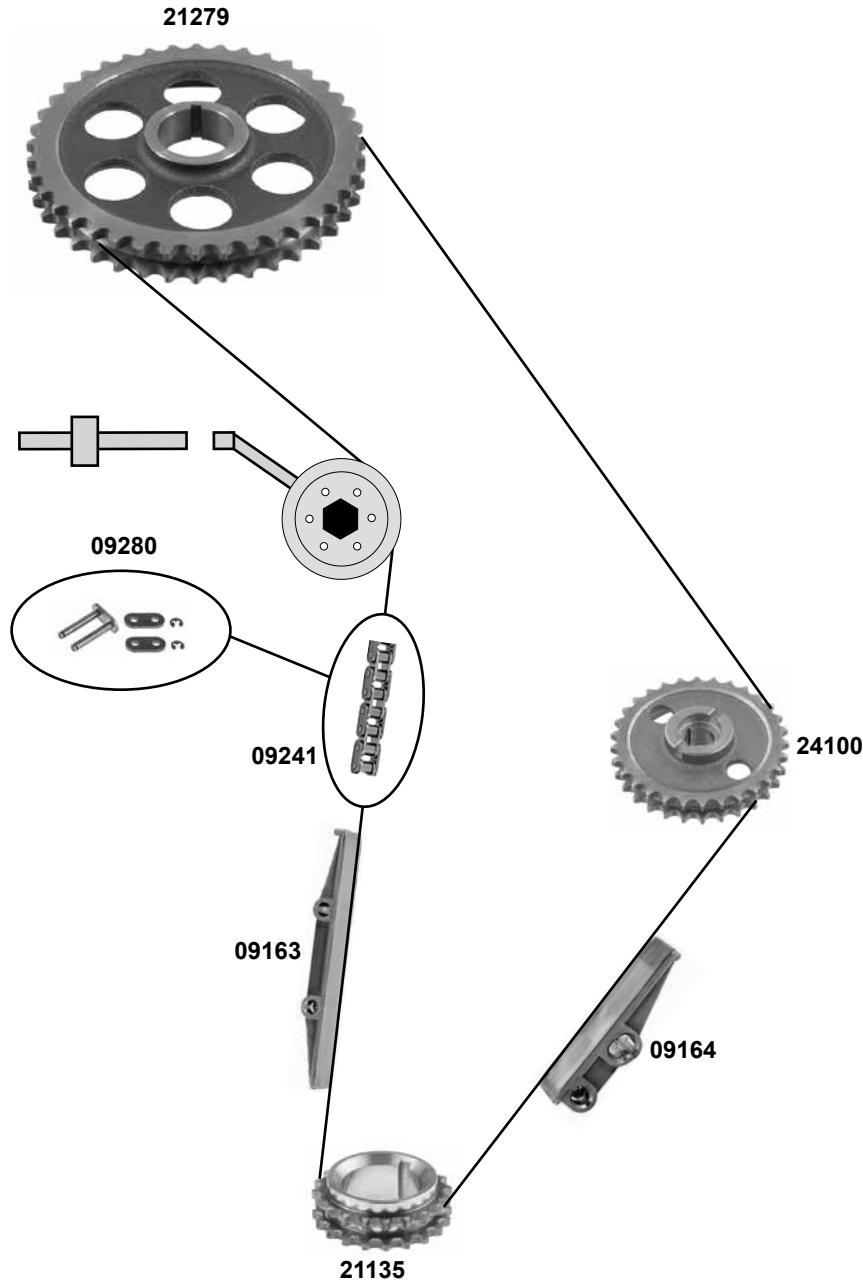
(68→76)

Car  
Division



## 250E / CE

(M 114. 980/981)



(1) Federverschluß / split link / fermeture de ressort / cierre de resorte / falsa maglia



Ref. - No.



**09163**

115 052 04 16

Gleitschiene / sliding rail

**09164**

115 052 07 16

Gleitschiene / sliding rail

**09241**

000 997 70 94

Steuerkette / timing chain

**09280**

000 997 05 98

Kettenglied / chain link

**21135**

615 052 02 03

Kurbelwellenzahnrad / crankshaft gear

**21279**

121 052 03 01

Nockenwellenrad / camshaft gear

**24100**

114 052 00 02

Zwischenrad / intermediate gear

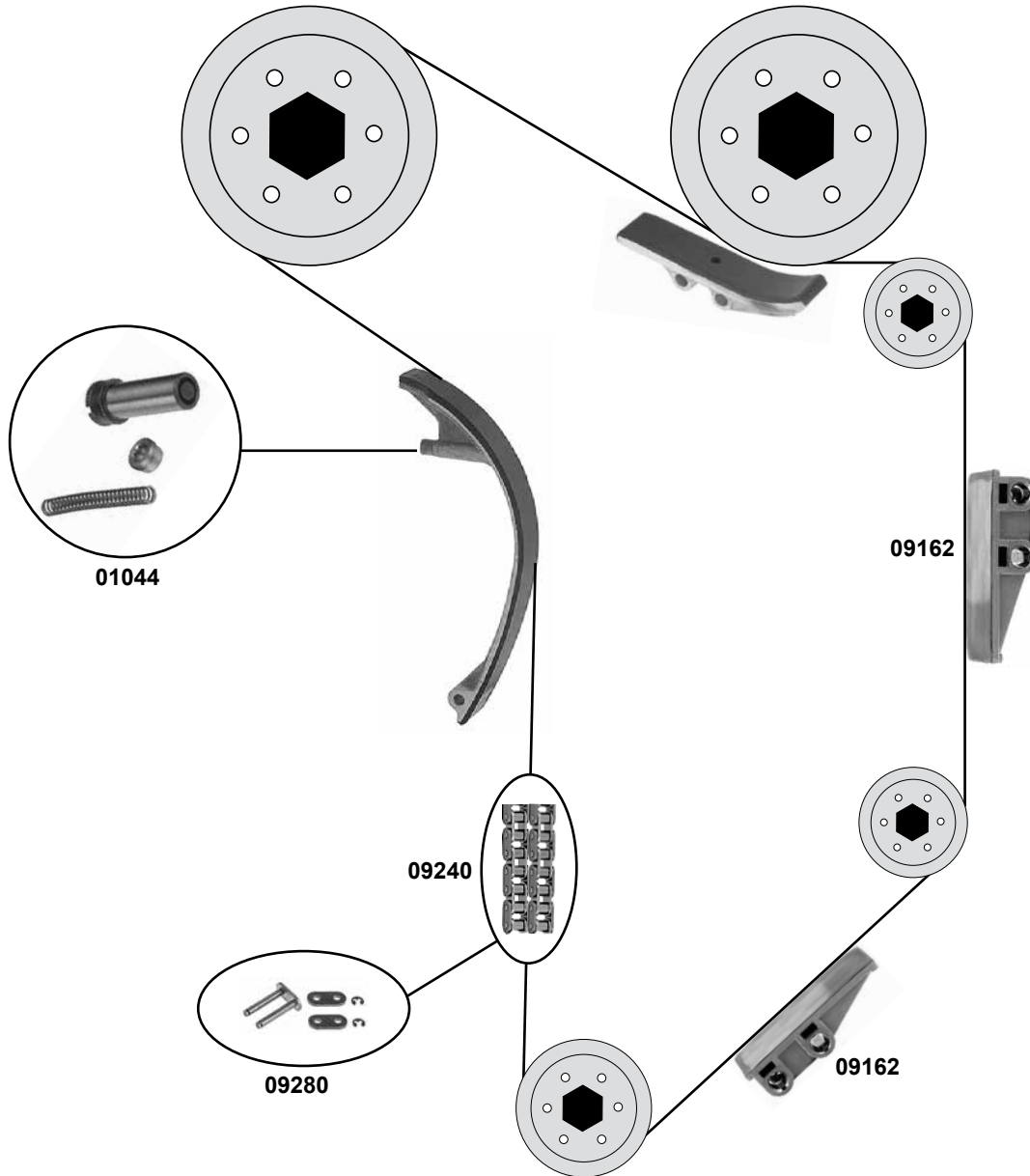
(1)

D 455 / 124 F

11 / D 455

Z 20 ØI 36

Modell: 250 CE



(1) Federverschluß / split link / fermeture de ressort / cierre de resorte / falsa maglia



Ref. - No.



**01044** 110 050 06 11  
**09162** 110 052 08 16  
**09240** 000 997 69 94  
**09280** 000 997 05 98

Kettenspanner / chain tensioner  
Gleitschiene / sliding rail  
Steuerkette / timing chain  
Kettenglied / chain link

(1)

D 455 / 130 F  
11 / D 455



# MERCEDES-BENZ

## BM 115 ( / 8)

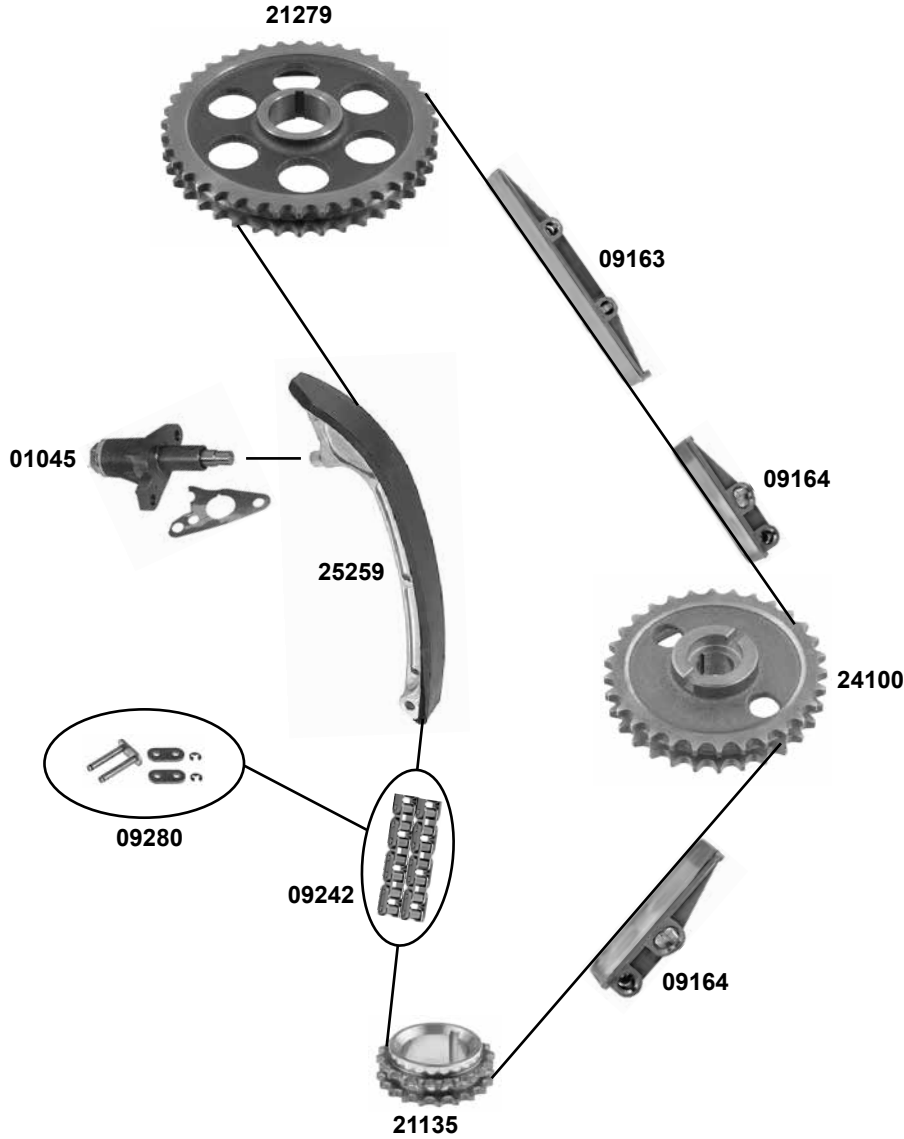
(68→76)

Car  
Division



### 200 / 220

(M 115. 920 / 921 / 923 / 924 / 926)



(1) Federverschluß / split link / fermeture de ressort / cierre de resorte / falsa maglia

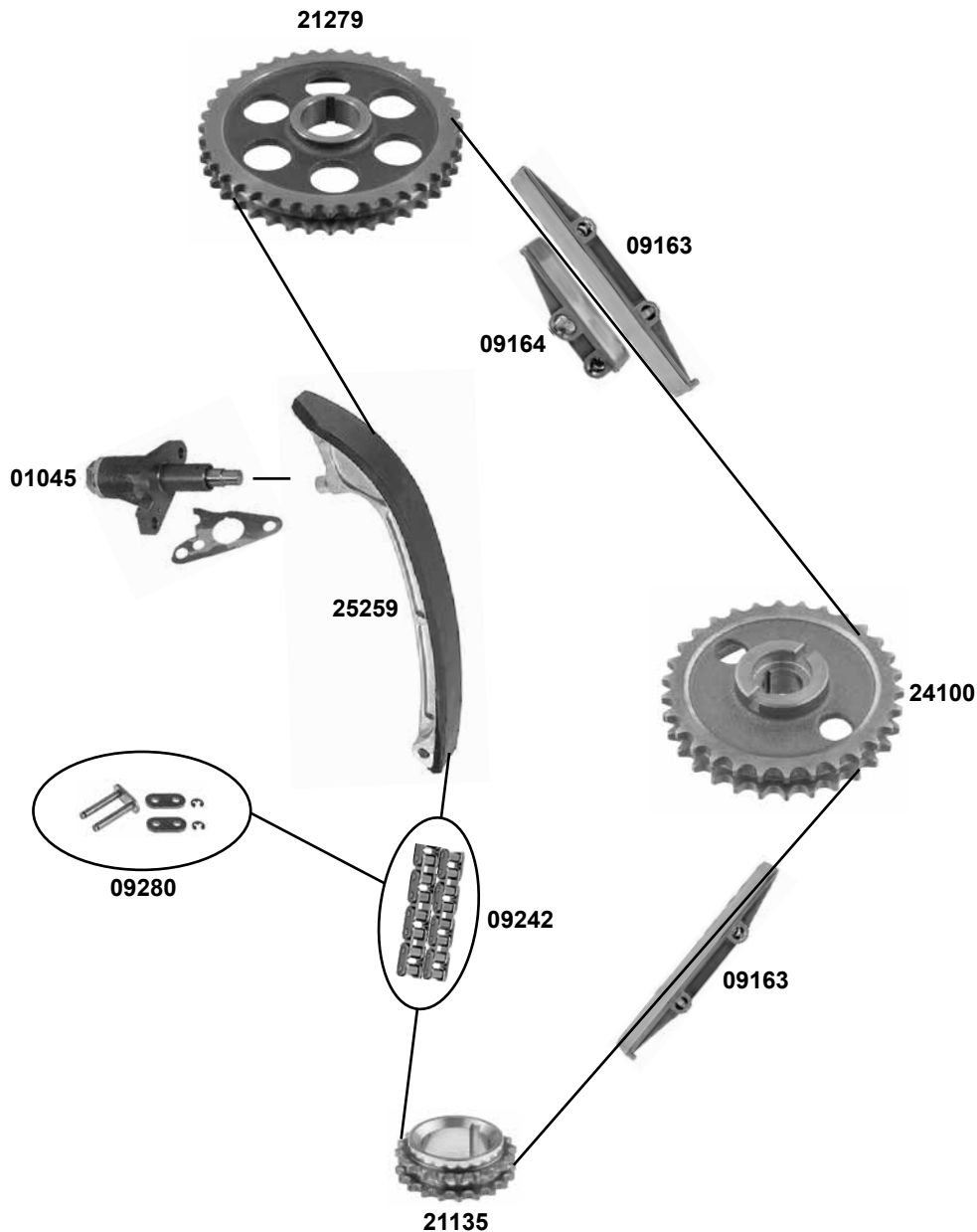
(2) (mot.) 052646 → (ex.) (mot.) 921 / 923



Ref. - No.



<b>01045</b>	115 050 11 11	Kettenspanner / chain tensioner	(2)	
<b>09163</b>	115 052 04 16	Gleitschiene / sliding rail	(ex.) (mot.) 921 / 923	
<b>09164</b>	115 052 07 16	Gleitschiene / sliding rail	(ex.) (mot.) 921 / 923	
<b>09242</b>	000 997 71 94	Steuerkette / timing chain	(1)	455 / 124 F
<b>09280</b>	000 997 05 98	Kettenglied / chain link	(ex.) (mot.) 921 / 923	11 / D 455
<b>21135</b>	615 052 02 03	Kurbelwellenrad / crankshaft gear		Z 20 Ø1 36
<b>21279</b>	121 052 03 01	Nockenwellenrad / camshaft gear		
<b>24100</b>	114 052 0002	Zwischenrad / intermediate gear	(ex.) (mot.) 921	
<b>25259</b>	115 050 08 16	Gleitschiene / sliding rail	nur / only: Modell 200	



(1) Federverschluß / split link / fermeture de ressort /  
cierre de resorte / falsa maglia

(2) (mot.) 027766 →  
 (mot.) 016982 →



Ref. - No.



<b>01045</b>	115 050 11 11	Kettenspanner / chain tensioner	(2)	
<b>09163</b>	115 052 04 16	Gleitschiene / sliding rail		
<b>09164</b>	115 052 07 16	Gleitschiene / sliding rail		
<b>09242</b>	000 997 71 94	Steuerkette / timing chain	(1)	
<b>09280</b>	000 997 05 98	Kettenglied / chain link		
<b>21135</b>	615 052 02 03	Kurbelwellenzahnrad / crankshaft gear		
<b>21279</b>	121 052 03 01	Nockenwellenrad / camshaft gear		
<b>24100</b>	114 052 00 02	Zwischenrad / intermediate gear		
<b>25259</b>	115 050 08 16	Gleitschiene / sliding rail		

D 455 / 126 F  
11 / D 455  
Z 20 ØI 36

# MERCEDES-BENZ

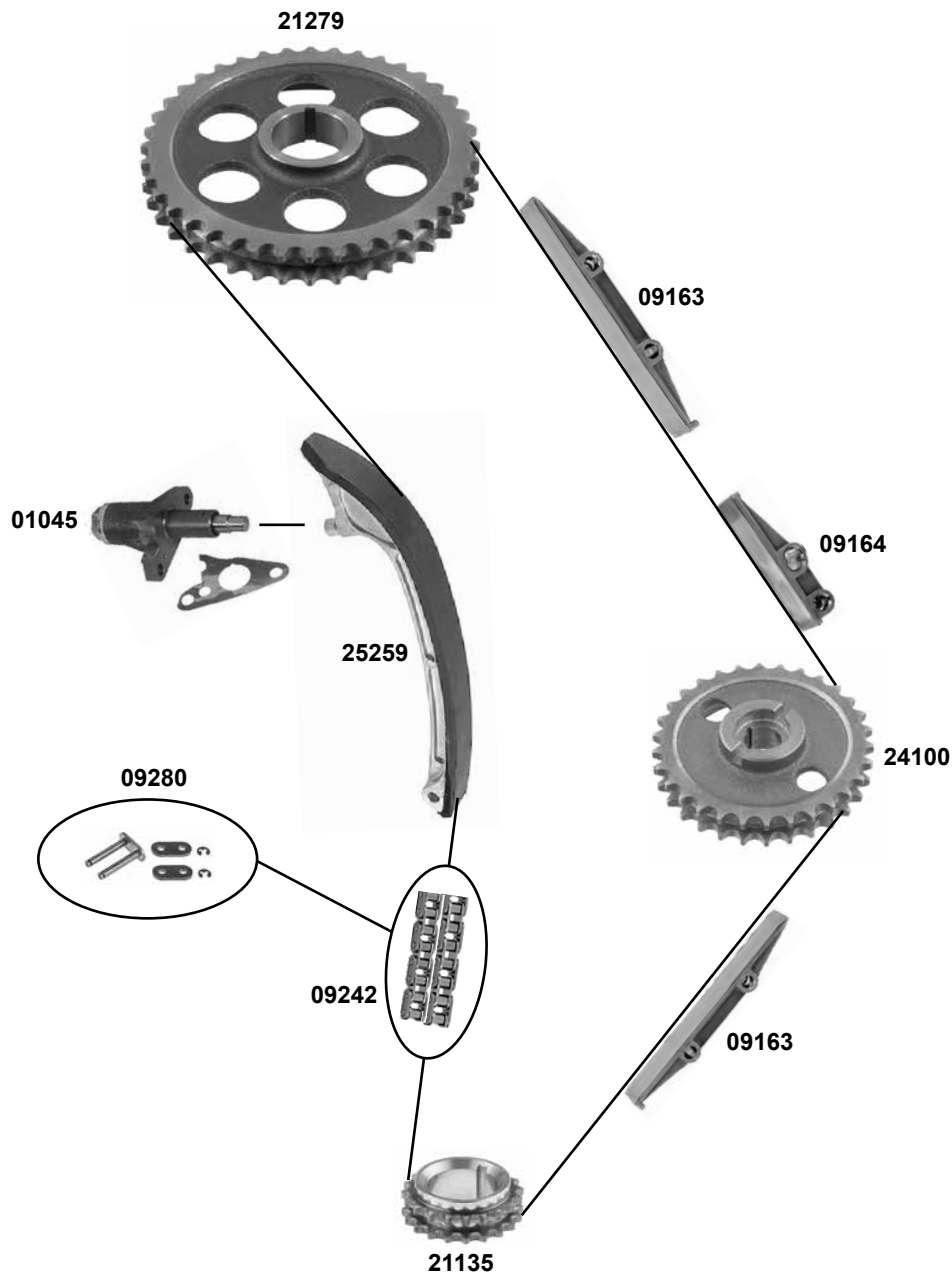
## BM 123

(76→85)

Car  
Division



**200**  
(M 115.938,939)



(1) Federverschluß / split link / fermeture de ressort / cierre de resorte / falsa maglia



Ref. - No.

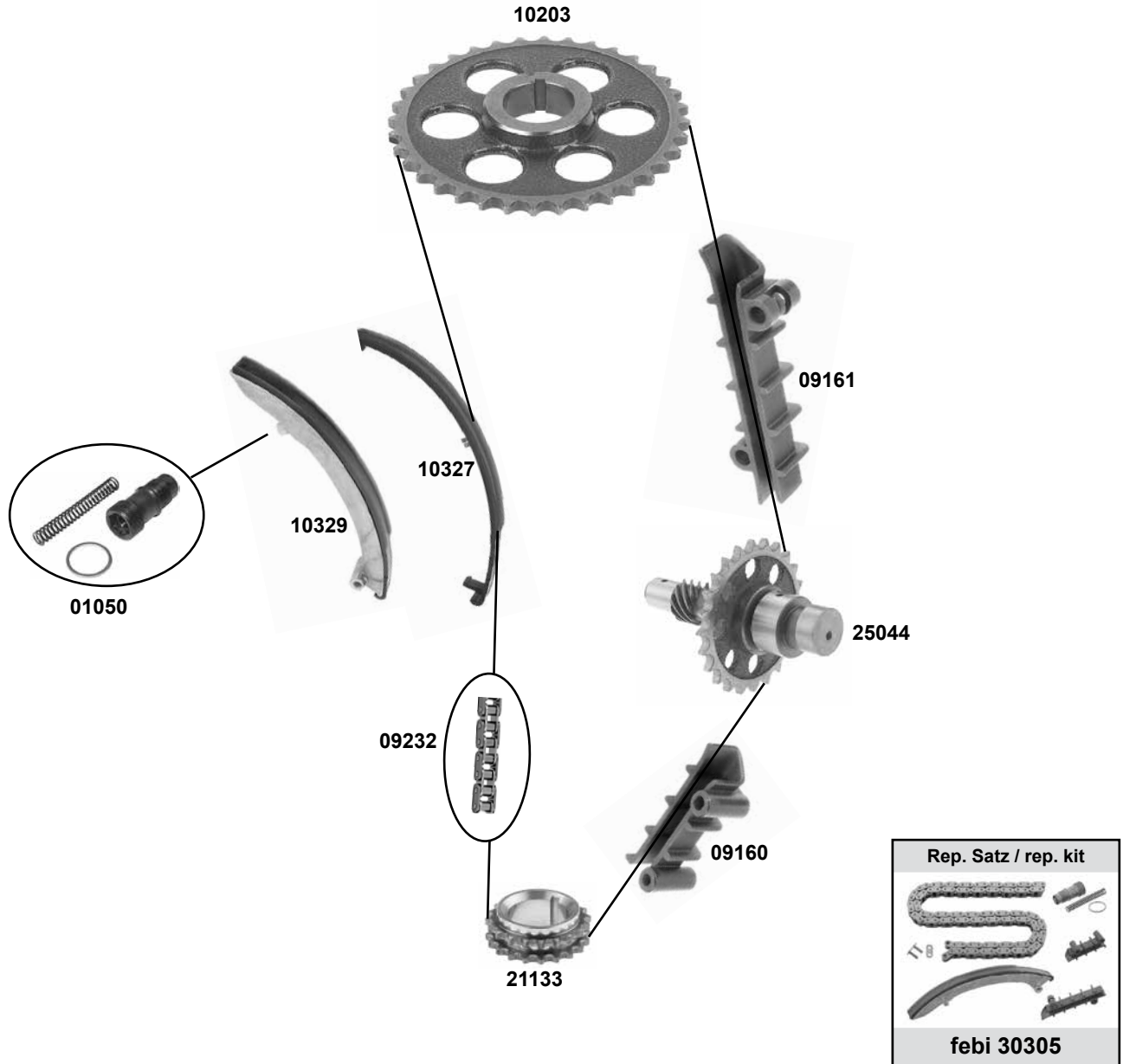


<b>01045</b>	115 050 11 11	Kettenspanner / chain tensioner
<b>09163</b>	115 052 04 16	Gleitschiene / sliding rail
<b>09164</b>	115 052 07 16	Gleitschiene / sliding rail
<b>09242</b>	000 997 71 94	Steuerkette / timing chain
<b>09280</b>	000 997 05 98	Kettenglied / chain link
<b>21135</b>	615 052 02 03	Kurbelwellenzahnrad / crankshaft gear
<b>21279</b>	121 052 03 01	Nockenwellenrad / camshaft gear
<b>24100</b>	114 052 00 02	Zwischenrad / intermediate gear
<b>25259</b>	115 050 08 16	Gleitschiene / sliding rail

(1)

D 455 / 126 F  
11 / D 455  
Z 20 ØI 36

**200 / 200 T / 230 E / 230 CE / 230 TE**  
(M 102.920, 939, 980)



(1) Federverschluß / split link / fermeture de ressort /  
cierre de resorte / falsa maglia

(2) Nietverschluß / riveted link / bouchon de rivet /  
rivetti / cierre de roblón



Ref. - No.



Ref. - No.	Description	Notes	Dimensions
<b>01050</b>	Kettenspanner / chain tensioner		
<b>09160</b>	Gleitschiene / sliding rail		
<b>09161</b>	Gleitschiene / sliding rail		
<b>09232</b>	Steuerkette / timing chain	(2)	458 / 106 N
<b>10203</b>	Nockenwellenrad / camshaft gear	(ex.) mot. 939	Z 36
<b>10327</b>	Gleitschienenbelag /		
<b>10329</b>	Gleitschiene / sliding rail		
<b>21133</b>	Kurbelwellenzahnrad / crankshaft gear	(ex.) mot. 939	Z 18 Ø1 30
<b>25044</b>	Zwischenwelle / intermediate shaft	(ex.) mot. 939	
<b>30305</b>	Rep. Satz Steuerkette / rep. kit timing chain		

# MERCEDES-BENZ BM 123

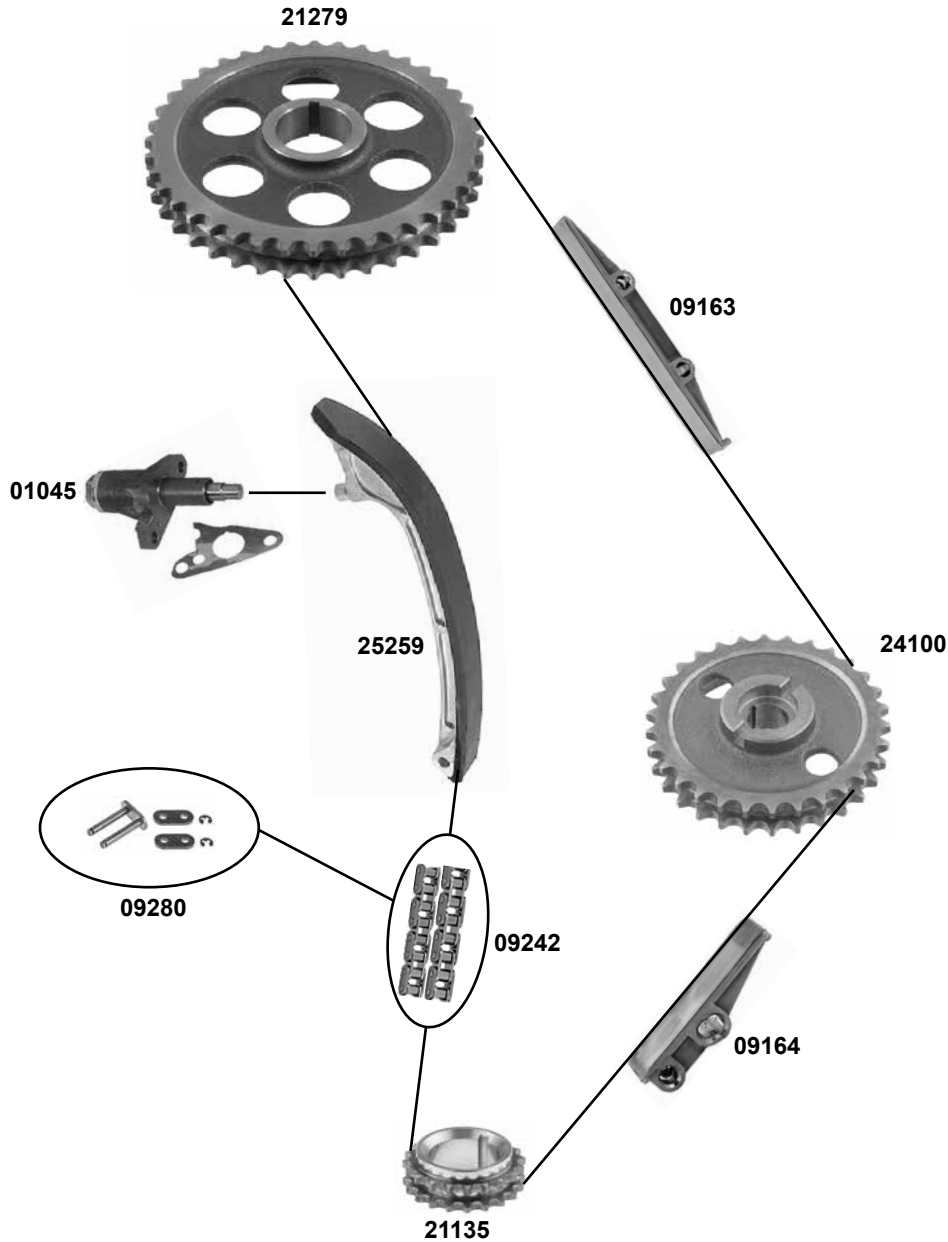
(76 → 85)

Car  
Division



## 230 / 230 C / 230 T

(M 115.954)



(1) Federverschluß / split link / fermeture de ressort / cierre de resorte / falsa maglia



Ref. - No.



**01045**

115 050 11 11

Kettenspanner / chain tensioner

**09163**

115 052 04 16

Gleitschiene / sliding rail

**09164**

115 052 07 16

Gleitschiene / sliding rail

**09242**

000 997 71 94

Steuerkette / timing chain

**09280**

000 997 05 98

Kettenglied / chain link

**21135**

615 052 02 03

Kurbelwellenzahnrad / crankshaft gear

**21279**

121 052 03 01

Nockenwellenrad / camshaft gear

**24100**

114 052 00 02

Zwischenrad / intermediate gear

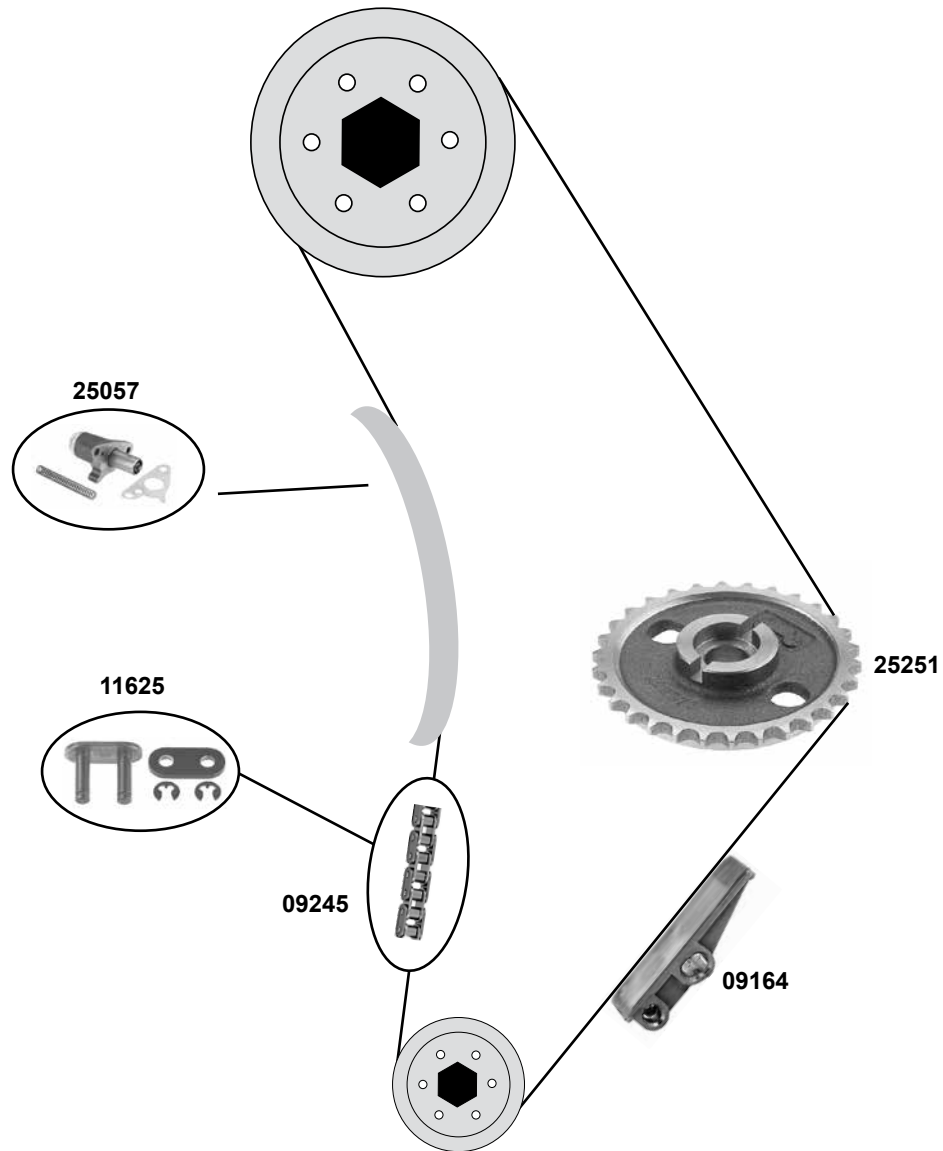
**25259**

115 050 08 16

Gleitschiene / sliding rail

(1)

D 455 / 126 F  
11 / D 455  
Z 20 Ø1 36



(1) Federverschluß / split link / fermeture de ressort / cierre de resorte / falsa maglia



Ref. - No.



<b>09164</b>	115 052 07 16	Gleitschiene / sliding rail		
<b>09245</b>	000 997 80 94	Rollenkette einfach / roller chain simple	(1)	455 / 118 F
<b>11625</b>	000 997 04 98	Kettenglied / chain link		11 / 455
<b>25057</b>	123 050 04 11	Kettenspanner / chain tensioner		
<b>25251</b>	114 052 01 02	Zwischenrad / intermediate gear		

# MERCEDES-BENZ BM 123

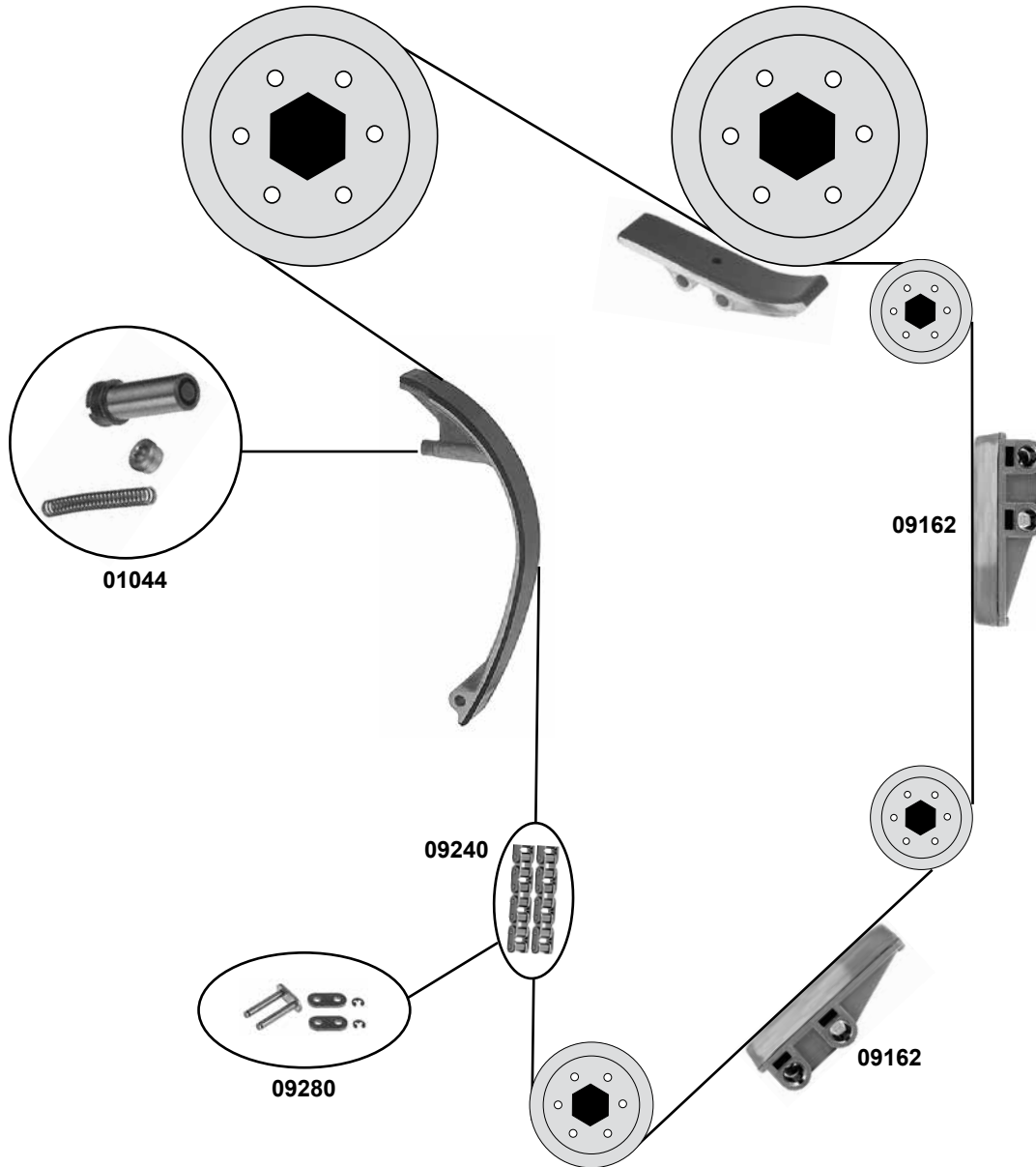
(76→85)

Car  
Division



## 280 / 280 E / 280 C / 280 CE / 280 TE

(M 110.923, 984, 988)



(1) Federverschluß / split link / fermeture de ressort / cierre de resorte / falsa maglia



Ref. - No.

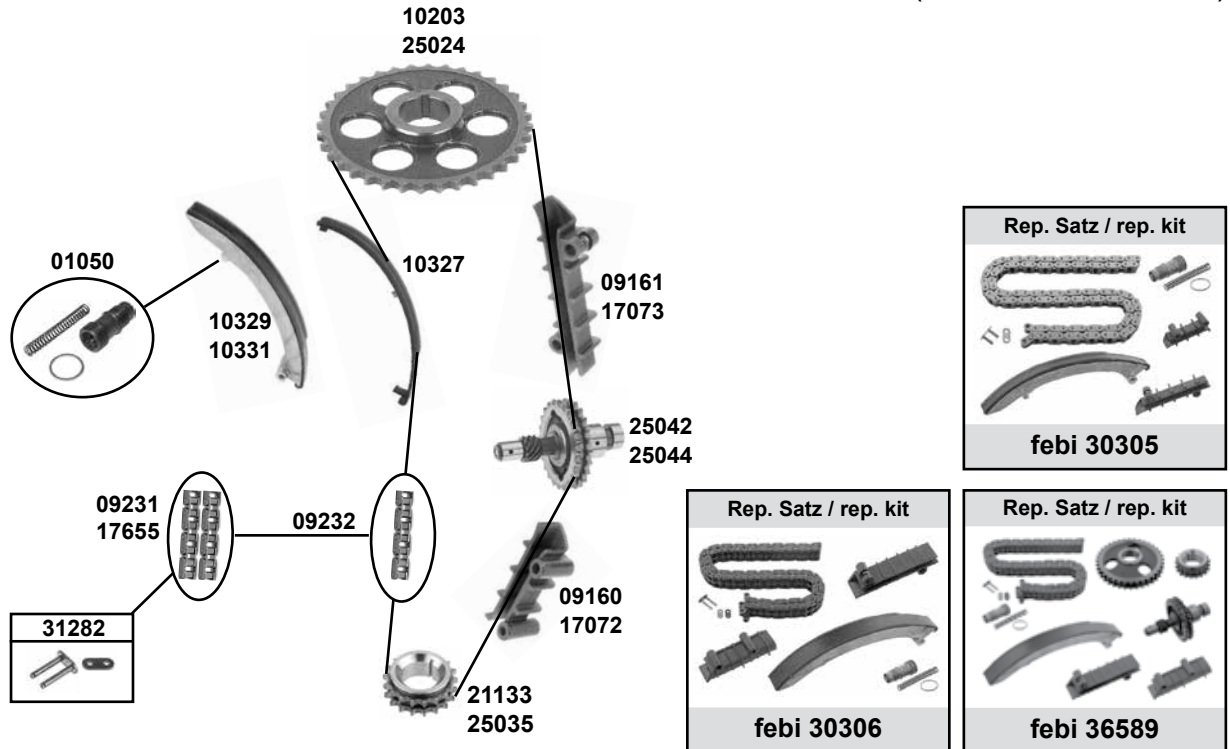


<b>01044</b>	110 050 06 11	Kettenspanner / chain tensioner
<b>09162</b>	110 052 08 16	Gleitschiene / sliding rail
<b>09240</b>	000 997 69 94	Rollenkette zweifach / roller chain double
<b>09280</b>	000 997 05 98	Kettenglied / chain link

(1)

D 455 / 130 F  
11 / D 455

**200 / 200 E / 200 T / 200 TE 230 E / 230 TE / 230 CE**  
 (M 102.922, 963, 982)



	(1) Nietverschluß / riveted link	(3) 922:  (mot.) 057135 → (mot.) 022831 →	(5) 922:  (mot.) → 057134 (mot.) → 022830
	(2)  (mot.) → 057134 (mot.) → 022830	(4) 963:  (mot.) 006835 → (mot.) 000357 → 982:  (mot.) 091912 → (mot.) 088447 →	963:  (mot.) → 006834 (mot.) → 000356
	(6) mit Duplexkette / with duplex chain		982:  (mot.) → 091911 (mot.) → 000758

	Ref. - No.			
01050	102 050 10 11	Kettenspanner / chain tensioner		
09160	102 052 03 16	Gleitschiene / sliding rail	(2)	
09161	102 052 04 16	Gleitschiene / sliding rail	(2)	
09231	002 997 03 94	Steuerkette / timing chain	(1) (3) (4)	D 455 / 106 N
09232	003 997 82 94	Steuerkette / timing chain	(1) (2)	458 / 106 N
10203	102 052 02 01	Nockenwellenrad / camshaft gear	(2)	Z 36
10327	102 052 04 83	Gleitschielenbelag / sliding rail lining	für / for febi 10329	
10329	102 050 08 16	Gleitschiene / sliding rail	(1)	
10331	102 050 12 16	Gleitschiene / sliding rail	(3) (4)	
17072	102 052 13 16	Gleitschiene / sliding rail	(3) (4)	
17073	102 052 14 16	Gleitschiene / sliding rail	(3) (4)	
17655	002 997 17 94	Steuerkette / timing chain	M 102.922	
21133	102 052 00 03	Kurbelwellenzahnrad / crankshaft gear	(2)	Z 18 Ø 130
25024	102 052 09 01	Nockenwellenrad / camshaft gear	(3) (4)	Z 36
25035	102 052 01 03	Kurbelwellenzahnrad / crankshaft gear	(3) (4)	Z 20 Ø 136
25042	102 050 09 06	Zwischenwelle / intermediate shaft	(3) (4)	
25044	102 050 08 06	Zwischenwelle / intermediate shaft	(2)	
30305	102 050 10 11 S2	Rep. Satz Steuerkette / rep. kit timing chain	(5)	
30306	102 050 10 11 S2	Rep. Satz Steuerkette / rep. kit timing chain	(3) (6)	
31282	000 997 22 98	Kettenglied / chain link	(1) (3) (4)	
36589	102 052 09 01 S1	Rep. Satz Steuerkette / rep. kit timing chain	(3) (4)	



# MERCEDES-BENZ

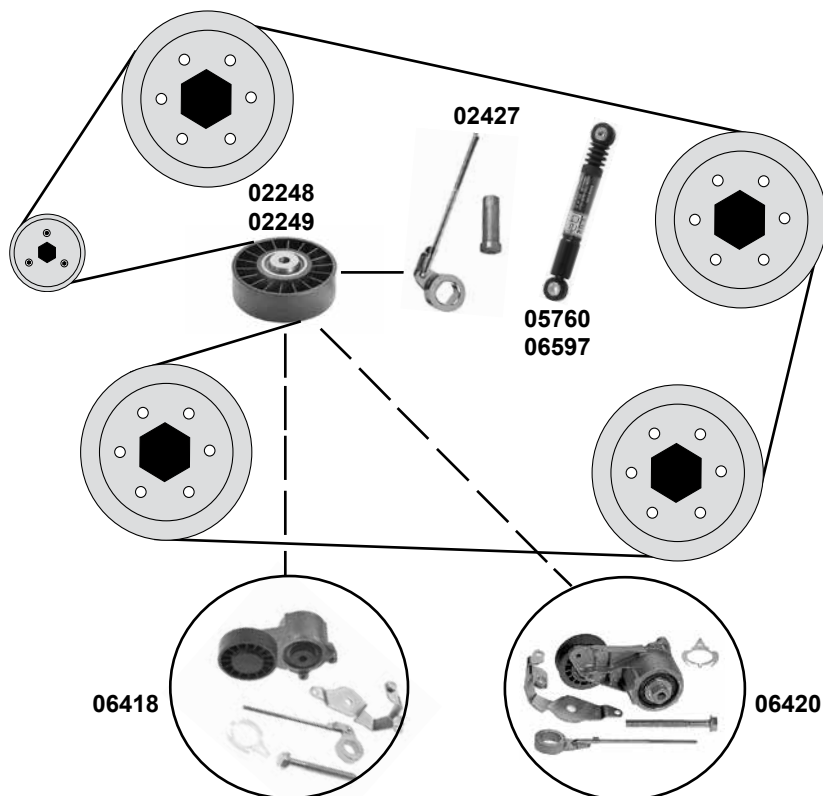
## BM 124

(85→95)

Car  
Division



**200 / 200 E / 200 T / 200 TE / 230 E / 230 TE / 230 CE**  
(M 102.922, 963, 982)



- (1) 922: + **AC (mot.)** 000935 → 054114  
 (mot.) 000255 → 021733  
 963: + **AC (mot.)** 000001 → 006316  
 (mot.) 000001 → 000335  
 982: + **AC (mot.)** 000996 → 086551  
 (mot.) 000659 → 083196

- (2) 922: + **AC (mot.)** 054115 →  
 (mot.) 021734 →  
 963: + **AC (mot.)** 006317 →  
 (mot.) 000336 →  
 982: + **AC (mot.)** 086552 →  
 (mot.) 083196 →

- (3) **200/T/E/TE / 230E/TE:** → 09/89  
**200 CE Italien /230 E Japan/CE/TE Japan:** 09/89 →

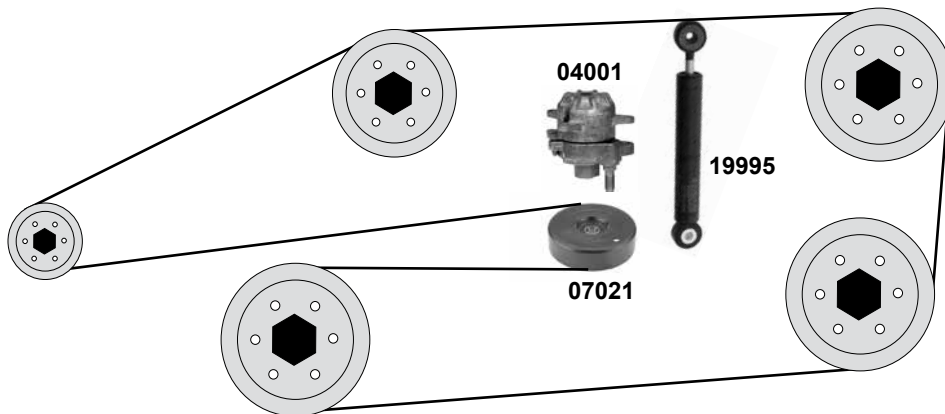
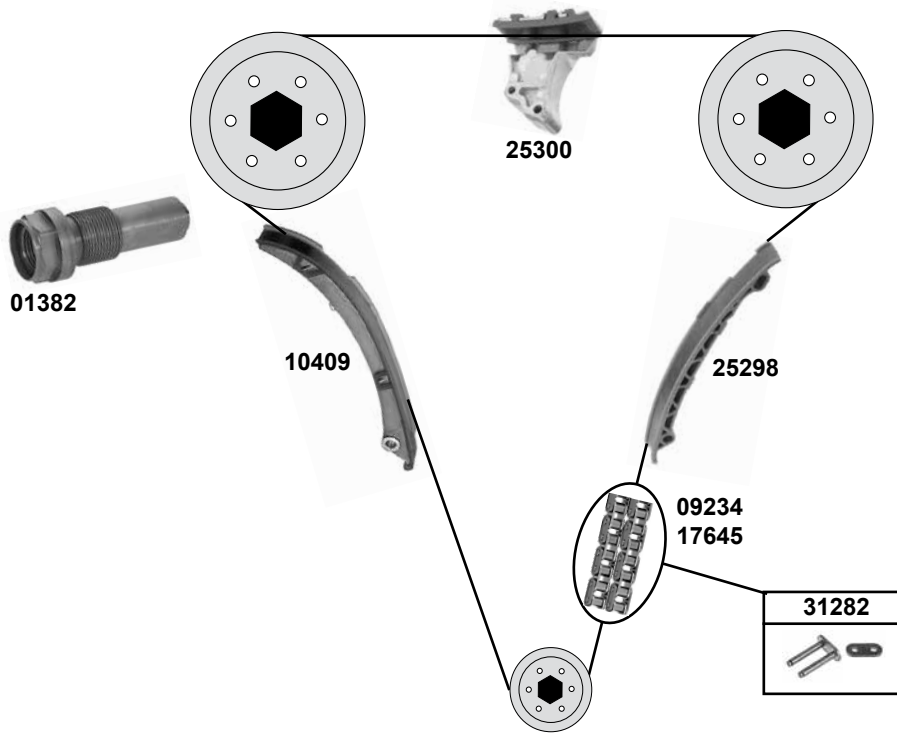


Ref. - No.



Part No.	Ref. - No.	Description	Mounting	Dimensions
<b>02248</b>	601 200 07 70	Umlenkrolle / deflection pulley	man.	75 x 26/31,5
<b>02249</b>	601 200 09 70	Spannrolle / tension roller	servo	80 x 25 / 31
<b>02427</b>	102 200 02 36	Spannstange / tensioning rod		
<b>05760</b>	102 200 15 14	Schwingungsdämpfer / vibration damper	(1)	90N - 1000N
<b>06418</b>	102 200 69 70	Riemenspanner / belt tensioner	servo	
<b>06420</b>	102 200 69 70 S	Riemenspanner / belt tensioner	man.	
<b>06597</b>	102 200 14 14	Schwingungsdämpfer / vibration damper	(2)	90N - 900N
<b>12515</b>	102 200 02 36	Rep.Satz Spannstange / rep kit tensioning rod	(3)	

**200 E / 200 CE / 200 TE ( E 200 )  
220 E / 220 CE / 220 TE ( E 220 )**  
(M 111.940, 960)



Ref. - No.



<b>01382</b>	111 050 04 11	Kettenspanner / chain tensioner	
<b>04001</b>	111 200 07 70	Riemenspanner / belt tensioner	
<b>07021</b>	111 200 00 70	Spannrolle / tension roller	110 x 28 x 15 D 455 / 126 N
<b>09234</b>	003 997 17 94	Steuerkette / timing chain	
<b>10409</b>	111 050 14 16	Gleitschiene / sliding rail	
<b>17645</b>	002 997 93 94	Steuerkette / timing chain	126 E
<b>19995</b>	111 200 04 14	Schwingungsdämpfer / vibration damper	55 N - 435 N
<b>25298</b>	111 052 10 16	Gleitschiene / sliding rail	
<b>25300</b>	111 050 11 16	Gleitschiene / sliding rail	
<b>30304</b>	111 050 04 11 S1	Rep. Satz Steuerkette / rep. kit timing chain	
<b>31282</b>	000 997 22 98	Kettenglied / chain link	
<b>40621</b>	111 050 04 11 S2	Rep. Satz Steuerkette / rep. kit timing chain	

# MERCEDES-BENZ BM 124

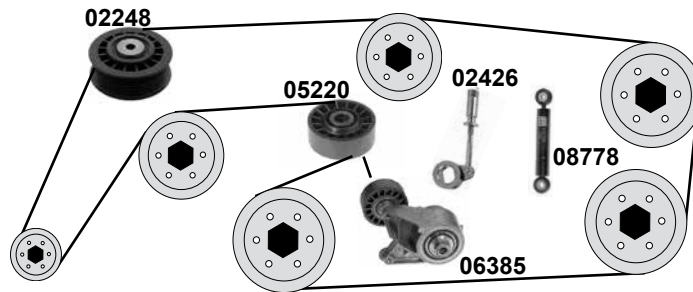
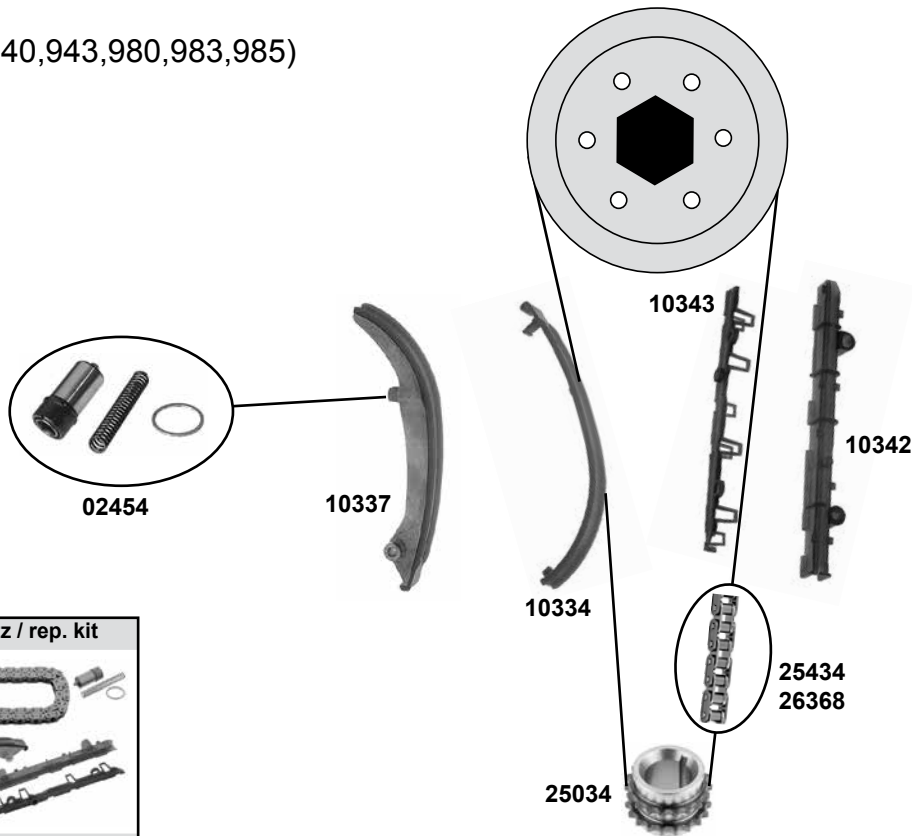
(85→95)

Car  
Division 



## 260 E

(M 103.940,943,980,983,985)



(1) 940 : (mot.) 027640 →

(2) Nietverschluß / riveted link / bouchon de rivet / rivetti / cierre de roblón



Ref. - No.



02248

601 200 07 70

Umlenkrolle / deflection pulley

02426

103 200 02 36

Spannstange / tensioning rod

02454

103 050 06 11

Kettenspanner / chain tensioner

05220

103 200 05 70

Spannrolle / tension roller

06385

103 200 08 70

Riemenspanner / belt tensioner

08778

103 200 01 14

Schwingungsdämpfer / vibration damper

10334

103 052 00 83

Gummibelag Gleitschiene / rubber lining sliding rail

10337

103 050 03 16

Gleitschiene / sliding rail

10342

103 052 07 16

Gleitschiene / sliding rail

10343

103 052 08 16

Gleitschiene / sliding rail

25034

103 052 00 03

Kurbelwellenrad / crankshaft gear

25434

001 997 22 94

Steuerkette endlos / timing chain endless

26368

003 997 80 94

Steuerkette / timing chain

30307

103 050 06 11 S1

Rep. Satz Steuerkette / rep. kit timing chain

(1)

(mot.) 103.940

(2)

70 x 25

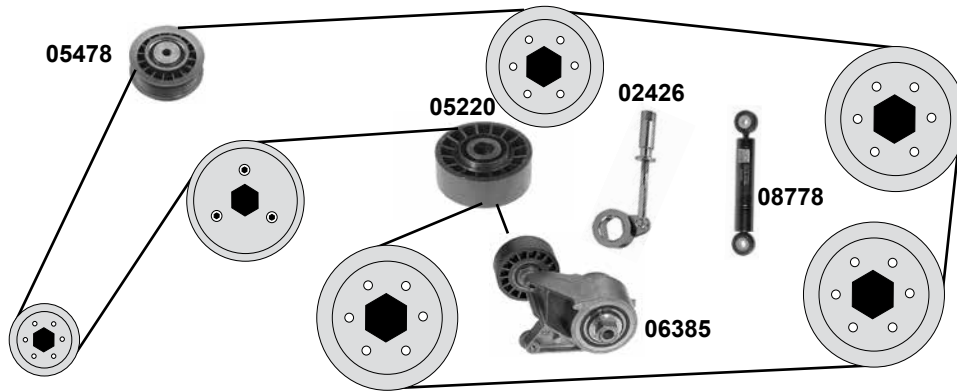
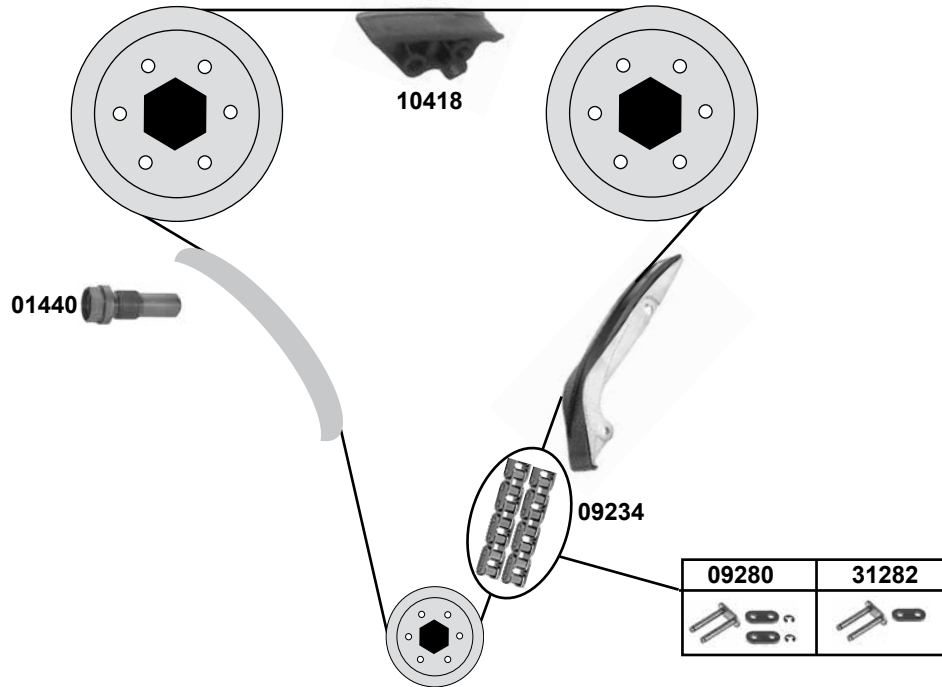
80N - 1050N

Z 18

96 E

96 N

**280 E / 280 TE / (E 280)**  
(M 104.942)



(1) Nietverschluß / riveted link / bouchon de rivet / rivetti / cierre de roblón

(2) Federverschluß / split link / fermeture de ressort / cierre de resorte / falsa maglia

(3) 942: (mot.) → 005789  
 (mot.) → 048696



Ref. - No.



<b>01440</b>	120 050 02 11	Kettenspanner / chain tensioner		
<b>02426</b>	103 200 02 36	Spannstange / tensioning rod		
<b>05220</b>	103 200 05 70	Spannrolle / tension roller	(3)	70 x 253
<b>05478</b>	601 200 10 70	Umlenkrolle / deflection pulley		
<b>06385</b>	103 200 08 70	Riemenspanner / belt tensioner	(3)	
<b>08778</b>	103 200 01 14	Schwingungsdämpfer / vibration damper	(3)	80N - 1050N
<b>09234</b>	003 997 17 94	Steuerkette / timing chain	(2)	D 455 / 126 N
<b>09280</b>	000 997 05 98	Kettenglied / chain link		11 / D 455
<b>10418</b>	104 052 14 16	Gleitschiene / sliding rail		
<b>31282</b>	000 997 22 98	Kettenglied / chain link	(1)	

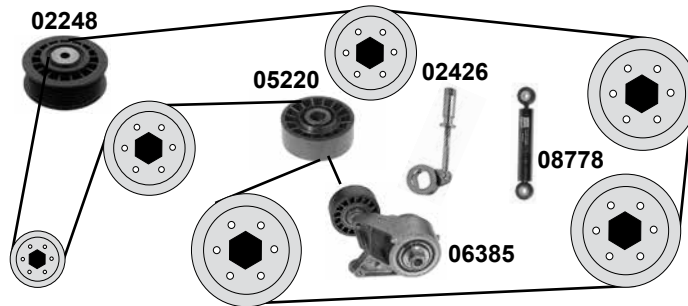
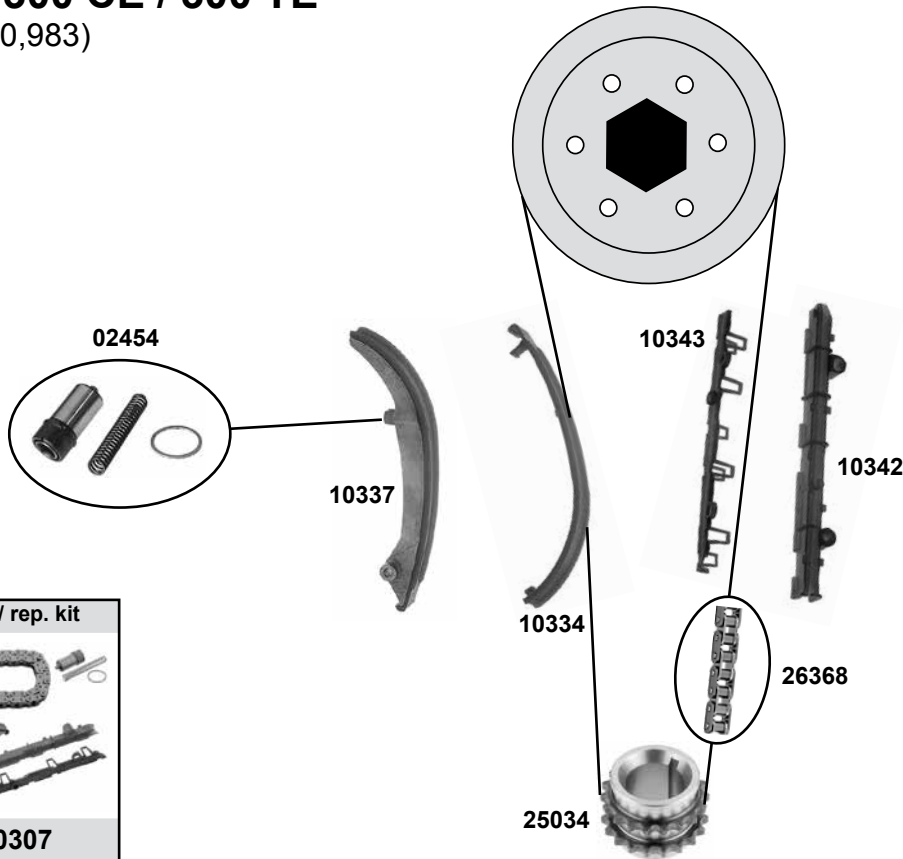
# MERCEDES-BENZ BM 124

(85→95)

Car  
Division



## 300 E / 300 CE / 300 TE (M 103.980,983)



(1) 983: (mot.) 032928

(2) Nietverschluß / riveted link / bouchon de rivet / rivetti / cierre de roblón



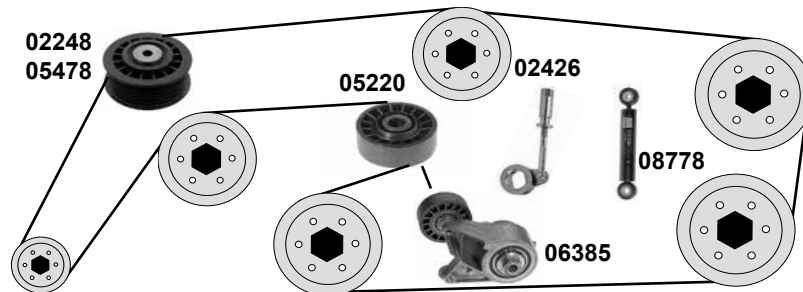
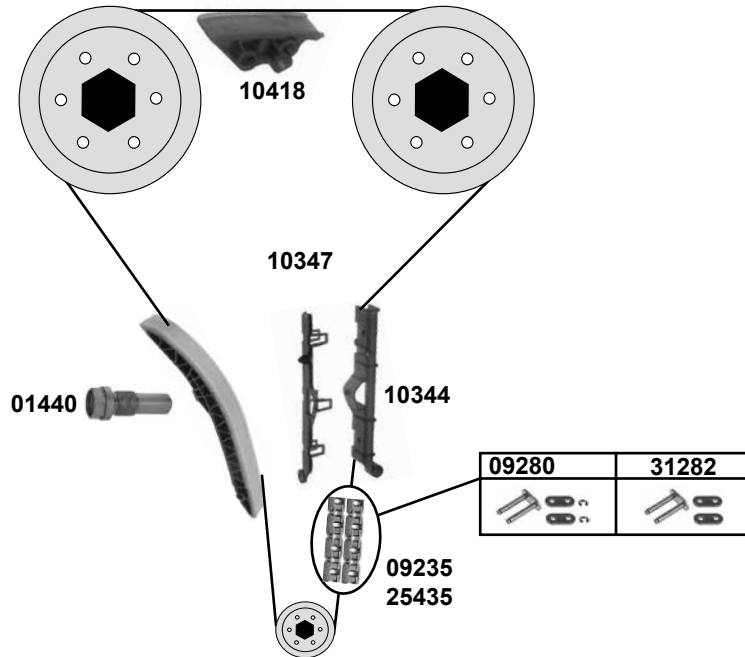
Ref. - No.



Ref. - No.	Description	Notes	Dimensions
02248	Umlenkrolle / deflection pulley		
02426	Spannstange / tensioning rod		
02454	Kettenspanner / chain tensioner		
05220	Spannrolle / tension roller		70 x 25
06385	Riemenspanner / belt tensioner		
08778	Schwingungsdämpfer / vibration damper	(1)	80N - 1050N
10334	Gleitschienenbelag / sliding rail lining		
10337	Gleitschiene / sliding rail		
10342	Gleitschiene / sliding rail		
10343	Gleitschiene / sliding rail		
25034	Kurbelwellenzahnrad / crankshaft gear		Z 18
26368	Steuerkette / timing chain	(2)	E 96
30307	Rep. Satz Steuerkette / rep. kit timing chain		E 96



**300 E-24 / 300 CE-24 / 300 TE-24**  
(M 104.980)



(1) Nietverschluß / riveted link / bouchon de rivet / rivetti / cierre de roblón

(4) Federverschluß / split link / fermeture de ressort cierre de resorte / falsa maglia

(2) 980: (mot.) → 002875  
 (mot.) → 012944

(3) 980: (mot.) 002876 →  
 (mot.) 012945 →



Ref. - No.



Ref. - No.	Description	Quantity	Notes
01440	Kettenspanner / chain tensioner		
02248	Umlenkrolle / deflection pulley		ØA75 B31,5/26
02426	Spannstange / tensioning rod		
05220	Spannrolle / tension roller		70 x 25
05478	Umlenkrolle / deflection pulley		
06385	Riemenspanner / belt tensioner		
08778	Schwingungsdämpfer / vibration damper		80N - 1050N
09235	Steuerkette / timing chain	(1)	D 455 / 130 N
09280	Kettenglied / chain link	(4)	11 / D 455
10344	Gleitschiene / sliding rail	(3)	
10347	Gleitschiene / sliding rail	(2)	
10418	Gleitschiene / sliding rail		
25435	Steuerkette / timing chain		130 E
31282	Kettenglied / chain link	(1)	

# MERCEDES-BENZ

## BM 124

(85→95)

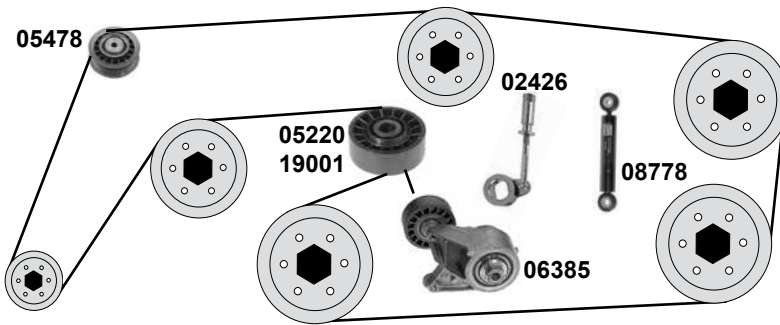
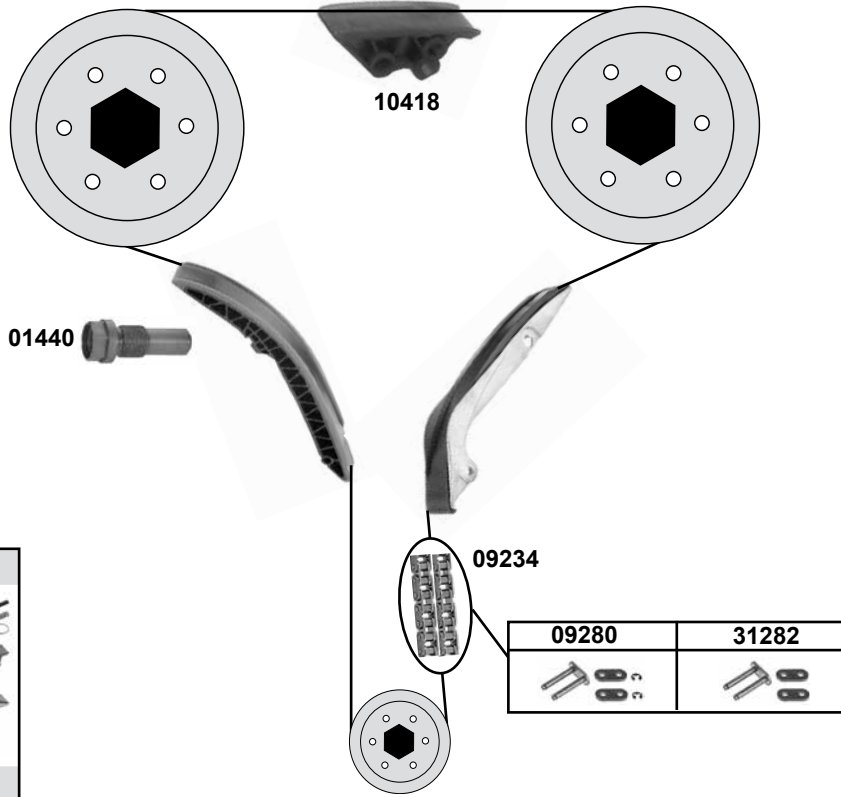
Car  
Division



### 320 E / 320 CE / 320 TE (E320)

### E 36 AMG

(M 104.992)



(1) Nietverschluß / riveted link / bouchon de rivet / rivetti / cierre de roblón

(4) Federverschluß / split link / fermeture de ressort / cierre de resorte / falsa maglia

(2) 992: (mot.) → 004356  
 (mot.) → 072236

(3) 992: (mot.) 005603 →  
 (mot.) 102821 →



Ref. - No.



01440	120 050 02 11	Kettenspanner / chain tensioner	
02426	103 200 02 36	Spannstange / tensioning rod	
05220	103 200 05 70	Spannrolle / tension roller	70 x 25
05478	601 200 10 70	Umlenkrolle / deflection pulley	
06385	103 200 08 70	Riemenspanner / belt tensioner	
08778	103 200 01 14	Schwingungsdämpfer / vibration damper	80N - 1050N
09234	003 997 17 94	Rollenkette zweifach / roller chain double	(1) (2) (4)
09280	000 997 05 98	Kettenglied / chain link	
10418	104 052 14 16	Gleitschiene / sliding rail	
19001	104 200 10 70	Spannrolle / tension roller	(3)
30311	120 050 02 11 S1	Rep. Satz Steuerkette / rep. kit timing chain	
31282	000 997 22 98	Kettenglied / chain link	(1)

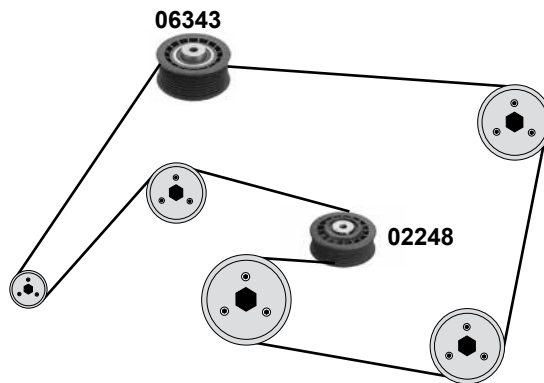
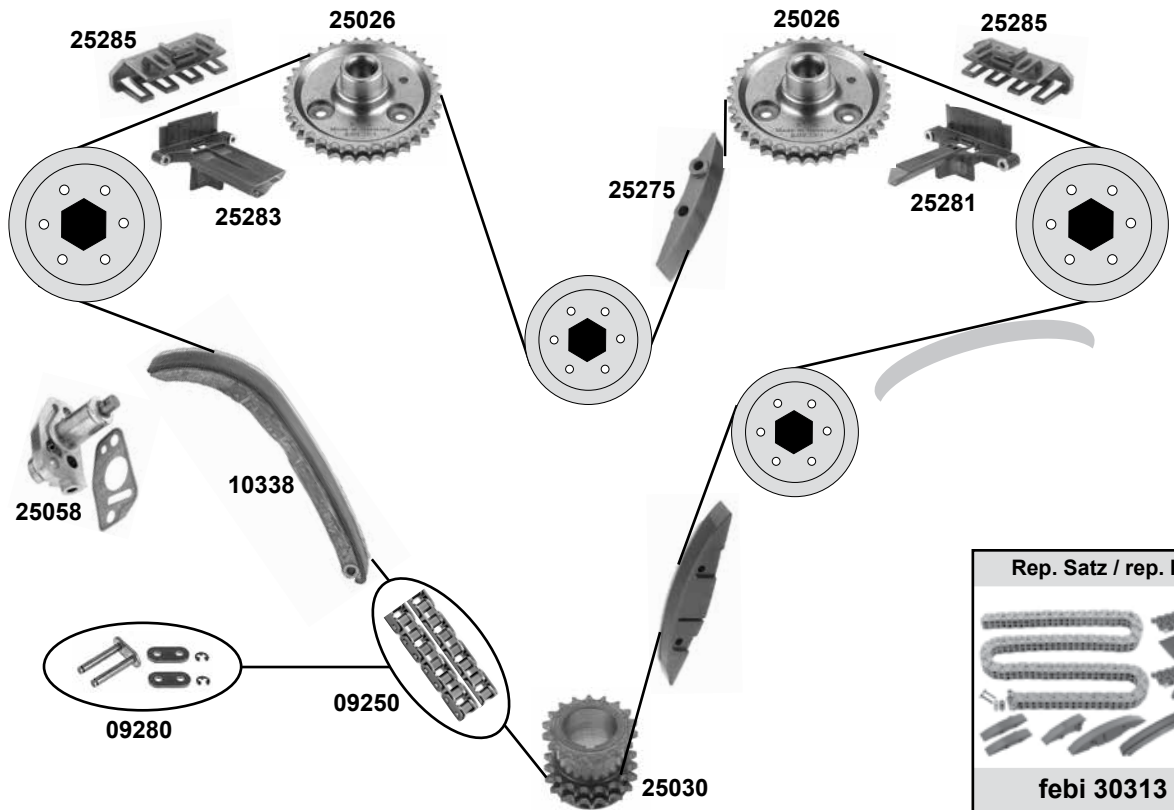
70 x 25

80N - 1050N  
D 455 / 126 N  
11 / D 455

ØA 80



**400 E / E 420 / 500 E / E 500**  
(M 119.970,971,974, 975)



(1) Nietverschluß / riveted link / bouchon de rivet / rivetti / cierre de roblón



Ref. - No.



Ref. - No.	Description	Notes	Dimensions
02248	Spannrolle / tension roller	(mot.) 974 / 975	75 x 26731,5
06343	Umlenkrolle / deflection pulley	(mot.) 970/971/974	AØ75 B33
09250	Steuerkette / timing chain	(1) (mot.) 974 / 975	D 455 / 216 N
09280	Kettenglied / chain link	(mot.) 974 / 975	11 / D 455
10338	Gleitschiene / sliding rail	(mot.) 974 / 975	
25026	Nockenwellenrad / camshaft gear	(mot.) 974 / 975	Z 36
25030	Kurbelwellenrad / crankshaft gear	(mot.) 974 / 975	Z 18
25058	Kettenspanner / chain tensioner	(mot.) 974 / 975	
25275	Gleitschiene / sliding rail	(mot.) 974 / 975	
25281	Gleitschiene / sliding rail	(mot.) 974 / 975	
25283	Gleitschiene / sliding rail	(mot.) 974 / 975	
25285	Gleitschiene / sliding rail	(mot.) 974 / 975	
30313	Rep. Satz Steuerkette / rep. kit timing chain		E 216



# MERCEDES-BENZ

## 190er (BM 201)

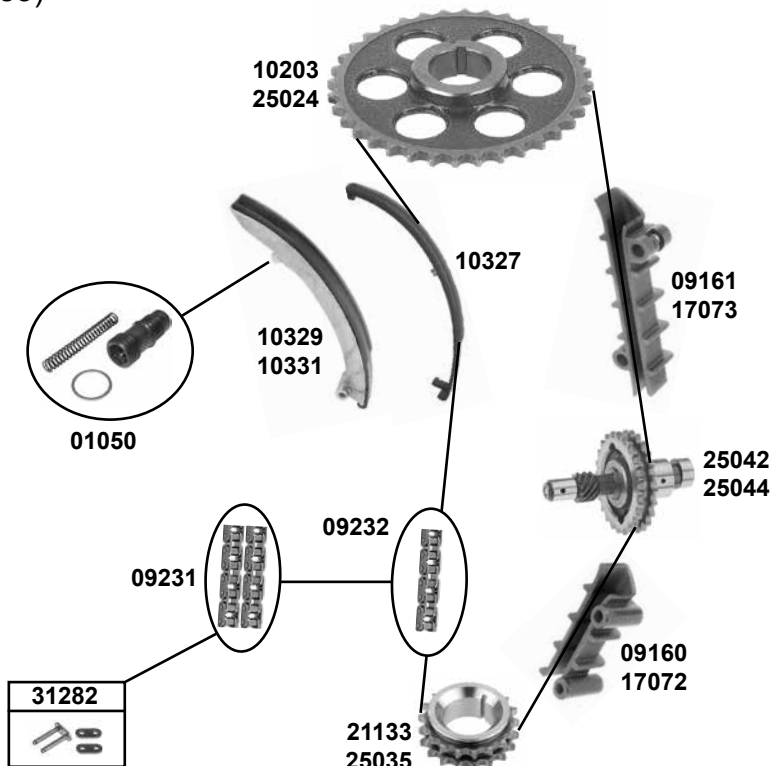
(83→92)

Car  
Division



### 190

(M 102.910,919,921,924,938,961,962,985)



(1) 962 (mot.) 166152 →  
 (mot.) 084537 →

(2) 924 (mot.) → 042150  
 (mot.) → 010534  
921 / 938: alle / all

(3) 924 (mot.) 040151 →  
 (mot.) 010535 →



(4) 985 (mot.) 022013 →  
 (mot.) 067143 →

M102.921,924,938

(5) M 102.910,919,985

(6) mit Duplexkette / with duplex chain

(7) Federverschluß / split link / fermeture de ressort cierre de resorte / falsa maglia

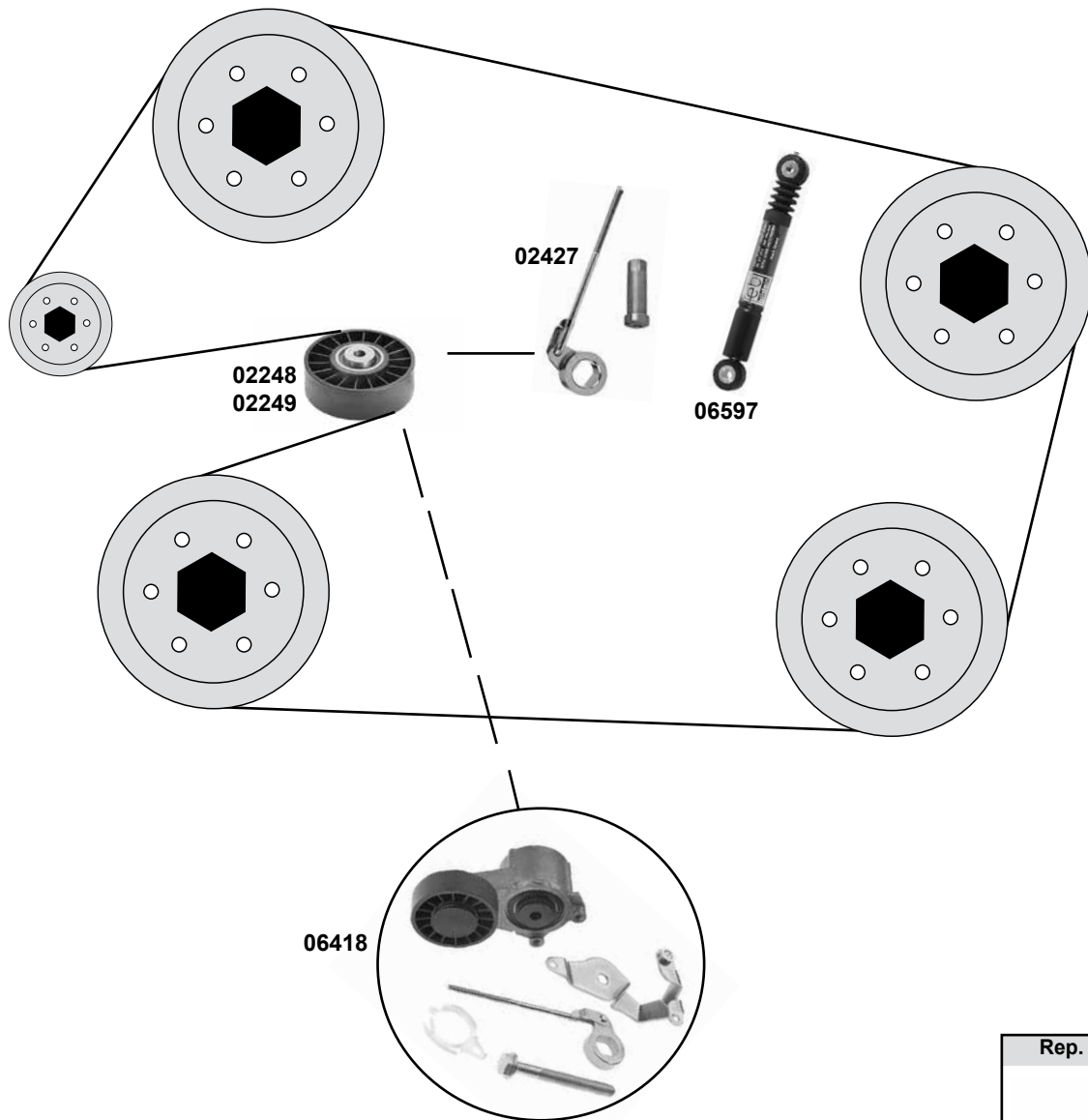
(8) Nietverschluß / riveted link / bouchon de rivet / rivetti / cierre de roblón rivetti / cierre de roblón



Ref. - No.



01050	102 050 10 11	Kettenspanner / chain tensioner	(7)	
09160	102 052 03 16	Gleitschiene / sliding rail	(2)	
09161	102 052 04 16	Gleitschiene / sliding rail	(2)	
09231	002 997 03 94	Steuerkette / timing chain	(8) (3)	D 455 / 106 N
09232	003 997 82 94	Steuerkette / timing chain	(8) (2)	458 / 106 N
10203	102 052 02 01	Nockenwellenrad / camshaft gear	(2)	Z 36
10327	102 052 04 83	Gummibelag / rubber lining	(7) für / for febi 10329	
10329	102 050 08 16	Gleitschiene / sliding rail	(2)	
10331	102 050 12 16	Gleitschiene / sliding rail	(3)	
17072	102 052 13 16	Gleitschiene / sliding rail	(3)	
17073	102 052 14 16	Gleitschiene / sliding rail	(9)	
21133	102 052 00 03	Kurbelwellenrad / crankshaft gear	(2)	Z 18 ØI 30
25035	102 052 01 03	Kurbelwellenrad / crankshaft gear	(3)	
25024	102 052 09 01	Nockenwellenrad / camshaft gear	(3)	Z 36
25042	102 050 09 06	Zwischenrad / intermediate gear	(3)	
25044	102 050 08 06	Zwischenrad / intermediate gear	(2)	
30305	102 050 10 11 S1	Rep. Satz Steuerkette / rep. kit timing chain	(3)	
30306	102 050 10 11 S2	Rep. Satz Steuerkette / rep. kit timing chain	(3)	
31282	000 997 22 98	Kettenglied / chain link	(3) (8)	
36588	102 052 02 01 S1	Rep. Satz Steuerkette / rep. kit timing chain	M102.921,938,961	E 106
36589	102 052 09 01 S1	Rep. Satz Steuerkette / rep. kit timing chain	(1) (3) (4) (5) (6)	



(1) 924: (mot.) 042151 →  
(mot.) 010535 →

(2) 924: (mot.) → 040718  
 (mot.) → 010273

(3) 924: (mot.) 030910 →  
 (mot.) 007945 →



Ref. - No.



<b>02248</b>	601 200 07 70	Umlenkrolle / deflection pulley	man.	75 x 26/31,5
<b>02249</b>	601 200 09 70	Spannrolle / tension roller	servo	
<b>02427</b>	102 200 02 36	Spannstange / tensioning rod	(3)	90N - 900N
<b>06418</b>	102 200 69 70	Riemenspanner / belt tensioner	(1)	
<b>06597</b>	102 200 14 14	Schwingungsdämpfer / vibration damper	(2)	
<b>12515</b>	102 200 02 36 S1	Rep Satz Spannstange / rep. kit tensioning rod	Australien/Japan 89 →	

# MERCEDES-BENZ

## 190er (BM 201)

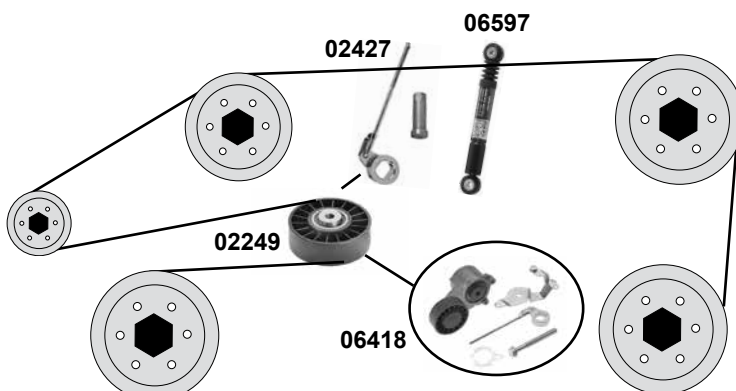
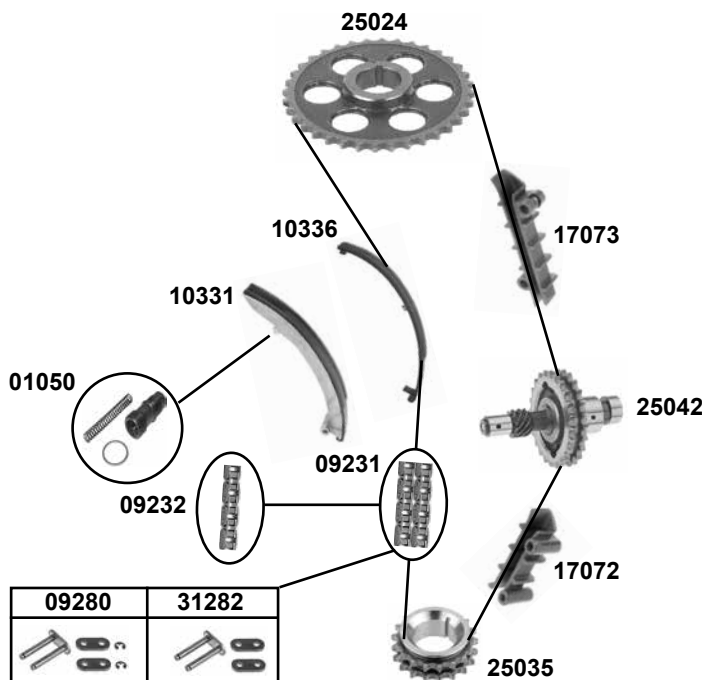
(83→93)

Car  
Division



### 190 E 1.8

(M 102.910,919)



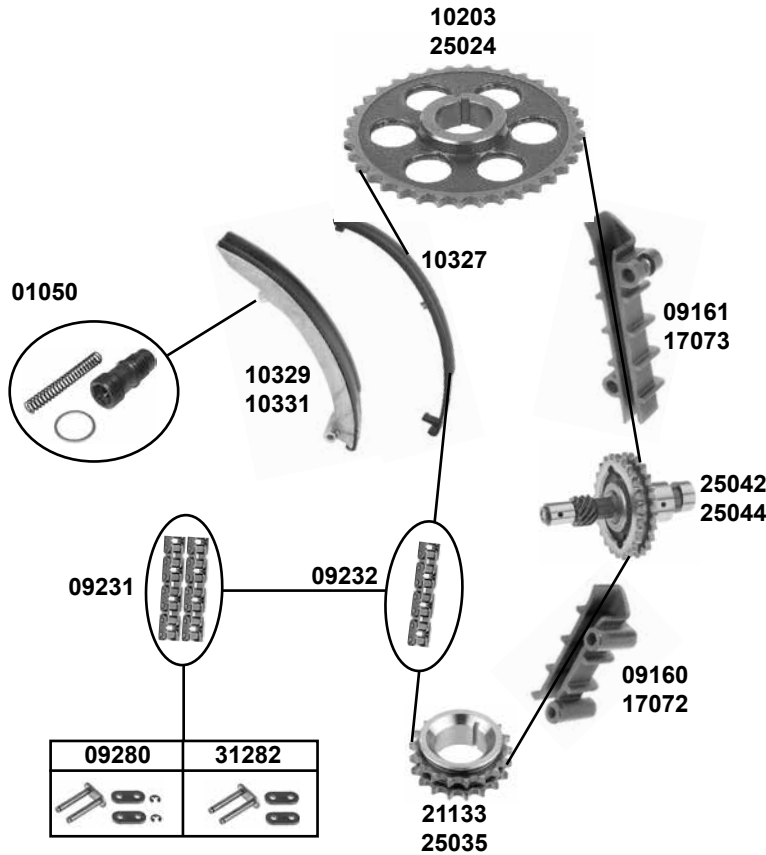
- (1) Nietverschluß / riveted link / bouchon de rivet / rivetti / cierre de roblón
- (2) Federverschluß / split link / fermeture de ressort / cierre de resorte / falsa maglia



Ref. - No.



Part No.	Ref. - No.	Description	Notes	Dimensions
01050	102 050 10 11	Kettenspanner / chain tensioner		
02249	601 200 09 70	Spannrolle / tension roller		80 x 25/31
02427	102 200 02 36	Spannstange / tensioning rod		
06418	102 200 69 70	Riemenspanner / belt tensioner		
06597	102 200 14 14	Schwingungsdämpfer / vibration damper		90N - 900N
09231	002 997 03 94	Rollenkette zweifach / roller chain double	(1)	D455 / 106 N
09232	003 997 82 94	Steuerkette / timing chain		S 458 / 106 N
09280	000 997 05 98	Kettenglied / chain link	(2)	11 / D 455
10331	102 050 12 16	Gleitschiene / sliding rail		
10336	102 052 06 83	Gummibelag Gleitschiene / rubber lining sliding rail		
12515	102 200 02 36 S1	Rep. Satz Spannstange / rep. kit tensioning rod	Australien/Japan 89 →	
17072	102 052 13 16	Gleitschiene / sliding rail		
17073	102 052 14 16	Gleitschiene / sliding rail		
25024	102 052 09 01	Nockenwellenrad / camshaft gear		Z 36
25035	102 052 01 03	Kurbelwellenrad / crankshaft gear		
25042	102 050 09 06	Zwischenrad / intermediate gear		
30306	10 050 10 11 S2	Rep. Satz Steuerkette / rep. kit timing chain		
31282	000 997 22 98	Kettenglied / chain link	(1)	
36589	102 052 09 01 S1	Rep. Satz Steuerkette / rep. kit timing chain		



	(1) Nietverschluss / riveted link / bouchon de rivet / rivetti / cierre de roblón	(2) 961: alle / all	(3) 962:	(mot.) 166152 →
		962:	985:	(mot.) 084537 →
		985:	985:	(mot.) 022013 →
			985:	(mot.) 067142 →

	Ref. - No.			
01050	102 050 10 11	Kettenspanner / chain tensioner		
09160	102 052 03 16	Gleitschiene / sliding rail		
09161	102 052 04 16	Gleitschiene / sliding rail		
09231	002 997 03 94	Rollenkette zweifach / roller chain double	(1) (3)	D 455 / 106 N
09232	003 997 82 94	Rollenkette einfach / roller chain simple	(1) (2)	458 / 106 N
09280	000 997 05 98	Kettenglied / chain link	für / for: febi 09231	11 / D 455
10203	102 052 02 01	Nockenwellenrad / camshaft gear	(2)	Z 36
10327	102 052 04 83	Gummibelag Gleitschiene / rubber lining sliding rail	für / for febi 10329	
10329	102 050 08 16	Gleitschiene / sliding rail	(2)	
10331	102 050 12 16	Gleitschiene / sliding rail	(3)	
17072	102 052 13 16	Gleitschiene / sliding rail	(3)	
17073	102 052 14 16	Gleitschiene / sliding rail	(3)	
21133	102 052 00 03	Kurbelwellenrad / crankshaft gear	(2)	Z 18 Ø1 30
25024	102 052 09 01	Nockenwellenrad / camshaft gear	(3)	Z 36
25035	102 052 01 03	Kurbelwellenrad / crankshaft gear	(3)	
25042	102 050 09 06	Zwischenrad / intermediate gear	(3)	
25044	102 050 08 06	Zwischenrad / intermediate gear	(2)	
30305	102 050 10 11 S1	Rep. Satz Steuerkette / rep. kit timing chain	(2)	
30306	102 050 10 11 S2	Rep. Satz Steuerkette / rep. kit timing chain	(2)	
31282	000 997 22 98	Kettenglied / chain link	(3) (1)	
36588	102 052 02 01 S1	Rep. Satz Steuerkette / rep. kit timing chain		E 106
36589	102 052 09 01 S1	Rep. Satz Steuerkette / rep. kit timing chain		

# MERCEDES-BENZ

## 190er (BM 201)

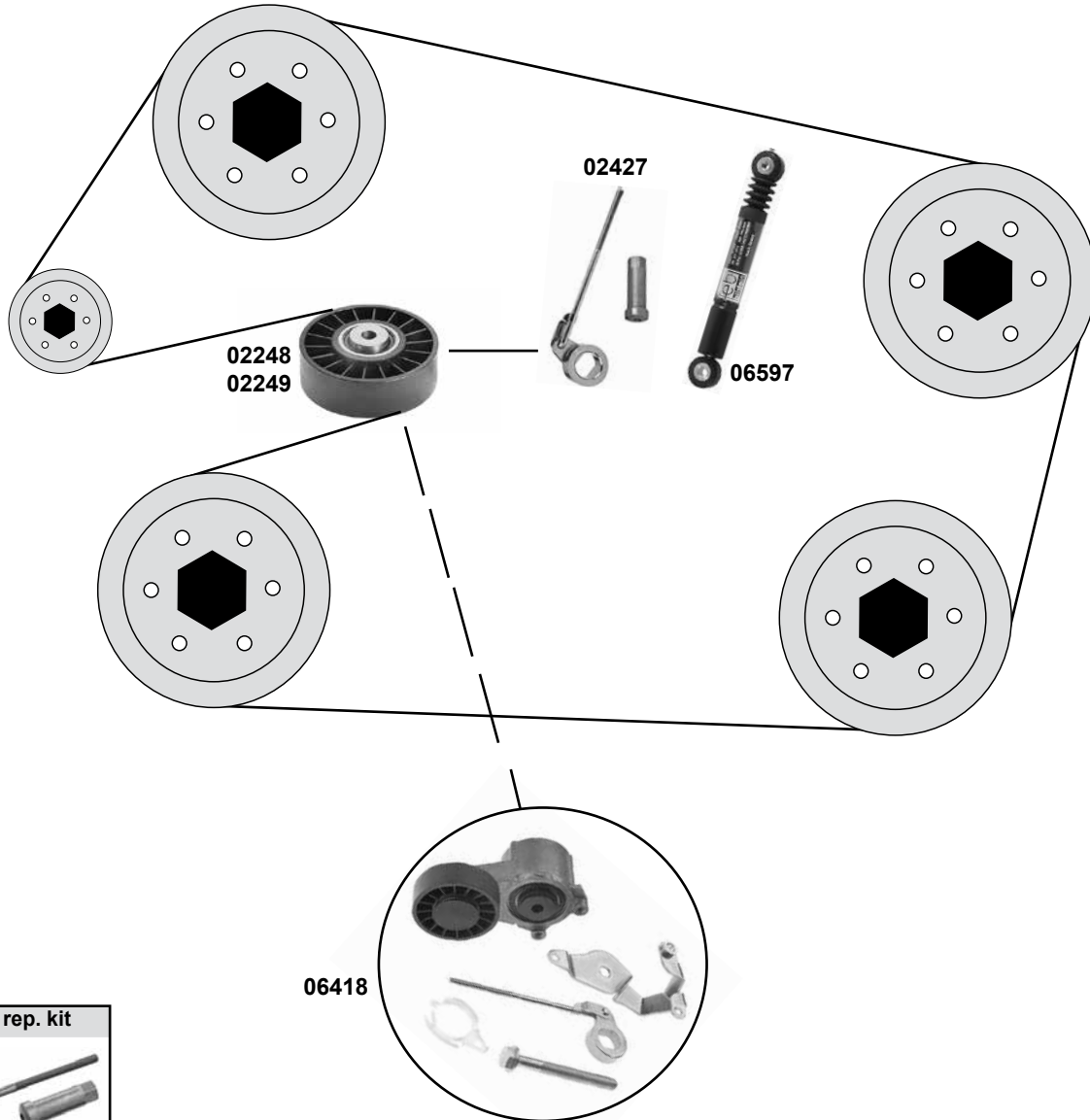
(82→93)

Car  
Division



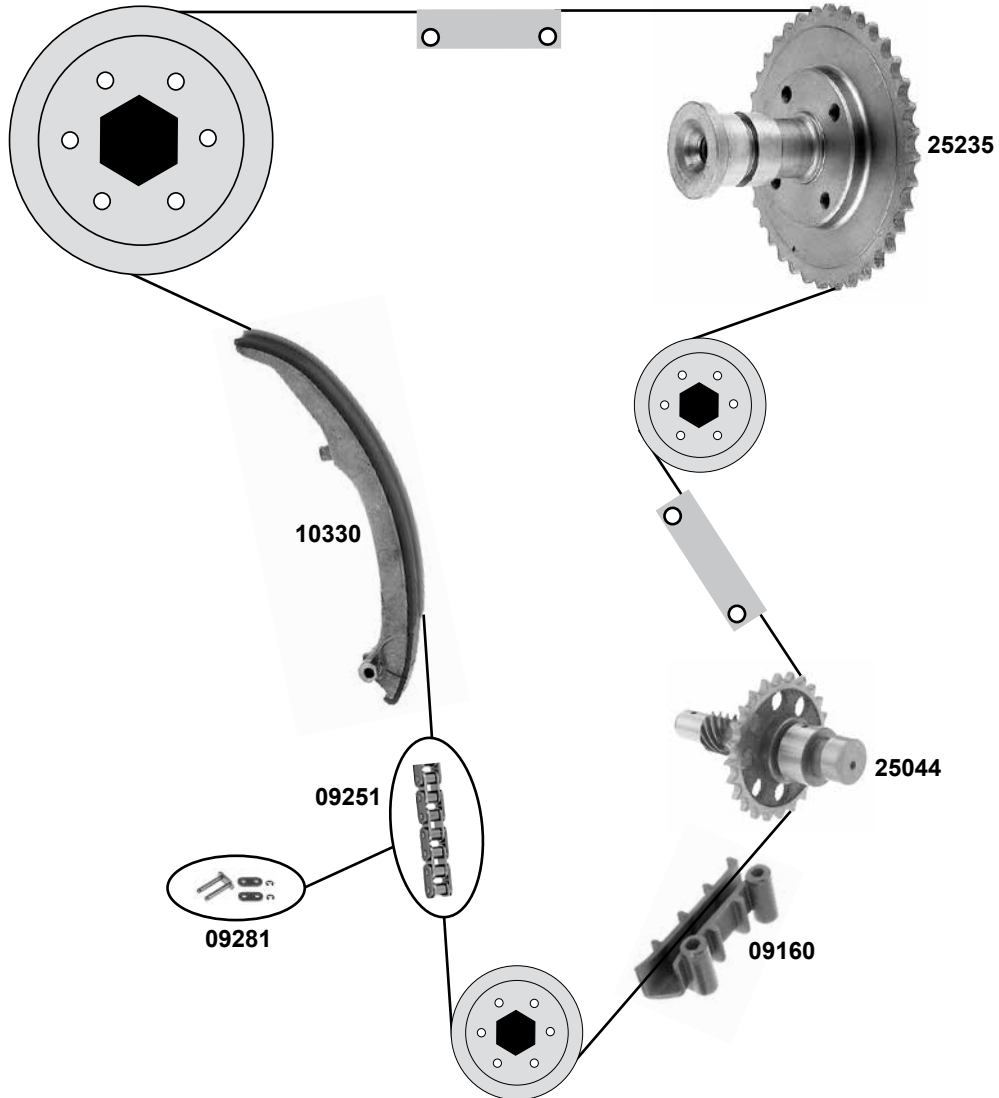
### 190 E 2.0 / 2.3

(M 102.962,985)



	(1) 962:  (mot.) 166151 → (mot.) 084536 →	(3) 962:  (mot.) 120485 → (mot.) 059793 →	(5) 985:  (mot.) 020298 → (mot.) 064022 →
	(2) 962:  (mot.) 159206 → (mot.) 080537 →	(4) 985:  (mot.) 022013 → (mot.) 067143 →	

	Ref. - No.			
02248	601 200 07 70	Spannrolle / tension roller		75 x 26/31,5
02249	601 200 09 70	Spannrolle / tension roller		80 x 25/31
02427	102 200 02 36	Spannstange / tensioning rod	(3)	
06418	102 200 69 70	Riemenspanner / belt tensioner	(1) (4)	
06597	102 200 14 14	Schwingungsdämpfer / vibration damper	(2) (5)	90N - 900N
12515	102 200 02 36 S1	Rep. Satz Spannstange / rep. kit tensioning rod	Australien/Japan 89 →	



(1) Nietverschluß / riveted link / bouchon de rivet / rivetti / cierre de roblón



Ref. - No.



Ref. - No.	Description	Quantity	Notes
09160	Gleitschiene / sliding rail	(mot.) 983	
09251	Rollenkette einfach / roller chain simple	(mot.) 983 (1)	458 / 134 N
09281	Kettenglied / chain link	(mot.) 983	
10330	Gleitschiene / sliding rail	(mot.) 983 → 000562	
25044	Zwischenrad / intermediate gear	(mot.) 983	
25235	Nockenwellenrad Einlass / camshaft gear intake	(mot.) 983	Z 36

# MERCEDES-BENZ

## 190er (BM 201)

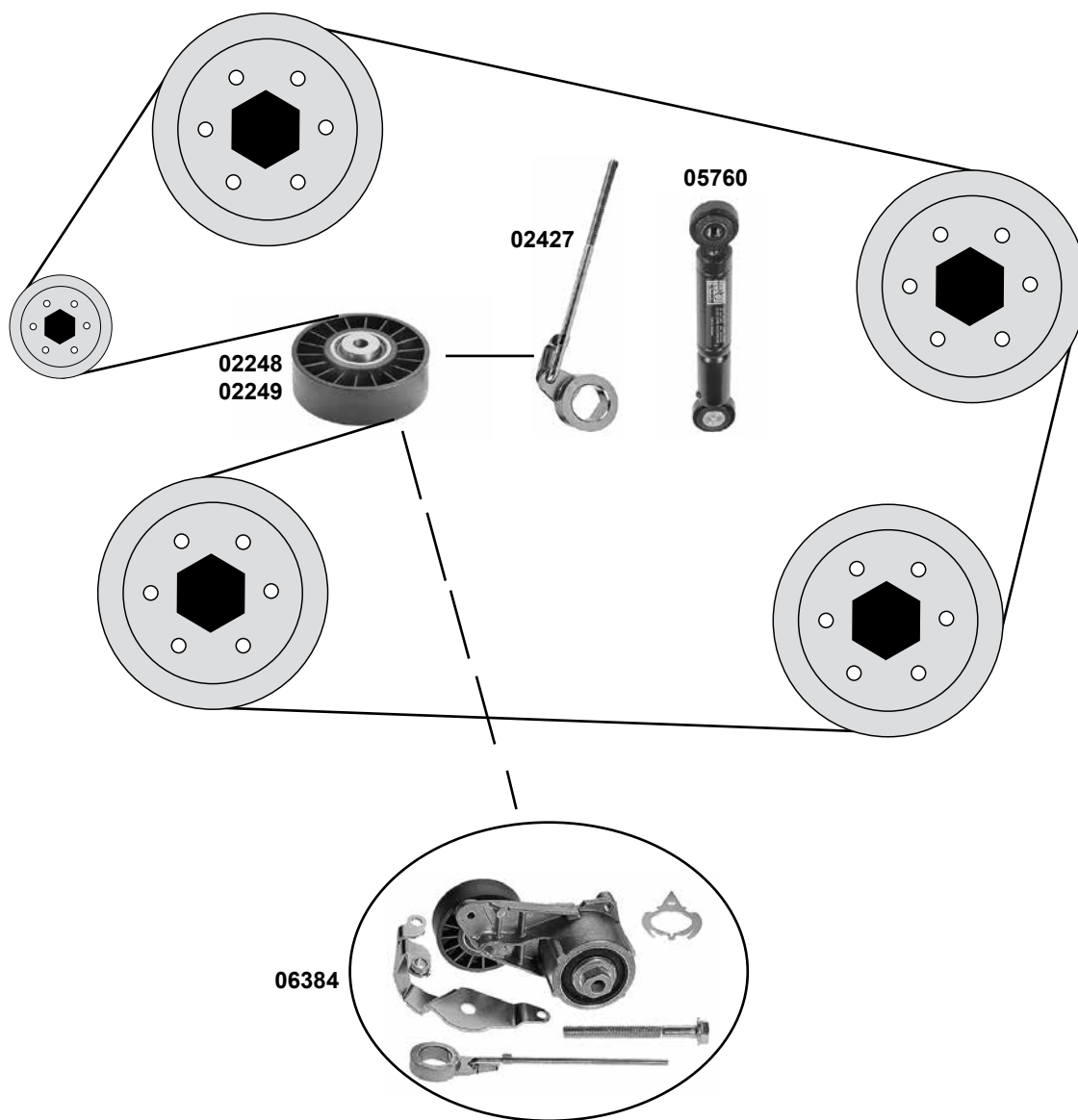
(83→92)

Car  
Division



### 190 E 2.3 16V

(M 102.983)



(1) 983: (mot.) 006950 →  
 (mot.) 000003 →

(2) 983: (mot.) 015532 →  
 (mot.) 001752 →



Ref. - No.

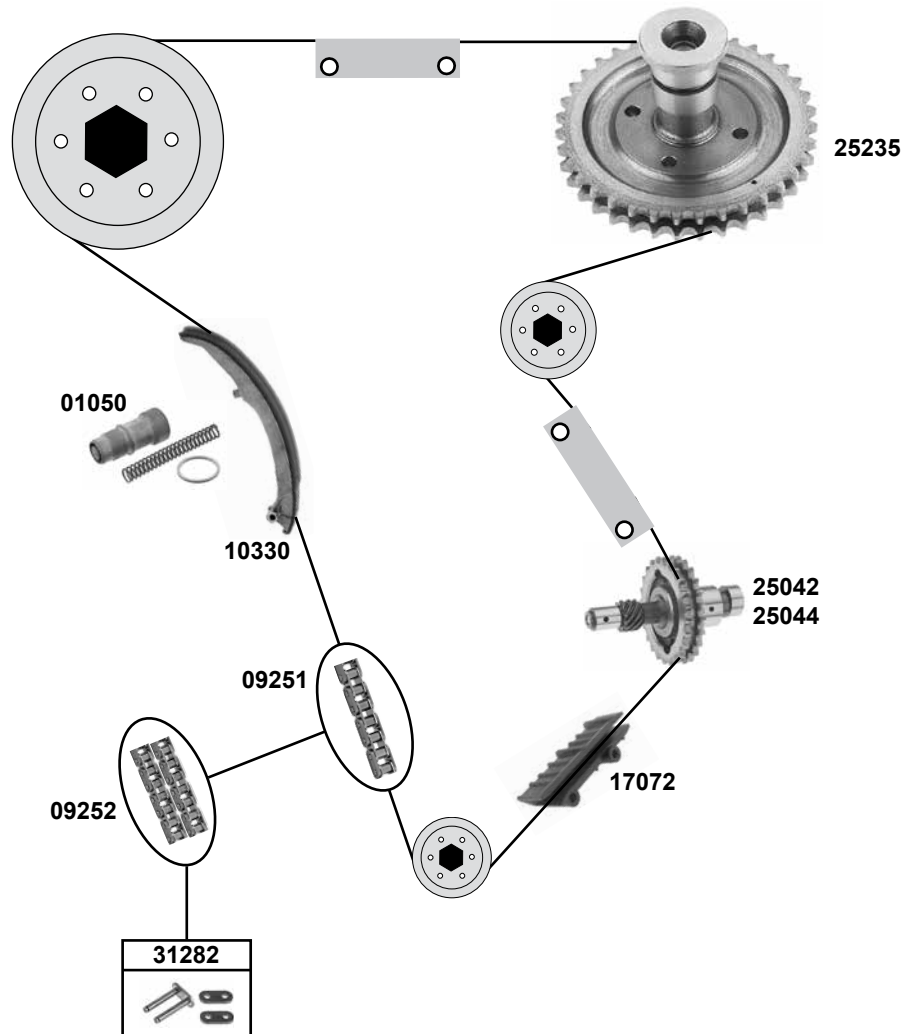


**02248** 601 200 07 70  
**02249** 601 200 09 70  
**02427** 102 200 02 36  
**05760** 102 200 15 14  
**06384** 102 200 77 70

Umlenkrolle / deflection pulley  
 Spannrolle / tension roller  
 Spannstange / tensioning rod  
 Schwingungsdämpfer / vibration damper  
 Riemenstapner / belt tensioner

(2)  
(1)

80 x 2/31  
 90N - 1000N



(1) Nietverschluß / riveted link / bouchon de rivet / rivetti / cierre de roblón



Ref. - No.



Ref. - No.	Description	Notes	Dimensions
<b>09251</b>	Rollenkette einfach / roller chain simple	(1) nur / only: 992	458 / 134 N
<b>09252</b>	Rollenkette zweifach / roller chain double	(1) nur / only: 990,991	D 455 / 134 N
<b>01050</b>	Kettenspanner / chain tensioner		
<b>10330</b>	Gleitschiene / sliding rail		
<b>17072</b>	Gleitschiene / sliding rail	(ex.) 983	
<b>25042</b>	Zwischenrad / intermediate gear	(ex.) 983/992	
<b>25044</b>	Zwischenrad / intermediate gear	nur / only: 992	
<b>25235</b>	Nockenwellenrad Einlass / camshaft gear intake	nur / only: 992	
<b>31282</b>	Kettenglied / chain link	(1) nur / only: 990/991	

Z 36



# MERCEDES-BENZ

## 190er (BM 201)

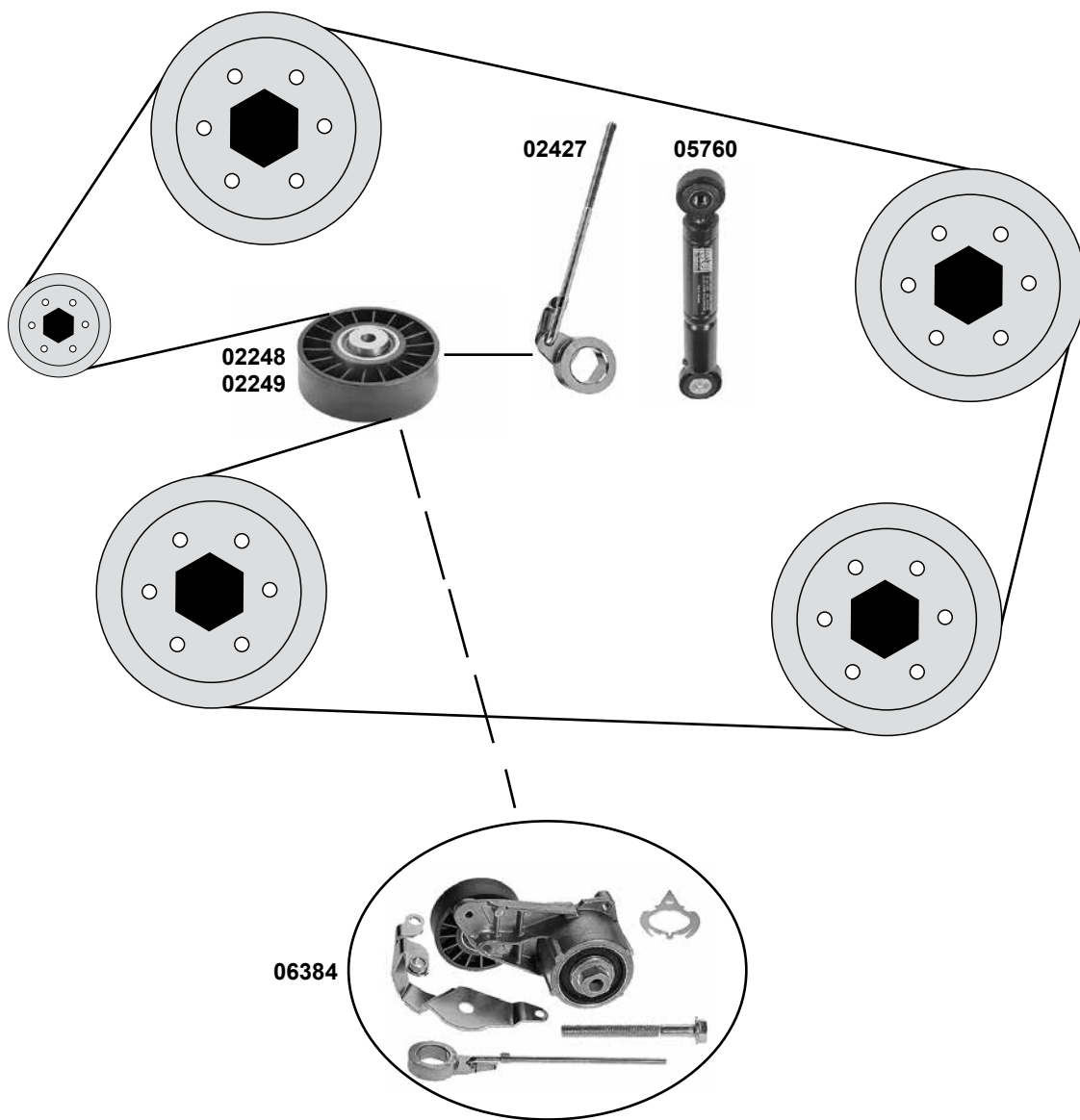
(83→92)

Car  
Division

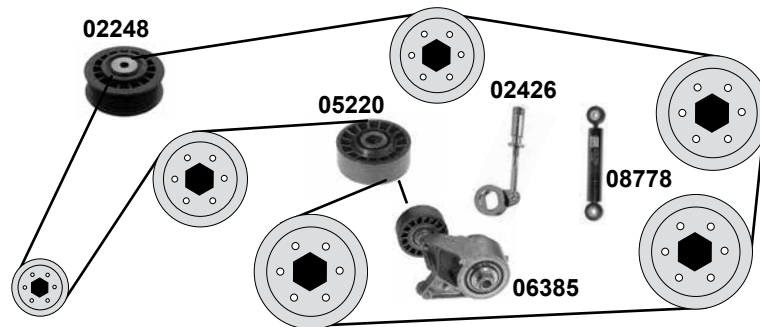
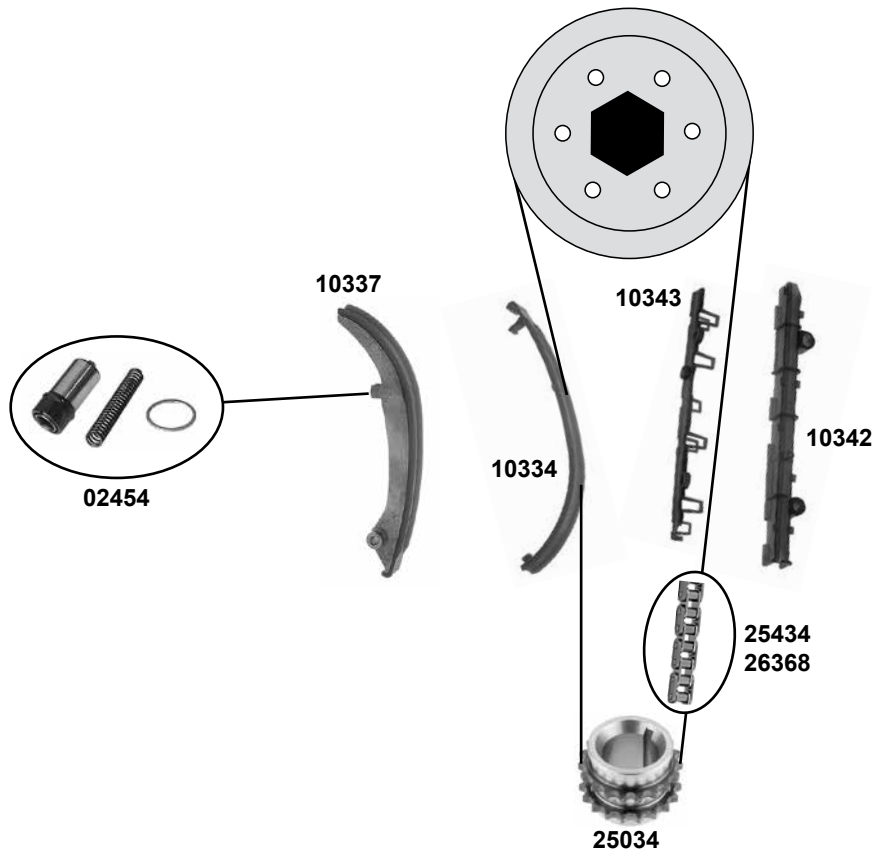


### 190 E 2.5 16V

(M 102.990,991,992)



	Ref. - No.			
<b>02427</b>	102 200 02 36	Spannstange / tensioning rod		
<b>02248</b>	601 200 07 70	Umlenkrolle / deflection pulley		
<b>02249</b>	601 200 09 70	Spannrolle / tension roller		
<b>05760</b>	102 200 15 14	Schwingungsdämpfer / vibration damper		80 x 2/31
<b>06384</b>	102 200 77 70	Riemenspanner / belt tensioner		90N - 1000N



(1) Nietverschluß / riveted link / bouchon de rivet / rivetti / cierre de roblón



Ref. - No.



Ref. - No.	Description	Notes	Dimensions
02248	Umlenkrolle / deflection pulley		
02426	Spannstange / tensioning rod	(mot.) 103.942	
02454	Kettenspanner / chain tensioner		
05220	Spannrolle / tension roller	(mot.) 103.942	70 x 25 x 31,5
06385	Riemenspanner / belt tensioner	(mot.) 103.942	
08778	Schwingungsdämpfer / vibration damper	(mot.) 103.942	80N - 1050N
10334	Gummibelag Gleitschiene / rubber lining sliding rail		
10337	Gleitschiene / sliding rail		
10342	Gleitschiene / sliding rail		
10343	Gleitschiene / sliding rail		
25034	Kurbelwellenrad / crankshaft gear	(mot.) 103.942	Z 18
25434	Steuerkette endlos / timing chain endless	(mot.) 103.942	96 E
26368	Rollenkette einfach / roller chain simple	(1)( mot.) 103.942	96 N
30307	Rep. Satz Steuerkette / rep. kit. timing chain		

# MERCEDES-BENZ

## 207/307D - 210/310D (BM 601 / 602)

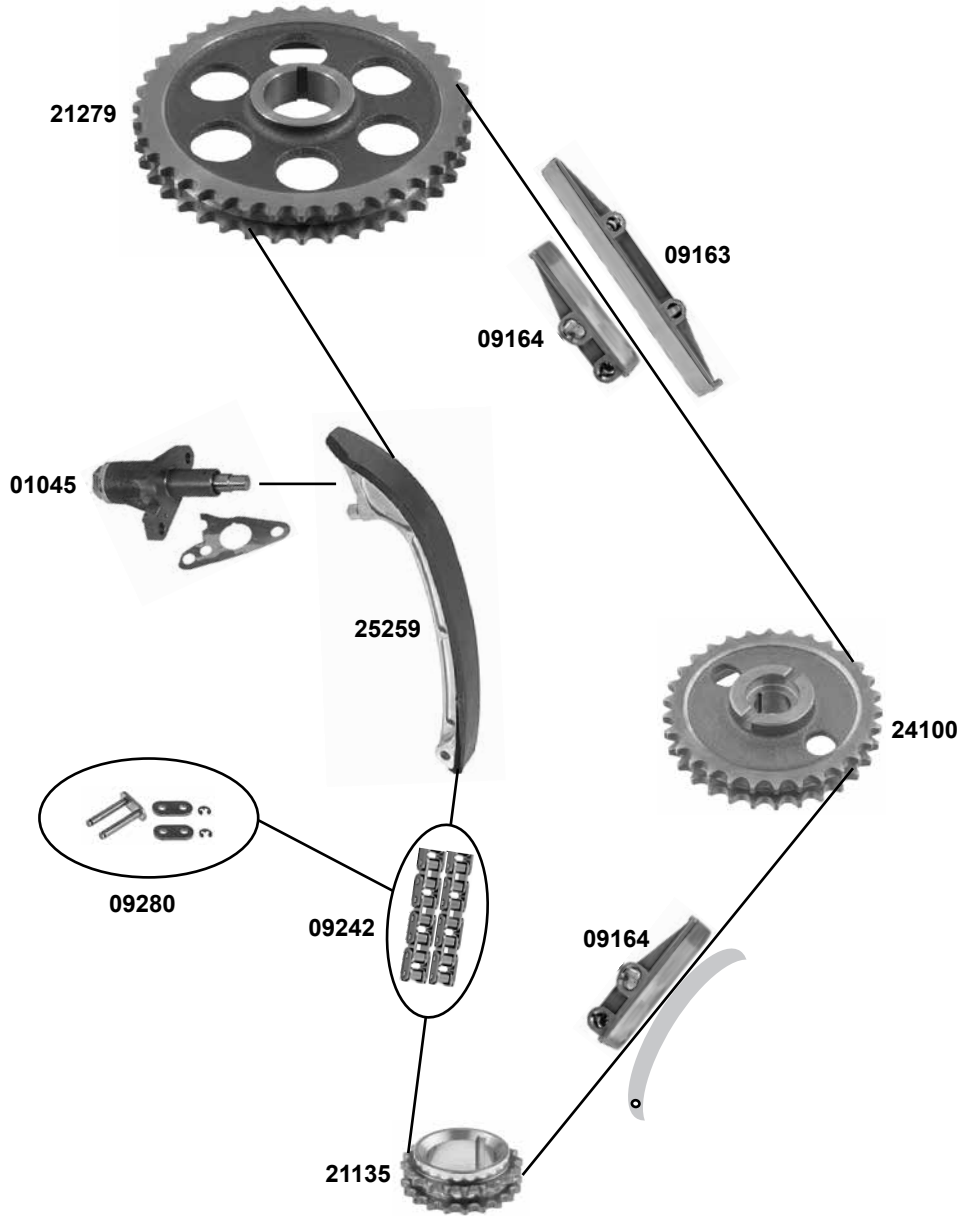
(73→95)

Car  
Division



## 208 / 210 / 308 / 310

(M 115.955,972)



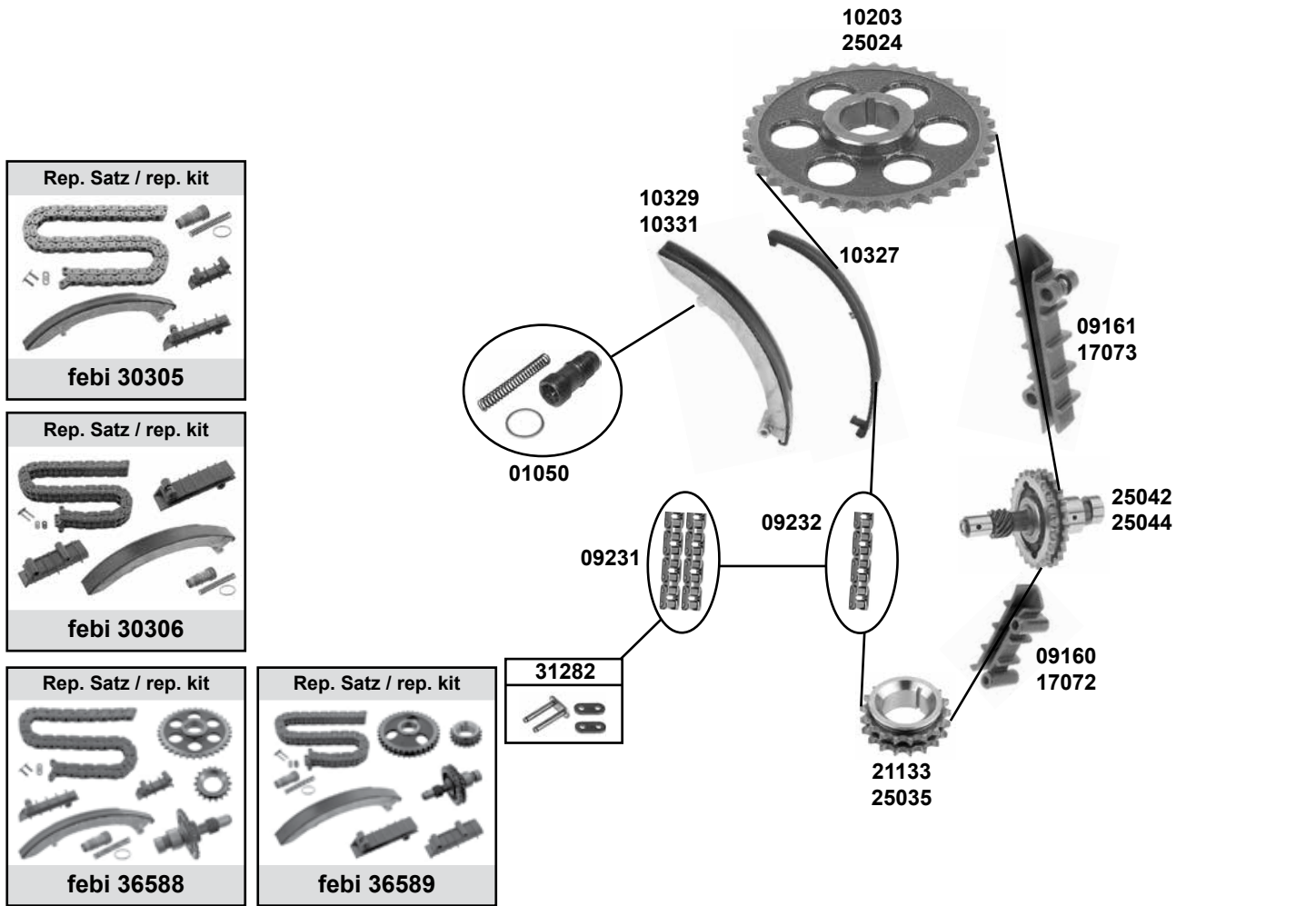
(1) Federverschluß / split link / fermeture de ressort / cierre de resorte / falsa maglia



Ref. - No.



<b>01045</b>	115 050 11 11	Kettenspanner / chain tensioner		
<b>09163</b>	115 052 04 16	Gleitschiene / sliding rail		
<b>09164</b>	115 052 07 16	Gleitschiene / sliding rail		
<b>09242</b>	000 997 71 94	Rollenkette zweifach / roller chain double	(1)	D 455 / 126 F
<b>09280</b>	000 997 05 98	Kettenglied / chain link		11 / D 455
<b>21135</b>	615 052 02 03	Kurbelwellenrad / crankshaft gear		Z 20 Ø1 36
<b>21279</b>	121 052 03 01	Nockenwellenrad / camshaft gear		
<b>24100</b>	114 052 00 02	Zwischenrad / intermediate gear		
<b>25259</b>	115 050 08 16	Gleitschiene / sliding rail		



(1) 945: (mot.) → 006997  
 (mot.) → 000697

(2) 945: (mot.) 006998 →  
 (mot.) 000698 →

(3) Nietverschluß / riveted link  
 bouchon de rivet / rivetti / cierre de roblón


**Ref. - No.**


<b>01050</b>	102 050 10 11	Kettenspanner / chain tensioner		
<b>09160</b>	102 052 03 16	Gleitschiene / sliding rail	(1)	
<b>09161</b>	102 052 04 16	Gleitschiene / sliding rail	(1)	
<b>09231</b>	002 997 03 94	Steuerkette / timing chain	(2) (3)	D 455 / 106 N
<b>09232</b>	003 997 82 94	Steuerkette / timing chain	(1) (3)	458 / 106 N
<b>10203</b>	102 052 02 01	Nockenwellenrad / camshaft gear	(1)	Z 36
<b>10327</b>	102 052 04 83	Gummibelag Gleitschiene / rubber lining sliding rail	für / for febi 10329	
<b>10329</b>	102 050 08 16	Gleitschiene / sliding rail	(1)	
<b>10331</b>	102 050 12 16	Gleitschiene / sliding rail	(2)	
<b>17072</b>	102 052 13 16	Gleitschiene / sliding rail	(2)	
<b>17073</b>	102 052 14 16	Gleitschiene / sliding rail	(2)	
<b>21133</b>	102 052 00 03	Kurbelwellenrad / crankshaft gear	(1)	Z 18 ØI 30
<b>25024</b>	102 052 09 01	Nockenwellenrad / camshaft gear	(2)	Z 36
<b>25035</b>	102 052 01 03	Kurbelwellenzahnrad / crankshaft gear	(2)	
<b>25042</b>	102 050 09 06	Zwischenwelle / intermediate shaft	(2)	
<b>25044</b>	102 050 08 06	Zwischenwelle / intermediate shaft	(1)	
<b>30305</b>	102 050 10 11 S1	Rep. Satz Steuerkette / rep. kit timing chain	(1)	
<b>30306</b>	102 050 10 11 S2	Rep.Satz Steuerkette / rep. kit timing chain	(2)	
<b>31282</b>	000 997 22 98	Kettenglied / chain link	(2) (3)	
<b>36588</b>	102 052 02 01 S1	Rep.Satz Steuerkette / rep. kit timing chain		
<b>36589</b>	102 052 09 01 S1	Rep.Satz Steuerkette / rep. kit timing chain		

passend für / to fit

# MERCEDES-BENZ

## 207/307/407D-210/310/410D

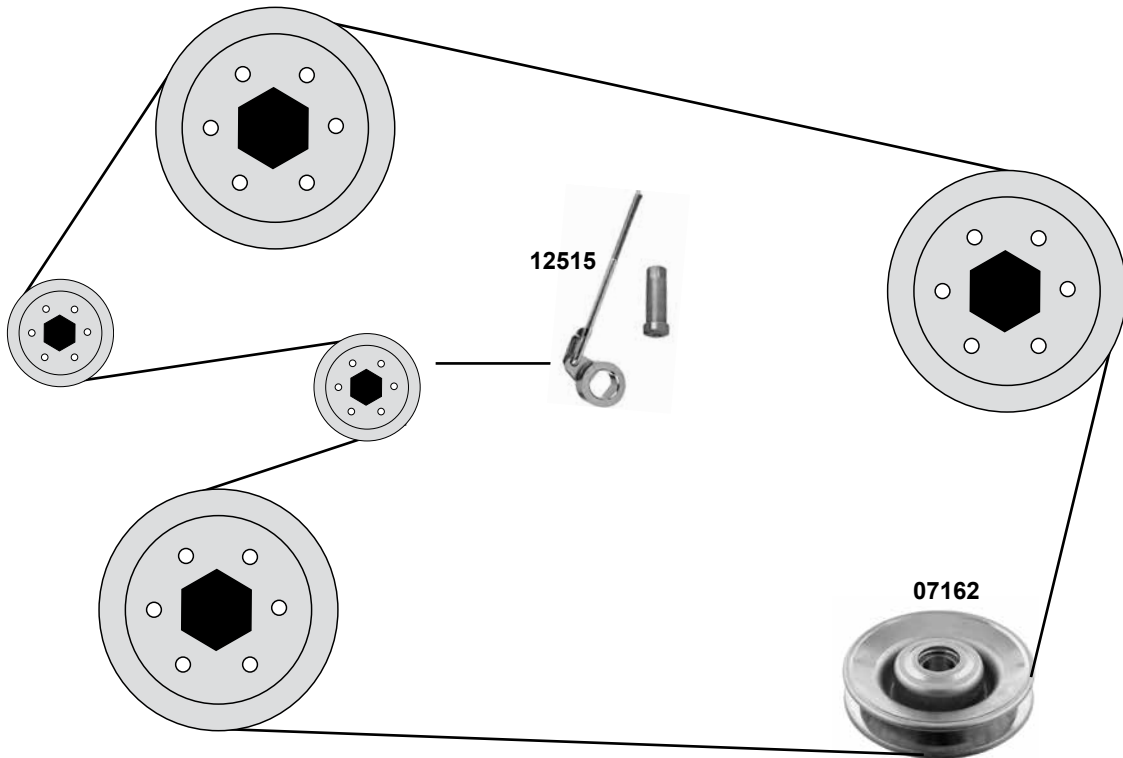
(BM 601 / 602 / 611) (77→96)

Car  
Division 



### 208 / 210 / 308 / 310 / 410

(M 102.942,945)



Rep. Satz / rep. kit



febi 12515



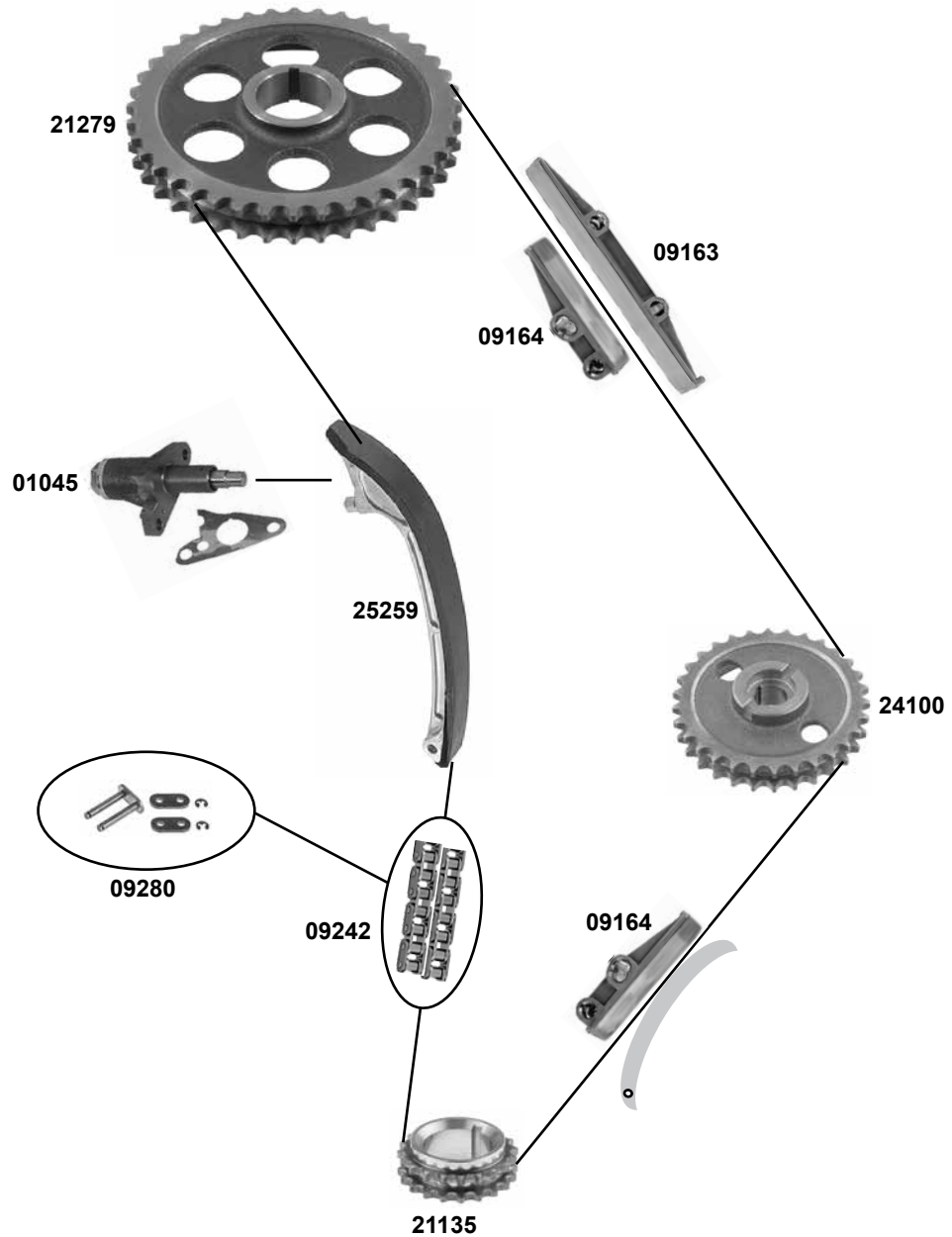
Ref. - No.



07162 116 130 04 60  
12515 102 200 02 36 S1

Riemenscheibe / belt pulley  
Rep. Satz Spannstange / rep. kit tensioning rod

15X97X24



(1) Federverschluß / split link / fermeture de ressort / cierre de resorte / falsa maglia



Ref. - No.



Ref. - No.	Description	Quantity	Dimensions
01045	Kettenspanner / chain tensioner		
09163	Gleitschiene / sliding rail		
09164	Gleitschiene / sliding rail		
09242	Rollenkette zweifach / roller chain double	(1)	D 455 / 126 F
09280	Kettenglied / chain link		11 / D 455
21135	Kurbelwellenrad / crankshaft gear		Z 20 Ø1 36
21279	Nockenwellenrad / camshaft gear		
24100	Zwischenrad / intermediate gear		
25259	Gleitschiene / sliding rail		

# MERCEDES-BENZ A-Klasse (BM 168)

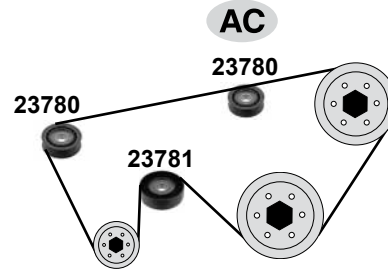
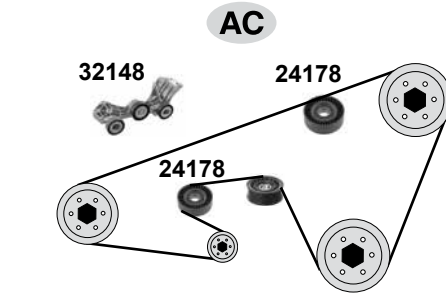
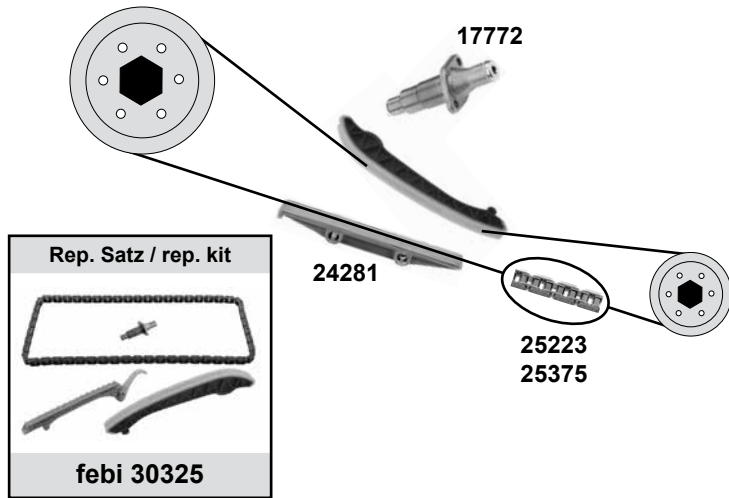
(97→04)

Car  
Division



## A 140 / A 160 / A 190 / A 210 Evolution

(M 166.940,960, 990,995)

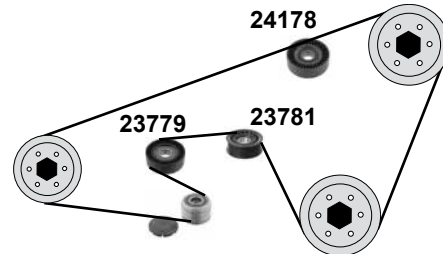
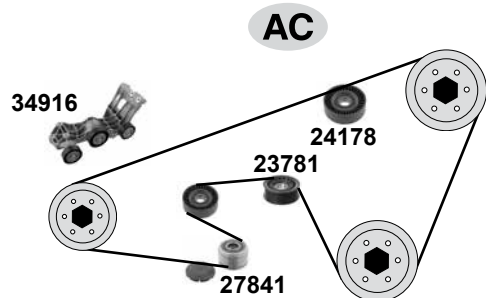
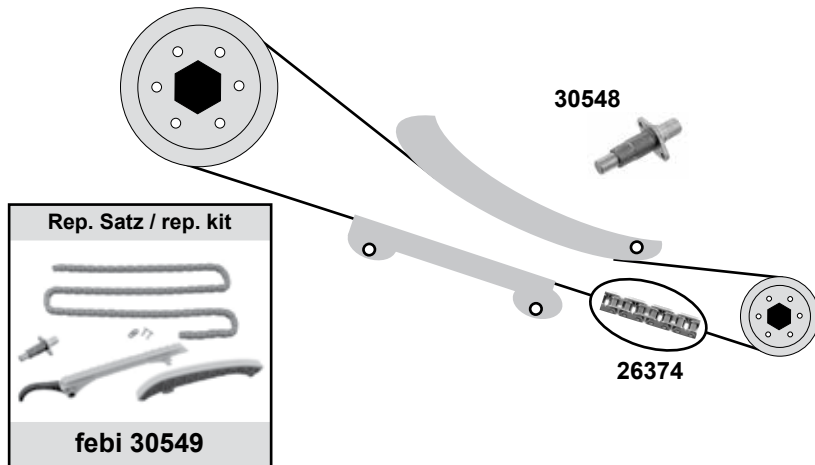


## A-Klasse (BM 169)

(04→)

### A 150 / A 170 / A 200 / Turbo

(M 266.920,940,960,980)



(1) Rollenkette mit Nietverschluss / roller chain with riveted

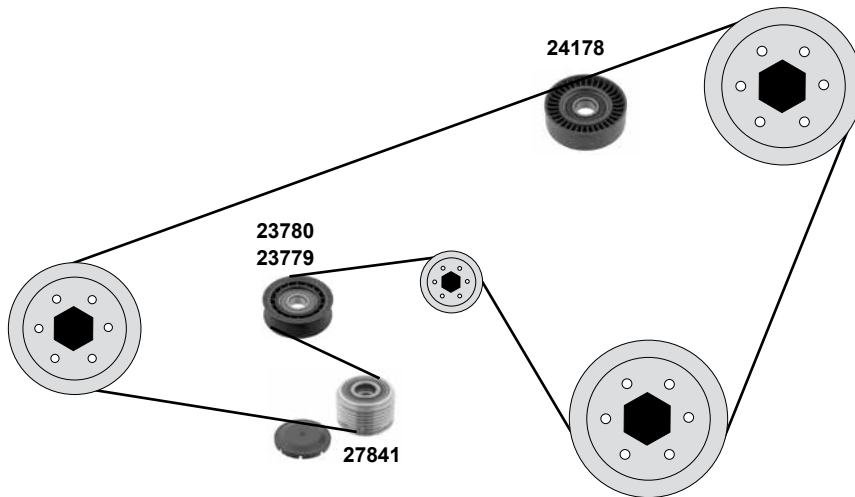
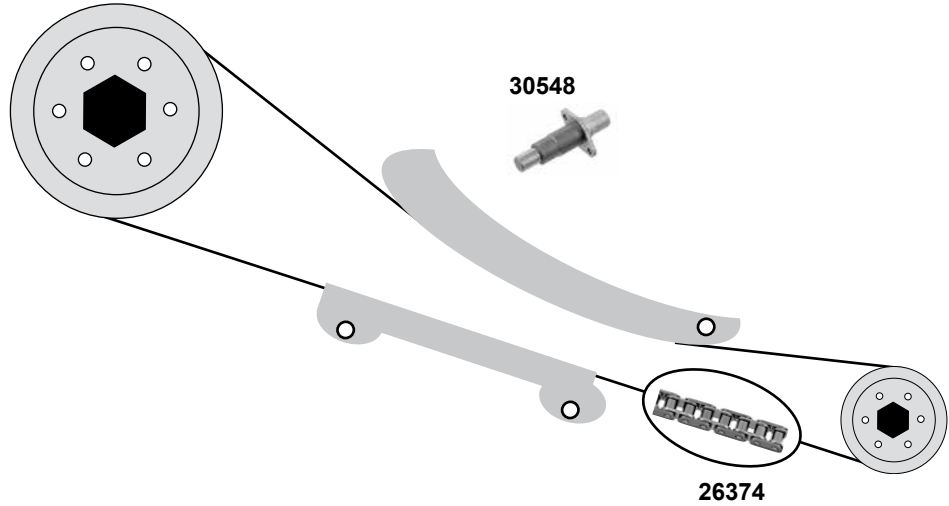
(2) Rollenkette endlos / roller chain endless



Ref. - No.



17772	166 050 00 11	Kettenspanner / chain tensioner		
23779	640 202 04 19	Spannrolle / tension roller		
23780	640 202 03 19	Umlenkrolle / deflection pulley		
23781	166 202 06 19	Umlenkrolle / deflection pulley		
24178	266 202 00 19	Umlenkrolle / deflection pulley		
24281	166 052 00 16	Gleitschiene / sliding rail		
25223	166 997 09 94	Steuerkette / timing chain		
25375	166 997 09 94	Steuerkette / timing chain		
26374	000 993 11 76	Steuerkette / timing chain		
27841	266 155 01 15	Generatorfreilauf / freewheel clutch, generator		
30325	166 050 00 11 S1	Rep. Satz Steuerkette / rep. kit. timing chain		
30548	266 050 02 11	Kettenspanner / chain tensioner		
30549	266 050 02 11 S1	Rep. Satz Steuerkette / rep. kit. timing chain		
32148	166 200 09 70	Riemenspanner / belt tensioner		
34916	266 200 09 70	Riemenspanner / belt tensioner		
			AC (ex.) AC	ØA 69,2 B21,3
			(1) (2)	108 E
			(mot.) 920,980	
				E 126



	Ref. - No.			
<b>23779</b>	640 202 04 19	Umlenkrolle / deflection pulley	<b>AC</b>	
<b>23780</b>	640 202 03 19	Umlenkrolle / deflection pulley	<b>(ex.) AC</b>	ØA 69,2 B 21,3
<b>24178</b>	266 202 00 19	Umlenkrolle / deflection pulley		ØA 70 B22
<b>26374</b>	000 993 11 76	Rollenkette / roller chain		
<b>27841</b>	266 155 01 15	Riemenscheibe Freilauf / belt pulley free wheel	<b>(mot.) 920,980</b>	
<b>30548</b>	266 050 02 11	Kettenspanner / chain tensioner		
<b>30549</b>	266 050 02 11 S1	Rep. Satz Steuerkette / rep. kit timing chain		E 126



# MERCEDES-BENZ C- Klasse (BM 202)

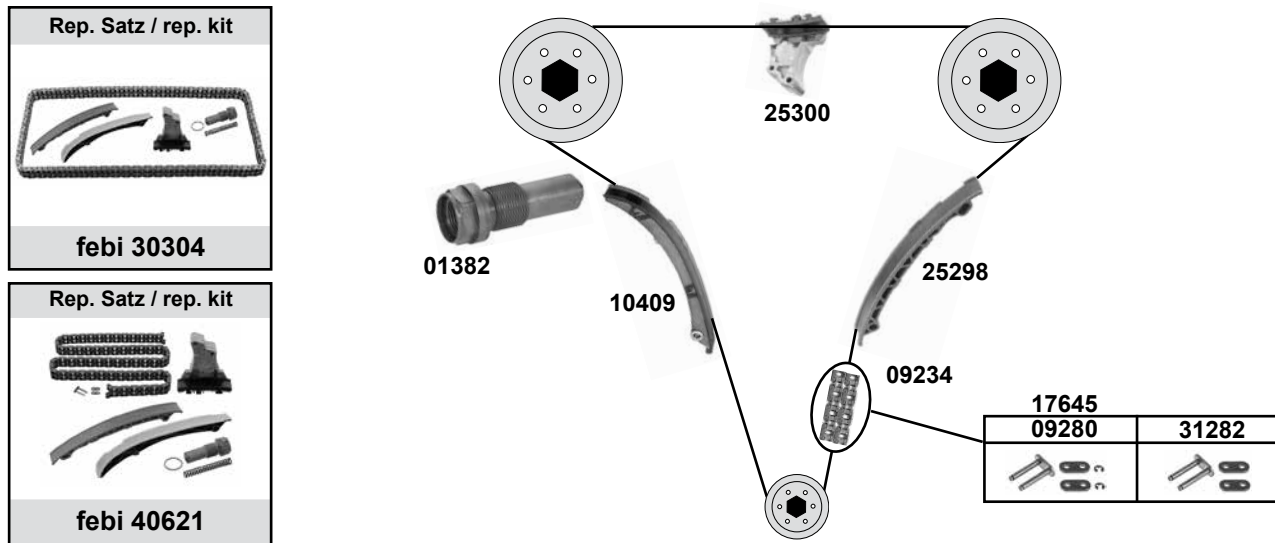
(92→01)

Car  
Division

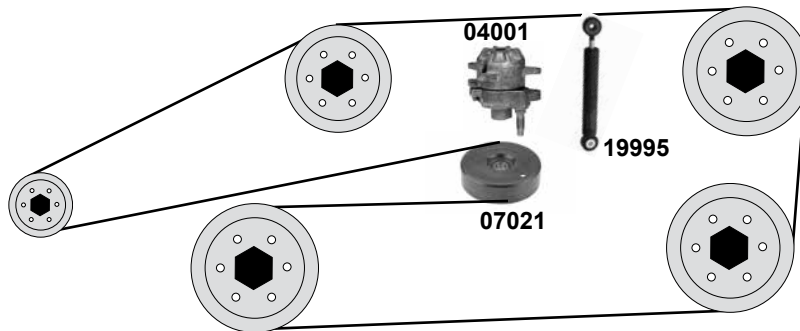


## C 180 / C 180 T / C 200 / C 200 T

(M 111.920,921,941,944,945,952,956,961,974)



( M 111.920,921,941,945 )



- (1) 920: (mot.) 000051 →  
 (mot.) 000012 →  
 921: (mot.) → 042148  
 (mot.) → 000041  
 945: (mot.) → 037932

(2) Nietverschluß / riveted link / bouchon de rivet / rivetti / cierre de roblón

(3) Federverschluß / split link / fermeture de ressort / cierre de resorte / falsa maglia



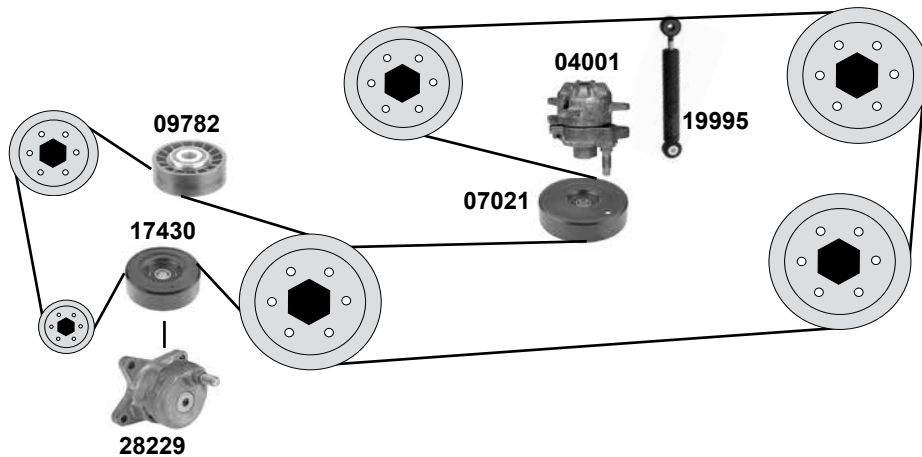
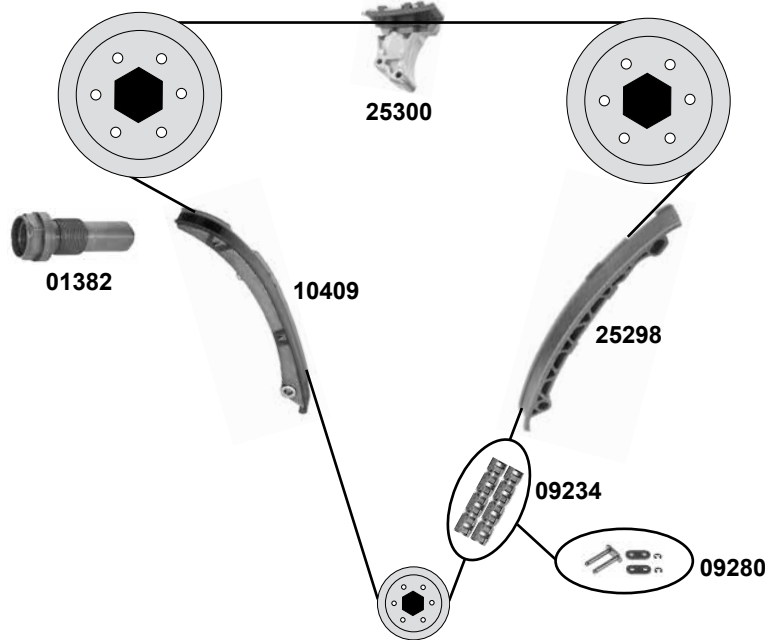
Ref. - No.



Part No.	Ref. - No.	Description	Notes	Dimensions
01382	111 050 04 11	Kettenspanner / chain tensioner		
04001	111 200 07 70	Riemenspanner / belt tensioner	(1)	
07021	111 200 00 70	Spannrolle / tension roller		
09234	003 997 17 94	Steuerkette / timing chain		
09280	000 997 05 98	Kettenglied / chain link	(3) 920,921,941,945	110 x 28 x 15 D 455 / 126 N
10409	111 050 14 16	Gleitschiene / sliding rail		
17645	002 997 93 94	Steuerkette / timing chain		126 E
19995	111 200 04 14	Schwingungsdämpfer / vibration damper		55 N - 435 N
25298	111 052 10 16	Gleitschiene / sliding rail		
25300	111 050 11 16	Gleitschiene / sliding rail		
30304	111 050 0411 S1	Rep. Satz Steuerkette / rep. kit timing chain	(ex.) 974	
31282	000 997 22 98	Kettenglied / chain link	(2)	
40621	111 050 04 11 S2	Rep. Satz Steuerkette / rep. kit timing chain		

### C 200 Kompressor / T

(M 111.944,961)



(1) 944: (mot.) 001126 →

(2) Nietverschluß / riveted link /  
bouchon de rivet / rivetti / cierre de  
roblón

(3) 961: (mot.) → 000184



Ref. - No.



Ref. - No.	Description	Notes	Dimensions / Part No.
01382	Kettenspanner / chain tensioner		
04001	Riemenspanner / belt tensioner	(1) (3)	
07021	Spannrolle / tension roller		110 x 28 x 15
09234	Steuerkette / timing chain	(2)	D 455 / 126 E
09280	Kettenglied / chain link		11 / D 455
09782	Spannrolle / tension roller	(ex.) 961	
10409	Gleitschiene / sliding rail		
17430	Spannrolle / tension roller		
19995	Schwingungsdämpfer / vibration damper		55 N - 435 N
25298	Gleitschiene / sliding rail		
25300	Gleitschiene / sliding rail		
28229	Riemenspanner / belt tensioner		
30304	Rep. Satz Steuerkette / rep. kit timing chain		E 126

# MERCEDES-BENZ C-Klasse (BM 202)

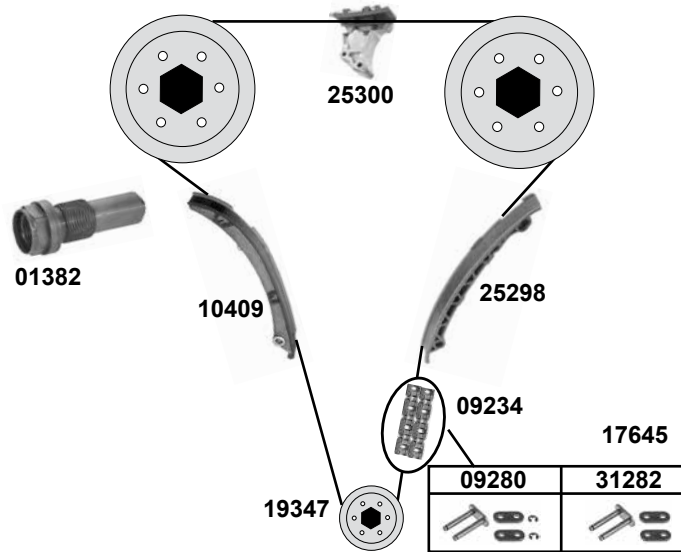
(92→01)

Car  
Division



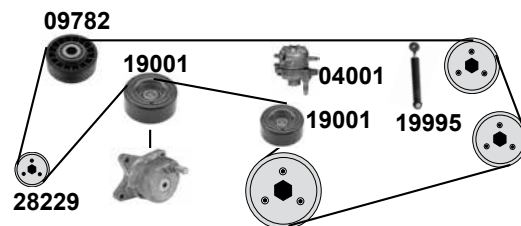
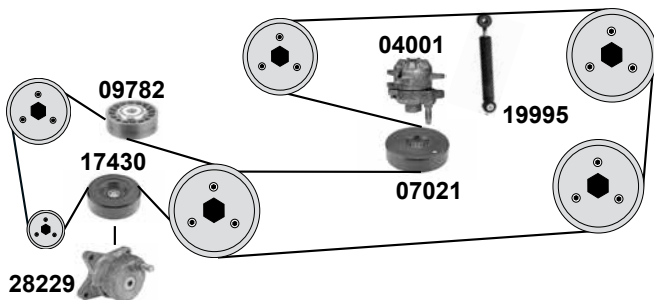
## C 230 / C 230 T / C 230 Kompressor

(M 111.956,974,975)



(M 111.956,974,975)

( M 111.956 )



(1) 974: (mot.) 041969 →

(2) Nietverschluss / riveted link / bouchon de rivet / rivetti / cierre de roblón

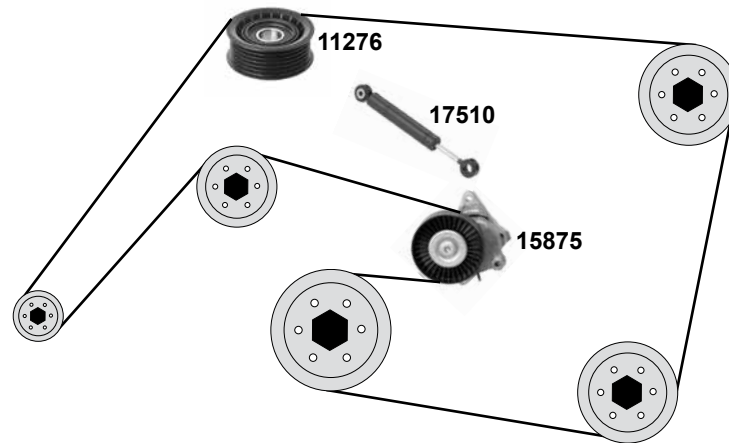
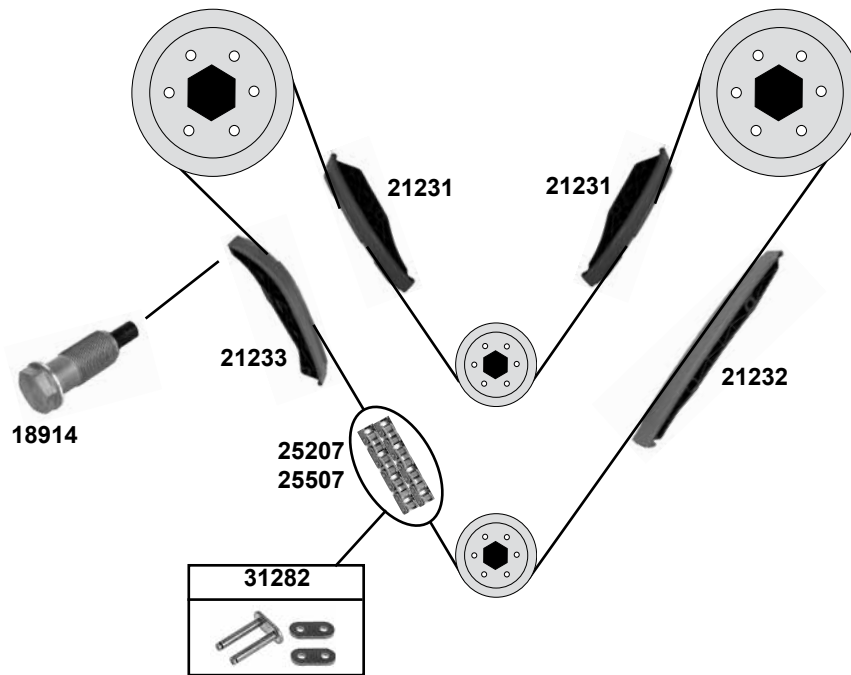
(3) Federverschluß / split link / fermeture de ressort / cierre de resorte / falsa maglia



Ref. - No.



01382	111 050 04 11	Kettenspanner / chain tensioner	(mot.) 111.974/975	
04001	111 200 07 70	Riemenspanner / belt tensioner	(1)	
07021	111 200 00 70	Spannrolle / tension roller		
09234	003 997 17 94	Rollenkette zweifach / roller chain double	(mot.) 111.974/975	110 x 28 x 15
09280	000 997 05 98	Kettenglied / chain link	(3) (mot.) 111.974/975	D 455 / 126 E
09782	111 202 01 19	Spannrolle / tension roller	(ex.) 111.974	11 / D 455
10409	111 050 14 16	Gleitschiene / sliding rail	(mot.) 111.974/975	
17430	119 200 14 70	Spannrolle / tension roller		
17645	002 997 93 94	Steuerkette / timing chain		126 E
19001	104 200 10 70	Spannrolle / tension roller	(mot.) 111.956	ØA 80
19995	111 200 04 14	Schwingungsdämpfer / vibration damper		55 N - 435 N
25298	111 052 10 16	Gleitschiene / sliding rail	(mot.) 111.974/975	
25300	111 050 11 16	Gleitschiene / sliding rail	(mot.) 111.974/975	
28229	111 200 13 70	Riemenspanner / belt tensioner		
30304	111 050 04 11 S1	Rep. Satz Steuerkette / rep. kit timing chain		
31282	000 997 22 98	Kettenglied / chain link	(2) (mot.) 111.974/975	
40621	111 050 04 11 S2	Rep. Satz Steuerkette / rep. kit timing chain		



(1) (mot.) 112.910,915,920

(2) Nietverschluß / riveted link / bouchon de rivet / rivetti / cierre de roblón



Ref. - No.



Ref. - No.	Description	Quantity	Dimensions
11276	Umlenkrolle / deflection pulley		ØA 64 ØI 17 B23
15875	Riemenspanner / belt tensioner		Ø 95
17510	Schwingungsdämpfer / vibration damper	(1)	55 N - 600 N
18914	Kettenspanner / chain tensioner		
21231	Gleitschiene / sliding rail	(1)	
21232	Gleitschiene / sliding rail	(1)	
21233	Gleitschiene / sliding rail	(1)	
25207	Steuerkette / timing chain	(2)	168 N
25507	Steuerkette / timing chain	(2)	168 E
30303	Rep. Satz Steuerkette / rep. kit timing chain		E 168
31282	Kettenglied / chain link	(2)	

# MERCEDES-BENZ C- Klasse (BM 202)

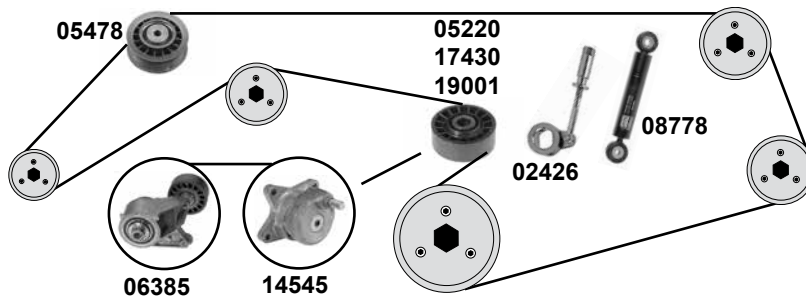
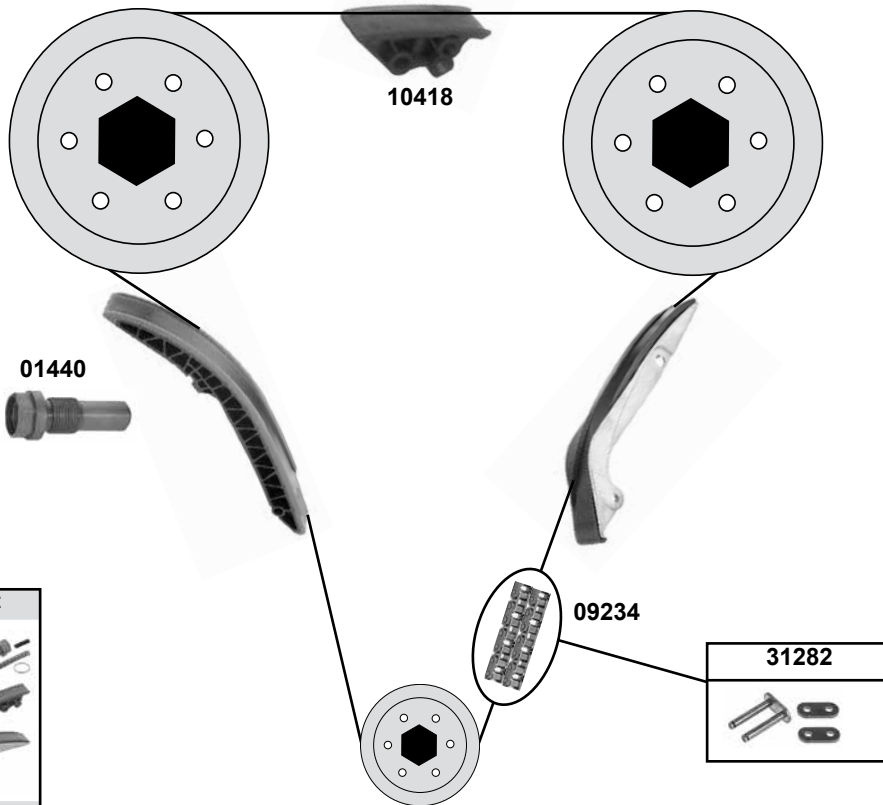
(92→01)

Car  
Division



## C 280 / C 36 AMG

(M 104.941)



(1) (mot.) → 004058  
 (mot.) → 034966

(2) (mot.) 004159 →  
 (mot.) 034967 →

(3) (mot.) 004159 → 006600  
 (mot.) 034967 → 075764

(4) (mot.) 006601 →  
 (mot.) 075765 →

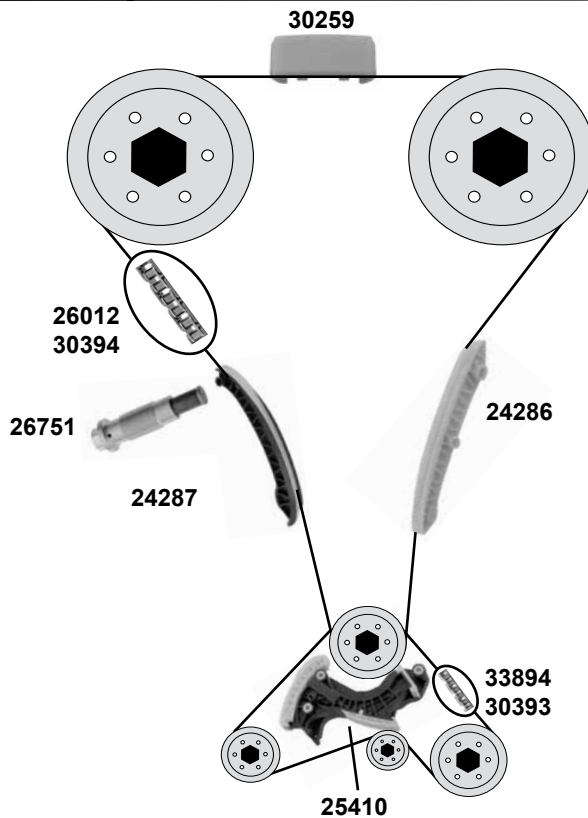
(5) Nietverschluß / riveted link / bouchon de rivet / rivetti / cierre de roblón



Ref. - No.

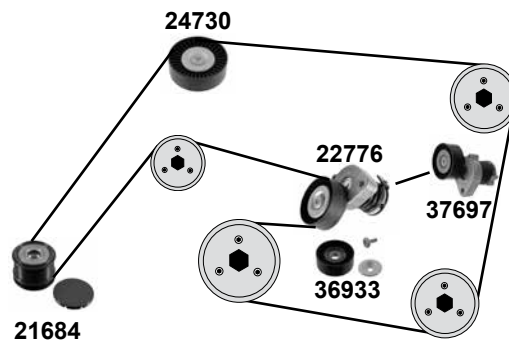


Ref. - No.	Description	Quantity	Dimensions
01440	Kettenspanner / chain tensioner		
02426	Spannstange / tensioning rod	(1)	
05220	Spannrolle / tension roller	(1)	70 x 25
05478	Umlenkolle / deflection pulley		69 x 26 / 31,5
06385	Riemenspanner / belt tensioner	(1)	
08778	Schwingungsdämpfer / vibration damper	(1)	80 N - 1050 N
09234	Steuerkette / timing chain	(4)	D 455 / 126 N
10418	Gleitschiene / sliding rail		
14545	Riemenspanner / belt tensioner	(2)	
17430	Spannrolle / tension roller	(3)	
19001	Spannrolle / tension roller	(4)	ØA 80
30311	Rep. Satz Steuerkette / rep. kit timing chain		
31282	Kettenglied / chain link	(5)	



**C 160 / 180 / 200 / 230**  
(SC / CLC / CGI / Kompressor)  
(M 271.911,921,940,942,946,948,957)

<p>Rep. Satz / rep. kit</p> <p><b>febi 30315</b></p>	<p>Rep. Satz / rep. kit</p> <p><b>febi 30316</b></p>
<p>Rep. Satz / rep. kit</p> <p><b>febi 40953</b></p>	<p>Rep. Satz / rep. kit</p> <p><b>febi 40954</b></p>



(1) (mot.) 271.940/942/946/948 / Für Lichtmaschine / for alternator 271 154 08 02 / 271 154 09 02 / 271 154 10 02  
(2) für Fahrzeuge mit Lanchester-Ausgleich / for vehicles with lanchester balancing system



Ref. - No.



Ref. - No.	Description	Notes	Dimensions
21684	Riemenscheibe Lichtmaschine / belt pulley alternator	(1)	60 x 46,2
22776	Riemenspanner /belt tensioner		
24286	Gleitschiene links / sliding rail left		
24287	Gleitschiene rechts / sliding rail right		
24730	Umlenkrolle / deflection pulley		ØA 90 B28
25410	Kettenspanner / chain tensioner	(2) (ex.) 271.911	
26012	Steuerkette mit Nietverschluss/ timing chain with riveting link		142 N
26751	Kettenspanner / chain tensioner		
30259	Gleitschiene / sliding rail		
30315	Rep. Satz Steuerkette / rep. kit timing chain		
30316	Rep. Satz Steuerkette / rep. kit timing chain	(ex.) 271.911	
30393	Steuerkette mit Nietverschluss/ timing chain with riveting link	(2) (ex.) 271.911	106 N
30394	Steuerkette mit Nietverschluss/ timing chain with riveting link	(ex.) 271.957	142 N
33894	Steuerkette endlos / timing chain endless	(ex.) 271.957	106 E
37697	Riemenspanner / belt tensioner	(mot.) 31216220 →	ØA76 B28
36933	Riemenspanner /belt tensioner		ØA76 B28
40953	Rep. Satz Steuerkette / rep. kit timing chain		
40954	Rep. Satz Steuerkette / rep. kit timing chain	(ex.) 271.911	

# MERCEDES-BENZ C- Klasse (BM 203)

(00→07)

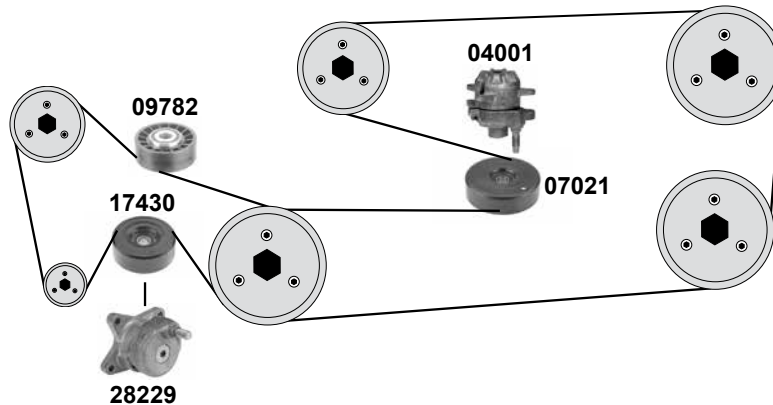
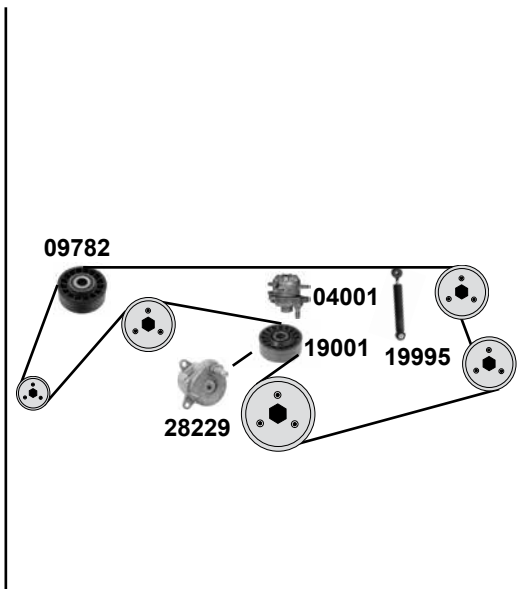
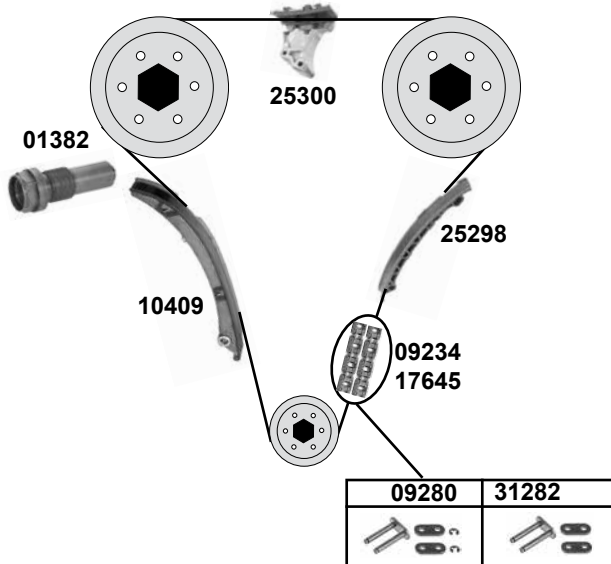
Car  
Division



## C 180 / C 200 / C 230

(Kompressor)

(M 111.951,955,981)



(1) Nietverschluß / riveted link / bouchon de rivet / rivetti / cierre de roblón



Ref. - No.

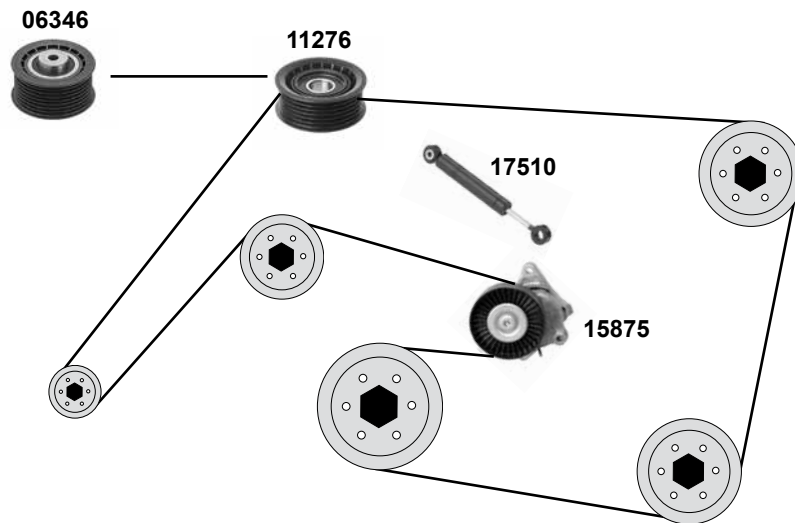
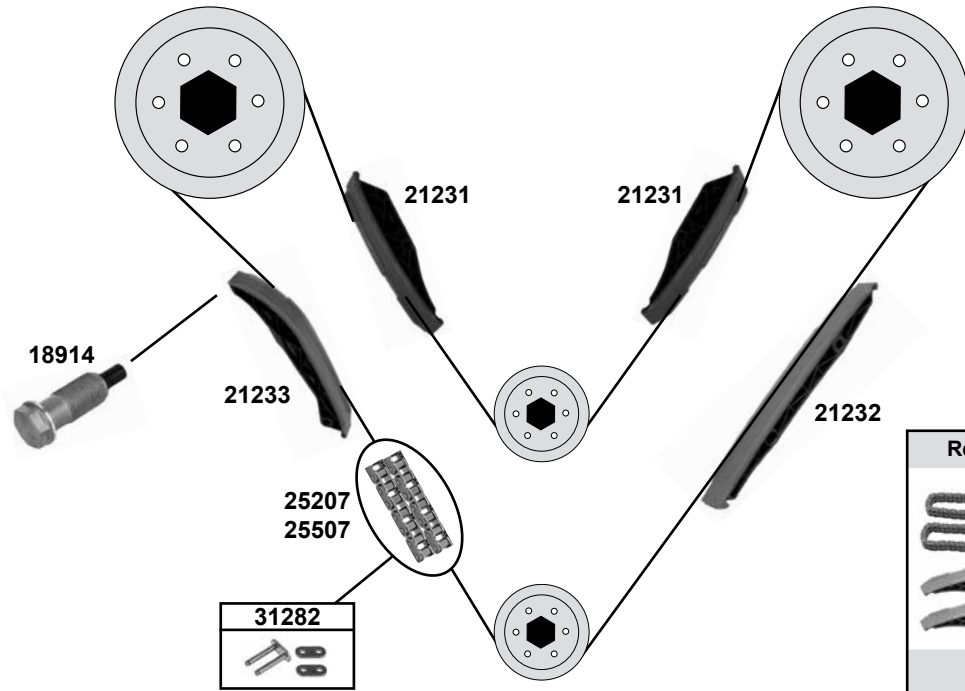


Ref. - No.	Description	Quantity	Dimensions
01382	Kettenspanner / chain tensioner	(ex.) 981	
04001	Riemenspanner / belt tensioner		
07021	Spannrolle / tension roller		110 x 28 x 15
09234	Rollenkette zweifach / roller chain double	(1)	D 455 / 126 N
09280	Kettenglied / chain link		11 / D 455
09782	Spannrolle / tension roller	(ex.) 951/981	
10409	Gleitschiene / sliding rail		
17430	Spannrolle / tension roller	(ex.) 951	
17645	Steuerkette / timing chain		126 E
19001	Spannrolle / tension roller	(mot.) 955	ØA 80
19995	Schwingungsdämpfer / vibration damper		55 N - 435 N
25298	Gleitschiene / sliding rail		
25300	Gleitschiene / sliding rail		
28229	Riemenspanner / belt tensioner	(ex.) 951	
30304	Rep. Satz Steuerkette / rep. kit timing chain		
31282	Kettenglied / chain link	(1)	
40621	Rep. Satz Steuerkette / rep. kit timing chain		



### C 240 / C 320

(M 112.912,916,946,953,960,961 / 113.988)

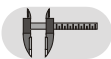


(1) (mot.) 112.912,946,953

(2) Nietverschluß / riveted link / bouchon de rivet / rivetti / cierre de roblón



Ref. - No.



Ref. - No.	Description	Quantity	Notes
06346	Spannrolle / tension roller	(mot.) 960 / 961	
11276	Umlenkrolle / deflection pulley	(ex.) 960 / 961	ØA 64 ØI 17 B23
15875	Riemenspanner / belt tensioner	(1)	Ø 95
17510	Schwingungsdämpfer / vibration damper	(mot.) 912 / 916	55 N - 600 N
18914	Kettenspanner / chain tensioner	(ex.) 960	
21231	Gleitschiene / sliding rail	(mot.) 912 / 946	
21232	Gleitschiene / sliding rail	(mot.) 912 / 946	
21233	Gleitschiene / sliding rail	(mot.) 912 / 946	
25207	Rollenkette zweifach / roller chain double	(2) (ex.) 960	168 N
25507	Steuerkette / timing chain	(2) (ex.) 960	168 E
30303	Rep. Satz Steuerkette / rep. kit timing chain	(ex.) 960	E 168
31282	Kettenglied / chain link	(2)	



# MERCEDES-BENZ C- Klasse (BM 203)

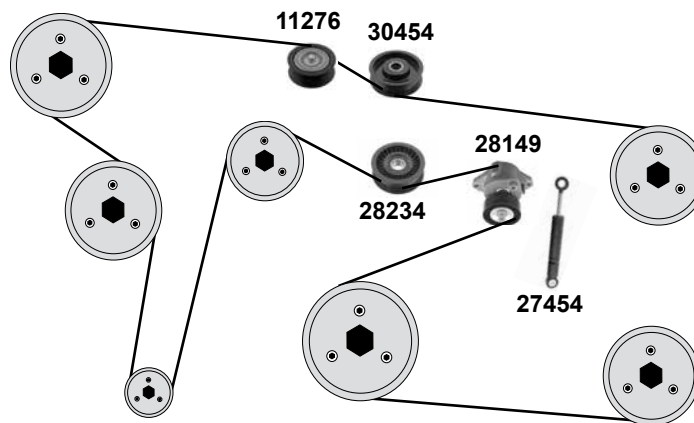
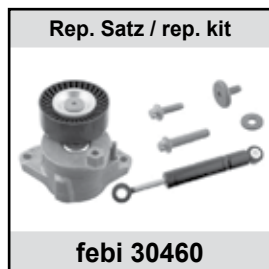
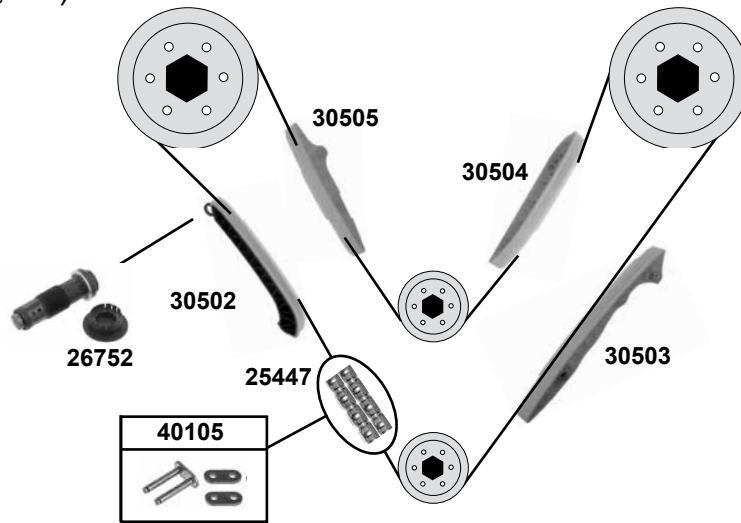
(00→07)

Car  
Division



## C/SC/T 230 / 280/T/4 Matic / 350/T/4 Matic

(M 272. 920,940,941,960,970)



(1) (mot.) → 30089231/ → 05.05 / (ex.) mot. 272.948

(2) (mot.) 30058377→

(3) (mot.) 30009529 →

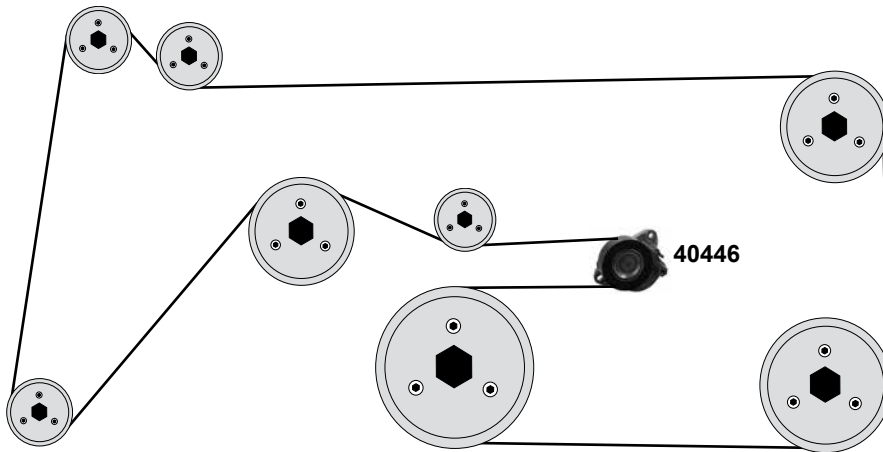
(4) (mot.) → 30058376



Ref. - No.



Ref. - No.	Description	Quantity	Notes
11276	Umlenkrolle / deflection pulley		ØA 64 ØI 17 B23
25447	Steuerkette / timing chain		
26752	Kettenspanner / chain tensioner	(1)	
27454	Schwingungsdämpfer / vibration damper		55 N - 400 N
28149	Riemenspanner / belt tensioner		ØA 76
28234	Umlenkrolle / deflection pulley	(4)	80 x 28 x 17
30328	Rep. Satz Steuerkette / rep. kit timing chain	(mot.) 30089233→	216 N
30454	Umlenkrolle / deflection pulley	(2)	ØA 70 B22
30460	Rep. Satz Riemenspanner / rep. kit. belt tensioner		
30502	Gleitschiene / sliding rail	(mot.) 30089233→	
30503	Gleitschiene / sliding rail		
30504	Gleitschiene / sliding rail	(3)	
30505	Gleitschiene / sliding rail		
40105	Kettenglied / chain link		



# MERCEDES-BENZ C-Klasse (BM 204)

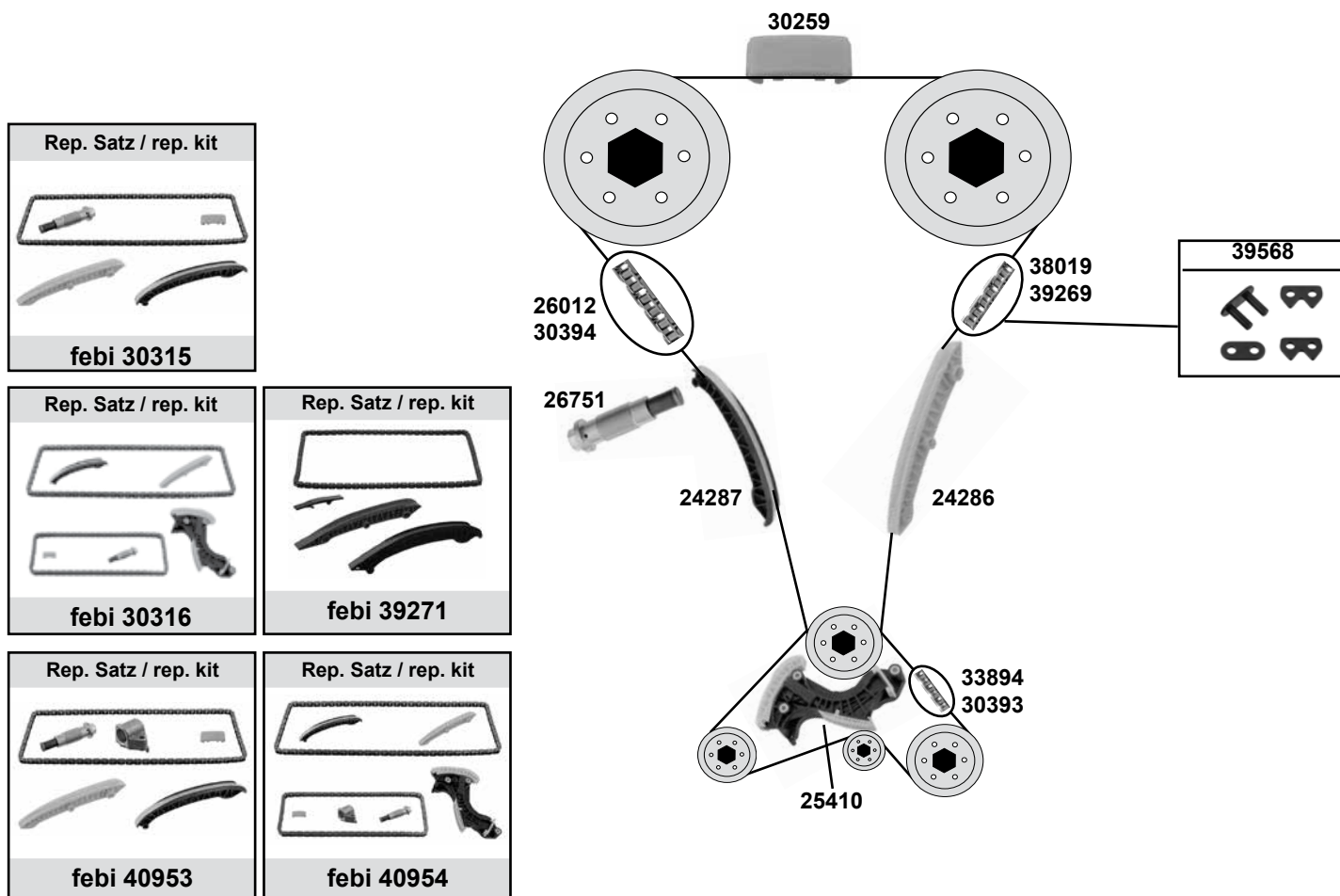
(07→)

Car  
Division



## C 180 / C 200 Kompressor

(M 271.820,860,910,950,952,958)



(1) mot. 271.910/950/952

(2) (ex.) mot. 271.910

(3) mot. 271.950,952 mit Lanchester-Ausgleich / with Lanchester balancing system

(4) (mot.) 271.958 / (mot.) 271.820/860 (mot.) 30064508→

(5) für Fahrzeuge mit Lanchester-Ausgleich / for vehicles with lanchester balancing system

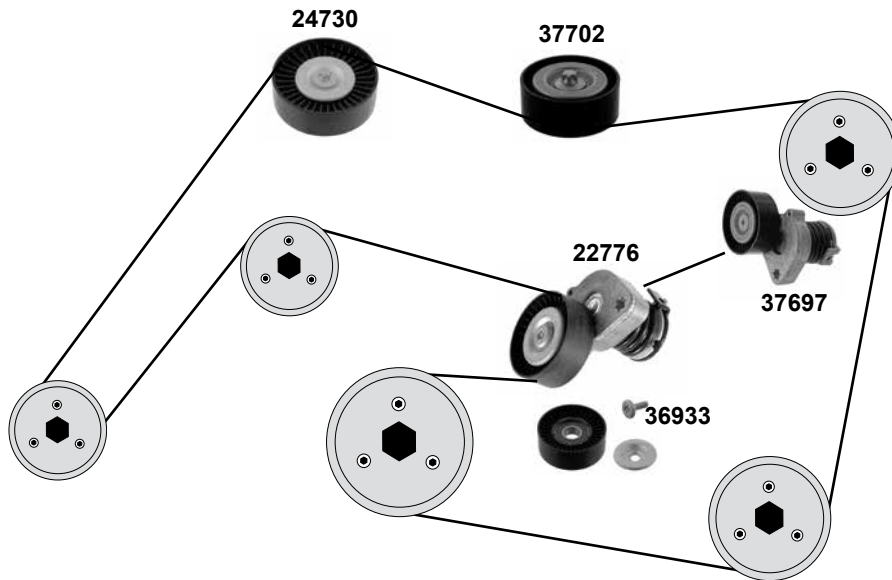


Ref. - No.



Part No.	Ref. - No.	Description	Quantity	Notes
24286	271 052 10 16	Gleitschiene links / sliding rail left	(1)	
24287	271 052 11 16	Gleitschiene rechts / sliding rail right	(1)	
25410	271 030 09 63	Kettenspanner / chain tensioner	(2)	
26012	000 993 21 76	Rollenkette mit Nietverschluss / roller chain with riveted	(1)	140 N
26751	271 050 06 11	Kettenspanner / chain tensioner	(1)	
30259	271 052 04 16	Gleitschiene / sliding rail	(1)	
30315	271 050 06 11 S1	Rep. Satz Steuerkette / rep. kit timing chain	(1)	
30316	271 050 06 11 S2	Rep. Satz Steuerkette / rep. kit timing chain	(3)	
30393	000 993 20 76	Steuerkette mit Nietverschluss/ timing chain with	(4)	106 N
30394	000 993 19 76	Steuerkette mit Nietverschluss/ timing chain with	(1)	142 N
33894	000 993 20 76 S1	Steuerkette endlos / timing chain endless	(4)	106 E
38019	000 993 09 78	Steuerkette / roller chain	(mot.) 820,860	142 E
39568	000 993 10 78 S3	Kettenglied / chain link	(mot.) 820,860	
39269	000 993 10 78	Steuerkette mit Nietverschluss / timing chain with	(mot.) 820,860	142 N
39271	000 993 09 78 S2	Rep. Satz Steuerkette / rep. kit timing chain	M 271.820,860	
40953	271 050 06 11 S3	Rep. Satz Steuerkette / rep. kit timing chain	(1)	
40954	271 050 06 11 S4	Rep. Satz Steuerkette / rep. kit timing chain	(5) (mot.) 950,952	

**C 180 / C 200 Kompressor**  
(M 271.820,860,910,950,952,958)



Rep. Satz / rep. kit



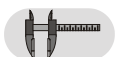
febi 37703



- (1) mot. 271.910/950/952  
(2) (ex.) mot. 271.910  
(3) (mot.) 271.820/860 / mot. 271.910/950/952 (mot.) 31216220→



Ref. - No.



Part No.	Ref. - No.	Description	Quantity	Dimensions
22776	271 200 02 70	Riemenspanner /belt tensioner	(1)	
24730	271 206 00 19	Umlenkrolle / deflection pulley	(1)	ØA 90 B 28
36933	271 200 05 70	Riemenspanner /belt tensioner	(1)	ØA76 B28
37697	271 200 04 70	Riemenspanner / belt tensioner	(3)	ØA76 B28
37702	000 202 17 19	Umlenkrolle / deflection pulley	(mot.) 820,860	B 26
37703	000 202 16 19	Rep.Satz Umlenkrolle / rep. kit deflection pulley	(mot.) 820,860	ØA 67

# MERCEDES-BENZ C-Klasse (BM 204)

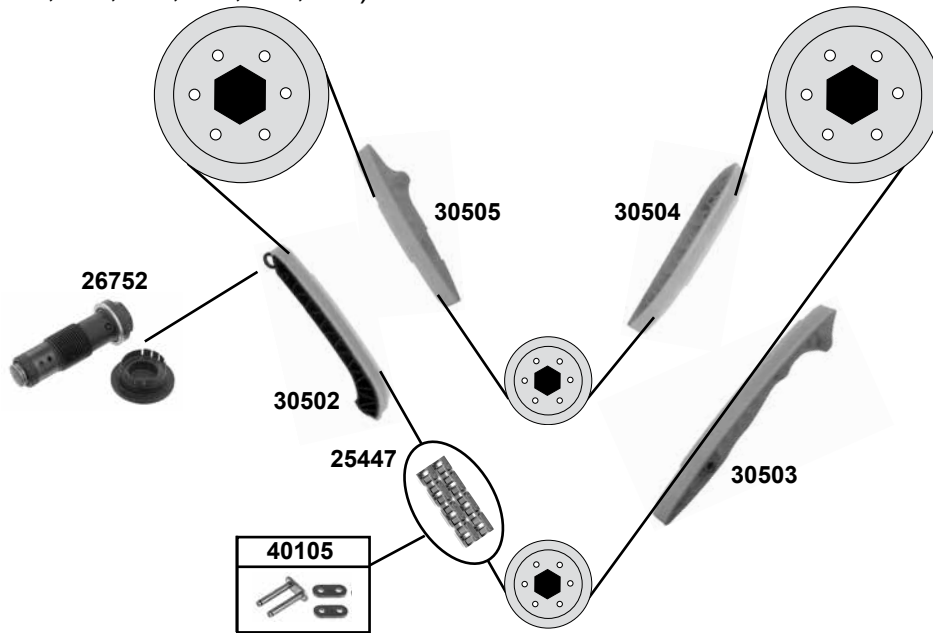
(07→)

Car  
Division



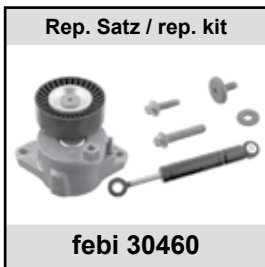
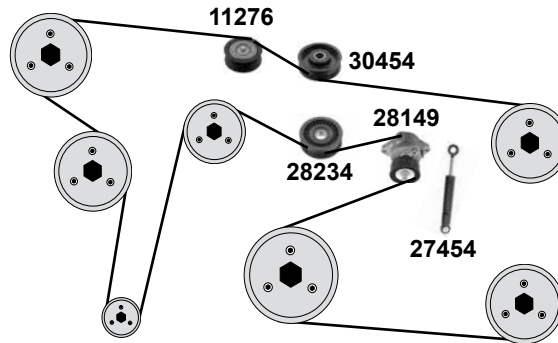
## C 230 / C280

(M 272.911,921,947,948,960,961,971,982,991)



## C 230 / C280

(M 272.911,921,947,948,960,961,968,971,982,991)



(1) (mot.) 272.960/961

(4) (mot.) 272.911,921,947,948,961,971,981,991  
(mot.) 30089233→

(2) (ex.) 272.960

(5) (mot.) 272.911,921,947,948,961,971,991  
(mot.) 30009529→

(3) (ex.) 272.960/ 968 (mot.) 30058377→

(6) (mot.) 272.982



Ref. - No.

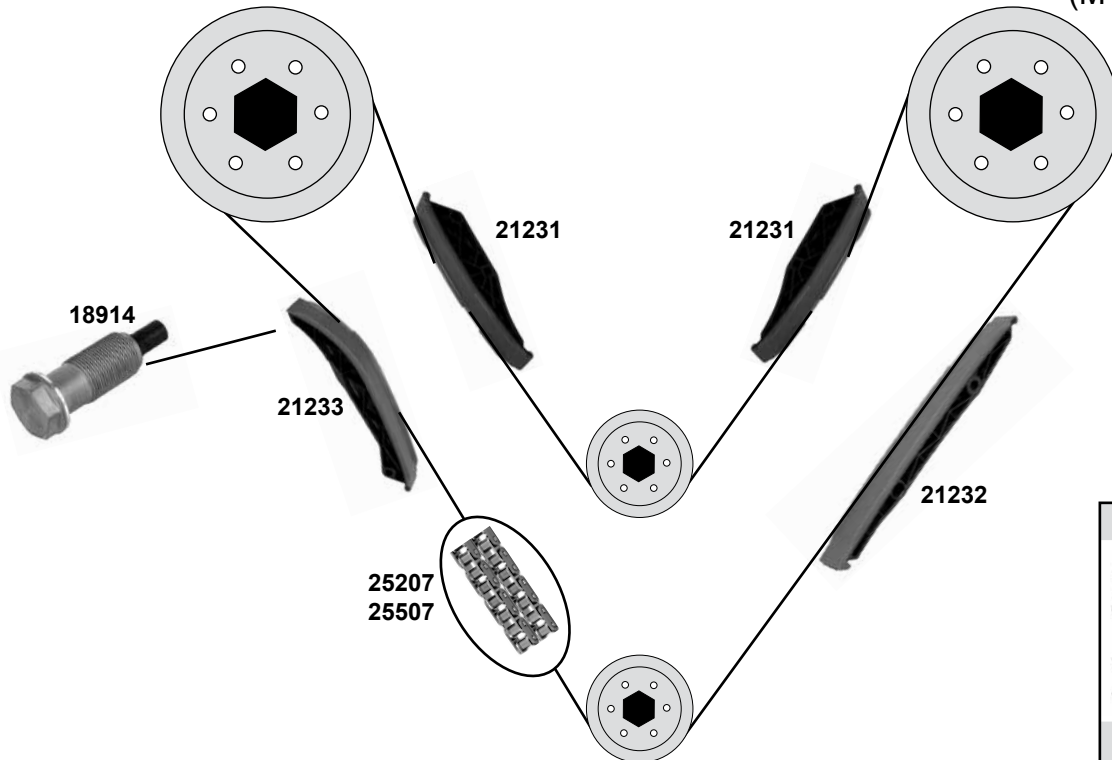


Part No.	Ref. - No.	Description	Quantity	Notes
11276	272 202 09 19	Umlenkrolle / deflection pulley	(2)	ØA 64 ØI 17 B23
25447	000 993 06 76	Steuerkette / timing chain	(ex.) 960	
26752	272 050 01 11	Kettenspanner / chain tensioner	(ex.) 272.948,960	
27454	272 200 01 14	Schwingungsdämpfer / vibration damper	(ex.) 272.960	55 N - 400 N
28149	272 200 02 70	Riemenspanner / belt tensioner	(ex.) 272.960	ØA 76
28234	272 202 01 19	Umlenkrolle / deflection pulley	(1)	ØA 80
30328	272 050 08 11 S1	Rep. Satz Steuerkette / rep. kit timing chain	(4)	216 N
30460	272 200 02 70 S1	Rep. Satz Riemenspanner / rep. kit belt tensioner	(ex.) 272.960	
30454	272 202 14 19	Umlenkrolle / deflection pulley	(3)	ØA 70 B22
30502	272 052 13 16	Gleitschiene / sliding rail	(4)	
30503	272 052 00 16	Gleitschiene / sliding rail	(ex.) 960	
30504	272 052 15 16	Gleitschiene / sliding rail	(5) (6)	
30505	272 052 02 16	Gleitschiene / sliding rail	(ex.) 960	
40105	000 993 06 76 S2	Kettenglied / chain link	(ex.) 960	



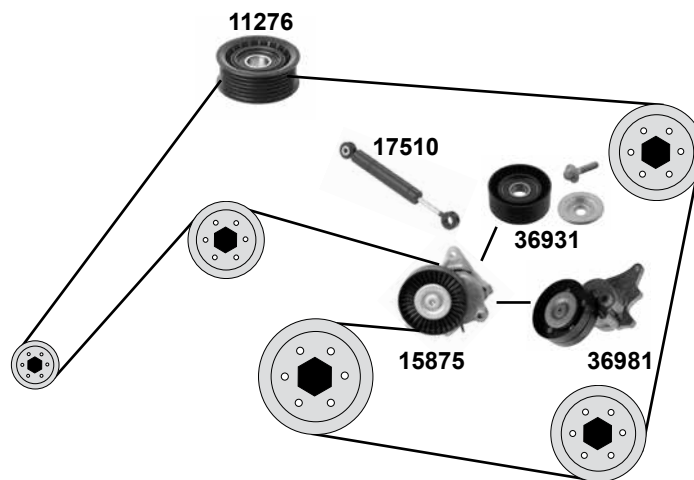
## CL 500

(M 113.960,986,991)



## CL 500

(M 113.960)

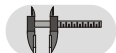


(1) Nietverschluß / riveted link / bouchon de rivet / rivetti / cierre de roblón

(2) (mot.) → 290775



Ref. - No.



Ref. - No.	Description	Part No.	Dimensions
11276	Umlenkrolle / deflection pulley	M 113.960	ØA 64 ØI 17 B23
15875	Riemenspanner / belt tensioner	(2) M 113.960	Ø 95
17510	Schwingungsdämpfer / vibration damper	M 113.960	55 N - 600 N
18914	Kettenspanner / chain tensioner		
21231	Gleitschiene / sliding rail	M 113.960	
21232	Gleitschiene / sliding rail	M 113.960	
21233	Gleitschiene / sliding rail	M 113.960	
25207	Steuerkette / roller chain	(1)	168 N
25507	Steuerkette / roller chain	(1)	168 E
30303	Rep. Satz Steuerkette / rep. kit timing chain		
36931	Spannrolle / tension roller	(mot.) M 113.991	
36981	Riemenspanner / belt tensioner	(mot.) M 113.991	ØA90 B32

# MERCEDES-BENZ CL-Klasse (BM 215)

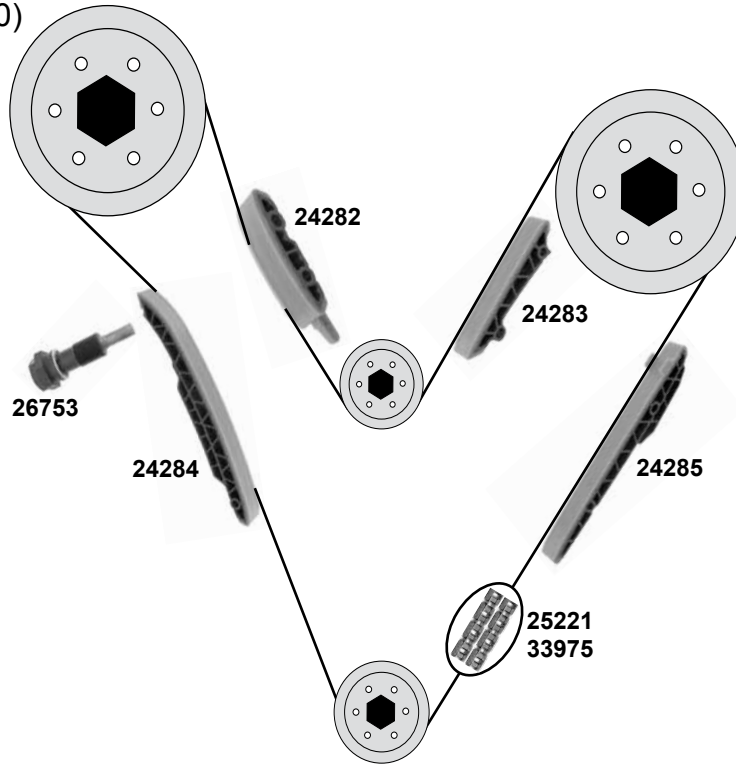
(99→06)

Car  
Division



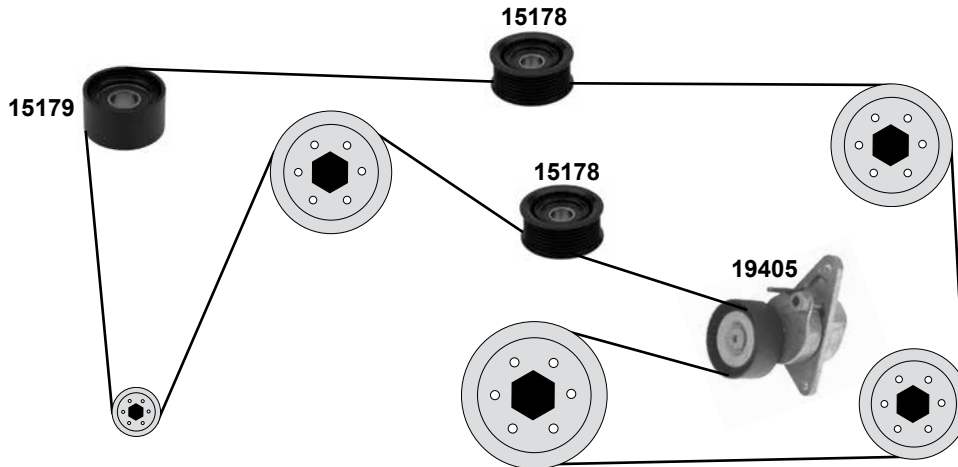
## CL 600

(M 137.970 / M.275.950)



## CL 600

(M 137.970)

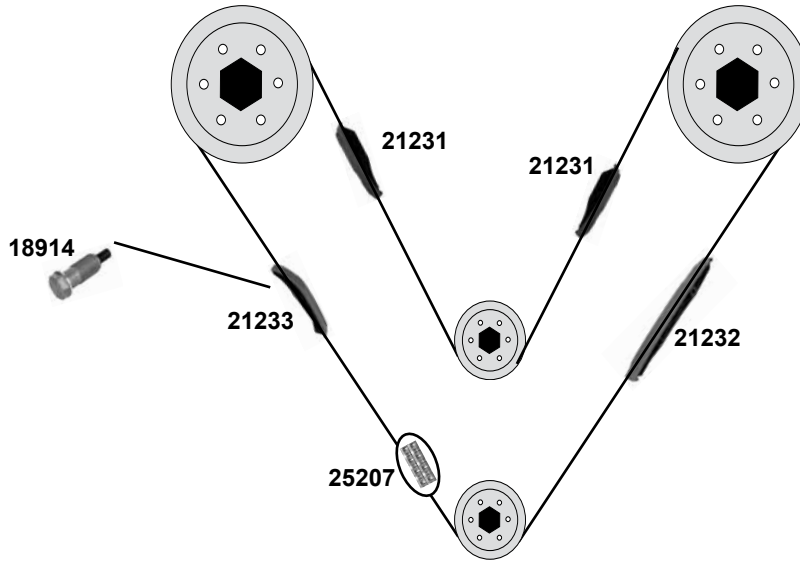


Ref. - No.

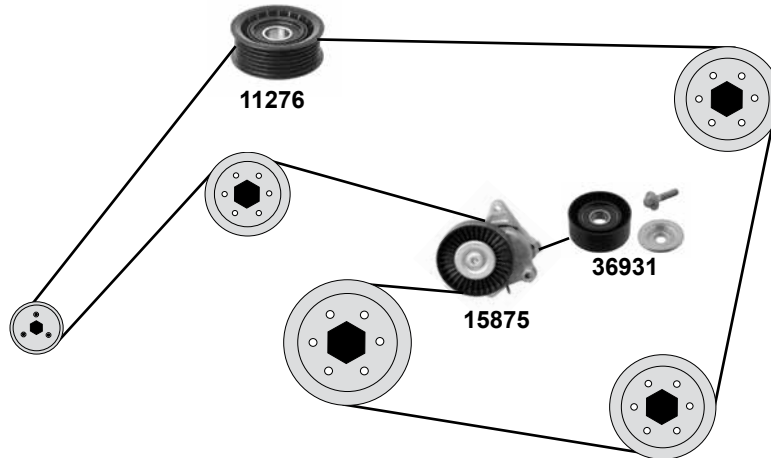


Ref. - No.	Description	Notes	Dimensions
15178	Umlenkrolle / deflection pulley		ØA64 ØI17 B30
15179	Umlenkrolle / deflection pulley		ØA54 Ø I 17
19405	Riemenspanner / belt tensioner		
24282	Gleitschiene / sliding rail	(mot.) M 275.950	
24283	Gleitschiene / sliding rail	(mot.) M 275.950	
24284	Gleitschiene / sliding rail	(mot.) M 275.950	
24285	Gleitschiene / sliding rail	(mot.) M 275.950	
25221	Steuerkette / roller chain	(mot.) M 137.970	164 N
26753	Kettenspanner / chain tensioner	(mot.) M 275.950	
30318	Rep. Satz Steuerkette / rep kit timing chain	(mot.) M 275.950	
33975	Steuerkette / roller chain	(mot.) M 275.950	164 E

**CL 55 AMG**  
(M 113.986)



**CL 55 AMG**  
(M 113.960,986,991)



(1) (mot.) 113.986 → 290775



Ref. - No.



Ref. - No.	Description	Quantity	Dimensions
11276	Umlenkrolle / deflection pulley		ØA 64 ØI 17 B23
15875	Riemenspanner / belt tensioner	(1)	Ø 95
18914	Kettenspanner / chain tensioner		
21231	Gleitschiene / sliding rail		
21232	Gleitschiene / sliding rail		
21233	Gleitschiene / sliding rail		
25207	Steuerkette / roller chain		168 N
26753	Kettenspanner / chain tensioner		
30303	Rep. Satz Steuerkette / rep. kit timing chain		
36931	Spannrolle / tension roller	(mot.) M 113.991	ØA65 B26



# MERCEDES-BENZ CL-Klasse (BM 215)

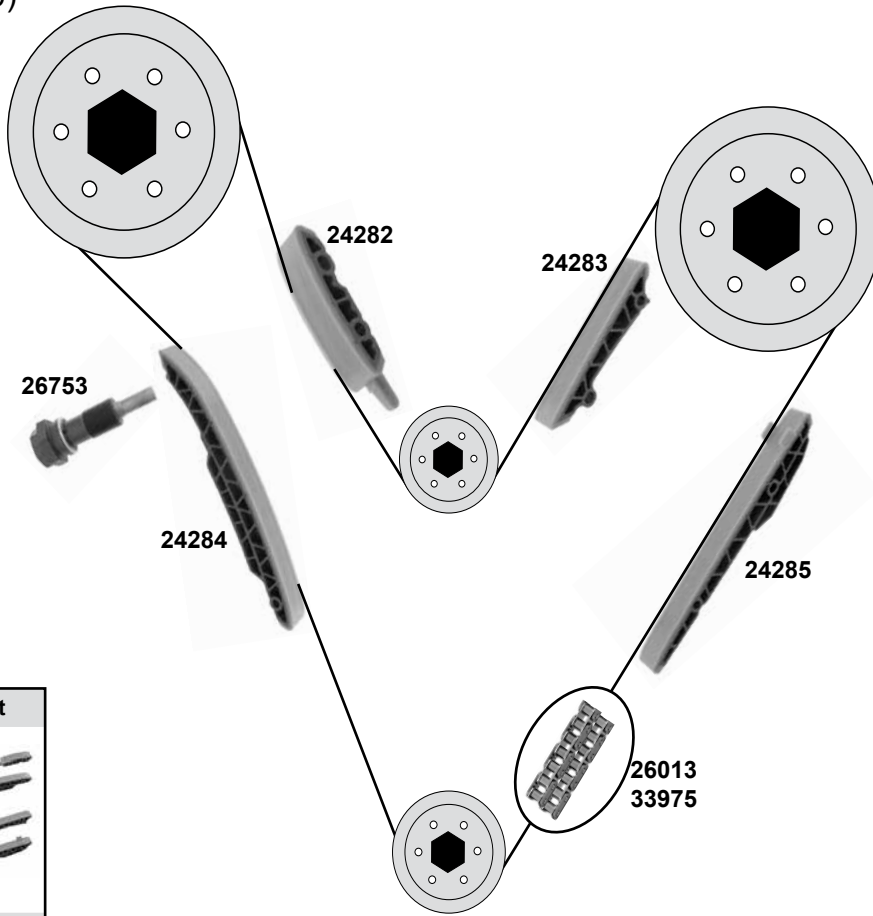
(99→06)

Car  
Division



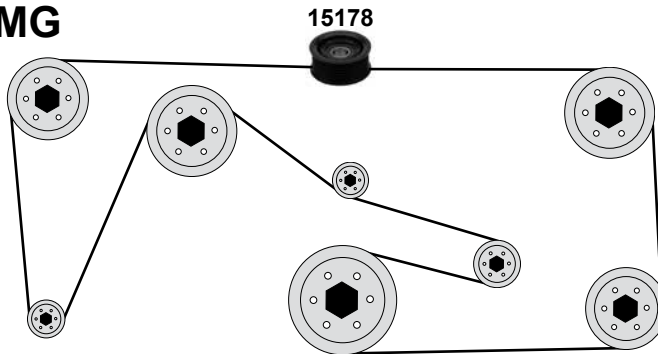
## CL 65 AMG

(M 275.950,980)



## CL 600 / CL 65 AMG

(M 275.950,980)



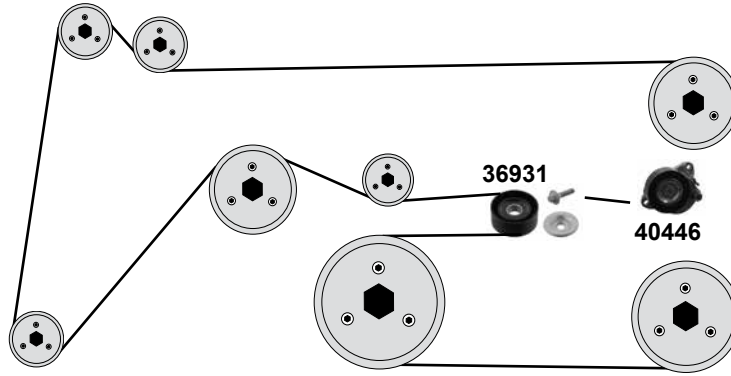
(1) CL 600 M275.950 (mot.) →40027371 / CL 65AMG M275.980 (mot.) →60006826



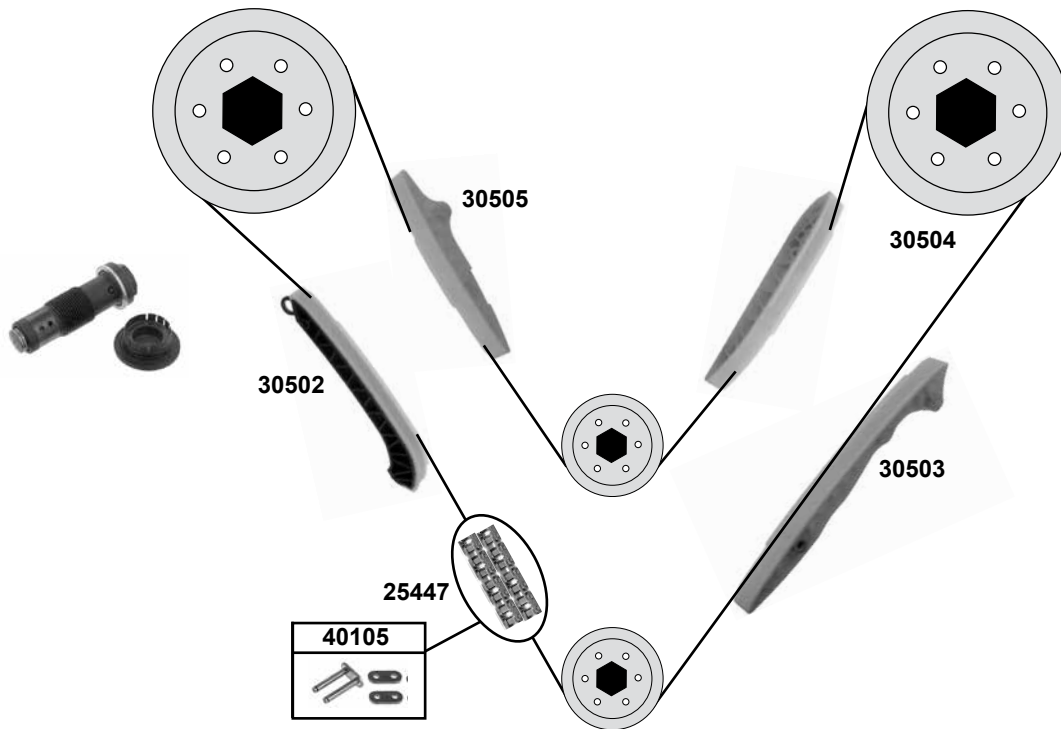
Ref. - No.



Ref. - No.	Description	Quantity	Part Number
15178	Umlenkrolle / deflection pulley	(1)	ØA64 ØI17 B30
24282	Gleitschiene / sliding rail		
24283	Gleitschiene / sliding rail		
24284	Gleitschiene / sliding rail		
24285	Gleitschiene / sliding rail		
26013	Steuerkette mit Nietverschluss/ timing chain with		164 N
26753	Kettenspanner / chain tensioner		
30318	Rep. Satz Steuerkette / rep kit timing chain		
33975	Steuerkette / roller chain		164 E



**CL 500 / CL 500 4Matic**  
(M 273.961,968)



	Ref. - No.			
<b>25447</b>	000 993 06 76	Steuerkette / timing chain		216 N
<b>30328</b>	272 050 08 11 S1	Rep. Satz Steuerkette / rep. kit timing chain		
<b>30502</b>	272 052 13 16	Gleitschiene / sliding rail		
<b>30503</b>	272 052 00 16	Gleitschiene / sliding rail		
<b>30504</b>	272 052 15 16	Gleitschiene / sliding rail		
<b>30505</b>	272 052 02 16	Gleitschiene / sliding rail		
<b>36931</b>	113 202 00 19	Spannrolle / tension roller	(mot.) →6001452	ØA 65 B26
<b>40105</b>	000 993 06 76 S2	Kettenglied / chain link		
<b>40446</b>	156 200 05 70	Riemenspanner / belt tensioner		ØA 76 B26

# MERCEDES-BENZ CL-Klasse (BM 216)

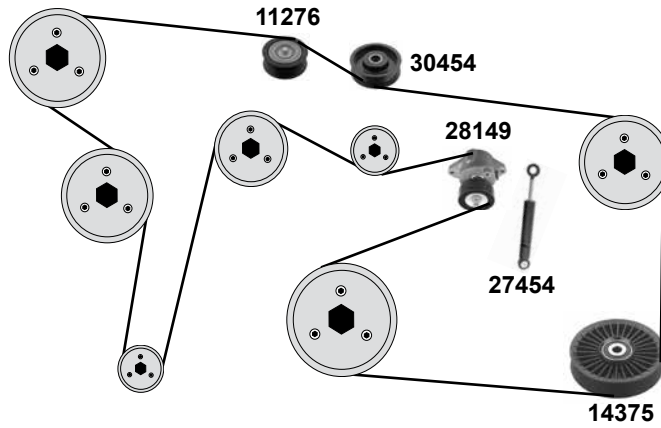
(06→)

Car  
Division



## CL 500 / CL 500 4Matic

(M 273.961,968)

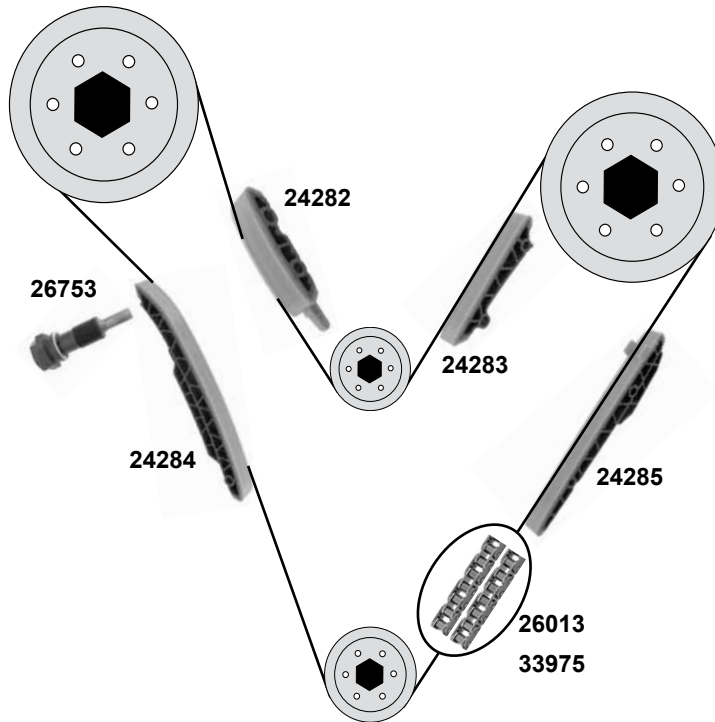


## CL-Klasse (BM 216)

(06→)

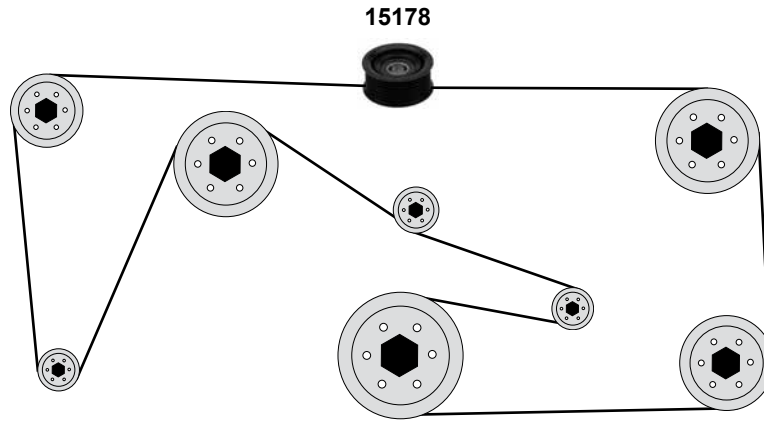
### CL 600

(M 275.953,982)



	Ref. - No.			
11276	000 202 09 19	Umlenkrolle / deflection pulley		
14375	611 234 02 93	Umlenkrolle / deflection pulley	(mot.) A 022 955 →	
24282	137 052 04 16	Gleitschiene / sliding rail		
24283	137 052 05 16	Gleitschiene / sliding rail		
24284	137 052 07 16	Gleitschiene / sliding rail		
24285	137 052 08 16	Gleitschiene / sliding rail		
26013	004 997 20 94	Steuerkette mit Nietverschluss/ timing chain with		164 N
26753	275 050 05 11	Kettenspanner / chain tensioner		
27454	272 200 01 14	Schwingungsdämpfer / vibration damper		
28149	272 200 02 70	Riemenspanner / belt tensioner		
30318	275 050 05 11 S1	Rep. Satz Steuerkette / rep. kit timing chain		
30454	272 202 14 19	Umlenkrolle / deflection pulley		ØA 70 B22
30460	272 200 02 70 S1	Rep. Satz Riemenspanner / rep. kit belt tensioner		
33975	004 997 18 94	Steuerkette / roller chain		164 E

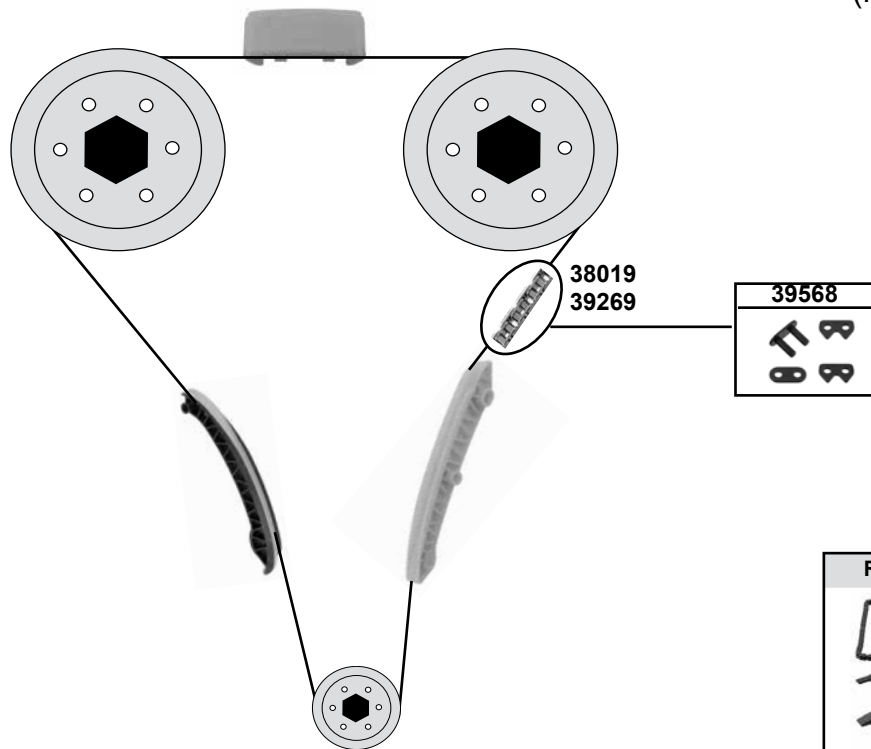
**CL 600**  
(M 275.953,982)



## CLK-Klasse (BM 207)

(09→)

(M 271.820,860)



(1) CL 600 M275.953 (mot.) →40027371 / CL 65AMG M275.982 (mot.) →60006826



Ref. - No.



<b>15178</b>	000 202 07 19	Umlenkrolle / deflection pulley	(1)	ØA64 ØI17 B30
<b>38019</b>	000 993 09 78	Steuerkette / roller chain		142 E
<b>39568</b>	000 993 10 78 S3	Kettenglied / chain link		
<b>39269</b>	000 993 10 78	Steuerkette mit Nietverschluss / timing chain with		142 N
<b>39271</b>	000 993 09 78 S2	Rep. Satz Steuerkette / rep. kit timing chain		

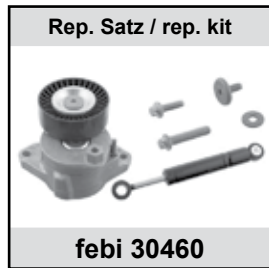
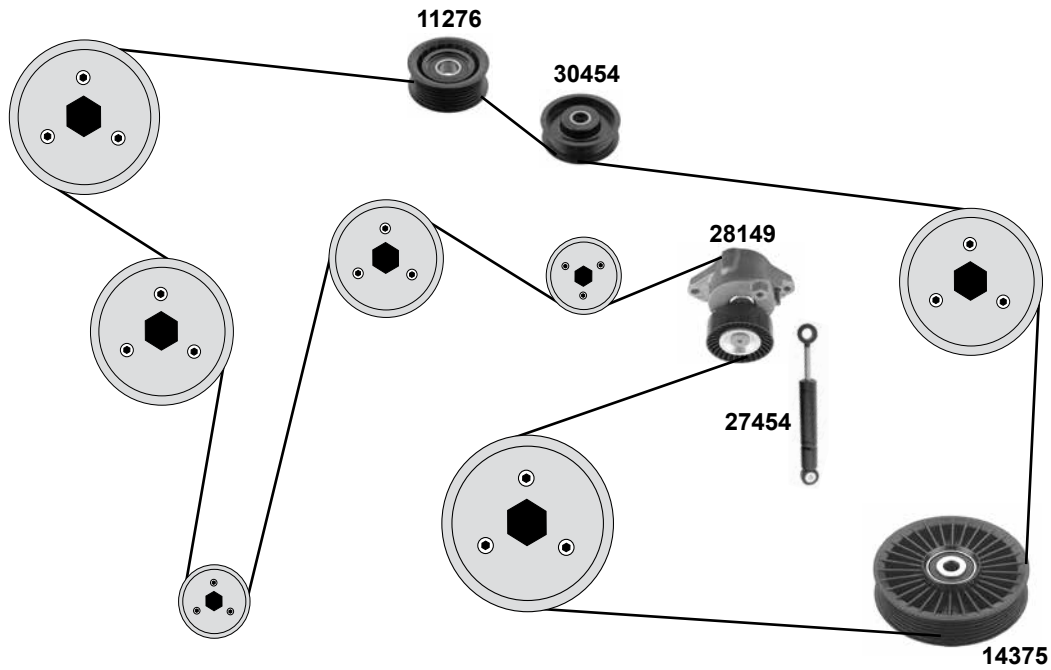
# MERCEDES-BENZ CLK-Klasse (BM 207)

(09→)

Car  
Division



(M 272.982,984 / 273.966,971)



(1) (mot.) 272.982 ,984 (ch.) 30058377 →

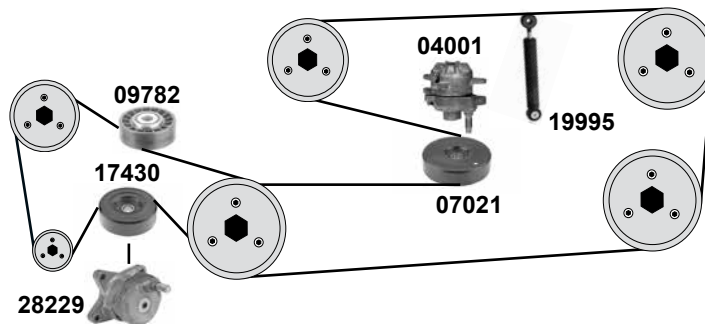
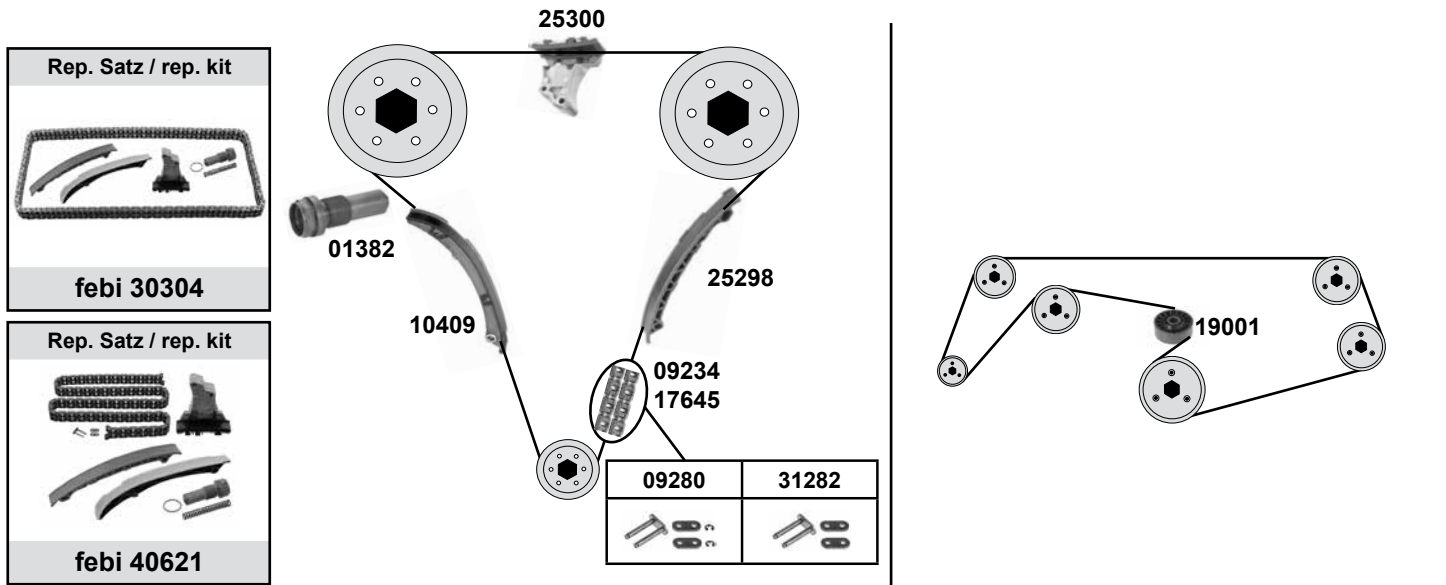


Ref. - No.



11276	000 202 09 19	Umlenkrolle / deflection pulley	(ex.) 272.984
14375	611 234 02 93	Umlenkrolle / deflection pulley	(ex.) 272.971
27454	272 200 01 14	Schwingungsdämpfer / vibration damper	(ex.) 272.971
28149	272 200 02 70	Riemenspanner / belt tensioner	(ex.) 272.971
30454	272 202 14 19	Umlenkrolle / deflection pulley	(1)
30460	272 200 02 70 S1	Rep. Satz Riemen <span>spanner</span> / rep. kit belt tensioner	(ex.) 272.971

ØA 70 B22

**CLK 200 / CLK 230 / Kompressor**  
 (M 111.944,945,956,975,982)


- |                                                                                  |                           |                                                                                           |                           |
|----------------------------------------------------------------------------------|---------------------------|-------------------------------------------------------------------------------------------|---------------------------|
|                                                                                  | (1) 945:  (mot.) → 037932 | (2) 945:  (mot.) 050296 →                                                                 | (3) 975:  (mot.) 021442 → |
|                                                                                  | (mot.) → 030017           | (mot.) 037932 →                                                                           | (mot.) 063010 →           |
| (4) Nietverschluß / riveted link / bouchon de rivet / rivetti / cierre de roblón |                           | (5) Federverschluß / split link / fermeture de ressort / cierre de resorte / falsa maglia |                           |

	Ref. - No.			
01382	111 050 04 11	Kettenspanner / chain tensioner	(1) (3)	110 x 28 x 15 D 455 / 126 N 11 / D 455
04001	111 200 07 70	Riemenspanner / belt tensioner		
07021	111 200 00 70	Spannrolle / tension roller	(4) (5)	
09234	003 997 17 94	Steuerkette / timing chain		
09280	000 997 05 98	Kettenglied / chain link		
09782	111 202 01 19	Spannrolle / tension roller	(2) (ex.) 944 / 945 (ex.) 956 / 982	
10409	111 050 14 16	Gleitschiene / sliding rail		
17430	119 200 14 70	Spannrolle / tension roller	(ex.) 956 / 982	
17645	002 997 93 94	Steuerkette / timing chain		
19001	104 200 10 70	Spannrolle / tension roller	(ex.) 956 / 982	
19995	111 200 04 14	Schwingungsdämpfer / vibration damper		
25298	111 052 10 16	Gleitschiene / sliding rail	(4) (ex.) 944	
25300	111 050 11 16	Gleitschiene / sliding rail		
28229	111 200 13 70	Riemenspanner / belt tensioner		
30304	111 050 04 11 S1	Rep. Satz Steuerkette / rep. kit timing chain		
31282	000 997 22 98	Kettenglied / chain link		
40621	111 050 04 11 S2	Rep. Satz Steuerkette / rep. kit timing chain		

# MERCEDES-BENZ CLK-Klasse (BM 208)

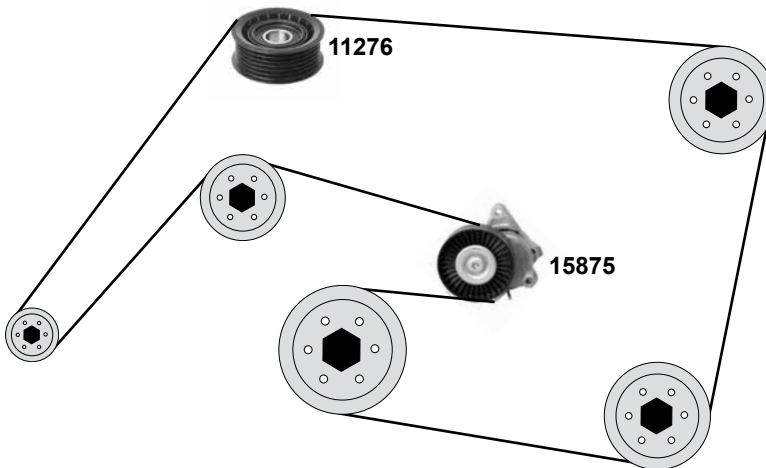
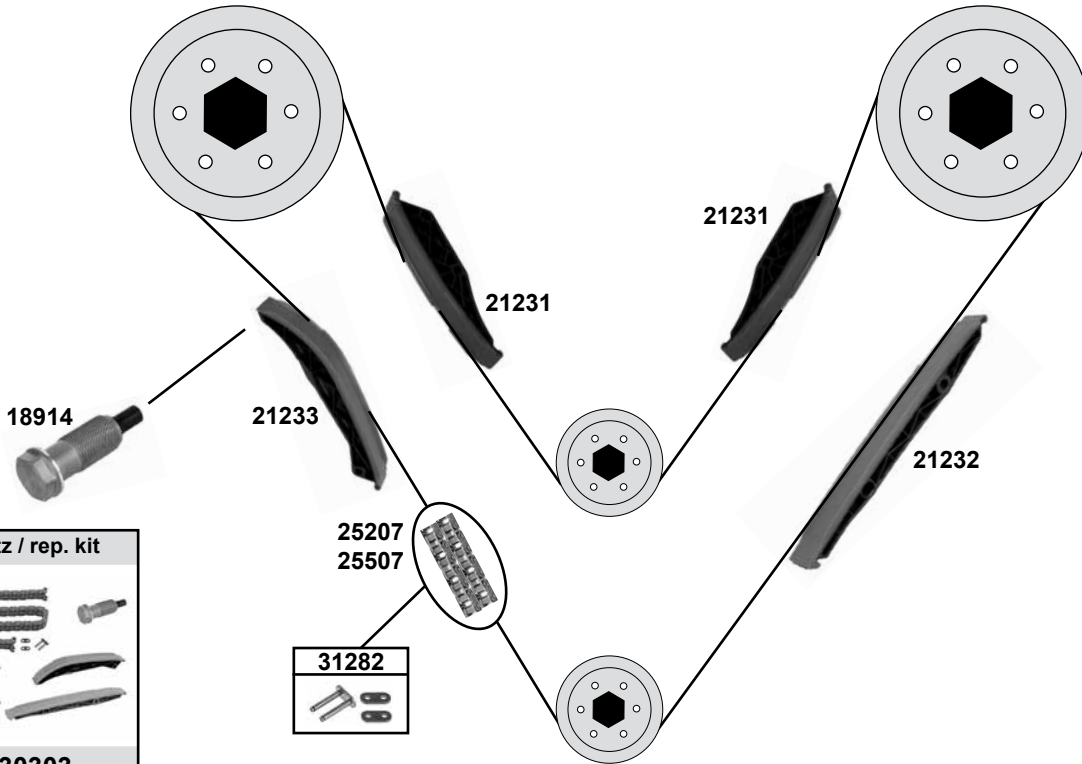
(97→)

Car  
Division



## CLK 320 / CLK 430 / CLK 55 AMG

(M 112.940 / M113.943,984)



(1) Nietverschluss / riveted link / bouchon de rivet / rivetti / cierre de roblón

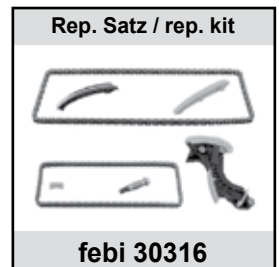
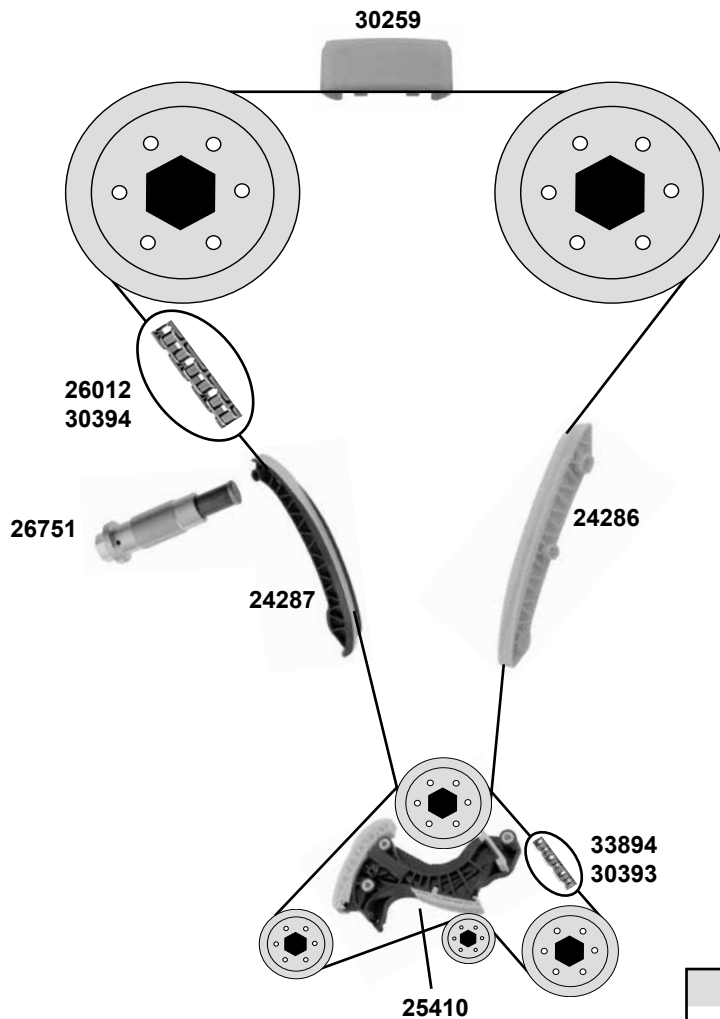


Ref. - No.



Ref. - No.	Description	Quantity	Dimensions
11276	Umlenkrolle / deflection pulley		ØA 64 ØI 17 B23
15875	Riemenspanner / belt tensioner		Ø 95
18914	Kettenspanner / chain tensioner		
21231	Gleitschiene / sliding rail		
21232	Gleitschiene / sliding rail		
21233	Gleitschiene / sliding rail		
25207	Steuerkette / timing chain	(1)	168 N
25507	Steuerkette / timing chain	(1)	168 E
30303	Rep. Satz Steuerkette / rep. kit timing chain		168 E
31282	Kettenglied / chain link	(1)	

## CLK 200 CGI / Kompressor (M 271.910,940,942,950,952,955)

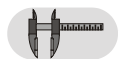


(1) (mot.) 271.940/942/955

(2) für Fahrzeuge mit Lanchester-Ausgleich / for vehicles with lanchester balancing system



Ref. - No.



Ref. - No.	Description	Quantity	Notes
24286	Gleitschiene links / sliding rail left	(1)	
24287	Gleitschiene rechts / sliding rail right	(1)	
25410	Kettenspanner / chain tensioner	(1)	
26012	Steuerkette / timing chain	(1)	142 E
26751	Kettenspanner / chain tensioner	(1)	
30259	Gleitschiene / sliding rail	(1)	
30315	Rep. Satz Steuerkette / rep. kit timing chain	(1)	
30316	Rep. Satz Steuerkette / rep. kit timing chain	(1)	
30393	Steuerkette / timing chain	(1)	E 106
30394	Steuerkette mit Nietverschluss/ timing chain with	(1)	142 N
33894	Steuerkette endlos / timing chain endless	(1)	106 E
40953	Rep. Satz Steuerkette / rep. kit timing chain	(1)	
40954	Rep. Satz Steuerkette / rep. kit timing chain	(1) (2)	



# MERCEDES-BENZ CLK-Klasse (BM 209)

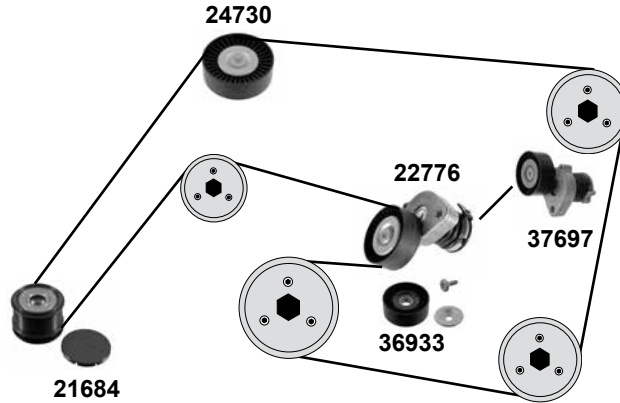
(02→09)

Car  
Division



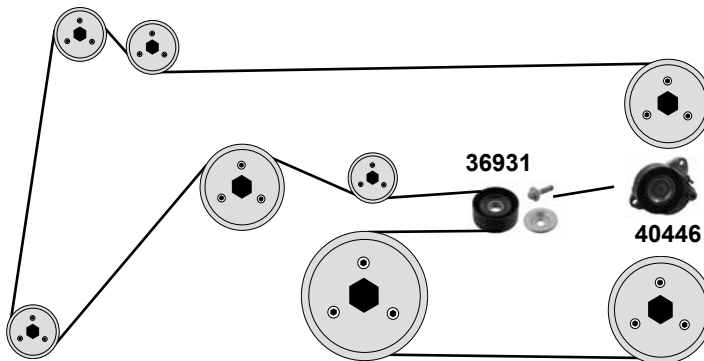
## CLK 200 CGI / Kompressor

(M 271.910,940,942,950,952,955)



## CLK Klasse

(M 156.982)



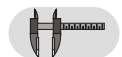
(1) (mot.) 271.940,942 für Lichtmaschine/for alternator 2711540802 / 2711540902/ 2711541002

(2) (mot.) 271.910,950,952

(3) (mot.) 271.940/942/955

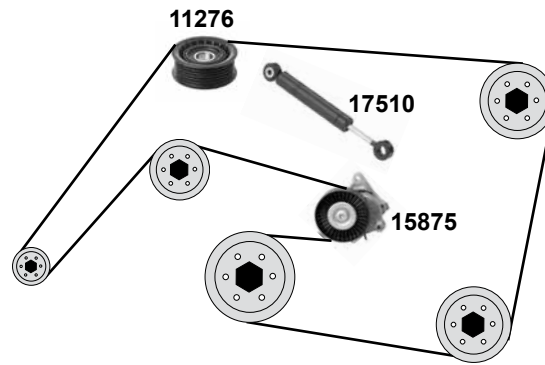
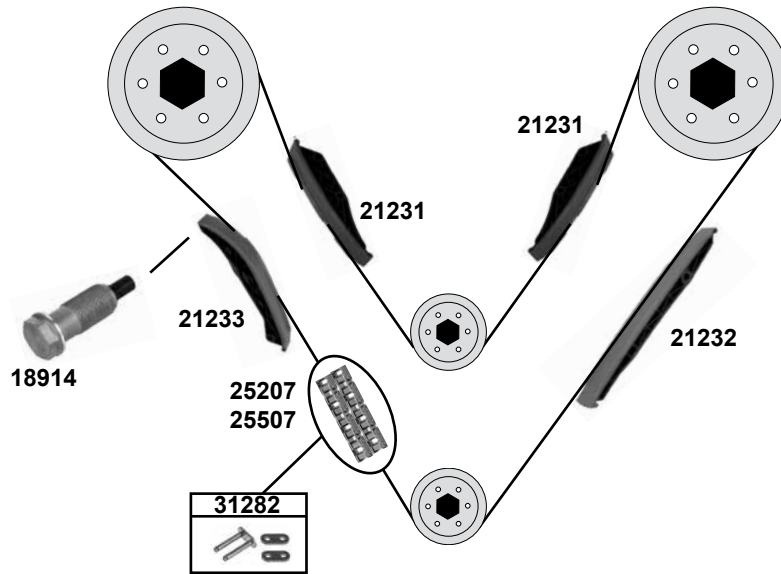


Ref. - No.



Part No.	Ref. - No.	Description	Quantity	Dimensions
21684	271 155 01 15	Riemenscheibe Lichtmaschine / belt pulley alternator	(1)	60 x 46,2
22776	271 200 02 70	Riemenspanner / belt tensioner	(2)	
24730	271 206 00 19	Umlenkrolle / deflection pulley	(3)	ØA 90 B 28
36931	113 202 00 19	Spannrolle / tension roller	(mot.) →6001452	ØA 65 B26
36933	271 200 05 70	Riemenspanner /belt tensioner	(3)	ØA76 B28
37697	271 200 04 70	Riemenspanner / belt tensioner	(3) (mot.) 31216220 →	ØA65 B26
40446	156 200 05 70	Riemenspanner / belt tensioner		ØA 76 B26

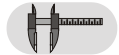
**CLK 240 / 320 / 500 / 55 AMG**  
(M 112.912, 955/ M 113.968, 987)



(1) Nietverschluß / riveted link / bouchon de rivet / rivetti / cierre de roblón



Ref. - No.



Ref. - No.	Description	Notes	Dimensions / Torque
11276	Umlenkrolle / deflection pulley		ØA 64 ØI 17 B23
15875	Riemenspanner / belt tensioner		Ø 95
17510	Schwingungsdämpfer / vibration damper	(mot.) 112.912	55 N - 600 N
18914	Kettenspanner / chain tensioner		
21231	Gleitschiene / sliding rail		
21232	Gleitschiene / sliding rail		
21233	Gleitschiene / sliding rail		
25207	Steuerkette / timing chain	(1)	168 N
25507	Steuerkette / timing chain	(1)	168 E
30303	Rep. Satz Steuerkette / rep. kit timing chain		
31282	Kettenglied / chain link	(1)	

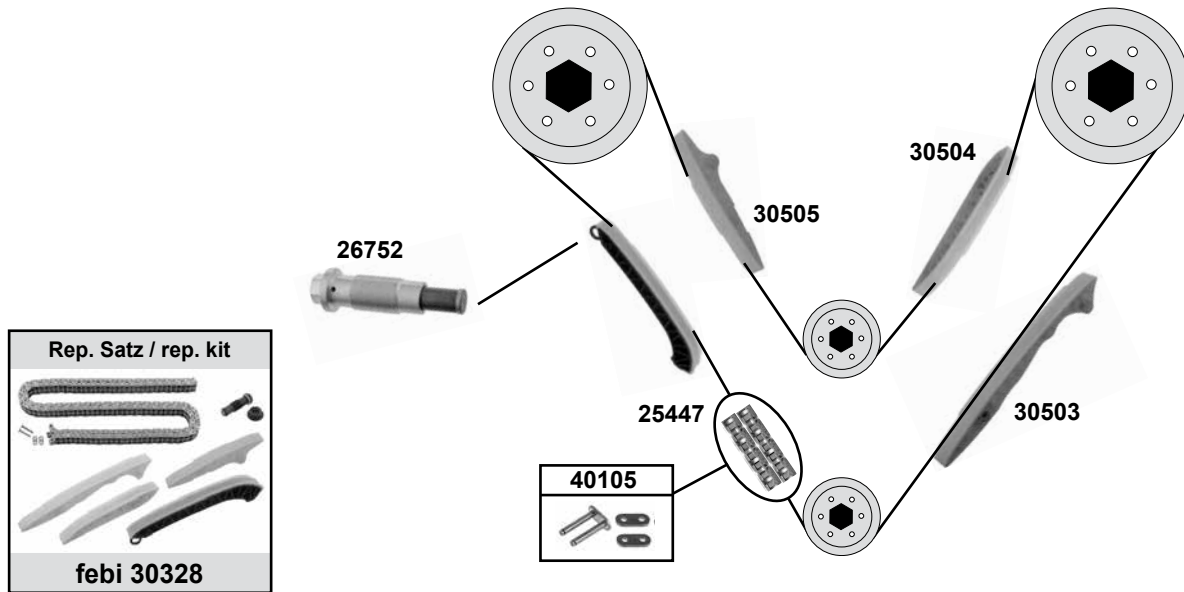
# MERCEDES-BENZ CLK-Klasse (BM 209)

(02→)



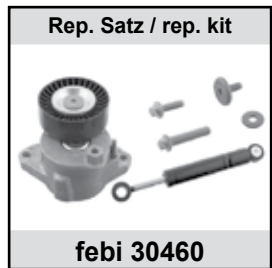
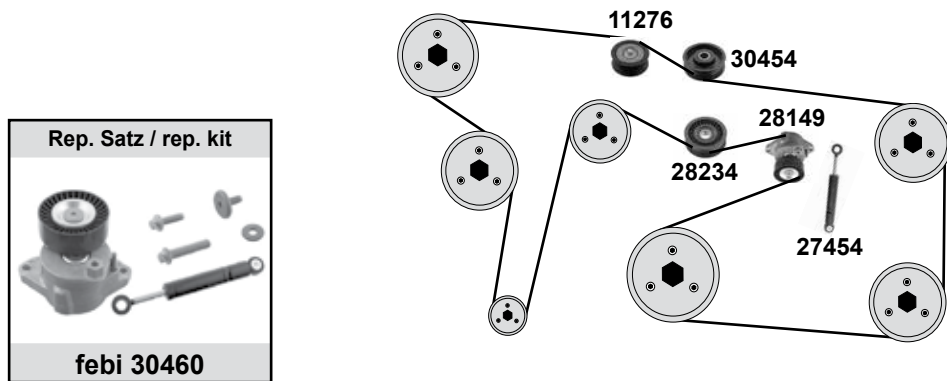
## CLK 280 / 350

(M 272.940,960 / M 273.967)



## CLK 280 / 350

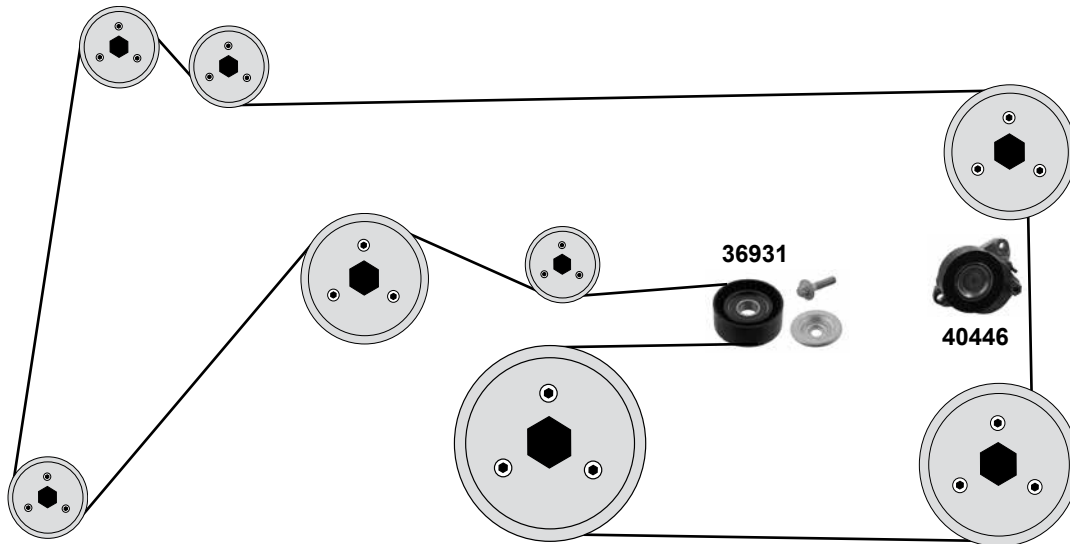
(M 272.940,960 / M 273.967)



- (1) (mot.) 272.940,960 (mot.) → 30089231 / → 06.05
- (2) (mot.) 30058377 →
- (3) mot. 272.940,960 : (mot.) 30009529 → / (mot.) 273.967
- (4) mot. 272.940 / 272.960 : (mot.) → 30058376
- (5) (mot.) 272.940,960 (mot.) 30089233 → / (mot.) 273.967 (mot.) 30089233 →



febi bilstein	Ref. - No.			
11276	000 202 09 19	Umlenkrolle / deflection pulley		ØA 64 ØI 17 B23
25447	000 993 06 76	Steuerkette / timing chain		216 N
26752	272 050 01 11	Kettenspanner / chain tensioner	(1)	
27454	272 200 01 14	Schwingungsdämpfer / vibration damper		55 N - 400 N
28149	272 200 02 70	Riemenspanner / belt tensioner		ØA 76
28234	272 202 01 19	Umlenkrolle / deflection pulley	(4)	80 x 28 x 17
30328	272 050 08 11 S1	Rep. Satz Steuerkette / rep. kit timing chain	(5)	
30454	272 202 14 19	Umlenkrolle / deflection pulley	(2)	ØA 70 B22
30460	272 200 02 70 S1	Rep. Satz Riemenspanner / rep. kit. timing belt		
30503	272 052 00 16	Gleitschiene / sliding rail		
30504	272 052 15 16	Gleitschiene / sliding rail	(3)	
30505	272 052 02 16	Gleitschiene / sliding rail		
40105	000 993 06 76 S2	Kettenglied / chain link		



Ref. - No.



**36931**  
**40446**

113 202 00 19  
156 200 05 70

Spannrolle / tension roller  
Riemenspanner / belt tensioner

(mot.) →6001452

ØA 65 B26  
ØA 76 B26

# MERCEDES-BENZ CLS-Klasse (BM 219)

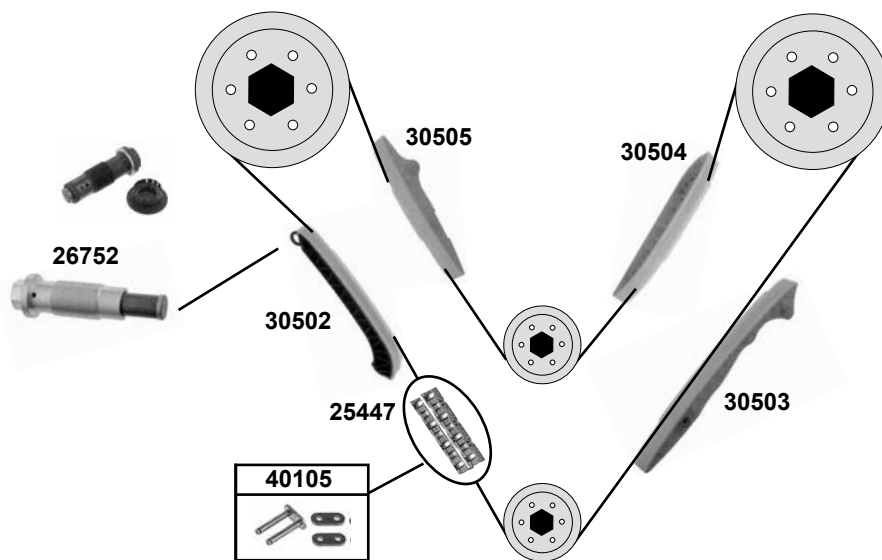
(04→)

Car  
Division



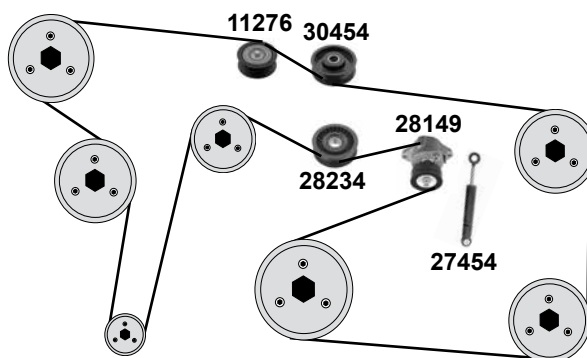
## CLS 350/CGI / CLS 500

(M 272.943,964,985/273.960,961)



## CLS 350 / CGI

(M 272.943,964,985 / M 273.960)



(1) (mot.) 272.964 (ch.) → 30089231/ → 06.05

(2) (mot.) 272.943,964,985 (ch.) 30058377 → / (mot.) M 273.960

(3) (mot.) 272.943,964 (mot.) 30009529 → / (mot.) M 272.985 / (mot.) M 273.960,961

(4) (mot.) 272.964 : (ch.) → 30058376 / (ex.) mot. 272.943

(5) (ch.) 30015317 → 30089232/ → 05.05

(6) (mot.) 272.943,964,985 (mot.) 30089233 → / (mot.) 273.960

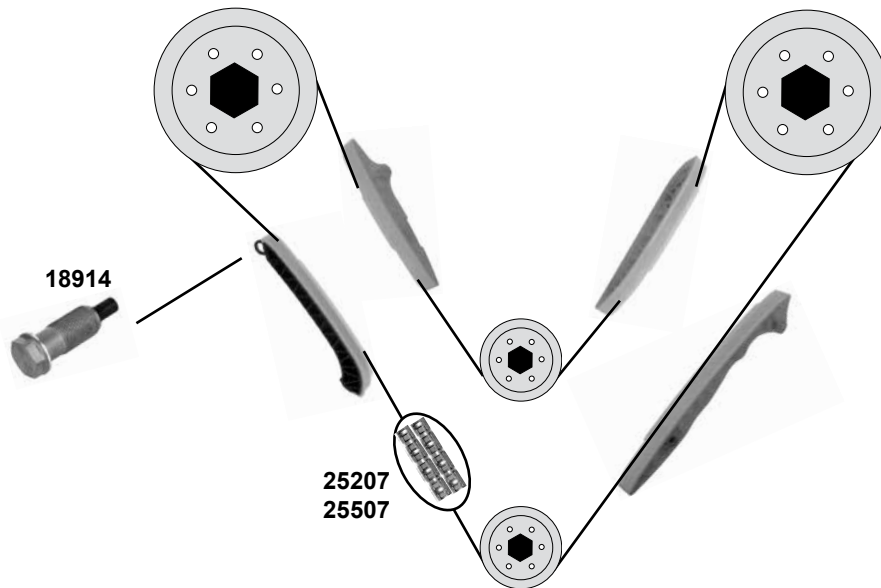


Ref. - No.

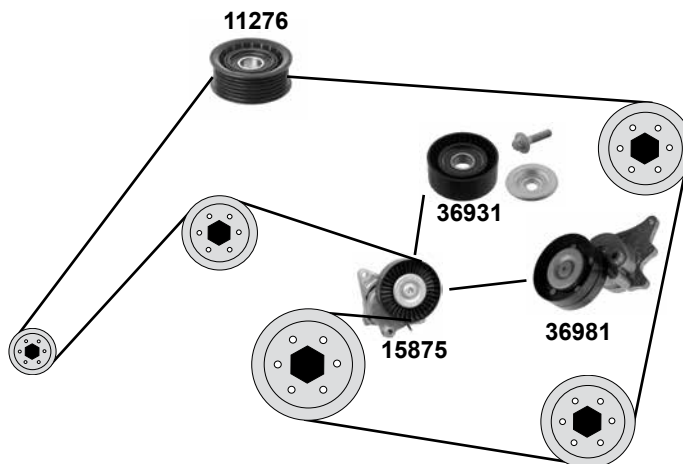


Part No.	Ref. - No.	Description	Quantity	Notes
11276	000 202 09 19	Umlenkrolle / deflection pulley		ØA 64 ØI 17 B23
25447	000 993 06 76	Steuerkette / timing chain	(ex.) 961	216 N
26752	272 050 01 11	Kettenspanner / chain tensioner	(1) (mot.) 272.	
27454	272 200 01 14	Schwingungsdämpfer / vibration damper	(ex.) 961	55 N - 400 N
28149	272 200 02 70	Riemenspanner / belt tensioner	(ex.) 961	ØA 76
28234	272 202 01 19	Umlenkrolle / deflection pulley	(4)	80 x 28 x 17
30328	272 050 08 11 S1	Rep. Satz Steuerkette / rep. kit timing chain	(6)	
30330	272 050 01 11 S2	Rep. Satz Steuerkette / rep. kit timing chain	(5) (mot.) 272.	E 216
30454	272 202 14 19	Umlenkrolle / deflection pulley	(2)	ØA 70 B22
30460	272 200 02 70 S1	Rep. Satz Riemenspanner / rep. kit belt tensioner	(ex.) 961	
30502	272 052 13 16	Gleitschiene / sliding rail	(6)	
30503	272 052 00 16	Gleitschiene / sliding rail	(ex.) 961	
30504	272 052 15 16	Gleitschiene / sliding rail	(3)	
30505	272 052 02 16	Gleitschiene / sliding rail	(ex.) 961	
40105	000 993 06 76 S2	Kettenglied / chain link	(ex.) 961	

**CLS 500**  
(M 113.967,990)



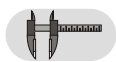
**CLS 500**  
(M 113.967,986,990)



(1) Nietverschluß / riveted link / bouchon de rivet / rivetti / cierre de roblón



Ref. - No.



Ref. - No.	Description	Quantity	Dimensions
11276	Umlenkrolle / deflection pulley		ØA 64 ØI 17 B23
15875	Riemenspanner / belt tensioner	(ex.) 986	
18914	Kettenspanner / chain tensioner		
25207	Steuerkette / timing chain	(1)	168 N
25507	Steuerkette / timing chain	(1)	168 E
30303	Rep. Satz Steuerkette / rep. kit timing chain		
36931	Spannrolle / tension roller	(mot.) M 113.990	ØA65 B26
36981	Riemenspanner / belt tensioner	(mot.) M 113.990	ØA90 B32

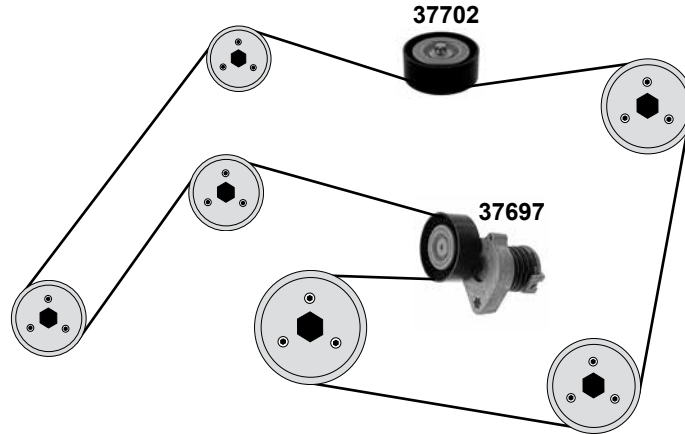
# MERCEDES-BENZ E-Klasse (BM 207)

(09→)

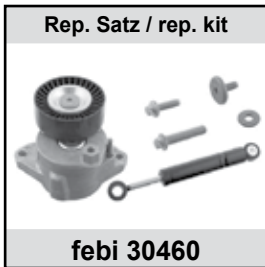
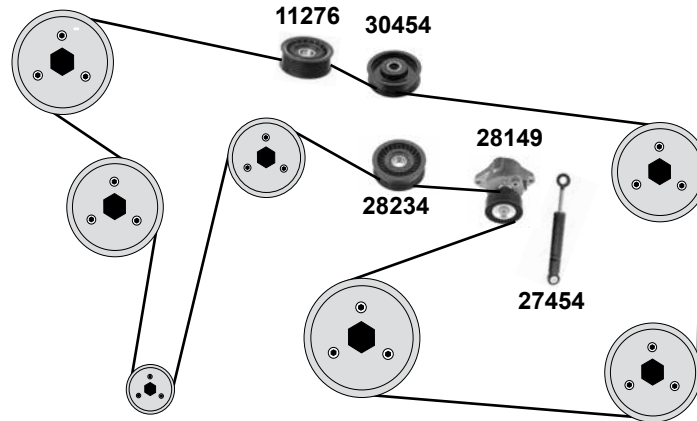
Car  
Division



(M 271.820,860)

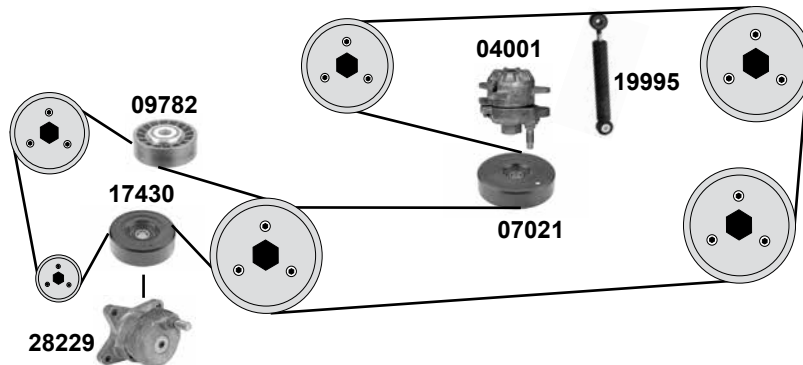
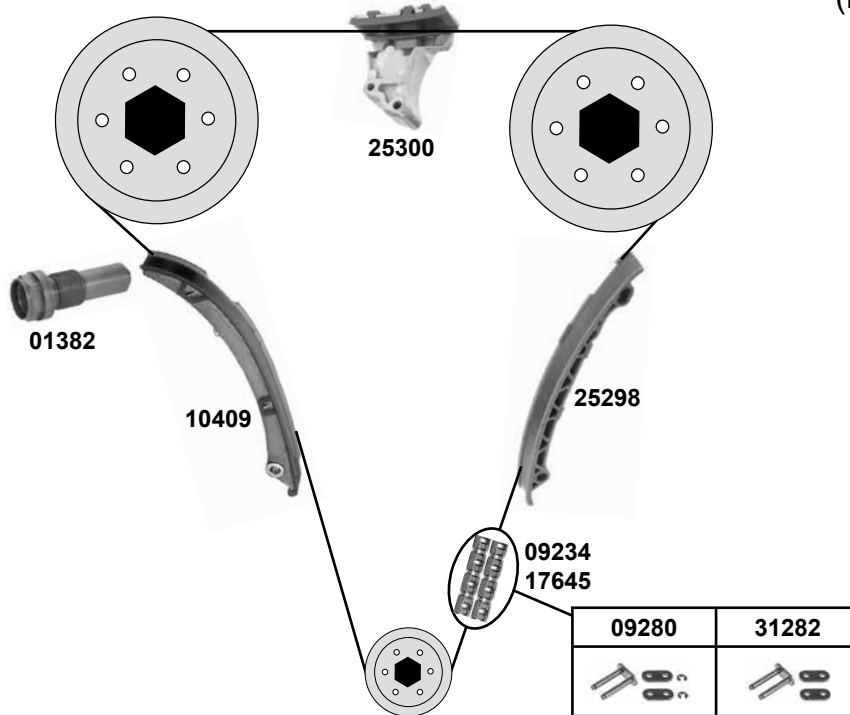


(M 272.982,984 / 273.966)



	Ref. - No.			
11276	272 202 10 19	Umlenkrolle / deflection pulley		ØA 64 ØI 17 B23
27454	000 202 09 19	Schwingungsdämpfer / vibration damper		
28149	272 202 01 19	Riemenspanner / belt tensioner		
28234	272 202 01 19	Umlenkrolle / deflection pulley		
30454	272 202 14 19	Umlenkrolle / deflection pulley		ØA 70 ØI 15 B22
30460	272 200 02 70 S1	Rep. Satz Riemenstapner / rep. kit belt tensioner		
37697	271 200 04 70	Riemenspanner / belt tensioner		ØA76 B28
37702	000 202 17 19	Umlenkrolle / deflection pulley		B 26
37703	000 202 16 19	Rep.Satz Umlenkrolle / rep. kit deflection pulley		ØA 67

## E 200 Komp. / E 200 T Komp./ E 230 / E 230 T (M 111.942,947,957,970)



(1) Nietverschluß / riveted link / bouchon de rivet / rivetti / cierre de roblón

(2) Federverschluß / split link / fermeture de ressort / cierre de resorte / falsa maglia



Ref. - No.



Ref. - No.	Description	Notes	Dimensions
01382	Kettenspanner / chain tensioner		
04001	Riemenspanner / belt tensioner	(mot.) 957,970	
07021	Spannrolle / tension roller	(mot.) 957,970	110 x 28 x 15
09234	Steuerkette / timing chain	(1)	D 455 / 126 N
09280	Kettenglied / chain link	(2) (mot.) 957,970	11 / D 455
09782	Spannrolle / tension roller	(mot.) 957	
10409	Gleitschiene / sliding rail	(mot.) 970	
17430	Spannrolle / tension roller	(mot.) 957	
17645	Steuerkette / timing chain		126 E
19995	Schwingungsdämpfer / vibration damper	(mot.) 957,970	55 N - 435 N
25298	Gleitschiene / sliding rail		
25300	Gleitschiene / sliding rail		
28229	Riemenspanner / belt tensioner	(mot.) 957	
30304	Rep. Satz Steuerkette / rep. kit timing chain		
31282	Kettenglied / chain link	(2)	
40621	Rep. Satz Steuerkette / rep. kit timing chain		



# MERCEDES-BENZ E-Klasse (BM 210)

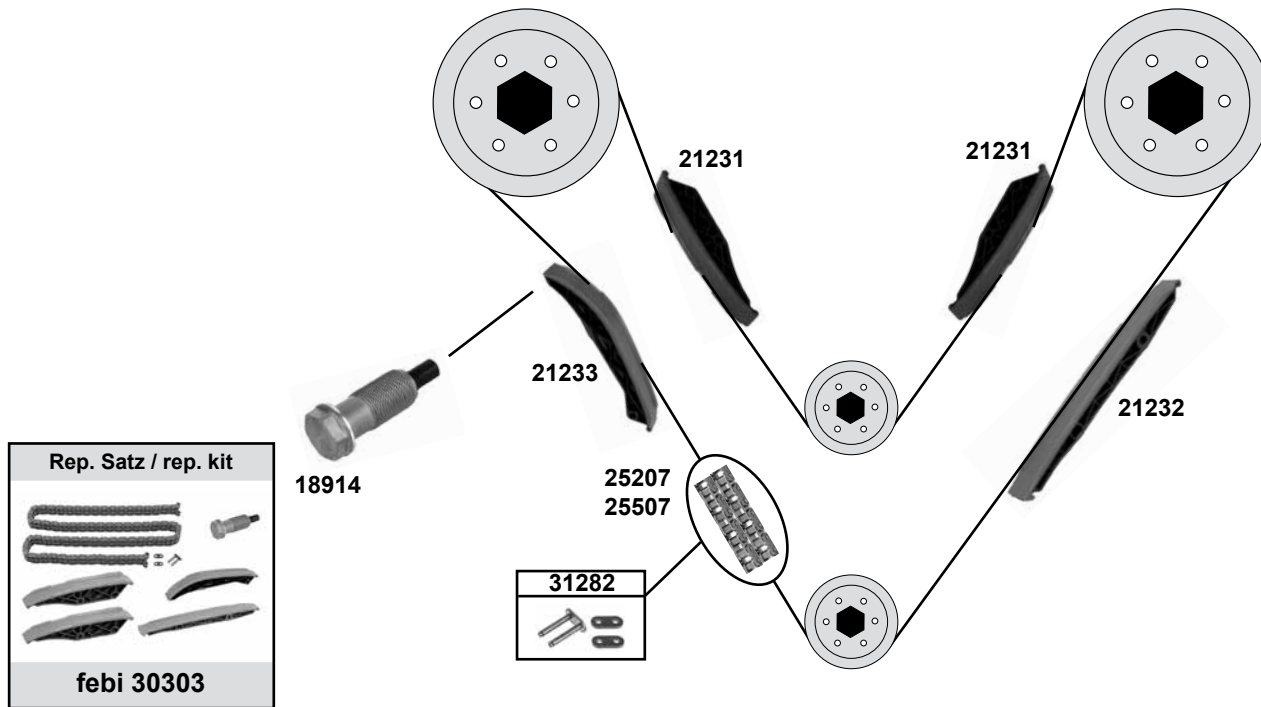
(95→03)

Car  
Division



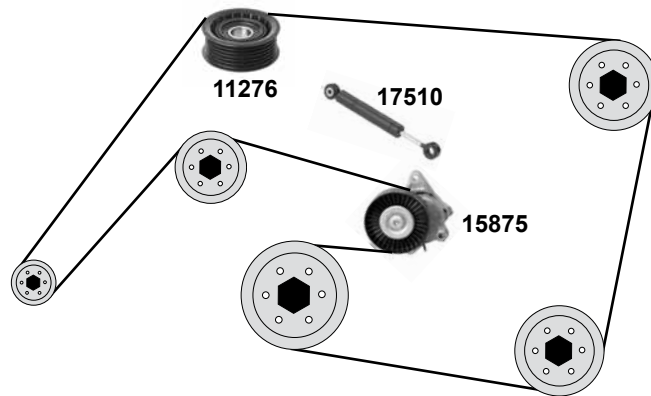
## E 240 / E 240 T

(M 112.911,914 921,941 / M113.940,980)



## E 240 / E 240 T / E 430 / E 430T

(M 112.911,914 921,941/ M 113.940,980)



(1) Nietverschluß / riveted link / bouchon de rivet / rivetti / cierre de roblón

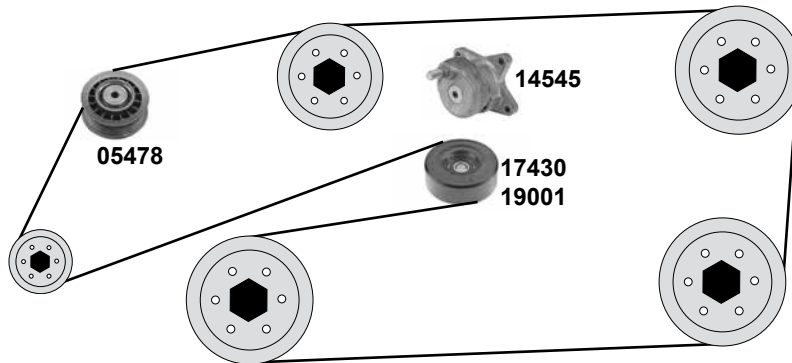
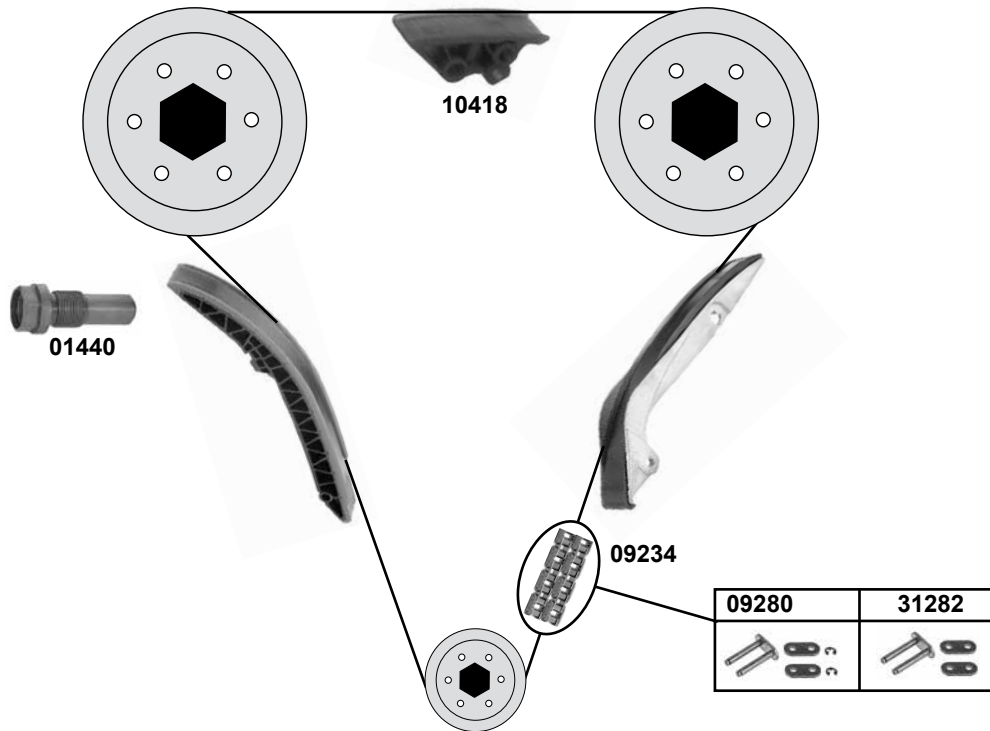
(2) (mot.) M 112.911,914 921,941



Ref. - No.



Ref. - No.	Description	Notes	Dimensions
11276	Umlenkrolle / deflection pulley		ØA 64 Ø1 17 B23
15875	Riemenspanner / belt tensioner		Ø 95
17510	Schwingungsdämpfer / vibration damper	(mot.) 112.911,914,921	55 N - 600 N
18914	Kettenspanner / chain tensioner		
21231	Gleitschiene / sliding rail	(mot.) 112.911,914	
21232	Gleitschiene / sliding rail	(mot.) 112.911,914	
21233	Gleitschiene / sliding rail	(mot.) 112.911,914	
25207	Steuerkette / timing chain	(1)	168 N
25507	Steuerkette / timing chain	(1)	168 E
30303	Rep. Satz Steuerkette / rep. kit timing chain	(2)	E 168
31282	Kettenglied / chain link	(1) (2)	



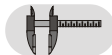
(1) (mot.) → 000500  
 (mot.) → 002627

(2) (mot.) 000501 →  
 (mot.) 002628 →

(3) Nietverschluss / riveted link /  
bouchon de rivet / rivetti /  
cierre de roblón



Ref. - No.



01440	120 050 02 11	Kettenspanner / chain tensioner		
05478	601 200 10 70	Umlenkrolle / deflection pulley		
09234	003 997 17 94	Steuerkette / timing chain	(3)	69 x 26/31,5 D 455 / 126 N 11 / D 455
09280	000 997 05 98	Kettenglied / chain link		
10418	104 052 14 16	Gleitschiene / sliding rail		
14545	104 200 08 70	Riemenspanner / belt tensioner		
17430	119 200 14 70	Spannrolle / tension roller	(1)	
19001	104 200 10 70	Spannrolle / tension roller	(2)	ØA 80
30311	120 050 02 11 S1	Rep. Satz Steuerkette / rep. kit timing chain		
31282	000 997 22 98	Kettenglied / chain link	(3)	

# MERCEDES-BENZ E-Klasse (BM 210)

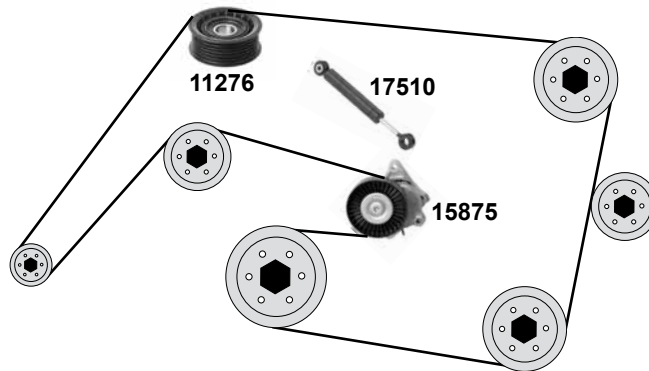
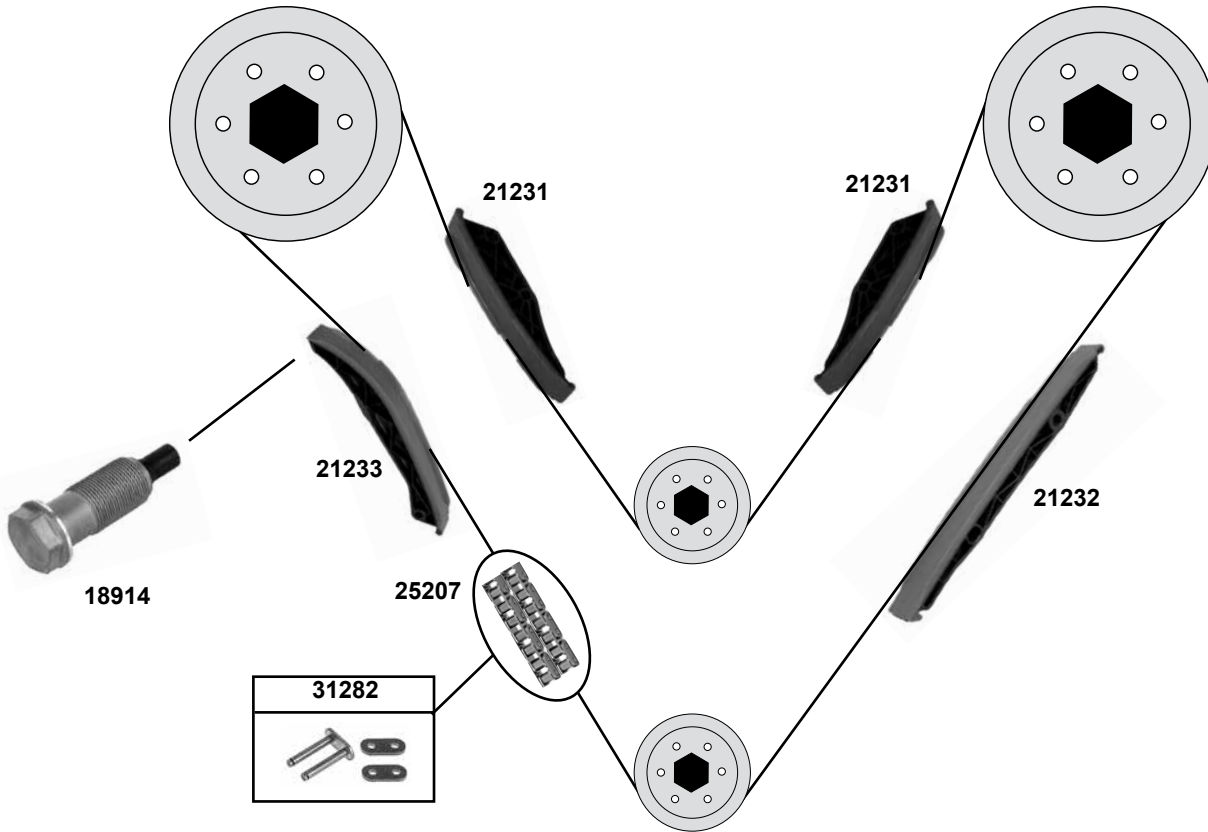
(95→03)

Car  
Division 



## E 280 / E 280 T

(M 112.921)



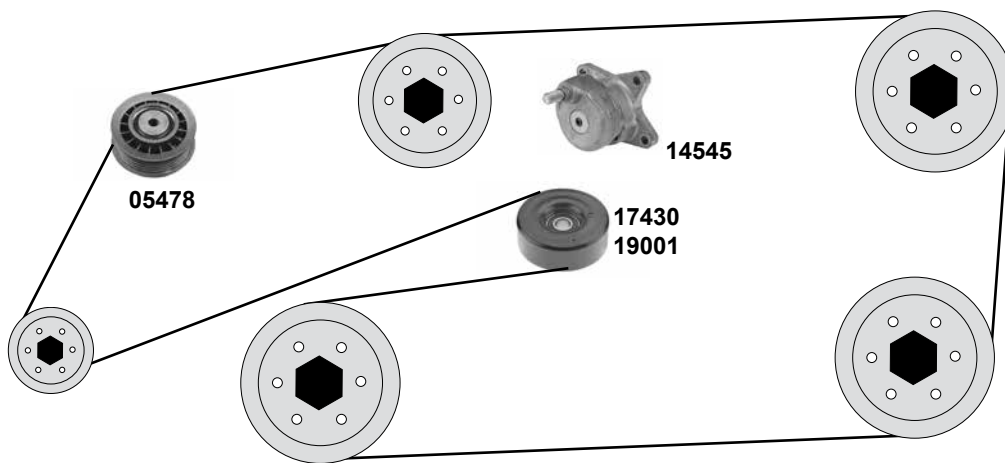
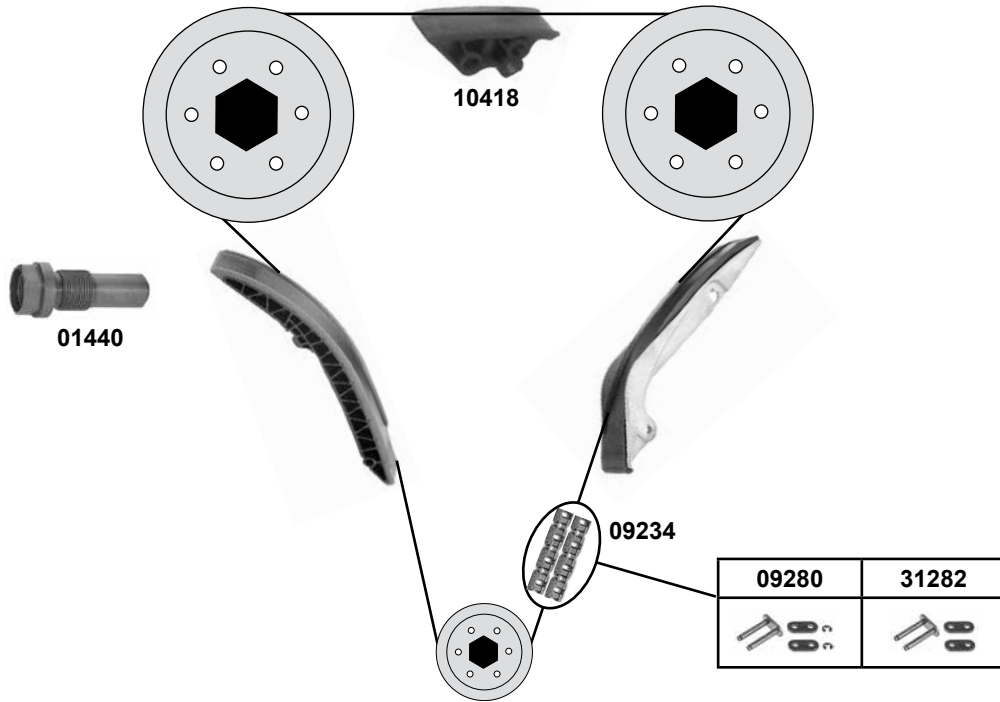
(1) Nietverschluß / riveted link / bouchon de rivet / rivetti / cierre de roblón



Ref. - No.



Ref. - No.	Description	Notes	Dimensions
11276	Umlenkrolle / deflection pulley		ØA 64 ØI 17 B23
15875	Riemenspanner / belt tensioner	(mot.) → 019834	Ø 95
17510	Schwingungsdämpfer / vibration damper		55 N - 600 N
18914	Kettenspanner / chain tensioner		
21231	Gleitschiene / sliding rail		
21232	Gleitschiene / sliding rail		
21233	Gleitschiene / sliding rail		
25207	Steuerkette / timing chain		168 E
31282	Kettenglied / chain link	(1)	



(1) Nietverschluss / riveted link / bouchon de rivet / rivetti / cierre de roblón



(2) (mot.) → 034379

(3) (mot.) 034380 →



Ref. - No.



Ref. - No.	Description	Quantity	Notes
01440	Kettenspanner / chain tensioner		
05478	Umlenkrolle / deflection pulley		
09234	Steuerkette / timing chain	(1)	69 x 26/31,5 D 455 / 126 N 11 / D 455
09280	Kettenglied / chain link		
10418	Gleitschiene / sliding rail		
14545	Riemenspanner / belt tensioner		
17430	Spannrolle / tension roller	(2)	
19001	Spannrolle / tension roller	(3)	ØA 80
30311	Rep. Satz Steuerkette / rep. kit timing chain		
31282	Kettenglied / chain link	(1)	

# MERCEDES-BENZ E-Klasse (BM 207)

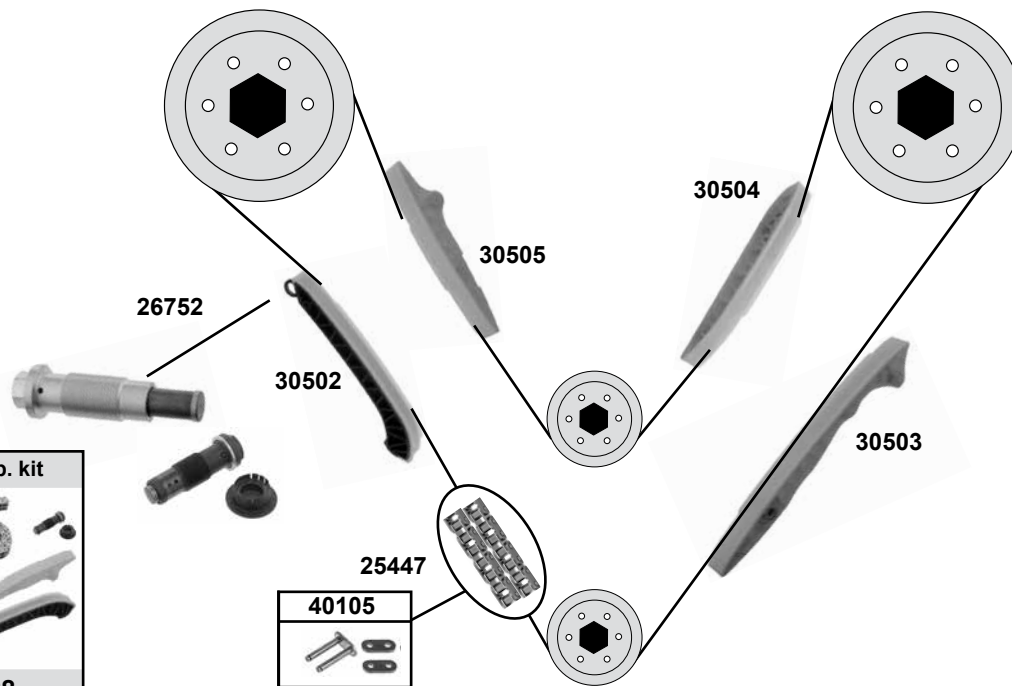
(09 →)

Car  
Division

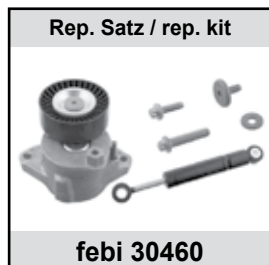
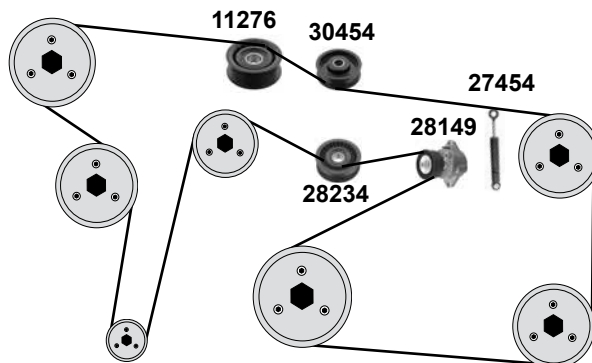


## E 350 / E 350 CGI

(M 272.982,984,988 / 273.966,971)



(M 272.961,982,984 / 273.966)



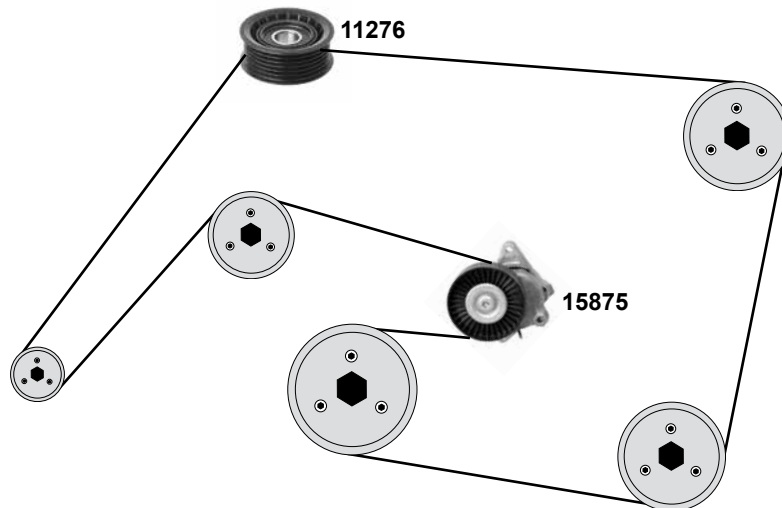
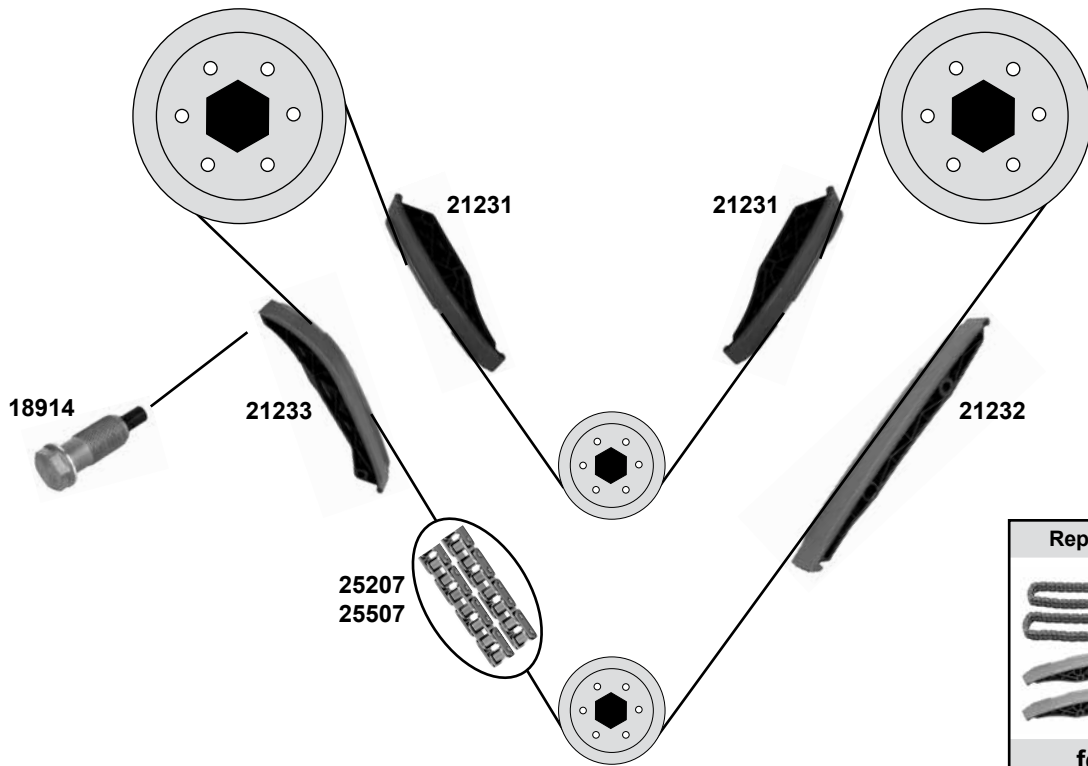
- (1) mot. 272.984 : 30058377→
- (2) (mot.) 272.982,984,988 (mot.) 30089233→ / (mot.) 273.966,971
- (3) M 272.982 (mot.) 3009529→ / M 272.982,984 / (mot.) 273.966,971



Ref. - No.



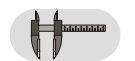
Ref. - No.	Description	Quantity	Notes
11276	Umlenkrolle / deflection pulley	(1)	ØA 64 B23
25447	Steuerkette / timing chain	(mot.) 272.	216 N
26752	Kettenspanner / chain tensioner	(mot.) M 272.	
27454	Schwingungsdämpfer / vibration damper		
28149	Riemenspanner / belt tensioner		
28234	Umlenkrolle / deflection pulley	→ 30058376	ØI17 ØA80 B25
30328	Rep. Satz Steuerkette / rep. kit timing chain	(2)	
30454	Umlenkrolle / deflection pulley	(1)	ØA70 B22
30460	Rep. Satz Riemenspanner / rep. kit belt tensioner		
30502	Gleitschiene / sliding rail	(2)	
30503	Gleitschiene / sliding rail	(mot.) 272.	
30504	Gleitschiene / sliding rail	(3)	
30505	Gleitschiene / sliding rail	(mot.) 272.	
40105	Kettenglied / chain link		



(1) Nietverschluß / riveted link / bouchon de rivet / rivetti / cierre de roblón



Ref. - No.



Ref. - No.	Description	Notes	Dimensions
<b>11276</b>	Umlenkrolle / deflection pulley		ØA 64 ØI 17 B23
<b>15875</b>	Riemenspanner / belt tensioner	(mot.) → 019834	
<b>18914</b>	Kettenspanner / chain tensioner		
<b>21231</b>	Gleitschiene / sliding rail		
<b>21232</b>	Gleitschiene / sliding rail		
<b>21233</b>	Gleitschiene / sliding rail		
<b>25207</b>	Steuerkette / timing chain	(1)	168 N
<b>25507</b>	Steuerkette / timing chain	(1)	168 E
<b>30303</b>	Rep Satz Steuerkette / rep. kit timing chain		

# MERCEDES-BENZ E-Klasse (BM 210)

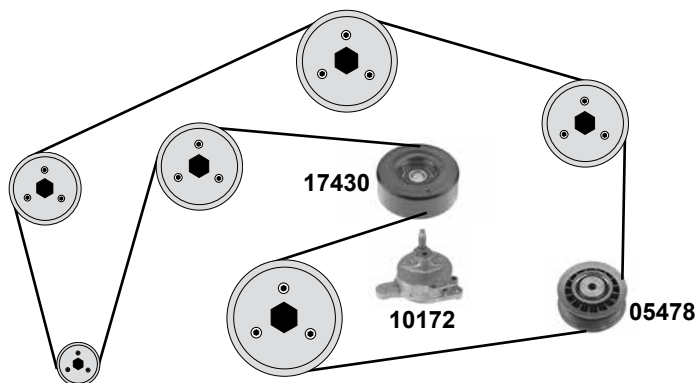
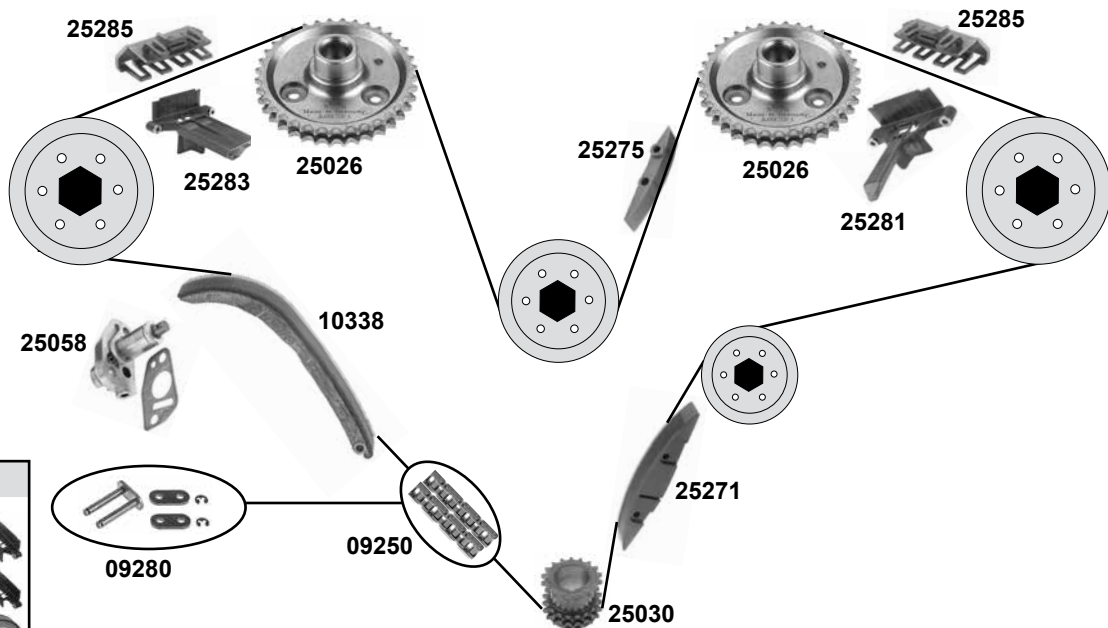
(95 → 03)

Car  
Division



## E 420 / E 420 T / E 50 AMG

(M 119.980,985)



(1) Nietverschluß / riveted link / bouchon de rivet / rivetti / cierre de roblón



Ref. - No.



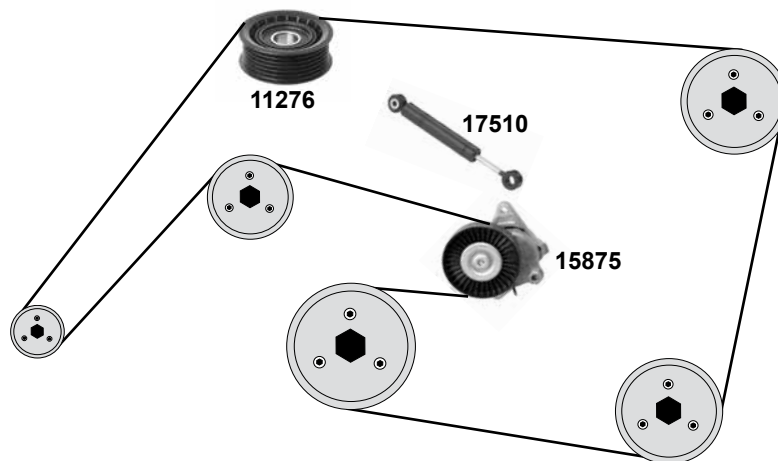
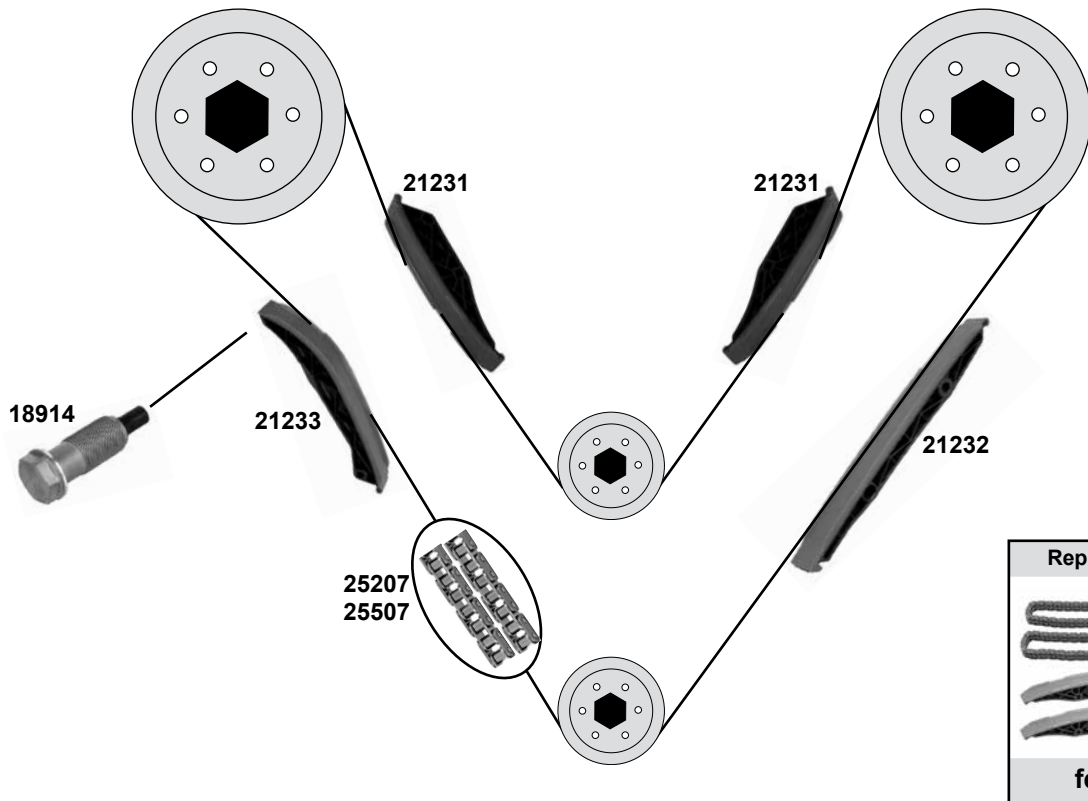
<b>05478</b>	601 200 10 70	Umlenkrolle / deflection pulley
<b>09250</b>	003 997 44 94	Steuerkette / timing chain
<b>09280</b>	000 997 05 98	Kettenglied / chain link
<b>10172</b>	119 200 11 70	Riemenspanner / belt tensioner
<b>10338</b>	119 050 04 16	Gleitschiene / sliding rail
<b>17430</b>	119 200 14 70	Spannrolle / tension roller
<b>25026</b>	119 050 10 04	Nockenwellenrad / camshaft gear
<b>25030</b>	119 052 01 03	Kurbelwellenzahnrad / crankshaft gear
<b>25058</b>	119 050 17 11	Kettenspanner / chain tensioner
<b>25271</b>	119 052 12 16	Gleitschiene / sliding rail
<b>25275</b>	119 052 11 16	Gleitschiene / sliding rail
<b>25281</b>	119 050 02 16	Gleitschiene / sliding rail
<b>25283</b>	119 050 03 16	Gleitschiene / sliding rail
<b>25285</b>	119 052 09 16	Gleitschiene / sliding rail
<b>30313</b>	119 050 17 11 S1	Rep. Satz Steuerkette / rep. kit timing chain

(1)

69 x 26/31,5  
D 455 / 216 N  
11 / D 455

Z 36  
Z 18

**E 430 / E 55 AMG**  
(M 113.940,980)



(1) Nietverschluß / riveted link / bouchon de rivet / rivetti / cierre de roblón



Ref. - No.



<b>11276</b>	272 202 10 19	Umlenkrolle / deflection pulley		ØA 64 ØI 17 B23
<b>15875</b>	112 200 09 70	Riemenspanner / belt tensioner	(mot.) → 290775	
<b>17510</b>	112 200 00 14	Schwingungsdämpfer / vibration damper	(ex.) 980	55 N - 600 N
<b>18914</b>	112 050 08 11	Kettenspanner / chain tensioner		
<b>21231</b>	112 052 01 16	Gleitschiene / sliding rail		
<b>21232</b>	112 052 00 16	Gleitschiene / sliding rail		
<b>21233</b>	112 052 02 16	Gleitschiene / sliding rail		
<b>25207</b>	003 997 68 94	Steuerkette / timing chain	(1)	168 N
<b>25507</b>	003 997 68 94 S1	Steuerkette / timing chain	(1)	168 E
<b>30303</b>	112 050 08 11 S1	Rep. Satz Steuerkette / rep. kit timing chain		



# MERCEDES-BENZ E-Klasse (BM 211)

(02 →)

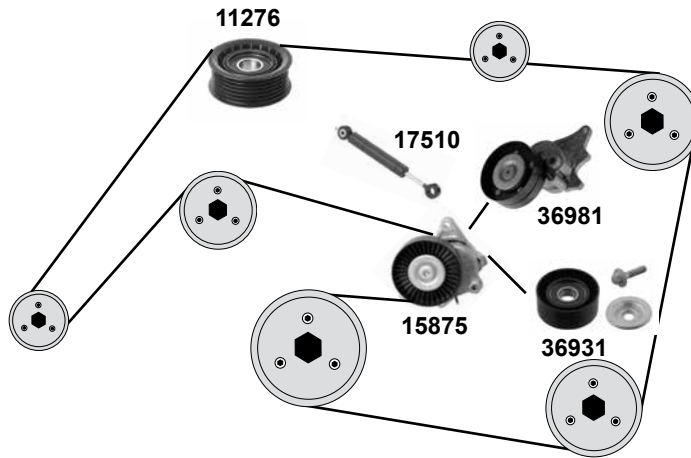
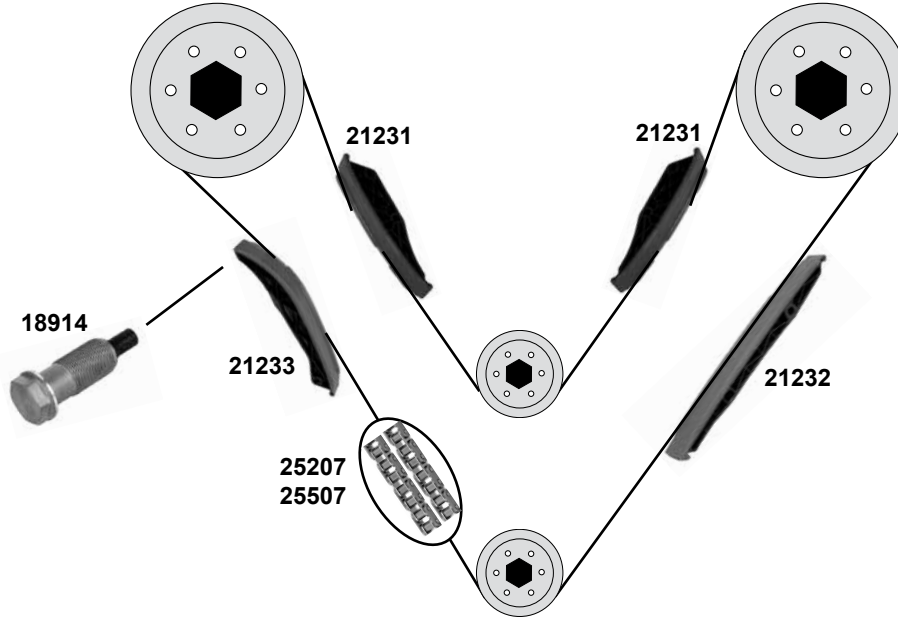
Car  
Division



## E 240 - E 500

(M 112.913, 917, 949, 954)

(M 113.967, 969, 990)



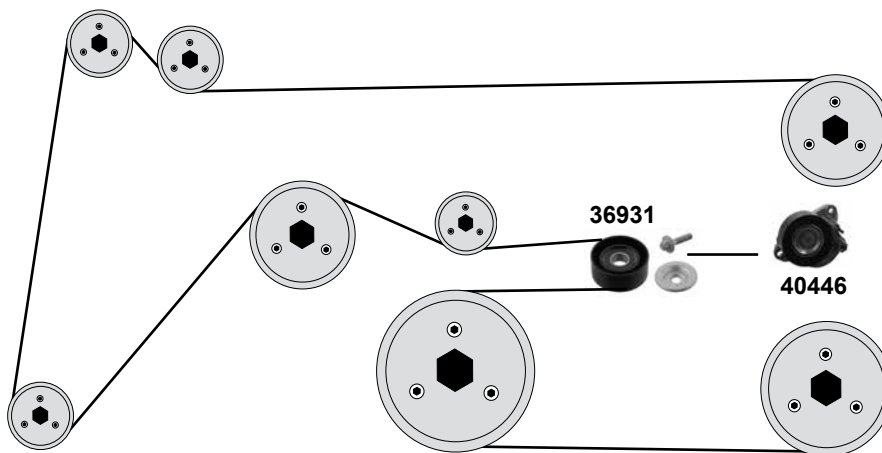
(1) Nietverschluß / riveted link / bouchon de rivet / rivetti / cierre de roblón



Ref. - No.



Ref. - No.	Description	Part No.	Dimensions
11276	Umlenkrolle / deflection pulley	(ex.) M 113.990	ØA 64 Ø1 17 B23
15875	Riemenspanner / belt tensioner	(mot.) 912.913,917	55 N - 600 N
17510	Schwingungsdämpfer / vibration damper	(1)	168 N
18914	Kettenspanner / chain tensioner	(1)	168 E
21231	Gleitschiene / sliding rail	(mot.) M 113.990	ØA65 B26
21232	Gleitschiene / sliding rail	(mot.) M 113.990	ØA90 B32
21233	Gleitschiene / sliding rail		
25207	Steuerkette / timing chain		
25507	Steuerkette / timing chain		
30303	Rep. Satz Steuerkette / rep. kit timing chain		
36931	Spannrolle / tension roller		
36981	Riemenspanner / belt tensioner		



# MERCEDES-BENZ E-Klasse (BM 211)

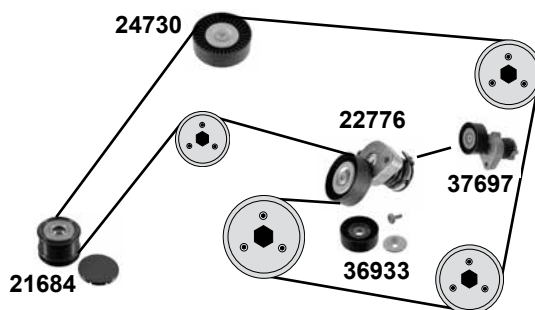
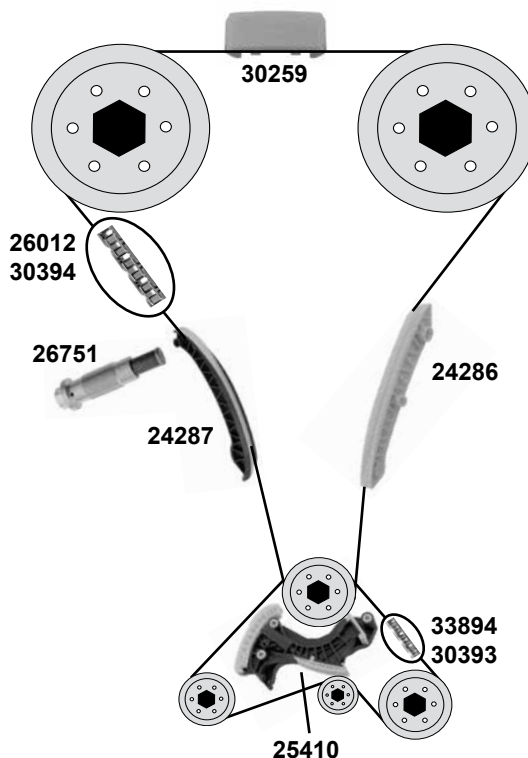
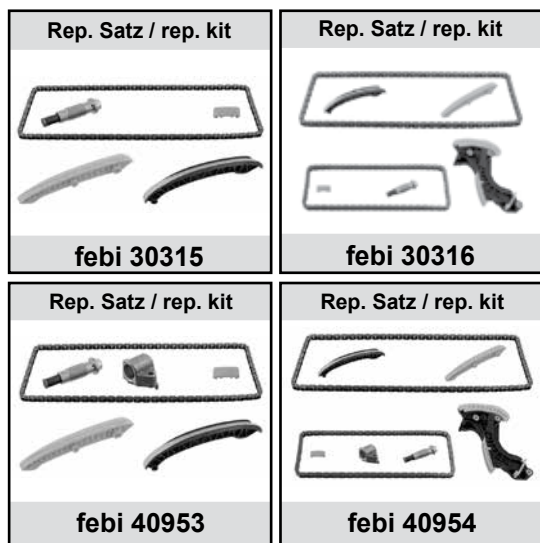
(02 →)

Car  
Division



## E 200 Kompressor

(M 271.941,956)

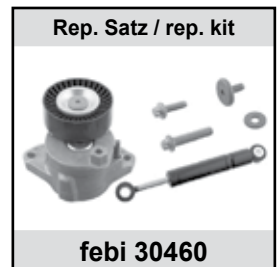
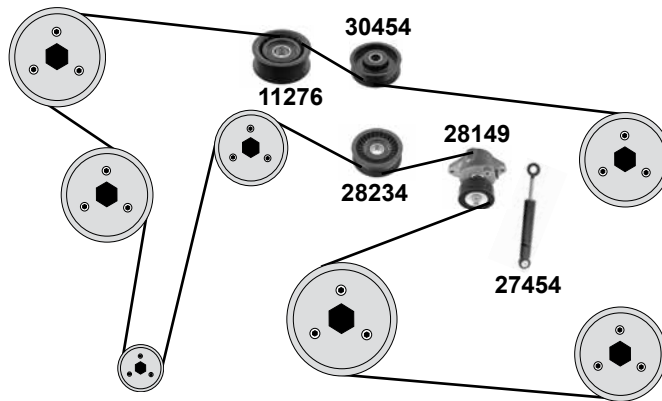
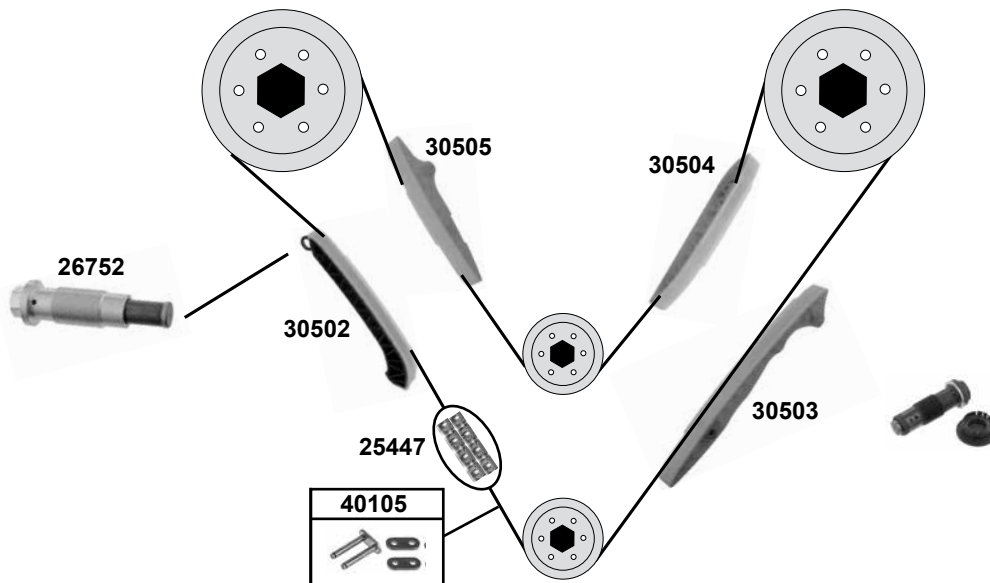


	Ref. - No.			
21684	271 155 00 16	Riemenscheibe Lichtmaschine / belt pulley alternator	(mot.) 271.941	60 x 46,2
22776	271 200 02 70	Riemenspanner /belt tensioner		
24286	271 052 10 16	Gleitschiene / sliding rail		
24287	271 052 11 16	Gleitschiene / sliding rail		
24730	271 206 00 19	Umlenkrolle / deflection pulley		90,5 x 28
25410	271 030 08 63	Kettenspanner / chain tensioner		
26012	000 993 21 76	Steuerkette mit Nietverschluss / timing chain with riveting link		142 N
26751	271 050 06 11	Kettenspanner / chain tensioner		
30259	271 052 04 16	Gleitschiene / sliding rail		
30315	271 052 06 11 S1	Rep. Satz Steuerkette / rep. kit timing chain		
30316	271 050 06 11 S2	Rep. Satz Steuerkette / rep. kit timing chain		142 E
30393	000 993 20 76	Steuerkette mit Nietverschluss/ timing chain with riveting link		106 N
30394	00 993 19 76	Steuerkette endlos/ timing chain with endless		142 E
36933	271 200 05 70	Riemenspanner /belt tensioner		ØA76 B28
33894	000 993 20 76 S1	Steuerkette endlos / timing chain endless		106 E
37697	271 200 04 70	Riemenspanner / belt tensioner	(mot.) 31216220→	ØA65 B26
40953	271 050 06 11 S3	Rep. Satz Steuerkette / rep. kit timing chain		
40954	271 050 06 11 S4	Rep. Satz Steuerkette / rep. kit timing chain		



## E 230 / 250 / 280 / 300/4-Matic / 350

(M 272.922,943,944,964,972,974,985 / M 273.960,962)



(1) (mot.) 272.943,944,964,972 : → (mot.) 290775 / → 06.05

(4) M 272.922,943,944,964,972 (mot.) 30009529→ / M 272.985 / M 273.960,962

(2) (mot.) 272. ... : 3005837 → / (ex.) (mot.) 272.974 (mot.) 273.960,962

(5) (mot.) 272.964,972: (ch.) 30058376

(3) (ex.) (mot.) 273. 960,962

(6) (mot.) 272. ... : 30015317 → 30089232 / 04.04→ 05.05

(7) (mot.) 272.922,943,944,964,972,985 (mot.) 30089233→ / (mot.) 273.960,962



Ref. - No.



Ref. - No.	Description	Quantity	Dimensions
11276	Umlenkrolle / deflection pulley		ØA 64 ØI 17 B23
25447	Steuerkette / timing chain		216 N
26752	Kettenspanner / chain tensioner	(ex.) 974 (1)	
27454	Schwingungsdämpfer / vibration damper	(ex.) 974	55 N - 400 N
28149	Riemenspanner / belt tensioner	(ex.) 974	ØA 76
28234	Riemenspanner / belt tensioner	(3) (5)	80 x 28 x 17
30328	Rep. Satz Steuerkette / rep. kit timing chain	(7)	
30330	Rep. Satz Steuerkette / rep. kit timing chain	(6)	
30454	Umlenkrolle / deflection pulley	(2)	ØA 70 B22
30460	Rep. Satz Riemenspanner / rep. kit belt tensioner	(ex.) 974	
30502	Gleitschiene / sliding rail	(7)	
30503	Gleitschiene / sliding rail	(ex.) 974	
30504	Gleitschiene / sliding rail	(4)	
30505	Gleitschiene / sliding rail	(ex.) 974	
40105	Kettenglied / chain link	(ex.) 974	

passend für / to fit

# MERCEDES-BENZ E-Klasse (BM 212)

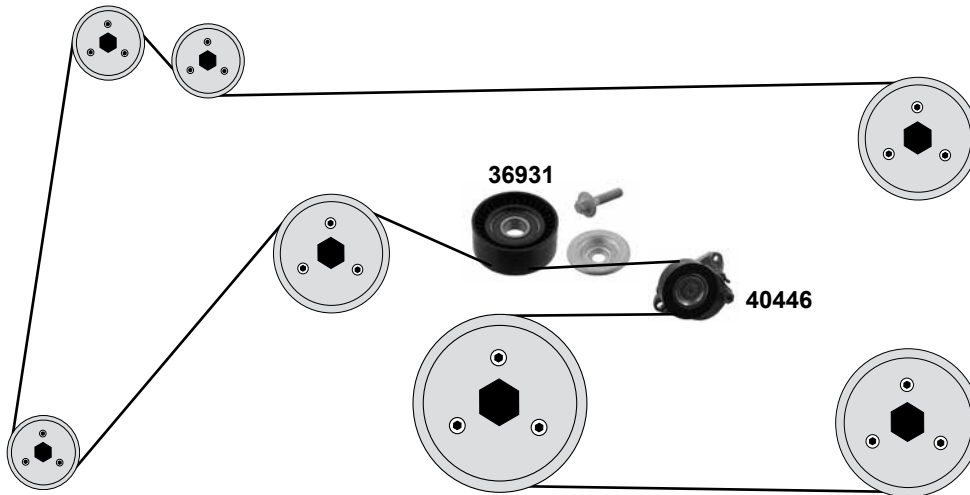
(02 →)

Car  
Division



## E-Klasse

(M 156.980,985)



Ref. - No.



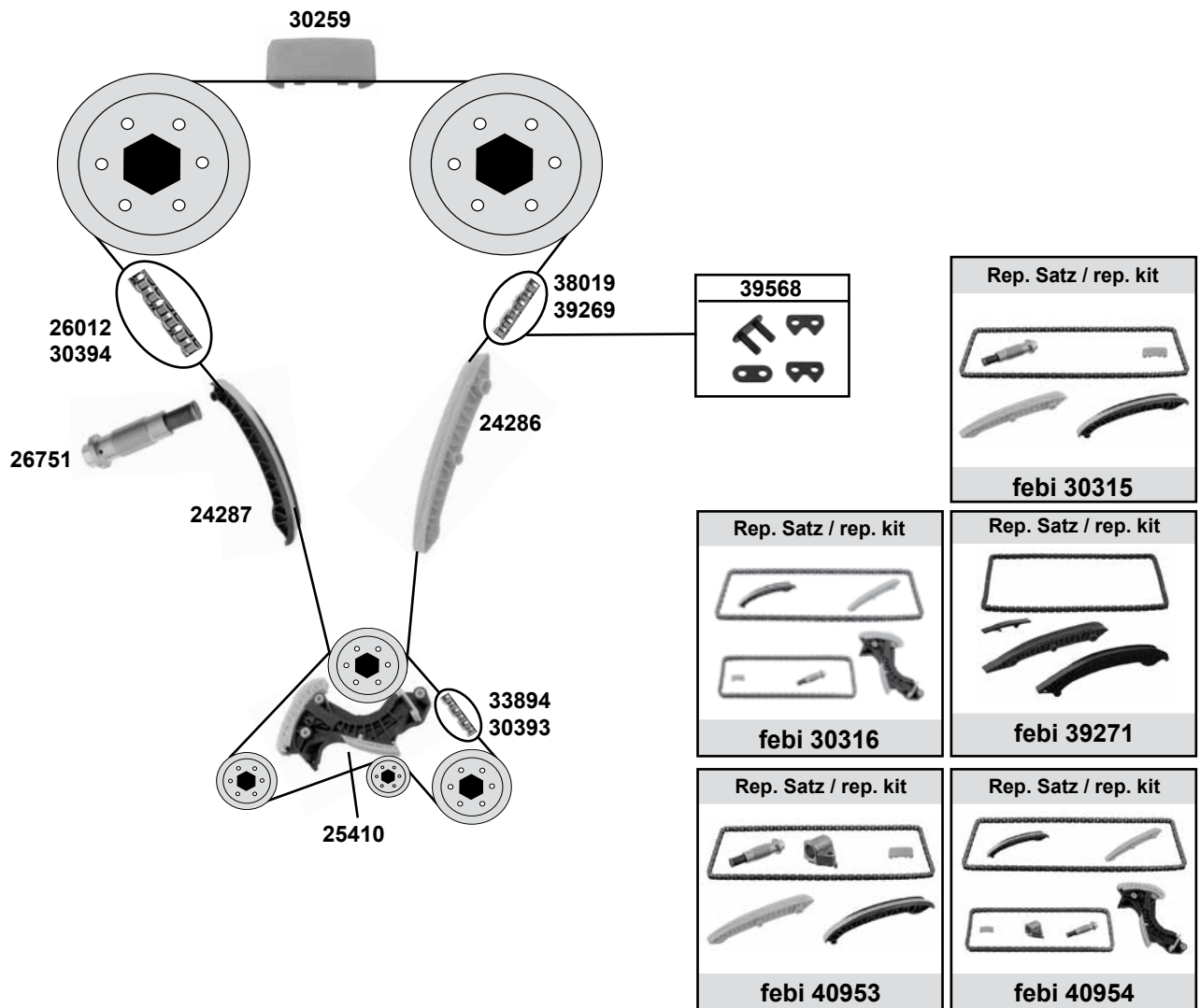
**36931** 113 202 00 19  
**40446** 156 200 05 70

Spannrolle / tension roller  
Riemenspanner / belt tensioner

ØA 76 B26



## E-Klasse (M 271.820/860/958)



(1) (mot.) 271.958 / (mot.) 271.820/860 (mot.) 30064508→

(2) für Fahrzeuge mit Lanchester-Ausgleich / for vehicles with lanchester balancing system



Ref. - No.



Ref. - No.	Description	Part No.	Notes
24286	Gleitschiene links / sliding rail left	(mot.) 271.958	
24287	Gleitschiene rechts / sliding rail right	(mot.) 271.958	
25410	Kettenspanner / chain tensioner		
26012	Steuerkette mit Nietverschluss/ timing chain with riveting link	(mot.) 271.958	142 N
26751	Kettenspanner / chain tensioner	(mot.) 271.958	
30259	Gleitschiene / sliding rail	(mot.) 271.958	
30315	Rep. Satz Steuerkette / rep. kit timing chain	(mot.) 271.958	
30316	Rep. Satz Steuerkette / rep. kit timing chain	(mot.) 271.958	142 E
30393	Steuerkette mit Nietverschluss/ timing chain with riveting link	(1)	106 N
30394	Steuerkette mit Nietverschluss/ timing chain with	(mot.) 271.958	142 N
33894	Steuerkette endlos / timing chain endless	(1)	106 E
38019	Steuerkette / roller chain	(ex.) 271.958	142 E
39568	Kettenglied / chain link	(ex.) 271.958	
39269	Steuerkette mit Nietverschluss / timing chain with	(ex.) 271.958	142 N
39271	Rep. Satz Steuerkette / rep. kit timing chain	(ex.) 271.958	
40953	Rep. Satz Steuerkette / rep. kit timing chain	(mot.) 271.958	
40954	Rep. Satz Steuerkette / rep. kit timing chain	(2) (mot.) 271.958	

# MERCEDES-BENZ E-Klasse (BM 212)

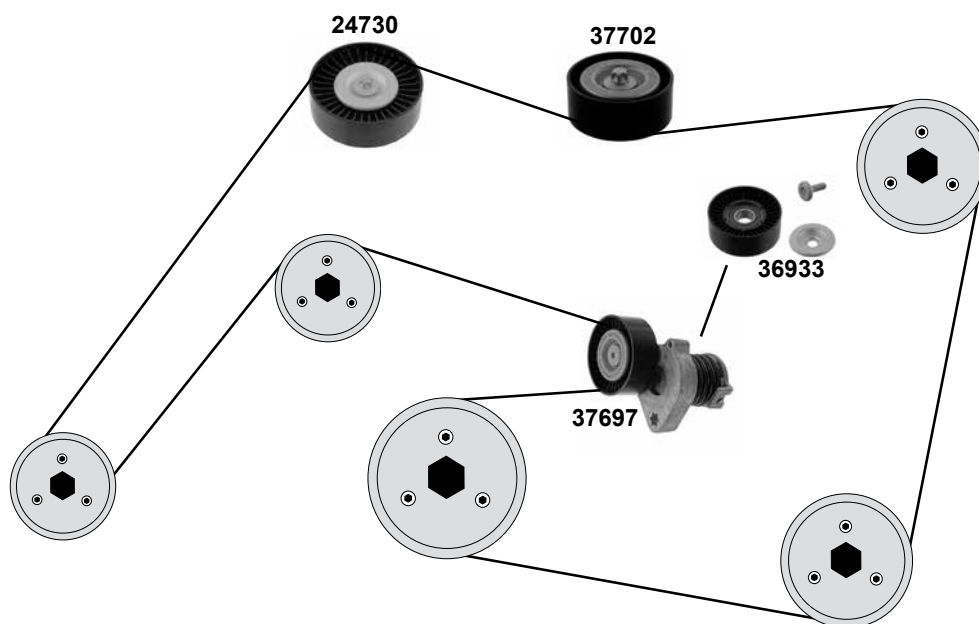
( 02 → )

Car  
Division



## E-Klasse

(M 271.820/860/958)



Rep. Satz / rep. kit



febi 37703



(1) (mot.) 271.820/860 / (mot.) 271.958 (mot.) 31216220 →

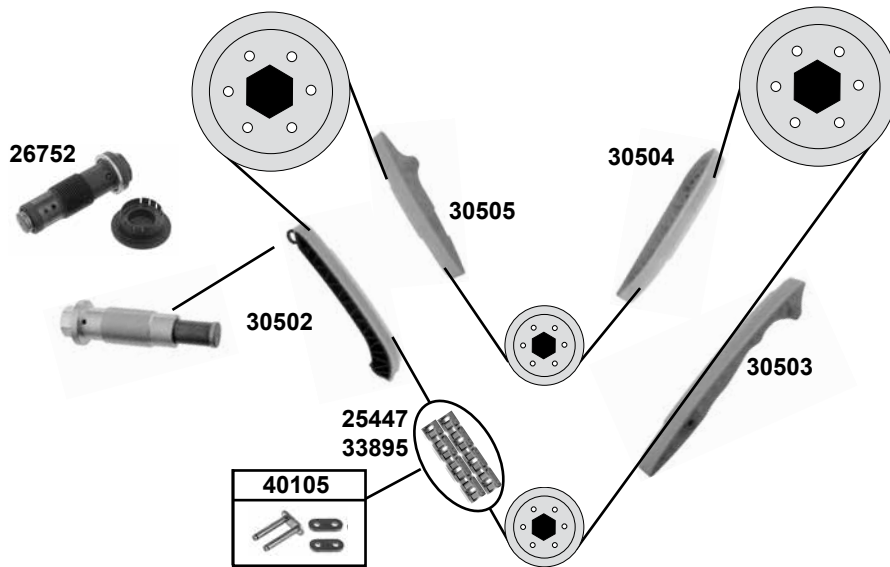


Ref. - No.

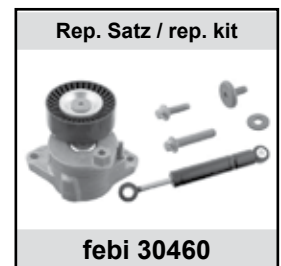
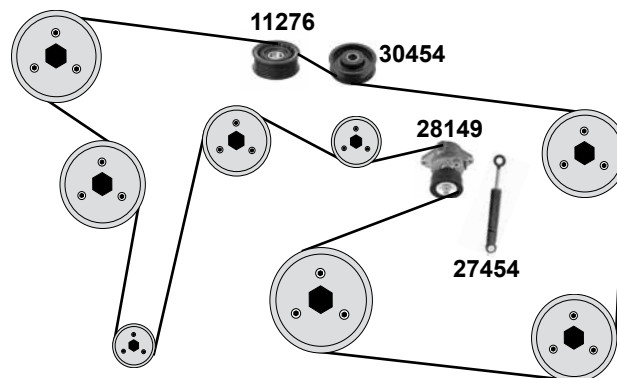


<b>24730</b>	271 206 00 19	Umlenkrolle / deflection pulley	(mot.) 271.958	ØA90 B 28
<b>36933</b>	271 200 05 70	Riemenspanner / belt tensioner	(mot.) 271.958	ØA76 B28
<b>37697</b>	271 200 04 70	Riemenspanner / belt tensioner	(1)	
<b>37702</b>	000 202 17 19	Umlenkrolle / deflection pulley	(ex.) 271.958	B 26
<b>37703</b>	000 202 16 19	Rep.Satz Umlenkrolle / rep. kit deflection pulley		ØA 67

(M 272.923,952,977,980,983/273.971)



**E 300 / 350/ 4-Matic/ CGI**  
(M 272.923,952,977,980,983 / 273.970,971)



- (1) (mot.) 272.952,977,980,983: (ch.) 3005837 → / (mot.) 273.970,971  
 (2) (mot.) 272.923,952,977,980 (mot.) 30009529 → / M 272.983 / M 273.971  
 (3) (mot.) 272.923,952,977,980,983 (mot.) 30089233 → / (mot.) 273:970,971  
 (4) (mot.) →30089231 / →30.06.2005



Ref. - No.



Ref. - No.	Description	Quantity	Dimensions / Notes
11276	Umlenkrolle / deflection pulley	(ex.) 923,970	ØA 64 ØI 17 B23
25447	Steuerkette / timing chain	(3)	216 N
26752	Kettenspanner / chain tensioner	(4)	
27454	Schwingungsdämpfer / vibration damper		55 N - 400 N
28149	Riemenspanner / belt tensioner		ØA 76
30328	Rep. Satz Steuerkette / rep. kit timing chain	(3)	
30454	Umlenkrolle / deflection pulley	(1)	ØA 70 B22
30460	Rep. Satz Riemenspanner / rep. kit belt tensioner		
30502	Gleitschiene / sliding rail	(3)	
30503	Gleitschiene / sliding rail		
30504	Gleitschiene / sliding rail	(2)	
30505	Gleitschiene / sliding rail		
33895	Steuerkette / timing chain		216 E
40105	Kettenglied / chain link		



# MERCEDES-BENZ G-Klasse (BM 460)

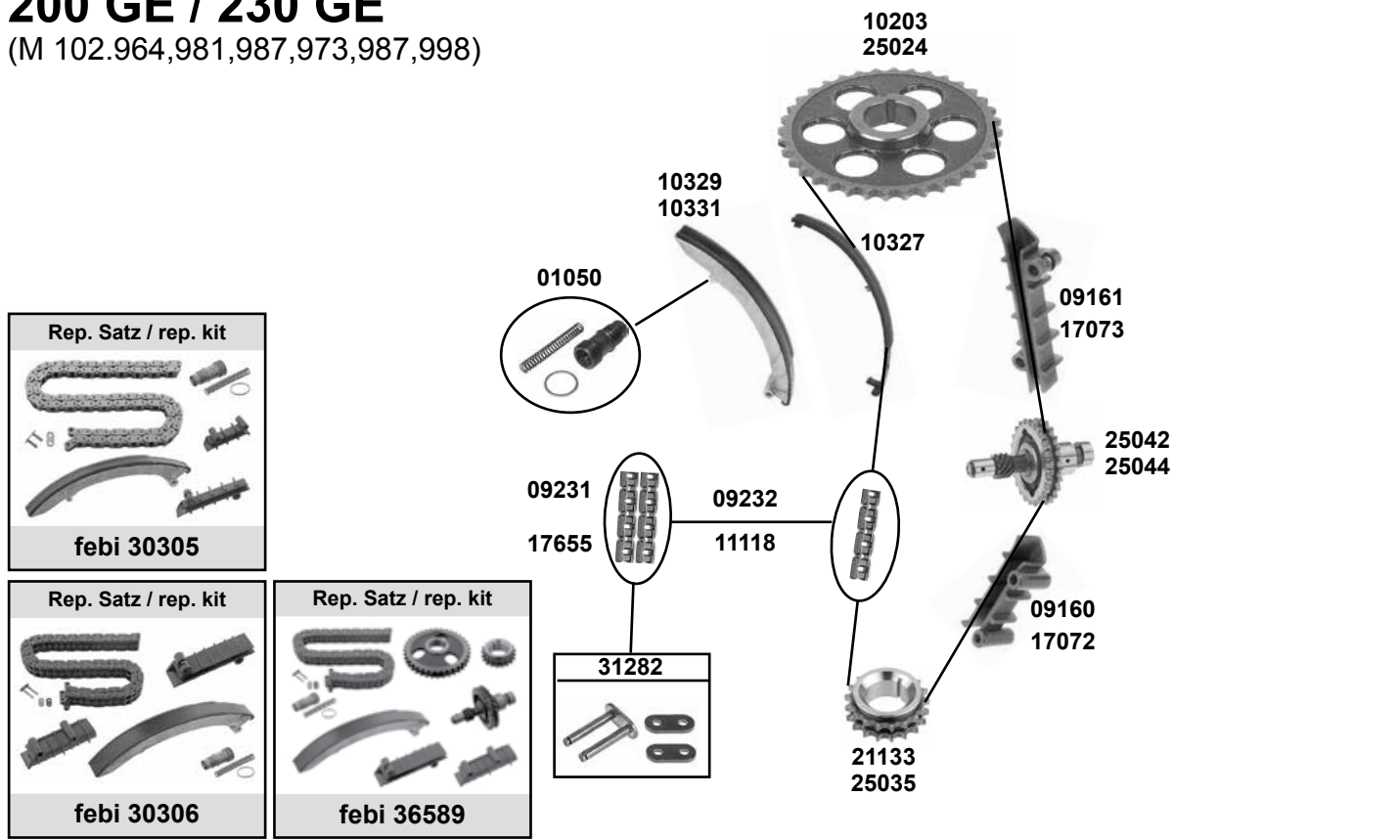
(89 → 93)

Car  
Division



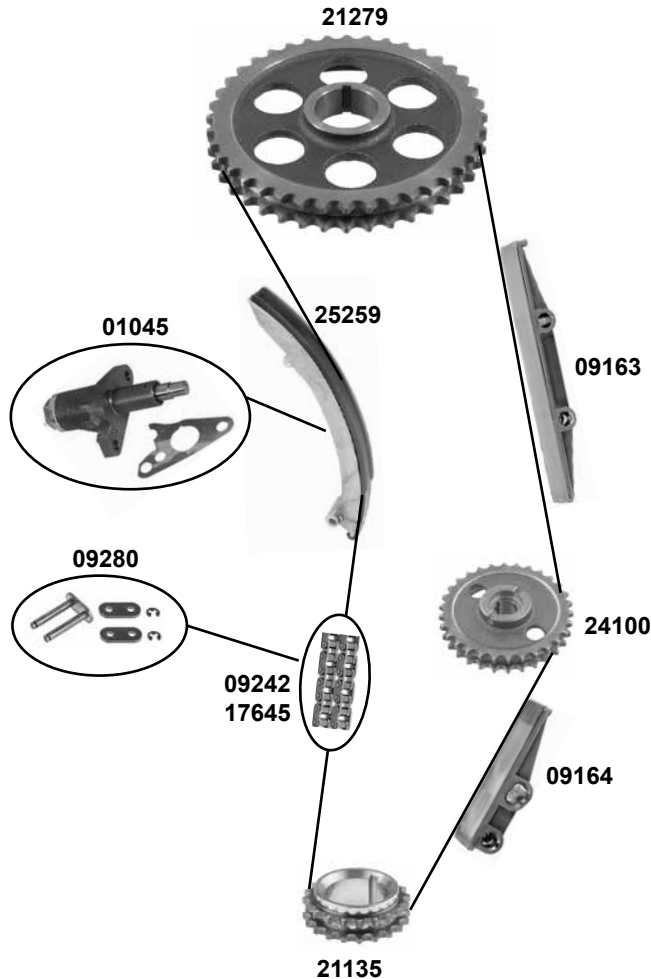
## 200 GE / 230 GE

(M 102.964,981,987,973,987,998)



- (1) 964: (mot.) → 000413
- (2) 964: (mot.) 000414 →
- (3) Federverschluß / split link
- (4) Nietverschluß / riveted link
- (5) 987: (mot.) 001589 →  
(mot.) 000759 →
- (6) 981/ 998 : alle /all  
987: (mot.) → 001588  
 (mot.) → 000758
- (7) mit Duplexkette / with duplex chain

	Ref. - No.			
01050	102 050 10 11	Kettenspanner / chain tensioner	(1) (6) (2) (5)	
09160	102 052 03 16	Gleitschiene / sliding rail	(1) (6)	
09161	102 052 04 16	Gleitschiene / sliding rail	(1) (6)	
09231	002 997 03 94	Steuerkette / timing chain	(2) (4) (5)	D 455 / 106 N
09232	003 997 82 94	Steuerkette / timing chain	(1) (4)	458 / 106 N
10203	102 052 02 01	Nockenwellenrad / camshaft gear	(1)	Z 36
10327	102 052 04 83	Gummibelag / rubber lining	febi 10329	
10329	102 050 08 16	Gleitschiene / sliding rail	(1) (6)	
10331	102 050 12 16	Gleitschiene / sliding rail	(2) (5)	
11118	003 997 82 94 S	Steuerkette / timing chain	(1) (3)	458 / 106 F
17072	102 052 13 16	Gleitschiene / sliding rail	(2) (5)	
17073	102 052 14 16	Gleitschiene / sliding rail	(2) (5)	
17655	002 997 17 94	Steuerkette / timing chain	(2) (5)	106 E
21133	102 052 00 03	Kurbelwellenzahnrad / crankshaft gear	(1)	Z 20 ØI 36
25035	102 052 01 03	Kurbelwellenzahnrad / crankshaft gear	(2) (5)	
25024	102 052 09 01	Nockenwellenrad / camshaft gear	(2) (5)	
25042	102 050 09 06	Zwischenwelle / intermediate shaft	(2) (5)	
25044	102 050 08 06	Zwischenwelle / intermediate shaft	(1)	
30305	102 050 10 11 S1	Rep. Satz Steuerkette / rep. kit timing chain	(1) (6)	
30306	102 050 10 11 S2	Rep. Satz Steuerkette / rep. kit timing chain		
31282	000 997 22 98	Kettenglied / chain link	(2) (4) (5)	
36589	102 052 09 01 S1	Rep. Satz Steuerkette / rep. kit timing chain	(2) (5) (7)	

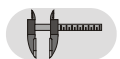


(1) Federverschluß / split link

(2) Nietverschluß / riveted link



Ref. - No.



Ref. - No.	Description	Quantity	Part No.
01045	Kettenspanner / chain tensioner		115 050 11 11
09163	Gleitschiene / sliding rail		115 052 04 16
09164	Gleitschiene / sliding rail		115 052 07 16
09242	Steuerkette / timing chain	(2)	000 997 71 94
09280	Kettenglied / chain link	(1)	000 997 05 98
17645	Steuerkette / timing chain		002 997 93 94
21135	Kurbelwellenzahnrad / crankshaft gear		615 052 02 03
21279	Nockenwellenrad / camshaft gear		121 052 03 01
24100	Zwischenrad / intermediate gear		114 052 00 02
25259	Gleitschiene / sliding rail		115 050 08 16
39273	Rep. Satz Steuerkette / rep. kit timing chain		115 050 11 11 S1

# MERCEDES-BENZ G- Klasse (BM 461)

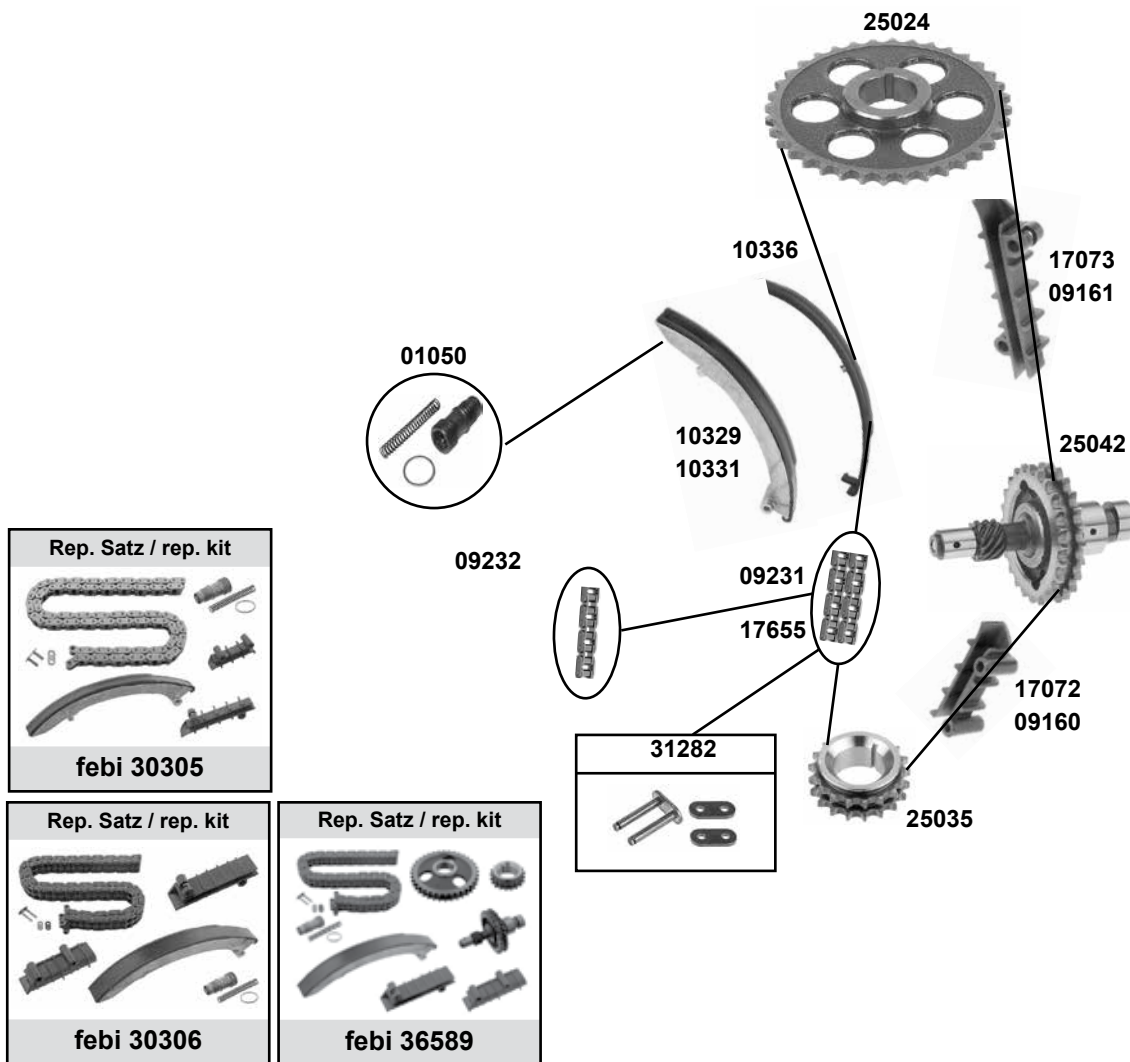
(89 → 93)

Car  
Division



## 230 GE

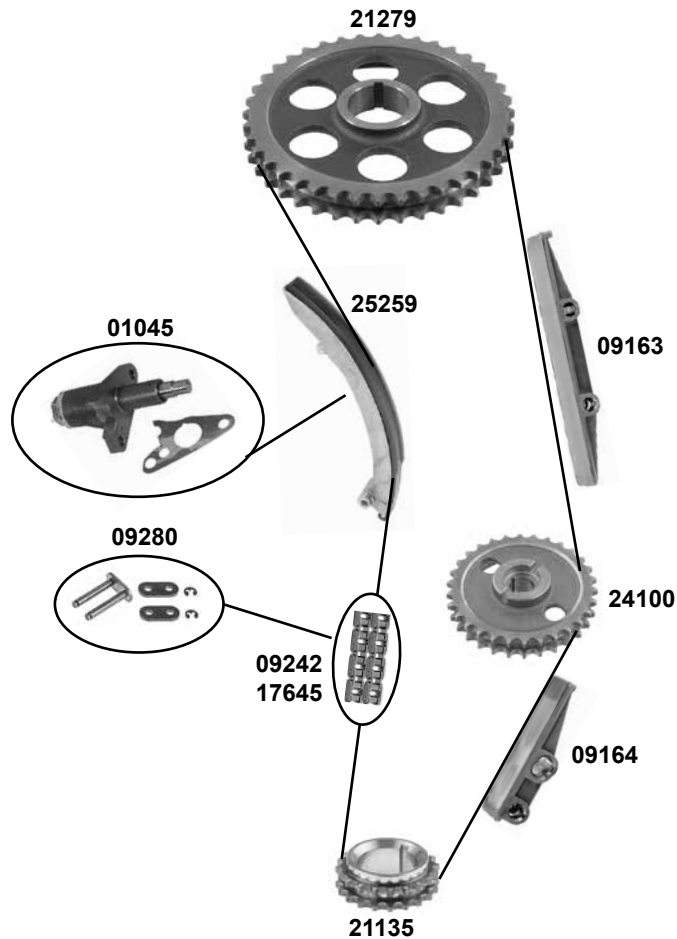
(M 102.958,979,981,996,997,998)



- (1) Nietverschluss / riveted link / bouchon de rivet / rivetti / cierre de roblón
- (2) mit Duplexkette / with duplex chain / (mot.) M102.979,996,997

eb bilstein	Ref. - No.			
-------------	------------	--	--	--

01050	102 050 10 11	Kettenspanner / chain tensioner	(ex.) 979,998	
09160	102 052 03 16	Gleitschiene / sliding rail	(mot.) 958	
09161	102 052 04 16	Gleitschienen / sliding rail	(mot.) 958	
09231	002 997 03 94	Steuerkette / timing chain	(1) (mot.) 996,997	D 455 / 106 N
09232	003 997 82 94	Steuerkette / timing chain	(1) (mot.) 958	
10329	102 050 08 16	Gleitschiene / sliding rail	(mot.) 958,998	
10331	102 050 12 16	Gleitschiene / sliding rail	(mot.) 102.996,997	
10336	102 052 06 83	Gummibelag / rubber lining	(mot.) 996,997	
17072	102 052 13 16	Gleitschiene / sliding rail	(mot.) 996,997	
17073	102 052 14 16	Gleitschiene / sliding rail	(mot.) 996,997	
17655	002 997 17 94	Steuerkette / timing chain	(mot.) 979,996,997	106 E
25024	102 052 09 01	Nockenwellenrad / camshaft gear	(mot.) 979,996,997	
25035	102 052 01 03	Kurbelwellenrad / crankshaft gear	(mot.) 979,996,997	
25042	102 050 09 06	Zwischenrad / intermediate gear	(mot.) 979,996,997	
30305	105 050 10 11 S1	Rep. Satz Steuerkette / rep. kit timing chain	(mot.) 102.958	
30306	102 050 10 11 S2	Rep. Satz Steuerkette / rep. kit. timing chain	(mot.) 102.996,997	
31282	000 997 22 98	Kettenglied / chain link	(mot.) 979,996,997	
36589	102 052 09 01 S1	Rep. Satz Steuerkette / rep. kit timing chain	(2)	



- (1) Nietverschluss / riveted link / bouchon de rivet / rivetti / cierre de roblón  
(2) Federverschluß / split link / fermeture de ressort



Ref. - No.



Ref. - No.	Part Description	Notes	Dimensions
01045	Kettenspanner / chain tensioner		
09163	Gleitschiene / sliding rail		
09164	Gleitschiene / sliding rail		
09242	Steuerkette / timing chain	(1)	D 455 / 126 N
09280	Kettenglied / chain link	(2)	11 / D 455
17645	Steuerkette / timing chain		126 E
21135	Kurbelwellenzahnrad / crankshaft gear		Z 20 Ø 36
21279	Nockenwellenzahnrad / camshaft gear		
24100	Zwischenrad / intermediate gear		
25259	Gleitschiene / sliding rail		
39273	Rep. Satz Steuerkette / rep. kit timing chain		

# MERCEDES-BENZ

## G- Klasse (BM 461)

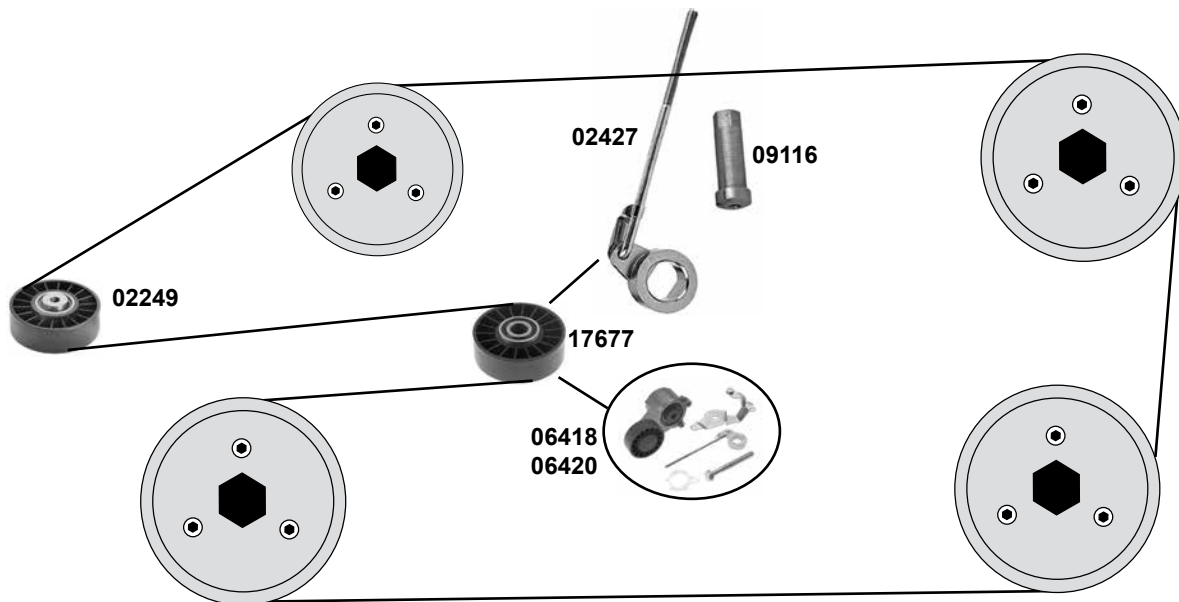
(90 →)

Car  
Division



### 230 GE

(M 102.979,996,997)



Rep. Satz / rep. kit



febi 12515



(1) (ex.) mot. 102.979 servo

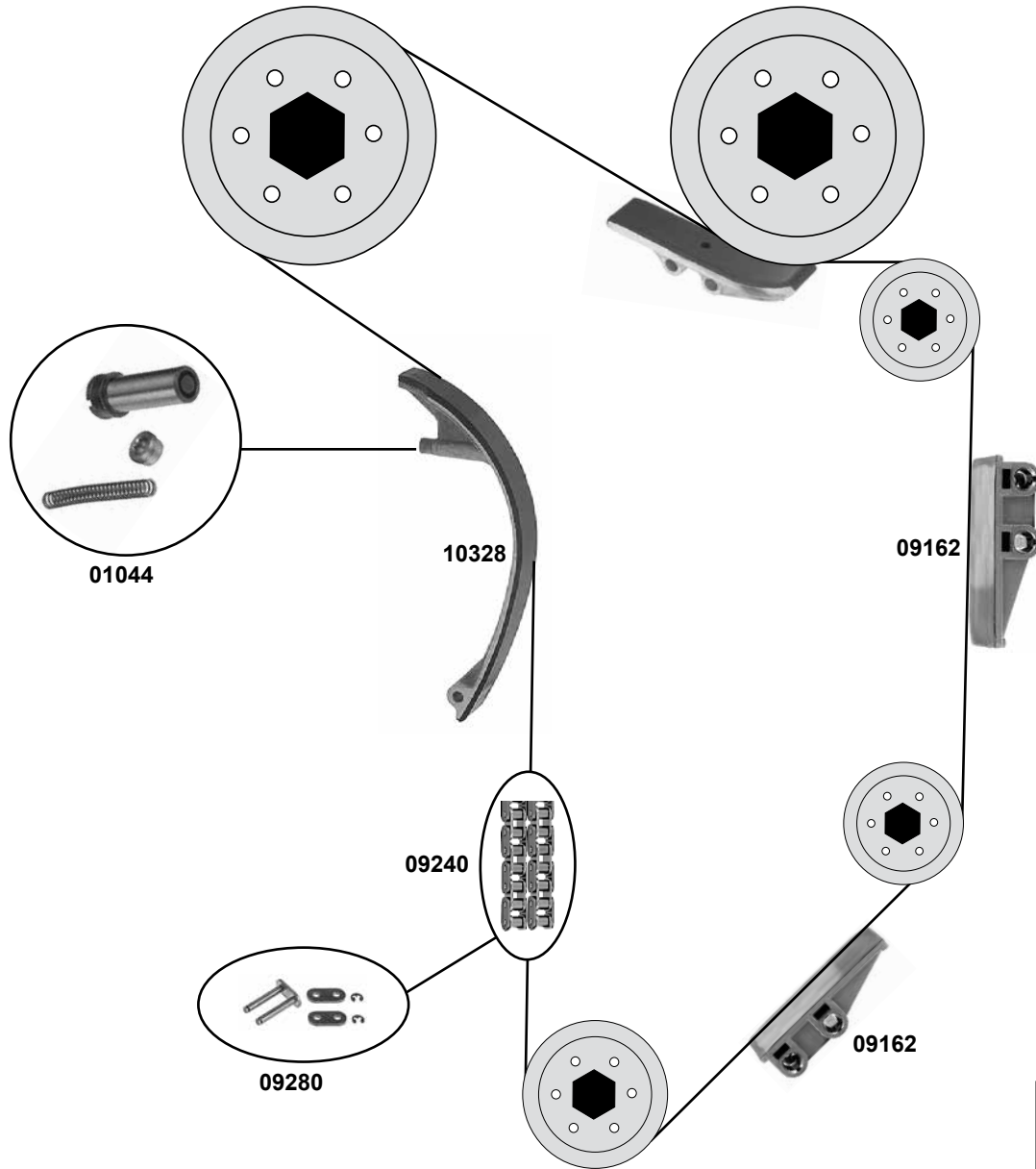
(2) (ex.) mot. 102.979 (ex.) servo



Ref. - No.



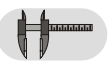
<b>02249</b>	601 200 09 70	Spannrolle / tension roller	(ex.) 102.979	80 x 25/31
<b>02427</b>	102 200 02 36	Spannstange / tensioning rod		
<b>06418</b>	102 200 69 70	Riemenspanner / belt tensioner	(1)	
<b>06420</b>	102 200 69 70 S1	Riemenspanner / belt tensioner	(2)	
<b>09116</b>	102 202 02 72	Spannmutter / tension nut		
<b>12515</b>	102 200 02 36 S1	Rep. Satz Spannstange / rep. kit tensioning rod		
<b>17677</b>	601 200 12 70	Spannrolle / tension roller		



(1) Nietverschluß / riveted link / bouchon de rivet / rivetti / cierre de roblón



Ref. - No.



<b>01044</b>	110 050 06 11	Kettenspanner / chain tensioner		
<b>09162</b>	110 052 08 16	Gleitschiene / sliding rail		
<b>09240</b>	000 997 69 94	Steuerkette / timing chain	(1)	
<b>09280</b>	000 997 05 98	Kettenglied / chain link		
<b>10328</b>	110 050 18 16	Gleitschiene / sliding rail		
<b>30308</b>	110 050 06 11 S1	Rep. Satz Steuerkette / rep. kit timing chain		

D 455 / 130 F  
11 / D 455

# MERCEDES-BENZ

## G- Klasse (BM 463)

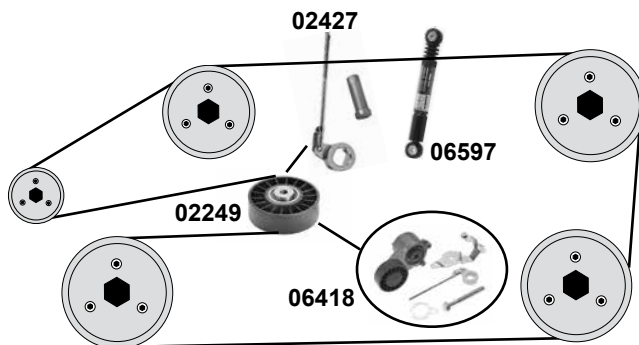
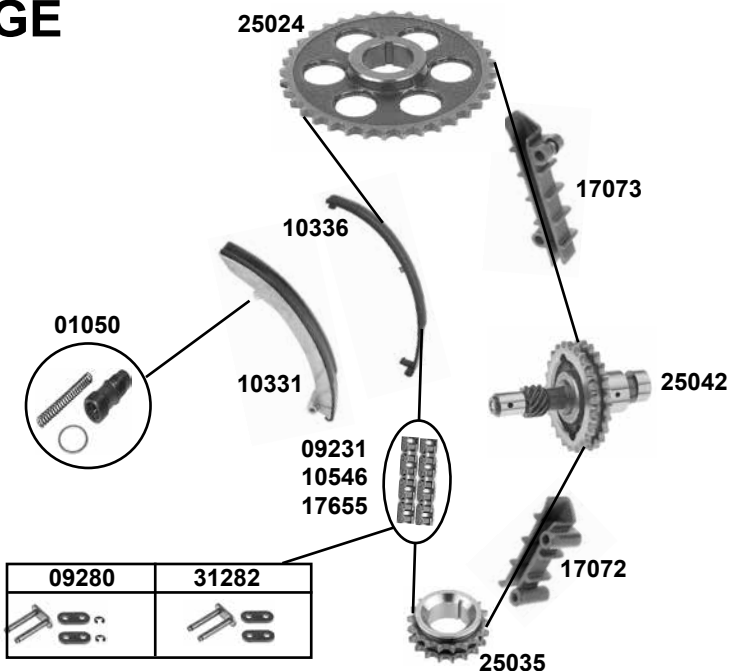
(89 → 93)

Car  
Division



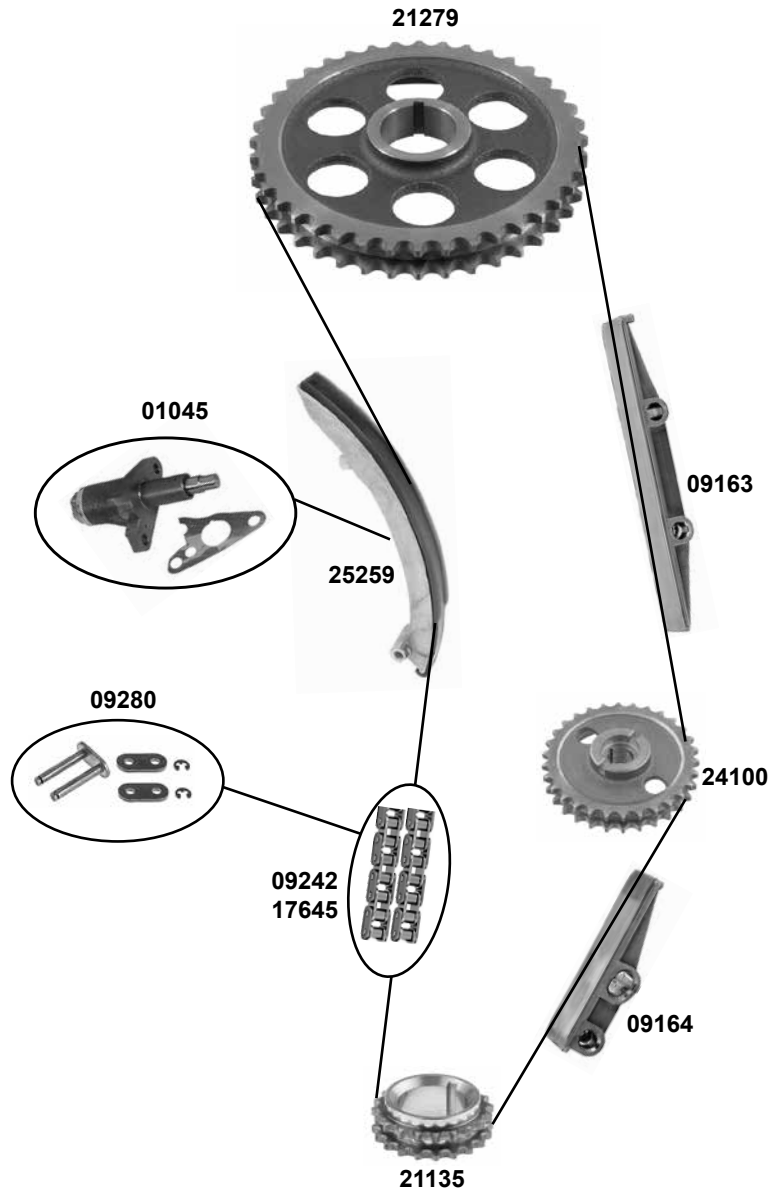
### 200 GE / 230 GE

(M 102.965,979,989)



- (1) Nietverschluss / riveted link / bouchon de rivet / rivetti
- (2) Federverschluß / split link / fermeture de ressort
- (3) mit Duplexkette / with duplex chain / (mot.) M102.979,996,997

	Ref. - No.			
01050	102 050 10 11	Kettenspanner / chain tensioner		
02249	601 200 09 70	Spannrolle / tension roller	(ex.) 102.979	80 x 25/31
02427	102 200 02 36	Spannstange / tensioning rod	(ex.) 102.979	
06418	102 200 69 70	Riemenspanner / belt tensioner	(ex.) mot. 102.979	
06597	102 200 14 14	Schwingungsdämpfer / vibration damper		90N - 900N
09231	002 997 03 94	Steuerkette / timing chain	(1) (ex.) 102.979	D 455 / 106 N
09280	000 997 05 98	Kettenglied / chain link	(2) (ex.) 102.979	11 / D 455
10331	102 050 12 16	Gleitschiene / sliding rail		
10336	102 052 06 83	Gummibelag / rubber lining		
10546	002 997 03 94 S	Steuerkette / timing chain	(2) (ex.) 102.979	D 455 / 106 F
12515	102 200 02 36 S1	Rep. Satz Spannstange / rep. kit tensioning rod	(ex.) 102.979	
17072	102 052 13 16	Gleitschiene / sliding rail		
17073	102 052 14 16	Gleitschiene / sliding rail		
17655	002 997 17 94	Steuerkette / timing chain	(mot.) 965,989	106 E
25024	102 052 09 01	Nockenwellenrad / camshaft gear		
25035	102 052 01 03	Kurbelwellenzahnrad / crankshaft gear	(ex.) 102.979	
25042	102 050 09 06	Zwischenrad / intermediate gear	(ex.) 102.979	
30306	102 050 10 11 S2	Rep. Satz Steuerkette / rep.kit. timing chain		
31282	000 997 22 98	Kettenglied / chain link	(1) (ex.) 102.979	
36589	102 052 09 01 S1	Rep. Satz Steuerkette / rep. kit timing chain	(3)	



(1) Nietverschluß / riveted link / bouchon de rivet / rivetti / cierre de roblón



Ref. - No.



Ref. - No.	Part Name	Quantity	Part Name
01045	Kettenspanner / chain tensioner		
09163	Gleitschiene / sliding rail		
09164	Gleitschiene / sliding rail		
09242	Steuerkette / timing chain	(1)	D 455 / 126 N
09280	Kettenglied / chain link		11 / D 455
17645	Steuerkette / timing chain		126 E
21135	Kurbelwellenzahnrad / crankshaft gear		Z 20 Ø 36
21279	Nockenwellenrad / camshaft gear		
24100	Zwischenrad / intermediate gear		
25259	Gleitschiene / sliding rail		
39273	Rep. Satz Steuerkette / rep. kit timing chain		



# MERCEDES-BENZ G- Klasse (BM 463)

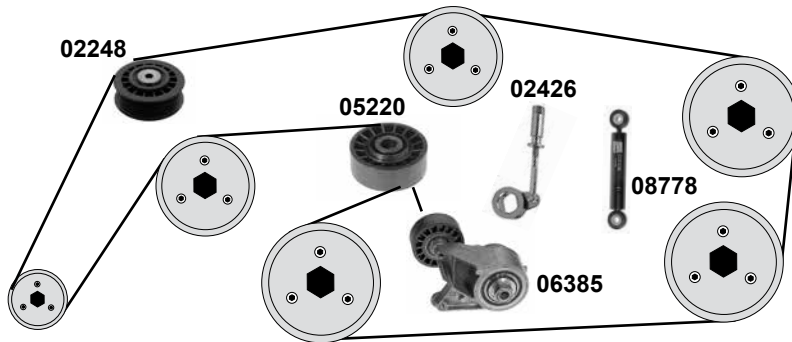
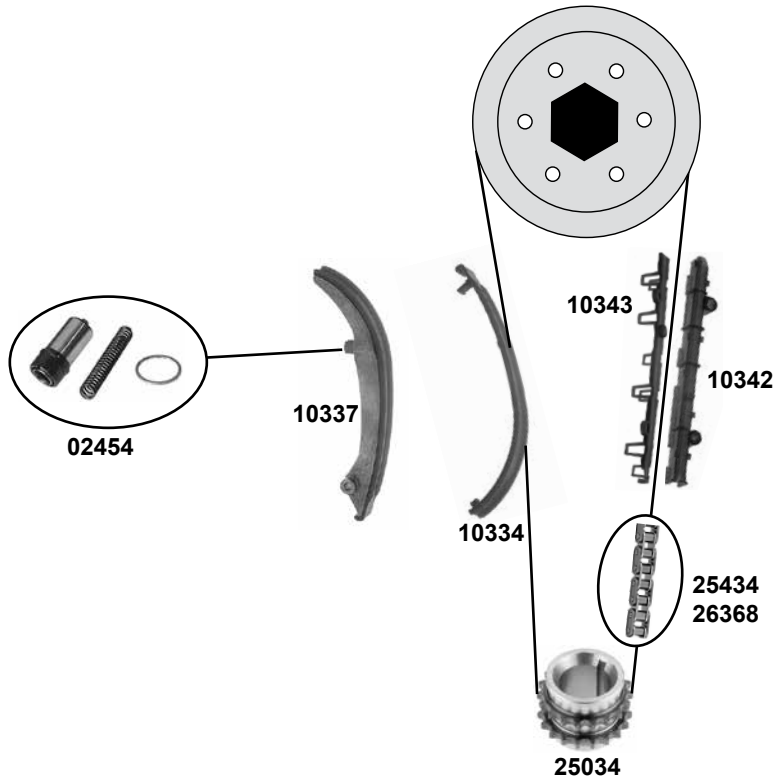
(89 → 93)

Car  
Division



## 300 GE / G 300

(M 103.987)



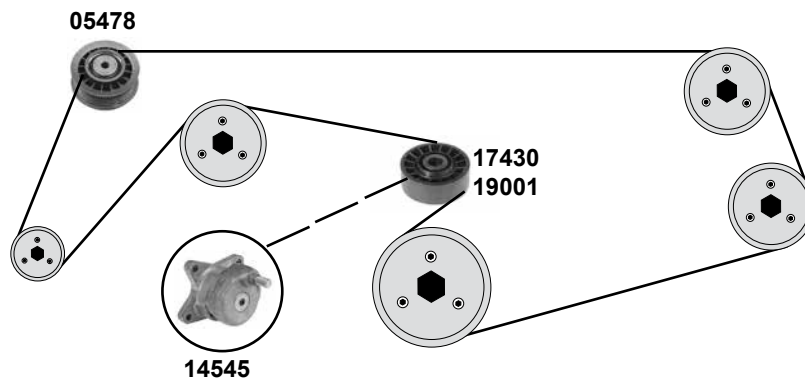
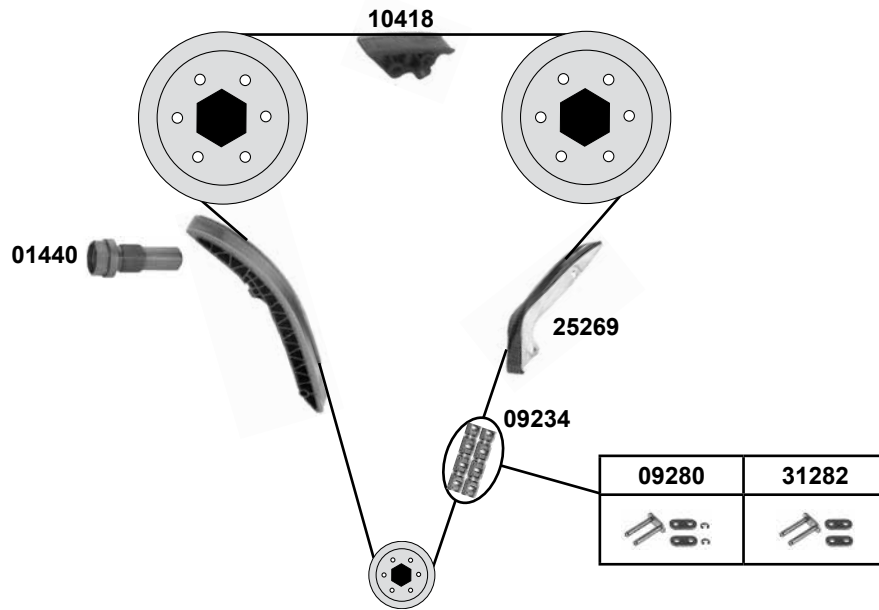
(1) Nietverschluß / riveted link / bouchon de rivet / rivetti / cierre de roblón



Ref. - No.



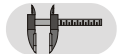
Ref. - No.	Description	Dimensions / Notes
02248	Umlenkrolle / deflection pulley	
02426	Spannstange / tensioning rod	
02454	Kettenspanner / chain tensioner	
05220	Spannrolle / tension roller	ØA70 ØI 25 B31,5
06385	Riemenspanner / belt tensioner	
08778	Schwingungsdämpfer / vibration damper	80N - 1050N
10334	Gummibelag Gleitschiene / rubber lining sliding rail	
10337	Gleitschiene / sliding rail	
10342	Gleitschiene / sliding rail	
10343	Gleitschiene / sliding rail	
25034	Kurbelwellenzahnrad / crankshaft gear	Z 18
25434	Steuerkette endlos / timing chain endless	96 E
26368	Steuerkette / timing chain	96 N
30307	Rep. Satz Steuerkette / rep. kit timing chain	(1)



- (1) Nietverschluß / riveted link / bouchon de rivet / rivetti / cierre de roblón  
 (2) (mot.) → 034379  
 (3) (mot.) 034380 →  
 (4) Federverschluß / split link / fermeture de ressort / cierre de resorte / falsa maglia



Ref. - No.



Ref. - No.	Description	Quantity	Notes
01440	Kettenspanner / chain tensioner		
05478	Umlenkrolle / deflection pulley		
09234	Steuerkette / timing chain	(1)	
09280	Kettenglied / chain link	(4)	D 455 / 126 N 11 / D 455
10418	Gleitschiene / sliding rail		
14545	Riemenspanner / belt tensioner		
17430	Spannrolle / tension roller	(2)	
19001	Spannrolle / tension roller	(3)	ØA 80
25269	Gleitschiene / sliding rail		
30311	Rep. Satz Steuerkette / rep. kit timing chain		
31282	Kettenglied / chain link	(1)	

# MERCEDES-BENZ G- Klasse (BM 463)

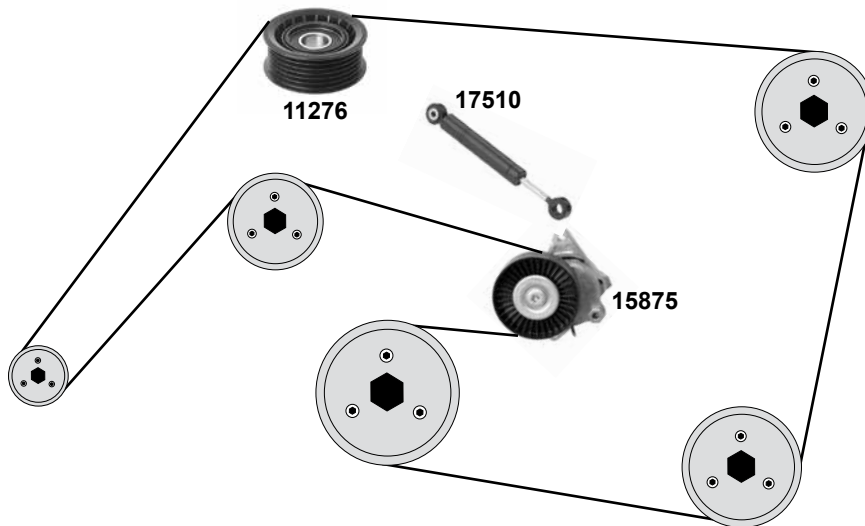
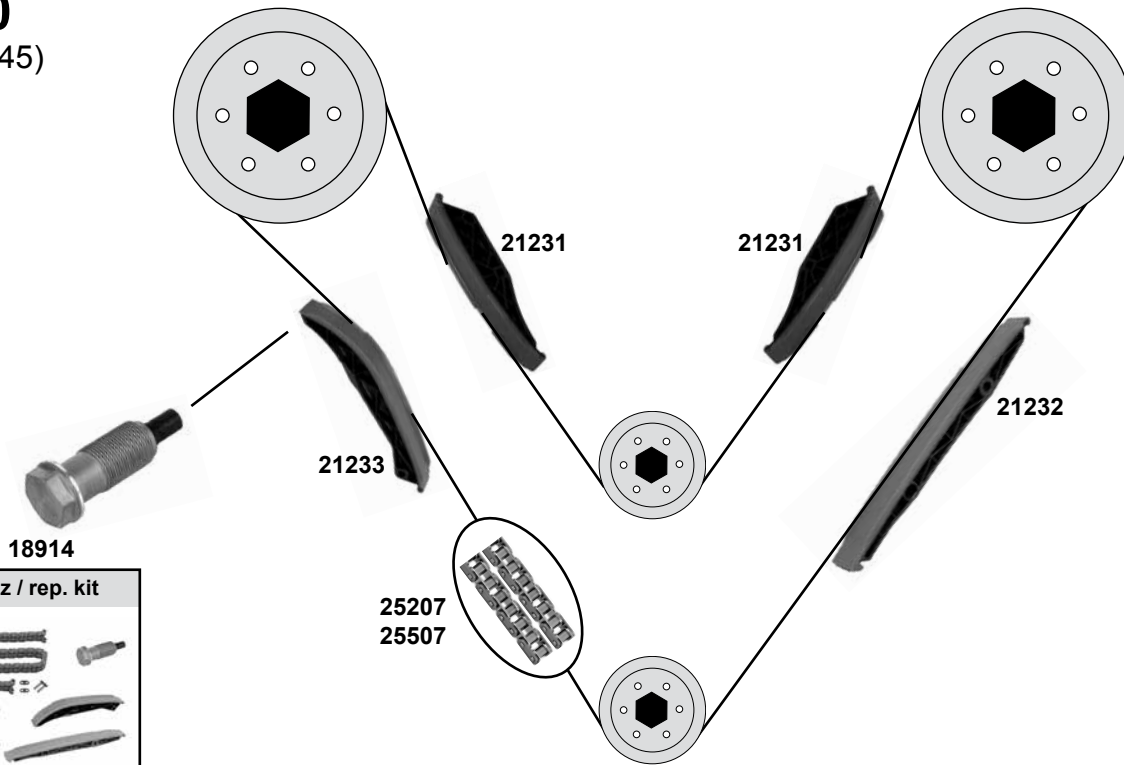
(93 →)

Car  
Division



## G 320

(M 112.945)



(1) Nietverschluß / riveted link / bouchon de rivet / rivetti / cierre de roblón

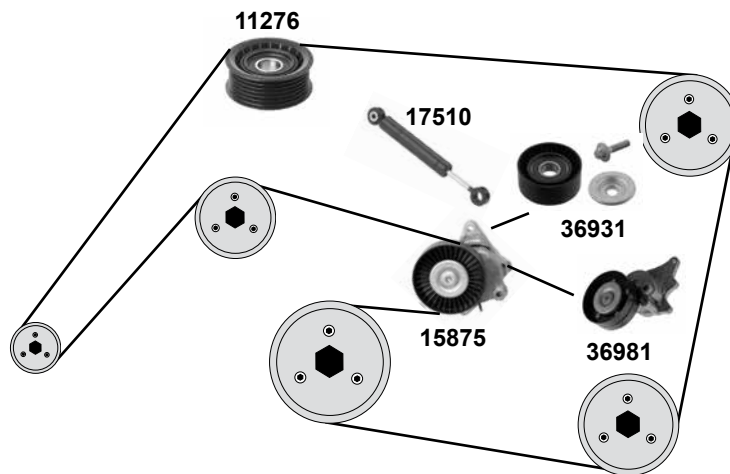
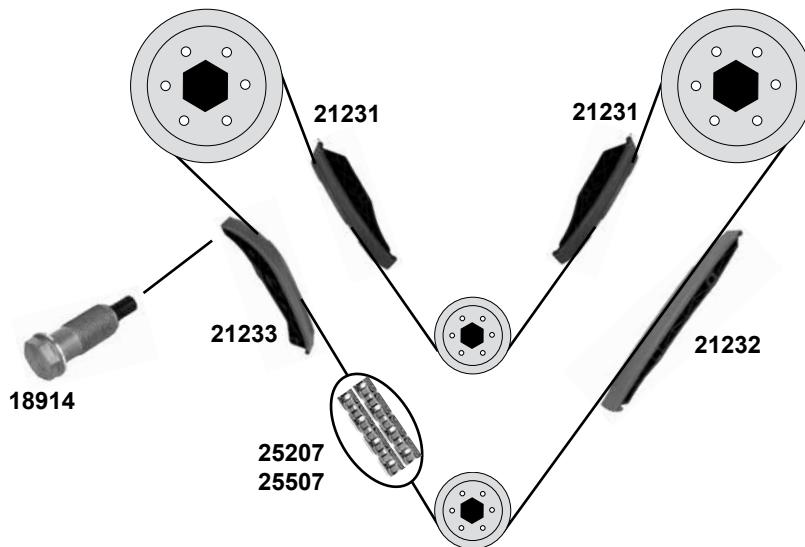


Ref. - No.



11276	272 202 09 19	Umlenkrolle / deflection pulley		ØA 64 ØI 17 B23
15875	112 200 09 70	Riemenspanner / belt tensioner		
17510	112 200 00 14	Schwingungsdämpfer / vibration damper		55 N - 600 N
18914	112 050 08 11	Kettenspanner / chain tensioner		
21231	112 052 01 16	Gleitschiene / sliding rail		
21232	112 052 00 16	Gleitschiene / sliding rail		
21233	112 052 02 16	Gleitschiene / sliding rail		
25207	003 997 68 94	Steuerkette / timing chain	(1)	168 N
25507	003 997 68 94 S1	Steuerkette / timing chain	(1)	168 E
30303	112 050 08 11 S1	Rep. Satz Steuerkette / rep. kit timing chain		

**G 500 / G 55 AMG**  
(M 113.962,982,993)



(1) Nietverschluß / riveted link / bouchon de rivet / rivetti / cierre de roblón



Ref. - No.



Ref. - No.	Description	Quantity	Part Number	Dimensions
11276	Umlenkrolle / deflection pulley			ØA 64 ØI 17 B23
15875	Riemenspanner / belt tensioner			
17510	Schwingungsdämpfer / vibration damper		(mot.) 113.962	55 N - 600 N
18914	Kettenspanner / chain tensioner		(mot.) 113.962	
21231	Gleitschiene / sliding rail		(mot.) 113.962	
21232	Gleitschiene / sliding rail		(mot.) 113.962	
21233	Gleitschiene / sliding rail		(mot.) 113.962	
25207	Steuerkette / timing chain	(1)	(mot.) 113.962	168 N
25507	Steuerkette / timing chain	(1)	(mot.) 113.962	168 E
30303	Rep. Satz Steuerkette / rep. kit timing chain		(mot.) 113.962	
36931	Spannrolle / tension roller		(mot.) 113.993	
36981	Riemenspanner / belt tensioner		(mot.) 113.993	ØA90 B32

# MERCEDES-BENZ G- Klasse (BM 463)

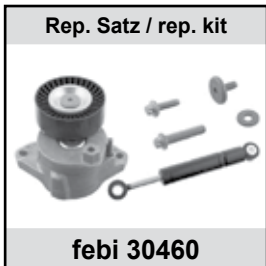
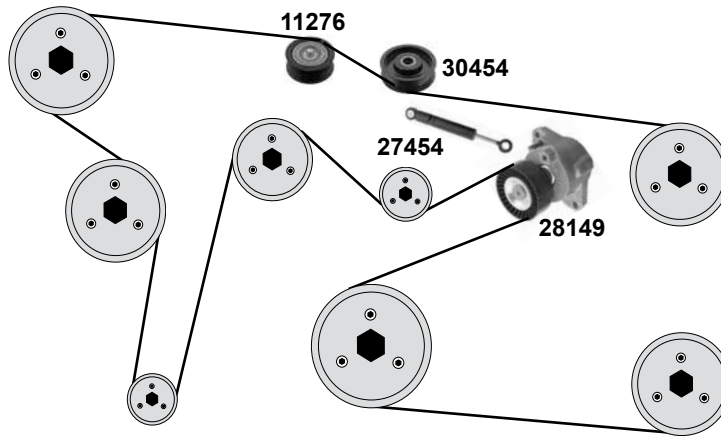
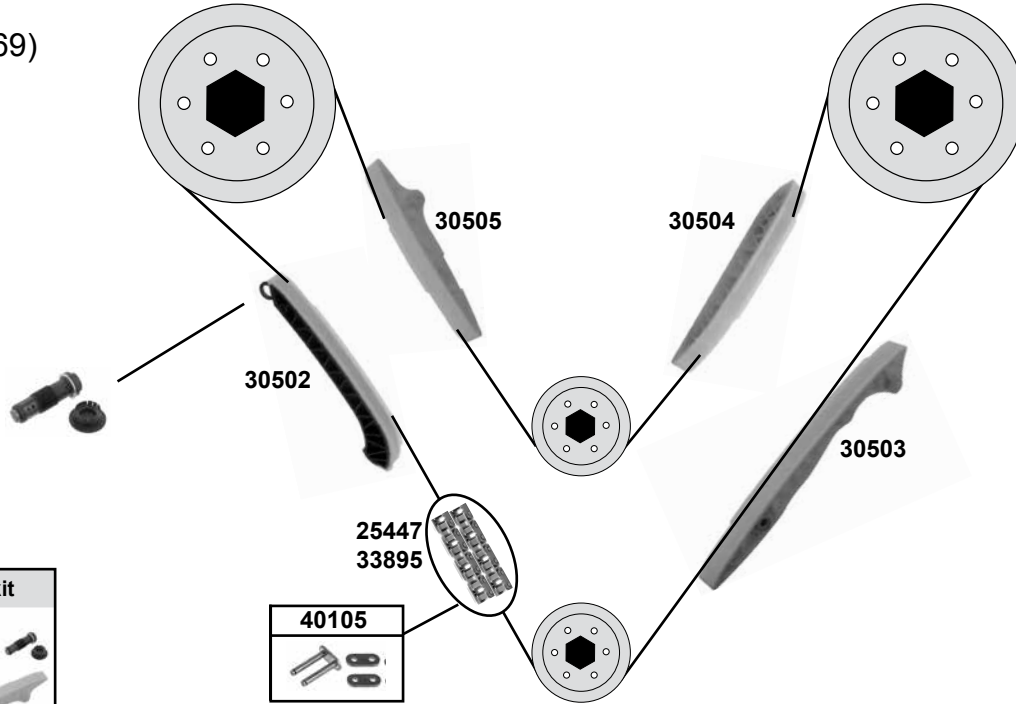
(93 →)

Car  
Division



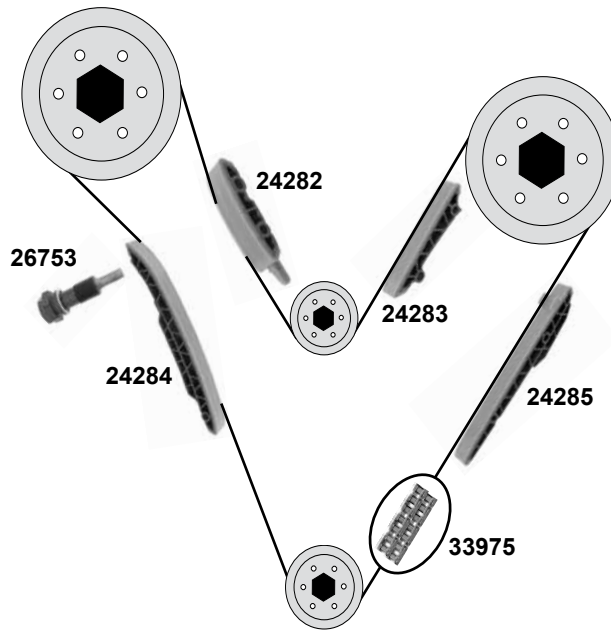
## G 500

(M 273.963,969)

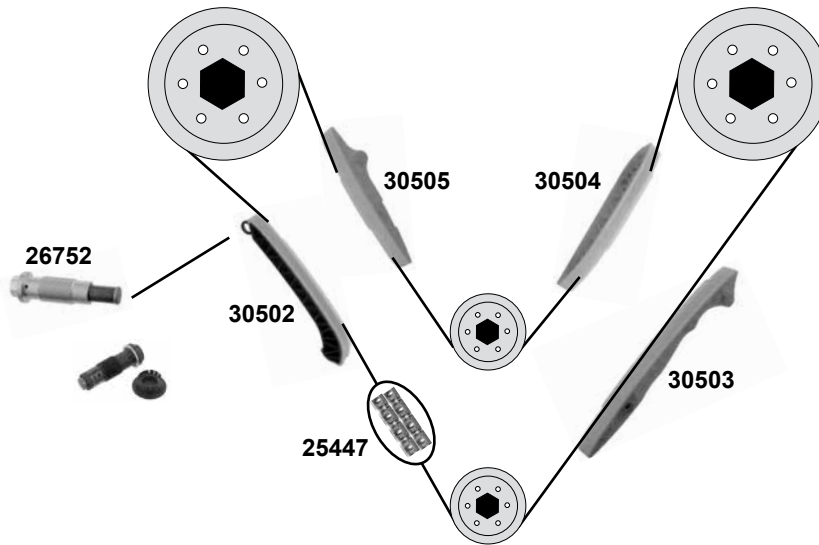


febi bilstein	Ref. - No.			
11276	000 202 09 19	Umlenkrolle / deflection pulley		ØA 64 ØI 17 B23
25447	000 993 06 76	Steuerkette / timing chain		216 N
27454	272 200 01 14	Schwingungsdämpfer / vibration damper		
28149	272 200 02 70	Riemenspanner / belt tensioner		
30328	272 050 08 11 S1	Rep. Satz Steuerkette / rep. kit timing chain		
30454	272 202 14 19	Umlenkrolle / deflection pulley		ØA 70 B 22
30460	272 200 02 70 S1	Rep. Satz Riemenspanner / rep. kit belt tensioner		
30502	272 052 13 16	Gleitschiene / sliding rail		
30503	272 052 00 16	Gleitschiene / sliding rail		
30504	272 052 15 16	Gleitschiene / sliding rail		
30505	272 052 02 16	Gleitschiene / sliding rail		
33895	000 993 06 76 S1	Steuerkette / timing chain		216 E
40105	000 993 06 76 S2	Kettenglied / chain link		

**G 65 AMG**  
(M 279.982)



**GLK-Klasse (BM 204)**  
(06/08 →)  
**280**  
(M 272.948,971)



(1) (mot.) 30009529 → / 09/04 →

(2) (mot.) → 30089231 / 30/06/05 →



Ref. - No.



Ref. - No.	Description	Notes	Part No.
24282	Gleitschiene / sliding rail		
24283	Gleitschiene / sliding rail		
24284	Gleitschiene / sliding rail		
24285	Gleitschiene / sliding rail		
25447	Steuerkette / timing chain	(mot.) 30089233→	216 N
26752	Kettenspanner / chain tensioner	(2)	
26753	Kettenspanner / chain tensioner		
30328	Rep. Satz Steuerkette / rep. kit timing chain	(mot.) 30089233→	
30502	Gleitschiene / sliding rail	(mot.) 30089233→	
30503	Gleitschiene / sliding rail	(mot.) 30089233→	
30504	Gleitschiene / sliding rail	(1)	
30505	Gleitschiene / sliding rail	(mot.) 30089233→	
30318	Rep. Satz Steuerkette / rep kit timing chain		
33975	Steuerkette / roller chain		164 E

# MERCEDES-BENZ Maybach (BM 240)

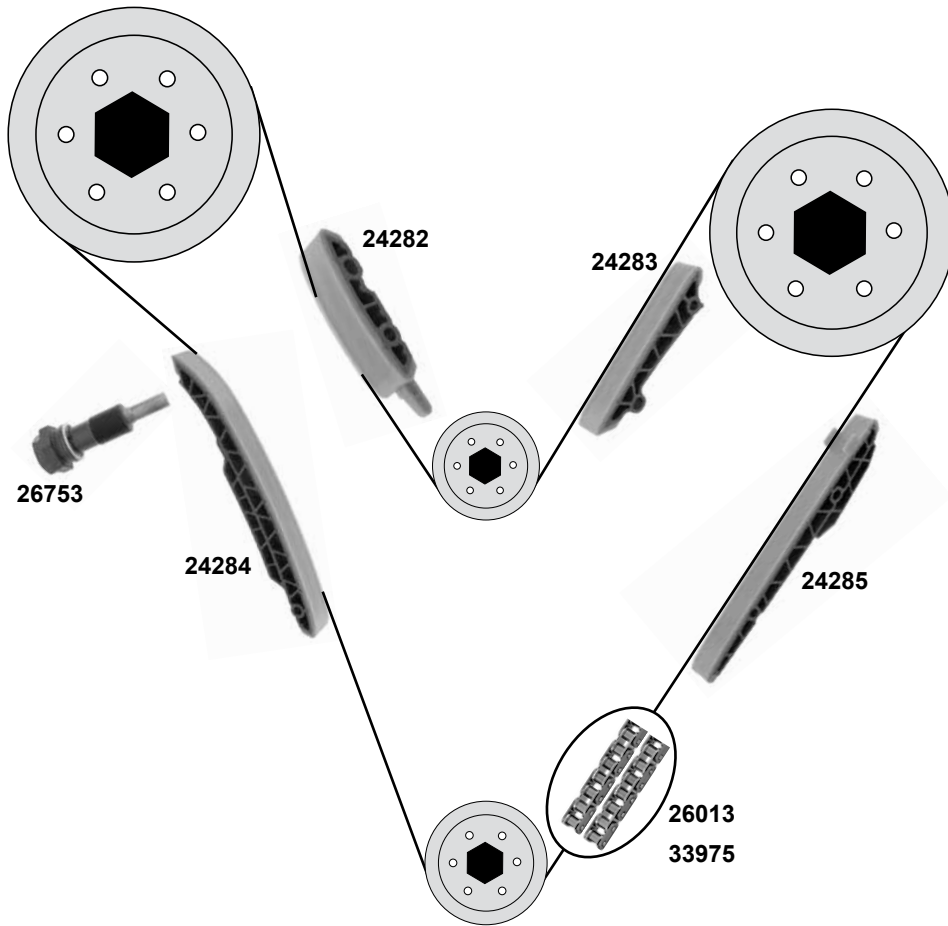
(05 →)

Car  
Division

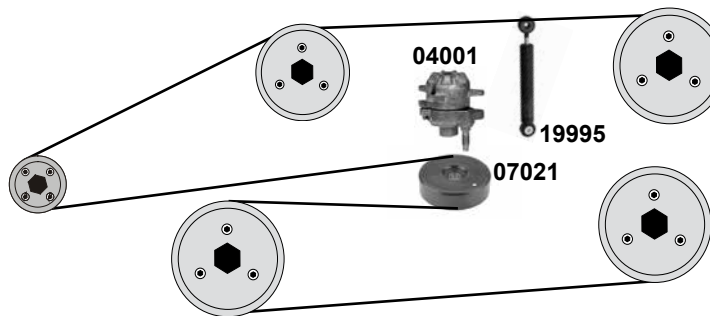
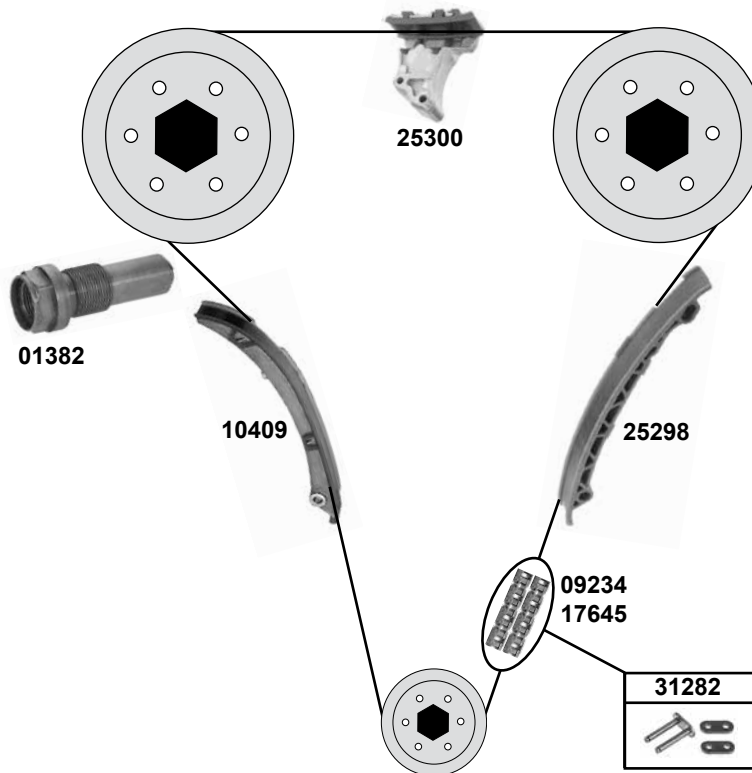


## 57 / 57S / 62 / 62S

(M 285.950,980)



	Ref. - No.			
24282	137 052 04 16	Gleitschiene / sliding rail		
24283	137 052 05 16	Gleitschiene / sliding rail		
24284	137 052 07 16	Gleitschiene / sliding rail		
24285	137 052 08 16	Gleitschiene / sliding rail		
26013	004 997 20 94	Steuerkette / timing chain		164 N
26753	275 050 05 11	Kettenspanner / chain tensioner		
30318	275 050 05 11 S1	Rep. Satz Steuerketten / rep. kit timing chain		
33975	004 997 18 94	Steuerkette / roller chain		164 E



(1) Nietverschluß / riveted link / bouchon de rivet / rivetti / cierre de roblón



Ref. - No.



Ref. - No.	Description	Quantity	Dimensions
01382	Kettenspanner / chain tensioner		
04001	Riemenspanner / belt tensioner		
07021	Spannrolle / tension roller		
09234	Steuerkette / timing chain	(1)	110 x 28 x 15 D 455 / 126 N
10409	Gleitschiene / sliding rail		
17645	Steuerkette / timing chain		126 E
19995	Schwingungsdämpfer / vibration damper		55 N - 435 N
25298	Gleitschiene / sliding rail		
25300	Gleitschiene / sliding rail		
30304	Rep. Satz Steuerkette / rep. kit timing chain		E 126
31282	Kettenglied / chain link		
40621	Rep. Satz Steuerkette / rep. kit timing chain		



# MERCEDES-BENZ M-Klasse (BM 163)

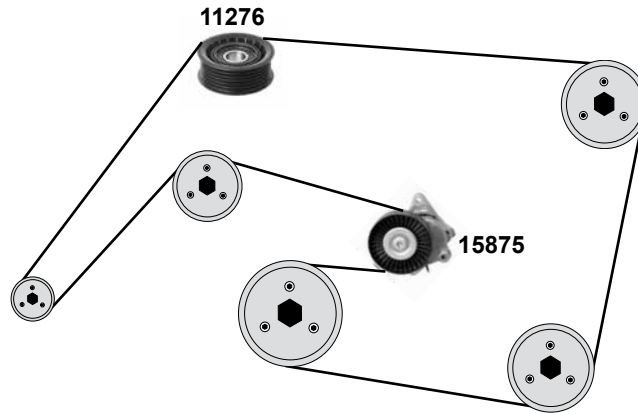
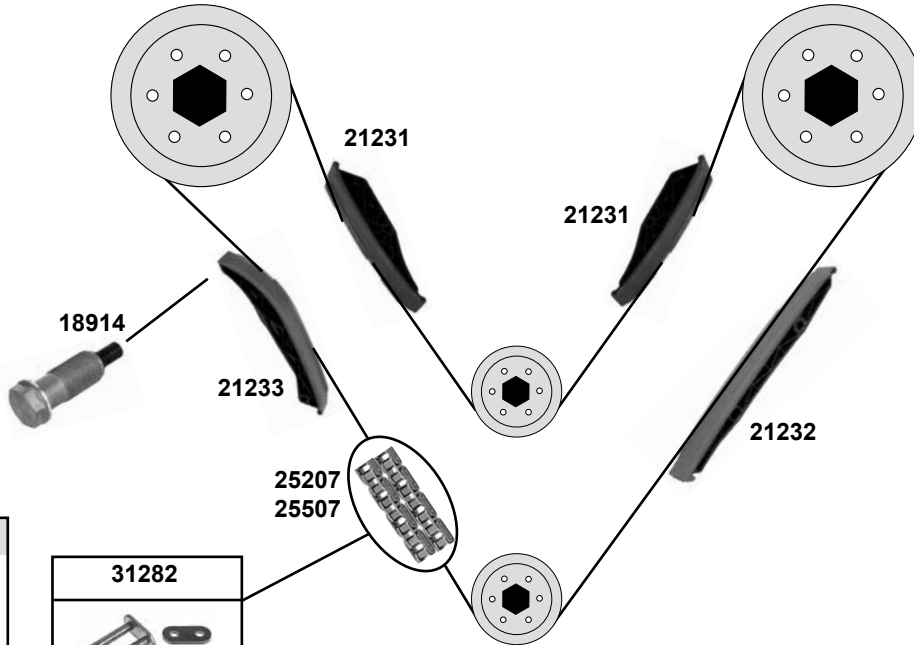
(00 → 05)

Car  
Division



## ML 320 / 430 / 500 / 55 AMG

(M 112.942,970 / M 113.942,965,981)



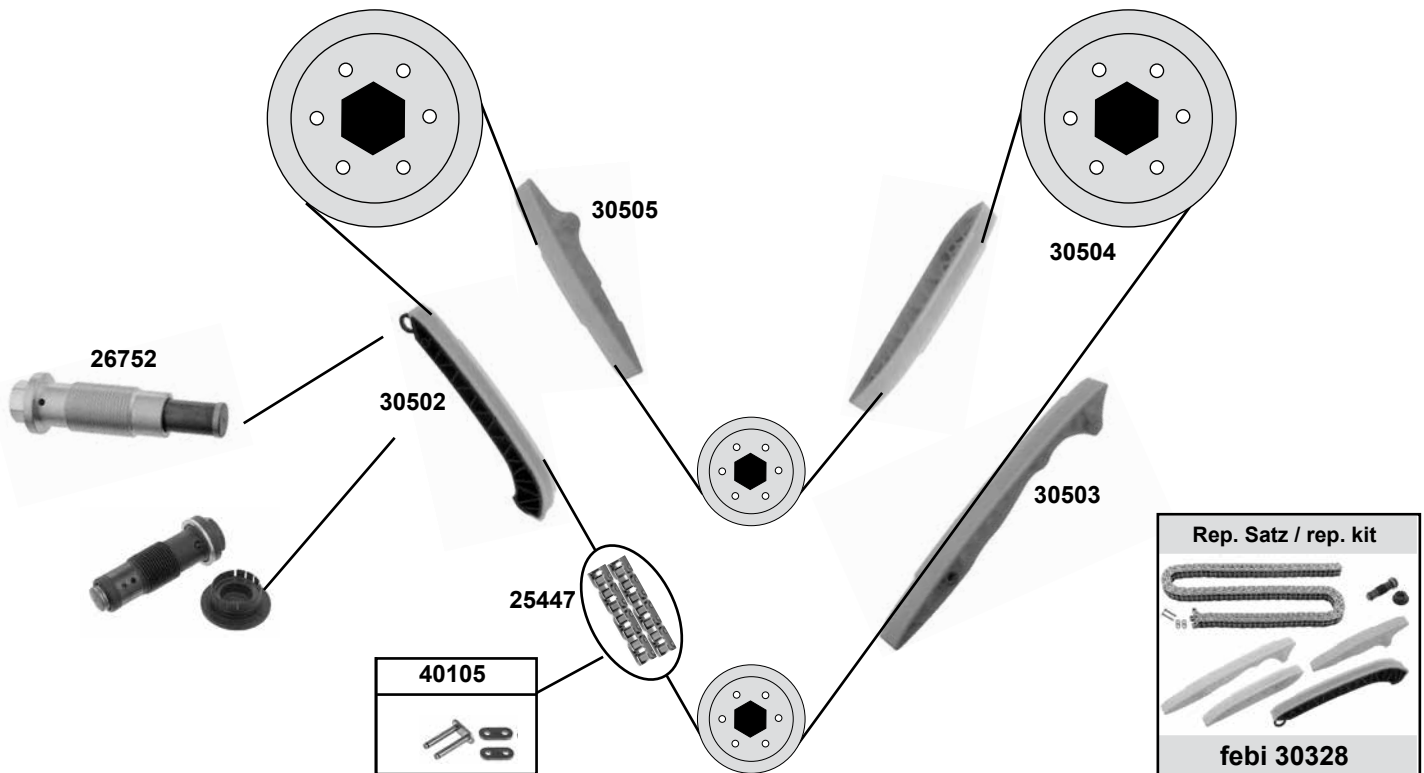
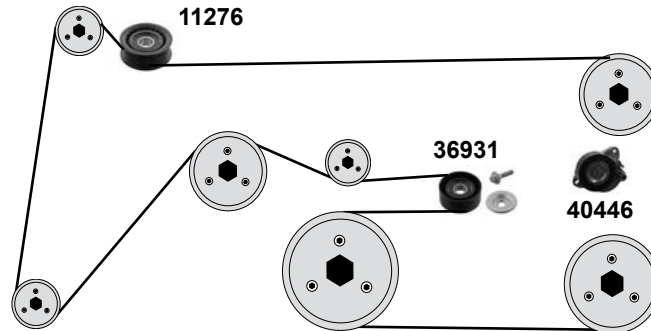
(1) Nietverschluss / riveted link / bouchon de rivet / rivetti / cierre de roblón



Ref. - No.



Ref. - No.	Description	Quantity	Dimensions
11276	Umlenkrolle / deflection pulley		ØA 64 ØI 17 B23
15875	Riemenspanner / belt tensioner		
18914	Kettenspanner / chain tensioner		
21231	Gleitschiene / sliding rail		
21232	Gleitschiene / sliding rail		
21233	Gleitschiene / sliding rail		
25207	Steuerkette / timing chain	(1)	168 N
25507	Steuerkette / timing chain	(1)	168 E
30303	Rep. Satz Steuerkette / rep. kit timing chain		
31282	Kettenglied / chain link	(1)	



- (1) (mot.) 272.967 → (ch.) 30089231 / → 30/06/05
- (2) (mot.) 272.945,967,973 (mot.) 30089233 → / (mot.) 273.923,963
- (3) (mot.) 272.945,967, (mot.) 30009529 → / (mot.) 272.973 / (mot.) 273.923,963



Ref. - No.



Part No.	Ref. - No.	Description	Notes	Dimensions
11276	000 202 09 19	Umlenkrolle / deflection pulley		ØA 64 Ø B23
25447	000 993 06 76	Steuerkette / timing chain		216 N
26752	272 050 01 11	Kettenspanner / chain tensioner	(1)	
30328	272 050 08 11 S1	Rep. Satz Steuerkette / rep. kit timing chain	(2)	
30502	272 052 13 16	Gleitschiene / sliding rail	(2)	
30503	272 052 00 16	Gleitschiene / sliding rail		
30504	272 052 15 16	Gleitschiene / sliding rail	(3)	
30505	272 052 02 16	Gleitschiene / sliding rail		
36931	113 202 00 19	Spannrolle / tension roller	(mot.) →6001452	ØA 65 B26
40105	000 993 06 76 S2	Kettenglied / chain link		
40446	156 200 05 70	Riemenspanner / belt tensioner	(ex.) 923	ØA 76 B26

# MERCEDES-BENZ M-Klasse (BM 164)

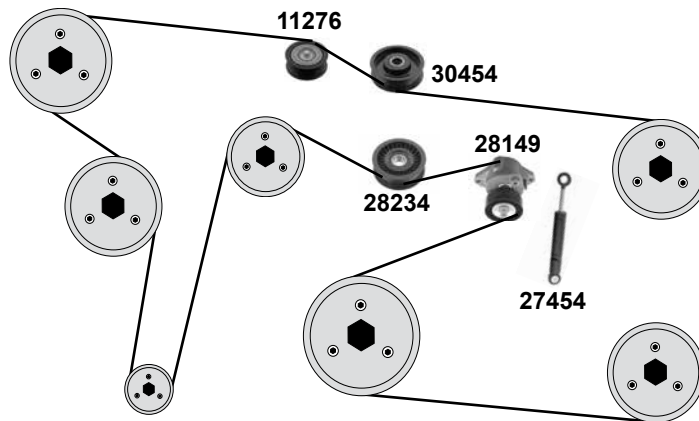
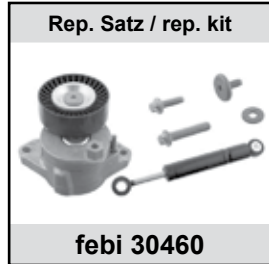
(05 →)

Car  
Division 



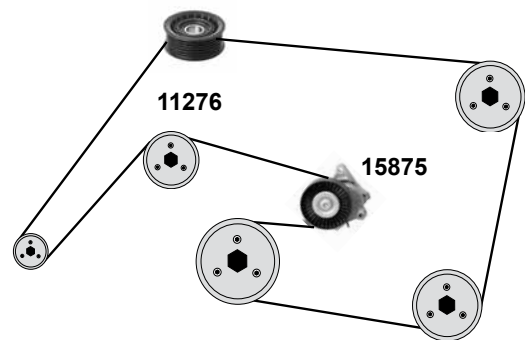
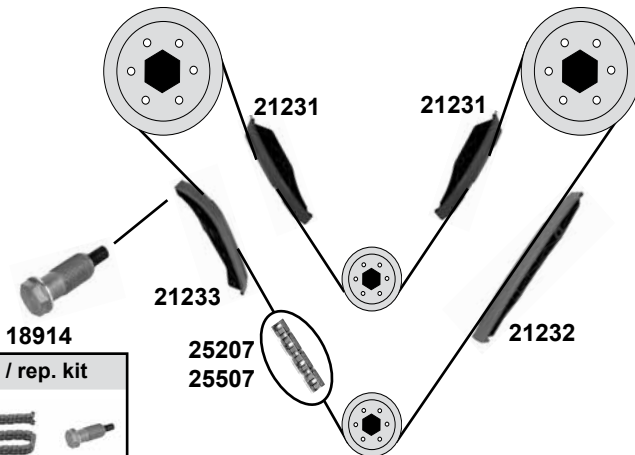
## ML 350

(M 272.945,967,973 / 273.923,963)



## ML 350 / 500

(M 113.964 / 272.967)



- (1) (ch.) → 30058376 / (ex.) mot. 272.945 / 273.923/963
- (2) mot. 272.945,967: 30058377 →
- (3) Nietverschluss / riveted link / bouchon de rivet / rivetti / cierre de roblón

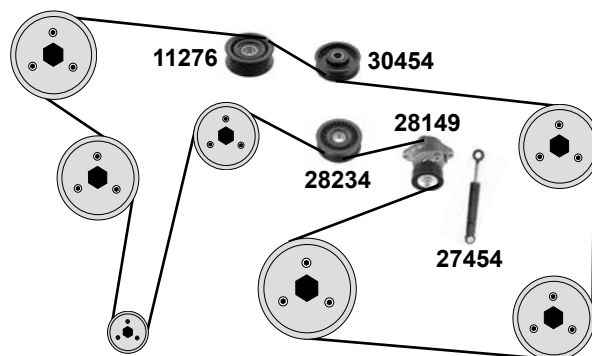
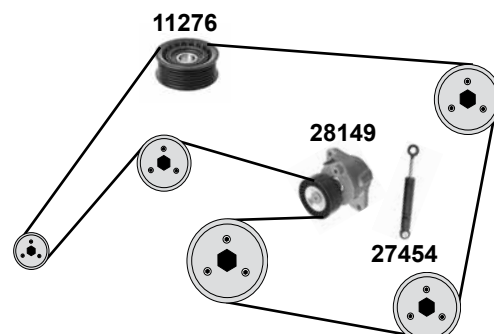
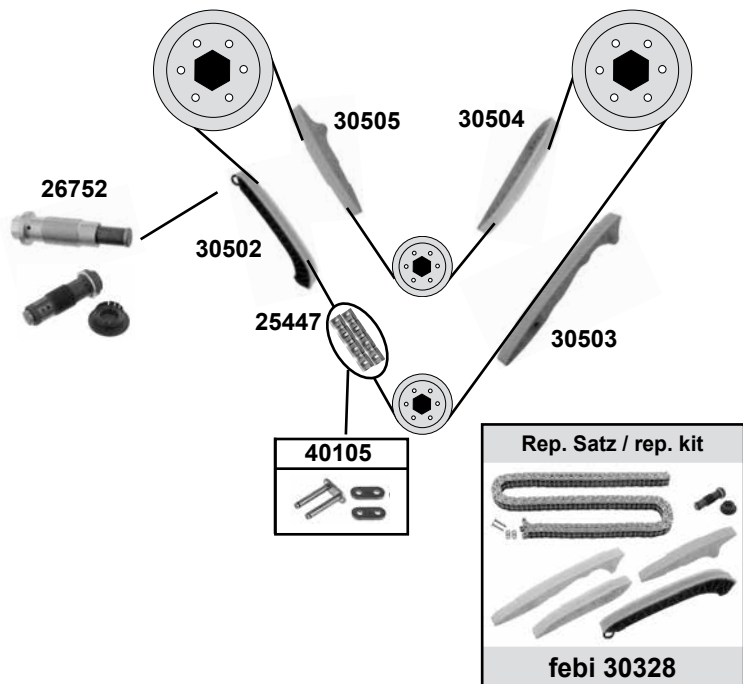


	Ref. - No.			
11276	272 202 10 19	Umlenkrolle / deflection pulley	(ex.) 973	ØA 64 ØI 17 B23
15875	112 200 09 70	Riemenspanner / belt tensioner		
18914	112 050 08 11	Kettenspanner / chain tensioner	M 113.964	
21231	112 052 01 16	Gleitschiene / sliding rail		
21232	112 052 00 16	Gleitschiene / sliding rail		
21233	112 052 02 16	Gleitschiene / sliding rail		
25207	003 997 68 94	Steuerkette / timing chain	(3) M 113.964	168 N
25507	003 997 68 94 S1	Steuerkette / timing chain	(3) M 113.964	168 E
27454	272 200 01 14	Schwingungsdämpfer / vibration damper		55 N - 400 N
28149	272 200 02 70	Riemenspanner / belt tensioner		ØA 76
28234	272 202 01 19	Riemenspanner / belt tensioner	(1)	80 x 28 x 17
30303	112 050 08 11 S1	Rep. Satz Steuerkette / rep. kit timing chain		
30454	272 202 14 19	Umlenkrolle / deflection pulley	(2)	ØA 70 B22
30460	272 200 02 70 S1	Rep. Satz Riemenspanner / rep. kit. belt tensioner	(1)	



## R 280 / R 350

(M 272.945,967 / M 273.963)



- (1) (mot.) 272.967 : mot. → 290775 / → 06.05
- (2) (mot.) 272.945,967: mot. 30058377 → / (mot.) 273.963
- (3) (mot.) 272.945,967: 30009529 → / (mot.) 273.963
- (4) (mot.) 272.945,967 (mot.) 30089233 → / (mot.) 273.963



Ref. - No.



Ref. - No.			
11276	272 202 09 19	Umlenkrolle / deflection pulley	ØA 64 ØI 17 B23
25447	000 993 06 76	Steuerkette / timing chain	216 N
26752	272 050 01 11	Kettenspanner / chain tensioner	(1)
27454	272 200 01 14	Schwingungsdämpfer / vibration damper	55 N - 400 N
28149	272 200 00 70	Riemenspanner / belt tensioner	ØA 76
28234	272 202 01 19	Riemenspanner / belt tensioner	(mot.) 272.967
30328	272 050 08 11 S1	Rep. Satz Steuerkette / rep. kit timing chain	(4)
30454	272 202 14 19	Umlenkrolle / deflection pulley	(2)
30460	272 200 02 70 S1	Rep. Satz Riemenspanner / rep. kit belt tensioner	ØA 70 B22
30502	272 052 13 16	Gleitschiene / sliding rail	(4)
30503	272 052 00 16	Gleitschiene / sliding rail	
30504	272 052 15 16	Gleitschiene / sliding rail	(3)
30505	272 052 02 16	Gleitschiene / sliding rail	
40105	000 993 06 76 S2	Kettenglied / chain link	

# MERCEDES-BENZ R-Klasse (BM 251)

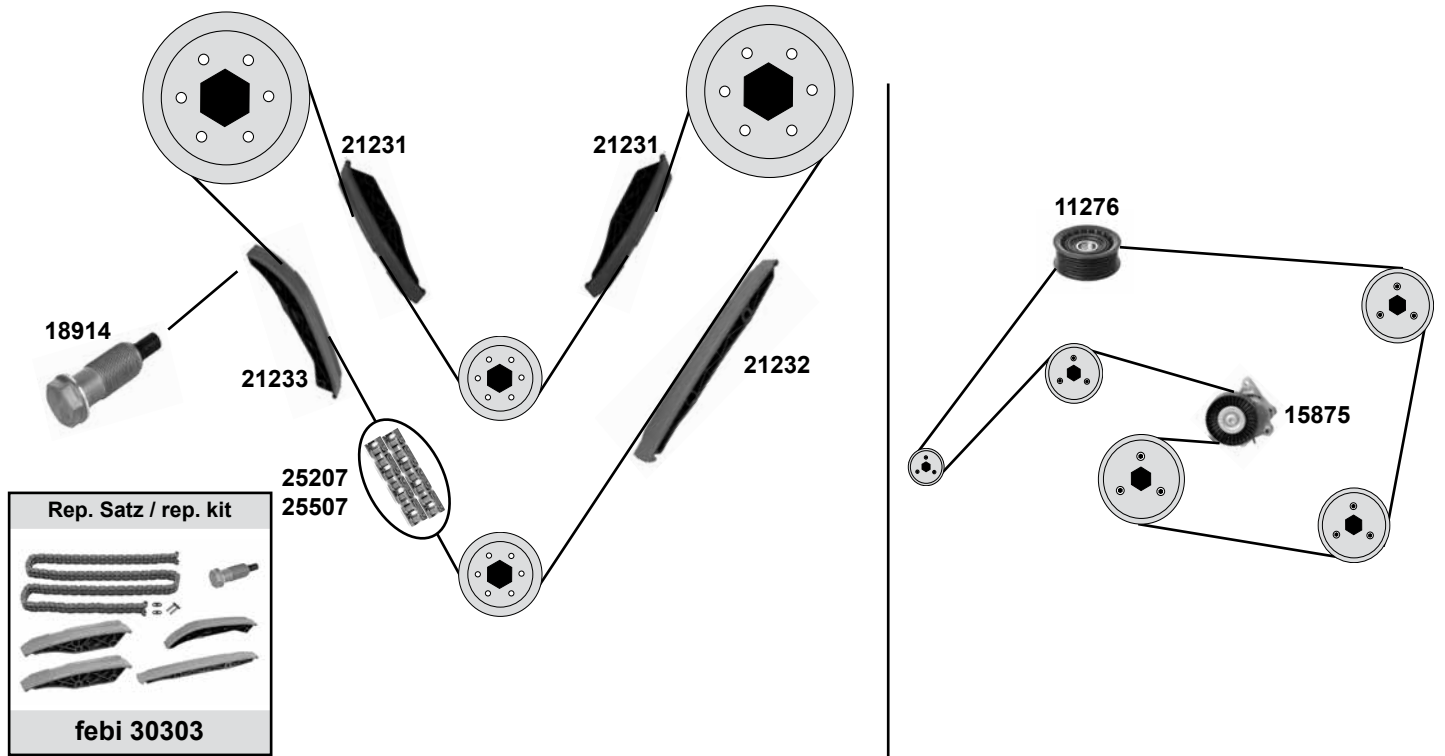
(05 →)

Car  
Division



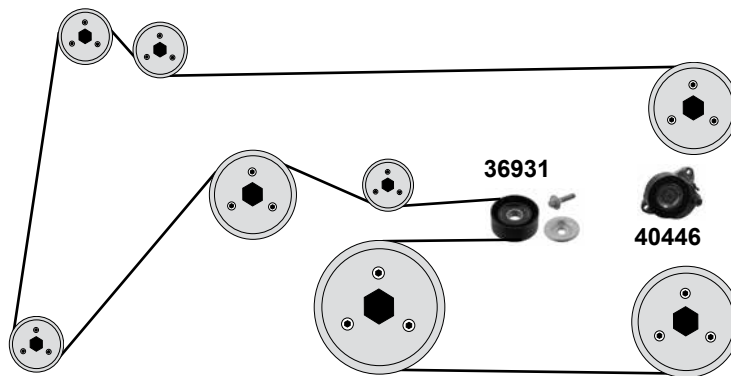
## R 500

(M 113.971)



## R- Klasse

(M 156.980)



(1) (ch.) 30009529 → / 09/04 →

(2) Nietverschluß / riveted link / bouchon de rivet / rivetti / cierre de roblón

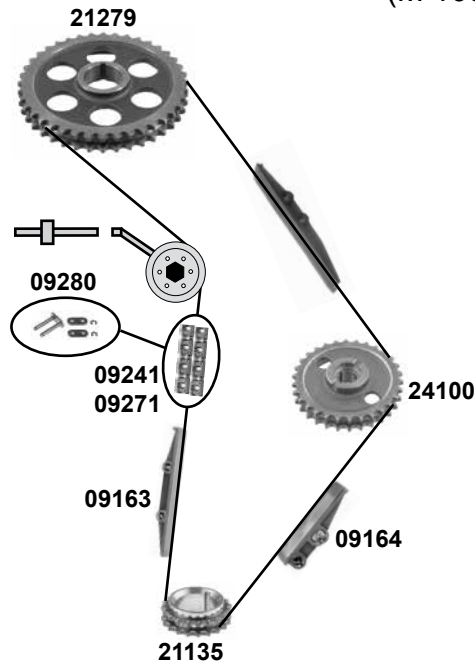


Ref. - No.

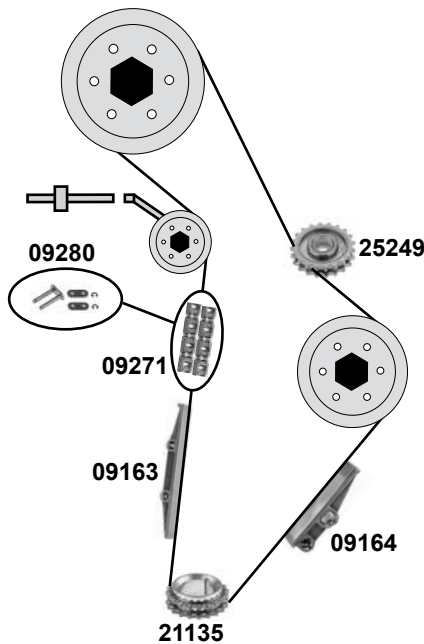


11276	30 03 0032	Umlenkrolle / deflection pulley		
15875	112 200 09 70	Riemenspanner / belt tensioner	05/05 →	
18914	112 050 08 11	Kettenspanner / chain tensioner		
21231	112 052 01 16	Gleitschiene / sliding rail	05/05 →	
21232	112 052 00 16	Gleitschiene / sliding rail	(1)	
21233	112 052 02 16	Gleitschiene / sliding rail	05/05 →	
25207	003 997 68 94	Steuerkette / timing chain	(2)	168 N
25507	003 997 68 94 S1	Steuerkette / timing chain	(2)	168 E
30303	112 050 08 11 S1	Rep. Satz Steuerkette / rep. kit timing chain		
36931	113 202 00 19	Spannrolle / tension roller	(mot.) →6001452	ØA 65 B26
40446	156 200 05 70	Riemenspanner / belt tensioner		ØA 76 B26

**250 S / 250 SE / 280 S**  
(M 108.920/924 / M 129.980 / M 130.920)



**280 SE / SEL**  
(M 130.980)



(1) Federverschluß / split link / fermeture de ressort / cierre de resorte / falsa maglia



Ref. - No.



<b>09163</b>	115 052 04 16	Gleitschiene / sliding rail
<b>09164</b>	115 052 07 16	Gleitschiene / sliding rail
<b>09271</b>	000 997 46 94	Steuerkette / timing chain
<b>09280</b>	000 997 05 98	Kettenglied / chain link
<b>09241</b>	000 997 70 94	Steuerkette / timing chain
<b>21135</b>	615 052 02 03	Kurbelwellenzahnrad / crankshaft gear
<b>21279</b>	121 052 03 01	Nockenwellenrad / camshaft gear
<b>24100</b>	114 052 00 02	Zwischenrad / intermediate gear
<b>25249</b>	621 050 04 09	Zwischenrad / intermediate gear

(1) Modell: 250 / 280 S

(1) Modell: 250SE

D 455 / 134 F  
11 / D 455

Z 20 Ø1 36

(mot.) 920

Modell: 250 S

# MERCEDES-BENZ S-Klasse (BM 108 / 109)

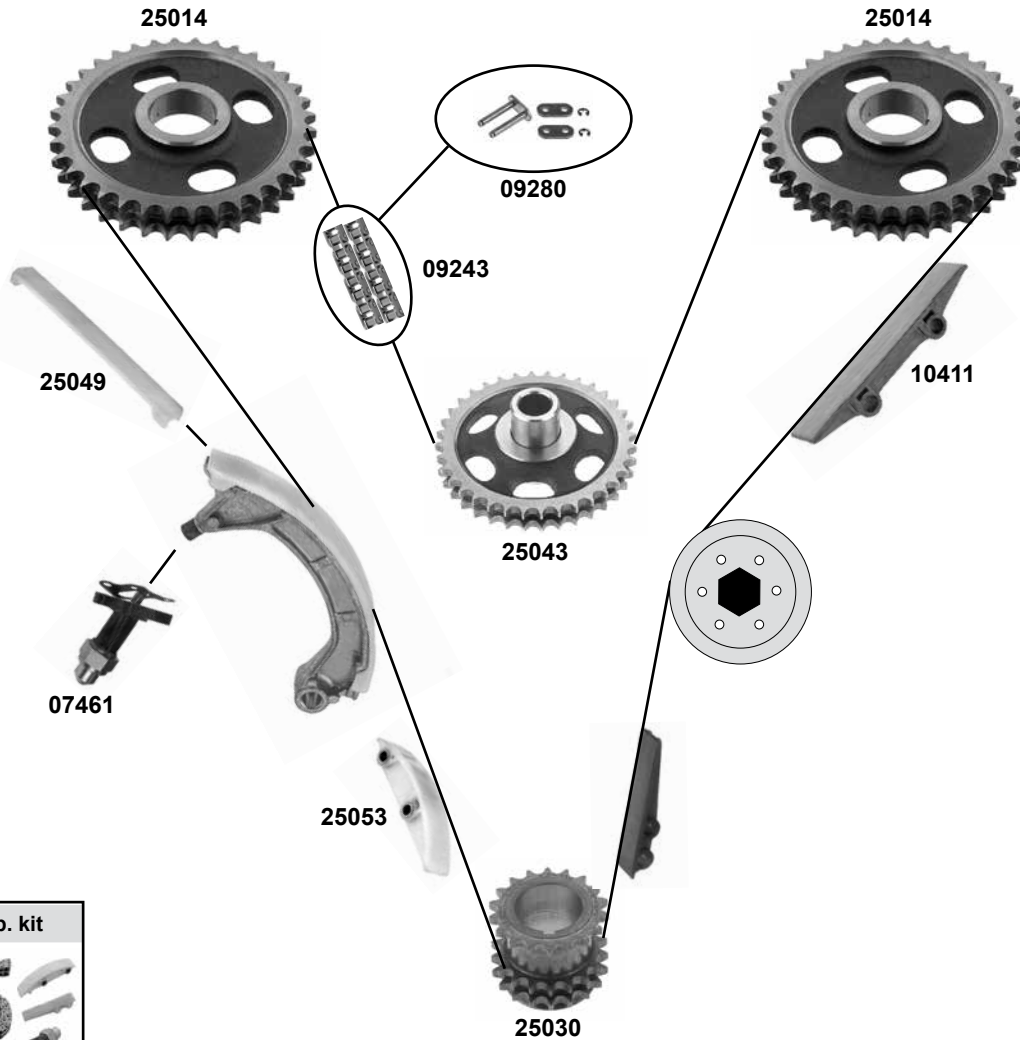
(65 → 72)

Car  
Division



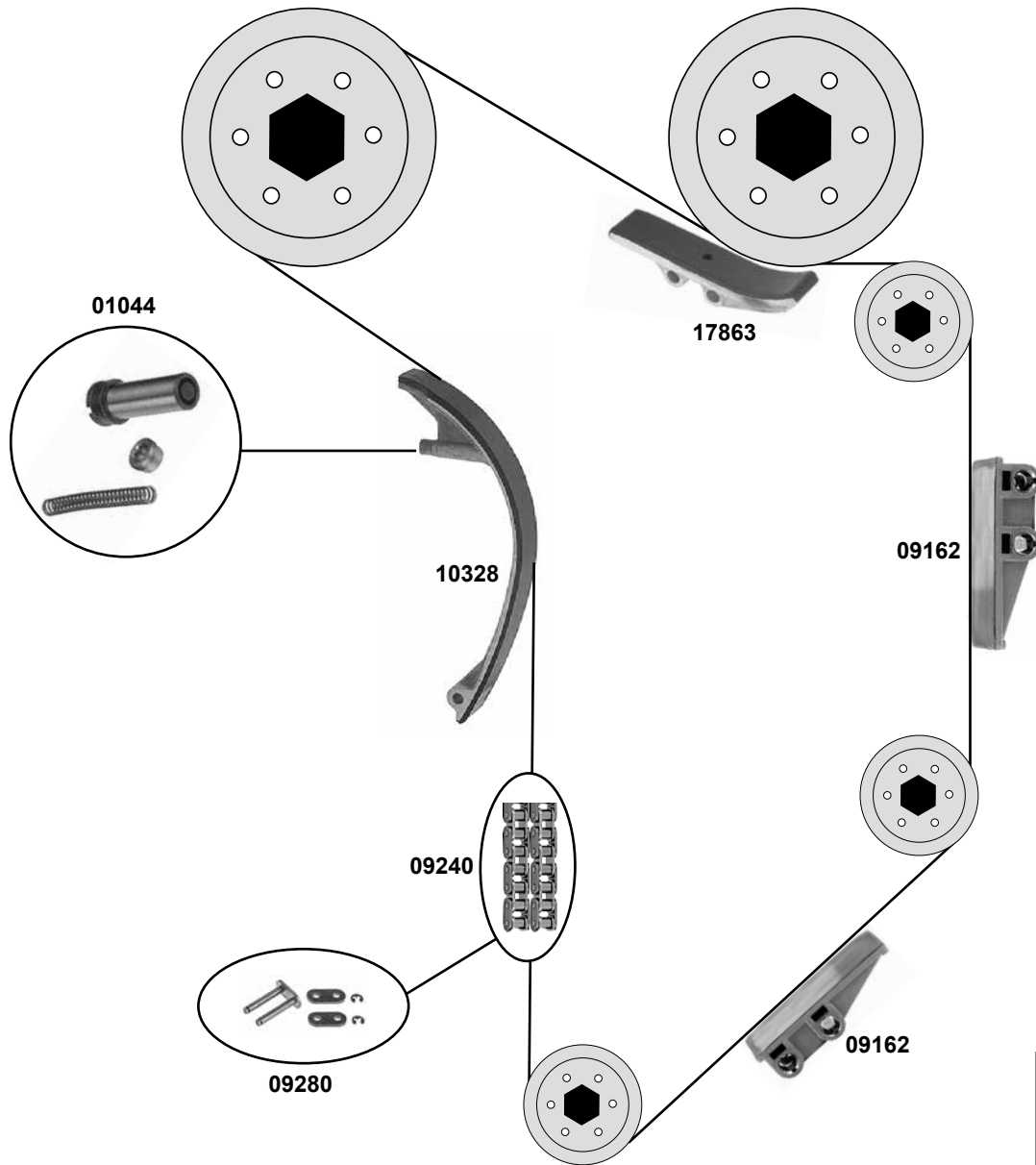
## 280 SE / SEL 3.5 300 SEL 3.5

(M 116.980,981,991 / 189.989)



- (1) Federverschluß / split link / fermeture de ressort / cierre de resorte / falsa maglia
- (2) mot. 116.981 / 189.989
- (3) mot. 116.980 / 981/991 / 117.981/984
- (4) (ex.) mot. 189.989

Ref. - No.				
07461	116 050 16 11	Kettenspanner / chain tensioner	(2)	
09243	000 997 75 94	Steuerkette / timing chain	(1)	D 455 / 186 F
09280	000 997 05 98	Kettenglied / chain link	(2)	
10411	116 052 17 16	Gleitschiene / sliding rail	(2)	
25014	116 052 06 01	Nockenwellenrad / camshaft gear	(2)	Z 36
25030	119 052 01 03	Kurbelwellenzahnrad / crankshaft gear	(2)	Z 18
25043	116 050 05 05	Zwischenrad / intermediate gear	(2)	Z 36
25049	116 052 00 83	Belag Gleitschiene / lining sliding rail	(2)	
25053	116 050 27 16	Gleitschiene / sliding rail	(3)	
30310	116 050 16 11 S1	Rep. Satz. Steuerkette / rep. kit. timing chain	(4)	

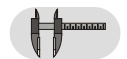


(1) Federverschluß / split link / fermeture de ressort / cierre de resorte / falsa maglia

(2) 922: (mot.) 028630 →  
922: (mot.) 016982 →



Ref. - No.



Part No.	Ref. - No.	Description	Quantity	Dimensions
01044	110 050 06 11	Kettenspanner / chain tensioner	(2)	ØA 64 ØI 17 B23
09162	110 052 08 16	Gleitschiene / sliding rail		
09240	000 997 69 94	Steuerkette / timing chain	(1)	D 455 / 130 E
09280	000 997 05 98	Kettenglied / chain link		11 / D 455
10328	110 050 18 16	Gleitschiene / sliding rail		
17863	110 050 15 16	Gleitschiene / sliding rail		
30308	110 050 06 11 S1	Rep. Satz Steuerkette / rep. kit timing chain		



# MERCEDES-BENZ

## S- Klasse (BM 116)

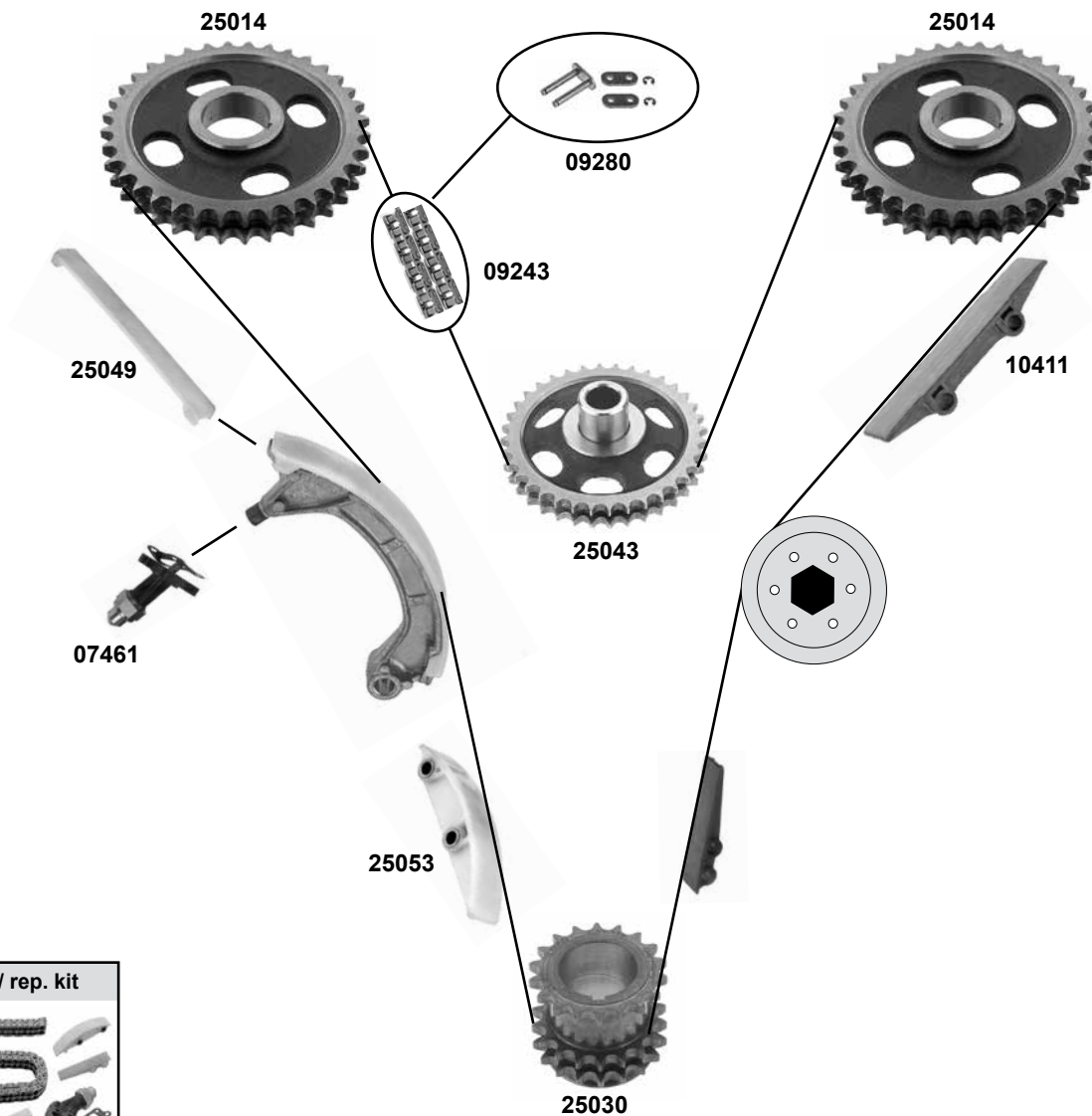
(72 → 80)

Car  
Division



### 350 SE / SEL / 450 SE

(M 116.983,985 / 117.983,986)



(1) Federverschluß / split link /  
fermeture de ressort /  
cierre de resorte / falsa maglia

(2) 983: (mot.) → 002755  
983: (mot.) → 013467

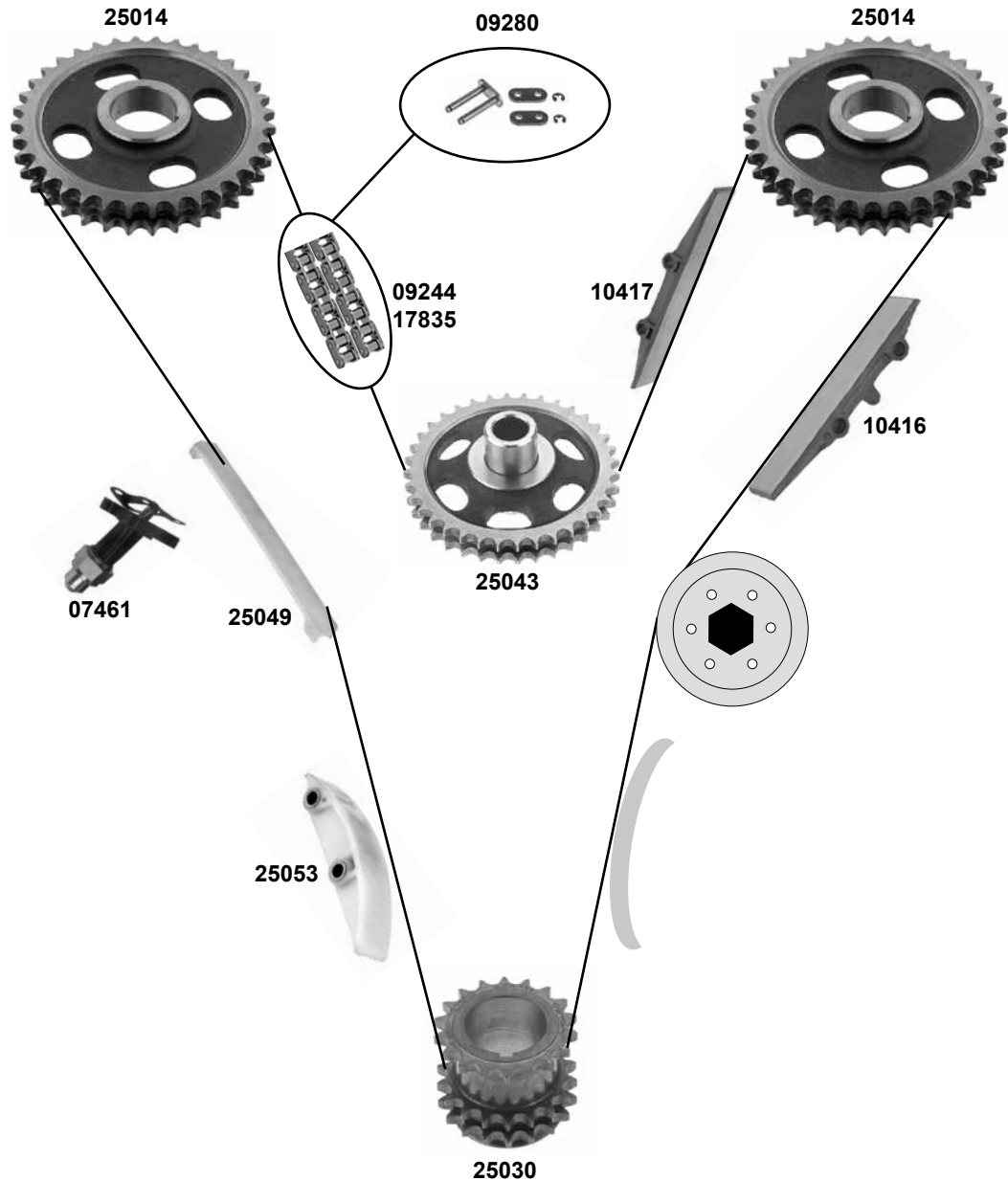
(3) (mot.) 116.983/985



Ref. - No.



Ref. - No.	Description	Quantity	Notes
07461	Kettenspanner / chain tensioner	(3)	
09243	Steuerkette / timing chain	(1) (3)	D 455 / 186 F
09280	Kettenglied / chain link	(3)	11 / D 455
10411	Gleitschiene / sliding rail	(2) (3)	
25014	Nockenwellenrad / camshaft gear	(3)	Z 36
25030	Kurbelwellenzahnrad / crankshaft gear	(3)	Z 18
25043	Zwischenrad / intermediate gear	(3)	Z 36
25049	Belag Gleitschiene / lining sliding rail	(3)	
25053	Gleitschiene / sliding rail	(3)	
30310	Rep. Satz Steuerkette / rep. kit timing chain	(3)	



(1) Federverschluß / split link / fermeture de ressort / cierre de resorte / falsa maglia



Ref. - No.



Ref. - No.	Description	Notes	Dimensions
07461	Kettenspanner / chain tensioner	(mot.) 986	
09244	Steuerkette / timing chain	(mot.) 986 (1)	D 455 / 198 F
09280	Kettenglied / chain link	(mot.) 986	11 / D 455
10416	Gleitschiene / sliding rail	(mot.) 986	
10417	Gleitschiene / sliding rail	(mot.) 986	
17835	Steuerkette / timing chain	(mot.) 986	
25014	Nockenwellenrad / camshaft gear	(mot.) 986	Z 36
25030	Kurbelwellenzahnrad / crankshaft gear	(mot.) 986	Z 18
25043	Zwischenrad / intermediate gear	(mot.) 986	Z 36
25049	Belag Gleitschiene / lining sliding rail	(mot.) 986	
25053	Gleitschiene / sliding rail	(mot.) 993	

# MERCEDES-BENZ S-Klasse (BM 116)

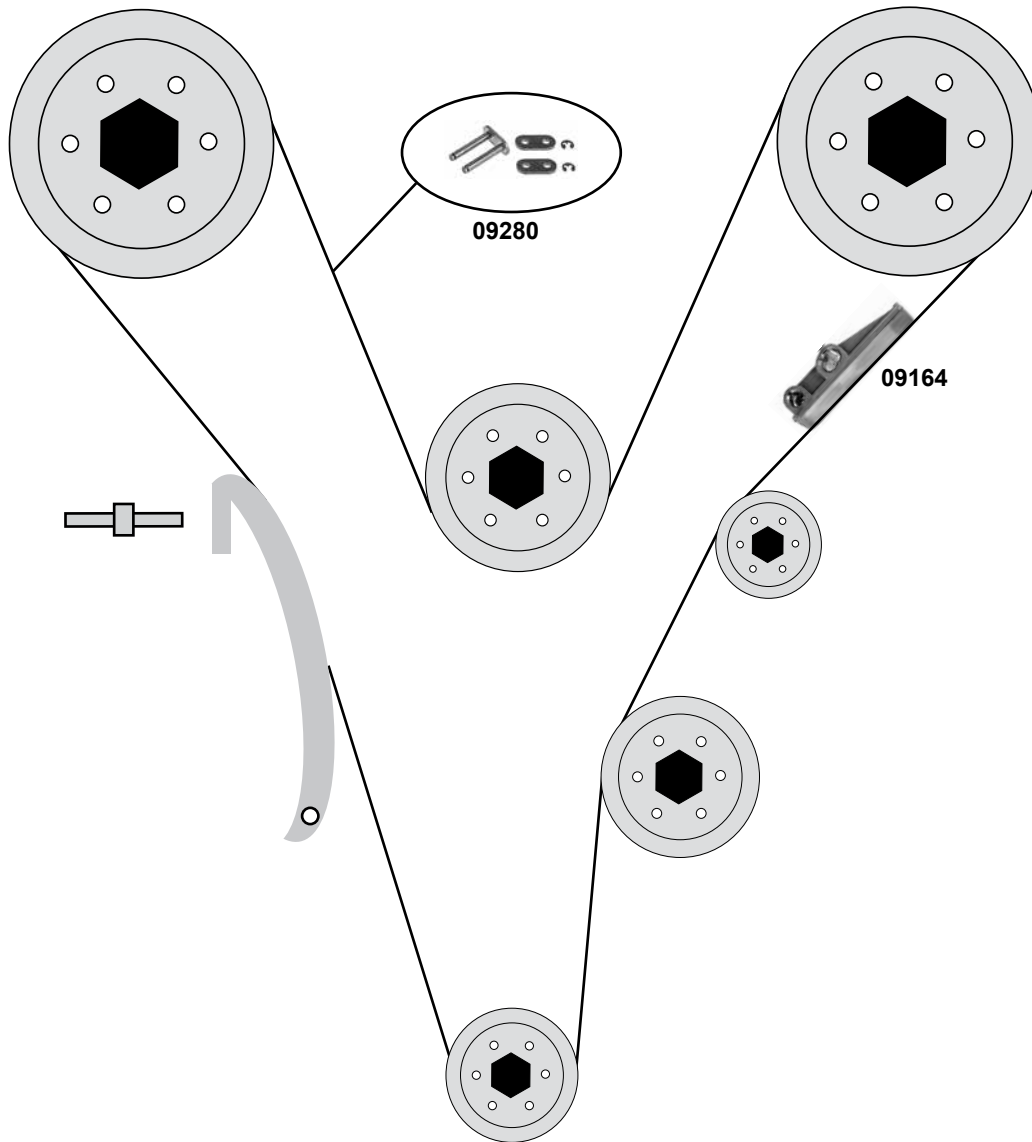
(72 → 80)

Car  
Division

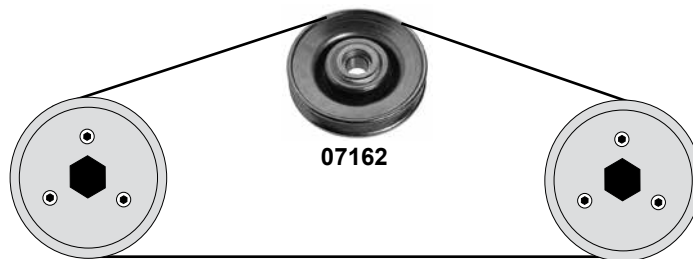


## 450 SEL 6,9

(M 100.985)



**Für Fahrzeuge mit Luftpressor, Kältekompressor oder Hydraulikpumpe  
For Engines with Compressor, Air Cooler or Hydraulic Pump**



Ref. - No.

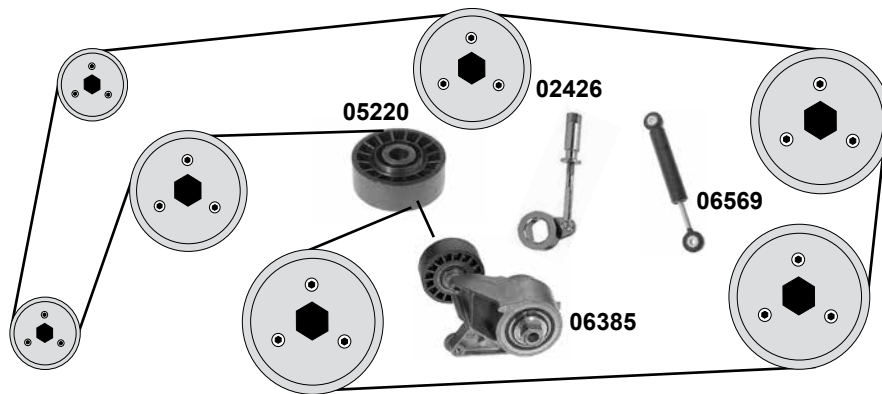
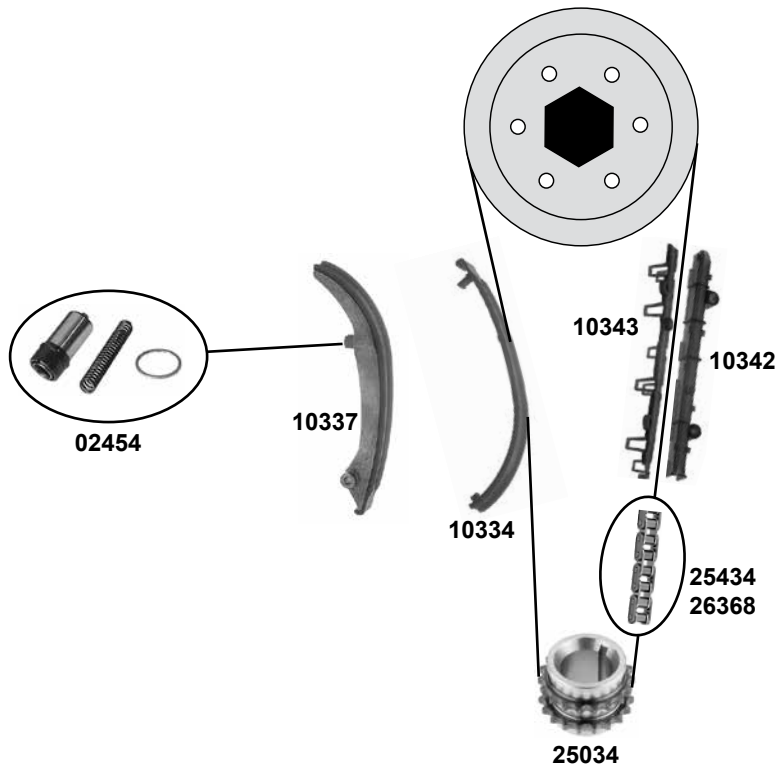


**07162** 116 130 04 60  
**09164** 115 052 07 16  
**09280** 000 997 05 98

Riemenscheibe / belt pulley  
Gleitschiene / sliding rail  
Kettenglied / chain link

(mot.) 006033 →

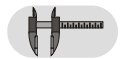
11 / D 455



(1) Nietverschluss / riveted link bouchon de rivet / rivetti



Ref. - No.



Ref. - No.	Description	Quantity	Notes
02426	Spannstange / tensioning rod	(ex.) 981	
02454	Kettenspanner / chain tensioner	(ex.) 981	
05220	Spannrolle / tension roller	(ex.) 981	ØA70ØI25 B31,5
06385	Riemenspanner / belt tensioner	(ex.) 981	
06569	Schwingungsdämpfer / vibration damper	(ex.) 981	55 N - 900 N
10334	Gummibelag Gleitschiene / rubber lining sliding rail	(ex.) 981	
10337	Gleitschiene / sliding rail	(ex.) 981	
10342	Gleitschiene / sliding rail	(ex.) 981	
10343	Gleitschiene / sliding rail	(ex.) 981	
25034	Kurbelwellenzahnrad / crankshaft gear	(ex.) 981	Z 18
25434	Steuerkette endlos / timing chain endless		96 E
26368	Steuerkette / timing chain	(1)	96 N
30307	Rep. Satz Steuerkette / rep. kit timing chain	(ex.) 981	

# MERCEDES-BENZ S-Klasse (BM 126)

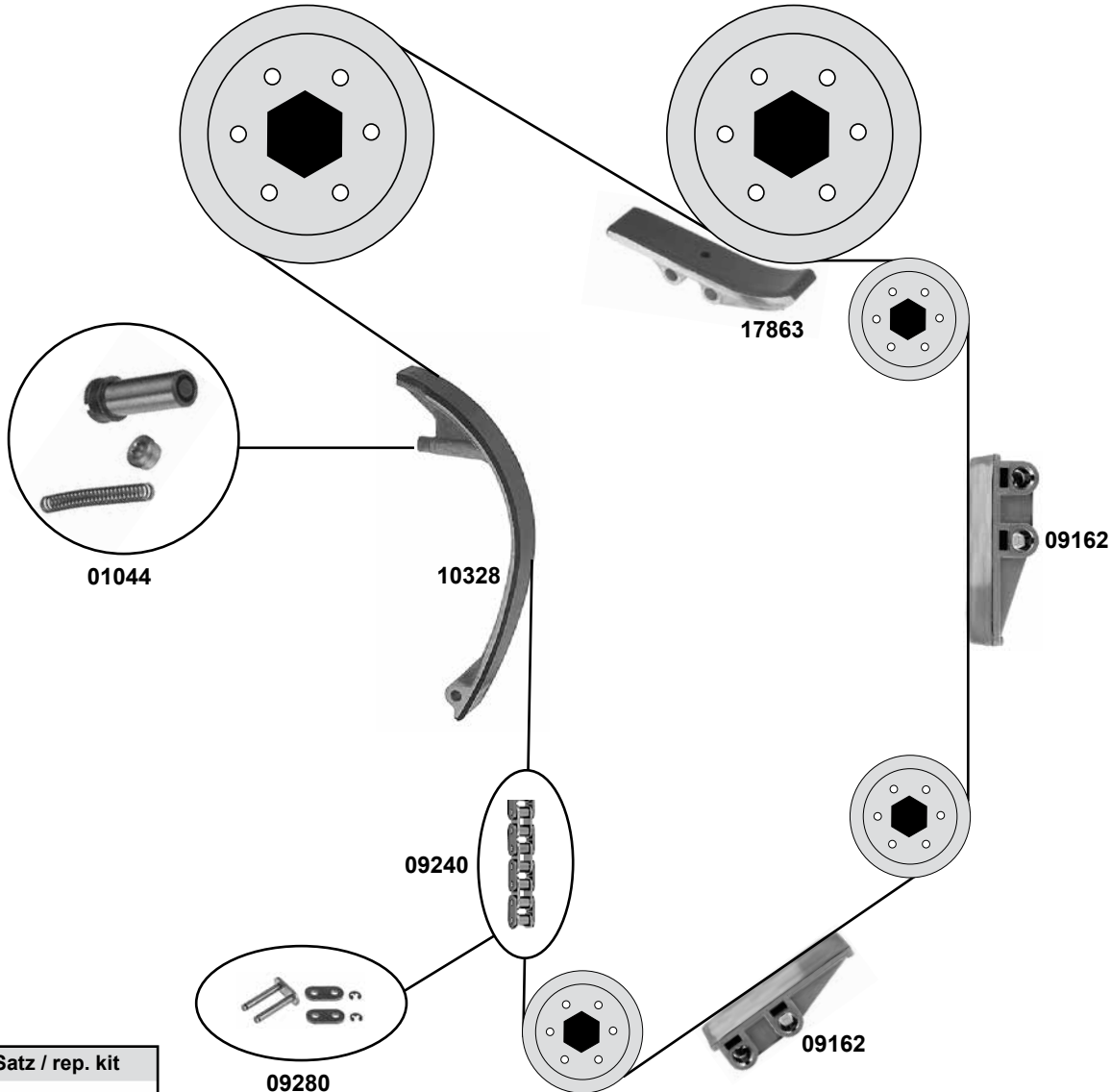
(80 → 90)

Car  
Division



## 280 S / 280 SE / 280 SEL

(M 110.924, 926, 987, 989)



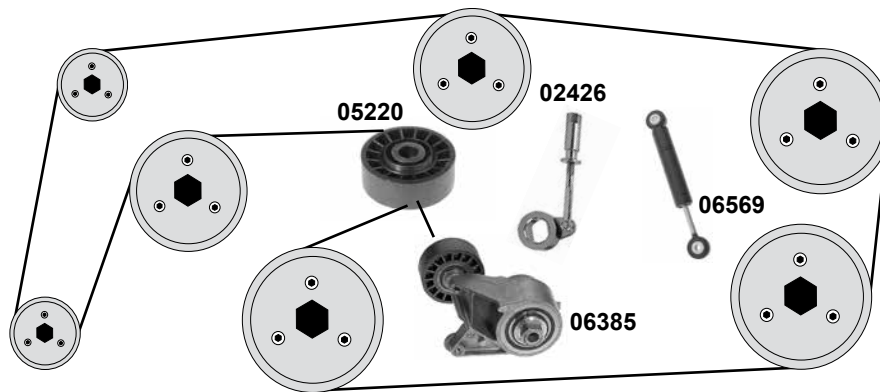
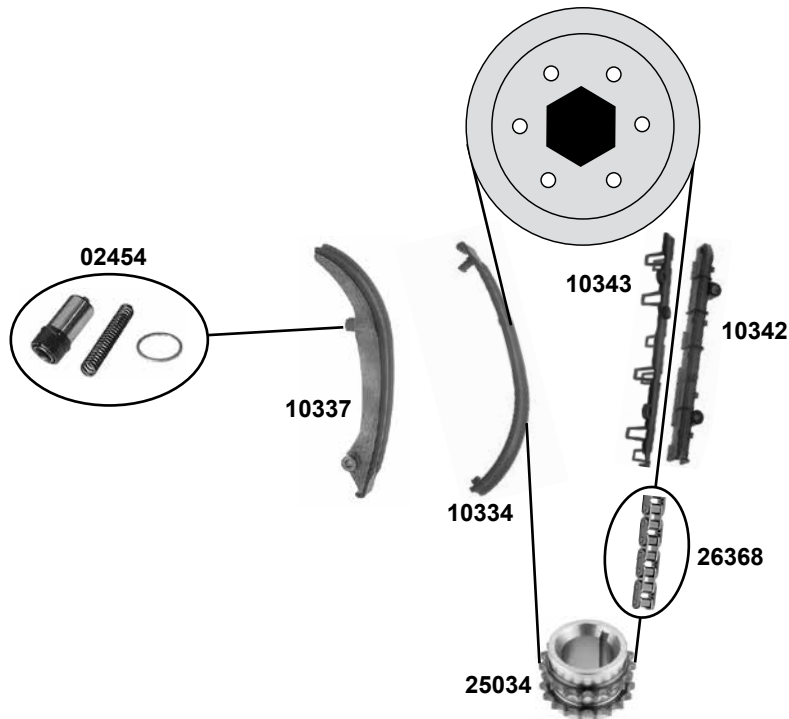
(1) Federverschluß / split link / fermeture de ressort / cierre de resorte / falsa maglia



Ref. - No.



<b>01044</b>	110 050 06 11	Kettenspanner / chain tensioner		
<b>09162</b>	110 052 08 16	Gleitschiene / sliding rail		
<b>09240</b>	000 997 69 94	Steuerkette / timing chain	(1)	
<b>09280</b>	000 997 05 98	Kettenglied / chain link		
<b>10328</b>	110 050 18 16	Gleitschiene / sliding rail		
<b>17863</b>	110 050 15 16	Gleitschiene / sliding rail		
<b>30308</b>	110 050 06 11 S1	Rep. Satz Steuerkette / rep. kit timing chain		D 455 / 130 F 11 / D 455



(1) Nietverschluß / riveted link bouchon de rivet / rivetti



Ref. - No.



<b>02426</b>	103 200 02 36	Spannstange / tensioning rod	
<b>02454</b>	103 050 06 11	Kettenspanner / chain tensioner	
<b>05220</b>	103 200 05 70	Spannrolle / tension roller	ØA70ØI25 B31,5
<b>06385</b>	103 200 08 70	Riemenspanner / belt tensioner	
<b>06569</b>	103 200 01 14	Schwingungsdämpfer / vibration damper	55N - 900 N
<b>10334</b>	103 052 00 83	Gummibelag Gleitschiene / rubber lining sliding rail	
<b>10337</b>	103 050 03 16	Gleitschiene / sliding rail	
<b>10342</b>	103 052 07 16	Gleitschiene / sliding rail	
<b>10343</b>	103 052 08 16	Gleitschiene / sliding rail	
<b>25034</b>	103 052 00 03	Kurbelwellenzahnrad / crankshaft gear	Z 18
<b>26368</b>	003 997 80 94	Steuerkette / timing chain	(1) E 96
<b>30307</b>	103 050 06 11 S1	Rep. Satz Steuerkette / rep. kit timing chain	E 96

# MERCEDES-BENZ S-Klasse (BM 126)

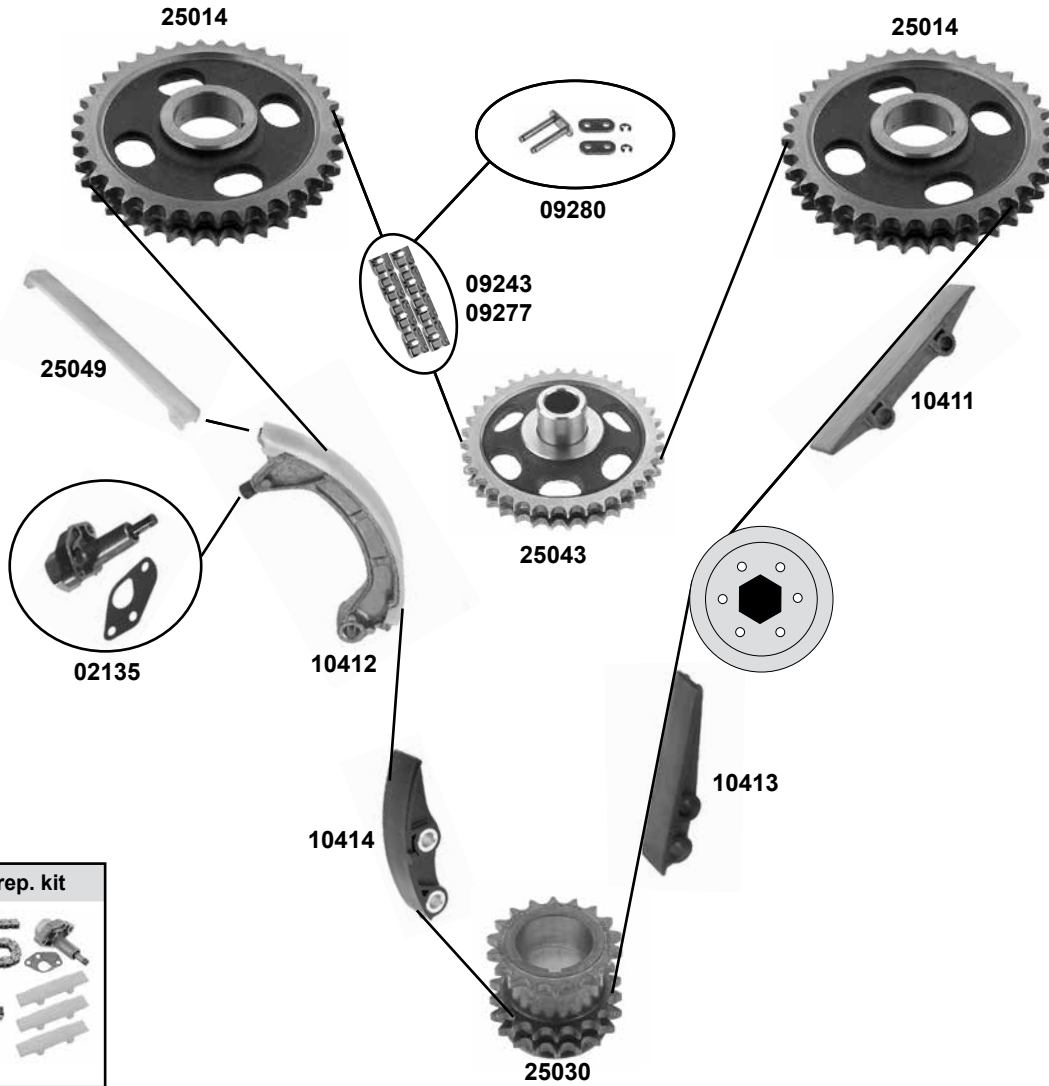
(80 → 91)

Car  
Division 



## 380 SE / 380 SEC / 380 SEL 420 SE / 420 SEC / 420 SEL

(M 116.961,963,965)



- (1) (mot.) 116.965 Federverschluß / split link / fermeture de ressort / cierre de resorte / falsa maglia
- (2) (mot.) 116.961 / 116.963



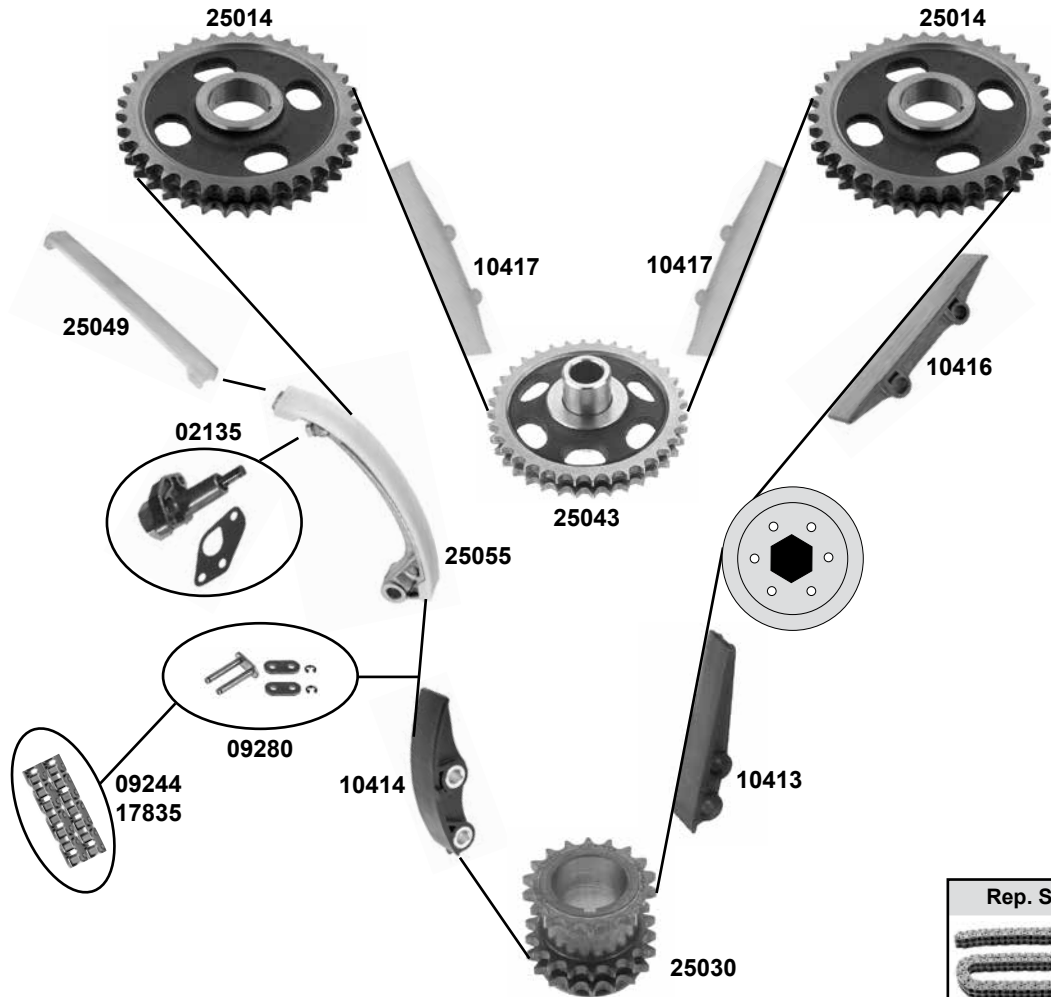
Ref. - No.



Ref. - No.	Description	Quantity	Notes
02135	116 050 18 11 Kettenspanner / chain tensioner	(2)	
09243	000 997 75 94 Steuerkette / timing chain	(1)	D 455 / 186 F
09277	116 050 18 11 S1 Rep. Satz Steuerkette / roller chain simple	(2)	
09280	000 997 05 98 Kettenglied / chain link		11 / D 455
10411	116 052 17 16 Gleitschiene / sliding rail	(2)	
10412	116 050 31 16 Gleitschiene / sliding rail	(2)	
10413	117 052 10 16 Gleitschiene / sliding rail	(2)	
10414	117 050 18 16 Gleitschiene / sliding rail	(2)	
25014	116 052 06 01 Nockenwellenrad / camshaft gear		Z 36
25030	119 052 01 03 Kurbelwellenzahnrad / crankshaft gear		Z 18
25043	116 050 05 05 Zwischenrad / intermediate gear		Z 36
25049	116 052 00 83 Gummibelag / rubber lining		
30309	116 050 18 11 S1 Rep. Satz Steuerkette / Rep. kit roller chain	(2)	

**500 SE / 500 SEC / 500 SEL**  
**560 SE / 560 SEC / 560 SEL**

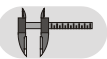
(M 117.961,963,965,968)



(1) Federverschluß / split link / fermeture de ressort / cierre de resorte / falsa maglia



Ref. - No.



Ref. - No.	Description	Quantity	Part No.
02135	Kettenspanner / chain tensioner		
09244	Steuerkette / timing chain	(1)	D 455 / 198 F
09280	Kettenglied / chain link		
10413	Gleitschiene / sliding rail		
10414	Gleitschiene / sliding rail		
10416	Gleitschiene / sliding rail		
10417	Gleitschiene / sliding rail		
17835	Steuerkette / timing chain		D 455 / 198 E
25014	Nockenwellenrad / camshaft gear		Z 36
25030	Kurbelwellenzahnrad / crankshaft gear		Z 18
25043	Zwischenrad / intermediate gear		Z 36
25049	Gummibelag Gleitschiene / rubber lining sliding rail		
25055	Gleitschiene / sliding rail		
30312	Rep. Satz Steuerkette / Rep. kit roller chain	(ex.) 968	



# MERCEDES-BENZ S-Klasse (BM 140)

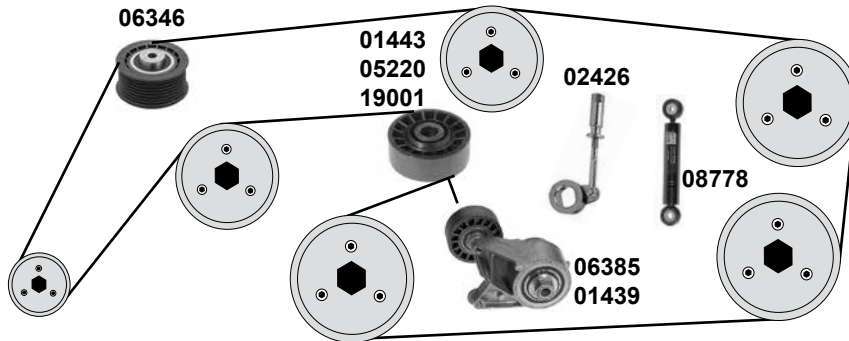
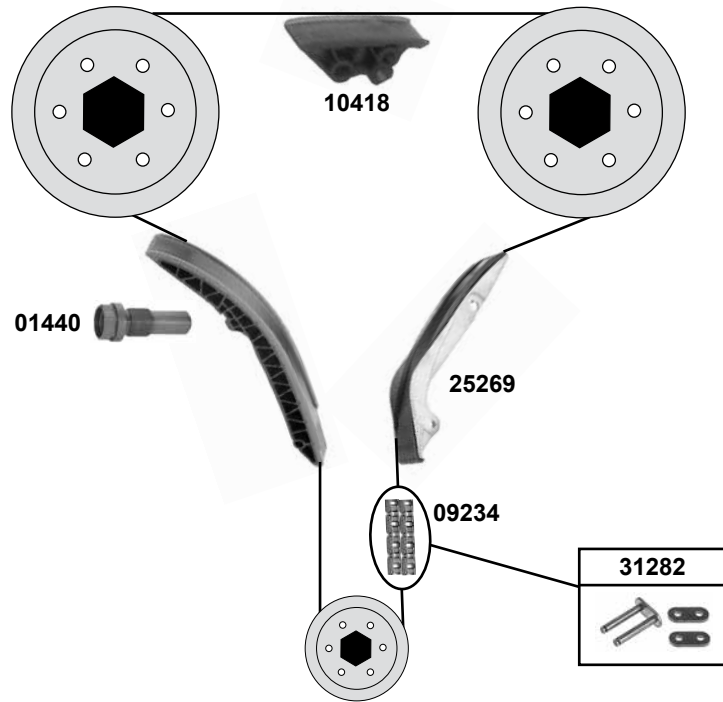
(91 → 99)

Car  
Division



## 300 SE / SEL (S 320)

(M 104.944,990,994)



(1) Nietverschluß / riveted link /  
bouchon de rivet / rivetti

(2) 944: (mot.) → 016164  
944: (mot.) → 001105

(3) 944: (mot.) 016165 →  
944: (mot.) 001106 →



Ref. - No.



01439  
01440  
01443  
02426  
05220  
06346  
06385  
08778  
09234  
10418  
19001  
25269  
30311  
31282

104 200 05 70  
120 050 02 11  
104 200 04 70  
103 200 02 36  
103 200 05 70  
120 200 04 70  
103 200 08 70  
103 200 01 14  
003 997 17 94  
104 052 14 16  
104 200 10 70  
104 050 15 16  
120 050 02 11 S1  
000 997 22 98

Riemenspanner / belt tensioner  
Kettenspanner / chain tensioner  
Spannrolle / tension roller  
Spannstange / tensioning rod  
Spannrolle / tension roller  
Spannrolle / tension roller  
Riemenspanner / belt tensioner  
Schwingungsdämpfer / vibration damper  
Steuerkette / timing chain  
Gleitschiene / sliding rail  
Spannrolle / tension roller  
Gleitschiene / sliding rail  
Rep. Satz Steuerkette / rep. kit timing chain  
Kettenglied / chain link

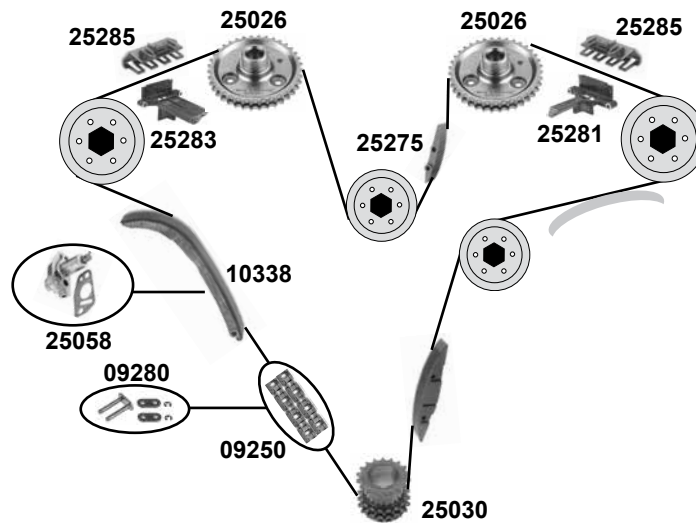
nur / only: 990  
nur / only: 990  
(2)  
(2)  
nur / only: 990  
(2)  
(1)  
(3)  
(1)

ØA 69 B33  
80N - 1050N  
D 455 / 126 N  
ØA 80



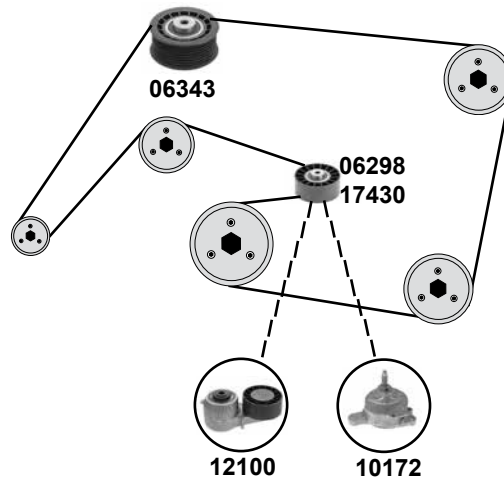
**400 SE / SEL / 400 (S 420)**  
**500 SE / SEC / SEL (S 500)**

(M 119.970,971,980,981)



**400 SE / 400 SEL (S420)**  
**500 SE / 500 SEL / 500 SEC (S500)**

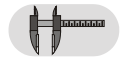
(M 119.970,971,974)



(1) Nietverschluss / riveted link bouchon de rivet / rivetti



Ref. - No.



Ref. - No.	Description	Quantity	Dimensions
<b>06298</b>	Spannrolle / tension roller		
<b>06343</b>	Umlenkrolle / deflection Pulley		
<b>09250</b>	Steuerkette / timing chain	(1)	ØA 75 B 33 D 455 / 216 N 11 / D 455
<b>09280</b>	Kettenglied / chain link		
<b>10172</b>	Riemenspanner / belt tensioner		
<b>10338</b>	Gleitschiene / sliding rail		
<b>12100</b>	Riemenspanner / belt tensioner		
<b>17430</b>	Spannrolle / tension roller		
<b>25026</b>	Nockenwellenrad / camshaft gear		Z 36
<b>25030</b>	Kurbelwellenzahnrad / crankshaft gear		Z 18
<b>25058</b>	Kettenspanner / chain tensioner		
<b>25275</b>	Gleitschiene / sliding rail		
<b>25281</b>	Gleitschiene / sliding rail		
<b>25283</b>	Gleitschiene / sliding rail		
<b>25285</b>	Gleitschiene / sliding rail		
<b>30313</b>	Rep. Satz Steuerkette / rep. kit timing chain	(1)	E 216

# MERCEDES-BENZ S-Klasse (BM 140)

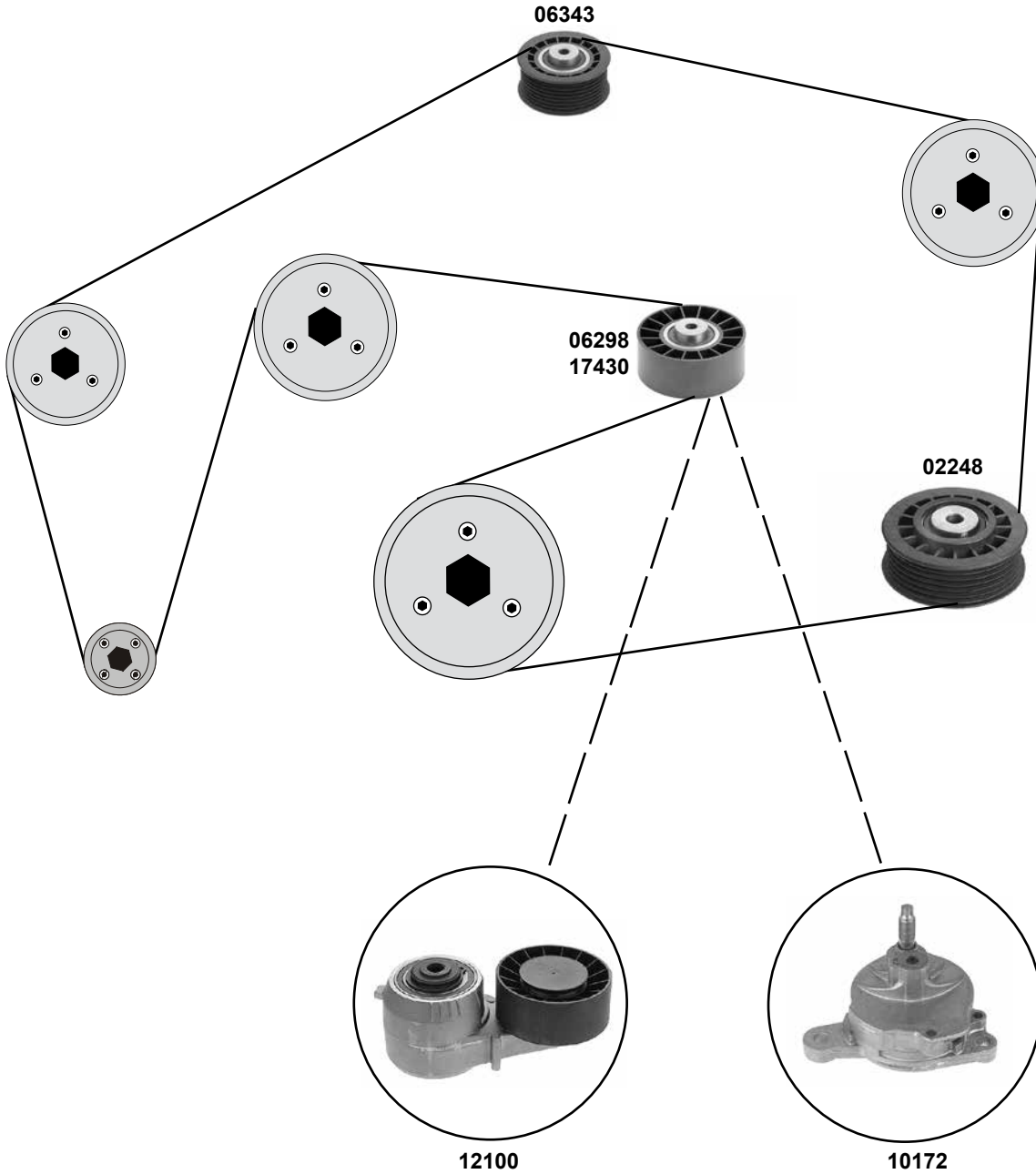
(91 → 99)

Car  
Division



## 400 SE / SEL / SEC (S 420) 500 SE / SEC / SEL (S 500)

(M 119.970,971,980,981)



(1) 971: (mot.) → 011682

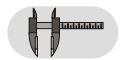
(3) 970: (mot.) → 026390

(2) 971: (mot.) 011683 →

(4) 970: (mot.) 032288 →

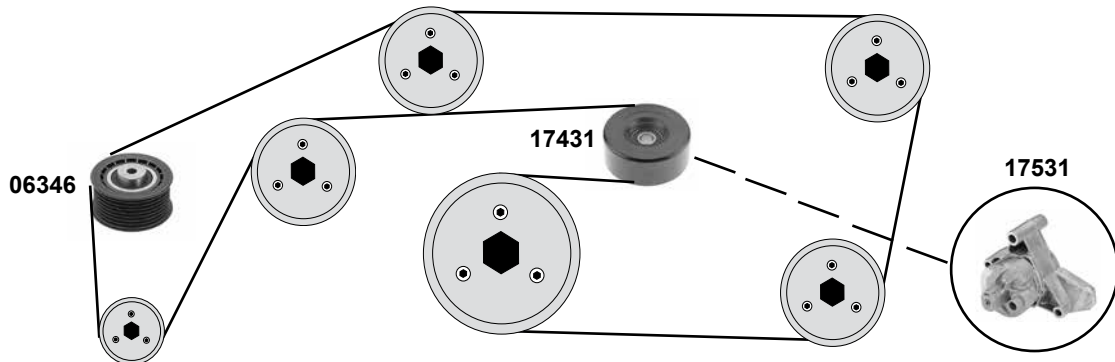
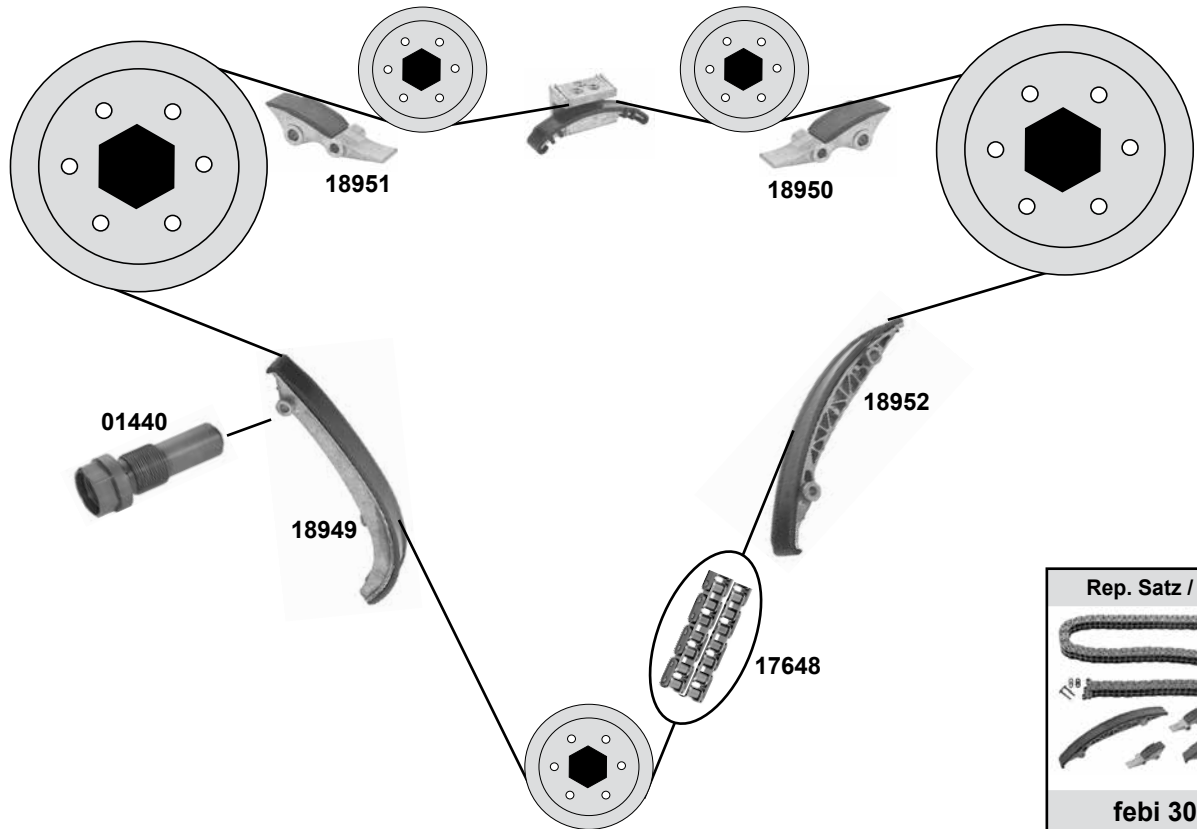


Ref. - No.



<b>02248</b>	601 200 07 70	Umlenkrolle / deflection pulley		
<b>06298</b>	119 200 03 70	Spannrolle / tension roller	für / for febi 12100	75 x 26/31,5
<b>06343</b>	119 200 04 70	Umlenkrolle / deflection Pulley		80 x 32
<b>10172</b>	119 200 11 70	Riemenspanner / belt tensioner	(2) (4)	ØA 75 B 33
<b>12100</b>	119 200 02 70	Riemenspanner / belt tensioner	(1) (3)	
<b>17430</b>	119 200 14 70	Spannrolle / tension roller	für / for febi 10172	

**600 SE / SEL / SEC (S 600)**  
(M 120.980,982)



(1) Nietverschluß / riveted link bouchon de rivet / rivetti / cierre de roblón



Ref. - No.



Ref. - No.	Description	Quantity	Dimensions
01440	Kettenspanner / chain tensioner		
06346	Spannrolle / tension roller	(ex.) 982	ØA 69 B33
17431	Spannrolle / tension roller		92 x 37
17531	Riemenspanner / belt tensioner		
17648	Steuerkette / timing chain	(1)	D 455 / 122 N
18949	Gleitschiene / sliding rail		
18950	Gleitschiene / sliding rail		
18951	Gleitschiene / sliding rail		
18952	Gleitschiene / sliding rail		
30317	Rep. Satz Steuerkette / rep kit timing chain		

# MERCEDES-BENZ S-Klasse (BM 220)

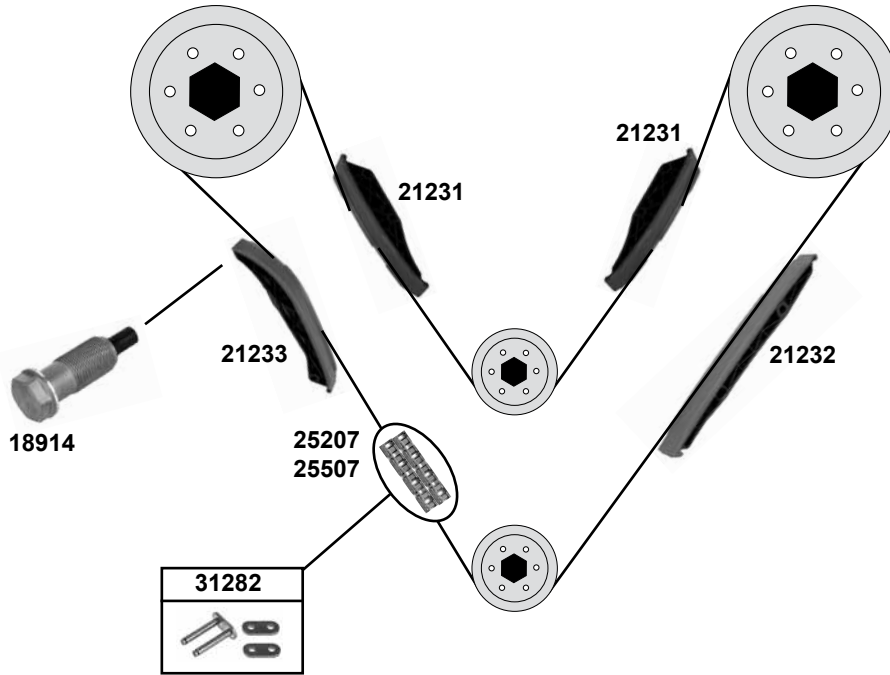
(98 → 05)

Car  
Division



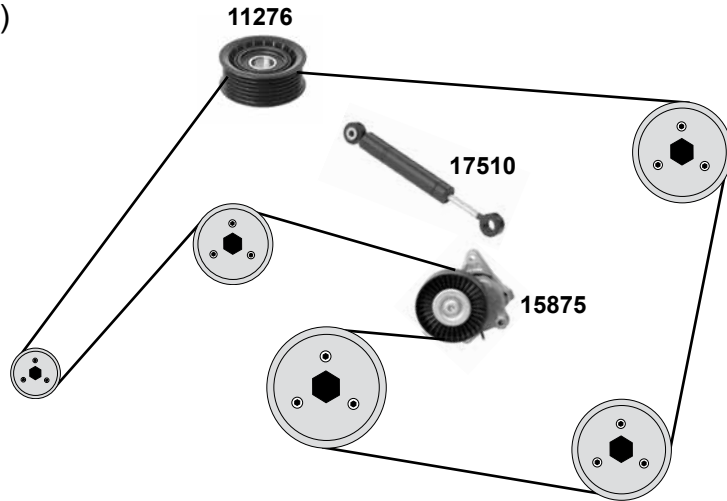
## S 280 / S 320 / S 430

(M 112.922,944,972,975)



## S 280 / S 320 / S 430

(M 112.922,944,972,975)



(1) Nietverschluß / riveted link / bouchon de rivet / rivetti / cierre de roblón



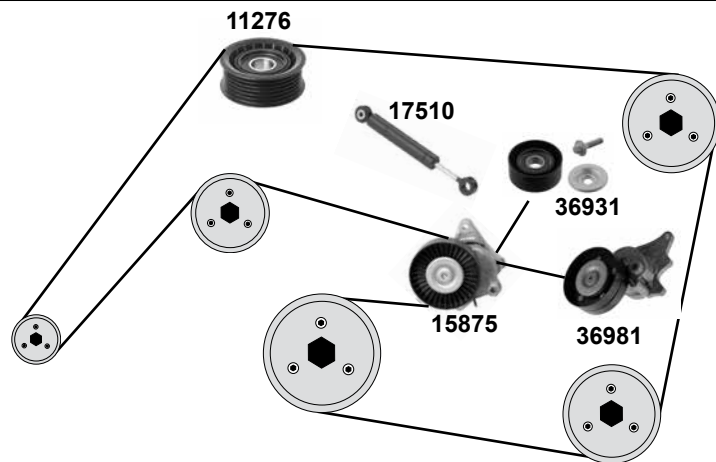
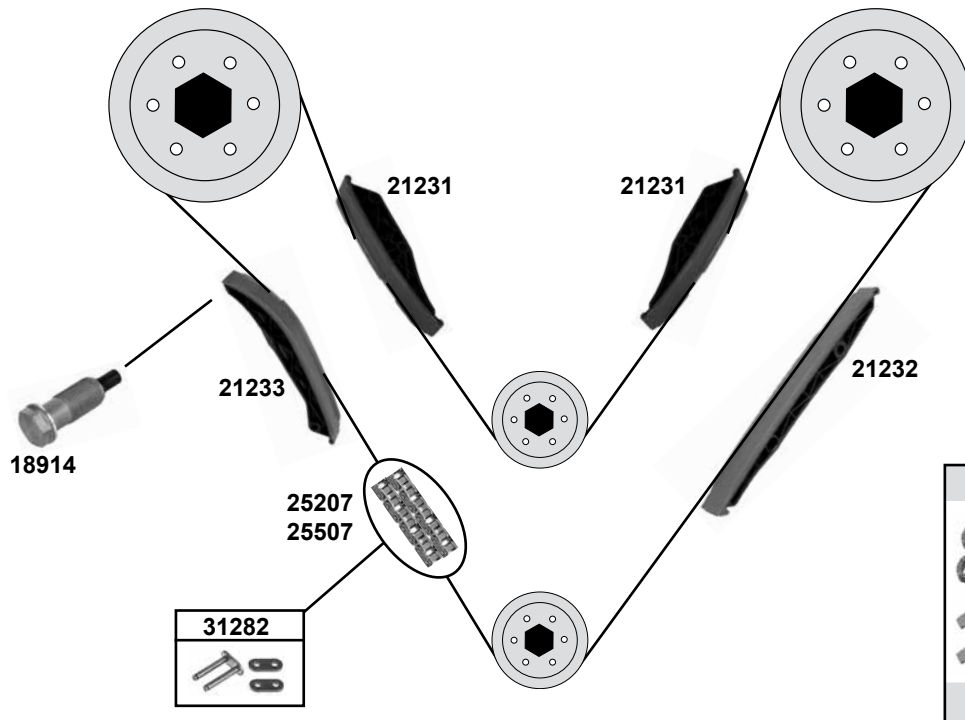
Ref. - No.



11276	272 202 09 19	Umlenkrolle / deflection pulley		ØA 64 Ø1 17 B23
15875	112 200 09 70	Riemenspanner / belt tensioner		
17510	112 200 00 14	Schwingungsdämpfer / vibration damper	(mot.) 112.922	55 N - 600 N
18914	112 050 08 11	Kettenspanner / chain tensioner		
21231	112 052 01 16	Gleitschiene / sliding rail		
21232	112 052 00 16	Gleitschiene / sliding rail		
21233	112 052 02 16	Gleitschiene / sliding rail		
25207	003 997 68 94	Steuerkette / timing chain	(1)	168 N
25507	003 997 68 94 S1	Steuerkette / timing chain	(1)	168 E
30303	112 050 08 11 S1	Rep. Satz Steuerkette / rep. kit timing chain		E 168
31282	000 997 22 98	Kettenglied / chain link	(1)	



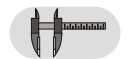
**S 430 / S 500 / S 55 AMG**  
(M 113.941,948,960,966,986,991)



(1) Nietverschluss / riveted link bouchon de rivet / rivetti / cierre de roblón



Ref. - No.



Ref. - No.	Description	Notes	Dimensions
11276	Umlenkrolle / deflection pulley		ØA 64 ØI 17 B23
15875	Riemenspanner / belt tensioner		
17510	Schwingungsdämpfer / vibration damper	(mot.) M113.941,960	55 N - 600 N
18914	Kettenspanner / chain tensioner		
21231	Gleitschiene / sliding rail		
21232	Gleitschiene / sliding rail		
21233	Gleitschiene / sliding rail		
25207	Steuerkette / timing chain	(1)	168 N
25507	Steuerkette / timing chain	(1)	168 E
30303	Rep. Satz Steuerkette / rep. kit timing chain		E 168
31282	Kettenglied / chain link		
36931	Spannrolle / tension roller	(mot.) M 113.991	ØA65 B26
36981	Riemenspanner / belt tensioner	(mot.) M 113.991	ØA90 B32

# MERCEDES-BENZ S-Klasse (BM 220)

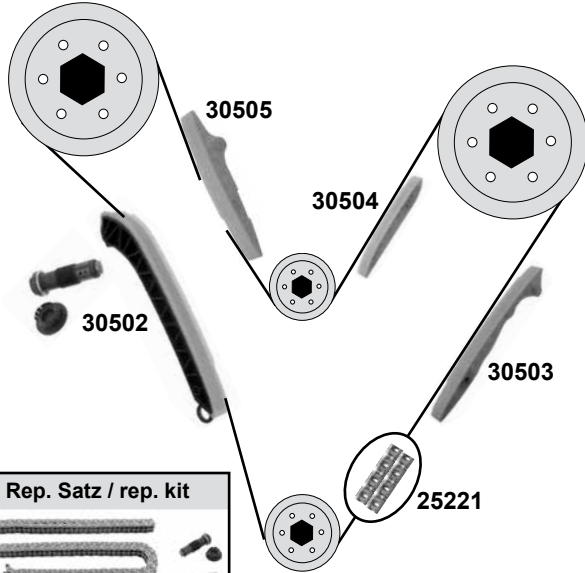
(98 → 05)

Car  
Division



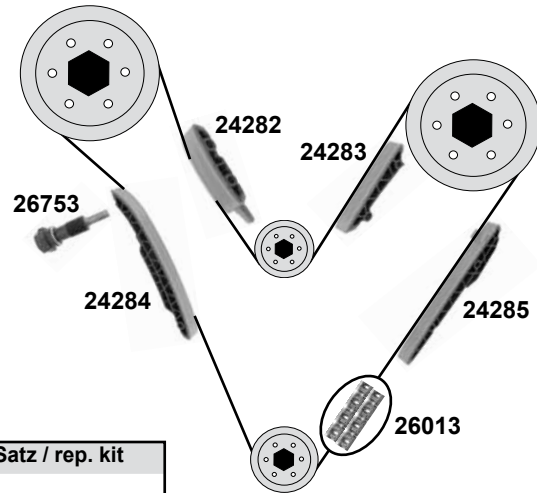
## S 600

(M 273.963)



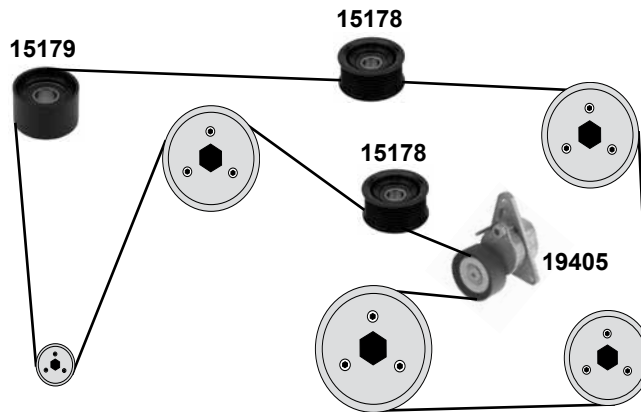
## S 600

(M 275.950,980)



## S 600

(M 137.970)

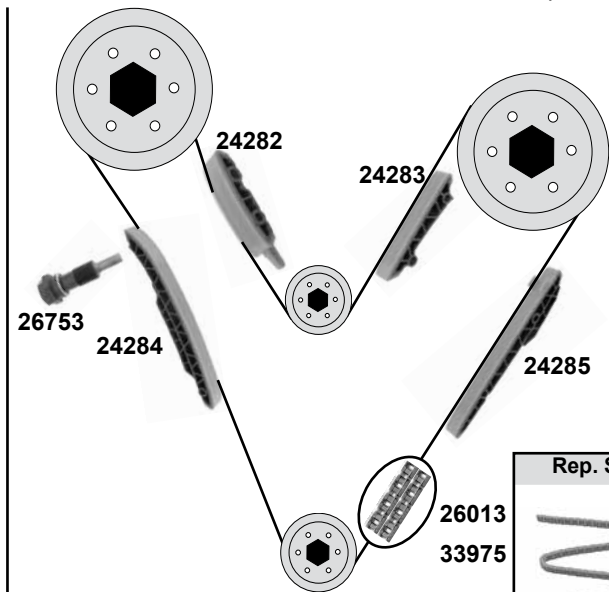
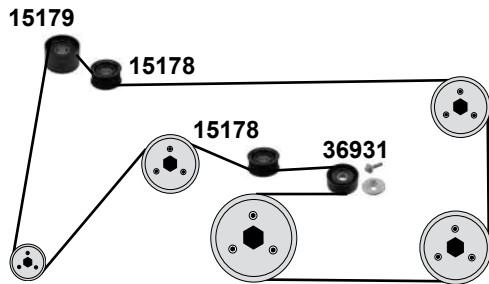


Ref. - No.

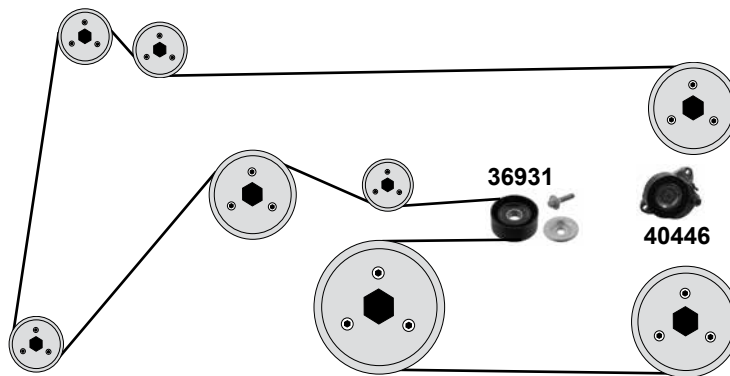


15178	000 202 07 19	Umlenkrolle / deflection pulley	
15179	137 202 01 19	Umlenkrolle / deflection pulley	
19405	137 200 02 70	Riemenspanner / belt tensioner	ØA 54 Ø I 17
24282	137 052 04 16	Gleitschiene / sliding rail	
24283	137 052 05 16	Gleitschiene / sliding rail	
24284	137 052 07 16	Gleitschiene / sliding rail	
24285	137 052 08 16	Gleitschiene / sliding rail	
25221	003 997 95 94	Steuerkette / timing chain	
26013	004 997 20 94	Steuerkette mit Nietverschluss/ timing chain with	164 N
26753	275 050 05 11	Kettenspanner / chain tensioner	
30318	275 050 05 11 S1	Rep. Satz Steuerkette / rep. kit timing chain	
30328	272 050 08 11 S1	Rep. Satz Steuerkette / rep. kit timing chain	E 216
30502	272 052 13 16	Gleitschiene / sliding rail	
30503	272 052 00 16	Gleitschiene / sliding rail	
30504	272 052 15 16	Gleitschiene / sliding rail	
30505	272 052 02 16	Gleitschiene / sliding rail	

**S 65 AMG**  
(M 275.950,980)



**S-Klasse (BM 221)**  
(05 →)  
(M 156.980,984,985)



(1) S 600 M275.950 (mot.) → 40027371 / S 65 AMG M275.980 (mot.) → 60006826

(2) M 156.980,984 (mot.) → 6001452



Ref. - No.



Ref. - No.	Description	Quantity	Part Number	
15178	Umlenkrolle / deflection pulley	(1)	ØA64 B30	
15179	Umlenkrolle / deflection pulley		ØA 54 Ø I 17	
24282	Gleitschiene / sliding rail	(1)	D 164 E	
24283	Gleitschiene / sliding rail			
24284	Gleitschiene / sliding rail			
24285	Gleitschiene / sliding rail			
26013	Steuerkette / timing chain			
26753	Kettenspanner / chain tensioner	(2)	164 E	
30318	Rep. Satz Steuerkette / rep. kit timing chain			ØA 65 B26
33975	Steuerkette / roller chain			ØA 76 B26
36931	Spannrolle / tension roller			
40446	Riemenspanner / belt tensioner			



# MERCEDES-BENZ S-Klasse (BM 221)

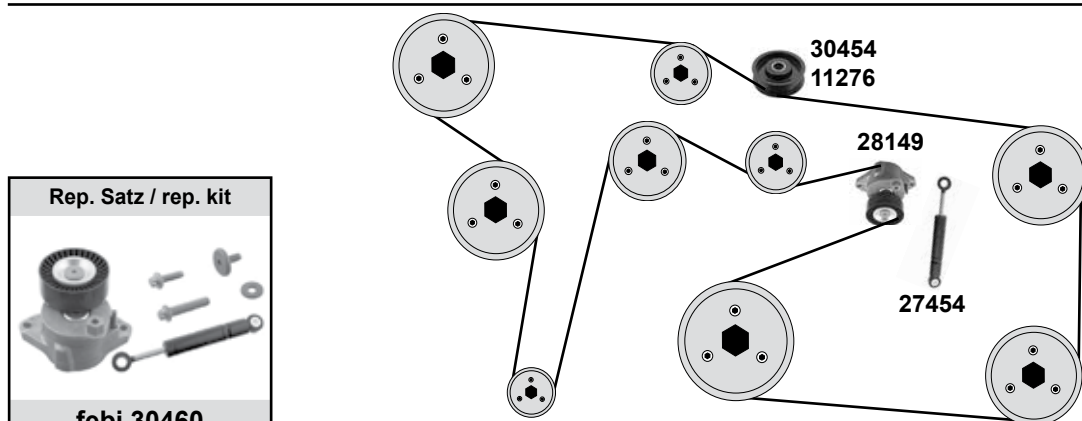
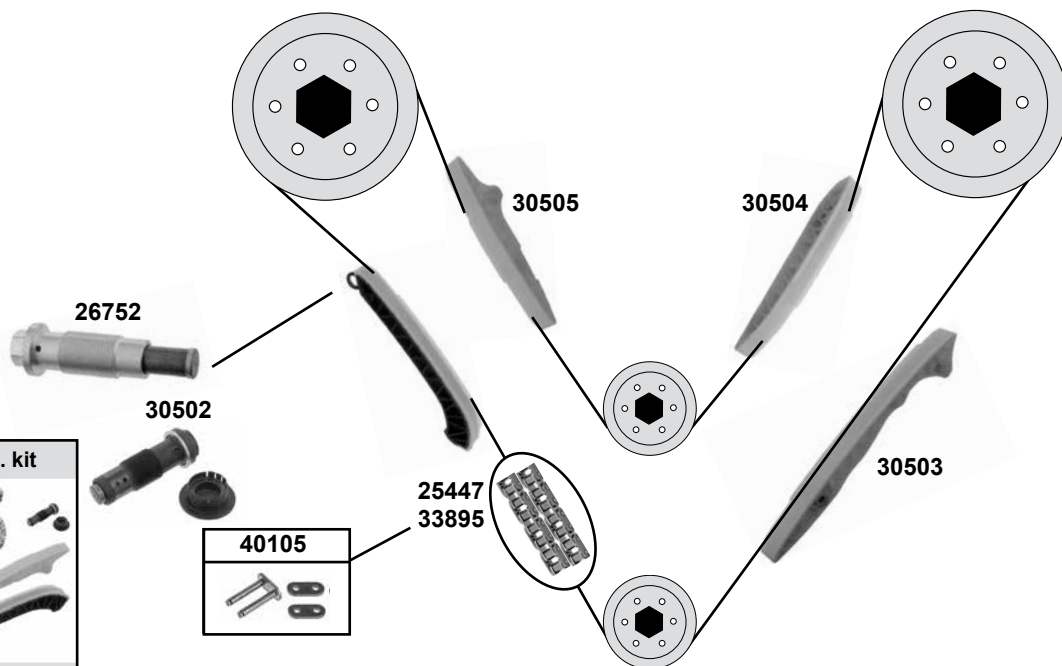
(05 →)

Car  
Division



## S 280 / 350 4-Matic / 400 Hybrid

(M 272.946,965,974,975 / M 273.922,924,961,968)



(1) (mot.) 272.965 : (mot.) → 290775 / → 05.05

(2) (mot.) 272.946,965,975 : 30058377 → / (mot.) 273.922,924,961,968

(3) (mot.) 272.946,965,974,975 (mot.) 30089233 → / (mot.) 273.922,924,961,968

(4) (mot.) 272.946,965,975 (mot.) 30009529 → / (mot.) 272.974 / (mot.) 273.922,924,961,968

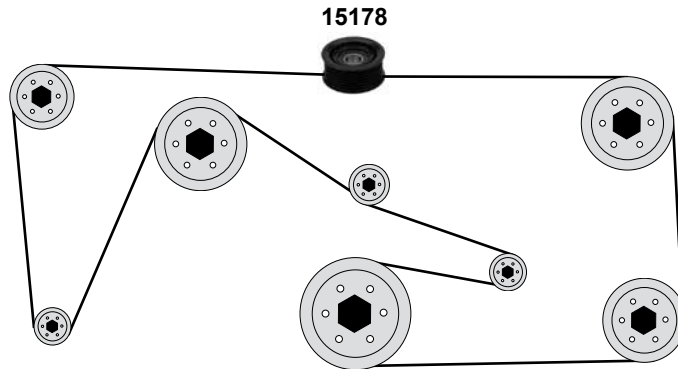
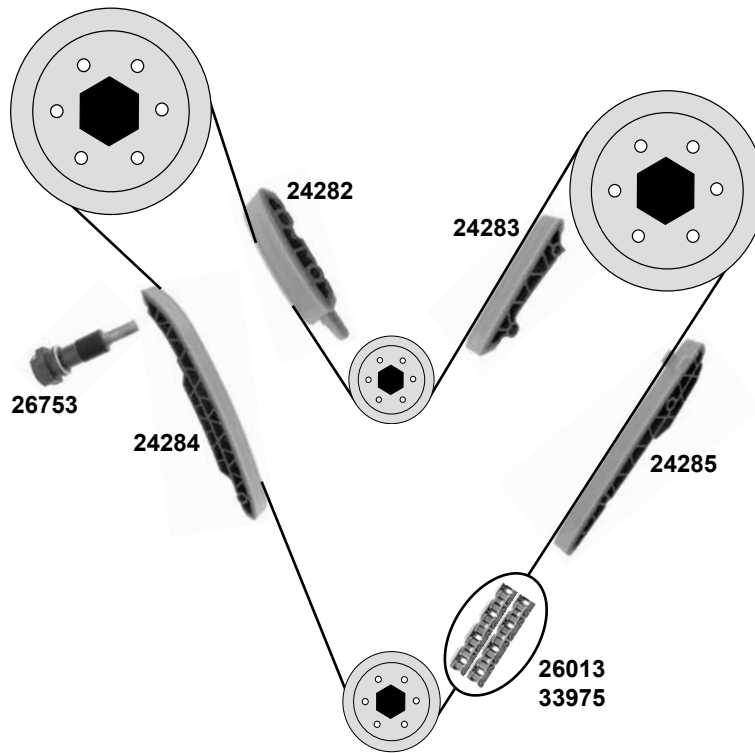


	Ref. - No.			
11276	000 202 09 19	Umlenkrolle / deflection pulley	(ex.) 272.974	ØA 64 ØI 17 B23
25447	000 993 06 76	Steuerkette / timing chain		
26752	272 050 01 11	Kettenspanner / chain tensioner	(1)	
27454	272 200 01 14	Schwingungsdämpfer / vibration damper		55 N - 400 N
28149	272 200 00 70	Riemenspanner / belt tensioner		ØA 76
30328	272 050 08 11 S1	Rep. Satz Steuerkette / rep. kit timing chain	(3)	
30454	272 202 14 19	Umlenkrolle / deflection pulley	(2)	ØA 70 B22
30460	272 200 02 70 S1	Rep. Satz Riemenspanner / rep. kit belt tensioner		
30502	272 052 13 16	Gleitschiene / sliding rail	(3)	
30503	272 052 00 16	Gleitschiene / sliding rail		
30504	272 052 15 16	Gleitschiene / sliding rail	(4)	
30505	272 052 02 16	Gleitschiene / sliding rail		
33895	000 993 06 76 S1	Steuerkette / timing chain		216 E
40105	000 993 06 76 S2	Kettenglied / chain link		



**S 600 / S 65 AMG**

(M 275.953,982)



(1) S 600 M275.953 (mot.) →40027371 / S 65 AMG M275.982 (mot.) →60006826



Ref. - No.



Ref. - No.	Description	Quantity	Notes
15178	Umlenkrolle / deflection pulley	(1)	ØA64 B30
24282	Gleitschiene / sliding rail		
24283	Gleitschiene / sliding rail		
24284	Gleitschiene / sliding rail		
24285	Gleitschiene / sliding rail		
26013	Steuerkette mit Nietverschluss/ timing chain with		164 E
26753	Kettenspanner / chain tensioner		
30318	Rep. Satz Steuerkette / rep. kit timing chain		
33975	Steuerkette / roller chain		164 E

# MERCEDES-BENZ S-Klasse (BM 222)

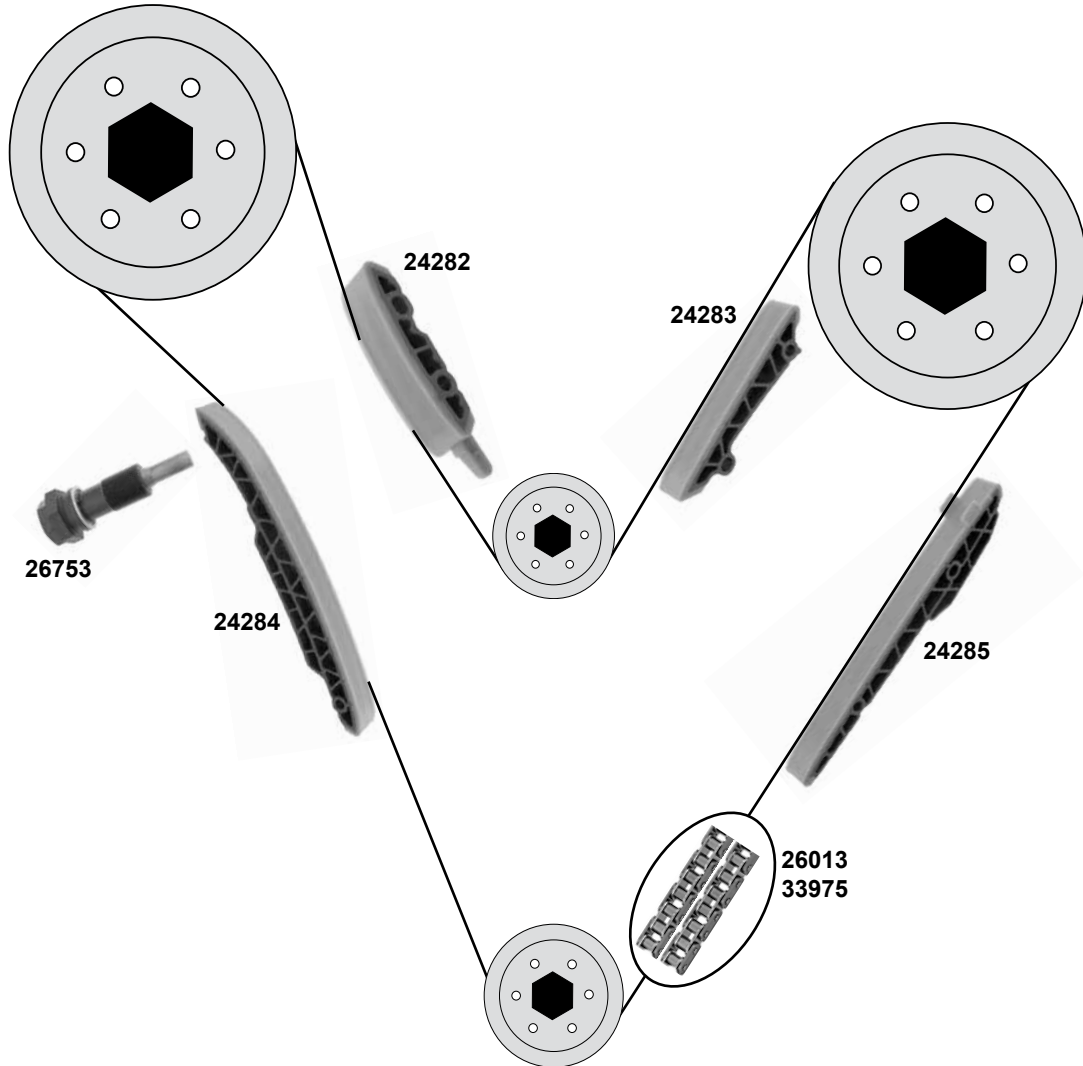
(05/13 →)

Car  
Division

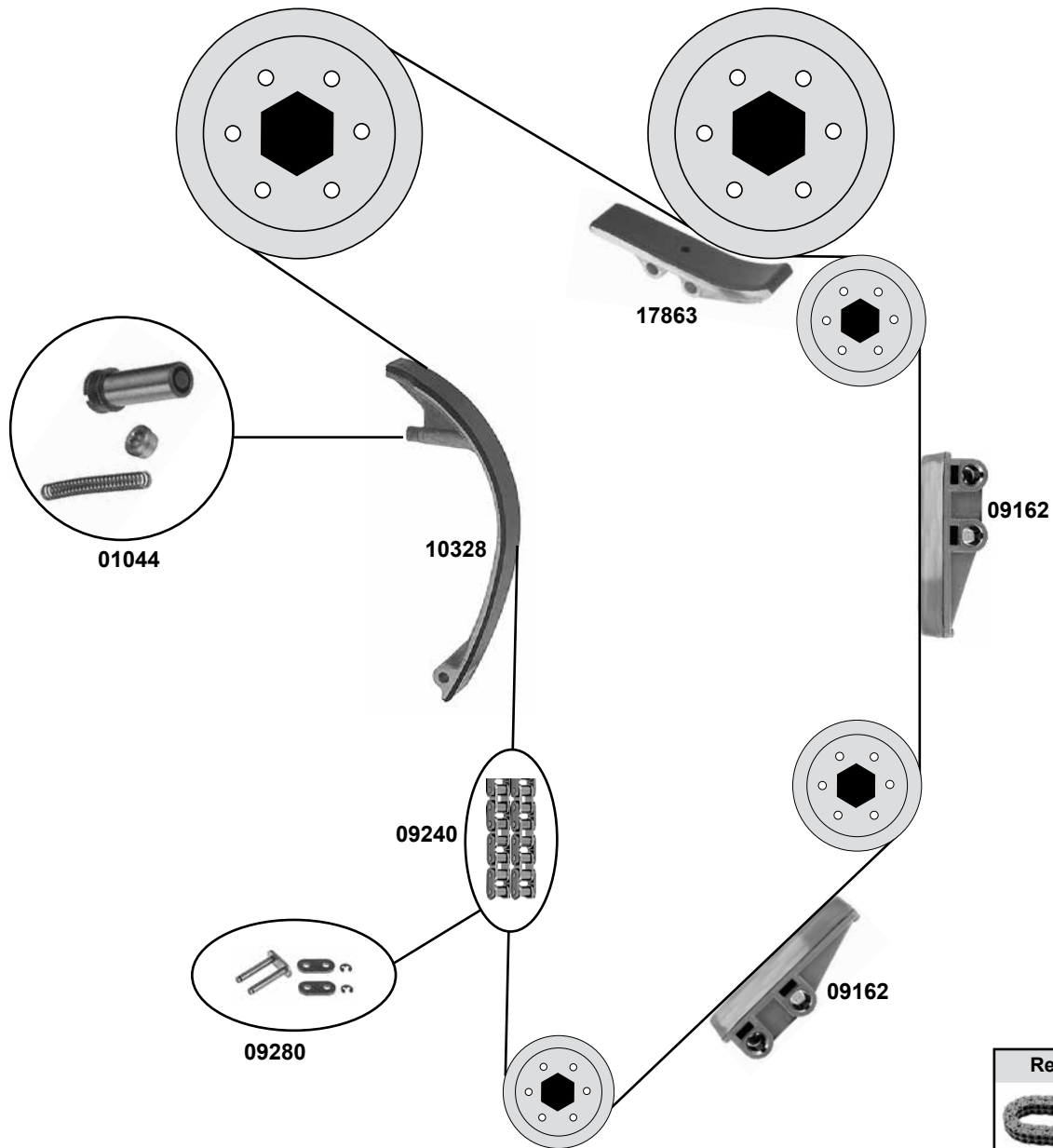


## S 63 AMG

(M 279.980)



	Ref. - No.			
<b>24282</b>	137 052 04 16	Gleitschiene / sliding rail		
<b>24283</b>	137 052 05 16	Gleitschiene / sliding rail		
<b>24284</b>	137 052 07 16	Gleitschiene / sliding rail		
<b>24285</b>	137 052 08 16	Gleitschiene / sliding rail		
<b>26013</b>	004 997 20 94	Steuerkette mit Nietverschluss/ timing chain with		164 E
<b>26753</b>	275 050 05 11	Kettenspanner / chain tensioner		
<b>30318</b>	275 050 05 11 S1	Rep. Satz Steuerkette / rep. kit timing chain		
<b>33975</b>	004 997 18 94	Steuerkette / roller chain		164 E



(1) Federverschluß / split link / fermeture de ressort / cierre de resorte /  
falsa maglia / fermeture de ressort / cierre de resorte



Ref. - No.



<b>01044</b>	110 050 06 11	Kettenspanner / chain tensioner		
<b>09162</b>	110 052 08 16	Gleitschiene / sliding rail		
<b>09240</b>	000 997 69 94	Steuerkette / timing chain	(1)	D 455 / 130 F
<b>09280</b>	000 997 05 98	Kettenglied / chain link		
<b>10328</b>	110 050 18 16	Gleitschiene / sliding rail		
<b>17863</b>	110 050 15 16	Gleitschiene / sliding rail		
<b>30308</b>	110 050 06 11 S1	Rep. Satz Steuerkette / rep. kit timing chain		

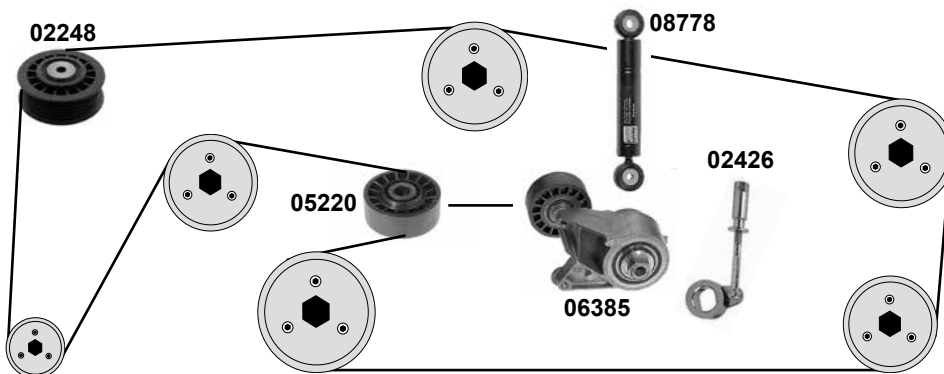
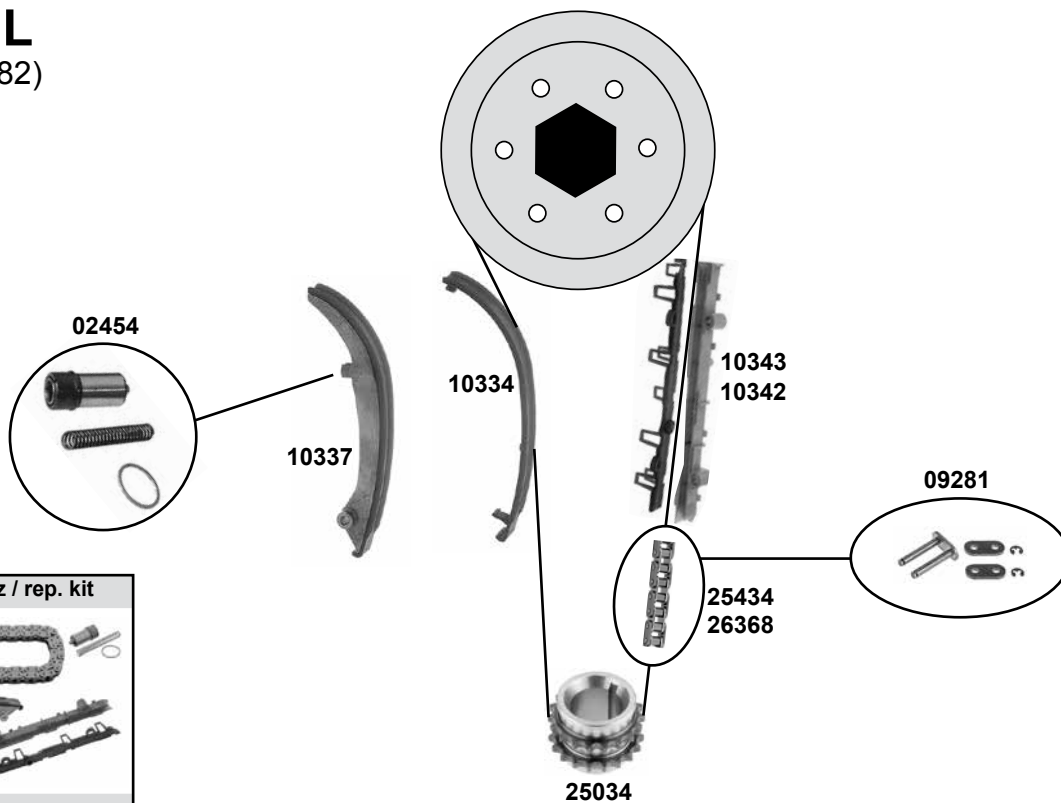
# MERCEDES-BENZ SL-Klasse (BM 107)

(71 → 89)

Car  
Division



## 300 SL (M 103.982)



(1) Nietverschluß / riveted link / bouchon de rivet / rivetti / cierre de roblón



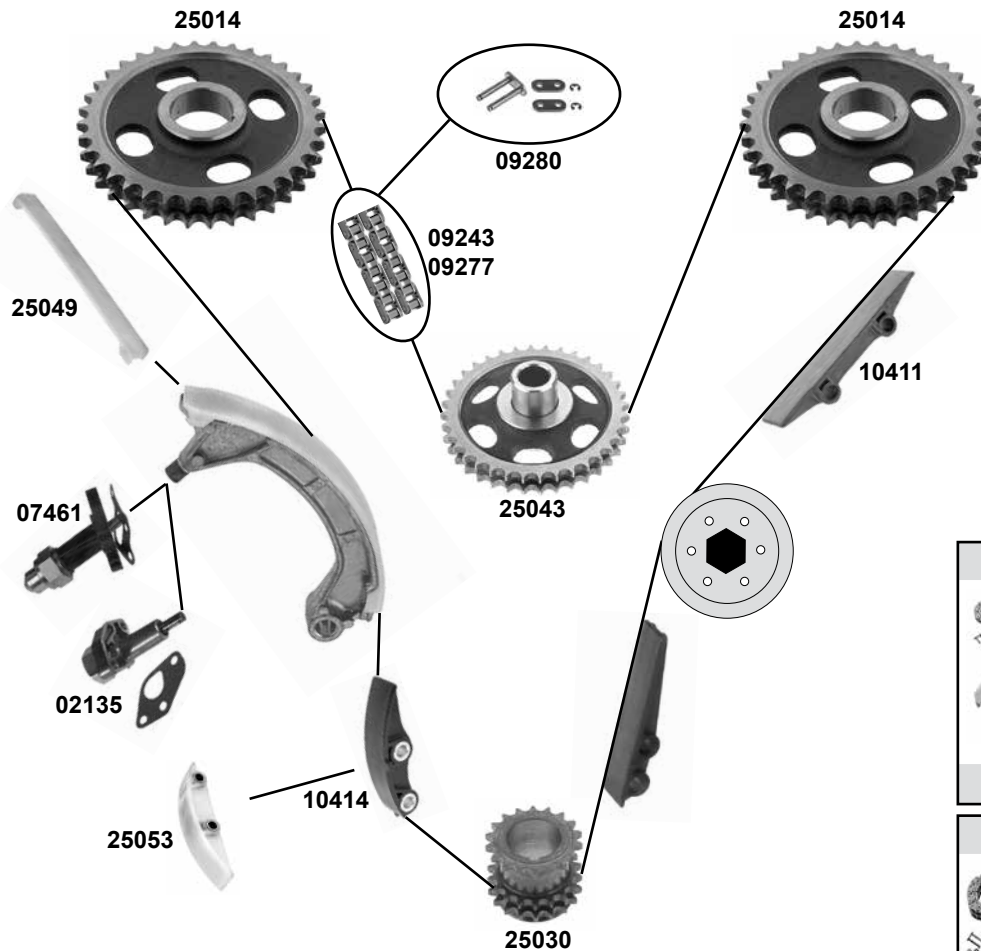
Ref. - No.



<b>02248</b>	601 200 07 70	Umlenkrolle / deflection pulley	
<b>02426</b>	103 200 02 36	Spannstange / tensioning rod	
<b>02454</b>	103 050 06 11	Kettenspanner / chain tensioner	
<b>05220</b>	103 200 05 70	Spannrolle / tension roller	ØA70Ø125 B31,5
<b>06385</b>	103 200 08 70	Riemenspanner / belt tensioner	
<b>08778</b>	103 200 01 14	Schwingungsdämpfer / vibration damper	
<b>09281</b>	000 997 32 98	Kettenglied / chain link	
<b>10334</b>	103 052 00 83	Gummibelag Gleitschiene / rubber lining sliding rail	
<b>10337</b>	103 050 03 16	Gleitschiene / sliding rail	
<b>10342</b>	103 052 07 16	Gleitschiene / sliding rail	
<b>10343</b>	103 052 08 16	Gleitschiene / sliding rail	
<b>25034</b>	103 052 00 03	Kurbelwellenzahnrad / crankshaft gear	Z 18
<b>25434</b>	001 997 22 94	Steuerkette endlos / timing chain endless	96 E
<b>26368</b>	003 997 80 94	Steuerkette / timing chain	96 N
<b>30307</b>	103 050 06 11 S1	Rep. Satz Steuerkette / rep. kit. timing chain	(1)



**350 SL / SLC → 380 SL / SLC**  
(M 116.960,982,984)



(1) Federverschluß / split link / fermeture de ressort / cierre de resorte / falsa maglia

(2) Modell: 350 SL / SLC / (ex.) mot. 116.960



Ref. - No.



Ref. - No.				
02135	116 050 18 11	Kettenspanner / chain tensioner	Modell: 380 SL / SLC	
07461	116 050 16 11	Kettenspanner / chain tensioner	Modell: 350 SL / SLC	
09243	000 997 75 94	Steuerkette / timing chain	(1) Modell: 350 SL / SLC	D 455 / 186 F
09277	001 997 68 94	Steuerkette / timing chain	Modell: 380 SL / SLC	D 458 / 186 N
09280	000 997 05 98	Kettenglied / chain link		11 / D 455
10411	116 052 17 16	Gleitschiene / sliding rail		
10414	117 050 18 16	Gleitschiene / sliding rail	Modell: 380 SL / SLC	
25014	116 052 06 01	Nockenwellenrad / camshaft gear		Z 36
25030	119 052 01 03	Kurbelwellenzahnrad / crankshaft gear		Z 18
25043	116 050 05 05	Zwischenrad / intermediate gear		Z 36
25049	116 052 00 83	Belag Gleitschiene / lining sliding rail		
25053	116 050 27 16	Gleitschiene / sliding rail	(2)	
30309	115 050 18 11 S1	Rep.Satz Steuerkette / Rep.kit. timing chain	Model: 380 SL / SLC	
30310	116 050 16 11 S1	Rep.Satz Steuerkette / Rep.kit timing chain	Model: 350 SL / SLC	

# MERCEDES-BENZ SL-Klasse (BM 107)

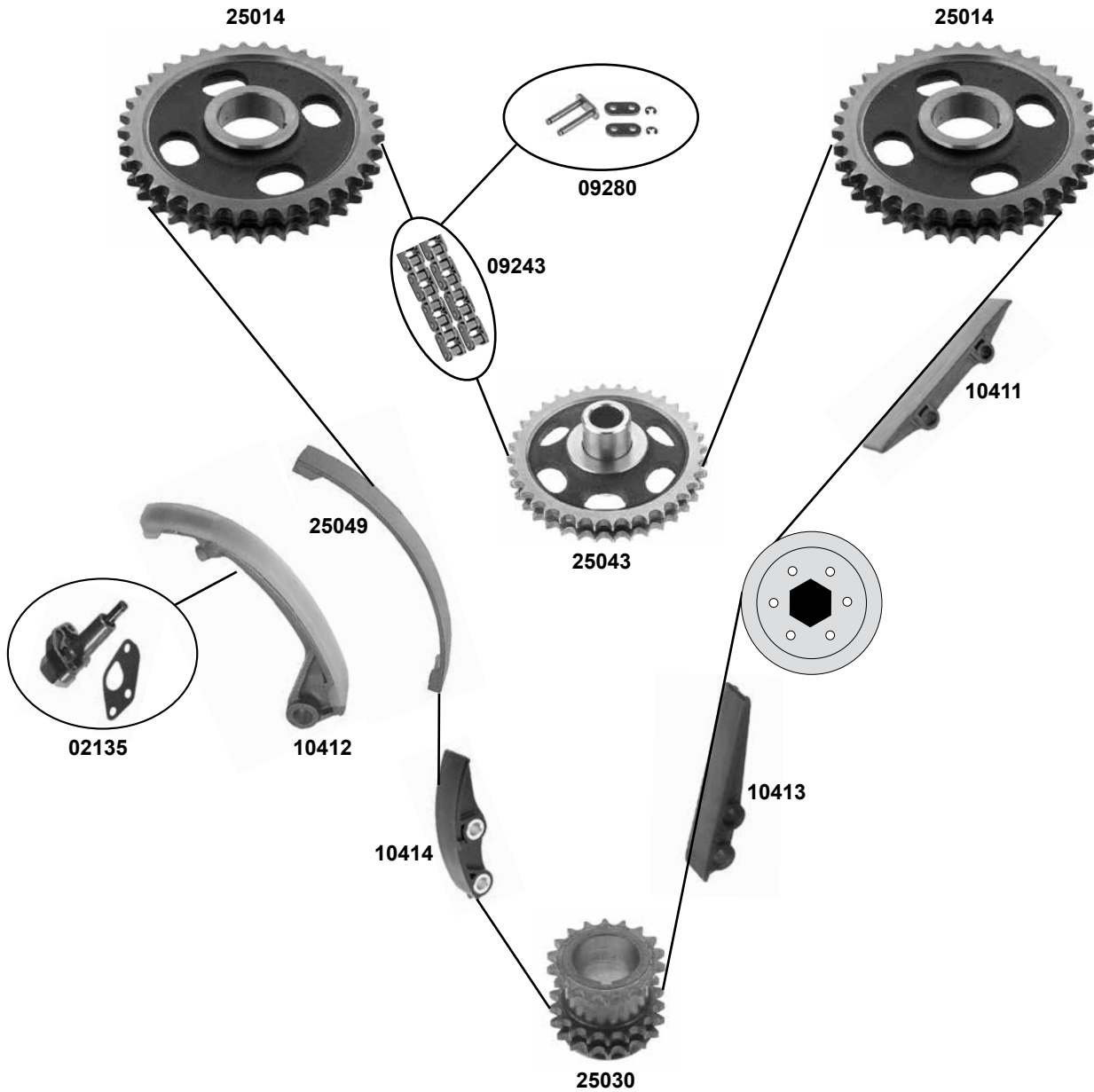
(71 → 89)

Car  
Division



## 420 SL

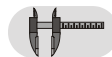
(M 116.964)



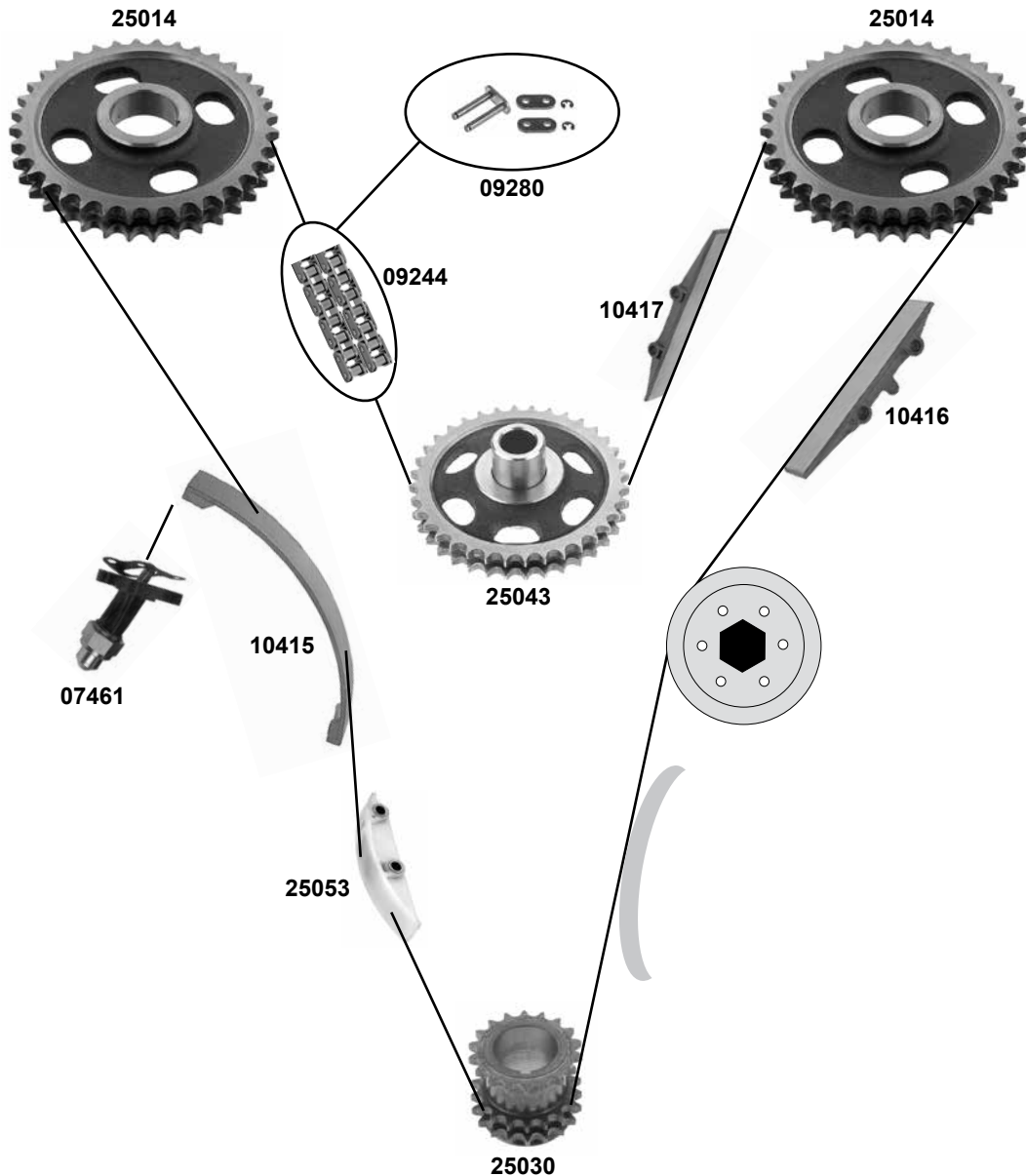
(1) Federverschluß / split link / fermeture de ressort / cierre de resorte / falsa maglia



Ref. - No.



<b>02135</b>	116 050 18 11	Kettenspanner / chain tensioner		
<b>09243</b>	000 997 75 94	Steuerkette / timing chain	(1)	D 455 / 186 F
<b>09280</b>	000 997 05 98	Kettenglied / chain link		
<b>10411</b>	116 052 17 16	Gleitschiene / sliding rail		
<b>10412</b>	116 050 31 16	Gleitschiene / sliding rail		
<b>10413</b>	117 052 10 16	Gleitschiene / sliding rail		
<b>10414</b>	117 050 18 16	Gleitschiene / sliding rail		
<b>25014</b>	116 052 06 01	Nockenwellenrad / camshaft gear		Z 36
<b>25030</b>	119 052 01 03	Kurbelwellenzahnrad / crankshaft gear		Z 18
<b>25043</b>	116 050 05 05	Zwischenrad / intermediate gear		Z 36
<b>25049</b>	116 052 00 83	Gleitschienenbelag / sliding rail lining		

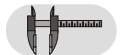


(1) Federverschluß / split link / fermeture de ressort / cierre de resorte / falsa maglia

(2) (ex.) mot. 117. 985



Ref. - No.



Ref. - No.	Description	Quantity	Notes
07461	Kettenspanner / chain tensioner	(2)	
09244	Steuerkette / timing chain	(1) (2)	
09280	Kettenglied / chain link	(2)	
10415	Gummibelag Gleitschiene / rubber lining sliding rail	(2) mot. 024587 →	
10416	Gleitschiene / sliding rail	(2) 982/ 018343 →	
10417	Gleitschiene / sliding rail	(2)	
25014	Nockenwellenrad / camshaft gear	(2)	Z 36
25030	Kurbelwellenzahnrad / crankshaft gear	(2)	Z 18
25043	Zwischenrad / intermediate gear	(2)	Z 36
25053	Gleitschiene / sliding rail		



# MERCEDES-BENZ SL-Klasse (BM 107)

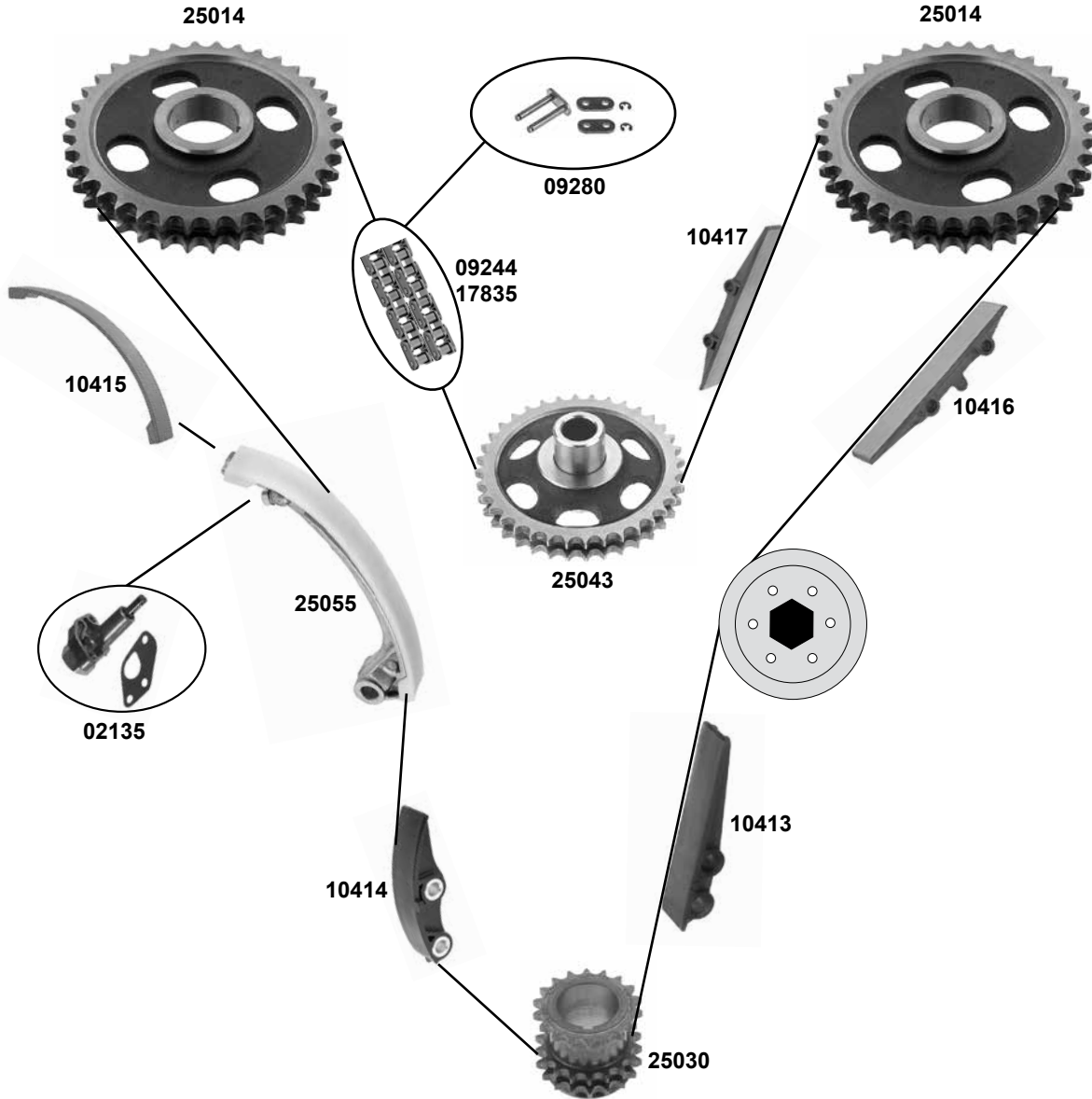
(71 → 89)

Car  
Division



## 450 SL / SLC / 500 SLC

(M 117.960)



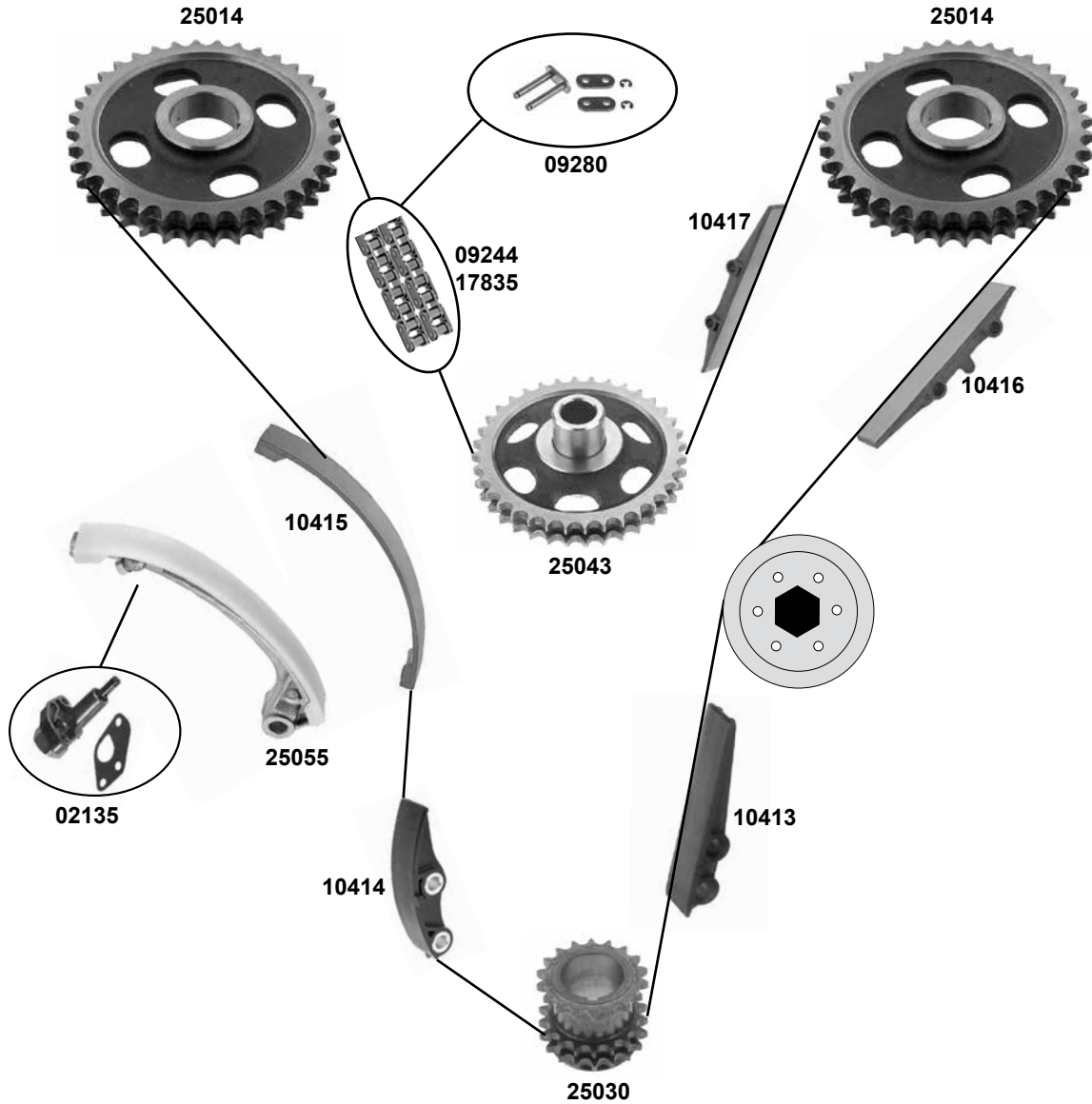
(1) Federverschluß / split link / fermeture de ressort / cierre de resorte / falsa maglia



Ref. - No.



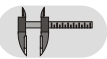
Ref. - No.	Description	Particulars	Dimensions
02135	Kettenspanner / chain tensioner		
09244	Steuerkette / timing chain	(1)	D 455 / 198 F
09280	Kettenglied / chain link		11 / D 455
10413	Gleitschiene / sliding rail		
10414	Gleitschiene / sliding rail		
10415	Gummibelag Gleitschiene / rubber lining sliding rail		
10416	Gleitschiene / sliding rail		
10417	Gleitschiene / sliding rail		
17835	Steuerkette / timing chain		D 455 / 198 E
25014	Nockenwellenrad / camshaft gear		Z 36
25030	Kurbelwellenzahnrad / crankshaft gear		Z 18
25043	Zwischenrad / intermediate gear		Z 36
25055	Gleitschiene / sliding rail		



(1) Federverschluß / split link / fermeture de ressort / cierre de resorte / falsa maglia



Ref. - No.



Ref. - No.	Description	Notes	Part No.
02135	Kettenspanner / chain tensioner		
09244	Steuerkette / timing chain	(1)	D 455 / 198 F
09280	Kettenglied / chain link		
10413	Gleitschiene / sliding rail		
10414	Gleitschiene / sliding rail		
10415	Gummibelag Gleitschiene / rubber lining sliding rail		
10416	Gleitschiene / sliding rail	(mot.) 018343 →	
10417	Gleitschiene / sliding rail		
17835	Steuerkette / timing chain		D 455 / 198 E
25014	Nockenwellenrad / camshaft gear		Z 36
25030	Kurbelwellenzahnrad / crankshaft gear		Z 18
25043	Zwischenrad / intermediate gear		Z 36
25055	Gleitschiene / sliding rail		

# MERCEDES-BENZ SL-Klasse (BM 107)

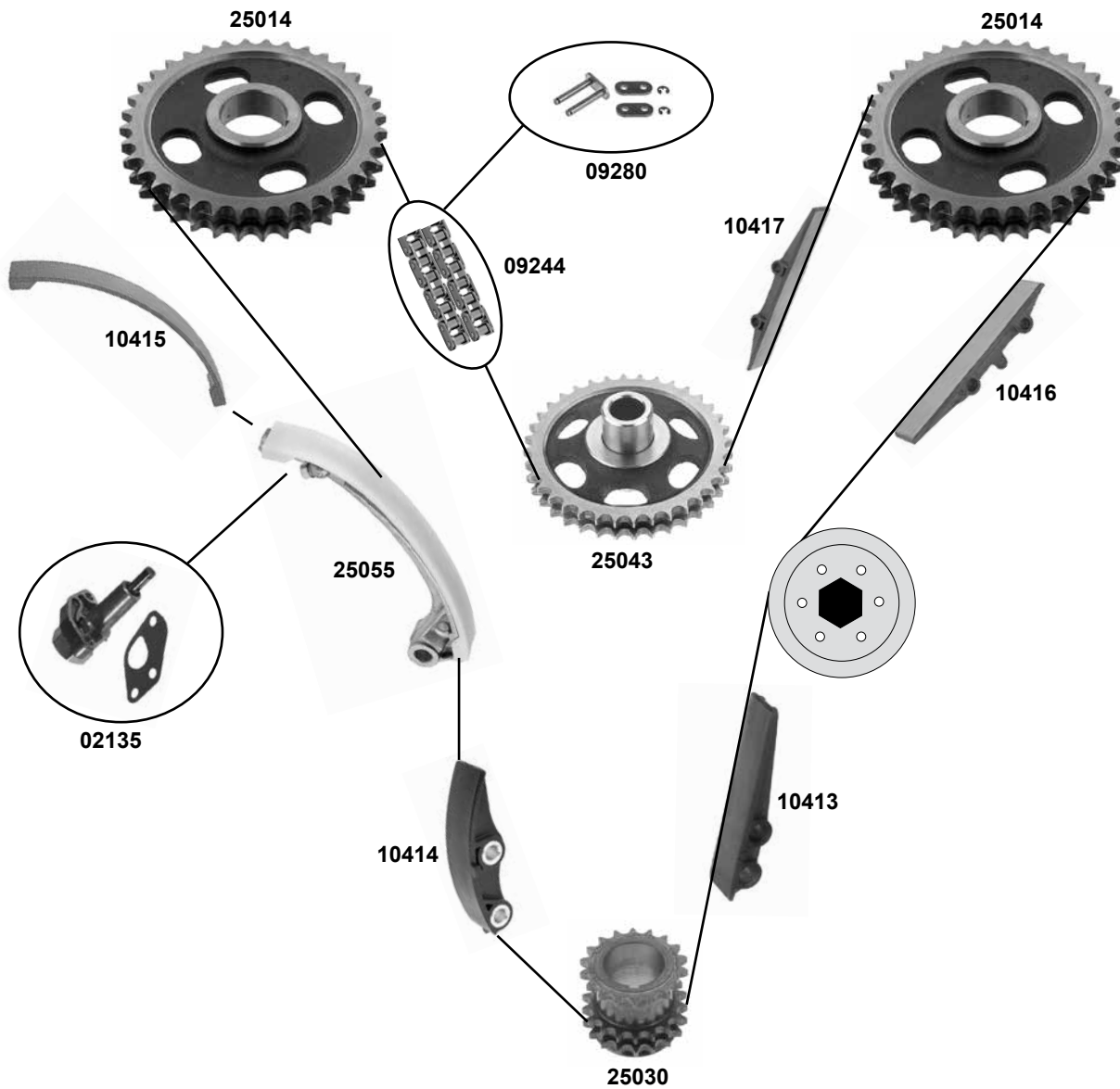
(71 → 89)

Car  
Division 



## 560 SL

(M 117.967)



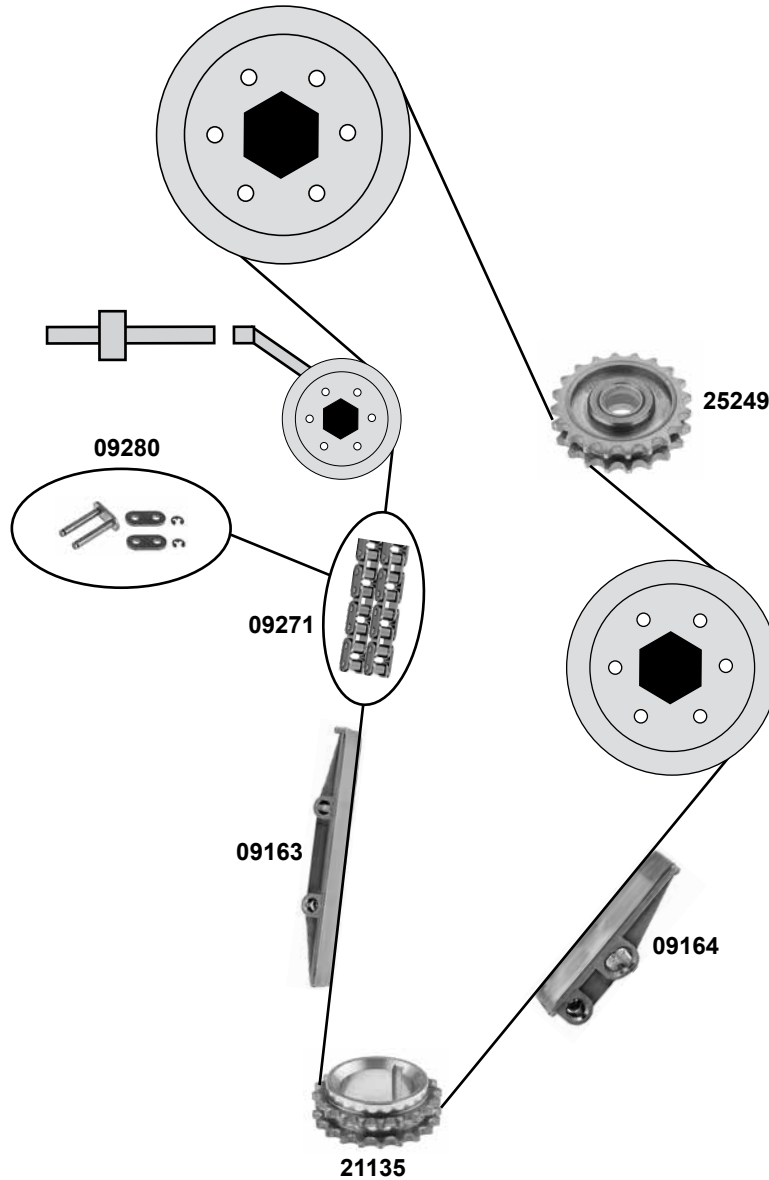
(1) Federverschluß / split link / fermeture de ressort / cierre de resorte / falsa maglia



Ref. - No.



Ref. - No.	Description	Notes	Dimensions
02135	Kettenspanner / chain tensioner		
09244	Steuerkette / timing chain	(1)	D 455 / 198 F
09280	Kettenglied / chain link		
10413	Gleitschiene / sliding rail		
10414	Gleitschiene / sliding rail		
10415	Gummibelag Gleitschiene / rubber lining sliding rail		
10416	Gleitschiene / sliding rail		
10417	Gleitschiene / sliding rail		
25014	Nockenwellenrad / camshaft gear		Z 36
25030	Kurbelwellenzahnrad / crankshaft gear		Z 18
25043	Zwischenrad / intermediate gear		Z 36
25055	Gleitschiene / sliding rail		



(1) Federverschluß / split link / fermeture de ressort / cierre de resorte / falsa maglia



Ref. - No.



<b>09163</b>	115 052 04 16	Gleitschiene / sliding rail
<b>09164</b>	115 052 07 16	Gleitschiene / sliding rail
<b>09271</b>	000 997 46 94	Steuerkette / timing chain
<b>09280</b>	000 997 05 98	Kettenglied / chain link
<b>21135</b>	615 052 02 03	Kurbelwellenzahnrad / crankshaft gear
<b>25249</b>	621 050 04 09	Zwischenrad / intermediate gear

(1)

D 455 / 134 F  
11 / D 455  
Z 20 Ø1 36

passend für / to fit

# MERCEDES-BENZ SL-Klasse (BM 129)

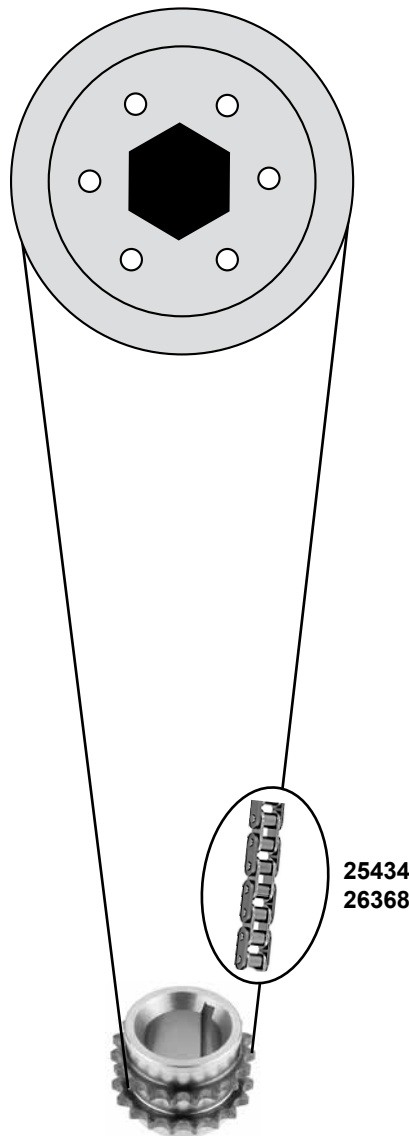
(89 →)

Car  
Division 



## SL Klasse

(M 103.984)



25434  
26368



Ref. - No.



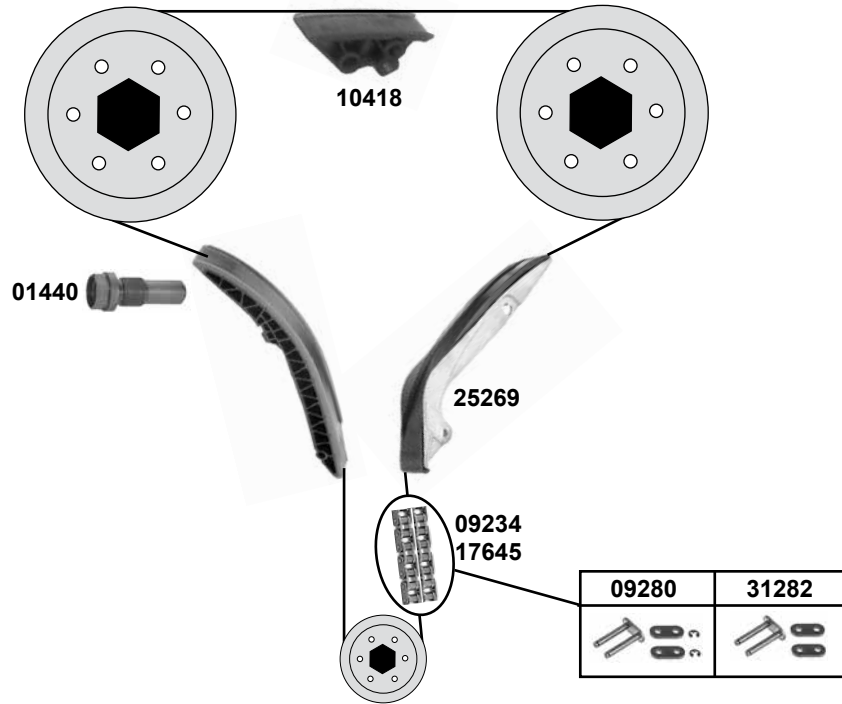
25434  
26368

001 997 22 94  
003 997 80 94

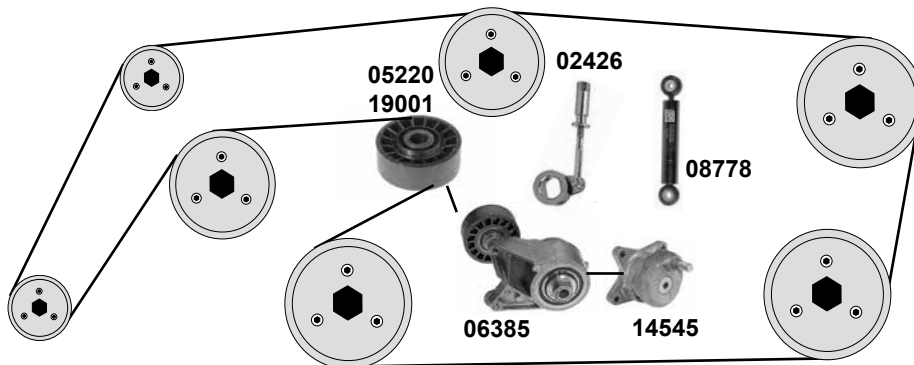
Steuerkette endlos / timing chain endless  
Steuerkette / timing chain

96 E  
96 N

## SL 280 (M 104.943)



## SL 280 (M 104.943)



	(1) Nietverschluß / riveted link	(3) 943:  (mot.) → 000900	(4) 943:  (mot.) 000901 →
	(2) Federverschluß / split link	(mot.) → 003620	(mot.) 003621 →

	Ref. - No.			
01440	120 050 02 11	Kettenspanner / chain tensioner		
02426	103 200 02 36	Spannstange / tensioning rod	(3)	
05220	103 200 05 70	Spannrolle / tension roller	(3)	ØA70 ØI25 B31,5
06385	103 200 08 70	Riemenspanner / belt tensioner	(3)	
08778	103 200 01 14	Schwingungsdämpfer / vibration damper	(3)	80N - 1050N
09234	003 997 17 94	Steuerkette / timing chain	(1)	D 455 / 126 N
09280	000 997 05 98	Kettenglied / chain link	(2)	11 / D 455
10418	104 052 14 16	Gleitschiene / sliding rail		
14545	104 200 08 70	Riemenspanner / belt tensioner	(4)	
17645	002 997 93 94	Steuerkette / timing chain		126 E
19001	104 200 10 70	Spannrolle / tension roller	(4)	ØA 80
25269	104 050 15 16	Gleitschiene / sliding rail		
26368	003 997 80 94	Steuerkette / timing chain	(1)	96 N
30311	120 050 02 11 S1	Rep. Satz Steuerkette / rep. kit timing chain		
31282	000 997 22 98	Kettenglied / chain link	(1)	

# MERCEDES-BENZ SL-Klasse (BM 129)

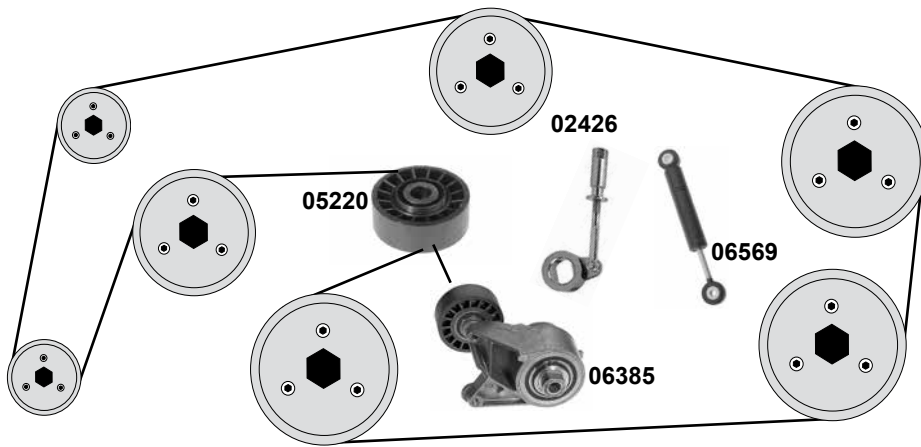
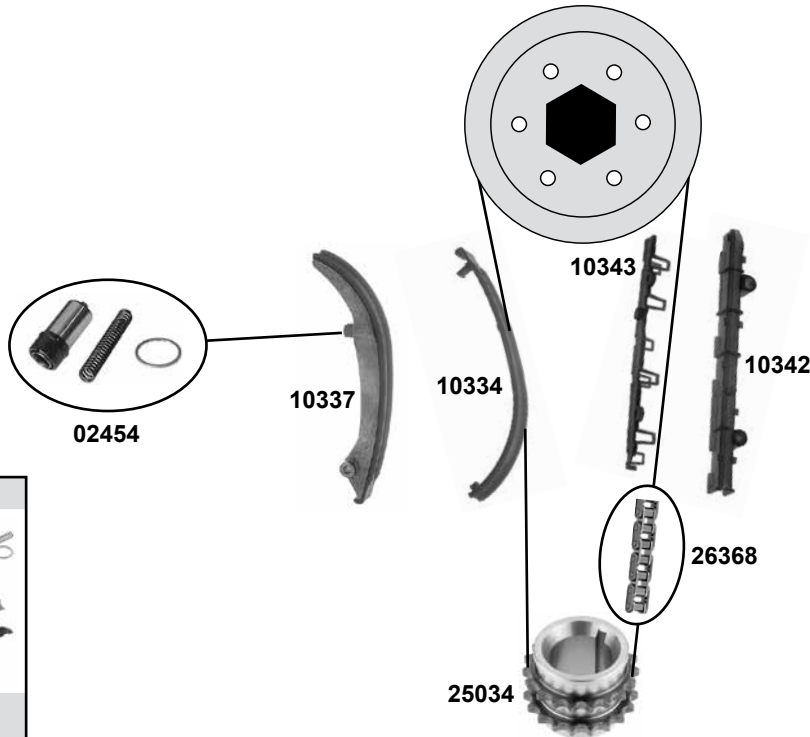
(89 →)

Car  
Division



## 300 SL

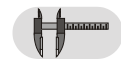
(M 103.984)



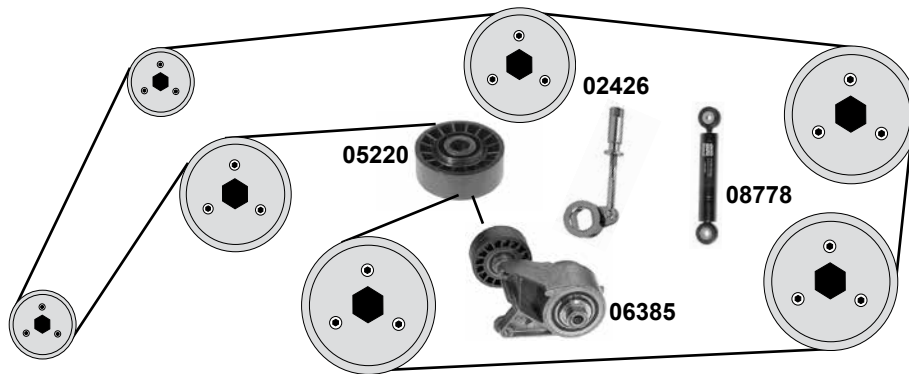
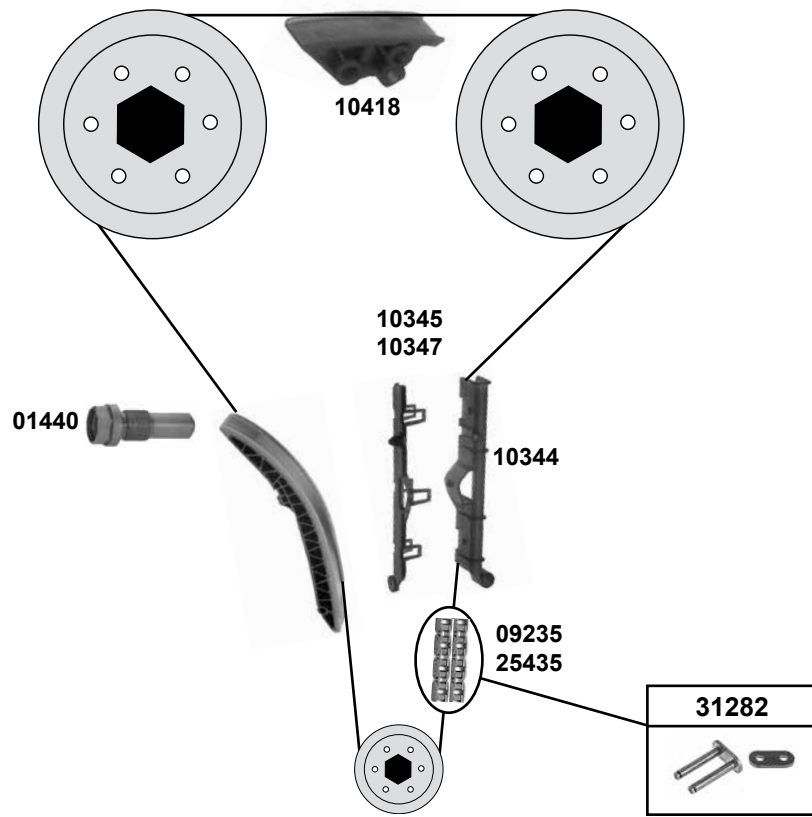
(1) Nietverschluß / riveted link / bouchon de rivet / rivetti / cierre de roblón



Ref. - No.



02426	103 200 02 36	Spannstange / tensioning rod	
02454	103 050 06 11	Kettenspanner / chain tensioner	
05220	103 200 05 70	Spannrolle / tension roller	ØA70 ØI25 B31,5
06385	103 200 08 70	Riemenspanne / belt tensioner	
06569	604 200 03 14	Schwingungsdämpfer / vibration damper	
10334	103 052 00 83	Gummibelag Gleitschiene / rubber lining sliding rail	
10337	103 050 03 16	Gleitschiene / sliding rail	
10342	103 052 07 16	Gleitschiene / sliding rail	
10343	103 052 08 16	Gleitschiene / sliding rail	
25034	103 052 00 03	Kurbelwellenzahnrad / crankshaft gear	Z 18
26368	003 997 80 94	Steuerkette / timing chain	(1) 458 / 96 N
30307	103 050 06 11 S1	Rep. Satz Steuerkette / rep. kit. timing chain	



(1) Nietverschluß / riveted link

(2) 981: (mot.) → 000561  
 (mot.) → 005459

(3) 981: (mot.) 000562 →  
 (mot.) 005462 →



Ref. - No.



Part No.	Ref. - No.	Description	Notes	Dimensions
01440	120 050 02 11	Kettenspanner / chain tensioner		
02426	103 200 02 36	Spannstange / tensioning rod		
05220	103 200 05 70	Spannrolle / tension roller		ØA70ØI25 B31,5
06385	103 200 08 70	Riemenspanner / belt tensioner		
08778	103 200 01 14	Schwingungsdämpfer / vibration damper		80N - 1050N
09235	003 997 19 94	Steuerkette / timing chain	(1) nur / only: 981	D 455 / 130 N
10344	104 052 04 16	Gleitschiene / sliding rail	(2) nur / only: 981	
10345	104 052 05 16	Gleitschiene / sliding rail	(2) nur / only: 981	
10347	104 052 07 16	Gleitschiene / sliding rail	(3) nur / only: 981	
10418	104 052 14 16	Gleitschiene / sliding rail		
25435	003 997 18 94	Steuerkette / timing chain	nur / only: 981	130 E
31282	000 997 22 98	Kettenglied / chain link	(1)	



# MERCEDES-BENZ SL-Klasse (BM 129)

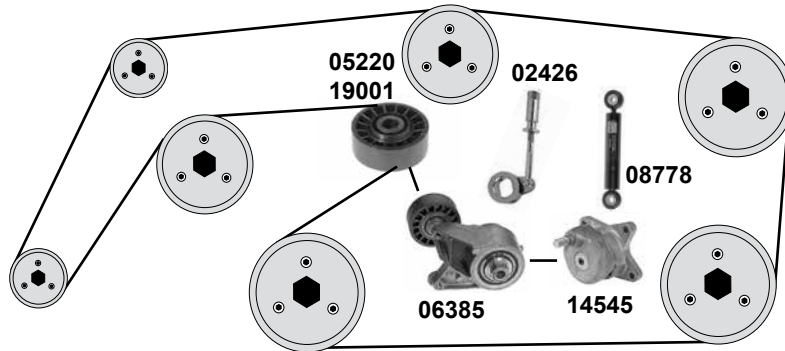
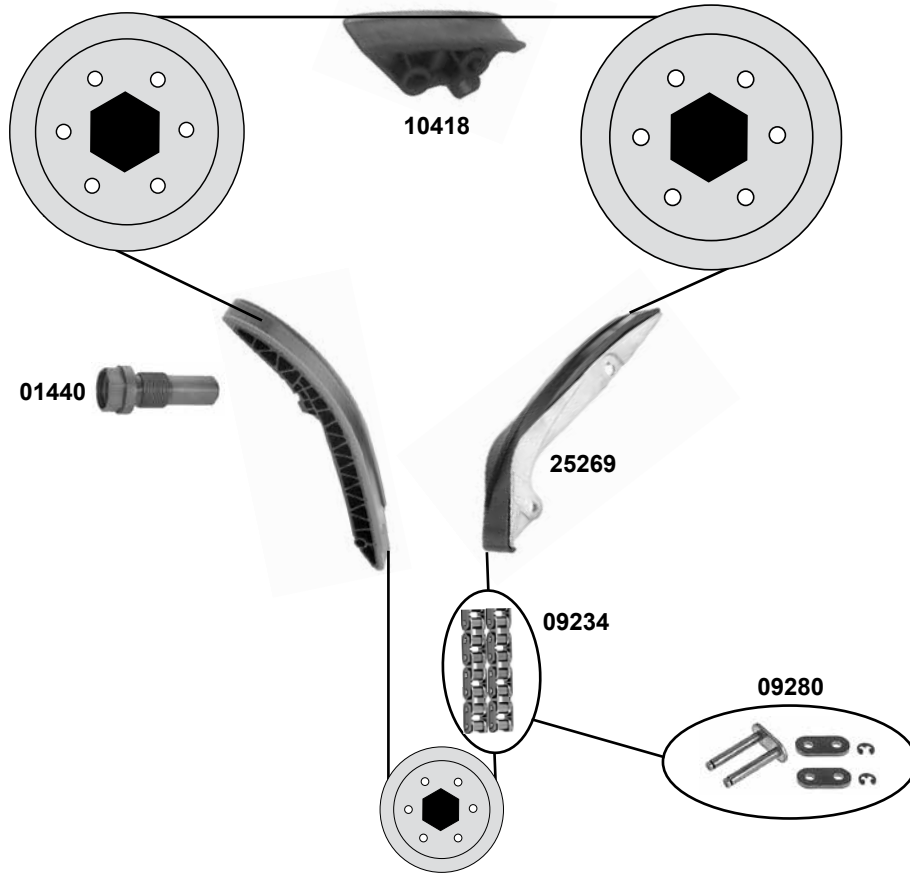
(89 →)

Car  
Division



## SL 320

(M 104.991)



(1) Nietverschluß / riveted link

(2) 991: (mot.) → 009985

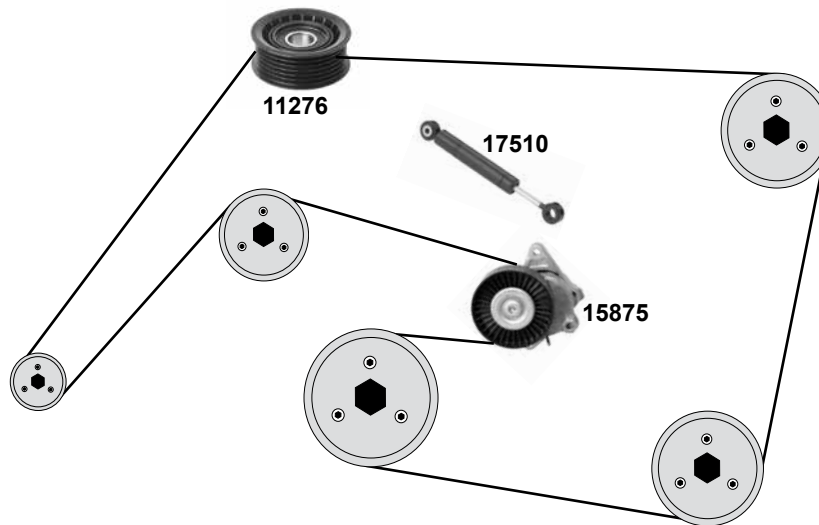
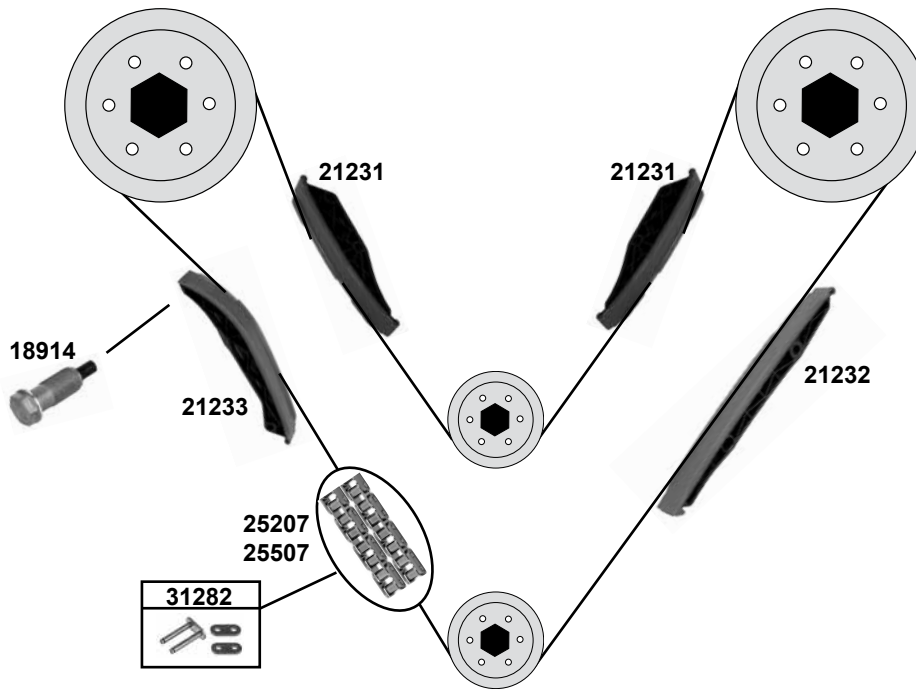
(3) 991: (mot.) 009986 →



Ref. - No.



Ref. - No.	Description	Quantity	Dimensions
01440	Kettenspanner / chain tensioner		
02426	Spannstange / tensioning rod		
05220	Spannrolle / tension roller	(2)	ØA70 ØI 25 B31,5
06385	Riemenspanner / belt tensioner	(2)	
08778	Schwingungsdämpfer / vibration damper	(2)	80N - 1050N
09234	Steuerkette / timing chain	(1)	D 455 / 126 N
09280	Kettenglied / chain link		
10418	Gleitschiene / sliding rail		
14545	Riemenspanner / belt tensioner	(3)	
19001	Spannrolle / tension roller	(3)	ØA 80
25269	Gleitschiene / sliding rail		



(1) Nietverschluss / riveted link / bouchon de rivet / rivetti / cierre de roblón



Ref. - No.



Ref. - No.	Description	Quantity	Notes
11276	Umlenkrolle / deflection pulley		ØA 64 ØI 17 B23
15875	Riemenspanner / belt tensioner		
17510	Schwingungsdämpfer / vibration damper		55 N - 600 N
18914	Kettenspanner / chain tensioner		
21231	Gleitschiene / sliding rail	(ex.)	M 113
21232	Gleitschiene / sliding rail	(ex.)	M 113
21233	Gleitschiene / sliding rail	(ex.)	M 113
25207	Steuerkette / timing chain	(1)	168 N
25507	Steuerkette / timing chain	(1)	168 E
30303	Rep. Satz Steuerkette / rep. kit timing chain		
31282	Kettenglied / chain link	(1) (ex.)	M 113

# MERCEDES-BENZ SL-Klasse (BM 129)

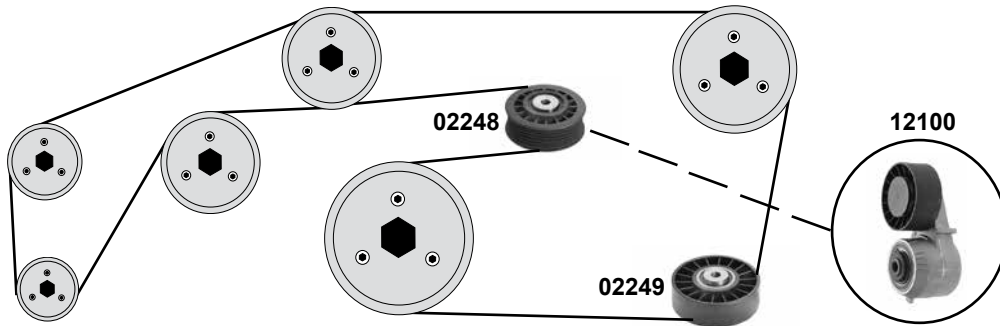
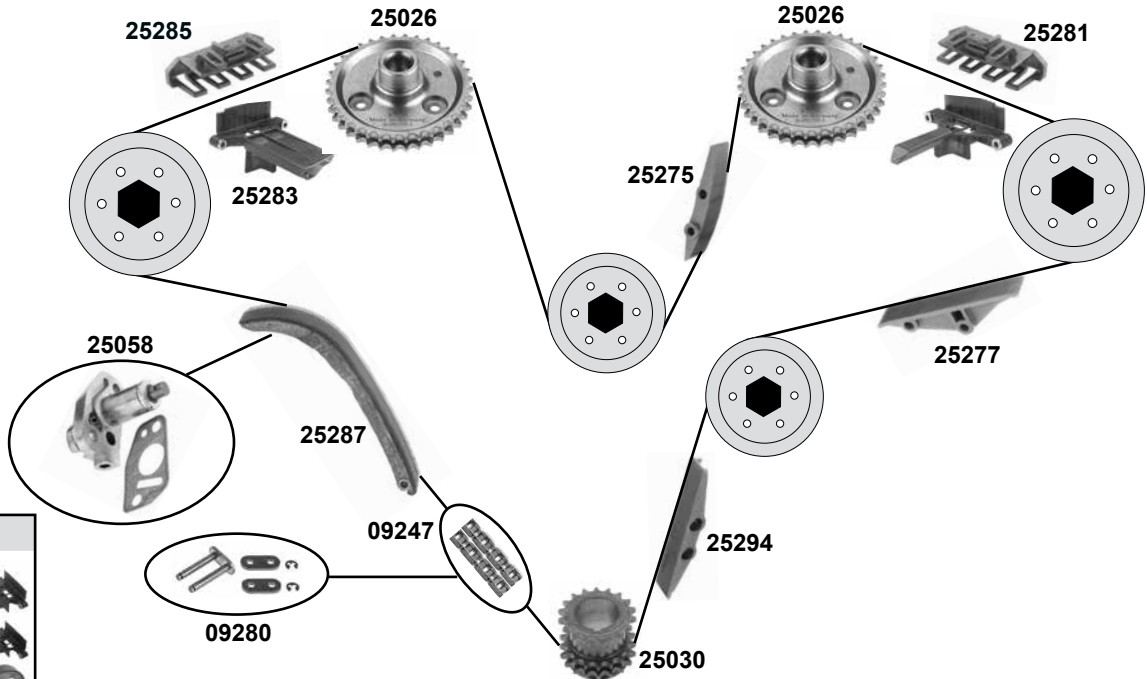
(89 →)

Car  
Division

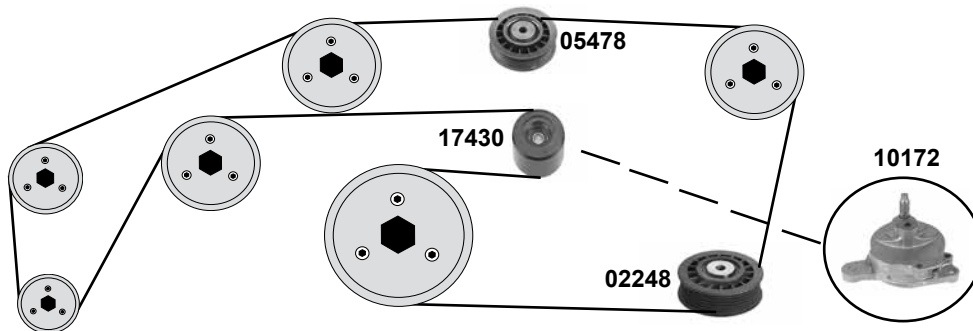
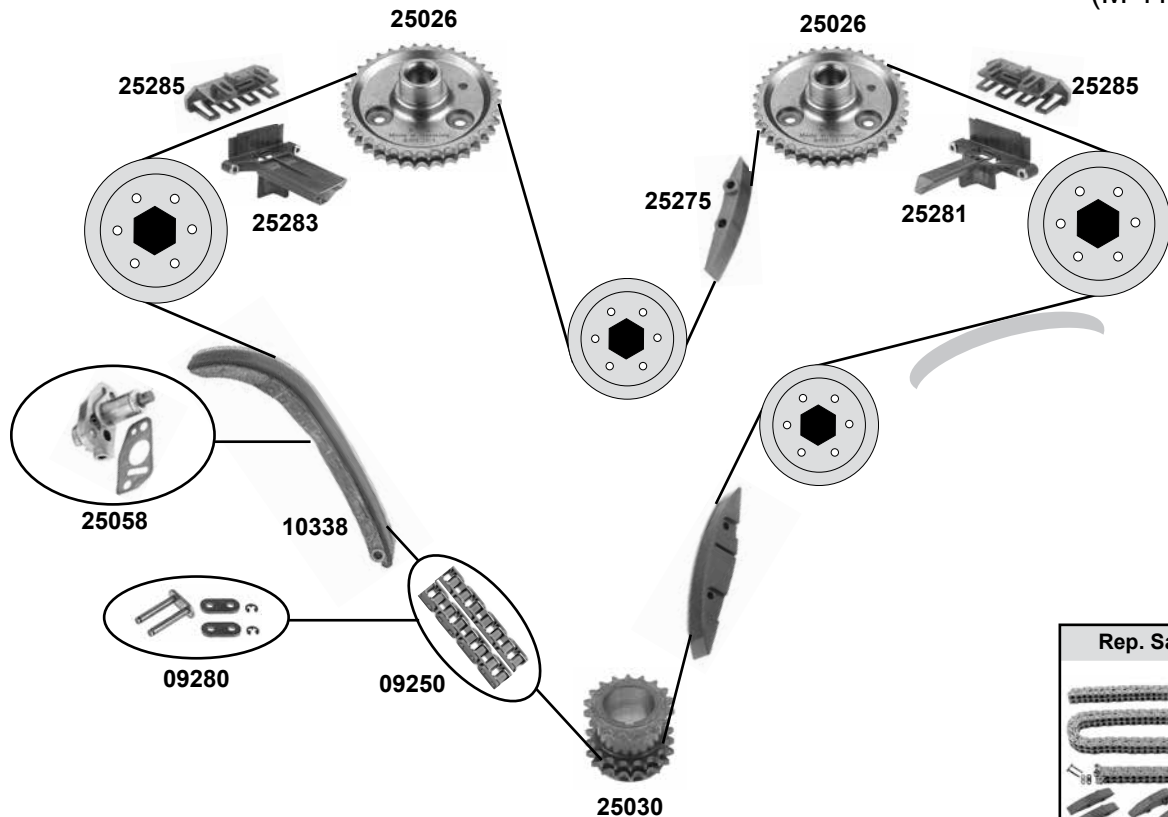


## 500 SL

(M 119.960)



	Ref. - No.			
02248	601 200 07 70	Spannrolle / tension roller		75 X 26731,5
02249	601 200 09 70	Umlenkrolle / deflection pulley		80 x 25/31
09247	002 997 83 94	Steuerkette / timing chain	→ 06/98	D 455 / 216 N
09280	000 997 05 98	Kettenglied / chain link		11 / D 455
12100	119 200 02 70	Riemenspanner / belt tensioner		
25026	119 050 10 04	Nockenwellenrad / camshaft gear		Z 36
25030	119 052 01 03	Kurbelwellenzahnrad / crankshaft gear		Z 18
25058	119 050 17 11	Kettenspanner / chain tensioner		
25275	119 052 11 16	Gleitschiene / sliding rail		
25277	119 052 06 16	Gleitschiene / sliding rail		
25281	119 050 02 16	Gleitschiene / sliding rail		
25283	119 050 03 16	Gleitschiene / sliding rail		
25285	119 052 09 16	Gleitschiene / sliding rail		
25287	119 050 01 16	Gleitschiene / sliding rail		
25294	119 052 01 16	Gleitschiene / sliding rail		
30314	119 050 17 11 S2	Rep. Satz Steuerkette / rep. kit timing chain		



	Ref. - No.			
02248	601 200 07 70	Umlenkrolle / deflection pulley	(ex.) 972: → 003228	75 X 26731,5
05478	601 200 10 70	Umlenkrolle / deflection pulley	(mot.) 982	69 x 26/31,5
09250	003 997 44 94	Steuerkette / timing chain		D 455 / 216 N
09280	000 997 05 98	Kettenglied / chain link		11 / D 455
10172	119 200 11 70	Riemenspanner / belt tensioner	(ex.) 972: → 003228	
10338	119 050 04 16	Gleitschiene / sliding rail		
17430	119 200 14 70	Spannrolle / tension roller		
25026	119 050 10 04	Nockenwellenrad / camshaft gear		
25030	119 052 01 03	Kurbelwellenzahnrad / crankshaft gear		Z 18
25058	119 050 17 11	Kettenspanner / chain tensioner		
25275	119 052 11 16	Gleitschiene / sliding rail		
25281	119 050 02 16	Gleitschiene / sliding rail		
25283	119 050 03 16	Gleitschiene / sliding rail		
25285	119 052 09 16	Gleitschiene / sliding rail		
30313	119 050 17 11 S1	Rep. Satz Steuerkette / rep. kit timing chain		216 E

# MERCEDES-BENZ SL-Klasse (BM 129)

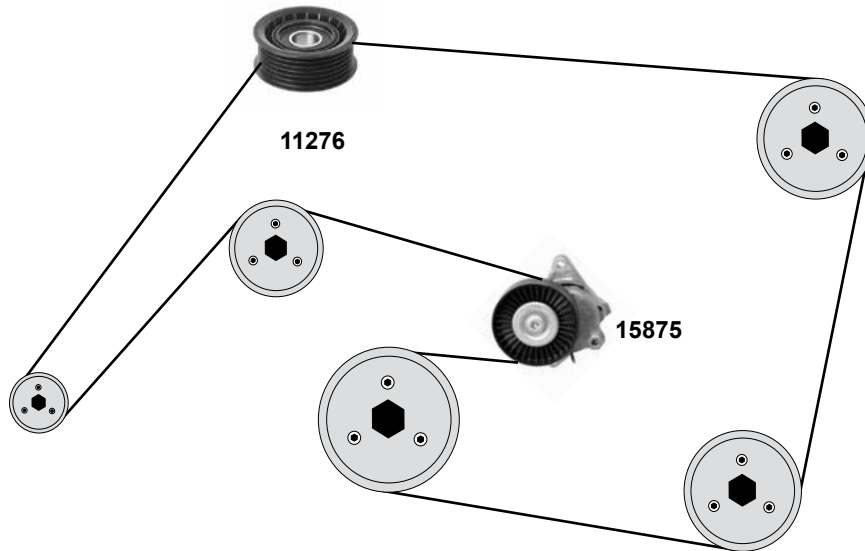
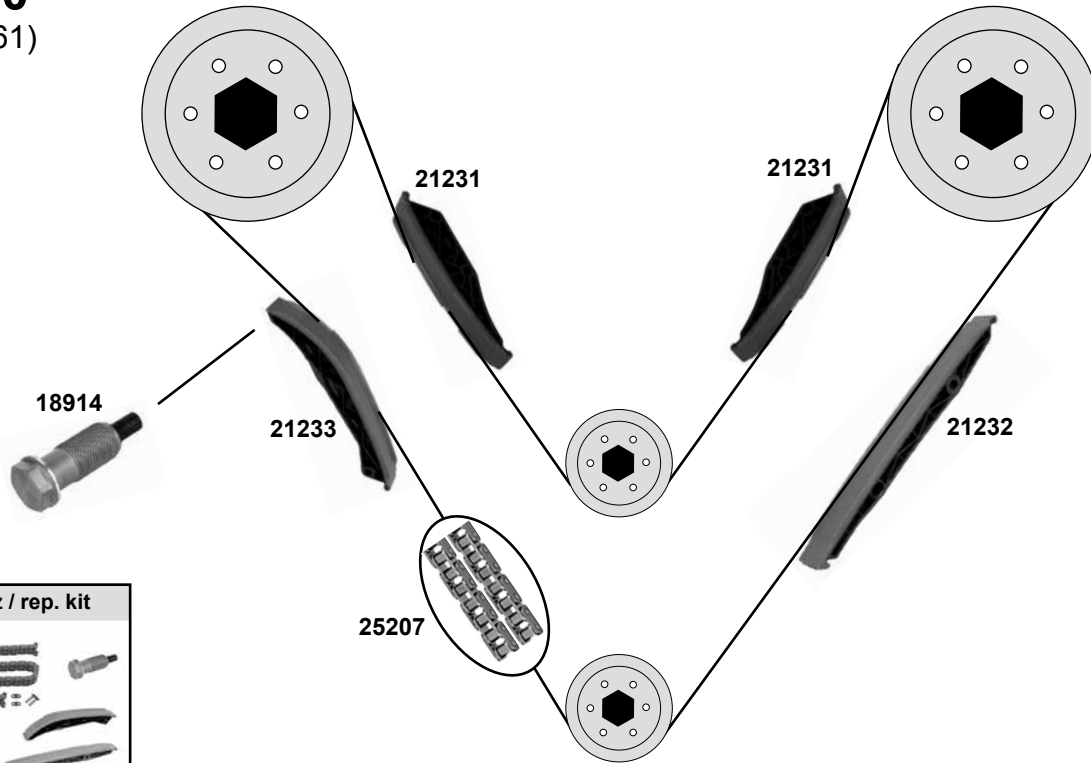
(89 →)

Car  
Division 



## SL 500

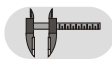
(M 113.961)



(1) Nietverschluß / riveted link / bouchon de rivet / rivetti / cierre de roblón



Ref. - No.

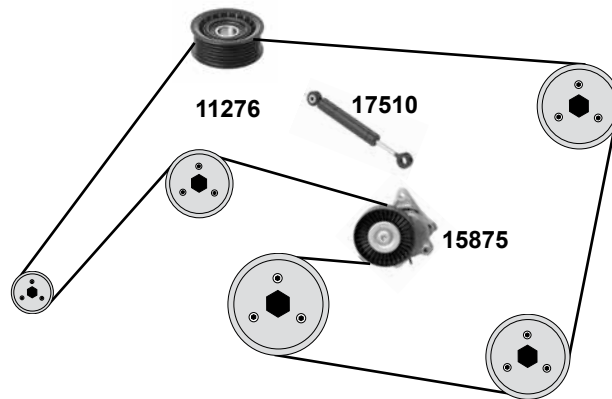
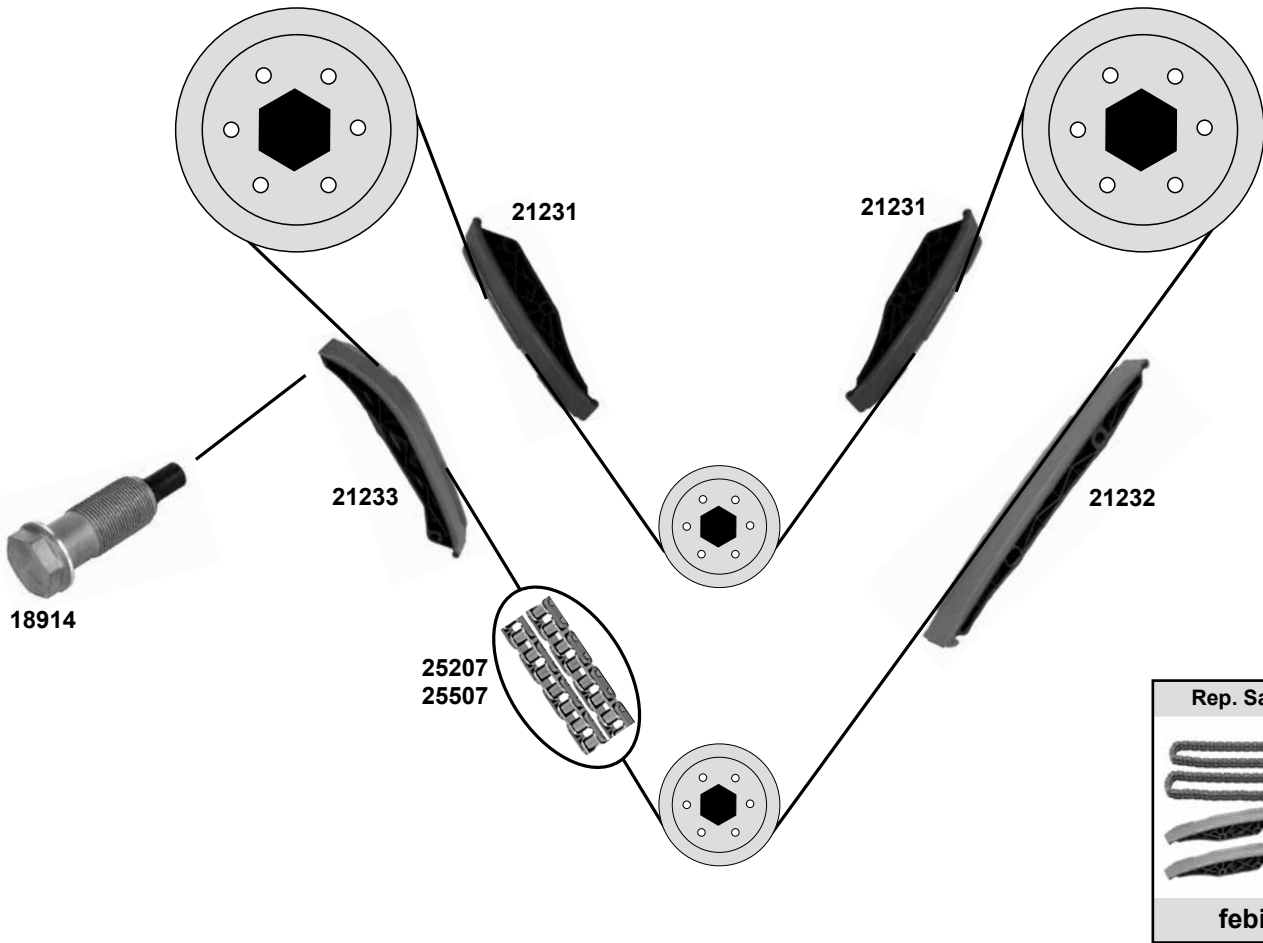


11276	272 202 10 19	Umlenkrolle / deflection pulley	
15875	112 200 09 70	Riemenspanner / belt tensioner	
18914	112 050 08 11	Kettenspanner / chain tensioner	
21231	112 052 01 16	Gleitschiene / sliding rail	
21232	112 052 00 16	Gleitschiene / sliding rail	
21233	112 052 02 16	Gleitschiene / sliding rail	
25207	003 997 68 94	Steuerkette / timing chain	(1)
30303	112 050 08 11 S1	Rep. Satz Steuerkette / rep. kit timing chain	

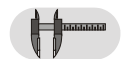
168 E

**SL 350 / SL 500 / 55 AMG**

(M 112.943 / 113.993, 992)



Ref. - No.



<b>11276</b>	272 202 09 19	Umlenkrolle / deflection pulley	ØA 64 ØI 17 B23
<b>15875</b>	112 200 09 70	Riemenspanner / belt tensioner	
<b>17510</b>	112 200 00 14	Schwingungsdämpfer / vibration damper	55 N - 600 N
<b>18914</b>	112 050 08 11	Kettenspanner / chain tensioner	
<b>21231</b>	112 052 01 16	Gleitschiene / sliding rail	
<b>21232</b>	112 052 00 16	Gleitschiene / sliding rail	
<b>21233</b>	112 052 02 16	Gleitschiene / sliding rail	
<b>25207</b>	003 997 68 94	Steuerkette / timing chain	
<b>25507</b>	003 997 68 94 S1	Steuerkette / timing chain	168 E
<b>30303</b>	112 050 08 11 S1	Rep. Satz Steuerkette / rep. kit timing chain	168 E

# MERCEDES-BENZ SL-Klasse (BM 129)

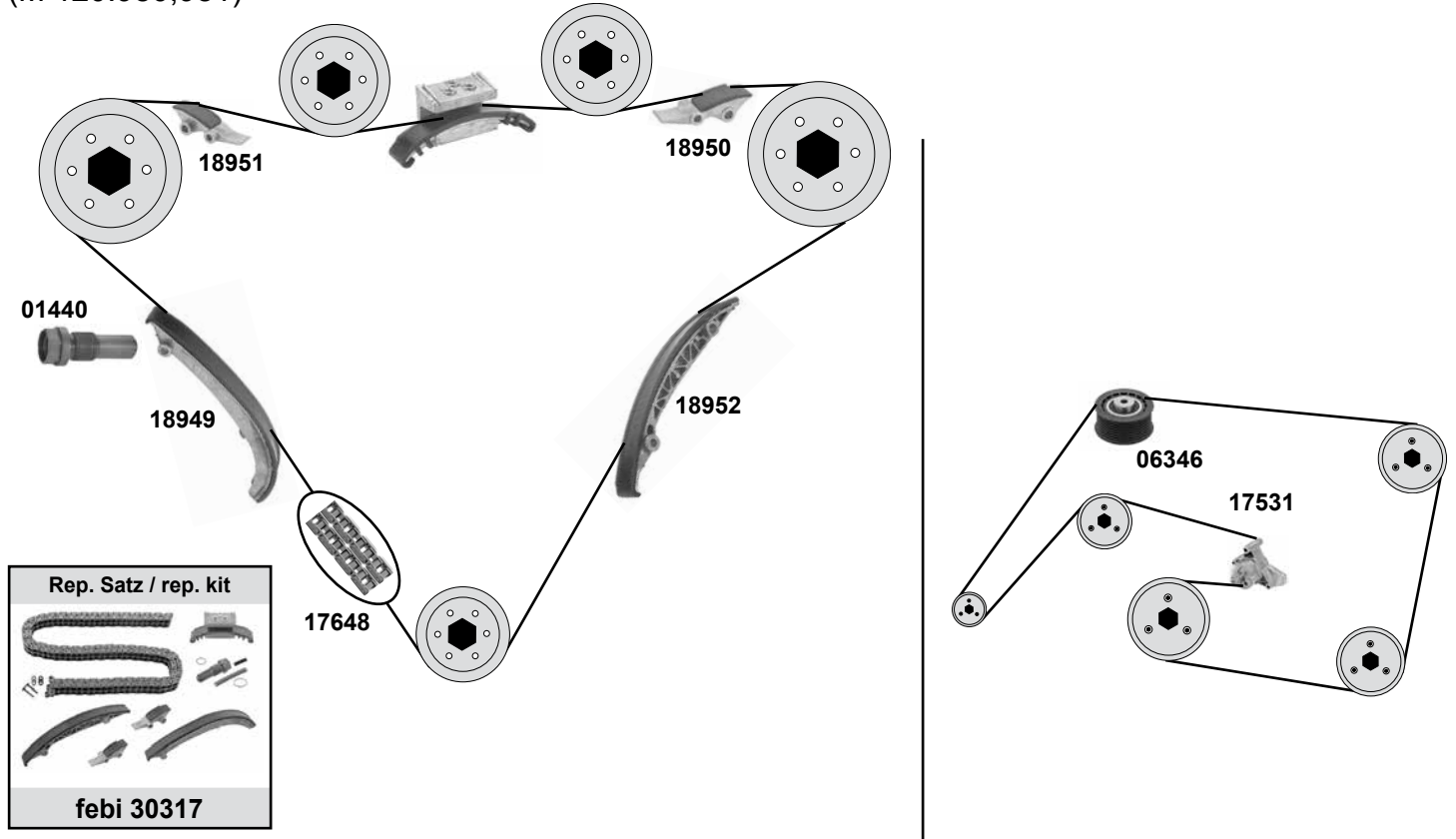
(01 →)

Car  
Division 



## 600 SL / SL 600

(M 120.980,981)

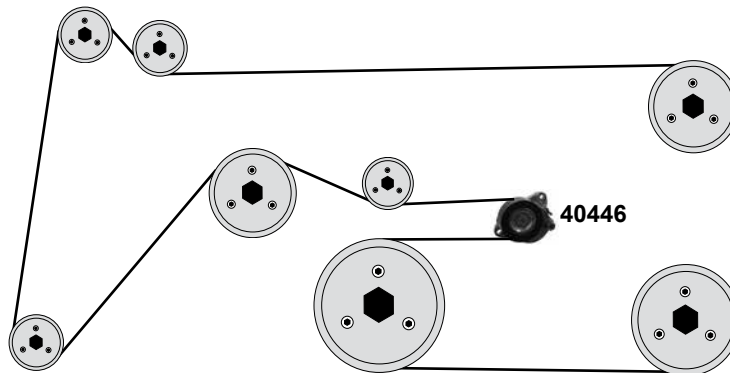





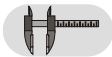
## SL-Klasse (BM 230)

(01 →)

### SL-Klasse

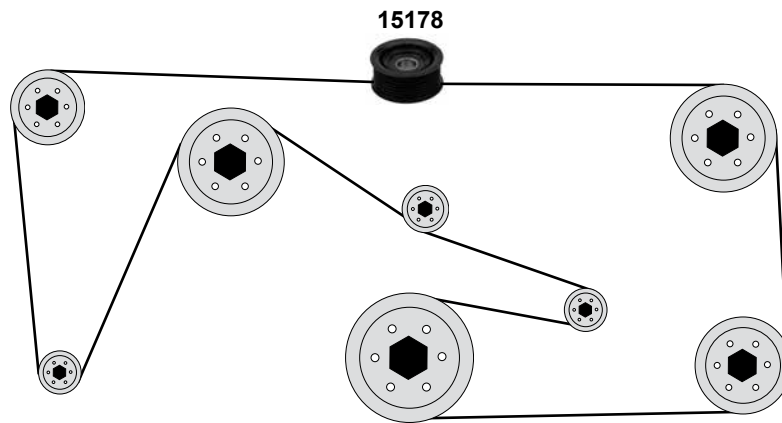
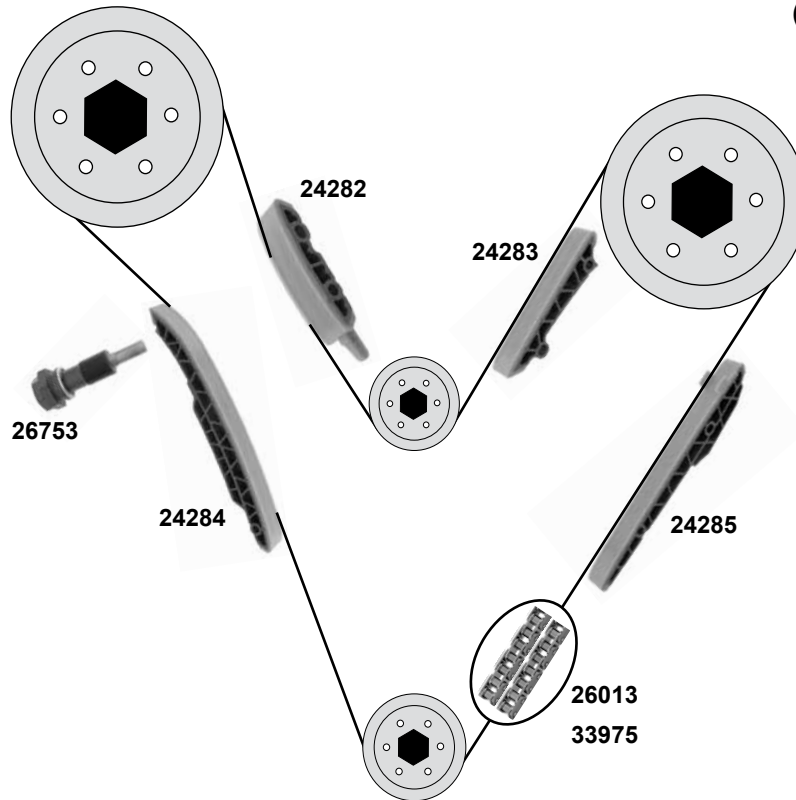
(M 156.981)



	Ref. - No.			
01440	120 050 02 11	Kettenspanner / chain tensioner		
06346	120 200 04 70	Spannrolle / tension roller		ØA 69 B33
17531	120 200 05 70	Riemenspanner / belt tensioner		
17648	002 997 75 94	Steuerkette / timing chain		Ø 455/ 170 N
18949	120 050 03 16	Gleitschiene / sliding rail		
18950	120 050 05 16	Gleitschiene / sliding rail		
18951	120 050 06 16	Gleitschiene / sliding rail		
18952	120 050 07 16	Gleitschiene / sliding rail		
30317	120 050 02 11 S2	Rep. Satz Steuerekette / rep kit timing chain		
40446	156 200 05 70	Riemenspanner / belt tensioner		ØA 76 B26

**SL 600 / SL 65 AMG**

(M 275.951,954,981,983)



(1) SL 600 M275.951,954 (mot.) →40027371 / SL 65AMG M275.981 (mot.) →60006826



Ref. - No.



Ref. - No.	Description	Quantity	Part No.
15178	Umlenkrolle / deflection pulley	(1)	ØA64 B30
24282	Gleitschiene / sliding rail	(ex.) 983	164 N
24283	Gleitschiene / sliding rail	(ex.) 983	
24284	Gleitschiene / sliding rail	(ex.) 983	
24285	Gleitschiene / sliding rail	(ex.) 983	
26013	Steuerkette mit Nietverschluss/ timing chain with	(ex.) 983	
26753	Kettenspanner / chain tensioner	(ex.) 983	164 E
30318	Rep. Satz Steuerkette / rep kit timing chain	(ex.) 983	
33975	Steuerkette / roller chain	(ex.) 983	



# MERCEDES-BENZ SL-Klasse (BM 230)

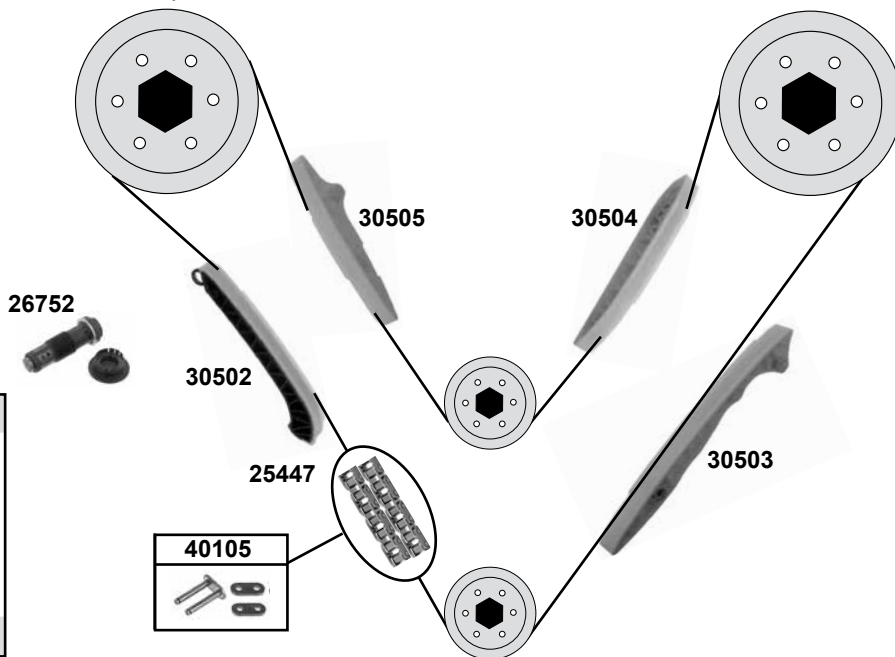
(01 →)

Car  
Division



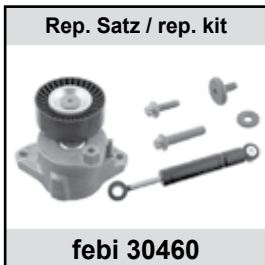
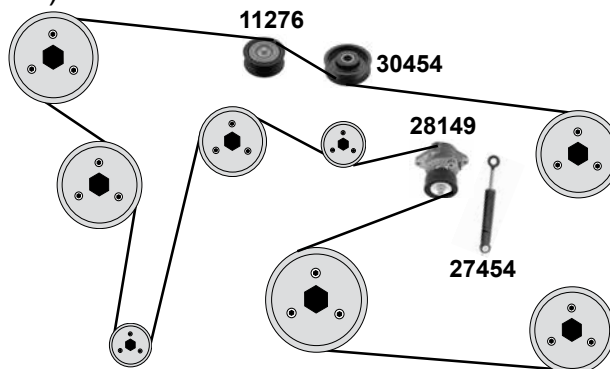
## SL 280 / SL 300

(M 272.949,966,968 / 273.965)



## SL 280 / SL 300

(M 272.949,966,968 / 273.965)



- (1) (mot.) 272.949,966,968 (mot.) 30089233 → / (mot.) 273.965
- (2) (mot.) 272.949,966,968 30058377 → / (mot.) 273.965
- (3) M 272.966,968 (mot.) →30089231 / →30.06.2005
- (4) (mot.) 272.949,966 (mot.) 30009529 → / (mot.) 272.968 / (mot.) 273.965



Ref. - No.

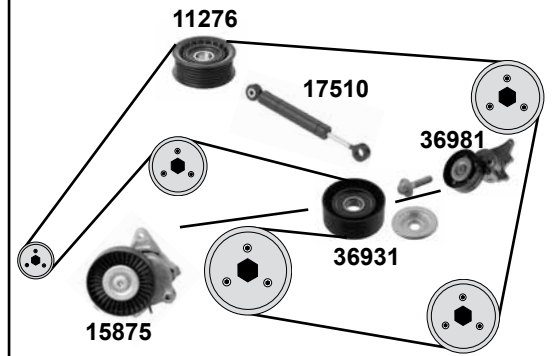
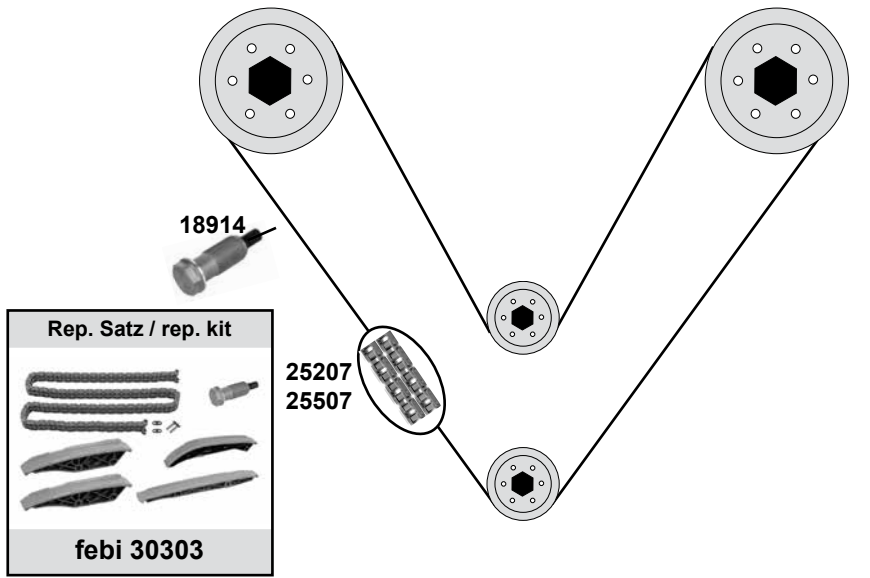


Ref. - No.	Description	Quantity	Dimensions
11276	Umlenkrolle / deflection pulley	(ex.)	M 272,968
25447	Steuerkette / timing chain		ØA 67 B25 216 N
26752	Kettenspanner / chain tensioner	(3)	
27454	Schwingungsdämpfer / vibration damper		55 N - 400 N
28149	Riemenspanner / belt tensioner		ØA 76
30328	Rep. Satz Steuerkette / rep. kit timing chain	(1)	
30454	Umlenkrolle / deflection pulley	(2)	ØA 70 B 22
30460	Rep. Satz Riemenspanner / rep kit belt tensioner		
30502	Gleitschiene / sliding rail	(1)	
30503	Gleitschiene / sliding rail		
30504	Gleitschiene / sliding rail	(4)	
30505	Gleitschiene / sliding rail		
40105	Kettenglied / chain link		



## SL 350 / SL 500

(M 112.973 / 113.963,992,995)

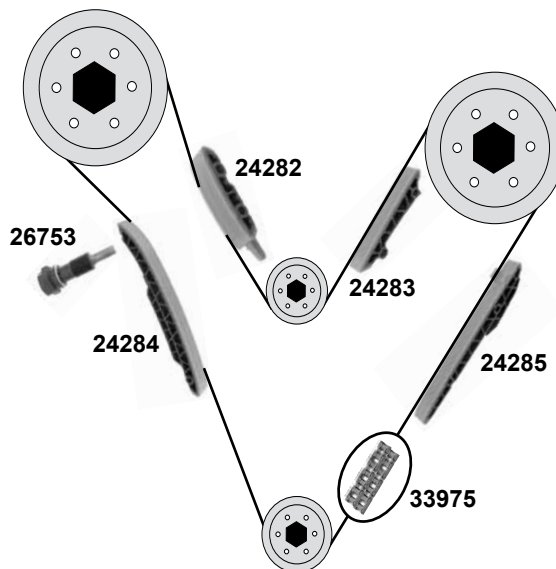


## SL-Klasse (BM 231)

(01 →)

## SL 65 AMG

(M 279.981)



(1) Nietverschluß / riveted link / bouchon de rivet / rivetti / cierre de roblón

	Ref. - No.			
11276	272 202 10 190	Umlenkrolle / deflection pulley		ØA 64 ØI 17 B23
15875	112 200 09 70	Riemenspanner / belt tensioner		
17510	112 200 00 14	Schwingungsdämpfer / vibration damper	(mot.) 112. 973	55 N - 600 N
18914	112 050 08 11	Kettenspanner / chain tensioner		
24282	137 052 04 16	Gleitschiene / sliding rail		
24283	137 052 05 16	Gleitschiene / sliding rail		
24284	137 052 07 16	Gleitschiene / sliding rail		
24285	137 052 08 16	Gleitschiene / sliding rail		
25207	003 997 68 94	Steuerkette / timing chain	(1)	168 N
25507	003 997 68 94 S1	Steuerkette / timing chain	(1)	168 E
26753	275 050 05 11	Kettenspanner / chain tensioner		
30303	112 050 08 11 S1	Rep. Satz Steuerkette / rep. kit timing chain		
30318	275 050 05 11 S1	Rep. Satz Steuerkette / rep kit timing chain		
33975	004 997 18 94	Steuerkette / roller chain		164 E
36931	113 202 00 19	Spannrolle / tension roller	M 113.992,995	(mot.) M 113.990
36981	113 200 01 70	Riemenspanner / belt tensioner	M 113.992,995	ØA90 B32

# MERCEDES-BENZ SLK-Klasse (170)

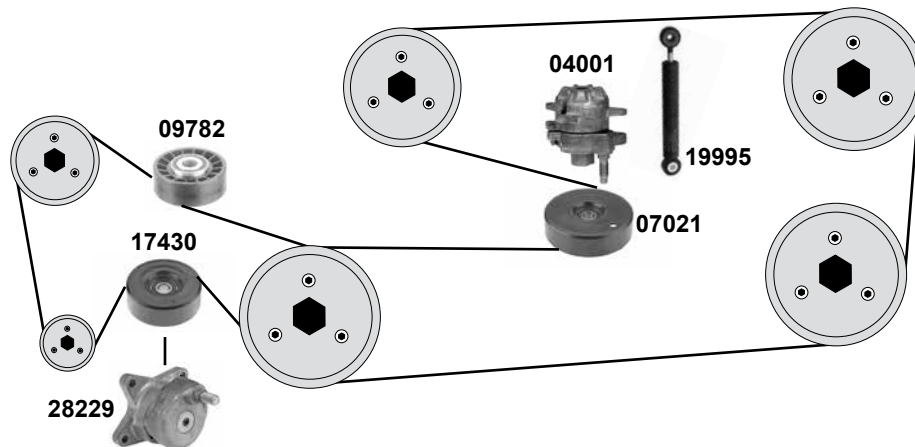
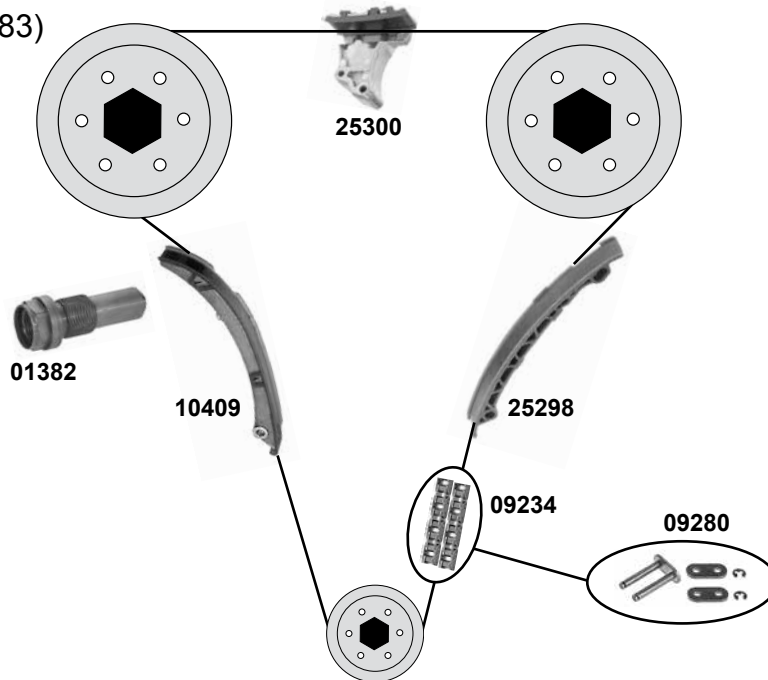
(96 → 04)

Car  
Division 



## SLK 200 / Kompressor

(M 111.943,946,958,973,983)



(1) (ex.) (mot.) 973,983

(2) Nietverschluß / riveted link / bouchon de rivet / rivetti / cierre de roblón



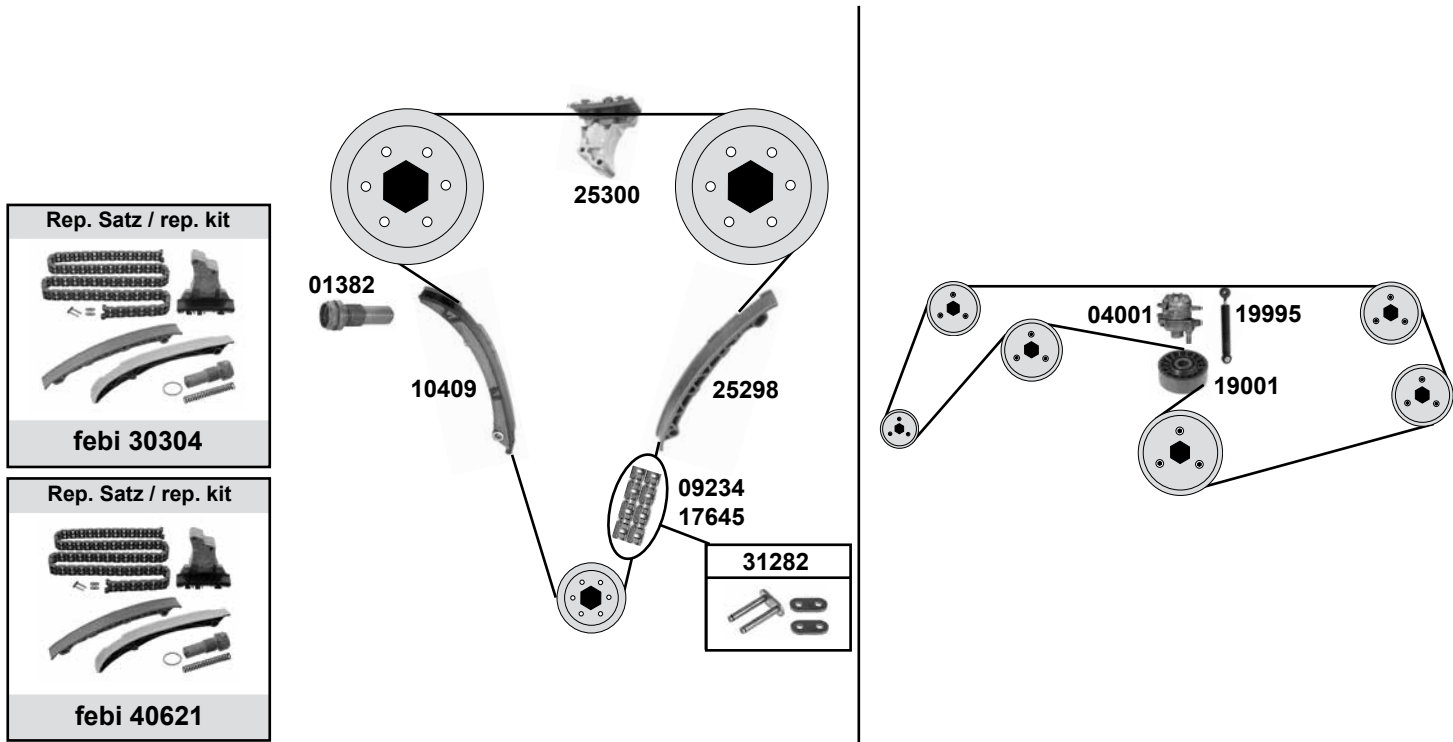
Ref. - No.



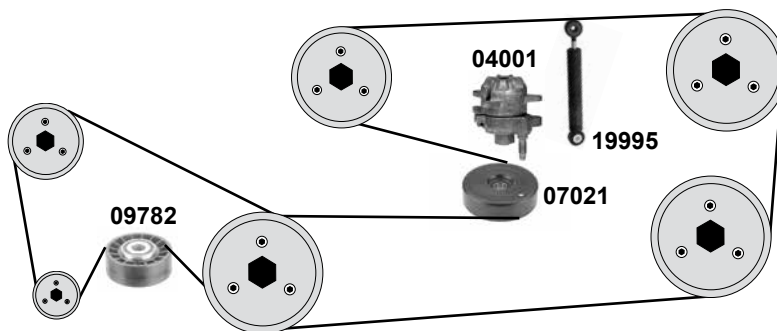
Ref. - No.	Part Name	Quantity	Notes
01382	Kettenspanner / chain tensioner		
04001	Riemenspanner / belt tensioner		
07021	Spannrolle / tension roller		
19995	Schwingungsdämpfer / vibration damper	(2)	
09234	Steuerkette / timing chain	(1) (2)	
09280	Kettenglied / chain link	(1)	
09782	Spannrolle / tension roller	(ex.) 946	
10409	Gleitschiene / sliding rail	(2)	
17430	Spannrolle / tension roller		
25298	Gleitschiene / sliding rail	(1)	
25300	Gleitschiene / sliding rail		
28229	Riemenspanner / belt tensioner		
30304	Rep. Satz Steuerkette / rep. kit timing chain		
40621	Rep. Satz Steuerkette / rep. kit timing chain		

110 x 28 x 15  
55 N - 435 N  
D 455 / 126 N  
11 / D 455

## SLK 230 Kompressor (M 111.943,946,958,973,983)



## SLK 230 Kompressor (M 111.973,983)



(1) Nietverschluss / riveted link / bouchon de rivet / rivetti / cierre de roblón

(2) (mot.) 023380 →



Ref. - No.



Ref. - No.	Description	Notes	Dimensions / Part No.
01382	Kettenspanner / chain tensioner		
04001	Riemenspanner / belt tensioner		
07021	Spannrolle / tension roller		
09234	Steuerkette / timing chain	(1)	110 x 28 x 15 D 455 / 126 N
09782	Spannrolle / tension roller	(ex.) 983	
10409	Gleitschiene / sliding rail		
17645	Steuerkette / timing chain		126 E
19001	Spannrolle / tension roller	(2)	55 N - 435 N
19995	Schwingungsdämpfer / vibration damper		
25298	Gleitschiene / sliding rail		
25300	Gleitschiene / sliding rail		
30304	Rep. Satz Steuerkette / rep. kit timing chain		126 E
31282	Kettenglied / chain link		D67ZN-17
40621	Rep. Satz Steuerkette / rep. kit timing chain		

# MERCEDES-BENZ SLK-Klasse (BM 170)

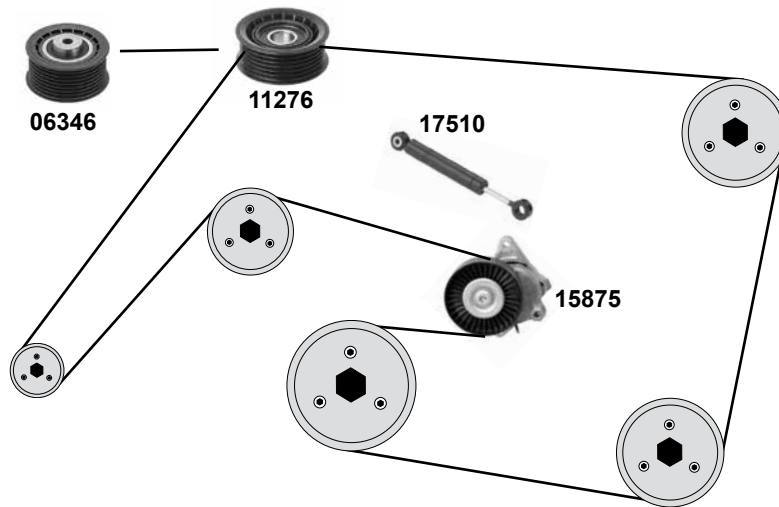
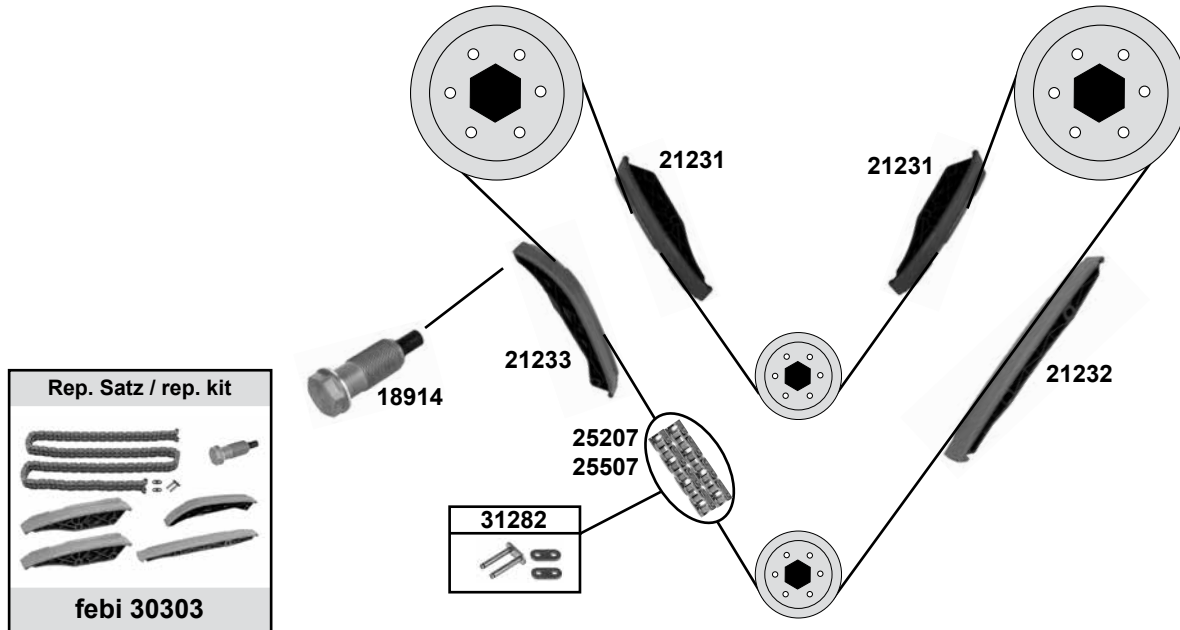
(96 → 04)

Car  
Division



## SLK 320 / 32 AMG

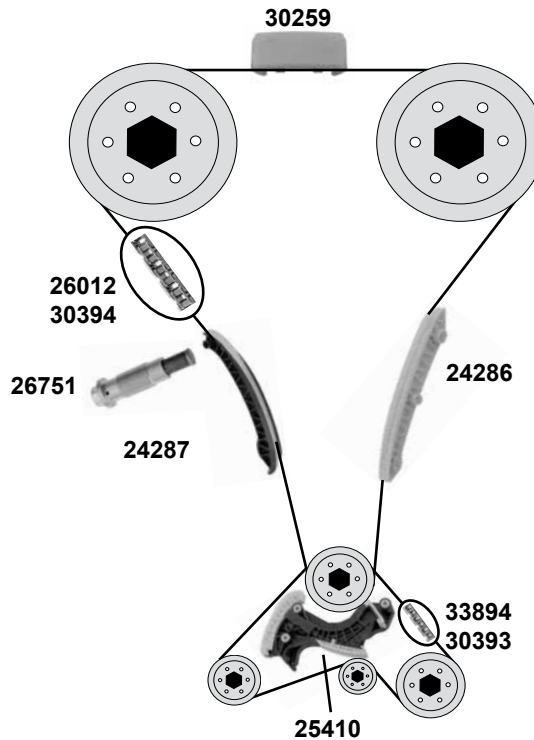
(M 112.947, 960,961)



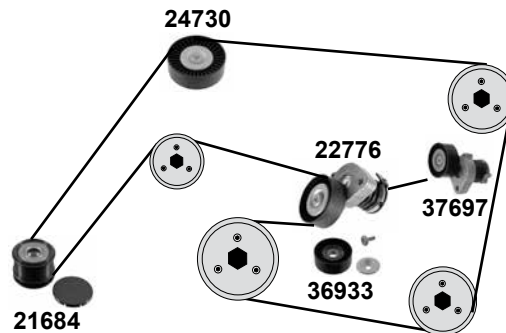
- (1) Nietverschluß / riveted link / bouchon de rivet / rivetti / cierre de roblón
- (2) nur / only: 32 AMG / mot. 960,961

	Ref. - No.			
06346	120 200 04 70	Spannrolle / tension roller	(2)	ØA 69 B33
11276	272 202 00 19	Umlenkrolle / deflection pulley	(mot.) 947	ØA 64 ØI 17 B23
15875	112 200 09 70	Riemenspanner / belt tensioner	(mot.) 947	
17510	112 200 00 14	Schwingungsdämpfer / vibration damper	(mot.) 112. 947	55 N - 600 N
18914	112 050 08 11	Kettenspanner / chain tensioner	(ex.) 961	
21231	112 052 01 16	Gleitschiene / sliding rail	(ex.) 961	
21232	112 052 00 16	Gleitschiene / sliding rail	(ex.) 961	
21233	112 052 02 16	Gleitschiene / sliding rail	(ex.) 961	
25207	003 997 68 94	Steuerkette / timing chain	(1) (ex.) 961	168 N
25507	003 997 68 94 S1	Steuerkette / timing chain	(1) (ex.) 961	168 E
30303	112 050 08 11 S1	Rep. Satz Steuerkette / rep. kit timing chain	(ex.) 961	D 168
31282	000 997 22 98	Kettenglied / chain link	(1) (ex.) 961	

## SLK 200 Kompressor (M 271.861,944,954)



Rep. Satz / rep. kit  <b>febi 30315</b>	Rep. Satz / rep. kit  <b>febi 30316</b>
Rep. Satz / rep. kit  <b>febi 40953</b>	Rep. Satz / rep. kit  <b>febi 40954</b>



(1) 271.944 Für Lichtmaschine / for alternator 271 154 08 02 / 271 154 09 02 / 271 154 10 02

(2) 271.944,954 nur mit Lanchester-Ausgleich / only with Lanchester balancing system

(3) für Fahrzeuge mit Lanchester-Ausgleich / for vehicles with lanchester balancing system

	Ref. - No.			
21684	271 155 01 15	Riemenscheibe Lichtmaschine / belt pulley alternator	(1)	60 x 46,2
22776	271 200 02 70	Riemenspanner / belt tension	(mot.) 271. 944/954	
24286	271 052 10 16	Gleitschiene links / sliding rail left	(mot.) 271.944/954	
24287	271 052 11 16	Gleitschiene rechts / sliding rail right	(mot.) 271.944/954	
24730	271 206 00 19	Umlenkrolle / deflection pulley	(mot.) 271.944/954	ØA90 B 28
25410	271 030 09 63	Kettenspanner / chain tensioner		
26012	000 993 21 76	Steuerkette mit Nietverschluss/ timing chain with riveting link	(mot.) 271.944/954	142 N
26751	271 050 06 11	Kettenspanner / chain tensioner	(mot.) 271.944/954	
30259	271 052 04 16	Gleitschiene / sliding rail	(mot.) 271.944/954	
30315	271 050 06 11 S1	Rep. Satz Steuerkette / rep. kit timing chain	(mot.) 271.944/954	
30316	271 050 06 11 S2	Rep. Satz Steuerkette / rep. kit timing chain	(2)	142 E
30393	000 993 20 76	Steuerkette mit Nietverschluss/ timing chain with riveting link	(mot.) 271.944/954	106 N
30394	000 993 19 76	Steuerkette mit Nietverschluss/ timing chain with		
33894	000 993 20 76 S1	Steuerkette endlos / timing chain endless	(mot.) 271.944/954	106 E
36933	271 200 05 70	Riemenspanner /belt tensioner	(mot.) 271.944/954	ØA76 B28
37697	271 200 04 70	Riemenspanner / belt tensioner	(mot.) 31216220 →	ØA65 B26
40953	271 050 06 11 S3	Rep. Satz Steuerkette / rep. kit timing chain		
40954	271 050 06 11 S4	Rep. Satz Steuerkette / rep. kit timing chain	(3)	

# MERCEDES-BENZ SLK-Klasse (BM 171)

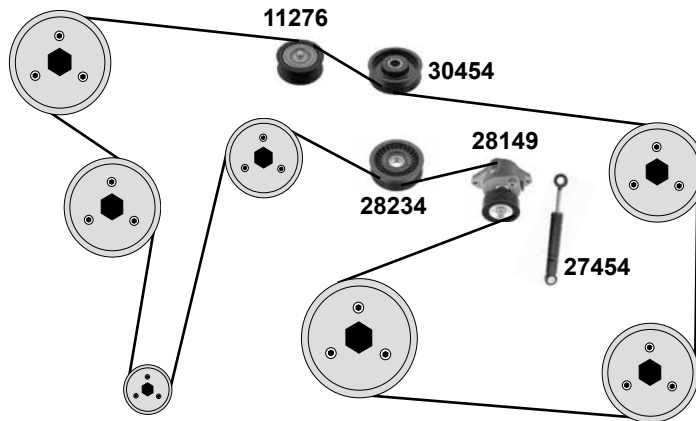
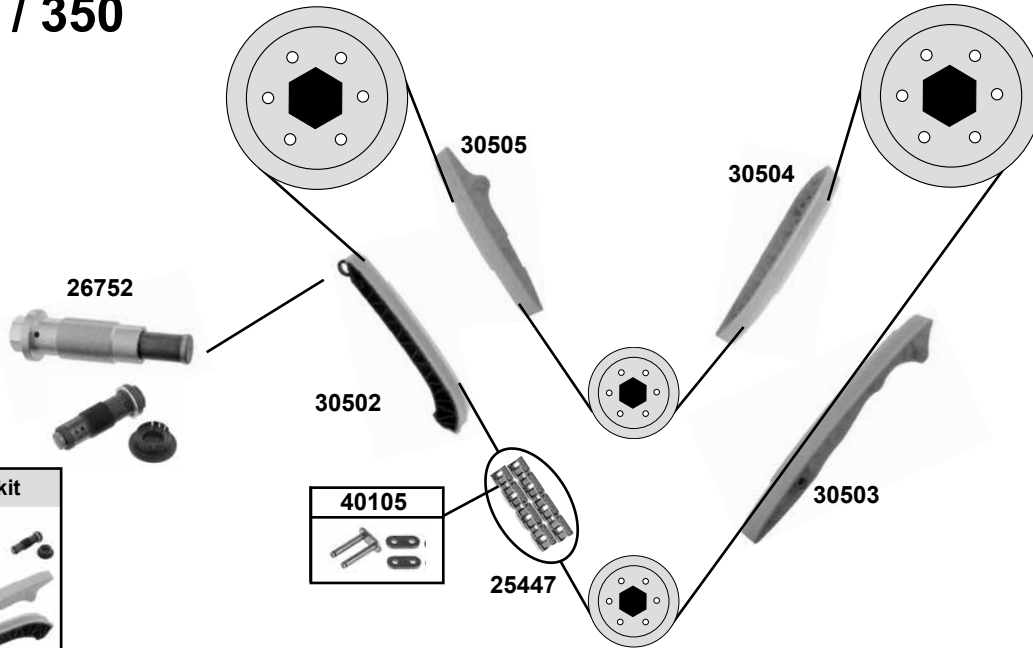
(04 →)

Car  
Division



## SLK 280 / 350

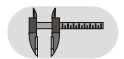
(M 272. ...)



- (1) 272.942,963 : (mot.) → 30089231/ → 30/06/05/
- (2) 272.942,963,969 : (mot.) 30058377 →
- (3) (mot.) 272.942,963 (ch.) 30009529 → / (mot.) 272.969
- (4) (mot.) 272.942,963,969 / (ch.) 30089233 →
- (5) (mot.) 272.967 / (ch.) → 30058376 →



Ref. - No.

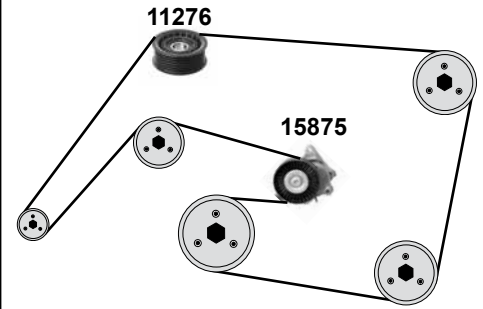
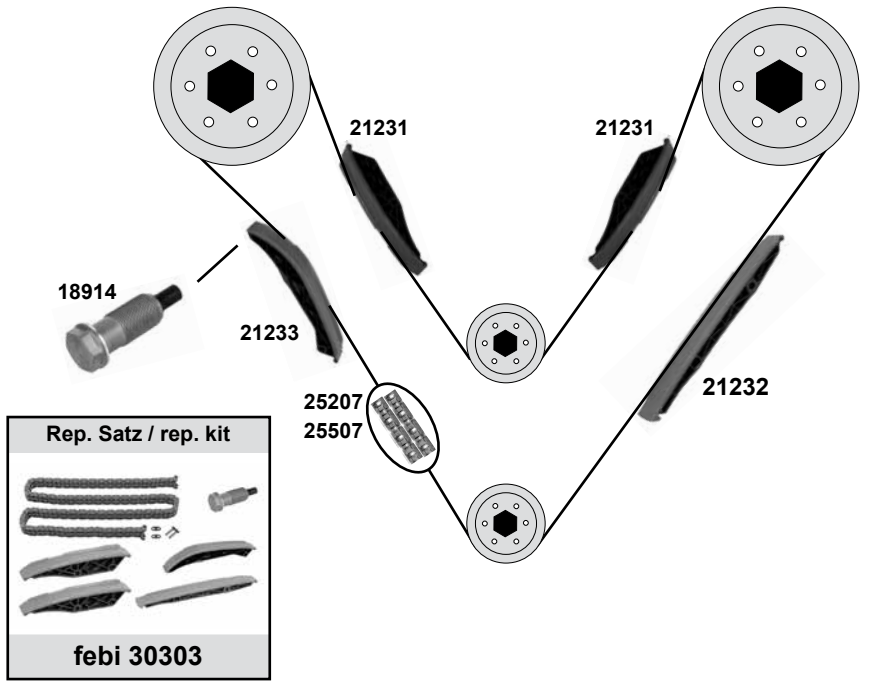


Ref. - No.	Description	Part No.	Dimensions
11276	Umlenkrolle / deflection pulley	(mot.) 942,963,969	ØA 67 B25
25447	Steuerkette / timing chain	(mot.) 942,963,969	
26752	Kettenspanner / chain tensioner	(1)	
27454	Schwingungsdämpfer / vibration damper	(mot.) 942,963,969	55 N - 400 N
28149	Riemenspanner / belt tensioner	(mot.) 942,963,969	ØA 76
28234	Umlenkrolle / deflection pulley	(5)	ØA 80 B25
30328	Rep. Satz Steuerkette / rep. kit timing chain	(4)	
30454	Umlenkrolle / deflection pulley	(2)	ØA 70 B22
30460	Rep. Satz Riemenspanner / rep. kit belt tensioners	(mot.) 942,963,969	
30502	Gleitschiene / sliding rail	(4)	
30503	Gleitschiene / sliding rail	(mot.) 942,963,969	
30504	Gleitschiene / sliding rail	(3)	
30505	Gleitschiene / sliding rail	(mot.) 942,963,969	
40105	Kettenglied / chain link	(mot.) 942,963,969	



## SLK 55 AMG

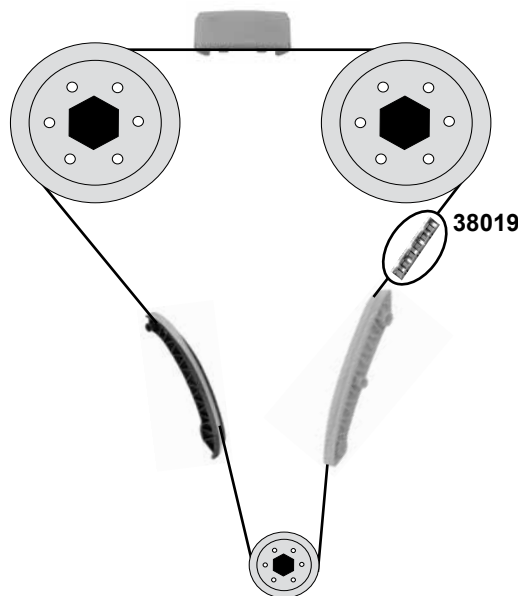
(M 113.)



## SLK (BM 172)

(02/11 →)

(M 171.861)



(1) (mot.) M113. 989

(2) Nietverschluß / riveted link / bouchon de rivet / rivetti / cierre de roblón



Ref. - No.



Ref. - No.	Description	Quantity	Part No.	Dimensions
11276	Umlenkrolle / deflection pulley	(mot.)	981,989	ØA 64 ØI 17 B23
15875	Riemenspanner / belt tensioner	(mot.)	981,986	
18914	Kettenspanner / chain tensioner	(1)		
21231	Gleitschiene / sliding rail	(mot.)	981	
21232	Gleitschiene / sliding rail	(mot.)	981	
21233	Gleitschiene / sliding rail			
25207	Steuerkette / timing chain	(2)		168 N
25507	Steuerkette / timing chain	(2)		168 E
30303	Rep. Satz Steuerkette / rep. kit timing chain		M113.989	106 E
38019	Steuerkette / roller chain			142 E
39271	Rep. Satz Steuerkette / rep. kit timing chain			



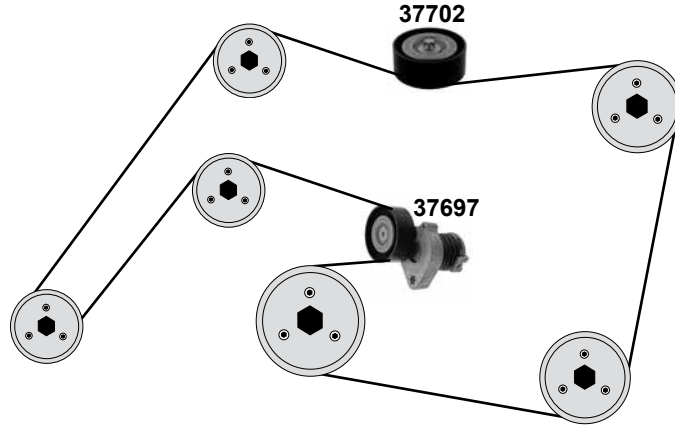
# MERCEDES-BENZ SLK-Klasse (BM 172)

(02/11 →)

Car  
Division



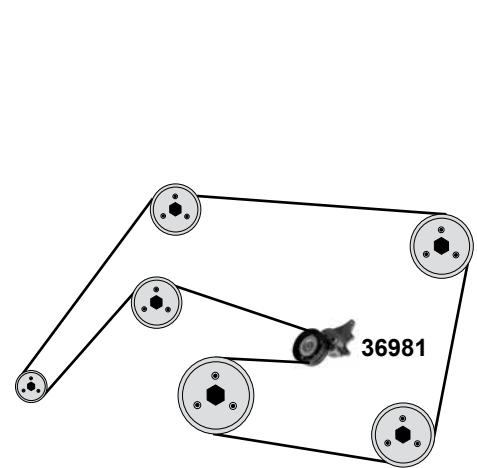
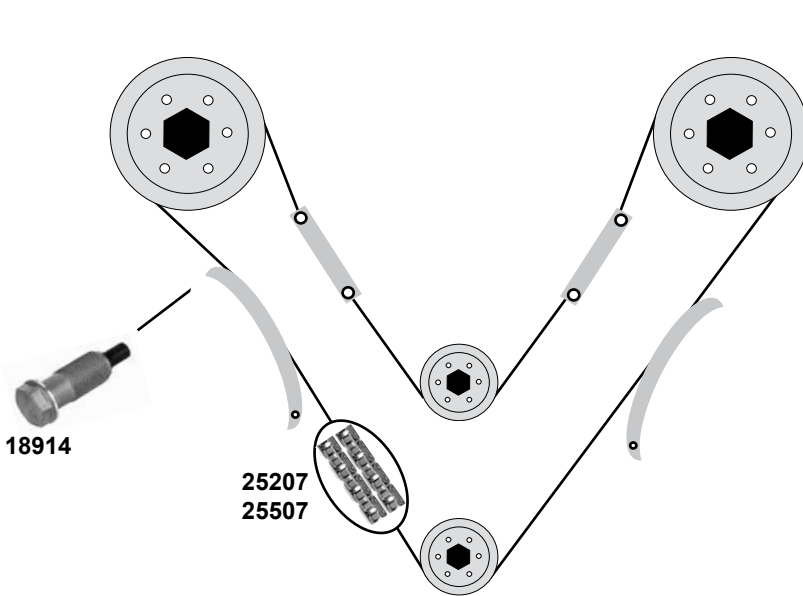
(M 172.861)



# SLR ( BM 199)

(04 →)

(M 155.980,986)



(1) (mot.) M155.980

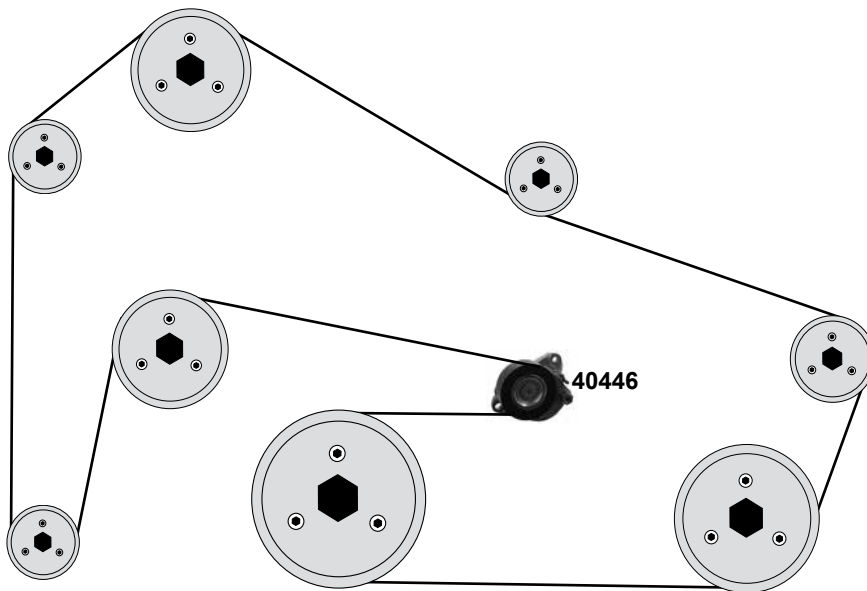
(2) Nietverschluß / riveted link / bouchon de rivet / rivetti / cierre de roblón



Ref. - No.



18914	112 050 08 11	Kettenspanner / chain tensioner	(1)	
25207	003 997 68 94	Steuerkette / timing chain	(1) (2)	168 N
25507	003 997 68 94 S1	Steuerkette / timing chain	(1) (2)	168 E
36981	113 200 01 70	Riemenspanner / belt tensioner	M 155.980	ØA90 B32
37697	271 200 04 70	Riemenspanner / belt tensioner		ØA76 B28
37702	000 202 17 19	Umlenkrolle / deflection pulley		ØA65 B26
37703	000 202 16 19	Rep.Satz Umlenkrolle / rep. kit deflection pulley		ØA 67



# MERCEDES-BENZ

## Sprinter (BM 901 → 904)

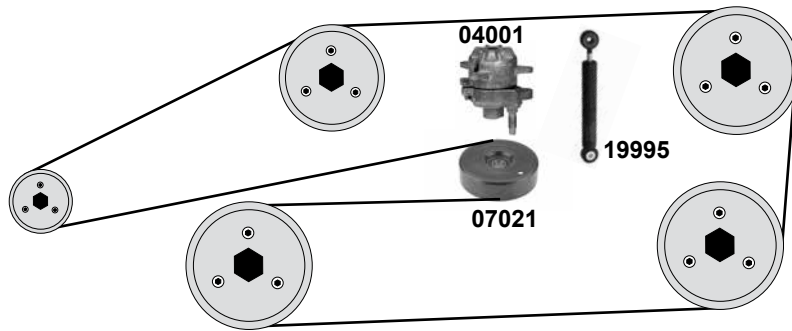
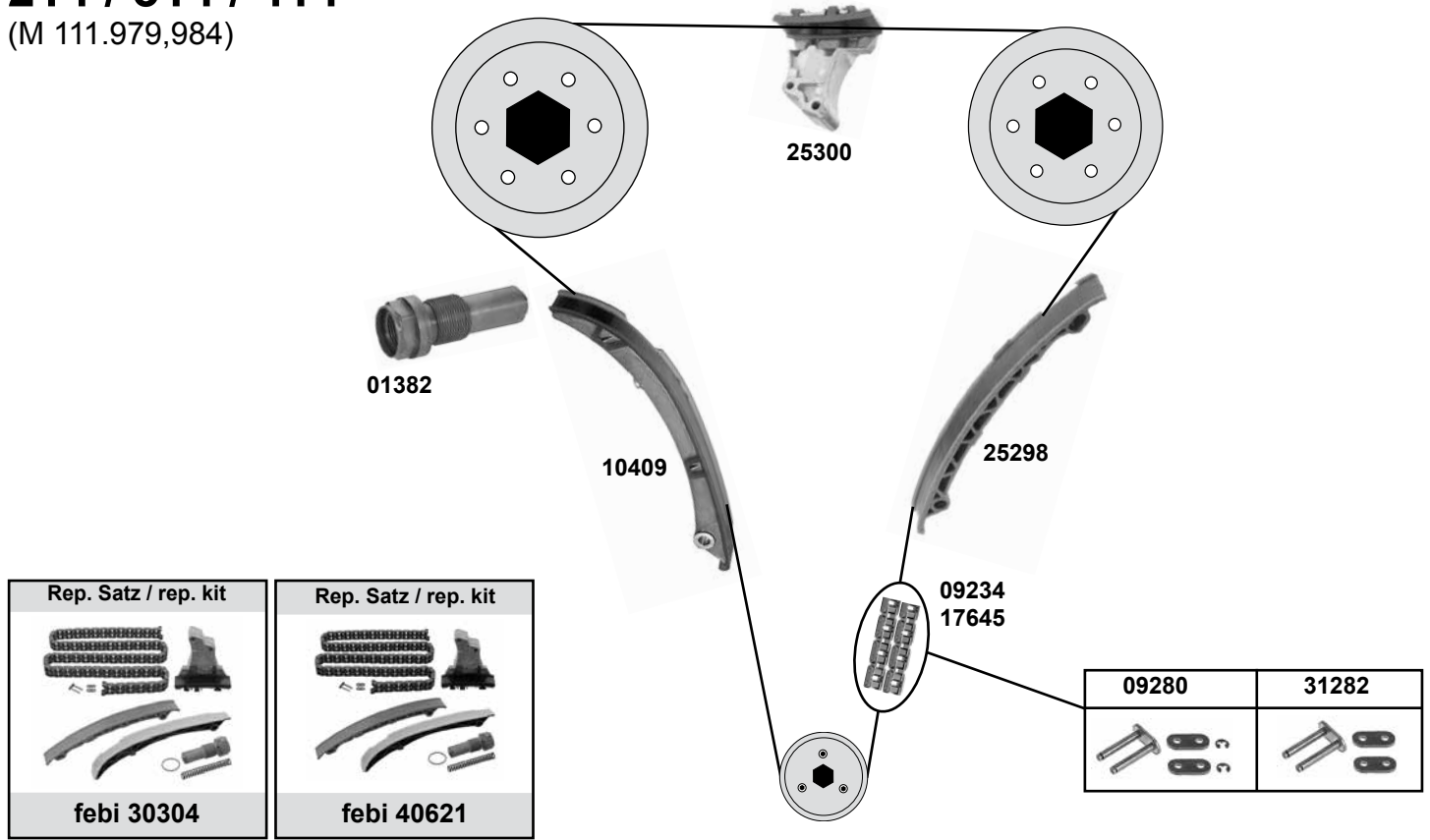
(95 →)

Car  
Division



### 214 / 314 / 414

(M 111.979,984)



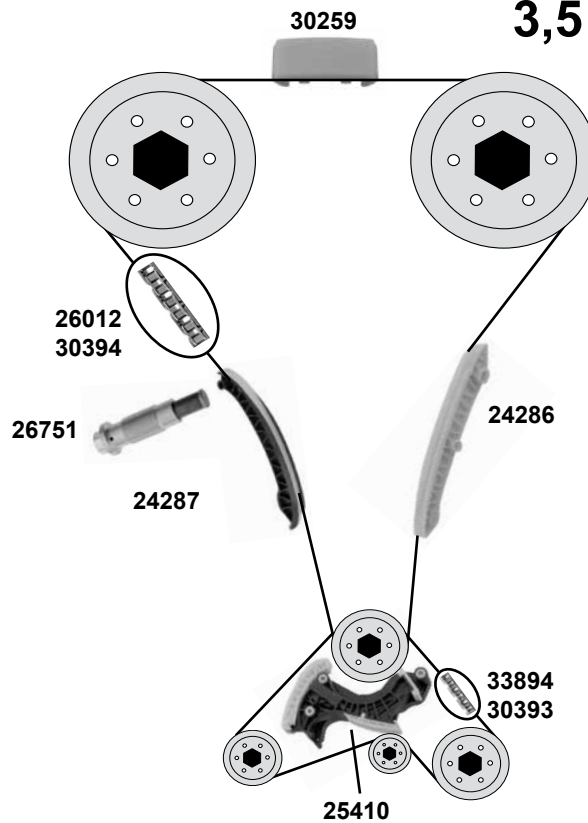
(1) nur / only: 32 AMG / mot. 960,961

(2) Federverschluß / split link / fermeture de ressort / cierre de resorte / falsa maglia

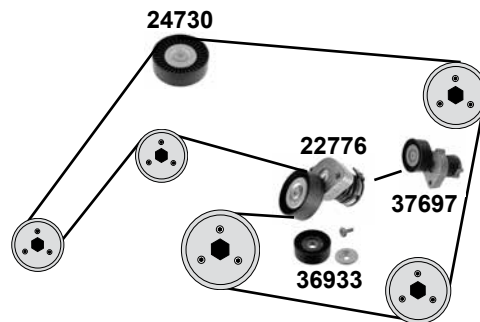
febi bilstein	Ref. - No.			
01382	111 050 04 11	Kettenspanner / chain tensioner		
04001	111 200 07 70	Riemenspanner / belt tensioner		
07021	111 200 00 70	Spannrolle / tension roller		
09234	003 997 17 94	Steuerkette / timing chain	(1)	110 x 28 x 15
09280	000 997 05 98	Kettenglied / chain link	(2)	D 455 / 126 N
10409	111 050 14 16	Gleitschiene / sliding rail		11 / D 455
17645	002 997 93 94	Steuerkette / timing chain		126 E
19995	111 200 04 14	Schwingungsdämpfer / vibration damper		55 N - 435 N
25298	111 052 10 16	Gleitschiene / sliding rail		
25300	111 050 11 16	Gleitschiene / sliding rail		
30304	111 050 04 11 S1	Rep. Satz Steuerkette / rep. kit timing chain	(mot.) 111.984	
31282	000 997 22 98	Kettenglied / chain link	(1)	
40621	111 050 04 11 S2	Rep. Satz Steuerkette / rep. kit timing chain		

### 3,5 t Pritsche / Bus / Kasten

(M 271.951)



<p>Rep. Satz / rep. kit</p> <p><b>febi 30315</b></p>	<p>Rep. Satz / rep. kit</p> <p><b>febi 30316</b></p>
<p>Rep. Satz / rep. kit</p> <p><b>febi 40953</b></p>	<p>Rep. Satz / rep. kit</p> <p><b>febi 40954</b></p>



(1) für Fahrzeuge mit Lanchester-Ausgleich / for vehicles with lanchester balancing system

	Ref. - No.			
22776	271 200 02 70	Riemenspanner / belt tension		
24286	271 052 10 16	Gleitschiene links / sliding rail left		
24287	271 052 11 16	Gleitschiene rechts / sliding rail right		
24730	271 206 00 19	Umlenkrolle / deflection pulley		ØA 90 B 28
25410	271 030 09 63	Kettenspanner / chain tensioner		
26012	000 993 21 76	Steuerkette mit Nietverschluss/ timing chain with		142 N
26751	271 050 06 11	Kettenspanner / chain tensioner		
30259	271 052 04 16	Gleitschiene / sliding rail		
30315	271 052 06 11 S1	Rep. Satz Steuerkette / rep. kit timing chain		
30316	271 050 06 11 S2	Rep. Satz Steuerkette / rep. kit timing chain		
30393	000 993 20 76	Steuerkette / timing chain		106 E
30394	000 993 19 76	Steuerkette mit Nietverschluss/ timing chain with		142 N
33894	000 993 20 76 S1	Steuerkette endlos / timing chain endless		106 E
36933	271 200 05 70	Riemenspanner /belt tensioner		ØA76 B28
37697	271 200 04 70	Riemenspanner / belt tensioner	(mot.) 31216220 →	ØA65 B26
40953	271 050 06 11 S3	Rep. Satz Steuerkette / rep. kit timing chain		
40954	271 050 06 11 S4	Rep. Satz Steuerkette / rep. kit timing chain	(1)	

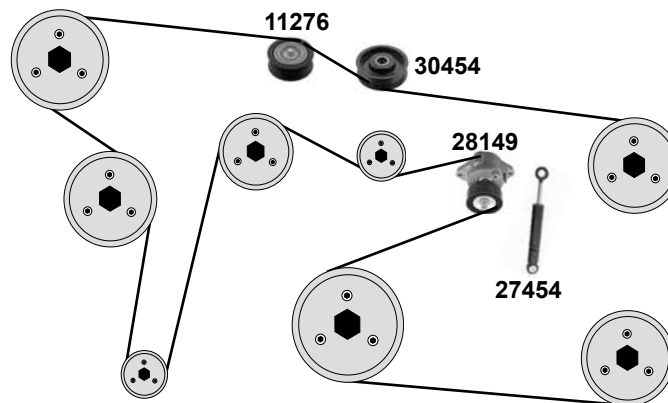
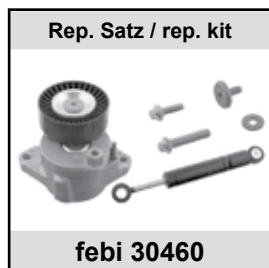
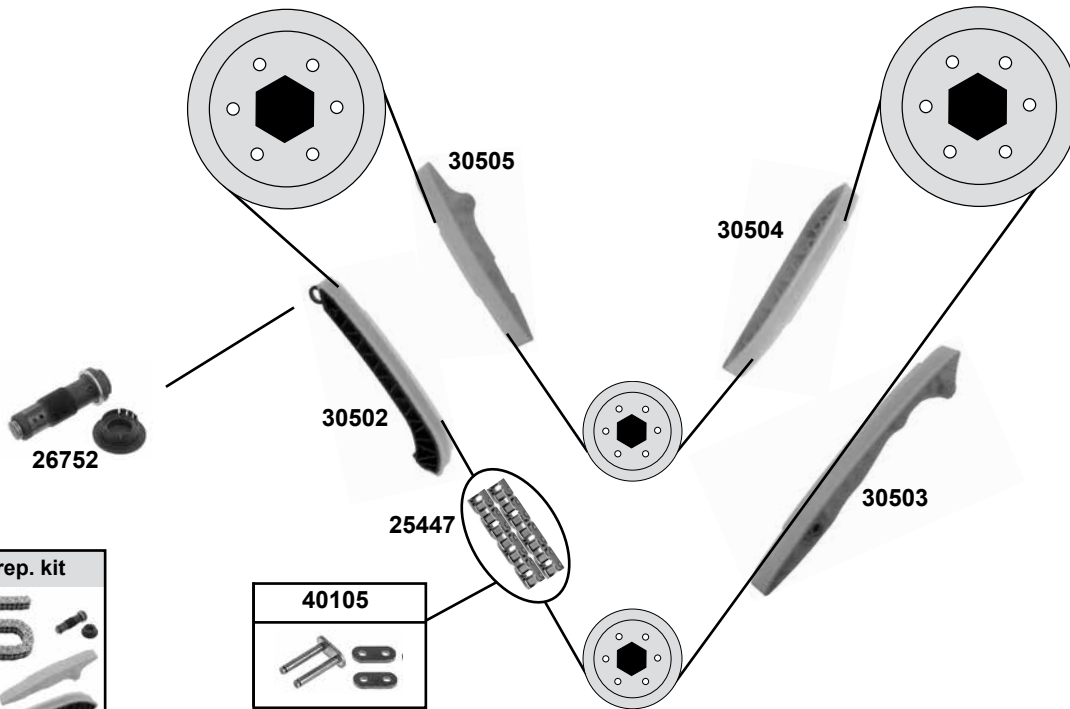
# MERCEDES-BENZ Sprinter 224/322/324/524 (BM 906)

(06 →)

Car  
Division

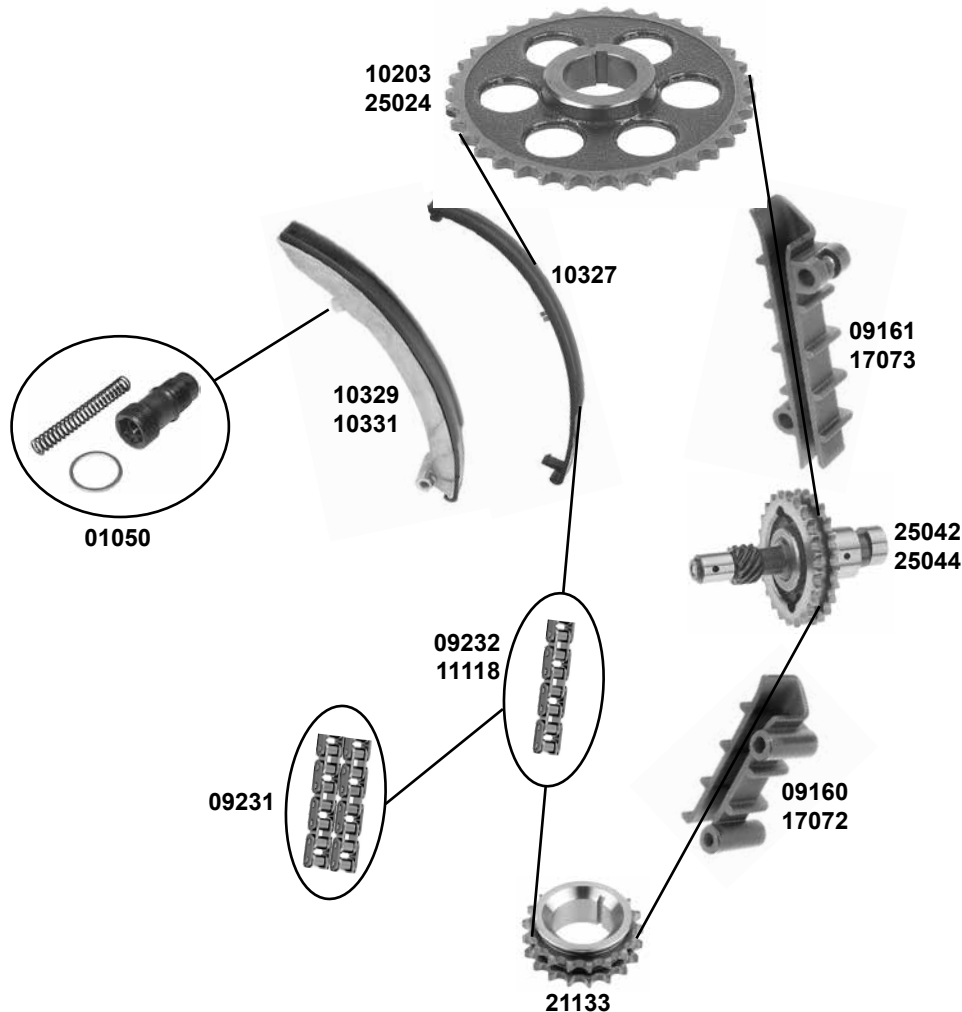


(M 272.979)



(1) (mot.) →30089231 →30.06.2005

Ref. - No.			
11276	000 202 09 19	Umlenkrolle / deflection pulley	
25447	000 993 06 76	Steuerkette / timing chain	
26752	272 050 01 11	Kettenspanner / chain tensioner	(1)
27454	271 200 01 14	Schwingungsdämpfer / vibration damper	
28149	271 200 02 70	Riemenspanner / belt tensioner	
30328	272 050 08 11 S1	Rep. Satz Steuerkette / rep. kit timing chain	(mot.) 30089233→
30454	272 202 14 19	Umlenkrolle / deflection pulley	(mot.) 30058377→
30460	271 200 02 70 S1	Rep. Satz Riemenspanner / rep. kit belt tensioner	
30502	272 052 13 16	Gleitschiene / sliding rail	(mot.) 30089233→
30503	272 052 00 16	Gleitschiene / sliding rail	
30504	272 052 15 16	Gleitschiene / sliding rail	(mot.) 30009529→
30505	272 052 02 16	Gleitschiene / sliding rail	
40105	000 993 06 76 S2	Kettenglied / chain link	



(1) 946: (mot.) → 000353  
 (mot.) → 000029

(2) 946: (mot.) 000354 →  
 (mot.) 000030 →

(3) Nietverschluß / riveted link

(4) Federverschluß / split link



Ref. - No.



Ref. - No.	Description	Quantity	Notes
01050	Kettenspanner / chain tensioner	(2)	
09160	Gleitschiene / sliding rail	(1)	
09161	Gleitschiene / sliding rail	(1)	
09231	Steuerkette / timing chain	(2) (3)	D 455 / 106 N
09232	Steuerkette / timing chain	(1) (3)	458 / 106 N
10203	Nockenwellenrad / camshaft gear	(1)	Z 36
10327	Gummibelag / rubber lining	(1)	für / for febi 10329
10329	Gleitschiene / sliding rail	(1)	
10331	Gleitschiene / sliding rail	(2)	
11118	Steuerkette / timing chain	(1) (4)	458 / 106 F
17072	Gleitschiene / sliding rail	(2)	
17073	Gleitschiene / sliding rail	(2)	
21133	Kurbelwellenzahnrad / crankshaft gear	(1)	
25024	Nockenwellenrad / camshaft gear	(2)	
25042	Zwischenrad / intermediate gear	(2)	
25044	Zwischenrad / intermediate gear	(2)	

# MERCEDES-BENZ T2 (BM 667)

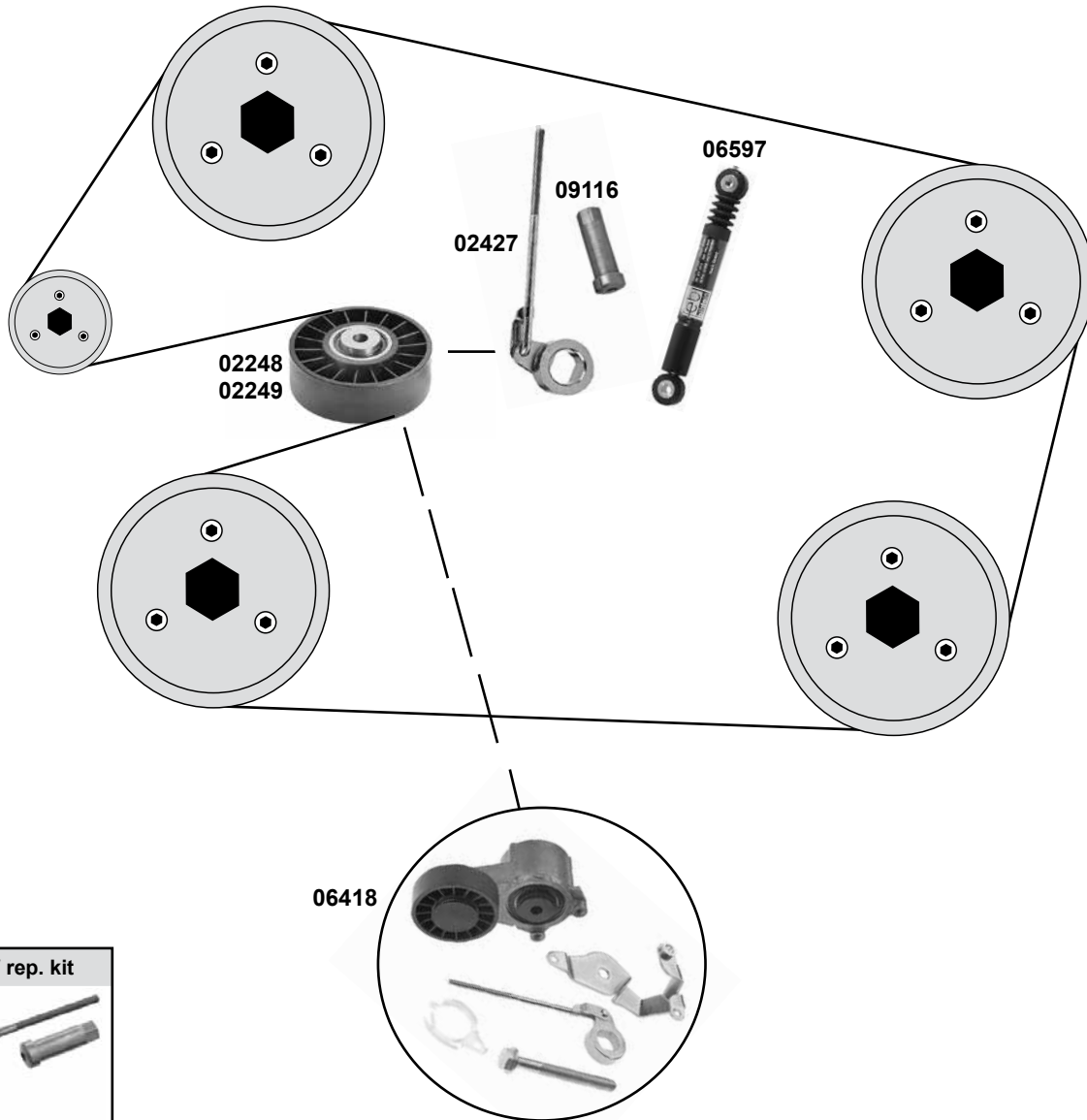
(86 → 95)

Car  
Division



## 510

(M 102.946)



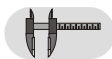
(1) 946: (mot.) 000354 →  
 (mot.) 000030 →

(2) 946: (mot.) 000145 →  
 (mot.) 000021 →

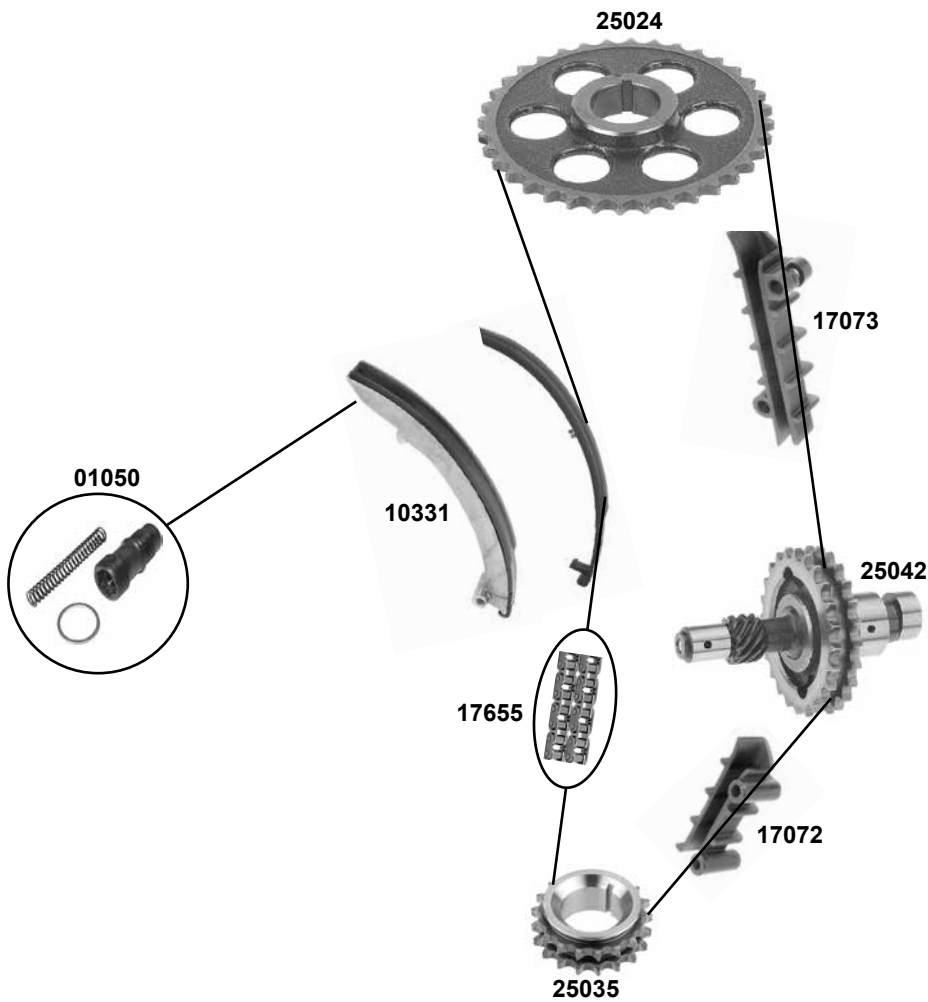
(3) 946: (mot.) 000330 →  
 (mot.) 000029 →



Ref. - No.



<b>02248</b>	601 200 07 70	Spannrolle / tension roller	man.	75 x 26/31,5
<b>02249</b>	601 200 09 70	Spannrolle / tension roller	servo	80 x 25/31
<b>02427</b>	102 200 02 36	Spannstange / tensioning rod	(2)	
<b>06418</b>	102 200 69 70	Riemenspanner / belt tensioner	(1)	
<b>06597</b>	102 200 14 14	Schwingungsdämpfer / vibration damper	(3)	90N - 900N
<b>09116</b>	102 202 02 72	Spannmutter / tension nut		
<b>12515</b>	102 200 02 36 S1	Rep. Satz Spannstange / rep. kit tensioning rod		



(1) 946: (mot.) 006998 →  
 (mot.) 000698 →

(2) mit Duplexkette / with duplex chain



Ref. - No.



Ref. - No.	Description	Notes
01050	Kettenspanner / chain tensioner	
10331	Gleitschiene / sliding rail	
17072	Gleitschiene / sliding rail	
17073	Gleitschiene / sliding rail	
17655	Steuerkette / timing chain	106 E
25024	Nockenwellenrad / camshaft gear	
25035	Kurbelwellenrad / crankshaft gear	
25042	Zwischenrad / intermediate gear	
36589	Rep. Satz Steuerkette / rep. kit timing chain	(1) (2)



# MERCEDES-BENZ

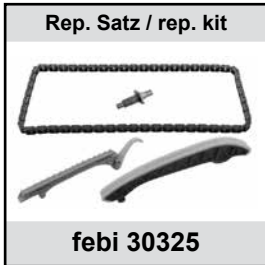
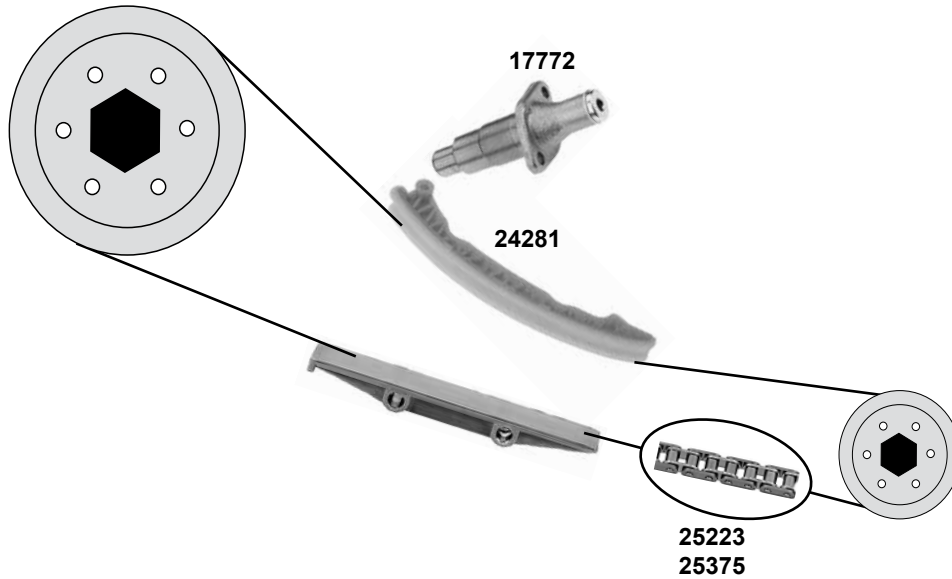
## Vaneo (BM 414)

(02 →)

Car  
Division

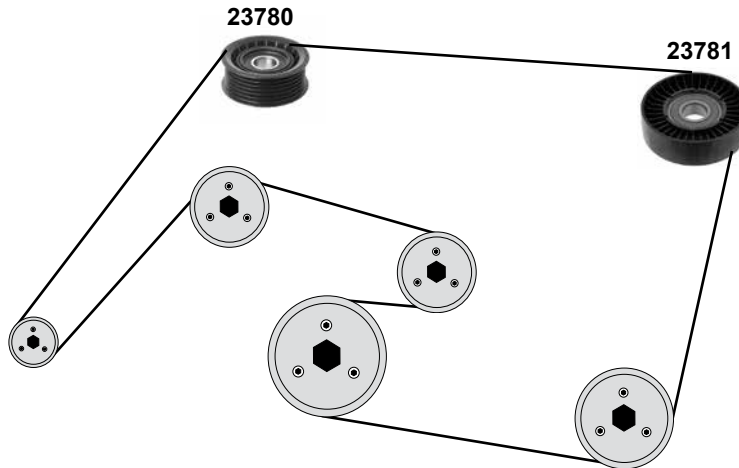


(M 166.961,991)



(M 166.961)

(ex.) AC



- (1) Steuerkette mit Nietverschluss / timing chain with riveted
- (2) Steuerkette endlos / timing chain endless

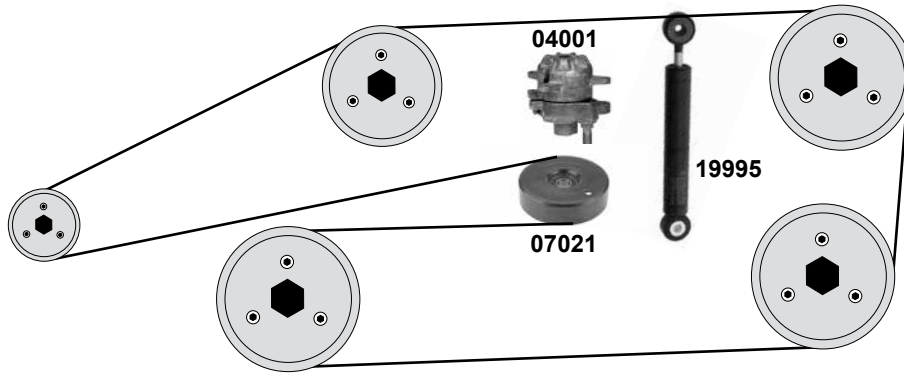
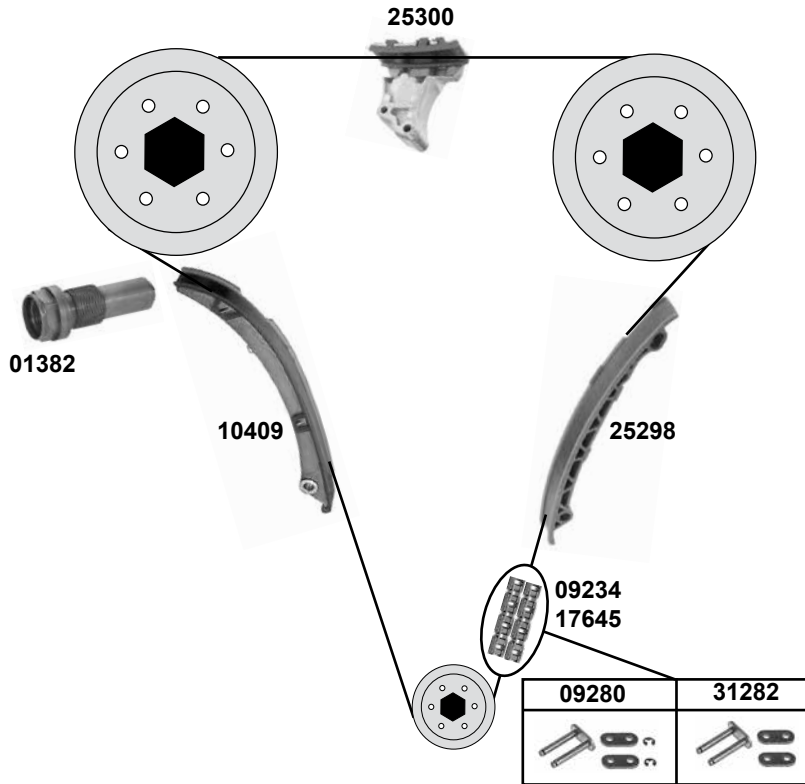


Ref. - No.



Ref. - No.	Description	Quantity	Notes
17772	Kettenspanner / chain tensioner		
23780	Umlenkrolle / deflection pulley		
23781	Spannrolle / tension roller		ØA 76 B 22
24281	Gleitschiene / sliding rail		
25223	Steuerkette / timing chain	(1)	108 E
25375	Steuerkette / timing chain	(2)	108 E
30325	Rep. Satz Steuerkette / rep. kit timing chain		

**Vito 113 / 114**  
 (M 111.948,950,978,980)



(1) 946: (mot.) → 002321  
 (mot.) → 000128

(2) Nietverschluß / riveted link

(3) Federverschluß / split link



Ref. - No.



<b>01382</b>	111 050 04 11	Kettenspanner / chain tensioner	(ex.) 948/950	
<b>04001</b>	111 200 07 70	Riemenspanner / belt tensioner		
<b>07021</b>	111 200 00 70	Spannrolle / tension roller		110 x 28 x 15
<b>09234</b>	003 997 17 94	Steuerkette / timing chain		D 455 / 126 N
<b>09280</b>	000 997 05 98	Kettenglied / chain link	(3)	11 / D 455
<b>10409</b>	111 050 14 16	Gleitschiene / sliding rail		
<b>17645</b>	002 997 93 94	Steuerkette / timing chain		126 E
<b>19995</b>	111 200 04 14	Schwingungsdämpfer / vibration damper		55 N - 435 N
<b>25298</b>	111 052 10 16	Gleitschiene / sliding rail		
<b>25300</b>	111 050 11 16	Gleitschiene / sliding rail		
<b>30304</b>	111 050 04 11 S1	Rep. Satz Steuerkette / rep. kit timing chain		
<b>31282</b>	000 997 22 98	Kettenglied / chain link	(1) (2)	
<b>40621</b>	111 050 04 11 S2	Rep. Satz Steuerkette / rep. kit timing chain		

# MERCEDES-BENZ Vito / V-Klasse (BM 638)

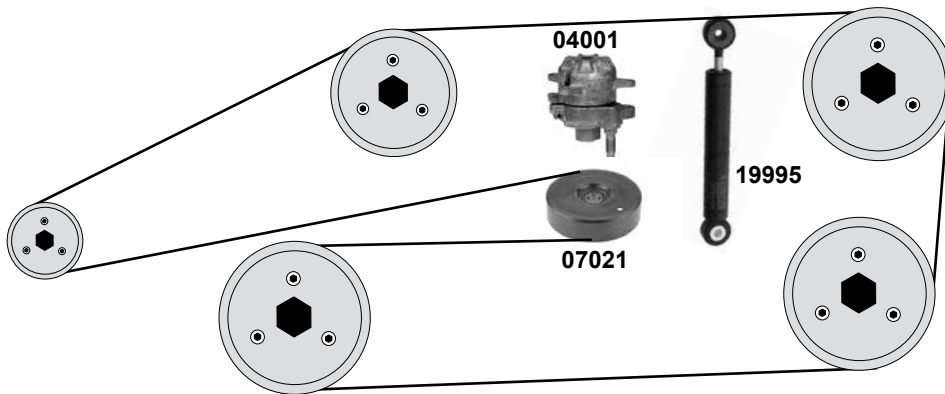
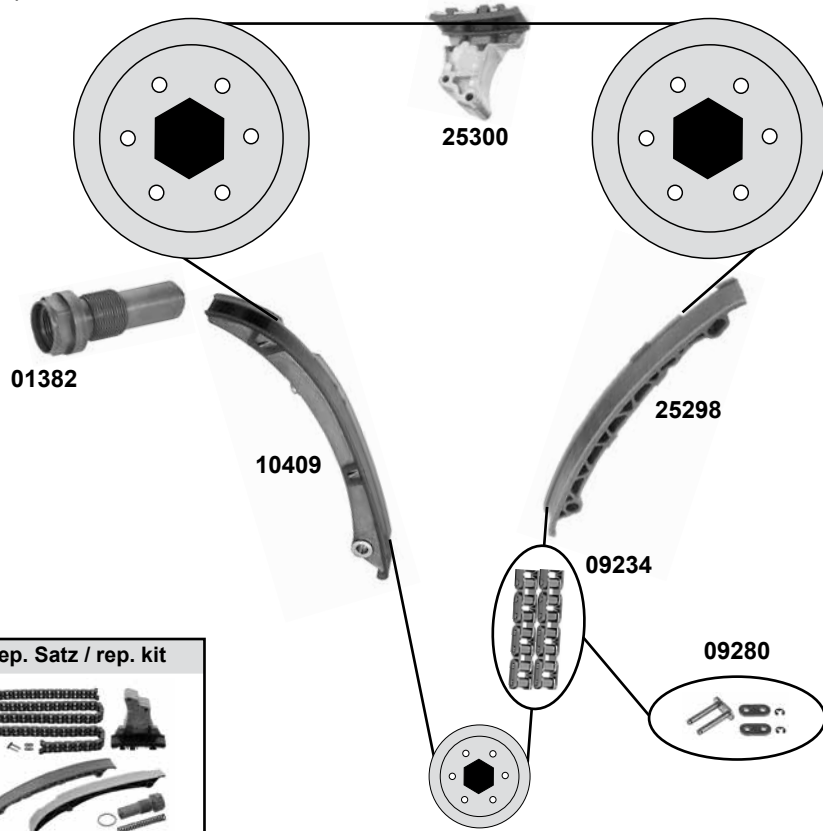
(95 → 04)





Car  
Division 

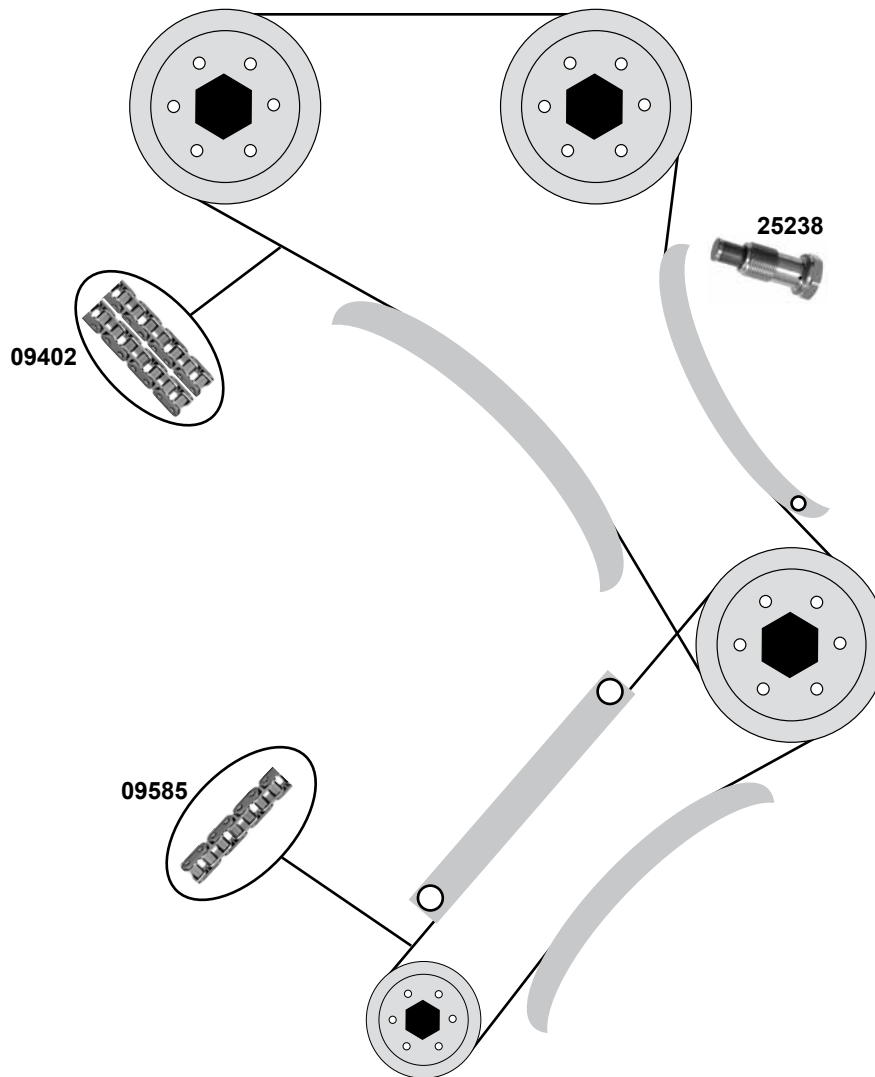


## Vito 113 / 114

(M 111.948,950,978,980)



	Ref. - No.			
<b>01382</b>	111 050 04 11	Kettenspanner / chain tensioner		
<b>04001</b>	111 200 07 70	Riemenspanner / belt tensioner	(mot.) 950,980	
<b>07021</b>	111 200 00 70	Spannrolle / tension roller	(mot.) 950,980	110 x 28 x 15
<b>09234</b>	003 997 17 94	Steuerkette / timing chain		D 455 / 126 N
<b>09280</b>	000 997 05 98	Kettenglied / chain link	(mot.) 950,980	11 / D 455
<b>10409</b>	111 050 14 16	Gleitschiene / sliding rail		
<b>19995</b>	111 200 04 14	Schwingungsdämpfer / vibration damper	(mot.) 950,980	55 N - 435 N
<b>25298</b>	111 052 10 16	Gleitschiene / sliding rail		
<b>25300</b>	111 050 11 16	Gleitschiene / sliding rail		
<b>30304</b>	111 050 04 11 S1	Rep. Satz Steuerkette / rep. kit timing chain	(mot.) 950,980	126 E
<b>40621</b>	111 050 04 11 S2	Rep. Satz Steuerkette / rep. kit timing chain		



Ref. - No.



**09402** 003 997 67 94  
**09585** 003 997 66 94  
**25238** 000 052 05 16

Steuerkette / timing chain  
Steuerkette / timing chain  
Kettenspanner / chain tensioner

D 455 / 90 E  
458 / 70 E

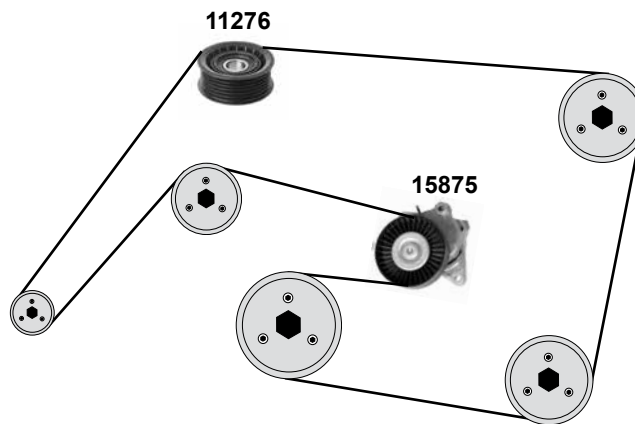
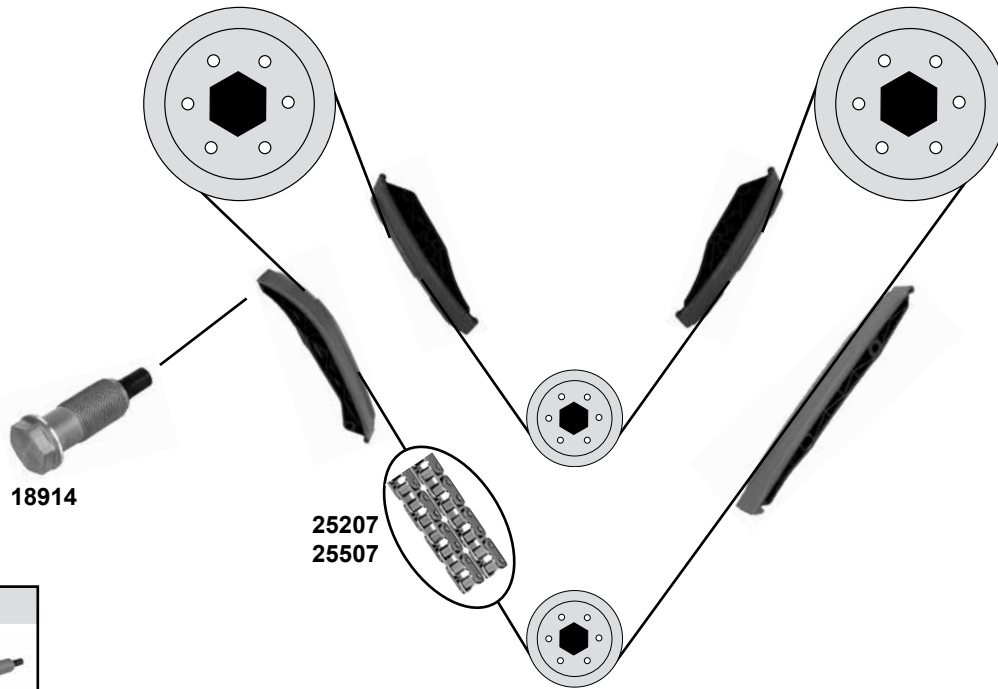
# MERCEDES-BENZ Vito / Viano (BM 639)

(03 →)

Car  
Division



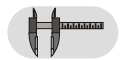
(M 112.951,976)



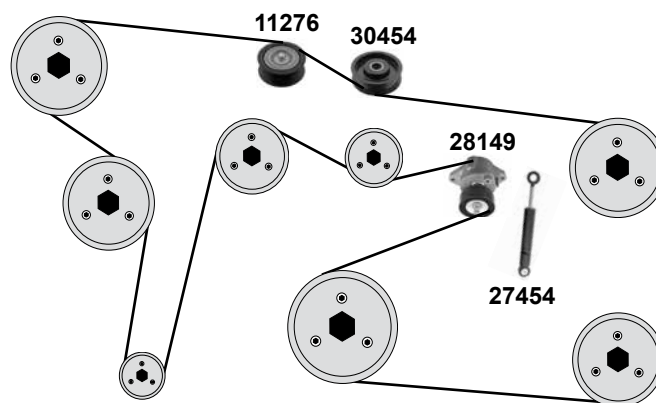
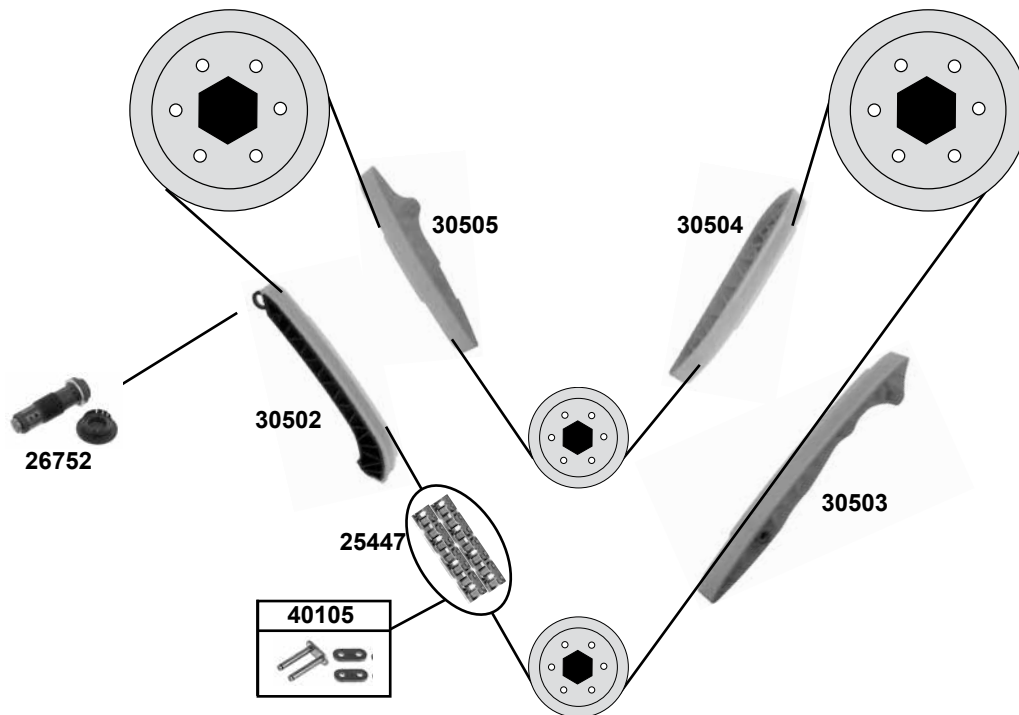
(1) Nietverschluss / riveted link / bouchon de rivet / rivetti / cierre de roblón



Ref. - No.



<b>11276</b>	272 202 09 19	Umlenkrolle / deflection pulley		AØ 64 B 23
<b>15875</b>	112 200 09 70	Riemenspanner / belt tensioner		
<b>18914</b>	112 050 08 11	Kettenspanner / chain tensioner		
<b>25207</b>	003 997 68 94	Steuerkette / timing chain	(1)	168 N
<b>25507</b>	003 997 68 94 S1	Steuerkette / timing chain	(1)	168 E
<b>30303</b>	112 050 08 11 S1	Rep. Satz Steuerkette / rep. kit timing chain		



(1) (mot.) → 30089231 / → 30.06.2005



Ref. - No.



Ref. - No.	Description
11276	Umlenkrolle / deflection pulley
25447	Steuerkette / timing chain
26752	Kettenspanner / chain tensioner
27454	Schwingungsdämpfer / vibration damper
28149	Riemenspanner / belt tensioner
30328	Rep. Satz Steuerkette / rep. kit timing chain
30454	Umlenkrolle / deflection pulley
30460	Rep. Satz Riemenspanner / rep. kit belt tensioner
30502	Gleitschiene / sliding rail
30503	Gleitschiene / sliding rail
30504	Gleitschiene / sliding rail
30505	Gleitschiene / sliding rail
40105	Kettenglied / chain link

(1)

(mot.) 30089233 →

(mot.) 30058377 →

(mot.) 30089233 →

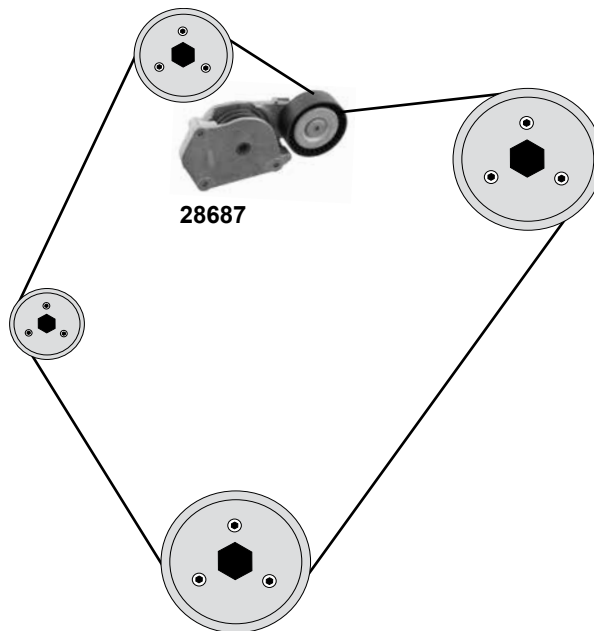
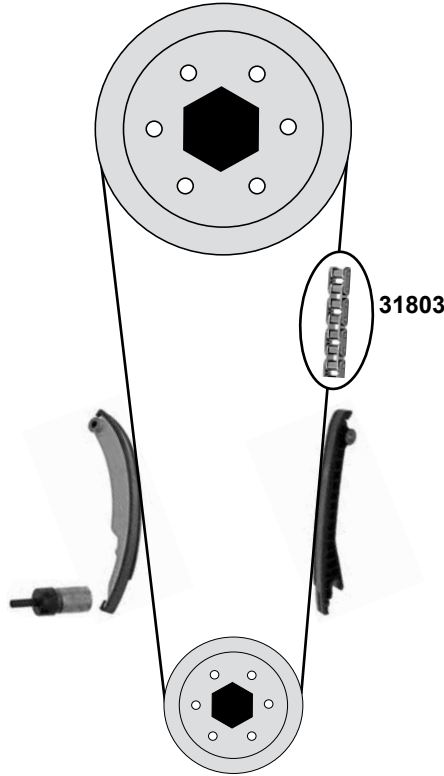
(mot.) 30009529 →

AØ 64 B 23  
216 N



**Coupe**  
**Cooper / One 1,4 / 1,6**

**AC**



Ref. - No.



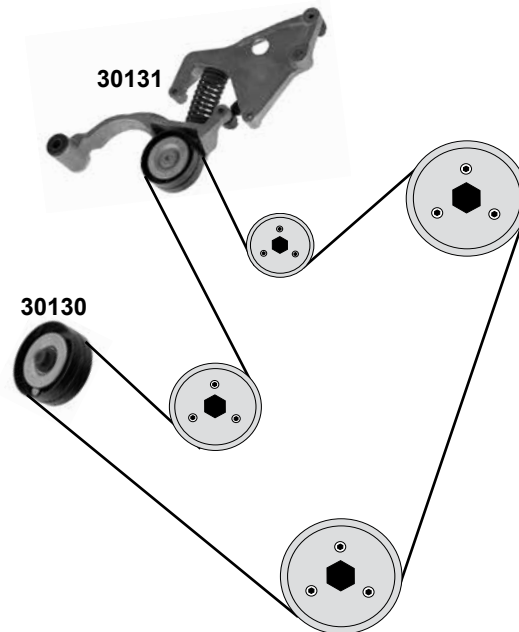
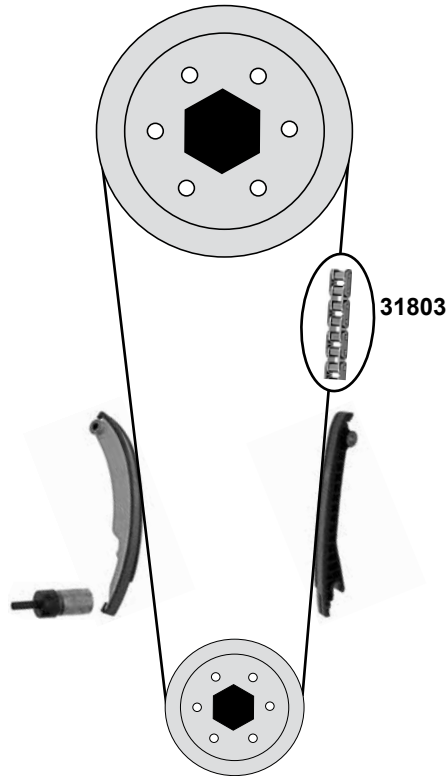
**28687**  
**31803**  
**37590**

11 28 1 482 199  
 11 31 1 485 400  
 11 31 1 485 400 S1

Riemenspanner / belt tensioner  
 Steuerkette / roller chain  
 Rep. Satz Steuerkette / rep. kit timing chain

ØA 70 B24  
 112 E  
 112 E

**Cabrio / Coupe / Cooper S**



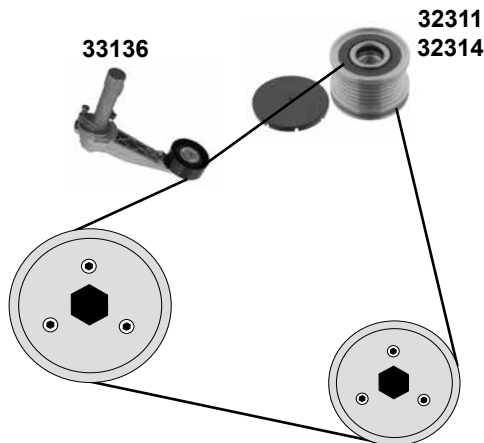
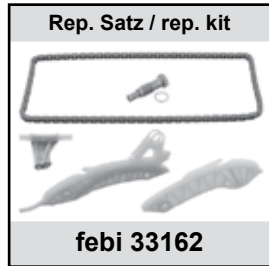
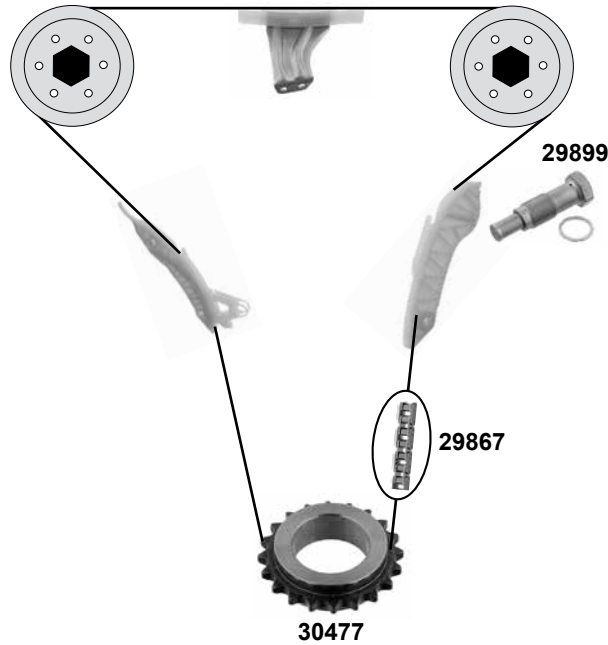


# MINI Mini II (R55/R56/R57) (07→10)

Car  
Division

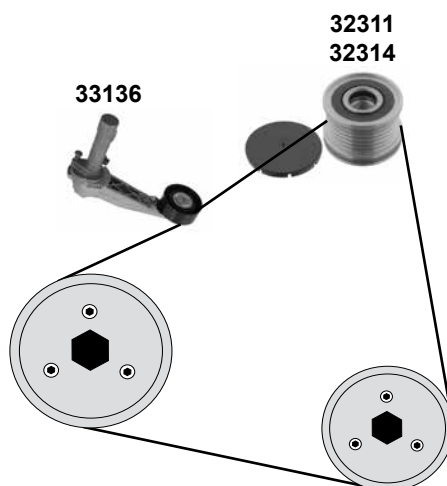
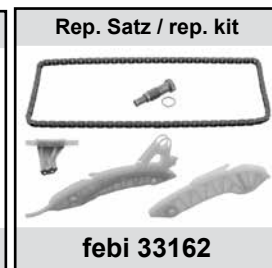
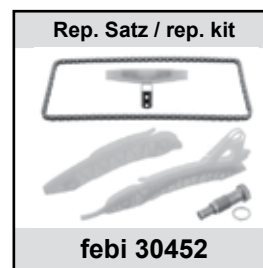
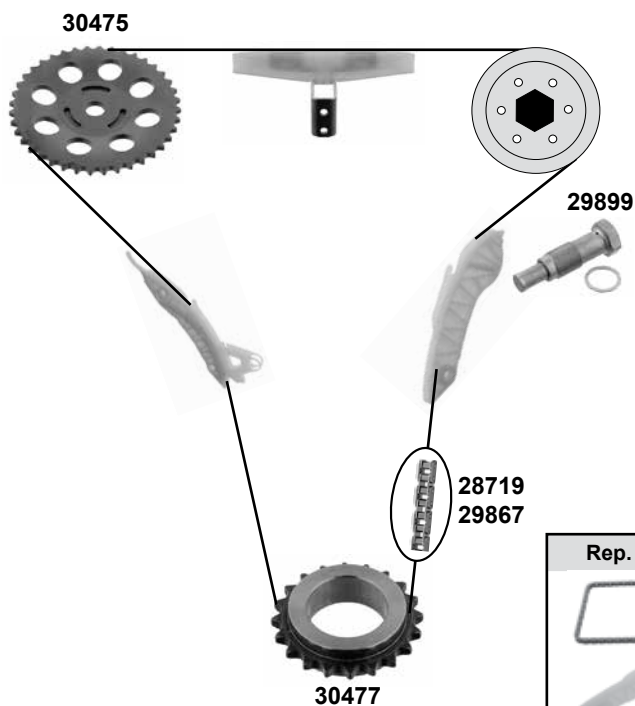


## Clubman / Coupe / Cabriolet / Cooper / One



	Ref. - No.			
<b>29867</b>	11 31 1 439 853	Steuerkette / roller chain		138 E
<b>29899</b>	11 31 4 609 483	Kettenspanner / chain tensioner		
<b>30477</b>	11 21 7 588 996	Kurbelwellenzahnrad / crankshaft gear		Z 20
<b>32311</b>	12 31 7 576 515	Generatorfreilauf / Freewheel Clutch, generator	VALEO 120 A	Z 33
<b>32314</b>	12 31 7 575 518	Generatorfreilauf / Freewheel Clutch, generator	BOSCH 150A	Z 33
<b>33136</b>	11 28 7 571 015	Riemenspanner / belt tensioner		ØA 65 B25
<b>33162</b>	11 31 1 439 853 S2	Rep. Satz Steuerkette / rep. kit timing chain		138 E

**Clubman / Coupe / Cabriolet / Roadster / Cooper S+SJCW**



	Ref. - No.			
<b>28719</b>	11 31 7 516 088	Steuerkette / roller chain	(mot.) N14	144 E
<b>29867</b>	11 31 1 439 853	Steuerkette / roller chain	(ex.) N14	138 E
<b>29899</b>	11 31 7 593 309	Kettenspanner / chain tensioner		
<b>30452</b>	11 31 7 516 088 S3	Rep. Satz Steuerkette / rep. kit timing chain	(mot.) N14	138 E
<b>30475</b>	11 36 7 547 955	Nockenwellenrad / camshaft gear		Z 40
<b>30477</b>	11 21 7 588 996	Kurbelwellenzahnrad / crankshaft gear		Z 20
<b>32311</b>	12 31 7 576 515	Generatorfreilauf / Freewheel Clutch, generator	VALEO 120 A	Z 33
<b>32314</b>	12 31 7 575 518	Generatorfreilauf / Freewheel Clutch, generator	BOSCH 150A	Z 33
<b>33136</b>	11 28 7 571 015	Riemenspanner / belt tensioner		
<b>33162</b>	11 31 1 439 853 S2	Rep. Satz Steuerkette / rep. kit timing chain	(ex.) N14	138 E

# MINI

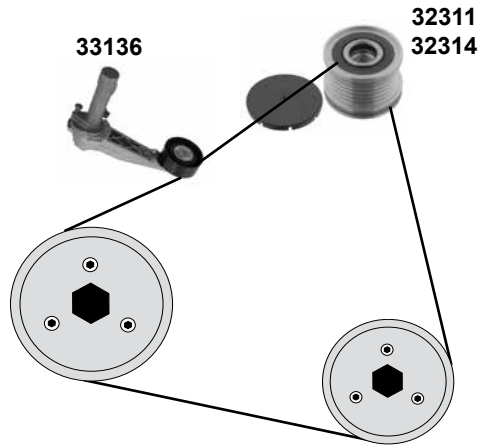
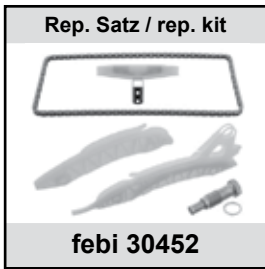
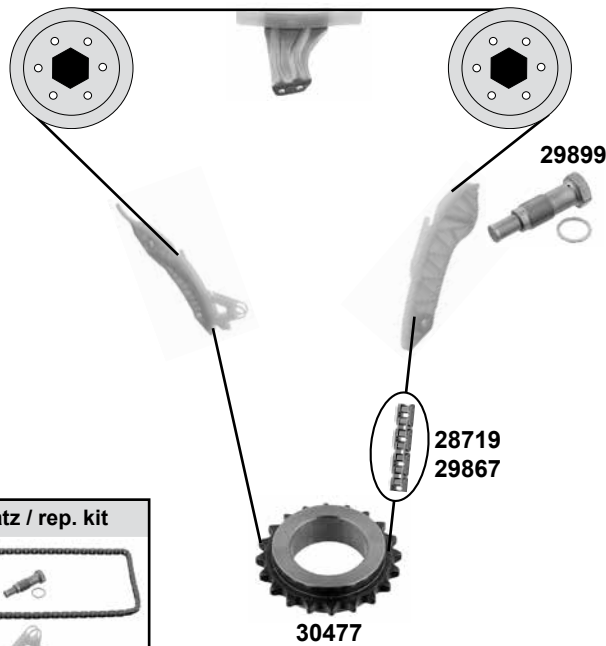
## Mini II (R55LCI/R56LCI/R57LCI/R58/R60/R61)

(10→)

Car  
Division

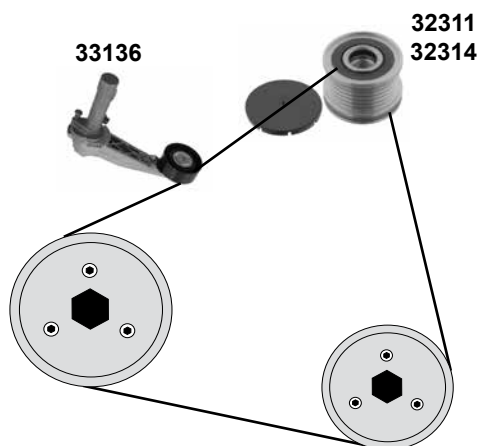
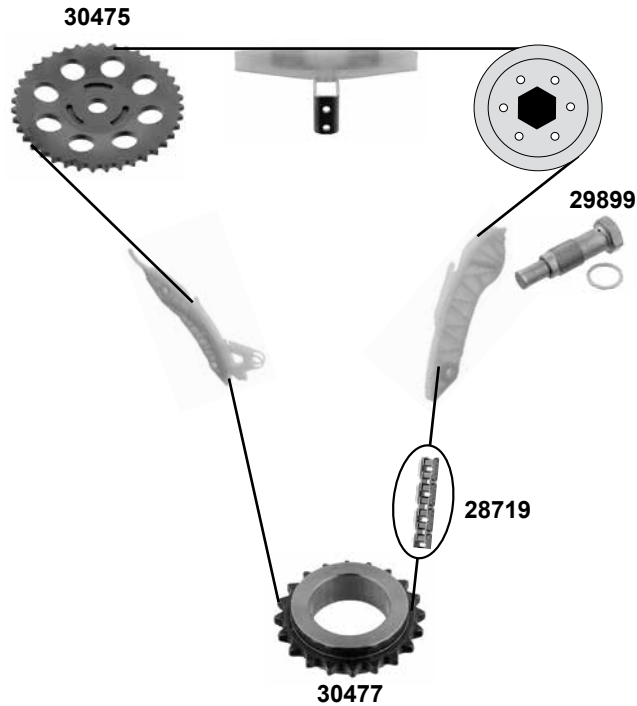


### Clubman / Coupe / Cabriolet / Countryman / Paceman Cooper / S / SX / One / ECO / SJCW



	Ref. - No.			
28719	11 31 7 516 088	Steuerkette / roller chain	(mot.) N14	144 E
29867	11 31 1 439 853	Steuerkette / roller chain	(ex.) N14	138 E
29899	11 31 4 609 483	Kettenspanner / chain tensioner		
30477	11 21 7 588 996	Kurbelwellenzahnrad / crankshaft gear		20 Z
30452	11 31 7 516 088 S3	Rep. Satz Steuerkette / rep. kit timing chain	(mot.) N14	138 E
32311	12 31 7 576 515	Generatorfreilauf / Freewheel Clutch, generator	VALEO 120 A (ex.) R60	Z 33
32314	12 31 7 575 518	Generatorfreilauf / Freewheel Clutch, generator	BOSCH 150A	Z 33
33136	11 28 7 571 015	Riemenspanner / belt tensioner		ØA 65 B25
33162	11 31 1 439 853 S2	Rep. Satz Steuerkette / rep. kit timing chain	(ex.) N14	138 E

**Clubman / Coupe / Cabriolet / Roadster**  
**Cooper SJCW**



	Ref. - No.			
<b>28719</b>	11 31 7 516 088	Steuerkette / roller chain		144 E
<b>29899</b>	11 31 4 609 483	Kettenspanner / chain tensioner		
<b>30452</b>	11 31 7 516 088 S3	Rep. Satz Steuerkette / rep. kit timing chain		144 E
<b>30475</b>	11 36 7 547 955	Nockenwellenrad / camshaft gear		Z 40
<b>30477</b>	11 21 7 588 996	Kurbelwellenzahnrad / crankshaft gear		Z 20
<b>32311</b>	12 31 7 576 515	Generatorfreilauf / Freewheel Clutch, generator	VALEO 120 A (ex.) R60	Z 33
<b>32314</b>	12 31 7 575 518	Generatorfreilauf / Freewheel Clutch, generator	BOSCH 150A	Z 33
<b>33136</b>	11 28 7 571 015	Riemenspanner / belt tensioner		ØA 65 B25

# MITSUBISHI

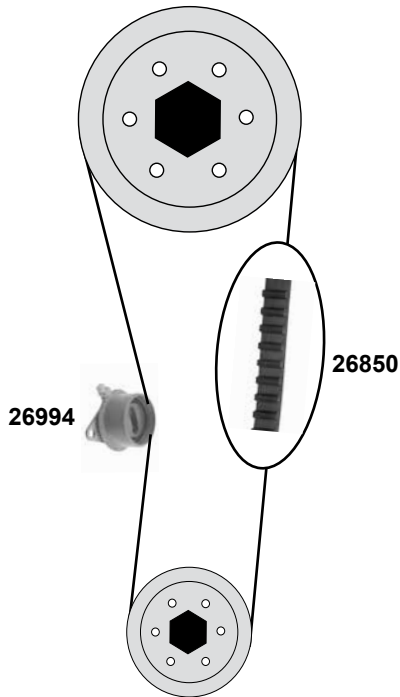
## Carisma (DA\_)

(95→06)

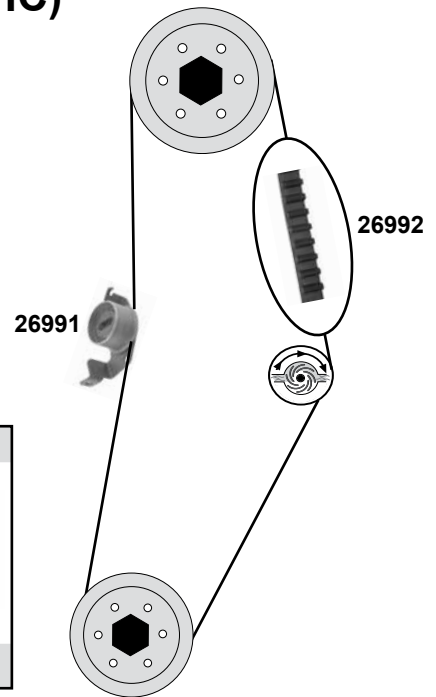
Car  
Division 



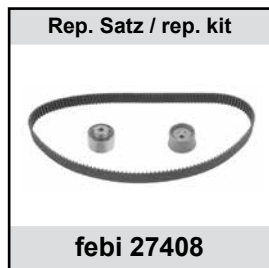
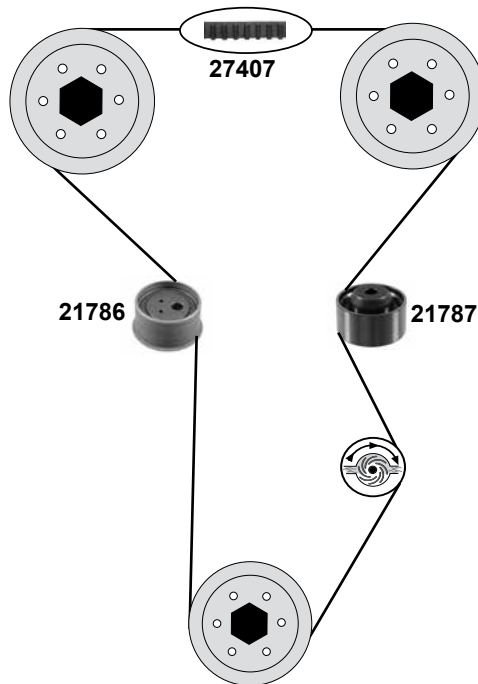
1,3



1,6 16V (SOHC)



1,8 16V (DOHC)



(1) 05/97 →

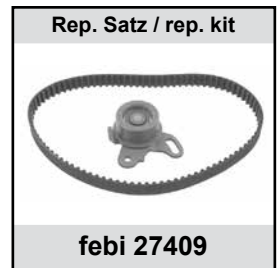
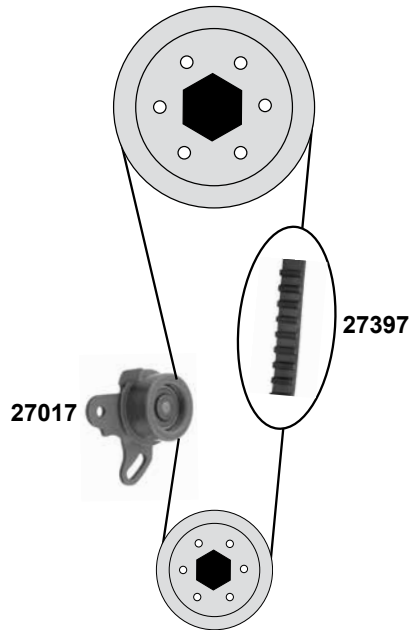


Ref. - No.

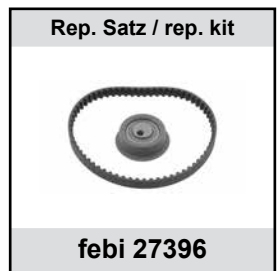
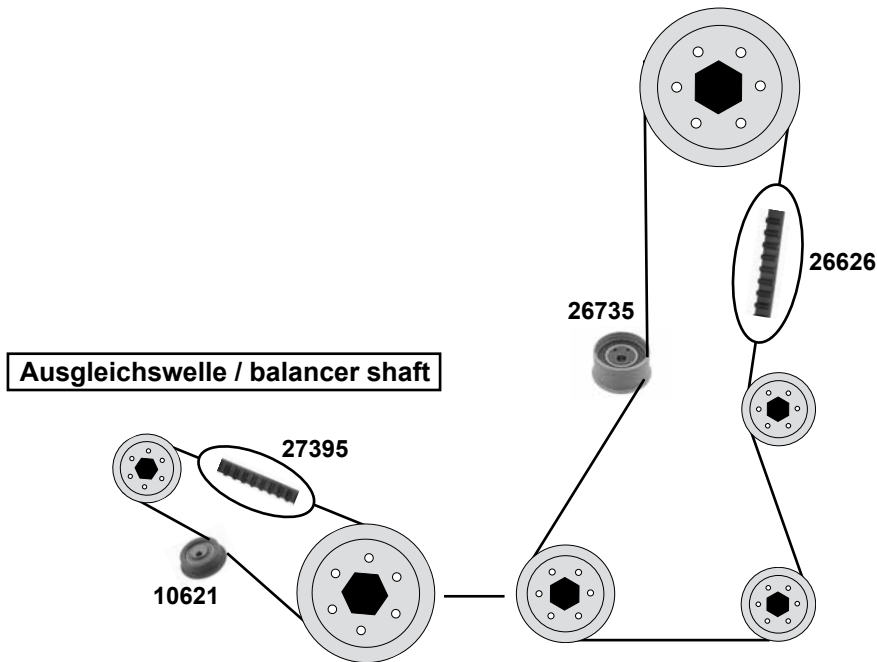


21786	MD169592	Spannrolle / tension roller		ØA 57,5 B33,5
21787	MD156604	Umlenkrolle / deflection pulley		ØA 60 B32
26850	1145A051	Zahnriemen / timing belt	05/95 → 12/03	Z 109 B25
26991	MD320174	Spannrolle / tension roller		ØA 57,5 B33,5
26992	MD314456	Zahnriemen / timing belt		Z 111 B29
26993	MD314456 S1	Rep.Satz Zahnriemen / rep. kit timing belt		Z 111 B29
26994	MD356509	Spannrolle / tension roller	05/95 → 12/03	ØA 57 B31
27407	MD319023	Zahnriemen / timing belt	(1)	Z 154 B29
27408	MD319023 S1	Rep.Satz Zahnriemen / rep. kit timing belt	(1)	Z 154 B29
31398	1145A051 S1	Rep.Satz Zahnriemen / rep. kit timing belt	05/95 → 12/03	Z 109 B25

**1,3 8V (SOHC) / 1,5 8V (SOHC)**



**1,8 16V**



(1) (mot.) 1,8 16V 06/90→05/92

(2) (mot.) 1,3 8V 06/90→05/92 /  
(mot.) 1,5 8V 06/90→04/92



Ref. - No.



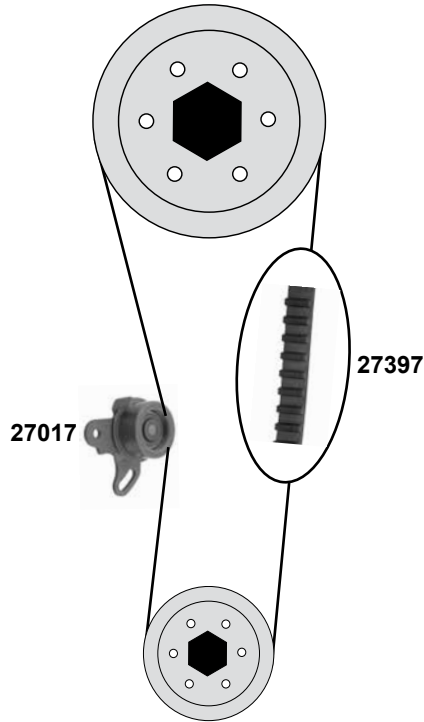
10621	MD115976	Spannrolle / tension roller	(1)	ØA 55 H18
26626	MD326059	Zahnriemen / timing belt	(1)	Z 153 B29
26735	MD129355	Spannrolle / tension roller	(1)	ØA 60 H32,5
27017	MD146186	Spannrolle / tension roller	(2)	ØA 60 H29
27395	MD182295	Zahnriemen / timing belt	(1)	Z 65 B12,7
27396	MD182295 S1	Rep.Satz Zahnriemen / rep. kit timing belt	(1)	Z 65 B12,7
27397	MD145813	Zahnriemen / timing belt	(2)	Z 92 B22
27409	MD145813 S1	Rep.Satz Zahnriemen / rep. kit timing belt	(2)	Z 92 B22

**MITSUBISHI**  
**Colt IV (CA1A/CA4A/CB4A/CC4A/CD4A)**  
 (92→95)

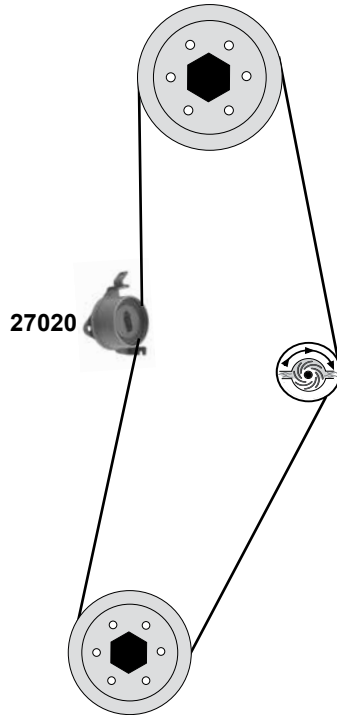
Car  
 Division 



**1,3 12V (SOHC)**



**1,6 16V (SOHC)**



Ref. - No.



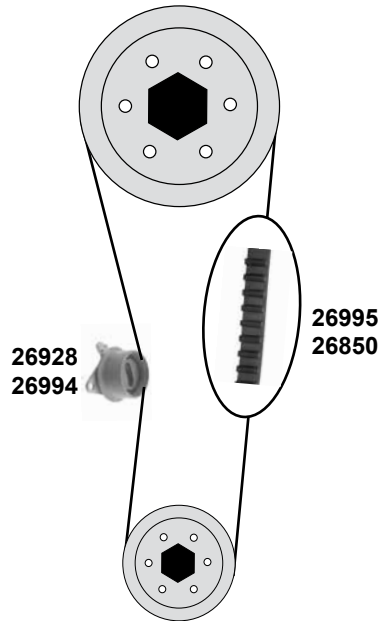
27017	MD146186	Spannrolle / tension roller	ØA 60 H29
27020	MD315265	Spannrolle / tension roller	ØA 57,5 H33,5
27397	MD145813	Zahnriemen / timing belt	Z 92 B22
27409	MD145813 S1	Rep.Satz Zahnriemen / rep. kit timing belt	Z 92 B22

# MITSUBISHI

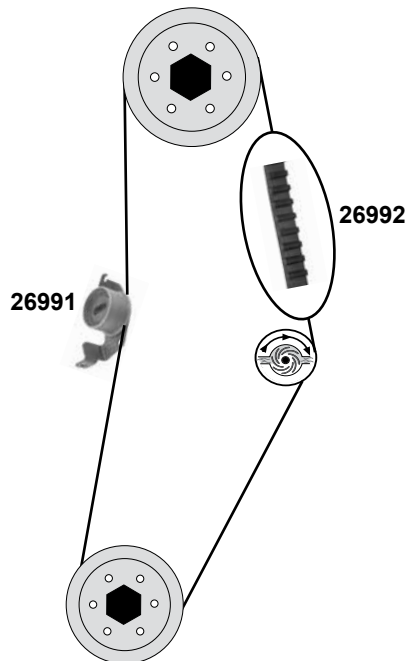
## Colt V (CJ1A/CJ2A/CJ4A)

(95→03)

1,3 12V / 16V (SOHC)  
1,5 16V (SOHC)



1,6 16V (SOHC)

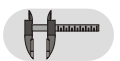


(1) (mot.) 1,3 12V / 1,5 11/95→11/98

(2) (mot.) 1,3 12V / 1,5 11/95→05/00



Ref. - No.



Part No.	Ref. - No.	Description	Validity	Dimensions
26850	1145A051	Zahnriemen / timing belt	06/00 → 06/03	Z 109 B25
26928	MD329976	Spannrolle / tension roller	(1)	ØA 57 B31
26991	MD320174	Spannrolle / tension roller	05/96 → 09/00	ØA 57,5 B33,5
26992	MD314456	Zahnriemen / timing belt	05/96 → 09/00	Z 111 B29
26993	MD314456 S1	Rep.Satz Zahnriemen / rep. kit timing belt	05/96 → 09/00	Z 111 B29
26994	MD356509	Spannrolle / tension roller	06/00 → 06/03	ØA 57 B31
26995	MD340625	Zahnriemen / timing belt	(2)	Z 107 B25
31398	1145A051 S1	Rep.Satz Zahnriemen / rep. kit timing belt	06/00 → 06/03	Z 109 B25
32477	1145A049 S1	Rep.Satz Zahnriemen / rep. kit timing belt	11/95 → 11/98	Z 107 B25



# MITSUBISHI Colt VI (Z32A/Z34A/Z36A)

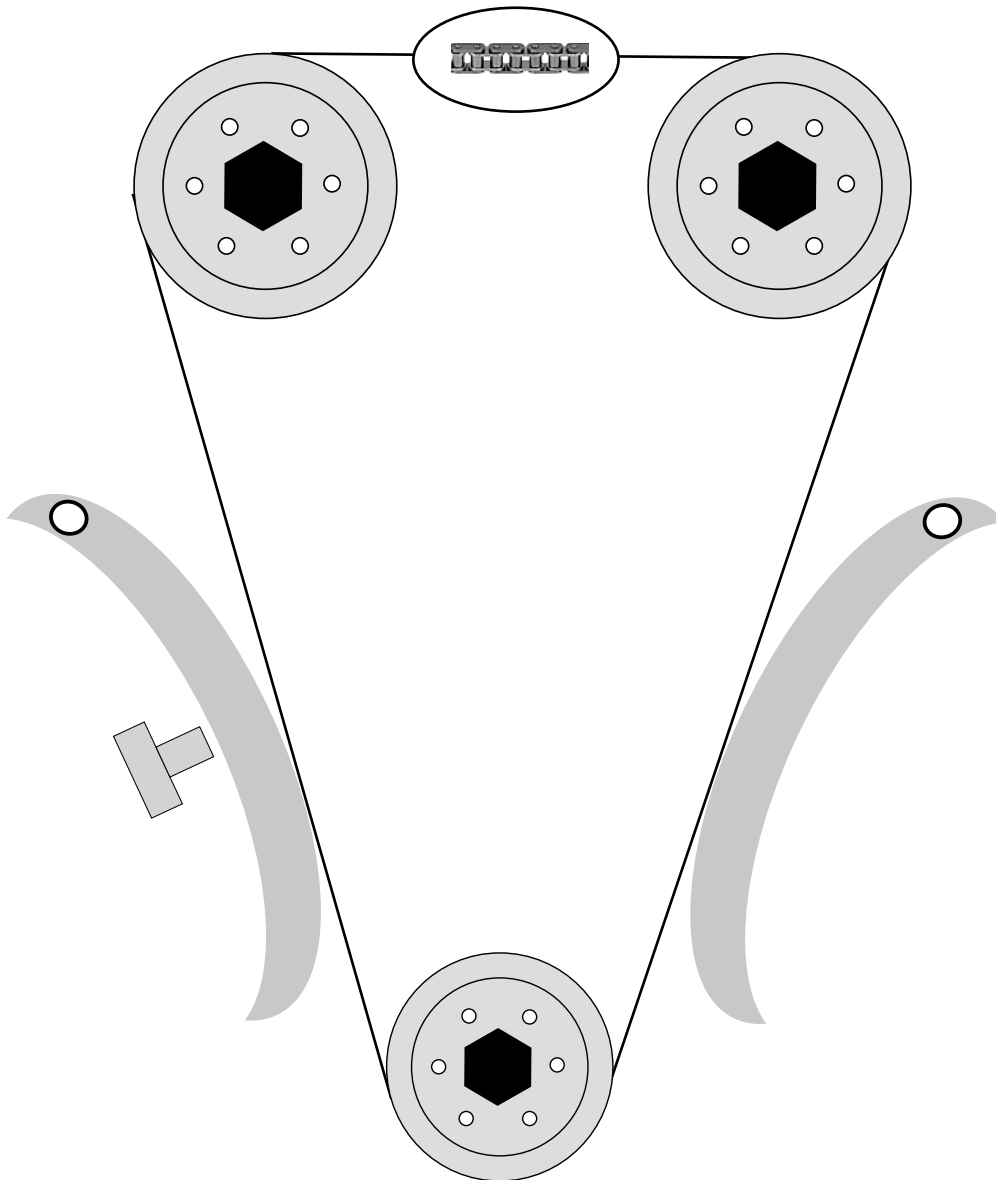
(04→)

Car  
Division 

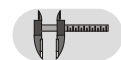


1,1 / 1,3 / 1,5

31454



Ref. - No.

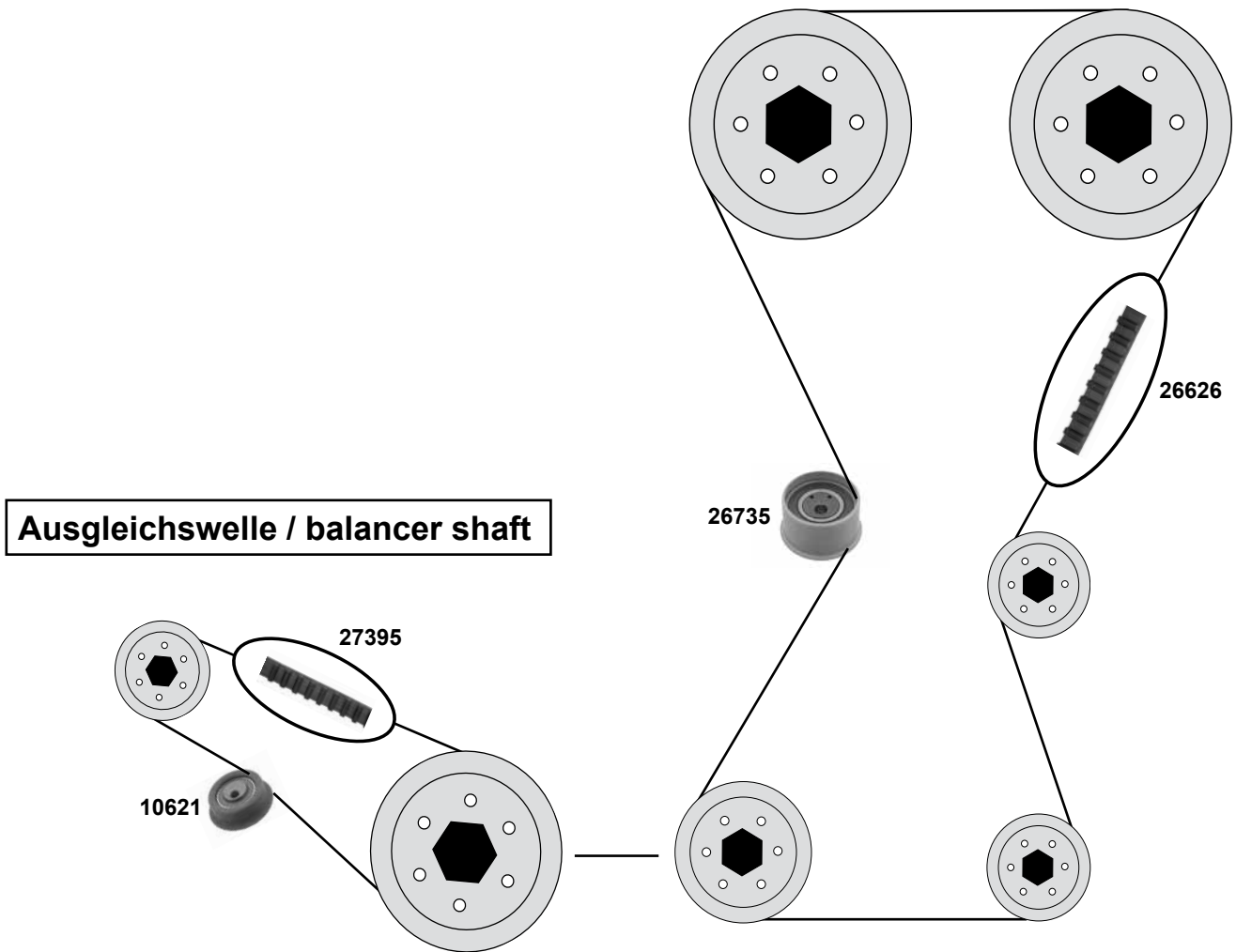


31454

MN128497

Steuerkette / timing chain

122 E



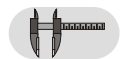
Rep. Satz / rep. kit



febi 27396



Ref. - No.



<b>10621</b>	MD115976	Spannrolle / tension roller	ØA 55 H 18
<b>26626</b>	MD326059	Zahnriemen / timing belt	Z 153 B29
<b>26735</b>	MD129355	Spannrolle / tension roller	ØA 60 H 32,5
<b>27395</b>	MD182295	Zahnriemen / timing belt	Z 65 B12,7
<b>27396</b>	MD 182 295 S1	Rep.Satz Zahnriemen / rep. kit timing belt	Z 65 B12,7

# MITSUBISHI

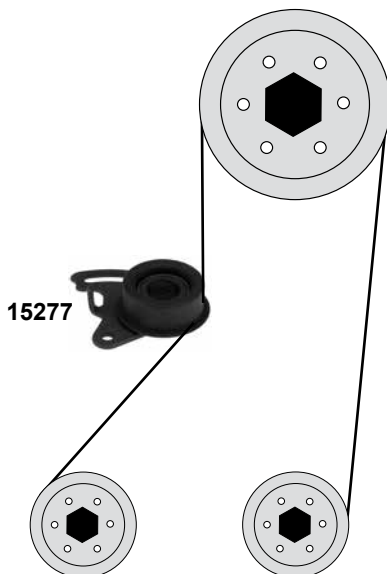
## Galant III (E15A) / IV (E33A/E38A/E39)

(84→92)

Car  
Division

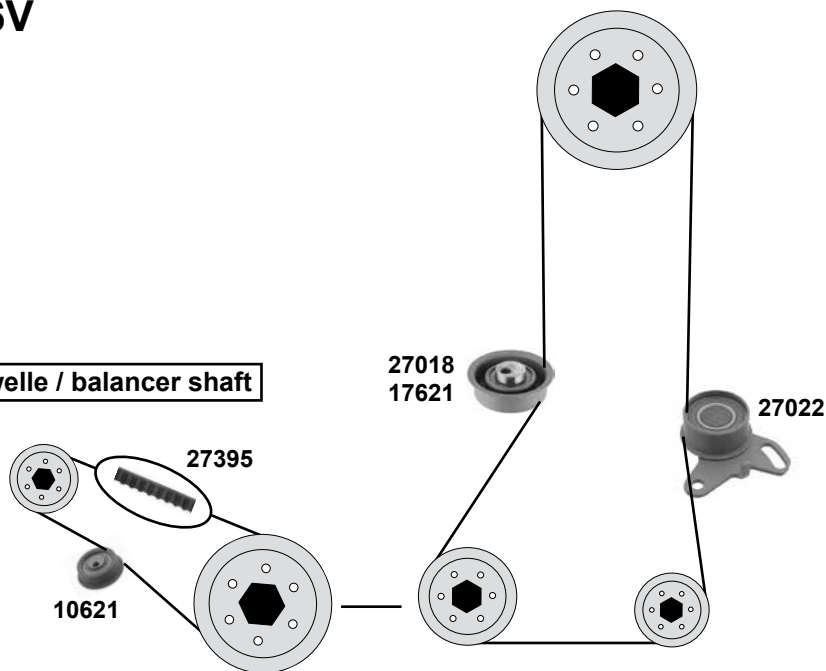


1,8



2,0 8V / 2,0 16V

Ausgleichswelle / balancer shaft



Rep. Satz / rep. kit



febi 27396

(1) (E15A) (mot.) 2,0 8V 06/84→12/87 / (E33A) (mot.) 2,0 16V 04/89→10/92 / (E38A) (mot.) 2,0 8V

(2) (E15A) (mot.) 2,0 16V 06/84→12/87

(3) (E33A) (mot.) 2,0 SOHC 11/87→10/92 / (E38A;E39A) (mot.) 2,0 SOHC 04/89→10/92

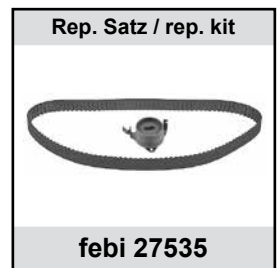
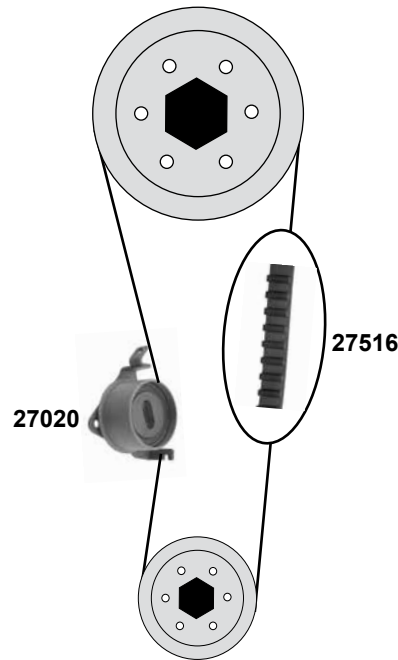


Ref. - No.

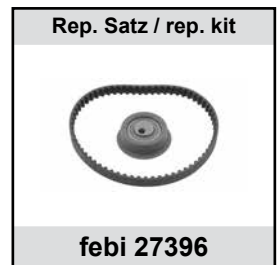
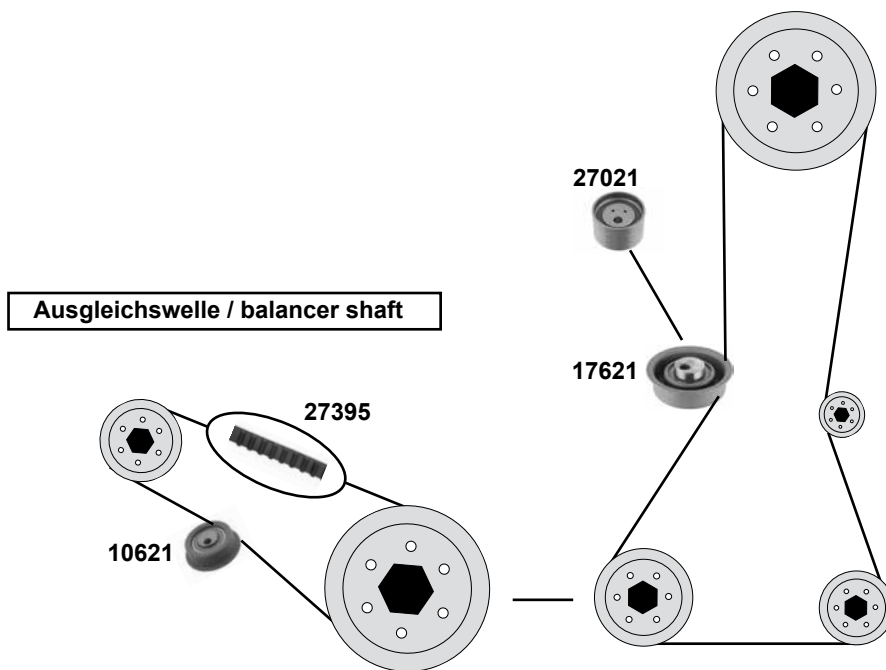


Ref. - No.	Part Name	Quantity	Dimensions
10621	Spannrolle / tension roller	(1)	ØA 55 H18
15277	Spannrolle / tension roller	(1)	ØA 60 H25
17621	Spannrolle / tension roller	(1)	ØA 60 H19
27018	Spannrolle / tension roller	(2)	ØA 60 H29
27022	Spannrolle / tension roller	(3)	ØA 60 H28,8
27395	Zahnriemen / timing belt	(1)	Z 65 B12,7
27396	Rep.Satz Zahnriemen / rep. kit timing belt	(1)	Z 65 B12,7

**1,8 16V (SOHC)**



**2,0 16V (SOHC)**



	Ref. - No.			
10621	MD115976	Spannrolle / tension roller		ØA 55 H18
17621	MD040754	Spannrolle / tension roller		ØA 60 H19
27020	MD315265	Spannrolle / tension roller		ØA 57,5 H33,5
27021	MD182537	Spannrolle / tension roller		ØA 60 H32,5
27395	MD182295	Zahnriemen / timing belt		Z 65 B12,7
27396	MD182295 S1	Rep.Satz Zahnriemen / rep. kit timing belt		Z 65 B12,7
27516	MD176387	Zahnriemen / timing belt		Z 121 B29
27535	MD176387 S1	Rep.Satz Zahnriemen / rep. kit timing belt		Z 121 B29

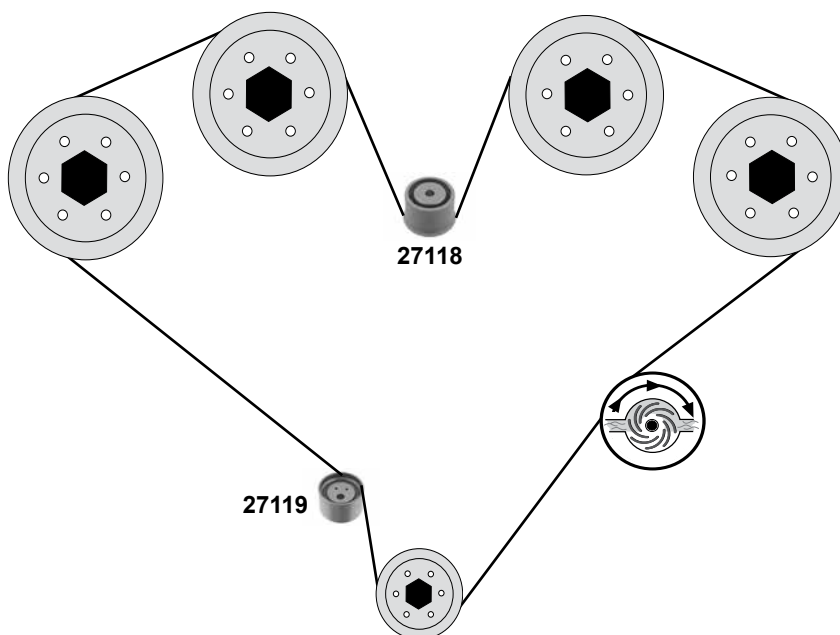
# MITSUBISHI Galant V (E54A/E88A)

(92→96)

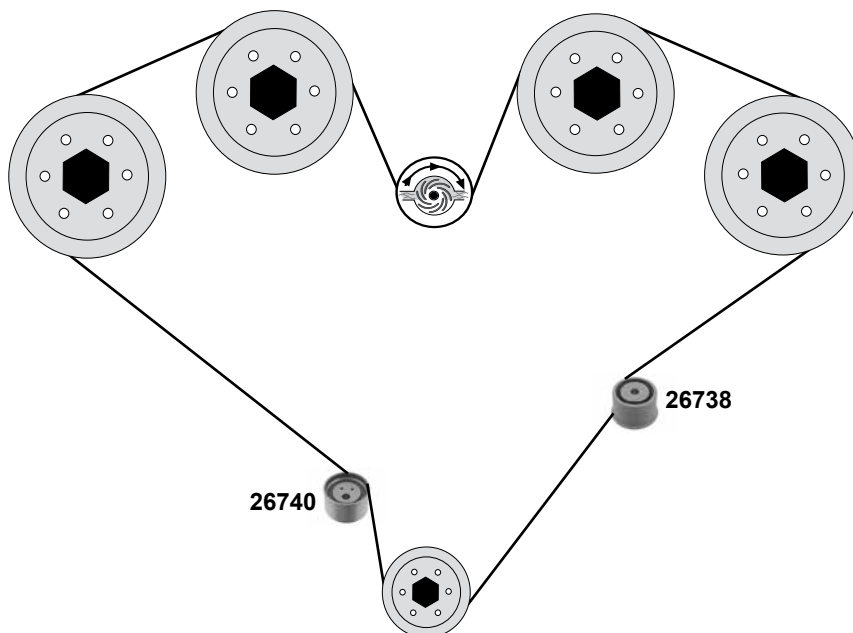
Car  
Division



## 2,0 24V (V6)



## 2,5 24V (V6)

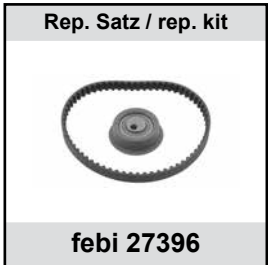
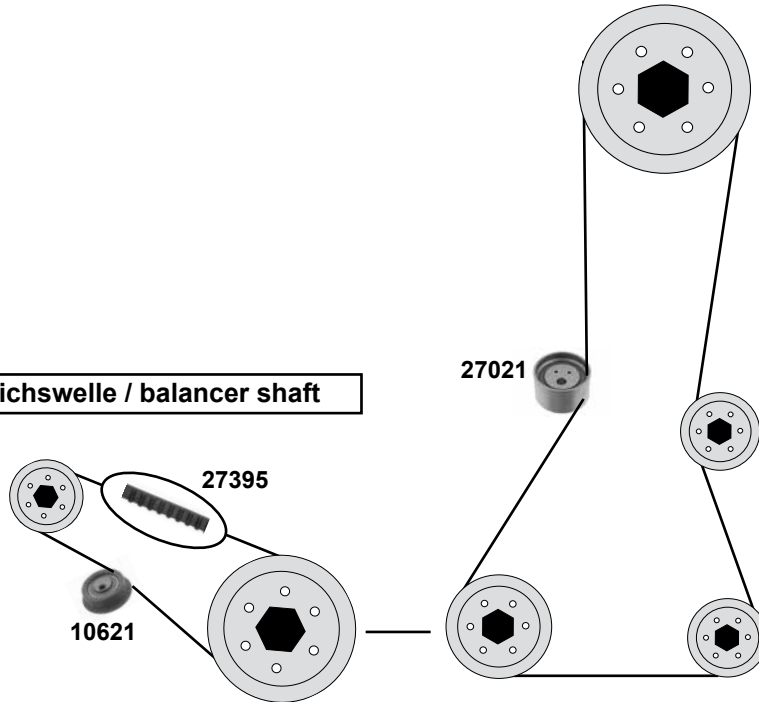


Ref. - No.



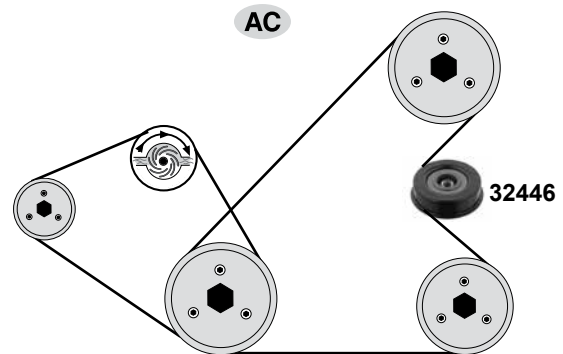
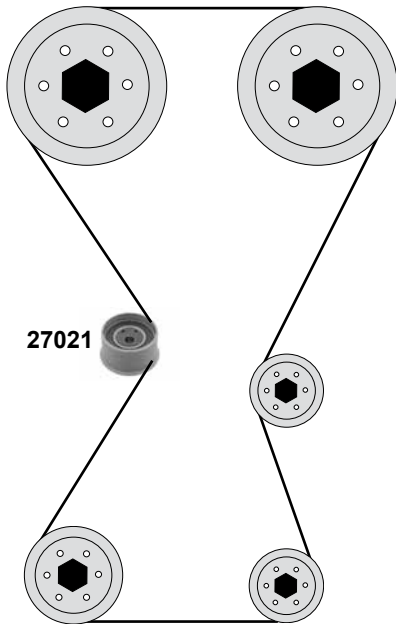
<b>26738</b>	MD151447	Umlenkrolle / deflection pulley	09/94→05/96	ØA 57,5 B38,5
<b>26740</b>	MD140071	Spannrolle / tension roller		ØA 60 B35
<b>27118</b>	MD179597	Umlenkrolle / deflection pulley		ØA 69,7 B38
<b>27119</b>	MD316826	Spannrolle / tension roller		ØA 62 B33

**Ausgleichswelle / balancer shaft**



**2,4 16 V (DOHC)**

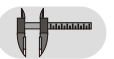
**2,0 / 2,4**



(1) (mot.) 2,0: 96 →  
(mot.) 2,4: 99 →



Ref. - No.



<b>10621</b>	MD115976	Spannrolle / tension roller	<b>(1)</b>	ØA 55 H18
<b>27021</b>	MD182537	Spannrolle / tension roller		ØA 60 H32,5
<b>27395</b>	MD182295	Zahnriemen / timing belt		Z 65 B12,7
<b>27396</b>	MD182295 S1	Rep.Satz Zahnriemen / rep. kit timing belt		Z 65 B12,7
<b>32446</b>	MD362028	Spannrolle / tension roller		ØA 90 B25

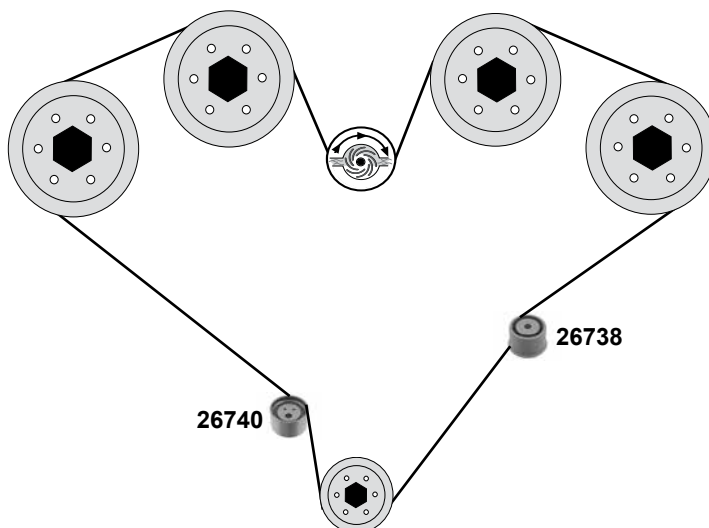
# MITSUBISHI Galant VI (EA2A/W)

(96→03)

Car  
Division



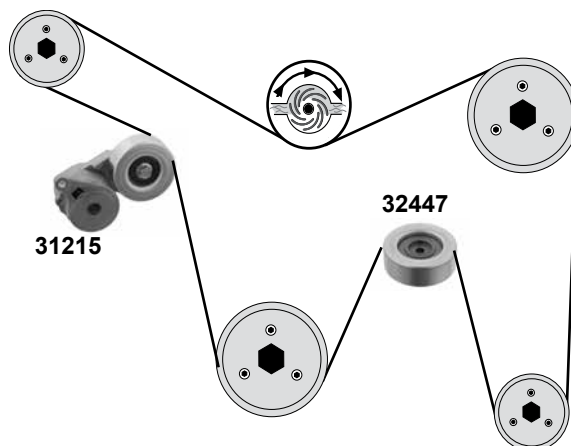
## 2,5 24V (V6)



## Galant VII

(06→)

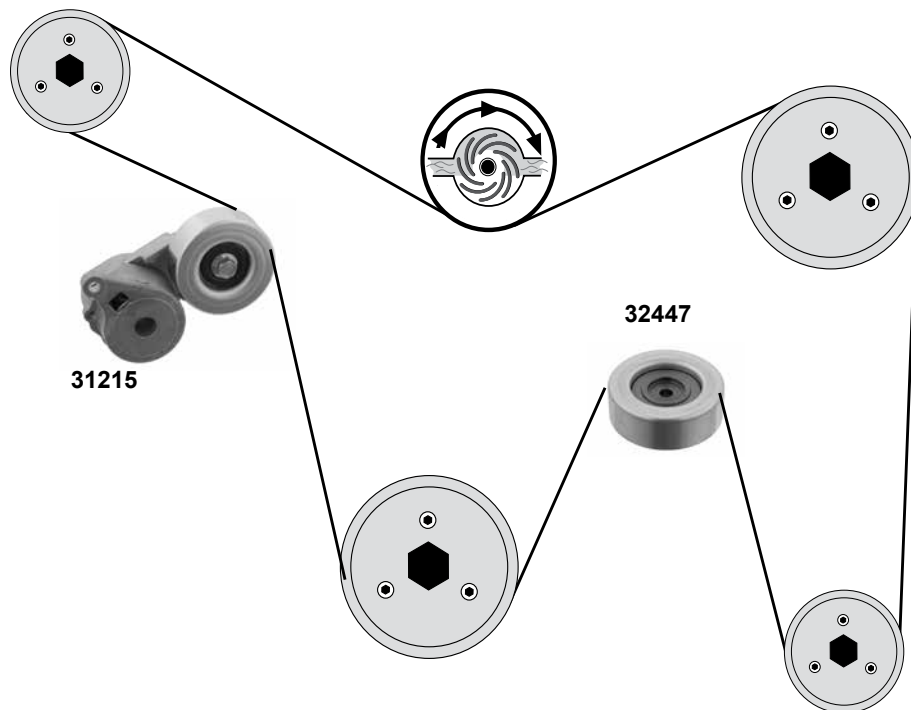
2,0 / 2,4



Ref. - No.



<b>26738</b>	MD151447	Umlenkrolle / deflection pulley		ØA 57,5 B38,5
<b>26740</b>	MD140071	Spannrolle / tension roller		ØA 60 B35
<b>31215</b>	MN149179	Riemenspanner / tensioner assembly	2,4 (DJ1A / DM1A)	ØA 80 B28
<b>32447</b>	MD374877	Umlenkrolle / deflection pulley		ØA 90 B30



31215

32447



Ref. - No.



31215  
32447

MN149179  
MD374877

Riemenspanner / tensioner assembly  
Umlenkrolle / deflection pulley

ØA 80 B28  
ØA 90 B30

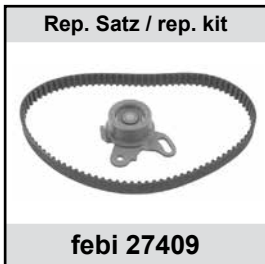
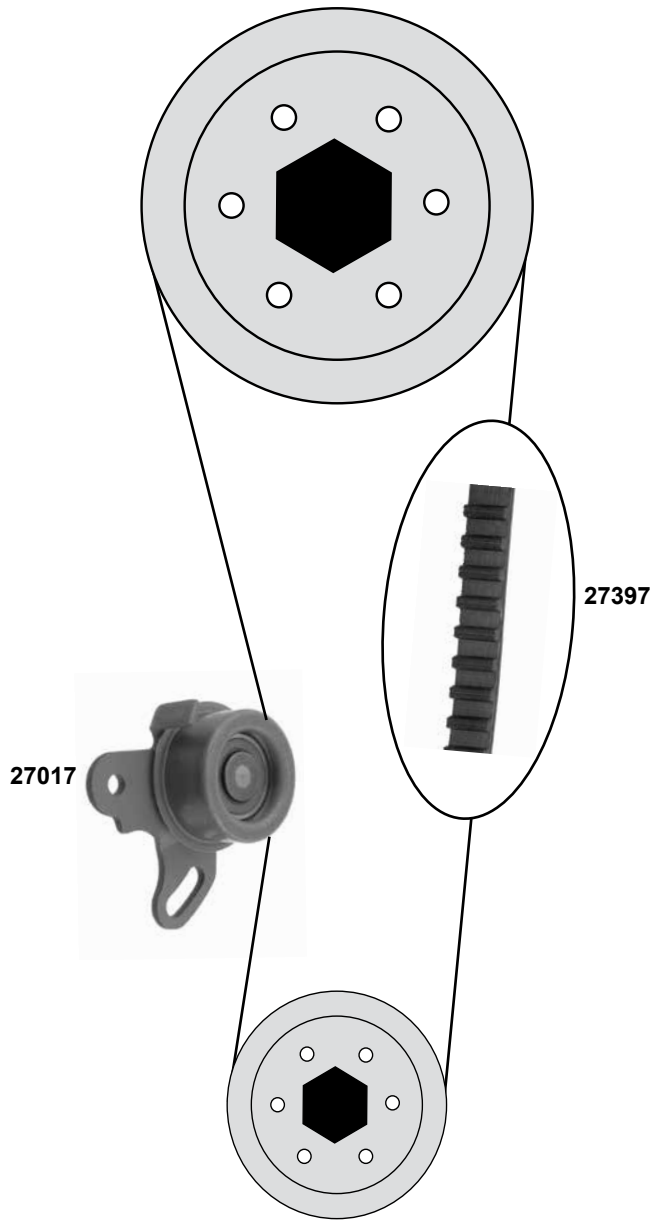


**MITSUBISHI**  
**Lancer III (C12V)**  
 (83→92)

**Car  
 Division**



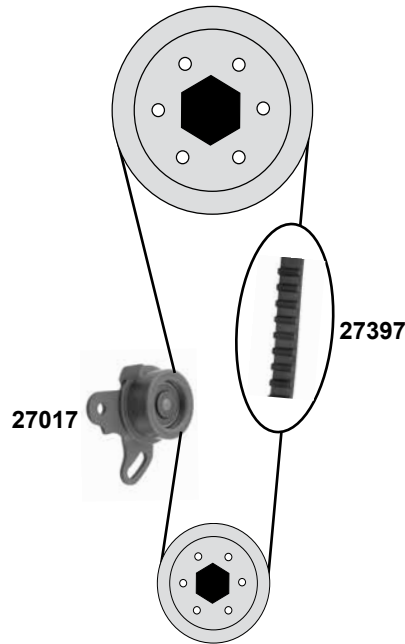
**1,5 8V (SOHC)**



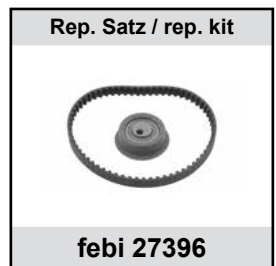
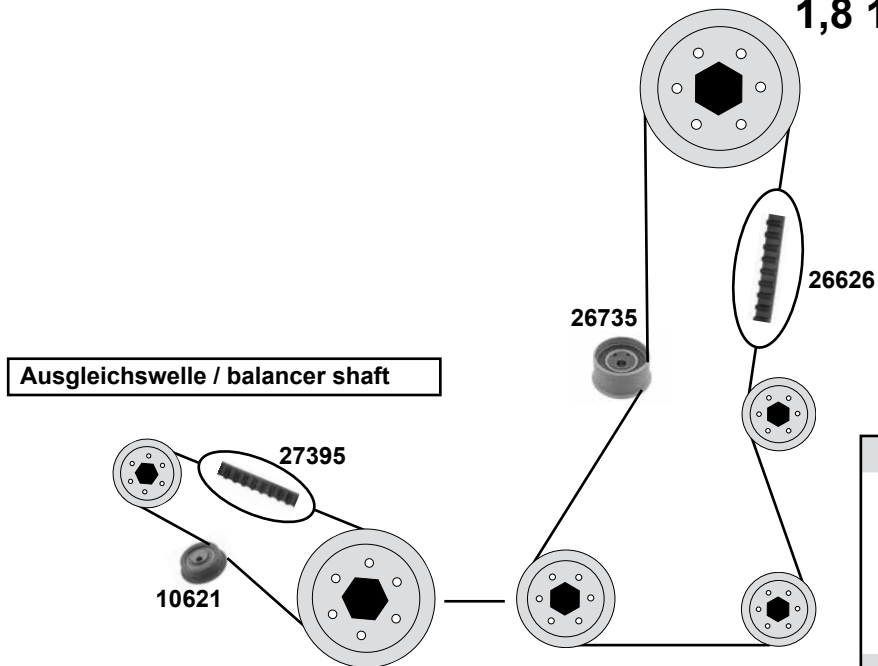
	<b>Ref. - No.</b>	Description	Period	Dimensions
<b>27017</b>	MD146186	Spannrolle / tension roller	06/90→03/92	ØA 60 H29
<b>27397</b>	MD145813	Zahnriemen / timing belt	06/90→03/92	Z 92 B22
<b>27409</b>	MD145813 S1	Rep.Satz Zahnriemen / rep. kit timing belt	06/90→03/92	Z 92 B22



## 1,3 8V/12V (SOHC) / 1,5 8V (SOHC)



## 1,8 16V / 2,0 16V



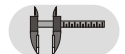
(1) (mot.) 1,8 16V 11/89→05/92 / (mot.) 2,0 8V 06/92→

(2) (mot.) 1,3 8V / 1,5 8V 06/90→07/95 / (mot.) 1,3 12V 06/92→

(3) (mot.) 1,8 16V 11/89



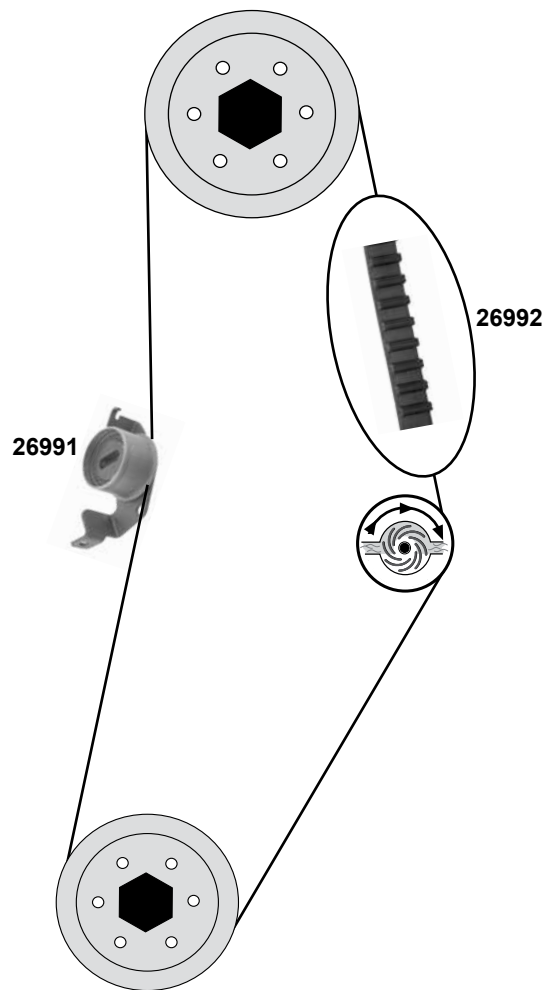
Ref. - No.



Ref. - No.	Description	Quantity	Dimensions
10621	Spannrolle / tension roller	(1)	ØA 55 H18
26626	Zahnriemen / timing belt	(3)	Z 153 B29
26735	Spannrolle / tension roller	(3)	ØA 60 H32,5
27395	Zahnriemen / timing belt	(1)	Z 65 B12,7
27396	Rep.Satz Zahnriemen / rep. kit timing belt	(1)	Z 65 B12,7
27017	Spannrolle / tension roller	(2)	ØA 60 H29
27397	Zahnriemen / timing belt	(2)	Z 92 B22
27409	Rep.Satz Zahnriemen / rep. kit timing belt	(2)	Z 92 B22



**1,6 16V (SOHC)**

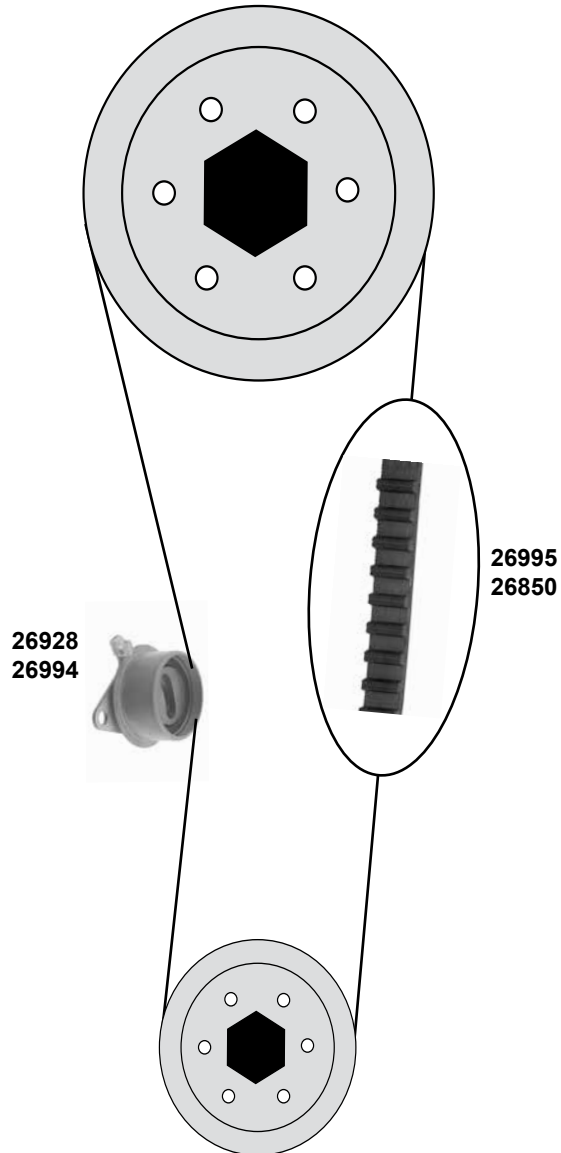


Ref. - No.



<b>26991</b>	MD320174	Spannrolle / tension roller	ØA 57,5 B33,5
<b>26992</b>	MD314456	Zahnriemen / timing belt	Z 111 B29
<b>26993</b>	MD314456 S1	Rep.Satz Zahnriemen / rep. kit timing belt	Z 111 B29

**1,3 12V / 16V (SOHC)**  
**1,5 16 V (SOHC)**



Rep. Satz / rep. kit



febi 31398

Rep. Satz / rep. kit



febi 32477



(1) (mot.) 1,3 12V / 1,5 16V 11/95→11/98

(2) (mot.) 1,3 12V 11/95→05/00 /  
(mot.) 1,5 16V 11/95→05/00



Ref. - No.



Ref. - No.				
26850	1145A051	Zahnriemen / timing belt	06/00 → 06/03	Z 109 B25
26928	MD329976	Spannrolle / tension roller	(1)	ØA 57 B31
26994	MD356509	Spannrolle / tension roller	06/00 → 06/03	ØA 57 B31
26995	MD340625	Zahnriemen / timing belt	(2)	Z 107 B25,4
31398	1145A051 S1	Rep. Satz Zahnriemen / rep. kit timing belt	06/00 → 06/03	Z 107 B25,4
32477	1145A049 S1	Rep. Satz Zahnriemen / rep. kit timing belt	11/95 → 11/98	Z 107 B25

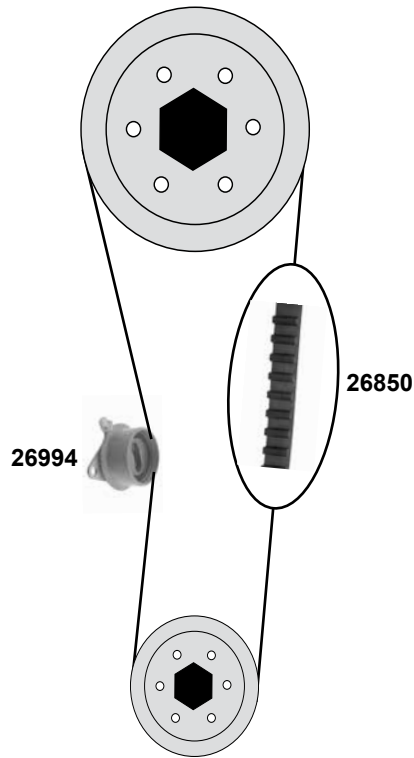
# MITSUBISHI Lancer VII (CS1A/CS3A/W)

(03→08)

Car  
Division



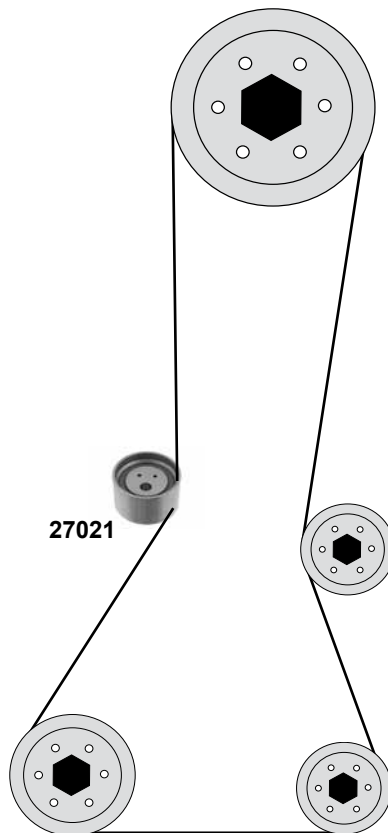
1,3 / 1,6



## Lancer (CS)

(03→08)

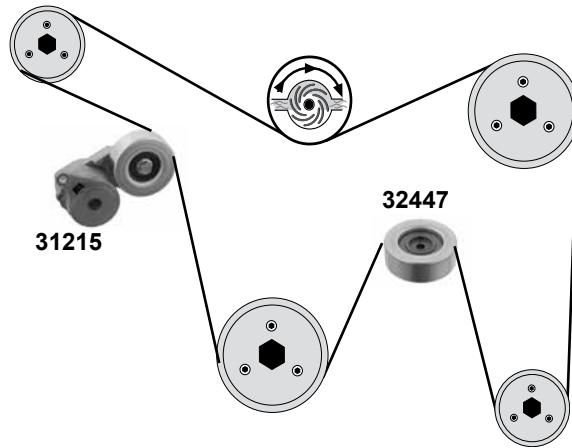
2,0 / 2,0 (DOHC)



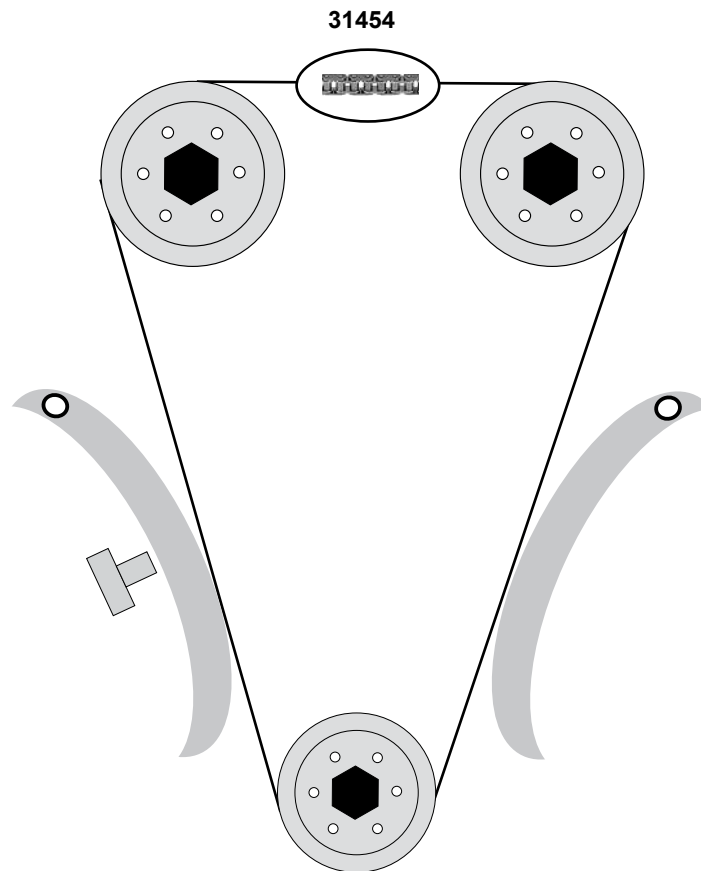
Ref. - No.



27021	MD182537	Spannrolle / tension roller		ØA 60 H32,5
26850	1145A051	Zahnriemen / timing belt	06/00 → 01/08	Z 109 B25
26994	MD356509	Spannrolle / tension roller	06/00 → 01/08	ØA 57 B31
31398	1145A051 S1	Rep. Satz Zahnriemen / rep. kit timing belt	06/00 → 01/08	Z 107 B25,4



**Lancer (CY2A)**  
(07→)  
**1,5**



Ref. - No.



**31215** MN149179  
**31454** MN128497  
**32447** MD374877

Riemenspanner / tensioner assembly  
Steuerkette / timing chain  
Umlenkrolle / deflection pulley

2,0 (CS9A/W)

ØA 80 B28  
122 E  
ØA 90 B30

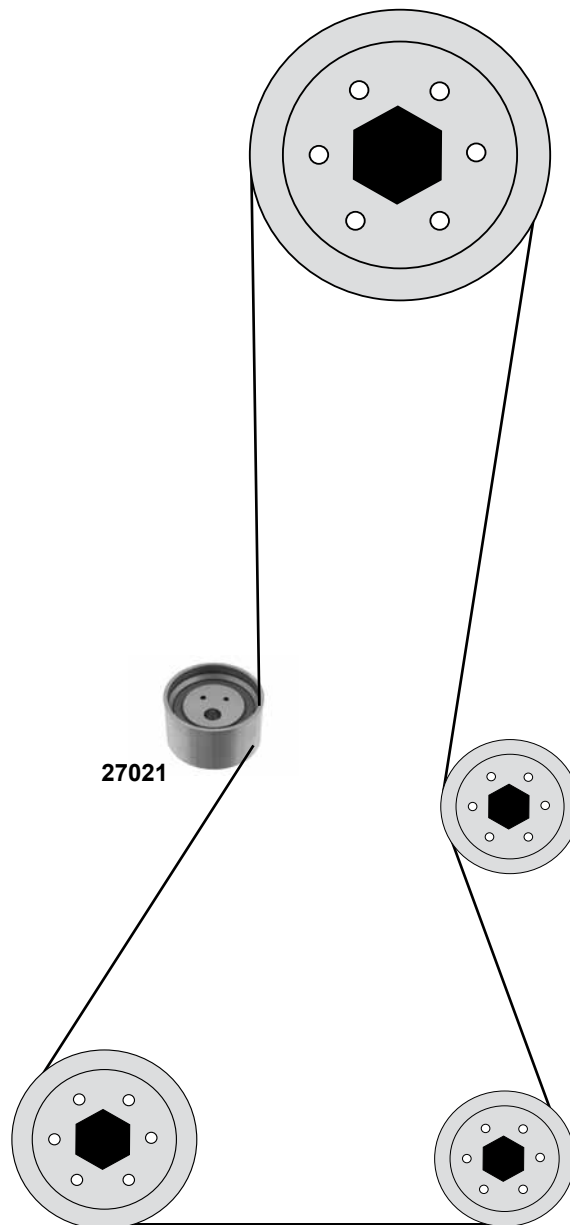
passend für / to fit

**MITSUBISHI**  
**L200 (K62T/K75T)**  
(96→)

**Car  
Division**



**2,0 / 2,4 16V (SOHC)**



**Ref. - No.**



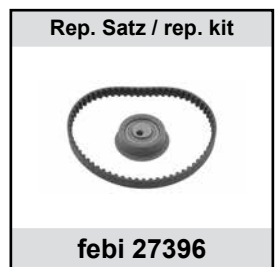
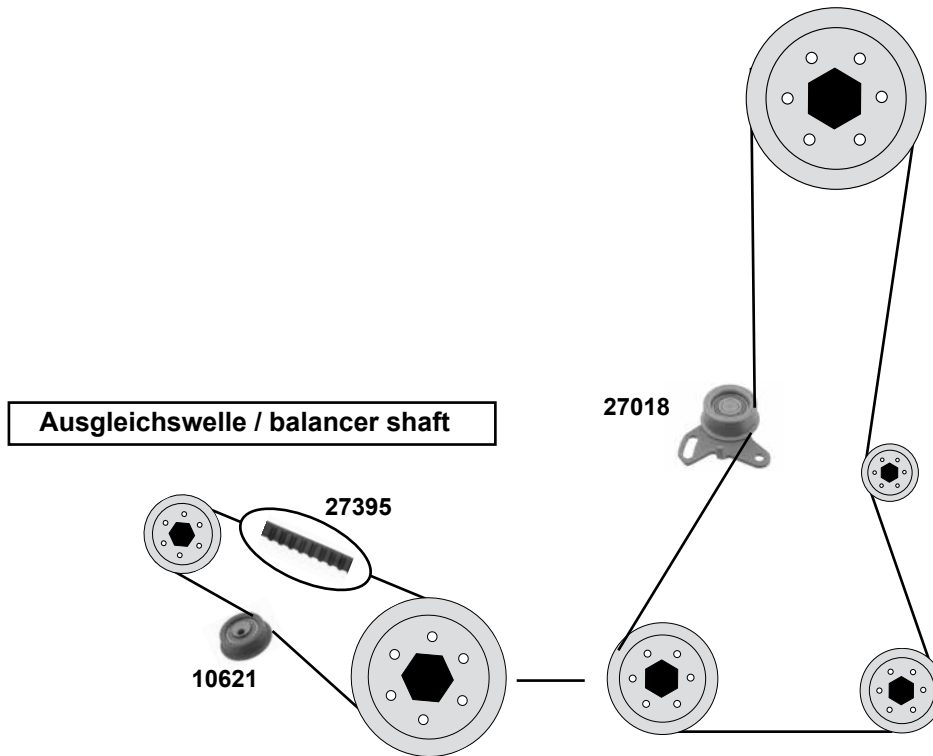
**27021**

MD182537

Spannrolle / tension roller

ØA 60 H32,5

**(L037G/P03W/V/P13V/P23V/W/P13T/P00W/ P04W/P14V/P04V/P24W/V)**  
**2,0 8V / 2,0 16V / 2,4 16V**



(1) (mot.) 2,0 8V 11/86→ / (mot.) 2,0 16V 07/96→ / (mot.) 2,4 16V 11/90→

(2) (mot.) 2,0 / P13T 07/94→



Ref. - No.



**10621**  
**27018**  
**27395**  
**27396**

MD115976  
MD011536  
MD182295  
MD182295 S1

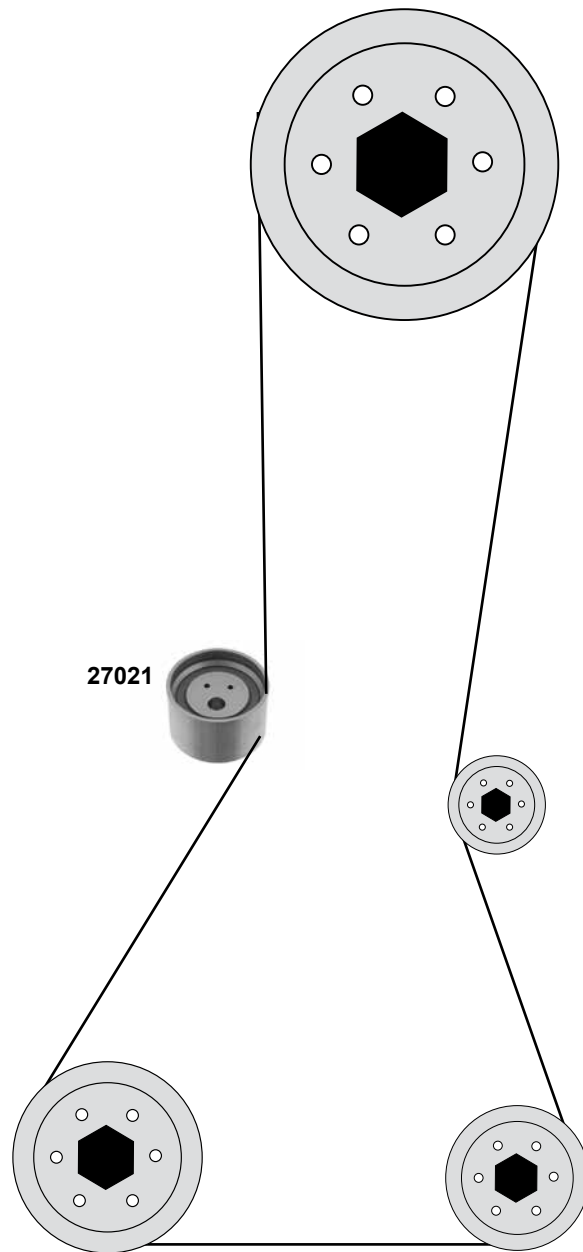
Spannrolle / tension roller  
Spannrolle / tension roller  
Zahnriemen / timing belt  
Rep.Satz Zahnriemen / rep. kit timing belt

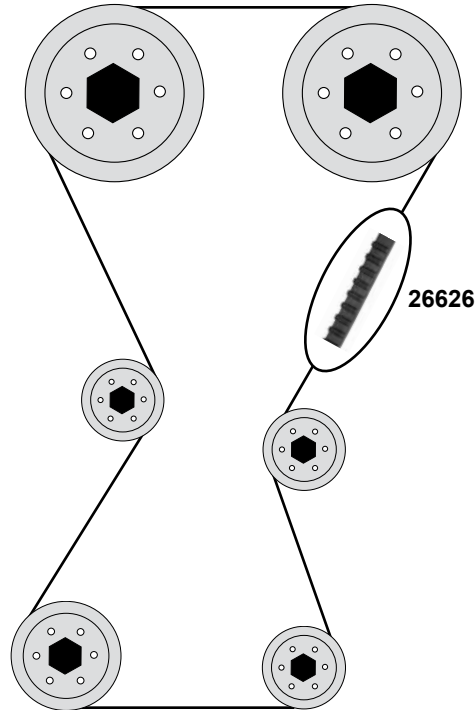
(1)  
11/86→05/94  
(1)  
(1)

ØA 55 H18  
ØA 60 H29  
Z 65 B12,7  
Z 65 B12,7

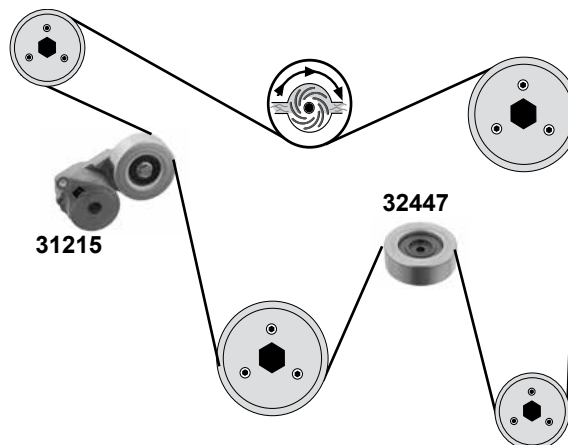


**2,0 (SOHC)**





**2,0 / 2,4 (CU2W/CU5W)**



Ref. - No.



**26626** MD326059  
**31215** MN149179  
**32447** MD374877

Zahnriemen / timing belt  
Riemenspanner / tensioner assembly  
Umlenkrolle / deflection pulley

Z 153 B29  
ØA 80 B28  
ØA 90 B30

# MITSUBISHI

## Pajero II (V2\_W/V4\_W/V\_7W/K90/K96W)

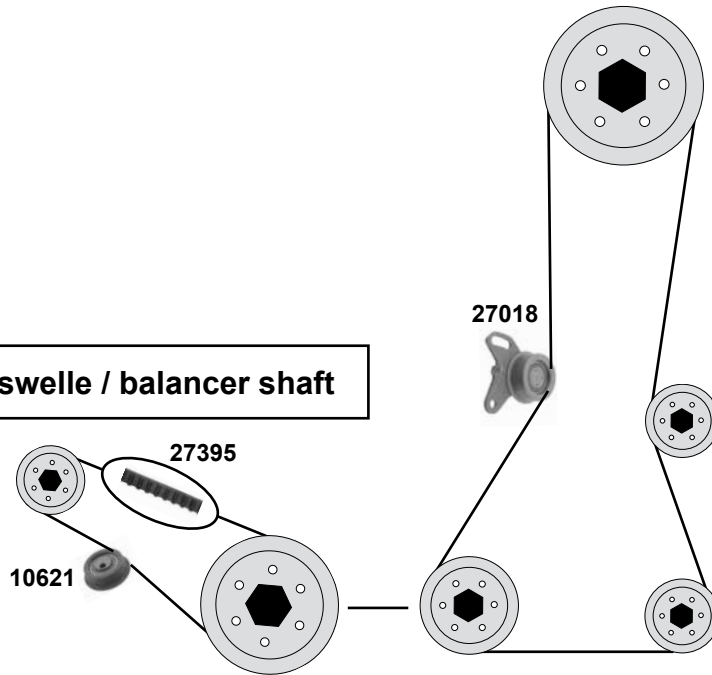
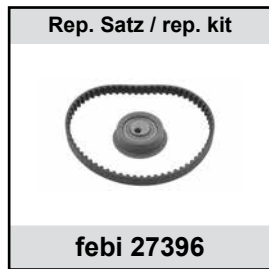
(90→00)

Car  
Division

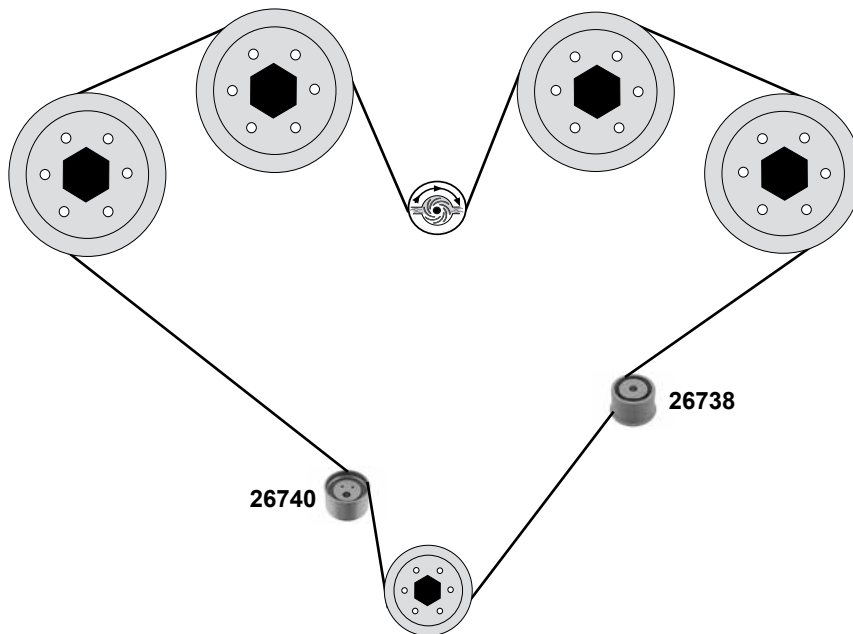


2,4 12V

Ausgleichswelle / balancer shaft



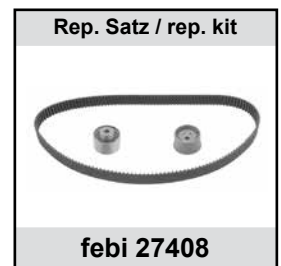
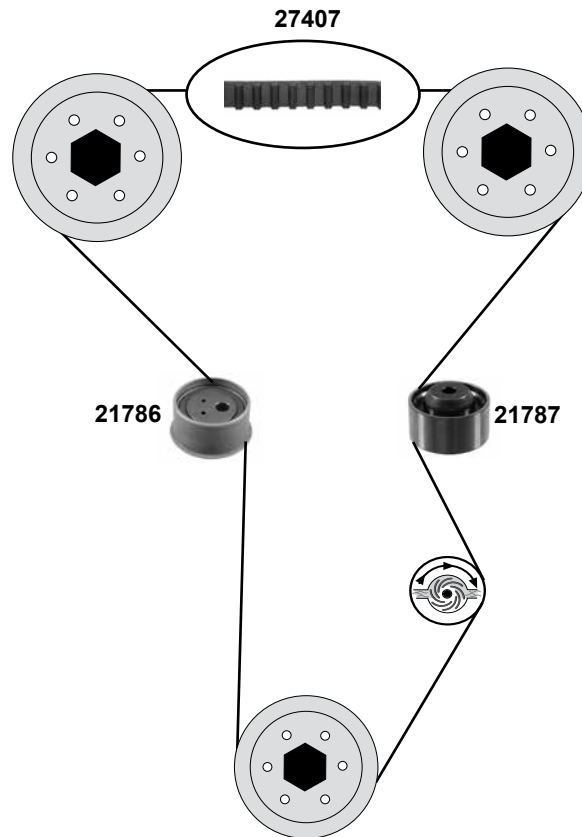
3,0 /3,5 24V V6



Ref. - No.

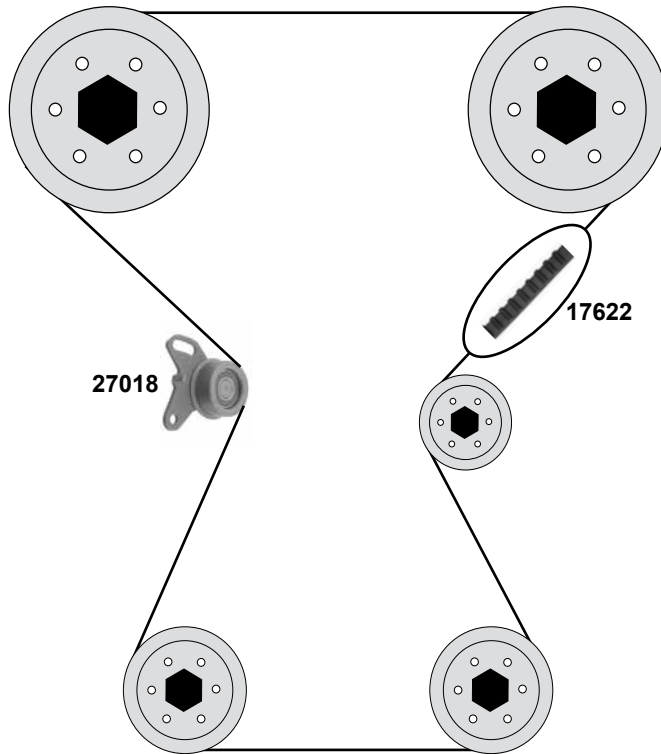


10621	MD115976	Spannrolle / tension roller	04/91→04/00	ØA 55 H18
26740	MD140071	Spannrolle / tension roller	06/96→04/00	ØA 60 B35
26738	MD151447	Umlenkrolle / deflection pulley	06/96→04/00	ØA 57,5 B38,5
27018	MD011536	Spannrolle / tension roller	04/91→04/00	ØA 60 H29
27395	MD182295	Zahnriemen / timing belt	04/91→04/00	Z 65 B12,7
27396	MD182295 S1	Rep.Satz Zahnriemen / rep. kit timing belt	04/91→04/00	Z 65 B12,7

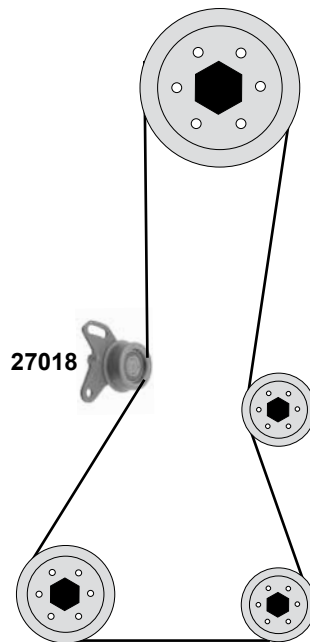


	Ref. - No.			
<b>21786</b>	MD169592	Spannrolle / tension roller	08/99→06/00	ØA 57,5 B33,5
<b>21787</b>	MD156604	Umlenkrolle / deflection pulley	08/99→06/00	ØA 60 B32
<b>27407</b>	MD319023	Zahnriemen / timing belt	08/99→06/00	Z 154 B29
<b>27408</b>	MD319023 S1	Rep.Satz Zahnriemen / rep. kit timing belt	08/99→06/00	Z 154 B29

**2,0 8V / 2,0 8V Turbo**



**2,4 (SOHC)**



Ref. - No.

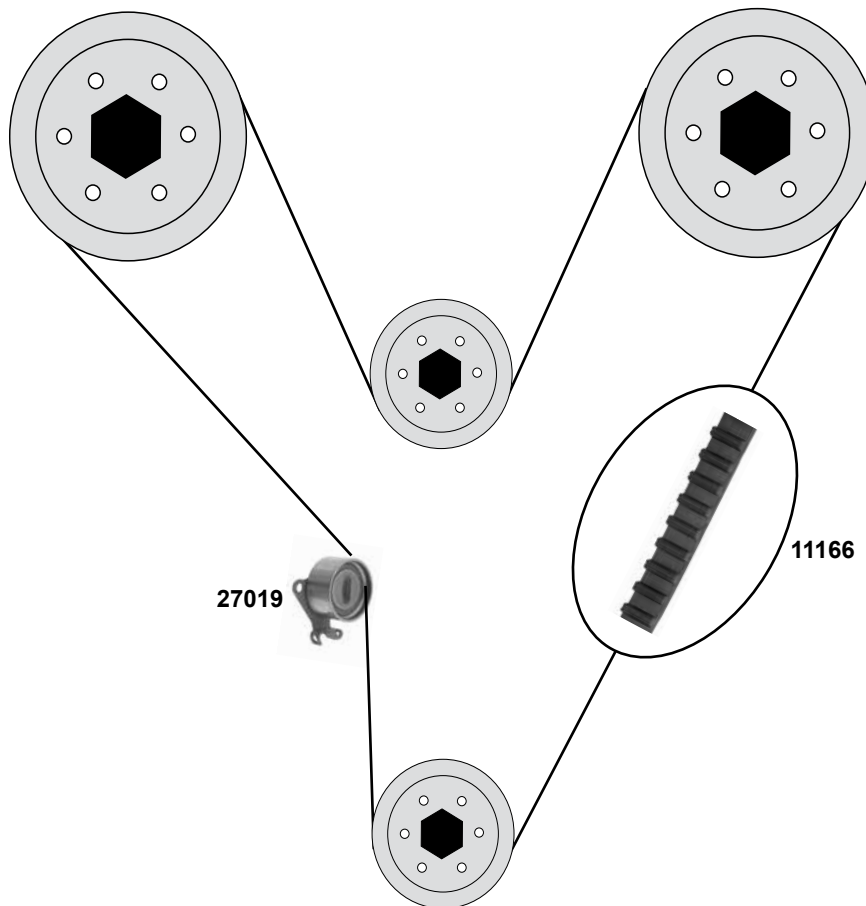


**17622** XD140229  
**27018** MD011536

Zahnriemen / timing belt  
 Spannrolle / tension roller

87→90  
 87→90

Z 123 B19  
 ØA 60 H29



Ref. - No.



**11166**  
**27019**

XD111427  
MD104578

Zahnriemen / timing belt  
Spannrolle / tension roller

ØA 60 H32,5

# MITSUBISHI

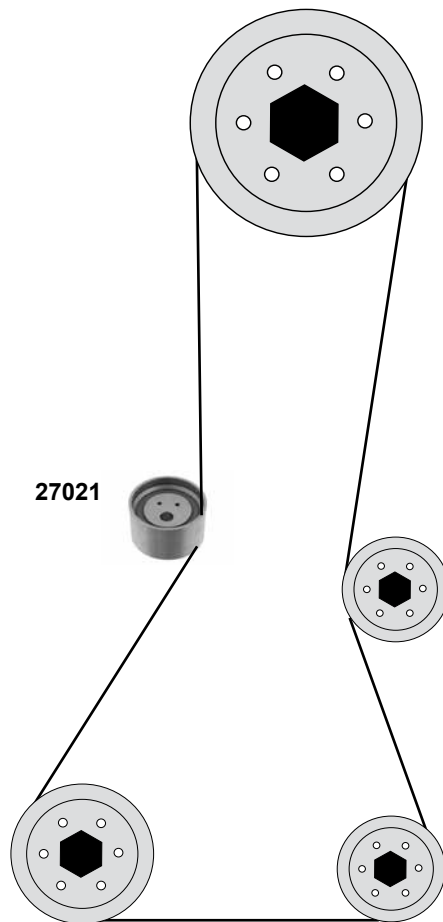
## Space Gear (PA3V/W/PA4V/W/PB3V)

(95→00)

Car  
Division



### 2,0 / 2,4 16V (SOHC)



Ref. - No.



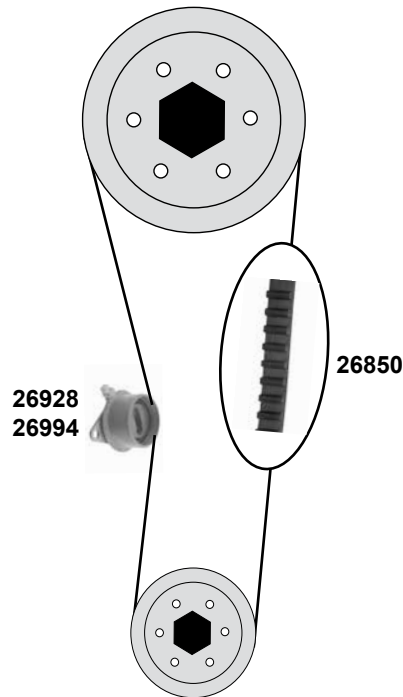
27021

MD182537

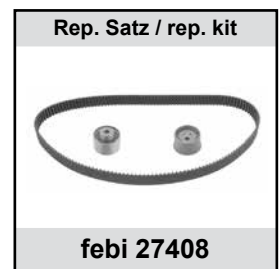
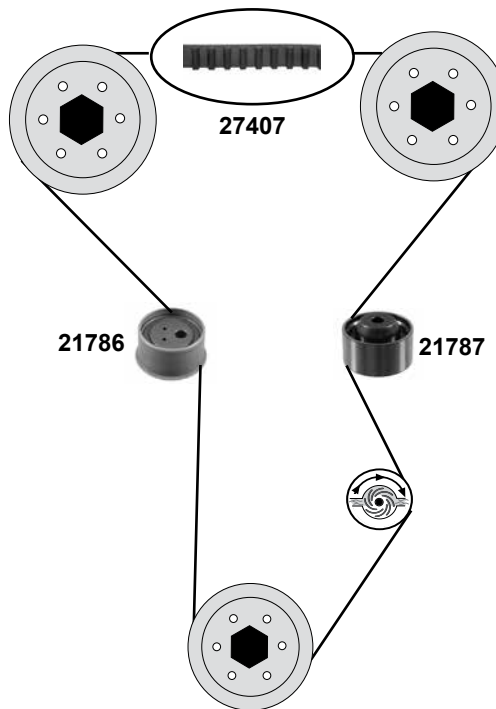
Spannrolle / tension roller

ØA 60 H32,5

**1,3 / 1,6 16V (DOHC)**



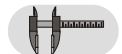
**Space Star (DG5A)**  
(98→05)  
**1,8 16V (DOHC)**



(1) (mot.) 1,3 16V →05/98



Ref. - No.



Ref. - No.	Description	Period	Dimensions
21786	Spannrolle / tension roller	10/98 → 08/02	ØA 57,5 B33,5
21787	Umlenkrolle / deflection pulley	10/98 → 08/02	ØA 60 B32
26850	Zahnriemen / timing belt	06/98 → 12/04	Z 109 B25
26928	Spannrolle / tension roller	(1)	ØA 57 B31
26994	Spannrolle / tension roller	06/98 → 12/04	ØA 57 B31
27407	Zahnriemen / timing belt	10/98 → 08/02	Z 154 B29
27408	Rep.Satz Zahnriemen / rep. kit timing belt	10/98 → 08/02	Z 154 B29
31398	Rep.Satz Zahnriemen / rep. kit timing belt	06/98 → 12/04	Z 109 B25



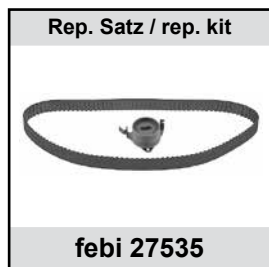
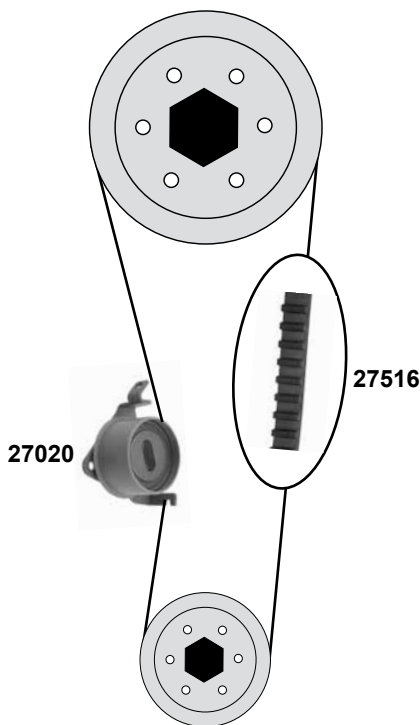
# MITSUBISHI Space Runner (N11W/N21W/M63W)

(91→99)

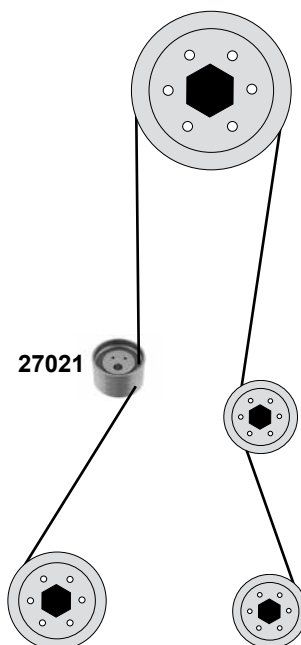
Car  
Division



## 1,8 16V (SOHC)



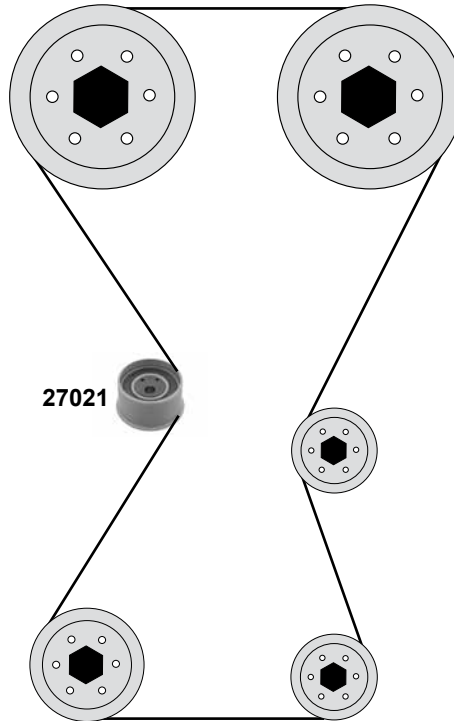
## 2,0 (SOHC)



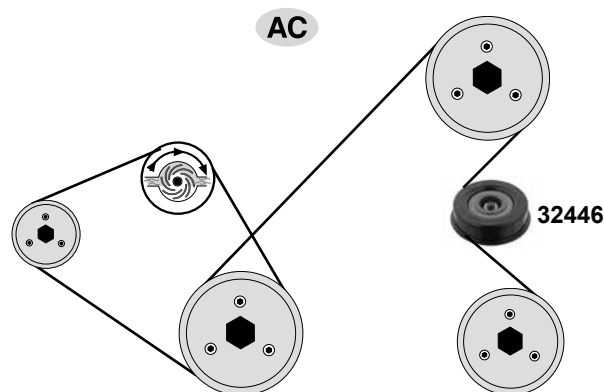
Ref. - No.



<b>27020</b>	MD315265	Spannrolle / tension roller	10/91 → 05/92	ØA 57,5 H33,5
<b>27021</b>	MD182537	Spannrolle / tension roller	06/97 →	ØA 60 H32,5
<b>27516</b>	MD176387	Zahnriemen / timing belt	10/91 → 05/92	Z 121 B29
<b>27535</b>	MD176387 S1	Rep.Satz Zahnriemen / rep. kit timing belt	10/91 → 05/92	Z 121 B29



**2,0 / 2,4**



# MITSUBISHI

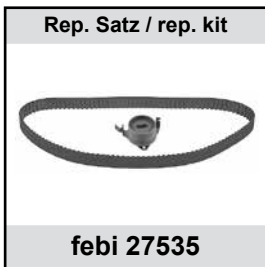
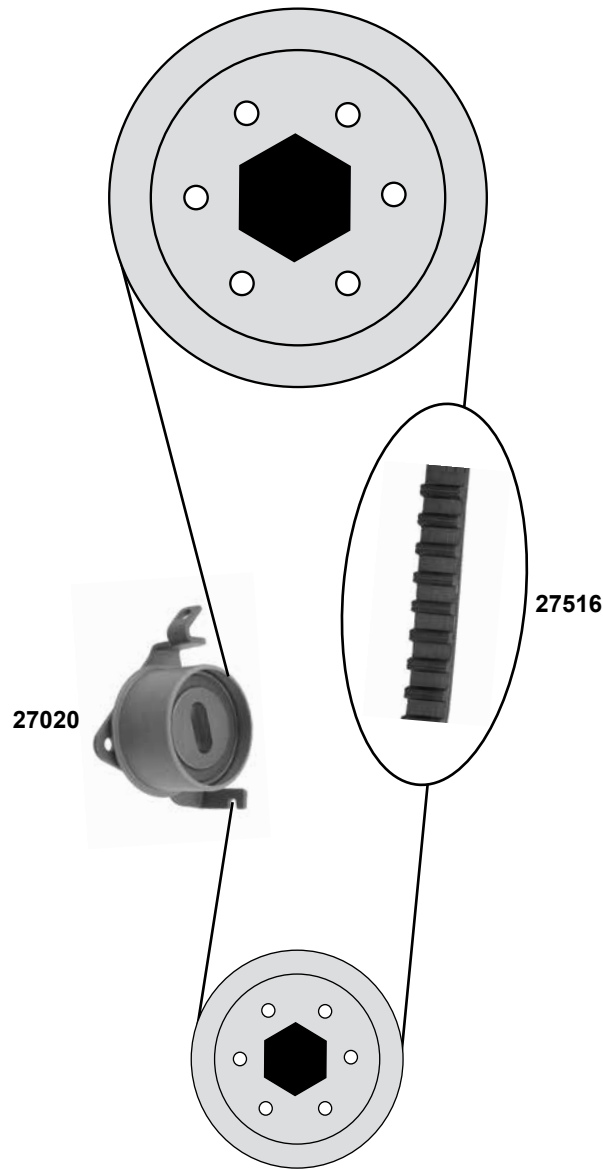
## Space Wagon (N31W/N41W)

(91→98)

Car  
Division



1,8 16V (SOHC)



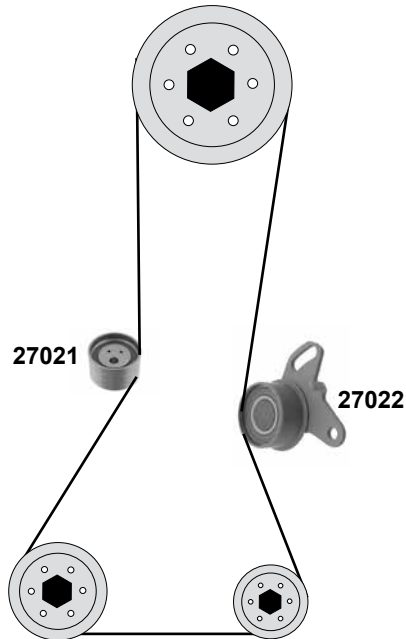
Ref. - No.



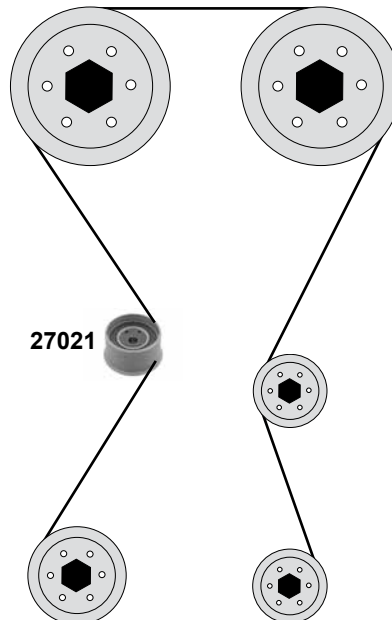
27020	MD315265
27516	MD176387
27535	MD176387 S1

Spannrolle / tension roller
Zahnriemen / timing belt
Rep.Satz Zahnriemen / rep. kit timing belt

ØA 57,5 H33,5
Z 121 B29
Z 121 B29



**Space Wagon (N34W)**  
(98→)  
**2,4 (DOHC)**



(1) (mot.) 2,0 SOHC 10/92→10/98

(2) (mot.) 2,4 SOHC 05/91→10/96



Ref. - No.



**27021**  
**27022**

MD182537  
MD129033

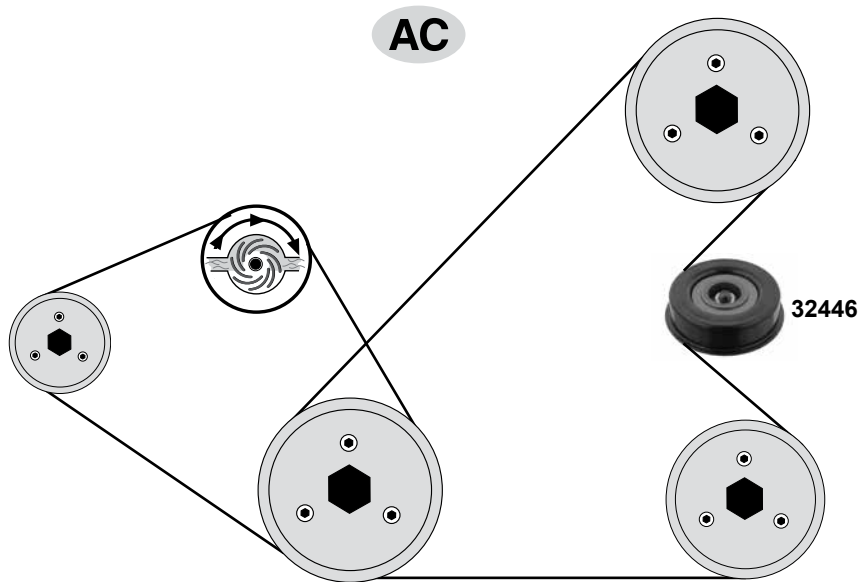
Spannrolle / tension roller  
Spannrolle / tension roller

(1)  
(2)

ØA 60 H32,5  
ØA 60 H28,8



2,0 / 2,4



Ref. - No.

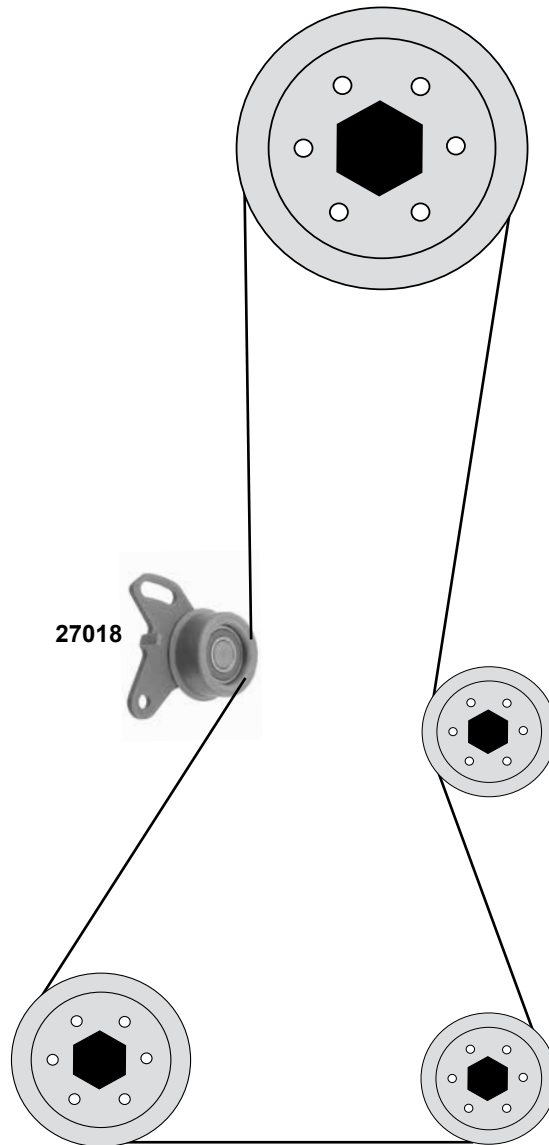


32446

MD362028

Spannrolle / tension roller

ØA 90 B25



passend für / to fit

# NISSAN

## Cherry / Sunny / Prairie

(81→90)

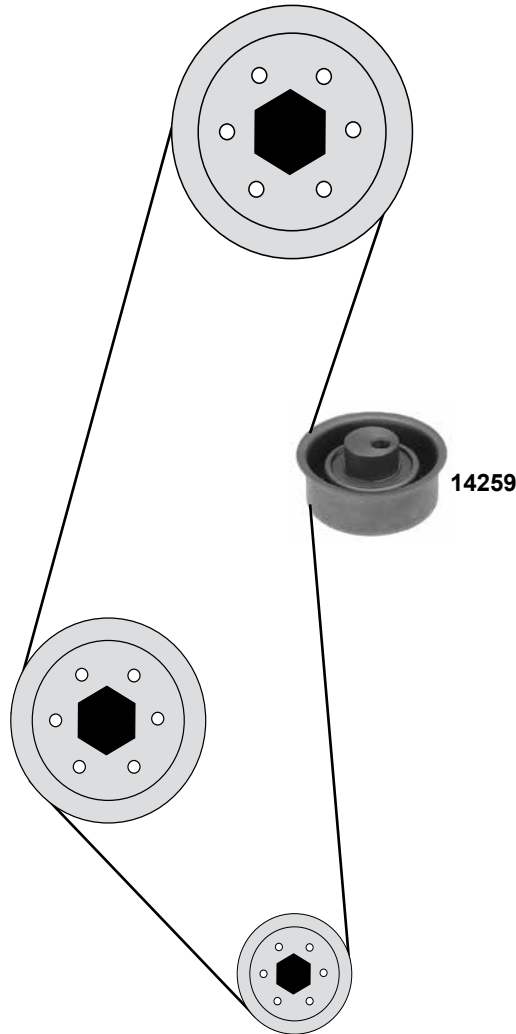
Car  
Division



**(N10+12 / B11+12 / N13 / M10)**

**1,0→1,6**

(E10, E 13, E 15, E16)



Ref. - No.

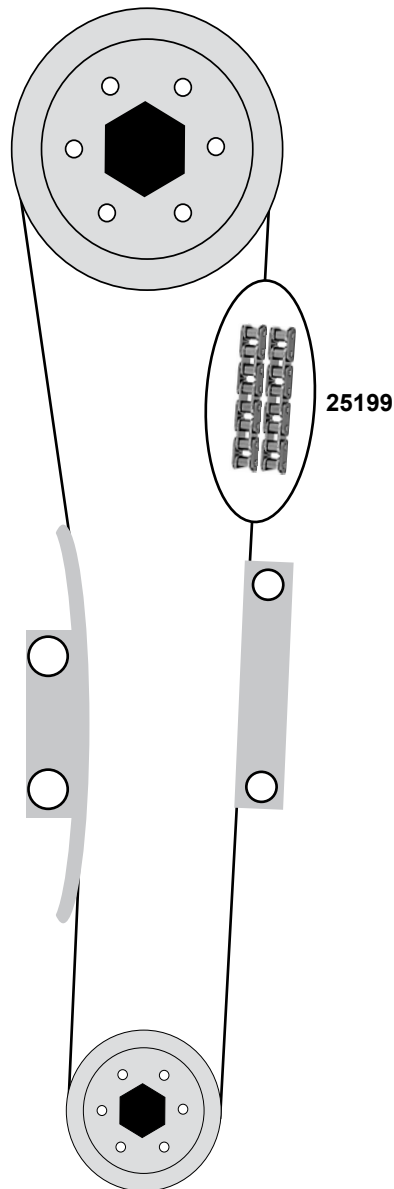


14259

13070-01M00

Spannrolle / tension roller

ØA60 H26



(1) Nietverschluss / riveted link / bouchon de rivet / rivetti / cierre de roblón



Ref. - No.



Steuerkette / timing chain



(1)



D67 / 102 N

25199

13028-N8400



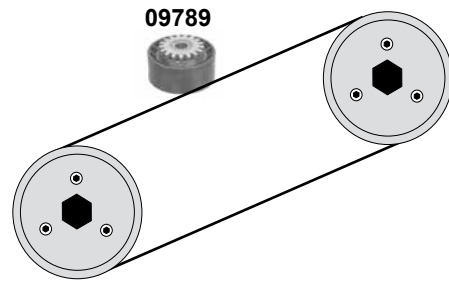
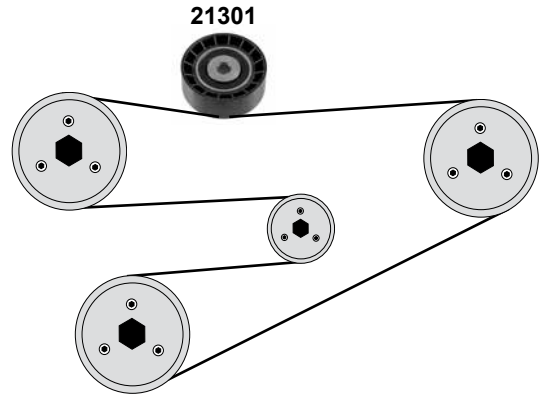
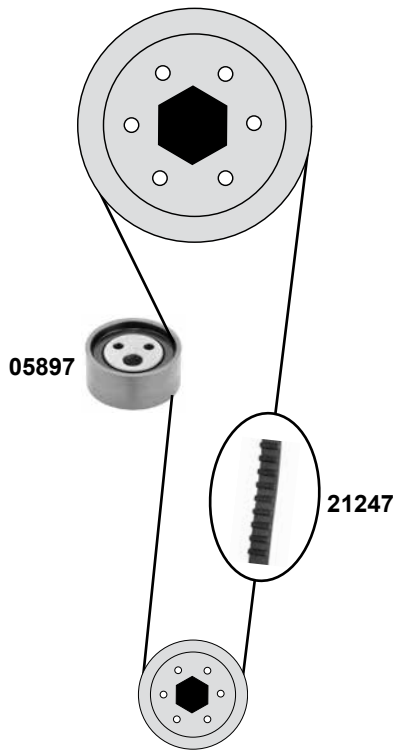
# NISSAN Kubistar (X76)

(03→)

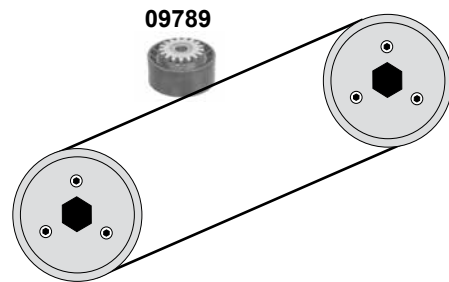
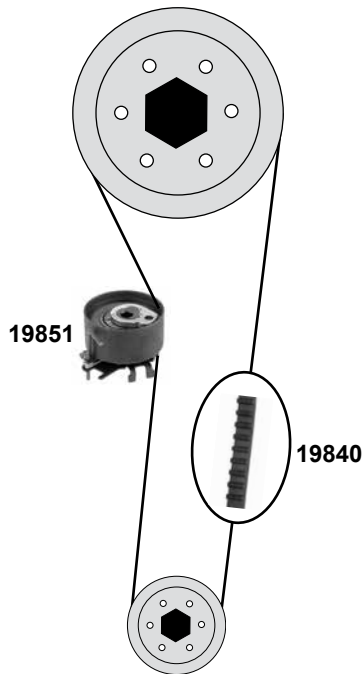
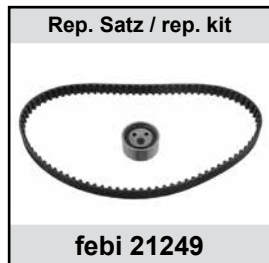
Car  
Division



**1,2**  
(D7F)



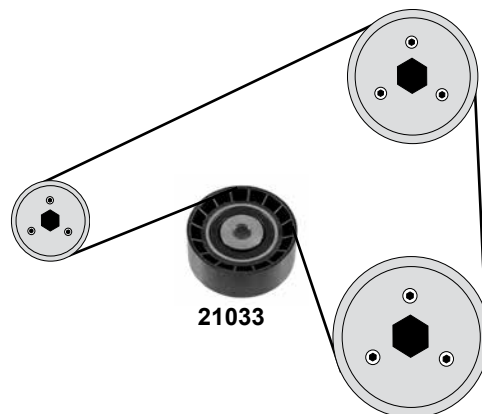
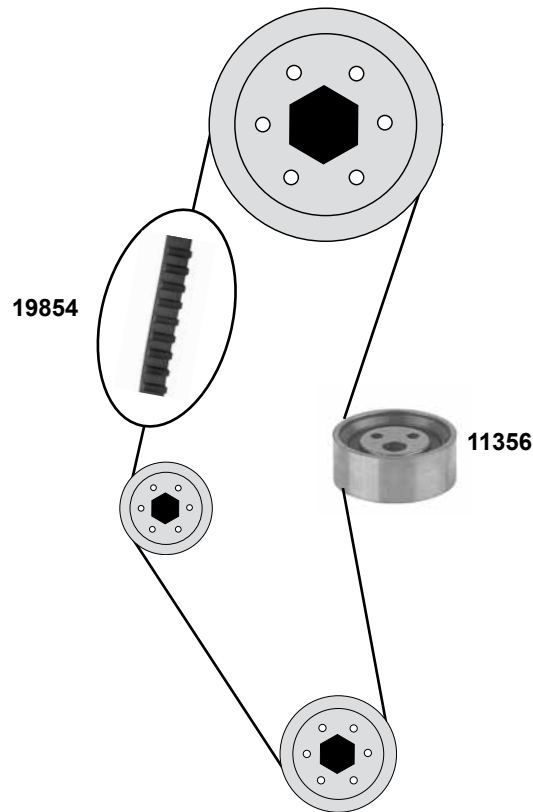
**1,2 16V**  
(D4F)



Ref. - No.



<b>05897</b>	13077-00QAD	Spannrolle / tension roller		ØA 50 B22
<b>19840</b>	16806-00QA0	Zahnriemen / timing belt		Z 95 B23,4
<b>09789</b>	11750-00QAS	Umlenkrolle / deflection pulley	AC	AØ 56,5 B24
<b>19851</b>	13077-00QAG	Spannrolle / tension roller		ØA 59 Ø1 28 B24
<b>19852</b>	16806-00QAW	Rep. Satz Zahnriemen / rep. kit timing belt		Z 95 B23,4
<b>21247</b>	16806-00QAM	Zahnriemen / timing belt		Z 87 B17
<b>21249</b>	16806-00QAT	Rep. Satz Zahnriemen / rep. kit timing belt		
<b>21301</b>	11750-00QAF	Umlenkrolle / deflection pulley	AC + servo	ØA 56 B21



Ref. - No.



**11356**  
**19854**  
**21033**  
**21725**

13077-00QAF  
16806-00QAR  
11927-00QAA  
16806-00QAV

Spannrolle / tension roller  
Zahnriemen / timing belt  
Umlenkrolle / deflection pulley  
Rep. Satz Zahnriemen / rep. kit timing belt

AC

ØA 55 B22  
Z 96 B17  
ØA 60,2 B25,5

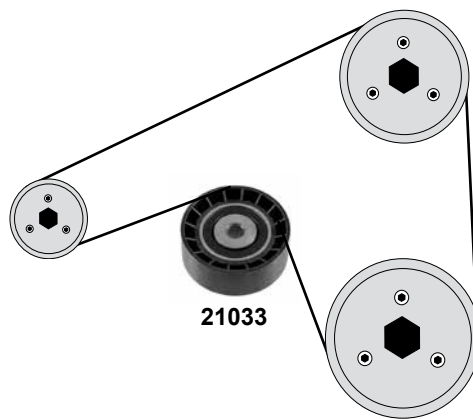
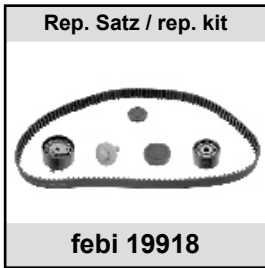
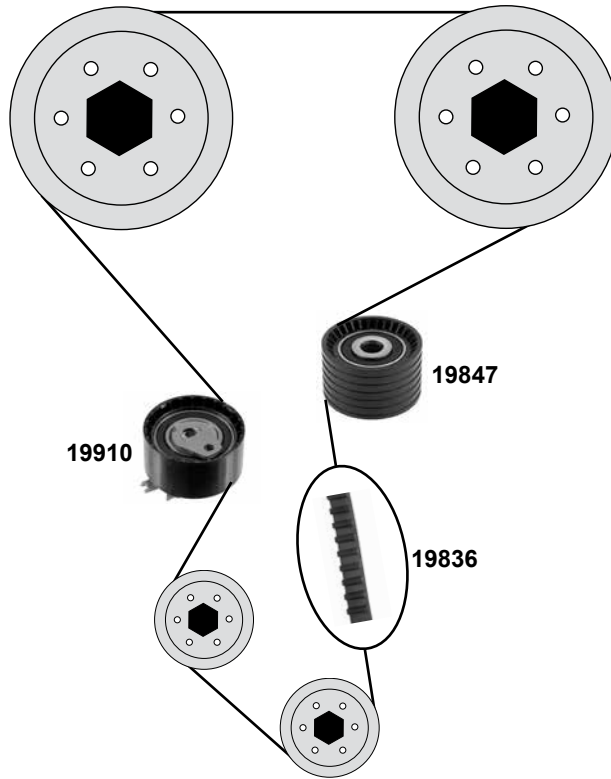
# NISSAN Kubistar (X76)

(03→)

Car  
Division 



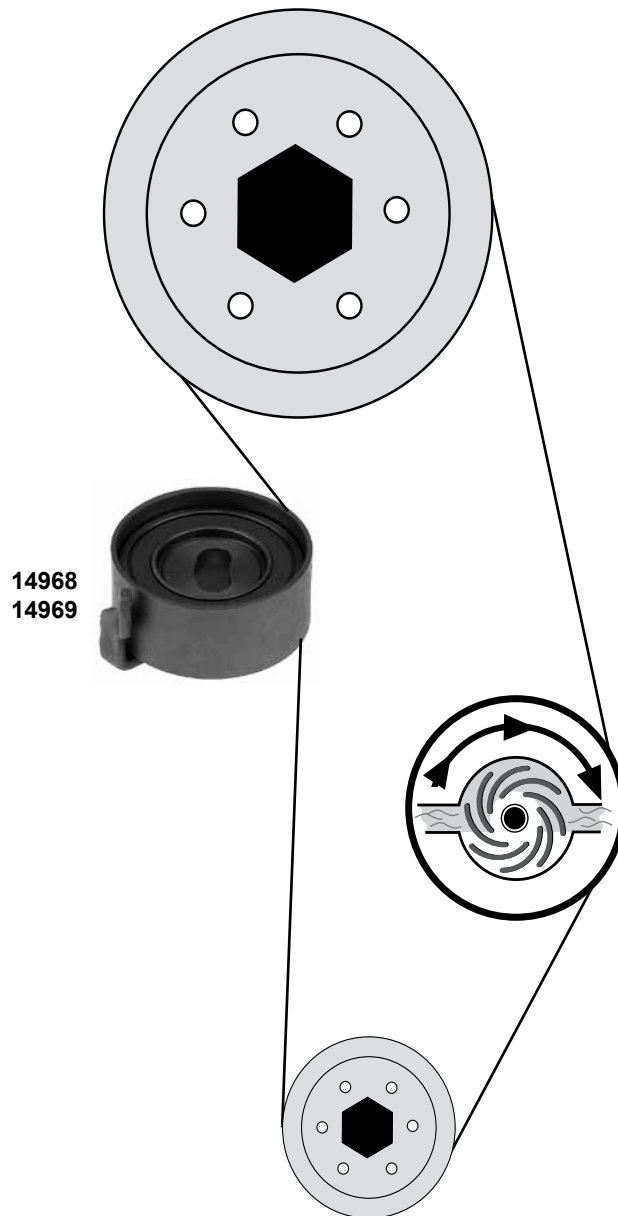
**1,4 16V**  
(K4M)



Ref. - No.

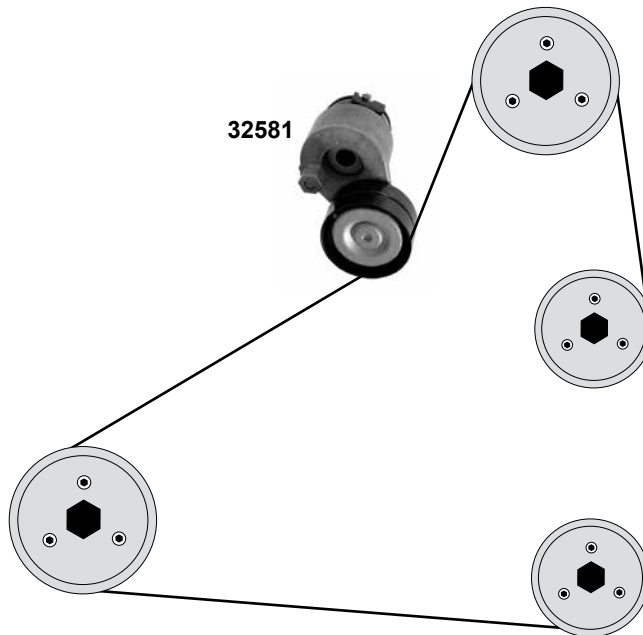
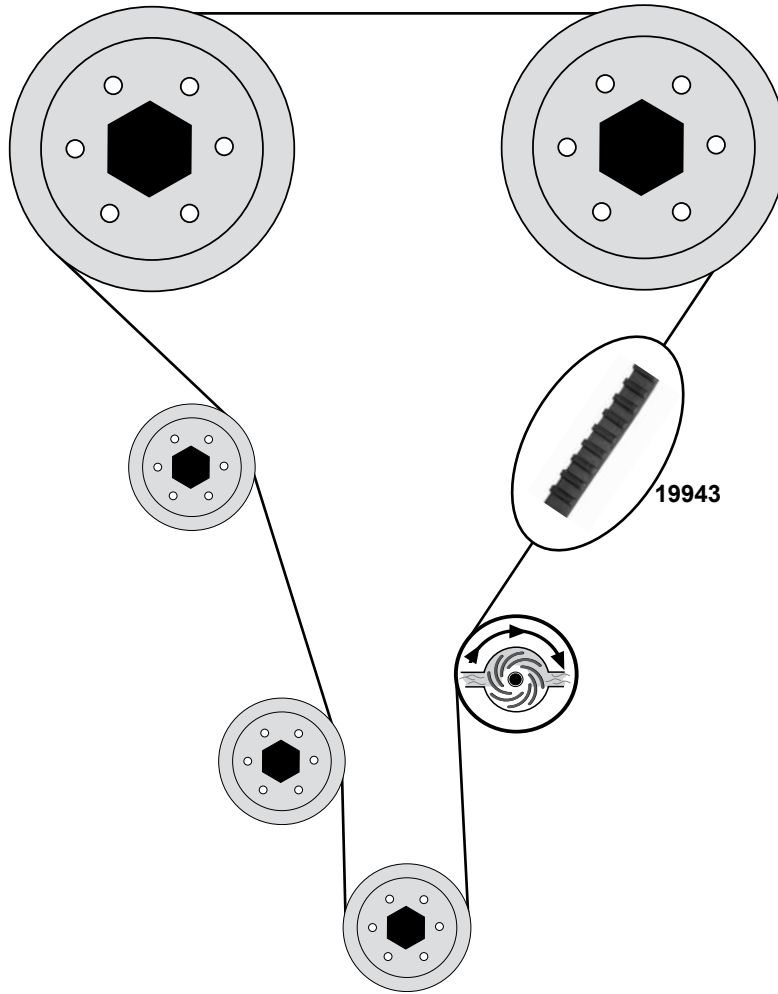


<b>19836</b>	16806-00QA1	Zahnriemen / timing belt		Z 132 B27
<b>19847</b>	13070-00QAA	Umlenkrolle / deflection pulley		ØA 54 B32
<b>19910</b>	13070-00QAB	Spannrolle / tension roller		ØA 56 B32
<b>19918</b>	16806-00QAB	Rep. Satz Zahnriemen / rep. kit timing belt		
<b>21033</b>	11927-00QAA	Umlenkrolle / deflection pulley	AC	ØA 60,2 B25,5





**2,0**  
(F4R)



Ref. - No.



19943  
32581

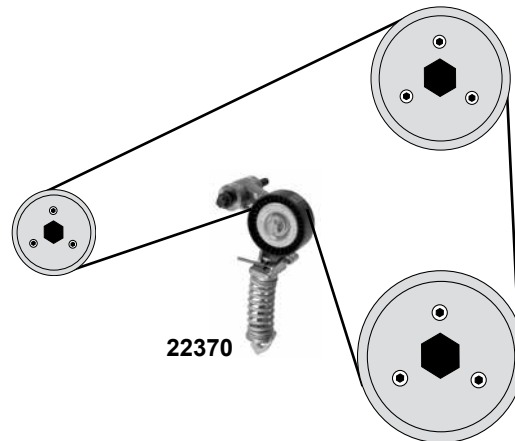
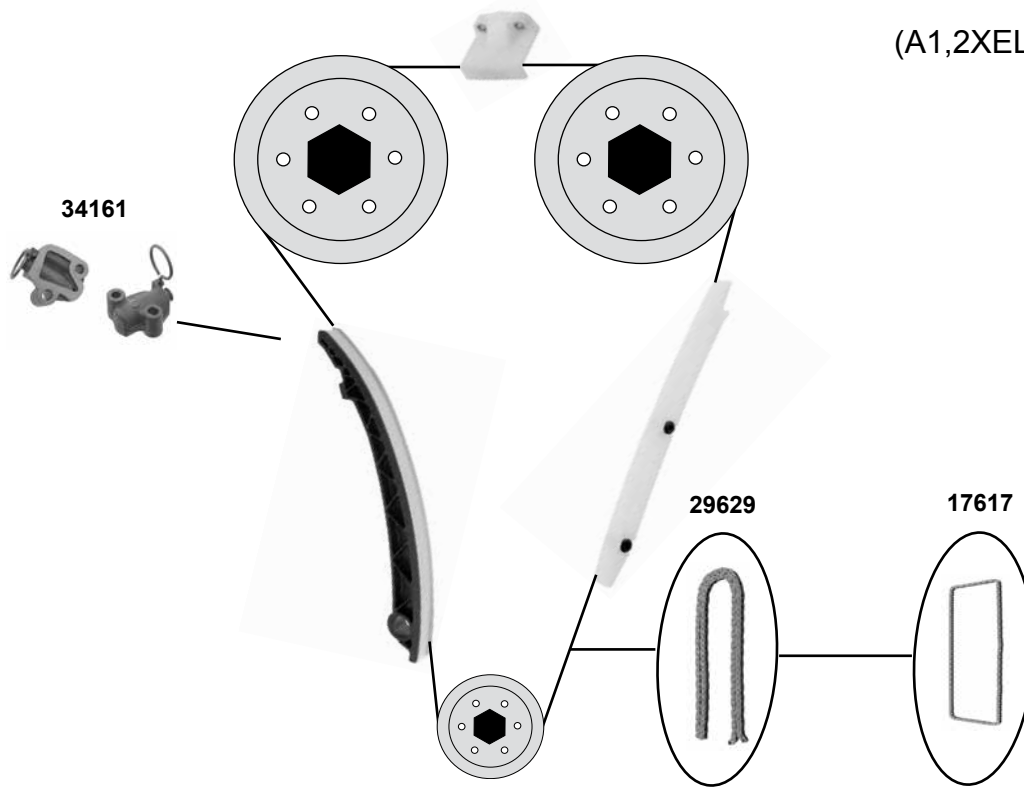
16806-00Q0F  
11750-00Q0A

Zahnriemen / timing belt  
Riemenspanner / belt tensioner

→05  
(ex.) AC

Z 126 B 27  
ØA65

**1,2 / 1,4**  
(A1,2XEL / A1,4XEL / A1,4XER)



(1) Steuerkette geschlossen / timing chain endless

(2) Spezialwerkzeug zur Montage notwendig / Requires special tools for mounting



Ref. - No.



**17617**

5636 457

Steuerkette / timing chain

(1)

130 E

**22370**

1340 267

Riemenspanner / belt tensioner

(1)

70x24

**29629**

0637 241 S1

Steuerkette / timing chain

(2)

130 N

**34161**

0636 059

Kettenspanner / chain tensioner

(1)

130 E

**34162**

0637 241 S2

Rep. Satz Steuerkette / rep. kit timing chain

(1)

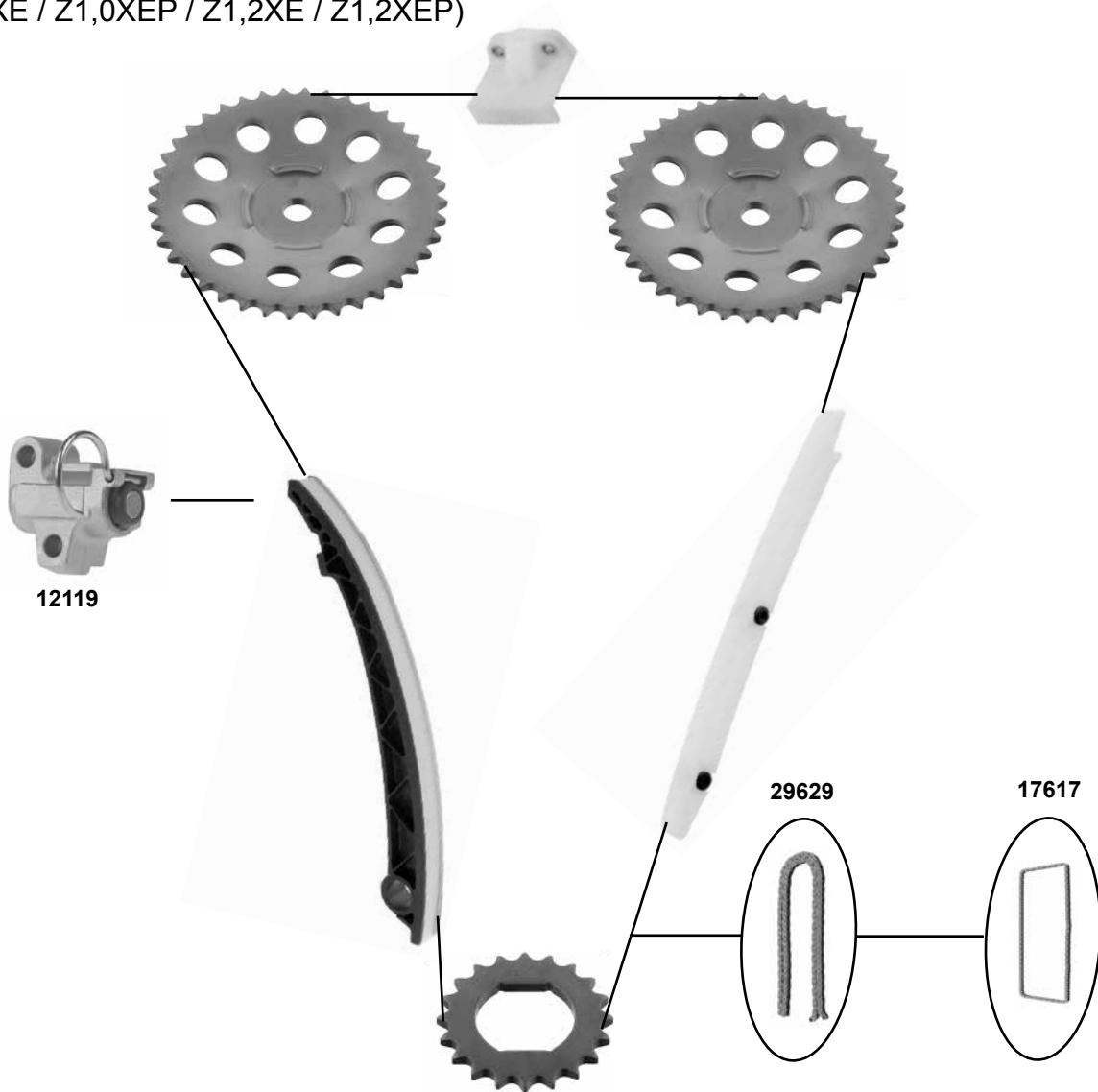
130 E

# OPEL Agila A (00→08)

Car  
Division



**1,0 12V / 1,2 16V**  
(Z1,0XE / Z1,0XEP / Z1,2XE / Z1,2XEP)



Rep. Satz / rep. kit

**febi 30372**

Rep. Satz / rep. kit

**febi 33040**

Rep. Satz / rep. kit

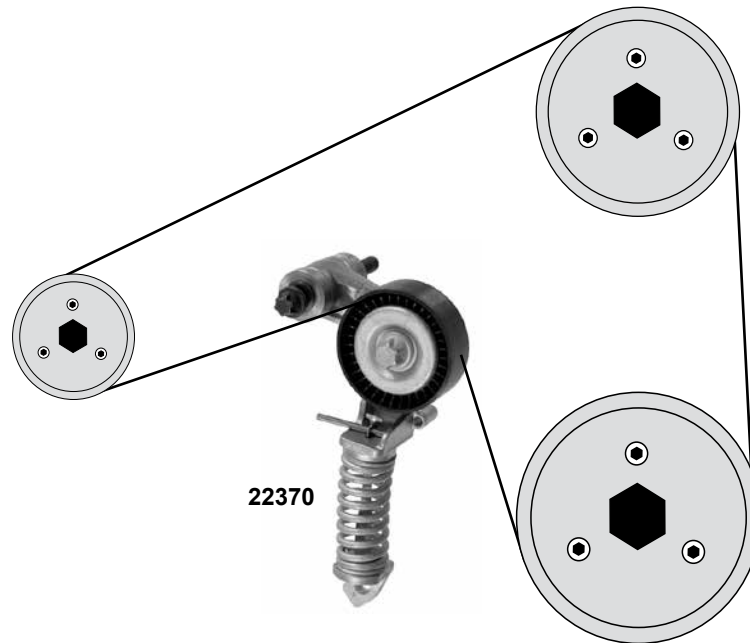
**febi 33080**

Rep. Satz / rep. kit

**febi 33082**

**1,0 12V / 1,2 16V**

(Z1,0XE / Z1,0XEP / Z1,2XE / Z1,2XEP / B1,2XEL / B1,4XEL / B1,4XER)



(1) Steuerkette geschlossen / timing chain endless

(2) Steuerkette offen / timing chain open

(3) Steuerkette geschlossen und mit Steuerkettenradsatz / timing chain endless and with control chain wheel kit

(4) Steuerkette geschlossen mit Dichtung / timing chain endless with gasket

(5) Steuerkette geschlossen mit Dichtung und Steuerkettenradsatz / timing chain endless with gasket and control chain wheel kit

(6) Spezialwerkzeug zur Montage notwendig / Requires special tools for mounting



Ref. - No.



	Ref. - No.			
<b>12119</b>	5636 457	Kettenspanner / chain tensioner		
<b>17617</b>	0637 241	Steuerkette / timing chain	(1)	130 E
<b>22370</b>	1340 267	Riemenspanner / belt tensioner		70x24
<b>29629</b>	0637 241 S1	Steuerkette / timing chain	(2) (6)	130 N
<b>30372</b>	6606 022 SK1	Rep. Satz Steuerkette / rep. kit timing chain	(1)	130 E
<b>33040</b>	6606 022	Rep. Satz Steuerkette / rep. kit timing chain	(3)	130 E
<b>33080</b>	6606 022 SK3	Rep. Satz Steuerkette / rep. kit timing chain	(4)	130 E
<b>33082</b>	6606 022 S2	Rep. Satz Steuerkette / rep. kit timing chain	(5)	130 E

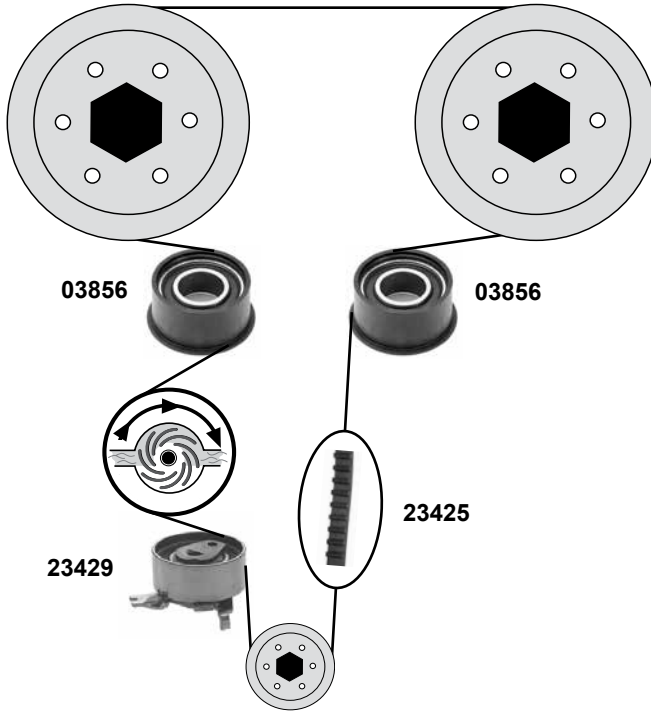


# OPEL Antara

(06→)

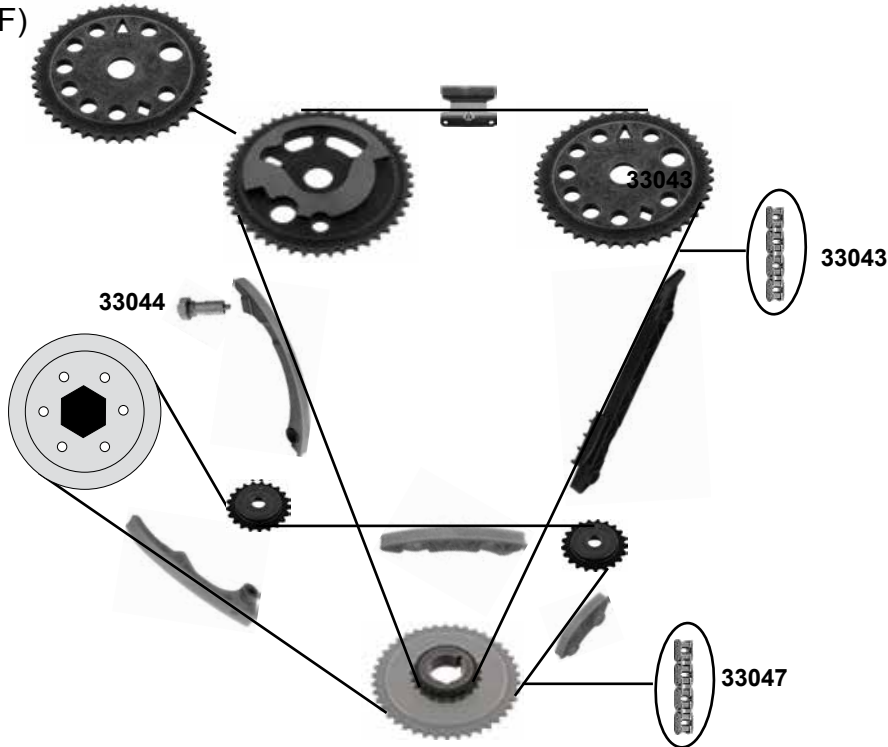
## 2,4

(Z 2,4 XE)



## 2,4

(A 2,4 XE / A 2,4 XF)

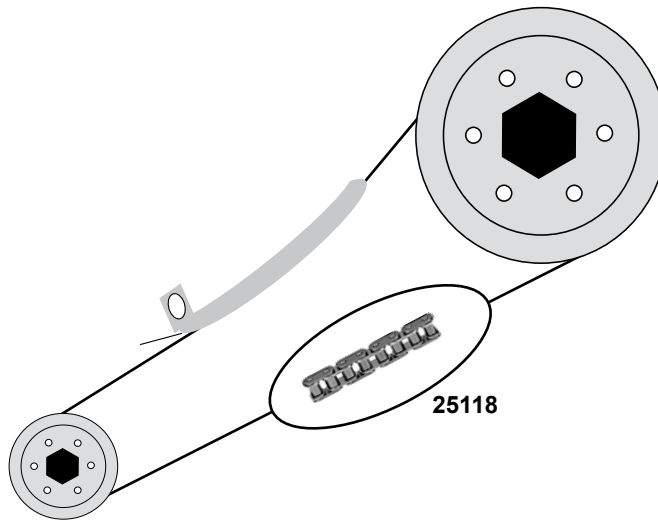


Ref. - No.

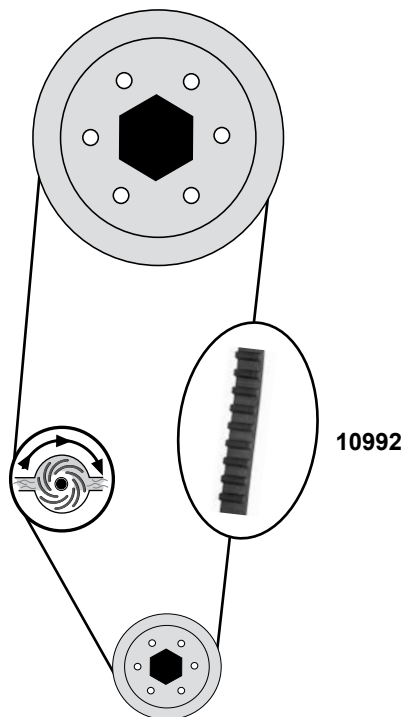


<b>03856</b>	5636 425	Umlenkrolle / deflection pulley	ØA 52,5 B27
<b>23425</b>	4805292	Zahnriemen / timing belt	Z 171
<b>23427</b>	1606 198	Rep. Satz Zahnriemen / rep. kit timing belt	Z 171
<b>23429</b>	0636 729	Spannrolle / tension roller	ØA 59 B27
<b>33043</b>	5636 396	Steuerkette endlos / timing chain endless	148 E
<b>33044</b>	4807 839	Kettenspanner / chain tensioner	
<b>33047</b>	5636 381	Steuerkette / timing chain	134 E

**1,2**  
(CIH)



**1,3**  
(N/S)



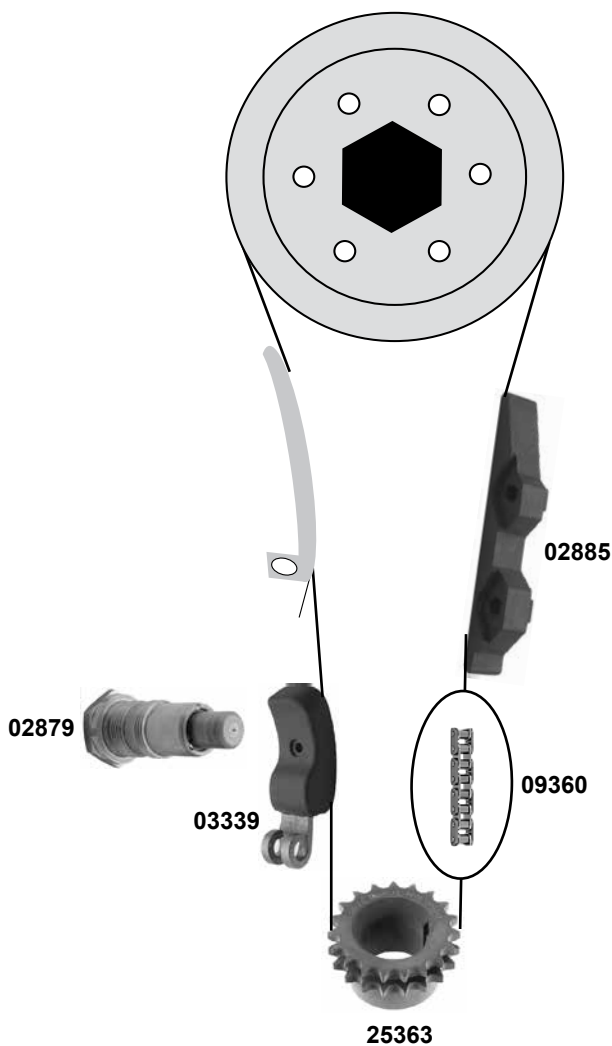
# OPEL Ascona B/ Manta B

(76→81)

Car  
Division



**1,6→2,0**  
(CIH)



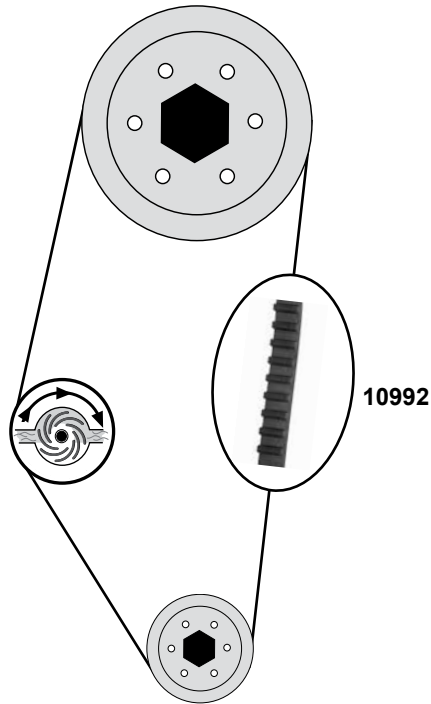
Ref. - No.



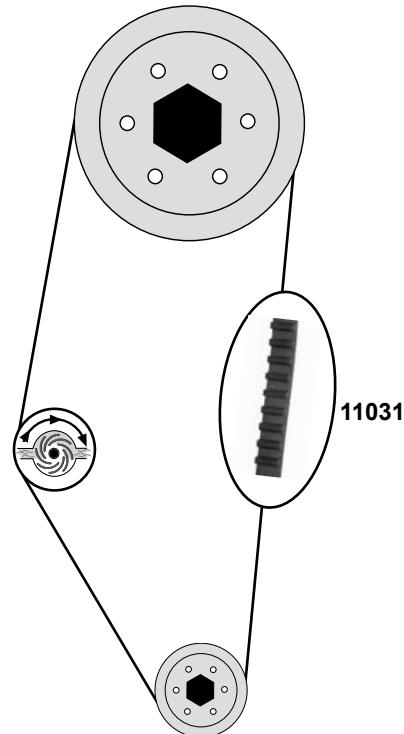
<b>02879</b>	0636 377	Kettenspanner / chain tensioner
<b>02885</b>	0636 812	Gleitschiene / sliding rail
<b>03339</b>	0636 700	Gleitschiene / sliding rail
<b>09360</b>	0636 353	Steuerkette / timing chain
<b>25363</b>	1606 109 SK	Kurbelwellenzahnrad / crankshaft gear

D 455 / 88 E  
Z 19

**1,3 / 1,3 N / 1,3 S**



**1,6→2,0**  
(C1,6N /S/ SH/1,8/2,0)



# OPEL Astra F

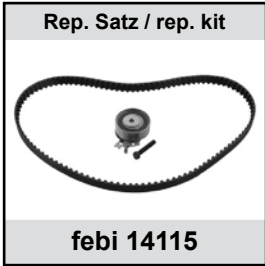
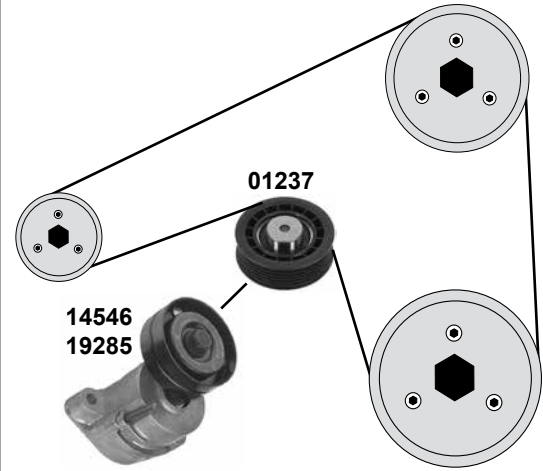
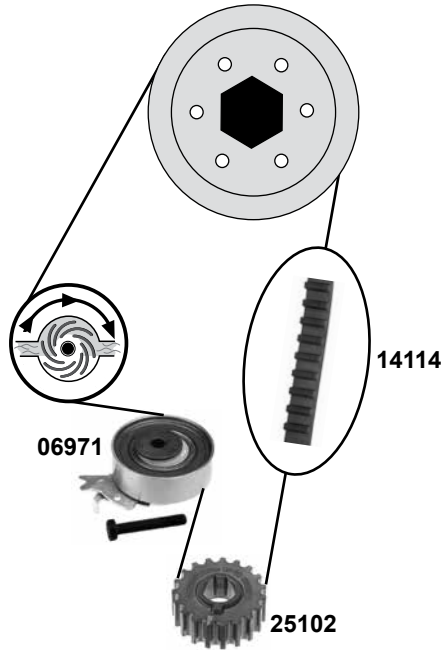
(92→98)

Car  
Division



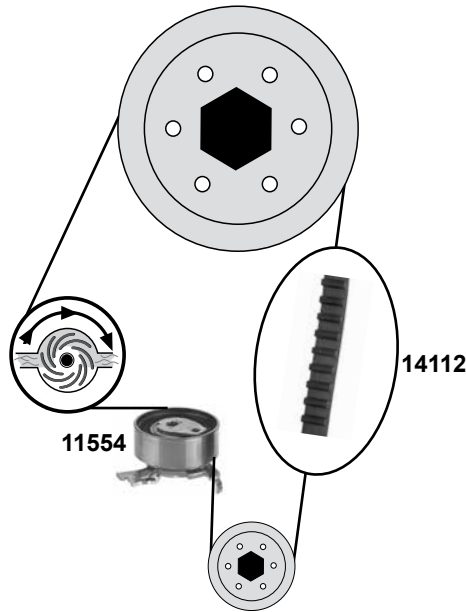
## 1,4 8V / 1,6 8V

((ex.) LZ2 / NZ2)



## 1,6 8V

(LZ2 / NZ2)



(1) (mot.) 1,4 SE: man. + AC / (ch.) → R 2642771, → R 5146295

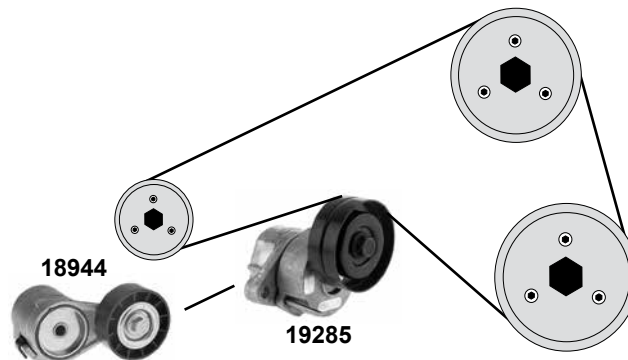
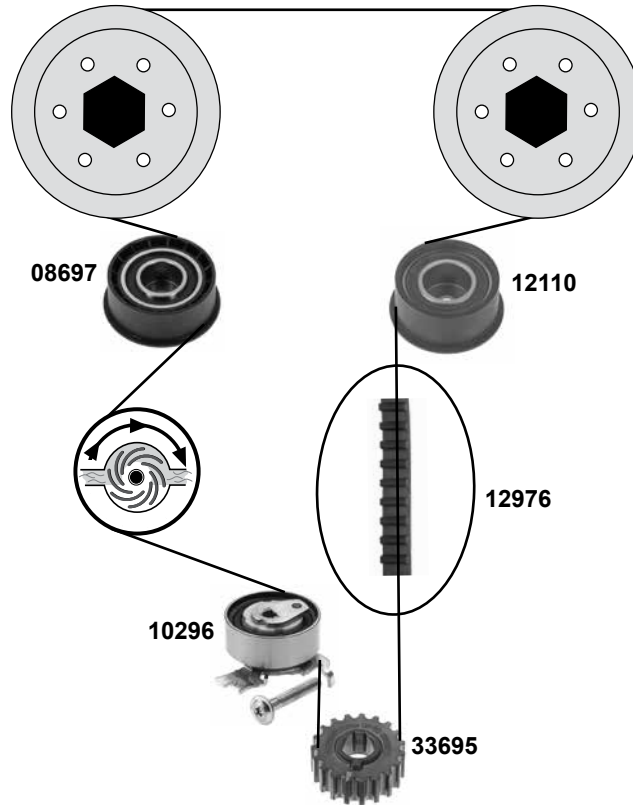
(2) man. + AC



Ref. - No.



Ref. - No.	Part Name	Notes	Dimensions
01237	Umlenkrolle / deflection pulley	(2)	ØA 80 B26,4
06971	Spannrolle / tension roller		Ø59 B 19
11554	Spannrolle / tension roller		ØA 59 B22
14112	Zahnriemen / timing belt		Z 146 B20
14113	Rep. Satz Zahnriemen / rep. kit timing belt		
14114	Zahnriemen / timing belt		Z 111 B17
14115	Rep. Satz Zahnriemen / rep. kit timing belt		
14546	Riemenspanner / belt tensioner	(1)	
19285	Riemenspanner / belt tensioner	(ex.) AC	
25102	Kurbelwellenzahnrad / crankshaft gear		



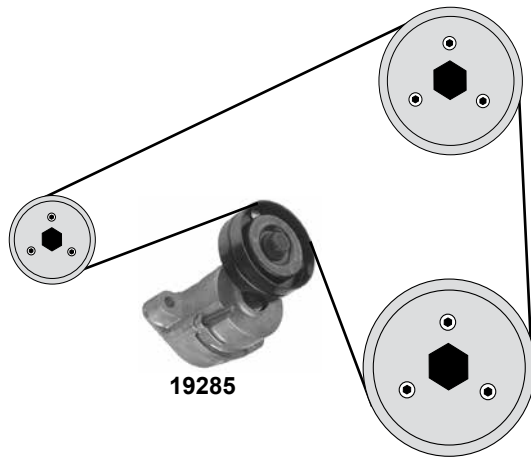
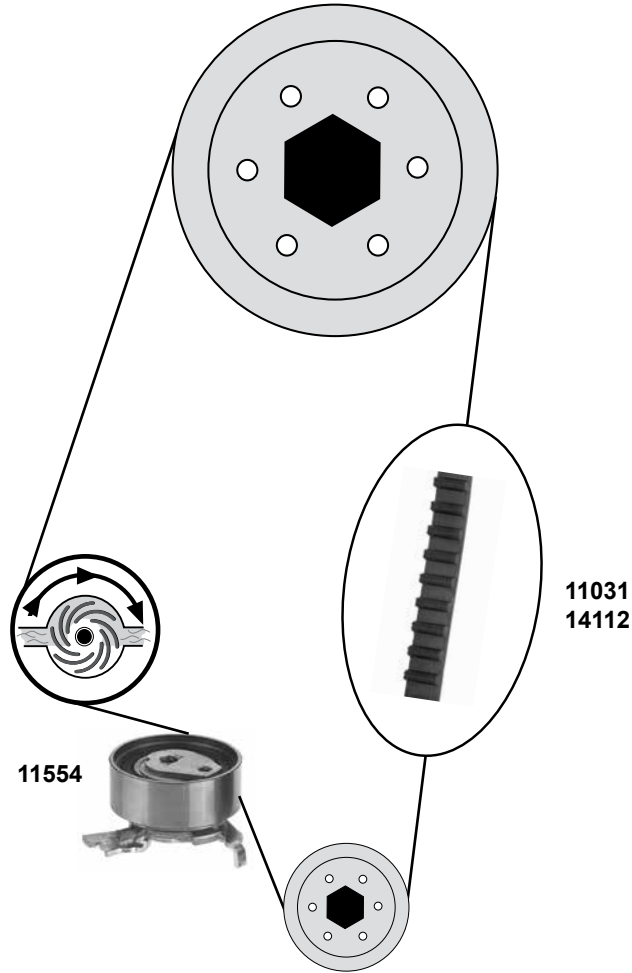
	Ref. - No.			
<b>08697</b>	5636 455	Umlenkrolle / deflection pulley		ØA 62,5 ØI 23
<b>10296</b>	5636 740	Spannrolle / tension roller		ØA 59 B22
<b>12110</b>	5636 427	Umlenkrolle / deflection pulley		ØA 58,5 B25
<b>12976</b>	5636 565	Zahnriemen / timing belt		Z 169 B20
<b>14110</b>	1606 274	Rep. Satz Zahnriemen / rep. kit timing belt		
<b>18944</b>	1206 990	Riemenspanner / belt tensioner	man.  (ex.) AC	
<b>19285</b>	6340 532	Riemenspanner / belt tensioner	servo  / AC	
<b>21098</b>	1606 190	Rep. Satz Zahnriemen / rep. kit timing belt		
<b>33695</b>	0614 546	Kurbelwellenzahnrad / crankshaft gear		Z 23

# OPEL Astra F (92→98)

Car  
Division 



**1,8 8V / 2,0 8V**  
(C1,8 NZ / C2,0 NE)



(1) 1,8 (mot.) → 14254438, 2,0 (mot.) → 14608700

(2) 1,8 (mot.) 14254439 →, 2,0 (mot.) 14608701 →




Ref. - No.

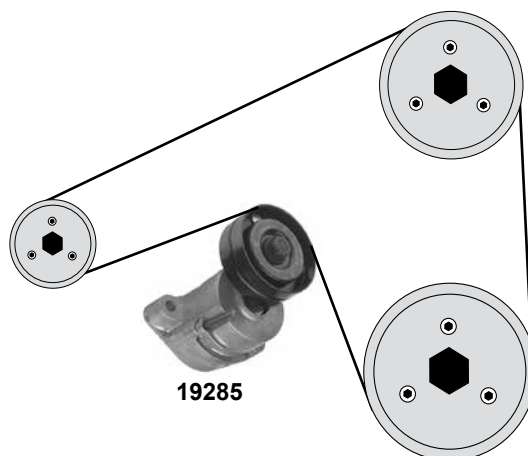
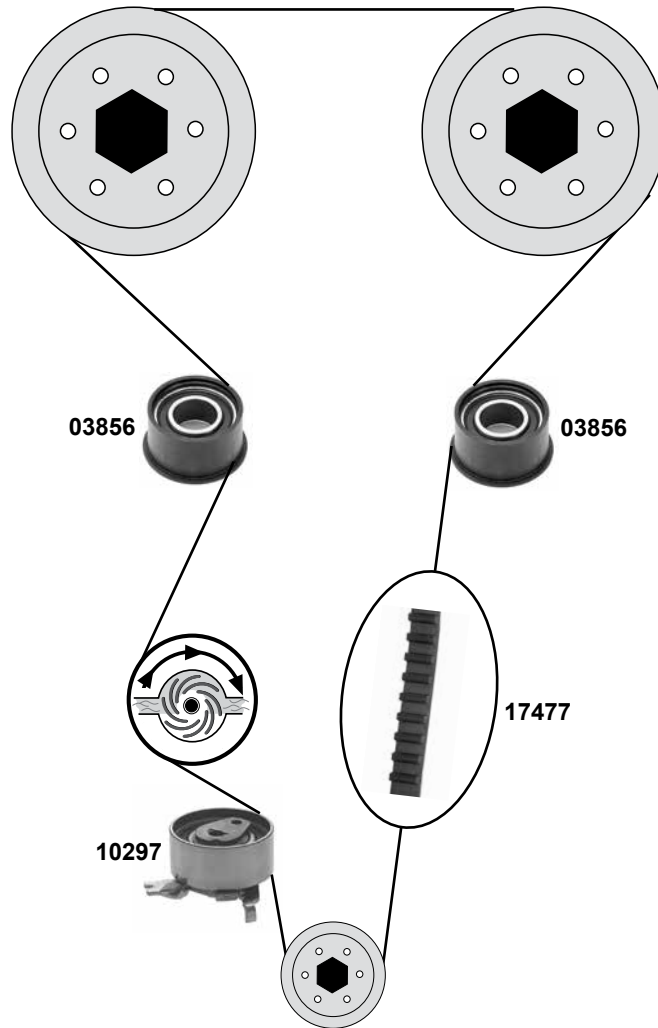


**11031** 0636 565  
**11554** 5636 429  
**14112** 5636 562  
**14113** 5636 562S1  
**19285** 6340 532

Zahnriemen / timing belt  
Spannrolle / tension roller  
Zahnriemen / timing belt  
Rep. Satz Zahnriemen / rep. kit timing belt  
Riemenspanner / belt tensioner

(1)  
(2)  
(2)  
servo  + AC

Z 111 B20  
ØA 59 B22  
Z 146 B20



Ref. - No.



**03856**  
**10297**  
**17477**  
**17478**  
**19285**

5636 425  
5636 738  
5636 363  
1606 192  
6340 532

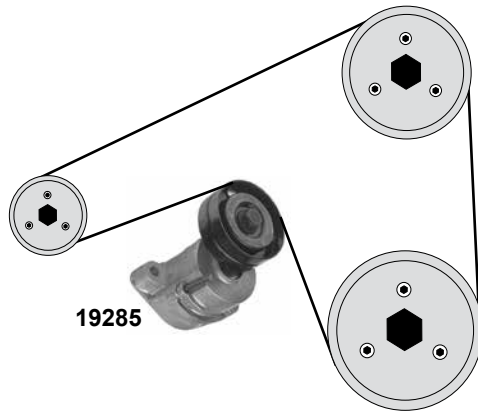
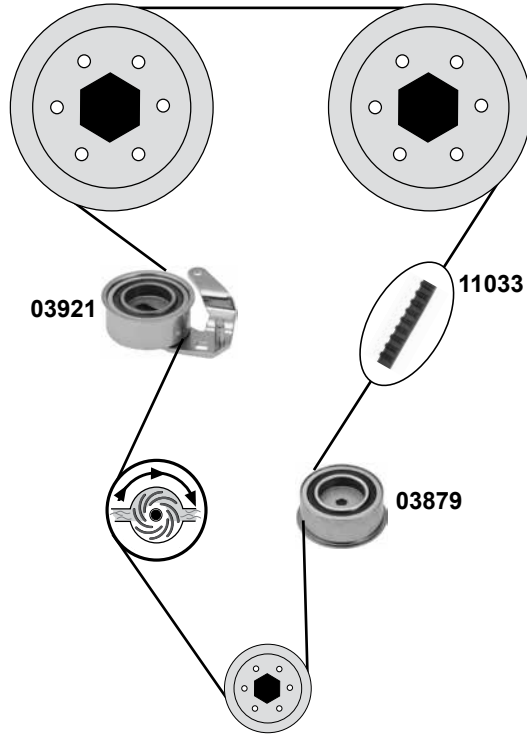
Umlenkrolle / deflection pulley  
Spannrolle / tension roller  
Zahnriemen / timing belt  
Rep. Satz Zahnriemen / rep. kit timing belt  
Riemenspanner / belt tensioner

ØA 58,5 B29,5  
ØA 59 B26  
Z 169 B24



**2,0 16V**

(mot.)→14142838



Ref. - No.

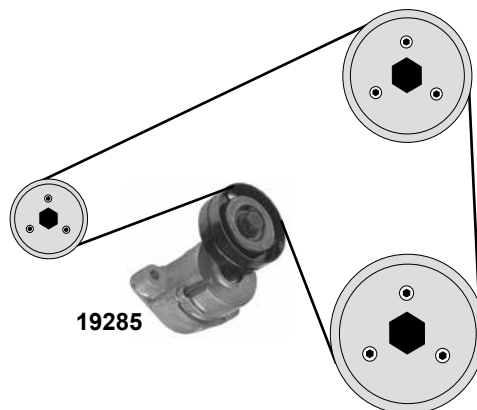
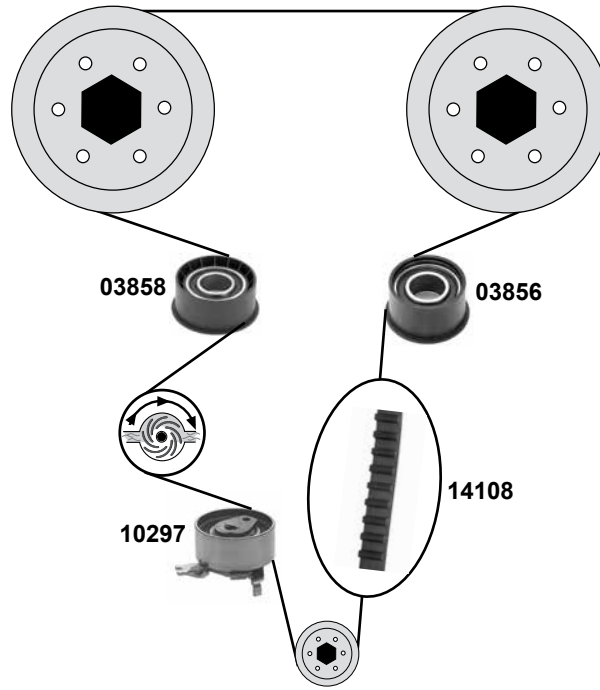


<b>03879</b>	0636 423
<b>03921</b>	0636 732
<b>11033</b>	0636 567
<b>11041</b>	1606 197
<b>19285</b>	6340 532

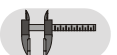
Umlenkrolle / deflection pulley
Spannrolle / tension roller
Zahnriemen / timing belt
Rep. Satz Zahnriemen / rep. kit timing belt
Riemenspanner / belt tensioner

ØA 67 B27
ØA 67 B27
Z 141 B24

(mot.) 14142839→



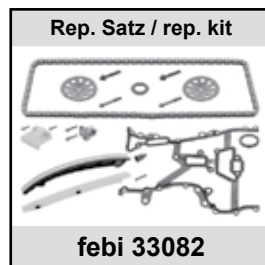
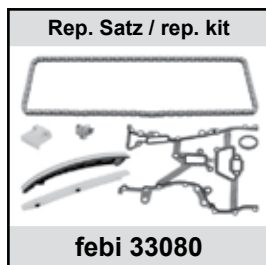
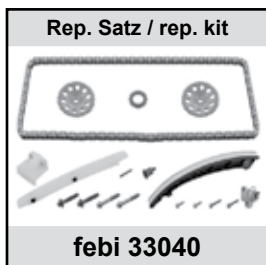
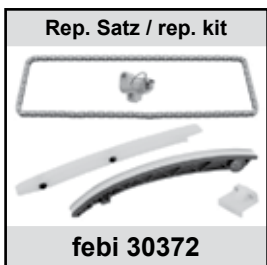
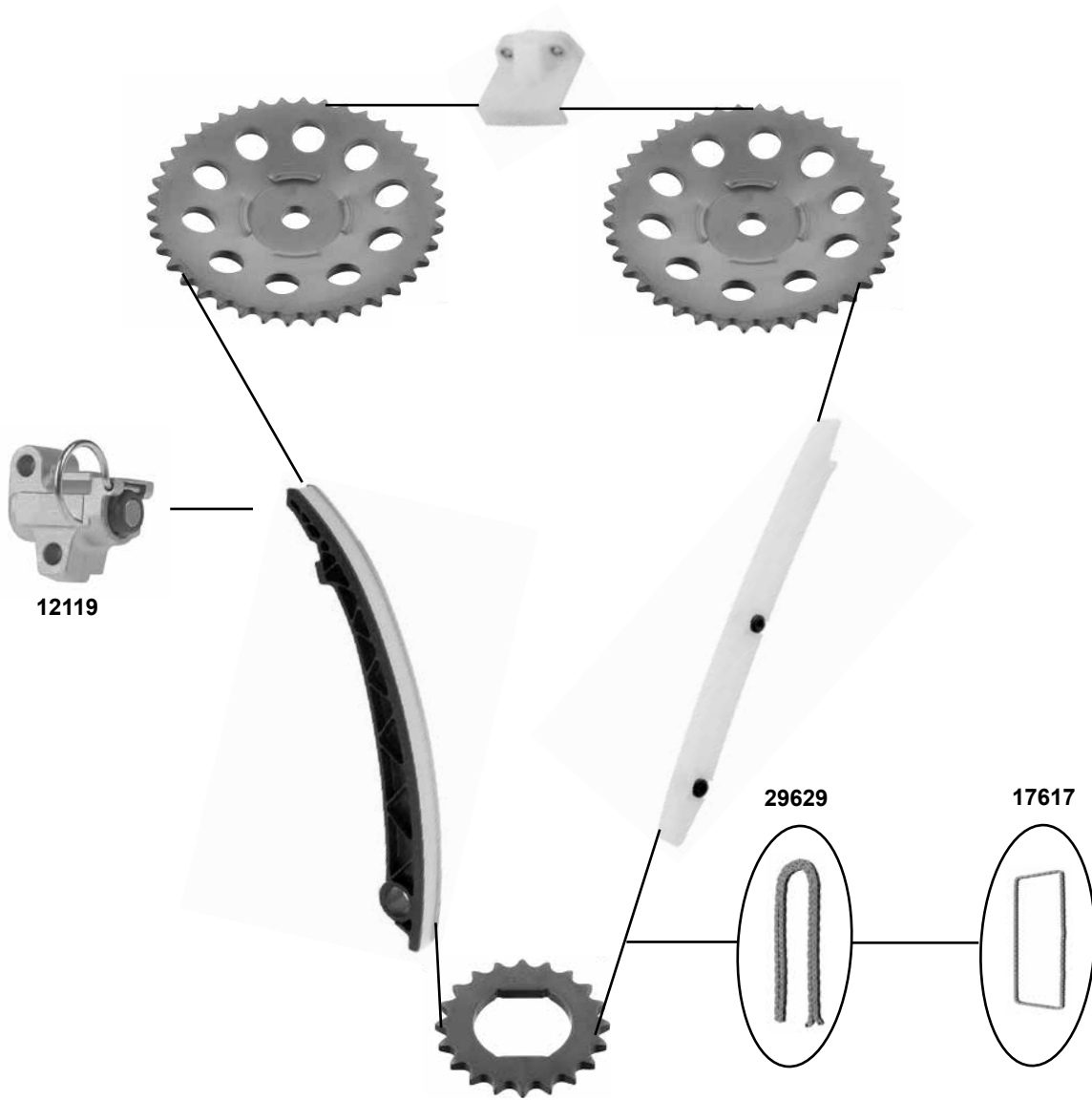
Ref. - No.

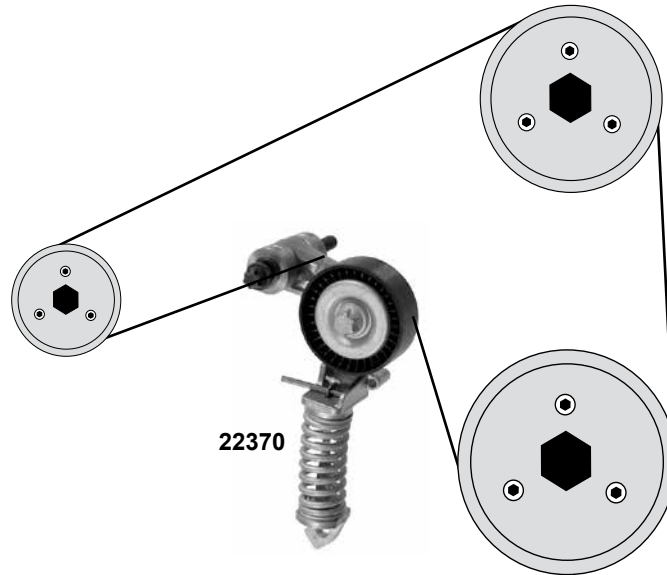


<b>03856</b>	5636 425	Umlenkrolle / deflection pulley	ØA 58,5 B29,5
<b>03858</b>	0636 416	Umlenkrolle / deflection pulley	ØA 62,7 B27
<b>10297</b>	5636 738	Spannrolle / tension roller	ØA 59 B26
<b>14108</b>	5636 355	Zahnriemen / timing belt	Z 176 B24
<b>14109</b>	1606 193	Rep. Satz Zahnriemen / rep. kit timing belt	
<b>19285</b>	6340 532	Riemenspanner / belt tensioner	

# OPEL Astra G (98→04)

**1,2 / 1,4**  
( X1,2XE / Z1,2XE / Z1,4XEP )





22370

- (1) Steuerkette geschlossen / timing chain endless  
 (2) Steuerkette offen / timing chain open  
 (3) Steuerkette geschlossen und mit Steuerkettenradsatz / timing chain endless and with control chain wheel kit  
 (4) Steuerkette geschlossen mit Dichtung / timing chain endless with gasket  
 (5) Steuerkette geschlossen mit Dichtung und Steuerkettenradsatz / timing chain endless with gasket and control chain wheel kit  
 (6) Spezialwerkzeug zur Montage notwendig / Requires special tools for mounting



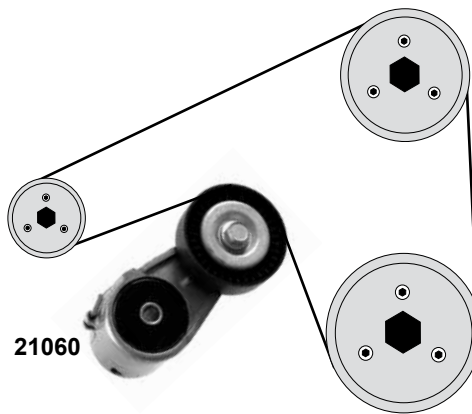
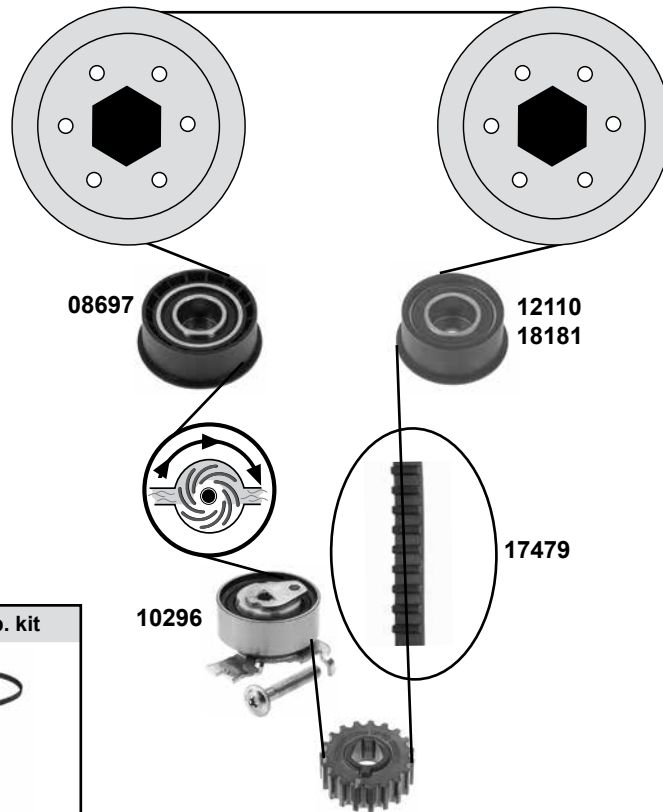
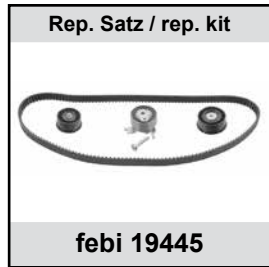
Ref. - No.



Ref. - No.	Description	Notes	Part No.
12119	5636 457 Kettenspanner / chain tensioner		
17617	0637 241 Steuerkette / timing chain	(1)	130 E
22370	1340 267 Riemenspanner / belt tensioner		70x24
29629	0637 241 S1 Steuerkette / timing chain	(2) (6)	130 N
30372	6606 022 SK1 Rep. Satz Steuerkette / rep. kit timing chain	(1)	130 E
33040	6606 022 Rep. Satz Steuerkette / rep. kit timing chain	(3)	130 E
33080	6606 022 SK3 Rep. Satz Steuerkette / rep. kit timing chain	(4)	130 E
33082	6606 022 S2 Rep. Satz Steuerkette / rep. kit timing chain	(5)	130 E



## 1,4 16V (X1,4XE / Z1,4XE)



(1) (mot.) 02HL5118 → 200416911 →

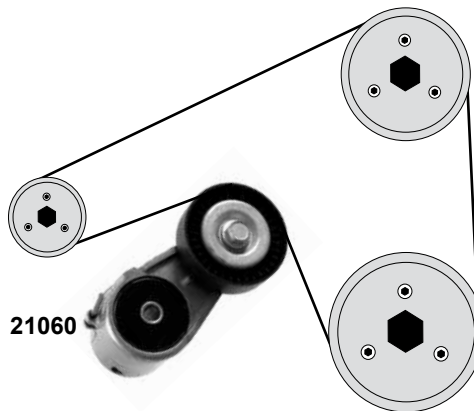
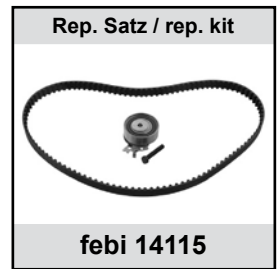
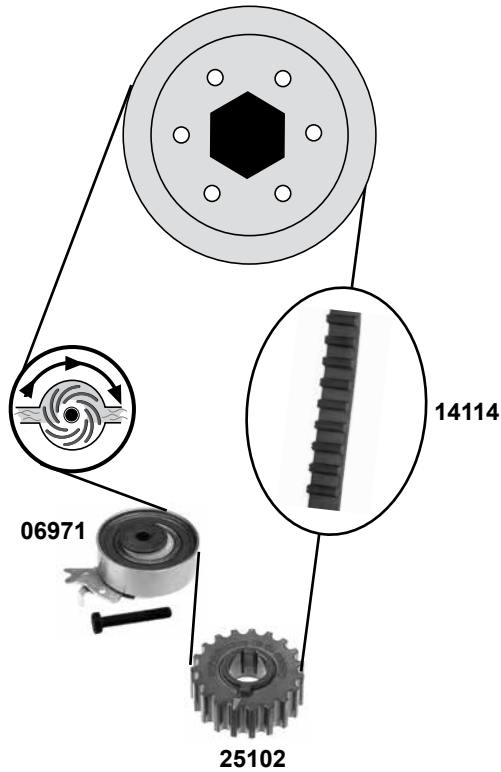
(2) (mot.) →02HL5117 → 20041690



Ref. - No.



Part No.	Ref. - No.	Description	Quantity	Dimensions
08697	5636 455	Umlenkrolle / deflection pulley		ØA 62,5
10296	0636 654	Spannrolle / tension roller		ØA 59 B22
12110	5636 427	Umlenkrolle / deflection pulley	(2)	52,5/58x 8/24x 22/25
17479	5636 564	Zahnriemen / timing belt		Z 162 B20
17480	1606 281	Rep. Satz Zahnriemen / rep. kit timing belt	(2)	
18181	5636 454	Umlenkrolle / deflection pulley	(1)	ØA 52,5 B27
19445	1606 306	Rep. Satz Zahnriemen / rep. kit timing belt	(1)	
21060	1340 555	Riemenspanner / belt tensioner		
21097	1606 189	Rep. Satz Zahnriemen / rep. kit timing belt		
33695	0614 546	Kurbelwellenzahnrad / crankshaft gear		Z 23



	Ref. - No.			
<b>06971</b>	5636 722	Spannrolle / tension roller		Ø59 B19
<b>14114</b>	5636 364	Zahnriemen / timing belt		Z 111 B17
<b>14115</b>	1606 369	Rep. Satz Zahnriemen / rep. kit timing belt		
<b>21060</b>	1340 555	Riemenspanner / belt tensioner		
<b>25102</b>	0614 526	Kurbelwellenzahnrad / crankshaft gear		Z 19

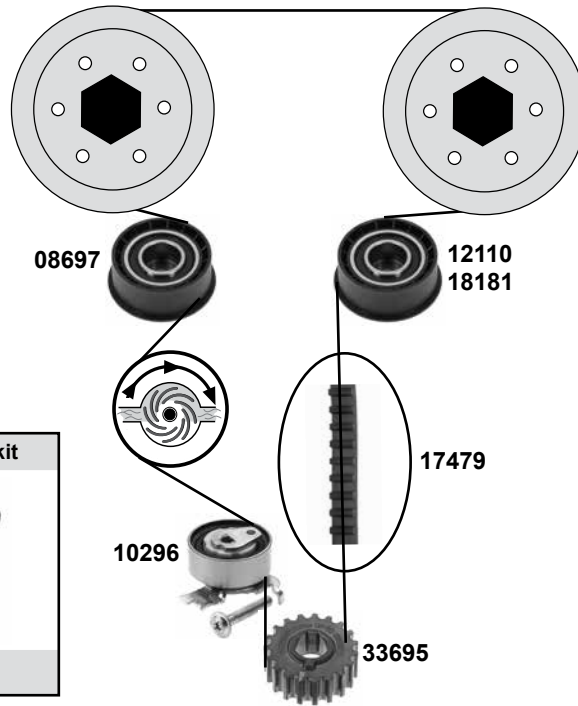
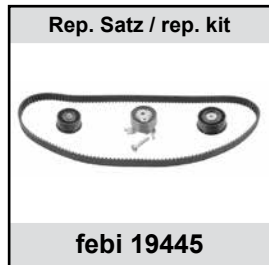
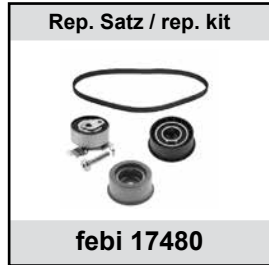
# OPEL Astra G (98→04)

Car  
Division



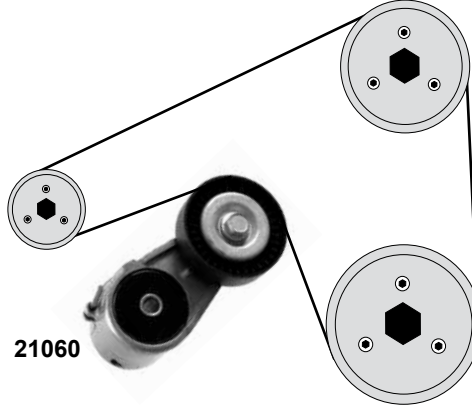
## 1,6 16V / 1,8 16V

(Z1,6YNG/Z1,6XE/Z1,6XEP/Z1,6XEL/C1,6SEL/X1,6XEL/X1,8XE1/Z1,8XE/Z1,8XEL,X1,8XE1)



## 1,6 16V / 1,8 16V

(Z1,6YNG/Z1,6XE/Z1,6SZR/C1,6SEL/X1,6XEL/Z1,6SEX1,8XE1/Z1,8XE/Z1,8XEL)



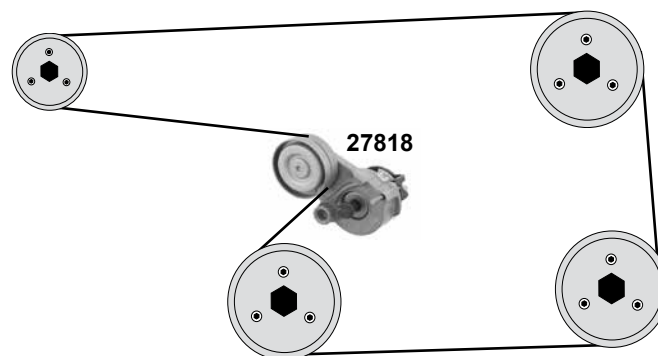
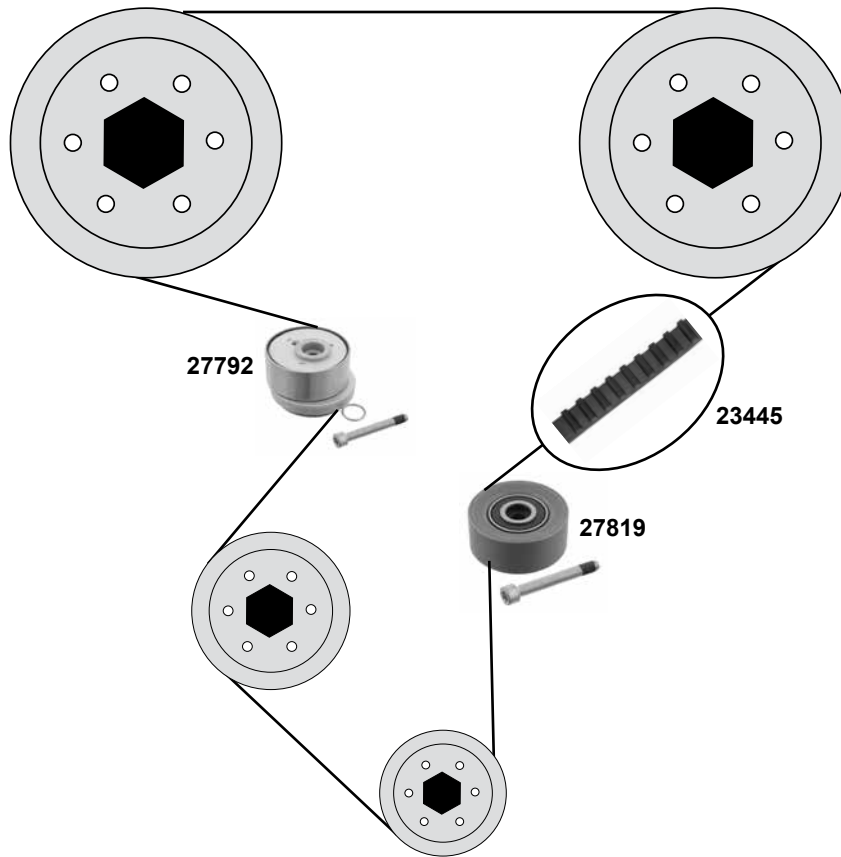
- (1) (mot.) C1,6SEL/Z1,6XEX1,6XEL/X1,8XE1/Z1,8XE (mot.)02HL5118→, 200416911→
- (2) (mot.)→02HL5117,→20041690 / (ex.) X1,8XE1
- (3) (mot.) Z1,6XE/X1,6XEL/Z1,8XEL/X1,8XE1/Z1,6YNG
- (4) (ex.) C1,6SEL / X1,8XE1



Ref. - No.



Part No.	Ref. - No.	Description	Notes	Dimensions
08697	5636 455	Umlenkrolle / deflection pulley	(ex.) X1,8XE1	ØA 62,5
10296	0636 654	Spannrolle / tension roller	(ex.) X1,8XE1	ØA 59 B22
12110	5636 427	Umlenkrolle / deflection pulley	(2) (ex.) C1,6SEL	52,5/58x 8/24x 22/25
17479	5636 564	Zahnriemen / timing belt	(ex.) X1,8XE1	Z 162 B20
17480	1606 281	Rep. Satz Zahnriemen / rep. kit timing belt	(2) (ex.) C1,6SEL	
18181	5636 454	Umlenkrolle / deflection pulley	(ex.) X1,8XE1	ØA 52,5 B27
19445	1606 306	Rep. Satz Zahnriemen / rep. kit timing belt	(1) (ex.) X1,8XE1	
21060	1340 555	Riemenspanner / belt tensioner	(4)	
21097	1606 189	Rep. Satz Zahnriemen / rep. kit timing belt	(3)	
33695	0614 546	Kurbelwellenzahnrad / crankshaft gear	(ex.) Z1,6XEL	Z 23



Ref. - No.



<b>23445</b>	5636 452	Zahnriemen / timing belt	(mot.) Z 1,6 XEP	Z 146 B24
<b>27792</b>	5636 486	Spannrolle / tension roller		ØA66 ØI8 B29
<b>27818</b>	1340 268	Riemenspanner / belt tensioner	(mot.) Z 1,6 XEP	ØA 63
<b>27819</b>	5636 978	Umlenkrolle / deflection pulley	(mot.) Z 1,6 XEP	ØA 61 B28
<b>27825</b>	1606 314	Rep. Satz Zahnriemen / rep. kit timing belt	(mot.) Z 1,6 XEP	Z 146 B24



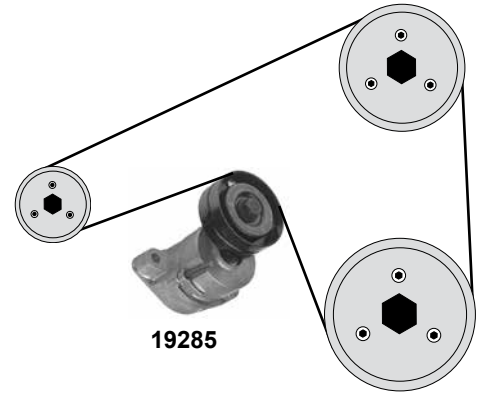
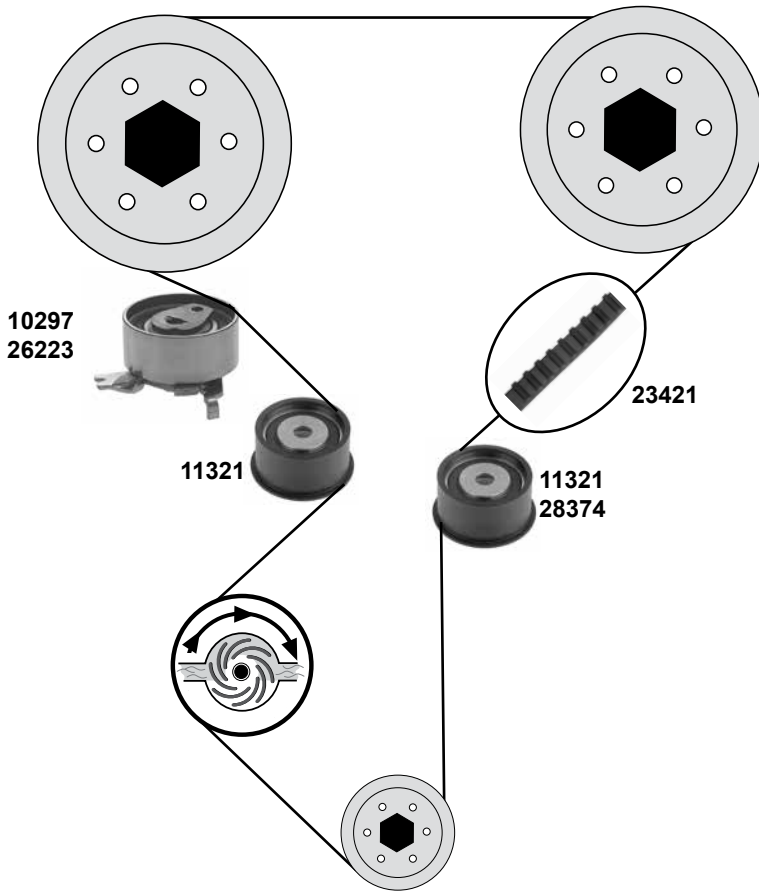
# OPEL Astra G (98→04)

Car  
Division

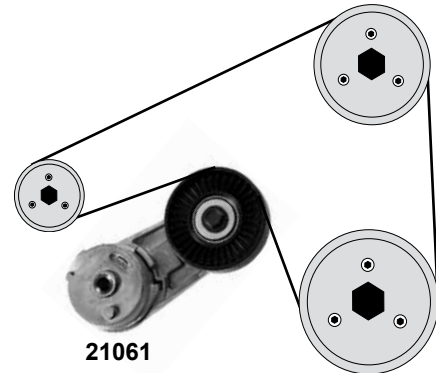


## 2,0 16V

(X 2,0XEV, X 2,0XER / Z2,0 LET)



## 2,2 16V (Z 2,2 SE)



Rep. Satz / rep. kit	Rep. Satz / rep. kit	Rep. Satz / rep. kit
febi 23423	febi 26224	febi 28375

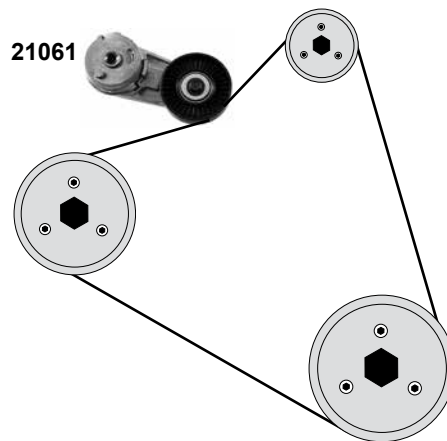
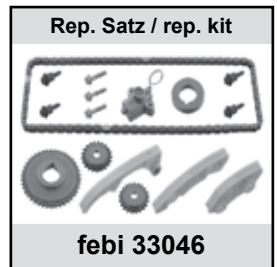
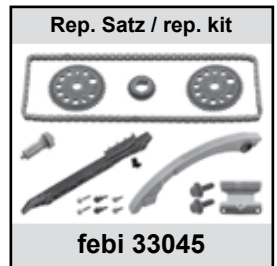
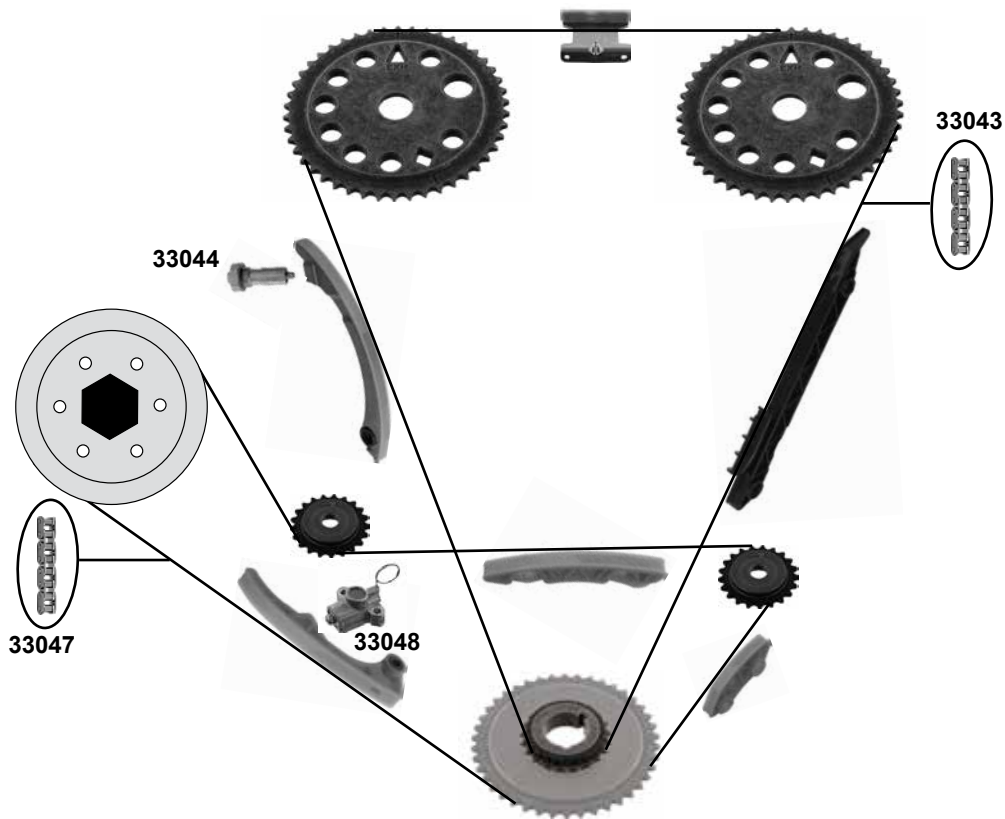
- (1) (ex.) (mot.) Z 2,0 LET / X 2,0 XER  
 (2) (mot.) Z 2,0 LET→3299999, 35999999, 36999999, 38999999, 3B9999999, 3H999999 /  
 (mot.) Z 2,0 XER alle / all  
 (3) (mot.) Z 2,0 LET 42000001 ,45000001,48000001, 4B000001, 4H000001→  
 (4) (ex.) (mot.) Z 2,0 LET 42000001 ,45000001,48000001, 4B000001, 4H000001→nur Auslaßseite /  
 only exhaust side (mot.) Z 2,0 XER alle / all (mot.)→ 02HL5117 →20041690



Ref. - No.



10297	5636 738	Spannrolle / tension roller	(1)	ØA 59 B26
11321	5636 423	Umlenkrolle / deflection pulley	(4)	ØA 54 B29,3
19285	6340 532	Riemenspanner / belt tensioner	AC	
21061	0614 533	Riemenspanner / belt tensioner		
23421	5636 566	Zahnriemen / timing belt		Z 168 B24
23423	1606 194	Rep. Satz Zahnriemen / rep. kit timing belt		Z 168 B24
26223	5636 746	Spannrolle / tension roller	(2)	ØA 59 B 26
26224	1606 196	Rep. Satz Zahnriemen / rep. kit timing belt	(2)	Z 168 B24
28374	5636 449	Umlenkrolle / deflection pulley	(3)	
28375	1606 305	Rep. Satz Zahnriemen / rep. kit timing belt	(3)	Z 168



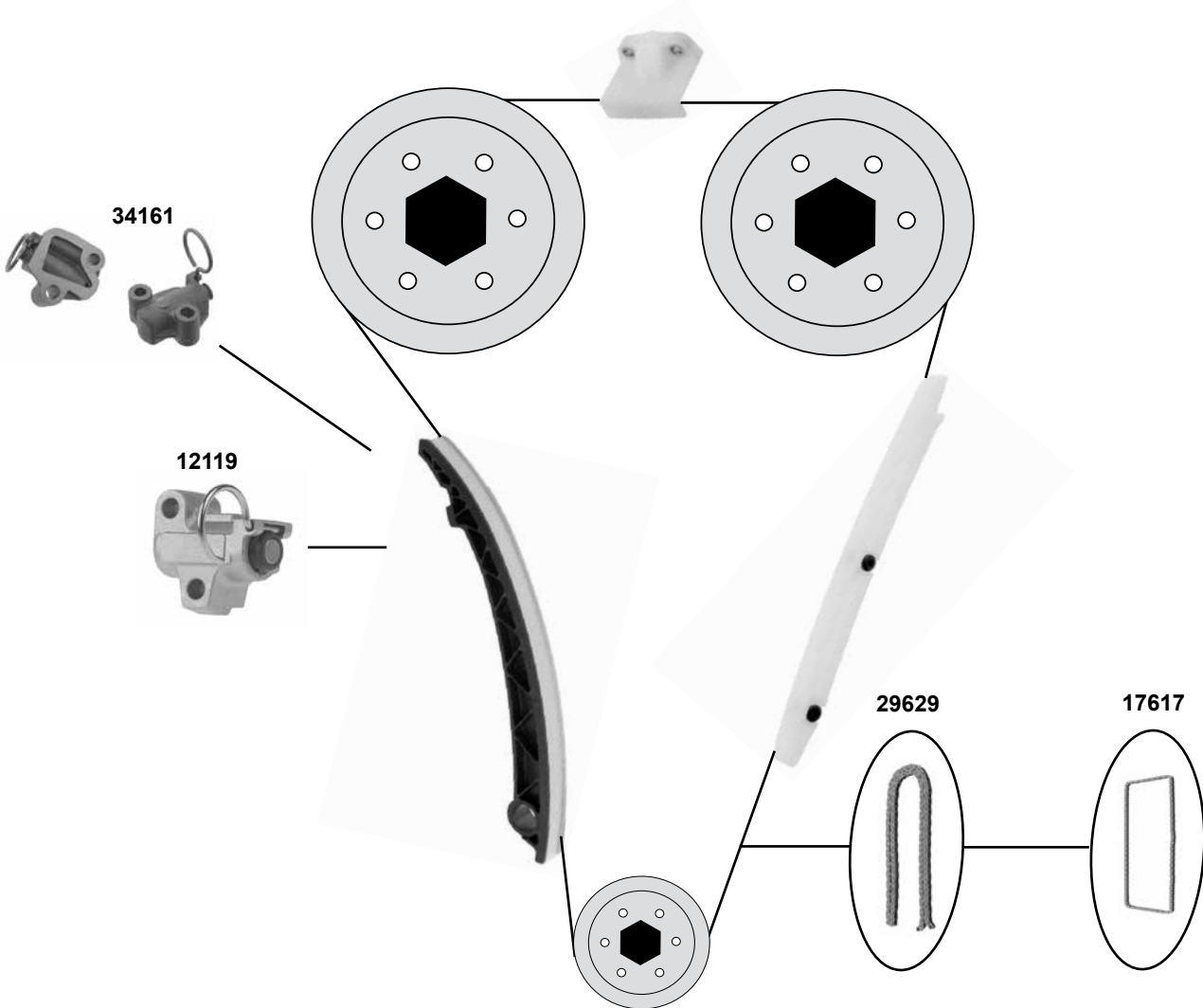
	Ref. - No.			
<b>21061</b>	0614 533	Riemenspanner / belt tensioner		
<b>33043</b>	5636 396	Steuerkette endlos / timing chain endless		148 E
<b>33044</b>	4807 839	Kettenspanner / chain tensioner		
<b>33045</b>	5636 400	Rep. Satz Steuerkette / rep. kit timing chain		148 E
<b>33046</b>	0615 418	Rep. Satz Steuerkette / rep. kit timing chain		134 E
<b>33047</b>	5636 381	Steuerkette endlos / timing chain endless		134 E
<b>33048</b>	5636 380	Kettenspanner / chain tensioner		

# OPEL Astra H (04→09)

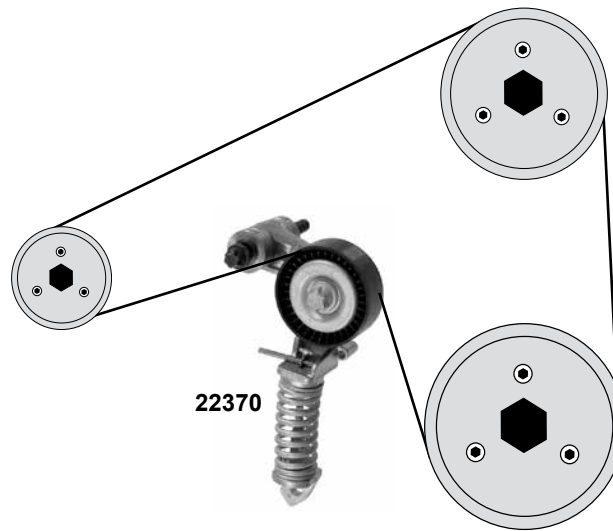
Car  
Division



**1,2 / 1,4**  
(Z1,2XE / Z 1,4 XEL / Z1,4XEP)



Rep. Satz / rep. kit	Rep. Satz / rep. kit	Rep. Satz / rep. kit	Rep. Satz / rep. kit	Rep. Satz / rep. kit
<b>febi 30372</b>	<b>febi 33040</b>	<b>febi 33080</b>	<b>febi 33082</b>	<b>febi 34162</b>



- (1) Steuerkette geschlossen / timing chain endless
- (2) Steuerkette offen / timing chain open
- (3) Steuerkette geschlossen und mit Steuerkettenradsatz / timing chain endless and with control chain wheel kit
- (4) Steuerkette geschlossen mit Dichtung / timing chain endless with gasket
- (5) Steuerkette geschlossen mit Dichtung und Steuerkettenradsatz / timing chain endless with gasket and control chain wheel kit
- (6) Spezialwerkzeug zur Montage notwendig / requires special tools for mounting
- (7) (mot.) Z 1,4 XEP → (mot) 19TR2328
- (8) (mot.) Z 1,4 XEP (mot) 19TR2329 →



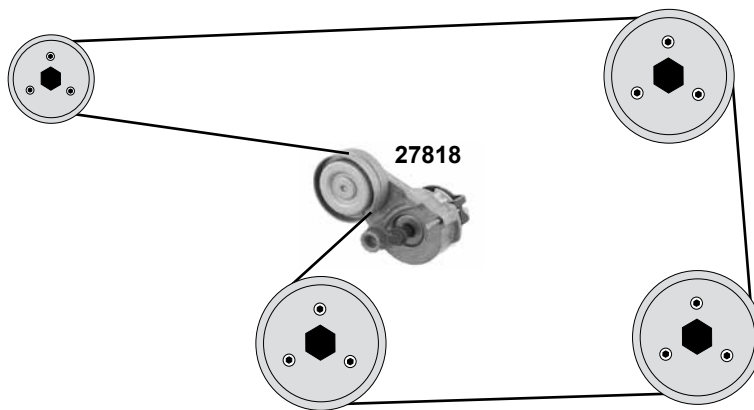
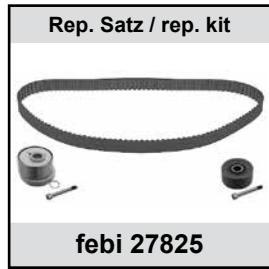
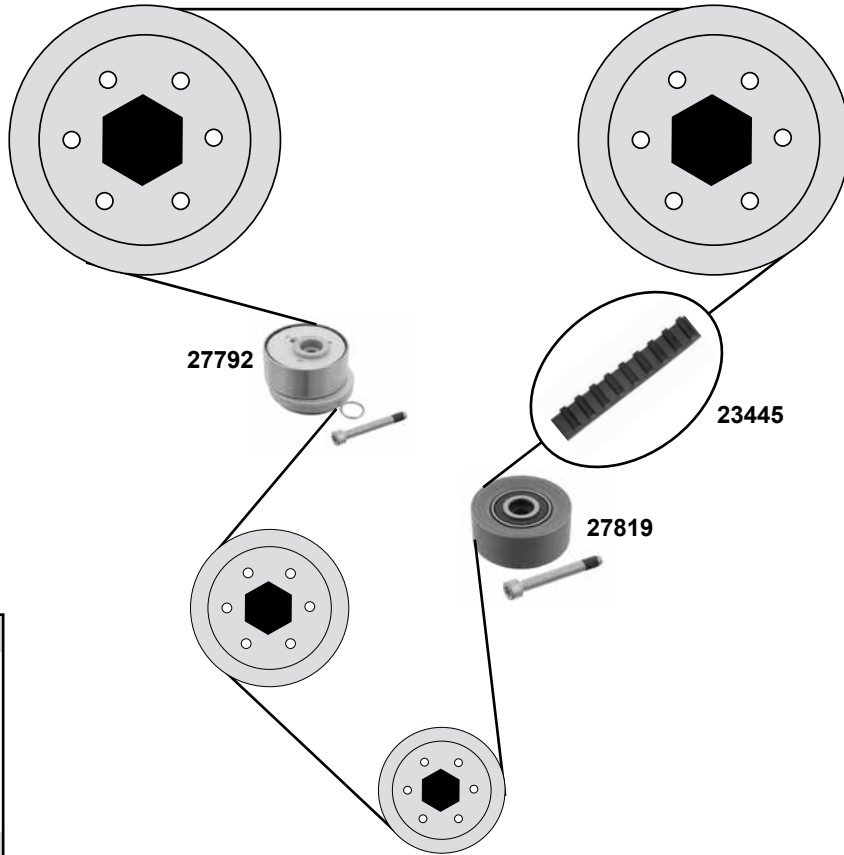
Ref. - No.



	Ref. - No.			
12119	5636 457	Kettenspanner / chain tensioner	(7)	
17617	0637 241	Steuerkette / timing chain	(1)	130 E
22370	1340 267	Riemenspanner / belt tensioner		70x24
29629	0637 241 S1	Steuerkette / timing chain	(2) (6)	130 N
30372	6606 022 SK1	Rep. Satz Steuerkette / rep. kit timing chain	(1) (7)	130 E
33040	6606 022	Rep. Satz Steuerkette / rep. kit timing chain	(3) (7)	130 E
33080	6606 022 SK3	Rep. Satz Steuerkette / rep. kit timing chain	(4) (7)	130 E
33082	6606 022 S2	Rep. Satz Steuerkette / rep. kit timing chain	(5) (7)	130 E
34161	0636 059	Kettenspanner / chain tensioner	(8)	
34162	0637 241 S2	Rep. Satz Steuerkette / rep. kit timing chain	(1) (8)	130 E

**1,6 16V / 1,8 16V**

(A1,6LET / Z1,6XEP / Z1,6LET / Z1,6XE1 / A1,6XER / Z1,6XER / A1,8XER / Z1,8XER)



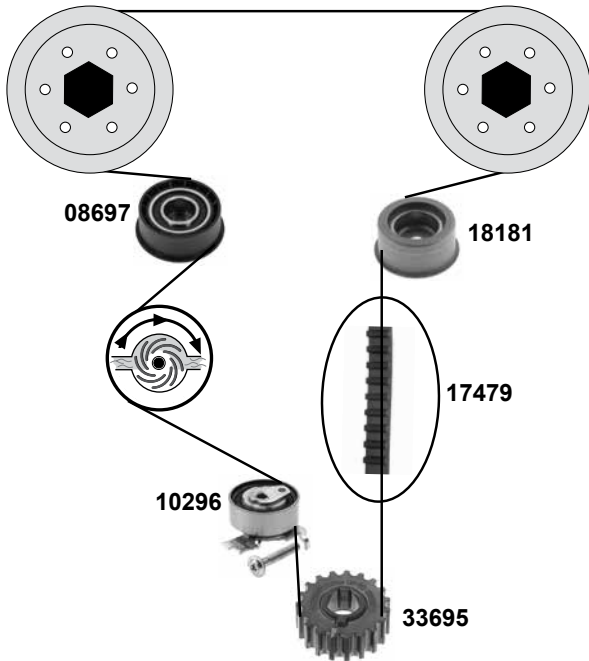
(1) (mot.) Z1,6XEP / Z1,6LET / Z1,6XE1 / Z1,6XER / Z1,8XER



Ref. - No.



<b>23445</b>	5636 452	Zahnriemen / timing belt	(1)	Z 146 B24
<b>27792</b>	5636 486	Spannrolle / tension roller		ØA66 Ø18 B29
<b>27818</b>	1340 268	Riemenspanner / belt tensioner		ØA 63
<b>27819</b>	5636 978	Umlenkrolle / deflection pulley	<b>(1)</b>	ØA 61 B 28
<b>27825</b>	1606 314	Rep. Satz Zahnriemen / rep. kit timing belt	<b>(ex.)</b> A1,6 XER	Z 146 B24

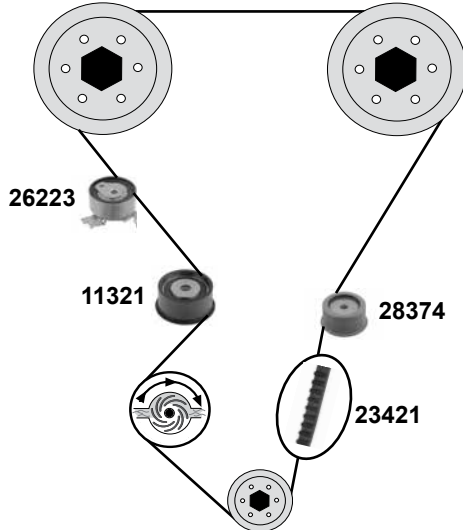
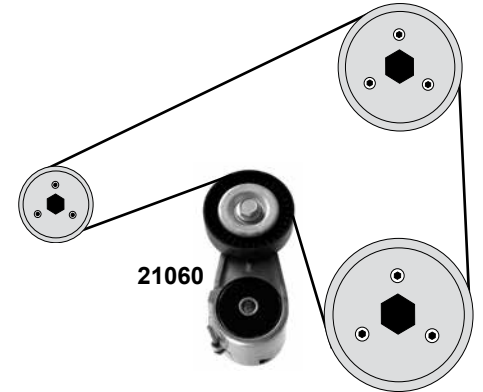


Rep. Satz / rep. kit

**febi 19445**

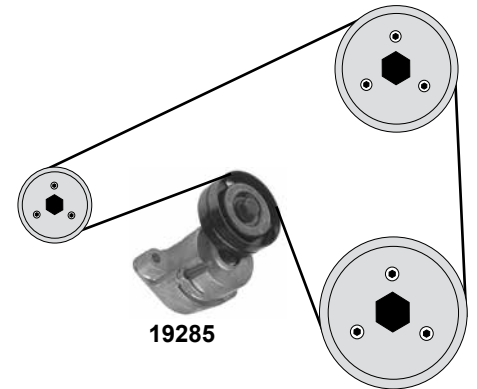
Rep. Satz / rep. kit

**febi 21097**



Rep. Satz / rep. kit

**febi 28375**



Ref. - No.



<b>08697</b>	5636 455	Umlenkrolle / deflection pulley	ØA 62,5 Ø1 23
<b>10296</b>	0636 654	Spannrolle / tension roller	ØA 59 B22
<b>11321</b>	5636 423	Umlenkrolle / deflection pulley	ØA 54 B29,3
<b>17479</b>	5636 564	Zahnriemen / timing belt	Z 162 B20
<b>18181</b>	5636 454	Umlenkrolle / deflection pulley	ØA 52,5 B27
<b>19285</b>	6340 532	Riemenspanner / belt tensioner	
<b>19445</b>	1606 306	Rep. Satz Zahnriemen / rep. kit timing belt	Z 162 B20
<b>21060</b>	1340 555	Riemenspanner / belt tensioner	
<b>21097</b>	1606 189	Rep. Satz Zahnriemen / rep. kit timing belt	Z 162 B20
<b>23421</b>	5636 566	Zahnriemen / timing belt	Z 168 B24
<b>26223</b>	5636 746	Umlenkrolle / deflection pulley	ØA 59 B26
<b>28374</b>	5636 449	Umlenkrolle / deflection pulley	ØA 54 Ø110
<b>28375</b>	1606 305	Rep. Satz Zahnriemen / rep. kit timing belt	Z 168 B24
<b>33695</b>	0614 546	Kurbelwellenzahnrad / crankshaft gear	Z 23

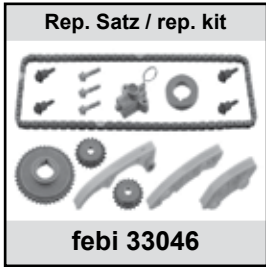
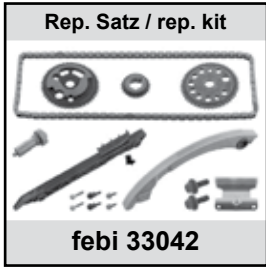
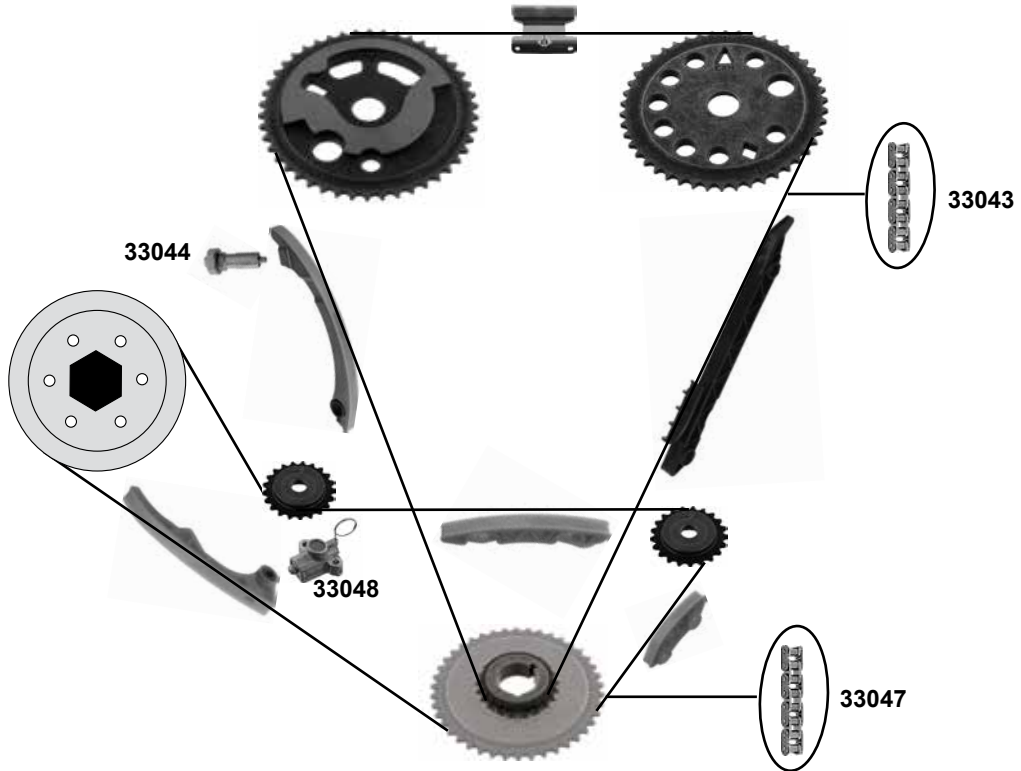
# OPEL Astra H

(04→09)

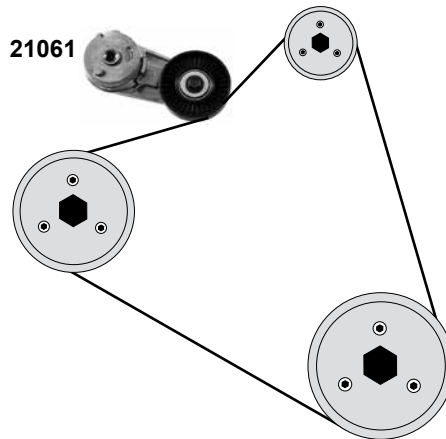
Car  
Division



**2,2**  
(Z 2,2YH)



**2,2**  
(Z 2,2 YH)



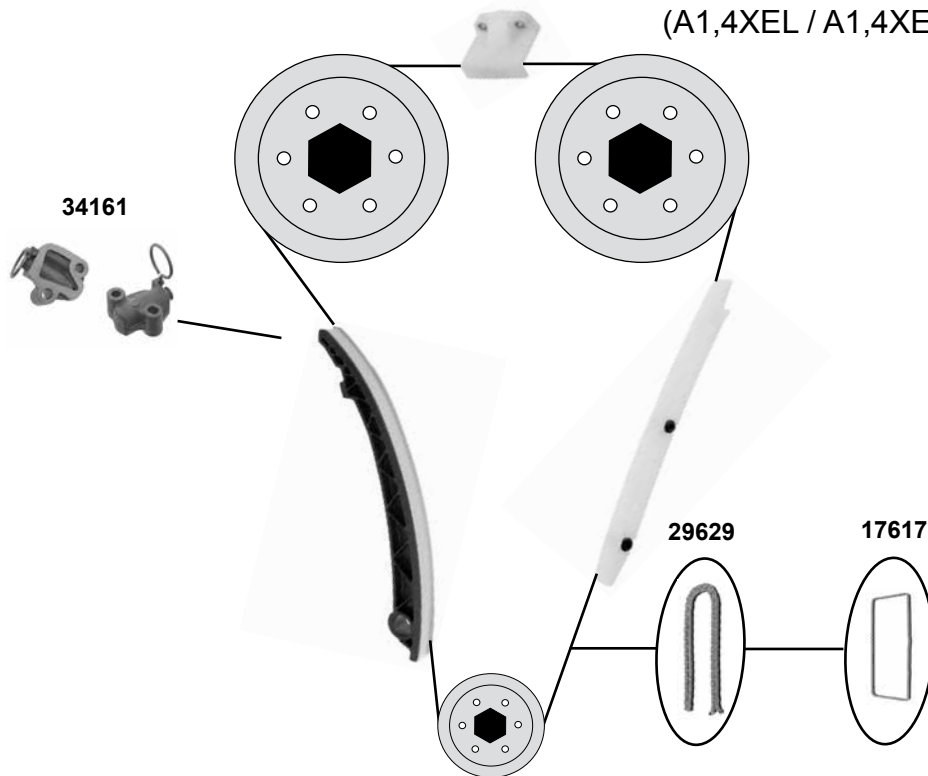
Ref. - No.



<b>21061</b>	0614 533	Riemenspanner / belt tensioner	
<b>33042</b>	0636 176	Rep. Satz Steuerkette / rep. kit timing chain	148 E
<b>33043</b>	5636 396	Steuerkette endlos / timing chain endless	148 E
<b>33044</b>	4807 839	Kettenspanner / chain tensioner	
<b>33046</b>	0615 418	Rep. Satz Steuerkette / rep. kit timing chain	134 E
<b>33047</b>	0636 258	Steuerkette endlos / timing chain endless	134 E
<b>33048</b>	5636 380	Kettenspanner / chain tensioner	

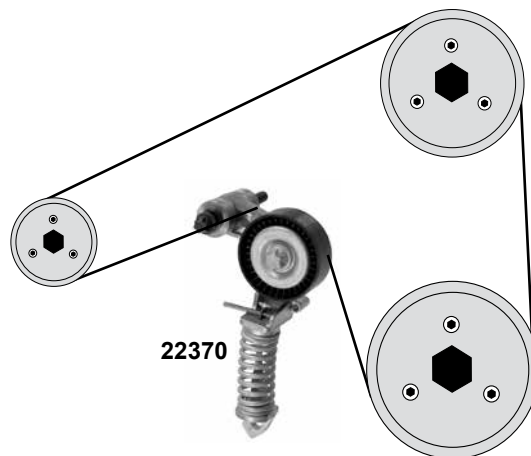
**1,4**

(A1,4XEL / A1,4XER / A1,4NEL / A1,4NET)



**1,2 / 1,4**

(A1,4XEL / A1,4XERX / A1,4NEL / A1,4 NET)



(1) Steuerkette geschlossen / timing chain endless

(2) Steuerkette offen / timing chain open

Spezialwerkzeug zur Montage notwendig / requires special tools for mounting



Ref. - No.



**17617**

0637 241

Steuerkette / timing chain

(1)

130 E

**22370**

1340 267

Riemenspanner / belt tensioner

(1)

70x24

**29629**

0637 241 S1

Steuerkette / timing chain

(2)

130 N

**34161**

0636 059

Kettenspanner / chain tensioner

(1)

130 E

**34162**

0637 241 S2

Rep. Satz Steuerkette / rep. kit timing chain

(1)

130 E



# OPEL Astra J

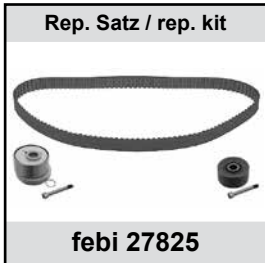
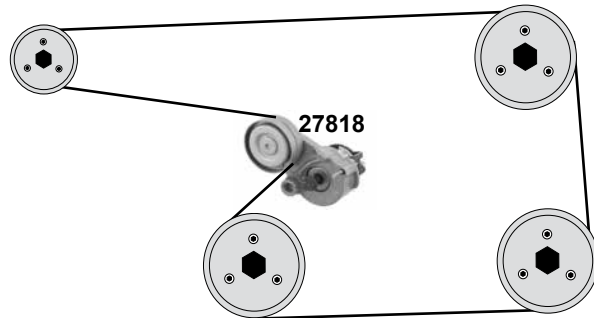
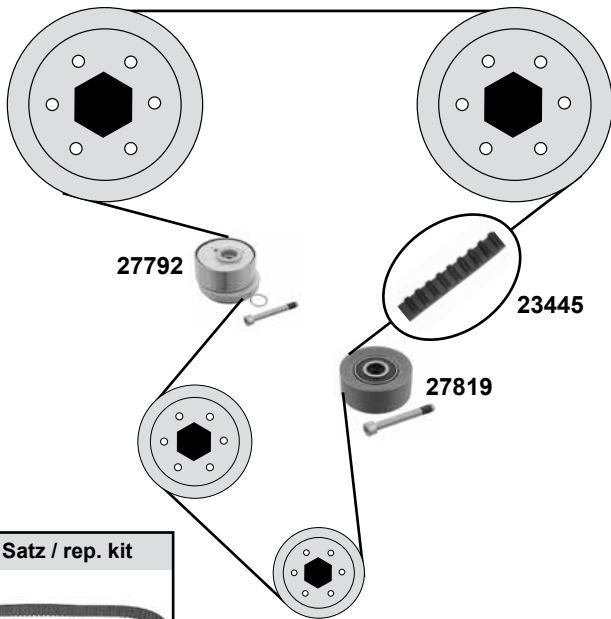
(09→)

Car  
Division



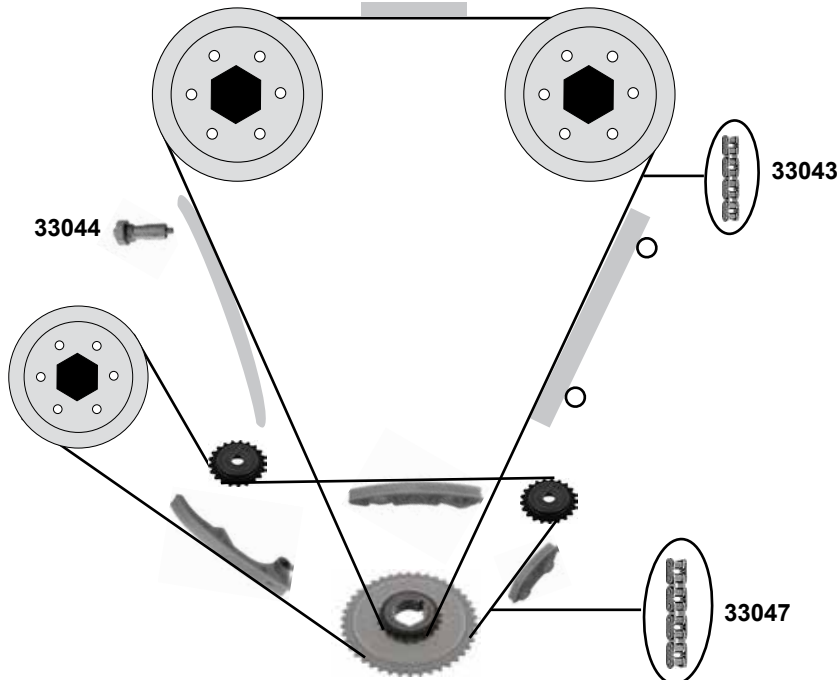
## 1,6 16V / 1,8L

(A1,6XER / A1,6LET / A1,8XER)



## 2,0

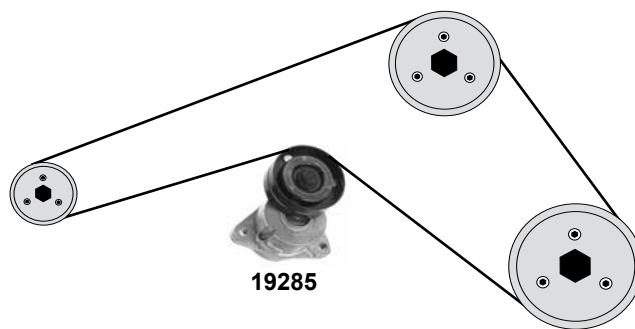
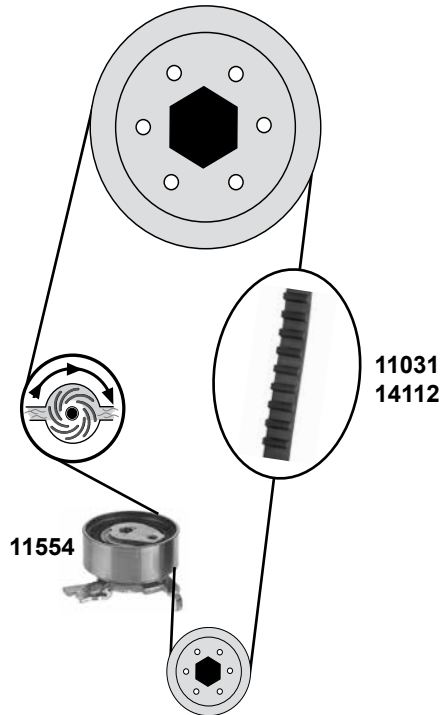
(A2,0NFT)



Ref. - No.



23445	5636 452	Zahnriemen / timing belt	(mot.) A1,6XER	Z 146 B24
27792	5636 486	Spannrolle / tension roller		ØA66 Ø18 B29
27818	1340 268	Riemenspanner / belt tensioner		ØA 63 x 22
27819	5636 978	Umlenkrolle / deflection pulley		ØA 61 B 28
27825	1606 314	Rep. Satz Zahnriemen / rep. kit timing belt		Z 146 B24
33043	5636 396	Steuerkette endlos / timing chain endless		148 E
33044	4807 839	Kettenspanner / chain tensioner		
33047	0636 258	Steuerkette endlos / timing chain endless		134 E



Ref. - No.



**11031**  
**11554**  
**14112**  
**14113**  
**19285**

0636 565  
5636 429  
5636 562  
5636 562S1  
6340 532

Zahnriemen / timing belt  
Spannrolle / tension roller  
Zahnriemen / timing belt  
Rep.Satz Zahnriemen / rep. kit timing belt  
Riemenspanner / belt tensioner

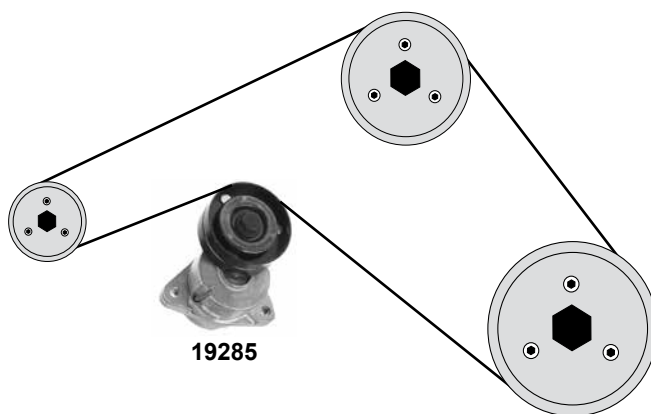
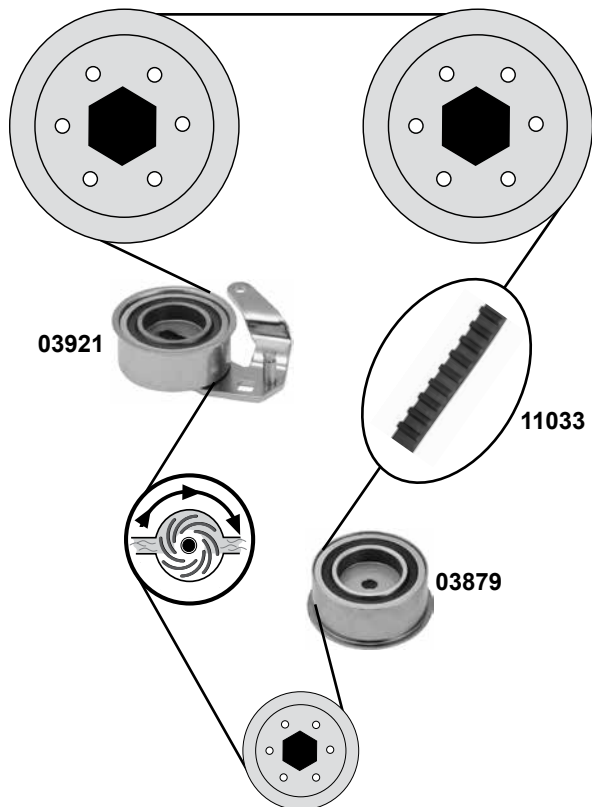
(ch.)→N1  
  
(ch.) N1→S1, S9  
(ch.) N1→S1, S9

Z 111 B20  
ØA 59 B22  
Z 146 B20



**2,0 16V**

(mot.) 2,0 XE, C 2,0 XE → 14142838 / C 2,0 LET → 14002934



Ref. - No.



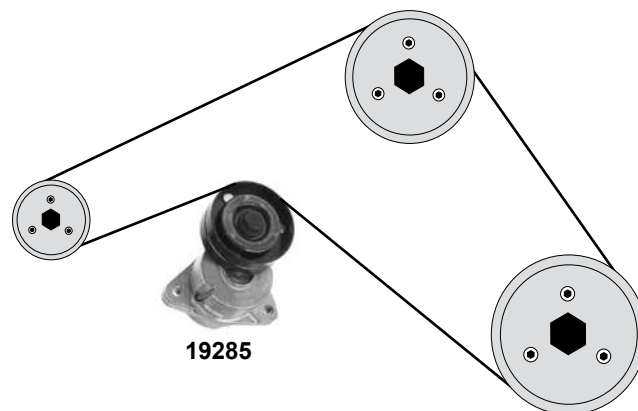
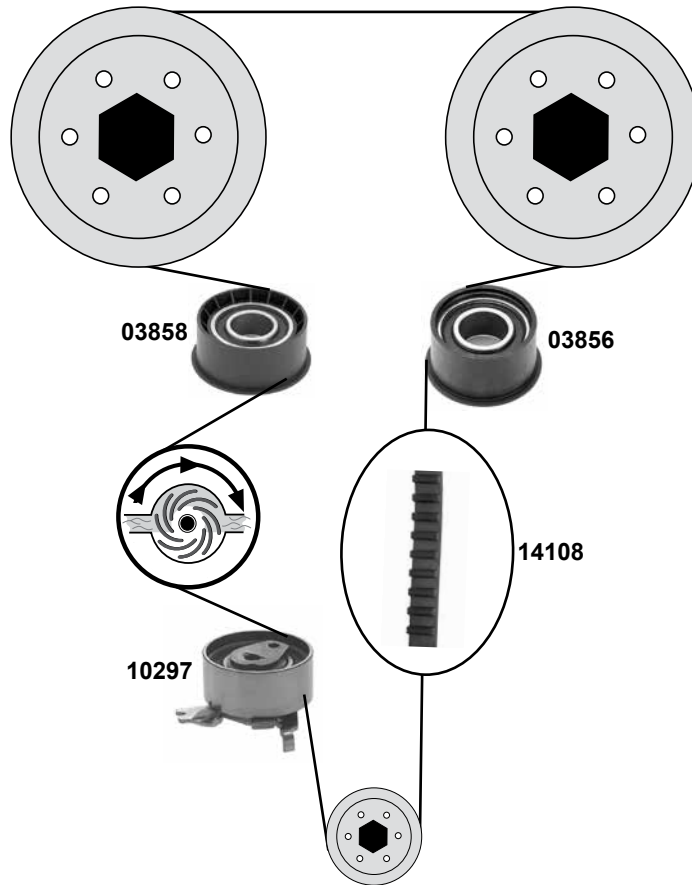
**03879** 0636 423  
**03921** 0636 732  
**11033** 0636 567  
**11041** 1606 197  
**19285** 6340 532

Umlenkrolle / deflection pulley  
Spannrolle / tension roller  
Zahnriemen / timing belt  
Rep. Satz Zahnriemen / rep. kit timing belt  
Riemenspanner / belt tensioner

(ch.) P1→ / P9→

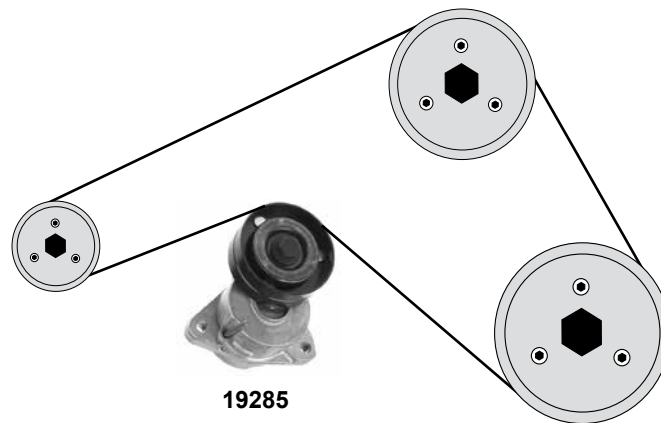
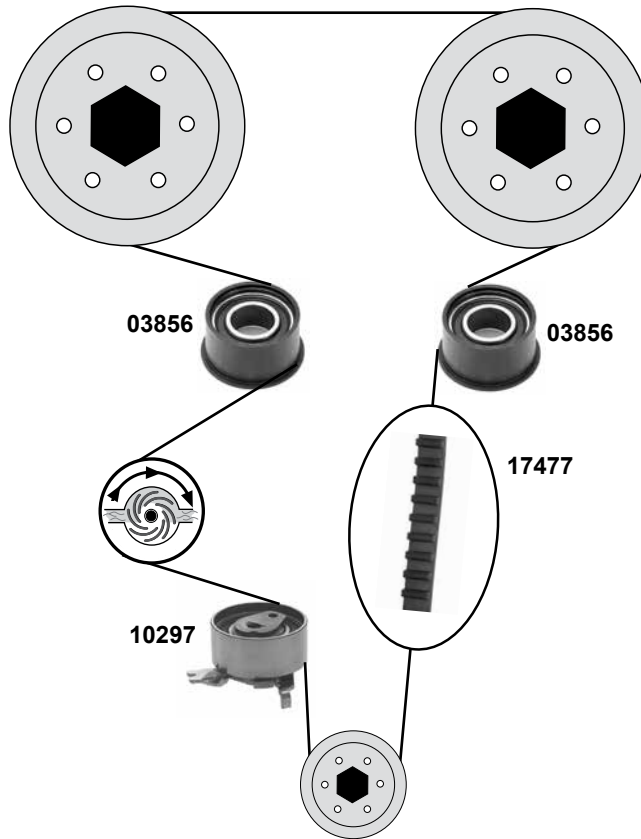
ØA 67 B27  
ØA 67 B27  
Z 141 B24

(mot.) 2,0 XE, C 2,0 XE 14142839→ / C 2,0 LET 14002934→



	Ref. - No.			
<b>03856</b>	5636 425	Umlenkrolle / deflection pulley	(ch.) P1→/ P9→	ØA 58,5 B29,5
<b>03858</b>	0636 416	Umlenkrolle / deflection pulley		ØA 62,7 B27
<b>10297</b>	5636 738	Spannrolle / tension roller		ØA 59 B26
<b>14108</b>	5636 355	Zahnriemen / timing belt		Z 176 B24
<b>14109</b>	1606 193	Rep. Satz Zahnriemen / rep. kit timing belt		
<b>19285</b>	6340 532	Riemenspanner / belt tensioner		

**2,0 16V**  
(X 2,0 XEV)



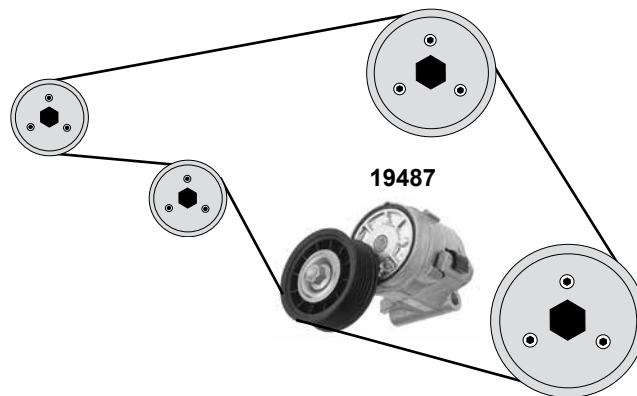
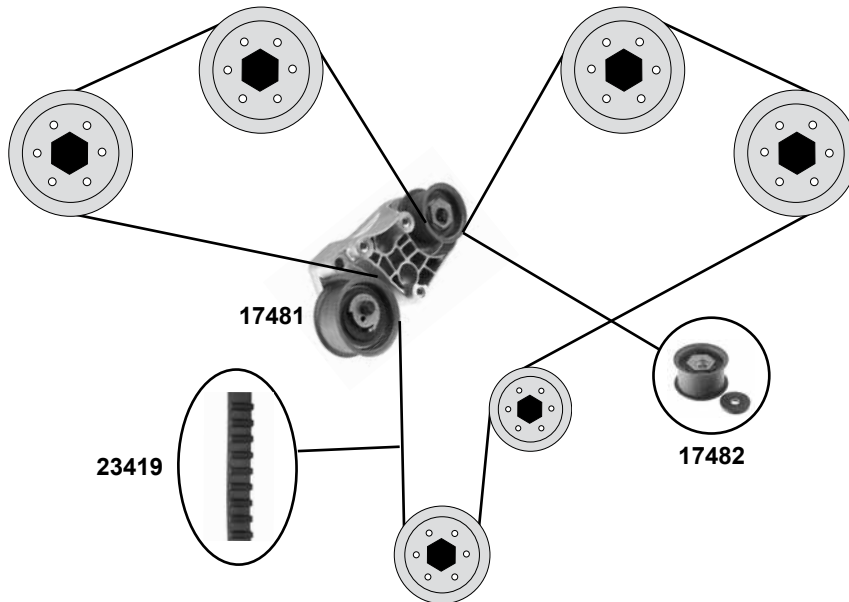
Ref. - No.



<b>03856</b>	5636 425
<b>10297</b>	5636 738
<b>17477</b>	5636 363
<b>17478</b>	1606 192
<b>19285</b>	6340 532

Umlenkrolle / deflection pulley
Spannrolle / tension roller
Zahnriemen / timing belt
Rep. Satz Zahnriemen / rep. kit timing belt
Riemenspanner / belt tensioner

ØA 58,5 B29,5
ØA 59 B26
Z 169 B24



Ref. - No.



**17481**  
**17482**  
**19487**  
**23419**  
**27295**

5636 730  
5636 422  
6340 538  
5636 371  
0636 728 SK

Riemenspanner / belt tensioner  
Umlenkrolle / deflection pulley  
Riemenspanner / belt tensioner  
Zahnriemen / timing belt  
Rep. Satz Zahnriemen / rep. kit timing belt

ØA 64 B37  
Z 225 B30  
Z 225 B30

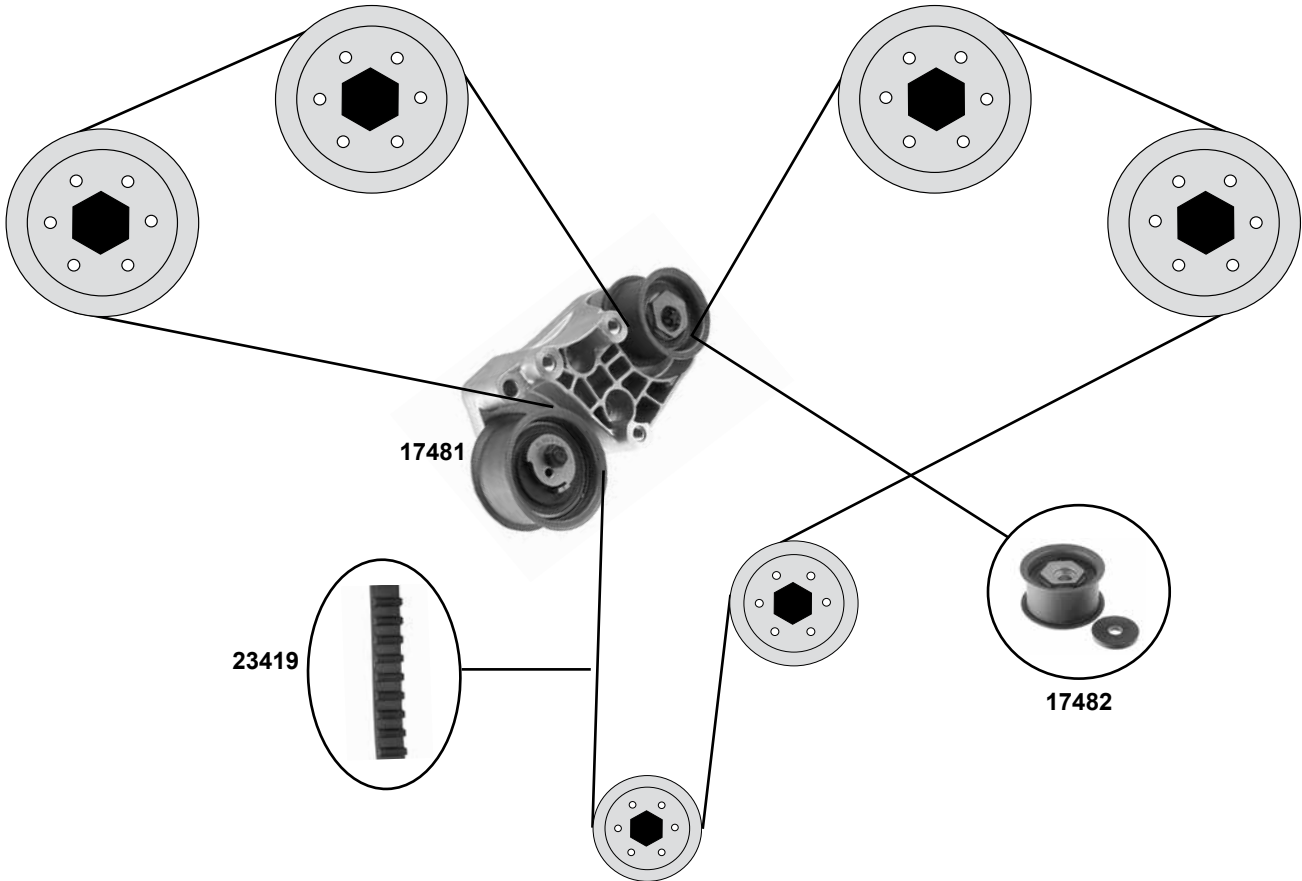
passend für / to fit

# OPEL Calibra (89→95)

Car  
Division



## 2,5 V6 (C 2,5 XE)



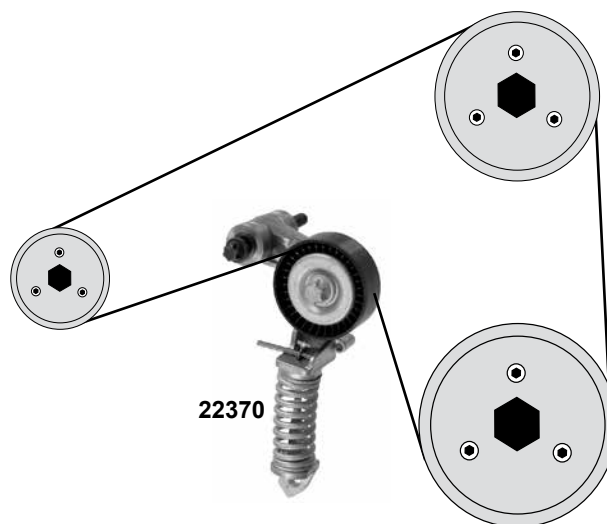
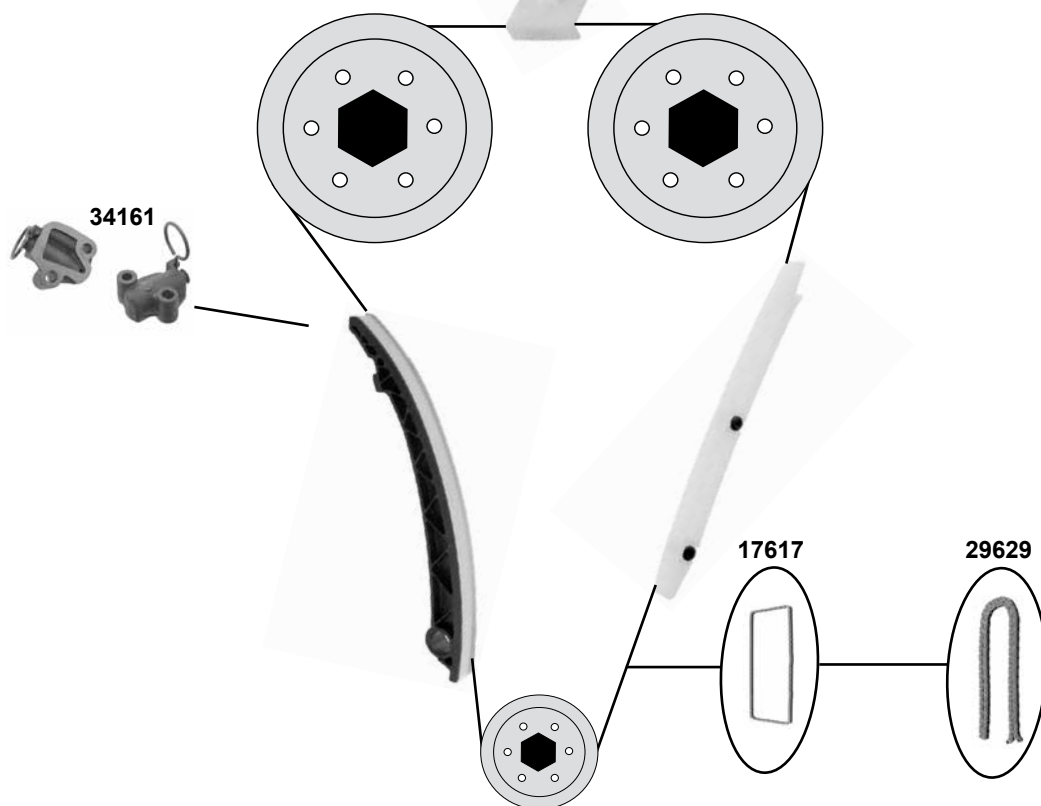
Ref. - No.



17481 5636 730  
 17482 5636 422  
 23419 5636 371  
 27295 0636 728 SK

Riemenspanner / belt tensioner  
 Umlenkrolle / reversing pulley  
 Zahnriemen / timing belt  
 Rep. Satz Zahnriemen / rep. kit timing belt

Z 225 B30  
 Z 225 B30



(1) Steuerkette geschlossen / timing chain endless

(2) Steuerkette offen / timing chain open

Spezialwerkzeug zur Montage notwendig / requires special tools for mounting



Ref. - No.



**17617**

0637 241

Steuerkette / timing chain

(1)

130 E

**22370**

1340 267

Riemenspanner / belt tensioner

(2)

130N

**29629**

0637 241 S1

Steuerkette / timing chain

(2)

130N

**34161**

0636 059

Kettenspanner / chain tensioner

(1)

130 E

**34162**

0637 241 S2

Rep. Satz Steuerkette / rep. kit timing chain

(1)

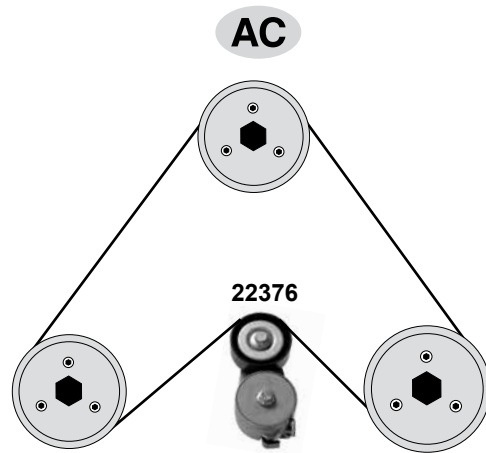
130 E



# OPEL Combo D

(94→01)

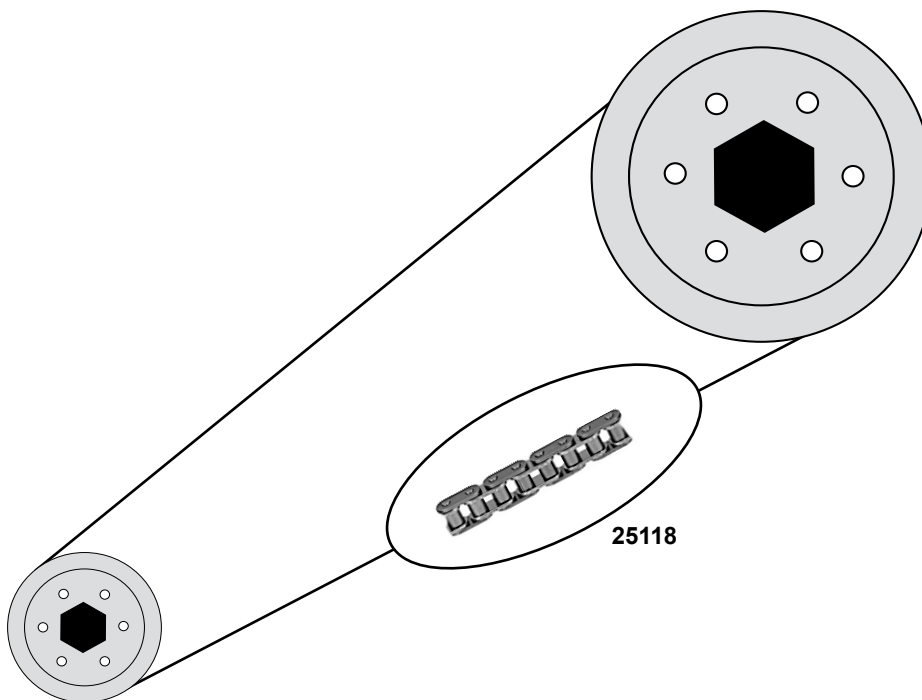
**1,4**  
(A14FC / A14FP)



# Corssa A

(83→92)

**1,0 / 1,2**  
(OHV)



Ref. - No.



**22376**  
**25118**

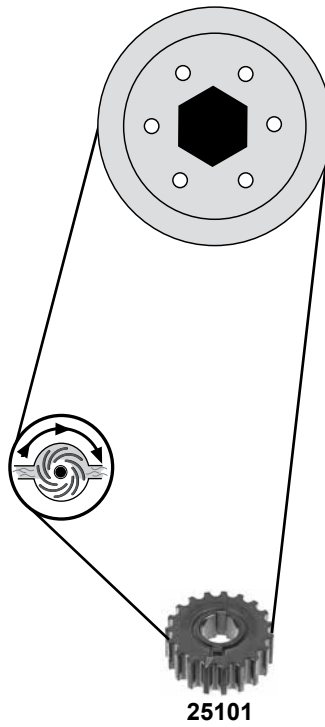
1204 299  
0636 351

Riemenspanner / belt tensioner  
Steuerkette / timing chain

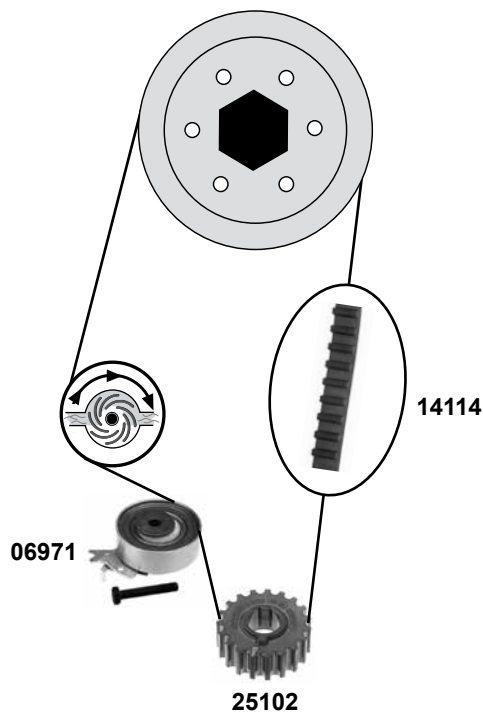
ØA 65 B23,5  
455 / 56 E

1,2S/ST/NV

**1,2**  
OHC



C1,2NZ



Rep. Satz / rep. kit



febi 14115



Ref. - No.



<b>06971</b>	5636 722	Spannrolle / tension roller	
<b>14114</b>	5636 364	Zahnriemen / timing belt	
<b>14115</b>	1606 369	Rep. Satz Zahnriemen / rep. kit timing belt	
<b>22370</b>	1340 267	Riemenspanner / belt tensioner	
<b>25101</b>	0614 564	Kurbelwellenzahnrad / crankshaft gear	(mot.)→649300
<b>25102</b>	0614 526	Kurbelwellenzahnrad / crankshaft gear	(ch.) A92411→

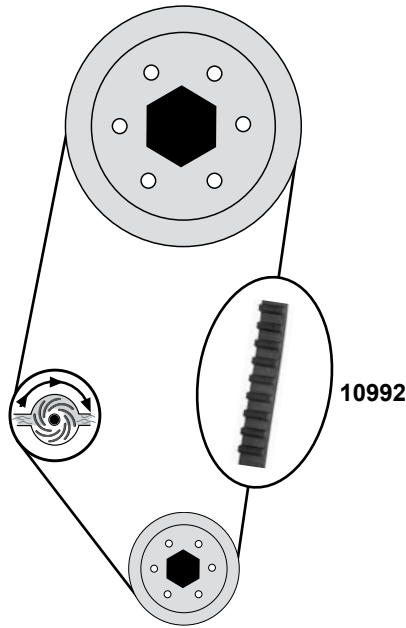
Ø59 B19
Z 111 B17
70x24
Z 19
Z 19

# OPEL Corsa A (83→92)

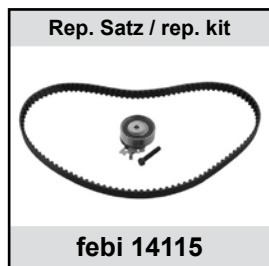
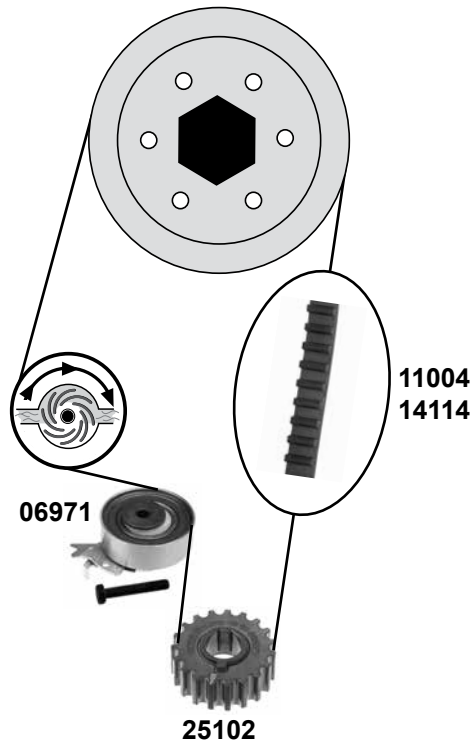
Car  
Division



## 1,3 (13S/SB/NB/C13N)



## 1,4 / 1,6 (14NV/C14SE/NZ)



(1) (mot.) 1,4NV 19307806→ / C1,4NZ 19311759→  
02J22350→02J22350→  
(mot.) 1,6 02J22350→

(2) (mot.) 1,4NV →19307805 / C1,4NZ→19311758  
→02J22349→02J22349  
(mot.) 1,6 →02J22349



Ref. - No.



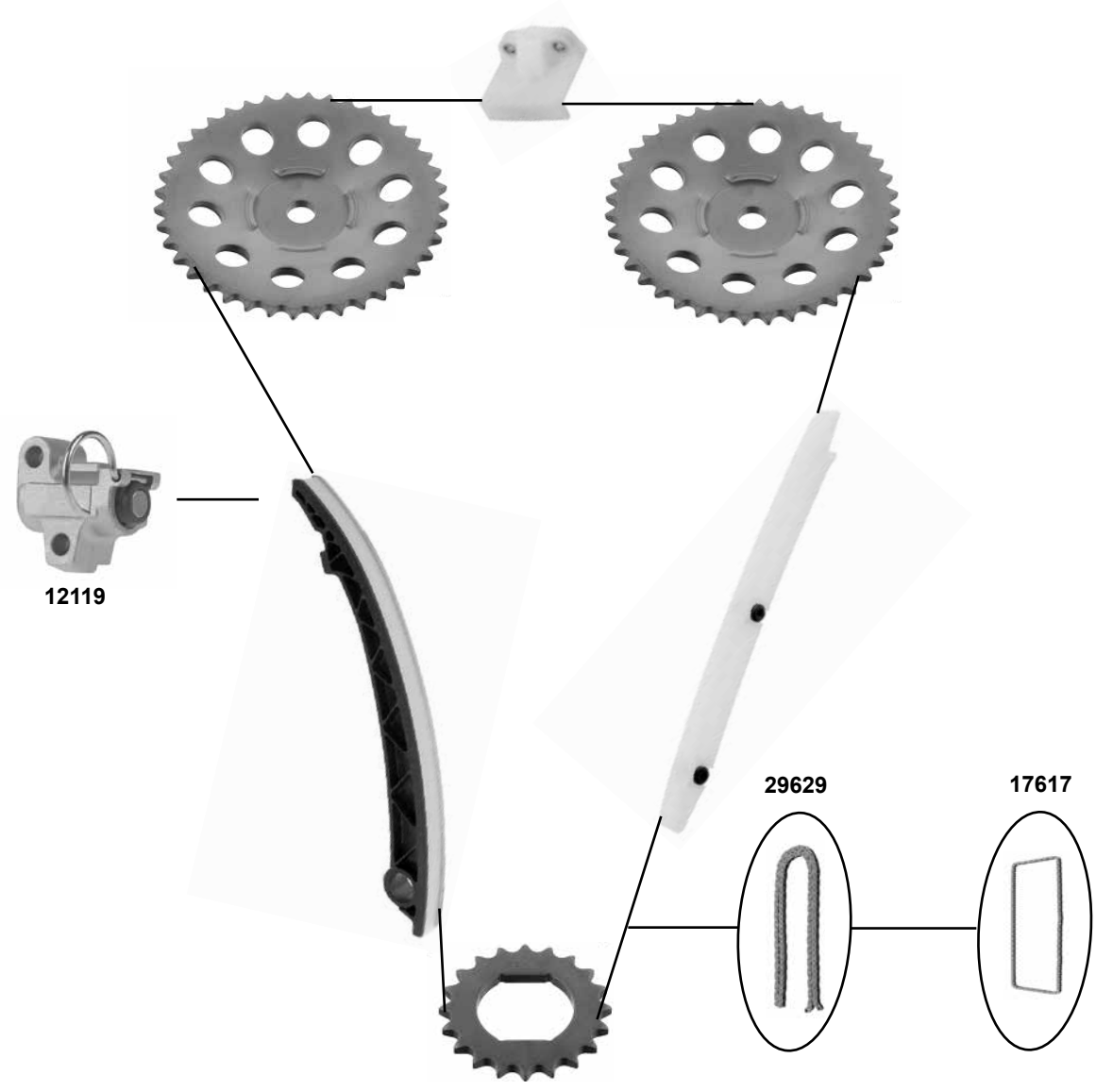
06971 5636 722  
10992 0636 357  
11004 0636 562  
14114 5636 364  
14115 1606 369  
25102 0614 526

Spannrolle / tension roller  
Zahnriemen / timing belt  
Zahnriemen / timing belt  
Zahnriemen / timing belt  
Rep. Satz Zahnriemen / rep. kit timing belt  
Kurbelwellenzahnrad / crankshaft gear

(2)  
(1) C1,4 SE  
(1) C1,4 SE

Ø59 B19  
Z 104 B15  
Z 104 B17  
Z 111 B17  
Z 19

**1,0 12V / 1,2 16V**  
(X1,0XE, X1,2XE)



Rep. Satz / rep. kit

**febi 30372**

Rep. Satz / rep. kit

**febi 33040**

Rep. Satz / rep. kit

**febi 33080**

Rep. Satz / rep. kit

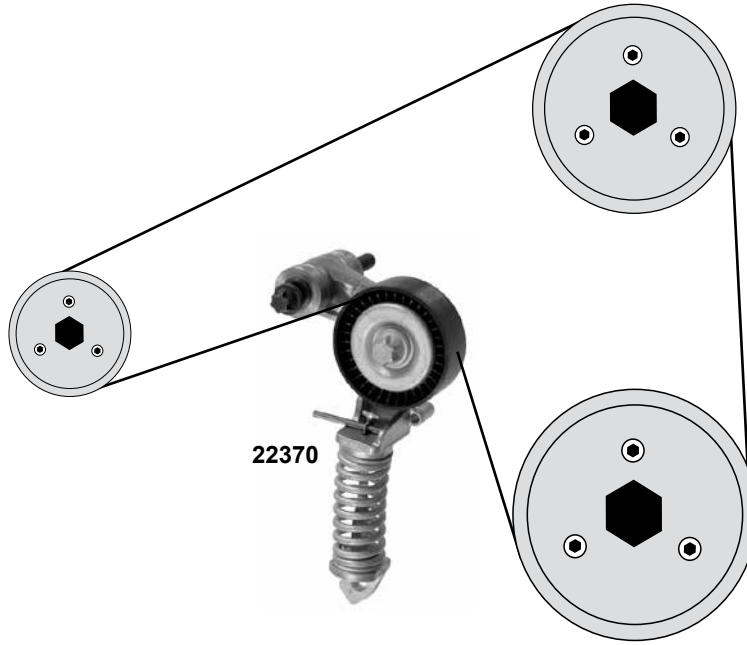
**febi 33082**

# OPEL Corsa B (93→00)

Car  
Division



**1,0 12V / 1,2 16V**  
(X1,0XE, X1,2XE)



22370

- (1) Steuerkette geschlossen / timing chain endless
- (2) Steuerkette offen / timing chain open
- (3) Steuerkette geschlossen und mit Steuerkettenradsatz / timing chain endless and with control chain wheel kit
- (4) Steuerkette geschlossen mit Dichtung / timing chain endless with gasket
- (5) Steuerkette geschlossen mit Dichtung und Steuerkettenradsatz / timing chain endless with gasket and control chain wheel kit
- (6) Spezialwerkzeug zur Montage notwendig / requires special tools for mounting

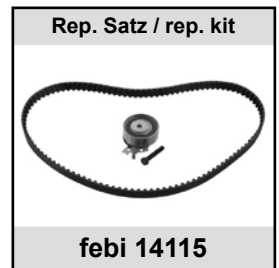
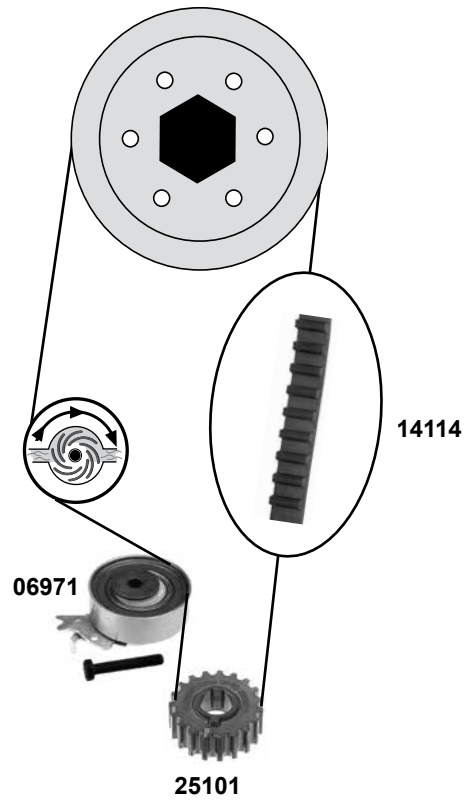


Ref. - No.

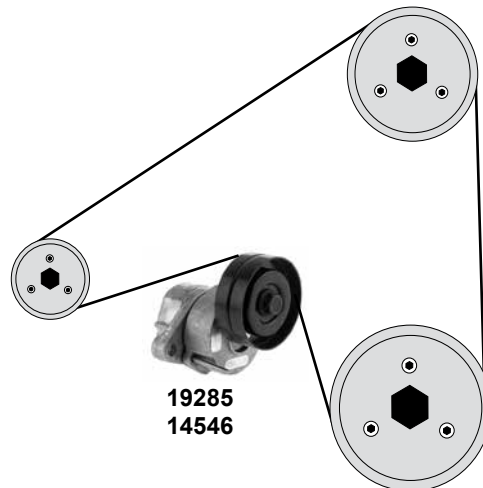


Ref. - No.	Description	Notes	Part No.
12119	5636 457 Kettenspanner / chain tensioner		
17617	0637 241 Steuerkette / timing chain	(1)	130 E
22370	1340 267 Riemen spanner / belt tensioner		70x24
29629	0637 241 S1 Steuerkette / timing chain	(2) (6)	130N
30372	6606 022 SK1 Rep. Satz Steuerkette / rep. kit timing chain	(1)	130E
33040	6606 022 Rep. Satz Steuerkette / rep. kit timing chain	(3)	130E
33080	6606 022 SK3 Rep. Satz Steuerkette / rep. kit timing chain	(4)	130E
33082	6606 022 S2 Rep. Satz Steuerkette / rep. kit timing chain	(5)	130E

**1,2 8V / 1,4 8V**



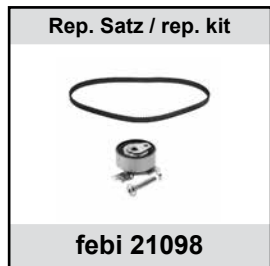
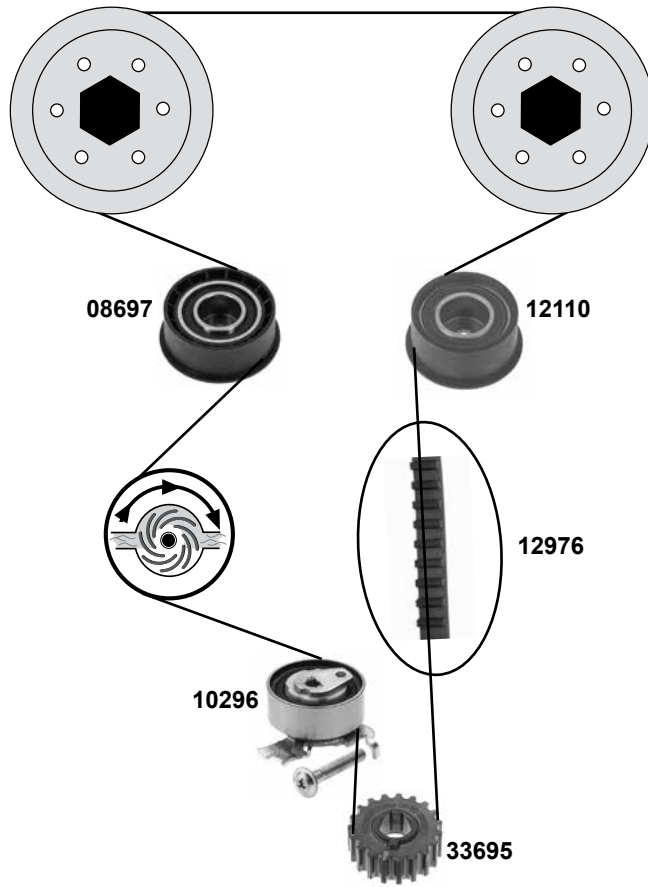
**1,2 8V / 1,4 1,6**



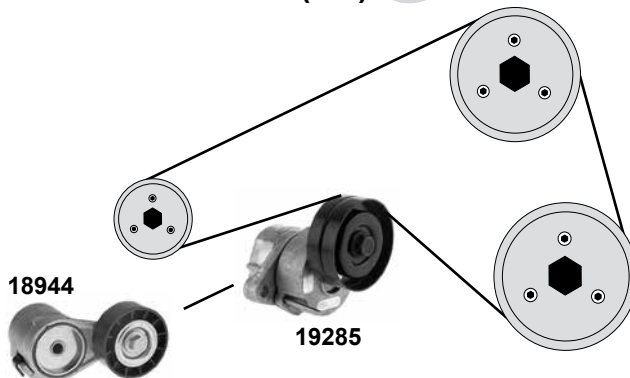
19285  
14546







	Ref. - No.			
06971	5636 722	Spannrolle / tension roller		Ø59 B19
14114	5636 364	Zahnriemen / timing belt		Z 111 B17
14115	1606 369	Rep. Satz Zahnriemen / rep. kit timing belt		
14546	1340 533	Riemenspanner / belt tensioner	(mot.) 1,2 / 1,4 servo	
19285	6340 532	Riemenspanner / belt tensioner	AC	
25101	0614 564	Kurbelwellenzahnrad / crankshaft gear		Z 19

### 1,4 16V / 1,6 16V

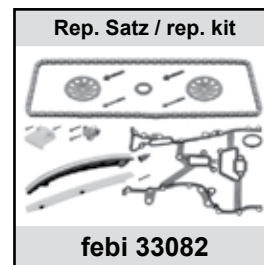
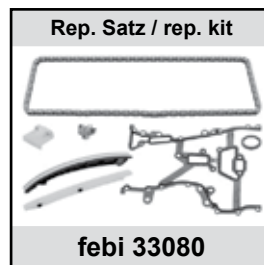
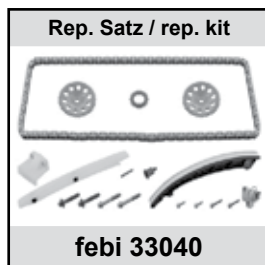
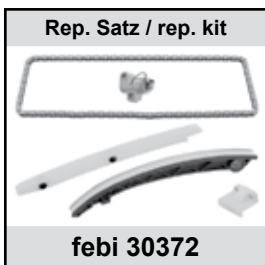
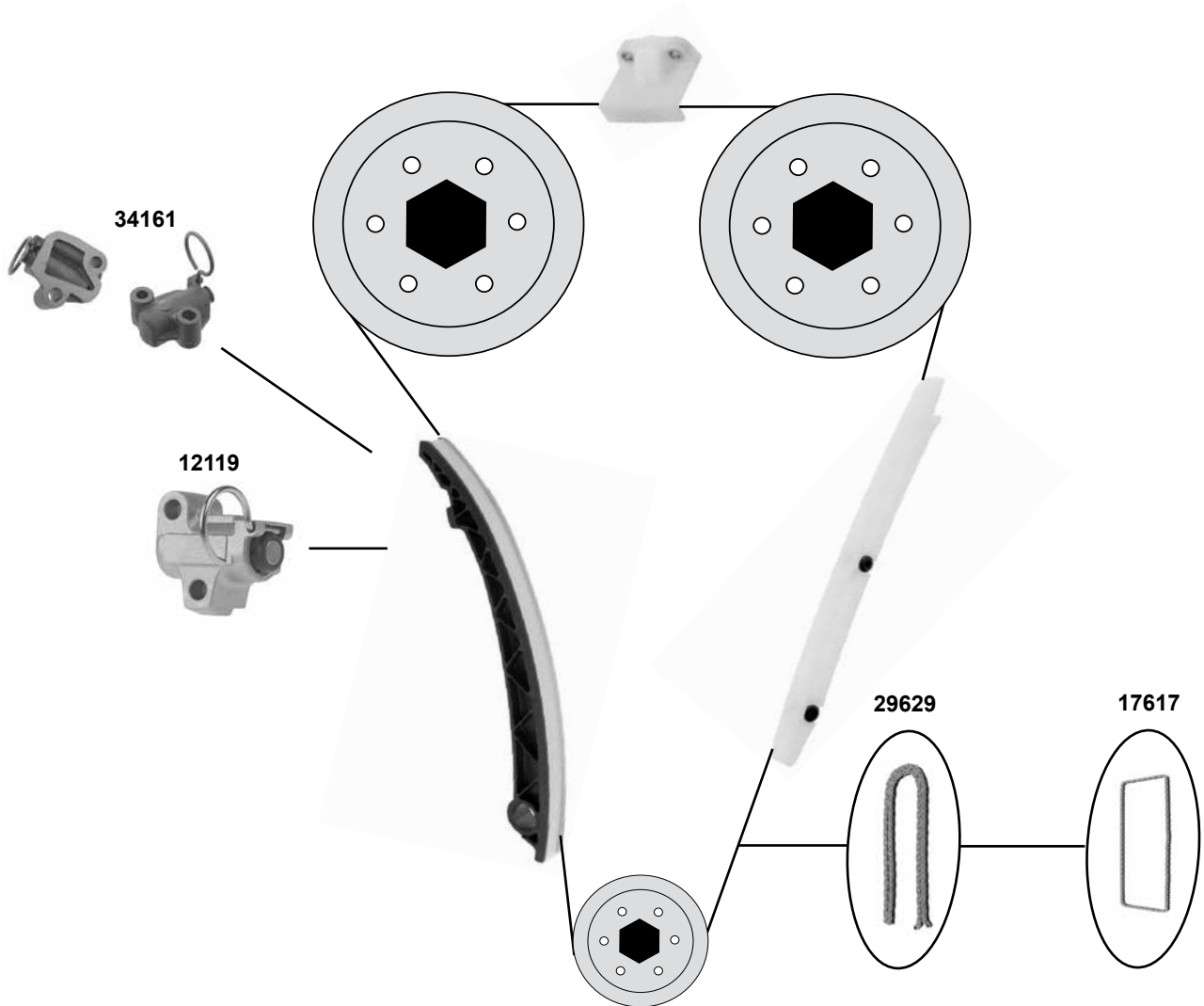


(ex.) AC



	Ref. - No.			
<b>08697</b>	5636 455	Umlenkrolle / deflection pulley		ØA 62,5 ØI 23
<b>10296</b>	5636 740	Spannrolle / tension roller		ØA 59 B22
<b>12110</b>	5636 427	Umlenkrolle / deflection pulley		ØA 58,5 B25
<b>12976</b>	5636 565	Zahnriemen / timing belt		Z 169 B20
<b>14110</b>	1606 274	Rep. Satz Zahnriemen / rep. kit timing belt		
<b>18944</b>	1206 990	Riemenspanner / belt tensioner	man.  R 4235380→	
<b>19285</b>	6340 532	Riemenspanner / belt tensioner	servo  R 4235380→	
<b>21098</b>	1606 190	Rep. Satz Zahnriemen / rep. kit timing belt		
<b>33695</b>	0614 546	Kurbelwellenzahnrad / crankshaft gear		Z 23

**1,0 / 1,2 / 1,4**  
(Z1,0XE, Z1,0XEP, Z1,2XE, Z1,2XEP, Z1,4XEP)





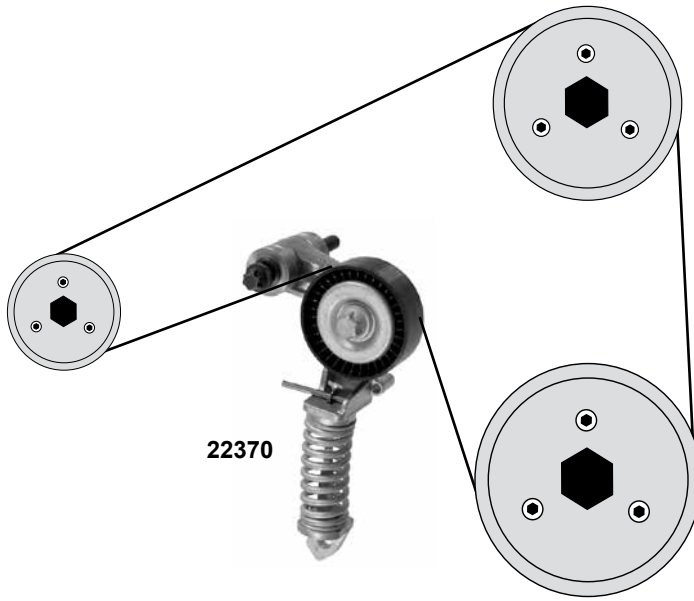
# OPEL Corsa C (01→05)

Car  
Division 



## 1,0 / 1,2 / 1,4

(Z1,0XE, Z1,0XEP, Z1,2XE, Z1,2XEP, Z1,4XEP)



22370

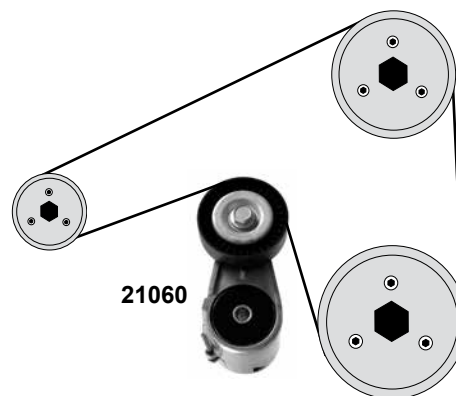
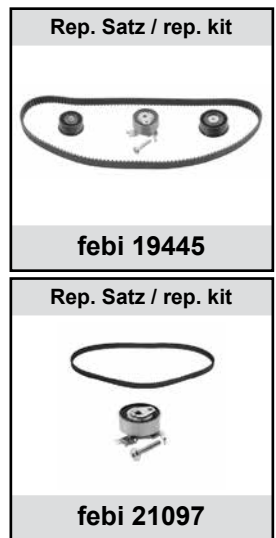
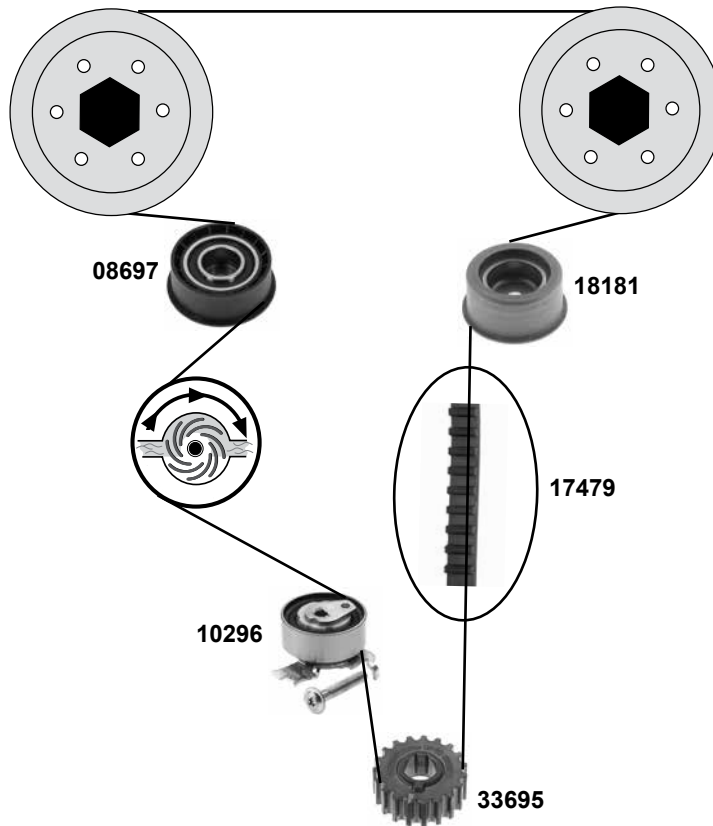
- (1) Steuerkette geschlossen / timing chain endless
- (2) Steuerkette offen / timing chain open
- (3) Steuerkette geschlossen und mit Steuerkettenradsatz / timing chain endless and with control chain wheel kit
- (4) Steuerkette geschlossen mit Dichtung / timing chain endless with gasket
- (5) Steuerkette geschlossen mit Dichtung und Steuerkettenradsatz / timing chain endless with gasket and control chain wheel kit
- (6) Spezialwerkzeug zur Montage notwendig / requires special tools for mounting
- (7) (mot.) Z 1,4 XEP→(mot) 19TR2328
- (8) (mot.) Z 1,4 XEP (mot) 19TR2329→



Ref. - No.



Part No.	Ref. - No.	Description	Notes	Accessories
12119	5636 457	Kettenspanner / chain tensioner	(7)	
17617	0637 241	Steuerkette / timing chain	(1)	130 E
22370	1340 267	Riemenspanner / belt tensioner		70x24
29629	0637 241 S1	Steuerkette / timing chain	(2) (6)	130 N
30372	6606 022 SK1	Rep. Satz Steuerkette / rep. kit timing chain	(1) (7)	130 E
33040	6606 022	Rep. Satz Steuerkette / rep. kit timing chain	(3) (7)	130 E
33080	6606 022 SK3	Rep. Satz Steuerkette / rep. kit timing chain	(4) (7)	130 E
33082	6606 022 S2	Rep. Satz Steuerkette / rep. kit timing chain	(5) (7)	130 E
34161	0636 059	Kettenspanner / chain tensioner	(8)	
34162	0637 241 S2	Rep. Satz Steuerkette / rep. kit timing chain	(1) (8)	130 E



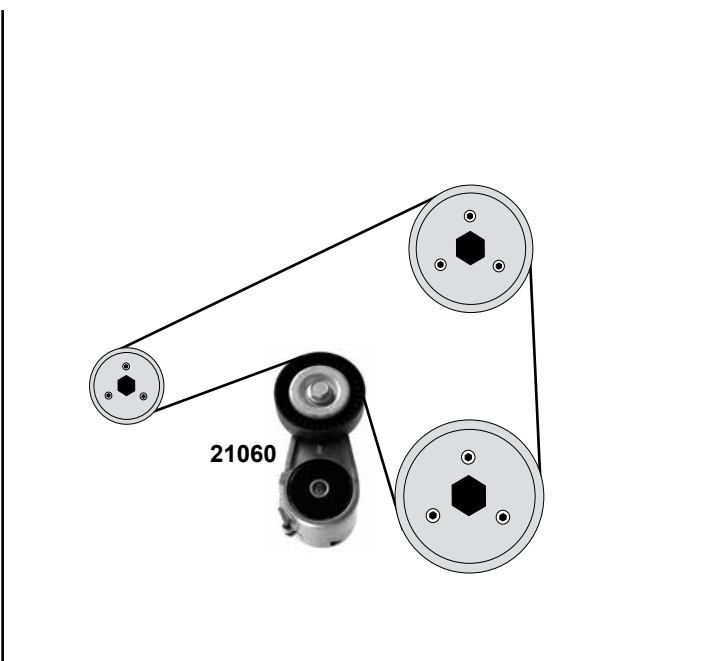
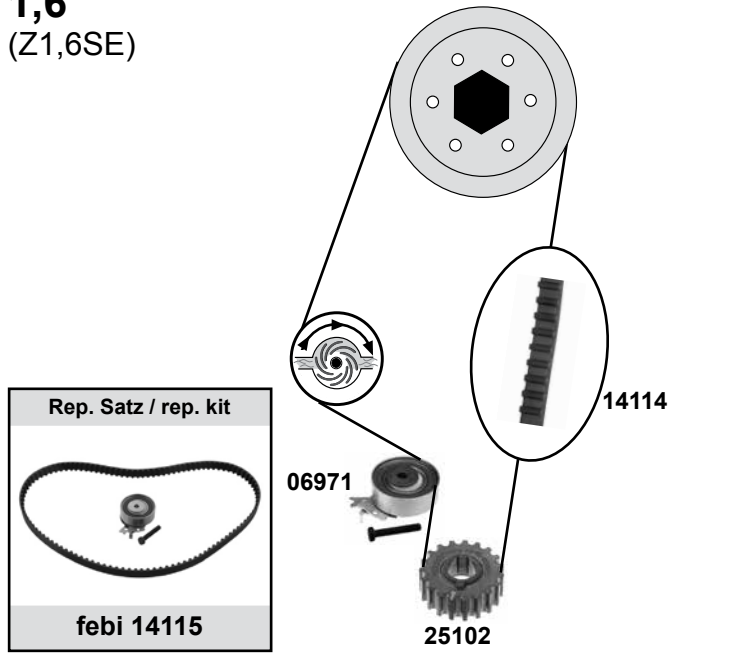
	Ref. - No.			
<b>08697</b>	5636 455	Umlenkrolle / deflection pulley		ØA 62,5 Ø1 23
<b>10296</b>	0636 654	Spannrolle / tension roller		ØA 59 B22
<b>17479</b>	5636 564	Zahnriemen / timing belt		Z 162 B20
<b>18181</b>	5636 454	Umlenkrolle / deflection pulley		ØA 52,5 B27
<b>19445</b>	1606 306	Rep. Satz Zahnriemen / rep. kit timing belt		
<b>21060</b>	1340 555	Riemenspanner / belt tensioner	servo  / AC	
<b>21097</b>	1606 189	Rep. Satz Zahnriemen / rep. kit timing belt		
<b>33695</b>	0614 546	Kurbelwellenzahnrad / crankshaft gear		Z 23

# OPEL Corsa C (01→05)

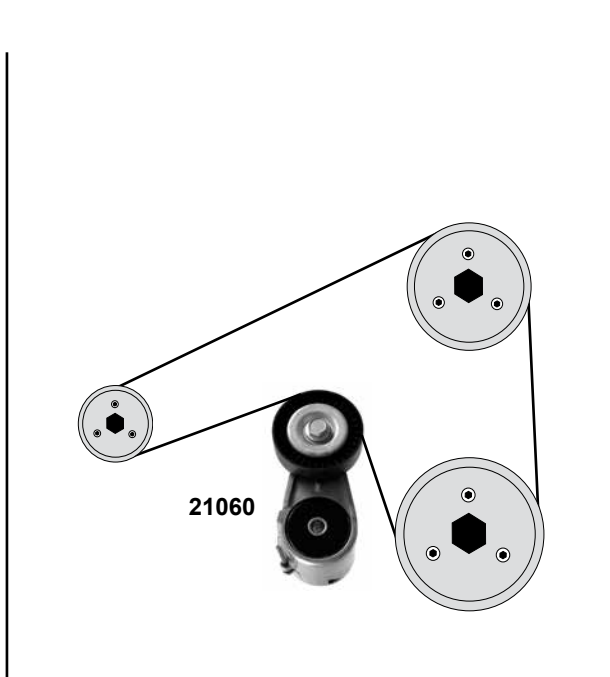
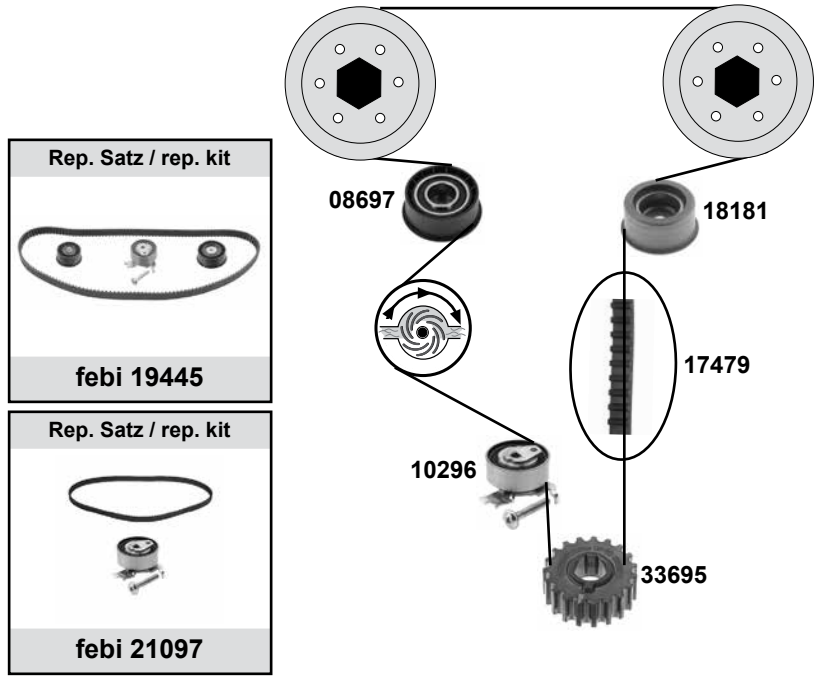
Car  
Division



## 1,6 (Z1,6SE)

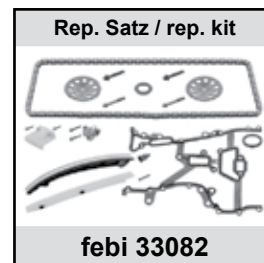
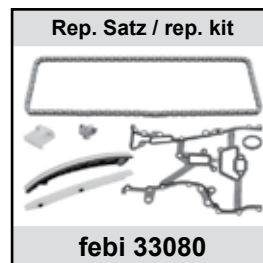
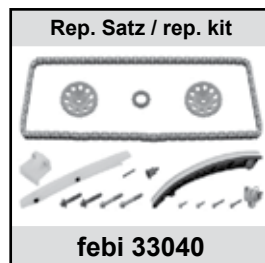
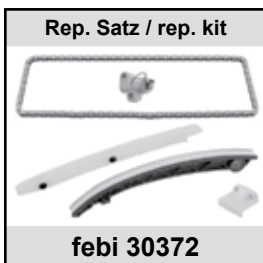
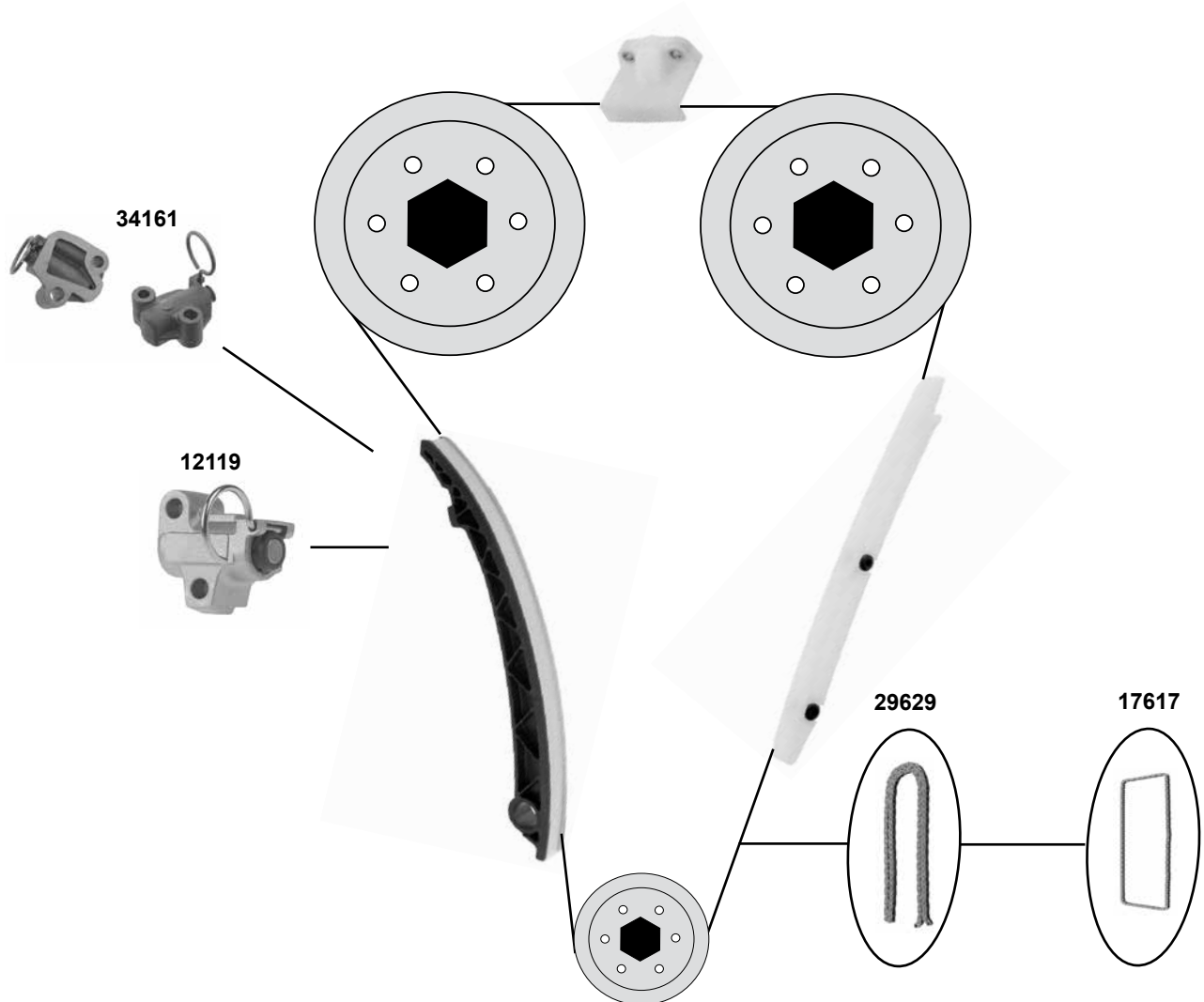


## 1,6 / 1,8 16V (Y1,6YNG , Z1,6YNG) (Z1,8XE)



	Ref. - No.			
06971	5636 722	Spannrolle / tension roller		Ø59 B 19
08697	5636 455	Umlenkrolle / deflection pulley	(mot.) 1,8	ØA 62,5 ØI 23
10296	0636 654	Spannrolle / tension roller	(mot.) 1,8	ØA 59 B22
14114	5636 364	Zahnriemen / timing belt		Z 111 B17
14115	1606 369	Rep. Satz Zahnriemen / rep. kit timing belt		
17479	5636 564	Zahnriemen / timing belt	(mot.) 1,8	Z 162 B20
18181	5636 454	Umlenkrolle / deflection pulley	(mot.) 1,8	ØA 52,5 B27
19445	1606 306	Rep. Satz Zahnriemen / rep. kit timing belt	(mot.) 1,8	
21060	1340 555	Riemenspanner / belt tensioner	(mot.) 1,8	
21097	1606 189	Rep. Satz Zahnriemen / rep. kit timing belt	(mot.) 1,8	
25102	0614 526	Kurbelwellenzahnrad / crankshaft gear		Z 19
33695	0614 546	Kurbelwellenzahnrad / crankshaft gear		Z 23

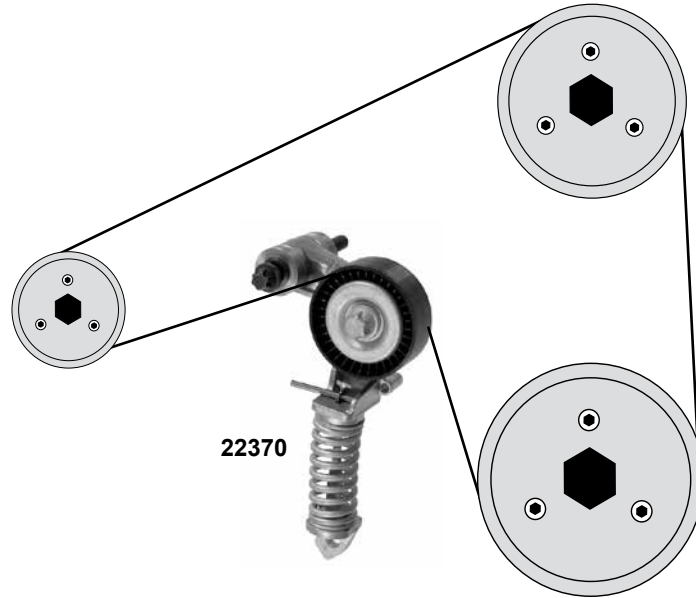
**1,0 / 1,2 / 1,4**  
(Z1,0XEP / A1,0XEP / Z1,2XEP / A1,2XEL / A1,2XER / Z1,4 XEP / A1,4XER / A1,4XEL)





**1,0 / 1,2 / 1,4**

(Z1,0XEP/ A1,0XEP/ Z1,2XEP / A1,2XEL / A1,2XER / Z1,4 XEP / A1,4XER / A1,4XEL)



22370

- (1) Steuerkette geschlossen / timing chain endless
- (2) Steuerkette offen / timing chain open
- (3) Steuerkette geschlossen und mit Steuerkettenradsatz / timing chain endless and with control chain wheel kit
- (4) Steuerkette geschlossen mit Dichtung / timing chain endless with gasket
- (5) Steuerkette geschlossen mit Dichtung und Steuerkettenradsatz / timing chain endless with gasket and control chain wheel kit
- (6) Spezialwerkzeug zur Montage notwendig / requires special tools for mounting
- (7) (mot.) Z1,2XEP / Z1,4XEP→ (mot) 19TR2328 / (mot.) Z 1,0 XE alle/all
- (8) (mot.) Z1,2XEP / Z1,4XEP (mot) 19TR2328→  
(mot.)A1,0XEP/A1,2XEL/A1,2XER/A1,4XEL/A1,4XER alle/all

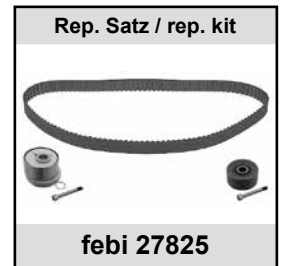
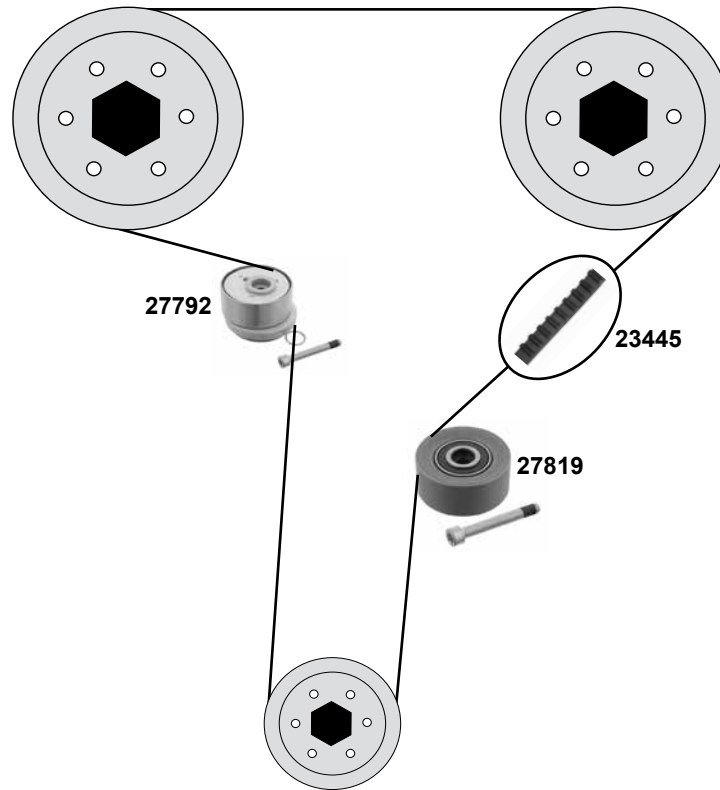


Ref. - No.

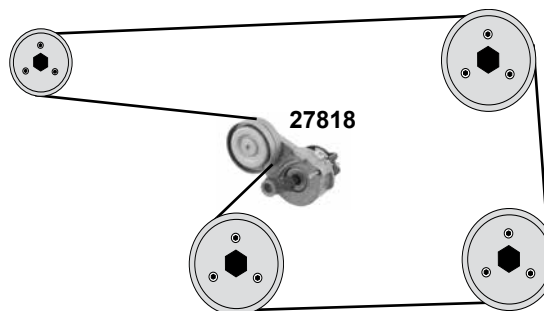


	Ref. - No.			
12119	5636 457	Kettenspanner / chain tensioner	(7)	
17617	0637 241	Steuerkette / timing chain	(1)	130 E
22370	1340 267	Riemenspanner / belt tensioner		70x24
29629	0637 241 S1	Steuerkette / timing chain	(2) (6)	130 N
30372	6606 022 SK1	Rep. Satz Steuerkette / rep. kit timing chain	(1) (7)	130 E
33040	6606 022	Rep. Satz Steuerkette / rep. kit timing chain	(3) (7)	130 E
33080	6606 022 SK3	Rep. Satz Steuerkette / rep. kit timing chain	(4) (7)	130 E
33082	6606 022 S2	Rep. Satz Steuerkette / rep. kit timing chain	(5) (7)	130 E
34161	0636 059	Kettenspanner / chain tensioner	(8)	
34162	0637 241 S2	Rep. Satz Steuerkette / rep. kit timing chain	(1) (8)	130 E

**1,6 16V**  
(A1,6 LEL/LER / Z1,6 LEL/LER)



**1,6 16V**  
(A1,6 LER / Z1,6 LER)



Ref. - No.



**23445**  
**27792**  
**27818**  
**27819**  
**27825**

5636 452  
5636 486  
1340 268  
5636 978  
1606 314

Zahnriemen / timing belt  
Spannrolle / tension roller  
Riemenspanner / belt tensioner  
Umlenkrolle / deflection pulley  
Rep. Satz Zahnriemen / rep. kit timing belt

ØA66 Ø18 B29  
ØA 63 B22  
ØA 61 B 28

# OPEL

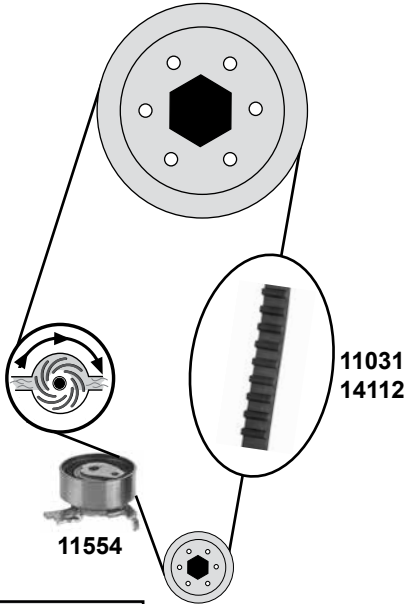
## Frontera A + B

(92→04)

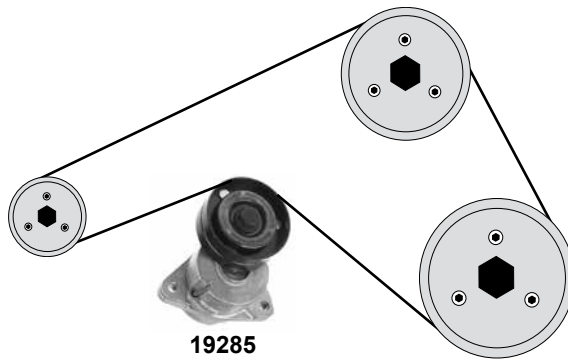
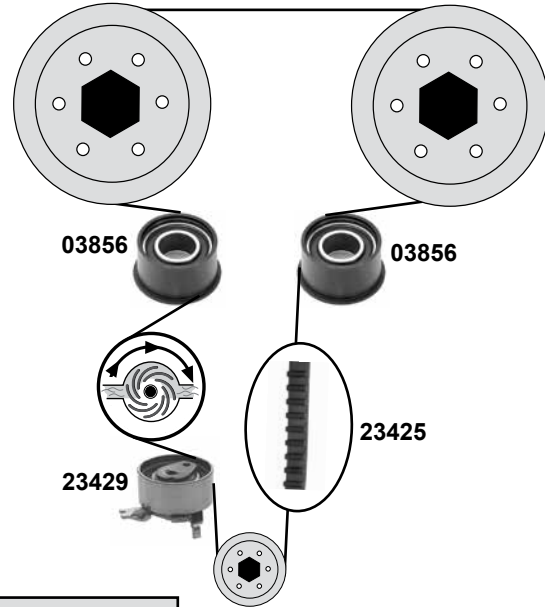
Car  
Division



**2,2**  
(X 2,2 SE / X 2,2 XE / Y 2,2 SE)



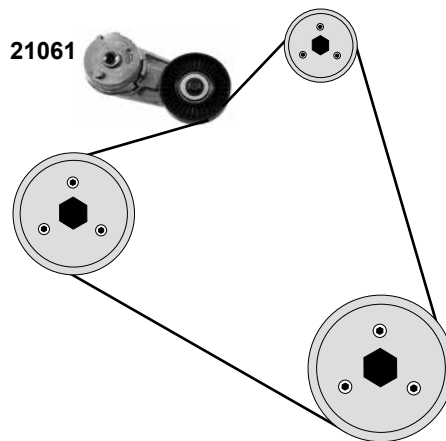
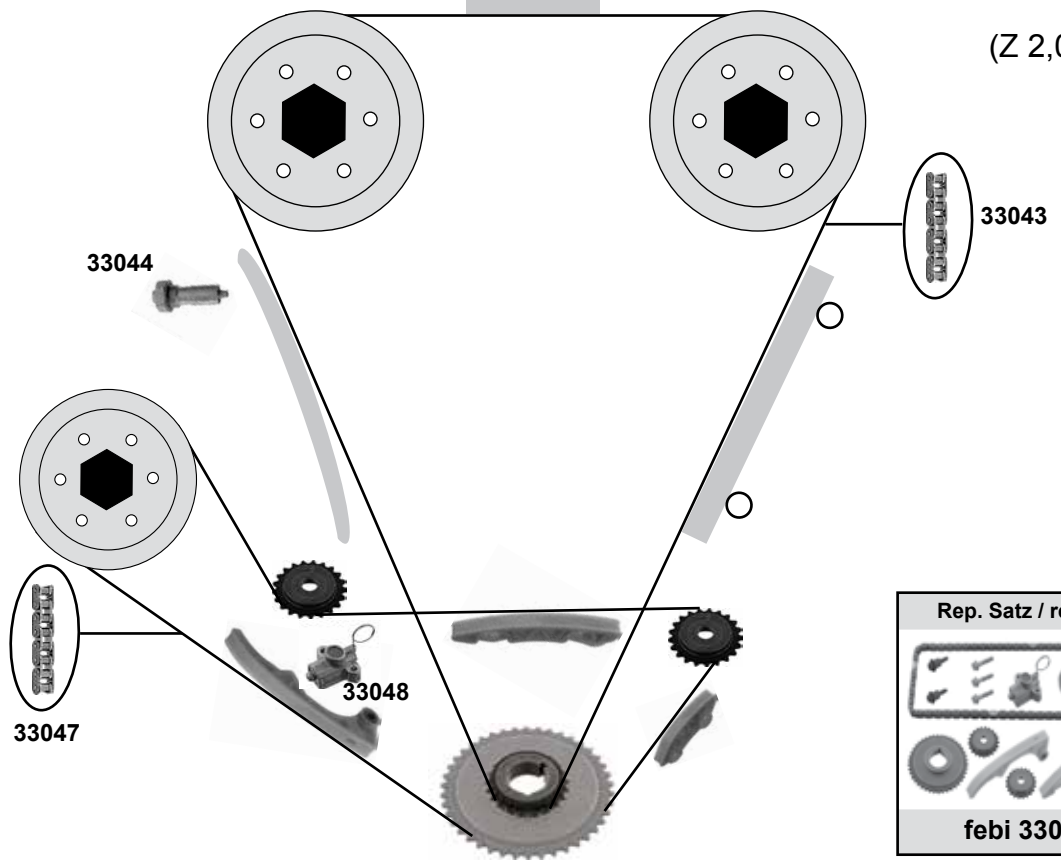
**2,0**  
(X 2,0 SE)



Ref. - No.



<b>03856</b>	5636 425	Umlenkrolle / deflection pulley		ØA 58,5 B29,5
<b>11031</b>	0636 565	Zahnriemen / timing belt	<b>C2,0NE</b> →14608700	Z 111 B20
<b>11554</b>	5636 429	Spannrolle / tension roller		ØA 59 B22
<b>14112</b>	5636 562	Zahnriemen / timing belt	<b>C2,0NE</b> 14608701→	Z 146 B20
<b>14113</b>	5636 562S1	Rep. Satz Zahnriemen / rep. kit timing belt	<b>C2,0NE</b> 14608701→	
<b>19285</b>	6340 532	Riemenspanner / belt tensioner		
<b>23425</b>	5636 372	Zahnriemen / timing belt		Z 171 B24
<b>23427</b>	1606 198	Rep. Satz Zahnriemen / rep. kit timing belt		
<b>23429</b>	0636 729	Spannrolle / tension roller		ØA 59 B22



	Ref. - No.			
<b>21061</b>	0614 533	Riemenspanner / belt tensioner		
<b>33043</b>	5636 396	Steuerkette / timing chain		148 E
<b>33044</b>	4807 839	Kettenspanner / chain tensioner		
<b>33046</b>	0615 418	Rep. Satz Steuerkette / rep. kit timing chain		134 E
<b>33047</b>	5636 381	Steuerkette / timing chain		134 E
<b>33048</b>	5636 380	Kettenspanner / chain tensioner		

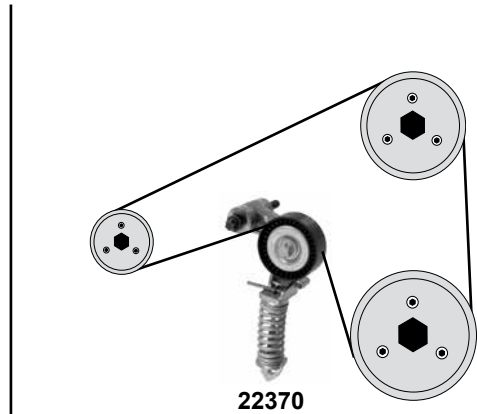
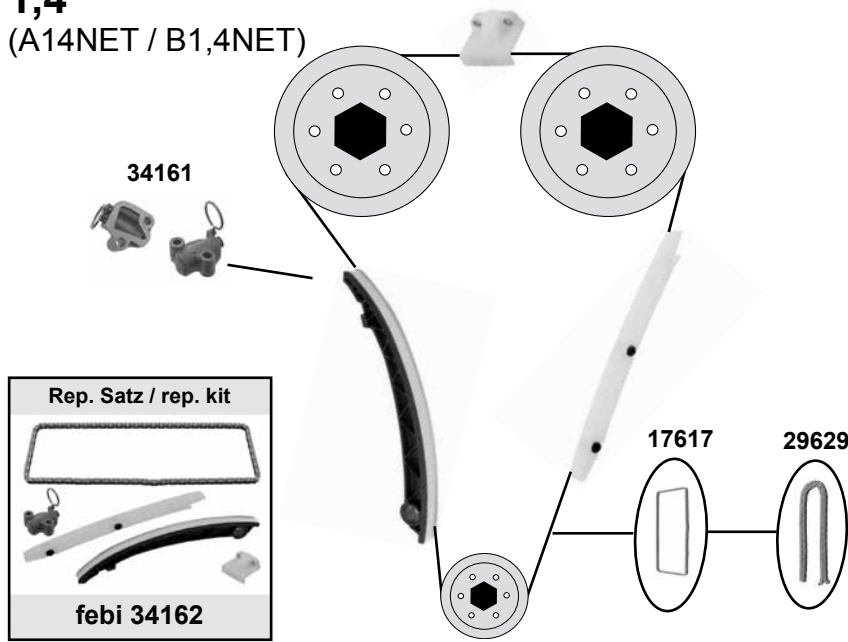


# OPEL Insignia (07/08→)

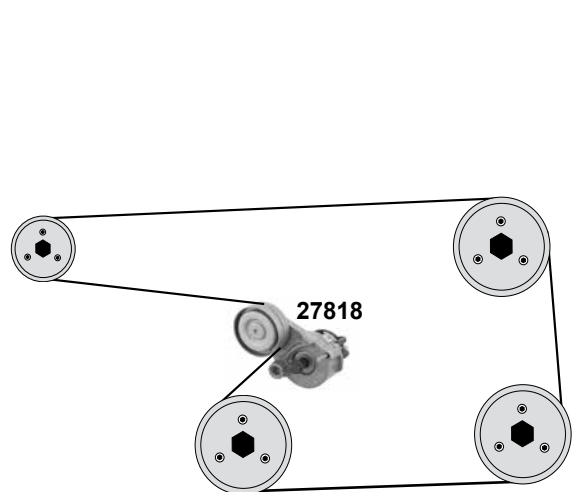
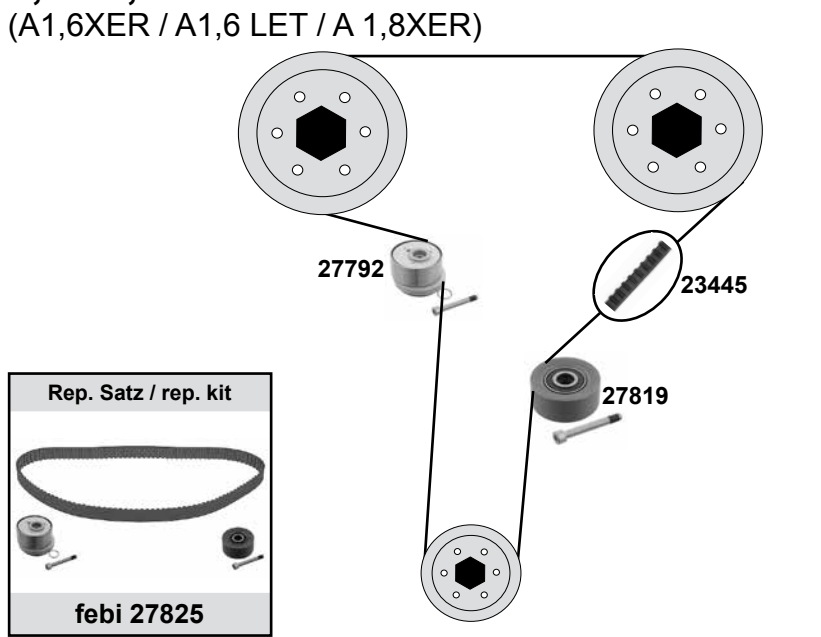
Car  
Division



## 1,4 (A14NET / B1,4NET)



## 1,6 / 1,8 16V (A1,6XER / A1,6 LET / A 1,8XER)



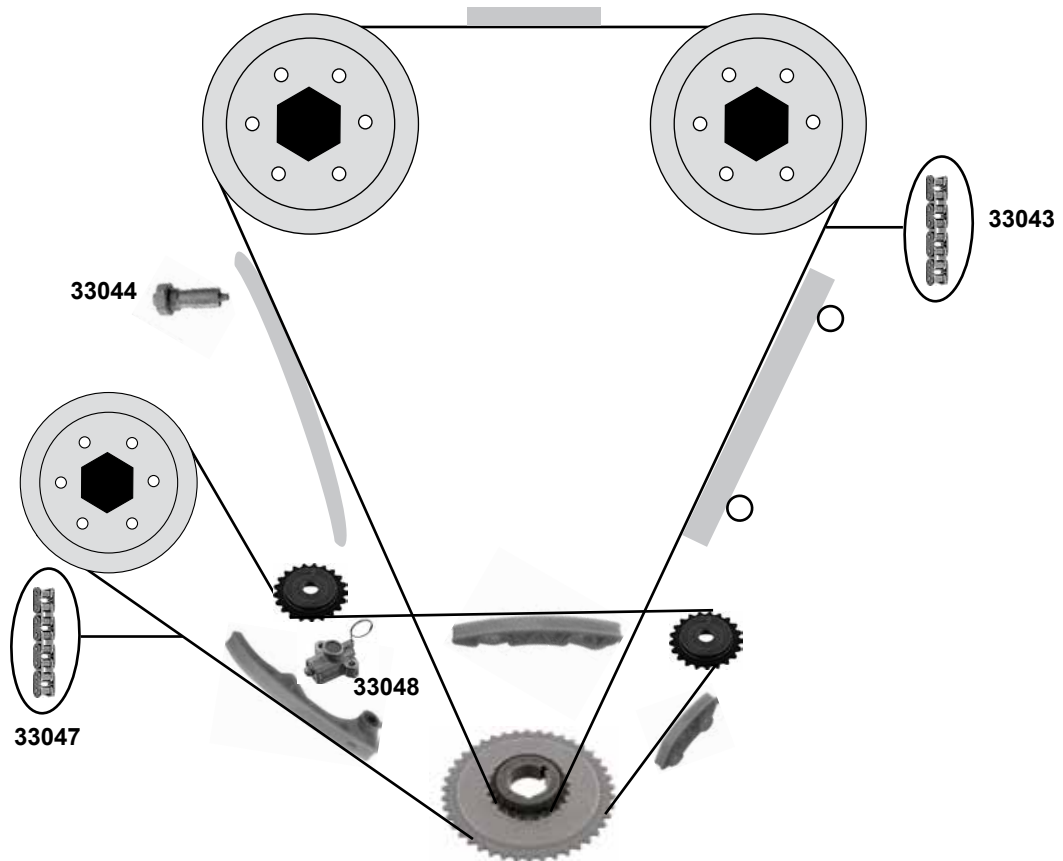
- (1) Steuerkette geschlossen / timing chain endless
- (2) Steuerkette offen / timing chain open  
Spezialwerkzeug zur Montage notwendig / requires special tools for mounting



Ref. - No.



Ref. - No.	Ref. - No.	Description	Info	Part No.
17617	0637 241	Steuerkette / timing chain	(1)	130 E
22370	1340 267	Riemenspanner / belt tensioner		70x24
23445	5636 452	Zahnriemen / timing belt		Z 146 B24
27792	5636 486	Spannrolle / tension roller		ØA66 Ø18 B29
27818	1340 268	Riemenspanner / belt tensioner		ØA 63 B 22
27819	5636 978	Umlenkrolle / deflection pulley		ØA 61 B 28
27825	1606 314	Rep. Satz Zahnriemen / rep. kit timing belt		
29629	0637 241 S1	Steuerkette / timing chain	(2)	130 N
34161	0636 059	Kettenspanner / chain tensioner		
34162	0637 241 S2	Rep. Satz Steuerkette / rep. kit timing chain	(1)	130 E



Ref. - No.



<b>33043</b>	5636 396	Steuerkette / timing chain	148 E
<b>33044</b>	4807 839	Kettenspanner / chain tensioner	
<b>33047</b>	5636 381	Steuerkette / timing chain	134 E
<b>33048</b>	5636 380	Kettenspanner / chain tensioner	

# OPEL Kadett C

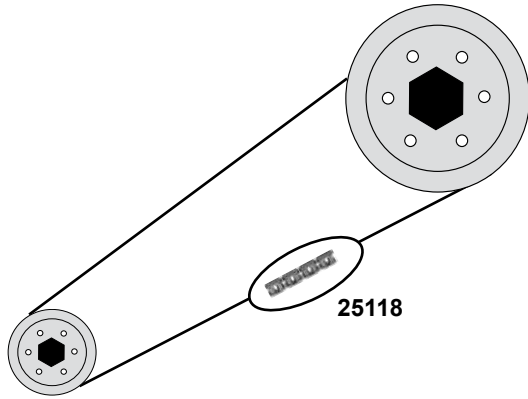
(74→79)

Car Division 



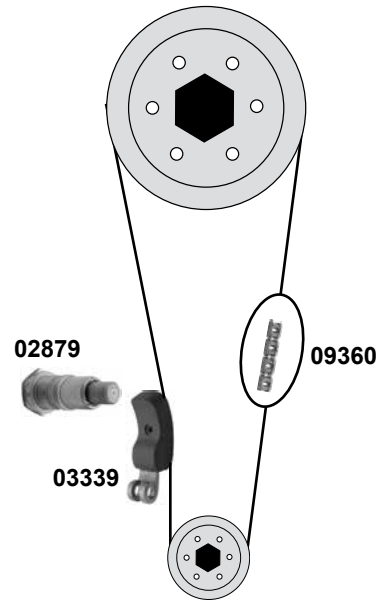
## 1,0 / 1,2

(OHV)



## 1,6→2,0

(CIH)

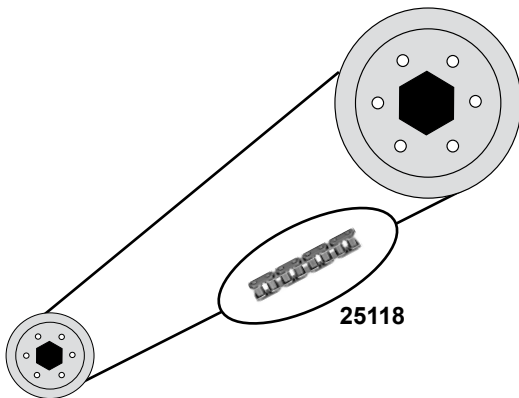


## Kadett D

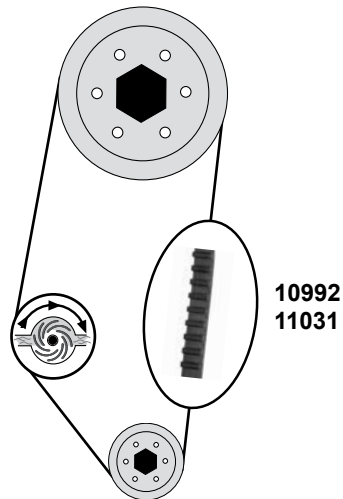
(79→84)

### 1,0 / 1,2

(OHV)



## 1,3→1,8



Ref. - No.

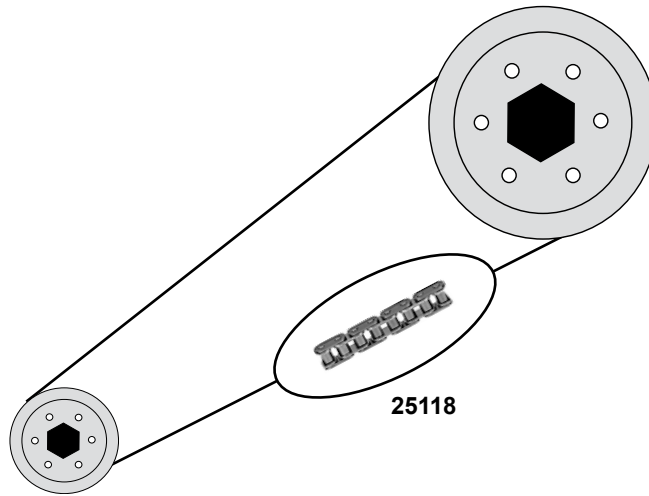


<b>02879</b>	0636 377	Kettenspanner / chain tensioner
<b>03339</b>	0636 700	Gleitschiene / sliding rail
<b>09360</b>	0636 353	Steuerkette / timing chain
<b>10992</b>	0636 357	Zahnriemen / timing belt
<b>11031</b>	0636 565	Zahnriemen / timing belt
<b>25118</b>	0636 351	Steuerkette / timing chain

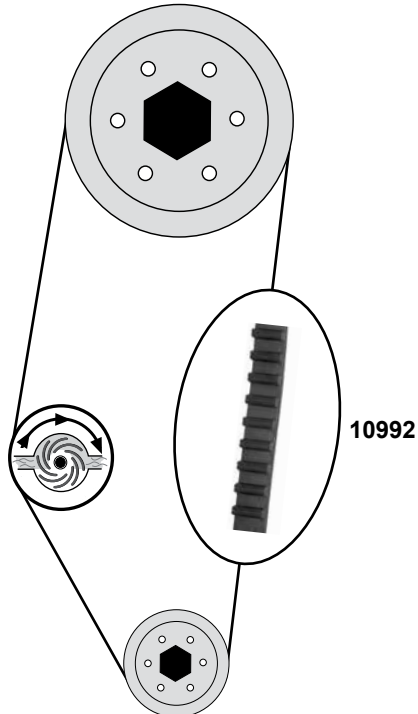
(mot.) 1,3  
(mot.) 1,6, 1,8

D 455 / 88 E  
Z 104 B15  
Z 111 B20  
455 / 56 E

**1,2**  
(OHV)



**1,3**  
(13N / NB/ S / C13N)



# OPEL Kadett E

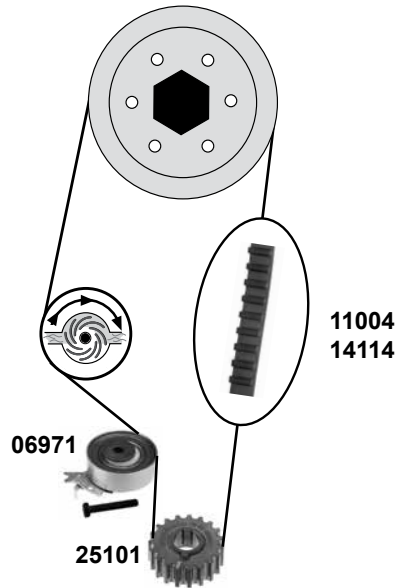
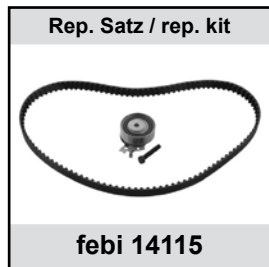
(85→93)

Car Division 

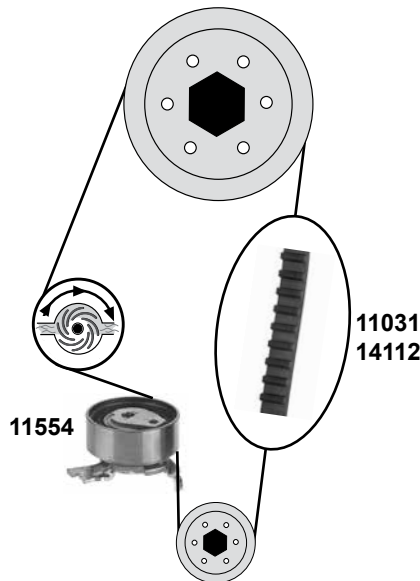


## 1,4 / 1,6

(1,4NV / C14NZ / 1,6SV / E1,6LZ / C1,6NZ)



## 1,8 8V / 2,0 8V



(1) (mot.) 1,4 NV→19307805, 02J22349  
 (mot.) C 1,4NZ→19311737, 02J22349  
 (mot.) 1,6→ww

(2) (mot.) 1,4 NV 19307806→  
 (mot.) C 1,4NZ 19311738→  
 (mot.) 1,6 02J22350→

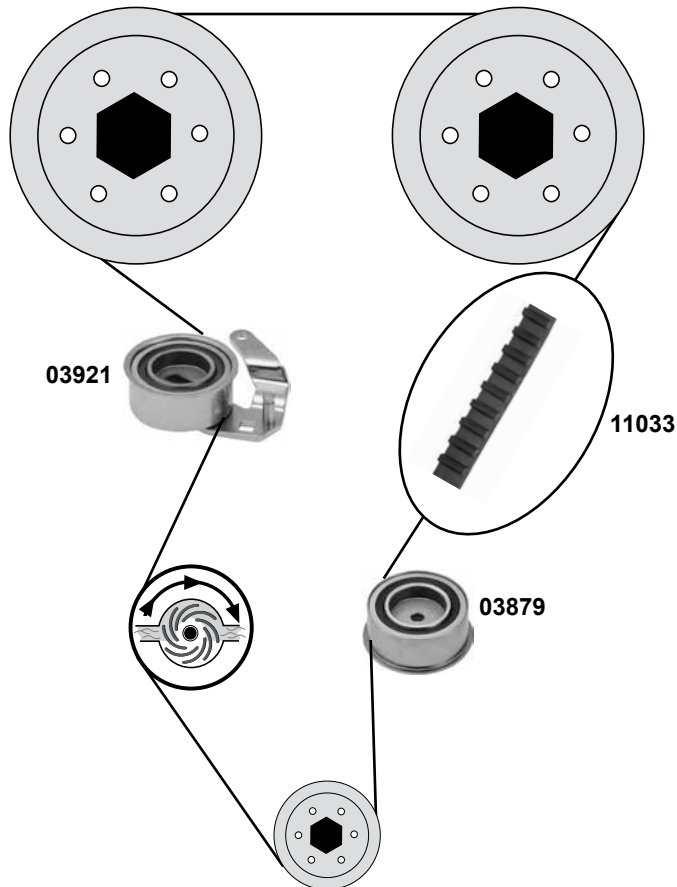


Ref. - No.



Part No.	Ref. - No.	Description	Quantity	Dimensions
06971	5636 722	Spannrolle / tension roller		Ø 59 B 19
11004	0636 562	Zahnriemen / timing belt	(1)	Z 104 B17
11031	0636 565	Zahnriemen / timing belt		Z 111 B20
11554	5636 429	Spannrolle / tension roller		ØA 59 B22
14112	5636 562	Zahnriemen / timing belt		Z 146 B20
14113	5636 562S1	Rep. Satz Zahnriemen / rep. kit timing belt		
14114	5636 364	Zahnriemen / timing belt	(2)	Z 111 B17
14115	1606 369	Rep. Satz Zahnriemen / rep. kit timing belt	(2)	
25101	0614 564	Kurbelwellenzahnrad / crankshaft gear		Z 19

**(mot.)→14142838**



Rep. Satz / rep. kit



**febi 11041**



Ref. - No.



**03879**  
**03921**  
**11033**  
**11041**

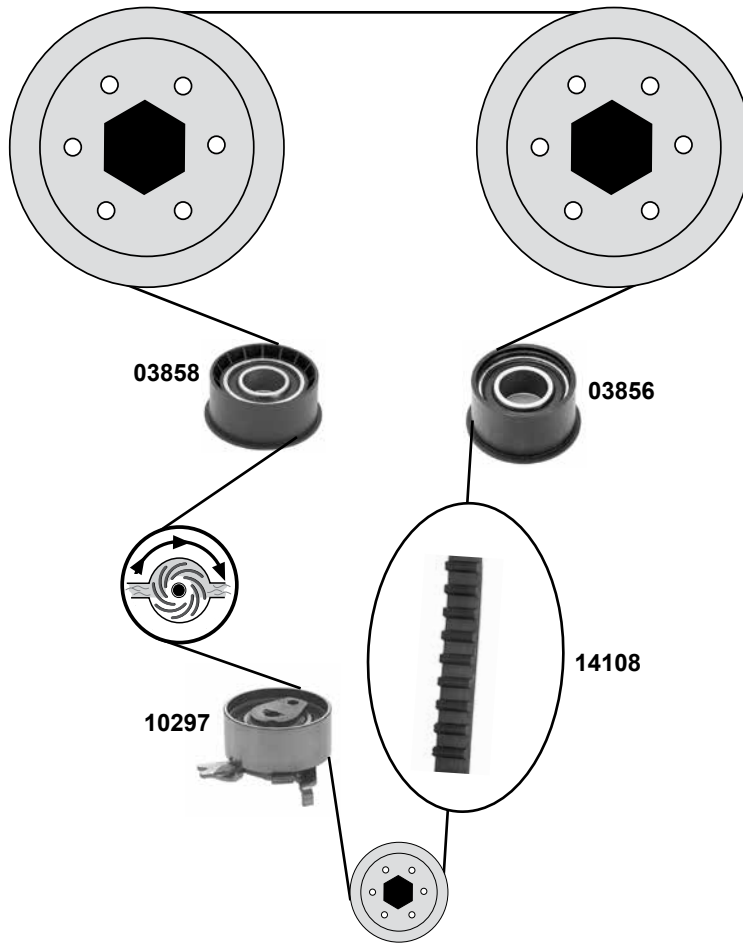
0636 423  
0636 732  
0636 567  
1606 197





Umlenkrolle / deflection pulley  
Spannrolle / tension roller  
Zahnriemen / timing belt  
Rep. Satz Zahnriemen / rep. kit timing belt

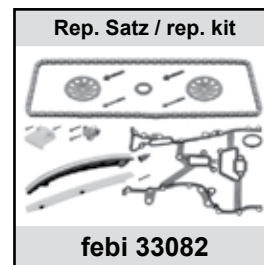
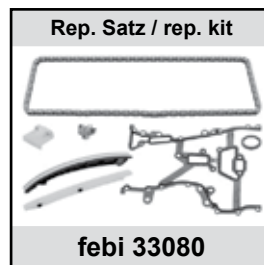
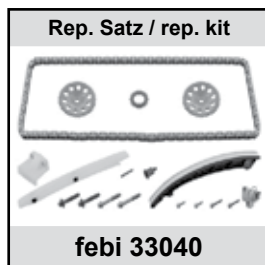
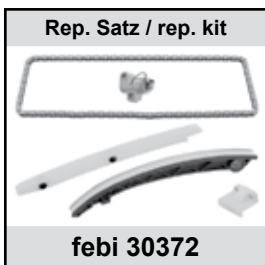
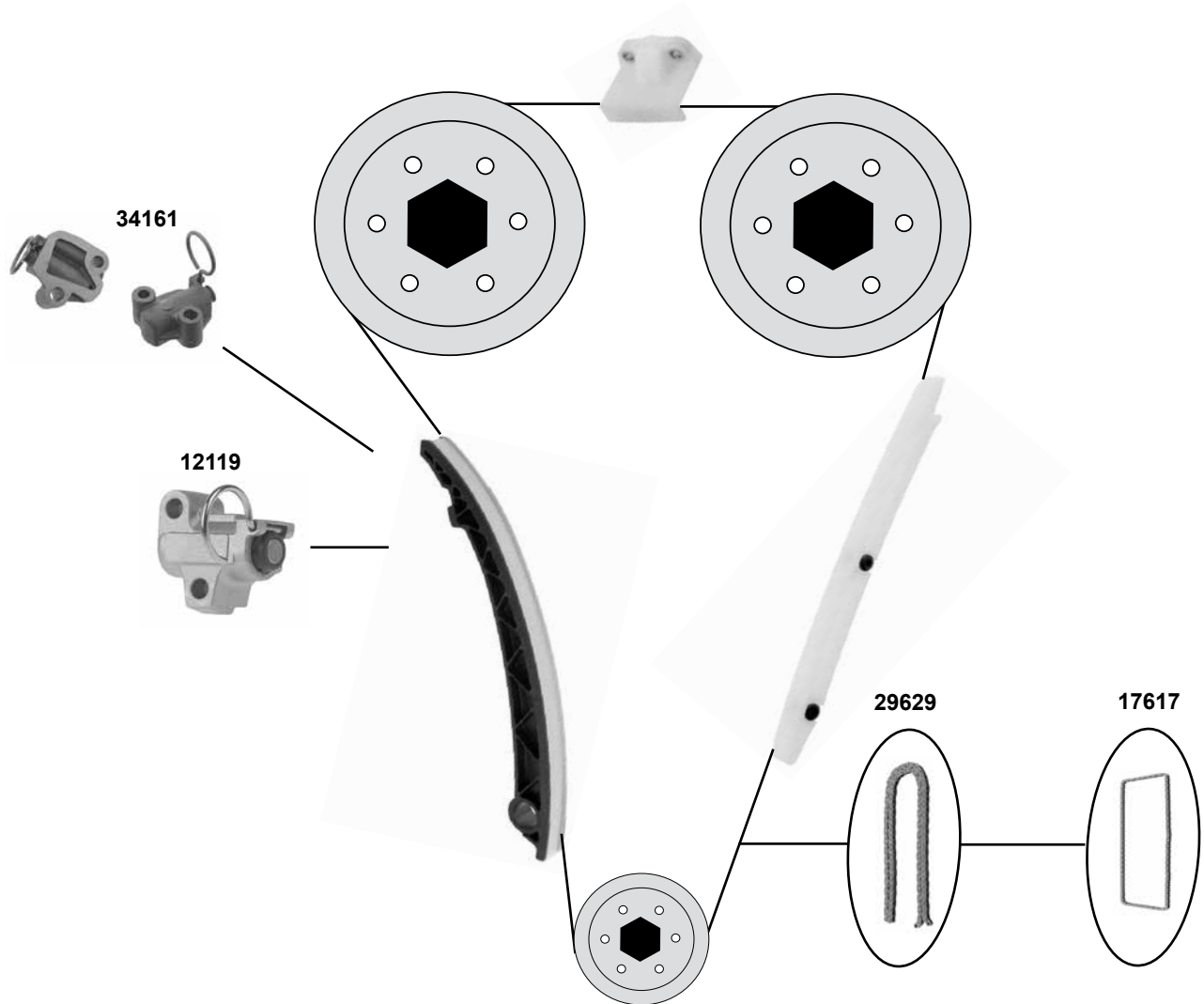
ØA 67 B27  
ØA 67 B27  
Z 141 B24

**2,0 16V**

(mot.) 14142839 →



	Ref. - No.			
<b>03856</b>	5636 425	Umlenkrolle / deflection pulley		ØA 58,5 B29,5
<b>03858</b>	0636 416	Umlenkrolle / deflection pulley		ØA 62,7 B27
<b>10297</b>	5636 738	Spannrolle / tension roller		ØA 59 B26
<b>14108</b>	5636 355	Zahnriemen / timing belt		Z 176 B24
<b>14109</b>	1606 193	Rep. Satz Zahnriemen / rep. kit timing belt		





# OPEL Meriva A

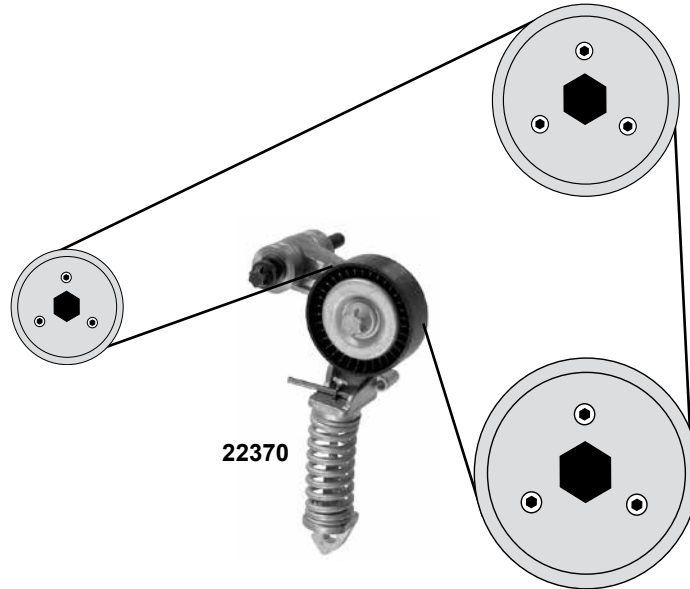
(03→10)

Car  
Division



**1,4**

(Z1,4XEP)



22370

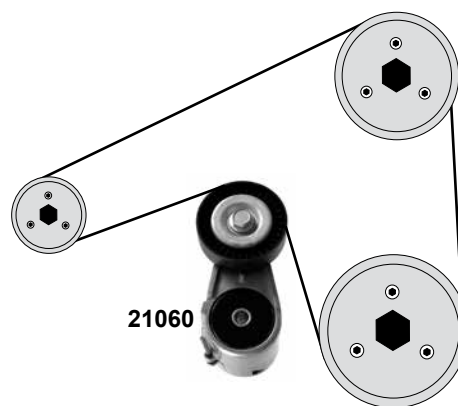
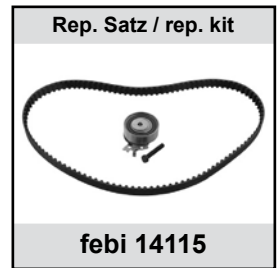
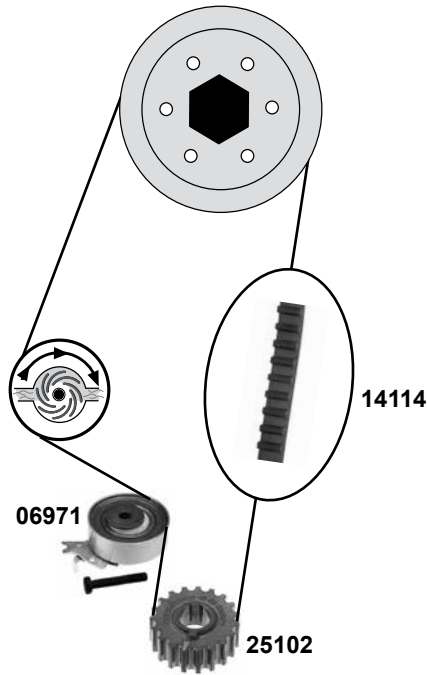
- (1) Steuerkette geschlossen / timing chain endless
- (2) Steuerkette offen / timing chain open
- (3) Steuerkette geschlossen und mit Steuerkettenradsatz / timing chain endless and with control chain wheel kit
- (4) Steuerkette geschlossen mit Dichtung / timing chain endless with gasket
- (5) Steuerkette geschlossen mit Dichtung und Steuerkettenradsatz / timing chain endless with gasket and control chain wheel kit
- (6) Spezialwerkzeug zur Montage notwendig / requires special tools for mounting
- (7) →(mot) 19TR2328
- (8) (mot) 19TR2329→



Ref. - No.



	Ref. - No.			
<b>12119</b>	5636 457	Kettenspanner / chain tensioner	(7)	
<b>17617</b>	0637 241	Steuerkette / timing chain	(1)	130 E
<b>22370</b>	1340 267	Riemenspanner / belt tensioner		70x24
<b>29629</b>	0637 241 S1	Steuerkette / timing chain	(2) (6)	130 N
<b>30372</b>	6606 022 SK1	Rep. Satz Steuerkette / rep. kit timing chain	(1) (7)	130 E
<b>33040</b>	6606 022	Rep. Satz Steuerkette / rep. kit timing chain	(3) (7)	130 E
<b>33080</b>	6606 022 SK3	Rep. Satz Steuerkette / rep. kit timing chain	(4) (7)	130 E
<b>33082</b>	6606 022 S2	Rep. Satz Steuerkette / rep. kit timing chain	(5) (7)	130 E
<b>34161</b>	0636 059	Kettenspanner / chain tensioner	(8)	
<b>34162</b>	0637 241 S2	Rep. Satz Steuerkette / rep. kit timing chain	(1) (8)	130 E



Ref. - No.



**06971**  
**14114**  
**14115**  
**21060**  
**25102**

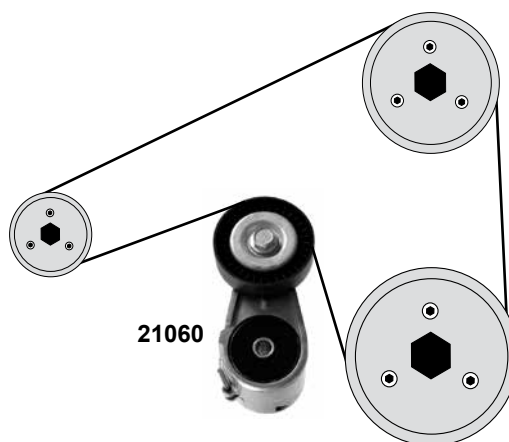
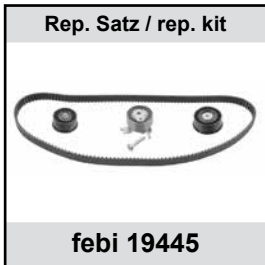
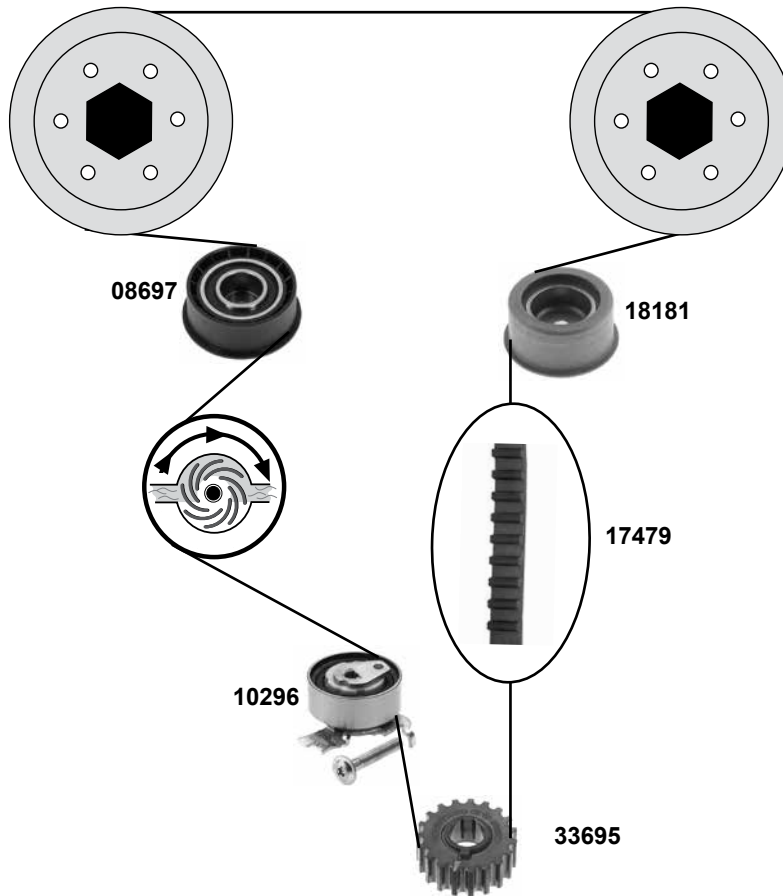
5636 722  
5636 364  
1606 369  
1340 555  
0614 526

Spannrolle / tension roller  
Zahnriemen / timing belt  
Rep. Satz Zahnriemen / rep. kit timing belt  
Riemenspanner / belt tensioner  
Kurbelwellenzahnrad / crankshaft gear

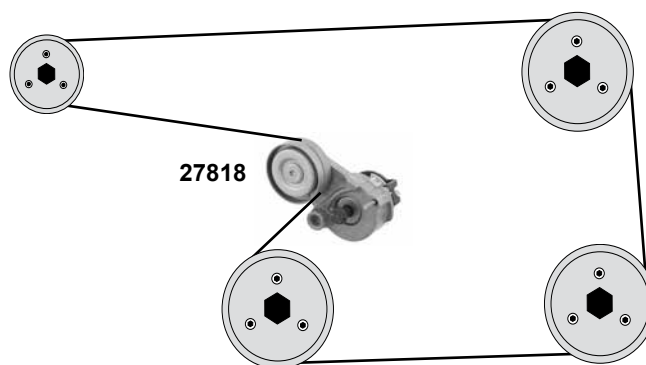
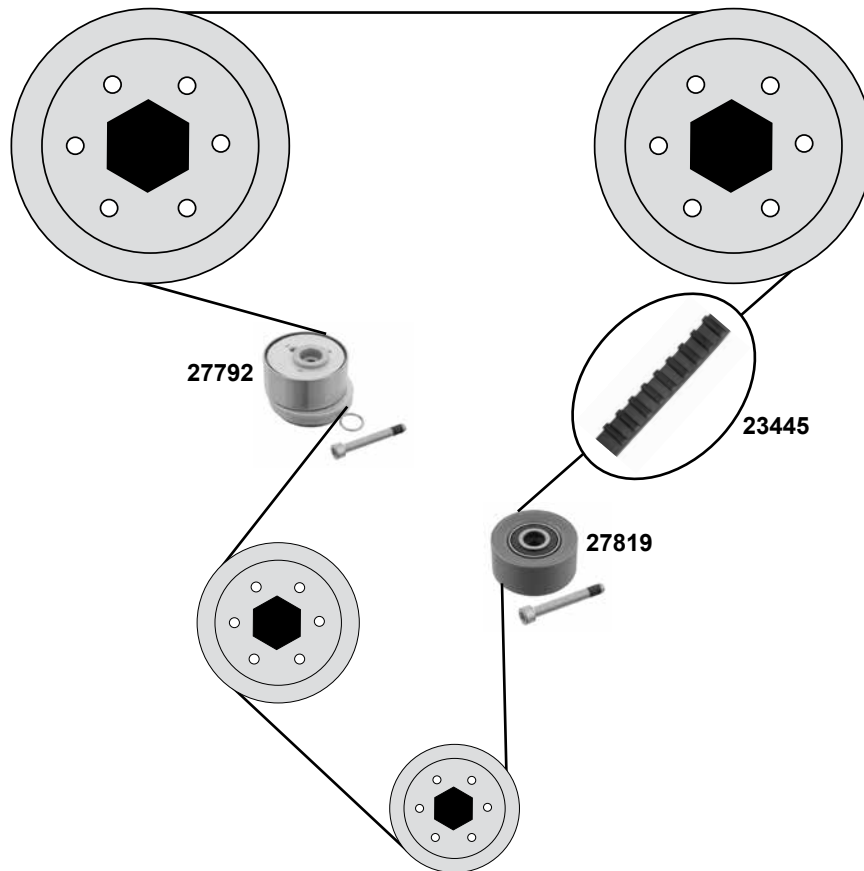
Ø59 B 19  
Z 111 B17  
Z 111 B17  
76 x 22  
Z 19



**1,6 16V / 1,8 16V**  
(Z 1,6 XE / Z1,8XE)



	Ref. - No.			
<b>08697</b>	5636 455	Umlenkrolle / deflection pulley		ØA 62,5 ØI 23
<b>10296</b>	5636 654	Spannrolle / tension roller		ØA 59 B22
<b>17479</b>	5636 564	Zahnriemen / timing belt		Z 162 B20
<b>18181</b>	5636 454	Umlenkrolle / deflection pulley		ØA 52,5 B27
<b>19445</b>	1606 306	Rep. Satz Zahnriemen / rep. kit timing belt		Z 162 B20
<b>21060</b>	1340 555	Riemenspanner / belt tensioner		76 x 22
<b>21097</b>	1606 189	Rep. Satz Zahnriemen / rep. kit timing belt		Z 162 B20
<b>33695</b>	0614 546	Kurbelwellenzahnrad / crankshaft gear		Z 23



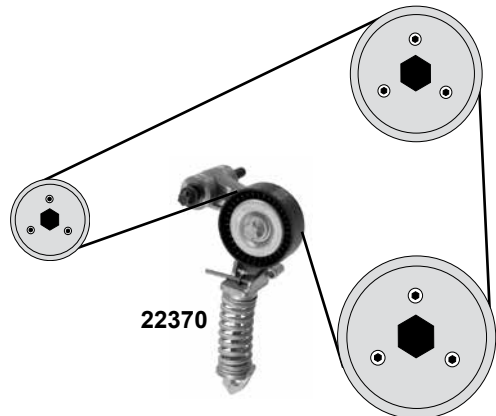
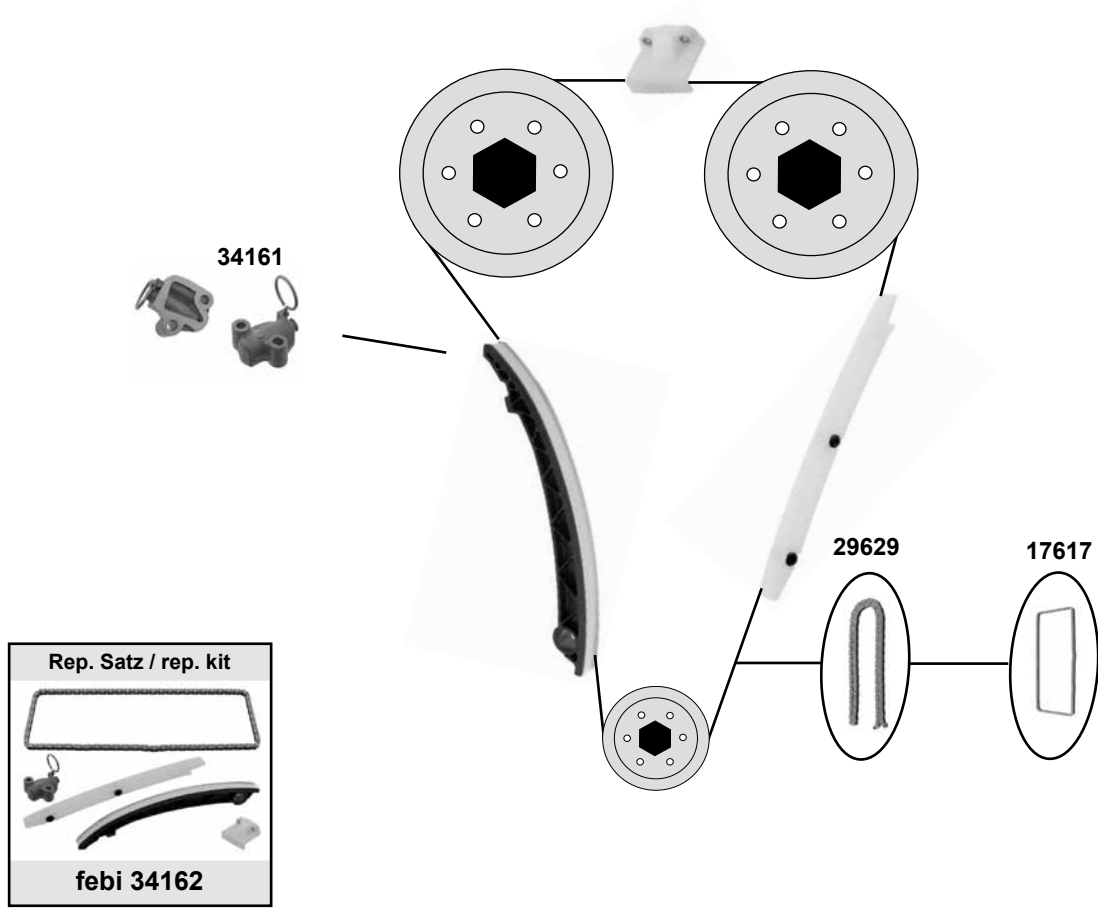
Ref. - No.







<b>23445</b>	5636 452	Zahnriemen / timing belt	Z 146 B24
<b>27792</b>	5636 486	Spannrolle / tension roller	ØA66 ØI8 B29
<b>27818</b>	1340 268	Riemenspanner / belt tensioner	ØA 63 B 22
<b>27819</b>	5636 978	Umlenkrolle / deflection pulley	ØA 61 B 28
<b>27825</b>	1606 314	Rep. Satz Zahnriemen / rep. kit timing belt	Z 146 B24

# OPEL Meriva B (10→)

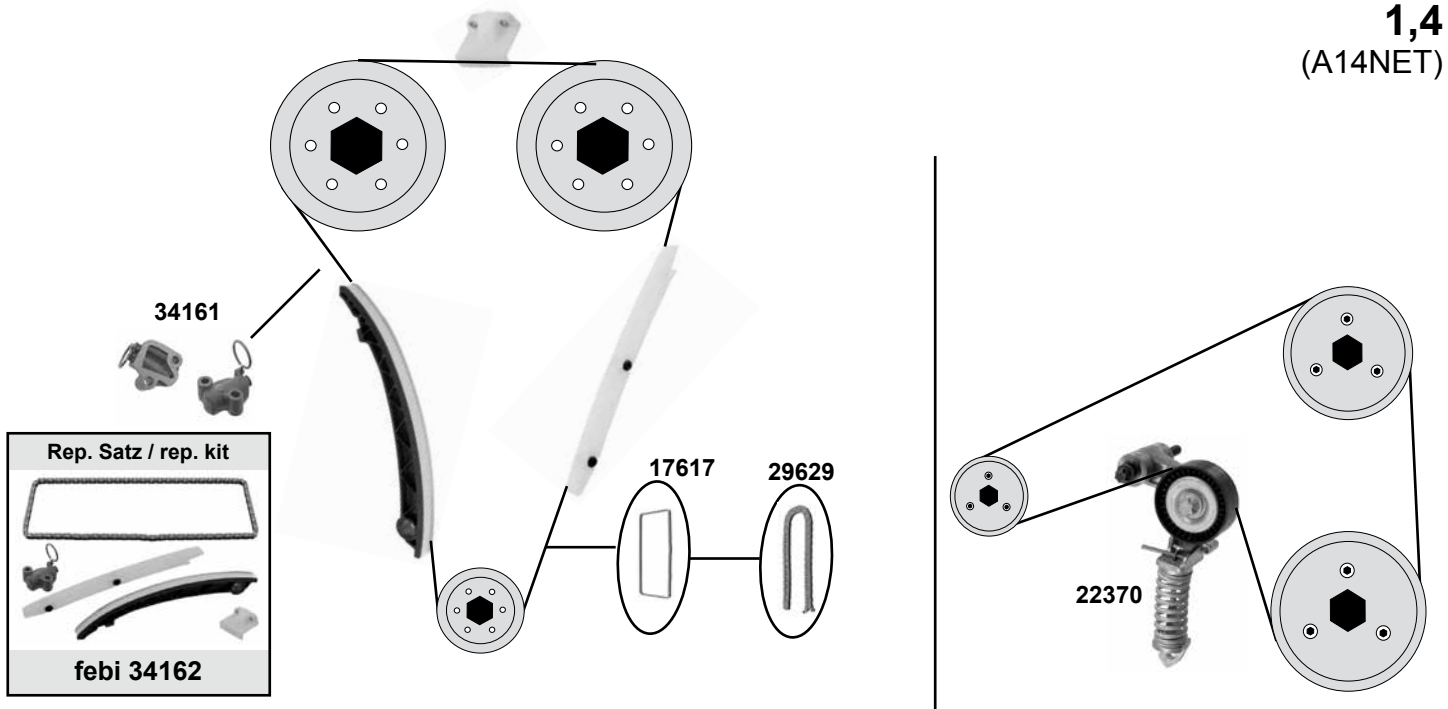
**1,4**  
(A1,4XER / A1,4NEL / A1,4NET / B1,4XER / B1,4NET / B1,4NEL)



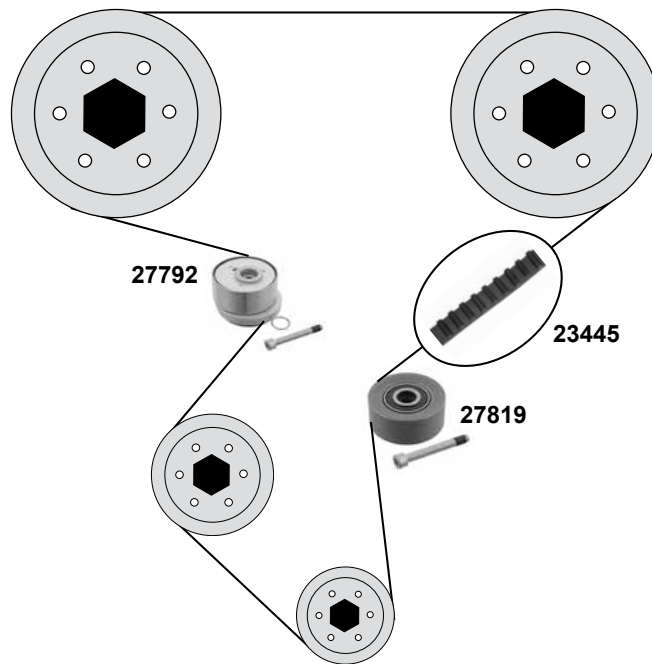
- (1) Steuerkette geschlossen / timing chain endless
- (2) Steuerkette offen / timing chain open  
Spezialwerkzeug zur Montage notwendig / requires special tools for mounting

	Ref. - No.			
17617	0637 241	Steuerkette / timing chain	(1)	130 E
22370	1340 267	Riemenspanner / belt tensioner		70x24
29629	0637 241 S1	Steuerkette / timing chain	(2)	130 N
34161	0636 059	Kettenspanner / chain tensioner		
34162	0637 241 S2	Rep. Satz Steuerkette / rep. kit timing chain	(1)	130 E

**1,4**  
(A14NET)



**1,6 / 1,8**  
(Z1,6 XER / A 1,8 XER)



- (1) Steuerkette geschlossen / timing chain endless
- (2) Steuerkette offen / timing chain open  
Spezialwerkzeug zur Montage notwendig / requires special tools for mounting



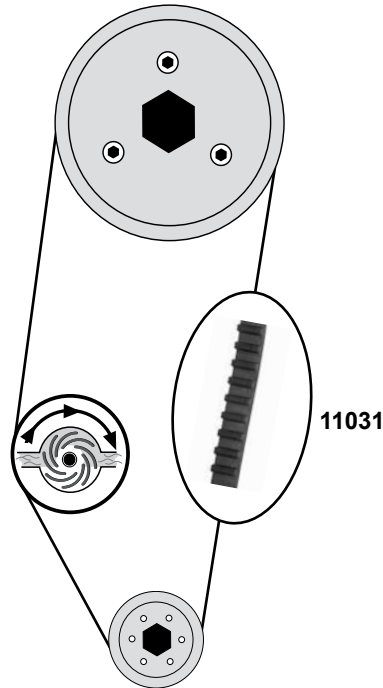
Ref. - No.



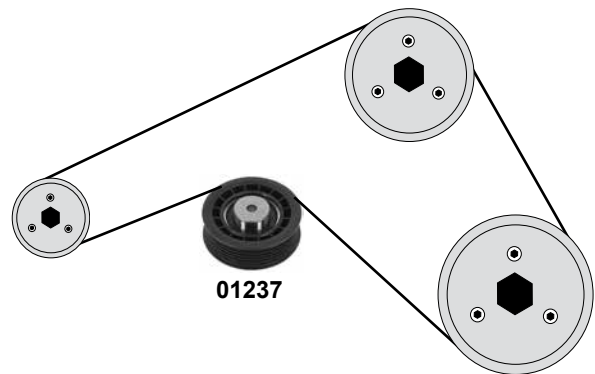
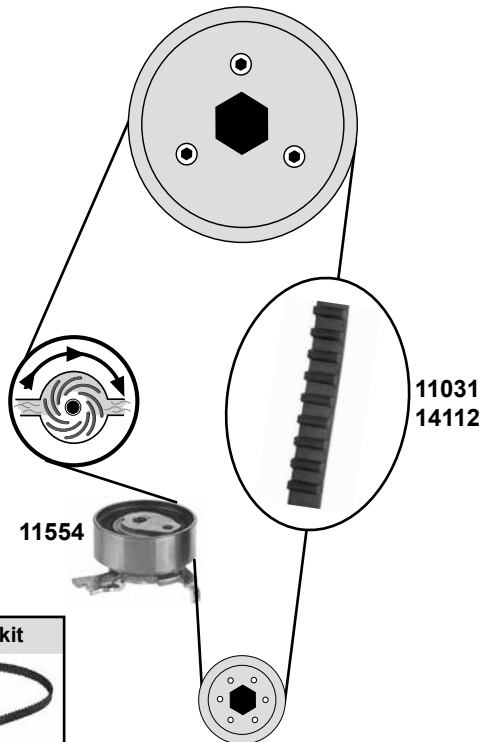
	Ref. - No.			
17617	0637 241	Steuerkette / timing chain	(1)	130 E
22370	1340 267	Riemenspanner / belt tensioner		
23445	5636 452	Zahnriemen / timing belt		Z 146 B24
27792	5636 486	Spannrolle / tension roller		ØA66 B29
27819	5636 978	Umlenkrolle / deflection pulley		ØA 61 B 28
27825	1606 314	Rep. Satz Zahnriemen / rep. kit timing belt		
29629	0637 241 S1	Steuerkette / timing chain	(2)	130N
34161	0636 059	Kettenspanner / chain tensioner		
34162	0637 241 S2	Rep. Satz Steuerkette / rep. kit timing chain	(1)	130 E



**1,8**



**2,0**

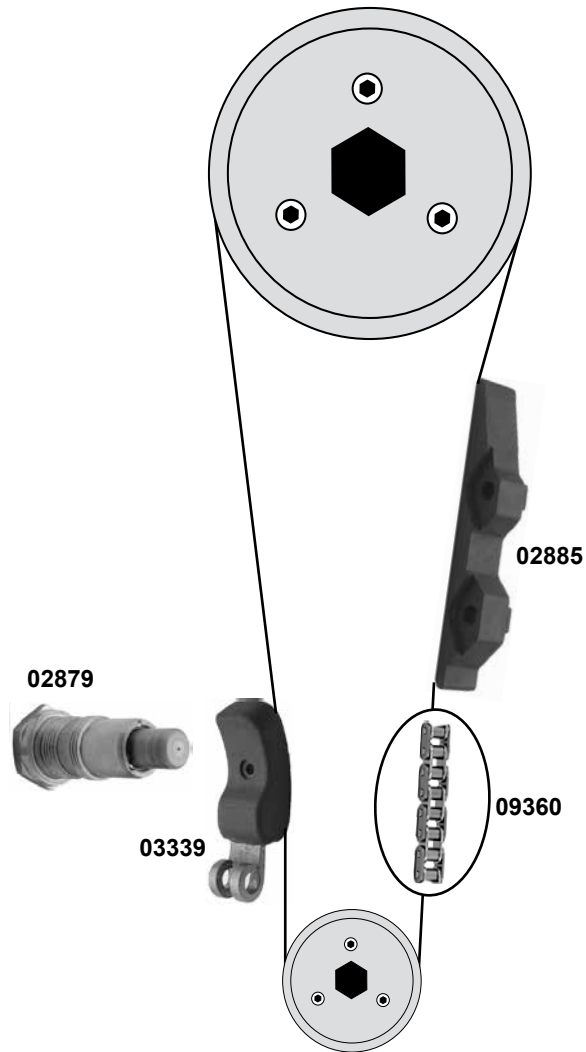


Ref. - No.



<b>01237</b>	1340 535	Umlenkrolle / deflection pulley
<b>11031</b>	0636 565	Zahnriemen / timing belt
<b>11554</b>	5636 429	Spannrolle / tension roller
<b>14112</b>	5636 562	Zahnriemen / timing belt
<b>14113</b>	5636 562S1	Rep. Satz Zahnriemen / rep. kit timing belt

<b>AC</b>	ØA 80 B26,4
<b>(mot.) 2,0→14608700</b>	Z 111 B20
	ØA 59 B22
<b>(mot.) 2,0 14608701→</b>	Z 146 B20
<b>(mot.) 2,0 14608701→</b>	



Ref. - No.

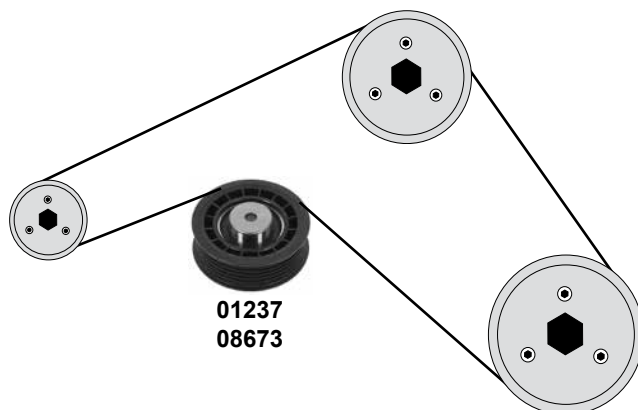
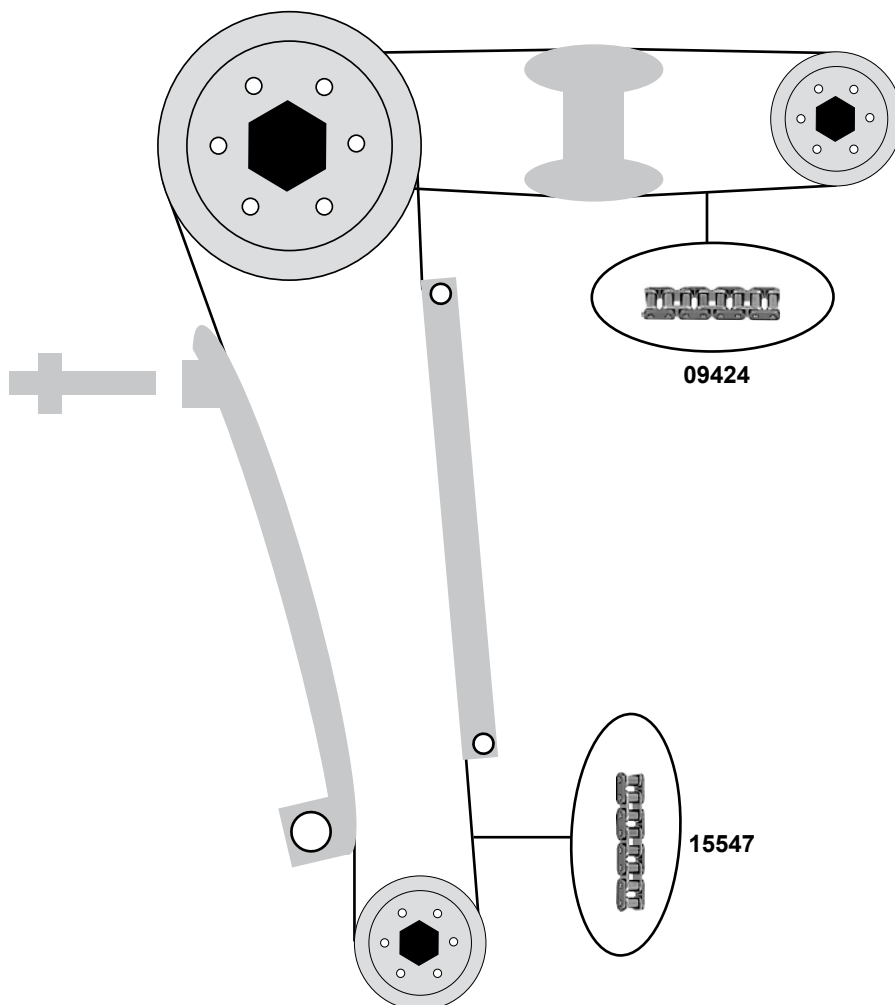


<b>02879</b>	0636 377	Kettenspanner / chain tensioner
<b>02885</b>	0636 812	Gleitschiene / sliding rail
<b>03339</b>	0636 700	Gleitschiene / sliding rail
<b>09360</b>	0636 353	Steuerkette / timing chain

D 455 / 88 E



**3,0 24V / 3,6**



(1) (mot.) 3,0NE / C 3,0 NE 0103967→(mot.) C 3,0 SE 01024730→

(2) (ch.) M 1000001→



Ref. - No.



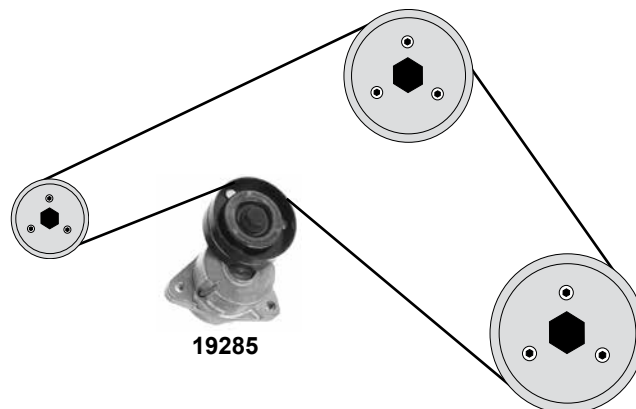
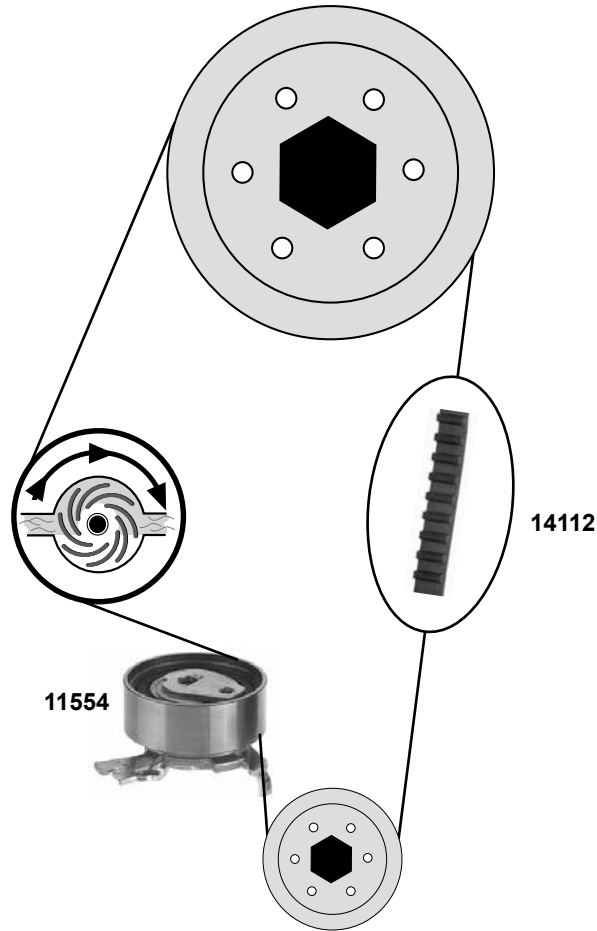
**01237**  
**08673**  
**09424**  
**15547**

1340 535  
1854 429  
0636 374  
0636 572

Umlenkrolle / deflection pulley  
Umlenkrolle / deflection pulley  
Steuerkette / timing chain  
Steuerkette / timing chain

(1) AC  
(2) AC

ØA 80 B26,4  
ØA 80 B26,4  
458 / 42 E  
104 E



Ref. - No.



**11554**  
**14112**  
**14113**  
**19285**

5636 429  
5636 562  
5636 562S1  
6340 532

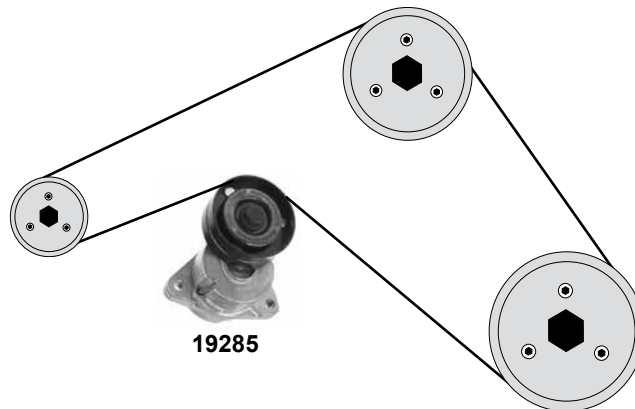
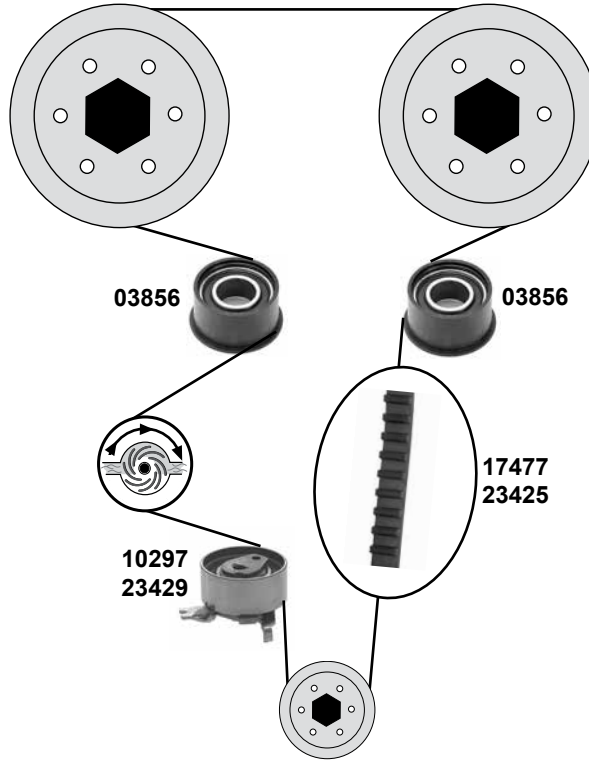
Spannrolle / tension roller  
Zahnriemen / timing belt  
Rep. Satz Zahnriemen / rep. kit timing belt  
Riemenspanner / belt tensioner

ØA 59 B22  
Z 146 B20

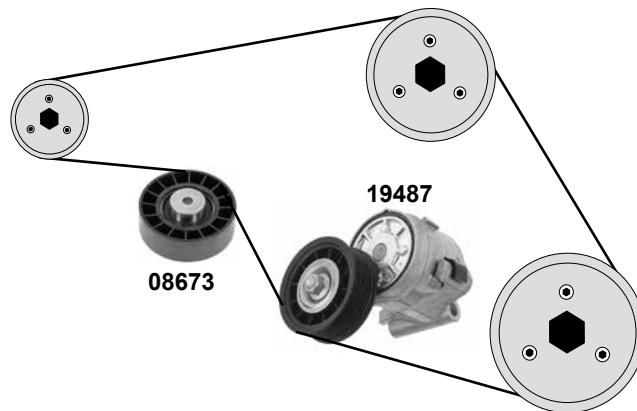
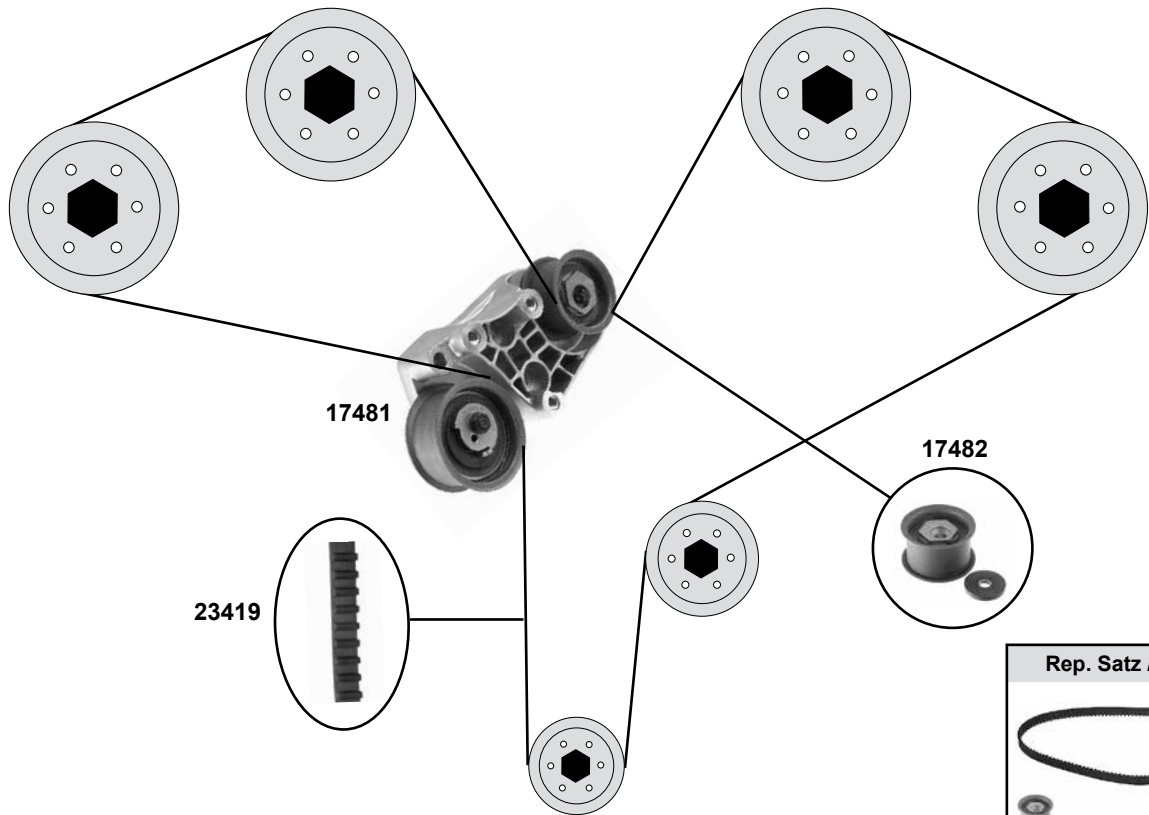


**2,0 / 2,2 16V**

(X 2,0 XEV / Y 2,2 XE / Z 2,2 XE)



	Ref. - No.			
<b>03856</b>	5636 425	Umlenkrolle / deflection pulley		ØA 58,5 B29,5
<b>10297</b>	5636 738	Spannrolle / tension roller	(mot.) 2,0 16V	ØA 59 B26
<b>17477</b>	5636 363	Zahnriemen / timing belt	(mot.) 2,0 16V	Z 169 B24
<b>17478</b>	1606 192	Rep. Satz Zahnriemen / rep. kit timing belt	(mot.) 2,0 16V	
<b>19285</b>	6340 532	Riemenspanner / belt tensioner		
<b>23425</b>	5636 372	Zahnriemen / timing belt	(mot.) 2,2 16V	Z 171 B24
<b>23427</b>	1606 198	Rep. Satz Zahnriemen / rep. kit timing belt	(mot.) 2,2 16V	
<b>23429</b>	0636 729	Spannrolle / tension roller	(mot.) 2,2 16V	ØA 59 B22



(1) (mot.) 2,5 / 3,0 / →08300418



Ref. - No.



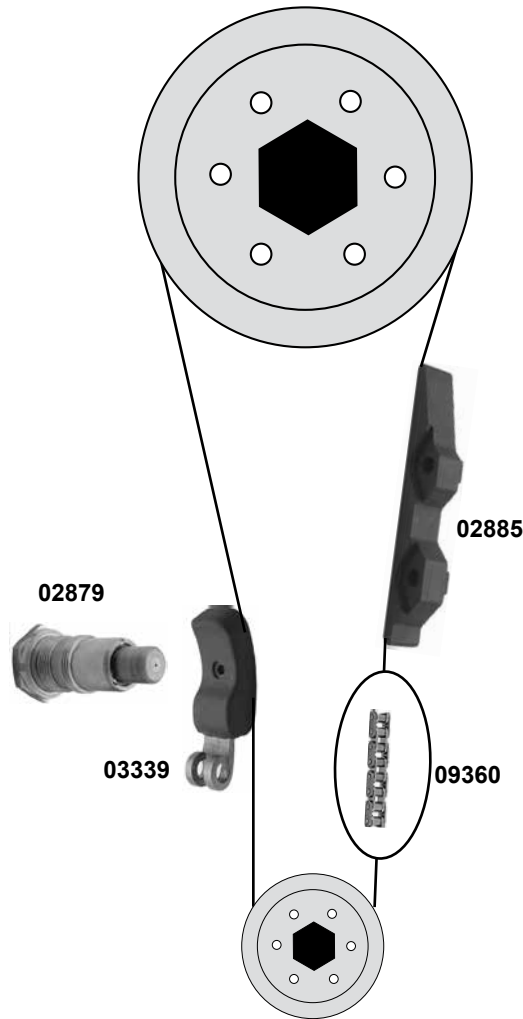
<b>08673</b>	1854 429	Umlenkrolle / deflection pulley		
<b>17481</b>	5636 730	Riemenspanner / belt tensioner	(1)	
<b>17482</b>	5636 422	Umlenkrolle / deflection pulley	(1)	ØA 64 B37
<b>19487</b>	6340 538	Riemenspanner / belt tensioner		
<b>23419</b>	5636 371	Zahnriemen / timing belt	(1)	Z 225 B30
<b>27295</b>	0636 728 SK	Rep. Satz Zahnriemen / rep. kit timing belt	(1)	

**OPEL**  
**Rekord E / Commodore C (77→86)**  
**Monza / Senator A (78→86)**

Car  
 Division



**1,7→3,0**  
 (CIH)

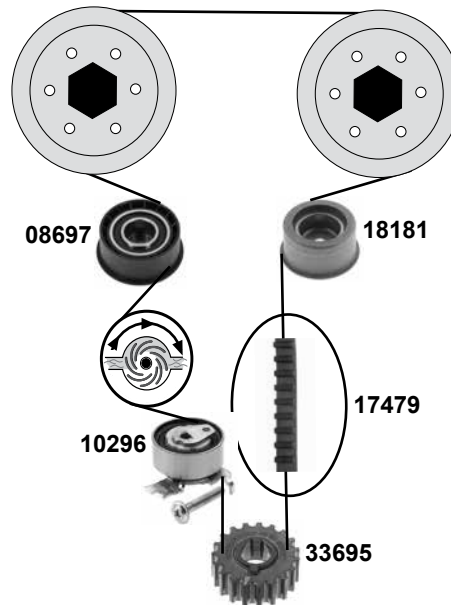
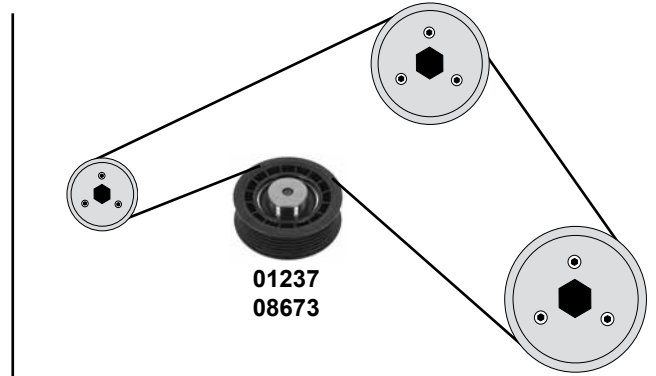
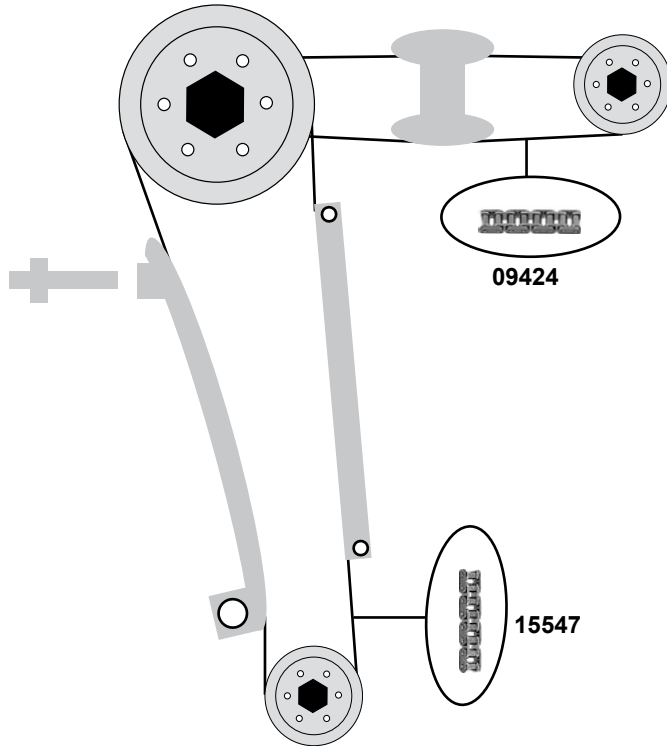


Ref. - No.

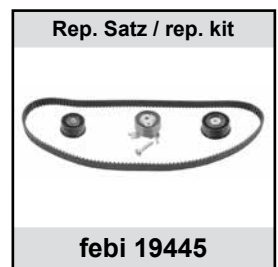


<b>02879</b>	0636 377	Kettenspanner / chain tensioner
<b>02885</b>	0636 812	Gleitschiene / sliding rail
<b>03339</b>	0636 700	Gleitschiene / sliding rail
<b>09360</b>	0636 353	Steuerkette / timing chain

D 455 / 88 E



**Signum**  
(02→08)  
**1,8 16 V**  
(Z 1,8XE)



(1) (mot.) 3,0NE / C 3,0 NE 01039675→ (mot.) C 3,0 SE 01024730→

(2) (ch.) M 1000001→



Ref. - No.



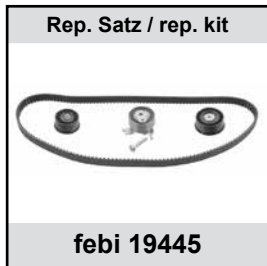
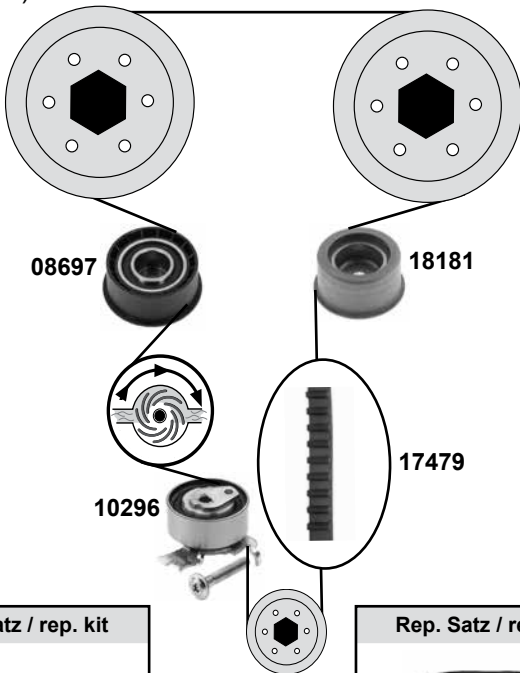
Ref. - No.	Description	Quantity	Dimensions
<b>01237</b>	Umlenkrolle / deflection pulley	(1) AC	ØA 80 B26,4
<b>08673</b>	Umlenkrolle / deflection pulley	(2) AC	ØA 80 B26,4
<b>08697</b>	Umlenkrolle / deflection pulley		ØA 62,5
<b>09424</b>	Steuerkette / timing chain		458 / 42 E
<b>15547</b>	Steuerkette / timing chain		104 E
<b>17479</b>	Zahnriemen / timing belt		Z 162 B20
<b>18181</b>	Umlenkrolle / deflection pulley		ØA 52,5 B27
<b>19445</b>	Rep. Satz Zahnriemen / rep. kit timing belt		
<b>33695</b>	Kurbelwellenzahnrad / crankshaft gear		Z 23

# OPEL Signum (02→08)

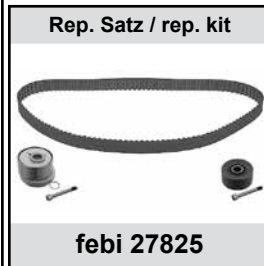
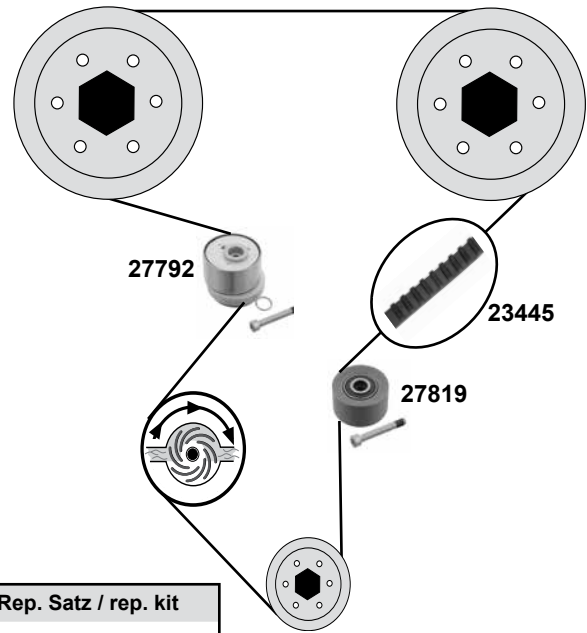
Car  
Division



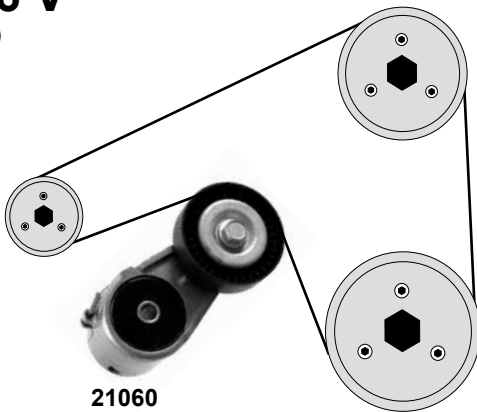
## 1,8 16 V (Z 1,8XER)



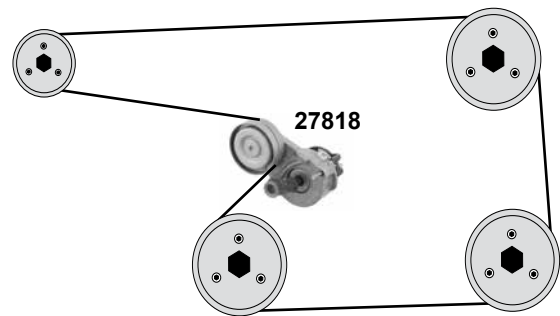
## 1,8 16 V (Z 1,8XER)



## 1,8 16 V (Z 1,8XE)



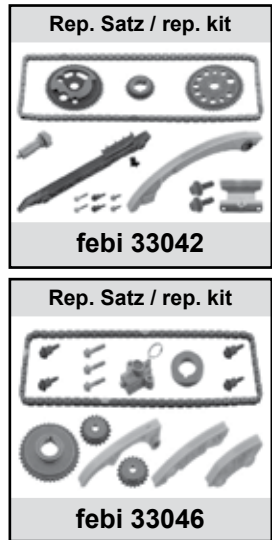
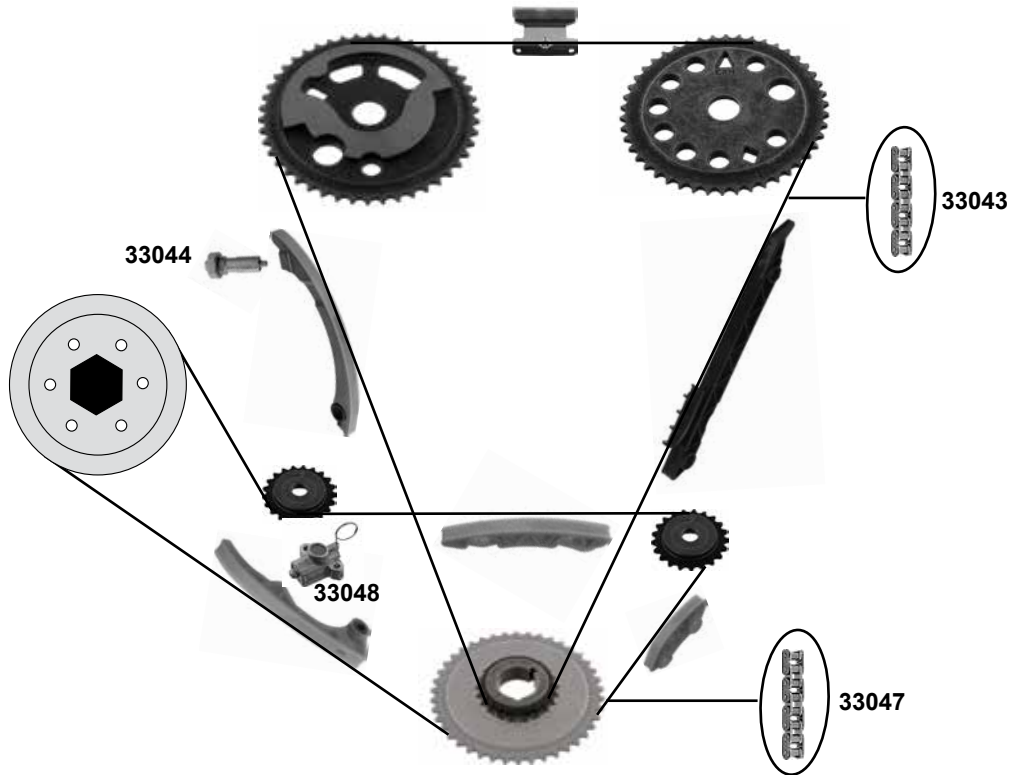
## 1,8 16 V (Z 1,8XER)



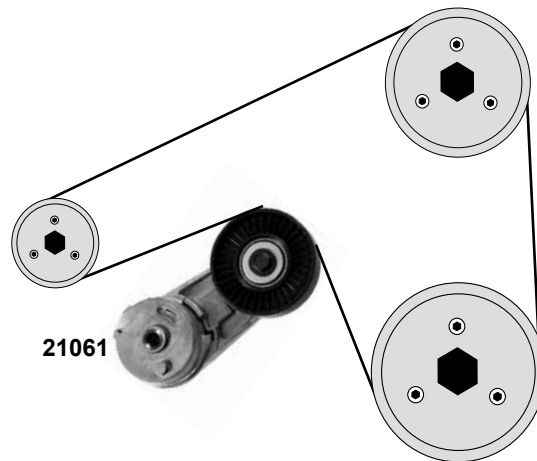
Ref. - No.



08697	5636 455	Umlenkrolle / deflection pulley	ØA 62,5
10296	5636 740	Spannrolle / tension roller	ØA 59 B22
17479	5636 564	Zahnriemen / timing belt	Z 162 B20
18181	5636 454	Umlenkrolle / deflection pulley	ØA 52,5 B27
19445	1606 306	Rep. Satz Zahnriemen / rep. kit timing belt	
21060	1340 555	Riemenspanner / belt tensione	
21097	1606 189	Rep. Satz Zahnriemen / rep. kit timing belt	
23445	5636 452	Zahnriemen / timing belt	Z 146 B24
27792	5636 486	Spannrolle / tension roller	ØA66 Ø18 B29
27818	1340 268	Riemenspanner / belt tensioner	ØA 63 B 22
27819	5636 978	Umlenkrolle / deflection pulley	ØA 61 B28
27825	1606 314	Rep. Satz Zahnriemen / rep. kit timing belt	Z 146 B24



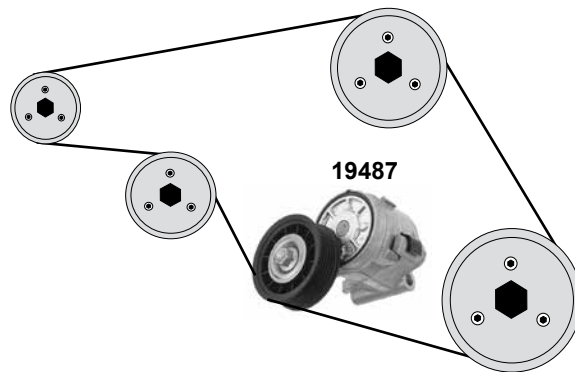
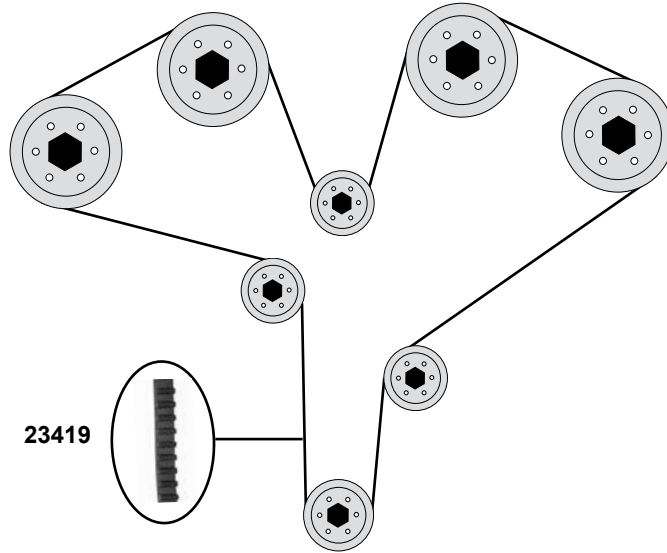
**2,0 / 2,2**  
(Z2,0NET, Z2,2SE, Z2,2YH)



	Ref. - No.			
<b>21061</b>	0614 533	Riemenspanner / belt tensioner		
<b>33042</b>	0636 176	Rep. Satz Steuerkette / rep. kit timing chain	<b>(mot.) 2,2</b>	148 E
<b>33043</b>	5636 396	Steuerkette endlos / timing chain endless		148 E
<b>33044</b>	4807 839	Kettenspanner / chain tensioner		
<b>33046</b>	0615 418	Rep. Satz Steuerkette / rep. kit timing chain	<b>(mot.) 2,2</b>	134 E
<b>33047</b>	5636 381	Steuerkette endlos / timing chain endless		134 E
<b>33048</b>	5636 380	Kettenspanner / chain tensioner		



**3,2 V6**



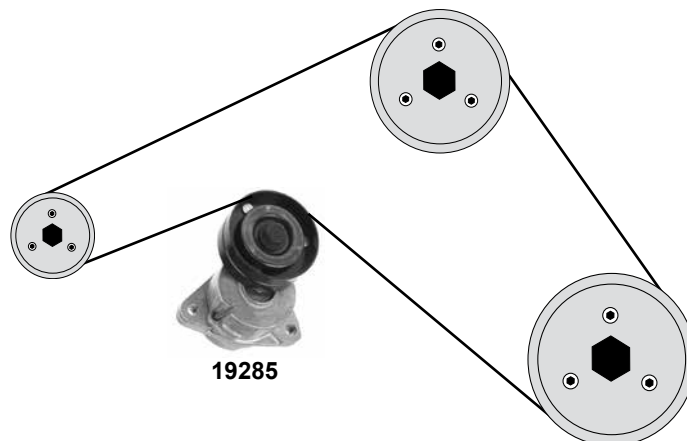
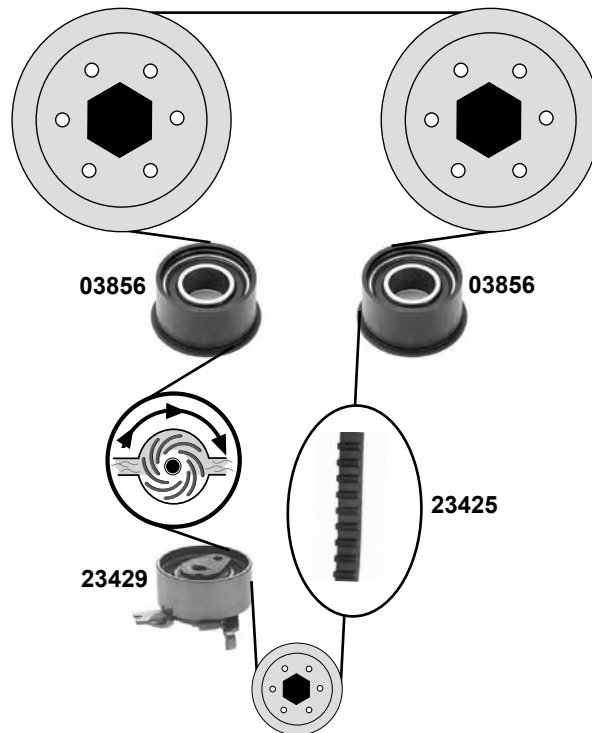
**Ref. - No.**



**19487** 6340 538  
**23419** 5636 371

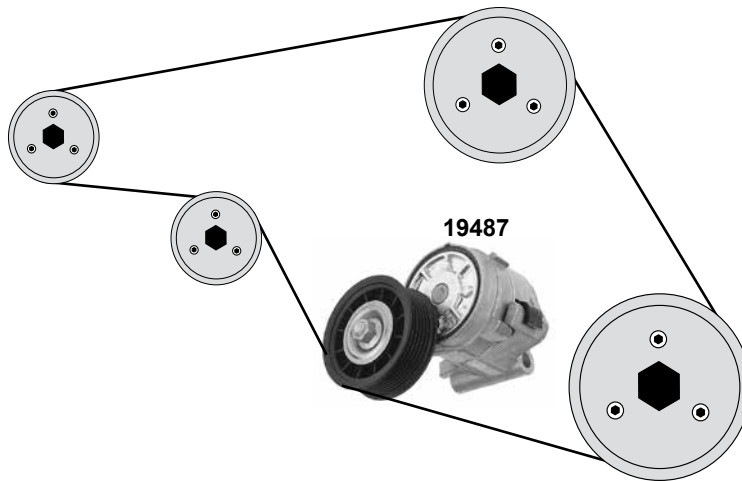
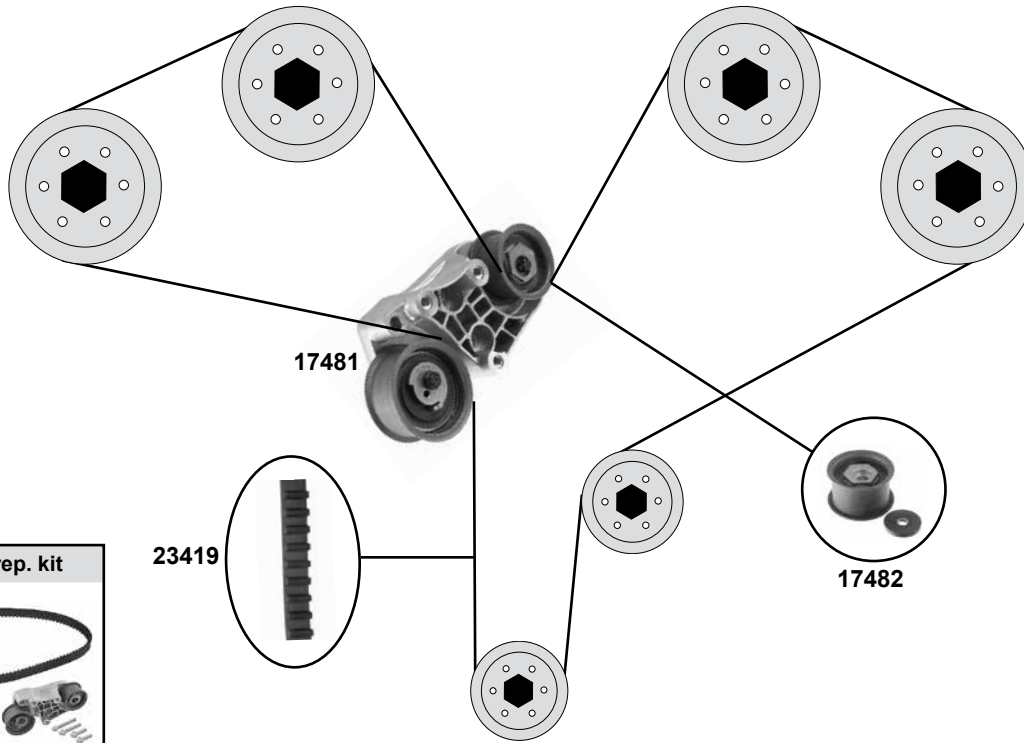
Riemenspanner / belt tensioner  
Zahnriemen / timing belt

Z 225 B30



	Ref. - No.			
<b>03856</b>	5636 425	Umlenkrolle / deflection pulley		ØA 58,5 B29,5
<b>19285</b>	6340 532	Riemenspanner / belt tensioner	AC	
<b>23425</b>	5636 372	Zahnriemen / timing belt		Z 171 B24
<b>23427</b>	1606 198	Rep. Satz Zahnriemen / rep. kit timing belt		
<b>23429</b>	0636 729	Spannrolle / tension roller		ØA 59 B22

**3,0 V6**  
(X 3,0 XE)



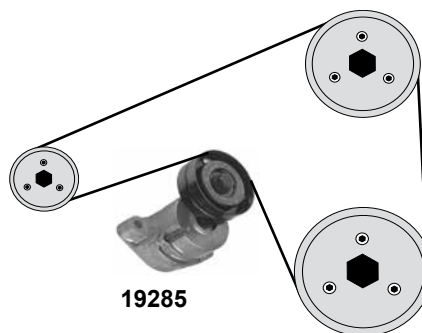
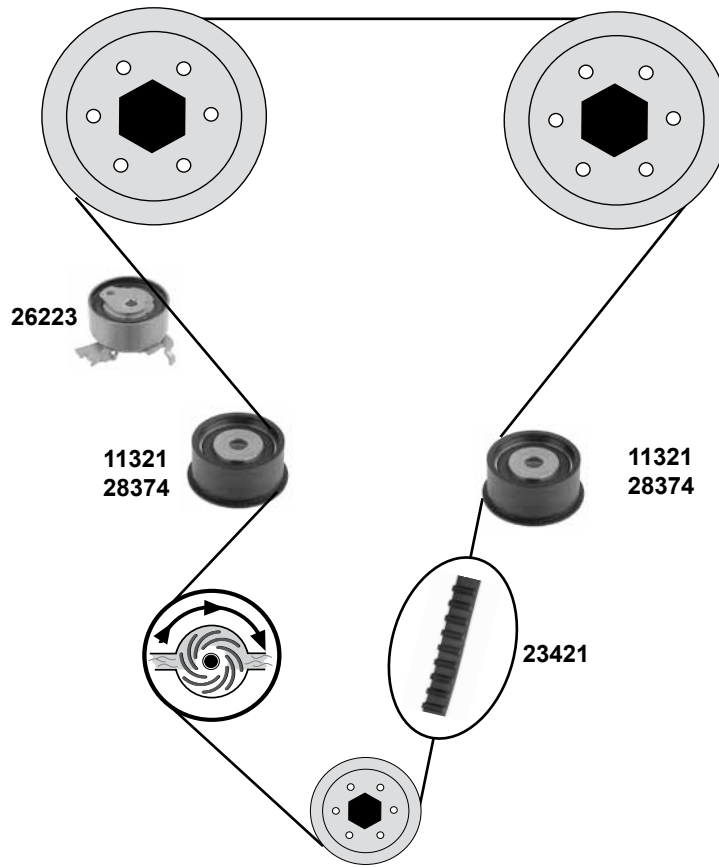
(1) (mot.) 08292479→08299999



Ref. - No.

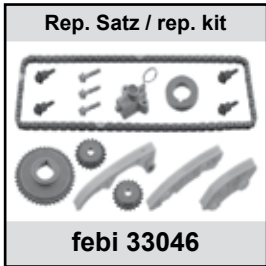
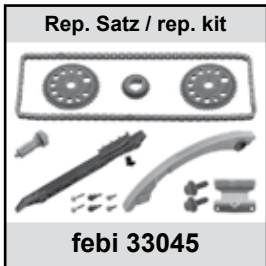
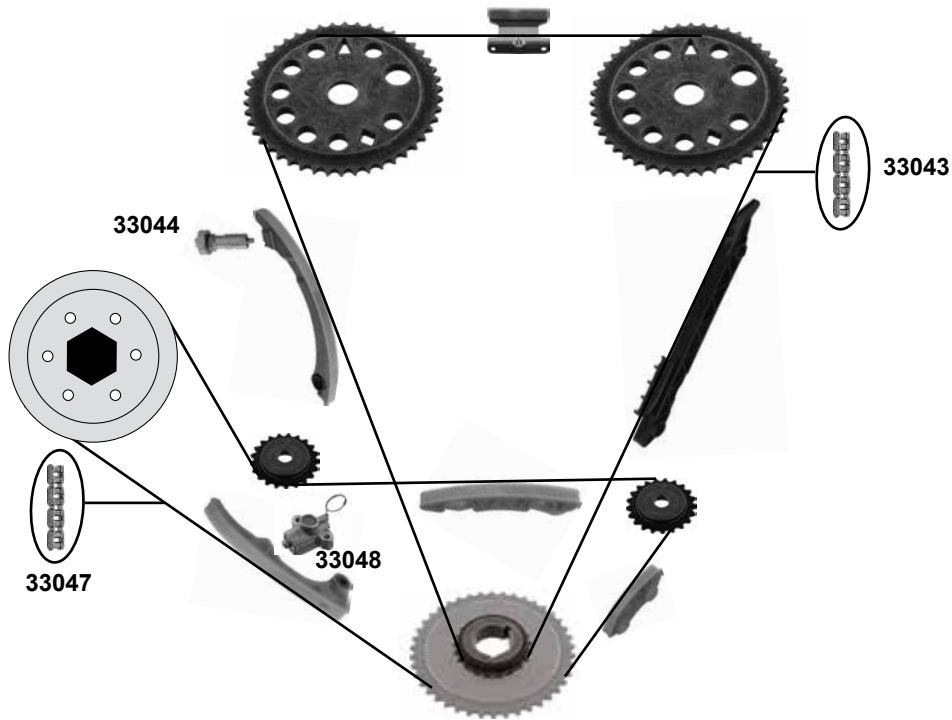


17481	5636 730	Riemenspanner / belt tensioner	(1)	
17482	5636 422	Umlenkrolle / deflection pulley	(1)	ØA 64 B37
19487	6340 538	Riemenspanner / belt tensioner	(1)	
23419	5636 371	Zahnriemen / timing belt	(1)	Z 225 B30
27295	0636 728 SK	Rep. Satz Zahnriemen / rep. kit timing belt	(1)	Z 225 B30

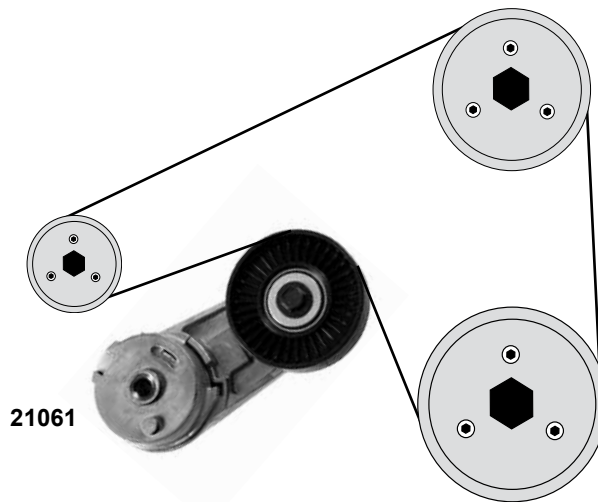






	Ref. - No.			
<b>11321</b>	5636 423	Umlenkrolle / deflection pulley	(mot.) → 3N 999 999	ØA 54 B29,3
<b>19285</b>	6340 532	Riemenspanner / belt tensioner		
<b>23421</b>	5636 566	Zahnriemen / timing belt		Z 168 B24
<b>26223</b>	5636 746	Spannrolle / tension roller		ØA 59 B26
<b>26224</b>	1606 196	Rep. Satz Zahnriemen / rep. kit timing belt	(mot.) → 3N 999 999	Z 168 B24
<b>28374</b>	5636 449	Umlenkrolle / deflection pulley	(mot.) 4N 000 001→	ØA54 Ø110
<b>28375</b>	1606 305	Rep. Satz Zahnriemen / rep. kit timing belt	(mot.) 4N 000 001→	Z 168 B24

### 2,2

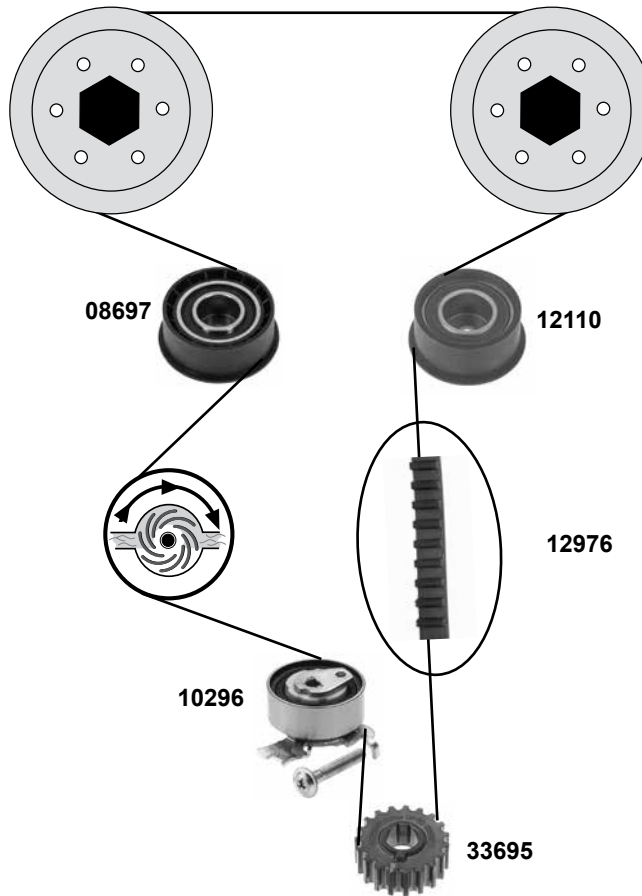


### 2,2

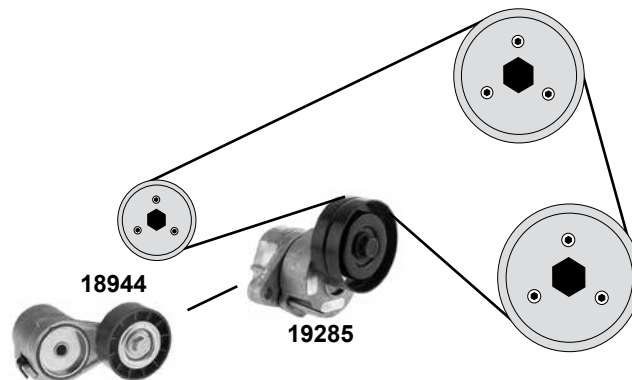


	Ref. - No.			
<b>21061</b>	0614 533	Riemenspanner / belt tensioner		
<b>33043</b>	5636 396	Steuerkette endlos / timing chain endless		148 E
<b>33044</b>	4807 839	Kettenspanner / chain tensioner		
<b>33045</b>	5636 400	Rep. Satz Steuerkette / rep. kit timing chain		148 E
<b>33046</b>	0615 418	Rep. Satz Steuerkette / rep. kit timing chain		134 E
<b>33047</b>	5636 381	Steuerkette / timing chain		134 E
<b>33048</b>	5636 380	Kettenspanner / chain tensioner		

**1,4 16V / 1,6 16V**



**1,2 / 1,4 16V / 1,6 16V**



(1) (ex.) (mot.) 1,2

(2) (mot.) 1,2 8V, 1,4, 1,6 AC / (mot.) 1,4 16V, 1,6 servo (ex.) AC R4235380→



Ref. - No.



**08697**  
**10296**  
**12110**  
**12976**  
**14110**  
**18944**  
**19285**  
**21098**  
**33695**

5636 455  
5636 740  
5636 427  
5636 565  
1606 274  
1206 990  
6340 532  
1606 190  
0614 546

Umlenkrolle / deflection pulley  
Spannrolle / tension roller  
Umlenkrolle / deflection pulley  
Zahnriemen / timing belt  
Rep. Satz Zahnriemen / rep. kit timing belt  
Riemenspanner / belt tensioner  
Riemenspanner / belt tensioner  
Rep. Satz Zahnriemen / rep. kit timing belt  
Kurbelwellenzahnrad / crankshaft gear

(1) man. (ex.) AC  
(2)

ØA 62,5 ØI 23  
ØA 59 B22  
ØA 58,5 B25  
Z 169 B20

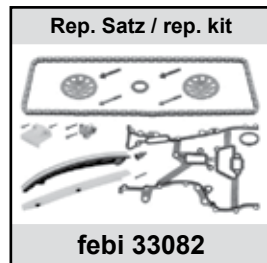
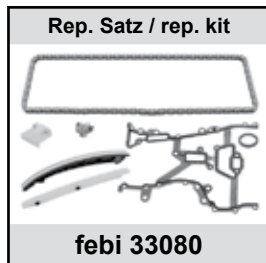
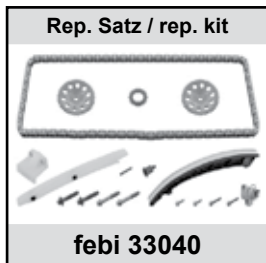
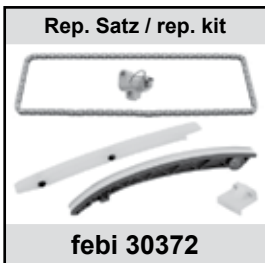
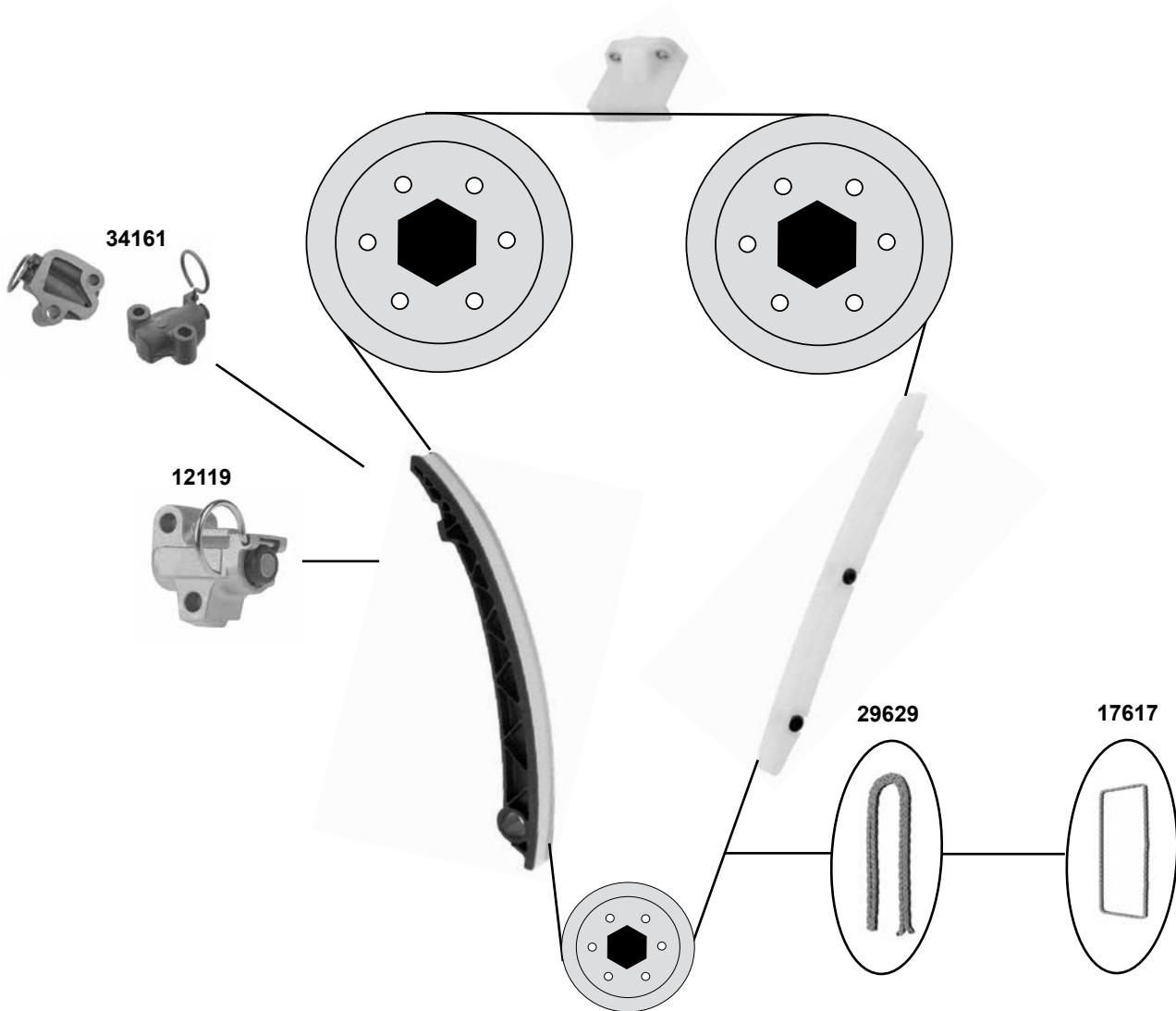
Z 23

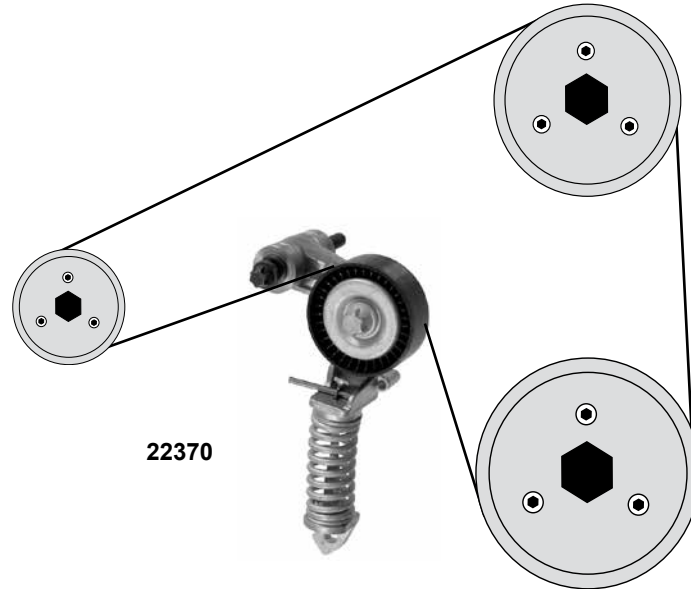
# OPEL Tigra B (03→)

Car  
Division



**1,4**  
(Z 1,4 XEP)





22370

- (1) Steuerkette geschlossen / timing chain endless
- (2) Steuerkette offen / timing chain open
- (3) Steuerkette geschlossen und mit Steuerkettenradsatz / timing chain endless and with control chain wheel kit
- (4) Steuerkette geschlossen mit Dichtung / timing chain endless with gasket
- (5) Steuerkette geschlossen mit Dichtung und Steuerkettenradsatz / timing chain endless with gasket and control chain wheel kit
- (6) → (mot) 19TR2328
- (7) (mot) 19TR2329→
- (8) Spezialwerkzeug zur Montage notwendig / Requires special tools for mounting



Ref. - No.

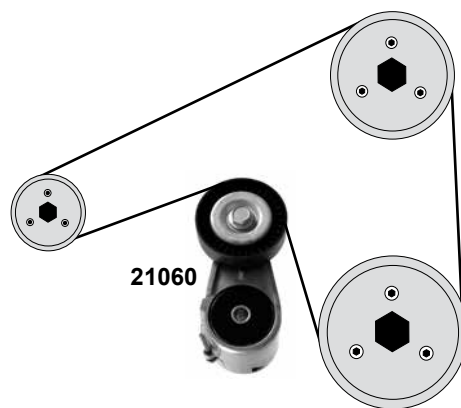
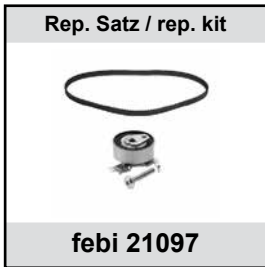
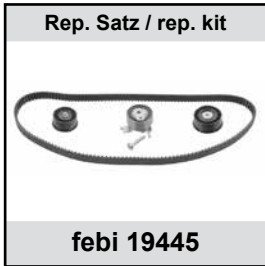
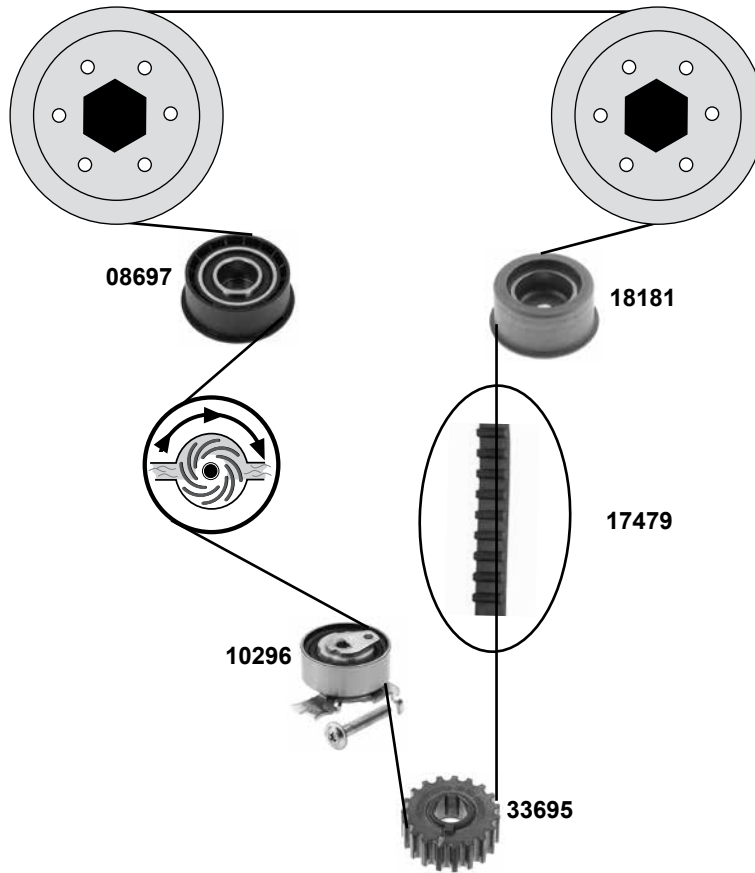






	Ref. - No.			
12119	5636 457	Kettenspanner / chain tensioner	(6)	
17617	0637 241	Steuerkette / timing chain	(1)	130 E
22370	1340 267	Riemenspanner / belt tensioner		70x24
29629	0637 241 S1	Steuerkette / timing chain	(2) (8)	130 N
30372	93191271	Rep. Satz Steuerkette / rep. kit timing chain	(1) (6)	130 E
33040	93191271	Rep. Satz Steuerkette / rep. kit timing chain	(3) (6)	130 E
33080	93191271 SK3	Rep. Satz Steuerkette / rep. kit timing chain	(4) (6)	130 E
33082	93191271 S2	Rep. Satz Steuerkette / rep. kit timing chain	(5) (6)	130 E
34161	0636 059	Kettenspanner / chain tensioner	(7)	
34162	0637 241 S2	Rep. Satz Steuerkette / rep. kit timing chain	(1) (7)	130 E



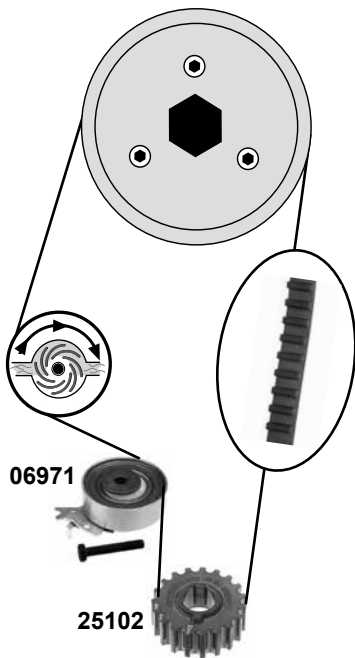
# OPEL Tigra B (03→)

**1,8 16V**  
(Z1,8XE)



	Ref. - No.			
<b>08697</b>	5636 455	Umlenkrolle / deflection pulley		ØA 62,5 ØI 23
<b>10296</b>	0636 654	Spannrolle / tension roller		ØA 59 B22
<b>17479</b>	5636 564	Zahnriemen / timing belt		Z 162 B20
<b>18181</b>	5636 454	Umlenkrolle / deflection pulley		ØA 52,5 B27
<b>19445</b>	1606 306	Rep. Satz Zahnriemen / rep. kit timing belt		
<b>21060</b>	1340 555	Riemenspanner / belt tensioner		
<b>21097</b>	1606 189	Rep. Satz Zahnriemen / rep. kit timing belt		
<b>33695</b>	0614 546	Kurbelwellenzahnrad / crankshaft gear		Z 23

(ex.) 1,6LZ / C 1,6 NZ2



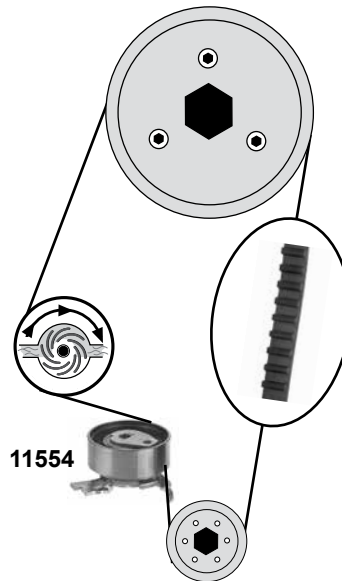
11004  
14114

Rep. Satz / rep. kit



febi 14115

1,6LZ / C 1,6 NZ2

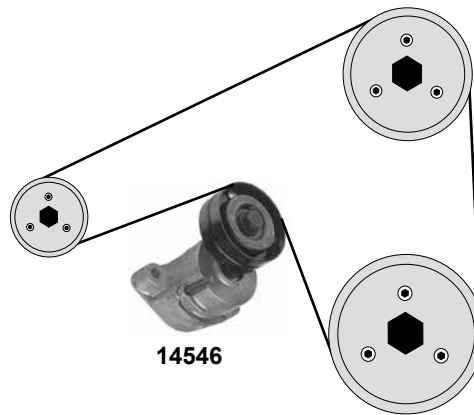


14112

Rep. Satz / rep. kit



febi 14113



14546



(1) (mot.) C1,6NZ / E1,6NZ (ch.) P1000001→, P 5000001→, P 7000001→ servo +

(2) (mot.) 1,4→02J22349,→19307805 / 1,6 SV / C 1,6 NZ / X 1,6 SZ, E 1,6 NZ→02J3349

(3) (mot.) 1,4 02J22350→, 19307806→ / 1,6 SV / C 1,6 NZ / X 1,6 SZ, E 1,6 NZ 02J3350→



Ref. - No.



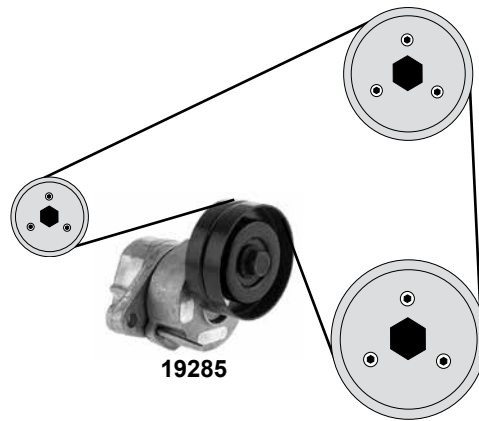
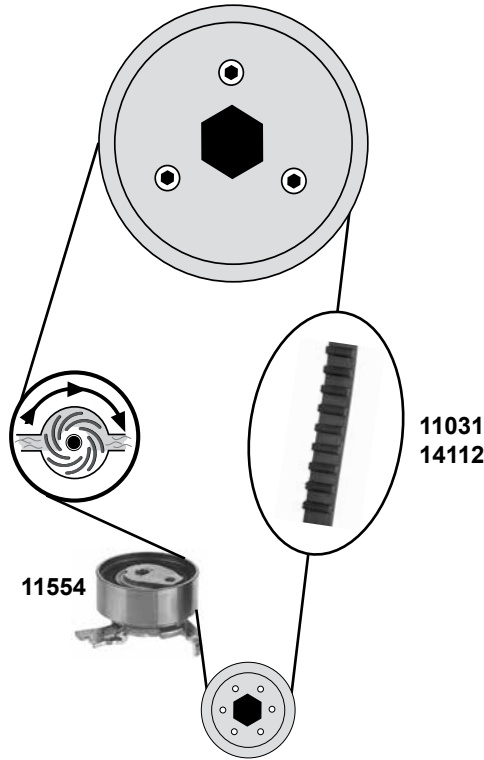
Ref. - No.	Description	Quantity	Dimensions
06971	Spannrolle / tension roller		Ø59 B19
11004	Zahnriemen / timing belt	(2)	Z 104 B17
11554	Spannrolle / tension roller		ØA 59 B22
14112	Zahnriemen / timing belt		Z 146 B20
14113	Rep. Satz Zahnriemen / rep. kit timing belt		
14114	Zahnriemen / timing belt	(3)	Z 111 B17
14115	Rep. Satz Zahnriemen / rep. kit timing belt	(3)	
14546	Riemenspanner / belt tensioner	(1)	
25102	Kurbelwellenzahnrad / crankshaft gear	(ex.) 1,4	Z 19

# OPEL Vectra A (89→95)

Car  
Division



**1,8 8V / 2,0 8V**  
(ex.) SEH)



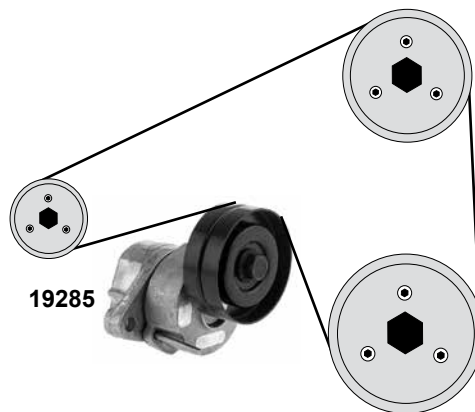
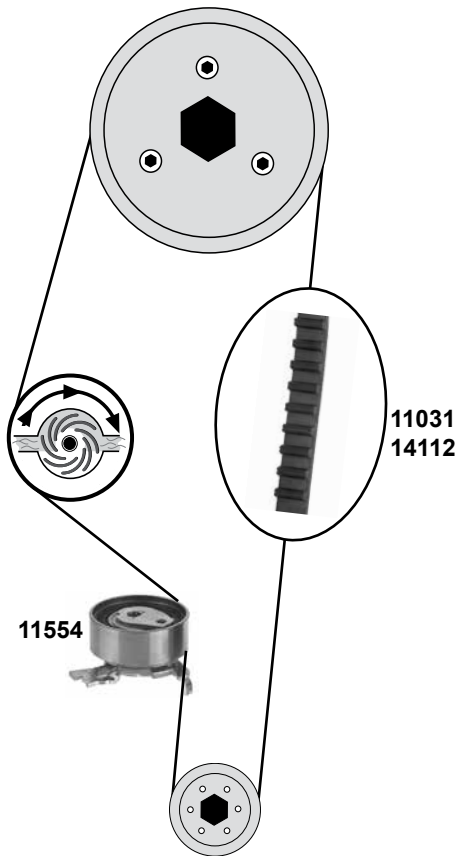
- (1) (mot.) 08292479→08299999
- (2) (mot.) 1,8 14254439→2,0 NE, C 2,0 NE 14608701→



Ref. - No.



Ref. - No.	Description	Quantity	Part No.
11031	Zahnriemen / timing belt	(1)	Z 111 B20
11554	Spannrolle / tension roller	(1)	ØA 59 B22
14112	Zahnriemen / timing belt	(2)	Z 146 B20
14113	Rep.Satz Zahnriemen / rep. kit timing belt	(2)	
19285	Riemenspanner / belt tensioner		



(1) (ch.)→MV 999999, M 1999999, M 5999999  
(2) (ch.) NV 000001, N 100001, N 5000001→



Ref. - No.



<b>11031</b>	0636 565	Zahnriemen / timing belt	(1)	Z 111 B20
<b>11554</b>	5636 429	Spannrolle / tension roller		ØA 59 B22
<b>14112</b>	5636 562	Zahnriemen / timing belt	(2)	Z 146 B20
<b>14113</b>	5636 562S1	Rep.Satz Zahnriemen / rep. kit timing belt	(2)	
<b>19285</b>	6340 532	Riemenspanner / belt tensioner		

# OPEL Vectra A (89→95)

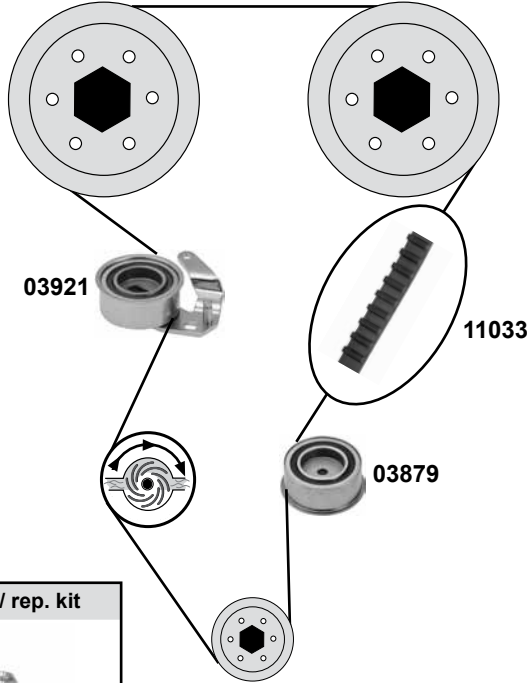
Car  
Division



## 2,0 16V

(2,0XE, C 2, 0XE, C 2,0LET)

(mot.) XE→14142838 / LET→14002934

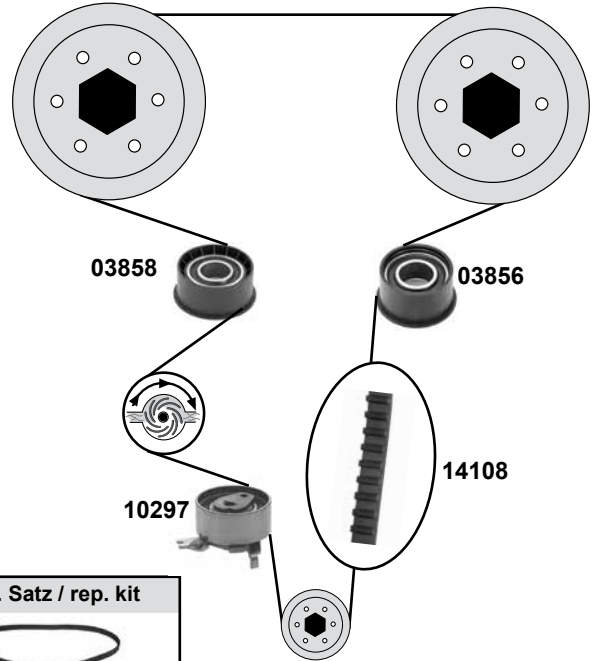


Rep. Satz / rep. kit



febi 11041

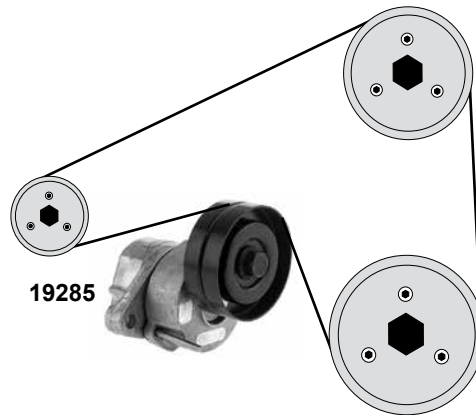
(mot.) XE 14142839→ / LET 14002935→



Rep. Satz / rep. kit



febi 14109



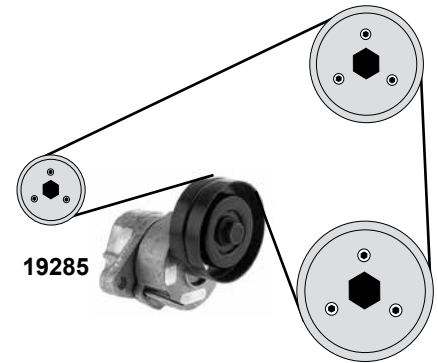
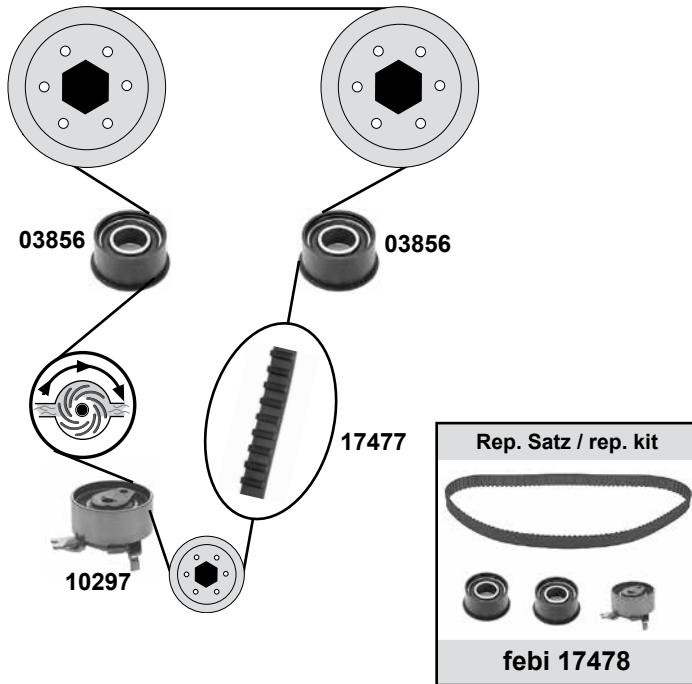
Ref. - No.



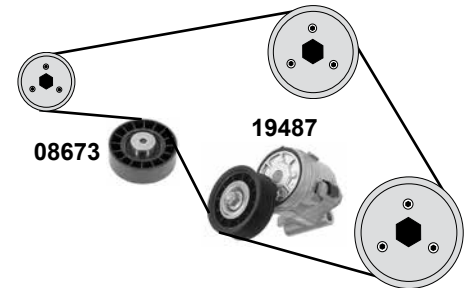
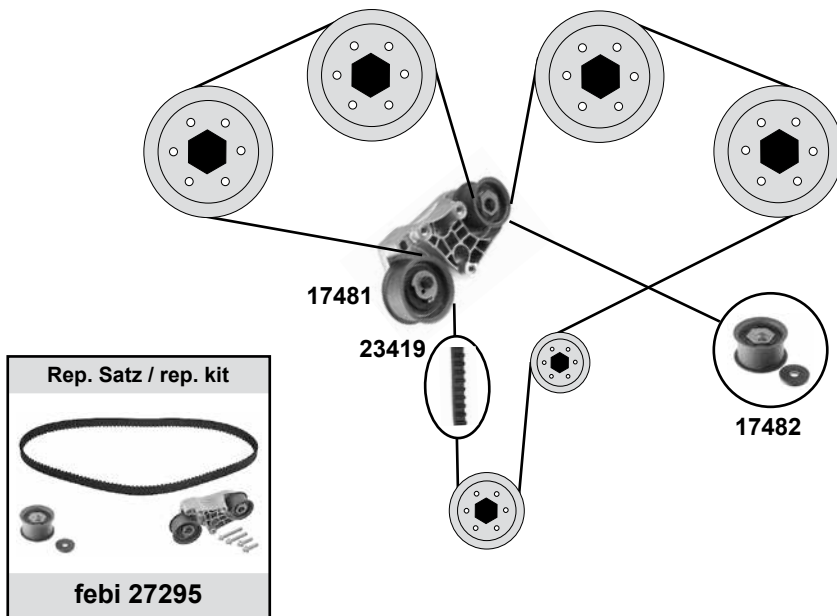
03856	5636 425	Umlenkrolle / deflection pulley	ØA 58,5 B29,5
03858	0636 416	Umlenkrolle / deflection pulley	ØA 62,7 B27
03879	0636 423	Umlenkrolle / deflection pulley	ØA 67 B27
03921	0636 732	Spannrolle / tension roller	ØA 67 B27
10297	5636 738	Spannrolle / tension roller	ØA 59 B26
11033	0636 567	Zahnriemen / timing belt	Z 141 B24
11041	1606 197	Rep. Satz Zahnriemen / rep. kit timing belt	
14108	5636 355	Zahnriemen / timing belt	Z 176 B24
14109	1606 193	Rep. Satz Zahnriemen / rep. kit timing belt	
19285	6340 532	Riemenspanner / belt tensioner	

AC

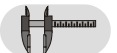
**2,0 16V**  
(X 2,0 XEV)



**2,5 V6**  
(C 2,5 XE)



Ref. - No.



<b>03856</b>	5636 425	Umlenkrolle / deflection pulley	ØA 58,5 B29,5
<b>08673</b>	1854 429	Umlenkrolle / deflection pulley	ØA 80 B26,4
<b>10297</b>	5636 738	Spannrolle / tension roller	ØA 59 B26
<b>17477</b>	5636 363	Zahnriemen / timing belt	Z 169 B24
<b>17478</b>	1606 192	Rep. Satz Zahnriemen / rep. kit timing belt	
<b>17481</b>	5636 730	Riemenspanner / belt tensioner	
<b>17482</b>	5636 422	Umlenkrolle / deflection pulley	ØA 64 B37
<b>19285</b>	6340 532	Riemenspanner / belt tensioner	
<b>19487</b>	6340 538	Riemenspanner / belt tensioner	
<b>23419</b>	5636 371	Zahnriemen / timing belt	Z 225 B30
<b>27295</b>	0636 728 SK	Rep.Satz Zahnriemen / rep. kit timing belt	Z 225 B30

# OPEL Vectra B

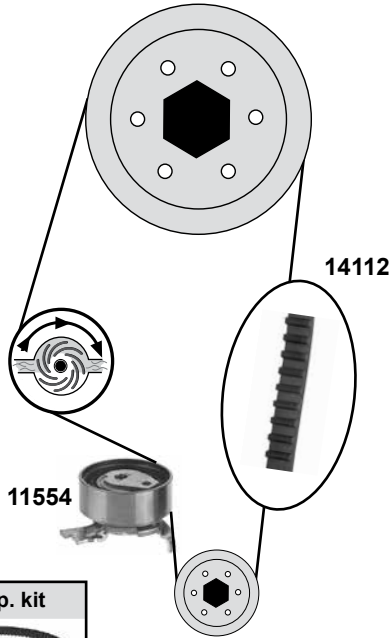
(96→02)

Car Division 

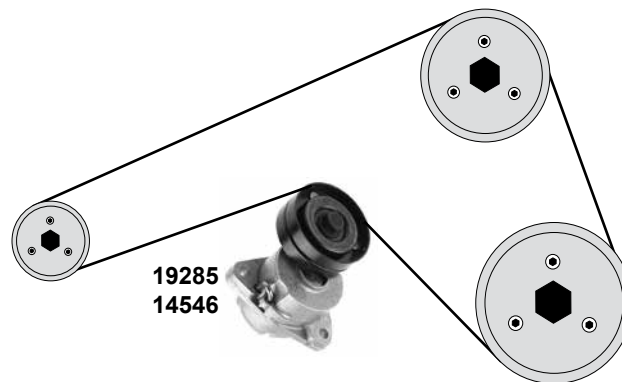
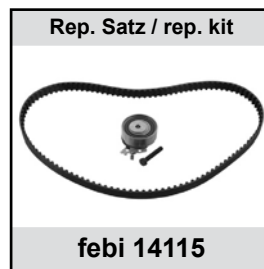
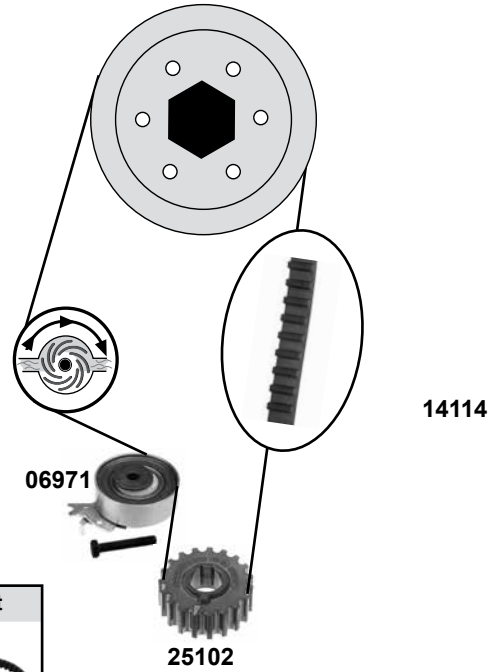


## 1,6 (LZ2 / X 1,6 SZR)

nur / only: LZ2



nur / only: X 1,6 SZR



(1) (ex.) X 1,6 SZR

(2) X 1,6 SZR: (ex.) AC



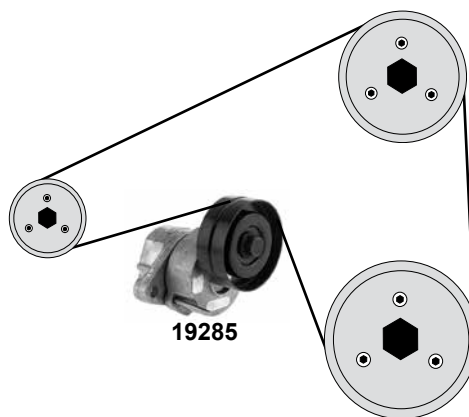
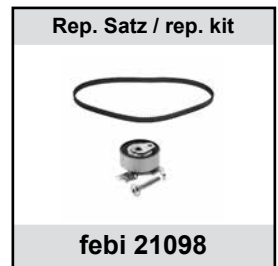
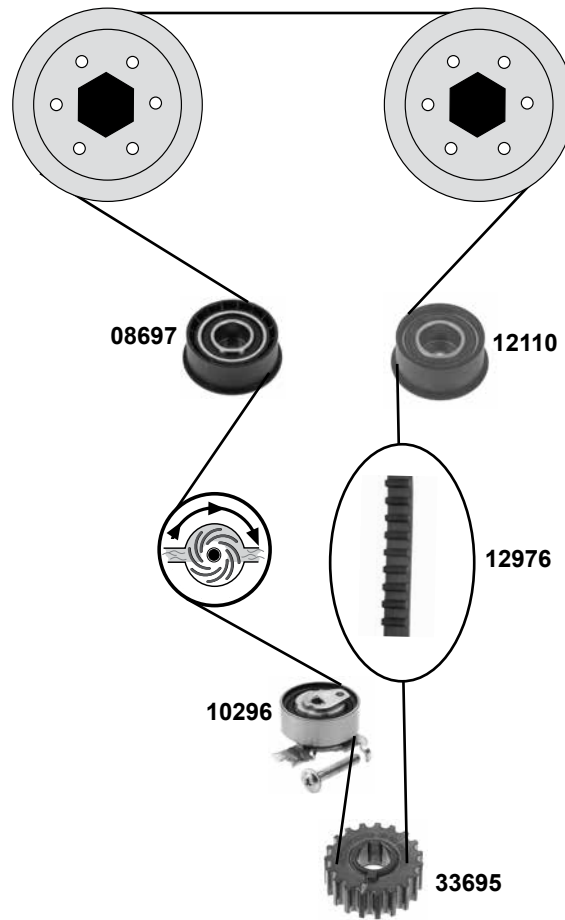
Ref. - No.



06971	5636 722	Spannrolle / tension roller		Ø59 B 19
11554	5636 429	Spannrolle / tension roller		ØA 59 B22
14112	5636 562	Zahnriemen / timing belt		Z 146 B20
14113	5636 562S1	Rep.Satz Zahnriemen / rep. kit timing belt		
14114	5636 364	Zahnriemen / timing belt		Z 111 B17
14115	1606 369	Rep.Satz Zahnriemen / rep. kit timing belt		
14546	1340 533	Riemenspanner / belt tensioner	(2)	
19285	6340 532	Riemenspanner / belt tensioner	(1)	
25102	0614 526	Kurbelwellenzahnrad / crankshaft gear		Z 19

**1,6 16V / 1,8 16V**

(X 1,6 XEL / X1,8XE1 / Y 1,6 XE / Z 1,6 XE / Z1,8XE / Z1,8XEL)



	Ref. - No.			
<b>08697</b>	5636 455	Umlenkrolle / deflection pulley		ØA 62,5 ØI 23
<b>10296</b>	5636 740	Spannrolle / tension roller		ØA 59 B22
<b>12110</b>	5636 427	Umlenkrolle / deflection pulley		ØA 58,5 B25
<b>12976</b>	5636 565	Zahnriemen / timing belt		Z 169 B20
<b>14110</b>	1606 274	Rep. Satz Zahnriemen / rep. kit timing belt		
<b>19285</b>	6340 532	Riemenspanner / belt tensioner		
<b>21098</b>	1606 190	Rep. Satz Zahnriemen / rep. kit timing belt		
<b>33695</b>	0614 546	Kurbelwellenzahnrad / crankshaft gear		Z 23



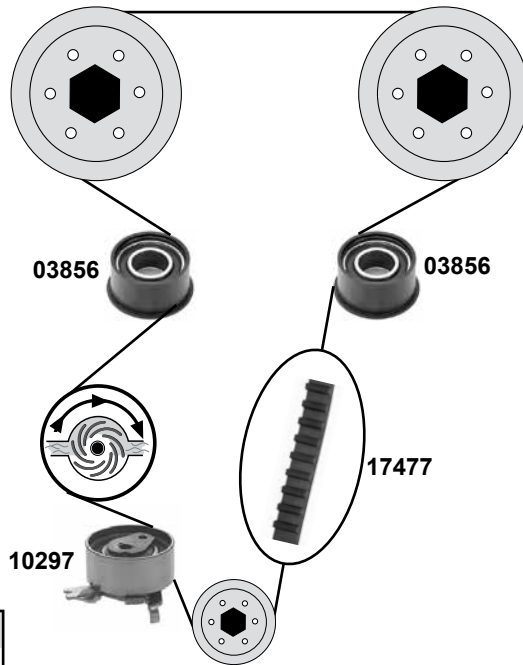
# OPEL Vectra B (96→02)

Car  
Division



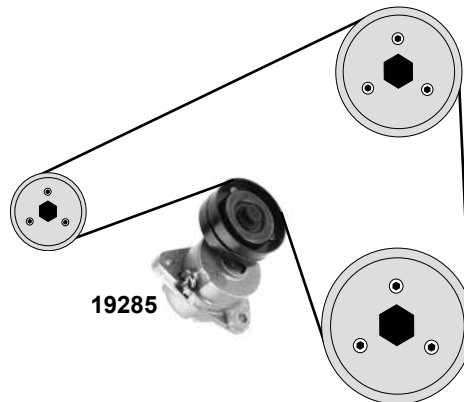
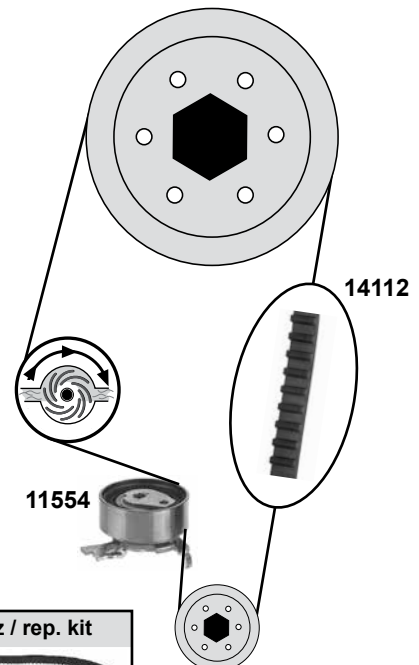
## 1,8 16V / 2,0 16V

(X 1,8 XE / C 2,0 SEL / X 2,0 XEV)



## 2,0

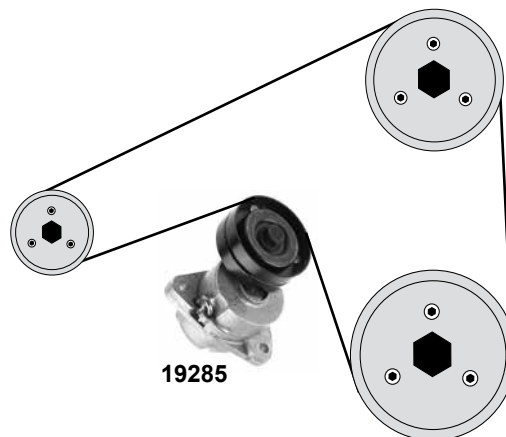
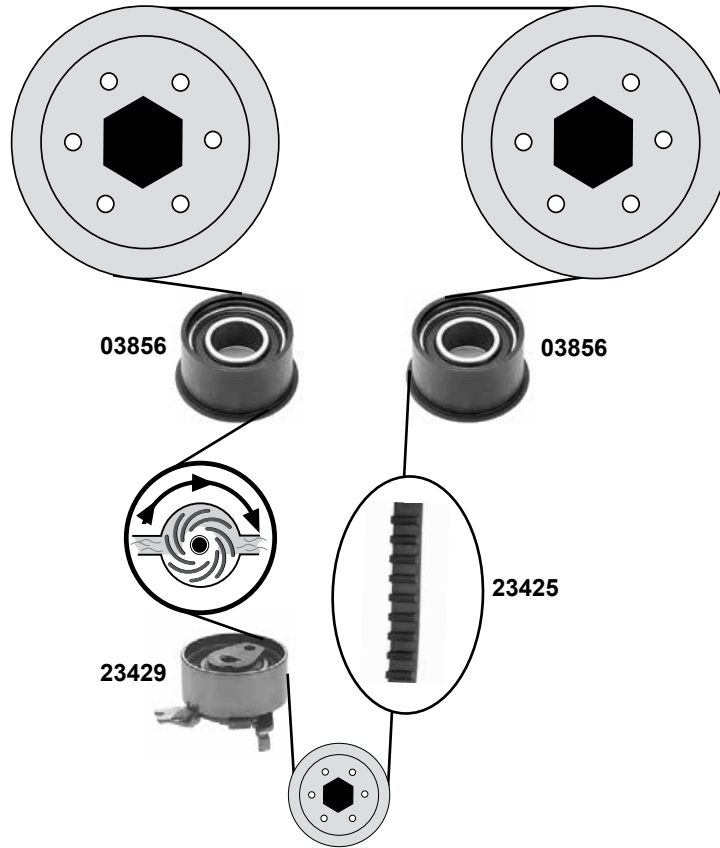
(C 2,0 NFJ)



Ref. - No.



<b>03856</b>	5636 425	Umlenkrolle / deflection pulley	ØA 58,5 B29,5
<b>10297</b>	5636 738	Spannrolle / tension roller	ØA 59 B26
<b>11554</b>	5636 429	Spannrolle / tension roller	ØA 59 B22
<b>14112</b>	5636 562	Zahnriemen / timing belt	Z 146 B20
<b>14113</b>	5636 562S1	Rep.Satz Zahnriemen / rep. kit timing belt	
<b>17477</b>	5636 363	Zahnriemen / timing belt	Z 169 B24
<b>17478</b>	1606 192	Rep. Satz Zahnriemen / rep. kit timing belt	
<b>19285</b>	6340 532	Riemenspanner / belt tensioner	



Ref. - No.



**03856**

5636 425

Umlenkrolle / deflection pulley

ØA 58,5 B29,5

**19285**

6340 532

Riemenspanner / belt tensioner

**23425**

5636 372

Zahnriemen / timing belt

Z 171 B24

**23427**

1606 198

Rep. Satz Zahnriemen / rep. kit timing belt

**23429**

0636 729

Spannrolle / tension roller

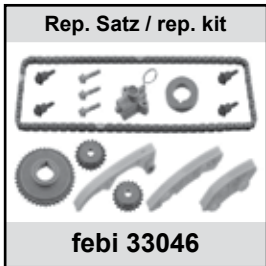
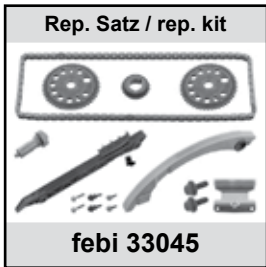
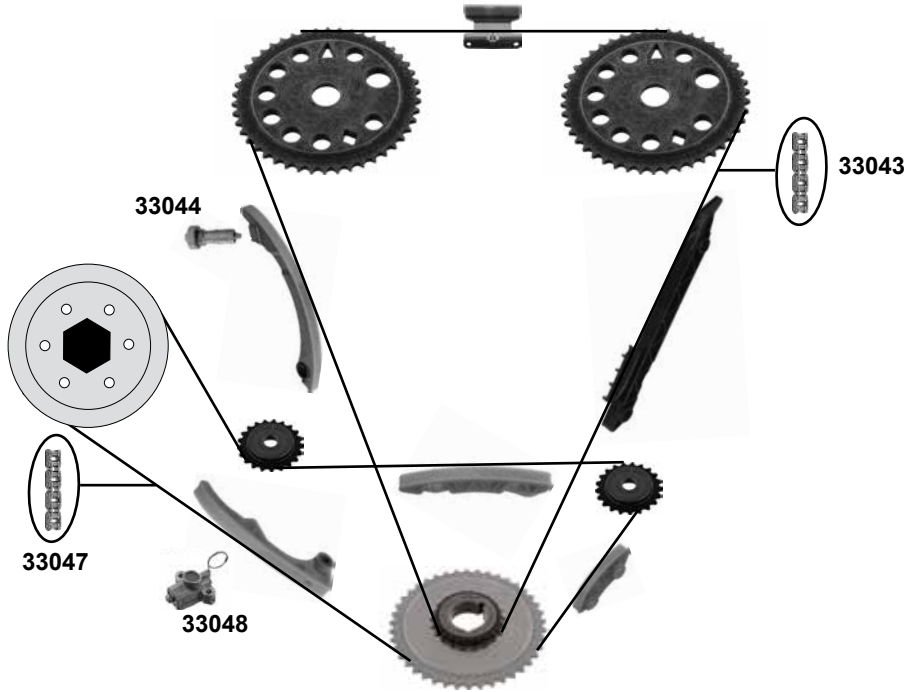
ØA 59 B22

# OPEL Vectra B (96→02)

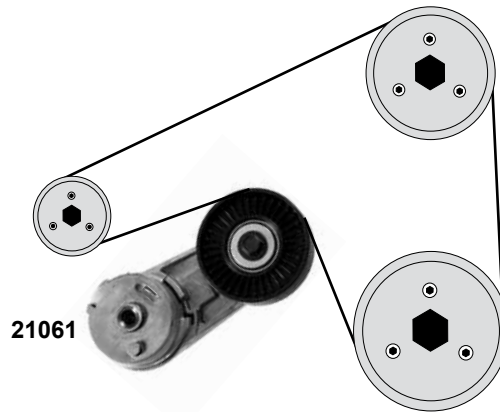
Car  
Division



**2,2**  
(Z 2,2 SE)



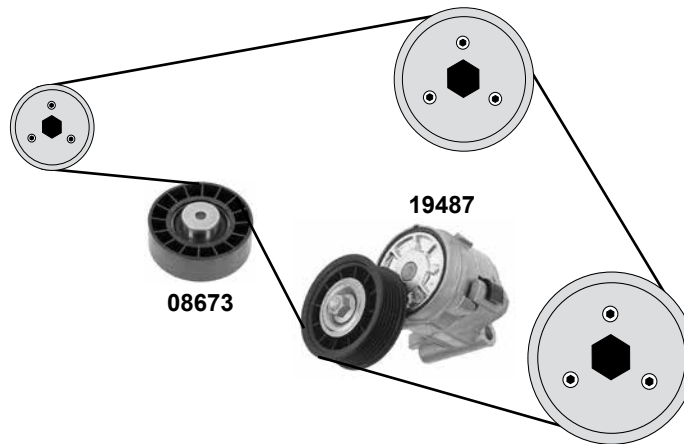
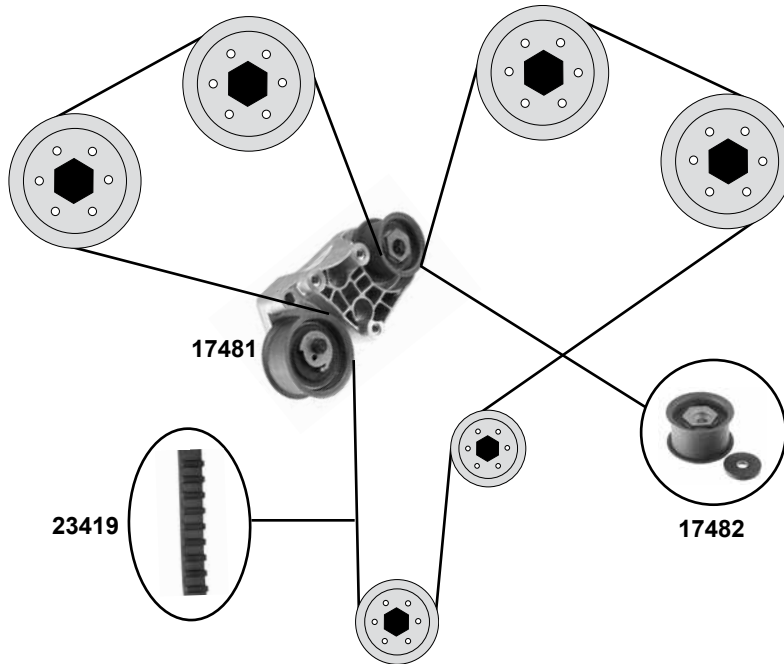
**2,2**  
(Z 2,2 SE)



Ref. - No.



<b>21061</b>	0614 533	Riemenspanner / belt tensioner	
<b>33043</b>	5636 396	Steuerkette endlos / timing chain endless	148 E
<b>33044</b>	4807 839	Kettenspanner / chain tensioner	
<b>33045</b>	5636 400	Rep. Satz Steuerkette / rep. kit timing chain	148 E
<b>33046</b>	0615 418	Rep. Satz Steuerkette / rep. kit timing chain	134 E
<b>33047</b>	5636 381	Steuerkette / timing chain	134 E
<b>33048</b>	5636 380	Kettenspanner / chain tensioner	



(1) (ch.)→W 1238518,→W 5276825,→W 7154528



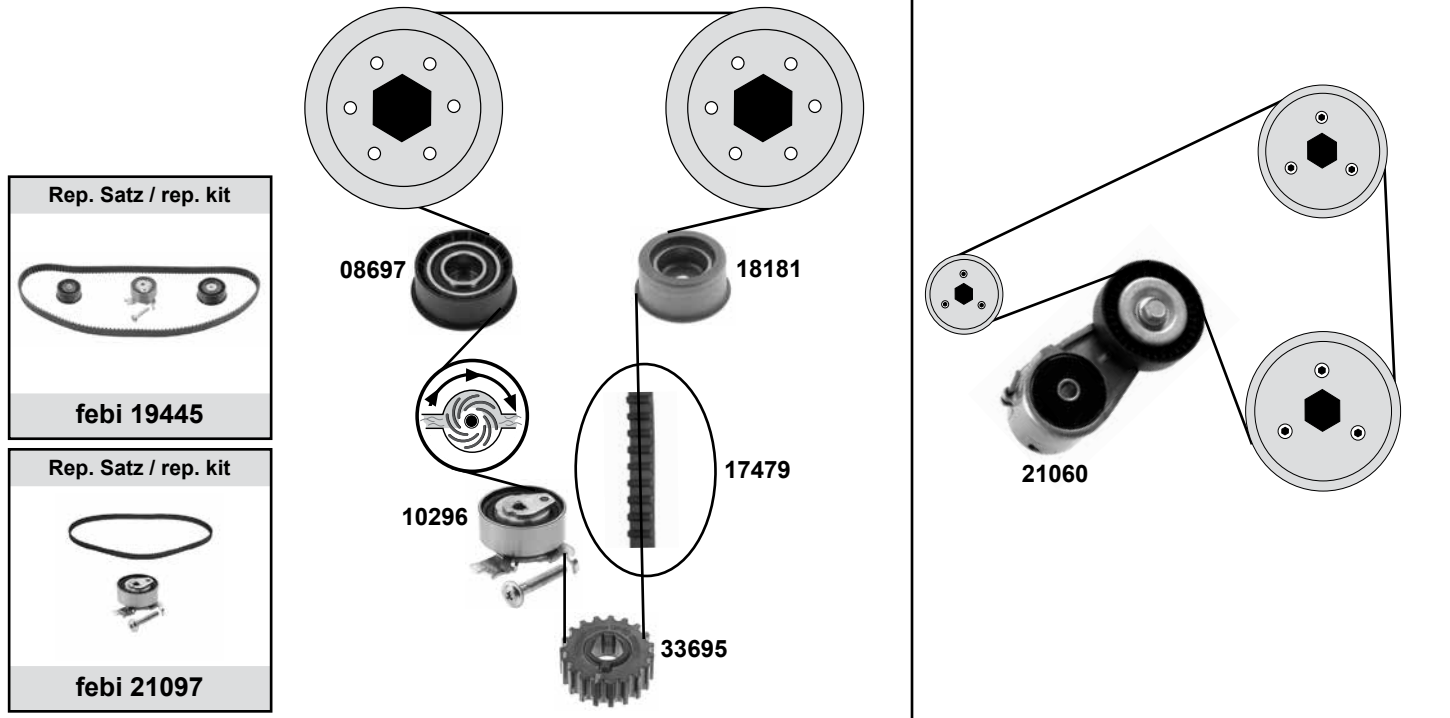
Ref. - No.



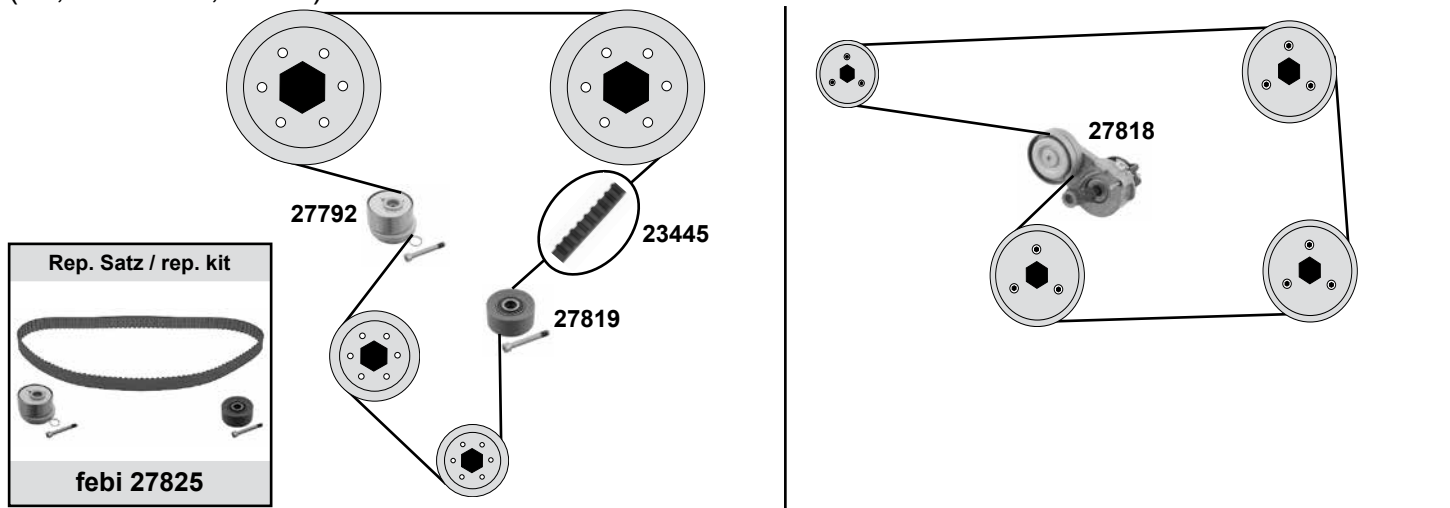
Ref. - No.	Description	AC	Dimensions
<b>08673</b>	Umlenkrolle / deflection pulley		ØA 80 B26,4
<b>17481</b>	Riemenspanner / belt tensioner	(1)	
<b>17482</b>	Umlenkrolle / deflection pulley		ØA 64 B37
<b>19487</b>	Riemenspanner / belt tensioner		
<b>23419</b>	Zahnriemen / timing belt		Z 225 B30
<b>27295</b>	Rep.Satz Zahnriemen / rep. kit timing belt	(1)	





# OPEL Vectra C (02→08)

## 1,6 16 V / 1,8 16 V (Z 1,6 XE / Z 1,8XE / Z 1,8 XEL / Z1,8XE1)

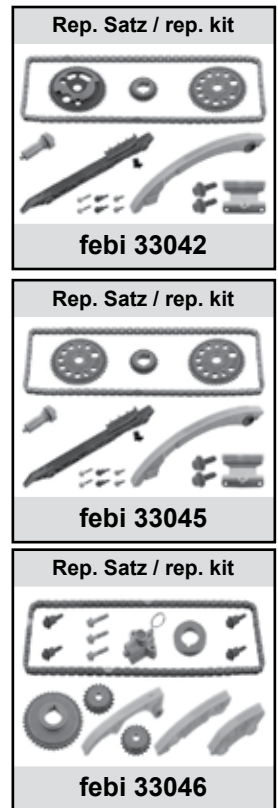
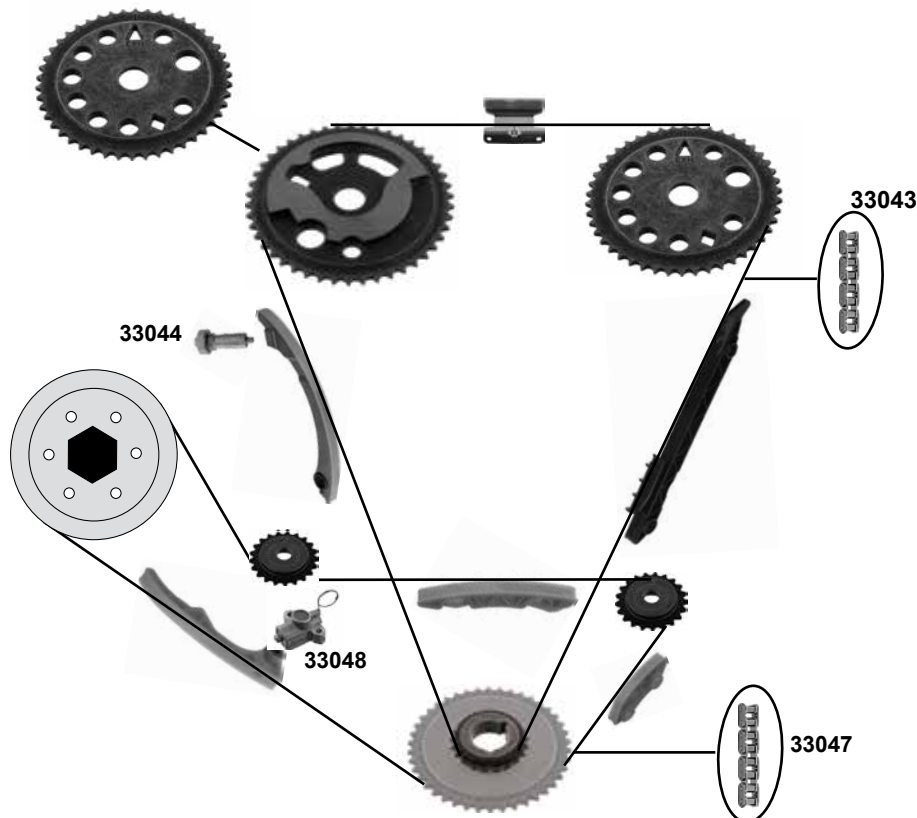


## 1,6 16 V / 1,8 16 V (Z1,6 XEP/ Z1,8 XER)

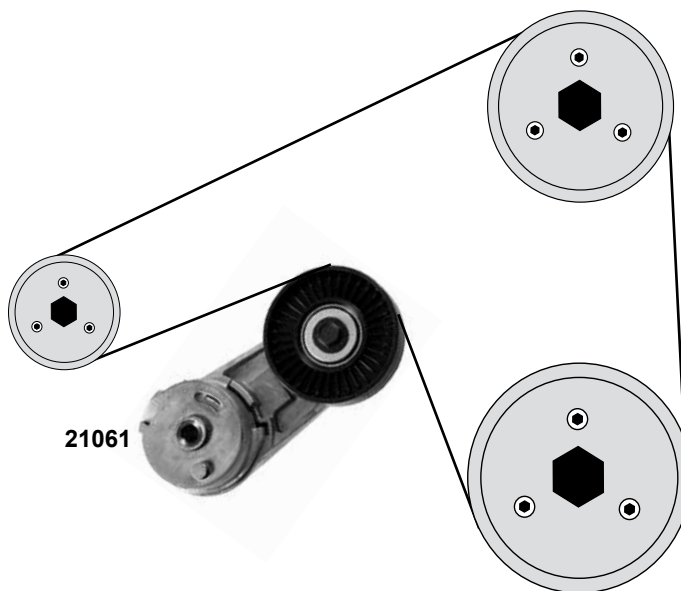


	Ref. - No.			
08697	5636 455	Umlenkrolle / deflection pulley		ØA 62,5
10296	0636 654	Spannrolle / tension roller		ØA 59 B22
17479	5636 564	Zahnriemen / timing belt		Z 162 B20
18181	5636 454	Umlenkrolle / deflection pulley		ØA 52,5 B27
19445	1606 306	Rep. Satz Zahnriemen / rep. kit timing belt		
21060	1340 555	Riemenspanner / belt tensioner	(ex.) Z1,8XE1	
21097	1606 189	Rep. Satz Zahnriemen / rep. kit timing belt	(ex.) Z1,8XE1	
23445	5636 452	Zahnriemen / timing belt		Z 146 B24
27792	5636 486	Spannrolle / tension roller		ØA66 Ø18 B29
27818	1340 268	Riemenspanner / belt tensioner		ØA 63 B 22
27819	5636 978	Umlenkrolle / deflection pulley		ØA 61 B28
27825	1606 314	Rep. Satz Zahnriemen / rep. kit timing belt		Z 146 B24
33695	0614 546	Kurbelwellenzahnrad / crankshaft gear	(ex.) Z1,8XE1	Z 23

**2,0 (Z2,0NET)**  
**2,2 (Z 2,2 YH / Z 2,2 SE)**

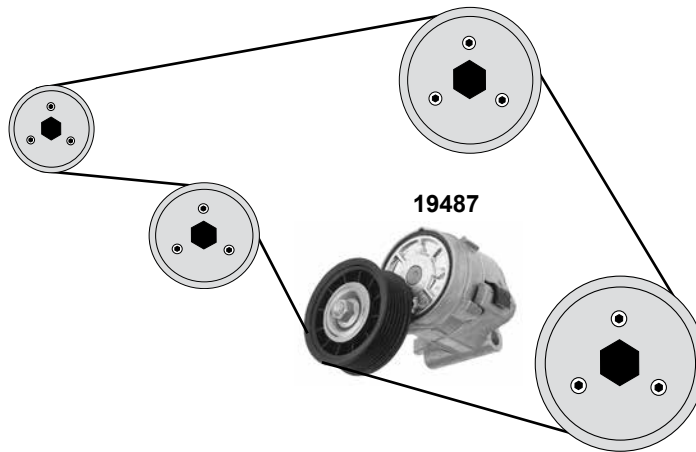
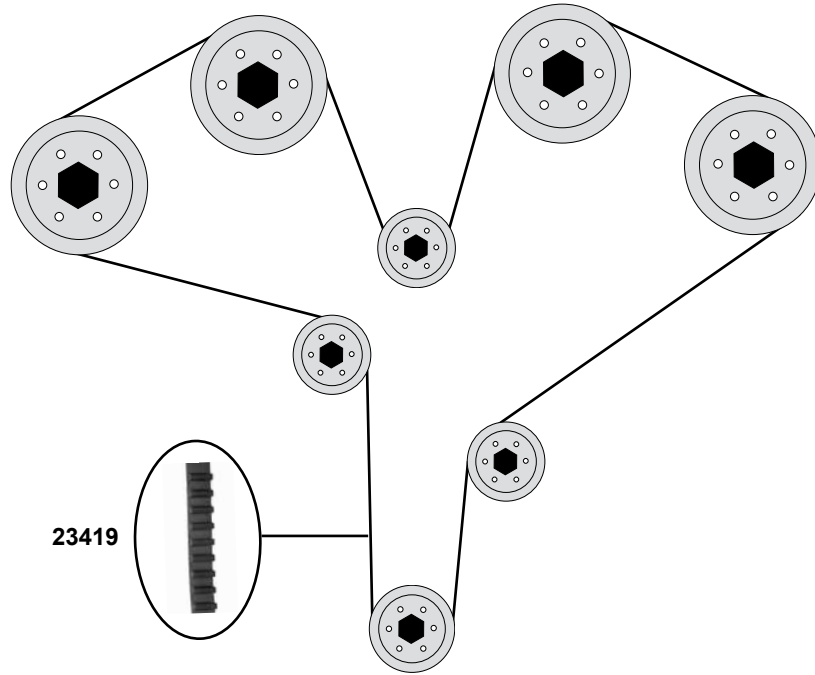


**2,2**  
(Z2,0NET / Z2,2SE / Z2,2YH)



	Ref. - No.			
<b>21061</b>	0614 533	Riemenspanner / belt tensioner		
<b>33042</b>	0636 176	Rep. Satz Steuerkette / rep. kit timing chain	(mot.) Z 2,2 YH	148 E
<b>33043</b>	5636 396	Steuerkette endlos / timing chain endless		148 E
<b>33044</b>	4807 839	Kettenspanner / chain tensioner		
<b>33045</b>	5636 400	Rep. Satz Steuerkette / rep. kit timing chain	(mot.) Z 2,2 SE	148 E
<b>33046</b>	0615 418	Rep. Satz Steuerkette / rep. kit timing chain	(ex.) Z 2,0NET	134 E
<b>33047</b>	5636 381	Steuerkette endlos / timing chain endless		134 E
<b>33048</b>	5636 380	Kettenspanner / chain tensioner		

**3,2 V6**



**Ref. - No.**

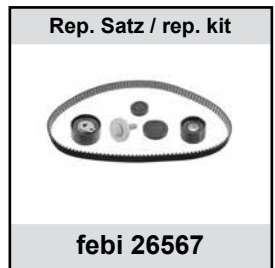
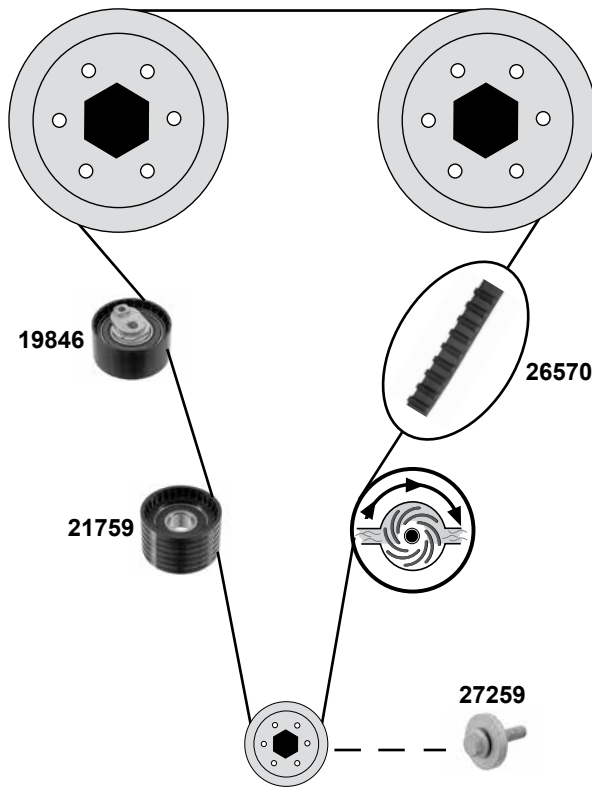


**19487** 6340 538  
**23419** 5636 371

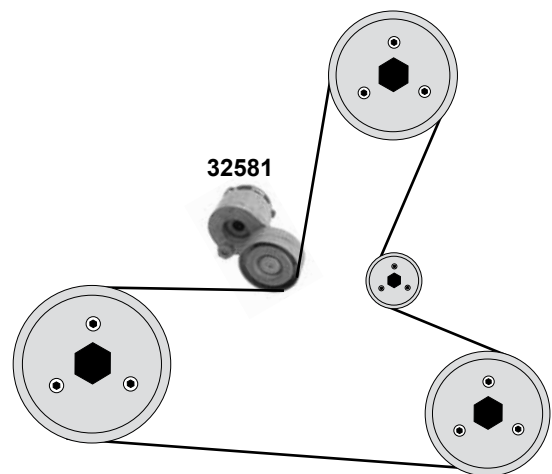
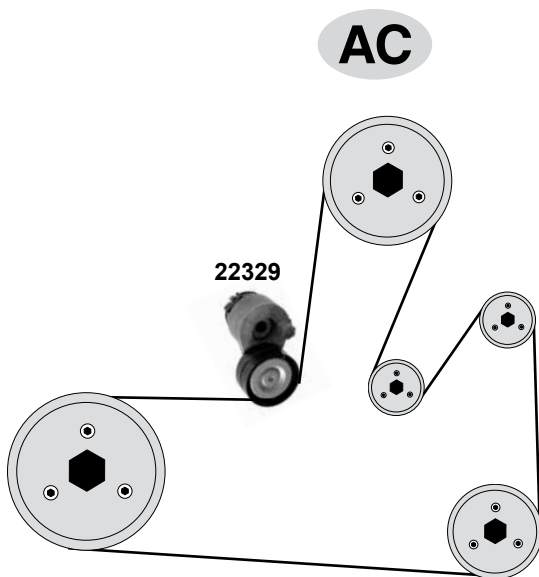
Riemenspanner / belt tensioner  
Zahnriemen / timing belt

Z 225 B30

**2,0 16 V**  
(20P F4R-720 / -820)



**2,0 16V / EOTEC**  
(F4R-720,820)



Ref. - No.



**19846**  
**21759**  
**22329**  
**26567**  
**26570**  
**27259**  
**32581**

4409 959  
4410 548  
4411 707  
4430 895  
4416 576  
4434 433  
4401 567

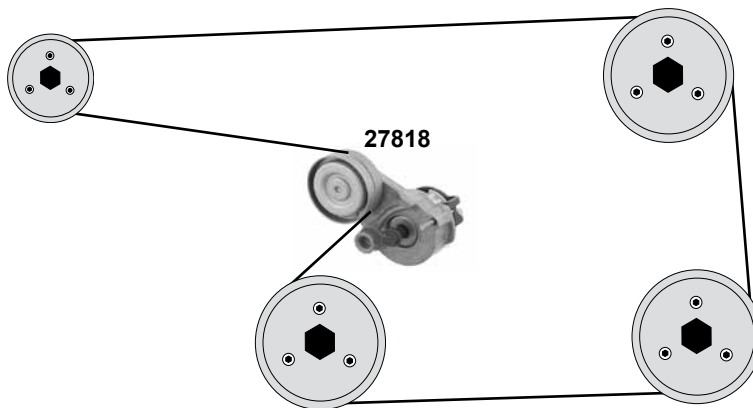
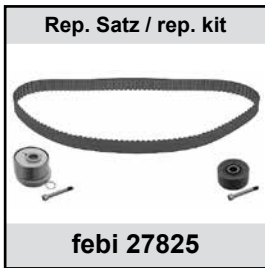
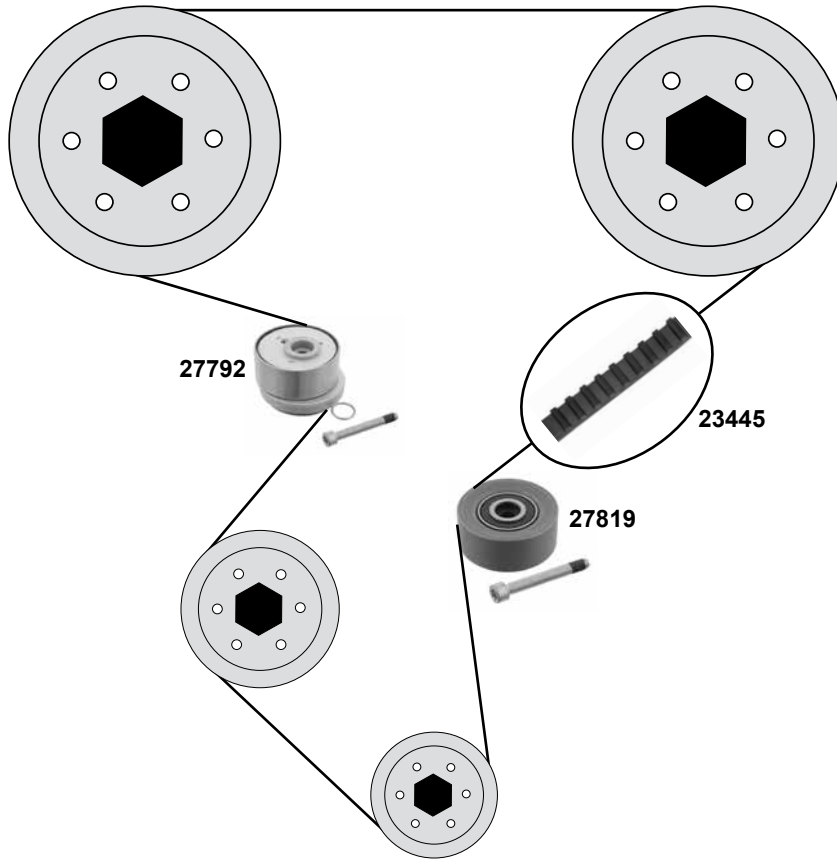
Spannrolle / tension roller  
Umlenkrolle / deflection pulley  
Riemenspanner / belt tensioner  
Rep. Satz Zahnriemen / rep. kit timing belt  
Zahnriemen / timing belt  
Kurbelwellenschraube / crankshafts screw  
Riemenspanner / belt tensioner

ØA 66 B32  
ØA 54 B32  
Z 126 B27  
Z 126 B27  
M 12 x 1,25  
ØA 65



# OPEL Zafira A (98→04)

## 1,6 16V (Z1,6XEP)



Ref. - No.

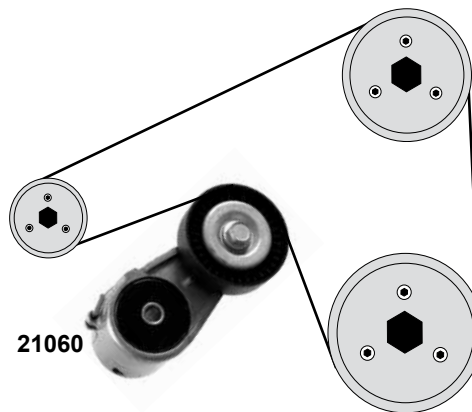
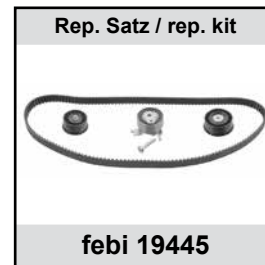
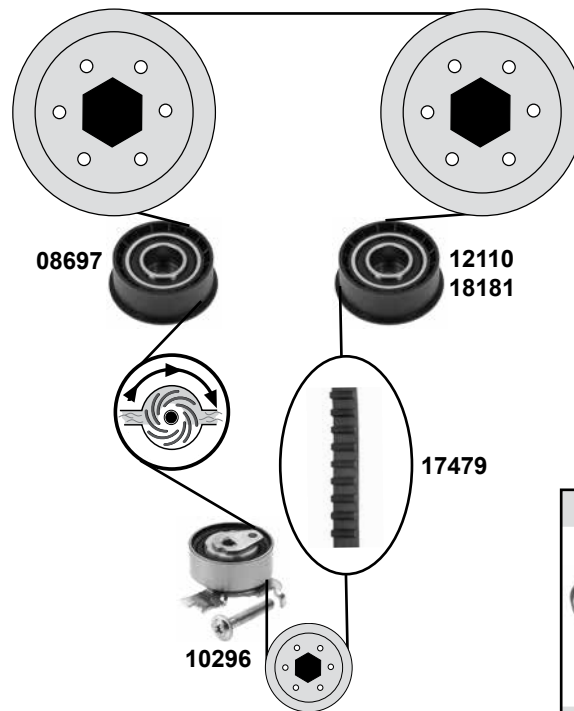


23445	5636 452
27792	5636 486
27818	1340 268
27819	5636 978
27825	1606 314

Zahnriemen / timing belt
Spannrolle / tension roller
Riemenspanner / belt tensioner
Umlenkrolle / deflection pulley
Rep. Satz Zahnriemen / rep. kit timing belt

Z 146 B24
ØA 63
ØA 61 B28
Z 146 B24

**1,6 16V / 1,8 16V**  
(ex.) Z 1,6XEP)



(1) (mot.) 02HL5118→, 20041691→

(2) (mot.)→02HL5117,→20041690



Ref. - No.

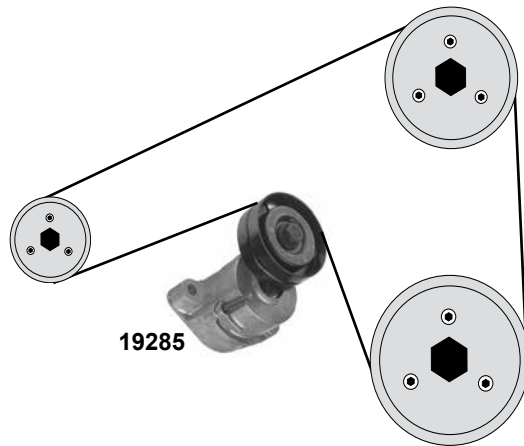
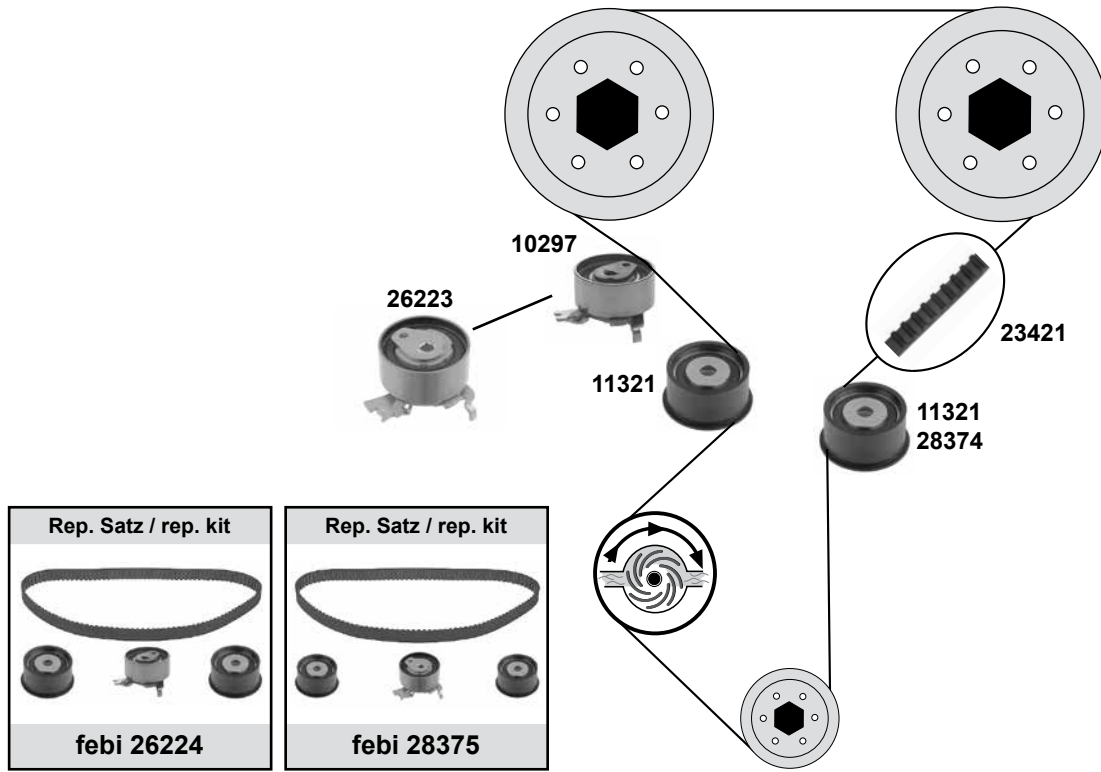


<b>08697</b>	5636 455	Umlenkrolle / deflection pulley		ØA 62,5
<b>10296</b>	5636 740	Spannrolle / tension roller		ØA 59 B22
<b>12110</b>	5636 427	Umlenkrolle / deflection pulley	(2)	52,5/58x 8/24x 22/25
<b>17479</b>	5636 564	Zahnriemen / timing belt		Z 162 B20
<b>17480</b>	1606 281	Rep. Satz Zahnriemen / rep. kit timing belt	(2)	
<b>18181</b>	5636 454	Umlenkrolle / deflection pulley	(1)	ØA 52,5 B27
<b>19445</b>	1606 306	Rep. Satz Zahnriemen / rep. kit timing belt	(1)	
<b>21060</b>	1340 555	Riemenspanner / belt tensioner		
<b>21097</b>	1606 189	Rep. Satz Zahnriemen / rep. kit timing belt		

# OPEL Zafira A (98→04)

## 2,0 16V

(X 2,0XEV / X 2,0XER / Z 2,0 LET / Z 2,0 LER / Z 2,0 LEH)



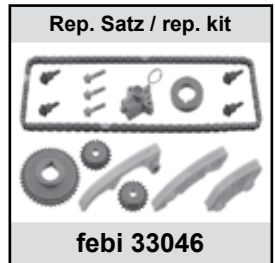
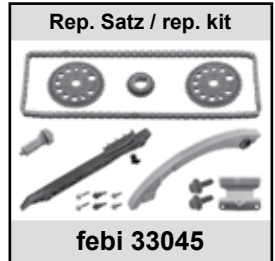
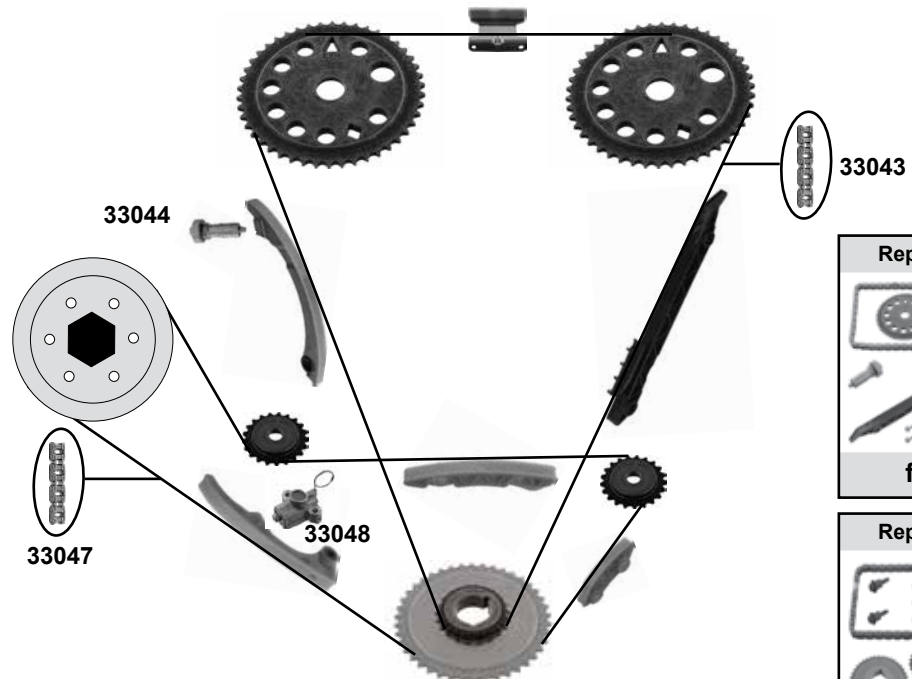
(1) (mot.) Z 2,0 LET 42000001, 45000001, 48000001, 4B000001, 4H000001→



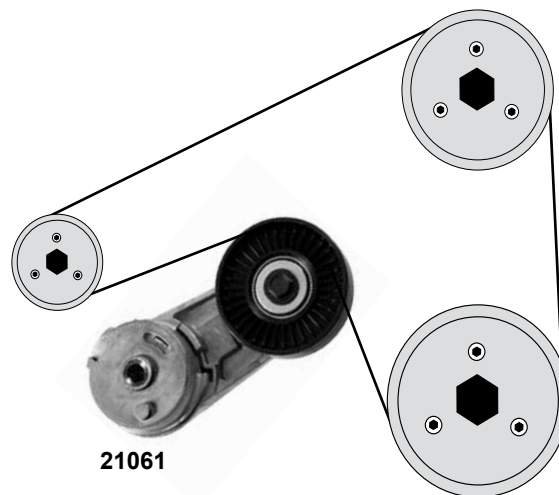
Ref. - No.



<b>10297</b>	5636 738	Spannrolle / tension roller	(ex.) (mot.) X 2,0 XER	ØA 59 B26
<b>11321</b>	5636 423	Umlenkrolle / deflection pulley		ØA 54 B29,3
<b>19285</b>	6340 532	Riemenspanner / belt tensioner	<b>AC</b>	Z 168 B24
<b>23421</b>	5636 566	Zahnriemen / timing belt	(mot.) X 2,0 XER	ØA 59 B 26
<b>26223</b>	5636 746	Spannrolle / tension roller	(mot.) X 2,0 XER	
<b>26224</b>	1606 196	Rep. Satz Zahnriemen / rep. kit timing belt	(1)	
<b>28374</b>	5636 449	Umlenkrolle / deflection pulley	(1)	
<b>28375</b>	1606 305	Rep. Satz Zahnriemen / rep. kit timing belt	(1)	



**2,2 16V**  
(Z 2,2 SE)



**21061**

	Ref. - No.			
<b>21061</b>	0614 533	Riemenspanner / belt tensioner		
<b>33043</b>	5636 396	Steuerkette / timing chain		148 E
<b>33044</b>	4807 839	Kettenspanner / chain tensioner		
<b>33045</b>	5636 400	Rep. Satz Steuerkette / rep. kit timing chain		148 E
<b>33046</b>	0615 418	Rep. Satz Steuerkette / rep. kit timing chain		134 E
<b>33047</b>	5636 381	Steuerkette / timing chain		134 E
<b>33048</b>	5636 380	Kettenspanner / chain tensioner		

# OPEL Zafira B

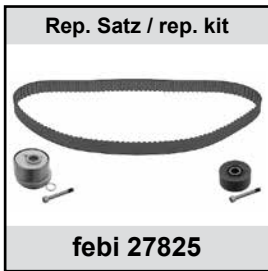
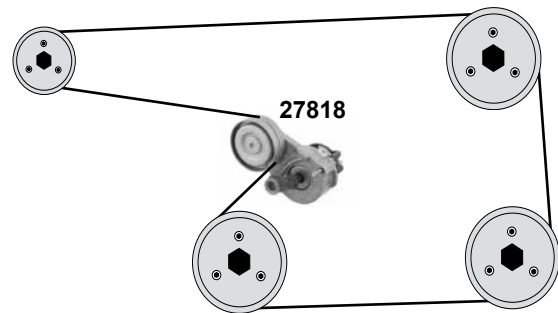
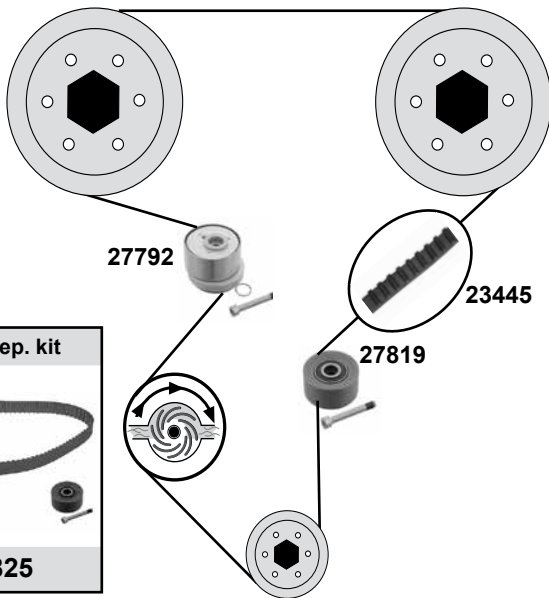
(04 → 11)

Car  
Division



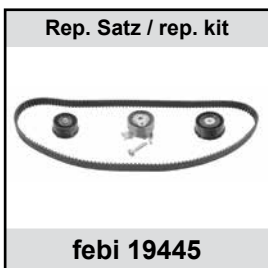
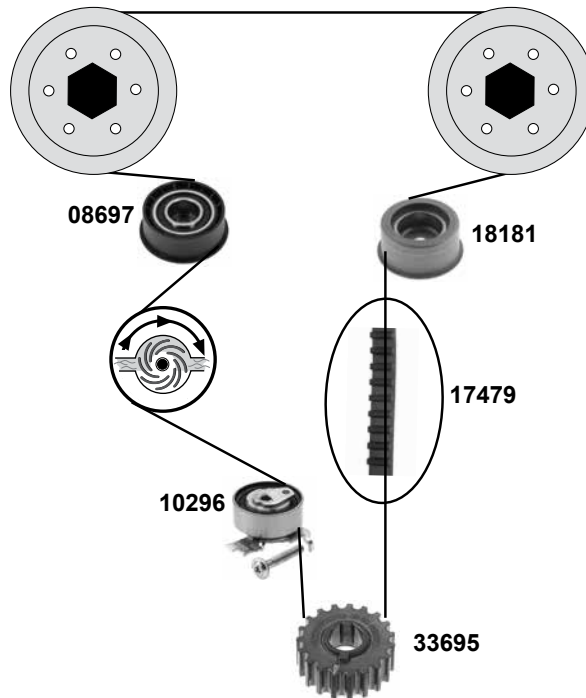
## 1,6 16V / 1,8 16V

(Z1,6XEP / Z1,6XE1 / A1,6XER / Z1,6XER / Z1,6XNT / A1,6XNT / A1,8XER / Z1,8 XER)



## 1,6 16V

(Z1,6YNG)

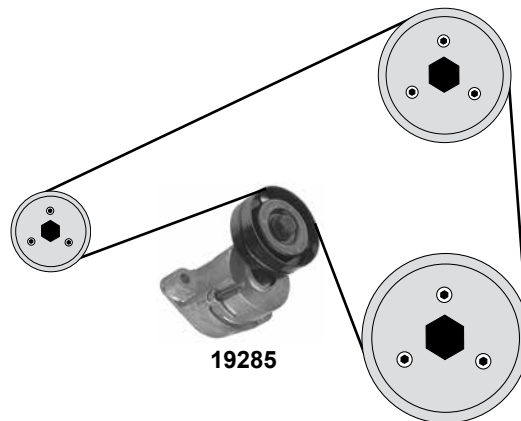
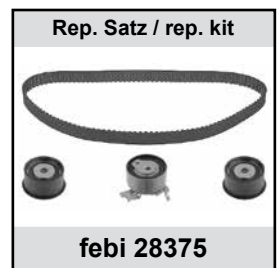
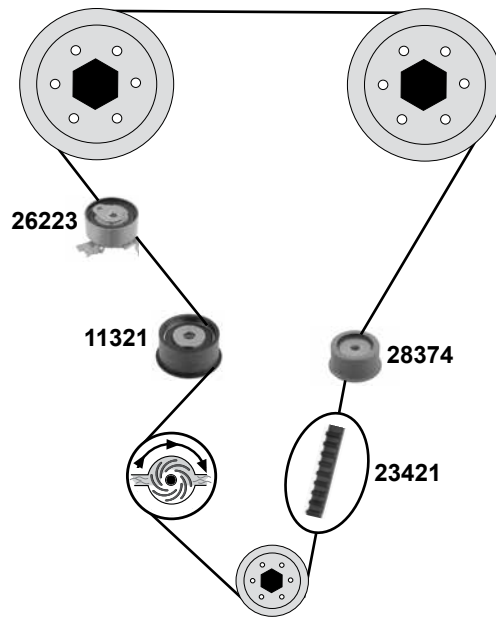


Ref. - No.



08697	5636 455	Umlenkrolle / deflection pulley	
10296	0636 654	Spannrolle / tension roller	ØA 59 B 22
17479	5636 564	Zahnriemen / timing belt	Z 162 B20
18181	5636 454	Umlenkrolle / deflection pulley	ØA 58 B23
19445	1606 306	Rep. Satz Zahnriemen / rep. kit timing belt	
23445	5636 452	Zahnriemen / timing belt	Z 146 B24
27792	5636 486	Spannrolle / tension roller	ØA66 Ø18 B29
27818	1340 268	Riemenspanner / belt tensioner	ØA 63 B 22
27819	5636 978	Umlenkrolle / deflection pulley	ØA 61 B 28
27825	1606 314	Rep. Satz Zahnriemen / rep. kit timing belt	Z 146 B24
33695	0614 546	Kurbelwellenzahnrad / crankshaft gear	Z 23

(ex.) Z1,8XE1



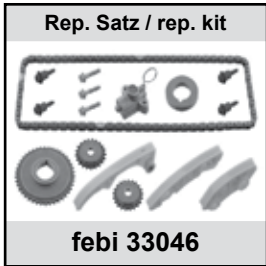
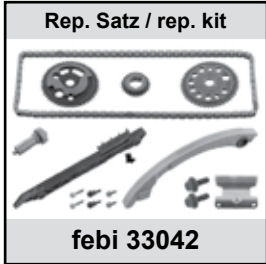
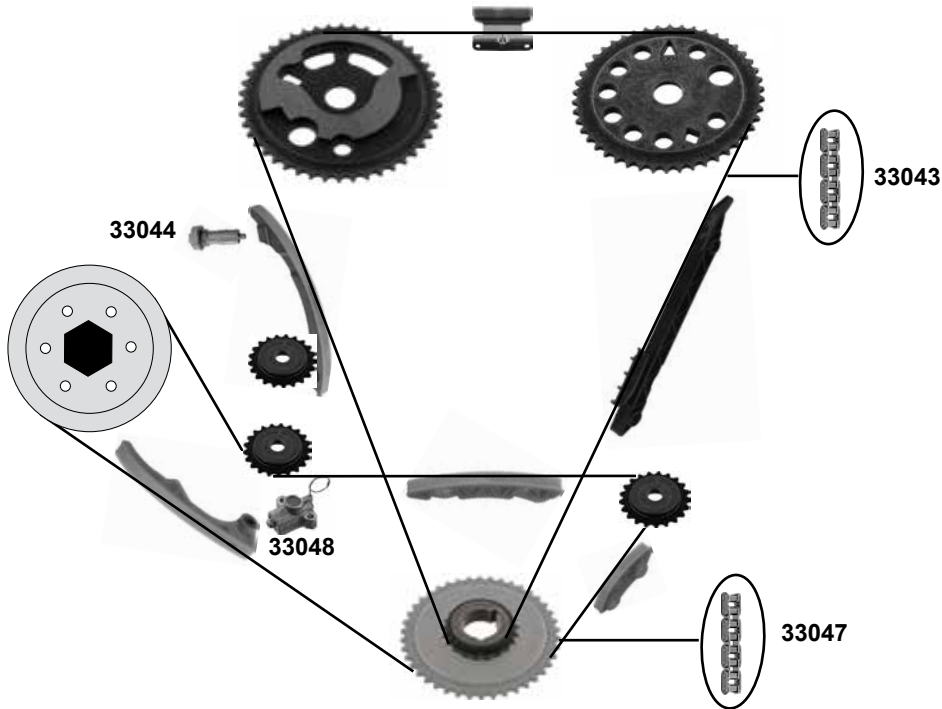
	Ref. - No.			
<b>11321</b>	5636 423	Umlenkrolle / deflection pulley		ØA 54 B29,3
<b>19285</b>	6340 532	Riemenspanner / belt tensioner		
<b>23421</b>	5636 566	Zahnriemen / timing belt		Z 168 B24
<b>26223</b>	5636 746	Umlenkrolle / deflection pulley		ØA 59 B 26
<b>28374</b>	5636 449	Umlenkrolle / deflection pulley		
<b>28375</b>	1606 305	Rep. Satz Zahnriemen / rep. kit timing belt		Z 168 B24

# OPEL Zafira B (04→11)

Car  
Division

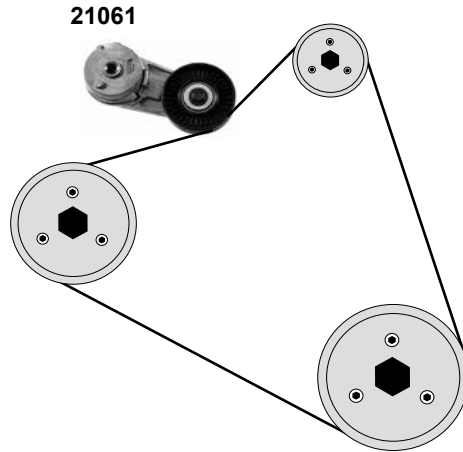


2,2

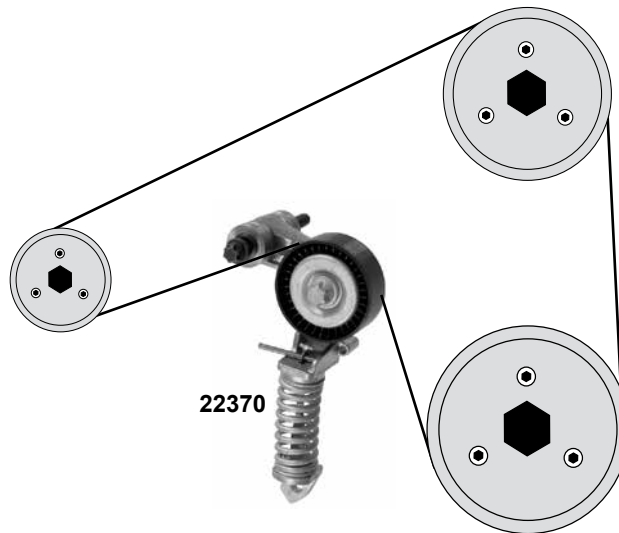
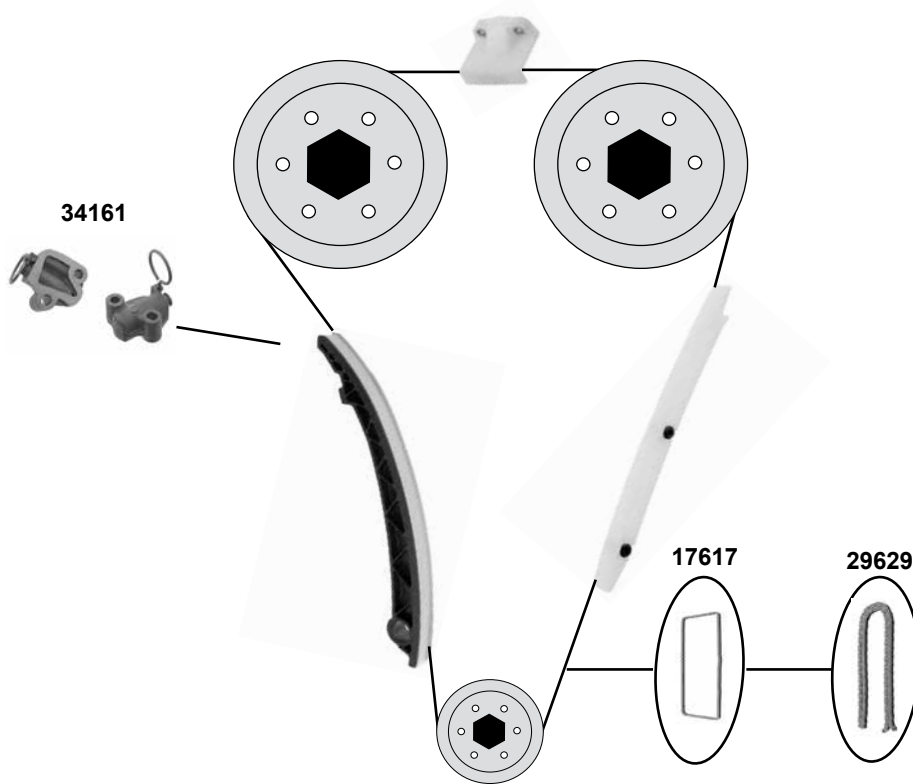


2,2

(Z 2,2 YH)



	Ref. - No.			
<b>21061</b>	0614 533	Riemenspanner / belt tensioner		
<b>33042</b>	0636 176	Rep. Satz Steuerkette / rep. kit timing chain		148 E
<b>33043</b>	5636 396	Steuerkette endlos / timing chain endless		148 E
<b>33044</b>	4807 839	Kettenspanner / chain tensioner		
<b>33046</b>	0615 418	Rep. Satz Steuerkette / rep. kit timing chain		134 E
<b>33047</b>	5636 381	Steuerkette endlos / timing chain endless		134 E
<b>33048</b>	5636 380	Kettenspanner / chain tensioner		



- (1) Steuerkette geschlossen / timing chain endless
- (2) Steuerkette offen / timing chain open  
Spezialwerkzeug zur Montage notwendig / Requires special tools for mounting



Ref. - No.



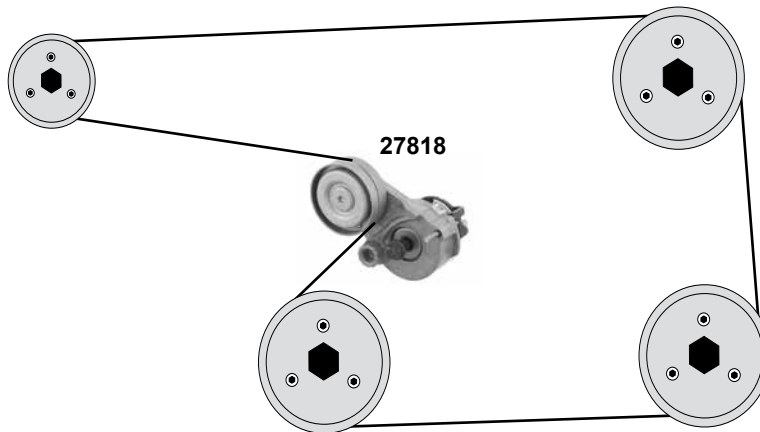
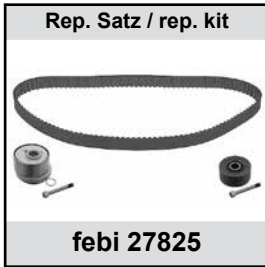
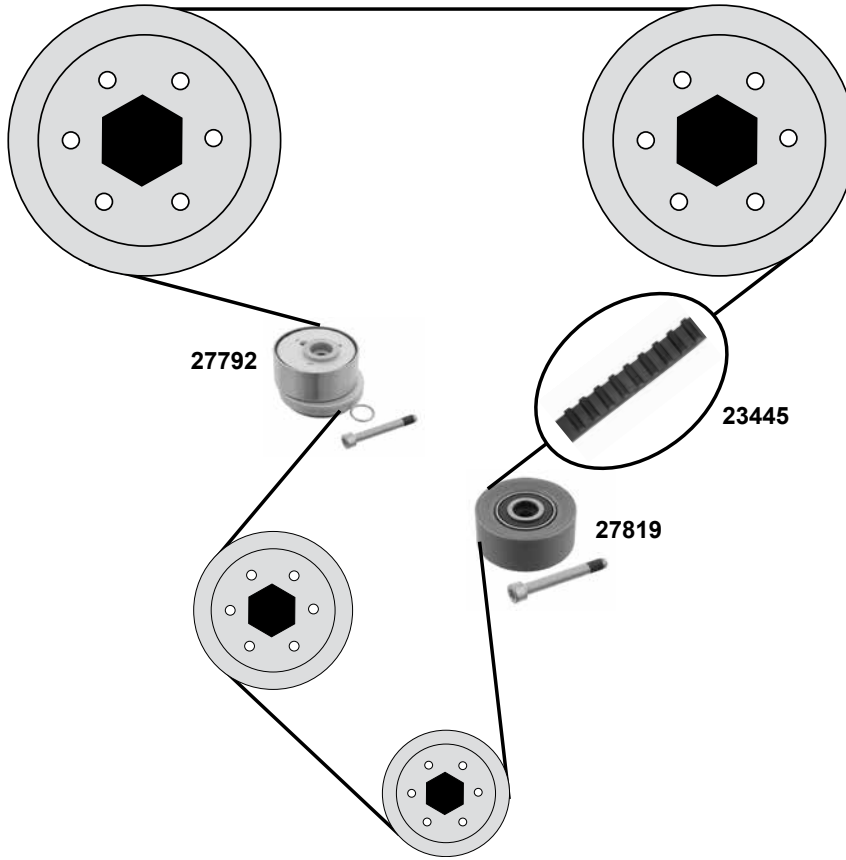
	Ref. - No.			
<b>17617</b>	0637 241	Steuerkette / timing chain	(1)	130 E
<b>22370</b>	1340 267	Riemenspanner / belt tensioner		
<b>29629</b>	0637 241 S1	Steuerkette / timing chain	(2)	130N
<b>34161</b>	0636 059	Kettenspanner / chain tensioner		
<b>34162</b>	0637 241 S2	Rep. Satz Steuerkette / rep. kit timing chain	(1)	130 E





## 1,6 / 1,8

(A16XNT / A18XEL / A18XER)



Ref. - No.



23445

5636 452

Zahnriemen / timing belt

Z 146 B24

27792

5636 486

Spannrolle / tension roller

ØA 66 B29

27818

1340 268

Riemenspanner / belt tensioner

→ (ch.) C2999999

ØA 63 B 22

27819

5636 978

Umlenkrolle / deflection pulley

ØA 61 B 28

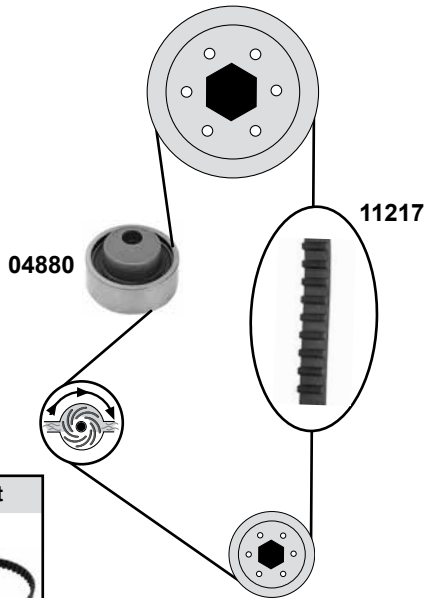
27825

1606 314

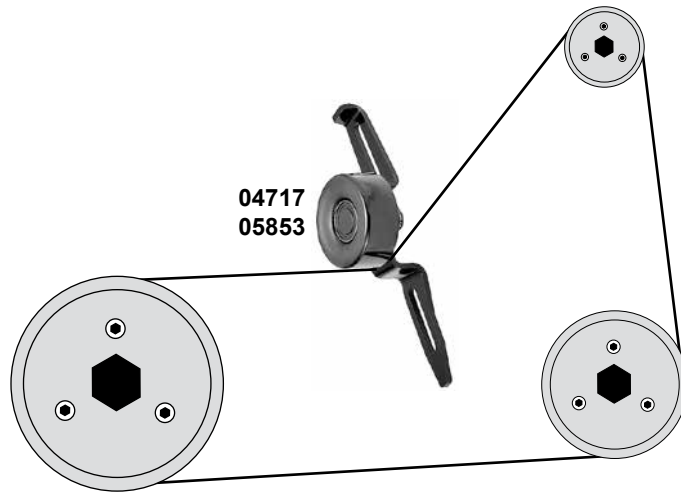
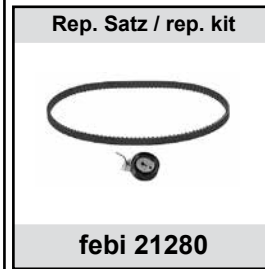
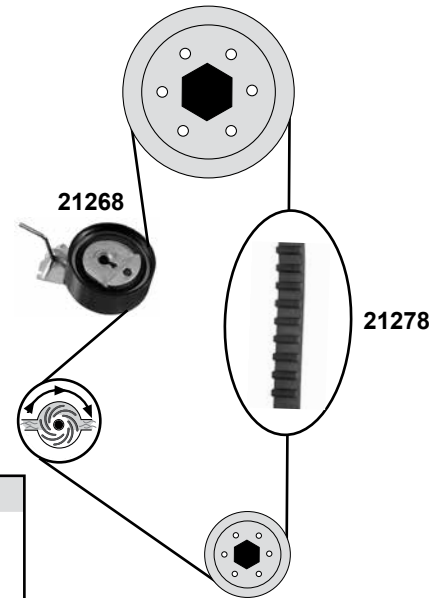
Rep. Satz Zahnriemen / rep. kit timing belt

Z 146 B24

(mot.)→M 3762433



(mot.) M 3762434→



Ref. - No.



04717

6453.G4

Spannrolle / tension roller

(ch.)→S50987717 AC

ØA 66 B26

04880

0831.24

Spannrolle / tension roller

ØA 59 ØI 13

05853

6453.S5

Spannrolle / tension roller

(ch.) S50987718→ AC

ØA 65 B26,5

11217

0816.56

Zahnriemen / timing belt

Z 104 B17

11218

0831.02

Rep. Satz Zahnriemen / rep. kit timing belt

21268

0829.90

Spannrolle / tension roller

ØA 60 B25

21278

0816.F0

Zahnriemen / timing belt

Z 100 B17

21280

0831.84

Rep. Satz Zahnriemen / rep. kit timing belt

# PEUGEOT 106

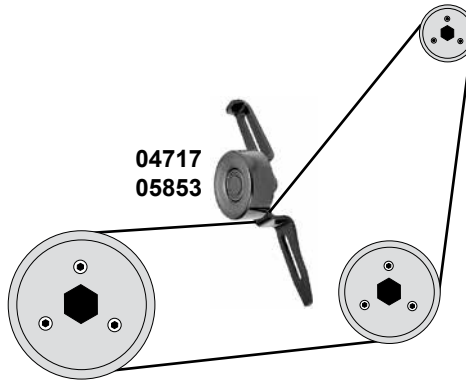
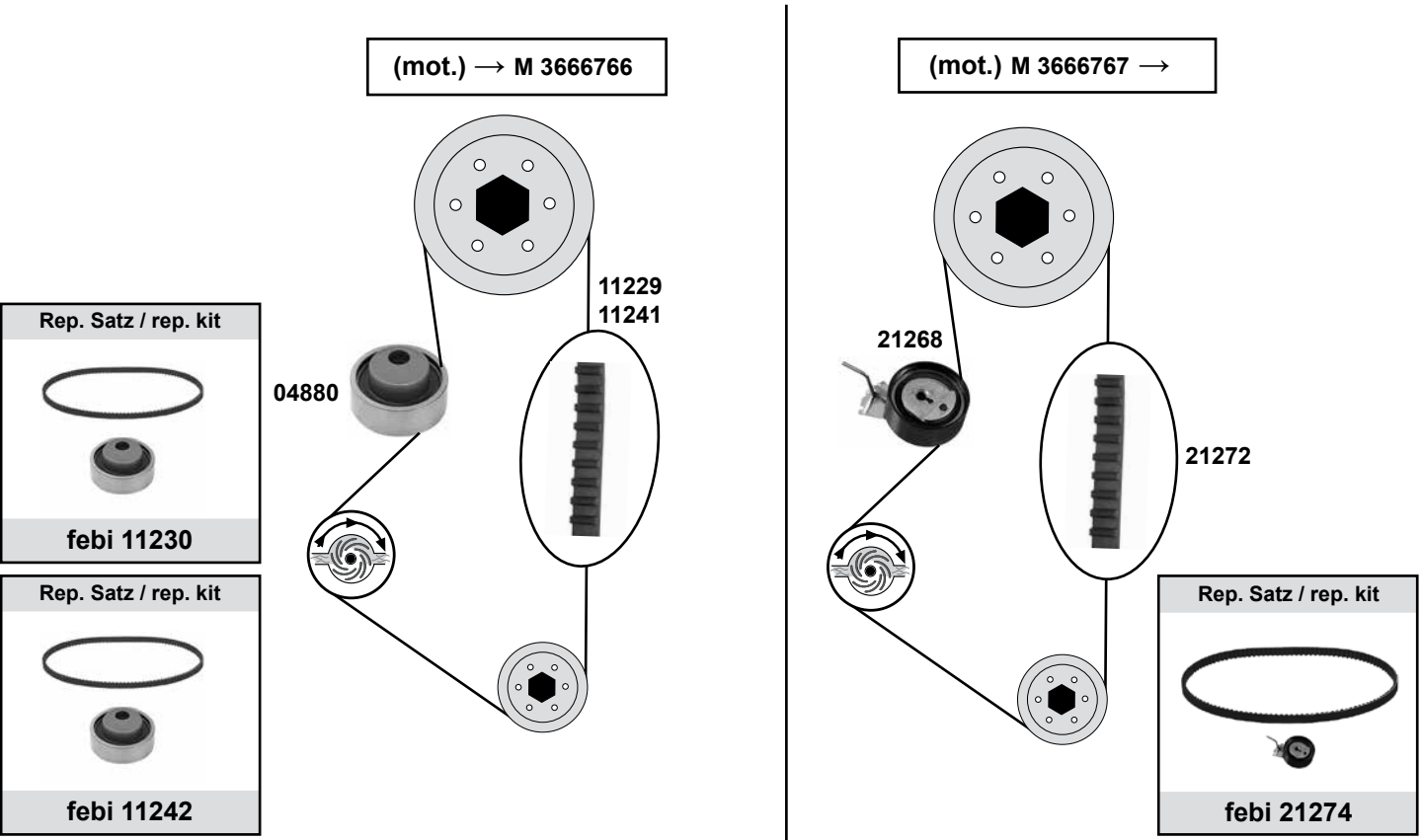
(91→03)

Car  
Division



**1,4**

(TU3J / TU3-2 / TU3JP / TU3M / TU3MC)



(1) TU3M: mit Alu Motorblock / Alu Engine (ch.) →50355042  
TU3MC: mit Alu Motorblock / Alu Engine



Ref. - No.

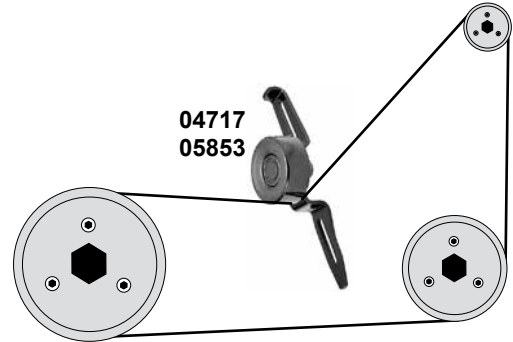
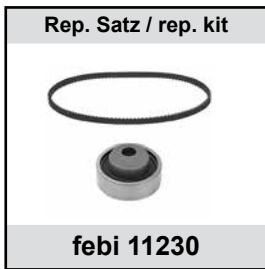
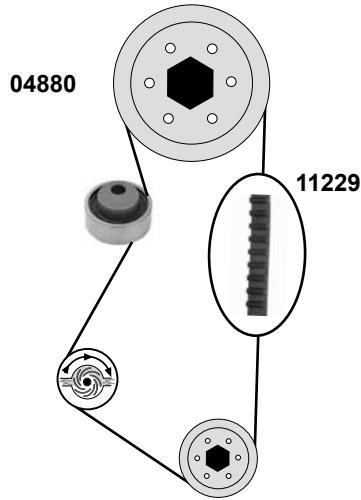


<b>04717</b>	6453.G4	Spannrolle / tension roller	(ch.)→S50987717 AC	ØA 66 B26
<b>04880</b>	0831.24	Spannrolle / tension roller		ØA 59 ØI 13
<b>05853</b>	6453.S5	Spannrolle / tension roller	(ch.) S50987718→ AC	ØA 65 B26,5
<b>11229</b>	0816.55	Zahnriemen / timing belt	TU3J	Z 101 B17
<b>11241</b>	0816.44	Zahnriemen / timing belt	(1)	Z 108 B17
<b>11230</b>	0831.24	Rep. Satz Zahnriemen / rep. kit timing belt	TU3J	
<b>11242</b>	0831.14	Rep. Satz Zahnriemen / rep. kit timing belt	(1)	
<b>21268</b>	0829.90	Spannrolle / tension roller		ØA 60 B25
<b>21272</b>	0816.F2	Zahnriemen / timing belt		Z104 B17
<b>21274</b>	0831.86	Rep. Satz Zahnriemen / rep. kit timing belt		



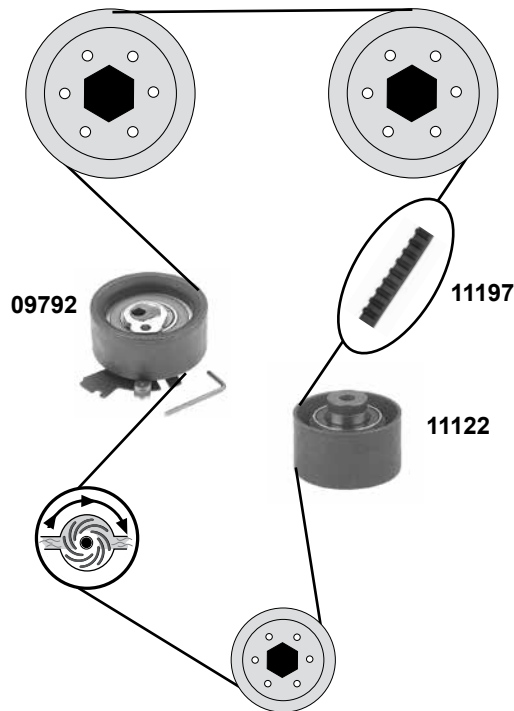
**1,6**

(TU5J2 / TU5JP / TU5JP2)



**1,6 16V**

(TU5J4)



(1) Abgasnorm L3 / L4 = Euro 2/3



Ref. - No.



Ref. - No.	Description	Part No.	Notes
04717	Spannrolle / tension roller	6453.G4	(ch.) → S50987717 AC
04880	Spannrolle / tension roller	0831.24	
05853	Spannrolle / tension roller	6453.S5	(ch.) S50987718 → AC
09792	Spannrolle / tension roller	0829.49	
11122	Umlenkrolle / deflection pulley	0830.61	(1)
11197	Zahnriemen / timing belt	0816.H6	ØA 66 B26 ØA 59 Ø I13
11198	Rep. Satz Zahnriemen / rep. kit timing belt	0816.H6 S2	ØA 65 B26,5 ØA 70 B32
11229	Zahnriemen / timing belt	0816.55	ØA 57 B32 Z 134 B25,4
11230	Rep. Satz Zahnriemen / rep. kit timing belt	0831.24	Z 101 B17

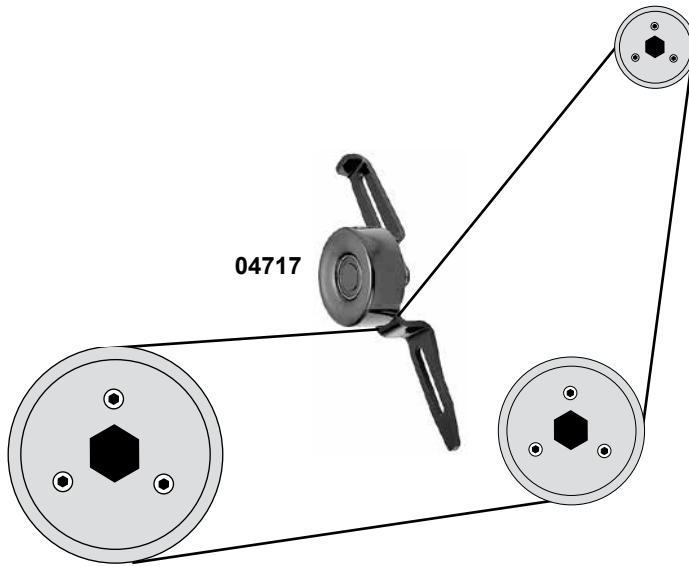
# PEUGEOT 106

(91→03)

Car  
Division 

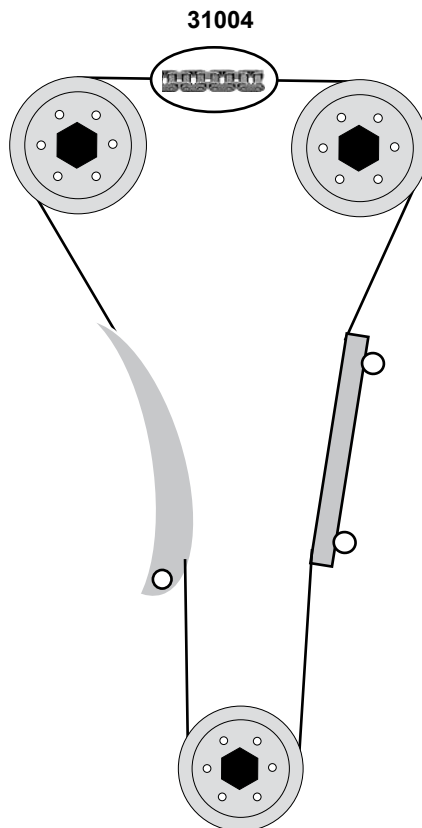


## 1,6 16V (TU5J4)



## 107

(05→)



Ref. - No.



04717  
31004

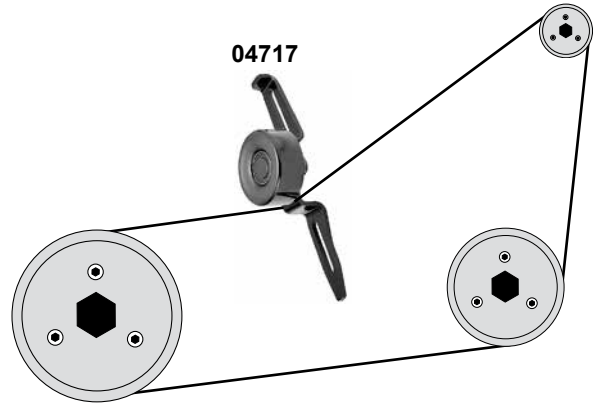
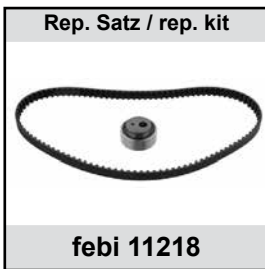
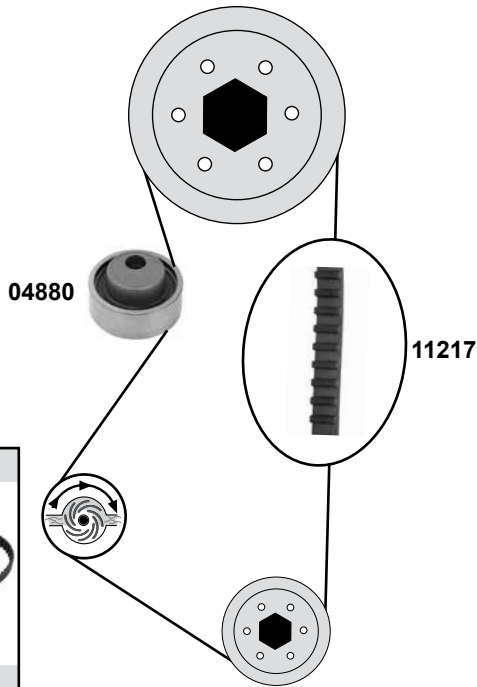
6453.G4  
0816.H1

Spannrolle / tension roller  
Steuerkette / timing chain

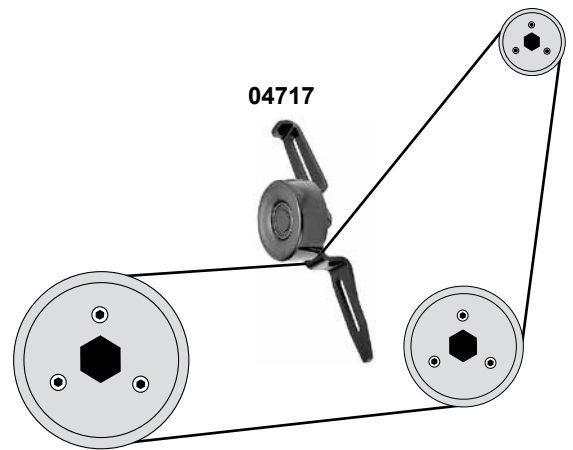
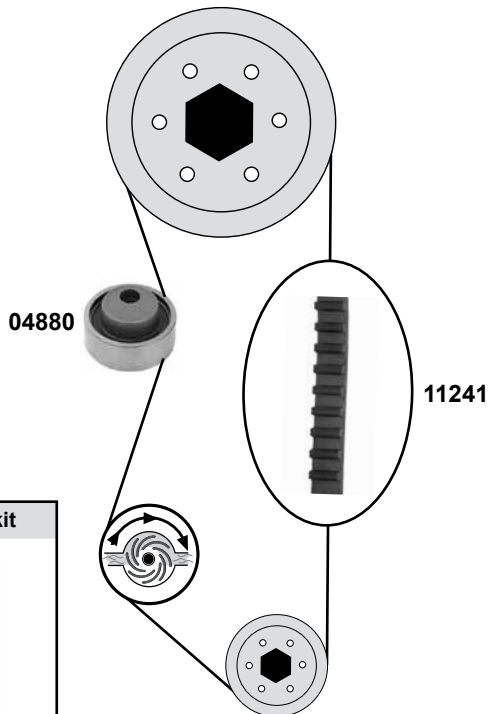
(ch.) → S50987717 AC

ØA 66 B26  
124 E

**1,0 / 1,1**  
(TU1 / TU9 / TU24/ TU1M)



**1,4**  
(TU3 / TU3A / TU3CP / TU3M / TU3S)



# PEUGEOT 205

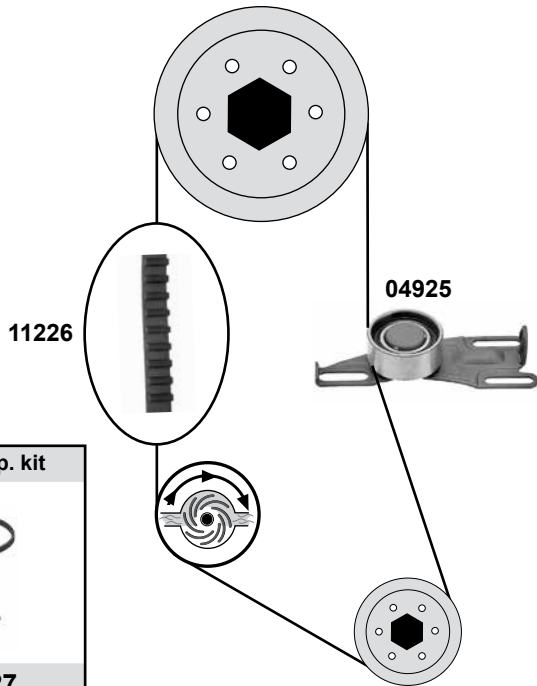
(83→96)

Car  
Division



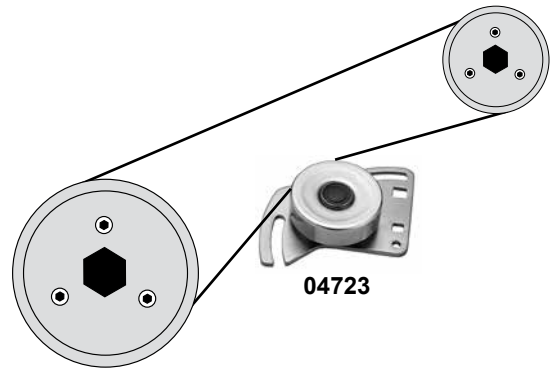
**1,6 / 1,9**  
(XU→(ex.) 16V)

Modell: → 01/92

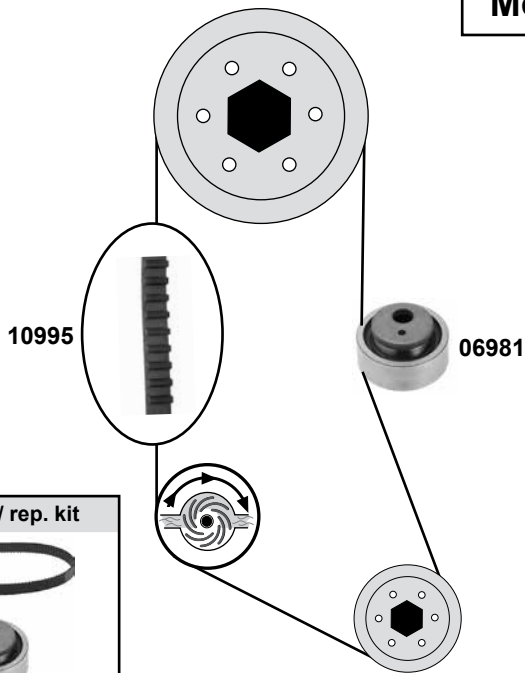


Rep. Satz / rep. kit

febi 11227

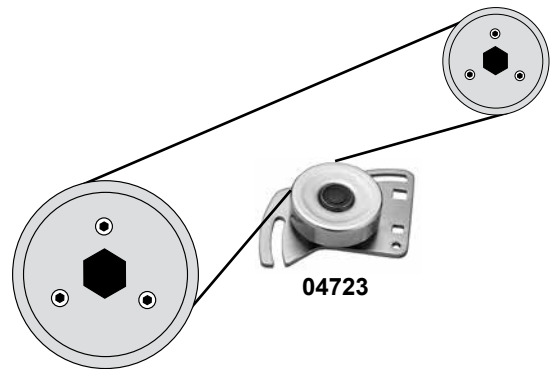


Modell: 01/92 →



Rep. Satz / rep. kit

febi 11244

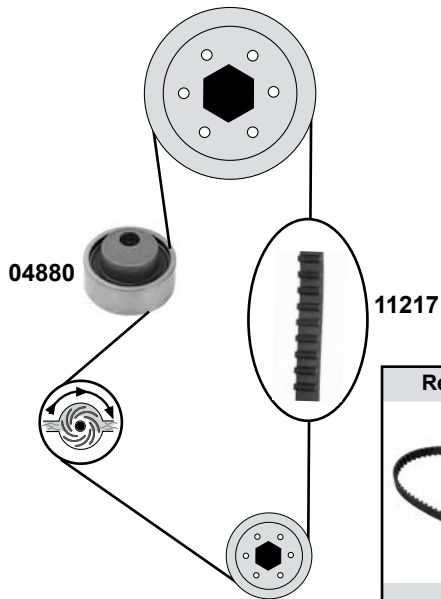


Ref. - No.

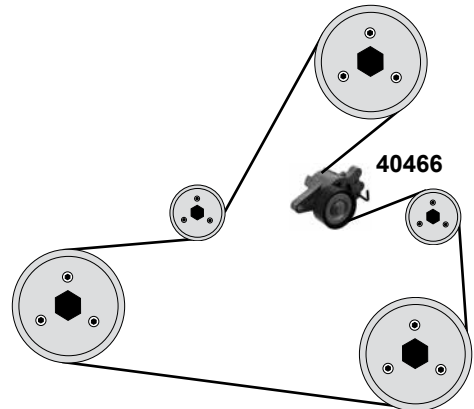
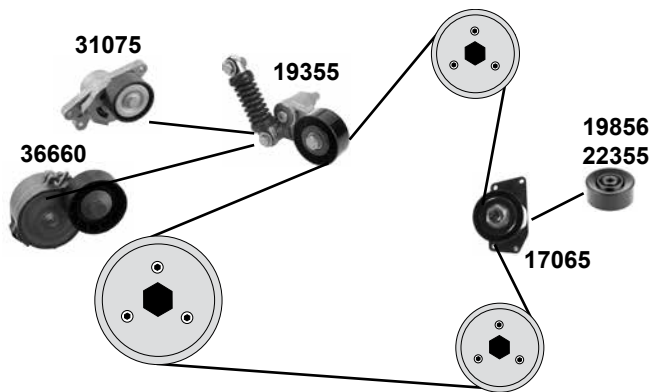
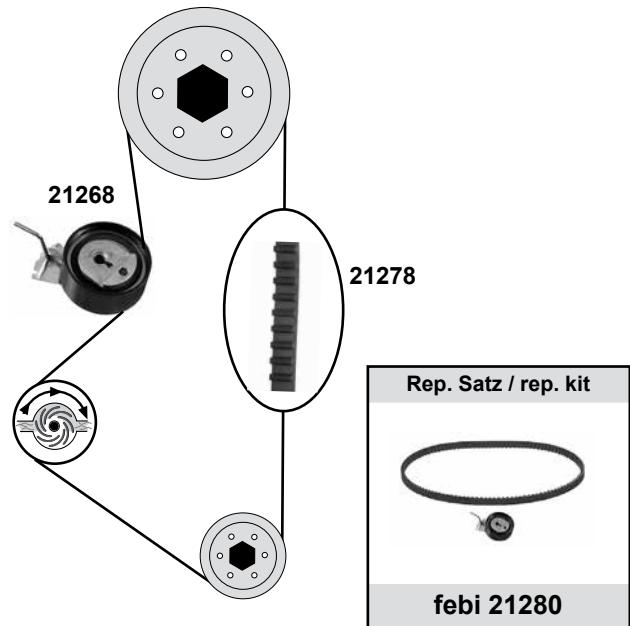


<b>04723</b>	6453.76	Spannrolle / tension roller	AC	ØA 58 B22,5
<b>04925</b>	0829.12	Spannrolle / tension roller		ØA 57 B24
<b>06981</b>	0829.29	Spannrolle / tension roller		ØA 59 B22
<b>10995</b>	0816.71	Zahnriemen / timing belt		Z 114 B17
<b>11226</b>	0816.67	Zahnriemen / timing belt		Z 113 B17
<b>11227</b>	0816.67 S1	Rep. Satz Zahnriemen / rep. kit timing belt		
<b>11244</b>	0831.06	Rep. Satz Zahnriemen / rep. kit timing belt		

(mot.) → M 3762433



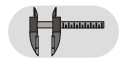
(mot.) M 3762434 →



- (1) servo AC (ex.) variable servo TU3MC: mit Alu Motorblock / Alu Engine
- (2) servo AC
- (3) O 09590 - 10392



Ref. - No.



Ref. - No.	Description	Dimensions
04880	Spannrolle / tension roller	ØA 59 ØI 13
11217	Zahnriemen / timing belt	Z 104 B17
11218	Rep. Satz Zahnriemen / rep. kit timing belt	
17065	Umlenkrolle / deflection pulley	(ex.) servo  AC
19355	Riemenspanner / belt tensioner	(1) → O 09275
19856	Umlenkrolle / deflection pulley	(1) → O 09275
21268	Spannrolle / tension roller	ØA 65 B26,5
21278	Zahnriemen / timing belt	ØA 70 B27
21280	Rep. Satz Zahnriemen / rep. kit timing belt	ØA 60 B25
22355	Umlenkrolle / deflection pulley	Z 100 B17
31075	Riemenspanner / belt tensioner	(1) O 09276 →
36660	Riemenspanner / belt tensioner	(2) O 09276 →
40466	Riemenspanner / belt tensioner	(2) O 11179 →
		(3)
		ØA 60 B25
		ØA 60 B26



# PEUGEOT 206

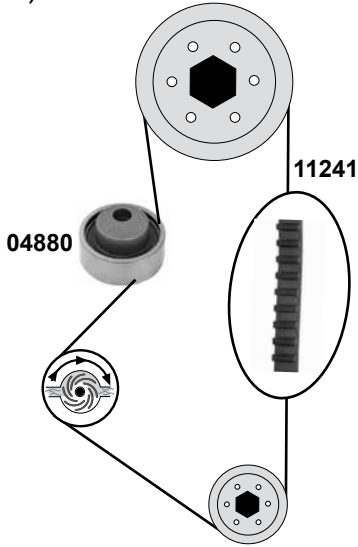
(98→09)

Car  
Division

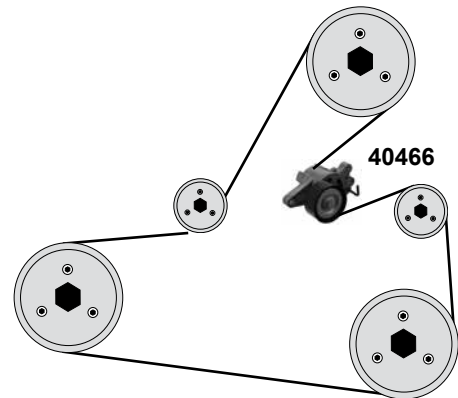
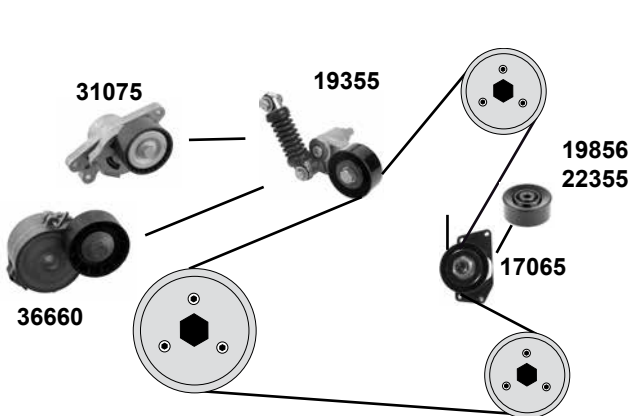
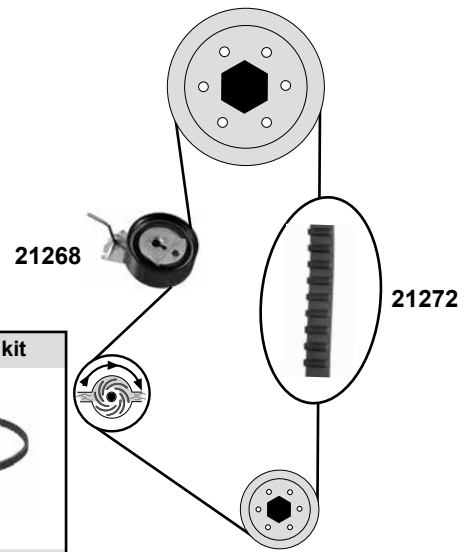


**1,4**  
(TU3A/TU3AF/TU3JP)

(mot.) → M 3666765



(mot.) M 3666766 →



(1) servo AC (ex.) variable servo

(2) servo AC O 09590→O 11178

(3) servo AC

(4) (mot.)TU3JP

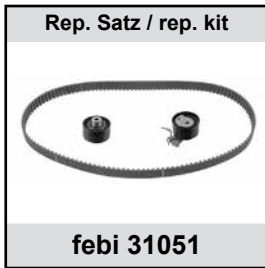
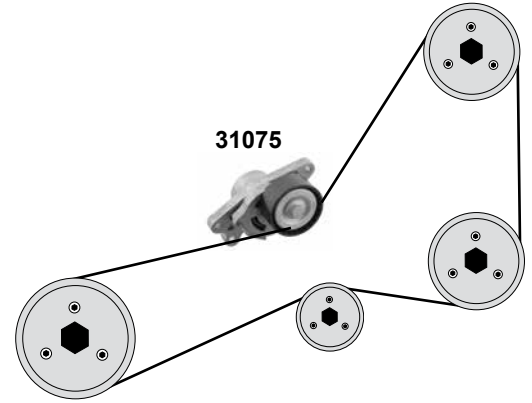
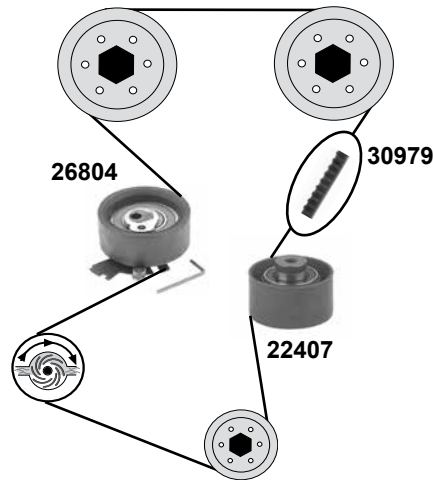


Ref. - No.

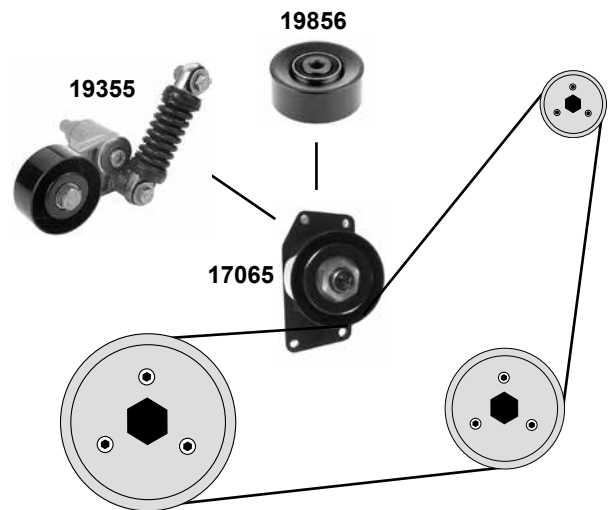
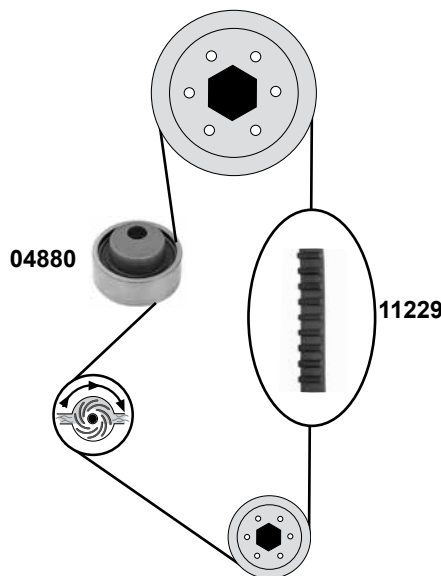


04880	0831.24	Spannrolle / tension roller		
11241	0816.44	Zahnriemen / timing belt		ØA 59 ØI 13
11242	0831.Q4	Rep. Satz Zahnriemen / rep. kit timing belt		Z108
17065	5751.50	Umlenkrolle / deflection pulley		Z108
19355	5751.52	Riemenspanner / belt tensioner	(4) servo  AC	ØA 70 B27
19856	5751.51	Umlenkrolle / deflection pulley	(1)(4)→O 09589	ØA 65 B26,5
21268	0829.90	Spannrolle / tension roller	(1) (4) →O 09275	ØA 70 B27
21272	0816.F2	Zahnriemen / timing belt	(mot.) TU3JP	ØA 60 B25
21274	0831.86	Rep. Satz Zahnriemen / rep. kit timing belt	(4)	Z104 B17
22355	5751.C9	Umlenkrolle / deflection pulley	(4)	
31075	5751.AC	Riemenspanner / belt tensioner	(1) (4) O 09276→	
36660	5751.E9	Riemenspanner / belt tensioner	(2) (4)	
40466	5751.A2	Riemenspanner / belt tensioner	(3) O. 11179→	ØA 60 B25
			(4) O. 09590 -10392	ØA 60 B26

**1,4 16V**  
(ET3J4)



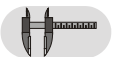
**1,6 8V**  
(TU5JP)



- (1) servo AC (ex.) variable servo
- (2) servo AC 09590 → 11178



Ref. - No.



04880	0831.24	Spannrolle / tension roller		
11229	0816.55	Zahnriemen / timing belt		
11230	0831.24	Rep.Satz Zahnriemen / rep. kit timing belt		
17065	5751.50	Umlenkrolle / deflection pulley		
19355	5751.52	Riemenspanner / belt tensioner	(ex.) servo  AC (1)→ 09589 (1)→ 09275	ØA 65 B26,5 ØA 70 B27
19856	5751.51	Umlenkrolle / deflection pulley		
22407	0830.60	Umlenkrolle / deflection pulley		ØA 60 B29 Z 135 B25 Z 135 B25
26804	0829.C6	Spannrolle / tension roller		
30979	0813.H5	Zahnriemen / timing belt		
31051	0831.L4	Rep. Satz Zahnriemen / rep. kit timing belt		
31075	5751.AC	Riemenspanner / belt tensioner	(2)	

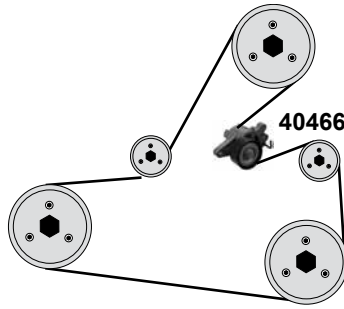
# PEUGEOT 206

(98→09)

Car  
Division



## 1,6 8V (TU5JP)



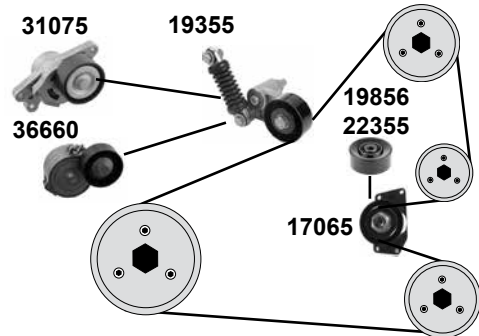
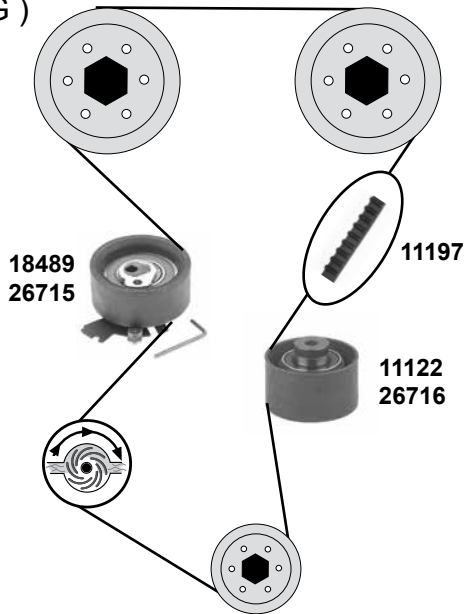
## 1,6 16V (TU5JP4 / TU5JP4G)

Rep. Satz / rep. kit

**febi 22327**

Rep. Satz / rep. kit

**febi 26717**



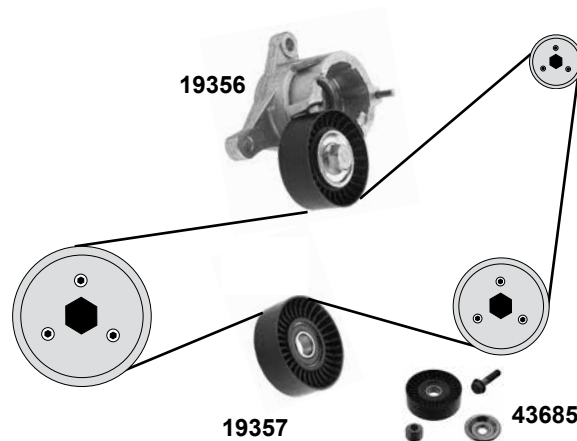
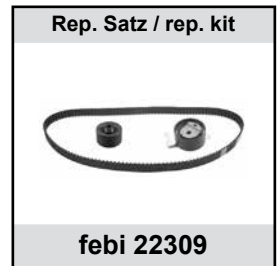
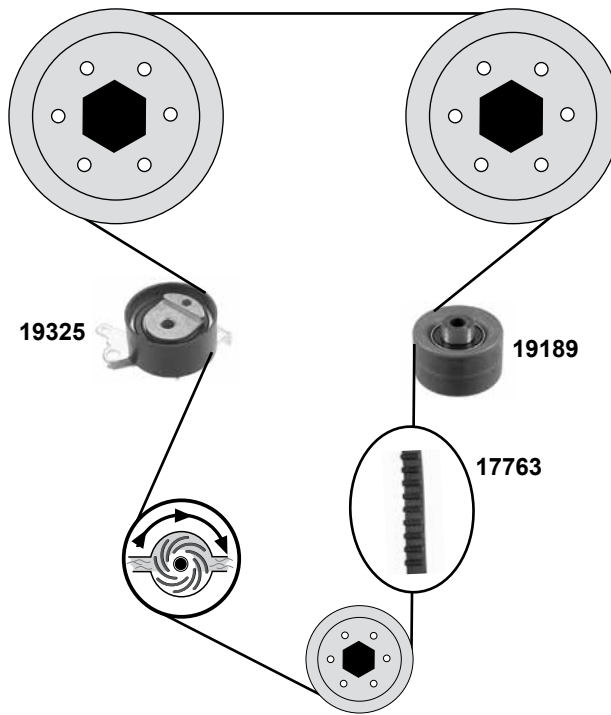
- (1) servo AC (ex.) variable servo
- (2) (mot.) TU5JP4G servo AC O 09590→O 11178
- (3) (mot.) TU5JP4 O.08701→ / (mot.) TU5JP4 O.08911→ / (mot.) TU5JP4G
- (4) TU5JP4 O.08701→ / (mot.) 1806405→ / TU5JP4→ O.11253 / (mot.) 1850062→ / TU5JP4G
- (5) TU5JP4 O.08701→ / →(mot.)1806404 / TU5JP4 O.08701→ / (mot.) →1850061
- (6) TU5JP4
- (7) TU5JP4 O.08701→ / →(mot.) 1806404 / TU5JP4 O.08701→ O.10543
- (8) TU5JP4 O.08701→ (mot.) 1806404→ / TU5JP4 10544→11253 / TU5JP4G
- (9) TU5JP4 O.08701→ / (mot.) 1806405→ / TU5JP4 08701→ / (mot.) 1850062 → / TU5JP4G



Ref. - No.



Ref. - No.	Description	Notes	Dimensions
11122	Umlenkrolle / deflection pulley	(5)	ØA 57 Ø 18 B32
11197	Zahnriemen / timing belt	(3)	Z134 B25,4
17065	Umlenkrolle / deflection pulley	(6) (ex.) servo  AC	
18489	Spannrolle / tension roller	(7)	ØA 73 B31
19355	Riemenspanner / belt tensioner	(6) (1)→O 09589	ØA 65 B26
19856	Umlenkrolle / deflection pulley	(6) (1)→O 09275	ØA 70 B27
22327	Rep. Satz Zahnriemen / rep. kit timing belt	(5)	Z 134
22355	Umlenkrolle / deflection pulley	(6) (1) O 09276→	
26715	Spannrolle / tension roller	(8)	ØA 70 B30
26716	Umlenkrolle / deflection pulley	(9)	ØA 60 B30
26717	Rep. Satz Zahnriemen / rep. kit timing belt	(4)	Z 134 B25,4
31075	Riemenspanner / belt tensioner	(2)	ØA 60
36660	Riemenspanner / belt tensioner	(6) O 11179→	ØA 60 B25
40466	Riemenspanner / belt tensioner	O 09590 -10392	ØA 60 B26



(1) 206 Break / CC (mot.) EW10J4 → O 10264

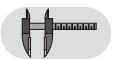
(2) 206 (mot.) EW10J4S / EW10J4 → O 10264

(3) 206 (mot.) EW10J4S / EW10J4 O 10265→

(4) 206 Break / CC (mot.) EW10J4 O 10265→



Ref. - No.



17763	0816.A1	Zahnriemen / timing belt		Z 153 B25,4
19189	0830.42	Umlenkrolle / deflection pulley		ØA 60 B31
19325	0829.96	Spannrolle / tension roller		ØA 62 B29
19356	5751.61	Riemenspanner / belt tensioner		ØA 65 B25
19357	5751.60	Umlenkrolle / deflection pulley	(1) (2)	ØA 78 B25
22309	0831.T4	Rep. Satz Zahnriemen / rep. kit timing belt		
43685	5751.E4	Umlenkrolle / deflection pulley	(3) (4)	ØA 78 B25

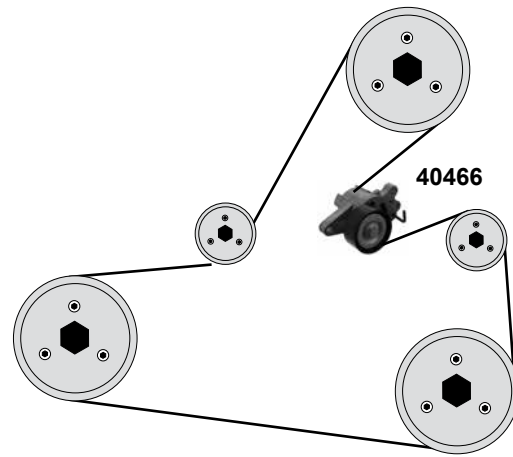
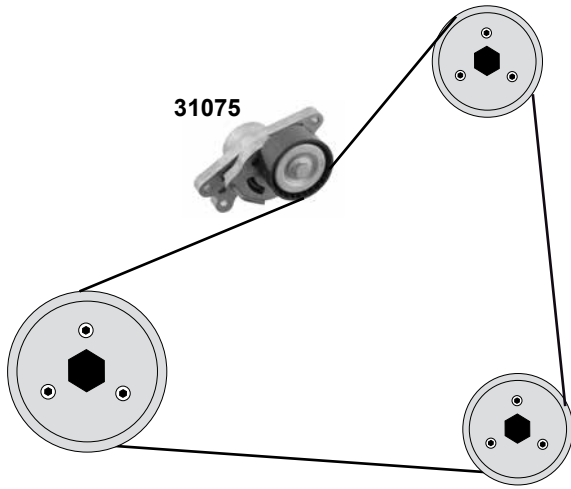
# PEUGEOT 206 CC

(00→07)

Car  
Division

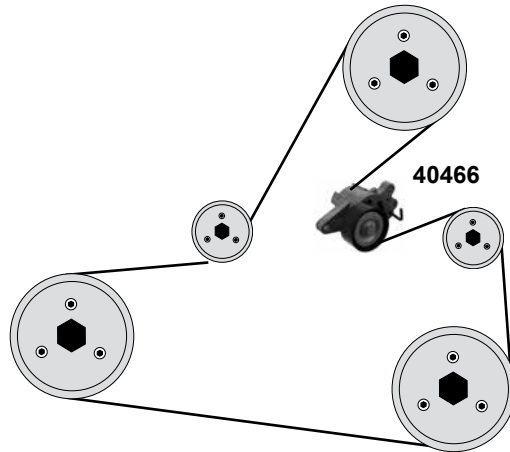


## 1,6 16V (TU5JP4)



## 206 SW (02→07)

### 1,6 8V (TU1JP / TU3A / TU3JP / TU5JP4)



(1) 206 SW servo AC O 09276 -10394

(2) 206 CC servo AC O 09276 →



Ref. - No.

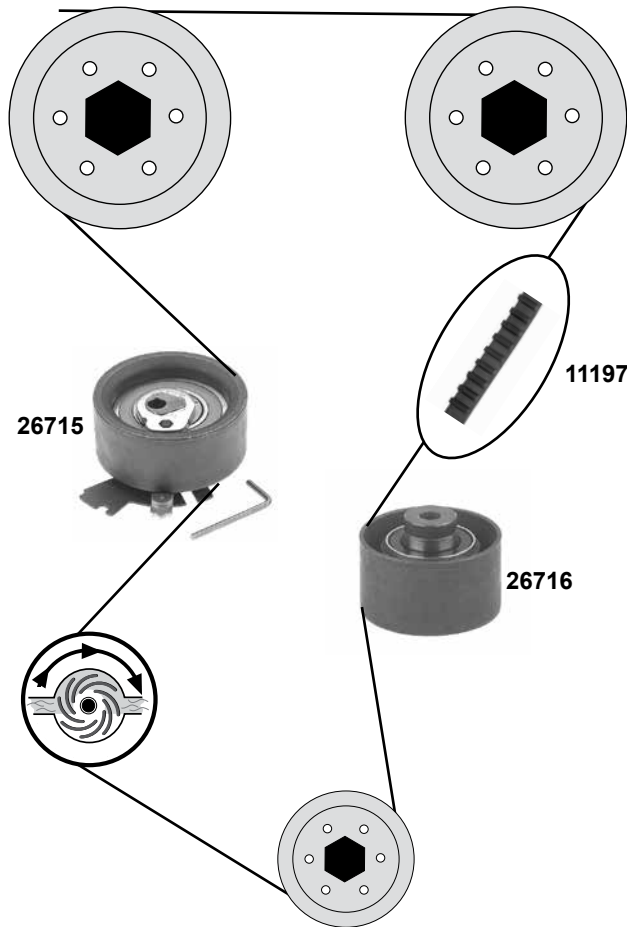
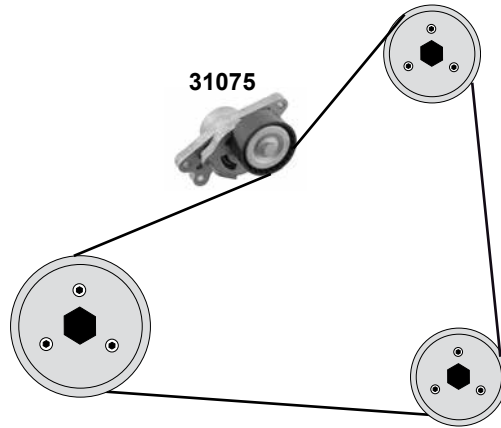


**31075** 5751.A2  
**40466** 5751.A2

Riemenspanner / belt tensioner  
Riemenspanner / belt tensioner

servo AC  
(1) (2)

ØA 60  
ØA 60 B26



Ref. - No.



**11197**  
**26715**  
**26716**  
**26717**  
**31075**

0816.H6  
0829.C8  
0830.62  
0831.R9  
5751.A2

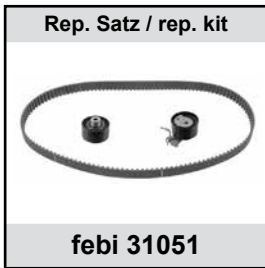
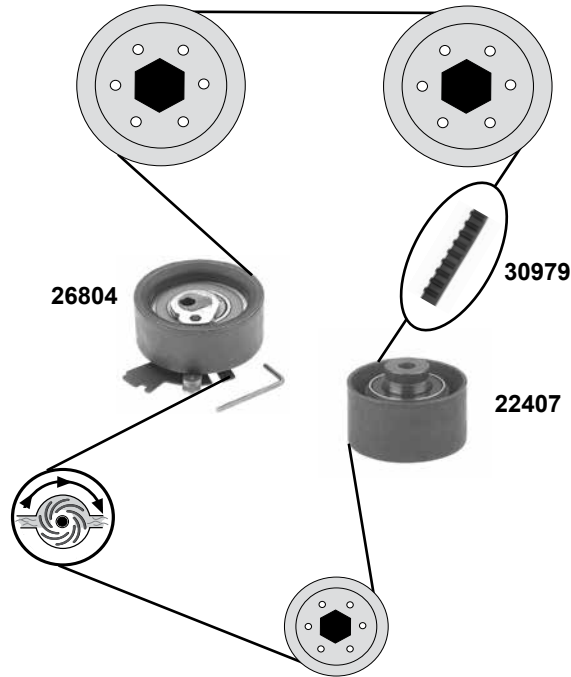
Zahnriemen / timing belt  
Spannrolle / tension roller  
Umlenkrolle / deflection pulley  
Rep. Satz Zahnriemen / rep. kit timing belt  
Spannrolle / tension roller

Z134 B25,4  
ØA 70 B30  
ØA 60 B30  
Z 134 B25,4  
ØA 60



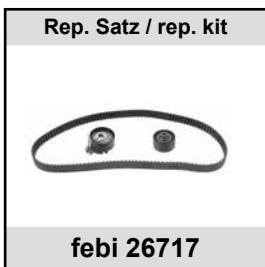
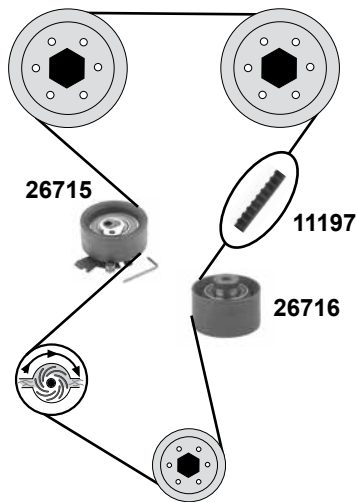
### 1,4 16V

(ET3J4)



### 1,6 16V

(TU5JP4)

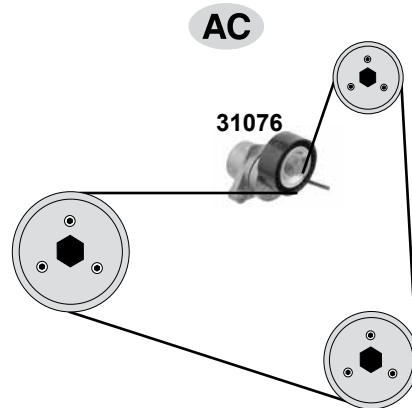


Ref. - No.

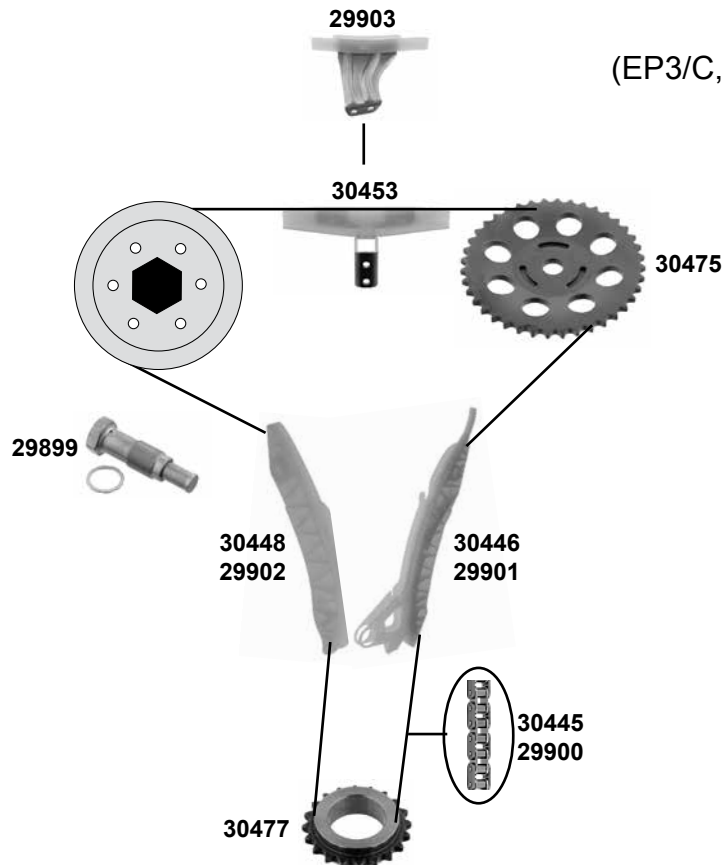


11197	0816.H6	Zahnriemen / timing belt	Z 134 B25,4
22407	0830.60	Umlenkrolle / deflection pulley	ØA 60 B30,5
26715	0829.C8	Spannrolle / tension roller	ØA 70 B30
26716	0830.62	Umlenkrolle / deflection pulley	ØA 60 B30
26717	0831.R9	Rep. Satz Zahnriemen / rep. kit timing belt	Z 134 B25,4
26804	0829.C6	Spannrolle / tension roller	ØA 60 B29
30979	0816.H5	Zahnriemen / timing belt	Z 135 B25
31051	0831.L4	Rep. Satz Zahnriemen / rep. kit timing belt	Z 135 B25

**1,4 / 1,6**  
(TU3A, TU3AE5, ET3J4, TU5JP4)



**1,6 16V Turbo**  
(EP3/C, EP6/C, EP6DT, EP6DTS)



	Ref. - No.			
29899	0829.E1	Kettenspanner / chain tensioner	(ex.) EP3C	M 22x1,5
29900	0816.J2	Steuerkette / timing chain	(mot.) EP3, EP6/C	
29901	0818.30	Gleitschiene / sliding rail	(mot.) EP3, EP6/C	
29902	0818.33	Gleitschiene / sliding rail	(mot.) EP3, EP6/C	
29903	0818.41	Gleitschiene / sliding rail	(mot.) EP3, EP6/C	
30345	0816.J2 S1	Rep. Satz Steuerecke / rep. kit timing chain	(mot.) EP3/C, EP6/C	
30445	0816.H9	Steuerecke / timing chain	(mot.) EP6DT/DTS	
30446	0818.31	Gleitschiene / sliding rail	(mot.) EP6DT/DTS	
30448	0818.30	Gleitschiene / sliding rail	(mot.) EP6DT/DTS	
30452	0816.H9 S1	Rep. Satz Steuerecke / rep. kit timing chain	(mot.) EP6DT/DTS	
30453	0818.29	Gleitschiene / sliding rail	(mot.) EP6DT/DTS	
30475	0805.H6	Nockenwellenrad / camshaft gear	(mot.) EP6DT/DTS	Z 40
30477	0513.C8	Kurbelwellenzahnrad / crankshaft gear	(mot.) EP6DT/DTS	Z 20
31076	5751.G7	Spannrolle / tension roller		ØA 65 B25



# PEUGEOT

## 207

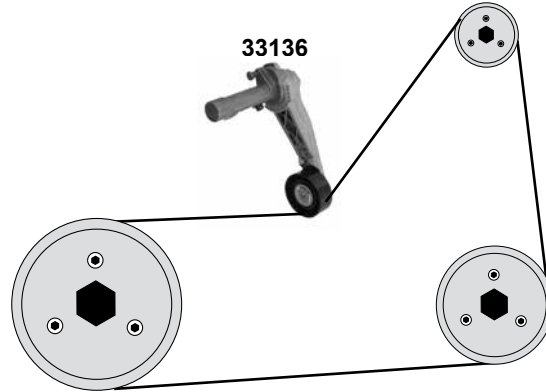
(06→)

Car  
Division



### 1,6 16V Turbo

(EP3/C, EP6/C, EP6DT, EP6DTS)

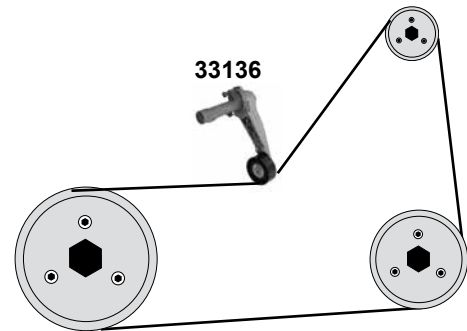
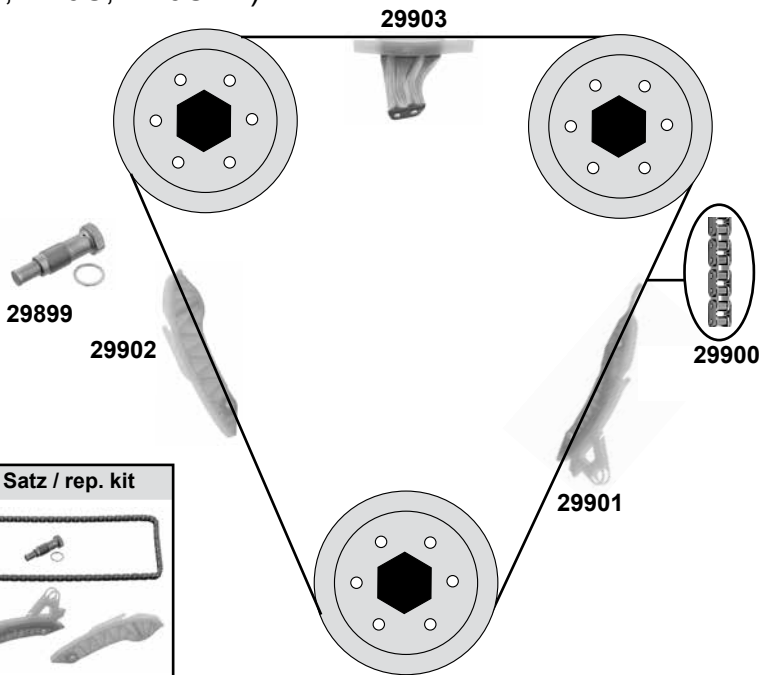


### 208

(12→)

### 1,4 / 1,6

(EP3C, EP6C, EP6CDT)



(1) 207 (mot.) EP3/C, EP6/C, EP6DTS AC / (mot.) EP6DT

(2) 208 (mot.) EP3C, EP6C, EP6DTS AC



Ref. - No.



29899 0829.G3

Kettenspanner / chain tensioner

(ex.) EP6CDT

29900 0816.J2

Steuerkette / timing chain

(ex.) EP6CDT

138 E

29901 0818.40

Gleitschiene / sliding rail

(ex.) EP6CDT

29902 0818.33

Gleitschiene / sliding rail

(ex.) EP6CDT

29903 0818.41

Gleitschiene / sliding rail

30345 0816.J2 S1

Rep. Satz Steuerkette / rep. kit timing chain

(ex.) EP6CDT

33136 5751.G9

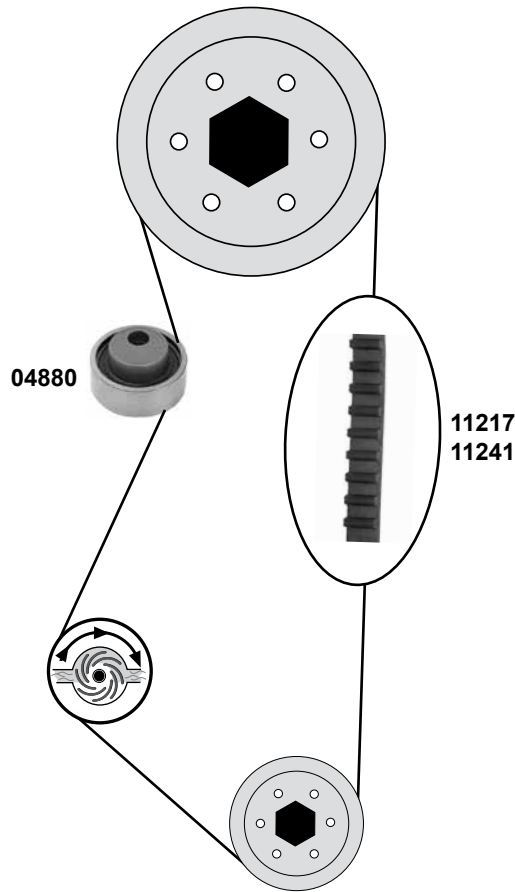
Riemenspanner / belt tensioner

(1) (2)

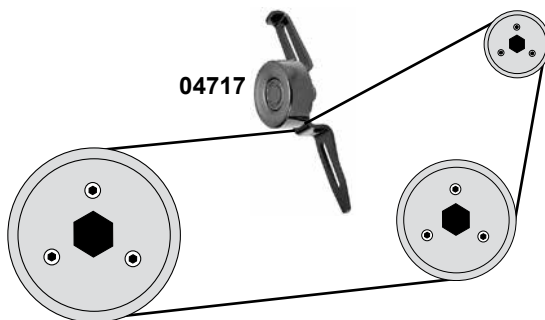
ØA65 B25

**1,1 / 1,4**

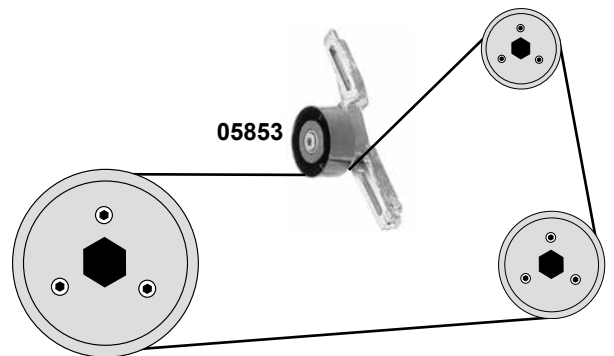
(TU1M / TU3 / TU3.2 / TU3JP→M 3666766 / TU3MC)



Modell:→12/94



Modell:12/94→



Ref. - No.



**04717**  
**04880**  
**05853**  
**11217**  
**11241**  
**11242**

6453.G4  
0831.24  
6453.S5  
0816.56  
0816.44  
0831.Q4

Spannrolle / tension roller  
Spannrolle / tension roller  
Spannrolle / tension roller  
Zahnriemen / timing belt  
Zahnriemen / timing belt  
Rep. Satz Zahnriemen / rep. kit timing belt

AC

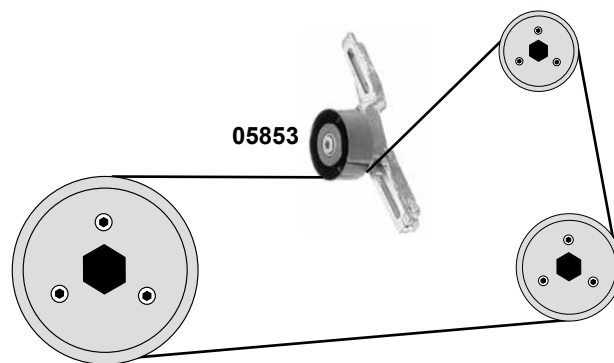
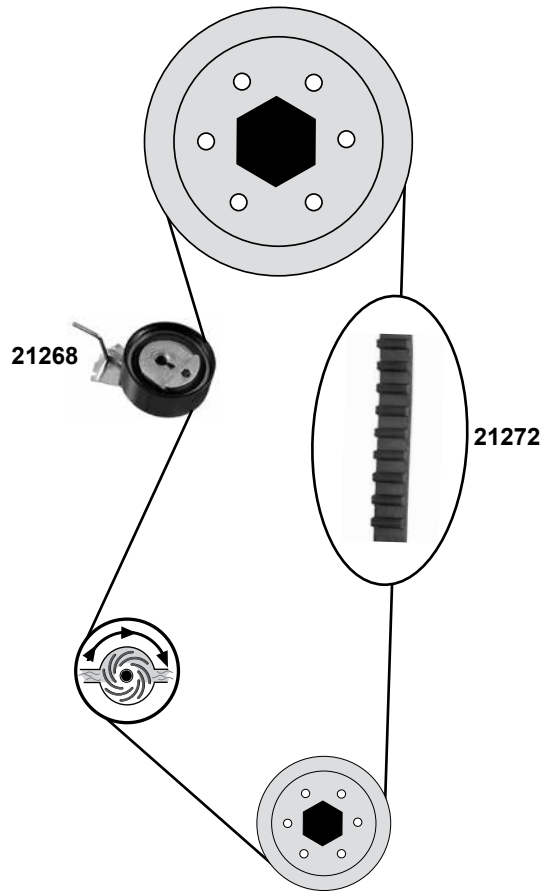
(mot.) 1,1 TU1M  
(ex.) 1,1 TU1M

ØA 66 B26  
ØA 59 Ø I13  
ØA 65 B26,5  
Z 104 B17  
Z 108 B17

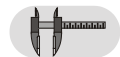


**1,4**

(TU3JP M 3666776→)



Ref. - No.



**05853**

6453.S5

Spannrolle / tension roller

ØA 65 B26,5

**21268**

0829.90

Spannrolle / tension roller

ØA 60 B25

**21272**

0816.F2

Zahnriemen / timing belt

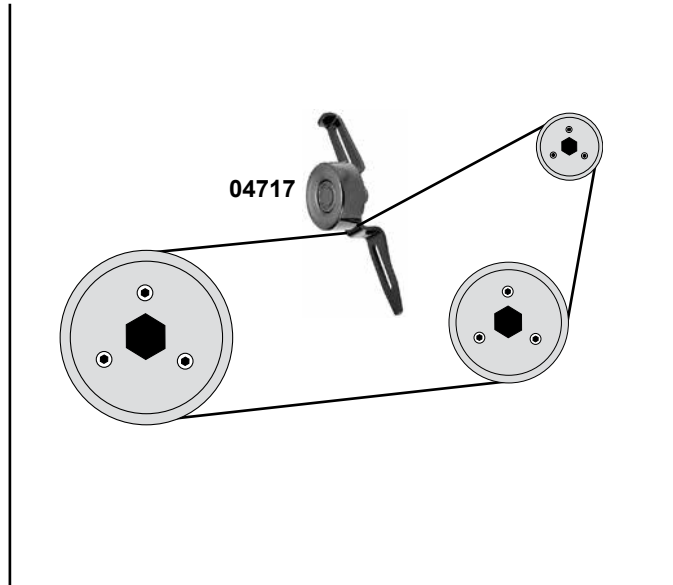
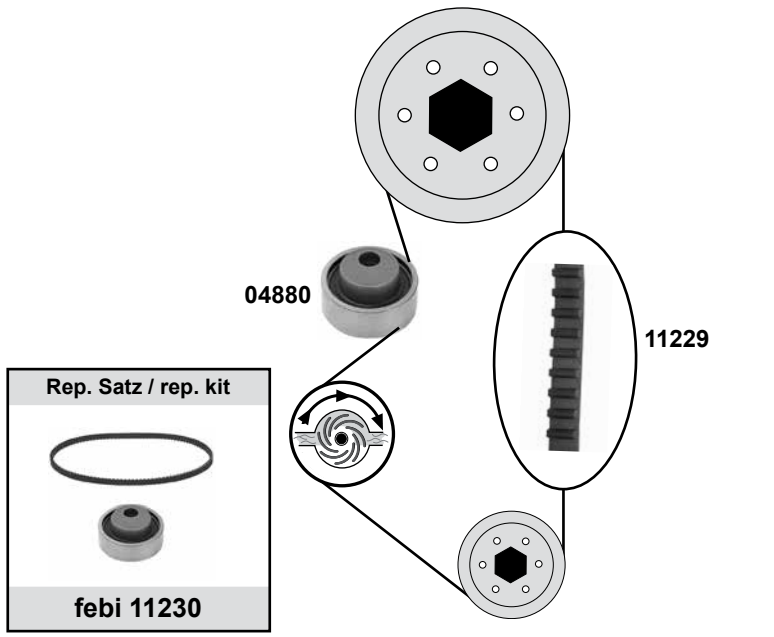
Z104 B17

**21274**

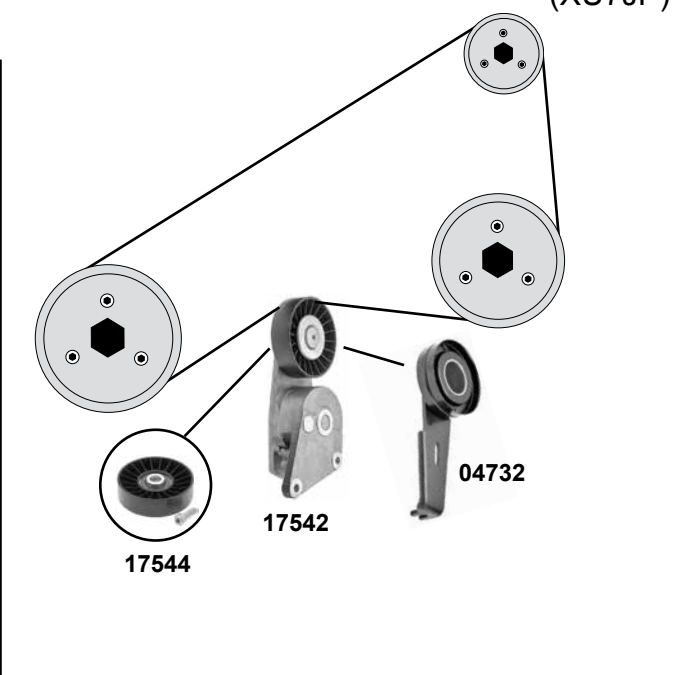
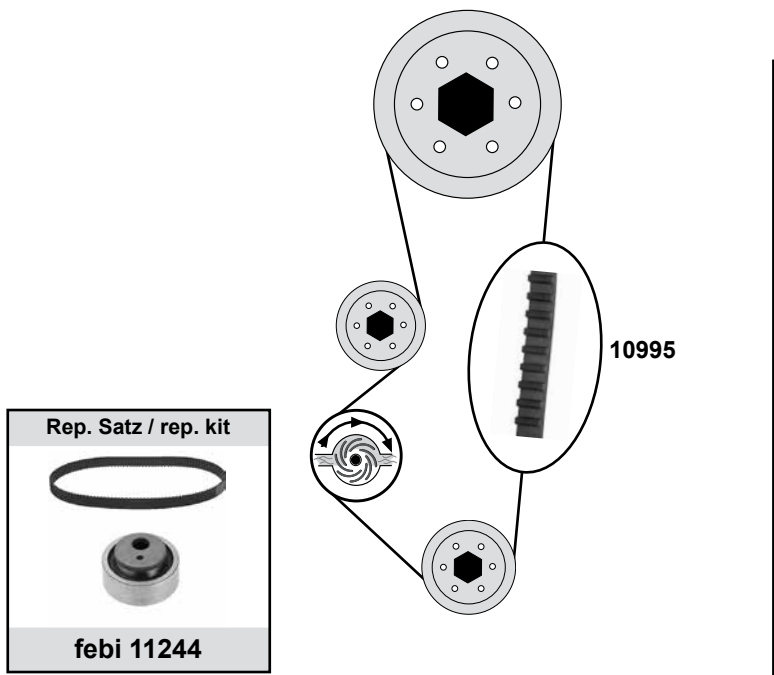
0831.86

Rep. Satz Zahnriemen / rep. kit timing belt

**1,6**  
(TU5JP)



**1,8**  
(XU7JP)

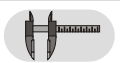


(1) servo (ex.) AC / man. AC

(2) servo AC



Ref. - No.



<b>04717</b>	6453.G4	Spannrolle / tension roller	<b>AC</b>	ØA 66 B26
<b>04732</b>	5751.18	Spannrolle / tension roller	<b>(1)</b>	ØA 90 B24,5
<b>04880</b>	0831.24	Spannrolle / tension roller		ØA 59 Ø 113
<b>10995</b>	0816.71	Zahnriemen / timing belt		Z 114 B17
<b>11229</b>	0816.55	Zahnriemen / timing belt		Z 101 B17
<b>11230</b>	0831.24	Rep. Satz Zahnriemen / rep. kit timing belt		Z 101
<b>11244</b>	0831.06	Rep. Satz Zahnriemen / rep. kit timing belt		Z 114 B 17
<b>17542</b>	5751.35	Riemenspanner / belt tensioner	<b>(2)</b>	ØA 90 B25
<b>17544</b>	5751.20	Spannrolle / tension roller		ØA 90 B25

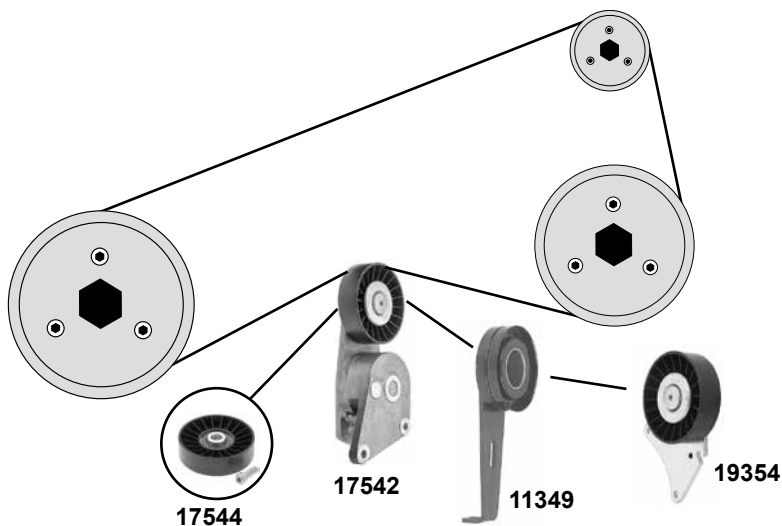
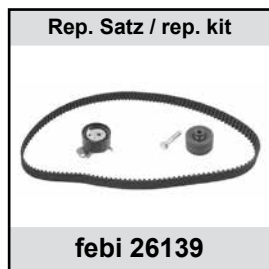
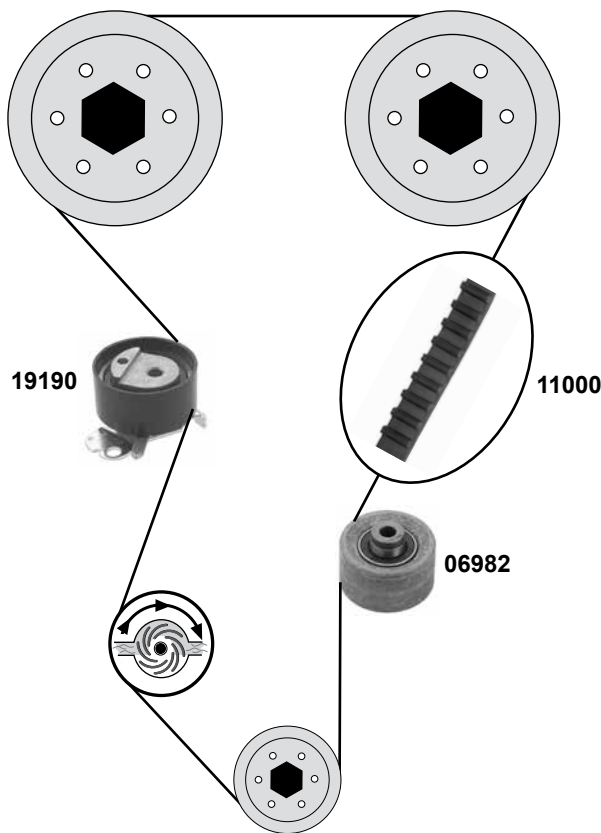
# PEUGEOT 306

(93→01)

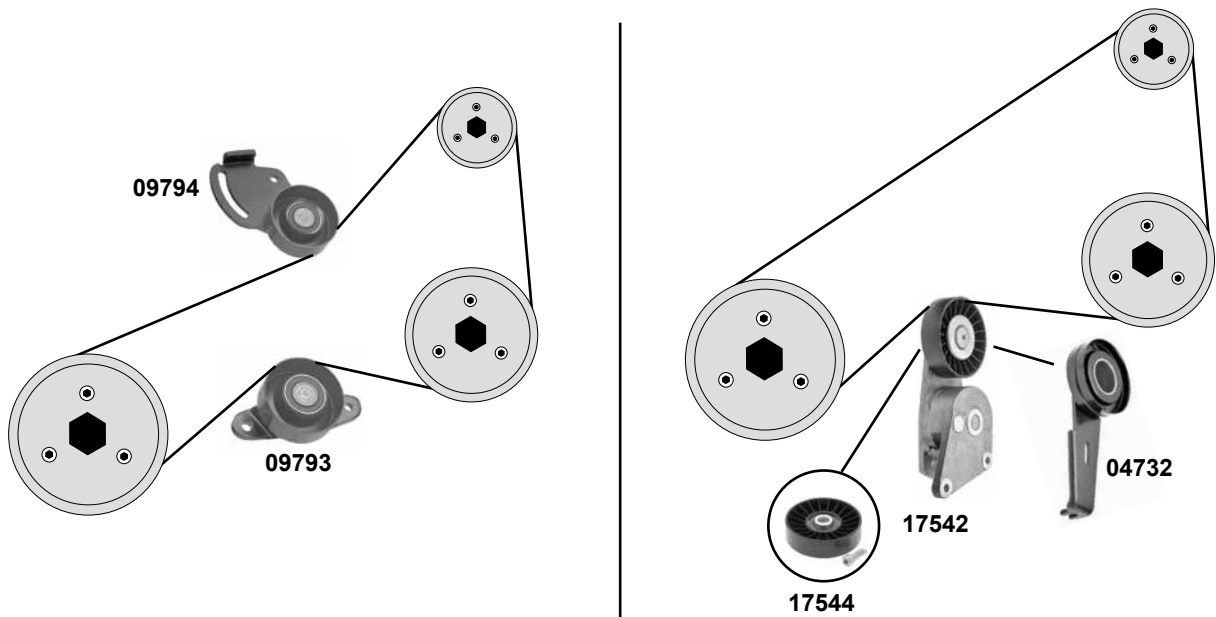
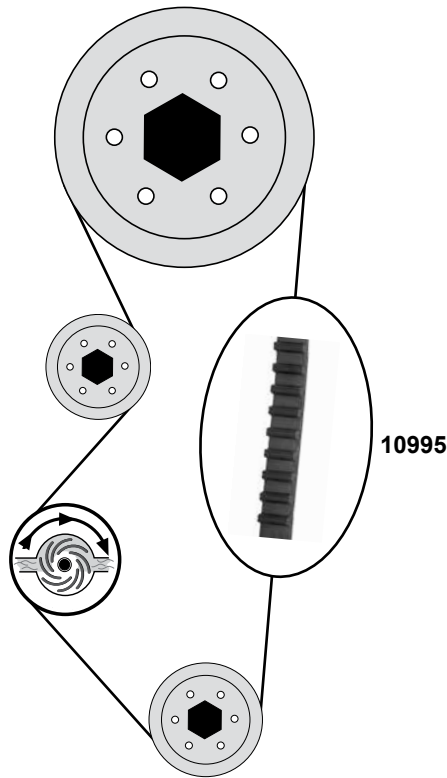
Car  
Division



**1,8 16V**  
(XU7JP4)



febi bilstein	Ref. - No.		i	
06982	0830.37	Umlenkrolle / deflection pulley		ØA 60 ØI10 B34
11000	0816.98	Zahnriemen / timing belt		Z 136 B25,4
11349	5751.53	Spannrolle / tension roller	(ex.) AC	ØA 90 B24
17542	5751.35	Riemenspanner / belt tensioner	servo AC	
17544	5751.20	Spannrolle / tension roller		ØA 90 B25
19190	0829.69	Spannrolle / tension roller		ØA 60 B29
19354	5751.36	Umlenkrolle / deflection pulley	AC	ØA 90
26139	0831.S9	Rep. Satz Zahnriemen / rep. kit timing belt		

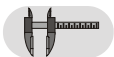


(1) servo (ex.) AC / man. AC

(2) servo AC / O 07175→(ex.) AC



Ref. - No.



**04732**  
**09793**  
**09794**  
**10995**  
**11244**  
**17542**  
**17544**

5751.18  
5751.33  
5751.32  
0816.71  
0831.06  
5751.35  
5751.20

Spannrolle / tension roller  
Umlenkrolle / deflection pulley  
Spannrolle / tension roller  
Zahnriemen / timing belt  
Rep. Satz Zahnriemen / rep. kit timing belt  
Riemenspanner / belt tensioner  
Spannrolle / tension roller

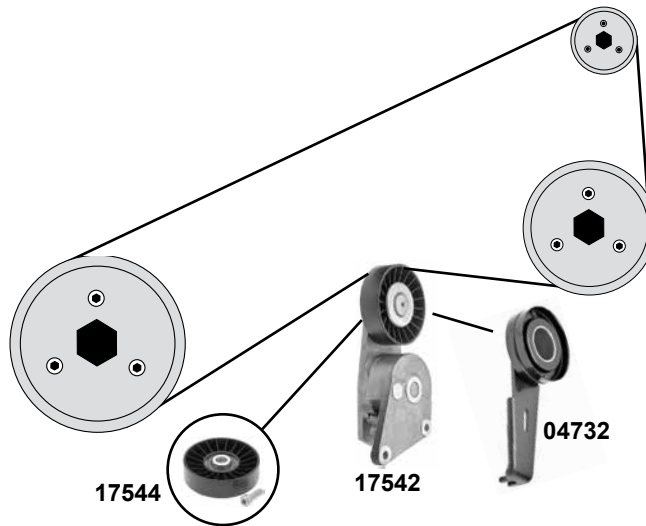
(1)  
  
  
  
  
  
(2)

ØA 90 B24,5  
ØA 70 B24,5  
ØA 70 B24,5  
Z 114 B17  
  
  
ØA 90 B25



### 2,0

(XU10J2)



(1) servo (ex.) AC / man. AC

(2) servo AC



Ref. - No.



**04732** 5751.18

Spannrolle / tension roller

(1)

ØA 90 B24,5

**17542** 5751.35

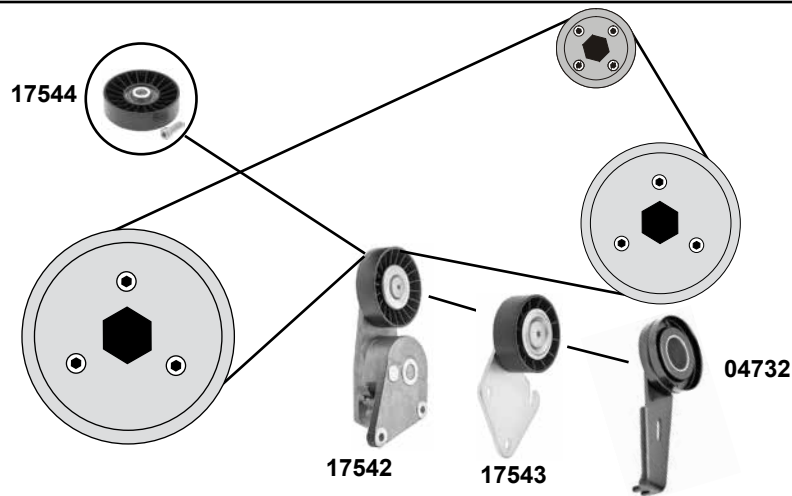
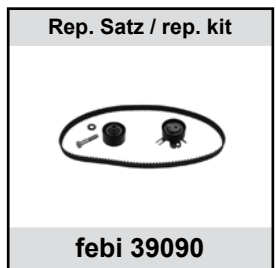
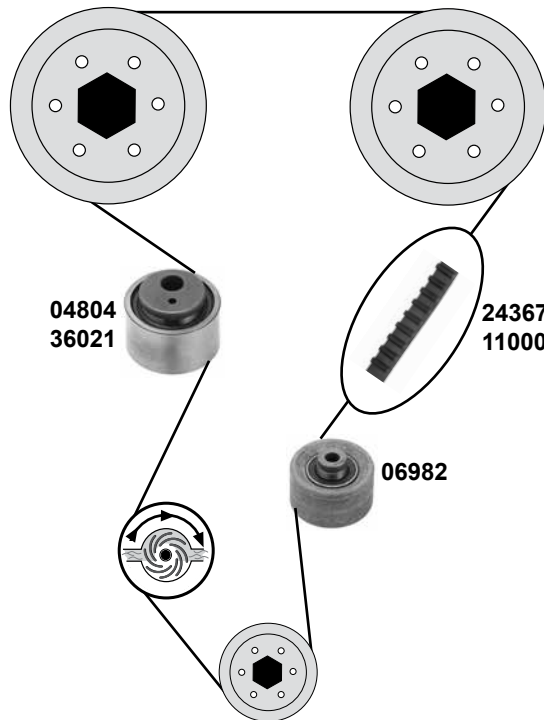
Riemenspanner / belt tensioner

(2)

**17544** 5751.20

Umlenkrolle / deflection pulley

ØA 90 B25



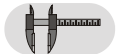
(1) servo (ex.) AC / man. AC

(2) servo AC

(3) (mot.) XU10J4RS O 08547 →



Ref. - No.



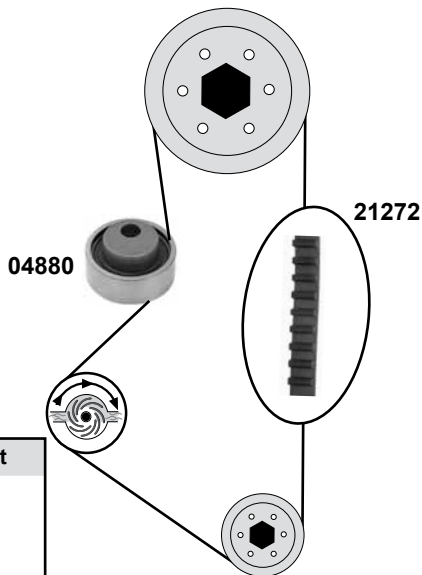
<b>04732</b>	5751.18	Spannrolle / tension roller	(1)	ØA 90 B24,5
<b>04804</b>	0829.35	Spannrolle / tension roller		ØA 57 Ø I13 B33
<b>06982</b>	0830.37	Umlenkrolle / deflection pulley		ØA 60 Ø I10 B34
<b>11000</b>	0816.98	Zahnriemen / timing belt		Z 136
<b>11212</b>	0831.48	Rep. Satz Zahnriemen / rep. kit timing belt		Z 136
<b>17542</b>	5751.35	Riemenspanner / belt tensioner	(2)	
<b>17543</b>	5751.34	Umlenkrolle / deflection pulley	AC	ØA 69,5 B24,5
<b>17544</b>	5751.20	Umlenkrolle / deflection pulley		
<b>24367</b>	0816.G7	Zahnriemen / timing belt	(3) 97→	Z 137 B25
<b>36021</b>	0829.84	Spannrolle / tension roller	(3)	ØA 73,5 B29
<b>39090</b>	0831.T1	Rep. Satz Zahnriemen / rep. kit timing belt	(3) 97→	



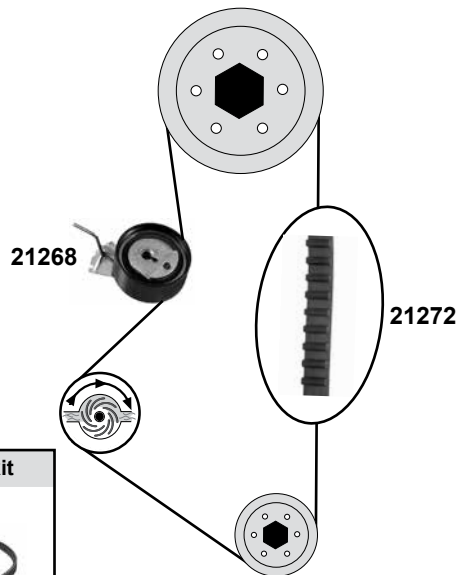


## 1,4 (TU3JP)

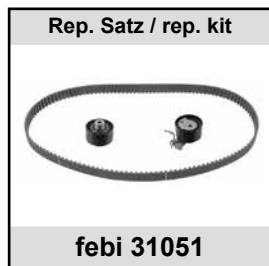
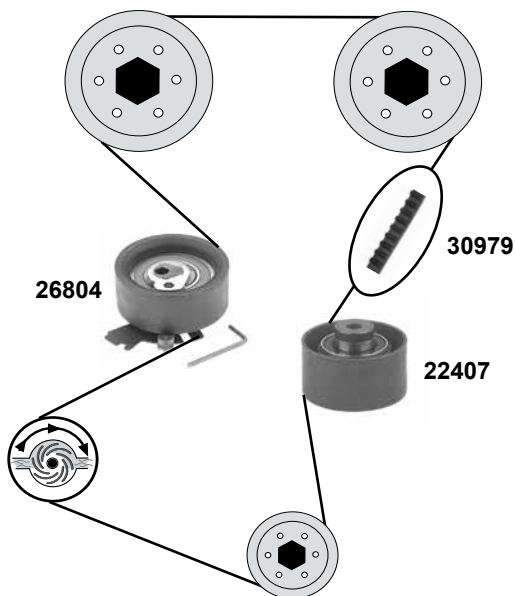
(mot.) → M 3666766



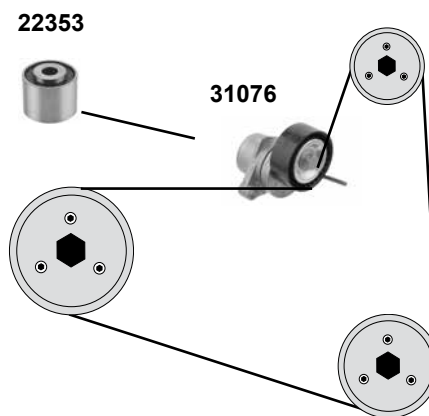
(mot.) M 3666767 →



## 1,4 16V (ET3J4)



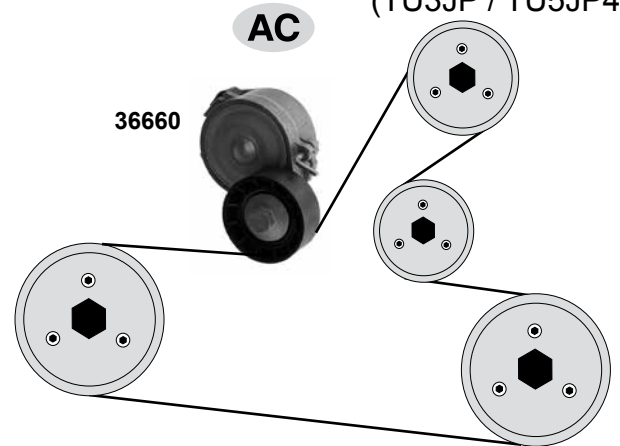
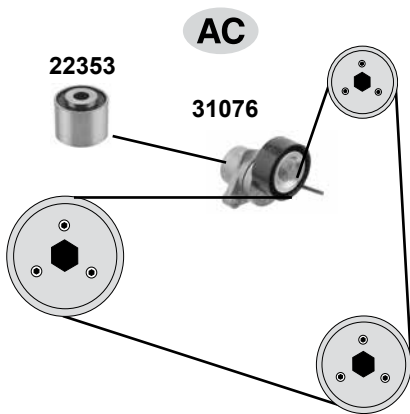
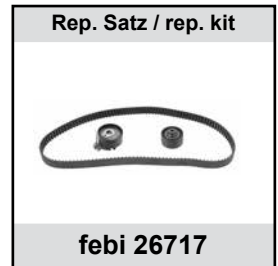
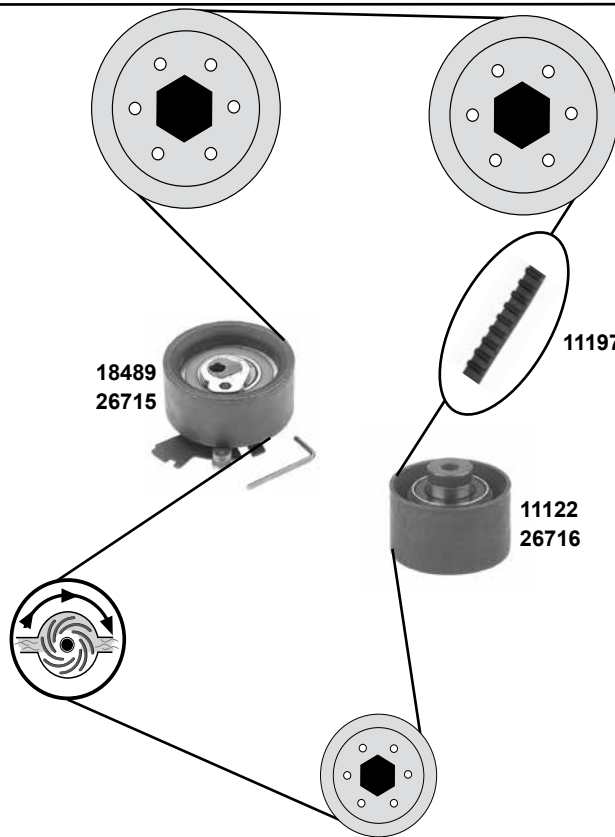
AC



Ref. - No.



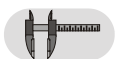
04880	0831.24	Spannrolle / tension roller		ØA 59 ØI 13
11230	0831.Q5	Rep. Satz Zahnriemen / rep. kit timing belt		
21268	0829.90	Spannrolle / tension roller		ØA 60 B25
21272	0816.F2	Zahnriemen / timing belt		Z104 B17
21274	0831.86	Rep. Satz Zahnriemen / rep. kit timing belt		
22353	5751.91	Umlenkrolle / deflection pulley	01→	ØA 60 B26,5
22407	0830.60	Umlenkrolle / deflection pulley		ØA 60 ØI 8
26804	0829.C6	Spannrolle / tension roller		ØA 60 B29
30979	0816.H5	Zahnriemen / timing belt		Z 135 B25
31051	0831.L4	Rep. Satz Zahnriemen / rep. kit timing belt		Z 135 B25
31076	5751.G7	Spannrolle / tension roller		ØA 65 B25



- |                                                 |                                                   |
|-------------------------------------------------|---------------------------------------------------|
| (1) 307 Restyling 05/05→ / TU5JP4 O 10367→      | (2) 307 (mot.) 1806405→                           |
| (3) 307 Restyling 05/05→ / TU5JP4 O 10367→11253 | (4) 307 Restyling 05/05→ / (ex.) servo  → O 12620 |
| (5) (mot.) TU5JP4 / (mot.) TU3JP O 10290→       |                                                   |



Ref. - No.



Ref. - No.	Description	Notes	Dimensions
11122	Umlenkrolle / deflection pulley	→(mot.) 1806404	ØA 57 ØI 59 B32
11197	Zahnriemen / timing belt	(1)	Z 134 B25,4
18489	Spannrolle / tension roller	→(mot.) 18064404	ØA 73 B31
22327	Rep. Satz Zahnriemen / rep. kit timing belt	→(mot.) 18064404	Z 134
22353	Umlenkrolle / deflection pulley	01→	ØA 60 B26,5
26715	Spannrolle / tension roller	(2) (3)	ØA 70 B30
26716	Umlenkrolle / deflection pulley	(1) (2)	ØA 60 B30
26717	Rep. Satz Zahnriemen / rep. kit timing belt	(1) (2)	Z 134 B25,4
31076	Spannrolle / tension roller	(5)	ØA65 B25
36660	Riemenspanner / belt tensioner	(4) (mot.) TU5JP4	ØA60 B25

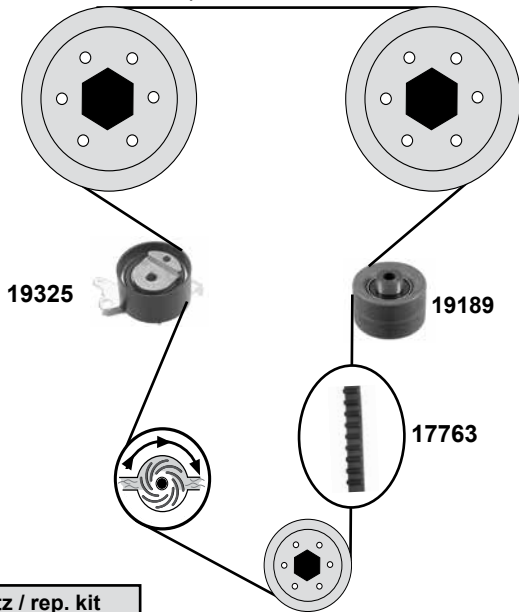
# PEUGEOT 307

(01→07)

Car  
Division



## 2,0 16V (EW10J4 / EW10J4S)

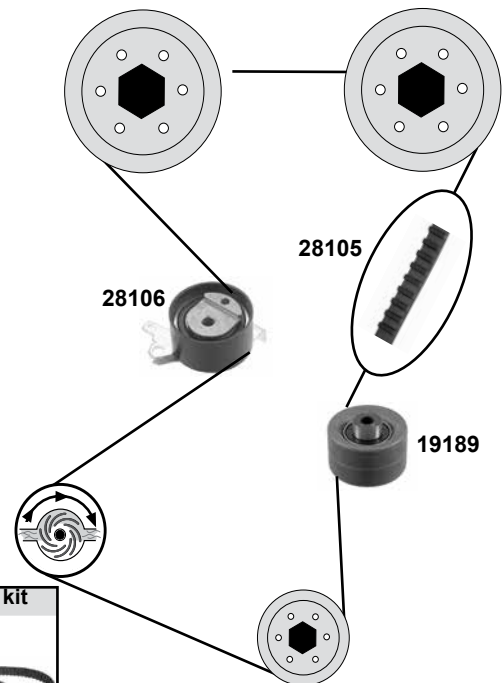


Rep. Satz / rep. kit



febi 22309

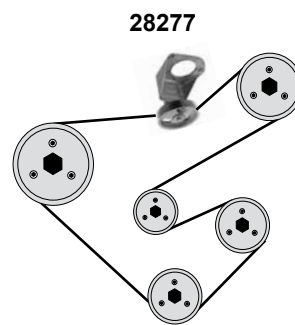
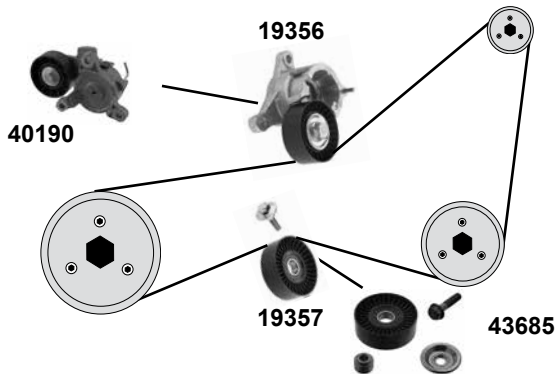
## 2,0 16V (EW10A)



Rep. Satz / rep. kit



febi 28107



(1) 307 Restyling 05→ (mot.) EW10J4S 05→

(2) 307 →05 (mot.) EW10J4S O 10248→

(3) 307 Restyling 05→ (mot.) EW10A O 10367→11270

(4) 307 →05 (mot.) EW10A O →11270 / (mot.) EW10J4 O 10248→



Ref. - No.

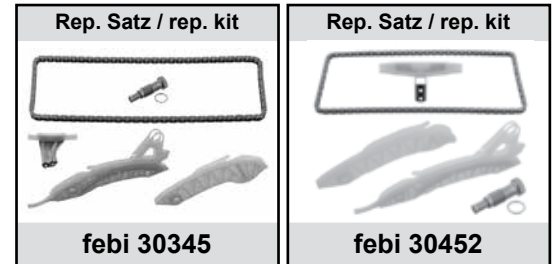
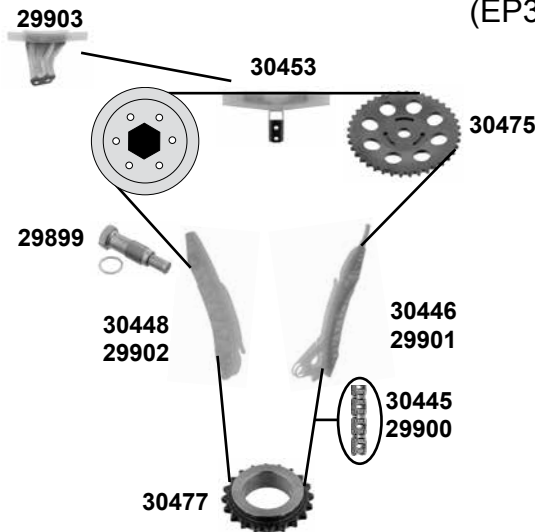


Ref. - No.	Description	Notes	Dimensions
17763	Zahnriemen / timing belt		Z 153 B25,4
19189	Umlenkrolle / deflection pulley		ØA 60 B31
19325	Spannrolle / tension roller		
19356	Riemenspanner / belt tensioner		ØA 65 B25
19357	Umlenkrolle / deflection pulley	→ O 10247 →05	ØA 78 B25
22309	Rep. Satz Zahnriemen / rep. kit timing belt		
28105	Zahnriemen / timing belt		
28106	Spannrolle / tension roller		ØA 62 B29
28107	Rep. Satz Zahnriemen / rep. kit timing belt		Z 153 B25
28277	Umlenkrolle / deflection pulley		ØA 132 B28
40190	Riemenspanner / belt tensioner	(3) (4)	ØA 70 B25
43685	Umlenkrolle / deflection pulley	(1) (2)	ØA 78 B25



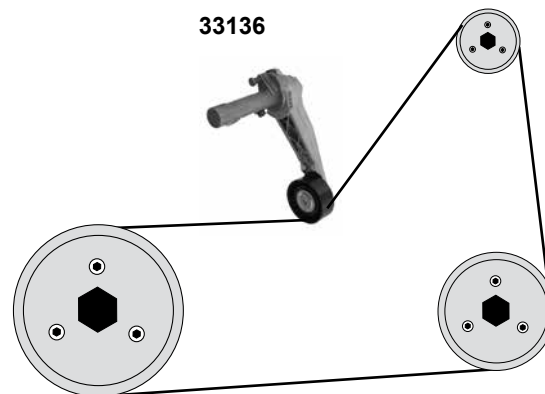
**1,6 16V**

(EP3/C,EP6/C,EP6DT,EP6DTS,EP6CDTX)



**1,6 16V**

(EP3/C,EP6/C, EP6CM, EP6DT,EP6DTS ,EP6CDT, ,EP6CDTM EP6CDTX,EP6CDTMD)



- (1) (mot.) EP3 / EP6 / EP6DT / EP6DTS
- (2) (mot.) EP3/C / EP6/C / EP6CDTX
- (3) (mot.) EP3 / EP6CDT/EP3C/EP6C/EP6CDTM/EP6CDTXEP6CM/EP6CDTMD AC
- (4) (mot.) EP6DT/EP6/EP6DTS/



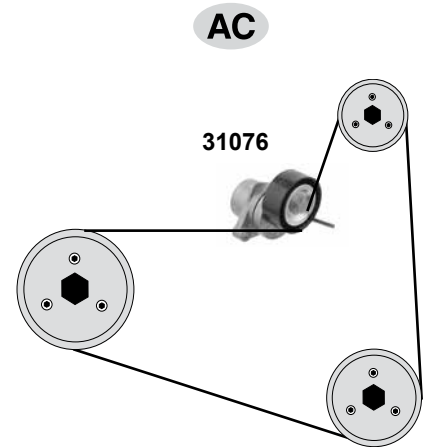
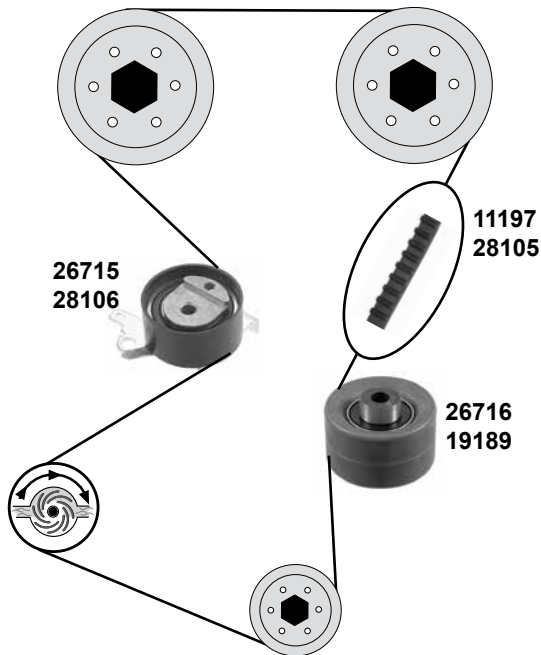
Ref. - No.



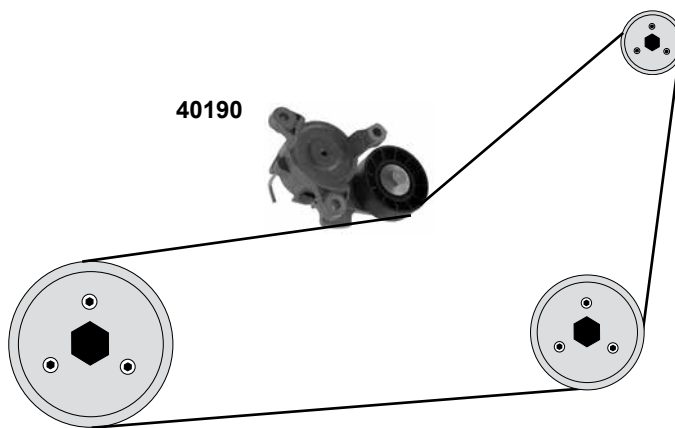
Ref. - No.	Description	Notes	Dimensions	
29899	Kettenspanner / chain tensioner	(1)	M 22x1,5	
29900	Steuerkette / timing chain	(mot.) EP3 / EP6		
29901	Gleitschiene / sliding rail	(mot.) EP3 / EP6		
29902	Gleitschiene / sliding rail	(mot.) EP3 / EP6		
29903	Gleitschiene / sliding rail	(mot.) EP3 / EP6		
30345	Rep. Satz Steuerkette / rep. kit timing chain	(2)		
30445	Steuerkette / timing chain	(mot.) EP6 DT/DTS		
30446	Gleitschiene / sliding rail	(mot.) EP6 DT/DTS		
30448	Gleitschiene / sliding rail	(mot.) EP6 DT/DTS		
30452	Rep. Satz Steuerkette / rep. kit timing chain	(mot.) EP6 DT/DTS		
30453	Gleitschiene / sliding rail	(mot.) EP6 DT/DTS		
30475	Nockenwellenzahnrad / camshaft gear	(mot.) EP6DT/DTS		Z 40
30477	Kurbelwellenrad / crankshaft gear	(mot.) EP6DT/DTS		Z 20
33136	Riemenspanner / belt tensioner	(3) (4)		ØA 65 B25

# PEUGEOT 308 (07→)

## 1,6 16 V / 2,0 16 V (TU5JP4) (EW10A)



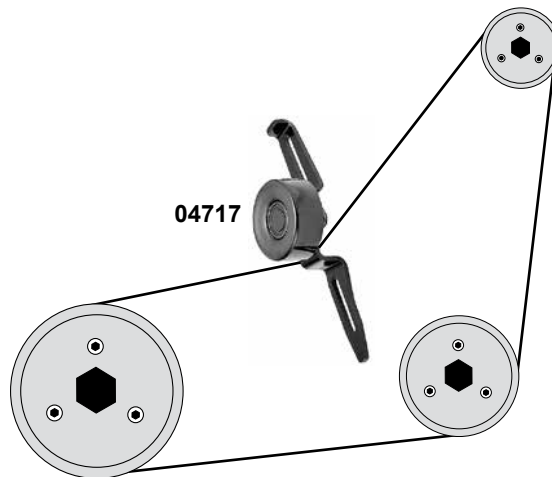
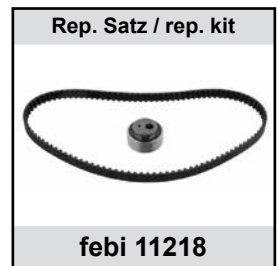
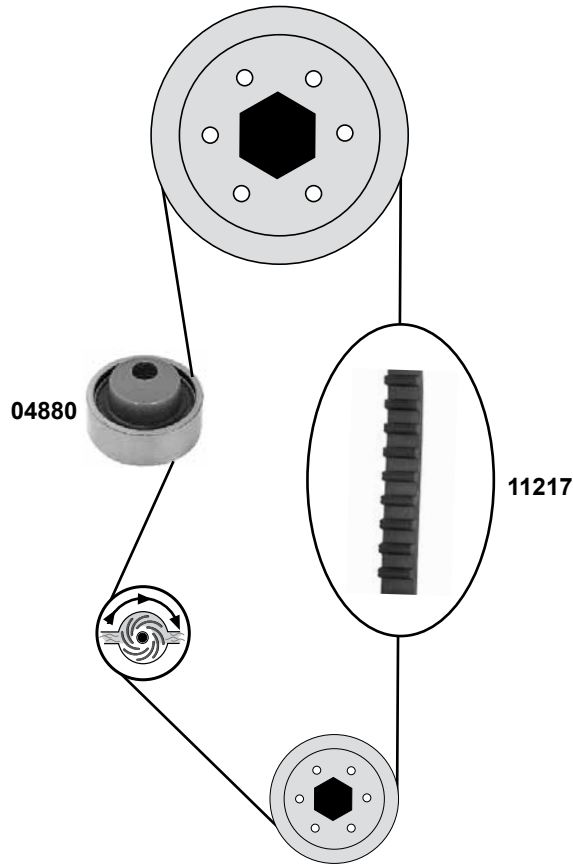
## 2,0 16V (EW10A)



Ref. - No.



11197	0816.H6	Zahnriemen / timing belt	(mot.) 1,6 16V	Z134 B25,4
19189	0830.42	Umlenkrolle / deflection pulley	(mot.) 2,0 16V	ØA 60 B31
26715	0829.C8	Spannrolle / tension roller	(mot.) 1,6 16V	ØA 70 B30
26716	0830.62	Umlenkrolle / deflection pulley	(mot.) 1,6 16V	ØA 60 B30
26717	0831.R9	Rep. Satz Zahnriemen / rep. kit timing belt	(mot.) 1,6 16V	Z134 B25,4
28105	0816.G4	Zahnriemen / timing belt	(mot.) 2,0 16V	Z 153 B25
28106	0829.A9	Spannrolle / tension roller	(mot.) 2,0 16V	ØA 62 B29
28107	0831.V6	Rep. Satz Zahnriemen / rep. kit timing belt	(mot.) 2,0 16V	Z 153 B25
31076	5751.G7	Spannrolle / tension roller	(mot.) 1,6 16V	ØA 65 B25
40190	5751.G8	Riemenspanner / belt tensioner		ØA 70 B25



	Ref. - No.			
04717	6453.G4	Spannrolle / tension roller	AC	ØA 66 B26
04880	0831.24	Spannrolle / tension roller		ØA 59 ØI 13
11217	0816.56	Zahnriemen / timing belt		Z 104
11218	0831.02	Rep. Satz Zahnriemen / rep. kit timing belt		Z 104 B17,31

# PEUGEOT 309

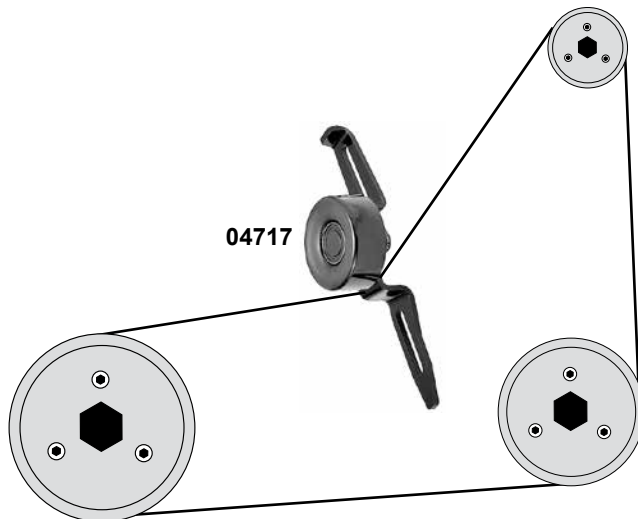
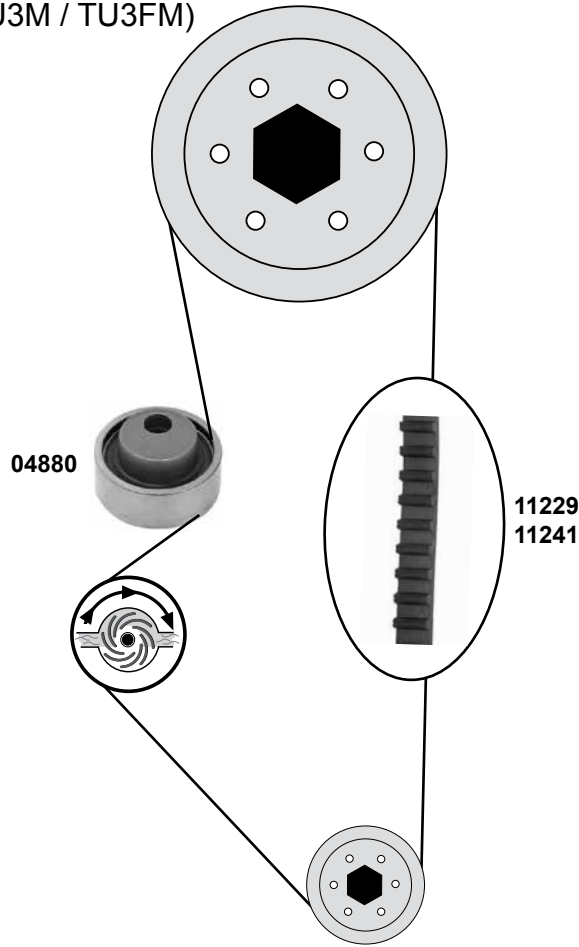
(86→93)

Car  
Division



**1,4**

(TU3 / TU3A / TU3S / TU3M / TU3FM)

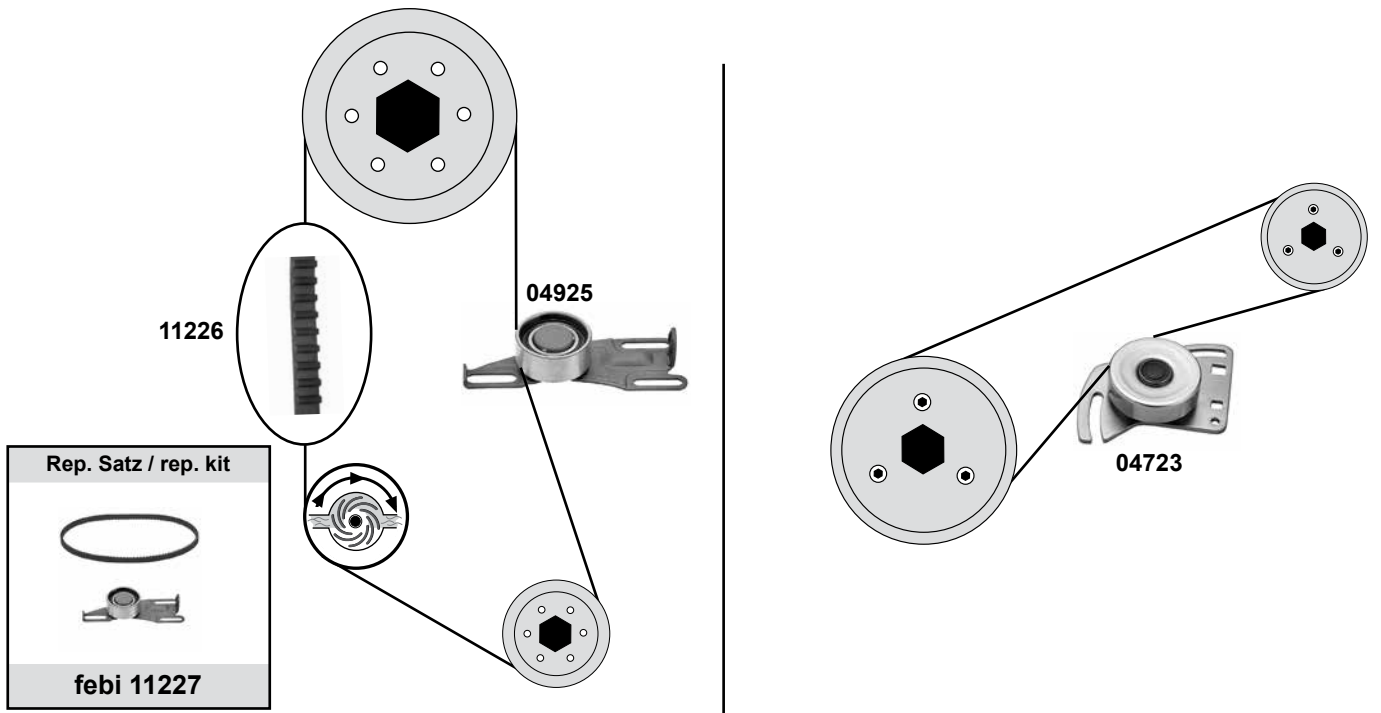


	Ref. - No.			
04717	6453.G4	Spannrolle / tension roller	AC	ØA 66 B26
04880	0831.24	Spannrolle / tension roller		ØA 59 ØI 13
11229	0816.55	Zahnriemen / timing belt	TU3F2/FM	Z 101 B17
11230	0831.24	Rep. Satz Zahnriemen / rep. kit timing belt	TU3F2/FM	
11241	0816.44	Zahnriemen / timing belt	(ex.) TU3F2/FM	Z 108 B17
11242	0831.14	Rep. Satz Zahnriemen / rep. kit timing belt	(ex.) TU3F2/FM	

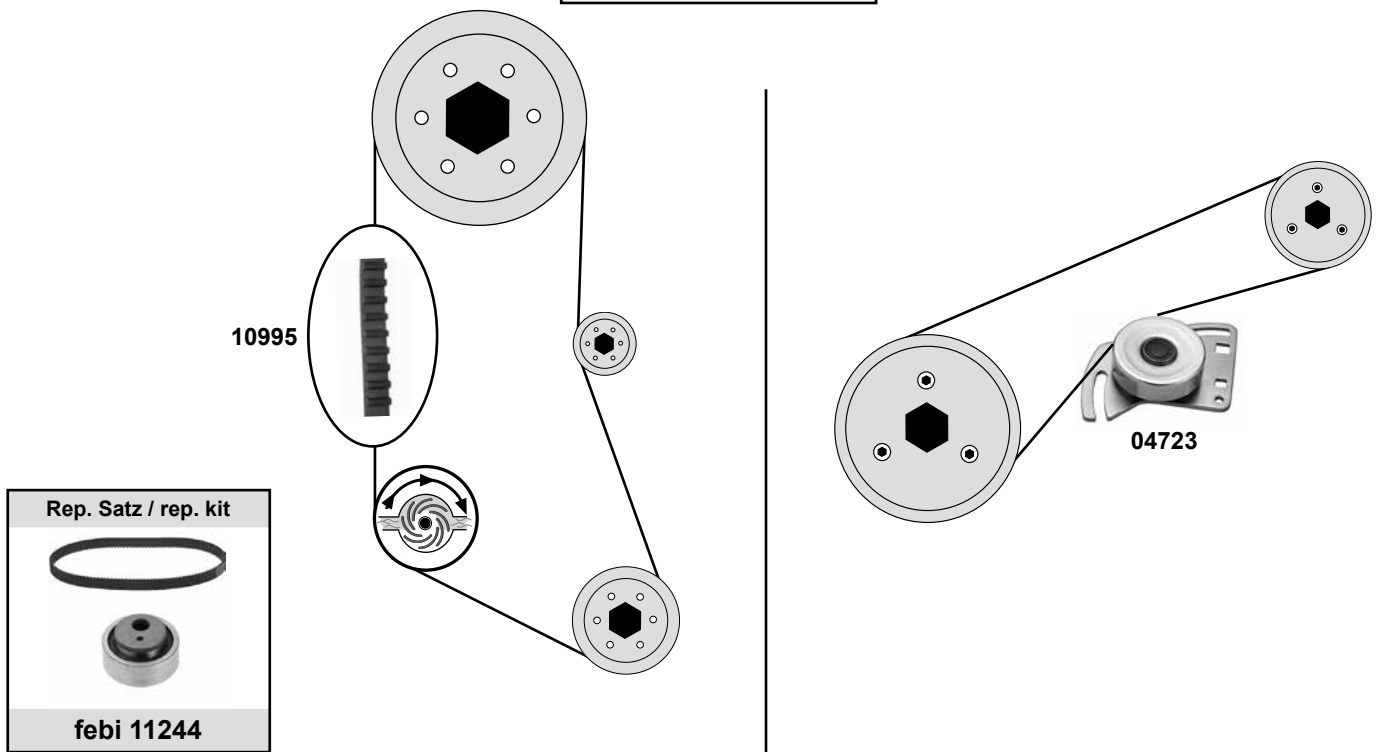


Modell: → 01/92

1,6 / 1,9  
(XU→(ex.) 16V)



Modell: 01/92 →



Ref. - No.



04723	6453.76
04925	0829.12
10995	0816.71
11226	0816.67
11227	0816.67 S1
11244	0831.06

Spannrolle / tension roller
Spannrolle / tension roller
Zahnriemen / timing belt
Zahnriemen / timing belt
Rep. Satz Zahnriemen / rep. kit timing belt
Rep. Satz Zahnriemen / rep. kit timing belt

AC

ØA 58 B22,5
ØA 57 B24
Z 114 B17
Z 113 B17



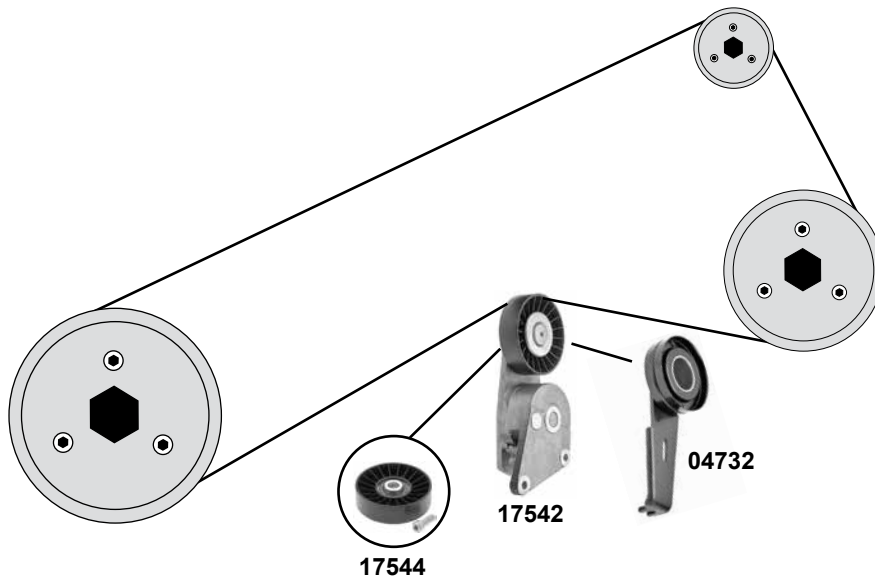
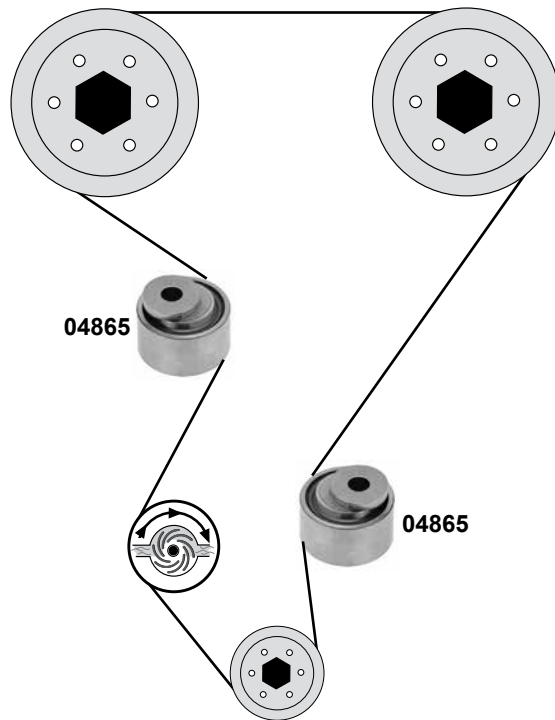
# PEUGEOT 309



(86→93)


Car  
Division 



**1,9 16V**  
(XU9J4)

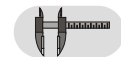


(1) servo  (ex.) AC / man.  AC

(2) servo  AC



Ref. - No.

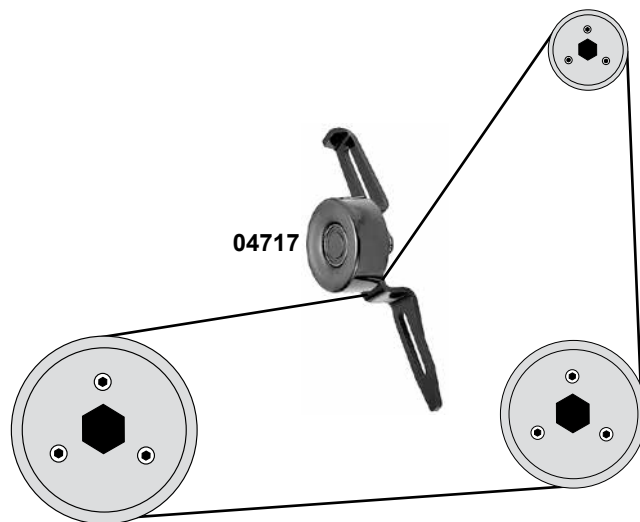
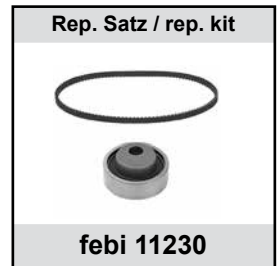
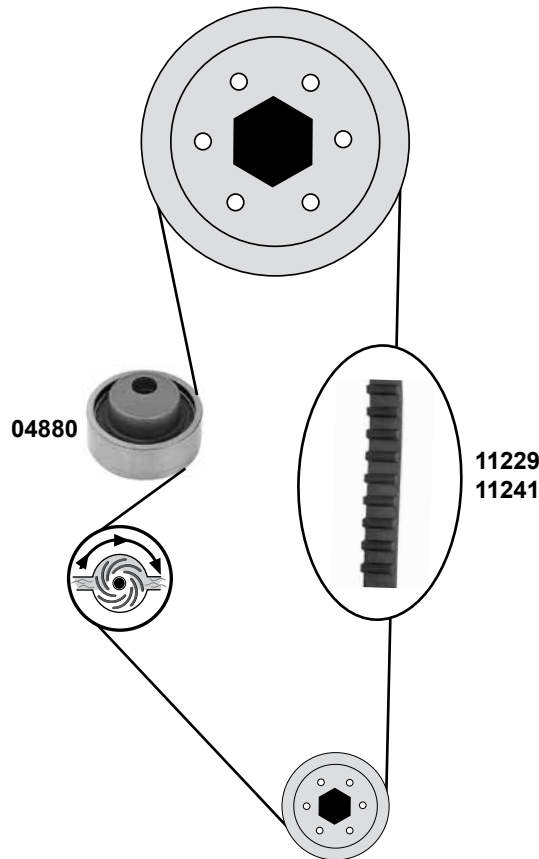


**04732** 5751.18  
**04865** 0829.20  
**17542** 5751.35  
**17544** 5751.20

Spannrolle / tension roller  
Spannrolle / tension roller  
Riemenspanner / belt tensioner  
Umlenkrolle / deflection pulley

(1)  
(2)

ØA90 B24,5  
ØA57 B31



	Ref. - No.			
04717	6453.G4	Spannrolle / tension roller	AC	ØA66 B26
04880	0831.24	Spannrolle / tension roller		ØA 59 Ø I13
11229	0816.55	Zahnriemen / timing belt	TU3F2	Z 101 B17
11230	0831.24	Rep. Satz Zahnriemen / rep. kit timing belt	TU3F2	
11241	0816.44	Zahnriemen / timing belt	(ex.) TU3F2	Z 108 B17
11242	081644 S	Rep. Satz Zahnriemen / rep. kit timing belt	(ex.) TU3F2	

# PEUGEOT 405

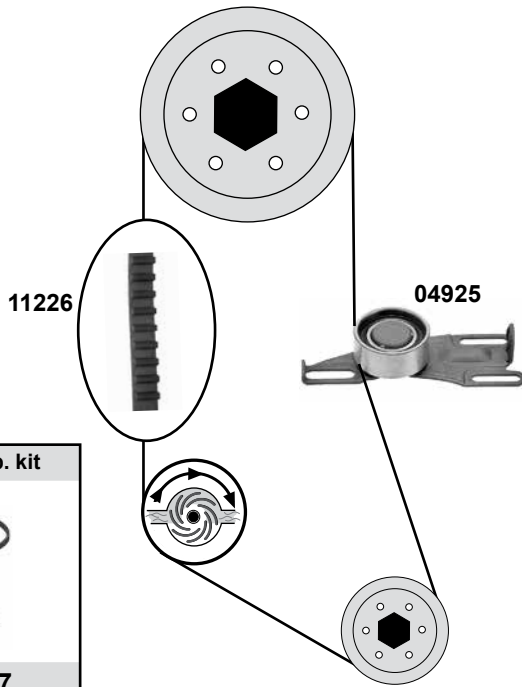
(88→92)

Car  
Division



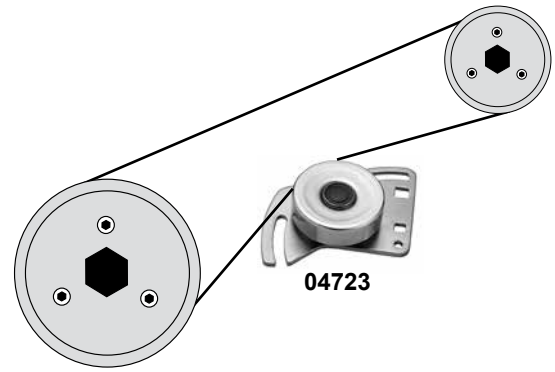
**1,6→2,0**  
(XU→(ex.) 16V)

**(ch.) → 70521463**

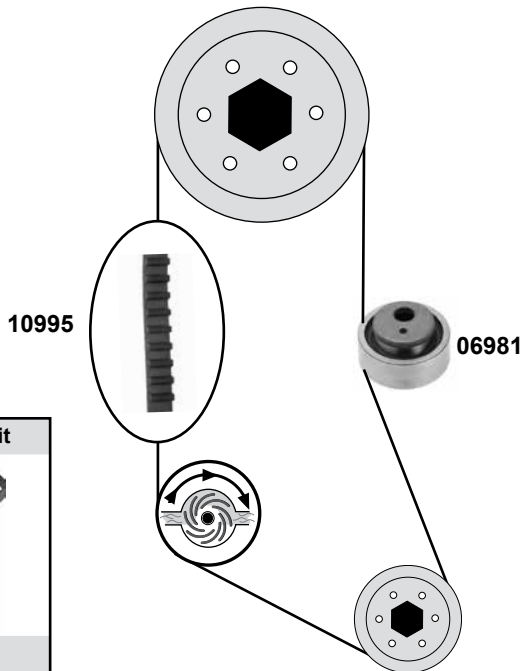


Rep. Satz / rep. kit

**febi 11227**

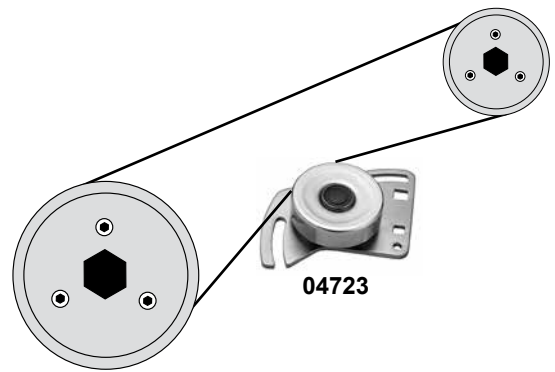


**(ch.) 70521464 →**



Rep. Satz / rep. kit

**febi 11244**



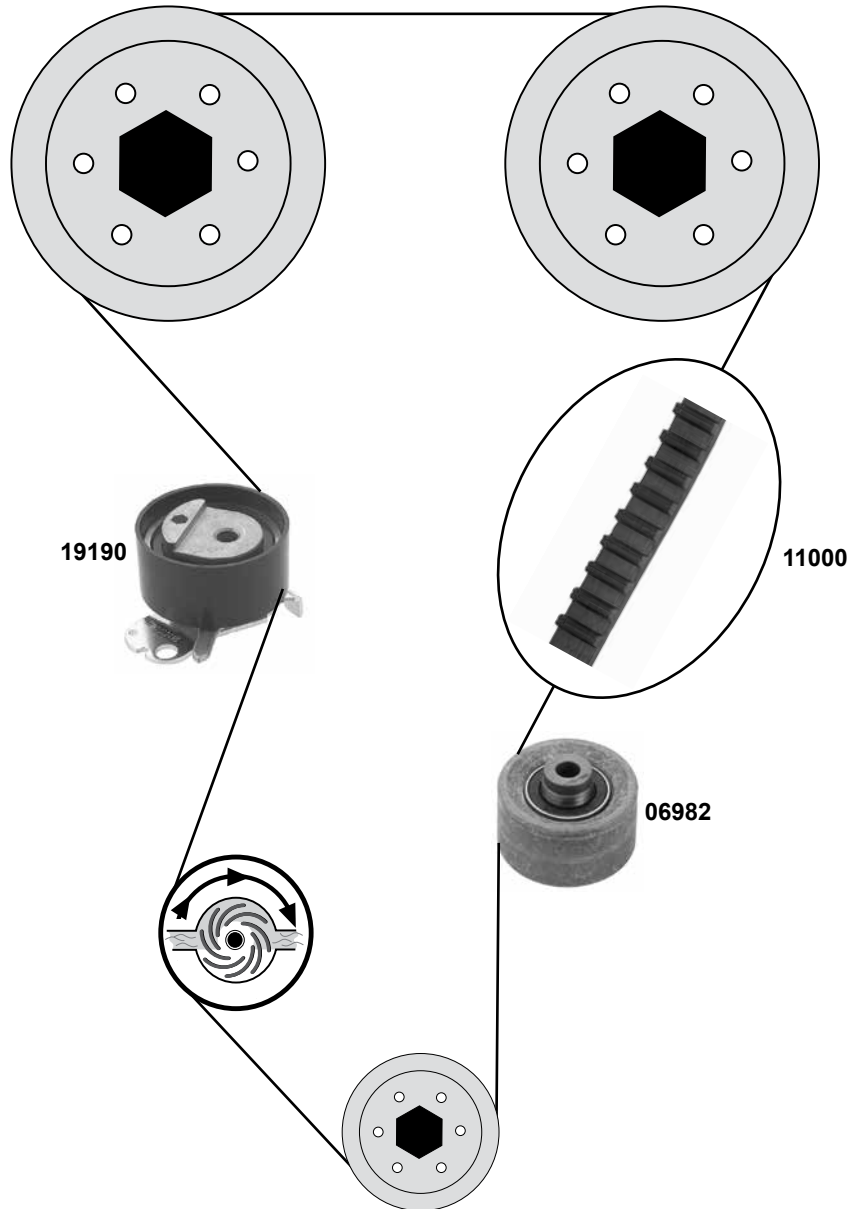
Ref. - No.



<b>04723</b>	6453.76	Spannrolle / tension roller
<b>04925</b>	0829.12	Spannrolle / tension roller
<b>06981</b>	0829.29	Spannrolle / tension roller
<b>10995</b>	0816.71	Zahnriemen / timing belt
<b>11226</b>	0816.67	Zahnriemen / timing belt
<b>11227</b>	0816.67 S1	Rep. Satz Zahnriemen / rep. kit timing belt
<b>11244</b>	0831.06	Rep. Satz Zahnriemen / rep. kit timing belt

AC

ØA 58 B22,5  
ØA 57 B24  
ØA 59 B22  
Z 114 B17  
Z 113 B17



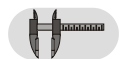
Rep. Satz / rep. kit



**febi 26139**



Ref. - No.



<b>06982</b>	0830.37	Umlenkrolle / deflection pulley
<b>11000</b>	0816.98	Zahnriemen / timing belt
<b>19190</b>	0829.69	Spannrolle / tension roller
<b>26139</b>	0831.S9	Rep. Satz Zahnriemen / rep. kit timing belt

ØA 60 Ø110 B34  
Z 136 B25,4  
ØA 60 B29

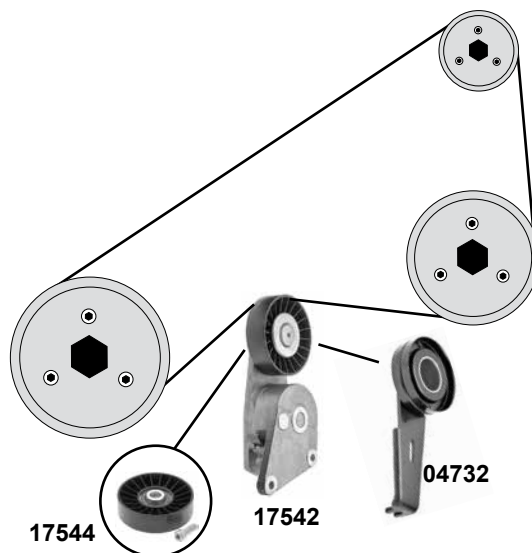
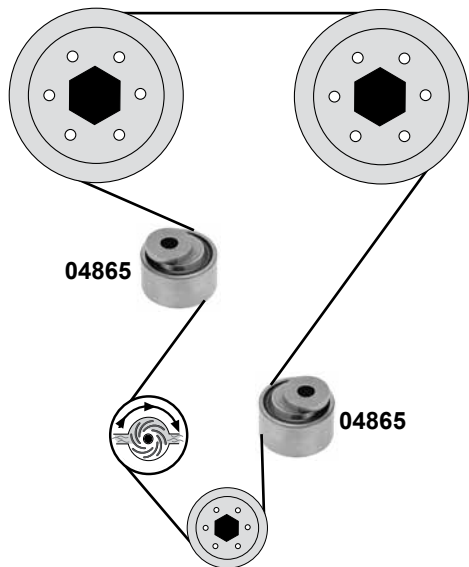
# PEUGEOT 405

(93→96)

Car  
Division

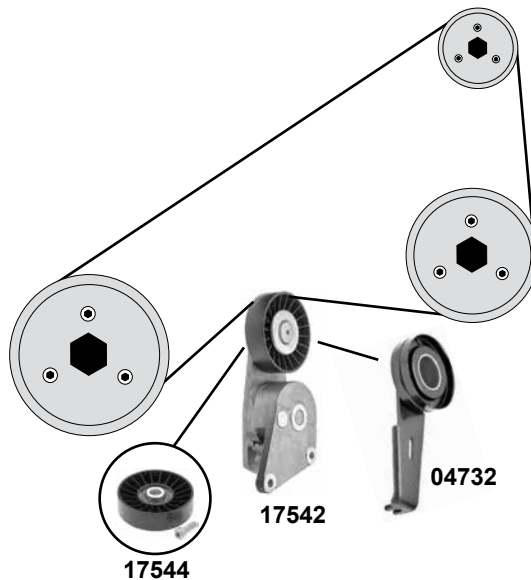
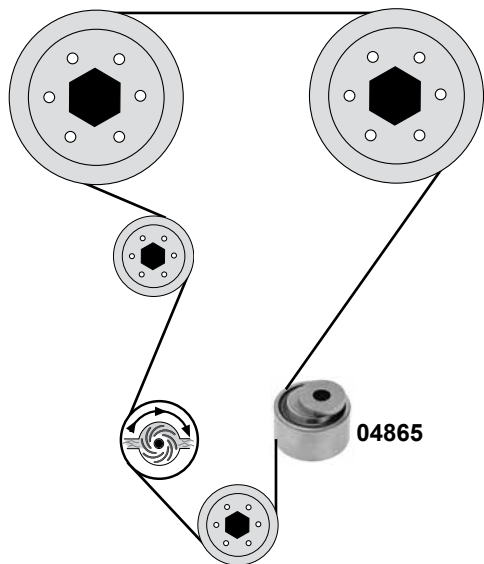


## 1,9 16V (XU9J4)



## 2,0 16V

(XU10J4 / XU10J4TE)



(1) servo (ex.) AC / man. AC

(2) servo AC



Ref. - No.



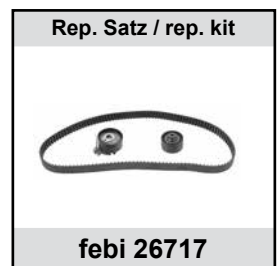
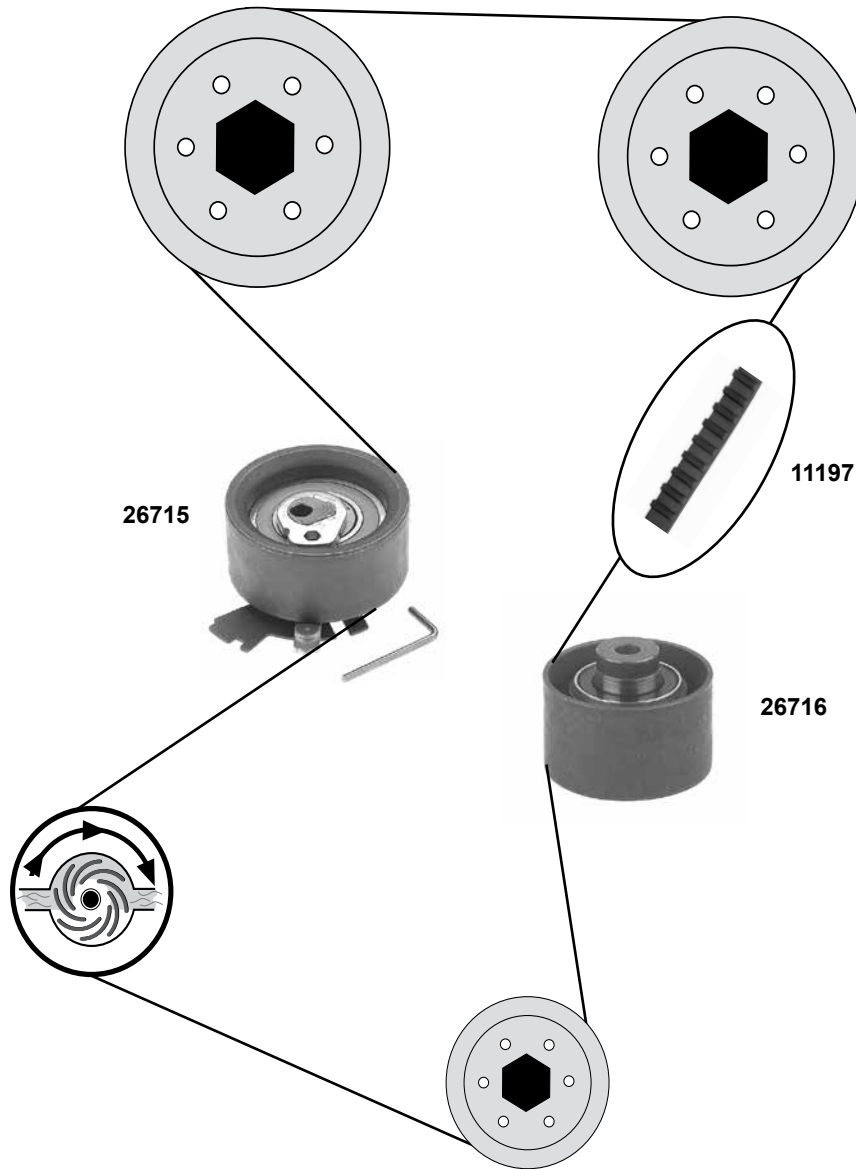
04732  
04865  
17542  
17544

5751.18  
0829.20  
5751.35  
5751.20

Spannrolle / tension roller  
Spannrolle / tension roller  
Riemenspanner / belt tensioner  
Umlenkrolle / deflection pulley

(1)  
(2)

ØA 90 B24,5  
ØA 57 B31



	Ref. - No.			
11197	0816.H6	Zahnriemen / timing belt		Z 134 B25,4
26715	0829.C8	Spannrolle / tension roller		ØA 70 B30
26716	0830.62	Umlenkrolle / deflection pulley		ØA 60 B30
26717	0831.R9	Rep. Satz Zahnriemen / rep. kit timing belt		Z 134 B25,4

# PEUGEOT 406

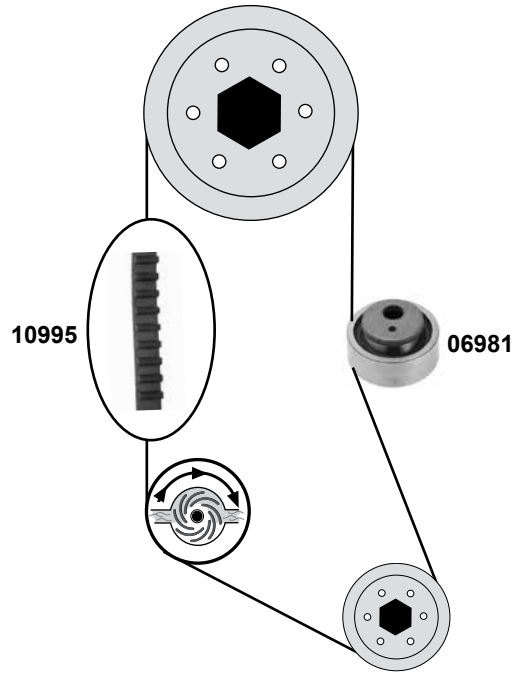
(96→04)

Car  
Division

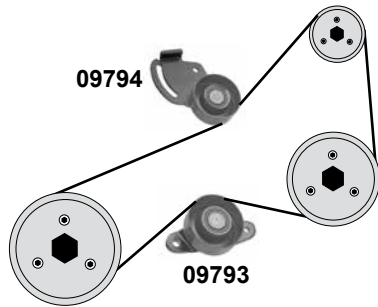


**1,6→2,0**

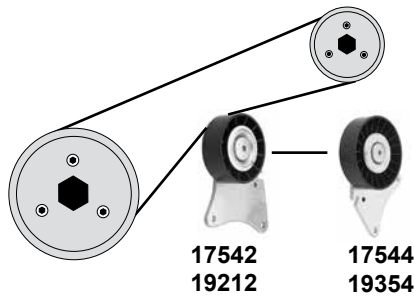
(XU→(ex.) 16V)



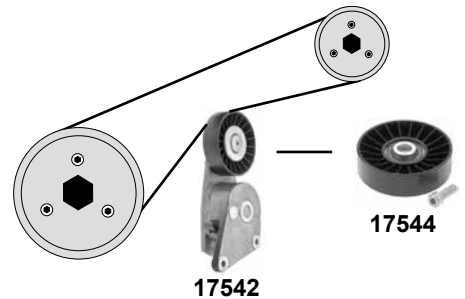
**(mot.) XU10J2TE**



**(mot.) XU7JB**



**(mot.) XU5JP**



Ref. - No.



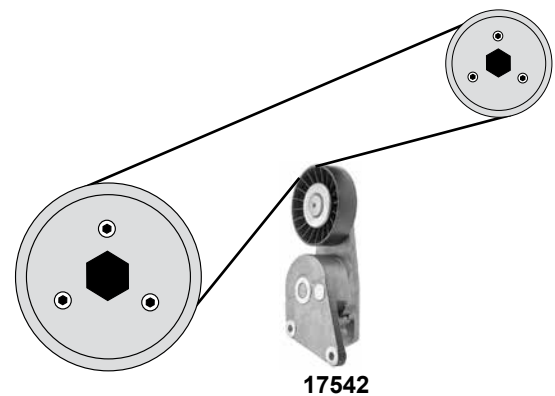
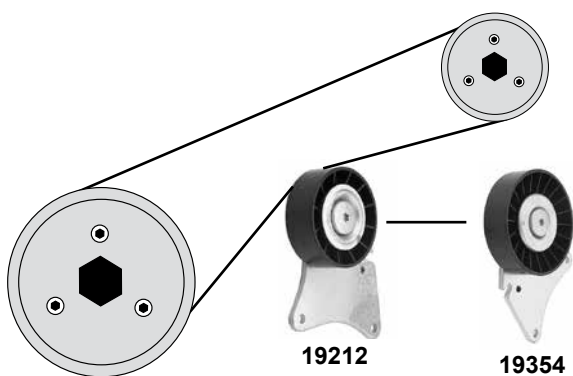
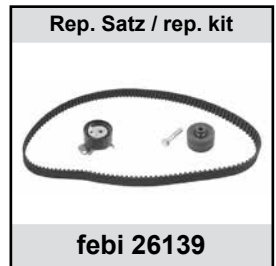
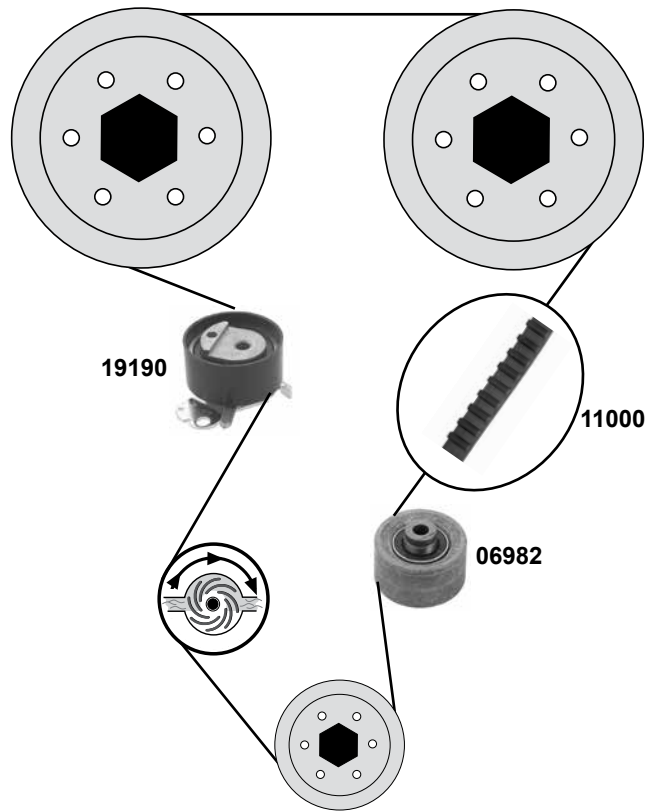
06981	0829.29	Spannrolle / tension roller
09793	5751.33	Umlenkrolle / deflection pulley
09794	5751.32	Spannrolle / tension roller
10995	0816.71	Zahnriemen / timing belt
11244	0831.06	Rep. Satz Zahnriemen / rep. kit timing belt
17542	5751.35	Riemenspanner / belt tensioner
17544	5751.20	Umlenkrolle / deflection pulley
19212	5751.37	Umlenkrolle / deflection pulley
19354	5751.36	Umlenkrolle / deflection pulley

(mot.)XU10J2TE(ex.) AC ØA 59 B22  
 (mot.)XU10J2TE(ex.) AC ØA 70 B24,5  
 Z 114 B17

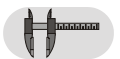
servo AC  
 servo AC

AC

ØA 90 B25  
 ØA 70 B25



Ref. - No.



<b>06982</b>	0830.37
<b>11000</b>	0816.98
<b>17542</b>	5751.35
<b>19190</b>	0829.79
<b>19212</b>	5751.37
<b>19354</b>	5751.36
<b>26139</b>	0831.S9

Umlenkrolle / deflection pulley
Zahnriemen / timing belt
Riemenspanner / belt tensioner
Spannrolle / tension roller
Umlenkrolle / deflection pulley
Umlenkrolle / deflection pulley
Rep. Satz Zahnriemen / rep. kit timing belt

servo AC  
O 08470→  
AC  
AC

O 08470→

ØA 60 ØI 10 B34  
Z 136 B25,4

ØA 70  
ØA 90



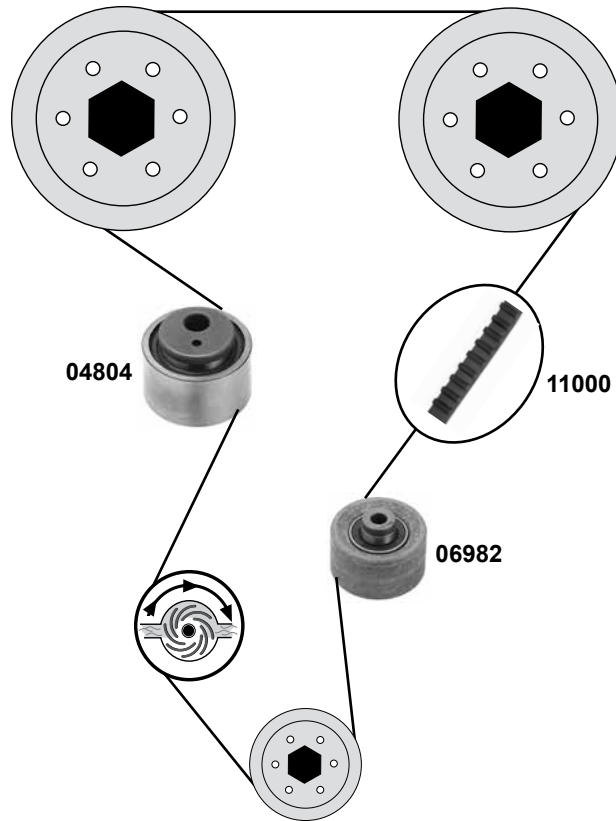
# PEUGEOT 406

(96→04)

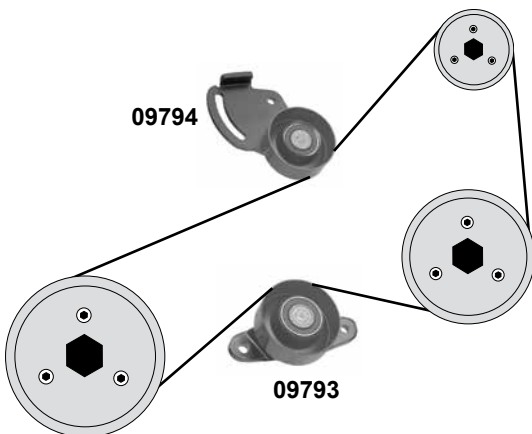
Car  
Division



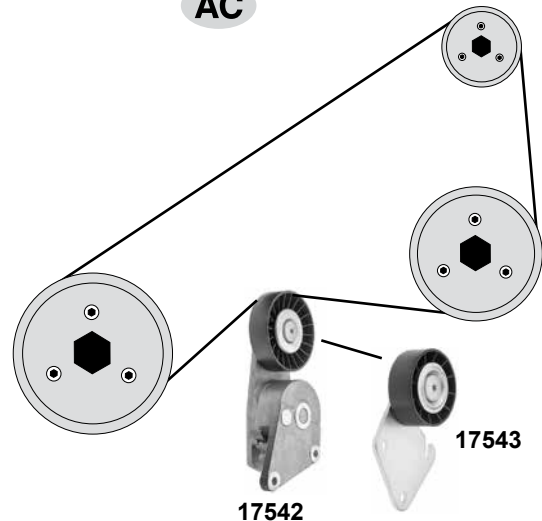
## 2,0 16V (XU10J4R)



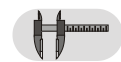
(ex.) AC



AC



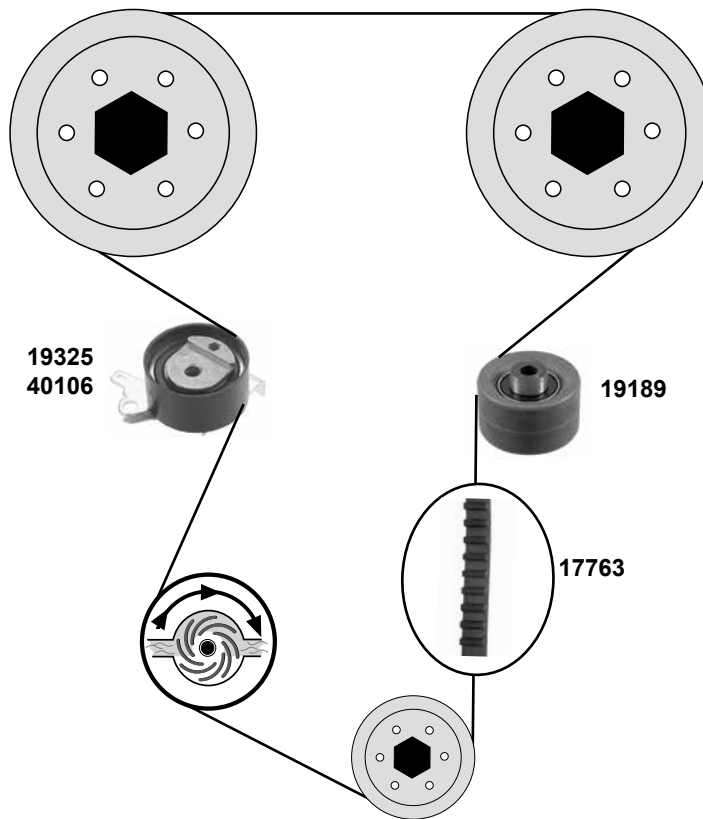
Ref. - No.



04804	0829.35	Spannrolle / tension roller	O →08469	ØA 57 ØI 13 B33
06982	0830.37	Umlenkrolle / deflection pulley		ØA 60 ØI 10 B34
09793	5751.33	Umlenkrolle / deflection pulley	(ex.) AC	ØA 70 B24,5
09794	5751.32	Spannrolle / tension roller	(ex.) AC	ØA 70 B24,5
11000	0816.98	Zahnriemen / timing belt		Z 136
11212	0831.R5	Rep. Satz Zahnriemen / rep. kit timing belt	O →08469	
17542	5751.35	Riemenspanner / belt tensioner	servo  AC	
17543	5751.34	Umlenkrolle / deflection pulley	AC	



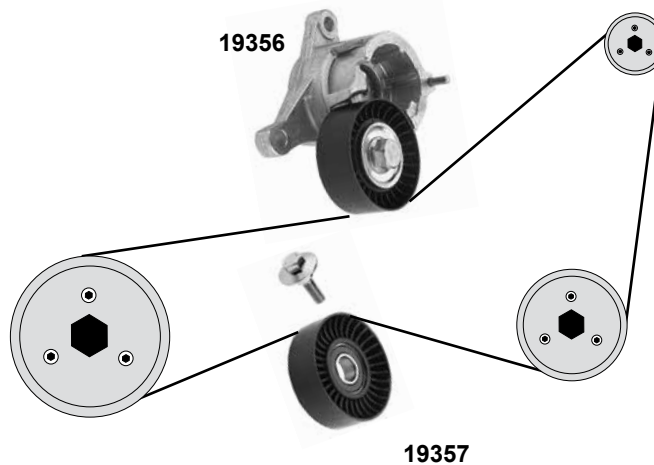
**1,8 16V / 2,0 16V / 2,2 16V**  
(EW7J4 / EW10J4 / EW12J4/EW10D)



Rep. Satz / rep. kit



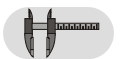
febi 22309



- (1) 406 Restyling / Break 99→
- (2) 406 Restyling / Coupe (mot.) EW12J4 / EW10J4 99→



Ref. - No.

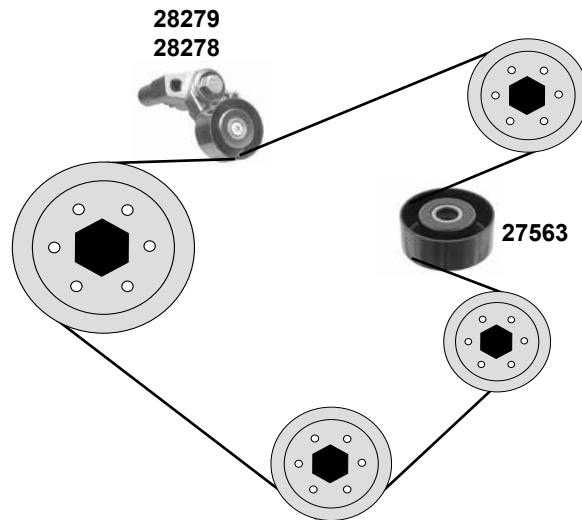
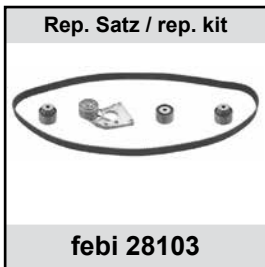
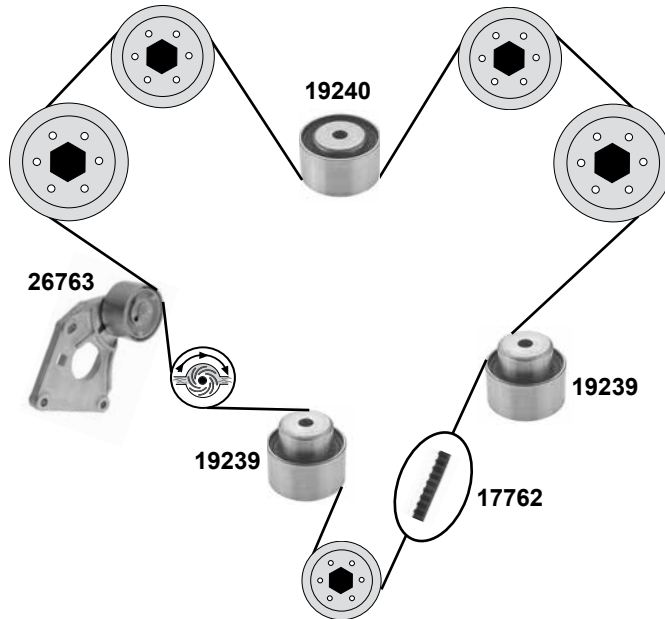


<b>17763</b>	0816.A1	Zahnriemen / timing belt	(ex.) DW10D	Z 153 B25,4
<b>19189</b>	0830.42	Umlenkrolle / deflection pulley	(ex.) DW10D	ØA 60 B31
<b>19325</b>	0829.96	Spannrolle / tension roller	(ex.) DW10D	ØA 62 B29
<b>19356</b>	5751.61	Riemenspanner / belt tensioner	(ex.) DW10D	ØA 65 B25
<b>19357</b>	5751.60	Umlenkrolle / deflection pulley	(1) (2)	ØA 78 B25
<b>22309</b>	0831.T4	Rep. Satz Zahnriemen / rep. kit timing belt	(ex.) DW10D	
<b>40106</b>	0829.98	Spannrolle / tension roller	(mot.) EW10D 99→	ØA 60 B29



## 3,0 24V

(ES9J4 / ES9J4S)

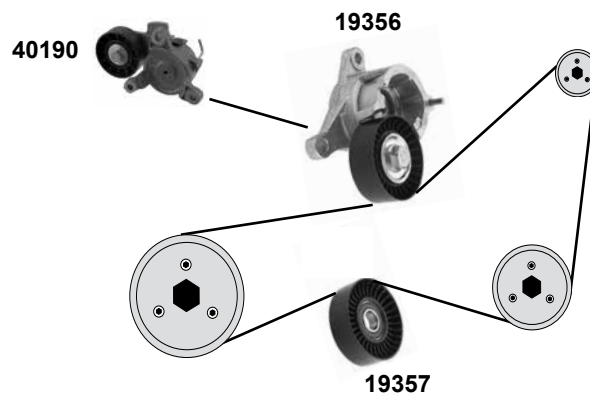
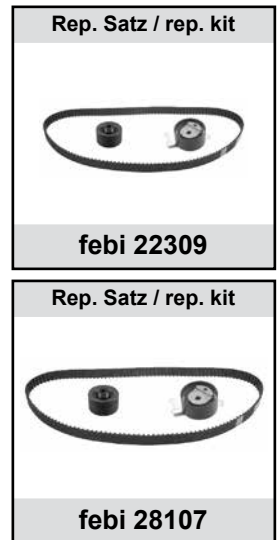
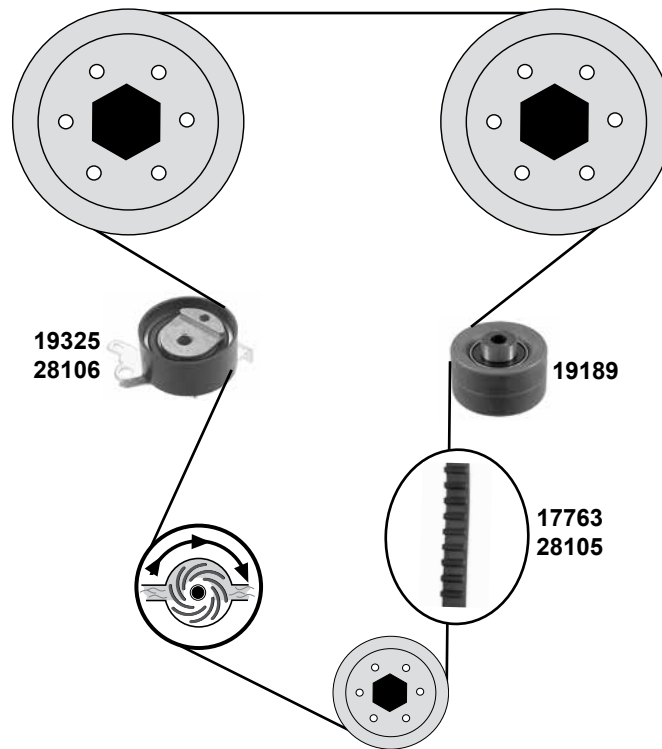


Ref. - No.



17762	0816.H3	Zahnriemen / timing belt		Z259 B32
19239	0830.58	Umlenkrolle / deflection pulley		ØA 65 B36/54
19240	0830.59	Umlenkrolle / deflection pulley		ØA 65 B36
26763	0829.C5	Spannrolle / tension roller		ØA 70 B36
27563	5751.75	Umlenkrolle / deflection pulley		ØA 65 B26,5
28103	0831.V2	Rep. Satz Zahnriemen / rep. kit timing belt		Z 259 B32
28278	5751.41	Riemenspanner / belt tensioner	(mot.) ES9J4S	
28279	5751.A9	Riemenspanner / belt tensioner	(mot.) ES9J4S	ØA 65 B25,5

**1,8 16V / 2,0 16V / 2,2 16V**  
(EW7J4 / EW7A / EW10A / EW10J4 / EW12J4)



(1) (mot.) EW7A / EW10A

(2) (ex.) (mot.) EW7A / EW10A

(3) (mot.) EW7J/(mot.) EW12J4/EW12J4 → O 10247

(4) (mot.) EW12J4 Euro4 / Euro 3 O 10248→

(5) (mot.) EW7A EW10A

(6) (mot.) EW10J4 O 10248→



Ref. - No.

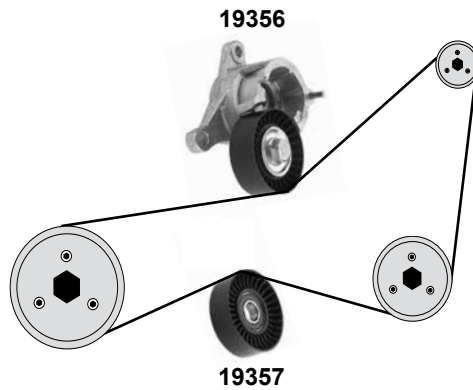
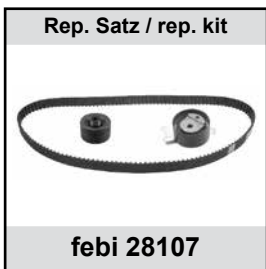
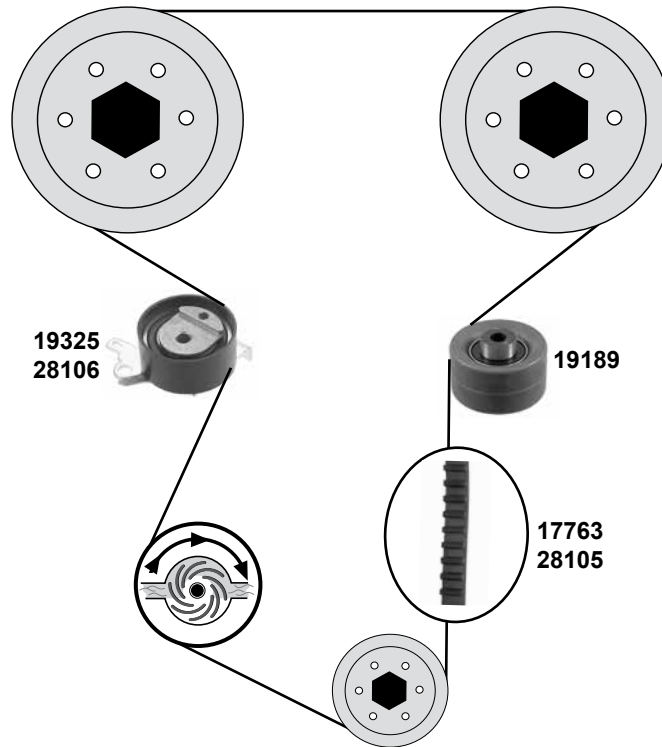


17763	0816.A1	Zahnriemen / timing belt	(2)	Z 153 B25,4
19189	0830.42	Umlenkrolle / deflection pulley		ØA 60 B31
19325	0829.96	Spannrolle / tension roller	(2)	ØA 62 B29
19356	5751.61	Riemenspanner / belt tensioner	(2)	ØA 65 B25
19357	5751.60	Umlenkrolle / deflection pulley	(3)	ØA 78 B25
22309	0831.T4	Rep. Satz Zahnriemen / rep. kit timing belt	(2)	
28105	0816.G4	Zahnriemen / timing belt	(1)	Z 153 B25
28106	0829.A9	Spannrolle / tension roller	(1)	ØA 62 B29
40190	5751.G8	Riemenspanner / belt tensioner	(4) (5) (6)	ØA 70 B25
28107	0831.V6	Rep. Satz Zahnriemen / rep. kit timing belt	(1)	Z 153 B25



### 1,8 16V / 2,0 16V / 2,2 16V

(EW7J4 / EW7A / EW10A / EW10J4 / EW12J4)



(1) (mot.) EW7A / EW10A

(2) (ex.) (mot.) EW7A / EW10A



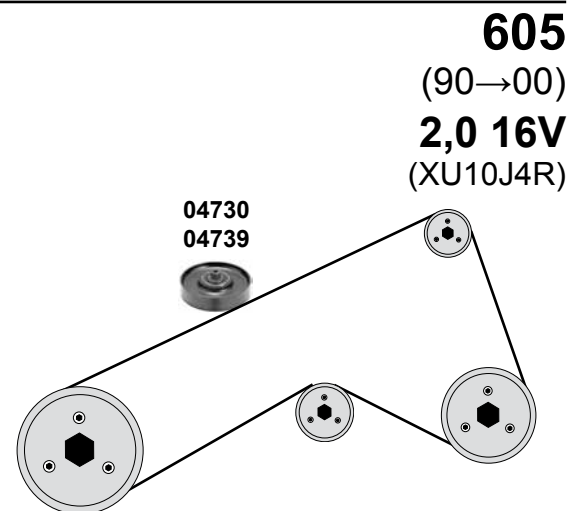
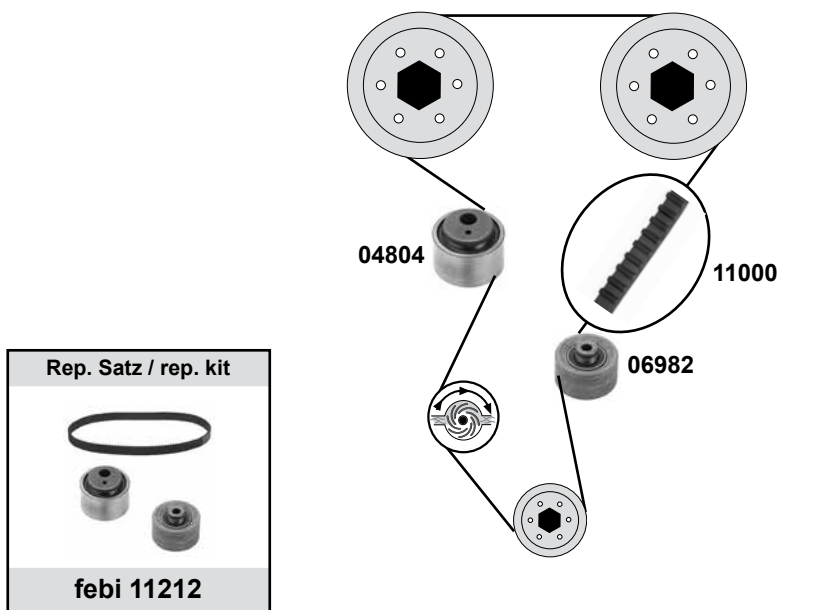
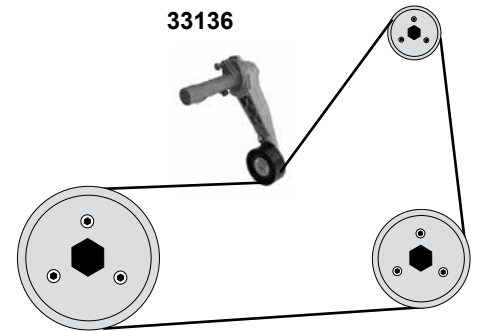
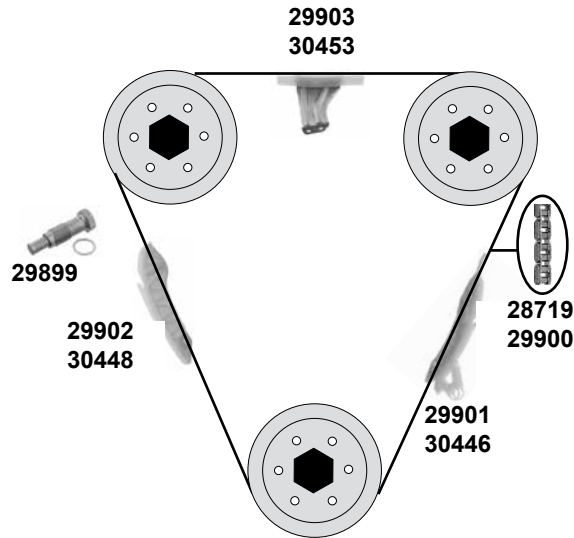
Ref. - No.



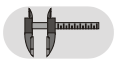
17763	0816.A1	Zahnriemen / timing belt	(2)	Z 153 B25,4
19189	0830.42	Umlenkrolle / deflection pulley		ØA 60 B31
19325	0829.96	Spannrolle / tension roller	(2)	ØA 62 B29
19356	5751.61	Riemenspanner / belt tensioner	(2)	ØA 65 B25
19357	5751.60	Umlenkrolle / deflection pulley	(2)	ØA 78 B25
22309	0831.T4	Rep. Satz Zahnriemen / rep. kit timing belt		Z 153
28105	0816.G4	Zahnriemen / timing belt	(1)	Z 153 B25
28106	0829.A9	Spannrolle / tension roller	(1)	ØA 62 B29
28107	0831.V6	Rep. Satz Zahnriemen / rep. kit timing belt	(1)	Z 153 B25



**1,6 VTI / THP**  
(EP6C / EP6CDT/EP6CDTM)



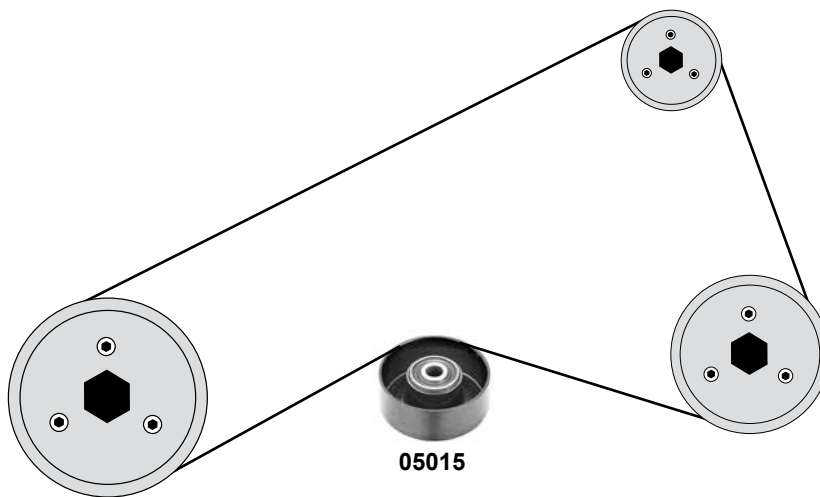
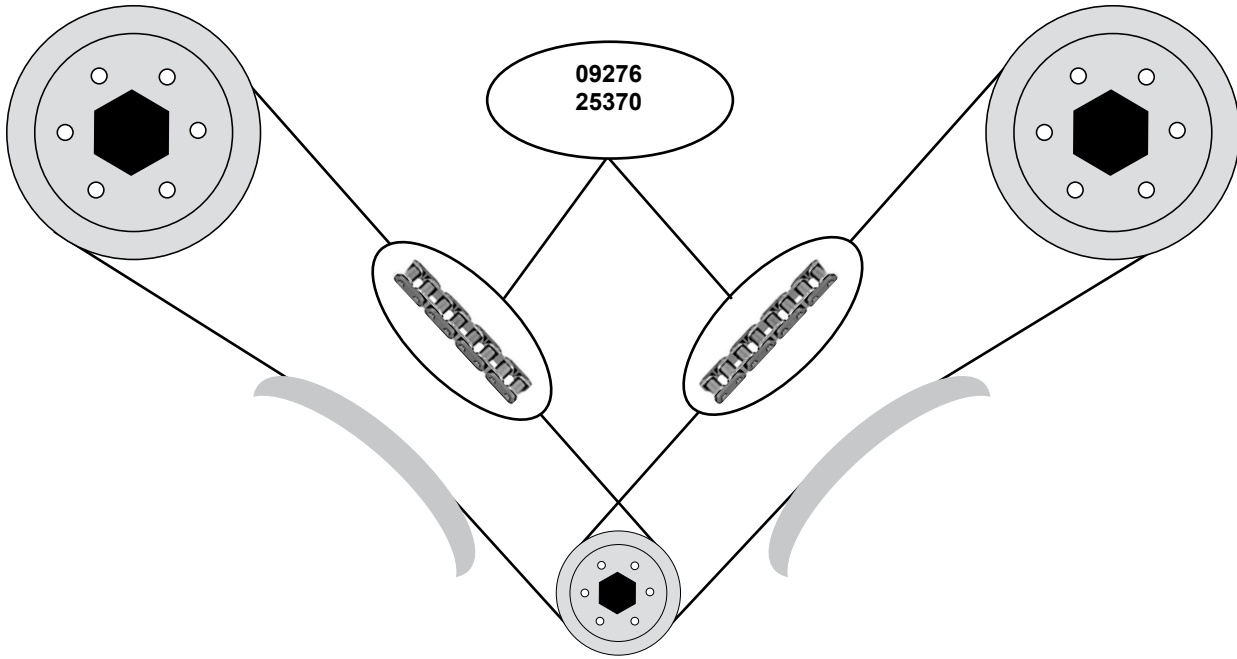
Ref. - No.



<b>04730</b>	5751.21	Umlenkrolle / deflection pulley		ØA 95 B20,5
<b>04739</b>	5751.12	Umlenkrolle / deflection pulley		ØA 95 B20,5
<b>04804</b>	0829.35	Spannrolle / tension roller		ØA 59 B25
<b>06982</b>	0830.37	Umlenkrolle / deflection pulley		ØA 60 B34
<b>11000</b>	0816.98	Zahnriemen / timing belt		Z 136
<b>11212</b>	0831.R5	Rep. Satz Zahnriemen / rep. kit timing belt		Z 136
<b>28719</b>	0816.H9	Steuerkette / timing chain	(mot.) EP6CDT	
<b>29899</b>	0829.G3	Kettenspanner / chain tensioner	(mot.) EP6C / EP6CDT	
<b>29900</b>	0816.J2	Steuerkette / timing chain	(mot.) EP6C	
<b>29901</b>	0818.40	Gleitschiene / sliding rail	(mot.) EP6C	
<b>29902</b>	0818.33	Gleitschiene / sliding rail	(mot.) EP6C	
<b>29903</b>	0818.41	Gleitschiene / sliding rail	(mot.) EP6C	
<b>30345</b>	0816.J2 S1	Rep. Satz Steuerkette / rep. kit timing chain	(mot.) EP6C	
<b>30446</b>	0818.31	Gleitschiene / sliding rail	(mot.) EP6CDT	
<b>30448</b>	0818.30	Gleitschiene / sliding rail	(mot.) EP6CDT	
<b>30452</b>	0816.H9 S1	Rep. Satz Steuerkette / rep. kit timing chain	(mot.) EP6CDT	
<b>30453</b>	0818.29	Gleitschiene / sliding rail	(mot.) EP6CDT	
<b>33136</b>	5751.G9	Riemenspanner / belt tensioner	AC	ØA65 B25



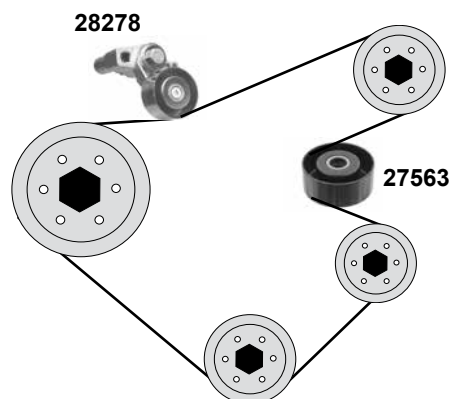
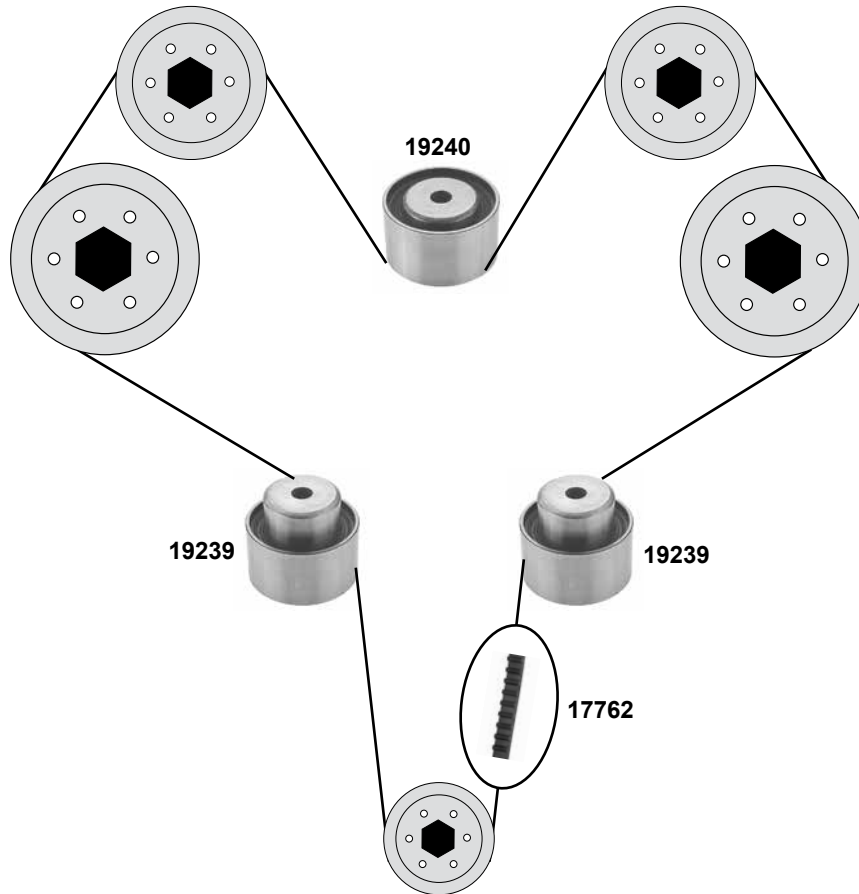
**3,0 / 3,0 24V**  
(ZPJ / ZPJ4)



Ref. - No.



<b>05015</b>	1281.19	Spannrolle / tension roller	<b>AC</b>	ØA66 ØI10 B26
<b>09276</b>	0816.13	Steuerkette / timing chain	(mot.) ZPJ	455 / 94E
<b>25370</b>	0816.52	Steuerkette / timing chain	(mot.) ZPJ4	94E



Ref. - No.



**17762** 0816.H3  
**19239** 0830.58  
**19240** 0830.59  
**27563** 5751.75  
**28278** 5751.41

Zahnriemen / timing belt  
Umlenkrolle / deflection pulley  
Umlenkrolle / deflection pulley  
Umlenkrolle / deflection pulley  
Riemenspanner / belt tensioner

97→99

Z 259 B32  
ØA 65 B36/54  
ØA 65 B36  
ØA 65 B26,5

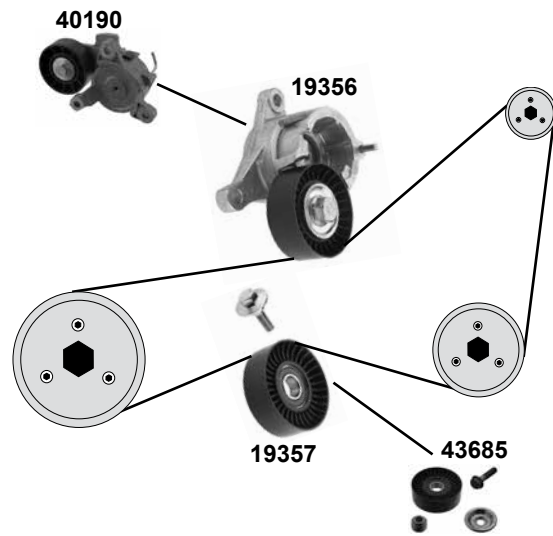
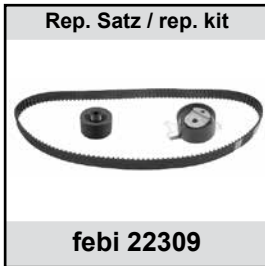
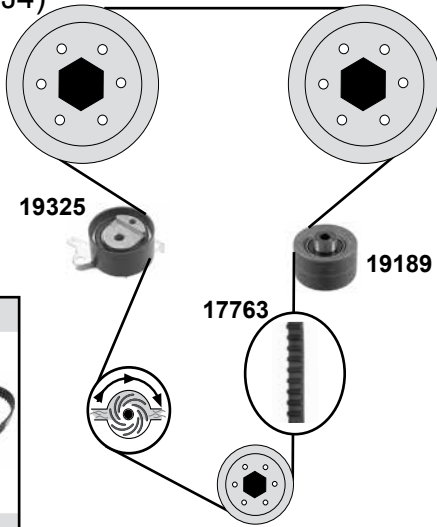


# PEUGEOT 607 (00→)

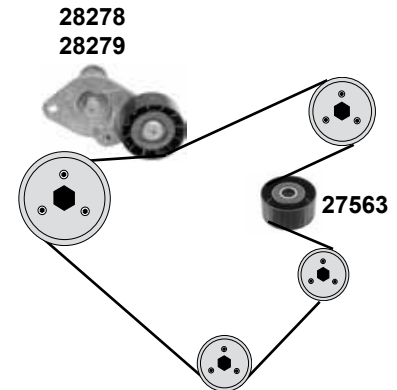
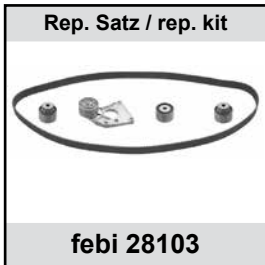
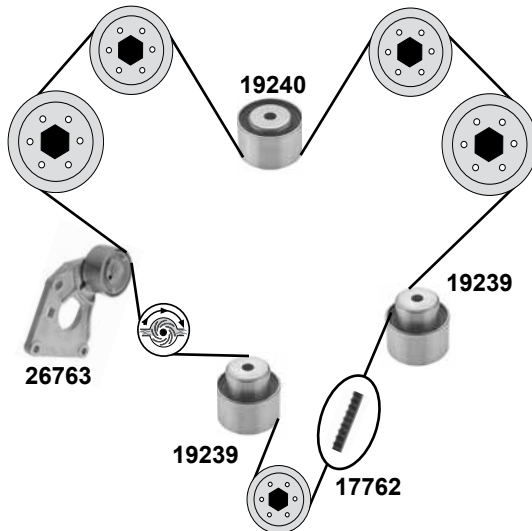
Car  
Division



## 2,0 16V / 2,2 16V (EW10J4 / EW12J4)



## 3,0 24V (ES9J4/S / ES9A)



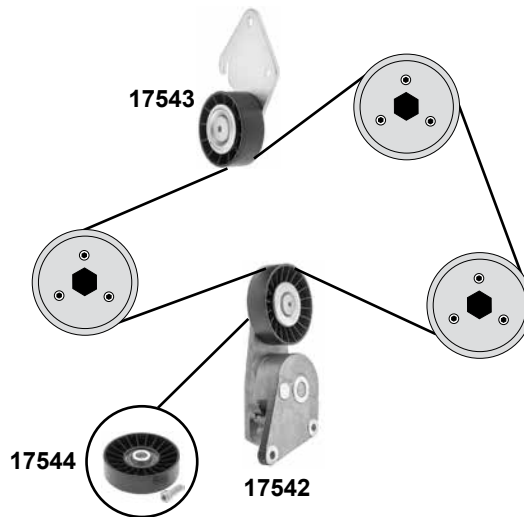
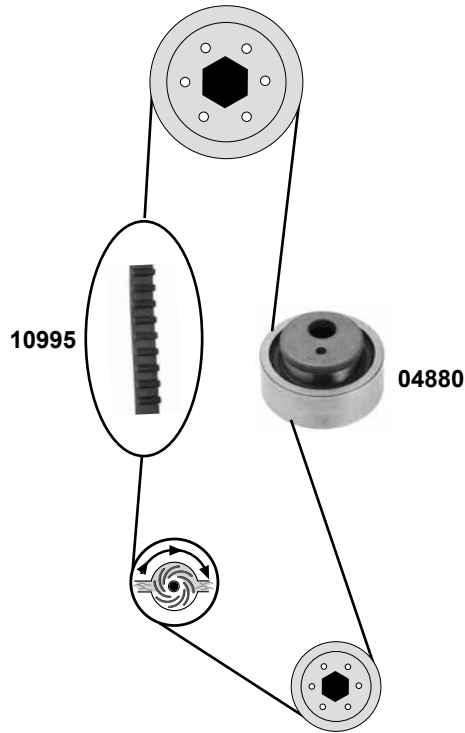
(1) (mot.) EW12J4 04→10 Euro 4



Ref. - No.



Ref. - No.	Description	Notes	Dimensions
17762	Zahnriemen / timing belt		Z259 B32
17763	Zahnriemen / timing belt		Z 153 B25,4
19189	Umlenkrolle / deflection pulley		ØA 60 B31
19239	Umlenkrolle / deflection pulley		ØA 65 B36/54
19240	Umlenkrolle / deflection pulley		ØA 65 B36
19325	Spannrolle / tension roller		ØA 62 B29
19356	Spannrolle / tension roller		ØA 65 B25
19357	Umlenkrolle / deflection pulley	→04	ØA 78 B25
22309	Rep. Satz Zahnriemen / rep. kit timing belt		
26763	Spannrolle / tension roller		
27563	Umlenkrolle / deflection pulley	(ex.) ES9A	ØA 65 B26,5
28103	Rep. Satz Zahnriemen / rep. kit timing belt		Z 259 B32
28278	Riemenspanner / belt tensioner	(mot.) ES9J4S	
28279	Riemenspanner / belt tensioner	(mot.) ES9J4S / ES9A	ØA 65 B25,5
40190	Riemenspanner / belt tensioner		
43685	Umlenkrolle / deflection pulley	(mot.) EW12J4 04→10	ØA 78 B25



(1) XU10J2TE (mot.) O 07392→



Ref. - No.



**04880**  
**10995**  
**11244**  
**17542**  
**17543**  
**17544**

0829.29  
0816.71  
0831.06  
5751.35  
5751.34  
5751.20

Spannrolle / tension roller  
Zahnriemen / timing belt  
Rep. Satz Zahnriemen / rep. kit timing belt  
Riemenspanner / belt tensioner  
Umlenkrolle / deflection pulley  
Umlenkrolle / deflection pulley

(1)  
AC servo

ØA 59 ØI 13 B22  
Z 114 B17  
ØA 90 B25  
ØA90 B25  
ØA90 B25

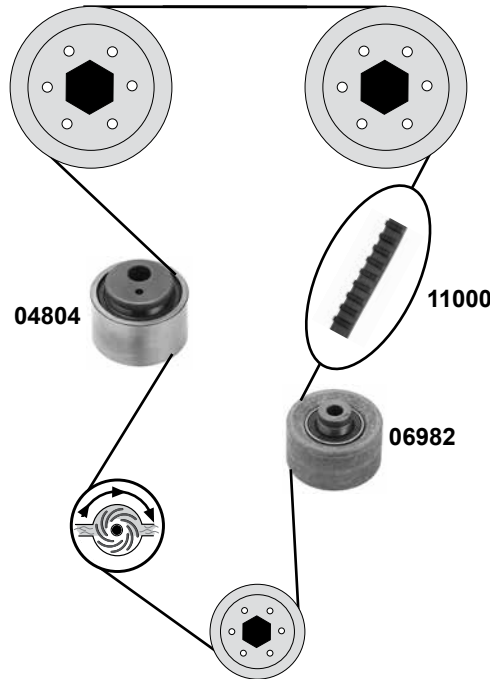
# PEUGEOT 806

(94→02)

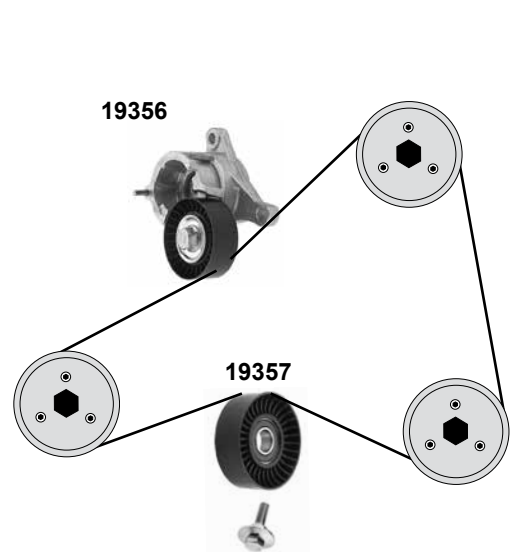
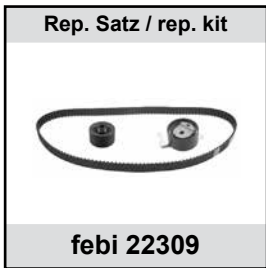
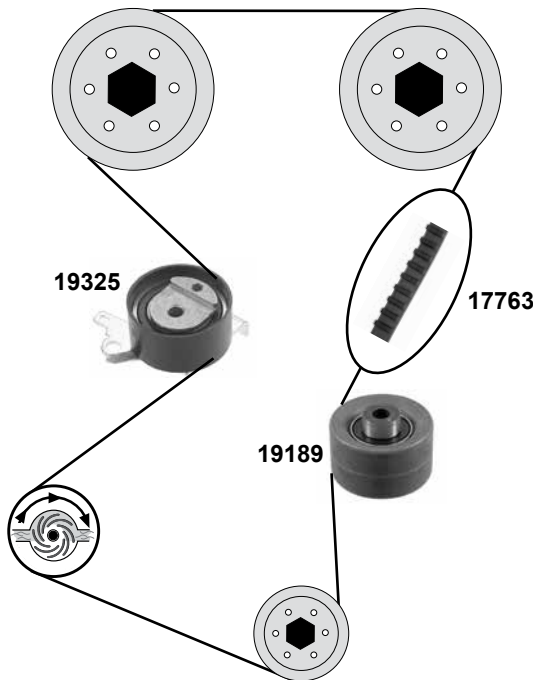
Car  
Division



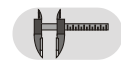
## 2,0 16 V (XU10J4R)



## 2,0 16 V (EW10J4)



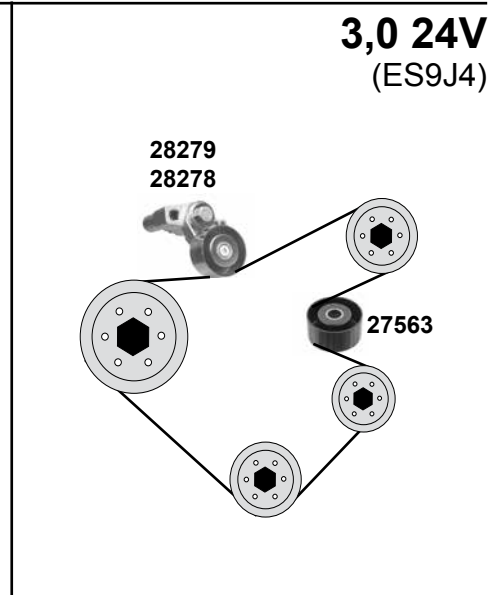
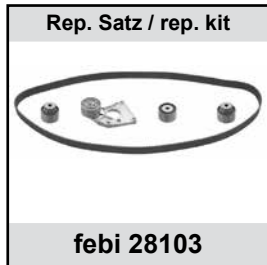
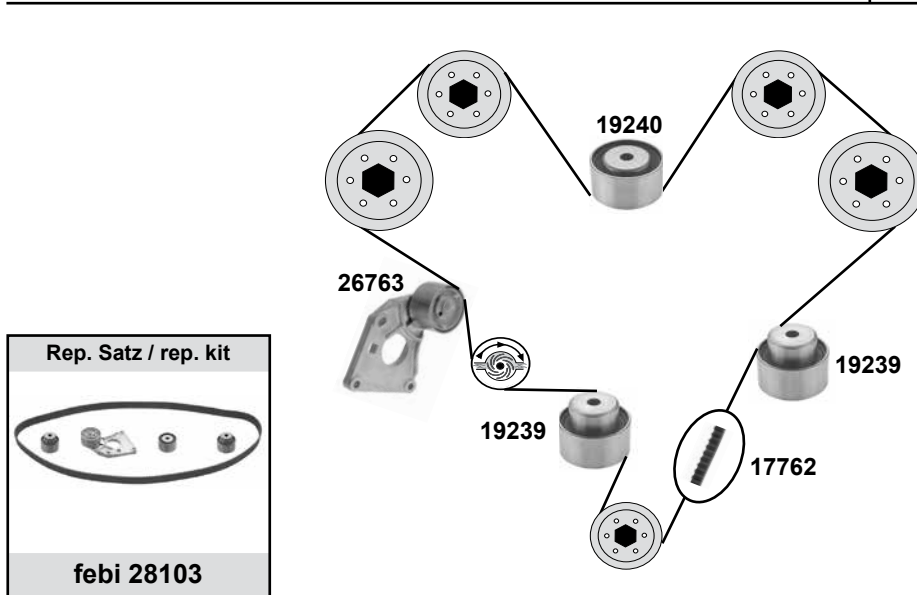
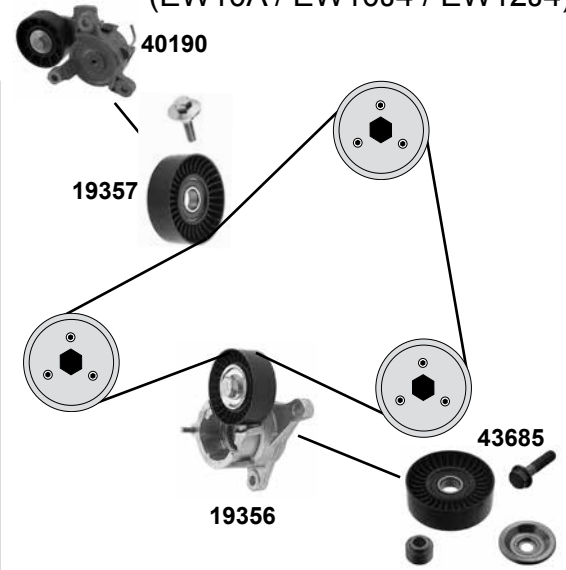
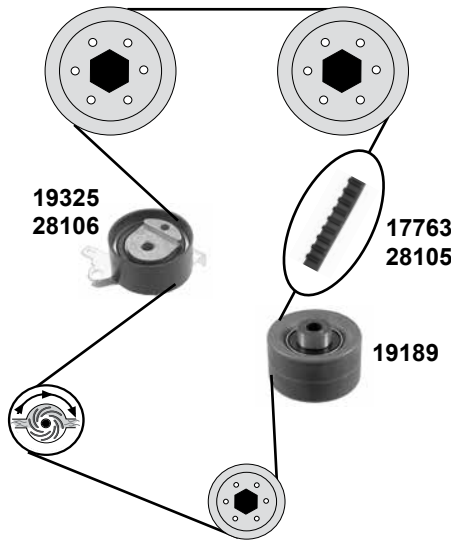
Ref. - No.



04804	0829.35	Spannrolle / tension roller	ØA 57 ØI 13 B33
06982	0830.37	Umlenkrolle / deflection pulley	ØA 60 ØI 10 B34
11000	0716.98	Zahnriemen / timing belt	Z 136
11212	0831.R5	Rep. Satz Zahnriemen / rep. kit timing belt	Z 136
17763	0816.A1	Zahnriemen / timing belt	Z 153 B25,4
19189	0830.42	Umlenkrolle / deflection pulley	ØA 60 B31
19325	0829.96	Spannrolle / tension roller	ØA 62 B29
19356	5751.61	Riemenspanner / belt tensioner	ØA 65 B25
19357	5751.60	Umlenkrolle / deflection pulley	ØA 78 B25
22309	0831.T4	Rep. Satz Zahnriemen / rep. kit timing belt	

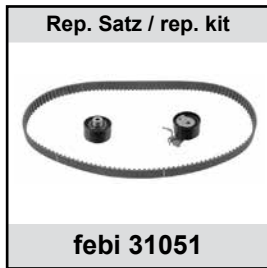
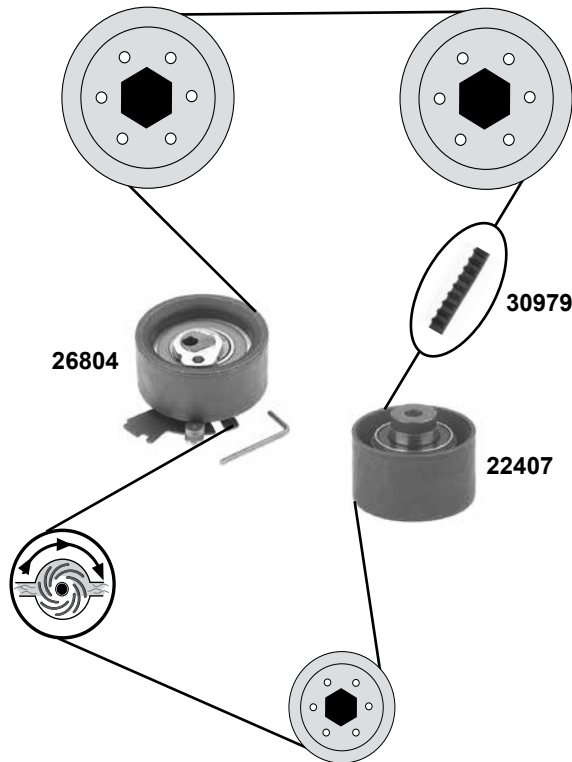
## 2,0 16 V / 2,2 16V

(EW10A / EW10J4 / EW12J4)

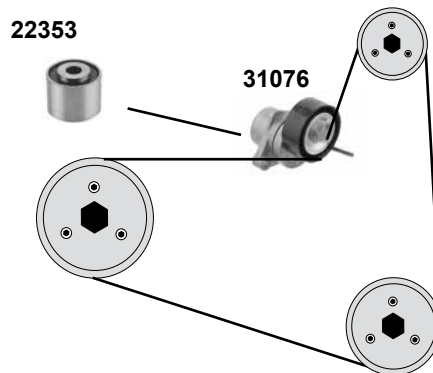


	Ref. - No.			
17762	0816.H3	Zahnriemen / timing belt		Z 259
17763	0816.A1	Zahnriemen / timing belt	(ex.)(mot.) EW10A	Z 153 25,4
19189	0830.42	Umlenkrolle / deflection pulley		ØA 60 B30
19239	0830.58	Umlenkrolle / deflection pulley		ØA 65 B36/54
19240	0830.59	Umlenkrolle / deflection pulley		ØA 65 B36
19325	0829.96	Spannrolle / tension roller		
19356	5751.61	Riemenspanner / belt tensioner	(ex.) EW10A	ØA 65 B25
19357	5751.60	Umlenkrolle / deflection pulley	(ex.) EW10A → O 10247	ØA 78 ØI17 B25
22309	0831.T4	Rep. Satz Zahnriemen / rep. kit timing belt	(ex.) EW10A	
26763	0829.C5	Spannrolle / tension roller		ØA 70 B36
27563	5751.75	Umlenkrolle / deflection pulley		ØA 65 B26,5
28103	0831.V2	Rep. Satz Zahnriemen / rep. kit timing belt		Z 259 B32
28105	0816.G4	Zahnriemen / timing belt	(mot.) EW10A	Z 153 B25
28106	0829.A9	Spannrolle / tension roller	(mot.) EW10A	ØA 62 B29
28107	0831.V6	Rep. Satz Zahnriemen / rep. kit timing belt	(mot.) EW10A	Z 153 B25
28278	5751.41	Riemenspanner / belt tensioner		
28279	5751.A9	Riemenspanner / belt tensioner		ØA 65 B25,5
40190	5751.G8	Riemenspanner / belt tensioner	(mot.) EW10A	
43685	5751.E4	Umlenkrolle / deflection pulley	(ex.) EW10A O 10248→	ØA 78 B25

## 1,4 16 V (ET3J4/TU3JP4)



### AC



(1) (mot.) ET3J4 / (mot.) TU3JP4 O 10290→



Ref. - No.



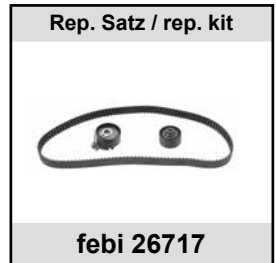
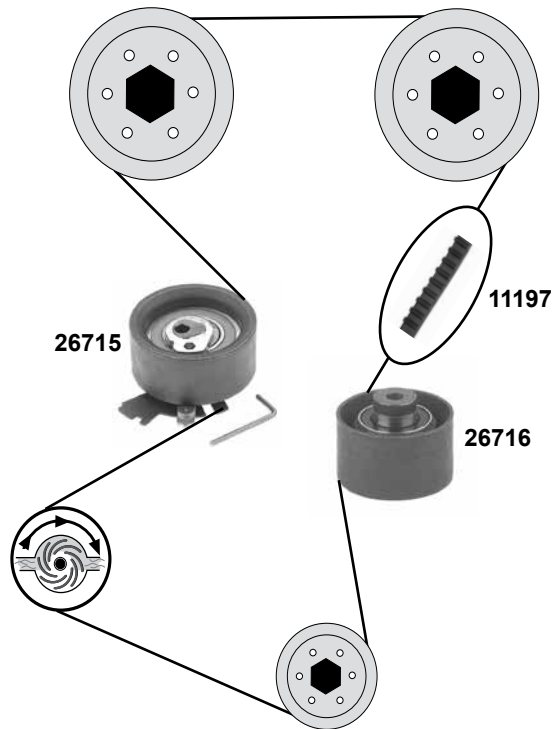
**22353**  
**22407**  
**26804**  
**30979**  
**31051**  
**31076**

5751.91  
0830.60  
0829.C6  
0813.H5  
0831.V0  
5751.G7

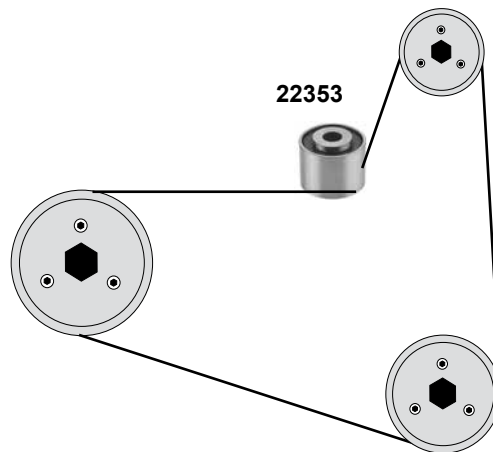
Umlenkrolle / deflection pulley  
Umlenkrolle / deflection pulley  
Spannrolle / tension roller  
Zahnriemen / timing belt  
Rep. Satz Zahnriemen / rep. kit timing belt  
Spannrolle / tension roller

(mot.) TU3JP  
(mot.) ET3J4  
(mot.) ET3J4  
(mot.) ET3J4  
(mot.) ET3J4  
(1)

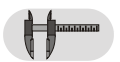
ØA 60 B26,5  
ØA 60 B30,5  
ØA 60 B29  
Z 135 B25  
Z 135 B25  
ØA 65 B25



**AC**



Ref. - No.



<b>11197</b>	0816.H6
<b>22353</b>	5751.91
<b>26715</b>	0829.C8
<b>26716</b>	0830.62
<b>26717</b>	0831.R9

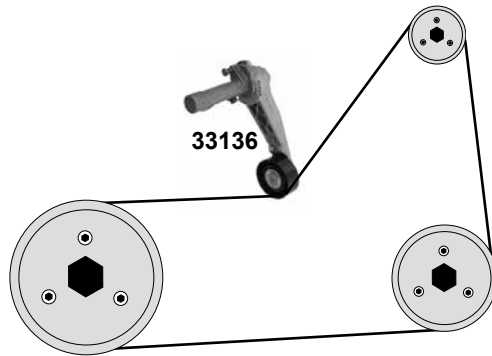
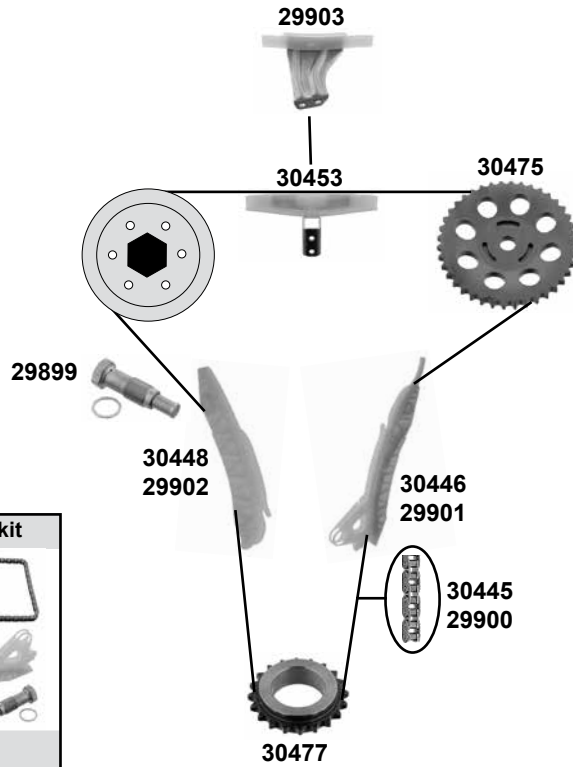
Zahnriemen / timing belt
Umlenkrolle / deflection pulley
Spannrolle / tension roller
Umlenkrolle / deflection pulley
Rep. Satz Zahnriemen / rep. kit timing belt

→ O 10289
→ 09
→ 09
→ 09

Z 134 B25,4
ØA 60 B26,5
ØA 70 B30
ØA 60 B30
Z 134 B25,4

### 1,6 16V

(EP6DT/ EP6/C / EP6CDT)



- (1) 5008 (mot.) EP6CDT
- (2) 3008
- (3) 3008 (mot.) EP6CDT , EP6C , EP6 , EP6DT / (mot.)EP6CDTM , EP6CDTMD AC
- (4) 5008 (mot.)EP6CDT / (mot.) EP6CDT , EP6C , EP6 AC / (mot.)EP6CDT MD AC 05.11.2012→



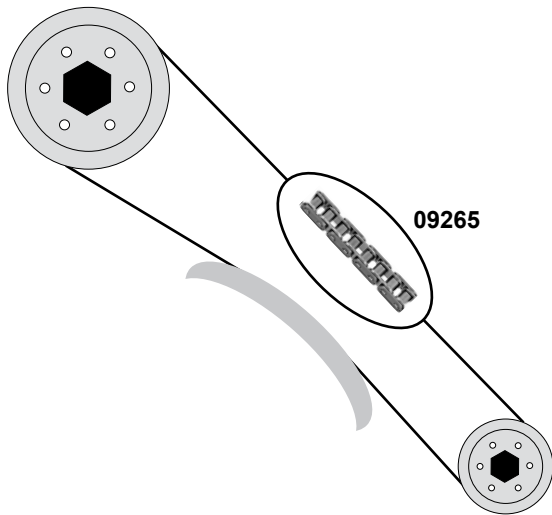
Ref. - No.



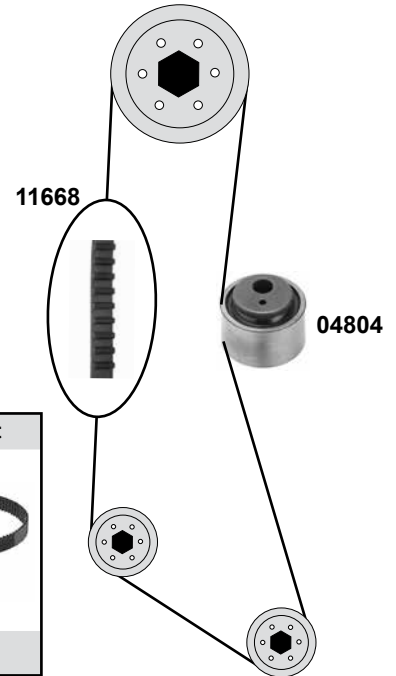
Ref. - No.	Description	Quantity	Notes
29889	0829.E1 Kettenspanner / chain tensioner	(2)	(mot.) EP6DT/EP6
29900	0816.J2 Steuerkette / timing chain	(2)	(mot.) EP6
29901	0818.30 Gleitschiene / sliding rail	(2)	(mot.) EP6
29902	0818.33 Gleitschiene / sliding rail	(2)	(mot.) EP6
29903	0818.41 Gleitschiene / sliding rail	(2)	(mot.) EP6
30345	0816.J2 S1 Rep. Satz Steuerkette / rep. kit timing chain	(1)	(mot.) EP6/C
30445	0816.H9 Steuerkette / timing chain	(2)	(mot.) EP6DT
30446	0818.31 Gleitschiene / sliding rail	(2)	(mot.) EP6DT
30448	0818.30 Gleitschiene / sliding rail	(2)	(mot.) EP6DT
30452	0816.H9 S1 Rep. Satz Steuerkette / rep. kit timing chain	(1) (2)	(mot.) EP6DT
30453	0818.29 Gleitschiene / sliding rail	(1)	3008 (mot.) EP6DT
30475	0805.H6 Nockenwellenrad / camshaft gear	(1)	3008 (mot.) EP6DT
30477	0513.C8 Kurbelwellenzahnrad / crankshaft gear	(1)	3008 (mot.) EP6DT
33136	5751.G9 Riemenspanner / belt tensioner	(3)	(4)

M 22x1,5  
Z 40  
Z 20  
ØA65 B25

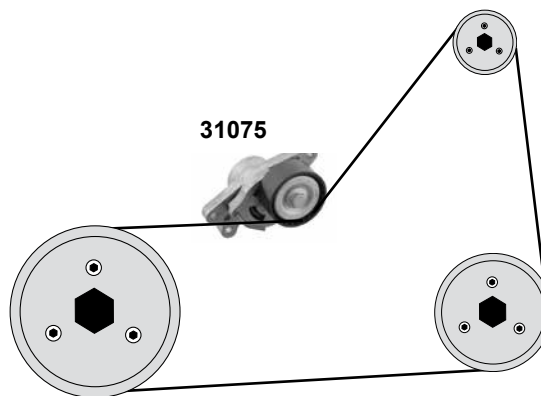
**J5**  
**1,8 / 2,0**  
(XM7T / XN1T / XN1TA)



**Boxer**  
**2,0**  
(XU102C / XU10J2)



**Bipper**  
(08→)  
**1,4**  
(TU3A)



	Ref. - No.			
<b>04804</b>	0829.35	Spannrolle / tension roller		ØA 57 ØI 13 B32
<b>09265</b>	0816.07	Steuerkette / timing chain		455 / 58E
<b>11668</b>	0816.69	Zahnriemen / timing belt		Z 114 7 B25,4
<b>11669</b>	0831.34	Rep. Satz Zahnriemen / rep. kit timing belt		
<b>31075</b>	5751.A2	Riemenspanner / belt tensioner		ØA 60



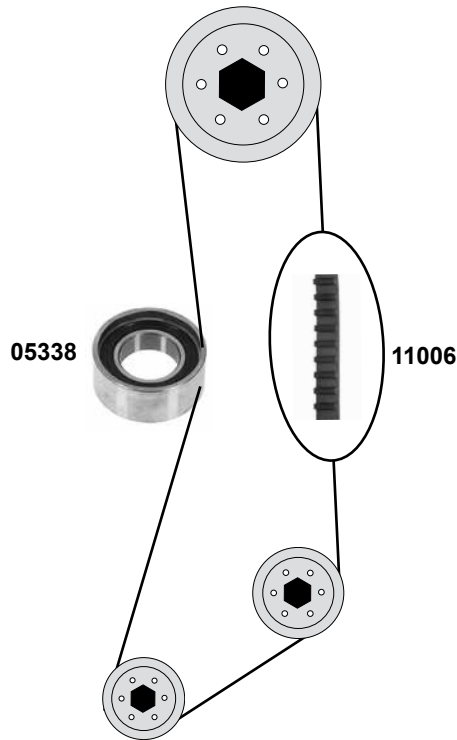
# PEUGEOT Expert I+II

(95→06)

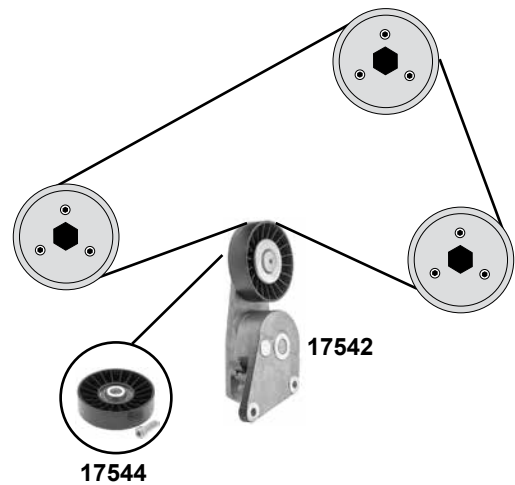
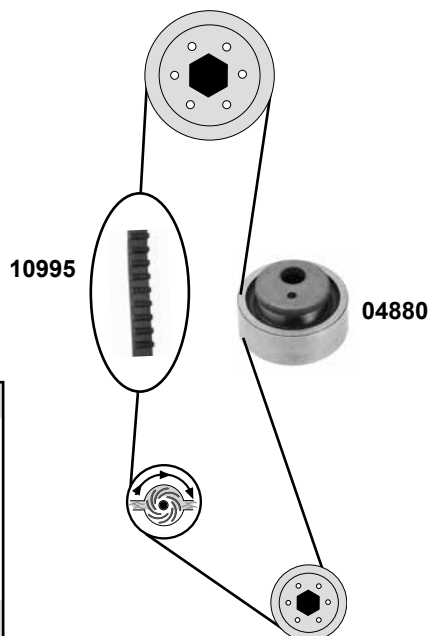
Car  
Division



**1,6**  
(1580SPI)



**1,8**  
(XU7JP)

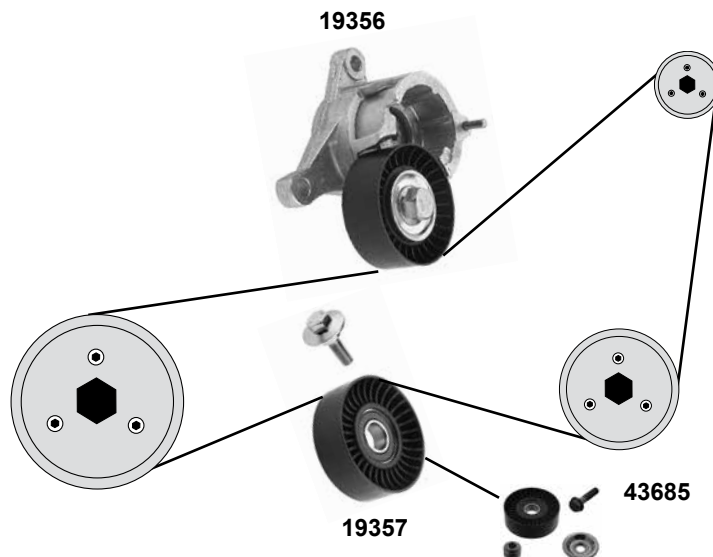
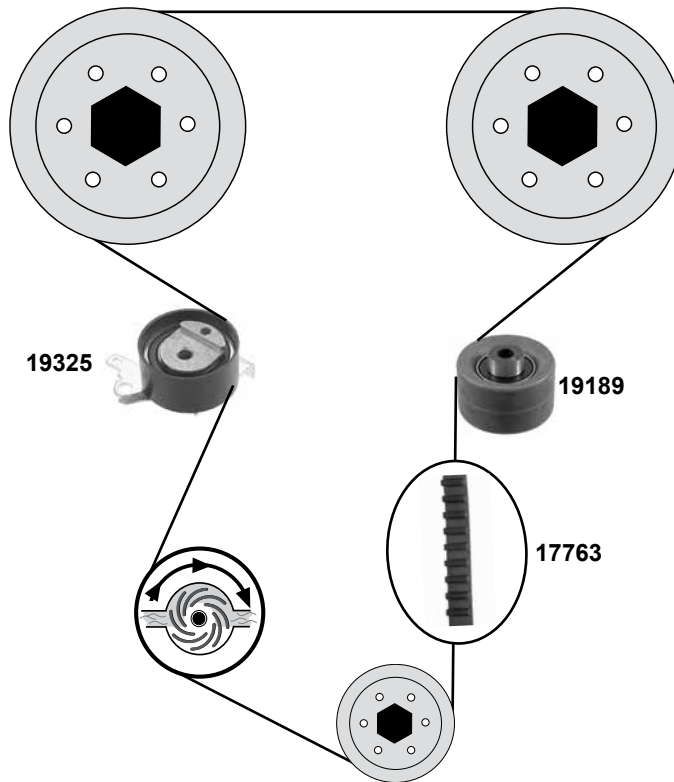


Ref. - No.



<b>05338</b>	0829.17	Spannrolle / tension roller	ØA 57 B24
<b>04880</b>	0829.29	Spannrolle / tension roller	ØA 59 B22
<b>10995</b>	0816.71	Zahnriemen / timing belt	Z 114 B17
<b>11006</b>	0816.79	Zahnriemen / timing belt	Z 138 B15
<b>11072</b>	0816.79 S1	Rep. Satz Zahnriemen / rep. kit timing belt	
<b>11244</b>	0831.R1	Rep. Satz Zahnriemen / rep. kit timing belt	
<b>17542</b>	5751.35	Riemenspanner / belt tensioner	
<b>17544</b>	5751.20	Umlenkrolle / deflection pulley	





	Ref. - No.			
17763	0816.A1	Zahnriemen / timing belt		Z 153 B25,4
19189	0830.42	Umlenkrolle / deflection pulley		ØA 60 B31
19325	0829.96	Spannrolle / tension roller		
19356	5751.61	Riemenspanner / belt tensioner		ØA 65 B25
19357	5751.60	Umlenkrolle / deflection pulley	→ O 10613	ØA 78 B25
22309	0831.T4	Rep. Satz Zahnriemen / rep. kit timing belt		
43685	5751.E4	Umlenkrolle / deflection pulley	O 10614 →	ØA 78 B25

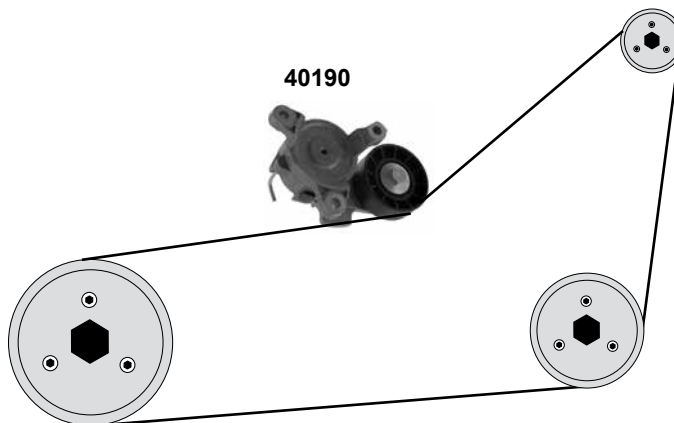
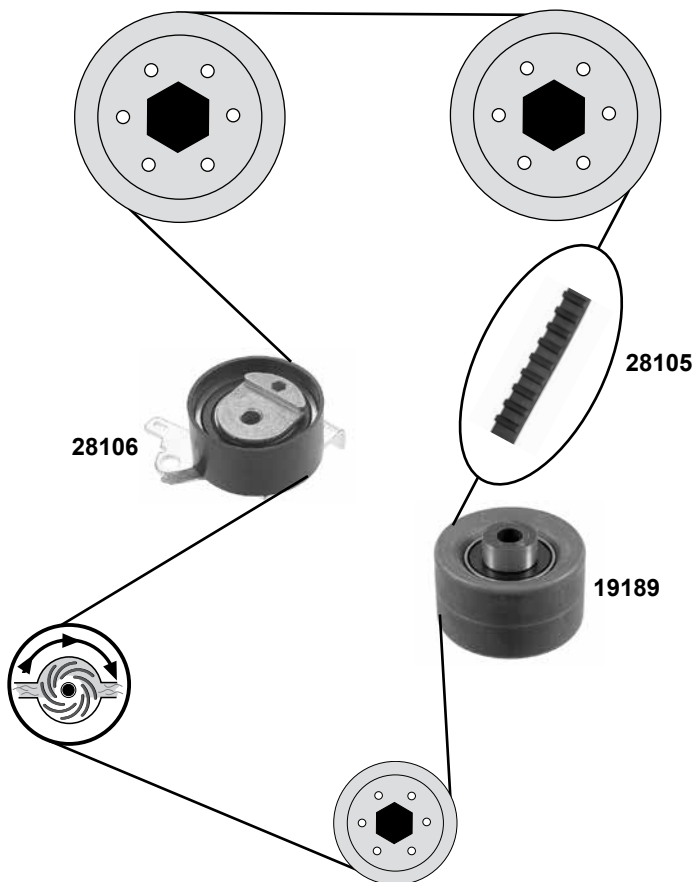
# PEUGEOT Expert III

(07→)

Car  
Division

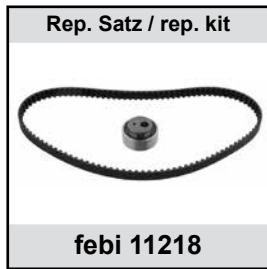
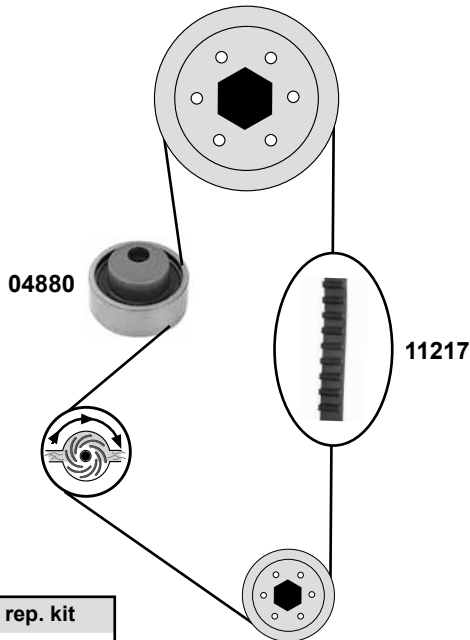


**2,0 16 V**  
(EW10A)

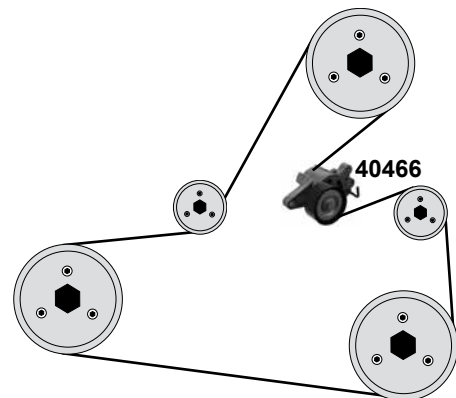
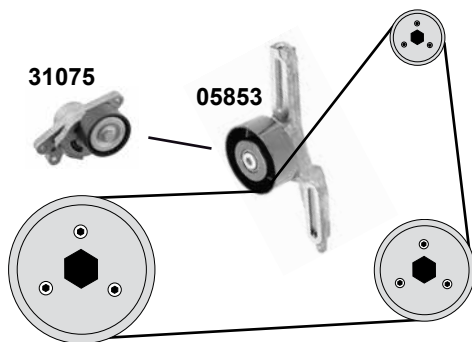
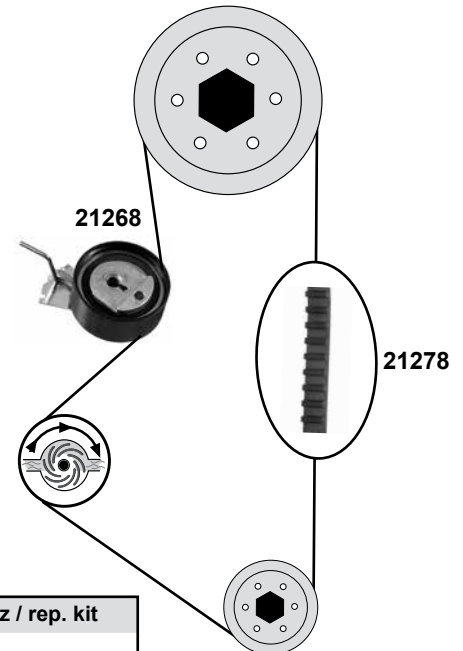


Ref. - No.	Umlenkrolle / deflection pulley	Zahnriemen / timing belt	Spannrolle / tension roller	Rep. Satz Zahnriemen / rep. kit timing belt	Riemenspanner / belt tensioner				
19189	0830.42	28105	0816.G4	28106	0829.A9	28107	0831.V6	40190	5751.G8
	ØA 60 B31		Z 153 B25		ØA 62 B29		Z 153 B25		ØA 70 B25

(mot.) → M 3762433



(mot.) M 3762434 →



(1) AC 02→ / O 09457 - 10562



Ref. - No.



04880	0831.24	Spannrolle / tension roller		
05853	6453.S5	Spannrolle / tension roller	AC servo  →02	ØA 59 ØI 13 ØA 65 B26,5 Z 104 B17
11217	0816.56	Zahnriemen / timing belt		
11218	0831.02	Rep. Satz Zahnriemen / rep. kit timing belt		
21268	0829.90	Spannrolle / tension roller		ØA 60 B25 Z 100 B17
21278	0816.F0	Zahnriemen / timing belt		
21280	0831.S1	Rep. Satz Zahnriemen / rep. kit timing belt		
31075	5751.A2	Riemenspanner / belt tensioner	AC 02→	ØA 60
40466	5751.A2	Riemenspanner / belt tensioner	(1)	ØA 60 B26

# PEUGEOT Partner I+II

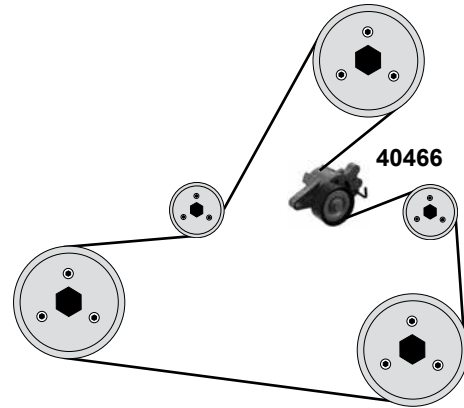
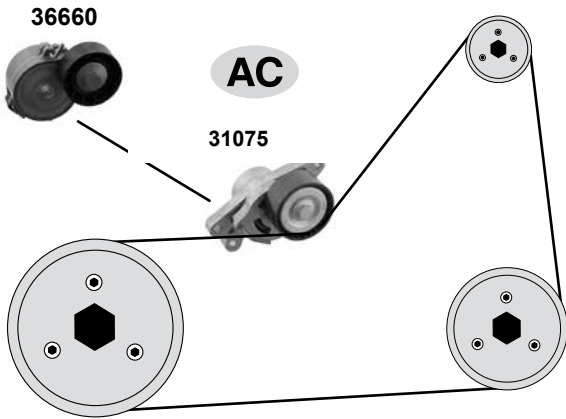
(96→08)

Car  
Division



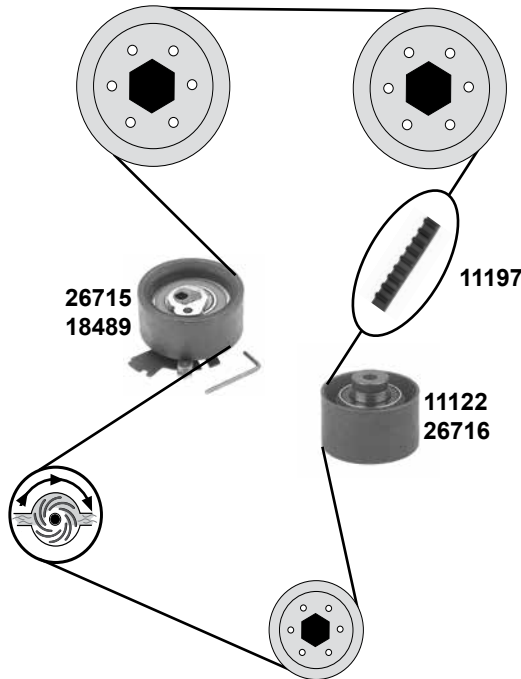
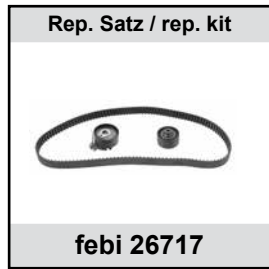
## 1,4 / 1,6

(TU3JP / TU3A / TU5JP4)



## 1,6 16V

(TU5JP4/TU5JP4B)



- (1) →02 (mot.) TU5JP4 O 08764→ / 02 → (mot.) TU5JP4
- (2) 02 → (mot.) TU5JP4 (mot.) 1806405→
- (3) →02 (mot.) TU5JP4 O 11254→ / 02 → (mot.) TU5JP4 (mot.) 1806405
- (4) →02 (mot.) TU5JP4 O 08764→11253 / 02→ (mot.) TU5JP4 (mot.)→1806404
- (5) 02 → (mot.) TU5JP4 O 12110→
- (6) 02→ (mot.) TU5JP4 O 09457 - 10310 / (mot.) TU3JP O 09457 - 10562

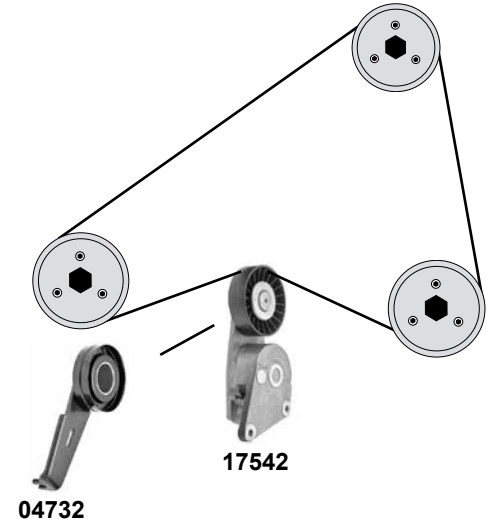
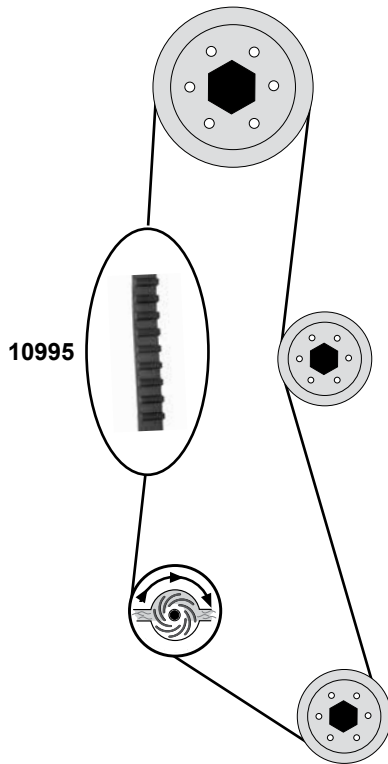


Ref. - No.



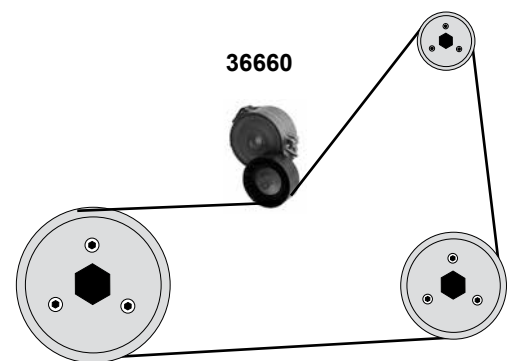
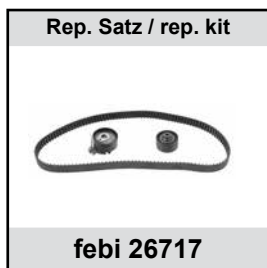
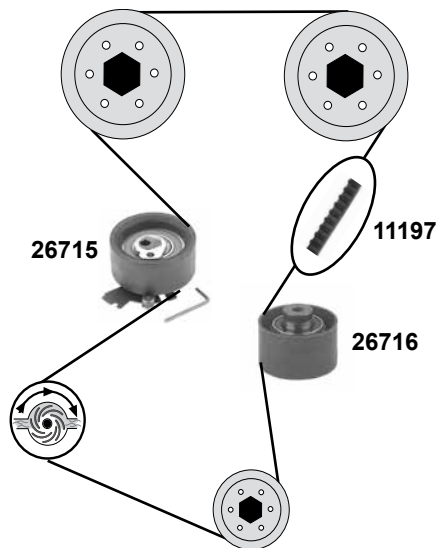
Ref. - No.	Description	Quantity	Notes
11122	Umlenkrolle / deflection pulley	(4)	ØA 57 B32
11197	Zahnriemen / timing belt	(1)	Z 134 B25,4
18489	Spannrolle / tension roller	(4)	ØA 73 B31
22327	Rep. Satz Zahnriemen / rep. kit timing belt	(4)	
26715	Spannrolle / tension roller	(2)	ØA 70 B30
26716	Umlenkrolle / deflection pulley	(3)	ØA 60 B30
26717	Rep. Satz Zahnriemen / rep. kit timing belt	(2)	Z 134 B25,4
31075	Riemenspanner / belt tensioner	02→	ØA 60
36660	Riemenspanner / belt tensioner	(5)	ØA 60 B25
40466	Riemenspanner / belt tensioner	(6) AC	ØA 60 B26

**1,8**  
(XU7JB)

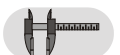


**Partner III**  
(08→)

**1,6 16V**  
(TU5JP4/TU5JP4B)



Ref. - No.



<b>04732</b>	5751.18	Spannrolle / tension roller
<b>10995</b>	0816.71	Zahnriemen / timing belt
<b>11197</b>	0816.H6	Zahnriemen / timing belt
<b>11244</b>	0831.06	Rep. Satz Zahnriemen / rep. kit timing belt
<b>17542</b>	5751.35	Riemenspanner / belt tensioner
<b>26715</b>	0829.C8	Spannrolle / tension roller
<b>26716</b>	0830.62	Umlenkrolle / deflection pulley
<b>26717</b>	0831.R9	Rep. Satz Zahnriemen / rep. kit timing belt
<b>36660</b>	5751.E9	Riemenspanner / belt tensioner

(ex.) servo

AC servo

Z 114 B17  
Z 134 B25,4

ØA 70 B30  
ØA 60 B30  
Z 134 B25,4  
ØA 60 B25

# PEUGEOT Partner III

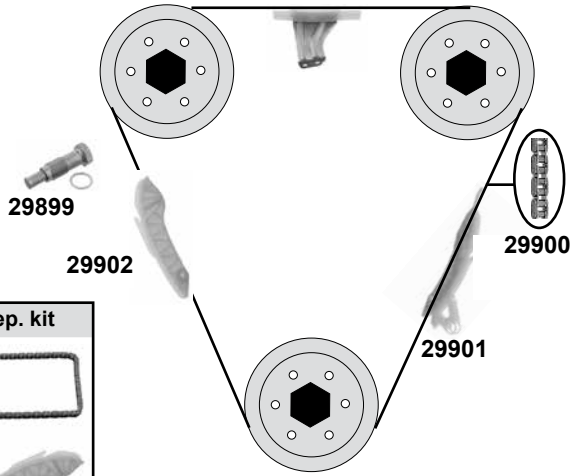
(08→)

Car  
Division

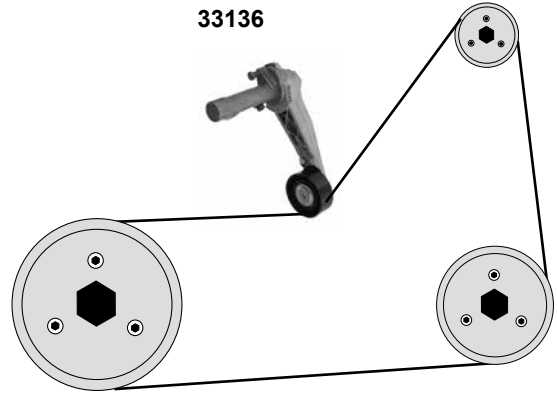


## 1,6 16V (EP6C/EP6CB)

29903



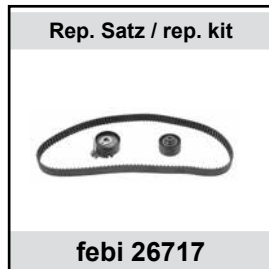
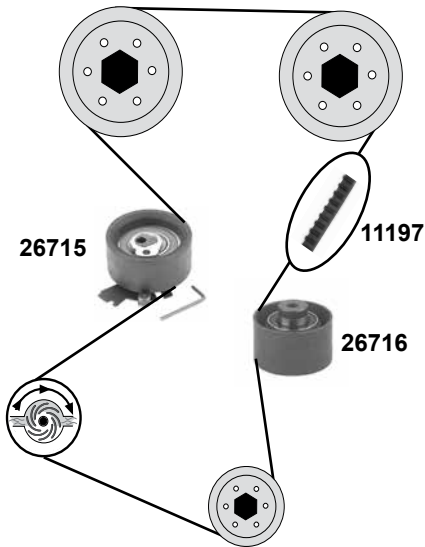
33136



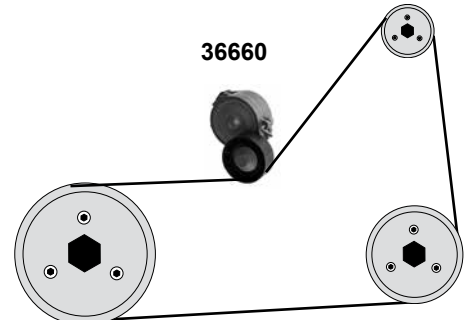
## Partner Tepee III

(08→)

## 1,6 (TU5JP4 / TU5JP4B)



36660



Ref. - No.



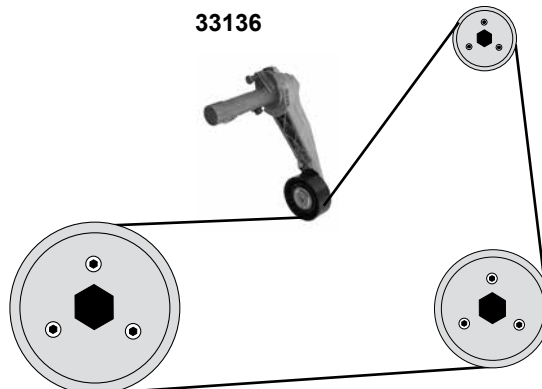
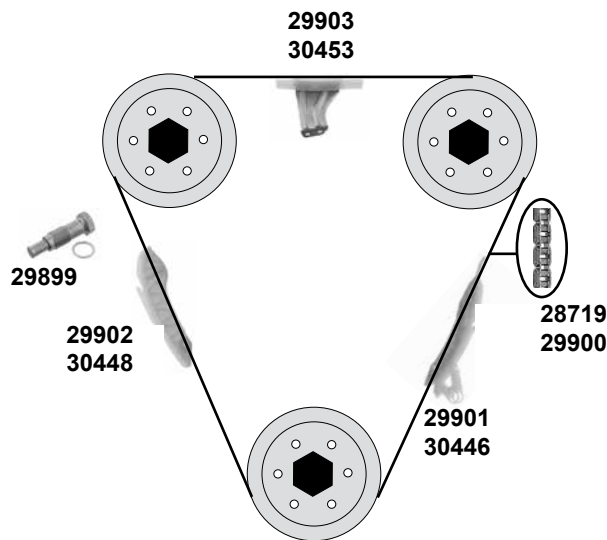
11197	0816.H6	Zahnriemen / timing belt
26715	0829.C8	Spannrolle / tension roller
26716	0830.62	Umlenkrolle / deflection pulley
26717	0831.R9	Rep. Satz Zahnriemen / rep. kit timing belt
29899	0829.G3	Kettenspanner / chain tensioner
29900	0816.J2	Steuerkette / timing chain
29901	0818.40	Gleitschiene / sliding rail
29902	0818.33	Gleitschiene / sliding rail
29903	0818.41	Gleitschiene / sliding rail
30345	0816.J2 S1	Rep. Satz Steuerekette / rep. kit timing chain
33136	5751.G9	Riemenspanner / belt tensioner
36660	5751.E9	Riemenspanner / belt tensioner

(mot.) EP6C  
(mot.) EP6C  
(mot.) EP6C  
(mot.) EP6C  
(mot.) EP6C  
(mot.) EP6C

AC

Z 134 B25,4  
ØA 70 B30  
ØA 60 B30  
Z 134 B25,4

ØA65 B25  
ØA60 B25



(1) (mot.) EP6CDTX / EP6CDT / EP6CDT MD <sup>AC</sup> / (mot.) EP6CDT M



Ref. - No.



Ref. - No.	Description	Part No.	Notes
28719	0816.H9	Steuerkette / timing chain	(mot.) EP6CDT 144 E
29899	0829.G3	Kettenspanner / chain tensioner	
29900	0816.J2	Steuerkette / timing chain	(mot.) EP6CDTX 138 E
29901	0818.40	Gleitschiene / sliding rail	(mot.) EP6CDTX
29902	0818.33	Gleitschiene / sliding rail	(mot.) EP6CDTX
29903	0818.41	Gleitschiene / sliding rail	(mot.) EP6CDTX
30345	0816.J2 S1	Rep. Satz Steuerekette / rep. kit timing chain	(mot.) EP6CDTX
30446	0818.31	Gleitschiene / sliding rail	(mot.) EP6CDT
30448	0818.30	Gleitschiene / sliding rail	(mot.) EP6CDT
30452	0816.H9 S1	Rep. Satz Steuerekette / rep. kit timing chain	(mot.) EP6CDT
30453	0818.29	Gleitschiene / sliding rail	(mot.) EP6CDT
33136	5751.G9	Riemenspanner / belt tensioner	(1) ØA65 B25



# PORSCHE

**911** (65→97)

**914 / 6** (70→75)

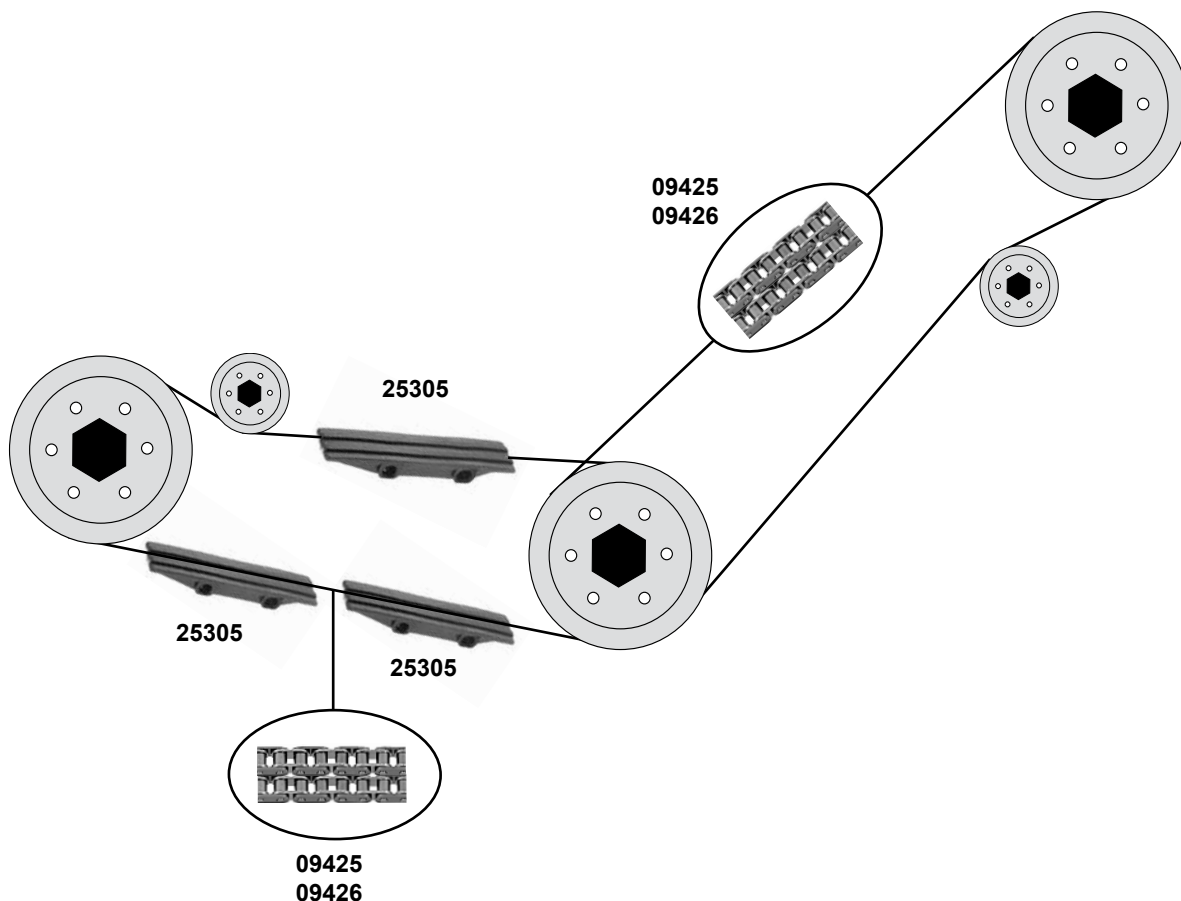
Car  
Division



**911 T** (75→77)

**964** (89→94)

**993** (94→98)



(1) nur / only 911 (ch.) 74 → 93

(2) Federverschluß / split link / fermeture de ressort / cierre de resorte / falsa maglia



Ref. - No.

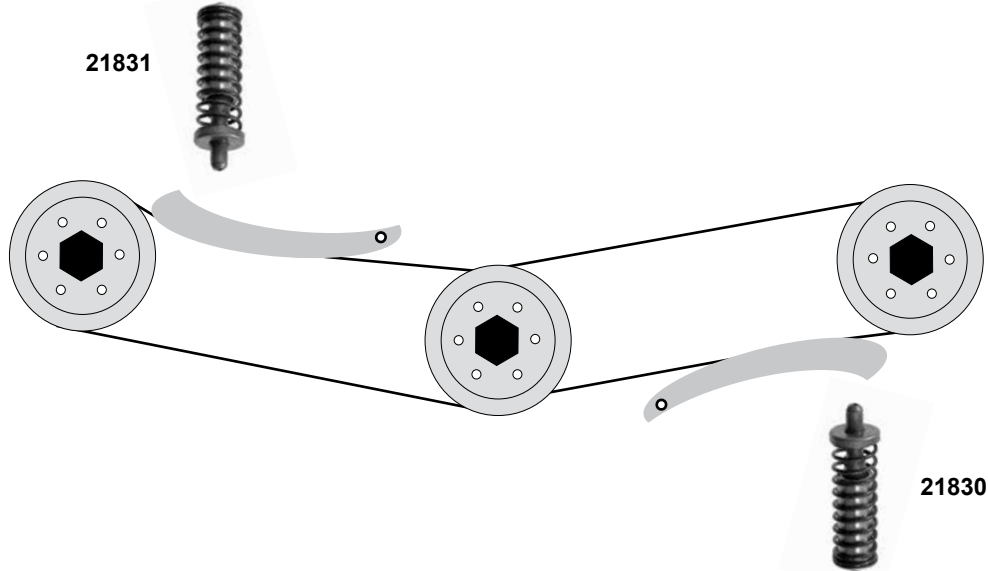


**09425** 911 105 529 00  
**09426** 911 105 529 50  
**25305** 911 105 222 06

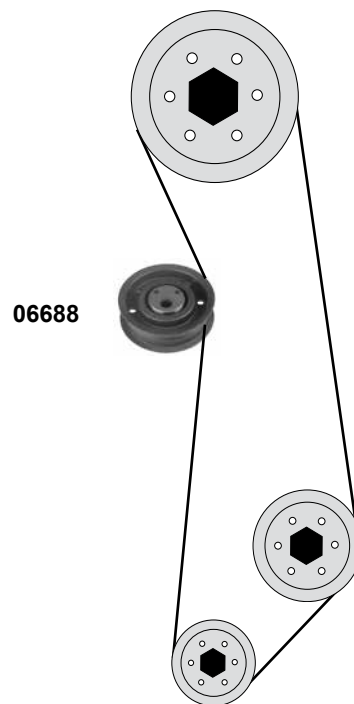
Rollenkette zweifach / roller chain double  
Rollenkette zweifach / roller chain double  
Gleitschiene / sliding rail

(2)  
(1)

D 455 / 98 E  
D 455 / 98 F



**924 L**  
(76→85)  
**2,0**



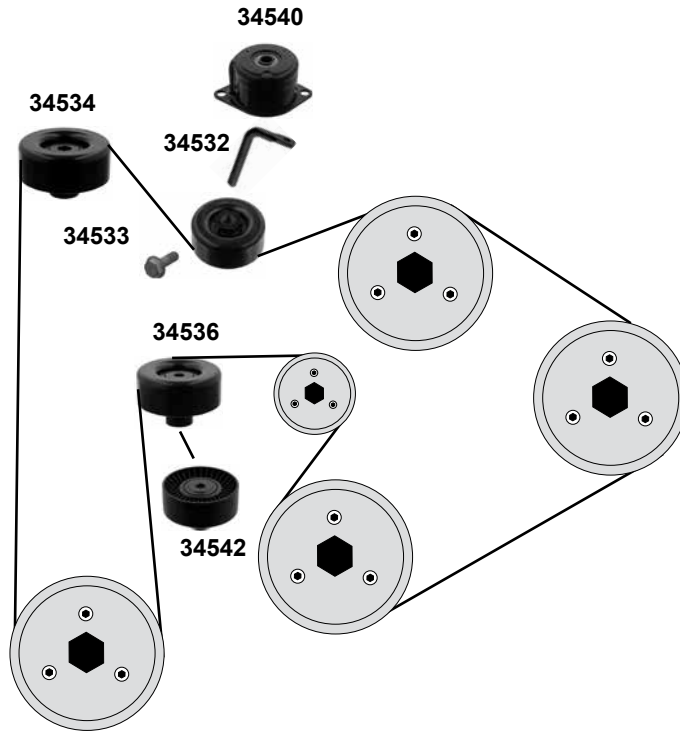
Ref. - No.





**06688** 026 109 243 F  
**21830** 964 105 080 00  
**21831** 964 105 079 00

Spannrolle / tension roller  
Kettenspanner rechts / chain tensioner right  
Kettenspanner links / chain tensioner left

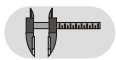
ØA 72 ØI 10 B22



- (1) 996 (mot.) M96.01 / M96.02 / M96.03 / M96.04 98 → 05  
997-1 (mot.) M97.01 / M96.05 05 → 08
- (2) 997-1 (mot.) M96.05 mit Tiptronic / with tiptronic 05 → 08
- (3) 996 (mot.) M96.01 / M96.02 / M96.03 / M96.04 98 → 05 (ex.) man.   
987-1 (mot.) M96.05 05 → 08 (ex.) man. 
- (4) 997-1 (mot.) M96.05 / M97.01 05 → 08 Schaltgetriebe / manual transmission  
996 (mot.) M96.01 / M96.02 / M96.03 98 → 05 Schaltgetriebe / manual transmission



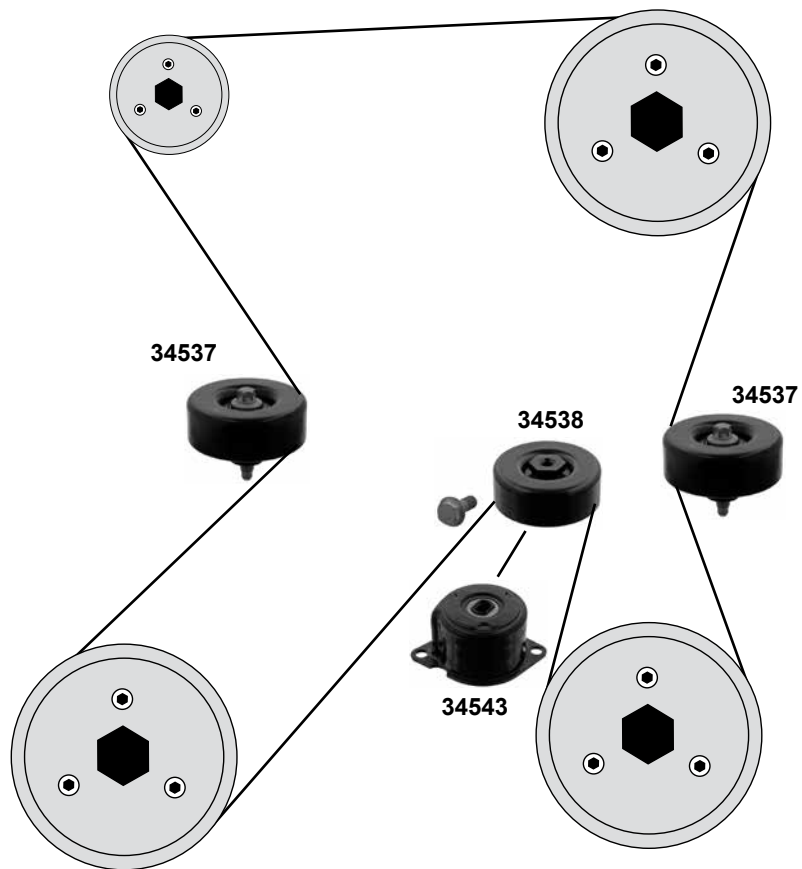
Ref. - No.



<b>34532</b>	996 102 360 51
<b>34533</b>	996 102 117 57
<b>34534</b>	996 102 118 56
<b>34536</b>	996 102 119 58
<b>34540</b>	997 102 260 00
<b>34542</b>	997 102 119 00

Spannhebel / Clamping lever
Spannrolle / tension roller
Umlenkrolle / deflection pulley
Umlenkrolle / deflection pulley
Riemenspanner / belt tensioner
Umlenkrolle / deflection pulley

(1)
(2)
(1)
(3)
(1)
(4)



(1) 996-T (mot.) alle/all 01 → 05 / 997-T (mot.) M97.70 07 → 09 / 997-T2 (mot.) M97.70 10 → 11



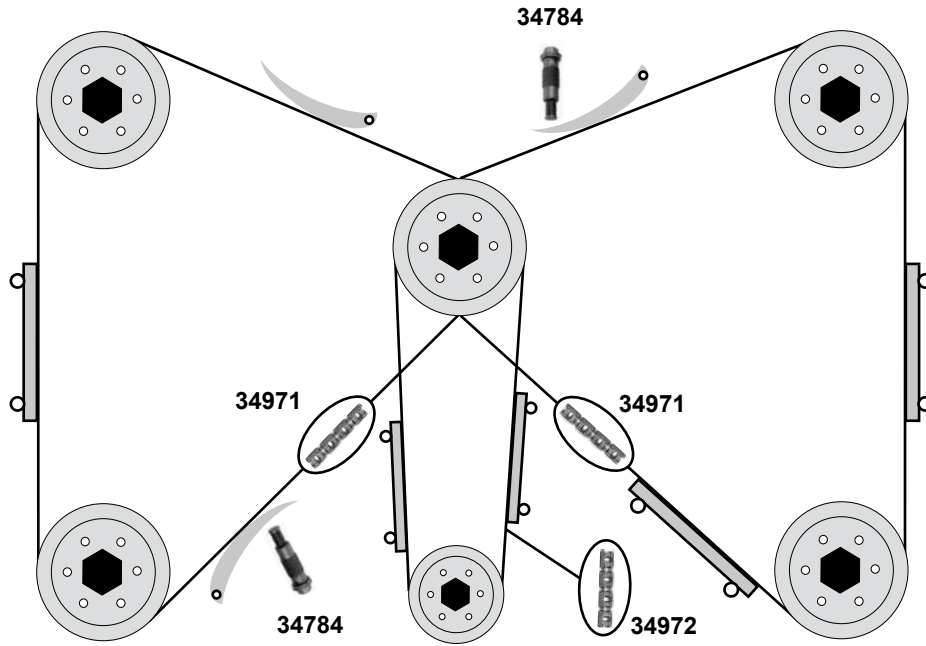
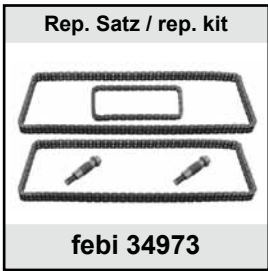
Ref. - No.



<b>34537</b>	996 115 015 75	Umlenkrolle / deflection pulley	(1)
<b>34538</b>	996 115 016 72	Umlenkrolle / deflection pulley	
<b>34543</b>	996 115 221 72	Riemenspanner / belt tensioner	



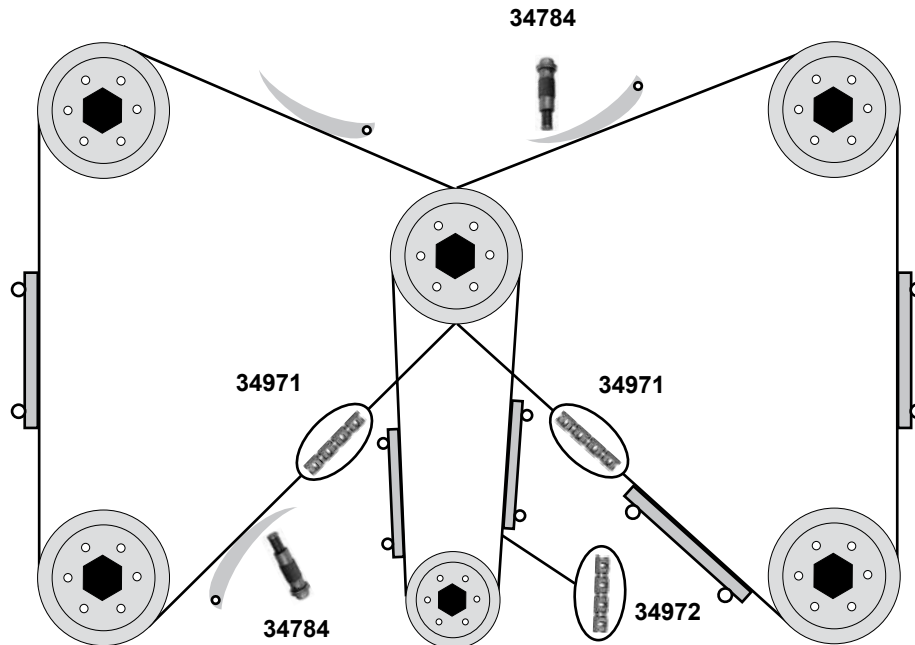
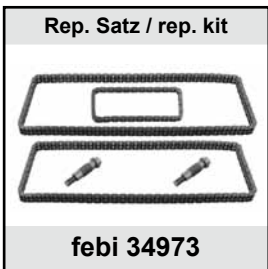
(MA1.01/MA1.02)



## 911 (987-T2)

(09→12)

(MA1.70)

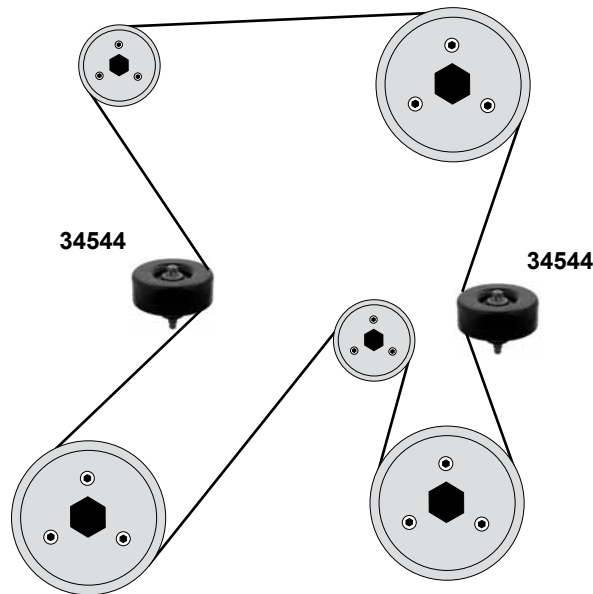


Ref. - No.

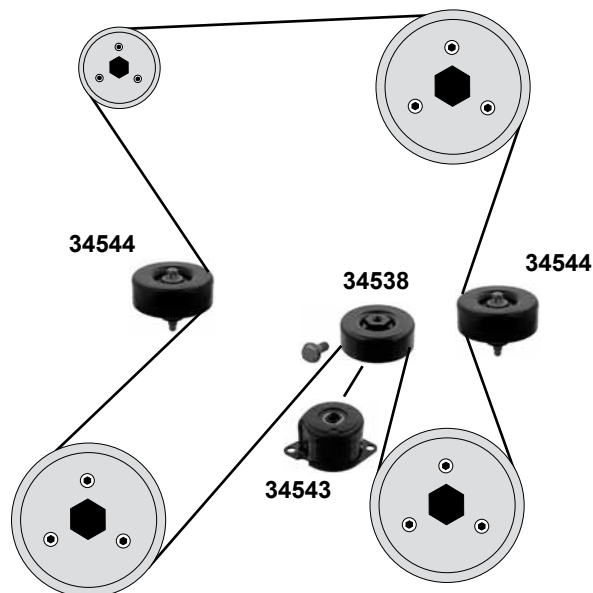


34784	9A1 105 157 02
34971	9A1 105 142 02
34972	9A1 105 233 02
34973	9A1 105 142 02 S1

Kettenspanner / chain tensioner
Steuerkette / timing chain
Steuerkette für Ölpumpe / timing chain for oil pump
Rep. Satz Steuerkette / rep. kit timing chain

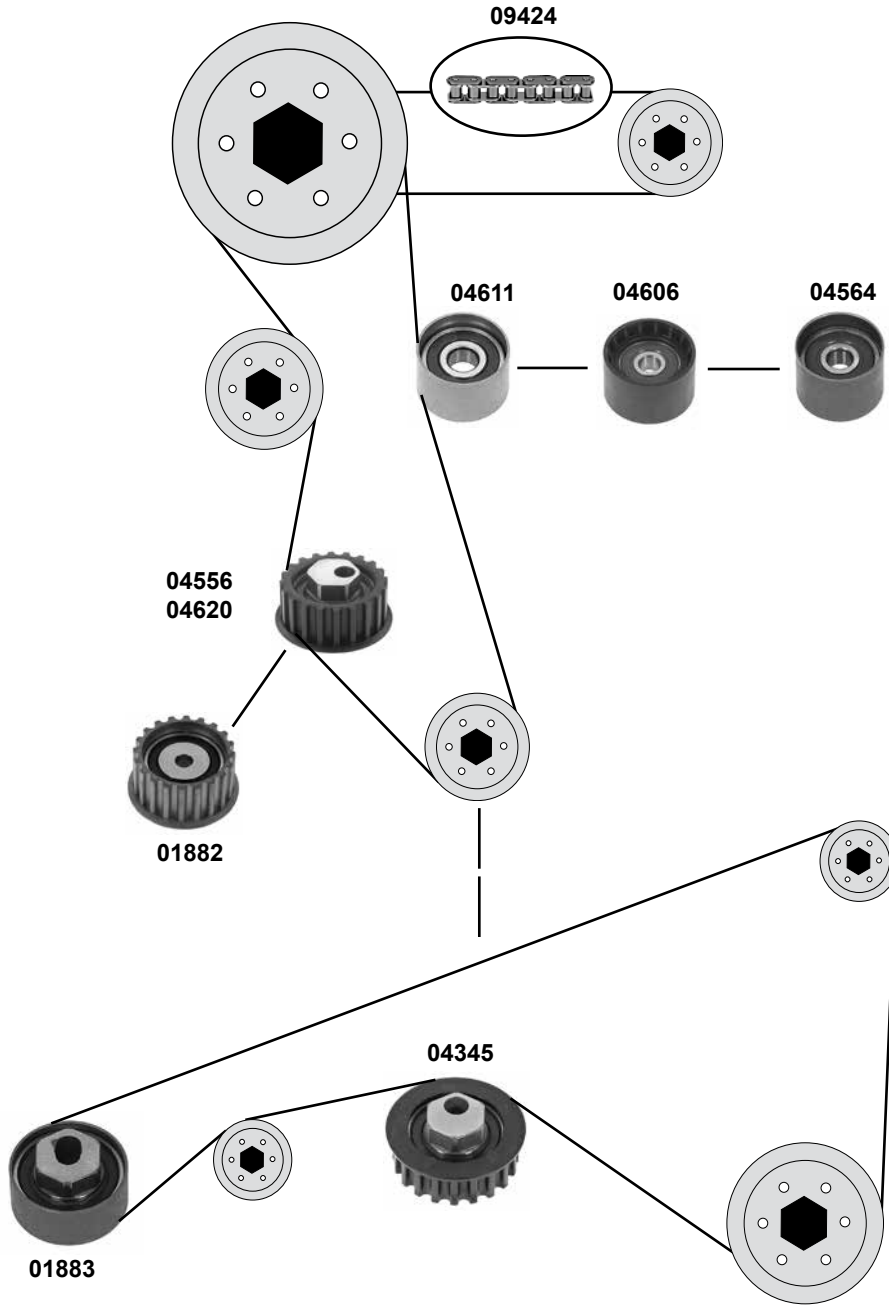


**GT3-2**  
(07→11)  
(M96.76/79)





### 2,5 8V / 16V



(1) 924 (8V) Modell: → 86

(4) 944 (8V) Modell: 82 → 85

(2) 924 (8V) Modell: 87 →

(5) 944 (16V) Modell: 87 → 91

(3) 944 (8V) Modell: 87 → 93

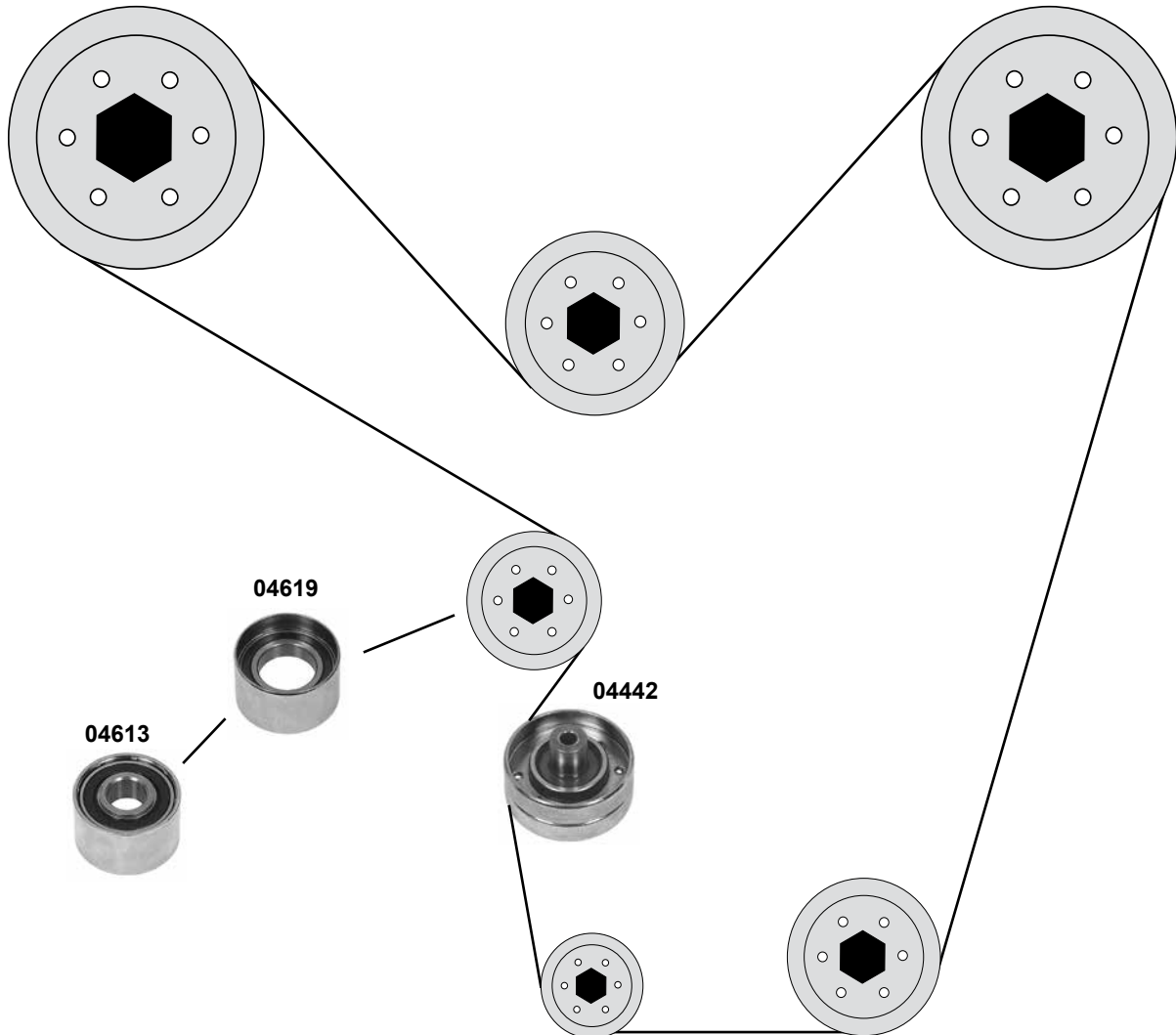
(6) M44.40/41 (16V)



Ref. - No.



Part No.	Ref. - No.	Description	Quantity	Dimensions
01882	944 105 631 10	Spannrolle / tension roller	(5)	ØA 60 ØI 10 B30
01883	944 102 277 06	Spannrolle Ausgleichsw. / tension roller balance shaft		ØA 50 B22
04345	944 102 025 07	Spannrolle Ausgleichsw. / tension roller balance shaft		ØA 60 ØI 11 B22
04556	944 105 027 04	Spannrolle / tension roller	(1) (4)	ØA 60 ØI10,5 B23
04564	944 105 241 02	Umlenkrolle / deflection pulley	(5)	ØA 37 ØI 10 B28
04606	944 105 241 03	Umlenkrolle / deflection pulley	(2)	ØA 32 ØI 10 B28
04611	944 105 273 02	Umlenkrolle / deflection pulley	(1)	ØA 32 ØI 10 B21
04620	944 105 631 04	Spannrolle / tension roller	(2) (3)	ØA 59 ØI 10 B26
09424	944 105 501 01	Rollenkette einfach / roller chain simple	(6)	458 / 42 E



(1) (mot.) 4,5 / 4,7 Modell: 82 →  
(mot.) 5,0 Modell: 85 → 96

(2) (mot.) 5,0 Modell: 87 → 96

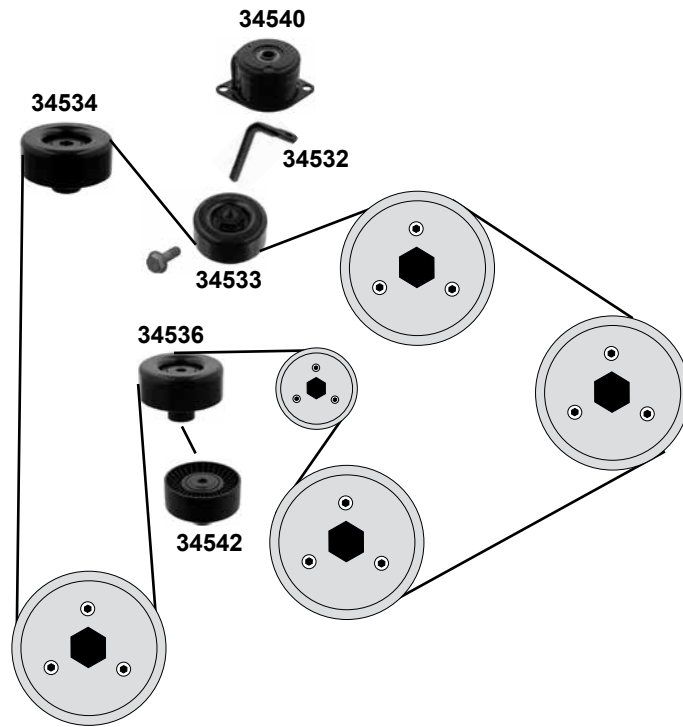


Ref. - No.



Part No.	Ref. - No.	Description	Quantity	Dimensions
04442	928 105 512 12	Spannrolle / tension roller	(1)	ØA 69 ØI 8,5 B30
04613	928 105 571 02	Umlenkrolle / deflection pulley	4,6 S	ØA 46 ØI 17 B28
04619	928 105 571 04	Umlenkrolle / deflection pulley	(2)	ØA 46 ØI 25 B28





(1) 986 (mot.) M96.20 / M96.21 / M96.22 / M96.23 / M96.24 97 → 04  
987 (mot.) M96.25 / M96.26 / M97.20 / M97.21 / M97.22 05 → 08

(2) 987 (mot.) M96.25 / M96.26 05 → 08  
M97.20 / M97.21 / M97.22 mit Tiptronic / with tiptronic 05 → 08

(3) 986 (mot.) M96.20 / M96.21 / M96.22 / M96.23 / M96.24 97 → 04  
987 (mot.) M96.25 / M96.26 / M97.20 / M97.21 / M97.22 05 → 08 (ex.) man.

(4) 987 (mot.) M96.25 / M96.26 / M97.20 / M97.21 / M97.22 05 → 08 Schaltgetriebe / manual transmission



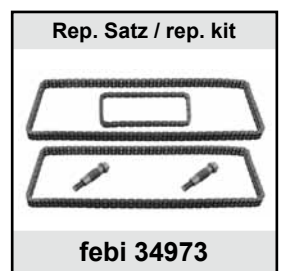
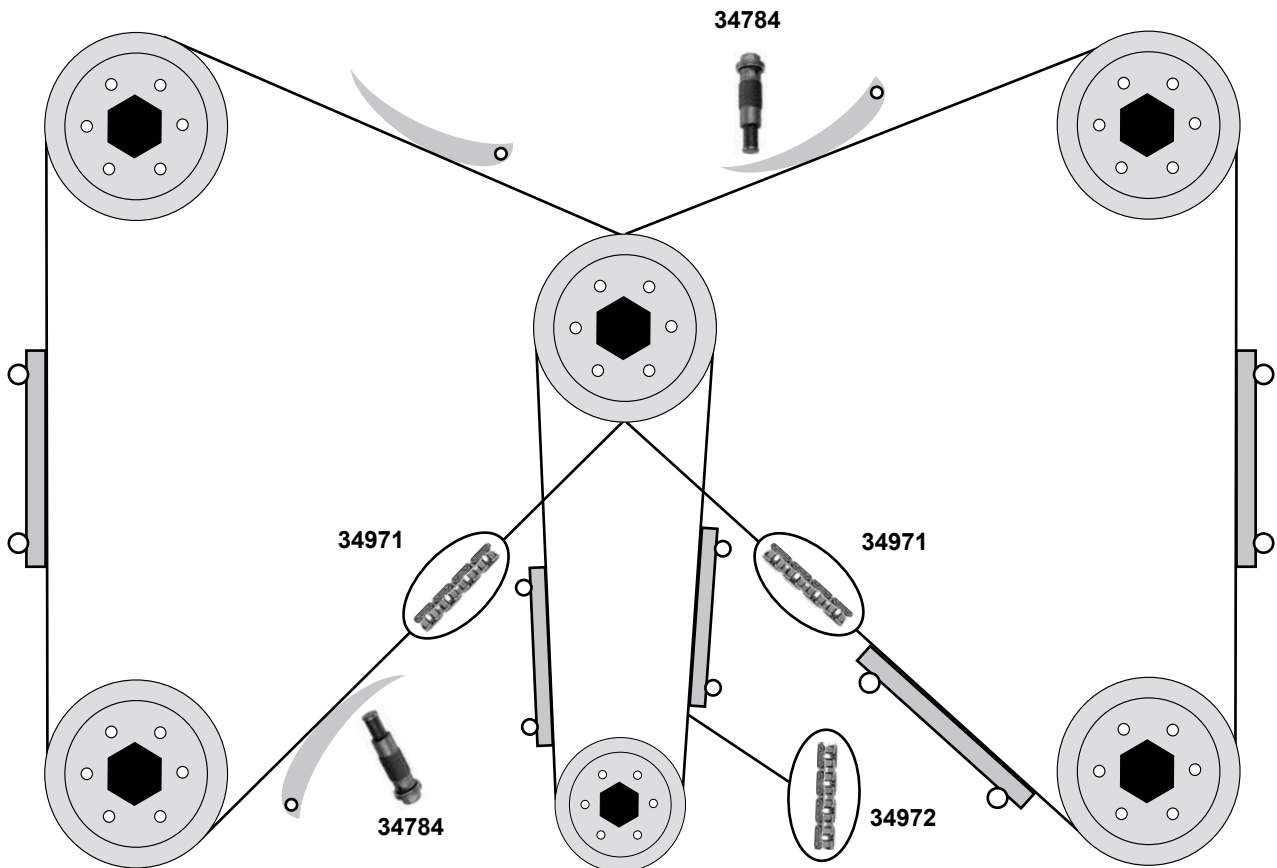
Ref. - No.



34532	996 102 360 51
34533	996 102 117 57
34534	996 102 118 56
34536	996 102 119 58
34540	997 102 260 00
34542	997 102 119 00

Spannhebel / Clamping lever
Spannrolle / tension roller
Umlenkrolle / deflection pulley
Umlenkrolle / deflection pulley
Riemenspanner / belt tensioner
Umlenkrolle / deflection pulley

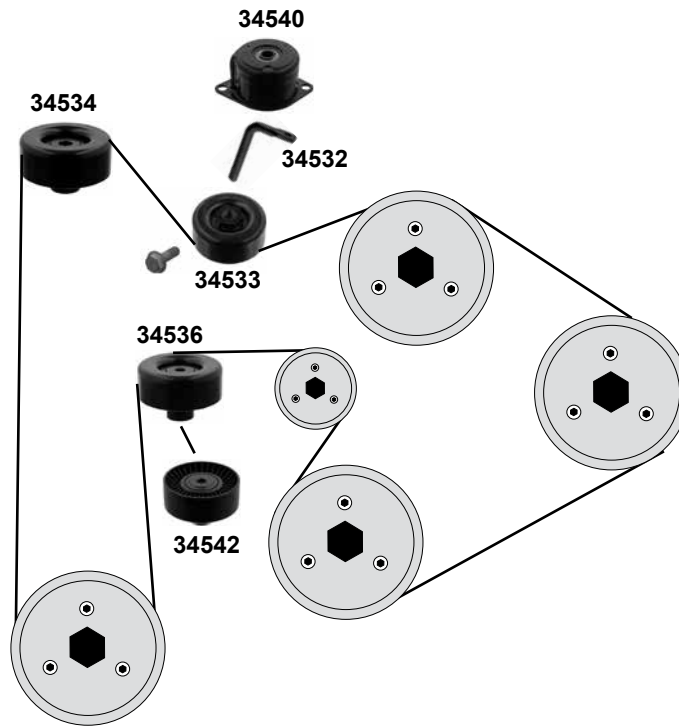
(1)
(2)
(1)
(3)
(1)
(4)



Ref. - No.



<b>34784</b>	9A1 105 157 02	Kettenspanner / chain tensioner
<b>34971</b>	9A1 105 142 02	Steuerkette / timing chain
<b>34972</b>	9A1 105 233 02	Steuerkette für Ölpumpe / timing chain for oil pump
<b>34973</b>	9A1 105 142 02 S1	Rep. Satz Steuerkette / rep. kit timing chain



- (1) 987 (mot.) M99.25 / M96.26 / M97.20 / M97.21 / M97.22  
987C (mot.) M97.20 / M97.21
- (2) 987C (mot.) M97.20 / M97.21 mit Tiptronic / with tiptronic
- (3) 987C (mot.) M97.20 / M97.21 (ex.) man.
- (4) 987C (mot.) M97.20 Schaltgetriebe / manual transmission



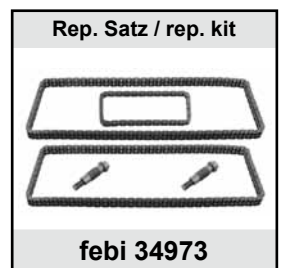
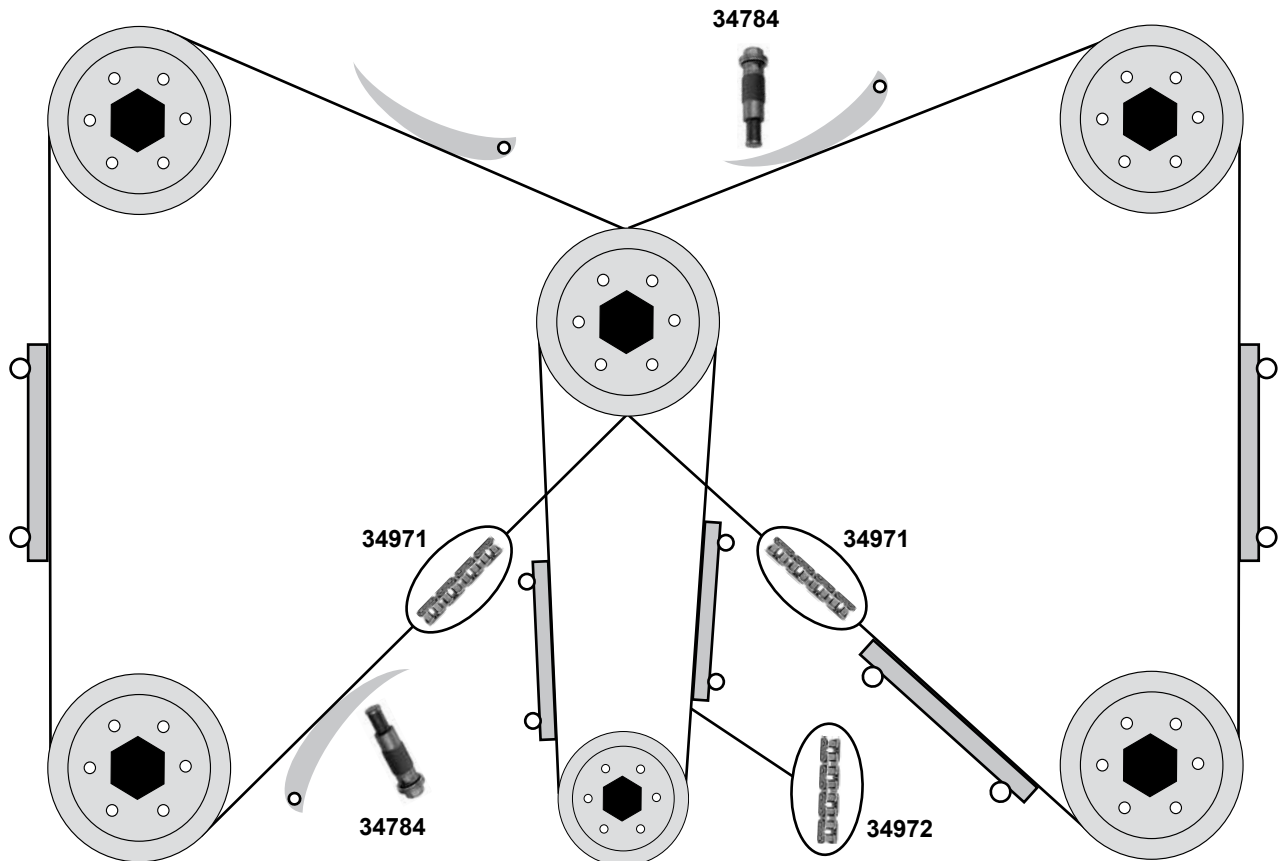
Ref. - No.



<b>34532</b>	996 102 360 51
<b>34533</b>	996 102 117 57
<b>34534</b>	996 102 118 56
<b>34536</b>	996 102 119 58
<b>34540</b>	997 102 260 00
<b>34542</b>	997 102 119 00

Spannhebel / Clamping lever
Spannrolle / tension roller
Umlenkrolle / deflection pulley
Umlenkrolle / deflection pulley
Riemenspanner / belt tensioner
Umlenkrolle / deflection pulley

(1)
(2)
(1)
(3)
(1)
(4)



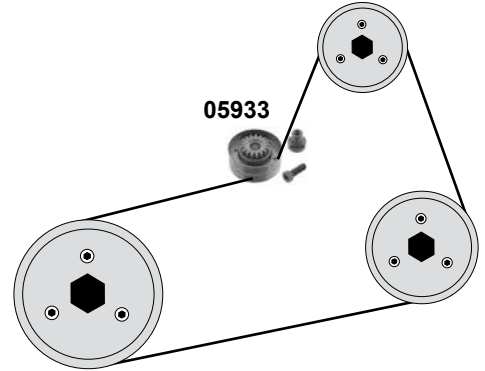
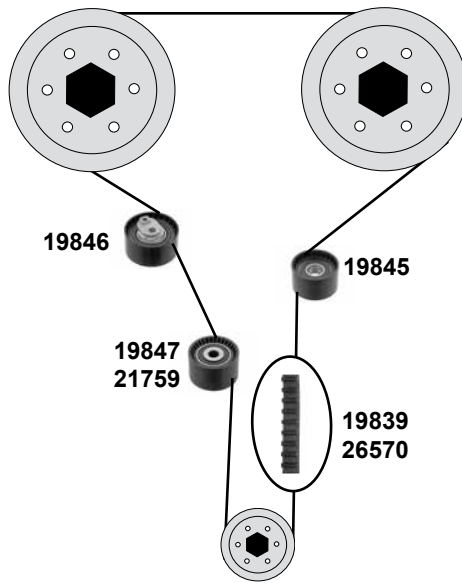
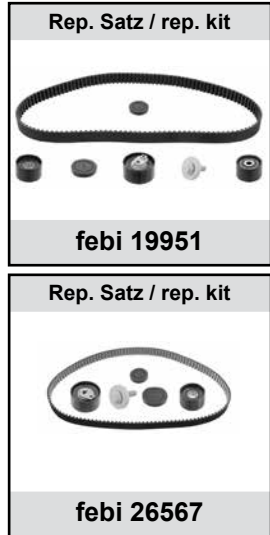
Ref. - No.



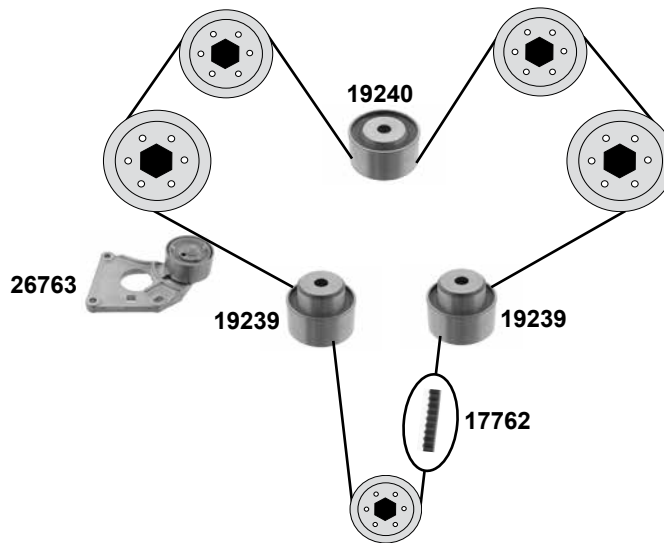
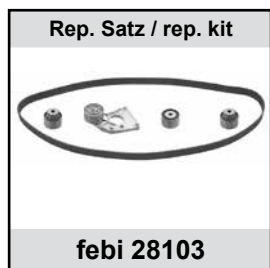
<b>34784</b>	9A1 105 157 02	Kettenspanner / chain tensioner
<b>34971</b>	9A1 105 142 02	Steuerkette / timing chain
<b>34972</b>	9A1 105 233 02	Steuerkette für Ölpumpe / timing chain for oil pump
<b>34973</b>	9A1 105 142 02 S1	Rep. Satz Steuerkette / rep. kit timing chain



## 2,0 16V (F4R)

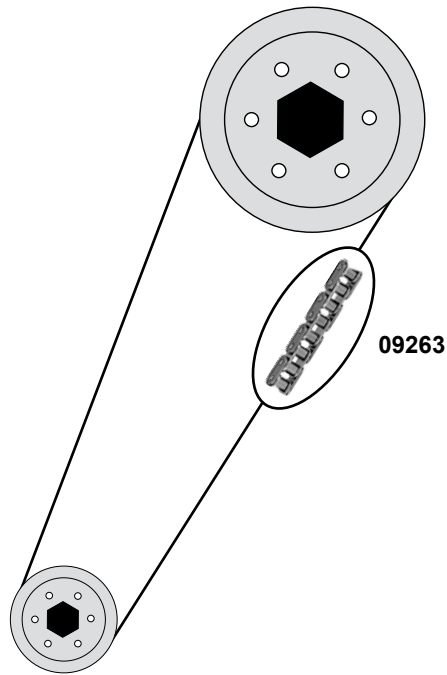


## 3,0 V6 24V (L7X)

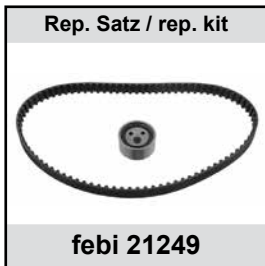
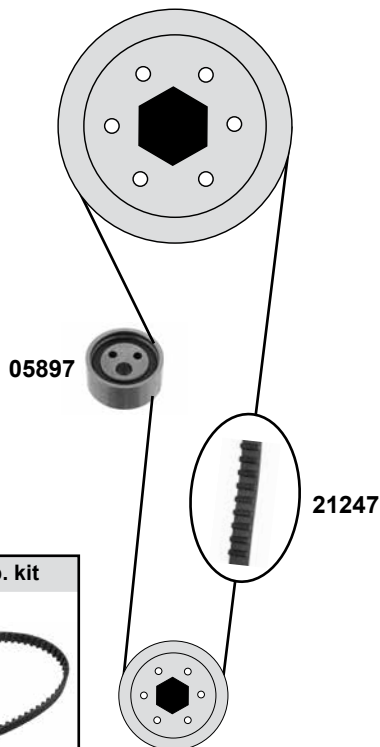


	Ref. - No.			
05933	77 00 851 321	Spannrolle / tension roller	AC	ØA 70 B28
17762	96 18 337 580	Zahnriemen / timing belt		Z 259
19239	96 16 660 580	Umlenkrolle / deflection pulley		ØA 65 B36/54
19240	96 16 660 780	Umlenkrolle / deflection pulley		ØA 65 B36
19839	77 01 063 999	Zahnriemen / timing belt	→Modell 04/01	Z 128
19845	82 00 483 288	Umlenkrolle / deflection pulley	→Modell 04/01	ØA 54 ØI 19 B32
19846	82 00 676 404	Spannrolle / tension roller		ØA 66 B32
19847	77 00 107 150	Umlenkrolle / deflection pulley	→Modell 04/01	ØA 54 B32
19951	77 01 472 292	Rep. Satz Zahnriemen / rep. kit timing belt	→Modell 04/01	Z 128
21759	82 00 064 664	Umlenkrolle / deflection pulley	Modell 04/01→	ØA 54 ØI 12 B32
26567	77 01 474 023	Rep. Satz Zahnriemen / rep. kit timing belt	Modell 04/01→	Z 128
26570	82 00 542 739	Zahnriemen / timing belt	Modell 04/01→	
26763	96 42 184 080	Spannrolle / tension roller		ØA 70 B36
28103	77 01 473 569	Rep. Satz Zahnriemen / rep. kit timing belt		Z 259

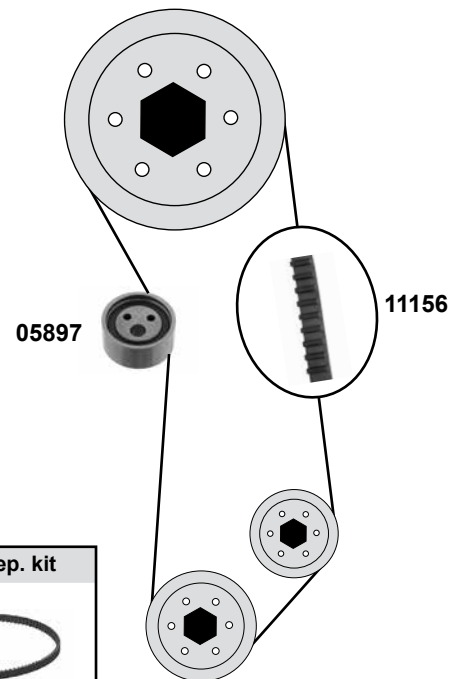
**1,2**  
(C1E-100 / C3G)



**1,2**  
(D7D-730)



**1,2 / 1,4**  
(E5F / E6J / E7F / E7J)



Ref. - No.

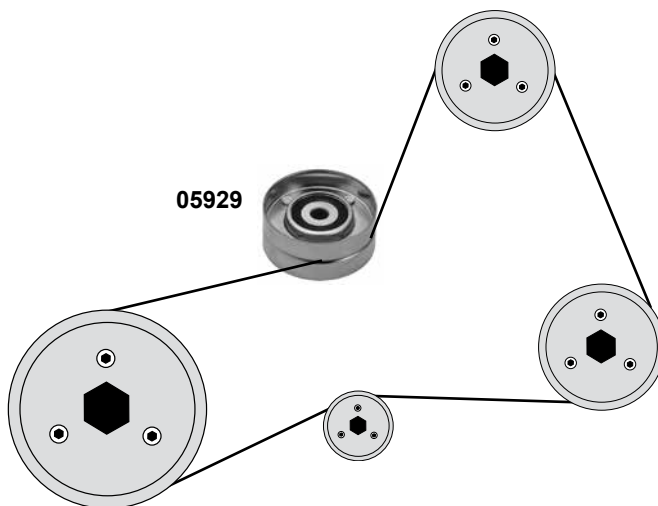
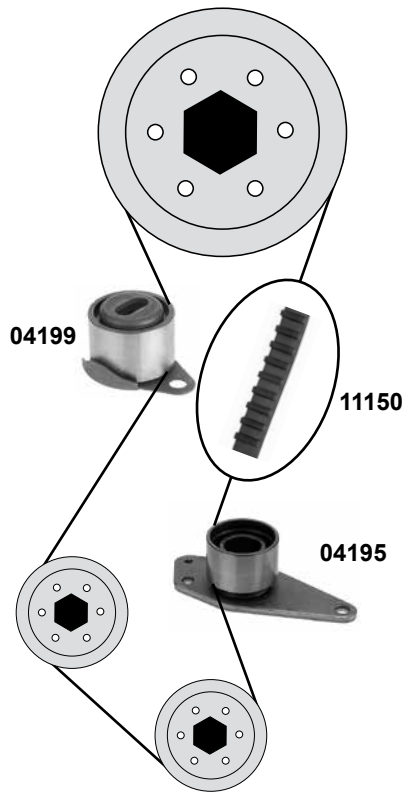


<b>05897</b>	77 00 736 085
<b>09263</b>	77 00 722 758
<b>11156</b>	77 00 736 969
<b>11157</b>	77 01 472 726
<b>21247</b>	82 00 545 581
<b>21249</b>	77 01 477 013

Spannrolle / tension roller
Rollenkette einfach / roller chain simple
Zahnriemen / timing belt
Rep. Satz Zahnriemen / rep. kit timing belt
Zahnriemen / timing belt
Rep. Satz Zahnriemen / rep. kit timing belt

ØA 50 B22
Z 87 B17

**1,7**  
(F2N)



Ref. - No.

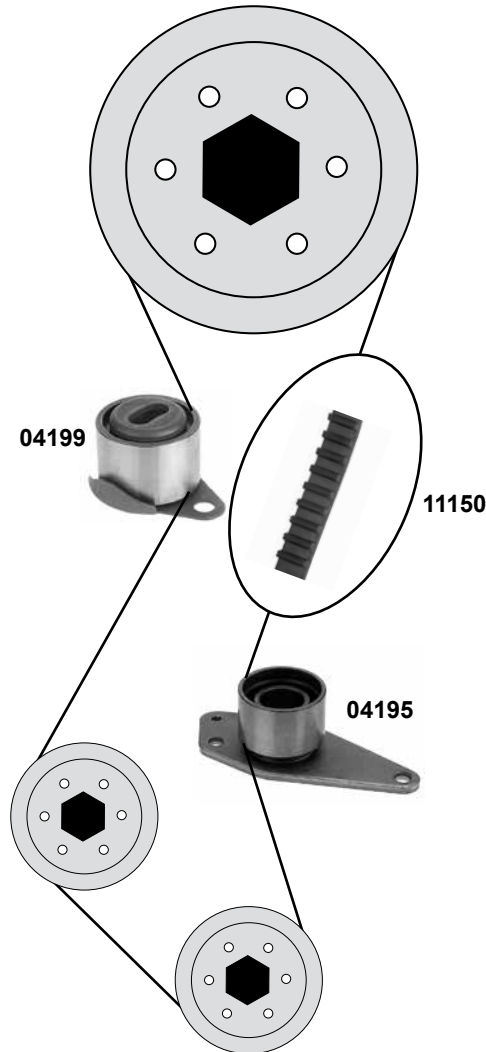


**04195** 82 00 051 091  
**04199** 77 00 726 440  
**05929** 77 00 850 603  
**11150** 77 00 725 577  
**11151** 77 01 468 167

Umlenkrolle / deflection pulley  
 Spannrolle / tension roller  
 Spannrolle / tension roller  
 Zahnriemen / timing belt  
 Rep. Satz Zahnriemen / rep. kit timing belt

servo 

ØA 50 B31  
 ØA 50 ØI 23,5 B31  
 ØA 70 B30



(1) (mot.) (B57) 710 (1/93→95) / (B57) 755 (1/85→4/95) / (C57) 710/714 (1/93→)  
(C57) 712/755/758 (6/90→4/95) / (B57) 754/755 (1/96→98) / (C57) (1/96→98)



Ref. - No.



<b>04195</b>	82 00 051 091	Umlenkrolle / deflection pulley	ØA 50 B31
<b>04199</b>	77 00 726 440	Spannrolle / tension roller	ØA 50 ØI 23,5 B31
<b>11150</b>	77 00 725 577	Zahnriemen / timing belt	
<b>11151</b>	77 01 468 167	Rep. Satz Zahnriemen / rep. kit timing belt	

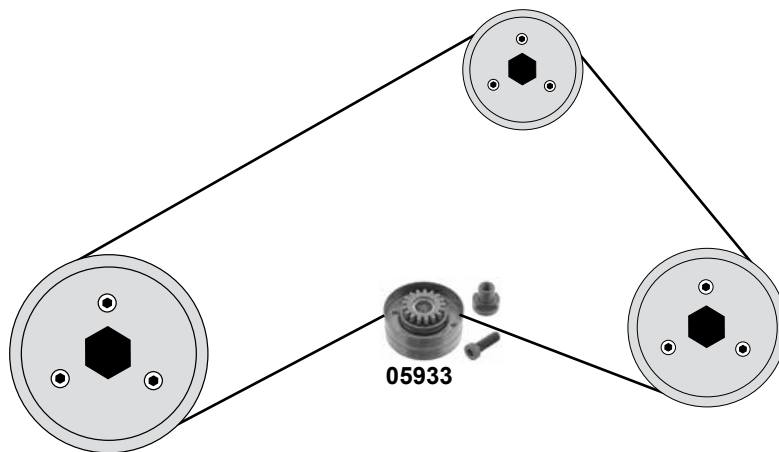
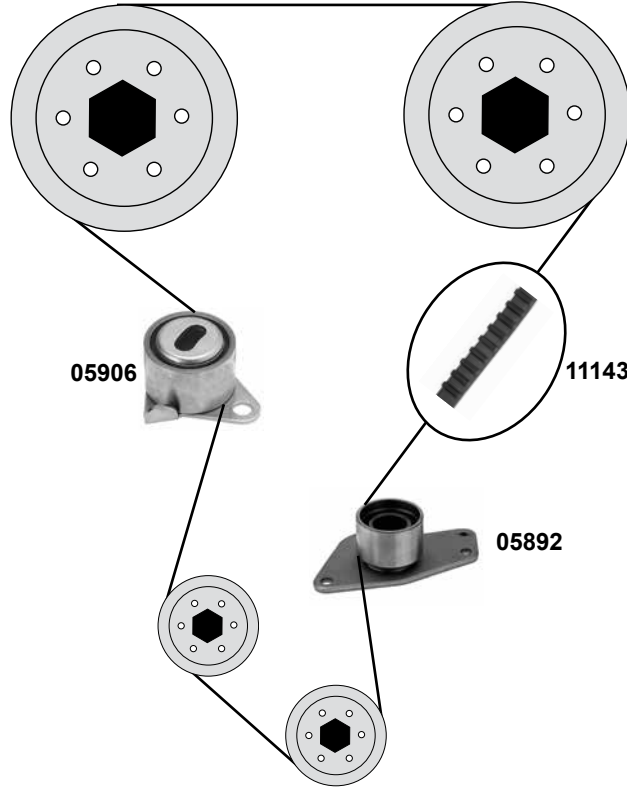


# RENAULT Clio 1 (85→98)

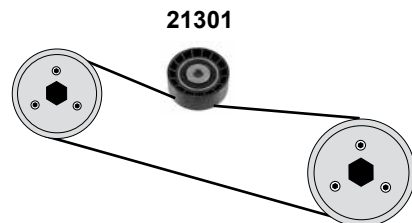
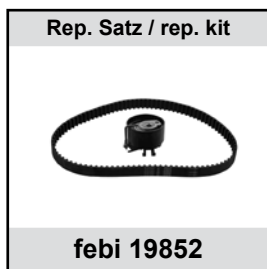
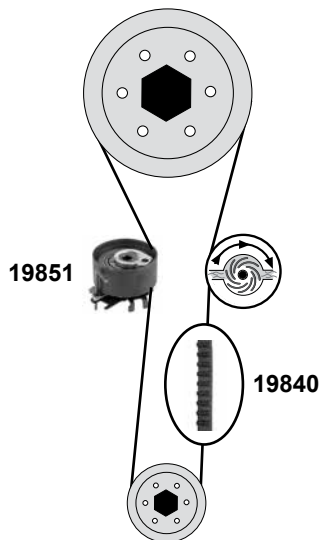
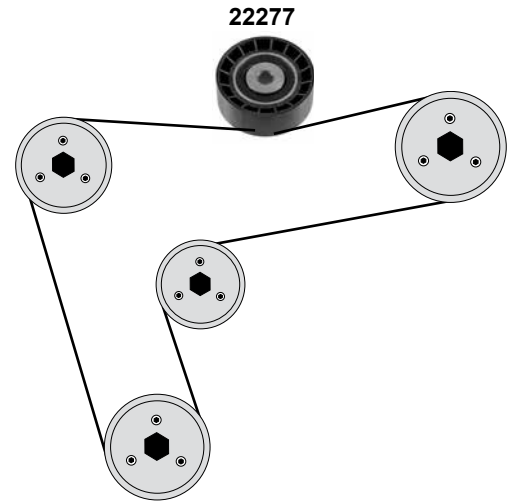
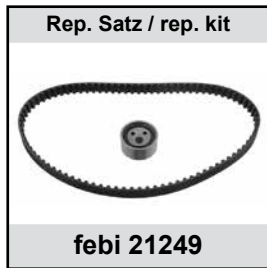
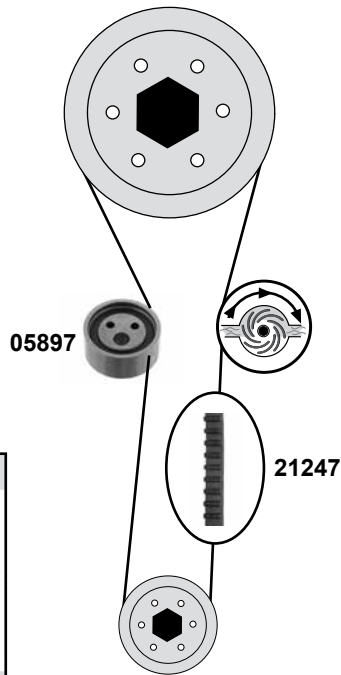
Car  
Division



**1,8 16V / 2,0 16V**  
(F7P / F7R)



febi bilstein	Ref. - No.			
05892	82 00 469 376	Umlenkrolle / deflection pulley	servo	ØA 50 B30,5 ØA 50 B30,5 ØA 70 B28 Z 148 B25,4
05906	77 00 736 419	Spannrolle / tension roller		
05933	77 00 851 321	Spannrolle / tension roller		
11143	77 00 743 777	Zahnriemen / timing belt		
11144	77 01 469 775	Rep. Satz Zahnriemen / rep. kit timing belt		

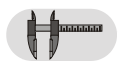


(1) D7F-726, 720 AC + servo

(2) D7F-726, 720 04/00→ / D7F-726 98→ AC + servo



Ref. - No.



<b>05897</b>	77 00 736 085	Spannrolle / tension roller		ØA 50 B22
<b>19840</b>	82 00 106 085	Zahnriemen / timing belt		Z 95 B23,4
<b>19851</b>	82 00 704 394	Spannrolle / tension roller		ØA 59 B24
<b>19852</b>	77 01 476 745	Rep. Satz Zahnriemen / rep. kit timing belt		Z 95 B23,4
<b>21247</b>	82 00 545 581	Zahnriemen / timing belt		Z 87 B17
<b>21249</b>	77 01 477 013	Rep. Satz Zahnriemen / rep. kit timing belt		
<b>21301</b>	82 00 901 288	Umlenkrolle / deflection pulley	(2)	
<b>22277</b>	77 00 869 666	Umlenkrolle / deflection pulley	(1)	ØA 56 B24

# RENAULT

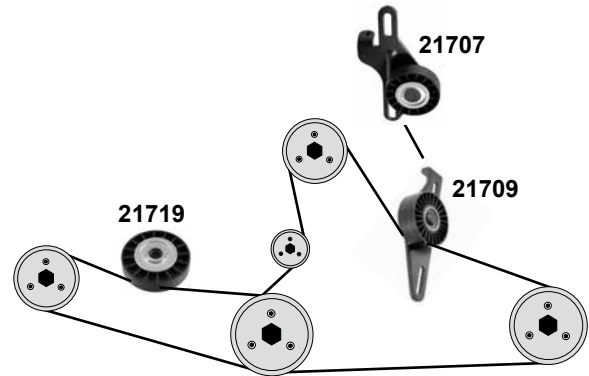
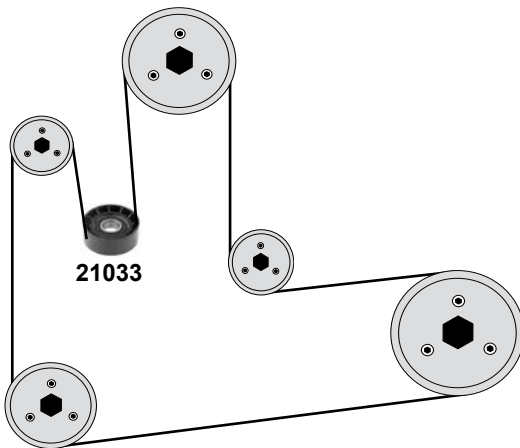
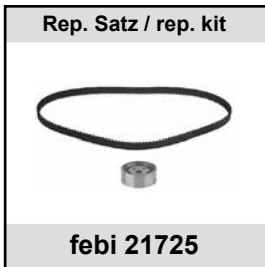
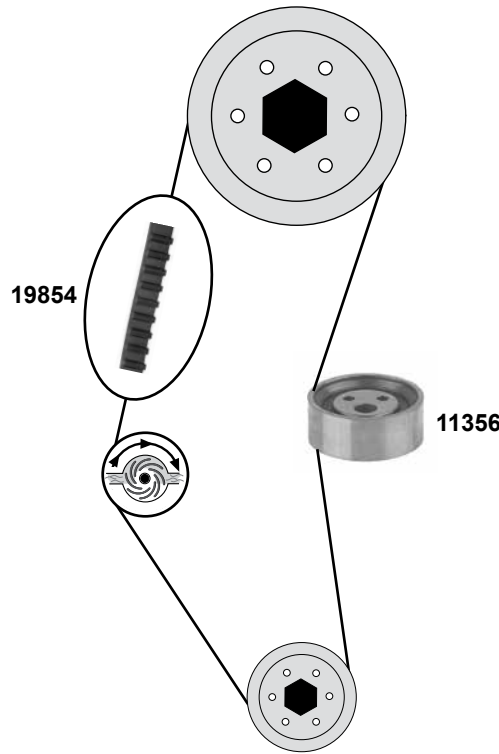
## Clio 2

(98→05)

Car  
Division



**1,4 / 1,6**  
(E7J / K7J / K7M)



(1) (ex.) AC / E7J-634, 635 / K7M-746 / K7J-700, 701

(2) AC K4J /K4M / K7J / E7J-634, 635

(3) (ex.) AC / E7J-780 / K7M-744, 745



Ref. - No.



<b>11356</b>	82 00 211 784
<b>19854</b>	82 00 537 021
<b>21033</b>	82 00 104 754
<b>21707</b>	77 00 870 432
<b>21709</b>	82 00 582 997
<b>21719</b>	77 00 869 684
<b>21725</b>	77 01 477 024

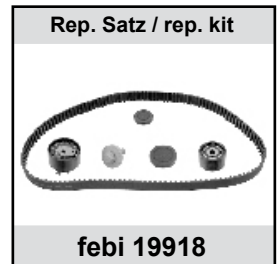
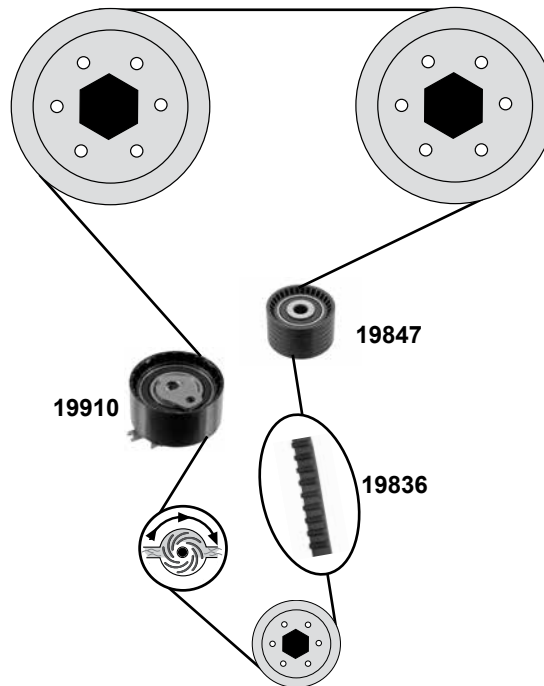
Spannrolle / tension roller
Zahnriemen / timing belt
Umlenkrolle / deflection pulley
Riemenspanner / belt tensioner
Riemenspanner / belt tensioner
Spannrolle / tension roller
Rep. Satz Zahnriemen / rep. kit timing belt

(2)  
(3)  
(1)  
(mot.) E7J 780

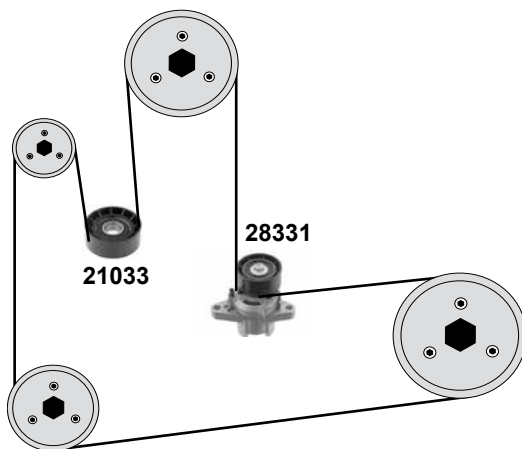
ØA 55 B22
Z 96 B17
ØA 60,2 B25,5
ØA 70 B18
ØA 70 B25,5
ØA 70 B15



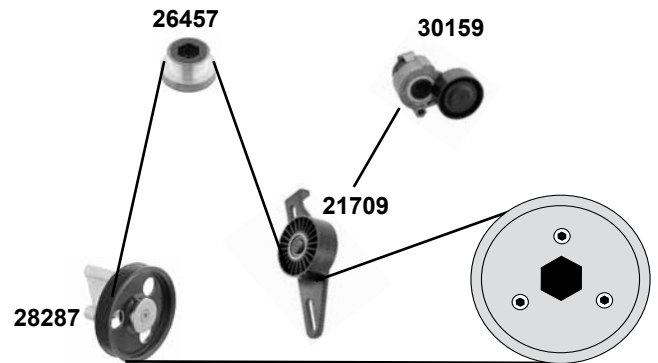
**1,4 16V / 1,6 16V**  
(K4J / K4M)



**AC**



**(ex.) AC**



- (1) (ex.) AC (mot.) K4J-710-713 / K4M-708, 732, 734, 740, 742, 743, 746, 748 / K7M-746 / E7J-634,635  
 (2) (ex.) AC (mot.) K4J-710, 711 / K4M-744, 745, 746 / (ex.) AC (ex.) servo (mot.) K4M-742, 743  
 (3) AC (mot.) K4J-710 - 713 / K4M-708, 732, 734, 736, 740, 742, 743, 746, 748 (mot.) K4J-744, 745→09/04  
 (4) (mot.) K4J-711 06/04→05  
 (5) (mot.) K4J-710,711,712,713 / K4M-708,740,748



Ref. - No.



Ref. - No.	Description	Part No.	Notes
19836	Zahnriemen / timing belt	82 00 537 026	(mot.) K4J / K4M
19847	Umlenkrolle / deflection pulley	77 00 107 150	(mot.) K4J / K4M
19910	Spannrolle / tension roller	77 00 108 117	(5)
19918	Rep. Satz Zahnriemen / rep. kit timing belt	77 01 477 014	(5)
21033	Umlenkrolle / deflection pulley	82 00 104 754	AC
21709	Riemenspanner / belt tensioner	82 00 582 997	(1)
26457	Generatorfreilauf / Freewheel Clutch, generator	77 00 110 616	Valeo
28287	Umlenkrolle / deflection pulley	82 00 641 468	(2)
28331	Riemenspanner / belt tensioner	82 00 277 606	(3)
30159	Riemenspanner / belt tensioner	82 00 608 550	(4)

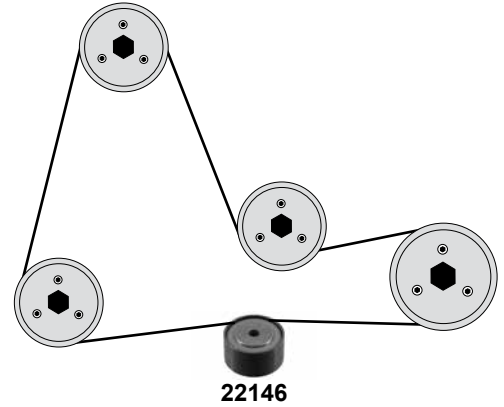
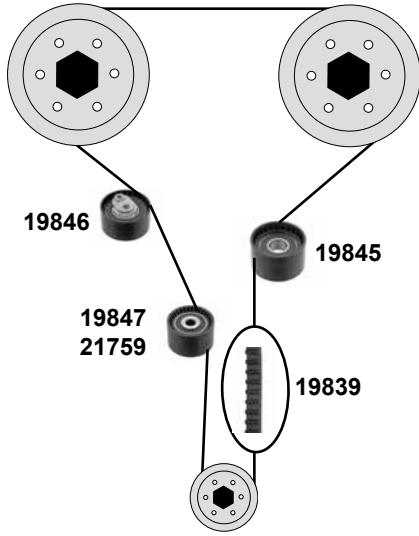
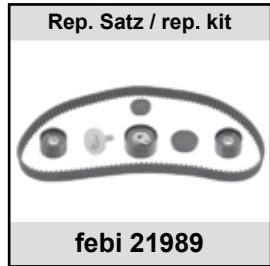
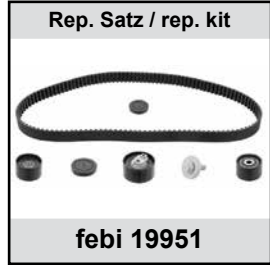
# RENAULT

## Clio 2

(98→05)

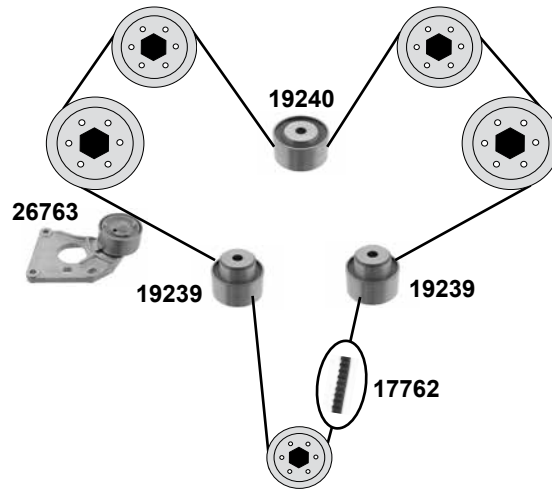
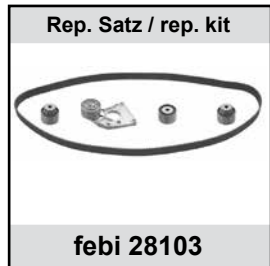
### 2,0 16V

(F4R-730/732/736)



### RS Sport V6

(L7X)



(1) F4R-730 alle / all  
F4R-732,736→Modell 04/01

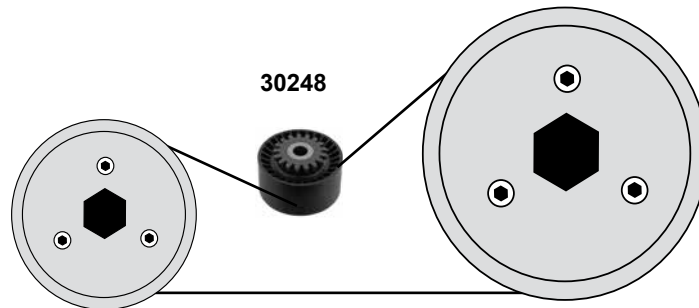
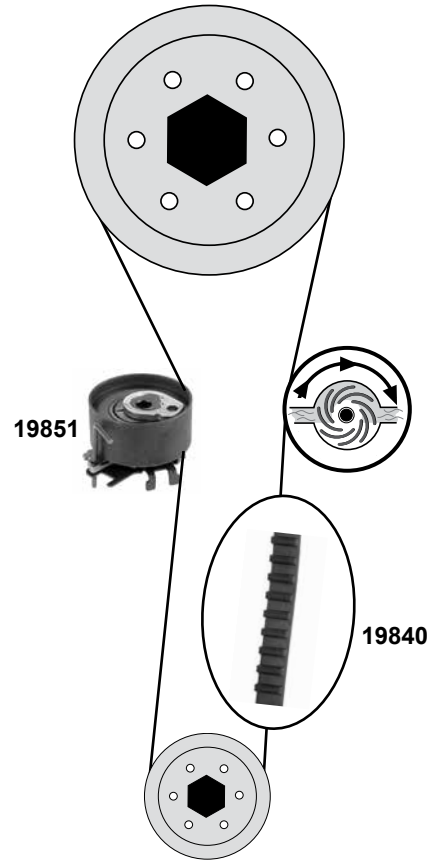
(2) F4R-732,736 Modell 04/01→



Ref. - No.



Ref. - No.	Description	Quantity	Dimensions
17762	Zahnriemen / timing belt		Z259
19239	Umlenkrolle / deflection pulley		ØA 65 B36/54
19240	Umlenkrolle / deflection pulley		ØA 65 B36
19845	Umlenkrolle / deflection pulley		ØA 54 ØI 19 B32
19847	Umlenkrolle / deflection pulley	(1)	ØA 54 B32
19846	Spannrolle / tension roller		ØA 66 B32
19839	Zahnriemen / timing belt		Z 128
19951	Rep. Satz Zahnriemen / rep. kit timing belt	(1)	Z 128
21759	Umlenkrolle / deflection pulley	(2)	ØA 54 ØI 12 B32
21989	Rep. Satz Zahnriemen / rep. kit timing belt	(2)	Z 128
22146	Umlenkrolle / deflection pulley	AC	ØA 50 ØI 8 B26
26763	Spannrolle / tension roller		ØA 70 B36
28103	Rep. Satz Zahnriemen / rep. kit timing belt		Z259



Ref. - No.



**19840**  
**19851**  
**19852**  
**30248**

82 00 106 085  
82 00 704 394  
77 01 476 745  
82 00 769 155

Zahnriemen / timing belt  
Spannrolle / tension roller  
Rep. Satz Zahnriemen / rep. kit timing belt  
Umlenkrolle / deflection pulley

Z 95 B23,4  
ØA59 H28,3/24,45  
Z 95 B23,4  
ØA60 H30

# RENAULT

## Clio 3

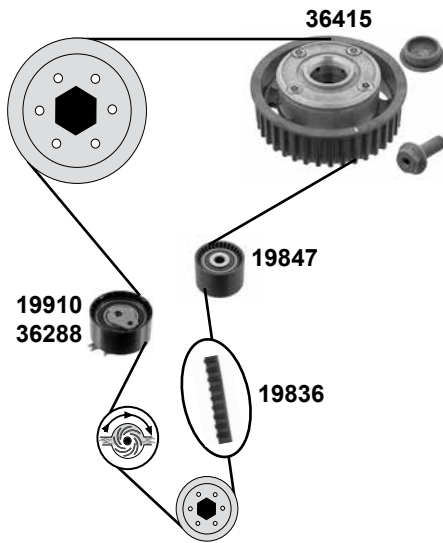
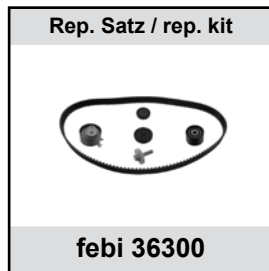
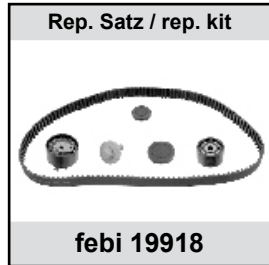
(05→12)

Car  
Division



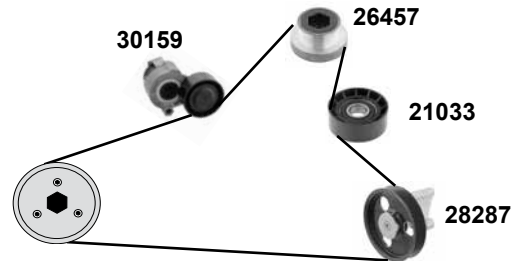
### 1,4 16V/ 1,6 16V

(K4J / K4M)



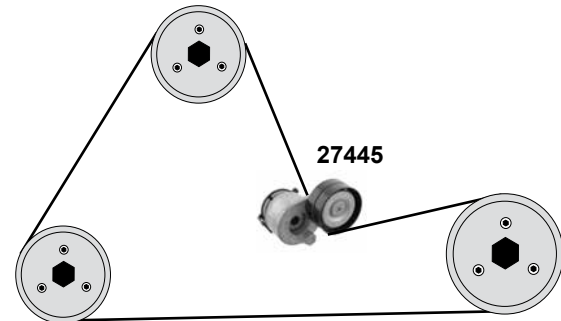
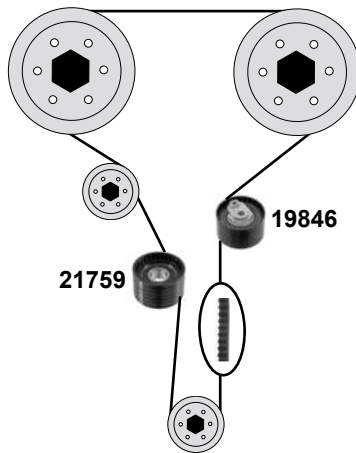
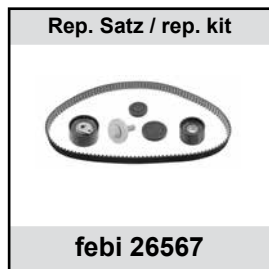
### 1,4 / 1,6

(K4J / K4M)



### 2,0 16V

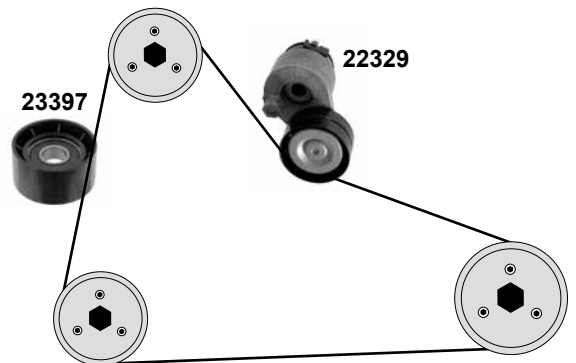
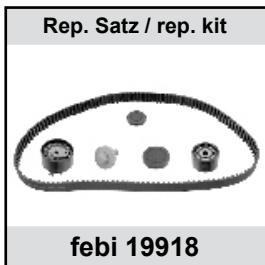
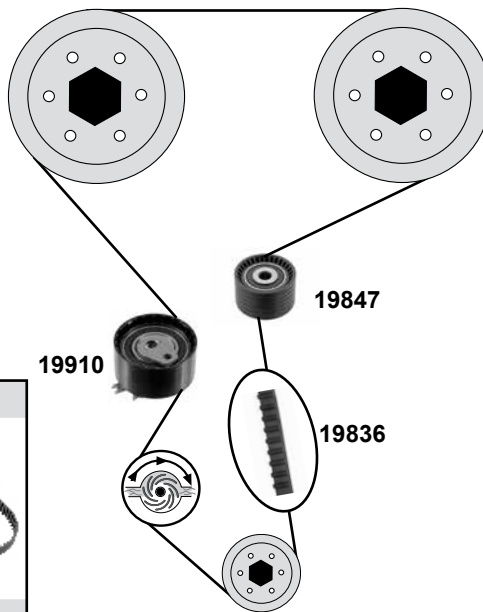
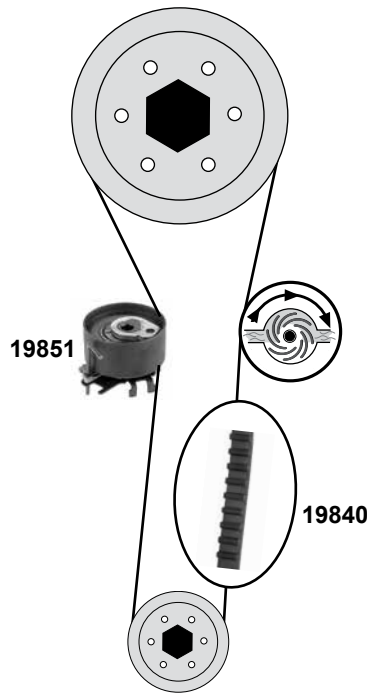
(F4R)



Ref. - No.



<b>19836</b>	82 00 537 026	Zahnriemen / timing belt		Z 132 B27
<b>19846</b>	82 00 061 345	Spannrolle / tension roller	(mot.) F4R-730	ØA 66 H32
<b>19847</b>	77 00 107 150	Umlenkrolle / deflection pulley		ØA 54 B32
<b>19910</b>	77 00 108 117	Spannrolle / tension roller	(mot.) K4J-780 / →08/10	ØA 65 B32
<b>19918</b>	77 01 477 014	Rep. Satz Zahnriemen / rep. kit timing belt	(mot.) K4J-780 / →08/10	
<b>21033</b>	82 00 104 754	Umlenkrolle / deflection pulley	AC	ØA 60,2 ØI 17 B25,5
<b>21759</b>	82 00 064 664	Umlenkrolle / deflection pulley	(mot.) F4R-730	ØA 54 ØI 12 H 32
<b>26457</b>	77 00 110 616	Generatorfreilauf / Freewheel Clutch, generator	Valeo / Bosch	ØA 78 B40,2
<b>26567</b>	77 01 477 093	Rep. Satz Zahnriemen / rep. kit timing belt	(mot.) F4R-730	
<b>27445</b>	82 00 472 180	Riemenspanner / belt tensioner		ØA65 H30
<b>28287</b>	82 00 641 468	Umlenkrolle / deflection pulley	(ex.) AC	ØA131,5
<b>30159</b>	82 00 608 550	Riemenspanner / belt tensioner		ØA 65
<b>36288</b>	82 00 623 883	Spannrolle / tension roller		ØA65 H32
<b>36300</b>	77 01 477 023	Rep. Satz Zahnriemen / rep. kit timing belt		
<b>36415</b>	77 01 478 505	Nockenwellenrad / camshaft timing gear		



Ref. - No.



<b>19836</b>	82 00 537 026	Zahnriemen / timing belt	→08/10	Z 132 B27
<b>19840</b>	82 00 106 085	Zahnriemen / timing belt		Z 95 B23,4
<b>19847</b>	77 00 107 150	Umlenkrolle / deflection pulley	→08/10	ØA 54 B32
<b>19851</b>	82 00 704 394	Spannrolle / tension roller		ØA59 H28,3/24,45
<b>19852</b>	77 01 476 745	Rep. Satz Zahnriemen / rep. kit timing belt		Z 95 B23,4
<b>19910</b>	77 00 108 117	Spannrolle / tension roller	→08/10	ØA65 B32
<b>19918</b>	77 01 477 014	Rep. Satz Zahnriemen / rep. kit timing belt	→08/10	
<b>22329</b>	82 00 071 402	Riemenspanner / belt tensioner	10→	ØA65 B30
<b>23397</b>	82 00 285 009	Umlenkrolle / deflection pulley		ØA 60

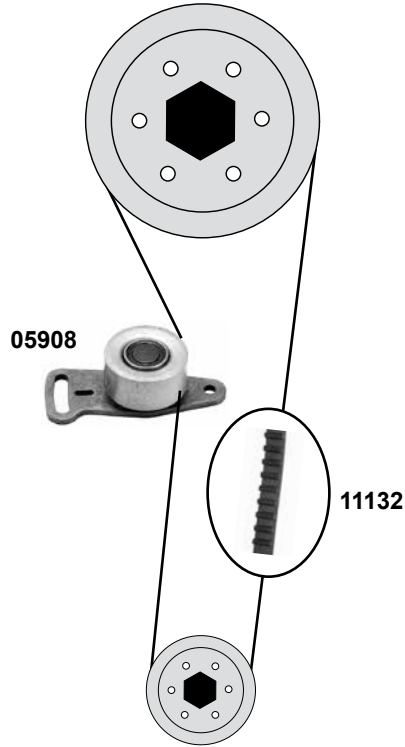


# RENAULT Espace 1 / 2 (85→96)

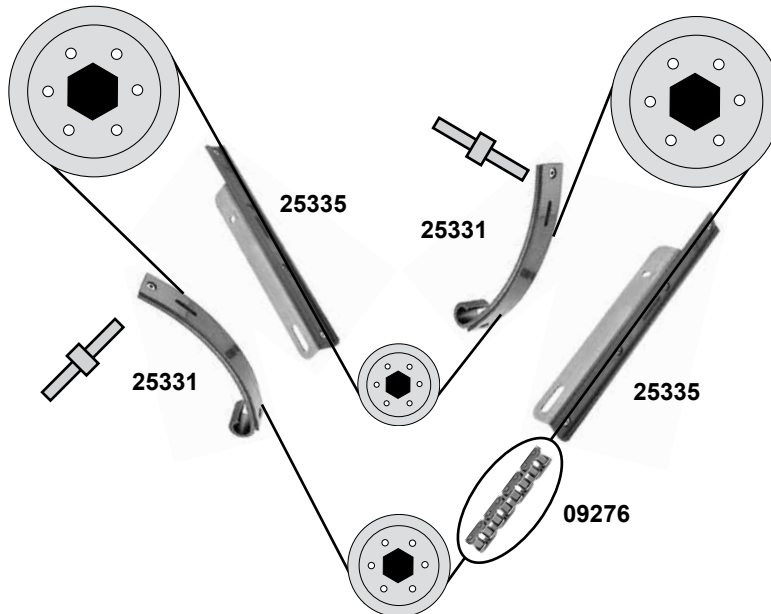
Car  
Division



**2,2**  
(J7T)



**2,8 V6**  
(Z7W-712,713)



Ref. - No.



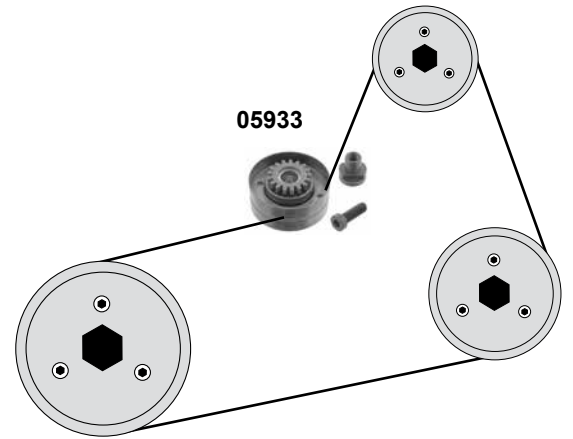
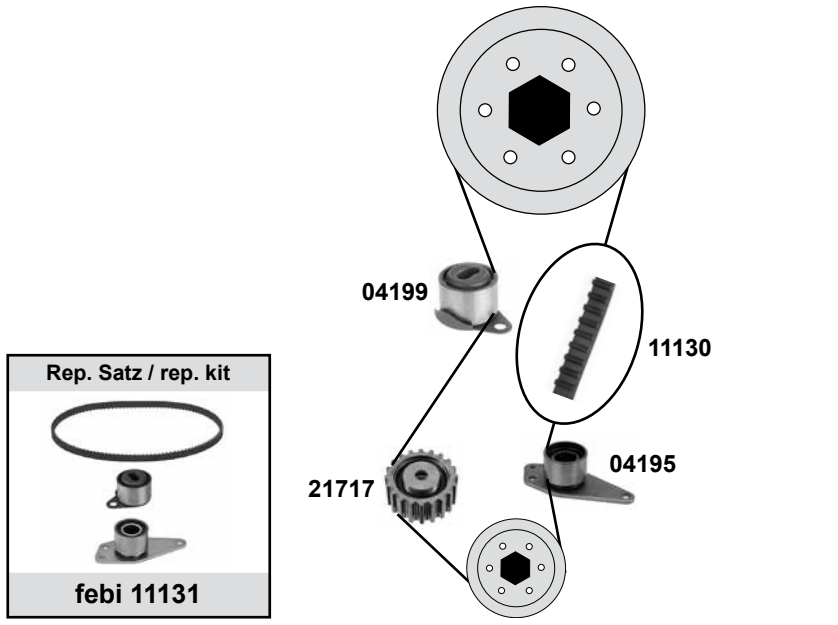
<b>05908</b>	77 00 871 168
<b>09276</b>	79 10 245 301
<b>11132</b>	77 00 856 351
<b>25331</b>	79 10 246 065
<b>25335</b>	79 10 247 528

Spannrolle / tension roller
Rollenkette einfach / roller chain simple
Zahnriemen / timing belt
Gleitschiene / sliding rail
Gleitschiene / sliding rail

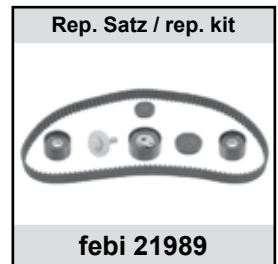
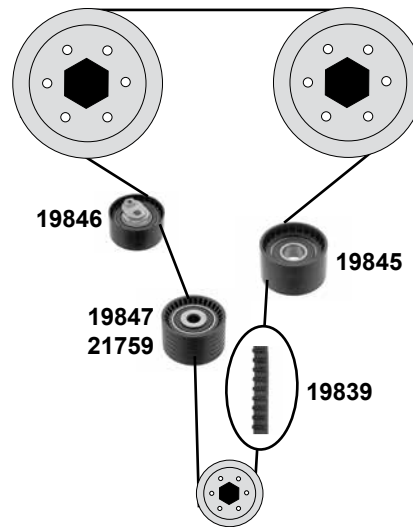
J7T-768

ØA 55 B26  
455 / 94 E

**2,0**  
(F3R)



**2,0 16V**  
(F4R-700, 701)



(1) D7F-726, 720 AC + servo



Ref. - No.



Ref. - No.	Description	Notes	Dimensions
04195	Umlenkrolle / deflection pulley		ØA 50 B31
04199	Spannrolle / tension roller		ØA 50 B31
05933	Spannrolle / tension roller	AC	ØA 70 B28
11130	Zahnriemen / timing belt		Z 127 B19
11131	Rep. Satz Zahnriemen / rep. kit timing belt		
19839	Zahnriemen / timing belt		Z 128
19845	Umlenkrolle / deflection pulley		ØA 54 ØI 19 B32
19846	Spannrolle / tension roller		ØA 66 B32
19847	Umlenkrolle / deflection pulley	→ Modell 04/01	ØA 54 B32
19951	Rep. Satz Zahnriemen / rep. kit timing belt	→ Modell 04/01	Z 128
21717	Umlenkrolle / deflection pulley	(1)	ØA 59,4 B25
21759	Umlenkrolle / deflection pulley	Modell 04/01→	ØA 54 ØI 12 B32
21989	Rep. Satz Zahnriemen / rep. kit timing belt	Modell 04/01→	Z 128

# RENAULT Espace 3

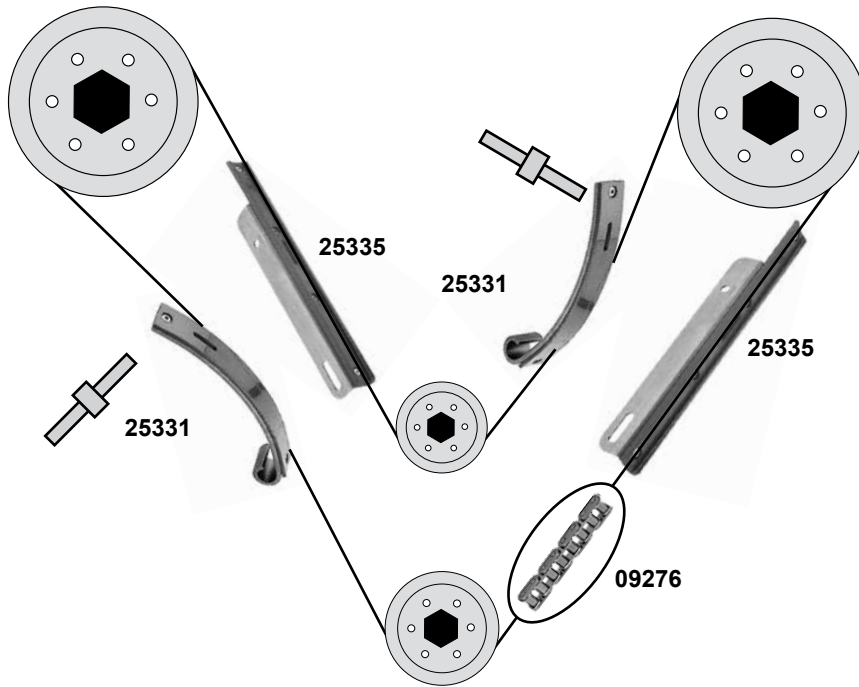
(96→01)

Car  
Division



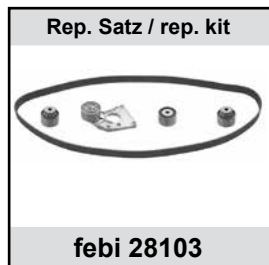
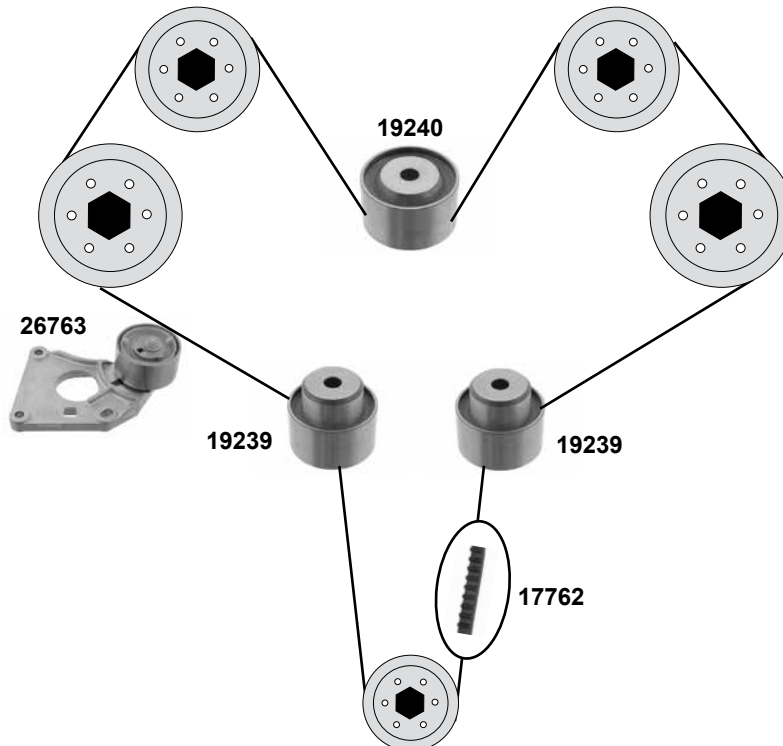
## 3,0 V6

(Z7X-721,722,723,753,755)



## 3,0 V6 24V

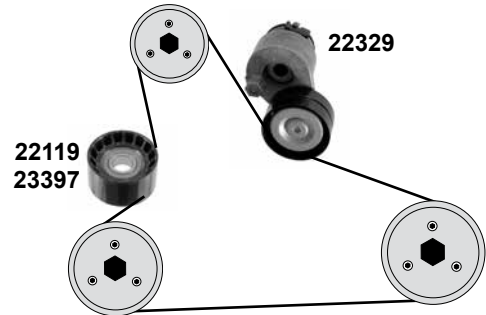
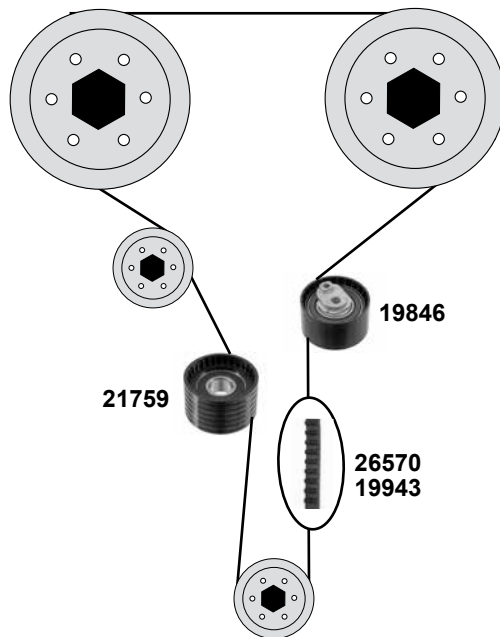
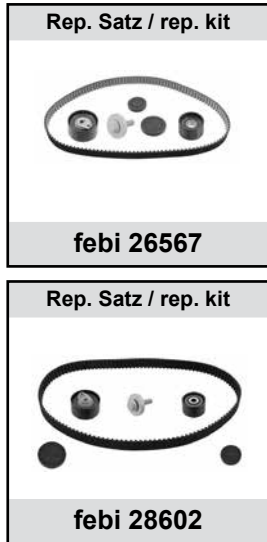
(L7X)



Ref. - No.	Ref. - No.	Ref. - No.	Ref. - No.
09276	79 10 245 301	Rollenkette einfach / roller chain simple	455 / 94 E
17762	96 18 337 580	Zahnriemen / timing belt	Z 259
19239	96 16 660 580	Umlenkrolle / deflection pulley	ØA 65 B36/54
19240	96 16 660 780	Umlenkrolle / deflection pulley	ØA 65 B36
25331	79 10 246 065	Gleitschiene / sliding rail	
25335	79 10 247 528	Gleitschiene / sliding rail	
26763	96 42 184 080	Spannrolle / tension roller	ØA 70 B36
28103	77 01 473 569	Rep. Satz Zahnriemen / rep. kit timing belt	Z 259

## 2,0 16V

(F4R-790,792,794,795,796,797,892,897)

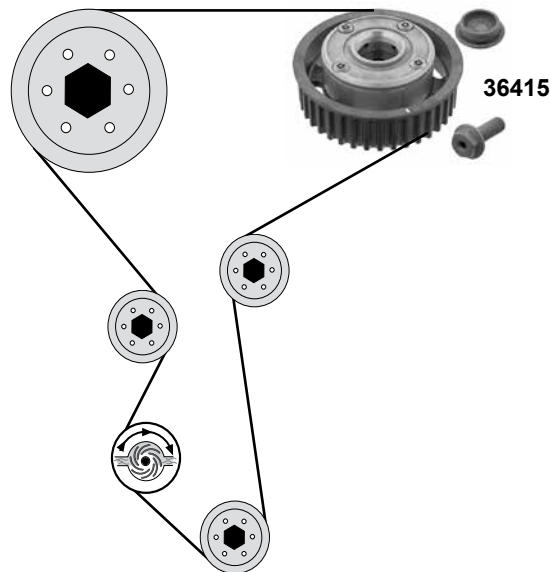


## Fluence

(10→)

**1,6**

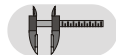
(K4M-838,839)



- (1) (mot.) F4R-790,794,795
- (2) (mot.) F4R-792,797,892,897
- (3) (mot.) F4R-790,792,794,795,796,797,892,897
- (4) (mot.) F4R-790,792,796,797 02→



Ref. - No.



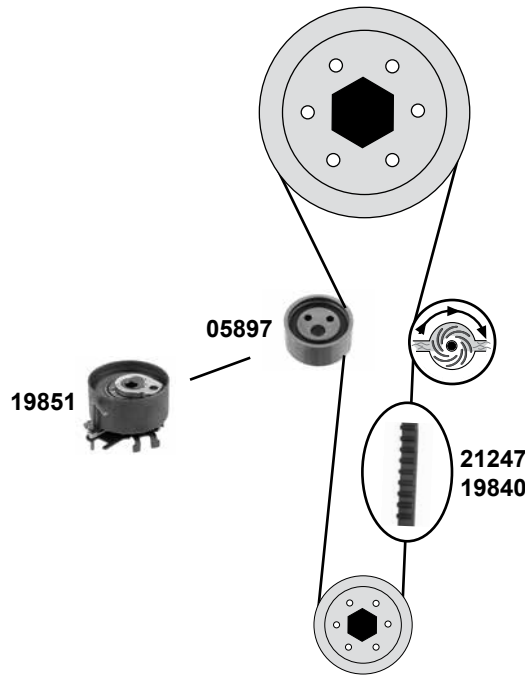
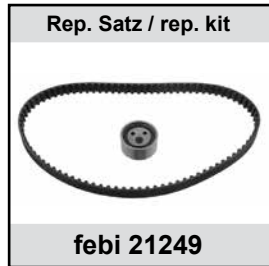
Ref. - No.	Description	Quantity	Dimensions
19846	Spannrolle / tension roller		ØA 66 B32
19943	Zahnriemen / timing belt	(1)	Z 126 B27
21759	Umlenkrolle / deflection pulley		ØA 54 ØI 12 B32
22119	Umlenkrolle / deflection pulley	(3)	
22329	Riemenspanner / belt tensioner	(1)	ØA 65 B30
23397	Umlenkrolle / deflection pulley	(4)	ØA 60
26567	Rep. Satz Zahnriemen / rep. kit timing belt	(2)	Z 126 B27
26570	Zahnriemen / timing belt	(2)	Z 126 B27
28602	Rep. Satz Zahnriemen / rep. kit timing belt	(1)	
36415	Nockenwellenrad / camshaft timing gear		

# RENAULT Kangoo I (98→08)

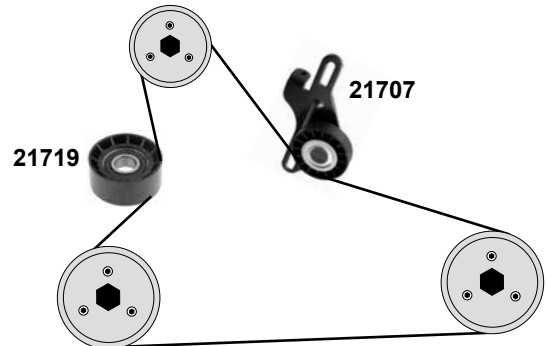
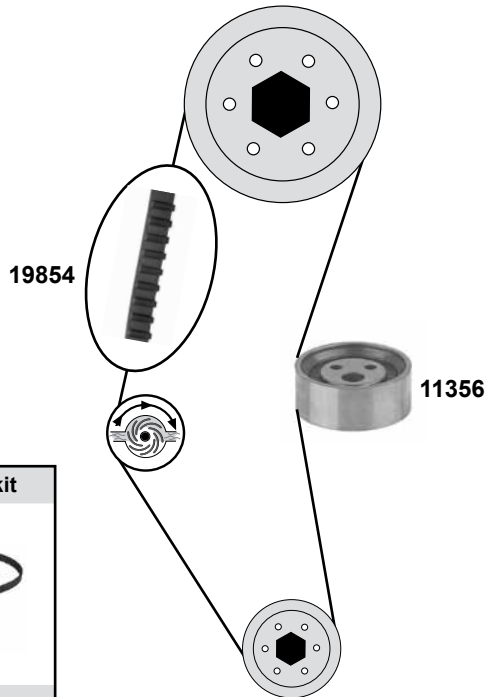
Car  
Division



## 1,2 / 1,2 16V (D7D / D7F / D4D / D4F)



## 1,4 / 1,6 (E7J / K7J / K7M)

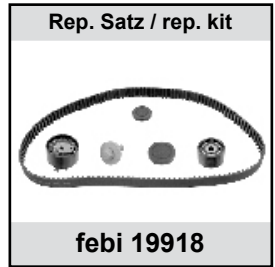
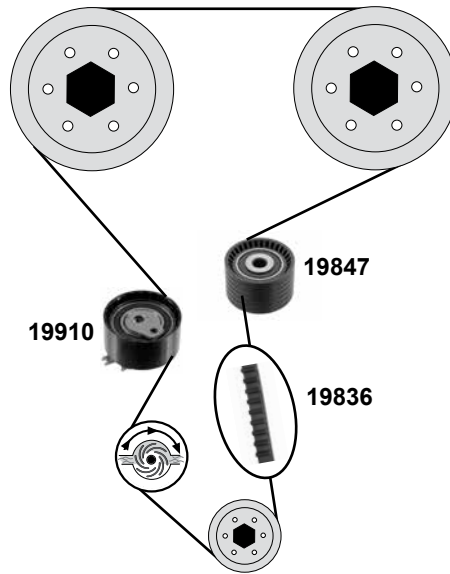


Ref. - No.



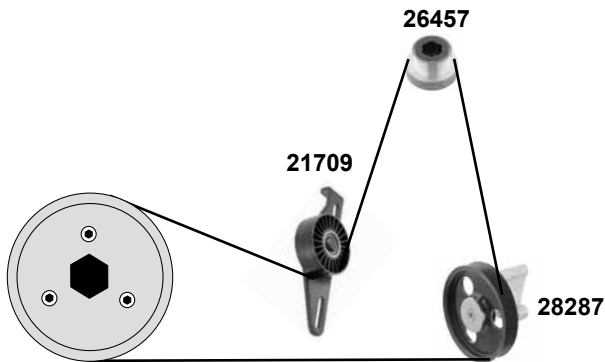
05897	77 00 736 085	Spannrolle / tension roller	D7D / D7F (ex.) 16V	ØA 50 B22
11356	82 00 211 784	Spannrolle / tension roller		ØA 55 B22
19840	82 00 106 085	Zahnriemen / timing belt	D4D / D4F 16V	Z 95 B23,4
19851	82 00 704 394	Spannrolle / tension roller	D4D / D4F 16V	ØA 59 ØI 28 B24
19852	77 01 476 745	Rep. Satz Zahnriemen / rep. kit timing belt	D4D / D4F 16V	Z 95 B23,4
19854	82 00 537 021	Zahnriemen / timing belt		Z 96 B17
21247	82 00 545 581	Zahnriemen / timing belt	D7D / D7F (ex.) 16V	Z 87 B17
21249	77 01 477 013	Rep. Satz Zahnriemen / rep. kit timing belt	D7D / D7F (ex.) 16V	
21707	77 00 870 432	Riemenspanner / belt tensioner	(ex.) AC E7J-780	ØA 70 B18
21719	77 00 869 684	Umlenkrolle / deflection pulley	E7J-780	ØA 70 B15
21725	77 01 477 024	Rep. Satz Zahnriemen / rep. kit timing belt		Z 96

**1,6 16V**  
(K4M)



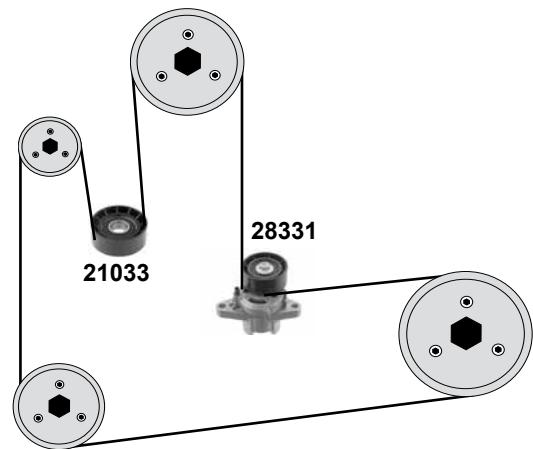
**1,4 / 1,6 16V**  
(K4M/K7J/K7M/E7J)

**(ex.) AC**



**1,4 / 1,6 16V**  
(K4J/K4M/K7J/K7M/E7J-634,635)

**AC**



- (1) (mot.) K4J-700, 701 / (mot.) K4M-708, 730, 732, 850 / (mot.) K4M-750, 752, 753, 754→04/06 / K7M
- (2) (mot.) E7J-634,635 / K7M / K4M-709,730,732,750,753 / K7J-700,701
- (3) (mot.) K4J / K4M / K7J / E7J-634,35
- (4) (mot.) K4M-750,752,753



Ref. - No.



Ref. - No.	Description	Quantity	Notes	Dimensions
19836	Zahnriemen / timing belt			Z 132 B27
19847	Umlenkrolle / deflection pulley			ØA 54 B32
19910	Spannrolle / tension roller	(4)		ØA 65 B32
19918	Rep. Satz Zahnriemen / rep. kit timing belt	(4)		
21033	Umlenkrolle / deflection pulley	(3) AC		ØA 60 ØI 17 B25,5
21709	Riemenspanner / belt tensioner	(2) (ex.) AC		ØA 70 B25,5
26457	Generatorfreilauf / Freewheel Clutch, generator	Valeo (mot.) K7M-746		ØA 78 B40,2
28287	Umlenkrolle / deflection pulley	(ex.) AC (ex.) servo		ØA131,5
28331	Riemenspanner / belt tensioner	(1)		ØA 60

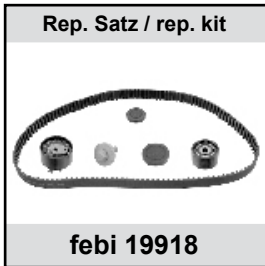
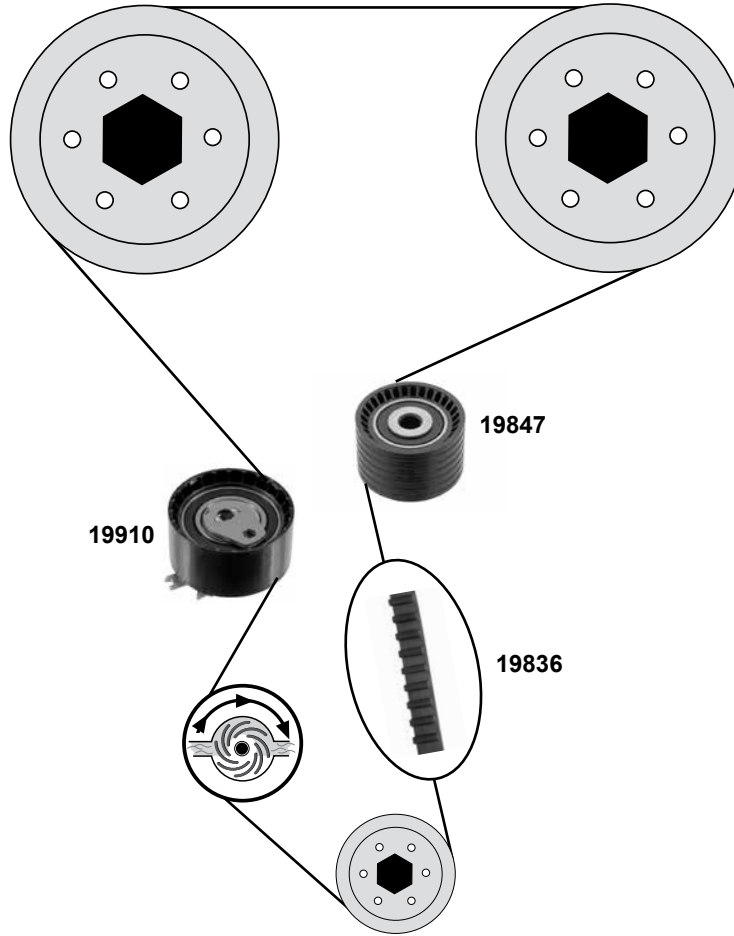
# RENAULT Kangoo II

(08→)

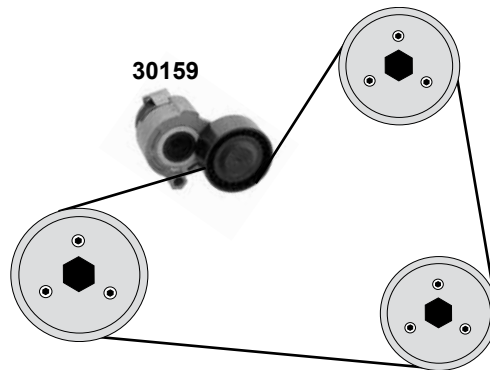
Car  
Division



**1,6 16V**  
(K4M)



**1,6 16V**  
(K4M-830,831,834)



Ref. - No.



<b>19836</b>	82 00 537 026
<b>19847</b>	77 00 107 150
<b>19910</b>	77 00 108 117
<b>19918</b>	77 01 477 014
<b>30159</b>	82 00 608 550

Zahnriemen / timing belt
Umlenkrolle / deflection pulley
Spannrolle / tension roller
Rep. Satz Zahnriemen / rep. kit timing belt
Riemenspanner / belt tensioner

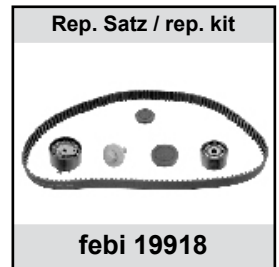
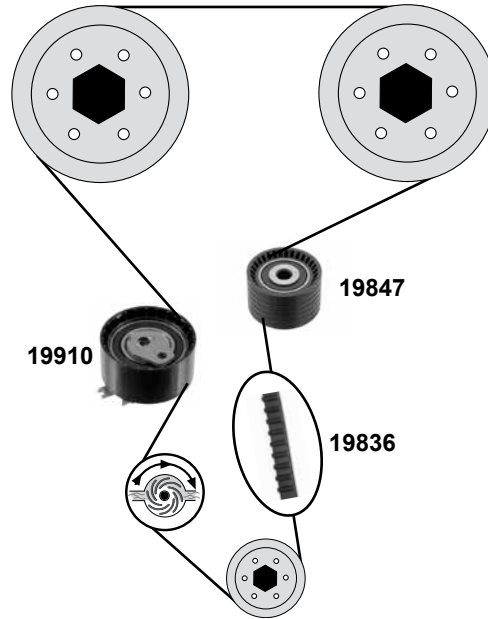
→08/10

→08/10

AC

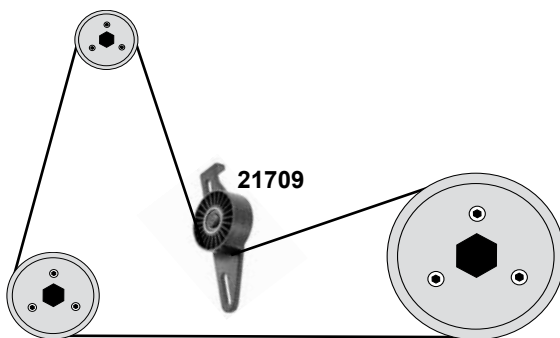
Z 132 B27
ØA 54 B32
ØA 65 B32
ØA 65

**1,6 16V**  
(K4M)



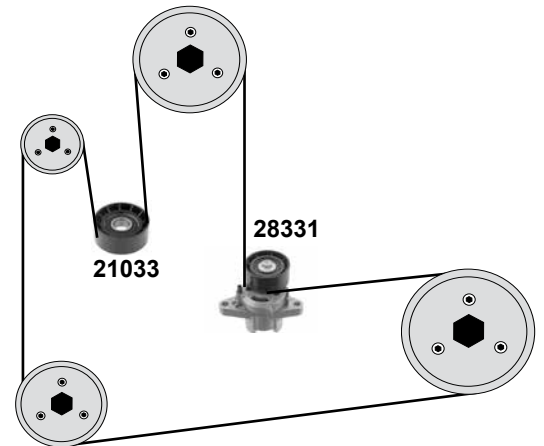
**1,6 16V**  
(K4M)

(ex.) **AC**



**1,6 16V**  
(K4M)

**AC**



Ref. - No.



<b>19836</b>	82 00 537 026	Zahnriemen / timing belt
<b>19847</b>	77 00 107 150	Umlenkrolle / deflection pulley
<b>19910</b>	77 00 108 117	Spannrolle / tension roller
<b>19918</b>	77 01 477 014	Rep. Satz Zahnriemen / rep. kit timing belt
<b>21033</b>	82 00 104 754	Umlenkrolle / deflection pulley
<b>21709</b>	82 00 582 997	Riemenspanner / belt tensioner
<b>28331</b>	82 00 277 606	Riemenspanner / belt tensioner

Z 132 B27
ØA 54 B32
ØA 65 B32
ØA 60,2 ØI 17 B25,5
ØA 70 B25,5
ØA 60



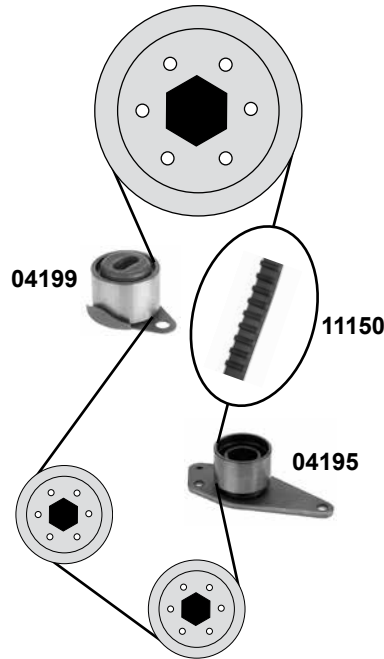
# RENAULT Laguna 1

(93→01)

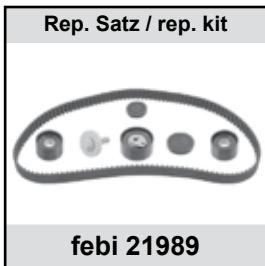
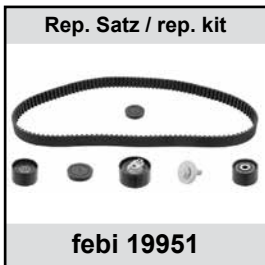
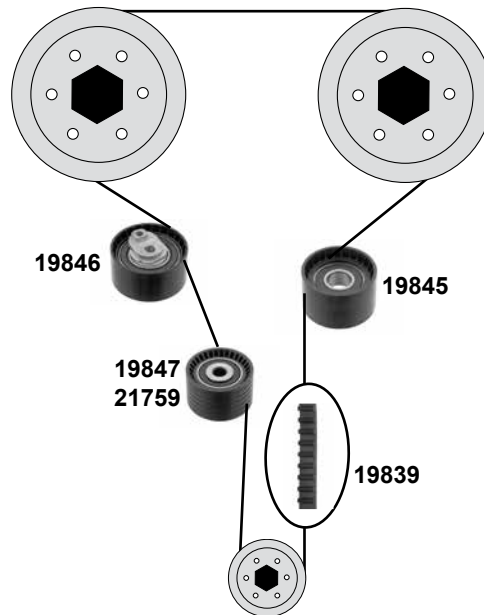
Car  
Division



**1,8**  
(F3P)



**1,8 16V**  
(F4P)

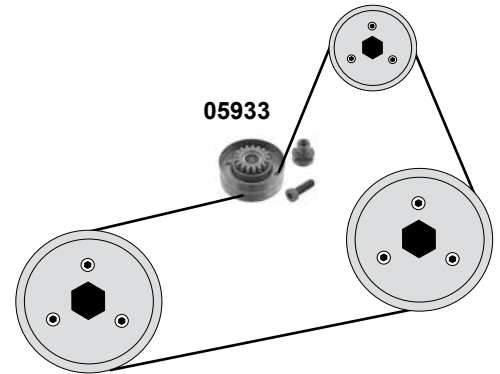
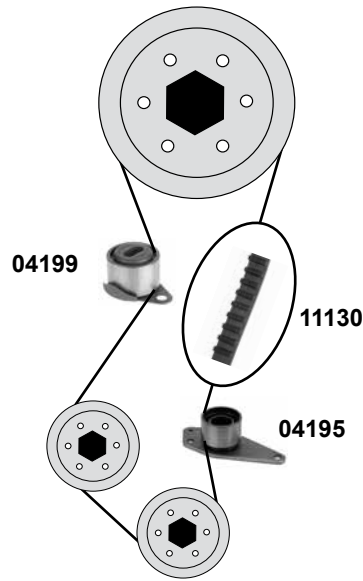
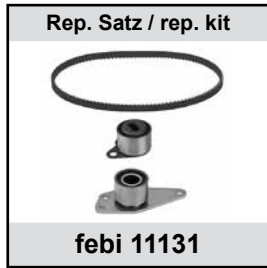


Ref. - No.

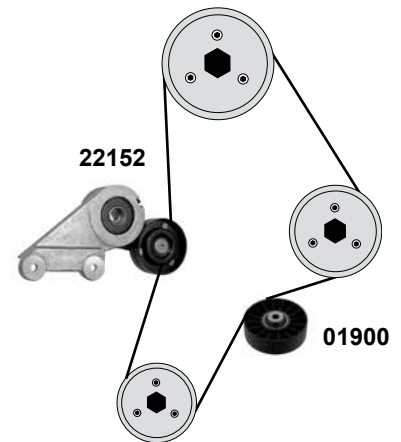
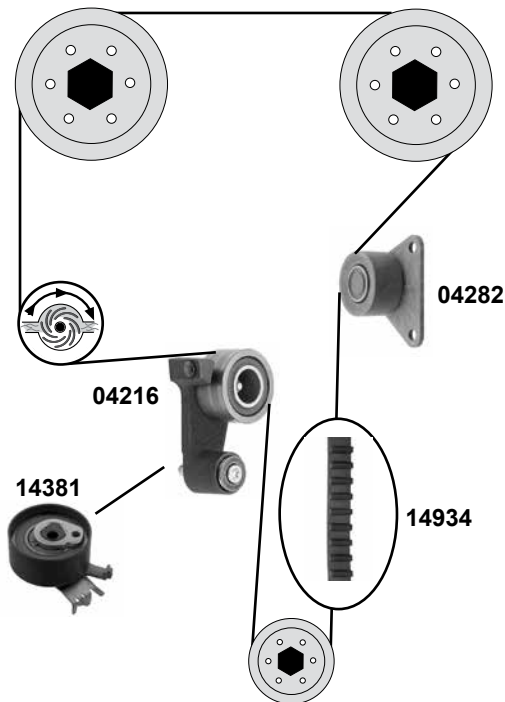


<b>04195</b>	82 00 051 091	Umlenkrolle / deflection pulley		Ø A50 B31
<b>04199</b>	77 00 726 440	Spannrolle / tension roller		Ø A50 ØI 23,5 B31
<b>11150</b>	77 00 725 577	Zahnriemen / timing belt		Z 125 B19
<b>11151</b>	77 01 468 167	Rep. Satz Zahnriemen / rep. kit timing belt		
<b>19839</b>	77 01 063 999	Zahnriemen / timing belt		Z 128
<b>19845</b>	82 00 483 288	Umlenkrolle / deflection pulley		ØA 54 ØI 19 B32
<b>19846</b>	82 00 676 404	Spannrolle / tension roller		ØA 66 B32
<b>19847</b>	77 00 107 150	Umlenkrolle / deflection pulley	→Modell 04/01	ØA 54 B32
<b>19951</b>	77 01 472 292	Rep. Satz Zahnriemen / rep. kit timing belt	→Modell 04/01	
<b>21759</b>	82 00 064 664	Umlenkrolle / deflection pulley	Modell 04/01→	ØA 54 ØI 12 B32
<b>21989</b>	77 01 476 675	Rep. Satz Zahnriemen / rep. kit timing belt	Modell 04/01→	

**2,0**  
(F3R)



**2,0 16V**  
(N7Q - 700,704)



Ref. - No.



<b>01900</b>	74 39 146 139	Umlenkrolle / deflection pulley
<b>04195</b>	82 00 051 091	Umlenkrolle / deflection pulley
<b>04199</b>	77 00 726 440	Spannrolle / tension roller
<b>04216</b>	74 39 135 036	Spannrolle / tension roller
<b>04282</b>	74 38 630 590	Umlenkrolle / deflection pulley
<b>05933</b>	77 00 851 321	Spannrolle / tension roller
<b>11130</b>	77 00 857 325	Zahnriemen / timing belt
<b>11131</b>	77 01 469 776	Rep. Satz Zahnriemen / rep. kit timing belt
<b>14381</b>	74 38 642 251	Spannrolle / tension roller
<b>14934</b>	74 39 135 733	Zahnriemen / timing belt
<b>14935</b>	74 39 135 733 S	Rep. Satz Zahnriemen / rep. kit timing belt
<b>22152</b>	74 31 275 380	Riemenspanner / belt tensioner

(ex.) AC

→Modell 12/97

servo + AC

Modell 12/97→

→Modell 12/97

→Modell 12/97

95→

ØA 124 B26
Ø A50 B31
Ø A50 ØI 23,5 B31
ØA 53 ØI 24 B27
ØA 53 ØI 24 B27
Ø A70 B28
Z 127 B19
ØA 59 ØI 8 B27
ØA 76 B26

# RENAULT Laguna 1

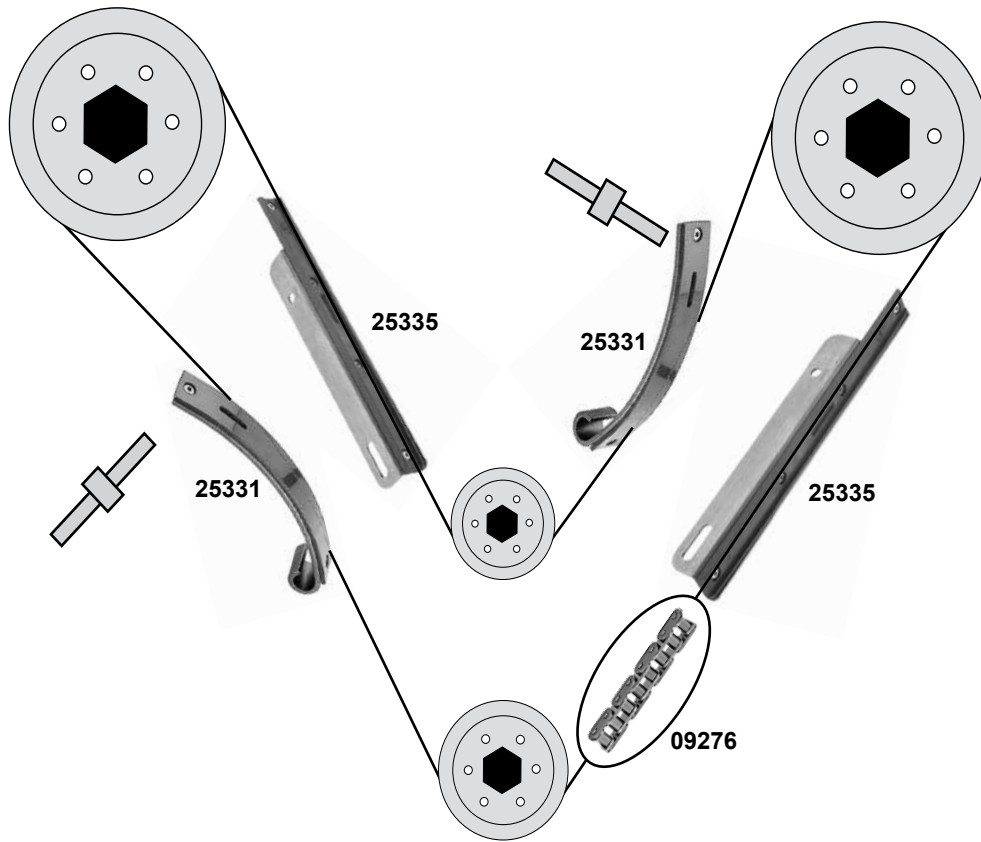
(93→01)

Car  
Division 



## 3,0 V 6

(Z7X-760, 765, 767)



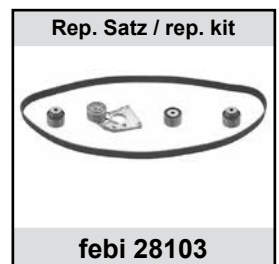
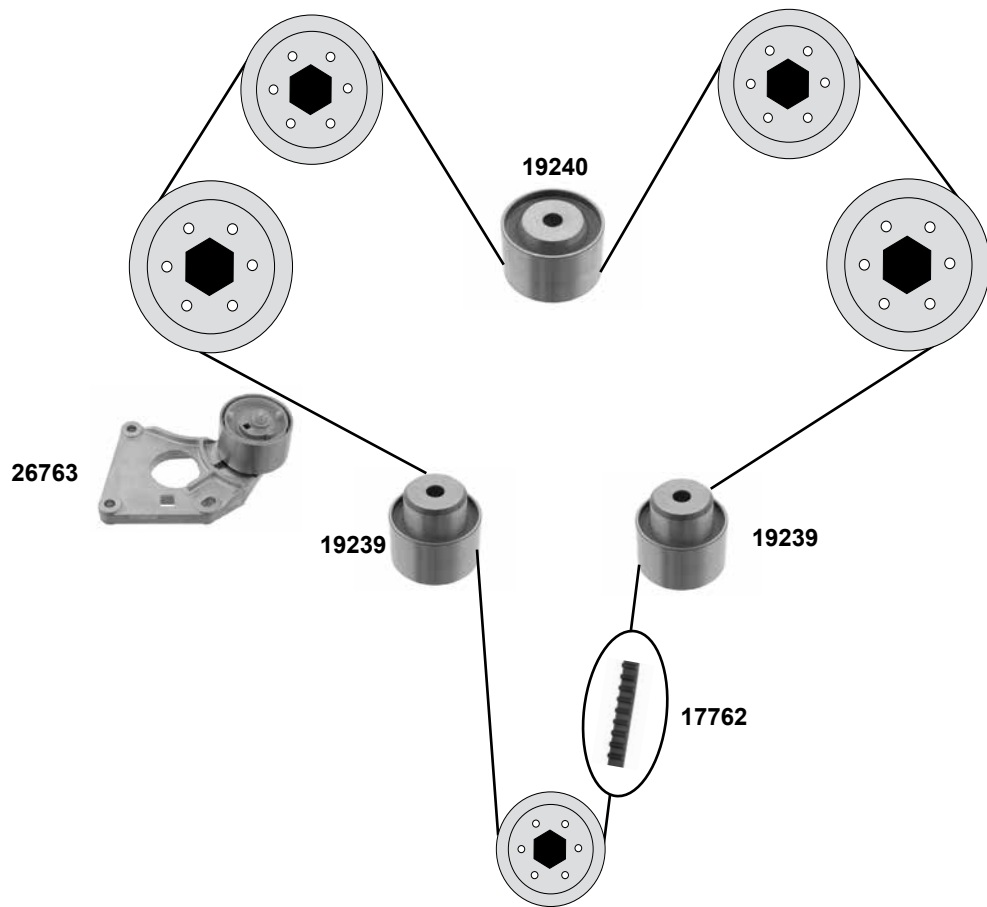
Ref. - No.



09276	79 10 245 301
25331	79 10 246 065
25335	79 10 247 528

Rollenkette / roller chain
Gleitschiene / sliding rail
Gleitschiene / sliding rail

455 / 94 E



	Ref. - No.			
<b>17762</b>	96 18 337 580	Zahnriemen / timing belt		Z 259
<b>19239</b>	96 16 660 580	Umlenkrolle / deflection pulley		ØA 65 B36/54
<b>19240</b>	96 16 660 780	Umlenkrolle / deflection pulley		ØA 65 B36
<b>26763</b>	96 42 184 080	Spannrolle / tension roller	12/99→01	ØA 70 B36
<b>28103</b>	77 01 473 569	Rep. Satz Zahnriemen / rep. kit timing belt	12/99→01	Z 259

# RENAULT Laguna 2

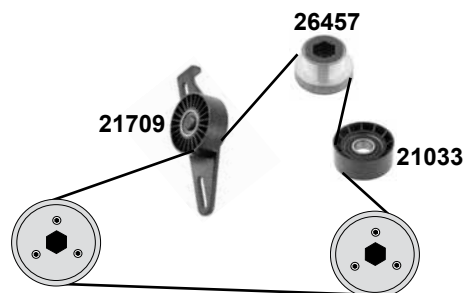
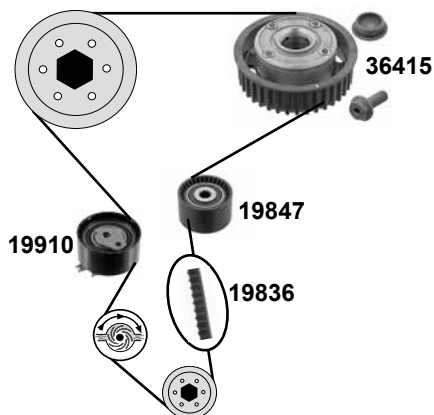
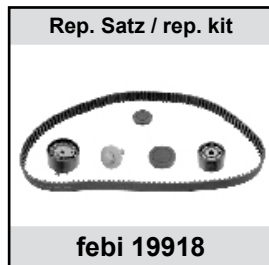
(01→07)

Car  
Division



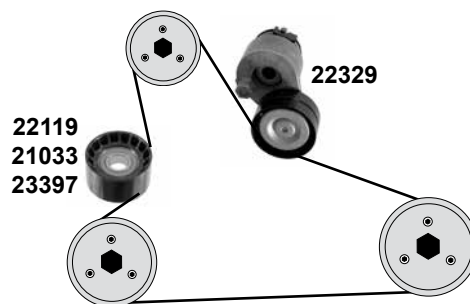
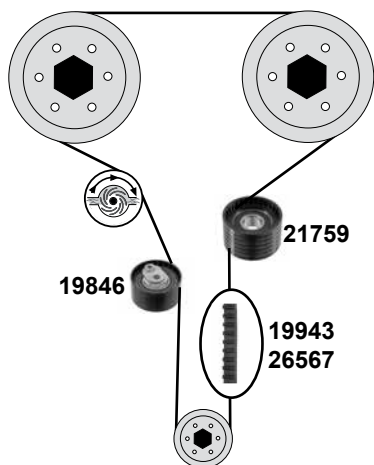
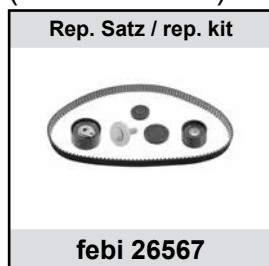
## 1,6 16V

(K4M-710/714/716/718)



## 1,8 16V / 2,0 16V

(F4P/F4R/F5R)



- (1) (mot.) F4R-712,713 01/02→/ (mot.) F4P-770-773  
 (2) (mot.) F4R-712,713 01→01/02 / F4R-715 01→07/05 / F4R-714,764,765,786,787  
 (3) (mot.) K4M / F4P  
 (4) (mot.) F4R / F4P-770,771,772,773  
 (5) (mot.) F4P-770,771,772,774,775  
 (mot.) F4R-712,713,714,715,764,,765,784,786,787  
 (mot.) F5R-700

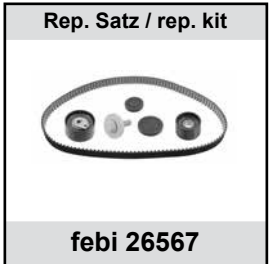
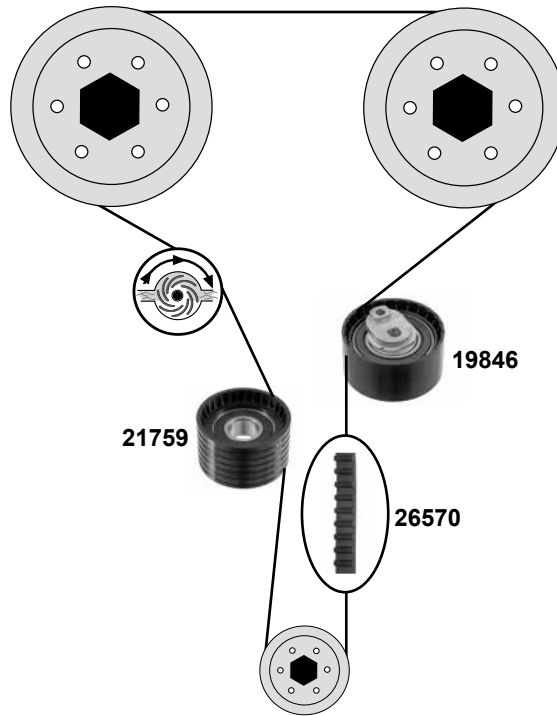


Ref. - No.

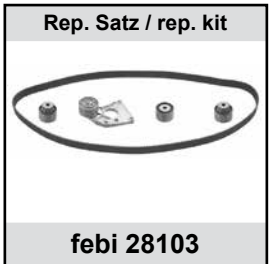
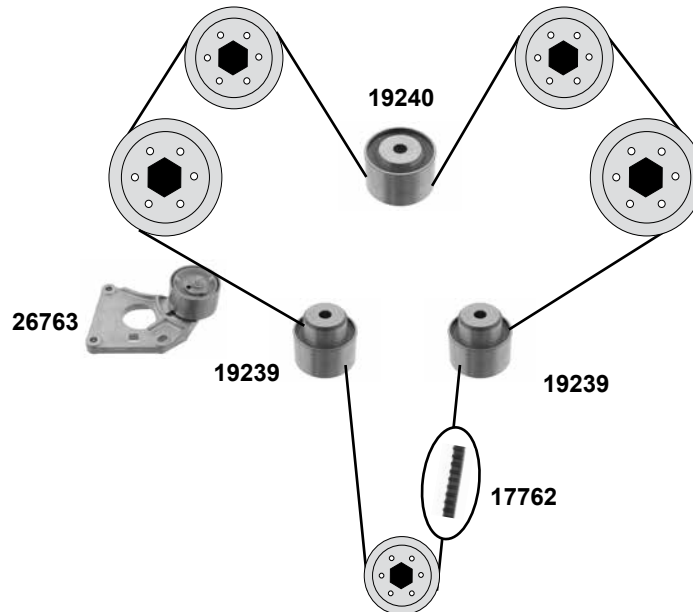


Ref. - No.	Description	Notes	Dimensions
19836	Zahnriemen / timing belt		Z 132 B27
19846	Spannrolle / tension roller	(1) (2)	ØA 66 B32
19847	Umlenkrolle / deflection pulley		ØA 54 B32
19910	Spannrolle / tension roller	(mot.) K4M-710	ØA 65 B32
19918	Rep. Satz Zahnriemen / rep. kit timing belt	(mot.) K4M-710	
19943	Zahnriemen / timing belt	(1)	Z 126 B27
21033	Umlenkrolle / deflection pulley	(3) AC	ØA 60 ØI 17 B25,5
21709	Riemenspanner / belt tensioner	(ex.) AC	ØA 70 B25,5
21759	Umlenkrolle / deflection pulley	(1) (2)	ØA 54 B32
22119	Umlenkrolle / deflection pulley	(4)	
22329	Riemenspanner / belt tensioner	(4)	ØA 65 B30
23397	Umlenkrolle / deflection pulley	(5)	
26457	Generatorfreilauf / Freewheel Clutch, generator	Valeo / Bosch	ØA 78 B40,2
26567	Rep. Satz Zahnriemen / rep. kit timing belt	(2)	Z 126 B27
26570	Zahnriemen / timing belt	(2)	Z 126 B27
28602	Rep. Satz Zahnriemen / rep. kit timing chain	(1)	
36415	Nockenwellenrad / camshaft timing gear		

**2,0 16V**  
(F5R-700 , F4R)



**3,0 V6 24V**  
(L7X)



(1) Laguna 2 (mot.) F4R-714,715,764,765,784,786,787,886,887

	Ref. - No.			
17762	96 18 337 580	Zahnriemen / timing belt		Z259
19239	96 16 660 580	Umlenkrolle / deflection pulley		ØA 65 B36/54
19240	96 16 660 780	Umlenkrolle / deflection pulley		ØA 65 B36
19846	82 00 676 404	Spannrolle / tension roller	(1)	ØA 66 H32
21759	82 00 064 664	Umlenkrolle / deflection pulley	(1) Modell 04/01→	ØA 54 ØI 12 B32
26567	77 01 477 093	Rep. Satz Zahnriemen / rep. kit . timing belt	(1)	
26570	82 00 542 739	Zahnriemen / timing belt	(1)	Z 126 B 27
26763	96 42 184 080	Spannrolle / tension roller		ØA 70 B36
28103	77 01 473 569	Rep. Satz Zahnriemen / rep. kit timing belt		Z259

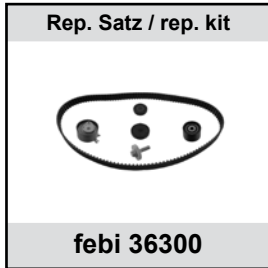
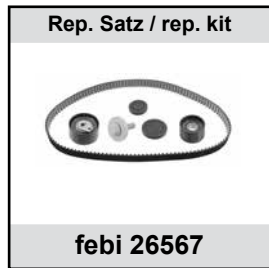
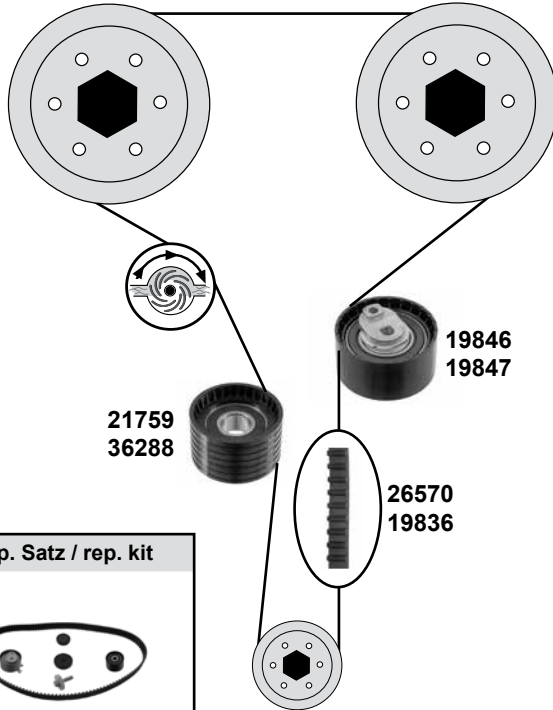
# RENAULT Laguna 3

(07→)

Car  
Division

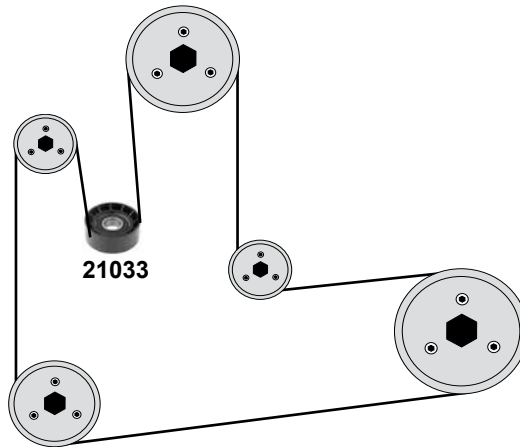


## 2,0 16V (F4R)



## 1,6 16V (K4M-824)

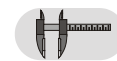
**AC**



(1) (mot.) F4R-800,811,813



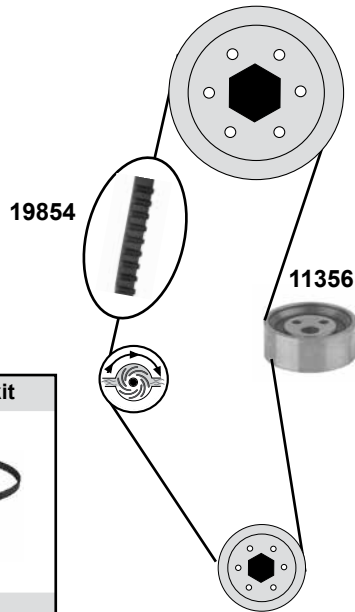
Ref. - No.



19836	82 00 537 026	Zahnriemen / timing belt		Z 132 B27
19846	82 00 676 404	Spannrolle / tension roller	(1)	ØA 66 H32
19847	77 00 107 150	Umlenkrolle / deflection pulley		ØA 54 B32
21033	82 00 104 754	Umlenkrolle / deflection pulley		ØA 60,2 H25,5
21759	82 00 064 664	Umlenkrolle / deflection pulley	(1) Modell 04/01→	ØA 54 ØI 12 B32
26567	77 01 477 093	Rep. Satz Zahnriemen / rep. kit . timing belt	(1)	
26570	82 00 542 739	Zahnriemen / timing belt	(1)	Z 126 B 27
36288	82 00 623 883	Spannrolle / tension roller		ØA65 H32
36300	77 01 477 023	Rep. Satz Zahnriemen / rep. kit timing chain		

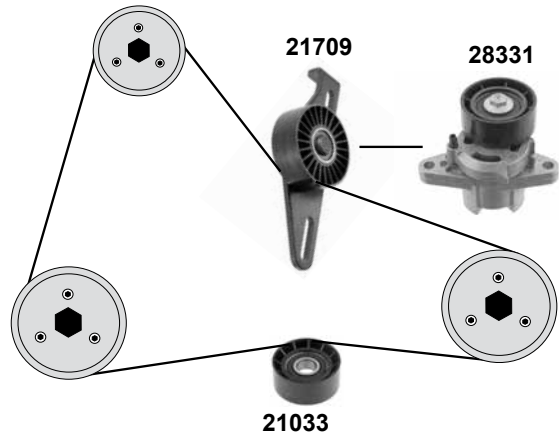
## 1,4 / 1,6

(K7J-710,714/K7M-710,718)



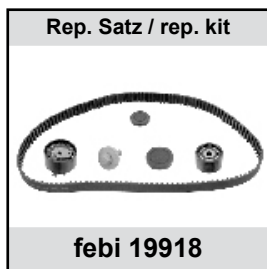
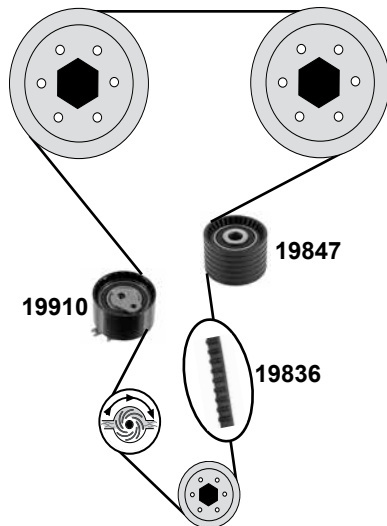
## 1,4 / 1,6

(K7J/K7M)



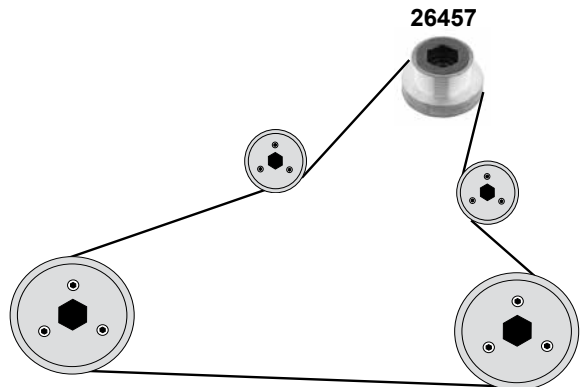
## 1,6 16V

(K4M-690/694/698)



## 1,6 16V

(K4M)



Ref. - No.



11356	82 00 211 784	Spannrolle / tension roller		ØA 55 B22
19836	82 00 537 026	Zahnriemen / timing belt		Z 132 B27
19847	77 00 107 150	Umlenkrolle / deflection pulley		ØA 54 B32
19854	82 00 537 021	Zahnriemen / timing belt		Z 96 B17
19910	77 00 108 117	Spannrolle / tension roller		ØA 56 B32
19918	77 01 477 014	Rep. Satz Zahnriemen / rep. kit timing belt		
21033	82 00 104 754	Umlenkrolle / deflection pulley		ØA 60,2 ØI 17 B5,5
21709	82 00 582 997	Riemenspanner / belt tensioner		ØA 70 B25,5
21725	77 01 477 024	Rep. Satz Zahnriemen / rep. kit timing belt		→11/09
26457	77 00 110 616	Generatorfreilauf / alternator overrun pulley		ØA 78 B40,2
28331	82 00 277 606	Riemenspanner / belt tensioner		ØA 60

AC

(ex.) AC (mot.) K7J  
→11/09

Valeo / Bosch

AC servo



passend für / to fit

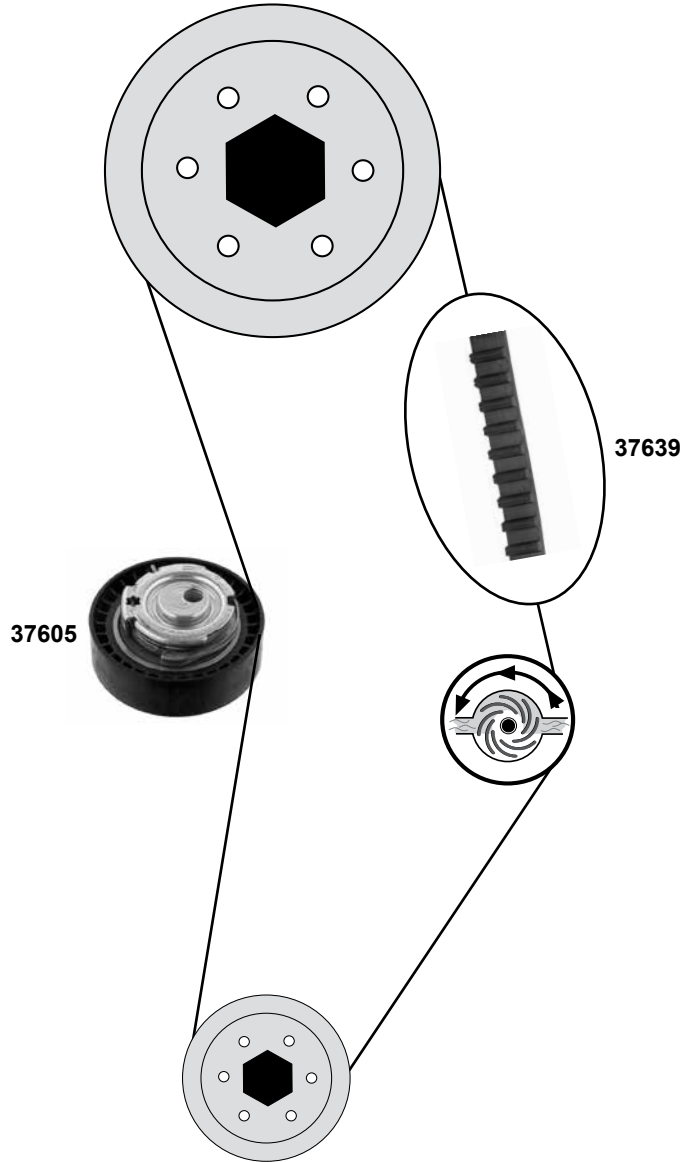
# RENAULT Logan 1 (11/09→13)

Car  
Division



**1,4 / 1,6**

(K7M-710,718 / K7J-710,714)



Rep. Satz / rep. kit



febi 37640



Ref. - No.

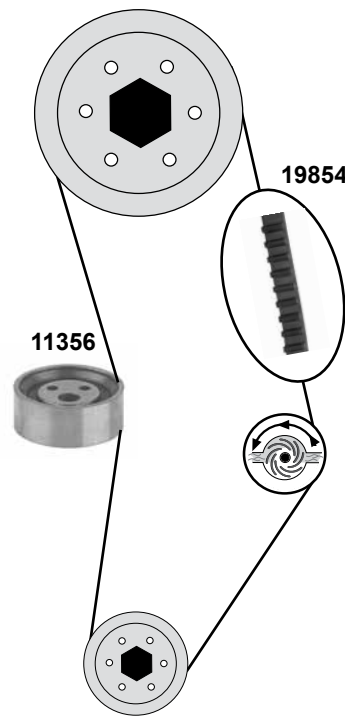


**37605** 82 00 908 180  
**37639** 82 00 939 081  
**37640** 13 0C 174 80R

Spannrolle / tensioner bearing  
Zahnriemen / timing belt  
Rep. Satz Zahnriemen / rep. kit timing belt

ØA 73,5 H 22  
Z 96 B17,3

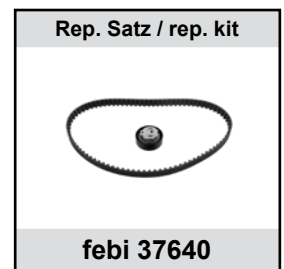
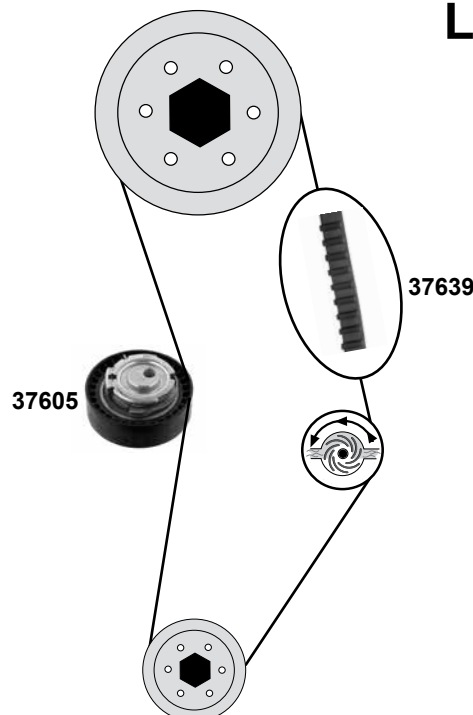
**1,4 / 1,6**  
(K7J-710/K7M-710,718)



## Logan MCV / Pick-Up

(11/09→)

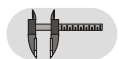
**1,4 / 1,6**  
(K7J-710/K7M-710,718)



- |     |                |                                                        |
|-----|----------------|--------------------------------------------------------|
| (1) | MCV<br>Pick-Up | (mot.) K7J-710 / K7M-710,718<br>(mot.) K7M-710,718 08→ |
| (2) | MCV<br>Pick-Up | (mot.) K7J-710 / K7M-710,718<br>(mot.) K7M-800,818 08→ |



Ref. - No.



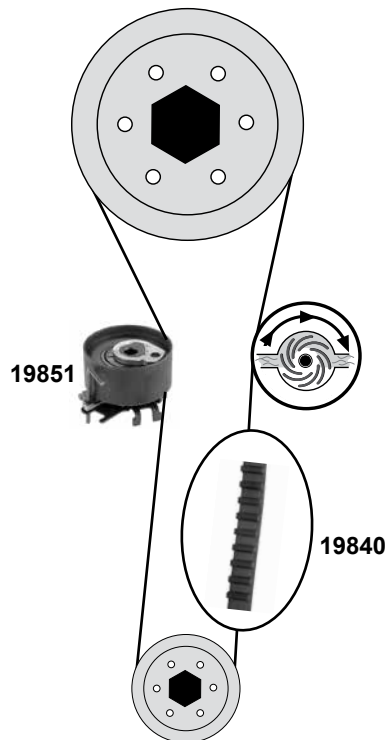
Part No.	Ref. - No.	Description	Quantity	Dimensions
11356	82 00 211 784	Spannrolle / tension roller	(1)	ØA 55 B22
19854	82 00 537 021	Zahnriemen / timing belt	(1)	Z 96 B17
21725	77 01 477 024	Rep. Satz Zahnriemen / rep. kit timing belt	(1)	
37605	82 00 908 180	Spannrolle / tensioner bearing	(2)	ØA 73,5 H 22
37639	82 00 939 081	Zahnriemen / timing belt	(2)	Z 96 B17,3
37640	13 OC 174 80R	Rep. Satz Zahnriemen / rep. kit timing belt	(2)	

# RENAULT Logan 2 (13→)

Car  
Division



## 1,2 16V (D4F)

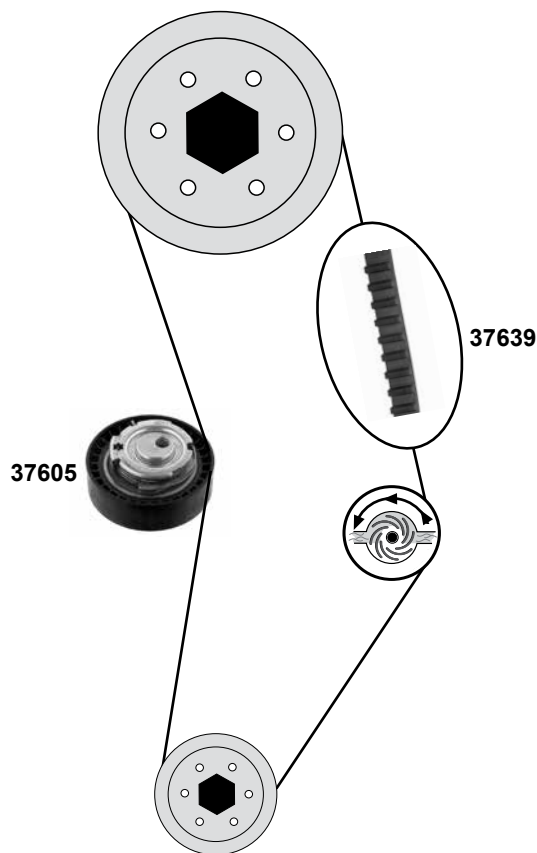


Rep. Satz / rep. kit



febi 19852

## 1,6 (K7M-812)



Rep. Satz / rep. kit



febi 37640

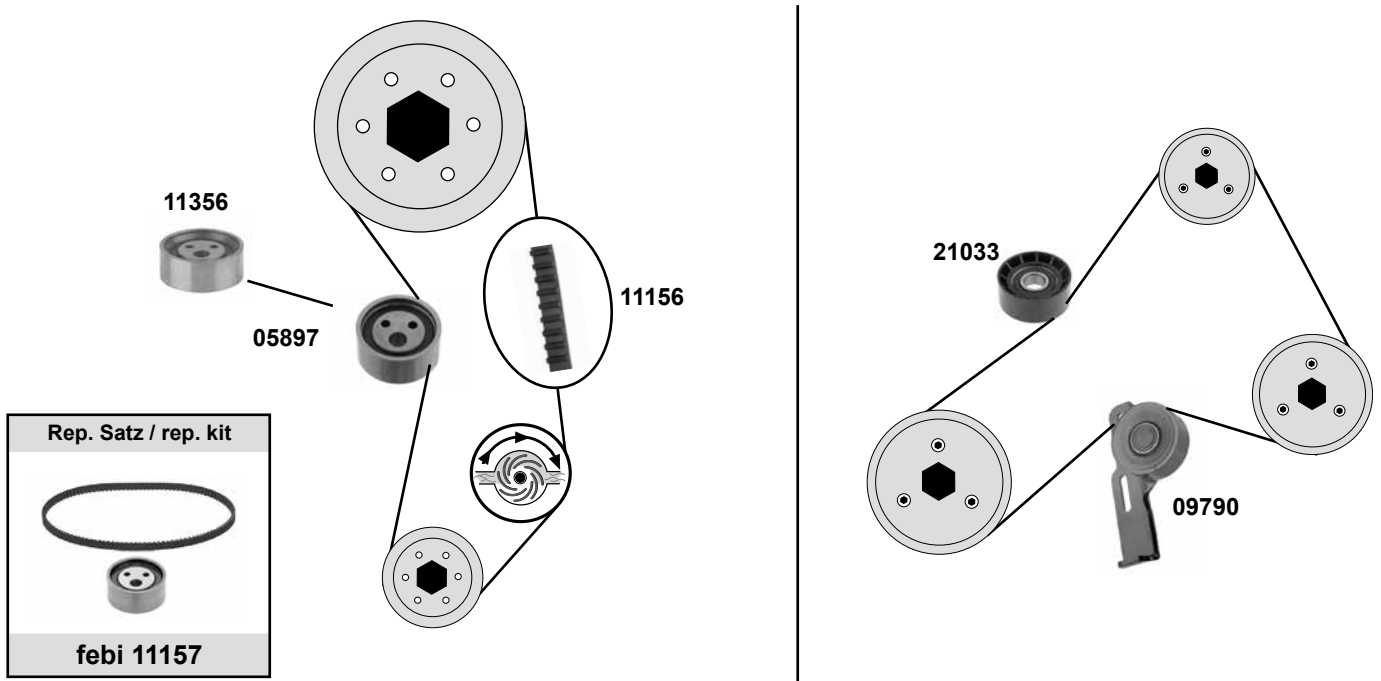


Ref. - No.

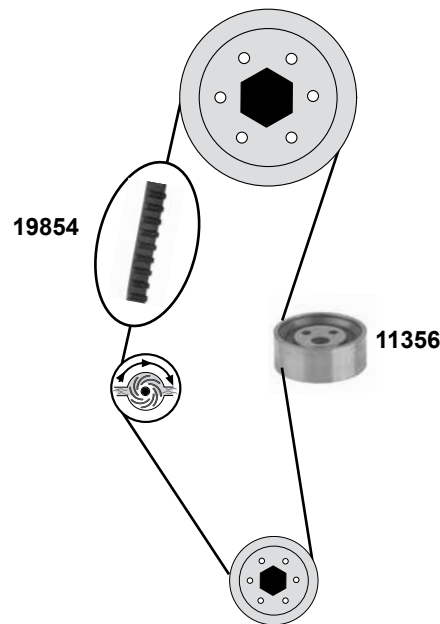


<b>19840</b>	82 00 106 085	Zahnriemen / timing belt	Z 95 B23,4
<b>19851</b>	82 00 704 394	Spannrolle / tension roller	ØA59 H28,3/24,45
<b>19852</b>	77 01 476 745	Rep. Satz Zahnriemen / rep. kit timing belt	Z 95 B23,4
<b>37605</b>	82 00 908 180	Spannrolle / tensioner bearing	ØA 73,5 H 22
<b>37639</b>	82 00 939 081	Zahnriemen / timing belt	Z 96 B17,3
<b>37640</b>	13 0C 174 80R	Rep. Satz Zahnriemen / rep. kit timing belt	

**1,4 / 1,6**  
(E7J 624, 764 / K7M - 702, 703, 790)



**1,4 / 1,6**  
(E7J-626 / K7M-720)



(1) Megane 1 (mot.) E7J-626 / K7M-720 →02  
 Classic/Break (mot.) E7J-626 →02  
 Scenic (mot.) K7M-720 →02



Ref. - No.



Ref. - No.	Description	Modell	Dimensions
05897	Spannrolle / tension roller	→12/98	ØA 50 B22
09790	Spannrolle / tension roller	Modell 10/97→	ØA 70 B26
11156	Zahnriemen / timing belt		
11157	Rep. Satz Zahnriemen / rep. kit timing belt	Modell→12/98	
11356	Spannrolle / tension roller		ØA 55 B22
19854	Zahnriemen / timing belt		Z 96 B17
21033	Umlenkrolle / deflection pulley	AC	ØA 60,2 ØI 17 B25,5
21725	Rep. Satz Zahnriemen / rep. kit timing belt	(1)	

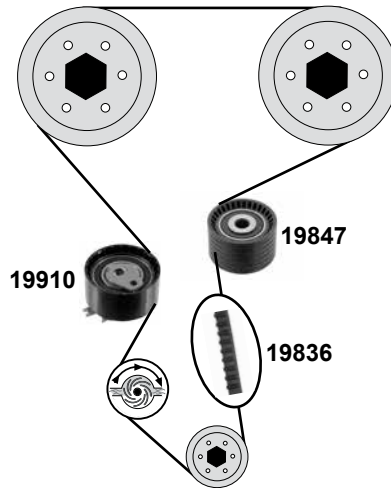
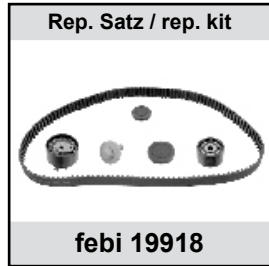
# RENAULT Megane 1 / Scénic 1

(96→03)

Car  
Division

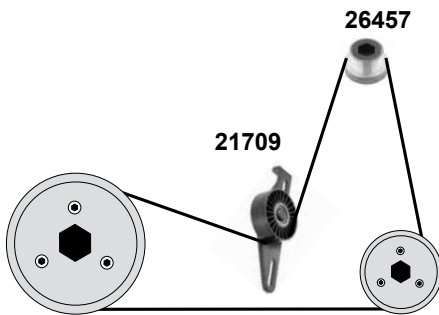


**1,4 16V / 1,6 16V**  
(K4J / K4M)

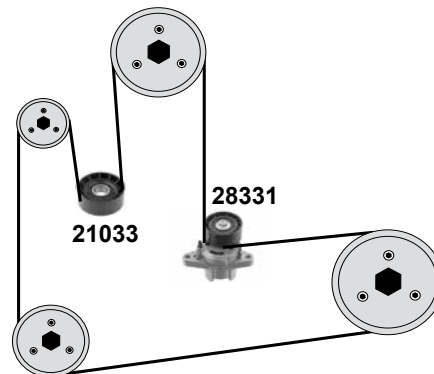


**1,4 / 1,6 16V**  
**Classic / Break**  
(K7M / K4J-714,750 / K4M-700,701,704,706,708,709,712)  
**Coach / Cabrio**  
(K4J-714,750 / K4M-700,701,708,709)  
**Scenic**  
(K4J-714,750 / K4M-700,701,704,706-709,712)

(ex.) AC



AC



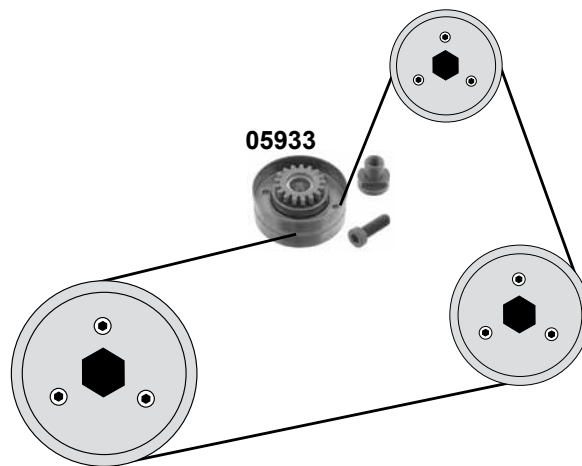
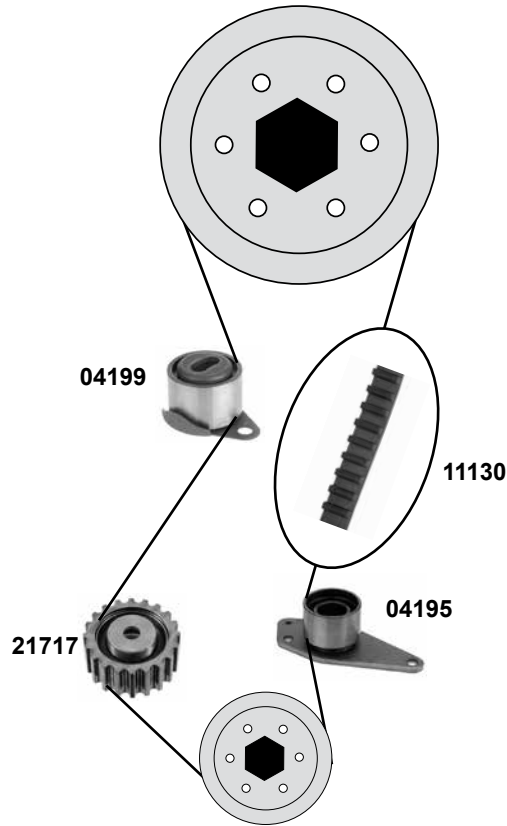
- (1) Megane 1 (mot.) K4J-714,750 / K4M →02
- Classic/Break (mot.) K4J-714,750 / K4M
- Coach/Cabrio (mot.) K4J-714,750 / K4M-700,701,706,708,709



Ref. - No.



Ref. - No.	Description	Notes	Dimensions
19836	Zahnriemen / timing belt		Z 132 B27
19847	Umlenkrolle / deflection pulley		ØA 54 B32
19910	Spannrolle / tension roller		ØA 65 B32
19918	Rep. Satz Zahnriemen / rep. kit timing belt		
21033	Umlenkrolle / deflection pulley	(1)	ØA 60,2 ØI 17 B25,5
21709	Riemenspanner / belt tensioner	(1)	ØA 70 B25,5
26457	Generatorfreilauf / Freewheel Clutch, generator	AC	ØA 78 B40,2
28331	Riemenspanner / belt tensioner	(ex.) mot. K7M-704 Valeo (1)	ØA 60



(1) nur / only: F3R-791/796/797/798

	Ref. - No.			
04195	82 00 051 091	Umlenkrolle / deflection pulley		ØA 50 B31
04199	77 00 726 440	Spannrolle / tension roller		ØA 50 B31
05933	77 00 851 321	Spannrolle / tension roller	AC	ØA 70 B28
11130	77 00 857 325	Zahnriemen / timing belt		
11131	77 01 469 776	Rep. Satz Zahnriemen / rep. kit timing belt		
21717	77 00 875 305	Umlenkrolle / deflection pulley	(1)	ØA 59,4 B25

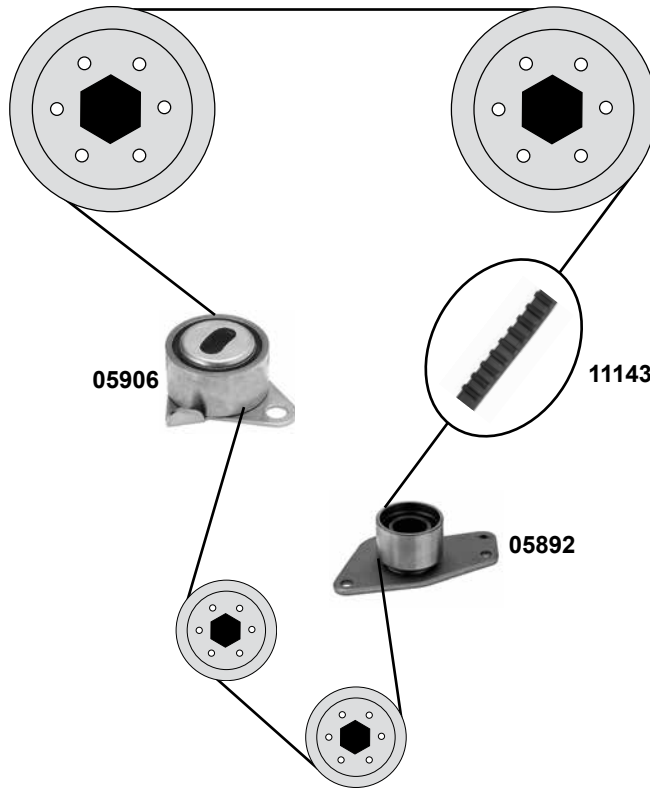
# RENAULT Megane 1 / Scénic 1

(96→03)

Car  
Division



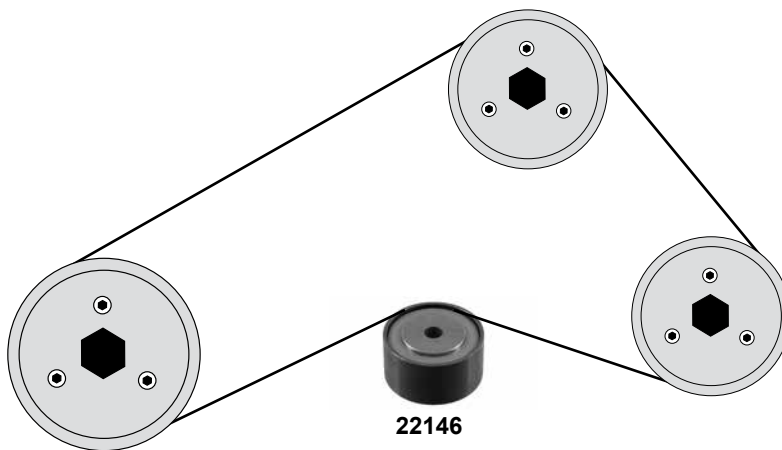
**2,0 16V**  
(F7R)



Rep. Satz / rep. kit



febi 11144



Ref. - No.



**05892** 82 00 469 376  
**05906** 77 00 736 419  
**11143** 77 00 743 777  
**11144** 77 01 469 775  
**22146** 82 00 065 479

Umlenkrolle / deflection pulley  
Spannrolle / tension roller  
Zahnriemen / timing belt  
Rep. Satz Zahnriemen / rep. kit timing belt  
Umlenkrolle / deflection pulley

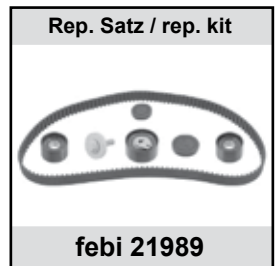
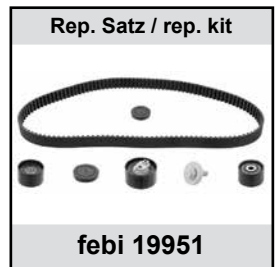
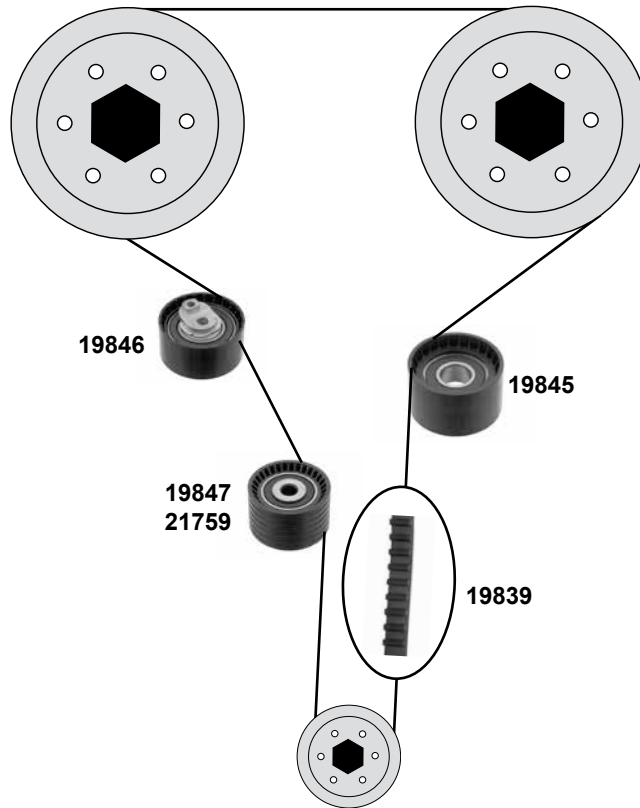
AC

ØA 50 B30,5  
ØA 50 B30,5  
Z 148 B25,4

ØA 50 ØI 8 B26

**2,0 16V**

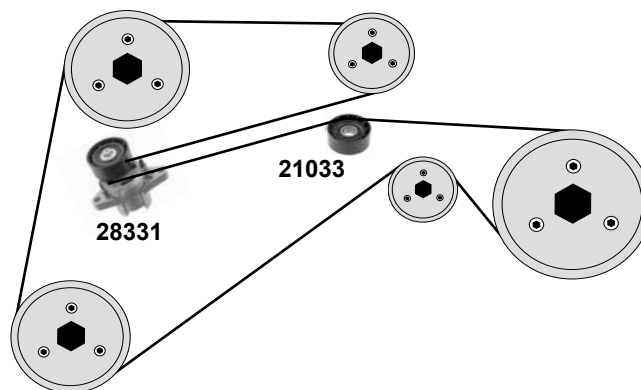
(F4P-720, 722, / F4R-740,741,744,746,747)



**2,0 16V**

(F4P-720,722/F4R-740-741,744,746,747/F5R)

**AC**



Ref. - No.



Ref. - No.	Description	Notes	Dimensions
19839	Zahnriemen / timing belt		Z 128
19845	Umlenkrolle / deflection pulley		ØA 54 ØI 19 B32
19846	Spannrolle / tension roller		ØA 66 B32
19847	Umlenkrolle / deflection pulley		ØA 54 B32
19951	Rep. Satz Zahnriemen / rep. kit timing belt	Modell→04/01	
21033	Umlenkrolle / deflection pulley	Modell→04/01	
21759	Umlenkrolle / deflection pulley	(ex.) F5R	ØA 60,2 ØI 17 B25,5
21989	Rep. Satz Zahnriemen / rep. kit timing belt	Modell 04/01→	ØA 54 ØI 12 B32
28331	Riemenspanner / belt tensioner	Modell 04/01→	Z 128
			ØA 60



# RENAULT

## Scénic 2

(03→09)

## Megane 2

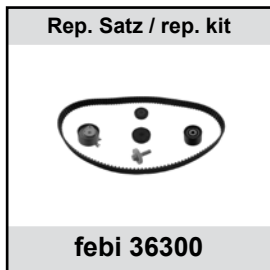
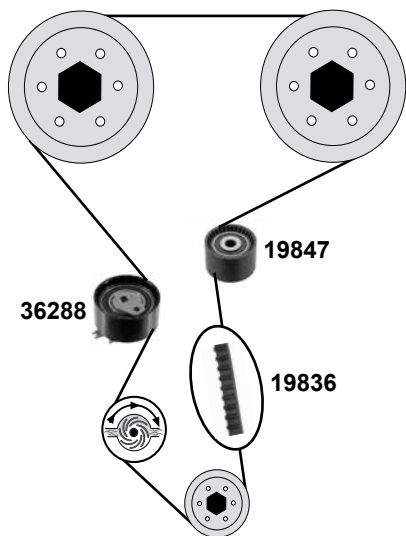
(03→08)

Car  
Division



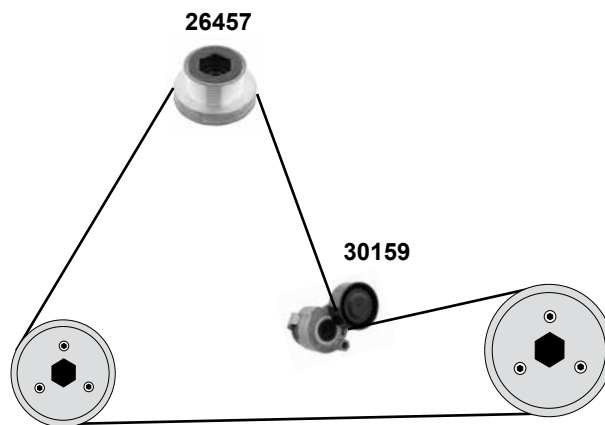
### 1,6 16V / 1,4 16V

(K4M- 760 / 761 / 812 / 813)



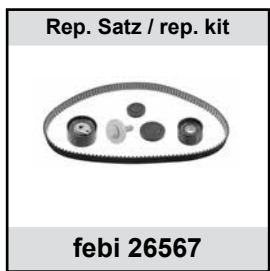
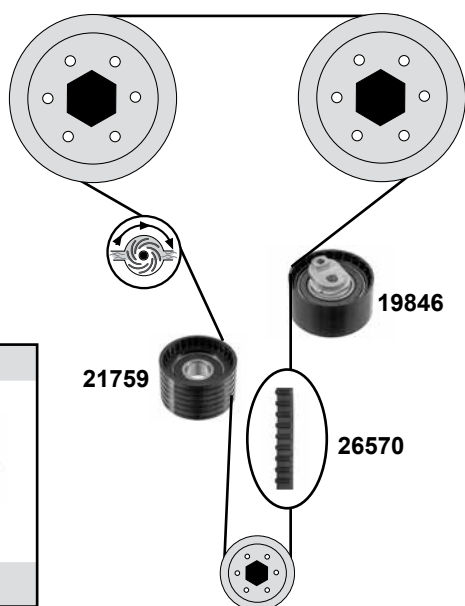
### 1,6 16V / 1,4 16V

(K4J / K4M)



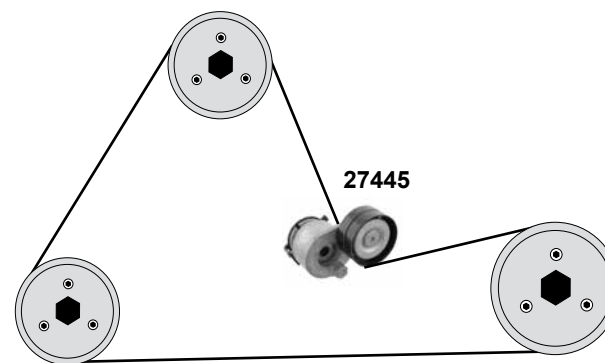
### 2,0 16V

(F4R 700/771/774/776)



### 2,0 16V

(F4R 700/771/776/770)



- (1) Megane 2 (mot.) K4J-730,732 / K4M-760,761 04/05→08 (mot.) K4M 812,813 02→08  
 Scenic 2 (mot.) K4J-730,740 04/03→nur/only AC / K4M-761 02→ nur/only AC / K4M-782,812,813  
 (2) Megane 2 (mot.) F4R-770,771,774-776 02→  
 Scenic 2 (mot.) F4R-770,771,776 03→

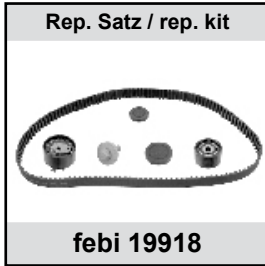
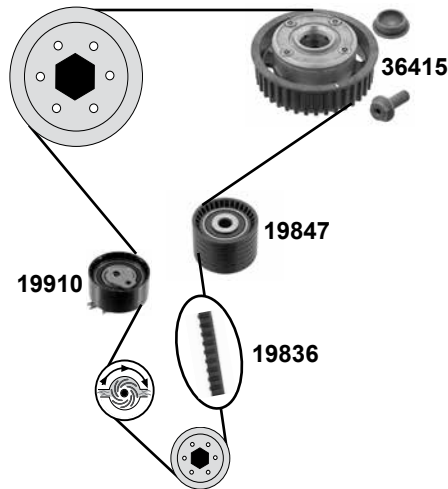


Ref. - No.

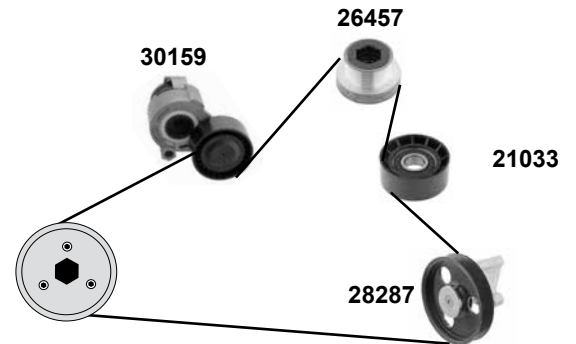


Ref. - No.	Description	Quantity	Brand	Part No.
19836	Zahnriemen / timing belt			Z 132 B27
19846	Spannrolle / tension roller	(2)		ØA 66 B32
19847	Umlenkrolle / deflection pulley			ØA 54 B32
21759	Umlenkrolle / deflection pulley	(2)		ØA 54 ØI 12 B32
26457	Generatorfreilauf / alternator overrun pulley		Valeo / Bosch	ØA 78 H 40,2
26567	Rep. Satz Zahnriemen / rep. kit timing belt	(2)		Z 126 B27
26570	Zahnriemen / timing belt	(2)		Z 126 B27
27445	Riemenspanner / belt tensioner			ØA65 H30
30159	Riemenspanner / belt tensioner	(1)		ØA 65
36288	Spannrolle / tension roller			ØA65 H32
36300	Rep. Satz Zahnriemen / rep. kit timing belt			

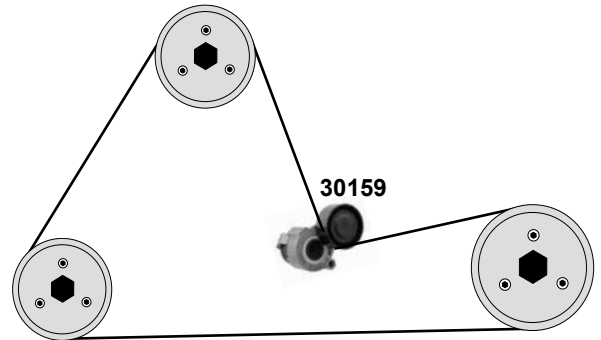
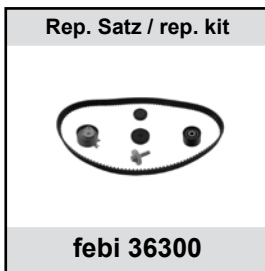
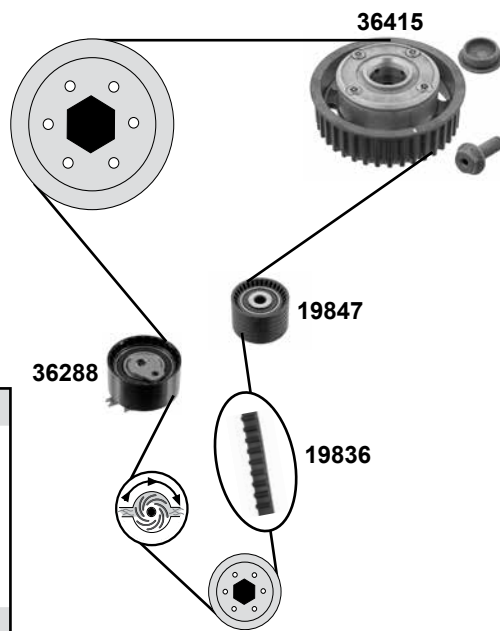
## 1,4 16V / 1,6 16V (K4J / K4M)



## 1,4 16V / 1,6 16V (K4J-730/732/740 / K4M-760/761/812/813)



## Megane 3 (08→) 1,6 16V (K4M-848,858,866)



(1) (mot.) K4J-730,732 04/05→ (mot.) K4M-760,761 04/05→ / 812,813 02→ (ex.) (mot.) K4J-740  
(2) (mot.) K4J-730,732,740 / K4M-788,856



Ref. - No.



Ref. - No.	Description	Notes	Dimensions
19836	Zahnriemen / timing belt		Z 132 B27
19847	Umlenkrolle / deflection pulley		ØA 54 B32
19910	Spannrolle / tension roller		ØA 65 B32
19918	Rep. Satz Zahnriemen / rep. kit timing belt		Z 132 B27
21033	Umlenkrolle / deflection pulley		ØA 60,2 ØI 17 B25,5
26457	Generatorfreilauf / alternator overrun pulley		ØA 78 B40,2
28287	Umlenkrolle / deflection pulley		ØA131,5
30159	Riemenspanner / belt tensioner	(2) (2) AC Valeo / Bosch (ex.) AC (1)	ØA 65 ØA65 H32
36288	Spannrolle / tension roller		
36300	Rep. Satz Zahnriemen / rep. kit timing belt		
36415	Nockenwellenrad / camshaft timing gear		

# RENAULT Megane Generation

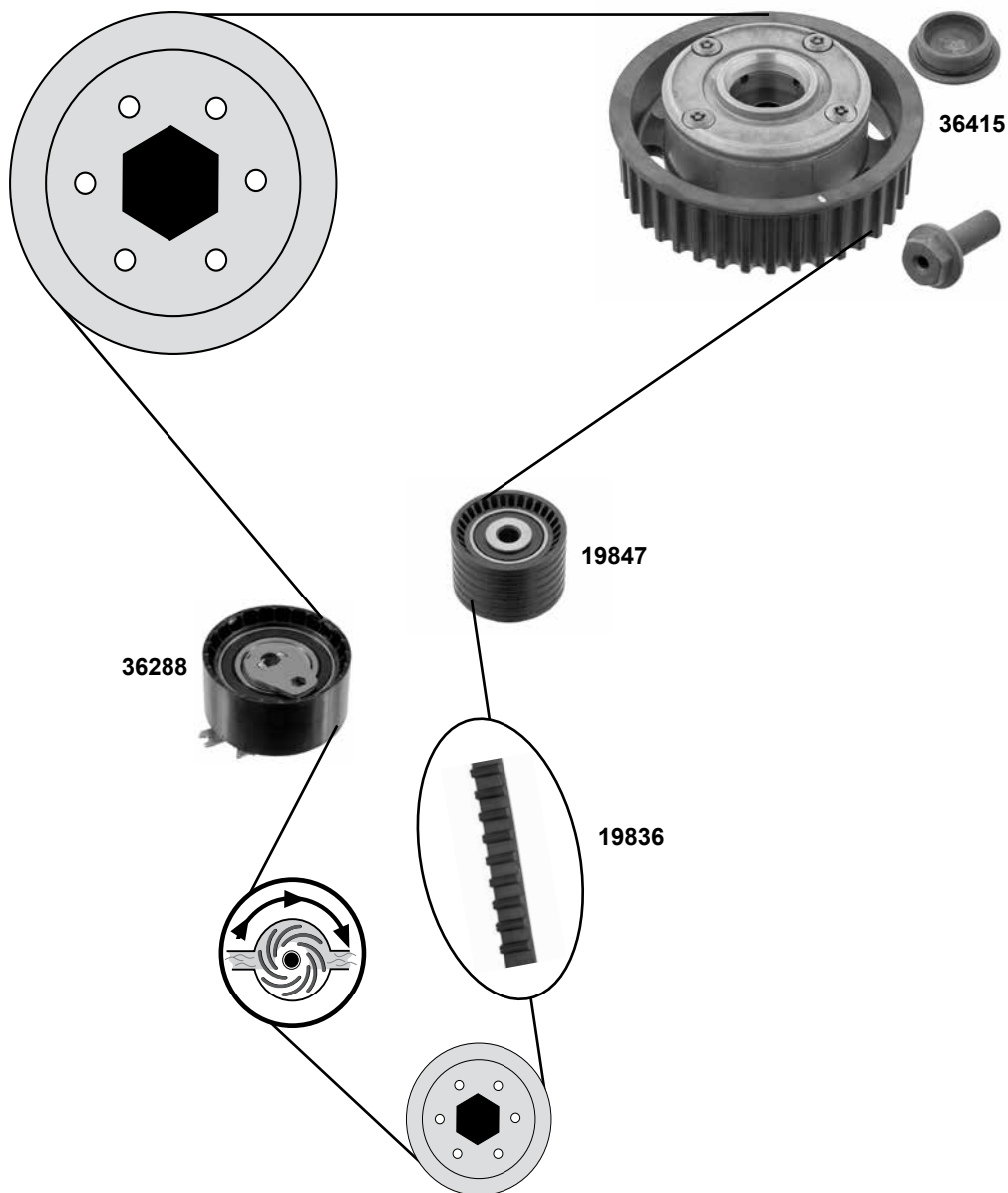
(10→)

Car  
Division



**1,6 16V**

(K4M-838 / 839)



Rep. Satz / rep. kit

febi 36300



Ref. - No.



19836	82 00 537 026
19847	77 00 107 150
36288	82 00 623 883
36300	77 01 477 023
36415	77 01 478 505

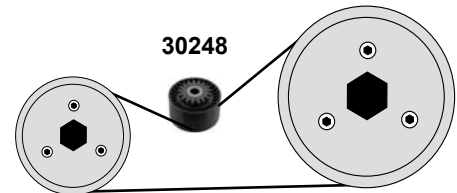
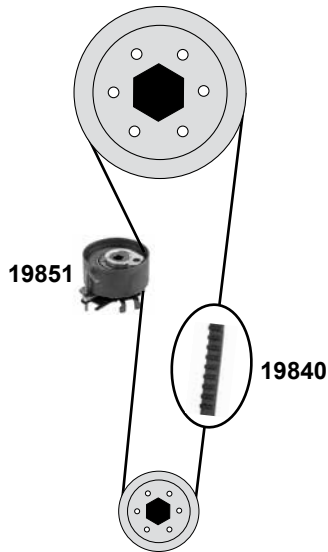
Zahnriemen / timing belt
Umlenkrolle / deflection pulley
Spannrolle / tension roller
Rep. Satz Zahnriemen / rep. kit timing belt
Nockenwellenrad / camshaft timing gear

Z 132 B27
ØA 54 B32
ØA65 H32



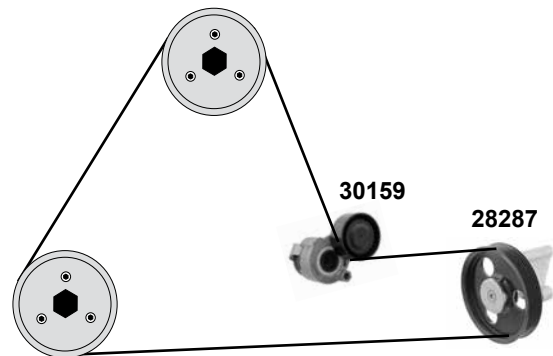
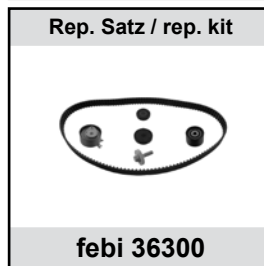
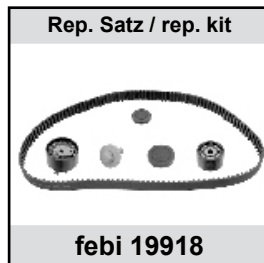
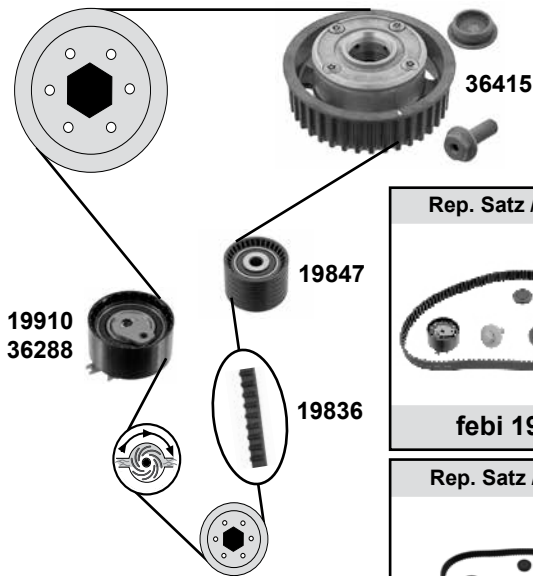
**1,2 16V**  
(D4F)

(D4F-740,764,784)



**1,4 16V / 1,6 16V**  
(K4J / K4M-790/791/800/801)

**1,4 16V / 1,6 16V**  
(K4J-770/780 / K4M-790/791/794/800/801)



Ref. - No.



Ref. - No.	Description	Part No.
19836	Zahnriemen / timing belt	Z 132 B27
19840	Zahnriemen / timing belt	Z 95 B23,4
19847	Umlenkrolle / deflection pulley	ØA54 B32
19851	Spannrolle / tension roller	ØA59 ØI28 B24
19852	Rep. Satz Zahnriemen / rep. kit timing belt	Z 95 B23,4
19910	Spannrolle / tension roller	ØA65 B32
19918	Rep. Satz Zahnriemen / rep. kit timing belt	ØA131,5
28287	Umlenkrolle / deflection pulley	ØA65
30159	Riemenspanner / belt tensioner	ØA60 H30
30248	Umlenkrolle / deflection pulley	ØA65 H32
36288	Spannrolle / tension roller	
36300	Rep. Satz Zahnriemen / rep. kit timing belt	
36415	Nockenwellenrad / camshaft timing gear	

07→

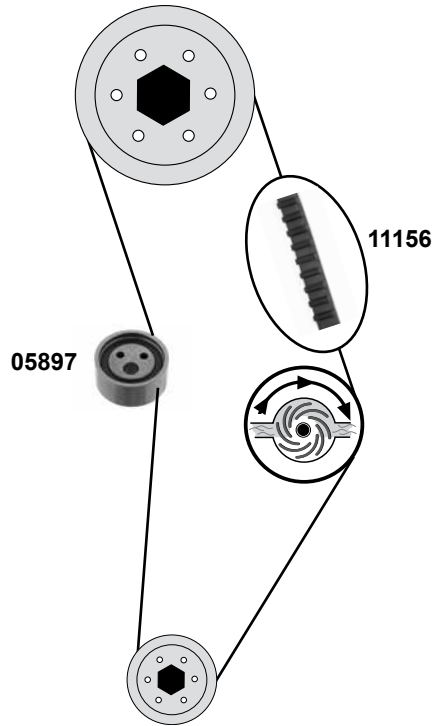
# RENAULT Rapid

(86→92)

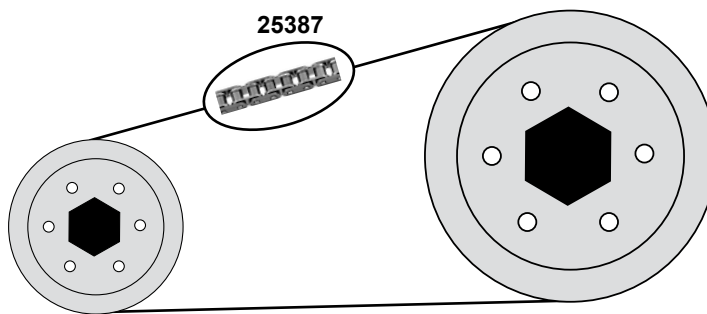
Car  
Division



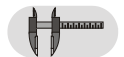
**1,4**  
(E6J / E7J)



**R4**  
(62→83)  
**0,8 8V**  
(800-701,705)



Ref. - No.

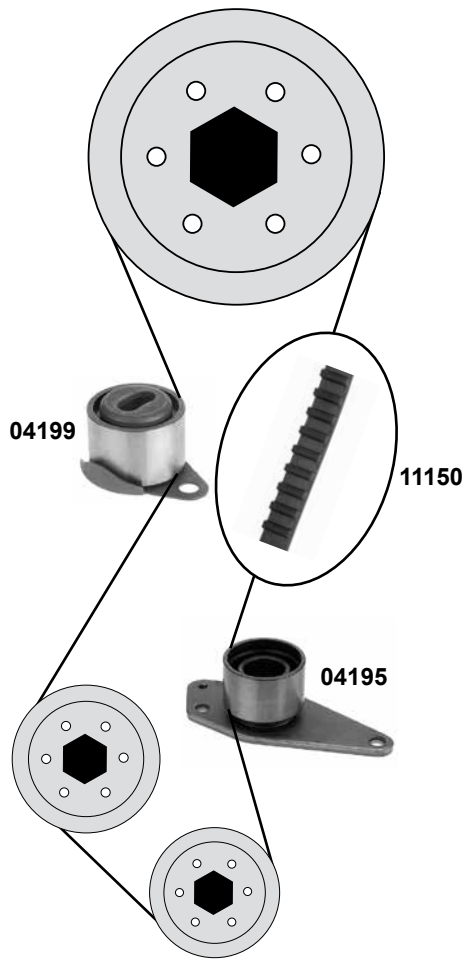


<b>05897</b>	77 00 736 085
<b>11156</b>	77 00 736 969
<b>11157</b>	77 01 472 726
<b>25387</b>	08 55 789 200

Spannrolle / tension roller
Zahnriemen / timing belt
Rep. Satz Zahnriemen / rep. kit timing belt
Rollenkette einfach (endlos) / roller chain simple (endless)

ØA 50 B22
Z 95 B17
E 64

**Modell: 02/88 →**



	Ref. - No.			
<b>04195</b>	82 00 051 091	Umlenkrolle / deflection pulley		ØA 50 B31
<b>04199</b>	77 00 726 440	Spannrolle / tension roller		ØA 50 ØI 23,5 B31
<b>11150</b>	77 00 725 577	Zahnriemen / timing belt		Z 125 B19
<b>11151</b>	77 01 468 167	Rep. Satz Zahnriemen / rep. kit timing belt		

# RENAULT R 19

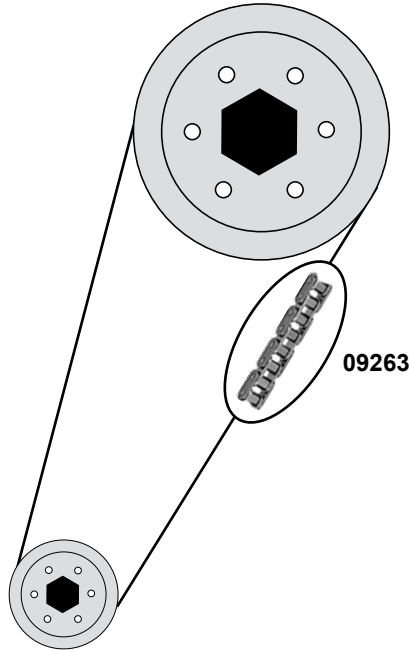
(89→96)

Car  
Division 



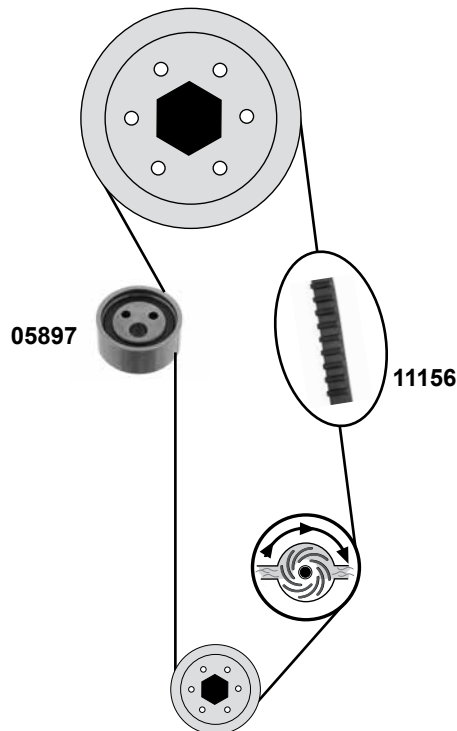
**1,2**

(C1G / C3J)



**1,2 / 1,4**

(E6J / E7F / E7J)



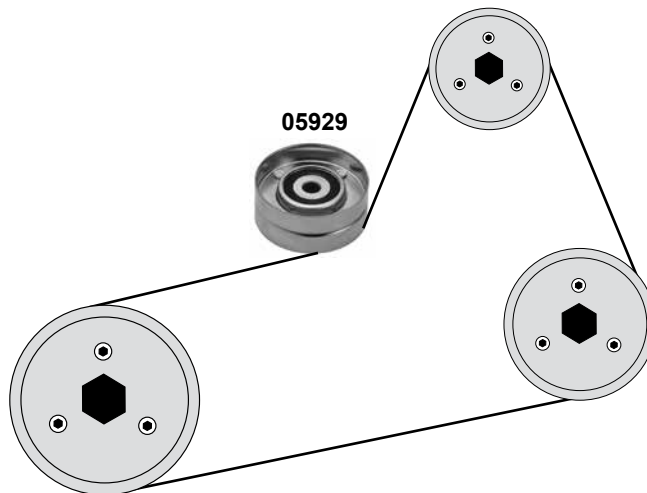
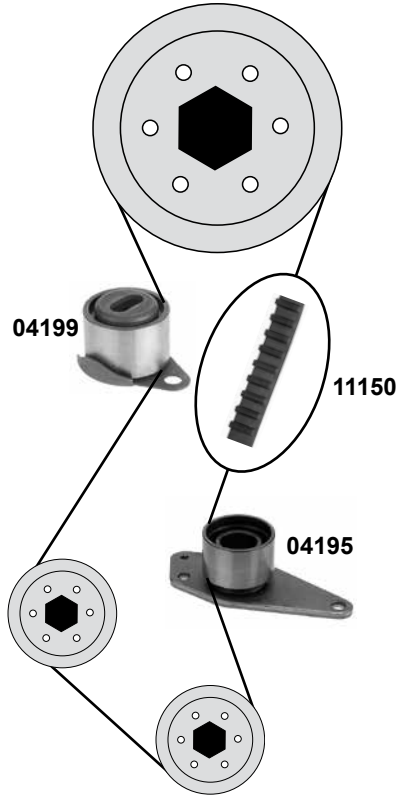
Ref. - No.



<b>05897</b>	77 00 736 085
<b>09263</b>	77 00 722 758
<b>11156</b>	77 00 736 969
<b>11157</b>	77 01 472 726

Spannrolle / tension roller
Rollenkette einfach / roller chain simple
Zahnriemen / timing belt
Rep. Satz Zahnriemen / rep. kit timing belt

ØA 50 B22
455 / 58 E
Z 95 B17



Ref. - No.



<b>04195</b>	82 00 051 091
<b>04199</b>	77 00 726 440
<b>05929</b>	77 00 850 603
<b>11150</b>	77 00 725 577
<b>11151</b>	77 01 468 167

Umlenkrolle / deflection pulley
Spannrolle / tension roller
Spannrolle / tension roller
Zahnriemen / timing belt
Rep. Satz Zahnriemen / rep. kit timing belt

(mot.) F3P + AC

ØA 50 B31
ØA 50 ØI 23,5 B31
ØA 70 B30
Z 125 B19



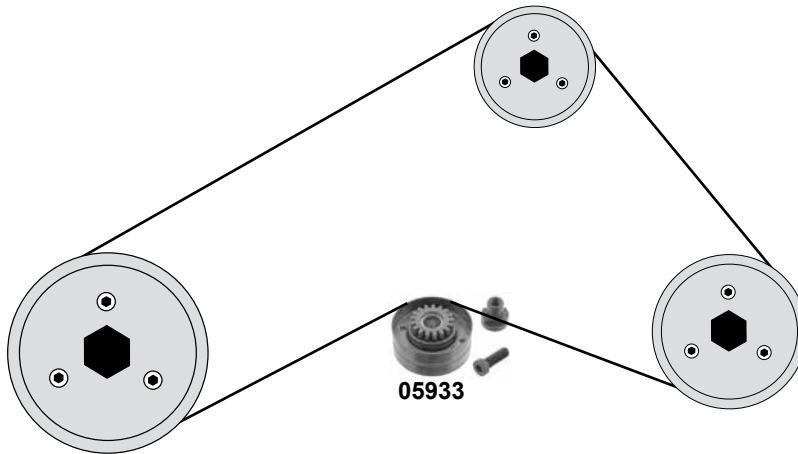
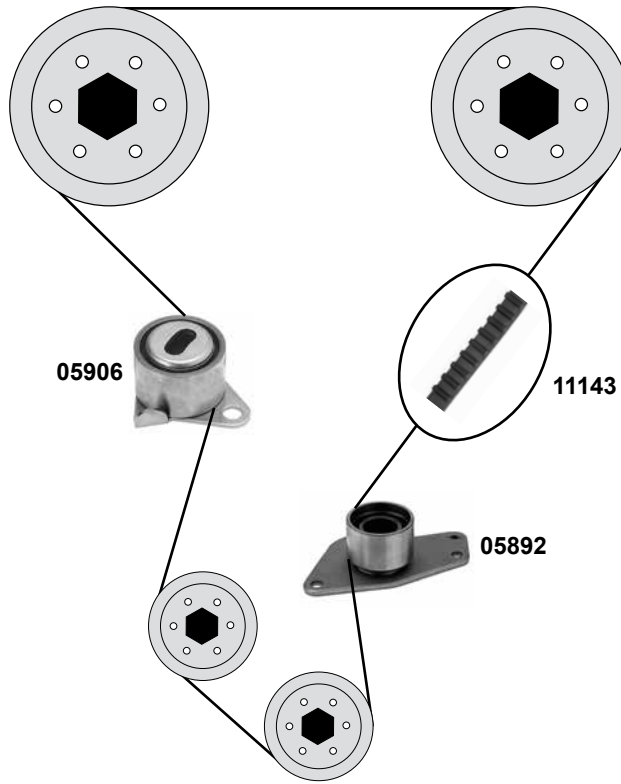
# RENAULT R 19





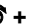
(89→96)

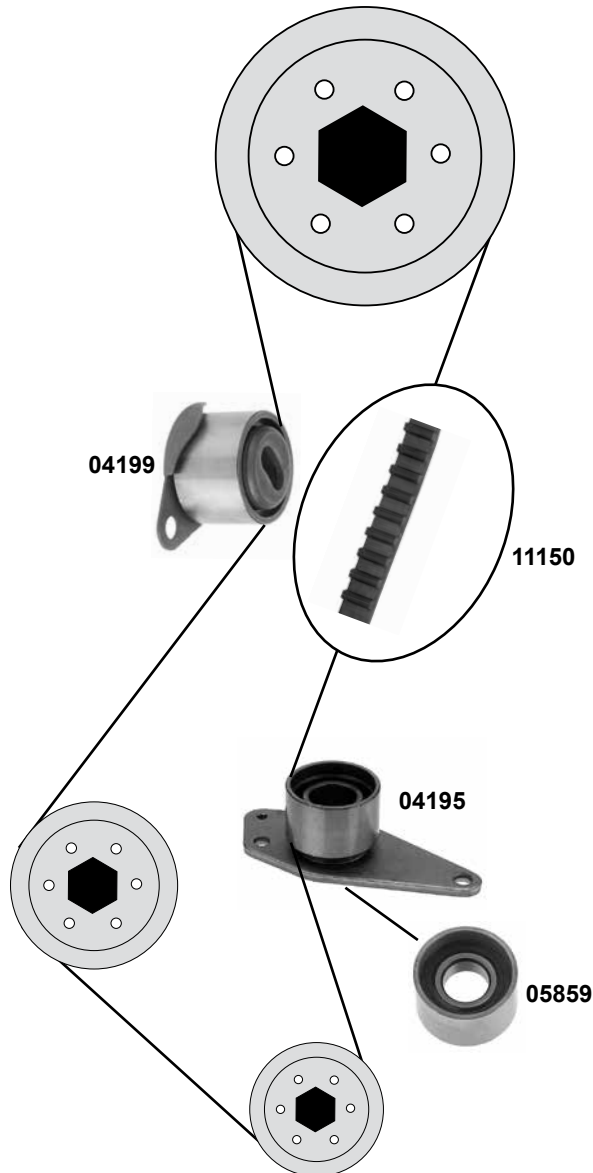
Car  
Division 



**1,8 16V**  
(F7P)



	Ref. - No.			
<b>05892</b>	82 00 469 376	Umlenkrolle / deflection pulley	servo  + AC	ØA 50 B30,5
<b>05906</b>	77 00 736 419	Spannrolle / tension roller		ØA 50 B30,5
<b>05933</b>	77 00 851 321	Spannrolle / tension roller		ØA 70 B28
<b>11143</b>	77 00 743 777	Zahnriemen / timing belt		Z 148 B25,4
<b>11144</b>	77 01 469 775	Rep. Satz Zahnriemen / rep. kit timing belt		



- (1) nur / only: F2N - 711,754,758,783,786 (86→94) / F2N - 710,712,716,750,752 (2/88→94) / F3N - 723 (86→94)  
F3N - 722,726 (2/88→94)
- (2) nur / only: (L48) F2N - 710,712,750,752 (1/86→1/88) / F3N - 722,726 (1/86→1/88)  
(K48) F2N - 710 (1/86 → C 00290918) / F2N - 712 (1/87 → C 00028979) / F2N - 750  
(1/87→C 00291322) F2N - 752 (1/87→C 00290415)



Ref. - No.

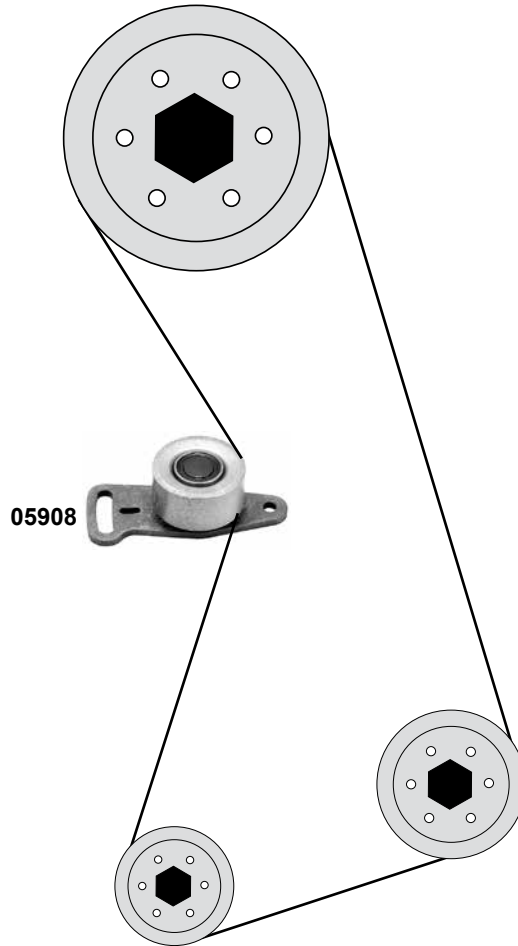


Ref. - No.	Description	Quantity	Dimensions
04195	Umlenkrolle / deflection pulley	(1)	ØA 50 B31
04199	Spannrolle / tension roller	(1)	ØA 50 ØI 23,5 B31
05859	Umlenkrolle / deflection pulley	(2)	ØA 50 B31,5
11150	Zahnriemen / timing belt	(1)	Z 125 B19
11151	Rep. Satz Zahnriemen / rep. kit timing belt	(1)	



## 2,0

(J6R / J7R)



05908



(1) nur / only: ( L48 ) J7R-740,746,747,754,756 / J6R-758 ( ch.) F 00311745→/ J6R-759 (ch.) F 00310951→  
J6R-792,793 (6/90→94) / J7R-751 (ch.) F 00197768→/ J7R-752 (ch.) F 00209863→  
( K48 ) J7R-740,746,747 (87→94) / J6R 6/90→94 / J7R-750 (ch.) F 00209864→



Ref. - No.



Spannrolle / tension roller

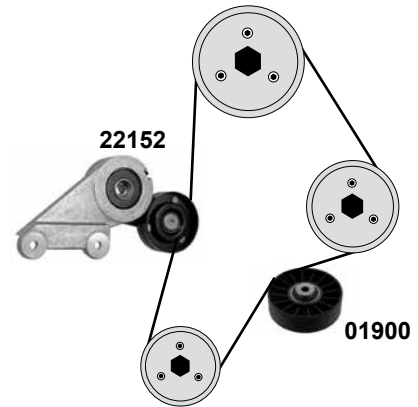
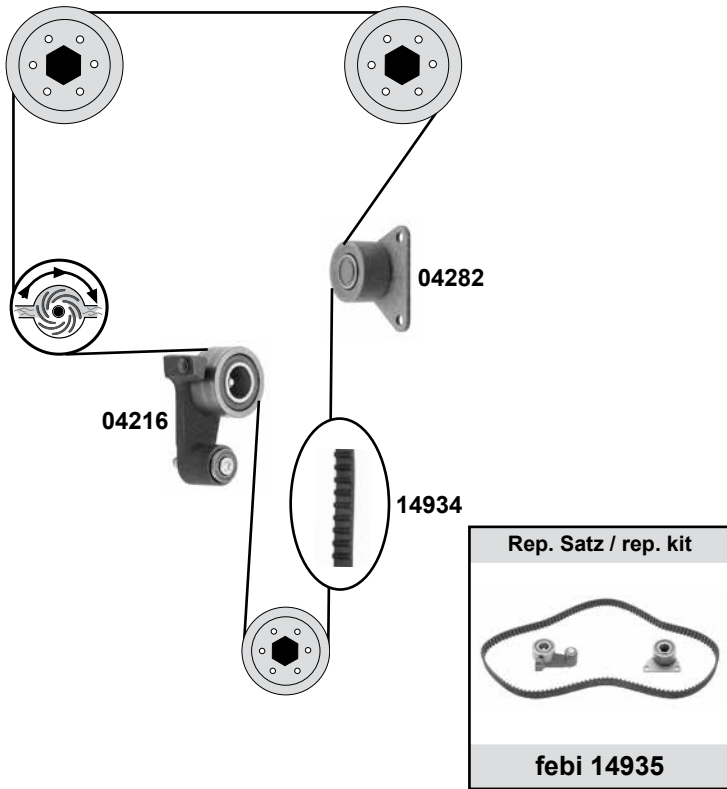


(1)

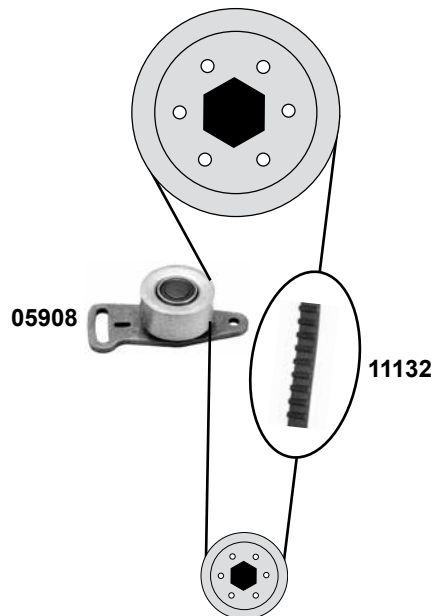


ØA 55 B26

**2,0 16V**  
(N7Q - 710,711 / N7U-100,701)



**2,2**  
(J7T- 762)



	Ref. - No.			
<b>01900</b>	74 39 146 139	Umlenkrolle / deflection pulley	(ex.) AC	ØA 124 B26
<b>04216</b>	74 39 135 036	Spannrolle / tension roller		ØA 53 ØI 24 B27
<b>04282</b>	74 39 146 376	Umlenkrolle / deflection pulley		ØA 53 ØI 24 B27
<b>05908</b>	77 00 871 168	Spannrolle / tension roller		ØA 55 B26
<b>11132</b>	77 00 856 351	Zahnriemen / timing belt		Z 118 B19
<b>14934</b>	74 39 135 733	Zahnriemen / timing belt		Z 148 B23
<b>14935</b>	74 39 135 733 S	Rep. Satz Zahnriemen / rep. kit timing belt		
<b>22152</b>	74 31 275 380	Riemenspanner / belt tensioner	96→	ØA 76 B26

# RENAULT Safrane

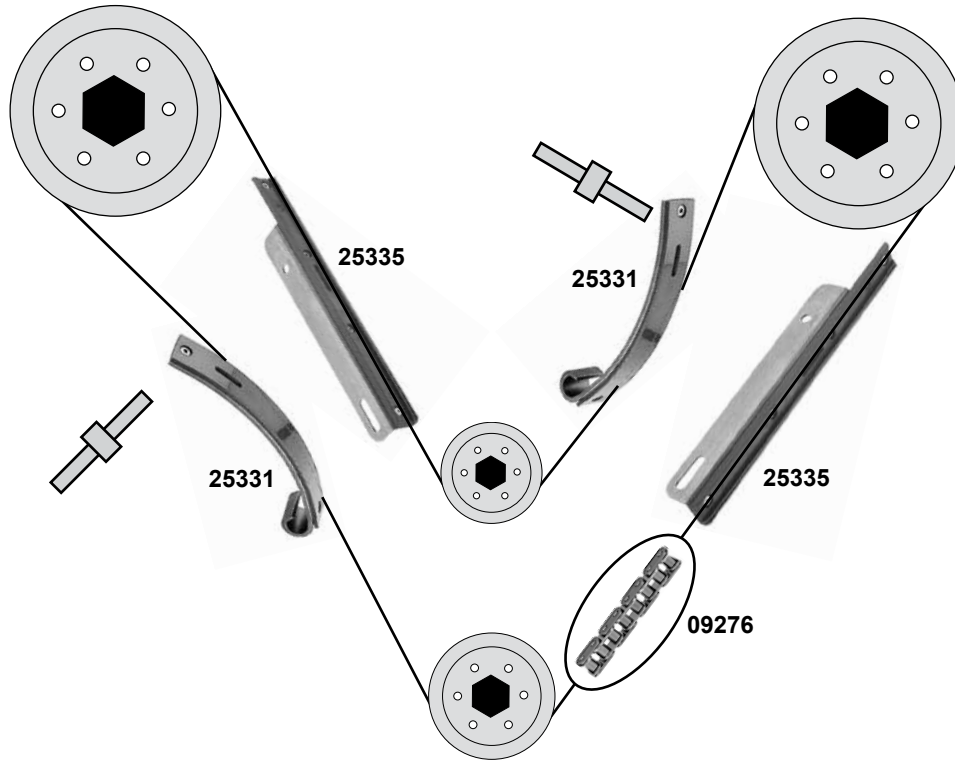
(92→00)

Car  
Division



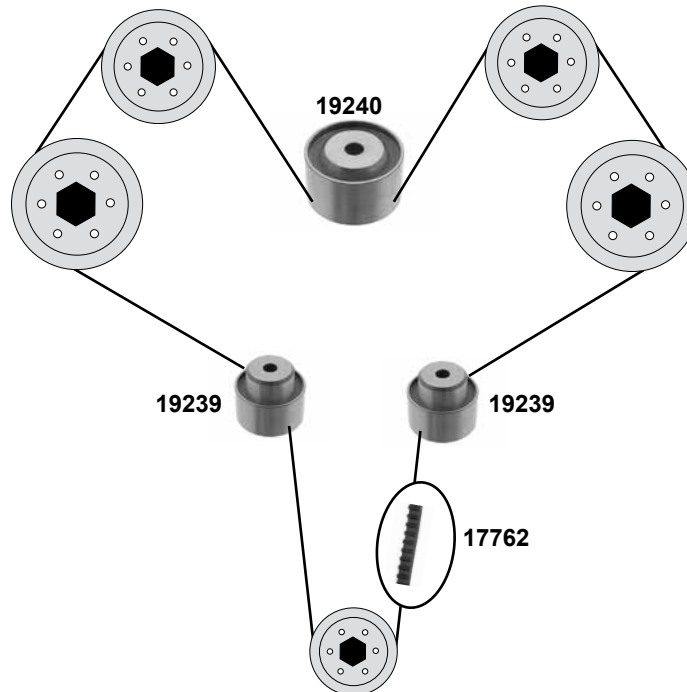
## 3,0 V6

(Z7X-721,722,723,753,755)



## 3,0 V6 24V

(L7X)



Ref. - No.

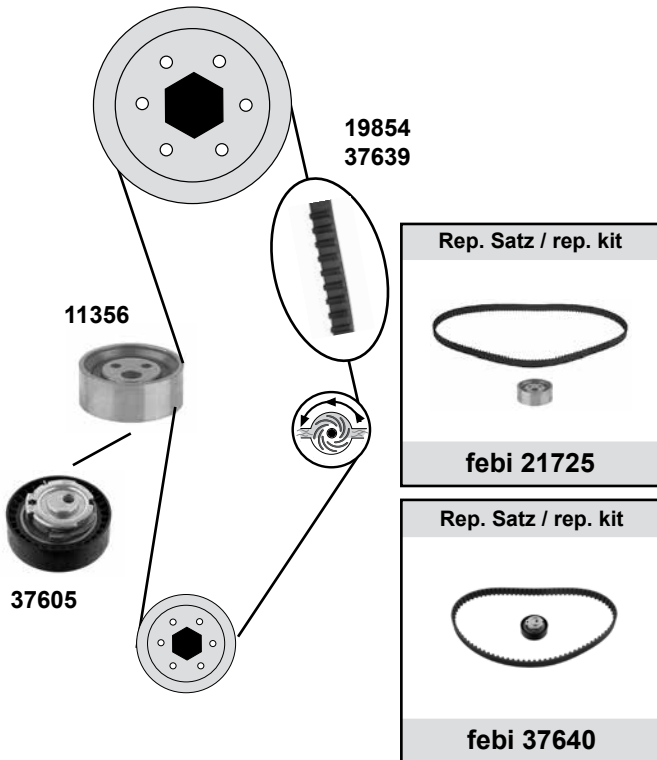


09276	79 10 245 301
17762	96 18 337 580
19239	96 16 660 580
19240	96 16 660 780
25331	79 10 246 065
25335	79 10 247 528

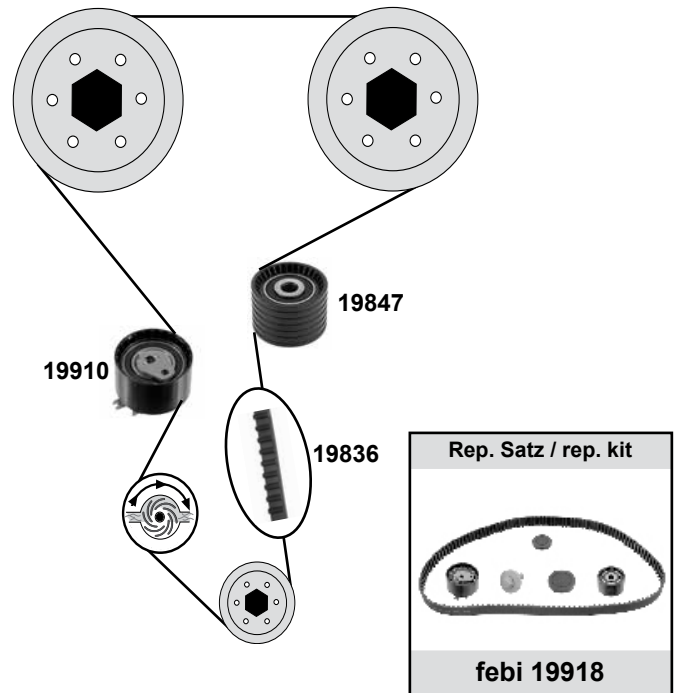
Rollenkette / roller chain
Zahnriemen / timing belt
Umlenkrolle / deflection pulley
Umlenkrolle / deflection pulley
Gleitschiene / sliding rail
Gleitschiene / sliding rail

94 E
Z259
ØA 65 B36/54
ØA 65 B36

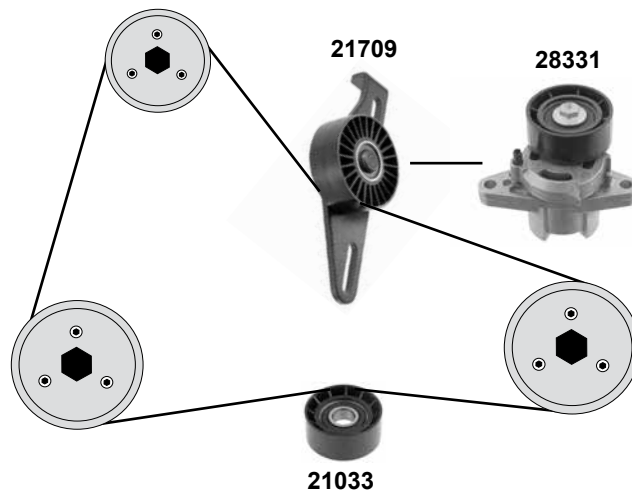
## 1,4 / 1,6 (K7J)



## 1,6 16V (K4M-690/694/698)



## 1,4 / 1,6 (K7M/K7J)



	Ref. - No.			
11356	82 00 211 784	Spannrolle / tension roller	→11/09	ØA 55 B22
19836	82 00 537 026	Zahnriemen / timing belt		Z 132 B27
19847	77 00 107 150	Umlenkrolle / deflection pulley		ØA 54 B32
19854	82 00 537 021	Zahnriemen / timing belt	→11/09	Z 96 B17
19910	77 00 108 117	Spannrolle / tension roller		ØA 56 B32
19918	77 01 477 014	Rep. Satz Zahnriemen / rep. kit timing belt		
21033	82 00 104 754	Umlenkrolle / deflection pulley	AC	ØA 60,2 H 25,5
21709	82 00 582 997	Riemenspanner / belt tensioner	(ex.) AC (mot.) K7J	ØA 70 B25,5
21725	77 01 477 024	Rep. Satz Zahnriemen / rep. kit timing belt	→11/09	
28331	82 00 603 359	Riemenspanner / belt tensioner	AC / servo	ØA 60
37605	82 00 908 180	Spannrolle / tension roller	11/09→	ØA 73,5 H 22
37639	82 00 939 081	Zahnriemen / timing belt	11/09→	Z 96 B17,3
37640	13 0C 174 80R	Rep. Satz Zahnriemen / rep. kit timing belt	11/09→	

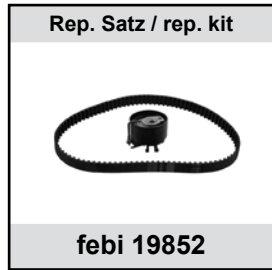
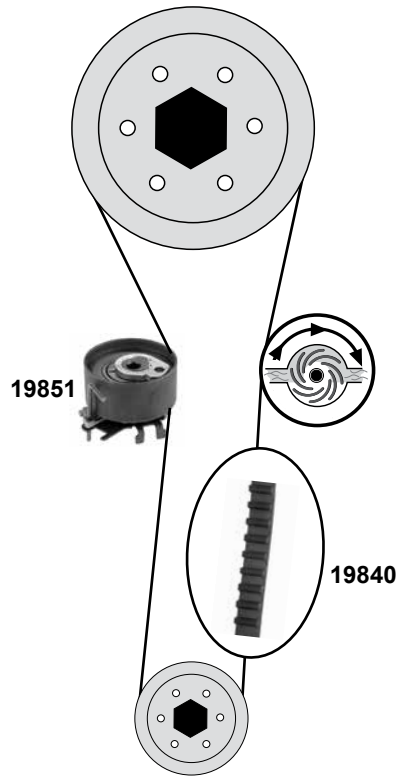
# RENAULT Sandero 2

(13→)

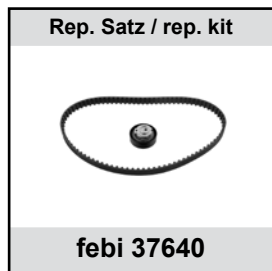
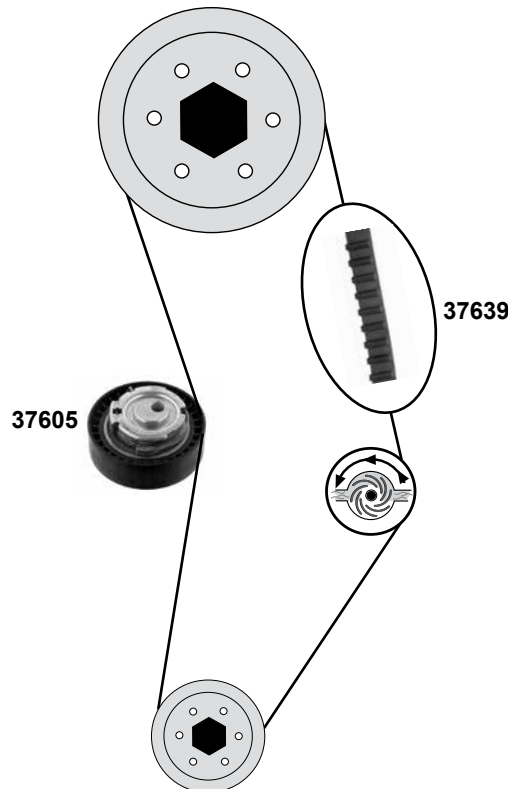
Car  
Division 



**1,2 16V**  
(D4F)



**1,6**  
(K7M-712)

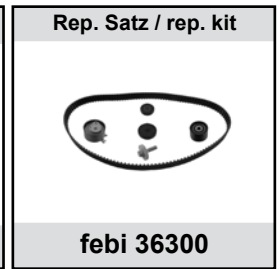
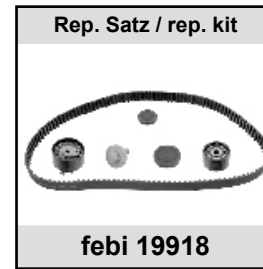
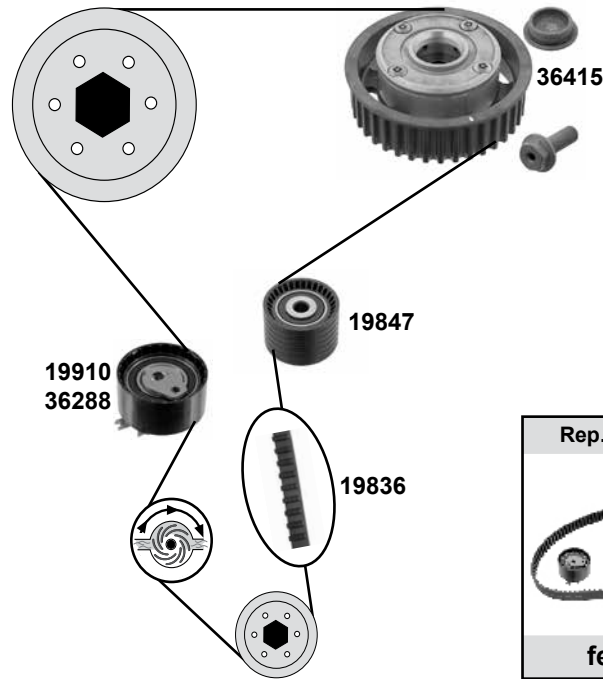


Ref. - No.

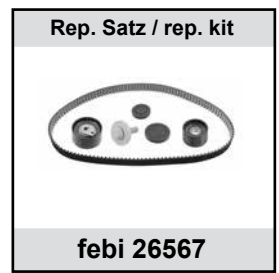
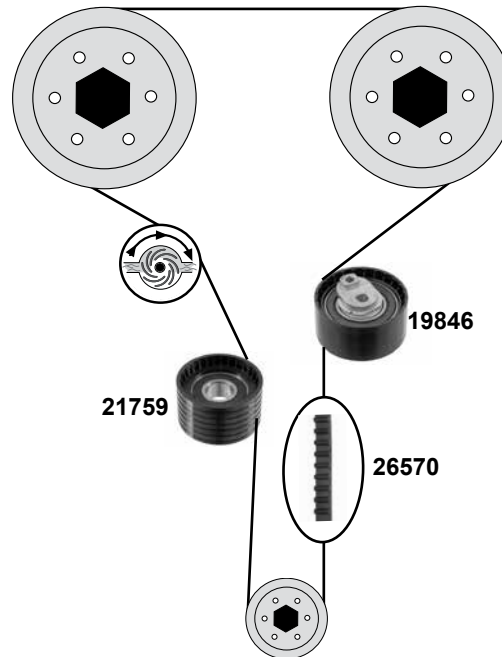


<b>19840</b>	82 00 106 085	Zahnriemen / timing belt	Z 95 B23,4
<b>19851</b>	82 00 704 394	Spannrolle / tension roller	ØA59 H28,3/24,45
<b>19852</b>	77 01 476 745	Rep. Satz Zahnriemen / rep. kit timing belt	Z 95 B23,4
<b>37605</b>	82 00 908 180	Spannrolle / tensioner bearing	ØA 73,5 H 22
<b>37639</b>	82 00 939 081	Zahnriemen / timing belt	Z 96 B17,3
<b>37640</b>	13 0C 174 80R	Rep. Satz Zahnriemen / rep. kit timing belt	

**1,4 16V / 1,6 16V**  
(K4J / K4M)



**2,0 16V**  
(F4R 700/771/776)



(1) (mot.) F4R-770,771 03→07/05 / (mot.) F4R-776 03→

(2) (mot.) K4J-730,740 03→ / (mot.) K4M-764,788 03→



Ref. - No.

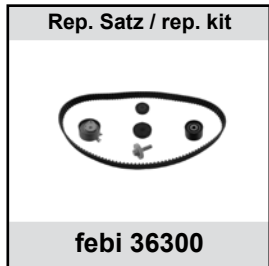
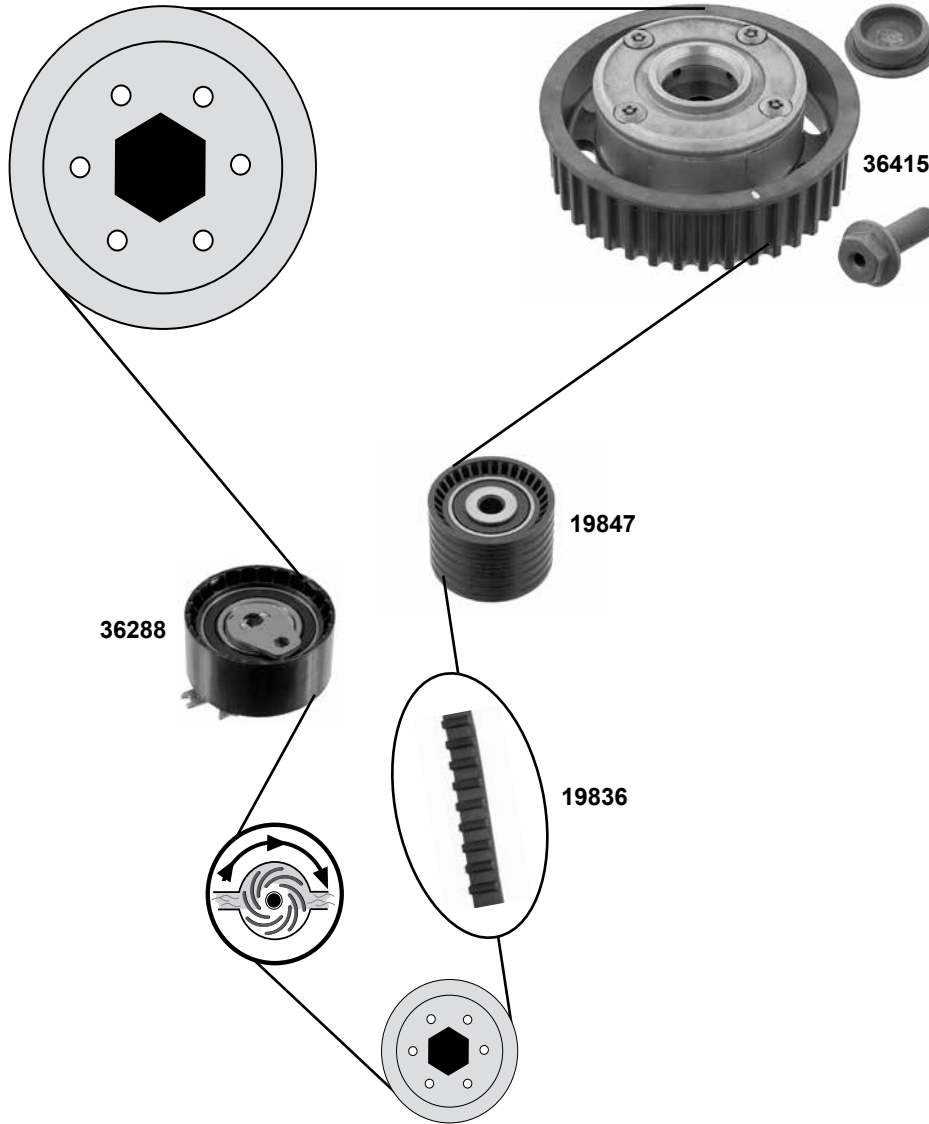


Ref. - No.				
19836	82 00 537 026	Zahnriemen / timing belt		Z 132 B27
19846	82 00 676 404	Spannrolle / tension roller	(1)	ØA 66 H32
19847	77 00 107 150	Umlenkrolle / deflection pulley		ØA 54 B32
19910	77 00 108 117	Spannrolle / tension roller	(2)	ØA 65 B32
19918	77 01 477 014	Rep. Satz Zahnriemen / rep. kit timing belt	(2)	
21759	82 00 064 664	Umlenkrolle / deflection pulley	(1)	ØA 54 ØI 12 B32
26567	77 01 477 093	Rep. Satz Zahnriemen / rep. kit timing belt	(1)	
26570	77 01 477 093	Zahnriemen / timing belt	(1)	Z 126 B27
36288	82 00 623 883	Spannrolle / tension roller		ØA65 H32
36300	77 01 477 023	Rep. Satz Zahnriemen / rep. kit timing belt		
36415	77 01 478 505	Nockenwellenrad / camshaft timing gear		

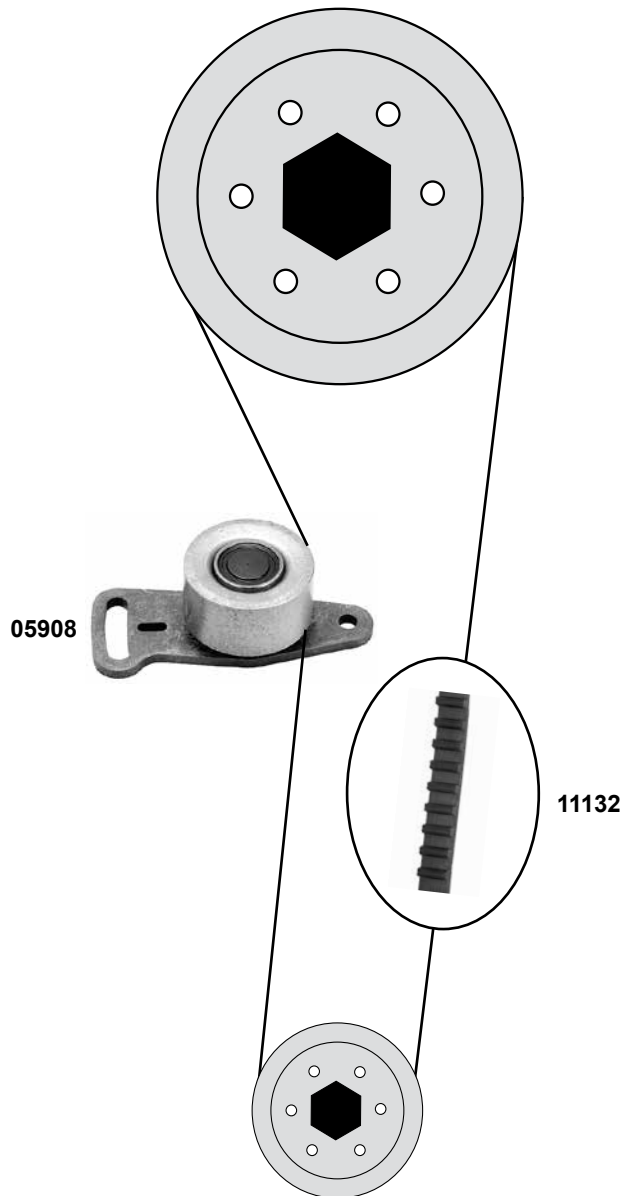




**1,6 16V**  
(K4M-858 / 866)



	Ref. - No.			
<b>19836</b>	82 00 537 026	Zahnriemen / timing belt		Z 132 B27
<b>19847</b>	77 00 107 150	Umlenkrolle / deflection pulley		ØA 54 B32
<b>36288</b>	82 00 623 883	Spannrolle / tension roller		ØA65 H32
<b>36300</b>	77 01 477 023	Rep. Satz Zahnriemen / rep. kit timing belt		
<b>36415</b>	77 01 478 505	Nockenwellenrad / camshaft timing gear		



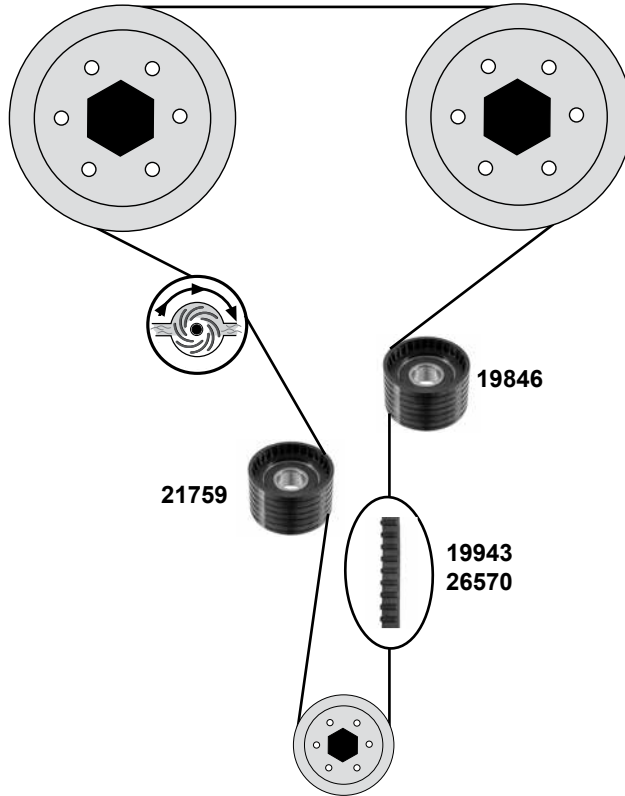
# RENAULT Trafic 2

(01→)

Car  
Division



**2,0 16V**  
(F4R)



Rep. Satz / rep. kit

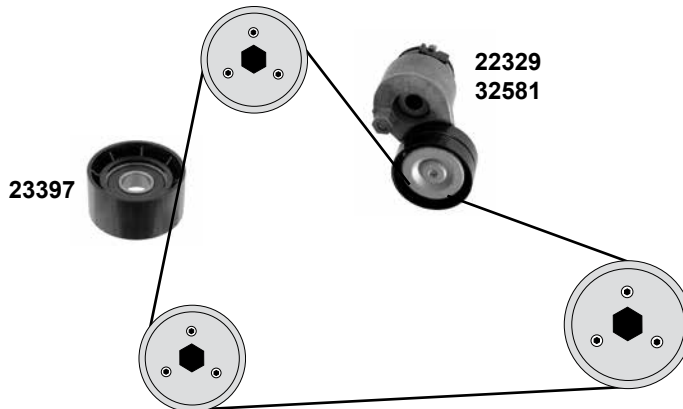


**febi 26567**

Rep. Satz / rep. kit



**febi 28602**



(1) (mot.) F4R-720 (ex.) AC

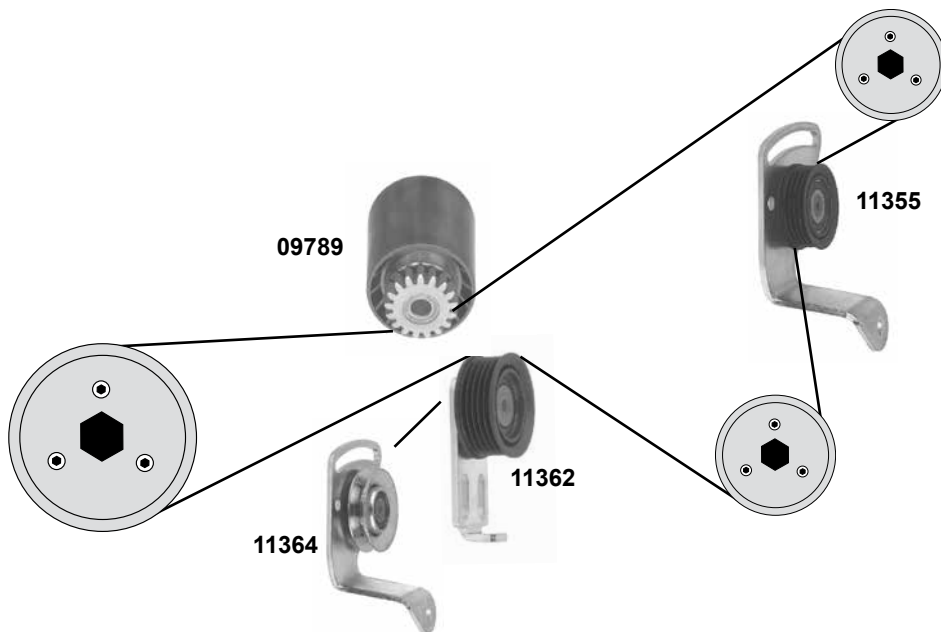
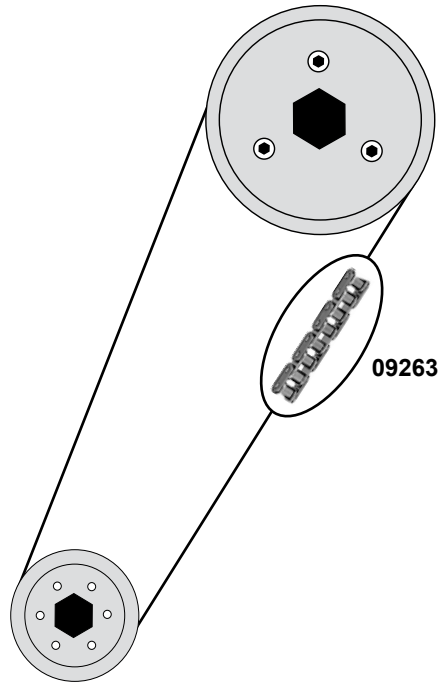
(2) (mot.) F4R-720 AC



Ref. - No.



<b>19846</b>	82 00 064 664	Umlenkrolle / deflection pulley	(mot.) F4R-720.820	ØA 54 B32
<b>19943</b>	77 01 064 316	Zahnriemen / timing belt	(mot.) F4R-720,767	Z 126 B27
<b>21759</b>	82 00 058 022	Umlenkrolle / deflection pulley	(mot.) F4R-720,820	ØA 54 ØI 12 H32
<b>22329</b>	82 00 071 402	Riemenspanner / belt tensioner	(2)	ØA 65 B30
<b>23397</b>	82 00 285 009	Umlenkrolle / deflection pulley	AC	ØA 60 B31
<b>26567</b>	77 01 477 093	Rep. Satz Zahnriemen / rep. kit timing belt	(mot.) F4R-820	
<b>26570</b>	82 00 542 739	Zahnriemen / timing belt	(mot.) F4R-820	Z 126 B27
<b>28602</b>	77 01 477 022	Rep. Satz Zahnriemen / rep. kit timing belt	(mot.) F4R-720	
<b>32581</b>	82 00 840 824	Riemenspanner / belt tensioner	(1)	



Ref. - No.



**09263** 77 00 722 758  
**09789** 77 00 870 795  
**11355** 77 00 272 652  
**11362** 77 00 860 884  
**11364** 77 00 858 358

Rollenkette einfach / roller chain simple  
Umlenkrolle / deflection pulley  
Spannrolle / tension roller  
Spannrolle / tension roller  
Spannrolle / tension roller

AC  
AC  
(ex.) AC

58 E  
ØA 56,5 B24  
ØA 60 B17,9  
ØA 60 B24

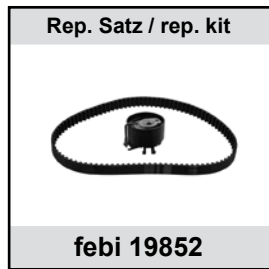
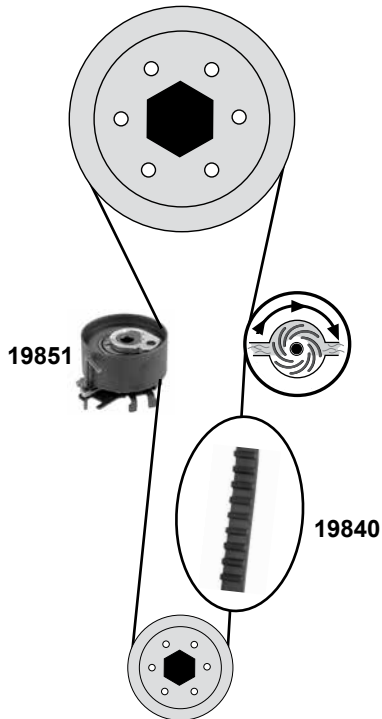
# RENAULT Twingo 1 (93→07)

Car  
Division



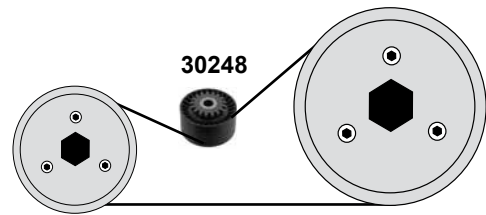
## 1,2 16V

(D4D / D4F / D4F-772 / 780)



## 1,2 16V

(D4F-772,780,800 / D7F-800)

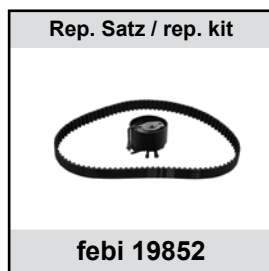
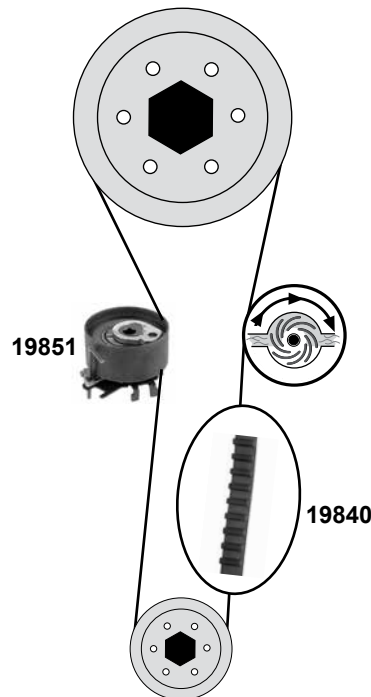


## Twingo 2

(07→)

## 1,2 16V

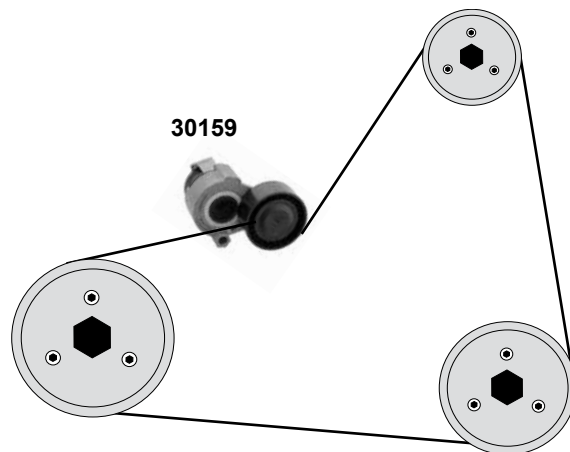
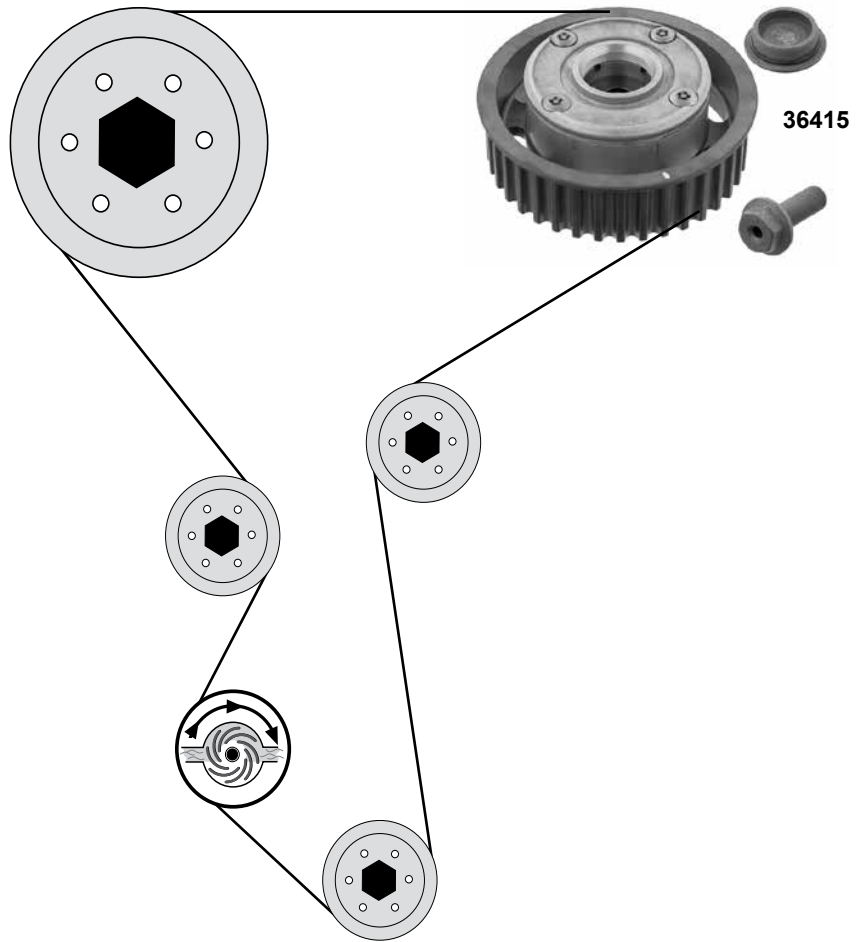
(D4F-772,780)



Ref. - No.



19840	82 00 106 085	Zahnriemen / timing belt	Z 95 B23,4
19851	82 00 704 394	Spannrolle / tension roller	ØA 59 B24
19852	77 01 476 745	Rep. Satz Zahnriemen / rep. kit timing belt	Z 95 B23,4
30248	82 00 769 155	Umlenkrolle / deflection pulley	ØA 60 H30



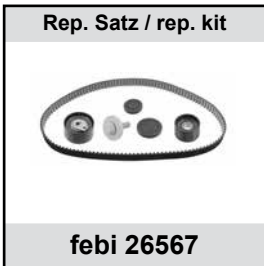
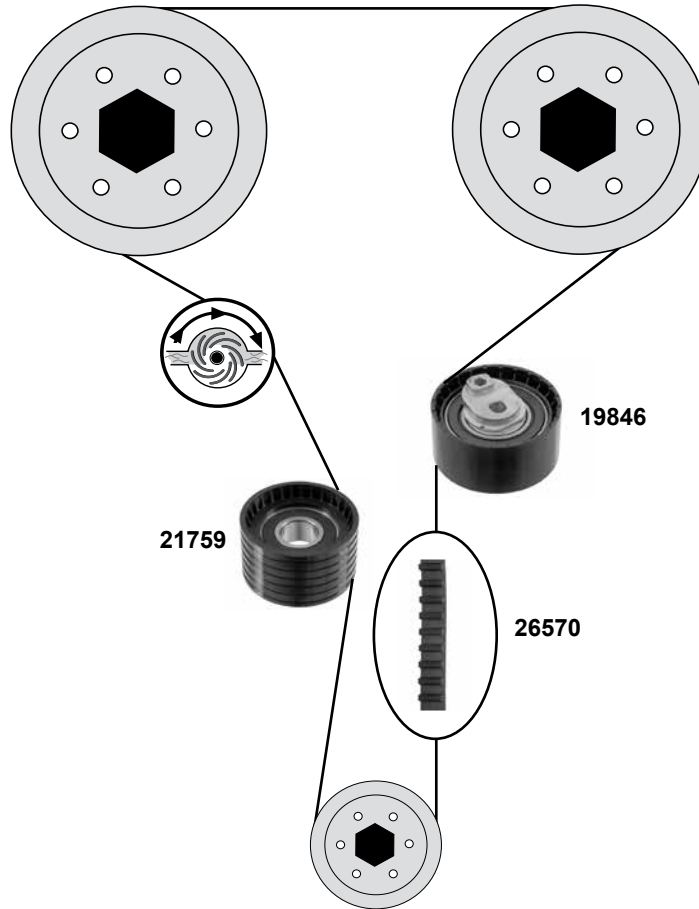
# RENAULT Vel Satis

(02→)

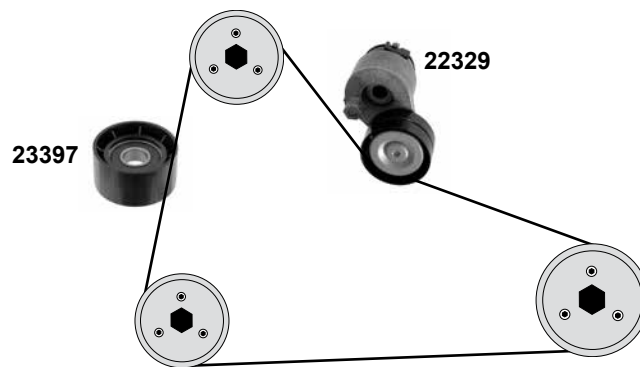
Car  
Division



## 2,0 16V (F4R-766/767/867)



## 2,0 16V (F4R-762/763/764/765/766/767)



(1) (mot.) F4R-762,763,766,767

(2) (mot.) F4R-762,763,764,765



Ref. - No.



19846

82 00 676 404

Spannrolle / tension roller

21759

82 00 064 664

Umlenkrolle / deflection pulley

22329

82 00 071 402

Riemenspanner / belt tensioner

23397

82 00 285 009

Umlenkrolle / deflection pulley

26567

77 01 477 093

Rep. Satz. Zahnriemen / rep.kit timing belt

26570

82 00 542 739

Zahnriemen / timing belt

(2)

(1)

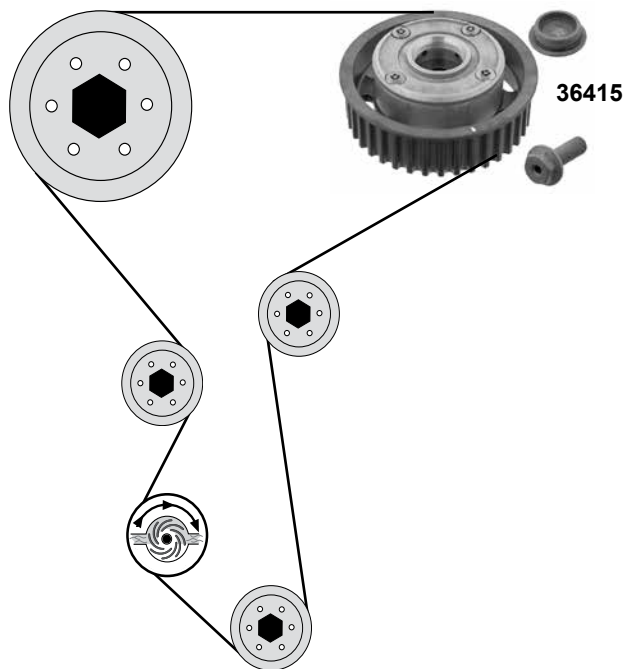
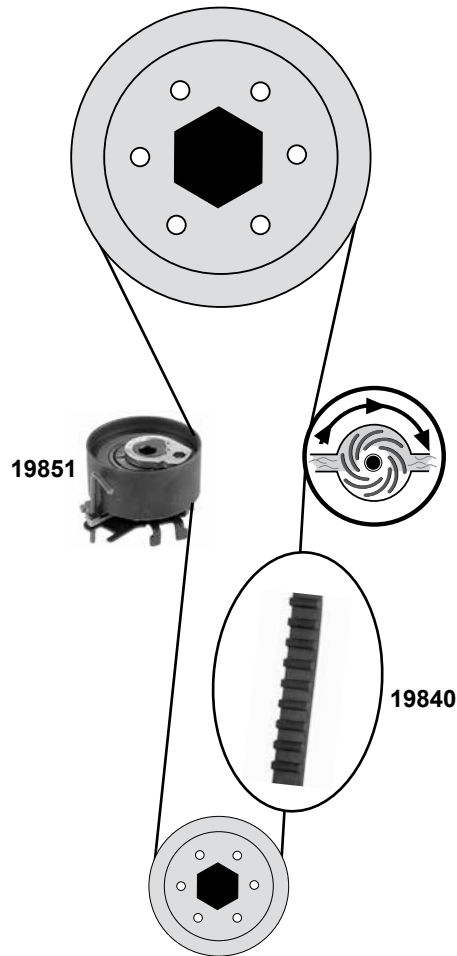
ØA 54 ØI 12 B32

ØA 65 B30

ØA 60

Z 126 B27

Z 126 B27



Ref. - No.



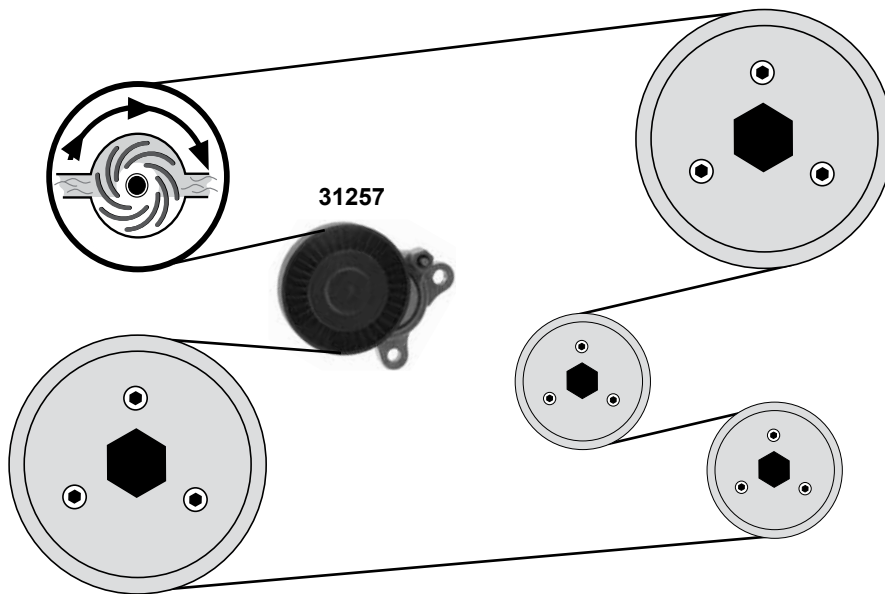
<b>19840</b>	82 00 106 085
<b>19851</b>	82 00 704 394
<b>19852</b>	77 01 476 745
<b>36415</b>	77 01 478 505

Zahnriemen / timing belt
Spannrolle / tension roller
Rep. Satz Zahnriemen / rep. kit timing belt
Nockenwellenrad / camshaft timing gear

Z 95 B23,4
ØA 59 B24
Z 95 B23,4



**1,4 / 1,6 / 1,8**



(1) 45: (mot.) 1,4 16V / 1,6 16V / 1,8 Modell: 02/00→



Ref. - No.



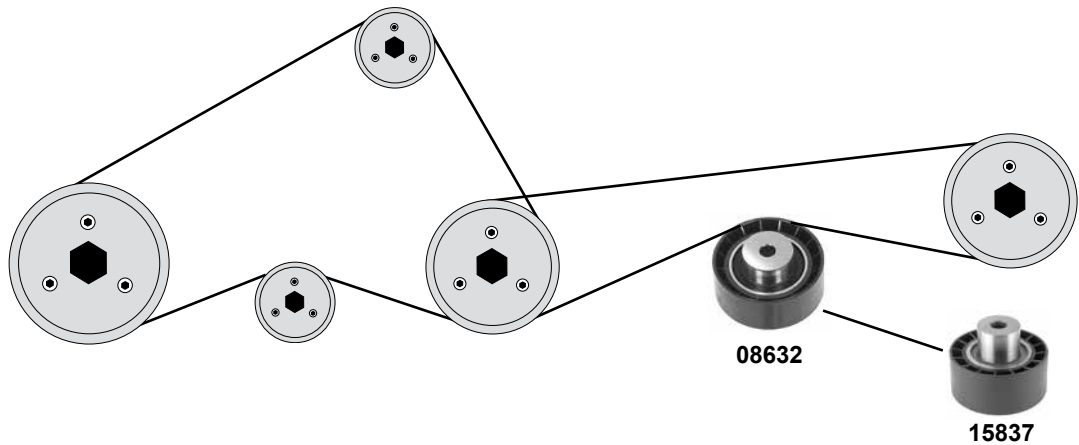
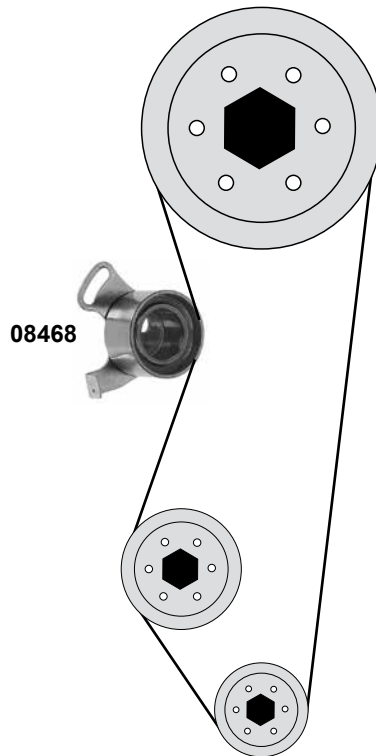
31257

PQG 100180A

Riemenspanner / belt tensioner

(1)

ØA 76,5 B14,5



(1) 100: alle / all  
200: **Modell** 10/92→(ex.) Coupe / Cabriolet / Tourer



Ref. - No.



**08468**  
**08632**  
**15837**

LHP 10014  
PQR 10028  
LHV 100110

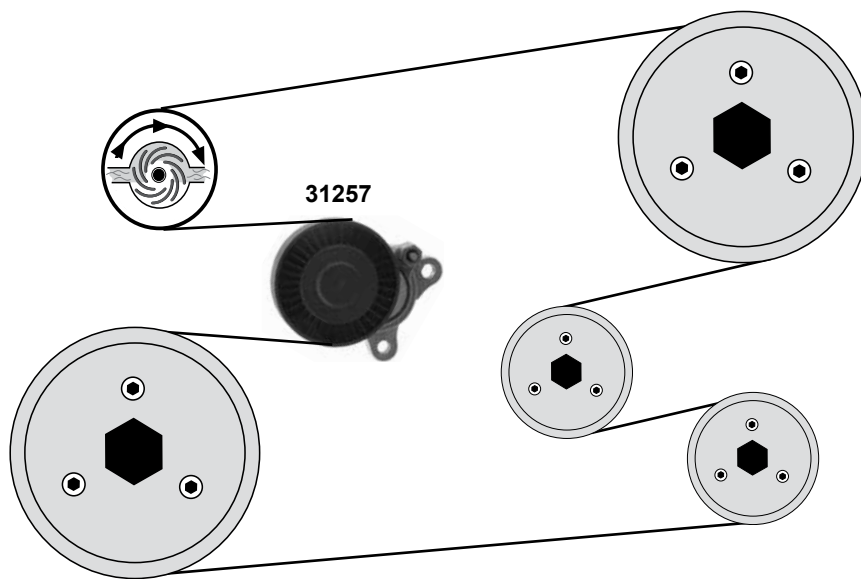
Spannrolle / tension roller  
Spannrolle / tension roller  
Umlenkrolle / deflection pulley

(1)  
200: (mot.) 1,4 + AC  
nur / only: 75

ØA 55 B32  
ØA 65 B26  
ØA 70 B32



### 1,8



(1) 03→/ 1,8 Turbo



Ref. - No.



Riemenspanner / belt tensioner

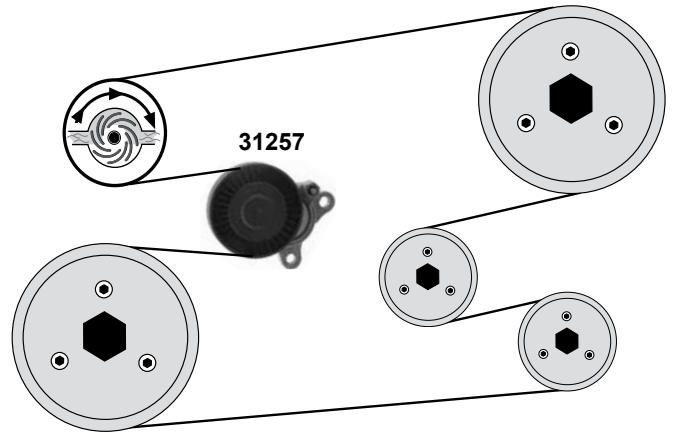
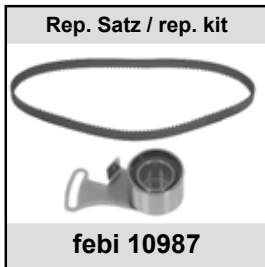
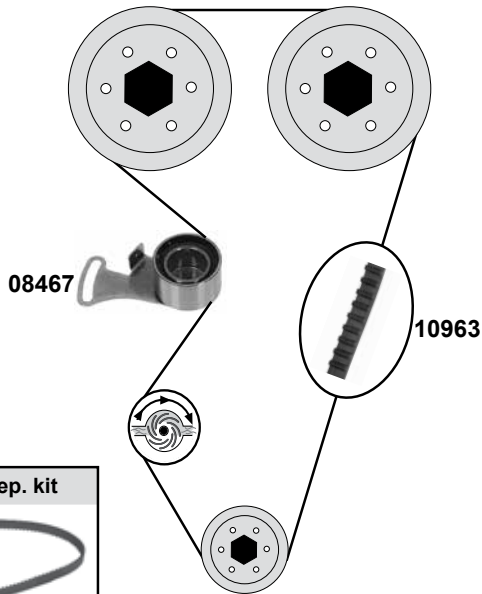


(1)

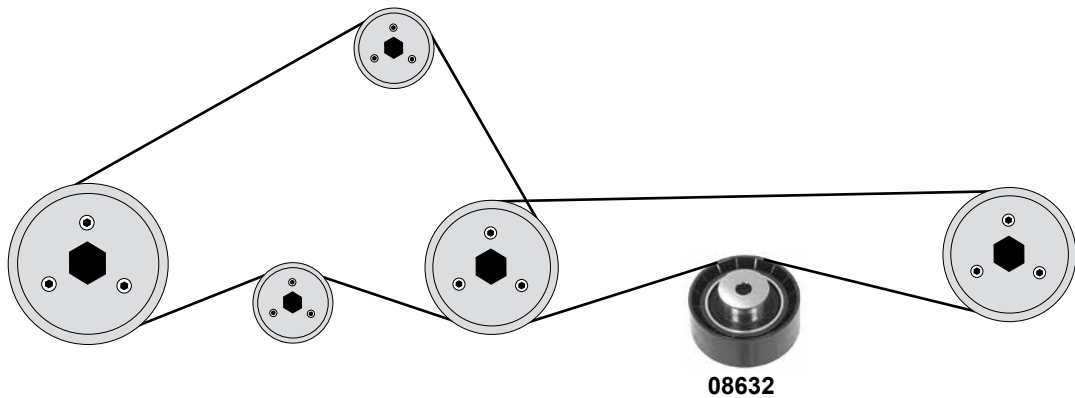


ØA 76,5 B14,5

**1,4 16V / 1,6 16V / 1,8**



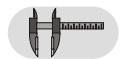
**2,8 V6**



- (1)** 114: (mot.) 1,4 16V  
200: (mot.) 1,6 / 1,8 Coupe / Cabriolet / Tourer Modell: 03/96→  
200: (mot.) 1,4 16V / 1,6 16V / 1,8 Modell: 10/92→
- (2)** 200: (mot.) 1,4 16V / 1,6 16V / 1,8 Modell: 11/95→11/99



Ref. - No.



Ref. - No.	Description	Quantity	Notes
08467	LHP 10015 Spannrolle / tension roller	(1)	
08632	PQR 10028 Spannrolle / tension roller	(mot.) 1,4 + AC	ØA 55 B32
10963	GTB 1238 Zahnriemen / timing belt	(1)	ØA 65 B 26 Z 143 B23
10987	GTB 1238 S1 Rep. Satz Zahnriemen / rep. kit Timing Belt	(1)	
31257	PQG 100180A Riemenspanner / belt tensioner	(2)	ØA 76,5 B14,5

# ROVER

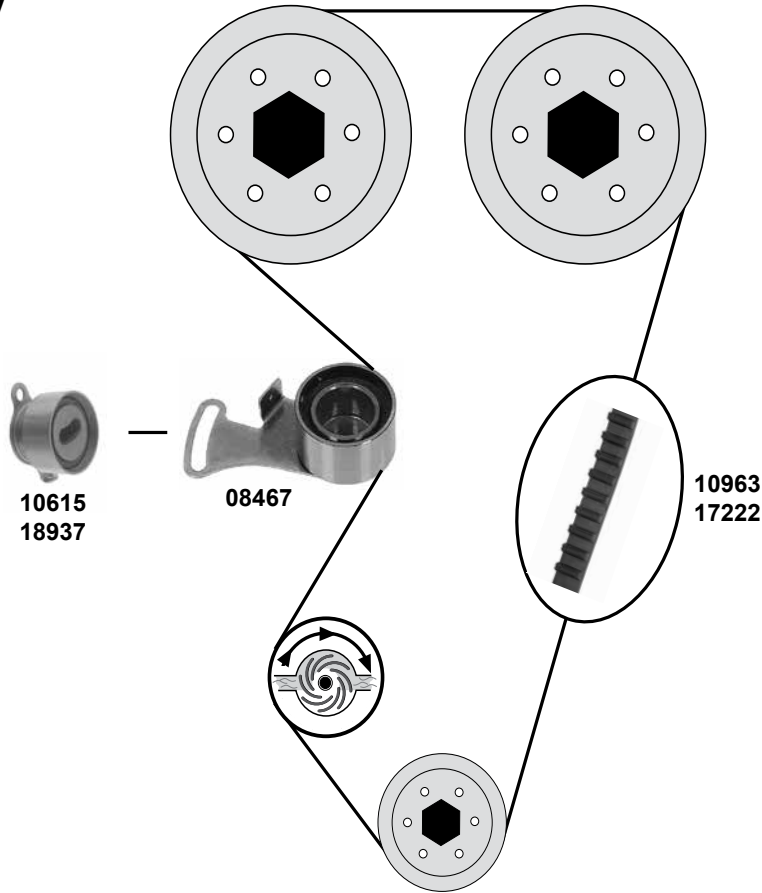
## 400 / 416

(05/95→00)

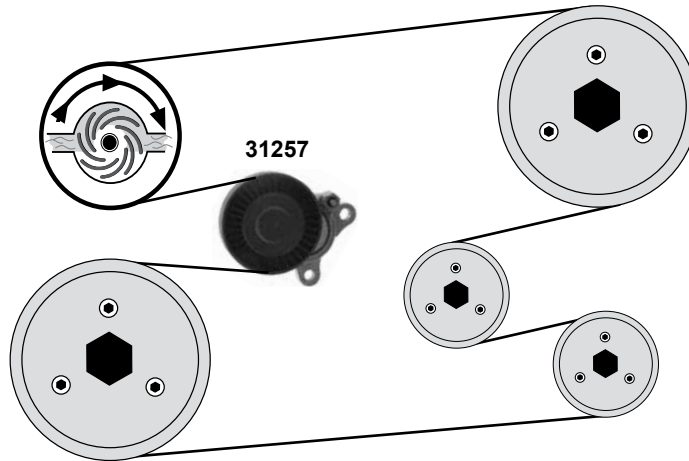
Car  
Division



### 1,4 16V / 1,6 16V



### 1,4 16V / 1,6 16V / 1,8V



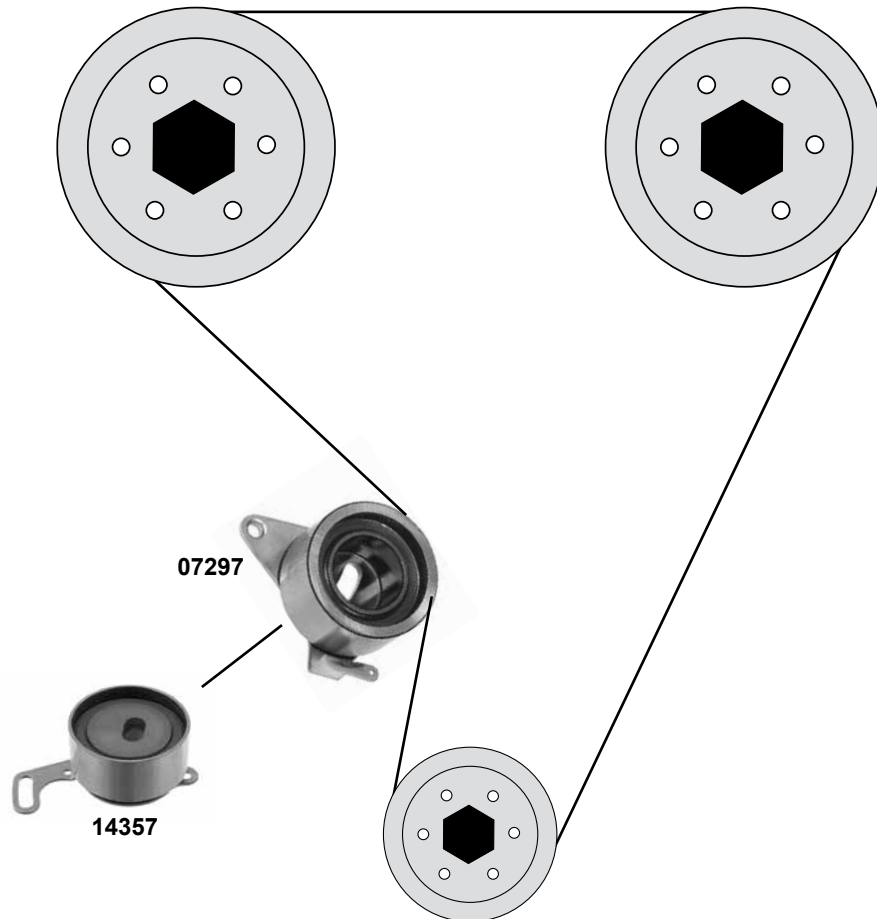
- (1) nur /only: 400
- (2) nur /only: 416→ (E)D16Y3E299999
- (3) nur /only: 416 (E)D16B2E100001→



Ref. - No.



Ref. - No.	Description	Quantity	Dimensions
08467	LHP 10015 Spannrolle / tension roller	(1)	ØA 55 B32
10615	FDU 2691 Spannrolle / tension roller	(2)	ØA 56,5 B26
10963	GTB 1238 Zahnriemen / timing belt	(1)	Z 143 B23
10987	GTB 1238 S1 Rep. Satz Zahnriemen / rep. kit timing belt	(1)	
17222	GTB 1293 XS Zahnriemen / timing belt	(3)	Z 103
18937	LHP 100 790 Spannrolle / tension roller	(3)	ØA 53 B26
31257	PQG 100180A Riemenspanner / belt tensioner		ØA 76,5 B14,5



- (1) nur / only: 420 / 620 Turbo / 820 (mot.) 2,0  
(2) nur / only: 618 / 620 (ex.) Turbo / 623



Ref. - No.



**07297**  
**14357**

LHP 10016  
LHP 100440

Spannrolle / tension roller  
Spannrolle / tension roller

(1)  
(2)

ØA 60 B32  
ØA 62 B40

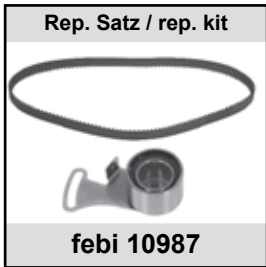
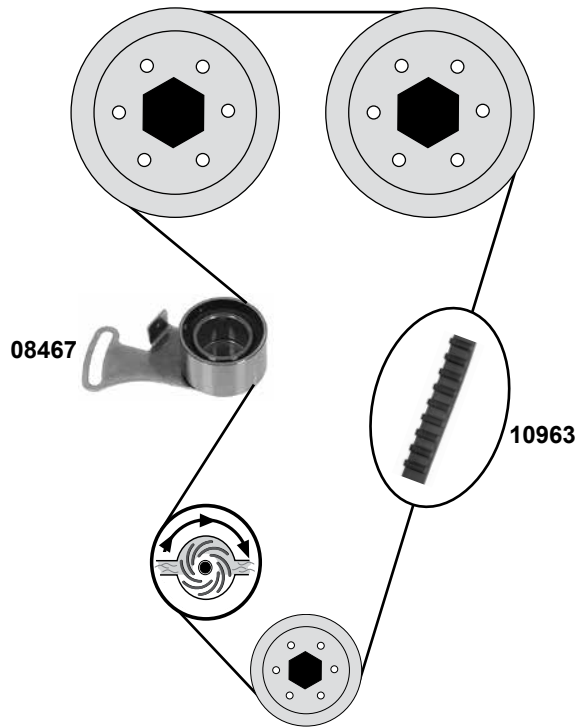
# ROVER MGF

(92→99)

Car  
Division 



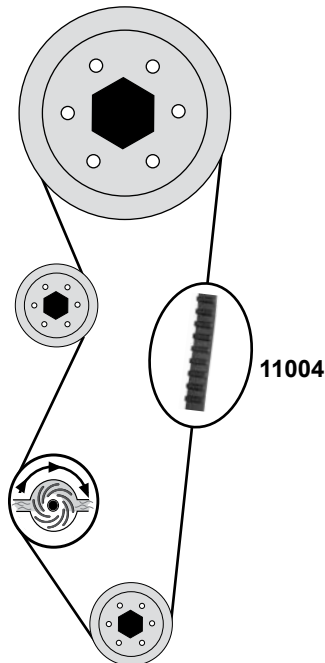
1,8



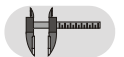
# Maestro / Montego

(01/86→95)

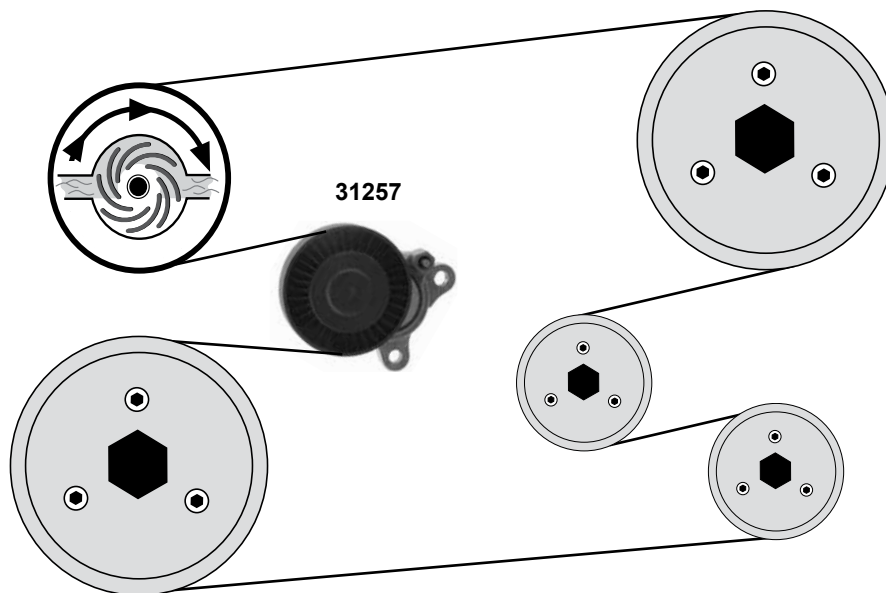
2,0



Ref. - No.



08467	LHP 10015	Spannrolle / tension roller	ØA 55 B32
10963	GTB 1238	Zahnriemen / timing belt	Z 143 B23
10987	GTB 1238 S1	Rep. Satz Zahnriemen / rep. kit timing belt	
11004	GTB 1127 A	Zahnriemen / timing belt	Z 104 B17





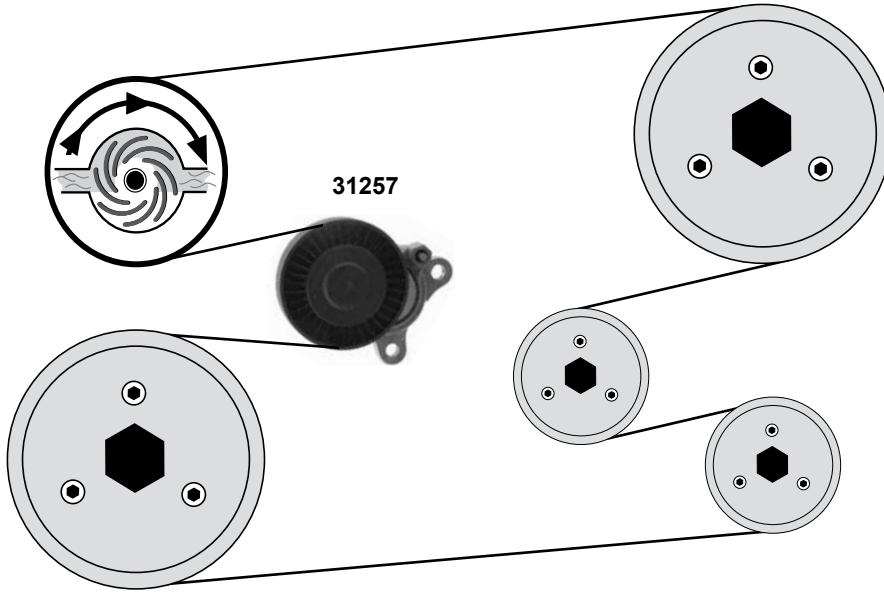
# ROVER MG ZS

(01→)

Car  
Division



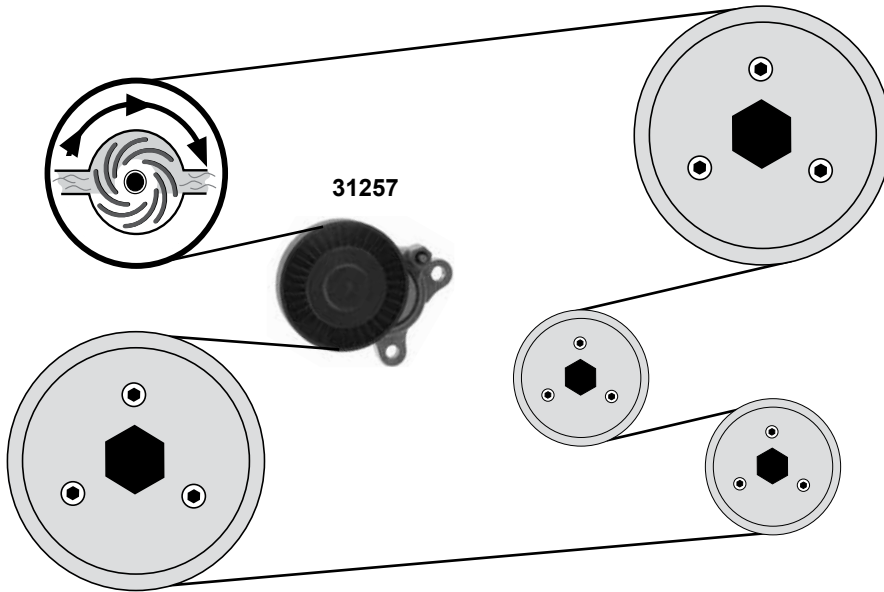
1,8



# MG ZR

(01→)

1,4 / 1,8 Turbo



Ref. - No.

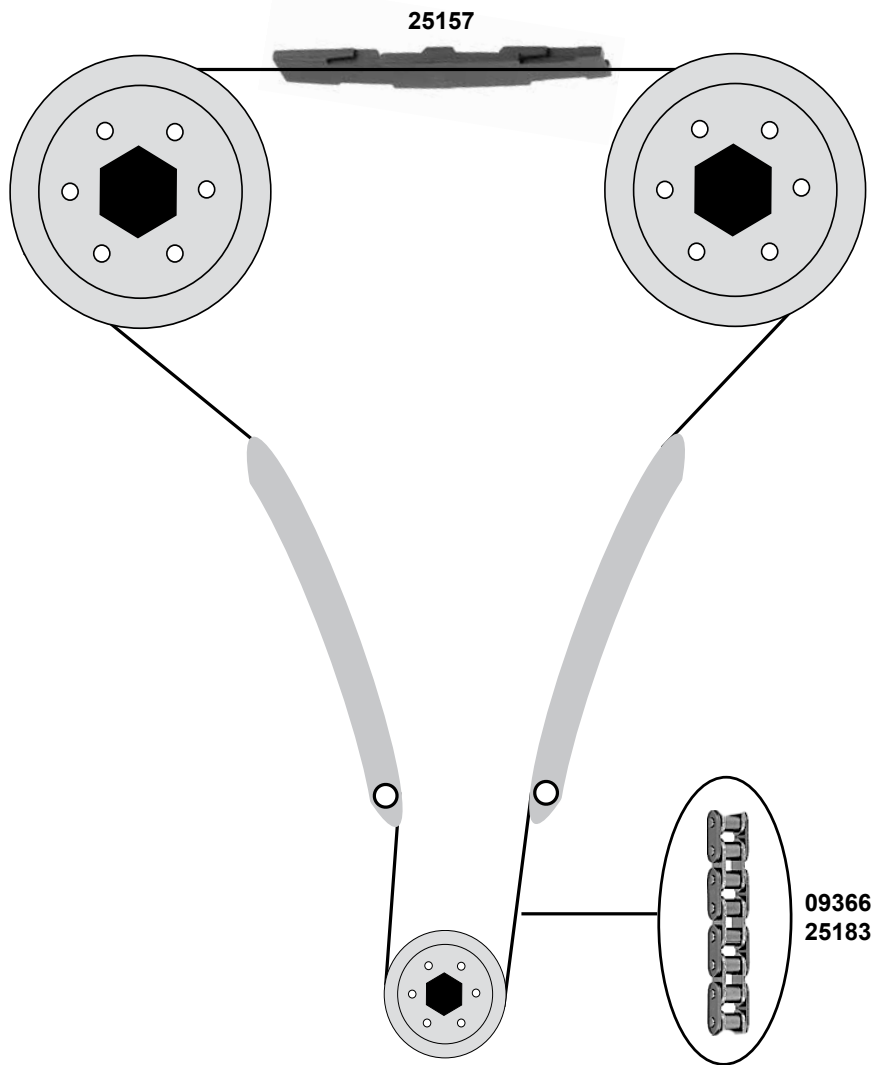


31257

PQG 100180A

Riemenspanner / belt tensioner

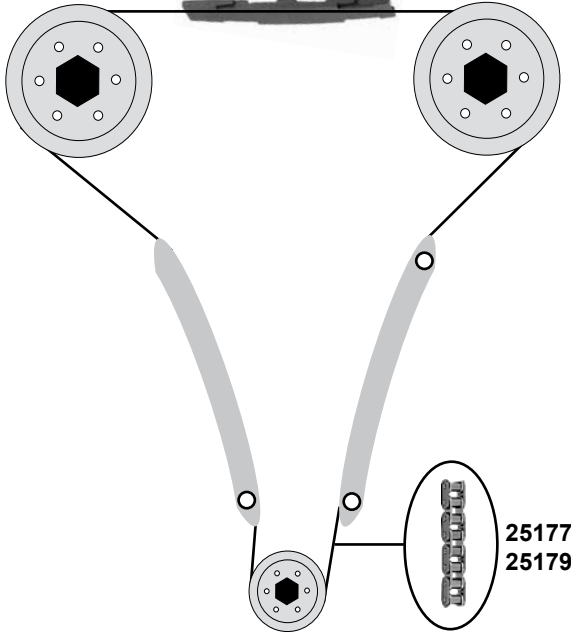
ØA 76,5 B14,5



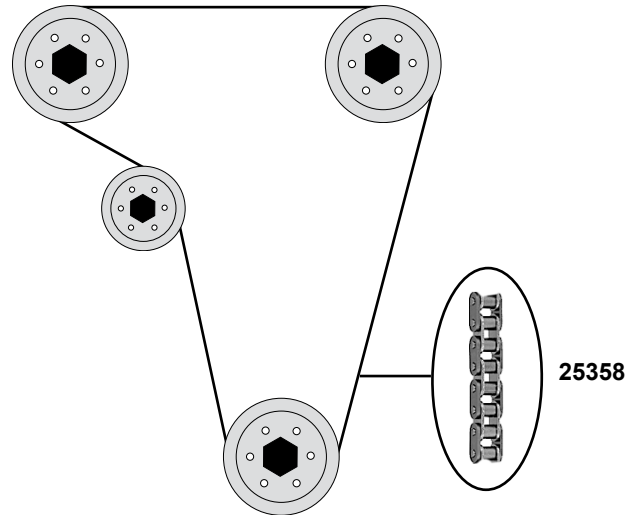


**4 Zylinder / cylinder**

25157



**Ausgleichswelle / balance shaft**

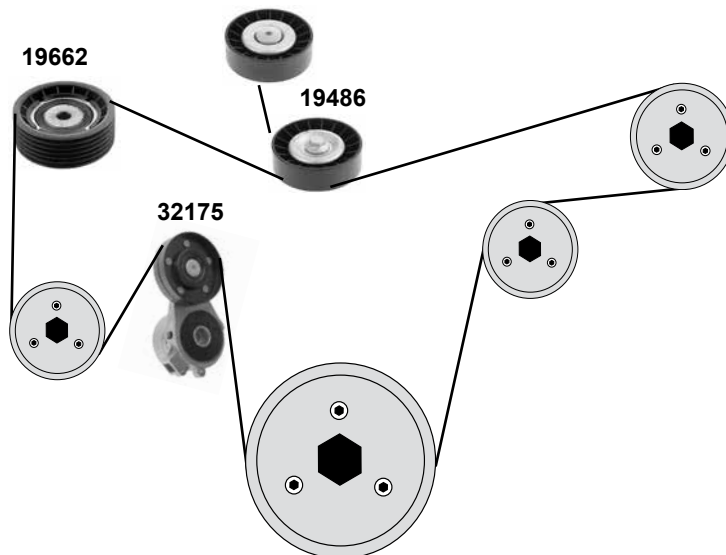


19485

19662

19486

32175



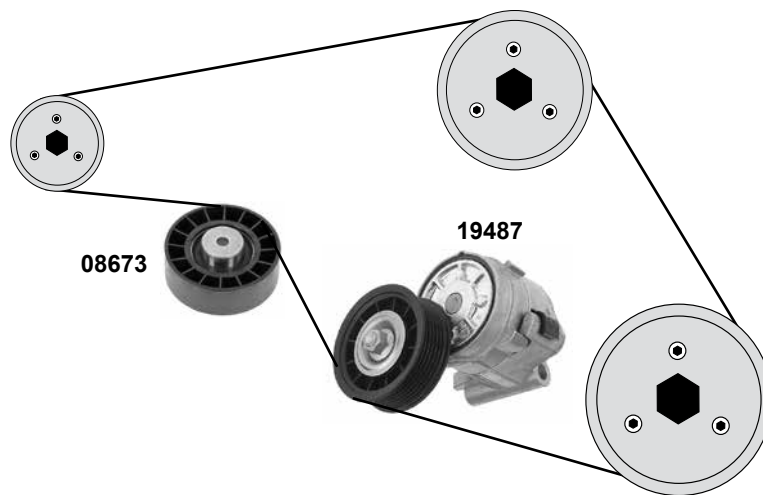
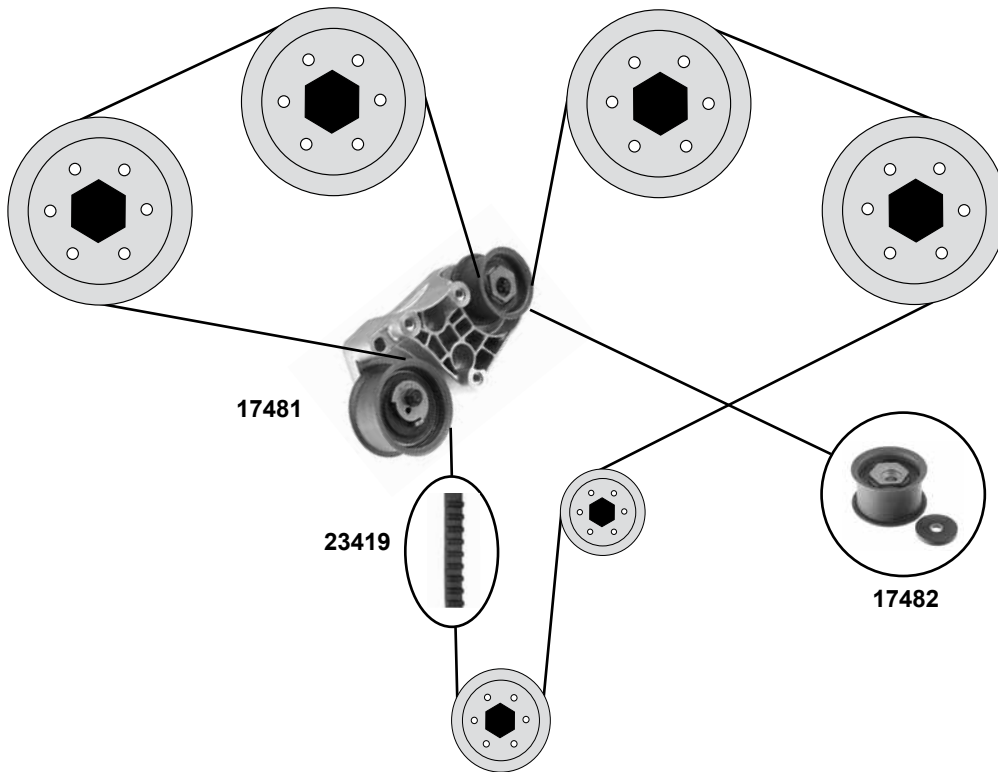
Ref. - No.



19485	49 60 290	Umlenkrolle / deflection pulley	(mot.)→V088652	ØA 80 B24
19486	47 52 960	Umlenkrolle / deflection pulley	(mot.) V088653→	ØA 80 B24
19662	43 56 127	Umlenkrolle / deflection pulley		64,5 x 23,5
25157	88 59 324	Gleitschiene / silding rail		
25177	93 21 845	Rollenkette Nietverschluß / roller chain riveted link		130 E
25179	91 31 145	Rollenkette endlos / roller chain endless		130 E
25358	74 85 105	Rollenkette endlos / roller chain endless		116 E
32175	43 56 119	Riemenspanner / belt tensioner		

**6 Zylinder / cylinder**

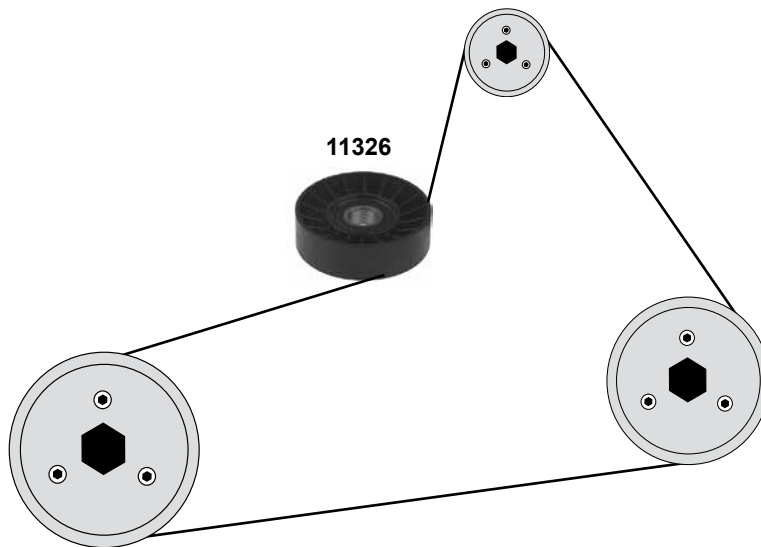
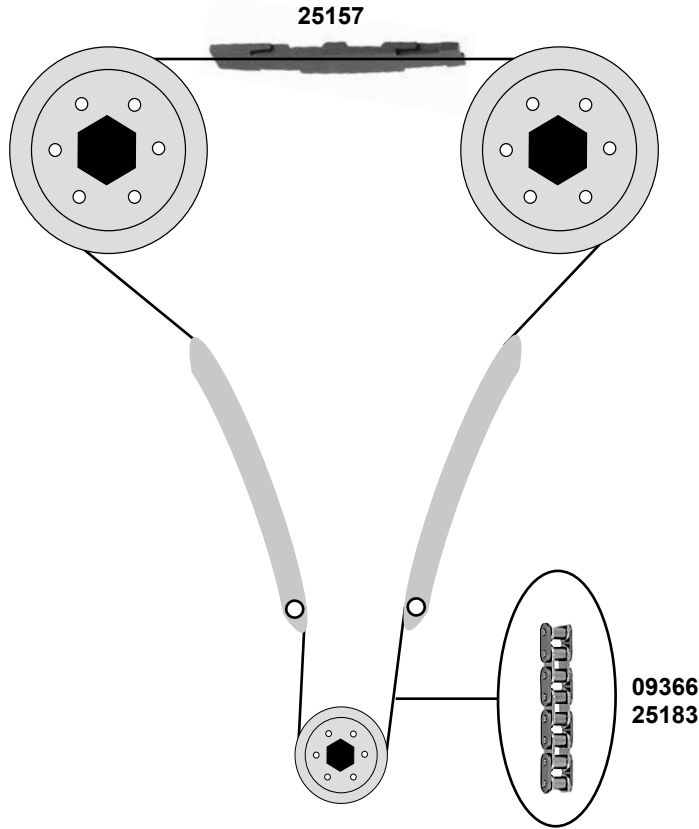
(mot.) → 146671



	Ref. - No.			
<b>08673</b>	42 37 038	Umlenkrolle / deflection pulley		ØA 80 B25
<b>17481</b>	46 23 906	Riemenspanner / belt tensioner		
<b>17482</b>	90 543 739	Umlenkrolle / deflection pulley		ØA 64 B37
<b>19487</b>	47 50 220	Riemenspanner / belt tensioner		ØA 76 B27,5
<b>23419</b>	47 70 491	Zahnriemen / timing belt		Z 225 B30
<b>27295</b>	47 70 491 S1	Rep. Satz Zahnriemen / rep. kit timing belt		Z 225 B30



**2,0**  
(B202)



Ref. - No.



**09366** 75 00 697  
**11326** 49 01 625  
**25157** 88 59 324  
**25183** 93 21 837

Rollenkette endlos / roller chain endless  
Spannrolle / deflection pulley  
Gleitschiene / sliding rail  
Rollenkette Nietverschluß / roller chain riveted link

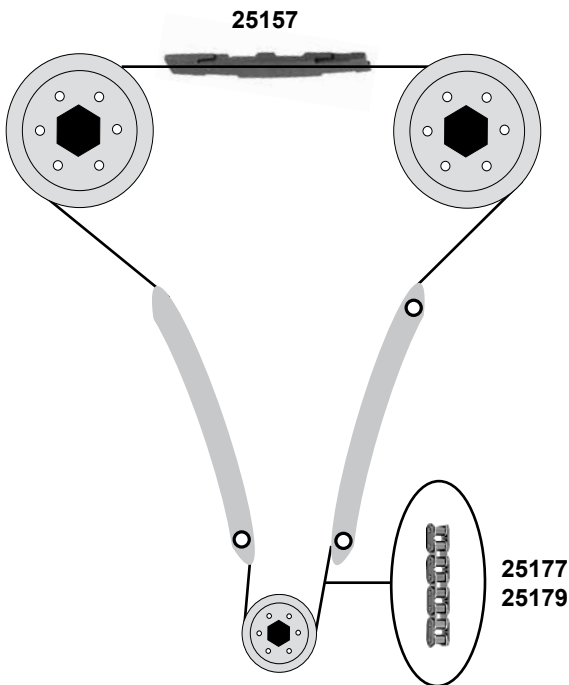
(ch.)→M1019414

126 E  
ØA 80 ØI 25

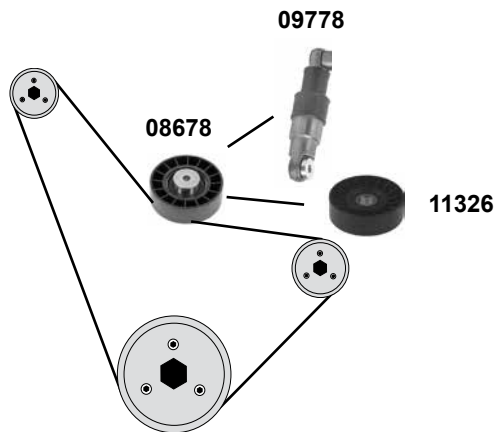
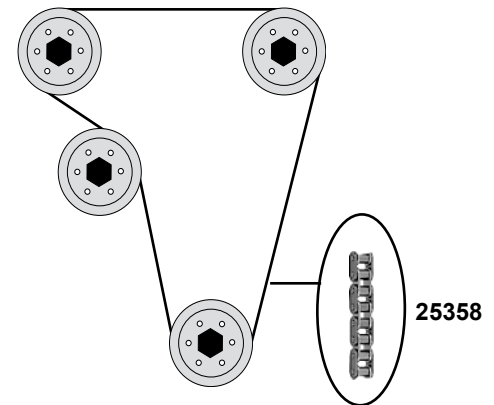
**2,0 / 2,3 (4 Zyl.)**

(Modell 90→93 nur/only (mot.) B234)

(Modell 94→98 alle /all 4Zyl.)



**Ausgleichswelle / balance shaft**



(1) (mot.) B234→N 418766



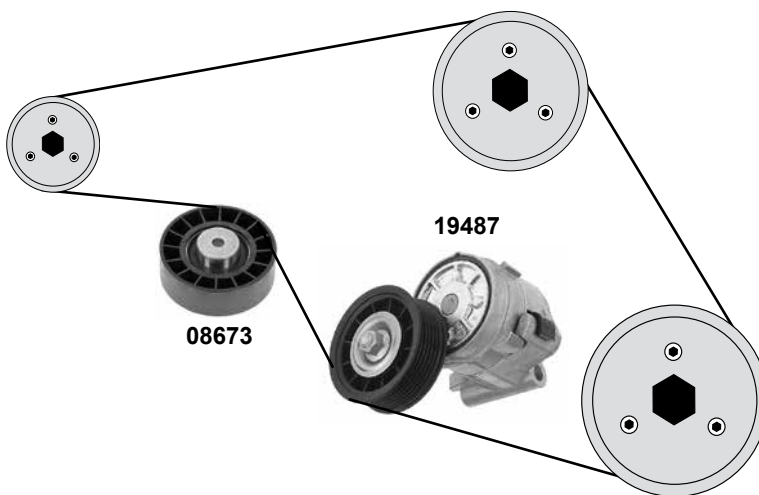
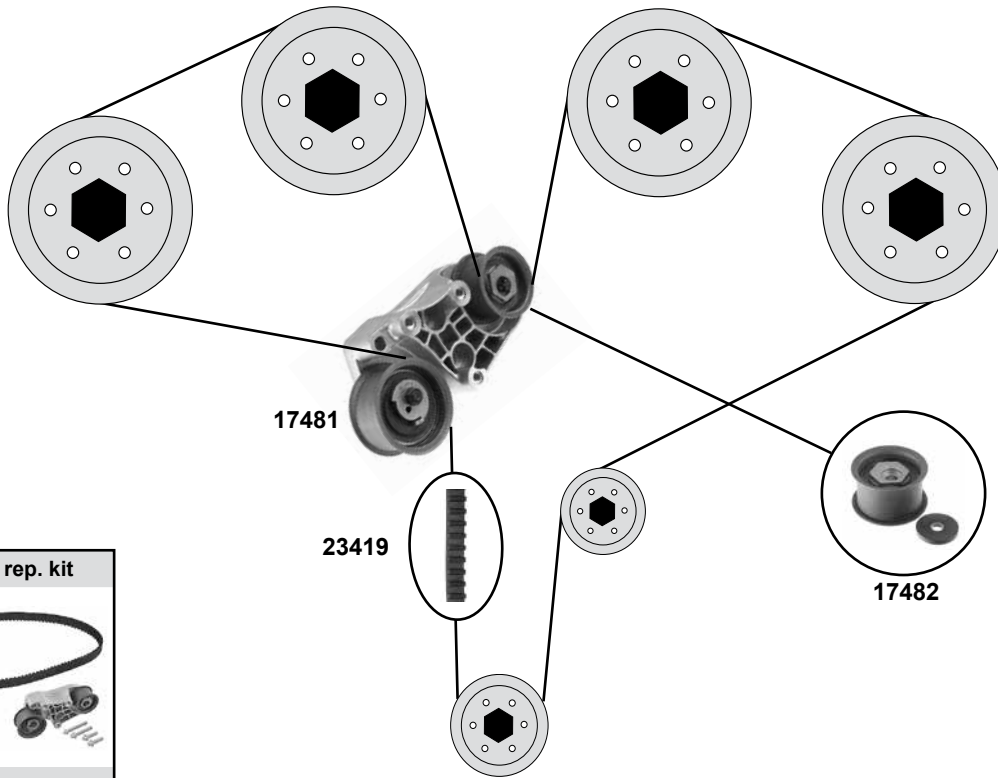
Ref. - No.



<b>08678</b>	49 01 419	Umlenkrolle / deflection pulley	(1) (ch.)→V1030032	ØA 80 B25
<b>09778</b>	49 01 419	Riemenspanner / belt tensioner		Z 143 B23
<b>11326</b>	49 01 625	Umlenkrolle / deflection pulley		ØA 80 B25
<b>25157</b>	88 59 324	Gleitschiene / silding rail		
<b>25177</b>	93 21 845	Rollenkette Nietverschluß / roller chain riveted link	<b>NEW</b>	130 E
<b>25179</b>	91 31 145	Rollenkette endlos / roller chain endless		130 E
<b>25358</b>	74 85 105	Rollenkette Nietverschluß / roller chain riveted link		116 E

**6 Zylinder / cylinder**

(mot.)→146659

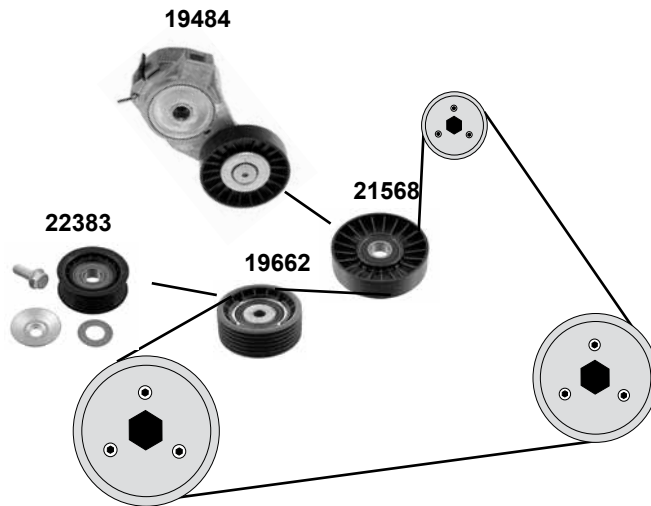
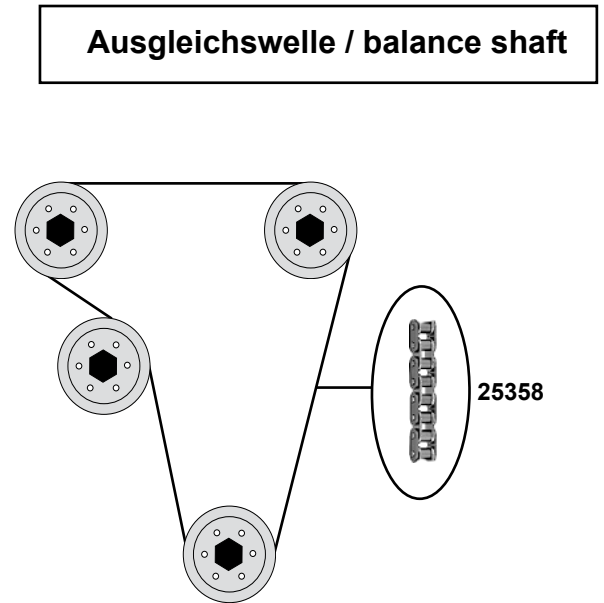
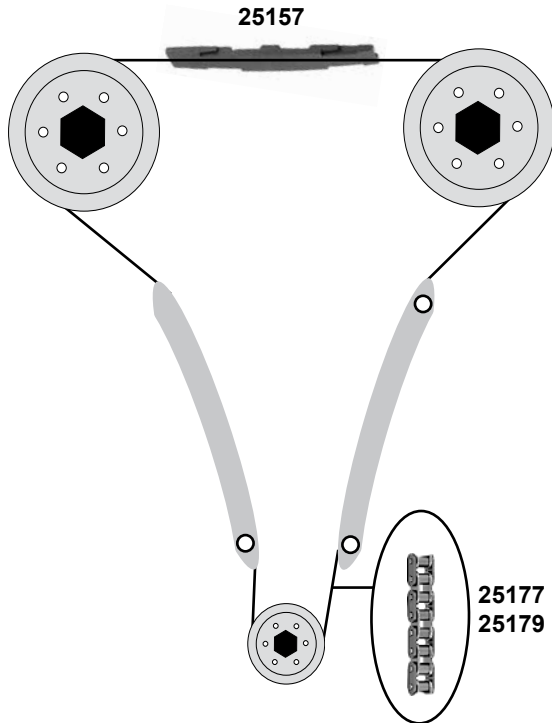


Ref. - No.



<b>08673</b>	42 37 038	Umlenkrolle / deflection pulley	ØA 80 B25
<b>17481</b>	46 23 906	Riemenspanner / belt tensioner	
<b>17482</b>	90 543 739	Umlenkrolle / deflection pulley	ØA 64 B37
<b>19487</b>	47 50 220	Riemenspanner / belt tensioner	ØA 76 B27,5
<b>23419</b>	47 70 491	Zahnriemen / timing belt	Z 225 B30
<b>27295</b>	47 70 491 S1	Rep. Satz Zahnriemen / rep. kit timing belt	Z 225 B30

**4 Zylinder / cylinder**



(1) (ch.)→X 2028400, X 7022778

(2) (ch.) X 2028401, X 70227898→



Ref. - No.



**19484**

48 98 755

Riemenspanner / belt tensioner

(inkl. febi **21568**)

**19662**

43 56 127

Umlenkrolle / deflection pulley

(1)

ØA 64,5 B23,5

**21568**

51 72 309

Spannrolle / tension roller

(2)

ØA 90 B23

**22383**

55 562 635

Umlenkrolle / deflection pulley

ØA 69 B22,5

**25157**

88 59 324

Gleitschiene / silding rail

**25177**

93 21 845

Rollenkette Nietverschluß / roller chain riveted link

130 E

**25179**

91 31 145

Rollenkette endlos / roller chain endless

130 E

**25358**

74 85 105

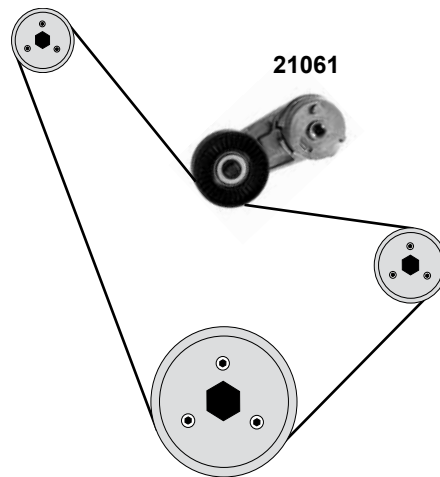
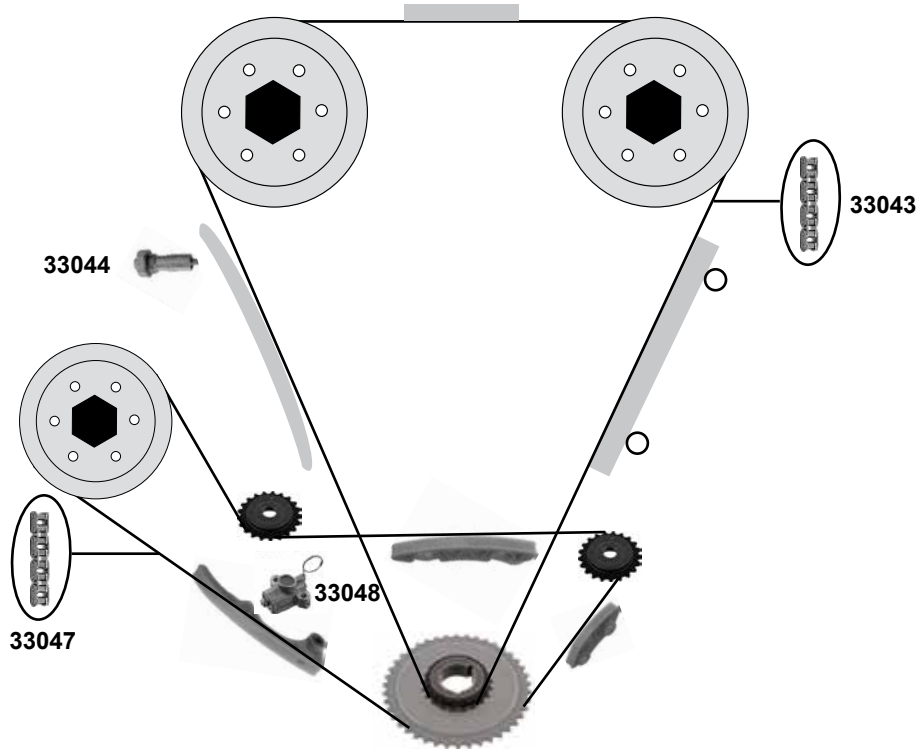
Rollenkette Nietverschluß / roller chain riveted link

116 E





**B207**



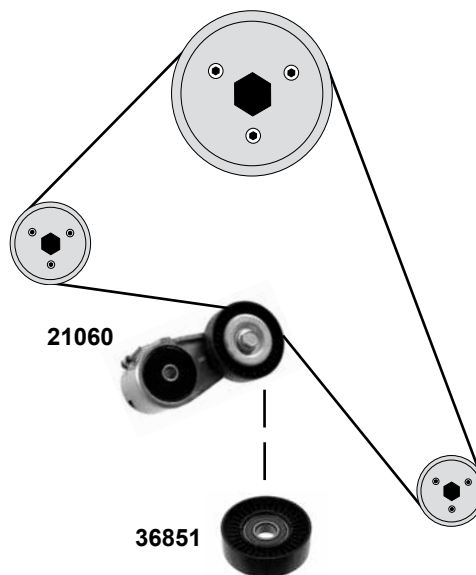
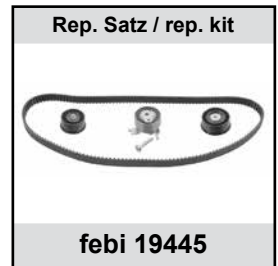
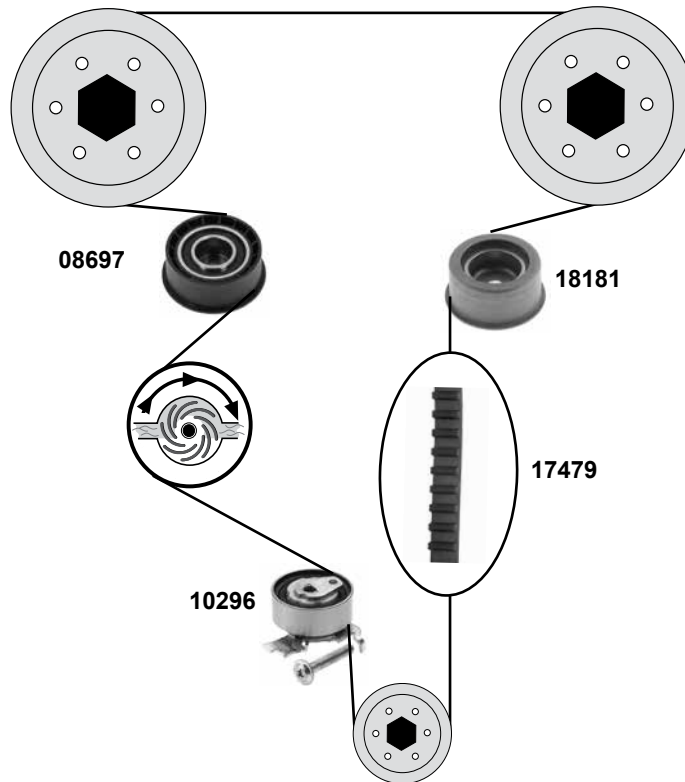
Ref. - No.



<b>21061</b>	24 430 296
<b>33043</b>	24 461 834
<b>33044</b>	12 608 580
<b>33047</b>	90 537 370
<b>33048</b>	90 537 300

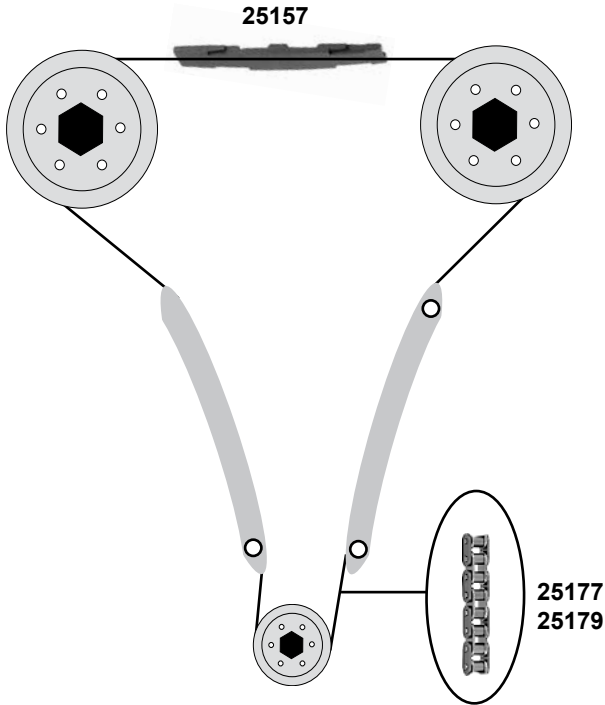
Riemenspanner / belt tensioner
Steuerkette / timing chain
Kettenspanner / chain tensioner
Steuerkette / timing chain
Kettenspanner / chain tensioner

148 E
134 E

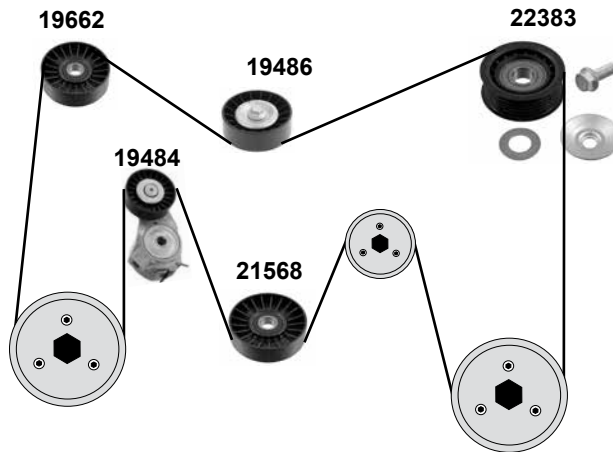
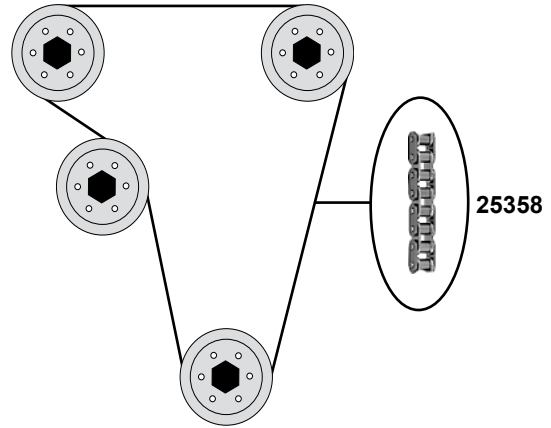


	Ref. - No.			
<b>08697</b>	55 350 580	Umlenkrolle / deflection pulley		ØA 62,5 ØI 23
<b>10296</b>	24 426 500	Spannrolle / tension roller		ØA 59 B22
<b>17479</b>	24 451 895	Zahnriemen / timing belt		Z 162 B20
<b>18181</b>	55 352 713	Umlenkrolle / deflection pulley		ØA 52,5 B27
<b>19445</b>	24 451 895 S1	Rep. Satz Zahnriemen / rep. kit timing belt		
<b>21060</b>	90 571 758	Riemenspanner / belt tensioner		
<b>36851</b>	90 571 758 SK1	Spannrolle / tension roller		ØA 77 ØI 17 B 22




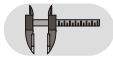
**4 Zylinder / cylinder**



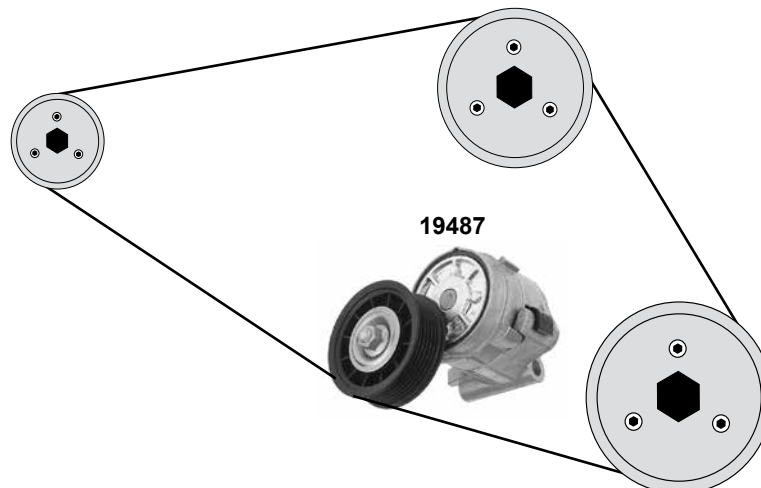
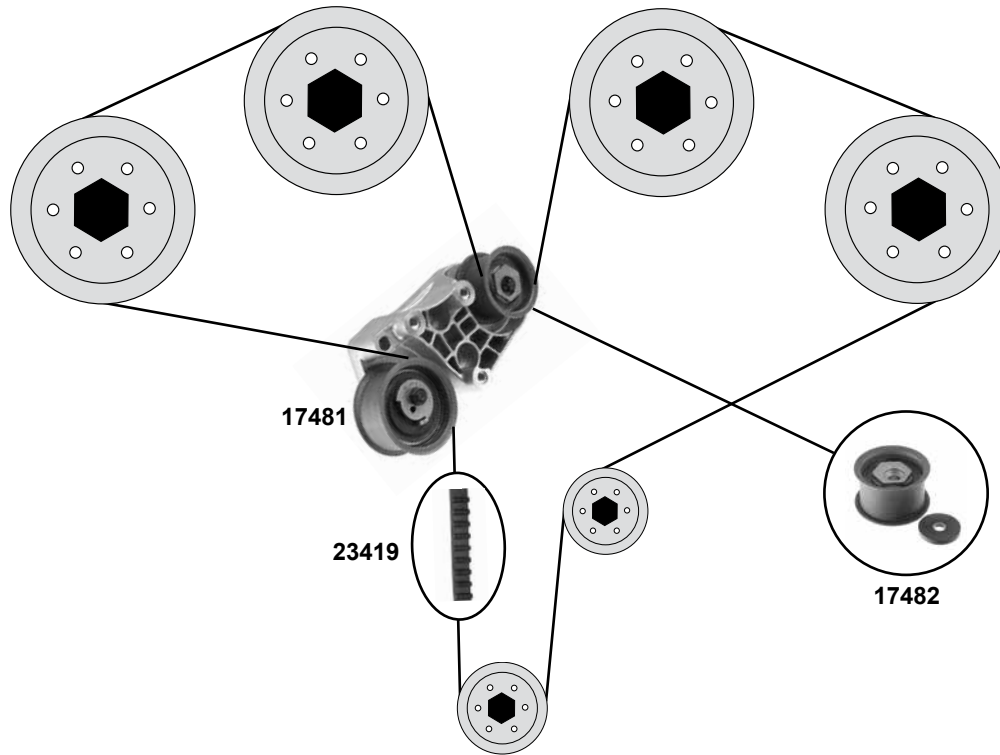
**Ausgleichswelle / balance shaft**



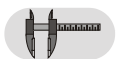
-  (1) (ch.)→X 3022043
- (2) (ch.)→43505871
- (3) (ch.) X 3022044→

	Ref. - No.			
19484	48 98 755	Riemenspanner / belt tensioner		
19486	47 52 960	Umlenkrolle / deflection pulley	(2)	Ø80 B24
19662	43 56 127	Umlenkrolle / deflection pulley	(1)	ØA 64,5 B23
21568	51 72 309	Spannrolle / tension roller		ØA 90 B25
22383	55 562 635	Umlenkrolle / deflection pulley	(3)	
25157	88 59 324	Gleitschiene / silding rail		
25177	93 21 845	Rollenkette Nietverschluß / roller chain riveted link		130 E
25179	91 31 145	Rollenkette endlos / roller chain endless		130 E
25358	74 85 105	Rollenkette Nietverschluß / roller chain riveted link		

**6 Zylinder / cylinder**



Ref. - No.



**17481**  
**17482**  
**19487**  
**23419**

46 23 906  
90 543 739  
47 50 220  
47 70 491

Riemenspanner / belt tensioner  
Umlenkrolle / deflection pulley  
Riemenspanner / belt tensioner  
Zahnriemen / timing belt

(mot.)→Y 304 00000

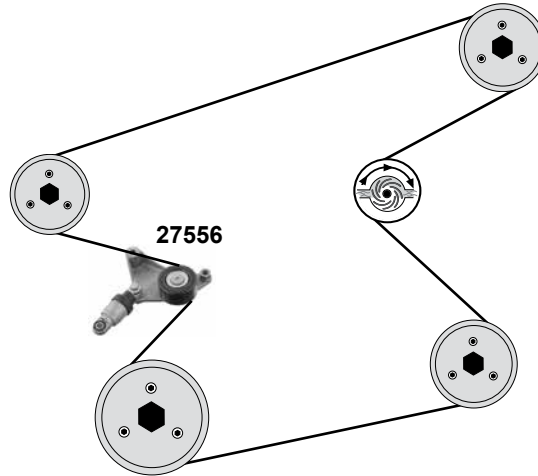
ØA 64 B37  
ØA 76 B27,5  
Z 225 B13

**SCION**  
**Scion TC (ANT10)**  
 (04→07)

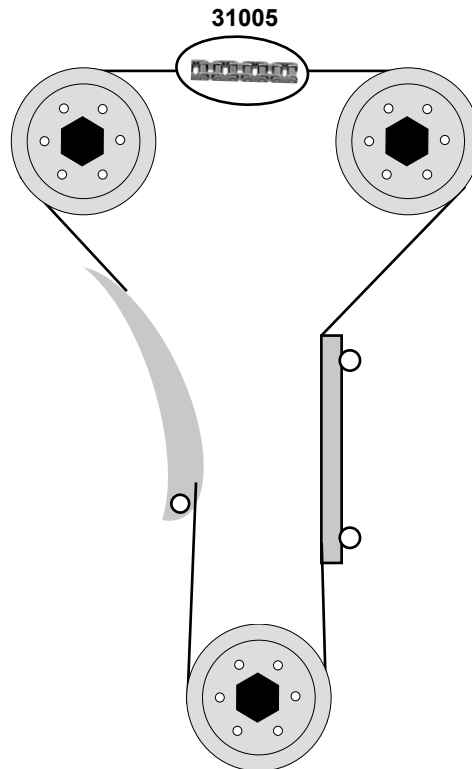
Car  
 Division



**2,4 16V**  
 (2AZFE)



**Scion XD (ZSP110)**  
 (06/07→)  
**1,8 16V**  
 (2ZRFE)



Ref. - No.

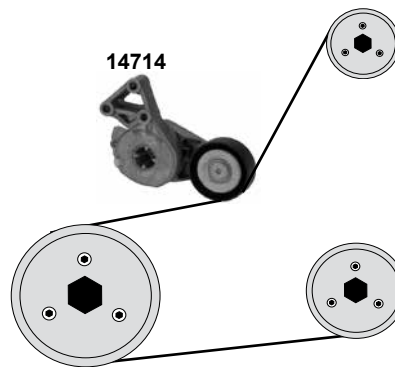
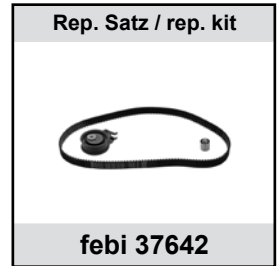
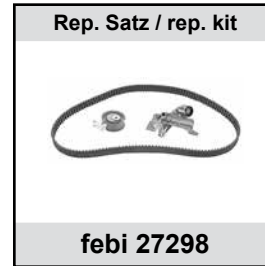
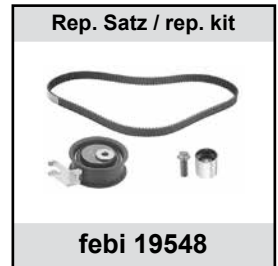
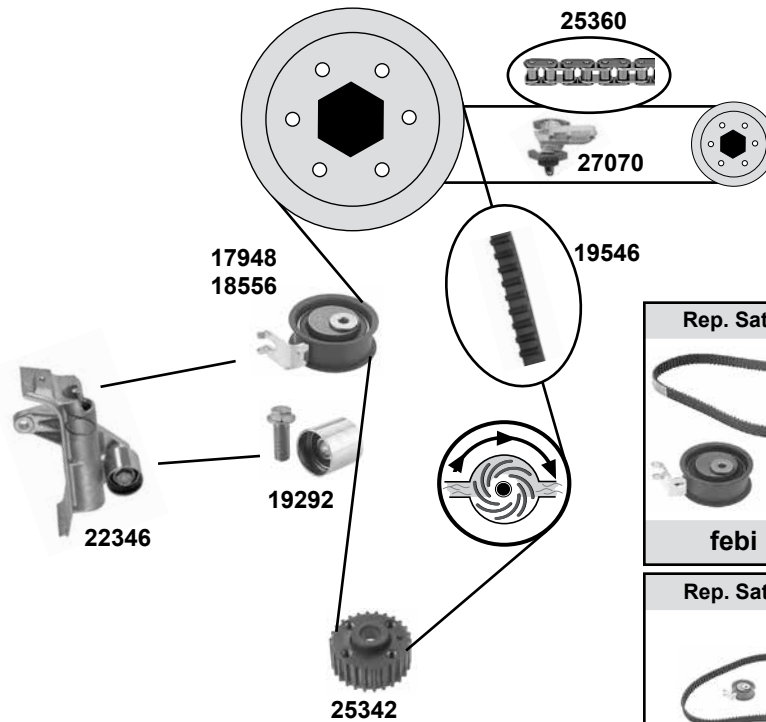


**27556**  
**31005**

16620-28070  
 13506-37010

Riemenspanner / belt tensioner  
 Steuerkette / timing chain

ØA 70 B31,5  
 140 E



(1) (mot.) AJA 98→00  
(mot.) AWC 00→10

	Ref. - No.			
<b>14714</b>	06A 903 315 E	Riemenspanner / belt tensioner		ØA 70 B24
<b>17948</b>	06B 109 243	Spannrolle / tension roller	(mot.) AJH	ØA 72 B30
<b>18556</b>	06B 109 243 F	Spannrolle / tension roller	(mot.) AWC	ØA 72 B31
<b>19292</b>	06B 109 244	Umlenkrolle / deflection pulley		ØA 28,5 B27
<b>19546</b>	06B 109 119 A	Zahnriemen / timing belt		Z 150 B23
<b>19548</b>	06A 198 119 A	Rep. Satz Zahnriemen / rep. kit timing belt	→00 (mot.) AJH	Z 150 B23
<b>19550</b>	06B 109 119 A S2	Rep. Satz Zahnriemen / rep. kit timing belt	(mot.) AWC	
<b>22346</b>	06B 109 243 F	Riemenspanner / belt tensioner		
<b>23646</b>	06B 109 119 A S3	Rep. Satz Zahnriemen / rep. kit timing belt	(mot.) AWC	
<b>25342</b>	06A 105 263 E	Kurbelwellenzahnrad / crankshaft gear		Z 25
<b>25360</b>	058 109 229 B	Steuerkette / timing chain		50 E
<b>27070</b>	058 109 217 B	Kettenspanner / chain tensioner	(mot.) AJH/AWC	
<b>27298</b>	06B 109 119 A S5	Rep. Satz Zahnriemen / rep. kit timing belt	→00 (mot.) AJH	
<b>37642</b>	06A 198 119 B	Rep. Satz Zahnriemen / rep. kit timing belt	(1)	

# SEAT

## Alhambra (7M)

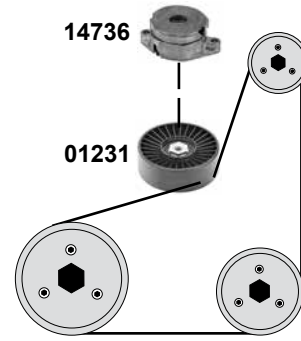
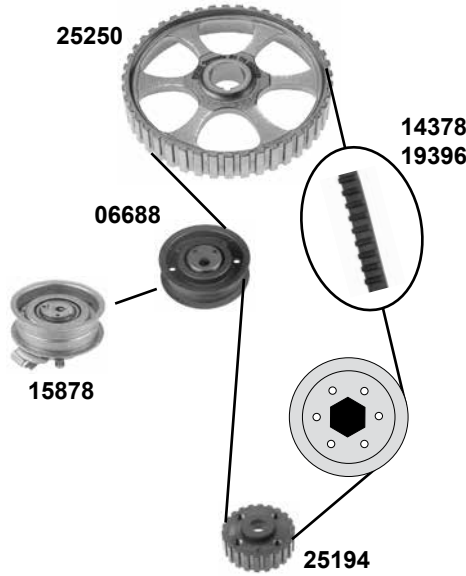
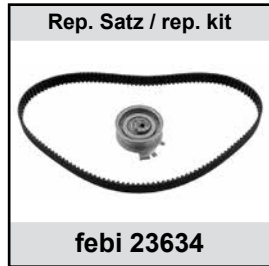
(96→10)

Car  
Division



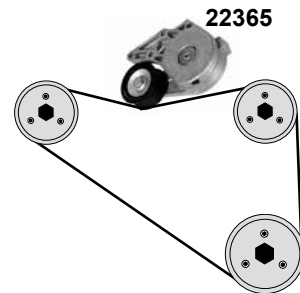
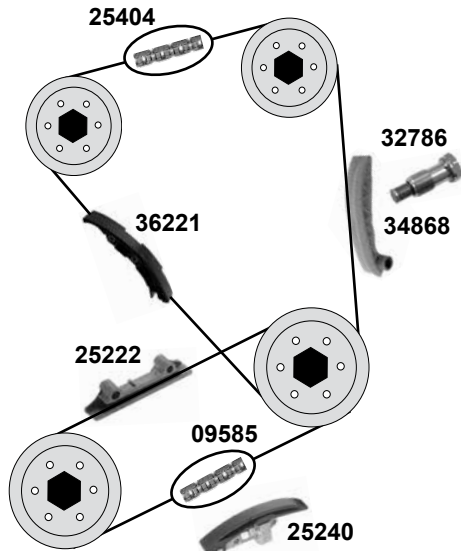
### 2,0

(ADY / ATM)



### 2,8 VR6

(AYL)

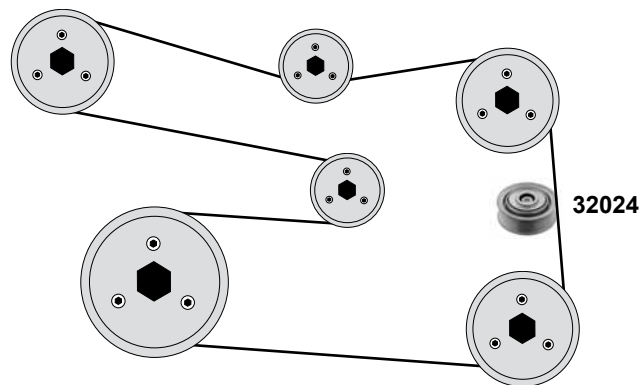
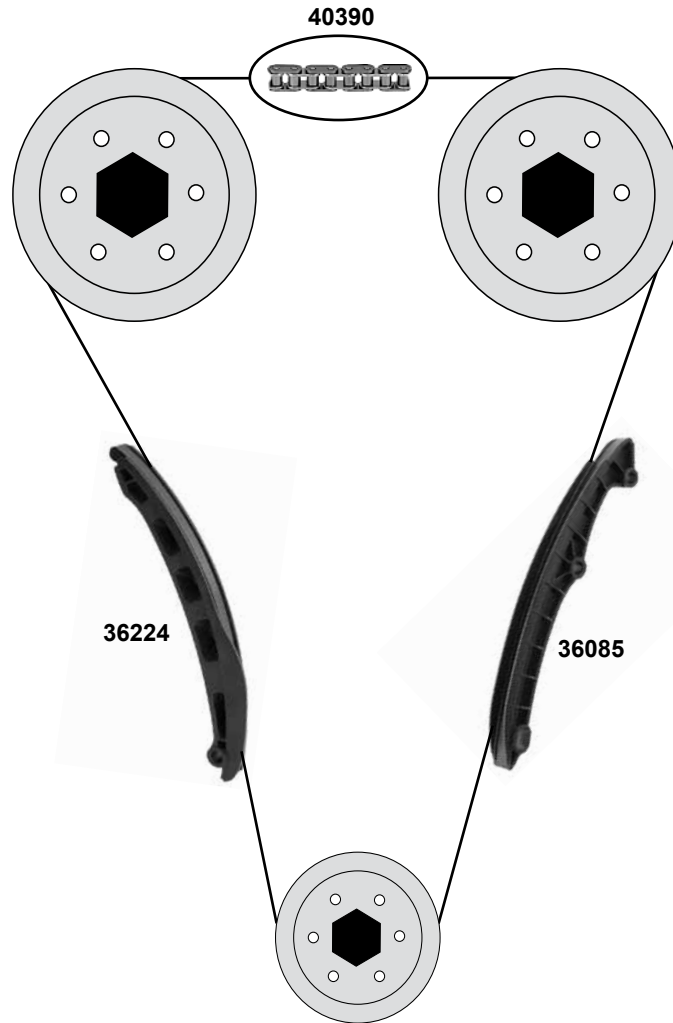


Ref. - No.



Ref. - No.	Description
01231	Spannrolle / tension roller
06688	Spannrolle / tension roller
09585	Steuerkette / timing chain
14378	Zahnriemen / timing belt
14618	Rep. Satz Zahnriemen / rep. kit timing belt
14736	Spannelement / clamping component
15878	Spannrolle / tension roller
19396	Zahnriemen / timing belt
22365	Riemenspanner / belt tensioner
23634	Rep. Satz Zahnriemen / rep. kit timing belt
25194	Kurbelwellenzahnrad / crankshaft gear
25222	Gleitschiene / sliding rail
25240	Kettenspanner / chain tensioner
25250	Nockenwellenrad / camshaft gear
25404	Steuerkette / timing chain
32786	Kettenspanner / chain tensioner
34868	Gleitschiene / sliding rail
36221	Gleitschiene / sliding rail
36222	Rep. Satz Steuerkette / rep. kit timing chain

Code	Dimensions
AC	ØA 78 B26
ADY	ØA 72 B20
(ex.) ATM	70 E
(ex.) ATM	Z 124 B18
ATM	ØA 72 B29
ATM	Z 138 B23
	ØA 73
	Z 22
(ex.) ATM	Z 44
	98 E
01→10	
00→	
00→	
00→	



Ref. - No.



<b>32024</b>	03C 145 276 C
<b>36085</b>	03C 109 469 K
<b>36224</b>	03C 109 509 P
<b>40390</b>	03C 109 158 A

Umlenkrolle / deflection pulley
Gleitschiene/ sliding rail
Gleitschiene/ sliding rail
Steuerkette / timing chain

ØA 81 B37

130 E



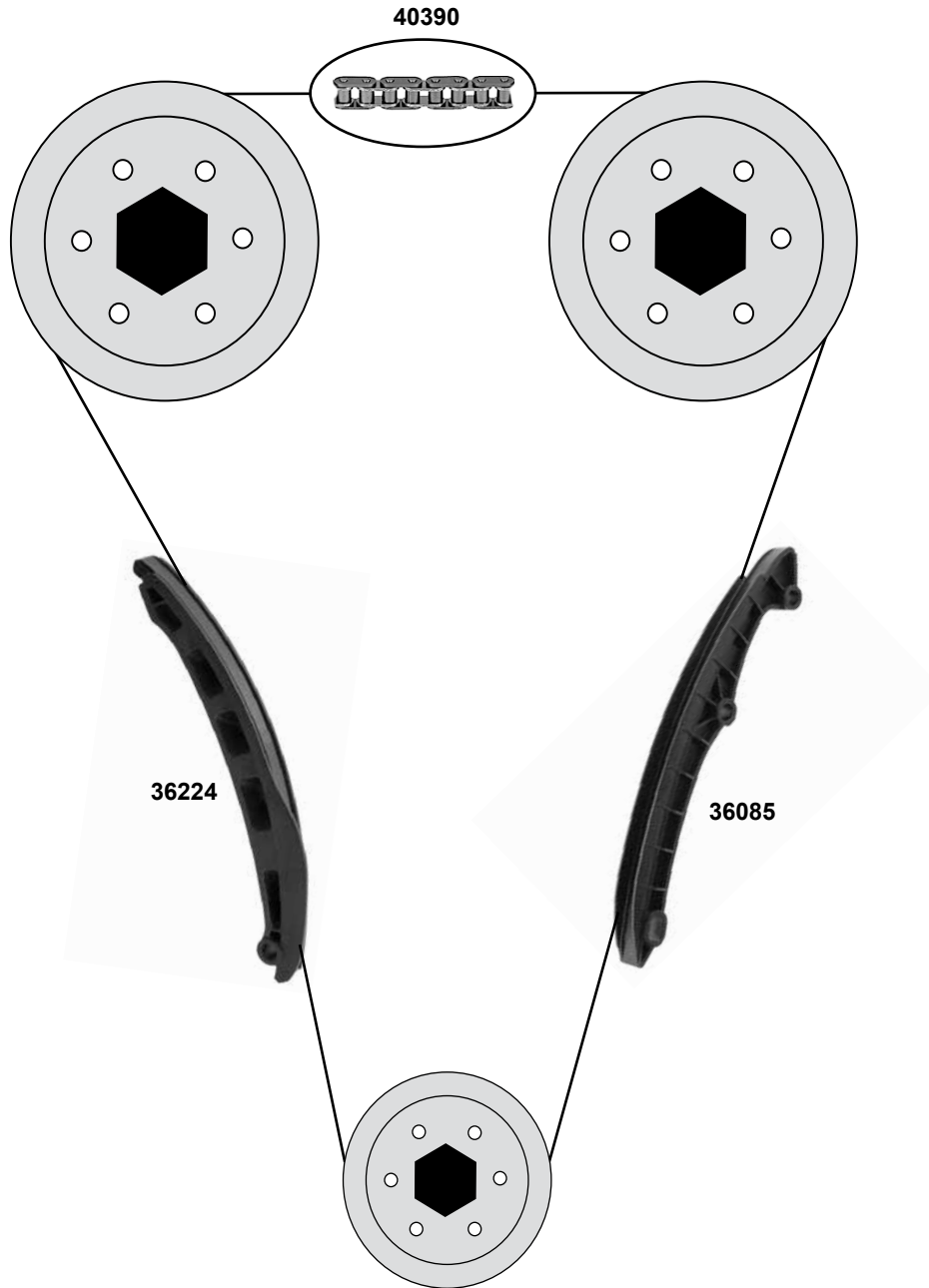
# SEAT Altea (5P)

(04→)

Car  
Division



**1,4 B**  
(CAXC)



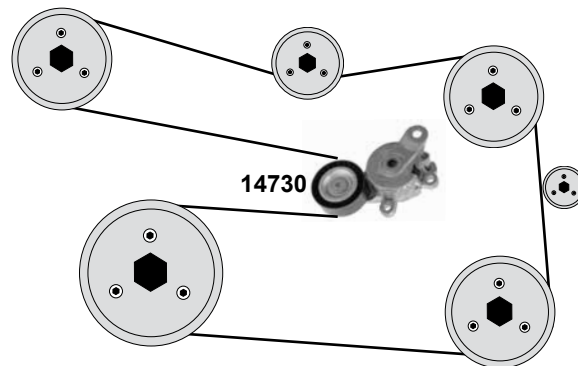
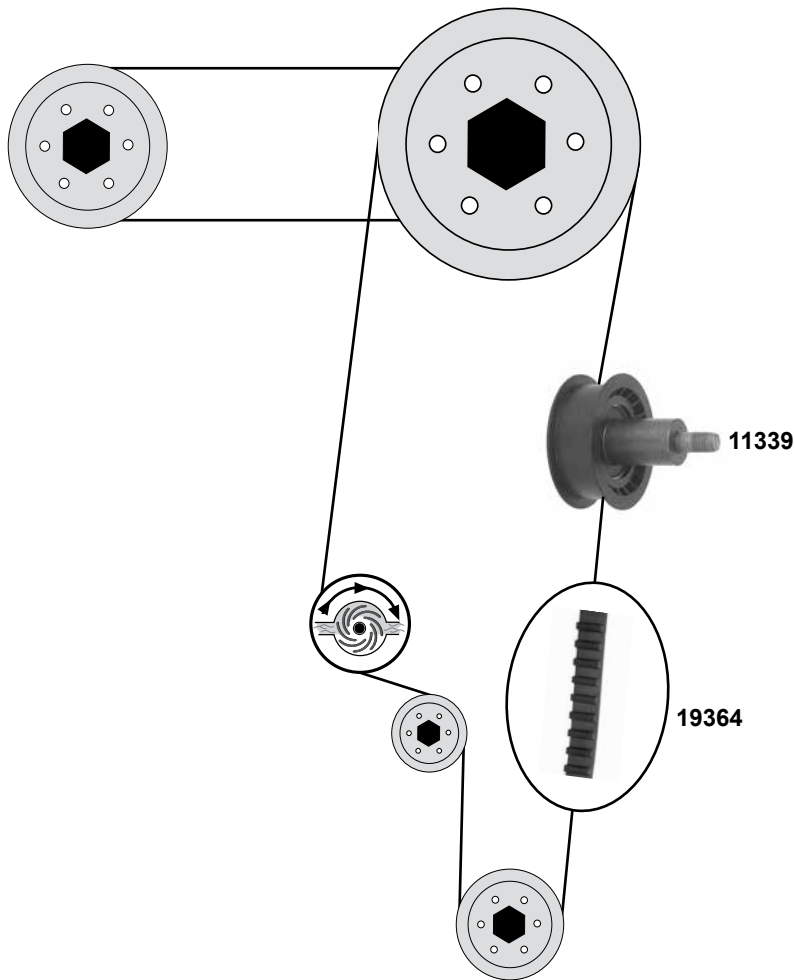
Ref. - No.



<b>36085</b>	03C 109 469 K
<b>36224</b>	03C 109 509 P
<b>40390</b>	03C 109 158 A

Gleitschiene/ sliding rail
Gleitschiene/ sliding rail
Steuerkette / timing chain

130 E



Ref. - No.



**11339** 036 109 244 J  
**14730** 030 145 299 F  
**19364** 036 109 119 Q

Umlenkrolle / deflection pulley  
Riemenspanner / belt tensioner  
Zahnriemen / timing belt

06 →  
AC

ØA 70 B26  
Z 130 B20

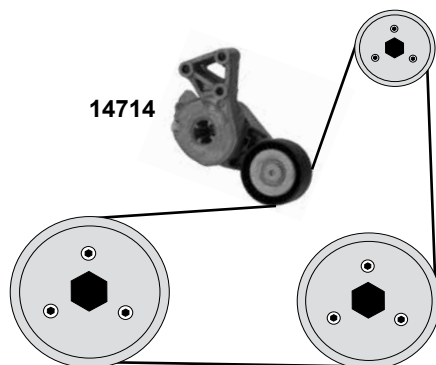
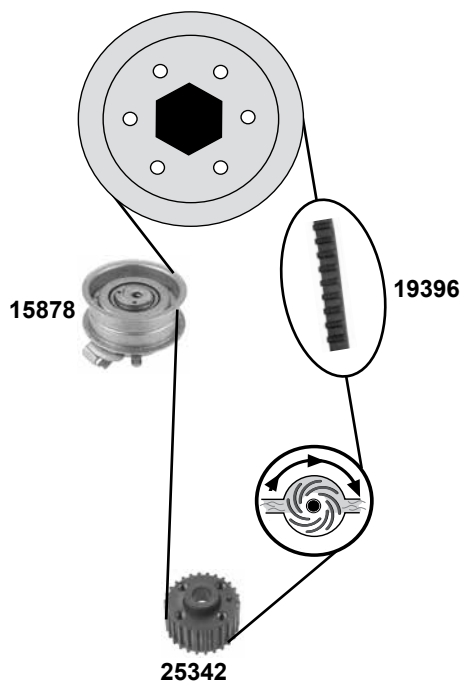
# SEAT Altea (5P1)

(04→)

Car  
Division



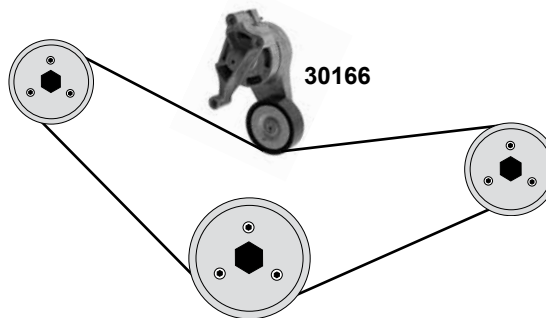
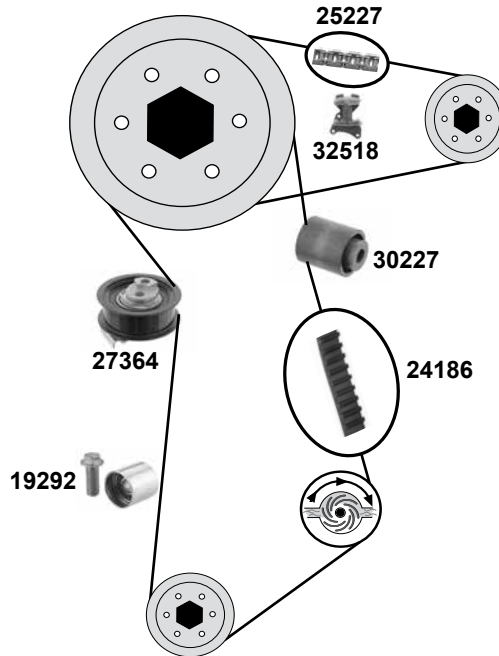
**1,6**  
(BGU / BSE / BSF)



Ref. - No.



14714	06A 903 315 E	Riemenspanner / belt tensioner	ØA 70 B24
15878	06A 109 479 C	Spannrolle / tension roller	ØA 72 B25/29
19396	06A 109 119 C	Zahnriemen / timing belt	Z 138 B23
23634	06A 198 119	Rep. Satz Zahnriemen / rep. kit timing belt	
25342	06A 105 263 E	Kurbelwellenzahnrad / crankshaft gear	Z 25



	Ref. - No.			
19292	06B 109 244	Umlenkrolle / deflection pulley		ØA 28,5 B27
24186	06D 109 119 B	Zahnriemen / timing belt		Z 148
25227	06D 109 229 B	Steuerkette / timing chain		42E
27364	06D 109 243 B	Spannrolle / tension roller		ØA 77 B25
30166	06F 903 315	Riemenspanner / belt tensioner		
30227	06D 109 244 E	Umlenkrolle / deflection pulley		ØA 28,5 B33,5
30586	06F 198 119 A	Rep. Satz Zahnriemen / rep. kit timing belt		
32518	06F 109 217 A	Kettenspanner / chain tensioner	→10	

# SEAT

## Altea (5P5)

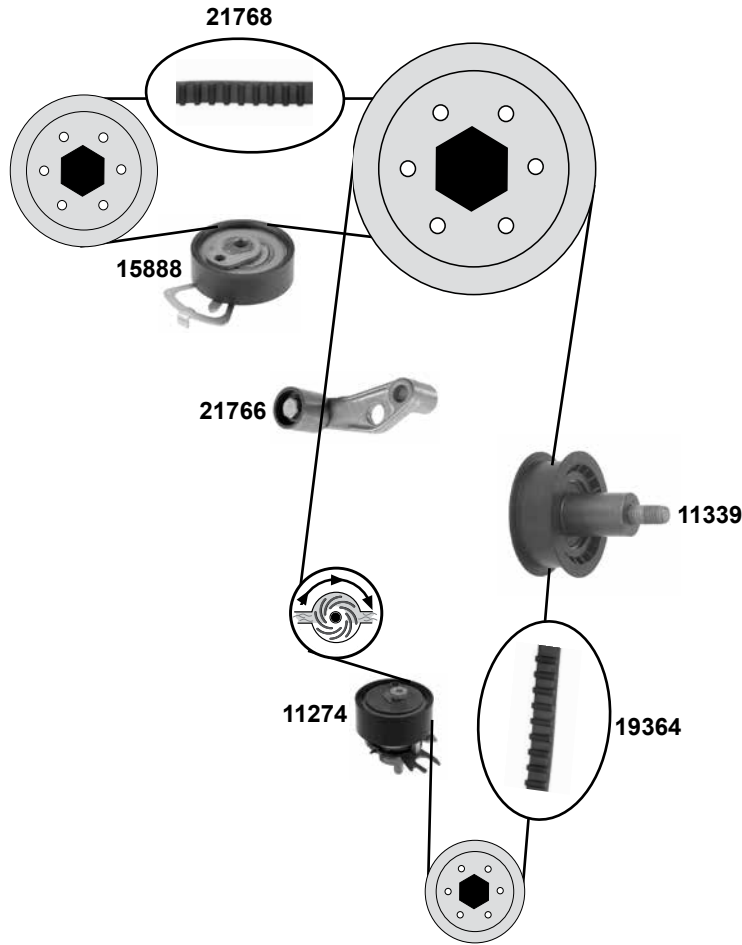
(04→)

Car  
Division



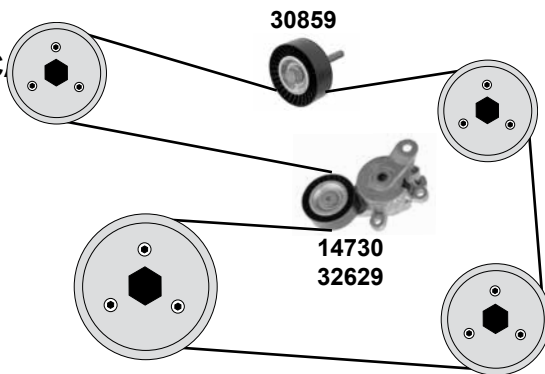
### 1,4 16V

(BXW / CGGB)

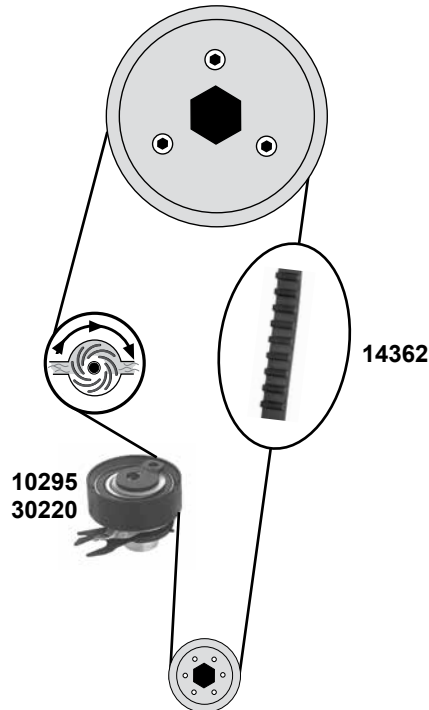


### 1,2 / 1,4 16V

(BXW / CGGB / CBZB / C...



	Ref. - No.			
11274	036 109 243 AB	Spannrolle / tension roller	(mot.) BXW	ØA 60 B25
11339	036 109 244 J	Umlenkrolle / deflection pulley		ØA 56 B22
14730	030 145 299 F	Riemenspanner / belt tensioner	AC BXW/CGGB	ØA 70 B26
15888	036 109 243 AE	Spannrolle / tension roller		ØA 60 B19
19364	036 109 119 Q	Zahnriemen / timing belt	(mot.) BXW	Z 130 B20
21766	036 109 181 A	Umlenkrolle / deflection pulley	(mot.) BXW	ØA 28 B30
21768	036 109 119 P	Zahnriemen / timing belt		Z 58 B17
21770	036 109 119 Q S1	Rep. Satz Zahnriemen / rep. kit timing belt	(mot.) BXW / 07→	
21772	036 109 119 Q S2	Rep. Satz Zahnriemen / rep. kit timing belt	(mot.) BXW	
21774	036 109 119 P S1	Rep. Satz Zahnriemen / rep. kit timing belt		
30859	1J0 145 276	Umlenkrolle / deflection pulley	AC CAXC	
32629	03C 145 299 Q	Riemenspanner / belt tensioner	AC CBZB/CAXC	



Rep. Satz / rep. kit

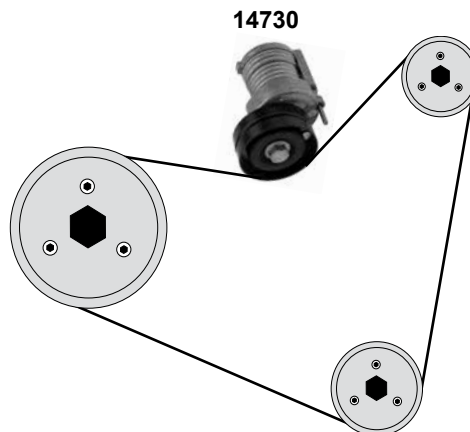


**febi 14608**

Rep. Satz / rep. kit



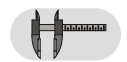
**febi 23644**



- (1) (mot.) AER / ALL / AEX / APQ / AKV  
(mot.) ALD / AUC / ANV / AKK / AUD / ANW (ch.)→6H-Y-014 000
- (2) (mot.) ALD / AUC / ANV / AKK / AUD / ANW (ch.) 6H-Y-014 001→



Ref. - No.



Ref. - No.	Description	Quantity	Dimensions
<b>10295</b>	030 109 243 K Spannrolle / tension roller	(1)	ØA 72 ØI 10 B20
<b>14362</b>	030 109 119 S Zahnriemen / timing belt	(1)	Z 135 B19
<b>14608</b>	030 109 119 S S1 Rep. Satz Zahnriemen / rep. kit timing belt	(1)	
<b>14730</b>	030 145 299 F Riemenspanner / belt tensioner	(1)	ØA 70 B 26
<b>23644</b>	030 109 119 S S2 Rep. Satz Zahnriemen / rep. kit timing belt	(2)	
<b>30220</b>	030 109 243 M Spannrolle / tension roller	(2)	ØA 61,7 ØI 8,78

# SEAT

## Arosa (6H)

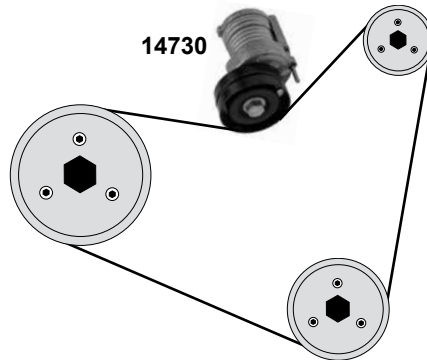
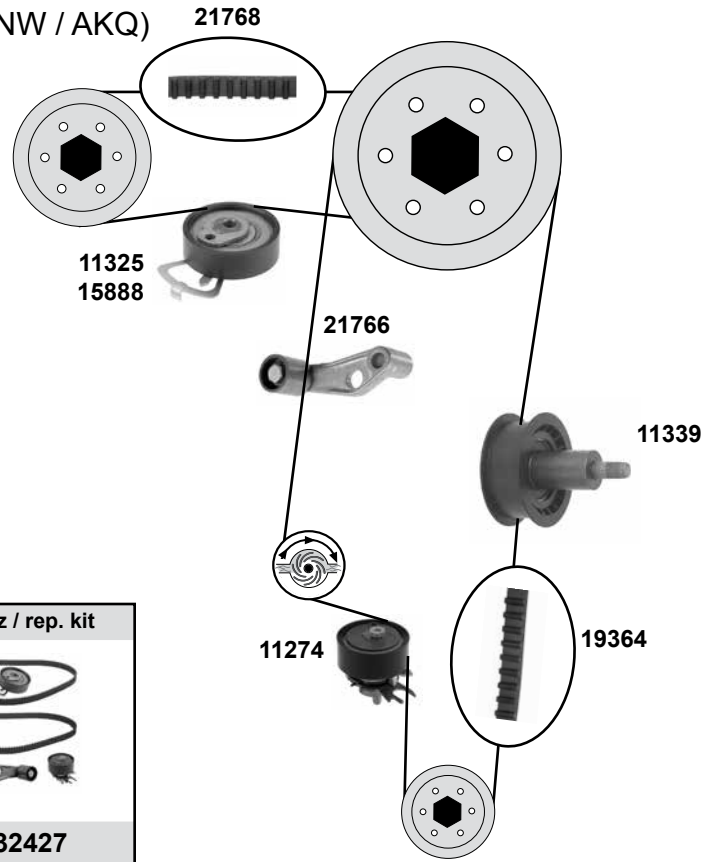
(97→04)

Car  
Division



### 1,4 16V

(AHW / AFK / AQQ / AUB / ANW / AKQ)



(1) (mot.) ANW → 160 000

(2) (mot.) AFK / AQQ / AUB

(3) (mot.) → AHW 160 000 / ANW / AKQ

(4) (mot.) AHW / AFK / AQQ / AUB

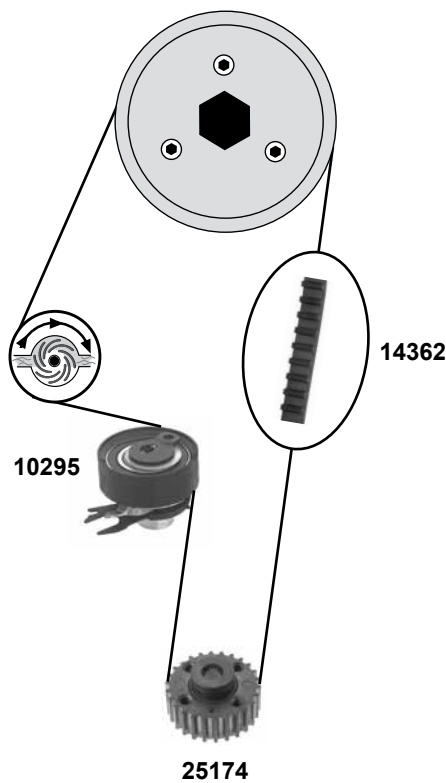
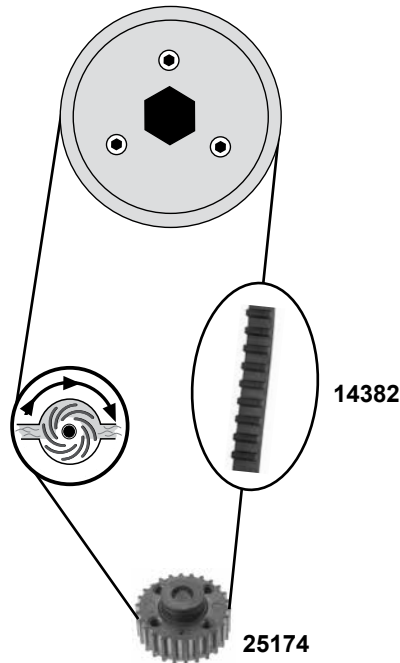
(5) (mot.) AFK / ANW / AQQ / AUB



Ref. - No.



Ref. - No.	Description	Notes	Dimensions
11274	Spannrolle / tension roller		ØA 60 B25
11325	Spannrolle / tension roller	(1)	ØA 80 B18
11339	Umlenkrolle / deflection pulley	99 → 04	ØA 56 B22
14730	Riemenspanner / belt tensioner		ØA 70 B 26
15888	Spannrolle / tension roller	(2)	ØA 60 B19
19364	Zahnriemen / timing belt	(ex.) AHW / AKQ	Z 130 B20
21766	Umlenkrolle / deflection pulley		ØA 28 B30
21768	Zahnriemen / timing belt	(5)	Z 58 B17
21770	Rep. Satz Zahnriemen / rep. kit timing belt	(4)	
21772	Rep. Satz Zahnriemen / rep. kit timing belt	(2)	
21774	Rep. Satz Zahnriemen / rep. kit timing belt	(2)	
32427	Rep. Satz Zahnriemen / rep. kit timing belt	(3)	



Ref. - No.



<b>10295</b>	030 109 243 K	Spannrolle / tension roller
<b>14362</b>	030 109 119 S	Zahnriemen / timing belt
<b>14382</b>	030 109 119 A	Zahnriemen / timing belt
<b>14608</b>	030 109 119 S S1	Rep. Satz Zahnriemen / rep. kit timing belt
<b>25174</b>	030 105 263 C	Kurbelwellenzahnrad / crankshaft gear

ØA 72 ØI 10 B20
Z 135 B19
Z 128 B19
Z 26



# SEAT

## Ibiza (6K) / Cordoba

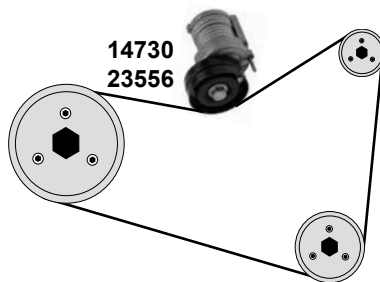
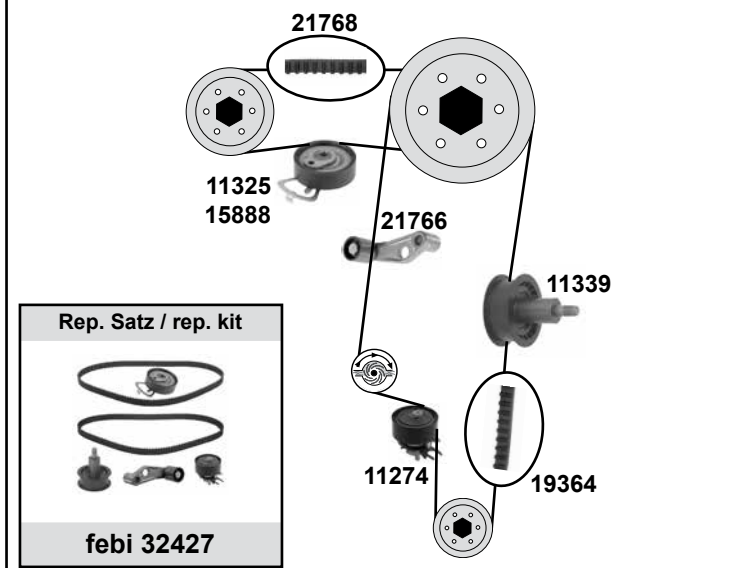
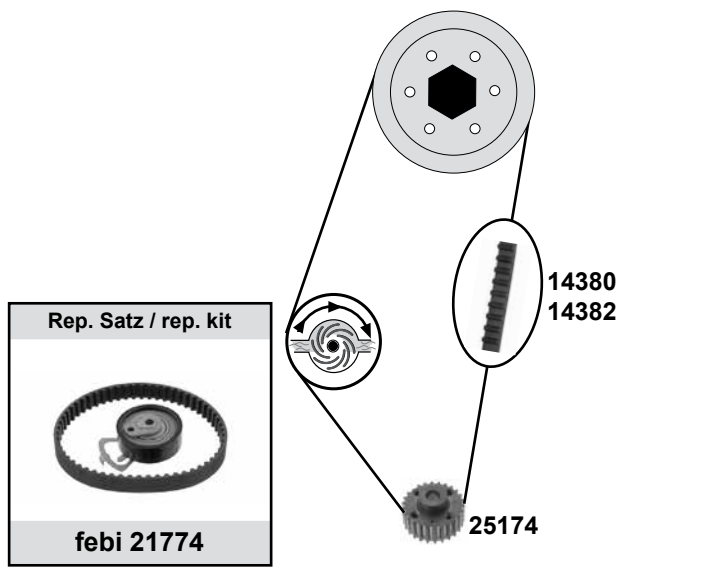
(93→02)

Car Division 



### 1,4 / 1,6

(AEE/AFH/ABU/ABD/APE/AQQ/AUA/AUB)




- (1) (mot.) ABD (ch.) 6K-ZK 195 001→/ 6K-ZK 757 001→
- (2) Cordoba / Vario (mot.) AEE / AFH / APE / AQQ / AUA / AUB  
Ibiza II (mot.) AEE / APE / AQQ / AUA / AUB / 96 →  
Ibiza III (mot.) AEE / AFH / APE / AQQ / AUA / AUB / → 99  
(mot.) AEE / AFH / APE / AQQ / AUA / AUB / 99 →
- (3) Ibiza II / III (mot.) AEE / AFH / APE / AQQ / AUA / AUB
- (4) Cordoba / Vario (mot.) AEE / AFH / APE / AQQ / AUA / AUB  
(mot.) AEE / APE / AQQ / AUA / AUB / 96 →
- (5) Cordoba / Vario (mot.) APE / AQQ / AUA / AUB  
Ibiza III


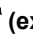


**11274**  
**11325**  
**11339**  
**14380**  
**14382**  
**14730**  
**15888**  
**19364**  
**21766**  
**21768**  
**21774**  
**23556**  
**25174**  
**32427**

**Ref. - No.**  
036 109 243 AD  
036 109 243 F  
036 109 244 J  
032 109 119  
032 109 119 A  
030 145 299 F  
036 109 243 AE  
036 109 119 Q  
036 109 181 B  
036 109 119 P  
036 109 119 P S1  
032 145 299 C  
030 105 263 C  
036 198 119 F

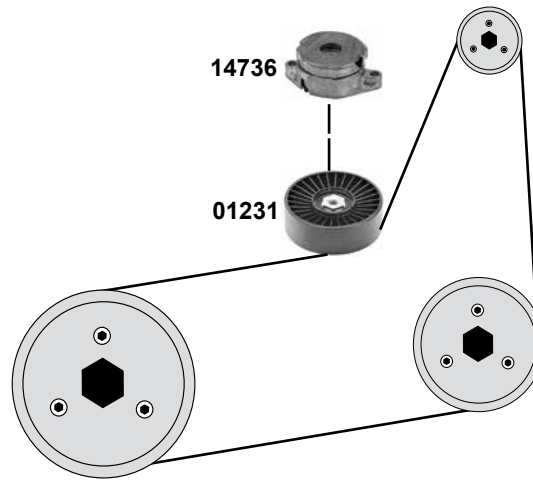
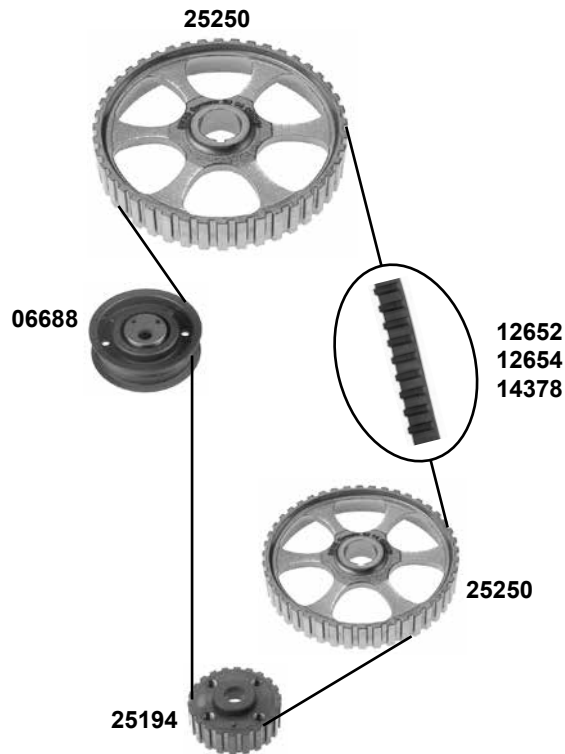
 **Spannrolle / tension roller**  
**Spannrolle / tension roller**  
**Umlenkrolle / deflection pulley**  
**Zahnriemen / timing belt**  
**Zahnriemen / timing belt**  
**Riemenspanner / belt tensioner**  
**Spannrolle / tension roller**  
**Zahnriemen / timing belt**  
**Umlenkrolle / deflection pulley**  
**Zahnriemen / timing belt**  
**Rep. Satz Zahnriemen / rep. kit timing belt**  
**Riemenspanner / belt tensioner**  
**Kurbelwellenzahnrad / crankshaft gear**  
**Rep. Satz Zahnriemen / rep. kit timing belt**



(mot.) ANW / AKQ  
(mot.) ANW / AKQ  
(mot.) ANW / AKQ  
(mot.) ABU  
(mot.) ABD  
(1) servo   
(5)  
(2)  
(mot.) ANW / AKQ  
(3) (4)  
(5)  
servo  (ex.) ABD  
(mot.) ABU / ABD  
(mot.) ANW / AKQ



ØA 60 B25  
ØA 80 B18  
ØA 56 B22  
Z 133 B19  
Z 128 B19  
ØA 70 B26  
ØA 60 B19  
Z 130 B20  
ØA 28 B30  
Z 58 B17  
Z 26



- (1) nur / only: (mot.) ABS / 1F / ADZ / ACC
- (2) nur / only: (mot.) AFT
- (3) nur / only: (mot.) 2E / AGG
- (4) nur / only: (mot.) AGG



Ref. - No.



Ref. - No.	Description	Notes	Dimensions
01231	Spannrolle / tension roller		ØA 78 ØI 8 B26
06688	Spannrolle / tension roller	(4)	ØA 72 ØI 10 B20
12652	Zahnriemen / timing belt	(1)	Z 121
12654	Zahnriemen / timing belt	(2)	Z 121 B18
14378	Zahnriemen / timing belt	(3)	Z 124 B18
14622	Rep. Satz Zahnriemen / rep. kit timing belt	(3)	
14736	Spannelement / clamping component		Z 22
25194	Kurbelwellenzahnrad / crankshaft gear		Z 22
25250	Nockenwellenrad / camshaft gear		Z 44

# SEAT

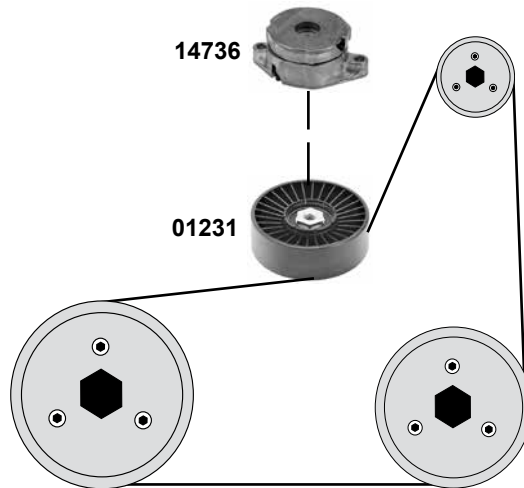
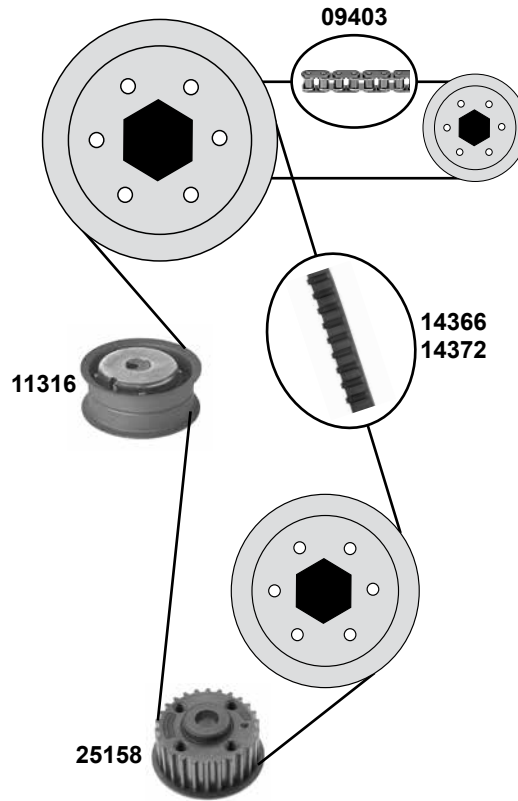
## Ibiza (6K) / Cordoba

(93→96)

Car  
Division



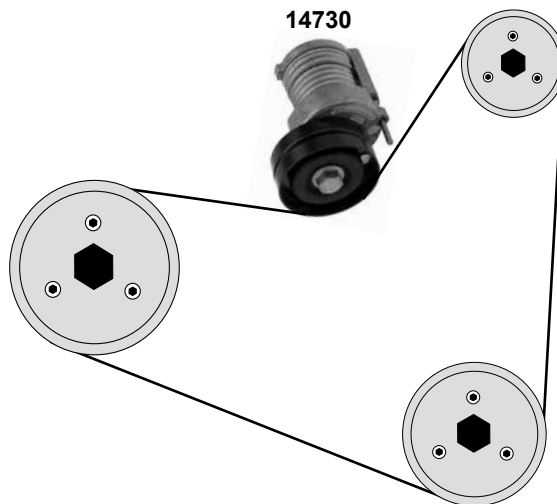
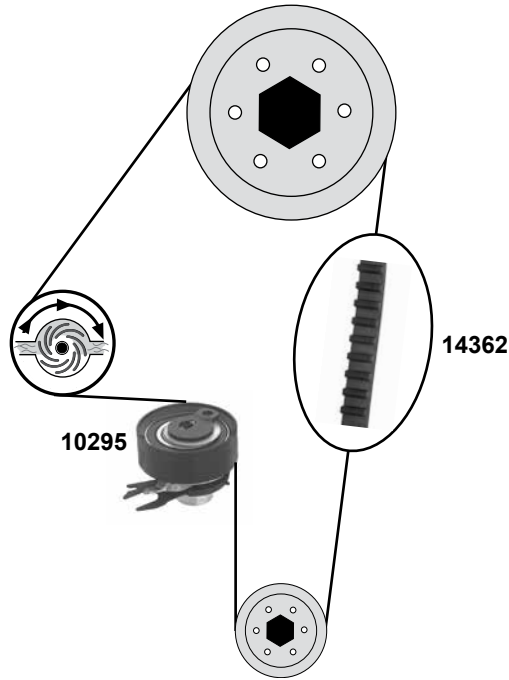
**1,8 / 2,0 16V**  
(ADL / ABF)



Ref. - No.



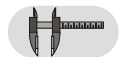
Ref. - No.	Description	Notes	Dimensions
01231	Spannrolle / tension roller	AC	ØA 78 B26
09403	Steuerkette / timing chain		D 44 E
11316	Spannrolle / tension roller		ØA 72 ØI 8 B27
14366	Zahnriemen / timing belt	(mot.) ADL	Z 147 B25
14372	Zahnriemen / timing belt	(mot.) ABF	Z 151 B25
14604	Rep. Satz Zahnriemen / rep. kit timing belt	(mot.) ADL	
14606	Rep. Satz Zahnriemen / rep. kit timing belt	(mot.) ABF	
14736	Spannelement / clamping component		
25158	Kurbelwellenzahnrad / crankshaft gear		Z 26



- (1) nur / only: (mot.) AER / AEE / AEX / APQ / ANX
- (2) nur / only: (mot.) AEX / AER / AKV / APQ / ANX
- (3) nur / only: (mot.) AEX / AER / APQ / ANX



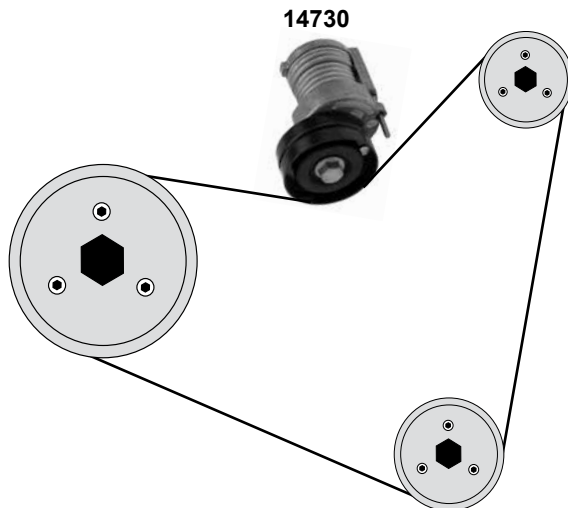
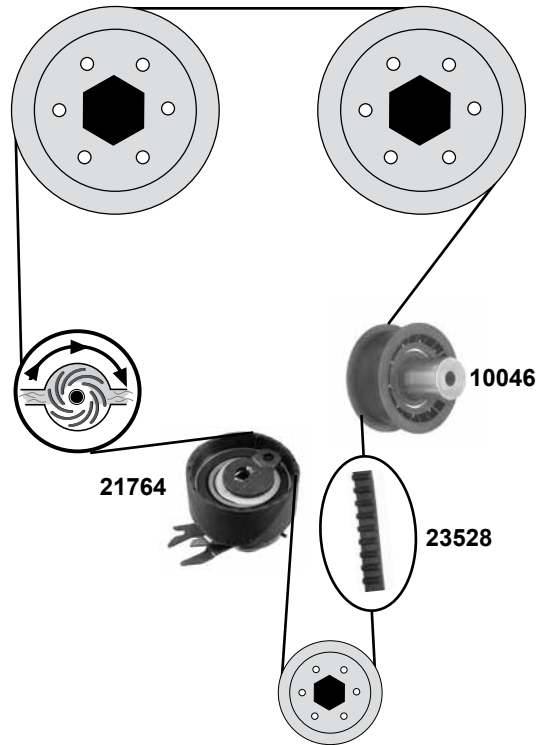
Ref. - No.



febi bilstein	Ref. - No.			
<b>10295</b>	030 109 243 K	Spannrolle / tension roller	(1)	ØA 61 ØI 8 B22
<b>14362</b>	030 109 119 S	Zahnriemen / timing belt	(2)	Z 135 B19
<b>14608</b>	030 109 119 S S1	Rep. Satz Zahnriemen / rep. kit timing belt	(3)	
<b>14730</b>	030 145 299 F	Riemenspanner / belt tensioner		ØA 70 B26

# SEAT Ibiza (6K) / Cordoba (97→99)

**1,0 16 V**  
(AFM)



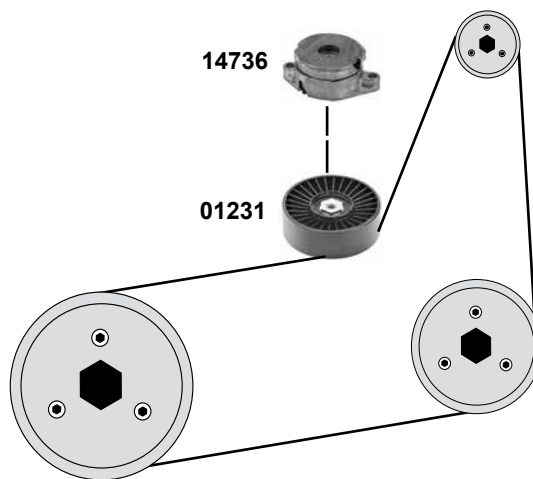
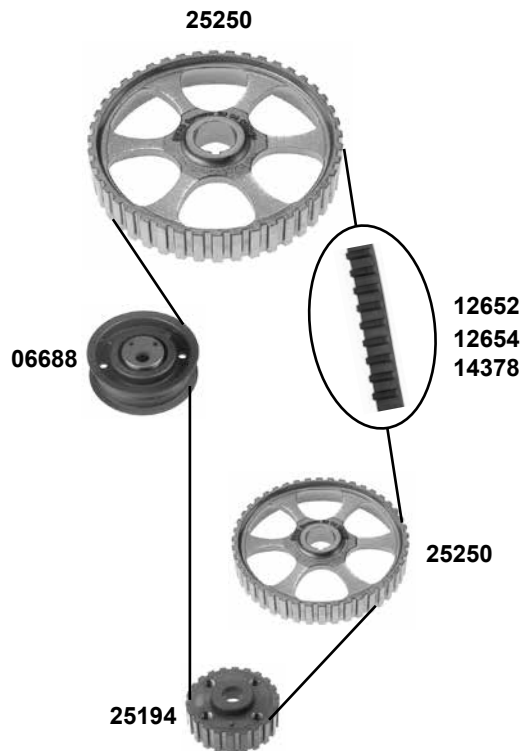
Ref. - No.



<b>10046</b>	036 109 244	Umlenkrolle / deflection pulley
<b>14730</b>	030 145 299 F	Riemenspanner / belt tensioner
<b>21764</b>	036 109 243 J	Spannrolle / tension roller
<b>23528</b>	036 109 119 H	Zahnriemen / timing belt
<b>23530</b>	6K0 198 001 C	Rep. Satz Zahnriemen / rep. kit timing belt

(ex.) AC

ØA 56 B26  
ØA 70 B26  
ØA 60 B37  
Z 149



- (1) nur / only: (mot.) EZ / ABN / 1F / RP / ACC
- (2) nur / only: (mot.) 2E / AGG
- (3) nur / only: (mot.) AFT



Ref. - No.



	Ref. - No.			
<b>01231</b>	028 145 278 E	Spannrolle / tension roller		ØA 78 ØI 8 B26
<b>06688</b>	026 109 243 L	Spannrolle / tension roller		ØA 72 ØI 10 B20
<b>12652</b>	056 109 119 A	Zahnriemen / timing belt	(1)	Z 121
<b>12654</b>	026 109 119 B	Zahnriemen / timing belt	(3)	Z 121 B18
<b>14378</b>	037 109 119 C	Zahnriemen / timing belt	(2)	Z 124 B18
<b>14736</b>	037 903 315 C	Spannelement / clamping component		
<b>25194</b>	049 105 263 C	Kurbelwellenzahnrad / crankshaft gear		Z 22
<b>25250</b>	049 109 111 C	Nockenwellenrad / camshaft gear		Z 44

# SEAT

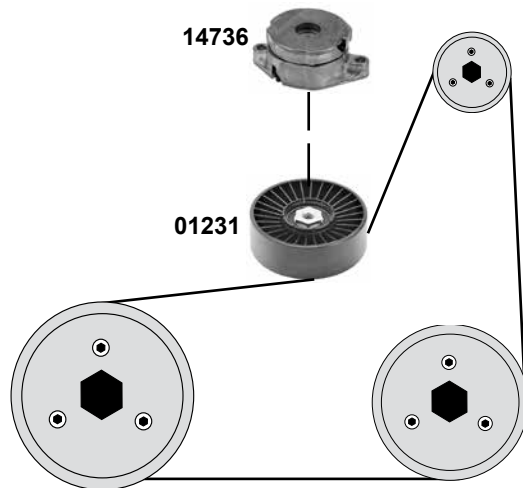
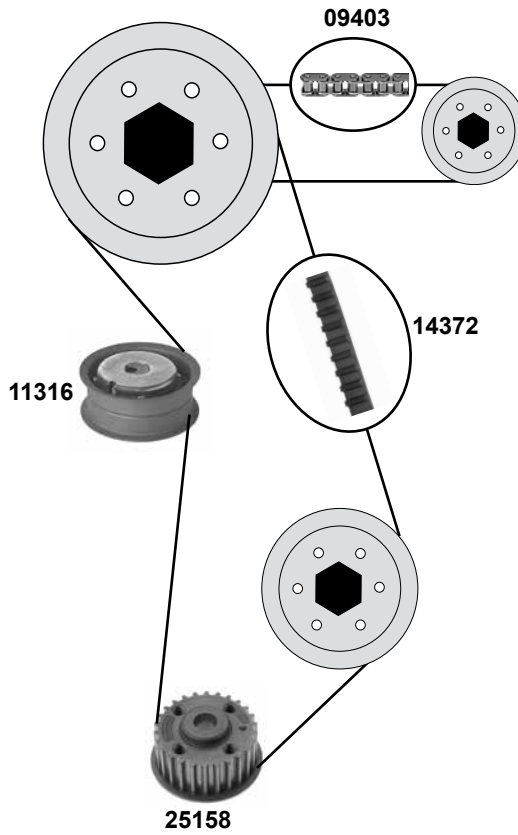
## Ibiza (6K) / Cordoba

(97→99)

Car  
Division



**2,0 16V**  
(ABF)



Ref. - No.

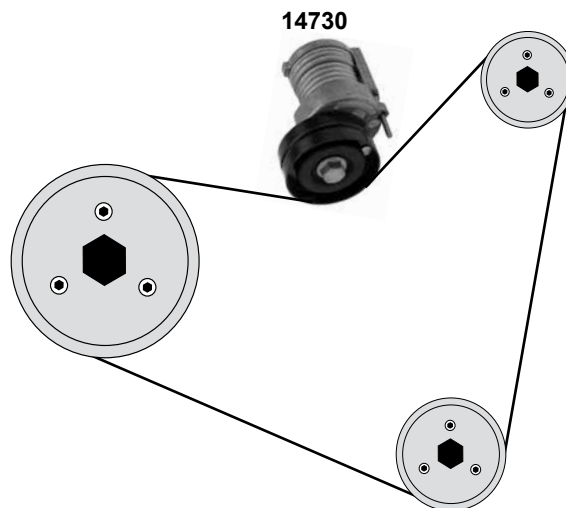
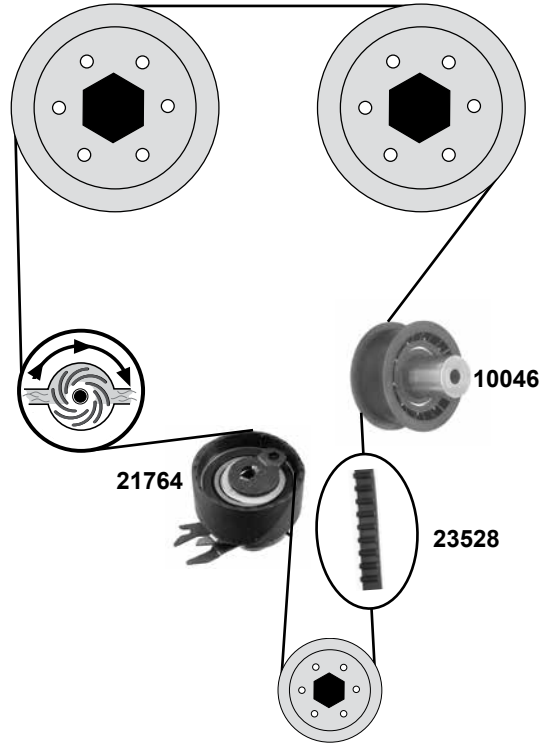


<b>01231</b>	028 145 278 E
<b>09403</b>	077 109 120
<b>11316</b>	051 109 243 A
<b>14372</b>	048 109 119 G
<b>14736</b>	037 903 315 C
<b>25158</b>	027 109 263 B

Spannrolle / tension roller
Steuerkette / timing chain
Spannrolle / tension roller
Zahnriemen / timing belt
Spannelement / clamping component
Kurbelwellenzahnrad / crankshaft gear

AC

ØA 78 B26
D 44 E
ØA 72 B27
Z 151 B25
Z 26



Ref. - No.



<b>10046</b>	036 109 244	Umlenkrolle / deflection pulley	(ex.) AC	ØA 56 ØI 8 B26 ØA 70 B 26 ØA 60 B37 Z 149
<b>14730</b>	030 145 299 F	Riemenspanner / belt tensioner		
<b>21764</b>	036 109 243 J	Spannrolle / tension roller		
<b>23528</b>	036 109 119 H	Zahnriemen / timing belt		
<b>23530</b>	6K0 198 001 C	Rep. Satz Zahnriemen / rep. kit timing belt		



# SEAT

## Ibiza (6K) / Cordoba

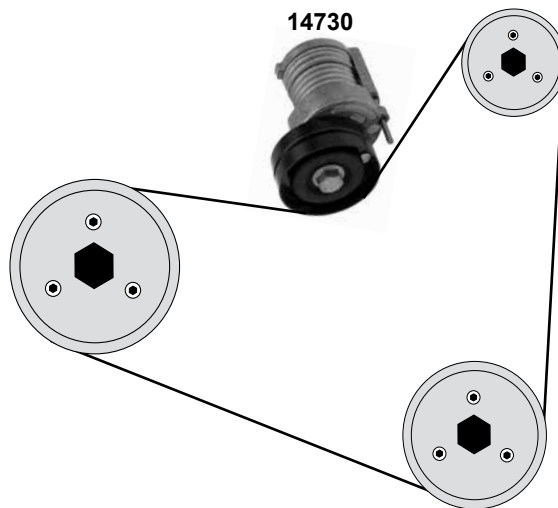
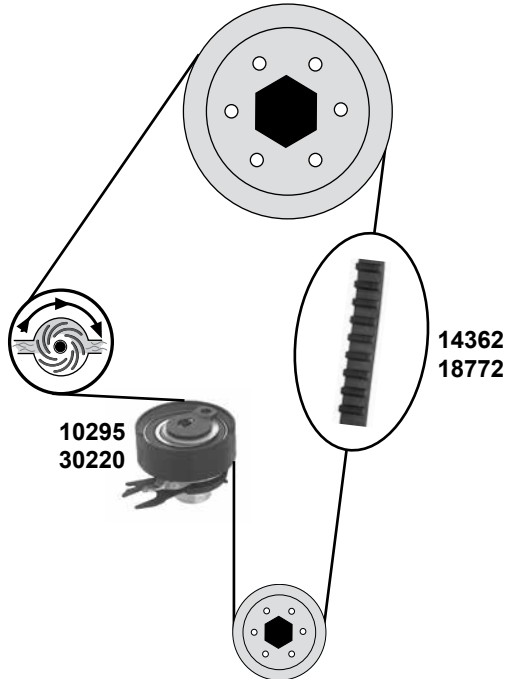
(99→02)

Car  
Division



**1,0→1,6**

(ALD / ANV / AKK / ANW / AEE / ALM / AUC / AUD)



**(1)** ANV / ALM  
ALD (mot.)→037 979  
AKK (mot.)→127 806

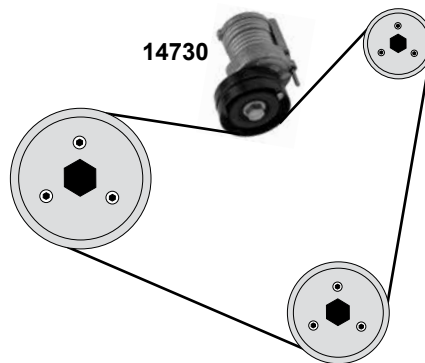
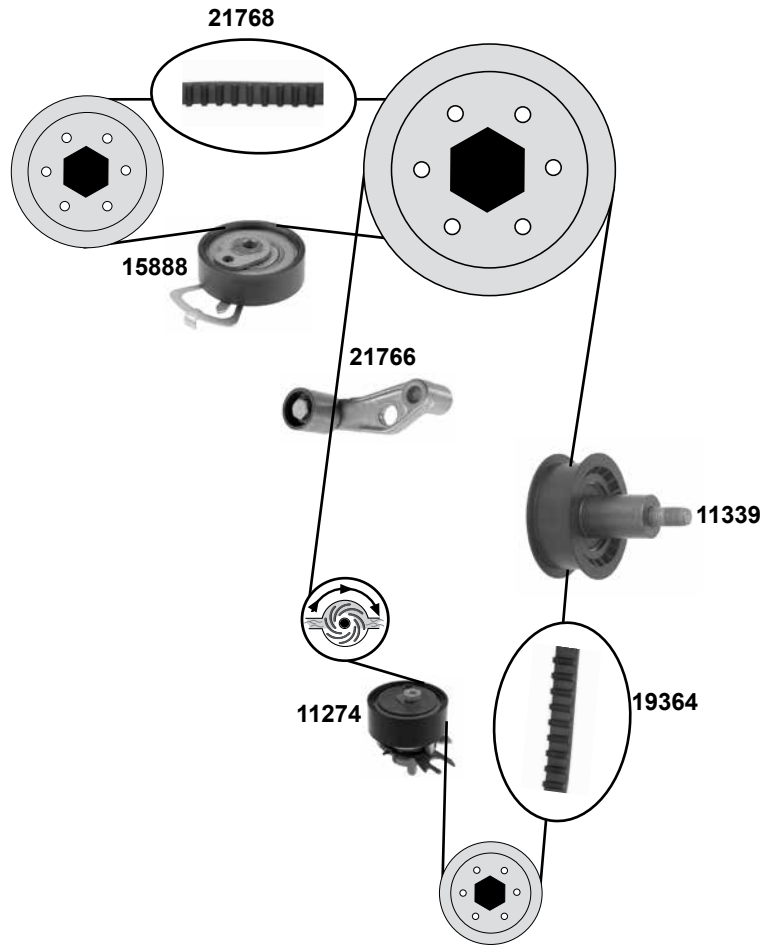
**(2)** AUC / AUD  
ALD (mot.) 037 978→  
AKK (mot.) 127 805→



Ref. - No.



<b>10295</b>	030 109 243 K	Spannrolle / tension roller	<b>(1)</b>	ØA 61 B22
<b>14362</b>	030 109 119 S	Zahnriemen / timing belt	<b>(mot.)</b> AEE / ALM	Z 135 B19
<b>14730</b>	030 145 299 F	Riemenspanner / belt tensioner		ØA 70 B26
<b>18772</b>	032 109 119 J	Zahnriemen / timing belt	<b>(mot.)</b> ALM	Z 137 B19
<b>23640</b>	032 109 119 J S1	Rep. Satz Zahnriemen / rep. kit timing belt	<b>(mot.)</b> AEE / ALM	
<b>23644</b>	030 109 119 B	Rep. Satz Zahnriemen / rep. kit timing belt	<b>(2)</b>	
<b>30220</b>	030 109 243 M	Spannrolle / tension roller	<b>(2)</b>	ØA 61,7 B50



Ref. - No.



11274	036 109 243 AD	Spannrolle / tension roller	ØA 60 ØI 8 B25
11339	036 109 244 J	Umlenkrolle / deflection pulley	ØA 56 B22
14730	030 145 299 F	Riemenspanner / belt tensioner	ØA 70 B 26
15888	036 109 243 AE	Spannrolle / tension roller	ØA 60 B19
19364	036 109 119 Q	Zahnriemen / timing belt	Z 130 B20
21766	036 109 181 A	Umlenkrolle / deflection pulley	ØA 28 B30
21768	036 109 119 P	Zahnriemen / timing belt	Z 58 B17
21770	036 109 119 Q S1	Rep. Satz Zahnriemen / rep. kit timing belt	
21772	036 109 119 Q S2	Rep. Satz Zahnriemen / rep. kit timing belt	
21774	036 109 119 P S1	Rep. Satz Zahnriemen / rep. kit timing belt	

# SEAT

## Ibiza (6K) / Cordoba

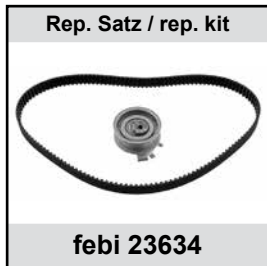
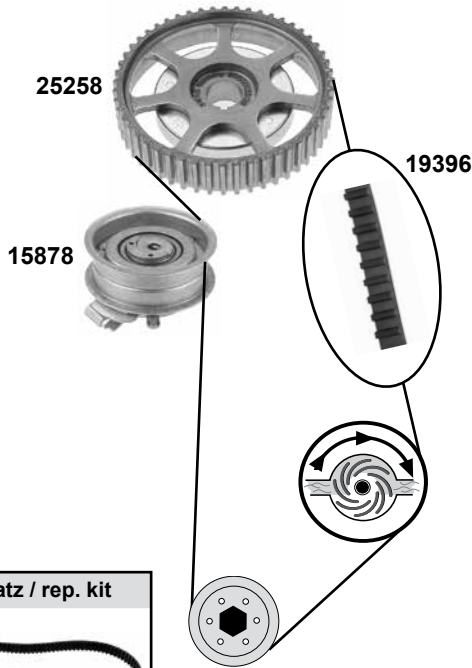
(99→02)

Car  
Division



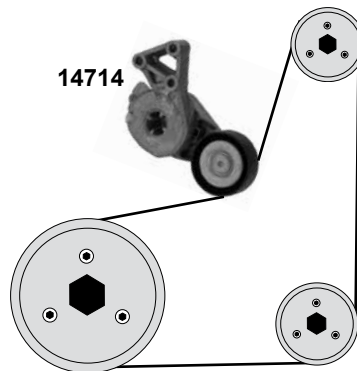
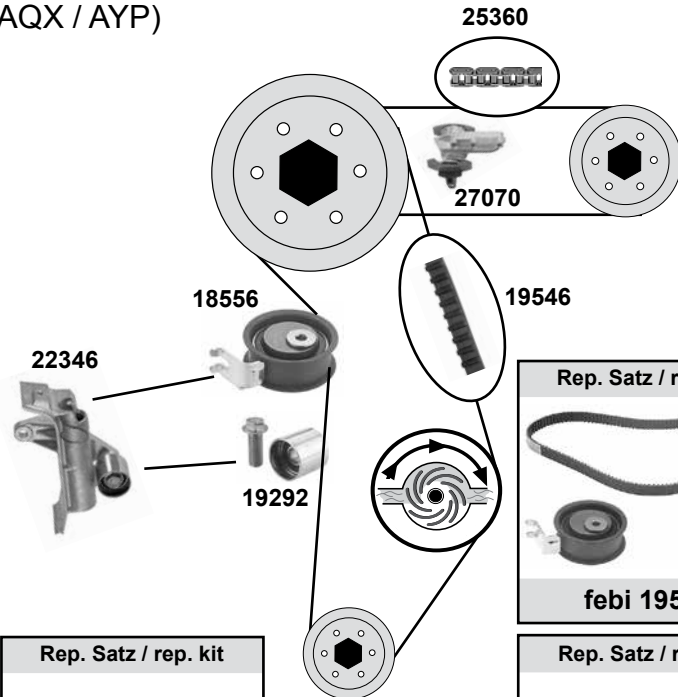
### 1,6

(AEH / AKL / APF / AUR)



### 1,8 20V

(AQX / AYP)



Ref. - No.

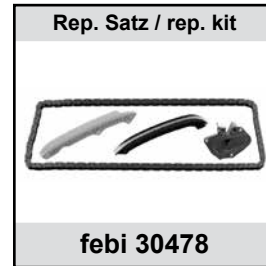
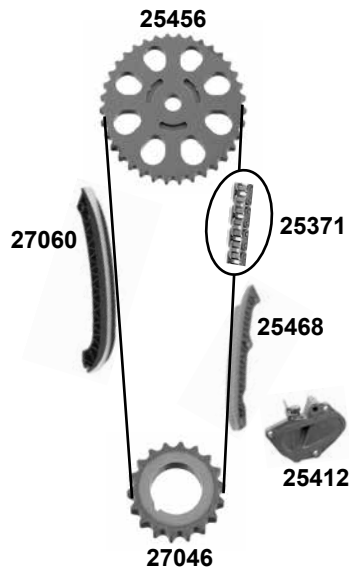


14714	06A 903 315 E	Riemenspanner / belt tensioner
15878	06A 109 479 C	Spannrolle / tension roller
18556	06B 109 243 D	Spannrolle / tension roller
19292	06B 109 244	Umlenkrolle / deflection pulley
19396	06A 109 119 C	Zahnriemen / timing belt
19546	06B 109 119 A	Zahnriemen / timing belt
19550	06B 109 119 A S2	Rep. Satz Zahnriemen / rep. kit timing belt
22346	06B 109 477	Riemenspanner / belt tensioner
23634	06A 198 119	Rep. Satz Zahnriemen / rep. kit timing belt
23646	06B 109 119 A S3	Rep. Satz Zahnriemen / rep. kit timing belt
25258	06A 109 105 C	Nockenwellenrad / camshaft gear
25360	058 109 229 B	Steuerkette / timing chain
27070	058 109 217 B	Kettenspanner / chain tensioner
37642	06A 198 119 B	Rep. Satz Zahnriemen / rep. kit timing belt

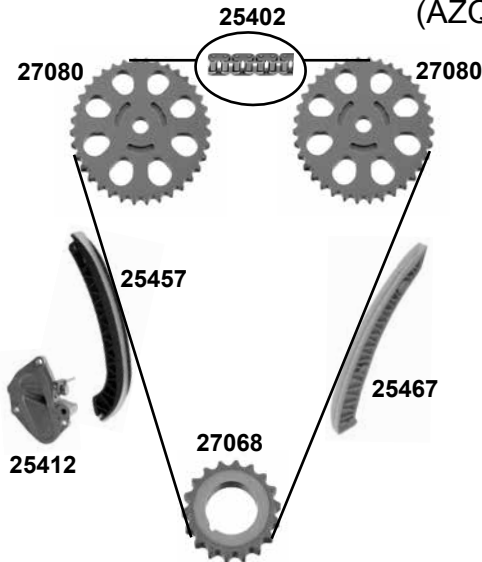
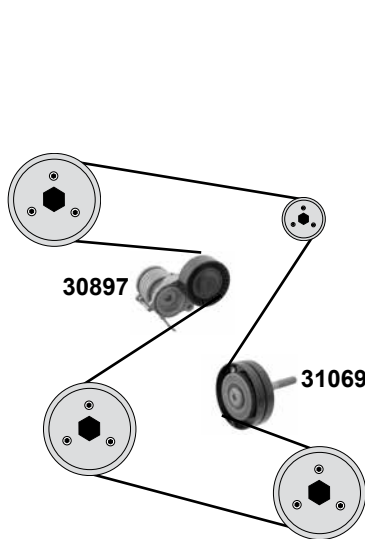
ØA 70 B 24  
ØA 72 B29  
ØA 72 B31  
ØA 28,5 B27  
Z 138 B23  
Z 150 B23

Z 52  
50 E

**1,2 6V**  
(BBM)



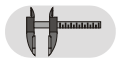
**1,2 12V**  
(AZQ / BME / BXV / BZG)



- (1) (mot.) AZQ→05 / (mot.) BME/BXV/BZG→09 (2) Cordoba (ex.) (mot.) BZG  
(3) Cordoba (mot.) AZQ/BME/BXV 03→/ Ibiza (mot.) AZQ/BME/BXV→09 (4) Cordoba (ex.) (mot.) BXV/BZG



Ref. - No.



Ref. - No.	Description	Notes	Dimensions
25371	03D 109 229 Steuerkette / timin chain	06→	118 E
25456	03D 109 571 L Nockenwellenrad / camshaft gear	06→	Z 40 ØA 135,6
25457	03E 109 509 Gleitschiene / sliding rail		
25467	03E 109 469 Gleitschiene / sliding rail		
25468	03D 109 469 C Gleitschiene / sliding rail	06→	
25402	03E 109 229 A Steuerkette / timming chain		130 E
25412	03E 109 507 S Kettenspanner / chain tensioner		
27046	03D 105 209 E Kurbelwellenzahnrad / crankshaft gear	06→	Z 20
27060	03D 109 509 L Gleitschiene / sliding rail	06→	
27068	03E 105 209 Kurbelwellenzahnrad / crankshaft gear	(1)	Z 18
27080	03E 109 571 B Nockenwellenzahnrad / crankshaft gear	(1)	Z 36
30478	03D 109 229 S1 Rep. Satz Steuerkette / rep. kit timing chain	06→	
30495	03D 109 229 S2 Rep. Satz Steuerkette / rep. kit timing chain	06→	
30497	03E 109 229 A S2 Rep. Satz Steuerkette / rep. kit timing chain	(3)	
30607	03E 198 229 A S1 Rep. Satz Steuerkette / rep. kit timing chain	(1)	
30897	03D 903 305 F Riemenspanner / belt tensioner	(2) AC	
31069	03D 145 276 E Umlenkrolle / deflection pulley	AC (4)	ØA 76 B24

# SEAT

## Ibiza (6L) / Cordoba

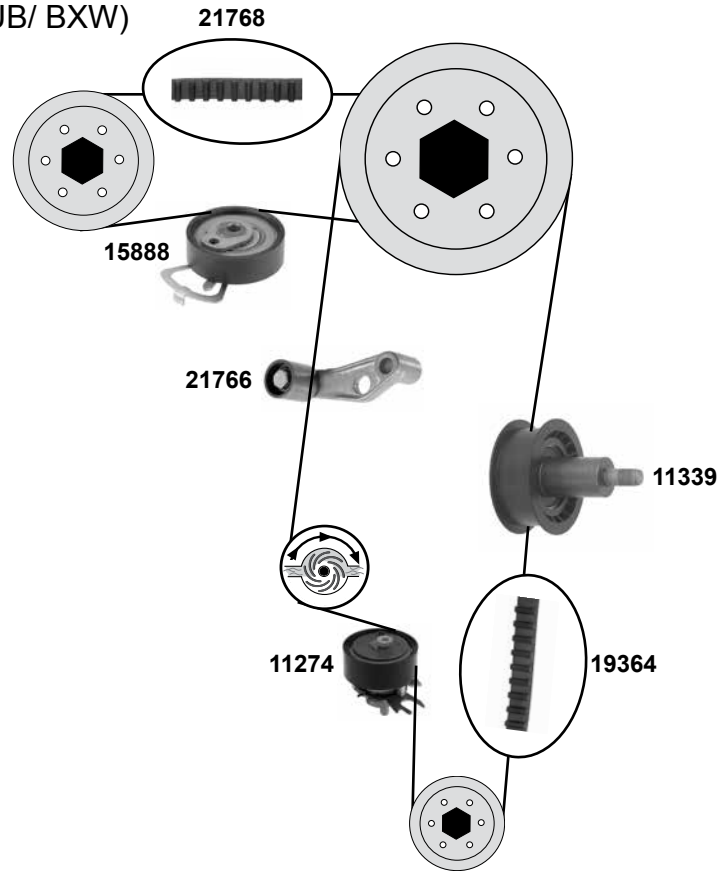
(02→)

Car  
Division



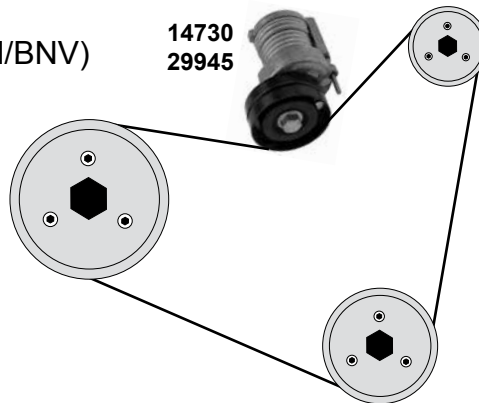
### 1,4 16V

(BBY / BKY / AUA / BBZ / AUB / BXW)



### 1,4 16V

(BBY/BKY/AUA/BBZ/AUB/AMF/BNM/BNV)



(1) (mot.) BBY / BKY / AUA / BBZ / AUB

(2) (mot.) AMF / BNM / BNV

(3) Ibiza (mot.) BBY / AUB / BBZ / BKY / BXW  
Cordoba (mot.) BBY / BBZ / BKY / BXW

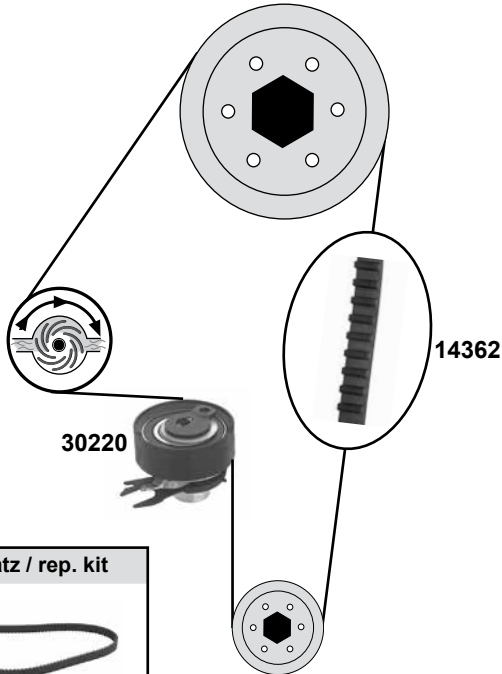


Ref. - No.

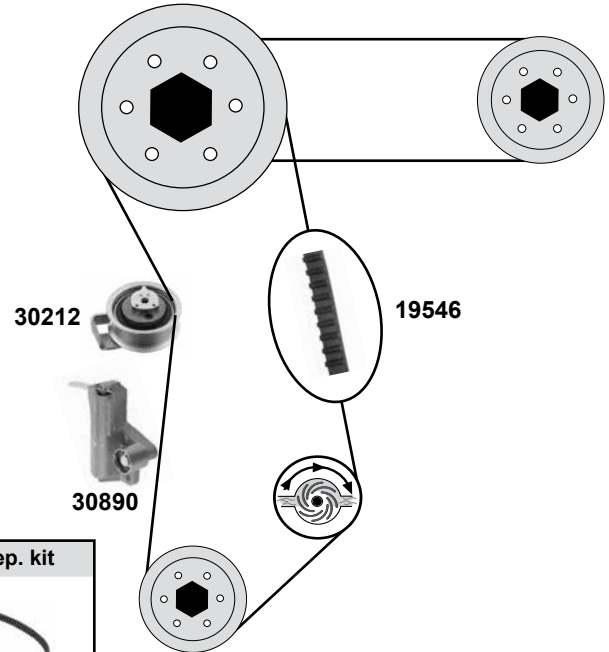


Ref. - No.	Description	Quantity	Part Number
11274	Spannrolle / tension roller	(1)	ØA 60 B25
11339	Umlenkrolle / deflection pulley	(ex.)	AUA / AUB / → 09 ØA 56 B22
14730	Riemenspanner / belt tensioner	(1)	ØA 70 B26
15888	Spannrolle / tension roller	(3)	ØA 60 B19
19364	Zahnriemen / timing belt	(3)	Z 130 B20
21766	Umlenkrolle / deflection pulley	(1)	ØA 28 B30
21768	Zahnriemen / timing belt	(3)	Z 58 B17
21770	Rep. Satz Zahnriemen / rep. kit timing belt	(3)	03 →
21772	Rep. Satz Zahnriemen / rep. kit timing belt	(1)	
21774	Rep. Satz Zahnriemen / rep. kit timing belt	(3)	
29945	Riemenspanner / belt tensioner	(2)	

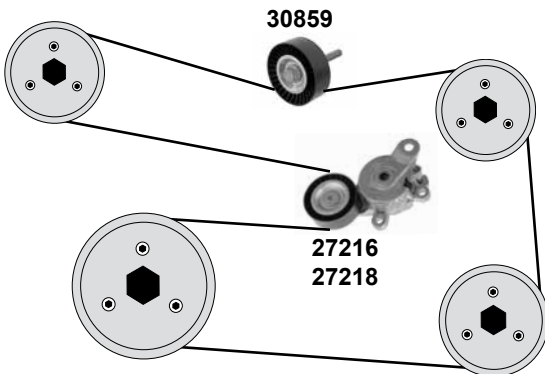
**1,6**  
(BAH)



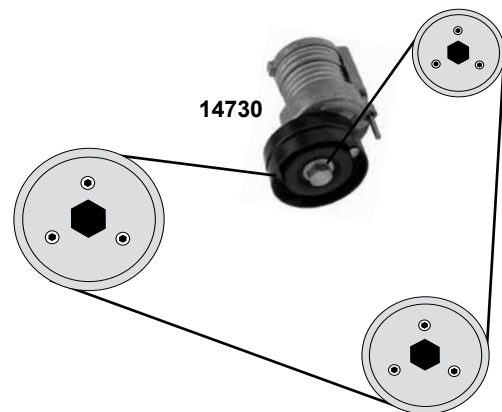
**1,8 20V**  
(BKV / BJX / BBU / BLZ)



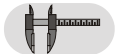
**1,6**  
(BTS)



**1,6 / 1,8 20V**  
(BAH / BKV / BJX / BBU / BLZ)



Ref. - No.



<b>14362</b>	030 109 119 S	Zahnriemen / timing belt
<b>14730</b>	030 145 299 F	Riemenspanner / belt tensioner
<b>19546</b>	06B 109 119 A	Zahnriemen / timing belt
<b>23644</b>	030 109 119 S S2	Rep. Satz Zahnriemen / rep. kit timing belt
<b>27216</b>	6Q0 145 299	Riemenspanner / belt tensioner
<b>27218</b>	03C 145 299 C	Spannrolle / tension roller
<b>30212</b>	06B 109 243 C	Spannrolle / tension roller
<b>30220</b>	030 109 243 M	Spannrolle / tension roller
<b>30859</b>	1J0 145 276	Umlenkrolle / deflection pulley
<b>30890</b>	06B 109 477 B	Riemendämpfer / belt tensioner
<b>30891</b>	06B 109 119 A S6	Rep. Satz Zahnriemen / rep. kit timing belt

(ex.) AC  
AC

AC

Z 135 B19  
ØA 70 B 26  
Z 150 B23

ØA 81,7 B46,5  
ØA 61,7 ØI 8,78  
ØA 76 B26

# SEAT

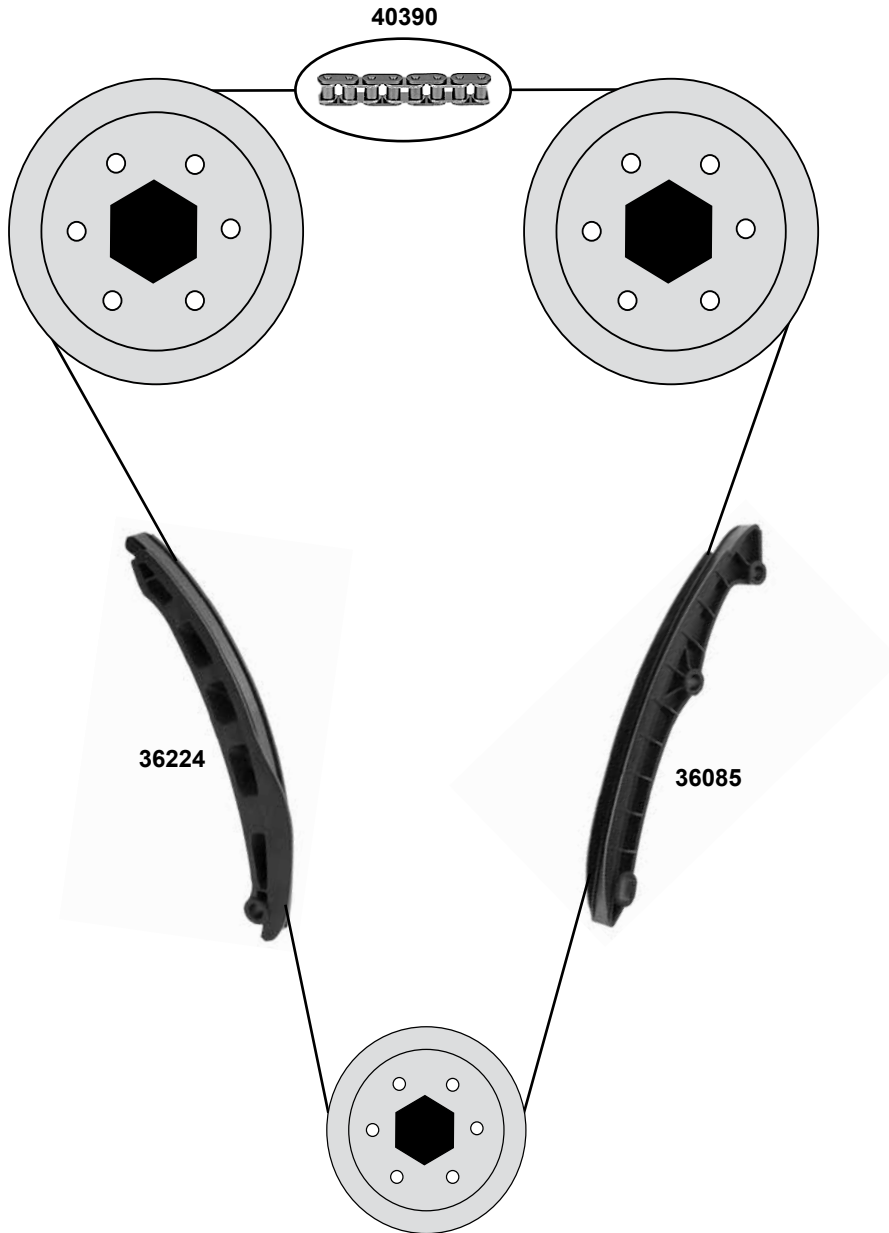
## Ibiza (6L) / Cordoba

(02→10)

Car  
Division



**1,2→1,6**  
(BME/BXV/BTS/)



**(1)** Cordoba (mot.) BME/BXV 03/09→  
 Cordoba (mot.) BTS  
 Ibiza IV (mot.) BME/BXV (ch.) 6L-9-042 557→  
 Ibiza IV (mot.) BTS



Ref. - No.

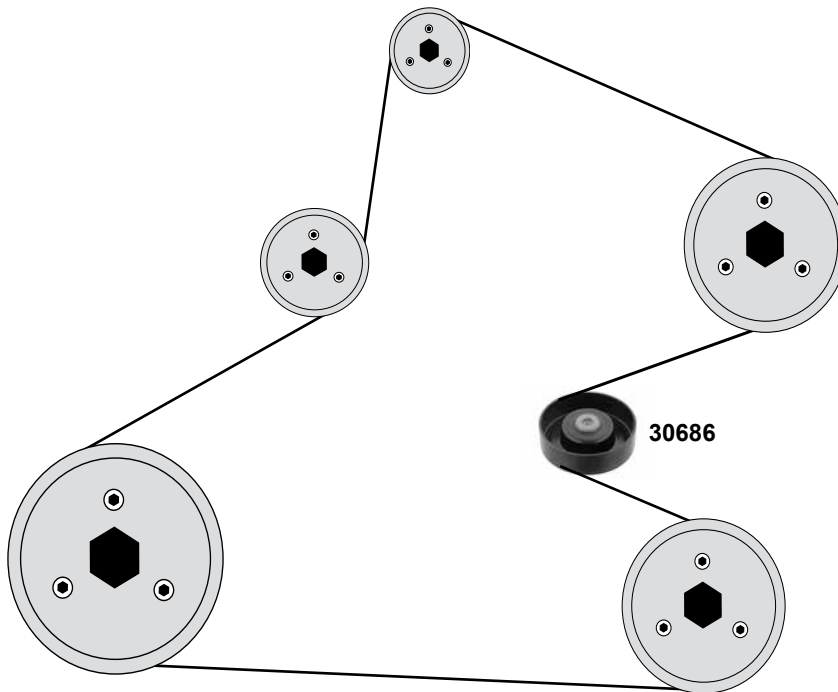


**36085** 03C 109 469 K  
**36224** 03C 109 509 P  
**40390** 03C 109 158 A

Gleitschiene/ sliding rail  
 Gleitschiene/ sliding rail  
 Steuerkette / timing chain

(1)  
(1)  
(1)

130 E





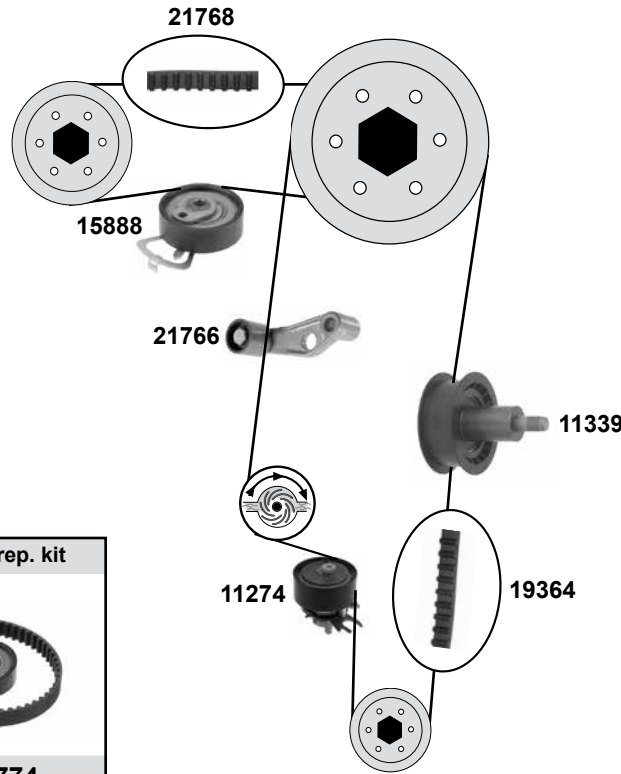
# SEAT Ibiza (6J)

(08→)

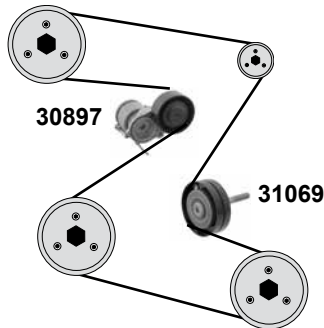
Car Division 



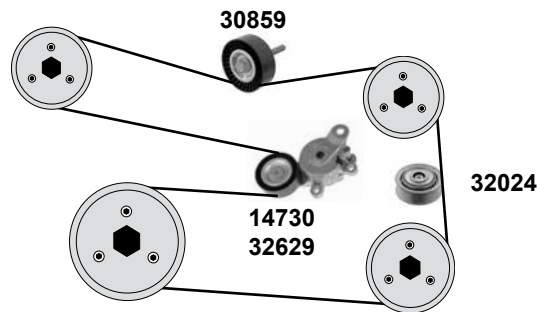
## 1,2→1,6 (BXW/CGGB/CBZB/CNKA)



## 1,2 (BZG / CGPA / CGPB)




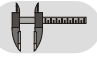



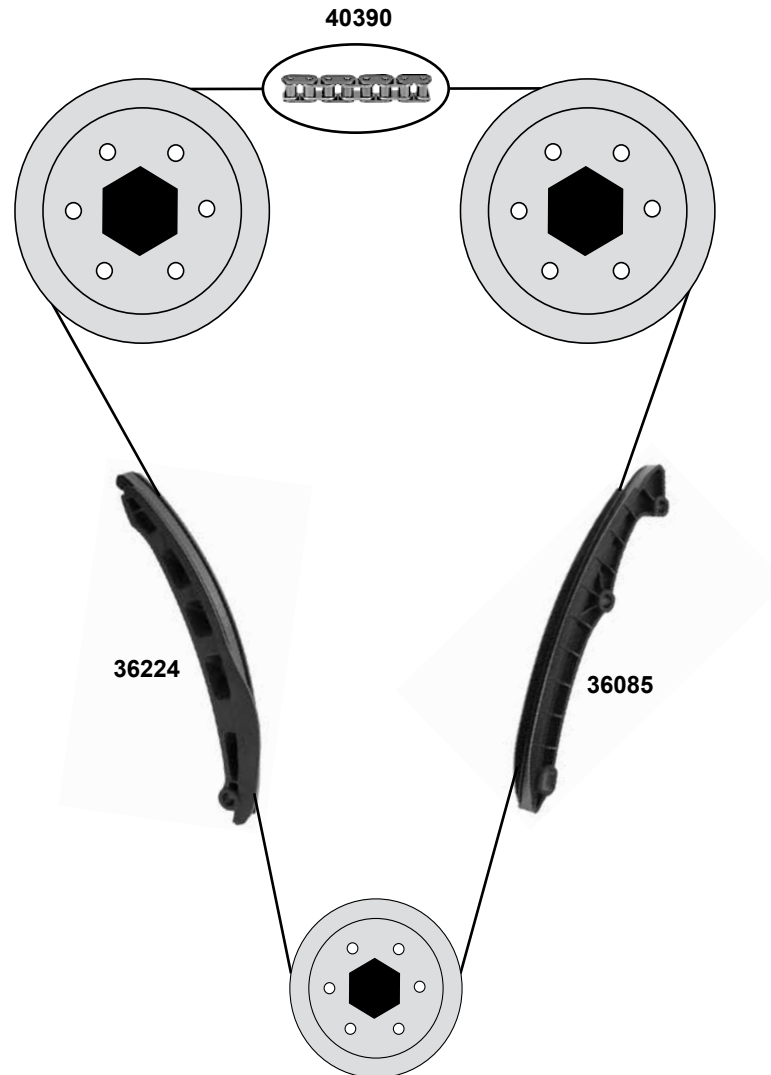
## 1,2 / 1,4 / 1,6 16V (CBZB / CAVE / CAVF / BTS / CNKA / CNBA)



(1) Ibiza V Sportcoupe (mot.) BXW / CGGB  
Ibiza V (mot.) BXW  
Ibiza V ST (mot.) CGGB / 10 →

(2) Ibiza V Sportcoupe (mot.) BXW / CGGB  
Ibiza V (mot.) BXW / CBZB / CNKA  
Ibiza V ST (mot.) CGGB / CBZB / 10 →

	Ref. - No.			
11274	036 109 243 AB	Spannrolle / tension roller	(mot.) BXW/CGGB	ØA 80 ØI 8 B25
11339	036 109 244 J	Umlenkrolle / deflection pulley	(mot.) BXW/CGGB	ØA 56 B22
14730	030 145 299 F	Riemenspanner / belt tensioner	AC / servo 	ØA 70 B26
15888	036 109 243 AE	Spannrolle / tension roller	(1)	ØA 60 B19
19364	036 109 119 Q	Zahnriemen / timing belt	(1)	Z 130 B20
21766	036 109 181 A	Umlenkrolle / deflection pulley	(mot.) BXW/CGGB	ØA 28 B30
21768	036 109 119 P	Zahnriemen / timing belt	(2)	Z 58 B17
21770	036 109 119 Q S1	Rep. Satz Zahnriemen / rep. kit timing belt	(mot.) BXW/CGGB	
21772	036 109 119 Q S2	Rep. Satz Zahnriemen / rep. kit timing belt	(mot.) BXW/CGGB	
21774	036 109 119 P S1	Rep. Satz Zahnriemen / rep. kit timing belt	(1)	
30859	1J0 145 276	Umlenkrolle / deflection pulley	(mot.) BTS/CNKA	ØA 76 B 26
30897	03D 903 305 F	Riemenspanner / belt tensioner		
31069	03D 145 276 E	Umlenkrolle / deflection pulley	AC	ØA 76 B24
32024	03C 145 276 C	Umlenkrolle / deflection pulley	(ex.) AC BTS/CNKA/CBZB	ØA 81 B 37
32629	03C 145 299 Q	Riemenspanner / belt tensioner	AC (mot.) CBZB/CNBA	



(1)	Ibiza V	(mot.)	BZG 03/09→
	Ibiza V/Sportcoupe	(mot.)	BZG/CGPA 03/09→
	Ibiza V	(mot.)	BTS/CAVF/CGPB/CNKA/CNUB/CTHF/CTJB
	Ibiza V Sportcoupe	(mot.)	BTS/CAVE/CAVF/CGPB/CNKA/CNUB/CTHECTHF/CTJB/CTJC
	Ibiza V ST	(mot.)	BTS/CAVF/CGPA/CGPB/CNUB/CTHF/CTJB
	Ibiza V/ST/Sportcoupe	(mot.)	CJLB



Ref. - No.



**36085**  
**36224**  
**40390**

03C 109 469 K  
03C 109 509 P  
03C 109 158 A

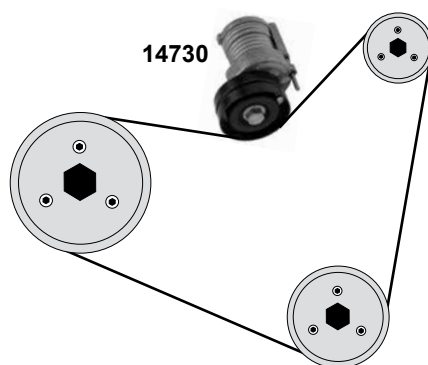
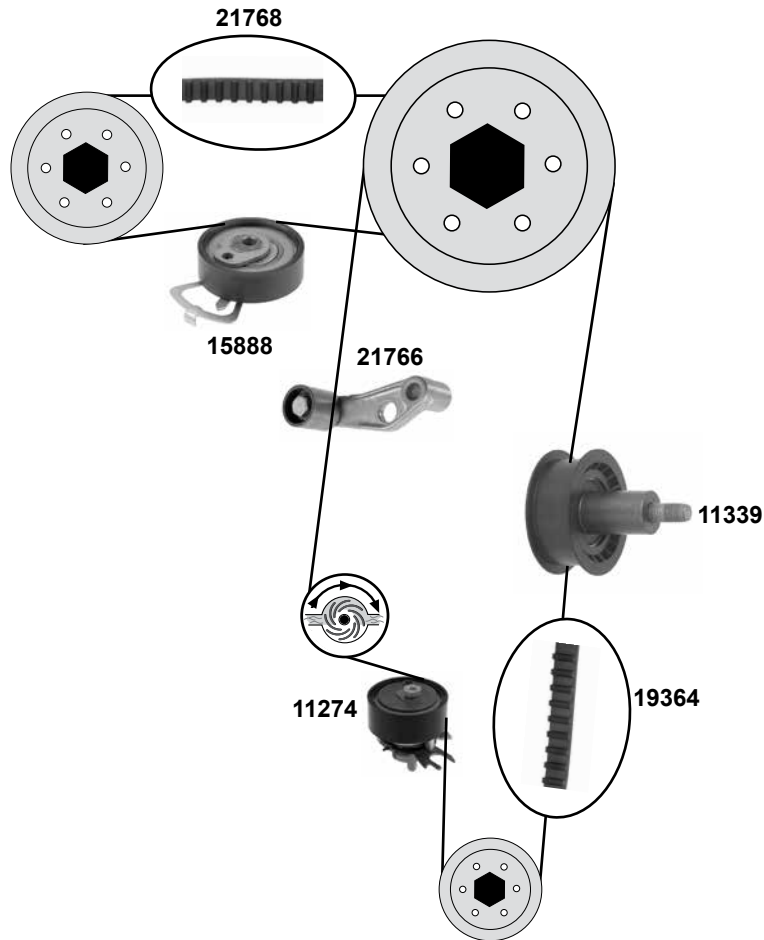
Gleitschiene/ sliding rail  
Gleitschiene/ sliding rail  
Steuerkette / timing chain

(1)  
(1)  
(1)

130 E



**1,4 16V**  
(AUA)

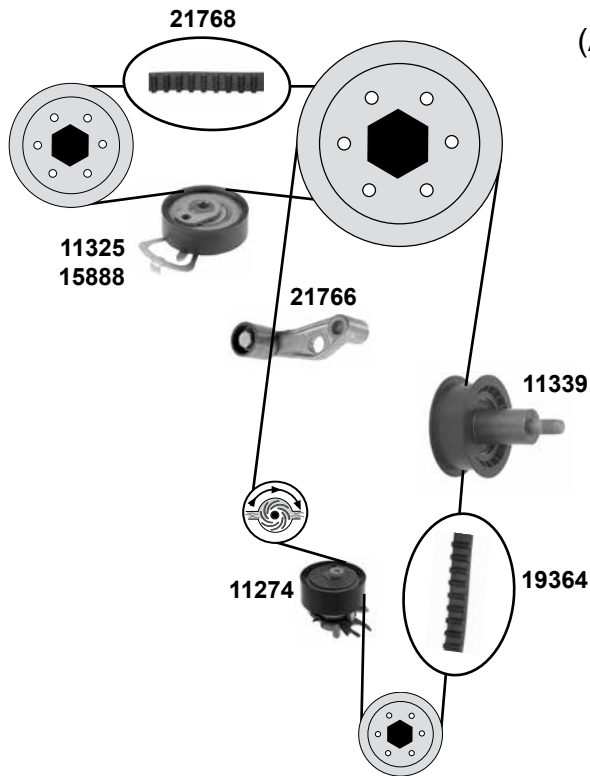


Ref. - No.

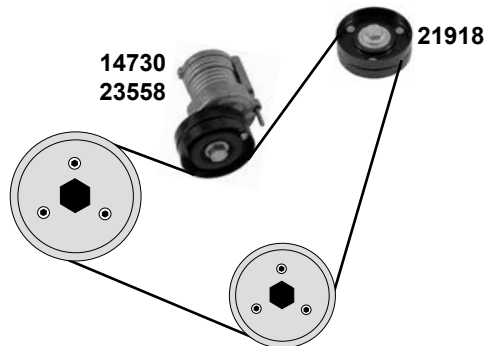


<b>11274</b>	036 109 243 AD	Spannrolle / tension roller	
<b>11339</b>	036 109 244 J	Umlenkrolle / deflection pulley	ØA 60 B25
<b>14730</b>	030 145 299 F	Riemenspanner / belt tensioner	ØA 56 B22
<b>15888</b>	036 109 243 AE	Spannrolle / tension roller	ØA 70 B26
<b>19364</b>	036 109 119 Q	Zahnriemen / timing belt	ØA 60 B19
<b>21766</b>	036 109 181 A	Umlenkrolle / deflection pulley	Z 130 B20
<b>21768</b>	036 109 119 P	Zahnriemen / timing belt	ØA 28 B30
<b>21770</b>	036 109 119 Q S1	Rep. Satz Zahnriemen / rep. kit timing belt	Z 58 B17
<b>21772</b>	036 109 119 Q S2	Rep. Satz Zahnriemen / rep. kit timing belt	
<b>21774</b>	036 109 119 P S1	Rep. Satz Zahnriemen / rep. kit timing belt	

**1,4 16V / 1,6 16V**  
(AHW/APW/AXP/AUS/AZD/APE/BCA/BCB)



Rep. Satz / rep. kit  <b>febi 21770</b>	Rep. Satz / rep. kit  <b>febi 21772</b>
Rep. Satz / rep. kit  <b>febi 21774</b>	Rep. Satz / rep. kit  <b>febi 32427</b>



(1) (mot.) APE / AUS / AXP / AZD  
(mot.) AHW → 160 000

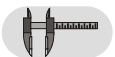
(2) (mot.) APE / AXP / AUS / AZD / BCA / BCB  
(mot.) AHW 160 001→

(3) AC + servo (ex.) APW

(4) APE / AXP / AUS / AZD / BCA / BCB  
(mot.) AHW 160 001→



Ref. - No.



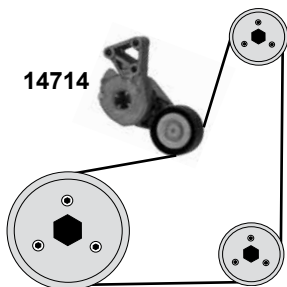
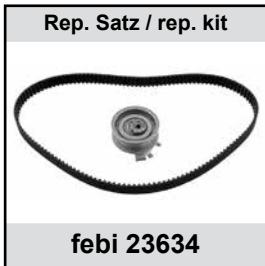
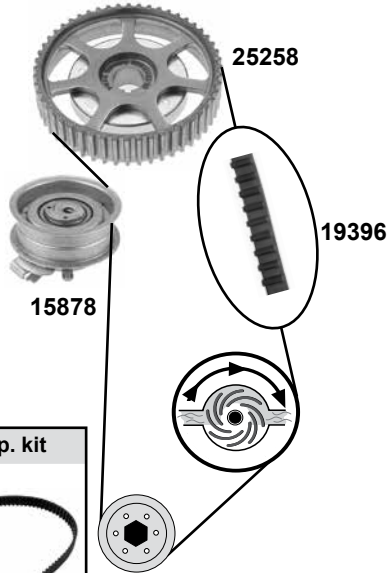
Ref. - No.	Description	Notes
11274	Spannrolle / tension roller	(ex.) APE/BCA/BCB ØA 60 ØI 8 B25
11325	Spannrolle / tension roller	(1) ØA 60 B18
11339	Umlenkrolle / deflection pulley	(ex.) APE/BCA/BCB ØA 56 B22
14730	Riemenspanner / belt tensioner	(ex.) APE/BCA/BCB ØA 70 B 26
15888	Spannrolle / tension roller	(4) ØA 60 B19
19364	Zahnriemen / timing belt	(ex.) APE Z 130 B20
21766	Umlenkrolle / deflection pulley	(ex.) APE/BCA/BCB ØA 28 B30
21768	Zahnriemen / timing belt	(ex.) APE Z 58 B17
21770	Rep. Satz Zahnriemen / rep. kit timing belt	(ex.) APW / 00→
21772	Rep. Satz Zahnriemen / rep. kit timing belt	(ex.) APE/BCA/BCB
21774	Rep. Satz Zahnriemen / rep. kit timing belt	(2)
21918	Umlenkrolle / deflection pulley	AC (ex.) APE/BCA/BCB ØA 76 B26
23558	Riemenspanner / belt tensioner	(3)
32427	Rep. Satz Zahnriemen / rep. kit timing belt	(1)

# SEAT Leon (1M) (99→06)

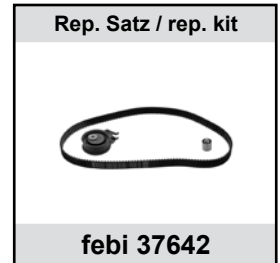
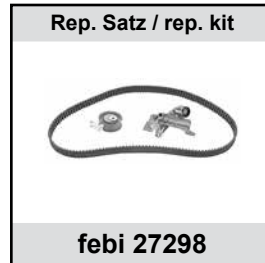
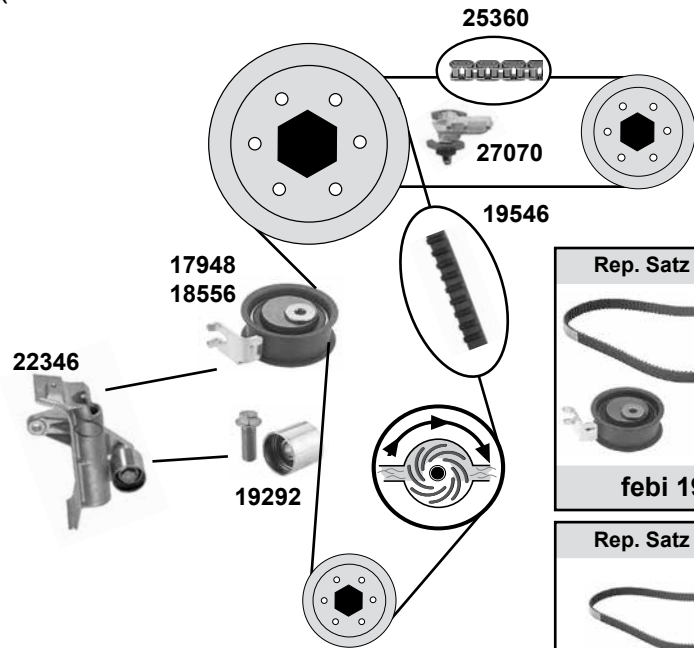
Car  
Division



## 1,6 (AEH / AKL)



## 1,8 20V (AGN / APG / APP / AUQ / AJQ / ARY / AMK / BAM)



(1) (ch.)→1M-YB-088 000  
(ch.)→1M-YR-016 500

(2) (ch.) 1M-YB-088 001→  
(ch.) 1M-YR-016 501→

(3) (mot.) AJQ / APP→017000

(4) (mot.) AJQ / AMK / APP / ARY  
02→

(5) (mot.) AGN / APP 99→03  
(ch.) 1M-YB-088 001→  
(ch.) 1M-YR-016 501→

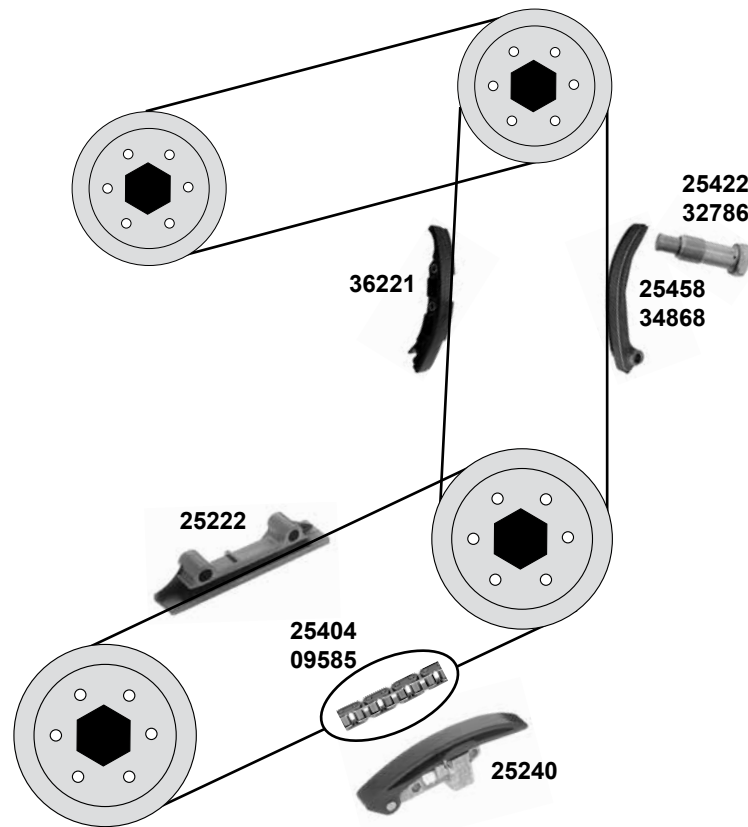
(6) (mot.) AMK / APG / AUQ / BAM  
02→06



Ref. - No.



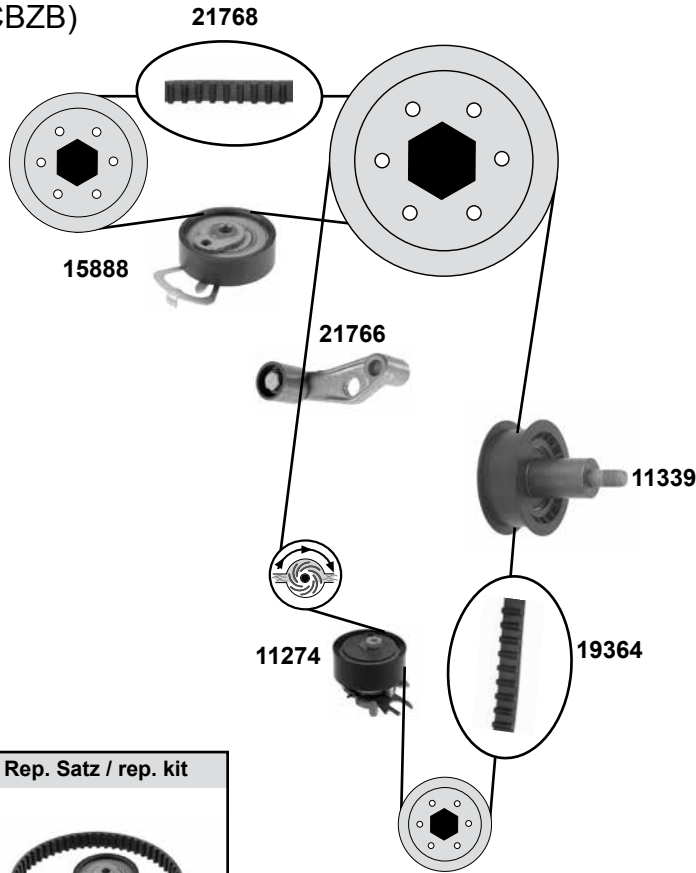
14714	06A 903 315 E	Riemenspanner / belt tensioner		
15878	06A 109 479 C	Spannrolle / tension roller		ØA 70 B24
17948	06B 109 243	Spannrolle / tension roller		ØA 72 B29
18556	06B 109 243 D	Spannrolle / tension roller	(1)	ØA 72 B30
19292	06B 109 244	Umlenkrolle / deflection pulley	(2)	ØA 72 B31
19396	06A 109 119 C	Zahnriemen / timing belt		ØA 28,5 B27
19546	06B 109 119 A	Zahnriemen / timing belt		Z 138 B23
19548	06A 198 119 A	Rep. Satz Zahnriemen / rep. kit timing belt	(1)	Z 150 B23
19550	06B 109 119 A S2	Rep. Satz Zahnriemen / rep. kit timing belt	(2)	Z 150 B23
23634	06A 198 119	Rep. Satz Zahnriemen / rep. kit timing belt		
23646	06B 109 119 A S3	Rep. Satz Zahnriemen / rep. kit timing belt	(2)	
25258	06A 109 105 C	Nockenwellenrad / camshaft gear		Z 52
25360	058 109 229 B	Steuerkette / timing chain		50 E
27070	058 109 217 B	Kettenspanner / chain tensioner	(3)	
27298	06B 109 119 A S5	Rep. Satz Zahnriemen / rep. kit timing belt	→(ch.) 1M-08800	
37642	06A 198 119 B	Rep. Satz Zahnriemen / rep. kit timing belt	(4) (5) (6)	



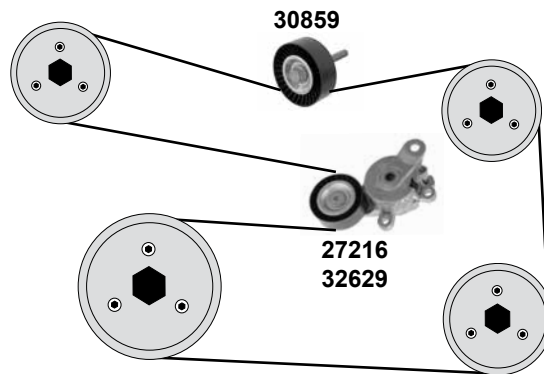
	Ref. - No.			
<b>09585</b>	021 109 467	Steuerkette / timing chain	(ex.) AQN	70E
<b>25222</b>	021 109 469	Gleitschiene / sliding rail	(ex.) AQN	
<b>25240</b>	021 109 467	Kettenspanner / chain tensioner	(ex.) AQN	
<b>25404</b>	066 109 503 C	Steuerkette / timing chain	(mot.) BDE	98E
<b>25422</b>	022 109 507 A	Kettenspanner / chain tensioner	(mot.) AUE	
<b>25458</b>	022 109 509 C	Gleitschiene / sliding rail	(mot.) AUE	
<b>32786</b>	03H 109 507	Kettenspanner / chain tensioner	(ex.) AUE / 02→	
<b>34868</b>	066 109 509 A	Gleitschiene / sliding rail	(mot.) BDE	
<b>36221</b>	066 109 513 A	Gleitschiene / sliding rail	(mot.) BDE	
<b>36222</b>	03H 109 503 S1	Rep. Satz Steuerkette / rep. kit timing chain	(mot.) BDE	

# SEAT Leon (1P) (05→)

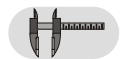
## 1,2 → 1,4 (BXW/CGGB/CAXC/CBZB)



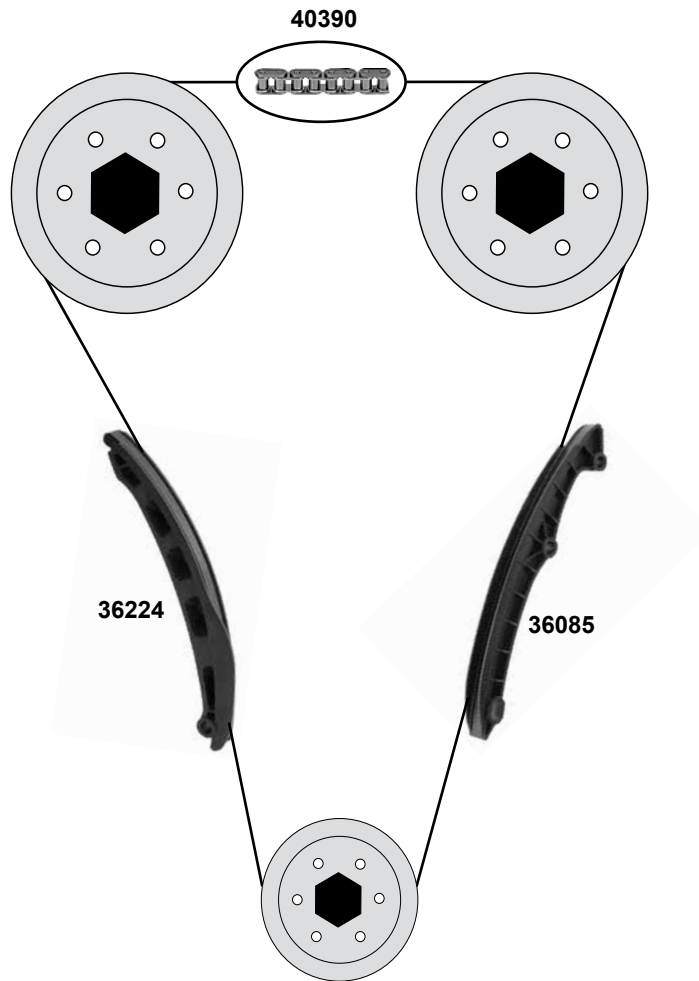
## 1,4 16V (BXW/CAXC/CBZB)



Ref. - No.



11274	036 109 243 AD	Spannrolle / tension roller	(mot.) BXW	ØA 60 B25
11339	036 109 244 J	Umlenkrolle / deflection pulley	(mot.) BXW	ØA 56 B22
15888	036 109 243 AE	Spannrolle / tension roller	(mot.) BXW/CGGB	ØA 60 B19
19364	036 109 119 Q	Zahnriemen / timing belt	(mot.) BXW/CGGB	Z 130 B20
21766	036 109 181 A	Umlenkrolle / deflection pulley	(mot.) BXW	ØA 28 B30
21768	036 109 119 P	Zahnriemen / timing belt	(mot.) BXW	Z 58 B17
21770	036 109 119 Q S1	Rep. Satz Zahnriemen / rep. kit timing belt	(mot.) BXW	
21772	036 109 119 Q S2	Rep. Satz Zahnriemen / rep. kit timing belt	(mot.) BXW	
21774	036 109 119 P S1	Rep. Satz Zahnriemen / rep. kit timing belt	(mot.) BXW/CGGB	
27216	6Q0 145 299	Riemenspanner / belt tensioner	(ex.) AC CBZB	
30859	1J0 145 276	Umlenkrolle / deflection pulley	AC (mot.) CAXC	ØA 76 B26
32629	03C 145 299 Q	Riemenspanner / belt tensioner	AC (ex.) BXW	





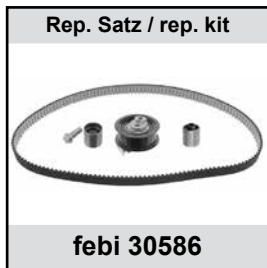
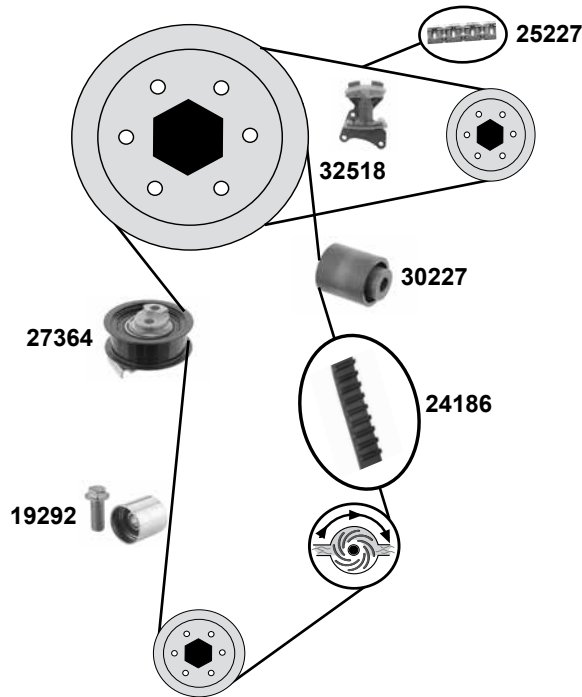
# SEAT Leon (1P) (06→)

Car  
Division



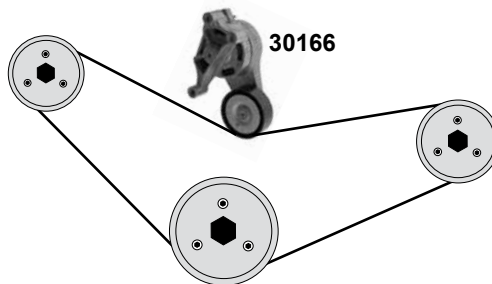
## 2,0 16V

(BLR / BLY / BVY / BVZ / BWA / BWJ / CDLD / CDLA / CDLC)



## 2,0 16V

(BWA / BWJ / CDLA / CDLD)



(1) →10 (mot.) BWA/BLY/BLR/BVY/BVZ/BWJ/CDLD  
11→ (mot.) CDLC

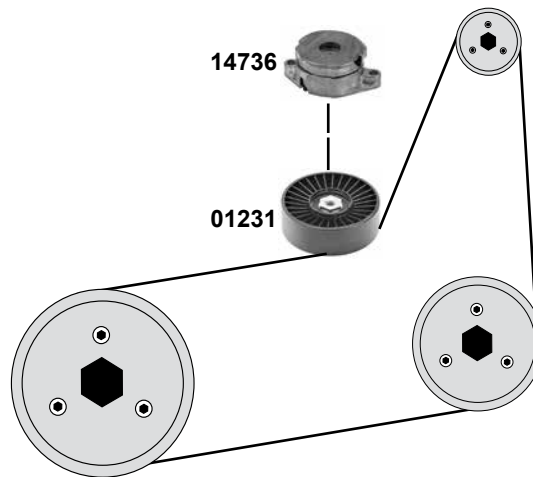
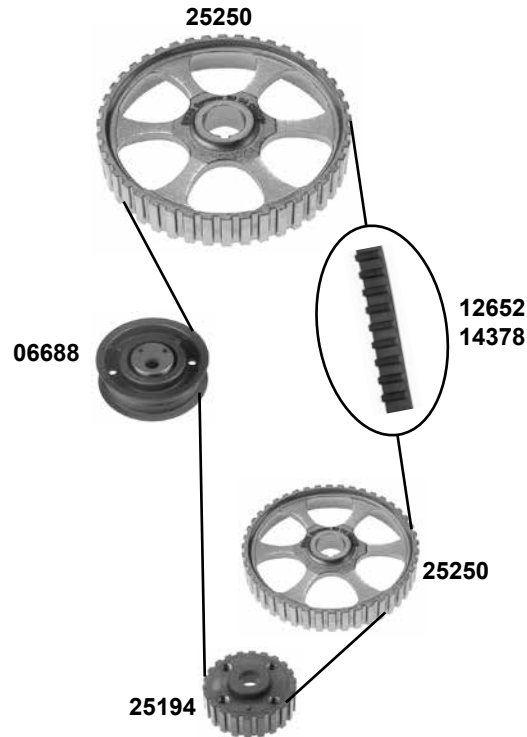


Ref. - No.



19292	06B 109 244	Umlenkrolle / deflection pulley	(1)	ØA 28,5 B 27
24186	06D 109 119 B	Zahnriemen / timing belt		Z 148
25227	06D 109 229 B	Steuerkette / timing chain		42E
27364	06D 109 243 B	Spannrolle / tension roller		ØA 77 B25
30166	06F 903 315	Riemenspanner / belt tensioner		
30227	06D 109 244 E	Umlenkrolle / deflection pulley		ØA 28,5 B33,5
30586	06F 198 119 A	Rep. Satz Zahnriemen / rep. kit timing belt		
32518	06F 109 217 A	Kettenspanner / chain tensioner		

**1,6→2,0**  
(EZ / 1F / RP / ABS / 2E / ADZ / ACC / AGG / ABN / AFT)

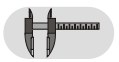


(1) nur / only: (mot.) EZ / ABN / 1F / RP / ACC

(2) nur / only: (mot.) 2E / AGG



Ref. - No.



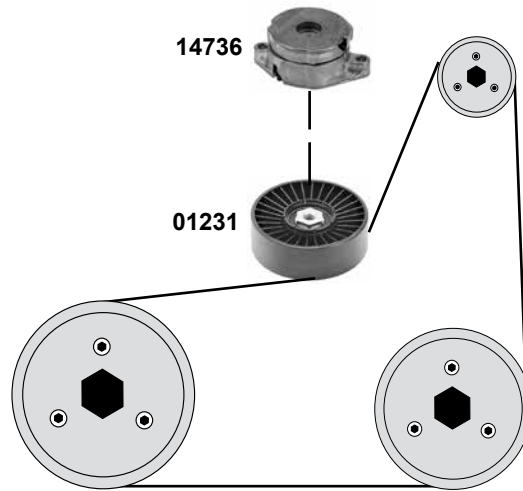
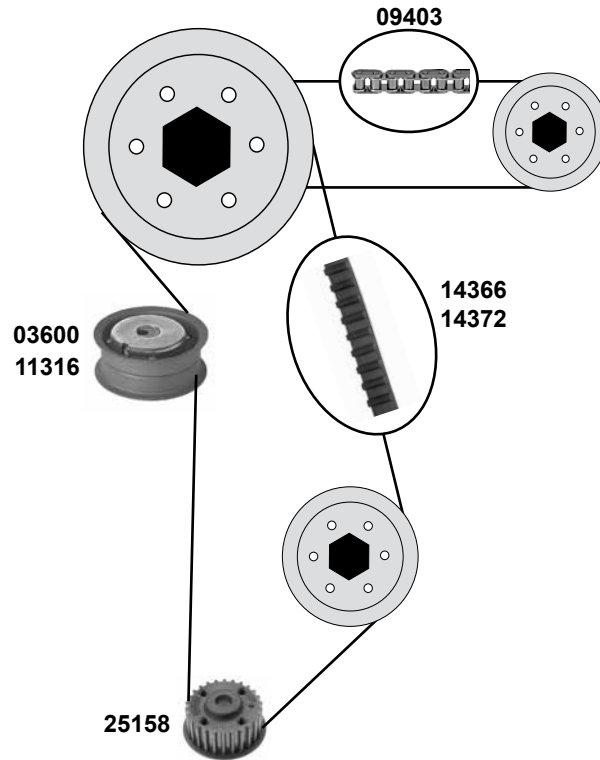
<b>01231</b>	028 145 278 E	Spannrolle / tension roller		ØA 78 B26
<b>06688</b>	026 109 243 L	Spannrolle / tension roller		ØA 72 B20
<b>12652</b>	056 109 119 A	Zahnriemen / timing belt	(1)	Z 121
<b>14378</b>	037 109 119 C	Zahnriemen / timing belt	(2)	Z 124 B18
<b>14622</b>	037 109 119 C S2	Rep. Satz Zahnriemen / rep. kit timing belt	(2)	
<b>14736</b>	037 903 315 C	Spannelement / clamping component		
<b>25194</b>	049 105 263 C	Kurbelwellenzahnrad / crankshaft gear		Z 22
<b>25250</b>	049 109 111 C	Nockenwellenzahnrad / camshaft gear		Z 44




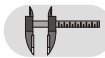
# SEAT Toledo I (1L)

(91→99)

## 1,8 / 2,0 16V

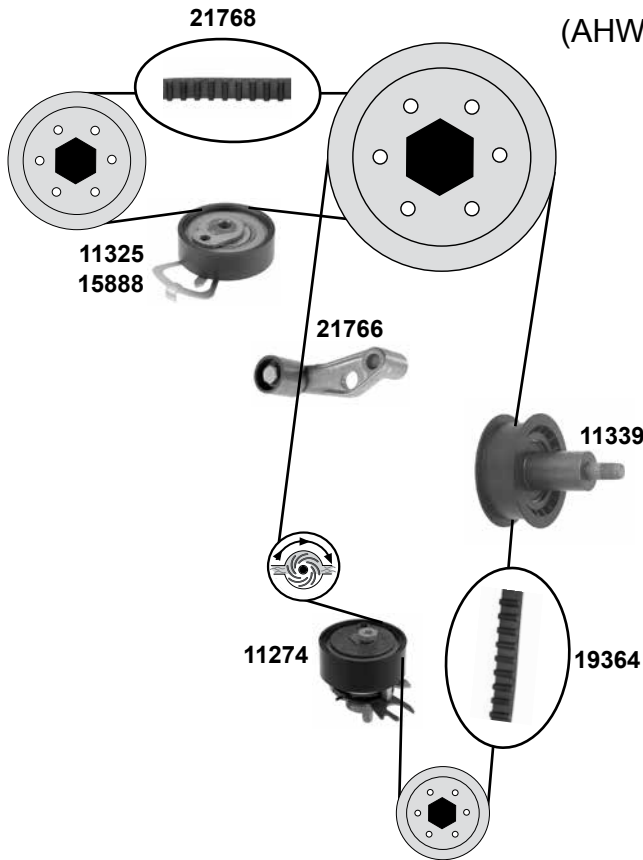
(PL / KR / ABF)



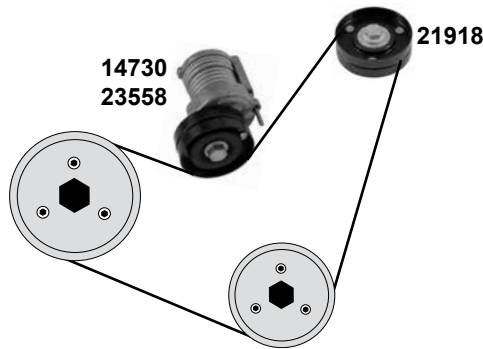
	Ref. - No.			
<b>01231</b>	028 145 278 E	Spannrolle / tension roller	(mot.) ABF <b>AC</b>	ØA 78 ØI 8 B26
<b>03600</b>	051 109 243	Spannrolle / tension roller	(mot.) PL/KR	ØA 72 B27
<b>09403</b>	077 109 120	Steuerkette / timing chain		455 / 44 E
<b>11316</b>	051 109 243 A	Spannrolle / tension roller	(mot.) ABF	ØA 72 ØI 8 B27
<b>14366</b>	027 109 119 C	Zahnriemen / timing belt	(mot.) PL/KR	Z 147 B25
<b>14372</b>	048 109 119 G	Zahnriemen / timing belt	(mot.) ABF	Z 151 B25
<b>14736</b>	037 903 315 C	Spannelement / clamping component	(mot.) ABF	
<b>25158</b>	027 109 263 B	Kurbelwellenzahnrad / crankshaft gear		Z 26

**1,4 16V / 1,6 16V**

(AHW/APW/APX/AUS/AZD/APE/BCA/BCB/AXP)



<p>Rep. Satz / rep. kit</p> <p><b>febi 21770</b></p>	<p>Rep. Satz / rep. kit</p> <p><b>febi 21772</b></p>
<p>Rep. Satz / rep. kit</p> <p><b>febi 21774</b></p>	<p>Rep. Satz / rep. kit</p> <p><b>febi 32427</b></p>



**(1)** (mot.) APE / AUS / AXP / AZD  
(mot.) AHW →160 000

**(2)** (mot.) APW / AXP / AUS / AZD / BCA / BCB / AHW  
(mot.) AHW 160 001→

**(3)** AC + servo (ex.) APW / APX / →05

	Ref. - No.			
<b>11274</b>	036 109 243 AD	Spannrolle / tension roller	(ex.) APE/BCA/BCB	ØA 60 B25
<b>11325</b>	036 109 243 F	Spannrolle / tension roller	<b>(1)</b>	ØA 60 B18
<b>11339</b>	036 109 244 J	Umlenkrolle / deflection pulley	(ex.) APE/BCA/BCB	ØA 56 B22
<b>14730</b>	030 145 299 F	Riemenspanner / belt tensioner	(ex.) APE/BCA/BCB	ØA 70 B26
<b>15888</b>	036 109 243 AE	Spannrolle / tension roller	<b>(2)</b>	ØA 60 B19
<b>19364</b>	036 109 119 Q	Zahnriemen / timing belt	(ex.) APW/APX	Z 130 B20
<b>21766</b>	036 109 181 A	Umlenkrolle / deflection pulley	(ex.) APE/BCA/BCB	ØA 28 B30
<b>21768</b>	036 109 119 P	Zahnriemen / timing belt	(ex.) APW/APX	Z 58 B17
<b>21770</b>	036 109 119 Q S1	Rep. Satz Zahnriemen / rep. kit timing belt	(ex.) APW / →04	
<b>21772</b>	036 109 119 Q S2	Rep. Satz Zahnriemen / rep. kit timing belt	(ex.) APE/BCA/BCB	
<b>21774</b>	036 109 119 P S1	Rep. Satz Zahnriemen / rep. kit timing belt	<b>(2)</b> (ex.) AHW	
<b>21918</b>	032 145 276	Umlenkrolle / deflection pulley	AC (ex.) APE/BCA/BCB	ØA 76 B26
<b>23558</b>	032 145 299 A	Riemenspanner / belt tensioner	<b>(3)</b>	
<b>32427</b>	036 198 119 F	Rep. Satz Zahnriemen / rep. kit timing belt	<b>(1)</b>	

# SEAT Toledo II (1M2)

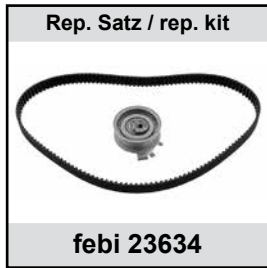
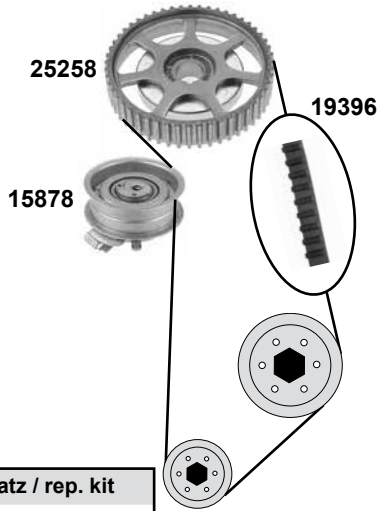
(98→06)

Car Division 



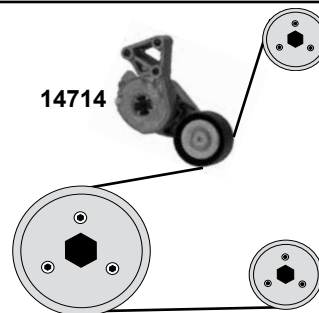
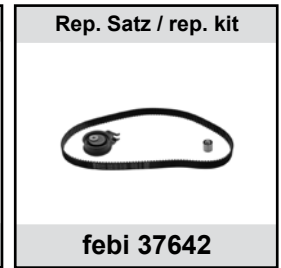
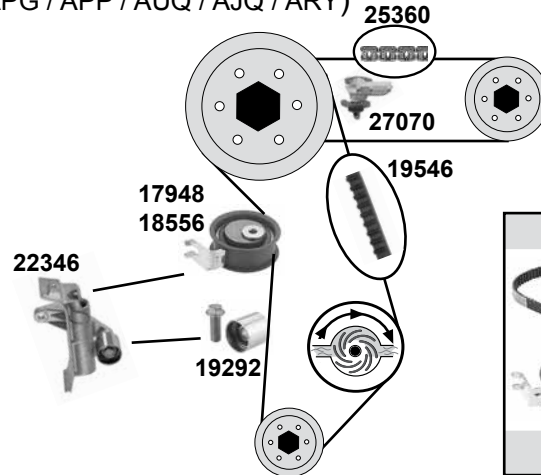
## 1,6

(AEH / AKL)



## 1,8 20V

(AGN / APG / APP / AUQ / AJQ / ARY)



(1) (ch.)→1M-YB-088 000  
(ch.)→1M-YR-016 500

(2) (ch.) 1M-YB-088 001→  
(ch.) 1M-YR-016 501→

(3) (mot.) AJQ / APP→017000

(4) (mot.) AJQ / AMK / ARY / BAM  
00→06

(5) (mot.) APG / AUQ  
00→05

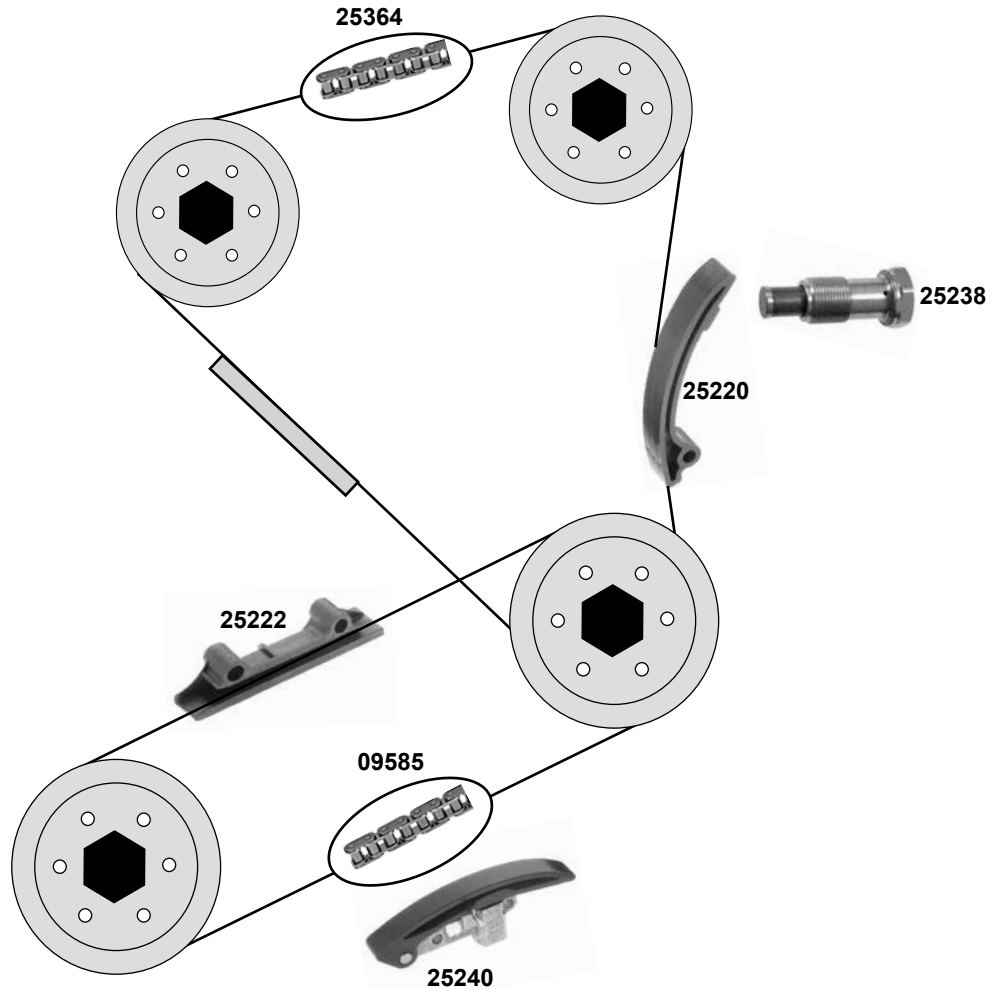
(6) (mot.) AGN / APP 98→03  
(ch.) 1M-YB-088 001→  
(ch.) 1M-YR-016 501→



Ref. - No.



14714	06A 903 315 E	Riemenspanner / belt tensioner		ØA 70 B 24
15878	06A 109 479 C	Spannrolle / tension roller		ØA 72 B29
17948	06B 109 243	Spannrolle / tension roller		ØA 72 B30
18556	06B 109 243 D	Spannrolle / tension roller	(1)	ØA 72 B31
19292	06B 109 244	Umlenkrolle / deflection pulley	(2)	ØA 28,5 B27
19396	06A 109 119 C	Zahnriemen / timing belt		Z 138 B23
19546	06B 109 119 A	Zahnriemen / timing belt		Z 150 B23
19548	06A 198 119 A	Rep. Satz Zahnriemen / rep. kit timing belt	(1)	Z 150 B23
19550	06B 109 119 A S2	Rep. Satz Zahnriemen / rep. kit timing belt	(2)	
22346	06B 109 477	Riemenspanner / belt tensioner		
23634	06A 198 119	Rep. Satz Zahnriemen / rep. kit timing belt		
23646	06B 109 119 A S3	Rep. Satz Zahnriemen / rep. kit timing belt	(2)	
25258	06A 109 105 C	Nockenwellenrad / camshaft gear		Z 52
25360	058 109 229 B	Steuerkette / timing chain		50 E
27070	058 109 217 B	Kettenspanner / chain tensioner	(3)	
37642	06A 198 119 B	Rep. Satz Zahnriemen / rep. kit timing belt	(4) (5) (6)	



	Ref. - No.			
<b>09585</b>	021 109 467	Steuerkette / timing chain	(mot.)→051 000	70 E
<b>25220</b>	021 109 509 E	Gleitschiene / sliding rail		
<b>25222</b>	021 109 469	Gleitschiene / sliding rail		
<b>25238</b>	021 109 507 B	Kettenspanner / chain tensioner		
<b>25240</b>	021 109 467	Gleitschiene / sliding rail		
<b>25364</b>	021 109 503 D	Steuerkette / timing chain		90 E

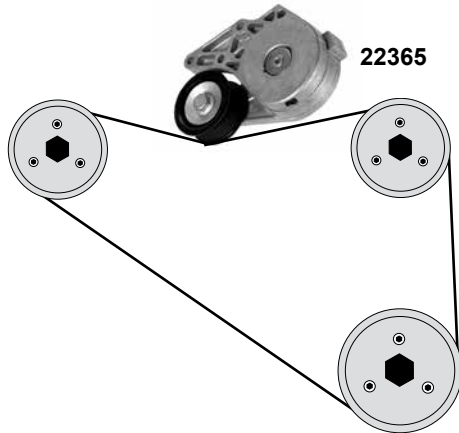
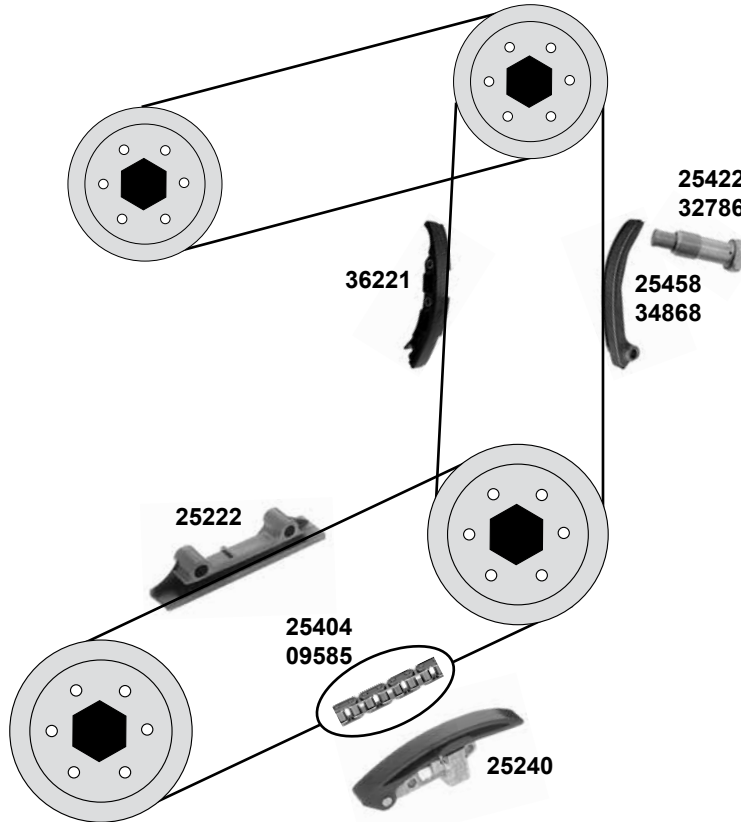
# SEAT Toledo II (1M2)

(99→05)

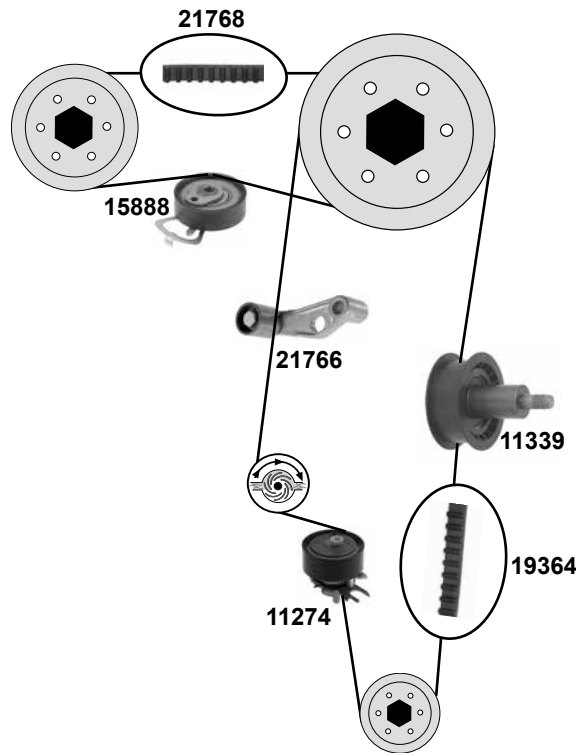
Car Division



**2,8**  
(AUE / AQN / BDE)



	Ref. - No.			
09585	021 109 467	Steuerkette / timing chain	(ex.) (mot.) AQN	70E
22365	022 145 299 D	Riemenspanner / belt tensioner	(ex.) (mot.) AQN	ØA 73
25222	021 109 469	Gleitschiene / sliding rail	(ex.) (mot.) AQN	
25240	021 109 467	Kettenspanner / chain tensioner	(ex.) (mot.) AQN	
25404	066 109 503 C	Steuerkette / timing chain	(mot.) BDE	98E
25422	022 109 507 A	Kettenspanner / chain tensioner	(mot.) AUE	
25458	022 109 509 C	Gleitschiene / sliding rail	(mot.) AUE	
32786	03H 109 507	Kettenspanner / chain tensioner	(ex.) (mot.) AUE / 02→04	
34868	066 109 509 A	Gleitschiene / sliding rail	(mot.) BDE	
36221	066 109 513 A	Gleitschiene / sliding rail	(mot.) BDE	
36222	03H 109 503 S1	Rep. Satz Steuerkette / rep. kit timing chain	(mot.) BDE	



Rep. Satz / rep. kit

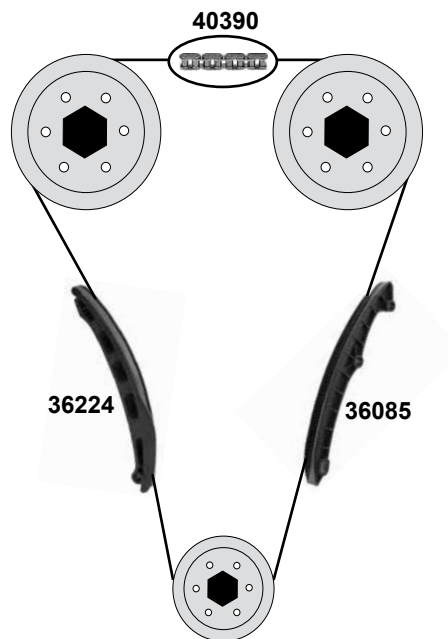


febi 21770

Rep. Satz / rep. kit



febi 21774



Ref. - No.



11274	036 109 243 AB	Spannrolle / tension roller	05→
11339	036 109 244 J	Umlenkrolle / deflection pulley	
15888	036 109 243 AE	Spannrolle / tension roller	
19364	036 109 119 Q	Zahnriemen / timing belt	
21766	036 109 181 A	Umlenkrolle / deflection pulley	
21768	036 109 119 P	Zahnriemen / timing belt	
21770	036 109 119 Q S1	Rep. Satz Zahnriemen / rep. kit timing belt	
21774	036 109 119 P S1	Rep. Satz Zahnriemen / rep. kit timing belt	
36085	03C 109 469 K	Gleitschiene/ sliding rail	
36224	03C 109 509 P	Gleitschiene/ sliding rail	
40390	03C 109 158 A	Steuerkette / timing chain	

ØA 60 ØI 8 B25  
ØA 56 B22  
ØA 60 B19  
Z 130 B20  
ØA 28 B30  
Z 58 B17

130 E



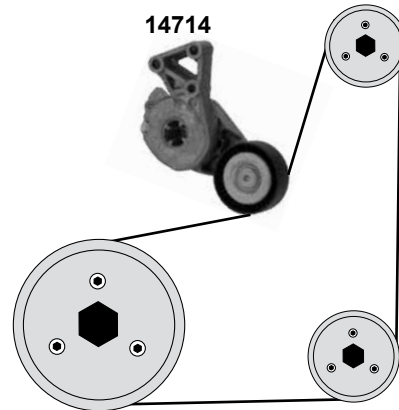
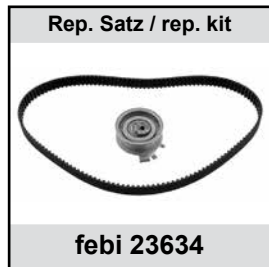
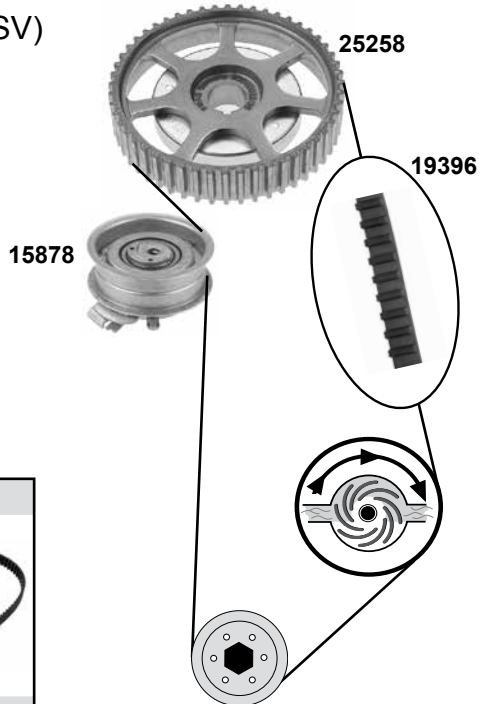
# SEAT Toledo III (5P)

(05→)

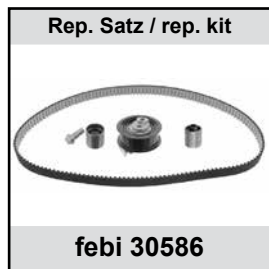
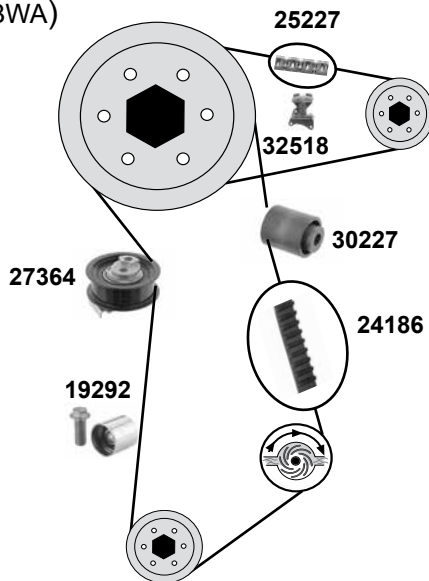
Car Division



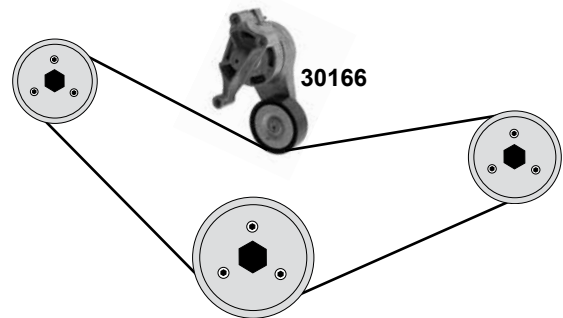
## 1,6 (BGU / BSE / BSV)



## 2,0 16V (BLR / BLY / BVY / BVZ / BWA)



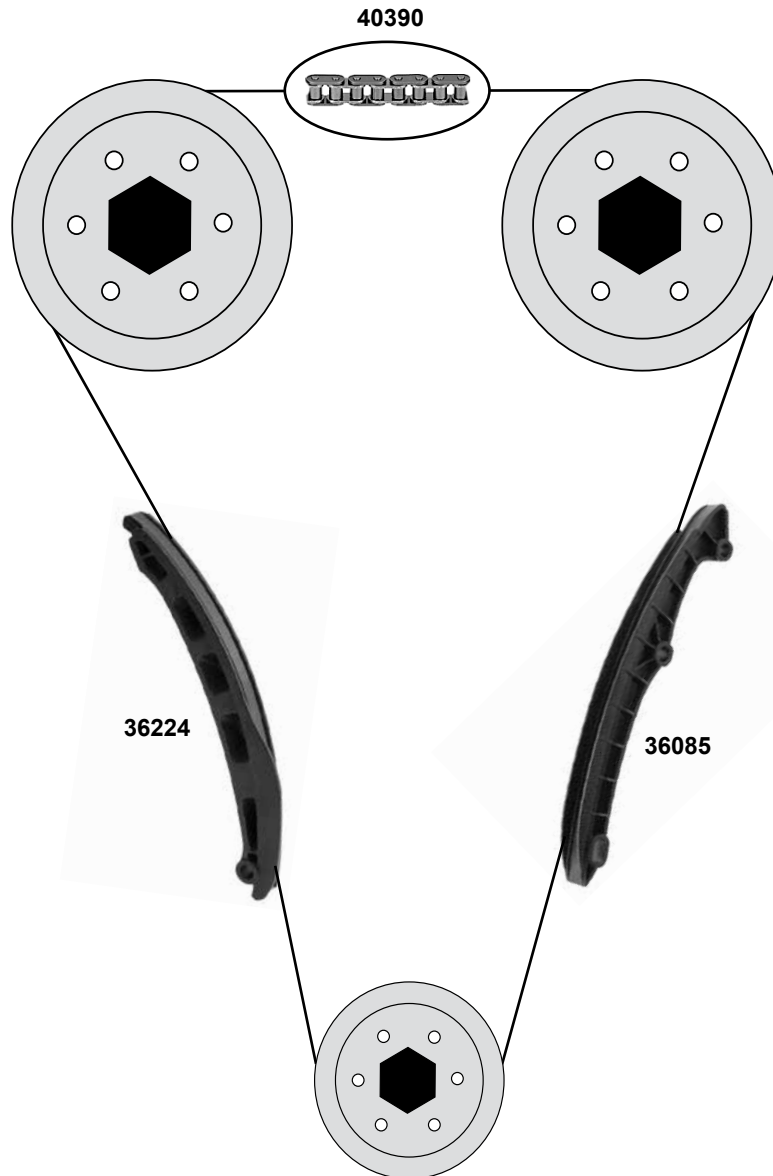
## 2,0 16V (BWA)



Ref. - No.



14714	06A 903 315 E	Riemenspanner / belt tensioner	ØA 70 B24
15878	06A 109 479 C	Spannrolle / tension roller	ØA 72 B29
19292	06B 109 244	Umlenkrolle / deflection pulley	ØA 28,5 B27
19396	06A 109 119 C	Zahnriemen / timing belt	Z 138 B23
23634	06A 198 119	Rep. Satz Zahnriemen / rep. kit timing belt	
24186	06D 109 119 B	Zahnriemen / timing belt	Z 148
25227	06D 109 229 B	Steuerkette / timing chain	42 E
25258	06A 109 105 C	Nockenwellenrad / camshaft gear	Z 52
27364	06D 109 243 B	Spannrolle / tension roller	ØA 77 B25
30166	06F 903 315	Riemenspanner / belt tensioner	
30227	06D 109 244 E	Umlenkrolle / deflection pulley	ØA 28,5 B33,5
30586	06F 198 119 A	Rep. Satz Zahnriemen / rep. kit timing belt	
32518	06F 109 217 A	Kettenspanner / chain tensioner	

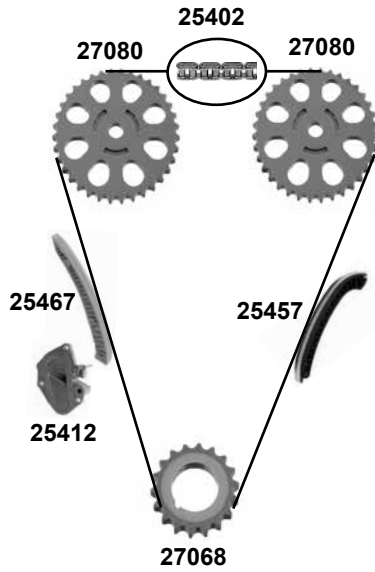
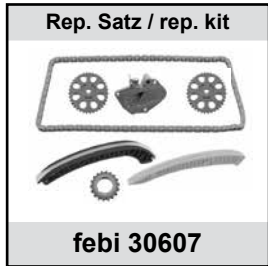


# SKODA Fabia (6Y) (00→08)

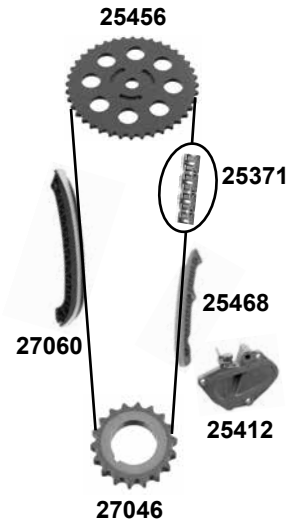
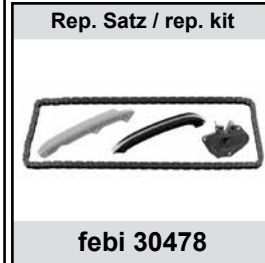
Car  
Division



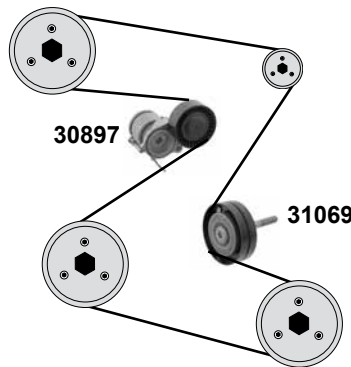
## 1,2 12V (AZQ / BME)



## 1,2 6V (AWY / BMD)



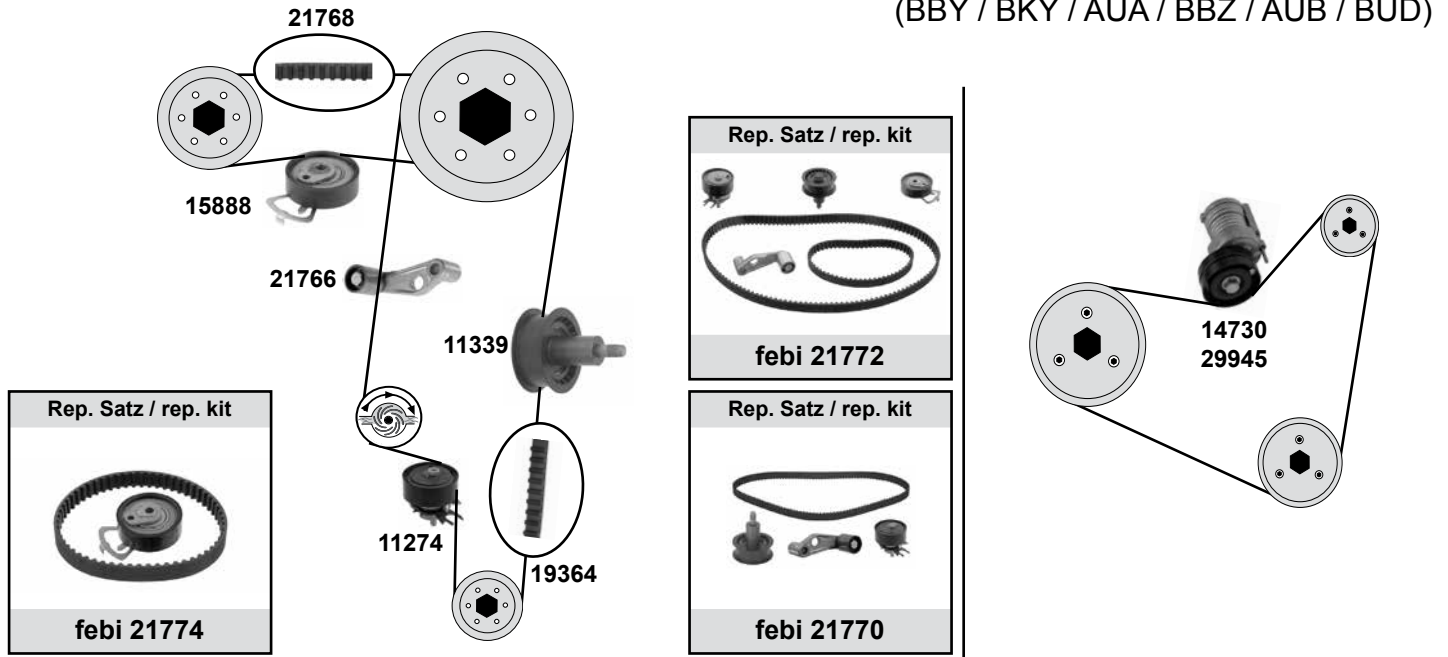
## 1,2 6V/12V (AWY / BMD / AZQ / BME)



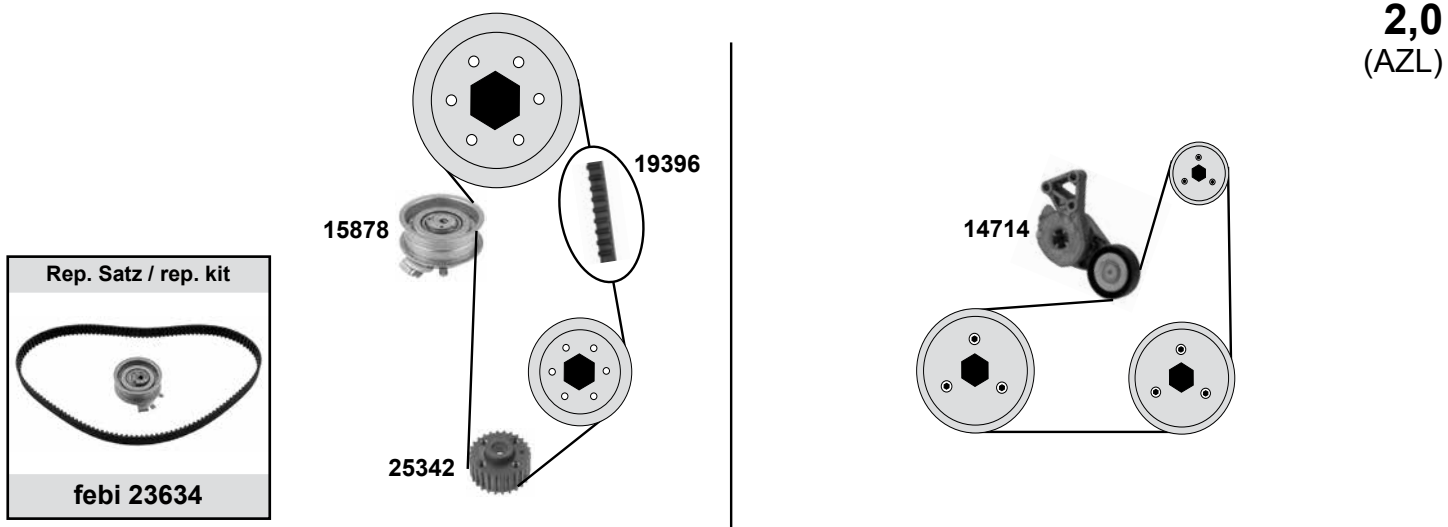
	Ref. - No.			
<b>25402</b>	03E 109 229 A	Steuerkette / timing chain		130 E
<b>25412</b>	03E 109 507 S	Kettenspanner / chain tensioner		
<b>25457</b>	03E 109 509	Gleitschiene / sliding rail		
<b>25467</b>	03E 109 469	Gleitschiene / sliding rail		
<b>25371</b>	03D 109 229	Steuerkette / timing chain		118 E
<b>25412</b>	03E 109 507 S	Kettenspanner / chain tensioner		
<b>25456</b>	03D 109 571 L	Nockenwellenrad / camshaft gear		ØA 135,6 Z 40
<b>25468</b>	03D 109 469 C	Gleitschiene / sliding rail		
<b>27046</b>	03D 109 229	Kurbelwellenzahnrad / crankshaft gear		Z 20
<b>27060</b>	03D 109 509 L	Gleitschiene / sliding rail		
<b>27068</b>	03E 105 209	Kurbelwellenzahnrad / crankshaft gear		Z 18
<b>27080</b>	03E 109 571 B	Kettenrad Steuerkette / gear timing chain		Z 36
<b>30478</b>	03D 109 229 S1	Rep. Satz Steuerkette / rep. kit timing chain		
<b>30495</b>	03D 109 229 S2	Rep. Satz Steuerkette / rep. kit timing chain		
<b>30497</b>	03E 109 229 A S2	Rep. Satz Steuerkette / rep. kit timing chain		
<b>30607</b>	03E 198 229 A S1	Rep. Satz Steuerkette / rep. kit timing chain		
<b>30897</b>	03D 903 305 F	Riemenspanner / belt tensioner	AC	
<b>31069</b>	03D 145 276 E	Umlenkrolle / deflection pulley	AC	ØA 76 B24

## 1,4 16V

(BBY / BKY / AUA / BBZ / AUB / BUD)



## 2,0 (AZL)



(1) (mot.) BBY / BKY / AUA / BBZ / AUB

(2) (mot.) AMF / BNM / BNV



Ref. - No.



Ref. - No.	Description	Notes	Dimensions
11274	036 109 243 AB	Spannrolle / tension roller	ØA 60 B25
11339	036 109 244 J	Umlenkrolle / deflection pulley	ØA 56 B22
14714	06A 903 315 E	Riemenspanner / belt tensioner	ØA 70 B24
14730	030 145 299 F	Riemenspanner / belt tensioner	ØA 70 B26
15878	06A 109 479 C	Spannrolle / tension roller	ØA 72 B25/29
15888	036 109 243 AE	Spannrolle / tension roller	ØA 60 B19
19364	036 109 119 Q	Zahnriemen / timing belt	Z 130 B20
19396	06A 109 119 C	Zahnriemen / timing belt	Z 138 B23
21766	036 109 181 A	Umlenkrolle / deflection pulley	ØA 28 B30
21768	036 109 119 P	Zahnriemen / timing belt	Z 58 B17
21770	036 109 119 Q S1	Rep. Satz Zahnriemen / rep. kit timing belt	(ex.) BUD
21772	036 109 119 Q S2	Rep. Satz Zahnriemen / rep. kit timing belt	
21774	036 109 119 P S1	Rep. Satz Zahnriemen / rep. kit timing belt	
23634	06A 198 119	Rep. Satz Zahnriemen / rep. kit timing belt	
25342	06A 105 263 E	Kurbelwellenzahnrad / crankshaft gear	
29945	045 903 315 A	Riemenspanner / belt tensioner	(2)

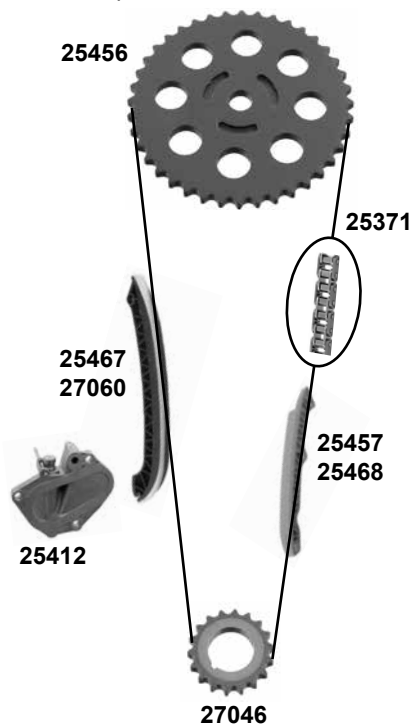
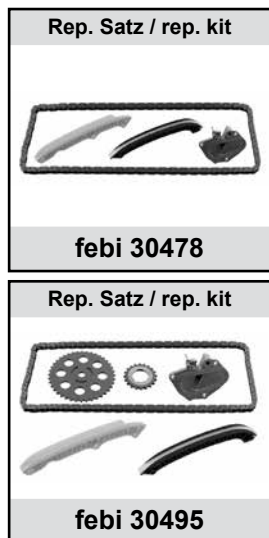
# SKODA Fabia (5J) (07→)

Car  
Division



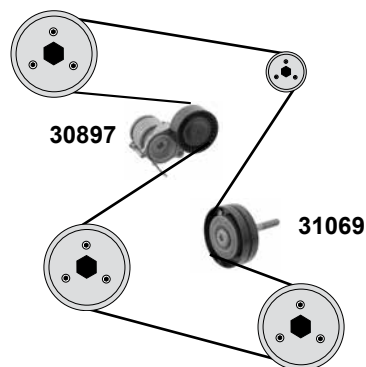
## 1,2 12V

(BBM/CHTA/CHFA/BZG/CEVA)



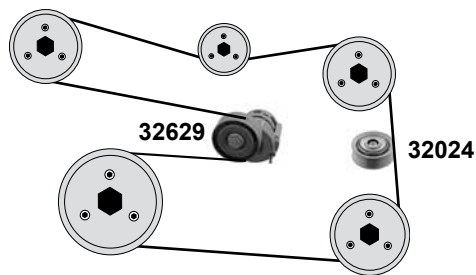
## 1,2 12V

(BBM/CHTA/CHFA/BZG/CEVA/CGPA)



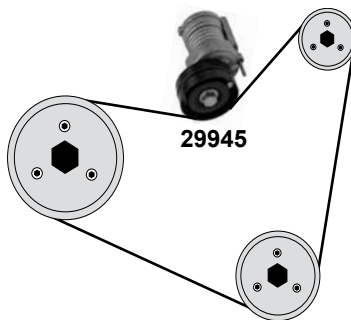
## 1,2 / 1,4 16V

(CBZA / CBZB / CAVE)



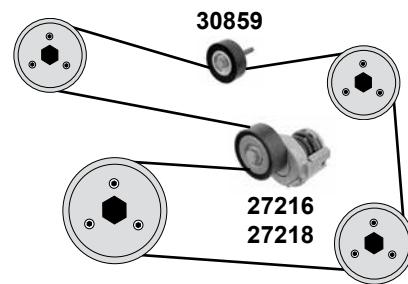
## 1,4 16V

(BNM / BNV)



## 1,6 16V

(BTS / CFNA / CLSA)

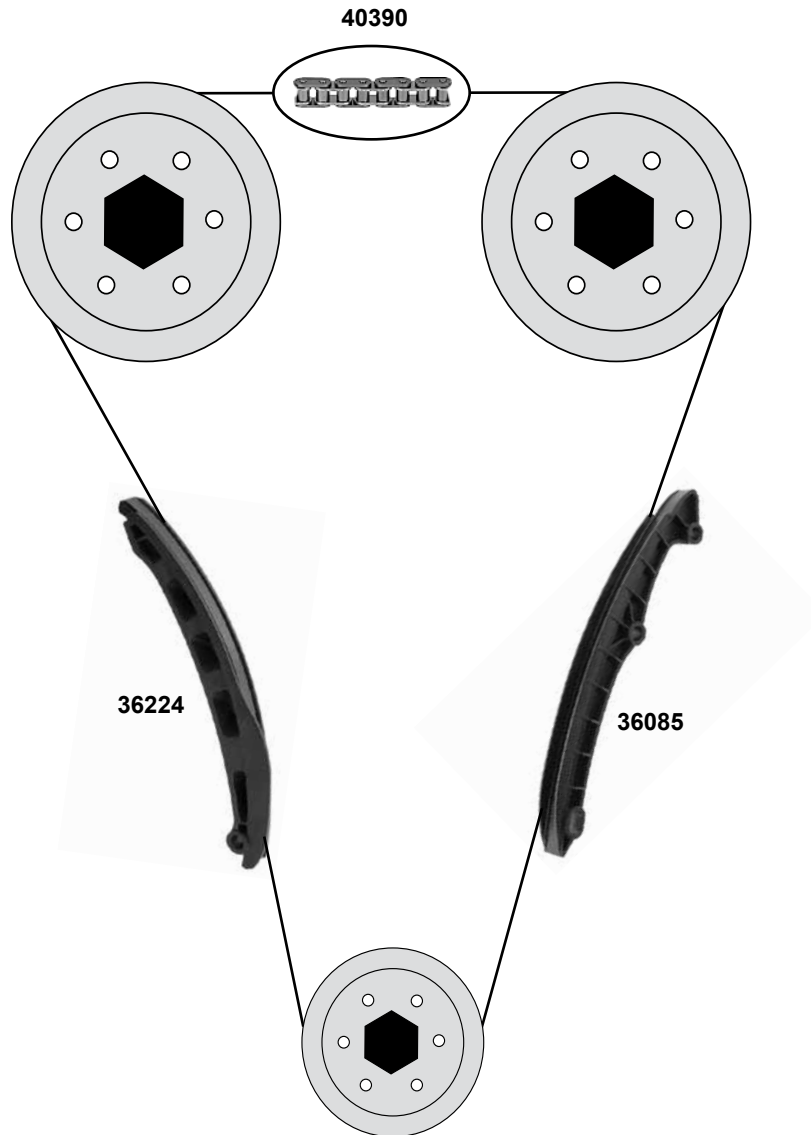


Ref. - No.



25371	03D 109 229	Steuerkette / timing chain	(mot.) BBM	118 E
25412	03E 109 507 S	Kettenspanner / chain tensioner	(ex.) (mot.) CHFA	
25456	03D 109 571 L	Nockenwellenrad / camshaft gear	(mot.) BBM	ØA 135,6 Z 40
25457	03E 109 509	Gleitschiene / sliding rail	(mot.) BZG/CEVA	
25467	03E 109 469	Gleitschiene / sliding rail	(mot.) BZG/CEVA	
25468	03D 109 469 C	Gleitschiene / sliding rail	(mot.) BBM / CHFA	
27046	03D 109 229	Kurbelwellenzahnrad / crankshaft gear	(mot.) BBM	Z 20
27060	03D 109 509 L	Gleitschiene / sliding rail	(mot.) BBM	
27216	6Q0 145 299	Riemenspanner / belt tensioner	(ex.) AC	
27218	03C 145 299 C	Riemenspanner / belt tensioner	AC	
29945	045 903 315 A	Riemenspanner / belt tensioner	(mot.) BBM	
30478	03D 109 229 S1	Rep. Satz Steuerkette / rep. kit timing chain	(mot.) BZG / CHFA	
30495	03E 109 229 A S2	Rep. Satz Steuerkette / rep. kit timing chain	AC	
30859	1J0 145 276	Umlenkrolle / deflection pulley	(ex.) (mot.) CGPB	ØA 76 B24
30897	03D 903 305 F	Riemenspanner / belt tensioner	(mot.) CAVE	
31069	03D 145 276 E	Umlenkrolle / deflection pulley	AC (mot.) CBZA/CBZB	
32024	03C 145 276 C	Umlenkrolle / deflection pulley		
32629	03C 145 299 Q	Riemenspanner / belt tensioner		

**1,2 / 1,4 / 1,6**  
(BTS/CFNA/CGPA/CGPB/CHTA/CAVE/CTHE/CJLA/CLSA)



(1) Fabia/Kombi (mot.) BTS/CFNA/CGPA/CGPB/CHTA  
 Fabia RS/Kombi (mot.) CAVE/CTHE  
 Fabia (mot.) CJLA/CLSA



Ref. - No.



**36085**  
**36224**  
**40390**

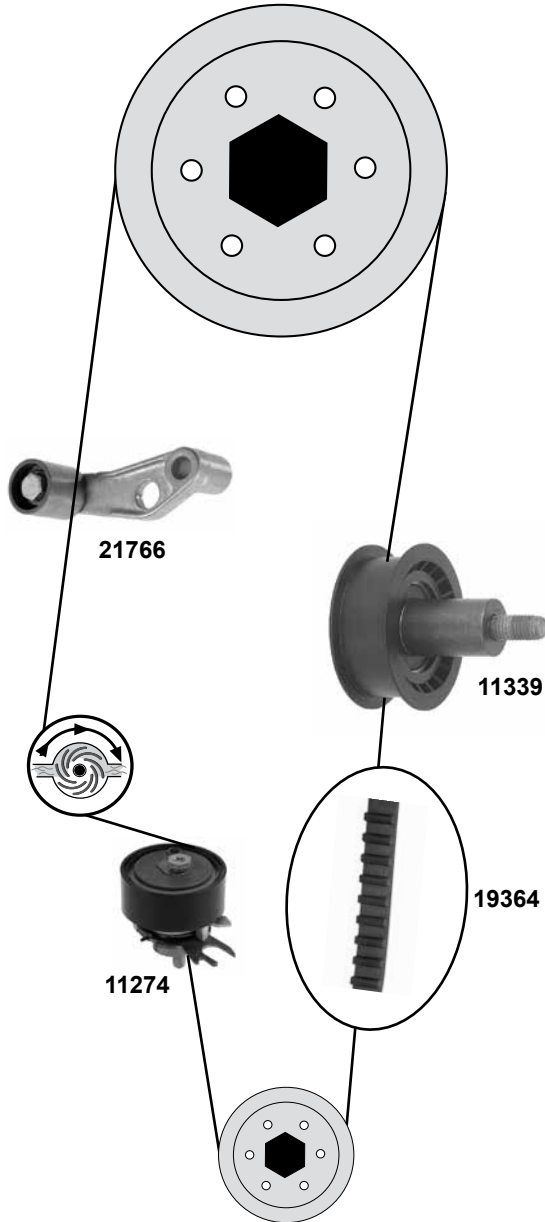
03C 109 469 K  
03C 109 509 P  
03C 109 158 A





Gleitschiene/ sliding rail  
Gleitschiene/ sliding rail  
Steuerkette / timing chain

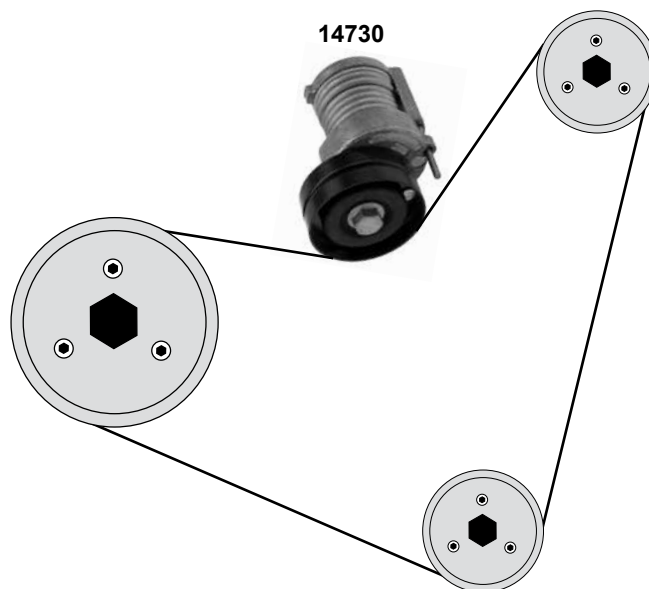
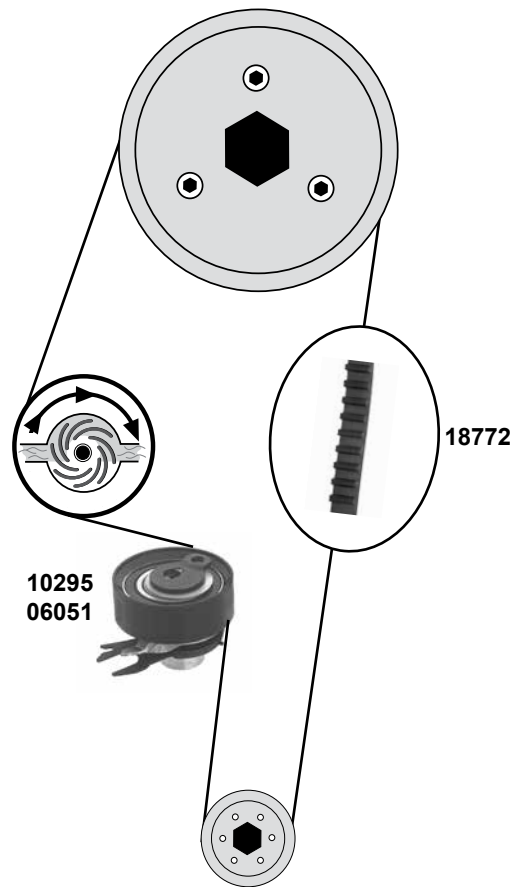
(1)  
(1)  
(1)

130 E

**1,4 16V**  
(BXW)



	Ref. - No.			
<b>11274</b>	036 109 243 AB	Spannrolle / tension roller		ØA 60 ØI 8 B25
<b>11339</b>	036 109 244 J	Umlenkrolle / deflection pulley		ØA 56 B22
<b>19364</b>	036 109 119 Q	Zahnriemen / timing belt		Z 130 B20
<b>21766</b>	036 109 181 A	Umlenkrolle / deflection pulley		ØA 28 B30
<b>21770</b>	036 109 119 Q S1	Rep. Satz Zahnriemen / rep. kit timing belt		



Ref. - No.

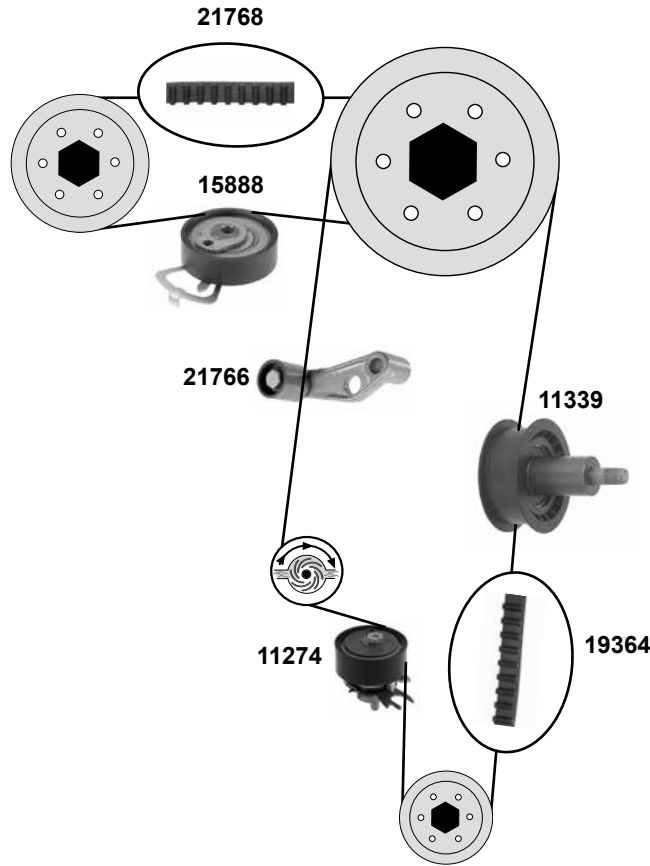


<b>06051</b>	047 145 276 B	Spannrolle / tension roller
<b>10295</b>	030 109 243 K	Spannrolle / tension roller
<b>14730</b>	030 145 299 F	Riemenspanner / belt tensioner
<b>18772</b>	032 109 119 J	Zahnriemen / timing belt
<b>23640</b>	032 109 119 J S1	Rep. Satz Zahnriemen / rep. kit timing belt

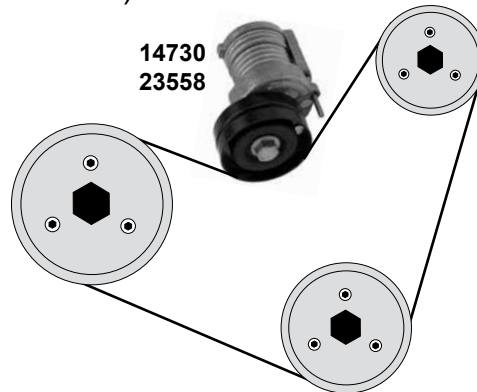
ØA 70 ØI 10 B24,5  
ØA 61 ØI 8 B22  
ØA 70 B26  
Z 137 B19



## 1,4 (AXB / AXP / BCA)



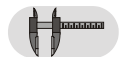
## 1,4 / 1,6 (AEE / AEH / AKL / AVU / AXP / BCA / BFQ)




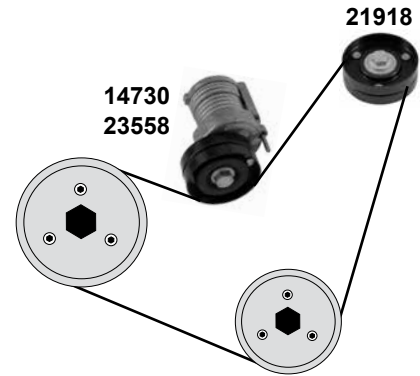
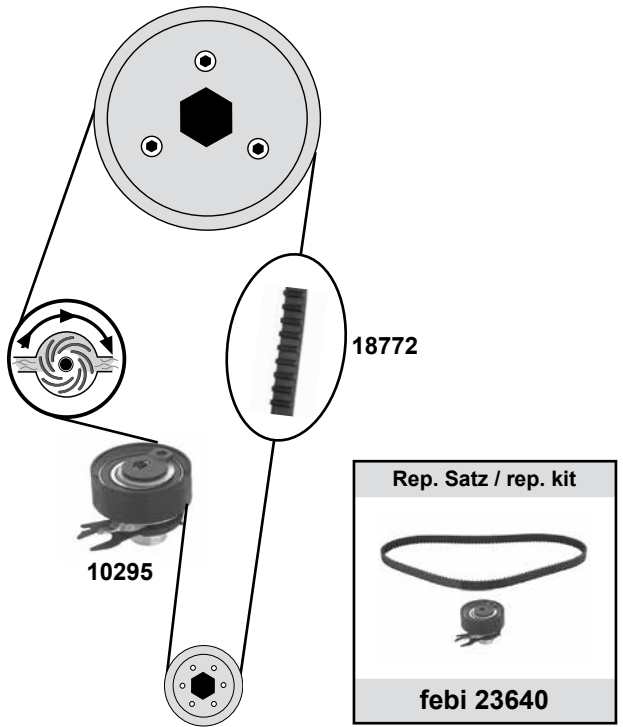
(1) servo  / (ex.) AC / (mot.) AXP / AEE / BCA



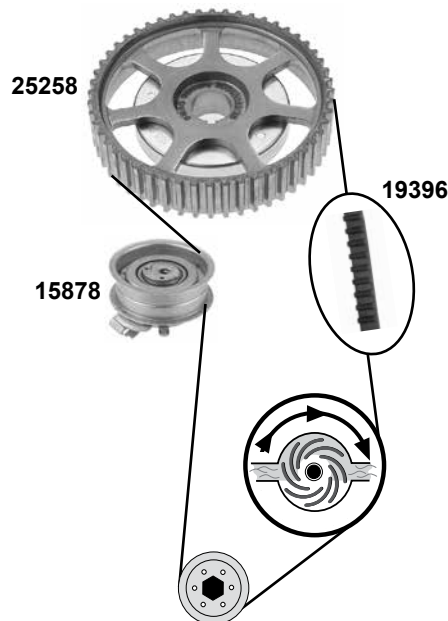
Ref. - No.



Ref. - No.	Description	Notes	Dimensions
11274	Spannrolle / tension roller		ØA 80 B25
11339	Umlenkrolle / deflection pulley		ØA 56 B22
14730	Riemenspanner / belt tensioner	(1)	ØA 70 B26
15888	Spannrolle / tension roller	(ex.) AXB	ØA 60 B19
19364	Zahnriemen / timing belt	(mot.) AXP/BCA	Z 130 B20
21766	Umlenkrolle / deflection pulley		ØA 28 B30
21768	Zahnriemen / timing belt	(ex.) AXB	Z 58 B17
21770	Rep. Satz Zahnriemen / rep. kit timing belt	(mot.) AXP/BCA / 01→	
21772	Rep. Satz Zahnriemen / rep. kit timing belt		
21774	Rep. Satz Zahnriemen / rep. kit timing belt	(ex.) AXB	
23558	Riemenspanner / belt tensioner	AC + servo 	



**1,6 / 2,0**  
(AEH / AKL / AQY / AEG / APK / AZH / AZJ / AVU / BFQ)



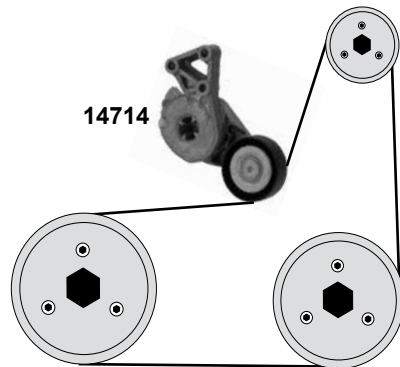
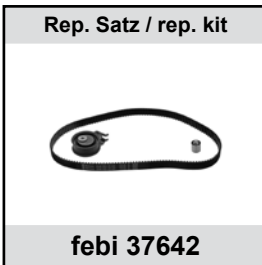
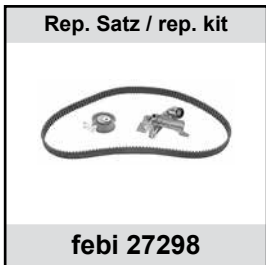
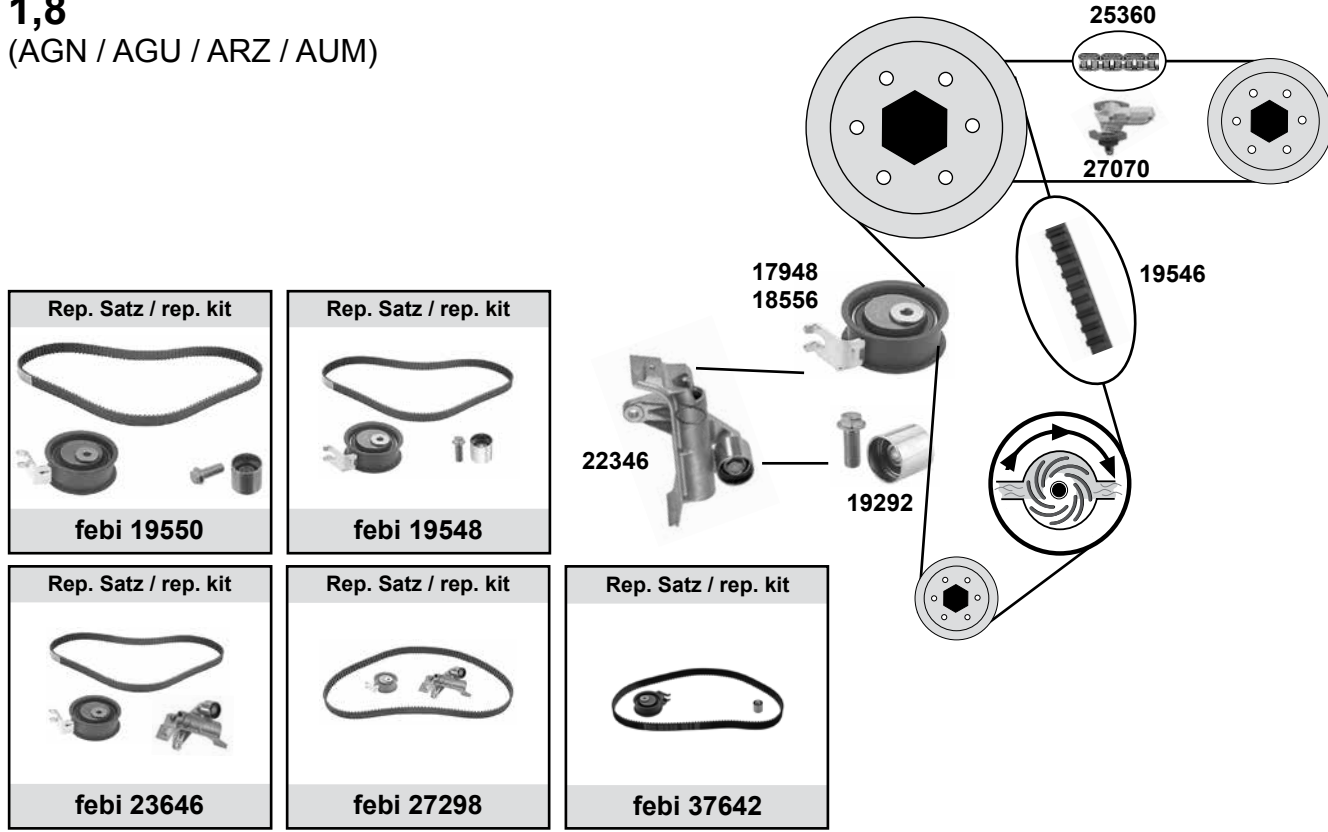
	Ref. - No.			
<b>10295</b>	030 109 243 K	Spannrolle / tension roller		ØA 61 ØI 8 B22
<b>14730</b>	030 145 299 F	Riemenspanner / belt tensioner	(ex.) AC + servo	ØA 70 B26
<b>15878</b>	06A 109 479 C	Spannrolle / tension roller		ØA 78 B25,5/29
<b>18772</b>	032 109 119 J	Zahnriemen / timing belt		Z 137 B19
<b>19396</b>	06A 109 119 C	Zahnriemen / timing belt		Z 138 B23
<b>21918</b>	032 145 276	Umlenkrolle / deflection pulley	AC + servo	ØA 76 B26
<b>23558</b>	032 145 299 A	Riemenspanner / belt tensioner	AC + servo	
<b>23634</b>	06A 198 119	Rep. Satz Zahnriemen / rep. kit timing belt		
<b>23640</b>	032 109 119 J S1	Rep. Satz Zahnriemen / rep. kit timing belt		
<b>25258</b>	06A 109 105 C	Nockenwellenrad / camshaft gear		

# SKODA Octavia (1U) (97→10)

Car  
Division



**1,8**  
(AGN / AGU / ARZ / AUM)



(1) (mot.) AGN / AGU / ARZ / AUM / ARX / AUQ

(3) (mot.) AGN / AGU / ARZ 97→00

(ch.) 1U-Y2-390 953→

(ch.) 1U-Y8-298 302→

(5) (mot.) AUM 00→10

(2) (mot.) AGN / AGU / ARZ

(4) (mot.) AGU / ARZ 99→10

(ch.) 1U-Y2-390 953→

(ch.) 1U-Y8-298 302→



Ref. - No.

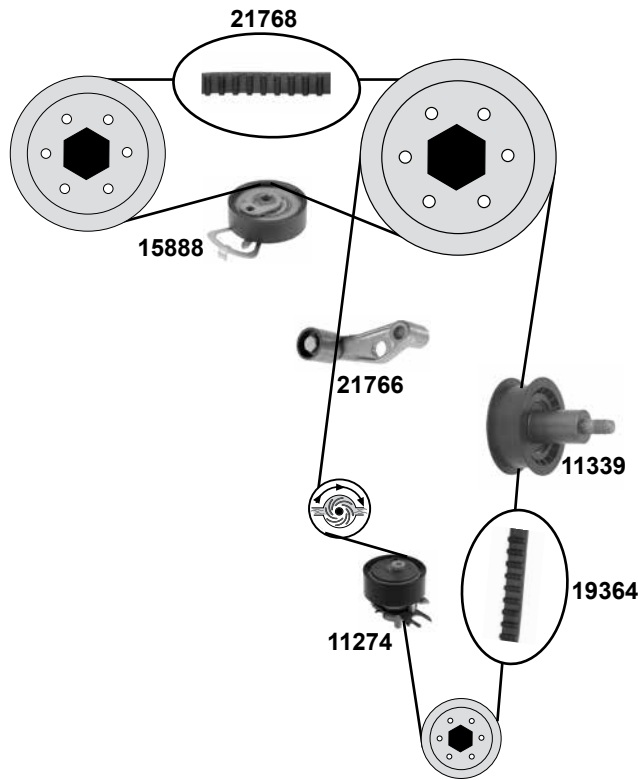


14714	06A 903 315 E
17948	06B 109 243
18556	06B 109 243 D
19292	06B 109 244
19546	06B 109 119 A
19548	06A 198 119 A
19550	06B 109 119 A S2
22346	06B 109 477
23646	06B 109 119 A S3
25360	058 109 229 B
27070	058 109 217 B
27298	06B 109 119 A S5
37642	06A 198 119 B

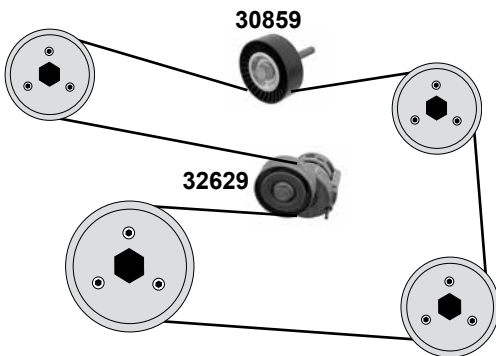
Riemenspanner / belt tensioner
Spannrolle / tension roller
Spannrolle / tension roller
Umlenkrolle / deflection pulley
Zahnriemen / timing belt
Rep. Satz Zahnriemen / rep. kit timing belt
Rep. Satz Zahnriemen / rep. kit timing belt
Riemenspanner / belt tensioner
Rep. Satz Zahnriemen / rep. kit timing belt
Rep. Satz Zahnriemen / rep. kit timing belt
Steuerkette / timing chain
Kettenspanner / chain tensioner
Rep. Satz Zahnriemen / rep. kit timing belt
Rep. Satz Zahnriemen / rep. kit timing belt

(2)
(2) (ch.)→1U-Y-390 000
(2) (ch.) 1U-Y-390 000→
(1)
(2)
(2) (ch.)→1U-Y-390 000
(2) (ch.)1U-Y-390 000→
(2)
(2) (ch.)1U-Y-390 000→
(2)
(2) (ex.) (mot.) AGN
(2) (ch.) → 1U-Y-390 000
(3) (4) (5)

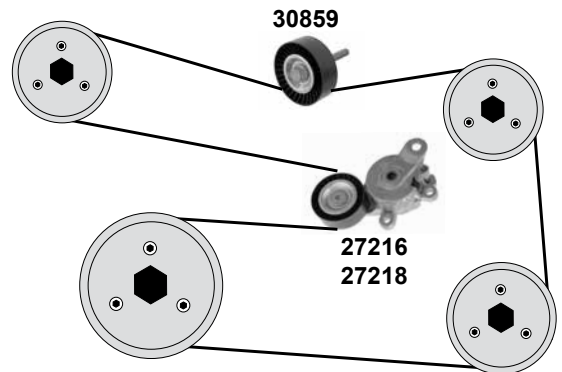
ØA 70 B24
ØA 72 B30
ØA 73 B31
ØA 28,5 B27
Z 150 B23
Z 150 B23



**1,2 / 1,4**  
(CBZB / CAXA)



**1,6**  
(BLF)



(1) Octavia  
Octavia Kombi

(mot.) BCA / BUD / CGGA  
(mot.) BUD / CGGA

(2) Octavia  
Octavia Kombi

(mot.) BCA / BUD / CAXA / CBZB / CGGA  
(mot.) BUD / CAXA / CBZB / CGGA



Ref. - No.



Ref. - No.	Description	Notes	Dimensions
11274	036 109 243 AB Spannrolle / tension roller	(mot.) BCA/BUD	ØA 60 ØI 8 B25
11339	036 109 244 J Umlenkrolle / deflection pulley	(mot.) BCA/BUD	ØA 56 B22
19364	036 109 119 Q Zahnriemen / timing belt	(1)	Z 130 B20
15888	036 109 243 AE Spannrolle / tension roller	(1)	ØA 60 B19
21766	036 109 181 A Umlenkrolle / deflection pulley	(mot.) BCA/BUD	ØA 28 B30
21768	036 109 119 P Zahnriemen / timing belt	(2)	Z 58 B17
21770	036 109 119 Q S1 Rep. Satz Zahnriemen / rep. kit timing belt	(mot.) BCA/BUD	
21774	036 109 119 P S1 Rep. Satz Zahnriemen / rep. kit timing belt	(1)	
27216	6Q0 145 299 Riemenspanner / belt tensioner	(ex.) AC	
27218	03C 145 299 C Spannrolle / tension roller	AC	
30859	1J0 145 276 Umlenkrolle / deflection pulley	AC (ex.) CBZB	
32629	03C 145 299 Q Riemenspanner / belt tensioner	AC	

passend für / to fit

# SKODA Octavia (1Z)

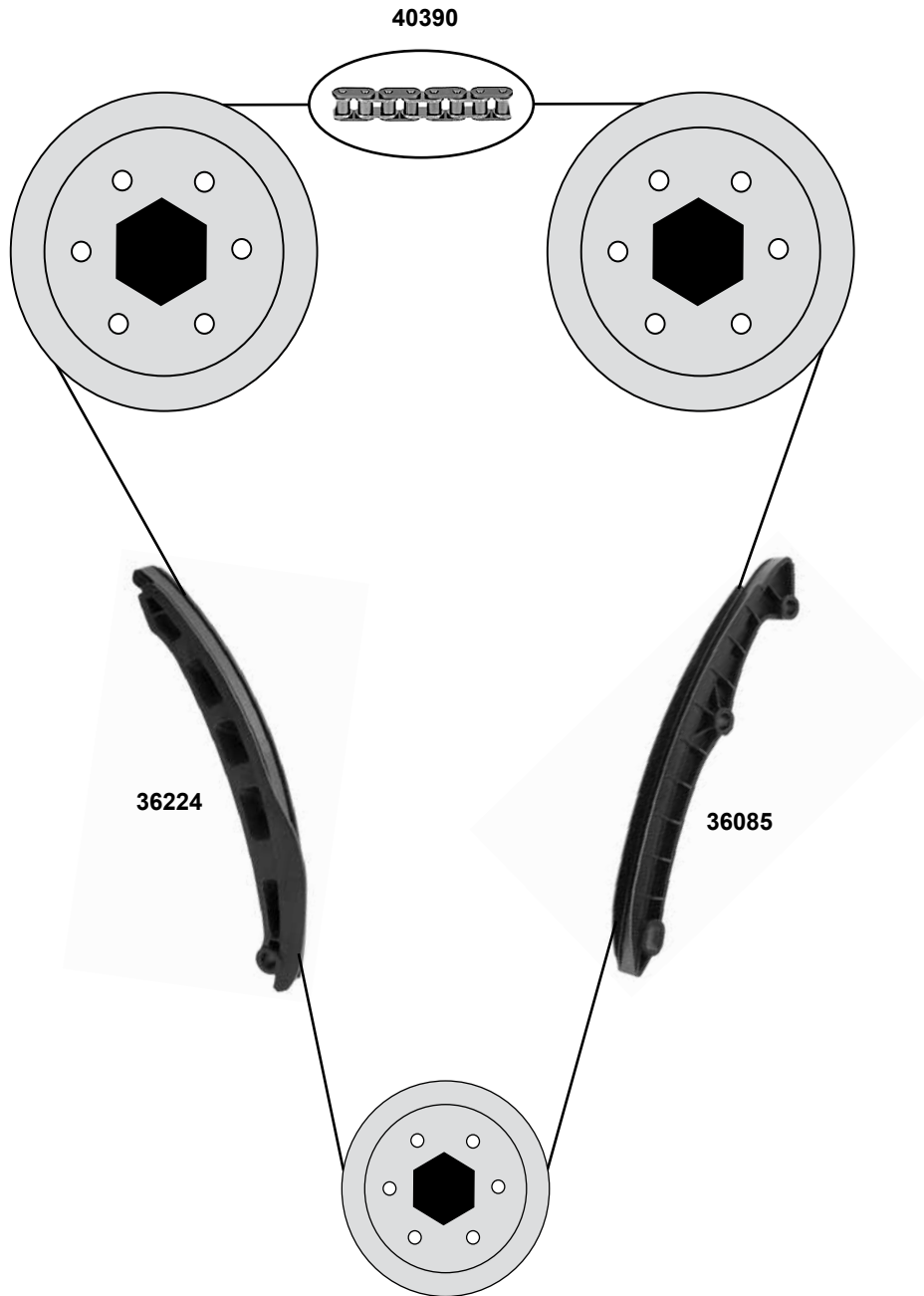
(04→)

Car  
Division



1,4

(BLF/CAXA)



Ref. - No.



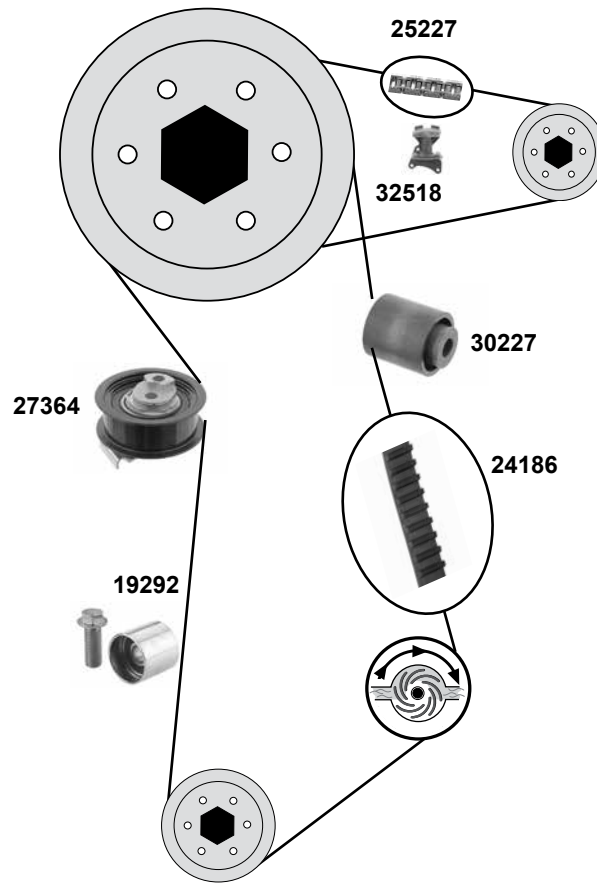
36085	03C 109 469 K
36224	03C 109 509 P
40390	03C 109 158 A

Gleitschiene / sliding rail
Gleitschiene / sliding rail
Steuerkette / timing chain

130 E

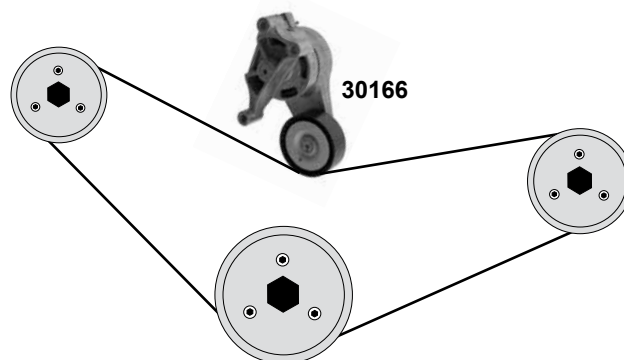
**2,0 16V**

(BLR / BLX / BLY / BVX / BVY / BVZ / BWA)



**2,0 16V**

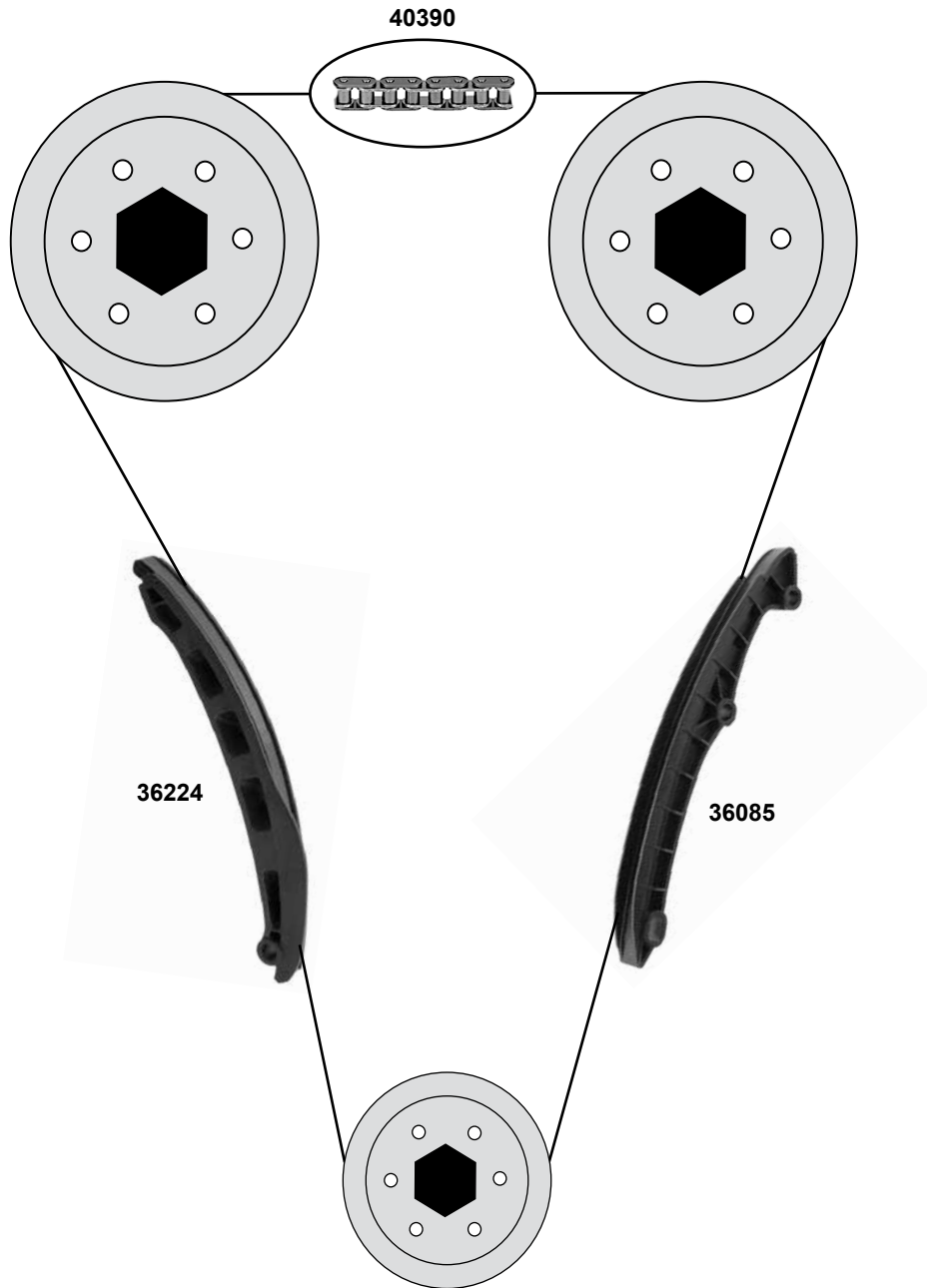
(BWA)



	Ref. - No.			
<b>19292</b>	06B 109 244	Umlenkrolle / deflection pulley		ØA 28,5 B27
<b>24186</b>	06D 109 119 B	Zahnriemen / timing belt		Z 148
<b>25227</b>	06D 109 229 B	Steuerkette / timing chain		42E
<b>27364</b>	06D 109 243 B	Spannrolle / tension roller		ØA 77 B25
<b>30166</b>	06F 903 315	Riemenspanner / belt tensioner		
<b>30227</b>	06D 109 244 E	Umlenkrolle / deflection pulley		ØA 28,5 B33,5
<b>30586</b>	06F 198 119 A	Rep. Satz Zahnriemen / rep. kit timing belt		
<b>32518</b>	06F 109 217 A	Kettenspanner / chain tensioner	→08	



**1,2→1,6**  
 (CLSA/CAXA/CFNA/CGPC)



Ref. - No.



<b>36085</b>	03C 109 469 K
<b>36224</b>	03C 109 509 P
<b>40390</b>	03C 109 158 A

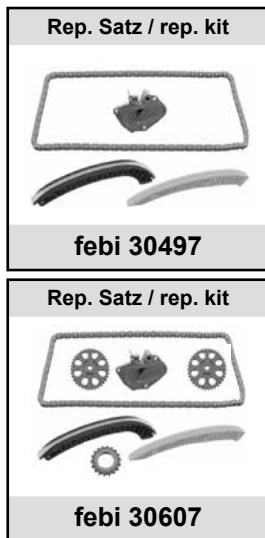
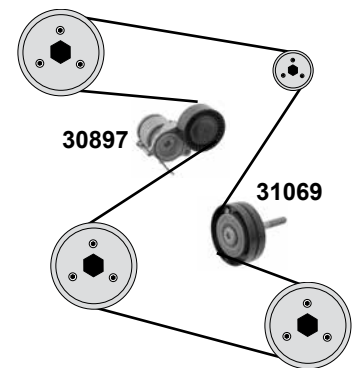
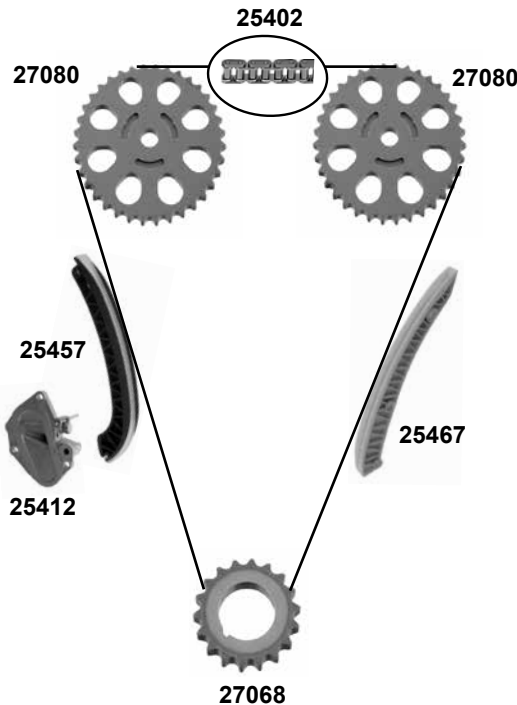
Gleitschiene / sliding rail
Gleitschiene / sliding rail
Steuerkette / timing chain

130 E



**1,2 12V**  
(BME / BZG)

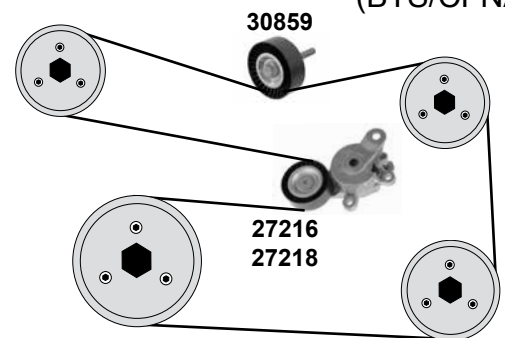
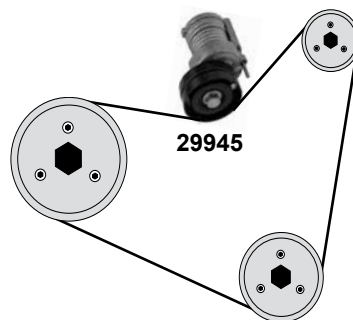
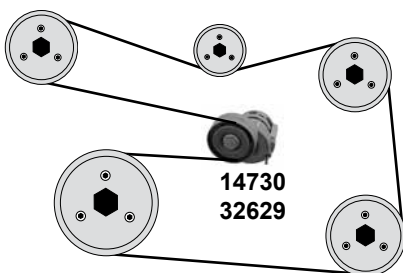
**1,2 12V**  
(BME / BZG / CGPA)



**1,2 / 1,4**  
(BCB/CBZA/BXW/CGGB)

**1,4 16V**  
(BNM BNV/BLS)

**1,6**  
(BTS/CFNA)



Ref. - No.



<b>14730</b>	030 145 299 F	Riemenspanner / belt tensioner
<b>25402</b>	03E 109 229 A	Steuerkette / timing chain
<b>25412</b>	03E 109 507 S	Kettenspanner / chain tensioner
<b>25457</b>	03E 109 509	Gleitschiene / sliding rail
<b>25467</b>	03E 109 469	Gleitschiene / sliding rail
<b>27068</b>	03E 105 209	Kurbelwellenzahnrad / crankshaft gear
<b>27080</b>	03E 109 571 B	Nockenwellenrad / camshaft timing gear
<b>27216</b>	6Q0 145 299	Riemenspanner / belt tensioner
<b>27218</b>	03C 145 299 C	Spannrolle / tension roller
<b>29945</b>	045 903 315 A	Riemenspanner / belt tensioner
<b>30497</b>	03E 109 229 A S2	Rep. Satz Steuerkette / rep. kit timing chain
<b>30607</b>	03E 198 229 A S1	Rep. Satz Steuerkette / rep. kit timing chain
<b>30859</b>	1J0 145 276	Umlenkrolle / deflection pulley
<b>30897</b>	03D 903 305 F	Riemenspanner / belt tensioner
<b>31069</b>	03D 145 276 E	Umlenkrolle / deflection pulley
<b>32629</b>	03C 145 299 Q	Riemenspanner / belt tensioner

AC  
(ex.) BZG

(ex.) BZG  
(ex.) BZG  
(ex.) AC

AC (ex.) CFNA

AC  
AC

ØA 70 B26  
130 E

Z 18  
Z 36

ØA 76 B24



# SKODA Roomster (5J7)

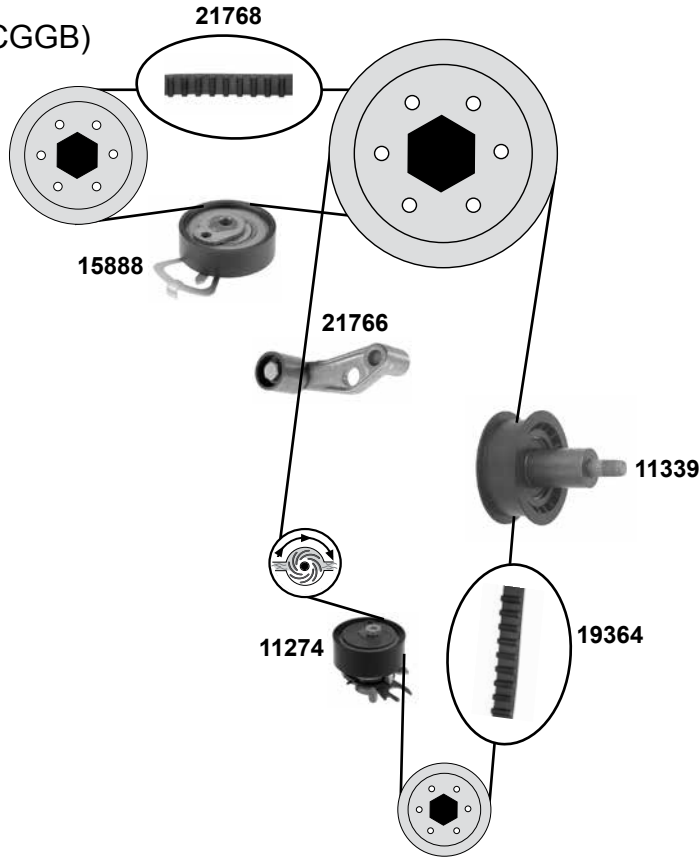
(06→)

Car  
Division



## 1,2 / 1,4

(CBZA/CBZB/BXW/CGGB)



Rep. Satz / rep. kit



febi 21770

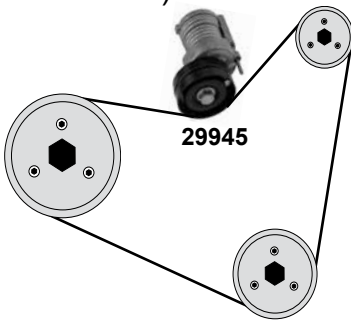
Rep. Satz / rep. kit



febi 21774

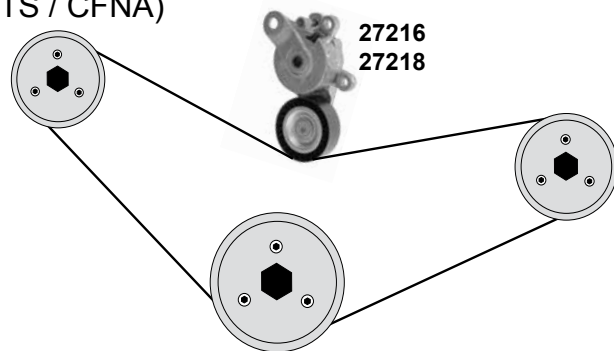
## 1,4 16V

(BNM / BNV / BLS)



## 1,6

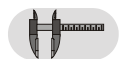
(BTS / CFNA)



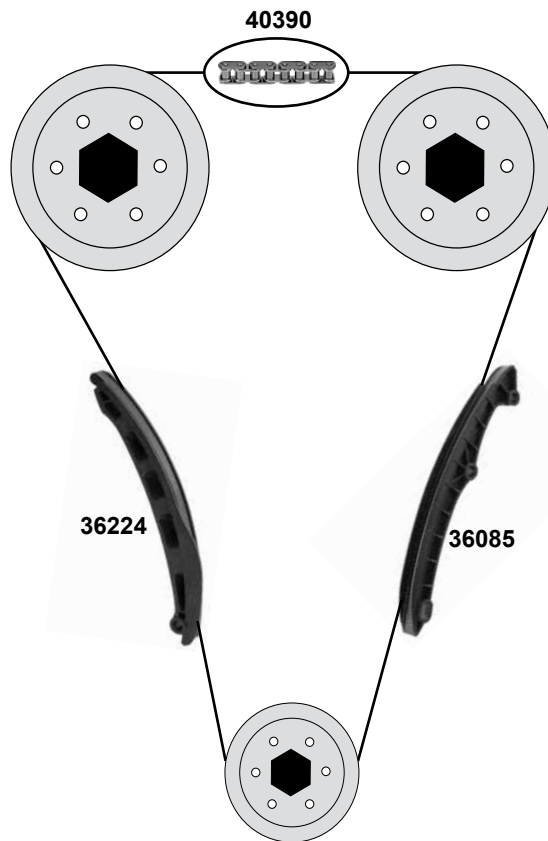
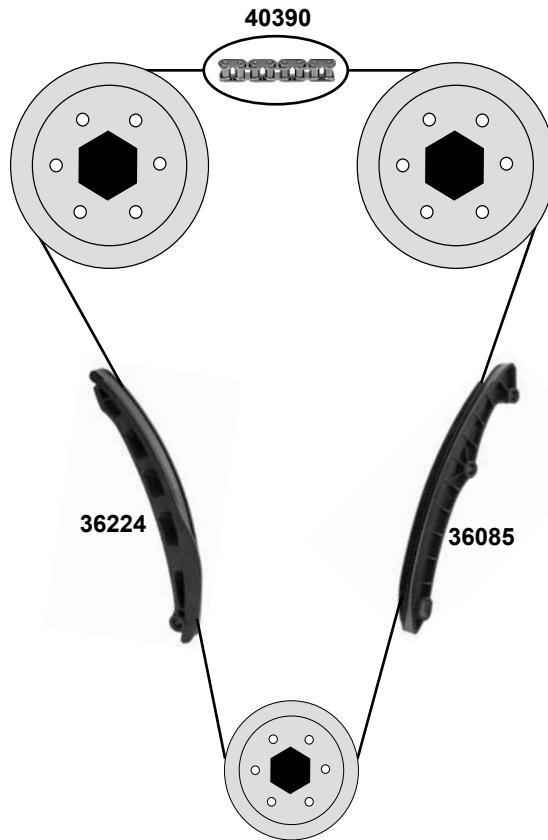
(1) Roomster (mot.) BXW / CGGB  
Roomster Praktik (mot.) BXW



Ref. - No.

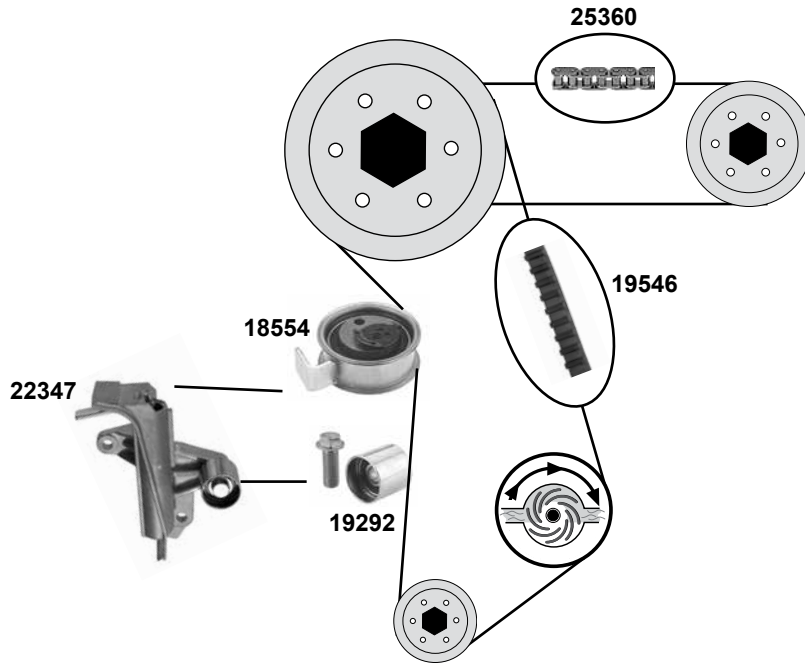


Ref. - No.	Description	Notes	Dimensions
11274	Spannrolle / tension roller	(mot.) BXW	ØA 80 B25
11339	Umlenkrolle / deflection pulley	(mot.) BXW	ØA 56 B22
15888	Spannrolle / tension roller	(mot.) BXW / CGGB	ØA 60 B19
19364	Zahnriemen / timing belt	(1)	Z 130 B20
21766	Umlenkrolle / deflection pulley	(mot.) BXW	ØA 28 B30
21768	Zahnriemen / timing belt	(mot.) BXW	Z 58 B17
21770	Rep. Satz Zahnriemen / rep. kit timing belt	(mot.) BXW	
21774	Rep. Satz Zahnriemen / rep. kit timing belt	(mot.) BXW / CGGB	
27216	Riemenspanner / belt tensioner	(ex.) AC	
27218	Spannrolle / tension roller	AC (ex.) CFNA	
29945	Riemenspanner / belt tensioner		

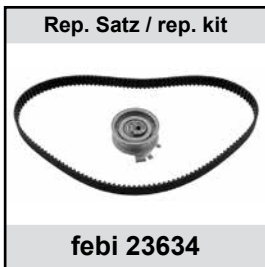
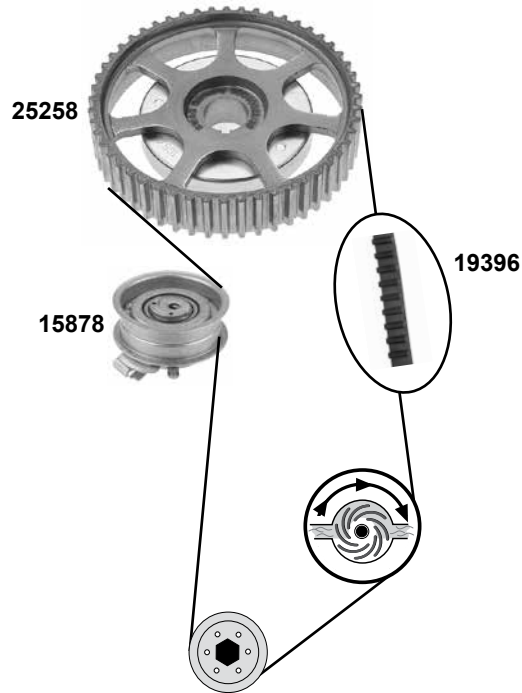


# SKODA Superb (3U) (02→)

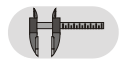
**1,8**  
(AWT)



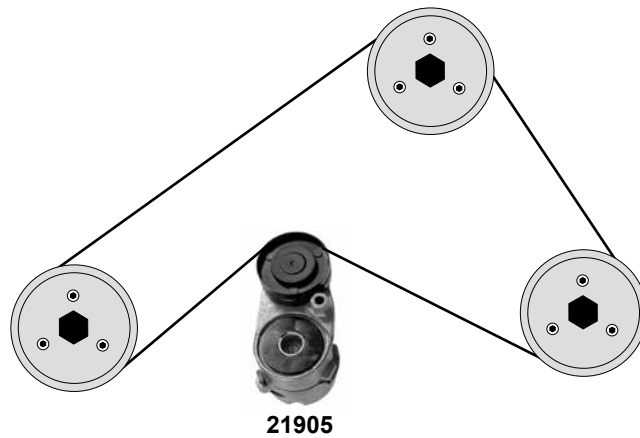
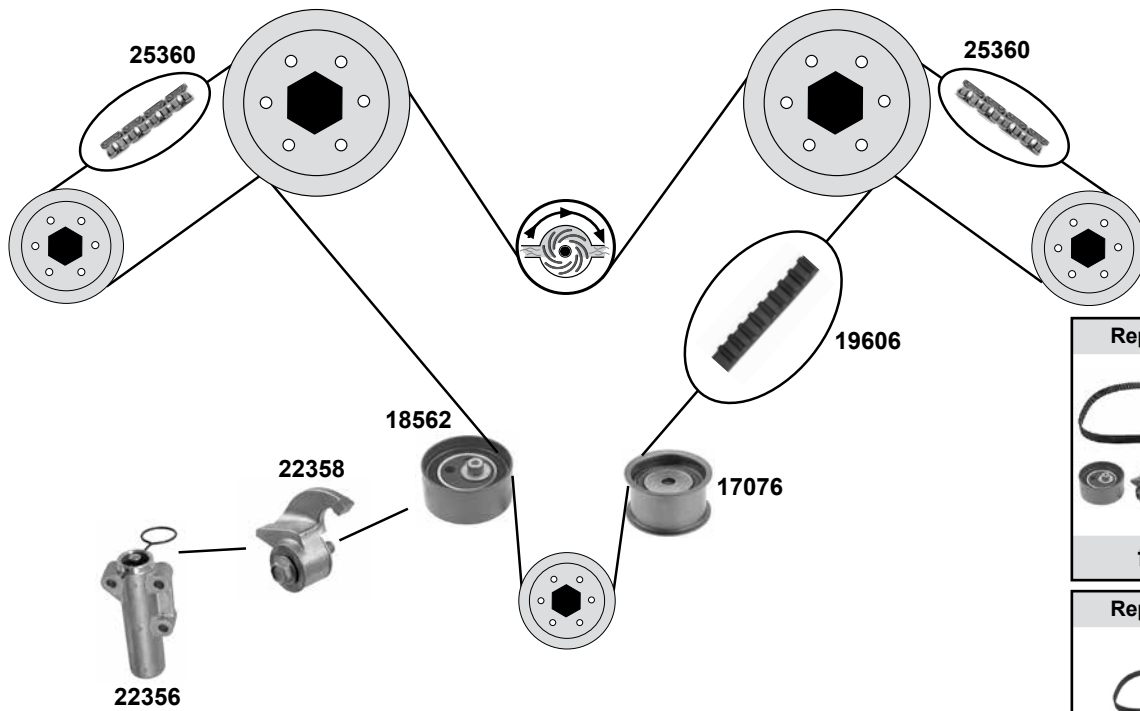
**2,0**  
(AZM)



Ref. - No.



<b>15878</b>	06A 109 479 C	Spannrolle / tension roller	ØA 72 B38
<b>18554</b>	06B 109 243 B	Spannrolle / tension roller	ØA 72 B31
<b>19292</b>	06B 109 244	Umlenkrolle / deflection pulley	ØA 28,5 B27
<b>19396</b>	06A 109 119 C	Zahnriemen / timing belt	Z 138 B23
<b>19546</b>	06B 109 119 A	Zahnriemen / timing belt	Z 150 B23
<b>22347</b>	06B 109 477 A	Riemenspanner / belt tensioner	
<b>23634</b>	06A 198 119	Rep. Satz Zahnriemen / rep. kit timing belt	
<b>23642</b>	06B 109 119 F S4	Rep. Satz Zahnriemen / rep. kit timing belt	
<b>25258</b>	06A 109 105 C	Nockenwellenrad / camshaft gear	
<b>25360</b>	058 109 229 B	Steuerkette / timing chain	



	Ref. - No.			
<b>17076</b>	078 109 244 H	Umlenkrolle / deflection pulley		ØA 59 ØI 10 B31
<b>18562</b>	078 109 243 R	Spannrolle / tension roller		ØA 73,2 B32
<b>19606</b>	078 109 119 H	Zahnriemen / timing belt		Z 253
<b>21905</b>	078 903 133 AB	Riemenspanner / belt tensioner		
<b>22356</b>	078 109 479 E	Riemenspanner / belt tensioner		
<b>22358</b>	078 109 487 A	Riemenspanner / belt tensioner		
<b>23290</b>	078 198 479 S1	Rep. Satz Zahnriemen / rep. kit timing belt		
<b>23292</b>	078 198 119	Rep. Satz Zahnriemen / rep. kit timing belt		
<b>25360</b>	058 109 229 B	Steuerkette / timing chain		

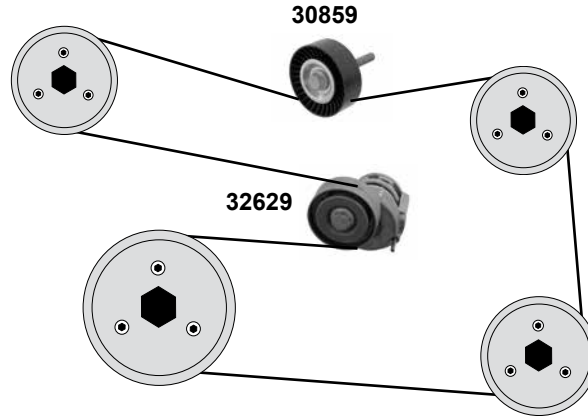
# SKODA Superb/combi/4x4 (3T)

(08→)

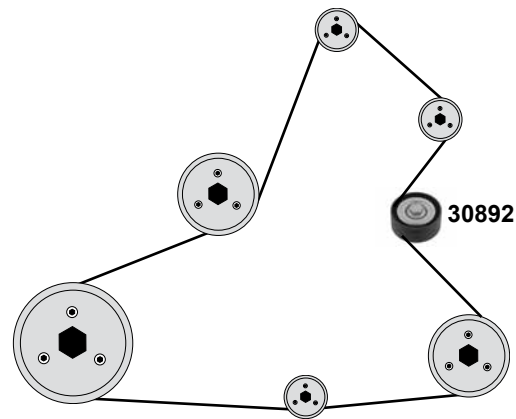
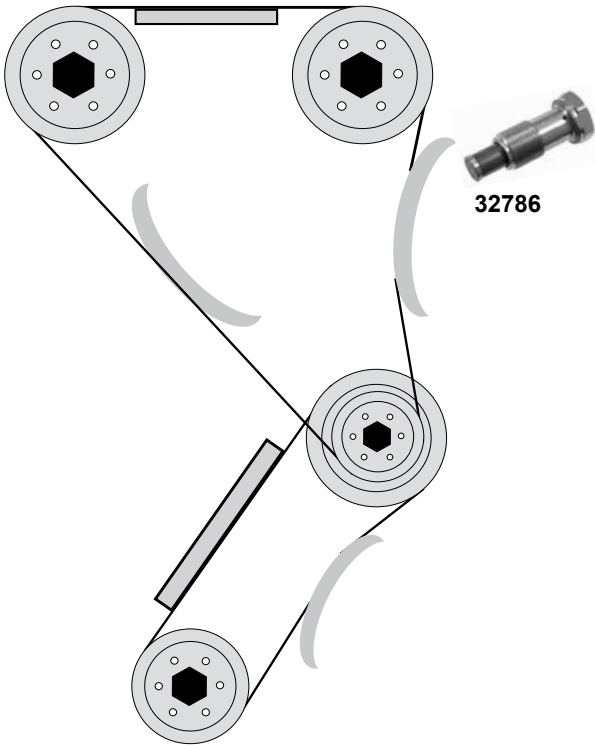
Car  
Division



**1,4**  
(CAXA / CAXC)



**3,6 FSi**  
(CDVA)



Ref. - No.



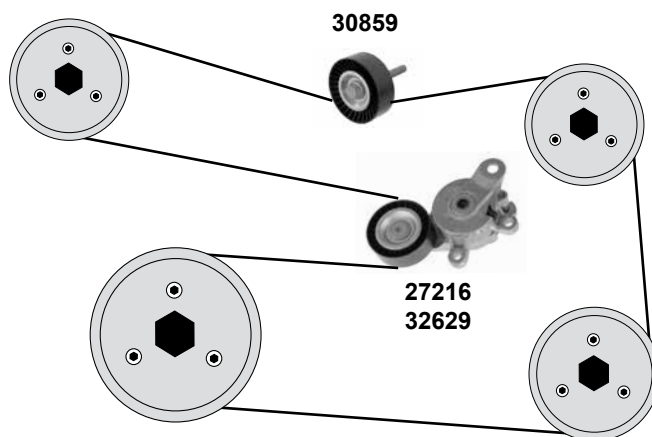
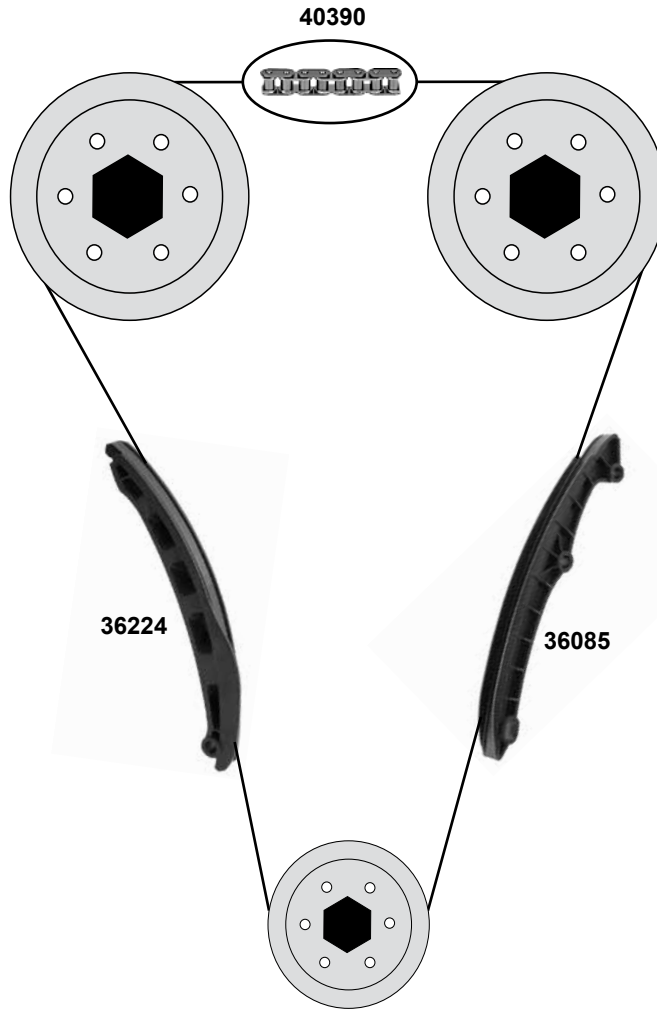
<b>30859</b>	1J0 145 276	Umlenkrolle / deflection pulley
<b>30892</b>	022 145 276 A	Umlenkrolle / deflection pulley
<b>32629</b>	03C 145 299 Q	Riemenspanner / belt tensioner
<b>32786</b>	03H 109 507	Kettenspanner / chain tensioner

AC

(ex.) CAXC/Yeti AC

hydraulic

ØA 65 B28



	Ref. - No.			
27216	6Q0 145 299	Riemenspanner / belt tensioner	(ex.) AC CBZB	130 E
30859	1J0 145 276	Umlenkrolle / deflection pulley	AC	
32629	03C 145 299 Q	Riemenspanner / belt tensioner		
36085	03C 109 469 K	Gleitschiene/ sliding rail		
36224	03C 109 509 P	Gleitschiene/ sliding rail		
40390	03C 109 158 A	Steuerkette / timing chain		

passend für / to fit

# SMART Fortwo / Roadster (BM 450/452)

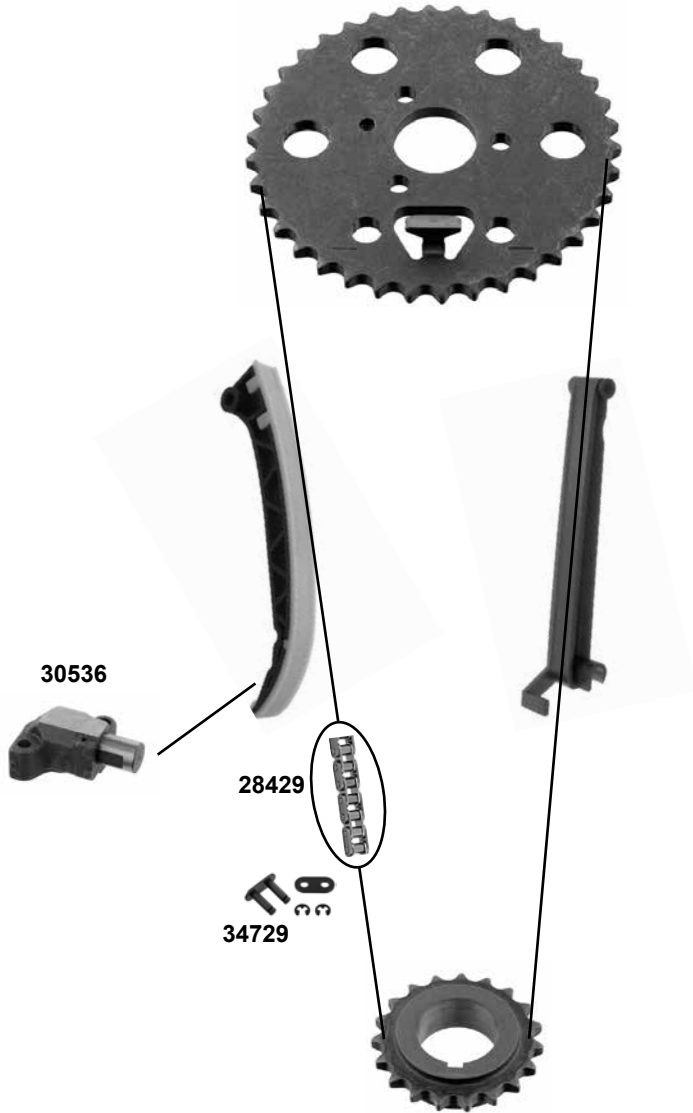
(98→2007)

Car  
Division



**0,6**

(M 160.450,452 )



Rep. Satz / rep. kit



febi 30644



Ref. - No.



**28429** 0007680V001  
**30536** 160 050 02 11  
**30644** 160 050 02 69  
**34729** 0007681V001000000

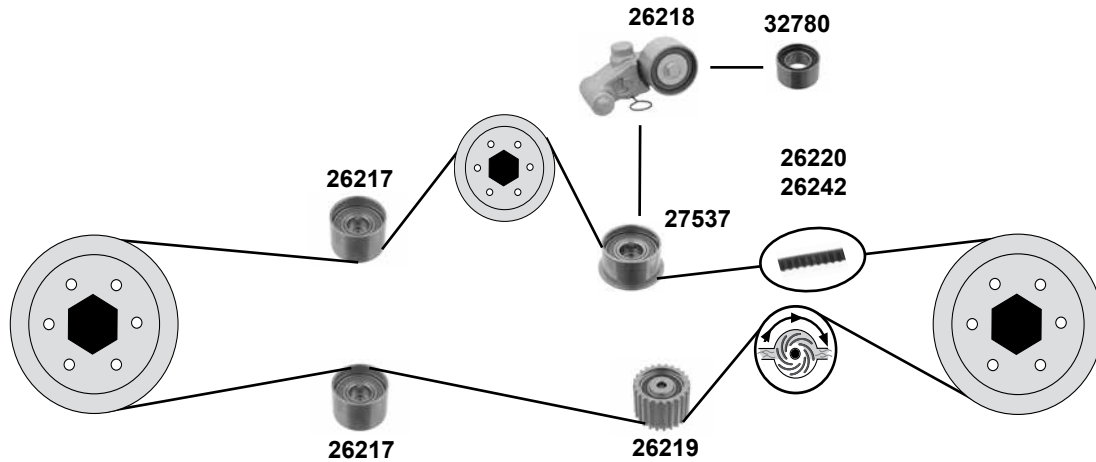
Steuerkette / timing chain  
 Kettenspanner / chain tensioner  
 Rep. Satz Steuerkette / rep. kit timing chain  
 Kettenglied für Federverschluß / chain link with split link

110 E  
G53HP

**2,0 16V**

(mot.) EJ20J / 90 kW

(mot.) EJ20J / 92 kW



Rep. Satz / rep. kit



febi 27543

Rep. Satz / rep. kit



febi 27546



(1) (mot.) 2,0 SOHC (EJ20J) / 2,0 SOHC (EJ202) / 2,0 DOHC (EJ205)



Ref. - No.



Ref. - No.	Description	Motor Power	Part Number
26217	Umlenkrolle / deflection pulley		ØA 60 B35
26218	Spannrolle / tension roller		ØA 60 B34
26219	Umlenkrolle / deflection pulley		Ø A 60 B35 Z 24
26220	Zahnriemen / timing belt	(mot.) 90kW	Z 211 B30
26242	Zahnriemen / timing belt	(mot.) 92kW	Z 223 B27
27537	Umlenkrolle / deflection pulley	(mot.) 92kW	ØA 60 B35 Z 24
27543	Rep. Satz Zahnriemen / rep. kit timing belt	(mot.) 90kW	Z 211 B30
27546	Rep. Satz Zahnriemen / rep. kit timing belt	(mot.) 92kW	Z 223 B27
32780	Spannrolle / tension roller	(1)	ØA60 B34



# SUBARU Forester II (S11)

(02→)

Car  
Division



## 2,5 16V

(mot.) 251/155 kW

(12/03→)

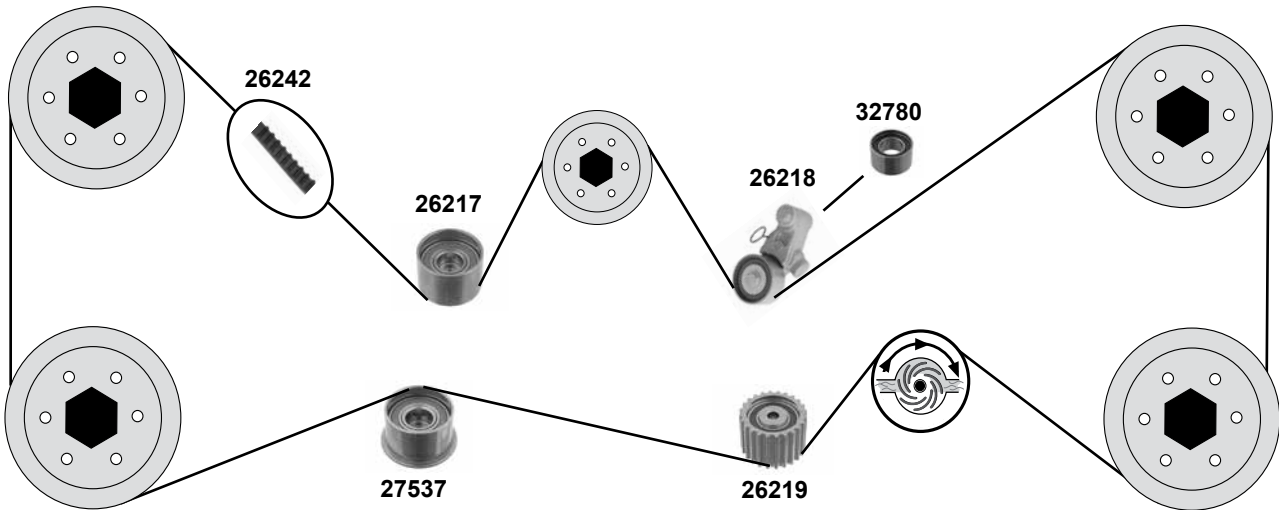
## 2,0 16V

(mot.) 201/92 kW

(09/02→)

(mot.) 253/169 kW

(09/05→)



Rep. Satz / rep. kit



febi 27546



(1) 05/02→01/08 (mot.) 2,0 SOHC (EJ201) / 2,0 DOHC (EJ204/5)  
(mot.) 2,5 SOHC (EJ251/3) / 2,5 DOHC (EJ255)



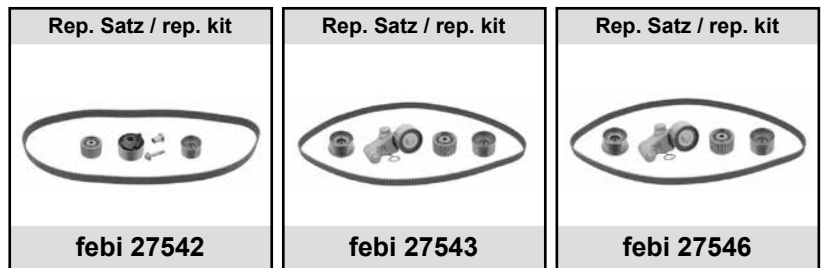
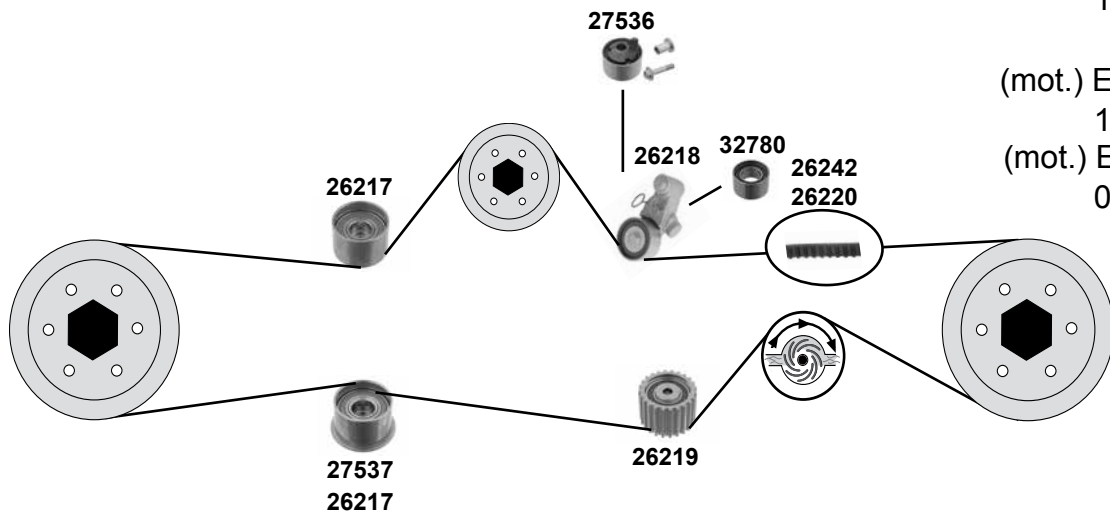
Ref. - No.



26217	13073AA142	Umlenkrolle / deflection pulley	ØA 60 B35
26218	13033AA042	Spannrolle / tension roller	ØA 60 B34
26219	13085AA080	Umlenkrolle / deflection pulley	ØA 60 B35 Z 24
26242	13028AA230	Zahnriemen / timing belt	Z 223 B27
27537	13073AA190	Umlenkrolle / deflection pulley	ØA 60 B35 Z 24
27546	13028AA230 S1	Rep. Satz Zahnriemen / rep. kit timing belt	Z 223 B27
32780	13033AA042 S1	Spannrolle / tension roller	ØA60 B34

(1)

- 1,6**  
(mot.) EJ16E/66 kW  
10/96→06/98
- (mot.) EJ161/70 kW  
12/96→12/00
- 1,8**  
(mot.) EJ18E/76 kW  
10/96→06/98
- (mot.) EJ181/76 kW  
12/96→12/00
- 2,0**  
(mot.) EJ20E/90 kW  
10/96→06/98
- (mot.) EJ201/92 kW  
06/98→12/00



(1) EJ18E / EJ20E / EJ22E,94+96 kW

(2) EJ18E,76 kW / EJ20E,85 kW / EJ22E, 94+96 kW

(3) (mot.) 1,6 SOHC (EJ16E/161)  
(mot.) 1,8 SOHC (EJ18/E181)

(mot.) 2,0 SOHC (EJ20E/201)  
(mot.) 2,0 DOHC (EJ20G/205)



Ref. - No.



Ref. - No.	Part Name	Quantity	Part Name
26217	13073AA142 Umlenkrolle / deflection pulley		ØA 60 B35
26218	13033AA042 Spannrolle / tension roller	(2)	ØA 60 B34
26219	13085AA080 Umlenkrolle / deflection pulley		ØA 60 B35 Z 24
26220	13028AA102 Zahnriemen / timing belt	(2)	Z 211 B30
26242	13028AA230 Zahnriemen / timing belt	(1)	Z 223 B27
27536	13069AA037 Spannrolle / tension roller	(2)	
27537	13073AA190 Umlenkrolle / deflection pulley	(1)	ØA 60 B35 Z 24
27542	13028AA102 S1 Rep. Satz Zahnriemen / rep. kit timing belt	(2) ( 92 → 97 )	Z 211 B30
27546	13028AA230 S1 Rep. Satz Zahnriemen / rep. kit timing belt	(1)	Z 223 B27
27543	13028AA102 S2 Rep. Satz Zahnriemen / rep. kit timing belt	(2) ( 96 → 98 )	Z 211 B30
32780	13033AA042 S1 Spannrolle / tension roller	(3)	ØA 60 B34

# SUBARU Impreza II (G11)

(00→)

Car  
Division



**1,6**

(mot.) 161 / 70 kW

12/00→

**2,0**

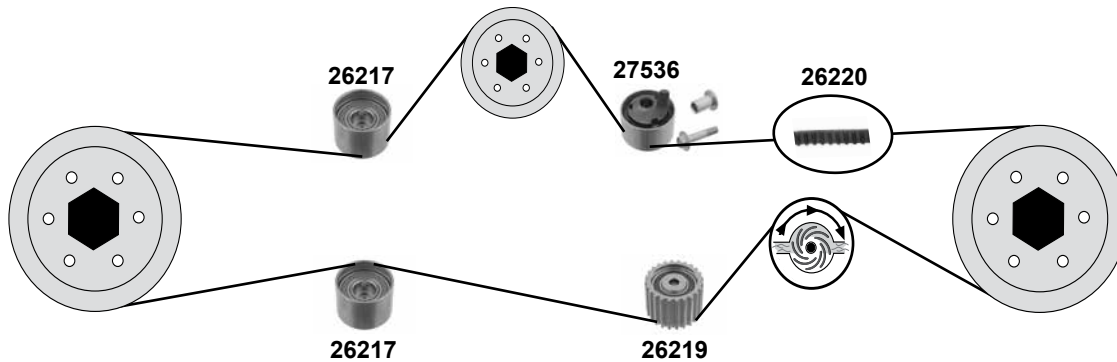
(mot.) 201 / 96 kW

12/00→

**2,5**

(mot.) 251

12/00→



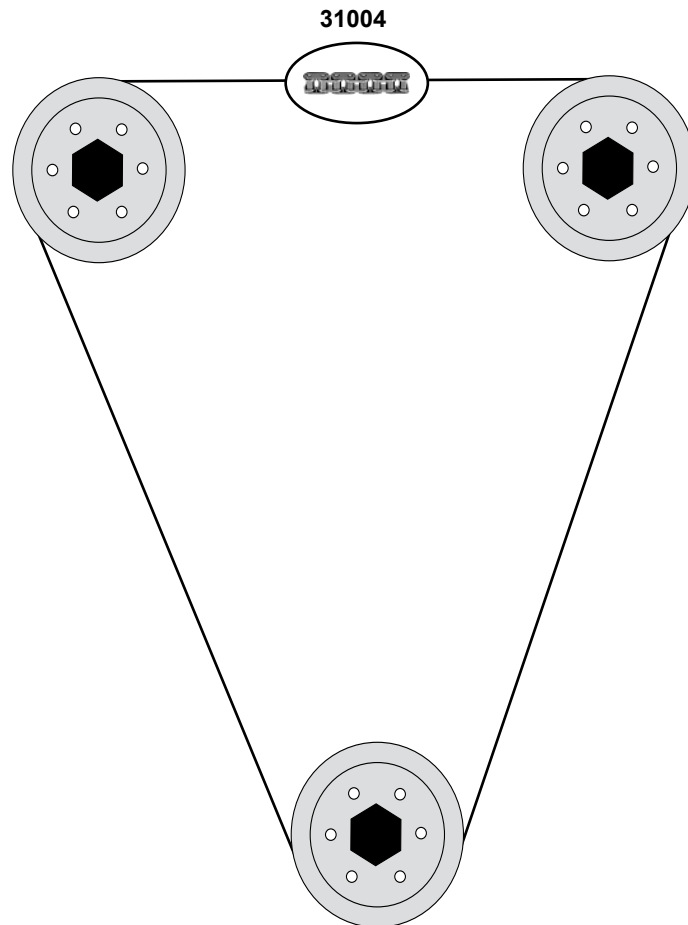
Ref. - No.



<b>26217</b>	13073AA142
<b>26219</b>	13085AA080
<b>26220</b>	13028AA102
<b>27536</b>	13069AA037

Umlenkrolle / deflection pulley
Umlenkrolle / deflection pulley
Zahnriemen / timing belt
Spannrolle / tension roller

ØA 60 B35
ØA 60 B35 Z 24
Z 211



# SUBARU

## Legacy I / II (B10)

(89→98)

**1,6**

(mot.) J16 / 90 kW

(05/89→09/94)

**1,8**

(mot.) EJ18 / 76 kW

(05/89→09/94)

**2,0**

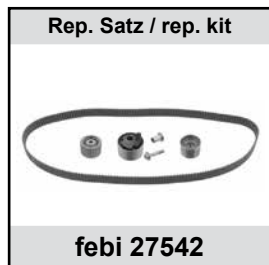
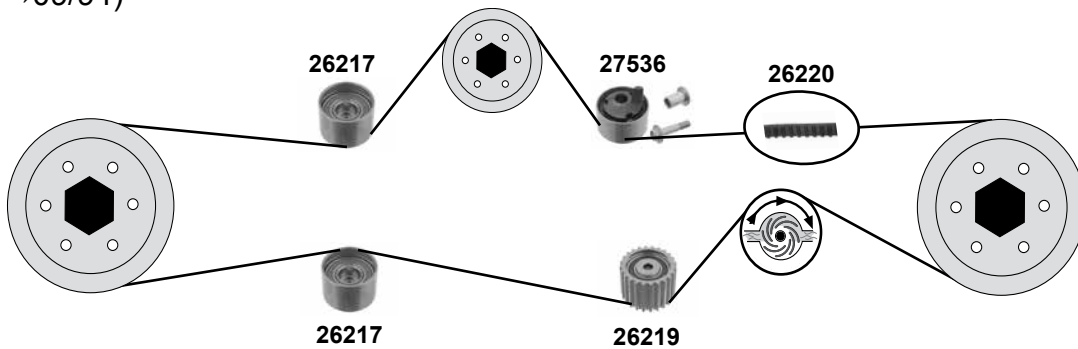
(mot.) EJ20 / 85kW

(05/89→09/94)

**2,2**

(mot.) EJ22 / 100kW

(05/89→09/94)



(1) EJ18E / EJ20E / EJ22E,94+96 kW



Ref. - No.



26217	13073AA142	Umlenkrolle / deflection pulley	(1)	ØA 60 B35
26219	13085AA080	Umlenkrolle / deflection pulley		ØA 60 B35 Z24
26220	13028AA102	Zahnriemen / timing belt		Z 211 B30
27536	13069AA037	Spannrolle / tension roller		ØA 70 B34
27542	13028AA102 S1	Rep. Satz Zahnriemen / rep. kit timing belt		Z 211 B30

**1,8**

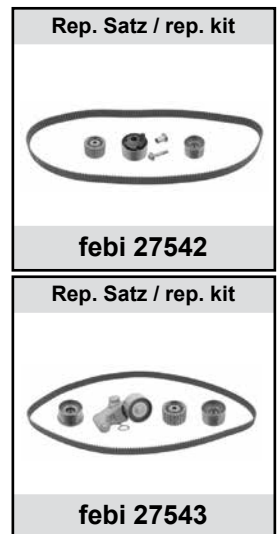
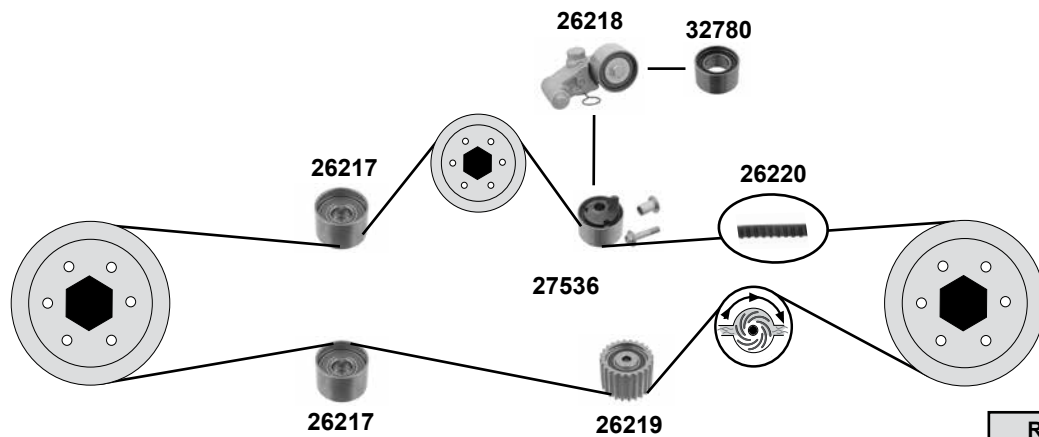
(mot.) EJ18E/76 kW

**2,0**

(mot.) EJ20E/85kW

**2,2**

(mot.) EJ22E/100 kW



(1)	EJ18E / EJ20E / EJ22E,94+96 kW	(2)	EJ18E,76 kW / EJ20E,85 kW / EJ22E,94+96 kW
(3)	08/93→11/98 (mot.) 1,8 SOHC (EJ18E) (mot.) 2,0 SOHC (EJ20E) (mot.) 2,2 SOHC (EJ22E) (mot.) 2,5 DOHC (EJ25D)		

	Ref. - No.			
26217	13073AA142	Umlenkrolle / deflection pulley		ØA 60 B35
26218	13033AA042	Spannrolle / tension roller	(2)	ØA 60 B34
26219	13085AA080	Umlenkrolle / deflection pulley		ØA 60 B35 Z24
26220	13028AA102	Zahnriemen / timing belt		Z 211 B30
27536	13069AA037	Spannrolle / tension roller	(1)	ØA 70 B34
27542	13028AA102 S1	Rep. Satz Zahnriemen / rep. kit timing belt		Z 211 B30
27543	13028AA102 S2	Rep. Satz Zahnriemen / rep. kit timing belt		ØA 60 B34
32780	13033AA042 S1	Spannrolle / tension roller	(3)	ØA60 B34

# SUBARU

## Legacy III (B12) / IV (B13)

(99→)

Car  
Division



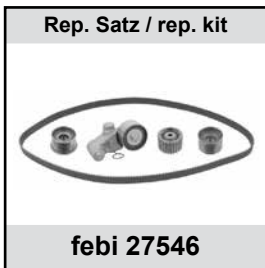
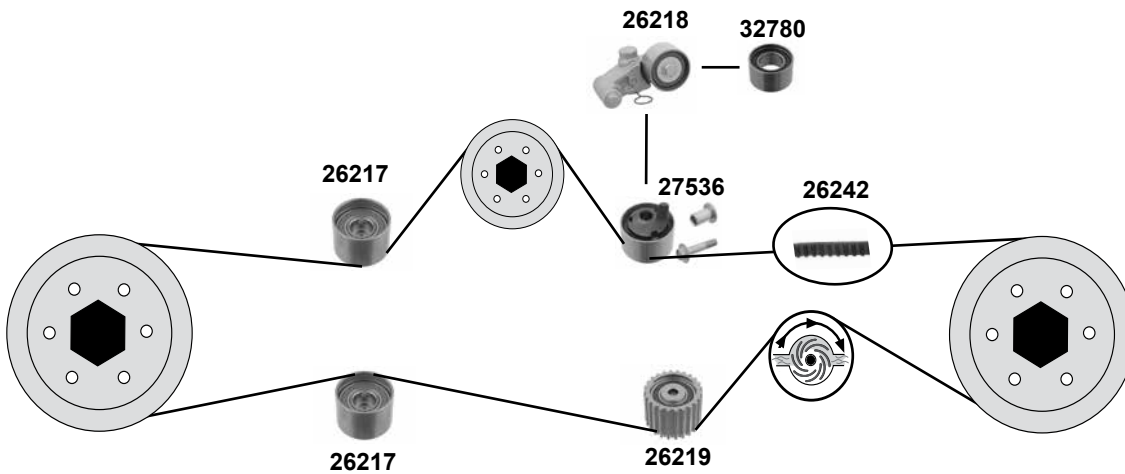
### 2,0

(mot.) EJ201 / 92 kW

04/99→

(mot.) 202 / 101 kW

09/03→



(1) Legacy (B12) 11/98→06/03 2,0 SOHC (EJ201)  
2,5 SOHC (EJ251)

(2) Legacy (B13) 06/03→09/09 2,0 SOHC (EJ202)  
2,0 DOHC (EJ204)  
2,0 DOHC (EJ20X)  
2,0 DOHC (EJ20Y)  
2,5 SOHC (EJ252/253)  
2,5 DOHC (EJ255)

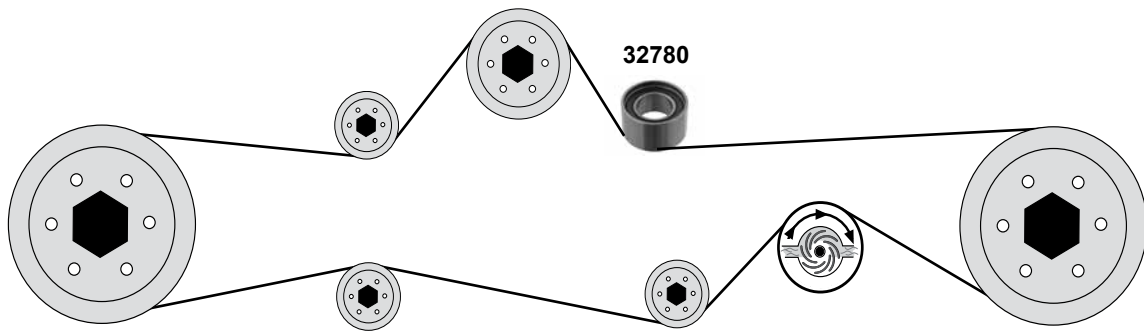


Ref. - No.



Ref. - No.	Description	Dimensions
26217	Umlenkrolle / deflection pulley	ØA 60 B35
26218	Spannrolle / tension roller	
26219	Umlenkrolle / deflection pulley	ØA 60 B35 Z 24
26242	Zahnriemen / timing belt	Z 223 B2
27536	Spannrolle / tension roller	
27546	Rep. Satz Zahnriemen / rep. kit timing belt	Z 223 B27
32780	Spannrolle / tension roller	ØA 60 B34

(1) (2)





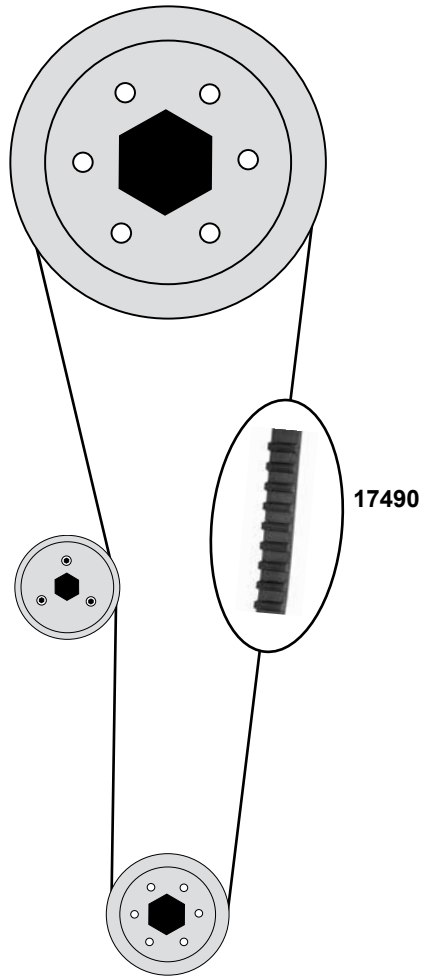
passend für / to fit

**SUZUKI**  
**Baleno**  
(95→02)

**Car**  
**Division**



**1,6 16V**



17490



Ref. - No.

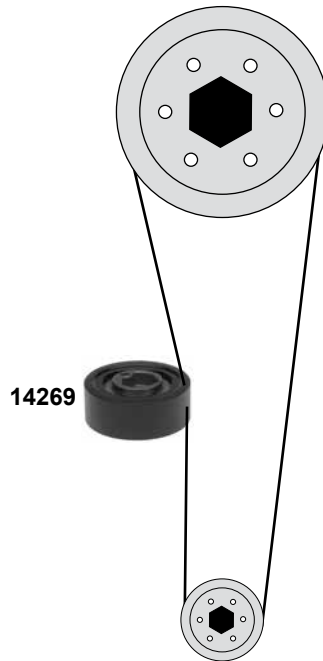


17490

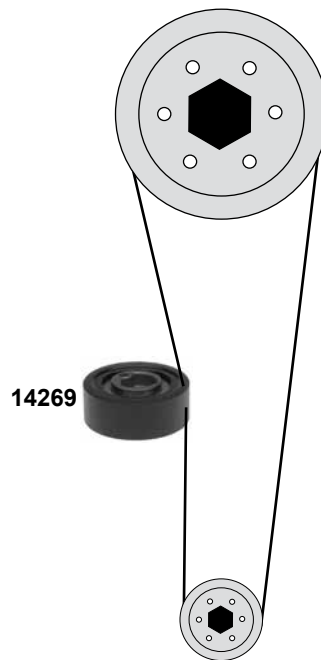
12761-71C00

Zahnriemen / timing belt

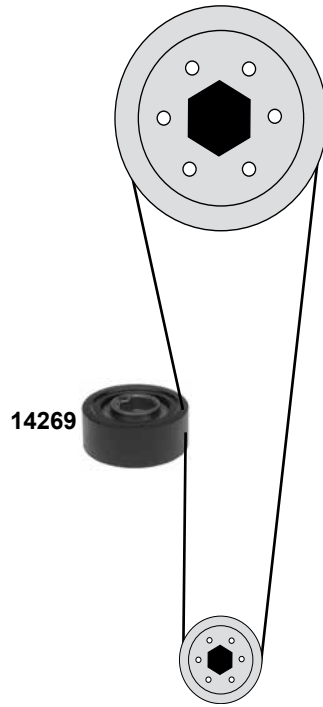
Z 103 B25,4



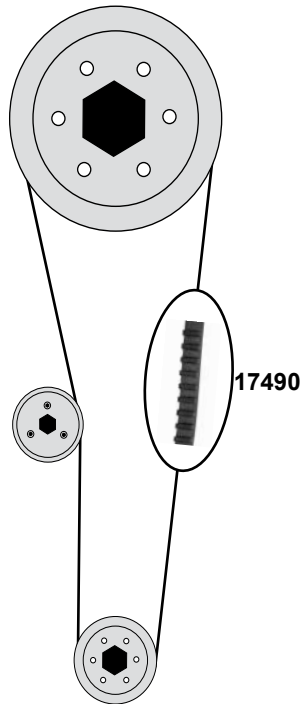
**Swift I**  
(83→89)  
**1,0 / 1,3 8V**  
(ex.GTI)



**1,3 8V**



**1,6 16V**



Ref. - No.



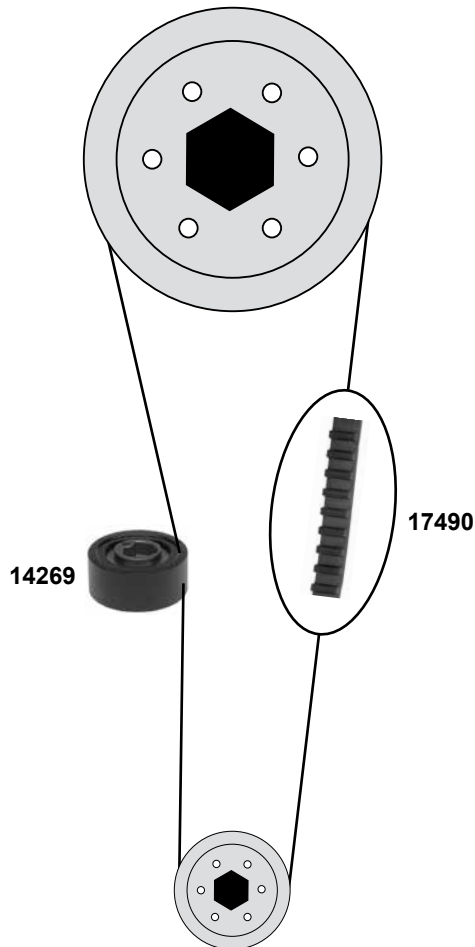
**14269**  
**17490**

12810-82003  
12761-71C00

Spannrolle / tension roller  
Zahnriemen / timing belt

90→94

ØA 58 H24  
Z 103 B25,4



passend für / to fit

**SUZUKI**

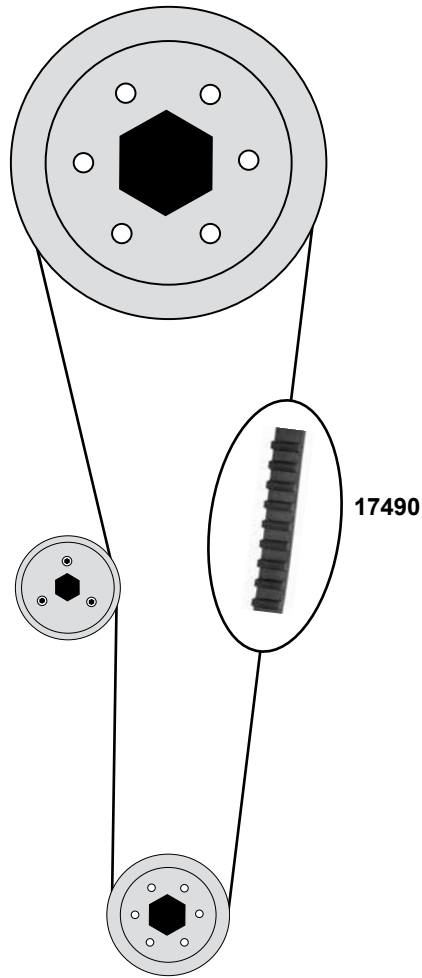
**X-90**

(95→)

**Car  
Division**



**1,6 16V**



17490



**Ref. - No.**



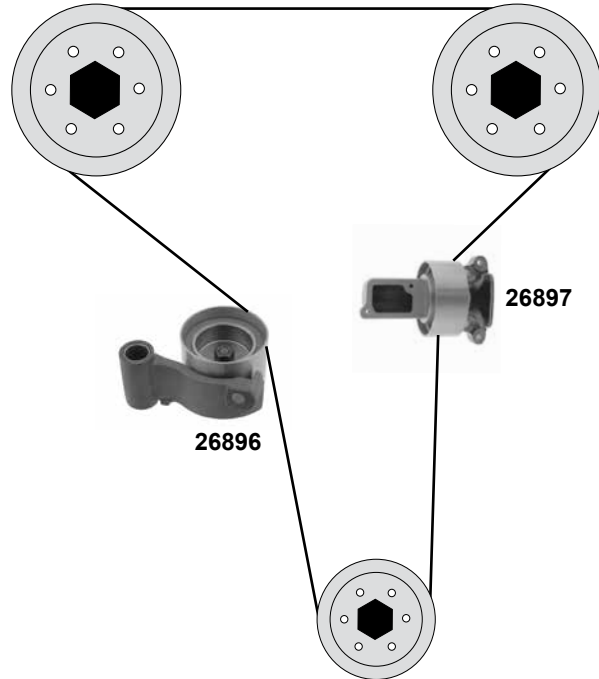
**17490**

12761-71C00

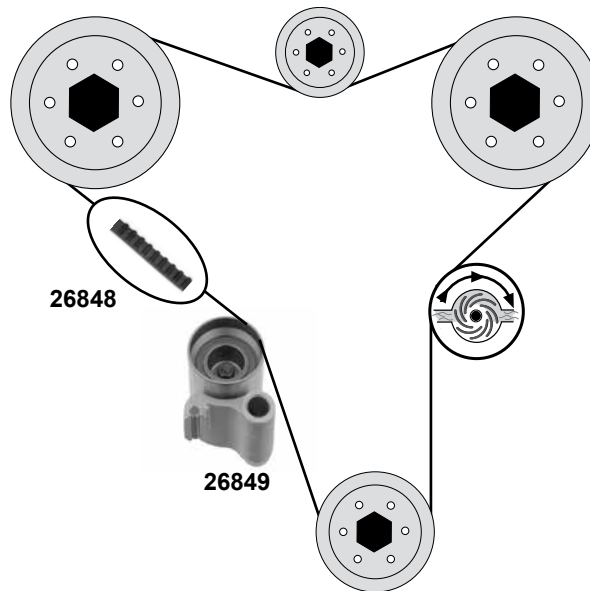
Zahnriemen / timing belt

Z 103 B25,4

**3,0 12 V**  
(3VZE)



**4 Runner (VZN)**  
(11/95→11/02)  
**3,4 24 V**  
(5VZFE)



Ref. - No.



<b>26848</b>	13568-69095
<b>26849</b>	13505-62070
<b>26896</b>	13505-65040
<b>26897</b>	13503-65010

Zahnriemen / timing belt
Spannrolle / tension roller
Spannrolle / tension roller
Umlenkrolle / deflection pulley

Z 191 B36
ØA 62 B40,5
ØA 62 B40
ØA 93 B40

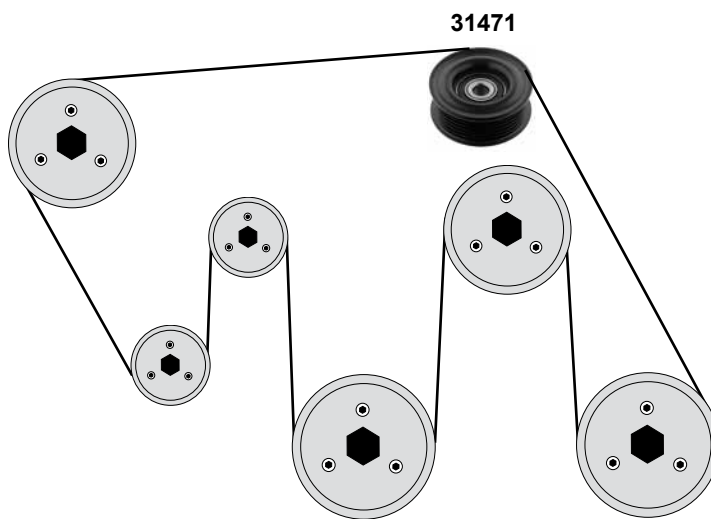
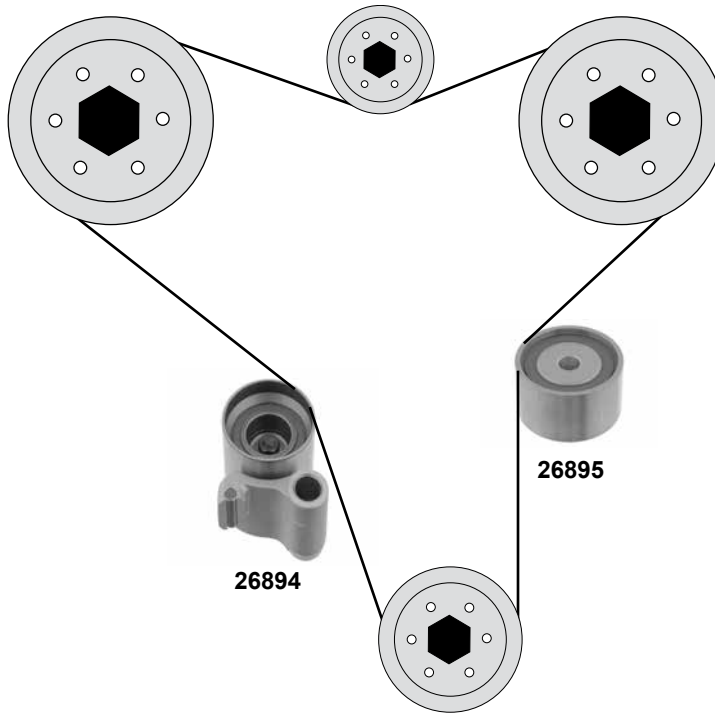
# TOYOTA 4 Runner (VZN)

(08/02→)

Car  
Division



**4,7 32 V**  
(2UZFE)



Ref. - No.



**26894**

13505-50030

Spannrolle / tension roller

ØA 62 B37,5

**26895**

13503-50011

Umlenkrolle / deflection pulley

ØA 66 B37,5

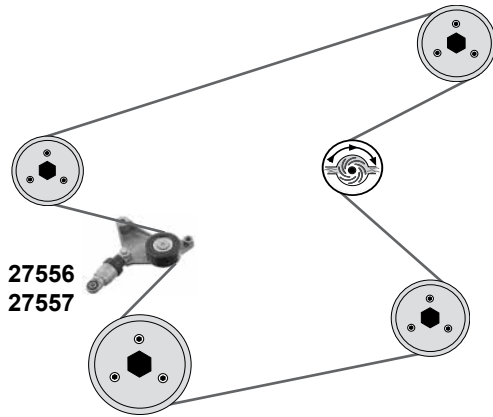
**31471**

16604-50030

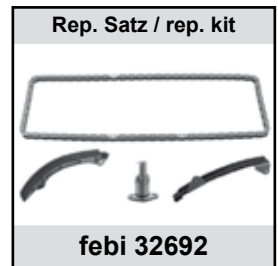
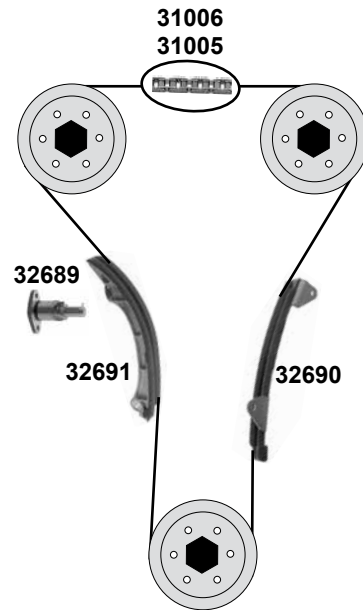
Umlenkrolle / deflection pulley

ØA 75 H29

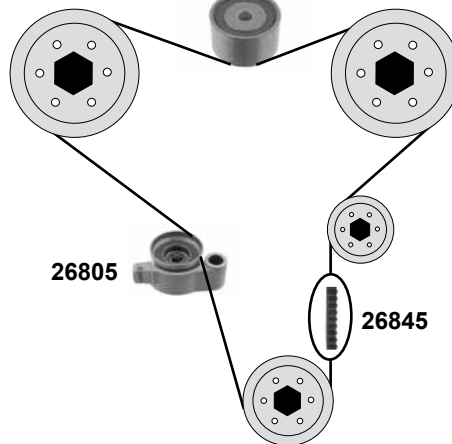
**1,4 / 2,4**  
(4ZZFE / 2AZFE)



**1,4 / 1,6 / 1,8**  
(4ZZFE/1ZRFE/2ZRFE)



**26806**



## Avalon (X10 / X20)

(94 → )

### 3,0 24 V

(1MZFE)

(1) Modell X10 09/94 → 08/99 / 04/00 →

(2) Modell MCX10 09.94 →  
Modell MCX2008.99 → 01.05

(3) Modell ZZE150 1,4 16V → 10.08

(4) Modell ZRE151 1,6 16V 10.06 →  
1,8 16V 05.07



Ref. - No.



Ref. - No.	Description	Quantity	Part Number
26805	Spannrolle / tension roller	(1)	ØA 62 B36,5
26806	Umlenkrolle / deflection pulley	(1)	ØA 62 B36,5
26845	Zahnriemen / timing belt	(2)	Z 211 B32
27556	Riemenspanner / belt tensioner	(1)	ØA 70 B31,5
27557	Spannrolle / tension roller	(1)	ØA 70 B26
31005	Steuerkette / timing chain	(4) Auris	140 E
31006	Steuerkette / timing chain	(3) Auris	130 E
32689	Kettenspanner / chain tensioner	(3) Auris	
32690	Gleitschiene / sliding rail	(3) Auris	
32691	Führungsschiene / timing chain guide	(3) Auris	
32692	Rep. Satz Steuerkette / rep. kit timing chain	(3) Auris	



# TOYOTA Avensis (T22)

(97→03)

Car  
Division

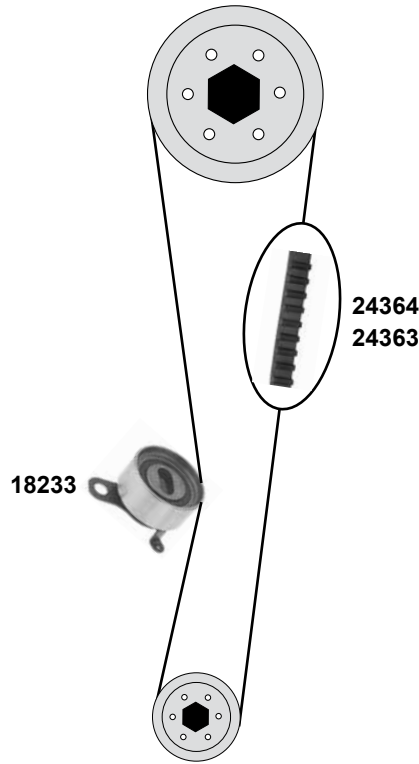
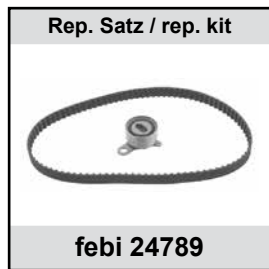
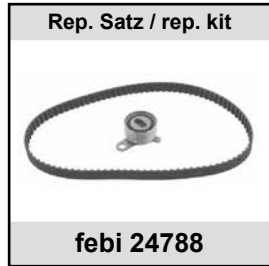


**1,6**

(4AFE)

**1,8**

(7AFE)

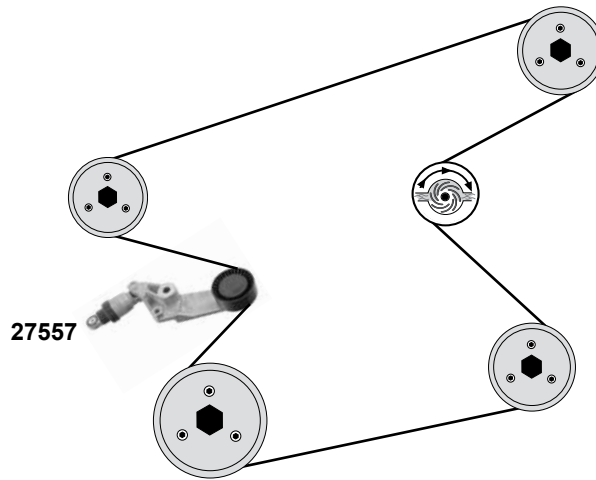


**1,6**

(1ZZFE)

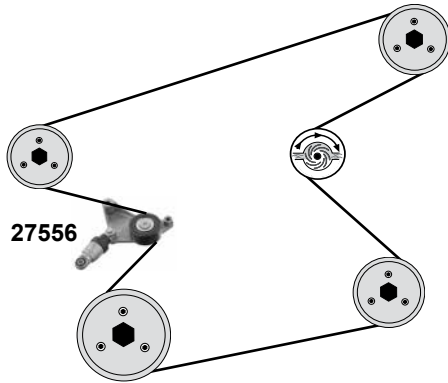
**1,8**

(1ZZFE)

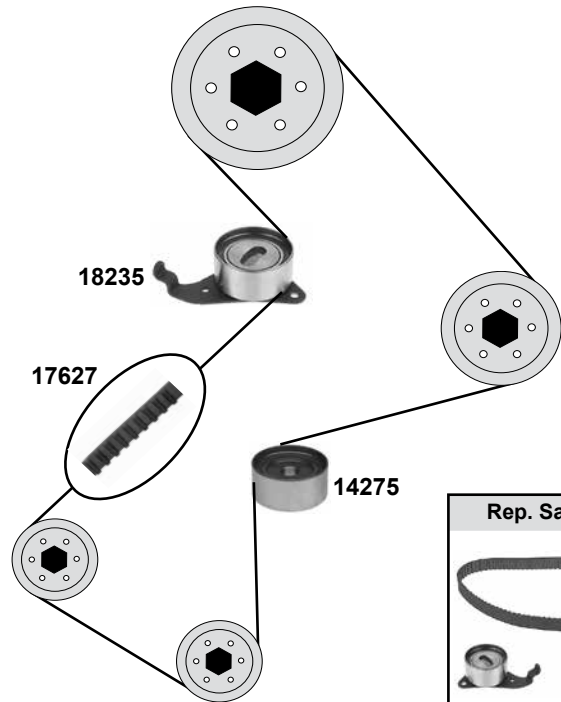


	Ref. - No.			
18233	13505-15060	Spannrolle / tension roller		ØA 57 B25
24363	13568-09020	Zahnriemen / timing belt	(mot.) 1,6 10/97→07/00	Z 117 B21
24364	13568-09030	Zahnriemen / timing belt	(mot.) 1,8 10/97→07/00	Z 117 B21
24788	13568-09020 S1	Rep.Satz Zahnriemen / rep.kit timing belt	(mot.) 1,6 10/97→07/00	Z 117 B21
24789	13568-09030S1	Rep.Satz Zahnriemen / rep.kit timing belt	(mot.) 1,8 10/97→07/00	Z 121 B21
27557	16620-22013	Spannrolle / tension roller	07/00→01/03	A 70 B26

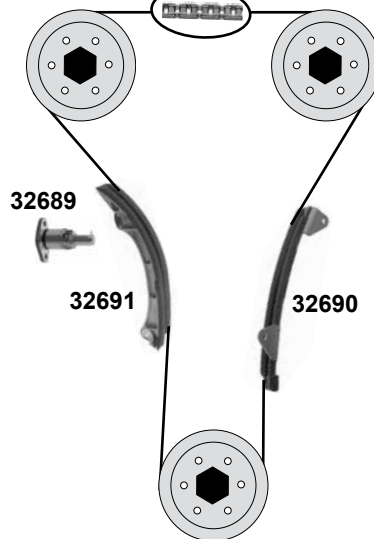
**2,0 16V**  
(1AZFSE)



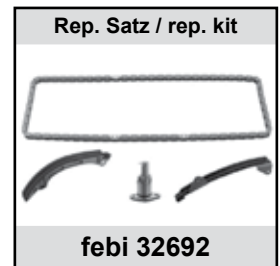
**2,0 16V**  
(3SFE)



**31006**



**(ZZT220,221,230)**  
**1,6 / 1,8 16V**  
(3ZZFE, 1ZZFE)

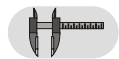


(1) Modell: (ZZT220,221) 07/00→01/03

Modell: (ZZT250/251) 01/03→04.06



Ref. - No.



<b>14275</b>	13503-63011	Umlenkrolle / deflection pulley		ØA 57,5 B29
<b>17627</b>	13568-09041	Zahnriemen / timing belt		Z 163 B26,7
<b>18235</b>	13505-74011	Spannrolle / tension roller		ØA 57,5 B29
<b>24790</b>	13568-09041S1	Rep. Satz Zahnriemen / rep. kit timing chain		Z 163 B26,7
<b>27556</b>	16620-28070	Riemenspanner / belt tensioner	07/00→01/03	ØA 70 B31,5
<b>31006</b>	13506-22030	Steuerkette / timing chain	(1)	
<b>32689</b>	13540-22022	Kettenspanner / chain tensioner	(1)	130 E
<b>32690</b>	13561-22020	Gleitschiene / sliding rail	(1)	
<b>32691</b>	13559-22011	Führungsschiene / timing chain guide	(1)	
<b>32692</b>	13506-22030 S1	Rep. Satz Steuerkette / rep. kit timing chain	(1)	

**TOYOTA**

**Avensis (T25) / Avensis Verso (M20)**

(06/07→03/07) (01→)

Car  
Division

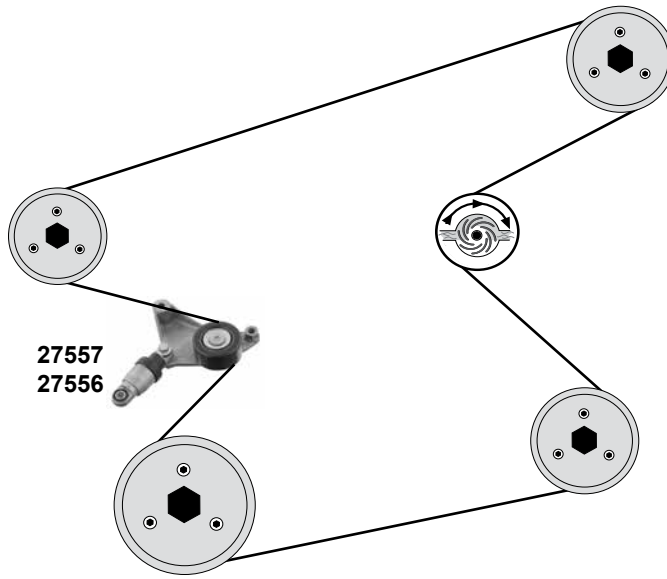


**1,6 / 1,8**

(1ZZFE / 3ZZFE)

**2,0 16V**

(1AZFSE)

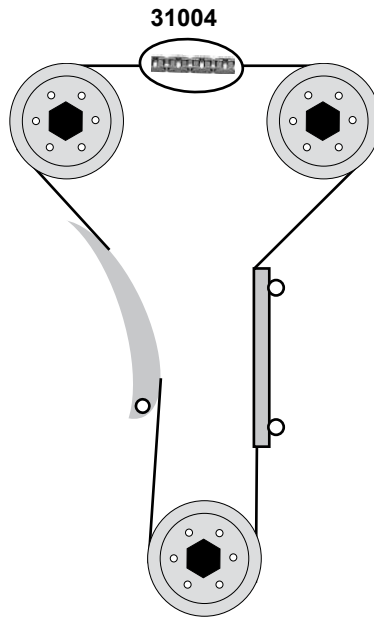


**Aygo (KGB10)**

(02/05→)

**1,0**

(1KRFE)



(1) Avensis (T25) (mot.) 2,0→03/07 / Avensis Verso (M20) (mot.) 2,0 05/01→03/07

(2) Avensis (T25) (mot.) 1,6 / 1,8 01/03→



Ref. - No.



**27556**

16620-28070

Riemenspanner / belt tensioner

(1)

ØA 70 B31,5

**27557**

16620-22013

Spannrolle / tension roller

(2)

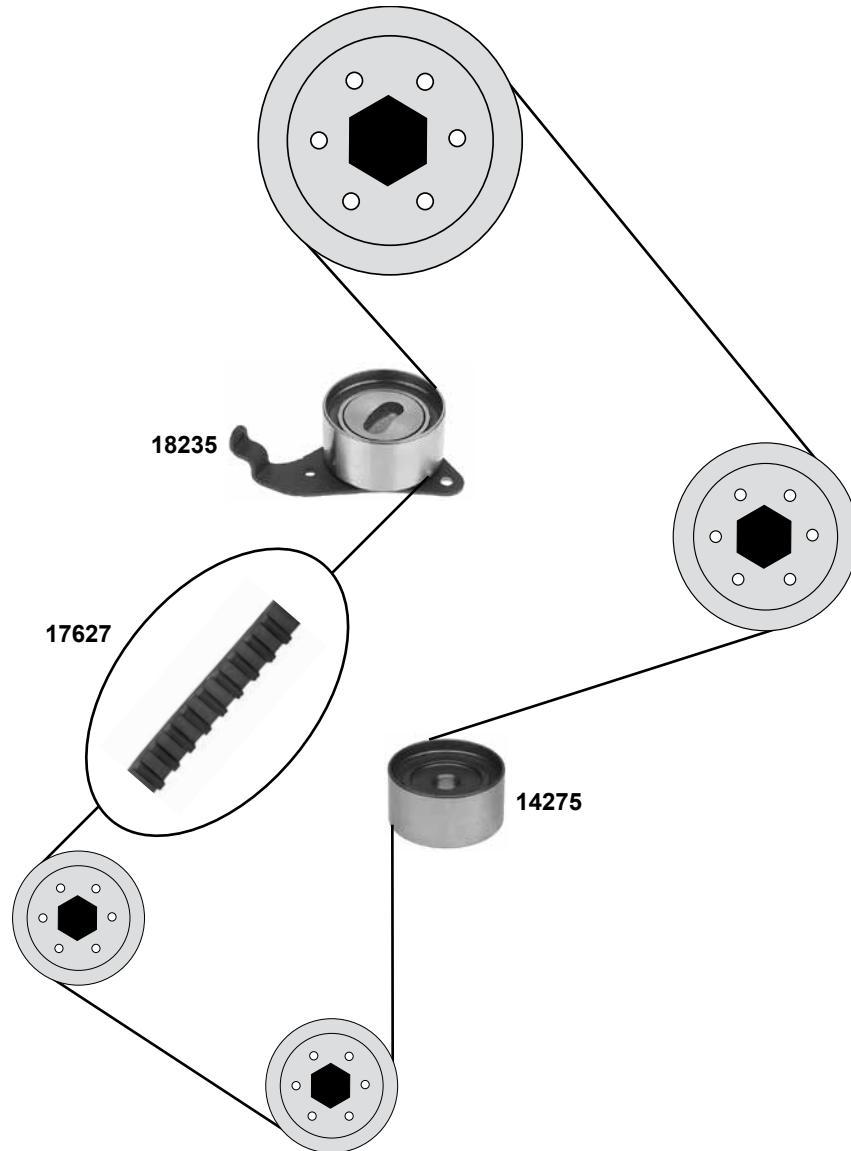
ØA 70 B26

**31004**

13506-0Q010

Steuerkette / timing chain

Z 94 B19

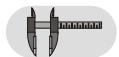


**(1)** 2,2 16V (mot.) **5FSE** Modell: (V10) 91→96  
Modell: (V20) 96→01

**(2)** 2,0 16V (mot.) **3FSE** Modell: (V2) 86→91  
2,2 16V (mot.) **5FSE** Modell: (V10) 91→96  
2,2 16V (mot.) **5FSE** Modell: (V20) 96→01



Ref. - No.



**14275**  
**17627**  
**18235**  
**24790**

13503-63011  
13568-09041  
13505-74011  
13568-0941S1

Umlenkrolle / deflection pulley  
Zahnriemen / timing belt  
Spannrolle / tension roller  
Rep. Satz Zahnriemen / rep. kit timing chain

**(2)**  
**(1)**  
**(2)**  
**(ex.) Mod. V2 / (mot.) 3FSE**

ØA 57,5 B29  
Z 163 B26,7  
ØA 57,5 B29

# TOYOTA

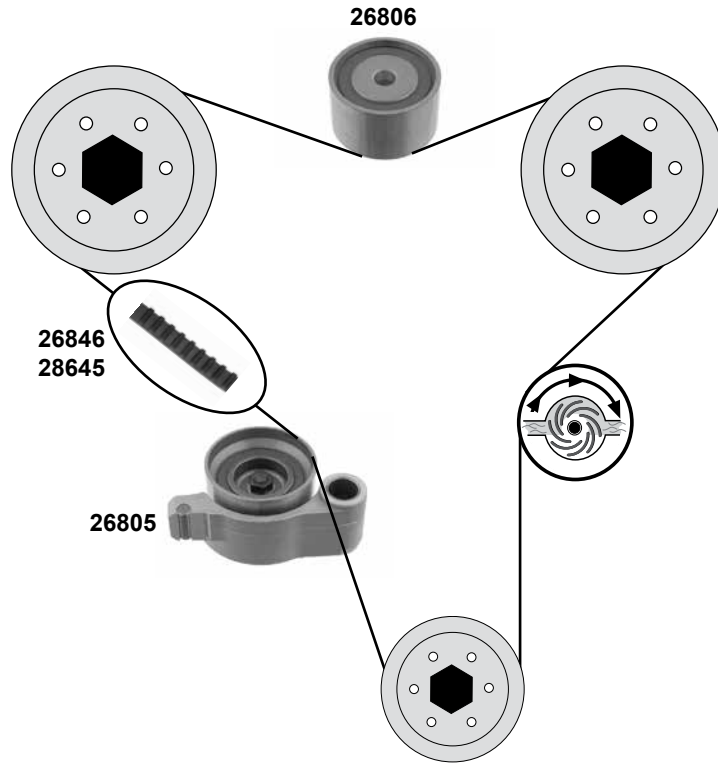
## Camry (V10/V20/V21/V30/V31/V36/V40/V41)

(91→06)

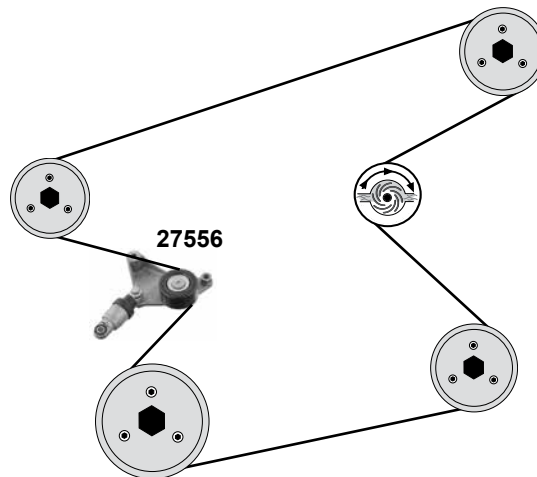
Car  
Division



- 2,5** (2VZFE)
- 3,0** (1MZFE / 3VZFE)
- 3,3** (3MZFE)



- 2,0** (1AZFE)
- (V30/V31)**
- 07/01→
- 2,4** (2AZFE)
- (V36)** 08/02→
- (V40/V41)** 05/06→03/07



(1) Modell ( MCV/V10 ) (mot.) **1MZFE** 09/93→07/96  
 Modell ( MCV/V20 ) (mot.) **1MZFE** 08/96→09/01  
 Modell ( MCV/V31 ) (mot.) **3MZFE** 07/01→01/06  
 Modell ( MCV/V30/36 ) (mot.) **1MZFE** 08/01→01/06

(2) Modell ( MCV10 ) (mot.) **3VZFE** 06/91→08/96  
 Modell ( V21 ) (mot.) **2VZFE** 06/91→09/91

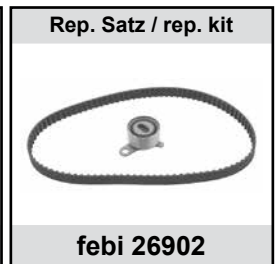
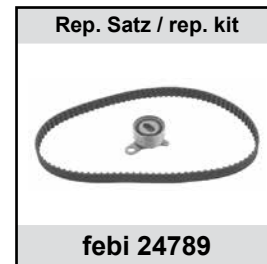
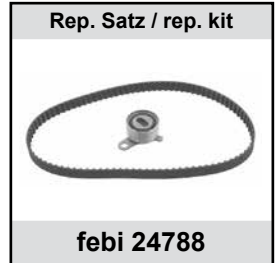
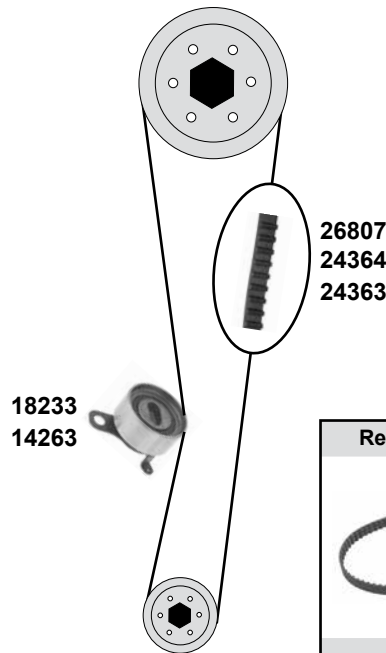


Ref. - No.

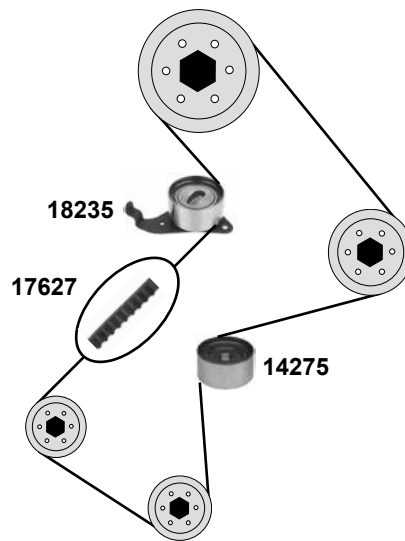


<b>26805</b>	13505-20030	Spannrolle / tension roller	(1) (2)	ØA 62 B36,5
<b>26806</b>	13503-62030	Umlenkrolle / deflection pulley	(1) (2)	ØA 62 B36,5
<b>26845</b>	13568-29025	Zahnriemen / timing belt	(1)	Z 211 B32
<b>26846</b>	13568-62030	Zahnriemen / timing belt	(1) (2)	Z 191 B32
<b>27556</b>	16620-28070	Riemenspanner / belt tensioner		ØA 70 B31,5

**1,6 (4AF / 4AFE)**  
**1,8 (7AFE)**



**2,0 16 V**  
**(3SFE)**



- (1) Modell: T17 87→92  
Modell: T19 92→97
- (2) (mot.) 1,6 12/92→10/97  
(mot.) 1,8 10/94→10/97



Ref. - No.



Ref. - No.	Description	Quantity	Part Number
14263	Spannrolle / tension roller	(mot.) 1,6→11/92	ØA 52 B23
14275	Umlenkrolle / deflection pulley	(1)	ØA 57,5 B29
17627	Zahnriemen / timing belt	(1)	Z 163 B26,7
18233	Spannrolle / tension roller	(2)	ØA 57 B25
18235	Spannrolle / tension roller	(1)	ØA 57,5 B29
24363	Zahnriemen / timing belt	(mot.) 1,6 12/92→10/97	Z 117 B21
24364	Zahnriemen / timing belt	(mot.) 1,8 10/94→10/97	Z 117 B21
24788	Rep.Satz Zahnriemen / rep.kit timing belt	(mot.) 1,6 12/92→10/97	Z 117 B21
24789	Rep.Satz Zahnriemen / rep.kit timing belt	(mot.) 1,8 10/94→10/97	Z 121 B21
24790	Rep.Satz Zahnriemen / rep.kit timing belt	(1)	
26807	Zahnriemen / timing belt	(mot.) 1,6→11/92	Z 94 B19
26902	Rep.Satz Zahnriemen / rep.kit timing belt	(mot.) 1,6→11/92	Z 94 B19

# TOYOTA

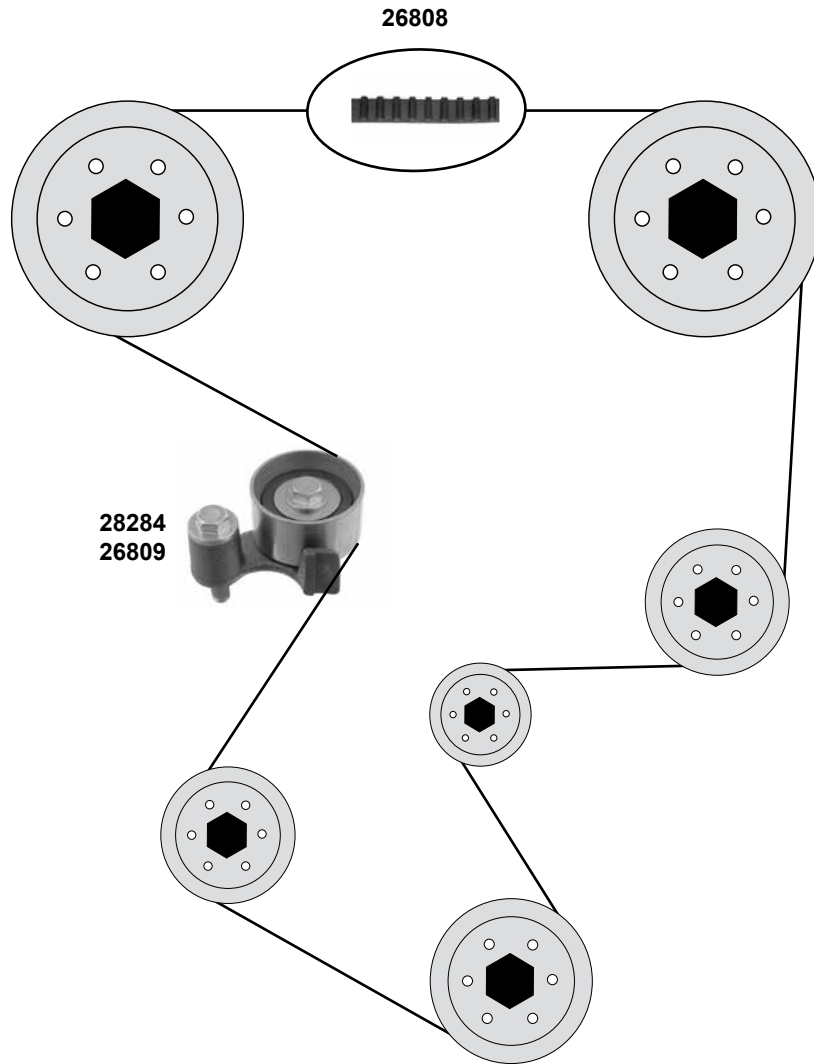
## Carina ( T19 )

(05/92→01/96)

Car  
Division



**2,0 16 V**  
(3SGE)



Ref. - No.



**26808**  
**26809**  
**28284**

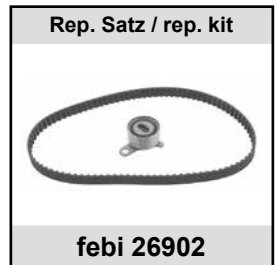
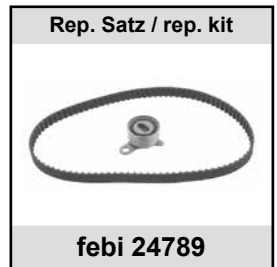
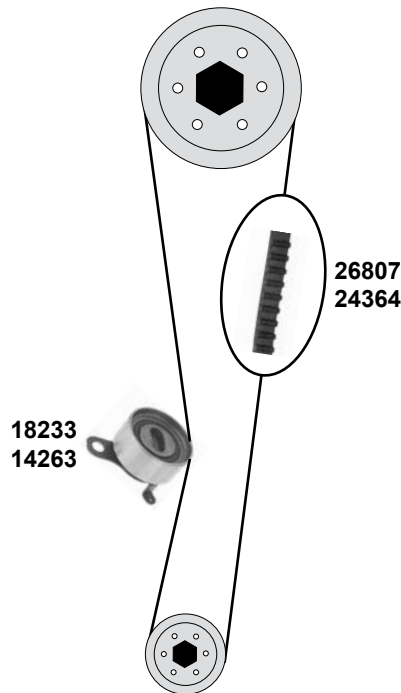
13568-79045  
13505-88383  
13505-88480

Zahnriemen / timing belt  
Spannrolle / tension roller  
Spannrolle / tension roller

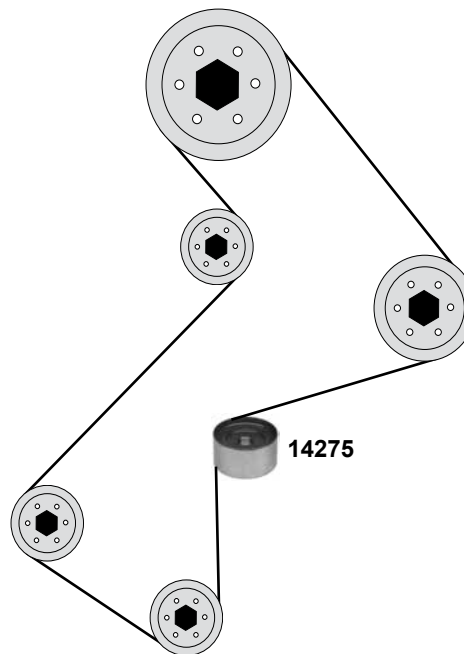
05/92→02/94  
05/92→02/94  
02/94→

Z 178 B25,4  
ØA 57,5 B30  
ØA 57,5 B29

**1,6** (4AF / 4AFE)  
**1,8** (7AFE)



**2,0 16 V**  
(3SG)



	Ref. - No.			
<b>14263</b>	13505-15041	Spannrolle / tension roller	(mot.) 1,6 11/89→11/93	ØA 52 B23
<b>14275</b>	13503-63011	Umlenkrolle / deflection pulley		ØA 57,5 B29
<b>18233</b>	13505-15060	Spannrolle / tension roller	(mot.) 1,8 09/93→08/99	ØA 57 B25
<b>24364</b>	13568-09030	Zahnriemen / timing belt	(mot.) 1,8 09/93→08/99	Z 121 B21
<b>24789</b>	13568-09030S1	Rep.Satz Zahnriemen / rep.kit timing belt	(mot.) 1,8 09/93→08/99	Z 121 B21
<b>26807</b>	13568-19135	Zahnriemen / timing belt	(mot.) 1,6 11/89→11/93	Z 94 B19
<b>26902</b>	13568-19135 S1	Rep.Satz Zahnriemen / rep.kit timing belt	(mot.) 1,6 11/89→11/93	Z 94 B19



# TOYOTA

## Celica (T16 / T18)

(85→93)

Car  
Division



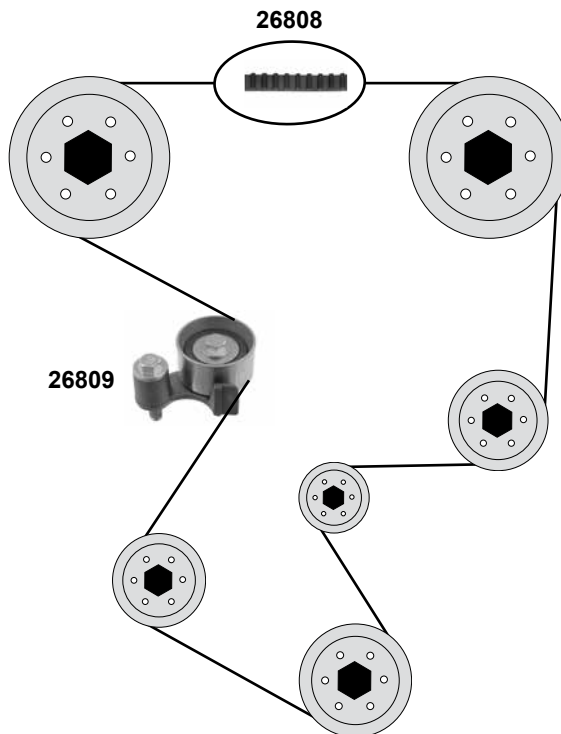
### 2,0

(3SGEL / 3SGELC) 08/85→08/89

(3SGE Turbo) 08/87→08/89

(3SGE) 10/89→11/93

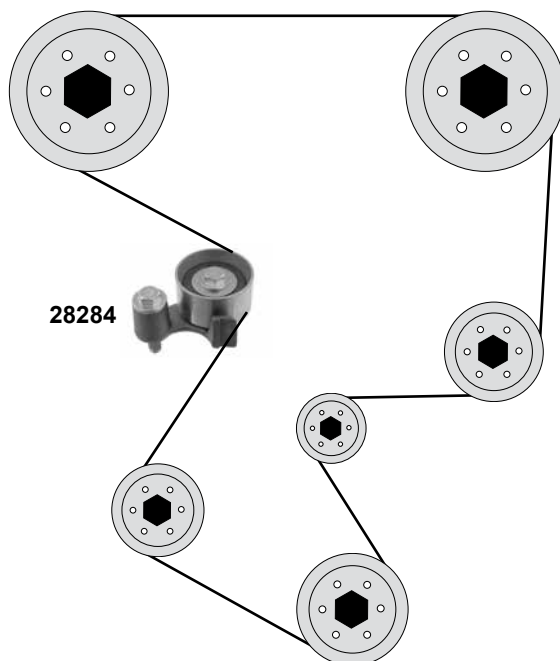
(3SGETE Turbo) 10/89→09/93



### Celica (T20)

(11/93→08/99)

(3SGETE Turbo)



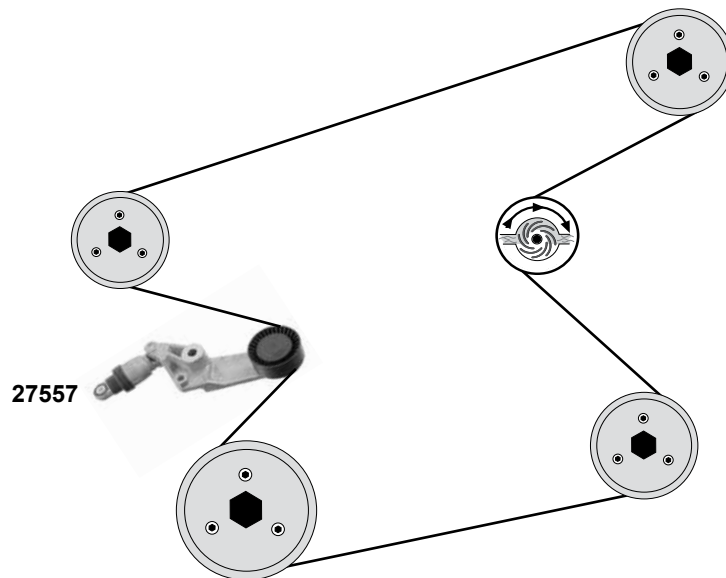
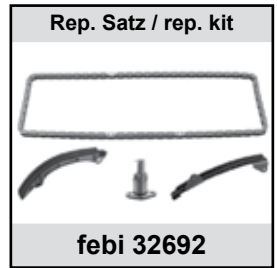
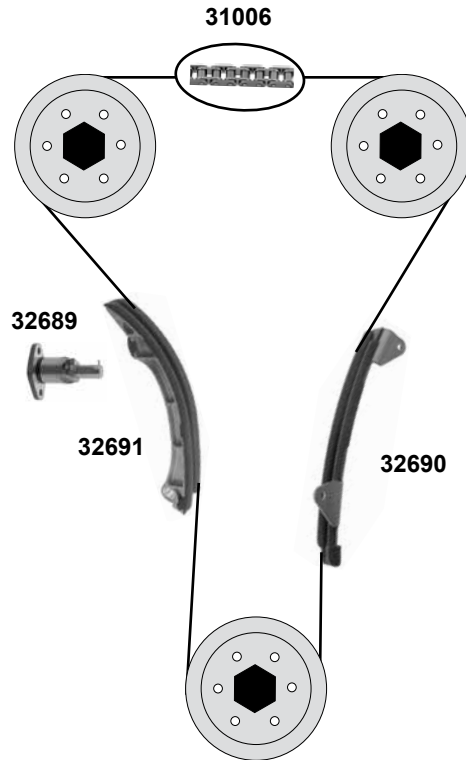
Ref. - No.



26808	13568-79045
26809	13505-88383
28284	13505-88480

Zahnriemen / timing belt
Spannrolle / tension roller
Spannrolle / tension roller

Z 178 B25,4
ØA 57,5 B30
ØA 57,5 B29



	Ref. - No.			
<b>27557</b>	16620-22013	Spannrolle / tension roller	08/99→	ØA 70 B26 130 E
<b>31006</b>	13506-22030	Steuerkette / timing chain	08/99→09/05	
<b>32689</b>	13540-22022	Kettenspanner / chain tensioner	08/99→09/05	
<b>32690</b>	13561-22020	Gleitschiene / sliding rail	08/99→09/05	
<b>32691</b>	13559-22011	Führungsschiene / timing chain guide	08/99→09/05	
<b>32692</b>	13506-22030 S1	Rep. Satz Steuerkette / rep. kit timing chain	08/99→09/05	

# TOYOTA

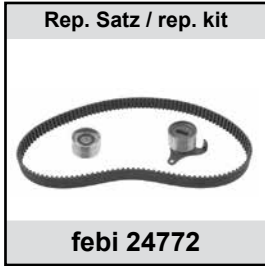
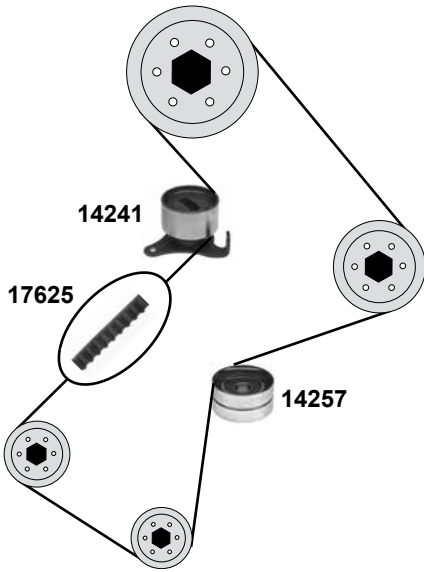
## Corolla (E8 / E9 / E10)

(84→97)

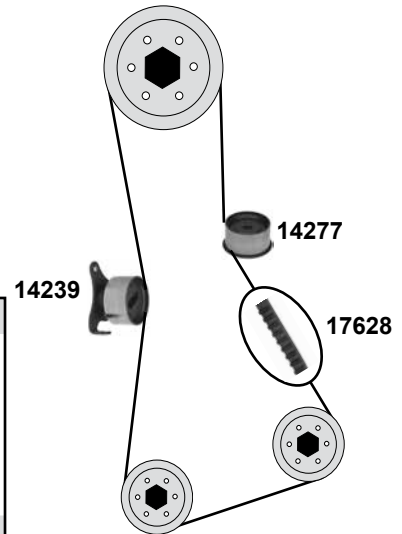
Car  
Division



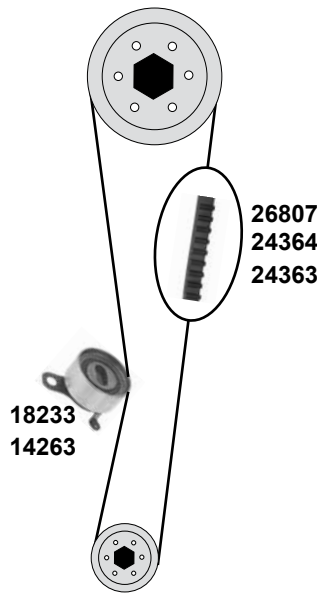
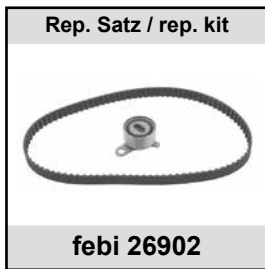
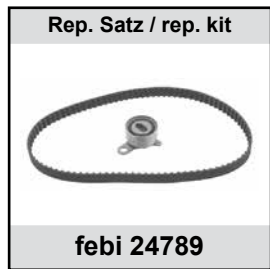
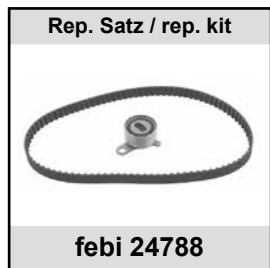
### 1,3 12V (2E)



### 1,3 16V (4EFE)



### 1,6 (4AF / 4AFE) 1,8 (7AFE)



(1) E9 (mot.) 1,6 05.87→04.92 / Wagon 05.87→08.95

(2) E10 (mot.) 4AF 1,6 09.92→/ (mot.) 4AFE 1,6 05.92→10.97 / (mot.) 1,8 09.92→08.97 / Sprinter 02.94→05.96

(3) E8 10.84→08.87 / E9: 08.87→08.93 / E10 05.92→10.97

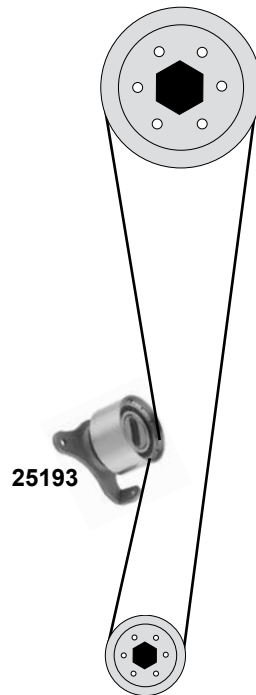


Ref. - No.



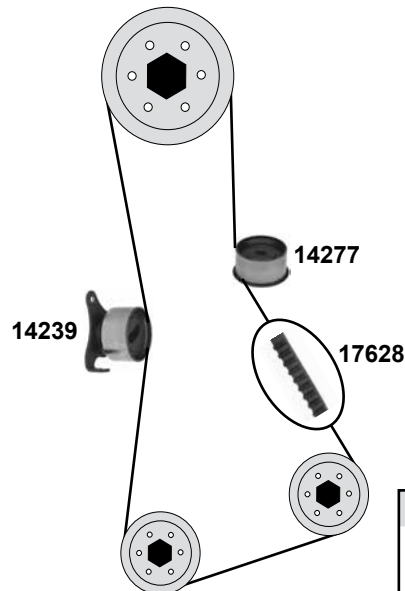
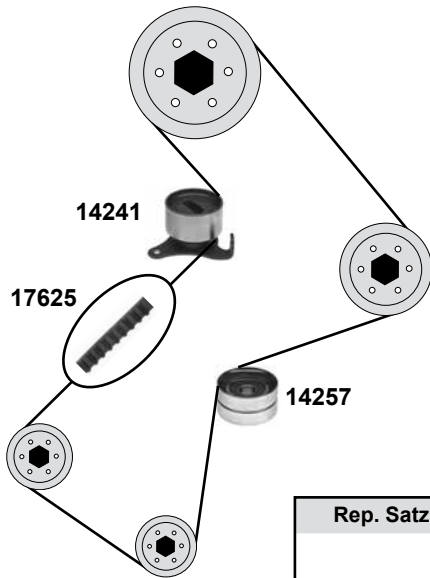
Ref. - No.	Description	Quantity	Part Number
14241	Spannrolle / tension roller	(3)	ØA 56 H29
14257	Umlenkrolle / deflection pulley	(3)	ØA 50,5 H27
14263	Spannrolle / tension roller	(1)	ØA 52 B23
17625	Zahnriemen / timing belt	(3)	Z 123 B24
18233	Spannrolle / tension roller	(2)	ØA 57 B25
24363	Zahnriemen / timing belt	(2)	Z 117 B21
24364	Zahnriemen / timing belt	(2)	Z 117 B21
24772	Rep. Satz Zahnriemen / rep. kit timing chain	(3)	Z 123 B24
24788	Rep. Satz Zahnriemen / rep. kit timing belt	(2)	Z 117 B21
24787	Rep. Satz Zahnriemen / rep. kit timing belt	E10 04/92→04/97	Z 124 B26
24789	Rep. Satz Zahnriemen / rep. kit timing belt	(2)	Z 121 B21
26807	Zahnriemen / timing belt	(1)	Z 94 B19
26902	Rep. Satz Zahnriemen / rep. kit timing belt	(1)	Z 94 B19

**1,3 12 V**  
(2 E-L)



**Corolla (E11)**  
(97→02)  
**1,3 16 V**  
(4EFE)

**1,3 12 V**  
(2E)



Ref. - No.



<b>14239</b>	13505-11040	Spannrolle / tension roller		ØA 56 H29
<b>14277</b>	13503-11030	Umlenkrolle / deflection pulley		ØA 54 H29,5
<b>17628</b>	13568-19106	Zahnriemen / timing belt		Z 124 B26
<b>24772</b>	13569-19025S1	Rep. Satz Zahnriemen / rep. kit timing chain	→09/01	Z 123 B24
<b>24787</b>	13568-19106S1	Rep. Satz Zahnriemen / rep. kit timing belt		Z 124 B26
<b>25193</b>	13505-10010	Spannrolle / tension roller	→04/86	

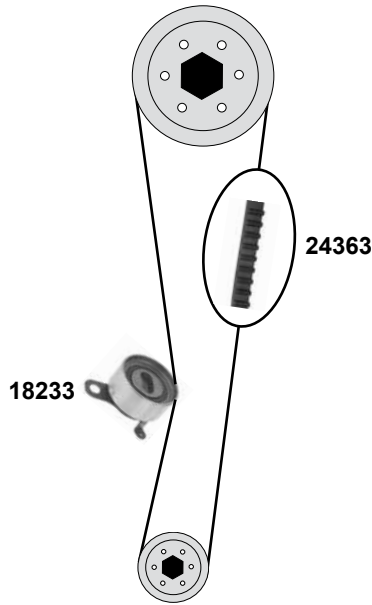
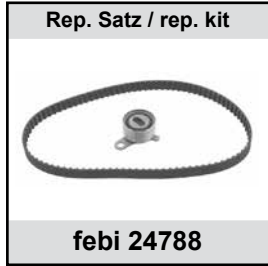
# TOYOTA Corolla (E11)

(97→02)

Car  
Division

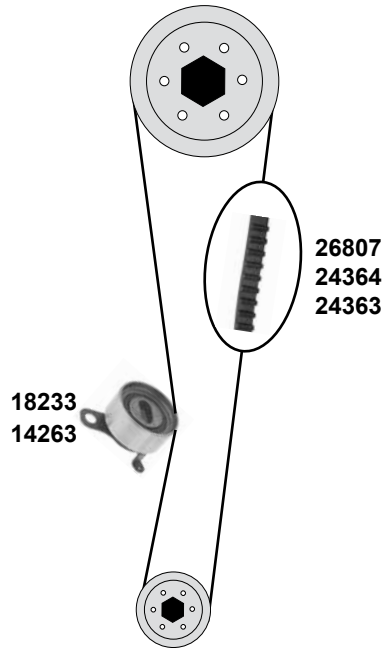
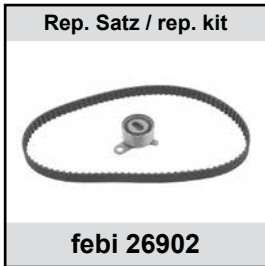
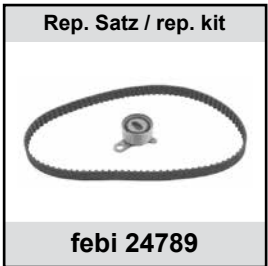
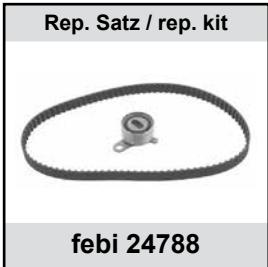


**1,5 16V**  
(5AFE)



**1,6** (4AF / 4AFE)

**1,8** (7AFE)



(1) (mot.) 5AFE 1,5 05/95→10/97 / (mot.) 4AF 1,6 04/97→10/99 / (mot.) 4AFE 1,6 05/95→09/01  
(mot.) 1,8 04/97→07/02 / Sprinter 02/94→05/96

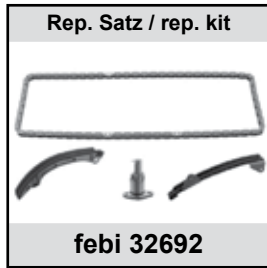
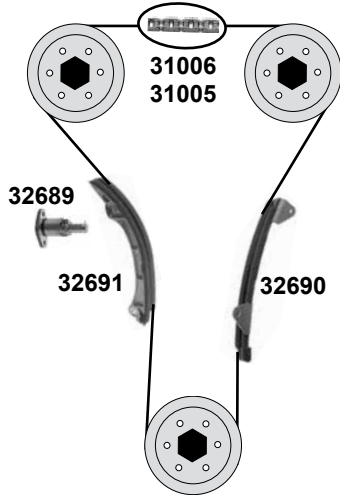


Ref. - No.

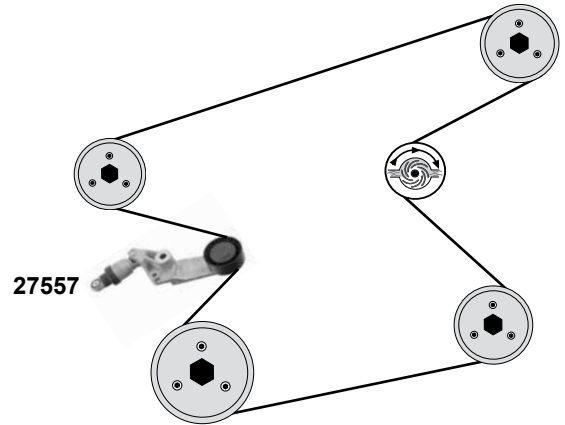


14263	13505-15041	Spannrolle / tension roller	(1)	ØA 52 B23
18233	13505-15060	Spannrolle / tension roller	(1)	ØA 57 B25
24363	13568-09020	Zahnriemen / timing belt	(1)	Z 117 B21
24364	13568-09030	Zahnriemen / timing belt	(1)	Z 117 B21
24788	13568-09020 S1	Rep.Satz Zahnriemen / rep.kit timing belt	(1)	Z 117 B21
24789	13568-09030S1	Rep.Satz Zahnriemen / rep.kit timing belt	(1)	Z 121 B21
26807	13568-19135	Zahnriemen / timing belt	(1)	Z 94 B19
26902	13568-19135 S1	Rep.Satz Zahnriemen / rep.kit timing belt	(1)	Z 94 B19

### 1,4 / 1,6 / 1,8 16V

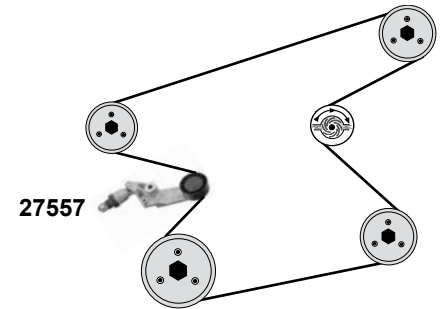
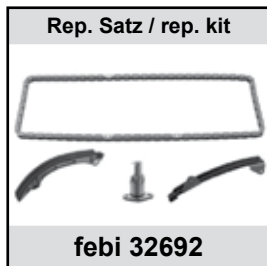
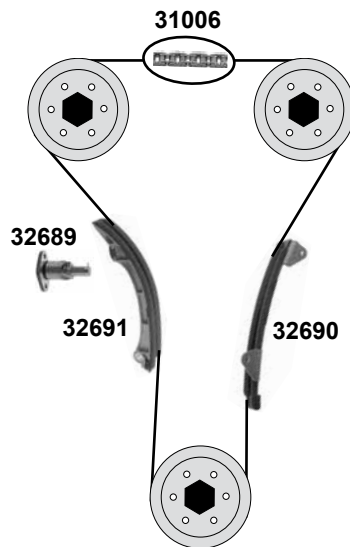


### 1,6 (3ZZFE) 10/99→01/02 1,8 (1ZZFE) 08/97→01/02



## Corolla / Corolla Verso

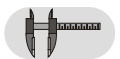
(02→)



	(1) Corolla	1,4 16V	Modell ZZE150	(mot.) 4ZZFE	11.06→02.09
		1,4/1,6 16V	Modell ZZE111,112	(mot.) 4ZZFE/3ZZFE	10.99→10.01
		1,4/1,6 16V	Modell ZZE120,121	(mot.) 4ZZFE/3ZZFE	10.01→10.06
		1,8 16V	Modell ZZE110	(mot.) 1ZZFE	08.99→01.02
		1,8 16V	Modell ZZE122,130,134	(mot.) 1ZZFE	10.01→05.07
		1,8 16V	Modell ZZE142	(mot.) 1ZZFE/ZZFBE	03.08→
	Corolla verso	1,6/1,8 16V	Modell ZZE121,122	(mot.) 1ZZFE/3ZZFE	09.01→01.04
		1,6/1,8 16V	Modell ZNR10,11	(mot.) 1ZZFE/3ZZFE	02.04→
	(2) Corolla	1,6 16V	Modell ZRE120	(mot.) 1ZRFE	05.07→
		1,6 16V	Modell ZRE151	(mot.) 1ZRFE	11.06→
1,8 16V		Modell ZRE142	(mot.) 2ZRFE	12.07→	
1,8 16V		Modell ZRE152	(mot.) 2ZRFE	05.07→	



Ref. - No.



27557	16620-22013	Spannrolle / tension roller		ØA 70 B26
31005	13506-37010	Steuerkette / timing chain	(2)	140 E
31006	13506-22030	Steuerkette / timing chain	(1)	130 E
32689	13540-22022	Kettenspanner / chain tensioner	(1)	
32690	13561-22020	Gleitschiene / sliding rail	(1)	
32691	13559-22011	Führungsschiene / timing chain guide	(1)	
32692	13506-22030 S1	Rep. Satz Steuerkette / rep. kit timing chain	(1)	

passend für / to fit

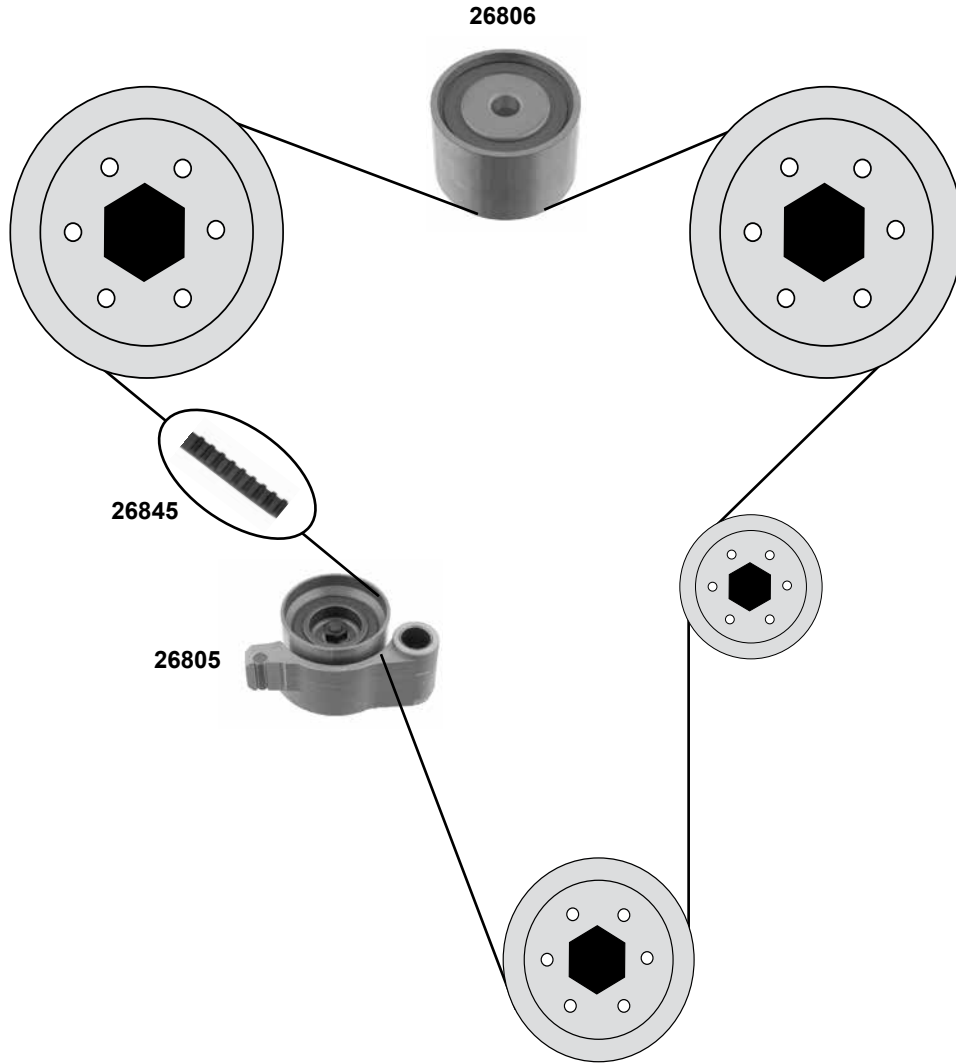
# TOYOTA Highlander (U2)

(11/00→)

Car  
Division



**3,0 / 3,3 24 V**  
(1MZFE / 3MZFE)



Ref. - No.

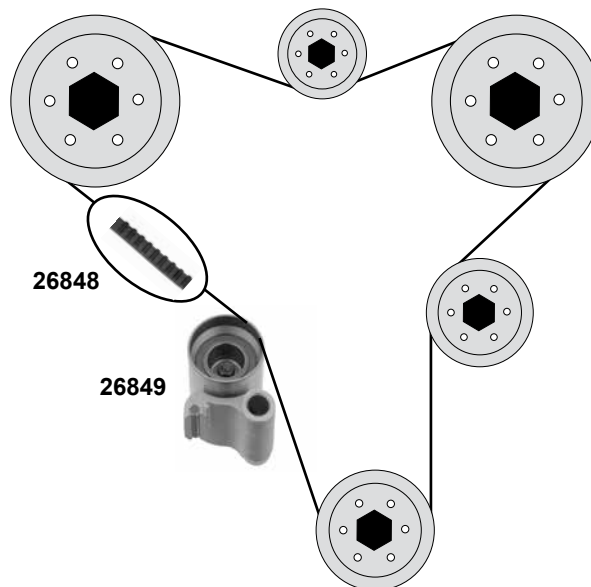
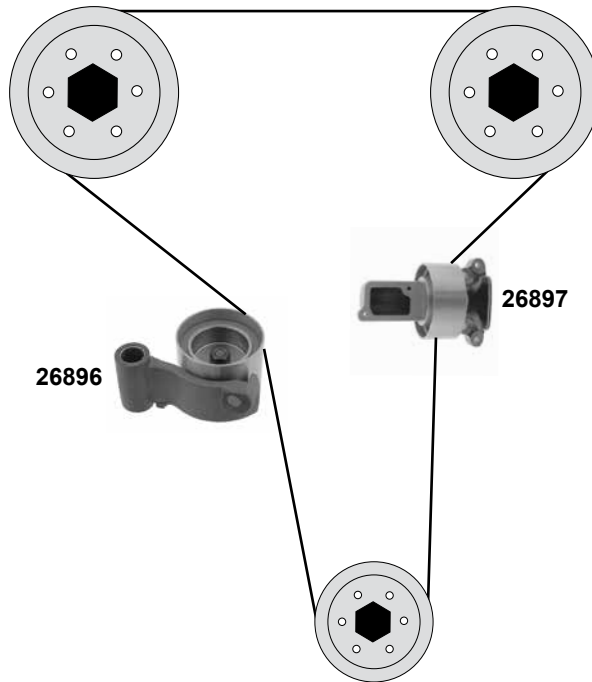


**26805** 13505-20030  
**26806** 13503-62030  
**26845** 13568-29025

Spannrolle / tension roller  
Umlenkrolle / deflection pulley  
Zahnriemen / timing belt

11/00→

ØA 62 B36,5  
ØA 62 B36,5  
Z211 B32



Ref. - No.



<b>26848</b>	13568-69095
<b>26849</b>	13505-62070
<b>26896</b>	13505-65040
<b>26897</b>	13503-65010

Zahnriemen / timing belt
Spannrolle / tension roller
Spannrolle / tension roller
Umlenkrolle / deflection pulley

Z 191 B36
ØA 62 B40,5
ØA 62 B40
ØA 93 B40



passend für / to fit

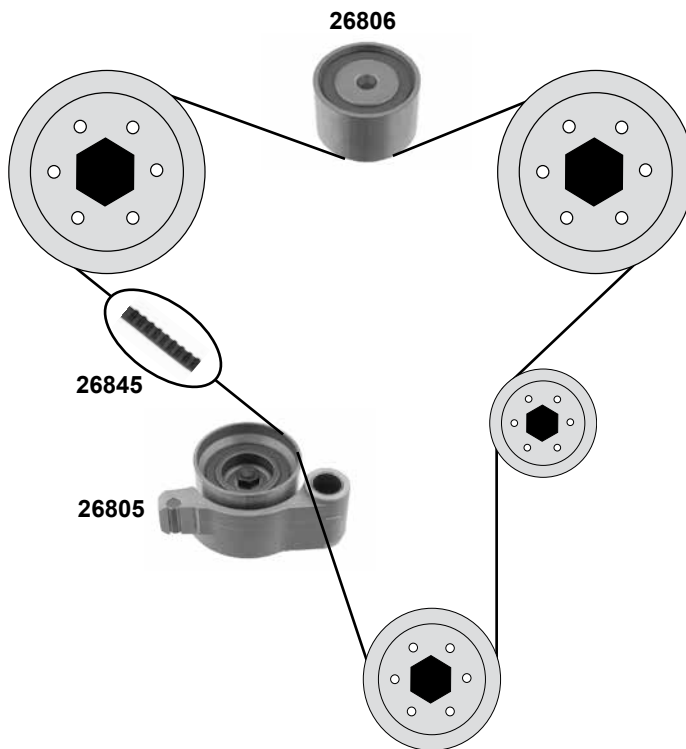
# TOYOTA Kluger (U28)

(08/03→)

Car  
Division



**3,3 24 V**  
(3MZFE)



Ref. - No.



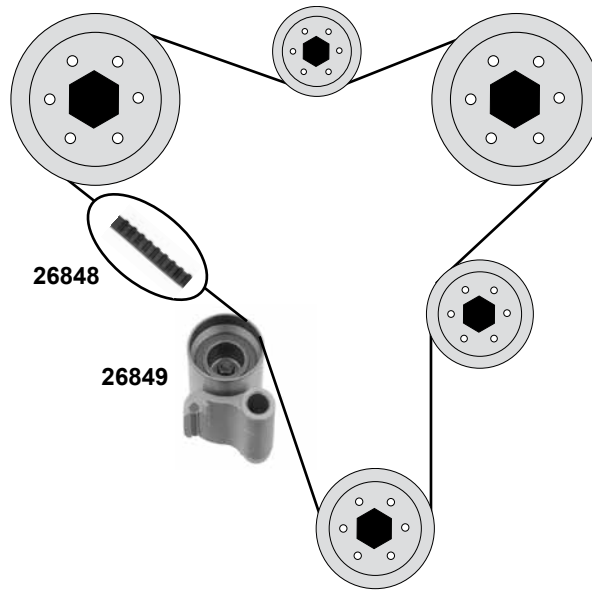
**26805** 13505-20030  
**26806** 13503-62030  
**26845** 13568-29025

Spannrolle / tension roller  
Umlenkrolle / deflection pulley  
Zahnriemen / timing belt

08/03→

ØA 62 B36,5  
ØA 62 B36,5  
Z211 B32

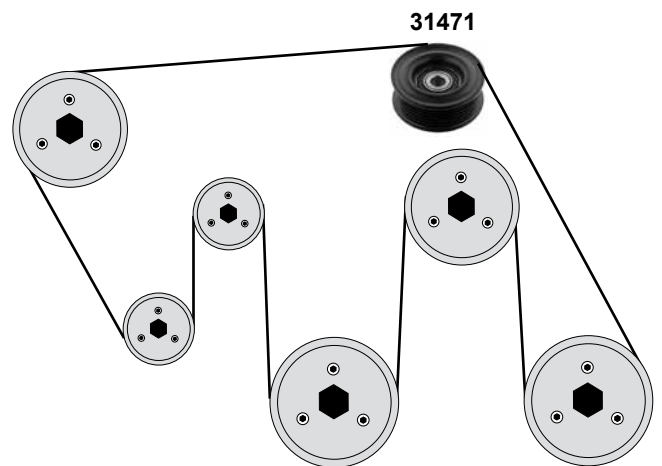
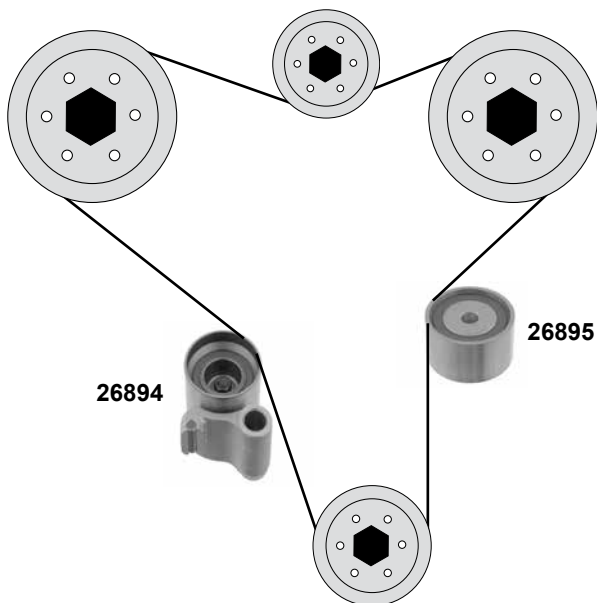
**3,4 24 V**  
(5VZFE)



## Land Cruiser 100 (UZJ)

(01/98→05/06)

**4,7 32 V**  
(2UZFE)



Ref. - No.



<b>26848</b>	13568-69095
<b>26849</b>	13505-62070
<b>26894</b>	13505-50030
<b>26895</b>	13503-50011
<b>31471</b>	16604-50030

Zahnriemen / timing belt
Spannrolle / tension roller
Spannrolle / tension roller
Umlenkrolle / deflection pulley
Umlenkrolle / deflection pulley

01/98→

Z 191 B36
ØA 62 B40,5
ØA 62 B37,5
ØA 66 B37,5
ØA 75 H29

passend für / to fit

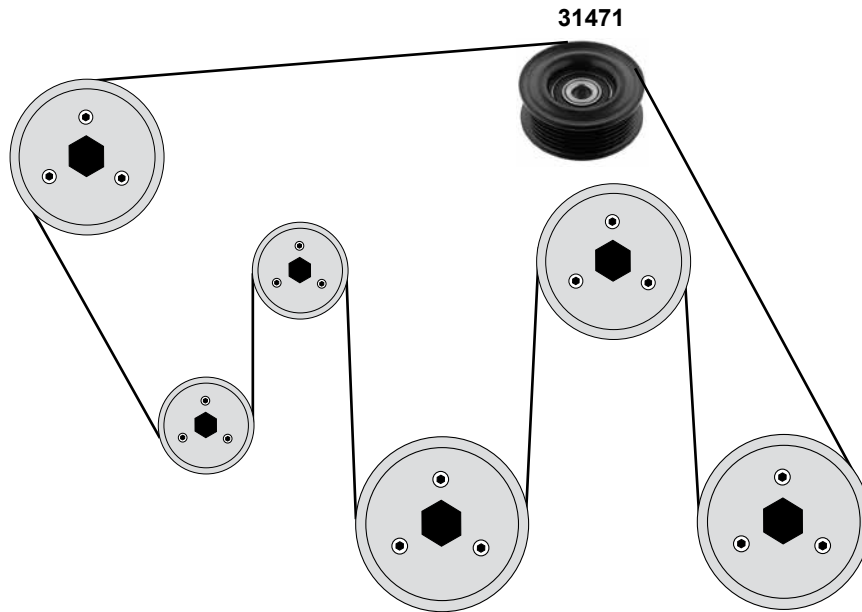
# TOYOTA Land Cruiser 200 (UZJ)

(09/07→)

Car  
Division



**4,7 32 V**  
(2UZFE)



Ref. - No.



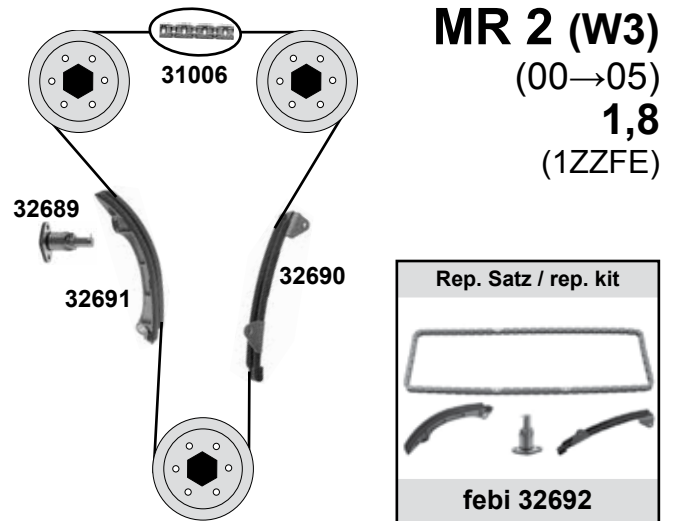
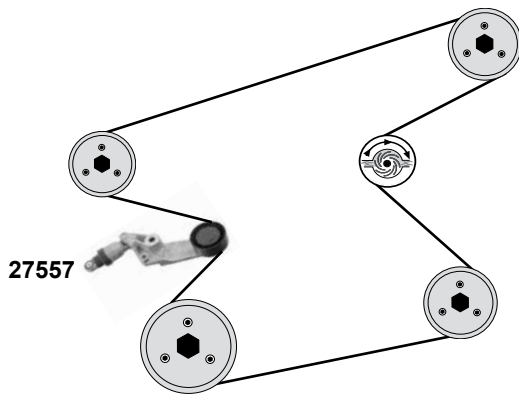
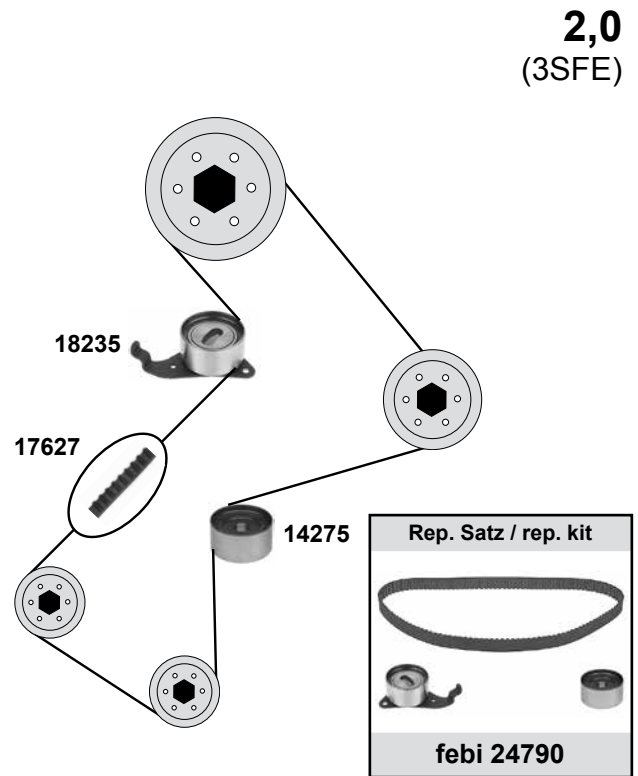
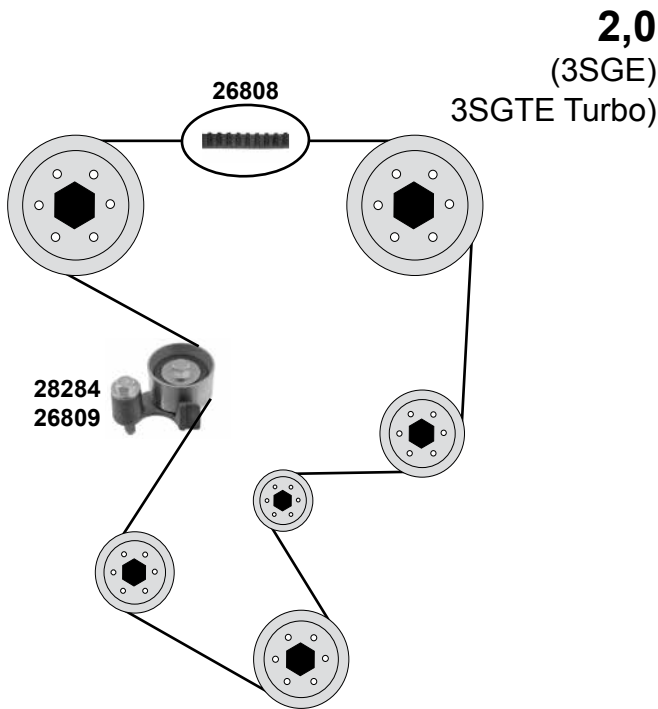
31471

16604-50030

Umlenkrolle / deflection pulley

01/98→

ØA 75 H29



- (1) (mot.) ( 3SGE ) 12/89 → 11/93 / (mot.) ( 3SGTE Turbo ) 01/90 → 06/95  
(2) (mot.) ( 3SGE ) 11/93 → 08/99



Ref. - No.



Ref. - No.	Description	Quantity	Dimensions
14275	Umlenkrolle / deflection pulley		ØA 57,5 B29
17627	Zahnriemen / timing belt		Z 163 B26,7
18235	Spannrolle / tension roller		ØA 57,5 B29
24790	Rep. Satz Zahnriemen / rep. kit timing chain		Z 163 B26,7
26808	Zahnriemen / Timing Belt	(1)	Z 178 B25,4
26809	Spannrolle / tension roller	(1)	ØA 57,5 B30
27557	Spannrolle / tension roller		ØA 70 B26
28284	Spannrolle / tension roller	(2)	ØA 57,5 B29
31006	Steuerkette / timing chain	12/99 → 09/05	
32689	Kettenspanner / chain tensioner	12/99 → 09/05	
32690	Gleitschiene / sliding rail	12/99 → 09/05	
32691	Führungsschiene / timing chain guide	12/99 → 09/05	
32692	Rep. Satz Steuerkette / rep. kit timing chain	12/99 → 09/05	

# TOYOTA

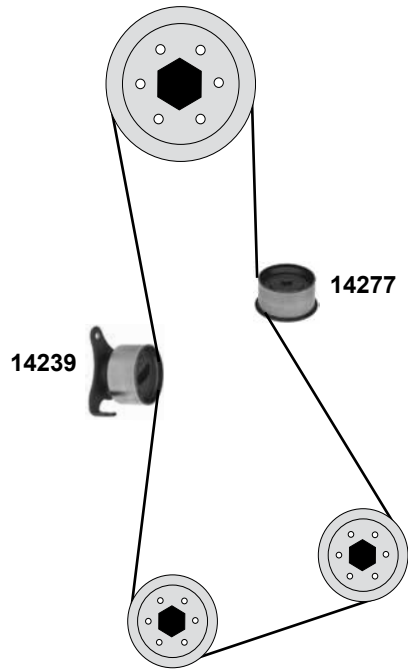
## Paseo

(95→99)

Car  
Division



### 1,5 16V

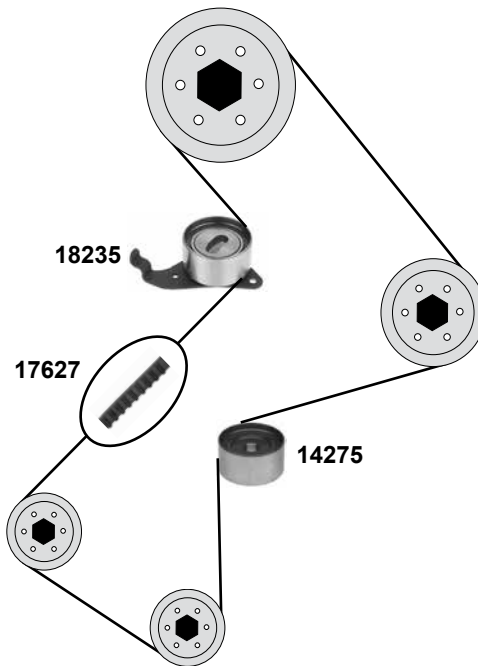


### Picnic (XM10)

(96→01)

### 2,0 16V

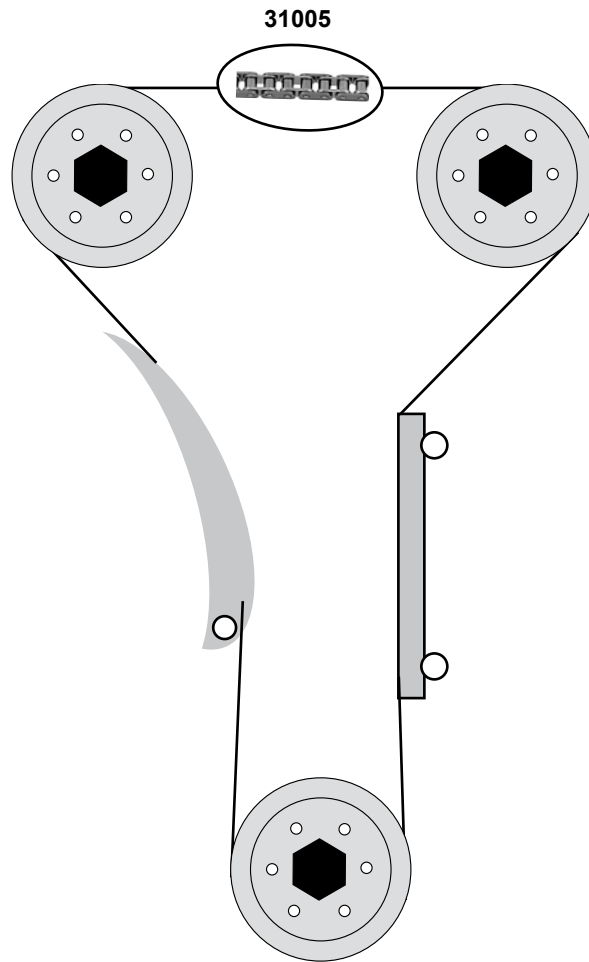
(3SFE)



Ref. - No.



14239	13505-11040	Spannrolle / tension roller	ØA 56 H29
14275	13503-63011	Umlenkrolle / deflection pulley	ØA 57,5 B29
14277	13503-11030	Umlenkrolle / deflection pulley	ØA 54 H29,5
17627	13568-09041	Zahnriemen / timing belt	Z 163 B26,7
18235	13505-74011	Spannrolle / tension roller	ØA 57,5 B29
24790	13568-09041 S1	Rep. Satz Zahnriemen / rep. kit timing chain	Z 163 B26,7



# TOYOTA RAV 4 I (SXA1)

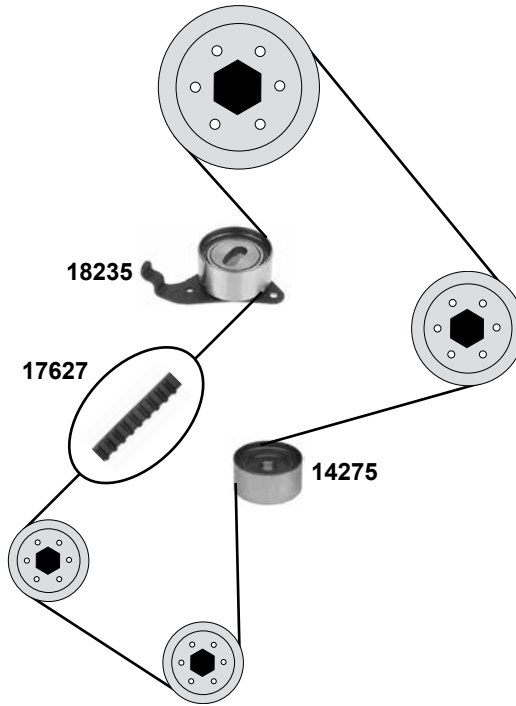
(94→00)

Car  
Division



**2,0**

(3SFE)

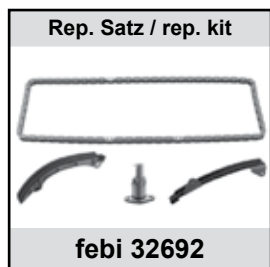
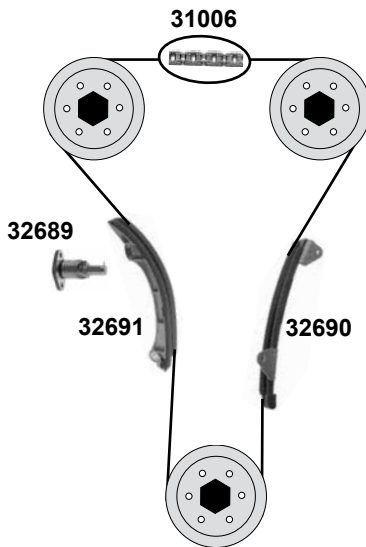


# RAV 4 II (ACA / CLA / ZCA)

(00→)

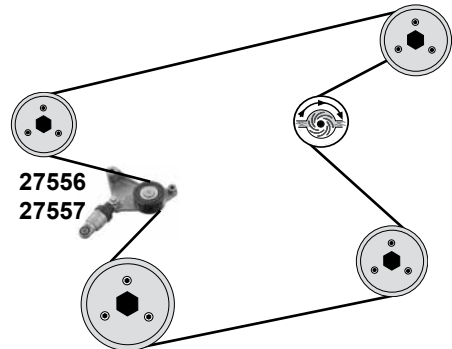
**1,8**

(1ZZFE)



**1,8 / 2,0 / 2,4**

(1ZZFE / 1AZFE / 2AZFE)

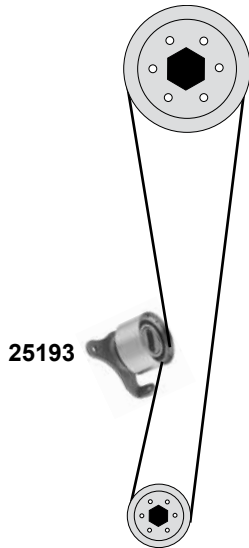


Ref. - No.

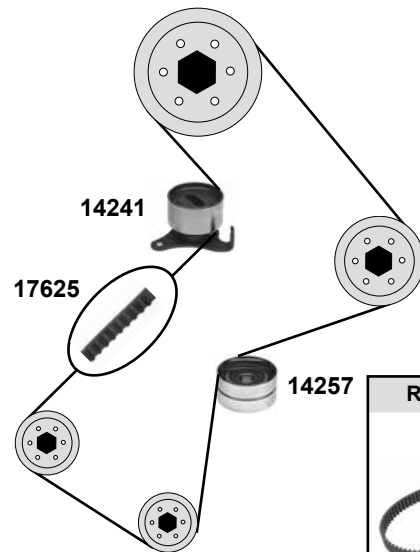


14275	13503-63011	Umlenkrolle / deflection pulley		ØA 57,5 B29
17627	13568-09041	Zahnriemen / timing belt		Z 163 B26,7
18235	13505-74011	Spannrolle / tension roller		ØA 57,5 B29
24790	13568-09041S1	Rep. Satz Zahnriemen / rep. kit timing chain		Z 163 B26,7
27556	16620-28070	Riemenspanner / belt tensioner	(mot.) 2AZFE	ØA 70 B31,5
27557	16620-22013	Spannrolle / tension roller	(mot.) 1ZZFE	ØA 70 B26
31006	13506-22030	Steuerkette / timing chain	05/00→11/05	
32689	13540-22022	Kettenspanner / chain tensioner	05/00→11/05	130 E
32690	13561-22020	Gleitschiene / sliding rail	05/00→11/05	
32691	13559-22011	Führungsschiene / timing chain guide	05/00→11/05	
32692	13506-22030 S1	Rep. Satz Steuerekette / rep. kit timing chain	05/00→11/05	

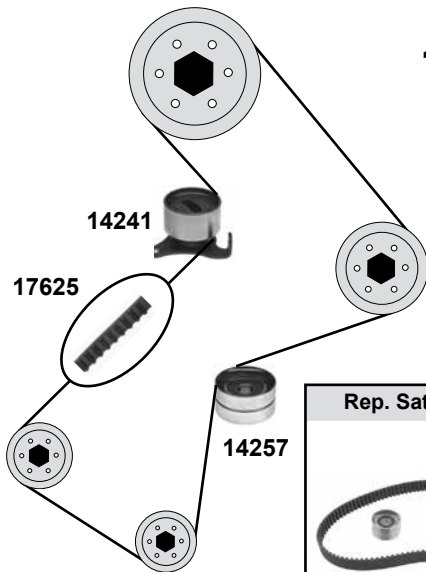
**1,0 / 1,3 (EP70/71)**  
(10/84→04/86)  
(1E-L / 2E-L)



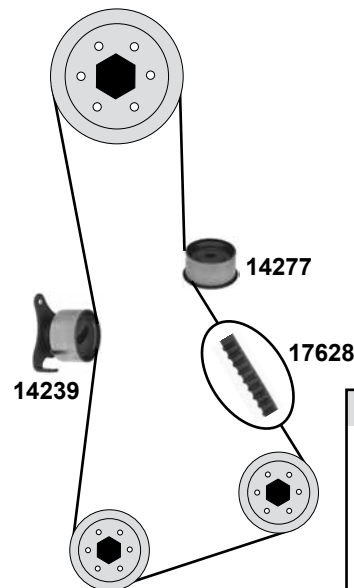
**1,0 / 1,3**



**1,3 12V**



**(EP91)**  
(96→)  
**1,3 16V**



(1) EP81 05.92→01.96  
EP90 01.96→07.99



Ref. - No.



<b>14239</b>	13505-11040	Spannrolle / tension roller		ØA 56 B29
<b>14241</b>	13505-11011	Spannrolle / tension roller	(1)	ØA 50 B27
<b>14257</b>	13503-10011	Umlenkrolle / deflection pulley	(1)	ØA 50,5 H27
<b>14277</b>	13503-11030	Umlenkrolle / deflection pulley		ØA 54 H29,5
<b>17625</b>	13568-19025	Zahnriemen / timing belt	(1)	Z 123 B24
<b>17628</b>	13568-19106	Zahnriemen / timing belt		Z124 B26
<b>24772</b>	13568-19025S1	Rep. Satz Zahnriemen / rep. kit timing chain	(1)	
<b>24787</b>	13568-19106S1	Rep. Satz Zahnriemen / rep. kit timing belt		Z 124 B26
<b>25193</b>	13505-10010	Spannrolle / tension roller		



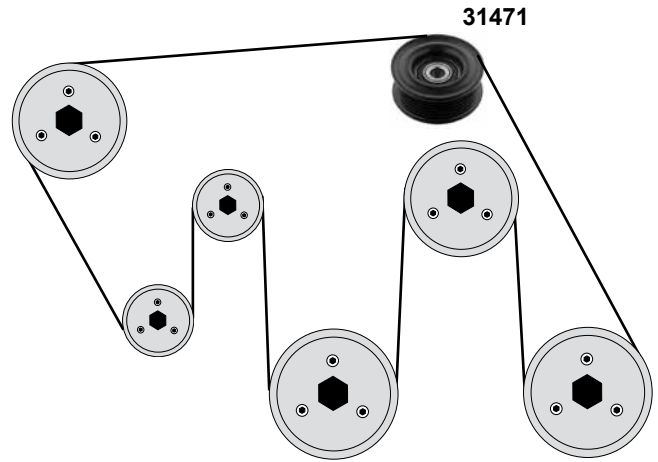
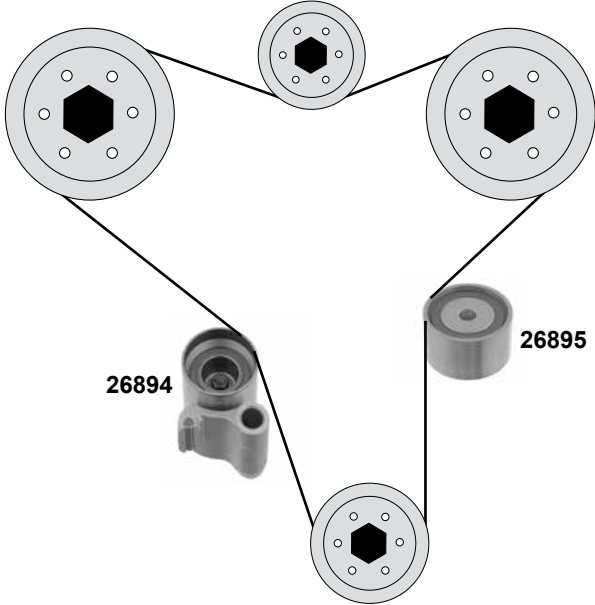
# TOYOTA Sequoia (UCK)

(09/00→)

Car  
Division



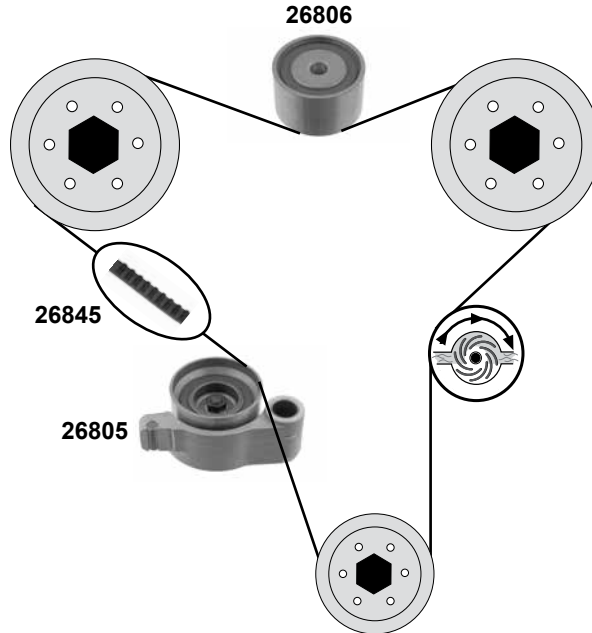
**4,7 32 V**  
(2UZFE)



# Sienna (L2 / 10)

(08/97→)

**3,0 / 3,3 24 V**



(1) **Sienna: Modell MCL2,10** 08/97→  
**Solara: Modell MCV31,20** 06/98→



Ref. - No.



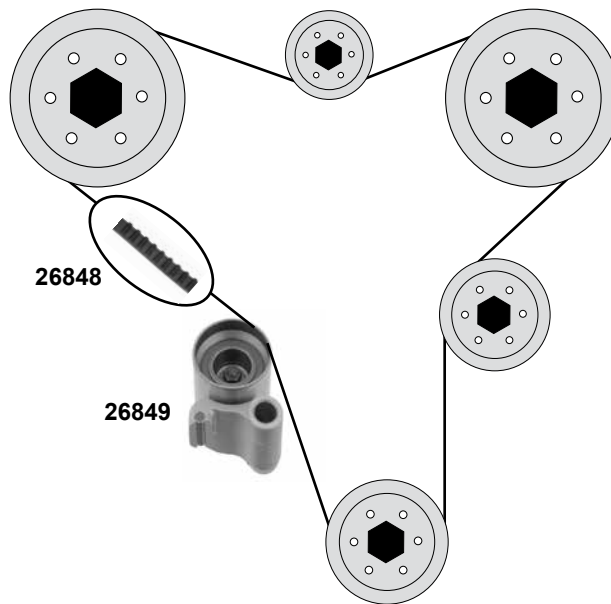
**26805** 13505-20030  
**26806** 13503-62030  
**26845** 13568-29025  
**26894** 13505-50030  
**26895** 13503-50011  
**31471** 16604-50030

Spannrolle / tension roller  
Umlenkrolle / deflection pulley  
Zahnriemen / timing belt  
Spannrolle / tension roller  
Umlenkrolle / deflection pulley  
Umlenkrolle / deflection pulley

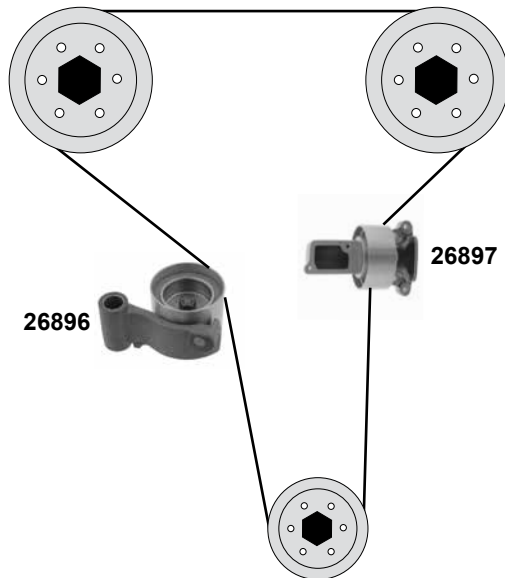
(1)

ØA 62 B36,5  
ØA 62 B36,5  
Z211 B32  
ØA 62 B37,5  
ØA 66 B37,5  
ØA 75 H29

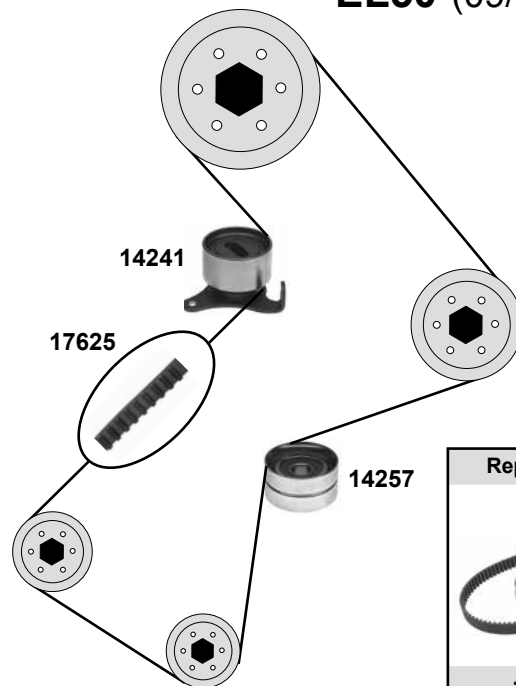
**3,4 24 V**  
(5VZFE)



**Tacoma (VZN)**  
(01/95→  
**3,0 12 V**  
(3VZE)



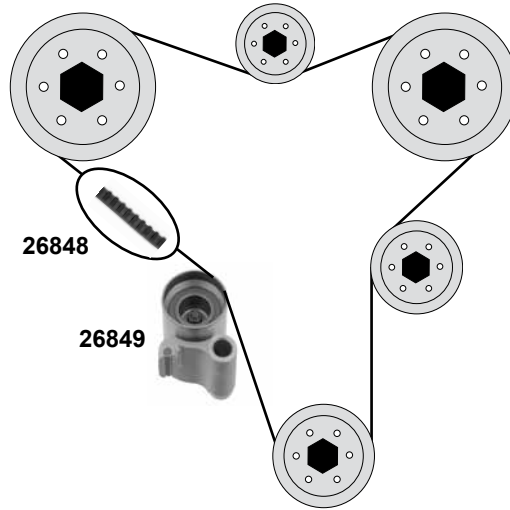
**Tercel**  
**EL40** (05/92→09/94)  
**EL50** (09/94→07/99)  
**3,0 12 V**  
(2E)



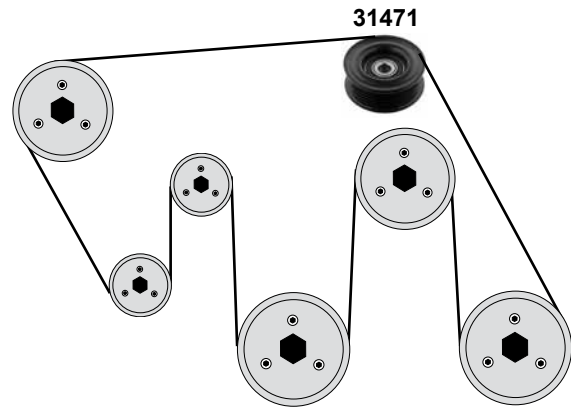
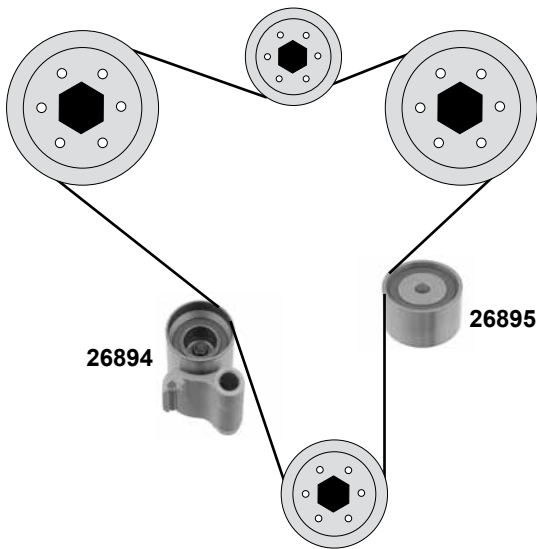
	Ref. - No.			
14241	13505-11011	Spannrolle / tension roller	VCK / 94-98	ØA 50 H27
14257	13503-10011	Umlenkrolle / deflection pulley		ØA 50,5 H27
17625	13568-19025	Zahnriemen / timing belt	VCK / 94-98	Z123 B24
24772	13568-19025S1	Rep. Satz Zahnriemen / rep. kit timing belt		Z123 B24
26848	13568-69095	Zahnriemen / timing belt		Z 191 B36
26849	13505-62070	Spannrolle / tension roller		ØA 62 B40,5
26896	13505-65040	Spannrolle / tension roller		ØA 62 B40
26897	13503-65010	Umlenkrolle / deflection pulley		ØA 93 B40



**3,4 24 V**  
 (5VZFE)



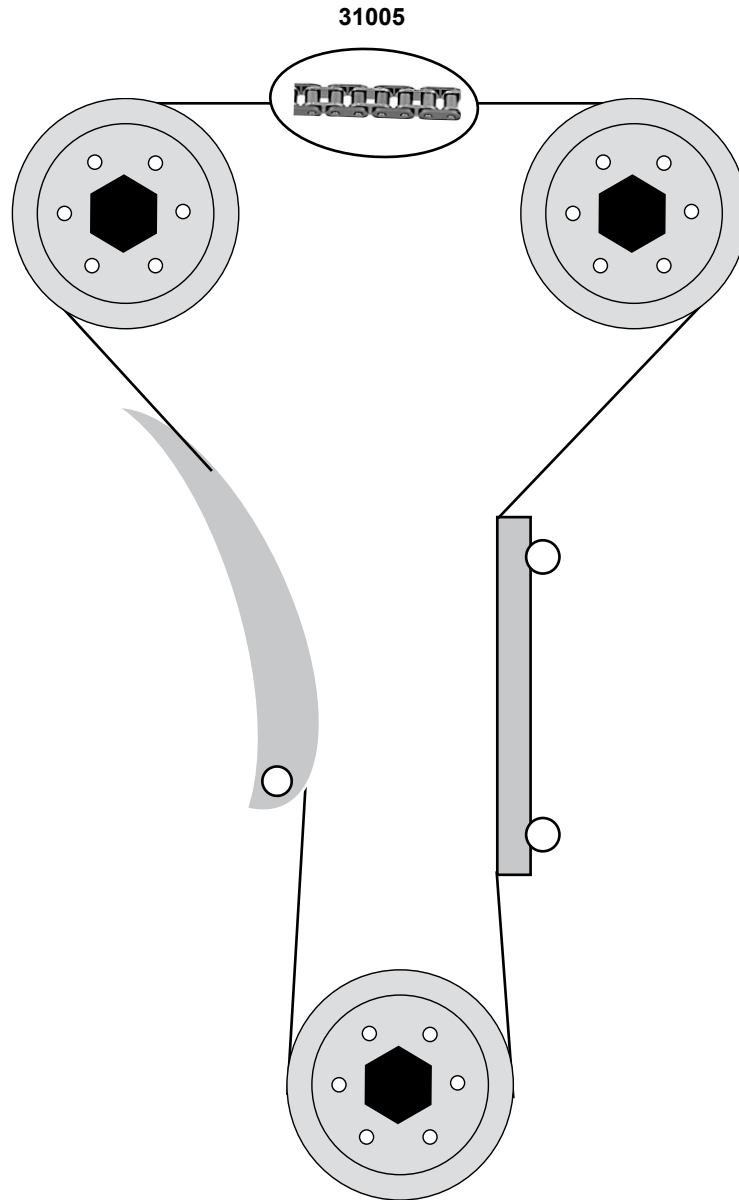
**4,7 32 V**  
 (2UZFE)



Ref. - No.



<b>26848</b>	13568-69095	Zahnriemen / timing belt	Z 191 B36
<b>26849</b>	13505-62070	Spannrolle / tension roller	ØA 62 B40,5
<b>26894</b>	13505-50030	Spannrolle / tension roller	ØA 62 B37,5
<b>26895</b>	13503-50011	Umlenkrolle / deflection pulley	ØA 66 B37,5
<b>31471</b>	16604-50030	Umlenkrolle / deflection pulley	ØA 75 B29



# TOYOTA Wish (ZNE10)

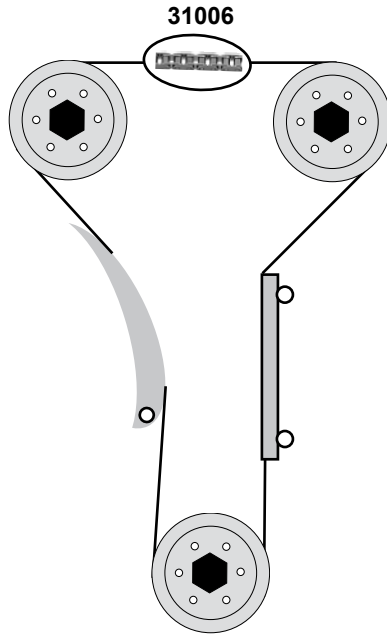
(04/08→)

Car  
Division



## 1,8 16V

(DOHC, EFI, 1ZZFE)

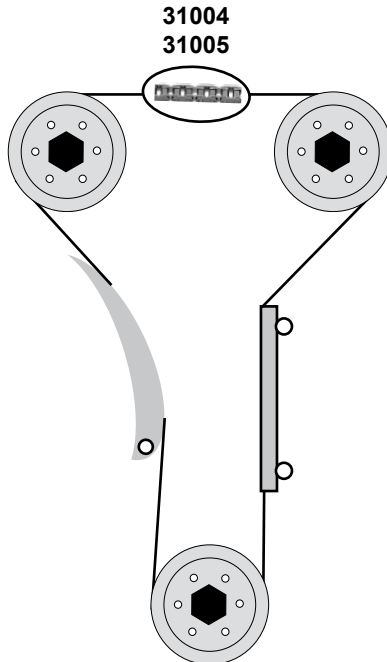


## Yaris (KSP90/ZSP90)

(11.05→)

### 1,0 12V / 1,6 16V / 1,8 16V

(1KRFE/2ZRFE/1ZRFE)



(1) Modell **ZSP90** (mot.) 2ZRFE 11/06→**EP90** 01.96→07.99  
Modell **ZSP91** (mot.) 2KRFE 05/08→



Ref. - No.



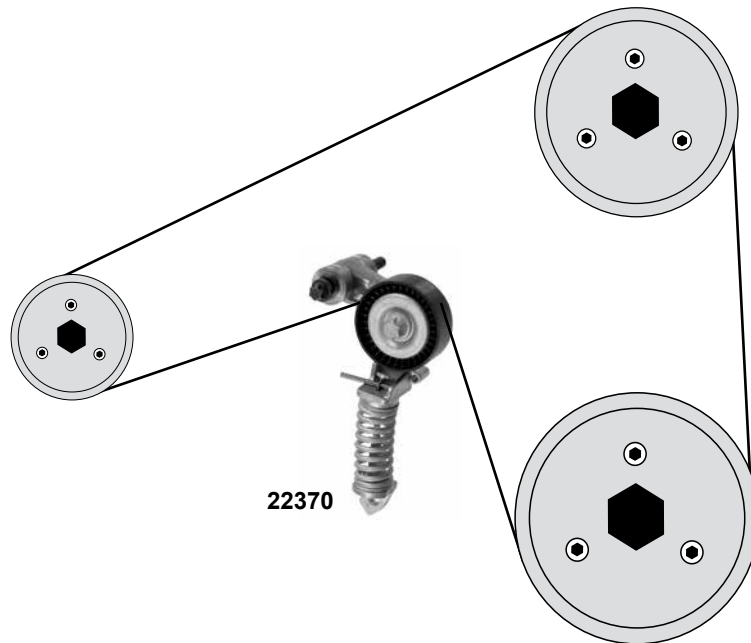
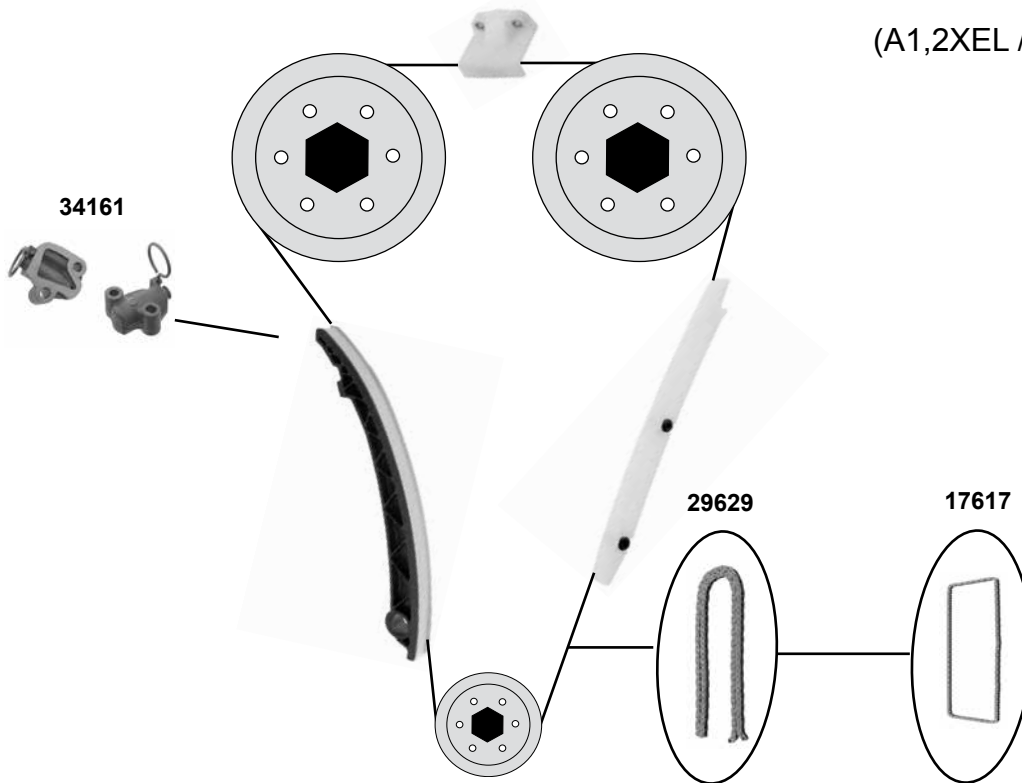
**31004** 13506-0Q010  
**31005** 13506-37010  
**31006** 13506-22030

Steuerkette / timing chain  
Steuerkette / timing chain  
Steuerkette / timing chain

(1)

124 E  
140 E  
130 E

**1,2 / 1,4**  
(A1,2XEL / A1,4XEL / A1,4XER)



(1) Steuerkette geschlossen / timing chain endless

(2) Spezialwerkzeug zur Montage notwendig / Requires special tools for mounting



Ref. - No.



Ref. - No.	Description	Quantity	Part No.
17617	Steuerkette / timing chain	(1)	130 E
22370	Riemenspanner / belt tensioner	(1)	70x24
29629	Steuerkette / timing chain	(2)	130 N
34161	Kettenspanner / chain tensioner	(1)	130 E
34162	Rep. Satz Steuerkette / rep. kit timing chain	(1)	130 E

# VAUXHALL Agila Mk I / A

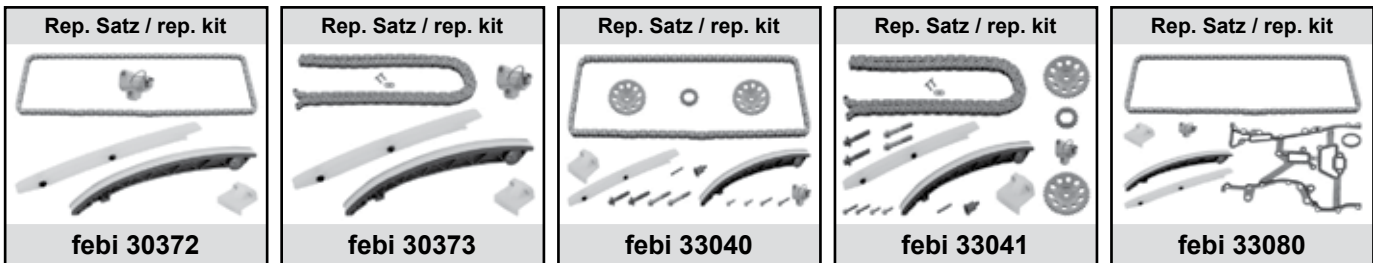
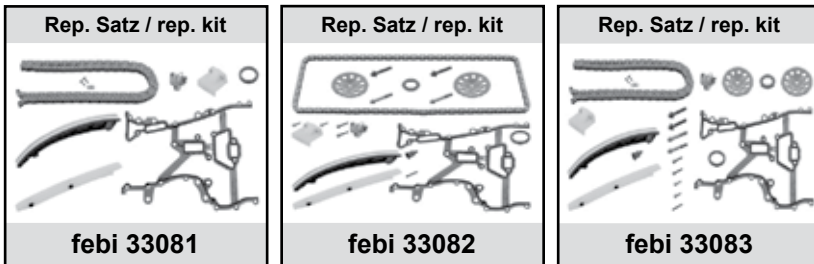
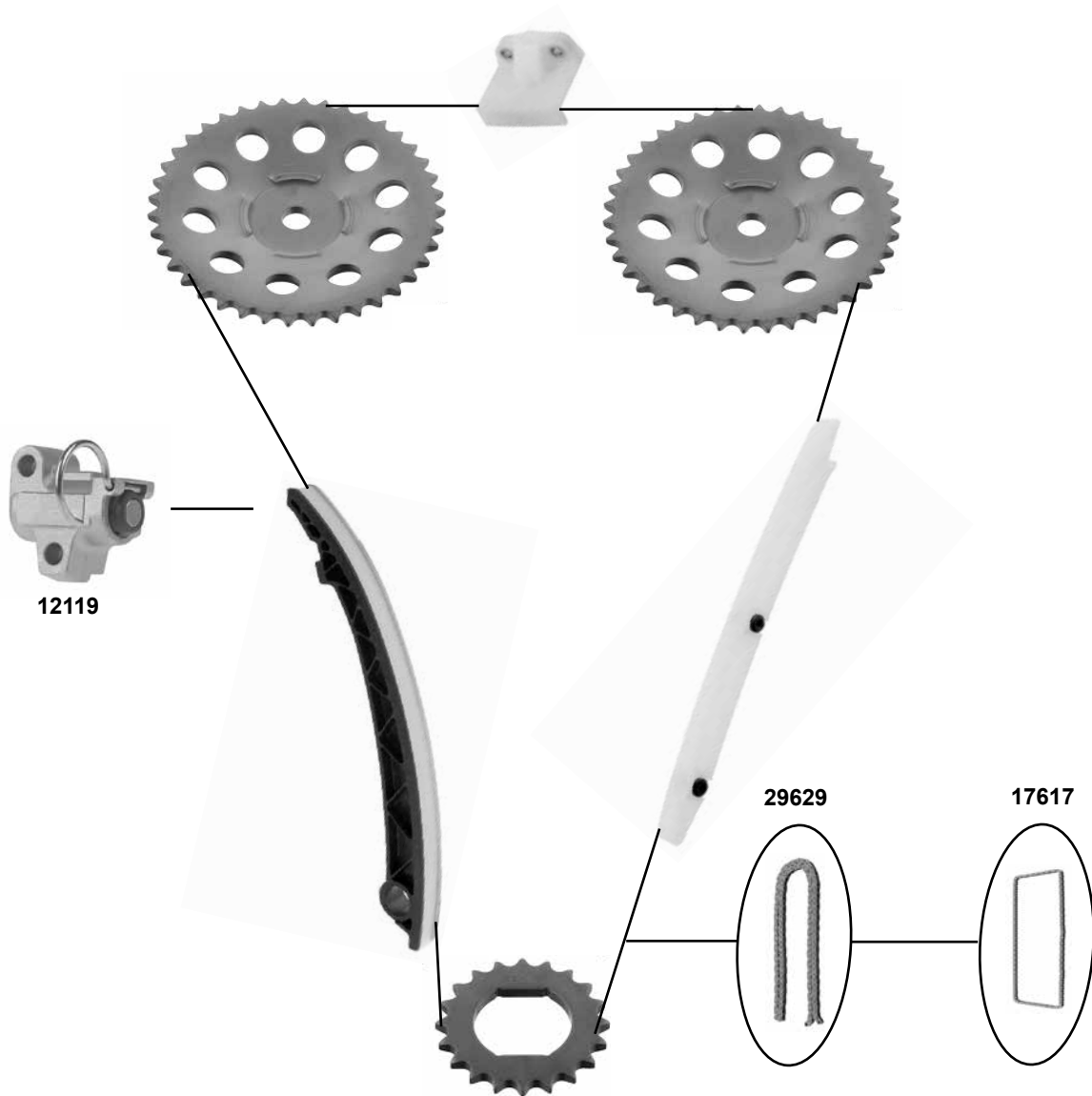
(00→08)

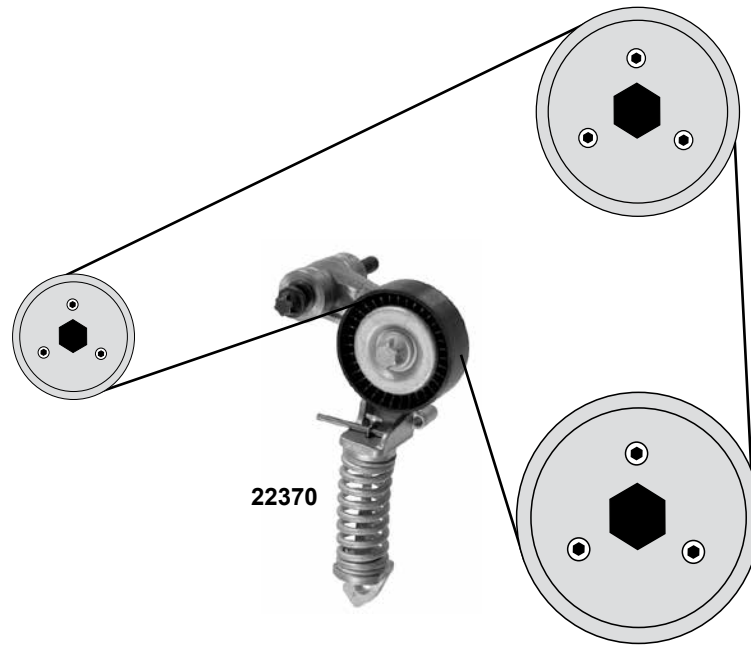
Car  
Division



## 1,0 12V / 1,2 16V

(Z1,0XE / Z1,0XEP / Z1,2XE / Z1,2XEP)





- (1)** Steuerkette geschlossen / timing chain endless  
**(2)** Steuerkette offen / timing chain open  
**(3)** Steuerkette offen und mit Steuerkettenradsatz / timing chain open and with control chain wheel kit  
**(4)** Steuerkette geschlossen und mit Steuerkettenradsatz / timing chain endless and with control chain wheel kit  
**(5)** Steuerkette offen mit Dichtung / timing chain open with gasket  
**(6)** Steuerkette geschlossen mit Dichtung / timing chain endless with gasket  
**(7)** Steuerkette offen mit Dichtung und Steuerkettenradsatz / timing chain open with gasket and control chain wheel kit  
**(8)** Steuerkette geschlossen mit Dichtung und Steuerkettenradsatz / timing chain endless with gasket and control chain wheel kit  
**(9)** Spezialwerkzeug zur Montage notwendig / Requires special tools for mounting



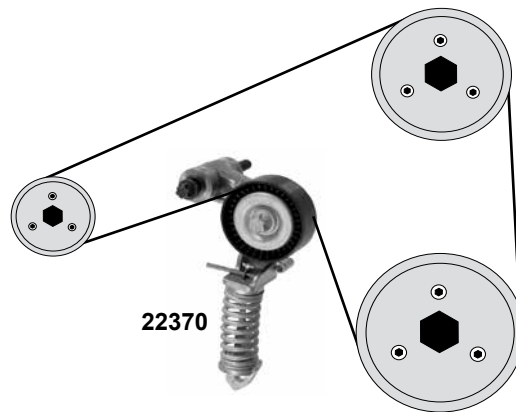
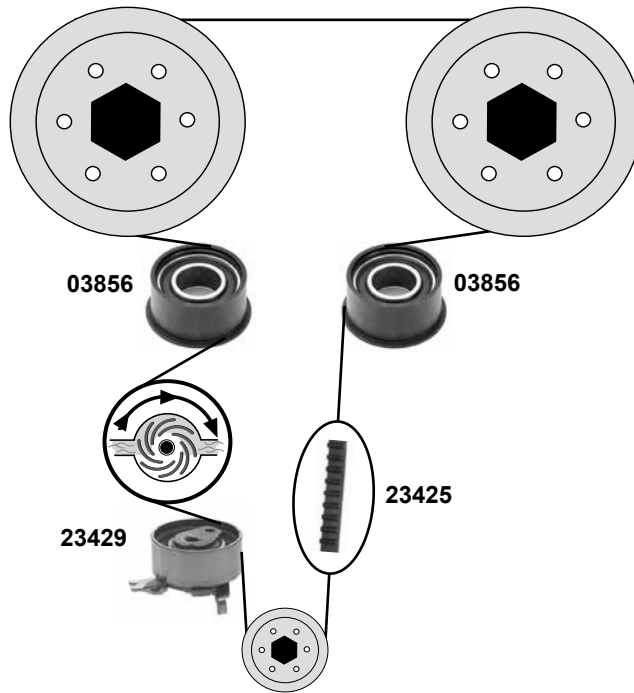
Ref. - No.



Ref. - No.				
<b>12119</b>	55352909	Kettenspanner / chain tensioner		
<b>17617</b>	55562234	Steuerkette / timing chain	<b>(1)</b>	130 E
<b>22370</b>	55565236	Riemenspanner / belt tensioner	<b>NEW</b>	70x24
<b>29629</b>	55562234 S1	Steuerkette / timing chain	<b>(2) (9)</b>	130 N
<b>30372</b>	93191271 SK1	Rep. Satz Steuerkette / rep. kit timing chain	<b>(1)</b>	130 E
<b>30373</b>	93191271 SK2	Rep. Satz Steuerkette / rep. kit timing chain	<b>(2) (9)</b>	130 N
<b>33040</b>	93191271	Rep. Satz Steuerkette / rep. kit timing chain	<b>(4)</b>	130 E
<b>33041</b>	93191271 S1	Rep. Satz Steuerkette / rep. kit timing chain	<b>(3)</b>	130 N
<b>33080</b>	93191271 SK3	Rep. Satz Steuerkette / rep. kit timing chain	<b>(6)</b>	130 E
<b>33081</b>	93191271 SK4	Rep. Satz Steuerkette / rep. kit timing chain	<b>(5) (9)</b>	130 N
<b>33082</b>	93191271 S2	Rep. Satz Steuerkette / rep. kit timing chain	<b>(8)</b>	130 E
<b>33083</b>	93191271 S3	Rep. Satz Steuerkette / rep. kit timing chain	<b>(7) (9)</b>	130 N



**2,4**  
(Z 2,4 XE)

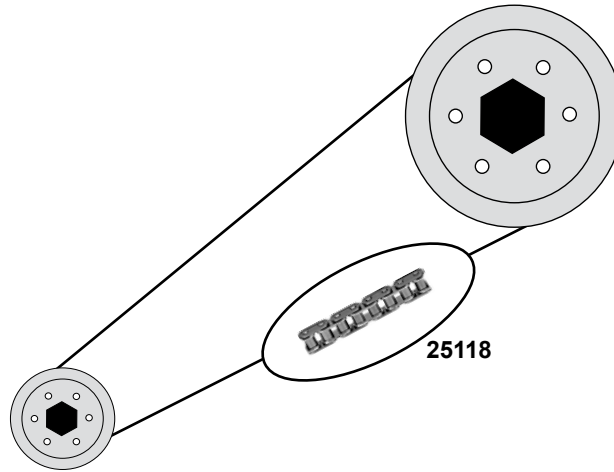


Ref. - No.

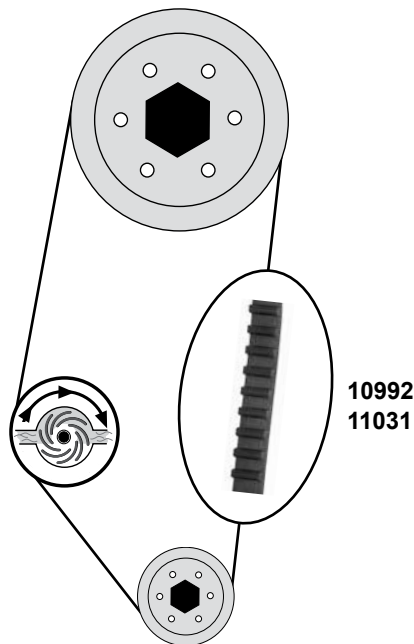


<b>03856</b>	9128738	Umlenkrolle / deflection pulley	ØA 52,5 B27
<b>22370</b>	55565236	Riemenspanner / belt tensioner	ØA 70 B 24
<b>23425</b>	9128722	Zahnriemen / timing belt	Z 171
<b>23427</b>	93174267	Rep. Satz Zahnriemen / rep. kit timing belt	Z 171
<b>23429</b>	90528603	Spannrolle / tension roller	ØA 59 B27

**1,0 / 1,2**  
(OHV)



**1,3→1,8**



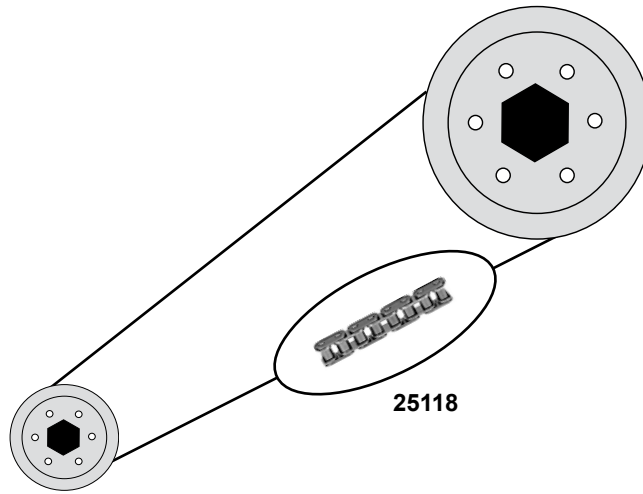
# VAUXHALL Astra Mk II

(85→93)

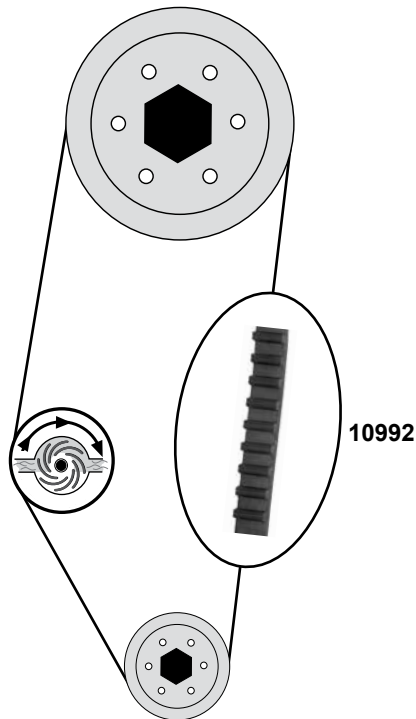
Car  
Division



**1,2**  
(OHV)



**1,3**  
(13N / NB/ S / C13N)



Ref. - No.



**10992**  
**25118**

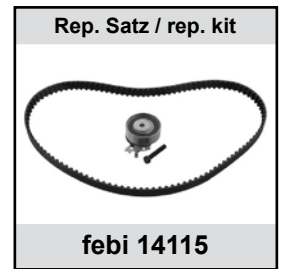
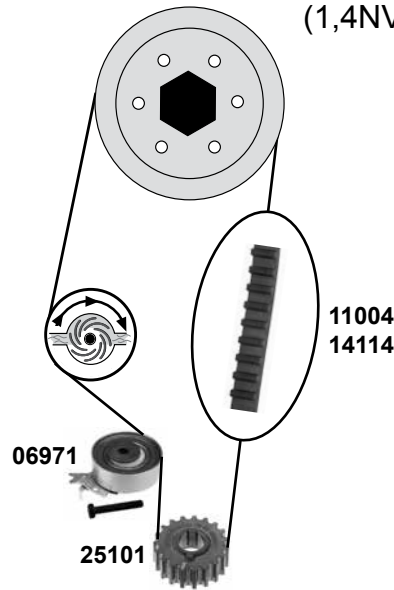
90080214  
02866445

Zahnriemen / timing belt  
Rollenkette einfach / roller chain simple

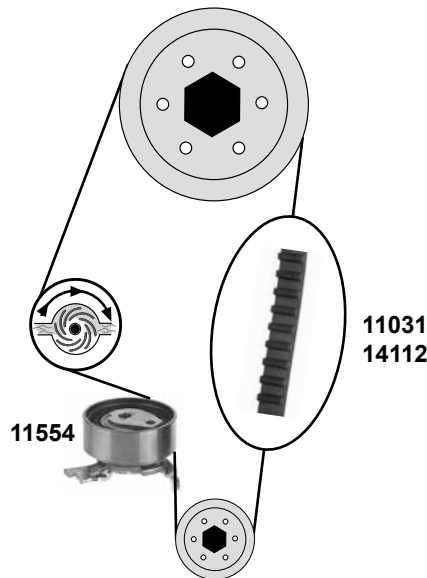
Z 104 B15  
455 / 56 E

**1,4 / 1,6**

(1,4NV / C14NZ / 1,6SV / E1,6LZ / C1,6NZ)



**1,8 8V / 2,0 8V**



(1) (mot.) 1,4 NV:→19307805, 02J22349  
(mot.) C 1,4NZ:→19311737, 02J22349  
(mot.) 1,6:→ww

(2) (mot.) 1,4 NV: 19307806→  
(mot.) C 1,4NZ: 19311738→  
(mot.) 1,6: 02J22350 →



Ref. - No.

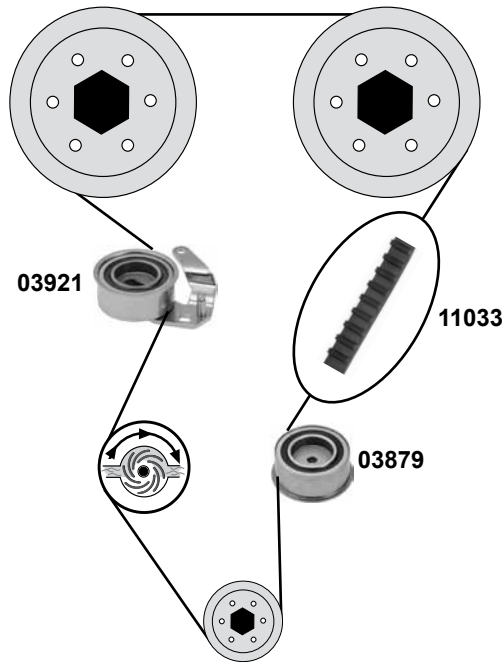


Ref. - No.	Description	Quantity	Part No.
06971	Spannrolle / tension roller		ØA 59 B19
11004	Zahnriemen / timing belt	(1)	Z 104 B17
11031	Zahnriemen / timing belt		Z 111 B20
11554	Spannrolle / tension roller		ØA 59 B22
14112	Zahnriemen / timing belt		Z 146 B20
14113	Rep. Satz Zahnriemen / rep. kit timing belt		
14114	Zahnriemen / timing belt	(2)	Z 111 B17
14115	Rep. Satz Zahnriemen / rep. kit timing belt	(2)	
25101	Kurbelwellenzahnrad / crankshaft gear		Z 19



## 2,0 16V

(mot.) → 14142838

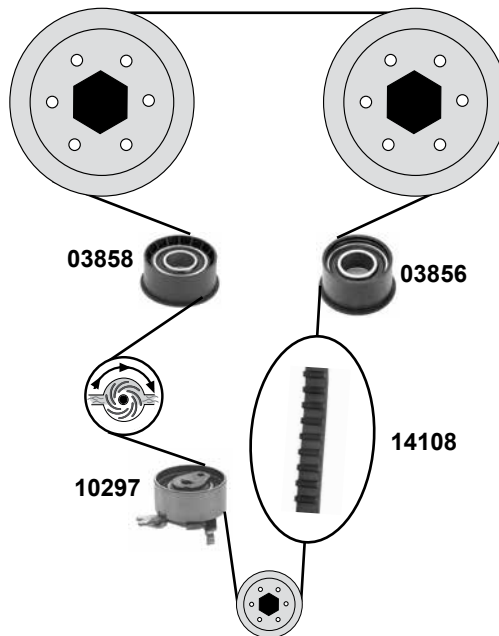


Rep. Satz / rep. kit



febi 11041

(mot.) 14142839 →



Rep. Satz / rep. kit



febi 14109

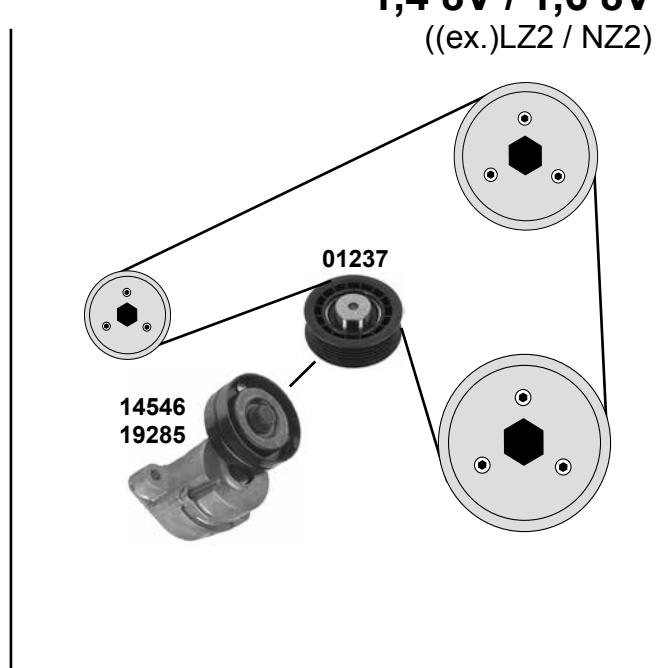
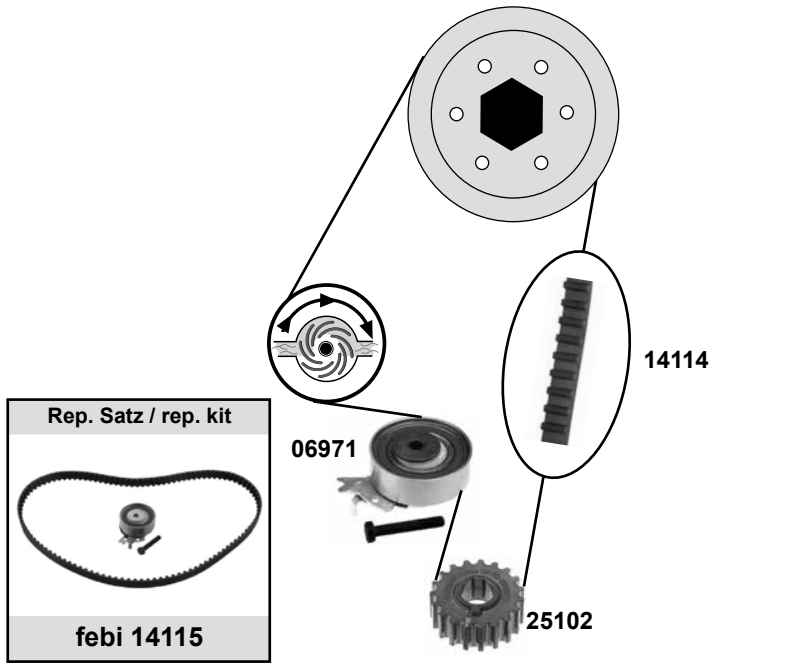


Ref. - No.

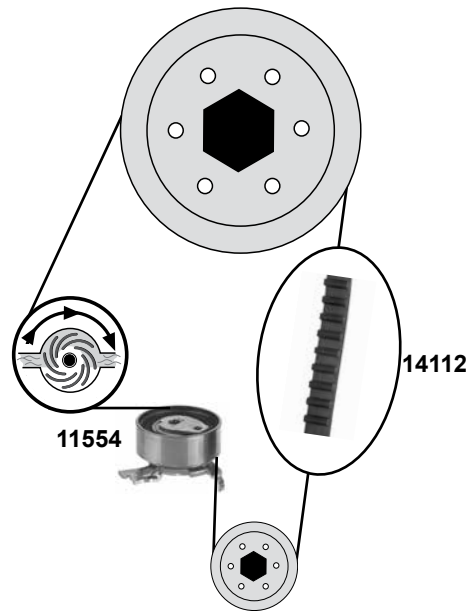


<b>03856</b>	9128738	Umlenkrolle / deflection pulley	ØA 58,5 B29,5
<b>03858</b>	90411773	Umlenkrolle / deflection pulley	ØA 62,7 B27
<b>03879</b>	90323503	Umlenkrolle / deflection pulley	ØA 67 B27
<b>03921</b>	90323501	Spannrolle / tension roller	ØA 67 B27
<b>10297</b>	09158004	Spannrolle / tension roller	ØA 59 B26
<b>11033</b>	90410225	Zahnriemen / timing belt	Z 141 B24
<b>11041</b>	93174266	Rep. Satz Zahnriemen / rep. kit timing belt	
<b>14108</b>	90530598	Zahnriemen / timing belt	Z 176 B24
<b>14109</b>	93174262	Rep. Satz Zahnriemen / rep. kit timing belt	

**1,4 8V / 1,6 8V**  
(ex.)LZ2 / NZ2



**1,6 8V**  
( LZ2 / NZ2)



(1) (mot.) 1,4 SE: man. + AC / (ch.)→R 2642771,→R 5146295

(2) man. + AC

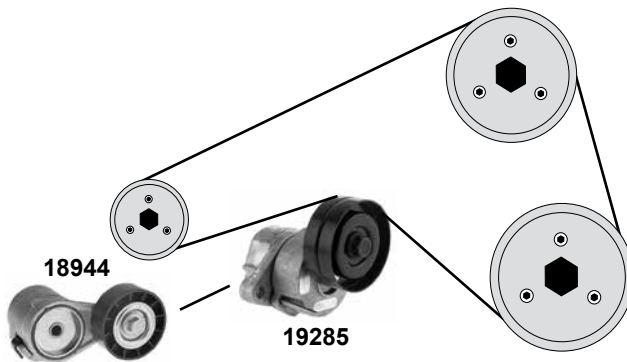
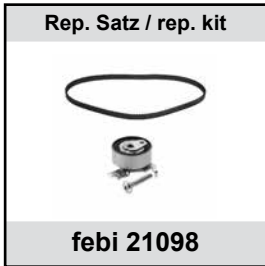
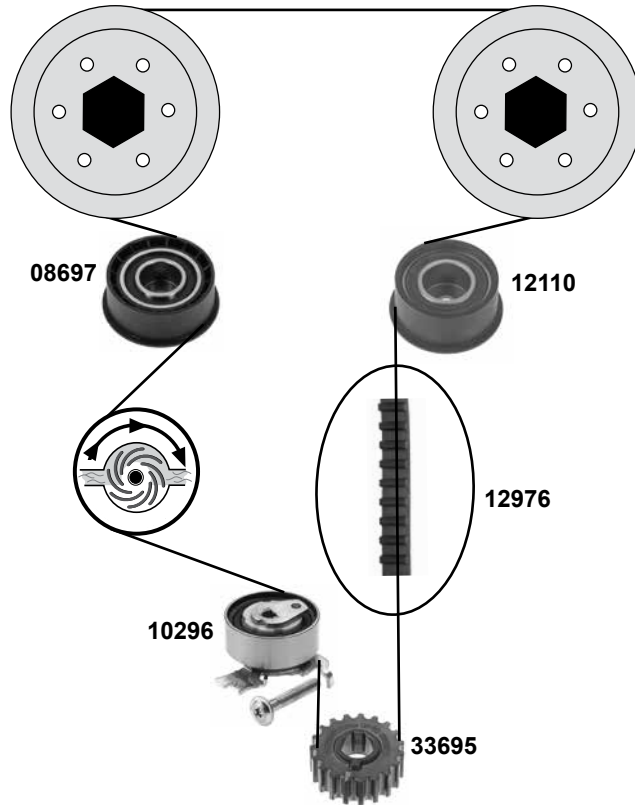








Ref. - No.



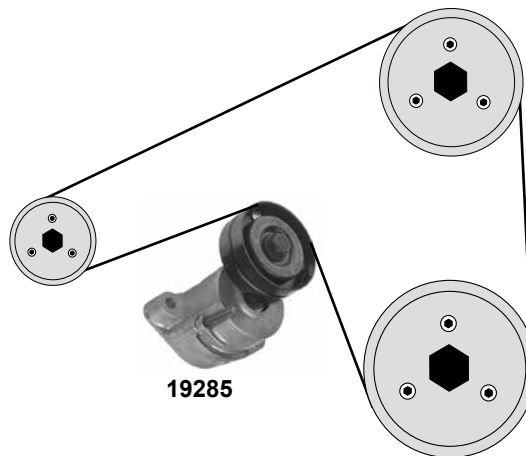
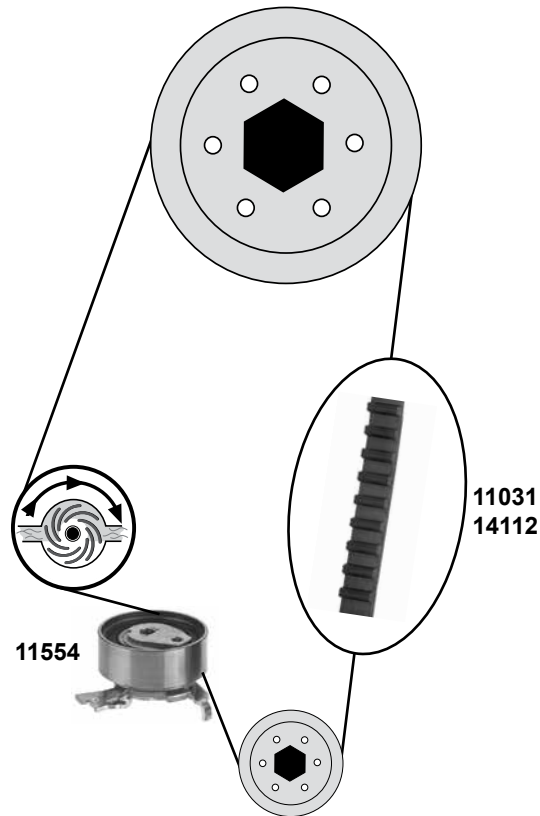
Ref. - No.	Description	Notes	Dimensions
01237	Umlenkrolle / deflection pulley	(2)	ØA 80 B26,4
06971	Spannrolle / tension roller		ØA 59 B19
11554	Spannrolle / tension roller		ØA 59 B22
14112	Zahnriemen / timing belt		Z 146 B20
14113	Rep. Satz Zahnriemen / rep. kit timing belt		
14114	Zahnriemen / timing belt		Z 111 B17
14115	Rep. Satz Zahnriemen / rep. kit timing belt		
14546	Riemenspanner / belt tensioner	(1)	ØA 70 B26
19285	Riemenspanner / belt tensioner	(ex.) AC	
25102	Kurbelwellenzahnrad / crankshaft gear		ØA5Ø120Z19

### 1,4 16V / 1,6 16V



	Ref. - No.			
08697	55350580	Umlenkrolle / deflection pulley		ØA 62,5 ØI 23
10296	55567191	Spannrolle / tension roller		
12110	09128740	Umlenkrolle / deflection pulley		ØA 59 B22 ØA 58,5 B25 Z 169 B20
12976	24451896	Zahnriemen / timing belt		
14110	93180219	Rep. Satz Zahnriemen / rep. kit timing belt		
18944	90412884	Riemenspanner / belt tensioner		
19285	24412292	Riemenspanner / belt tensioner	man.  (ex.) AC servo  / AC	
21098	93174120	Rep. Satz Zahnriemen / rep. kit timing belt		
33695	09129207	Kurbelwellenzahnrad / crankshaft gear		Z 23

**1,8 8V / 2,0 8V**  
(C1,8NZ / C2,0NE)



(1) 1,8 (mot.→14254438, 2,0 (mot.)→14608700

(2) 1,8 (mot.) 14254439→, 2,0 (mot.) 14608701→



Ref. - No.



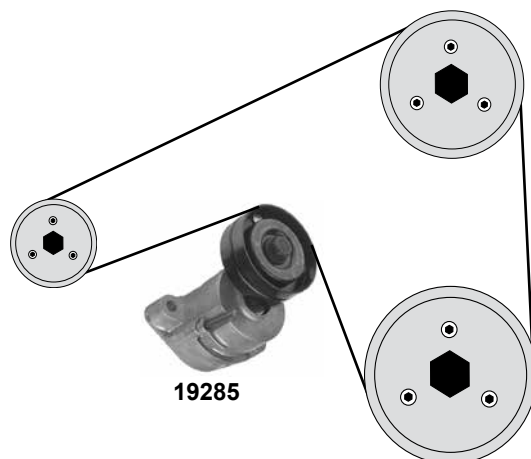
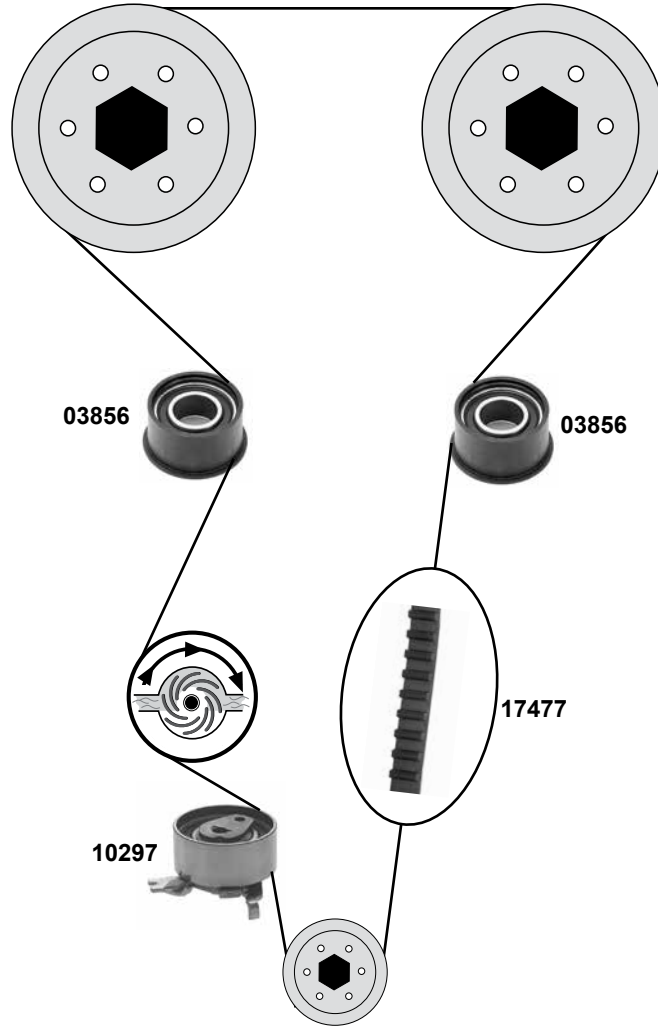
<b>11031</b>	90410014	Zahnriemen / timing belt	(1)	Z 111 B20
<b>11554</b>	09158003	Spannrolle / tension roller	(2)	ØA 59 B22
<b>14112</b>	09128725	Zahnriemen / timing belt	(2)	Z 146 B20
<b>14113</b>	09128725 S1	Rep. Satz Zahnriemen / rep. kit timing belt		
<b>19285</b>	24412292	Riemenspanner / belt tensioner		

servo + AC





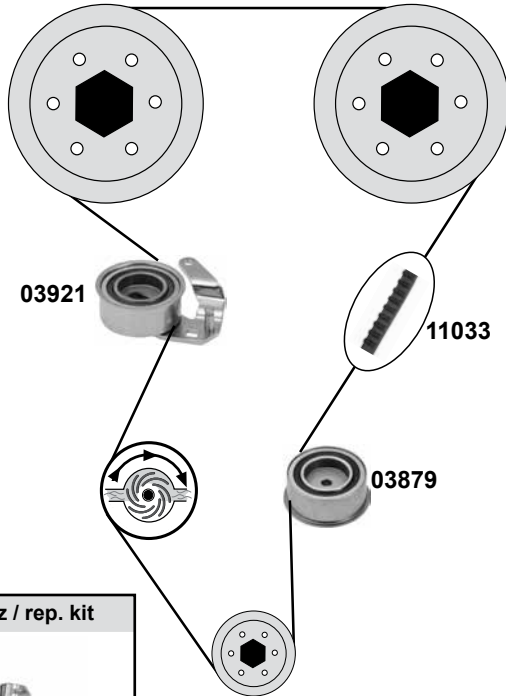
**1,8 16V**



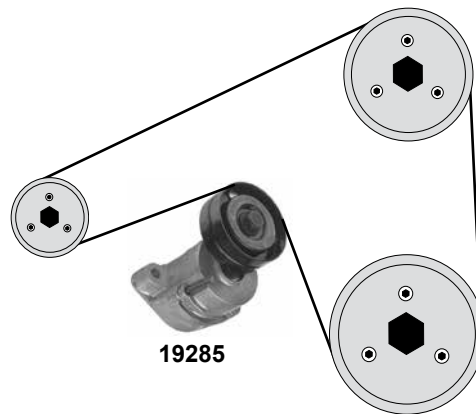
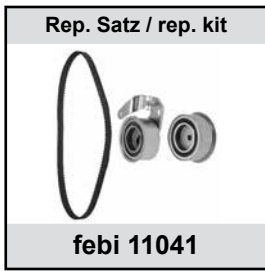
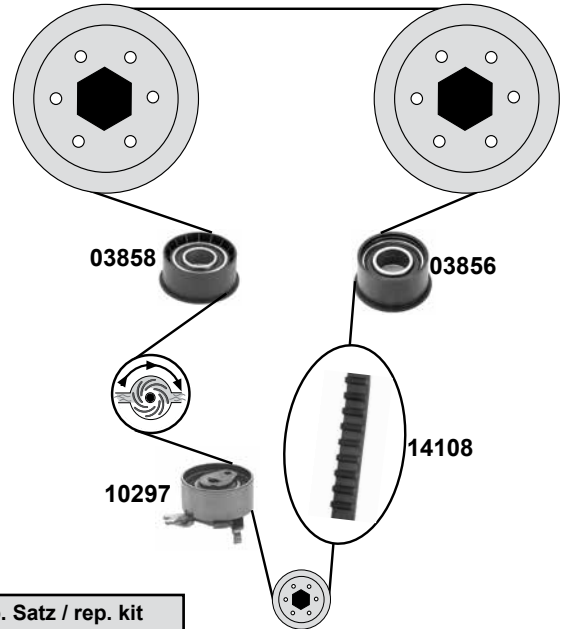
	Ref. - No.			
<b>03856</b>	9128738	Umlenkrolle / deflection pulley		ØA 58,5 B29,5
<b>10297</b>	09158004	Spannrolle / tension roller		ØA 59 B26
<b>17477</b>	90531682	Zahnriemen / timing belt		Z 169 B24
<b>17478</b>	93174260	Rep. Satz Zahnriemen / rep. kit timing belt		
<b>19285</b>	24412292	Riemenspanner / belt tensioner		

**2,0 16V**

(mot.) → 14142838



(mot.) 14142839 →



	Ref. - No.			
<b>03856</b>	9128738	Umlenkrolle / deflection pulley		ØA 58,5 B29,5
<b>03858</b>	90411773	Umlenkrolle / deflection pulley		ØA 62,7 B27
<b>03879</b>	90323503	Umlenkrolle / deflection pulley		ØA 67 B27
<b>03921</b>	90323501	Spannrolle / tension roller		ØA 67 B27
<b>10297</b>	09158004	Spannrolle / tension roller		ØA 59 B26
<b>11033</b>	90410225	Zahnriemen / timing belt		Z 141 B24
<b>11041</b>	93174266	Rep. Satz Zahnriemen / rep. kit timing belt		
<b>14108</b>	90530598	Zahnriemen / timing belt		Z 176 B24
<b>14109</b>	93174262	Rep. Satz Zahnriemen / rep. kit timing belt		
<b>19285</b>	24412292	Riemenspanner / belt tensioner		

# VAUXHALL Astra Mk IV / G

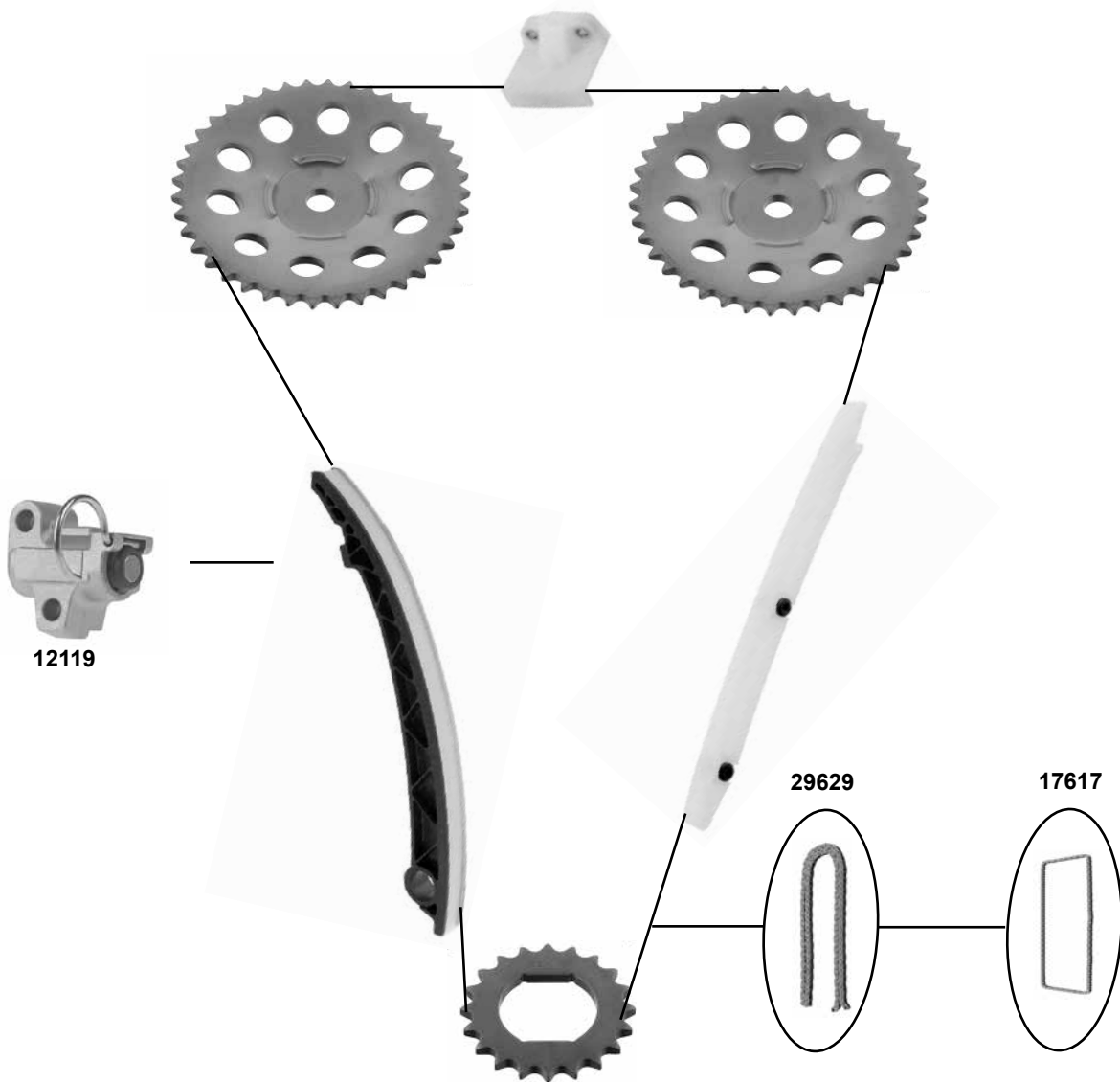
(98→04)

Car  
Division



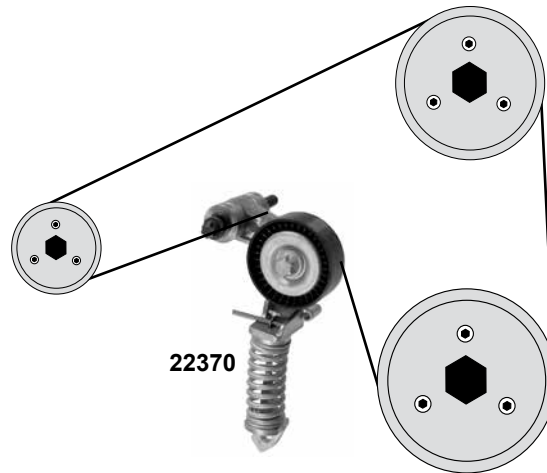
## 1,2 / 1,4

(X1,2XE / Z1,2XE / Z1,4XEP)



<p>Rep. Satz / rep. kit</p> <p>febi 33081</p>	<p>Rep. Satz / rep. kit</p> <p>febi 33082</p>	<p>Rep. Satz / rep. kit</p> <p>febi 33083</p>
-----------------------------------------------	-----------------------------------------------	-----------------------------------------------

<p>Rep. Satz / rep. kit</p> <p>febi 30372</p>	<p>Rep. Satz / rep. kit</p> <p>febi 30373</p>	<p>Rep. Satz / rep. kit</p> <p>febi 33040</p>	<p>Rep. Satz / rep. kit</p> <p>febi 33041</p>	<p>Rep. Satz / rep. kit</p> <p>febi 33080</p>
-----------------------------------------------	-----------------------------------------------	-----------------------------------------------	-----------------------------------------------	-----------------------------------------------



- (1) Steuerkette geschlossen / timing chain endless  
 (2) Steuerkette offen / timing chain open  
 (3) Steuerkette offen und mit Steuerkettenradsatz / timing chain open and with control chain wheel kit  
 (4) Steuerkette geschlossen und mit Steuerkettenradsatz / timing chain endless and with control chain wheel kit  
 (5) Steuerkette offen mit Dichtung / timing chain open with gasket  
 (6) Steuerkette geschlossen mit Dichtung / timing chain endless with gasket  
 (7) Steuerkette offen mit Dichtung und Steuerkettenradsatz / timing chain open with gasket and control chain wheel kit  
 (8) Steuerkette geschlossen mit Dichtung und Steuerkettenradsatz / timing chain endless with gasket and control chain wheel kit  
 (9) Spezialwerkzeug zur Montage notwendig / requires special tools for mounting



Ref. - No.



Ref. - No.	Description	Notes	Part No.
12119	55352909	Kettenspanner / chain tensioner	
17617	55562234	Steuerkette / timing chain	(1)
22370	55565236	Riemenspanner / belt tensioner	NEW (2)
29629	55562234 S1	Steuerkette / timing chain	(2)
30372	93191271 SK1	Rep. Satz Steuerkette / rep. kit timing chain	(1)
30373	93191271 SK2	Rep. Satz Steuerkette / rep. kit timing chain	(2)
33040	93191271	Rep. Satz Steuerkette / rep. kit timing chain	(4)
33041	93191271 S1	Rep. Satz Steuerkette / rep. kit timing chain	(3)
33080	93191271 SK3	Rep. Satz Steuerkette / rep. kit timing chain	(6)
33081	93191271 SK4	Rep. Satz Steuerkette / rep. kit timing chain	(5) (9)
33082	93191271 S2	Rep. Satz Steuerkette / rep. kit timing chain	(8)
33083	93191271 S3	Rep. Satz Steuerkette / rep. kit timing chain	(7) (9)

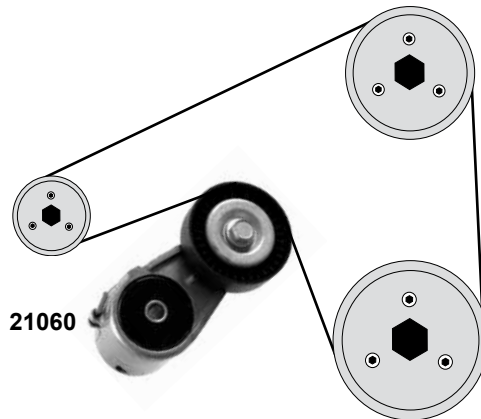
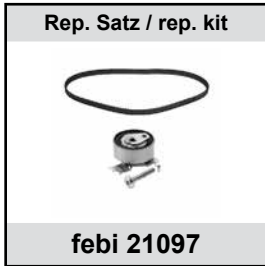
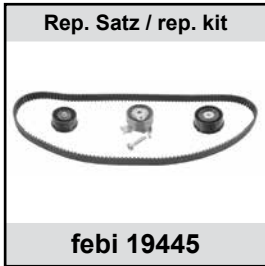
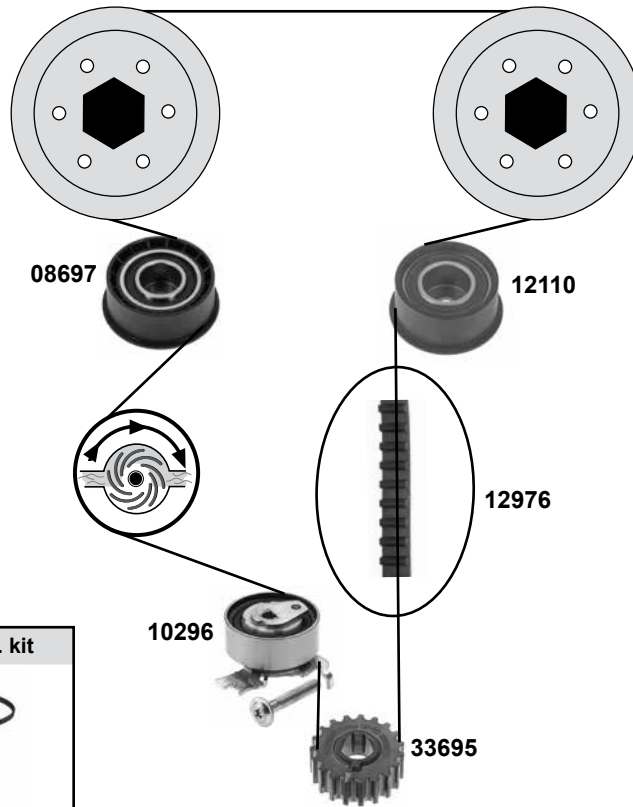
# VAUXHALL Astra Mk IV / G

(98→04)

Car  
Division



1,4 16V / 1,6 16V



(1) (mot.) 02HL5118→, 20041691→

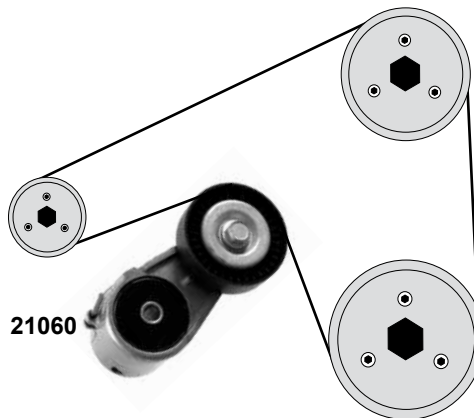
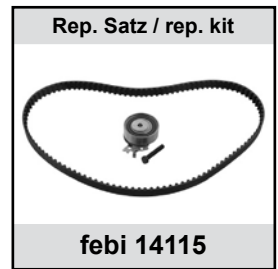
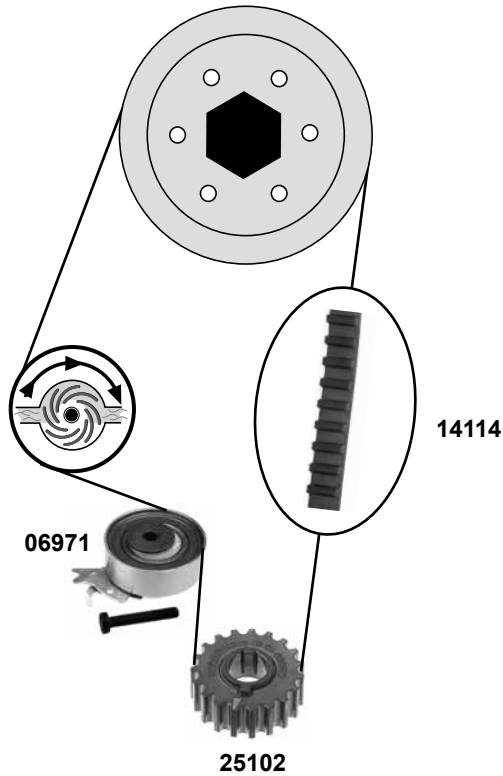
(2) (mot.)→02HL5117,→20041690



Ref. - No.



Part No.	Ref. - No.	Description	Quantity	Dimensions
08697	55350580	Umlenkrolle / deflection pulley		ØA 62,5
10296	55567191	Spannrolle / tension roller		ØA 59 B22
12110	09128740	Umlenkrolle / deflection pulley	(2)	52,5/58x 8/24x 22/25
17479	24451895	Zahnriemen / timing belt		Z 162 B20
17480	93183572	Rep. Satz Zahnriemen / rep. kit timing belt	(2)	
18181	55352713	Umlenkrolle / deflection pulley	(1)	ØA 52,5 B27
19445	93185845	Rep. Satz Zahnriemen / rep. kit timing belt	(1)	
21060	90571758	Riemenspanner / belt tensioner		
21097	93174119	Rep. Satz Zahnriemen / rep. kit timing belt		
33695	09129207	Kurbelwellenzahnrad / crankshaft gear		Z 23



	Ref. - No.			
<b>06971</b>	09202478	Spannrolle / tension roller		ØA 59 B19
<b>14114</b>	90531677	Zahnriemen / timing belt		Z 111 B17
<b>14115</b>	93188126	Rep. Satz Zahnriemen / rep. kit timing belt		
<b>21060</b>	90571758	Riemenspanner / belt tensioner		
<b>25102</b>	90502545	Kurbelwellenzahnrad / crankshaft gear		ØA5 ØI 20 Z19

# VAUXHALL Astra Mk IV / G

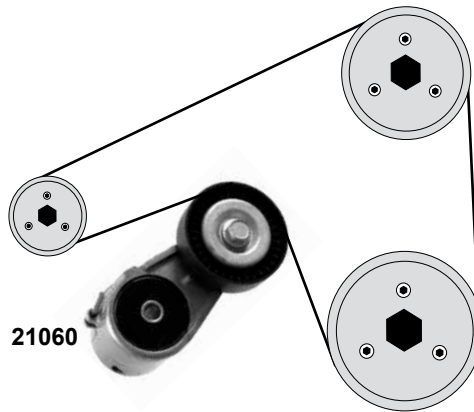
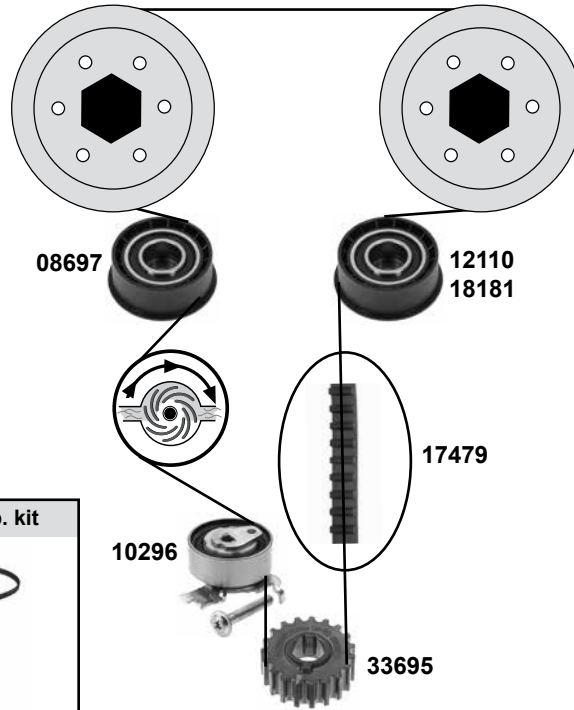
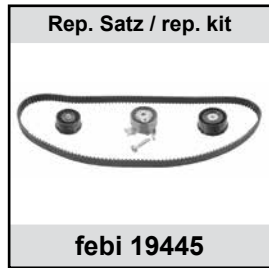
(98→04)

Car  
Division



## 1,6 16V / 1,8 16V

(ex.) Z1,6XEP)



(1) (mot.) 02HL5118→, 20041691→

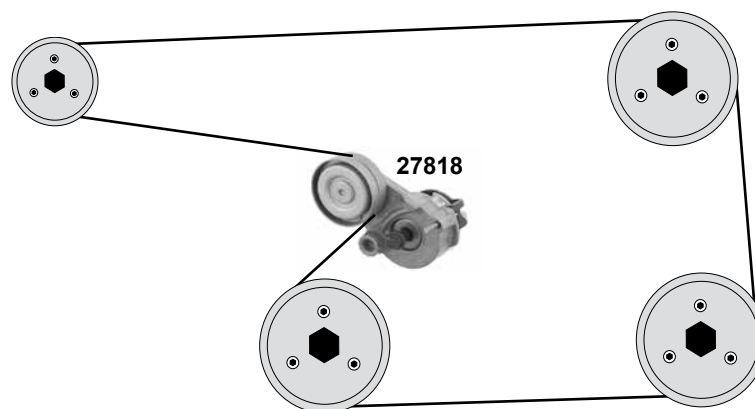
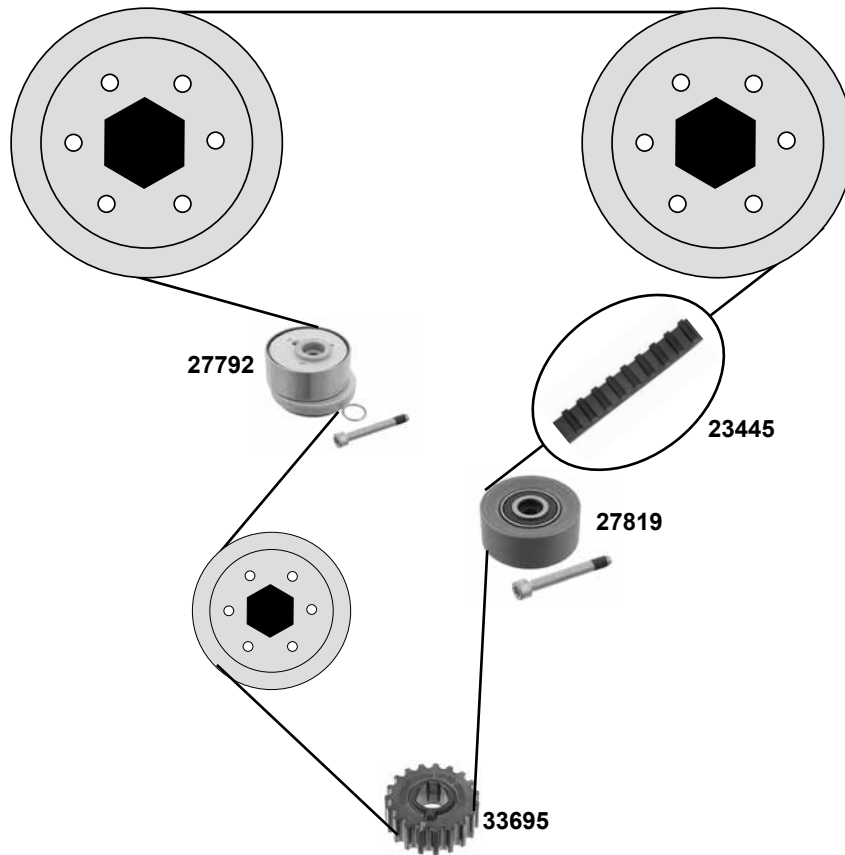
(2) (mot.)→02HL5117,→20041690



Ref. - No.



Ref. - No.	Description	Quantity	Dimensions
08697	Umlenkrolle / deflection pulley		ØA 62,5
10296	Spannrolle / tension roller		ØA 59 B22
12110	Umlenkrolle / deflection pulley	(2)	52,5/58x 8/24x 22/25
17479	Zahnriemen / timing belt		Z 162 B20
17480	Rep. Satz Zahnriemen / rep. kit timing belt	(2)	
18181	Umlenkrolle / deflection pulley	(1)	ØA 52,5 B27
19445	Rep. Satz Zahnriemen / rep. kit timing belt	(1)	
21060	Riemenspanner / belt tensioner		
21097	Rep. Satz Zahnriemen / rep. kit timing belt		
33695	Kurbelwellenzahnrad / crankshaft gear		Z 23



	Ref. - No.			
<b>23445</b>	24422964	Zahnriemen / timing belt		Z 146 B24
<b>27792</b>	55562218	Spannrolle / tension roller		ØA 66 B29
<b>27818</b>	55563512	Riemenspanner / belt tensioner		ØA 63
<b>27819</b>	24436052	Umlenkrolle / deflection pulley		ØA 61 B28
<b>27825</b>	93185849	Rep. Satz Zahnriemen / rep. kit timing belt		Z 146 B24
<b>33695</b>	0614 546	Kurbelwellenzahnrad / crankshaft gear		Z 23



# VAUXHALL Astra Mk IV / G

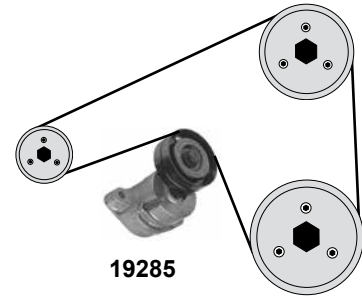
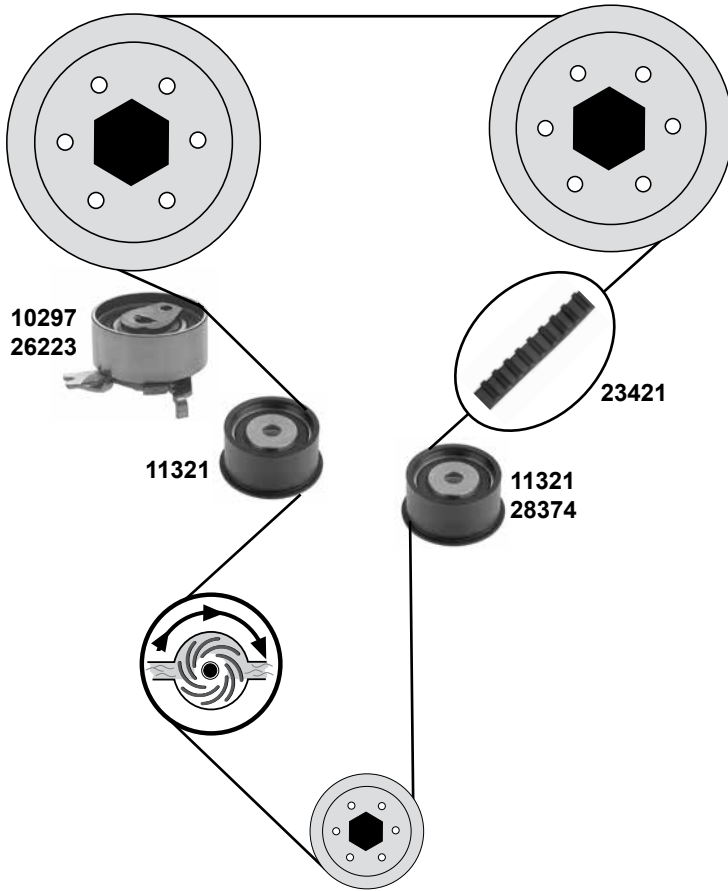
(98→04)

Car  
Division



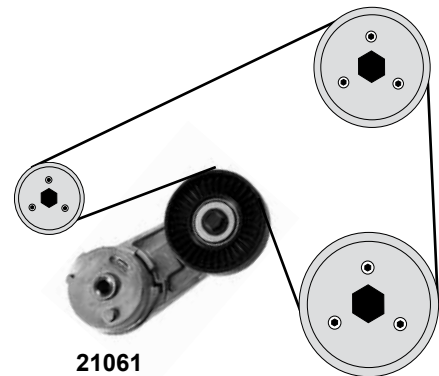
## 2,0 16V

(X 2,0XEV, X 2,0XER / Z2,0 LET)



## 2,2 16V

(Z 2,2 SE)



Rep. Satz / rep. kit	Rep. Satz / rep. kit	Rep. Satz / rep. kit
<b>febi 23423</b>	<b>febi 26224</b>	<b>febi 28375</b>

(1) (ex.) (mot.) Z 2,0 LET / X 2,0 XER

(2) (mot.) Z 2,0 LET→3299999, 35999999, 36999999, 38999999, 3B9999999, 3H999999 / (mot.) Z 2,0 XER alle / all

(3) (mot.) Z 2,0 LET 42000001, 45000001, 48000001, 4B000001, 4H000001→

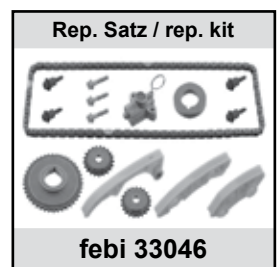
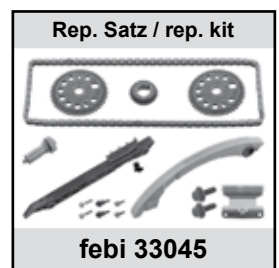
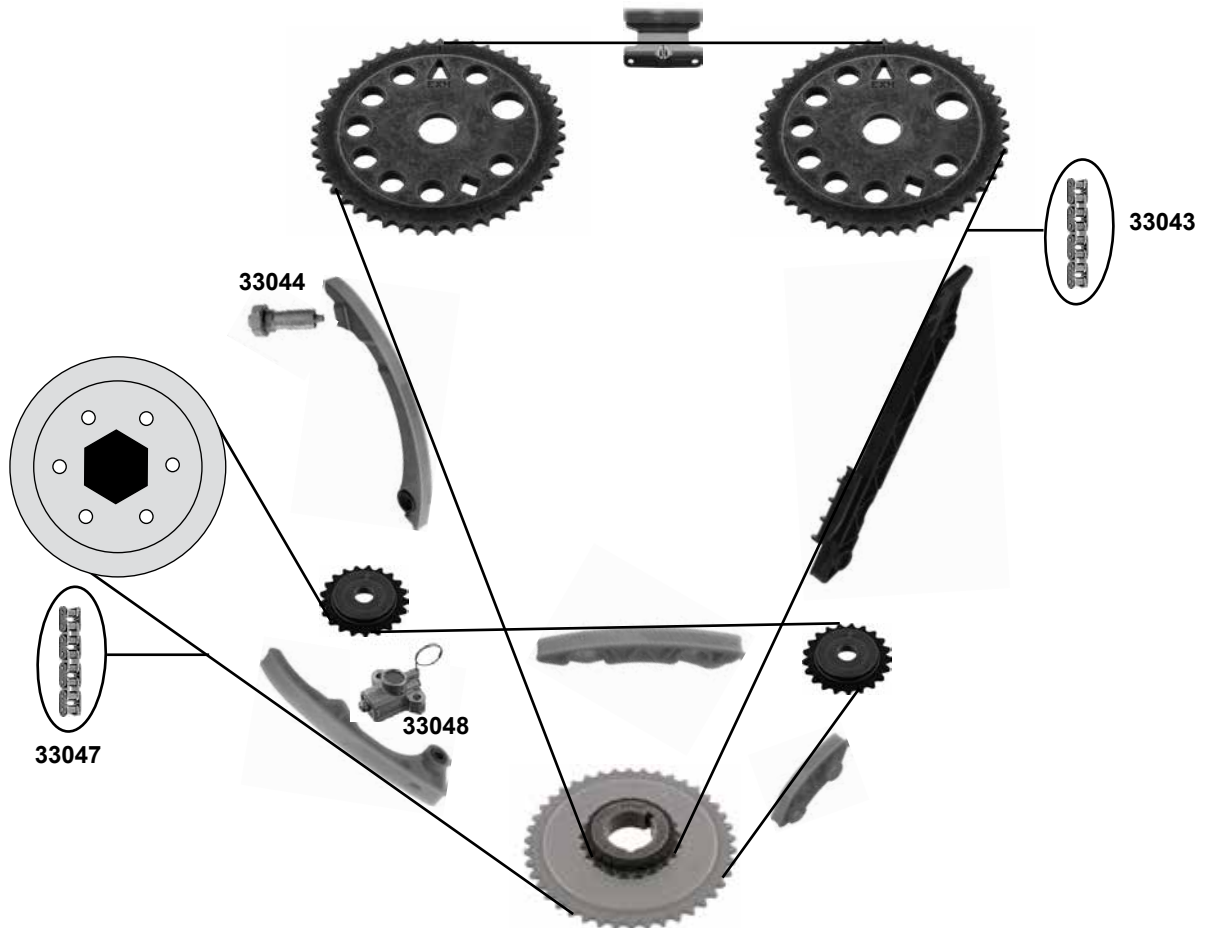
(4) (ex.) (mot.) Z 2,0 LET 42000001, 45000001, 48000001, 4B000001, 4H000001→nur Auslaßseite / only exhaustside  
(mot.) Z 2,0 XER alle / all (mot.)→02HL5117,→20041690



Ref. - No.



<b>10297</b>	09158004	Spannrolle / tension roller	(1)	ØA 59 B26
<b>11321</b>	90529810	Umlenkrolle / deflection pulley	(4)	ØA 54 B29,3
<b>19285</b>	24412292	Riemenspanner / belt tensioner	AC	
<b>21061</b>	24430296	Riemenspanner / belt tensioner		
<b>23421</b>	55351782	Zahnriemen / timing belt		Z 168 B24
<b>23423</b>	93174263	Rep. Satz Zahnriemen / rep. kit timing belt		Z 168 B24
<b>26223</b>	55353810	Spannrolle / tension roller	(2)	ØA 59 B 26
<b>26224</b>	93174265	Rep. Satz Zahnriemen / rep. kit timing belt	(2)	Z 168 B24
<b>28374</b>	55353701	Umlenkrolle / deflection pulley	(3)	ØA 54 B 31,5
<b>28375</b>	93185844	Rep. Satz Zahnriemen / rep. kit timing belt	(3)	Z 168



	Ref. - No.			
<b>33043</b>	24461834	Steuerkette endlos / timing chain endless		148 E
<b>33044</b>	12608580	Kettenspanner / chain tensioner		
<b>33045</b>	55570337	Rep. Satz Steuerkette / rep. kit timing chain		148 E
<b>33046</b>	55563405	Rep. Satz Steuerkette / rep. kit timing chain		134 E
<b>33047</b>	12645237	Steuerkette endlos / timing chain endless		134 E
<b>33048</b>	90537300	Kettenspanner / chain tensioner		

# VAUXHALL Astra Mk V / H

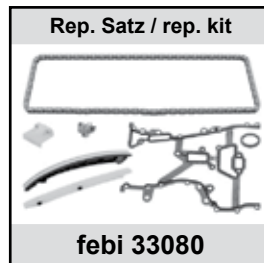
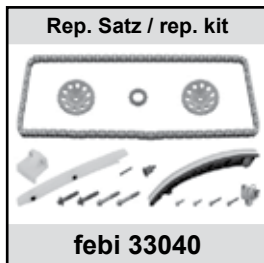
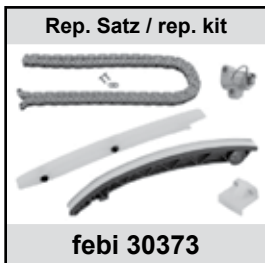
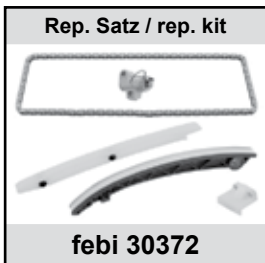
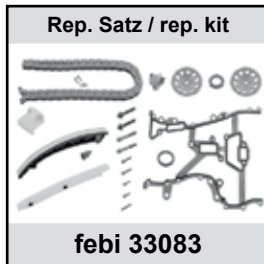
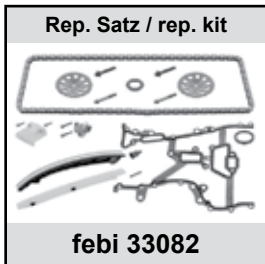
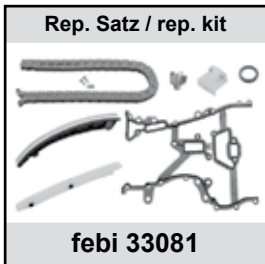
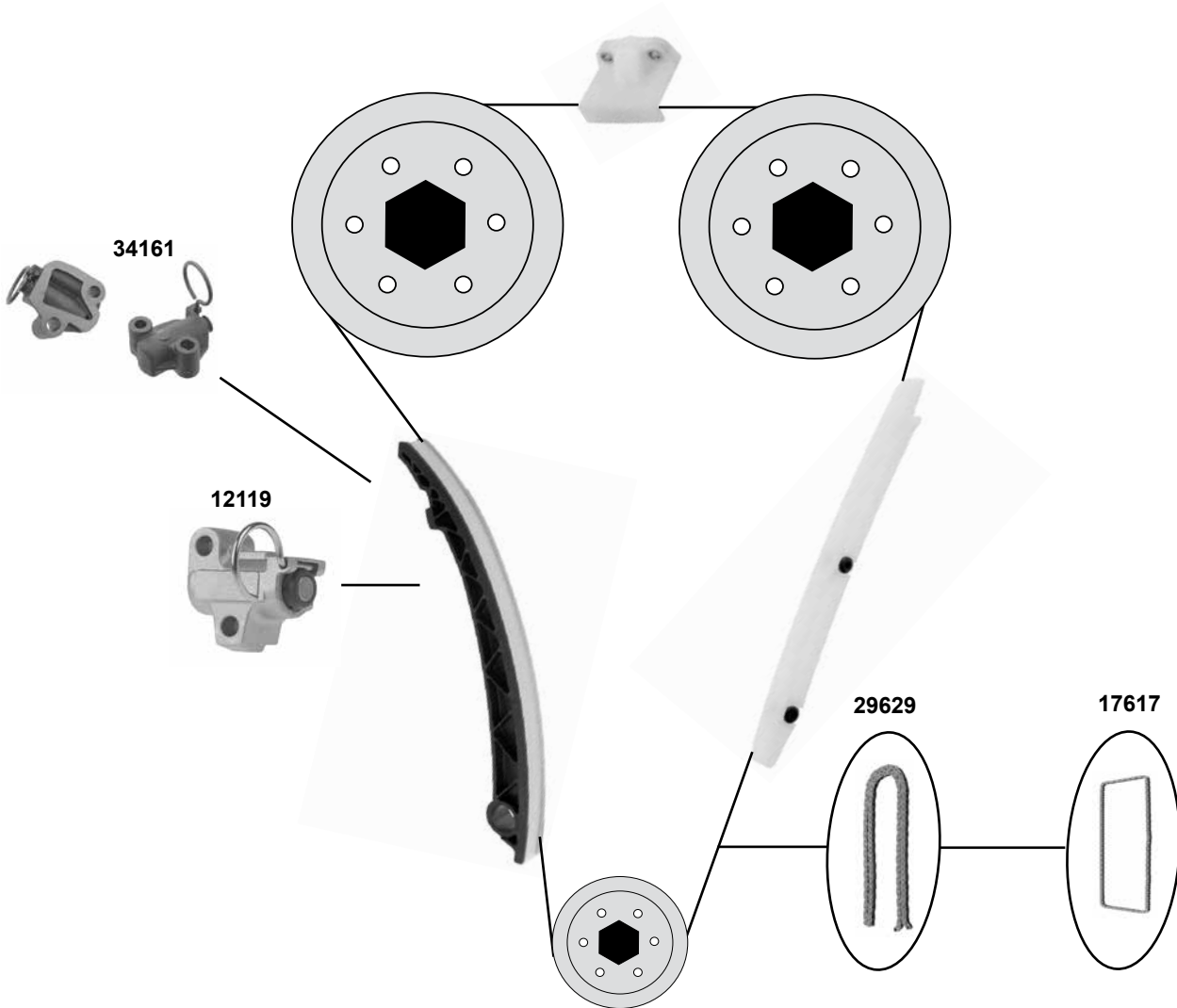
(04→09)

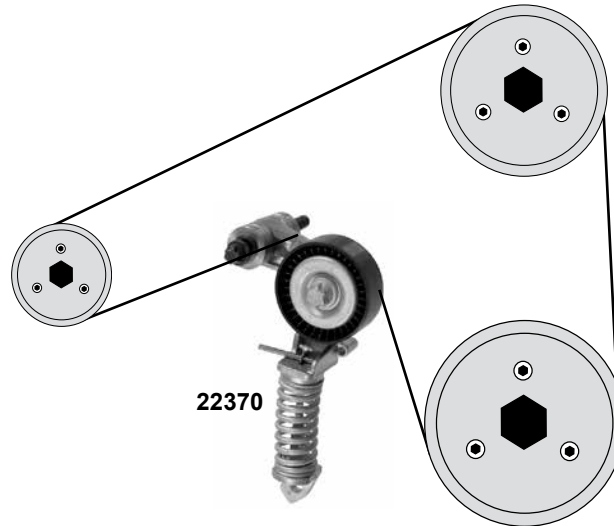
Car  
Division



## 1,2 / 1,4

(Z1,2XE / Z 1,4 XEL / Z1,4XEP)





- (1) Steuerkette geschlossen / timing chain endless
- (2) Steuerkette offen / timing chain open
- (3) Steuerkette offen und mit Steuerkettenradsatz / timing chain open and with control chain wheel kit
- (4) Steuerkette geschlossen und mit Steuerkettenradsatz / timing chain endless and with control chain wheel kit
- (5) Steuerkette offen mit Dichtung / timing chain open with gasket
- (6) Steuerkette geschlossen mit Dichtung / timing chain endless with gasket
- (7) Steuerkette offen mit Dichtung und Steuerkettenradsatz / timing chain open with gasket and control chain wheel kit
- (8) Steuerkette geschlossen mit Dichtung und Steuerkettenradsatz / timing chain endless with gasket and control chain wheel kit
- (9) Spezialwerkzeug zur Montage notwendig / requires special tools for mounting
- (10) (mot.) Z 1,4 XEP→(mot.) 19TR2328
- (11) (mot.) Z 1,4 XEP (mot.) 19TR2329→

	Ref. - No.			
12119	55352909	Kettenspanner / chain tensioner	(10)	
17617	55562234	Rollenkette / roller chain	(1) (10)	130 E
22370	55565236	Riemenspanner / belt tensioner	NEW	70x24
29629	55562234 S1	Steuerkette / timing chain	(2) (9) (10)	130 N
30372	93191271 SK1	Rep. Satz Steuerkette / rep. kit timing chain	(1) (10)	130 E
30373	93191271 SK2	Rep. Satz Steuerkette / rep. kit timing chain	(2) (9) (10)	130 N
33040	93191271	Rep. Satz Steuerkette / rep. kit timing chain	(4) (10)	130 E
33041	93191271 S1	Rep. Satz Steuerkette / rep. kit timing chain	(3) (10)	130 N
33080	93191271 SK3	Rep. Satz Steuerkette / rep. kit timing chain	(6) (10)	130 E
33081	93191271 SK4	Rep. Satz Steuerkette / rep. kit timing chain	(5) (9) (10)	130N
33082	93191271 S2	Rep. Satz Steuerkette / rep. kit timing chain	(8) (10)	130 E
33083	93191271 S3	Rep. Satz Steuerkette / rep. kit timing chain	(7) (9) (10)	130 N
34161	55562235	Kettenspanner / chain tensioner	(11)	
34162	55562234 S2	Rep. Satz Steuerkette / rep. kit timing chain	(1) (11)	130 E
34163	55562234 S3	Rep. Satz Steuerkette / rep. kit timing chain	(2) (9) (11)	130 N

# VAUXHALL Astra Mk V / H

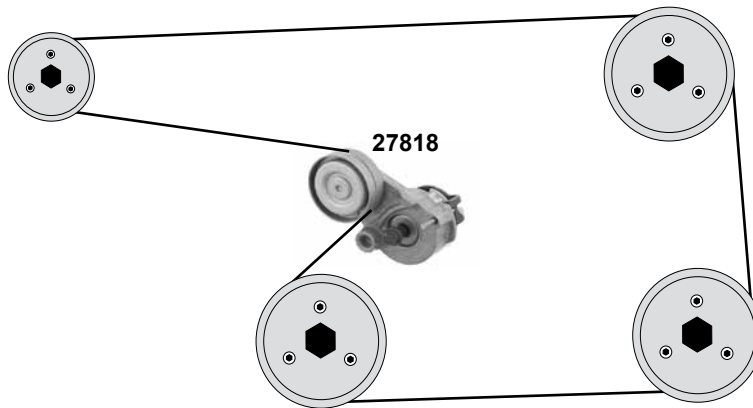
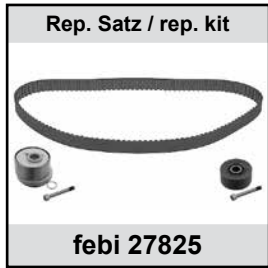
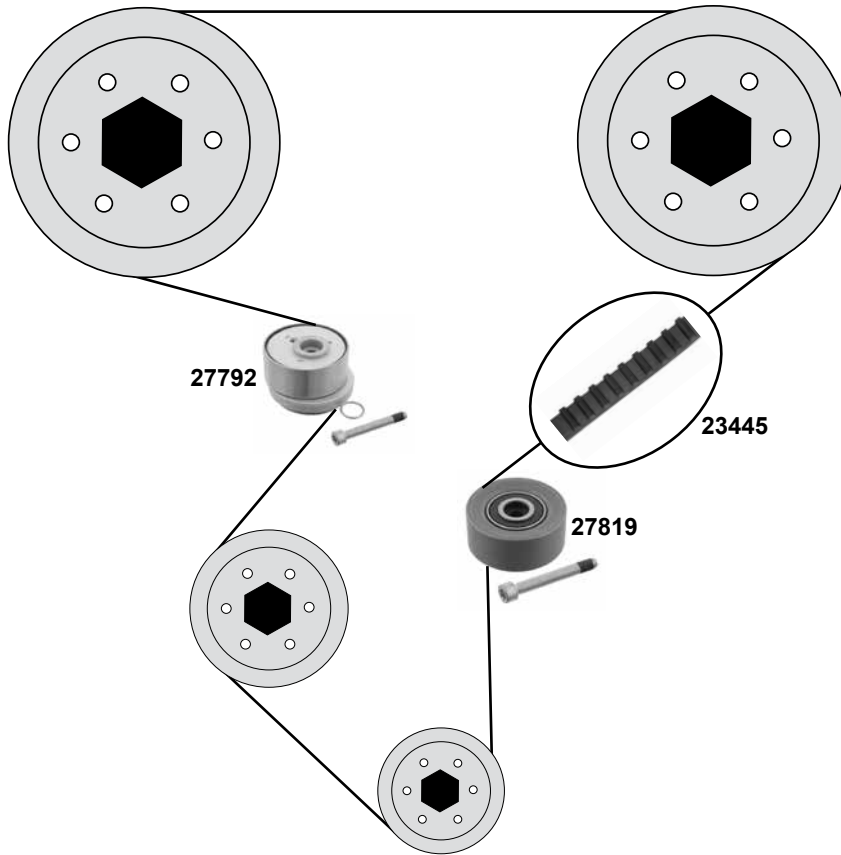
(04→09)

Car  
Division



## 1,6 16V / 1,8 16V

(A1,6LET / Z1,6XEP / Z1,6LET / Z1,6XE1 / A1,6XER / Z1,6XER / Z1,8XER)



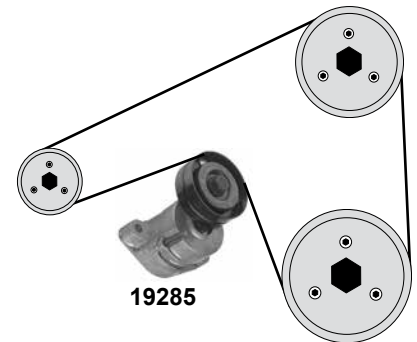
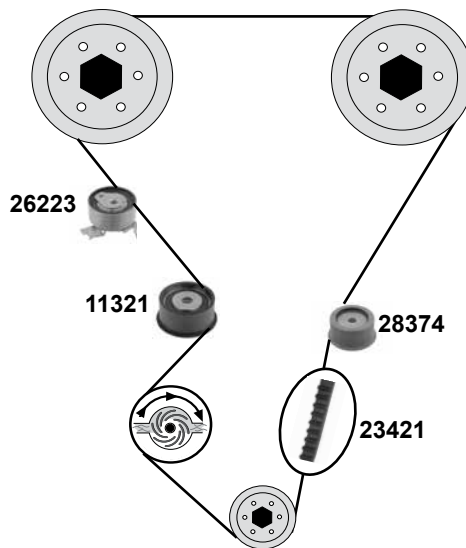
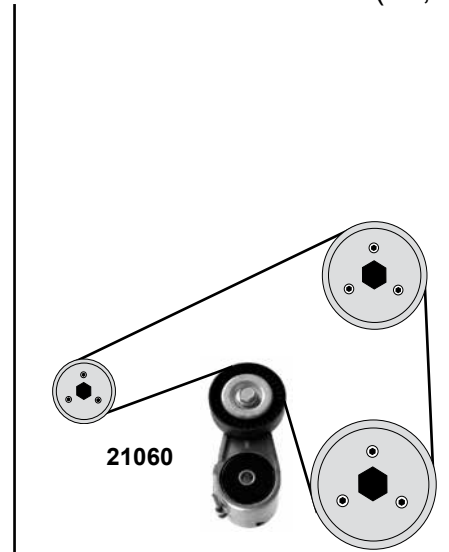
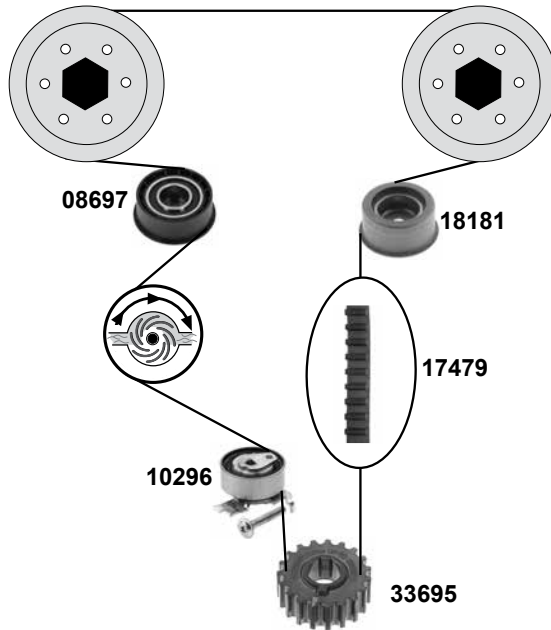
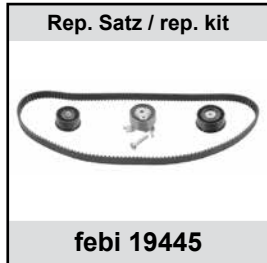
(1) (mot.) Z1,6XEP / Z1,6LET / Z1,6XE1 / Z1,6XER / Z1,8XER



Ref. - No.



23445	24422964	Zahnriemen / timing belt		Z 146 B24
27792	55562218	Spannrolle / tension roller		ØA66 Ø18 B29
27818	55563512	Riemenspanner / belt tensioner		ØA 63
27819	24436052	Umlenkrolle / deflection pulley	(1)	ØA 61 B 28
27825	93185849	Rep. Satz Zahnriemen / rep. kit timing belt	(ex.) A1,6 XER	Z 146 B24



Ref. - No.



<b>08697</b>	55350580	Umlenkrolle / deflection pulley	ØA 62,5 ØI 23
<b>10296</b>	55567191	Spannrolle / tension roller	ØA 59 B22
<b>11321</b>	90529810	Umlenkrolle / deflection pulley	ØA 54 B29,3
<b>17479</b>	24451895	Zahnriemen / timing belt	Z 162 B20
<b>18181</b>	55352713	Umlenkrolle / deflection pulley	ØA 52,5 B27
<b>19285</b>	24412292	Riemenspanner / belt tensioner	
<b>19445</b>	93185845	Rep. Satz Zahnriemen / rep. kit timing belt	Z 162 B20
<b>21060</b>	90571758	Riemenspanner / belt tensioner	
<b>21097</b>	93174119	Rep. Satz Zahnriemen / rep. kit timing belt	Z 162 B20
<b>23421</b>	55351782	Zahnriemen / timing belt	Z 168 B24
<b>26223</b>	55353810	Umlenkrolle / deflection pulley	ØA 59 B26
<b>28374</b>	55353701	Umlenkrolle / deflection pulley	ØA 54 B31,5
<b>28375</b>	93185844	Rep. Satz Zahnriemen / rep. kit timing belt	Z 168 B24
<b>33695</b>	0614 546	Kurbelwellenzahnrad / crankshaft gear	Z 23

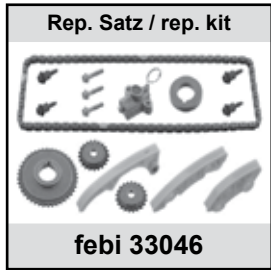
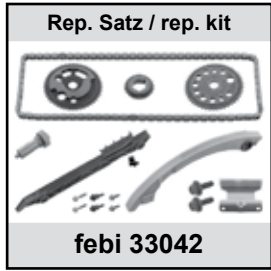
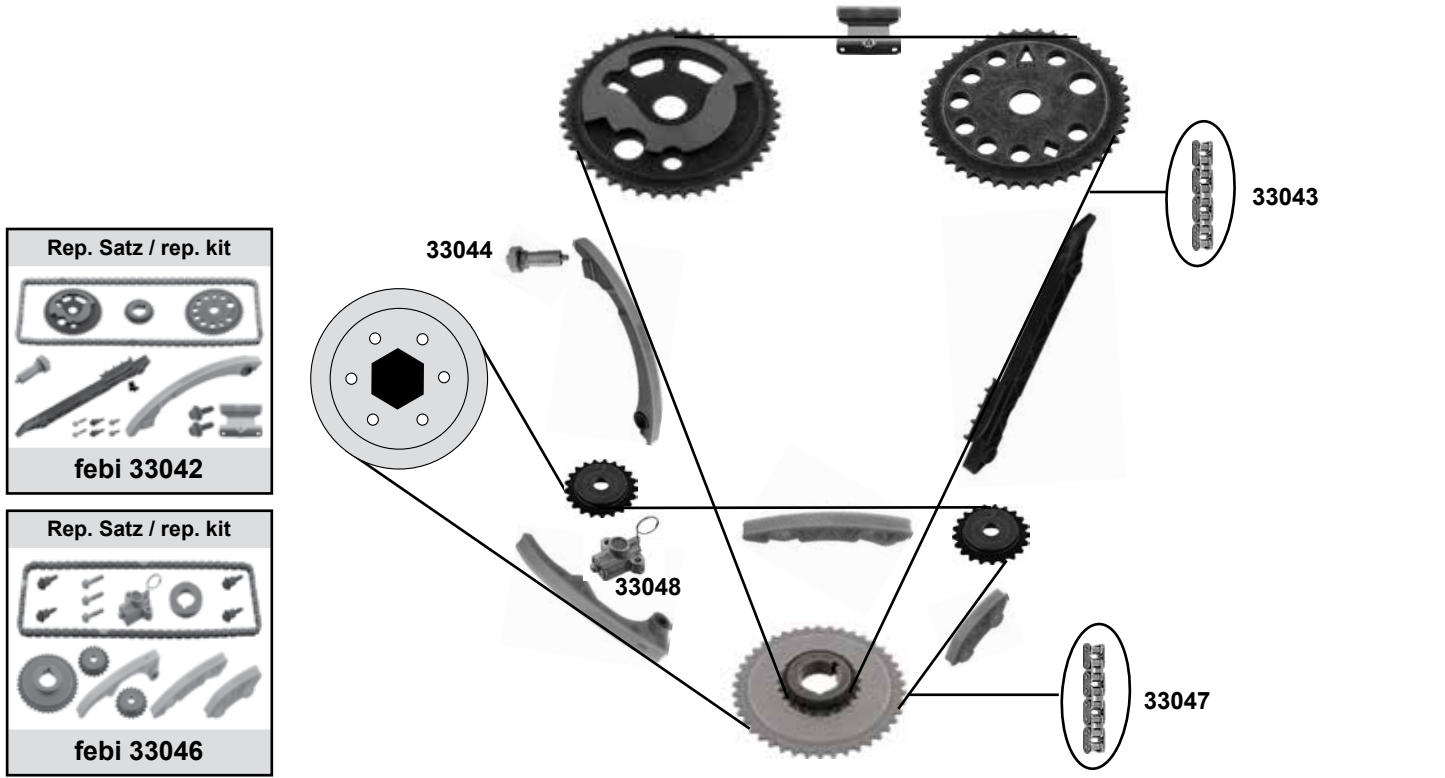
# VAUXHALL Astra Mk V / H

(04→09)

Car  
Division

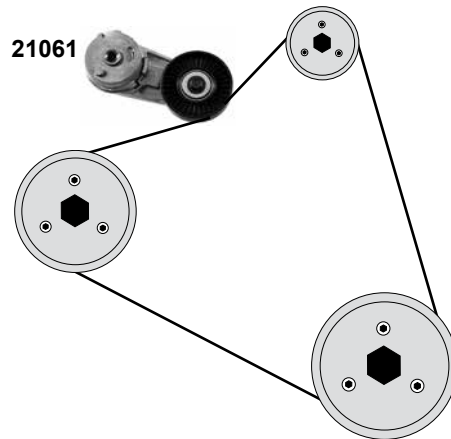


2,2

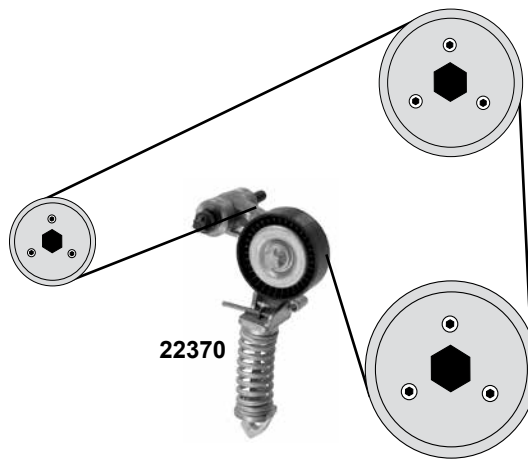
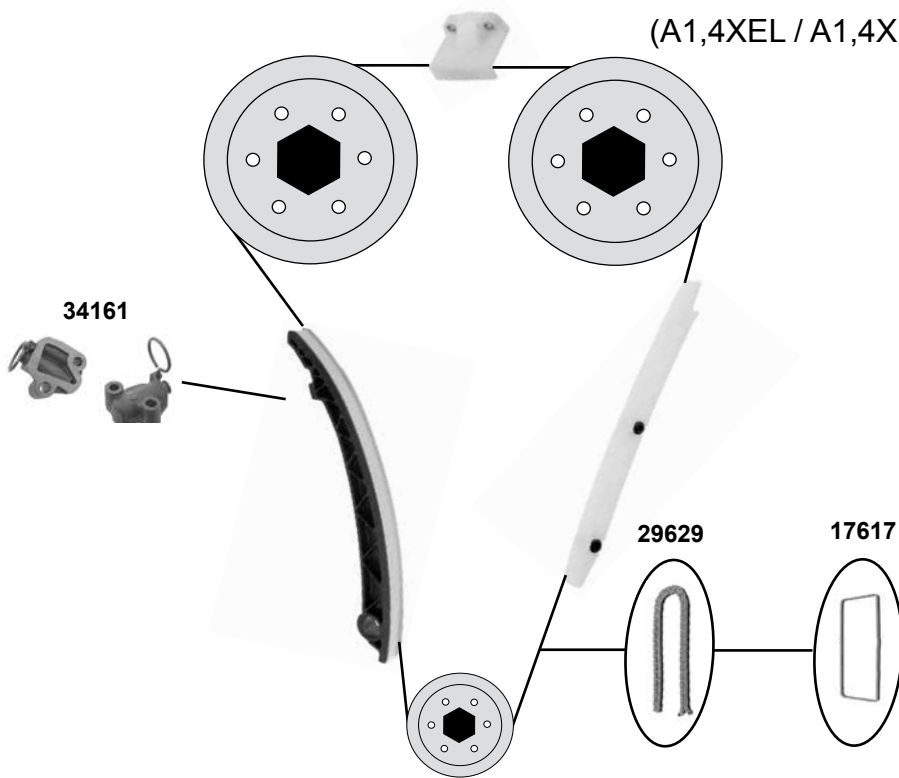


2,2

(Z 2,2 YH)



Ref. - No.	Part Description	Quantity
21061	Riemenspanner / belt tensioner	
33042	Rep. Satz Steuerkette / rep. kit timing chain	148 E
33043	Steuerkette endlos / timing chain endless	148 E
33044	Kettenspanner / chain tensioner	
33046	Rep. Satz Steuerkette / rep. kit timing chain	134 E
33047	Steuerkette endlos / timing chain endless	134 E
33048	Kettenspanner / chain tensioner	



- (1) Steuerkette geschlossen / timing chain endless
- (2) Steuerkette offen / timing chain open  
Spezialwerkzeug zur Montage notwendig / requires special tools for mounting



Ref. - No.



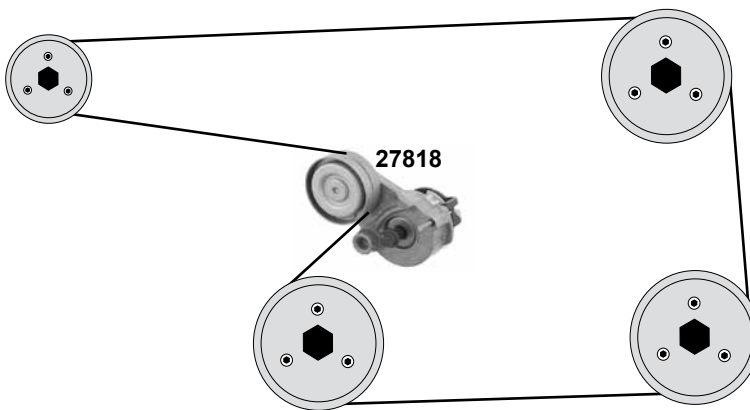
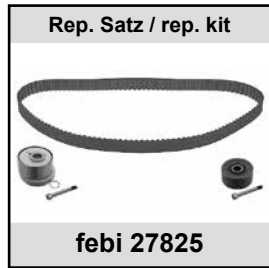
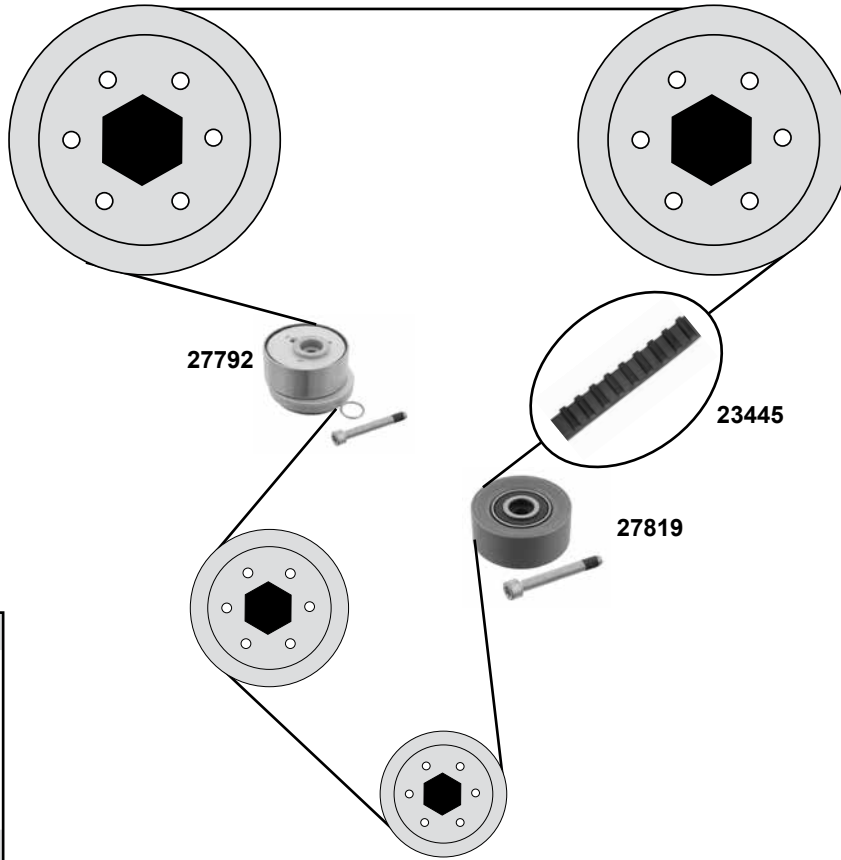
Ref. - No.	Description	Notes	Part No.
17617	55562234 Rollenkette / roller chain	(1)	130 E
22370	55565236 Riemen Spanner / belt tensioner		70x24
29629	55562234 S1 Steuerkette / timing chain	(2)	130 N
34161	55562235 Kettenspanner / chain tensioner		
34162	55562234 S2 Rep. Satz Steuerkette / rep. kit timing chain	(1)	130 E
34163	55562234 S3 Rep. Satz Steuerkette / rep. kit timing chain	(2)	130 N





## 1,6 16V

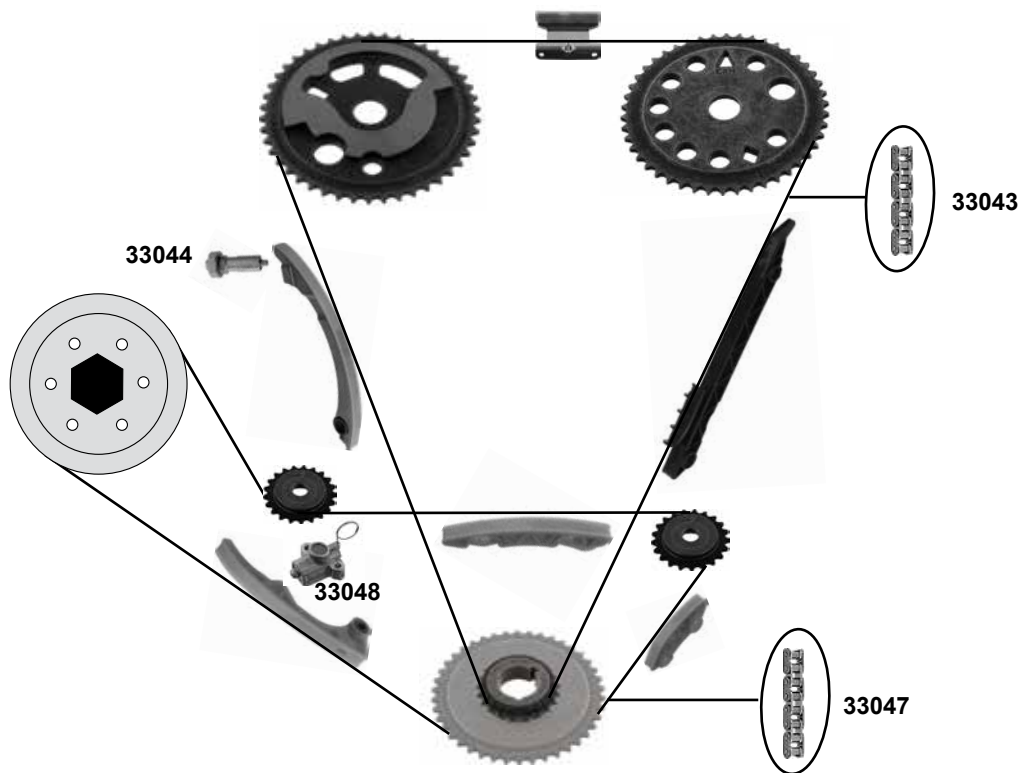
(A1,6XER / A1,6LET)



Ref. - No.



<b>23445</b>	24422964	Zahnriemen / timing belt	Z 146 B24
<b>27792</b>	55562218	Spannrolle / tension roller	ØA 66 B 29
<b>27818</b>	55563512	Riemenspanner / belt tensioner	ØA 63
<b>27819</b>	24436052	Umlenkrolle / deflection pulley	ØA 61 B 28
<b>27825</b>	93185849	Rep. Satz Zahnriemen / rep. kit timing belt	Z 146 B24

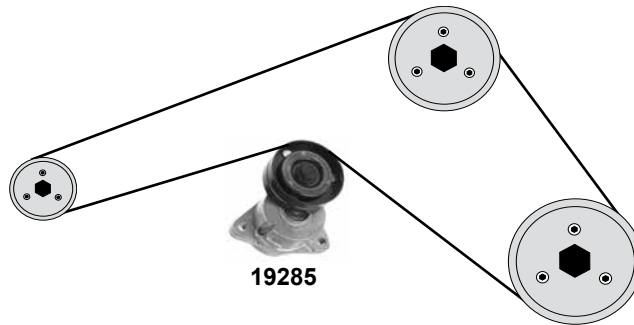
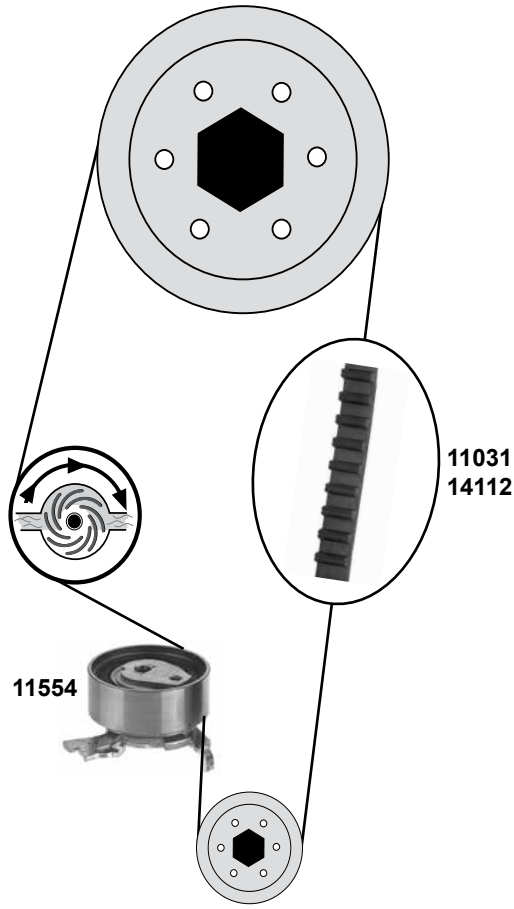






Ref. - No.



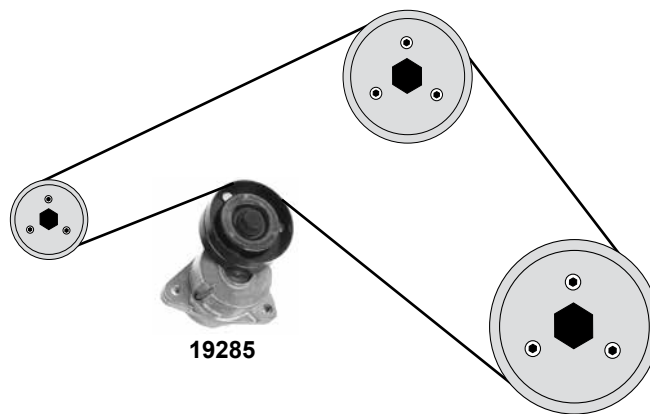
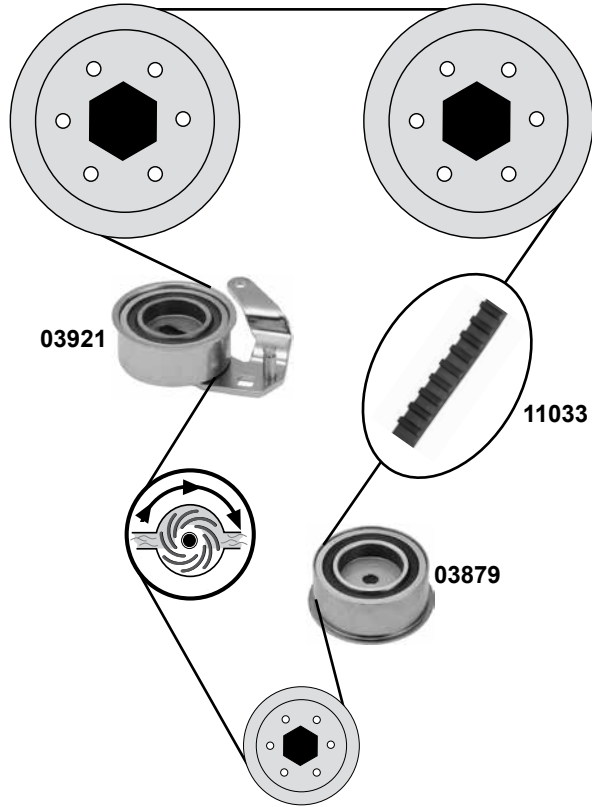
<b>33043</b>	24461834	Steuerkette endlos / timing chain endless	148 E
<b>33044</b>	12608580	Kettenspanner / chain tensioner	
<b>33047</b>	12645237	Steuerkette endlos / timing chain endless	134 E
<b>33048</b>	90537300	Kettenspanner / chain tensioner	

**2,0**  
(C 2,0 NE)



	Ref. - No.			
<b>11031</b>	90410014	Zahnriemen / timing belt	(ch.)→N1	Z 111 B20
<b>11554</b>	09158003	Spannrolle / tension roller		ØA 59 B22
<b>14112</b>	09128725	Zahnriemen / timing belt	(ch.) N1→S1, S9	Z 146 B20
<b>14113</b>	09128725 S1	Rep.Satz Zahnriemen / rep. kit timing belt	(ch.) N1→S1, S9	
<b>19285</b>	24412292	Riemenspanner / belt tensioner		

(mot.) 2,0 XE, C 2,0 XE→14142838 / C 2,0 LET→14002934



Ref. - No.



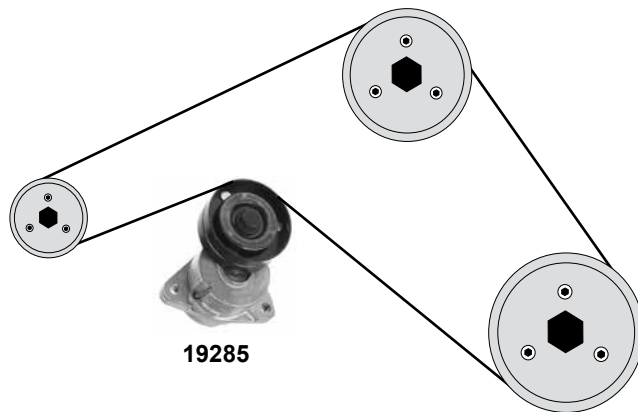
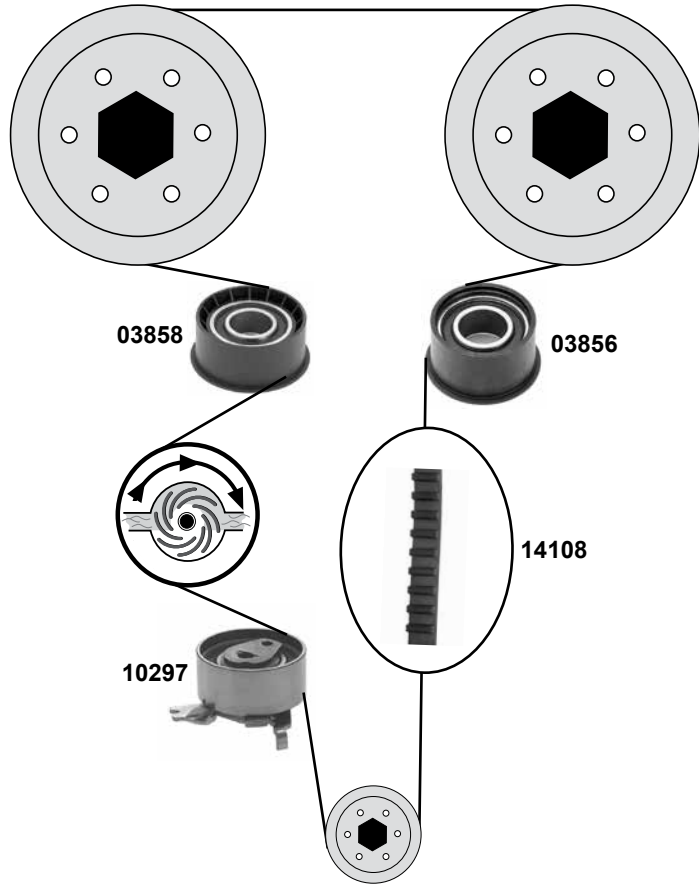
<b>03879</b>	90323503	Umlenkrolle / deflection pulley
<b>03921</b>	90323501	Spannrolle / tension roller
<b>11033</b>	90410225	Zahnriemen / timing belt
<b>11041</b>	93174266	Rep. Satz Zahnriemen / rep. kit timing belt
<b>19285</b>	24412292	Riemenspanner / belt tensioner





(ch.) P1→ / P9→

ØA 67 B27  
ØA 67 B27  
Z 141 B24

**2,0 16V**

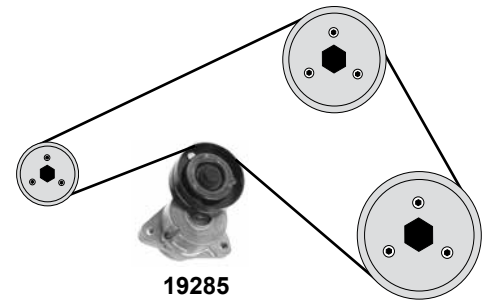
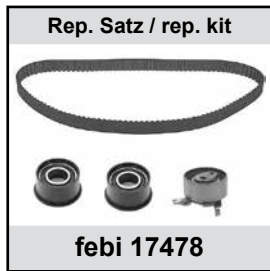
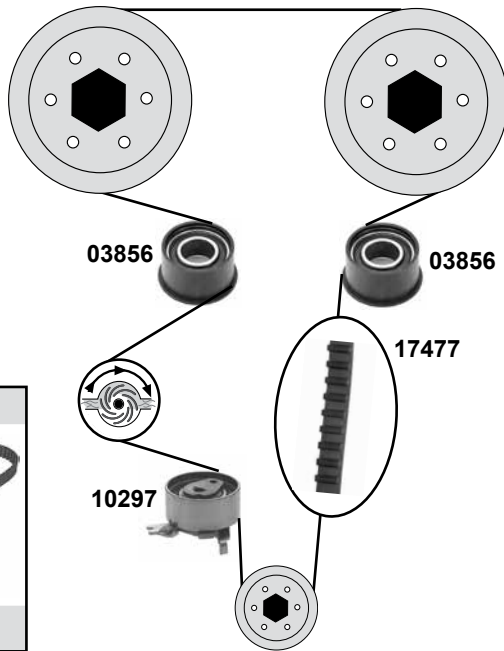
(mot.) 2,0 XE, C 2,0 XE 14142839 → / C 2,0 LET 14002934 →



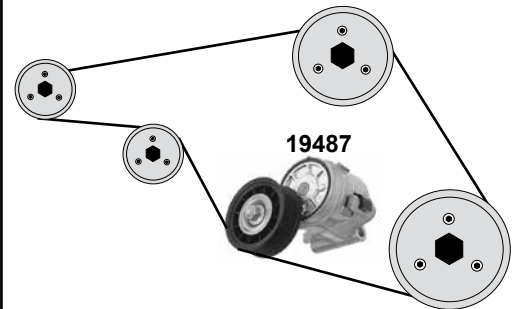
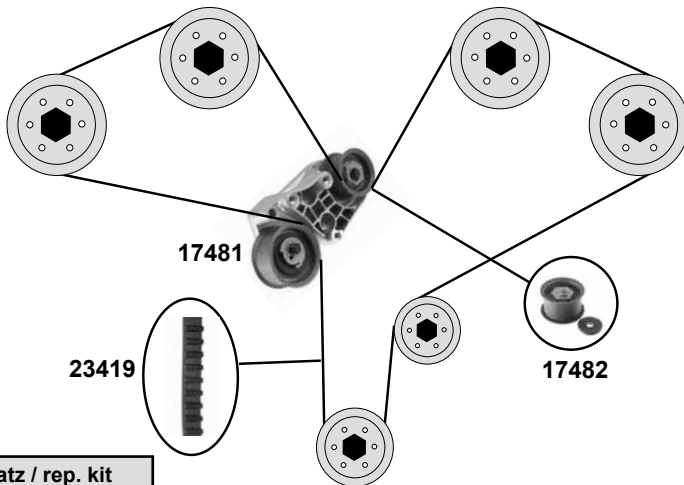
	Ref. - No.			
<b>03856</b>	9128738	Umlenkrolle / deflection pulley		ØA 58,5 B29,5
<b>03858</b>	90411773	Umlenkrolle / deflection pulley		ØA 62,7 B27
<b>10297</b>	09158004	Spannrolle / tension roller		ØA 59 B26
<b>14108</b>	90530598	Zahnriemen / timing belt		Z 176 B24
<b>14109</b>	93174262	Rep. Satz Zahnriemen / rep. kit timing belt		
<b>19285</b>	24412292	Riemenspanner / belt tensioner	(ch.) P1→ / P9→	



**2,0 16V**  
(X 2,0 XEV)



**2,5 V6**  
(X2,5XE / Y2,6SE)



Ref. - No.



<b>03856</b>	9128738	Umlenkrolle / deflection pulley	ØA 58,5 B29,5
<b>10297</b>	09158004	Spannrolle / tension roller	ØA 59 B26
<b>17477</b>	90531682	Zahnriemen / timing belt	Z 169 B24
<b>17478</b>	93174260	Rep. Satz Zahnriemen / rep. kit timing belt	
<b>17481</b>	09128444	Riemenspanner / belt tensioner	
<b>17482</b>	90543739	Umlenkrolle / deflection pulley	ØA 64 B37
<b>19285</b>	24412292	Riemenspanner / belt tensioner	
<b>19487</b>	09202550	Riemenspanner / belt tensioner	ØA 76 B27,5
<b>23419</b>	09128500	Zahnriemen / timing belt	Z 225 B30
<b>27295</b>	09120501 SK	Rep. Satz Zahnriemen / rep. kit timing belt	Z 225 B30

passend für / to fit

# VAUXHALL Calibra

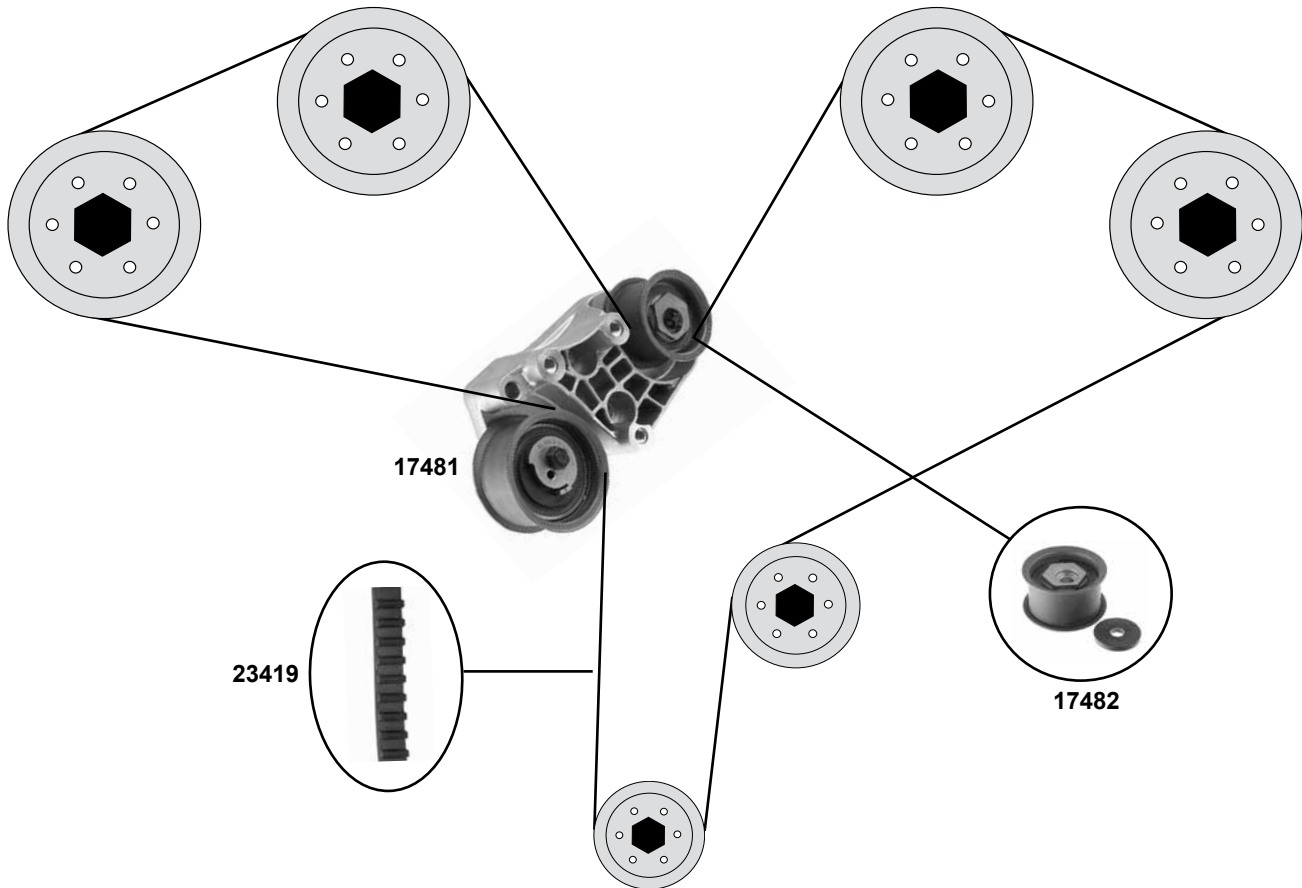
(89→95)

Car  
Division



## 2,5 V6

(C 2,5 XE)

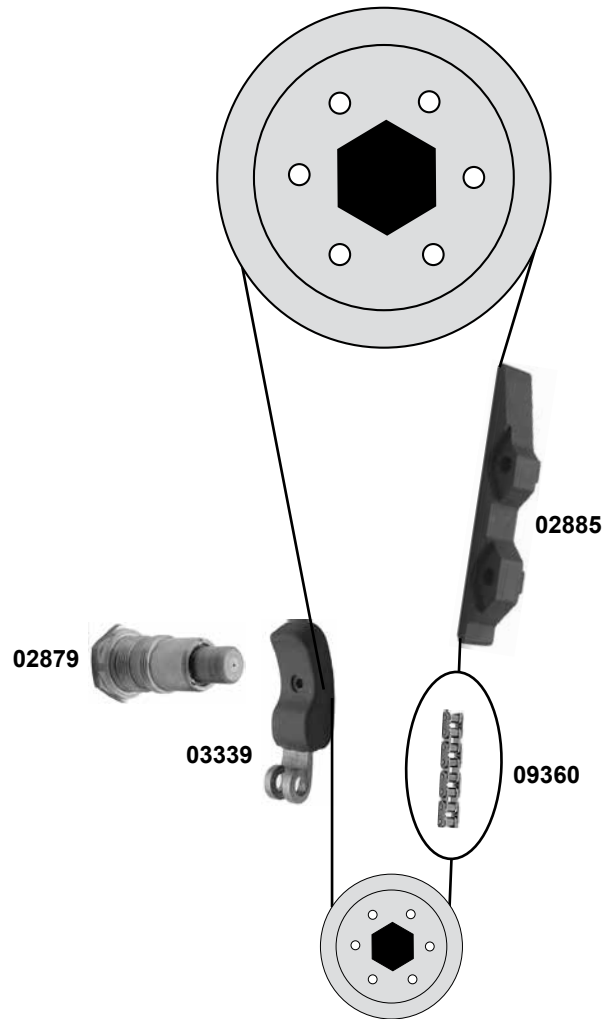


Ref. - No.



17481	09128444	Riemenspanner / belt tensioner
17482	90543739	Umlenkrolle / deflection pulley
23419	09128500	Zahnriemen / timing belt
27295	09120501 SK	Rep. Satz Zahnriemen / rep. kit timing belt

Ø64 B37  
Z 225 B30  
Z 225 B30



Ref. - No.



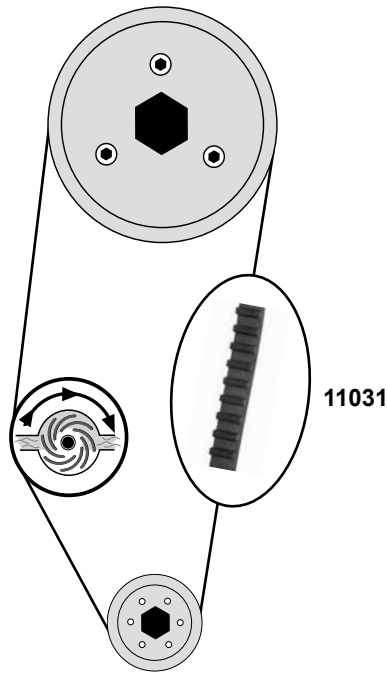
<b>02879</b>	02898847	Kettenspanner / chain tensioner
<b>02885</b>	90080903	Gleitschiene / sliding rail
<b>03339</b>	08930030	Gleitschiene / sliding rail
<b>09360</b>	08930102	Rollenkette zweifach / roller chain double

D 455 / 88 E

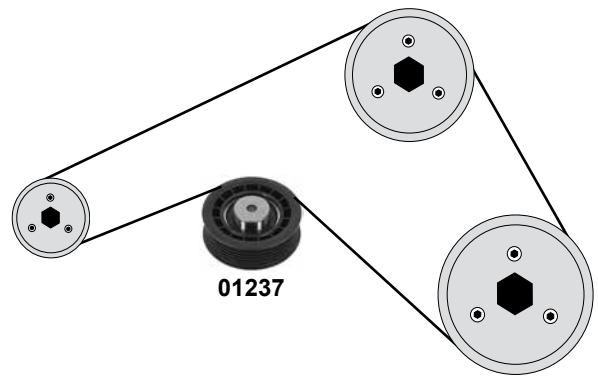
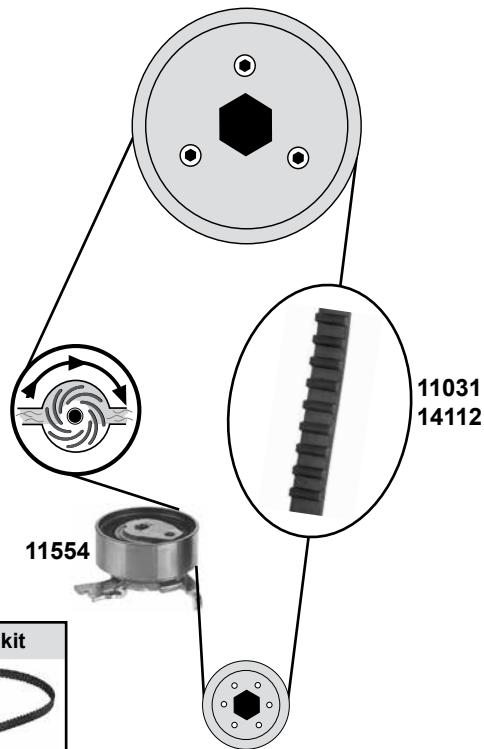




**1,8**



**2,0**

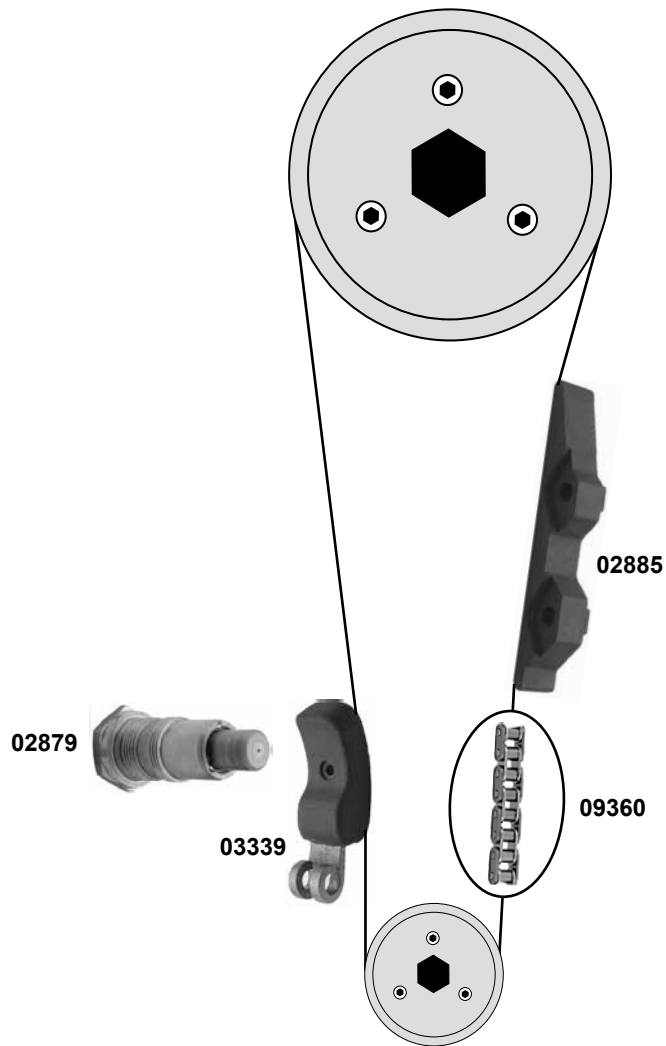


Ref. - No.



<b>01237</b>	90409238	Umlenkrolle / deflection pulley
<b>11031</b>	90410014	Zahnriemen / timing belt
<b>11554</b>	09158003	Spannrolle / tension roller
<b>14112</b>	09128725	Zahnriemen / timing belt
<b>14113</b>	09128725 S1	Rep. Satz Zahnriemen / rep. kit timing belt

<b>AC</b>	ØA 80 B26,4
<b>(mot.) 2,0→14608700</b>	Z 111 B20
	ØA 59 B22
<b>(mot.) 2,0 14608701→</b>	Z 146 B20
<b>(mot.) 2,0 14608701→</b>	



Ref. - No.

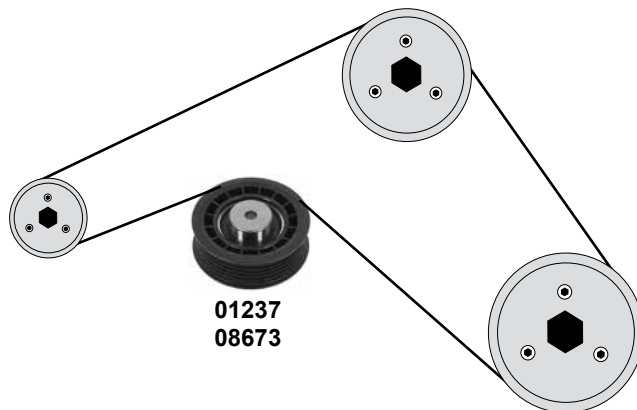
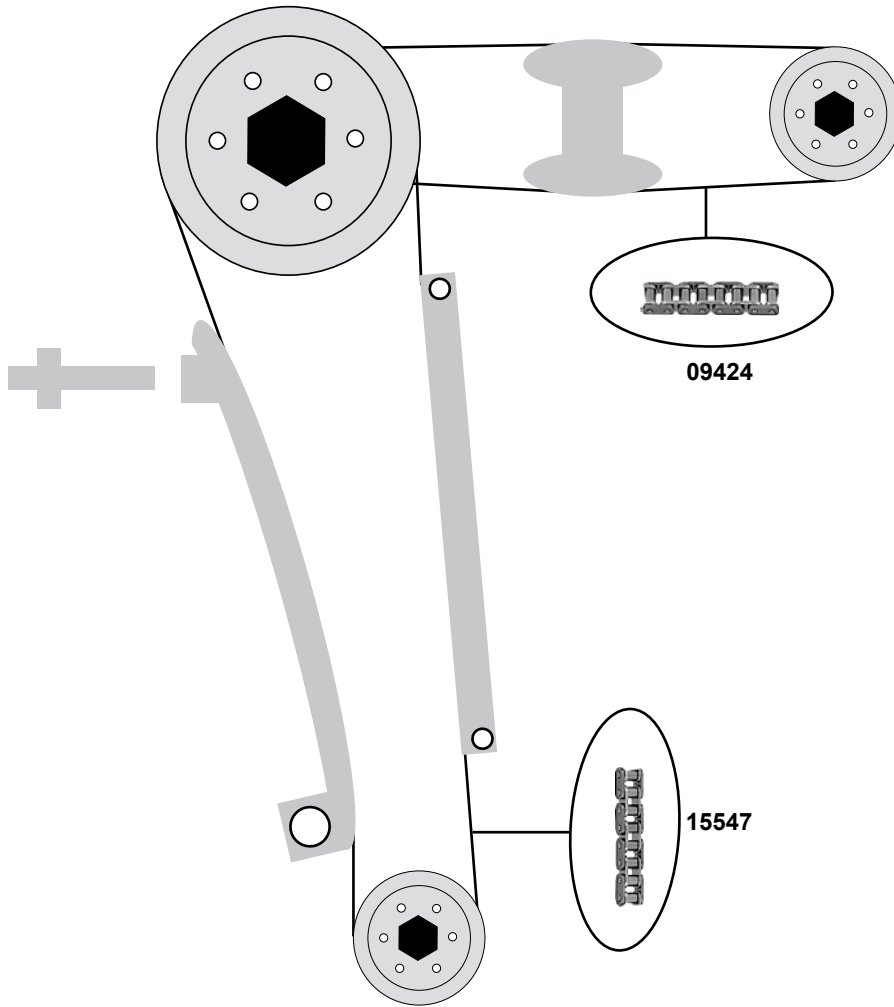


<b>02879</b>	02898847	Kettenspanner / chain tensioner
<b>02885</b>	90080903	Gleitschiene / sliding rail
<b>03339</b>	08930030	Gleitschiene / sliding rail
<b>09360</b>	08930102	Rollenkette zweifach / roller chain double

D 455 / 88 E



**3,0 24V / 3,6**



(1) (mot.) 3,0NE / C 3,0 NE 01039675→ (mot.) C 3,0 SE 01024730→

(2) (ch.) M 1000001→



Ref. - No.



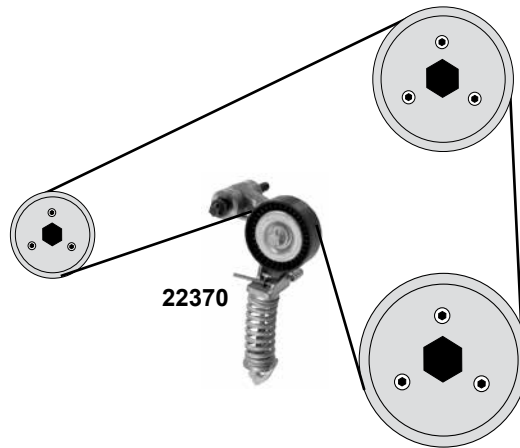
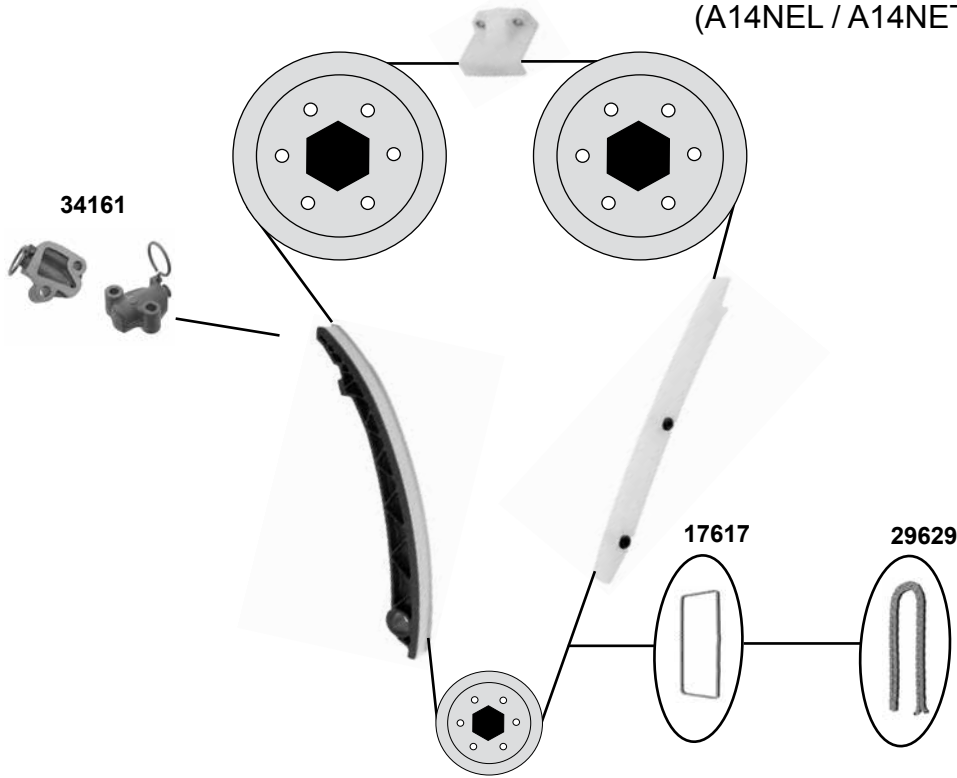
**01237**  
**08673**  
**09424**  
**15547**

90409238  
 90324097  
 90324533  
 90466047

Umlenkrolle / deflection pulley  
 Umlenkrolle / deflection pulley  
 Rollenkette einfach / roller chain simple  
 Rollenkette einfach / roller chain simple

(1) AC  
 (2) AC

ØA 80 B26,4  
 ØA 80 B25  
 42 E  
 104 E



- (1) Steuerkette geschlossen / timing chain endless  
(2) Steuerkette offen / timing chain open  
Spezialwerkzeug zur Montage notwendig / requires special tools for mounting



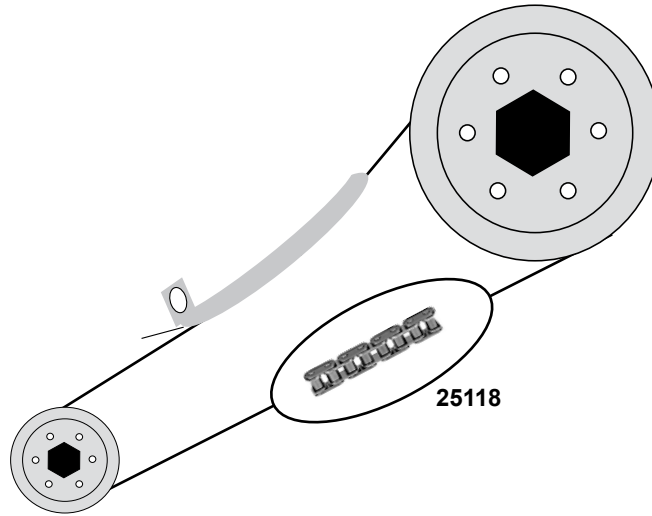
Ref. - No.



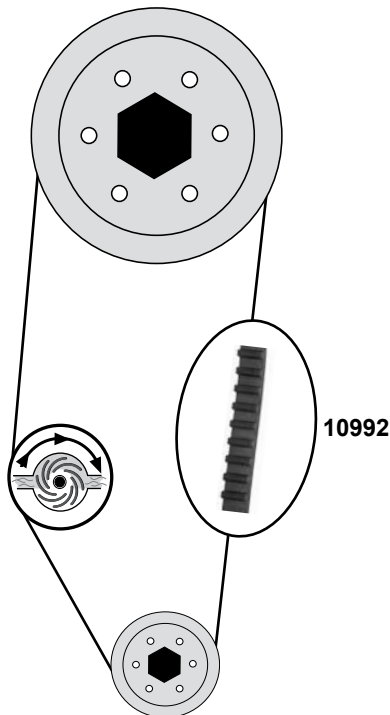
Ref. - No.	Description	Quantity	Part No.
17617	Steuerkette / timing chain	(1) A1,4 NEL/NET	130 E
22370	Riemenspanner / belt tensioner	(2)	130N
29629	Steuerkette / timing chain	(1) A1,4 NEL/NET	130 E
34161	Kettenspanner / chain tensioner		
34162	Rep. Satz Steuerkette / rep. kit timing chain		



**1,2**  
(CIH)



**1,3**  
(N/S)



Ref. - No.



**10992** 90080214  
**25118** 02866445

Zahnriemen / timing belt  
Rollenkette einfach / roller chain simple

Z 104 B15  
455 / 56 E



Ref. - No.



<b>02879</b>	02898847	Kettenspanner / chain tensioner
<b>02885</b>	90080903	Gleitschiene / sliding rail
<b>03339</b>	08930030	Gleitschiene / sliding rail
<b>09360</b>	08930102	Rollenkette zweifach / roller chain double

D 88 E

# VAUXHALL

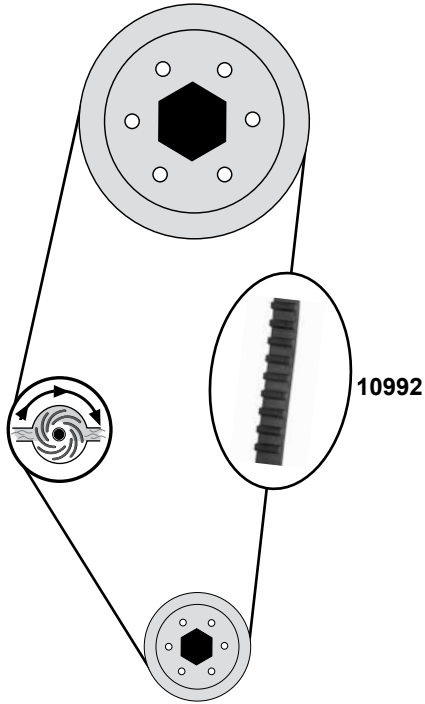
## Cavalier Mk I / Mk II

(82→88)

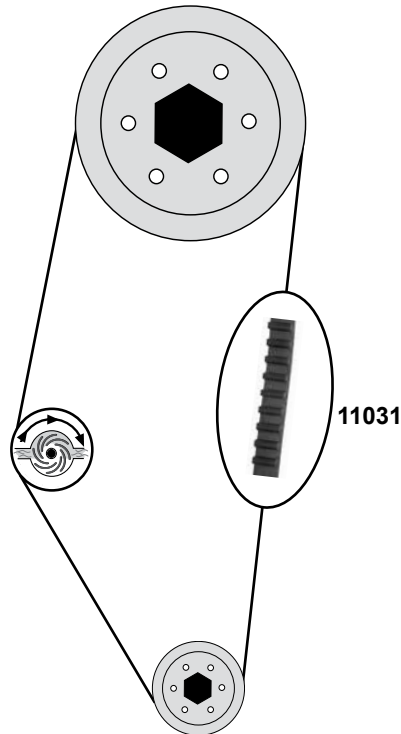
Car  
Division



1,3 / 1,3 N / 1,3 S



1,6→2,0  
(C1,6N /S/ SH/1,8/2,0)



Ref. - No.



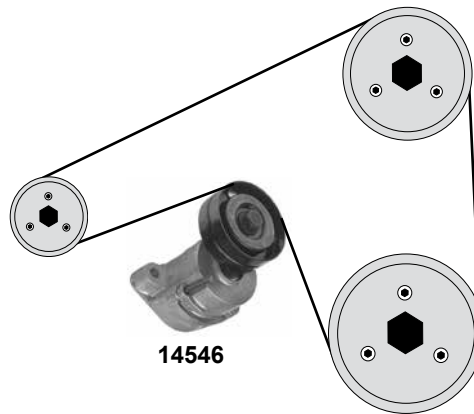
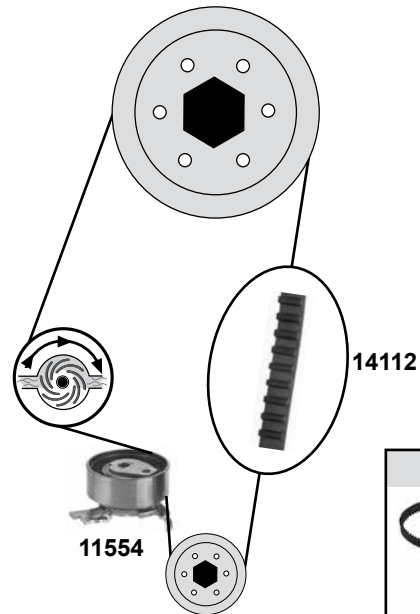
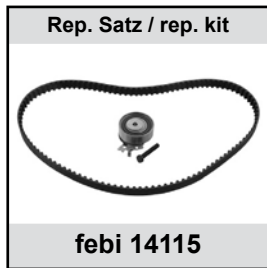
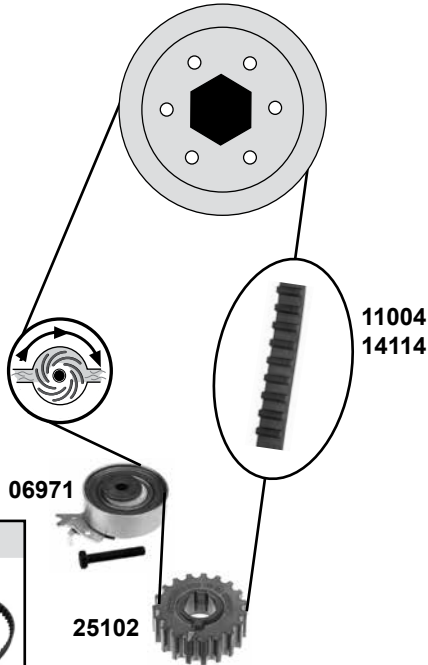
10992 90080214  
11031 90410014

Zahnriemen / timing belt  
Zahnriemen / timing belt

Z 104 B15  
Z 111 B20

(ex.) 1,6LZ / C 1,6 NZ2

1,6LZ / C 1,6 NZ2



- (1) (mot.) C1,6NZ / E1,6NZ (ch.) P1000001→, P 5000001→, P 7000001→ servo
- (2) (mot.) 1,4→02J22349,→19307805 / 1,6 SV / C 1,6 NZ / X 1,6 SZ, E 1,6 NZ→02J3349
- (3) (mot.) 1,4 02J22350→, 19307806→ / 1,6 SV / C 1,6 NZ / X 1,6 SZ, E 1,6 NZ 02J3350→



Ref. - No.



febi bilstein	Ref. - No.			
06971	09202478	Spannrolle / tension roller		ØA 59 B19
11004	90354783	Zahnriemen / timing belt	(2)	Z 104 B17
11554	09158003	Spannrolle / tension roller		ØA 59 B22
14112	09128725	Zahnriemen / timing belt		Z 146 B20
14113	09128725 S1	Rep. Satz Zahnriemen / rep. kit timing belt		
14114	90531677	Zahnriemen / timing belt	(3)	Z 111 B17
14115	93188126	Rep. Satz Zahnriemen / rep. kit timing belt	(3)	
14546	90411025	Riemenspanner / belt tensioner	(1)	ØA 70 B26
25102	0614 526	Kurbelwellenzahnrad / crankshaft gear	(ex.) 1,4	ØA 5 ØI20 Z19



# VAUXHALL Cavalier Mk III

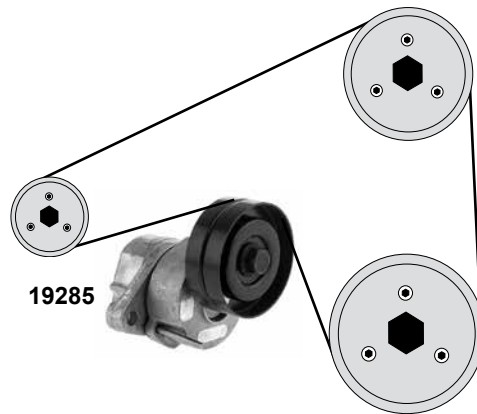
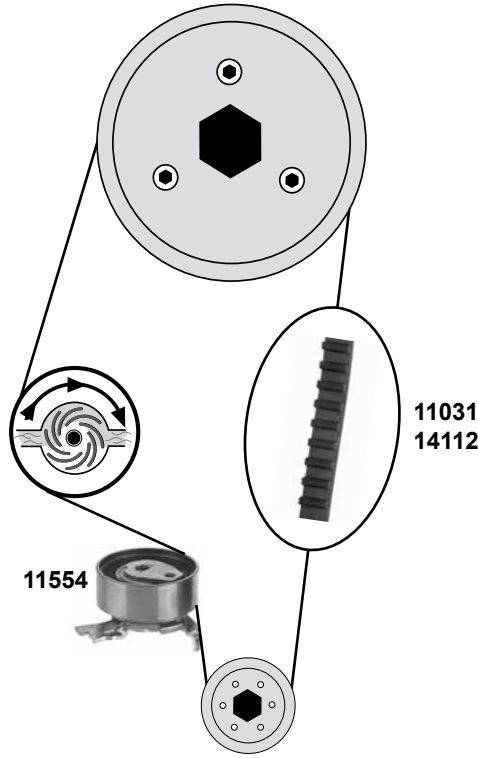
(89→95)

Car  
Division



**1,8 8V / 2,0 8V**

((ex.) SEH)



(1) (mot.) 08292479→08299999

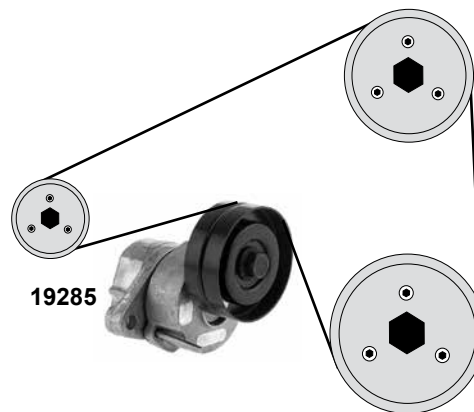
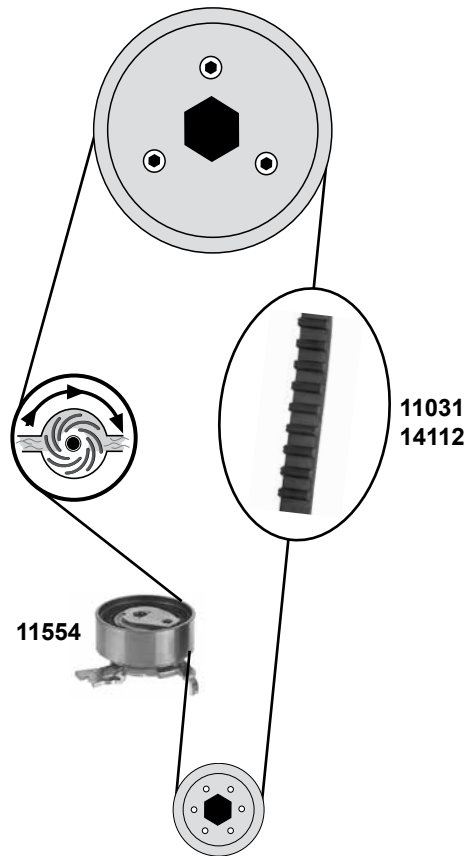
(2) (mot.) 1,8 14254439→ / 2,0 NE, C 2,0 NE 14608701→



Ref. - No.



Ref. - No.	Description	Quantity	Part No.
11031	Zahnriemen / timing belt	(1)	Z 111 B20
11554	Spannrolle / tension roller	(1)	ØA 59 B22
14112	Zahnriemen / timing belt	(2)	Z 146 B20
14113	Rep.Satz Zahnriemen / rep. kit timing belt	(2)	
19285	Riemenspanner / belt tensioner		



- (1) (ch.)→MV 999999, M 1999999, M 5999999  
(2) (ch.) NV 000001, N 100001, N 5000001→



Ref. - No.



febi bilstein	Ref. - No.			
11031	90410014	Zahnriemen / timing belt	(1)	Z 111 B20
11554	09158003	Spannrolle / tension roller		ØA 59 B22
14112	09128725	Zahnriemen / timing belt	(2)	Z 146 B20
14113	09128725 S1	Rep.Satz Zahnriemen / rep. kit timing belt	(2)	
19285	24412292	Riemenspanner / belt tensioner		

# VAUXHALL Cavalier Mk III

(89→95)

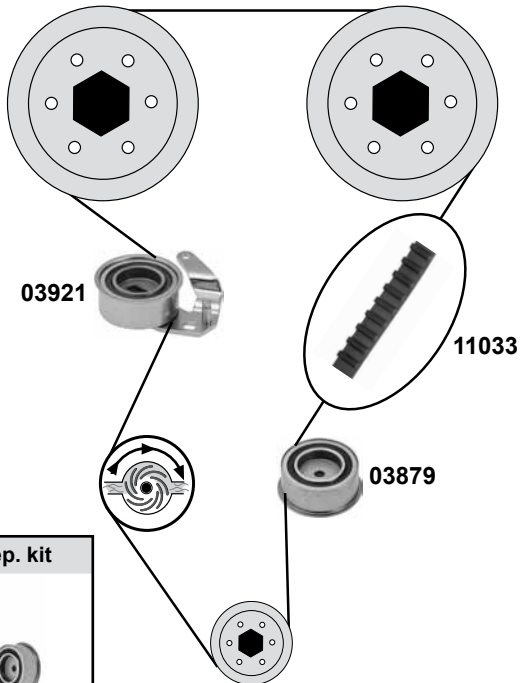
Car  
Division



## 2,0 16V

(2,0 XE, C 2,0 XE, C 2,0 LET)

(mot.) XE → 14142838 / LET → 14002934

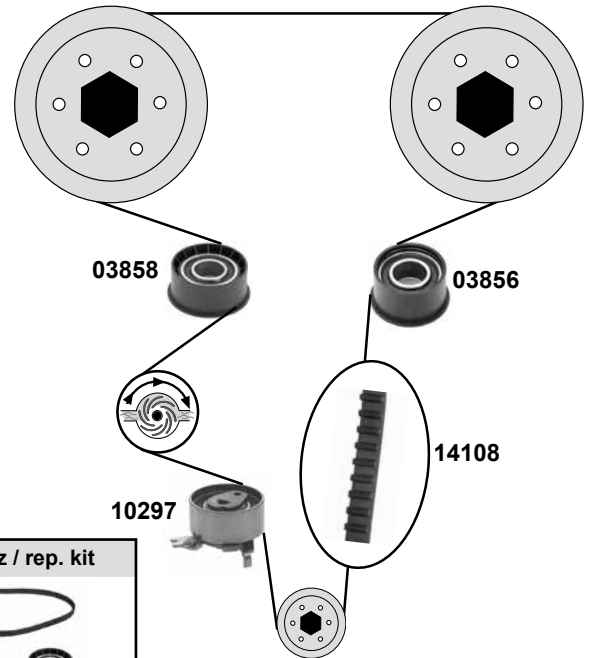


Rep. Satz / rep. kit



febi 11041

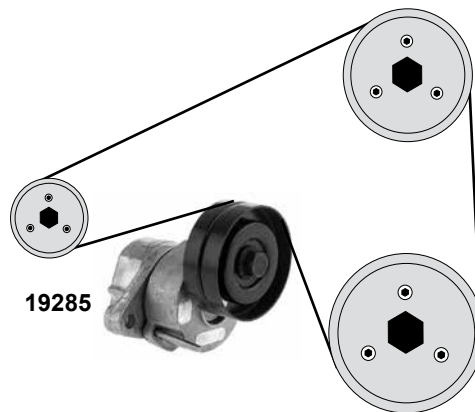
(mot.) XE 14142839 → / LET 14002935 →



Rep. Satz / rep. kit



febi 14109



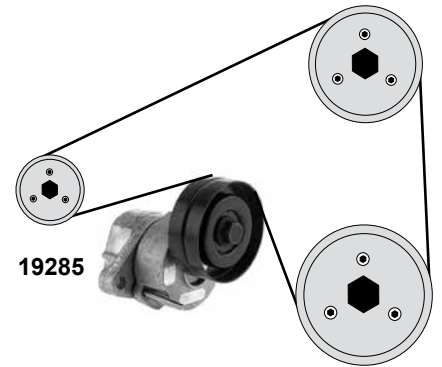
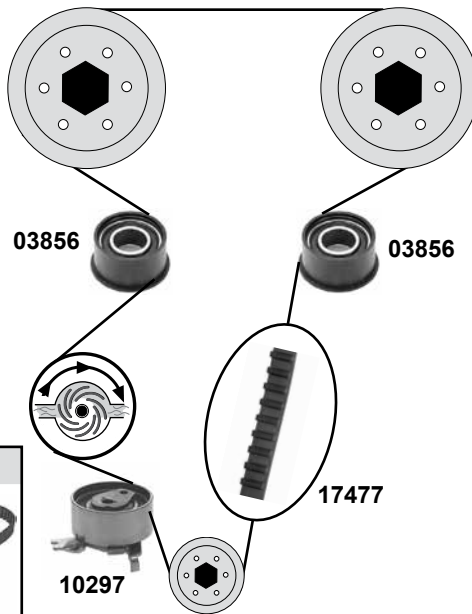
Ref. - No.



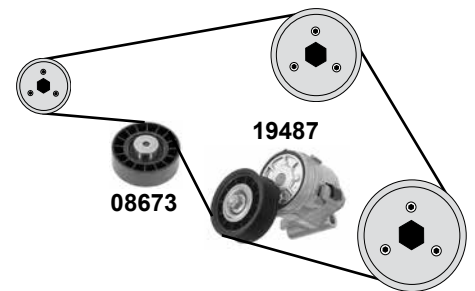
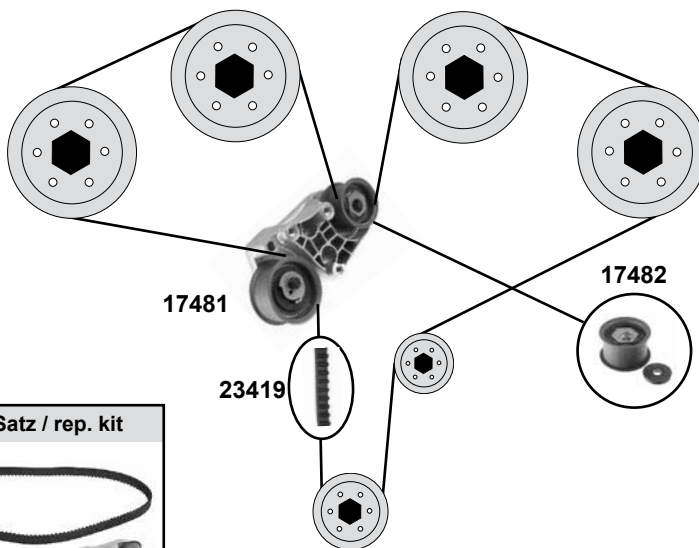
03856	9128738	Umlenkrolle / deflection pulley	ØA 58,5 B29,5
03858	90411773	Umlenkrolle / deflection pulley	ØA 62,7 B27
03879	90323503	Umlenkrolle / deflection pulley	ØA 67 B27
03921	90323501	Spannrolle / tension roller	ØA 67 B27
10297	09158004	Spannrolle / tension roller	ØA 59 B26
11033	90410225	Zahnriemen / timing belt	Z 141 B24
11041	93174266	Rep. Satz Zahnriemen / rep. kit timing belt	
14108	90530598	Zahnriemen / timing belt	Z 176 B24
14109	93174262	Rep. Satz Zahnriemen / rep. kit timing belt	
19285	24412292	Riemenspanner / belt tensioner	

AC

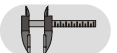
**2,0 16V**  
(X 2,0 XEV)



**2,5 V6**  
(C 2,5 XE)



Ref. - No.

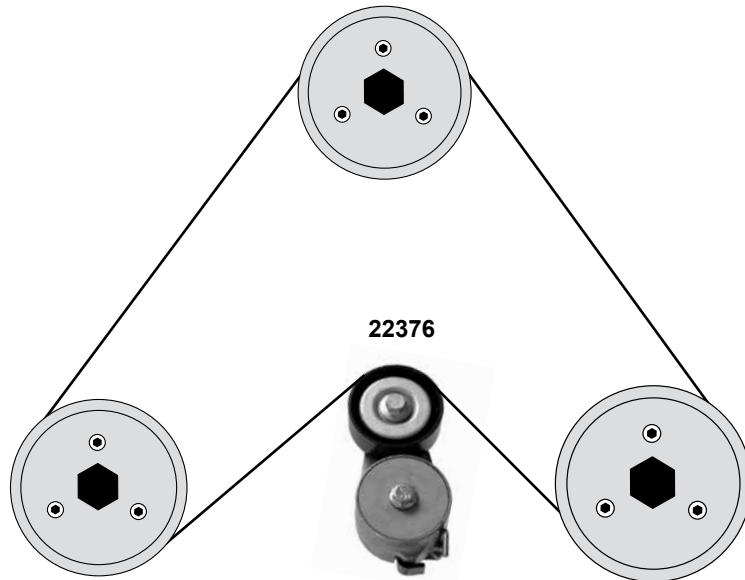


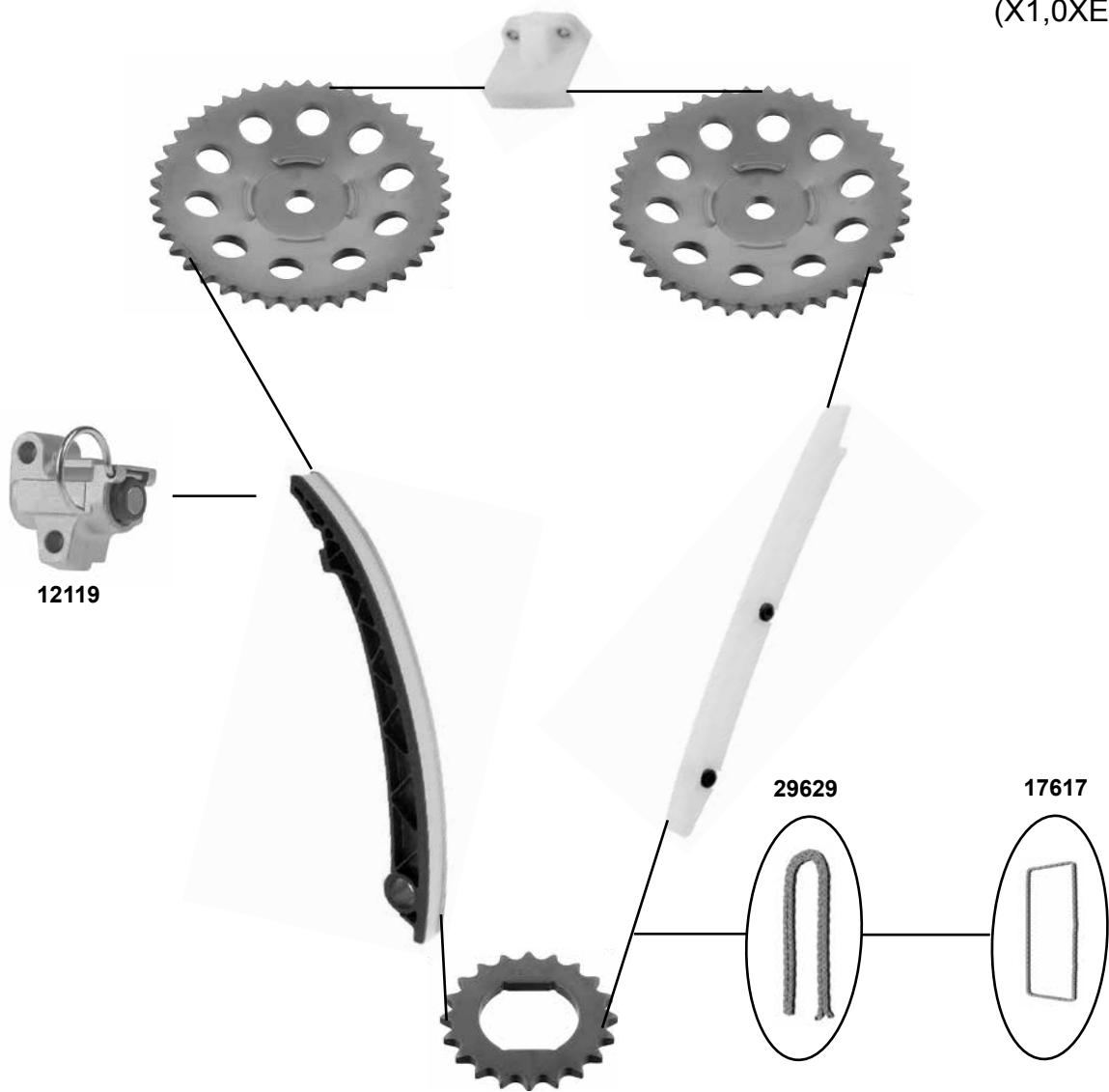
<b>03856</b>	9128738	Umlenkrolle / deflection pulley	ØA 58,5 B29,5
<b>08673</b>	90324097	Umlenkrolle / deflection pulley	ØA 80 B25
<b>10297</b>	09158004	Spannrolle / tension roller	ØA 59 B26
<b>17477</b>	90531682	Zahnriemen / timing belt	Z 169 B24
<b>17478</b>	93174260	Rep. Satz Zahnriemen / rep. kit timing belt	
<b>17481</b>	09128444	Riemenspanner / belt tensioner	
<b>17482</b>	90543739	Umlenkrolle / deflection pulley	ØA 64 B37
<b>19285</b>	24412292	Riemenspanner / belt tensioner	
<b>19487</b>	09202550	Riemenspanner / belt tensioner	ØA 76 B27,5
<b>23419</b>	09128500	Zahnriemen / timing belt	Z 225 B30
<b>27295</b>	09120501 SK	Rep.Satz Zahnriemen / rep. kit timing belt	Z 225 B30

**1,4**

(A14FC / A14FP)

**AC**

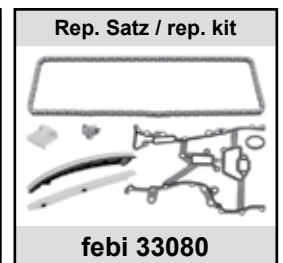
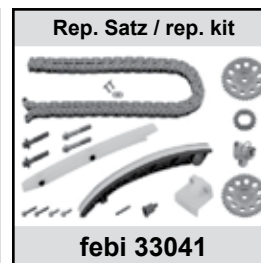
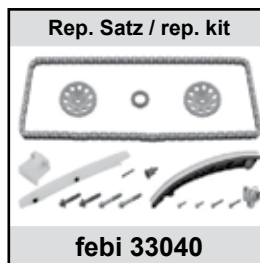
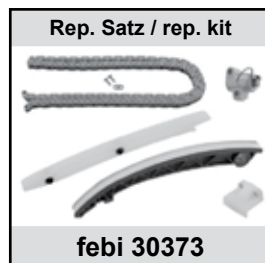
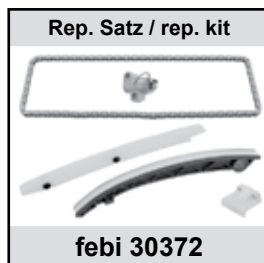
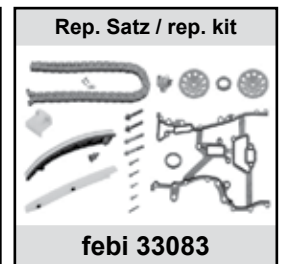
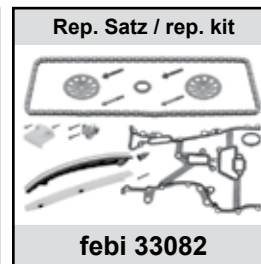
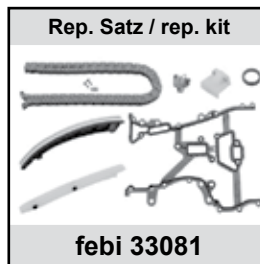




12119

29629

17617



# VAUXHALL Corsa Mk I / B

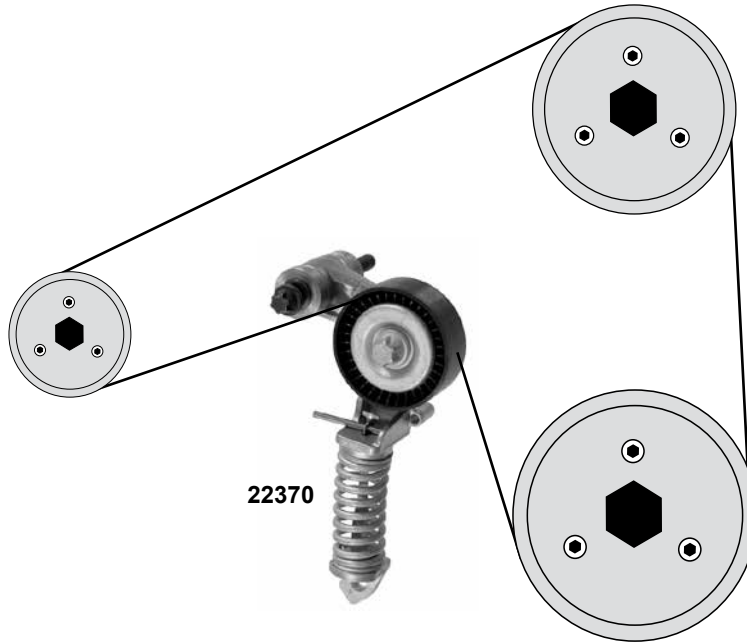
(93→00)

Car  
Division



**1,0 12V / 1,2 16V**

(X1,0XE, X1,2XE)



22370

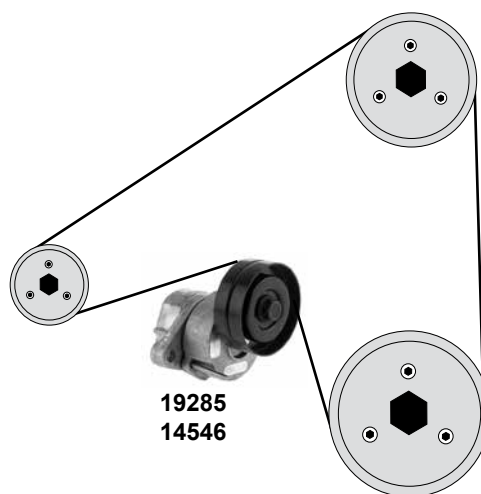
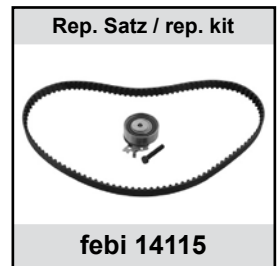
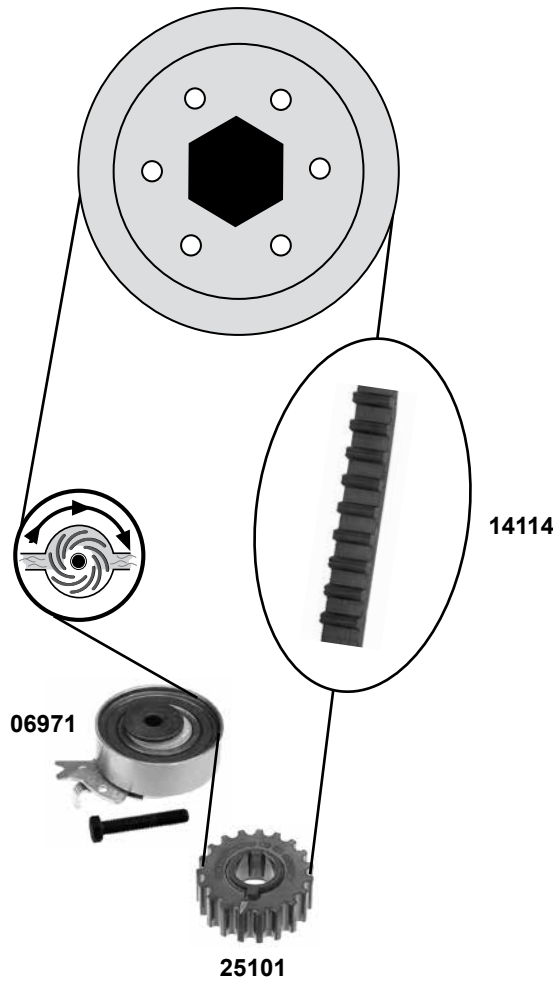
- (1) Steuerkette geschlossen / timing chain endless
- (2) Steuerkette offen / timing chain open
- (3) Steuerkette offen und mit Steuerkettenradsatz / timing chain open and with control chain wheel kit
- (4) Steuerkette geschlossen und mit Steuerkettenradsatz / timing chain endless and with control chain wheel kit
- (5) Steuerkette offen mit Dichtung / timing chain open with gasket
- (6) Steuerkette geschlossen mit Dichtung / timing chain endless with gasket
- (7) Steuerkette offen mit Dichtung und Steuerkettenradsatz / timing chain open with gasket and control chain wheel kit
- (8) Steuerkette geschlossen mit Dichtung und Steuerkettenradsatz/timing chain endless with gasket and control chain wheel kit
- (9) Spezialwerkzeug zur Montage notwendig / Requires special tools for mounting



Ref. - No.



Ref. - No.	Description	Notes	Tool
12119	55352909	Kettenspanner / chain tensioner	
17617	55562234	Steuerkette / timing chain	(1)
22370	55565236	Riemenspanner / belt tensioner	<b>NEW</b>
29629	55562234 S1	Steuerkette / timing chain	(2) (9)
30372	93191271 SK1	Rep. Satz Steuerkette / rep. kit timing chain	(1)
30373	93191271 SK2	Rep. Satz Steuerkette / rep. kit timing chain	(2) (9)
33040	93191271	Rep. Satz Steuerkette / rep. kit timing chain	(4)
33041	93191271 S1	Rep. Satz Steuerkette / rep. kit timing chain	(3)
33080	93191271 SK3	Rep. Satz Steuerkette / rep. kit timing chain	(6)
33081	93191271 SK4	Rep. Satz Steuerkette / rep. kit timing chain	(5) (9)
33082	93191271 S2	Rep. Satz Steuerkette / rep. kit timing chain	(8)
33083	93191271 S3	Rep. Satz Steuerkette / rep. kit timing chain	(7) (9)



Ref. - No.



**06971**  
**14114**  
**14115**  
**14546**  
**19285**  
**25101**

09202478  
90531677  
93188126  
90411025  
24412292  
90502545

Spannrolle / tension roller  
Zahnriemen / timing belt  
Rep. Satz Zahnriemen / rep. kit timing belt  
Riemenspanner / belt tensioner  
Riemenspanner / belt tensioner  
Kurbelwellenzahnrad / crankshaft gear

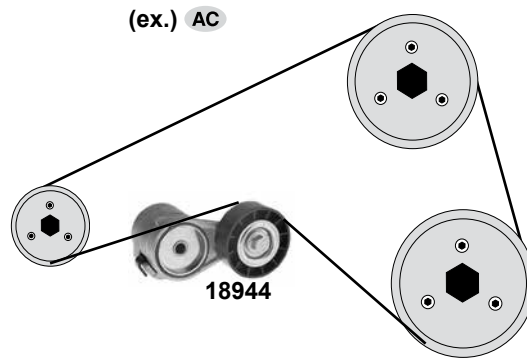
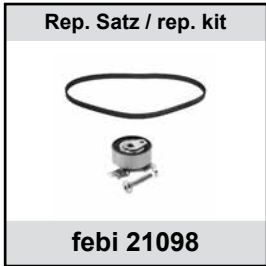
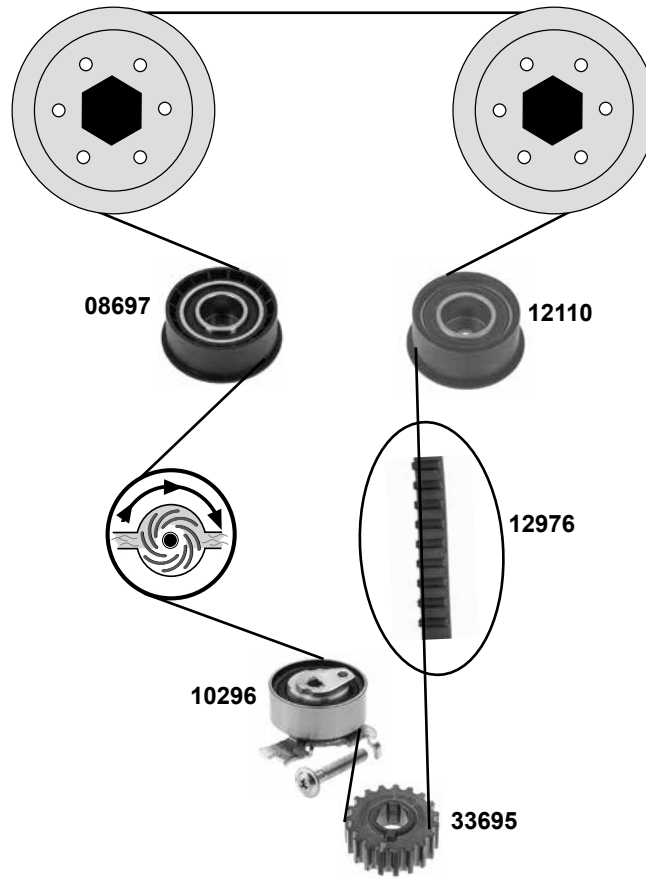


ØA 59 B19  
Z 111 B17  
ØA 70 B26  
Z 19



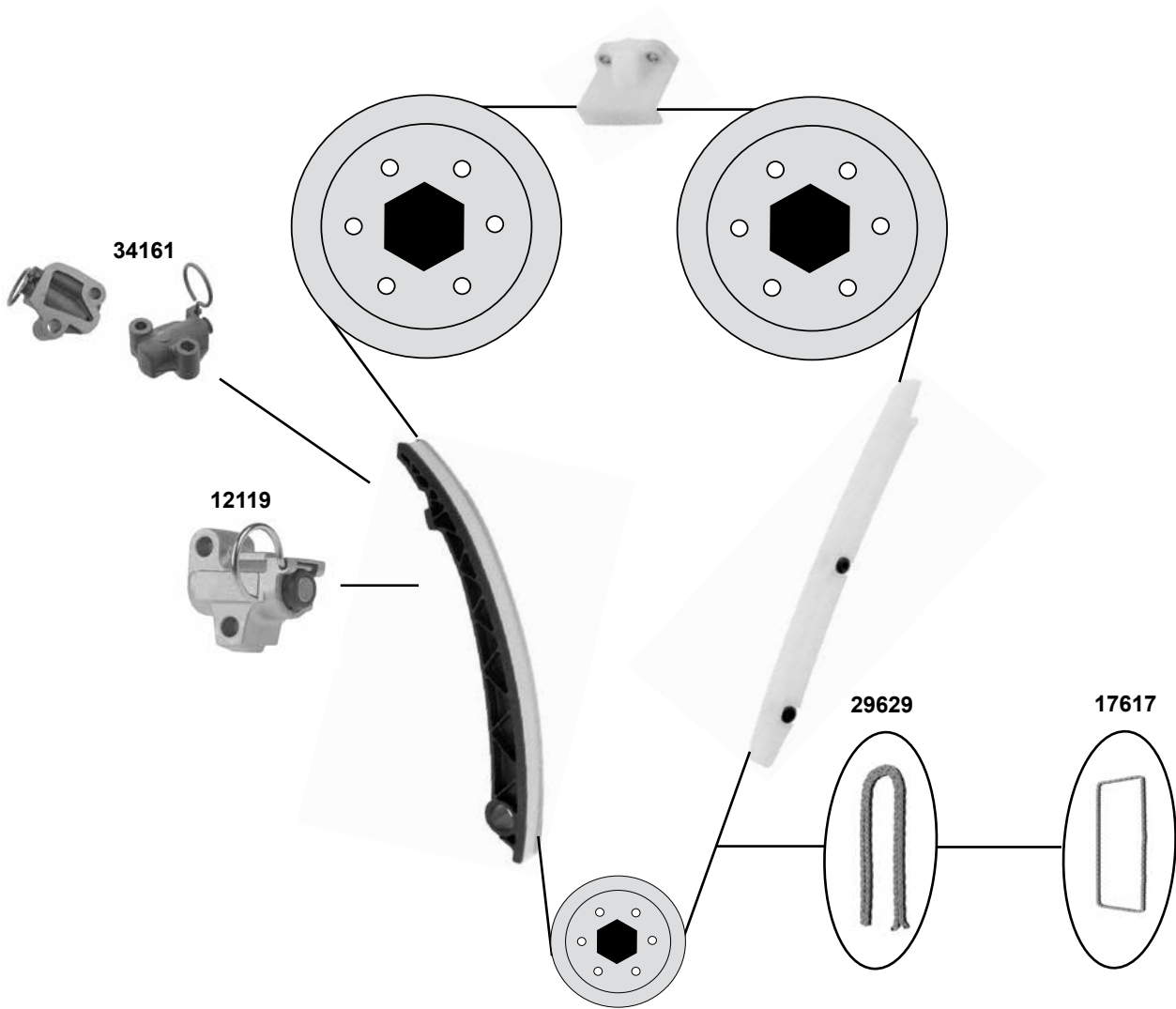


**1,4 16V / 1,6 16V**



	Ref. - No.			
<b>08697</b>	55350580	Umlenkrolle / deflection pulley	man.	ØA 62,5 ØI 23
<b>10296</b>	55567191	Spannrolle / tension roller		ØA 59 B22
<b>12110</b>	09128740	Umlenkrolle / deflection pulley		ØA 58,5 B25
<b>12976</b>	24451896	Zahnriemen / timing belt		Z 169 B20
<b>14110</b>	93180219	Rep. Satz Zahnriemen / rep. kit timing belt		
<b>18944</b>	90412884	Riemenspanner / belt tensioner		
<b>21098</b>	93174120	Rep. Satz Zahnriemen / rep. kit timing belt		
<b>33695</b>	0614 546	Kurbelwellenzahnrad / crankshaft gear		Z 23

**1,0 / 1,2 / 1,4**  
(Z1,0XE, Z1,0XEP, Z1,2XE, Z1,2XEP, Z1,4XEP)



<p>Rep. Satz / rep. kit</p> <p><b>febi 33081</b></p>	<p>Rep. Satz / rep. kit</p> <p><b>febi 33082</b></p>	<p>Rep. Satz / rep. kit</p> <p><b>febi 33083</b></p>	<p>Rep. Satz / rep. kit</p> <p><b>febi 34162</b></p>	<p>Rep. Satz / rep. kit</p> <p><b>febi 34163</b></p>
<p>Rep. Satz / rep. kit</p> <p><b>febi 30372</b></p>	<p>Rep. Satz / rep. kit</p> <p><b>febi 30373</b></p>	<p>Rep. Satz / rep. kit</p> <p><b>febi 33040</b></p>	<p>Rep. Satz / rep. kit</p> <p><b>febi 33041</b></p>	<p>Rep. Satz / rep. kit</p> <p><b>febi 33080</b></p>

# VAUXHALL Corsa Mk II / C

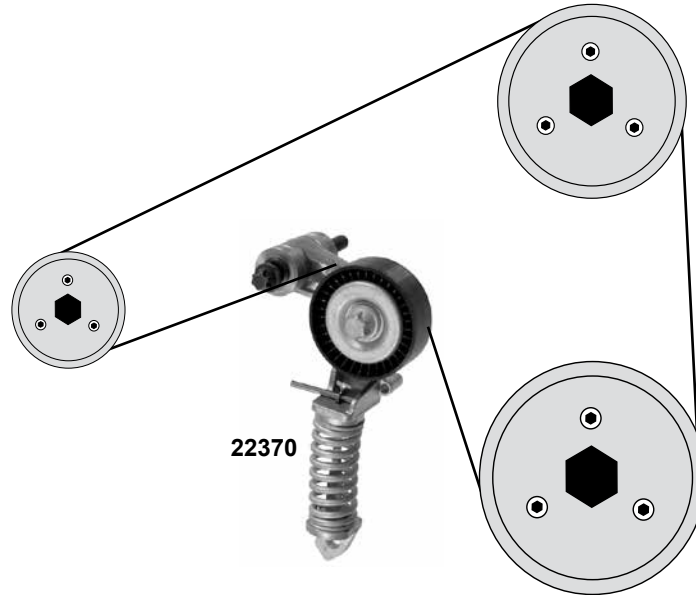
(01→05)

Car  
Division



**1,0 / 1,2 / 1,4**

(Z1,0XE, Z1,0XEP, Z1,2XE, Z1,2XEP, Z1,4XEP)



22370

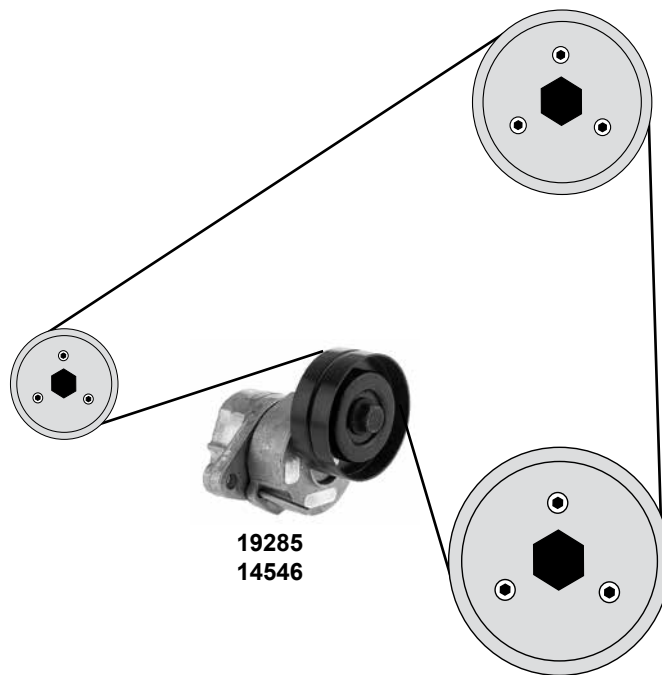
- (1) Steuerkette geschlossen / timing chain endless
- (2) Steuerkette offen / timing chain open
- (3) Steuerkette offen und mit Steuerkettenradsatz / timing chain open and with control chain wheel kit
- (4) Steuerkette geschlossen und mit Steuerkettenradsatz / timing chain endless and with control chain wheel kit
- (5) Steuerkette offen mit Dichtung / timing chain open with gasket
- (6) Steuerkette geschlossen mit Dichtung / timing chain endless with gasket
- (7) Steuerkette offen mit Dichtung und Steuerkettenradsatz / timing chain open with gasket and control chain wheel kit
- (8) Steuerkette geschlossen mit Dichtung und Steuerkettenradsatz / timing chain endless with gasket and control chain wheel kit
- (9) Spezialwerkzeug zur Montage notwendig / requires special tools for mounting
- (10) (mot.) Z 1,4 XEP → (mot) 19TR2328
- (11) (mot.) Z 1,4 XEP (mot) 19TR2329 →



Ref. - No.

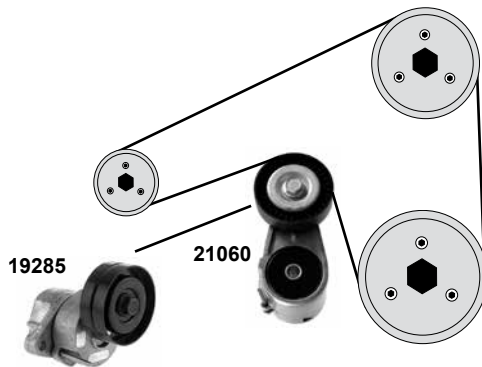
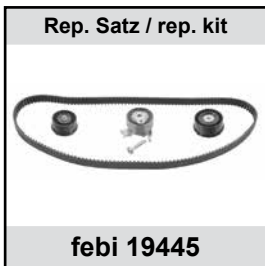
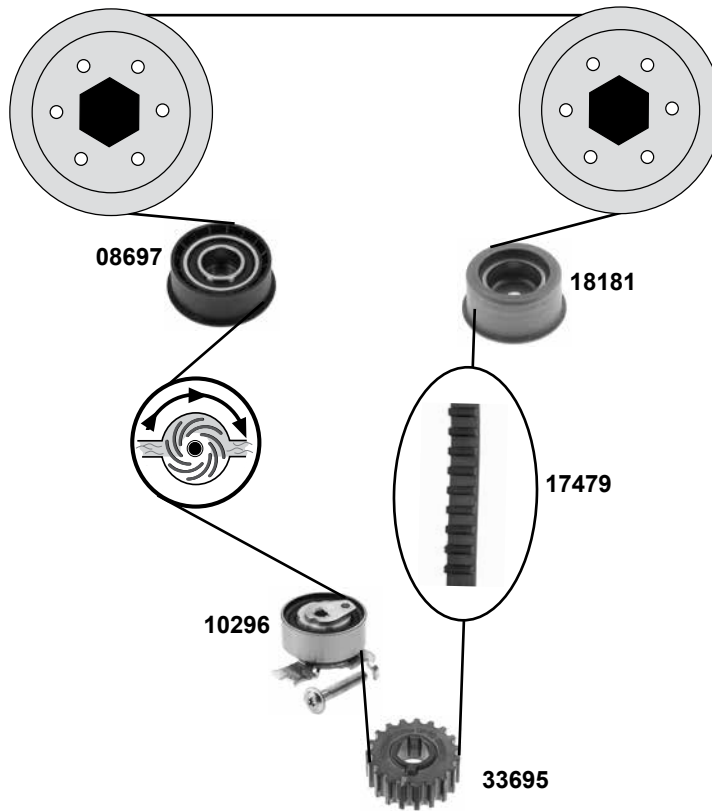


Part No.	Ref. - No.	Description	Notes	Dimensions
12119	55352909	Kettenspanner / chain tensioner	(10)	
17617	55562234	Rollenkette / roller chain	(1)	130 E
22370	55565236	Riemenspanner / belt tensioner	NEW	70x24
29629	55562234 S1	Steuerkette / timing chain	(2) (9)	130 N
30372	93191271 SK1	Rep. Satz Steuerkette / rep. kit timing chain	(1) (10)	130 E
30373	93191271 SK2	Rep. Satz Steuerkette / rep. kit timing chain	(2) (9) (10)	130 N
33040	93191271	Rep. Satz Steuerkette / rep. kit timing chain	(4) (10)	130 E
33041	93191271 S1	Rep. Satz Steuerkette / rep. kit timing chain	(3) (10)	130 N
33080	93191271 SK3	Rep. Satz Steuerkette / rep. kit timing chain	(6) (10)	130 E
33081	93191271 SK4	Rep. Satz Steuerkette / rep. kit timing chain	(5) (9) (10)	130 N
33082	93191271 S2	Rep. Satz Steuerkette / rep. kit timing chain	(8) (10)	130 E
33083	93191271 S3	Rep. Satz Steuerkette / rep. kit timing chain	(7) (9) (10)	130 N
34161	55562235	Kettenspanner / chain tensioner	(11)	
34162	55562234 S2	Rep. Satz Steuerkette / rep. kit timing chain	(1) (11)	130 E
34163	55562234 S3	Rep. Satz Steuerkette / rep. kit timing chain	(2) (9) (11)	130 N





## 1,4 16V (Z1,4 XE)



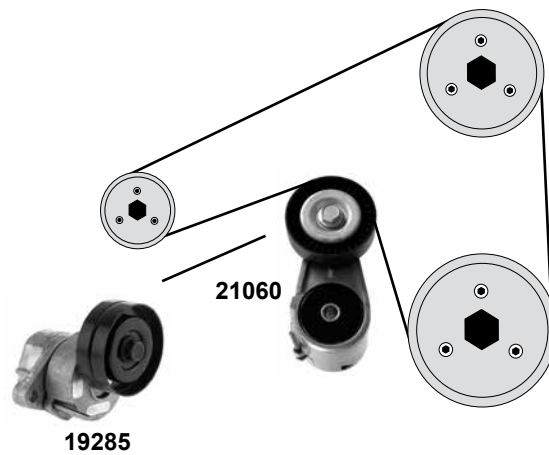
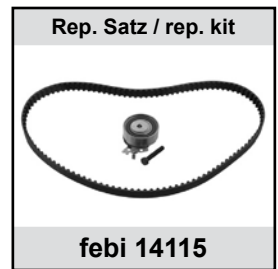
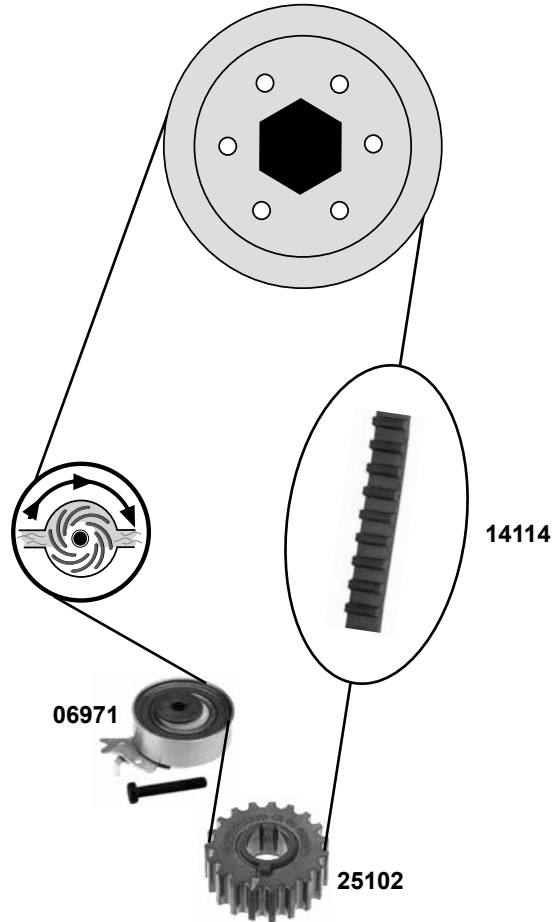
(1) servo R 4235380→



Ref. - No.



<b>08697</b>	55350580	Umlenkrolle / deflection pulley		ØA 62,5 ØI 23
<b>10296</b>	55567191	Spannrolle / tension roller		ØA 59 B22
<b>17479</b>	24451895	Zahnriemen / timing belt		Z 162 B20
<b>18181</b>	55352713	Umlenkrolle / deflection pulley		ØA 52,5 B27
<b>19285</b>	24412292	Riemenspanner / belt tensioner		
<b>19445</b>	93185845	Rep. Satz Zahnriemen / rep. kit timing belt	(1) man.  (ex.) AC servo  / AC	
<b>21060</b>	90571758	Riemenspanner / belt tensioner		
<b>21097</b>	93174119	Rep. Satz Zahnriemen / rep. kit timing belt		
<b>33695</b>	09129207	Kurbelwellenzahnrad / crankshaft gear		Z 23



	Ref. - No.			
<b>06971</b>	09202478	Spannrolle / tension roller		ØA 59 B19
<b>14114</b>	90531677	Zahnriemen / timing belt		Z 111 B17
<b>14115</b>	93188126	Rep. Satz Zahnriemen / rep. kit timing belt		
<b>19285</b>	24412292	Riemenspanner / belt tensioner	servo  R 4235380→	
<b>21060</b>	90571758	Riemenspanner / belt tensioner		
<b>25102</b>	90502545	Kurbelwellenzahnrad / crankshaft gear		ØA 5 ØI20 Z19

# VAUXHALL Corsa Mk II / C

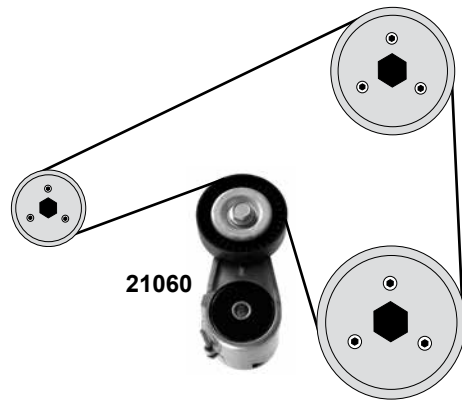
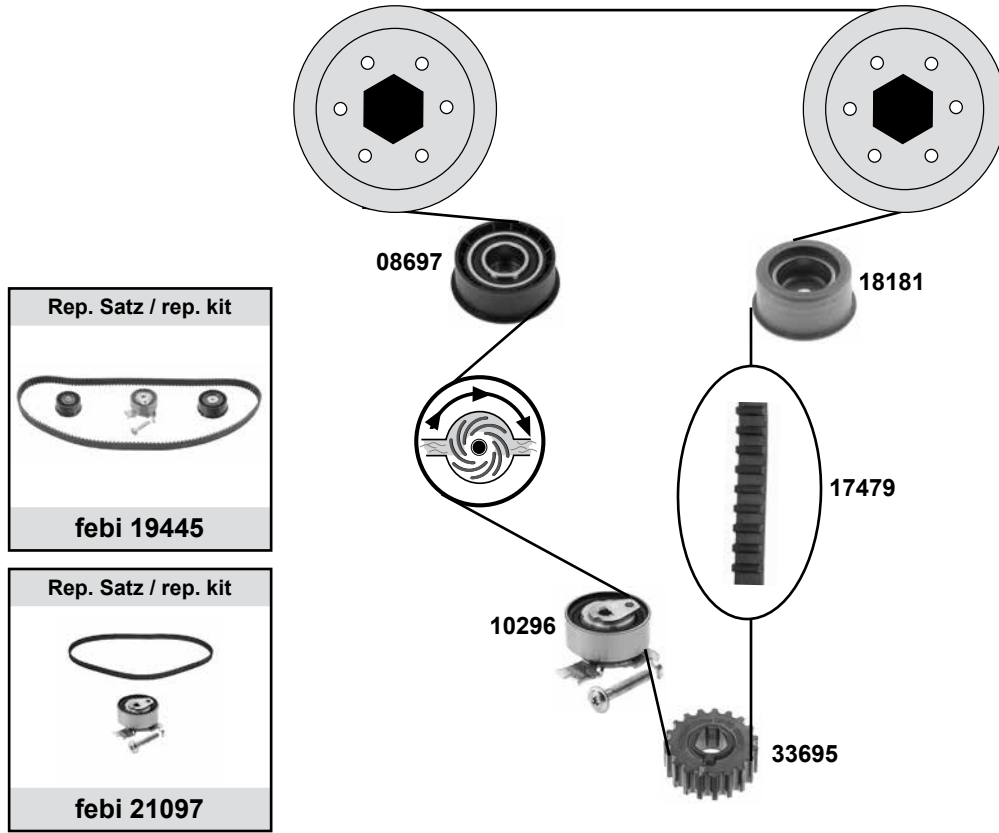
(01→05)

Car  
Division



## 1,6 / 1,8 16V

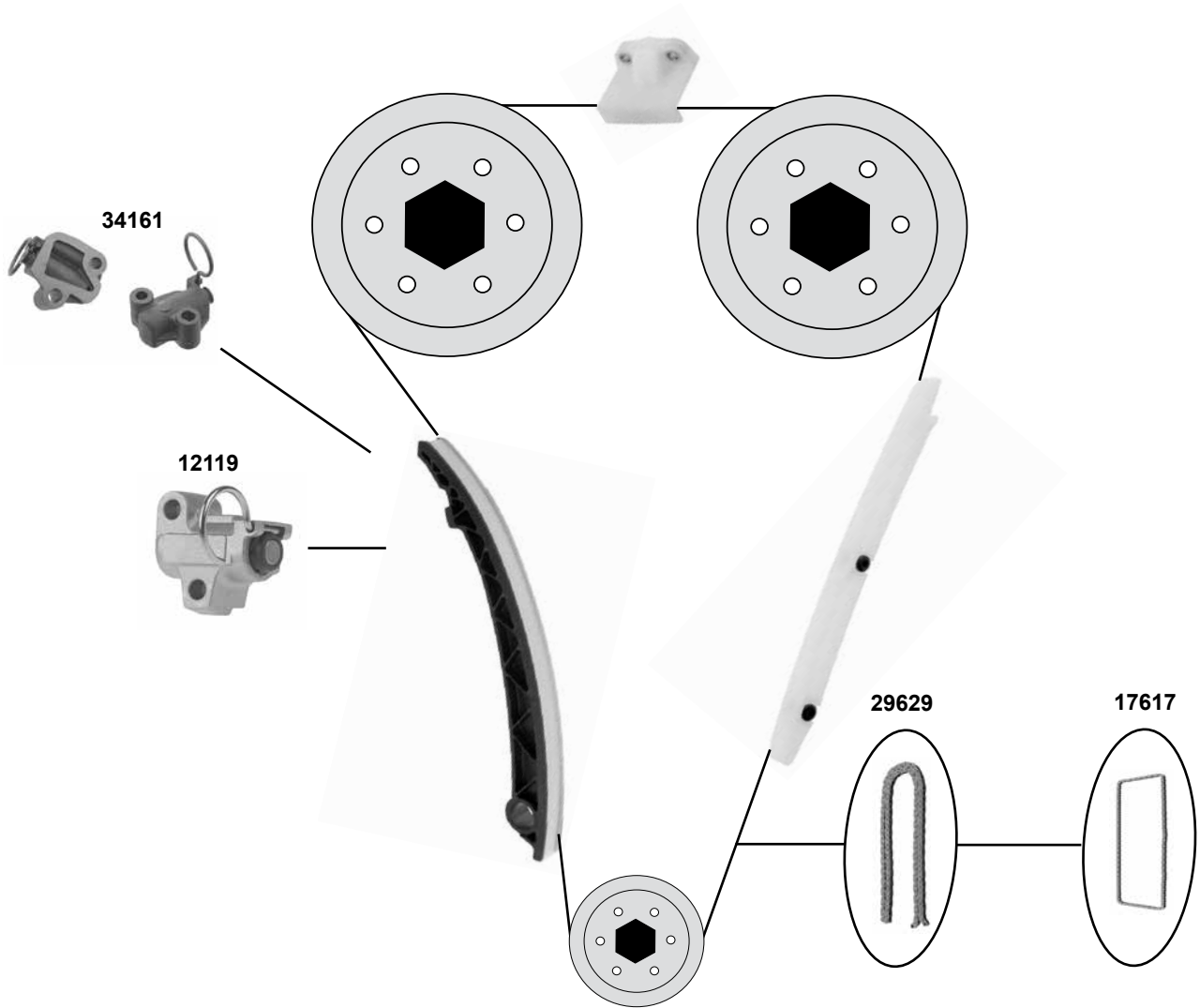
(Y1,6YNG , Z1,6YNG) (Z1,8XE)



febi bilstein	Ref. - No.			
<b>08697</b>	55350580	Umlenkrolle / deflection pulley	(mot.) 1,8	ØA 62,5 ØI 23
<b>10296</b>	55567191	Spannrolle / tension roller	(mot.) 1,8	ØA 59 B22
<b>17479</b>	24451895	Zahnriemen / timing belt	(mot.) 1,8	Z 162 B20
<b>18181</b>	55352713	Umlenkrolle / deflection pulley	(mot.) 1,8	ØA 52,5 B27
<b>19445</b>	93185845	Rep. Satz Zahnriemen / rep. kit timing belt	(mot.) 1,8	
<b>21060</b>	90571758	Riemenspanner / belt tensioner	(mot.) 1,8	
<b>21097</b>	93174119	Rep. Satz Zahnriemen / rep. kit timing belt	(mot.) 1,8	
<b>33695</b>	09129207	Kurbelwellenzahnrad / crankshaft gear		Z 23

**1,0 / 1,2 / 1,4**

(Z1,0XEP / A1,0XEP / Z1,2XEP / A1,2XEL / A1,2XER / Z1,4 XEP / A1,4XER / A1,4XEL)



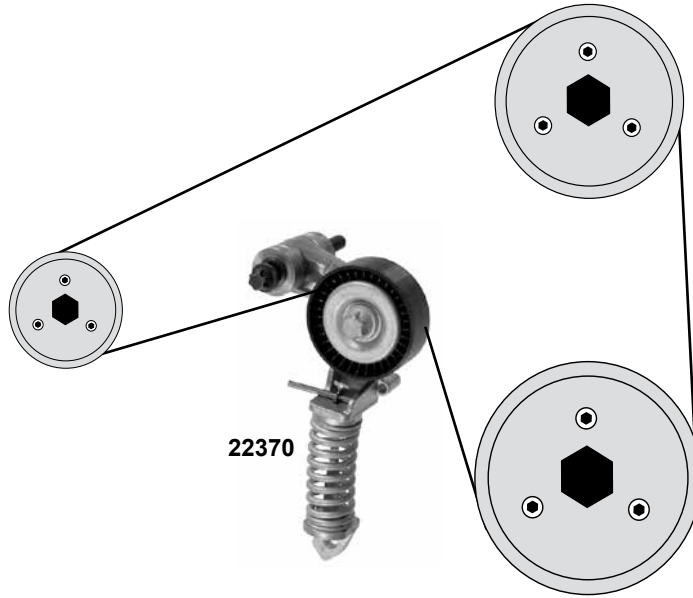
<p>Rep. Satz / rep. kit</p> <p><b>febi 33081</b></p>	<p>Rep. Satz / rep. kit</p> <p><b>febi 33082</b></p>	<p>Rep. Satz / rep. kit</p> <p><b>febi 33083</b></p>	<p>Rep. Satz / rep. kit</p> <p><b>febi 34162</b></p>	<p>Rep. Satz / rep. kit</p> <p><b>febi 34163</b></p>
<p>Rep. Satz / rep. kit</p> <p><b>febi 30372</b></p>	<p>Rep. Satz / rep. kit</p> <p><b>febi 30373</b></p>	<p>Rep. Satz / rep. kit</p> <p><b>febi 33040</b></p>	<p>Rep. Satz / rep. kit</p> <p><b>febi 33041</b></p>	<p>Rep. Satz / rep. kit</p> <p><b>febi 33080</b></p>





**1,0 / 1,2 / 1,4**

(Z1,0XEP/ A1,0XEP/ Z1,2XEP / A1,2XEL / A1,2XER / Z1,4 XEP / A1,4XER / A1,4XEL)



22370

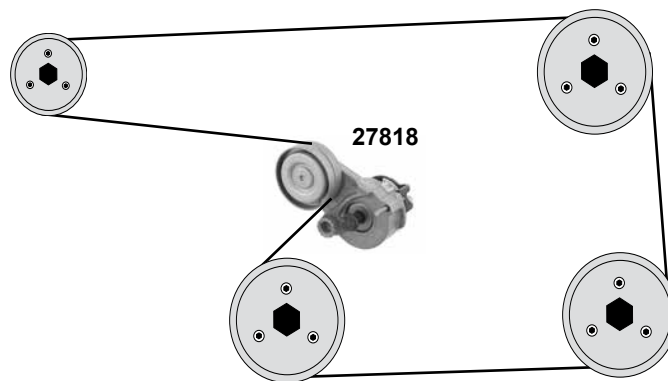
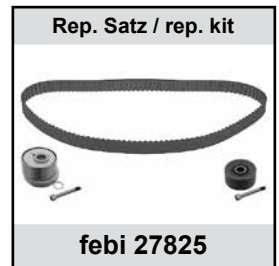
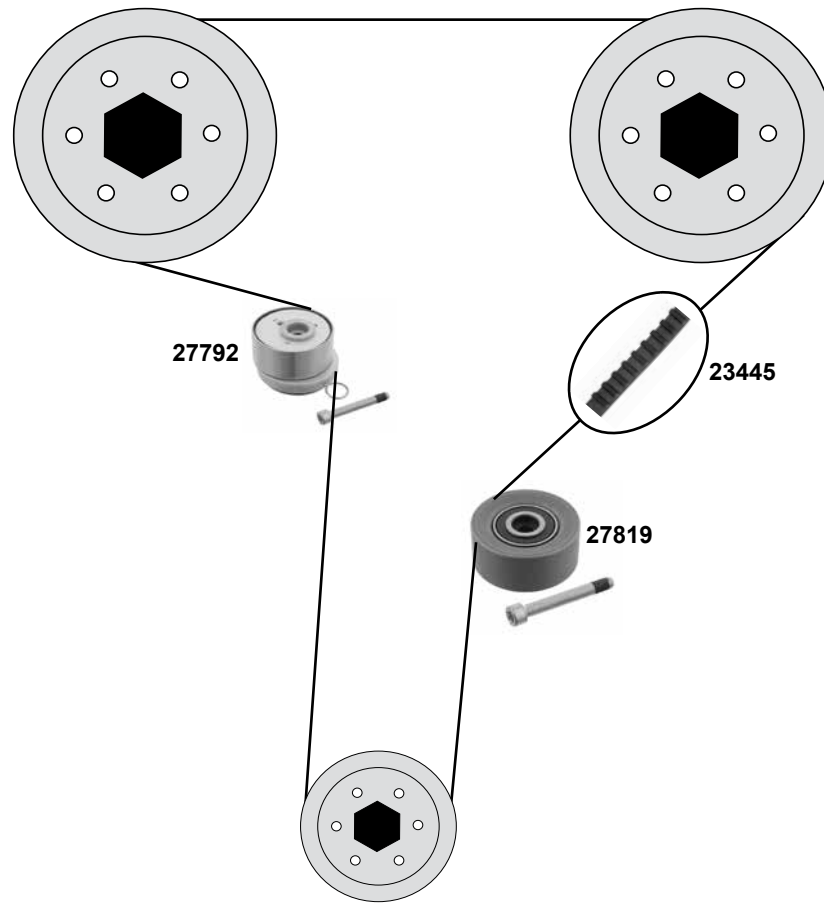
- (1) Steuerkette geschlossen / timing chain endless
- (2) Steuerkette offen / timing chain open
- (3) Steuerkette offen und mit Steuerkettenradsatz / timing chain open and with control chain wheel kit
- (4) Steuerkette geschlossen und mit Steuerkettenradsatz / timing chain endless and with control chain wheel kit
- (5) Steuerkette offen mit Dichtung / timing chain open with gasket
- (6) Steuerkette geschlossen mit Dichtung / timing chain endless with gasket
- (7) Steuerkette offen mit Dichtung und Steuerkettenradsatz / timing chain open with gasket and control chain wheel kit
- (8) Steuerkette geschlossen mit Dichtung und Steuerkettenradsatz / timing chain endless with gasket and control chain wheel kit
- (9) Spezialwerkzeug zur Montage notwendig / requires special tools for mounting
- (10) (mot.) Z1,2XEP / Z1,4XEP→(mot) 19TR2328 / (mot.) Z 1,0 XE alle/all
- (11) (mot.) Z1,2XEP / Z1,4XEP (mot) 19TR2328→  
(mot.)A1,0XEP/A1,2XEL/E1,2XER/A1,4XEL/A1,4XER alle/all



Ref. - No.



Ref. - No.	Description	Notes	Reference
12119	55352909 Kettenspanner / chain tensioner	(10)	
17617	55562234 Rollenkette / roller chain	(1)	130 E
22370	55565236 Riemenspanner / belt tensioner	<b>NEW</b>	70x24
29629	55562234 S1 Steuerkette / timing chain	(2) (9)	130 N
30372	93191271 SK1 Rep. Satz Steuerkette / rep. kit timing chain	(1) (10)	130 E
30373	93191271 SK2 Rep. Satz Steuerkette / rep. kit timing chain	(2) (9) (10)	130 N
33040	93191271 Rep. Satz Steuerkette / rep. kit timing chain	(4) (10)	130 E
33041	93191271 S1 Rep. Satz Steuerkette / rep. kit timing chain	(3) (10)	130 N
33080	93191271 SK3 Rep. Satz Steuerkette / rep. kit timing chain	(6) (10)	130 E
33081	93191271 SK4 Rep. Satz Steuerkette / rep. kit timing chain	(5) (9) (10)	130 N
33082	93191271 S2 Rep. Satz Steuerkette / rep. kit timing chain	(8) (10)	130 E
33083	93191271 S3 Rep. Satz Steuerkette / rep. kit timing chain	(7) (9) (10)	130 N
34161	55562235 Kettenspanner / chain tensioner	(11)	
34162	55562234 S2 Rep. Satz Steuerkette / rep. kit timing chain	(1) (11)	130 E
34163	55562234 S3 Rep. Satz Steuerkette / rep. kit timing chain	(2) (9) (11)	130 N



Ref. - No.



**23445**  
**27792**  
**27818**  
**27819**  
**27825**

24422964  
55562218  
55563512  
24436052  
93185849

Zahnriemen / timing belt  
Spannrolle / tension roller  
Riemenspanner / belt tensioner  
Umlenkrolle / deflection pulley  
Rep. Satz Zahnriemen / rep. kit timing belt

ØA 66 B29  
ØA 63  
ØA 61 B28

# VAUXHALL

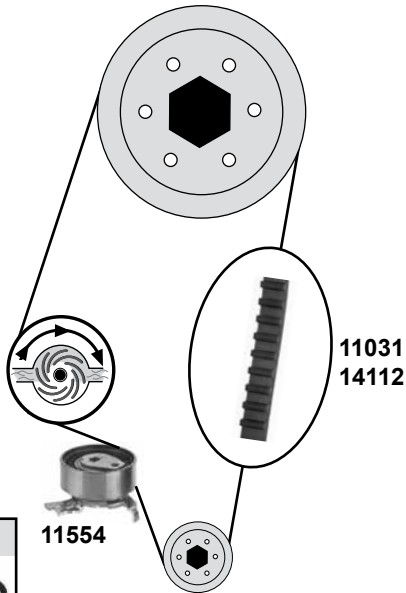
## Frontera Mk I / Mk II

(92→04)

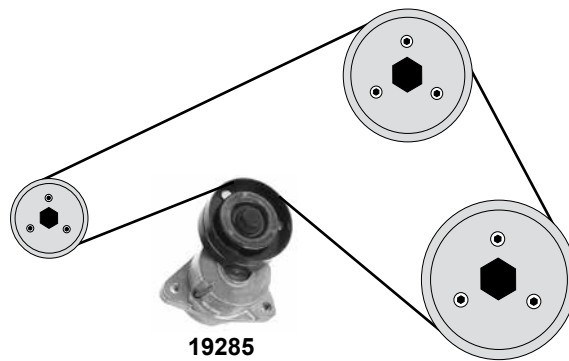
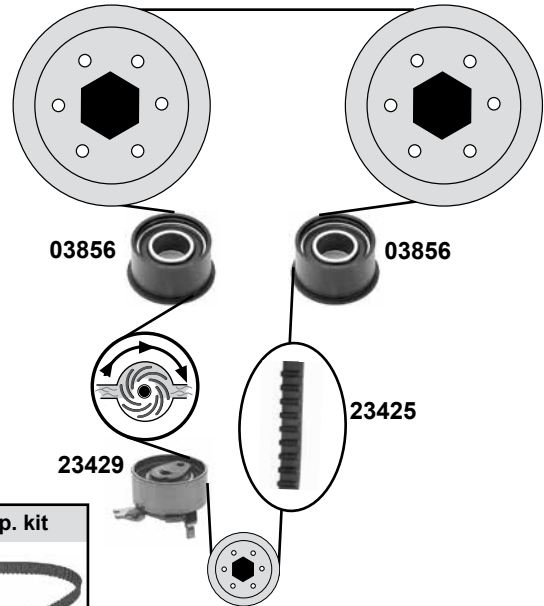
Car  
Division



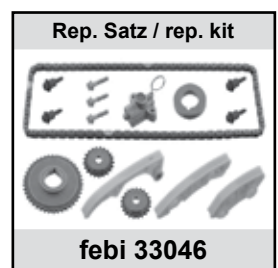
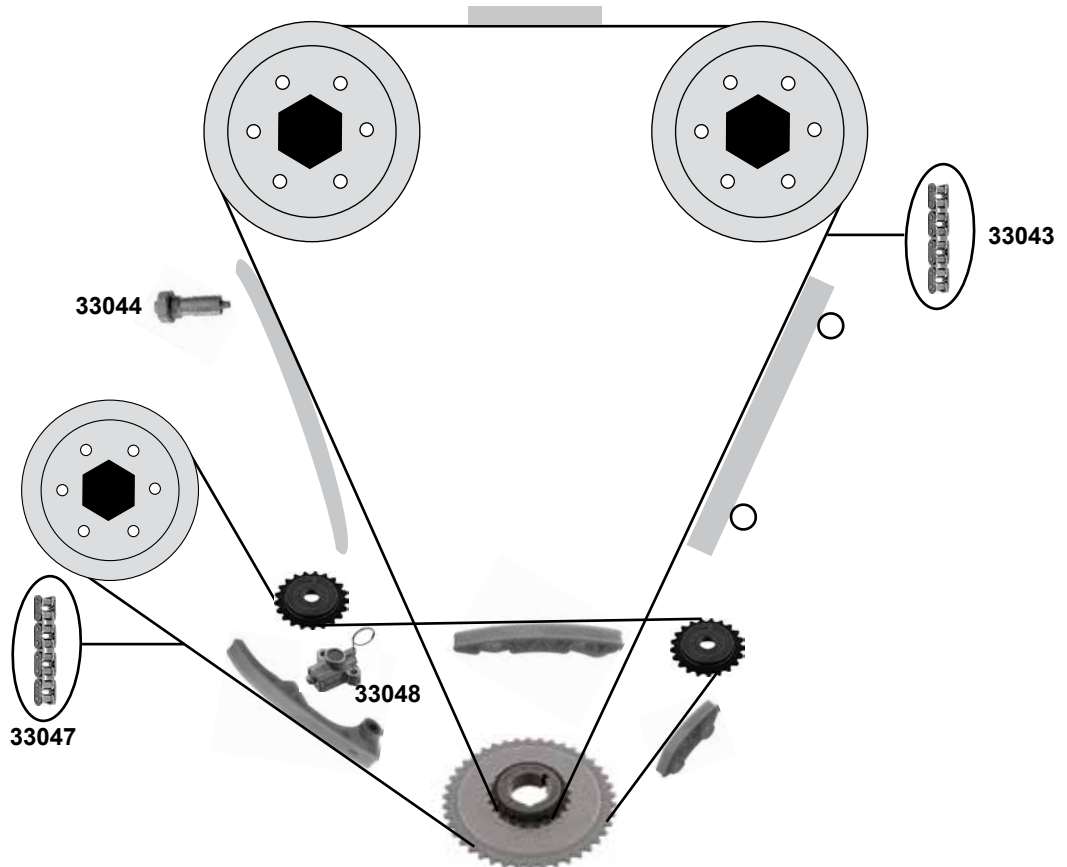
**2,2**  
(X 2,2 SE / X 2,2 XE / Y 2,2 SE)



**2,0**  
(X 2,0 SE)



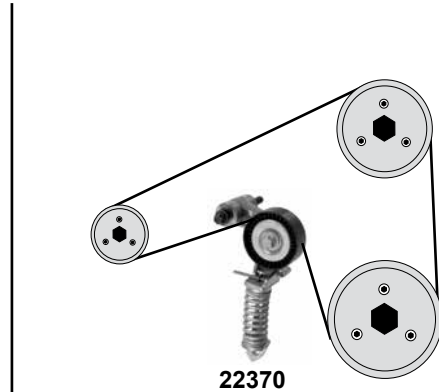
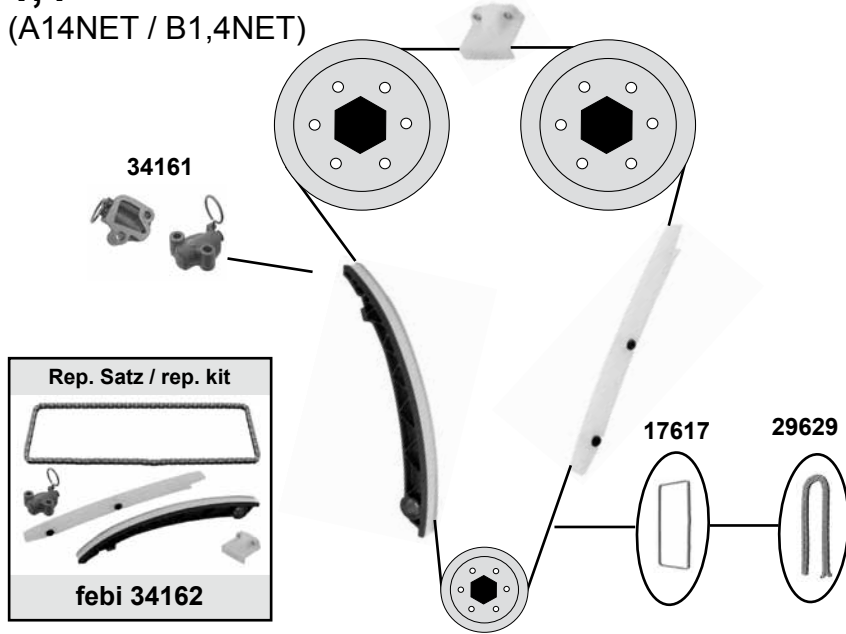
	Ref. - No.			
<b>03856</b>	9128738	Umlenkrolle / deflection pulley		ØA 58,5 B29,5
<b>11031</b>	90410014	Zahnriemen / timing belt	<b>C2,0NE</b> →14608700	Z 111 B20
<b>11554</b>	09158003	Spannrolle / tension roller		ØA 59 B22
<b>14112</b>	09128725	Zahnriemen / timing belt	<b>C2,0NE</b> 14608701→	Z 146 B20
<b>14113</b>	09128725 S1	Rep. Satz Zahnriemen / rep. kit timing belt	<b>C2,0NE</b> 14608701→	
<b>19285</b>	24412292	Riemenspanner / belt tensioner		
<b>23425</b>	9128722	Zahnriemen / timing belt		Z 171 B24
<b>23427</b>	93174267	Rep. Satz Zahnriemen / rep. kit timing belt		
<b>23429</b>	90528603	Spannrolle / tension roller		ØA 59 B22



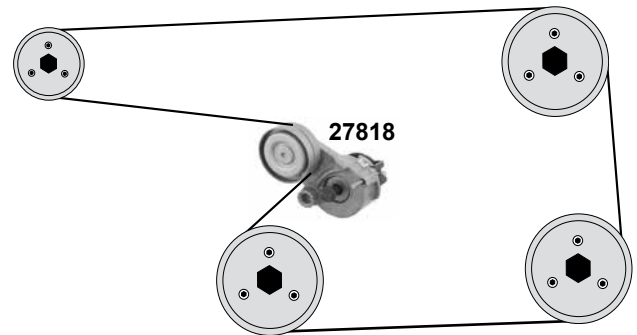
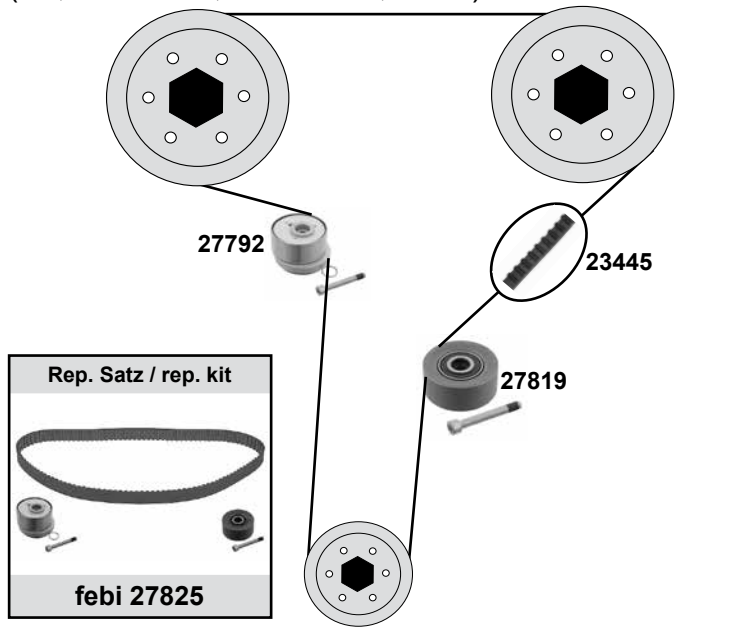
	Ref. - No.			
<b>33043</b>	24461834	Steuerkette / timing chain		148 E
<b>33044</b>	12608580	Kettenspanner / chain tensioner		
<b>33046</b>	55563405	Rep. Satz Steuerkette / rep. kit timing chain		134 E
<b>33047</b>	90537370	Steuerkette / timing chain		134 E
<b>33048</b>	90537300	Kettenspanner / chain tensioner		



**1,4**  
(A14NET / B1,4NET)



**1,6 / 1,8 16V**  
(A1,6XER / A1,6 LET / A 1,8XER)



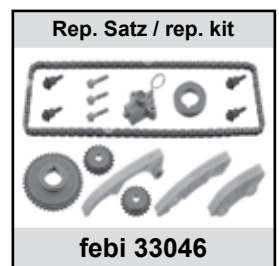
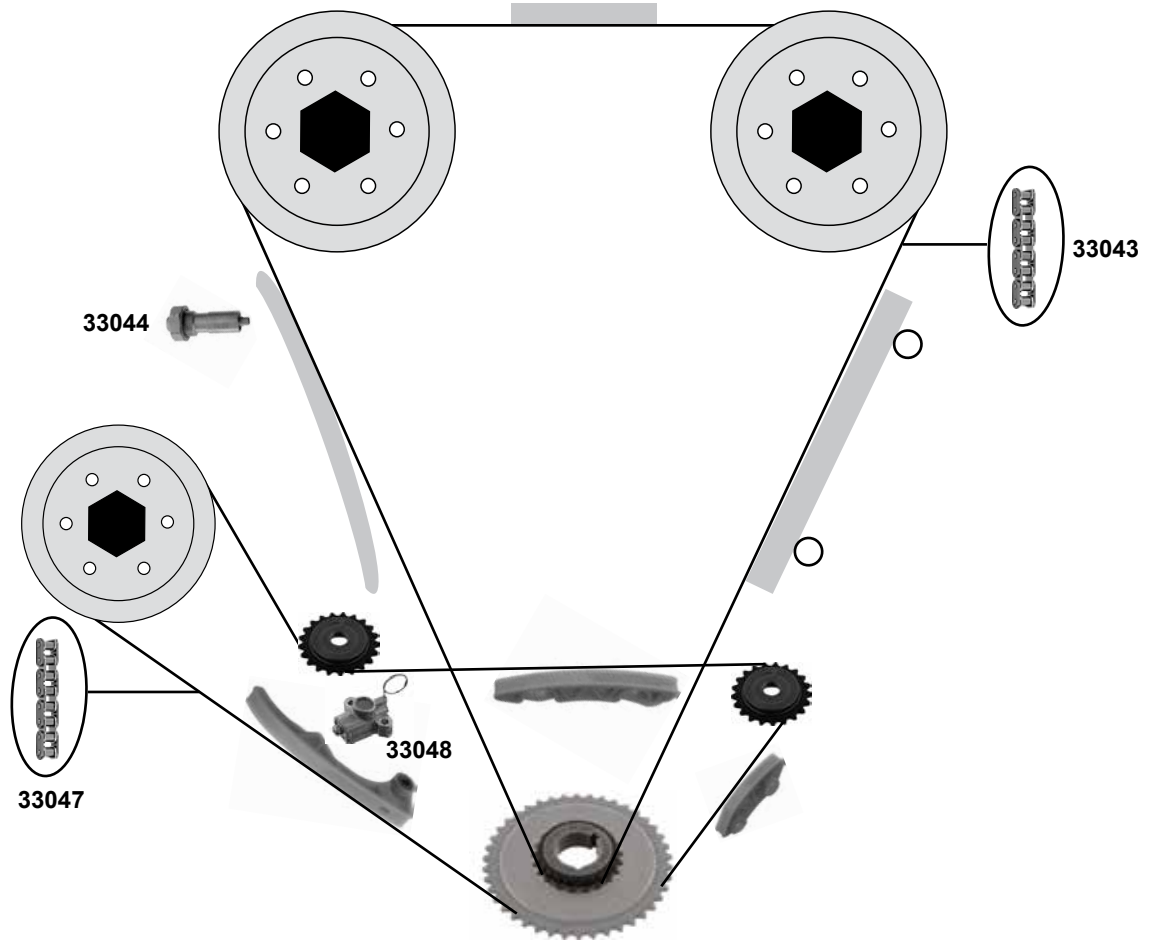
- (1) Steuerkette geschlossen / timing chain endless
- (2) Steuerkette offen / timing chain open  
Spezialwerkzeug zur Montage notwendig / requires special tools for mounting



Ref. - No.



Ref. - No.	Description	Notes	Dimensions
17617	Steuerkette / timing chain	(1) A1,4NET	130 E
22370	Riemenspanner / belt tensioner		70x24
23445	Zahnriemen / timing belt		Z 146 B24
27792	Spannrolle / tension roller		ØA66 Ø18 B29
27818	Riemenspanner / belt tensioner		ØA 63 B 22
27819	Umlenkrolle / deflection pulley		ØA 61 B 28
27825	Rep. Satz Zahnriemen / rep. kit timing belt		
29629	Steuerkette / timing chain	(2)	130 N
34161	Kettenspanner / chain tensioner		
34162	Rep. Satz Steuerkette / rep. kit timing chain	(1)	130 E



Ref. - No.



<b>33043</b>	24461834	Steuerkette / timing chain	148 E
<b>33044</b>	12608580	Kettenspanner / chain tensioner	
<b>33046</b>	55563405	Rep. Satz Steuerkette / rep. kit timing chain	134 E
<b>33047</b>	90537370	Steuerkette / timing chain	134 E
<b>33048</b>	90537300	Kettenspanner / chain tensioner	

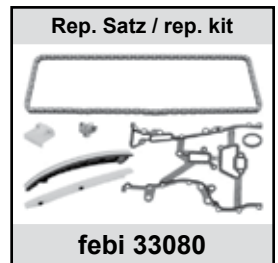
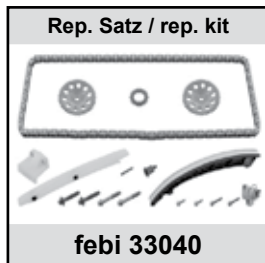
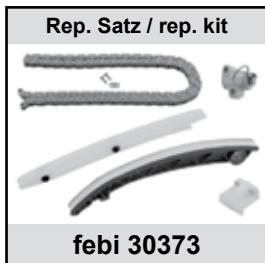
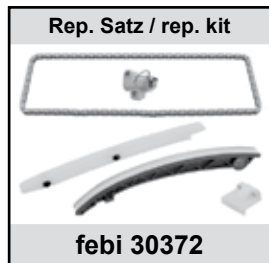
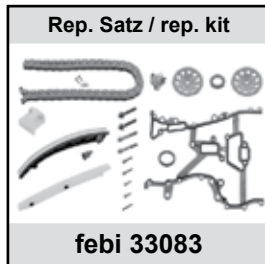
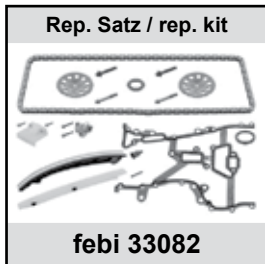
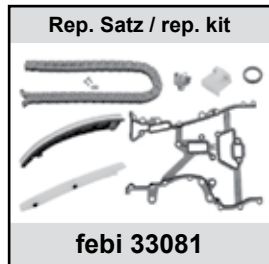
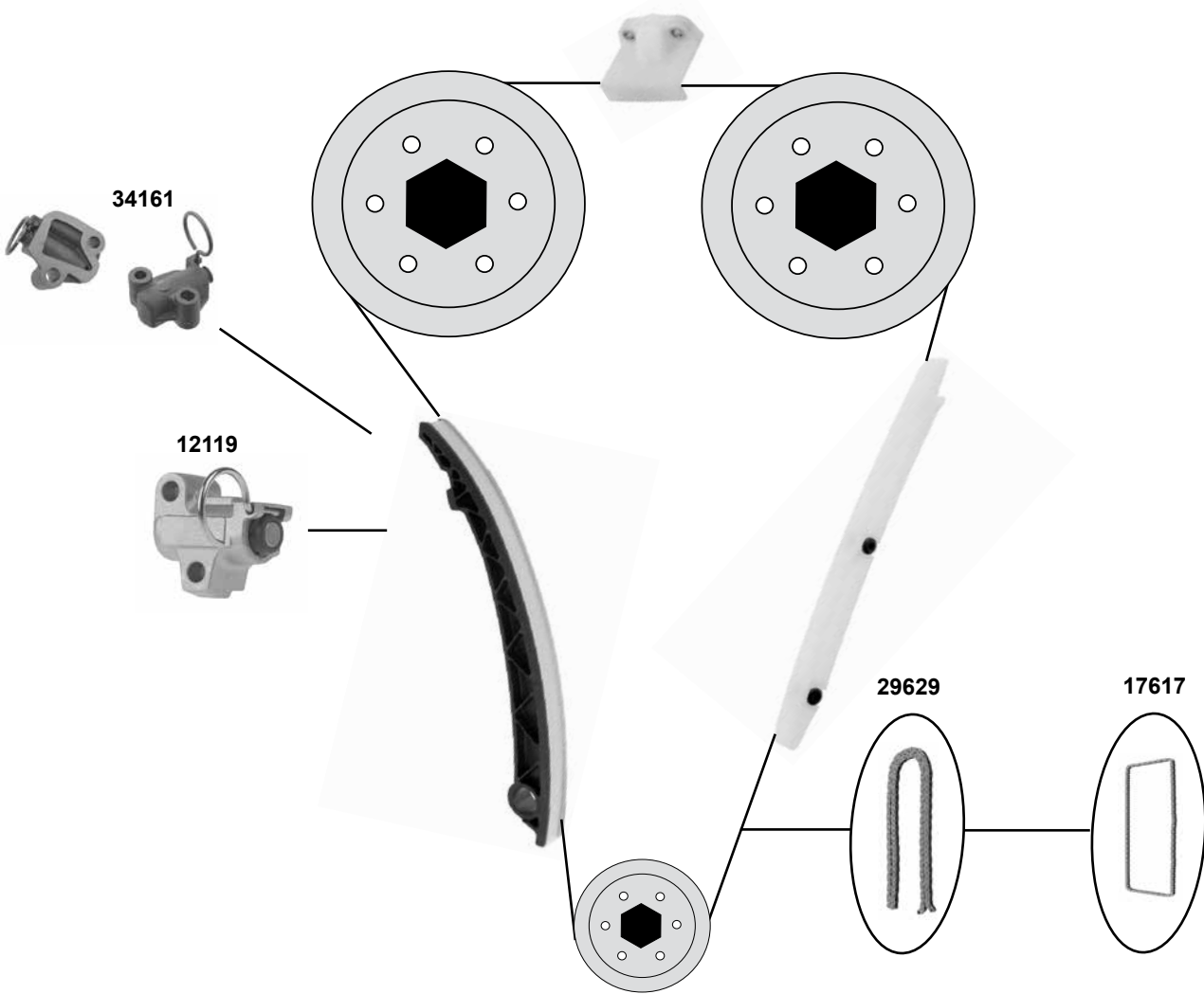
# VAUXHALL Meriva Mk I / A

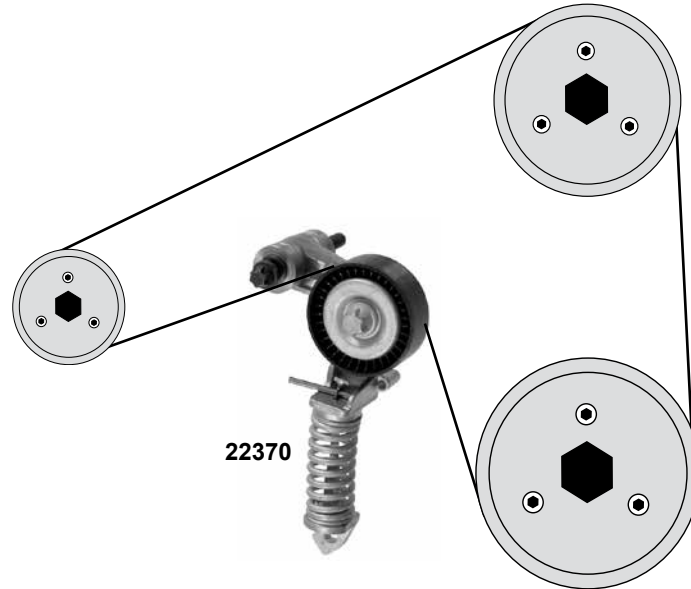
(03→10)

Car  
Division



**1,4**  
(Z1,4XEP)





- (1) Steuerkette geschlossen / timing chain endless
- (2) Steuerkette offen / timing chain open
- (3) Steuerkette offen und mit Steuerkettenradsatz / timing chain open and with control chain wheel kit
- (4) Steuerkette geschlossen und mit Steuerkettenradsatz / timing chain endless and with control chain wheel kit
- (5) Steuerkette offen mit Dichtung / timing chain open with gasket
- (6) Steuerkette geschlossen mit Dichtung / timing chain endless with gasket
- (7) Steuerkette offen mit Dichtung und Steuerkettenradsatz / timing chain open with gasket and control chain wheel kit
- (8) Steuerkette geschlossen mit Dichtung und Steuerkettenradsatz / timing chain endless with gasket and control chain wheel kit
- (9) Spezialwerkzeug zur Montage notwendig / requires special tools for mounting
- (10) →(mot) 19TR2328
- (11) (mot) 19TR2329→

	Ref. - No.			
12119	55352909	Kettenspanner / chain tensioner	(10)	
17617	55562234	Rollenkette / roller chain	(1)	130 E
22370	55565236	Riemenspanner / belt tensioner		70x24
29629	55562234 S1	Steuerkette / timing chain	(2)	130 N
30372	93191271 SK1	Rep. Satz Steuerkette / rep. kit timing chain	(1) (10)	130 E
30373	93191271 SK2	Rep. Satz Steuerkette / rep. kit timing chain	(2) (10)	130 N
33040	93191271	Rep. Satz Steuerkette / rep. kit timing chain	(4) (10)	130 E
33041	93191271 S1	Rep. Satz Steuerkette / rep. kit timing chain	(3) (10)	130 N
33080	93191271 SK3	Rep. Satz Steuerkette / rep. kit timing chain	(6) (10)	130 E
33081	93191271 SK4	Rep. Satz Steuerkette / rep. kit timing chain	(5) (9) (10)	130N
33082	93191271 S2	Rep. Satz Steuerkette / rep. kit timing chain	(8) (10)	130 E
33083	93191271 S3	Rep. Satz Steuerkette / rep. kit timing chain	(7) (9) (10)	130 N
34161	55562235	Kettenspanner / chain tensioner	(11)	
34162	55562234 S2	Rep. Satz Steuerkette / rep. kit timing chain	(1) (11)	130 E
34163	55562234 S3	Rep. Satz Steuerkette / rep. kit timing chain	(2) (9) (11)	130 N



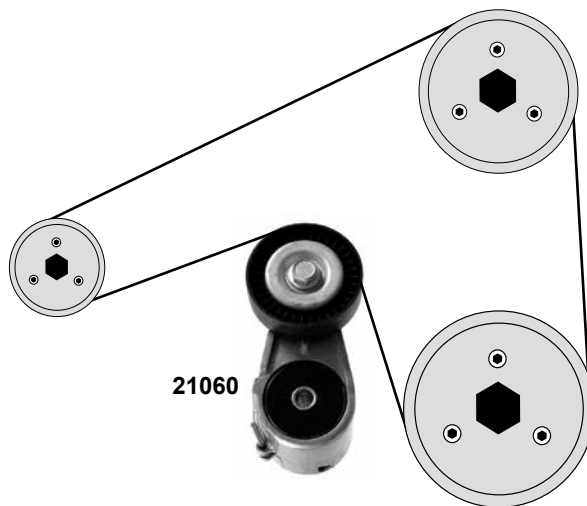
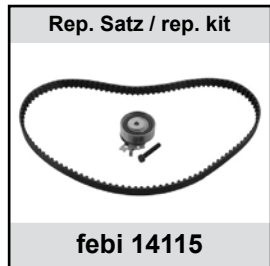
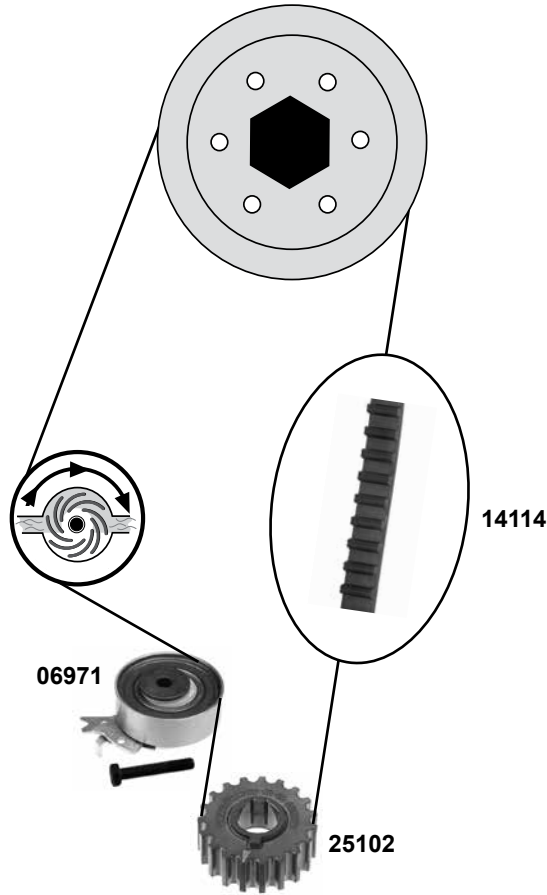
# VAUXHALL Meriva Mk I / A

(03→10)

Car  
Division



**1,6 8V**  
(Z1,6SE)



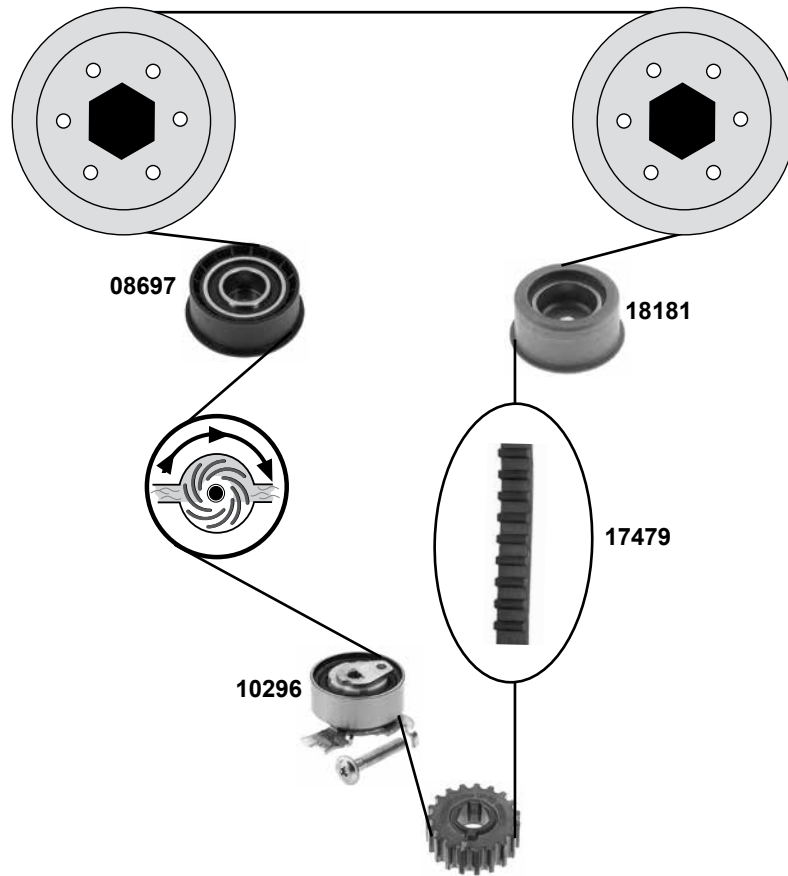
Ref. - No.



**06971** 09202478  
**14114** 90531677  
**14115** 93188126  
**21060** 90571758  
**25102** 90502545

Spannrolle / tension roller  
Zahnriemen / timing belt  
Rep. Satz Zahnriemen / rep. kit timing belt  
Riemenspanner / belt tensioner  
Kurbelwellenzahnrad / crankshaft gear

Ø59 B19  
Z 111 B17  
Z 111 B17  
76 x 22  
Z 19



Rep. Satz / rep. kit

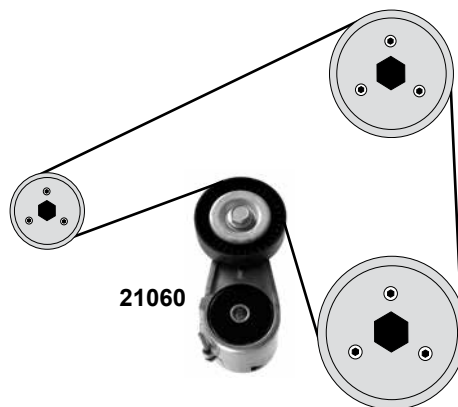


febi 19445

Rep. Satz / rep. kit



febi 21097



Ref. - No.

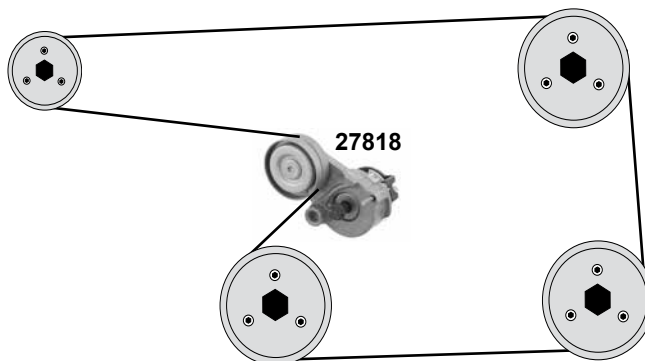
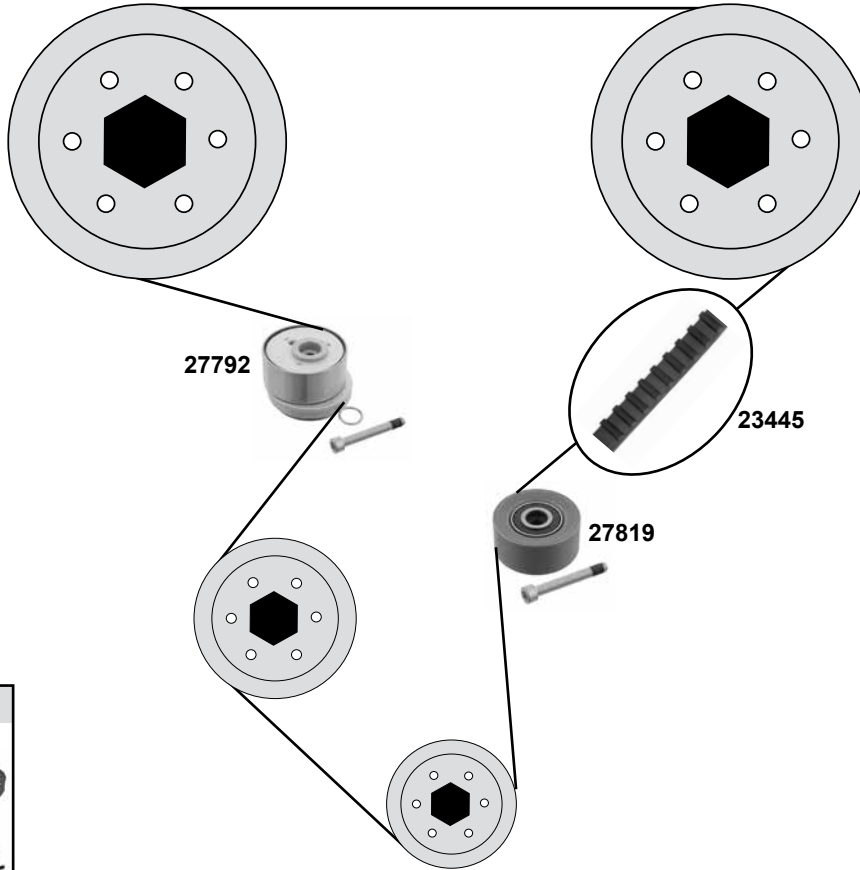


<b>08697</b>	55350580	Umlenkrolle / deflection pulley	ØA 62,5 ØI 23
<b>10296</b>	55567191	Spannrolle / tension roller	ØA 59 B22
<b>17479</b>	24451895	Zahnriemen / timing belt	Z 162 B20
<b>18181</b>	55352713	Umlenkrolle / deflection pulley	ØA 52,5 B27
<b>19445</b>	93185845	Rep. Satz Zahnriemen / rep. kit timing belt	Z 162 B20
<b>21060</b>	90571758	Riemenspanner / belt tensioner	76 x 22
<b>21097</b>	93174119	Rep. Satz Zahnriemen / rep. kit timing belt	Z 162 B20
<b>33695</b>	09129207	Kurbelwellenzahnrad / crankshaft gear	Z 23



## 1,6 16V

(Z1,6 XEP / Z 1,6 LET)



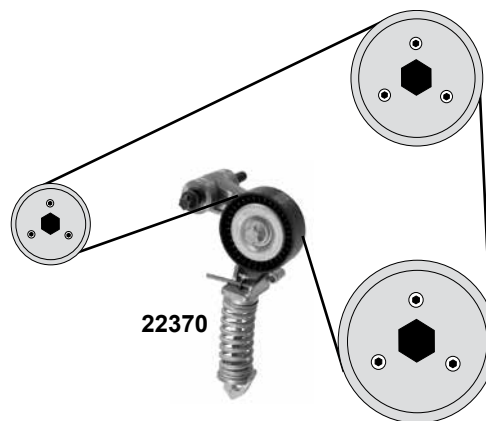
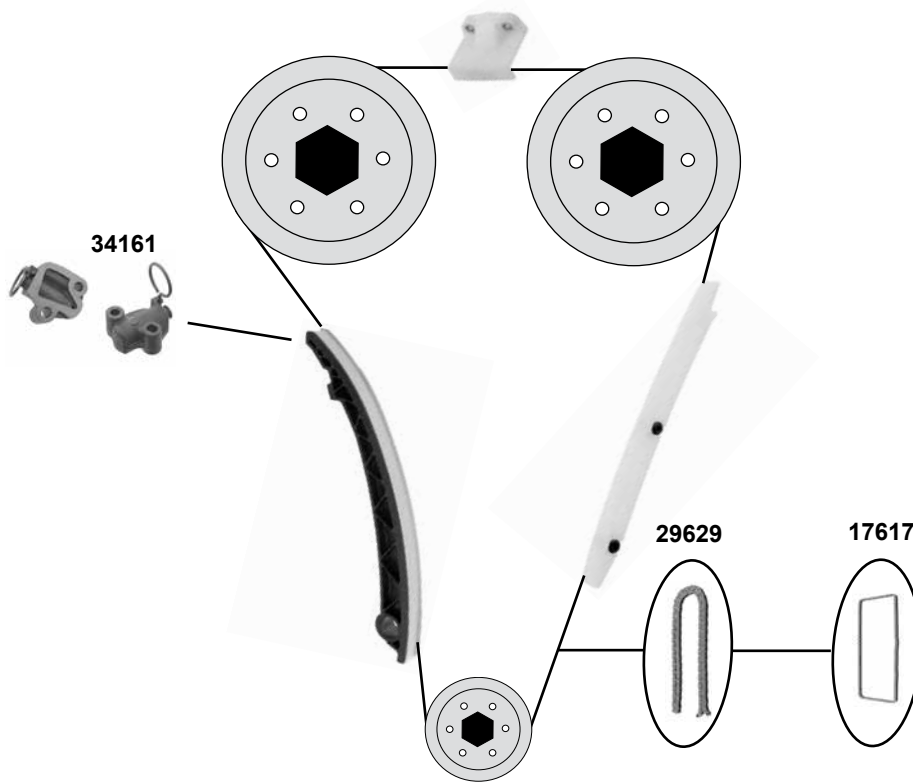
Ref. - No.



**23445** 24422964  
**27792** 55562218  
**27818** 55563512  
**27819** 24436052  
**27825** 93185849

Zahnriemen / timing belt  
Spannrolle / tension roller  
Riemenspanner / belt tensioner  
Umlenkrolle / deflection pulley  
Rep. Satz Zahnriemen / rep. kit timing belt

Z 146 B24  
ØA 66 B29  
ØA 63  
ØA 61 B28  
Z 146 B24



- (1) Steuerkette geschlossen / timing chain endless
- (2) Steuerkette offen / timing chain open  
Spezialwerkzeug zur Montage notwendig / requires special tools for mounting



Ref. - No.



Ref. - No.	Description	Notes	Part No.
17617	55562234 Rollenkette / roller chain	(1)	130 E
22370	55565236 Riemenstapner / belt tensioner	(1)	70x24
29629	55562234 S1 Steuerkette / timing chain	(2)	130 N
34161	55562235 Kettenspanner / chain tensioner	(1)	130 E
34162	55562234 S2 Rep. Satz Steuerkette / rep. kit timing chain	(2)	130 N
34163	55562234 S3 Rep. Satz Steuerkette / rep. kit timing chain		

# VAUXHALL

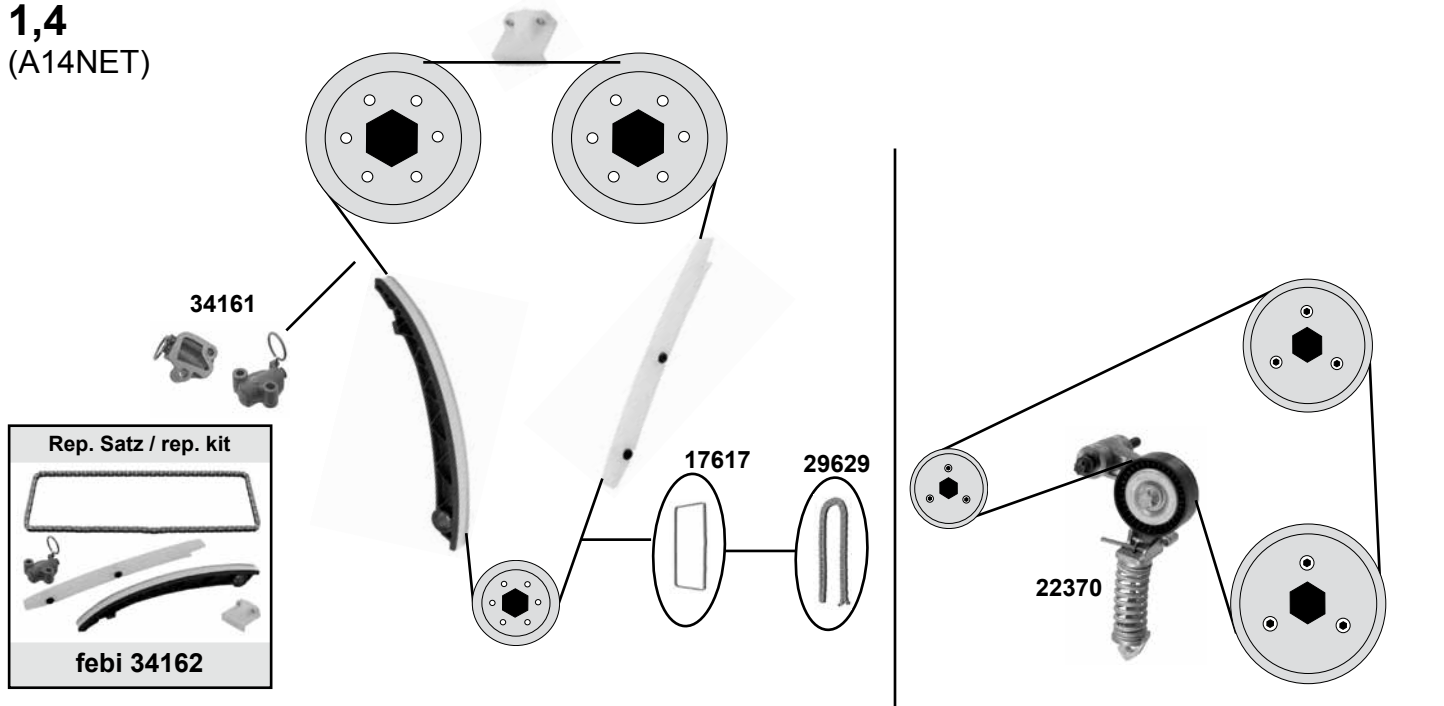
## Mokka

(06/12→)

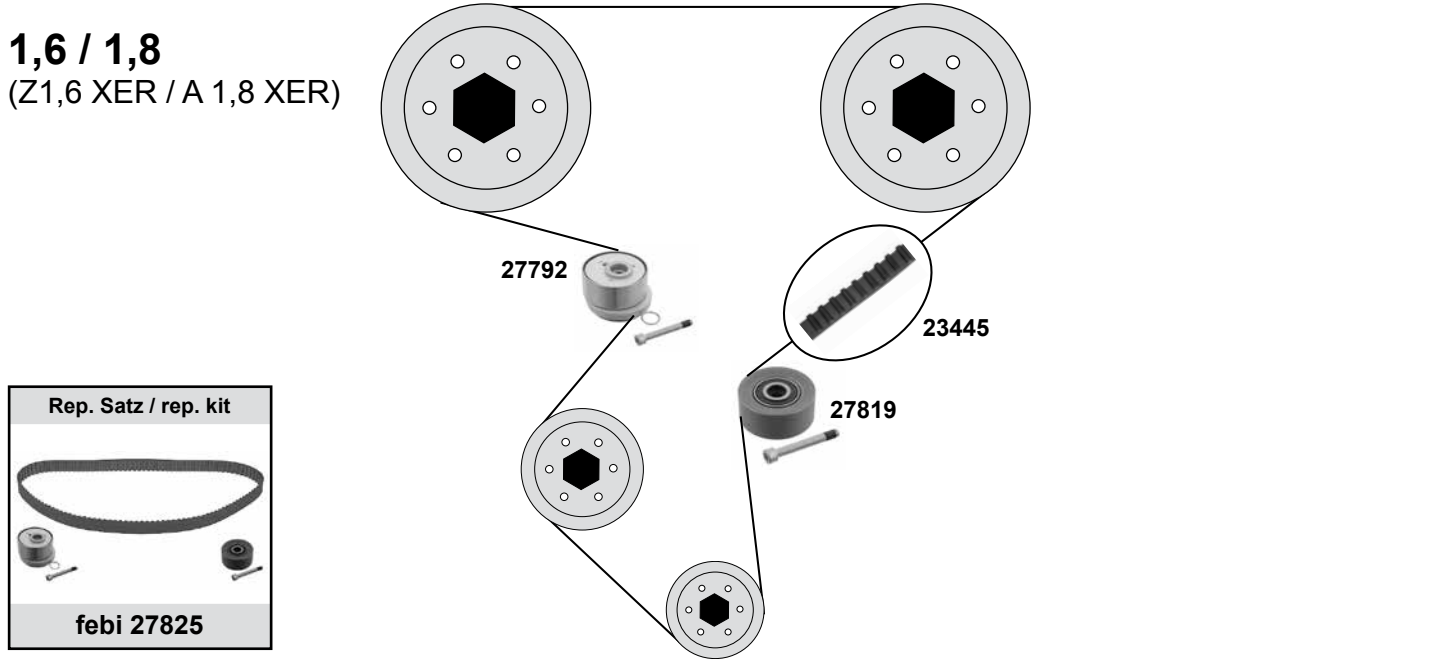
Car  
Division



**1,4**  
(A14NET)

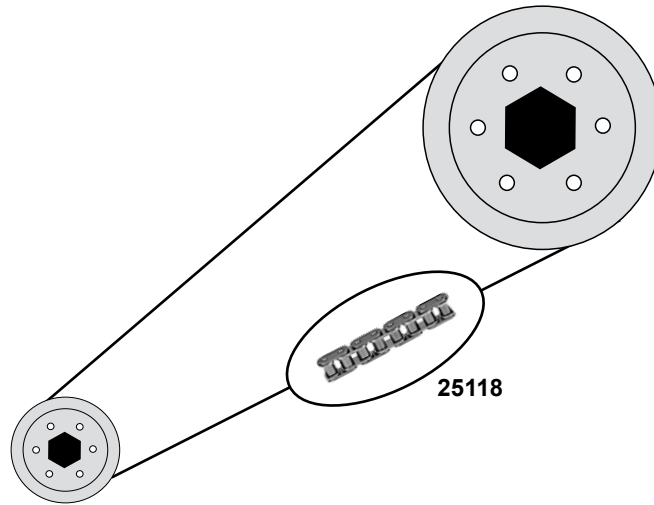


**1,6 / 1,8**  
(Z1,6 XER / A 1,8 XER)

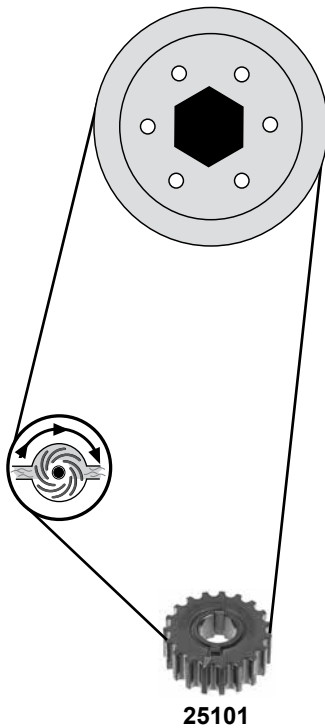


- (1) Steuerkette geschlossen / timing chain endless
- (2) Steuerkette offen / timing chain open  
Spezialwerkzeug zur Montage notwendig / requires special tools for mounting

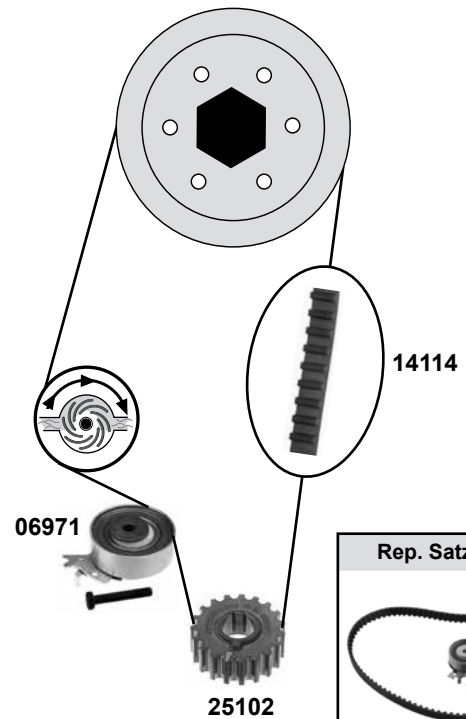
	Ref. - No.			
17617	55562234	Steuerkette / timing chain	(1)	130 E
22370	55565236	Riemenspanner / belt tensioner		
23445	24422964	Zahnriemen / timing belt		Z 146 B24
27792	55562218	Spannrolle / tension roller		ØA66 B29
27819	24436052	Umlenkrolle / deflection pulley		ØA 61 B 28
27825	93185849	Rep. Satz Zahnriemen / rep. kit timing belt		
29629	55562234 S1	Steuerkette / timing chain	(2)	130N
34161	55562235	Kettenspanner / chain tensioner		
34162	55562234 S2	Rep. Satz Steuerkette / rep. kit timing chain	(1)	130 E



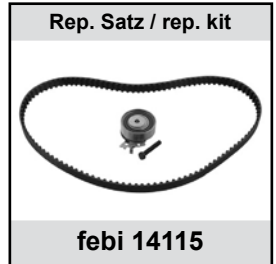
**1,2S/ST/NV**



**C1,2NZ**



**1,2**  
OHC



Ref. - No.



<b>06971</b>	09202478
<b>14114</b>	90531677
<b>14115</b>	93188126
<b>25101</b>	90502545
<b>25102</b>	90502545
<b>25118</b>	02866445

Spannrolle / tension roller
Zahnriemen / timing belt
Rep. Satz Zahnriemen / rep. kit timing belt
Kurbelwellenzahnrad / crankshaft gear
Kurbelwellenzahnrad / crankshaft gear
Rollenkette einfach / roller chain simple

(mot.)→649300  
(ch.) A92411→

ØA 59 B19
Z 111 B17
Z 19
ØA5Ø120Z19
56 E

# VAUXHALL

## Nova

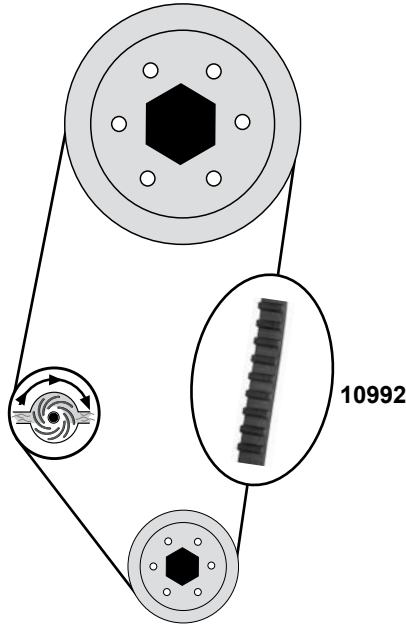
(83→92)

Car  
Division



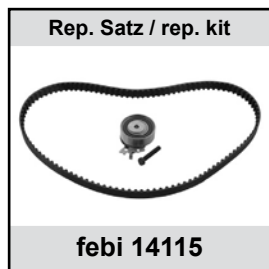
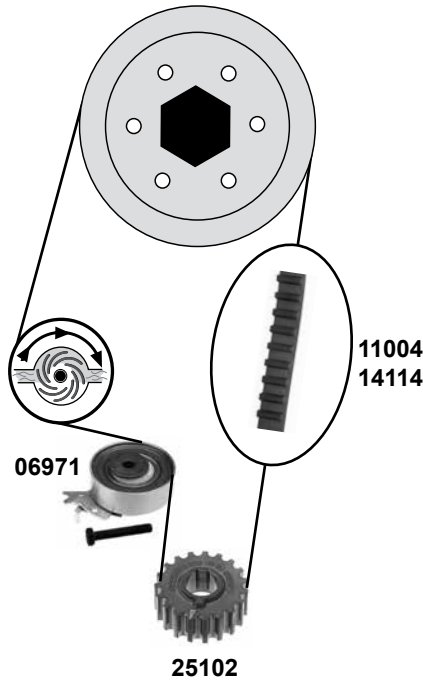
**1,3**

(13S/SB/NB/C13N)



**1,4 / 1,6**

(14NV/C14SE/NZ)



(1) (mot.) 1,4NV 19307806→/ C1,4NZ 19311759→  
02J22350→02J22350→  
(mot.) 1,6 02J22350→

(2) (mot.) 1,4NV →19307805 / C1,4NZ→19311758  
→02J22349→02J22349  
(mot.) 1,6 →02J22349



Ref. - No.



**06971** 09202478  
**10992** 90080214  
**11004** 90354783  
**14114** 90531677  
**14115** 93188126  
**25102** 90502545

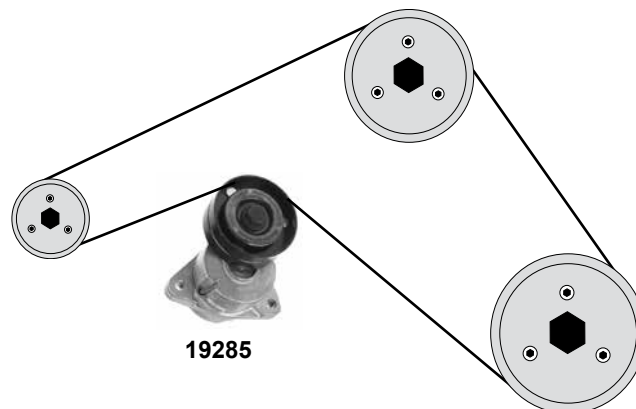
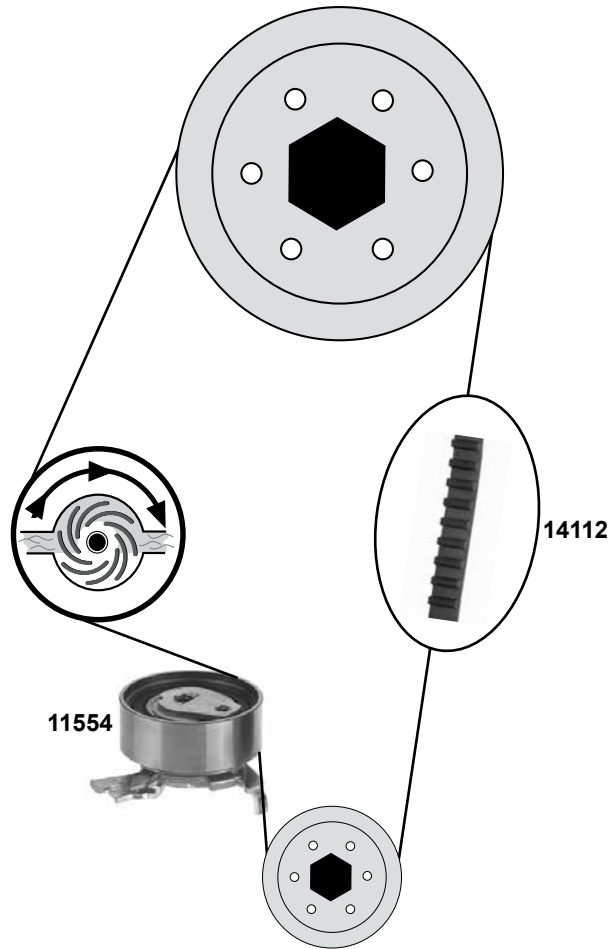
Spannrolle / tension roller  
Zahnriemen / timing belt  
Zahnriemen / timing belt  
Zahnriemen / timing belt  
Rep. Satz Zahnriemen / rep. kit timing belt  
Kurbelwellenzahnrad / crankshaft gear

(2)

(1) C1,4 SE:

(1) C1,4 SE:

ØA 59 B19  
Z 104 B15  
Z 104 B17  
Z 111 B17  
ØA5ØI20Z19



Ref. - No.



**11554** 09158003  
**14112** 09128725  
**14113** 09128725 S1  
**19285** 24412292

Spannrolle / tension roller  
Zahnriemen / timing belt  
Rep. Satz Zahnriemen / rep. kit timing belt  
Riemenspanner / belt tensioner

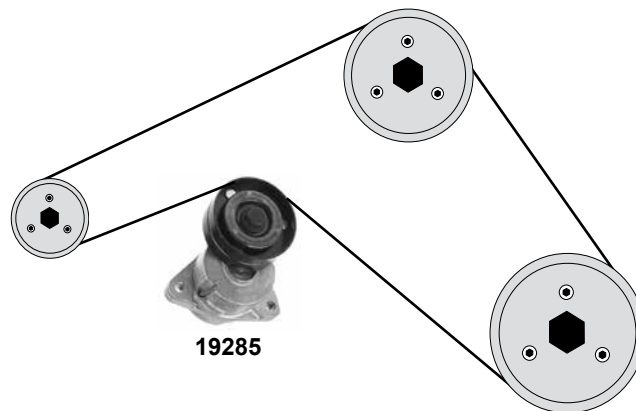
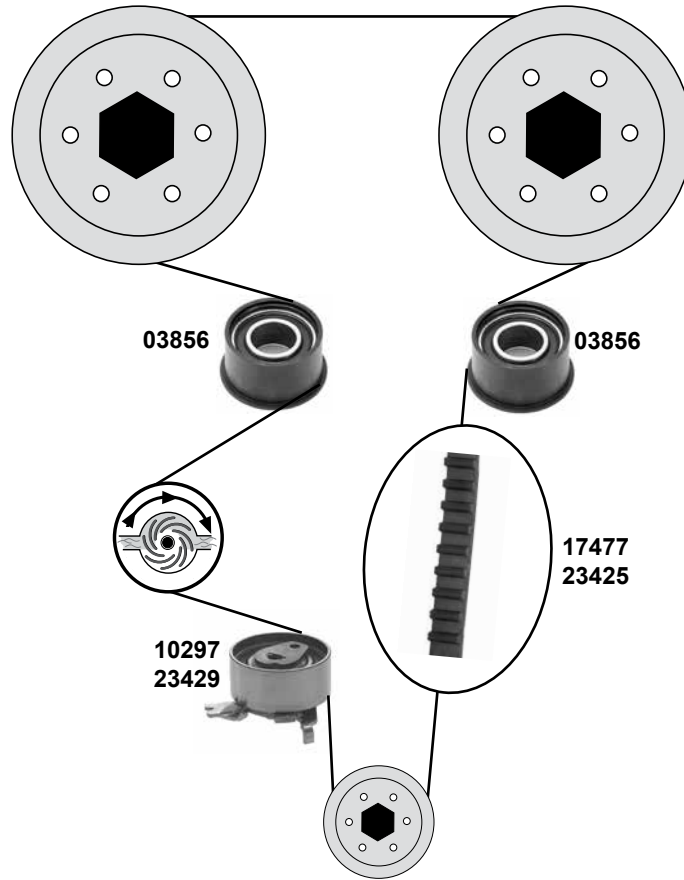
ØA 59 B22  
Z 146 B20



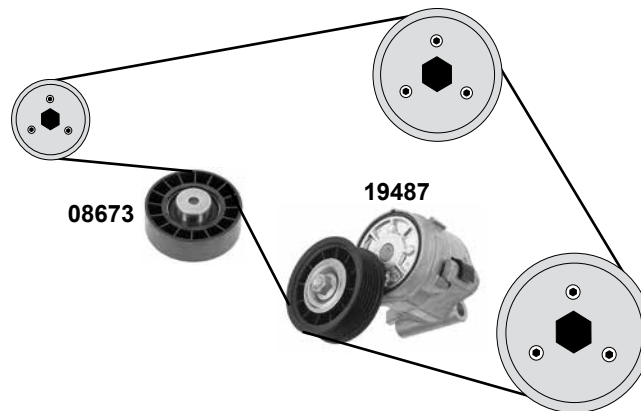
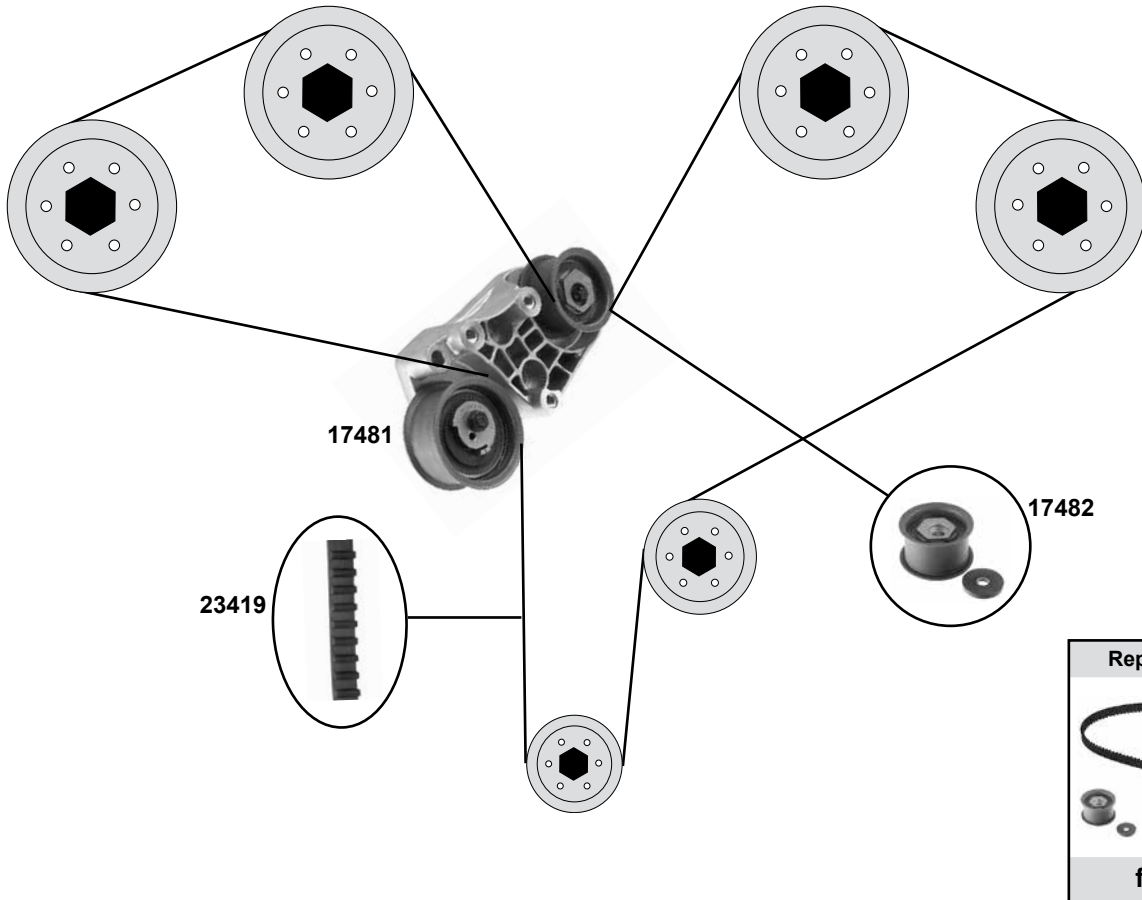


**2,0 / 2,2 16V**

(X 2,0 XEV / Y 2,2 XE / Z 2,2 XE)



	Ref. - No.			
<b>03856</b>	9128738	Umlenkrolle / deflection pulley		ØA 58,5 B29,5
<b>10297</b>	09158004	Spannrolle / tension roller	(mot.) 2,0 16V	ØA 59 B26
<b>17477</b>	90531682	Zahnriemen / timing belt	(mot.) 2,0 16V	Z 169 B24
<b>17478</b>	93174260	Rep. Satz Zahnriemen / rep. kit timing belt	(mot.) 2,0 16V	
<b>19285</b>	24412292	Riemenspanner / belt tensioner		
<b>23425</b>	9128722	Zahnriemen / timing belt	(mot.) 2,2 16V	Z 171 B24
<b>23427</b>	93174267	Rep. Satz Zahnriemen / rep. kit timing belt	(mot.) 2,2 16V	
<b>23429</b>	90528603	Spannrolle / tension roller	(mot.) 2,2 16V	ØA 59 B22



(1) (mot.) 2,5 / 3,0→08300418



Ref. - No.



Ref. - No.	Description	Quantity	Dimensions
08673	Umlenkrolle / deflection pulley		ØA 80 B 25
17481	Riemenspanner / belt tensioner	(1)	
17482	Umlenkrolle / deflection pulley	(1)	ØA 64 B37
19487	Riemenspanner / belt tensioner		ØA 76 B27,5
23419	Zahnriemen / timing belt	(1)	Z 225 B30
27295	Rep. Satz Zahnriemen / rep. kit timing belt	(1)	

# VAUXHALL

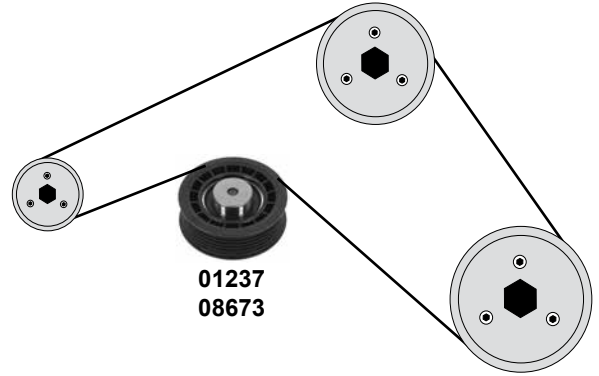
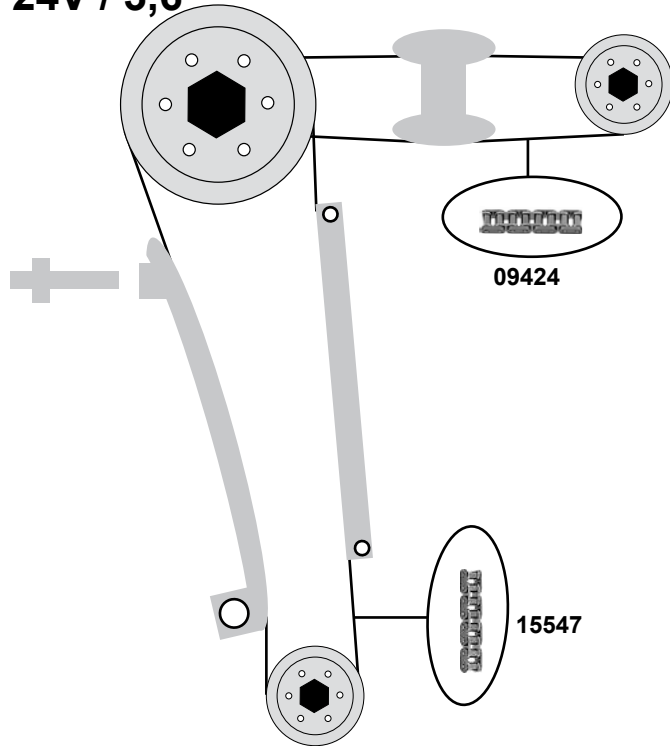
## Senator

(87→93)

Car  
Division



3,0 24V / 3,6

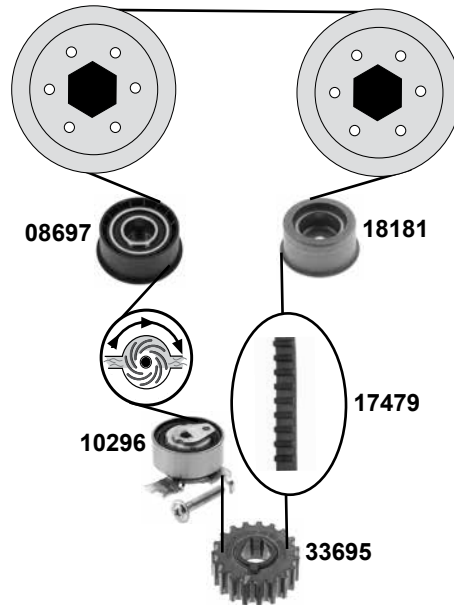


# Signum

(02→08)

1,8 16 V

(Z 1,8XE)



Rep. Satz / rep. kit



febi 19445



(1) (mot.) 3,0NE / C 3,0 NE 01039675→ / (mot.) C 3,0 SE 01024730→

(2) (ch.) M 1000001→

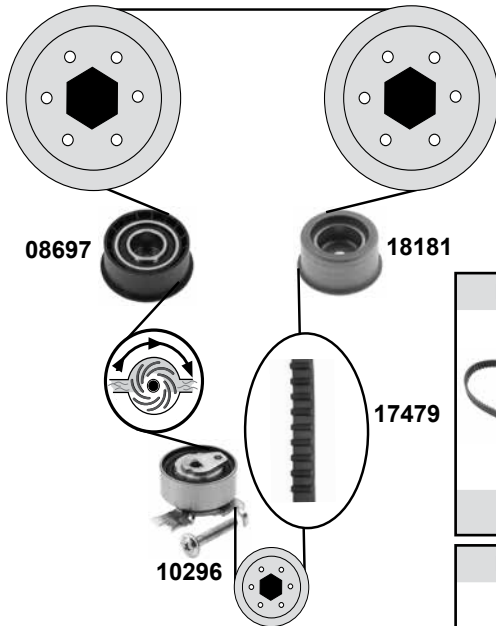


Ref. - No.



Ref. - No.	Description	Quantity	Part No.
01237	Umlenkrolle / deflection pulley	(1) AC	ØA 80 B26,4
08673	Umlenkrolle / deflection pulley	(2) AC	ØA 80 B25
08697	Umlenkrolle / deflection pulley		ØA 62,5
09424	Rollenkette einfach / roller chain simple		458 / 42 E
10296	Spannrolle / tension roller		ØA 59 B22
15547	Rollenkette einfach / roller chain simple		104 E
17479	Zahnriemen / timing belt		Z 162 B20
18181	Umlenkrolle / deflection pulley		ØA 52,5 B27
19445	Rep. Satz Zahnriemen / rep. kit timing belt		
33695	Kurbelwellenzahnrad / crankshaft gear		Z 23

**1,8 16 V**  
(Z 1,8XER)



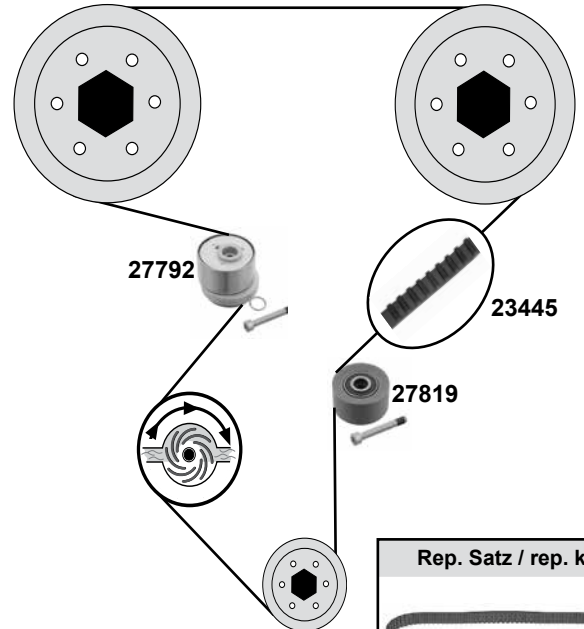
Rep. Satz / rep. kit

**febi 19445**

Rep. Satz / rep. kit

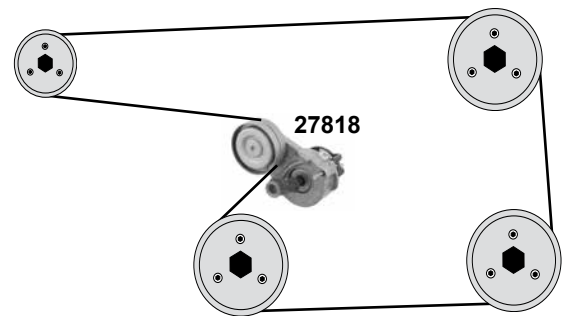
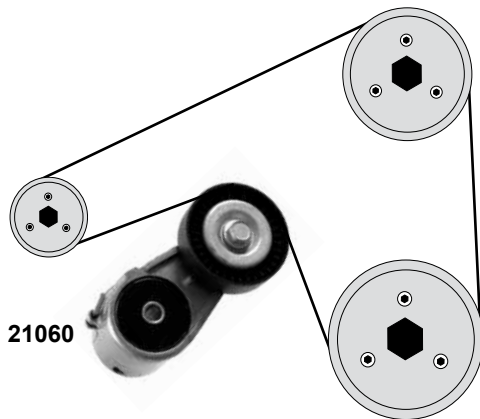
**febi 21097**

**1,8 16 V**  
(Z 1,8XER)



Rep. Satz / rep. kit

**febi 27825**



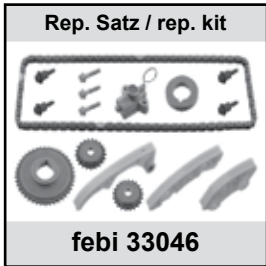
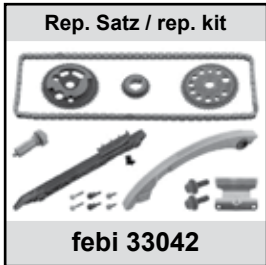
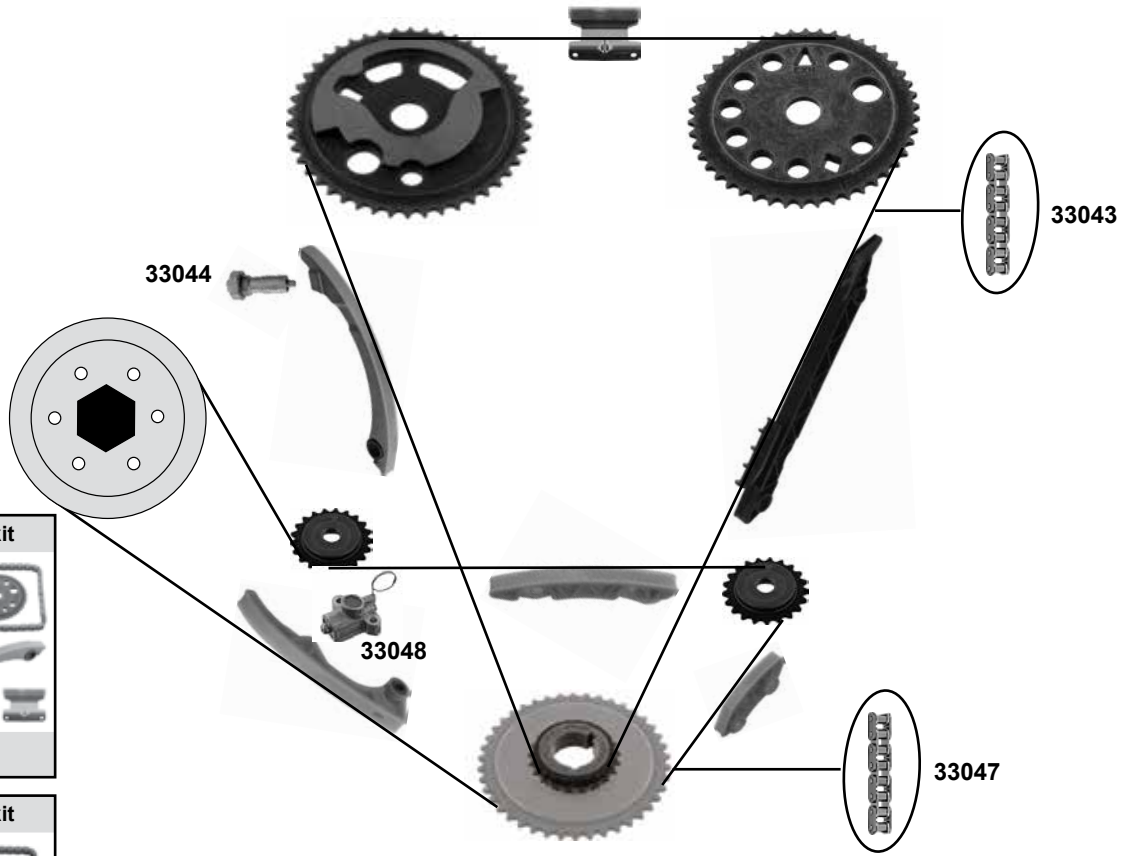
Ref. - No.



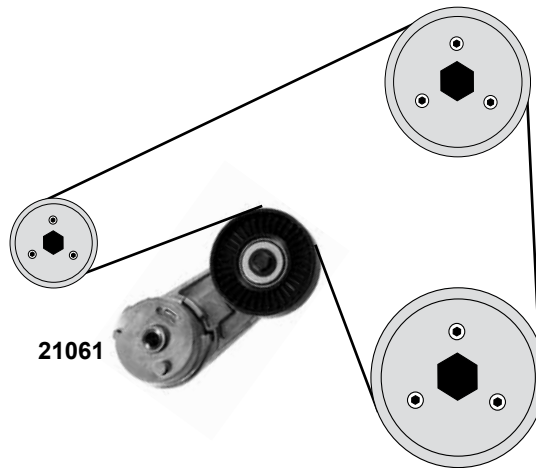
<b>08697</b>	55350580	Umlenkrolle / deflection pulley	ØA 62,5
<b>10296</b>	55567191	Spannrolle / tension roller	ØA 59 B22
<b>17479</b>	24451895	Zahnriemen / timing belt	Z 162 B20
<b>18181</b>	55352713	Umlenkrolle / deflection pulley	ØA 52,5 B27
<b>19445</b>	93185845	Rep. Satz Zahnriemen / rep. kit timing belt	
<b>21060</b>	90571758	Riemenspanner / belt tensioner	
<b>21097</b>	93174119	Rep. Satz Zahnriemen / rep. kit timing belt	
<b>23445</b>	24422964	Zahnriemen / timing belt	Z 146 B24
<b>27792</b>	55562218	Spannrolle / tension roller	ØA 66 B29
<b>27818</b>	55563512	Riemenspanner / belt tensioner	ØA 63
<b>27819</b>	24436052	Umlenkrolle / deflection pulley	ØA 61 B28
<b>27825</b>	93185849	Rep. Satz Zahnriemen / rep. kit timing belt	Z 146 B23,6



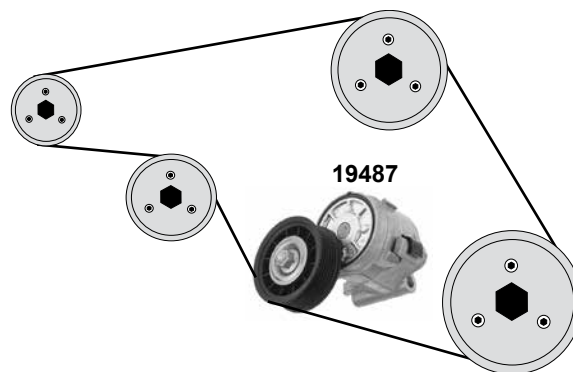
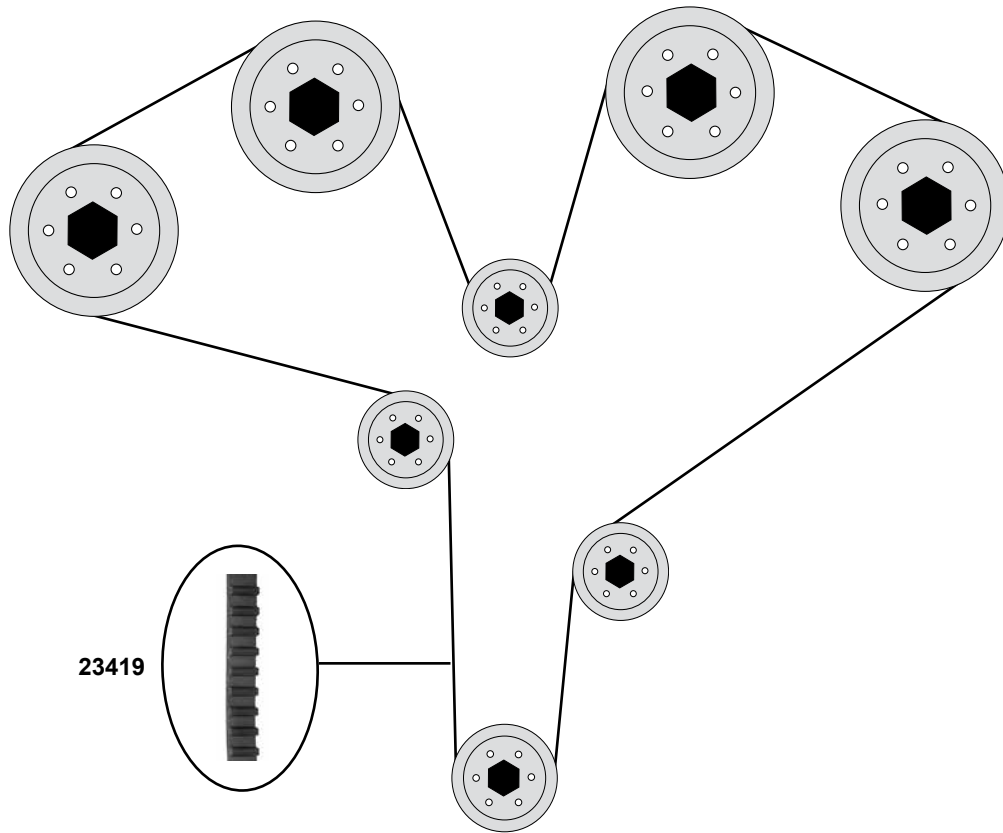
**2,0 / 2,2**



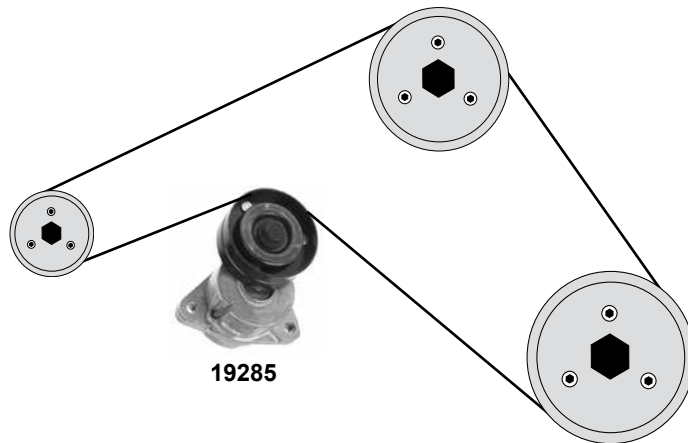
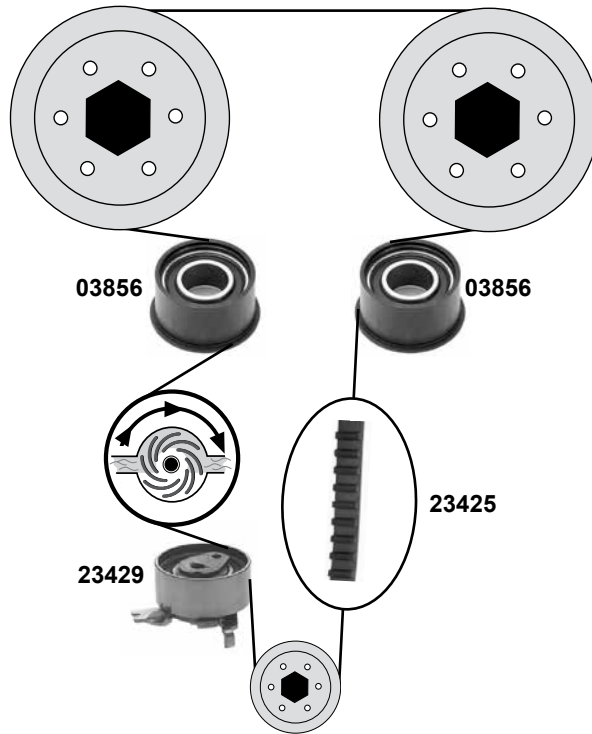
**2,2**  
(Z2,0NET, Z2,2SE, Z2,2YH)



	Ref. - No.			
<b>21061</b>	24430296	Riemenspanner / belt tensioner	<b>(mot.) 2,2</b>	
<b>33042</b>	55569838	Rep. Satz Steuerkette / rep. kit timing chain		148 E
<b>33043</b>	24461834	Steuerkette endlos / timing chain endless		148 E
<b>33044</b>	12608580	Kettenspanner / chain tensioner		
<b>33046</b>	55563405	Rep. Satz Steuerkette / rep. kit timing chain		134 E
<b>33047</b>	12645237	Steuerkette endlos / timing chain endless		134 E
<b>33048</b>	90537300	Kettenspanner / chain tensioner		



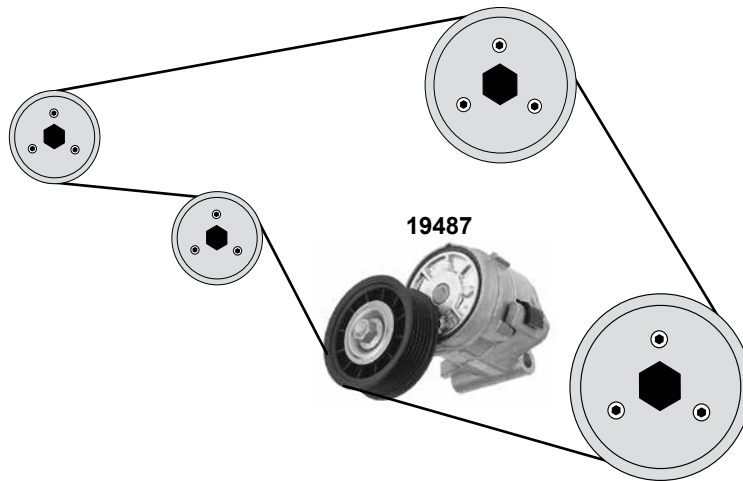
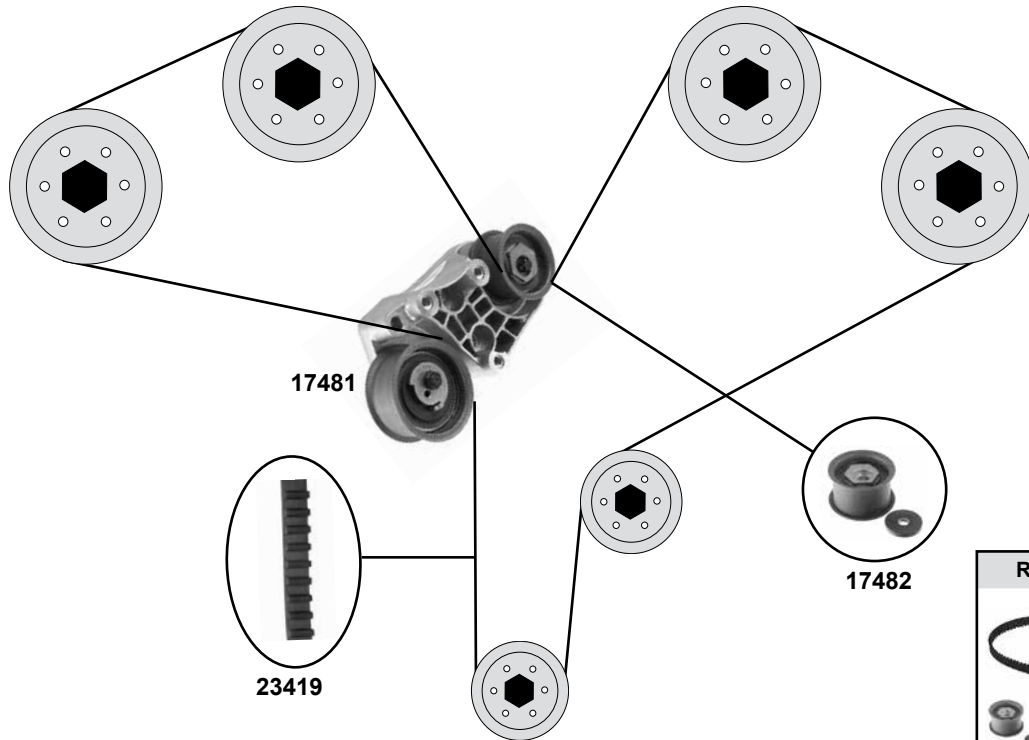
**2,2 16V**  
(X 2,2 XE)



Ref. - No.



<b>03856</b>	9128738	Umlenkrolle / deflection pulley	AC	ØA 58,5 B29,5
<b>19285</b>	24412292	Riemenspanner / belt tensioner		Z 171 B24
<b>23425</b>	9128722	Zahnriemen / timing belt		ØA 59 B22
<b>23427</b>	93174267	Rep. Satz Zahnriemen / rep. kit timing belt		
<b>23429</b>	90528603	Spannrolle / tension roller		



(1) (mot.) 08292479→08299999



Ref. - No.

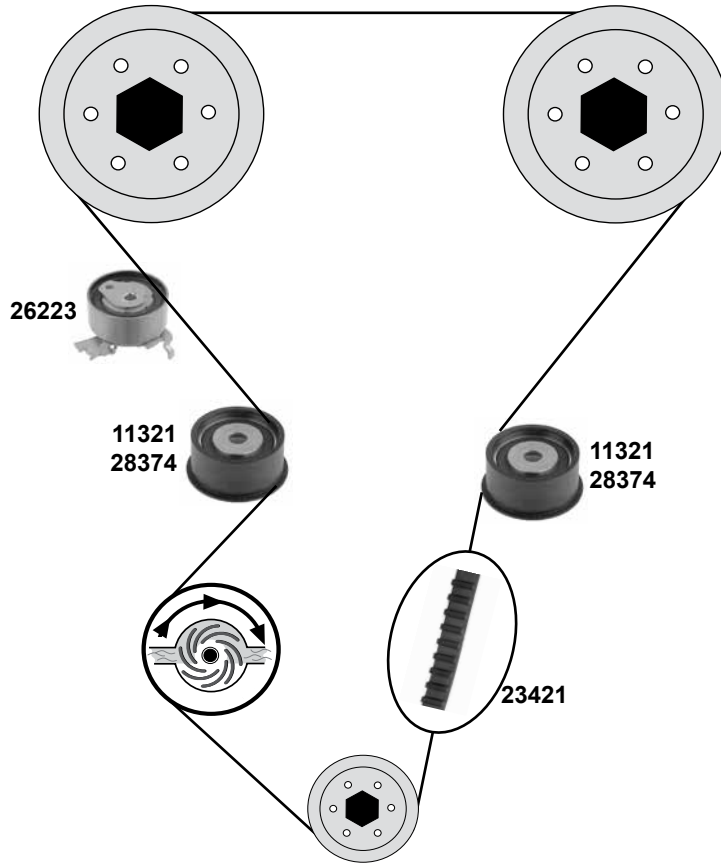


<b>17481</b>	09128444	Riemenspanner / belt tensioner	(1)	
<b>17482</b>	90543739	Umlenkrolle / deflection pulley	(1)	ØA 64 B37
<b>19487</b>	09202550	Riemenspanner / belt tensioner	(1)	ØA 76 B27,5
<b>23419</b>	09128500	Zahnriemen / timing belt	(1)	Z 225 B30
<b>27295</b>	09120501 SK	Rep. Satz Zahnriemen / rep. kit timing belt	(1)	Z 225 B30

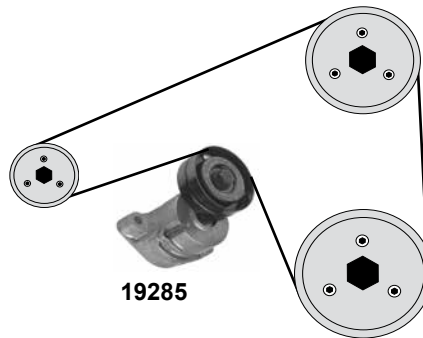




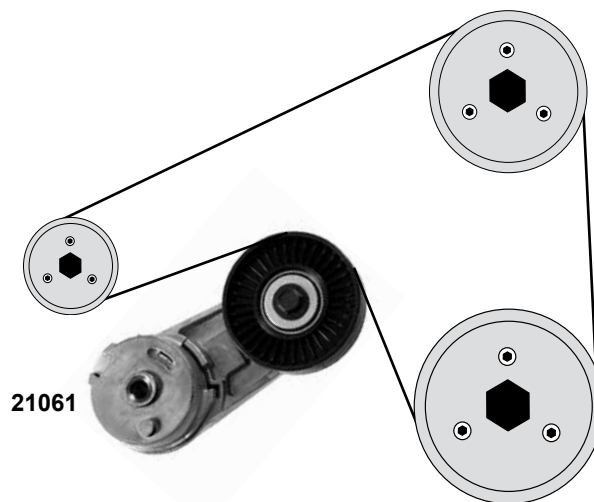
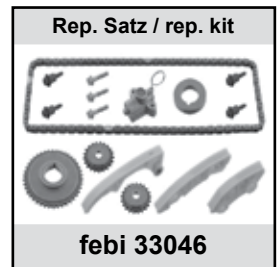
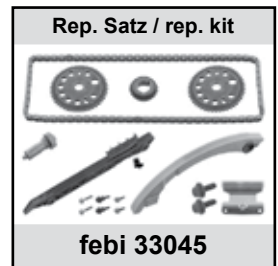
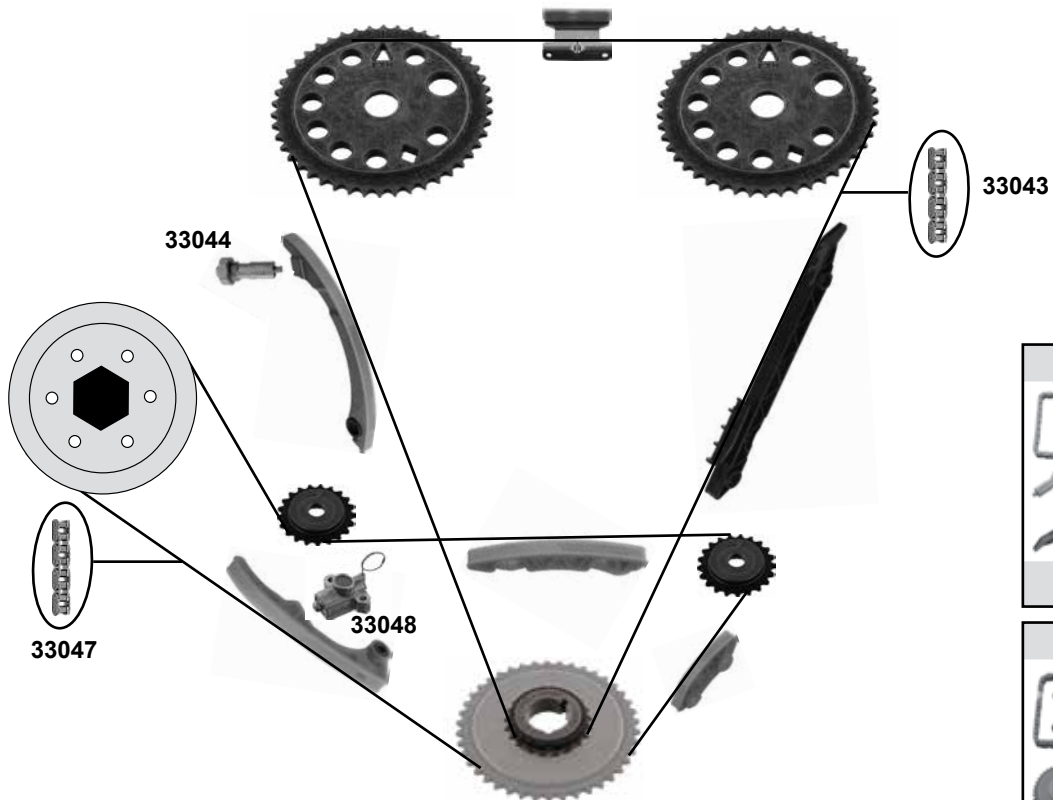
## 2,0 16V (Z 2,0 LET)



## 2,0 16V (Z 2,0 LET)



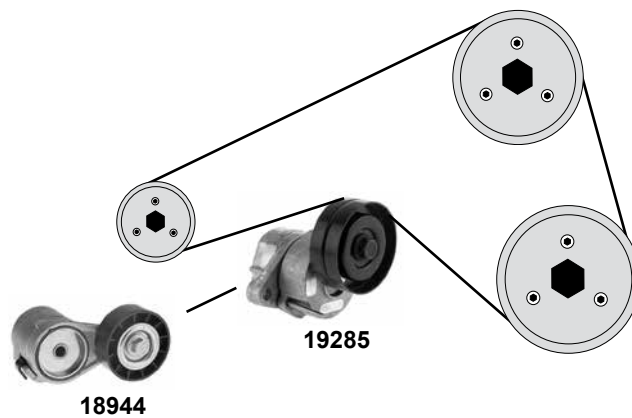
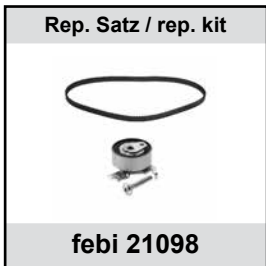
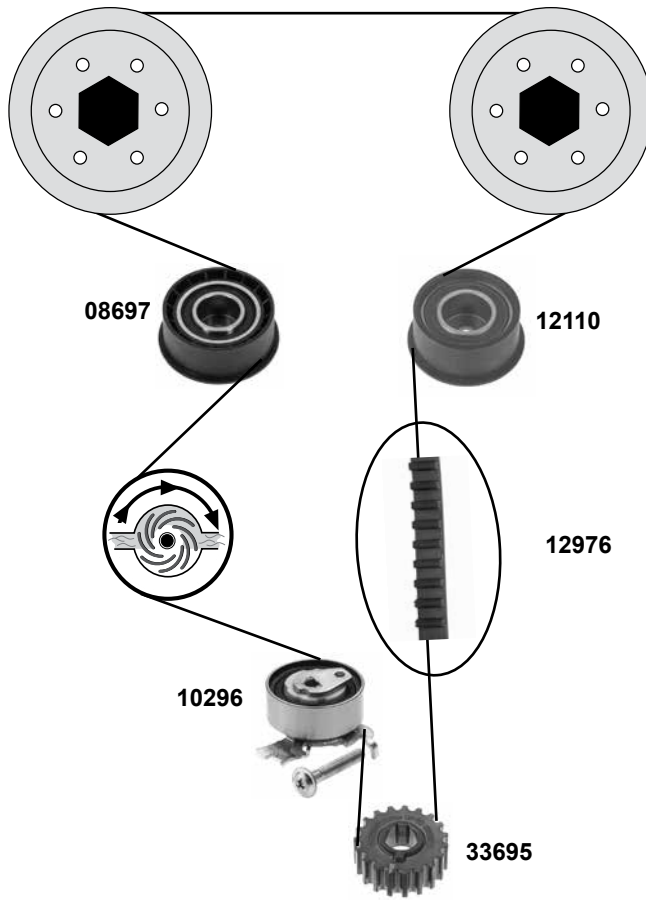
	Ref. - No.			
11321	90529810	Umlenkrolle / deflection pulley	(mot.) → 3N 999 999	ØA 54 B29,3
19285	24412292	Riemenspanner / belt tensioner		
23421	55351782	Zahnriemen / timing belt		Z 168 B24
26223	55353810	Spannrolle / tension roller		ØA 59 B26
26224	93174265	Rep. Satz Zahnriemen / rep. kit timing belt	(mot.) → 3N 999 999	Z 168 B24
28374	55353701	Umlenkrolle / deflection pulley	(mot.) 4N 000 001→	ØA 54 B31,5
28375	93185844	Rep. Satz Zahnriemen / rep. kit timing belt	(mot.) 4N 000 001→	Z 168 B24



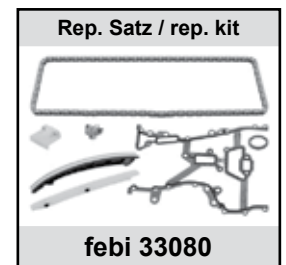
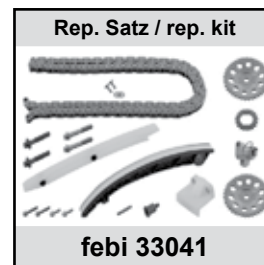
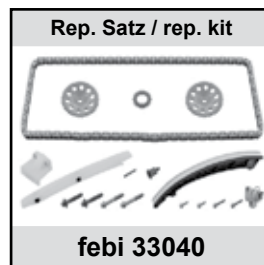
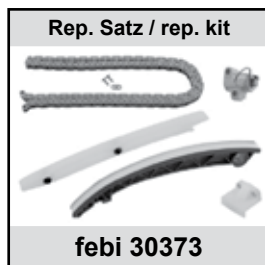
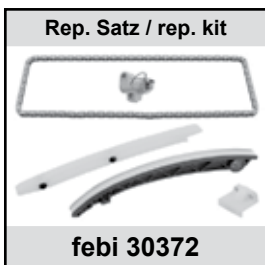
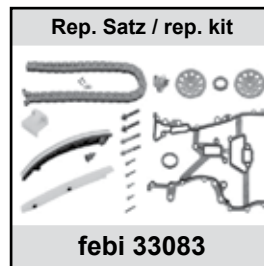
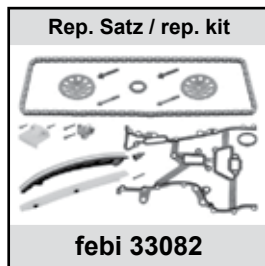
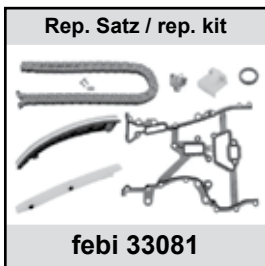
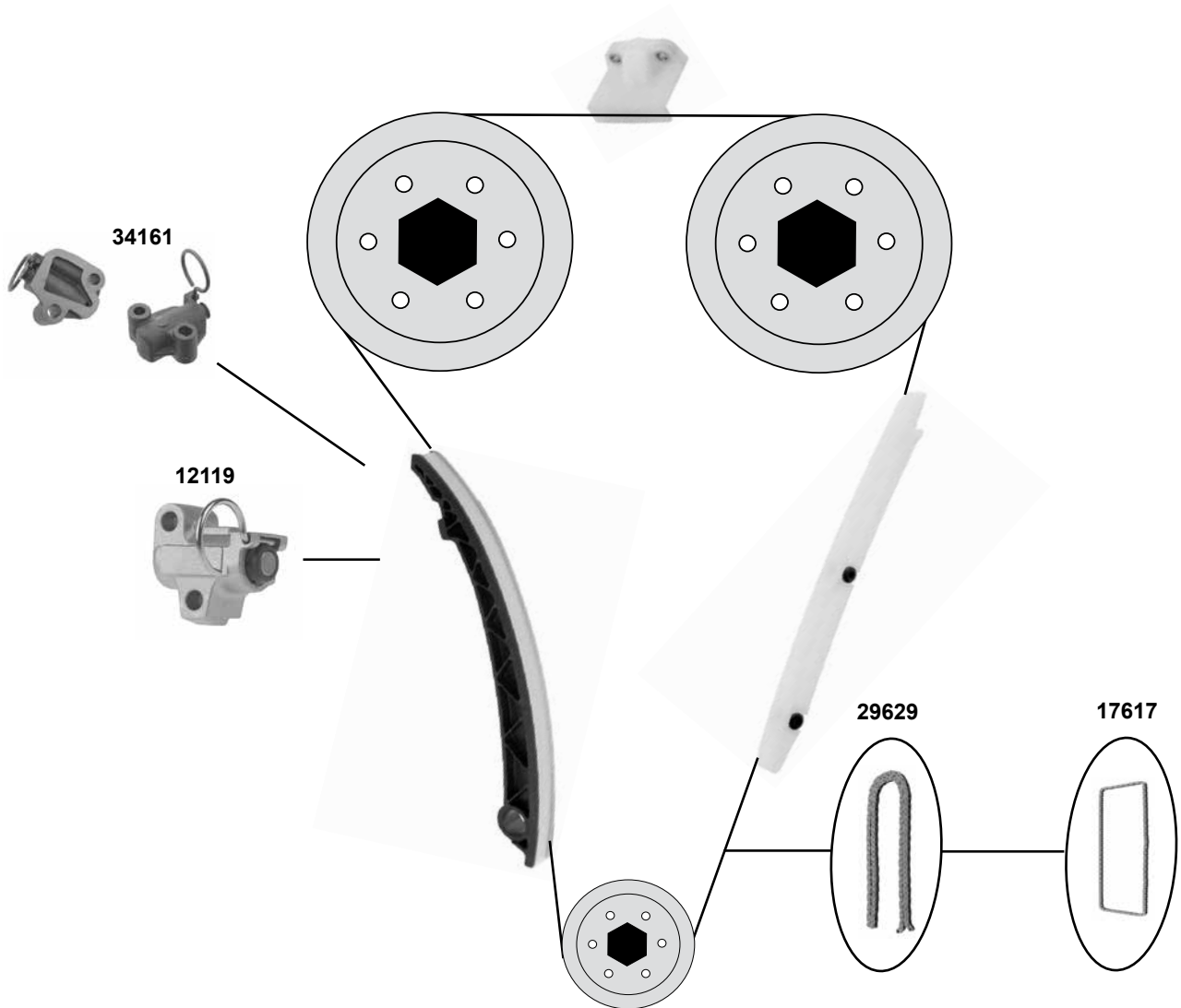
	Ref. - No.			
<b>21061</b>	24430296	Riemenspanner / belt tensioner		
<b>33043</b>	24461834	Steuerkette / timing chain		148 E
<b>33044</b>	12608580	Kettenspanner / chain tensioner		
<b>33045</b>	12577385	Rep. Satz Steuerkette / rep. kit timing chain		148 E
<b>33046</b>	55563405	Rep. Satz Steuerkette / rep. kit timing chain		134 E
<b>33047</b>	90537370	Steuerkette / timing chain		134 E
<b>33048</b>	90537300	Kettenspanner / chain tensioner		



**1,4 16V / 1,6 16V**



	Ref. - No.			
<b>08697</b>	55350580	Umlenkrolle / deflection pulley	man.  (ex.) AC servo  / AC	ØA 62,5 ØI 23
<b>10296</b>	55567191	Spannrolle / tension roller		ØA 59 B22
<b>12110</b>	09128740	Umlenkrolle / deflection pulley		ØA 58,5 B25
<b>12976</b>	24451896	Zahnriemen / timing belt		Z 169 B20
<b>14110</b>	93180219	Rep. Satz Zahnriemen / rep. kit timing belt		
<b>18944</b>	90412884	Riemenspanner / belt tensioner		
<b>19285</b>	24412292	Riemenspanner / belt tensioner		
<b>21098</b>	93174120	Rep. Satz Zahnriemen / rep. kit timing belt		
<b>33695</b>	09129207	Kurbelwellenzahnrad / crankshaft gear		Z 23



# VAUXHALL Tigra Mk II / B

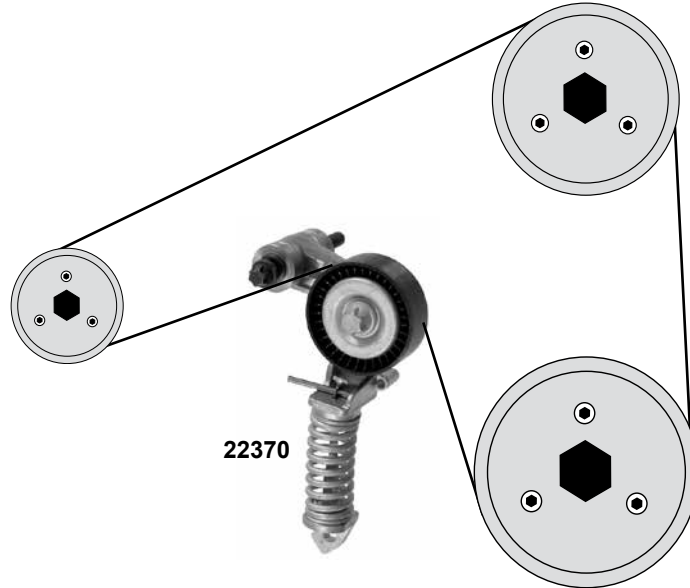
(03→)

Car  
Division



**1,4**

(Z 1,4 XEP)



22370

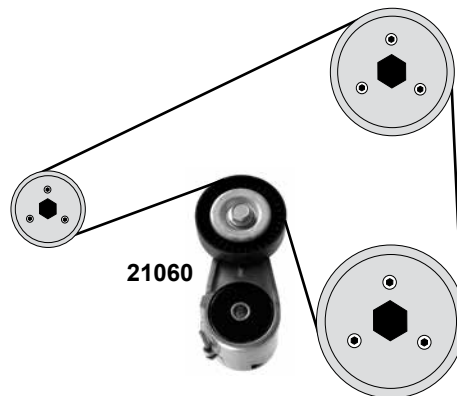
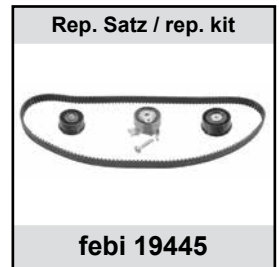
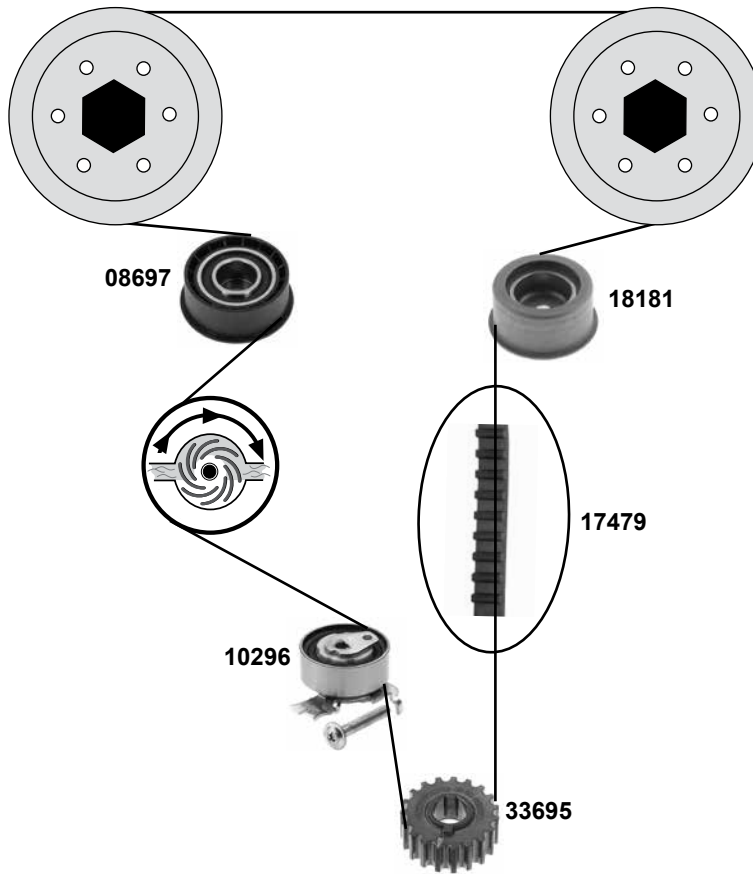
- (1) Steuerkette geschlossen / timing chain endless
- (2) Steuerkette offen / timing chain open
- (3) Steuerkette offen und mit Steuerkettenradsatz / timing chain open and with control chain wheel kit
- (4) Steuerkette geschlossen und mit Steuerkettenradsatz / timing chain endless and with control chain wheel kit
- (5) Steuerkette offen mit Dichtung / timing chain open with gasket
- (6) Steuerkette geschlossen mit Dichtung / timing chain endless with gasket
- (7) Steuerkette offen mit Dichtung und Steuerkettenradsatz / timing chain open with gasket and control chain wheel kit
- (8) Steuerkette geschlossen mit Dichtung und Steuerkettenradsatz / timing chain endless with gasket and control chain wheel kit
- (9) Spezialwerkzeug zur Montage notwendig / requires special tools for mounting
- (10) →(mot) 19TR2328
- (11) (mot) 19TR2329→



Ref. - No.



Part No.	Ref. - No.	Description	Notes	Dimensions
12119	55352909	Kettenspanner / chain tensioner	(10)	
17617	55562234	Rollenkette / roller chain	(1)	130 E
22370	55562236	Riemenspanner / belt tensioner	NEW	70x24
29629	55562234 S1	Steuerkette / timing chain	(2)	130 N
30372	93191271 SK1	Rep. Satz Steuerkette / rep. kit timing chain	(1) (10)	130 E
30373	93191271 SK2	Rep. Satz Steuerkette / rep. kit timing chain	(2) (9) (10)	130 N
33040	93191271	Rep. Satz Steuerkette / rep. kit timing chain	(4) (10)	130 E
33041	93191271 S1	Rep. Satz Steuerkette / rep. kit timing chain	(3) (10)	130 N
33080	93191271 SK3	Rep. Satz Steuerkette / rep. kit timing chain	(6) (10)	130 E
33081	93191271 SK4	Rep. Satz Steuerkette / rep. kit timing chain	(5) (9) (10)	130 N
33082	93191271 S2	Rep. Satz Steuerkette / rep. kit timing chain	(8) (10)	130 E
33083	93191271 S3	Rep. Satz Steuerkette / rep. kit timing chain	(7) (9) (10)	130 N
34161	55562235	Kettenspanner / chain tensioner	(11)	
34162	55562234 S2	Rep. Satz Steuerkette / rep. kit timing chain	(1) (11)	130 E
34163	55562234 S3	Rep. Satz Steuerkette / rep. kit timing chain	(2) (9) (11)	130 N



	Ref. - No.			
<b>08697</b>	55350580	Umlenkrolle / deflection pulley		ØA 62,5 ØI 23
<b>10296</b>	55567191	Spannrolle / tension roller		ØA 59 B22
<b>17479</b>	24451895	Zahnriemen / timing belt		Z 162 B20
<b>18181</b>	55352713	Umlenkrolle / deflection pulley		ØA 52,5 B27
<b>19445</b>	93185845	Rep. Satz Zahnriemen / rep. kit timing belt		
<b>21060</b>	90571758	Riemenspanner / belt tensioner		
<b>21097</b>	93174119	Rep. Satz Zahnriemen / rep. kit timing belt		
<b>33695</b>	09129207	Kurbelwellenzahnrad / crankshaft gear		Z 23

# VAUXHALL Vectra Mk I / B

(96→02)

Car  
Division

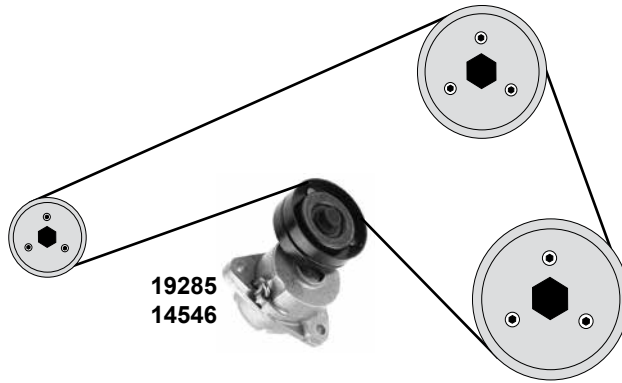
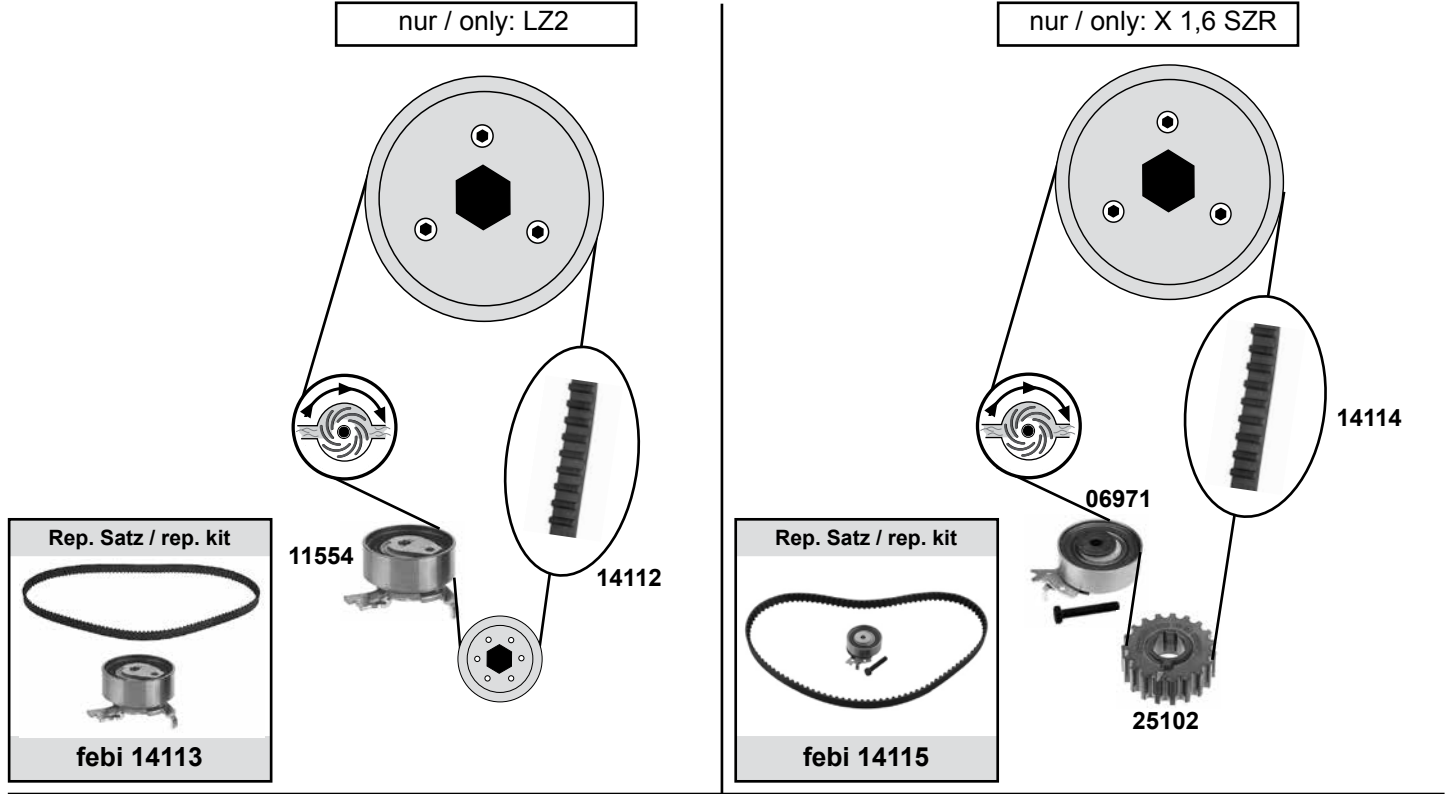


**1,6**

(LZ2 / X 1,6 SZR)

nur / only: LZ2

nur / only: X 1,6 SZR



(1) (ex.) X 1,6 SZR

(2) X 1,6 SZR: (ex.) AC



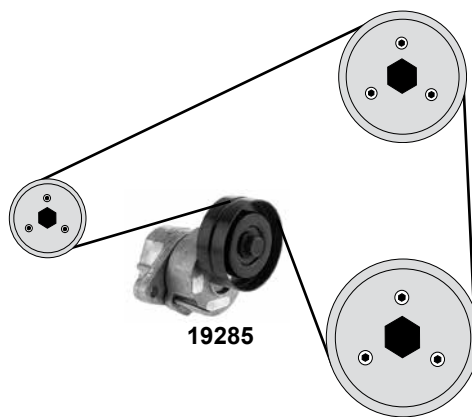
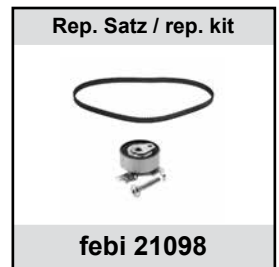
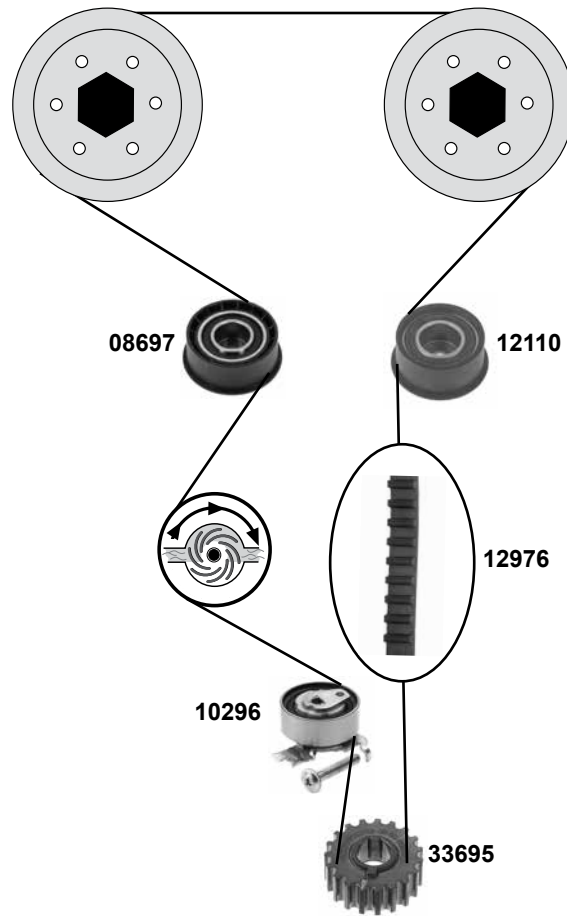
Ref. - No.



Ref. - No.	Description	Quantity	Dimensions
06971	Spannrolle / tension roller		ØA 59 B19
11554	Spannrolle / tension roller		ØA 59 B22
14112	Zahnriemen / timing belt		Z 146 B20
14113	Rep.Satz Zahnriemen / rep. kit timing belt		
14114	Zahnriemen / timing belt		Z 111 B17
14115	Rep.Satz Zahnriemen / rep. kit timing belt		
14546	Riemenspanner / belt tensioner	(2)	ØA 70 B26
19285	Riemenspanner / belt tensioner	(1)	
25102	Kurbelwellenzahnrad / crankshaft gear		ØA 5ØI 20Z19

**1,6 16V / 1,8 16V**

(X 1,6 XEL / X1,8XE1 / Y 1,6 XE / Z 1,6 ZE / Z1,8XE / Z1,8XEL)



	Ref. - No.			
<b>08697</b>	55350580	Umlenkrolle / deflection pulley		ØA 62,5 ØI 23
<b>10296</b>	55567191	Spannrolle / tension roller		ØA 59 B22
<b>12110</b>	09128740	Umlenkrolle / deflection pulley		ØA 58,5 B25
<b>12976</b>	24451896	Zahnriemen / timing belt		Z 169 B20
<b>14110</b>	93180219	Rep. Satz Zahnriemen / rep. kit timing belt		
<b>19285</b>	24412292	Riemenspanner / belt tensioner		
<b>21098</b>	93174120	Rep. Satz Zahnriemen / rep. kit timing belt		
<b>33695</b>	09129207	Kurbelwellenzahnrad / crankshaft gear		Z 23



# VAUXHALL Vectra Mk I

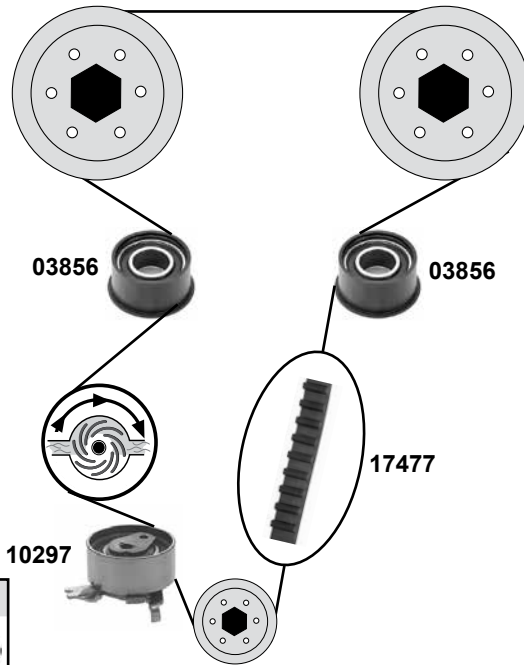
(96→02)

Car  
Division



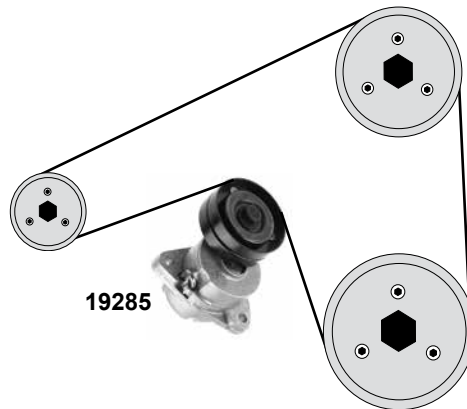
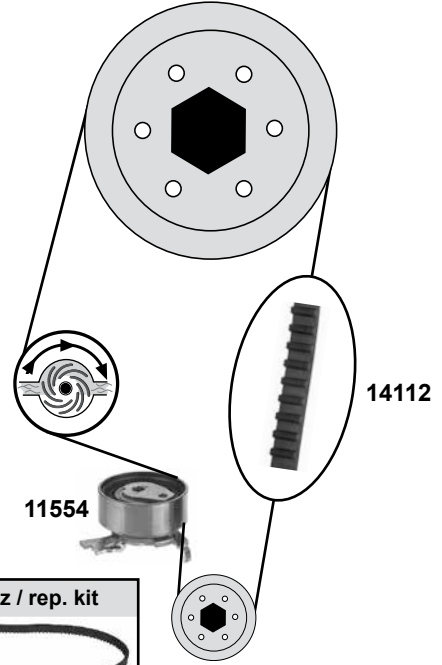
## 1,8 16V / 2,0 16V

(X 1,8 XE / C 2,0 SEL / X 2,0 XEV)



## 2,0

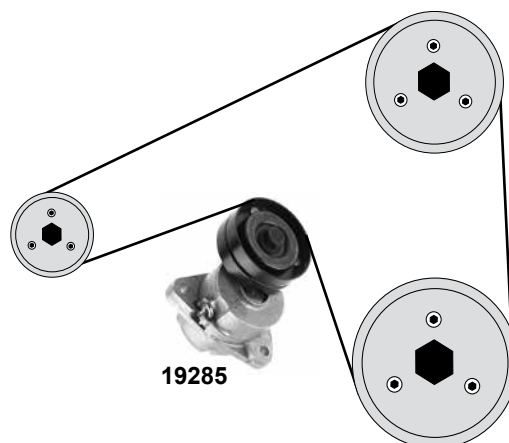
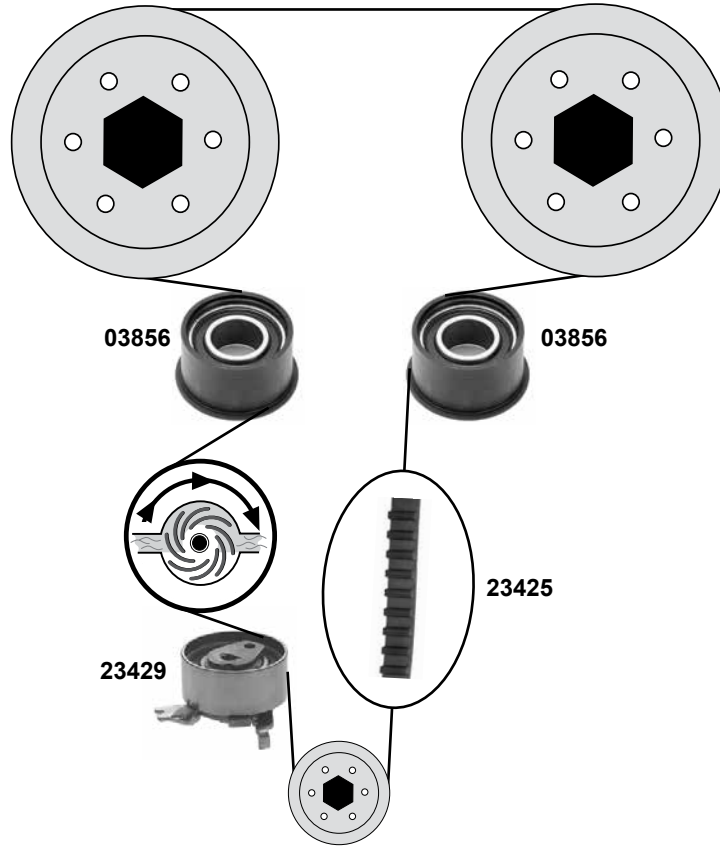
(C 2,0 NFJ)



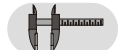
Ref. - No.



<b>03856</b>	9128738	Umlenkrolle / deflection pulley	ØA 58,5 B29,5
<b>10297</b>	09158004	Spannrolle / tension roller	ØA 59 B26
<b>11554</b>	09158003	Spannrolle / tension roller	ØA 59 B22
<b>14112</b>	09128725	Zahnriemen / timing belt	Z 146 B20
<b>14113</b>	09128725 S1	Rep.Satz Zahnriemen / rep. kit timing belt	
<b>17477</b>	90531682	Zahnriemen / timing belt	Z 169 B24
<b>17478</b>	93174260	Rep. Satz Zahnriemen / rep. kit timing belt	
<b>19285</b>	24412292	Riemenspanner / belt tensioner	



Ref. - No.



**03856**  
**19285**  
**23425**  
**23427**  
**23429**

9128738  
24412292  
9128722  
93174267  
90528603

Umlenkrolle / deflection pulley  
Riemenspanner / belt tensioner  
Zahnriemen / timing belt  
Rep. Satz Zahnriemen / rep. kit timing belt  
Spannrolle / tension roller

ØA 58,5 B29,5  
Z 171 B24  
ØA 59 B22

# VAUXHALL Vectra Mk I / B

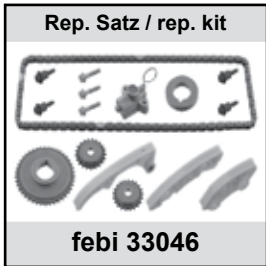
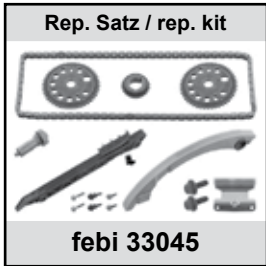
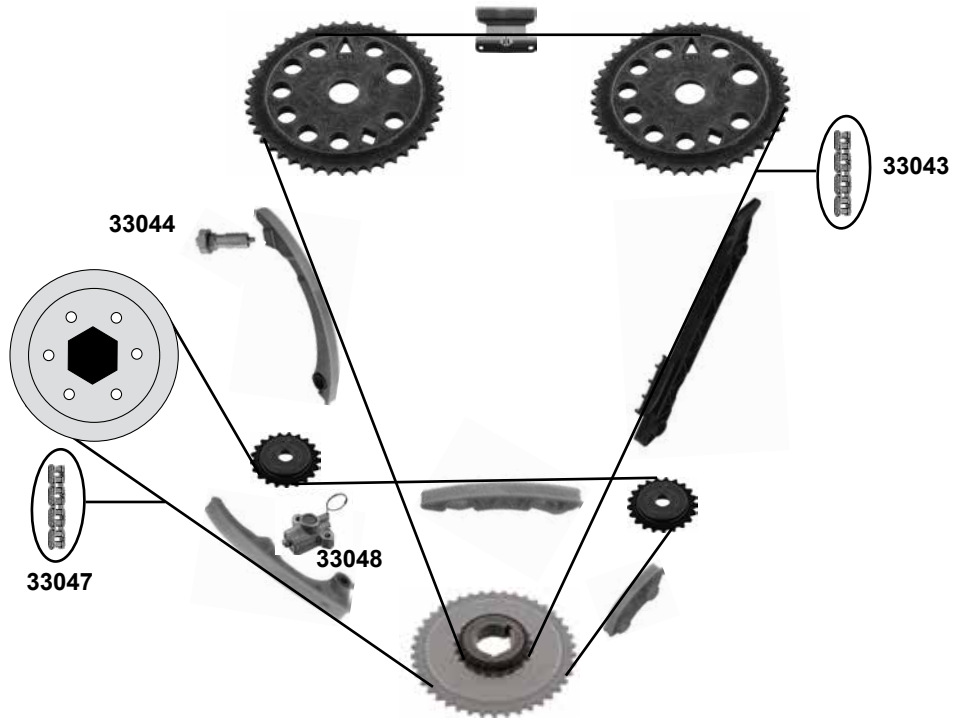
(96→02)

Car  
Division



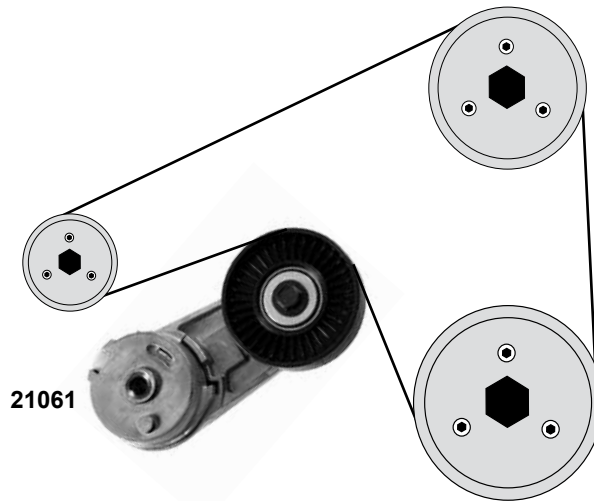
**2,2**

(Z 2,2 SE)

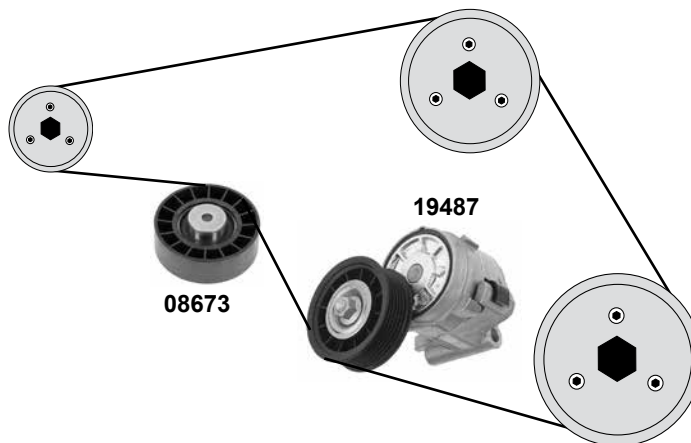
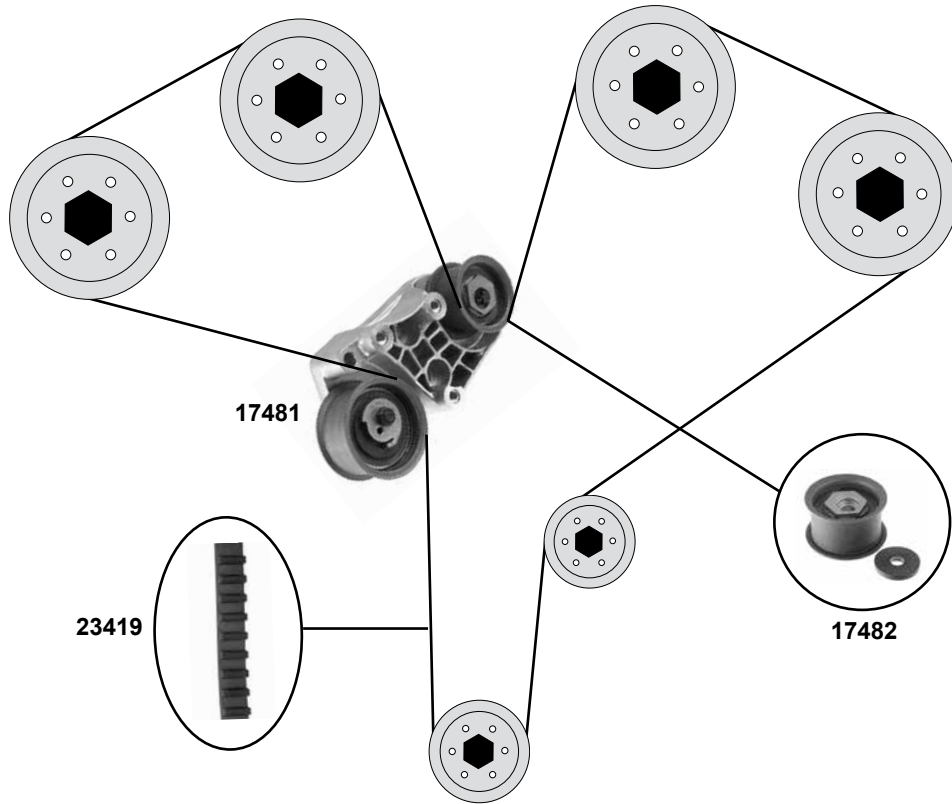


**2,2**

(Z 2,2 SE)



	Ref. - No.			
<b>21061</b>	24430296	Riemenspanner / belt tensioner		
<b>33043</b>	24461834	Steuerkette / timing chain		148 E
<b>33044</b>	12608580	Kettenspanner / chain tensioner		
<b>33045</b>	12577385	Rep. Satz Steuerkette / rep. kit timing chain		148 E
<b>33046</b>	55563405	Rep. Satz Steuerkette / rep. kit timing chain		134 E
<b>33047</b>	90537370	Steuerkette / timing chain		134 E
<b>33048</b>	90537300	Kettenspanner / chain tensioner		



(1) (ch.)→W 1238518,→W 5276825,→W 7154528



Ref. - No.



Ref. - No.	Description	AC	Dimensions
08673	Umlenkrolle / deflection pulley		ØA 80 B25
17481	Riemenspanner / belt tensioner	(1)	
17482	Umlenkrolle / deflection pulley		ØA 64 B37
19487	Riemenspanner / belt tensioner		ØA 76 B27,5
23419	Zahnriemen / timing belt		Z 225 B30
27295	Rep.Satz Zahnriemen / rep. kit timing belt	(1)	

# VAUXHALL Vectra Mk II / C

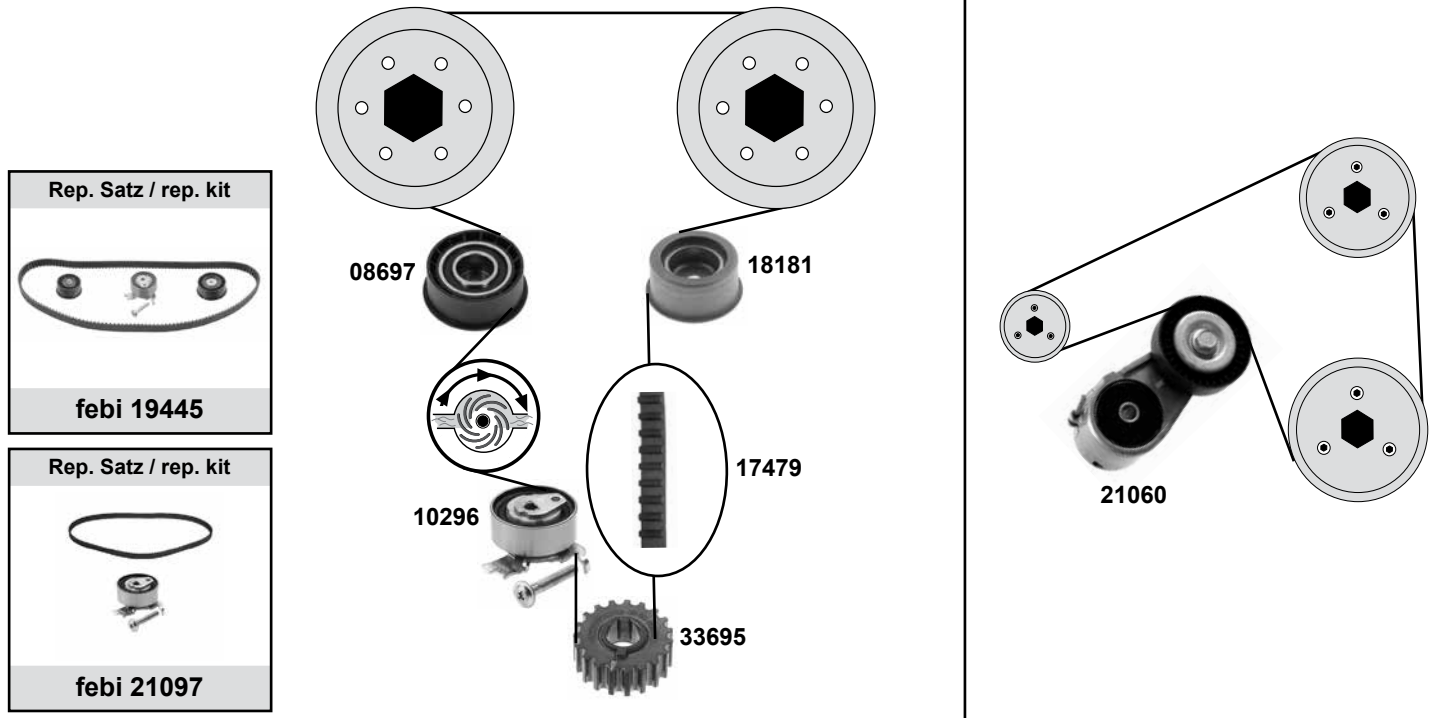
(02→08)

Car  
Division



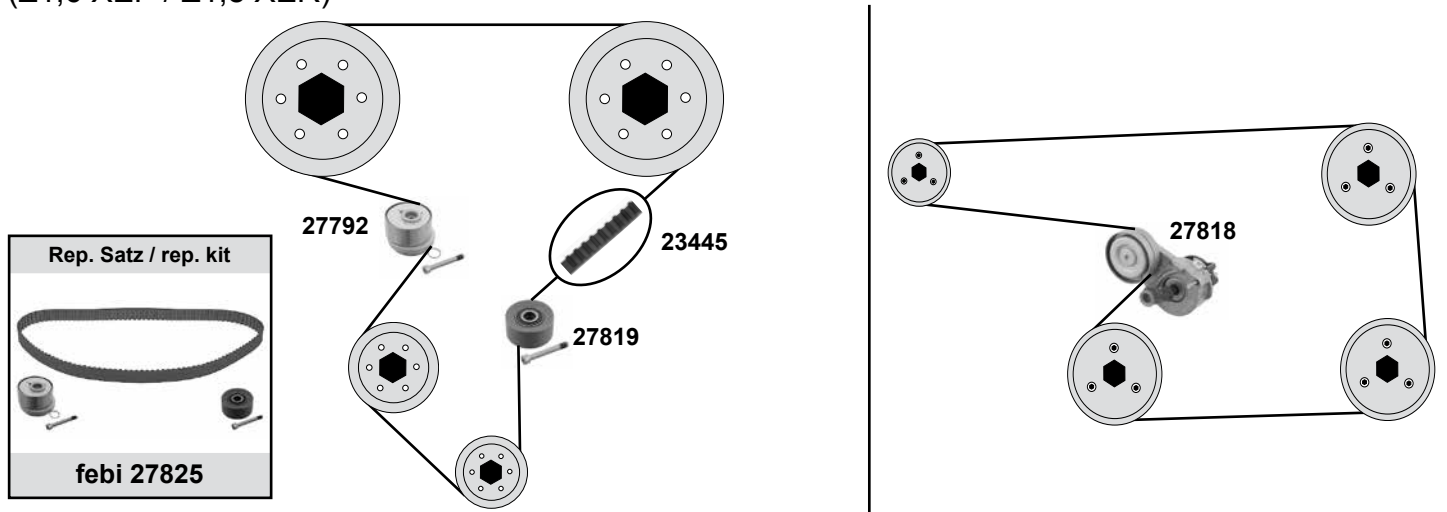
## 1,6 16 V / 1,8 16 V

(Z 1,6 XE / Z 1,8XE / Z 1,8 XEL)



## 1,6 16 V / 1,8 16V

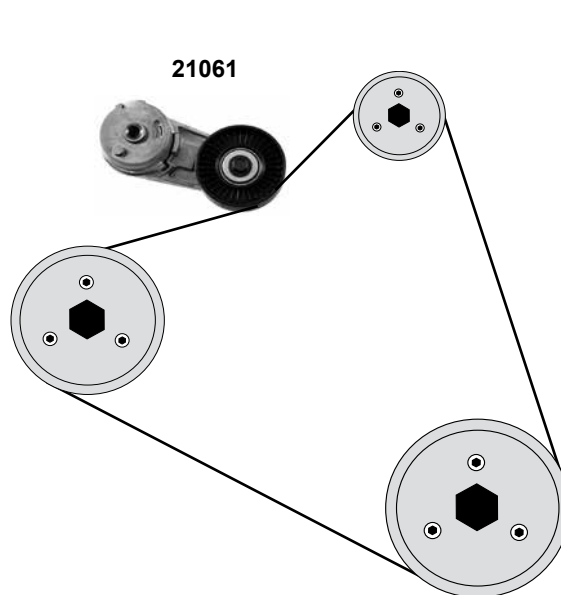
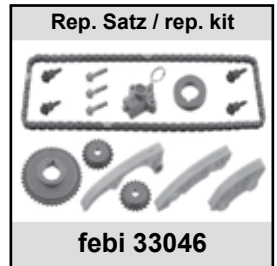
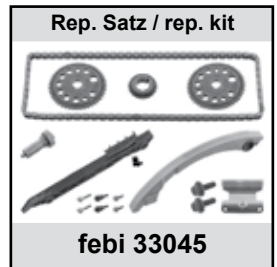
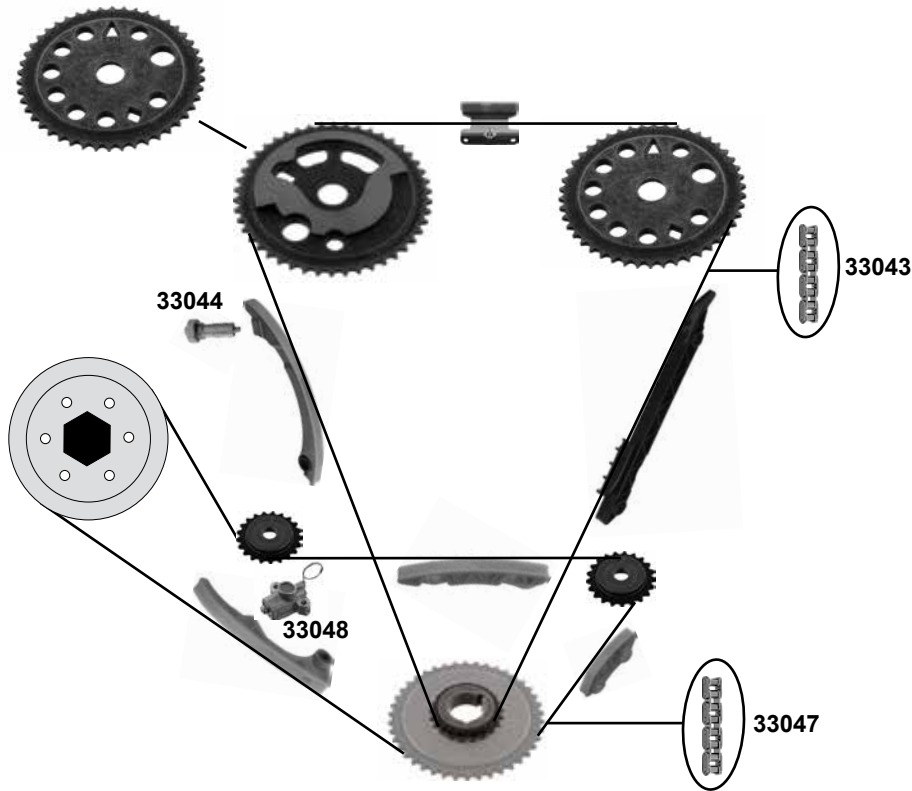
(Z1,6 XEP / Z1,8 XER)



Ref. - No.



<b>08697</b>	55350580	Umlenkrolle / deflection pulley	ØA 62,5
<b>10296</b>	55567191	Spannrolle / tension roller	ØA 59 B22
<b>17479</b>	24451895	Zahnriemen / timing belt	Z 162 B20
<b>18181</b>	55352713	Umlenkrolle / deflection pulley	ØA 52,5 B27
<b>19445</b>	93185845	Rep. Satz Zahnriemen / rep. kit timing belt	
<b>21060</b>	90571758	Riemenspanner / belt tensioner	
<b>21097</b>	93174119	Rep. Satz Zahnriemen / rep. kit timing belt	
<b>23445</b>	24422964	Zahnriemen / timing belt	Z 146 B24
<b>27792</b>	55562218	Spannrolle / tension roller	ØA 66 B29
<b>27818</b>	55563512	Riemenspanner / belt tensioner	ØA 63
<b>27819</b>	24436052	Umlenkrolle / deflection pulley	ØA 61 B28
<b>27825</b>	93185849	Rep. Satz Zahnriemen / rep. kit timing belt	Z 146 B24
<b>33695</b>	09129207	Kurbelwellenzahnrad / crankshaft gear	Z 23

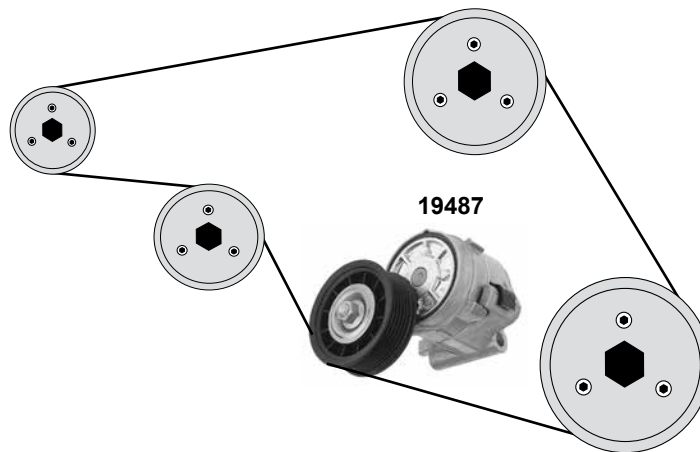
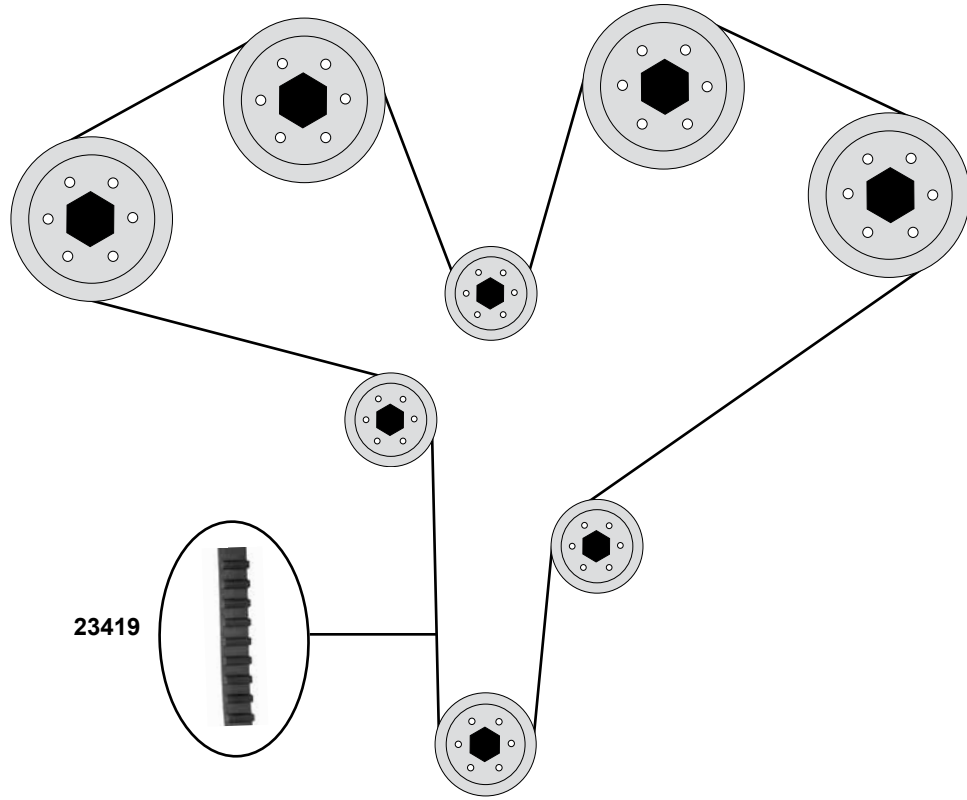


**2,2**  
(Z 2,2 YH)

	Ref. - No.			
<b>21061</b>	24430296	Riemenspanner / belt tensioner		
<b>33042</b>	55569838	Rep. Satz Steuerkette / rep. kit timing chain	(mot.) Z 2,2 YH	148 E
<b>33043</b>	24461834	Steuerkette endlos / timing chain endless		148 E
<b>33044</b>	12608580	Kettenspanner / chain tensioner		
<b>33045</b>	55570337	Rep. Satz Steuerkette / rep. kit timing chain	(mot.) Z 2,2 SE	148 E
<b>33046</b>	55563405	Rep. Satz Steuerkette / rep. kit timing chain		134 E
<b>33047</b>	12645237	Steuerkette endlos / timing chain endless		134 E
<b>33048</b>	90537300	Kettenspanner / chain tensioner		



## 3,2 V6



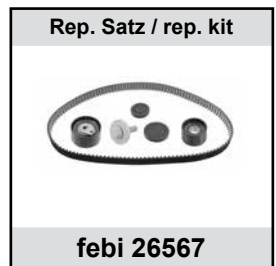
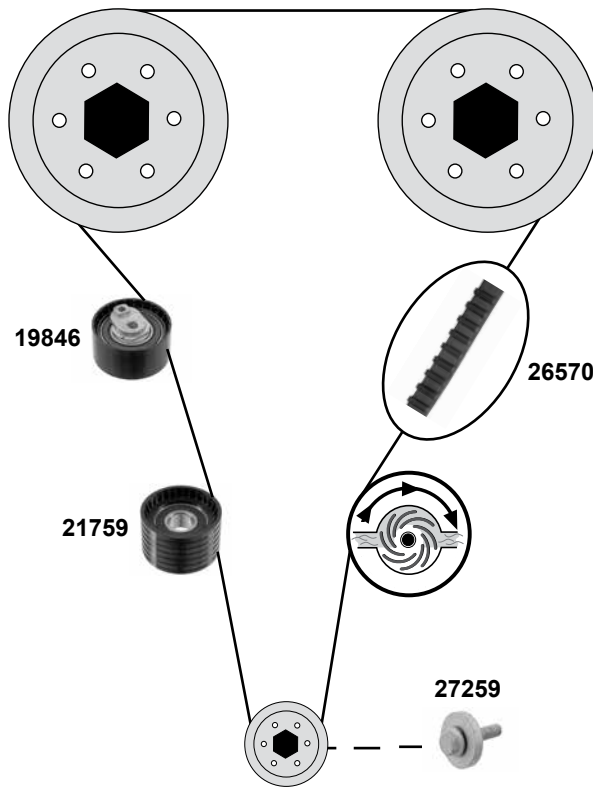
Ref. - No.



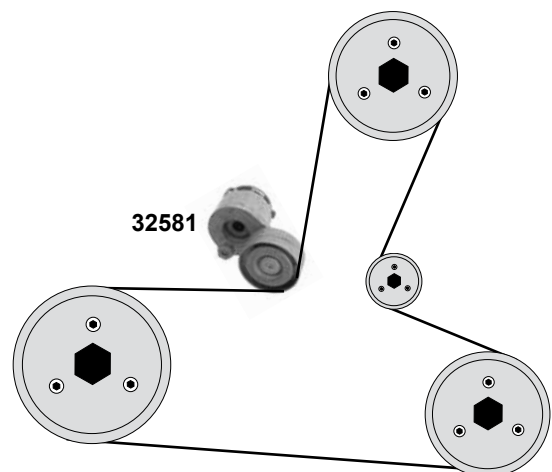
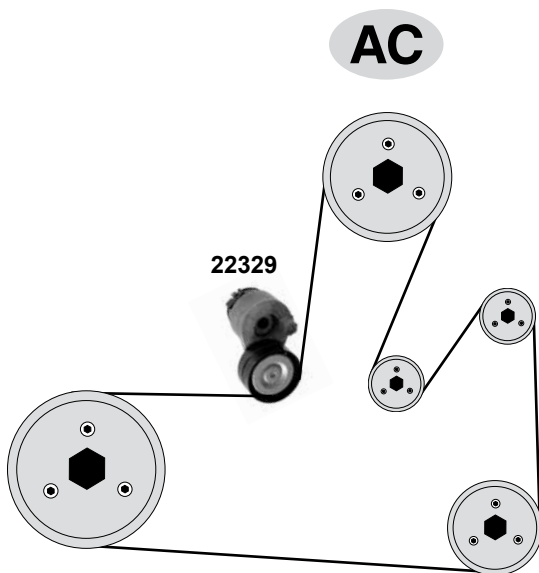
19487 09202550  
23419 09128500

Riemenspanner / belt tensioner  
Zahnriemen / timing belt

ØA 76 B27,5  
Z 225 B30



**2,0 16V / EOTEC**  
(F4R-720,820)



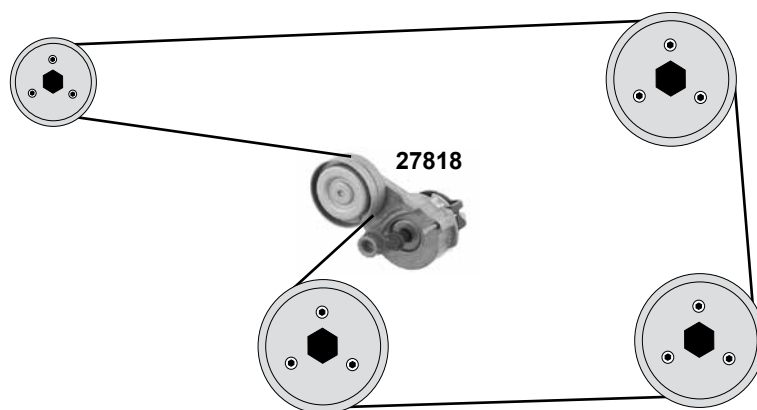
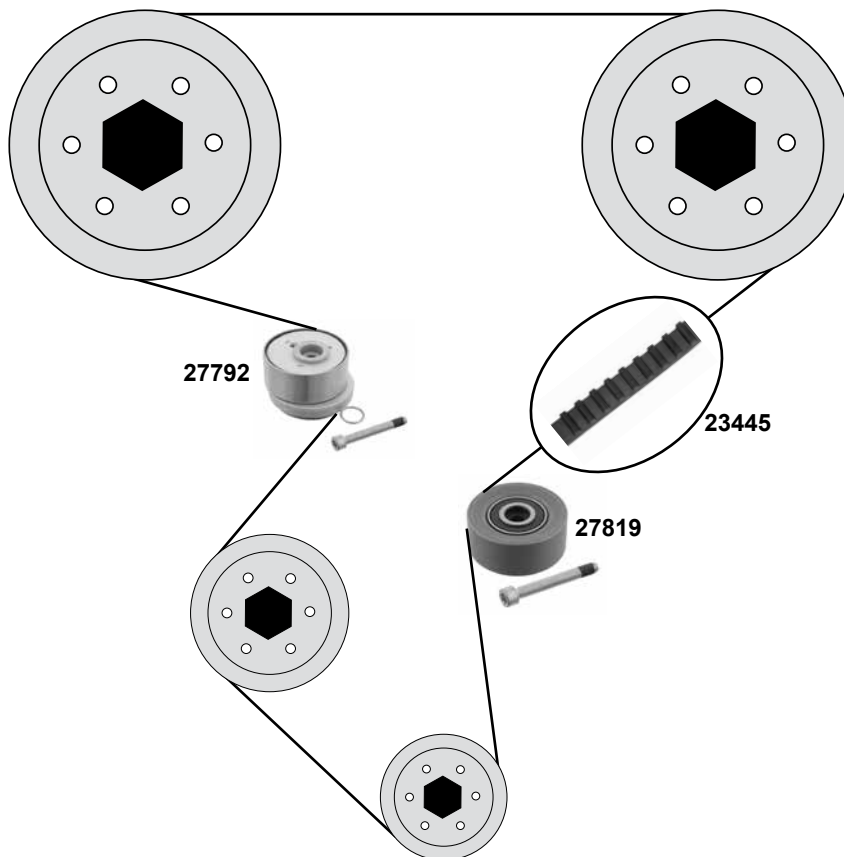
Ref. - No.



<b>19846</b>	93160130	Spannrolle / tension roller	ØA 66 B32
<b>21759</b>	93160244	Umlenkrolle / deflection pulley	ØA 54 B32
<b>22329</b>	93160746	Riemenspanner / belt tensioner	ØA 65 B30
<b>26567</b>	93161481	Rep. Satz Zahnriemen / rep. kit timing belt	Z 126 B27
<b>26570</b>	93188702	Zahnriemen / timing belt	Z 126 B27
<b>27259</b>	93161363	Kurbelwellenschraube / crankshafts screw	M 12 x 1,25
<b>32581</b>	09109567	Riemenspanner / belt tensioner	ØA 65



## 1,6 16V (Z1,6XEP)



Ref. - No.

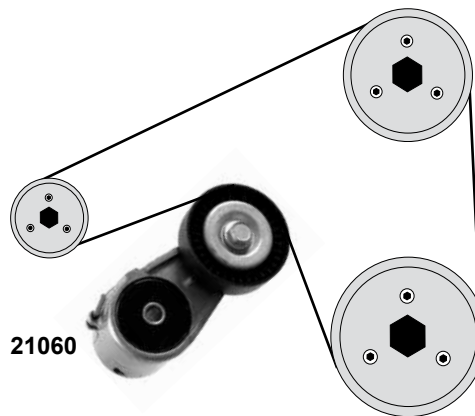
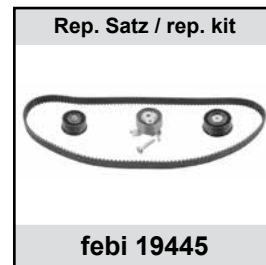
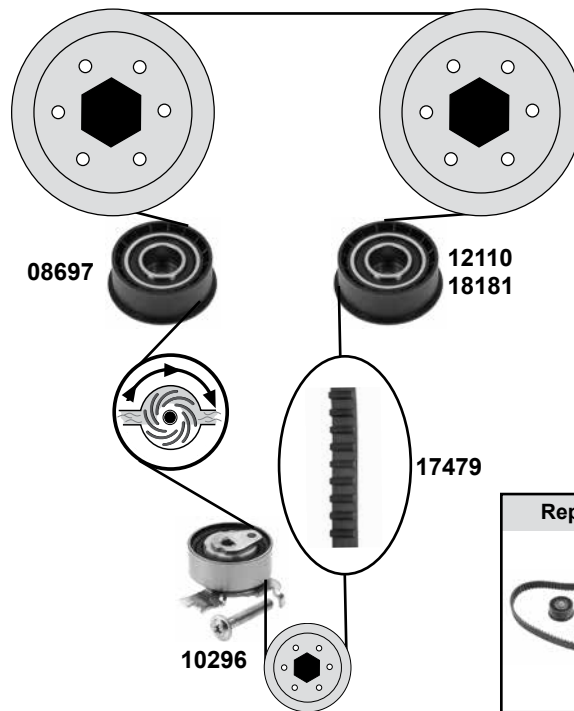


23445	24422964
27792	55562218
27818	55563512
27819	24436052
27825	93185849

Zahnriemen / timing belt
Spannrolle / tension roller
Riemenspanner / belt tensioner
Umlenkrolle / deflection pulley
Rep. Satz Zahnriemen / rep. kit timing belt

Z 146 B24
ØA 66 B29
ØA 63
ØA 61 B28
Z 146 B24

**1,6 16V / 1,8 16V**  
(ex.) Z 1,6XEP)



(1) (mot.) 02HL5118→, 20041691→

(2) (mot.)→02HL5117,→20041690



Ref. - No.



Ref. - No.	Description	Quantity	Dimensions
<b>08697</b>	Umlenkrolle / deflection pulley		ØA 62,5
<b>10296</b>	Spannrolle / tension roller		ØA 59 B22
<b>12110</b>	Umlenkrolle / deflection pulley	(2)	52,5/58x 8/24x 22/25
<b>17479</b>	Zahnriemen / timing belt		Z 162 B20
<b>17480</b>	Rep. Satz Zahnriemen / rep. kit timing belt	(2)	
<b>18181</b>	Umlenkrolle / deflection pulley	(1)	ØA 52,5 B27
<b>19445</b>	Rep. Satz Zahnriemen / rep. kit timing belt	(1)	
<b>21060</b>	Riemenspanner / belt tensioner		
<b>21097</b>	Rep. Satz Zahnriemen / rep. kit timing belt		

# VAUXHALL Zafira Mk I / A

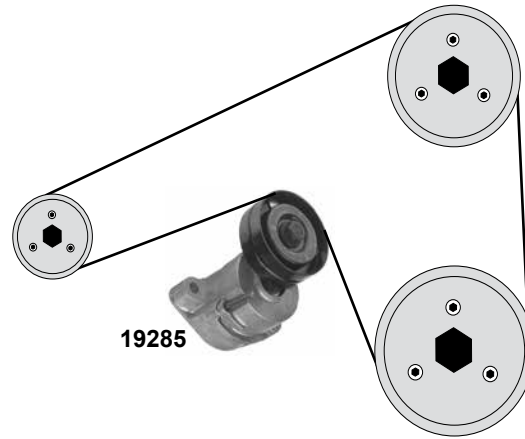
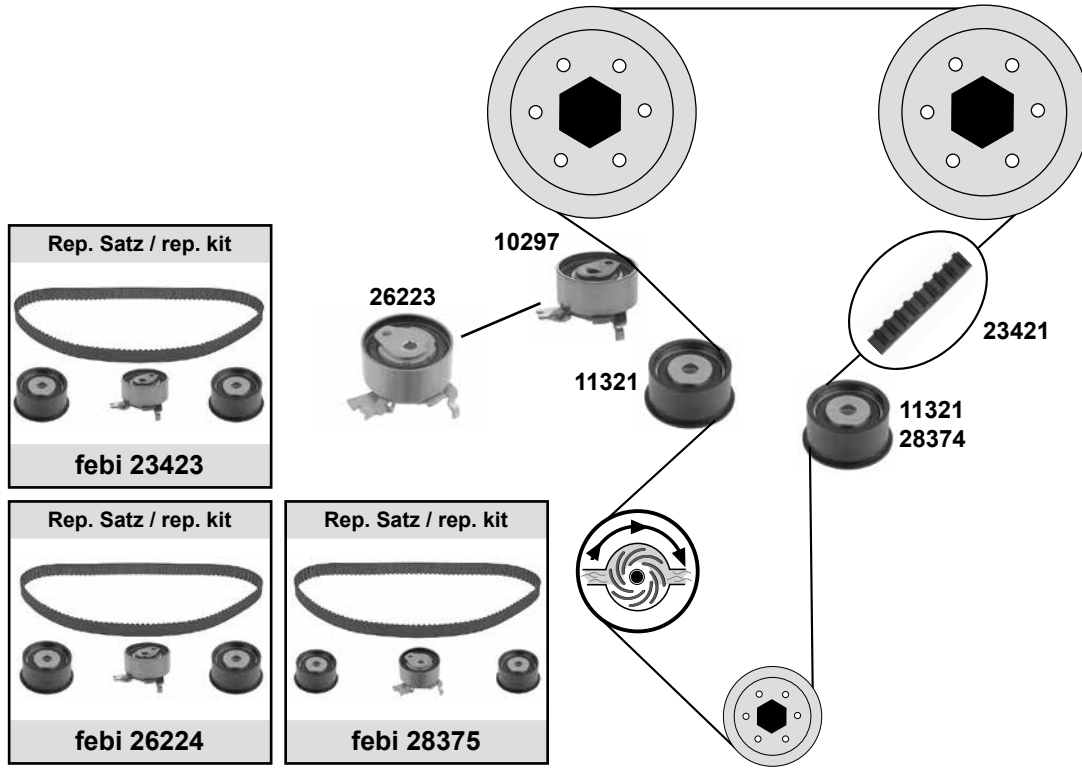
(98→04)

Car  
Division



## 2,0 16V

(X 2,0XEV / X 2,0XER / Z 2,0 LET / Z 2,0 LER / Z 2,0 LEH)



(1) (mot.) Z 2,0 LET 42000001, 45000001, 48000001, 4B000001, 4H000001→



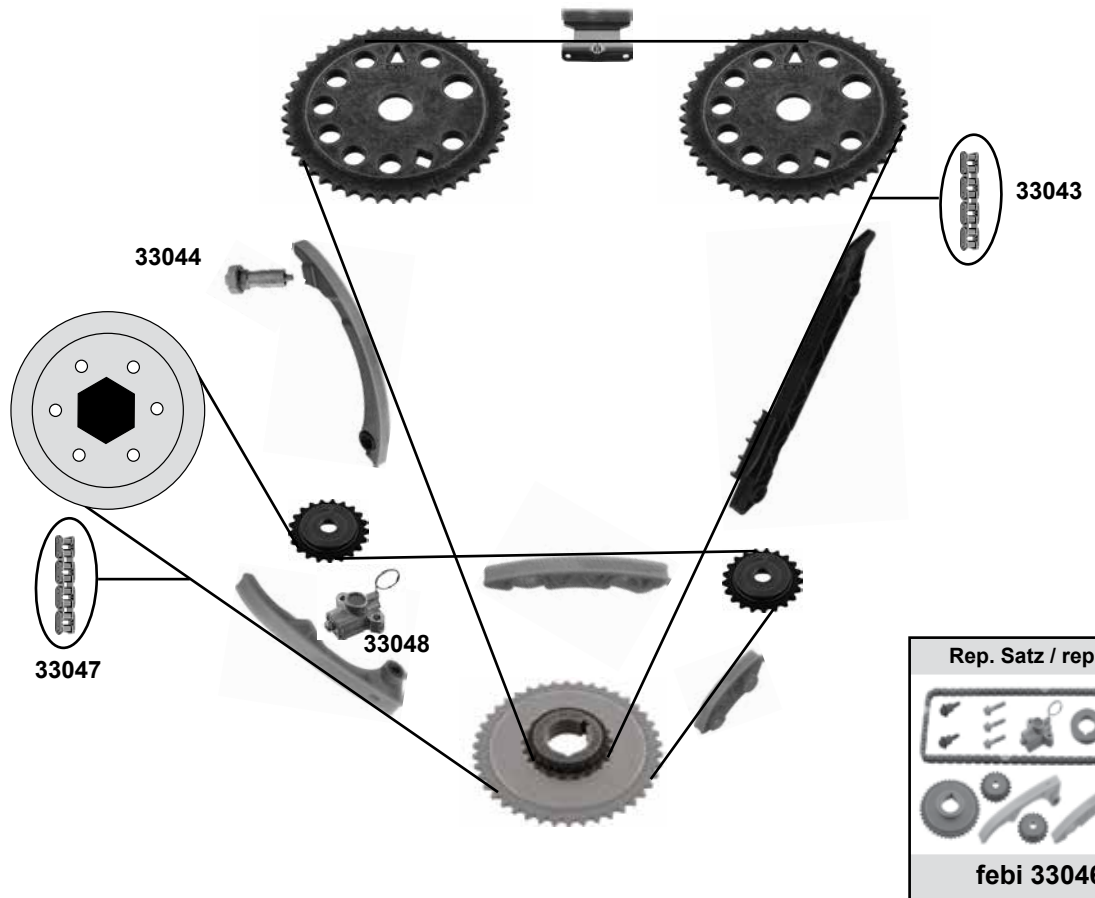
Ref. - No.



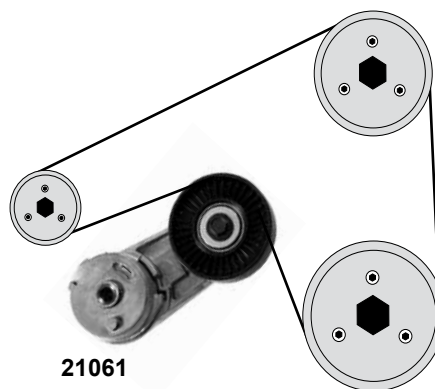
Ref. - No.	Description	Notes	Dimensions
10297	Spannrolle / tension roller	(ex.) (mot.) X 2,0 XER	ØA 59 B26
11321	Umlenkrolle / deflection pulley	(mot.) X 2,0 XER	ØA 54 B29,3
19285	Riemenspanner / belt tensioner	AC	Z 168 B24
23421	Zahnriemen / timing belt	(ex.) (mot.) X 2,0 XER	ØA 59 B26
23423	Rep. Satz Zahnriemen / rep. kit timing belt	(mot.) X 2,0 XER	ØA 54 B31,5
26223	Spannrolle / tension roller	(1)	
26224	Rep. Satz Zahnriemen / rep. kit timing belt	(1)	
28374	Umlenkrolle / deflection pulley		
28375	Rep. Satz Zahnriemen / rep. kit timing belt		



2,2



**2,2 16V**  
(Z 2,2 SE)

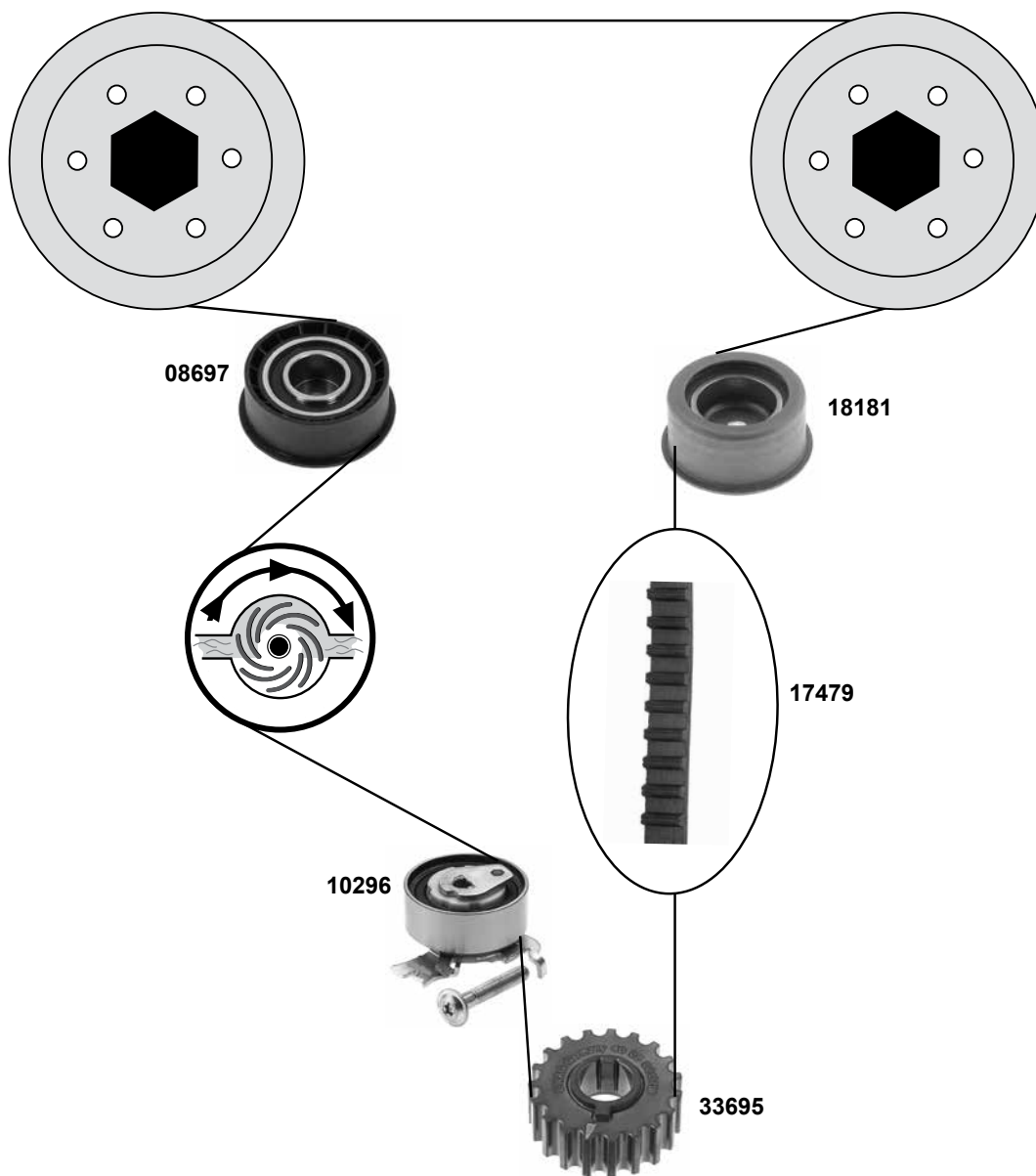


21061

	Ref. - No.			
21061	24430296	Riemenspanner / belt tensioner		
33043	24461834	Steuerkette / timing chain		148 E
33044	12608580	Kettenspanner / chain tensioner		
33046	55563405	Rep. Satz Steuerkette / rep. kit timing chain		134 E
33047	90537370	Steuerkette / timing chain		134 E
33048	90537300	Kettenspanner / chain tensioner		



**1,6 16V**  
(Z1,6YNG)



Rep. Satz / rep. kit



febi 19445



Ref. - No.



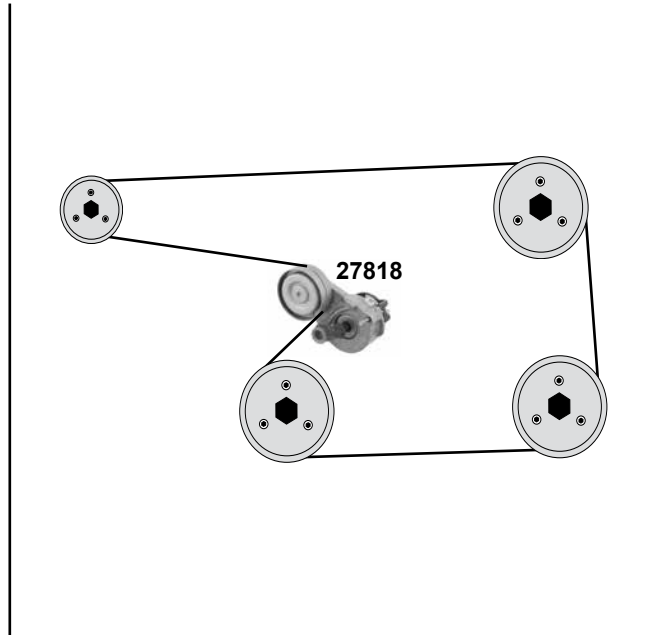
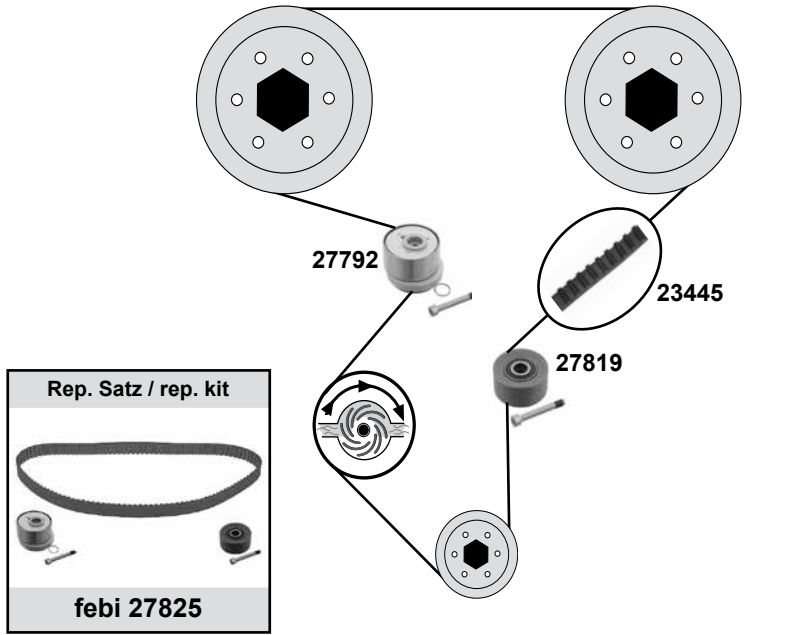
<b>08697</b>	55350580
<b>10296</b>	55567191
<b>17479</b>	24451895
<b>18181</b>	55352713
<b>19445</b>	93185845

Umlenkrolle / deflection pulley
Spannrolle / tension roller
Zahnriemen / timing belt
Umlenkrolle / deflection pulley
Rep. Satz Zahnriemen / rep. kit timing belt

ØA 59 B 22
Z 162 B20
ØA 58 B23

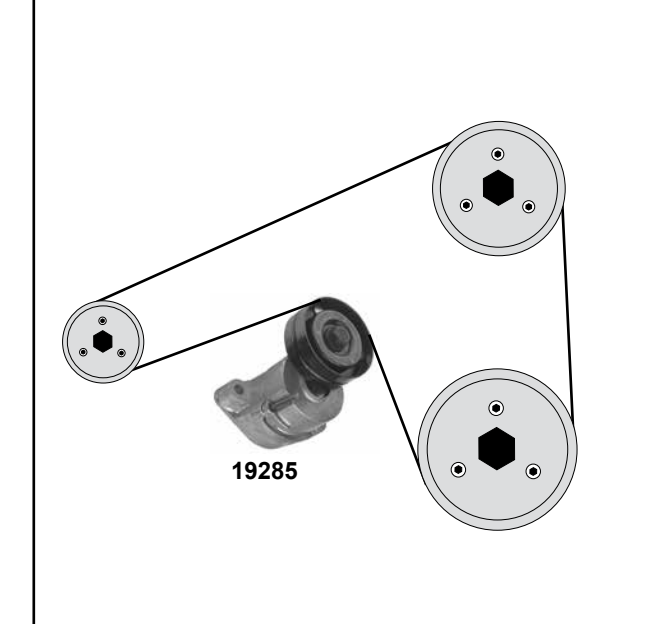
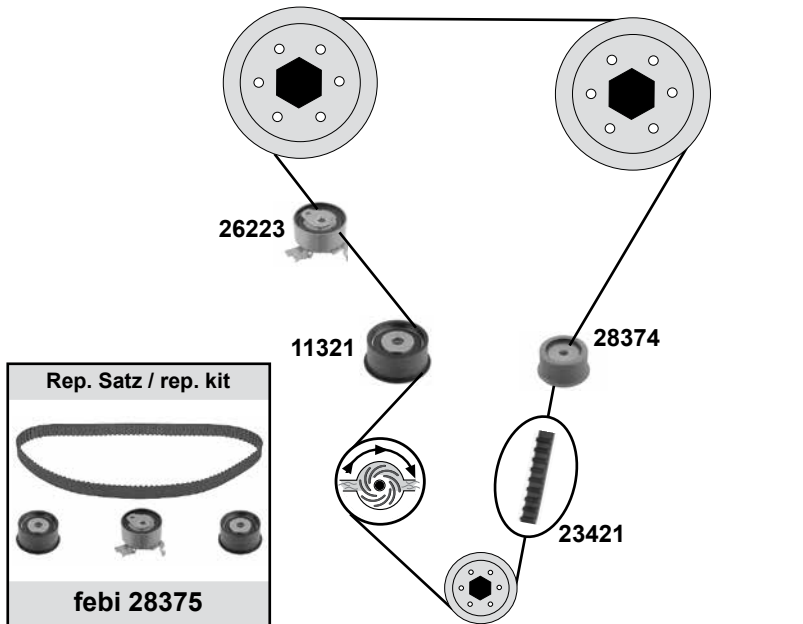
**1,6 16V / 1,8 16V**

(Z1,6XEP / Z1,6XP1 / A1,6XER / Z1,6XER / Z1,6XNT / A1,6XNT / A1,8XER / Z1,8 XER)



**2,0 16V**

(Z 2,0 LEL, Z 2,0 LEH)



Ref. - No.



11321	90529810	Umlenkrolle / deflection pulley	ØA 54 B29,3
19285	24412292	Riemenspanner / belt tensioner	
23421	55351782	Zahnriemen / timing belt	Z 168 B24
23445	24422964	Zahnriemen / timing belt	Z 146 B24
26223	55353810	Umlenkrolle / deflection pulley	ØA 59 B26
27792	55562218	Spannrolle / tension roller	ØA 66 B29
27818	55563512	Riemenspanner / belt tensioner	ØA 63
27819	24436052	Umlenkrolle / deflection pulley	ØA 61 B28
27825	93185849	Rep. Satz Zahnriemen / rep. kit timing belt	Z 146 B24
28374	55353701	Umlenkrolle / deflection pulley	ØA 54 B31,5
28375	93185844	Rep. Satz Zahnriemen / rep. kit timing belt	Z 168 B24

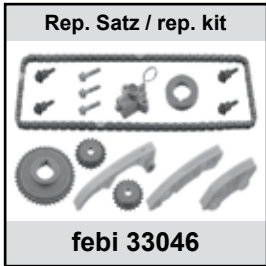
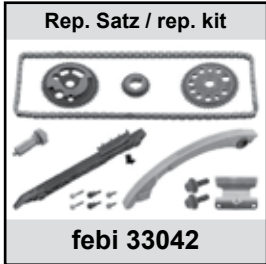
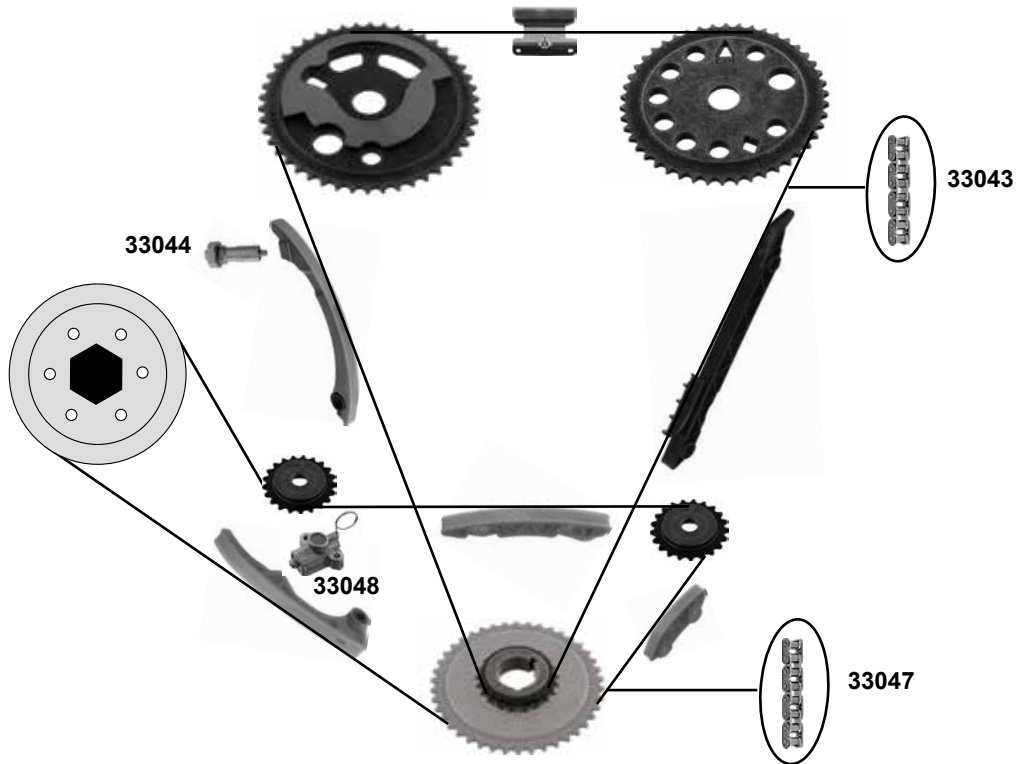
# VAUXHALL Zafira Mk II / B

(04→11)

Car  
Division

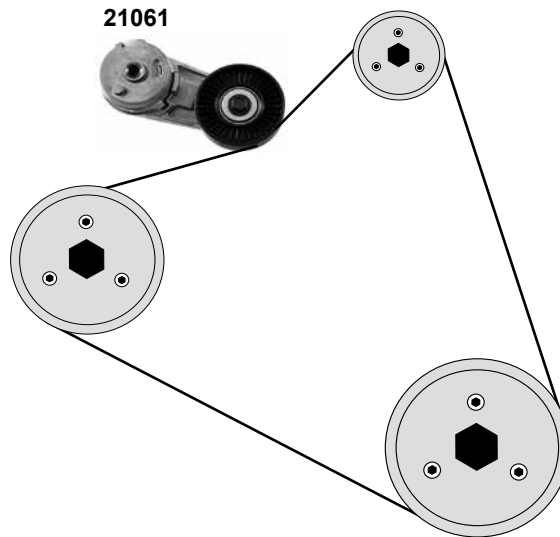


2,2



2,2

( Z 2,2 YH )



Ref. - No.



**21061**

24430296

Riemenspanner / belt tensioner

**33042**

55569838

Rep. Satz Steuerkette / rep. kit timing chain

**33043**

24461834

Steuerkette endlos / timing chain endless

148 E

**33044**

12608580

Kettenspanner / chain tensioner

148 E

**33046**

55563405

Rep. Satz Steuerkette / rep. kit timing chain

134 E

**33047**

12645237

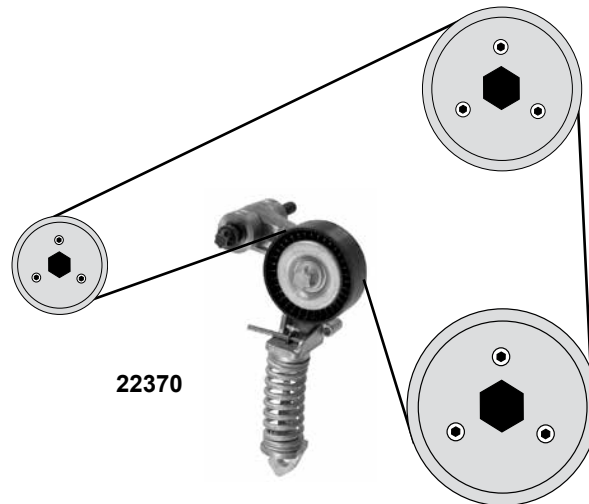
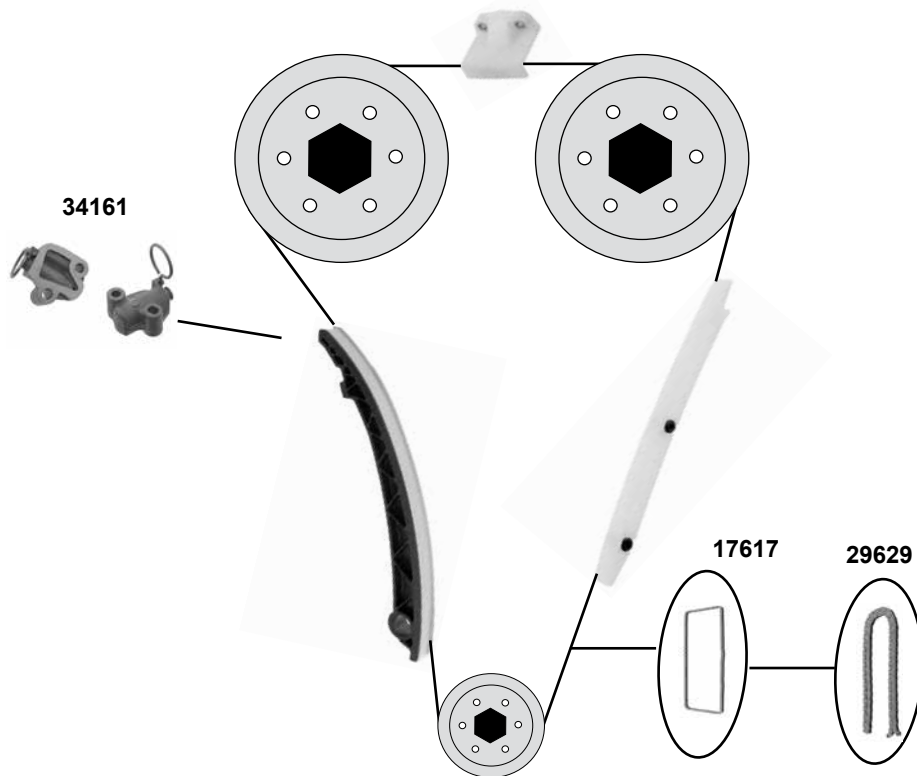
Steuerkette endlos / timing chain endless

134 E

**33048**

90537300

Kettenspanner / chain tensioner



- (1) Steuerkette geschlossen / timing chain endless
- (2) Steuerkette offen / timing chain open  
Spezialwerkzeug zur Montage notwendig / Requires special tools for mounting



Ref. - No.



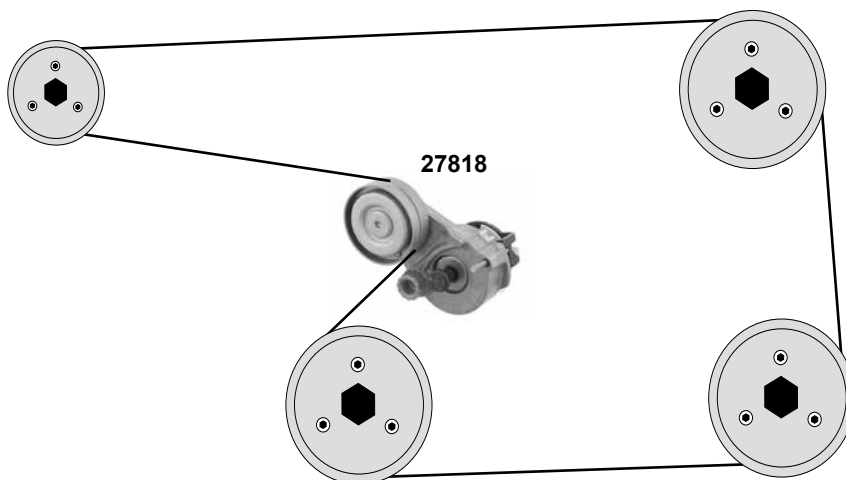
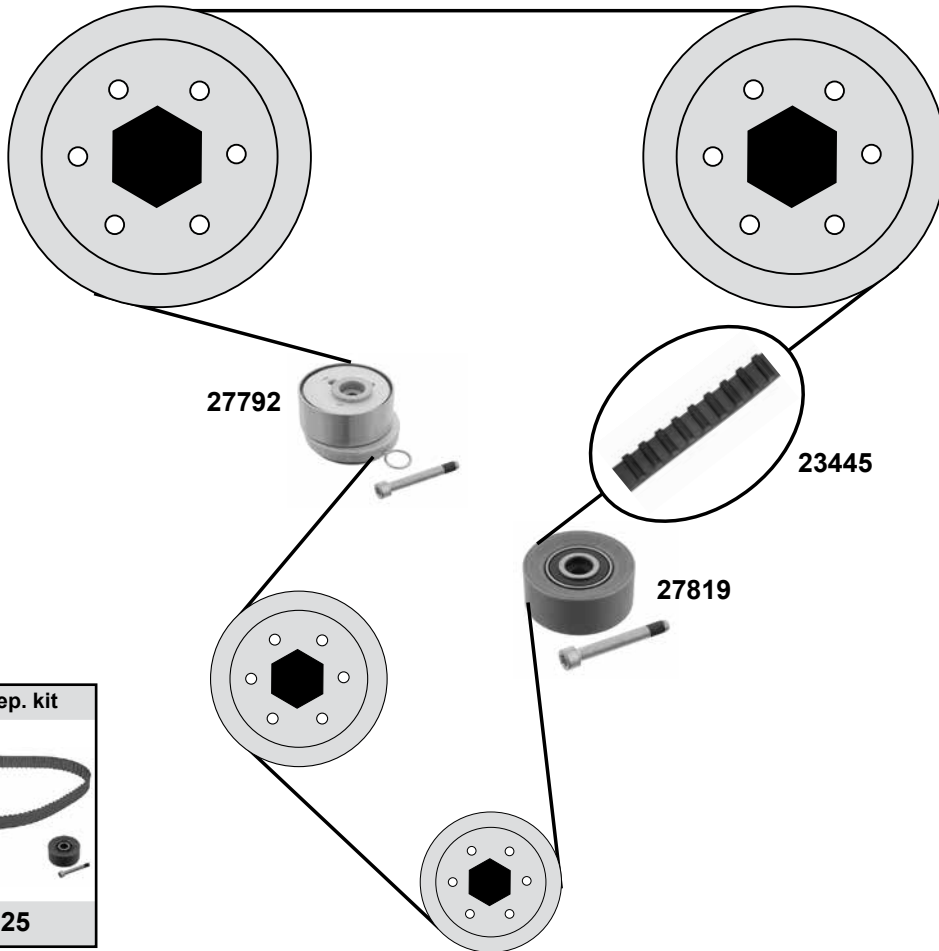
	Ref. - No.			
<b>17617</b>	55562234	Steuerkette / timing chain	(1)	130 E
<b>22370</b>	55565236	Riemenspanner / belt tensioner		
<b>29629</b>	55562234 S1	Steuerkette / timing chain	(2)	130N
<b>34161</b>	55562235	Kettenspanner / chain tensioner		
<b>34162</b>	55562234 S2	Rep. Satz Steuerkette / rep. kit timing chain	(1)	130 E





**1,6 / 1,8**

(A16XNT / A18XEL / A18XER)



Ref. - No.

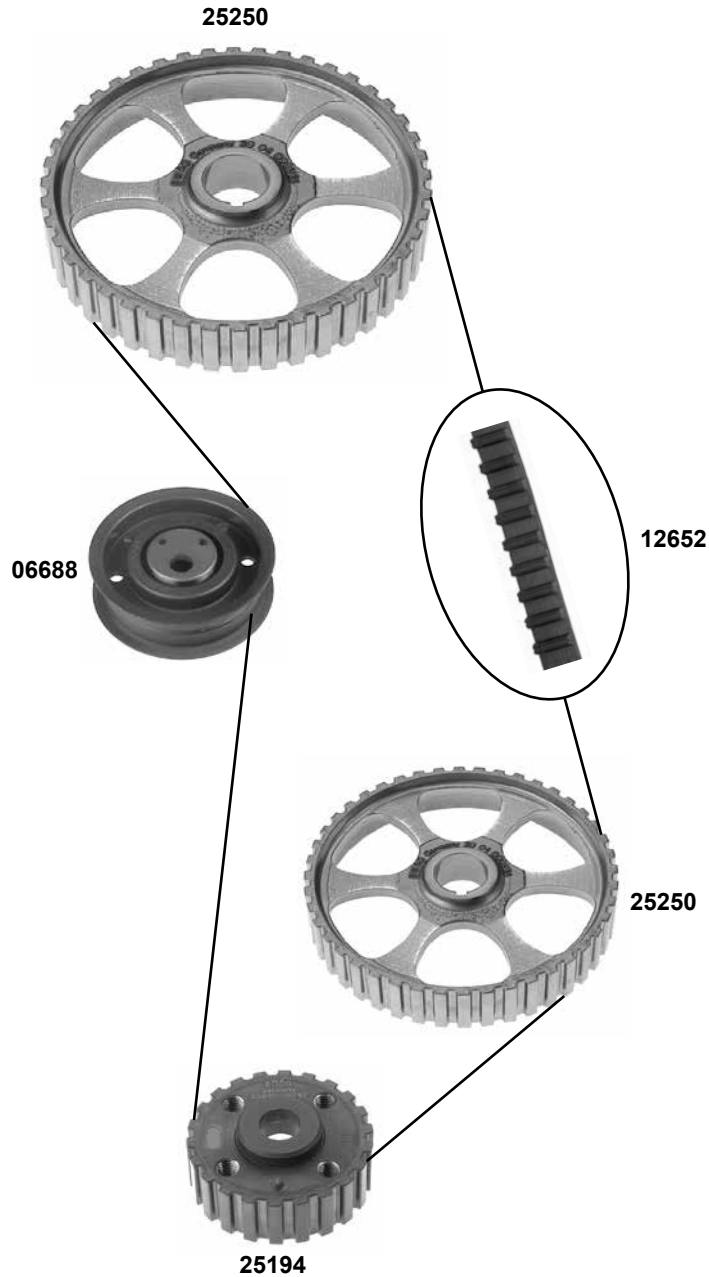


**23445** 24422964  
**27792** 55562218  
**27818** 55563512  
**27819** 24436052  
**27825** 93185849

Zahnriemen / timing belt  
Spannrolle / tension roller  
Riemenspanner / belt tensioner  
Umlenkrolle / deflection pulley  
Rep. Satz Zahnriemen / rep. kit timing belt

→ (ch.) C2999999

Z 146 B24  
ØA 66 B29  
ØA 63 B 22  
ØA 61 B 28  
Z 146 B24



Ref. - No.



<b>06688</b>	026 109 243 L	Spannrolle / tension roller	ØA 78 ØI 8 B26
<b>12652</b>	056 109 119 A	Zahnriemen / timing belt	Z 121 B18
<b>14574</b>	051 198 119	Rep. Satz Zahnriemen / rep. kit timing belt	
<b>25194</b>	049 105 263 C	Kurbelwellenrad / crankshaft gear	Z 22
<b>25250</b>	049 109 111 C	Nockenwellenrad / camshaft gear	Z 44

# VOLKSWAGEN Caddy 2 / Pickup (9K/9U)

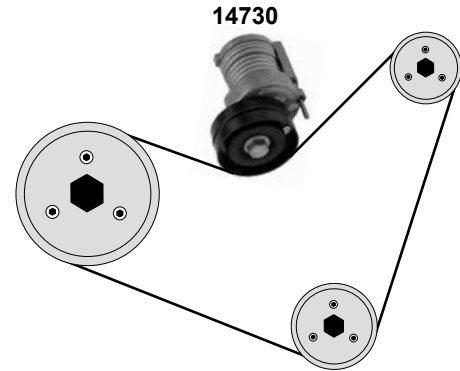
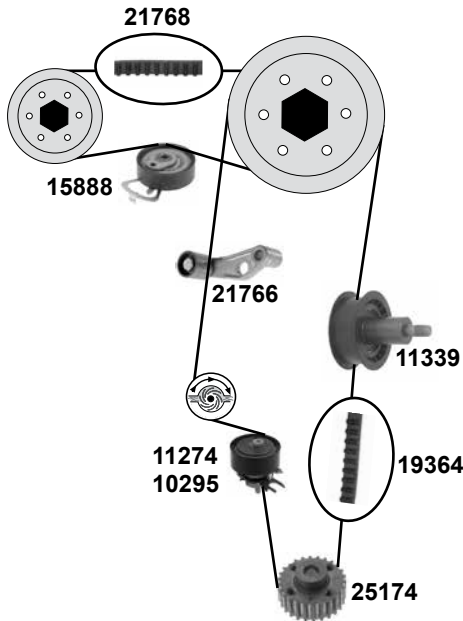
(95→04)

Car  
Division



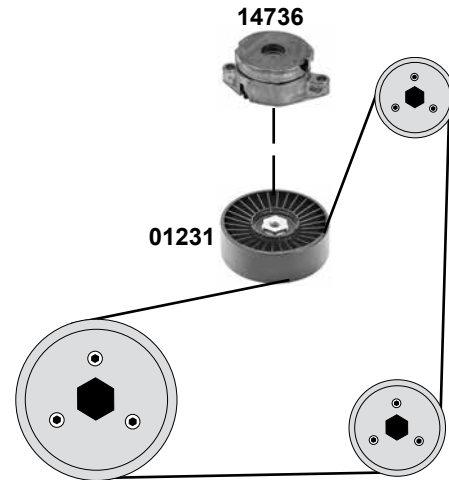
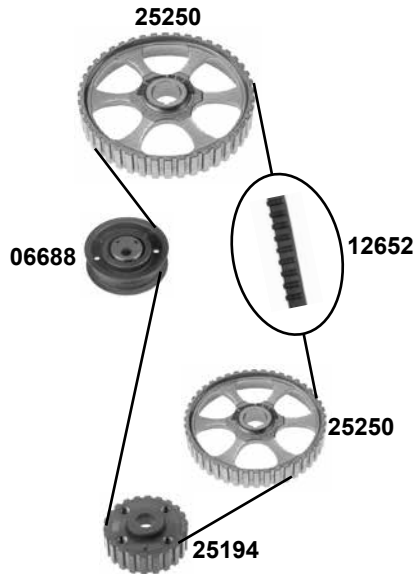
## 1,4 / 1,6

(AEX / AKV / APQ / AEE / AUA)



## 1,6

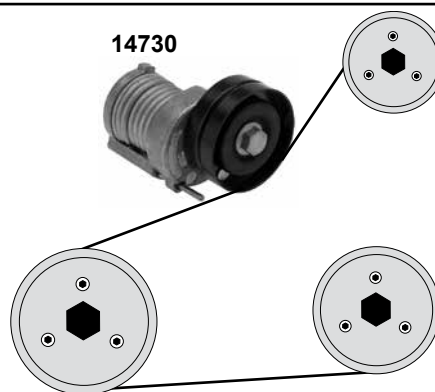
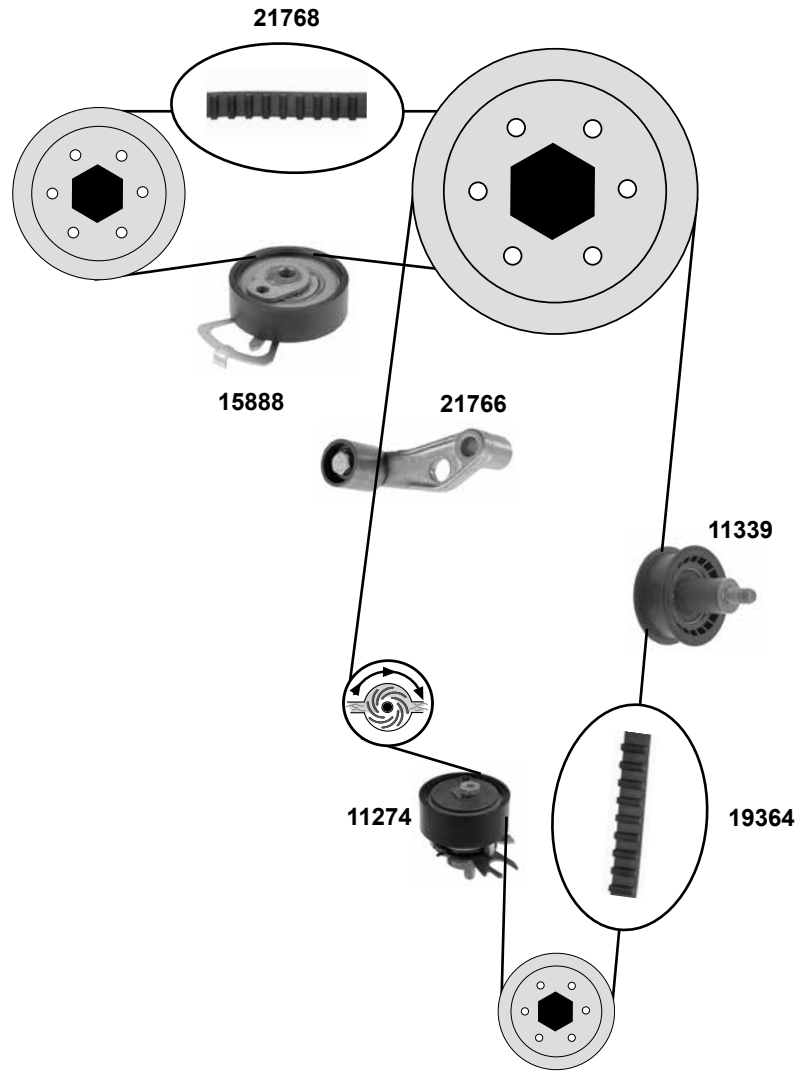
(1F)



Ref. - No.



01231	028 145 278 E	Spannrolle / tension roller	AC	ØA 78 Ø I 8 B26
06688	026 109 243 L	Spannrolle / tension roller		ØA 72 Ø I 10 B20
10295	030 109 243 K	Spannrolle / tension roller		ØA 61 Ø I 8 B22
11274	036 109 243 AB	Spannrolle / tension roller	(mot.) AUA	ØA 60 Ø I 8 B25
11339	036 109 244 J	Umlenkrolle / deflection pulley	(mot.) AUA	ØA 56 B22
12652	056 109 119 A	Zahnriemen / timing belt	(mot.) 1F	Z 121 B18
14574	051 198 119	Rep. Satz Zahnriemen / rep. kit timing belt	(mot.) 1F	
14730	030 145 299 F	Riemenspanner / belt tensioner		ØA 70 B26
14736	037 903 315 C	Riemenspanner / belt tensioner		
15888	036 109 243 AE	Spannrolle / tension roller	(mot.) AUA / →03	ØA 60 B19
19364	036 109 119 Q	Zahnriemen / timing belt	(mot.) AUA / →03	Z 130 B20
21766	036 109 181 A	Umlenkrolle / deflection pulley	(mot.) AUA	ØA 28 B30
21768	036 109 119 P	Zahnriemen / timing belt	(mot.) AUA / →03	Z 58 B17
21770	036 109 119 Q S1	Rep. Satz Zahnriemen / rep. kit timing belt	(mot.) AUA	
21774	036 109 119 P S1	Rep. Satz Zahnriemen / rep. kit timing belt	(mot.) AUA / →03	
25174	030 105 263 C	Kurbelwellenrad / crankshaft gear		Z 26
25194	049 105 263 C	Kurbelwellenrad / crankshaft gear		Z 22
25250	049 109 111 C	Nockenwellenrad / camshaft gear		Z 44



	Ref. - No.			
11274	036 109 243 AB	Spannrolle / tension roller		ØA 80 ØI 8 B25
11339	036 109 244 J	Umlenkrolle / deflection pulley		ØA 56 B22
14730	030 145 299 F	Riemenspanner / belt tensioner		ØA 70 B26
15888	036 109 243 AE	Spannrolle / tension roller	→ 10	ØA 60 B19
19364	036 109 119 Q	Zahnriemen / timing belt	→ 10	Z 130 B20
21766	036 109 181 A	Umlenkrolle / deflection pulley		ØA 28 B30
21768	036 109 119 P	Zahnriemen / timing belt	→ 10	Z 58 B17
21770	036 109 119 Q S1	Rep. Satz Zahnriemen / rep. kit timing belt		
21772	036 198 119 E	Rep. Satz Zahnriemen / rep. kit timing belt		
21774	036 109 119 P S1	Rep. Satz Zahnriemen / rep. kit timing belt	→ 10	

# VOLKSWAGEN

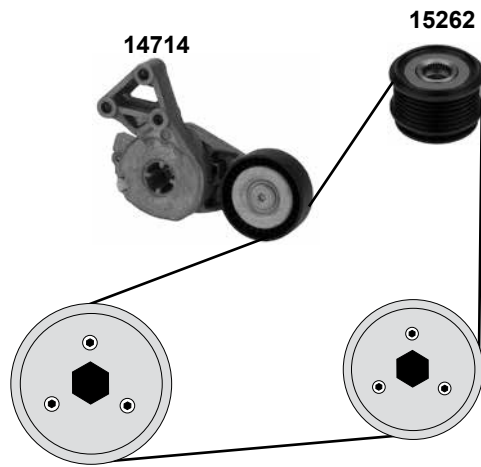
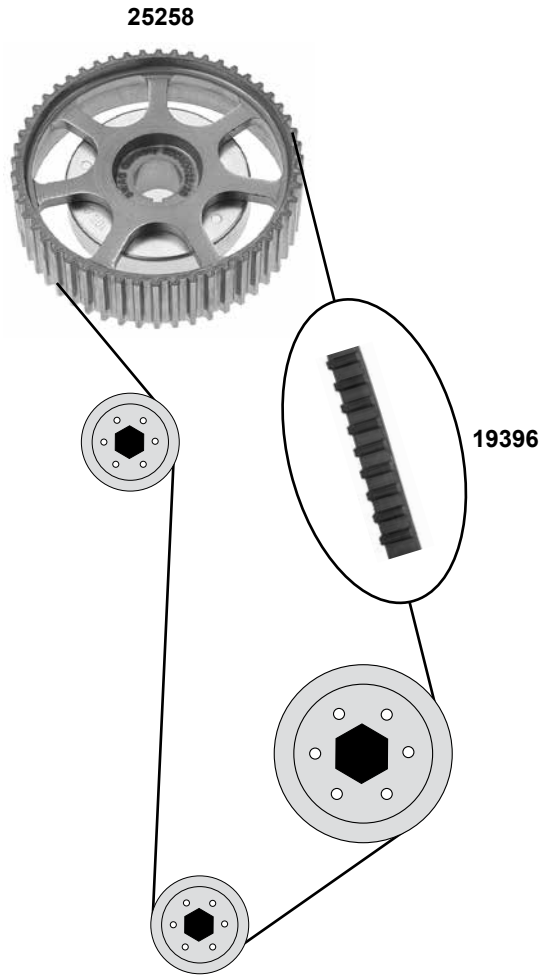
## Caddy 3 (2K)

(04→11)

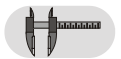
Car  
Division



**1,6**  
(BGU / BSE / BSR / BSF / BSX)



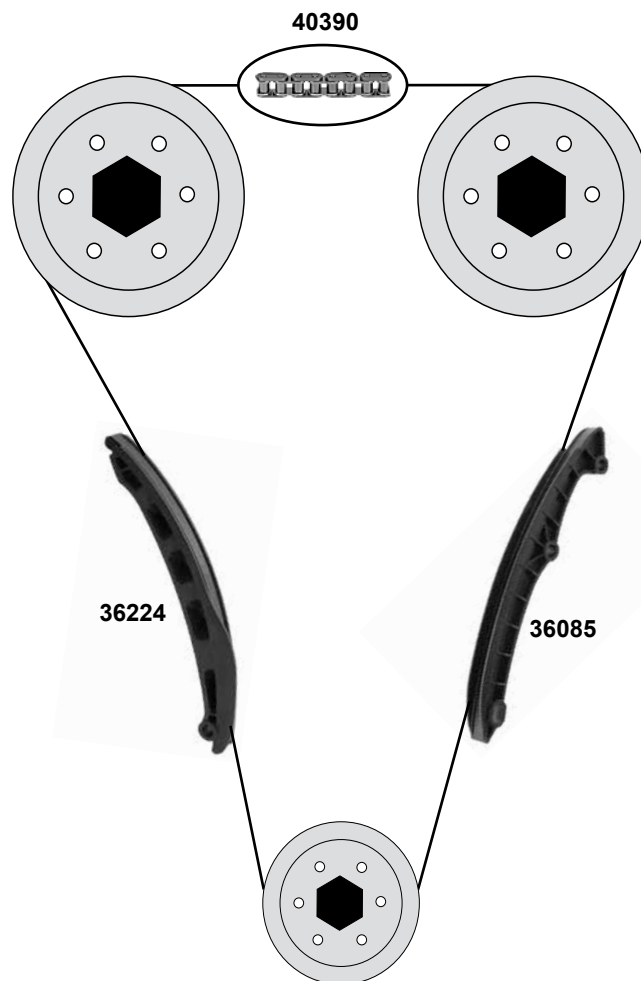
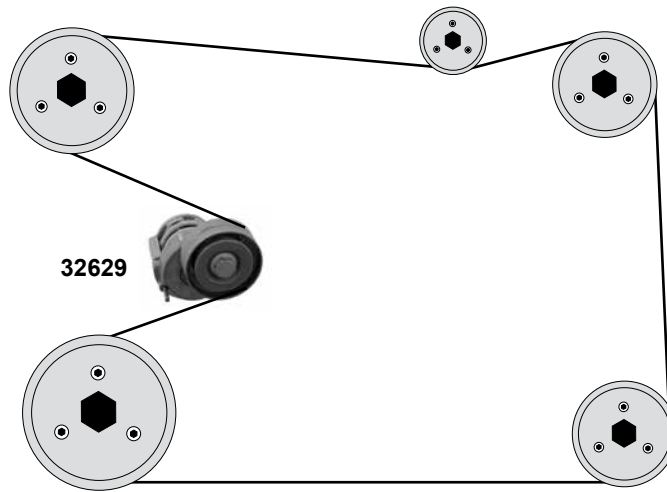
Ref. - No.



**14714** 06A 903 315 E  
**15262** 022 903 119 C  
**19396** 06A 109 119 C  
**25258** 06A 109 105 C

Riemenspanner / belt tensioner  
Riemenscheibe Generator / belt pulley alternator  
Zahnriemen / timing belt  
Nockenwellenrad / camshaft gear

ØA 70 B24  
Z 138 B23  
Z52



Ref. - No.



<b>32629</b>	03C 145 299 Q
<b>36085</b>	03C 109 469 K
<b>36224</b>	03C 109 509 P
<b>40390</b>	03C 109 158 A

Riemenspanner / belt tensioner
Gleitschiene/ sliding rail
Gleitschiene/ sliding rail
Steuerkette / timing chain

AC

130 E

# VOLKSWAGEN Corrado (50)

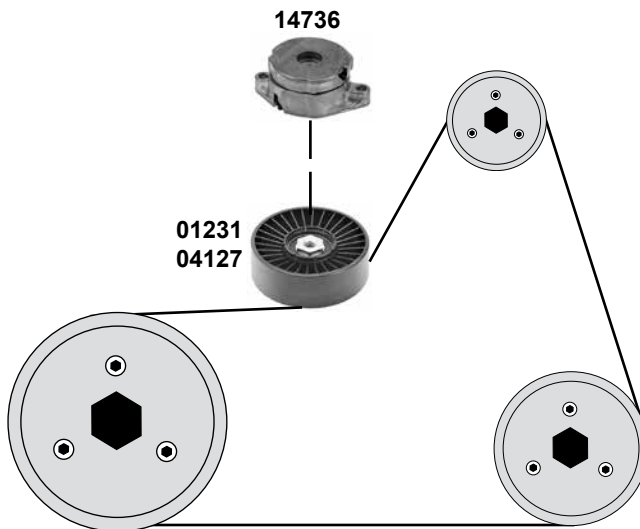
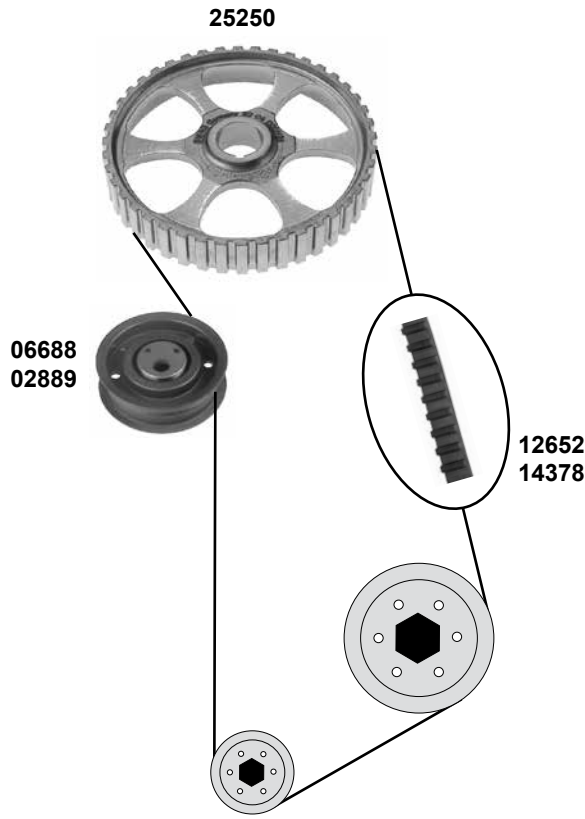
(89→95)

Car  
Division

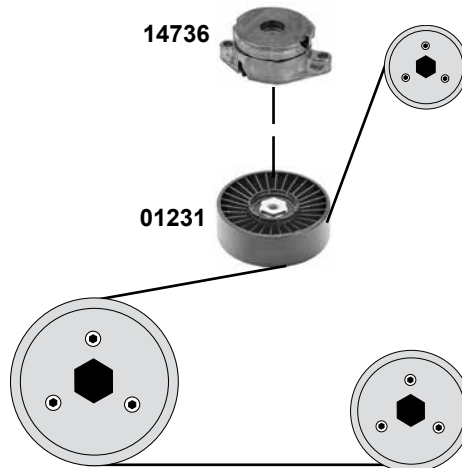
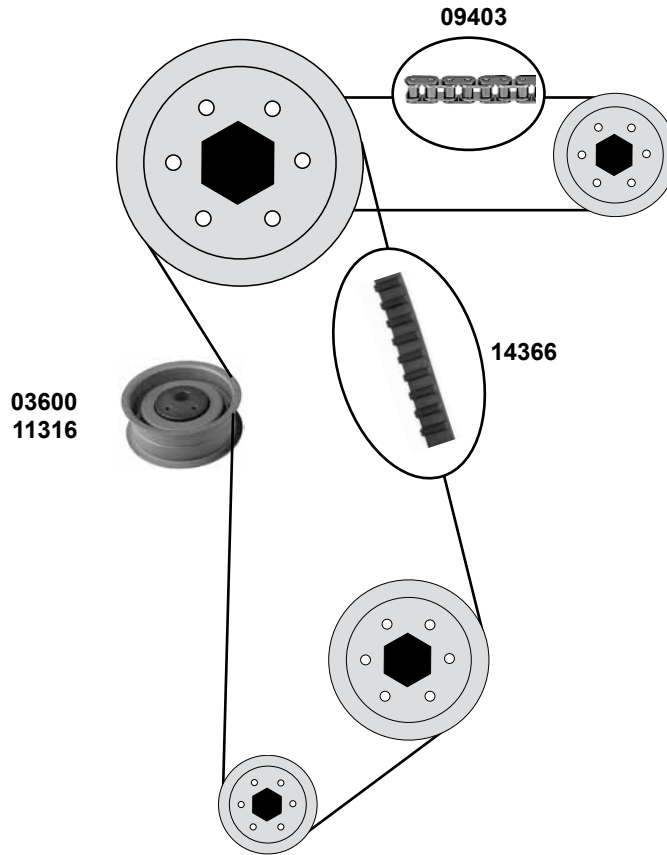


**1,8 / 2,0**

(PG / 2E / ADY)



	Ref. - No.			
<b>01231</b>	028 145 278 E	Spannrolle / tension roller	<b>AC</b>	ØA 78 ØI 8 B26
<b>02889</b>	048 109 243 A	Spannrolle / tension roller	<b>(mot.) 2E/ADY 92 →</b>	
<b>04127</b>	074 145 278 E	Umlenkrolle / deflection pulley	<b>(mot.) PG</b>	ØA 90 ØI 8 B25
<b>06688</b>	026 109 243 L	Spannrolle / tension roller	<b>(mot.) ADY</b>	ØA 72 ØI 10 B20
<b>12652</b>	056 109 119 A	Zahnriemen / timing belt	<b>(mot.) PG</b>	Z 121 B18
<b>14378</b>	037 109 119 C	Zahnriemen / timing belt	<b>(mot.) 2E/ADY</b>	Z 124 B18
<b>14574</b>	051 198 119	Rep. Satz Zahnriemen / rep. kit timing belt	<b>(mot.) PG</b>	
<b>14622</b>	037 109 119 C S2	Rep. Satz Zahnriemen / rep. kit timing belt	<b>(mot.) 2E/ADY 92 →</b>	
<b>14618</b>	051 198 119	Rep. Satz Zahnriemen / rep. kit timing belt	<b>(ex.) (mot.) PG</b>	
<b>14736</b>	037 903 315 C	Riemenspanner / belt tensioner		
<b>25250</b>	049 109 111 C	Nockenwellenrad / camshaft gear		Z 44



(1) (mot.)→9A 131 261  
(mot.)→KR 131 261

(2) (mot.) 9A 131 262→  
(mot.) KR 131 262→



Ref. - No.



Ref. - No.	Description	AC	Dimensions
<b>01231</b>	028 145 278 E Spannrolle / tension roller		ØA 78 ØI 8 B26
<b>03600</b>	051 109 243 Spannrolle / tension roller	(1)	ØA 72 B27
<b>09403</b>	077 109 120 Steuerkette / timing chain		44 E
<b>11316</b>	051 109 243 A Spannrolle / tension roller	(2)	ØA 72 ØI 8 B27
<b>14366</b>	027 109 119 C Zahnriemen / timing belt		Z 147 B25
<b>14604</b>	027 198 119 Rep. Satz Zahnriemen / rep. kit timing belt	(2)	
<b>14606</b>	027 109 119 C S1 Rep. Satz Zahnriemen / rep. kit timing belt	(1)	
<b>14736</b>	037 903 315 C Riemenspanner / belt tensioner		



# VOLKSWAGEN Corrado (50)

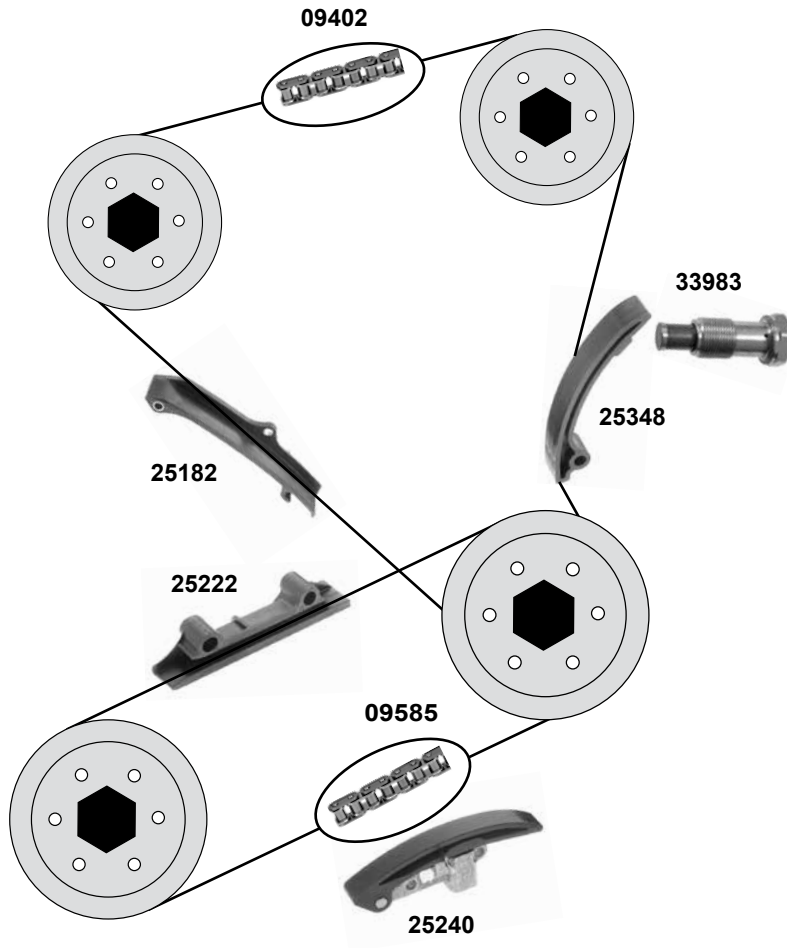
(89→95)

Car  
Division

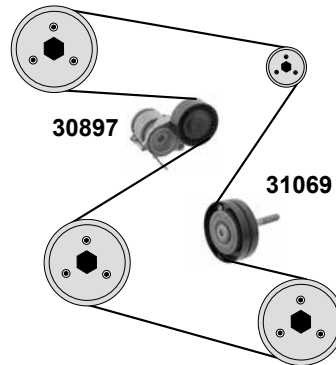
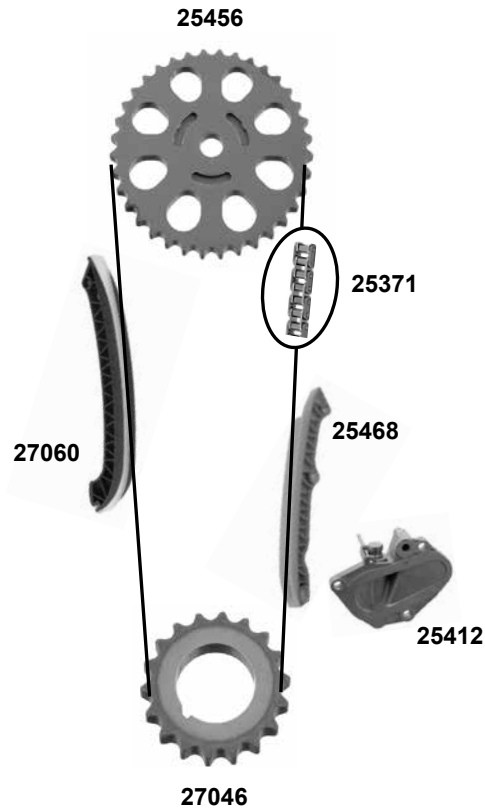


## 2,9 VR6

(ABV)



	Ref. - No.			
<b>09402</b>	021 109 503 A	Steuerkette / timing chain		D 90 E
<b>09585</b>	021 109 467	Steuerkette / timing chain		70 E
<b>25182</b>	021 109 513	Gleitschiene / sliding rail		
<b>25222</b>	021 109 469	Gleitschiene / sliding rail		
<b>25240</b>	021 109 467	Kettenspanner / chain tensioner		
<b>25348</b>	021 109 509 A	Gleitschiene / sliding rail		
<b>33983</b>	021 109 507 A	Kettenspanner / chain tensioner		
<b>33984</b>	021 109 503 A S1	Rep. Satz Steuerkette / rep. kit chain tensioner		



(1) (mot.) BMD / →08 / (ch.)→5Z-84162779

(2) (mot.) BMD / 06→ / (ch.)→5Z-64029 001



Ref. - No.



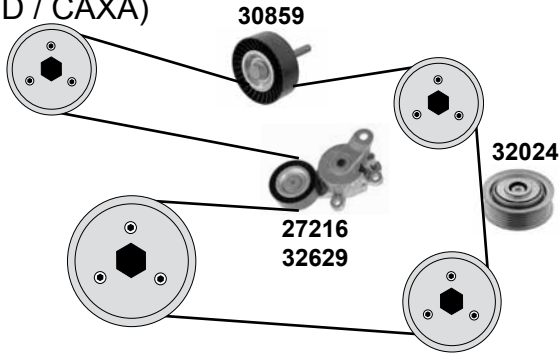
<b>25371</b>	03E 109 229	Steuerkette / timing chain	(1)	118 E
<b>25412</b>	03E 109 507 S	Kettenspanner / chain tensioner	(2)	
<b>25456</b>	03D 109 571 L	Nockenwellenrad / camshaft gear	(1)	Z 40
<b>25468</b>	03D 109 469 C	Gleitschiene / sliding rail	(mot.) BMD	
<b>27046</b>	03E 105 209 E	Kurbelwellenzahnrad / crankshaft gear	(1)	Z 20
<b>27060</b>	03D 109 509 L	Gleitschiene / sliding rail	(1)	
<b>30478</b>	03D 109 229 S1	Rep. Satz Steuerkette / rep. kit timing chain	(1)	
<b>30495</b>	03D 109 229 S2	Rep. Satz Steuerkette / rep. kit timing chain	(1)	
<b>30897</b>	03D 903 305 F	Riemenspanner / belt tensioner		
<b>31069</b>	03D 145 276 E	Umlenkrolle / deflection pulley	AC	ØA 76 B24

# VOLKSWAGEN EOS (1F) (06→)

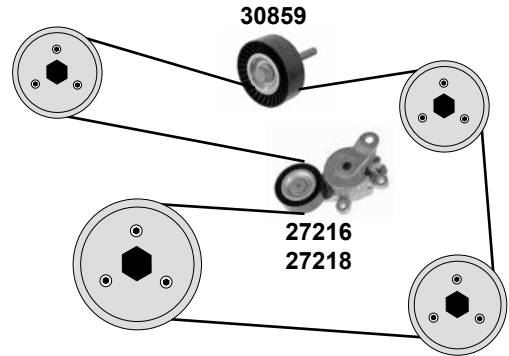
Car  
Division



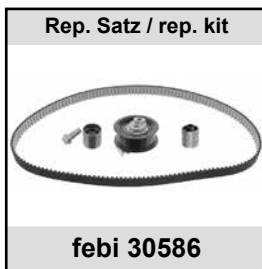
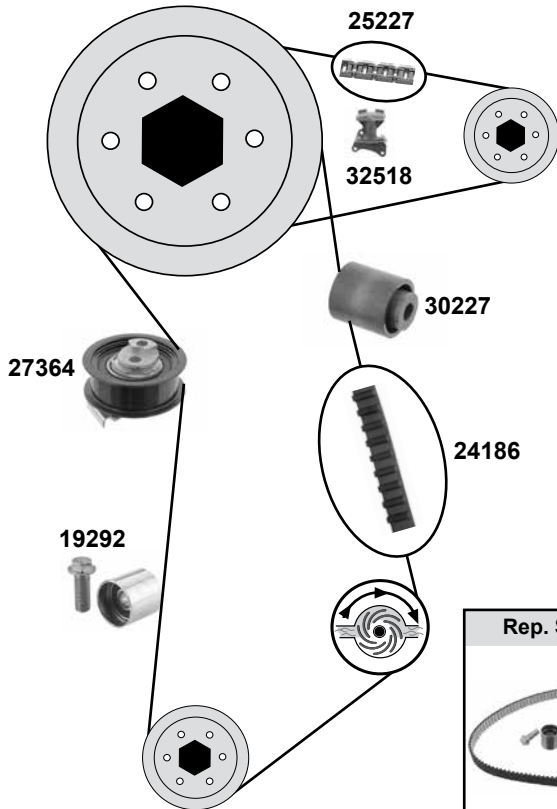
## 1,4 (CAVD / CAXA)



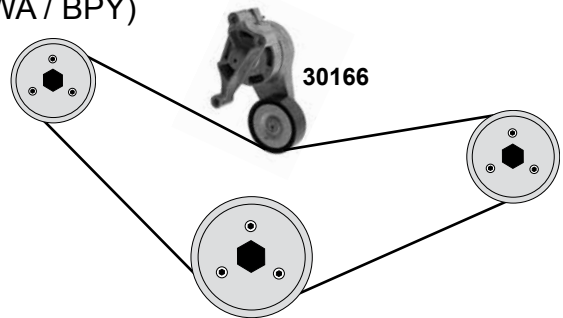
## 1,6 (BLF)



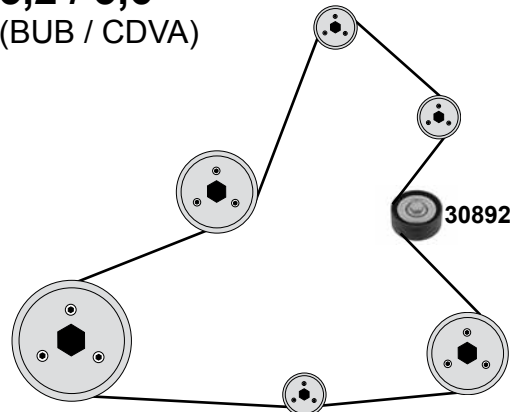
## 2,0 16V (BVY / BWA / BPY / BVZ)



## 2,0 16V (BWA / BPY)



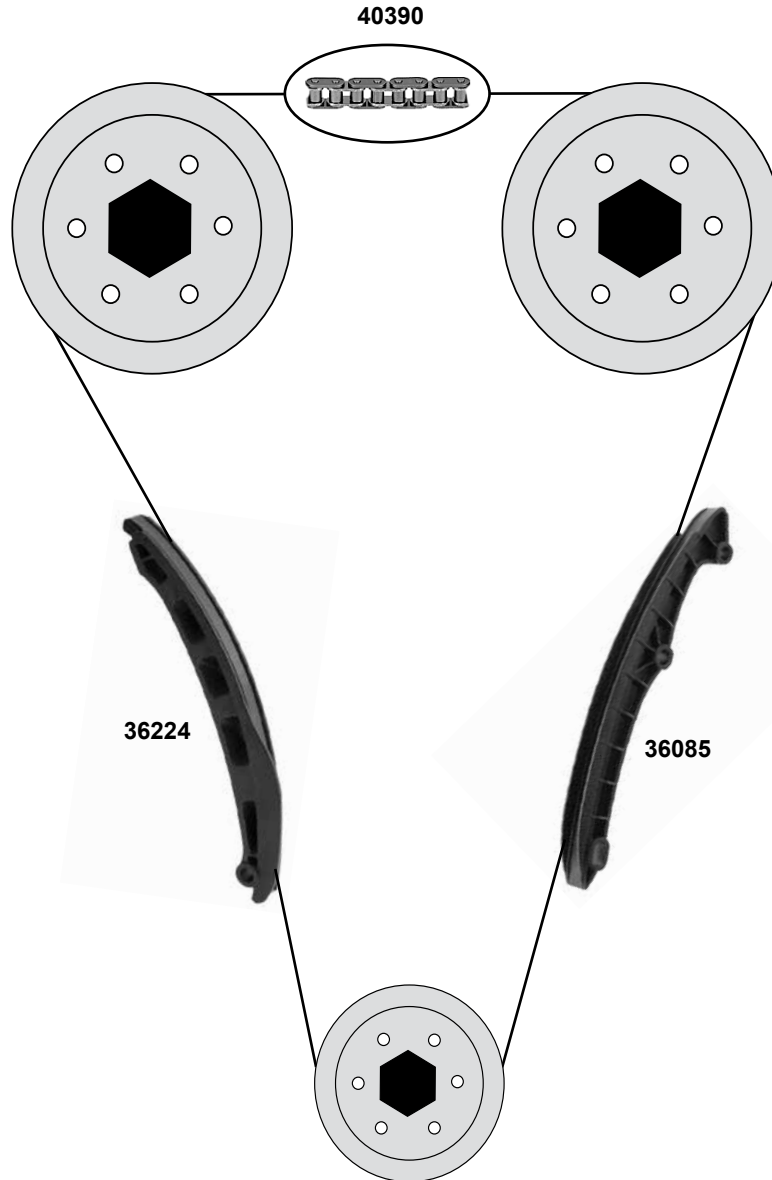
## 3,2 / 3,6 (BUB / CDVA)



Ref. - No.



19292	06B 109 244	Umlenkrolle / deflection pulley		ØA 28,5 B27
24186	06D 109 119 B	Zahnriemen / timing belt		Z 148 B23 42E
25227	06D 109 229 B	Steuerkette / timing chain		
27216	6Q0 145 299	Riemenspanner / belt tensioner	(ex.) AC CAVD	
27218	03C 145 299 C	Riemenspanner / belt tensioner	AC	
27364	06D 109 243 B	Spannrolle / tension roller		ØA 77 B25
30166	06F 903 315	Riemenspanner / belt tensioner	(mot.) BPY 09→	
30227	06D 109 244 E	Umlenkrolle / deflection pulley		ØA 28,5 B33,5
30586	06F 198 119 A	Rep. Satz Zahnriemen / rep. kit timing belt		
30859	1J0 145 276	Umlenkrolle / deflection pulley	AC	
30892	022 145 276 A	Umlenkrolle / deflection pulley		ØA 28,5 B27
32024	03C 145 276 C	Umlenkrolle / deflection pulley	(ex.) CAVD 09→	
32518	06F 109 217 A	Kettenspanner / chain tensioner	→11	
32629	03c 145 299 Q	Riemenspanner / belt tensioner	AC CAXA 07/09→	



# VOLKSWAGEN

## Golf 1 (17) / Jetta 1 (16)

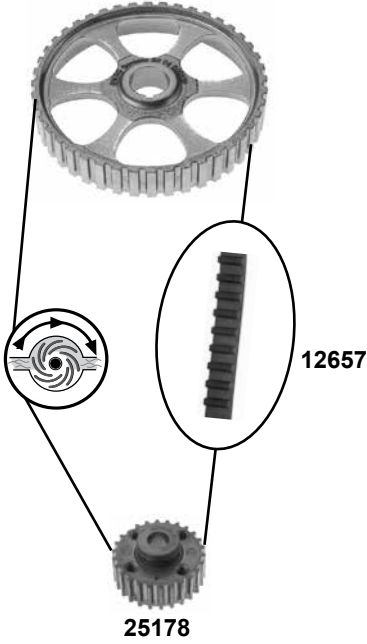
(75→92)

Car  
Division



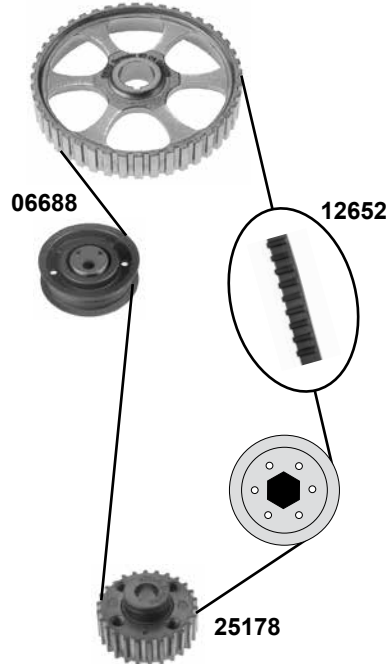
1,1 / 1,3

25250



1,5→1,8

25250



Rep. Satz / rep. kit



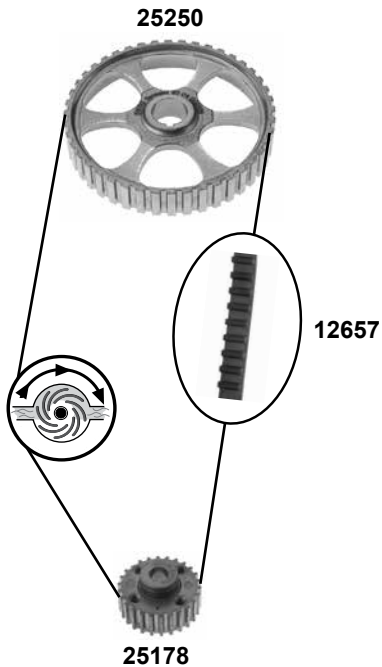
febi 14574

# Golf 1 Cabriolet

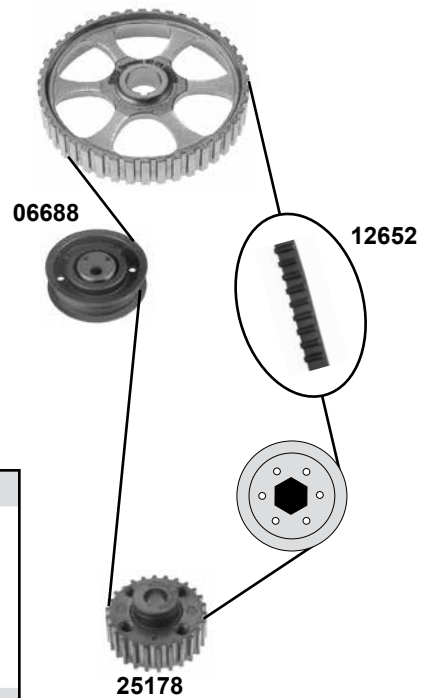
(84→94)

1,8

(DX / KT / EW / EX / HN / JH / RE / EWA)



25250



Rep. Satz / rep. kit



febi 14574



Ref. - No.

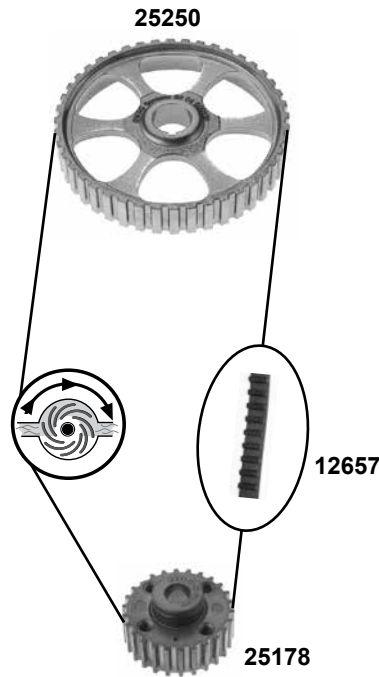


06688	026 109 243 L
12652	056 109 119 A
12657	052 109 119
14574	051 198 119
25178	049 105 263 B
25250	049 109 111 C

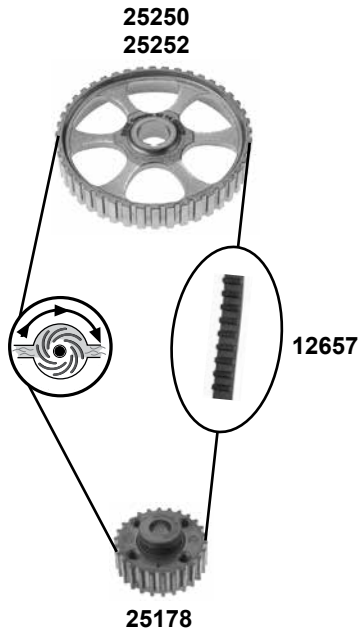
Spannrolle / tension roller
Zahnriemen / timing belt
Zahnriemen / timing belt
Rep. Satz Zahnriemen / rep. kit timing belt
Kurbelwellenrad / crankshaft gear
Nockenwellenrad / camshaft gear

ØA 72 ØI 10 B20
Z 121 B18
Z 108 B18
Z 22
Z 44

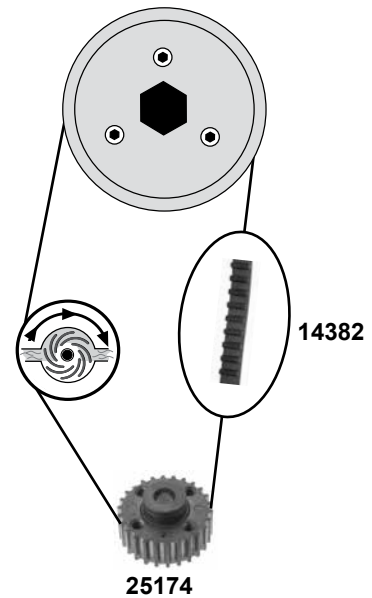
**1,05**  
(GN)



(ex.) Super Torque



Super Torque



**1,05**  
(HZ)



Ref. - No.



<b>12657</b>	052 109 119	Zahnriemen / timing belt
<b>14382</b>	030 109 119 A	Zahnriemen / timing belt
<b>25174</b>	030 105 263 C	Kurbelwellenrad / crankshaft gear
<b>25178</b>	049 105 263 B	Kurbelwellenrad / crankshaft gear
<b>25250</b>	030 109 111 C	Nockenwellenrad / camshaft gear
<b>25252</b>	026 109 111	Nockenwellenrad / camshaft gear

(ch.) → ...H-160000  
(mot.) GN/HZ → 00500 Z 44  
HZ: 005001 → 88

Z 108 B18  
Z 128 B19  
Z 26  
Z 22

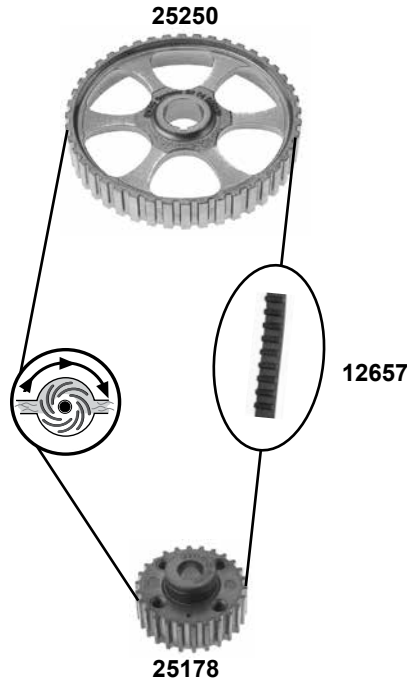
# VOLKSWAGEN Golf 2 / Jetta 2 (19/1G/16)

(84→92)

Car  
Division

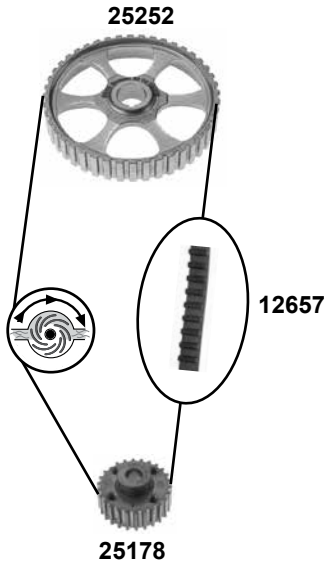


**1,3**  
(GT / HK / HW)

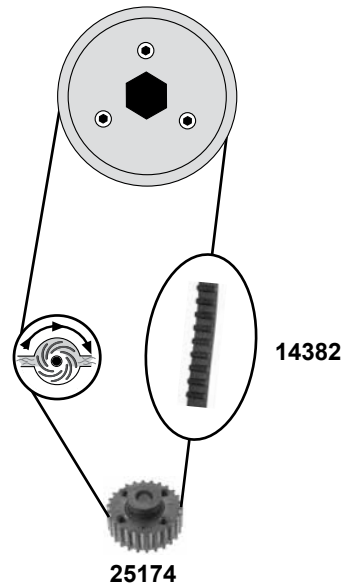


**1,3**  
(MH / NU / NZ / 2C / 2G)

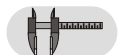
(ex.) Super Torque



Super Torque

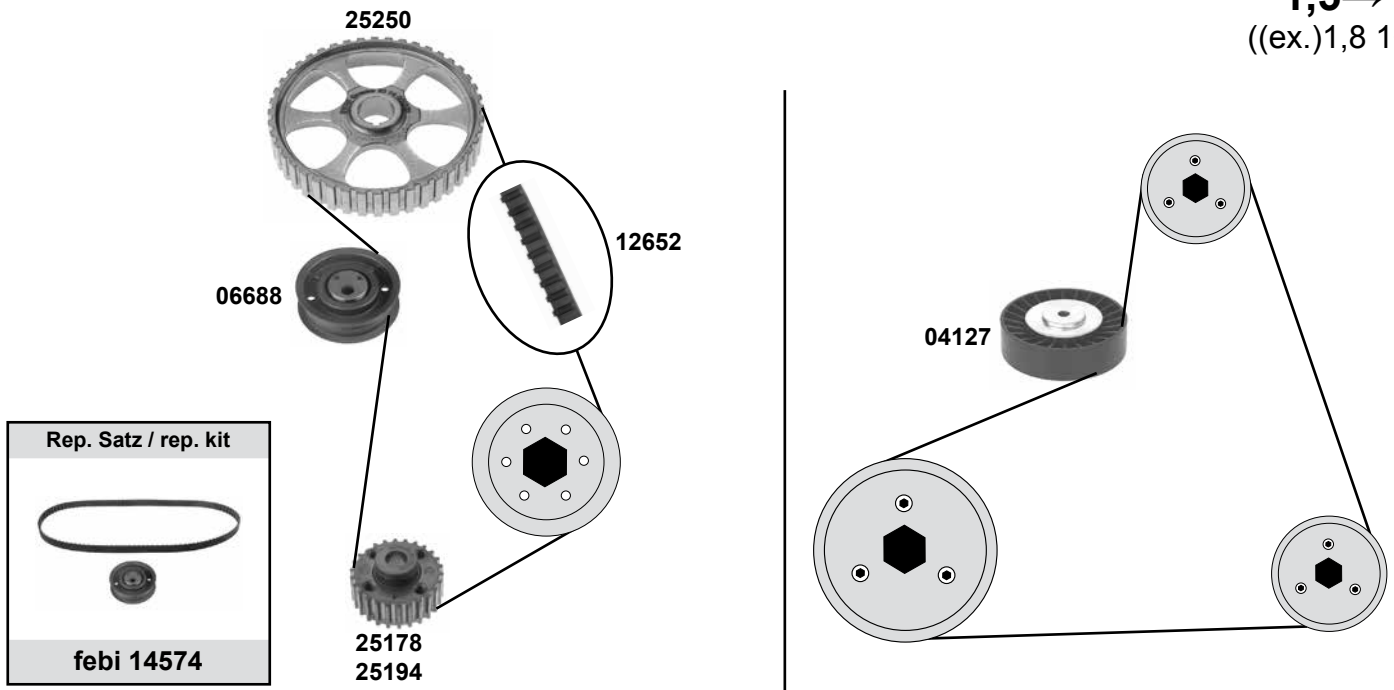


Ref. - No.

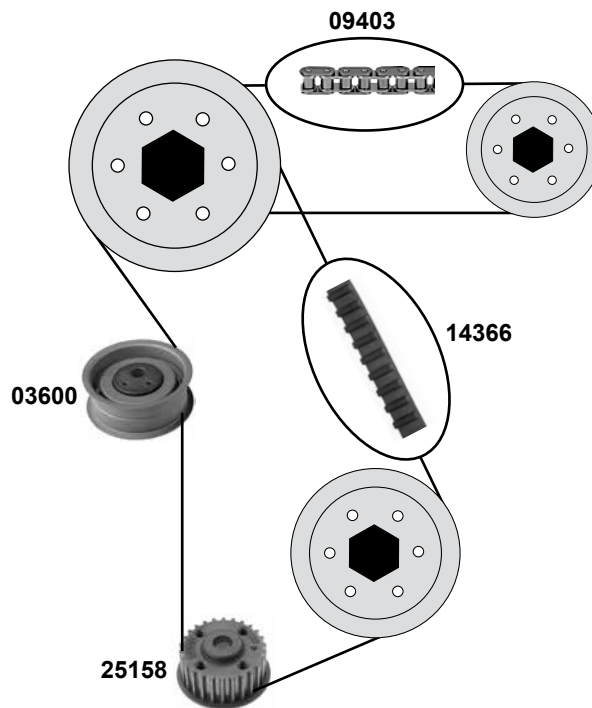


<b>12657</b>	052 109 119	Zahnriemen / timing belt		Z 108 B18
<b>14382</b>	030 109 119 A	Zahnriemen / timing belt		Z 128 B19
<b>25174</b>	030 105 263 C	Kurbelwellenrad / crankshaft gear		Z 26
<b>25178</b>	049 105 263 B	Kurbelwellenrad / crankshaft gear	(ch.) →H-160000	Z 26
<b>25250</b>	030 109 111 C	Nockenwellenrad / camshaft gear		Z 44
<b>25252</b>	026 109 111	Nockenwellenrad / camshaft gear	Modell: →88	

**1,5→1,8**  
((ex.)1,8 16V)



**1,8 16V**  
(KR / PL)



	Ref. - No.			
03600	051 109 243	Spannrolle / tension roller		ØA 72 B27
04127	074 145 278 E	Umlenkrolle / deflection pulley	G60 (mot.) PG	ØA 90 Ø1 8 B25
06688	026 109 243 L	Spannrolle / tension roller	(mot.) PG / 1H	ØA 72 Ø1 10 B20
09403	077 109 120	Steuerkette / timing chain		D 44 E
12652	056 109 119 A	Zahnriemen / timing belt		Z 121 B18
14366	027 109 119 C	Zahnriemen / timing belt		Z 147 B25
14574	051 198 119	Rep. Satz Zahnriemen / rep. kit timing belt		
14606	027 109 119 C S1	Rep. Satz Zahnriemen / rep. kit timing belt		
25158	027 109 263 B	Kurbelwellenrad / crankshaft gear		
25178	049 105 263 B	Kurbelwellenrad / crankshaft gear	(ch.) → 19-H-160 000	Z 22
25194	049 105 263 C	Kurbelwellenrad / crankshaft gear	(ch.) 19-H-160 000→	Z 44
25250	049 109 111 C	Nockenwellenrad / camshaft gear		



# VOLKSWAGEN Golf 3 / Vento (1H)

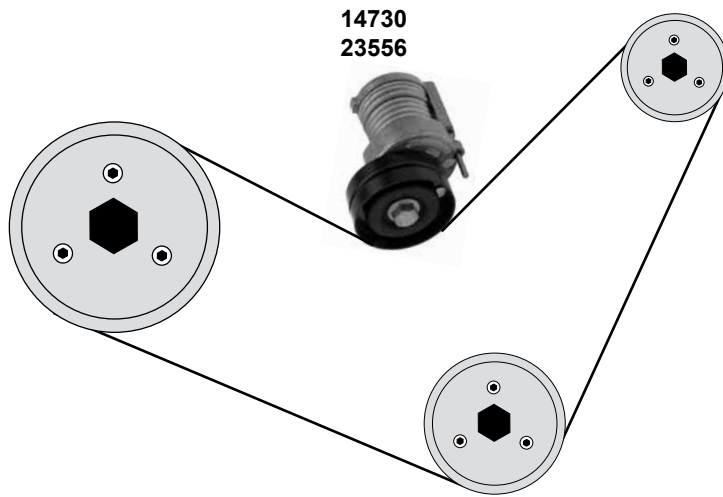
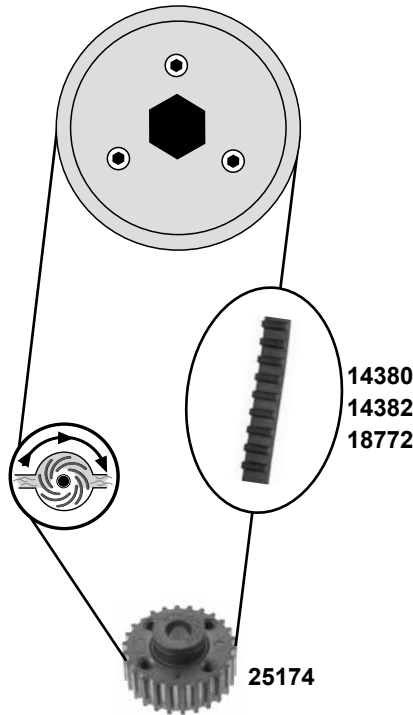
(92→98)

Car  
Division



**1,4 / 1,6**

(ABU / ABD / AEA / AEE / AEX / APQ)



**(1)** (ch.)→1H - WB050 000  
(ch.)→1H - WD 119 000  
(ch.)→1H - WP 090 000  
(ch.)→1H - WW 157 905

**(2)** servo (ch.)→S-120 000



Ref. - No.

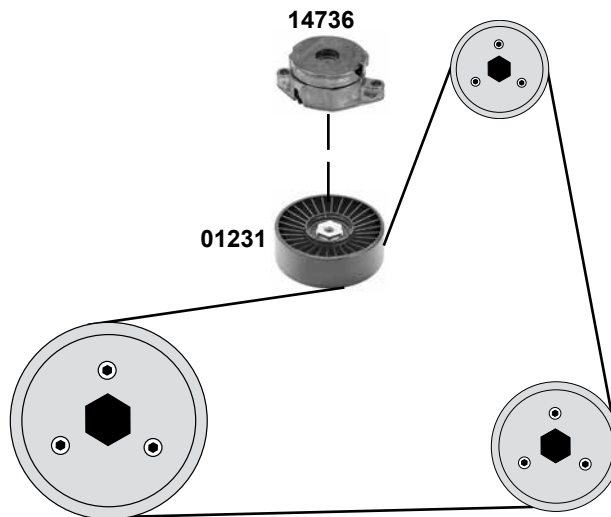
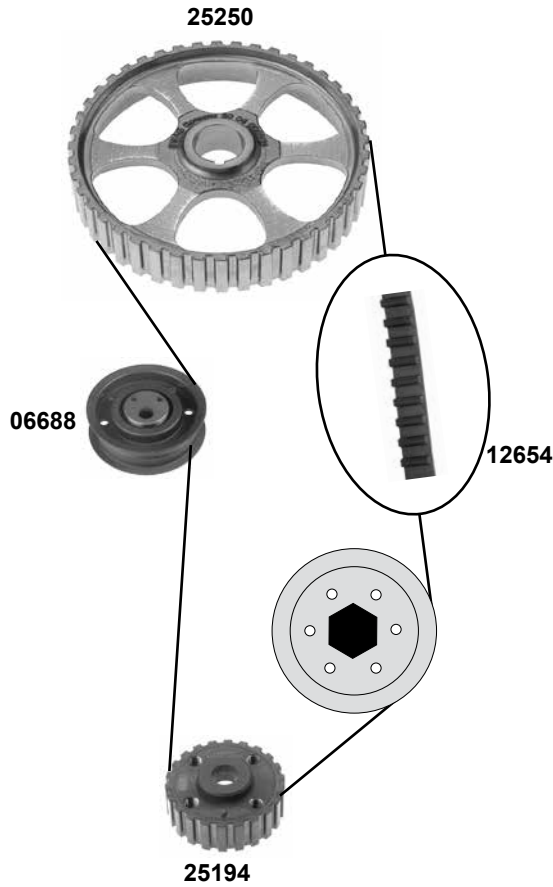


**14380** 032 109 119  
**14382** 030 109 119 A  
**14730** 030 145 299 F  
**18772** 032 109 119 J  
**23556** 032 145 299 C  
**25174** 030 105 263 C

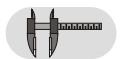
Zahnriemen / timing belt  
Zahnriemen / timing belt  
Riemenspanner / belt tensioner  
Zahnriemen / timing belt  
Riemenspanner / belt tensioner  
Kurbelwellenrad / crankshaft gear

**(mot.)** ABU  
ABD (Super Torque)  
**AC**  
**(mot.)** AEA / AEE  
**(2)**  
**(1)**

Z 133 B19  
Z 128 B19  
ØA 70 B26  
Z 137 B19  
ØA 70 B26  
Z 26



Ref. - No.



Ref. - No.	Description	AC	Dimensions
01231	Spannrolle / tension roller		ØA 78 ØI 8 B26
06688	Spannrolle / tension roller		ØA 72 ØI 10 B20
12654	Zahnriemen / timing belt		Z 121 B18
14616	Rep. Satz Zahnriemen / rep. kit timing belt		
14736	Riemenspanner / belt tensioner		
25194	Kurbelwellenrad / crankshaft gear		Z 22
25250	Nockenwellenrad / camshaft gear		Z 44

# VOLKSWAGEN Golf 3 / Vento (1H)

(92→98)

Car  
Division



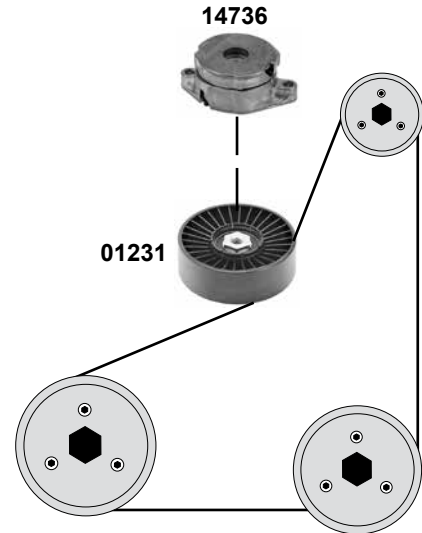
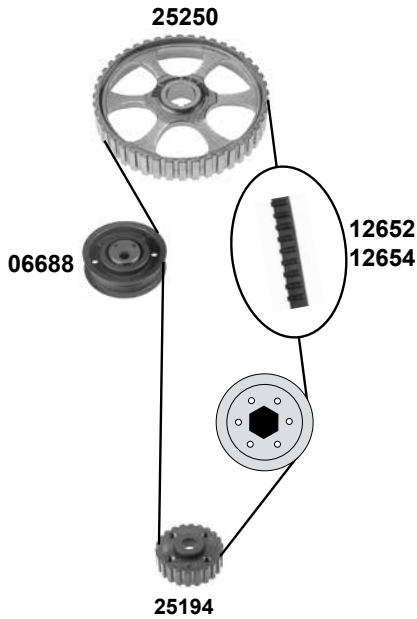
1,8

Rep. Satz / rep. kit

febi 14574

Rep. Satz / rep. kit

febi 14616



2,0

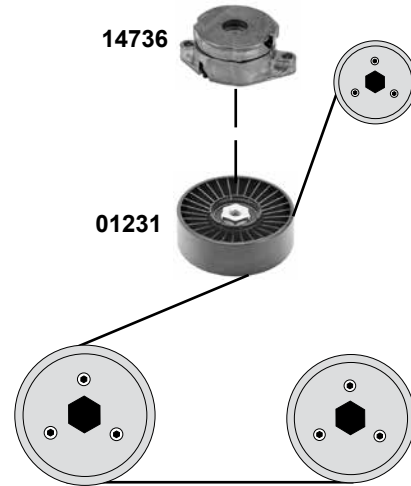
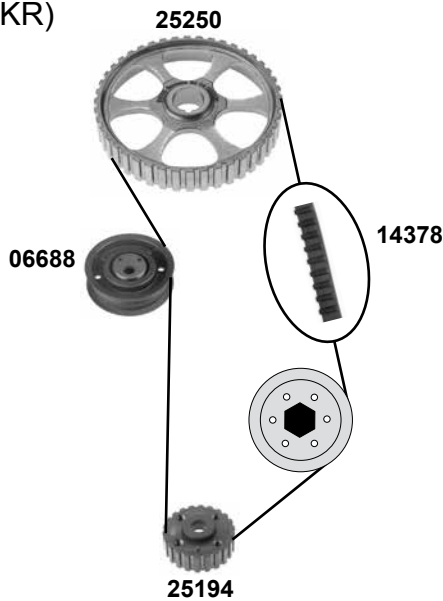
(2E / ADY / AEP / AGG / AKR)

Rep. Satz / rep. kit

febi 14618

Rep. Satz / rep. kit

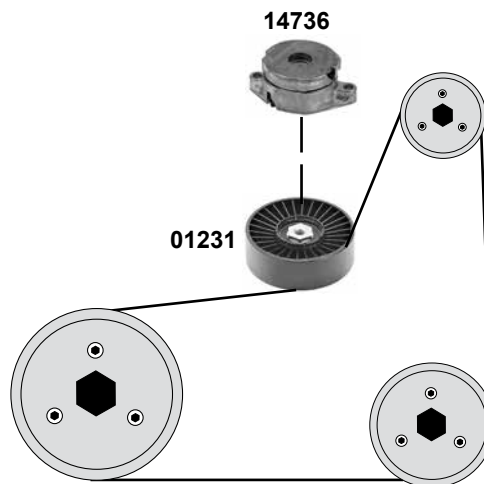
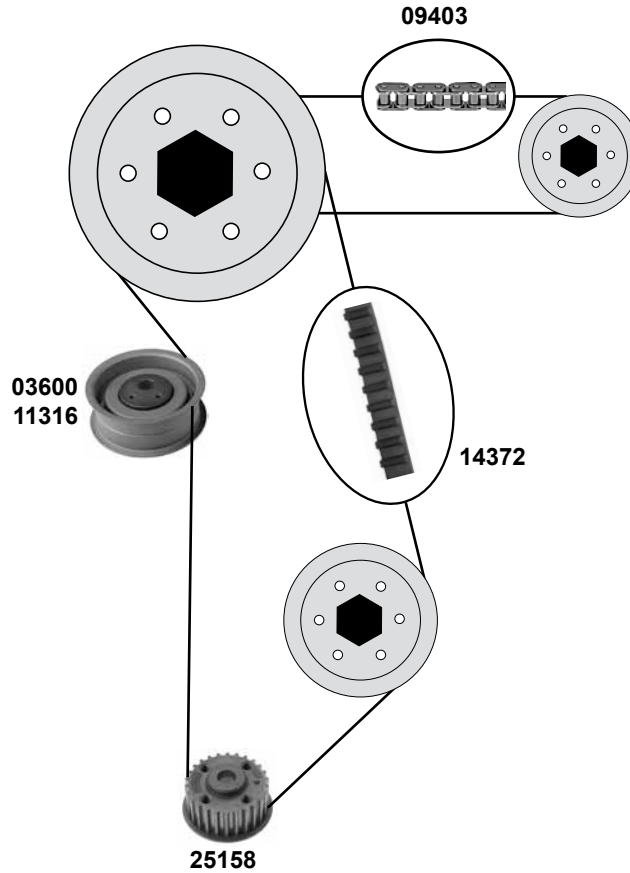
febi 14622



Ref. - No.



01231	028 145 278 E	Spannrolle / tension roller	AC	ØA 78 ØI 8 B26
06688	026 109 243 L	Spannrolle / tension roller		ØA 72 ØI 10 B20
12652	056 109 119 A	Zahnriemen / timing belt	(ch.)→1H-R-990 001	Z 121 B18
12654	026 109 119 B	Zahnriemen / timing belt	(ch.) 1H-R-990 001→	Z 121 B18
14378	037 109 119 C	Zahnriemen / timing belt		Z 124 B18
14574	051 198 119	Rep. Satz Zahnriemen / Rep. kit timing belt		
14616	026 109 119 B S1	Rep. Satz Zahnriemen / rep. kit timing belt	(ch.)→1H-R-990 001	
14618	051 198 119	Rep. Satz Zahnriemen / Rep. kit timing belt	(ch.) 1H-R-990 001→	
14622	037 109 119 C S2	Rep. Satz Zahnriemen / rep. kit timing belt		
14736	037 903 315 C	Riemenspanner / belt tensioner		
25194	049 105 263 C	Kurbelwellenrad / crankshaft gear		Z 22
25250	049 109 111 C	Nockenwellenrad / camshaft gear		Z 44



	Ref. - No.			
01231	028 145 278 E	Spannrolle / tension roller	AC	ØA 78 ØI 8 B26
03600	051 109 243	Spannrolle / tension roller	(mot.)→ABF 020 922	ØA 72 B27
09403	077 109 120	Steuerkette / timing chain		D 44 E
11316	051 109 243 A	Spannrolle / tension roller	(mot.) ABF 020 923→	ØA 72 ØI 8 B27
14372	048 109 119 G	Zahnriemen / timing belt		
14612	048 109 119 G S1	Rep. Satz Zahnriemen / rep. kit timing belt	(mot.)→ABF 020 922	
14736	037 903 315 C	Riemenspanner / belt tensioner		
25158	027 109 263 B	Kurbelwellenrad / crankshaft gear		

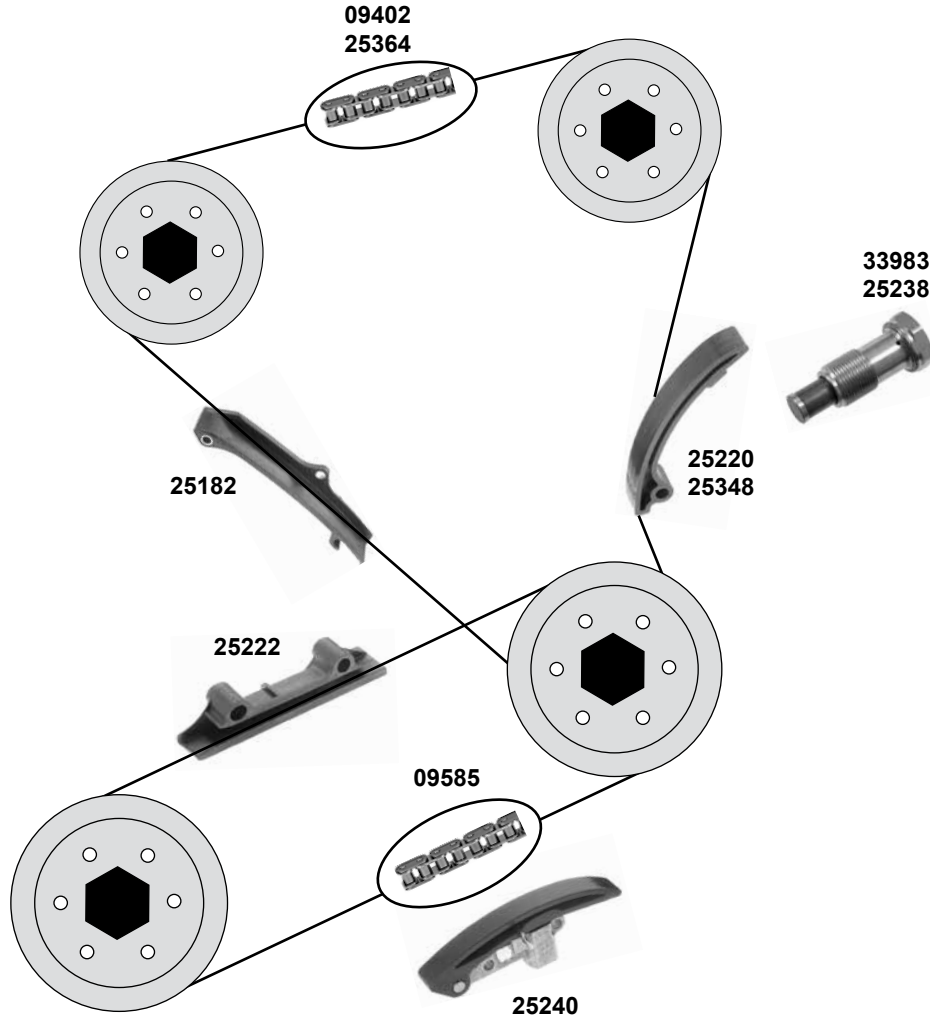
# VOLKSWAGEN Golf 3 / Vento (1H)

(92→98)

Car  
Division

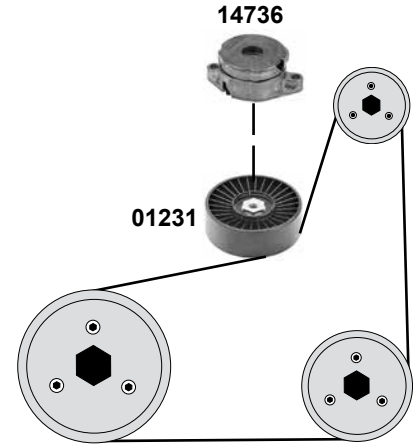
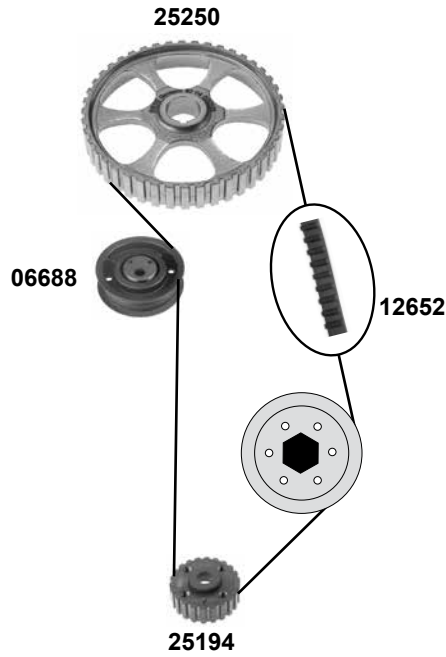


## 2,8 VR6 (AAA)



	Ref. - No.			
09402	021 109 503 A	Steuerkette / timing chain	(mot.) AAA→217 000	D 90 E
09585	021 109 467	Steuerkette / timing chain		70 E
25182	021 109 513	Gleitschiene / sliding rail		
25220	021 109 509 E	Kettenspanner / chain tensioner	(mot.) AAA 217 001→	
25222	021 109 469	Gleitschiene / sliding rail		
25238	021 109 507 B	Kettenspanner / chain tensioner	(mot.) AAA 217 001→	
25240	021 109 467	Kettenspanner / chain tensioner		
25348	021 109 509 A	Gleitschiene / sliding rail	(mot.) AAA→217 000	
25364	021 109 503 D	Steuerkette / timing chain	(mot.) AAA 217 001→	90 E
33983	021 109 507 A	Kettenspanner / chain tensioner	(mot.) AAA→217 000	
33984	021 109 507 A S1	Rep. Satz Steuerkette/ rep kit timing chain	(mot.) AAA→217 000	
33985	021 109 503 D S1	Rep. Satz Steuerkette/ rep kit timing chain	(mot.) AAA 217 001→	

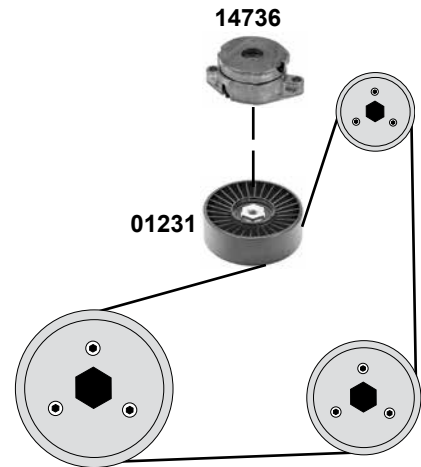
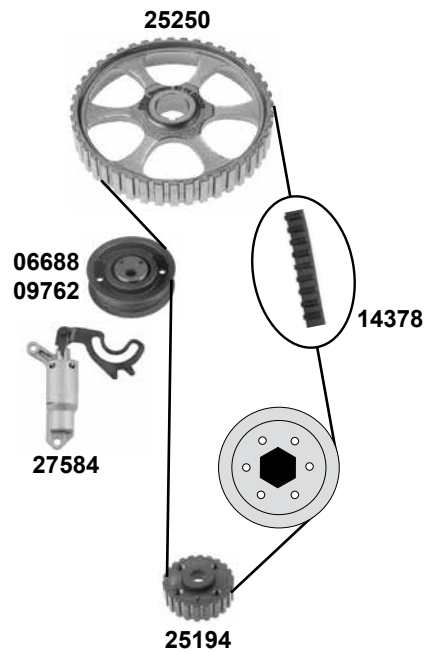
1,6 / 1,8



Rep. Satz / rep. kit

**febi 14574**

2,0



Rep. Satz / rep. kit

**febi 14618**

Rep. Satz / rep. kit

**febi 14622**

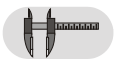


(1) (mot.) ADY / AGG / AGR / 2E → 98

(2) (mot.) 2E / ADY / AGG / AKR → 01



Ref. - No.



<b>01231</b>	028 145 278 E	Spannrolle / tension roller
<b>06688</b>	026 109 243 L	Spannrolle / tension roller
<b>09762</b>	026 109 243 J	Spannrolle / tension roller
<b>12652</b>	056 109 119 A	Zahnriemen / timing belt
<b>14378</b>	037 109 119 C	Zahnriemen / timing belt
<b>14574</b>	051 198 119	Rep. Satz Zahnriemen / rep. kit timing belt
<b>14618</b>	051 198 119	Rep. Satz Zahnriemen / rep. kit timing belt
<b>14622</b>	037 109 119 C S2	Rep. Satz Zahnriemen / rep. kit timing belt
<b>14736</b>	037 903 315 C	Riemenspanner / belt tensioner
<b>25194</b>	049 105 263 C	Kurbelwellenrad / crankshaft gear
<b>25250</b>	049 109 111 C	Nockenwellenrad / camshaft gear
<b>27584</b>	050 109 479 A	Riemenspanner / belt tensioner

**AC**  
(mot.) AGG/AKR  
(mot.) ATU/AWG/AWF

(1)  
(mot.) AGG/AKR

ØA 78 ØI 8 B26  
ØA 72 ØI 10 B20  
ØA 72 ØI 10 B20  
Z 121 B18  
Z 124 B18

Z 22  
Z 44

# VOLKSWAGEN Golf 4 / Bora (1J)

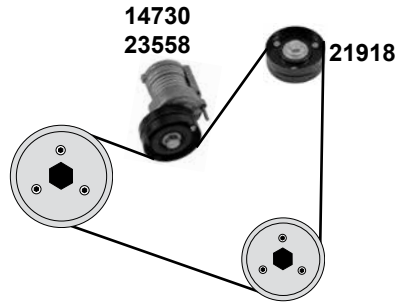
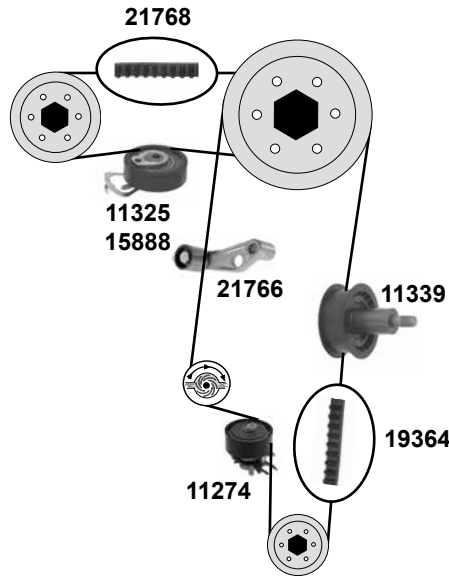
(97→06)

Car  
Division



## 1,4 16V / 1,6 16V

<p>Rep. Satz / rep. kit</p> <p><b>febi 21770</b></p>	<p>Rep. Satz / rep. kit</p> <p><b>febi 21772</b></p>
<p>Rep. Satz / rep. kit</p> <p><b>febi 21774</b></p>	<p>Rep. Satz / rep. kit</p> <p><b>febi 32427</b></p>



- (1) Bora (mot.) AKQ → 242 000  
 Bora / variant (mot.) AHW → 160 000  
 Golf 4 / variant (mot.) AKQ → 241 244  
 Golf 4 / variant (mot.) AHW → 164 200

- (2) (mot.) AHW 164 201→  
 (mot.) AKQ 241 245→

- (3) Bora (mot.) AKQ 242 001 → / 98→05  
 Bora (mot.) AHW/APE/ATN/AUS/AXP/AZD/BAD/BCA/BCB / 98→05  
 Bora variant (mot.) AHW/ATN/AUS/AXP/AZD/BAD/BCB / 98→05

- (4) Golf 4 / variant (mot.) APE/ATN/AUS/AXP/AZD/BAD/BCA/BCB

- (5) Golf 4 / variant (mot.) AHW/AKQ/APE/ATN/AUS/AXP/AZD/BAD/BCA/BCB

- (6) Golf 4 / variant (mot.) APE/APF/ATN/AUS/AXP/AZD/BAD/BCA/BCB



Ref. - No.



Ref. - No.	Description	Notes	Dimensions
11274	Spannrolle / tension roller		ØA 80 ØI 8 B25
11325	Spannrolle / tension roller		ØA 60 ØI 8 B18
11339	Umlenkrolle / deflection pulley		ØA 56 B22
14730	Riemenspanner / belt tensioner		ØA 70 B26
15888	Spannrolle / tension roller		ØA 60 B19
19364	Zahnriemen / timing belt		Z 130 B20
21766	Umlenkrolle / deflection pulley		ØA 28 B30
21768	Zahnriemen / timing belt		Z 58 B17
21770	Rep. Satz Zahnriemen / rep. kit timing belt		
21772	Rep. Satz Zahnriemen / rep. kit timing belt		
21774	Rep. Satz Zahnriemen / rep. kit timing belt		
21918	Umlenkrolle / deflection pulley		ØA 76 B26
23558	Riemenspanner / belt tensioner		
32427	Rep. Satz Zahnriemen / rep. kit timing belt		

(1)

(ex.) AC + servo

(2) (3) (6)

(5)

(2)

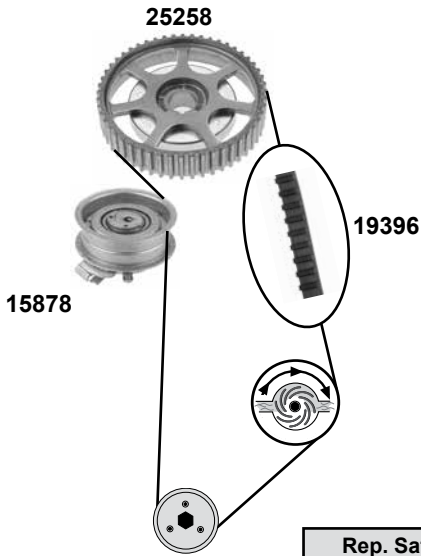
(2) (3) (4)

AC + servo

AC + servo

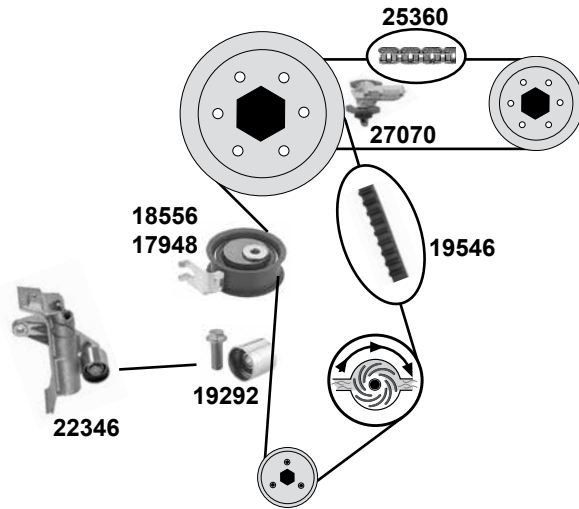
(1)

### 1,6 8V / 2,0 8



Rep. Satz / rep. kit

**febi 23634**



Rep. Satz / rep. kit

**febi 23646**

Rep. Satz / rep. kit

**febi 27298**

### 1,8 20V

Rep. Satz / rep. kit

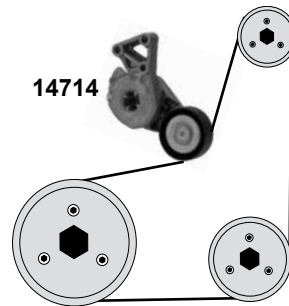
**febi 19548**

Rep. Satz / rep. kit

**febi 19550**

Rep. Satz / rep. kit

**febi 37642**



(1) (mot.) AVU→048 000

(2) (mot.) AGN / AGU / AUM / ARZ



Ref. - No.



<b>14714</b>	06A 903 315 E	Riemenspanner / belt tensioner		
<b>15878</b>	06A 109 479 C	Spannrolle / tension roller		
<b>17948</b>	06B 109 243	Spannrolle / tension roller		
<b>18556</b>	06B 109 243 D	Spannrolle / tension roller		
<b>19292</b>	06B 109 244	Umlenkrolle / deflection pulley		
<b>19396</b>	06A 109 119 C	Zahnriemen / timing belt		
<b>19546</b>	06B 109 119 A	Zahnriemen / timing belt		
<b>19548</b>	06A 198 119 A	Rep. Satz Zahnriemen / rep. kit timing belt	(ch.) →1J-Y-850 000	ØA 72 B29 ØA 72 B30
<b>19550</b>	06B 109 119 A S2	Rep. Satz Zahnriemen / rep. kit timing belt	(ch.) 1J-Y-850 000→	ØA 73 B31 ØA 28,5 B27 Z 138 B23 Z 150 B23
<b>22346</b>	06B 109 243 F	Riemenspanner / belt tensioner		
<b>23634</b>	06A 198 119	Rep. Satz Zahnriemen / rep. kit timing belt		
<b>23646</b>	06B 109 119 A S3	Rep. Satz Zahnriemen / rep. kit timing belt	(ch.) 1J-Y-850 000→	
<b>25258</b>	06A 109 105 C	Nockenwellenrad / camshaft gear		
<b>25360</b>	058 109 229 B	Steuerkette / timing chain		50 E
<b>27070</b>	058 109 217 B	Kettenspanner / chain tensioner	(mot.) AGU	
<b>27298</b>	06B 109 119 A S5	Rep. Satz Zahnriemen / rep. kit timing belt	(2) →(ch.) 1J-Y-850000	
<b>37642</b>	06A 198 119 B	Rep. Satz Zahnriemen / rep. kit timing belt	(mot.) AGU/AUM/AUQ	



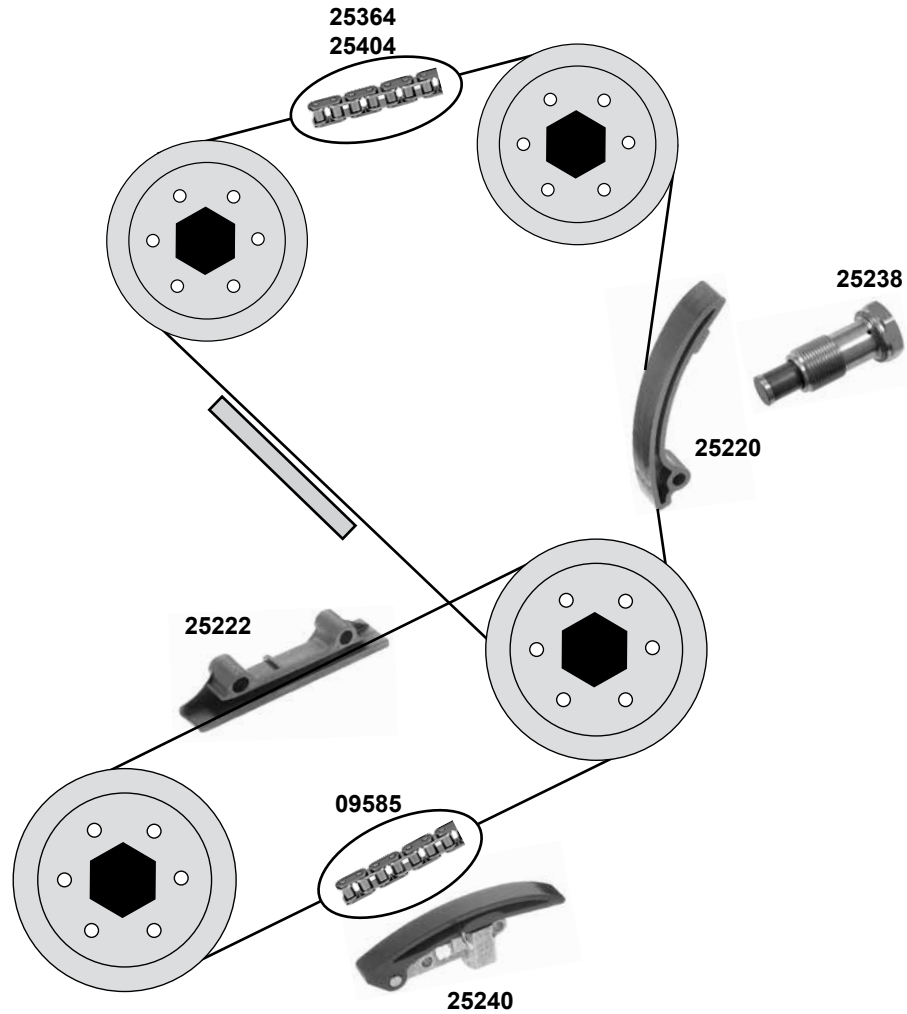
# VOLKSWAGEN Golf 4 / Bora (1J)

(98→05)

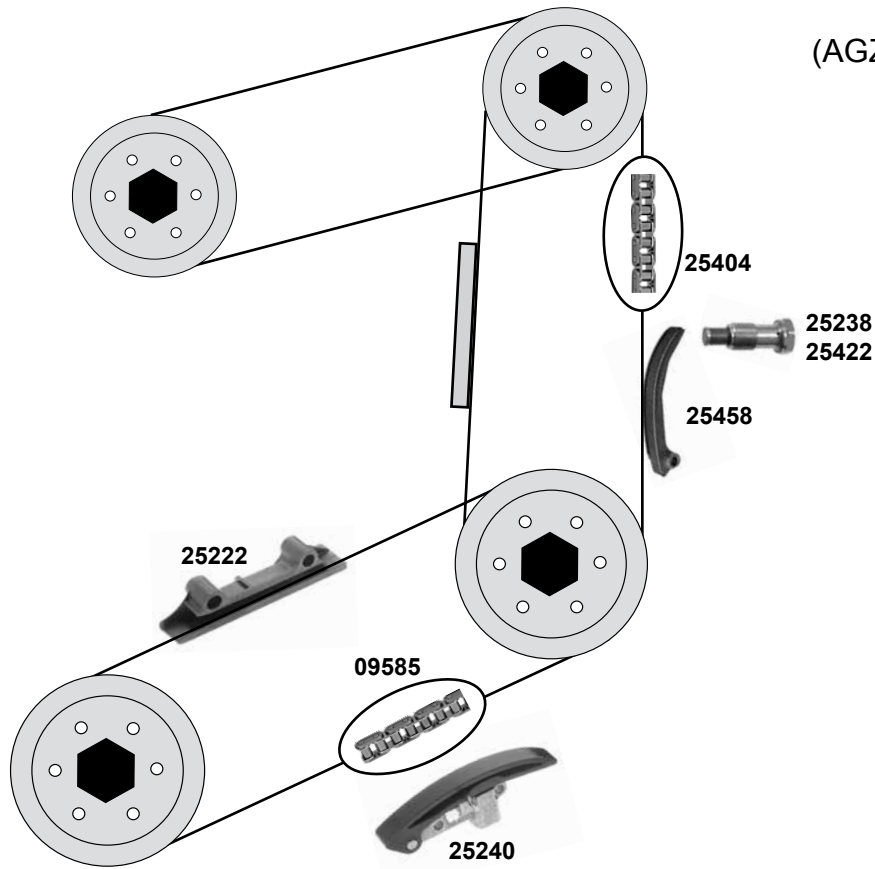
Car  
Division



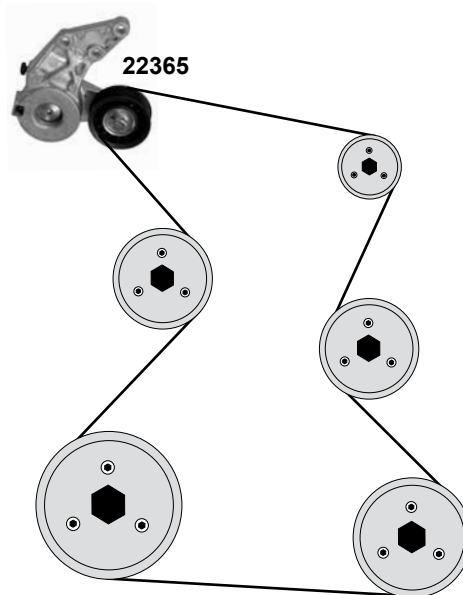
**2,3 V5**  
(AGZ / AQN)



	Ref. - No.			
<b>09585</b>	021 109 467	Steuerkette / timing chain	(mot.) AGZ	70 E
<b>25220</b>	021 109 509 E	Kettenspanner / chain tensioner	(mot.) AGZ→051 000	
<b>25222</b>	021 109 469	Gleitschiene / sliding rail	(mot.) AGZ	
<b>25238</b>	021 109 507 B	Kettenspanner / chain tensioner	(mot.) AGZ	
<b>25240</b>	021 109 467	Kettenspanner / chain tensioner	(mot.) AGZ	
<b>25364</b>	021 109 503 D	Steuerkette / timing chain	(mot.) AGZ	90 E
<b>25404</b>	066 109 503 C	Steuerkette / timing chain	(mot.) AQN	98 E



**2,8**  
(AGZ / AQP / AUE / BDE)



**2,8 / 3,2**  
(AQN / BDE / BFH / BML)

	Ref. - No.			
<b>09585</b>	021 109 467	Steuerkette / timing chain		70E
<b>22365</b>	022 145 299 D	Riemenspanner / belt tensioner		ØA 73
<b>25222</b>	021 109 469	Gleitschiene / sliding rail		
<b>25238</b>	021 109 507 B	Kettenspanner / chain tensioner	(mot.) AGZ / → 01	
<b>25240</b>	021 109 467	Kettenspanner / chain tensioner		
<b>25404</b>	066 109 503 C	Steuerkette / timing chain	(mot.) BDE	98 E
<b>25422</b>	022 109 507 A	Kettenspanner / chain tensioner	(mot.) AQP/AUE → 01	
<b>25458</b>	022 109 509 C	Gleitschiene / sliding rail	→ 01	

# VOLKSWAGEN

## Golf 5 (1K)

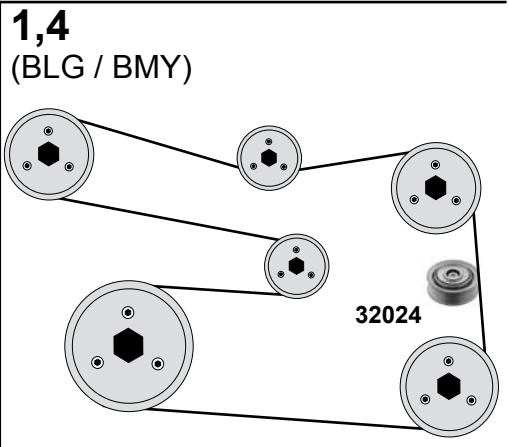
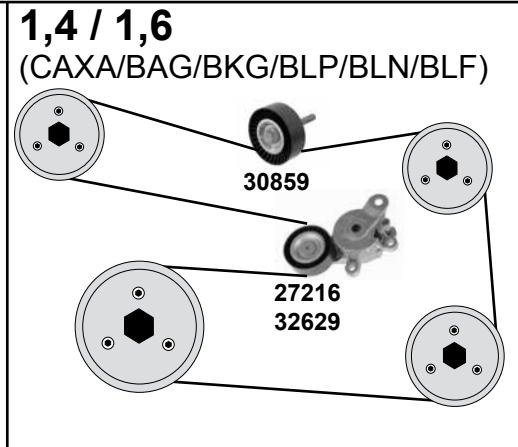
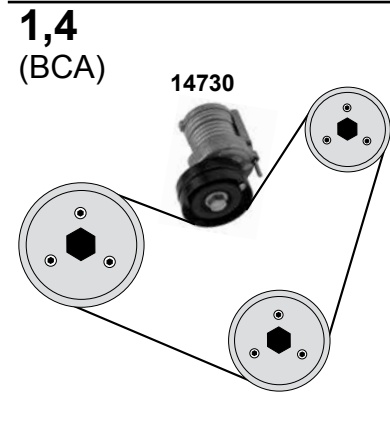
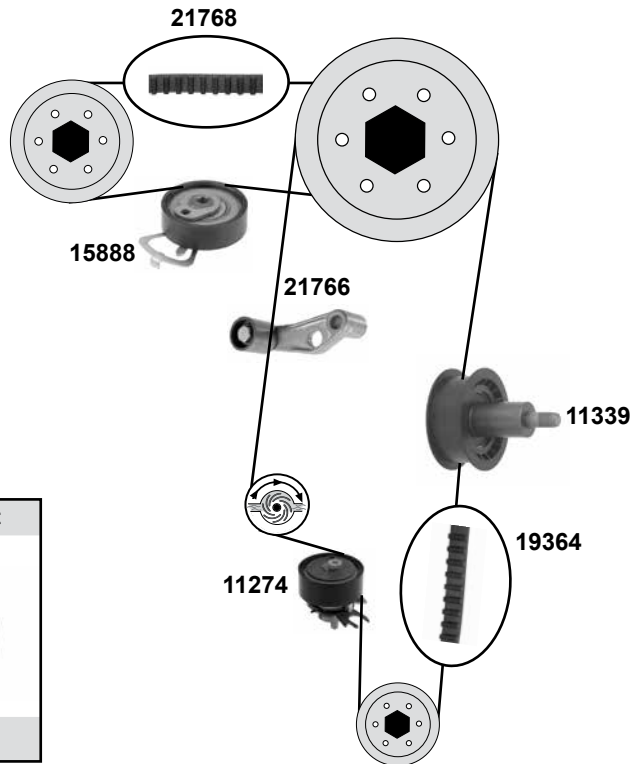
(03→09)

Car  
Division



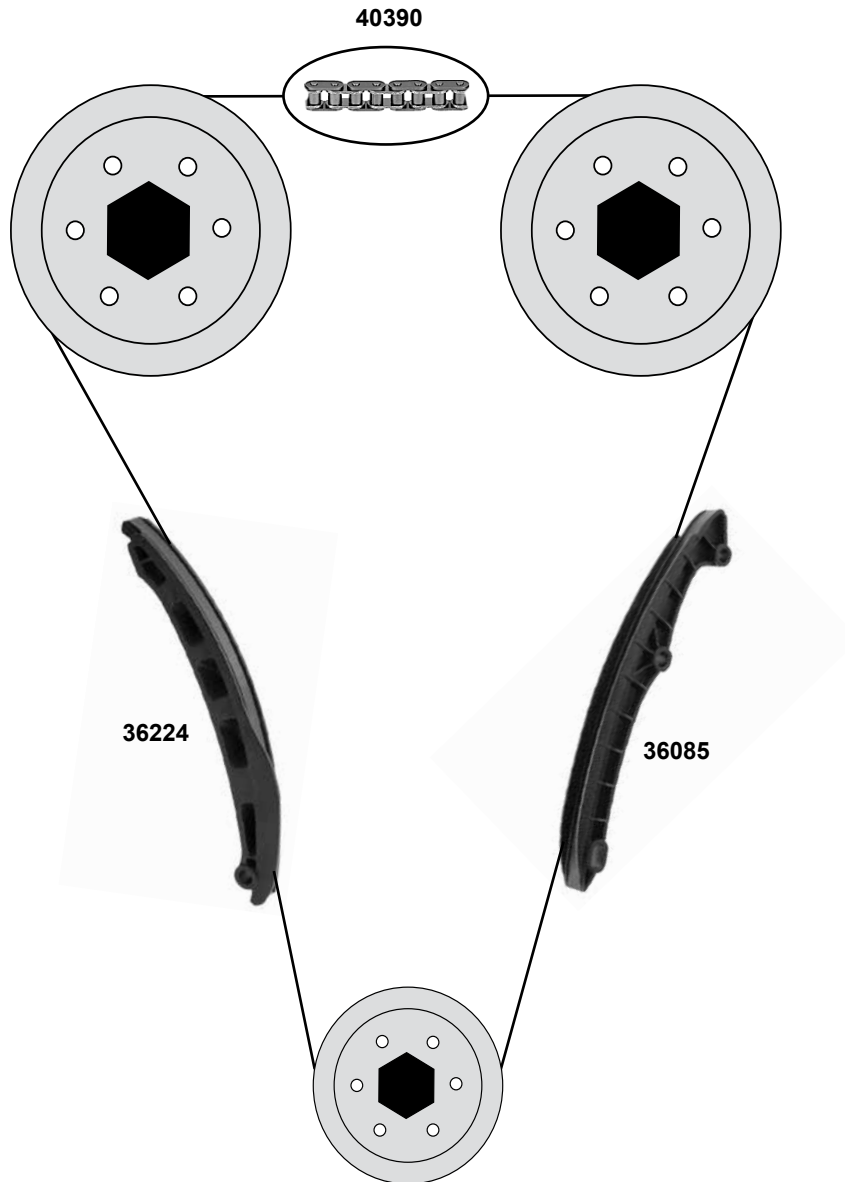
**1,4 16V**  
(BCA/BUD/CAXA)

→ (ch.) 1K-9-400 000



(1) Golf 5 Variant (mot.) BUD 07→

Ref. - No.			
11274	036 109 243 AB	Spannrolle / tension roller	(mot.) BCA/BUD ØA 80 ØI 8 B25
11339	036 109 244 J	Umlenkrolle / deflection pulley	(mot.) BCA/BUD ØA 56 B22
14730	030 145 299 F	Riemenspanner / belt tensioner	ØA 70 B26
15888	036 109 243 AE	Spannrolle / tension roller	(mot.) BCA/BUD ØA 60 B19
19364	036 109 119 Q	Zahnriemen / timing belt	(mot.) BCA/BUD Z 130 B20
21766	036 109 181 A	Umlenkrolle / deflection pulley	(mot.) BCA/BUD ØA 28 B30
21768	036 109 119 P	Zahnriemen / timing belt	(1) Z 58 B17
21770	036 109 119 Q S1	Rep. Satz Zahnriemen / rep. kit timing belt	(mot.) BCA/BUD
21772	036 109 119 Q S2	Rep. Satz Zahnriemen / rep. kit timing belt	(mot.) BCA/BUD
21774	036 109 119 P S1	Rep. Satz Zahnriemen / rep. kit timing belt	(mot.) BCA/BUD
27216	6Q0 145 299	Riemenspanner / belt tensioner	(ex.) AC
30859	1J0 145 276	Umlenkrolle / deflection pulley	AC ØA 76 B 26
32024	03C 145 276 C	Umlenkrolle / deflection pulley	(ex.) AC
32629	03C 145 299 Q	Riemenspanner / belt tensioner	AC CAXA 07→



Ref. - No.



<b>36085</b>	03C 109 469 K	Gleitschiene/ sliding rail
<b>36224</b>	03C 109 509 P	Gleitschiene/ sliding rail
<b>40390</b>	03C 109 158 A	Steuerkette / timing chain

130 E

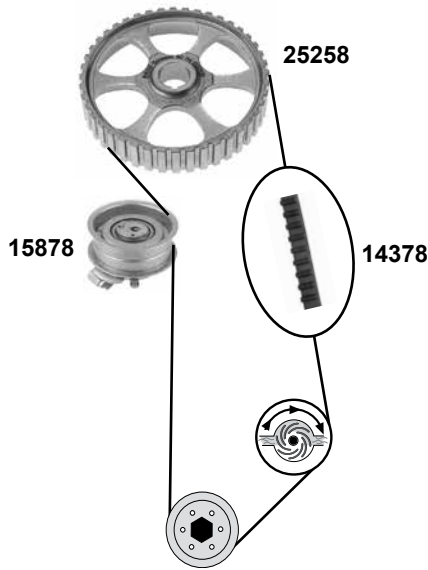
# VOLKSWAGEN Golf 5 (1K)

(04→)

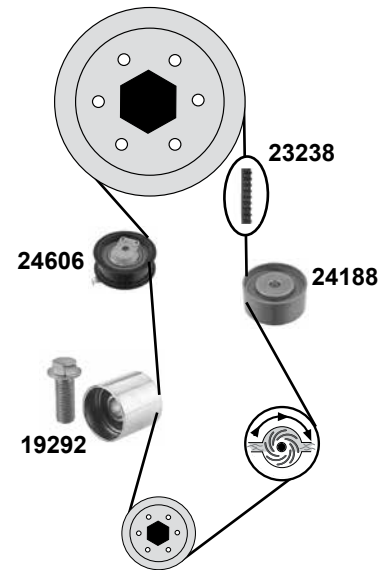
Car  
Division



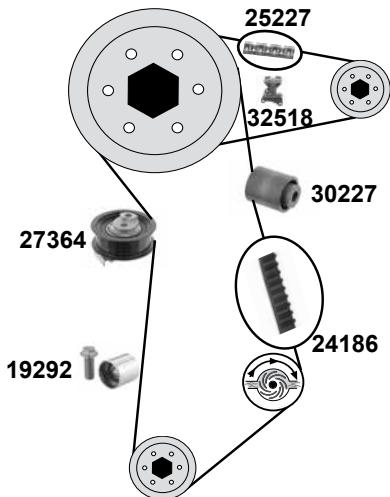
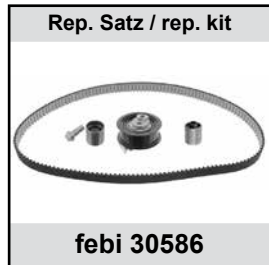
**1,6 16V**  
(BGU)



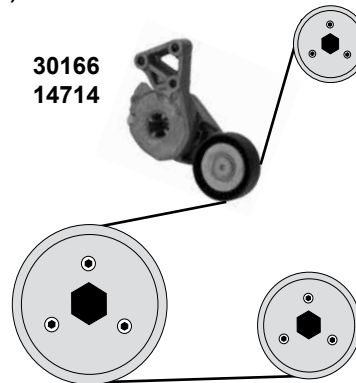
**2,0 16V**  
(AXW)



**2,0 16V**  
(AXX/BLX/BLY/BLR/BVX/BVZ/BVY/BWA/BPY)



**1,6 16V**  
(AKL)  
**2,0 16V**  
(AZJ/BFQ/AEH/AQY/APK/BEH/AXX/BWA/  
BYD/BPY)



(1) (mot.) AKL/AZJ/BFQ/AEH/AQY/APK/BEH

(2) (mot.) AXX/BWA/BYD/BPY



Ref. - No.



14378	037 109 119 C
14714	06A 903 315 E
15878	06A 109 479 C
19292	06B 109 244
23238	06D 109 119
24186	06D 109 119 B
24188	06D 109 244 A
24606	06D 109 243
24764	06F 198 119
25227	06D 109 229 B
25258	06A 109 105 C
27364	06D 109 243 B
30166	06F 903 315
30227	06D 109 244 E
30586	06F 198 119 A
32518	06F 109 217 A

Zahnriemen / timing belt
Riemenspanner / belt tensioner
Spannrolle / tension roller
Umlenkrolle / deflection pulley
Zahnriemen / timing belt
Zahnriemen / timing belt
Umlenkrolle / deflection pulley
Spannrolle / tension roller
Rep. Satz Zahnriemen / rep. kit timing belt
Steuerkette / timing chain
Nockenwellenrad / camshaft gear
Spannrolle / tension roller
Riemenspanner / belt tensioner
Umlenkrolle / deflection pulley
Rep. Satz Zahnriemen / rep. kit timing belt
Kettenspanner / chain tensioner

(1)

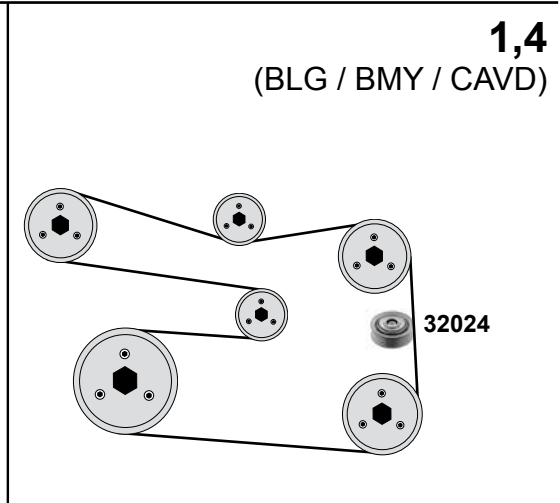
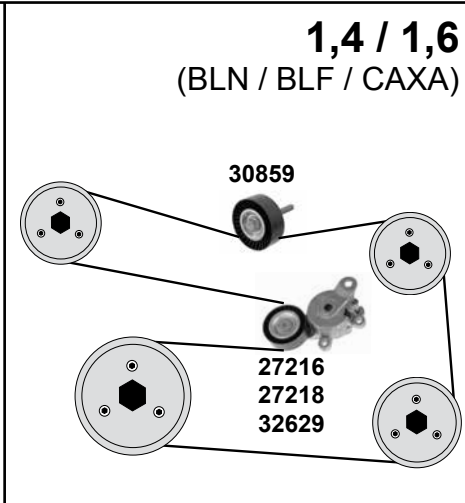
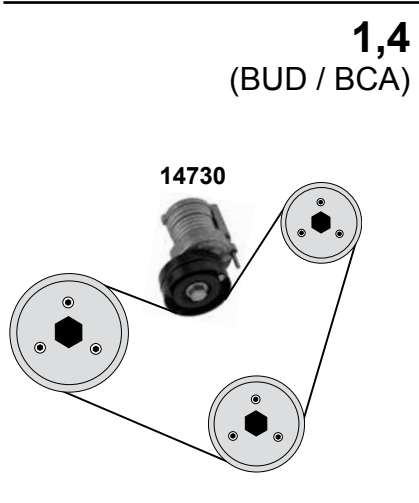
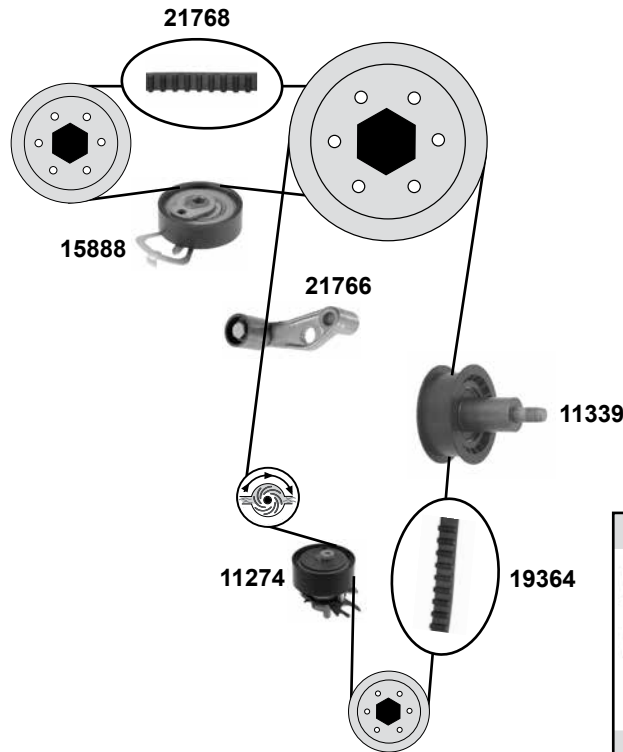
(2)

(mot.) BWA (ch.) → 1K-9-304 940

Z 124 B18
ØA 72 B29
ØA 28,5 B27
Z 145
Z 148 B23
Z145
42E
ØA 77 B25
ØA 28,5 B33,5

→ (ch.) 1K-9-899 999

**1,4 16V**  
(BCA / BUD)



Ref. - No.



11274	036 109 243 AB	Spannrolle / tension roller		ØA 80 ØI 8
11339	036 109 244 J	Umlenkrolle / deflection pulley		ØA 56 B22
14730	030 145 299 F	Riemenspanner / belt tensioner		ØA 70 B26
15888	036 109 243 AE	Spannrolle / tension roller		ØA 60 B19
19364	036 109 119 Q	Zahnriemen / timing belt		Z 130 B20
21766	036 109 181 A	Umlenkrolle / deflection pulley		ØA 28 B30
21768	036 109 119 P	Zahnriemen / timing belt		Z 58 B17
21770	036 109 119 Q S1	Rep. Satz Zahnriemen / rep. kit timing belt		→ 07
21772	036 109 119 Q S2	Rep. Satz Zahnriemen / rep. kit timing belt		
21774	036 109 119 P S1	Rep. Satz Zahnriemen / rep. kit timing belt		
27216	6Q0 145 299	Riemenspanner / belt tensioner	(ex.) AC	
27218	03C 145 299 C	Riemenspanner / belt tensioner	AC (ex.)CAXA	
30859	1J0 145 276	Umlenkrolle / deflection pulley	AC	ØA 76 B 26
32024	03C 145 276 C	Umlenkrolle / deflection pulley	(ex.) AC	ØA 81 B 37
32629	03C 145 299 Q	Riemenspanner / belt tensioner	AC CAXA 08→	

# VOLKSWAGEN Golf 5 Plus (1K)

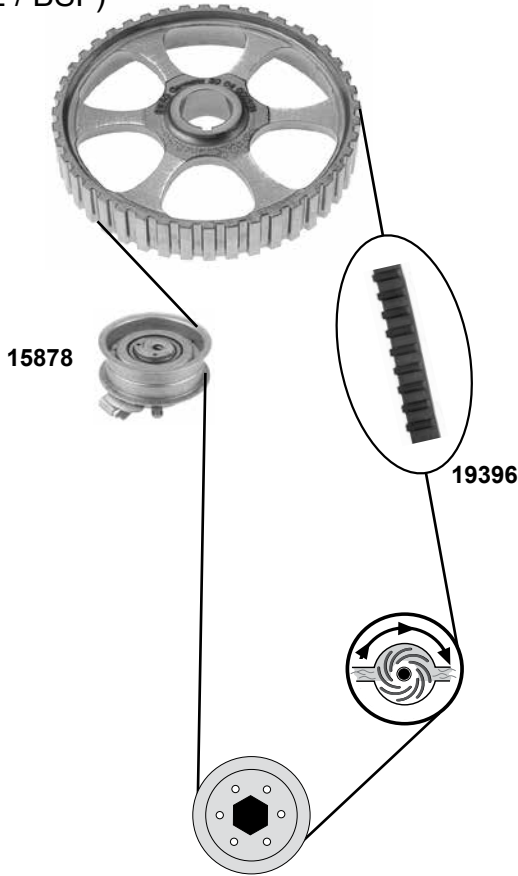
(05→)

Car  
Division

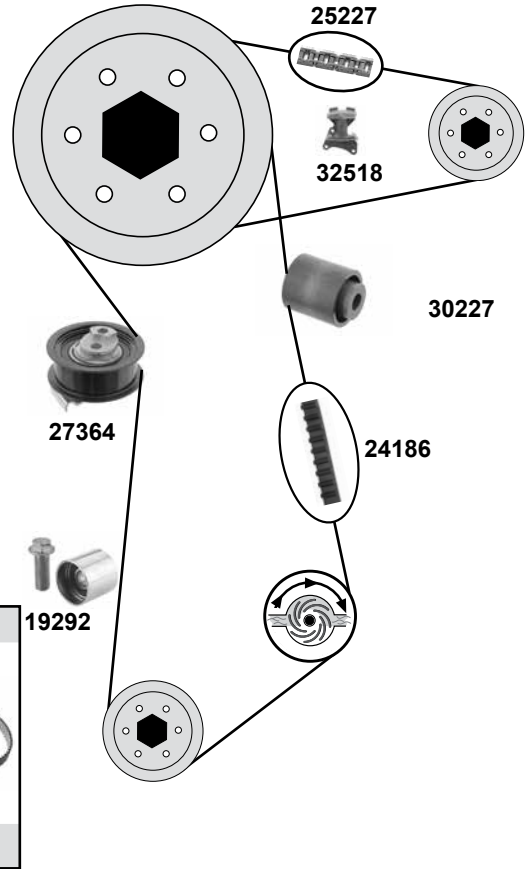


## 1,6 16V (BSE / BSF)

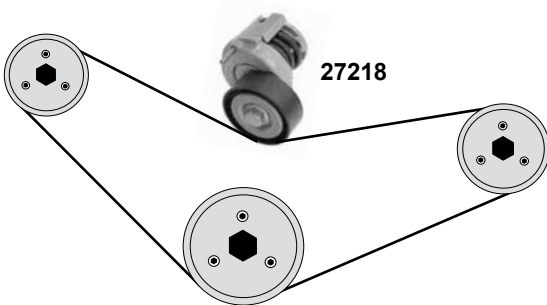
25258



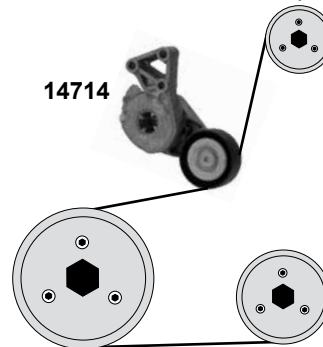
## 2,0 16V (BLY / BVZ / BLR / BVY)



## 1,4 16V / 1,6 16V (BLN / BLF)



## 1,6 16V / 2,0 16V (AZJ/BFQ/AEH/AQY/APK/BEH/AKL)



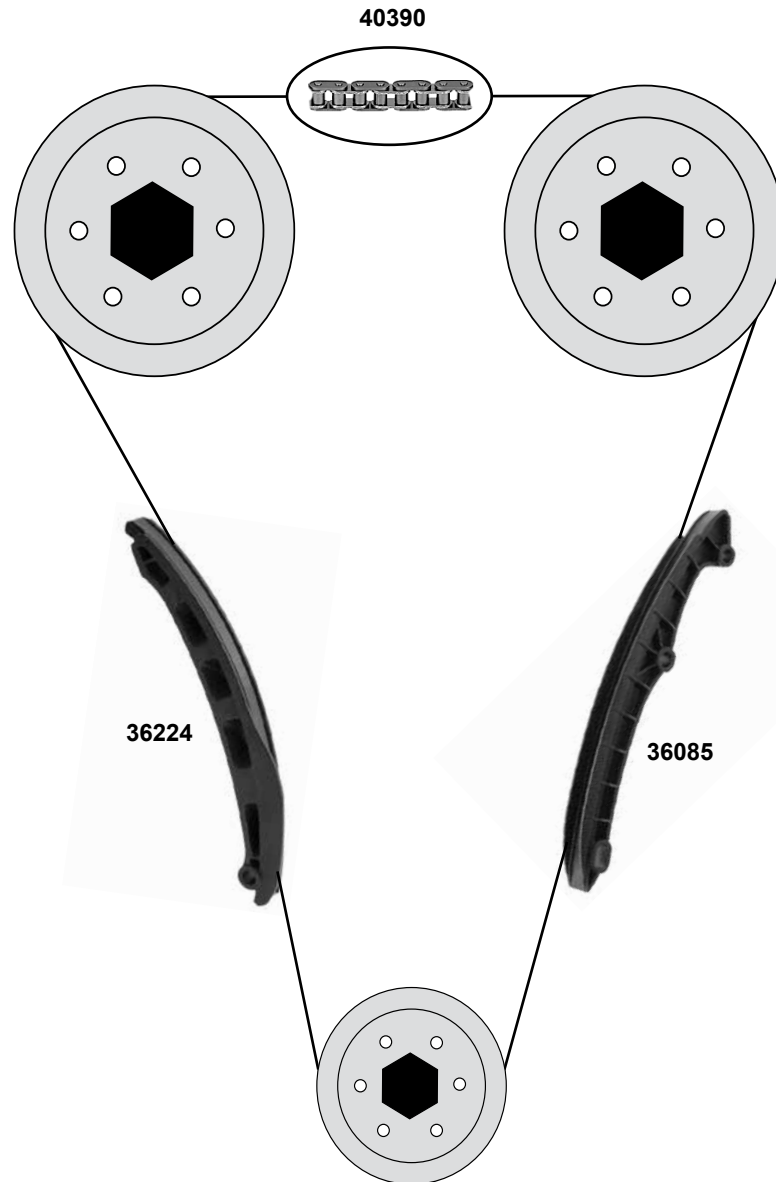
Ref. - No.



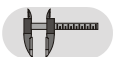
14714	06A 903 315 E	Riemenspanner / belt tensioner	
15878	06A 109 479 C	Spannrolle / tension roller	ØA 72 B29
19292	06B 109 244	Umlenkrolle / deflection pulley	ØA 28,5 B27
19396	06A 109 119 C	Zahnriemen / timing belt	Z 138 B23
24186	06D 109 119 B	Zahnriemen / timing belt	Z 148 B23
25227	06D 109 229 B	Steuerkette / timing chain	42E
25258	06A 109 105 C	Nockenwellenrad / camshaft gear	
27218	03C 145 299 C	Spannrolle / tension roller	
27364	06D 109 243 B	Spannrolle / tension roller	
30227	06D 109 244 E	Umlenkrolle / deflection pulley	
30586	06F 198 119 A	Rep. Satz Zahnriemen / rep. kit timing belt	
32518	06F 109 217 A	Kettenspanner / chain tensioner	

AC

ØA 77 B25  
ØA 28,5 B33,5



Ref. - No.



**36085** 03C 109 469 K  
**36224** 03C 109 509 P  
**40390** 03C 109 158 A

Gleitschiene/ sliding rail  
Gleitschiene/ sliding rail  
Steuerkette / timing chain

130 E



# VOLKSWAGEN Golf 6 / Golf 6 Plus (1K)

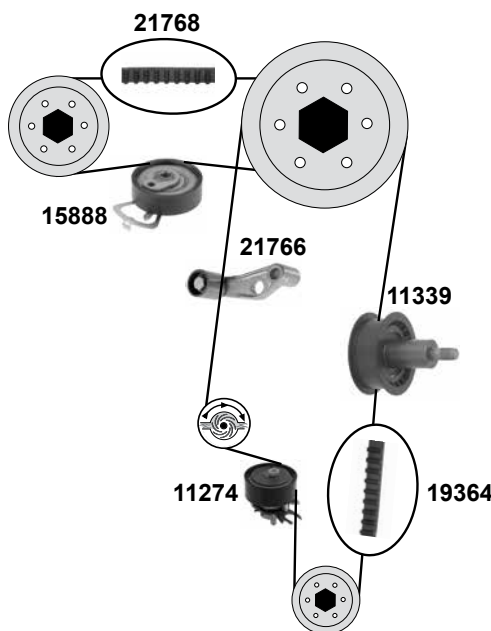
(08→)

Car  
Division



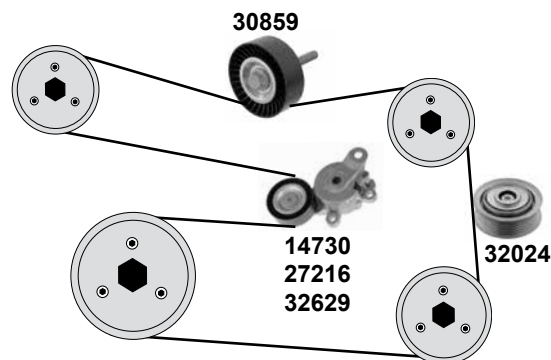
## 1,2 / 1,4 16V

(CGGA/BUD/CBZB/CBZA/CAXA)



## 1,4 16V

(CBZB/CBZA/CAXA/CAVD/CNWA/CGGA/BUD/CAXA)



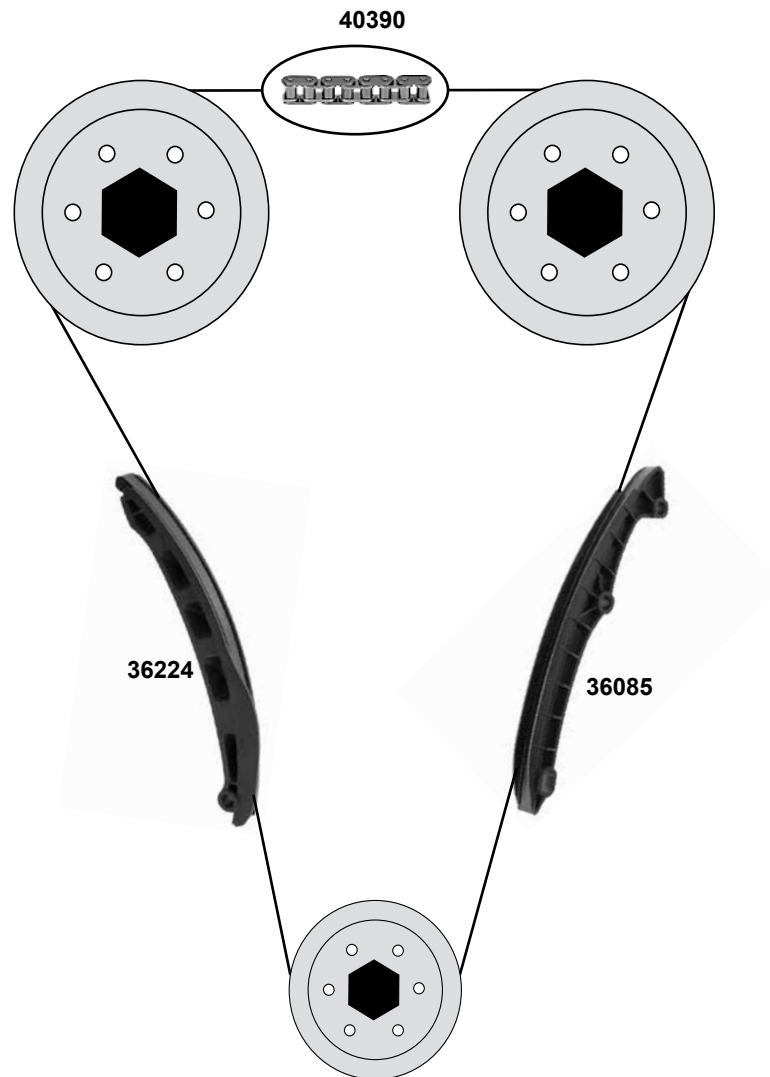
- (1) variant/4motion 09→(mot.) CGGA / BUD (ch.) 1K-9-400 001 → plus 09→(mot.) CGGA (ch.) 1K-9-900 001 →
- (2) 09→(mot.) CAVD/CNWA / cabrio 12→(mot.) CAVD
- (3) 09→(mot.) CBZB/CBZA/CAXA
- (4) 09→ AC (mot.) CGGA/BUD
- (5) variant 09→(mot.) CGGA / BUD  
Golf 6 08→(mot.) CGGA  
Golf 6 Plus 09→(mot.) CGGA
- (6) Golf 6 08→(mot.) CGGA / CBZB / CBZA / CAXA  
variant 09→(mot.) CGGA / BUD / CAXA / CBZA / CBZB  
Golf 6 Plus 09→(mot.) CGGA / CBZB / CBZA / CAXA



Ref. - No.



Ref. - No.	Description	Quantity	Notes	Dimensions
11274	Spannrolle / tension roller	(1)		ØA 80 Ø1 8 B25
11339	Umlenkrolle / deflection pulley	(1)		ØA 56 B22
14730	Riemenspanner / belt tensioner	(4)		ØA 70 B26
15888	Spannrolle / tension roller	(5)		ØA 60 B19
19364	Zahnriemen / timing belt	(5)		Z 130 B20
21766	Umlenkrolle / deflection pulley	(1)		ØA 28 B30
21768	Zahnriemen / timing belt	(6)		Z 58 B17
21770	Rep. Satz Zahnriemen / rep. kit timing belt	(1)		
21772	Rep. Satz Zahnriemen / rep. kit timing belt	(1)		
21774	Rep. Satz Zahnriemen / rep. kit timing belt	(5)		
27216	Spannrolle / tension roller	(ex.) AC		ØA 60 B19
30859	Umlenkrolle / deflection pulley	AC		ØA 76 B26
32024	Umlenkrolle / deflection pulley	(2)		ØA 81 B37
32629	Riemenspanner / belt tensioner	(3) AC		



Ref. - No.



<b>36085</b>	03C 109 469 K
<b>36224</b>	03C 109 509 P
<b>40390</b>	03C 109 158 A

Gleitschiene/ sliding rail
Gleitschiene/ sliding rail
Steuerkette / timing chain

130 E

# VOLKSWAGEN Golf 6 (5K)

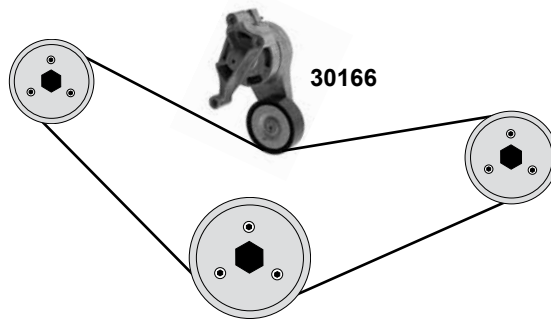
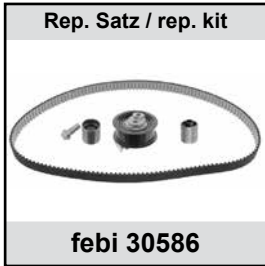
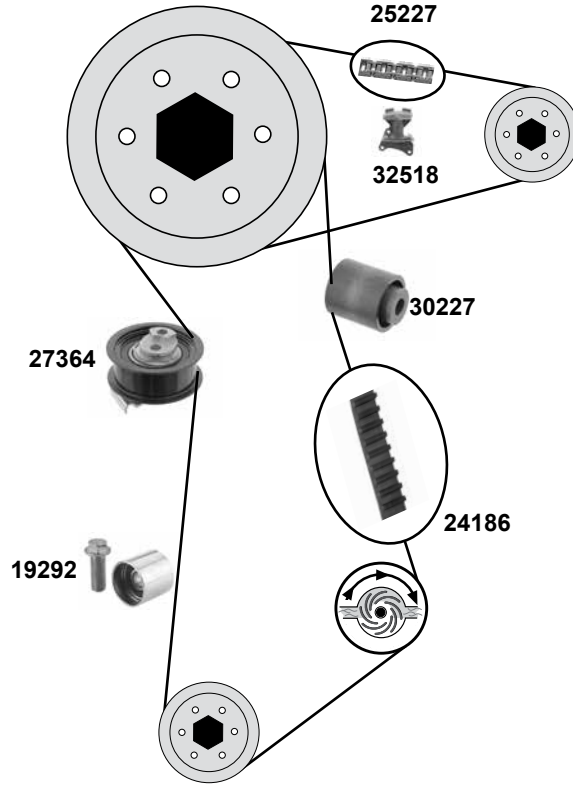
(09→)

Car  
Division



## 2,0 16V

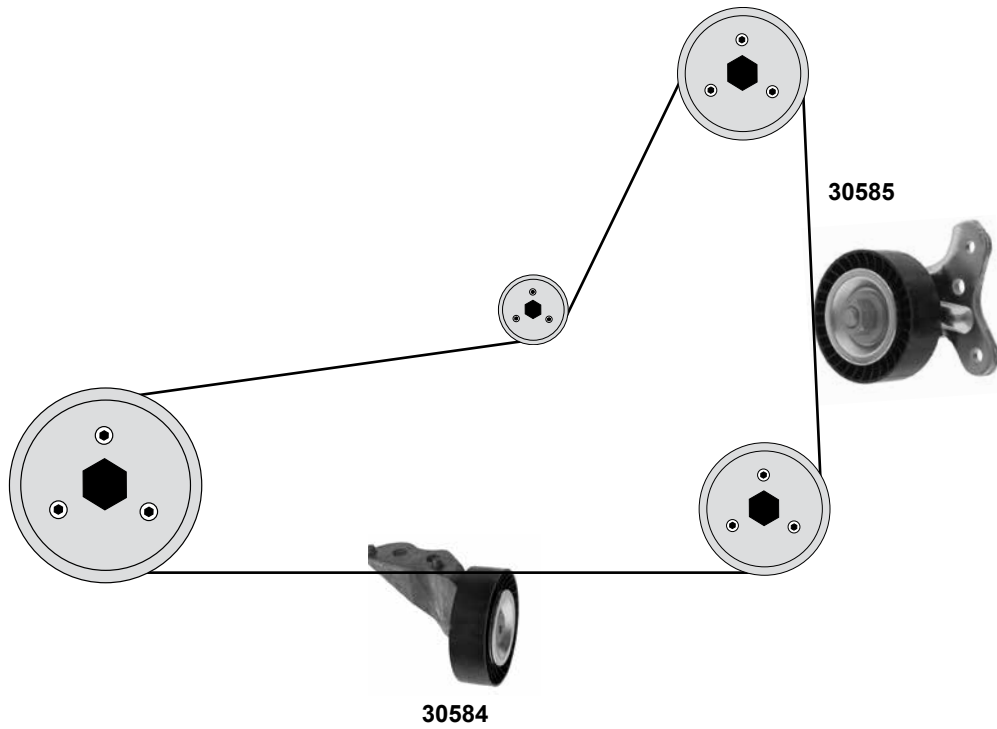
(CDLC / CDLF / CDLG / CRZA)



Ref. - No.



19292	06B 109 244	Umlenkrolle / deflection pulley	
24186	06D 109 119 B	Zahnriemen / timing belt	
25227	06D 109 229 B	Steuerkette / timing chain	
27364	06D 109 243 B	Spannrolle / tension roller	ØA 28,5 B27
30166	06F 903 315	Riemenspanner / belt tensioner	Z 148 B23
30227	06D 109 244 E	Umlenkrolle / deflection pulley	42E
30586	06F 198 119 A	Rep. Satz Zahnriemen / rep. kit timing belt	ØA 77 B25
32518	06F 109 217 A	Kettenspanner / chain tensioner	ØA 28,5 B33,5



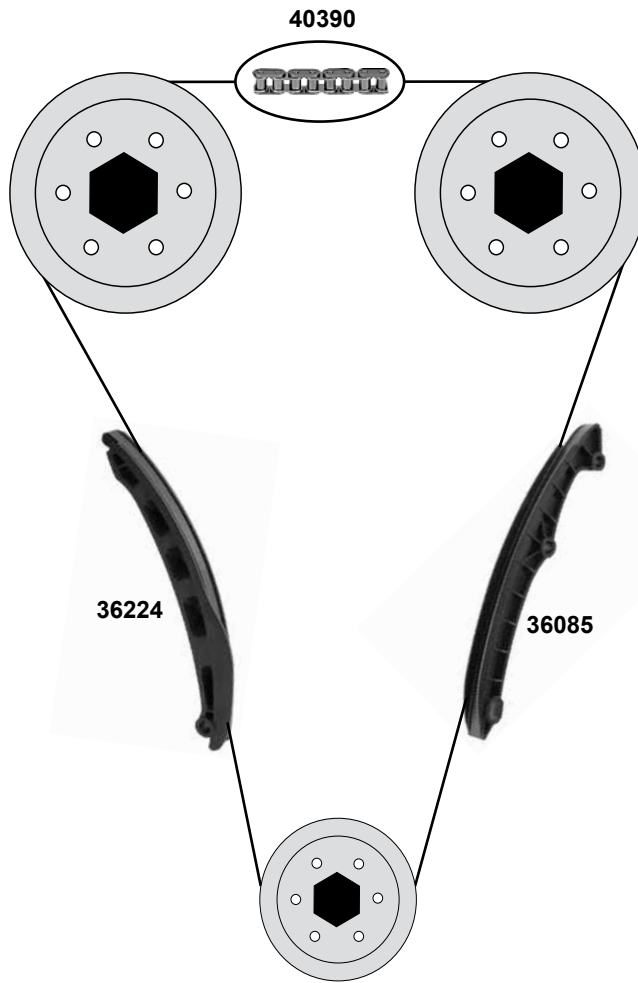
# VOLKSWAGEN Golf 6 Cabrio (51)

(12→)

Car  
Division



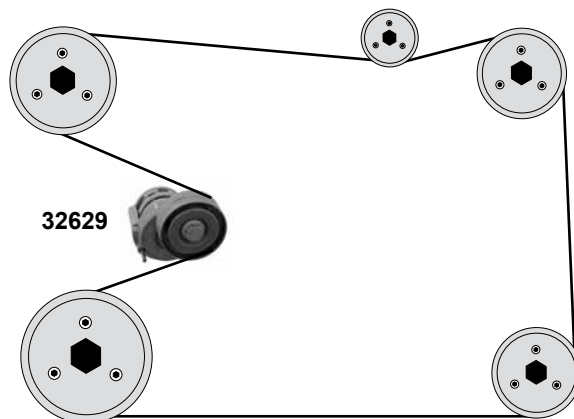
**1,4**  
(CAVD/CAXA/CNWA)



## Golf 6 Cabrio (51)

(12→)

**1,2 / 1,4**  
(CBZB / CAXA)



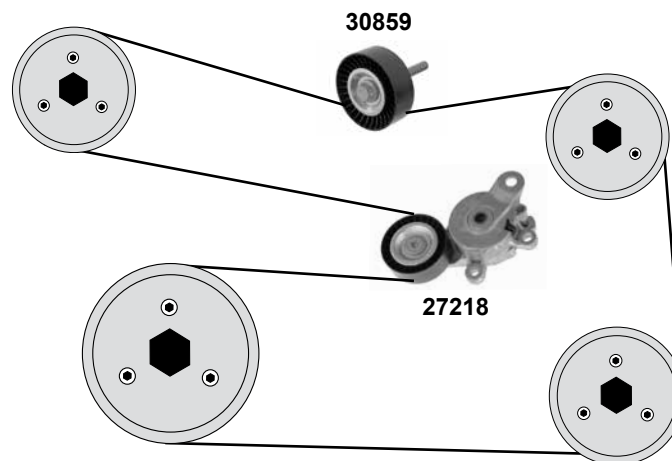
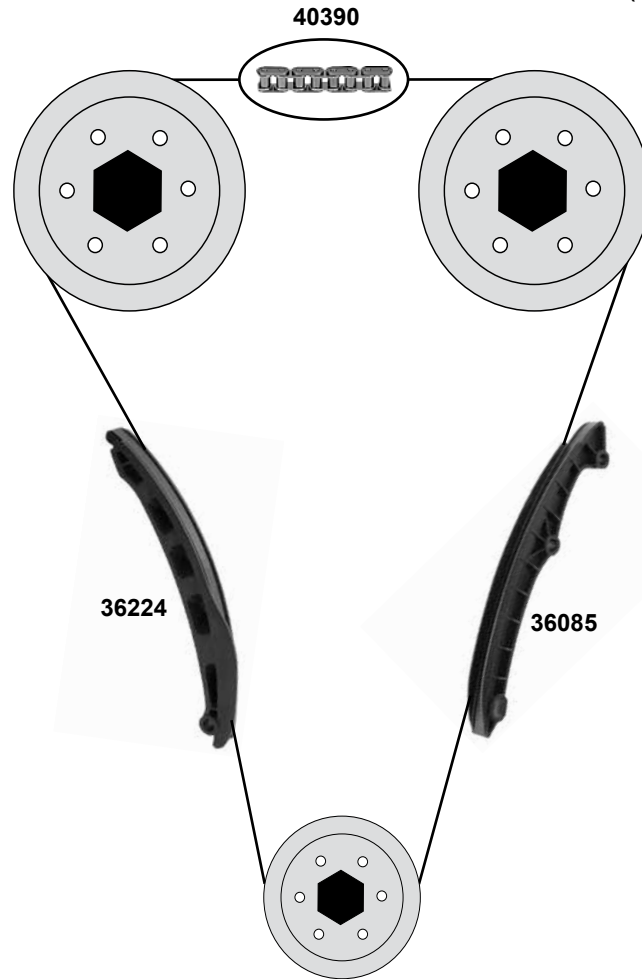
Ref. - No.



<b>32629</b>	03C 145 299 Q
<b>36085</b>	03C 109 469 K
<b>36224</b>	03C 109 509 P
<b>40390</b>	03C 109 158 A

Riemenspanner / belt tensioner
Gleitschiene/ sliding rail
Gleitschiene/ sliding rail
Steuerkette / timing chain

130 E



Ref. - No.



<b>27218</b>	03C 145 299 C
<b>30859</b>	1J0 145 276
<b>36085</b>	03C 109 469 K
<b>36224</b>	03C 109 509 P
<b>40390</b>	03C 109 158 A

Spannrolle / tension roller
Umlenkrolle / deflection pulley
Gleitschiene/ sliding rail
Gleitschiene/ sliding rail
Steuerkette / timing chain

<b>AC (mot.) BLF</b>
<b>AC</b>

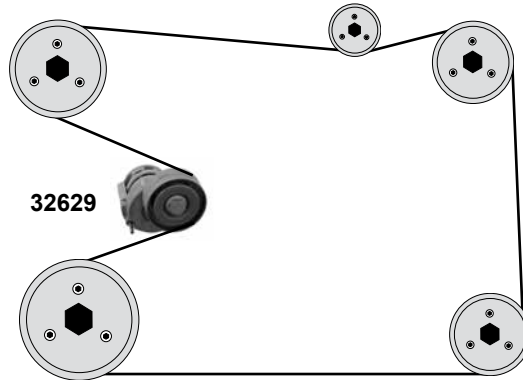
ØA 76 B 26

130 E



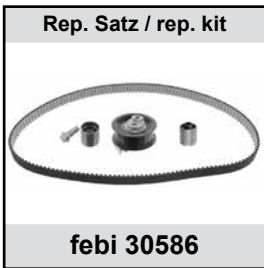
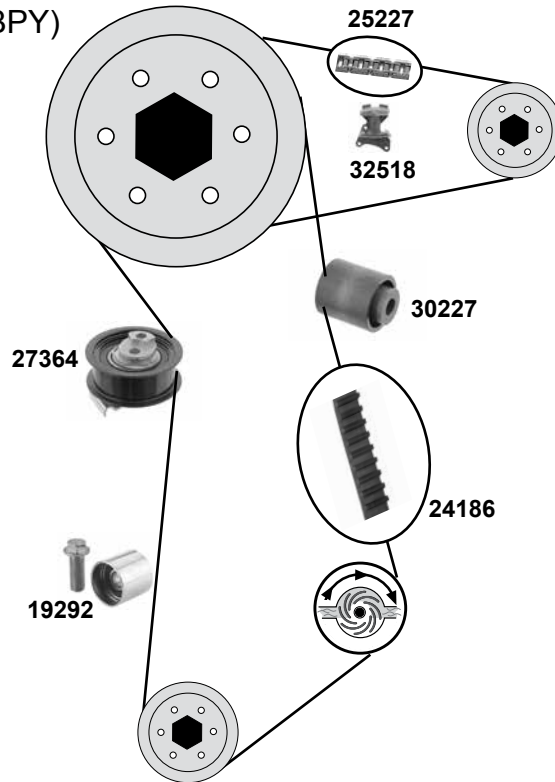
### 1,2 / 1,4

(CBZB/BFG/BMY)



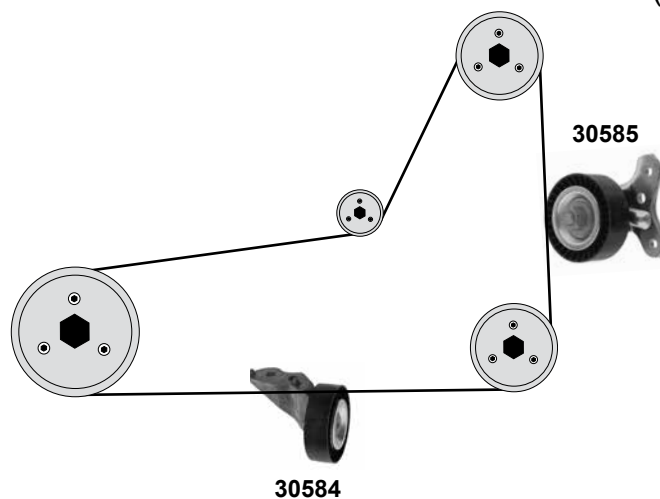
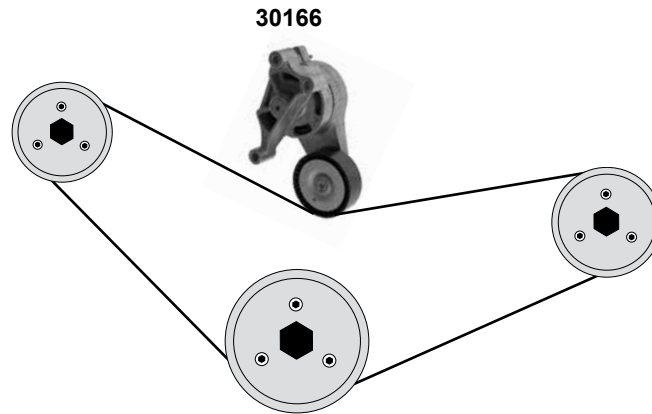
### 2,0 16V

(BLR/BLY/BVY/BVZ/BWA/BVX/BPY)



(1) (ex.) (mot.) BVX / (mot.) BWA (ch.)→1K-9-109 650

Ref. - No.				
19292	06B 109 244	Umlenkrolle / deflection pulley	(1)	ØA 28,5 B27
24186	06D 109 119 B	Zahnriemen / timing belt		Z 148
25227	06D 109 229 B	Steuerkette / timing chain	(ex.) (mot.) BWA/BVX	42E
27364	06D 109 243 B	Spannrolle / tension roller		ØA 77 B25
30227	06D 109 244 E	Umlenkrolle / deflection pulley		ØA 28,5 B33,5
30586	06F 198 119 A	Rep. Satz Zahnriemen / rep. kit timing belt		
32518	06F 109 217 A	Kettenspanner / chain tensioner		
32629	03C 145 299 Q	Riemenspanner / belt tensioner	AC	

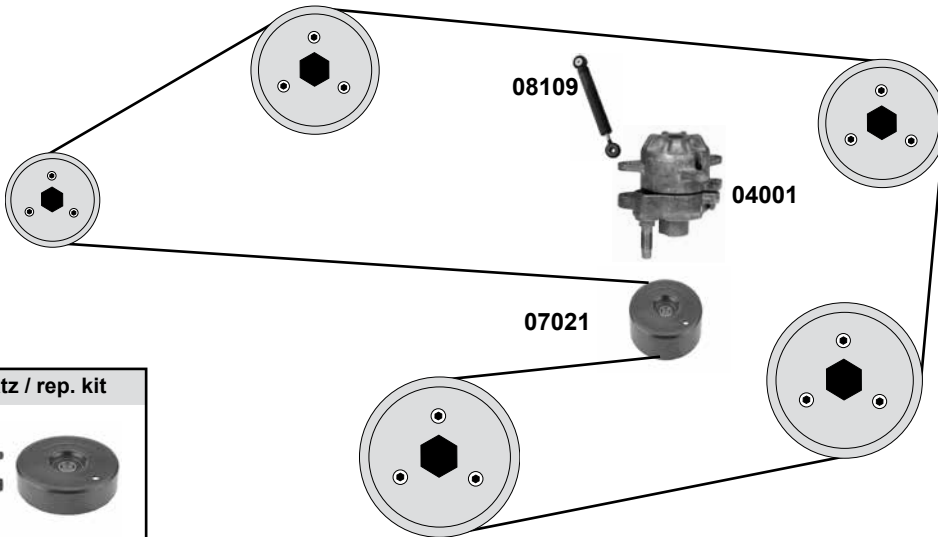
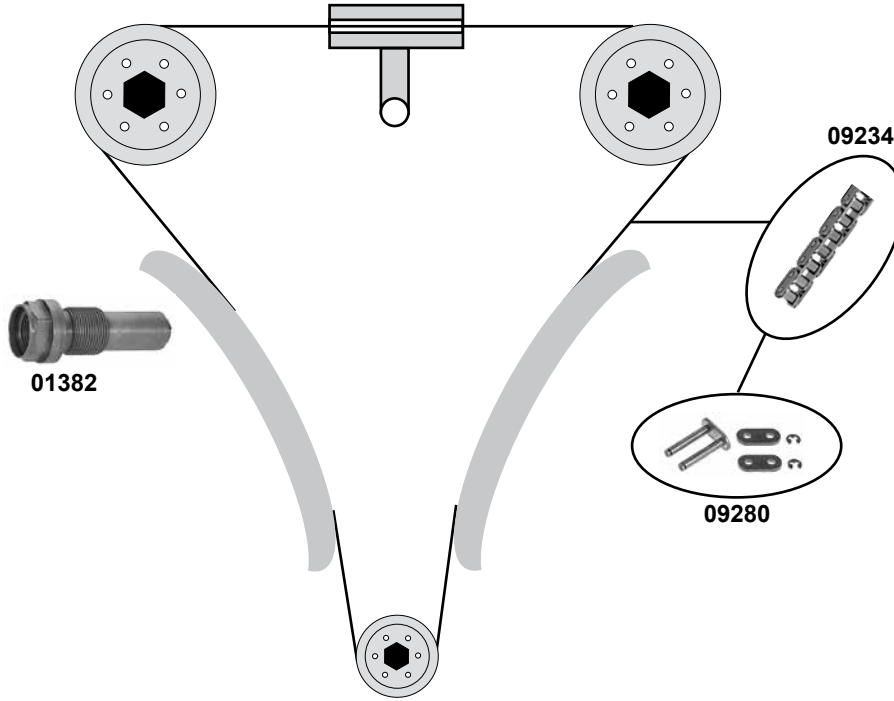






**2,3**

(AGL)



Rep. Satz / rep. kit



**febi 15923**



Ref. - No.

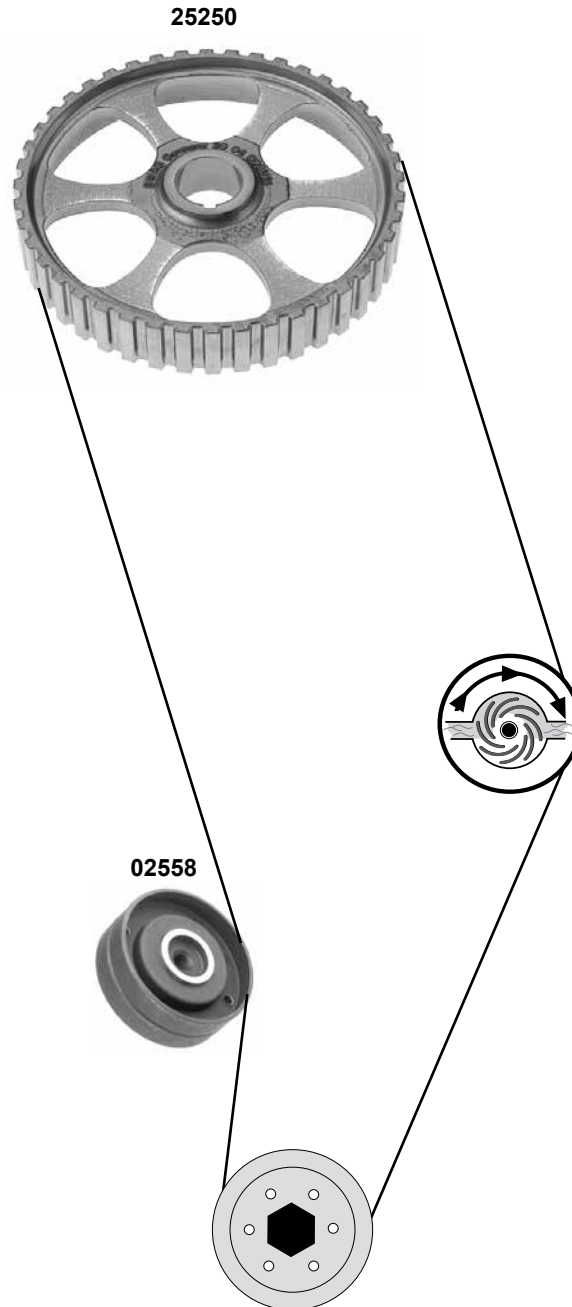


<b>01382</b>	00A 109 507
<b>04001</b>	00A 903 315
<b>07021</b>	00A 903 341
<b>08109</b>	00A 145 299
<b>09234</b>	00A 109 465
<b>09280</b>	00A 109 468
<b>15923</b>	00A 903 315 S1

Kettenspanner / chain tensioner
Riemenspanner / belt tensioner
Umlenkrolle / deflection pulley
Schwingsdämpfer / vibration damper
Steuerkette / timing chain
Kettenglied / chain link
Rep.Satz Riemen <span>spanner</span> / rep.kit belt tensioner

ØA 110 ØI 15 B28

D 455 / 126 V  
11 / D 455



Ref. - No.



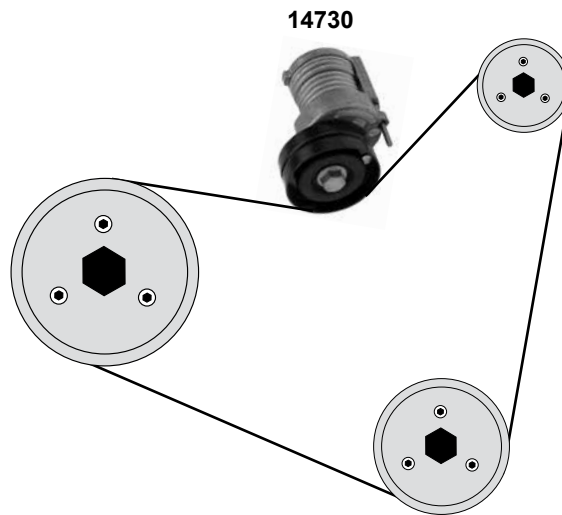
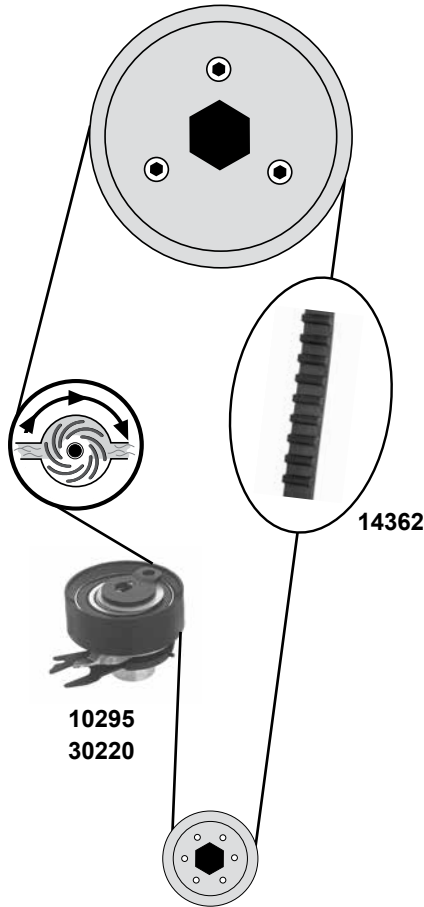
**02558** 069 109 243 B  
**25250** 049 109 111 C

Umlenkrolle / deflection pulley  
Nockenwellenrad / camshaft gear

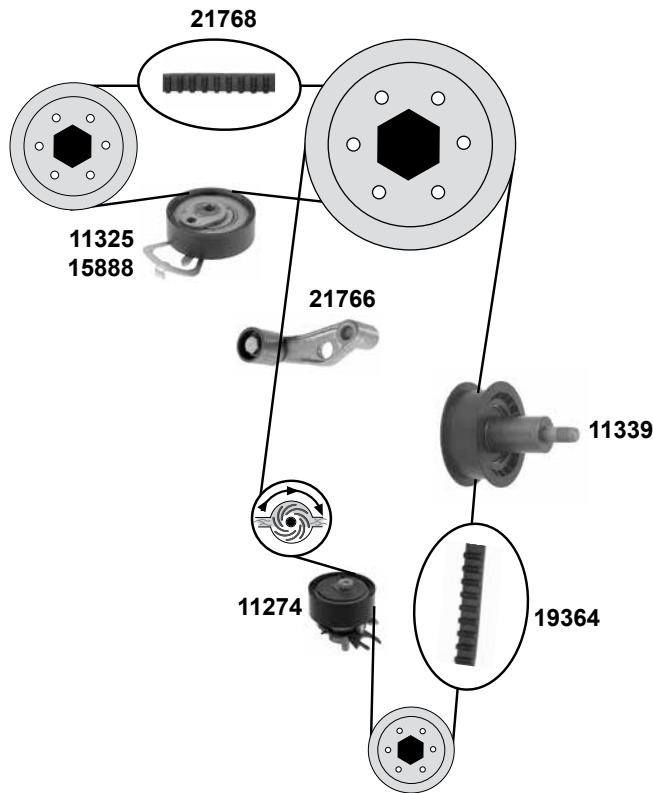
ØA 69 ØI 8 B27  
Z 44



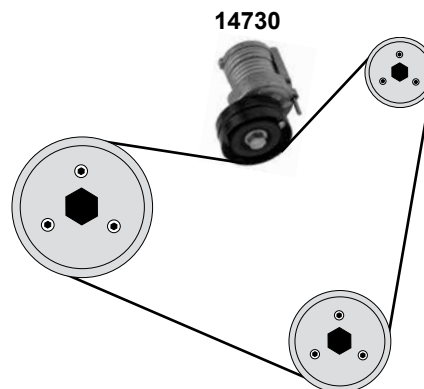
1,0 / 1,4 8V



	Ref. - No.			
10295	030 109 243 K	Spannrolle / tension roller	(ch.)→6-X-Y-060 000	ØA 61 ØI 8 B22
14362	030 109 119 S	Zahnriemen / timing belt		Z 135 B19
14608	030 109 119 S S1	Rep. Satz Zahnriemen / rep. kit timing belt	(ch.)→6-X-Y-060 000	
14730	030 145 299 F	Riemenspanner / belt tensioner		
23640	032 109 119 J S1	Rep. Satz Zahnriemen / rep. kit timing belt	(ch.) 6-X-Y-060 001→	
30220	030 109 243 M	Spannrolle / tension roller	(ch.) 6-X-Y-060 001→	ØA 61 ØI 8 B22



<p>Rep. Satz / rep. kit</p> <p><b>febi 21770</b></p>	<p>Rep. Satz / rep. kit</p> <p><b>febi 21772</b></p>
<p>Rep. Satz / rep. kit</p> <p><b>febi 21774</b></p>	<p>Rep. Satz / rep. kit</p> <p><b>febi 32427</b></p>



(1) (mot.)→AHW 164 200 (mot.)→AKQ 241 244	(2) (mot.) AHW 164 201→ (mot.) AKQ 241 245→
(3) (mot.) AFK/AHW/ANM/APE/AQQ/AUA/AUB/BBY/AKQ (mot.) ARR/AVY / 99→	(4) (mot.) AHW 160 001→ (mot.) AKQ 241 245→
(5) (mot.) AFK/ANM/APE/AQQ/AUA/AUB/BBY/AHW/AKQ	(6) (mot.) AFK/ANM/APE/AQQ/AUA/AUB/BBY (mot.) ARR/AVY / 99→

	Ref. - No.			
11274	036 109 243 AB	Spannrolle / tension roller		ØA 60 ØI 8 B25
11325	036 109 243 F	Spannrolle / tension roller	(1)	ØA 80 B18
11339	036 109 244 J	Umlenkrolle / deflection pulley		ØA 56 B22
14730	030 145 299 F	Riemenspanner / belt tensioner		ØA 70 B26
15888	036 109 243 AE	Spannrolle / tension roller	(4) (5)	ØA 60 19
19364	036 109 119 Q	Zahnriemen / timing belt	(3)	Z 130 B20
21766	036 109 181 A	Umlenkrolle / deflection pulley	(3)	ØA 28 B30
21768	036 109 119 P	Zahnriemen / timing belt		Z 58 B17
21770	036 109 119 Q S1	Rep. Satz Zahnriemen / rep. kit timing belt		
21772	036 109 119 Q S2	Rep. Satz Zahnriemen / rep. kit timing belt	(2)	
21774	036 109 119 P S1	Rep. Satz Zahnriemen / rep. kit timing belt	(4) (6)	
32427	036 198 119 F	Rep. Satz Zahnriemen / rep. kit timing belt	(1)	

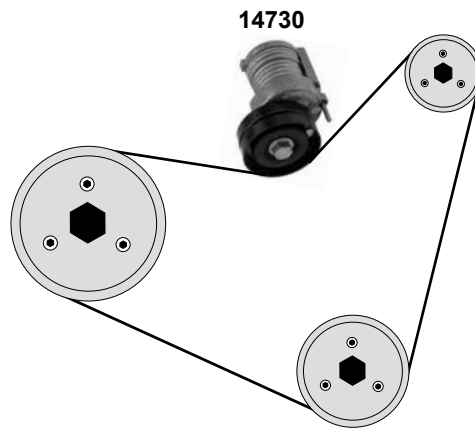
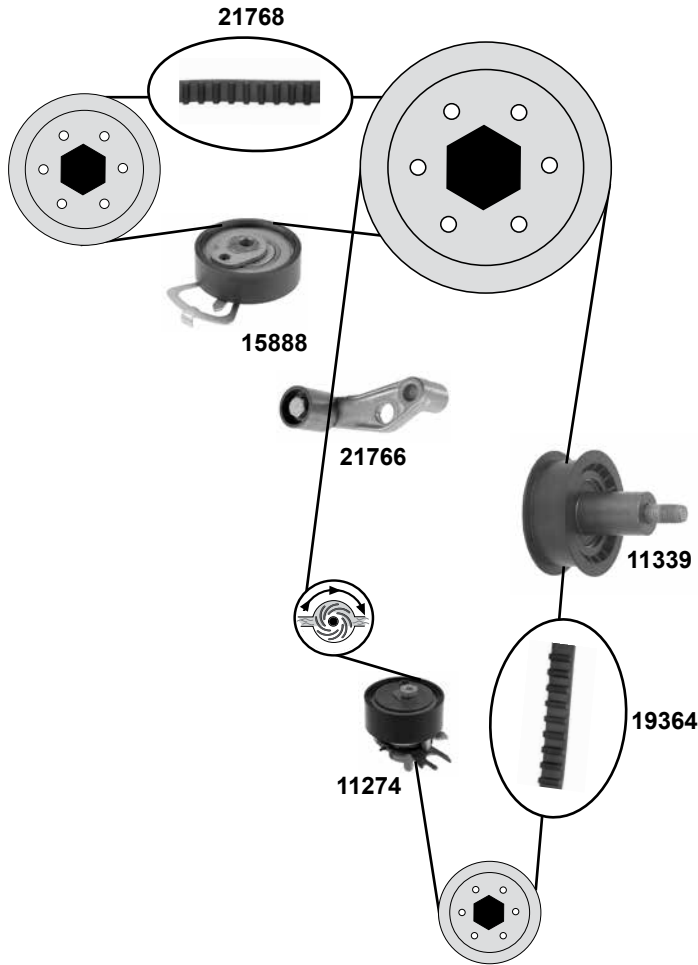
# VOLKSWAGEN New Beetle (9C/1C)

(98→10)

Car  
Division



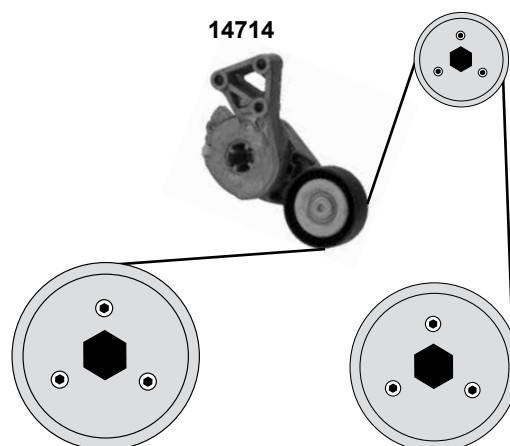
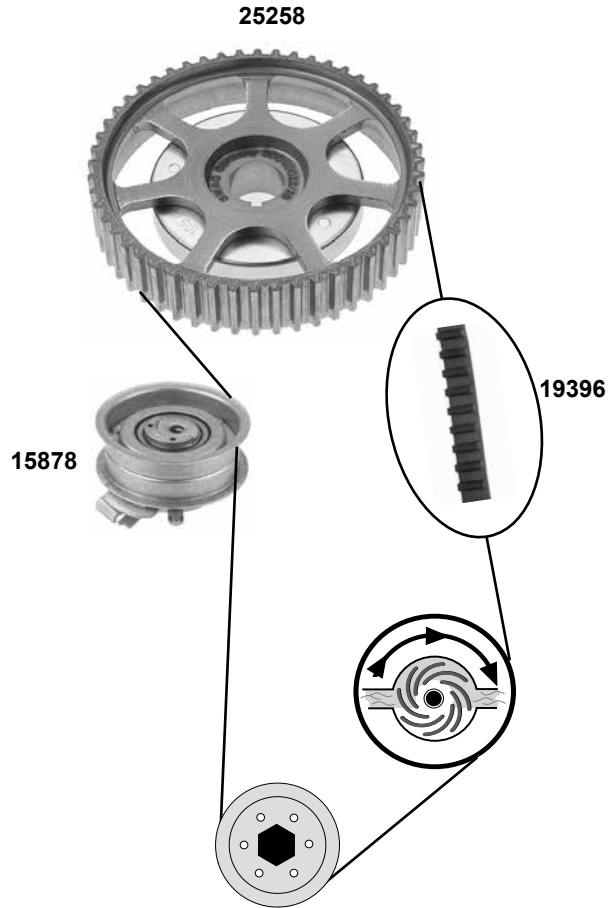
**1,4 16V**  
(BCA)



	Ref. - No.			
11274	036 109 243 AB	Spannrolle / tension roller		ØA 60 ØI 8 B25
11339	036 109 244 J	Umlenkrolle / deflection pulley		ØA 56 B22
14730	030 145 299 F	Riemenspanner / belt tensioner		ØA 70 B26
15888	036 109 243 AE	Spannrolle / tension roller		ØA 60 B19
19364	036 109 119 Q	Zahnriemen / timing belt		Z 130 B20
21766	036 109 181 A	Umlenkrolle / deflection pulley		ØA 28 B30
21768	036 109 119 P	Zahnriemen / timing belt		Z 58 B17
21770	036 109 119 Q S1	Rep. Satz Zahnriemen / rep. kit timing belt	02 →	
21772	036 109 119 Q S2	Rep. Satz Zahnriemen / rep. kit timing belt	(ch.)→9C-4-599 000	
21774	036 109 119 P S1	Rep. Satz Zahnriemen / rep. kit timing belt		

**1,6 / 2,0**

(AEG / AQY / AZG / AZJ / BEJ / BER / BHP / AWH / AYD)



Ref. - No.



<b>14714</b>	06A 903 315 E	Riemenspanner / belt tensioner
<b>15878</b>	06A 109 479 C	Spannrolle / tension roller
<b>19396</b>	06A 109 119 C	Zahnriemen / timing belt
<b>23634</b>	06A 198 119	Rep. Satz Zahnriemen / rep. kit timing belt
<b>25258</b>	06A 109 105 C	Nockenwellenrad / camshaft gear

(mot.) AYD→005 000

ØA 70 B24  
ØA 72 B29  
Z 138 B23  
  
Z52

# VOLKSWAGEN New Beetle (9C/1C)

(98→10)

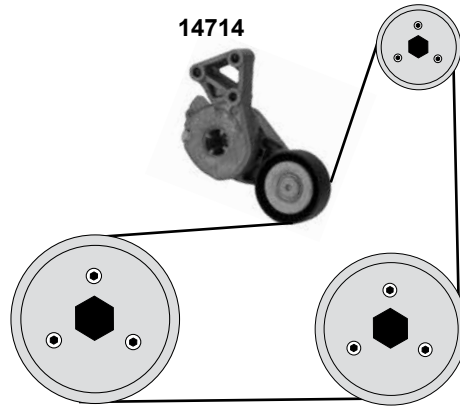
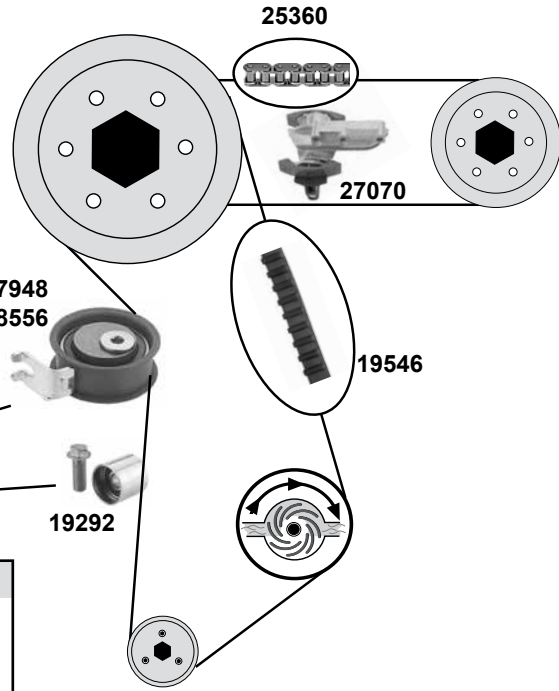
Car  
Division



**1,8**

(APH / AWV / AWU / AVC / AWP / BKF / BNU)

<p>Rep. Satz / rep. kit</p> <p><b>febi 19548</b></p>	<p>Rep. Satz / rep. kit</p> <p><b>febi 19550</b></p>	<p>Rep. Satz / rep. kit</p> <p><b>febi 23646</b></p>
<p>Rep. Satz / rep. kit</p> <p><b>febi 27298</b></p>	<p>Rep. Satz / rep. kit</p> <p><b>febi 27298</b></p>	<p>Rep. Satz / rep. kit</p> <p><b>febi 37642</b></p>



(1) (mot.) APH→028 500  
(mot.) AVC→003 000

(2) (mot.) APH 028 501→ / AWV / AWU  
(mot.) AVC 003 001→ / AWV / AWU

(3) (mot.) APH / AVC / AWP / AWU / AWV BKF / BNU →05



Ref. - No.



<b>14714</b>	06A 903 315 E
<b>17948</b>	06B109 243
<b>18556</b>	06B 109 243 F
<b>19292</b>	06B109 244
<b>19546</b>	06B109 119 A
<b>19548</b>	06A 198 119 A
<b>19550</b>	06B 109 119 A S2
<b>22346</b>	06B 109 243 F
<b>23646</b>	030 121 121 B
<b>25360</b>	058 109 229 B
<b>27070</b>	058 109 217 B
<b>27298</b>	06B 109 119 A S5
<b>37642</b>	06A 198 119 B

Riemenspanner / belt tensioner
Spannrolle / tension roller
Spannrolle / tension roller
Umlenkrolle / deflection pulley
Zahnriemen / timing belt
Rep. Satz Zahnriemen / rep. kit timing belt
Rep. Satz Zahnriemen / rep. kit timing belt
Riemenspanner / belt tensioner
Rep. Satz Zahnriemen / rep. kit timing belt
Rep. Satz Zahnriemen / rep. kit timing belt
Steuerkette / timing chain
Kettenspanner / chain tensioner
Rep. Satz Zahnriemen / rep. kit timing belt
Rep. Satz Zahnriemen / rep. kit timing belt

(1)  
(2)

(1)  
(2)

(2)

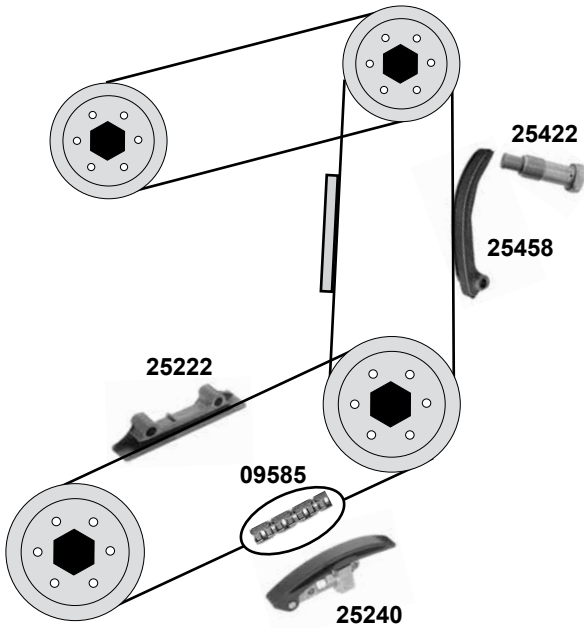
99→01 / (mot.) APH/AVC

(1)  
(3)

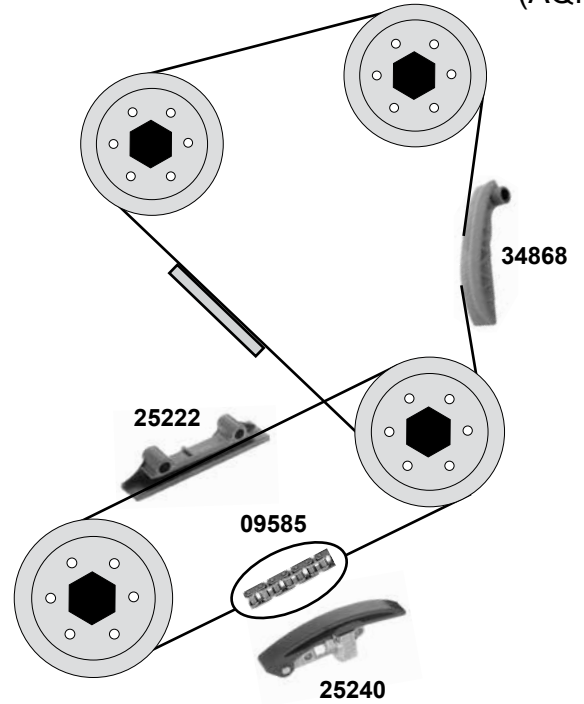
ØA 70 B24  
ØA 72 B30  
ØA 28,5 B27  
Z 150 B23

50 E

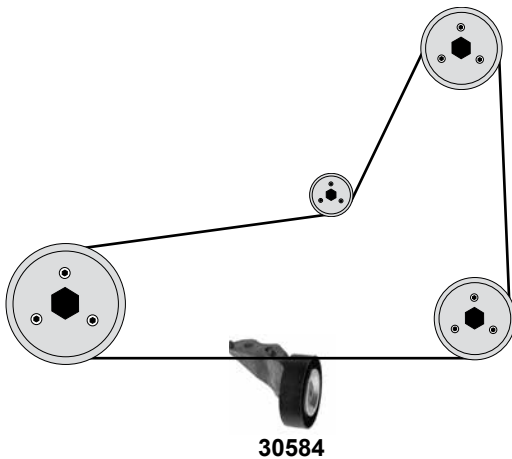
### 3,2 (AXJ)



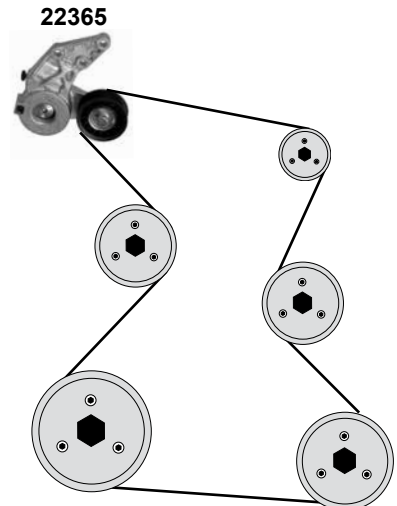
### 2,3 V5 (AQN)



### 2,5 20V (BPR / BPS)



### 2,3 / 3,2 (AQN / AXJ)



Ref. - No.



<b>09585</b>	021 109 467	Steuerkette / timing chain	
<b>22365</b>	022 145 299 D	Riemenspanner / belt tensioner	
<b>25222</b>	021 109 469	Gleitschiene / sliding rail	
<b>25240</b>	021 109 467	Kettenspanner / chain tensioner	
<b>25422</b>	022 109 507 A	Kettenspanner / chain tensioner	
<b>25458</b>	022 109 509 C	Gleitschiene / sliding rail	→01
<b>30584</b>	07K 145 172 C	Umlenkrolle / deflection pulley	
<b>34868</b>	066 109 509 A	Gleitschiene / sliding rail	99→05

70E
ØA 73
ØA 73 B21,85



# VOLKSWAGEN New Beetle (5C)

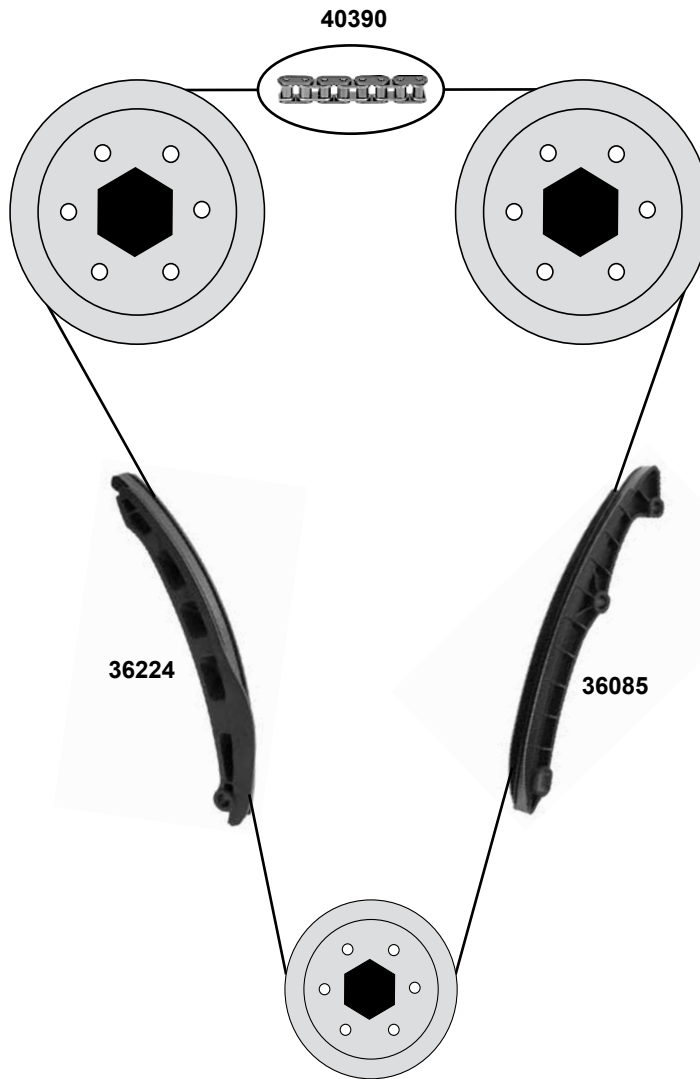
(12→)

Car  
Division



1,4

(CAVD/CNWA/CTHD/CTKA)



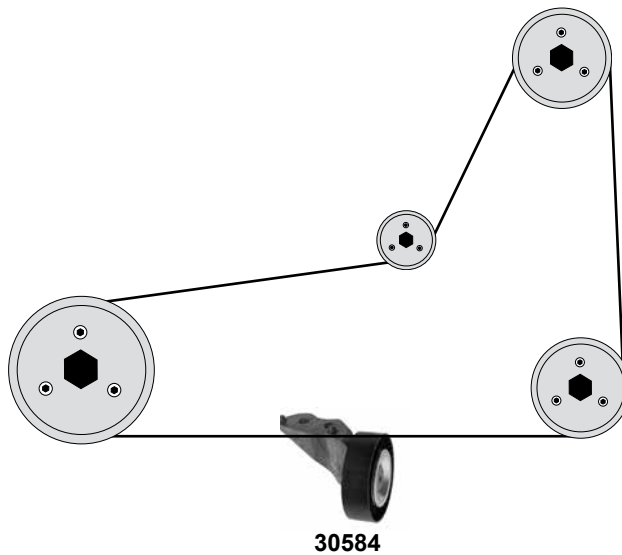
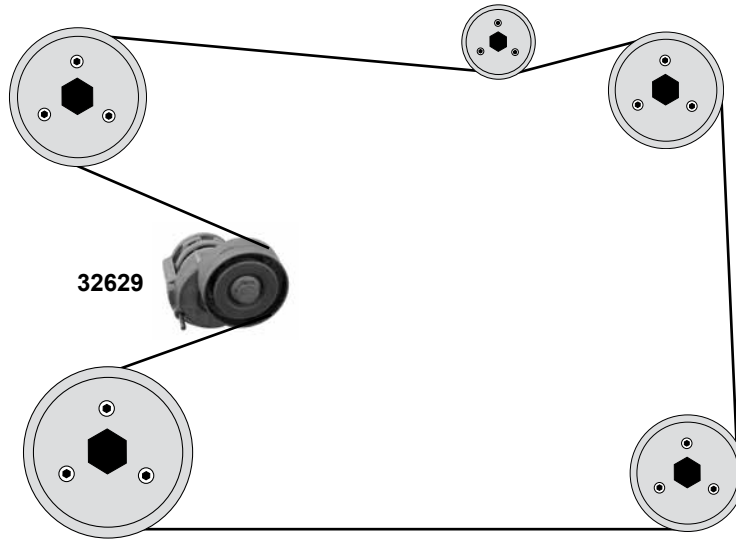
Ref. - No.



36085	03C 109 469 K
36224	03C 109 509 P
40390	03C 109 158 A

Gleitschiene/ sliding rail  
Gleitschiene/ sliding rail  
Steuerkette / timing chain

130 E



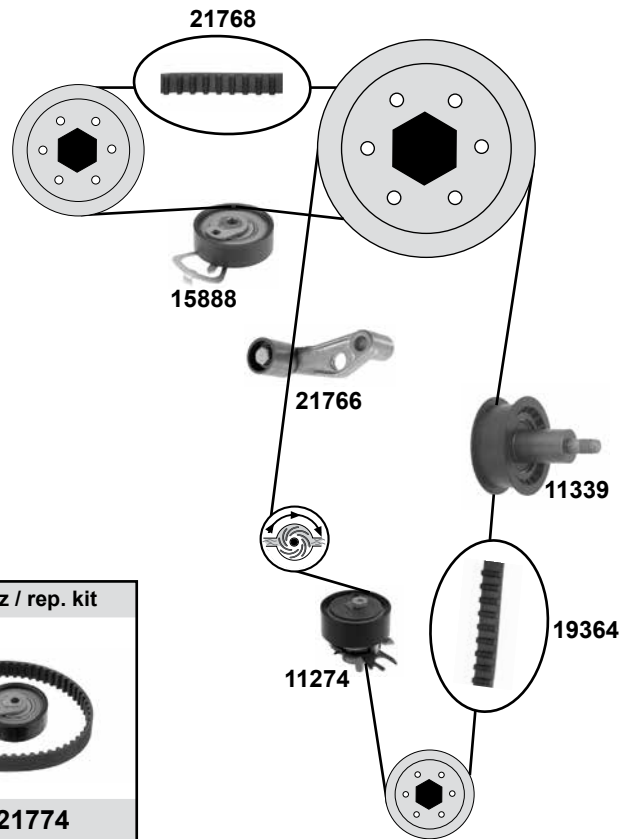
# VOLKSWAGEN New Beetle Cabrio (1Y)

(02 →)

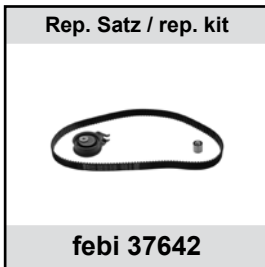
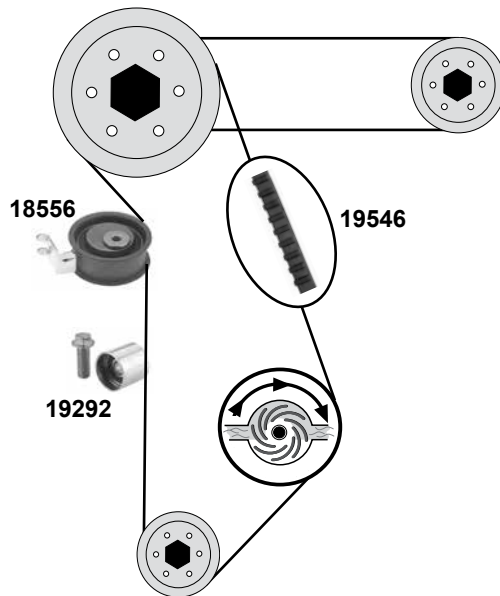
Car  
Division



**1,4**  
(BCA)



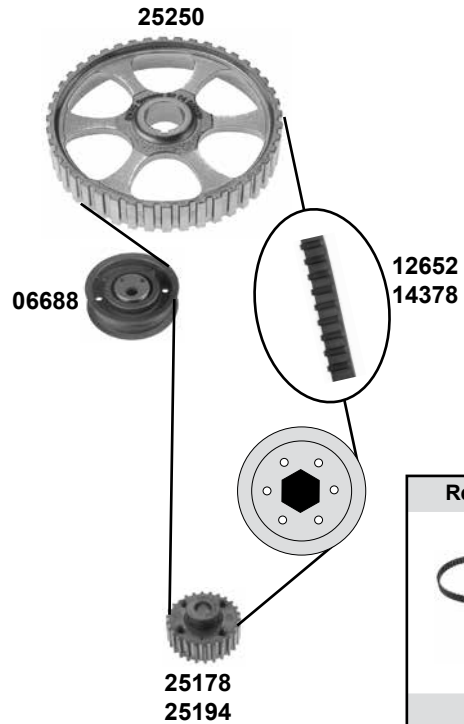
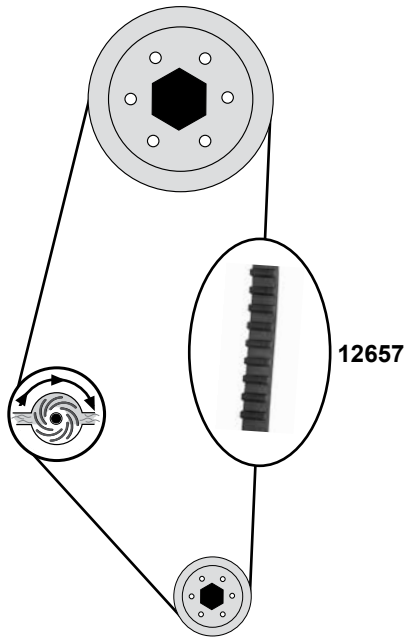
**1,8**  
(AWU/AWV/BKF)



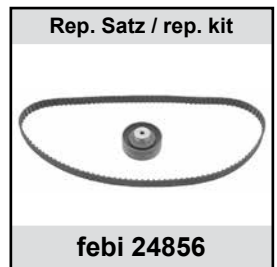
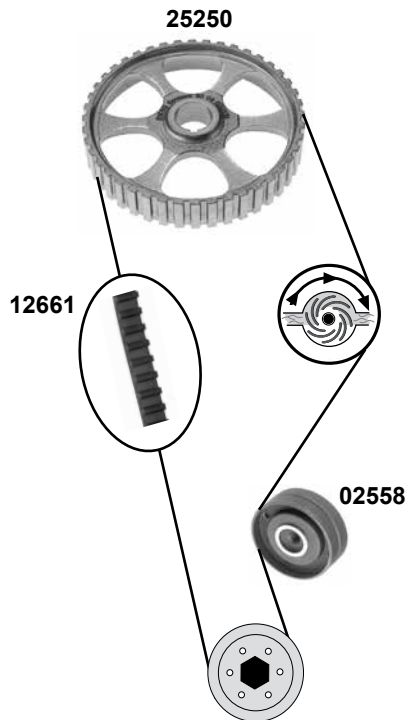
	Ref. - No.			
15888	036 109 243 AE	Spannrolle / tension roller		ØA 60 B19
18556	06B 109 243 F	Spannrolle / tension roller	03→10	
19292	06B109 244	Umlenkrolle / deflection pulley	03→10	ØA 28,5 B27
19364	036 109 119 Q	Zahnriemen / timing belt		Z 130 B20
19546	06B109 119 A	Zahnriemen / timing belt	03→10	Z 150 B23
11274	036 109 243 AB	Spannrolle / tension roller		ØA 60 ØI 8 B25
11339	036 109 244 J	Umlenkrolle / deflection pulley		ØA 56 B22
21766	036 109 181 A	Umlenkrolle / deflection pulley		ØA 28 B30
21768	036 109 119 P	Zahnriemen / timing belt		Z 58 B17
21770	036 109 119 Q S1	Rep. Satz Zahnriemen / rep. kit timing belt		
21774	036 109 119 P S1	Rep. Satz Zahnriemen / rep. kit timing belt		
37642	06A 198 119 B	Rep. Satz Zahnriemen / rep. kit timing belt	03→10	

1,3→1,8

nur/only: 1,3



2,0→2,3  
5 Zyl.



	Ref. - No.			
02558	069 109 243 B	Umlenkrolle / deflection pulley	(mot.) JS/HP/HY/KV/KX	ØA69 ØI8 B27
06688	026 109 243 L	Spannrolle / tension roller	(ex.) (mot.) FY/FZ	ØA 72 ØI 10 B20
12652	056 109 119 A	Zahnriemen / timing belt	nur/only (mot.) FY/FZ	Z 121 B18
12657	052 109 119	Zahnriemen / timing belt	(mot.) JS/HP/HY/KV/KX	Z 108 B18
12661	034 109 119	Zahnriemen / timing belt	(ex.) (mot.) FY/FZ	Z 120 B18
14574	051 198 119	Rep. Satz Zahnriemen / rep. kit timing belt	(mot.) JS/HP/HY/KV/KX	Z 120 B18
24856	034 109 119 S1	Rep. Satz Zahnriemen / rep. kit timing belt	(ch.)→32-C- 300 000	Z 22
25178	049 105 263 B	Kurbelwellenrad / crankshaft gear	(ch.) 32-C- 300 000→	Z 44
25194	049 105 263 C	Kurbelwellenrad / crankshaft gear	(ex.) (mot.) FY/FZ	
25250	049 109 111 C	Nockenwellenrad / camshaft gear		

# VOLKSWAGEN Passat 3 (31/3A)

(88→97)

Car  
Division 



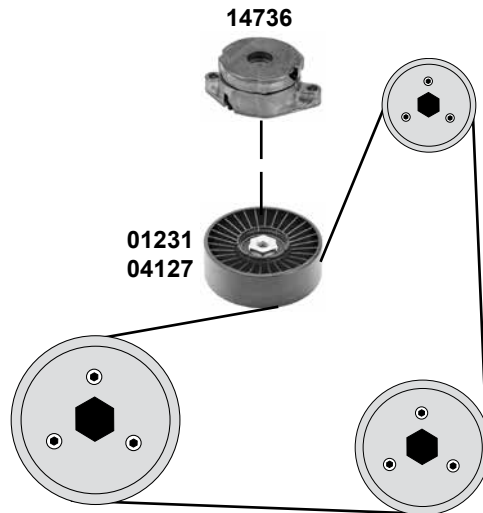
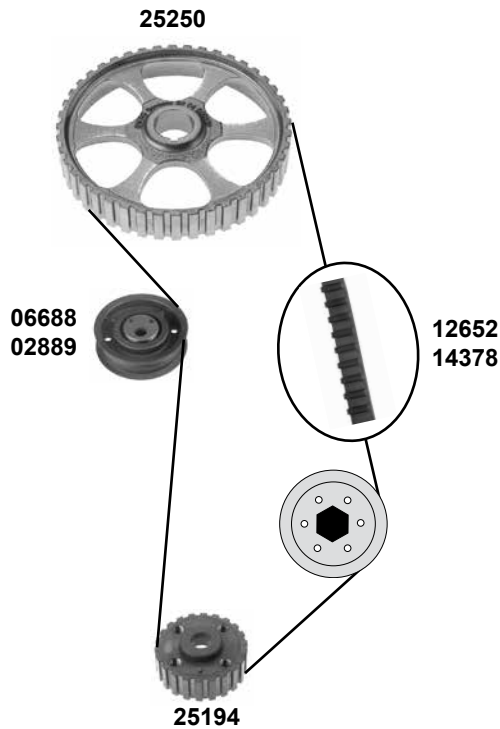
1,6→2,0




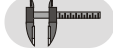
Rep. Satz / rep. kit

<b>febi 14574</b>
Rep. Satz / rep. kit

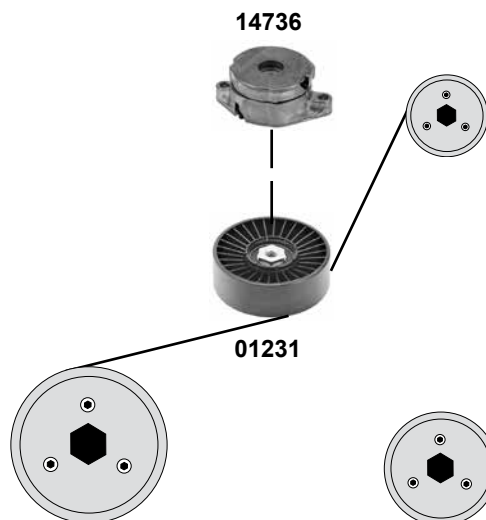
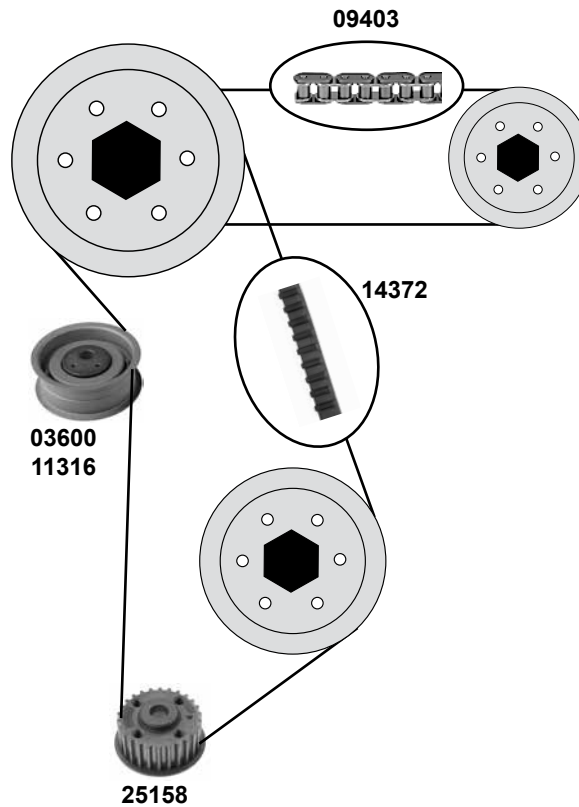
<b>febi 14618</b>
Rep. Satz / rep. kit

<b>febi 14622</b>



	Ref. - No.			
<b>01231</b>	028 145 278 E	Spannrolle / tension roller	<b>AC</b>	ØA 78 ØI 8 B26
<b>02889</b>	048 109 243 A	Spannrolle / tension roller	<b>(mot.) 2,0</b>	
<b>04127</b>	074 145 278 E	Umlenkrolle / deflection pulley	<b>(mot.) PG</b>	ØA 90 ØI 8 B25
<b>06688</b>	026 109 243 L	Spannrolle / tension roller		ØA 72 ØI 11 B20
<b>12652</b>	056 109 119 A	Zahnriemen / timing belt		Z 121 B18
<b>14378</b>	037 109 119 C	Zahnriemen / timing belt	<b>(mot.) 2,0</b>	Z 124 B18
<b>14574</b>	051 198 119	Rep. Satz Zahnriemen / rep. kit timing belt		
<b>14618</b>	051 198 119	Rep. Satz Zahnriemen / rep. kit timing belt	<b>(mot.) 2,0</b>	
<b>14622</b>	037 109 119 C S2	Rep. Satz Zahnriemen / rep. kit timing belt	<b>(mot.) 2,0</b>	
<b>14736</b>	037 903 315 C	Riemenspanner / belt tensioner		
<b>25194</b>	049 105 263 C	Kurbelwellenrad / crankshaft gear		Z 22
<b>25250</b>	049 109 111 C	Nockenwellenrad / camshaft gear		Z 44

**1,8 / 2,0 16V**  
(KR / ABF / 9A)



	Ref. - No.			
<b>01231</b>	028 145 278 E	Spannrolle / tension roller	<b>AC</b>	ØA 78 Ø18 B26
<b>03600</b>	051 109 243	Spannrolle / tension roller	<b>(mot.)</b> →ABF 020 922	ØA 78 B27
<b>09403</b>	077 109 120	Steuerkette / timing chain		D 44 E
<b>11316</b>	051 109 243 A	Spannrolle / tension roller	<b>(mot.)</b> ABF 020 923→	ØA 72 Ø1 8 B27
<b>14372</b>	048 109 119 G	Zahnriemen / timing belt		
<b>14612</b>	048 109 119 G S1	Rep. Satz Zahnriemen / rep. kit timing belt	<b>(mot.)</b> →ABF 020 922	
<b>14736</b>	037 903 315 C	Riemenspanner / belt tensioner		
<b>25158</b>	027 109 263 B	Kurbelwellenrad / crankshaft gear		

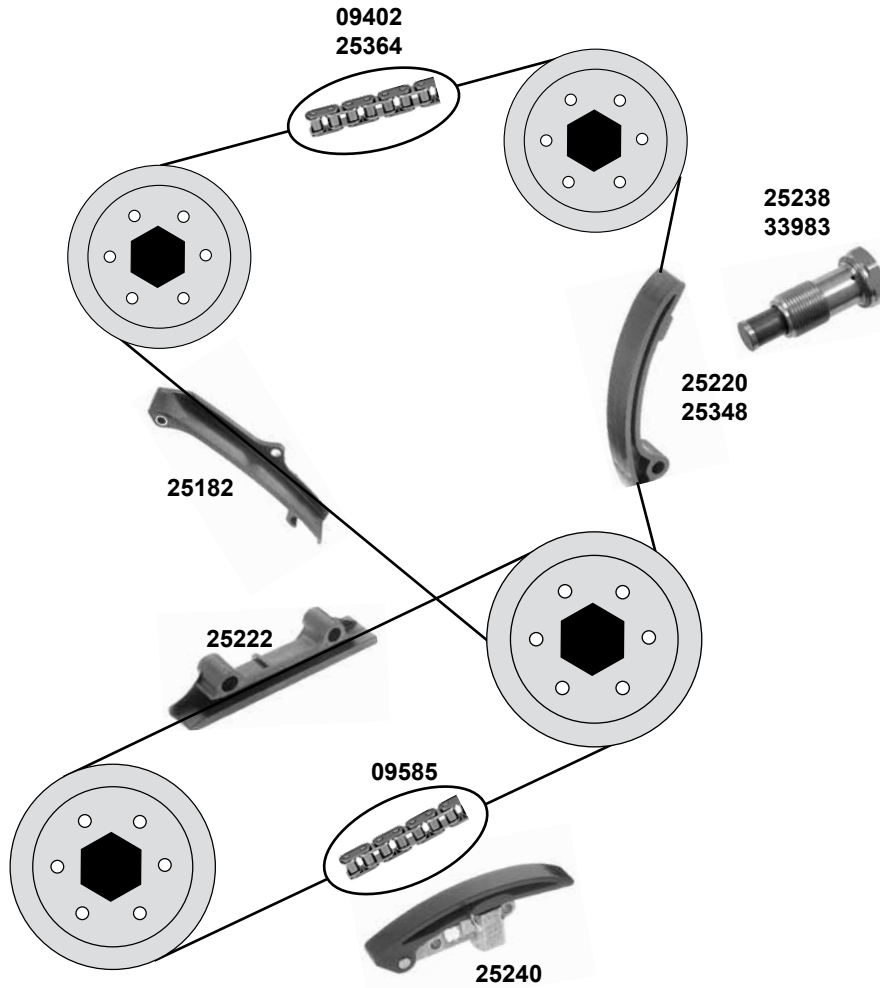
# VOLKSWAGEN Passat 3 (31/3A)

(88→97)

Car  
Division

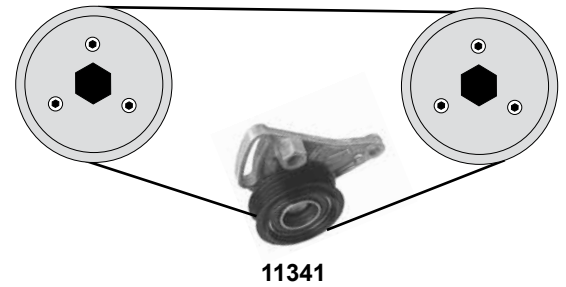
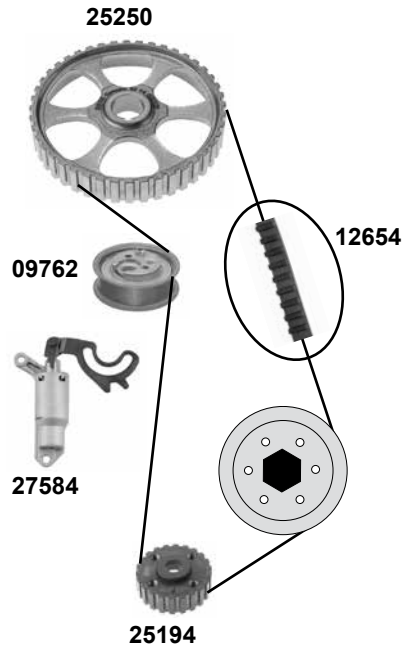


## 2,8 VR6 (AAA)



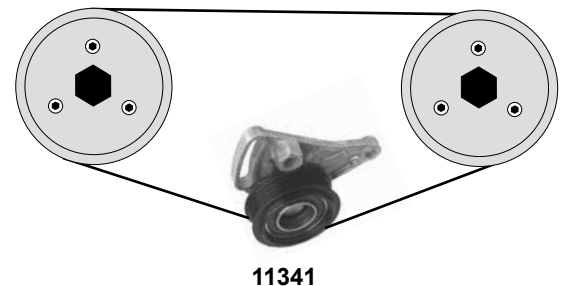
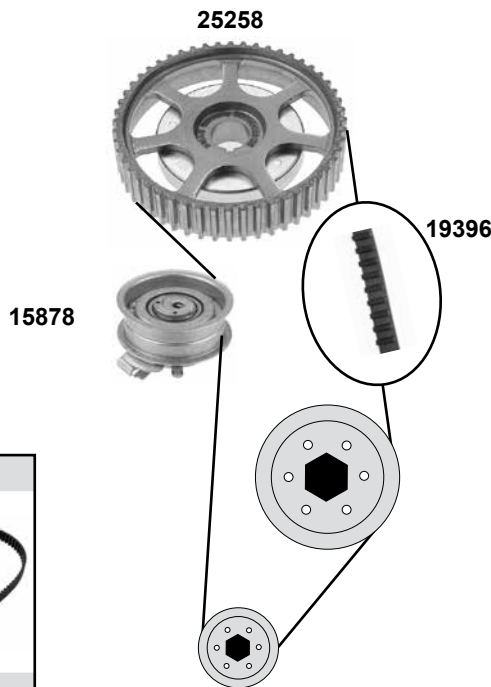
Ref. - No.	Ref. - No.			
09402	021 109 503 A	Steuerkette / timing chain	(mot.) AAA→217 000	D 90 E
09585	021 109 467	Steuerkette / timing chain		70 E
25182	021 109 513	Gleitschiene / sliding rail		
25220	021 109 509 E	Gleitschiene / sliding rail	(mot.) AAA 217 001→	
25222	021 109 469	Gleitschiene / sliding rail		
25238	021 109 507 B	Kettenspanner / chain tensioner	(mot.) AAA 217 001→	
25240	021 109 467	Kettenspanner / chain tensioner	(mot.) AAA→217 000	
25348	021 109 509 A	Kettenspanner / chain tensioner	(mot.) AAA 217 001→	
25364	021 109 503 D	Steuerkette / timing chain	(mot.) AAA→217 000	90 E
33983	021 109 507 A	Kettenspanner / chain tensioner	(mot.) AAA→217 000	
33984	021 109 503 A S1	Rep. Satz Steuerkette / rep. kit chain tensioner	(mot.) AAA→217 000	
33985	021 109 503 A S1	Rep. Satz Steuerkette / rep. kit chain tensioner	(mot.) AAA 217 000→	

**1,6**  
(ADP)



Rep. Satz / rep. kit

**febi 14662**



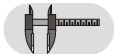
Rep. Satz / rep. kit

**febi 23634**

**1,6**  
(AHL / ARM / ANA)



Ref. - No.



09762	026 109 243 J	Spannrolle / tension roller		ØA 66 ØI 11 B18
11341	058 260 511	Spannrolle / tension roller	AC	ØA 60 B15,5 Z 121 B18
12654	026 109 119 B	Zahnriemen / timing belt		
14662	026 198 119	Rep. Satz Zahnriemen / rep. kit timing belt		
15878	06A 109 479 C	Spannrolle / tension roller	(ch.) 3B-V-000001→	ØA 72 B29 Z 138 B23
19396	06A 109 119 C	Zahnriemen / timing belt		
23634	06A 198 119	Rep. Satz Zahnriemen / rep. kit timing belt		
25194	049 105 263 C	Kurbelwellenrad / crankshaft gear		Z 22
25250	049 109 111 C	Nockenwellenrad / camshaft gear		Z 44
25258	06A 109 105 C	Nockenwellenrad / camshaft gear	(ch.) 3B-1-250 000→	
27584	050 109 479 A	Riemenspanner / belt tensioner		



# VOLKSWAGEN

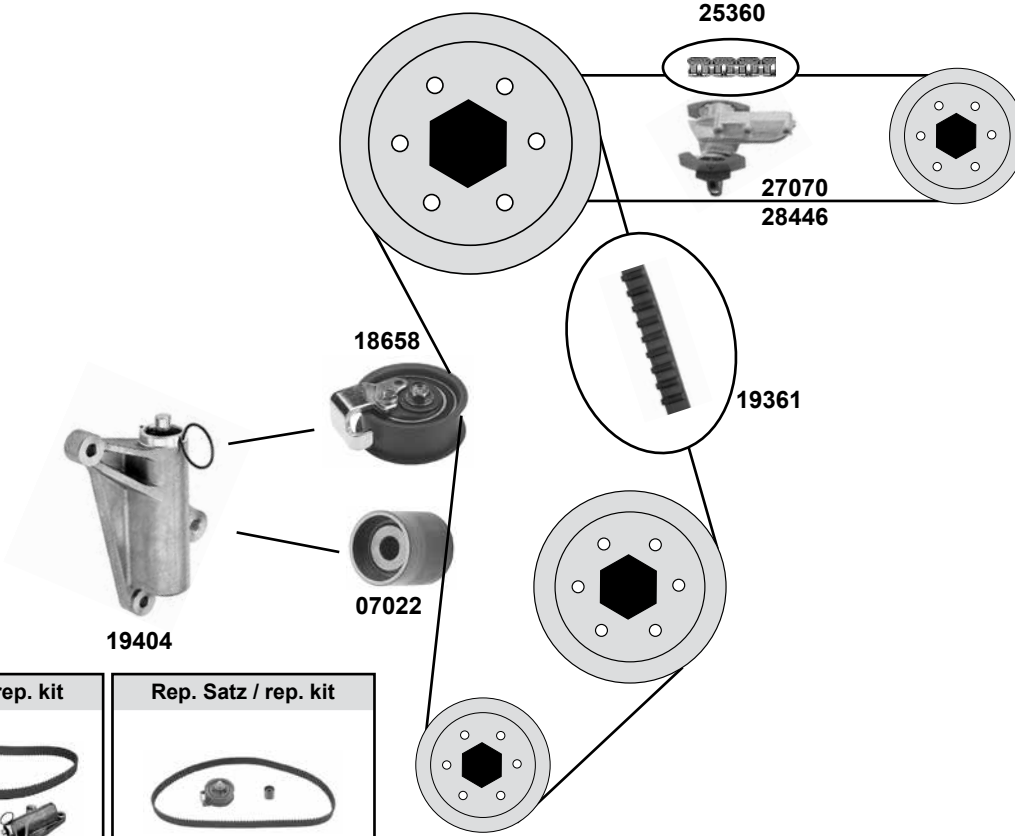
## Passat 4 (3B)

(97→00)

Car  
Division



1,8

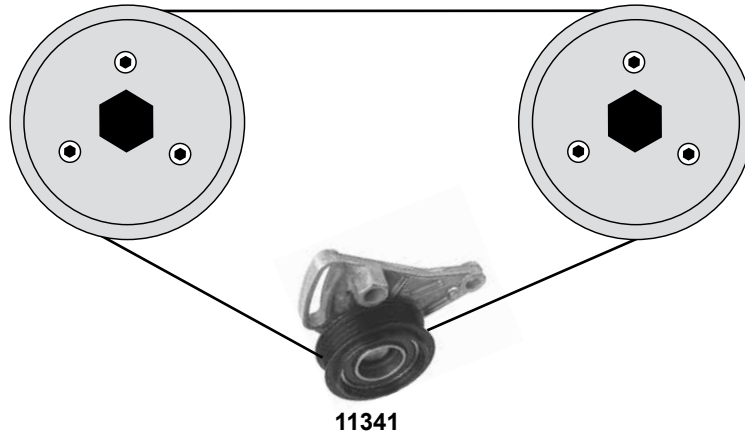


Rep. Satz / rep. kit

**febi 21100**

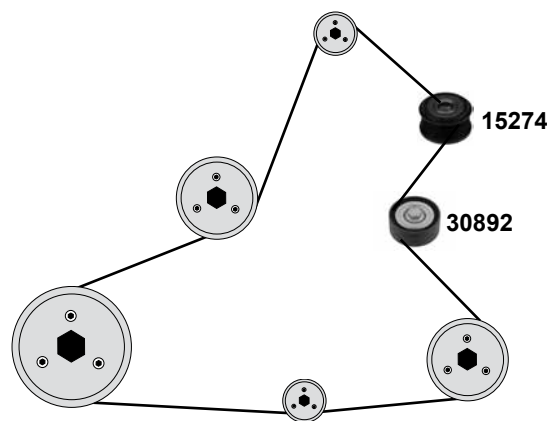
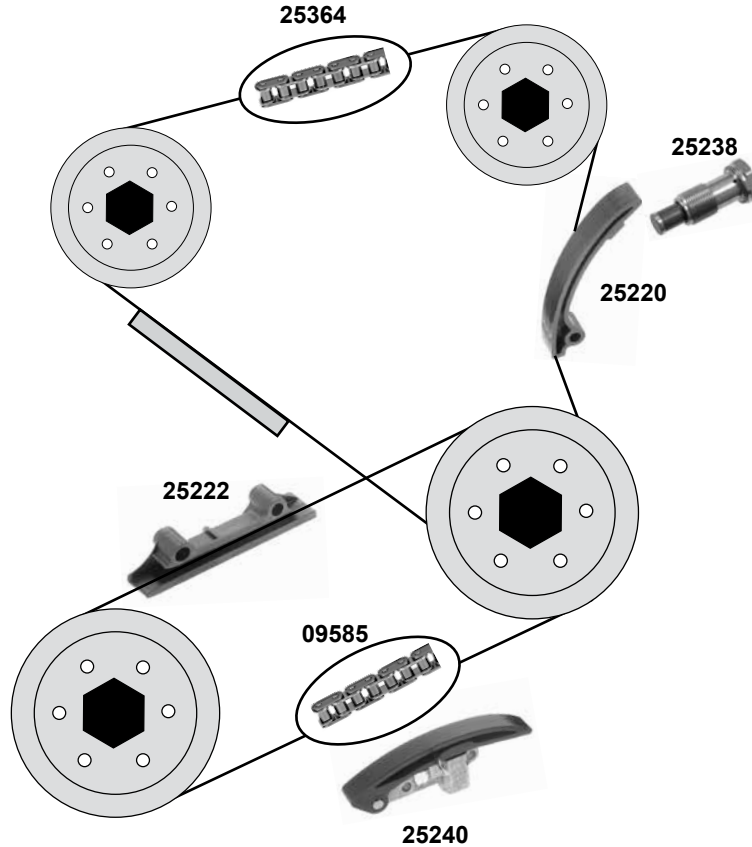
Rep. Satz / rep. kit

**febi 24723**



(1) (mot.) ADR / APT / ARG / AFY / AEB / APU / ANB

	Ref. - No.			
<b>07022</b>	058 109 244	Umlenkrolle / deflection pulley	(1)	ØA 28 B29
<b>11341</b>	058 260 511	Spannrolle / tension roller	AC	ØA 60 B15,5
<b>18658</b>	058 109 243 E	Spannrolle / tension roller		ØA 72 B32,5
<b>19361</b>	058 109 119 C	Zahnriemen / timing belt		Z 153 B19
<b>19404</b>	058 109 479 B	Riemenspanner / belt tensioner		
<b>21100</b>	058 198 479	Rep. Satz Zahnriemen / rep. kit timing belt		
<b>24723</b>	058 198 119	Rep. Satz Zahnriemen / rep. kit timing belt		
<b>25360</b>	058 109 229 B	Steuerkette / timing chain		50 E
<b>27070</b>	058 109 217 B	Kettenspanner / chain tensioner	(mot.) AEB/ANB/APU	
<b>28446</b>	058 109 217 D	Kettenspanner / chain tensioner	(mot.) AFY	



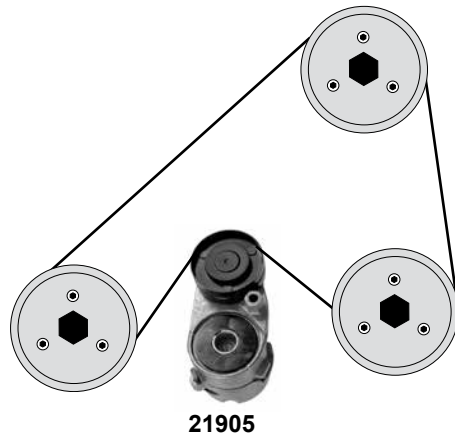
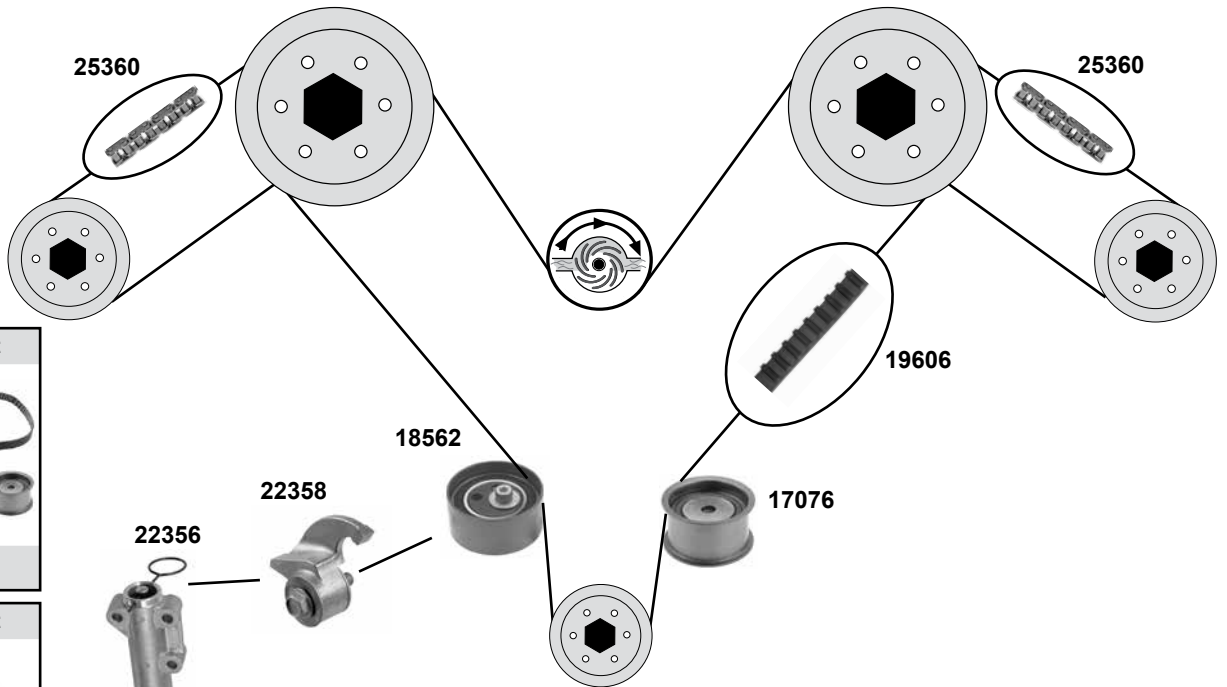
	Ref. - No.			
<b>09585</b>	021 109 467	Steuerkette / timing chain	(ch.) 3B-X- 150 001→	70 E
<b>15274</b>	038 903 119 L	Riemenscheibe Generator / belt pulley alternator		
<b>25220</b>	021 109 509 E	Kettenspanner / chain tensioner		
<b>25222</b>	021 109 469	Gleitschiene / sliding rail		
<b>25238</b>	021 109 507 B	Kettenspanner / chain tensioner		
<b>25240</b>	021 109 467	Gleitschiene / sliding rail	AC	90 E
<b>25364</b>	021 109 503 D	Steuerkette / timing chain		ØA 65 B28
<b>30892</b>	022 145 276 A	Umlenkrolle / deflection pulley		





# VOLKSWAGEN

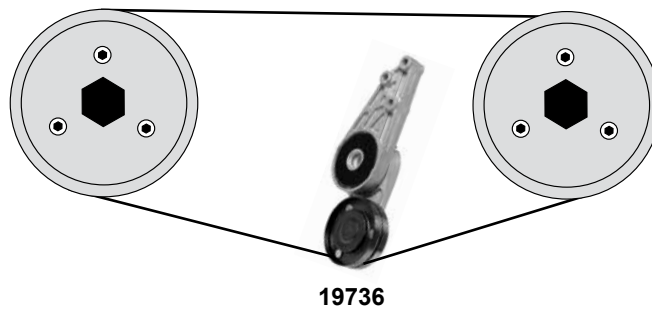
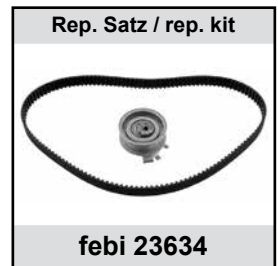
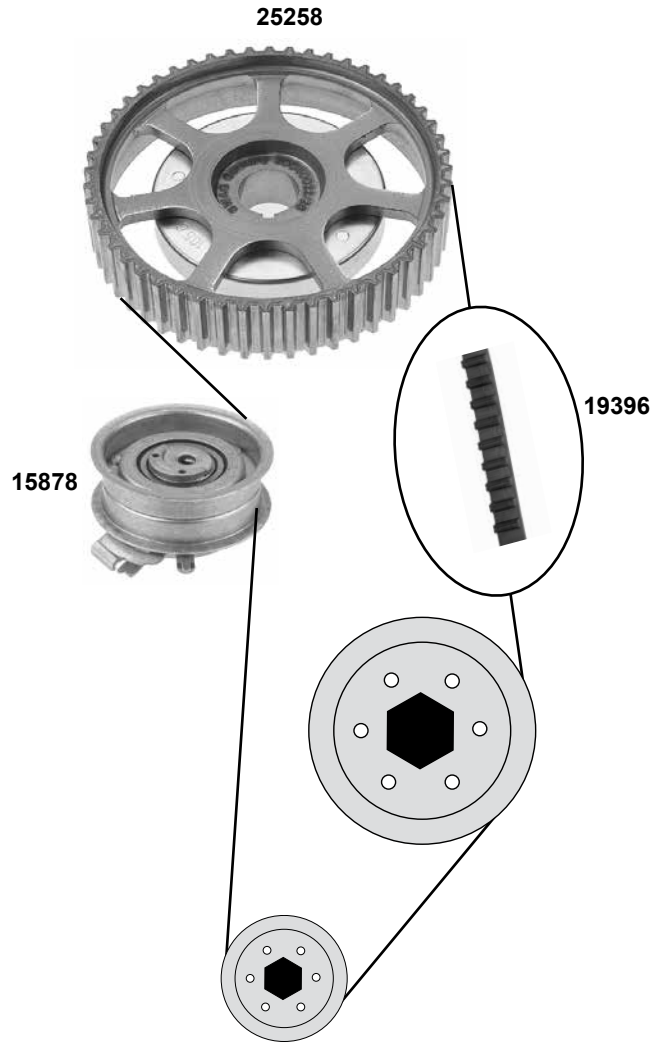
## Passat 4 (3B)

(97→00)

### 2,8 V6



	Ref. - No.			
<b>17076</b>	078 109 244 H	Umlenkrolle / deflection pulley		ØA 59 ØI 10 B31 ØA 73,2 B32 Z 253
<b>18562</b>	078 109 243 R	Spannrolle / tension roller		
<b>19606</b>	078 109 119 H	Zahnriemen / timing belt		
<b>21905</b>	078 903 133 AB	Riemenspanner / belt tensioner		
<b>22356</b>	078 109 479 E	Riemenspanner / belt tensioner		
<b>22358</b>	078 109 487 A	Riemenspanner / belt tensioner		
<b>23290</b>	078 198 479 S1	Rep. Satz Zahnriemen / rep. kit timing belt		
<b>23292</b>	078 198 119	Rep. Satz Zahnriemen / rep. kit timing belt		
<b>25360</b>	058 109 229 B	Steuerkette / timing chain		50 E



	Ref. - No.			
<b>15878</b>	06A 109 479 C	Spannrolle / tension roller	(ch.) 3B-V-000001→	ØA 72 B29
<b>19396</b>	06A 109 119 C	Zahnriemen / timing belt		Z 138 B23
<b>19736</b>	058 903 133 D	Riemenspanner / belt tensioner		ØA 37 B21
<b>23634</b>	06A 198 119	Rep. Satz Zahnriemen / rep. kit timing belt		
<b>25258</b>	06A 109 105 C	Nockenwellenrad / camshaft gear	(ch.) 3B-1-250 000→	Z52

# VOLKSWAGEN Passat 4 (3B)

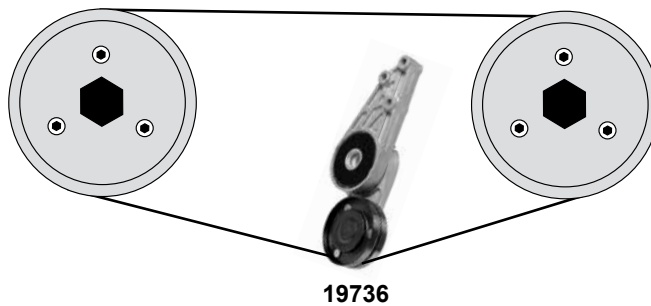
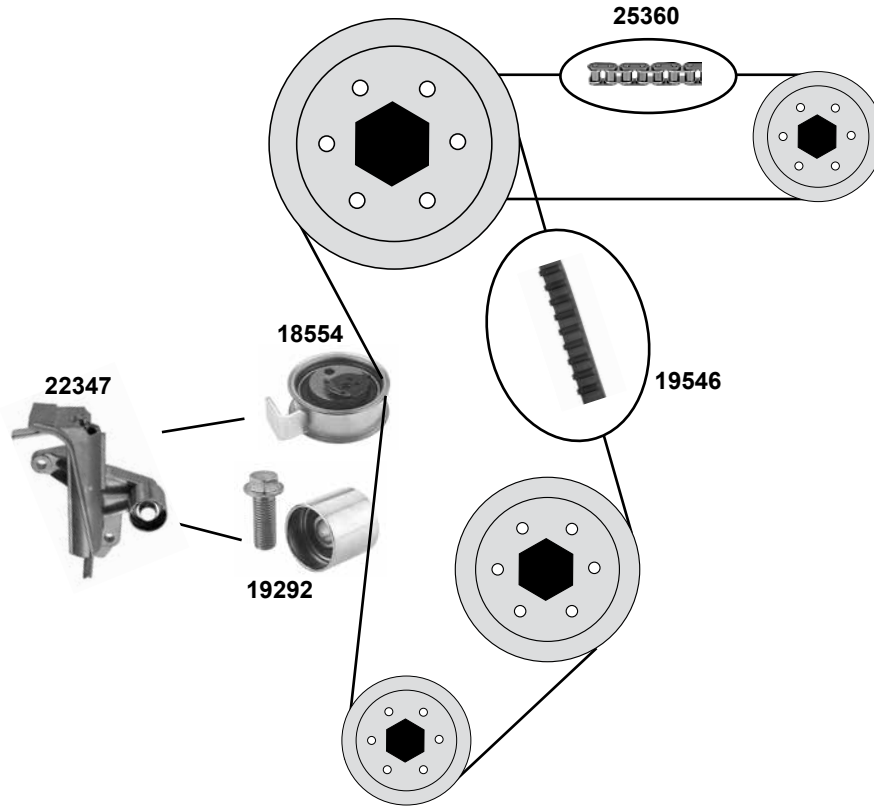
(00→06)

Car  
Division



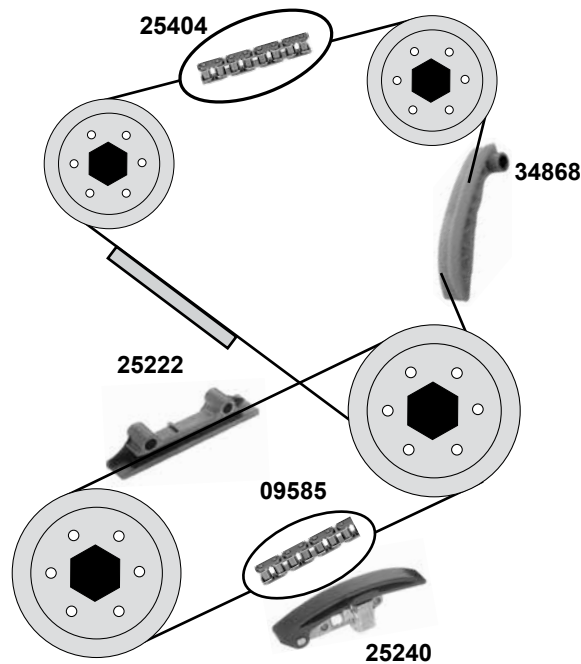
**1,8 / 2,0**

(AWT / AWM / ALT)



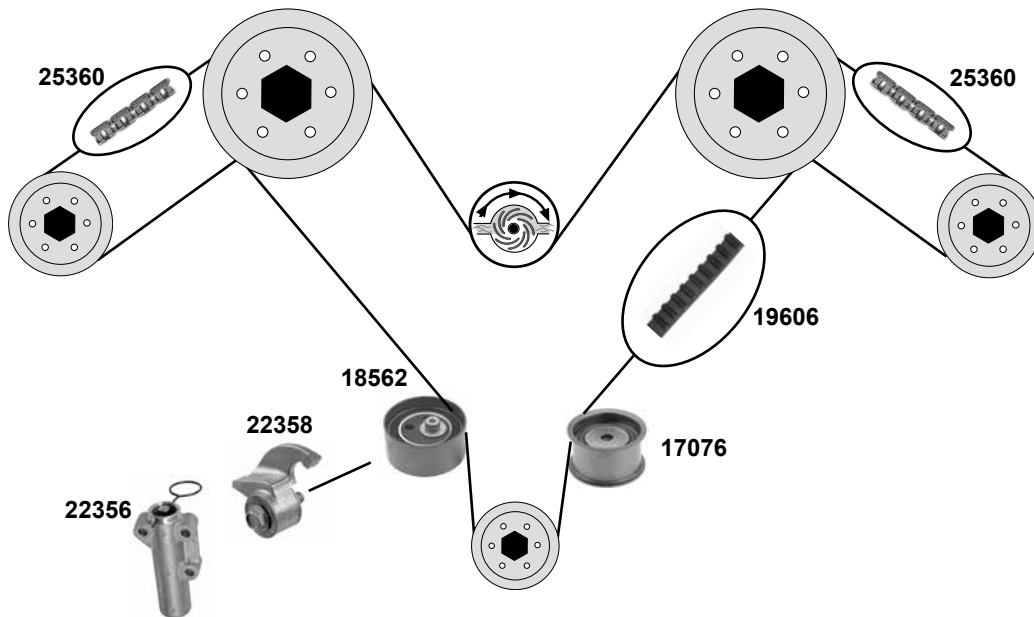
	Ref. - No.			
<b>18554</b>	06B109 243 B	Spannrolle / tension roller		ØA 72 B31
<b>19292</b>	06B109 244	Umlenkrolle / deflection pulley		ØA 28,5 B27
<b>19546</b>	06B109 119 A	Zahnriemen / timing belt		Z 150 B23
<b>19736</b>	058 903 133 D	Riemenspanner / belt tensioner		ØA 37 B21
<b>22347</b>	06B 109 243 F A	Riemenspanner / belt tensioner		
<b>23642</b>	06B 109 119 F S4	Rep. Satz Zahnriemen / rep. kit timing belt		
<b>24755</b>	06B 198 119 A	Rep. Satz Zahnriemen / rep. kit timing belt		
<b>25360</b>	058 109 229 B	Steuerkette / timing chain		50 E

**2,3 V5**  
(AZX)



**2,8 V6**

(ACK / AGE / ALG / APR / AQD / ATX / AMX / BBG / ATQ)



Ref. - No.



<b>09585</b>	021 109 467	Steuerkette / timing chain	70 E
<b>17076</b>	078 109 244 H	Umlenkrolle / deflection pulley	ØA 59 Ø1 10 B31
<b>18562</b>	078 109 243 R	Spannrolle / tension roller	ØA 73,2 B32
<b>19606</b>	078 109 119 H	Zahnriemen / timing belt	Z 253
<b>22356</b>	078 109 479 E	Riemenspanner / belt tensioner	
<b>22358</b>	078 109 487 A	Riemenspanner / belt tensioner	
<b>23290</b>	078 198 479 S1	Rep. Satz Zahnriemen / rep. kit timing belt	
<b>23292</b>	078 198 119	Rep. Satz Zahnriemen / rep. kit timing belt	
<b>25222</b>	021 109 469	Gleitschiene / sliding rail	
<b>25240</b>	021 109 467	Gleitschiene / sliding rail	
<b>25360</b>	058 109 229 B	Steuerkette / timing chain	50 E
<b>25404</b>	066 109 503 C	Steuerkette / timing chain	98 E
<b>34868</b>	066 109 509 A	Gleitschiene / sliding rail	

01→05

passend für / to fit

# VOLKSWAGEN

## Passat 4 (3B)

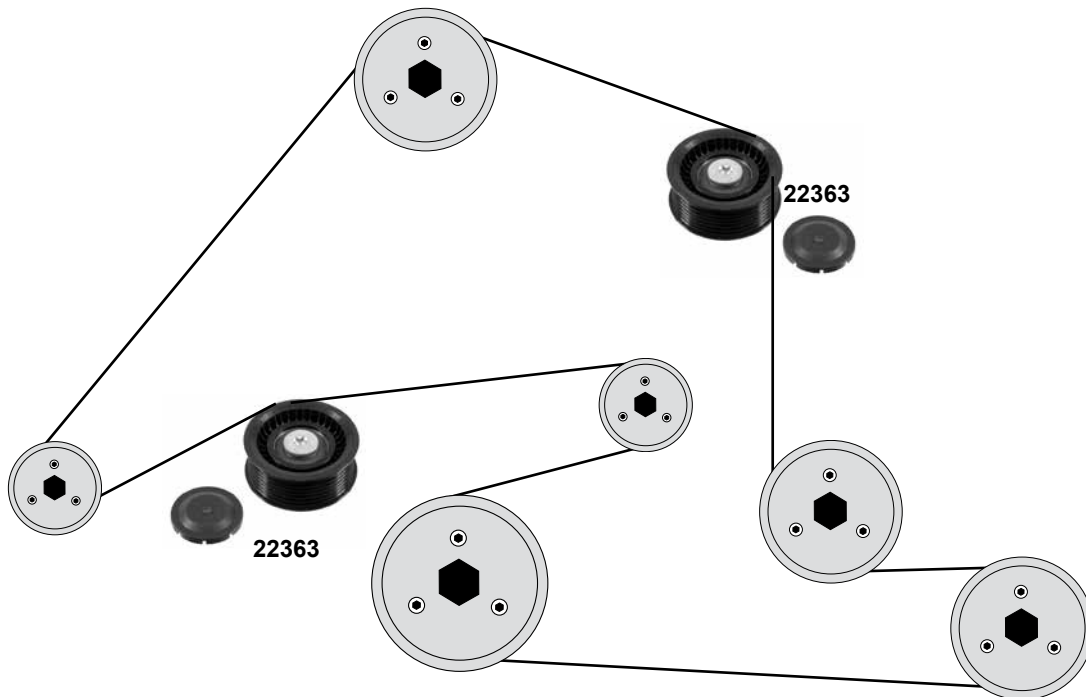
(00→06)

Car  
Division



### 4,0 V8

(BDN / BDP)



Ref. - No.



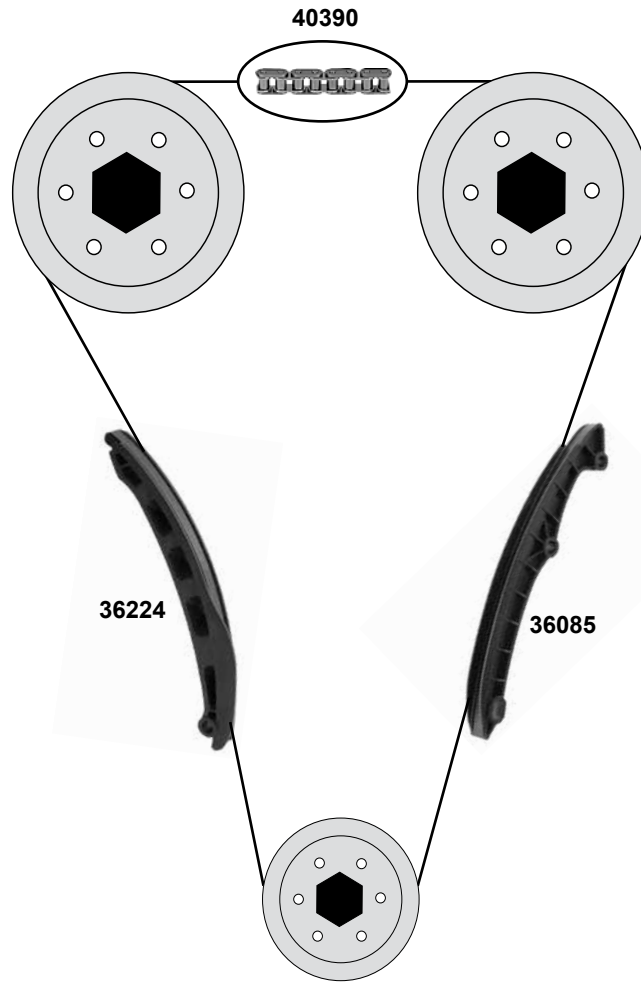
22363

07D 145 276 C

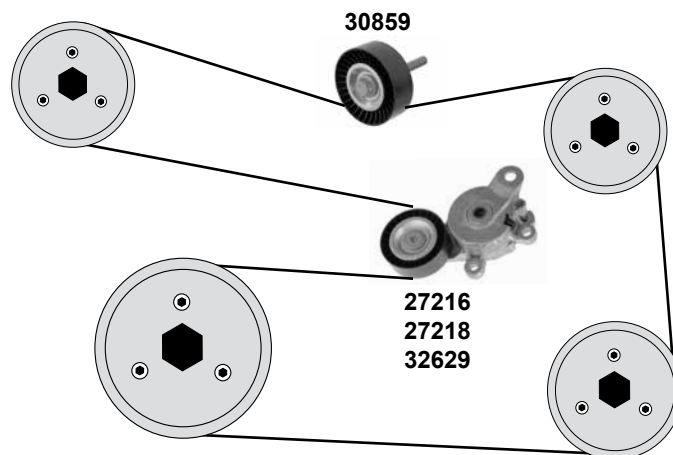
Umlenkrolle / deflection pulley



**1,4 / 1,6**  
(CAXA / BLF / CDGA)



**1,4 / 1,6**  
(CAXA / BLF)



Ref. - No.



<b>27216</b>	6Q0 145 299	Riemenspanner / belt tensioner
<b>27218</b>	03C 145 299 C	Spannrolle / tension roller
<b>30859</b>	1J0 145 276	Umlenkrolle / deflection pulley
<b>32629</b>	03C 145 299 Q	Riemenspanner / belt tensioner
<b>36085</b>	03C 109 469 K	Gleitschiene/ sliding rail
<b>36224</b>	03C 109 509 P	Gleitschiene/ sliding rail
<b>40390</b>	03C 109 158 A	Steuerkette / timing chain

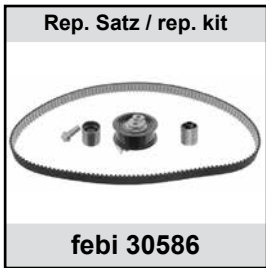
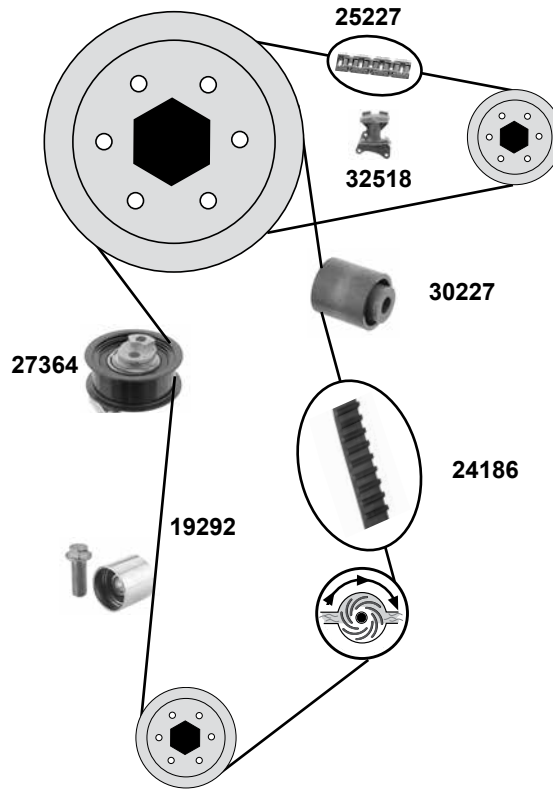
(ex.) AC CAXA  
AC BLF  
AC  
AC CAXA 08→

130 E



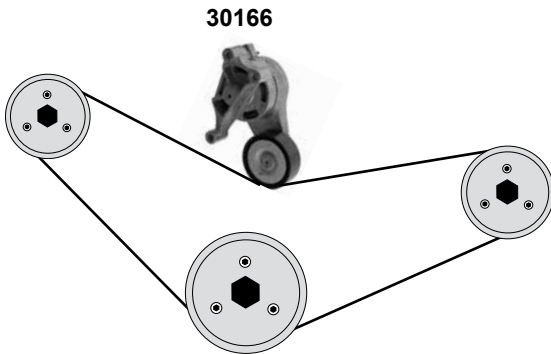
### 2,0 16V

(BLX/BVX/BLY/BVZ/BLR/BVY/AXX/BWA/BPY)



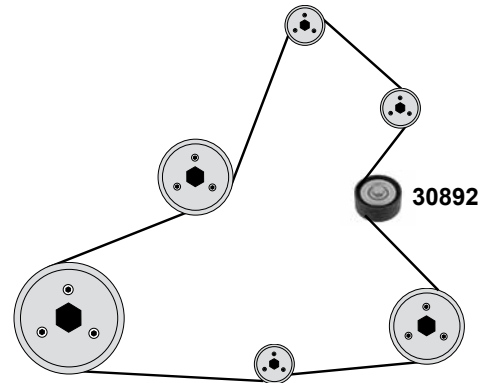
### 2,0 16V

(AXX/BWA/BPY)



### 3,2 / 3,6

(AXZ/BLV/BWS)



Ref. - No.

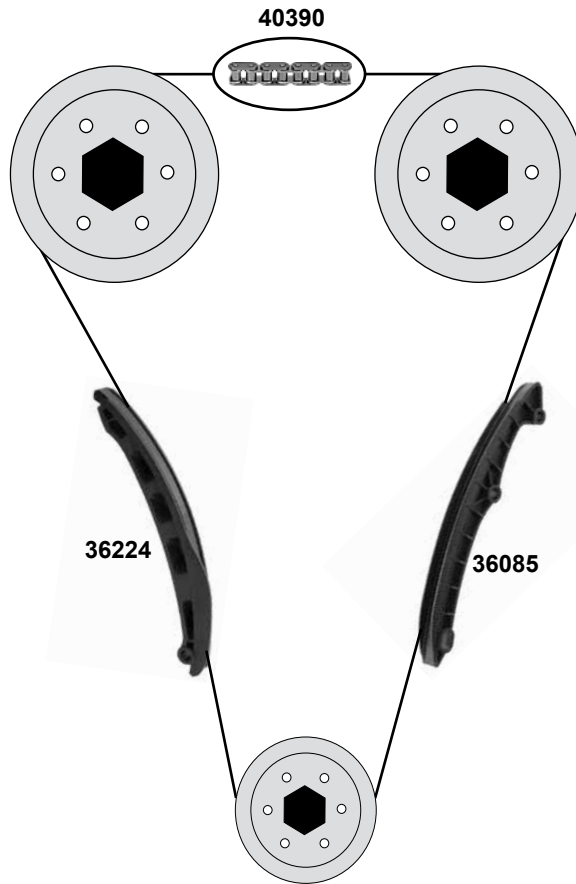


<b>19292</b>	06B 109 244	Umlenkrolle / deflection pulley	
<b>24186</b>	06D 109 119 B	Zahnriemen / timing belt	Z 148
<b>25227</b>	06D 109 229 B	Steuerkette / timing chain	42E
<b>27364</b>	06D 109 243 B	Spannrolle / tension roller	ØA 77 B25
<b>30166</b>	06F 903 315	Riemenspanner / belt tensioner	
<b>30227</b>	06D 109 244 E	Umlenkrolle / deflection pulley	ØA 28,5 B33
<b>30586</b>	06F 198 119 A	Rep. Satz Zahnriemen / rep. kit timing belt	
<b>30892</b>	022 145 276 A	Umlenkrolle / deflection pulley	ØA 65 B28
<b>32518</b>	06F 109 217 A	Kettenspanner / chain tensioner	

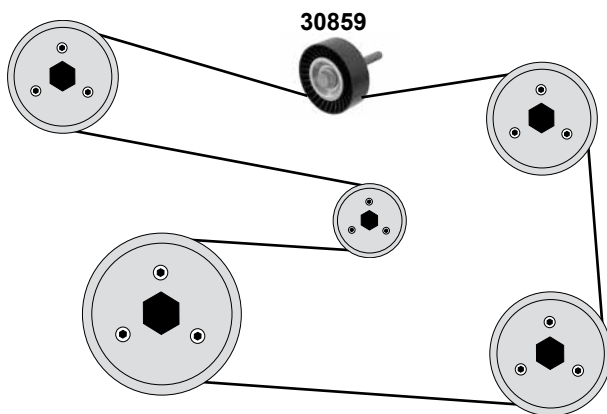
→11



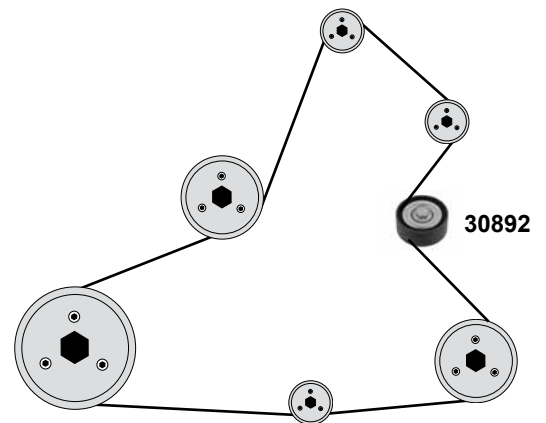
**1,4 B**  
(CAXA/CDGA/CKMA/CTHD)



**1,4**  
(CAXA)



**3,6**  
(BWS)



Ref. - No.



<b>30859</b>	1J0 145 276
<b>30892</b>	022 145 276 A
<b>36085</b>	03C 109 469 K
<b>36224</b>	03C 109 509 P
<b>40390</b>	03C 109 158 A

Umlenkrolle / deflection pulley
Umlenkrolle / deflection pulley
Gleitschiene/ sliding rail
Gleitschiene/ sliding rail
Steuerkette / timing chain

AC

ØA 76 B 26  
ØA 65 B 28

130 E

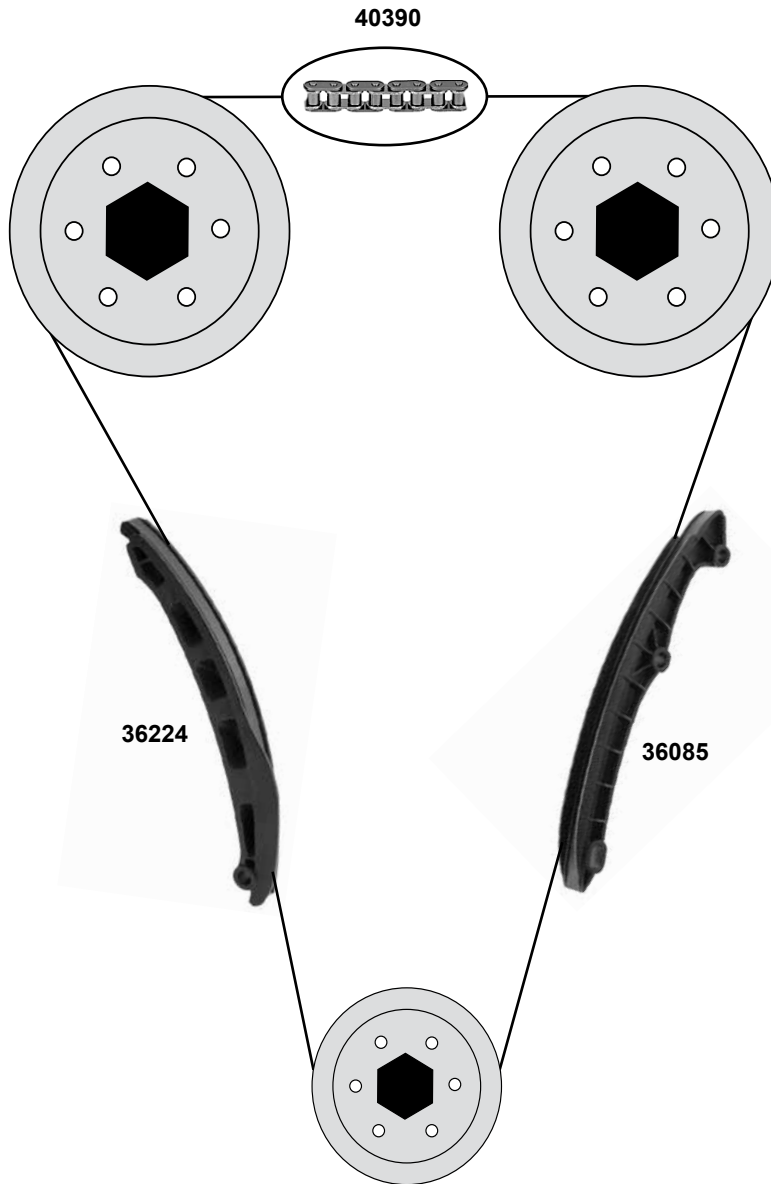
# VOLKSWAGEN Passat CC

(09→12)

Car  
Division



**1,4 B**  
(CKMA)



Ref. - No.

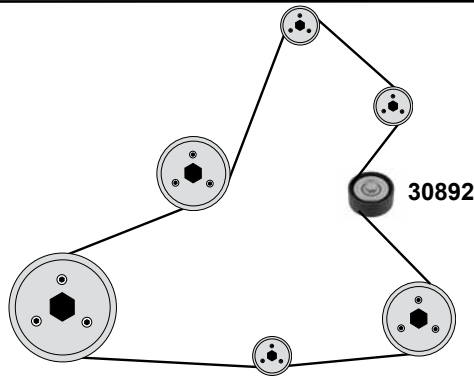


**36085** 03C 109 469 K  
**36224** 03C 109 509 P  
**40390** 03C 109 158 A

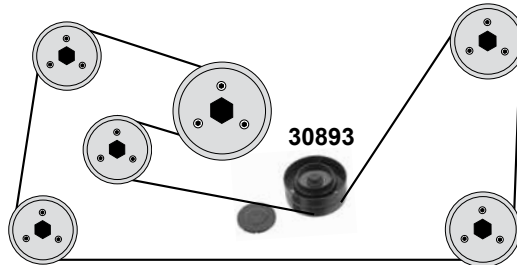
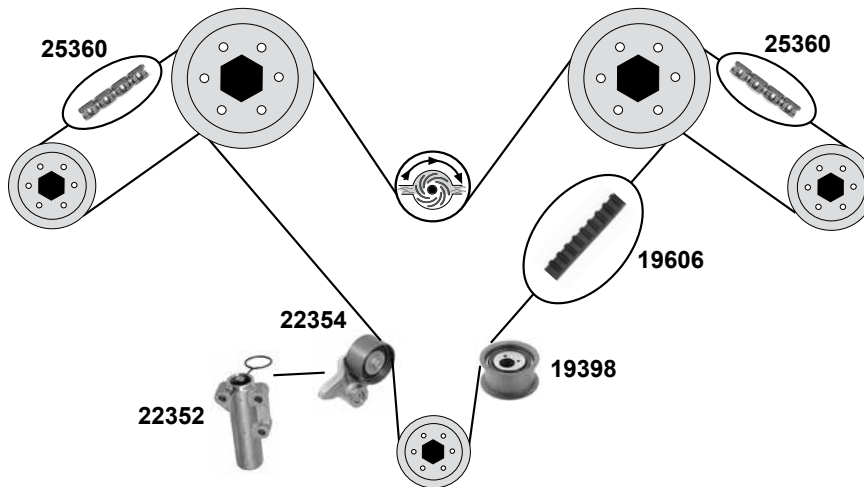
Gleitschiene/ sliding rail  
Gleitschiene/ sliding rail  
Steuerkette / timing chain

130 E

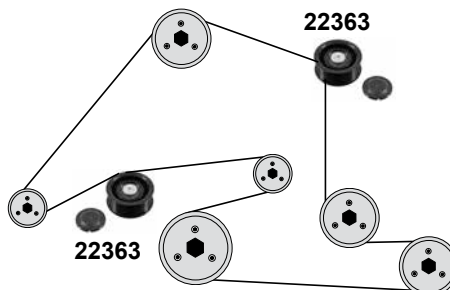
**3,6**  
(CHNA / CMVA)



**4,2 V8**  
(BGH / BGJ)



**6,0 V8**  
(BAN / BRN / BTT)



Ref. - No.



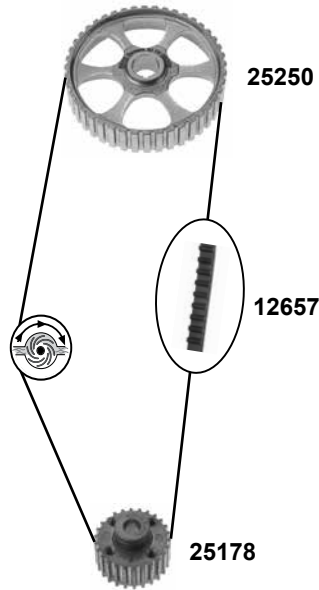
<b>19398</b>	077 109 244 E	Umlenkrolle / deflection pulley		ØA 58
<b>19606</b>	078 109 119 H	Zahnriemen / timing belt	→06	Z 253
<b>22352</b>	078 109 479 D	Riemenspanner / belt tensioner	→06	
<b>22354</b>	077 109 485 E	Riemenspanner / belt tensioner	→06	
<b>22363</b>	07D 145 276 C	Umlenkrolle / deflection pulley		50 E
<b>25360</b>	058 109 229 B	Steuerkette / timing chain		ØA 65 B28
<b>30892</b>	022 145 276 A	Umlenkrolle / deflection pulley		ØA 78 B30
<b>30893</b>	077 109 244 F	Umlenkrolle / deflection pulley	(mot.) BGJ→09	

# VOLKSWAGEN

## Polo 1 / Derby (86)

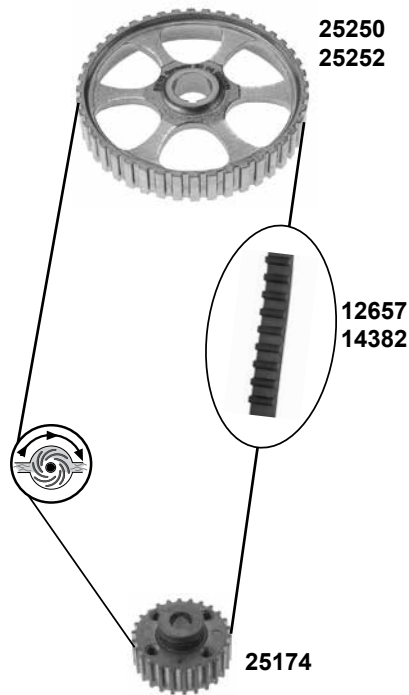
(75→81)

Car  
Division



## Polo 2 (86C)

(82→94)



**(1) Polo 2 (mot.)**→HZ 786 023  
 (mot.)→NZ 200 001  
 (mot.)→PY 002 178  
 (mot.)→2G 262 740  
 (mot.)→3F 008 527  
 (mot.) AAU→015 868  
 (mot.) MN

**(2) Polo 2 (mot.)** HZ 786 023  
 (mot.) NZ 200 001→  
 (mot.) PY 002 178→  
 (mot.) 2G 262 740→  
 (mot.) 3F 008 527  
 (mot.) AAU 015 868→  
 (mot.) AAV / ACM



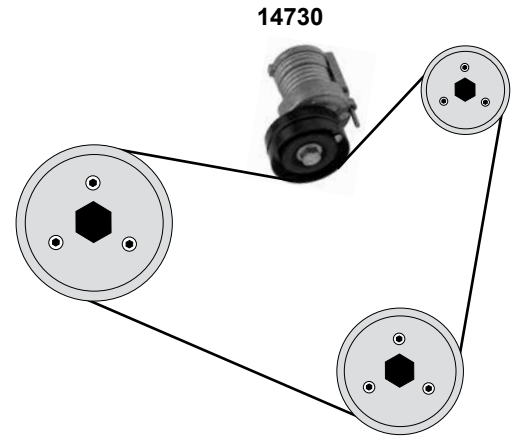
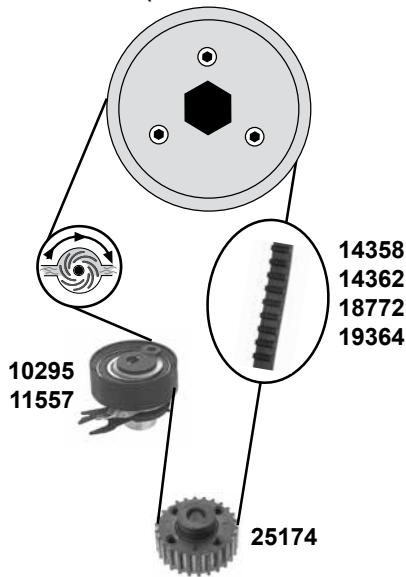
Ref. - No.



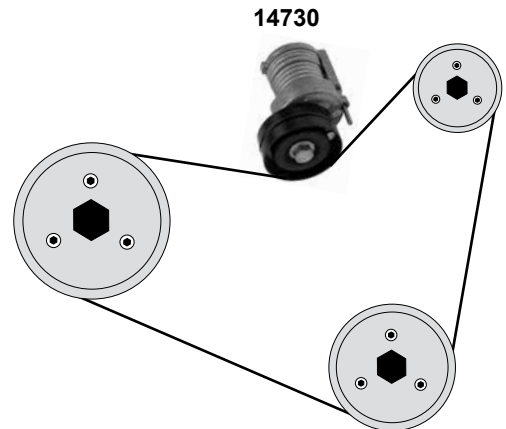
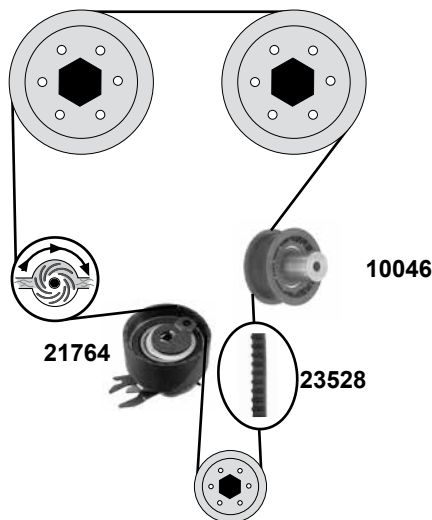
<b>12657</b>	052 109 119	Zahnriemen / timing belt	<b>(1)</b>	Z 108 B18
<b>14382</b>	030 109 119 A	Zahnriemen / timing belt	<b>(2)</b>	Z 128 B19
<b>25174</b>	030 105 263 C	Kurbelwellenrad / crankshaft Gear	<b>(2)</b>	Z 26
<b>25178</b>	049 105 263 B	Kurbelwellenrad / crankshaft Gear		Z 22
<b>25250</b>	049 109 111 C	Nockenwellenrad / camshaft Gear	<b>(1)</b>	Z 44
<b>25252</b>	026 109 111	Nockenwellenrad / camshaft Gear	<b>(ch.)</b> →H - 200 000	

**1,0→1,6**

(AER / ALL / AEV / ADX / AEX / ANX / APQ / AKV / AEA / AEE / AHS / AJV)



**1,4 16 V**  
(AFH)



Rep. Satz / rep. kit

**febi 23530**



(1) (ex.) (mot.) AEV (1,05l / 33kW / 45PS)

(2) nur / only (mot.) AEV (1,05l / 33kW / 45PS)



Ref. - No.



Ref. - No.	Description	Notes	Dimensions
10046	Umlenkrolle / deflection pulley		ØA 56 ØI 8 B26
10295	Spannrolle / tension roller	(1)	ØA 61 ØI 8 B22
11557	Spannrolle / tension roller	(2) AEV	ØA 59 B22
14358	Zahnriemen / timing belt	(2) AEV	Z 132 B19
14362	Zahnriemen / timing belt	(1) / (ex.) 1,6l	Z 135 B19
14730	Riemenspanner / belt tensioner	nur / only 1,6l	ØA 70 B26
18772	Zahnriemen / timing belt	(mot.) AJV	Z 137 B19
19364	Zahnriemen / timing belt		Z 130 B20
21764	Spannrolle / tension roller		ØA 60 B37
23528	Zahnriemen / timing belt		Z 149
23530	Rep. Satz Zahnriemen / rep. kit timing belt		
25174	Kurbelwellenrad / crankshaft gear	(ch.)→6N-W-065 000	Z 26

# VOLKSWAGEN

## Polo 3 (6N)

(95→02)

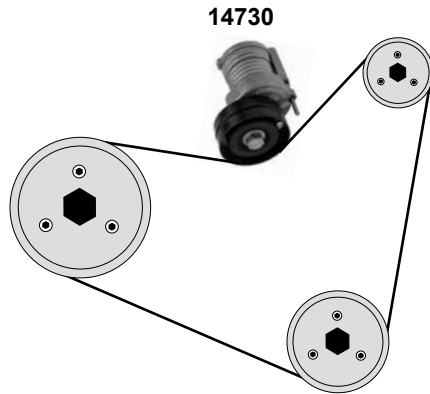
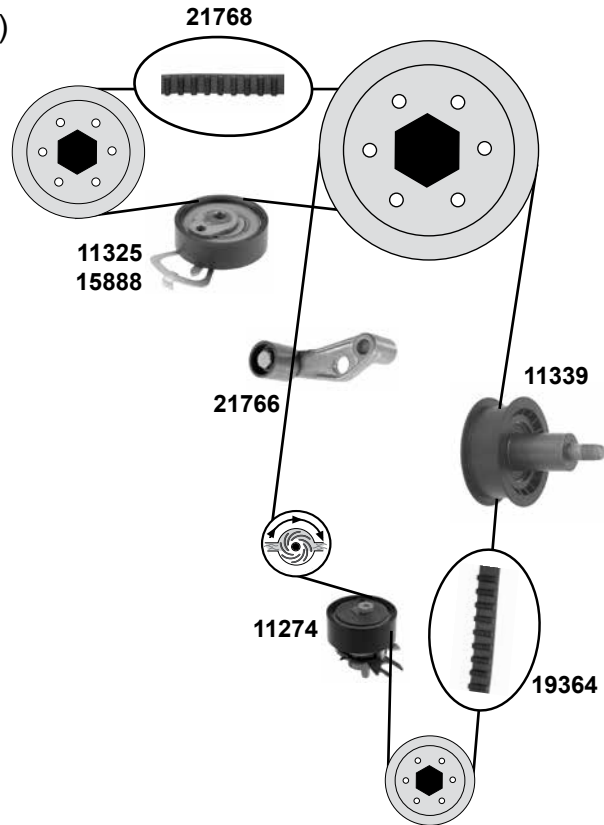
Car  
Division



### 1,4 16V / 1,6 16V

(AJV/AHW/AUA/APE/AFK/AUB/ARC/AVY/AQQ)

<p>Rep. Satz / rep. kit</p> <p><b>febi 21770</b></p>	<p>Rep. Satz / rep. kit</p> <p><b>febi 21772</b></p>
<p>Rep. Satz / rep. kit</p> <p><b>febi 21774</b></p>	<p>Rep. Satz / rep. kit</p> <p><b>febi 32427</b></p>



- (1) (mot.) AJV / 98→ / 005 001→  
(mot.) AFK / AHW / APE / AQQ / AUA / AUB / ARC / AVY / 99→01
- (2) (mot.) AJV / →99  
(mot.) AFK / AHW / APE / AQQ / AUA / AUB / ARC / AVY / 99→01



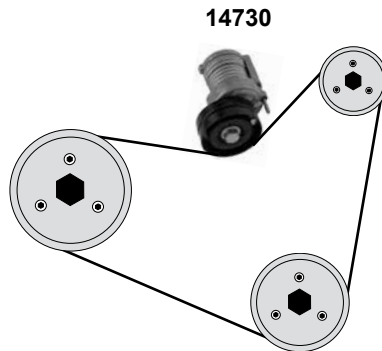
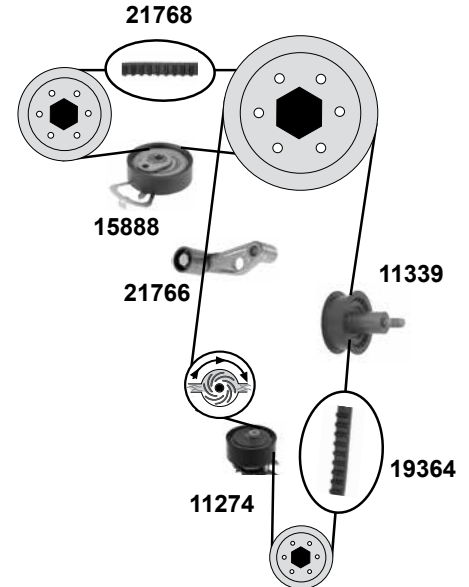
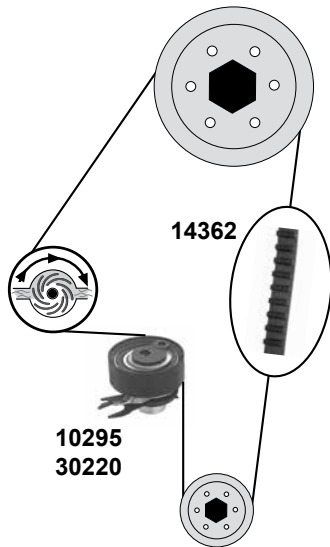
Ref. - No.



Ref. - No.	Description	Notes	Dimensions
11274	Spannrolle / tension roller		ØA 60 ØI 8 B25
11325	Spannrolle / tension roller	(mot.) AJV →005 000	ØA 60 ØI 8 B18
11339	Umlenkrolle / deflection pulley		ØA 56 B22
14730	Riemenspanner / belt tensioner		ØA 70 B26
15888	Spannrolle / tension roller	(1)	ØA 60 B19
19364	Zahnriemen / timing belt	(ex.) AJV / 99→01	Z 130 B20
21766	Umlenkrolle / deflection pulley	(2)	ØA 28 B30
21768	Zahnriemen / timing belt		Z 58 B17
21770	Rep. Satz Zahnriemen / rep. kit timing belt	(mot.) AJV 005 001→	
21772	Rep. Satz Zahnriemen / rep. kit timing belt	(1)	
21774	Rep. Satz Zahnriemen / rep. kit timing belt	(mot.) AJV→005 000	
32427	Rep. Satz Zahnriemen / rep. kit timing belt		

**1,0→1,4**  
(ALD / AUC / AKK / AKP / AUD)

**1,4→1,6 16V**  
(AHW / AUA / APE / AFK / AUB / ARC / AVY / AQQ)



	Ref. - No.			
<b>10295</b>	030 109 243 K	Spannrolle / tension roller	→6N-Y-600 000	ØA 61 ØI 8 B22
<b>11274</b>	036 109 243 AB	Spannrolle / tension roller		ØA 60 ØI 8 B25
<b>11339</b>	036 109 244 J	Umlenkrolle / deflection pulley		ØA 56 B22
<b>14362</b>	030 109 119 S	Zahnriemen / timing belt	(mot.) APE / AUA	Z 135 B19
<b>14608</b>	030 109 119 S S1	Rep. Satz Zahnriemen / rep. kit timing belt	→6N-Y-600 000	
<b>14730</b>	030 145 299 F	Riemenspanner / belt tensioner		ØA 70 B26
<b>15888</b>	036 109 243 AE	Spannrolle / tension roller		ØA 60 B19
<b>19364</b>	036 109 119 Q	Zahnriemen / timing belt		Z 130 B20
<b>21766</b>	036 109 181 A	Umlenkrolle / deflection pulley		ØA 28 B30
<b>21768</b>	036 109 119 P	Zahnriemen / timing belt		Z 58 B17
<b>21770</b>	036 109 119 Q S1	Rep. Satz Zahnriemen / rep. kit timing belt		
<b>21772</b>	036 109 119 Q S2	Rep. Satz Zahnriemen / rep. kit timing belt		
<b>21774</b>	036 109 119 P S1	Rep. Satz Zahnriemen / rep. kit timing belt	(ex.) (mot.) AQQ	
<b>23644</b>	030 109 119 S S2	Rep. Satz Zahnriemen / rep. kit timing belt	6N-Y-600 001→	
<b>30220</b>	030 109 243 M	Spannrolle / tension roller	6N-Y-600 001→	ØA 61,5 B22



# VOLKSWAGEN

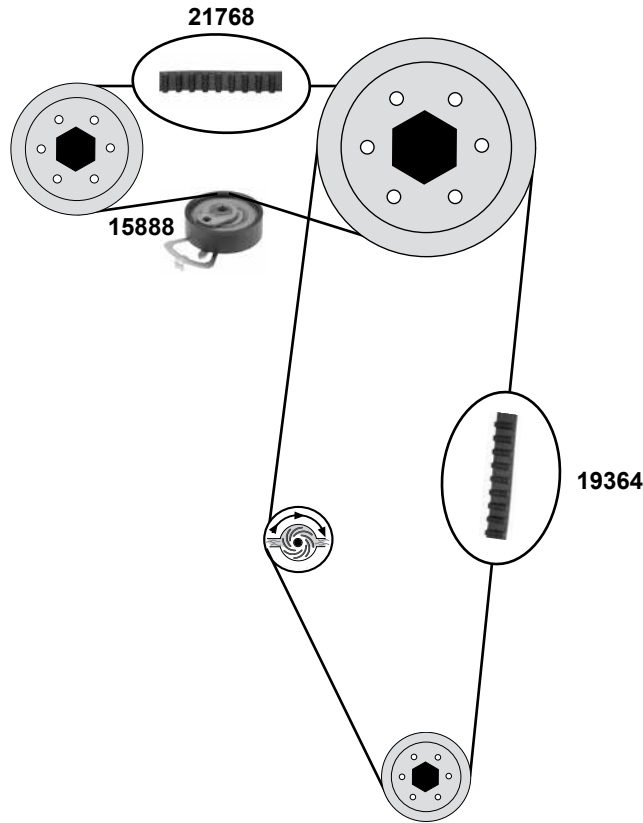
## Polo 3 (6V)

(94→02)

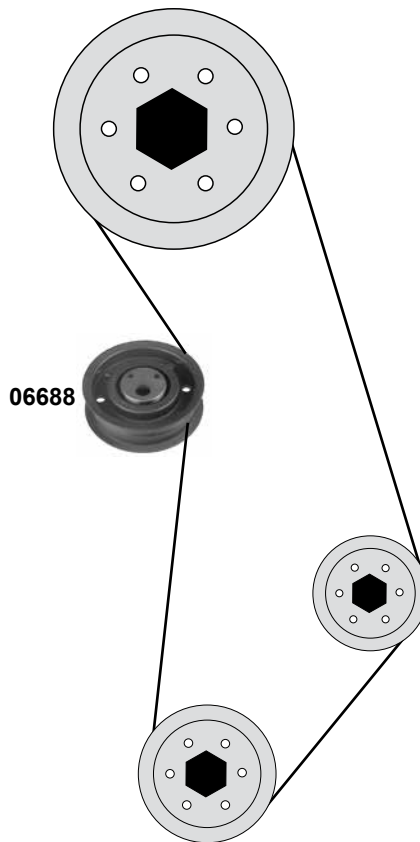
Car  
Division



### 1,4 16V (AUA/APE)



### 1,6 → 2,0 (ADC/ADD/AFT/1F)



Ref. - No.



06688	026 109 243 L
15888	036 109 243 AE
19364	036 109 119 Q
21768	036 109 119 P
21774	036 109 119 P S1

Spannrolle / tension roller
Spannrolle / tension roller
Zahnriemen / timing belt
Zahnriemen / timing belt
Rep. Satz Zahnriemen / rep. kit timing belt

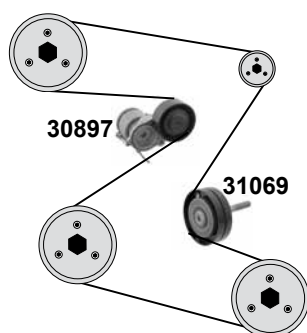
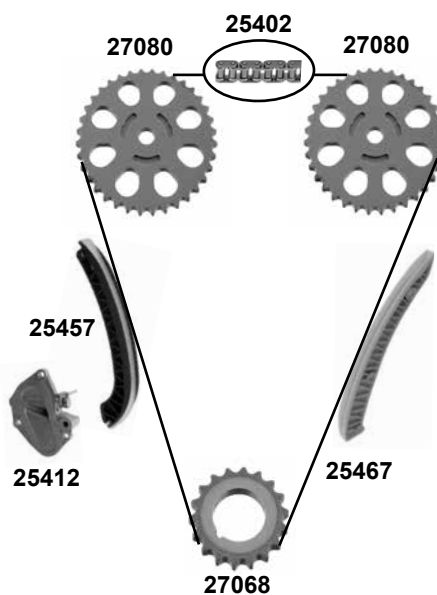
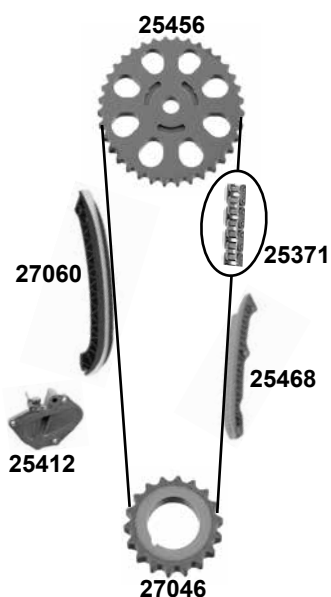
ØA 78 ØI 8 B26
ØA 60 B19
Z 130 B20
Z 58 B17

### 1,2 6V

(AWY / BMD / BBM)

### 1,2 12V

(AZQ / BME / BZG)



### 1,2 6V/12V

(AWY / AZQ / BMD / BME / BBM / BZG)



- (1) (mot.) BMD / (mot.) AWY→05 / (mot.) BBM 05→
- (2) (mot.) BME / (mot.) AZQ→05 / (mot.) BZG 05→



Ref. - No.



Ref. - No.	Description	Quantity	Notes
25457	03E 109 509 Gleitschiene / sliding rail	(2)	
25467	03E 109 469 Gleitschiene / sliding rail	(2)	
25371	03E 109 229 Steuerkette / timing chain	(1)	
25402	03E 109 229 A Steuerkette / timing chain	(1)	
25412	03E 109 507 S Kettenspanner / chain tensioner		118 E
25456	03D 109 571 L Nockenwellenrad / camshaft gear		130 E
25468	03D 109 469 C Gleitschiene / sliding rail	(1)	Z 40
27046	03E 105 209 E Kurbelwellenzahnrad / crankshaft gear	(1)	Z 20
27060	03D 109 509 L Gleitschiene / sliding rail	(1)	
27068	03E 105 209 Kurbelwellenzahnrad / crankshaft gear	(2)	Z 18
27080	03E 109 571 B Nockenwellenrad / camshaft gear	(2)	Z 36
30478	03D 109 229 S1 Rep. Satz Steuerkette / rep. kit timing chain	(1)	
30495	03D 109 229 S2 Rep. Satz Steuerkette / rep. kit timing chain	(1)	
30497	03E 109 229 A S2 Rep. Satz Steuerkette / rep. kit timing chain	(2)	
30607	03E 198 229 A S1 Rep. Satz Steuerkette / rep. kit timing chain	(2)	
30897	03D 903 305 F Riemenspanner / belt tensioner		
31069	03D 145 276 E Umlenkrolle / deflection pulley	AC	ØA 76 B 24

# VOLKSWAGEN

## Polo 4 (9N)

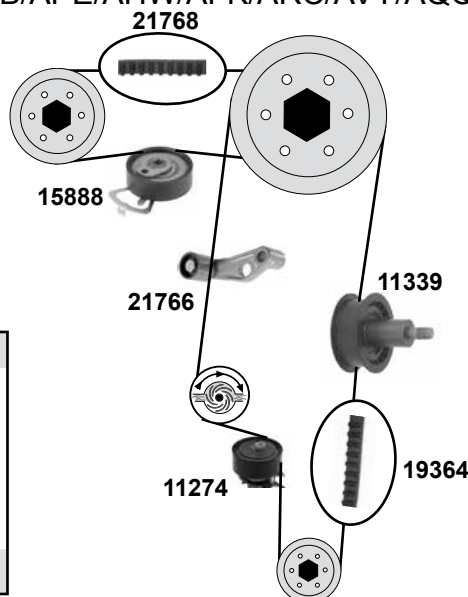
(01→10)

Car  
Division



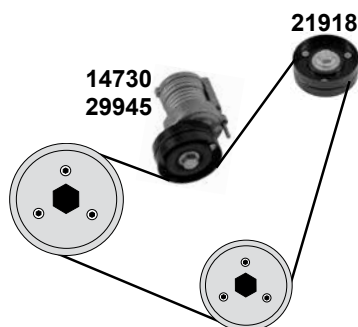
### 1,4 16V

(BBY/BKY/AUA/BBZ/AUB/BUD/CGGB/APE/AHW/AFK/ARC/AVY/AQQ)



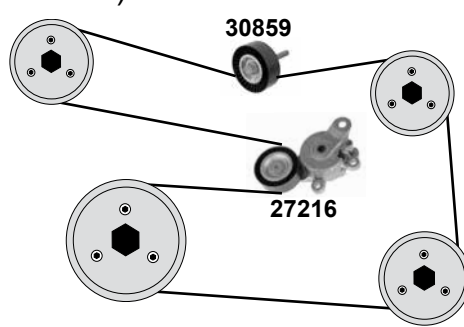
### 1,4 16V

(BBY/BBZ/AUA/AUB/BKY/BUD/BAH/AMF/BAY/BNM/BNV)



### 1,4 / 1,6 16V

(AXU/BTS)



(1) (mot.) BBY/BBZ/AUA/AUB/BKY/BUD/BAH

(2) (mot.) AMF/BAY / (mot.) BNM/BNV AC

(3) (mot.) BBY/BKY/AUA/BBZ/AUB/BUD/CGGB

(4) (mot.) AUA/AUB/BBY/BBZ/BKY / → 09  
Crosspolo (mot.) BBZ/BKY/BUD / 05 → 09



(5) (mot.) APE/AUA/AHW/AFK/ARCAVY/AQQ/AUB / → 05  
(mot.) BKY/BUD/BBZ/CGGA / 05 → / (ch.) 9N-5-500 001 →

(6) (mot.) AUA/AUB/BBY/BBZ/BKY / →09  
(mot.) BBY/BBZ  
(mot.) BBZ/BKY/BUD / 05→09

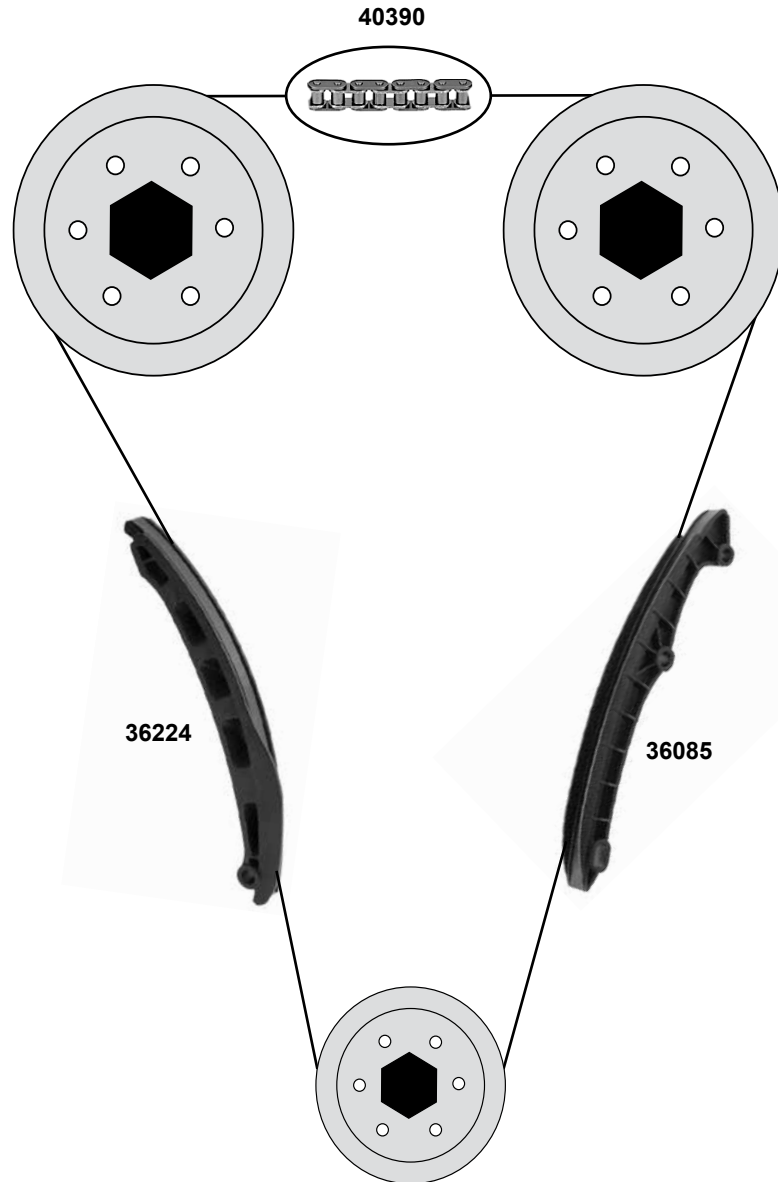


Ref. - No.

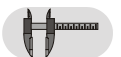


11274	036 109 243 AB	Spannrolle / tension roller	(3)	ØA 60 Ø1 8 B25
11339	036 109 244 J	Umlenkrolle / deflection pulley	(3)	ØA 56 B22
14730	030 145 299 F	Riemenspanner / belt tensioner	(1)	ØA 70 B26
15888	036 109 243 AE	Spannrolle / tension roller	(6)	ØA 60 B19
19364	036 109 119 Q	Zahnriemen / timing belt	(4)	Z 130 B20
21766	036 109 181 A	Umlenkrolle / deflection pulley	(3)	ØA 28 B30
21768	036 109 119 P	Zahnriemen / timing belt	(6)	Z 58 B17
21770	036 109 119 Q S1	Rep. Satz Zahnriemen / rep. kit timing belt	(ex.) CGGB	
21772	036 109 119 Q S2	Rep. Satz Zahnriemen / rep. kit timing belt	(3)	
21774	036 109 119 P S1	Rep. Satz Zahnriemen / rep. kit timing belt	(5)	
21918	032 145 276	Umlenkrolle / deflection pulley	(mot.) BAY / AC	ØA 76 B26
27216	6Q0 145 299	Riemenspanner / belt tensioner	(3)	
29945	045 903 315 A	Spannrolle / tension roller	(2)	
30859	1J0 145 276	Umlenkrolle / deflection pulley	(mot.) AXU / AC	ØA 76 B26

**1,2→1,6**  
(AXU/BTS/CDDA/BMG/BMH/CDEA/BZG)



Ref. - No.



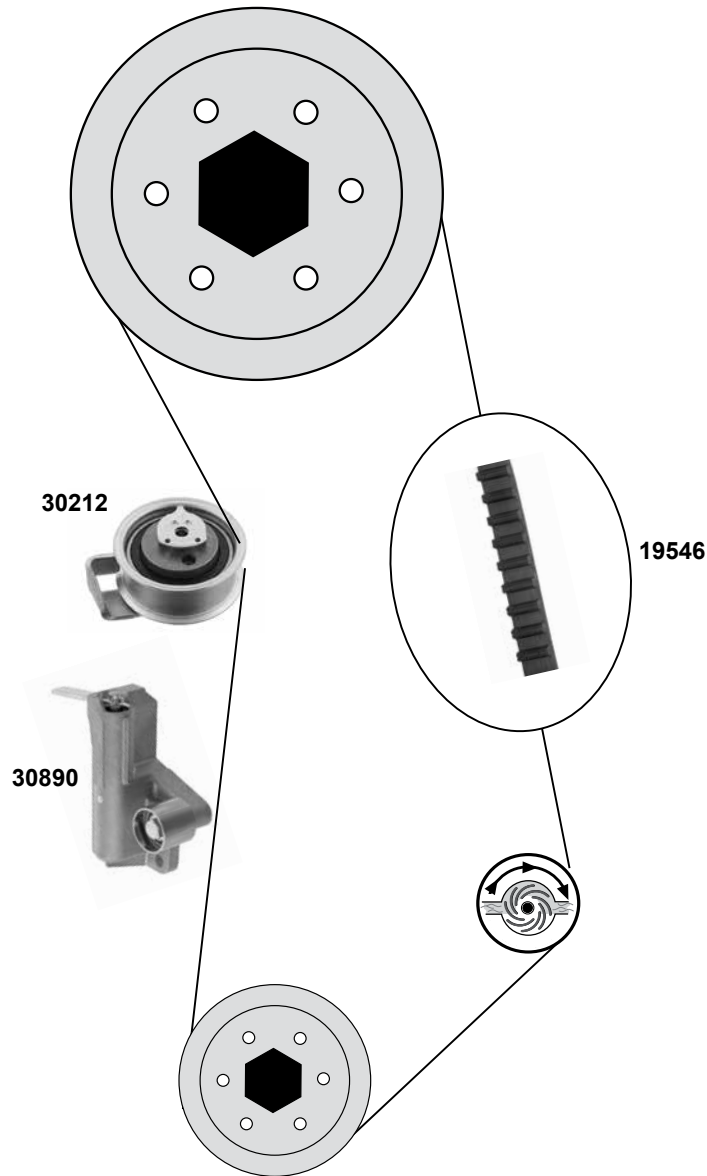
<b>36085</b>	03C 109 469 K	Gleitschiene/ sliding rail
<b>36224</b>	03C 109 509 P	Gleitschiene/ sliding rail
<b>40390</b>	03C 109 158 A	Steuerkette / timing chain

130 E



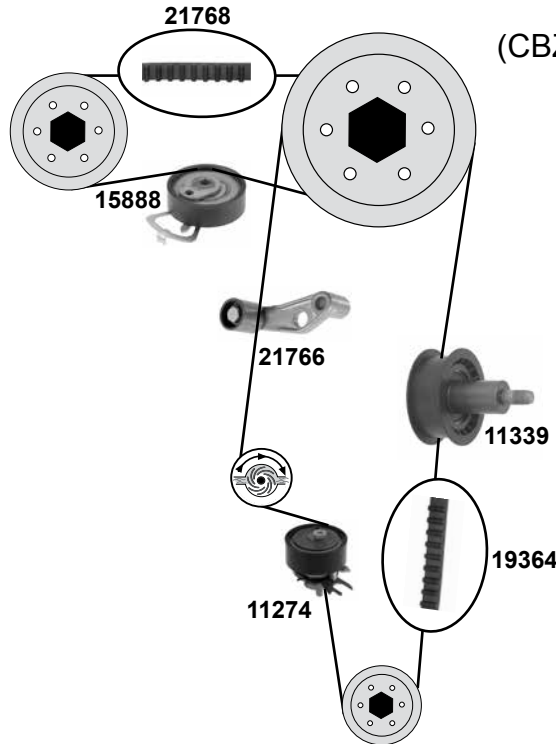
### 1,8 20V

(BJX / BBU)



	Ref. - No.			
19546	06B 109 119 A	Zahnriemen / timing belt	9N-5-500 001→	Z 150 B23
30212	06B 109 243 C	Spannrolle / tension roller	9N-5-500 001→	ØA 81,7 B46,5
30890	06B 109 477 B	Riemendämpfer / belt tensioner	9N-5-500 001→	
30891	06B 109 119 A S6	Rep. Satz Zahnriemen / rep. kit timing belt	9N-5-500 001→	

**1,2 / 1,4 / 1,6**  
(CBZA/ CBZB/CNKA/CGGB/CMAA)



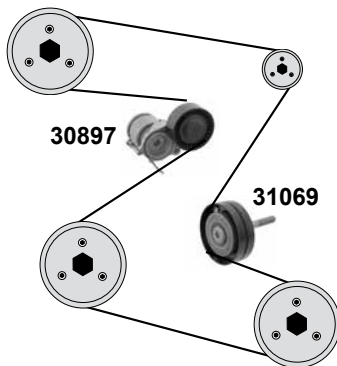
Rep. Satz / rep. kit

**febi 21770**

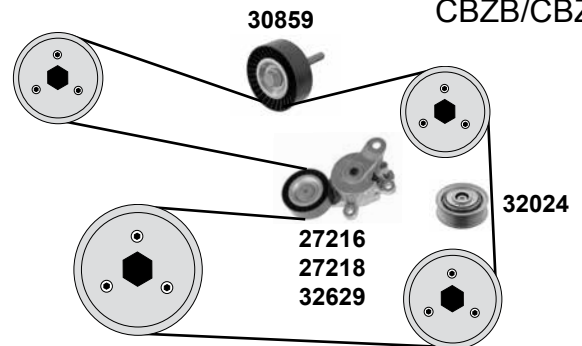
Rep. Satz / rep. kit

**febi 21774**

**1,2**  
(CGPA / CGPB / CHFA / CJLA)



**1,4 / 1,6 16V**  
(CGGB/CMAA/CAVE/CLPA/CNKA/CLSA/CBZA/ CBZB/CBZG)



(1) AC (mot.) CBZA/CBZB/CBZG

(2) (ex.) (mot.) CAVE / CBZA / CBZB / CBZG

(3) AC (mot.) CLPA/CLSA

(4) (mot.) CLPA/CLSA/CNKA



Ref. - No.

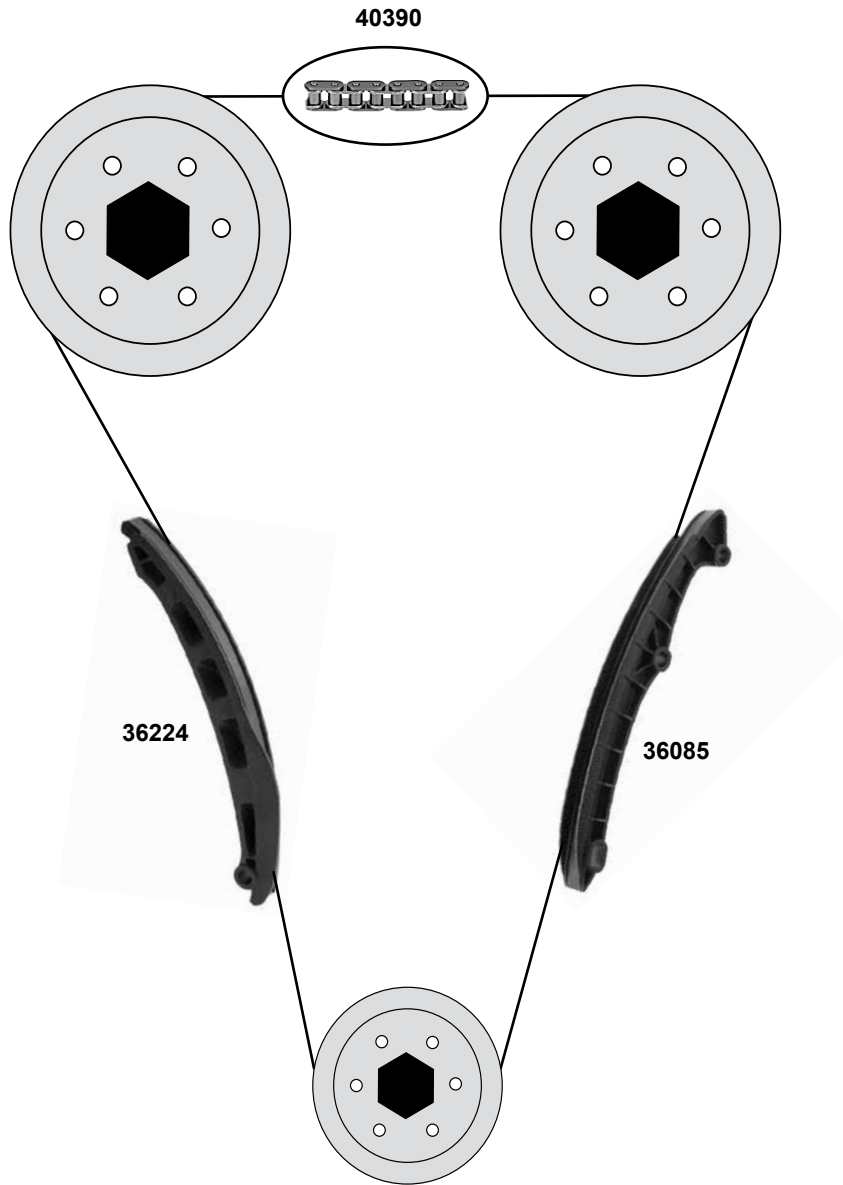


<b>11274</b>	036 109 243 AB	Spannrolle / tension roller	(mot.) CGGB	ØA 60 ØI 8 B25
<b>11339</b>	036 109 244 J	Umlenkrolle / deflection pulley	(mot.) CGGB	ØA 56 B22
<b>15888</b>	036 109 243 AE	Spannrolle / tension roller	(mot.) CGGB/CMAA	ØA 60 B19
<b>19364</b>	036 109 119 Q	Zahnriemen / timing belt	(mot.) CGGB/CMAA	Z 130 B 20
<b>21766</b>	036 109 181 A	Umlenkrolle / deflection pulley	(mot.) CGGB	ØA 28 B30
<b>21768</b>	036 109 119 P	Zahnriemen / timing belt	(mot.) CGGB	Z 58 B 17
<b>21770</b>	036 109 119 Q S1	Rep. Satz Zahnriemen / rep. kit timing belt	(mot.) CGGB	
<b>21774</b>	036 109 119 P S1	Rep. Satz Zahnriemen / rep. kit timing belt	(mot.) CGGB/CMAA	
<b>27216</b>	6Q0 145 299	Riemenspanner / belt tensioner	(2)	
<b>27218</b>	6Q0 145 299 C	Riemenspanner / belt tensioner	(3)	
<b>30859</b>	1J0 145 276	Umlenkrolle / deflection pulley	(4)	ØA 76 B 26
<b>30897</b>	03D 903 305 F	Riemenspanner / belt tensioner		
<b>31069</b>	03D 145 276 E	Umlenkrolle / deflection pulley	AC	ØA 76 B 24
<b>32024</b>	03C 145 276 C	Umlenkrolle / deflection pulley	(mot.) CAVE	ØA 81 B 37
<b>32629</b>	03C 145 299 Q	Riemenspanner / belt tensioner	(1)	



**1,2 / 1,4 / 1,6**

(CAVE/CGPA/CGPB/CJLA/CLPA/CLSA/CNKA/CFNACFNB)



Ref. - No.

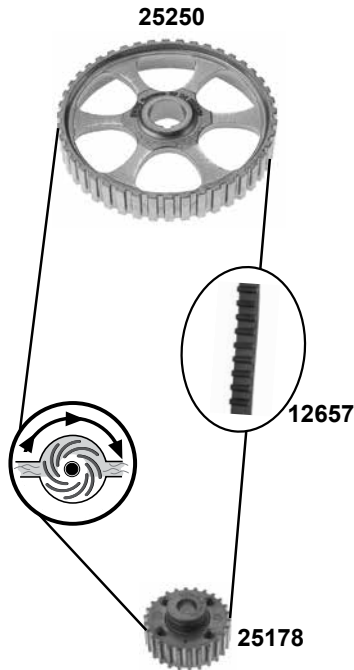


<b>36085</b>	03C 109 469 K
<b>36224</b>	03C 109 509 P
<b>40390</b>	03C 109 158 A

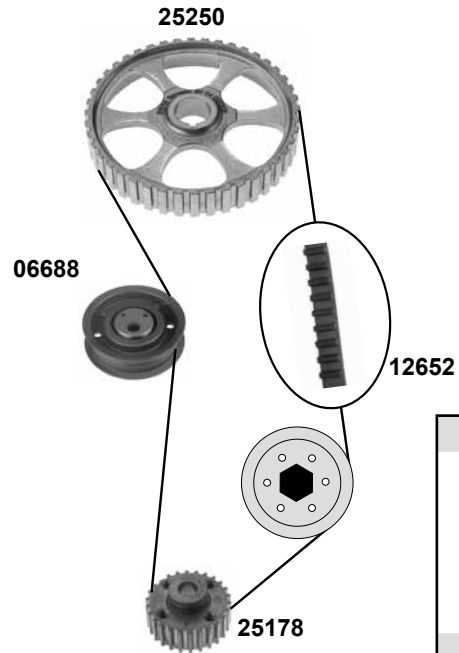
Gleitschiene/ sliding rail
Gleitschiene/ sliding rail
Steuerkette / timing chain

130 E

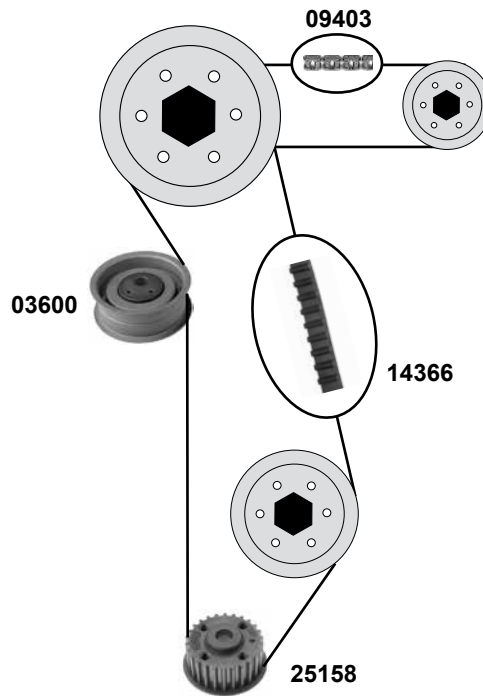
1,3



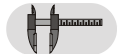
1,6 / 1,8



1,8 16V  
(KR / PL)



Ref. - No.



03600	051 109 243	Spannrolle / tension roller		ØA 72 B27
06688	026 109 243 L	Spannrolle / tension roller		ØA 72 ØI 10 B20
09403	077 109 120	Steuerkette / timing chain		455 / 44 E
12652	056 109 119 A	Zahnriemen / timing belt		Z 121 B18
12657	052 109 119	Zahnriemen / timing belt		Z 108 B18
14366	027 109 119 C	Zahnriemen / timing belt		Z 147 B25
14574	051 198 119	Rep. Satz Zahnriemen / rep. kit timing belt		
14606	027 109 119 C S1	Rep. Satz Zahnriemen / rep. kit timing belt		
25158	027 109 263 B	Kurbelwellenrad / crankshaft gear		
25178	049 105 263 B	Kurbelwellenrad / crankshaft gear	(ch.)→19-H-160 000	Z 22
25250	049 109 111 C	Nockenwellenrad / camshaft gear		Z 44



# VOLKSWAGEN Scirocco 3 (137)

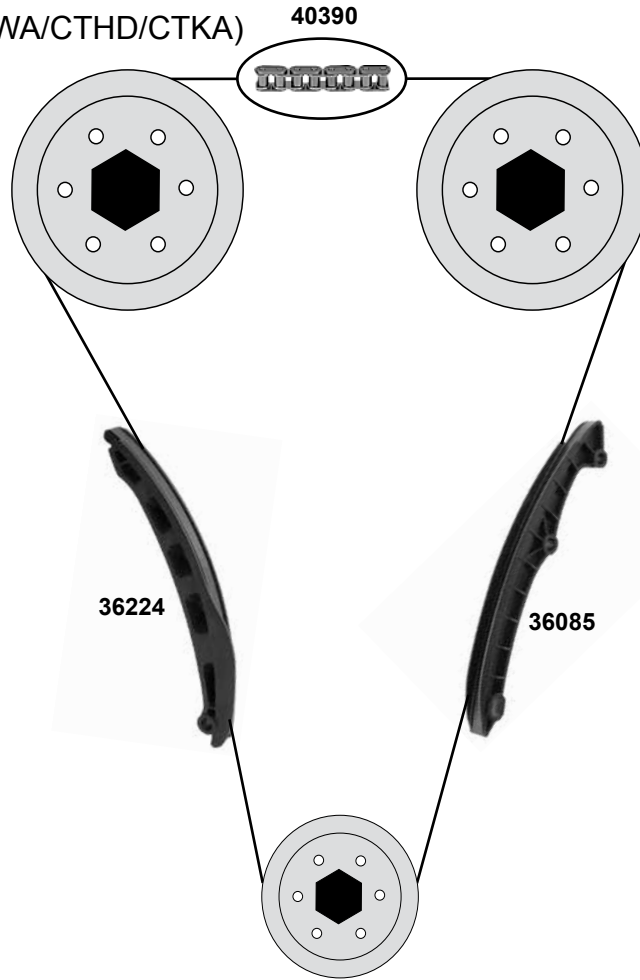
(09→)

Car  
Division



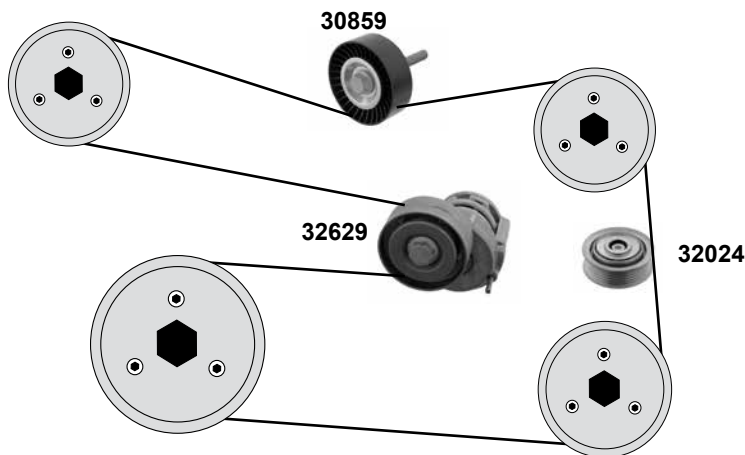
## 1,4

(CAVD/CAXA/CMSB/CNWA/CTHD/CTKA)

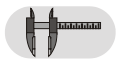


## 1,4 16V

(CAVD / CAXA / CMSB)



Ref. - No.

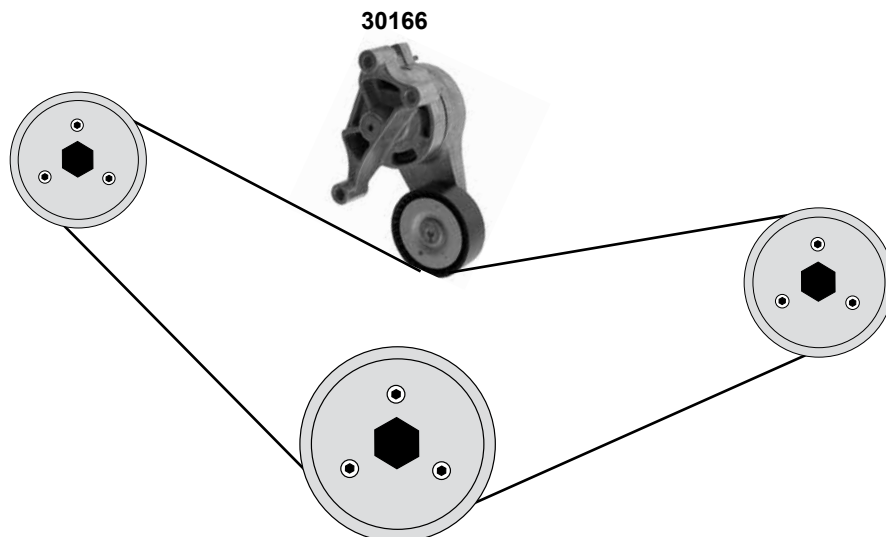
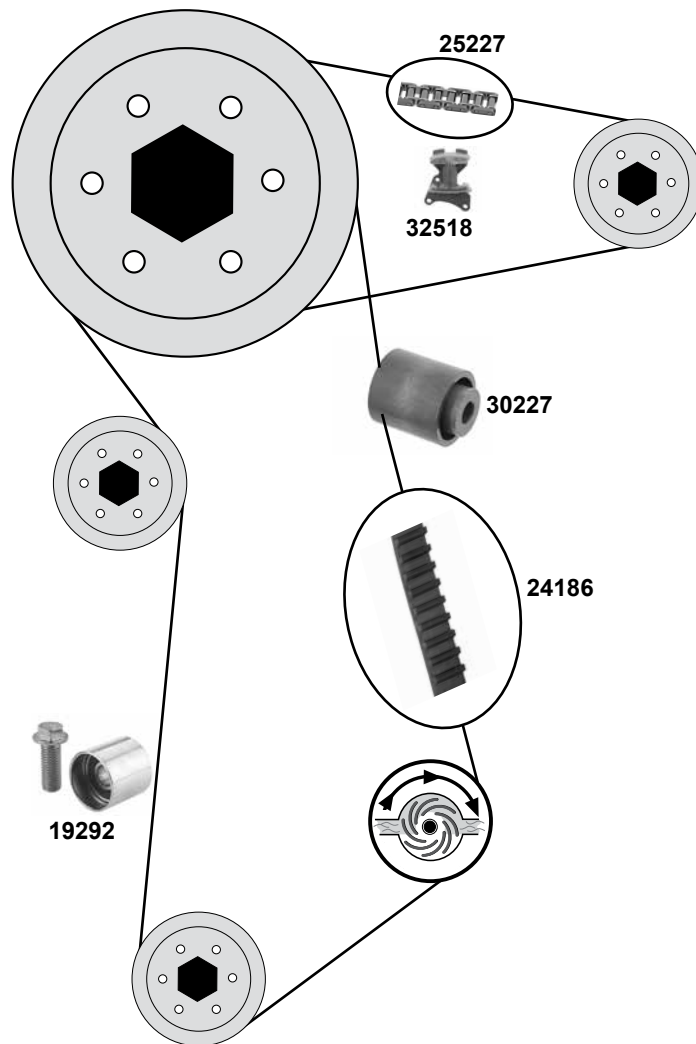


<b>30859</b>	1J0 145 276
<b>32024</b>	03C 145 276 C
<b>32629</b>	03C 145 299 Q
<b>36085</b>	03C 109 469 K
<b>36224</b>	03C 109 509 P
<b>40390</b>	03C 109 158 A

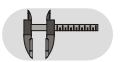
Umlenkrolle / deflection pulley
Umlenkrolle / deflection pulley
Riemenspanner / belt tensioner
Gleitschiene/ sliding rail
Gleitschiene/ sliding rail
Steuerkette / timing chain

(mot.) CAXA/CMSB
(mot.) CAVD
AC (mot.)CAXA/CMSB

ØA 76 B 26
130 E



Ref. - No.



<b>19292</b>	06B 109 244	Umlenkrolle / deflection pulley
<b>24186</b>	06D 109 119 B	Zahnriemen / timing belt
<b>25227</b>	06D 109 229 B	Steuerkette / timing chain
<b>30166</b>	06F 903 315	Riemenspanner / belt tensioner
<b>32518</b>	06F 109 217 A	Kettenspanner / chain tensioner
<b>30227</b>	06D 109 244 E	Umlenkrolle / deflection pulley

Z 148  
42 E

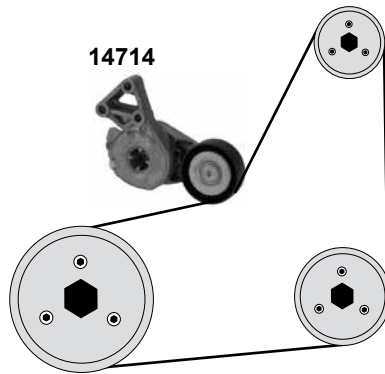
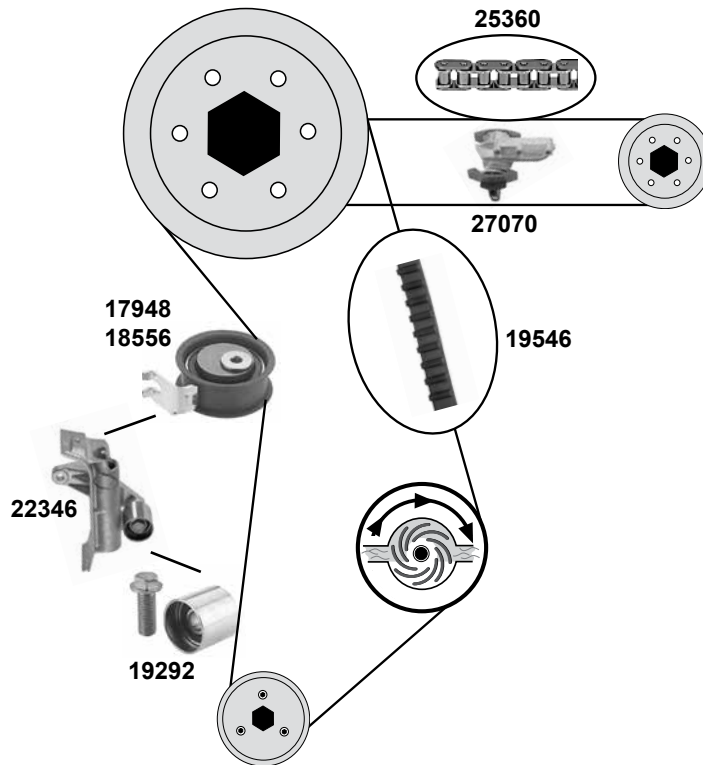
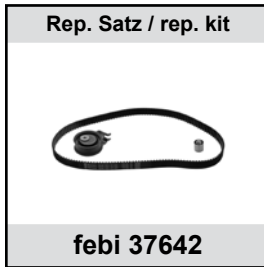
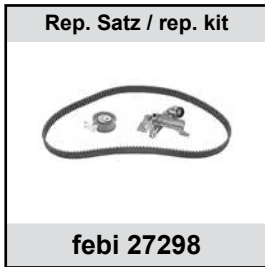
# VOLKSWAGEN Sharan (7M)

(96→)

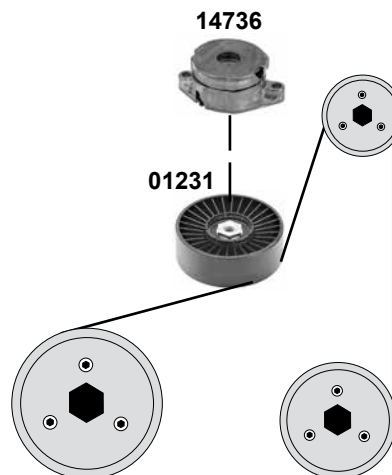
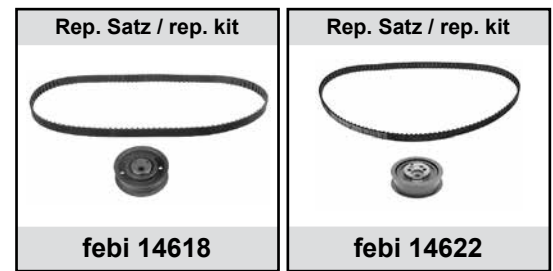
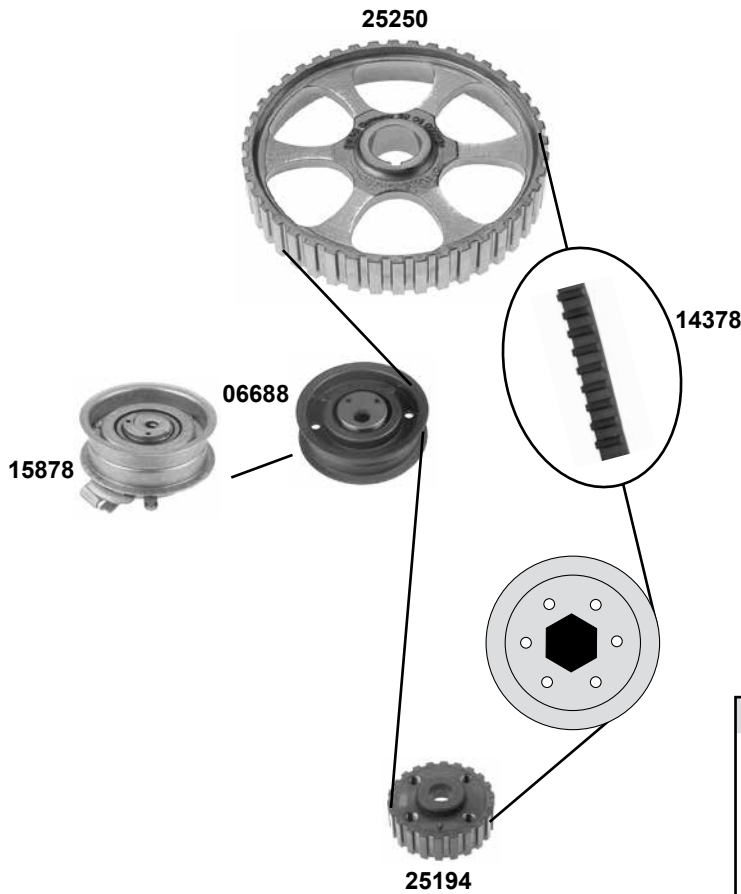
Car  
Division



**1,8**  
(AJH / AWC)



febi bilstein	Ref. - No.			
<b>14714</b>	06A 903 315 E	Riemenspanner / belt tensioner		ØA 70 B24
<b>17948</b>	06B109 243	Spannrolle / tension roller	(mot.) AJH	ØA 72 B30
<b>18556</b>	06B 109 243 F	Spannrolle / tension roller	(mot.) AWC	ØA 72 B31
<b>19292</b>	06B109 244	Umlenkrolle / deflection pulley	02→10	ØA 28,5 B27
<b>19546</b>	06B109 119 A	Zahnriemen / timing belt		Z 150 B23
<b>19548</b>	06A 198 119 A	Rep. Satz Zahnriemen / rep. kit timing belt		
<b>19550</b>	06B 109 119 A S2	Rep. Satz Zahnriemen / rep. kit timing belt	AWC (ex.) febi 22346	
<b>22346</b>	06B 109 243 F	Riemenspanner / belt tensioner	(mot.) AWC	
<b>23646</b>	030 121 121 B	Rep. Satz Zahnriemen / rep. kit timing belt	AWC (inkl.) febi 22346	
<b>25360</b>	058 109 229 B	Steuerkette / timing chain		50 E
<b>27070</b>	058 109 217 B	Kettenspanner / chain tensioner	(mot.) AJH/AWC	
<b>27298</b>	06B 109 119 A S5	Rep. Satz Zahnriemen / rep. kit timing belt	→ 00 / (mot.) AJH	
<b>37642</b>	06A 198 119 B	Rep. Satz Zahnriemen / rep. kit timing belt	02→10	



	Ref. - No.			
<b>01231</b>	028 145 278 E	Spannrolle / tension roller	<b>AC</b>	ØA 78 ØI 8 B26
<b>06688</b>	026 109 243 L	Spannrolle / tension roller	<b>(mot.) ADY</b>	ØA 72 ØI 10 B20
<b>14378</b>	037 109 119 C	Zahnriemen / timing belt	<b>(mot.) ADY →00</b>	Z 124 B18
<b>14618</b>	051 198 119	Rep. Satz Zahnriemen / rep. kit timing belt	<b>(ex.) ATM</b>	
<b>14622</b>	037 109 119 C S2	Rep. Satz Zahnriemen / rep. kit timing belt	<b>(mot.) ADY →00</b>	
<b>14736</b>	037 903 315 C	Riemenspanner / belt tensioner		
<b>15878</b>	06A 109 479 C	Spannrolle / tension roller	<b>(mot.) ATM</b>	ØA 72 B29
<b>25194</b>	049 105 263 C	Kurbelwellenrad / crankshaft gear	<b>(mot.) AWC</b>	Z 22
<b>25250</b>	049 109 111 C	Nockenwellenrad / camshaft gear		Z 44

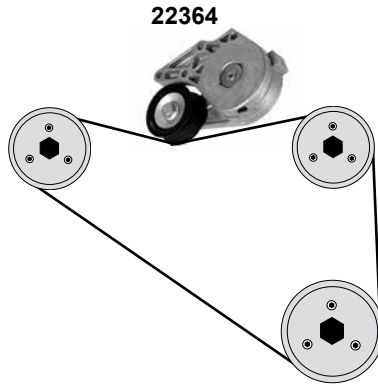
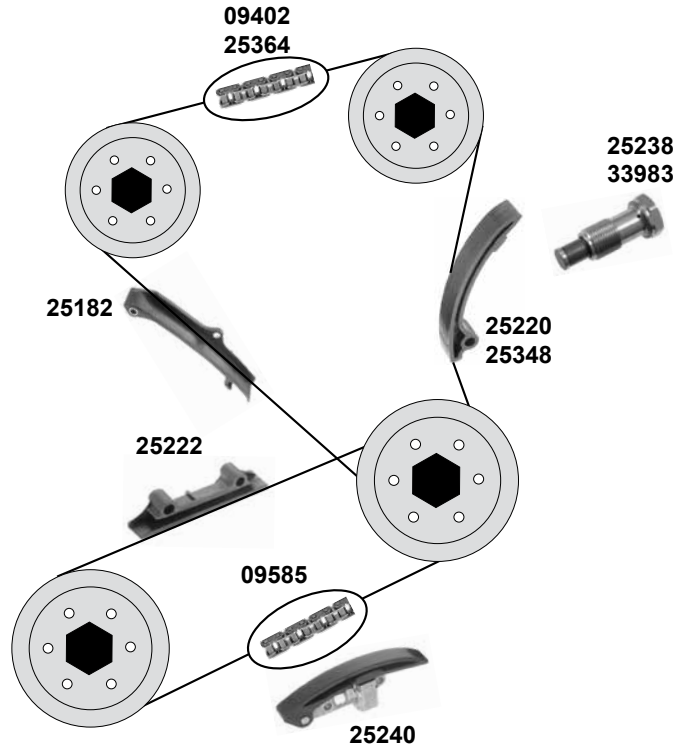
# VOLKSWAGEN Sharan (7M)

(96→00)

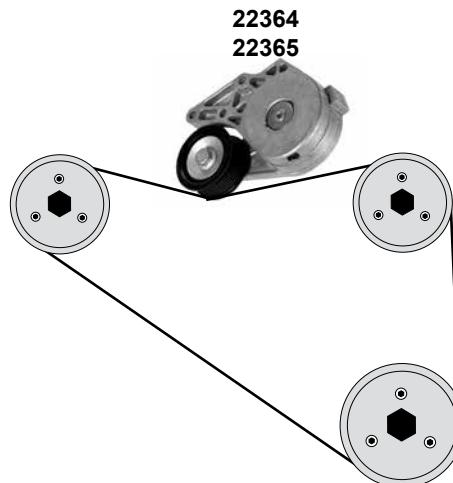
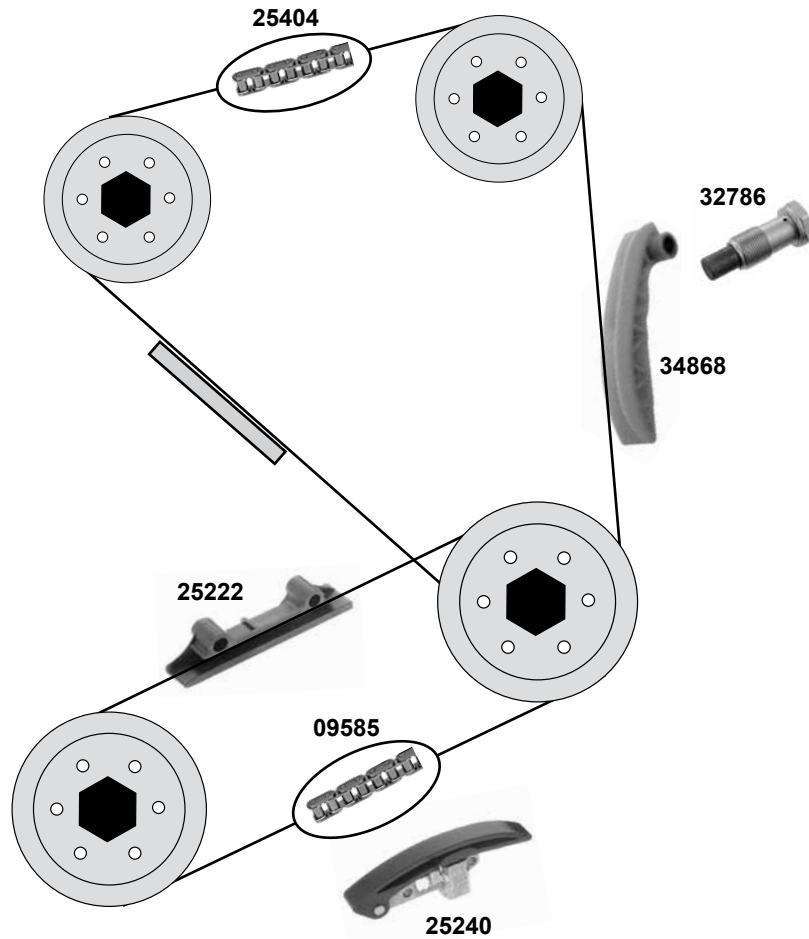
Car  
Division



## 2,8 VR6 (AAA / AMY)



	Ref. - No.			
<b>09402</b>	021 109 503 A	Steuerkette / timing chain	(mot.) AAA→217 000	D 90 E
<b>09585</b>	021 109 467	Steuerkette / timing chain		70 E
<b>22364</b>	021 145 299 C	Riemenspanner / belt tensioner		
<b>25182</b>	021 109 513	Gleitschiene / sliding rail		
<b>25220</b>	021 109 509 E	Kettenspanner / chain tensioner	(mot.) AAA 217 001→	
<b>25222</b>	021 109 469	Gleitschiene / sliding rail		
<b>25238</b>	021 109 507 B	Kettenspanner / chain tensioner	(mot.) AMY/AAA 217 001→	
<b>25240</b>	021 109 467	Kettenspanner / chain tensioner		
<b>25348</b>	021 109 509 A	Kettenspanner / chain tensioner	(mot.) → AAA 217 000	
<b>25364</b>	021 109 203 D	Steuerkette / timing chain	(mot.) AMY/AAA 217 001→	90 E
<b>33983</b>	021 109 507 A	Kettenspanner / chain tensioner	(mot.) AAA → 217 000	
<b>33984</b>	021 109 507 A S1	Rep. Satz Steuerkette/ rep kit timing chain	(mot.) AAA → 217 000	
<b>33985</b>	021 109 503 D S1	Rep. Satz Steuerkette / rep. kit chain tensioner	(mot.) AAA → 217 000	



	Ref. - No.			
<b>09585</b>	021 109 467	Steuerkette / timing chain		70 E
<b>22364</b>	021 145 299 C	Riemenspanner / belt tensioner	→01	ØA 73
<b>22365</b>	022 145 299 D	Riemenspanner / belt tensioner	01→	
<b>25222</b>	021 109 469	Gleitschiene / sliding rail		98 E
<b>25240</b>	021 109 467	Kettenspanner / chain tensioner		
<b>25404</b>	066 109 503 C	Steuerkette / timing chain	01→05	
<b>32786</b>	03H 109 507	Kettenspanner / chain tensioner	00→10	
<b>34868</b>	066 109 509 A	Gleitschiene / sliding rail	01→07	

passend für / to fit

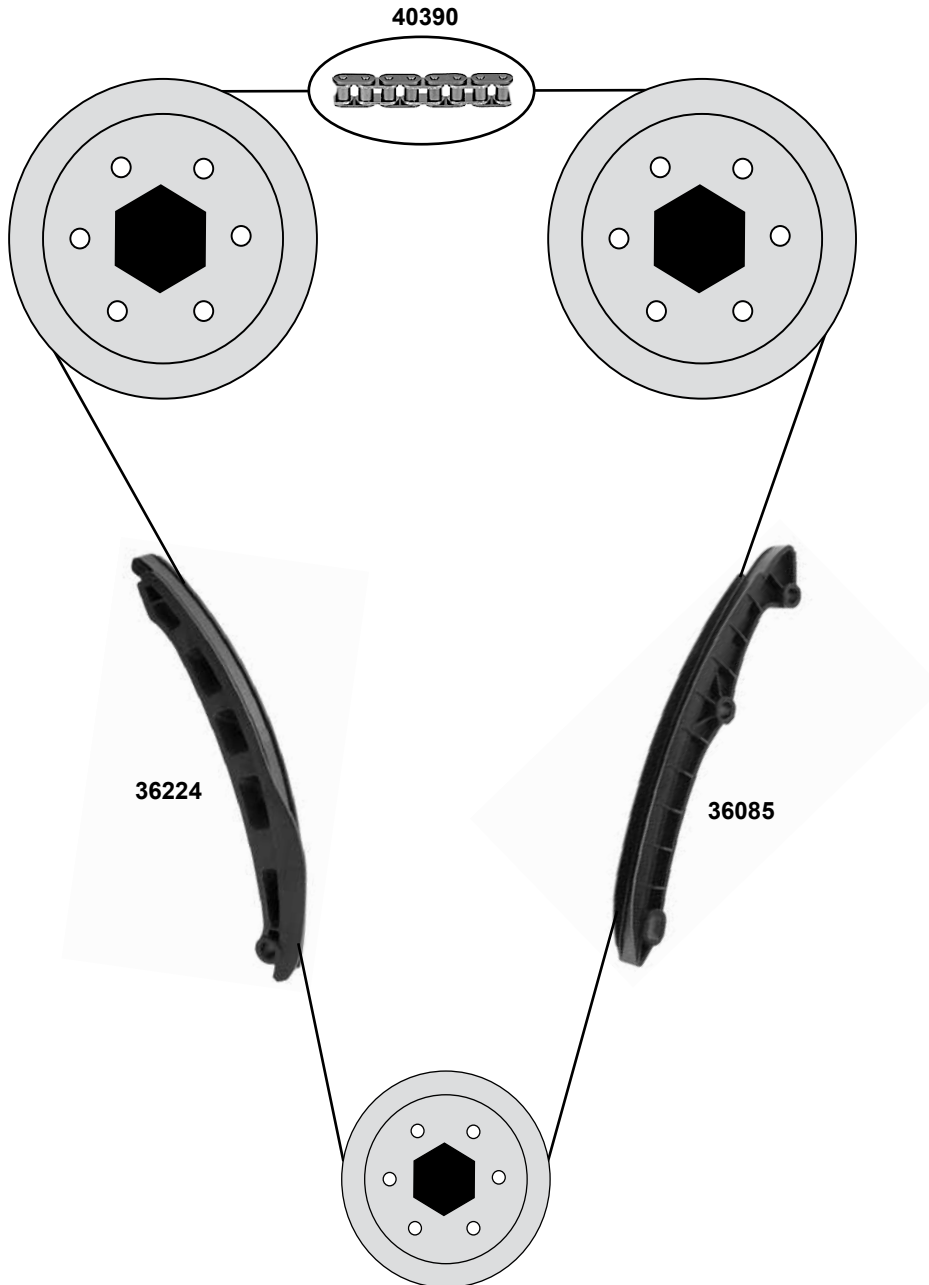
# VOLKSWAGEN Sharan (7N)

(11→)

Car  
Division



**1,4**  
(CAVA/CTHA)



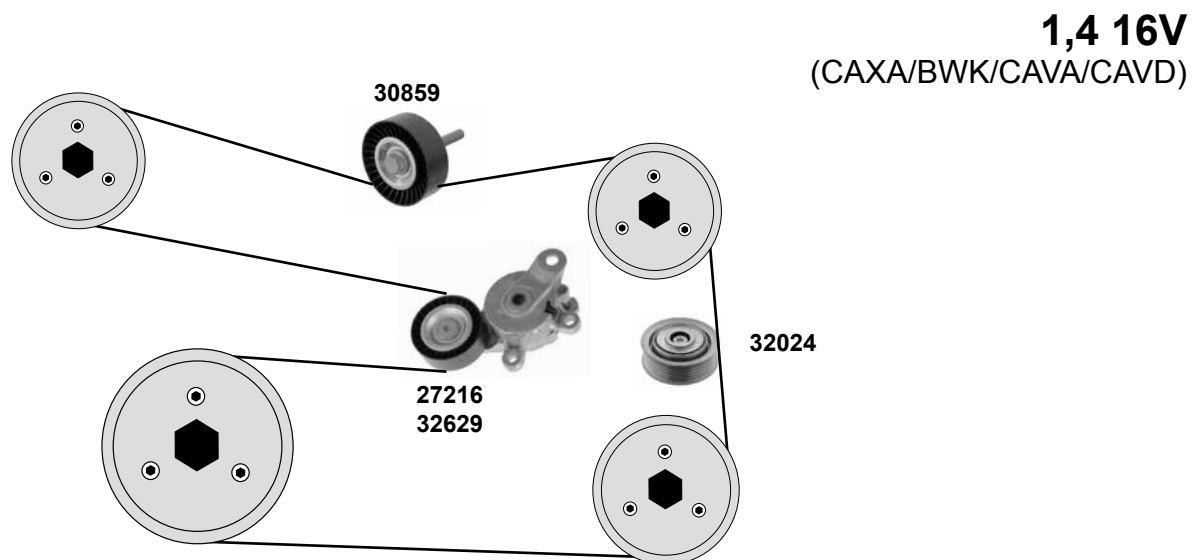
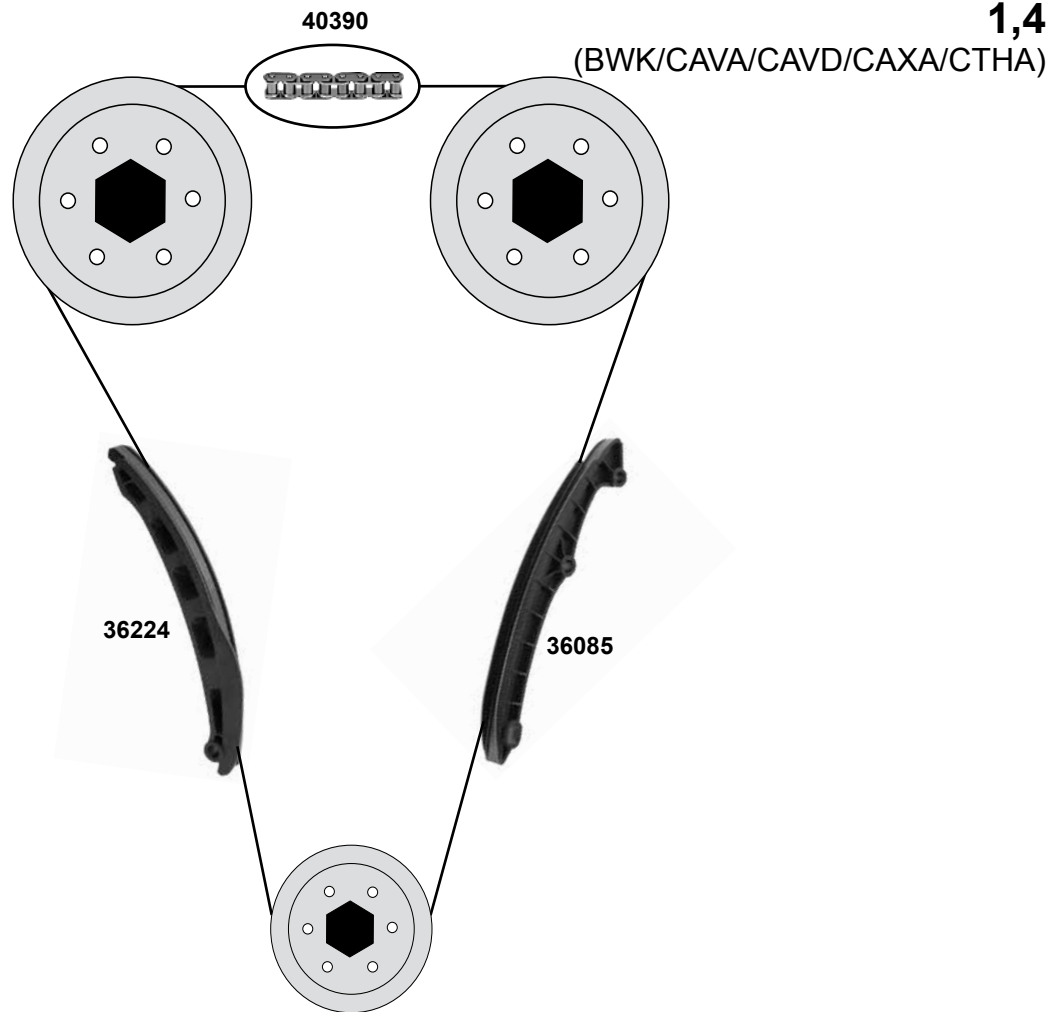
Ref. - No.



<b>36085</b>	03C 109 469 K
<b>36224</b>	03C 109 509 P
<b>40390</b>	03C 109 158 A

Gleitschiene/ sliding rail  
Gleitschiene/ sliding rail  
Steuerkette / timing chain

130 E



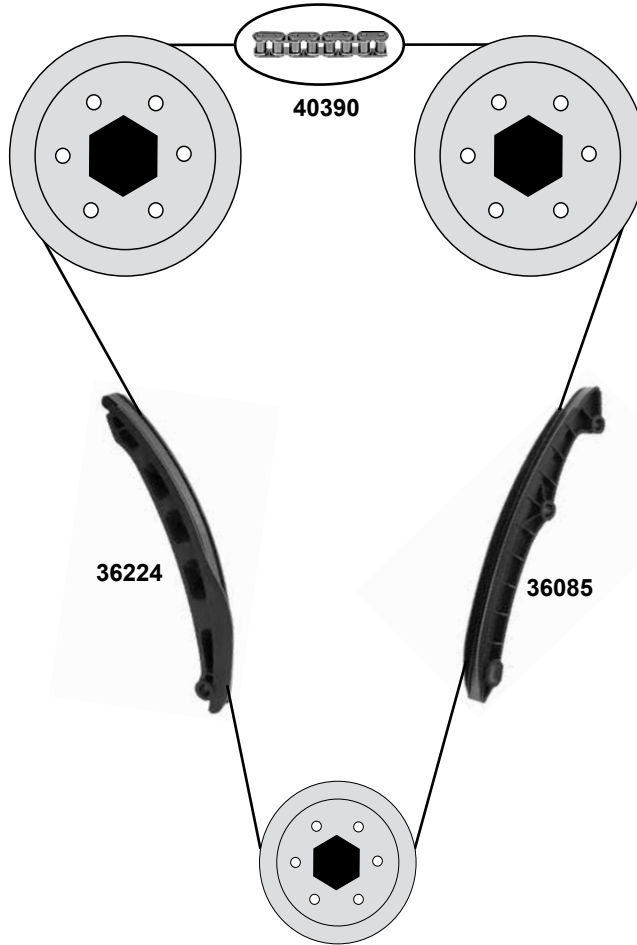
	Ref. - No.			
<b>27216</b>	6Q0 145 299	Riemenspanner / belt tensioner	(ex.) AC CAXA	ØA 76 B 26
<b>30859</b>	1J0 145 276	Umlenkrolle / deflection pulley	AC (mot.) CAXA	
<b>32024</b>	03C 145 276 C	Umlenkrolle / deflection pulley	(ex.) (mot.) CAXA	ØA 81 B 37
<b>32629</b>	03C 145 299 Q	Riemenspanner / belt tensioner	AC (mot.) CAXA/CBZB	
<b>36085</b>	03C 109 469 K	Gleitschiene/ sliding rail		
<b>36224</b>	03C 109 509 P	Gleitschiene/ sliding rail		
<b>40390</b>	03C 109 158 A	Steuerkette / timing chain		130 E





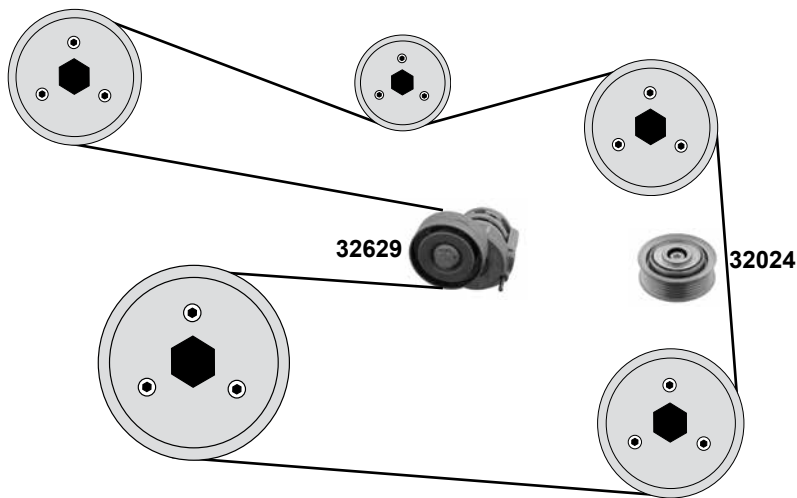
### 1,4 / 1,6

(BAG/BLF/BLG/BLP/BMY/CAVB/CAVC/CDGA)



### 1,2 / 1,4 16V

(CBZB / BMY / BLG / CAVC / CAVB / CDGA)



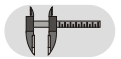
Ref. - No.



Umlenkrolle / deflection pulley  
Riemenspanner / belt tensioner  
Gleitschiene/ sliding rail  
Gleitschiene/ sliding rail  
Steuerkette / timing chain



(ex.) (mot.) CAXA  
AC (mot.)CAXA/CBZB



ØA 81 B 37

**32024** 03C 145 276 C  
**32629** 03C 145 299 Q  
**36085** 03C 109 469 K  
**36224** 03C 109 509 P  
**40390** 03C 109 158 A

130 E

**1,6 (BGU)**

25258  
15878  
19396  
19292

Rep. Satz / rep. kit

**febi 23634**

**1,6 (BGU)**

14714  
30859  
27216  
27218

**1,6 (BAG/BLP/BLF)**

30859  
27216  
27218

**2,0 16V (AXW)**

25227 (AXW)  
23238  
24606  
24188  
19292

Rep. Satz / rep. kit

**febi 24764**

**2,0 16V (BLX/BLY/BLR/BVZ/BVY)**

25227  
32518  
27364  
30227  
24186  
19292

Rep. Satz / rep. kit

**febi 30586**

	Ref. - No.			
14714	06A 903 315 E	Riemenspanner / belt tensioner		ØA 70 B24
15878	06A 109 479 C	Spannrolle / tension roller		ØA 72 B29
19292	06B109 244	Umlenkrolle / deflection pulley		ØA 28,5 B27
19396	06A 109 119 C	Zahnriemen / timing belt		Z 138 B23
23238	06D 109 119	Zahnriemen / timing belt		Z 145
23634	06A 198 119	Rep. Satz Zahnriemen / rep. kit timing belt		Z 148
24186	06D 109 119 B	Zahnriemen / timing belt		
24188	06D 109 244 A	Umlenkrolle / deflection pulley		
24606	06D 109 243	Spannrolle / tension roller		
24764	06F 198 119	Rep. Satz Zahnriemen / rep. kit timing belt		Z 145
25227	06D 109 229 B	Steuerkette / timing chain		42E
25258	06A 109 105 C	Nockenwellenrad / camshaft gear		Z52
27216	6Q0 145 299	Riemenspanner / belt tensioner	(ex.) AC → 06	
27218	03C 145 299 C	Spannrolle / tension roller	AC	
27364	06D 109 243 B	Spannrolle / tension roller		ØA 77 B25
30227	06D 109 244 E	Umlenkrolle / deflection pulley		ØA 28,5 B33,5
30586	06F 198 119 A	Rep. Satz Zahnriemen / rep. kit timing belt		
30859	1J0 145 276	Umlenkrolle / deflection pulley	AC	ØA 76 B 26
32518	06F 109 217 A	Kettenspanner / chain tensioner	→10	

# VOLKSWAGEN

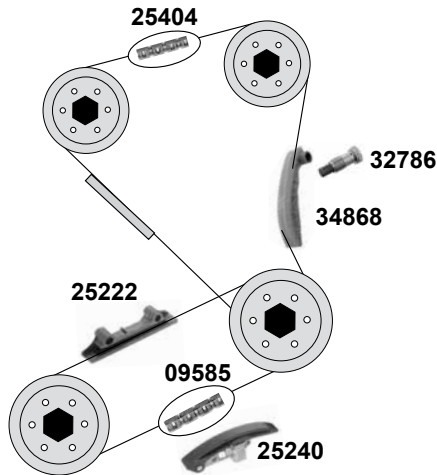
## Touareg (7L)

(03→06)

Car  
Division

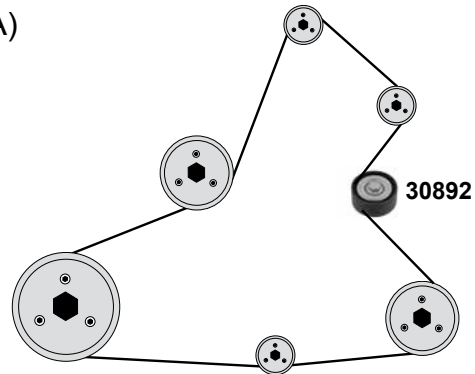


### 3,2 V6



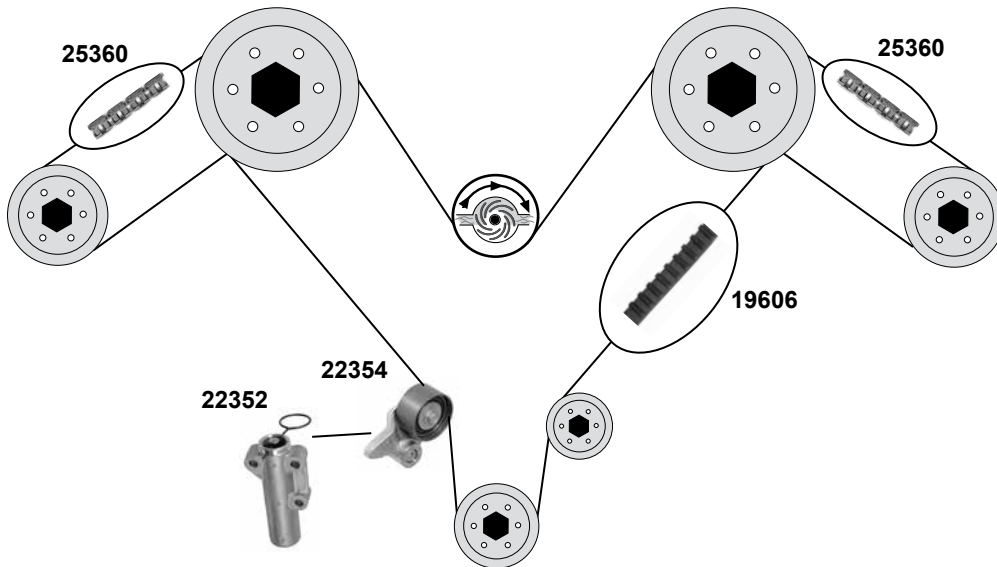
### 3,2 / 3,6

(AZZ/BAA/BKJ/BMV/BMJ/BRJ/BHK/CGRA/CMTA)



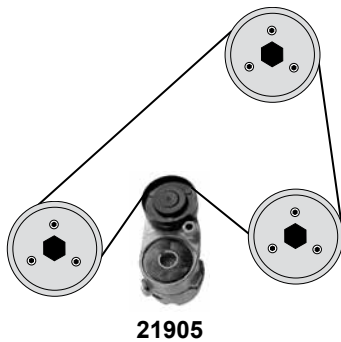
### 4,2 V8

(AXQ)



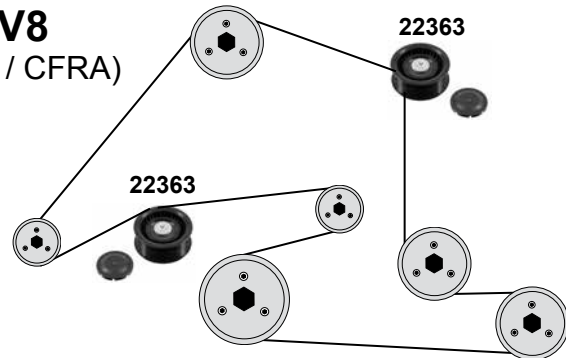
### 4,2 V8

(AXQ)



### 6,0 V8

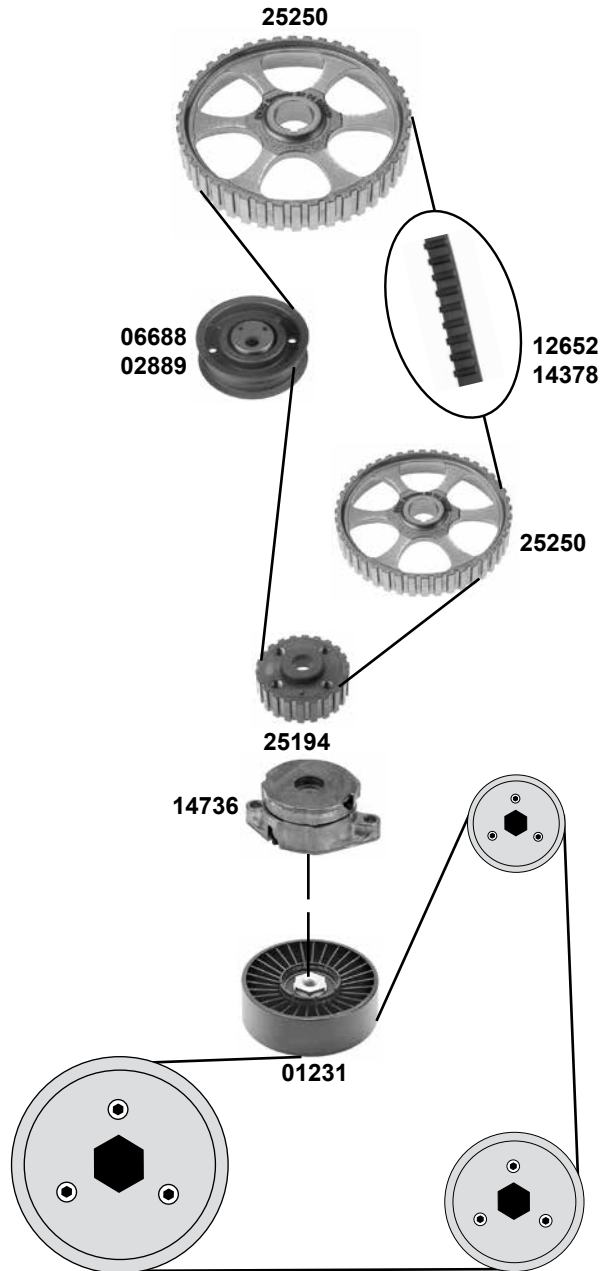
(BJN / CFRA)



Ref. - No.



09585	021 109 467	Steuerkette / timing chain		
19606	078 109 119 H	Zahnriemen / timing belt		458 / 70 E Z 253
21905	078 903 133 AB	Riemenspanner / belt tensioner		
22352	078 109 479 D	Riemenspanner / belt tensioner		
22354	077 109 485 E	Riemenspanner / belt tensioner		
22363	07D 145 276 C	Umlenkrolle / deflection pulley		
25222	021 109 469	Gleitschiene / sliding rail		
25240	021 109 467	Kettenspanner / chain tensioner		
25360	058 109 229 B	Steuerkette / timing chain		50 E
25404	066 109 503 C	Steuerkette / timing chain		98 E
30892	022 145 276 A	Umlenkrolle / deflection pulley		ØA 65 B 28
32786	03H 109 507	Kettenspanner / chain tensioner	02 →08	
34868	066 109 509 A	Gleitschiene / sliding rail	03 →07	



(1) (mot.) AAC Typ 70 / → 04/96 / Typ 7D / 96 →

	Ref. - No.			
<b>01231</b>	028 145 278 E	Spannrolle / tension roller	AAC (ch.) 70-T-200 001→	ØA 78 ØI 8 B26
<b>02889</b>	048 109 243 A	Spannrolle / tension roller	(1)	
<b>06688</b>	026 109 243 L	Spannrolle / tension roller	(mot.) PD	ØA 72 ØI 10 B20
<b>12652</b>	056 109 119 A	Zahnriemen / timing belt	(mot.) AAC / 91→96	Z 121 B18
<b>14378</b>	037 109 119 C	Zahnriemen / timing belt	(mot.) PD	Z 124 B18
<b>14574</b>	051 198 119	Rep. Satz Zahnriemen / rep. kit timing belt	(1)	
<b>14622</b>	037 109 119 C S2	Rep. Satz Zahnriemen / rep. kit timing belt	AAC (ch.) 70-T-200 001→	
<b>14736</b>	037 903 315 C	Riemenspanner / belt tensioner		Z 22
<b>25194</b>	049 105 263 C	Kurbelwellenrad / crankshaft gear		Z 44
<b>25250</b>	049 109 111 C	Nockenwellenrad / camshaft gear		

# VOLKSWAGEN Transporter Typ 4 (70/7D)

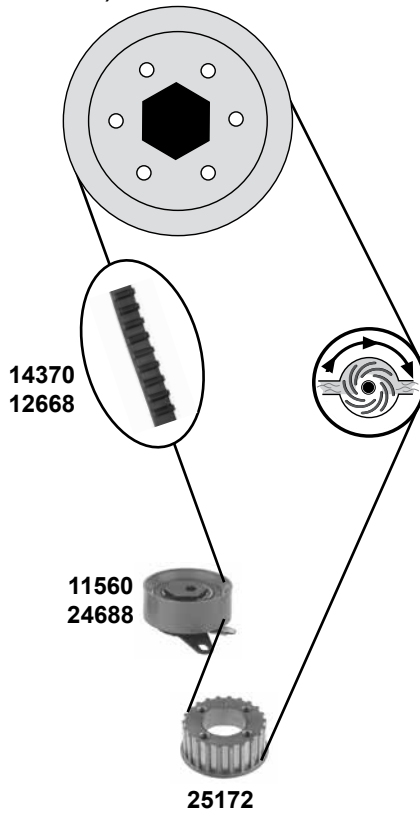
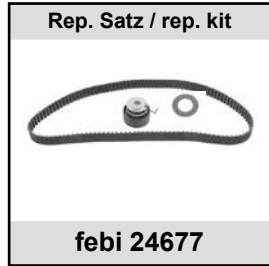
(90→04)

Car  
Division



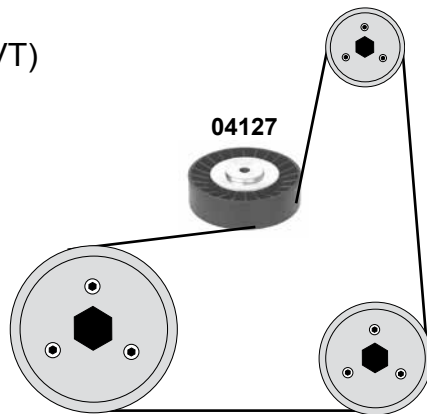
## 2,5 5 Zyl.

(ACU / AET / AEU / APL / AVT / AAF / AEN)



## 2,5 5 Zyl.

(ACU / AET / AEU / APL / AVT)

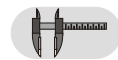


(1) (mot.) ACU 019 150→  
(mot.) AET/AEU/APL/AVT/AEN

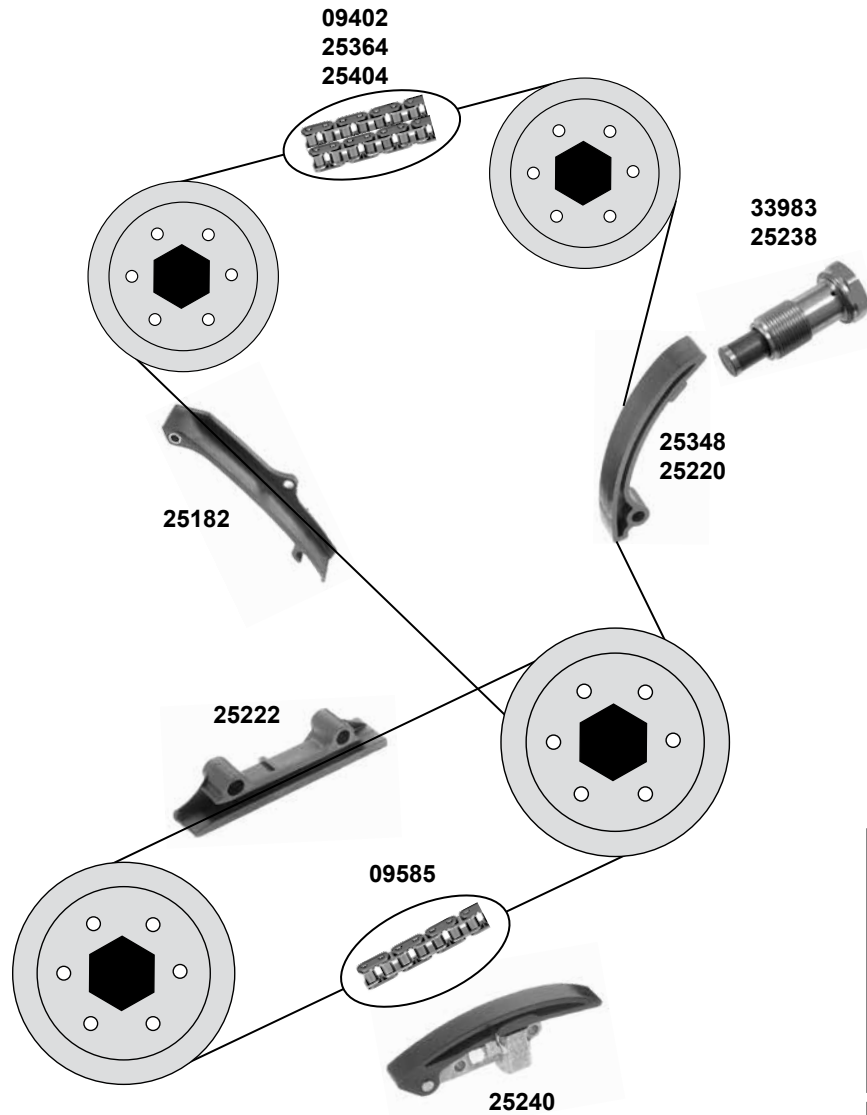
(2) (mot.) ACU/AAF

(3) (mot.) ACU 019 150 →  
(mot.) AAF  
(mot.) AEN  
(mot.) ACU / AET / AEU / APL / AVT

→ 96 (ch.) 70-SX058 601 / (ch.) 70-SH072 825 →  
90 → 95 (ch.) → 70-N-014 000  
90 → 96  
96 → 03



Ref. - No.			
04127	074 145 278 E	Umlenkrolle / deflection pulley	
11560	074 109 243 C	Spannrolle / tension roller	(1) 95→04
12668	074 109 119 F	Zahnriemen / timing belt	(2) 92→94
14370	074 109 119 R	Zahnriemen / timing belt	(3)
24677	074 198 119 L	Rep.Satz Zahnriemen / rep.kit timing belt	(2) 92→94
24688	023 109 243	Spannrolle / tension roller	(2) 92→94
25172	069 105 263	Kurbelwellenrad / crankshaft gear	92→04
30780	074 198 119 M	Rep.Satz Zahnriemen / rep.kit timing belt	(1) 97→04
			ØA 90 ØI 8 B25 ØA 73 ØI 8 B27 Z 124 B 26,5 Z 122



	Ref. - No.			
<b>09402</b>	021 109 503 A	Steuerkette / timing chain	(mot.) AES→003 278	90 E
<b>09585</b>	021 109 467	Steuerkette / timing chain	(mot.) AES	70 E
<b>25182</b>	021 109 513	Gleitschiene / sliding rail	(mot.) AES	
<b>25220</b>	021 109 509 E	Gleitschiene / sliding rail	(mot.) AES 003 279→	
<b>25222</b>	021 109 469	Gleitschiene / sliding rail	(mot.) AES	
<b>25238</b>	021 109 507 B	Kettenspanner / chain tensioner	(mot.) AES 003 279→	
<b>25240</b>	021 109 467	Kettenspanner / chain tensioner	(mot.) AES	
<b>25348</b>	021 109 509 A	Kettenspanner / chain tensioner	(mot.) AES→003 278	
<b>25364</b>	021 109 503 F	Steuerkette / timing chain	(mot.) AES 003 279→	90 E
<b>25404</b>	066 109 503 C	Steuerkette / timing chain	(mot.) AMV	98 E
<b>33983</b>	021 109 507 A	Kettenspanner / chain tensioner	(mot.) AES→003 278	
<b>33984</b>	021 109 503 A S1	Rep. Satz Steuerkette / rep. kit chain tensioner	(mot.) AES→003 278	
<b>33985</b>	021 109 503 D S1	Rep. Satz Steuerkette / rep. kit chain tensioner	(mot.) AES 003 279→	

passend für / to fit

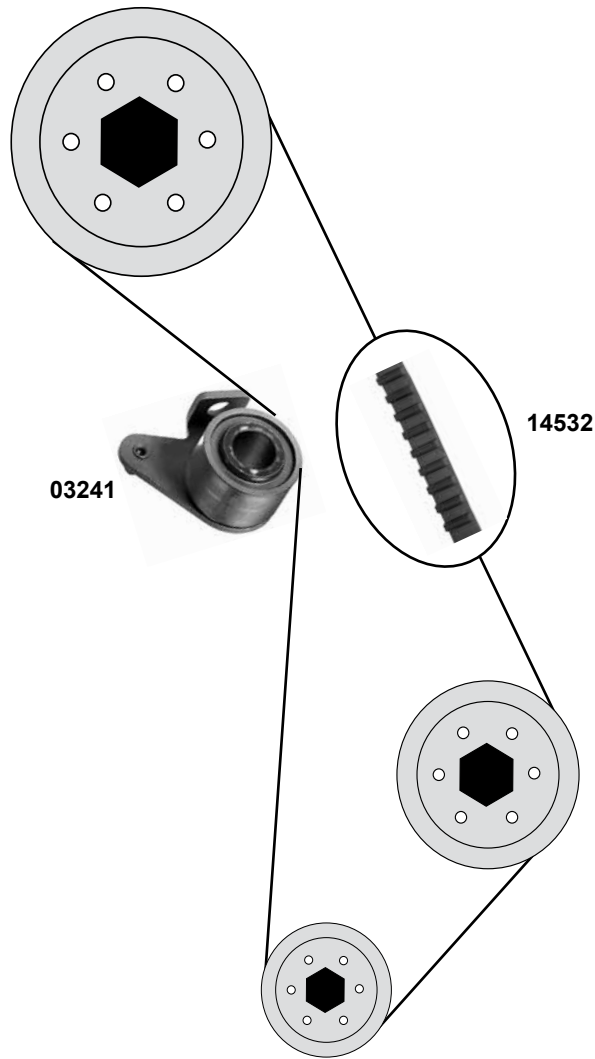
**VOLVO**  
**240 - 260**  
(79→92)

Car  
Division



**1,7→2,3**

(B17 / B19 / B21 / B23 / B200 / B230 )



03241

14532

Rep. Satz / rep. kit



febi 14531



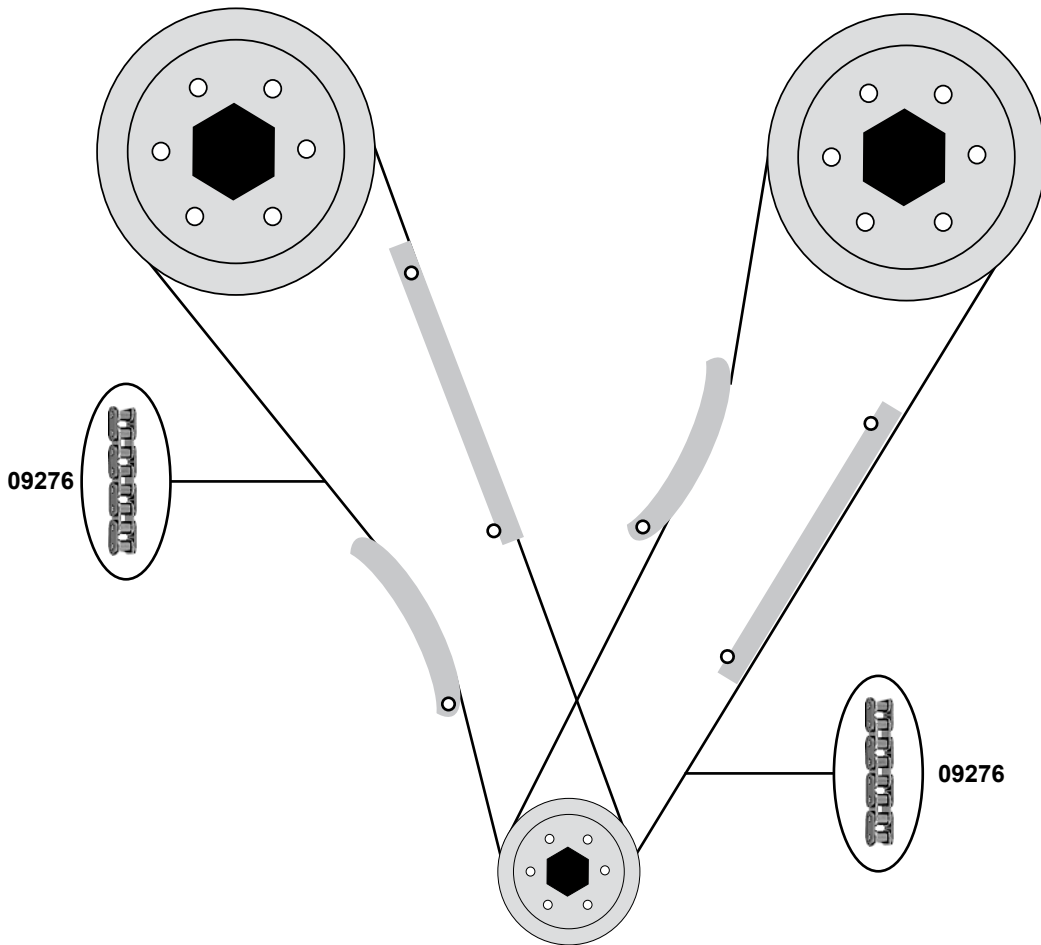
Ref. - No.



03241 463633  
14531 271713 S1  
14532 271713

Spannrolle / tension roller  
Rep. Satz Zahnriemen / rep. kit timing belt  
Zahnriemen / timing belt

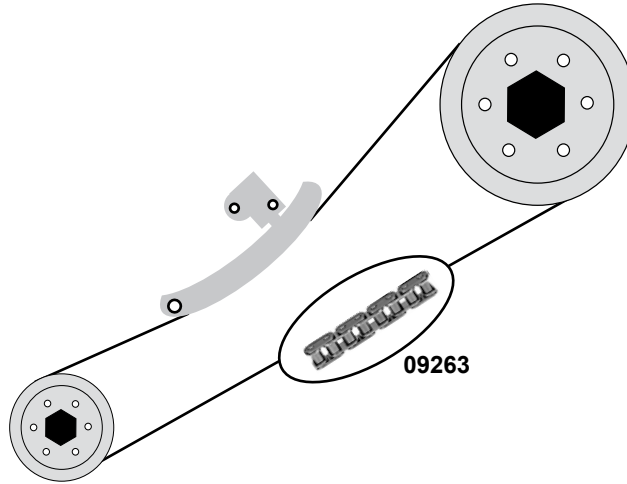
ØA 47 ØI 20 B29  
Z123 B19





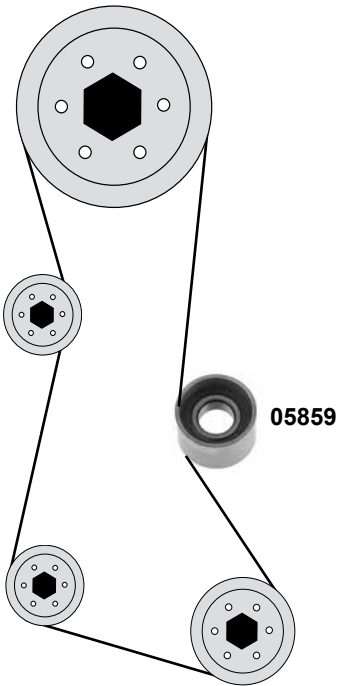


**1,4**  
(B14)

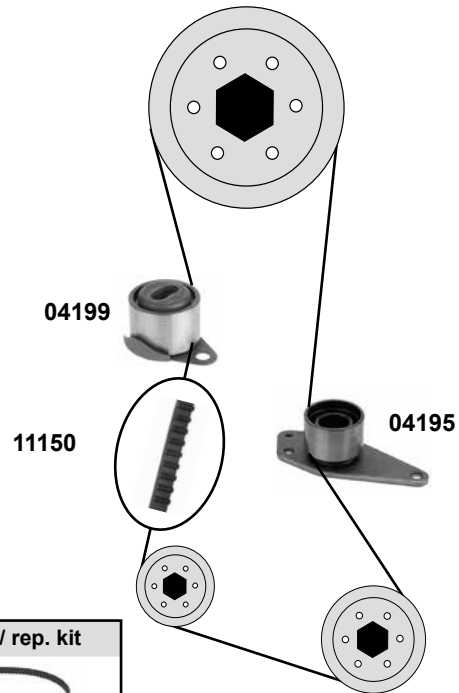


**1,7**  
(B172)

(mot.) → 51891



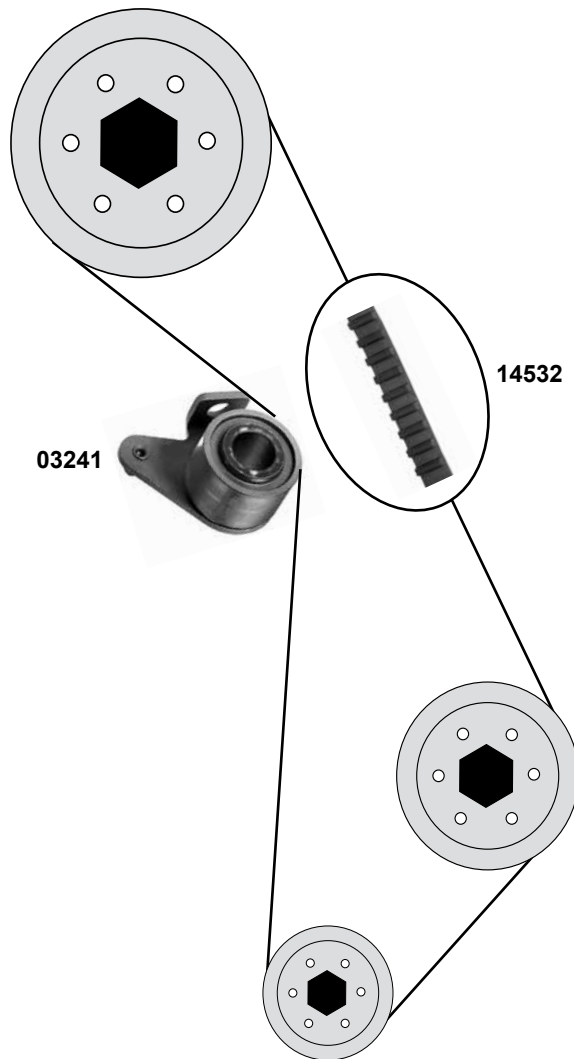
(mot.) 51892 →



Ref. - No.



<b>04195</b>	30621261	Umlenkrolle / deflection pulley	ØA 60 B31
<b>04199</b>	3343741	Spannrolle / tension roller	ØA 50 ØI 10 B31
<b>05859</b>	3287776	Spannrolle / tension roller	ØA 50 B30,5
<b>09263</b>	3287568	Rollenkette einfach / roller chain simple	455 / 58 E
<b>11150</b>	3343720	Zahnriemen / timing belt	Z 125 B19
<b>11151</b>	3343720 S1	Rep. Satz Zahnriemen / rep. kit timing belt	



Ref. - No.



**03241** 463633  
**14531** 271713 S1  
**14532** 271713

Spannrolle / tension roller  
Rep. Satz Zahnriemen / rep. kit timing belt  
Zahnriemen / timing belt

ØA 47 ØI 20A B29  
Z123 B19

passend für / to fit

# VOLVO 440 - 460

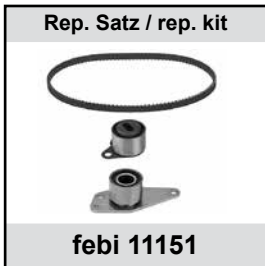
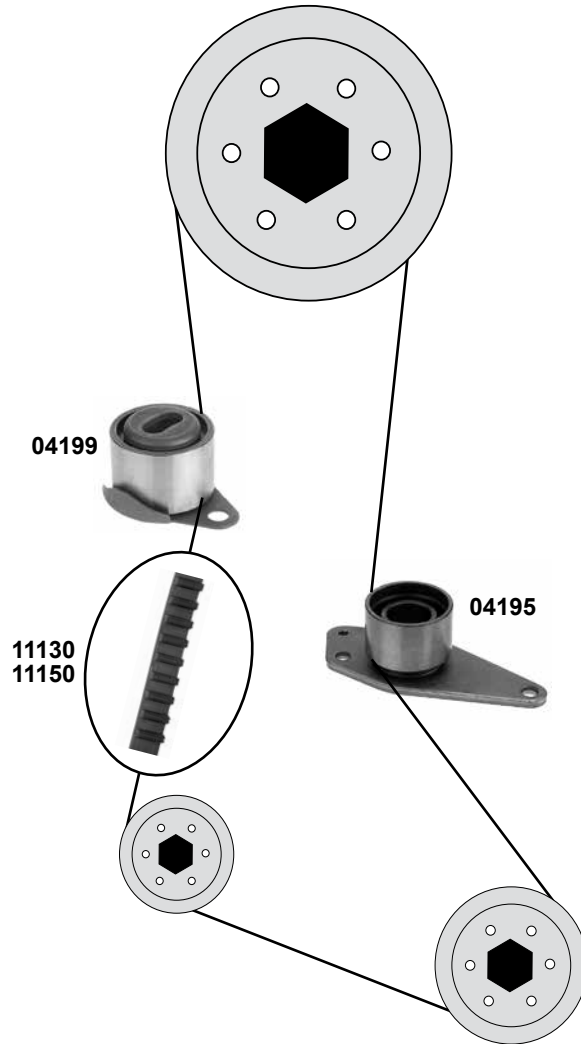
(88→96)

Car  
Division



## 1,6 → 2,0

(B16 / B18 / B20)

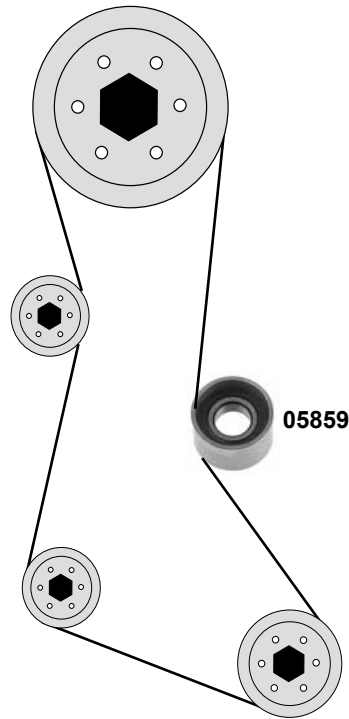


	Ref. - No.			
<b>04195</b>	30621261	Umlenkrolle / deflection pulley		ØA 60 B31
<b>04199</b>	3343741	Spannrolle / tension roller		ØA 50 ØI 10 B31
<b>11130</b>	3463763	Zahnriemen / timing belt	(mot.) B20	Z 127 B19
<b>11131</b>	3463763 S1	Rep. Satz Zahnriemen / rep. kit timing belt	(mot.) B20	
<b>11150</b>	3343720	Zahnriemen / timing belt	(mot.) B17, B18	Z 125 B19
<b>11151</b>	3343720 S1	Rep. Satz Zahnriemen / rep. kit timing belt	(mot.) B17, B18	

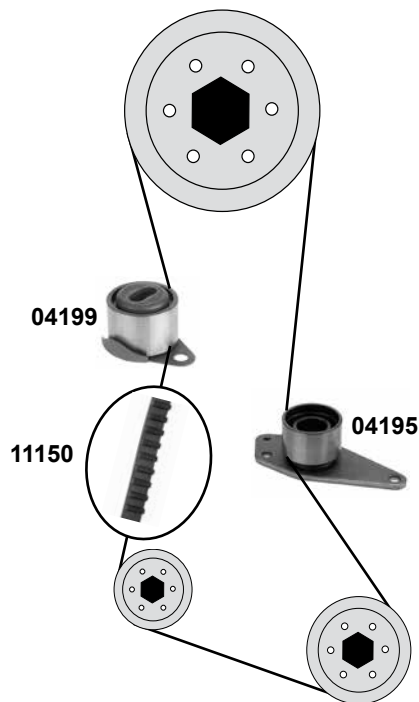
**1,8**

(B18E / B18F / TURBO)

(mot.) B18E→16529  
B18F→01725  
Turbo→01455

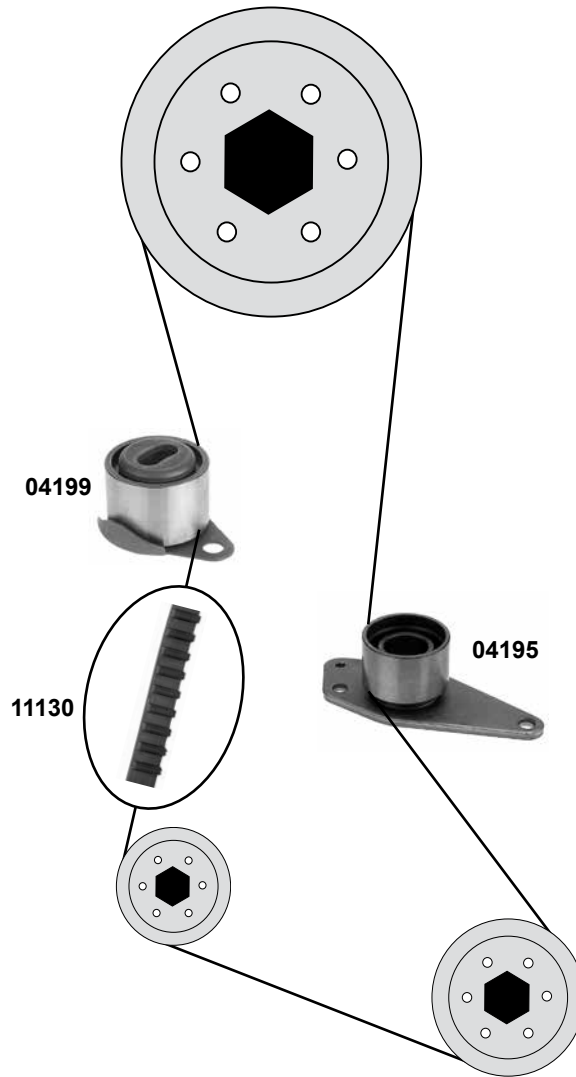


(mot.) B18E 16530→  
B18F 01726→  
Turbo 01456→



<b>04195</b>	30621261	Umlenkrolle / deflection pulley
<b>04199</b>	3343741	Spannrolle / tension roller
<b>05859</b>	3287776	Spannrolle / tension roller
<b>11150</b>	3343720	Zahnriemen / timing belt
<b>11151</b>	3343720 S1	Rep. Satz Zahnriemen / rep. kit timing belt

ØA 60 B31
ØA 50 ØI 10 B31
ØA 50 B30,5
Z 125 B19



Rep. Satz / rep. kit



febi 11131



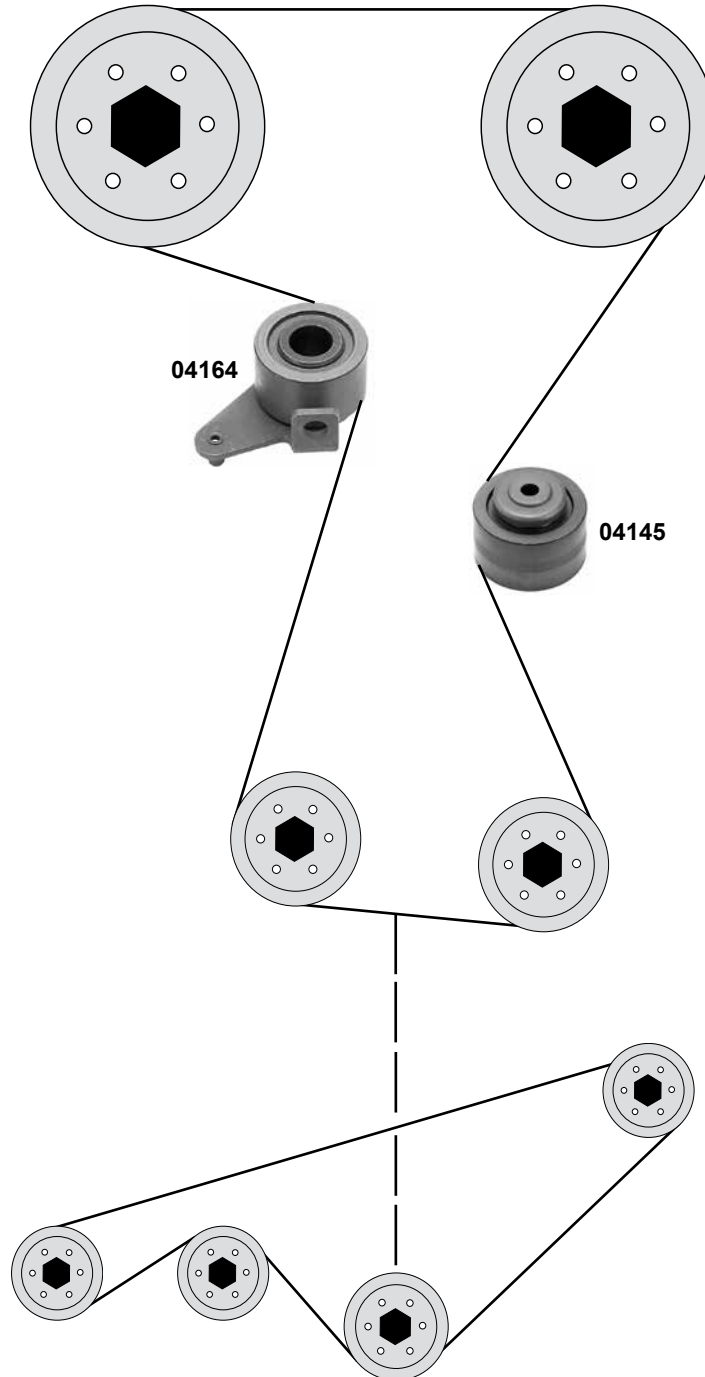
Ref. - No.



<b>04195</b>	30621261
<b>04199</b>	3343741
<b>11130</b>	3463763
<b>11131</b>	3463763 S1

Umlenkrolle / deflection pulley
Spannrolle / tension roller
Zahnriemen / timing belt
Rep. Satz Zahnriemen / rep. kit timing belt

ØA 60 B31
ØA 50 ØI 10 B31
Z 127 B19



(1) (ex.) automatischer Riemenstpanner / autom. belt tensioner



Ref. - No.



**04145**  
**04164**

1326284  
1336953

Umlenkrolle / deflection pulley  
Spannrolle / tension roller

(1)  
(1)

ØA 53 ØI 8,5 B30  
ØA 53 ØI 8,5 B30

passend für / to fit

# VOLVO

## 740 - 760

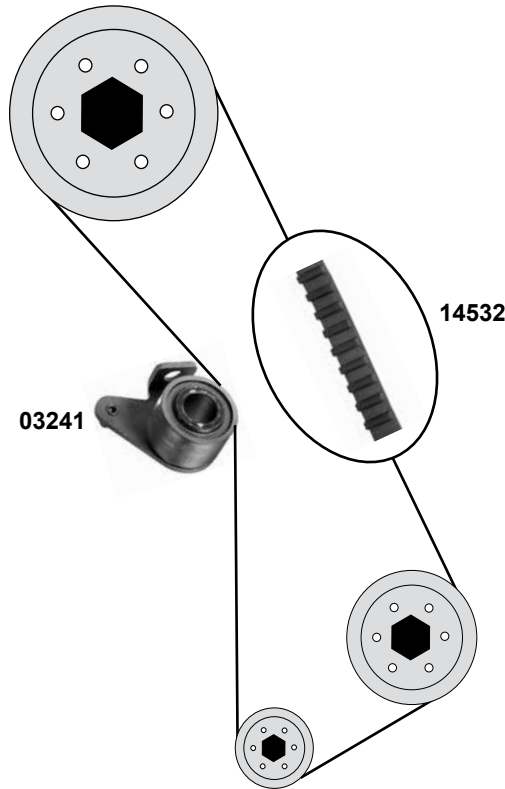
(85→90)

Car  
Division 



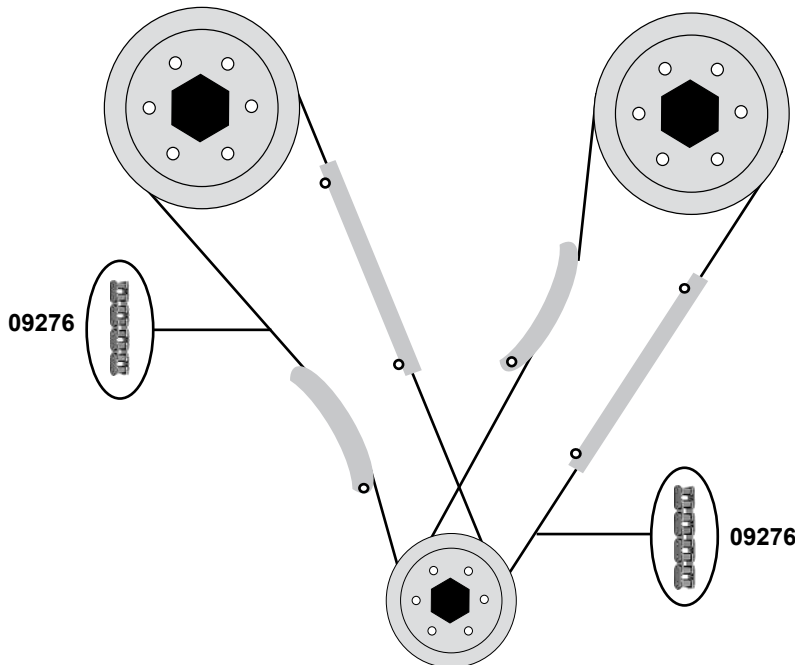
### 2,0 / 2,3

(B200 / B230)



### 2,8 V6

(B28 / B280)



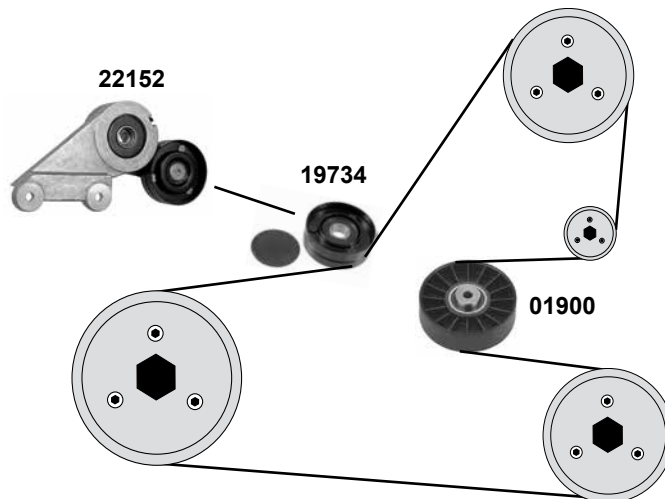
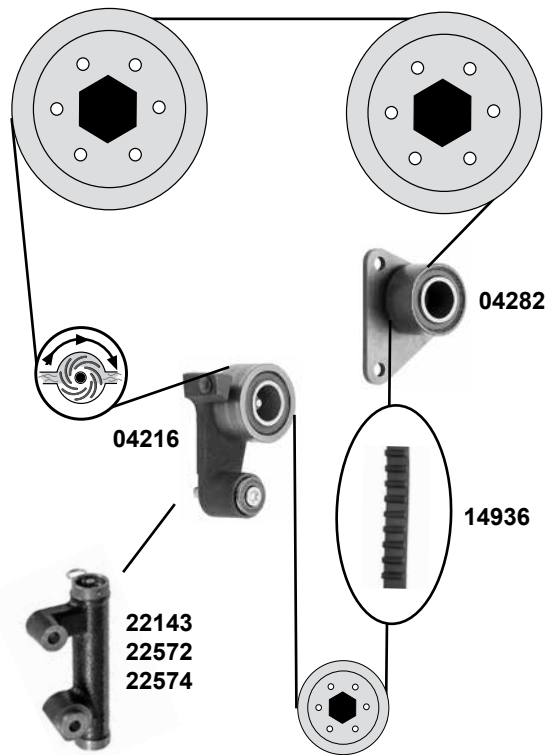
Ref. - No.



<b>03241</b>	463633	Spannrolle / tension roller	ØA 47 ØI 20 B29
<b>09276</b>	245301	Rollenkette einfach / roller chain simple	94 E
<b>14531</b>	271713 S1	Rep. Satz Zahnriemen / rep. kit timing belt	
<b>14532</b>	271713	Zahnriemen / timing belt	Z 123 B19

(mot.) 131035 →

**2,0 (5 Zyl. 2V)**  
(B5202 / B5252)



	Ref. - No.			
<b>01900</b>	9146139	Umlenkrolle / deflection pulley		ØA 88 ØI 8 B26
<b>04216</b>	9135036	Spannrolle / tension roller		ØA 53 ØI 8/24 B27
<b>04282</b>	8630590	Umlenkrolle / deflection pulley		ØA 53 ØI 24 B27
<b>14936</b>	271835	Zahnriemen / timing belt		Z 144 B23
<b>14937</b>	271835 S1	Rep. Satz Zahnriemen / rep. kit timing belt		
<b>19734</b>	272136 S1	Umlenkrolle / deflection pulley	<b>B5252 Modell 94→</b>	ØA 76 B24,5
<b>22143</b>	1275380	Riemenspanner / belt tensioner	<b>(mot.) 148582→</b>	
<b>22152</b>	1275380	Riemenspanner / belt tensioner	<b>B5252 Modell 94→</b>	ØA 76 B26
<b>22572</b>	3517998	Riemenspanner / belt tensioner	<b>(mot.)→131154</b>	
<b>22574</b>	9135033	Riemenspanner / belt tensioner	<b>(mot.) 131155→148581</b>	



# VOLVO

## 850

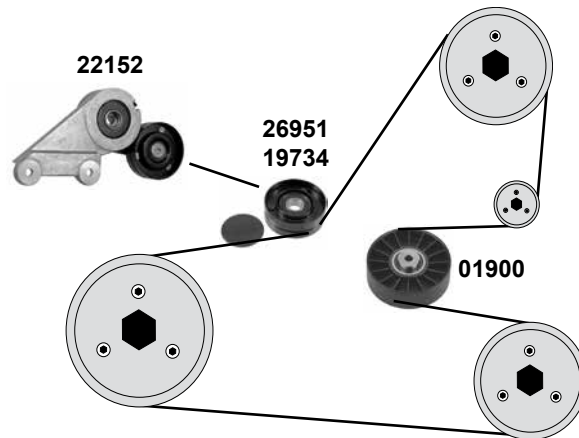
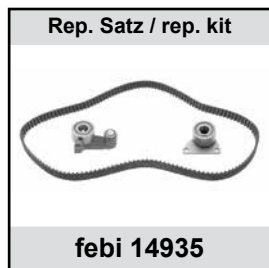
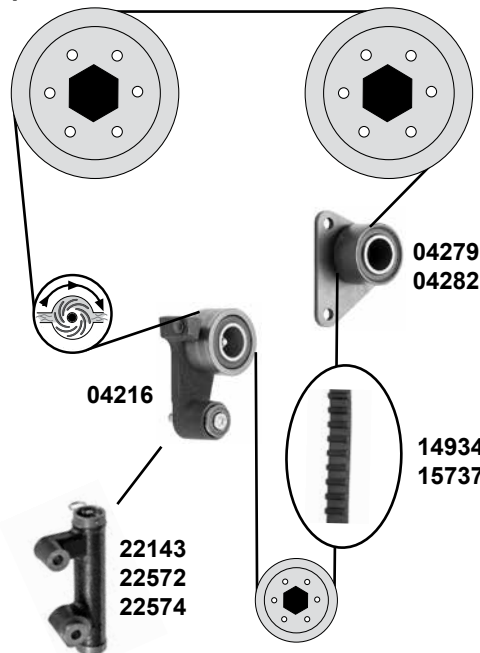
(92→97)

Car  
Division



### 2,0 / 2,3 / 2,5 ( 5Zyl. 4V)

(B5204 / B5234 / B5254)



(1) **Modell 94** → / (mot.) 122377 →

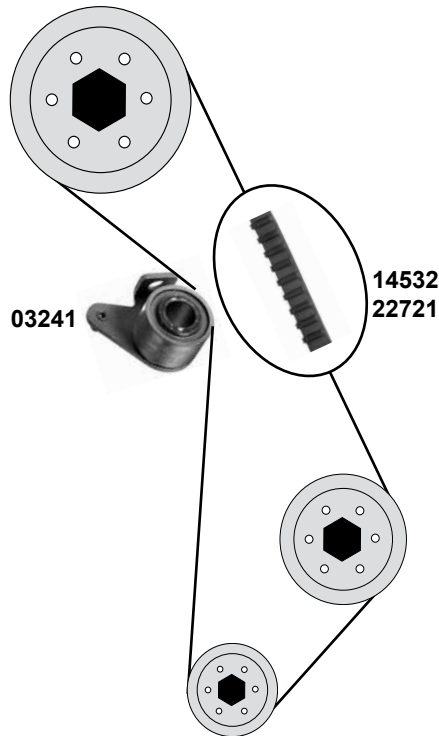
(2) **Modell** → **93** / (mot.) B5204 FS / B5254FS / B5252FS / **Modell 94** → (mot.) B5234FS + AC / mit Abgasregelventil / with exhaust regulating valve (mot.) → 122376 / ohne Abgasregelventil / without exhaust regulating valve (mot.) → 121674 / ohne Abgasregelventil / without exhaust regulating valve (mot.) → 121320



Ref. - No.



Ref. - No.	Description	Notes	Dimensions
<b>01900</b>	Umlenkrolle / deflection pulley		ØA 88 ØI B26
<b>04216</b>	Spannrolle / tension roller		ØA 53 ØI 8/24 B27
<b>04279</b>	Umlenkrolle / deflection pulley	(mot.) 131035 →	ØA 47 ØI 24 B27
<b>04282</b>	Umlenkrolle / deflection pulley	(mot.) → 131034	ØA 53 ØI 24 B27
<b>14934</b>	Zahnriemen / timing belt	(mot.) 131035 →	Z 148 B23
<b>14935</b>	Rep. Satz Zahnriemen / rep. kit timing belt	(mot.) 131035 →	
<b>15737</b>	Zahnriemen / timing belt	(mot.) 131035 →	Z 143 B21
<b>19734</b>	Umlenkrolle / deflection pulley	(mot.) → 131034	ØA 76 B24,5
<b>22143</b>	Riemenspanner / belt tensioner	(1)	ØA 76 B26
<b>22152</b>	Riemenspanner / belt tensioner	(mot.) 148582 →	
<b>22572</b>	Riemenspanner / belt tensioner	(1)	ØA 76 B26
<b>22574</b>	Riemenspanner / belt tensioner	(mot.) → 131154	
<b>26951</b>	Umlenkrolle / deflection pulley	(mot.) 131155 → 148581	ØA 88 ØI 8,5 B26
		(2)	



Rep. Satz / rep. kit

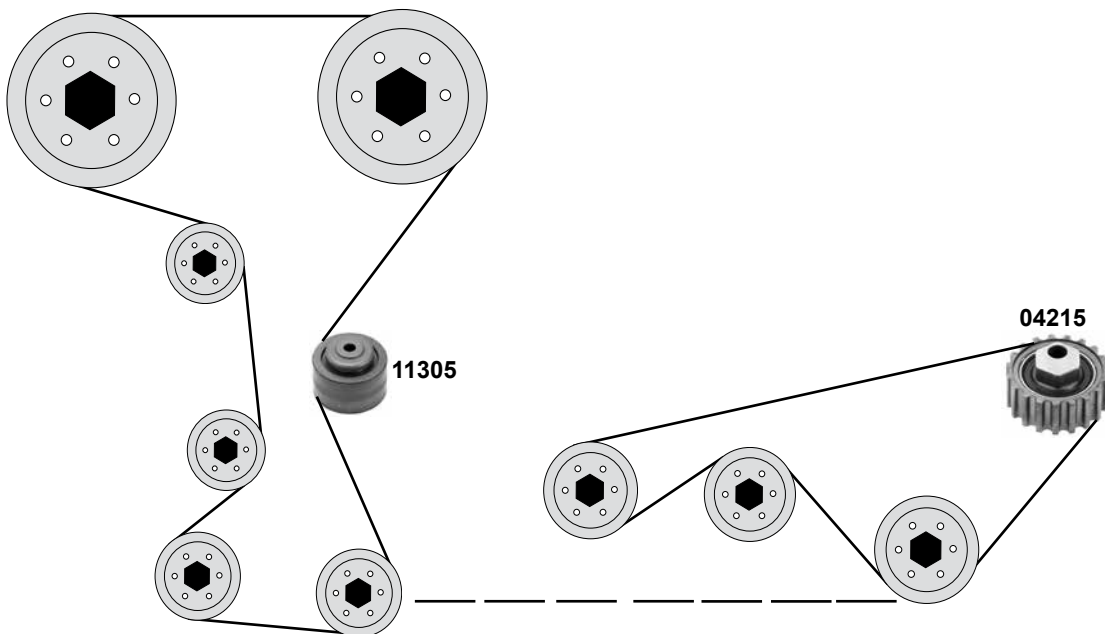


febi 14531

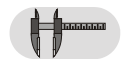
Rep. Satz / rep. kit



febi 22723



Ref. - No.



<b>03241</b>	463633
<b>04215</b>	3547543
<b>11305</b>	3547715
<b>14531</b>	271713 S1
<b>14532</b>	271713
<b>22721</b>	271747
<b>22723</b>	271747 S1

Spannrolle / tension roller
Spannrolle Ausgleichsw. / tension roller balance shaft
Umlenkrolle / deflection pulley
Rep. Satz Zahnriemen / rep. kit timing belt
Zahnriemen / timing belt
Zahnriemen / timing belt
Rep. Satz Zahnriemen / rep. kit timing belt

<b>Modell:</b> →92
<b>Modell:</b> →92
<b>Modell:</b> 93→
<b>Modell:</b> 93→

ØA 47 ØI 20 B29
ØA 56 ØI 10 B22
ØA 53 ØI 9 B30
Z 123 B19

# VOLVO

## 960

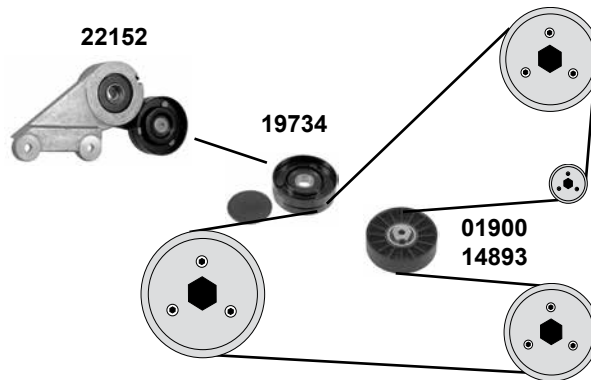
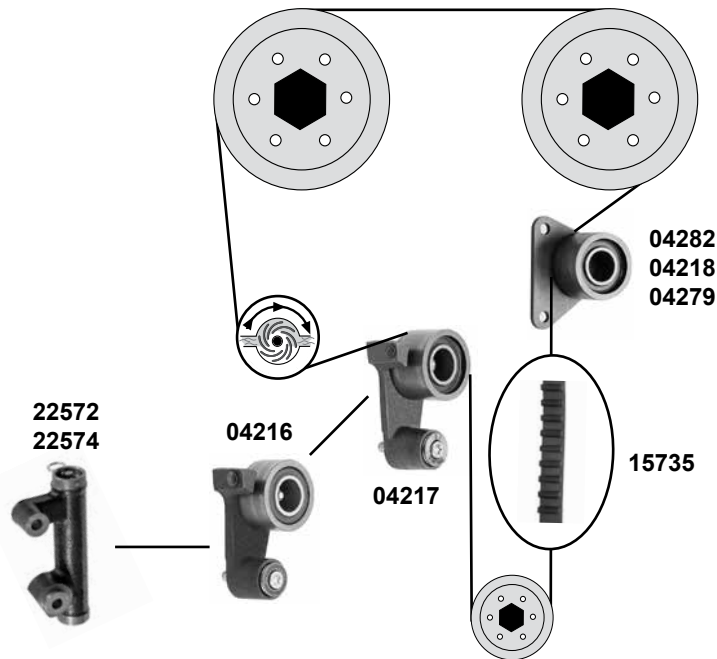
(91→98)

Car  
Division



**2,4→3,0**

(B6244 / B6254 / B6304)



(1) Modell: 91→93 (mot.) 131035→

(2) Modell: 91→93 (mot.)→131034

(3) **B6304 (mot.)** 131035→ / **Modell:** →94

(4) **Modell:** 95→

(5) **B6304 (mot.)** 121675→ / **Modell:**→94

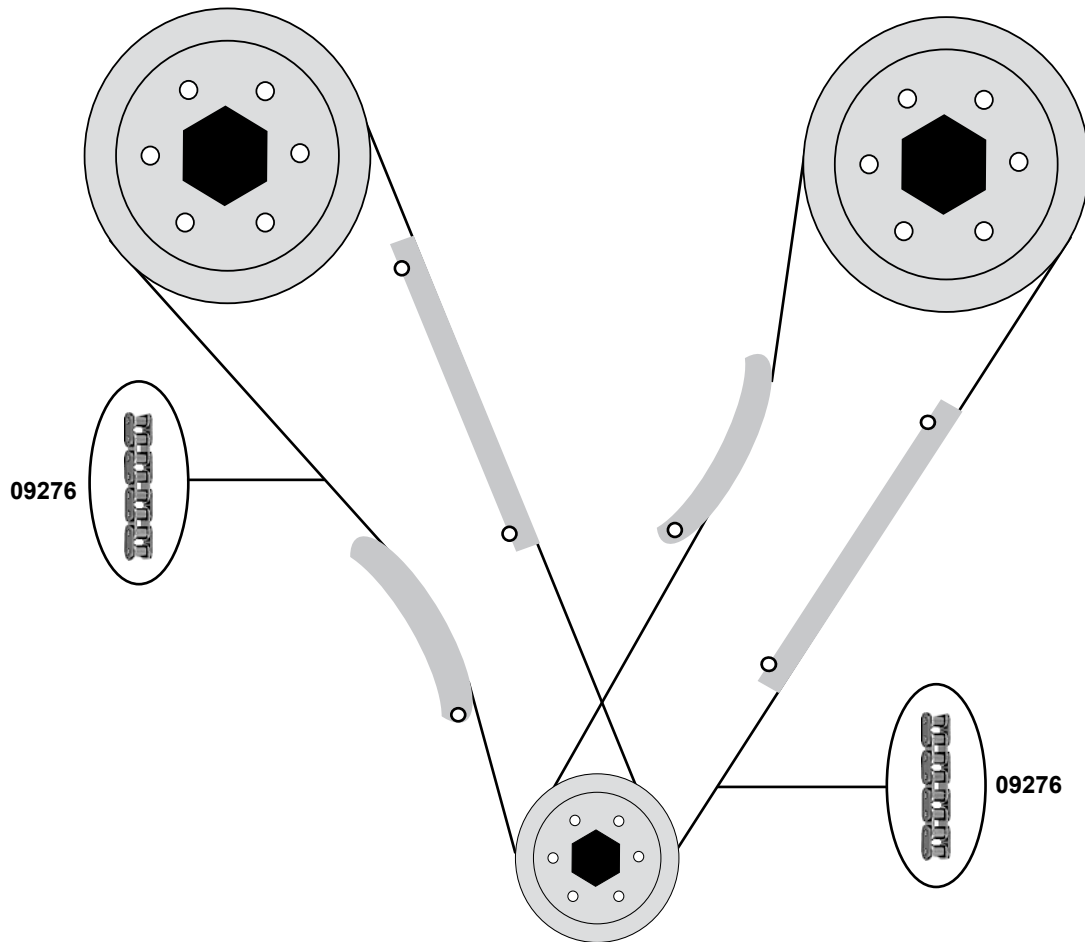
(6) **B6304 (mot.)** 121675→ / **Modell:**→94 /  
**B6244, B6254, B6304 Modell:** 95→



Ref. - No.

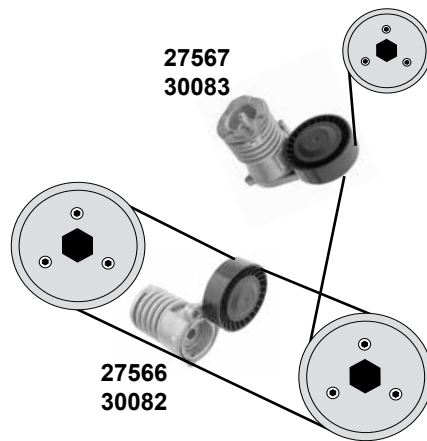
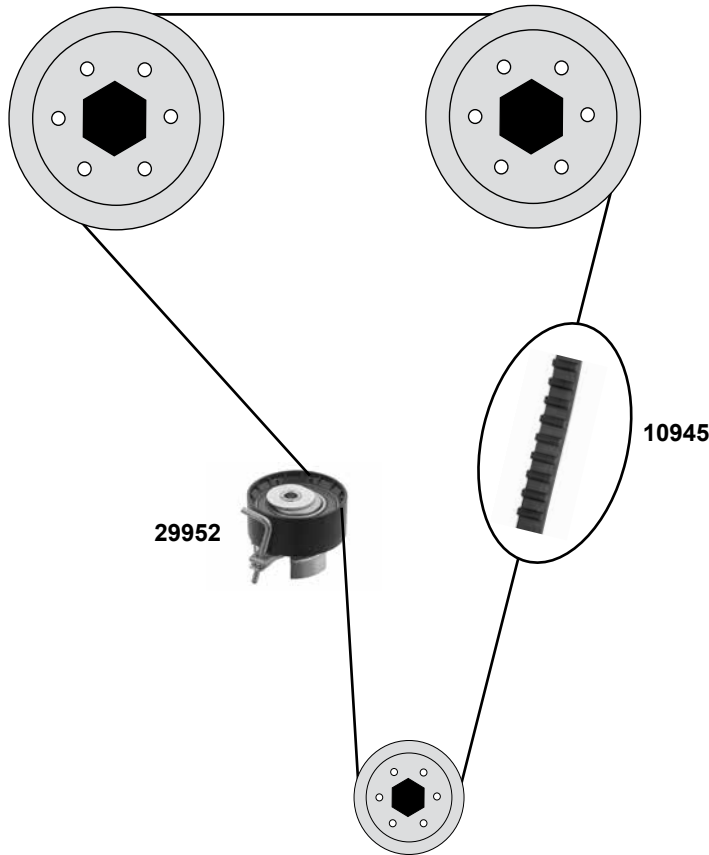


Ref. - No.	Description	Modell	Dimensions
01900	Umlenkrolle / deflection pulley	Modell:→94	ØA 88 ØI 8 B26
04216	Spannrolle / tension roller	(1)	ØA 53 ØI 8/24 B27
04217	Spannrolle / tension roller	Modell: 95→	ØA 53 ØI 8/24 B32
04218	Umlenkrolle / deflection pulley	Modell: 95→	ØA 53 ØI 24 B32
04279	Umlenkrolle / deflection pulley	(2)	ØA 47 ØI 24 B27
04282	Umlenkrolle / deflection pulley	(1)	ØA 53 ØI 24 B27
14893	Umlenkrolle / deflection pulley	Modell: 95→	ØA 88 ØI 8 B26
15735	Zahnriemen / timing belt	Modell: 95→	Z 152 B28
15736	Rep. Satz Zahnriemen / rep. kit timing belt	Modell: 95→	
19734	Umlenkrolle / deflection pulley	(6)	ØA 76 B24,5
22152	Riemenspanner / belt tensioner	(5)	ØA 76 B26
22572	Riemenspanner / belt tensioner	(4)	
22574	Riemenspanner / belt tensioner	(3)	



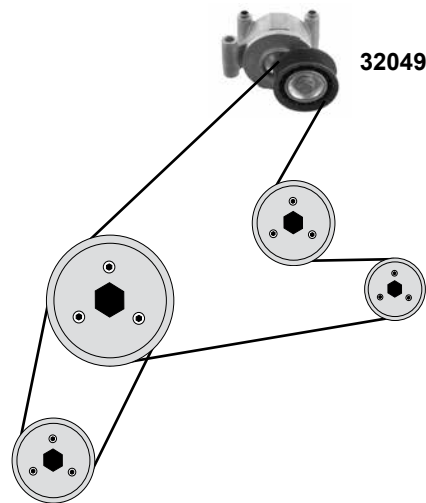
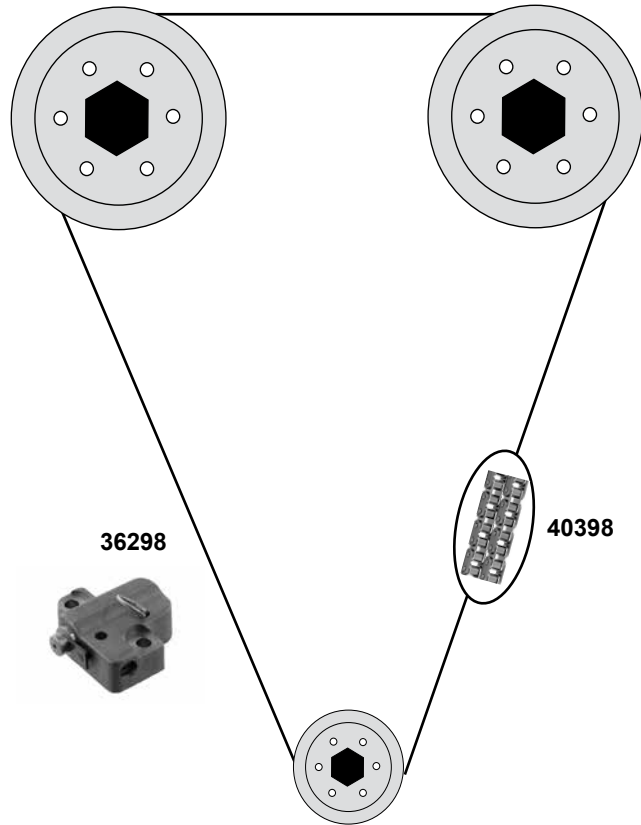


**4 Zyl. 1,6**  
(B4164 S3)



	Ref. - No.			
<b>10945</b>	31330351	Zahnriemen / timing belt		Z 117 B22
<b>27566</b>	30711320	Riemenspanner / belt tensioner	(mot.)→4293284	ØA 65 B21
<b>27567</b>	30650957	Riemenspanner / belt tensioner	(mot.)→4293284	ØA 70 B20
<b>29952</b>	30750905	Spannrolle / tension roller		ØA 62 B26
<b>29958</b>	31330351 S2	Rep. Satz Zahnriemen / rep. kit timing belt		
<b>30082</b>	31251653	Riemenspanner / belt tensioner	(mot.) 4293285→	ØA 70 B20,4
<b>30083</b>	31251654	Riemenspanner / belt tensioner	(mot.) 4293285→	ØA 65 B21

**4 Zyl. 1,8 / 2,0**  
(B4184 S8/ S11 / B 4204 S3 /S4)



Ref. - No.

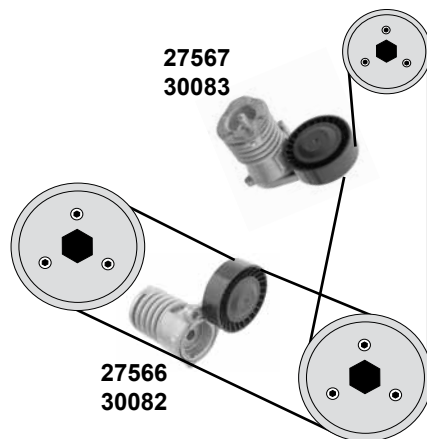
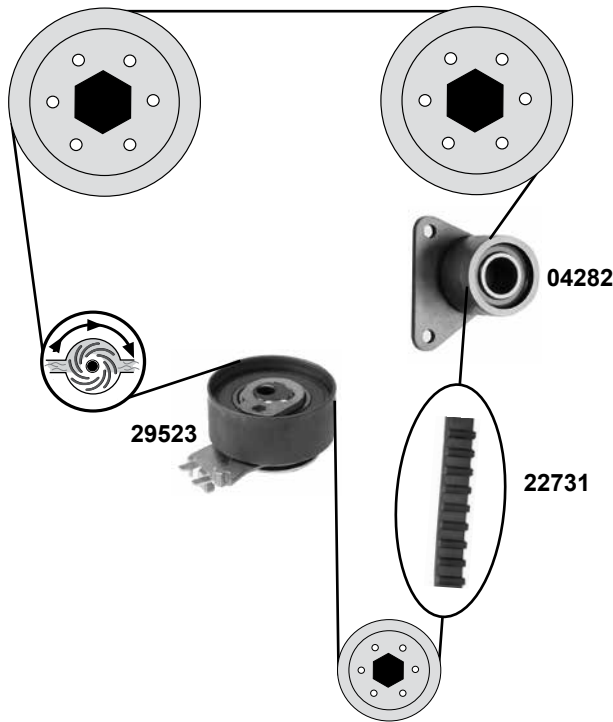





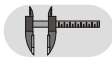
**32049** 31258082 SK  
**36298** 30757387  
**40398** 8694690

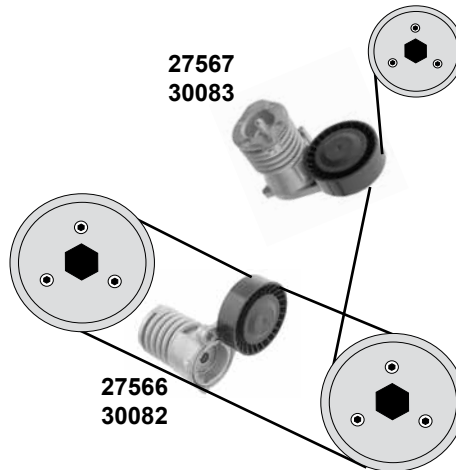
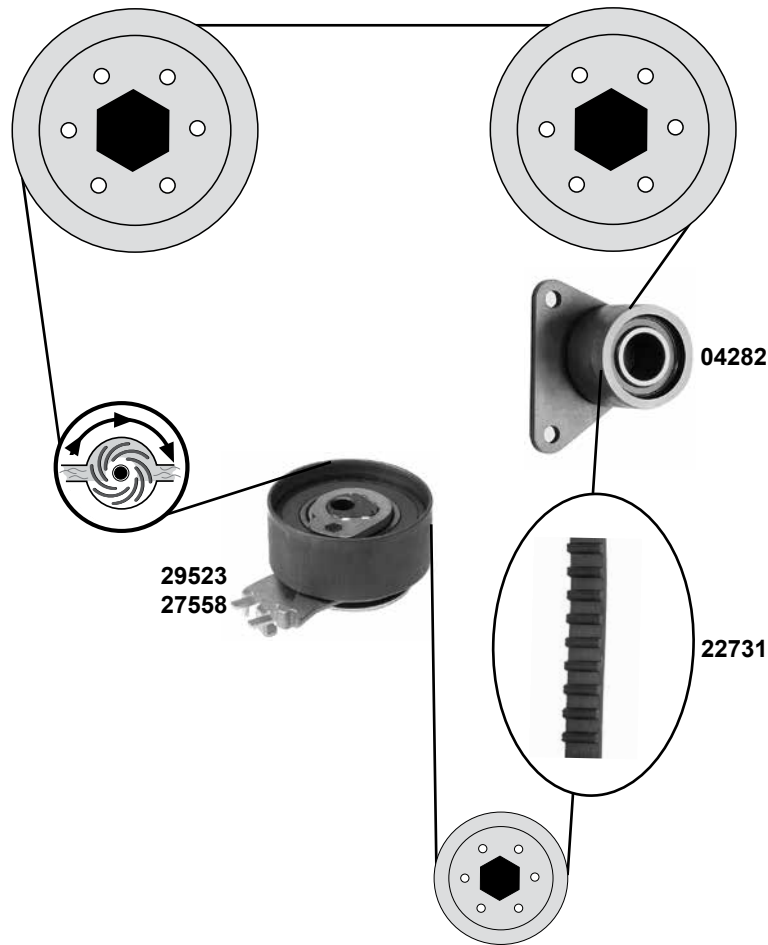
Riemenspanner / belt tensioner  
Kettenspanner / chain tensioner  
Steuerkette / timing chain

ØA 72,5 B29  
134 E

**5 Zyl.**  
(B5...)



	Ref. - No.			
<b>04282</b>	8630590	Umlenkrolle / deflection pulley		ØA 53 B27
<b>22731</b>	8627484	Zahnriemen / timing belt		Z 142 B23
<b>27566</b>	30711320	Riemenspanner / belt tensioner	(mot.)→4293284	ØA 65 B21
<b>27567</b>	30650957	Riemenspanner / belt tensioner	(mot.)→4293284	ØA 70 B20
<b>29523</b>	30677832	Spannrolle / tension roller		ØA 60 B26,5
<b>29524</b>	31251254	Rep. Satz Zahnriemen / rep. kit timing belt		Z 142 B23
<b>30082</b>	31251653	Riemenspanner / belt tensioner	(mot.) 4293285→	ØA 70 B20,4
<b>30083</b>	31251654	Riemenspanner / belt tensioner	(mot.) 4293285→	ØA 65 B21



Ref. - No.



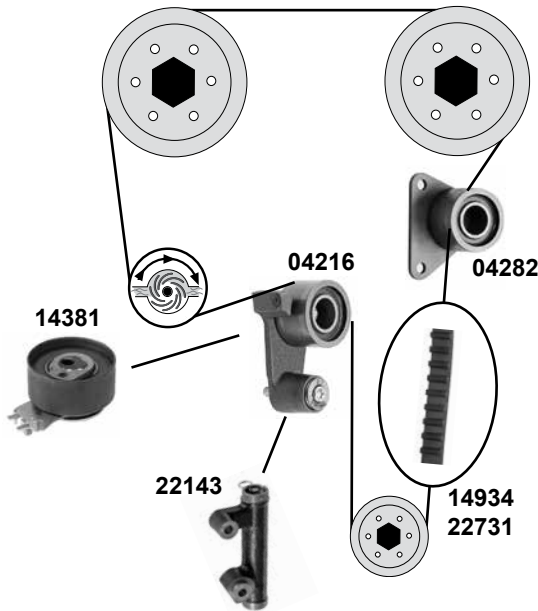
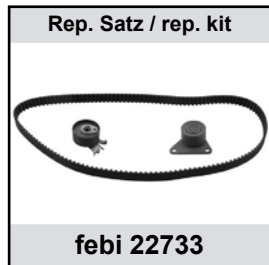
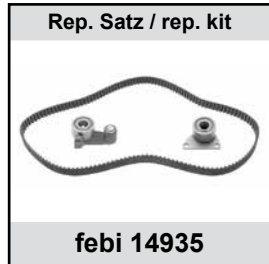
<b>04282</b>	8630590	Umlenkrolle / deflection pulley		ØA 53 B27
<b>22731</b>	8627484	Zahnriemen / timing belt		Z 142 B23
<b>27558</b>	30637955	Spannrolle / tension roller	(mot.) → 3887615	ØA 59 Ø 27
<b>27559</b>	30731727	Rep. Satz Zahnriemen / rep. kit timing belt	(mot.) → 3887615	Z 142 B23
<b>27566</b>	30711320	Riemenspanner / belt tensioner	(mot.) → 4293284	ØA 65 B21
<b>27567</b>	30650957	Riemenspanner / belt tensioner	(mot.) → 4293284	ØA 70 B20
<b>29523</b>	30677832	Spannrolle / tension roller	(mot.) 3887616 →	ØA 60 Ø 26,5
<b>29524</b>	31251254	Rep. Satz Zahnriemen / rep. kit timing belt	(mot.) 3887616 →	Z 142 B23
<b>30082</b>	31251653	Riemenspanner / belt tensioner	(mot.) 4293285 →	ØA 70 B 20
<b>30083</b>	31251654	Riemenspanner / belt tensioner	(mot.) 4293285 →	ØA 65 B21



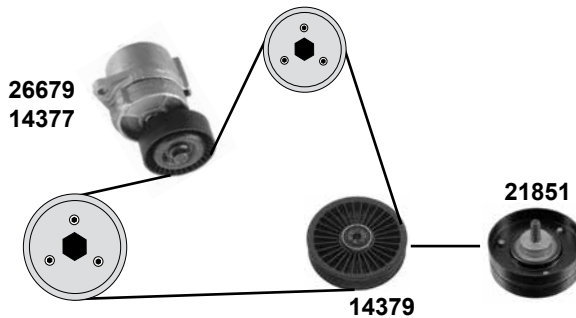
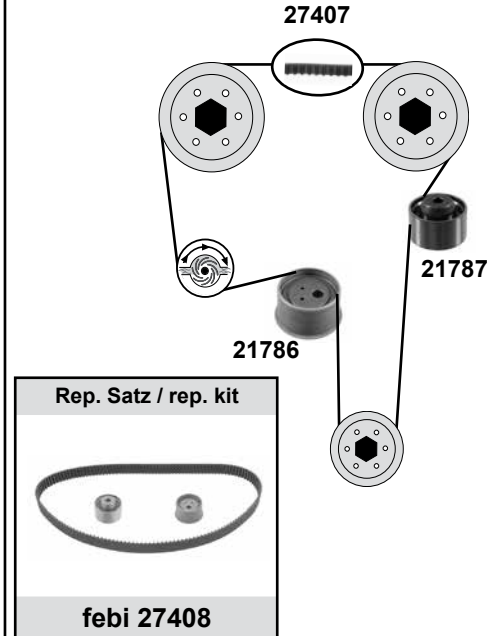
### S / V 40 I 1,6 → 2,0

(B4164 / B4184 / B4194 / B4204)

**(ex.) B4184 SM**



**nur / only B4184 SM**



(1) **TURBO (mot.)**→1219753  
(ex.) **TURBO (mot.)**→12665

(2) **TURBO (mot.)** 1219754→  
(ex.) **TURBO (mot.)** 1266196→



Ref. - No.

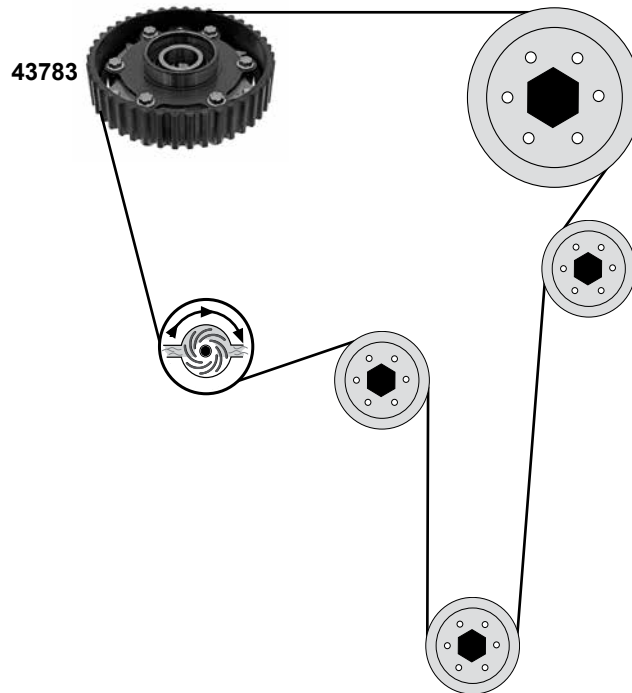


Ref. - No.	Description	Notes	Dimensions
<b>04216</b>	Spannrolle / tension roller	(1)	ØA 53 B27
<b>04282</b>	Umlenkrolle / deflection pulley		ØA 53 B27
<b>14377</b>	Riemspanner / belt tensioner	00→	ØA 70 B24
<b>14379</b>	Umlenkrolle / deflection pulley	00→(ex.) AC	ØA 124 B26
<b>14381</b>	Spannrolle / tension roller	(2)	ØA 59 ØI 8 B27
<b>14934</b>	Zahnriemen / timing belt	(1)	Z 148 / 23
<b>14935</b>	Rep. Satz Zahnriemen / rep. kit timing belt	(1)	
<b>21786</b>	Spannrolle / tension roller	98→01	ØA 57,5 B33,5
<b>21787</b>	Umlenkrolle / deflection pulley	98→01	ØA 60 B32
<b>21851</b>	Umlenkrolle / deflection pulley	→99 (3)	ØA 76 B26
<b>22143</b>	Riemenspanner / belt tensioner	(1)	
<b>22731</b>	Zahnriemen / timing belt	(2)	Z 142 / 23
<b>22733</b>	Rep. Satz Zahnriemen / rep. kit timing belt	(2)	
<b>26679</b>	Riemenspanner / belt tensioner	→99	ØA 76 B26
<b>27407</b>	Zahnriemen / timing belt	98→01	Z 154 B29
<b>27408</b>	Rep. Satz Zahnriemen / rep. kit timing belt	98→01	

**1,9 / 2,0**

(B4194T/T2 / B4204T/T2/T3/T5)

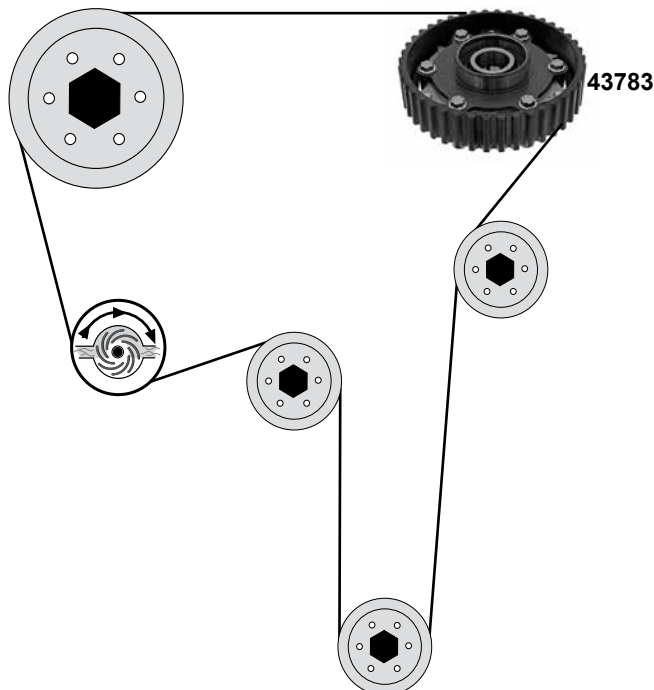
**Auslass/Exhaust**



**1,6 / 1,8 / 2,0**

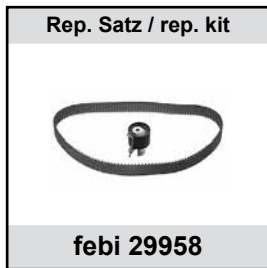
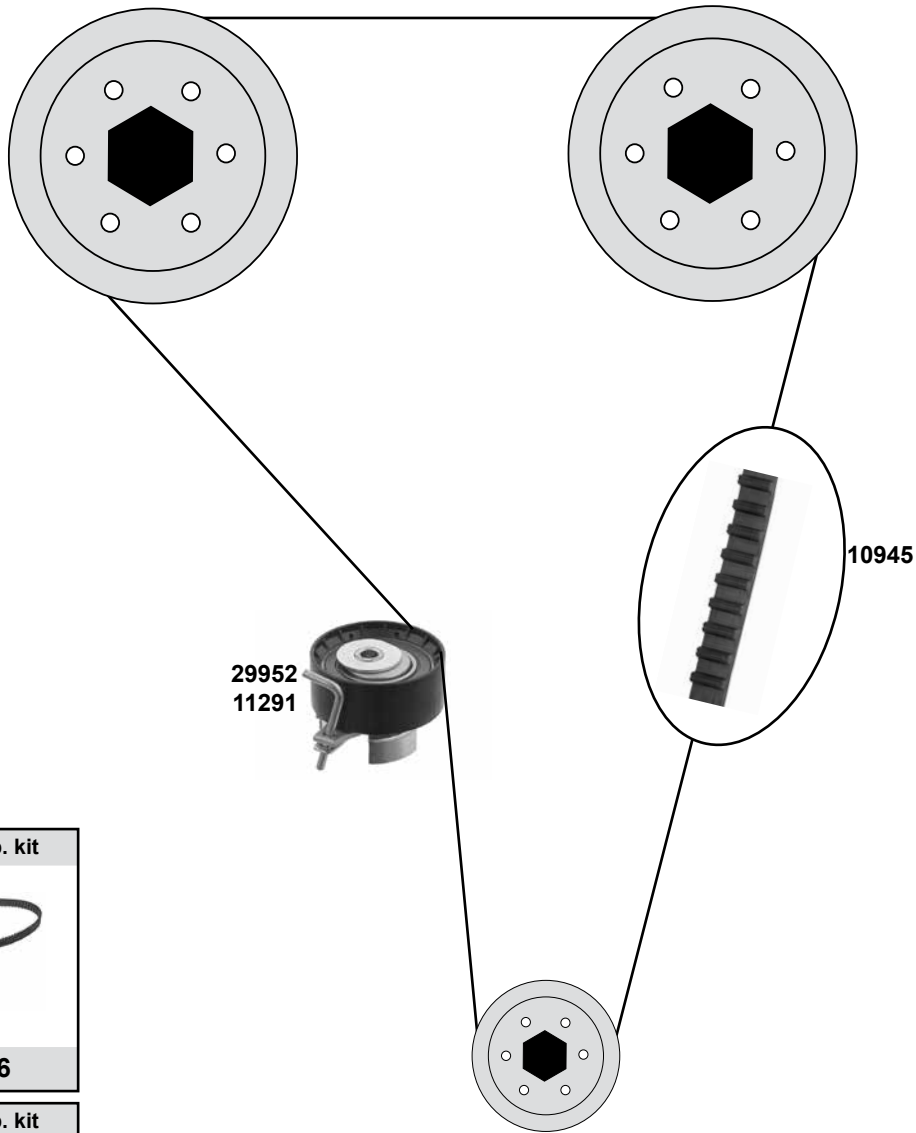
(B4164S/S2 / B41184S/S2/S3/S10/S9 / B4204S/S2)

**Einlass/Intake**





**4 Zyl. 1,6**  
(B4164 S3)



(1) S 40 II (ch.) →115002 / V50 (ch.) →115450

(2) S 40 II (ch.) 115003→ / V50 (ch.) 115451→

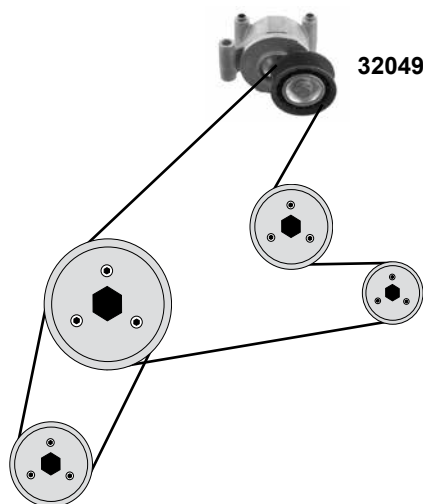
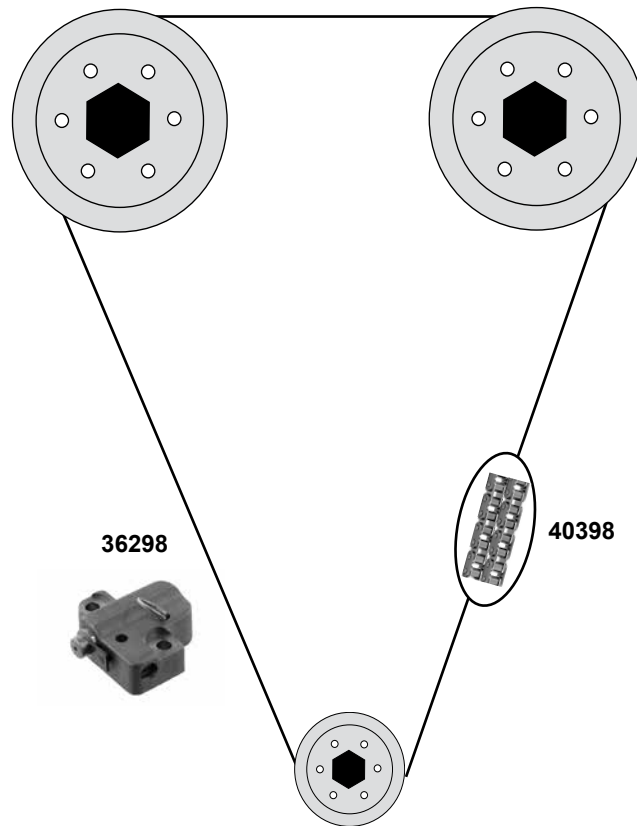


Ref. - No.



<b>10945</b>	31330351	Zahnriemen / timing belt		Z 117 B22
<b>11286</b>	31330351 S1	Rep. Satz Zahnriemen / rep. kit timing belt	(1)	
<b>11291</b>	30750904	Spannrolle / tension roller	(1)	ØA 60 B37
<b>29952</b>	30750905	Spannrolle / tension roller	(2)	ØA 62 B26
<b>29958</b>	31330351 S2	Rep. Satz Zahnriemen / rep. kit timing belt	(2)	

**4 Zyl. 1,8 / 2,0**  
(B4184 S8/ S11 / B 4204 S3 /S4)



Ref. - No.

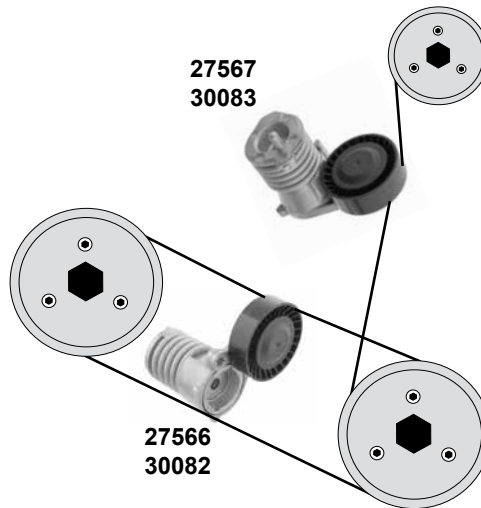
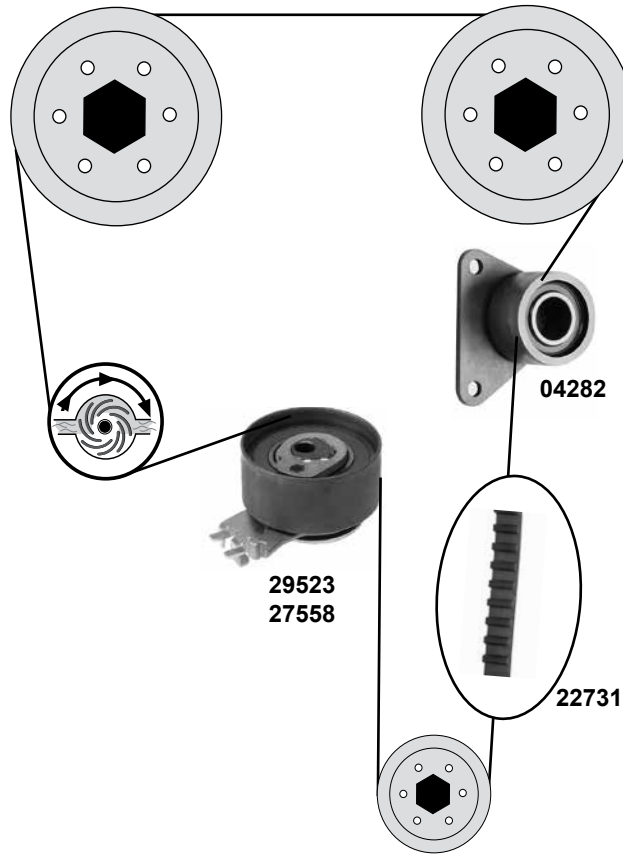






**32049** 31258082 SK  
**36298** 30757387  
**40398** 8694690

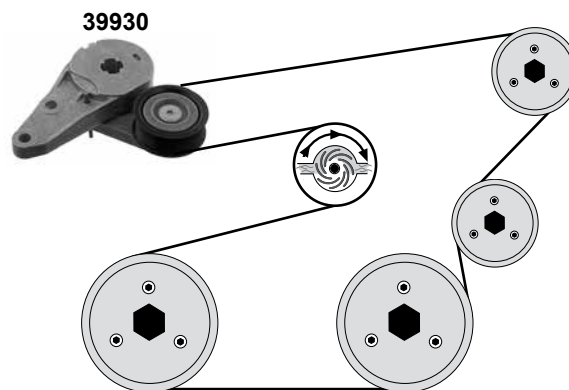
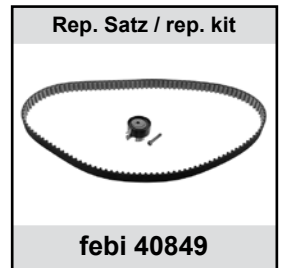
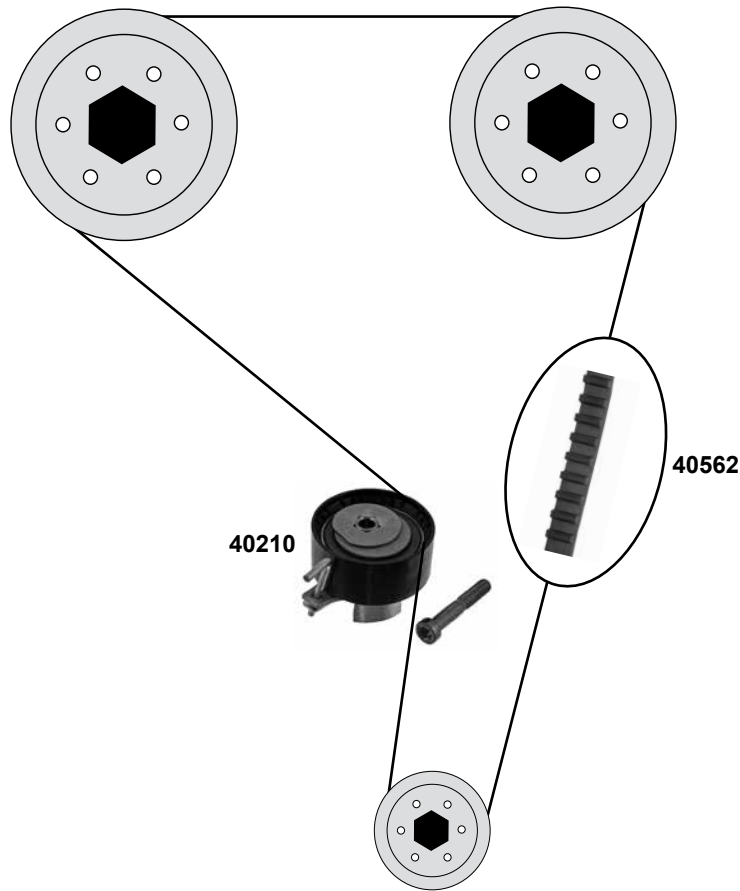
Riemenspanner / belt tensioner  
Kettenspanner / chain tensioner  
Steuerkette / timing chain

ØA 72,5 B29  
134 E

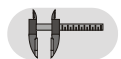
### 5 Zyl. (B5...)



	Ref. - No.			
<b>04282</b>	8630590	Umlenkrolle / deflection pulley		ØA 53 B27
<b>22731</b>	8627484	Zahnriemen / timing belt		Z 142 B23
<b>27558</b>	30637955	Spannrolle / tension roller	(mot.) →3887615	ØA 59 Ø 27
<b>27559</b>	30731727	Rep. Satz Zahnriemen / rep. kit timing belt	(mot.) →3887615	Z 142 B23
<b>27566</b>	30711320	Riemenspanner / belt tensioner	(mot.) →4293284	ØA 65 B21
<b>27567</b>	30650957	Riemenspanner / belt tensioner	(mot.) →4293284	ØA 70 B20
<b>29523</b>	30677832	Spannrolle / tension roller	(mot.) 3887616→	ØA 60 B26,5
<b>29524</b>	31251254	Rep. Satz Zahnriemen / rep. kit timing belt	(mot.) 3887616→	Z 142 B23
<b>30082</b>	31251653	Riemenspanner / belt tensioner	(mot.) 4293285→	ØA 70 B20
<b>30083</b>	31251654	Riemenspanner / belt tensioner	(mot.) 4293285→	ØA 65 B21



Ref. - No.



**39930**  
**40210**  
**40562**  
**40849**

31258034  
31330416  
31330784 SK1  
31330784

Riemspanner / belt tensioner  
Spannrolle / tension roller  
Zahnriemen / timing belt  
Rep. Satz Zahnriemen / rep. kit timing belt

ØA 67 B25  
ØA 62  
Z 117

# VOLVO

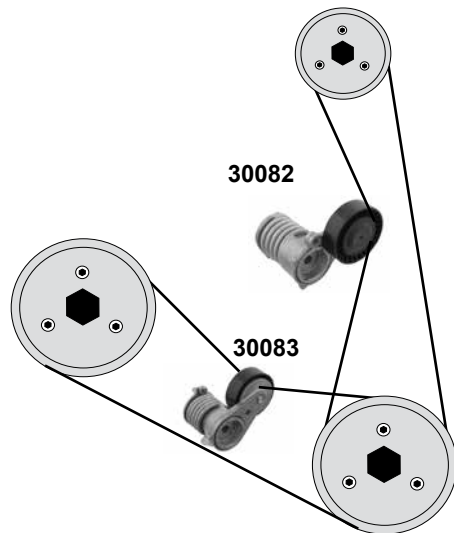
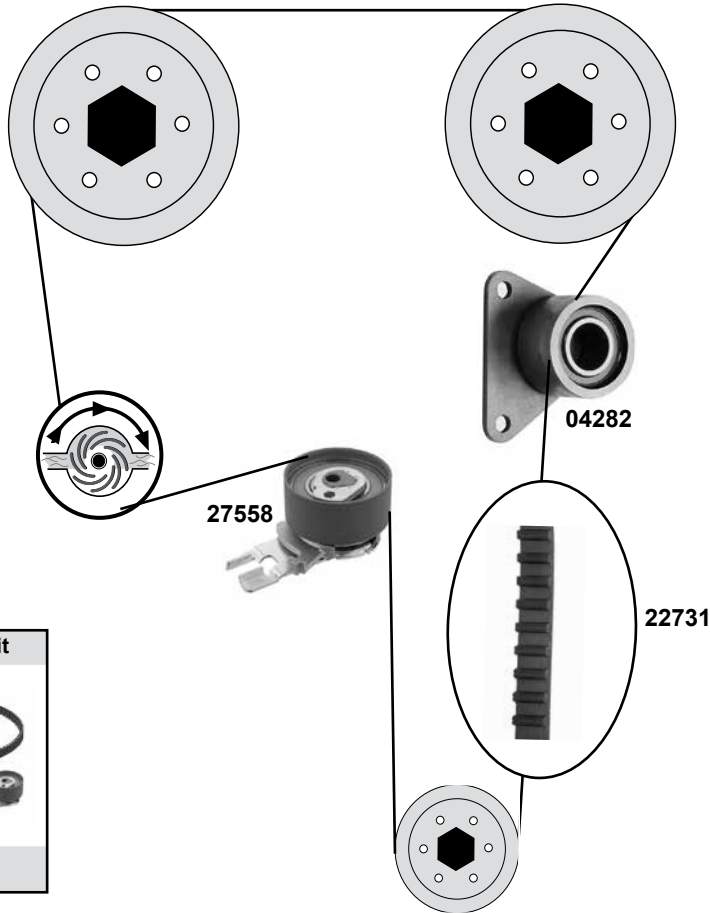
## V 40 II / Cross Country

(11→)

Car  
Division



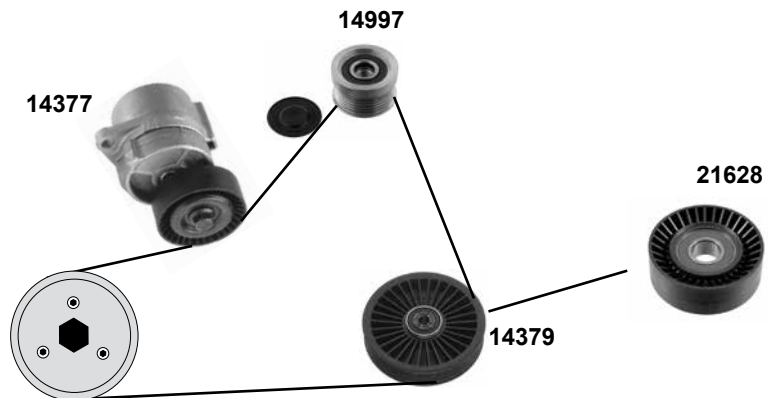
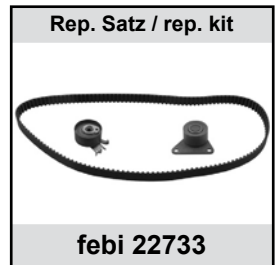
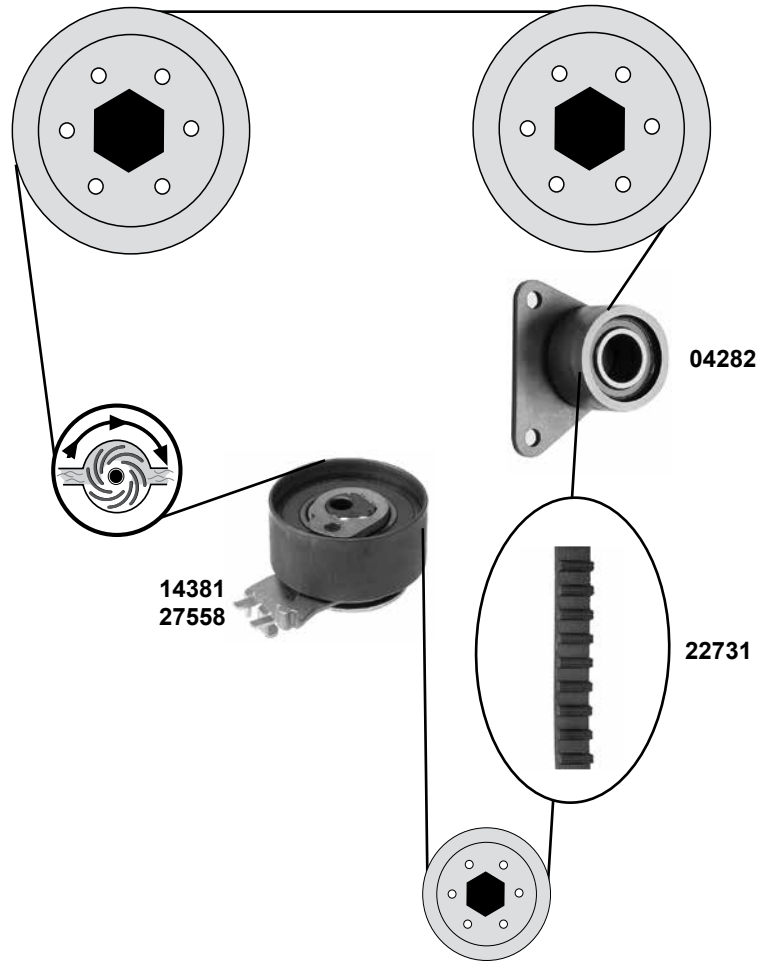
**5 Zyl.**  
(B5.....)



febi bilstein	Ref. - No.			
<b>04282</b>	8630590	Umlenkrolle / deflection pulley		ØA 53 B27
<b>22731</b>	8627484	Zahnriemen / timing belt		Z 142 B23
<b>27558</b>	30637955	Spannrolle / tension roller		ØA 59 B27
<b>27559</b>	30731727	Rep. Satz Zahnriemen / rep. kit timing belt		
<b>30082</b>	31251653	Riemenspanner / belt tensioner	(mot.) 4293285→	ØA 70 B20
<b>30083</b>	31251654	Riemenspanner / belt tensioner	(mot.) 4293285→	ØA 65 B21



**5 Zyl. 2,0 / 2,3 / 2,4 / 2,5**  
(B5...)

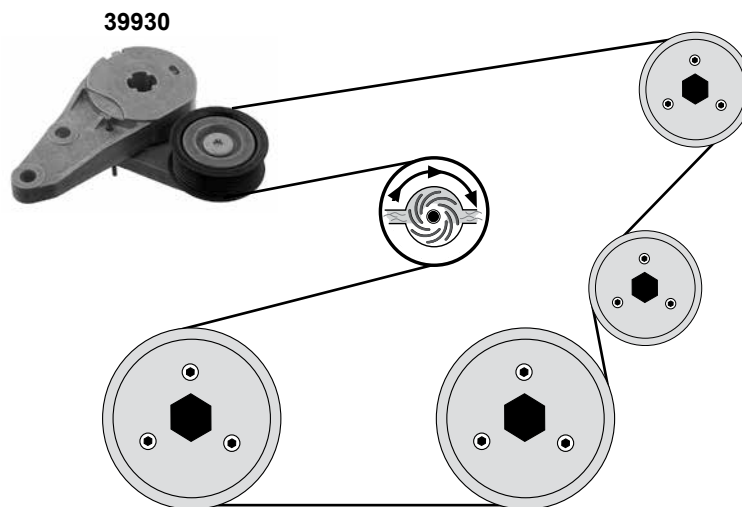
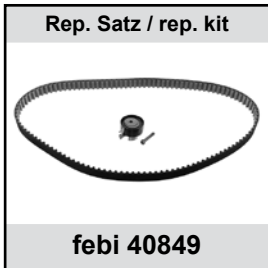
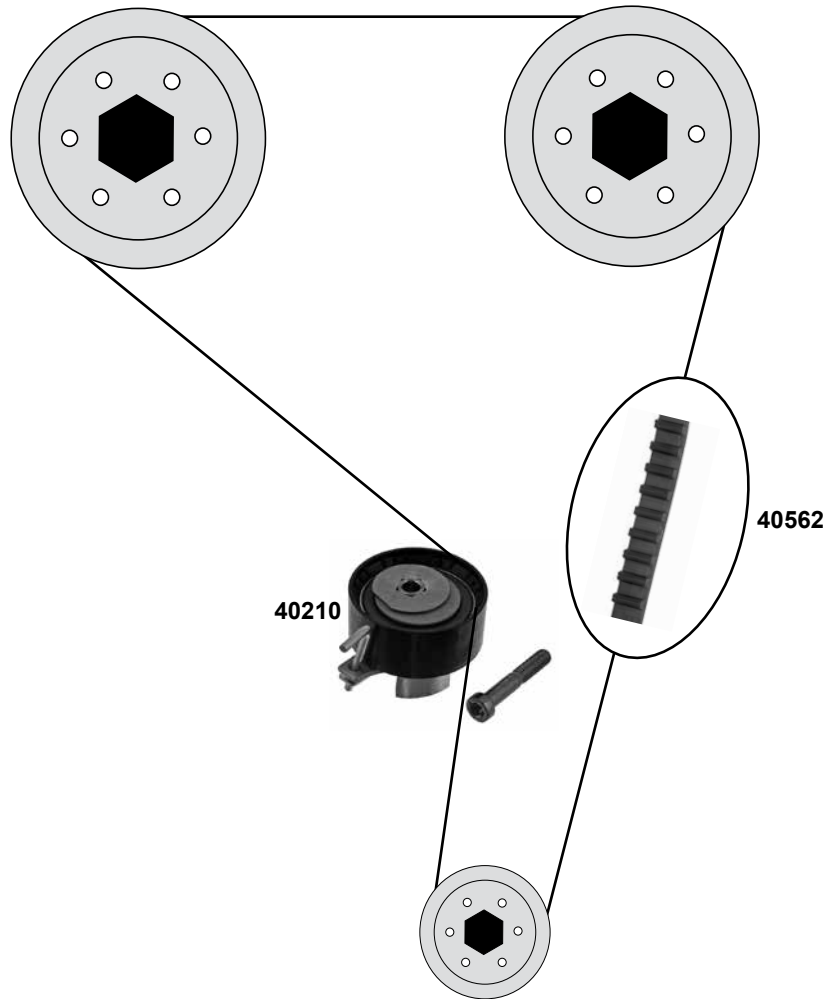


	Ref. - No.			
04282	8630590	Umlenkrolle / deflection pulley		ØA 53 B27
14377	31251250	Riemenhalter / belt tensioner		ØA 70 B24
14379	9458470	Umlenkrolle / deflection pulley		ØA 124 B26
14381	30638277	Spannrolle / tension roller	(ex.) AC	ØA 59 B27
14997	30667878	Generatorfreilauf / Freewheel Clutch, generator	(mot.) →31388688	ØA 55,5/61 B23
21628	30637962	Umlenkrolle / deflection pulley	AC	
22731	8627484	Zahnriemen / timing belt		Z 142 / B23
22733	30758261	Rep. Satz Zahnriemen / rep. kit timing belt	(mot.) →31388688	Z 142 / B23
27558	30637955	Spannrolle / tension roller	(mot.) 31388689 →	ØA 59 B27
27559	30731727	Rep. Satz Zahnriemen / rep. kit timing belt	(mot.) 31388689 →	Z 142 B 23





**4 Zyl. 1,6**  
(B4164T/T2/T3)

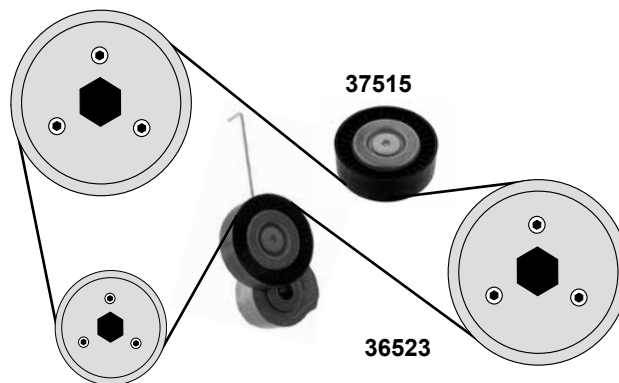
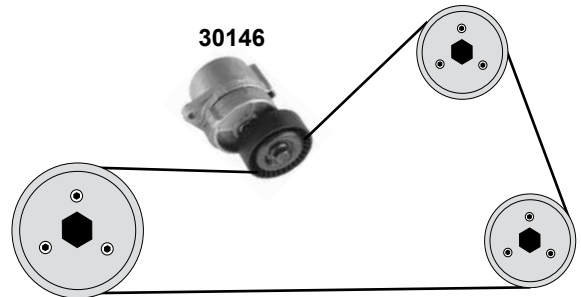
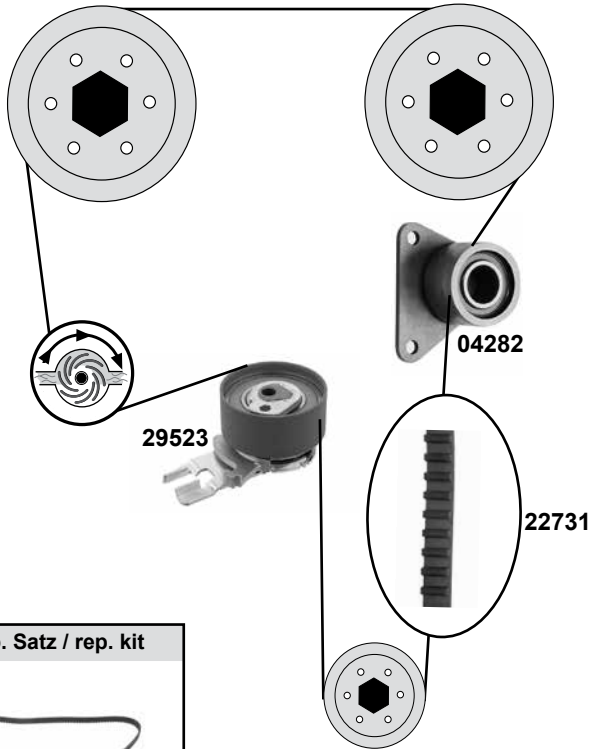


Ref. - No.



<b>39930</b>	31258034	Riemspanner / belt tensioner
<b>40210</b>	31330416	Spannrolle / tension roller
<b>40562</b>	31330784 SK1	Zahnriemen / timing belt
<b>40849</b>	31330784	Rep. Satz Zahnriemen / rep. kit timing belt

ØA 67 B25  
ØA 62  
Z 117



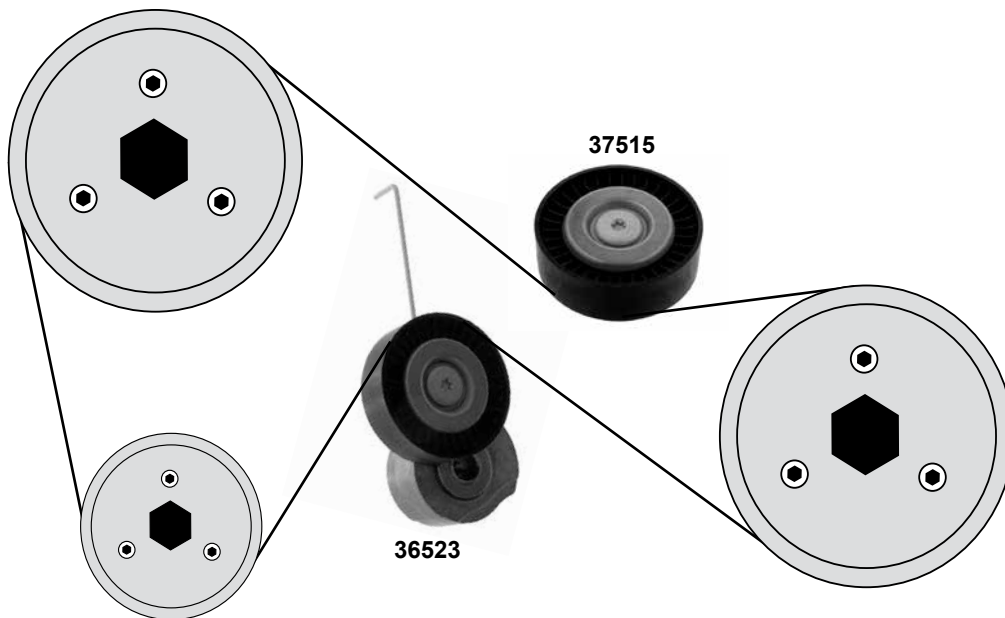
Ref. - No.



<b>04282</b>	8630590	Umlenkrolle / deflection pulley	ØA 53 B27
<b>22731</b>	8627484	Zahnriemen / timing belt	Z 142 B23
<b>29523</b>	30677832	Riemenhalter / belt tensioner	ØA 60 B26,5
<b>29524</b>	31251254	Rep. Satz Zahnriemen / rep. kit timing belt	Z 142 B23
<b>30146</b>	31330379	Riemenhalter / belt tensioner	ØA75 B21
<b>36523</b>	30777695	Riemenhalter / belt tensioner	ØA76,33 B24,05
<b>37515</b>	31216066	Umlenkrolle / deflection pulley	ØA76 B 24

**6 Zyl.**

(B 6304 T2/T4 / B 6324 S5/S)



(1) (mot.) B 6304 T2/T4 / B 6324 S5

(2) (mot.) B 6304 T4 / B 6324 S5 / B 6324 S



Ref. - No.



**36523**  
**37515**

30777695  
31216066

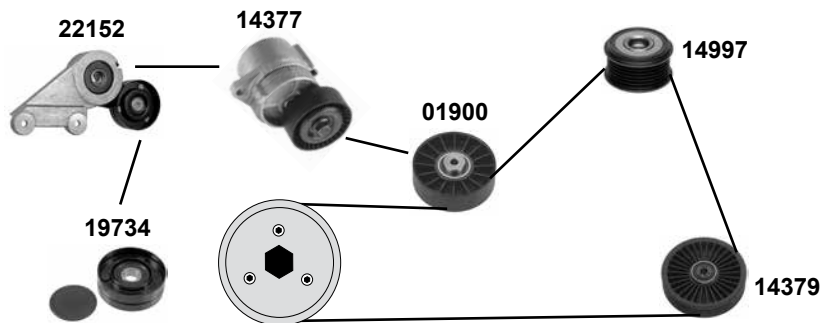
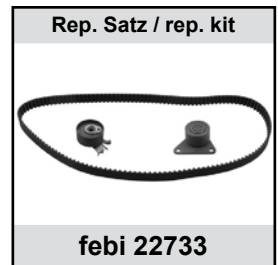
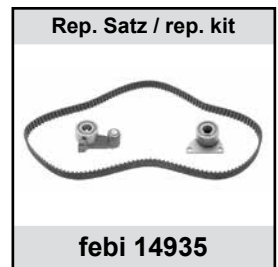
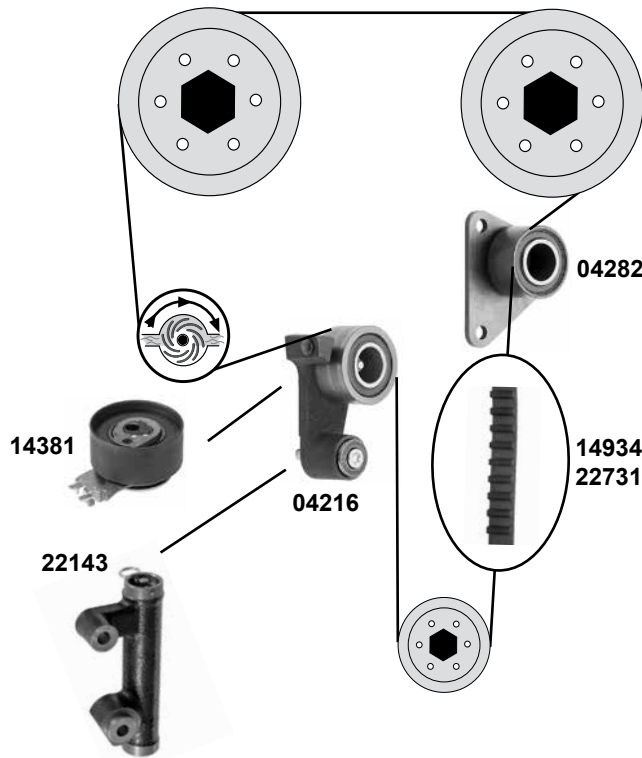
Riemenstapner / belt tensioner  
Umlenkrolle / deflection pulley

(2)  
(1)

ØA76,33 B 24,05  
ØA76 B 24



**2,0 10V / 2,5 10V**  
(B5202 / B5252)



(1) (mot.) 1266128→

(2) (mot.)→1266127

(3) Modell: 99→ B5...mit 100 A, 120 A Lichtmaschine / Alternator



Ref. - No.



Ref. - No.	Description	Modell	Dimensions
01900	Umlenkrolle / deflection pulley	→98	ØA 88 ØI 8 B26
04216	Spannrolle / tension roller	(2)	ØA 53 ØI 8/24 B32
04282	Umlenkrolle / deflection pulley		ØA 53 B27
14377	Riemensteller / belt tensioner	99→	ØA 70 B24
14379	Umlenkrolle / deflection pulley	99→(ex.) AC	ØA 124 B26
14381	Spannrolle / tension roller	(1)	ØA 59 ØI 8 B27
14934	Zahnriemen / timing belt	(2)	Z148
14935	Rep. Satz Zahnriemen / rep. kit timing belt	(2)	
14997	Generatorfreilauf / Freewheel Clutch, generator	(3)	ØA 55,5/61 B23
19734	Umlenkrolle / deflection pulley	Modell:→98	ØA 76 B24,5
22143	Riemensteller / belt tensioner	(1)	
22152	Riemensteller / belt tensioner	Modell:→98	ØA 76 B26
22731	Zahnriemen / timing belt	(2)	Z 142 B23
22733	Rep. Satz Zahnriemen / rep. kit timing belt	(1)	

# VOLVO

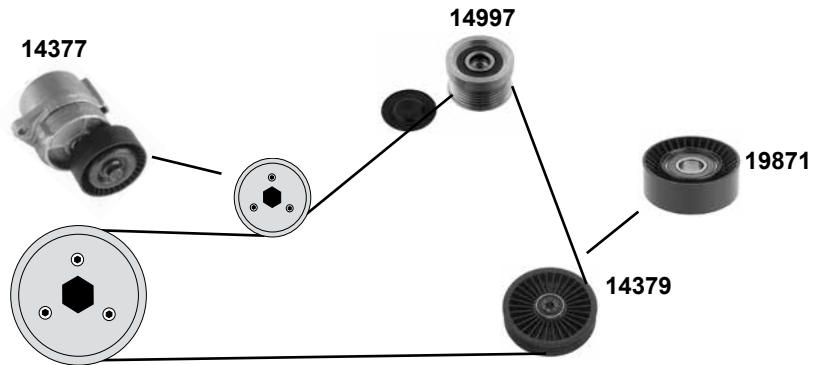
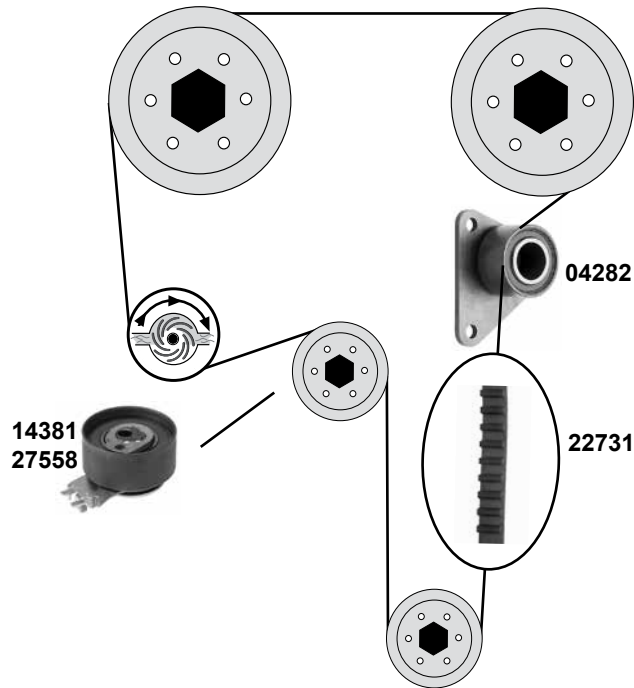
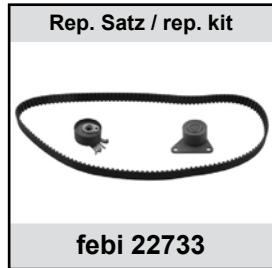
## V 70 II / XC 70 II

(00→08)

Car  
Division

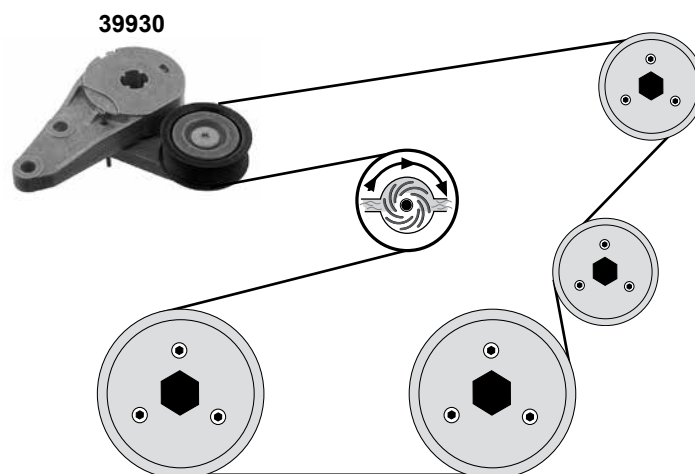
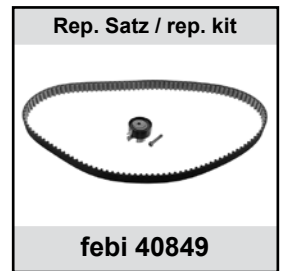
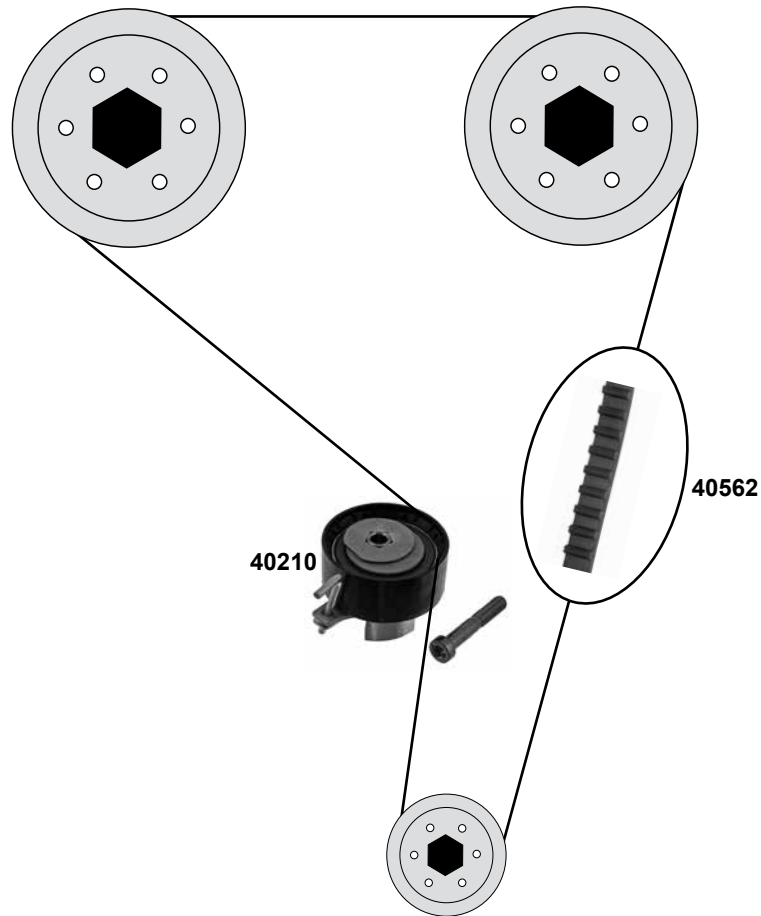


### 5 Zyl. (B5...)

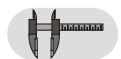


	Ref. - No.			
04282	8630590	Umlenkrolle / deflection pulley		ØA 53 B27
14377	31251250	Riemen Spanner / belt tensioner		ØA 70 B 24
14379	9458470	Umlenkrolle / deflection pulley	(ex.) AC	ØA 124 B 26
14381	30638277	Spannrolle / tension roller	(mot.) →31388688	ØA 59 B27
14997	30667878	Generatorfreilauf / Freewheel Clutch, generator		ØA 55,5/61 B23
19871	30637962	Umlenkrolle / deflection pulley	AC	ØA 70 B24
22731	274338	Zahnriemen / timing belt		Z 142 B23
22733	30758261	Rep. Satz Zahnriemen / rep. kit timing belt	(mot.) →31388688	Z 142 B23
27558	30637955	Spannrolle / tension roller	(mot.) 31388689 →	ØA 59 B 27
27559	30731727	Rep. Satz Zahnriemen / rep. kit timing belt	(mot.) 31388689 →	Z 142 B23

**4 Zyl.**  
(B 4164 T/T2)



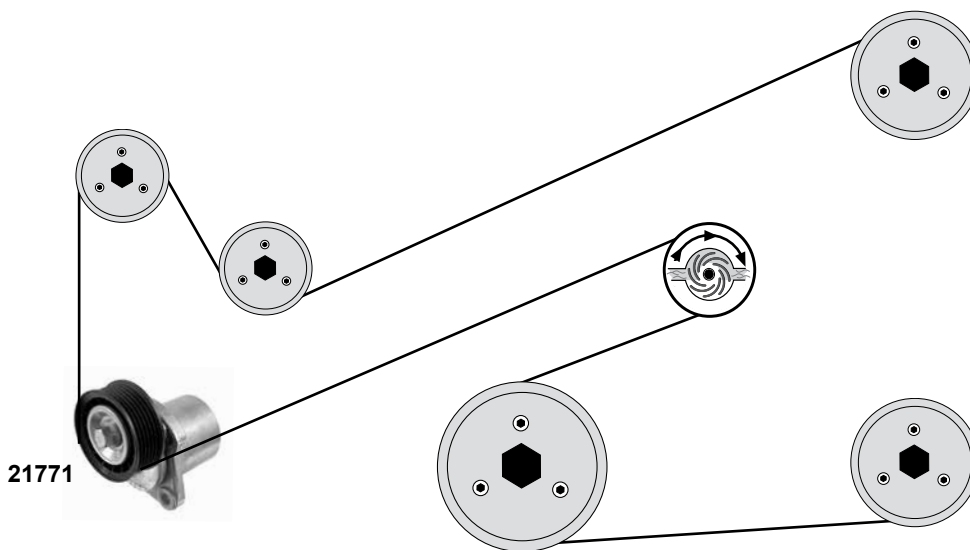
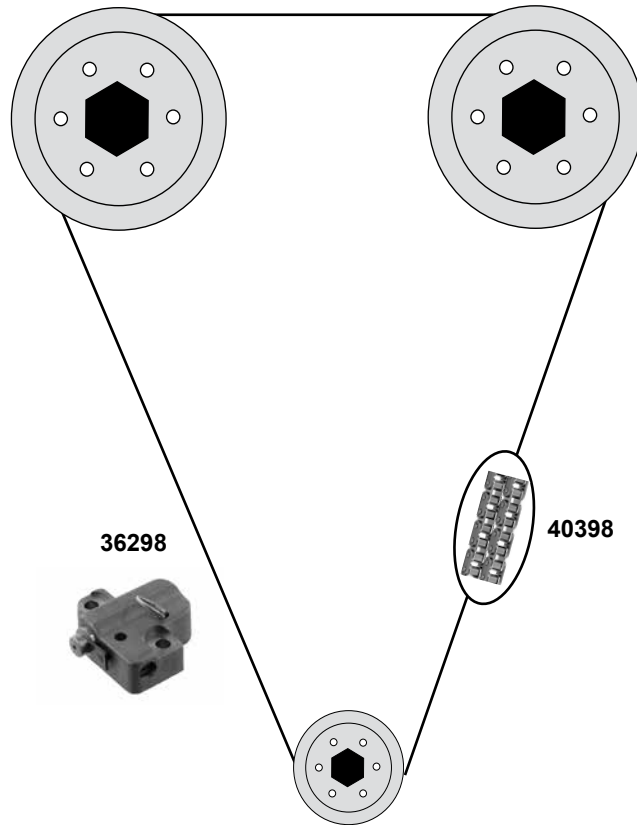
Ref. - No.



39930	31258034	Riemspanner / belt tensioner	
40210	31330416	Spannrolle / tension roller	
40562	31330784 SK1	Zahnriemen / timing belt	
40849	31330784	Rep. Satz Zahnriemen / rep. kit timing belt	

ØA 67 B25  
ØA 62  
Z 117

**4 Zyl.**  
(B 4204 S 3/S 4)



Ref. - No.

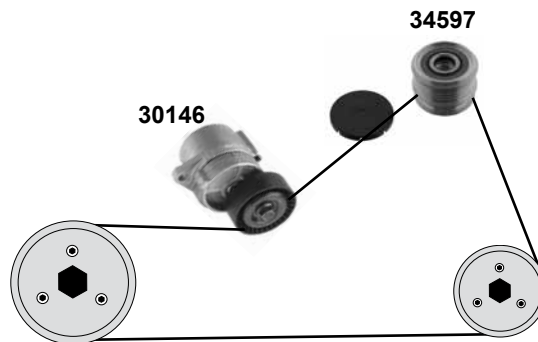
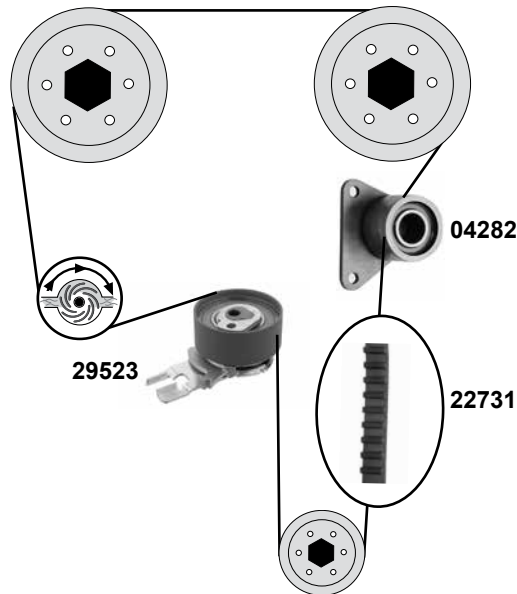


**21771** 30731938  
**36298** 30757387  
**40398** 8694690

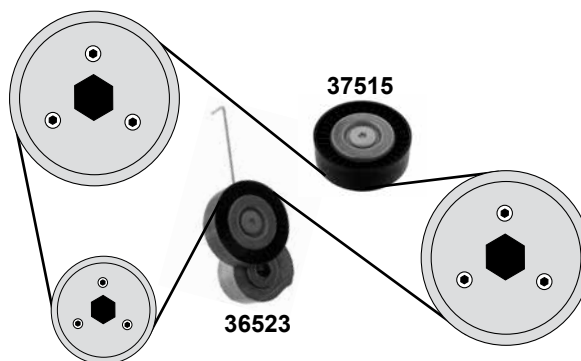
Riemenspanner / belt tensioner  
Kettenspanner / chain tensioner  
Steuerkette / timing chain

ØA 73 B29  
134 E

**5 Zyl.**  
(B 5...)



**6 Zyl.**  
(B 6304 T2/T4 / B 6324 S/S5)

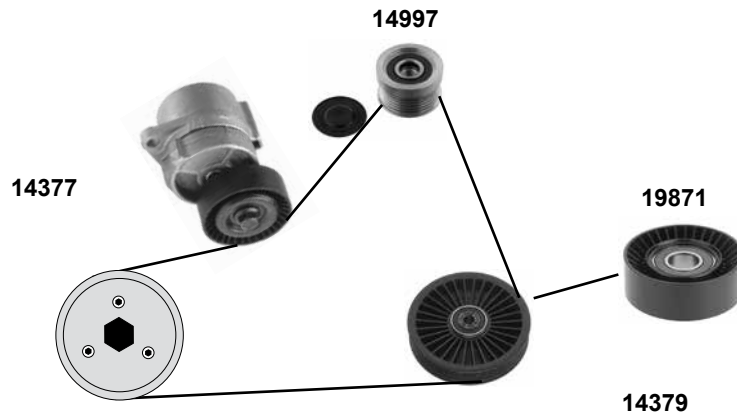
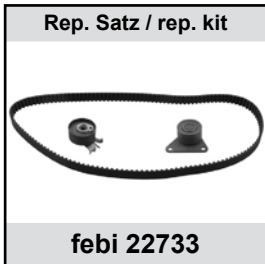
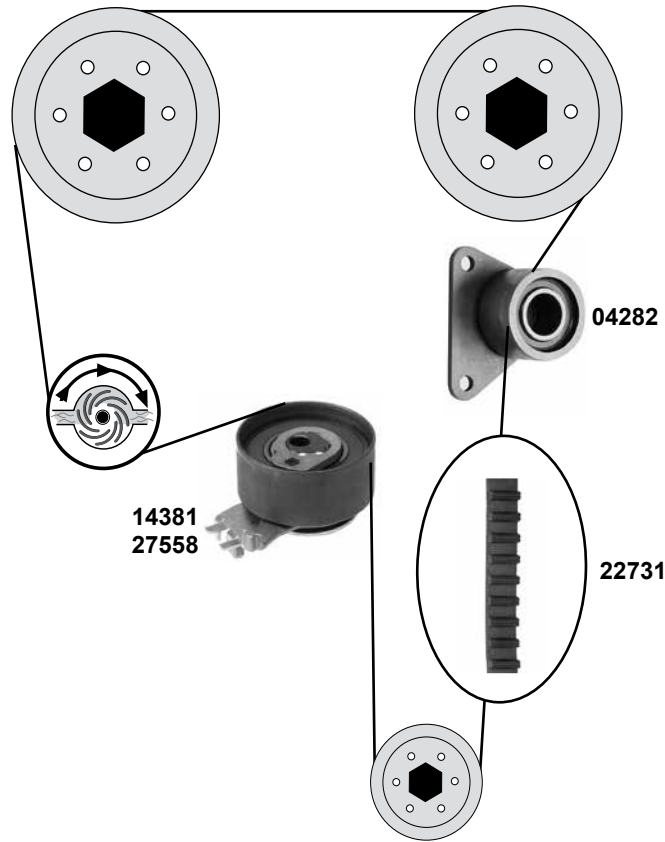


	Ref. - No.			
<b>04282</b>	8630590	Umlenkrolle / deflection pulley		ØA 53 B27
<b>22731</b>	8627484	Zahnriemen / timing belt		Z 142 B23
<b>29523</b>	30677832	Spannrolle / tension roller		ØA 60 B26,5
<b>29524</b>	31251254	Rep. Satz Zahnriemen / rep. kit timing belt		Z 142 B23
<b>30146</b>	31330379	Riemen Spanner / belt tensioner		Ø75 B21
<b>34597</b>	30667682	Generatorfreilauf / Freewheel Clutch, generator		ØA 58,5 B17
<b>36523</b>	30777695	Riemen Spanner / belt tensioner		ØA76,33 B24,05
<b>37515</b>	31216066	Umlenkrolle / deflection pulley		ØA 75 B24

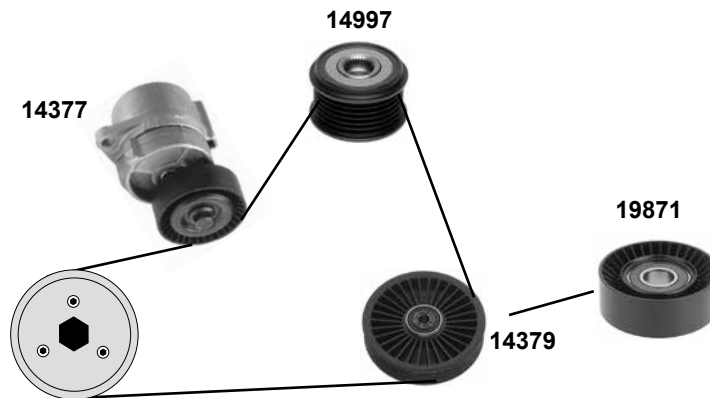
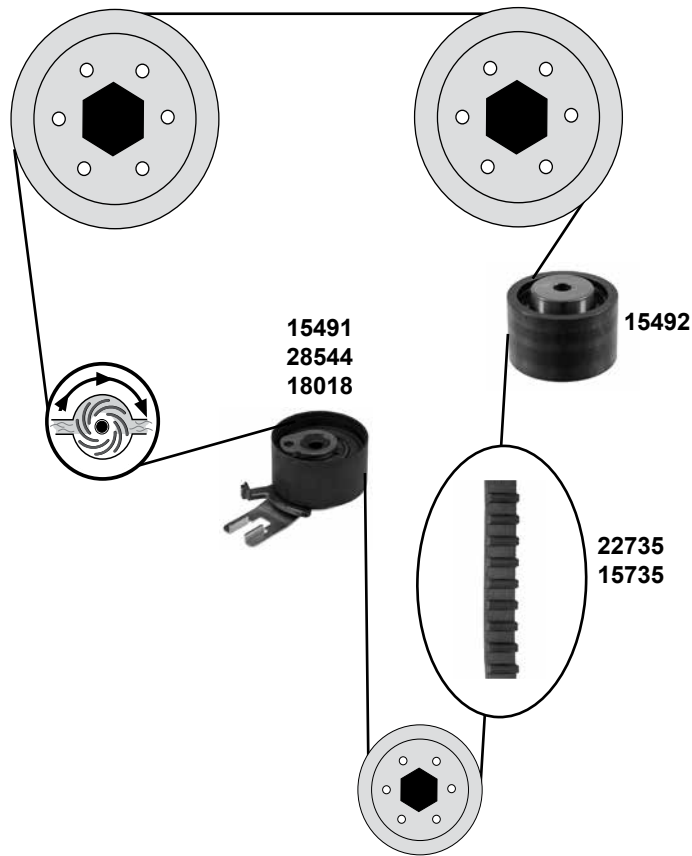




**5 Zyl.**  
(B5...)



	Ref. - No.			
<b>04282</b>	8630590	Umlenkrolle / deflection pulley		ØA 53 B27
<b>14377</b>	31251250	Riemen Spanner / belt tensioner		ØA 70 B24
<b>14379</b>	9458470	Umlenkrolle / deflection pulley		ØA 124 B26
<b>14381</b>	30638277	Spannrolle / tension roller	(ex.) AC (mot.) →31388688	ØA 59 B27
<b>14997</b>	30667878	Generatorfreilauf / Freewheel Clutch, generator		ØA 55,5/61 B23
<b>19871</b>	30637962	Umlenkrolle / deflection pulley	AC	ØA 70 B24
<b>22731</b>	8627484	Zahnriemen / timing belt		Z 142 / B23
<b>22733</b>	30758261	Rep. Satz Zahnriemen / rep. kit timing belt	(mot.) →31388688	Z 142 / B23
<b>27558</b>	30637955	Spannrolle / tension roller	(mot.) 31388689 →	ØA 59 B27
<b>27559</b>	30731727	Rep. Satz Zahnriemen / rep. kit timing belt	(mot.) 31388689 →	Z 142 B 23

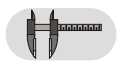


(1) Modell: 00 →02 / B 6284 T / B 6294 S / S2 / T

(2) Modell: 00→ / B 6284 T / B 6294 S / S2 / T

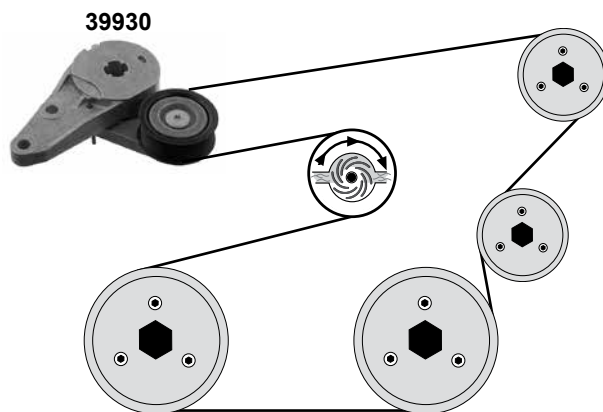
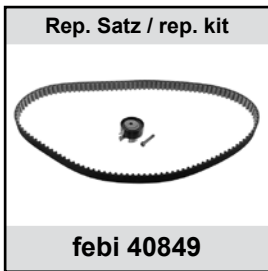
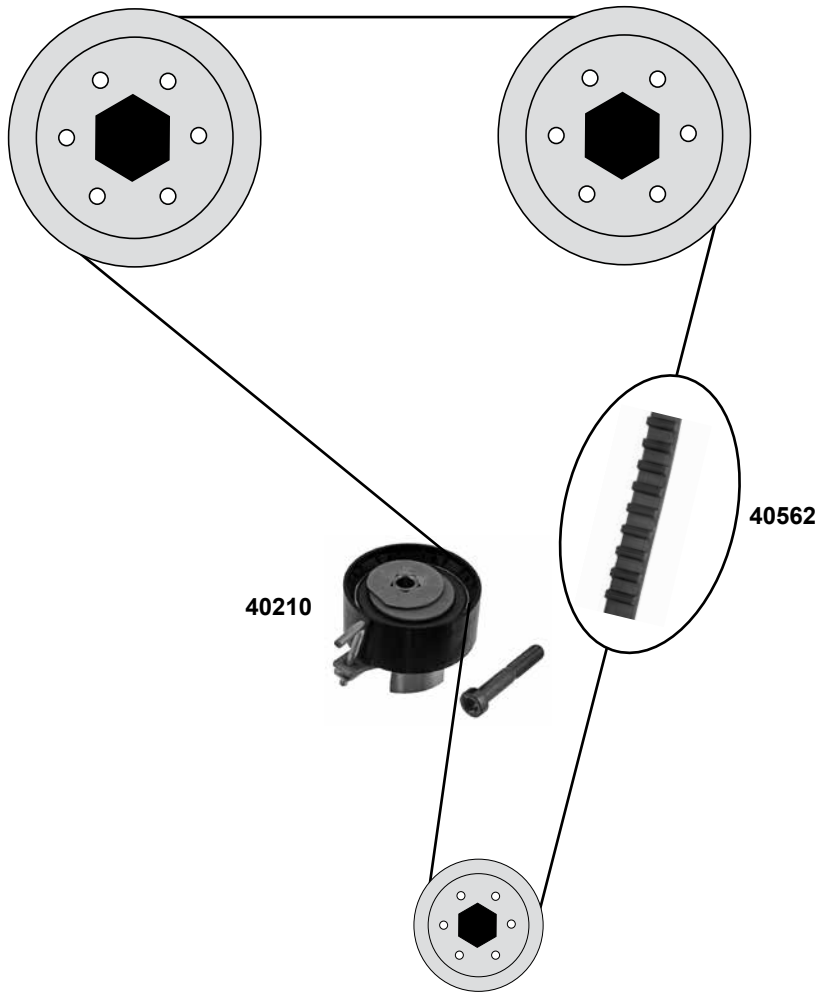


Ref. - No.



Ref. - No.	Description	Notes	Dimensions
14377	Riemen Spanner / belt tensioner		ØA 70 B24
14379	Umlenkrolle / deflection pulley	(ex.) AC	ØA 124 B26
14997	Generatorfreilauf / Freewheel Clutch, generator		ØA 55,5/61 B23
15491	Spannrolle / tension roller	(1)	ØA 59 B32
15492	Umlenkrolle / deflection pulley		ØA 53 B32
15735	Zahnriemen / timing belt	Modell:99 B6284 T/6304 S3	ØA 53 B32
18018	Spannrolle / tension roller	Modell:99 B6284 T/6304 S3	ØA 53 B32
19871	Umlenkrolle / deflection pulley	AC	ØA 70 B24
22735	Zahnriemen / timing belt	(2)	Z 146 B28
22737	Rep. Satz Zahnriemen / rep. kit timing belt	(1)	Z 146 B28
28544	Spannrolle / tension roller	Modell: 03→ B6294 S2 / T	ØA 62,5 B32
28545	Rep. Satz Zahnriemen / rep. kit timing belt	Modell: 03→ B6294 S2 / T	Z 146 B28

**4 Zyl. 1,6**  
(B 4164 T/T2)



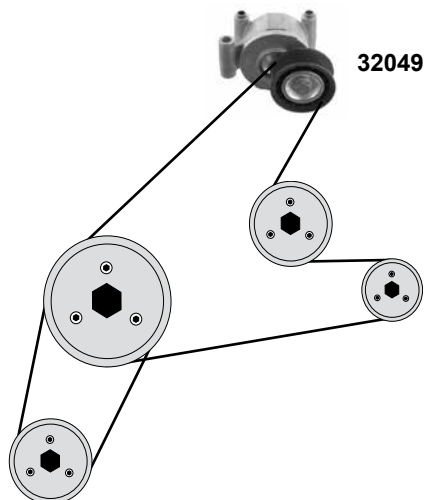
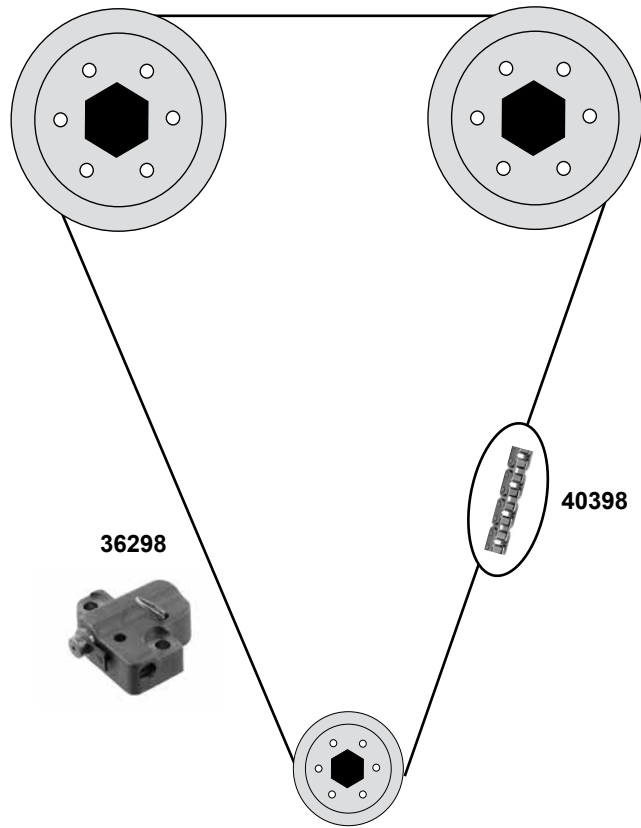
Ref. - No.



<b>39930</b>	31258034	Riemspanner / belt tensioner
<b>40210</b>	31330416	Spannrolle / tension roller
<b>40562</b>	31330784 SK1	Zahnriemen / timing belt
<b>40849</b>	31330784	Rep. Satz Zahnriemen / rep. kit timing belt

ØA 67 B25  
ØA 62  
Z 117

**4 Zyl. 2,0**  
(B 4204 S3 /S4)



Ref. - No.

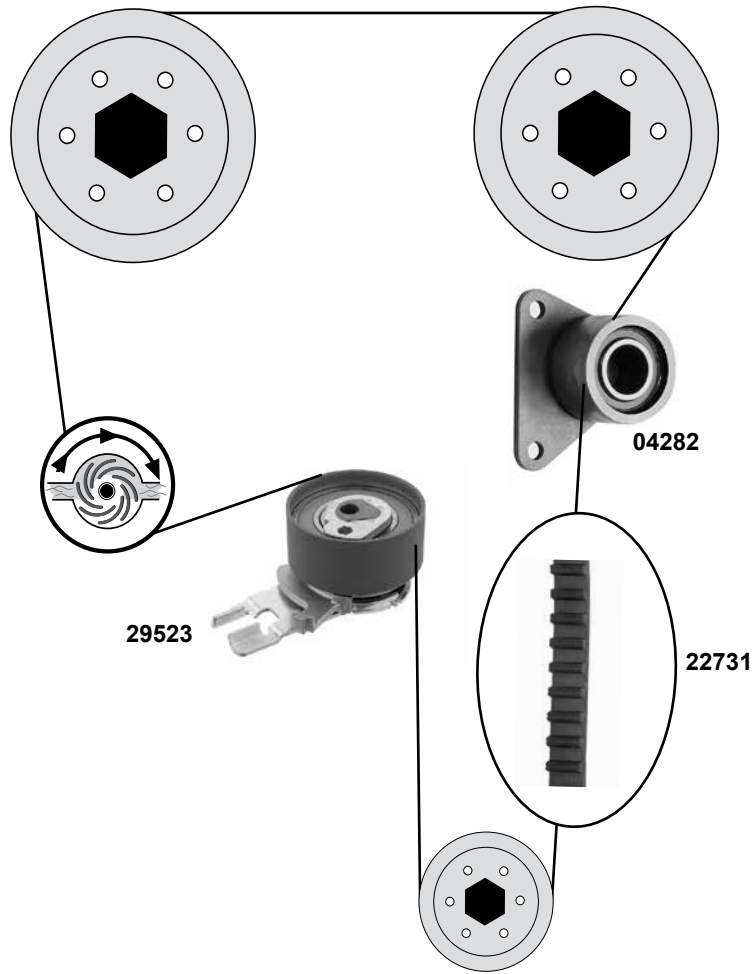


**32049** 31258082 SK  
**36298** 30757387  
**40398** 8694690

Riemenspanner / belt tensioner  
Kettenspanner / chain tensioner  
Steuerkette / timing chain

ØA 72,5 B29  
134 E

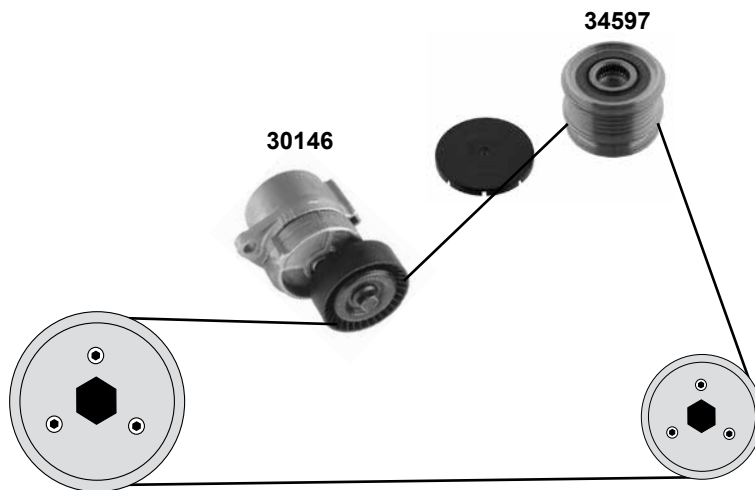
**5 Zyl.**  
(B 5...)







Rep. Satz / rep. kit



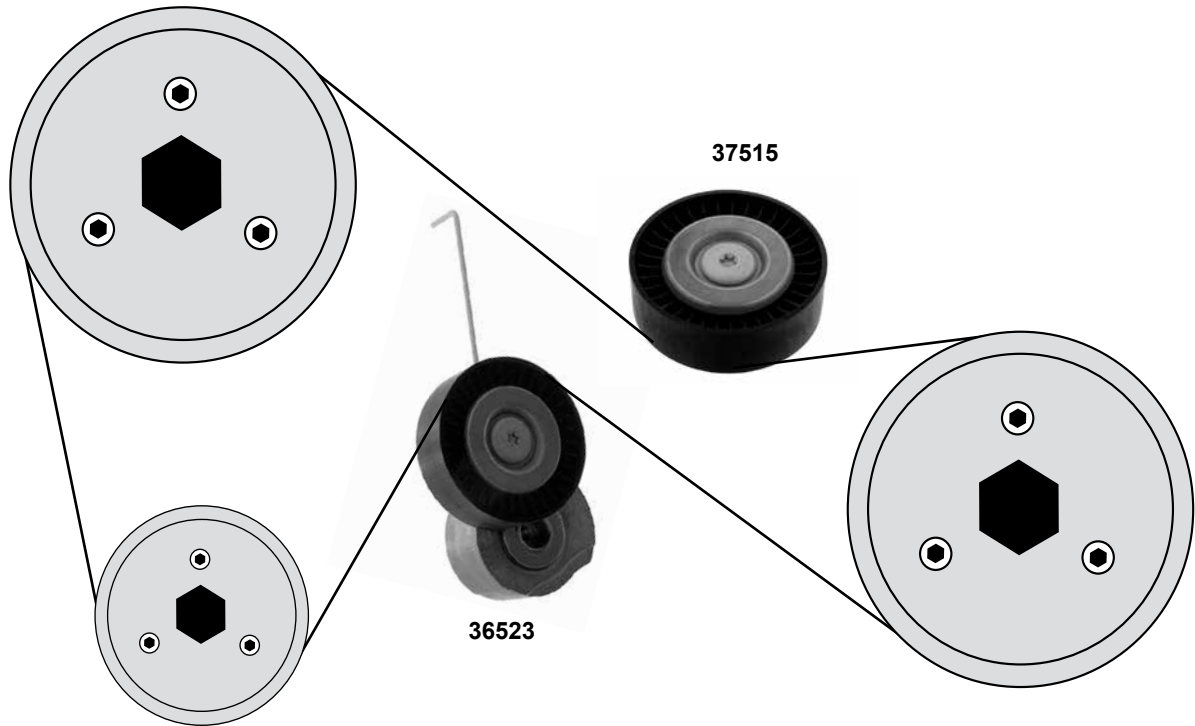
febi 29524



	Ref. - No.			
<b>04282</b>	8630590	Umlenkrolle / deflection pulley		ØA 53 B27
<b>22731</b>	8627484	Zahnriemen / timing belt		Z 142 / B23
<b>29523</b>	30677832	Spannrolle / tension roller		ØA 60 B26,5
<b>29524</b>	31251254	Rep. Satz Zahnriemen / rep. kit timing belt		
<b>30146</b>	31330379	Riemenspanner / belt tensioner		ØA 75 B21
<b>34597</b>	30667682	Generatorfreilauf / Freewheel Clutch, generator		ØA 58,5 B17

**6 Zyl.**

(B 6304 T2/T4 / B 6324 S/S5)



Ref. - No.



**36523**  
**37515**

30777695  
31216066

Riemenspanner / belt tensioner  
Umlenkrolle / deflection pulley

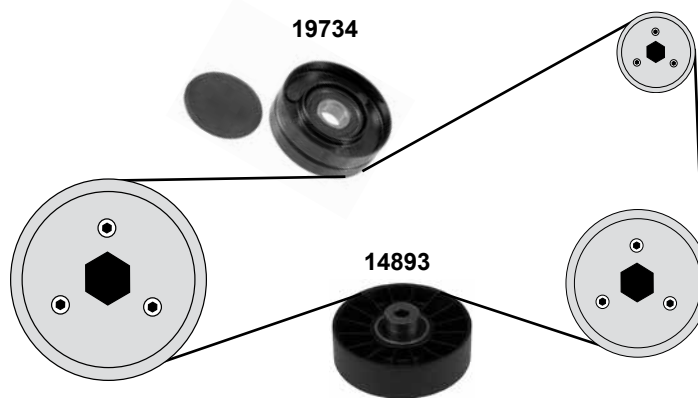
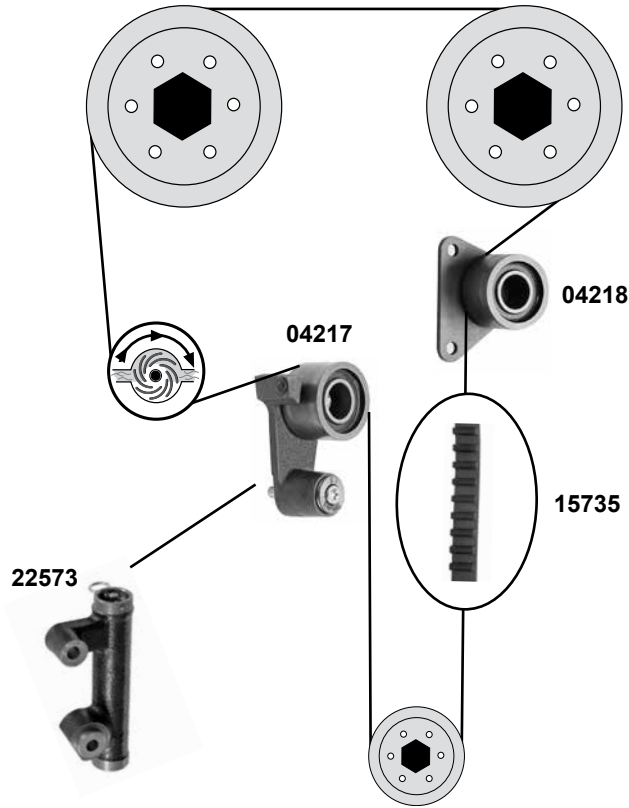
08→

ØA 76,33 B24,05  
ØA76 B24

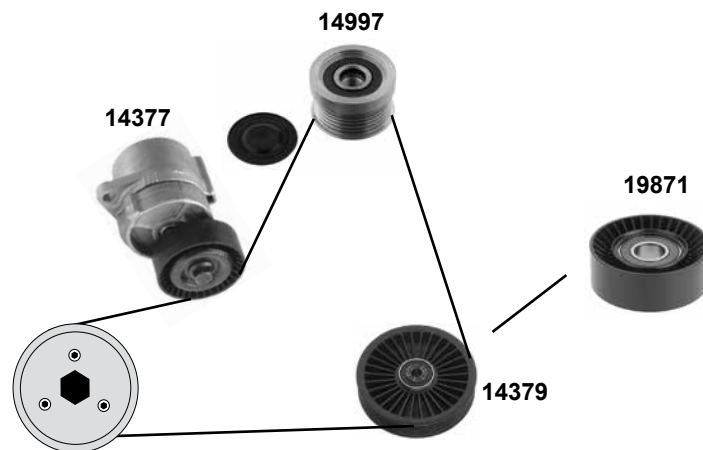
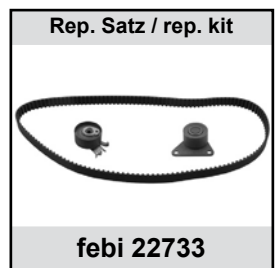
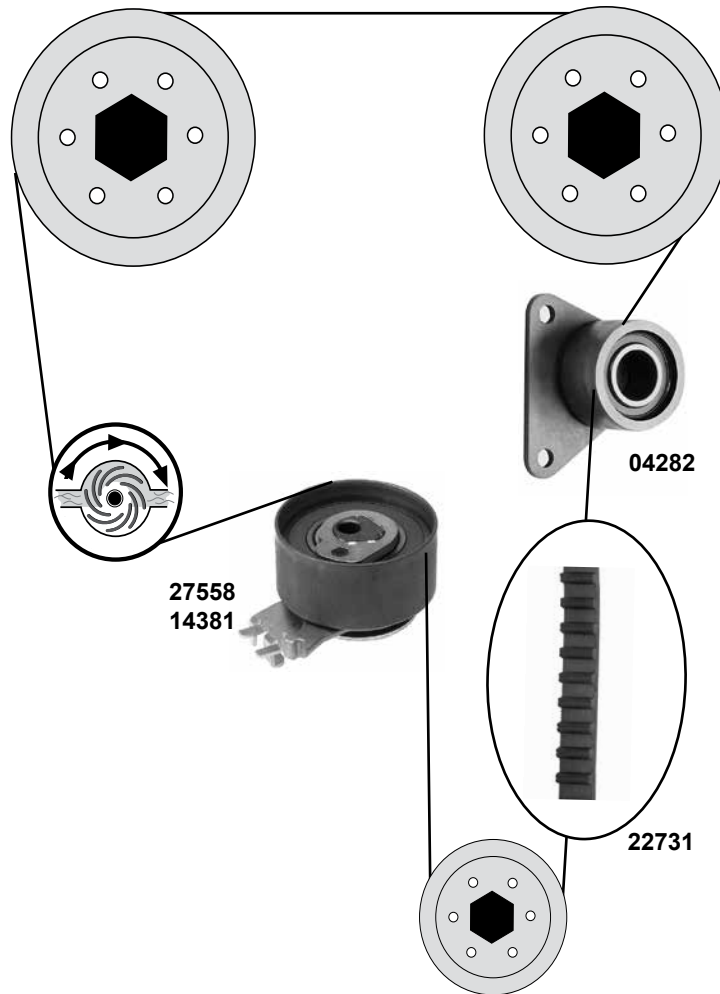


**2,4→3,0**

(B6244 / B6254 / B6304)



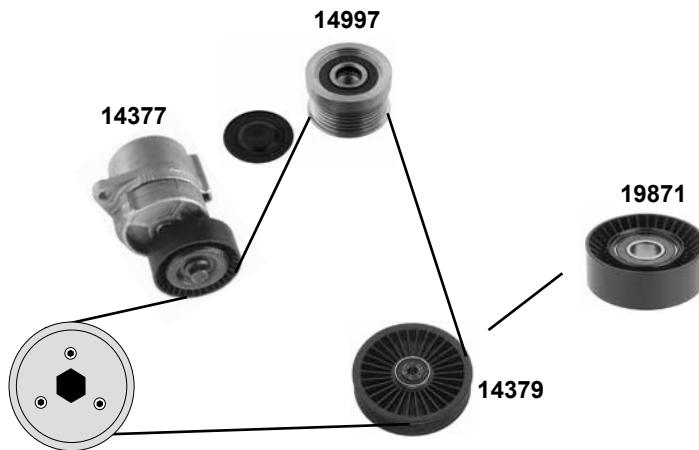
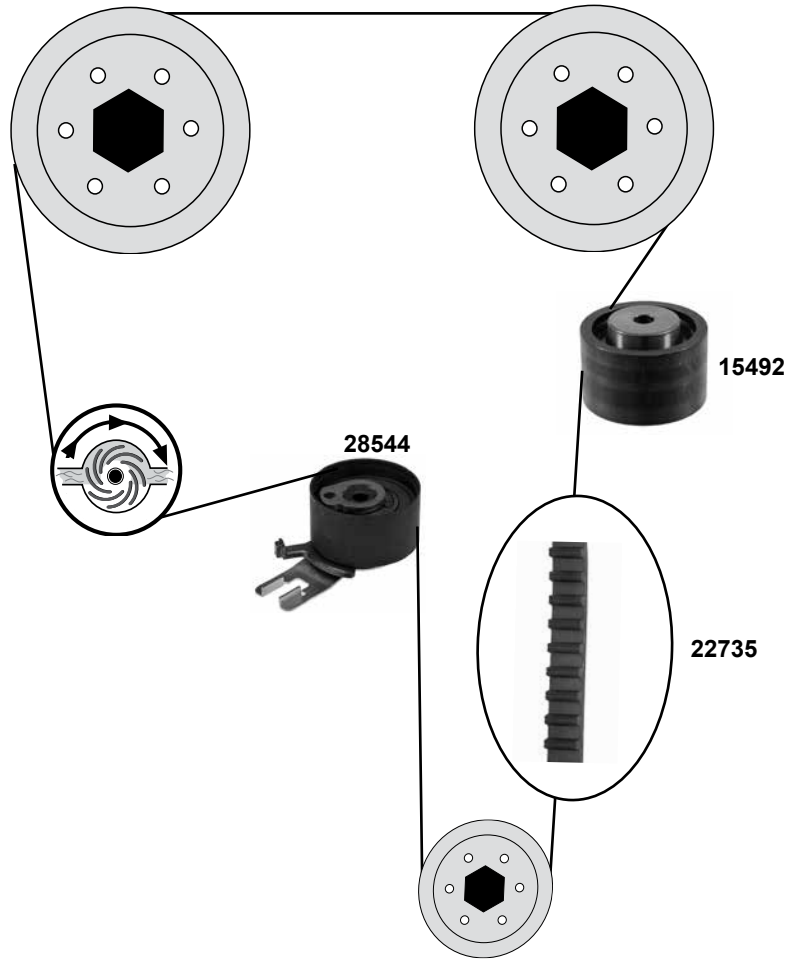
	Ref. - No.			
<b>04217</b>	9135555	Spannrolle / tension roller		ØA 53 ØI 8/24 B32
<b>04218</b>	9135556	Umlenkrolle / deflection pulley		ØA 53 ØI 24 B32
<b>14893</b>	9135565	Umlenkrolle / deflection roller		ØA 88 ØI 8 B26
<b>15735</b>	271876	Zahnriemen / timing belt		Z 152 B28
<b>15736</b>	271876 S1	Rep. Satz Zahnriemen / rep. kit timing belt		
<b>19734</b>	272136 S1	Umlenkrolle / deflection roller	B6254, B6304	ØA 76 B24,5
<b>22573</b>	1271808	Riemenspanner / belt tensioner		




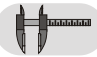


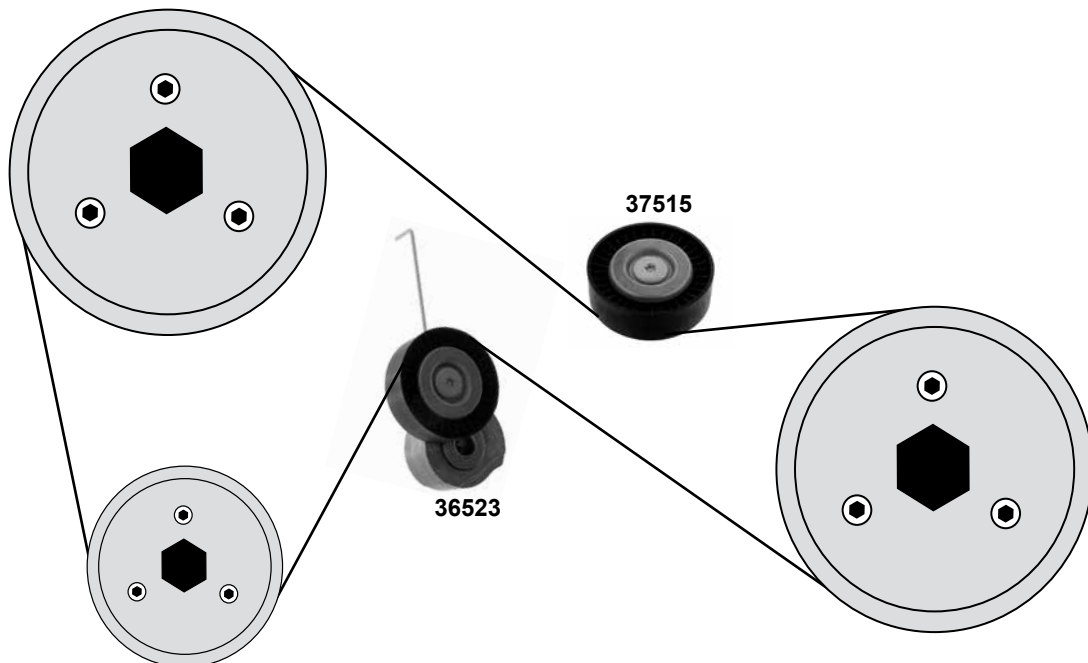
	Ref. - No.			
04282	8630590	Umlenkrolle / deflection pulley		ØA 53 B27
14377	31251250	Riemenhalter / belt tensioner		ØA 70 B24
14379	9458470	Umlenkrolle / deflection pulley		ØA 124 B26
14381	30638277	Spannrolle / tension roller	(ex.) AC	ØA 59 B27
14997	8676497	Generatorfreilauf / Freewheel Clutch, generator	(mot.) →31388688	ØA 55,5/61 B23
19871	30637962	Umlenkrolle / deflection pulley	AC	ØA 70 B24
22731	8627484	Zahnriemen / timing belt		Z 142 B 23
22733	30758261	Rep. Satz Zahnriemen / rep. kit timing belt	(mot.) →31388688	Z 142 B 23
27558	30637955	Spannrolle / tension roller	(mot.) 31388689→	ØA 59 B27
27559	30731727	Rep. Satz Zahnriemen / rep. kit timing belt	(mot.) 31388689→	Z 142 B23



**6 Zyl.**  
(B 6294 T)



	Ref. - No.			
<b>14377</b>	31251250	Riemenstapner / belt tensioner		ØA 70 B24
<b>14379</b>	9458470	Umlenkrolle / deflection pulley	(ex.) AC	ØA 124 B26
<b>14997</b>	8676497	Generatorfreilauf / Freewheel Clutch, generator		ØA 55,5/61 B23
<b>15492</b>	8692561	Umlenkrolle / deflection pulley		ØA 53 B32
<b>19871</b>	30637962	Umlenkrolle / deflection pulley	AC	ØA 70 B24
<b>22735</b>	274184	Zahnriemen / timing belt		Z 146 B28
<b>28544</b>	30638276	Spannrolle / tension roller		ØA 62,5 B32
<b>28545</b>	274184 S2	Rep. Satz Zahnriemen / rep. kit timing belt		Z 146 B28



Ref. - No.

Car  
Division

Ref. - No.



Ref. - No.



passend für / to fit:

**ALFA ROMEO**

46403659	<b>11010</b>	13, 14, 17, 18
46403659 S1	<b>22377</b>	13
46403679	<b>17769</b>	13, 14, 17, 18
46524692	<b>17541</b>	4
46817666	<b>17769</b>	13, 14, 17, 18
51758383	<b>29396</b>	10, 12, 19, 20
51758385	<b>30733</b>	10
51773551	<b>30733</b>	10
51776566	<b>29396</b>	10, 12, 19, 20
51820520	<b>40898</b>	14
51824328	<b>40898</b>	14
55183446	<b>28663</b>	17, 18
55183446 S1	<b>28664</b>	17, 18
55183497	<b>28662</b>	17, 18
55183528	<b>28306</b>	12
55187100	<b>23654</b>	10, 12, 14, 21
55190052	<b>19488</b>	6
55190054	<b>22405</b>	6
55190813	<b>30733</b>	10
55191536	<b>36445</b>	6, 9, 11, 15, 16, 19
55192239	<b>11552</b>	3, 5, 8
55192240	<b>17767</b>	2, 4, 5, 7
55193358	<b>29396</b>	10, 12, 19, 20
55203785	<b>28663</b>	17, 18
55203785 S1	<b>28664</b>	17, 18
55210626	<b>10981</b>	2, 7
55210626 S1	<b>26147</b>	2, 7
55210628	<b>10982</b>	3, 5, 8
55210628 S1	<b>11083</b>	3, 5
55217612	<b>28663</b>	17, 18
55221253	<b>22900</b>	3, 5, 8
55221254	<b>10975</b>	2, 3, 5, 7, 8
55221254 S1	<b>30977</b>	3, 5, 8
55225504	<b>10980</b>	2, 5
55232827	<b>22376</b>	13, 17
55233759	<b>28662</b>	17, 18
55248394	<b>17769</b>	13, 14, 17, 18
55556090	<b>27818</b>	10
55560082	<b>27792</b>	10
55562217	<b>27792</b>	10
55563512	<b>27818</b>	10

55574864	<b>27792</b>	10
60504224	<b>11301</b>	1
60504225	<b>11302</b>	1
60504226	<b>14543</b>	1
60515034	<b>10972</b>	1
60515034 S1	<b>11308</b>	1
60524706	<b>10973</b>	1
60556211	<b>10973</b>	1
60559304	<b>14543</b>	1
60596372	<b>11552</b>	3, 5, 8
60602136	<b>17601</b>	3, 5, 8
60607967	<b>10981</b>	2, 7
60608908	<b>22900</b>	3, 5, 8
60610908	<b>17600</b>	2, 4, 7, 9, 15, 16, 19
60616799	<b>36445</b>	6, 9, 11, 15, 16, 19
60620443	<b>22900</b>	3, 5, 8
60620887	<b>10975</b>	2, 3, 5, 7, 8
60620887 S1	<b>30977</b>	3, 5, 8
60621380	<b>17767</b>	2, 4, 5, 7
60624747	<b>22405</b>	6
60625128	<b>10980</b>	2, 5
60625129	<b>10981</b>	2, 7
60625130	<b>10982</b>	3, 5, 8
60625130 S1	<b>11083</b>	3, 5
60652129	<b>10649</b>	2, 3, 4, 5, 7, 8
60652477	<b>17767</b>	2, 4, 5, 7
60654130	<b>19488</b>	6
60656340	<b>10980</b>	2, 5
60656341	<b>10981</b>	2, 7
60656342	<b>10982</b>	3, 5, 8
60664403	<b>10649</b>	2, 3, 4, 5, 7, 8
60667496	<b>22900</b>	3, 5, 8
60671573	<b>10649</b>	2, 3, 4, 5, 7, 8
60672888	<b>10980</b>	2, 5
60672889	<b>10981</b>	2, 7
60807260	<b>10970</b>	8
60811136	<b>10982</b>	3, 5, 8
60811874	<b>17541</b>	4
60811960	<b>17541</b>	4
60812344	<b>10982</b>	3, 5, 8
60812349	<b>17601</b>	3, 5, 8
60812382	<b>10975</b>	2, 3, 5, 7, 8
60812384	<b>22900</b>	3, 5, 8


**Ref. - No.**


60812515	<b>17600</b>	2, 4, 7, 9, 15, 16, 19
60812622	<b>11552</b>	3, 5, 8
60812624	<b>10649</b>	2, 3, 4, 5, 7, 8
60812718	<b>17767</b>	2, 4, 5, 7
60813308	<b>22405</b>	6
60813312	<b>36445</b>	6, 9, 11, 15, 16, 19
60813415	<b>10649</b>	2, 3, 4, 5, 7, 8
60813418	<b>17541</b>	4
60814110	<b>17541</b>	4
60814319	<b>10982</b>	3, 5, 8
60814427	<b>19488</b>	6
60814462	<b>17767</b>	2, 4, 5, 7
71719406	<b>17600</b>	2, 4, 7, 9, 15, 16, 19
71719648	<b>10982</b>	3, 5, 8
71719649	<b>10980</b>	2, 5
71719650	<b>10981</b>	2, 7
71719650 S1	<b>26147</b>	2, 7
71736717	<b>22377</b>	13
71736724	<b>11083</b>	3, 5
71736725	<b>26147</b>	2, 7
71736729	<b>30792</b>	2, 5
71739362 S1	<b>33046</b>	11, 12, 20
71739801	<b>27819</b>	10
71739873	<b>23445</b>	10
71739873 S1	<b>27825</b>	10
71743963	<b>29396</b>	10, 12, 19, 20
71753156	<b>28663</b>	17, 18
71753156 S1	<b>28664</b>	17, 18
71754561	<b>28664</b>	17, 18
71765056	<b>30792</b>	2, 5
71765652	<b>11010</b>	13, 14, 17, 18
71773289	<b>26147</b>	2, 7
71775900	<b>28664</b>	17, 18
73501924	<b>17600</b>	2, 4, 7, 9, 15, 16, 19
73503128	<b>17769</b>	13, 14, 17, 18
7722331	<b>10974</b>	2, 3, 7, 8

passend für / to fit:

**AUDI**

027 105 263	<b>25158</b>	30, 44, 47, 69, 74
027 105 263 B	<b>25158</b>	30, 44, 47, 69, 74
049 105 263 B	<b>25178</b>	22, 23, 24
049 105 263 C	<b>25194</b>	26, 29, 73
056 105 263 A	<b>25178</b>	22, 23, 24

**Ref. - No.**


06A 109 105 C	<b>25258</b>	40, 43, 46, 50
049 109 111 C	<b>25250</b>	22, 23, 24, 25, 26, 27, 29, 32, 33, 34, 35, 46, 69, 72, 73, 74
026 109 119 B	<b>12654</b>	46
026 109 119 B S2	<b>14662</b>	46
026 109 119 D	<b>12654</b>	46
027 109 119 A	<b>14366</b>	27, 30, 36, 70, 74
027 109 119 A S2	<b>14604</b>	30, 70, 74
027 109 119 A S1	<b>14606</b>	27, 30, 36, 74
027 109 119 C	<b>14366</b>	27, 30, 36, 70, 74
027 109 119 C S2	<b>14604</b>	30, 70, 74
027 109 119 C S1	<b>14606</b>	27, 30, 36, 74
034 109 119	<b>12661</b>	25, 27, 33, 34, 72
034 109 119 S1	<b>24856</b>	27, 33, 34
036 109 119 AG	<b>19364</b>	39
036 109 119 AG S1	<b>21770</b>	39
036 109 119 M	<b>19364</b>	39
036 109 119 P	<b>21768</b>	39
036 109 119 P S1	<b>21774</b>	39
036 109 119 Q	<b>19364</b>	39
036 109 119 Q S1	<b>21770</b>	39
037 109 119 C	<b>14378</b>	26, 29, 35, 69, 73
037 109 119 C S2	<b>14622</b>	26, 29, 35, 69, 73
037 109 119 C S3	<b>14658</b>	29, 35, 69
048 109 119 D	<b>14378</b>	26, 29, 35, 69, 73
052 109 119	<b>12657</b>	22, 24
054 109 119 A	<b>14384</b>	28, 30, 36, 70, 74, 75
054 109 119 G	<b>14384</b>	28, 30, 36, 70, 74, 75
054 109 119 H	<b>19366</b>	30, 36, 74
056 109 119 A	<b>12652</b>	23, 24, 26, 29, 32, 33, 35, 72, 73
056 109 119 A S1	<b>14574</b>	23, 26, 29, 32, 33, 35, 73
058 109 119 B	<b>19361</b>	47, 57, 69
058 109 119 C	<b>19361</b>	47, 57, 69
06A 109 119 B	<b>19396</b>	40, 43, 46, 50
06A 109 119 C	<b>19396</b>	40, 43, 46, 50
06A 109 119 C S1	<b>23634</b>	40, 43, 46, 50
06A 109 119 K	<b>19396</b>	40, 43, 46, 50

Ref. - No.

Car  
Division 

Ref. - No.



Ref. - No.



06B 109 119 A	<b>19546</b>	41, 51, 52, 57, 59, 77
06B 109 119 A S1	<b>19548</b>	41, 57, 77
06B 109 119 A S4	<b>23642</b>	51, 52, 59
06B 109 119 A S2	<b>19550</b>	41, 77
06B 109 119 A S3	<b>23646</b>	41, 77
06B 109 119 A S5	<b>27298</b>	41
06B 109 119 B	<b>19546</b>	41, 51, 52, 57, 59, 77
06B 109 119 F	<b>19546</b>	41, 51, 52, 57, 59, 77
06B 109 119 F S1	<b>23642</b>	51, 52, 59
06B 109 119 F S2	<b>19550</b>	41, 77
06B 109 119 F S4	<b>23642</b>	51, 52, 59
06B 109 119 F S3	<b>23646</b>	41, 77
06C 109 119 C	<b>21776</b>	53, 61, 62, 67
06D 109 119	<b>23238</b>	44, 52
06D 109 119 B	<b>24186</b>	44, 54, 62, 77, 79
074 109 119	<b>17654</b>	27, 33, 74
077 109 119 D	<b>19371</b>	65, 80
078 109 119 A	<b>14364</b>	31, 37, 48, 64, 71, 75
078 109 119 C	<b>19606</b>	49, 53, 58, 60, 61, 64, 66, 67
078 109 119 D	<b>14364</b>	31, 37, 48, 64, 71, 75
078 109 119 D S2	<b>14640</b>	31, 37, 48, 64, 71, 75
078 109 119 D S1	<b>14642</b>	31, 37, 64, 71, 75
078 109 119 G	<b>19606</b>	49, 53, 58, 60, 61, 64, 66, 67
078 109 119 H	<b>19606</b>	49, 53, 58, 60, 61, 64, 66, 67
078 109 119 J	<b>19606</b>	49, 53, 58, 60, 61, 64, 66, 67
027 109 120	<b>09403</b>	27, 28, 30, 36, 65, 70, 74, 75, 80
077 109 120	<b>09403</b>	27, 28, 30, 36, 65, 70, 74, 75, 80
078 109 120	<b>25360</b>	41, 47, 49, 51, 52, 53, 57, 58, 59, 60, 64, 66
03C 109 158	<b>40390</b>	38, 42

03C 109 158 A	<b>40390</b>	38, 42
036 109 181 A	<b>21766</b>	39
036 109 181 B	<b>21766</b>	39
058 109 217 B	<b>27070</b>	41, 47, 57, 77
058 109 217 D	<b>28446</b>	47, 57
06F 109 217 A	<b>32518</b>	44, 52, 54, 62, 79
058 109 229	<b>25362</b>	41, 57, 58, 60, 77
058 109 229	<b>25360</b>	41, 47, 49, 51, 52, 53, 57, 58, 59, 60, 64, 66
058 109 229 B	<b>25360</b>	41, 47, 49, 51, 52, 53, 57, 58, 59, 60, 64, 66
06D 109 229 A	<b>25227</b>	44, 52, 54, 62, 79
06D 109 229 B	<b>25227</b>	44, 52, 54, 62, 79
026 109 243	<b>06688</b>	23, 24, 26, 29, 32, 33, 35, 72, 73
026 109 243 E	<b>06688</b>	23, 24, 26, 29, 32, 33, 35, 72, 73
026 109 243 F	<b>06688</b>	23, 24, 26, 29, 32, 33, 35, 72, 73
026 109 243 J	<b>09762</b>	29, 35, 46, 69
026 109 243 L	<b>06688</b>	23, 24, 26, 29, 32, 33, 35, 72, 73
027 109 243	<b>03600</b>	27, 30, 36, 74
036 109 243 AB	<b>11274</b>	39
036 109 243 AC	<b>15888</b>	39
036 109 243 AD	<b>11274</b>	39
036 109 243 AE	<b>15888</b>	39
036 109 243 AF	<b>11274</b>	39
036 109 243 AG	<b>15888</b>	39
036 109 243 E	<b>11274</b>	39
036 109 243 K	<b>15888</b>	39
036 109 243 L	<b>11274</b>	39
036 109 243 R	<b>11274</b>	39
036 109 243 S	<b>15888</b>	39
048 109 243 A	<b>02889</b>	26, 29, 35, 69, 73
049 109 243	<b>06688</b>	23, 24, 26, 29, 32, 33, 35, 72, 73
051 109 243	<b>03600</b>	27, 30, 36, 74
051 109 243 A	<b>11316</b>	30, 70, 74
056 109 243 A	<b>06688</b>	23, 24, 26, 29, 32, 33, 35, 72, 73


**Ref. - No.**


056 109 243 B	<b>06688</b>	23, 24, 26, 29, 32, 33, 35, 72, 73
056 109 243 D	<b>06688</b>	23, 24, 26, 29, 32, 33, 35, 72, 73
058 109 243 C	<b>18658</b>	47, 57, 69
058 109 243 D	<b>23134</b>	47
058 109 243 E	<b>18658</b>	47, 57, 69
06B 109 243	<b>17948</b>	41, 57, 77
06B 109 243 A	<b>18556</b>	41, 57, 77
06B 109 243 B	<b>18554</b>	51, 52, 59
06B 109 243 D	<b>18556</b>	41, 57, 77
06B 109 243 E	<b>18554</b>	51, 52, 59
06B 109 243 F	<b>18556</b>	41, 57, 77
06D 109 243	<b>24606</b>	44, 52
06D 109 243 B	<b>27364</b>	44, 54, 62, 79
069 109 243 B	<b>02558</b>	27, 33, 34
074 109 243	<b>07077</b>	33
077 109 243 A	<b>02861</b>	65, 80
078 109 243	<b>07710</b>	31, 37, 64, 71, 75
078 109 243 A	<b>07710</b>	31, 37, 64, 71, 75
078 109 243 C	<b>07710</b>	31, 37, 64, 71, 75
078 109 243 K	<b>09613</b>	31, 37, 48, 64, 71, 75
078 109 243 Q	<b>18562</b>	49, 53, 58, 60, 64, 66
078 109 243 R	<b>18562</b>	49, 53, 58, 60, 64, 66
078 109 243 S	<b>18562</b>	49, 53, 58, 60, 64, 66
03L 109 244 D	<b>07022</b>	47, 56, 69
036 109 244 C	<b>11339</b>	39
036 109 244 D	<b>11339</b>	39
036 109 244 J	<b>11339</b>	39
058 109 244	<b>07022</b>	47, 56, 69
06B 109 244	<b>19292</b>	41, 44, 51, 52, 54, 57, 59, 62, 77, 79
06C 109 244	<b>22357</b>	53, 61, 62, 67
06C 109 244 C	<b>26168</b>	53, 61, 67
06C 109 244 D	<b>22357</b>	53, 61, 62, 67
06D 109 244 A	<b>24188</b>	44, 52
06D 109 244 B	<b>24188</b>	44, 52
06D 109 244 C	<b>30227</b>	44, 54, 62, 79
06D 109 244 D	<b>30227</b>	44, 54, 62, 79

**Ref. - No.**


06D 109 244 E	<b>30227</b>	44, 54, 62, 79
077 109 244 A	<b>02862</b>	65, 80
077 109 244 C	<b>22360</b>	61, 67
077 109 244 D	<b>19398</b>	61, 66, 67
077 109 244 E	<b>19398</b>	61, 66, 67
077 109 244 F	<b>30893</b>	67
078 109 244	<b>01508</b>	31, 37, 64, 71, 75
078 109 244 C	<b>01508</b>	31, 37, 64, 71, 75
078 109 244 F	<b>01508</b>	31, 37, 64, 71, 75
078 109 244 G	<b>09614</b>	31, 37, 48, 64, 71, 75
078 109 244 H	<b>17076</b>	49, 53, 58, 60, 64, 66
078 109 244 J	<b>17076</b>	49, 53, 58, 60, 64, 66
078 109 244 Q	<b>17076</b>	49, 53, 58, 60, 64, 66
021 109 465	<b>09585</b>	45, 78
021 109 465 B	<b>09585</b>	45, 78
03H 109 465	<b>09585</b>	45, 78
021 109 467	<b>25240</b>	45, 76, 78
021 109 469	<b>25222</b>	45, 76, 78
03C 109 469 K	<b>36085</b>	38, 42
06B 109 477	<b>22346</b>	41, 57, 77
06B 109 477 A	<b>22347</b>	51, 52, 59
06D 109 477 A	<b>31976</b>	52
050 109 479	<b>27584</b>	29, 35, 46, 69, 73
050 109 479 A	<b>27584</b>	29, 35, 46, 69, 73
054 109 479	<b>27016</b>	30, 36, 70, 74
058 109 479 B	<b>19404</b>	47, 69
059 109 479 B	<b>22340</b>	66
06A 109 479	<b>15878</b>	40, 43, 46, 50
06A 109 479 A	<b>15878</b>	40, 43, 46, 50
06A 109 479 B	<b>15878</b>	40, 43, 46, 50
06A 109 479 C	<b>15878</b>	40, 43, 46, 50
06A 109 479 F	<b>15878</b>	40, 43, 46, 50
06B 109 479	<b>22346</b>	41, 57, 77
06C 109 479 A	<b>24851</b>	67
06D 109 479 A	<b>31976</b>	52
077 109 479 D	<b>22352</b>	61, 66, 67
078 109 479 E	<b>22356</b>	49, 53, 58, 60, 64, 66
06C 109 485 A	<b>22348</b>	53, 61, 62, 67

Ref. - No.

Car  
Division 

Ref. - No.



06D 109 485 A	<b>30869</b>	52
077 109 485 E	<b>22354</b>	61, 66, 67
077 109 485 F	<b>22354</b>	61, 66, 67
078 109 487 A	<b>22358</b>	49, 53, 58, 60, 64, 66
03H 109 503	<b>25404</b>	45, 78
03H 109 503 S1	<b>36222</b>	45, 78
066 109 503 B	<b>25404</b>	45, 78
066 109 503 C	<b>25404</b>	45, 78
03H 109 507	<b>32786</b>	45, 76, 78
066 109 507 A	<b>32786</b>	45, 76, 78
066 109 507 D	<b>32786</b>	45, 76, 78
03C 109 509 K	<b>36224</b>	38, 42
03C 109 509 L	<b>36224</b>	38, 42
03C 109 509 M	<b>36224</b>	38, 42
03C 109 509 P	<b>36224</b>	38, 42
066 109 509 A	<b>34868</b>	45, 78
066 109 513 A	<b>36221</b>	45, 78
07K 145 172 B	<b>30585</b>	45, 78
07K 145 172 C	<b>30584</b>	45, 78
022 145 276 C	<b>30892</b>	45, 76, 78
022 145 276 F	<b>30892</b>	45, 76, 78
03C 145 276 C	<b>32024</b>	38
07D 145 276 B	<b>22363</b>	80
07D 145 276 C	<b>22363</b>	80
071 145 276 A	<b>30892</b>	45, 76, 78
1J0 145 276	<b>30859</b>	38, 43
6QD 145 276	<b>30859</b>	38, 43
03C 145 299 C	<b>27218</b>	43
03C 145 299 Q	<b>32629</b>	38, 43
030 145 299 C	<b>14730</b>	39
030 145 299 F	<b>14730</b>	39
032 145 299 A	<b>23558</b>	40
1J0 145 299	<b>27218</b>	43
6Q0 145 299	<b>27216</b>	38, 43
6K0 198 002	<b>14574</b>	23, 26, 29, 32, 33, 35, 73
026 198 119	<b>14662</b>	46
027 198 119	<b>14604</b>	30, 70, 74
036 198 119 E	<b>21772</b>	39
051 198 119	<b>14574</b>	23, 26, 29, 32, 33, 35, 73

Ref. - No.



056 198 119	<b>14574</b>	23, 26, 29, 32, 33, 35, 73
058 198 119	<b>24723</b>	47, 57
058 198 119 A	<b>24724</b>	47
06A 198 119	<b>23634</b>	40, 43, 46, 50
06A 198 119 A	<b>19548</b>	41, 57, 77
06A 198 119 B	<b>37642</b>	77
06B 198 119 A	<b>24755</b>	51, 59
06F 198 119	<b>24764</b>	44, 52
06F 198 119 A	<b>30586</b>	44, 54, 62, 79
078 198 119	<b>23292</b>	49, 53, 58, 60, 64, 66
078 198 119 A	<b>14640</b>	31, 37, 48, 64, 71, 75
058 198 479	<b>21100</b>	47
058 198 479 A	<b>23126</b>	47
078 198 479 S1	<b>23290</b>	49, 53, 58, 60, 64, 66
058 260 511	<b>11341</b>	46, 47, 57, 69
021 903 119 G	<b>15262</b>	40, 41
022 903 119 A	<b>15262</b>	40, 41
022 903 119 B	<b>15254</b>	57
022 903 119 C	<b>15262</b>	40, 41
022 903 119 D	<b>15254</b>	57
028 903 119 AC	<b>15254</b>	57
028 903 119 AD	<b>15254</b>	57
028 903 119 AM	<b>15262</b>	40, 41
028 903 119 Q	<b>15254</b>	57
038 903 119 A	<b>15262</b>	40, 41
038 903 119 M	<b>15254</b>	57
038 903 119 P	<b>15260</b>	57
038 903 119 T	<b>15262</b>	40, 41
058 903 119 C	<b>15258</b>	57
058 903 133	<b>19736</b>	59
058 903 133 A	<b>19736</b>	59
058 903 133 B	<b>19736</b>	59
058 903 133 D	<b>19736</b>	59
06B 903 133	<b>26569</b>	50, 51, 52, 59
06B 903 133 A	<b>26569</b>	50, 51, 52, 59
06B 903 133 E	<b>26569</b>	50, 51, 52, 59
06C 903 133 B	<b>28104</b>	53, 61
06E 903 133 A	<b>30222</b>	55, 63, 68, 76
06E 903 133 B	<b>30222</b>	55, 63, 68, 76


**Ref. - No.**


06E 903 133 D	<b>30222</b>	55, 63, 68, 76
06E 903 133 E	<b>30222</b>	55, 63, 68, 76
06E 903 133 Q	<b>30222</b>	55, 63, 68, 76
077 903 133 C	<b>29232</b>	61, 66
077 903 133 E	<b>29232</b>	61, 66
078 903 133 AB	<b>21905</b>	48, 58, 60
078 903 133 T	<b>21905</b>	48, 58, 60
045 903 315 A	<b>29945</b>	39
06A 903 315 D	<b>14714</b>	40, 41, 77
06A 903 315 E	<b>14714</b>	40, 41, 77
06F 903 315	<b>30166</b>	45, 79
053 903 341	<b>11343</b>	30
06B 903 341	<b>30686</b>	50, 51, 52, 59, 62
06B 903 341 B	<b>30686</b>	50, 51, 52, 59, 62
077 903 341	<b>04130</b>	65, 80
078 903 341 B	<b>04132</b>	37
078 903 341 J	<b>04131</b>	31, 37, 71, 75
passend für / to fit:		
<b>BMW</b>		
07 11 9 963 355	<b>05552</b>	94, 98, 191
07 11 9 963 357	<b>05552</b>	94, 98, 191
11 21 1 265 010	<b>25072</b>	81, 91, 93, 118, 120
11 21 1 265 011	<b>25074</b>	119, 122, 128, 146, 154, 155
11 21 7 504 725	<b>24941</b>	165
11 23 7 503 107 S1	<b>33845</b>	83, 84, 103, 104, 106, 107, 108, 136, 172, 175, 197
11 28 0 150 310	<b>21629</b>	139, 151, 165, 183
11 28 0 392 123	<b>21629</b>	139, 151, 165, 183
11 28 0 415 304	<b>21629</b>	139, 151, 165, 183
11 28 1 247 051	<b>03801</b>	97, 98, 124
11 28 1 247 051 S1	<b>18485</b>	97, 98, 124
11 28 1 247 052	<b>18485</b>	97, 98, 124
11 28 1 247 647	<b>09813</b>	97, 98, 102, 190, 191
11 28 1 427 252	<b>09810</b>	100, 105, 127, 132, 137, 159, 163, 176, 181, 193, 194, 195, 198
11 28 1 432 104	<b>09813</b>	97, 98, 102, 190, 191
11 28 1 433 502 S1	<b>21296</b>	134, 161, 170, 182

**Ref. - No.**


11 28 1 433 571	<b>10781</b>	102, 105, 132, 159, 181, 190, 193, 195, 196, 201
11 28 1 435 594	<b>11334</b>	102, 190
11 28 1 438 510 KPL	<b>27562</b>	182
11 28 1 440 237	<b>23165</b>	139, 151, 165, 183
11 28 1 440 378	<b>27374</b>	84, 103, 104, 107, 108, 136, 172, 175, 197
11 28 1 702 013	<b>11335</b>	129, 134, 156, 161, 170
11 28 1 704 500	<b>12286</b>	134, 161, 170
11 28 1 704 718	<b>22391</b>	162
11 28 1 709 613	<b>11332</b>	134, 161, 170, 182
11 28 1 709 613 KPL	<b>27561</b>	134, 161, 170
11 28 1 715 626	<b>08744</b>	157
11 28 1 715 630	<b>08690</b>	157, 162, 171
11 28 1 717 188	<b>04987</b>	100, 105, 127, 132, 137, 159, 176, 181, 194, 196, 201
11 28 1 717 188 S1	<b>18483</b>	100, 105, 127, 132, 137, 159, 163, 176, 181, 194, 196, 201
11 28 1 717 210	<b>04968</b>	100, 127, 132, 159, 193, 194
11 28 1 717 210 S1	<b>18484</b>	100, 127, 132, 159, 193, 194
11 28 1 720 039	<b>08690</b>	157, 162, 171
11 28 1 722 789	<b>18483</b>	100, 105, 127, 132, 137, 159, 163, 176, 181, 194, 196, 201
11 28 1 726 181	<b>06050</b>	97, 98, 100, 105, 124, 127, 132, 140, 159, 181, 193, 194, 195, 196, 198, 201
11 28 1 726 343	<b>06051</b>	97, 98, 100, 105, 124, 127, 132, 137, 159, 163, 176, 181, 190, 191, 193, 194, 195, 196, 198, 201
11 28 1 726 773	<b>18483</b>	100, 105, 127, 132, 137, 159, 163, 176, 181, 194, 196, 201



Ref. - No.

Car  
Division 

Ref. - No.



11 28 1 726 774	<b>18483</b>	100, 105, 127, 132, 137, 159, 163, 176, 181, 194, 196, 201
11 28 1 730 571	<b>06050</b>	97, 98, 100, 105, 124, 127, 132, 140, 159, 181, 193, 194, 195, 196, 198, 201
11 28 1 731 220	<b>03773</b>	129, 134, 156, 161, 168, 170
11 28 1 731 838	<b>03673</b>	129, 134, 156, 161, 168
11 28 1 735 899	<b>09810</b>	100, 105, 127, 132, 137, 159, 163, 176, 181, 193, 194, 195, 198
11 28 1 736 724	<b>10312</b>	129, 156, 168
11 28 1 738 061	<b>06050</b>	97, 98, 100, 105, 124, 127, 132, 140, 159, 181, 193, 194, 195, 196, 198, 201
11 28 1 738 605	<b>06050</b>	97, 98, 100, 105, 124, 127, 132, 140, 159, 181, 193, 194, 195, 196, 198, 201
11 28 1 742 013	<b>12518</b>	134, 161, 170
11 28 1 742 858	<b>11331</b>	134, 161, 170, 182
11 28 1 742 858 KPL	<b>27561</b>	134, 161, 170
11 28 1 742 859	<b>11329</b>	134, 161, 170
11 28 1 742 859 KPL	<b>27560</b>	134, 161, 170
11 28 1 745 545	<b>11330</b>	134, 161, 170, 182
11 28 1 745 545 KPL	<b>27560</b>	134, 161, 170
11 28 1 745 546	<b>27561</b>	134, 161, 170
11 28 1 745 547	<b>27560</b>	134, 161, 170
11 28 1 745 550	<b>22391</b>	162
11 28 1 745 819 KPL	<b>27562</b>	182
11 28 1 745 904 KPL	<b>27561</b>	134, 161, 170
11 28 1 747 459 KPL	<b>27560</b>	134, 161, 170
11 28 1 747 461	<b>11335</b>	129, 134, 156, 161, 170
11 28 1 748 130	<b>06050</b>	97, 98, 100, 105, 124, 127, 132, 140, 159, 181, 193, 194, 195, 196, 198, 201

Ref. - No.



11 28 1 748 131	<b>06051</b>	97, 98, 100, 105, 124, 127, 132, 137, 159, 163, 176, 181, 190, 191, 193, 194, 195, 196, 198, 201
11 28 1 748 832	<b>09810</b>	100, 105, 127, 132, 137, 159, 163, 176, 181, 193, 194, 195, 198
11 28 2 245 087	<b>01966</b>	96, 97, 98, 123, 124, 190, 191, 196
11 28 7 500 560	<b>19247</b>	134, 161, 182
11 28 7 503 424 S1	<b>21296</b>	134, 161, 170, 182
11 28 7 505 224	<b>21629</b>	139, 151, 165, 183
11 28 7 505 566	<b>21630</b>	140, 165, 183
11 28 7 512 758	<b>23650</b>	105, 132, 137, 163, 176, 181, 198
11 28 7 515 280	<b>19539</b>	165
11 28 7 515 865 S1	<b>21296</b>	134, 161, 170, 182
11 28 7 515 867 KPL	<b>27562</b>	182
11 28 7 516 847	<b>22744</b>	137, 163, 176
11 28 7 524 267	<b>30121</b>	84, 103, 104, 107, 108, 136, 172, 175, 197
11 28 7 530 314	<b>28708</b>	85, 110, 111, 138, 148, 150, 164, 177, 184, 199, 203
11 28 7 535 860	<b>30120</b>	85, 110, 111, 138, 143, 148, 150, 164, 174, 177, 184
11 28 7 542 680	<b>21629</b>	139, 151, 165, 183
11 28 7 549 557	<b>23165</b>	139, 151, 165, 183
11 28 7 549 588	<b>21629</b>	139, 151, 165, 183
11 28 7 549 589	<b>21630</b>	140, 165, 183
11 28 7 549 590	<b>19539</b>	165
11 28 7 556 251	<b>28709</b>	83, 86, 106, 112, 136, 203
11 28 7 557 851	<b>30119</b>	86, 112
11 28 7 558 752	<b>34471</b>	83, 106
11 28 7 558 969	<b>37551</b>	83, 106, 136
11 28 7 563 927	<b>30129</b>	86, 112
11 28 7 574 834	<b>19539</b>	165



<b>Ref. - No.</b>		
11 28 7 716 897	<b>30121</b>	84, 103, 104, 107, 108, 136, 172, 175, 197
11 28 7 838 797	<b>18483</b>	100, 105, 127, 132, 137, 159, 163, 176, 181, 194, 196, 201
11 28 7 838 797 S1	<b>32017</b>	100, 105, 127, 132, 137, 159, 163, 176, 181, 194, 198, 201
11 28 7 841 228	<b>06050</b>	97, 98, 100, 105, 124, 127, 132, 140, 159, 181, 193, 194, 195, 196, 198, 201
11 31 0 150 552 S3	<b>38194</b>	84, 87, 103, 107, 113, 166
11 31 0 150 552 S4	<b>38195</b>	87, 113
11 31 0 150 552 S5	<b>38196</b>	84, 103, 107
11 31 0 731 105	<b>09363</b>	81, 82, 91, 118, 119, 146, 154
11 31 1 247 150	<b>09364</b>	97, 102, 124, 190
11 31 1 247 160	<b>09341</b>	94, 98, 191
11 31 1 247 952	<b>09221</b>	97, 102, 124, 190
11 31 1 253 236	<b>07713</b>	81, 82, 91, 93, 118, 119, 120, 122, 128, 146, 154, 155
11 31 1 265 006	<b>25063</b>	81, 91, 93, 118, 120
11 31 1 265 008	<b>25068</b>	119, 122, 128, 146, 154, 155
11 31 1 265 040	<b>09339</b>	91, 93, 118, 119, 120, 122, 128, 146, 154, 155
11 31 1 265 520	<b>06880</b>	92, 94, 118, 121, 125, 189
11 31 1 272 384	<b>11027</b>	92, 94, 118, 121, 125, 189
11 31 1 272 424	<b>06880</b>	92, 94, 118, 121, 125, 189
11 31 1 278 989	<b>25068</b>	119, 122, 128, 146, 154, 155
11 31 1 278 990	<b>25068</b>	119, 122, 128, 146, 154, 155
11 31 1 284 273	<b>25318</b>	92, 94, 121, 125, 189

<b>Ref. - No.</b>		
11 31 1 286 168	<b>11027</b>	92, 94, 118, 121, 125, 189
11 31 1 309 003	<b>17645</b>	95, 101, 130, 147, 196
11 31 1 309 003 S2	<b>25372</b>	95, 101, 130, 147, 196
11 31 1 317 667	<b>17645</b>	95, 101, 130, 147, 196
11 31 1 317 667 S3	<b>09234</b>	95, 101, 130, 147, 196
11 31 1 403 081	<b>17645</b>	95, 101, 130, 147, 196
11 31 1 403 081 S1	<b>09242</b>	95, 101, 130, 147, 196
11 31 1 403 081 S2	<b>25372</b>	95, 101, 130, 147, 196
11 31 1 403 081 S3	<b>09234</b>	95, 101, 130, 147, 196
11 31 1 405 081	<b>26296</b>	101, 196
11 31 1 406 167	<b>25165</b>	133, 135, 160, 169, 182, 204
11 31 1 407 052	<b>25379</b>	135, 204
11 31 1 432 176	<b>15547</b>	99, 105, 126, 131, 137, 158, 163, 176, 180, 192, 198
11 31 1 432 176 S1	<b>30409</b>	99, 126
11 31 1 432 176 S2	<b>30410</b>	99, 105, 126, 131, 137, 158, 163, 176, 180, 192, 198
11 31 1 432 177	<b>15548</b>	99, 105, 126, 131, 137, 158, 163, 176, 180, 192, 198
11 31 1 432 177 S1	<b>30331</b>	99, 105, 126, 131, 137, 158, 163, 176, 180, 192, 198
11 31 1 435 026	<b>12510</b>	133, 160, 169, 182
11 31 1 435 027	<b>12511</b>	133, 160, 169, 182
11 31 1 439 552	<b>21276</b>	139, 151, 165, 183, 185
11 31 1 439 851	<b>21275</b>	83, 84, 88, 103, 104, 106, 107, 108, 114, 116, 136, 142, 172, 173, 175, 178, 197, 202

Ref. - No.

Car  
Division 

Ref. - No.



11 31 1 439 853	<b>29867</b>	84, 87, 103, 107, 113
11 31 1 439 853 S1	<b>30333</b>	84, 103, 107
11 31 1 439 853 S2	<b>33162</b>	87, 113
11 31 1 439 853 S3	<b>38194</b>	84, 87, 103, 107, 113, 166
11 31 1 439 853 S4	<b>38195</b>	87, 113
11 31 1 439 853 S5	<b>38196</b>	84, 103, 107
11 31 1 439 854	<b>29868</b>	84, 104, 108, 136, 172, 175, 197
11 31 1 439 854 S1	<b>30334</b>	84, 104, 108, 136, 172, 175, 197
11 31 1 439 854 S2	<b>33846</b>	84, 104, 108, 136, 172, 175, 197
11 31 1 468 743	<b>06880</b>	92, 94, 118, 121, 125, 189
11 31 1 708 806	<b>02561</b>	96, 123
11 31 1 709 646	<b>02561</b>	96, 123
11 31 1 710 155	<b>09340</b>	157, 162, 171
11 31 1 711 153	<b>06880</b>	92, 94, 118, 121, 125, 189
11 31 1 713 361	<b>11027</b>	92, 94, 118, 121, 125, 189
11 31 1 713 361 S1	<b>11028</b>	92, 94, 118, 121, 125, 189
11 31 1 714 988	<b>25318</b>	92, 94, 121, 125, 189
11 31 1 716 986	<b>09339</b>	91, 93, 118, 119, 120, 122, 128, 146, 154, 155
11 31 1 717 672	<b>09341</b>	94, 98, 191
11 31 1 721 245	<b>03370</b>	123
11 31 1 721 263	<b>03370</b>	123
11 31 1 721 264	<b>02560</b>	96, 123
11 31 1 721 563	<b>09341</b>	94, 98, 191
11 31 1 721 576	<b>09341</b>	94, 98, 191
11 31 1 721 580	<b>08688</b>	94, 98, 191
11 31 1 722 841	<b>25324</b>	99, 126, 131, 158, 192
11 31 1 725 424	<b>09342</b>	129, 156, 168
11 31 1 725 441	<b>01580</b>	129, 156, 168
11 31 1 725 442	<b>01581</b>	129, 156, 168

Ref. - No.



11 31 1 726 502	<b>04989</b>	105, 131, 176, 180, 192, 198
11 31 1 727 611	<b>04427</b>	96, 123
11 31 1 727 767	<b>08688</b>	94, 98, 191
11 31 1 730 188	<b>15548</b>	99, 105, 126, 131, 137, 158, 163, 176, 180, 192, 198
11 31 1 730 189	<b>15547</b>	99, 105, 126, 131, 137, 158, 163, 176, 180, 192, 198
11 31 1 734 392	<b>09364</b>	97, 102, 124, 190
11 31 1 734 392 S1	<b>30381</b>	97, 102, 124, 190
11 31 1 734 608	<b>11024</b>	96, 123
11 31 1 734 608 S1	<b>11025</b>	123
11 31 1 734 608 S2	<b>11026</b>	96, 123
11 31 1 736 020	<b>09345</b>	129, 156, 168
11 31 1 736 023	<b>01583</b>	129, 133, 156, 160, 168, 169, 182
11 31 1 736 274	<b>25325</b>	129, 156, 168
11 31 1 738 700	<b>04989</b>	105, 131, 176, 180, 192, 198
11 31 1 739 243	<b>09221</b>	97, 102, 124, 190
11 31 1 739 480	<b>09341</b>	94, 98, 191
11 31 1 741 247	<b>25325</b>	129, 156, 168
11 31 1 741 746	<b>25167</b>	133, 160, 169, 182
11 31 1 742 173	<b>12510</b>	133, 160, 169, 182
11 31 1 742 174	<b>12511</b>	133, 160, 169, 182
11 31 1 743 187	<b>08688</b>	94, 98, 191
11 31 1 747 437	<b>25165</b>	133, 135, 160, 169, 182, 204
11 31 4 609 483	<b>29899</b>	87, 113
11 31 7 502 180	<b>30458</b>	83, 84, 85, 86, 89, 90, 103, 104, 106, 107, 108, 109, 111, 112, 115, 117, 136, 138, 141, 143, 144, 148, 150, 152, 164, 166, 174, 175, 177, 178, 179, 184, 187, 188, 197, 199, 200, 203
11 31 7 504 468	<b>29522</b>	139, 151, 165, 183, 185
11 31 7 504 468 S1	<b>30339</b>	139, 151, 165, 183, 185


**Ref. - No.**


11 31 7 504 468 S2	<b>30340</b>	139, 151, 165, 183, 185
11 31 7 512 359	<b>09342</b>	129, 156, 168
11 31 7 516 074	<b>29864</b>	85, 86, 88, 89, 90, 109, 112, 114, 115, 116, 117, 138, 141, 142, 143, 148, 152, 164, 166, 173, 174, 177, 178, 179, 184, 188, 199, 200, 202, 203
11 31 7 516 074 S1	<b>30338</b>	85, 86, 89, 90, 109, 112, 115, 117, 138, 141, 143, 144, 148, 152, 164, 166, 174, 177, 179, 184, 188, 199, 200, 203
11 31 7 516 074 S2	<b>38362</b>	88, 114, 116, 142, 178, 202
11 31 7 516 079	<b>29539</b>	85, 86, 88, 89, 90, 109, 112, 114, 115, 116, 117, 138, 141, 142, 143, 148, 152, 164, 166, 173, 174, 177, 178, 179, 184, 188, 199, 200, 202, 203
11 31 7 516 088	<b>28719</b>	83, 86, 106, 111, 112, 136, 138, 144, 150, 166, 187, 203
11 31 7 516 088 S1	<b>30335</b>	83, 106, 136
11 31 7 516 088 S2	<b>30337</b>	86, 111, 112, 138, 150, 166, 187, 203
11 31 7 531 813	<b>01583</b>	129, 133, 156, 160, 168, 169, 182
11 31 7 532 056	<b>29856</b>	85, 86, 89, 90, 109, 111, 112, 115, 117, 138, 141, 143, 144, 148, 150, 152, 164, 166, 174, 177, 179, 184, 187, 188, 199, 200, 203
11 31 7 533 876 S1	<b>33162</b>	87, 113
11 31 7 533 876 S3	<b>38194</b>	84, 87, 103, 107, 113, 166
11 31 7 533 876 S4	<b>38195</b>	87, 113
11 31 7 533 876 S5	<b>38196</b>	84, 103, 107
11 31 7 533 879	<b>29902</b>	113
11 31 7 533 880	<b>29901</b>	113

**Ref. - No.**


11 31 7 534 772	<b>29899</b>	87, 113
11 31 7 534 784	<b>28719</b>	83, 86, 106, 111, 112, 136, 138, 144, 150, 166, 187, 203
11 31 7 542 836	<b>29538</b>	85, 86, 89, 90, 109, 112, 115, 117, 138, 141, 143, 148, 152, 164, 166, 174, 177, 179, 184, 188, 199, 200, 203
11 31 7 552 106	<b>29903</b>	113
11 31 7 557 741	<b>36322</b>	145, 153, 167, 186
11 31 7 565 242	<b>36324</b>	145, 153, 167, 186
11 31 7 565 868	<b>29899</b>	87, 113
11 31 7 567 680	<b>21275</b>	83, 84, 88, 103, 104, 106, 107, 108, 114, 116, 136, 142, 172, 173, 175, 178, 197, 202
11 31 7 574 397	<b>36323</b>	145, 153, 167, 186
11 31 7 577 301	<b>29901</b>	113
11 31 7 577 631	<b>29903</b>	113
11 31 7 582 036	<b>29899</b>	87, 113
11 31 7 584 084	<b>29864</b>	85, 86, 88, 89, 90, 109, 112, 114, 115, 116, 117, 138, 141, 142, 143, 148, 152, 164, 166, 173, 174, 177, 178, 179, 184, 188, 199, 200, 202, 203
11 31 7 584 084 S1	<b>30338</b>	85, 86, 89, 90, 109, 112, 115, 117, 138, 141, 143, 144, 148, 152, 164, 166, 174, 177, 179, 184, 188, 199, 200, 203
11 31 7 584 084 S2	<b>38362</b>	88, 114, 116, 142, 178, 202
11 31 7 584 651	<b>29539</b>	85, 86, 88, 89, 90, 109, 112, 114, 115, 116, 117, 138, 141, 142, 143, 148, 152, 164, 166, 173, 174, 177, 178, 179, 184, 188, 199, 200, 202, 203

Ref. - No.

Car  
Division

Ref. - No.



Ref. - No.



11 31 7 584 723	<b>29856</b>	85, 86, 89, 90, 109, 111, 112, 115, 117, 138, 141, 143, 144, 148, 150, 152, 164, 166, 174, 177, 179, 184, 187, 188, 199, 200, 203
11 31 7 585 020	<b>29538</b>	85, 86, 89, 90, 109, 112, 115, 117, 138, 141, 143, 148, 152, 164, 166, 174, 177, 179, 184, 188, 199, 200, 203
11 31 7 592 850	<b>29539</b>	85, 86, 88, 89, 90, 109, 112, 114, 115, 116, 117, 138, 141, 142, 143, 148, 152, 164, 166, 173, 174, 177, 178, 179, 184, 188, 199, 200, 202, 203
11 31 7 592 877	<b>38361</b>	88, 114, 116, 142, 178, 202
11 31 7 593 309	<b>29899</b>	87, 113
11 31 7 597 895	<b>29899</b>	87, 113
11 31 7 598 262	<b>09342</b>	129, 156, 168
11 31 7 598 263	<b>09345</b>	129, 156, 168
11 31 7 598 956	<b>29899</b>	87, 113
11 31 7 601 809	<b>29899</b>	87, 113
11 31 7 620 565	<b>11024</b>	96, 123
11 31 7 621 021	<b>11026</b>	96, 123
11 31 7 830 869	<b>25378</b>	196, 201
11 31 7 834 163	<b>36242</b>	140, 149
11 31 7 838 479	<b>36336</b>	112
11 36 7 500 574 S1	<b>33845</b>	83, 84, 103, 104, 106, 107, 108, 136, 172, 175, 197
64 55 1 726 699	<b>01966</b>	96, 97, 98, 123, 124, 190, 191, 196
64 55 1 748 321	<b>01966</b>	96, 97, 98, 123, 124, 190, 191, 196
64 55 2 244 172	<b>01966</b>	96, 97, 98, 123, 124, 190, 191, 196
64 55 2 244 173	<b>01966</b>	96, 97, 98, 123, 124, 190, 191, 196

passend für / to fit:

**CHEVROLET**

09128722	<b>23425</b>	208
09128722 S1	<b>23427</b>	208
09128738	<b>03856</b>	208, 211, 212, 215, 217
09158004	<b>10297</b>	211, 212, 215, 217, 218
12575509	<b>43531</b>	207, 208
12626644	<b>43531</b>	207, 208
24461834	<b>33043</b>	209, 213
25189926	<b>27818</b>	207, 210, 211, 218
5094008601	<b>17460</b>	217
55562234	<b>17617</b>	206, 219
55562234 S1	<b>29629</b>	206, 219
55562234 S2	<b>34162</b>	206, 219
55562234 S3	<b>34163</b>	206, 219
55562235	<b>34161</b>	206, 219
55563512	<b>27818</b>	207, 210, 211, 218
55565236	<b>22370</b>	206
90411782	<b>03856</b>	208, 211, 212, 215, 217
90528603	<b>23429</b>	208
90530126	<b>10297</b>	211, 212, 215, 217, 218
90537300	<b>33048</b>	209, 213
92063917	<b>17477</b>	211, 212, 215, 217, 218
92063917 S1	<b>17478</b>	217
92065902	<b>23425</b>	208
92065902 S1	<b>23427</b>	208
92066312	<b>17477</b>	211, 212, 215, 217, 218
94580139	<b>29311</b>	205, 214, 216
96103222	<b>15594</b>	217
96183352	<b>23455</b>	217
96183352 S1	<b>23457</b>	217
96184932	<b>33003</b>	208, 211, 212, 215, 217, 218
96298799	<b>33003</b>	208, 211, 212, 215, 217, 218
96349976	<b>31214</b>	205, 210, 214, 215, 217


**Ref. - No.**


96350526	<b>15594</b>	217
96350550	<b>17460</b>	217
96352964 S1	<b>31428</b>	216
96352965	<b>26995</b>	216
96404086	<b>33005</b>	212
96417177	<b>23455</b>	217
96435138	<b>33003</b>	208, 211, 212, 215, 217, 218
96459042	<b>33003</b>	208, 211, 212, 215, 217, 218
96610029	<b>26850</b>	205, 214, 216
96610029 S1	<b>32396</b>	205, 214, 216
96814098	<b>23455</b>	217
96960692	<b>33005</b>	212
96966707	<b>31214</b>	205, 210, 214, 215, 217

passend für / to fit:

**CHRYSLER**

04273241	<b>28255</b>	221, 222, 227
04315705	<b>28256</b>	221, 222, 227
04621454	<b>28259</b>	226
04693261AB	<b>37587</b>	222, 224
04777017	<b>28260</b>	223, 224, 225, 227
04777375AB	<b>28260</b>	223, 224, 225, 227
04777375AC	<b>28260</b>	223, 224, 225, 227
04777383AC	<b>28260</b>	223, 224, 225, 227
04777393	<b>28260</b>	223, 224, 225, 227
04777393AB	<b>28260</b>	223, 224, 225, 227
04777394	<b>28260</b>	223, 224, 225, 227
04777395AB S1	<b>29563</b>	223, 225, 227
04777699AA	<b>31803</b>	222, 224
04777699 AA S1	<b>37590</b>	222, 224
04777707AA	<b>37586</b>	222, 224
04792495AB	<b>28262</b>	224
04792495AC	<b>28262</b>	224
04884320AA	<b>29563</b>	223, 225, 227
05018400AA	<b>28260</b>	223, 224, 225, 227
05018400AB	<b>28260</b>	223, 224, 225, 227
05080246AA	<b>11276</b>	220
05096525AA	<b>15875</b>	220
4777395AB S1	<b>29563</b>	223, 225, 227
4884320AA	<b>29563</b>	223, 225, 227
68020888AA	<b>11276</b>	220

**Ref. - No.**


passend für / to fit:

**CITROËN**

0816.13	<b>09276</b>	280
0513.C8	<b>30477</b>	245, 249
0805.H6	<b>30475</b>	245, 249
0805.K3	<b>30475</b>	245, 249
0816.A0	<b>17762</b>	251, 253, 255, 256, 258, 277, 281
0816.A1	<b>17763</b>	246, 250, 257, 266, 284, 285, 287
0816.C2	<b>17763</b>	246, 250, 257, 266, 284, 285, 287
0816.E0	<b>11197</b>	232, 234, 237, 240, 241, 242, 244, 247, 262, 273, 283, 286
0816.E0 S	<b>11198</b>	273
0816.E0 S1	<b>22327</b>	232, 240, 283
0816.E0 S2	<b>11198</b>	273
0816.E2	<b>24367</b>	284
0816.F0	<b>21278</b>	230, 235, 238, 269, 270
0816.F2	<b>21272</b>	231, 236, 239, 268, 271, 282
0816.F4	<b>17763</b>	246, 250, 257, 266, 284, 285, 287
0816.G4	<b>28105</b>	246, 248, 252, 255, 257, 268
0816.G7	<b>24367</b>	284
0816.G8	<b>30979</b>	237, 240, 244
0816.H1	<b>31004</b>	235
0816.H3	<b>17762</b>	251, 253, 255, 256, 258, 277, 281
0816.H5	<b>30979</b>	237, 240, 244
0816.H6	<b>11197</b>	232, 234, 237, 240, 241, 242, 244, 247, 262, 273, 283, 286
0816.H6 S1	<b>22327</b>	232, 240, 283
0816.H9	<b>30445</b>	249
0816.H9	<b>28719</b>	243, 245, 246, 249, 254, 261, 263
0816.H9 S1	<b>30452</b>	243, 245, 246, 249, 254, 261, 263

Ref. - No.

Car  
Division

Ref. - No.



Ref. - No.



0816.J2	<b>29900</b>	234, 241, 243, 245, 249, 254, 261, 263
0816.J2 S1	<b>30345</b>	234, 241, 243, 245, 249, 254, 261, 263
0816.K3	<b>31004</b>	235
0816.29	<b>11226</b>	291
0816.29 S	<b>11227</b>	291
0816.36	<b>11217</b>	228, 230, 259, 269, 270, 288
0816.42	<b>11217</b>	228, 230, 259, 269, 270, 288
0816.44	<b>11241</b>	229, 231, 259, 271, 282, 289
0816.44 S	<b>11242</b>	229, 231, 259, 271, 282, 289
0816.48	<b>10995</b>	233, 264, 274, 278, 292
0816.48 S1	<b>11244</b>	233, 264, 274, 278, 292
0816.52	<b>25370</b>	280
0816.55	<b>11229</b>	229, 259, 272, 289, 290
0816.55 S	<b>11230</b>	229, 259, 272, 289, 290
0816.56	<b>11217</b>	228, 230, 259, 269, 270, 288
0816.56 S	<b>11218</b>	228, 230, 259, 269, 270, 288
0816.58	<b>11000</b>	265, 275, 276, 279, 284, 285, 293
0816.60	<b>10995</b>	233, 264, 274, 278, 292
0816.60 S1	<b>11244</b>	233, 264, 274, 278, 292
0816.62	<b>10995</b>	233, 264, 274, 278, 292
0816.62 S1	<b>11244</b>	233, 264, 274, 278, 292
0816.67	<b>11226</b>	291
0816.67 S	<b>11227</b>	291
0816.67 S1	<b>11227</b>	291
0816.69	<b>11668</b>	267
0816.69 S	<b>11669</b>	267

0816.71	<b>10995</b>	233, 264, 274, 278, 292
0816.72	<b>11000</b>	265, 275, 276, 279, 284, 285, 293
0816.73	<b>11000</b>	265, 275, 276, 279, 284, 285, 293
0816.73 S	<b>11212</b>	265, 275, 276, 279, 284, 285, 294
0816.79	<b>11006</b>	267
0816.79 S1	<b>11072</b>	267
0816.85	<b>11197</b>	232, 234, 237, 240, 241, 242, 244, 247, 262, 273, 283, 286
0816.85 S	<b>11198</b>	273
0816.89	<b>17762</b>	251, 253, 255, 256, 258, 277, 281
0816.98	<b>11000</b>	265, 275, 276, 279, 284, 285, 293
0818.29	<b>30453</b>	243, 245, 246, 249, 254, 261, 263
0818.30	<b>30448</b>	243, 245, 246, 249, 254, 261, 263
0818.31	<b>30446</b>	243, 245, 246, 249, 254, 261, 263
0818.33	<b>29902</b>	234, 241, 243, 245, 249, 254, 261, 263
0818.34	<b>29901</b>	234, 241, 243, 245, 249, 254, 261, 263
0818.35	<b>29903</b>	234, 241, 243, 245, 249, 254, 261, 263
0818.40	<b>29901</b>	234, 241, 243, 245, 249, 254, 261, 263
0818.41	<b>29903</b>	234, 241, 243, 245, 249, 254, 261, 263
0823.08	<b>26763</b>	251, 253, 255, 256, 258, 277, 281
0823.10	<b>26763</b>	251, 253, 255, 256, 258, 277, 281
0829.A0	<b>26715</b>	232, 234, 237, 240, 241, 242, 244, 247, 262, 283, 286


**Ref. - No.**


0829.A1	<b>26716</b>	232, 234, 237, 240, 241, 242, 244, 247, 262, 283, 286
0829.A5	<b>26804</b>	237, 240, 244
0829.A7	<b>19325</b>	246, 250, 257, 266, 284, 285, 287
0829.A9	<b>28106</b>	246, 248, 252, 255, 257, 268
0829.C5	<b>26763</b>	251, 253, 255, 256, 258, 277, 281
0829.C6	<b>26804</b>	237, 240, 244
0829.C7	<b>18489</b>	232, 240, 244, 283
0829.C8	<b>26715</b>	232, 234, 237, 240, 241, 242, 244, 247, 262, 283, 286
0829.C9	<b>09792</b>	273
0829.E1	<b>29899</b>	234, 241, 243, 245, 246, 249, 254, 261, 263
0829.G3	<b>29899</b>	234, 241, 243, 245, 246, 249, 254, 261, 263
0829.12	<b>04925</b>	291
0829.20	<b>04865</b>	294
0829.29	<b>06981</b>	233, 264, 274, 278, 292
0829.32	<b>04804</b>	265, 267, 275, 276, 279, 284, 285, 294
0829.35	<b>04804</b>	265, 267, 275, 276, 279, 284, 285, 294
0829.49	<b>09792</b>	273
0829.54	<b>04880</b>	228, 229, 230, 231, 259, 269, 270, 271, 272, 282, 288, 289, 290
0829.66	<b>19325</b>	246, 250, 257, 266, 284, 285, 287
0829.69	<b>19190</b>	275, 284, 285, 293
0829.77	<b>19325</b>	246, 250, 257, 266, 284, 285, 287
0829.79	<b>19190</b>	275, 284, 285, 293
0829.80	<b>40106</b>	250
0829.82	<b>18489</b>	232, 240, 244, 283

**Ref. - No.**


0829.83	<b>36021</b>	284
0829.84	<b>36021</b>	284
0829.90	<b>21268</b>	230, 231, 235, 236, 238, 239, 268, 269, 270, 271, 282
0829.92	<b>19325</b>	246, 250, 257, 266, 284, 285, 287
0829.96	<b>19325</b>	246, 250, 257, 266, 284, 285, 287
0829.98	<b>40106</b>	250
0830.11	<b>06982</b>	265, 275, 276, 279, 284, 285, 293, 294
0830.14	<b>06982</b>	265, 275, 276, 279, 284, 285, 293, 294
0830.20	<b>11122</b>	232, 240, 273, 283
0830.24	<b>19239</b>	251, 253, 255, 256, 258, 277, 281
0830.25	<b>19240</b>	251, 253, 255, 256, 258, 277, 281
0830.26	<b>19239</b>	251, 253, 255, 256, 258, 277, 281
0830.27	<b>19240</b>	251, 253, 255, 256, 258, 277, 281
0830.37	<b>06982</b>	265, 275, 276, 279, 284, 285, 293, 294
0830.38	<b>19189</b>	246, 248, 250, 252, 255, 257, 266, 268, 284, 285, 287
0830.42	<b>19189</b>	246, 248, 250, 252, 255, 257, 266, 268, 284, 285, 287
0830.52	<b>22407</b>	237, 240, 244
0830.53	<b>19239</b>	251, 253, 255, 256, 258, 277, 281
0830.54	<b>19240</b>	251, 253, 255, 256, 258, 277, 281
0830.58	<b>19239</b>	251, 253, 255, 256, 258, 277, 281
0830.59	<b>19240</b>	251, 253, 255, 256, 258, 277, 281
0830.60	<b>22407</b>	237, 240, 244
0830.61	<b>11122</b>	232, 240, 273, 283



Ref. - No.

Car  
Division 

Ref. - No.



0830.62	<b>26716</b>	232, 234, 237, 240, 241, 242, 244, 247, 262, 283, 286
0831.K1	<b>28107</b>	246, 248, 252, 255, 257, 268
0831.L3	<b>26717</b>	232, 234, 237, 240, 241, 242, 244, 247, 262, 283, 286
0831.L5	<b>31051</b>	237, 240, 244
0831.L7	<b>22327</b>	232, 240, 283
0831.L9	<b>28103</b>	251, 253, 255, 256, 258, 277, 281
0831.Q3	<b>11218</b>	228, 230, 259, 269, 270, 288
0831.Q4	<b>11242</b>	229, 231, 259, 271, 282, 289
0831.Q5	<b>11230</b>	229, 259, 272, 289, 290
0831.R1	<b>11244</b>	233, 264, 274, 278, 292
0831.R5	<b>11212</b>	265, 275, 276, 279, 284, 285, 294
0831.R9	<b>26717</b>	232, 234, 237, 240, 241, 242, 244, 247, 262, 283, 286
0831.S0	<b>21274</b>	231, 236, 239, 268, 271, 282
0831.S1	<b>21280</b>	230, 235, 238, 269, 270
0831.S6	<b>11669</b>	267
0831.S9	<b>26139</b>	275, 284, 285, 293
0831.T1	<b>39090</b>	284
0831.T4	<b>22309</b>	246, 250, 257, 266, 284, 285, 287
0831.V0	<b>31051</b>	237, 240, 244
0831.V1	<b>22327</b>	232, 240, 283
0831.V2	<b>28103</b>	251, 253, 255, 256, 258, 277, 281
0831.V6	<b>28107</b>	246, 248, 252, 255, 257, 268
0831.03	<b>11242</b>	229, 231, 259, 271, 282, 289

Ref. - No.



0831.13	<b>11218</b>	228, 230, 259, 269, 270, 288
0831.14	<b>11242</b>	229, 231, 259, 271, 282, 289
0831.17	<b>11244</b>	233, 264, 274, 278, 292
0831.28	<b>11230</b>	229, 259, 272, 289, 290
0831.35	<b>11669</b>	267
0831.48	<b>11212</b>	265, 275, 276, 279, 284, 285, 294
0831.54	<b>22309</b>	246, 250, 257, 266, 284, 285, 287
0831.56	<b>26139</b>	275, 284, 285, 293
0831.65	<b>22309</b>	246, 250, 257, 266, 284, 285, 287
0831.68	<b>26139</b>	275, 284, 285, 293
0831.71	<b>39090</b>	284
0831.84	<b>21280</b>	230, 235, 238, 269, 270
0831.87	<b>21274</b>	231, 236, 239, 268, 271, 282
0831.88	<b>22309</b>	246, 250, 257, 266, 284, 285, 287
1281.19	<b>05015</b>	280
16 115 475 80	<b>31004</b>	235
1628.WA	<b>28277</b>	246
26 207 509	<b>05338</b>	267
5751.A2	<b>40466</b>	230, 231, 232, 282, 283, 286
5751.A9	<b>28279</b>	251, 253, 256, 258, 277, 281
5751.C0	<b>40190</b>	246, 248, 252, 255, 257, 268
5751.C8	<b>31075</b>	230, 231, 232, 236, 238, 268, 282, 283, 286
5751.E4	<b>43685</b>	246, 257, 267, 287
5751.E7	<b>33136</b>	234, 241, 243, 245, 247, 249, 254, 261, 263
5751.E9	<b>36660</b>	232, 234, 244, 286


**Ref. - No.**


5751.G8	<b>40190</b>	246, 248, 252, 255, 257, 268
5751.G9	<b>33136</b>	234, 241, 243, 245, 247, 249, 254, 261, 263
5751.18	<b>04732</b>	233, 264, 267, 274, 275, 279
5751.19	<b>17542</b>	233, 264, 274, 275, 276, 278, 279, 292, 293
5751.20	<b>17544</b>	264, 274, 292
5751.32	<b>09794</b>	264, 265, 276, 278, 279, 291, 292, 293
5751.33	<b>09793</b>	264, 265, 276, 278, 279, 291, 292, 293
5751.34	<b>17543</b>	264, 276, 278, 279
5751.35	<b>17542</b>	233, 264, 274, 275, 276, 278, 279, 292, 293
5751.36	<b>19354</b>	233, 274, 275, 293
5751.37	<b>19212</b>	233, 274, 275, 293
5751.41	<b>28278</b>	251, 253, 256, 258, 277, 281
5751.47	<b>22353</b>	238, 239, 240
5751.50	<b>17065</b>	282, 283, 286
5751.52	<b>19355</b>	282, 283, 286
5751.53	<b>11349</b>	264, 274, 275
5751.60	<b>19357</b>	250, 252, 257, 266, 267, 284, 285, 287
5751.61	<b>19356</b>	250, 257, 266, 284, 285, 287
5751.77	<b>28279</b>	251, 253, 256, 258, 277, 281
5751.91	<b>22353</b>	238, 239, 240
5751.97	<b>40466</b>	230, 231, 232, 282, 283, 286
6453.C5	<b>04717</b>	228, 229
6453.G4	<b>04717</b>	228, 229
6453.S4	<b>05853</b>	230, 231, 232, 269, 270, 271, 272, 273, 289, 290

**Ref. - No.**


6453.S5	<b>05853</b>	230, 231, 232, 269, 270, 271, 272, 273, 289, 290
6453.76	<b>04723</b>	291, 292
78 030 020 00	<b>09265</b>	260
91 508 298	<b>04925</b>	291
91 516 222	<b>04723</b>	291, 292
91 538 722	<b>04865</b>	294
95 619 217	<b>05338</b>	267
96 029 000	<b>11217</b>	228, 230, 259, 269, 270, 288
96 036 288	<b>05015</b>	280
96 052 662	<b>06981</b>	233, 264, 274, 278, 292
96 088 591	<b>04732</b>	233, 264, 267, 274, 275, 279
96 088 735	<b>11229</b>	229, 259, 272, 289, 290
96 097 062	<b>11241</b>	229, 231, 259, 271, 282, 289
96 112 418	<b>04717</b>	228, 229
96 140 147	<b>11217</b>	228, 230, 259, 269, 270, 288
96 222 692	<b>05853</b>	230, 231, 232, 269, 270, 271, 272, 273, 289, 290
96 222 693	<b>05853</b>	230, 231, 232, 269, 270, 271, 272, 273, 289, 290
96 379 145 80	<b>24367</b>	284
96 459 251 80	<b>40106</b>	250
96 496 758 80	<b>40466</b>	230, 231, 232, 282, 283, 286
96 520 466 80	<b>31075</b>	230, 231, 232, 236, 238, 268, 282, 283, 286
97 522 886	<b>04880</b>	228, 229, 230, 231, 259, 269, 270, 271, 272, 282, 288, 289, 290
97 532 676	<b>11217</b>	228, 230, 259, 269, 270, 288

Ref. - No.

Car  
Division 

Ref. - No.



Ref. - No.



97 535 002	<b>04880</b>	228, 229, 230, 231, 259, 269, 270, 271, 272, 282, 288, 289, 290
------------	--------------	-----------------------------------------------------------------

passend für / to fit:

**DACIA**

11 75 072 71R	<b>22329</b>	295
13 0C 174 80R	<b>37640</b>	296, 298, 299, 300
13 0C 175 29R	<b>19918</b>	295, 296, 299
13 07 011 92R	<b>19910</b>	295, 296, 299
60 01 547 291	<b>26457</b>	296
77 00 101 248	<b>19836</b>	295, 296, 299
77 00 101 427	<b>19836</b>	295, 296, 299
77 00 102 872	<b>28331</b>	296, 299
77 00 102 931	<b>21033</b>	296, 299
77 00 104 092	<b>21033</b>	296, 299
77 00 105 325	<b>21709</b>	296, 299
77 00 107 150	<b>19847</b>	295, 296, 299
77 00 108 117	<b>19910</b>	295, 296, 299
77 00 108 412	<b>19836</b>	295, 296, 299
77 00 113 558	<b>19836</b>	295, 296, 299
77 00 273 650	<b>19854</b>	296, 297, 299
77 01 109 450	<b>22329</b>	295
77 01 471 382	<b>19918</b>	295, 296, 299
77 01 471 974	<b>19918</b>	295, 296, 299
77 01 472 725	<b>21725</b>	296, 297, 299
77 01 473 001	<b>19852</b>	297, 300
77 01 476 745	<b>19852</b>	297, 300
77 01 477 014	<b>19918</b>	295, 296, 299
77 01 477 024	<b>21725</b>	296, 297, 299
82 00 035 827	<b>19851</b>	297, 300
82 00 035 834	<b>19840</b>	297, 300
82 00 071 402	<b>22329</b>	295
82 00 103 069	<b>19851</b>	297, 300
82 00 104 754	<b>21033</b>	296, 299
82 00 106 085	<b>19840</b>	297, 300
82 00 142 350	<b>19836</b>	295, 296, 299
82 00 190 572	<b>22329</b>	295
82 00 192 843	<b>21709</b>	296, 299
82 00 211 784	<b>11356</b>	296, 297, 299
82 00 277 606	<b>28331</b>	296, 299
82 00 285 009	<b>23397</b>	295
82 00 403 954	<b>28331</b>	296, 299

82 00 454 895	<b>19851</b>	297, 300
82 00 537 021	<b>19854</b>	296, 297, 299
82 00 537 026	<b>19836</b>	295, 296, 299
82 00 582 997	<b>21709</b>	296, 299
82 00 603 359	<b>28331</b>	296, 299
82 00 673 091	<b>22329</b>	295
82 00 704 394	<b>19851</b>	297, 300
82 00 840 823	<b>22329</b>	295
82 00 897 097	<b>19836</b>	295, 296, 299
82 00 897 100	<b>19836</b>	295, 296, 299
82 00 908 180	<b>37605</b>	296, 298, 299, 300
82 00 939 081	<b>37639</b>	296, 298, 299, 300
82 00 947 837	<b>23397</b>	295

passend für / to fit:

**DAEWOO**

09128722	<b>23425</b>	306
09128722 S1	<b>23427</b>	306
09128738	<b>03856</b>	302, 304, 306, 310
09158003	<b>11554</b>	309
09158004	<b>10297</b>	302, 304, 306, 310, 311
10068553	<b>23447</b>	301
10068553 S1	<b>23449</b>	301
5094008601	<b>17460</b>	301, 305, 308
90410223	<b>14114</b>	305, 308
90410223 S1	<b>14115</b>	305, 308
90411782	<b>03856</b>	302, 304, 306, 310
90499401	<b>06971</b>	305, 308
90528603	<b>23429</b>	306
90530126	<b>10297</b>	302, 304, 306, 310, 311
92063917	<b>17477</b>	302, 304, 306, 310, 311
92063917 S1	<b>17478</b>	302, 304, 306, 310
92063918	<b>14112</b>	309
92063918 S1	<b>14113</b>	309
92065902	<b>23425</b>	306
92065902 S1	<b>23427</b>	306
92066312	<b>17477</b>	302, 304, 306, 310, 311
93202400	<b>19283</b>	301
94580139	<b>29311</b>	303, 307
96103222	<b>15594</b>	301, 305, 308


**Ref. - No.**


96183352	<b>23455</b>	301, 305, 308
96183352 S1	<b>23457</b>	301, 305, 308
96183353	<b>14114</b>	305, 308
96183353 S1	<b>14115</b>	305, 308
96184932	<b>33003</b>	302, 304, 306, 309, 310, 311
96298799	<b>33003</b>	302, 304, 306, 309, 310, 311
96349976	<b>31214</b>	303, 304, 309
96350526	<b>15594</b>	301, 305, 308
96350550	<b>17460</b>	301, 305, 308
96352407	<b>14114</b>	305, 308
96352407 S1	<b>14115</b>	305, 308
96352964 S1	<b>31428</b>	307
96352965	<b>26995</b>	307
96417177	<b>23455</b>	301, 305, 308
96435138	<b>33003</b>	302, 304, 306, 309, 310, 311
96459042	<b>33003</b>	302, 304, 306, 309, 310, 311
96610029	<b>26850</b>	303, 307
96610029 S1	<b>32396</b>	303, 307
96814098	<b>23455</b>	301, 305, 308
96966707	<b>31214</b>	303, 304, 309
passend für / to fit:		
<b>DODGE</b>		
04777017	<b>28260</b>	312, 313, 314
04777395AB S1	<b>29563</b>	312, 314
04884320AA	<b>29563</b>	312, 314
4777395AB S1	<b>29563</b>	312, 314
4884320AA	<b>29563</b>	312, 314
passend für / to fit:		
<b>FIAT</b>		
1473010080	<b>04804</b>	331, 370
1473011080	<b>11668</b>	331
1473011080 S1	<b>11669</b>	331
46400054	<b>10661</b>	319, 329, 337, 340, 342, 359, 361, 364
46403659	<b>11010</b>	315, 316, 318, 321, 322, 330, 334, 335, 336, 343, 344, 345, 347, 350, 351, 352, 354, 355, 356, 361

**Ref. - No.**


46403659 S1	<b>22377</b>	315, 318, 321, 334, 335, 336, 345, 350, 352, 354, 361
46403679	<b>17769</b>	315, 316, 318, 321, 322, 330, 334, 335, 336, 343, 344, 345, 347, 350, 351, 352, 354, 355, 356, 361
46408751	<b>11006</b>	332, 349, 351, 357, 365, 375
46408751 S1	<b>11072</b>	349, 351, 357, 365, 375
46416489	<b>11945</b>	319, 337, 340, 342, 361
46417967	<b>11006</b>	332, 349, 351, 357, 365, 375
46417967 S1	<b>11072</b>	349, 351, 357, 365, 375
46424716	<b>11294</b>	319, 337, 340, 342, 349, 351, 365, 375
46439471	<b>36365</b>	357
46441096	<b>36443</b>	321, 326, 339
46457061	<b>10994</b>	341, 348, 350, 352, 359, 363
46474432	<b>10992</b>	323, 344, 348, 358, 365, 374
46474432 S1	<b>11071</b>	323, 344, 348, 358, 365, 374
46514671	<b>11011</b>	319, 329, 337, 340, 342, 361
46514671 S1	<b>11082</b>	319, 337, 340, 342, 361
46515401	<b>10994</b>	341, 348, 350, 352, 359, 363
46515401 S1	<b>11076</b>	341, 348, 350, 352, 359, 363
46524692	<b>17541</b>	317, 318, 320, 324, 336, 338, 353
46526291	<b>17813</b>	329, 341, 345, 348, 350, 352, 359, 363
46541065	<b>11013</b>	321, 326, 339
46541065 S1	<b>11084</b>	321, 326, 339
46547564	<b>11295</b>	321, 326, 339

Ref. - No.

Car  
Division

Ref. - No.



Ref. - No.



46548452	<b>22376</b>	315, 322, 329, 330, 332, 334, 335, 341, 343, 345, 352, 354, 355, 357, 359, 361, 363, 376
46554826	<b>10661</b>	319, 329, 337, 340, 342, 359, 361, 364
46742968	<b>36367</b>	318
46750865	<b>17815</b>	323, 341, 344, 345, 348, 358, 359, 374
46750865 S1	<b>19657</b>	323, 344, 345, 348, 358
46756937	<b>36366</b>	343, 360, 363
46782739	<b>22376</b>	315, 322, 329, 330, 332, 334, 335, 341, 343, 345, 352, 354, 355, 357, 359, 361, 363, 376
46792898	<b>11945</b>	319, 337, 340, 342, 361
46817666	<b>17769</b>	315, 316, 318, 321, 322, 330, 334, 335, 336, 343, 344, 345, 347, 350, 351, 352, 354, 355, 356, 361
55183446	<b>28663</b>	315, 316, 329, 330, 333, 334, 335, 341, 343, 345, 346, 347, 352, 354, 355, 356, 357, 359, 363, 364
55183446 S1	<b>28664</b>	315, 316, 329, 330, 333, 334, 335, 341, 343, 345, 346, 347, 352, 354, 355, 356, 357, 359, 363, 364
55183497	<b>28662</b>	315, 316, 329, 330, 333, 334, 335, 341, 343, 345, 346, 347, 352, 354, 355, 356, 357, 359, 363, 364
55183528	<b>28306</b>	321, 322
55188191	<b>11011</b>	319, 329, 337, 340, 342, 361
55188191 S1	<b>11082</b>	319, 337, 340, 342, 361
55191969	<b>22376</b>	315, 322, 329, 330, 332, 334, 335, 341, 343, 345, 352, 354, 355, 357, 359, 361, 363, 376

55192239	<b>11552</b>	317, 320, 324, 338, 353
55192240	<b>17767</b>	317, 353, 362
55192773	<b>17770</b>	321, 326, 339, 362
55193330	<b>36446</b>	318
55195023	<b>22376</b>	315, 322, 329, 330, 332, 334, 335, 341, 343, 345, 352, 354, 355, 357, 359, 361, 363, 376
55196971	<b>10299</b>	318, 336
55203785	<b>28663</b>	315, 316, 329, 330, 333, 334, 335, 341, 343, 345, 346, 347, 352, 354, 355, 356, 357, 359, 363, 364
55203785 S1	<b>28664</b>	315, 316, 329, 330, 333, 334, 335, 341, 343, 345, 346, 347, 352, 354, 355, 356, 357, 359, 363, 364
55203786	<b>17815</b>	323, 341, 344, 345, 348, 358, 359, 374
55203786 S1	<b>19657</b>	323, 344, 345, 348, 358
55204392	<b>36366</b>	343, 360, 363
55210626	<b>10981</b>	317, 353, 362
55210626 S1	<b>26147</b>	317, 353, 362
55210628	<b>10982</b>	317, 320, 324, 338, 353, 362
55210628 S1	<b>11083</b>	317, 320, 324, 338, 353
55211287	<b>10661</b>	319, 329, 337, 340, 342, 359, 361, 364
55217612	<b>28663</b>	315, 316, 329, 330, 333, 334, 335, 341, 343, 345, 346, 347, 352, 354, 355, 356, 357, 359, 363, 364
55232827	<b>22376</b>	315, 322, 329, 330, 332, 334, 335, 341, 343, 345, 352, 354, 355, 357, 359, 361, 363, 376
55233759	<b>28662</b>	315, 316, 329, 330, 333, 334, 335, 341, 343, 345, 346, 347, 352, 354, 355, 356, 357, 359, 363, 364


**Ref. - No.**


55248394	<b>17769</b>	315, 316, 318, 321, 322, 330, 334, 335, 336, 343, 344, 345, 347, 350, 351, 352, 354, 355, 356, 361
55556090	<b>27818</b>	328, 361
55560082	<b>27792</b>	328
55562217	<b>27792</b>	328
55563512	<b>27818</b>	328, 361
55574864	<b>27792</b>	328
5889259	<b>10992</b>	323, 344, 348, 358, 365, 374
5972277	<b>05338</b>	323, 329, 332, 341, 344, 345, 348, 349, 350, 351, 352, 357, 358, 359, 363, 365, 374, 375
5997325	<b>08672</b>	325, 327, 367, 368, 374, 375
5999795	<b>14838</b>	325, 327, 366, 367, 368
60596372	<b>11552</b>	317, 320, 324, 338, 353
60607965	<b>10649</b>	317, 320, 324, 338, 353, 362
60607967	<b>10981</b>	317, 353, 362
60610908	<b>17600</b>	317, 318, 320, 324, 336, 338, 353
60621380	<b>17767</b>	317, 353, 362
60625129	<b>10981</b>	317, 353, 362
60625130	<b>10982</b>	317, 320, 324, 338, 353, 362
60625130 S1	<b>11083</b>	317, 320, 324, 338, 353
60652129	<b>10649</b>	317, 320, 324, 338, 353, 362
60652477	<b>17767</b>	317, 353, 362
60656341	<b>10981</b>	317, 353, 362
60656341 S1	<b>26147</b>	317, 353, 362
60656342	<b>10982</b>	317, 320, 324, 338, 353, 362
60664403	<b>10649</b>	317, 320, 324, 338, 353, 362
60671573	<b>10649</b>	317, 320, 324, 338, 353, 362

**Ref. - No.**


60671789	<b>36442</b>	321, 362
60672889	<b>10981</b>	317, 353, 362
60805593	<b>05338</b>	323, 329, 332, 341, 344, 345, 348, 349, 350, 351, 352, 357, 358, 359, 363, 365, 374, 375
60812515	<b>17600</b>	317, 318, 320, 324, 336, 338, 353
60812622	<b>11552</b>	317, 320, 324, 338, 353
60812718	<b>17767</b>	317, 353, 362
60813415	<b>10649</b>	317, 320, 324, 338, 353, 362
60813590	<b>10648</b>	321, 326, 339, 362
60814462	<b>17767</b>	317, 353, 362
60816232 S1	<b>26147</b>	317, 353, 362
71719005	<b>11006</b>	332, 349, 351, 357, 365, 375
71719005 S1	<b>11072</b>	349, 351, 357, 365, 375
71719406	<b>17600</b>	317, 318, 320, 324, 336, 338, 353
71719646	<b>10992</b>	323, 344, 348, 358, 365, 374
71719646 S1	<b>11071</b>	323, 344, 348, 358, 365, 374
71719650	<b>10981</b>	317, 353, 362
71719650 S1	<b>26147</b>	317, 353, 362
71719652	<b>17813</b>	329, 341, 345, 348, 350, 352, 359, 363
71719652 S1	<b>19658</b>	329, 341, 345, 348, 350, 352, 359, 363
71734799	<b>11945</b>	319, 337, 340, 342, 361
71736493	<b>10648</b>	321, 326, 339, 362
71736715	<b>11082</b>	319, 337, 340, 342, 361
71736717	<b>22377</b>	315, 318, 321, 334, 335, 336, 345, 350, 352, 354, 361
71736718	<b>19658</b>	329, 341, 345, 348, 350, 352, 359, 363

Ref. - No.

Car  
Division 

Ref. - No.



71736719	<b>19657</b>	323, 344, 345, 348, 358
71736724	<b>11083</b>	317, 320, 324, 338, 353
71736725	<b>26147</b>	317, 353, 362
71739362 S1	<b>33046</b>	328
71739801	<b>27819</b>	328
71739873	<b>23445</b>	328
71739873 S1	<b>27825</b>	328
71739919	<b>11000</b>	370
71739922	<b>10995</b>	369, 371
71740977	<b>05338</b>	323, 329, 332, 341, 344, 345, 348, 349, 350, 351, 352, 357, 358, 359, 363, 365, 374, 375
71746353	<b>19657</b>	323, 344, 345, 348, 358
<b>71748866</b>	<b>10661</b>	319, 329, 337, 340, 342, 359, 361, 364
71749474	<b>10994</b>	341, 348, 350, 352, 359, 363
71749474 S1	<b>11076</b>	<b>341, 348, 350, 352, 359, 363</b>
71753156	<b>28663</b>	315, 316, 329, 330, 333, 334, 335, 341, 343, 345, 346, 347, 352, 354, 355, 356, 357, 359, 363, 364
71753156 S1	<b>28664</b>	315, 316, 329, 330, 333, 334, 335, 341, 343, 345, 346, 347, 352, 354, 355, 356, 357, 359, 363, 364
71754561	<b>28664</b>	315, 316, 329, 330, 333, 334, 335, 341, 343, 345, 346, 347, 352, 354, 355, 356, 357, 359, 363, 364
71754843	<b>11084</b>	321, 326, 339
71754848	<b>11076</b>	341, 348, 350, 352, 359, 363
71754849	<b>11072</b>	349, 351, 357, 365, 375
71754851	<b>11087</b>	318, 336

Ref. - No.



71765652	<b>11010</b>	315, 316, 318, 321, 322, 330, 334, 335, 336, 343, 344, 345, 347, 350, 351, 352, 354, 355, 356, 361
71771252 S1	<b>33046</b>	328
71771576 SK	<b>19658</b>	329, 341, 345, 348, 350, 352, 359, 363
71773281	<b>11082</b>	319, 337, 340, 342, 361
71773284	<b>19658</b>	329, 341, 345, 348, 350, 352, 359, 363
71773289	<b>26147</b>	317, 353, 362
71773295	<b>19657</b>	323, 344, 345, 348, 358
71773305	<b>22309</b>	370, 372
71773322	<b>11084</b>	321, 326, 339
71773328	<b>11072</b>	349, 351, 357, 365, 375
71773330	<b>11087</b>	318, 336
71775900	<b>28664</b>	315, 316, 329, 330, 333, 334, 335, 341, 343, 345, 346, 347, 352, 354, 355, 356, 357, 359, 363, 364
73501924	<b>17600</b>	317, 318, 320, 324, 336, 338, 353
73502730	<b>36446</b>	318
73503128	<b>17769</b>	315, 316, 318, 321, 322, 330, 334, 335, 336, 343, 344, 345, 347, 350, 351, 352, 354, 355, 356, 361
7443081	<b>11006</b>	332, 349, 351, 357, 365, 375
7541712	<b>14839</b>	325, 327, 366, 367, 368
7541718	<b>11300</b>	327, 366, 368
7554701	<b>10992</b>	323, 344, 348, 358, 365, 374
7554701 S1	<b>11071</b>	323, 344, 348, 358, 365, 374
7576135	<b>11006</b>	332, 349, 351, 357, 365, 375
7614999	<b>10970</b>	325, 327, 366, 367, 368


**Ref. - No.**


7635678	<b>11294</b>	319, 337, 340, 342, 349, 351, 365, 375
7646725	<b>10994</b>	341, 348, 350, 352, 359, 363
7732676	<b>11013</b>	321, 326, 339
7732676 S1	<b>11084</b>	321, 326, 339
7740252	<b>12343</b>	320, 321, 326, 338, 339, 353
7762910	<b>11002</b>	318, 336
7762910 S1	<b>11087</b>	318, 336
7763644	<b>10648</b>	321, 326, 339, 362
7772961	<b>17770</b>	321, 326, 339, 362
7778564	<b>36443</b>	321, 326, 339
7782192	<b>10299</b>	318, 336
7796283	<b>11294</b>	319, 337, 340, 342, 349, 351, 365, 375
7797142	<b>11294</b>	319, 337, 340, 342, 349, 351, 365, 375
9400816190	<b>17763</b>	370, 372
9400816589	<b>11000</b>	370
9400816989 S1	<b>11212</b>	370
9400829669	<b>19325</b>	370, 372
9400829909	<b>21268</b>	333, 357
9400829929	<b>19325</b>	370, 372
9400829969	<b>19325</b>	370, 372
9400830149	<b>06982</b>	370
9400830379	<b>06982</b>	370
9400830429	<b>19189</b>	370, 372
9400830589	<b>19239</b>	373
9400830599	<b>19240</b>	373
9400831069	<b>11244</b>	369, 371
9400831349	<b>11669</b>	331
9400831489	<b>11212</b>	370
9400831559	<b>22309</b>	370, 372
9400831869	<b>21274</b>	333, 357
9400831889	<b>22309</b>	370, 372
9464464980	<b>17763</b>	370, 372
9467516789	<b>28103</b>	373
9467557280	<b>26763</b>	373
9467581780	<b>21274</b>	333, 357
9467581780	<b>21272</b>	333, 357
9467625780	<b>11244</b>	369, 371
9467626180	<b>11212</b>	370

**Ref. - No.**


9467627280	<b>11669</b>	331
9467628080	<b>22309</b>	370, 372
9467628880	<b>28103</b>	373
9608859180	<b>04732</b>	331, 369
9608989980	<b>17544</b>	369, 371
9609016880	<b>17542</b>	369, 371
9616660580	<b>19239</b>	373
9616660780	<b>19240</b>	373
9619779380	<b>10995</b>	369, 371
9619779380 S	<b>11244</b>	369, 371
9620038880	<b>28278</b>	373
9622234180	<b>17543</b>	370, 371
9622574480	<b>04804</b>	331, 370
9625621780	<b>09794</b>	370
9625621880	<b>09793</b>	370
9626365280	<b>17542</b>	369, 371
9632543080	<b>43685</b>	358, 371, 372
9632959380	<b>17762</b>	373
9633802580	<b>11349</b>	369
9635198280	<b>43685</b>	358, 371, 372
9635638380	<b>27563</b>	373
9636207480	<b>19356</b>	370, 372
9636640580	<b>19357</b>	370, 372
9642184080	<b>26763</b>	373
9651019680	<b>28279</b>	373
9651260980	<b>19240</b>	373
9651261480	<b>19239</b>	373
9652748480	<b>26763</b>	373
9653342680	<b>43685</b>	358, 371, 372

passend für / to fit:

**FORD**

1S7Q6A228AC	<b>21771</b>	417, 425, 427, 441, 448
1 000 156	<b>19536</b>	379, 403, 424, 445, 449
1 000 156 S1	<b>14407</b>	379, 403, 424
1 000 156 S2	<b>24803</b>	379, 403, 424, 445, 449
1 000 159	<b>11388</b>	379, 403, 424, 445, 449



Ref. - No.

Car  
Division 

Ref. - No.



1 004 297	<b>10945</b>	395, 397, 398, 399, 400, 402, 405, 407, 410, 411, 412, 414, 425, 433
1 004 297 S1	<b>11286</b>	397, 398, 399, 402, 405, 411, 414, 433
1 004 297 S2	<b>15189</b>	395, 397, 433
1 004 297 S3	<b>29958</b>	399, 400, 405, 407, 410, 411, 412, 414, 425
1 004 299	<b>10945</b>	395, 397, 398, 399, 400, 402, 405, 407, 410, 411, 412, 414, 425, 433
1 004 409	<b>15175</b>	395, 397, 433
1 004 475	<b>21797</b>	395, 397, 398, 433
1 004 481	<b>21803</b>	395, 397, 398, 433
1 004 549	<b>19553</b>	386, 392, 396, 418
1 015 375	<b>17675</b>	384, 394, 396, 431, 447
1 022 214	<b>05618</b>	385, 388, 414, 417, 432, 435, 439, 447
1 027 404	<b>30795</b>	435, 448
1 032 515	<b>09585</b>	415
1 037 660	<b>19536</b>	379, 403, 424, 445, 449
1 038 384	<b>11289</b>	379, 403, 424
1 039 422	<b>11291</b>	397, 398, 399, 402, 405, 411, 414, 433
1 049 577	<b>34244</b>	379, 404, 421, 424
1 053 837	<b>19536</b>	379, 403, 424, 445, 449
1 053 942	<b>11287</b>	379, 403, 424
1 067 944	<b>21779</b>	402
1 072 031	<b>11388</b>	379, 403, 424, 445, 449
1 072 131	<b>11291</b>	397, 398, 399, 402, 405, 411, 414, 433
1 072 677	<b>25238</b>	415
1 072 678	<b>25364</b>	415
1 072 680	<b>25220</b>	415
1 073 096	<b>19824</b>	379, 403, 424
1 075 546	<b>21779</b>	402

Ref. - No.



1 075 588	<b>21207</b>	402
1 077 689	<b>21797</b>	395, 397, 398, 433
1 086 533	<b>25182</b>	415
1 089 822	<b>37766</b>	399, 402, 414, 418, 443
1 095 025	<b>15177</b>	379, 403, 424, 445, 449
1 100 693	<b>21779</b>	402
1 100 699	<b>21207</b>	402
1 104 087	<b>11291</b>	397, 398, 399, 402, 405, 411, 414, 433
1 106 830	<b>22364</b>	415
1 107 573	<b>11388</b>	379, 403, 424, 445, 449
1 111 911	<b>11291</b>	397, 398, 399, 402, 405, 411, 414, 433
1 112 807	<b>24765</b>	386, 395, 397, 398, 404, 414, 418, 433
1 113 355	<b>11291</b>	397, 398, 399, 402, 405, 411, 414, 433
1 114 044	<b>21779</b>	402
1 114 544	<b>34244</b>	379, 404, 421, 424
1 114 737	<b>21207</b>	402
1 118 152	<b>32786</b>	415
1 119 172	<b>40398</b>	399, 400, 405, 407, 410, 411, 412, 417, 424, 441
1 119 861	<b>36298</b>	399, 400, 405, 407, 409, 410, 411, 412, 417, 421, 422, 424, 426, 434, 441, 448
1 119 938	<b>31288</b>	421, 422, 425, 427, 448
1 124 373	<b>40457</b>	422, 427, 434, 441, 448
1 127 103	<b>21771</b>	417, 425, 427, 441, 448
1 134 084	<b>34170</b>	404, 421, 449
1 135 627	<b>31288</b>	421, 422, 425, 427, 448
1 139 712	<b>22365</b>	415
1 139 951	<b>24765</b>	386, 395, 397, 398, 404, 414, 418, 433



Ref. - No.		
1 145 280	<b>25220</b>	415
1 152 890	<b>21779</b>	402
1 213 852	<b>15177</b>	379, 403, 424, 445, 449
1 251 661	<b>32049</b>	405, 407, 410, 411, 412
1 301 972	<b>11291</b>	397, 398, 399, 402, 405, 411, 414, 433
1 301 973	<b>11291</b>	397, 398, 399, 402, 405, 411, 414, 433
1 306 666	<b>21771</b>	417, 425, 427, 441, 448
1 315 781	<b>32049</b>	405, 407, 410, 411, 412
1 318 844	<b>34170</b>	404, 421, 449
1 328 472	<b>11388</b>	379, 403, 424, 445, 449
1 347 669	<b>36298</b>	399, 400, 405, 407, 409, 410, 411, 412, 417, 421, 422, 424, 426, 434, 441, 448
1 361 840	<b>11291</b>	397, 398, 399, 402, 405, 411, 414, 433
1 364 542	<b>32049</b>	405, 407, 410, 411, 412
1 371 224	<b>21771</b>	417, 425, 427, 441, 448
1 371 753	<b>04282</b>	406, 408, 420, 427, 442
1 372 015	<b>29524</b>	406, 408, 420, 427, 442
1 372 015 S1	<b>22731</b>	406, 408, 420, 427, 442
1 374 385	<b>31288</b>	421, 422, 425, 427, 448
1 374 425	<b>27567</b>	406, 408
1 374 427	<b>27566</b>	406, 408
1 376 164	<b>29952</b>	377, 379, 399, 400, 401, 405, 407, 409, 410, 411, 412, 413, 414, 425
1 382 015	<b>29524</b>	406, 408, 420, 427, 442

Ref. - No.		
1 387 066	<b>33977</b>	399, 417, 425, 427, 441
1 388 493	<b>29523</b>	406, 408, 420, 427, 442
1 434 861	<b>25110</b>	380, 382, 383, 386, 389, 390, 392, 396, 418, 429, 430
1 434 861 S1	<b>25159</b>	380, 382, 383, 386, 389, 390, 392, 396, 418, 429, 430
1 434 861 S2	<b>25159</b>	380, 382, 383, 386, 389, 390, 392, 396, 418, 429, 430
1 438 094	<b>10949</b>	378, 434, 436, 438, 444, 446
1 465 914	<b>30146</b>	427, 442
1 476 893	<b>30146</b>	427, 442
1 496 915	<b>05613</b>	378, 434, 436, 437, 438, 444, 446
1 514 877	<b>30146</b>	427, 442
1 535 439	<b>28662</b>	419
1 540 603	<b>30082</b>	408, 420
1 540 605	<b>30083</b>	408, 420
1 557 942	<b>09585</b>	415
1 558 384	<b>10949</b>	378, 434, 436, 438, 444, 446
1 563 519	<b>30146</b>	427, 442
1 590 748	<b>28663</b>	419
1 590 748 S1	<b>28664</b>	419
1 606 272	<b>25364</b>	415
1 639 176	<b>06296</b>	385, 388, 436, 439
1 653 887	<b>10940</b>	381, 382, 383, 391, 392, 428, 429, 430, 437
1 653 888	<b>10939</b>	380, 390, 428
1 660 554	<b>10940</b>	381, 382, 383, 391, 392, 428, 429, 430, 437
1 662 847	<b>05619</b>	385, 388, 414, 417, 432, 435, 439, 447
1 663 391	<b>10954</b>	384, 387, 394, 423, 431

Ref. - No.

Car  
Division 

Ref. - No.



1 663 392	<b>10954</b>	384, 387, 394, 423, 431
1 663 884	<b>15907</b>	384, 387, 394, 423, 431
1 669 826	<b>09585</b>	415
1 669 827	<b>25240</b>	415
1 669 830	<b>25222</b>	415
1 669 843	<b>09402</b>	415
1 669 848	<b>25348</b>	415
1 669 984	<b>22364</b>	415
1 672 144	<b>40848</b>	377, 400, 401, 409, 425
1 672 144	<b>40849</b>	401, 409, 413, 416, 420, 425, 440
1 672 144 S1	<b>40849</b>	401, 409, 413, 416, 420, 425, 440
1 675 963	<b>40562</b>	377, 400, 401, 409, 413, 416, 420, 425, 440, 449
1 685 618	<b>39930</b>	401, 409, 413, 416, 420, 440
1 685 747	<b>40210</b>	401, 409, 413, 416, 420, 425, 440
1 800 558	<b>39930</b>	401, 409, 413, 416, 420, 440
3 395 996	<b>23599</b>	432
3 396 014	<b>23627</b>	432
3 661 243	<b>23599</b>	432
4 132 488	<b>23599</b>	432
6G9N7730CE	<b>30146</b>	427, 442
6G9N7739CC	<b>30146</b>	427, 442
6G9N7739CD	<b>30146</b>	427, 442
6 029 398	<b>25108</b>	380, 382, 383, 386, 389, 390, 392, 396, 418, 429, 430
6 089 286	<b>05612</b>	380, 390, 428
6 092 137	<b>10939</b>	380, 390, 428
6 092 138	<b>10940</b>	381, 382, 383, 391, 392, 428, 429, 430, 437
6 109 189	<b>10939</b>	380, 390, 428

Ref. - No.



6 109 190	<b>10940</b>	381, 382, 383, 391, 392, 428, 429, 430, 437
6 139 911	<b>10949</b>	378, 434, 436, 438, 444, 446
6 139 911 S1	<b>11056</b>	378, 434, 436, 438, 444, 446
6 145 027	<b>05612</b>	380, 390, 428
6 145 028	<b>01315</b>	381, 382, 383, 384, 386, 391, 392, 393, 428, 429, 430, 431, 437
6 155 903	<b>17641</b>	417, 435, 440, 447
6 156 318	<b>09278</b>	380, 382, 383, 386, 389, 390, 392, 396, 418, 429, 430
6 162 731	<b>10939</b>	380, 390, 428
6 162 732	<b>10940</b>	381, 382, 383, 391, 392, 428, 429, 430, 437
6 172 996	<b>05619</b>	385, 388, 414, 417, 432, 435, 439, 447
6 177 698	<b>25114</b>	385, 388, 414, 417, 432, 435, 439, 447
6 178 087	<b>05618</b>	385, 388, 414, 417, 432, 435, 439, 447
6 182 891	<b>01315</b>	381, 382, 383, 384, 386, 391, 392, 393, 428, 429, 430, 431, 437
6 200 285	<b>17674</b>	392, 394
6 475 968	<b>10939</b>	380, 390, 428
6 482 249	<b>06146</b>	383, 384, 386, 392, 393
6 577 227	<b>30799</b>	384, 387, 431
6 635 941	<b>01391</b>	384, 387, 394, 423, 431
6 635 941 S	<b>22792</b>	384, 387, 394, 423, 431
6 635 941 S1	<b>22792</b>	384, 387, 394, 423, 431
6 635 942	<b>01392</b>	384, 387, 394, 423
6 710 259	<b>30799</b>	384, 387, 431


**Ref. - No.**


6 711 044	<b>10941</b>	384, 386, 393, 431, 437
6 711 044 S1	<b>11049</b>	384, 386, 393, 431, 437
6 711 046	<b>10940</b>	381, 382, 383, 391, 392, 428, 429, 430, 437
6 711 046 S1	<b>11048</b>	381, 382, 383, 391, 392, 428, 429, 430, 437
6 744 307	<b>01406</b>	384, 387, 394, 423, 431
6 764 161	<b>10954</b>	384, 387, 394, 423, 431
6 764 162	<b>10954</b>	384, 387, 394, 423, 431
6 794 162 S1	<b>11042</b>	384, 387, 394, 423, 431
6 794 162 S2	<b>14407</b>	379, 403, 424
6 959 172	<b>17641</b>	417, 435, 440, 447
7 024 224	<b>19324</b>	384, 387, 394, 423, 431
7 053 546	<b>06146</b>	383, 384, 386, 392, 393
7 064 724	<b>30795</b>	435, 448
7 079 279	<b>09515</b>	385, 388, 414, 417, 432, 435, 439, 447
7 109 163	<b>24765</b>	386, 395, 397, 398, 404, 414, 418, 433
passend für / to fit:		
<b>HONDA</b>		
04145-PLC-315 S1	<b>31850</b>	456, 457, 463, 467
13404-PT0-003	<b>18237</b>	450, 465, 466, 467
13404-PT0-004	<b>18237</b>	450, 465, 466, 467
13405-PAA-A01	<b>17224</b>	450, 465, 466, 467
13405-PAA-A02	<b>17224</b>	450, 465, 466, 467
13405-PAA-A03	<b>17224</b>	450, 465, 466, 467
13405-PT0-004	<b>17224</b>	450, 465, 466, 467
13405-PT0-004 S1	<b>31439</b>	450, 466, 467
14400-PAA-A01	<b>24813</b>	450, 451, 467
14400-PAA-A02	<b>24813</b>	450, 451, 467
14400-PDA-E01	<b>24813</b>	450, 451, 467
14400-PDA-E01 S1	<b>24814</b>	450, 451, 467

**Ref. - No.**


14400-PLA-004	<b>31400</b>	456, 466
14400-PLA-004 S1	<b>31840</b>	456, 463
14400-PLM-004	<b>24811</b>	457, 463, 467
14400-PLM-004 S1	<b>31960</b>	457, 467
14400-PLM-014	<b>24811</b>	457, 463, 467
14400-PLM-014 S1	<b>31960</b>	457, 467
14400-PM3-004	<b>17221</b>	453, 460
14400-PR3-004	<b>17220</b>	454, 461
14400-PR3-004 S1	<b>24819</b>	454, 461
14400-PT0-004	<b>17223</b>	450, 466, 467
14400-P0A-004	<b>24813</b>	450, 451, 467
14400-P1G-E01	<b>17222</b>	455, 456
14400-P1G-E01 S1	<b>26136</b>	455, 456
14400-P1H-E01	<b>17219</b>	451, 454, 459, 461, 464
14400-P1J-E01	<b>17221</b>	453, 460
14400-P1J-E01 S1	<b>26075</b>	453, 460
14400-P2A-004	<b>17222</b>	455, 456
14400-P2E-004	<b>17219</b>	451, 454, 459, 461, 464
14400-P2E-004 S1	<b>24817</b>	451, 459, 464
14400-P2F-A01	<b>17219</b>	451, 454, 459, 461, 464
14400-P2T-004	<b>17220</b>	454, 461
14400-P28-004	<b>17219</b>	451, 454, 459, 461, 464
14400-P45-G01	<b>17223</b>	450, 466, 467
14400-P45-G01 S1	<b>26076</b>	450, 466, 467
14400-P7A-004	<b>31400</b>	456, 466
14400-P7J-004	<b>24812</b>	460
14400-P7J-004 S1	<b>24818</b>	460
14510-PM7-003	<b>10615</b>	453, 460
14510-PM7-004	<b>10615</b>	453, 460
14510-PT0-003	<b>14357</b>	450, 451, 465, 466, 467
14510-PT0-004	<b>14357</b>	450, 451, 465, 466, 467
14510-P08-003	<b>18937</b>	455, 456
14510-P08-004	<b>18937</b>	455, 456
14510-P2A-J01	<b>24751</b>	451, 454, 459, 464, 466
14510-P2A-004	<b>24751</b>	451, 454, 459, 464, 466

Ref. - No.

Car  
Division 

Ref. - No.



14510-P30-003	<b>24767</b>	454, 460, 461, 464
14520-PLC-305 S1	<b>31850</b>	456, 457, 463, 467
14520-PLC-315 S1	<b>31850</b>	456, 457, 463, 467
14520-PLC-325 S1	<b>31850</b>	456, 457, 463, 467
14520-PLC-335 S1	<b>31850</b>	456, 457, 463, 467
14520-P2A-305	<b>18937</b>	455, 456
14520-P2A-306	<b>18937</b>	455, 456
31170-PNA-003	<b>31255</b>	451, 458, 461, 463, 467
31170-PNA-013	<b>31255</b>	451, 458, 461, 463, 467
31170-PNA-023	<b>31255</b>	451, 458, 461, 463, 467
31170-PND-003	<b>30943</b>	457
31170-PND-013	<b>30943</b>	457
31170-RWK-005	<b>32504</b>	452, 457, 462, 463
31170-RWK-025	<b>32504</b>	452, 457, 462, 463
31170-RZP-G01	<b>32504</b>	452, 457, 462, 463
31170-RZP-G02	<b>32504</b>	452, 457, 462, 463
31170-RZP-G03	<b>32504</b>	452, 457, 462, 463

passend für / to fit:

**HYUNDAI**

23356-33110	<b>27395</b>	473, 483, 490, 493
23356-33110 S1	<b>27396</b>	473, 483, 490, 493
23356-33120	<b>27395</b>	473, 483, 490, 493
23356-33120 S1	<b>27396</b>	473, 483, 490, 493
23356-33130	<b>27395</b>	473, 483, 490, 493
23356-33130 S1	<b>27396</b>	473, 483, 490, 493
23356-33140	<b>27395</b>	473, 483, 490, 493
23356-33140 S1	<b>27396</b>	473, 483, 490, 493
23356-33160	<b>27395</b>	473, 483, 490, 493
23356-33160 S1	<b>27396</b>	473, 483, 490, 493
23357-33120	<b>10621</b>	473, 483, 490, 493
23357-33130	<b>10621</b>	473, 483, 490, 493
23357-33350	<b>27123</b>	480, 488, 493, 495, 497
23357-38001	<b>27123</b>	480, 488, 493, 495, 497
24312-02701	<b>24464</b>	469, 478, 481, 490
24312-02701 S1	<b>24791</b>	469, 478, 481, 490
24312-22010	<b>27397</b>	468, 476, 483, 487, 491

Ref. - No.



24312-22010 S1	<b>27398</b>	468, 476, 483, 487, 491
24312-22020	<b>27397</b>	468, 476, 483, 487, 491
24312-22611	<b>26464</b>	468, 478, 483
24312-22612	<b>26464</b>	468, 478, 483
24312-22613	<b>26464</b>	468, 478, 483
24312-22613 S1	<b>31059</b>	468, 478
24312-23001	<b>15779</b>	471, 475, 482, 484, 486, 491
24312-23001 S1	<b>26903</b>	471, 475, 484
24312-23002	<b>15779</b>	471, 475, 482, 484, 486, 491
24312-23002 S1	<b>26903</b>	471, 475, 484
24312-23201	<b>26050</b>	471, 475, 485, 499, 500
24312-23202	<b>26050</b>	471, 475, 485, 499, 500
24312-23202 S1	<b>26052</b>	471, 475, 485, 499, 500
24312-26000	<b>26281</b>	468, 474, 478, 486, 491
24312-26001	<b>26281</b>	468, 474, 478, 486, 491
24312-26001 S1	<b>31061</b>	468, 474, 491
24312-26050	<b>26281</b>	468, 474, 478, 486, 491
24312-33010	<b>17488</b>	484
24312-33020	<b>17488</b>	484
24312-33030	<b>17488</b>	484
24312-33040	<b>17488</b>	484
24312-33050	<b>17488</b>	484
24312-33060	<b>17488</b>	484
24312-33110	<b>26626</b>	482, 490, 492
24312-33120	<b>26626</b>	482, 490, 492
24312-33130	<b>26626</b>	482, 490, 492
24312-33140	<b>26626</b>	482, 490, 492
24312-33150	<b>26626</b>	482, 490, 492
24312-33160	<b>26626</b>	482, 490, 492
24312-37100	<b>26300</b>	472, 480, 488, 491, 494, 498, 500, 501
24312-37400	<b>26300</b>	472, 480, 488, 491, 494, 498, 500, 501


**Ref. - No.**


24312-37500	<b>26300</b>	472, 480, 488, 491, 494, 498, 500, 501
24312-37500 S1	<b>31060</b>	488, 491, 494, 498, 500, 501
24312-38010	<b>26282</b>	488, 495, 497
24312-38020	<b>26282</b>	488, 495, 497
24312-38210	<b>26692</b>	479, 488, 493
24312-38220	<b>26692</b>	479, 488, 493
24410-02510	<b>24543</b>	469, 478, 481, 490
24410-02550	<b>24543</b>	469, 478, 481, 490
24410-02750	<b>24543</b>	469, 478, 481, 490
24410-21010	<b>17624</b>	476, 484, 487
24410-21014	<b>17624</b>	476, 484, 487
24410-22020	<b>24547</b>	468, 474, 476, 478, 483, 486, 487, 491
24410-23011	<b>24544</b>	471, 472, 475, 482, 484, 485, 486, 499, 500
24410-23400	<b>24544</b>	471, 472, 475, 482, 484, 485, 486, 499, 500
24410-23500	<b>24544</b>	471, 472, 475, 482, 484, 485, 486, 499, 500
24410-26000	<b>24547</b>	468, 474, 476, 478, 483, 486, 487, 491
24410-3E100	<b>33185</b>	489
24410-3E500	<b>33185</b>	489
24410-32000	<b>27018</b>	479, 480, 492
24410-32010	<b>27018</b>	479, 480, 492
24410-32020	<b>27018</b>	479, 480, 492
24410-35010	<b>27019</b>	477, 494
24410-35020	<b>27019</b>	477, 494
24410-35060	<b>27019</b>	477, 494
24450-33010	<b>26735</b>	482, 490, 492
24450-33020	<b>26735</b>	482, 490, 492
24450-35530	<b>26740</b>	470, 496, 501
24450-37100	<b>24553</b>	472, 488, 491, 494, 498, 500, 501
24450-37120	<b>24553</b>	472, 488, 491, 494, 498, 500, 501
24450-38010	<b>28590</b>	480, 488, 493, 495, 497

**Ref. - No.**


24450-38011	<b>28590</b>	480, 488, 493, 495, 497
24450-39810	<b>26740</b>	470, 496, 501
24810-23011	<b>26051</b>	471, 472, 475, 482, 484, 485, 486, 499, 500
24810-23050	<b>26051</b>	471, 472, 475, 482, 484, 485, 486, 499, 500
24810-23400	<b>26051</b>	471, 472, 475, 482, 484, 485, 486, 499, 500
24810-23500	<b>26051</b>	471, 472, 475, 482, 484, 485, 486, 499, 500
24810-26010	<b>24551</b>	468, 474, 478, 486, 491
24810-26020	<b>24551</b>	468, 474, 478, 486, 491
24810-33021	<b>21787</b>	482
24810-33024	<b>21787</b>	482
24810-35530	<b>26738</b>	470, 496, 501
24810-37100	<b>26733</b>	472, 480, 488, 491, 494, 498, 500, 501
24810-37120	<b>26733</b>	472, 480, 488, 491, 494, 498, 500, 501
24810-38001	<b>21787</b>	482
25281-37101	<b>31256</b>	488, 491, 494, 498, 500, 501
25281-37120	<b>31256</b>	488, 491, 494, 498, 500, 501
25286-37100	<b>33181</b>	472
25286-37110	<b>33181</b>	472
25287-37101	<b>33181</b>	472
57212-38000	<b>31770</b>	493, 495
57212-38100 S1	<b>31770</b>	493, 495
passend für / to fit:		
<b>KIA</b>		
KK150-12-700A	<b>17493</b>	502, 518, 520, 522
KK150-12-700B	<b>17493</b>	502, 518, 520, 522
KK151-12-700	<b>17493</b>	502, 518, 520, 522
KK350-12-205	<b>26695</b>	502, 518, 520, 522
KK35012205 S1	<b>26905</b>	502, 518, 520, 522

Ref. - No.

Car  
Division

Ref. - No.



Ref. - No.



MBP0112205B	<b>26695</b>	502, 518, 520, 522
MBP0112205B S1	<b>26905</b>	502, 518, 520, 522
MB630-12-700E	<b>17493</b>	502, 518, 520, 522
OK201-12-205	<b>26695</b>	502, 518, 520, 522
OK201-12-205 S1	<b>26905</b>	502, 518, 520, 522
OK203-12-205	<b>26698</b>	513, 522, 523, 525
OK247-12-205	<b>26625</b>	503, 509, 522, 523
OK247-12-700	<b>26605</b>	503, 509, 522, 523
OK30E-12-205	<b>26693</b>	504, 513, 520, 522, 523
OK9BV-10-730A	<b>33182</b>	505
OK9BV-10-770	<b>33183</b>	505
OK9BV-12-205	<b>26602</b>	505
OK9BV-12-206	<b>26898</b>	505
OK9BV-12-730	<b>26603</b>	505
OK9BV-12-780	<b>26624</b>	505
OK9BV-12-790	<b>26623</b>	505
OK938-12-700	<b>17492</b>	504
OK938-12-730	<b>17494</b>	503, 504, 509
OK95K-12-750	<b>26604</b>	505
OK954-12-205	<b>26696</b>	509, 510, 519, 526
OK954-12-205 S1	<b>26904</b>	509, 526
OK954-12-730	<b>26697</b>	509, 526
OK955-12-205	<b>26696</b>	509, 510, 519, 526
OK955-12-205 S1	<b>26904</b>	509, 526
OK955-12-730	<b>26697</b>	509, 526
OK955-12-730A	<b>26697</b>	509, 526
OK972-12-700	<b>17491</b>	509, 526
23357-33350	<b>27123</b>	511, 512, 524
23357-38001	<b>27123</b>	511, 512, 524
24312-02701	<b>24464</b>	517
24312-02701 S1	<b>24791</b>	517
24312-2X000	<b>26693</b>	504, 513, 520, 522, 523
24312-2Y000	<b>26625</b>	503, 509, 522, 523
24312-23202	<b>26050</b>	504, 507, 508, 514
24312-23202 S1	<b>26052</b>	504, 507, 514
24312-23202 S2	<b>33187</b>	504, 507, 508, 514
24312-26001	<b>26281</b>	507, 521
24312-26001 S1	<b>31061</b>	507, 521
24312-33160	<b>26626</b>	511
24312-37100	<b>26300</b>	512, 514, 515, 516
24312-37500	<b>26300</b>	512, 514, 515, 516

24312-37500 S1	<b>31060</b>	512, 514
24312-38010	<b>26282</b>	512
24312-38020	<b>26282</b>	512
24312-38020 S1	<b>31058</b>	512
24312-38210	<b>26692</b>	516, 524
24312-38220	<b>26692</b>	516, 524
24410-02550	<b>24543</b>	517
24410-2X000	<b>17493</b>	502, 518, 520, 522
24410-2X700	<b>17492</b>	504
24410-2X701	<b>17492</b>	504
24410-23050	<b>33186</b>	504, 507, 508, 514
24410-23500	<b>24544</b>	504, 507, 514
24410-26000	<b>24547</b>	507, 521
24410-3E100	<b>33185</b>	506, 512, 516
24410-3E500	<b>33185</b>	506, 512, 516
24450-2Y000	<b>26605</b>	503, 509, 522, 523
24450-3Y200	<b>26623</b>	505
24450-33020	<b>26735</b>	511
24450-35530	<b>26740</b>	506, 515, 524
24450-37100	<b>24553</b>	512, 514
24450-38010	<b>28590</b>	512, 524
24450-38011	<b>28590</b>	512, 524
24450-39810	<b>26740</b>	506, 515, 524
24810-2X700	<b>17494</b>	503, 504, 509
24810-23050	<b>26051</b>	504, 507, 508, 514
24810-23500	<b>26051</b>	504, 507, 508, 514
24810-26020	<b>24551</b>	507, 521
24810-33024	<b>21787</b>	512
24810-35530	<b>26738</b>	506, 515, 524
24810-37100	<b>26733</b>	506, 512, 514, 515, 516
24810-37120	<b>26733</b>	506, 512, 514, 515, 516
24810-38001	<b>21787</b>	512
24810-39810	<b>26738</b>	506, 515, 524
25281-37101	<b>31256</b>	512, 514
25281-37120	<b>31256</b>	512, 514
25286-37100	<b>33181</b>	512, 514
25286-37110	<b>33181</b>	512, 514
25287-37101	<b>33181</b>	512, 514



Ref. - No.



passend für / to fit:

**LANCIA**

1473010080	<b>04804</b>	558
46400045	<b>11011</b>	529, 535, 543
46400054	<b>10661</b>	529, 535, 543
46403659	<b>11010</b>	539, 540, 546, 553, 555
46403659 S1	<b>22377</b>	539, 540, 546, 553, 555
46403679	<b>17769</b>	539, 540, 546, 553, 555
46408751	<b>11006</b>	527, 529, 535
46408751 S1	<b>11072</b>	527, 529, 535
46416489	<b>11945</b>	529, 535, 543
46417967	<b>11006</b>	527, 529, 535
46424716	<b>11294</b>	527, 529, 535, 543, 545
46442999	<b>17541</b>	531, 537, 544, 554
46474432	<b>11071</b>	552, 553
46514671	<b>11011</b>	529, 535, 543
46514671 S1	<b>11082</b>	529, 535, 543
46524692	<b>17541</b>	531, 537, 544, 554
46526291	<b>17813</b>	553
46537101	<b>19871</b>	543
46541065	<b>11013</b>	541, 545
46541065 S1	<b>11084</b>	541, 545
46547566	<b>22404</b>	541, 550
46554826	<b>10661</b>	529, 535, 543
46742968	<b>36367</b>	553
46792898	<b>11945</b>	529, 535, 543
46817666	<b>17769</b>	539, 540, 546, 553, 555
51820520	<b>40898</b>	539, 540
51824328	<b>40898</b>	539, 540
55183446	<b>28663</b>	546, 555, 556
55183446 S1	<b>28664</b>	546, 555, 556
55183497	<b>28662</b>	546, 555, 556
55187100	<b>23654</b>	539
55188191	<b>11011</b>	529, 535, 543
55188191 S1	<b>11082</b>	529, 535, 543
55191536	<b>36445</b>	542, 551
55192239	<b>11552</b>	531, 537, 544
55192773	<b>17770</b>	541, 545, 550

Ref. - No.



55193330	<b>36446</b>	553
55196971	<b>10299</b>	554
55203785	<b>28663</b>	546, 555, 556
55203785 S1	<b>28664</b>	546, 555, 556
55210628	<b>10982</b>	531, 537, 544
55210628 S1	<b>11083</b>	531, 537, 544
55211287	<b>10661</b>	529, 535, 543
55217612	<b>28663</b>	546, 555, 556
55221253	<b>22900</b>	531, 537, 543
55232827	<b>22376</b>	539, 546, 555, 556
55233759	<b>28662</b>	546, 555, 556
55248394	<b>17769</b>	539, 540, 546, 553, 555
5972277	<b>05338</b>	527, 529, 535, 552, 553
5997325	<b>08672</b>	532, 533, 534, 538, 541, 549
5999795	<b>14838</b>	528, 530, 532, 534, 536, 538, 541, 549
60596372	<b>11552</b>	531, 537, 544
60602136	<b>17601</b>	531, 537, 544
60607965	<b>10649</b>	531, 537, 544
60608908	<b>22900</b>	531, 537, 543
60610908	<b>17600</b>	554
60616799	<b>36445</b>	542, 551
60620443	<b>22900</b>	531, 537, 543
60625130	<b>10982</b>	531, 537, 544
60625130 S1	<b>11083</b>	531, 537, 544
60652129	<b>10649</b>	531, 537, 544
60667496	<b>22900</b>	531, 537, 543
60805593	<b>05338</b>	527, 529, 535, 552, 553
60812349	<b>17601</b>	531, 537, 544
60812384	<b>22900</b>	531, 537, 543
60812622	<b>11552</b>	531, 537, 544
60813312	<b>36445</b>	542, 551
60813590	<b>10648</b>	541, 545, 550
71719005	<b>11006</b>	527, 529, 535
71719646 S1	<b>11071</b>	552, 553
71719652	<b>17813</b>	553
71719652 S1	<b>19658</b>	553
71734799	<b>11945</b>	529, 535, 543
71736493	<b>10648</b>	541, 545, 550



Ref. - No.

Car  
Division

Ref. - No.



Ref. - No.



71736715	<b>11082</b>	529, 535, 543
71736717	<b>22377</b>	539, 540, 546, 553, 555
71736718	<b>19658</b>	553
71736724	<b>11083</b>	531, 537, 544
71739922	<b>10995</b>	557
71740977	<b>05338</b>	527, 529, 535, 552, 553
71748866	<b>10661</b>	529, 535, 543
71753156	<b>28663</b>	546, 555, 556
71753156 S1	<b>28664</b>	546, 555, 556
71754561	<b>28664</b>	546, 555, 556
71754843	<b>11084</b>	541, 545
71754851	<b>11087</b>	554
71765652	<b>11010</b>	539, 540, 546, 553, 555
71771576 SK	<b>19658</b>	553
71773281	<b>11082</b>	529, 535, 543
71773284	<b>19658</b>	553
71773305	<b>22309</b>	547, 559
71773322	<b>11084</b>	541, 545
71773328	<b>11072</b>	527, 529, 535
71773330	<b>11087</b>	554
71775900	<b>28664</b>	546, 555, 556
73502730	<b>36446</b>	553
73503128	<b>17769</b>	539, 540, 546, 553, 555
7541712	<b>14839</b>	528, 530, 532, 534, 536, 538, 541, 549
7541718	<b>11300</b>	528, 530, 534, 536, 549
7554701	<b>10992</b>	552, 553
7554701 S1	<b>11071</b>	552, 553
7614999	<b>10970</b>	528, 530, 532, 534, 536, 538, 541, 549
7635678	<b>11294</b>	527, 529, 535, 543, 545
7702173	<b>11294</b>	527, 529, 535, 543, 545
7732676	<b>11013</b>	541, 545
7732676 S1	<b>11084</b>	541, 545
7740252	<b>12343</b>	531, 537
7762910	<b>11002</b>	554

7762910 S1	<b>11087</b>	554
7763644	<b>10648</b>	541, 545, 550
7763647	<b>22404</b>	541, 550
7772961	<b>17770</b>	541, 545, 550
7782192	<b>10299</b>	554
7798333	<b>17541</b>	531, 537, 544, 554
9400816989 S1	<b>11212</b>	558
9400829669	<b>19325</b>	547, 559
9400829929	<b>19325</b>	547, 559
9400829969	<b>19325</b>	547, 559
9400830149	<b>06982</b>	558
9400830379	<b>06982</b>	558
9400830429	<b>19189</b>	547, 559
9400830589	<b>19239</b>	548
9400830599	<b>19240</b>	548
9400831489	<b>11212</b>	558
9400831559	<b>22309</b>	547, 559
9400831889	<b>22309</b>	547, 559
9464464980	<b>17763</b>	547, 559
9467516789	<b>28103</b>	548
9467557280	<b>26763</b>	548
9467625780	<b>11244</b>	557
9467626180	<b>11212</b>	558
9467628080	<b>22309</b>	547, 559
9467628880	<b>28103</b>	548
9605266280	<b>06981</b>	557
9608859180	<b>04732</b>	557
9608989980	<b>17544</b>	557
9609016880	<b>17542</b>	557
9616660580	<b>19239</b>	548
9616660780	<b>19240</b>	548
9619779380	<b>10995</b>	557
9619779380 S	<b>11244</b>	557
9620038880	<b>28278</b>	548
9622234180	<b>17543</b>	558
9622574480	<b>04804</b>	558
9625621780	<b>09794</b>	558
9625621880	<b>09793</b>	558
9626365280	<b>17542</b>	557
9632543080	<b>43685</b>	547, 559
9632959380	<b>17762</b>	548
9635198280	<b>43685</b>	547, 559
9635638380	<b>27563</b>	548


**Ref. - No.**


9636207480	<b>19356</b>	547, 559
9636640580	<b>19357</b>	547, 559
9642184080	<b>26763</b>	548
9651019680	<b>28279</b>	548
9651260980	<b>19240</b>	548
9651261480	<b>19239</b>	548
9652748480	<b>26763</b>	548
9653342680	<b>43685</b>	547, 559

passend für / to fit:

**LAND ROVER**

PQG 100180	<b>31257</b>	560
------------	--------------	-----

passend für / to fit:

**LEXUS**

13503-50010	<b>26895</b>	562, 564, 566
13503-50011	<b>26895</b>	562, 564, 566
13503-62030	<b>26806</b>	561, 564
13505-20030	<b>26805</b>	561, 564
13505-46041	<b>28283</b>	561, 563, 565
13505-50030	<b>26894</b>	562, 564, 566
13568-29025	<b>26845</b>	561
13568-62030	<b>26846</b>	561
16604-50010	<b>31471</b>	562, 564, 566
16604-50030	<b>31471</b>	562, 564, 566

passend für / to fit:

**MAZDA**

BP01-12-205	<b>26695</b>	567, 570, 571, 572, 576, 577
BP01-12-205A	<b>26695</b>	567, 570, 571, 572, 576, 577
BP01-12-205B	<b>26695</b>	567, 570, 571, 572, 576, 577
BP02-12-205	<b>26695</b>	567, 570, 571, 572, 576, 577
BP02-12-205A	<b>26695</b>	567, 570, 571, 572, 576, 577
BP02-12-205A S1	<b>26905</b>	567, 570, 571, 572, 576, 577
B597-12-205	<b>26698</b>	570, 578, 582
B6S7-12-205	<b>26698</b>	570, 578, 582
B6S7-12-205A	<b>26698</b>	570, 578, 582
B6S7-12-205B	<b>26698</b>	570, 578, 582
B6S7-12-205C	<b>26698</b>	570, 578, 582
B6S7-12-205D	<b>26698</b>	570, 578, 582

**Ref. - No.**


B630-12-700B	<b>17493</b>	567, 570, 571, 572, 576
B630-12-700C	<b>17493</b>	567, 570, 571, 572, 576
B630-12-700D	<b>17493</b>	567, 570, 571, 572, 576
B630-12-700E	<b>17493</b>	567, 570, 571, 572, 576
B631-12-700C	<b>17493</b>	567, 570, 571, 572, 576
B660-12-700	<b>17492</b>	571, 572, 573, 577, 578, 582
B660-12-700A	<b>17492</b>	571, 572, 573, 577, 578, 582
B660-12-700B	<b>17492</b>	571, 572, 573, 577, 578, 582
B660-12-700C	<b>17492</b>	571, 572, 573, 577, 578, 582
B660-12-700D	<b>17492</b>	571, 572, 573, 577, 578, 582
B660-12-700E	<b>17492</b>	571, 572, 573, 577, 578, 582
B660-12-700F	<b>17492</b>	571, 572, 573, 577, 578, 582
B660-12-730A	<b>17494</b>	570, 571, 572, 578, 582
B660-12-730B	<b>17494</b>	570, 571, 572, 578, 582
B660-12-730C	<b>17494</b>	570, 571, 572, 578, 582
C201-12-201A	<b>10945</b>	568
E92Z-6M-250A	<b>19462</b>	574, 576
FE1H-12-700A	<b>17491</b>	574, 576
FE1H-12-730	<b>19462</b>	574, 576
FE1H-12-730A	<b>19462</b>	574, 576
FE3N-12-205	<b>26696</b>	574
FE3N-12-730	<b>26697</b>	574
FP01-12-205	<b>27280</b>	572, 575, 580, 581
FP01-12-205A	<b>27280</b>	572, 575, 580, 581
FP01-12-205A S1	<b>27281</b>	572, 575, 581
FP01-12-700	<b>23601</b>	572, 575, 581
FP01-12-700A	<b>23601</b>	572, 575, 581
FP05-12-700	<b>23601</b>	572, 575, 581

Ref. - No.

Car  
Division

Ref. - No.



Ref. - No.



FP05-12-700A	<b>23601</b>	572, 575, 581
FP05-12-700B	<b>23601</b>	572, 575, 581
FS01-12-205	<b>27282</b>	572, 575, 579, 580, 581
FS01-12-205A	<b>27282</b>	572, 575, 579, 580, 581
FS01-12-205A S1	<b>27283</b>	572, 575, 579, 580
FS01-12-700A	<b>23599</b>	572, 575, 579, 580, 581
FS01-12-700B	<b>23599</b>	572, 575, 579, 580, 581
FS01-12-730A	<b>23627</b>	572, 575, 579, 580, 581
FS05-12-700	<b>23599</b>	572, 575, 579, 580, 581
FS05-12-700A	<b>23599</b>	572, 575, 579, 580, 581
FS05-12-700B	<b>23599</b>	572, 575, 579, 580, 581
F72Z-6K-254BA	<b>23599</b>	572, 575, 579, 580, 581
F805-12-700	<b>17629</b>	574, 576
F805-12-700A	<b>17629</b>	574, 576
F805-12-700B	<b>17629</b>	574, 576
F805-12-700C	<b>17629</b>	574, 576
F806-12-700A	<b>17629</b>	574, 576
KL01-12-730	<b>28296</b>	573, 575, 577, 579, 582, 583
KL01-12-730A	<b>28296</b>	573, 575, 577, 579, 582, 583
KL01-12-740	<b>28295</b>	573, 575, 577, 579, 582, 583
LF01-12-500A	<b>36298</b>	569, 578
LF02-12-500	<b>36298</b>	569, 578
LF50-15-980	<b>32049</b>	569
LF50-15-980A	<b>32049</b>	569
LF50-15-980B	<b>32049</b>	569
L323-12-500	<b>36298</b>	569, 578
YF09-12-730	<b>15177</b>	581
YF71-12-730	<b>15177</b>	581
Z501-12-730	<b>32338</b>	573
1E05-12-205	<b>10945</b>	568
1E06-12-205	<b>10945</b>	568

9YJ-6K-254A	<b>17492</b>	571, 572, 573, 577, 578, 582
passend für / to fit: <b>MERCEDES-BENZ</b>		
271 030 05 63	<b>25410</b>	627, 632, 633, 645, 664, 667, 739, 745
271 030 06 63	<b>25410</b>	627, 632, 633, 645, 664, 667, 739, 745
271 030 07 63	<b>25410</b>	627, 632, 633, 645, 664, 667, 739, 745
271 030 08 63	<b>25410</b>	627, 632, 633, 645, 664, 667, 739, 745
271 030 09 63	<b>25410</b>	627, 632, 633, 645, 664, 667, 739, 745
102 050 00 04	<b>25235</b>	611, 613
102 050 01 04	<b>25235</b>	611, 613
119 050 10 04	<b>25026</b>	605, 660, 703, 728, 729
102 050 04 05	<b>25044</b>	593, 597, 606, 609, 611, 613, 617, 670, 747
116 050 02 05	<b>25043</b>	586, 692, 694, 695, 700, 701, 715, 716, 717, 718, 719, 720
116 050 05 05	<b>25043</b>	586, 692, 694, 695, 700, 701, 715, 716, 717, 718, 719, 720
102 050 03 06	<b>25044</b>	593, 597, 606, 609, 611, 613, 617, 670, 747
102 050 06 06	<b>25044</b>	593, 597, 606, 609, 611, 613, 617, 670, 747
102 050 07 06	<b>25044</b>	593, 597, 606, 609, 611, 613, 617, 670, 747
102 050 08 06 S1	<b>36588</b>	606, 609, 617
102 050 08 06	<b>25044</b>	593, 597, 606, 609, 611, 613, 617, 670, 747
102 050 09 06	<b>25042</b>	597, 606, 608, 609, 613, 617, 670, 672, 676, 747, 749



Ref. - No.		
102 050 09 06 S1	<b>36589</b>	597, 606, 608, 609, 617, 670, 672, 676, 749
621 050 01 09	<b>25249</b>	585, 691, 721
621 050 04 09	<b>25249</b>	585, 691, 721
102 050 01 11	<b>01050</b>	593, 597, 606, 608, 609, 613, 617, 670, 672, 676, 747, 749
102 050 04 11	<b>01050</b>	593, 597, 606, 608, 609, 613, 617, 670, 672, 676, 747, 749
102 050 10 11 S4	<b>36589</b>	597, 606, 608, 609, 617, 670, 672, 676, 749
102 050 10 11	<b>01050</b>	593, 597, 606, 608, 609, 613, 617, 670, 672, 676, 747, 749
102 050 10 11 S3	<b>36588</b>	606, 609, 617
102 050 10 11 S1	<b>30305</b>	593, 597, 606, 609, 617, 670, 672
102 050 10 11 S2	<b>30306</b>	597, 606, 608, 609, 617, 670, 672, 676
103 050 06 11	<b>02454</b>	600, 602, 615, 678, 697, 699, 714, 724
103 050 06 11 S1	<b>30307</b>	600, 602, 615, 678, 697, 699, 714, 724
104 050 05 11	<b>01440</b>	601, 603, 604, 626, 655, 657, 679, 702, 705, 723, 725, 726, 732
104 050 07 11	<b>01440</b>	601, 603, 604, 626, 655, 657, 679, 702, 705, 723, 725, 726, 732
110 050 05 11	<b>01044</b>	589, 596, 675, 693, 698, 713
110 050 06 11	<b>01044</b>	589, 596, 675, 693, 698, 713
110 050 06 11 S1	<b>30308</b>	675, 693, 698, 713
111 050 03 11	<b>01382</b>	599, 622, 623, 624, 628, 643, 653, 685, 736, 737, 744, 751, 752

Ref. - No.		
111 050 04 11 S1	<b>30304</b>	599, 622, 623, 624, 628, 643, 653, 685, 736, 737, 744, 751, 752
111 050 04 11	<b>01382</b>	599, 622, 623, 624, 628, 643, 653, 685, 736, 737, 744, 751, 752
111 050 04 11 S2	<b>40621</b>	599, 622, 624, 628, 643, 653, 685, 736, 737, 744, 751, 752
112 050 05 11 S1	<b>30303</b>	625, 629, 635, 637, 644, 647, 651, 654, 659, 661, 662, 680, 681, 686, 688, 690, 706, 707, 727, 730, 731, 735, 738, 741, 754
112 050 05 11	<b>18914</b>	625, 629, 635, 637, 644, 647, 651, 654, 656, 659, 661, 662, 680, 681, 686, 688, 690, 706, 707, 727, 730, 731, 735, 738, 741, 742, 754
112 050 07 11 S1	<b>30303</b>	625, 629, 635, 637, 644, 647, 651, 654, 659, 661, 662, 680, 681, 686, 688, 690, 706, 707, 727, 730, 731, 735, 738, 741, 754
112 050 07 11	<b>18914</b>	625, 629, 635, 637, 644, 647, 651, 654, 656, 659, 661, 662, 680, 681, 686, 688, 690, 706, 707, 727, 730, 731, 735, 738, 741, 742, 754
112 050 08 11	<b>18914</b>	625, 629, 635, 637, 644, 647, 651, 654, 656, 659, 661, 662, 680, 681, 686, 688, 690, 706, 707, 727, 730, 731, 735, 738, 741, 742, 754

Ref. - No.

Car  
Division

Ref. - No.



Ref. - No.



112 050 08 11 S1	<b>30303</b>	625, 629, 635, 637, 644, 647, 651, 654, 659, 661, 662, 680, 681, 686, 688, 690, 706, 707, 727, 730, 731, 735, 738, 741, 754
115 050 06 11	<b>01045</b>	590, 591, 592, 594, 616, 619, 671, 673, 677
115 050 07 11	<b>01045</b>	590, 591, 592, 594, 616, 619, 671, 673, 677
115 050 08 11	<b>01045</b>	590, 591, 592, 594, 616, 619, 671, 673, 677
115 050 09 11	<b>01045</b>	590, 591, 592, 594, 616, 619, 671, 673, 677
115 050 09 11 S1	<b>39273</b>	671, 673, 677
115 050 11 11	<b>01045</b>	590, 591, 592, 594, 616, 619, 671, 673, 677
115 050 11 11 S1	<b>39273</b>	671, 673, 677
116 050 14 11	<b>07461</b>	586, 692, 694, 695, 715, 717
116 050 16 11	<b>07461</b>	586, 692, 694, 695, 715, 717
116 050 16 11 S1	<b>30310</b>	586, 692, 694, 715
116 050 18 11	<b>02135</b>	700, 701, 715, 716, 718, 719, 720
116 050 18 11 S1	<b>30309</b>	700, 715
117 050 09 11	<b>02135</b>	700, 701, 715, 716, 718, 719, 720
119 050 17 11 S1	<b>30313</b>	605, 660, 703, 729
119 050 17 11	<b>25058</b>	605, 660, 703, 728, 729
119 050 17 11 S2	<b>30314</b>	728
120 050 01 11	<b>01440</b>	601, 603, 604, 626, 655, 657, 679, 702, 705, 723, 725, 726, 732

120 050 02 11	<b>01440</b>	601, 603, 604, 626, 655, 657, 679, 702, 705, 723, 725, 726, 732
120 050 02 11 S2	<b>30317</b>	705, 732
120 050 02 11 S1	<b>30311</b>	604, 626, 655, 657, 679, 702, 723
123 050 03 11	<b>25057</b>	595
123 050 04 11	<b>25057</b>	595
166 050 00 11 S1	<b>30325</b>	620, 750
166 050 00 11	<b>17772</b>	620, 750
266 050 00 11 S1	<b>30549</b>	620, 621
266 050 00 11	<b>30548</b>	620, 621
266 050 02 11	<b>30548</b>	620, 621
266 050 02 11 S1	<b>30549</b>	620, 621
271 050 03 11	<b>26751</b>	627, 632, 645, 664, 667, 739, 745
271 050 04 11	<b>26751</b>	627, 632, 645, 664, 667, 739, 745
271 050 06 11 S1	<b>30315</b>	627, 632, 645, 664, 667, 739, 745
271 050 06 11	<b>26751</b>	627, 632, 645, 664, 667, 739, 745
271 050 06 11 S3	<b>40953</b>	627, 632, 645, 664, 667, 739, 745
271 050 06 11 S2	<b>30316</b>	627, 632, 645, 664, 667, 739, 745
271 050 06 11 S4	<b>40954</b>	627, 632, 645, 664, 667, 739, 745
272 050 01 11	<b>26752</b>	630, 634, 648, 650, 658, 665, 669, 687, 689, 710, 734, 740, 746, 755
272 050 01 11 S2	<b>30330</b>	650, 665
272 050 03 11 S1	<b>30328</b>	630, 634, 639, 648, 650, 658, 665, 669, 682, 683, 687, 689, 708, 710, 734, 740, 746, 755
272 050 07 11 S1	<b>30328</b>	630, 634, 639, 648, 650, 658, 665, 669, 682, 683, 687, 689, 708, 710, 734, 740, 746, 755



Ref. - No.		
272 050 08 11 S1	<b>30328</b>	630, 634, 639, 648, 650, 658, 665, 669, 682, 683, 687, 689, 708, 710, 734, 740, 746, 755
275 050 03 11	<b>26753</b>	636, 637, 638, 640, 683, 684, 708, 709, 711, 712, 733, 735
275 050 04 11	<b>26753</b>	636, 637, 638, 640, 683, 684, 708, 709, 711, 712, 733, 735
275 050 05 11	<b>26753</b>	636, 637, 638, 640, 683, 684, 708, 709, 711, 712, 733, 735
275 050 05 11 S1	<b>30318</b>	637, 638, 640, 683, 684, 708, 709, 711, 712, 733, 735
102 050 00 16	<b>10329</b>	593, 597, 606, 609, 617, 670, 672, 747
102 050 02 16	<b>10330</b>	611, 613
102 050 04 16	<b>10330</b>	611, 613
102 050 08 16 S1	<b>36588</b>	606, 609, 617
102 050 08 16	<b>10329</b>	593, 597, 606, 609, 617, 670, 672, 747
102 050 12 16	<b>10331</b>	597, 606, 608, 609, 617, 670, 672, 676, 747, 749
103 050 03 16	<b>10337</b>	600, 602, 615, 678, 697, 699, 714, 724
103 050 05 16	<b>10337</b>	600, 602, 615, 678, 697, 699, 714, 724
104 050 08 16	<b>25269</b>	679, 702, 723, 726
104 050 15 16	<b>25269</b>	679, 702, 723, 726
110 050 07 16	<b>09162</b>	589, 596, 675, 693, 698, 713
110 050 08 16	<b>10328</b>	675, 693, 698, 713
110 050 12 16	<b>09162</b>	589, 596, 675, 693, 698, 713
110 050 15 16	<b>17863</b>	693, 698, 713
110 050 17 16	<b>10328</b>	675, 693, 698, 713
110 050 18 16	<b>10328</b>	675, 693, 698, 713

Ref. - No.		
111 050 02 16	<b>25300</b>	599, 622, 623, 624, 628, 643, 653, 685, 736, 737, 744, 751, 752
111 050 09 16	<b>10409</b>	599, 622, 623, 624, 628, 643, 653, 685, 736, 737, 744, 751, 752
111 050 11 16	<b>25300</b>	599, 622, 623, 624, 628, 643, 653, 685, 736, 737, 744, 751, 752
111 050 14 16	<b>10409</b>	599, 622, 623, 624, 628, 643, 653, 685, 736, 737, 744, 751, 752
115 050 08 16 S1	<b>39273</b>	671, 673, 677
115 050 08 16	<b>25259</b>	590, 591, 592, 594, 616, 619, 671, 673, 677
116 050 27 16	<b>25053</b>	586, 692, 694, 695, 715, 717
116 050 31 16	<b>10412</b>	700, 716
117 050 16 16	<b>25055</b>	701, 718, 719, 720
117 050 18 16	<b>10414</b>	700, 701, 715, 716, 718, 719, 720
119 050 01 16	<b>25287</b>	728
119 050 02 16	<b>25281</b>	605, 660, 703, 728, 729
119 050 03 16	<b>25283</b>	605, 660, 703, 728, 729
119 050 04 16	<b>10338</b>	605, 660, 703, 729
120 050 03 16	<b>18949</b>	705, 732
120 050 05 16	<b>18950</b>	705, 732
120 050 06 16	<b>18951</b>	705, 732
120 050 07 16	<b>18952</b>	705, 732
271 050 01 16 S1	<b>39271</b>	632, 641, 667, 741
102 052 01 01	<b>10203</b>	593, 597, 606, 609, 617, 670, 747
102 052 02 01 S1	<b>36588</b>	606, 609, 617
102 052 02 01	<b>10203</b>	593, 597, 606, 609, 617, 670, 747

Ref. - No.

Car  
Division

Ref. - No.



102 052 09 01 S1	<b>36589</b>	597, 606, 608, 609, 617, 670, 672, 676, 749
102 052 09 01	<b>25024</b>	597, 606, 608, 609, 617, 670, 672, 676, 747, 749
116 052 06 01	<b>25014</b>	586, 692, 694, 695, 700, 701, 715, 716, 717, 718, 719, 720
121 052 02 01	<b>21279</b>	588, 590, 591, 592, 594, 616, 619, 671, 673, 677, 691
121 052 03 01 S1	<b>39273</b>	671, 673, 677
121 052 03 01	<b>21279</b>	588, 590, 591, 592, 594, 616, 619, 671, 673, 677, 691
114 052 00 02 S1	<b>39273</b>	671, 673, 677
114 052 00 02	<b>24100</b>	588, 590, 591, 592, 594, 616, 619, 671, 673, 677, 691
114 052 01 02	<b>25251</b>	584, 587, 595
102 052 00 03	<b>21133</b>	593, 597, 606, 609, 617, 670, 747
102 052 00 03 S1	<b>36588</b>	606, 609, 617
102 052 01 03	<b>25035</b>	597, 606, 608, 609, 617, 670, 672, 676, 749
102 052 01 03 S1	<b>36589</b>	597, 606, 608, 609, 617, 670, 672, 676, 749
103 052 00 03	<b>25034</b>	600, 602, 615, 678, 697, 699, 714, 724
119 052 01 03	<b>25030</b>	586, 605, 660, 692, 694, 695, 700, 701, 703, 715, 716, 717, 718, 719, 720, 728, 729
615 052 01 03	<b>21135</b>	585, 588, 590, 591, 592, 594, 616, 619, 671, 673, 677, 691, 721

Ref. - No.



615 052 02 03	<b>21135</b>	585, 588, 590, 591, 592, 594, 616, 619, 671, 673, 677, 691, 721
121 052 01 10	<b>09240</b>	589, 596, 675, 693, 698, 713
000 052 01 16	<b>25238</b>	753
000 052 05 16	<b>25238</b>	753
102 052 03 16 S1	<b>36588</b>	606, 609, 617
102 052 03 16	<b>09160</b>	593, 597, 606, 609, 611, 617, 670, 672, 747
102 052 04 16	<b>09161</b>	593, 597, 606, 609, 617, 670, 672, 747
102 052 04 16 S1	<b>36588</b>	606, 609, 617
102 052 13 16	<b>17072</b>	597, 606, 608, 609, 613, 617, 670, 672, 676, 747, 749
102 052 14 16	<b>17073</b>	597, 606, 608, 609, 617, 670, 672, 676, 747, 749
103 052 03 16	<b>10342</b>	600, 602, 615, 678, 697, 699, 714, 724
103 052 04 16	<b>10343</b>	600, 602, 615, 678, 697, 699, 714, 724
103 052 05 16	<b>10342</b>	600, 602, 615, 678, 697, 699, 714, 724
103 052 06 16	<b>10343</b>	600, 602, 615, 678, 697, 699, 714, 724
103 052 07 16	<b>10342</b>	600, 602, 615, 678, 697, 699, 714, 724
103 052 08 16	<b>10343</b>	600, 602, 615, 678, 697, 699, 714, 724
104 052 04 16	<b>10344</b>	603, 725
104 052 05 16	<b>10345</b>	725
104 052 07 16	<b>10347</b>	603, 725
104 052 08 16	<b>10418</b>	601, 603, 604, 626, 655, 657, 679, 702, 723, 725, 726
104 052 14 16	<b>10418</b>	601, 603, 604, 626, 655, 657, 679, 702, 723, 725, 726



<b>Ref. - No.</b>		
110 052 04 16	<b>09162</b>	589, 596, 675, 693, 698, 713
110 052 07 16	<b>17863</b>	693, 698, 713
110 052 08 16	<b>09162</b>	589, 596, 675, 693, 698, 713
111 052 10 16	<b>25298</b>	599, 622, 623, 624, 628, 643, 653, 685, 736, 737, 744, 751, 752
112 052 00 16	<b>21232</b>	625, 629, 635, 637, 644, 647, 654, 656, 659, 661, 662, 680, 681, 686, 688, 690, 706, 707, 727, 730, 731, 738, 741
112 052 01 16	<b>21231</b>	625, 629, 635, 637, 644, 647, 654, 656, 659, 661, 662, 680, 681, 686, 688, 690, 706, 707, 727, 730, 731, 738, 741
112 052 02 16	<b>21233</b>	625, 629, 635, 637, 644, 647, 654, 656, 659, 661, 662, 680, 681, 686, 688, 690, 706, 707, 727, 730, 731, 738, 741
115 052 00 16 S1	<b>39273</b>	671, 673, 677
115 052 04 16	<b>09163</b>	584, 585, 587, 588, 590, 591, 592, 594, 616, 619, 671, 673, 677, 691, 721
115 052 07 16	<b>09164</b>	584, 585, 587, 588, 590, 591, 592, 594, 595, 616, 619, 671, 673, 677, 691, 696, 721
115 052 07 16 S1	<b>39273</b>	671, 673, 677
116 052 17 16	<b>10411</b>	586, 692, 694, 700, 715, 716
117 052 08 16	<b>10416</b>	695, 701, 717, 718, 719, 720
117 052 09 16	<b>10417</b>	695, 701, 717, 718, 719, 720
117 052 10 16	<b>10413</b>	700, 701, 716, 718, 719, 720
119 052 01 16	<b>25294</b>	728

<b>Ref. - No.</b>		
119 052 06 16	<b>25277</b>	728
119 052 09 16	<b>25285</b>	605, 660, 703, 728, 729
119 052 11 16	<b>25275</b>	605, 660, 703, 728, 729
119 052 12 16	<b>25271</b>	660
137 052 04 16	<b>24282</b>	636, 637, 638, 640, 683, 684, 708, 709, 711, 712, 733, 735
137 052 05 16	<b>24283</b>	636, 637, 638, 640, 683, 684, 708, 709, 711, 712, 733, 735
137 052 07 16	<b>24284</b>	636, 637, 638, 640, 683, 684, 708, 709, 711, 712, 733, 735
137 052 08 16	<b>24285</b>	636, 637, 638, 640, 683, 684, 708, 709, 711, 712, 733, 735
166 052 00 16	<b>24281</b>	620, 750
271 052 04 16	<b>30259</b>	627, 632, 645, 664, 667, 739, 745
271 052 10 16	<b>24286</b>	627, 632, 645, 664, 667, 739, 745
271 052 11 16	<b>24287</b>	627, 632, 645, 664, 667, 739, 745
271 052 15 16 S1	<b>39271</b>	632, 641, 667, 741
271 052 16 16 S1	<b>39271</b>	632, 641, 667, 741
272 052 00 16	<b>30503</b>	630, 634, 639, 648, 650, 658, 665, 669, 682, 683, 687, 689, 708, 710, 734, 740, 746, 755
272 052 02 16	<b>30505</b>	630, 634, 639, 648, 650, 658, 665, 669, 682, 683, 687, 689, 708, 710, 734, 740, 746, 755
272 052 11 16	<b>30504</b>	630, 634, 639, 648, 650, 658, 665, 669, 682, 683, 687, 689, 708, 710, 734, 740, 746, 755
272 052 12 16	<b>30504</b>	630, 634, 639, 648, 650, 658, 665, 669, 682, 683, 687, 689, 708, 710, 734, 740, 746, 755



Ref. - No.

Car  
Division

Ref. - No.



Ref. - No.



272 052 13 16	<b>30502</b>	630, 634, 639, 650, 658, 665, 669, 682, 683, 687, 689, 708, 710, 734, 740, 746, 755
272 052 15 16	<b>30504</b>	630, 634, 639, 648, 650, 658, 665, 669, 682, 683, 687, 689, 708, 710, 734, 740, 746, 755
272 052 16 16	<b>30504</b>	630, 634, 639, 648, 650, 658, 665, 669, 682, 683, 687, 689, 708, 710, 734, 740, 746, 755
272 052 17 16	<b>30502</b>	630, 634, 639, 650, 658, 665, 669, 682, 683, 687, 689, 708, 710, 734, 740, 746, 755
102 052 00 83	<b>10327</b>	593, 597, 606, 609, 617, 670, 747
102 052 04 83	<b>10327</b>	593, 597, 606, 609, 617, 670, 747
102 052 06 83	<b>10336</b>	608, 672, 676
103 052 00 83	<b>10334</b>	600, 602, 615, 678, 697, 699, 714, 724
103 052 01 83	<b>10334</b>	600, 602, 615, 678, 697, 699, 714, 724
116 052 00 83	<b>25049</b>	586, 692, 694, 695, 700, 701, 715, 716
117 052 00 83	<b>10415</b>	717, 718, 719, 720
123 130 00 15	<b>07162</b>	618, 696
116 130 01 60	<b>07162</b>	618, 696
116 130 04 60	<b>07162</b>	618, 696
314 130 00 60	<b>07162</b>	618, 696
314 130 01 60	<b>07162</b>	618, 696
314 130 02 60	<b>07162</b>	618, 696
314 130 03 60	<b>07162</b>	618, 696
116 132 02 15	<b>07162</b>	618, 696
266 155 01 15	<b>27841</b>	620, 621
271 155 01 15	<b>21684</b>	627, 646, 664, 739
271 155 00 16	<b>21684</b>	627, 646, 664, 739
102 200 04 14	<b>05760</b>	598, 612, 614
102 200 07 14	<b>05760</b>	598, 612, 614
102 200 08 14	<b>06597</b>	598, 607, 608, 610, 676, 748

102 200 12 14	<b>06597</b>	598, 607, 608, 610, 676, 748
102 200 14 14	<b>06597</b>	598, 607, 608, 610, 676, 748
102 200 15 14	<b>05760</b>	598, 612, 614
103 200 01 14	<b>08778</b>	600, 601, 602, 603, 604, 615, 626, 678, 702, 714, 723, 725, 726
111 200 04 14	<b>19995</b>	599, 622, 623, 624, 628, 643, 653, 685, 736, 737, 744, 751, 752
112 200 00 14	<b>17510</b>	625, 629, 635, 647, 654, 656, 661, 662, 680, 681, 706, 707, 727, 731, 735, 738
272 200 01 14	<b>30460</b>	630, 634, 640, 642, 648, 650, 652, 658, 665, 669, 681, 682, 688, 689, 710, 734, 740, 746, 755
272 200 01 14	<b>27454</b>	630, 634, 640, 642, 648, 650, 652, 658, 665, 669, 682, 688, 689, 710, 734, 740, 746, 755
601 200 03 14	<b>06569</b>	697, 699, 724
601 200 05 14	<b>06569</b>	697, 699, 724
603 200 01 14	<b>06569</b>	697, 699, 724
603 200 03 14	<b>06569</b>	697, 699, 724
604 200 01 14	<b>06569</b>	697, 699, 724
604 200 03 14	<b>06569</b>	697, 699, 724
102 200 00 36	<b>02427</b>	598, 607, 608, 610, 612, 614, 674, 676, 748
102 200 02 36	<b>02427</b>	598, 607, 608, 610, 612, 614, 674, 676, 748
102 200 02 36 S1	<b>12515</b>	598, 607, 608, 610, 618, 674, 676, 748


**Ref. - No.**


103 200 00 36	<b>02426</b>	600, 601, 602, 603, 604, 615, 626, 678, 697, 699, 702, 714, 723, 724, 725, 726
103 200 01 36	<b>02426</b>	600, 601, 602, 603, 604, 615, 626, 678, 697, 699, 702, 714, 723, 724, 725, 726
103 200 02 36	<b>02426</b>	600, 601, 602, 603, 604, 615, 626, 678, 697, 699, 702, 714, 723, 724, 725, 726
102 200 12 70	<b>06418</b>	598, 607, 608, 610, 674, 676, 748
102 200 12 70 S	<b>06420</b>	598, 674
102 200 33 70 S	<b>06420</b>	598, 674
102 200 33 70	<b>06418</b>	598, 607, 608, 610, 674, 676, 748
102 200 34 70 S	<b>06420</b>	598, 674
102 200 34 70	<b>06418</b>	598, 607, 608, 610, 674, 676, 748
102 200 60 70	<b>06418</b>	598, 607, 608, 610, 674, 676, 748
102 200 60 70 S	<b>06420</b>	598, 674
102 200 66 70 S	<b>06420</b>	598, 674
102 200 66 70	<b>06418</b>	598, 607, 608, 610, 674, 676, 748
102 200 69 70 S	<b>06420</b>	598, 674
102 200 69 70	<b>06418</b>	598, 607, 608, 610, 674, 676, 748
102 200 69 70 S1	<b>06420</b>	598, 674
102 200 77 70	<b>06384</b>	612, 614
103 200 04 70	<b>06385</b>	600, 601, 602, 603, 604, 615, 626, 678, 697, 699, 702, 714, 723, 724, 725, 726
103 200 05 70	<b>05220</b>	600, 601, 602, 603, 604, 615, 626, 678, 697, 699, 702, 714, 723, 724, 725, 726

**Ref. - No.**


103 200 06 70	<b>06385</b>	600, 601, 602, 603, 604, 615, 626, 678, 697, 699, 702, 714, 723, 724, 725, 726
103 200 07 70	<b>06385</b>	600, 601, 602, 603, 604, 615, 626, 678, 697, 699, 702, 714, 723, 724, 725, 726
103 200 08 70	<b>06385</b>	600, 601, 602, 603, 604, 615, 626, 678, 697, 699, 702, 714, 723, 724, 725, 726
104 200 04 70	<b>01443</b>	702
104 200 05 70	<b>01439</b>	702
104 200 08 70	<b>14545</b>	626, 655, 657, 679, 723, 726
104 200 10 70	<b>19001</b>	604, 624, 626, 628, 643, 655, 657, 679, 702, 723, 726, 737
111 200 00 70	<b>07021</b>	599, 622, 623, 624, 628, 643, 653, 685, 736, 737, 744, 751, 752
111 200 06 70	<b>04001</b>	599, 622, 623, 624, 628, 643, 653, 685, 736, 737, 744, 751, 752
111 200 07 70	<b>04001</b>	599, 622, 623, 624, 628, 643, 653, 685, 736, 737, 744, 751, 752
111 200 12 70	<b>04001</b>	599, 622, 623, 624, 628, 643, 653, 685, 736, 737, 744, 751, 752
111 200 13 70	<b>28229</b>	623, 624, 628, 643, 653, 736
112 200 00 70	<b>15875</b>	625, 629, 635, 637, 644, 647, 651, 654, 656, 659, 661, 662, 680, 681, 686, 688, 690, 706, 707, 727, 730, 731, 735, 738, 741, 754, 755

Ref. - No.

Car  
Division

Ref. - No.



Ref. - No.



112 200 01 70	<b>15875</b>	625, 629, 635, 637, 644, 647, 651, 654, 656, 659, 661, 662, 680, 681, 686, 688, 690, 706, 707, 727, 730, 731, 735, 738, 741, 754, 755
112 200 03 70	<b>15875</b>	625, 629, 635, 637, 644, 647, 651, 654, 656, 659, 661, 662, 680, 681, 686, 688, 690, 706, 707, 727, 730, 731, 735, 738, 741, 754, 755
112 200 06 70	<b>15875</b>	625, 629, 635, 637, 644, 647, 651, 654, 656, 659, 661, 662, 680, 681, 686, 688, 690, 706, 707, 727, 730, 731, 735, 738, 741, 754, 755
112 200 08 70	<b>15875</b>	625, 629, 635, 637, 644, 647, 651, 654, 656, 659, 661, 662, 680, 681, 686, 688, 690, 706, 707, 727, 730, 731, 735, 738, 741, 754, 755
112 200 09 70	<b>15875</b>	625, 629, 635, 637, 644, 647, 651, 654, 656, 659, 661, 662, 680, 681, 686, 688, 690, 706, 707, 727, 730, 731, 735, 738, 741, 754, 755
113 200 00 70	<b>36981</b>	635, 651, 662, 681, 707, 735, 742
113 200 01 70	<b>36981</b>	635, 651, 662, 681, 707, 735, 742
119 200 01 70	<b>12100</b>	703, 704, 728
119 200 02 70	<b>12100</b>	703, 704, 728
119 200 03 70	<b>06298</b>	703, 704
119 200 04 70	<b>06343</b>	605, 703, 704
119 200 09 70	<b>17430</b>	623, 624, 626, 628, 643, 653, 655, 657, 660, 679, 703, 704, 729, 736
119 200 10 70	<b>10172</b>	660, 703, 704, 729

119 200 11 70	<b>10172</b>	660, 703, 704, 729
119 200 14 70	<b>17430</b>	623, 624, 626, 628, 643, 653, 655, 657, 660, 679, 703, 704, 729, 736
120 200 02 70	<b>17531</b>	705, 732
120 200 03 70	<b>17431</b>	705
120 200 04 70	<b>06346</b>	629, 702, 705, 732, 738
120 200 05 70	<b>17531</b>	705, 732
137 200 02 70	<b>19405</b>	636, 708
156 200 04 70	<b>40446</b>	631, 639, 646, 649, 663, 666, 687, 690, 709, 732, 743
156 200 05 70	<b>40446</b>	631, 639, 646, 649, 663, 666, 687, 690, 709, 732, 743
166 200 06 70	<b>32148</b>	620
166 200 09 70	<b>32148</b>	620
266 200 06 70	<b>34916</b>	620
266 200 09 70	<b>34916</b>	620
271 200 02 70	<b>22776</b>	627, 633, 646, 664, 739, 745
271 200 04 70	<b>37697</b>	627, 633, 646, 652, 664, 668, 739, 742, 745
271 200 05 70	<b>36933</b>	627, 633, 646, 664, 668, 739, 745
272 200 00 70	<b>30460</b>	630, 634, 640, 642, 648, 650, 652, 658, 665, 669, 681, 682, 688, 689, 710, 734, 740, 746, 755
272 200 00 70	<b>28149</b>	630, 634, 640, 642, 648, 650, 652, 658, 665, 669, 682, 688, 689, 710, 734, 740, 746, 755
272 200 02 70 S1	<b>30460</b>	630, 634, 640, 642, 648, 650, 652, 658, 665, 669, 681, 682, 688, 689, 710, 734, 740, 746, 755
272 200 02 70 S2	<b>36933</b>	627, 633, 646, 664, 668, 739, 745


**Ref. - No.**


272 200 02 70	<b>28149</b>	630, 634, 640, 642, 648, 650, 652, 658, 665, 669, 682, 688, 689, 710, 734, 740, 746, 755
272 200 02 70	<b>30460</b>	630, 634, 640, 642, 648, 650, 652, 658, 665, 669, 681, 682, 688, 689, 710, 734, 740, 746, 755
601 200 07 70	<b>02248</b>	598, 600, 602, 603, 605, 607, 610, 612, 614, 615, 678, 704, 714, 728, 729, 748
601 200 09 70	<b>02249</b>	598, 607, 608, 610, 612, 614, 674, 676, 728, 748
601 200 10 70	<b>05478</b>	601, 603, 604, 626, 655, 657, 660, 679, 729
601 200 12 70	<b>17677</b>	674
642 200 09 70	<b>15179</b>	636, 708, 709
642 200 10 70	<b>15179</b>	636, 708, 709
642 200 23 70	<b>15179</b>	636, 708, 709
642 200 25 70	<b>15179</b>	636, 708, 709
668 200 05 70	<b>32148</b>	620
000 202 00 19	<b>11276</b>	625, 629, 630, 634, 635, 637, 640, 642, 644, 647, 648, 650, 651, 652, 654, 656, 658, 659, 661, 662, 665, 669, 680, 681, 682, 686, 687, 688, 689, 690, 706, 707, 710, 727, 730, 731, 734, 735, 738, 740, 741, 746, 754, 755
000 202 03 19	<b>15178</b>	636, 638, 641, 708, 709, 711, 733
000 202 07 19	<b>15178</b>	636, 638, 641, 708, 709, 711, 733
000 202 08 19	<b>15178</b>	636, 638, 641, 708, 709, 711, 733

**Ref. - No.**


000 202 09 19	<b>11276</b>	625, 629, 630, 634, 635, 637, 640, 642, 644, 647, 648, 650, 651, 652, 654, 656, 658, 659, 661, 662, 665, 669, 680, 681, 682, 686, 687, 688, 689, 690, 706, 707, 710, 727, 730, 731, 734, 735, 738, 740, 741, 746, 754, 755
000 202 16 19	<b>37703</b>	633, 652, 668, 742
000 202 17 19	<b>37702</b>	633, 652, 668, 742
111 202 01 19	<b>09782</b>	623, 624, 628, 643, 653, 736, 737
113 202 00 19	<b>36931</b>	635, 637, 639, 646, 649, 651, 662, 663, 666, 681, 687, 690, 707, 709, 735
137 202 01 19	<b>15179</b>	636, 708, 709
166 202 00 19	<b>23780</b>	620, 621, 750
166 202 01 19	<b>24178</b>	620, 621
166 202 02 19	<b>23781</b>	620, 750
166 202 03 19	<b>23780</b>	620, 621, 750
166 202 04 19	<b>24178</b>	620, 621
166 202 05 19	<b>23781</b>	620, 750
166 202 06 19	<b>23781</b>	620, 750
166 202 07 19	<b>23780</b>	620, 621, 750
166 202 08 19	<b>24178</b>	620, 621
266 202 00 19	<b>24178</b>	620, 621
272 202 01 19	<b>28234</b>	630, 634, 648, 650, 652, 658, 665, 688, 689, 740
272 202 02 19	<b>28234</b>	630, 634, 648, 650, 652, 658, 665, 688, 689, 740
272 202 04 19	<b>30454</b>	630, 634, 640, 642, 648, 650, 652, 658, 665, 669, 681, 682, 688, 689, 710, 734, 740, 746, 755
272 202 06 19	<b>30454</b>	630, 634, 640, 642, 648, 650, 652, 658, 665, 669, 681, 682, 688, 689, 710, 734, 740, 746, 755

Ref. - No.

Car  
Division 

Ref. - No.



272 202 07 19	<b>30454</b>	630, 634, 640, 642, 648, 650, 652, 658, 665, 669, 681, 682, 688, 689, 710, 734, 740, 746, 755
272 202 08 19 S1	<b>11276</b>	625, 629, 630, 634, 635, 637, 640, 642, 644, 647, 648, 650, 651, 652, 654, 656, 658, 659, 661, 662, 665, 669, 680, 681, 682, 686, 687, 688, 689, 690, 706, 707, 710, 727, 730, 731, 734, 735, 738, 740, 741, 746, 754, 755
272 202 10 19 S1	<b>11276</b>	625, 629, 630, 634, 635, 637, 640, 642, 644, 647, 648, 650, 651, 652, 654, 656, 658, 659, 661, 662, 665, 669, 680, 681, 682, 686, 687, 688, 689, 690, 706, 707, 710, 727, 730, 731, 734, 735, 738, 740, 741, 746, 754, 755
272 202 12 19 S1	<b>11276</b>	625, 629, 630, 634, 635, 637, 640, 642, 644, 647, 648, 650, 651, 652, 654, 656, 658, 659, 661, 662, 665, 669, 680, 681, 682, 686, 687, 688, 689, 690, 706, 707, 710, 727, 730, 731, 734, 735, 738, 740, 741, 746, 754, 755
272 202 14 19	<b>30454</b>	630, 634, 640, 642, 648, 650, 652, 658, 665, 669, 681, 682, 688, 689, 710, 734, 740, 746, 755
640 202 03 19	<b>23780</b>	620, 621, 750
640 202 04 19	<b>23779</b>	620, 621
668 202 00 19	<b>23780</b>	620, 621, 750
668 202 01 19	<b>23779</b>	620, 621
668 202 02 19	<b>23781</b>	620, 750
668 202 03 19	<b>23780</b>	620, 621, 750
668 202 04 19	<b>23779</b>	620, 621
668 202 05 19	<b>24178</b>	620, 621
102 202 02 72	<b>09116</b>	674, 748
271 206 00 19	<b>24730</b>	627, 633, 646, 664, 668, 739, 745

Ref. - No.



647 230 00 40 S1	<b>07162</b>	618, 696
611 234 01 93	<b>14375</b>	640, 642
611 234 02 93	<b>14375</b>	640, 642
111 990 03 05	<b>04001</b>	599, 622, 623, 624, 628, 643, 653, 685, 736, 737, 744, 751, 752
000 993 06 76	<b>25447</b>	630, 634, 639, 648, 650, 658, 665, 669, 682, 683, 687, 689, 710, 734, 740, 746, 755
000 993 06 76 S2	<b>40105</b>	630, 634, 639, 648, 650, 658, 665, 669, 682, 687, 689, 710, 734, 740, 746, 755
000 993 06 76 S1	<b>33895</b>	669, 682, 710
000 993 11 76	<b>26374</b>	620, 621
000 993 19 76	<b>30394</b>	627, 632, 645, 664, 667, 739, 745
000 993 20 76 S1	<b>33894</b>	627, 632, 645, 664, 667, 739, 745
000 993 20 76	<b>30393</b>	627, 632, 645, 664, 667, 739, 745
000 993 21 76	<b>26012</b>	627, 632, 645, 647, 664, 667, 739, 745
000 993 21 76 S2	<b>30394</b>	627, 632, 645, 664, 667, 739, 745
000 993 09 78 S3	<b>39568</b>	632, 641, 667
000 993 09 78 S2	<b>39271</b>	632, 641, 667, 741
000 993 09 78 S1	<b>39269</b>	632, 641, 667
000 993 09 78	<b>38019</b>	632, 641, 667, 741
000 993 10 78 S1	<b>38019</b>	632, 641, 667, 741
000 993 10 78	<b>39269</b>	632, 641, 667
000 993 10 78 S2	<b>39271</b>	632, 641, 667, 741
000 993 10 78 S3	<b>39568</b>	632, 641, 667
000 997 05 94	<b>09240</b>	589, 596, 675, 693, 698, 713
000 997 06 94	<b>09241</b>	588, 691
000 997 07 94	<b>09271</b>	585, 691, 721
000 997 08 94	<b>09241</b>	588, 691
000 997 09 94	<b>09240</b>	589, 596, 675, 693, 698, 713
000 997 10 94	<b>09271</b>	585, 691, 721


**Ref. - No.**


000 997 23 94	<b>09272</b>	584, 587
000 997 24 94	<b>09272</b>	584, 587
000 997 31 94	<b>09243</b>	586, 692, 694, 700, 715, 716
000 997 32 94	<b>17835</b>	695, 701, 718, 719
000 997 32 94	<b>09244</b>	695, 701, 717, 718, 719, 720
000 997 34 94	<b>09242</b>	590, 591, 592, 594, 616, 619, 671, 673, 677
000 997 38 94	<b>09240</b>	589, 596, 675, 693, 698, 713
000 997 39 94	<b>09271</b>	585, 691, 721
000 997 42 94	<b>09242</b>	590, 591, 592, 594, 616, 619, 671, 673, 677
000 997 44 94	<b>09241</b>	588, 691
000 997 45 94	<b>09240</b>	589, 596, 675, 693, 698, 713
000 997 46 94	<b>09271</b>	585, 691, 721
000 997 68 94	<b>09272</b>	584, 587
000 997 69 94	<b>09240</b>	589, 596, 675, 693, 698, 713
000 997 70 94	<b>09241</b>	588, 691
000 997 71 94 S1	<b>39273</b>	671, 673, 677
000 997 71 94	<b>09242</b>	590, 591, 592, 594, 616, 619, 671, 673, 677
000 997 75 94	<b>09243</b>	586, 692, 694, 700, 715, 716
000 997 76 94	<b>09244</b>	695, 701, 717, 718, 719, 720
000 997 80 94 S1	<b>09245</b>	595
000 997 90 94	<b>09277</b>	700, 715
000 997 92 94	<b>09232</b>	593, 597, 606, 608, 609, 617, 670, 672, 747
000 997 92 94 S	<b>11118</b>	670, 747
000 997 98 94 S	<b>11118</b>	670, 747
000 997 98 94	<b>09232</b>	593, 597, 606, 608, 609, 617, 670, 672, 747
001 997 04 94	<b>09277</b>	700, 715

**Ref. - No.**


001 997 07 94	<b>09232</b>	593, 597, 606, 608, 609, 617, 670, 672, 747
001 997 19 94 S	<b>11118</b>	670, 747
001 997 19 94	<b>09232</b>	593, 597, 606, 608, 609, 617, 670, 672, 747
001 997 22 94	<b>25434</b>	600, 615, 678, 697, 714, 722, 723
001 997 22 94	<b>26368</b>	600, 602, 615, 678, 697, 699, 714, 722, 723, 724
001 997 37 94	<b>09277</b>	700, 715
001 997 41 94	<b>09251</b>	611, 613
001 997 44 94	<b>26368</b>	600, 602, 615, 678, 697, 699, 714, 722, 723, 724
001 997 48 94	<b>26368</b>	600, 602, 615, 678, 697, 699, 714, 722, 723, 724
001 997 49 94 S	<b>11118</b>	670, 747
001 997 49 94	<b>09232</b>	593, 597, 606, 608, 609, 617, 670, 672, 747
001 997 50 94	<b>09277</b>	700, 715
001 997 55 94	<b>09232</b>	593, 597, 606, 608, 609, 617, 670, 672, 747
001 997 55 94 S	<b>11118</b>	670, 747
001 997 68 94	<b>09277</b>	700, 715
001 997 69 94	<b>26368</b>	600, 602, 615, 678, 697, 699, 714, 722, 723, 724
001 997 70 94	<b>09232</b>	593, 597, 606, 608, 609, 617, 670, 672, 747
001 997 70 94 S	<b>11118</b>	670, 747
001 997 70 94 S1	<b>11118</b>	670, 747
001 997 71 94	<b>09251</b>	611, 613
002 997 03 94 S1	<b>10546</b>	676
002 997 03 94 S	<b>10546</b>	676

Ref. - No.

Car  
Division 

Ref. - No.



002 997 03 94 S2	<b>36589</b>	597, 606, 608, 609, 617, 670, 672, 676, 749
002 997 03 94	<b>09231</b>	597, 606, 608, 609, 617, 670, 672, 676, 747
002 997 04 94	<b>09235</b>	603, 725
002 997 06 94	<b>09252</b>	613
002 997 17 94	<b>09231</b>	597, 606, 608, 609, 617, 670, 672, 676, 747
002 997 17 94	<b>17655</b>	670, 672, 676, 749
002 997 17 94 S	<b>10546</b>	676
002 997 21 94	<b>09271</b>	585, 691, 721
002 997 44 94	<b>09247</b>	728
002 997 63 94	<b>09231</b>	597, 606, 608, 609, 617, 670, 672, 676, 747
002 997 63 94 S	<b>10546</b>	676
002 997 73 94	<b>09234</b>	599, 601, 604, 622, 623, 624, 626, 628, 643, 653, 655, 657, 679, 685, 702, 723, 726, 736, 737, 744, 751, 752
002 997 74 94	<b>09235</b>	603, 725
002 997 75 94	<b>17648</b>	705, 732
002 997 76 94	<b>09250</b>	605, 660, 703, 729
002 997 79 94	<b>09234</b>	599, 601, 604, 622, 623, 624, 626, 628, 643, 653, 655, 657, 679, 685, 702, 723, 726, 736, 737, 744, 751, 752
002 997 80 94	<b>09235</b>	603, 725
002 997 83 94	<b>09247</b>	728
002 997 84 94	<b>09250</b>	605, 660, 703, 729
002 997 93 94	<b>09242</b>	590, 591, 592, 594, 616, 619, 671, 673, 677
002 997 93 94	<b>17645</b>	599, 622, 624, 628, 643, 653, 671, 673, 677, 685, 737, 744, 751

Ref. - No.



002 997 99 94	<b>09234</b>	599, 601, 604, 622, 623, 624, 626, 628, 643, 653, 655, 657, 679, 685, 702, 723, 726, 736, 737, 744, 751, 752
003 997 17 94	<b>09234</b>	599, 601, 604, 622, 623, 624, 626, 628, 643, 653, 655, 657, 679, 685, 702, 723, 726, 736, 737, 744, 751, 752
003 997 18 94	<b>25435</b>	603, 725
003 997 19 94	<b>09235</b>	603, 725
003 997 44 94	<b>09250</b>	605, 660, 703, 729
003 997 63 94	<b>25507</b>	625, 629, 635, 644, 647, 651, 654, 659, 661, 662, 680, 681, 686, 688, 690, 706, 707, 727, 731, 735, 738, 741, 742, 754
003 997 63 94	<b>25207</b>	625, 629, 635, 637, 644, 647, 651, 654, 656, 659, 661, 662, 680, 681, 686, 688, 690, 706, 707, 727, 730, 731, 735, 738, 741, 742, 754
003 997 66 94	<b>09585</b>	753
003 997 67 94	<b>09402</b>	753
003 997 68 94	<b>25207</b>	625, 629, 635, 637, 644, 647, 651, 654, 656, 659, 661, 662, 680, 681, 686, 688, 690, 706, 707, 727, 730, 731, 735, 738, 741, 742, 754
003 997 68 94 S1	<b>25507</b>	625, 629, 635, 644, 647, 651, 654, 659, 661, 662, 680, 681, 686, 688, 690, 706, 707, 727, 731, 735, 738, 741, 742, 754
003 997 68 94	<b>25507</b>	625, 629, 635, 644, 647, 651, 654, 659, 661, 662, 680, 681, 686, 688, 690, 706, 707, 727, 731, 735, 738, 741, 742, 754



<b>Ref. - No.</b>		
003 997 80 94	<b>25434</b>	600, 615, 678, 697, 714, 722, 723
003 997 80 94	<b>26368</b>	600, 602, 615, 678, 697, 699, 714, 722, 723, 724
003 997 82 94 S1	<b>36588</b>	606, 609, 617
003 997 82 94	<b>09232</b>	593, 597, 606, 608, 609, 617, 670, 672, 747
003 997 84 94	<b>09251</b>	611, 613
003 997 91 94	<b>17645</b>	599, 622, 624, 628, 643, 653, 671, 673, 677, 685, 737, 744, 751
003 997 95 94	<b>25221</b>	636, 708
003 997 97 94 S1	<b>26012</b>	627, 632, 645, 647, 664, 667, 739, 745
003 997 97 94	<b>30394</b>	627, 632, 645, 664, 667, 739, 745
004 997 18 94	<b>33975</b>	638, 640, 683, 684, 709, 711, 712, 733, 735
004 997 18 94 S1	<b>26013</b>	638, 640, 684, 708, 709, 711, 712, 733
004 997 20 94 S1	<b>33975</b>	638, 640, 683, 684, 709, 711, 712, 733, 735
004 997 20 94	<b>26013</b>	638, 640, 684, 708, 709, 711, 712, 733
004 997 24 94	<b>26012</b>	627, 632, 645, 647, 664, 667, 739, 745
137 997 00 94	<b>25221</b>	636, 708
166 997 01 94	<b>25375</b>	620, 750
166 997 03 94	<b>25223</b>	620, 750
166 997 09 94	<b>25223</b>	620, 750

<b>Ref. - No.</b>		
000 997 01 98	<b>09280</b>	585, 586, 588, 589, 590, 591, 592, 594, 596, 601, 603, 604, 605, 608, 609, 616, 619, 622, 623, 624, 628, 643, 653, 655, 657, 660, 671, 673, 675, 676, 677, 679, 691, 692, 693, 694, 695, 696, 698, 700, 701, 703, 713, 715, 716, 717, 718, 719, 720, 721, 723, 726, 728, 729, 736, 744, 751, 752
000 997 04 98	<b>11625</b>	584, 587, 595
000 997 05 98	<b>09280</b>	585, 586, 588, 589, 590, 591, 592, 594, 596, 601, 603, 604, 605, 608, 609, 616, 619, 622, 623, 624, 628, 643, 653, 655, 657, 660, 671, 673, 675, 676, 677, 679, 691, 692, 693, 694, 695, 696, 698, 700, 701, 703, 713, 715, 716, 717, 718, 719, 720, 721, 723, 726, 728, 729, 736, 744, 751, 752
000 997 10 98	<b>09281</b>	611, 714
000 997 14 98	<b>09281</b>	611, 714
000 997 14 98 S1	<b>09281</b>	611, 714
000 997 15 98	<b>09281</b>	611, 714
000 997 15 98 S1	<b>09281</b>	611, 714
000 997 17 98	<b>31282</b>	597, 599, 601, 603, 604, 606, 608, 609, 613, 617, 622, 624, 625, 626, 628, 629, 643, 644, 647, 653, 654, 655, 656, 657, 670, 672, 676, 679, 685, 686, 702, 706, 707, 723, 725, 727, 737, 738, 744, 751



Ref. - No.

Car  
Division 

Ref. - No.



Ref. - No.



000 997 18 98	<b>31282</b>	597, 599, 601, 603, 604, 606, 608, 609, 613, 617, 622, 624, 625, 626, 628, 629, 643, 644, 647, 653, 654, 655, 656, 657, 670, 672, 676, 679, 685, 686, 702, 706, 707, 723, 725, 727, 737, 738, 744, 751
---------------	--------------	--------------------------------------------------------------------------------------------------------------------------------------------------------------------------------------------------------

000 997 19 98	<b>31282</b>	597, 599, 601, 603, 604, 606, 608, 609, 613, 617, 622, 624, 625, 626, 628, 629, 643, 644, 647, 653, 654, 655, 656, 657, 670, 672, 676, 679, 685, 686, 702, 706, 707, 723, 725, 727, 737, 738, 744, 751
---------------	--------------	--------------------------------------------------------------------------------------------------------------------------------------------------------------------------------------------------------

000 997 21 98	<b>31282</b>	597, 599, 601, 603, 604, 606, 608, 609, 613, 617, 622, 624, 625, 626, 628, 629, 643, 644, 647, 653, 654, 655, 656, 657, 670, 672, 676, 679, 685, 686, 702, 706, 707, 723, 725, 727, 737, 738, 744, 751
---------------	--------------	--------------------------------------------------------------------------------------------------------------------------------------------------------------------------------------------------------

000 997 22 98	<b>31282</b>	597, 599, 601, 603, 604, 606, 608, 609, 613, 617, 622, 624, 625, 626, 628, 629, 643, 644, 647, 653, 654, 655, 656, 657, 670, 672, 676, 679, 685, 686, 702, 706, 707, 723, 725, 727, 737, 738, 744, 751
---------------	--------------	--------------------------------------------------------------------------------------------------------------------------------------------------------------------------------------------------------

000 997 32 98 S1	<b>09281</b>	611, 714
------------------	--------------	----------

passend für / to fit:

**MINI**

11 21 7 534 654	<b>30477</b>	758, 759, 760, 761
11 21 7 588 996	<b>30477</b>	758, 759, 760, 761
11 28 0 946 004	<b>30130</b>	757
11 28 1 482 199	<b>28687</b>	756
11 28 7 509 476	<b>30131</b>	757
11 28 7 534 398	<b>33136</b>	758, 759, 760, 761
11 28 7 571 015	<b>33136</b>	758, 759, 760, 761
11 31 0 150 552	<b>29867</b>	758, 759, 760

11 31 1 439 853	<b>29867</b>	758, 759, 760
11 31 1 439 853 S2	<b>33162</b>	758, 759, 760
11 31 1 485 400	<b>31803</b>	756, 757
11 31 1 485 400 S1	<b>37590</b>	756
11 31 4 609 483	<b>29899</b>	758, 759, 760, 761
11 31 7 516 088	<b>28719</b>	759, 760, 761
11 31 7 516 088 S3	<b>30452</b>	759, 760, 761
11 31 7 533 876	<b>29867</b>	758, 759, 760
11 31 7 533 876 S1	<b>33162</b>	758, 759, 760
11 31 7 534 772	<b>29899</b>	758, 759, 760, 761
11 31 7 534 784	<b>28719</b>	759, 760, 761
11 31 7 534 784 S1	<b>30452</b>	759, 760, 761
11 31 7 565 868	<b>29899</b>	758, 759, 760, 761
11 31 7 582 036	<b>29899</b>	758, 759, 760, 761
11 31 7 593 309	<b>29899</b>	758, 759, 760, 761
11 31 7 597 895	<b>29899</b>	758, 759, 760, 761
11 31 7 598 956	<b>29899</b>	758, 759, 760, 761
11 31 7 601 809	<b>29899</b>	758, 759, 760, 761
11 36 7 547 955	<b>30475</b>	759, 761
12 31 7 561 555	<b>32311</b>	758, 759, 760, 761
12 31 7 575 518	<b>32314</b>	758, 759, 760, 761
12 31 7 576 515	<b>32311</b>	758, 759, 760, 761

passend für / to fit:

**MITSUBISHI**

MD011536	<b>27018</b>	768, 781, 784, 786, 795
MD040754	<b>17621</b>	768, 769
MD098492	<b>17622</b>	786
MD104578	<b>27019</b>	787
MD109958	<b>15277</b>	768
MD111427	<b>11166</b>	787
MD115976	<b>10621</b>	763, 767, 768, 769, 771, 775, 781, 784
MD115977 S1	<b>27396</b>	763, 767, 768, 769, 771, 775, 781, 784
MD129033	<b>27022</b>	768, 793
MD129355	<b>26735</b>	763, 767, 775
MD133115	<b>26626</b>	763, 767, 775, 783
MD140071	<b>26740</b>	770, 772, 784
MD140229	<b>17622</b>	786
MD145716 S1	<b>27396</b>	763, 767, 768, 769, 771, 775, 781, 784
MD145813	<b>27397</b>	763, 764, 774, 775


**Ref. - No.**


MD145813 S1	<b>27409</b>	763, 764, 774, 775
MD146186	<b>27017</b>	763, 764, 774, 775
MD151447	<b>26738</b>	770, 772, 784
MD156604	<b>21787</b>	762, 785, 789
MD169592	<b>21786</b>	762, 785, 789
MD171749 S1	<b>27396</b>	763, 767, 768, 769, 771, 775, 781, 784
MD175375	<b>27020</b>	764, 769, 790, 792
MD176387	<b>27516</b>	769, 790, 792
MD176387 S1	<b>27535</b>	769, 790, 792
MD179597	<b>27118</b>	770
MD182295	<b>27395</b>	763, 767, 768, 769, 771, 775, 781, 784
MD182295 S1	<b>27396</b>	763, 767, 768, 769, 771, 775, 781, 784
MD182537	<b>27021</b>	769, 771, 778, 780, 782, 788, 790, 791, 793
MD192295 S1	<b>27396</b>	763, 767, 768, 769, 771, 775, 781, 784
MD192731	<b>21787</b>	762, 785, 789
MD303375	<b>27407</b>	762, 785, 789
MD303375 S1	<b>27408</b>	762, 785, 789
MD314456	<b>26992</b>	762, 765, 776
MD314456 S1	<b>26993</b>	762, 765, 776
MD315265	<b>27020</b>	764, 769, 790, 792
MD316826	<b>27119</b>	770
MD318872	<b>32446</b>	771, 791, 794
MD319022	<b>26738</b>	770, 772, 784
MD319023	<b>27407</b>	762, 785, 789
MD319023 S1	<b>27408</b>	762, 785, 789
MD320174	<b>26991</b>	762, 765, 776
MD325854	<b>26995</b>	765, 777
MD326059	<b>26626</b>	763, 767, 775, 783
MD329976	<b>26928</b>	765, 777, 789
MD340625	<b>26995</b>	765, 777
MD340625 S1	<b>32477</b>	765, 777
MD342154	<b>26850</b>	762, 765, 777, 778, 789
MD342154 S1	<b>31398</b>	762, 765, 777, 778, 789
MD356509	<b>26994</b>	762, 765, 777, 778, 789

**Ref. - No.**


MD362028	<b>32446</b>	771, 791, 794
MD374877	<b>32447</b>	772, 773, 779, 783
MN 128497	<b>31454</b>	766, 779
MN149179	<b>31215</b>	772, 773, 779, 783
MR984778	<b>27395</b>	763, 767, 768, 769, 771, 775, 781, 784
XD111427	<b>11166</b>	787
XD140229	<b>17622</b>	786
XD145813	<b>27397</b>	763, 764, 774, 775
XD176387	<b>27516</b>	769, 790, 792
XD319023	<b>27407</b>	762, 785, 789
1145A049	<b>26995</b>	765, 777
1145A049 S1	<b>32477</b>	765, 777
1145A051	<b>26850</b>	762, 765, 777, 778, 789
1145A051 S1	<b>31398</b>	762, 765, 777, 778, 789

passend für / to fit:

**NISSAN**

11750-00QAA	<b>32581</b>	802
11750-00QAE	<b>32581</b>	802
11750-00QAF	<b>21301</b>	798
11750-00QAH	<b>09789</b>	798
11750-00QAS	<b>09789</b>	798
11750-00Q0A	<b>32581</b>	802
11750-00Q0K	<b>32581</b>	802
11750-00Q1B	<b>32581</b>	802
11927-00QAA	<b>21033</b>	799, 800
13028-N8400	<b>25199</b>	797
13070-00QAA	<b>19847</b>	800
13070-00QAB	<b>19910</b>	800
13070-01B00	<b>14968</b>	801
13070-01B01	<b>14968</b>	801
13070-01M00	<b>14259</b>	796
13070-24B00	<b>14969</b>	801
13077-00QAD	<b>05897</b>	798
13077-00QAF	<b>11356</b>	799
13077-00QAG	<b>19851</b>	798
16806-00QAA	<b>19836</b>	800
16806-00QAB	<b>19918</b>	800
16806-00QAL	<b>19943</b>	802
16806-00QAM	<b>21247</b>	798
16806-00QAR	<b>19854</b>	799

Ref. - No.

Car  
Division

Ref. - No.



Ref. - No.



16806-00QAT	<b>21249</b>	798
16806-00QAV	<b>21725</b>	799
16806-00QAW	<b>19852</b>	798
16806-00QA0	<b>19840</b>	798
16806-00QA1	<b>19836</b>	800
16806-00Q0F	<b>19943</b>	802

passend für / to fit:

**OPEL**

--	<b>25363</b>	808
0614 526	<b>25102</b>	810, 819, 839, 840, 848, 863, 887, 892
0614 533	<b>21061</b>	822, 823, 828, 853, 877, 882, 896, 899, 905, 908
0614 546	<b>33695</b>	811, 818, 820, 827, 844, 847, 848, 864, 875, 883, 886, 893, 898, 906
0614 549	<b>25101</b>	839, 843, 858
0614 553	<b>25102</b>	810, 819, 839, 840, 848, 863, 887, 892
0614 559	<b>33695</b>	811, 818, 820, 827, 844, 847, 848, 864, 875, 883, 886, 893, 898, 906
0614 564	<b>25101</b>	839, 843, 858
0615 028	<b>33046</b>	823, 828, 853, 877, 882, 896, 899, 905, 908
0615 031	<b>33046</b>	823, 828, 853, 877, 882, 896, 899, 905, 908
0615 038	<b>33046</b>	823, 828, 853, 877, 882, 896, 899, 905, 908
0615 054	<b>33046</b>	823, 828, 853, 877, 882, 896, 899, 905, 908
0615 418	<b>33046</b>	823, 828, 853, 877, 882, 896, 899, 905, 908

0636 059	<b>34161</b>	803, 825, 829, 837, 846, 850, 854, 862, 866, 867, 885, 909
0636 160	<b>27792</b>	821, 826, 830, 851, 854, 865, 867, 876, 898, 902, 906, 910
0636 176	<b>33042</b>	828, 877, 899, 908
0636 177	<b>33045</b>	823, 882, 896, 899, 905
0636 258	<b>33047</b>	806, 823, 828, 830, 853, 855, 877, 882, 896, 899, 905, 908
0636 351	<b>25118</b>	807, 838, 856, 857
0636 353	<b>09360</b>	808, 856, 869, 874
0636 357	<b>10992</b>	807, 809, 840, 856, 857
0636 358	<b>25118</b>	807, 838, 856, 857
0636 363	<b>11031</b>	809, 812, 831, 852, 856, 858, 868, 888, 889
0636 367	<b>11033</b>	814, 832, 859, 890
0636 368	<b>11004</b>	840, 858, 887
0636 370	<b>11031</b>	809, 812, 831, 852, 856, 858, 868, 888, 889
0636 373	<b>15547</b>	870, 875
0636 374	<b>09424</b>	870, 875
0636 376	<b>12119</b>	805, 817, 825, 842, 846, 850, 862, 885
0636 377	<b>02879</b>	808, 856, 869, 874
0636 378	<b>12119</b>	805, 817, 825, 842, 846, 850, 862, 885
0636 385	<b>17481</b>	835, 836, 873, 880, 891, 897
0636 415	<b>03856</b>	806, 813, 815, 833, 834, 852, 860, 872, 879, 890, 891, 894, 895
0636 416	<b>03858</b>	815, 833, 860, 890
0636 420	<b>18181</b>	818, 820, 827, 847, 848, 864, 875, 876, 886, 898, 903, 906
0636 423	<b>03879</b>	814, 832, 859, 890



<b>Ref. - No.</b>		
0636 424	<b>17482</b>	835, 836, 873, 880, 891, 897
0636 544	<b>33045</b>	823, 882, 896, 899, 905
0636 547	<b>33045</b>	823, 882, 896, 899, 905
0636 548	<b>33045</b>	823, 882, 896, 899, 905
0636 549	<b>33044</b>	806, 823, 828, 830, 853, 855, 877, 882, 896, 899, 905, 908
0636 560	<b>11031</b>	809, 812, 831, 852, 856, 858, 868, 888, 889
0636 561	<b>14114</b>	810, 819, 839, 840, 843, 848, 858, 863, 887, 892
0636 562	<b>11004</b>	840, 858, 887
0636 564	<b>11041</b>	814, 832, 859, 890
0636 565	<b>11031</b>	809, 812, 831, 852, 856, 858, 868, 888, 889
0636 566	<b>14114</b>	810, 819, 839, 840, 843, 848, 858, 863, 887, 892
0636 567	<b>11033</b>	814, 832, 859, 890
0636 567 S1	<b>11041</b>	814, 832, 859, 890
0636 568	<b>14112</b>	810, 812, 831, 852, 858, 868, 871, 887, 888, 889, 892, 894
0636 569	<b>14108</b>	815, 833, 860, 890
0636 571	<b>23419</b>	835, 836, 873, 878, 880, 891, 897, 900
0636 572	<b>15547</b>	870, 875
0636 573	<b>17477</b>	813, 834, 872, 891, 894
0636 575	<b>12976</b>	811, 844, 883, 893
0636 576	<b>14108</b>	815, 833, 860, 890
0636 579	<b>23419</b>	835, 836, 873, 878, 880, 891, 897, 900

<b>Ref. - No.</b>		
0636 654	<b>10296</b>	811, 818, 820, 827, 844, 847, 848, 864, 876, 883, 886, 893, 898, 903, 906
0636 700	<b>03339</b>	808, 856, 869, 874
0636 723	<b>23429</b>	806, 852, 872, 879, 895
0636 725	<b>10296</b>	811, 818, 820, 827, 844, 847, 848, 864, 876, 883, 886, 893, 898, 903, 906
0636 726	<b>10297</b>	813, 815, 822, 833, 834, 860, 872, 890, 891, 894, 904
0636 727	<b>11554</b>	810, 812, 831, 852, 858, 868, 871, 887, 888, 889, 892, 894
0636 728 SK	<b>27295</b>	835, 836, 873, 880, 891, 897
0636 729	<b>23429</b>	806, 852, 872, 879, 895
0636 732	<b>03921</b>	814, 832, 859, 890
0636 734	<b>06971</b>	810, 819, 839, 840, 843, 848, 858, 863, 887, 892
0636 737	<b>10297</b>	813, 815, 822, 833, 834, 860, 872, 890, 891, 894, 904
0636 738	<b>11554</b>	810, 812, 831, 852, 858, 868, 871, 887, 888, 889, 892, 894
0636 739	<b>10296</b>	811, 818, 820, 827, 844, 847, 848, 864, 876, 883, 886, 893, 898, 903, 906
0636 740	<b>06971</b>	810, 819, 839, 840, 843, 848, 858, 863, 887, 892
0636 746	<b>10297</b>	813, 815, 822, 833, 834, 860, 872, 890, 891, 894, 904

Ref. - No.

Car  
Division

Ref. - No.



Ref. - No.



0636 748	<b>06971</b>	810, 819, 839, 840, 843, 848, 858, 863, 887, 892
0636 749	<b>06971</b>	810, 819, 839, 840, 843, 848, 858, 863, 887, 892
0636 812	<b>02885</b>	808, 869, 874
0636 929	<b>27792</b>	821, 826, 830, 851, 854, 865, 867, 876, 898, 902, 906, 910
0637 241	<b>17617</b>	803, 805, 817, 825, 829, 837, 842, 846, 850, 854, 862, 866, 867, 885, 909
0637 241 S1	<b>29629</b>	803, 805, 817, 825, 829, 837, 842, 846, 850, 854, 862, 866, 867, 885, 909
0637 241 S2	<b>34162</b>	803, 825, 829, 837, 846, 850, 854, 862, 866, 867, 885, 909
1204 299	<b>22376</b>	838
1206 990	<b>18944</b>	811, 844, 883
1340 267	<b>22370</b>	803, 805, 817, 825, 829, 837, 839, 842, 846, 850, 854, 862, 866, 867, 885, 909
1340 268	<b>27818</b>	821, 826, 830, 851, <b>854, 865, 876, 898,</b> <b>902, 906, 910</b>
1340 533	<b>14546</b>	810, 843, 887, 892
1340 534	<b>19285</b>	810, 811, 812, 813, 814, 815, 822, 827, 831, 832, 833, 834, 843, 844, 852, 871, 872, 879, 881, 883, 888, 889, 890, 891, 892, 893, 894, 895, 904, 907
1340 535	<b>01237</b>	810, 868, 870, 875
1340 536	<b>19487</b>	835, 873, 878, 880, 891, 897, 900

1340 541	<b>19285</b>	810, 811, 812, 813, 814, 815, 822, 827, 831, 832, 833, 834, 843, 844, 852, 871, 872, 879, 881, 883, 888, 889, 890, 891, 892, 893, 894, 895, 904, 907
1340 542	<b>19285</b>	810, 811, 812, 813, 814, 815, 822, 827, 831, 832, 833, 834, 843, 844, 852, 871, 872, 879, 881, 883, 888, 889, 890, 891, 892, 893, 894, 895, 904, 907
1340 544	<b>19285</b>	810, 811, 812, 813, 814, 815, 822, 827, 831, 832, 833, 834, 843, 844, 852, 871, 872, 879, 881, 883, 888, 889, 890, 891, 892, 893, 894, 895, 904, 907
1340 547	<b>19487</b>	835, 873, 878, 880, 891, 897, 900
1340 550	<b>22370</b>	803, 805, 817, 825, 829, 837, 839, 842, 846, 850, 854, 862, 866, 867, 885, 909
1340 551	<b>22370</b>	803, 805, 817, 825, 829, 837, 839, 842, 846, 850, 854, 862, 866, 867, 885, 909
1340 555	<b>21060</b>	818, 819, 820, 827, 847, 848, 863, 864, 876, 886, 898, 903
1606 189	<b>19445</b>	818, 820, 827, 847, 848, 864, 875, 876, 886, 898, 903, 906
1606 189	<b>21097</b>	818, 820, 827, 847, 848, 864, 876, 886, 898, 903
1606 190	<b>21098</b>	811, 844, 883, 893
1606 190	<b>14110</b>	811, 844, 883, 893
1606 191	<b>17478</b>	813, 834, 872, 891, 894
1606 192	<b>17478</b>	813, 834, 872, 891, 894


**Ref. - No.**


1606 193	<b>14109</b>	815, 833, 860, 890
1606 194	<b>23423</b>	822
1606 196	<b>26224</b>	822, 881, 904
1606 197	<b>11041</b>	814, 832, 859, 890
1606 198	<b>23427</b>	806, 852, 872, 879, 895
1606 262	<b>19445</b>	818, 820, 827, 847, 848, 864, 875, 876, 886, 898, 903, 906
1606 274	<b>14110</b>	811, 844, 883, 893
1606 281	<b>17480</b>	818, 820, 903
1606 305	<b>28375</b>	822, 827, 881, 904, 907
1606 306	<b>19445</b>	818, 820, 827, 847, 848, 864, 875, 876, 886, 898, 903, 906
1606 314	<b>27825</b>	821, 826, 830, 851, 854, 865, 867, 876, 898, 902, 906, 910
1606 355	<b>27825</b>	821, 826, 830, 851, 854, 865, 867, 876, 898, 902, 906, 910
1606 356	<b>27825</b>	821, 826, 830, 851, 854, 865, 867, 876, 898, 902, 906, 910
1606 368	<b>14115</b>	810, 819, 839, 840, 843, 848, 858, 863, 887, 892
1606 369	<b>14115</b>	810, 819, 839, 840, 843, 848, 858, 863, 887, 892
1606 426	<b>27825</b>	821, 826, 830, 851, 854, 865, 867, 876, 898, 902, 906, 910
1854 429	<b>08673</b>	870, 873, 875, 891, 897
4401 566	<b>22329</b>	901
4401 567	<b>32581</b>	901
4408 351	<b>22329</b>	901
4409 587	<b>32581</b>	901
4409 959	<b>19846</b>	901
4410 546	<b>26567</b>	901
4410 548	<b>21759</b>	901

**Ref. - No.**


4411 707	<b>22329</b>	901
4412 355	<b>26570</b>	901
4416 576	<b>26570</b>	901
4430 238	<b>27259</b>	901
4430 895	<b>26567</b>	901
4430 896	<b>19846</b>	901
4433 452	<b>32581</b>	901
4433 629	<b>19846</b>	901
4434 433	<b>27259</b>	901
4449 586	<b>26567</b>	901
4449 671	<b>32581</b>	901
4805 292	<b>23425</b>	806, 852, 872, 879, 895
4805 292 S1	<b>23427</b>	806, 852, 872, 879, 895
4807 839	<b>33044</b>	806, 823, 828, 830, 853, 855, 877, 882, 896, 899, 905, 908
5636 130	<b>27792</b>	821, 826, 830, 851, 854, 865, 867, 876, 898, 902, 906, 910
5636 282	<b>33044</b>	806, 823, 828, 830, 853, 855, 877, 882, 896, 899, 905, 908
5636 350	<b>23425</b>	806, 852, 872, 879, 895
5636 351	<b>14112</b>	810, 812, 831, 852, 858, 868, 871, 887, 888, 889, 892, 894
5636 351 S1	<b>14113</b>	810, 812, 831, 852, 858, 868, 871, 887, 888, 889, 892, 894
5636 354	<b>23419</b>	835, 836, 873, 878, 880, 891, 897, 900
5636 355	<b>14108</b>	815, 833, 860, 890
5636 355 S1	<b>14109</b>	815, 833, 860, 890
5636 356	<b>14114</b>	810, 819, 839, 840, 843, 848, 858, 863, 887, 892
5636 356 S1	<b>14115</b>	810, 819, 839, 840, 843, 848, 858, 863, 887, 892
5636 357	<b>12976</b>	811, 844, 883, 893

Ref. - No.

Car  
Division

Ref. - No.



5636 357 S1	<b>14110</b>	811, 844, 883, 893
5636 358	<b>17477</b>	813, 834, 872, 891, 894
5636 360	<b>17617</b>	803, 805, 817, 825, 829, 837, 842, 846, 850, 854, 862, 866, 867, 885, 909
5636 360 S1	<b>29629</b>	803, 805, 817, 825, 829, 837, 842, 846, 850, 854, 862, 866, 867, 885, 909
5636 360 S2	<b>34162</b>	803, 825, 829, 837, 846, 850, 854, 862, 866, 867, 885, 909
5636 361	<b>14112</b>	810, 812, 831, 852, 858, 868, 871, 887, 888, 889, 892, 894
5636 361 S1	<b>14113</b>	810, 812, 831, 852, 858, 868, 871, 887, 888, 889, 892, 894
5636 362	<b>12976</b>	811, 844, 883, 893
5636 363	<b>17477</b>	813, 834, 872, 891, 894
5636 363 S1	<b>17478</b>	813, 834, 872, 891, 894
5636 364	<b>14114</b>	810, 819, 839, 840, 843, 848, 858, 863, 887, 892
5636 364 S1	<b>14115</b>	810, 819, 839, 840, 843, 848, 858, 863, 887, 892
5636 369	<b>23421</b>	822, 827, 881, 904, 907
5636 371	<b>23419</b>	835, 836, 873, 878, 880, 891, 897, 900
5636 372	<b>23425</b>	806, 852, 872, 879, 895
5636 373	<b>17479</b>	818, 820, 827, 847, 848, 864, 875, 876, 886, 898, 903, 906
5636 373 S1	<b>17480</b>	818, 820, 903

Ref. - No.



5636 373 S2	<b>19445</b>	818, 820, 827, 847, 848, 864, 875, 876, 886, 898, 903, 906
5636 374	<b>14112</b>	810, 812, 831, 852, 858, 868, 871, 887, 888, 889, 892, 894
5636 378	<b>33043</b>	806, 823, 828, 830, 853, 855, 877, 882, 896, 899, 905, 908
5636 380	<b>33048</b>	823, 828, 853, 855, 877, 882, 896, 899, 905, 908
5636 381	<b>33047</b>	806, 823, 828, 830, 853, 855, 877, 882, 896, 899, 905, 908
5636 384	<b>26223</b>	822, 827, 881, 904, 907
5636 394	<b>33045</b>	823, 882, 896, 899, 905
5636 396	<b>33043</b>	806, 823, 828, 830, 853, 855, 877, 882, 896, 899, 905, 908
5636 399	<b>33045</b>	823, 882, 896, 899, 905
5636 400	<b>33045</b>	823, 882, 896, 899, 905
5636 401	<b>33042</b>	828, 877, 899, 908
5636 414	<b>33044</b>	806, 823, 828, 830, 853, 855, 877, 882, 896, 899, 905, 908
5636 415	<b>12110</b>	811, 818, 820, 844, 883, 893, 903
5636 416	<b>08697</b>	811, 818, 820, 827, 844, 847, 848, 864, 875, 876, 883, 886, 893, 898, 903, 906
5636 417	<b>17481</b>	835, 836, 873, 880, 891, 897
5636 418	<b>17482</b>	835, 836, 873, 880, 891, 897
5636 419	<b>12110</b>	811, 818, 820, 844, 883, 893, 903


**Ref. - No.**


5636 420	<b>17481</b>	835, 836, 873, 880, 891, 897
5636 421	<b>17482</b>	835, 836, 873, 880, 891, 897
5636 422	<b>17482</b>	835, 836, 873, 880, 891, 897
5636 423	<b>11321</b>	822, 827, 881, 904, 907
5636 425	<b>03856</b>	806, 813, 815, 833, 834, 852, 860, 872, 879, 890, 891, 894, 895
5636 426	<b>08697</b>	811, 818, 820, 827, 844, 847, 848, 864, 875, 876, 883, 886, 893, 898, 903, 906
5636 427	<b>12110</b>	811, 818, 820, 844, 883, 893, 903
5636 429	<b>11554</b>	810, 812, 831, 852, 858, 868, 871, 887, 888, 889, 892, 894
5636 436	<b>23445</b>	821, 826, 830, 851, 854, 865, 867, 876, 898, 902, 906, 910
5636 449	<b>28374</b>	822, 827, 881, 904, 907
5636 451	<b>27792</b>	821, 826, 830, 851, 854, 865, 867, 876, 898, 902, 906, 910
5636 452	<b>23445</b>	821, 826, 830, 851, 854, 865, 867, 876, 898, 902, 906, 910
5636 454	<b>18181</b>	818, 820, 827, 847, 848, 864, 875, 876, 886, 898, 903, 906
5636 455	<b>08697</b>	811, 818, 820, 827, 844, 847, 848, 864, 875, 876, 883, 886, 893, 898, 903, 906
5636 457	<b>12119</b>	805, 817, 825, 842, 846, 850, 862, 885

**Ref. - No.**


5636 469	<b>27792</b>	821, 826, 830, 851, 854, 865, 867, 876, 898, 902, 906, 910
5636 479	<b>33042</b>	828, 877, 899, 908
5636 486	<b>27792</b>	821, 826, 830, 851, 854, 865, 867, 876, 898, 902, 906, 910
5636 560	<b>14114</b>	810, 819, 839, 840, 843, 848, 858, 863, 887, 892
5636 560 S1	<b>14115</b>	810, 819, 839, 840, 843, 848, 858, 863, 887, 892
5636 561	<b>12976</b>	811, 844, 883, 893
5636 561 S1	<b>14110</b>	811, 844, 883, 893
5636 562	<b>14112</b>	810, 812, 831, 852, 858, 868, 871, 887, 888, 889, 892, 894
5636 562 S1	<b>14113</b>	810, 812, 831, 852, 858, 868, 871, 887, 888, 889, 892, 894
5636 563	<b>17477</b>	813, 834, 872, 891, 894
5636 564	<b>17479</b>	818, 820, 827, 847, 848, 864, 875, 876, 886, 898, 903, 906
5636 564 S1	<b>17480</b>	818, 820, 903
5636 564 S2	<b>19445</b>	818, 820, 827, 847, 848, 864, 875, 876, 886, 898, 903, 906
5636 565	<b>12976</b>	811, 844, 883, 893
5636 566	<b>23421</b>	822, 827, 881, 904, 907
5636 721	<b>06971</b>	810, 819, 839, 840, 843, 848, 858, 863, 887, 892
5636 722	<b>06971</b>	810, 819, 839, 840, 843, 848, 858, 863, 887, 892
5636 725	<b>27792</b>	821, 826, 830, 851, 854, 865, 867, 876, 898, 902, 906, 910



Ref. - No.

Car  
Division 

Ref. - No.



5636 730	<b>17481</b>	835, 836, 873, 880, 891, 897
5636 732	<b>10296</b>	811, 818, 820, 827, 844, 847, 848, 864, 876, 883, 886, 893, 898, 903, 906
5636 733	<b>10296</b>	811, 818, 820, 827, 844, 847, 848, 864, 876, 883, 886, 893, 898, 903, 906
5636 738	<b>10297</b>	813, 815, 822, 833, 834, 860, 872, 890, 891, 894, 904
5636 740	<b>10296</b>	811, 818, 820, 827, 844, 847, 848, 864, 876, 883, 886, 893, 898, 903, 906
5636 746	<b>26223</b>	822, 827, 881, 904, 907
5636 978	<b>27819</b>	821, 826, 830, 851, 854, 865, 867, 876, 898, 902, 906, 910
6340 532	<b>19285</b>	810, 811, 812, 813, 814, 815, 822, 827, 831, 832, 833, 834, 843, 844, 852, 871, 872, 879, 881, 883, 888, 889, 890, 891, 892, 893, 894, 895, 904, 907
6340 538	<b>19487</b>	835, 873, 878, 880, 891, 897, 900
6340 552	<b>27818</b>	821, 826, 830, 851, 854, 865, 876, 898, 902, 906, 910
6340 553	<b>22370</b>	803, 805, 817, 825, 829, 837, 839, 842, 846, 850, 854, 862, 866, 867, 885, 909
6340 558	<b>27818</b>	821, 826, 830, 851, 854, 865, 876, 898, 902, 906, 910
6606 022	<b>33040</b>	805, 817, 825, 842, 846, 850, 862, 885

Ref. - No.



6606 022 SK1	<b>30372</b>	805, 817, 825, 842, 846, 850, 862, 885
6606 022 SK3	<b>33080</b>	805, 817, 825, 842, 846, 850, 862, 885
6606 022 S2	<b>33082</b>	805, 817, 825, 842, 846, 850, 862, 885
6606 023	<b>33040</b>	805, 817, 825, 842, 846, 850, 862, 885
6606 023 SK1	<b>30372</b>	805, 817, 825, 842, 846, 850, 862, 885
6606 023 SK3	<b>33080</b>	805, 817, 825, 842, 846, 850, 862, 885
6606 023 S2	<b>33082</b>	805, 817, 825, 842, 846, 850, 862, 885
6606 027	<b>33040</b>	805, 817, 825, 842, 846, 850, 862, 885
6606 027 SK1	<b>30372</b>	805, 817, 825, 842, 846, 850, 862, 885
6606 027 SK3	<b>33080</b>	805, 817, 825, 842, 846, 850, 862, 885
6606 027 S2	<b>33082</b>	805, 817, 825, 842, 846, 850, 862, 885
passend für / to fit:		
<b>PEUGEOT</b>		
0513.C8	<b>30477</b>	925, 937, 964
0805.H6	<b>30475</b>	925, 937, 964
0805.K3	<b>30475</b>	925, 937, 964
0816.A0	<b>17762</b>	952, 957, 958, 961
0816.A1	<b>17763</b>	921, 936, 951, 953, 954, 958, 960, 961, 967
0816.C2	<b>17763</b>	921, 936, 951, 953, 954, 958, 960, 961, 967
0816.E0	<b>11197</b>	913, 920, 923, 924, 935, 938, 947, 963, 970, 971, 972
0816.E0 S	<b>11198</b>	913
0816.E0 S1	<b>22327</b>	920, 935, 970
0816.E0 S2	<b>11198</b>	913
0816.E2	<b>24367</b>	933
0816.F0	<b>21278</b>	911, 917, 969
0816.F2	<b>21272</b>	912, 918, 928, 934


**Ref. - No.**


0816.F4	<b>17763</b>	921, 936, 951, 953, 954, 958, 960, 961, 967
0816.G4	<b>28105</b>	936, 938, 953, 954, 961, 968
0816.G7	<b>24367</b>	933
0816.G8	<b>30979</b>	919, 924, 934, 962
0816.H1	<b>31004</b>	914
0816.H3	<b>17762</b>	952, 957, 958, 961
0816.H5	<b>30979</b>	919, 924, 934, 962
0816.H6	<b>11197</b>	913, 920, 923, 924, 935, 938, 947, 963, 970, 971, 972
0816.H6 S1	<b>22327</b>	920, 935, 970
0816.H9	<b>28719</b>	955, 973
0816.H9	<b>30445</b>	925, 937, 964
0816.H9 S1	<b>30452</b>	925, 937, 955, 964, 973
0816.J2	<b>29900</b>	925, 926, 937, 955, 964, 972, 973
0816.J2 S1	<b>30345</b>	925, 926, 937, 955, 964, 972, 973
0816.K3	<b>31004</b>	914
0816.07	<b>09265</b>	965
0816.13	<b>09276</b>	956
0816.29	<b>11226</b>	916, 941, 944
0816.29 S	<b>11227</b>	916, 941, 944
0816.36	<b>11217</b>	911, 915, 917, 927, 939, 969
0816.42	<b>11217</b>	911, 915, 917, 927, 939, 969
0816.44	<b>11241</b>	912, 915, 918, 927, 940, 943
0816.44 S	<b>11242</b>	912, 915, 918, 927, 940, 943
0816.48	<b>10995</b>	916, 929, 931, 941, 944, 948, 959, 966, 971
0816.48 S1	<b>11244</b>	916, 929, 931, 941, 944, 948, 959, 966, 971
0816.52	<b>25370</b>	956

**Ref. - No.**


0816.55	<b>11229</b>	912, 913, 919, 929, 940, 943
0816.55 S	<b>11230</b>	912, 913, 919, 929, 934, 940, 943
0816.56	<b>11217</b>	911, 915, 917, 927, 939, 969
0816.56 S	<b>11218</b>	911, 915, 917, 939, 969
0816.58	<b>11000</b>	930, 933, 945, 949, 950, 955, 960
0816.60	<b>10995</b>	916, 929, 931, 941, 944, 948, 959, 966, 971
0816.60 S1	<b>11244</b>	916, 929, 931, 941, 944, 948, 959, 966, 971
0816.62	<b>10995</b>	916, 929, 931, 941, 944, 948, 959, 966, 971
0816.62 S1	<b>11244</b>	916, 929, 931, 941, 944, 948, 959, 966, 971
0816.67	<b>11226</b>	916, 941, 944
0816.67 S	<b>11227</b>	916, 941, 944
0816.67 S1	<b>11227</b>	916, 941, 944
0816.69	<b>11668</b>	965
0816.69 S	<b>11669</b>	965
0816.71	<b>10995</b>	916, 929, 931, 941, 944, 948, 959, 966, 971
0816.71 S1	<b>11244</b>	916, 929, 931, 941, 944, 948, 959, 966, 971
0816.72	<b>11000</b>	930, 933, 945, 949, 950, 955, 960
0816.73	<b>11000</b>	930, 933, 945, 949, 950, 955, 960
0816.73 S	<b>11212</b>	933, 950, 955, 960
0816.79	<b>11006</b>	966
0816.79 S1	<b>11072</b>	966
0816.85	<b>11197</b>	913, 920, 923, 924, 935, 938, 947, 963, 970, 971, 972

Ref. - No.

Car  
Division

Ref. - No.



0816.85 S	<b>11198</b>	913
0816.89	<b>17762</b>	952, 957, 958, 961
0816.98	<b>11000</b>	930, 933, 945, 949, 950, 955, 960
0818.29	<b>30453</b>	925, 937, 955, 964, 973
0818.30	<b>30448</b>	925, 937, 955, 964, 973
0818.31	<b>30446</b>	925, 937, 955, 964, 973
0818.33	<b>29902</b>	925, 926, 937, 955, 964, 972, 973
0818.34	<b>29901</b>	925, 926, 937, 955, 964, 972, 973
0818.35	<b>29903</b>	925, 926, 937, 955, 964, 972, 973
0818.40	<b>29901</b>	925, 926, 937, 955, 964, 972, 973
0818.41	<b>29903</b>	925, 926, 937, 955, 964, 972, 973
0823.08	<b>26763</b>	952, 958, 961
0823.10	<b>26763</b>	952, 958, 961
0829.A0	<b>26715</b>	920, 923, 924, 935, 938, 947, 963, 970, 971, 972
0829.A1	<b>26716</b>	920, 923, 924, 935, 938, 947, 963, 970, 971, 972
0829.A5	<b>26804</b>	919, 924, 934, 962
0829.A7	<b>19325</b>	921, 936, 951, 953, 954, 958, 960, 961, 967
0829.A9	<b>28106</b>	936, 938, 953, 954, 961, 968
0829.C5	<b>26763</b>	952, 958, 961
0829.C6	<b>26804</b>	919, 924, 934, 962
0829.C7	<b>18489</b>	920, 935, 970
0829.C8	<b>26715</b>	920, 923, 924, 935, 938, 947, 963, 970, 971, 972
0829.C9	<b>09792</b>	913
0829.E1	<b>29899</b>	925, 926, 937, 955, 972, 973

Ref. - No.



0829.F6	<b>26715</b>	920, 923, 924, 935, 938, 947, 963, 970, 971, 972
0829.G3	<b>29899</b>	925, 926, 937, 955, 972, 973
0829.12	<b>04925</b>	916, 941, 944
0829.17	<b>05338</b>	966
0829.19	<b>04880</b>	911, 912, 913, 915, 917, 918, 919, 927, 929, 934, 939, 940, 943, 959, 966, 969
0829.20	<b>04865</b>	942, 946
0829.29	<b>06981</b>	916, 944, 948
0829.32	<b>04804</b>	933, 950, 955, 960, 965
0829.35	<b>04804</b>	933, 950, 955, 960, 965
0829.49	<b>09792</b>	913
0829.54	<b>04880</b>	911, 912, 913, 915, 917, 918, 919, 927, 929, 934, 939, 940, 943, 959, 966, 969
0829.66	<b>19325</b>	921, 936, 951, 953, 954, 958, 960, 961, 967
0829.69	<b>19190</b>	930, 945, 949
0829.77	<b>19325</b>	921, 936, 951, 953, 954, 958, 960, 961, 967
0829.79	<b>19190</b>	930, 945, 949
0829.80	<b>40106</b>	951
0829.82	<b>18489</b>	920, 935, 970
0829.83	<b>36021</b>	933
0829.84	<b>36021</b>	933
0829.90	<b>21268</b>	911, 912, 917, 918, 928, 934, 969
0829.92	<b>19325</b>	921, 936, 951, 953, 954, 958, 960, 961, 967
0829.96	<b>19325</b>	921, 936, 951, 953, 954, 958, 960, 961, 967
0829.98	<b>40106</b>	951


**Ref. - No.**


0830.11	<b>06982</b>	930, 933, 945, 949, 950, 955, 960
0830.14	<b>06982</b>	930, 933, 945, 949, 950, 955, 960
0830.20	<b>11122</b>	913, 920, 935, 970
0830.24	<b>19239</b>	952, 957, 958, 961
0830.25	<b>19240</b>	952, 957, 958, 961
0830.26	<b>19239</b>	952, 957, 958, 961
0830.27	<b>19240</b>	952, 957, 958, 961
0830.37	<b>06982</b>	930, 933, 945, 949, 950, 955, 960
0830.38	<b>19189</b>	921, 936, 938, 951, 953, 954, 958, 960, 961, 967, 968
0830.42	<b>19189</b>	921, 936, 938, 951, 953, 954, 958, 960, 961, 967, 968
0830.52	<b>22407</b>	919, 924, 934, 962
0830.53	<b>19239</b>	952, 957, 958, 961
0830.54	<b>19240</b>	952, 957, 958, 961
0830.58	<b>19239</b>	952, 957, 958, 961
0830.59	<b>19240</b>	952, 957, 958, 961
0830.60	<b>22407</b>	919, 924, 934, 962
0830.61	<b>11122</b>	913, 920, 935, 970
0830.62	<b>26716</b>	920, 923, 924, 935, 938, 947, 963, 970, 971, 972
0831.K3	<b>28107</b>	936, 938, 953, 954, 961, 968
0831.L2	<b>26717</b>	920, 923, 924, 935, 938, 947, 963, 970, 971, 972
0831.L4	<b>31051</b>	919, 924, 934, 962
0831.L6	<b>22327</b>	920, 935, 970
0831.L8	<b>28103</b>	952, 958, 961
0831.Q3	<b>11218</b>	911, 915, 917, 939, 969
0831.Q4	<b>11242</b>	912, 915, 918, 927, 940, 943
0831.Q5	<b>11230</b>	912, 913, 919, 929, 934, 940, 943

**Ref. - No.**


0831.R1	<b>11244</b>	916, 929, 931, 941, 944, 948, 959, 966, 971
0831.R5	<b>11212</b>	933, 950, 955, 960
0831.R9	<b>26717</b>	920, 923, 924, 935, 938, 947, 963, 970, 971, 972
0831.S0	<b>21274</b>	912, 918, 928, 934
0831.S1	<b>21280</b>	911, 917, 969
0831.S6	<b>11669</b>	965
0831.S9	<b>26139</b>	930, 945, 949
0831.T1	<b>39090</b>	933
0831.T4	<b>22309</b>	921, 936, 951, 953, 954, 958, 960, 961, 967
0831.V0	<b>31051</b>	919, 924, 934, 962
0831.V1	<b>22327</b>	920, 935, 970
0831.V2	<b>28103</b>	952, 958, 961
0831.V6	<b>28107</b>	936, 938, 953, 954, 961, 968
0831.02	<b>11218</b>	911, 915, 917, 939, 969
0831.03	<b>11242</b>	912, 915, 918, 927, 940, 943
0831.06	<b>11244</b>	916, 929, 931, 941, 944, 948, 959, 966, 971
0831.14	<b>11242</b>	912, 915, 918, 927, 940, 943
0831.24	<b>11230</b>	912, 913, 919, 929, 934, 940, 943
0831.34	<b>11669</b>	965
0831.48	<b>11212</b>	933, 950, 955, 960
0831.54	<b>22309</b>	921, 936, 951, 953, 954, 958, 960, 961, 967
0831.65	<b>22309</b>	921, 936, 951, 953, 954, 958, 960, 961, 967
0831.67	<b>26139</b>	930, 945, 949
0831.71	<b>39090</b>	933
0831.84	<b>21280</b>	911, 917, 969
0831.86	<b>21274</b>	912, 918, 928, 934

Ref. - No.

Car  
Division 

Ref. - No.



0831.88	<b>22309</b>	921, 936, 951, 953, 954, 958, 960, 961, 967
1281.19	<b>05015</b>	956
16 115 475 80	<b>31004</b>	914
1628.WA	<b>28277</b>	936
5751.A2	<b>40466</b>	917, 918, 920, 922, 970
5751.A9	<b>28279</b>	952, 958, 961
5751.C0	<b>40190</b>	936, 938, 953, 958, 961, 968
5751.C3	<b>31076</b>	925, 934, 935, 938, 962
5751.C8	<b>31075</b>	917, 918, 919, 920, 922, 923, 965, 969, 970
5751.C9	<b>22355</b>	917, 918, 920
5751.E4	<b>43685</b>	921, 936, 958, 961, 967
5751.E7	<b>33136</b>	926, 937, 955, 964, 972, 973
5751.E9	<b>36660</b>	917, 918, 920, 935, 970, 971, 972
5751.G7	<b>31076</b>	925, 934, 935, 938, 962
5751.G8	<b>40190</b>	936, 938, 953, 958, 961, 968
5751.G9	<b>33136</b>	926, 937, 955, 964, 972, 973
5751.10	<b>04739</b>	955
5751.12	<b>04739</b>	955
5751.18	<b>04732</b>	929, 931, 932, 933, 942, 946, 971
5751.19	<b>17542</b>	929, 930, 931, 932, 933, 942, 946, 948, 949, 950, 959, 966, 971
5751.20	<b>17544</b>	929, 930, 931, 932, 933, 942, 946, 948, 959, 966
5751.21	<b>04730</b>	955
5751.32	<b>09794</b>	931, 948, 950
5751.33	<b>09793</b>	931, 948, 950

Ref. - No.



5751.34	<b>17543</b>	933, 950, 959
5751.35	<b>17542</b>	929, 930, 931, 932, 933, 942, 946, 948, 949, 950, 959, 966, 971
5751.36	<b>19354</b>	930, 948, 949
5751.37	<b>19212</b>	948, 949
5751.39	<b>27563</b>	952, 957, 958, 961
5751.41	<b>28278</b>	952, 957, 958, 961
5751.47	<b>22353</b>	934, 935, 962, 963
5751.50	<b>17065</b>	917, 918, 919, 920
5751.51	<b>19856</b>	917, 918, 919, 920
5751.52	<b>19355</b>	917, 918, 919, 920
5751.53	<b>11349</b>	930
5751.60	<b>19357</b>	921, 936, 951, 953, 954, 958, 960, 961, 967
5751.61	<b>19356</b>	921, 936, 951, 953, 954, 958, 960, 961, 967
5751.75	<b>27563</b>	952, 957, 958, 961
5751.77	<b>28279</b>	952, 958, 961
5751.91	<b>22353</b>	934, 935, 962, 963
5751.97	<b>40466</b>	917, 918, 920, 922, 970
5751.98	<b>22355</b>	917, 918, 920
6453.C5	<b>04717</b>	911, 912, 913, 914, 915, 927, 929, 939, 940, 943
6453.G4	<b>04717</b>	911, 912, 913, 914, 915, 927, 929, 939, 940, 943
6453.S4	<b>05853</b>	911, 912, 913, 927, 928, 969
6453.S5	<b>05853</b>	911, 912, 913, 927, 928, 969
6453.76	<b>04723</b>	916, 941, 944
96 200 388 80	<b>28278</b>	952, 957, 958, 961
96 379 145 80	<b>24367</b>	933
96 459 251 80	<b>40106</b>	951
96 496 758 80	<b>40466</b>	917, 918, 920, 922, 970


**Ref. - No.**


96 520 466 80	<b>31075</b>	917, 918, 919, 920, 922, 923, 965, 969, 970
passend für / to fit:		
<b>PORSCHE</b>		
944 102 025 03	<b>04345</b>	980
944 102 025 04	<b>04345</b>	980
944 102 025 05	<b>04345</b>	980
944 102 025 06	<b>04345</b>	980
944 102 025 07	<b>04345</b>	980
996 102 117 57	<b>34533</b>	976, 982, 984
996 102 118 56	<b>34534</b>	976, 982, 984
996 102 119 58	<b>34536</b>	976, 982, 984
997 102 119 00	<b>34542</b>	976, 982, 984
997 102 260 00	<b>34540</b>	976, 982, 984
944 102 277 04	<b>01883</b>	980
944 102 277 06	<b>01883</b>	980
996 102 360 51	<b>34532</b>	976, 982, 984
944 105 027 02	<b>04556</b>	980
944 105 027 03	<b>04556</b>	980
944 105 027 04	<b>04556</b>	980
959 105 052 01	<b>21830</b>	975
964 105 079 00	<b>21831</b>	975
964 105 080 00	<b>21830</b>	975
9A1 105 142 02 S1	<b>34973</b>	978, 983, 985
9A1 105 142 02	<b>34971</b>	978, 983, 985
9A1 105 157 02	<b>34784</b>	978, 983, 985
911 105 222 06	<b>25305</b>	974
9A1 105 233 02	<b>34972</b>	978, 983, 985
944 105 241 02	<b>04564</b>	980
944 105 241 03	<b>04606</b>	980
944 105 241 04	<b>04606</b>	980
944 105 273 01	<b>04611</b>	980
944 105 273 02	<b>04611</b>	980
944 105 273 03	<b>04611</b>	980
944 105 501 01	<b>09424</b>	980
944 105 501 05	<b>09424</b>	980
928 105 512 05	<b>04442</b>	981
928 105 512 07	<b>04442</b>	981
928 105 512 09	<b>04442</b>	981
928 105 512 11	<b>04442</b>	981
928 105 512 12	<b>04442</b>	981
901 105 529 00	<b>09425</b>	974

**Ref. - No.**


901 105 529 50	<b>09426</b>	974
911 105 529 00	<b>09425</b>	974
911 105 529 50	<b>09426</b>	974
993 105 529 00	<b>09425</b>	974
928 105 571 01	<b>04619</b>	981
928 105 571 02	<b>04613</b>	981
928 105 571 04	<b>04619</b>	981
944 105 631 04	<b>04620</b>	980
944 105 631 05	<b>01882</b>	980
944 105 631 06	<b>04620</b>	980
944 105 631 10	<b>01882</b>	980
026 109 243	<b>06688</b>	975
026 109 243 A	<b>06688</b>	975
026 109 243 E	<b>06688</b>	975
026 109 243 F	<b>06688</b>	975
026 109 243 L	<b>06688</b>	975
049 109 243	<b>06688</b>	975
056 109 243 A	<b>06688</b>	975
056 109 243 B	<b>06688</b>	975
056 109 243 D	<b>06688</b>	975
996 115 015 75	<b>34537</b>	977
996 115 015 76	<b>34544</b>	979
996 115 016 72	<b>34538</b>	977, 979
996 115 221 72	<b>34543</b>	977, 979
passend für / to fit:		
<b>RENAULT</b>		
08 55 789 200	<b>25387</b>	1026, 1027
11 75 036 62R	<b>30159</b>	993, 996, 1004, 1022, 1023, 1025, 1043
11 75 072 71R	<b>22329</b>	997, 1001, 1010, 1040, 1044
11 75 096 54R	<b>30159</b>	993, 996, 1004, 1022, 1023, 1025, 1043
13 0C 113 21R	<b>28602</b>	1001, 1010, 1040
13 0C 121 31R	<b>21989</b>	994, 999, 1006, 1021
13 0C 174 80R	<b>37640</b>	1014, 1015, 1016, 1035, 1036

Ref. - No.

Car  
Division 

Ref. - No.



13 0C 175 29R	<b>19918</b>	993, 996, 997, 1003, 1004, 1005, 1010, 1013, 1018, 1023, 1025, 1035, 1037
13 02 811 94R	<b>09263</b>	987, 1028, 1041
13 07 002 38R	<b>36288</b>	996, 1012, 1022, 1023, 1024, 1025, 1037, 1038
13 07 011 92R	<b>19910</b>	993, 996, 997, 1003, 1004, 1005, 1010, 1013, 1018, 1023, 1025, 1035, 1037
13 07 756 30R	<b>21759</b>	986, 994, 996, 999, 1001, 1006, 1010, 1011, 1012, 1021, 1022, 1037, 1040, 1044
60 01 538 826	<b>09263</b>	987, 1028, 1041
60 01 543 400	<b>19854</b>	992, 1002, 1013, 1015, 1017, 1035
60 01 543 859	<b>21725</b>	992, 1002, 1013, 1015, 1017, 1035
74 31 271 914	<b>22152</b>	1007, 1033
74 31 275 380	<b>22152</b>	1007, 1033
74 38 630 590	<b>04282</b>	1007, 1033
74 38 642 251	<b>14381</b>	1007
74 39 135 036	<b>04216</b>	1007, 1033
74 39 135 733	<b>14934</b>	1007, 1033
74 39 135 733 S	<b>14935</b>	1007, 1033
74 39 135 733 S1	<b>14935</b>	1007, 1033
74 39 146 139	<b>01900</b>	1007, 1033
74 39 146 376	<b>04282</b>	1007, 1033
74 39 440 329	<b>14381</b>	1007
77 00 101 248	<b>19836</b>	993, 996, 997, 1003, 1004, 1005, 1010, 1012, 1013, 1018, 1022, 1023, 1024, 1025, 1035, 1037, 1038
77 00 101 427	<b>19836</b>	993, 996, 997, 1003, 1004, 1005, 1010, 1012, 1013, 1018, 1022, 1023, 1024, 1025, 1035, 1037, 1038
77 00 102 047	<b>21247</b>	987, 991, 1002

Ref. - No.



77 00 102 872	<b>28331</b>	993, 1003, 1005, 1013, 1018, 1021, 1035
77 00 102 931	<b>21033</b>	992, 993, 996, 1003, 1005, 1010, 1012, 1013, 1017, 1018, 1021, 1023, 1035
77 00 104 092	<b>21033</b>	992, 993, 996, 1003, 1005, 1010, 1012, 1013, 1017, 1018, 1021, 1023, 1035
77 00 105 325	<b>21709</b>	992, 993, 1003, 1005, 1010, 1013, 1018, 1035
77 00 106 241	<b>21247</b>	987, 991, 1002
77 00 106 243	<b>19839</b>	986, 994, 999, 1006, 1021
77 00 107 150	<b>19847</b>	986, 993, 994, 996, 997, 999, 1003, 1004, 1005, 1006, 1010, 1012, 1013, 1018, 1021, 1022, 1023, 1024, 1025, 1035, 1037, 1038
77 00 108 117	<b>19910</b>	993, 996, 997, 1003, 1004, 1005, 1010, 1013, 1018, 1023, 1025, 1035, 1037
77 00 108 412	<b>19836</b>	993, 996, 997, 1003, 1004, 1005, 1010, 1012, 1013, 1018, 1022, 1023, 1024, 1025, 1035, 1037, 1038
77 00 108 626	<b>19845</b>	986, 994, 999, 1006, 1021
77 00 108 920	<b>19846</b>	986, 994, 996, 999, 1001, 1006, 1010, 1011, 1012, 1021, 1022, 1037, 1040, 1044
77 00 109 450	<b>22329</b>	997, 1001, 1010, 1040, 1044
77 00 110 616	<b>26457</b>	993, 996, 1003, 1010, 1013, 1018, 1022, 1023


**Ref. - No.**


77 00 110 947	<b>32581</b>	1040
77 00 113 061	<b>21247</b>	987, 991, 1002
77 00 113 558	<b>19836</b>	993, 996, 997, 1003, 1004, 1005, 1010, 1012, 1013, 1018, 1022, 1023, 1024, 1025, 1035, 1037, 1038
77 00 113 559	<b>19839</b>	986, 994, 999, 1006, 1021
77 00 114 860	<b>19846</b>	986, 994, 996, 999, 1001, 1006, 1010, 1011, 1012, 1021, 1022, 1037, 1040, 1044
77 00 115 070	<b>04199</b>	988, 989, 999, 1006, 1007, 1019, 1027, 1029, 1031
77 00 116 049	<b>04195</b>	988, 989, 999, 1006, 1007, 1019, 1027, 1029, 1031
77 00 116 050	<b>05892</b>	990, 1020, 1030
77 00 272 652	<b>11355</b>	1041
77 00 273 277	<b>11356</b>	992, 1002, 1013, 1015, 1017, 1035
77 00 273 279	<b>19854</b>	992, 1002, 1013, 1015, 1017, 1035
77 00 273 650	<b>19854</b>	992, 1002, 1013, 1015, 1017, 1035
77 00 274 217	<b>21707</b>	992, 1002
77 00 274 218	<b>21719</b>	992, 1002
77 00 696 987	<b>05859</b>	1031
77 00 708 337	<b>05859</b>	1031
77 00 716 768	<b>05859</b>	1031
77 00 718 836	<b>11132</b>	998, 1033, 1039
77 00 722 758	<b>09263</b>	987, 1028, 1041
77 00 725 577	<b>11150</b>	988, 989, 1006, 1027, 1029, 1031
77 00 725 577 S	<b>11151</b>	988, 989, 1006, 1027, 1029, 1031
77 00 726 440	<b>04199</b>	988, 989, 999, 1006, 1007, 1019, 1027, 1029, 1031
77 00 733 489	<b>05892</b>	990, 1020, 1030

**Ref. - No.**


77 00 735 486	<b>04195</b>	988, 989, 999, 1006, 1007, 1019, 1027, 1029, 1031
77 00 736 085	<b>05897</b>	987, 991, 1002, 1017, 1026, 1028
77 00 736 419	<b>05906</b>	990, 1020, 1030
77 00 736 969	<b>11156</b>	987, 1017, 1026, 1028
77 00 736 969 S	<b>11157</b>	987, 1017, 1026, 1028
77 00 743 777	<b>11143</b>	990, 1020, 1030
77 00 743 777 S	<b>11144</b>	990, 1020, 1030
77 00 745 215	<b>05908</b>	998, 1032, 1033, 1039
77 00 850 603	<b>05929</b>	988, 1029
77 00 851 321	<b>05933</b>	986, 990, 999, 1007, 1019, 1030
77 00 853 660	<b>11132</b>	998, 1033, 1039
77 00 856 351	<b>11132</b>	998, 1033, 1039
77 00 857 325	<b>11130</b>	999, 1007, 1019
77 00 857 325 S	<b>11131</b>	999, 1007, 1019
77 00 858 358	<b>11364</b>	1041
77 00 860 884	<b>11362</b>	1041
77 00 862 108	<b>09790</b>	1017
77 00 863 095	<b>21247</b>	987, 991, 1002
77 00 863 111	<b>05892</b>	990, 1020, 1030
77 00 863 112	<b>04195</b>	988, 989, 999, 1006, 1007, 1019, 1027, 1029, 1031
77 00 863 113	<b>04199</b>	988, 989, 999, 1006, 1007, 1019, 1027, 1029, 1031
77 00 867 985	<b>22146</b>	994, 1020
77 00 868 201	<b>09789</b>	1041
77 00 869 666	<b>22277</b>	991
77 00 869 684	<b>21719</b>	992, 1002
77 00 870 432	<b>21707</b>	992, 1002
77 00 870 795	<b>09789</b>	1041
77 00 870 937	<b>22146</b>	994, 1020
77 00 871 168	<b>05908</b>	998, 1032, 1033, 1039
77 00 875 305	<b>21717</b>	999, 1019



Ref. - No.

Car  
Division

Ref. - No.



Ref. - No.



77 01 063 999	<b>19839</b>	986, 994, 999, 1006, 1021
77 01 064 316	<b>19943</b>	1001, 1010, 1040
77 01 349 098	<b>09263</b>	987, 1028, 1041
77 01 349 658	<b>05859</b>	1031
77 01 468 167	<b>11151</b>	988, 989, 1006, 1027, 1029, 1031
77 01 469 775	<b>11144</b>	990, 1020, 1030
77 01 469 776	<b>11131</b>	999, 1007, 1019
77 01 469 833	<b>11157</b>	987, 1017, 1026, 1028
77 01 471 367	<b>19951</b>	986, 994, 999, 1006, 1021
77 01 471 382	<b>19918</b>	993, 996, 997, 1003, 1004, 1005, 1010, 1013, 1018, 1023, 1025, 1035, 1037
77 01 471 974	<b>19918</b>	993, 996, 997, 1003, 1004, 1005, 1010, 1013, 1018, 1023, 1025, 1035, 1037
77 01 472 292	<b>19951</b>	986, 994, 999, 1006, 1021
77 01 472 644	<b>21249</b>	987, 991, 1002
77 01 472 675	<b>21249</b>	987, 991, 1002
77 01 472 696	<b>28602</b>	1001, 1010, 1040
77 01 472 725	<b>21725</b>	992, 1002, 1013, 1015, 1017, 1035
77 01 472 726	<b>11157</b>	987, 1017, 1026, 1028
77 01 473 001	<b>19852</b>	991, 995, 997, 1002, 1016, 1025, 1036, 1042, 1045
77 01 473 053	<b>19951</b>	986, 994, 999, 1006, 1021
77 01 473 569	<b>28103</b>	986, 994, 1000, 1009, 1011
77 01 474 019	<b>21989</b>	994, 999, 1006, 1021
77 01 474 021	<b>26567</b>	986, 996, 1001, 1010, 1011, 1012, 1022, 1037, 1040, 1044

77 01 474 023	<b>26567</b>	986, 996, 1001, 1010, 1011, 1012, 1022, 1037, 1040, 1044
77 01 474 359	<b>36300</b>	996, 1012, 1022, 1023, 1024, 1025, 1037, 1038
77 01 474 362	<b>36415</b>	996, 1001, 1010, 1023, 1024, 1025, 1037, 1038, 1043, 1045
77 01 476 674	<b>19951</b>	986, 994, 999, 1006, 1021
77 01 476 675	<b>21989</b>	994, 999, 1006, 1021
77 01 476 745	<b>19852</b>	991, 995, 997, 1002, 1016, 1025, 1036, 1042, 1045
77 01 477 013	<b>21249</b>	987, 991, 1002
77 01 477 014	<b>19918</b>	993, 996, 997, 1003, 1004, 1005, 1010, 1013, 1018, 1023, 1025, 1035, 1037
77 01 477 022	<b>28602</b>	1001, 1010, 1040
77 01 477 023	<b>36300</b>	996, 1012, 1022, 1023, 1024, 1025, 1037, 1038
77 01 477 024	<b>21725</b>	992, 1002, 1013, 1015, 1017, 1035
77 01 477 093	<b>26567</b>	986, 996, 1001, 1010, 1011, 1012, 1022, 1037, 1040, 1044
77 01 478 079	<b>36415</b>	996, 1001, 1010, 1023, 1024, 1025, 1037, 1038, 1043, 1045
77 01 478 505	<b>36415</b>	996, 1001, 1010, 1023, 1024, 1025, 1037, 1038, 1043, 1045



<b>Ref. - No.</b>		
77 01 478 750	<b>36300</b>	996, 1012, 1022, 1023, 1024, 1025, 1037, 1038
79 10 245 160	<b>25335</b>	998, 1000, 1008, 1034
79 10 245 301	<b>09276</b>	998, 1000, 1008, 1034
79 10 245 604	<b>25331</b>	998, 1000, 1008, 1034
79 10 246 065	<b>25331</b>	998, 1000, 1008, 1034
79 10 247 528	<b>25335</b>	998, 1000, 1008, 1034
82 00 035 827	<b>19851</b>	991, 995, 997, 1002, 1016, 1025, 1036, 1042, 1045
82 00 035 834	<b>19840</b>	991, 995, 997, 1002, 1016, 1025, 1036, 1042, 1045
82 00 040 155	<b>09789</b>	1041
82 00 040 161	<b>21301</b>	991
82 00 046 148	<b>19943</b>	1001, 1010, 1040
82 00 051 091	<b>04195</b>	988, 989, 999, 1006, 1007, 1019, 1027, 1029, 1031
82 00 051 092	<b>05892</b>	990, 1020, 1030
82 00 061 345	<b>19846</b>	986, 994, 996, 999, 1001, 1006, 1010, 1011, 1012, 1021, 1022, 1037, 1040, 1044
82 00 064 664	<b>21759</b>	986, 994, 996, 999, 1001, 1006, 1010, 1011, 1012, 1021, 1022, 1037, 1040, 1044
82 00 065 479	<b>22146</b>	994, 1020
82 00 071 402	<b>22329</b>	997, 1001, 1010, 1040, 1044
82 00 071 404	<b>22119</b>	1001, 1010
82 00 072 120	<b>27445</b>	996, 1022
82 00 086 697	<b>19846</b>	986, 994, 996, 999, 1001, 1006, 1010, 1011, 1012, 1021, 1022, 1037, 1040, 1044

<b>Ref. - No.</b>		
82 00 088 894	<b>19839</b>	986, 994, 999, 1006, 1021
82 00 098 343	<b>19839</b>	986, 994, 999, 1006, 1021
82 00 102 612	<b>11356</b>	992, 1002, 1013, 1015, 1017, 1035
82 00 103 069	<b>19851</b>	991, 995, 997, 1002, 1016, 1025, 1036, 1042, 1045
82 00 104 754	<b>21033</b>	992, 993, 996, 1003, 1005, 1010, 1012, 1013, 1017, 1018, 1021, 1023, 1035
82 00 106 085	<b>19840</b>	991, 995, 997, 1002, 1016, 1025, 1036, 1042, 1045
82 00 136 224	<b>09789</b>	1041
82 00 142 350	<b>19836</b>	993, 996, 997, 1003, 1004, 1005, 1010, 1012, 1013, 1018, 1022, 1023, 1024, 1025, 1035, 1037, 1038
82 00 170 009	<b>28287</b>	993, 996, 1003, 1023, 1025
82 00 171 807	<b>28287</b>	993, 996, 1003, 1023, 1025
82 00 190 571	<b>32581</b>	1040
82 00 190 572	<b>22329</b>	997, 1001, 1010, 1040, 1044
82 00 191 324	<b>36288</b>	996, 1012, 1022, 1023, 1024, 1025, 1037, 1038
82 00 192 843	<b>21709</b>	992, 993, 1003, 1005, 1010, 1013, 1018, 1035
82 00 211 784	<b>11356</b>	992, 1002, 1013, 1015, 1017, 1035
82 00 221 695	<b>26570</b>	986, 1001, 1010, 1011, 1012, 1022, 1037, 1040, 1044

Ref. - No.

Car  
Division 

Ref. - No.



82 00 222 092	<b>19846</b>	986, 994, 996, 999, 1001, 1006, 1010, 1011, 1012, 1021, 1022, 1037, 1040, 1044
82 00 244 615	<b>19910</b>	993, 996, 997, 1003, 1004, 1005, 1010, 1013, 1018, 1023, 1025, 1035, 1037
82 00 277 606	<b>28331</b>	993, 1003, 1005, 1013, 1018, 1021, 1035
82 00 285 009	<b>23397</b>	997, 1001, 1010, 1040, 1044
82 00 324 532	<b>30248</b>	995, 1025, 1042
82 00 347 761	<b>36288</b>	996, 1012, 1022, 1023, 1024, 1025, 1037, 1038
82 00 360 524	<b>30159</b>	993, 996, 1004, 1022, 1023, 1025, 1043
82 00 403 954	<b>28331</b>	993, 1003, 1005, 1013, 1018, 1021, 1035
82 00 454 895	<b>19851</b>	991, 995, 997, 1002, 1016, 1025, 1036, 1042, 1045
82 00 460 446	<b>30159</b>	993, 996, 1004, 1022, 1023, 1025, 1043
82 00 469 376	<b>05892</b>	990, 1020, 1030
82 00 472 180	<b>27445</b>	996, 1022
82 00 483 288	<b>19845</b>	986, 994, 999, 1006, 1021
82 00 499 908	<b>19846</b>	986, 994, 996, 999, 1001, 1006, 1010, 1011, 1012, 1021, 1022, 1037, 1040, 1044
82 00 499 909	<b>19846</b>	986, 994, 996, 999, 1001, 1006, 1010, 1011, 1012, 1021, 1022, 1037, 1040, 1044
82 00 537 021	<b>19854</b>	992, 1002, 1013, 1015, 1017, 1035

Ref. - No.



82 00 537 026	<b>19836</b>	993, 996, 997, 1003, 1004, 1005, 1010, 1012, 1013, 1018, 1022, 1023, 1024, 1025, 1035, 1037, 1038
82 00 542 739	<b>26570</b>	986, 1001, 1010, 1011, 1012, 1022, 1037, 1040, 1044
82 00 545 581	<b>21247</b>	987, 991, 1002
82 00 582 997	<b>21709</b>	992, 993, 1003, 1005, 1010, 1013, 1018, 1035
82 00 585 576	<b>19910</b>	993, 996, 997, 1003, 1004, 1005, 1010, 1013, 1018, 1023, 1025, 1035, 1037
82 00 603 359	<b>28331</b>	993, 1003, 1005, 1013, 1018, 1021, 1035
82 00 608 550	<b>30159</b>	993, 996, 1004, 1022, 1023, 1025, 1043
82 00 612 619	<b>30159</b>	993, 996, 1004, 1022, 1023, 1025, 1043
82 00 623 883	<b>36288</b>	996, 1012, 1022, 1023, 1024, 1025, 1037, 1038
82 00 641 468	<b>28287</b>	993, 996, 1003, 1023, 1025
82 00 673 090	<b>27445</b>	996, 1022
82 00 673 091	<b>22329</b>	997, 1001, 1010, 1040, 1044
82 00 673 092	<b>32581</b>	1040
82 00 676 403	<b>19846</b>	986, 994, 996, 999, 1001, 1006, 1010, 1011, 1012, 1021, 1022, 1037, 1040, 1044
82 00 676 404	<b>19846</b>	986, 994, 996, 999, 1001, 1006, 1010, 1011, 1012, 1021, 1022, 1037, 1040, 1044


**Ref. - No.**


82 00 704 394	<b>19851</b>	991, 995, 997, 1002, 1016, 1025, 1036, 1042, 1045
82 00 769 155	<b>30248</b>	995, 1025, 1042
82 00 840 823	<b>22329</b>	997, 1001, 1010, 1040, 1044
82 00 840 824	<b>32581</b>	1040
82 00 897 097	<b>19836</b>	993, 996, 997, 1003, 1004, 1005, 1010, 1012, 1013, 1018, 1022, 1023, 1024, 1025, 1035, 1037, 1038
82 00 897 100	<b>19836</b>	993, 996, 997, 1003, 1004, 1005, 1010, 1012, 1013, 1018, 1022, 1023, 1024, 1025, 1035, 1037, 1038
82 00 901 288	<b>21301</b>	991
82 00 905 328	<b>27445</b>	996, 1022
82 00 908 180	<b>37605</b>	1014, 1015, 1016, 1035, 1036
82 00 939 081	<b>37639</b>	1014, 1015, 1016, 1035, 1036
82 00 947 837	<b>23397</b>	997, 1001, 1010, 1040, 1044
82 00 981 266	<b>22119</b>	1001, 1010
82 00 989 172	<b>19846</b>	986, 994, 996, 999, 1001, 1006, 1010, 1011, 1012, 1021, 1022, 1037, 1040, 1044
96 16 660 580	<b>19239</b>	986, 994, 1000, 1009, 1011, 1034
96 16 660 780	<b>19240</b>	986, 994, 1000, 1009, 1011, 1034
96 18 337 580	<b>17762</b>	986, 994, 1000, 1009, 1011, 1034
96 30 535 380	<b>26763</b>	986, 994, 1000, 1009, 1011
96 42 184 080	<b>26763</b>	986, 994, 1000, 1009, 1011

passend für / to fit:

**ROVER**

CDU 2049	<b>08632</b>	1047, 1049
----------	--------------	------------

**Ref. - No.**


CDU 2749	<b>10963</b>	1049, 1050, 1052
CDU 3380	<b>08632</b>	1047, 1049
CDU 3558	<b>08467</b>	1049, 1050, 1052
CDU 3559	<b>08468</b>	1047
FDU 1055	<b>10615</b>	1050
FDU 2691	<b>10615</b>	1050
GTB 1127 A	<b>11004</b>	1052
GTB 1238	<b>10963</b>	1049, 1050, 1052
GTB 1238 S1	<b>10987</b>	1049, 1050, 1052
GTB 1293 XS	<b>17222</b>	1050
LHP 10011	<b>07297</b>	1051
LHP 10014	<b>08468</b>	1047
LHP 10015	<b>08467</b>	1049, 1050, 1052
LHP 10016	<b>07297</b>	1051
LHP 100440	<b>14357</b>	1051
LHP 100450	<b>14357</b>	1051
LHP 100520	<b>15837</b>	1047
LHP 100790	<b>18937</b>	1050
LHV 100110	<b>15837</b>	1047
PQG 100180	<b>31257</b>	1046, 1048, 1049, 1050, 1053, 1054
PQG 100180A	<b>31257</b>	1046, 1048, 1049, 1050, 1053, 1054
PQR 10028	<b>08632</b>	1047, 1049
UAM 1599	<b>11004</b>	1052

passend für / to fit:

**SAAB**

12 608 580	<b>33044</b>	1062
24 426 500	<b>10296</b>	1063
24 430 296	<b>21061</b>	1062
24 451 895	<b>17479</b>	1063
24 451 895 S1	<b>19445</b>	1063
24 461 834	<b>33043</b>	1062
30 518 277	<b>25157</b>	1055, 1056, 1058, 1059, 1061, 1064
40 28 064	<b>09778</b>	1059
40 29 930	<b>08678</b>	1059
42 37 020	<b>19487</b>	1057, 1060, 1065
42 37 038	<b>08673</b>	1057, 1060
43 56 119	<b>32175</b>	1056
43 56 127	<b>19662</b>	1056, 1061, 1064
45 04 080	<b>17482</b>	1057, 1060, 1065
45 04 114	<b>17481</b>	1057, 1060, 1065

Ref. - No.

Car  
Division

Ref. - No.



Ref. - No.



45 04 163	<b>23419</b>	1057, 1060, 1065
46 21 348	<b>23419</b>	1057, 1060, 1065
46 23 906	<b>17481</b>	1057, 1060, 1065
47 50 220	<b>19487</b>	1057, 1060, 1065
47 52 879	<b>19485</b>	1056
47 52 960	<b>19486</b>	1056, 1064
47 70 459	<b>17482</b>	1057, 1060, 1065
47 70 491	<b>23419</b>	1057, 1060, 1065
47 70 491 S1	<b>27295</b>	1057, 1060
47 70 558	<b>17482</b>	1057, 1060, 1065
47 71 085	<b>17482</b>	1057, 1060, 1065
48 98 755	<b>19484</b>	1061, 1064
49 01 419	<b>09778</b>	1059
49 01 625	<b>11326</b>	1058, 1059
49 60 290	<b>19485</b>	1056
49 67 907	<b>22383</b>	1061, 1064
49 68 590	<b>22383</b>	1061, 1064
51 72 226	<b>19487</b>	1057, 1060, 1065
51 72 309	<b>21568</b>	1061, 1064
55 350 580	<b>08697</b>	1063
55 352 713	<b>18181</b>	1063
55 562 635	<b>22383</b>	1061, 1064
55 567 191	<b>10296</b>	1063
74 83 761	<b>25179</b>	1056, 1059, 1061, 1064
74 85 105	<b>25358</b>	1056, 1059, 1061, 1064
75 00 697	<b>09366</b>	1055, 1058
75 92 017	<b>11326</b>	1058, 1059
88 59 324	<b>25157</b>	1055, 1056, 1058, 1059, 1061, 1064
90 500 360	<b>23419</b>	1057, 1060, 1065
90 537 300	<b>33048</b>	1062
90 537 338	<b>33043</b>	1062
90 537 370	<b>33047</b>	1062
90 543 739	<b>17482</b>	1057, 1060, 1065
90 571 758	<b>21060</b>	1063
90 571 758 SK1	<b>36851</b>	1063
91 28 739	<b>08697</b>	1063
91 31 145	<b>25179</b>	1056, 1059, 1061, 1064
92 40 033	<b>18181</b>	1063
93 21 837	<b>25183</b>	1055, 1058

93 21 845	<b>25177</b>	1056, 1059, 1061, 1064
passend für / to fit: <b>SCION</b>		
13506-37010	<b>31005</b>	1066
16620-28070	<b>27556</b>	1066
passend für / to fit: <b>SEAT</b>		
03E 105 209	<b>27068</b>	1089
049 105 263 C	<b>25194</b>	1068, 1079, 1083, 1103
06A 105 263 C	<b>25342</b>	1067, 1072
06A 105 263 D	<b>25342</b>	1067, 1072
06A 105 263 E	<b>25342</b>	1067, 1072
06A 109 105 C	<b>25258</b>	1088, 1098, 1106, 1110
030 109 119 A	<b>14382</b>	1077, 1078
030 109 119 H	<b>14362</b>	1075, 1077, 1081, 1086, 1091
030 109 119 M	<b>14362</b>	1075, 1077, 1081, 1086, 1091
030 109 119 M S1	<b>14608</b>	1075, 1077, 1081
030 109 119 S	<b>14362</b>	1075, 1077, 1081, 1086, 1091
030 109 119 S S1	<b>14608</b>	1075, 1077, 1081
032 109 119 G	<b>18772</b>	1086
032 109 119 J	<b>18772</b>	1086
032 109 119 J S1	<b>23640</b>	1086
036 109 119 AG S1	<b>21770</b>	1074, 1076, 1087, 1090, 1094, 1096, 1097, 1100, 1105, 1109
036 109 119 AG	<b>19364</b>	1071, 1074, 1076, 1078, 1087, 1090, 1094, 1096, 1097, 1100, 1105, 1109
036 109 119 D	<b>23528</b>	1082, 1085
036 109 119 H	<b>23528</b>	1082, 1085
036 109 119 M	<b>19364</b>	1071, 1074, 1076, 1078, 1087, 1090, 1094, 1096, 1097, 1100, 1105, 1109


**Ref. - No.**


036 109 119 P	<b>21768</b>	1074, 1076, 1078, 1087, 1090, 1094, 1096, 1097, 1100, 1105, 1109
036 109 119 P S1	<b>21774</b>	1074, 1076, 1078, 1087, 1090, 1094, 1096, 1097, 1100, 1105, 1109
036 109 119 Q	<b>19364</b>	1071, 1074, 1076, 1078, 1087, 1090, 1094, 1096, 1097, 1100, 1105, 1109
036 109 119 Q S1	<b>21770</b>	1074, 1076, 1087, 1090, 1094, 1096, 1097, 1100, 1105, 1109
037 109 119 C	<b>14378</b>	1068, 1079, 1083, 1103
037 109 119 C S1	<b>14618</b>	1068
048 109 119 D	<b>14378</b>	1068, 1079, 1083, 1103
056 109 119 A	<b>12652</b>	1079, 1083, 1103
06A 109 119 B	<b>19396</b>	1068, 1072, 1088, 1098, 1106, 1110
06A 109 119 C	<b>19396</b>	1068, 1072, 1088, 1098, 1106, 1110
06A 109 119 C S1	<b>23634</b>	1068, 1072, 1088, 1098, 1106, 1110
06A 109 119 K	<b>19396</b>	1068, 1072, 1088, 1098, 1106, 1110
06B 109 119 A	<b>19546</b>	1067, 1088, 1091, 1098, 1106
06B 109 119 A S1	<b>19548</b>	1067, 1098, 1106
06B 109 119 A S6	<b>30891</b>	1091
06B 109 119 A S2	<b>19550</b>	1067, 1088, 1098, 1106
06B 109 119 A S5	<b>27298</b>	1067, 1098
06B 109 119 B	<b>19546</b>	1067, 1088, 1091, 1098, 1106
06B 109 119 F	<b>19546</b>	1067, 1088, 1091, 1098, 1106
06B 109 119 F S2	<b>19550</b>	1067, 1088, 1098, 1106

**Ref. - No.**


06D 109 119 B	<b>24186</b>	1073, 1102, 1110
027 109 120	<b>09403</b>	1080, 1084, 1104
077 109 120	<b>09403</b>	1080, 1084, 1104
078 109 120	<b>25360</b>	1067, 1088, 1098, 1106
03C 109 158	<b>40390</b>	1069, 1070, 1092, 1095, 1101, 1109, 1111
03C 109 158 A	<b>40390</b>	1069, 1070, 1092, 1095, 1101, 1109, 1111
036 109 181 A	<b>21766</b>	1074, 1076, 1078, 1087, 1090, 1094, 1096, 1097, 1100, 1105, 1109
036 109 181 B	<b>21766</b>	1074, 1076, 1078, 1087, 1090, 1094, 1096, 1097, 1100, 1105, 1109
058 109 217 B	<b>27070</b>	1067, 1088, 1098, 1106
06F 109 217 A	<b>32518</b>	1073, 1102, 1110
03D 109 229	<b>25371</b>	1089
03D 109 229 S1	<b>30478</b>	1089
03D 109 229 S2	<b>30495</b>	1089
03E 109 229 A	<b>25402</b>	1089
03E 109 229 A S2	<b>30497</b>	1089
058 109 229	<b>25360</b>	1067, 1088, 1098, 1106
058 109 229 B	<b>25360</b>	1067, 1088, 1098, 1106
06D 109 229 A	<b>25227</b>	1073, 1102, 1110
06D 109 229 B	<b>25227</b>	1073, 1102, 1110
026 109 243	<b>06688</b>	1068, 1079, 1083, 1103
026 109 243 E	<b>06688</b>	1068, 1079, 1083, 1103
026 109 243 F	<b>06688</b>	1068, 1079, 1083, 1103
026 109 243 L	<b>06688</b>	1068, 1079, 1083, 1103
027 109 243	<b>03600</b>	1104

Ref. - No.

Car  
Division

Ref. - No.



030 109 243 D	<b>10295</b>	1075, 1077, 1081, 1086
030 109 243 F	<b>10295</b>	1075, 1077, 1081, 1086
030 109 243 J	<b>10295</b>	1075, 1077, 1081, 1086
030 109 243 K	<b>10295</b>	1075, 1077, 1081, 1086
030 109 243 L	<b>30220</b>	1075, 1086, 1091
030 109 243 M	<b>30220</b>	1075, 1086, 1091
030 109 243 N	<b>30220</b>	1075, 1086, 1091
030 109 243 P	<b>30220</b>	1075, 1086, 1091
036 109 243 AB	<b>11274</b>	1074, 1076, 1078, 1087, 1090, 1094, 1096, 1097, 1100, 1105, 1109
036 109 243 AC	<b>15888</b>	1074, 1076, 1078, 1087, 1090, 1094, 1096, 1097, 1100, 1105, 1109
036 109 243 AD	<b>11274</b>	1074, 1076, 1078, 1087, 1090, 1094, 1096, 1097, 1100, 1105, 1109
036 109 243 AE	<b>15888</b>	1074, 1076, 1078, 1087, 1090, 1094, 1096, 1097, 1100, 1105, 1109
036 109 243 AF	<b>11274</b>	1074, 1076, 1078, 1087, 1090, 1094, 1096, 1097, 1100, 1105, 1109
036 109 243 AG	<b>15888</b>	1074, 1076, 1078, 1087, 1090, 1094, 1096, 1097, 1100, 1105, 1109
036 109 243 D	<b>21764</b>	1082, 1085
036 109 243 E	<b>11274</b>	1074, 1076, 1078, 1087, 1090, 1094, 1096, 1097, 1100, 1105, 1109
036 109 243 F	<b>11325</b>	1076, 1078, 1097, 1105

Ref. - No.



036 109 243 G	<b>21764</b>	1082, 1085
036 109 243 J	<b>21764</b>	1082, 1085
036 109 243 K	<b>15888</b>	1074, 1076, 1078, 1087, 1090, 1094, 1096, 1097, 1100, 1105, 1109
036 109 243 L	<b>11274</b>	1074, 1076, 1078, 1087, 1090, 1094, 1096, 1097, 1100, 1105, 1109
036 109 243 R	<b>11274</b>	1074, 1076, 1078, 1087, 1090, 1094, 1096, 1097, 1100, 1105, 1109
036 109 243 S	<b>15888</b>	1074, 1076, 1078, 1087, 1090, 1094, 1096, 1097, 1100, 1105, 1109
049 109 243	<b>06688</b>	1068, 1079, 1083, 1103
051 109 243	<b>03600</b>	1104
056 109 243 A	<b>06688</b>	1068, 1079, 1083, 1103
056 109 243 B	<b>06688</b>	1068, 1079, 1083, 1103
056 109 243 D	<b>06688</b>	1068, 1079, 1083, 1103
06B 109 243	<b>17948</b>	1067, 1098, 1106
06B 109 243 A	<b>18556</b>	1067, 1088, 1098, 1106
06B 109 243 C	<b>30212</b>	1091
06B 109 243 D	<b>18556</b>	1067, 1088, 1098, 1106
06B 109 243 F	<b>18556</b>	1067, 1088, 1098, 1106
06D 109 243 B	<b>27364</b>	1073, 1102, 1110
036 109 244	<b>10046</b>	1082, 1085
036 109 244 C	<b>11339</b>	1071, 1074, 1076, 1078, 1087, 1090, 1094, 1096, 1097, 1100, 1105, 1109


**Ref. - No.**


036 109 244 D	<b>11339</b>	1071, 1074, 1076, 1078, 1087, 1090, 1094, 1096, 1097, 1100, 1105, 1109
036 109 244 J	<b>11339</b>	1071, 1074, 1076, 1078, 1087, 1090, 1094, 1096, 1097, 1100, 1105, 1109
06B 109 244	<b>19292</b>	1067, 1073, 1088, 1098, 1102, 1106, 1110
06D 109 244 C	<b>30227</b>	1073, 1102, 1110
06D 109 244 D	<b>30227</b>	1073, 1102, 1110
06D 109 244 E	<b>30227</b>	1073, 1102, 1110
021 109 465	<b>09585</b>	1068, 1099, 1107, 1108
021 109 465 B	<b>09585</b>	1068, 1099, 1107, 1108
03H 109 465	<b>09585</b>	1068, 1099, 1107, 1108
021 109 467	<b>25240</b>	1068, 1099, 1107, 1108
021 109 469	<b>25222</b>	1068, 1099, 1107, 1108
03C 109 469 K	<b>36085</b>	1069, 1070, 1092, 1095, 1101, 1109, 1111
03D 109 469 C	<b>25468</b>	1089
03E 109 469	<b>25467</b>	1089
03E 109 469 C	<b>25467</b>	1089
06B 109 477	<b>22346</b>	1067, 1088, 1106
06B 109 477 B	<b>30890</b>	1091
06A 109 479 C	<b>15878</b>	1068, 1072, 1088, 1098, 1106, 1110
06A 109 479 F	<b>15878</b>	1068, 1072, 1088, 1098, 1106, 1110
06B 109 479	<b>22346</b>	1067, 1088, 1106
021 109 503 D	<b>25364</b>	1107
021 109 503 F	<b>25364</b>	1107
03H 109 503	<b>25404</b>	1068, 1099, 1108
03H 109 503 S1	<b>36222</b>	1068, 1099, 1108
066 109 503 B	<b>25404</b>	1068, 1099, 1108
066 109 503 C	<b>25404</b>	1068, 1099, 1108

**Ref. - No.**


021 109 507 B	<b>25238</b>	1107
022 109 507 A	<b>25422</b>	1099, 1108
03E 109 507 G	<b>25412</b>	1089
03E 109 507 K	<b>25412</b>	1089
03E 109 507 L	<b>25412</b>	1089
03E 109 507 N	<b>25412</b>	1089
03E 109 507 S	<b>25412</b>	1089
03H 109 507	<b>32786</b>	1068, 1099, 1108
066 109 507 A	<b>32786</b>	1068, 1099, 1108
066 109 507 D	<b>32786</b>	1068, 1099, 1108
022 109 509 C	<b>25458</b>	1099, 1108
03C 109 509 M	<b>36224</b>	1069, 1070, 1092, 1095, 1101, 1109, 1111
03C 109 509 P	<b>36224</b>	1069, 1070, 1092, 1095, 1101, 1109, 1111
03D 109 509 L	<b>27060</b>	1089
03E 109 509	<b>25457</b>	1089
066 109 509 A	<b>34868</b>	1068, 1099, 1108
066 109 513	<b>36221</b>	1068, 1099, 1108
066 109 513 A	<b>36221</b>	1068, 1099, 1108
03D 109 571 L	<b>25456</b>	1089
03E 109 571 B	<b>27080</b>	1089
036 109 571	<b>27080</b>	1089
03C 145 276 C	<b>32024</b>	1069, 1094
03D 145 276 A	<b>31069</b>	1089, 1094
03D 145 276 D	<b>31069</b>	1089, 1094
03D 145 276 E	<b>31069</b>	1089, 1094
032 145 276	<b>21918</b>	1097, 1105
1J0 145 276	<b>30859</b>	1074, 1091, 1094, 1100
6QD 145 276	<b>30859</b>	1074, 1091, 1094, 1100
028 145 278	<b>01231</b>	1068, 1079, 1080, 1083, 1084, 1103, 1104
028 145 278 A	<b>01231</b>	1068, 1079, 1080, 1083, 1084, 1103, 1104
028 145 278 E	<b>01231</b>	1068, 1079, 1080, 1083, 1084, 1103, 1104



Ref. - No.

Car  
Division 

Ref. - No.



022 145 299	<b>22365</b>	1068, 1108
022 145 299 A	<b>22365</b>	1068, 1108
022 145 299 D	<b>22365</b>	1068, 1108
03C 145 299 C	<b>27218</b>	1091
03C 145 299 Q	<b>32629</b>	1074, 1094, 1100
030 145 299 C	<b>14730</b>	1071, 1074, 1075, 1076, 1078, 1081, 1082, 1085, 1086, 1087, 1090, 1091, 1094, 1096, 1097, 1105
030 145 299 F	<b>14730</b>	1071, 1074, 1075, 1076, 1078, 1081, 1082, 1085, 1086, 1087, 1090, 1091, 1094, 1096, 1097, 1105
032 145 299 A	<b>23558</b>	1097, 1105
032 145 299 C	<b>23556</b>	1078
1J0 145 299	<b>27218</b>	1091
6Q0 145 299	<b>27216</b>	1091, 1100
6K0 198 001 A	<b>14608</b>	1075, 1077, 1081
6K0 198 001 C	<b>23530</b>	1082, 1085
030 198 119 A	<b>14608</b>	1075, 1077, 1081
030 198 119 B	<b>23644</b>	1075, 1086, 1091
030 198 119 S2	<b>23644</b>	1075, 1086, 1091
036 198 119	<b>32427</b>	1076, 1078, 1097, 1105
036 198 119 B	<b>32427</b>	1076, 1078, 1097, 1105
036 198 119 E	<b>21772</b>	1074, 1076, 1087, 1090, 1094, 1096, 1097, 1100, 1105
036 198 119 F	<b>32427</b>	1076, 1078, 1097, 1105
037 198 119	<b>14618</b>	1068
06A 198 119	<b>23634</b>	1068, 1072, 1088, 1098, 1106, 1110
06A 198 119 A	<b>19548</b>	1067, 1098, 1106
06A 198 119 B	<b>37642</b>	1067, 1088, 1098, 1106
06F 198 119 A	<b>30586</b>	1073, 1102, 1110
03E 198 229 A S1	<b>30607</b>	1089
03E 903 133	<b>30897</b>	1089, 1094
03E 903 133 A	<b>30897</b>	1089, 1094

Ref. - No.



03E 903 133 B	<b>30897</b>	1089, 1094
03D 903 305 F	<b>30897</b>	1089, 1094
045 903 315 A	<b>29945</b>	1090
06A 903 315 D	<b>14714</b>	1067, 1072, 1088, 1098, 1106, 1110
06A 903 315 E	<b>14714</b>	1067, 1072, 1088, 1098, 1106, 1110
06F 903 315	<b>30166</b>	1073, 1102, 1110
06B 903 341	<b>30686</b>	1093
06B 903 341 B	<b>30686</b>	1093
passend für / to fit:		
<b>ŠKODA</b>		
03D 105 209 E	<b>27046</b>	1112, 1114
03E 105 209	<b>27068</b>	1112, 1125
06A 105 263 C	<b>25342</b>	1113
06A 105 263 D	<b>25342</b>	1113
06A 105 263 E	<b>25342</b>	1113
032 109 119 G	<b>18772</b>	1117, 1119
032 109 119 J	<b>18772</b>	1117, 1119
032 109 119 J S1	<b>23640</b>	1117, 1119
036 109 119 AG S1	<b>21770</b>	1113, 1116, 1118, 1121, 1126
036 109 119 AG	<b>19364</b>	1113, 1116, 1118, 1121, 1126
036 109 119 M	<b>19364</b>	1113, 1116, 1118, 1121, 1126
036 109 119 P	<b>21768</b>	1113, 1118, 1121, 1126
036 109 119 P S1	<b>21774</b>	1113, 1118, 1121, 1126
036 109 119 Q	<b>19364</b>	1113, 1116, 1118, 1121, 1126
036 109 119 Q S1	<b>21770</b>	1113, 1116, 1118, 1121, 1126
06A 109 119 B	<b>19396</b>	1113, 1119, 1128
06A 109 119 C	<b>19396</b>	1113, 1119, 1128
06A 109 119 C S1	<b>23634</b>	1113, 1119, 1128
06A 109 119 K	<b>19396</b>	1113, 1119, 1128
06B 109 119 A	<b>19546</b>	1120, 1128
06B 109 119 A S1	<b>19548</b>	1120
06B 109 119 A S2	<b>19550</b>	1120
06B 109 119 A S5	<b>27298</b>	1120
06B 109 119 A S4	<b>23642</b>	1128


**Ref. - No.**


06B 109 119 B	<b>19546</b>	1120, 1128
06B 109 119 F	<b>19546</b>	1120, 1128
06B 109 119 F S4	<b>23642</b>	1128
06B 109 119 F S1	<b>23642</b>	1128
06B 109 119 F S2	<b>19550</b>	1120
06D 109 119 B	<b>24186</b>	1123
078 109 119 C	<b>19606</b>	1129
078 109 119 G	<b>19606</b>	1129
078 109 119 H	<b>19606</b>	1129
078 109 119 J	<b>19606</b>	1129
078 109 120	<b>25360</b>	1120, 1128, 1129
03C 109 158	<b>40390</b>	1115, 1122, 1124, 1127, 1131
03C 109 158 A	<b>40390</b>	1115, 1122, 1124, 1127, 1131
06A 109 179 F	<b>15878</b>	1113, 1119, 1128
036 109 181 A	<b>21766</b>	1113, 1116, 1118, 1121, 1126
036 109 181 B	<b>21766</b>	1113, 1116, 1118, 1121, 1126
058 109 217 B	<b>27070</b>	1120
06F 109 217 A	<b>32518</b>	1123
03D 109 229	<b>25371</b>	1112, 1114
03D 109 229 S1	<b>30478</b>	1112, 1114
03D 109 229 S2	<b>30495</b>	1112, 1114
03E 109 229 A	<b>25402</b>	1112, 1125
03E 109 229 A S2	<b>30497</b>	1112, 1125
058 109 229	<b>25360</b>	1120, 1128, 1129
058 109 229 B	<b>25360</b>	1120, 1128, 1129
06D 109 229 A	<b>25227</b>	1123
06D 109 229 B	<b>25227</b>	1123
030 109 243 D	<b>10295</b>	1117, 1119
030 109 243 F	<b>10295</b>	1117, 1119
030 109 243 J	<b>10295</b>	1117, 1119
030 109 243 K	<b>10295</b>	1117, 1119
036 109 243 AB	<b>11274</b>	1113, 1116, 1118, 1121, 1126
036 109 243 AC	<b>15888</b>	1113, 1118, 1121, 1126
036 109 243 AD	<b>11274</b>	1113, 1116, 1118, 1121, 1126
036 109 243 AE	<b>15888</b>	1113, 1118, 1121, 1126

**Ref. - No.**


036 109 243 AF	<b>11274</b>	1113, 1116, 1118, 1121, 1126
036 109 243 AG	<b>15888</b>	1113, 1118, 1121, 1126
036 109 243 E	<b>11274</b>	1113, 1116, 1118, 1121, 1126
036 109 243 K	<b>15888</b>	1113, 1118, 1121, 1126
036 109 243 L	<b>11274</b>	1113, 1116, 1118, 1121, 1126
036 109 243 R	<b>11274</b>	1113, 1116, 1118, 1121, 1126
036 109 243 S	<b>15888</b>	1113, 1118, 1121, 1126
06B 109 243	<b>17948</b>	1120
06B 109 243 A	<b>18556</b>	1120
06B 109 243 B	<b>18554</b>	1128
06B 109 243 D	<b>18556</b>	1120
06B 109 243 E	<b>18554</b>	1128
06B 109 243 F	<b>18556</b>	1120
06D 109 243 B	<b>27364</b>	1123
078 109 243 Q	<b>18562</b>	1129
078 109 243 R	<b>18562</b>	1129
078 109 243 S	<b>18562</b>	1129
036 109 244 C	<b>11339</b>	1113, 1116, 1118, 1121, 1126
036 109 244 D	<b>11339</b>	1113, 1116, 1118, 1121, 1126
036 109 244 J	<b>11339</b>	1113, 1116, 1118, 1121, 1126
06B 109 244	<b>19292</b>	1120, 1123, 1128
06D 109 244 C	<b>30227</b>	1123
06D 109 244 D	<b>30227</b>	1123
06D 109 244 E	<b>30227</b>	1123
078 109 244 H	<b>17076</b>	1129
078 109 244 J	<b>17076</b>	1129
078 109 244 Q	<b>17076</b>	1129
03C 109 469 K	<b>36085</b>	1115, 1122, 1124, 1127, 1131
03D 109 469 C	<b>25468</b>	1112, 1114
03E 109 469	<b>25467</b>	1112, 1114, 1125
03E 109 469 C	<b>25467</b>	1112, 1114, 1125
06B 109 477	<b>22346</b>	1120

Ref. - No.

Car  
Division 

Ref. - No.



06B 109 477 A	<b>22347</b>	1128
06A 109 479 C	<b>15878</b>	1113, 1119, 1128
06B 109 479	<b>22346</b>	1120
078 109 479 E	<b>22356</b>	1129
078 109 487 A	<b>22358</b>	1129
03E 109 507 G	<b>25412</b>	1112, 1114, 1125
03E 109 507 K	<b>25412</b>	1112, 1114, 1125
03E 109 507 L	<b>25412</b>	1112, 1114, 1125
03E 109 507 N	<b>25412</b>	1112, 1114, 1125
03E 109 507 S	<b>25412</b>	1112, 1114, 1125
03H 109 507	<b>32786</b>	1130
03C 109 509 M	<b>36224</b>	1115, 1122, 1124, 1127, 1131
03C 109 509 P	<b>36224</b>	1115, 1122, 1124, 1127, 1131
03D 109 509 L	<b>27060</b>	1112, 1114
03E 109 509	<b>25457</b>	1112, 1114, 1125
03D 109 571 L	<b>25456</b>	1112, 1114
03E 109 571 B	<b>27080</b>	1112, 1125
036 109 571	<b>27080</b>	1112, 1125
022 145 276 F	<b>30892</b>	1130
03C 145 276 C	<b>32024</b>	1114
03D 145 276 A	<b>31069</b>	1112, 1114, 1125
03D 145 276 D	<b>31069</b>	1112, 1114, 1125
03D 145 276 E	<b>31069</b>	1112, 1114, 1125
032 145 276	<b>21918</b>	1119
047 145 276 B	<b>06051</b>	1117
071 145 276 A	<b>30892</b>	1130
1J0 145 276	<b>30859</b>	1114, 1121, 1125, 1130, 1131
6QD 145 276	<b>30859</b>	1114, 1121, 1125, 1130, 1131
03C 145 299 C	<b>27218</b>	1114, 1121, 1125, 1126
03C 145 299 Q	<b>32629</b>	1114, 1121, 1125, 1130, 1131
030 145 299 C	<b>14730</b>	1113, 1117, 1118, 1119, 1125
030 145 299 F	<b>14730</b>	1113, 1117, 1118, 1119, 1125
032 145 299 A	<b>23558</b>	1118, 1119
1J0 145 299	<b>27218</b>	1114, 1121, 1125, 1126

Ref. - No.



6Q0 145 299	<b>27216</b>	1114, 1121, 1125, 1126, 1131
036 198 119 E	<b>21772</b>	1113, 1118
06A 198 119	<b>23634</b>	1113, 1119, 1128
06A 198 119 A	<b>19548</b>	1120
06A 198 119 B	<b>37642</b>	1120
06F 198 119 A	<b>30586</b>	1123
078 198 119	<b>23292</b>	1129
03E 198 229 A S1	<b>30607</b>	1112, 1125
078 198 479 S1	<b>23290</b>	1129
03E 903 133	<b>30897</b>	1112, 1114, 1125
03E 903 133 A	<b>30897</b>	1112, 1114, 1125
03E 903 133 B	<b>30897</b>	1112, 1114, 1125
078 903 133 AB	<b>21905</b>	1129
078 903 133 T	<b>21905</b>	1129
03D 903 305 F	<b>30897</b>	1112, 1114, 1125
045 903 315 A	<b>29945</b>	1113, 1114, 1125, 1126
06A 903 315 D	<b>14714</b>	1113, 1120
06A 903 315 E	<b>14714</b>	1113, 1120
06F 903 315	<b>30166</b>	1123
002 961 132	<b>06051</b>	1117
passend für / to fit:		
<b>SMART</b>		
0003051V003000000	<b>30536</b>	1132
0004822V002000000	<b>30644</b>	1132
0007680V001000000	<b>28429</b>	1132
0007680V001000000 S2	<b>34729</b>	1132
0007681V001000000	<b>34729</b>	1132
160 050 02 11	<b>30536</b>	1132
160 050 02 11 S2	<b>30644</b>	1132
160 050 02 69	<b>30644</b>	1132
160 997 04 94	<b>28429</b>	1132
160 997 05 94	<b>28429</b>	1132
passend für / to fit:		
<b>SUBARU</b>		
13028AA101	<b>26220</b>	1133, 1135, 1136, 1138, 1139
13028AA101 S1	<b>27542</b>	1135, 1138, 1139
13028AA101 S2	<b>27543</b>	1133, 1135, 1139
13028AA102	<b>26220</b>	1133, 1135, 1136, 1138, 1139
13028AA102 S1	<b>27542</b>	1135, 1138, 1139


**Ref. - No.**


13028AA102 S2	<b>27543</b>	1133, 1135, 1139
13028AA150	<b>26220</b>	1133, 1135, 1136, 1138, 1139
13028AA181	<b>26242</b>	1133, 1134, 1135, 1140
13028AA181 S1	<b>27546</b>	1133, 1134, 1135, 1140
13028AA230	<b>26242</b>	1133, 1134, 1135, 1140
13028AA230 S1	<b>27546</b>	1133, 1134, 1135, 1140
13033AA000	<b>26218</b>	1133, 1134, 1135, 1139, 1140
13033AA000 S1	<b>32780</b>	1133, 1134, 1135, 1139, 1140, 1141
13033AA001	<b>26218</b>	1133, 1134, 1135, 1139, 1140
13033AA001 S1	<b>32780</b>	1133, 1134, 1135, 1139, 1140, 1141
13033AA002	<b>26218</b>	1133, 1134, 1135, 1139, 1140
13033AA002 S1	<b>32780</b>	1133, 1134, 1135, 1139, 1140, 1141
13033AA040	<b>26218</b>	1133, 1134, 1135, 1139, 1140
13033AA040 S1	<b>32780</b>	1133, 1134, 1135, 1139, 1140, 1141
13033AA041	<b>26218</b>	1133, 1134, 1135, 1139, 1140
13033AA041 S1	<b>32780</b>	1133, 1134, 1135, 1139, 1140, 1141
13033AA042	<b>26218</b>	1133, 1134, 1135, 1139, 1140
13033AA042 S1	<b>32780</b>	1133, 1134, 1135, 1139, 1140, 1141
13069AA031	<b>27536</b>	1135, 1136, 1138, 1139, 1140
13069AA032	<b>27536</b>	1135, 1136, 1138, 1139, 1140
13069AA033	<b>27536</b>	1135, 1136, 1138, 1139, 1140
13069AA034	<b>27536</b>	1135, 1136, 1138, 1139, 1140

**Ref. - No.**


13069AA035	<b>27536</b>	1135, 1136, 1138, 1139, 1140
13069AA036	<b>27536</b>	1135, 1136, 1138, 1139, 1140
13069AA037	<b>27536</b>	1135, 1136, 1138, 1139, 1140
13069AA35	<b>27536</b>	1135, 1136, 1138, 1139, 1140
13073AA080	<b>26217</b>	1133, 1134, 1135, 1136, 1138, 1139, 1140
13073AA081	<b>26217</b>	1133, 1134, 1135, 1136, 1138, 1139, 1140
13073AA082	<b>26217</b>	1133, 1134, 1135, 1136, 1138, 1139, 1140
13073AA140	<b>26217</b>	1133, 1134, 1135, 1136, 1138, 1139, 1140
13073AA142	<b>26217</b>	1133, 1134, 1135, 1136, 1138, 1139, 1140
13073AA180	<b>26217</b>	1133, 1134, 1135, 1136, 1138, 1139, 1140
13073AA190	<b>27537</b>	1133, 1134, 1135
13085AA010	<b>26219</b>	1133, 1134, 1135, 1136, 1138, 1139, 1140
13085AA070	<b>26219</b>	1133, 1134, 1135, 1136, 1138, 1139, 1140
13085AA080	<b>26219</b>	1133, 1134, 1135, 1136, 1138, 1139, 1140
13160AA050	<b>26220</b>	1133, 1135, 1136, 1138, 1139
1350621020	<b>31004</b>	1137

Ref. - No.

Car  
Division 

Ref. - No.



Ref. - No.



passend für / to fit:

**SUZUKI**

11407-71C00	<b>17490</b>	1142, 1144, 1145, 1146
11407-71C00-000	<b>17490</b>	1142, 1144, 1145, 1146
12761-71C00	<b>17490</b>	1142, 1144, 1145, 1146
12761-71C00-000	<b>17490</b>	1142, 1144, 1145, 1146
12810-82000	<b>14269</b>	1143, 1144, 1145
12810-82000-000	<b>14269</b>	1143, 1144, 1145
12810-82001	<b>14269</b>	1143, 1144, 1145
12810-82001-000	<b>14269</b>	1143, 1144, 1145
12810-82002	<b>14269</b>	1143, 1144, 1145
12810-82002-000	<b>14269</b>	1143, 1144, 1145
12810-82003	<b>14269</b>	1143, 1144, 1145
12810-82003-000	<b>14269</b>	1143, 1144, 1145

passend für / to fit:

**TOYOTA**

13503-10011	<b>14257</b>	1160, 1173, 1175
13503-10021	<b>14257</b>	1160, 1173, 1175
13503-11030	<b>14277</b>	1161, 1170, 1173
13503-11040	<b>14277</b>	1161, 1170, 1173
13503-50010	<b>26895</b>	1148, 1167, 1174, 1176
13503-50011	<b>26895</b>	1148, 1167, 1174, 1176
13503-62030	<b>26806</b>	1149, 1154, 1164, 1166, 1174
13503-63010	<b>14275</b>	1151, 1153, 1155, 1157, 1169, 1170, 1172
13503-63011	<b>14275</b>	1151, 1153, 1155, 1157, 1169, 1170, 1172
13503-65010	<b>26897</b>	1147, 1165, 1175
13503-70040	<b>14275</b>	1151, 1153, 1155, 1157, 1169, 1170, 1172
13503-88360	<b>14275</b>	1151, 1153, 1155, 1157, 1169, 1170, 1172

13503-88361 **14275** 1151, 1153, 1155,  
1157, 1169, 1170,  
117213503-88380 **14275** 1151, 1153, 1155,  
1157, 1169, 1170,  
117213505-02030 **18233** 1150, 1155, 1157,  
1160, 116213505-10010 **25193** 1161, 117313505-11010 **14241** 1160, 1173, 117513505-11011 **14241** 1160, 1173, 117513505-11040 **14239** 1161, 1170, 117313505-11050 **14239** 1161, 1170, 117313505-15020 **14263** 1155, 1157, 1160,  
116213505-15040 **14263** 1155, 1157, 1160,  
116213505-15041 **14263** 1155, 1157, 1160,  
116213505-15050 **18233** 1150, 1155, 1157,  
1160, 116213505-15060 **18233** 1150, 1155, 1157,  
1160, 116213505-20010 **26805** 1149, 1154, 1164,  
1166, 117413505-20030 **26805** 1149, 1154, 1164,  
1166, 117413505-50030 **26894** 1148, 1167, 1174,  
117613505-62031 **26805** 1149, 1154, 1164,  
1166, 117413505-62050 **26805** 1149, 1154, 1164,  
1166, 117413505-62060 **26805** 1149, 1154, 1164,  
1166, 117413505-62070 **26849** 1147, 1165, 1167,  
1175, 117613505-65040 **26896** 1147, 1165, 117513505-74011 **18235** 1151, 1153, 1155,  
1169, 1170, 117213505-88382 **26809** 1156, 1158, 116913505-88383 **26809** 1156, 1158, 116913505-88480 **28284** 1156, 1158, 1169


**Ref. - No.**


13506-0Q010	<b>31004</b>	1152, 1178
13506-0Q030	<b>31004</b>	1152, 1178
13506-21020	<b>31004</b>	1152, 1178
13506-22030	<b>31006</b>	1149, 1151, 1159, 1163, 1169, 1172, 1178
13506-22030 S1	<b>32692</b>	1149, 1151, 1159, 1163, 1169, 1172
13506-37010	<b>31005</b>	1149, 1163, 1171, 1177, 1178
13540-22022	<b>32689</b>	1149, 1151, 1159, 1163, 1169, 1172
13559-22011	<b>32691</b>	1149, 1151, 1159, 1163, 1169, 1172
13561-22020	<b>32690</b>	1149, 1151, 1159, 1163, 1169, 1172
13568-03010	<b>17627</b>	1151, 1153, 1155, 1169, 1170, 1172
13568-03020	<b>17627</b>	1151, 1153, 1155, 1169, 1170, 1172
13568-09020	<b>24363</b>	1150, 1155, 1160, 1162
13568-09020 S1	<b>24788</b>	1150, 1155, 1160, 1162
13568-09030	<b>24364</b>	1150, 1155, 1157, 1160, 1162
13568-09030 S1	<b>24789</b>	1150, 1155, 1157, 1160, 1162
13568-09041	<b>17627</b>	1151, 1153, 1155, 1169, 1170, 1172
13568-09041 S1	<b>24790</b>	1151, 1153, 1155, 1169, 1170, 1172
13568-11051	<b>17625</b>	1160, 1173, 1175
13568-11052	<b>17625</b>	1160, 1173, 1175
13568-11053	<b>17625</b>	1160, 1173, 1175
13568-11080	<b>17628</b>	1161, 1173
13568-11081	<b>17628</b>	1161, 1173
13568-15040	<b>26807</b>	1155, 1157, 1160, 1162
13568-15040 S1	<b>26902</b>	1155, 1157, 1160, 1162
13568-15041	<b>26807</b>	1155, 1157, 1160, 1162

**Ref. - No.**


13568-15041 S1	<b>26902</b>	1155, 1157, 1160, 1162
13568-16040	<b>24363</b>	1150, 1155, 1160, 1162
13568-16050	<b>24363</b>	1150, 1155, 1160, 1162
13568-16051	<b>24363</b>	1150, 1155, 1160, 1162
13568-19025	<b>17625</b>	1160, 1173, 1175
13568-19025 S1	<b>24772</b>	1160, 1161, 1173, 1175
13568-19045	<b>24363</b>	1150, 1155, 1160, 1162
13568-19046	<b>24363</b>	1150, 1155, 1160, 1162
13568-19055	<b>24364</b>	1150, 1155, 1157, 1160, 1162
13568-19056	<b>24364</b>	1150, 1155, 1157, 1160, 1162
13568-19105	<b>17628</b>	1161, 1173
13568-19106	<b>17628</b>	1161, 1173
13568-19106 S1	<b>24787</b>	1160, 1161, 1173
13568-19135	<b>26807</b>	1155, 1157, 1160, 1162
13568-19135 S1	<b>26902</b>	1155, 1157, 1160, 1162
13568-29015	<b>26845</b>	1149, 1154, 1164, 1166, 1174
13568-29025	<b>26845</b>	1149, 1154, 1164, 1166, 1174
13568-62030	<b>26846</b>	1154
13568-69025	<b>26846</b>	1154
13568-69095	<b>26848</b>	1147, 1165, 1167, 1175, 1176
13568-70070	<b>17627</b>	1151, 1153, 1155, 1169, 1170, 1172
13568-74010	<b>17627</b>	1151, 1153, 1155, 1169, 1170, 1172
13568-74011	<b>17627</b>	1151, 1153, 1155, 1169, 1170, 1172
13568-74012	<b>17627</b>	1151, 1153, 1155, 1169, 1170, 1172

Ref. - No.

Car  
Division

Ref. - No.



Ref. - No.



13568-79025	<b>17627</b>	1151, 1153, 1155, 1169, 1170, 1172
13568-79045	<b>26808</b>	1156, 1158, 1169
13568-79095	<b>17627</b>	1151, 1153, 1155, 1169, 1170, 1172
13568-79225	<b>17627</b>	1151, 1153, 1155, 1169, 1170, 1172
13568-88361	<b>26808</b>	1156, 1158, 1169
13568-88381	<b>26808</b>	1156, 1158, 1169
13568-88382	<b>26808</b>	1156, 1158, 1169
16604-50010	<b>31471</b>	1148, 1167, 1168, 1174, 1176
16604-50030	<b>31471</b>	1148, 1167, 1168, 1174, 1176
16620-0W090	<b>27557</b>	1149, 1150, 1152, 1159, 1163, 1169, 1172
16620-0W091	<b>27557</b>	1149, 1150, 1152, 1159, 1163, 1169, 1172
16620-0W092	<b>27557</b>	1149, 1150, 1152, 1159, 1163, 1169, 1172
16620-0W110	<b>27556</b>	1149, 1151, 1152, 1154, 1172
16620-22010	<b>27557</b>	1149, 1150, 1152, 1159, 1163, 1169, 1172
16620-22011	<b>27557</b>	1149, 1150, 1152, 1159, 1163, 1169, 1172
16620-22012	<b>27557</b>	1149, 1150, 1152, 1159, 1163, 1169, 1172
16620-22013	<b>27557</b>	1149, 1150, 1152, 1159, 1163, 1169, 1172
16620-28010	<b>27556</b>	1149, 1151, 1152, 1154, 1172
16620-28011	<b>27556</b>	1149, 1151, 1152, 1154, 1172
16620-28070	<b>27556</b>	1149, 1151, 1152, 1154, 1172

passend für / to fit:

**VAUXHALL**

02866445	<b>25118</b>	1183, 1184, 1218, 1251
02898847	<b>02879</b>	1213, 1215, 1219
08930030	<b>03339</b>	1213, 1215, 1219
08930102	<b>09360</b>	1213, 1215, 1219
09050360	<b>23419</b>	1211, 1212, 1225, 1255, 1259, 1261, 1273, 1276
09109566	<b>22329</b>	1277
09109567	<b>32581</b>	1277
09120501 SK	<b>27295</b>	1211, 1212, 1225, 1255, 1261, 1273
09128444	<b>17481</b>	1211, 1212, 1225, 1255, 1261, 1273
09128500	<b>23419</b>	1211, 1212, 1225, 1255, 1259, 1261, 1273, 1276
09128516	<b>10296</b>	1188, 1194, 1196, 1203, 1230, 1234, 1236, 1247, 1256, 1257, 1264, 1267, 1269, 1274, 1279, 1282
09128722	<b>23425</b>	1182, 1240, 1254, 1260, 1271
09128723	<b>14114</b>	1185, 1187, 1195, 1221, 1229, 1235, 1246, 1251, 1252, 1268
09128723 S1	<b>14115</b>	1185, 1187, 1195, 1221, 1229, 1235, 1246, 1251, 1252, 1268
09128724	<b>12976</b>	1188, 1230, 1264, 1269
09128724 S1	<b>14110</b>	1188, 1230, 1264, 1269
09128725	<b>14112</b>	1185, 1187, 1189, 1208, 1214, 1221, 1222, 1223, 1240, 1253, 1268, 1270


**Ref. - No.**


09128725 S1	<b>14113</b>	1185, 1187, 1189, 1208, 1214, 1221, 1222, 1223, 1240, 1253, 1268, 1270
09128726	<b>17477</b>	1190, 1211, 1225, 1254, 1270
09128738	<b>03856</b>	1182, 1186, 1190, 1191, 1210, 1211, 1224, 1225, 1240, 1254, 1260, 1270, 1271
09128739	<b>08697</b>	1188, 1194, 1196, 1203, 1230, 1234, 1236, 1247, 1256, 1257, 1264, 1267, 1269, 1274, 1279, 1282
09128740	<b>12110</b>	1188, 1194, 1196, 1230, 1264, 1269, 1279
09129060	<b>17479</b>	1194, 1196, 1203, 1234, 1236, 1247, 1256, 1257, 1267, 1274, 1279, 1282
09129060 S1	<b>17480</b>	1194, 1196, 1279
09129207	<b>33695</b>	1188, 1194, 1196, 1197, 1203, 1230, 1234, 1236, 1247, 1256, 1267, 1269, 1274
09157739	<b>12119</b>	1181, 1193, 1201, 1228, 1232, 1238, 1245, 1266
09158003	<b>11554</b>	1185, 1187, 1189, 1208, 1214, 1221, 1222, 1223, 1240, 1253, 1268, 1270
09158004	<b>10297</b>	1186, 1190, 1191, 1198, 1210, 1211, 1224, 1225, 1254, 1270, 1280
09192178	<b>06971</b>	1185, 1187, 1195, 1221, 1229, 1235, 1246, 1251, 1252, 1268

**Ref. - No.**


09202478	<b>06971</b>	1185, 1187, 1195, 1221, 1229, 1235, 1246, 1251, 1252, 1268
09202550	<b>19487</b>	1211, 1225, 1255, 1259, 1261, 1273, 1276
09240033	<b>18181</b>	1194, 1196, 1203, 1234, 1236, 1247, 1256, 1257, 1267, 1274, 1279, 1282
12576644	<b>33045</b>	1199, 1263, 1272, 1275
12576647	<b>33046</b>	1199, 1204, 1241, 1243, 1258, 1263, 1272, 1275, 1281, 1284
12577385	<b>33045</b>	1199, 1263, 1272, 1275
12577386	<b>33042</b>	1204, 1258, 1275, 1284
12578201	<b>33042</b>	1204, 1258, 1275, 1284
12578209	<b>33044</b>	1199, 1204, 1207, 1241, 1243, 1258, 1263, 1272, 1275, 1281, 1284
12608580	<b>33044</b>	1199, 1204, 1207, 1241, 1243, 1258, 1263, 1272, 1275, 1281, 1284
12645237	<b>33047</b>	1199, 1204, 1207, 1241, 1243, 1258, 1263, 1272, 1275, 1281, 1284
13104980	<b>33045</b>	1199, 1263, 1272, 1275



Ref. - No.

Car  
Division

Ref. - No.



Ref. - No.



24412292	<b>19285</b>	1187, 1188, 1189, 1190, 1191, 1198, 1203, 1208, 1209, 1210, 1211, 1222, 1223, 1224, 1225, 1229, 1233, 1234, 1235, 1240, 1253, 1254, 1260, 1262, 1264, 1268, 1269, 1270, 1271, 1280, 1283
24422964	<b>23445</b>	1197, 1202, 1206, 1239, 1242, 1248, 1250, 1257, 1274, 1278, 1283, 1286
24426500	<b>10296</b>	1188, 1194, 1196, 1203, 1230, 1234, 1236, 1247, 1256, 1257, 1264, 1267, 1269, 1274, 1279, 1282
24430277	<b>33046</b>	1199, 1204, 1241, 1243, 1258, 1263, 1272, 1275, 1281, 1284
24430279	<b>33045</b>	1199, 1263, 1272, 1275
24430296	<b>21061</b>	1198, 1204, 1258, 1263, 1272, 1275, 1281, 1284
24436052	<b>27819</b>	1197, 1202, 1206, 1239, 1242, 1248, 1250, 1257, 1274, 1278, 1283, 1286
24447393	<b>33046</b>	1199, 1204, 1241, 1243, 1258, 1263, 1272, 1275, 1281, 1284
24447497	<b>33045</b>	1199, 1263, 1272, 1275
24447794	<b>27792</b>	1197, 1202, 1206, 1239, 1242, 1248, 1250, 1257, 1274, 1278, 1283, 1286

24448509	<b>33044</b>	1199, 1204, 1207, 1241, 1243, 1258, 1263, 1272, 1275, 1281, 1284
24451895	<b>17479</b>	1194, 1196, 1203, 1234, 1236, 1247, 1256, 1257, 1267, 1274, 1279, 1282
24451895 S1	<b>17480</b>	1194, 1196, 1279
24451896	<b>12976</b>	1188, 1230, 1264, 1269
24461834	<b>33043</b>	1199, 1204, 1207, 1241, 1243, 1258, 1263, 1272, 1275, 1281, 1284
55232827	<b>22376</b>	1226
55350422	<b>27818</b>	1197, 1202, 1206, 1239, 1242, 1248, 1257, 1274, 1278, 1283, 1286
55350580	<b>08697</b>	1188, 1194, 1196, 1203, 1230, 1234, 1236, 1247, 1256, 1257, 1264, 1267, 1269, 1274, 1279, 1282
55351782	<b>23421</b>	1198, 1203, 1262, 1280, 1283
55352021	<b>22370</b>	1179, 1181, 1182, 1193, 1201, 1205, 1217, 1228, 1232, 1238, 1242, 1245, 1249, 1250, 1266, 1285
55352127	<b>33044</b>	1199, 1204, 1207, 1241, 1243, 1258, 1263, 1272, 1275, 1281, 1284
55352713	<b>18181</b>	1194, 1196, 1203, 1234, 1236, 1247, 1256, 1257, 1267, 1274, 1279, 1282
55352909	<b>12119</b>	1181, 1193, 1201, 1228, 1232, 1238, 1245, 1266


**Ref. - No.**


55353701	<b>28374</b>	1198, 1203, 1262, 1280, 1283
55353810	<b>26223</b>	1198, 1203, 1262, 1280, 1283
55555653	<b>27792</b>	1197, 1202, 1206, 1239, 1242, 1248, 1250, 1257, 1274, 1278, 1283, 1286
55556090	<b>27818</b>	1197, 1202, 1206, 1239, 1242, 1248, 1257, 1274, 1278, 1283, 1286
55560082	<b>27792</b>	1197, 1202, 1206, 1239, 1242, 1248, 1250, 1257, 1274, 1278, 1283, 1286
55562217	<b>27792</b>	1197, 1202, 1206, 1239, 1242, 1248, 1250, 1257, 1274, 1278, 1283, 1286
55562218	<b>27792</b>	1197, 1202, 1206, 1239, 1242, 1248, 1250, 1257, 1274, 1278, 1283, 1286
55562234	<b>17617</b>	1179, 1181, 1193, 1201, 1205, 1217, 1228, 1232, 1238, 1242, 1245, 1249, 1250, 1266, 1285
55562234 S1	<b>29629</b>	1179, 1181, 1193, 1201, 1205, 1217, 1228, 1232, 1238, 1242, 1245, 1249, 1250, 1266, 1285
55562234 S2	<b>34162</b>	1179, 1201, 1205, 1217, 1232, 1238, 1242, 1245, 1249, 1250, 1266, 1285
55562234 S3	<b>34163</b>	1201, 1205, 1232, 1238, 1245, 1249, 1266
55562235	<b>34161</b>	1179, 1201, 1205, 1217, 1232, 1238, 1242, 1245, 1249, 1250, 1266, 1285

**Ref. - No.**


55563405	<b>33046</b>	1199, 1204, 1241, 1243, 1258, 1263, 1272, 1275, 1281, 1284
55563512	<b>27818</b>	1197, 1202, 1206, 1239, 1242, 1248, 1257, 1274, 1278, 1283, 1286
55565236	<b>22370</b>	1179, 1181, 1182, 1193, 1201, 1205, 1217, 1228, 1232, 1238, 1242, 1245, 1249, 1250, 1266, 1285
55567191	<b>10296</b>	1188, 1194, 1196, 1203, 1230, 1234, 1236, 1247, 1256, 1257, 1264, 1267, 1269, 1274, 1279, 1282
55569838	<b>33042</b>	1204, 1258, 1275, 1284
55570289	<b>27792</b>	1197, 1202, 1206, 1239, 1242, 1248, 1250, 1257, 1274, 1278, 1283, 1286
55570337	<b>33045</b>	1199, 1263, 1272, 1275
55574864	<b>27792</b>	1197, 1202, 1206, 1239, 1242, 1248, 1250, 1257, 1274, 1278, 1283, 1286
90007619	<b>25101</b>	1185, 1229, 1251
90080214	<b>10992</b>	1183, 1184, 1218, 1220, 1252
90080903	<b>02885</b>	1213, 1215, 1219
90122678	<b>25101</b>	1185, 1229, 1251
90128563	<b>10296</b>	1188, 1194, 1196, 1203, 1230, 1234, 1236, 1247, 1256, 1257, 1264, 1267, 1269, 1274, 1279, 1282
90280404	<b>11033</b>	1186, 1191, 1209, 1224

Ref. - No.

Car  
Division

Ref. - No.



Ref. - No.



90323501	<b>03921</b>	1186, 1191, 1209, 1224
90323503	<b>03879</b>	1186, 1191, 1209, 1224
90324097	<b>08673</b>	1216, 1225, 1255, 1256, 1273
90324532	<b>15547</b>	1216, 1256
90324533	<b>09424</b>	1216, 1256
90324699	<b>11004</b>	1185, 1221, 1252
90325578	<b>11031</b>	1183, 1185, 1189, 1208, 1214, 1220, 1222, 1223, 1240
90354782	<b>14114</b>	1185, 1187, 1195, 1221, 1229, 1235, 1246, 1251, 1252, 1268
90354783	<b>11004</b>	1185, 1221, 1252
90354858	<b>25102</b>	1187, 1195, 1221, 1235, 1246, 1251, 1252, 1268
90409238	<b>01237</b>	1187, 1214, 1216, 1256
90409783	<b>19487</b>	1211, 1225, 1255, 1259, 1261, 1273, 1276
90409900	<b>11031</b>	1183, 1185, 1189, 1208, 1214, 1220, 1222, 1223, 1240
90410014	<b>11031</b>	1183, 1185, 1189, 1208, 1214, 1220, 1222, 1223, 1240
90410224	<b>11041</b>	1186, 1191, 1209, 1224
90410225	<b>11033</b>	1186, 1191, 1209, 1224
90410225	<b>11041</b>	1186, 1191, 1209, 1224
90411025	<b>14546</b>	1187, 1221, 1229, 1233, 1268
90411744	<b>10297</b>	1186, 1190, 1191, 1198, 1210, 1211, 1224, 1225, 1254, 1270, 1280

90411769	<b>11554</b>	1185, 1187, 1189, 1208, 1214, 1221, 1222, 1223, 1240, 1253, 1268, 1270
90411770	<b>14112</b>	1185, 1187, 1189, 1208, 1214, 1221, 1222, 1223, 1240, 1253, 1268, 1270
90411773	<b>03858</b>	1186, 1191, 1210, 1224
90411775	<b>14108</b>	1186, 1191, 1210, 1224
90411777	<b>17477</b>	1190, 1211, 1225, 1254, 1270
90411782	<b>03856</b>	1182, 1186, 1190, 1191, 1210, 1211, 1224, 1225, 1240, 1254, 1260, 1270, 1271
90412709	<b>33695</b>	1188, 1194, 1196, 1197, 1203, 1230, 1234, 1236, 1247, 1256, 1267, 1269, 1274
90412711	<b>12976</b>	1188, 1230, 1264, 1269
90412730	<b>08697</b>	1188, 1194, 1196, 1203, 1230, 1234, 1236, 1247, 1256, 1257, 1264, 1267, 1269, 1274, 1279, 1282
90412731	<b>12110</b>	1188, 1194, 1196, 1230, 1264, 1269, 1279
90412783	<b>10296</b>	1188, 1194, 1196, 1203, 1230, 1234, 1236, 1247, 1256, 1257, 1264, 1267, 1269, 1274, 1279, 1282
90412884	<b>18944</b>	1188, 1230, 1264
90466047	<b>15547</b>	1216, 1256
90466474	<b>17482</b>	1211, 1212, 1225, 1255, 1261, 1273
90469987	<b>14108</b>	1186, 1191, 1210, 1224


**Ref. - No.**


90499401	<b>06971</b>	1185, 1187, 1195, 1221, 1229, 1235, 1246, 1251, 1252, 1268
90499525	<b>23425</b>	1182, 1240, 1254, 1260, 1271
90500229	<b>19285</b>	1187, 1188, 1189, 1190, 1191, 1198, 1203, 1208, 1209, 1210, 1211, 1222, 1223, 1224, 1225, 1229, 1233, 1234, 1235, 1240, 1253, 1254, 1260, 1262, 1264, 1268, 1269, 1270, 1271, 1280, 1283
90502129	<b>19285</b>	1187, 1188, 1189, 1190, 1191, 1198, 1203, 1208, 1209, 1210, 1211, 1222, 1223, 1224, 1225, 1229, 1233, 1234, 1235, 1240, 1253, 1254, 1260, 1262, 1264, 1268, 1269, 1270, 1271, 1280, 1283
90502545	<b>25102</b>	1187, 1195, 1221, 1235, 1246, 1251, 1252, 1268
90528603	<b>23429</b>	1182, 1240, 1254, 1260, 1271
90528760	<b>19487</b>	1211, 1225, 1255, 1259, 1261, 1273, 1276
90529187	<b>17482</b>	1211, 1212, 1225, 1255, 1261, 1273
90529570	<b>17617</b>	1179, 1181, 1193, 1201, 1205, 1217, 1228, 1232, 1238, 1242, 1245, 1249, 1250, 1266, 1285
90529570 S1	<b>29629</b>	1179, 1181, 1193, 1201, 1205, 1217, 1228, 1232, 1238, 1242, 1245, 1249, 1250, 1266, 1285

**Ref. - No.**


90529570 S2	<b>34162</b>	1179, 1201, 1205, 1217, 1232, 1238, 1242, 1245, 1249, 1250, 1266, 1285
90529570 S3	<b>34163</b>	1201, 1205, 1232, 1238, 1245, 1249, 1266
90529809	<b>23421</b>	1198, 1203, 1262, 1280, 1283
90529810	<b>11321</b>	1198, 1203, 1262, 1280, 1283
90530123	<b>10296</b>	1188, 1194, 1196, 1203, 1230, 1234, 1236, 1247, 1256, 1257, 1264, 1267, 1269, 1274, 1279, 1282
90530124	<b>11554</b>	1185, 1187, 1189, 1208, 1214, 1221, 1222, 1223, 1240, 1253, 1268, 1270
90530125	<b>10297</b>	1186, 1190, 1191, 1198, 1210, 1211, 1224, 1225, 1254, 1270, 1280
90530126	<b>23429</b>	1182, 1240, 1254, 1260, 1271
90530286	<b>14112</b>	1185, 1187, 1189, 1208, 1214, 1221, 1222, 1223, 1240, 1253, 1268, 1270
90530286 S1	<b>14113</b>	1185, 1187, 1189, 1208, 1214, 1221, 1222, 1223, 1240, 1253, 1268, 1270
90530598	<b>14108</b>	1186, 1191, 1210, 1224
90530598 S1	<b>14109</b>	1186, 1191, 1210, 1224
90530599	<b>23419</b>	1211, 1212, 1225, 1255, 1259, 1261, 1273, 1276

Ref. - No.

Car  
Division 

Ref. - No.



90531677	<b>14114</b>	1185, 1187, 1195, 1221, 1229, 1235, 1246, 1251, 1252, 1268
90531678	<b>14114</b>	1185, 1187, 1195, 1221, 1229, 1235, 1246, 1251, 1252, 1268
90531678 S1	<b>14115</b>	1185, 1187, 1195, 1221, 1229, 1235, 1246, 1251, 1252, 1268
90531679	<b>12976</b>	1188, 1230, 1264, 1269
90531680	<b>12976</b>	1188, 1230, 1264, 1269
90531680 S1	<b>14110</b>	1188, 1230, 1264, 1269
90531681	<b>17477</b>	1190, 1211, 1225, 1254, 1270
90531682	<b>17477</b>	1190, 1211, 1225, 1254, 1270
90531863	<b>12119</b>	1181, 1193, 1201, 1228, 1232, 1238, 1245, 1266
90531965	<b>22370</b>	1179, 1181, 1182, 1193, 1201, 1205, 1217, 1228, 1232, 1238, 1242, 1245, 1249, 1250, 1266, 1285
90531986	<b>22370</b>	1179, 1181, 1182, 1193, 1201, 1205, 1217, 1228, 1232, 1238, 1242, 1245, 1249, 1250, 1266, 1285
90537300	<b>33048</b>	1199, 1204, 1207, 1241, 1243, 1258, 1263, 1272, 1275, 1281, 1284

Ref. - No.



90537338	<b>33043</b>	1199, 1204, 1207, 1241, 1243, 1258, 1263, 1272, 1275, 1281, 1284
90537370	<b>33047</b>	1199, 1204, 1207, 1241, 1243, 1258, 1263, 1272, 1275, 1281, 1284
90537593	<b>33046</b>	1199, 1204, 1241, 1243, 1258, 1263, 1272, 1275, 1281, 1284
90537802	<b>33044</b>	1199, 1204, 1207, 1241, 1243, 1258, 1263, 1272, 1275, 1281, 1284
90537843	<b>33045</b>	1199, 1263, 1272, 1275
90542860	<b>17482</b>	1211, 1212, 1225, 1255, 1261, 1273
90543739	<b>17482</b>	1211, 1212, 1225, 1255, 1261, 1273
90570371	<b>14112</b>	1185, 1187, 1189, 1208, 1214, 1221, 1222, 1223, 1240, 1253, 1268, 1270
90570371 S1	<b>14113</b>	1185, 1187, 1189, 1208, 1214, 1221, 1222, 1223, 1240, 1253, 1268, 1270
90570844	<b>17481</b>	1211, 1212, 1225, 1255, 1261, 1273
90570913	<b>12110</b>	1188, 1194, 1196, 1230, 1264, 1269, 1279
90571758	<b>21060</b>	1194, 1195, 1196, 1203, 1234, 1235, 1236, 1246, 1247, 1257, 1267, 1274, 1279
91159961	<b>22329</b>	1277


**Ref. - No.**


92063918	<b>14112</b>	1185, 1187, 1189, 1208, 1214, 1221, 1222, 1223, 1240, 1253, 1268, 1270
92065368	<b>26223</b>	1198, 1203, 1262, 1280, 1283
92065902	<b>23425</b>	1182, 1240, 1254, 1260, 1271
92065902 S1	<b>23427</b>	1182, 1240, 1254, 1260, 1271
93160004	<b>32581</b>	1277
93160130	<b>19846</b>	1277
93160243	<b>26567</b>	1277
93160244	<b>21759</b>	1277
93160746	<b>22329</b>	1277
93161016	<b>26570</b>	1277
93161363	<b>27259</b>	1277
93161481	<b>26567</b>	1277
93161482	<b>19846</b>	1277
93174119	<b>21097</b>	1194, 1196, 1203, 1234, 1236, 1247, 1257, 1267, 1274, 1279
93174119	<b>19445</b>	1194, 1196, 1203, 1234, 1236, 1247, 1256, 1257, 1267, 1274, 1279, 1282
93174120	<b>21098</b>	1188, 1230, 1264, 1269
93174120	<b>14110</b>	1188, 1230, 1264, 1269
93174260	<b>17478</b>	1190, 1211, 1225, 1254, 1270
93174261	<b>17478</b>	1190, 1211, 1225, 1254, 1270
93174262	<b>14109</b>	1186, 1191, 1210, 1224
93174263	<b>23423</b>	1198, 1280
93174265	<b>26224</b>	1198, 1262, 1280
93174266	<b>11041</b>	1186, 1191, 1209, 1224
93174267	<b>23427</b>	1182, 1240, 1254, 1260, 1271

**Ref. - No.**


93180218	<b>19445</b>	1194, 1196, 1203, 1234, 1236, 1247, 1256, 1257, 1267, 1274, 1279, 1282
93180219	<b>14110</b>	1188, 1230, 1264, 1269
93180815	<b>23445</b>	1197, 1202, 1206, 1239, 1242, 1248, 1250, 1257, 1274, 1278, 1283, 1286
93183572	<b>17480</b>	1194, 1196, 1279
93185844	<b>28375</b>	1198, 1203, 1262, 1280, 1283
93185845	<b>19445</b>	1194, 1196, 1203, 1234, 1236, 1247, 1256, 1257, 1267, 1274, 1279, 1282
93185849	<b>27825</b>	1197, 1202, 1206, 1239, 1242, 1248, 1250, 1257, 1274, 1278, 1283, 1286
93188125	<b>14115</b>	1185, 1187, 1195, 1221, 1229, 1235, 1246, 1251, 1252, 1268
93188126	<b>14115</b>	1185, 1187, 1195, 1221, 1229, 1235, 1246, 1251, 1252, 1268
93188702	<b>26570</b>	1277
93191271	<b>33040</b>	1181, 1193, 1201, 1228, 1232, 1238, 1245, 1266
93191271 SK1	<b>30372</b>	1181, 1193, 1201, 1228, 1232, 1238, 1245, 1266
93191271 SK2	<b>30373</b>	1181, 1193, 1201, 1228, 1232, 1238, 1245, 1266
93191271 SK3	<b>33080</b>	1181, 1193, 1201, 1228, 1232, 1238, 1245, 1266

Ref. - No.

Car  
Division

Ref. - No.



93191271 SK4	<b>33081</b>	1181, 1193, 1201, 1228, 1232, 1238, 1245, 1266
93191271 S1	<b>33041</b>	1181, 1193, 1201, 1228, 1232, 1238, 1245, 1266
93191271 S2	<b>33082</b>	1181, 1193, 1201, 1228, 1232, 1238, 1245, 1266
93191271 S3	<b>33083</b>	1181, 1193, 1201, 1228, 1232, 1238, 1245, 1266
93191272	<b>33040</b>	1181, 1193, 1201, 1228, 1232, 1238, 1245, 1266
93191272 SK1	<b>30372</b>	1181, 1193, 1201, 1228, 1232, 1238, 1245, 1266
93191272 SK2	<b>30373</b>	1181, 1193, 1201, 1228, 1232, 1238, 1245, 1266
93191272 SK3	<b>33080</b>	1181, 1193, 1201, 1228, 1232, 1238, 1245, 1266
93191272 SK4	<b>33081</b>	1181, 1193, 1201, 1228, 1232, 1238, 1245, 1266
93191272 S1	<b>33041</b>	1181, 1193, 1201, 1228, 1232, 1238, 1245, 1266
93191272 S2	<b>33082</b>	1181, 1193, 1201, 1228, 1232, 1238, 1245, 1266
93191272 S3	<b>33083</b>	1181, 1193, 1201, 1228, 1232, 1238, 1245, 1266
93191276	<b>33040</b>	1181, 1193, 1201, 1228, 1232, 1238, 1245, 1266
93191276 SK1	<b>30372</b>	1181, 1193, 1201, 1228, 1232, 1238, 1245, 1266

Ref. - No.



93191276 SK2	<b>30373</b>	1181, 1193, 1201, 1228, 1232, 1238, 1245, 1266
93191276 SK3	<b>33080</b>	1181, 1193, 1201, 1228, 1232, 1238, 1245, 1266
93191276 SK4	<b>33081</b>	1181, 1193, 1201, 1228, 1232, 1238, 1245, 1266
93191276 S1	<b>33041</b>	1181, 1193, 1201, 1228, 1232, 1238, 1245, 1266
93191276 S2	<b>33082</b>	1181, 1193, 1201, 1228, 1232, 1238, 1245, 1266
93191276 S3	<b>33083</b>	1181, 1193, 1201, 1228, 1232, 1238, 1245, 1266
93196786	<b>27825</b>	1197, 1202, 1206, 1239, 1242, 1248, 1250, 1257, 1274, 1278, 1283, 1286
93196787	<b>27825</b>	1197, 1202, 1206, 1239, 1242, 1248, 1250, 1257, 1274, 1278, 1283, 1286
93198089	<b>32581</b>	1277
93198125	<b>19846</b>	1277
93198335	<b>27259</b>	1277
93198652	<b>26567</b>	1277
93198659	<b>32581</b>	1277
95507809	<b>27825</b>	1197, 1202, 1206, 1239, 1242, 1248, 1250, 1257, 1274, 1278, 1283, 1286
passend für / to fit:		
<b>VOLKSWAGEN</b>		
06F 198 119	<b>24764</b>	1314, 1375
03D 105 209 E	<b>27046</b>	1295, 1359
03E 105 209	<b>27068</b>	1359
027 105 263	<b>25158</b>	1301, 1305, 1339, 1365


**Ref. - No.**


027 105 263 B	<b>25158</b>	1301, 1305, 1339, 1365
030 105 263 A	<b>25174</b>	1288, 1299, 1300, 1302, 1354, 1355
030 105 263 B	<b>25174</b>	1288, 1299, 1300, 1302, 1354, 1355
030 105 263 C	<b>25174</b>	1288, 1299, 1300, 1302, 1354, 1355
049 105 263 B	<b>25178</b>	1298, 1299, 1300, 1301, 1337, 1354, 1365
049 105 263 C	<b>25194</b>	1287, 1288, 1301, 1303, 1304, 1307, 1337, 1338, 1341, 1369, 1377
056 105 263 A	<b>25178</b>	1298, 1299, 1300, 1301, 1337, 1354, 1365
069 105 263	<b>25172</b>	1378
06A 109 105 C	<b>25258</b>	1290, 1309, 1314, 1316, 1331, 1341, 1345, 1375
026 109 111	<b>25252</b>	1299, 1300, 1354
049 109 111 C	<b>25250</b>	1287, 1288, 1292, 1298, 1299, 1300, 1301, 1303, 1304, 1307, 1327, 1337, 1338, 1341, 1354, 1365, 1369, 1377
026 109 119 B	<b>12654</b>	1303, 1304, 1341
026 109 119 B S1	<b>14616</b>	1303, 1304
026 109 119 B S2	<b>14662</b>	1341
026 109 119 D	<b>12654</b>	1303, 1304, 1341
027 109 119 A	<b>14366</b>	1293, 1301, 1365
027 109 119 A S2	<b>14604</b>	1293
027 109 119 A S1	<b>14606</b>	1293, 1301, 1365
027 109 119 C	<b>14366</b>	1293, 1301, 1365
027 109 119 C S1	<b>14606</b>	1293, 1301, 1365
027 109 119 C S2	<b>14604</b>	1293
030 109 119 A	<b>14382</b>	1299, 1300, 1302, 1354
030 109 119 AB	<b>14362</b>	1328, 1355, 1357
030 109 119 F	<b>14358</b>	1355
030 109 119 H	<b>14362</b>	1328, 1355, 1357

**Ref. - No.**


030 109 119 M	<b>14362</b>	1328, 1355, 1357
030 109 119 M S1	<b>14608</b>	1328, 1357
030 109 119 S	<b>14362</b>	1328, 1355, 1357
030 109 119 S S1	<b>14608</b>	1328, 1357
032 109 119	<b>14380</b>	1302
032 109 119 G	<b>18772</b>	1302, 1355
032 109 119 J	<b>18772</b>	1302, 1355
032 109 119 J S1	<b>23640</b>	1328
034 109 119	<b>12661</b>	1337
034 109 119 S1	<b>24856</b>	1337
036 109 119 AG	<b>19364</b>	1288, 1289, 1308, 1312, 1315, 1318, 1329, 1330, 1336, 1355, 1356, 1357, 1358, 1360, 1363
036 109 119 AG S1	<b>21770</b>	1288, 1289, 1308, 1312, 1315, 1318, 1329, 1330, 1336, 1356, 1357, 1360, 1363
036 109 119 D	<b>23528</b>	1355
036 109 119 H	<b>23528</b>	1355
036 109 119 M	<b>19364</b>	1288, 1289, 1308, 1312, 1315, 1318, 1329, 1330, 1336, 1355, 1356, 1357, 1358, 1360, 1363
036 109 119 P	<b>21768</b>	1288, 1289, 1308, 1312, 1315, 1318, 1329, 1330, 1336, 1356, 1357, 1358, 1360, 1363
036 109 119 P S1	<b>21774</b>	1288, 1289, 1308, 1312, 1315, 1318, 1329, 1330, 1336, 1356, 1357, 1358, 1360, 1363
036 109 119 Q	<b>19364</b>	1288, 1289, 1308, 1312, 1315, 1318, 1329, 1330, 1336, 1355, 1356, 1357, 1358, 1360, 1363
036 109 119 Q S1	<b>21770</b>	1288, 1289, 1308, 1312, 1315, 1318, 1329, 1330, 1336, 1356, 1357, 1360, 1363
037 109 119 C	<b>14378</b>	1292, 1304, 1307, 1314, 1338, 1369, 1377



Ref. - No.

Car  
Division 

Ref. - No.



037 109 119 C S1	<b>14618</b>	1292, 1304, 1307, 1338, 1369
046 109 119 E	<b>14370</b>	1378
048 109 119 D	<b>14378</b>	1292, 1304, 1307, 1314, 1338, 1369, 1377
048 109 119 G	<b>14372</b>	1305, 1339
048 109 119 G S1	<b>14612</b>	1305, 1339
052 109 119	<b>12657</b>	1298, 1299, 1300, 1337, 1354, 1365
056 109 119 A	<b>12652</b>	1287, 1288, 1292, 1298, 1301, 1304, 1307, 1337, 1338, 1365, 1377
056 109 119 A S1	<b>14574</b>	1287, 1288, 1292, 1298, 1301, 1304, 1307, 1337, 1338, 1365, 1377
058 109 119 B	<b>19361</b>	1342
058 109 119 C	<b>19361</b>	1342
06A 109 119 B	<b>19396</b>	1290, 1309, 1316, 1331, 1341, 1345, 1375
06A 109 119 C	<b>19396</b>	1290, 1309, 1316, 1331, 1341, 1345, 1375
06A 109 119 C S1	<b>23634</b>	1309, 1331, 1341, 1345, 1375
06A 109 119 J	<b>19396</b>	1290, 1309, 1316, 1331, 1341, 1345, 1375
06A 109 119 K	<b>19396</b>	1290, 1309, 1316, 1331, 1341, 1345, 1375
06B 109 119 A	<b>19546</b>	1309, 1332, 1336, 1346, 1362, 1368
06B 109 119 A S5	<b>27298</b>	1309, 1332, 1368
06B 109 119 A S4	<b>23642</b>	1346
06B 109 119 A S1	<b>19548</b>	1309, 1332, 1368
06B 109 119 A S6	<b>30891</b>	1362
06B 109 119 A S3	<b>23646</b>	1309, 1332, 1368
06B 109 119 A S2	<b>19550</b>	1309, 1332, 1368

Ref. - No.



06B 109 119 B	<b>19546</b>	1309, 1332, 1336, 1346, 1362, 1368
06B 109 119 F	<b>19546</b>	1309, 1332, 1336, 1346, 1362, 1368
06B 109 119 F S3	<b>23646</b>	1309, 1332, 1368
06B 109 119 F S4	<b>23642</b>	1346
06B 109 119 F S2	<b>19550</b>	1309, 1332, 1368
06B 109 119 F S1	<b>23642</b>	1346
06D 109 119	<b>23238</b>	1314, 1375
06D 109 119 B	<b>24186</b>	1296, 1314, 1316, 1320, 1324, 1350, 1367, 1375
074 109 119 E	<b>14370</b>	1378
074 109 119 H	<b>12668</b>	1378
074 109 119 R	<b>14370</b>	1378
078 109 119 C	<b>19606</b>	1344, 1347, 1353, 1376
078 109 119 G	<b>19606</b>	1344, 1347, 1353, 1376
078 109 119 H	<b>19606</b>	1344, 1347, 1353, 1376
078 109 119 J	<b>19606</b>	1344, 1347, 1353, 1376
027 109 120	<b>09403</b>	1293, 1301, 1305, 1339, 1365
077 109 120	<b>09403</b>	1293, 1301, 1305, 1339, 1365
078 109 120	<b>25360</b>	1309, 1332, 1342, 1344, 1346, 1347, 1353, 1368, 1376
03C 109 158	<b>40390</b>	1291, 1297, 1313, 1317, 1319, 1322, 1323, 1334, 1349, 1351, 1352, 1361, 1364, 1366, 1372, 1373, 1374
03C 109 158 A	<b>40390</b>	1291, 1297, 1313, 1317, 1319, 1322, 1323, 1334, 1349, 1351, 1352, 1361, 1364, 1366, 1372, 1373, 1374


**Ref. - No.**


036 109 181 A	<b>21766</b>	1288, 1289, 1308, 1312, 1315, 1318, 1329, 1330, 1336, 1356, 1357, 1360, 1363
036 109 181 B	<b>21766</b>	1288, 1289, 1308, 1312, 1315, 1318, 1329, 1330, 1336, 1356, 1357, 1360, 1363
058 109 217 B	<b>27070</b>	1309, 1332, 1342, 1368
058 109 217 D	<b>28446</b>	1342
06F 109 217 A	<b>32518</b>	1296, 1314, 1316, 1320, 1324, 1350, 1367, 1375
03D 109 229	<b>25371</b>	1295, 1359
03D 109 229 S1	<b>30478</b>	1295, 1359
03D 109 229 S2	<b>30495</b>	1295, 1359
03E 109 229 A	<b>25402</b>	1359
03E 109 229 A S2	<b>30497</b>	1359
058 109 229	<b>25360</b>	1309, 1332, 1342, 1344, 1346, 1347, 1353, 1368, 1376
058 109 229 B	<b>25360</b>	1309, 1332, 1342, 1344, 1346, 1347, 1353, 1368, 1376
06D 109 229 A	<b>25227</b>	1296, 1314, 1316, 1320, 1324, 1350, 1367, 1375
06D 109 229 B	<b>25227</b>	1296, 1314, 1316, 1320, 1324, 1350, 1367, 1375
023 109 243	<b>24688</b>	1378
026 109 243	<b>06688</b>	1287, 1288, 1292, 1298, 1301, 1303, 1304, 1307, 1337, 1338, 1358, 1365, 1369, 1377
026 109 243 C	<b>06688</b>	1287, 1288, 1292, 1298, 1301, 1303, 1304, 1307, 1337, 1338, 1358, 1365, 1369, 1377

**Ref. - No.**


026 109 243 E	<b>06688</b>	1287, 1288, 1292, 1298, 1301, 1303, 1304, 1307, 1337, 1338, 1358, 1365, 1369, 1377
026 109 243 F	<b>06688</b>	1287, 1288, 1292, 1298, 1301, 1303, 1304, 1307, 1337, 1338, 1358, 1365, 1369, 1377
026 109 243 J	<b>09762</b>	1307, 1341
026 109 243 L	<b>06688</b>	1287, 1288, 1292, 1298, 1301, 1303, 1304, 1307, 1337, 1338, 1358, 1365, 1369, 1377
027 109 243	<b>03600</b>	1293, 1301, 1305, 1339, 1365
030 109 243 C	<b>11557</b>	1355
030 109 243 D	<b>10295</b>	1288, 1328, 1355, 1357
030 109 243 F	<b>10295</b>	1288, 1328, 1355, 1357
030 109 243 J	<b>10295</b>	1288, 1328, 1355, 1357
030 109 243 K	<b>10295</b>	1288, 1328, 1355, 1357
030 109 243 L	<b>30220</b>	1328, 1357
030 109 243 M	<b>30220</b>	1328, 1357
030 109 243 N	<b>30220</b>	1328, 1357
030 109 243 P	<b>30220</b>	1328, 1357
036 109 243 AB	<b>11274</b>	1288, 1289, 1308, 1312, 1315, 1318, 1329, 1330, 1336, 1356, 1357, 1360, 1363
036 109 243 AC	<b>15888</b>	1288, 1289, 1308, 1312, 1315, 1318, 1329, 1330, 1336, 1356, 1357, 1358, 1360, 1363
036 109 243 AD	<b>11274</b>	1288, 1289, 1308, 1312, 1315, 1318, 1329, 1330, 1336, 1356, 1357, 1360, 1363

Ref. - No.

Car  
Division 

Ref. - No.



Ref. - No.



036 109 243 AE	<b>15888</b>	1288, 1289, 1308, 1312, 1315, 1318, 1329, 1330, 1336, 1356, 1357, 1358, 1360, 1363
036 109 243 AF	<b>11274</b>	1288, 1289, 1308, 1312, 1315, 1318, 1329, 1330, 1336, 1356, 1357, 1360, 1363
036 109 243 AG	<b>15888</b>	1288, 1289, 1308, 1312, 1315, 1318, 1329, 1330, 1336, 1356, 1357, 1358, 1360, 1363
036 109 243 D	<b>21764</b>	1355
036 109 243 E	<b>11274</b>	1288, 1289, 1308, 1312, 1315, 1318, 1329, 1330, 1336, 1356, 1357, 1360, 1363
036 109 243 F	<b>11325</b>	1308, 1329, 1356
036 109 243 G	<b>21764</b>	1355
036 109 243 J	<b>21764</b>	1355
036 109 243 K	<b>15888</b>	1288, 1289, 1308, 1312, 1315, 1318, 1329, 1330, 1336, 1356, 1357, 1358, 1360, 1363
036 109 243 L	<b>11274</b>	1288, 1289, 1308, 1312, 1315, 1318, 1329, 1330, 1336, 1356, 1357, 1360, 1363
036 109 243 R	<b>11274</b>	1288, 1289, 1308, 1312, 1315, 1318, 1329, 1330, 1336, 1356, 1357, 1360, 1363
036 109 243 S	<b>15888</b>	1288, 1289, 1308, 1312, 1315, 1318, 1329, 1330, 1336, 1356, 1357, 1358, 1360, 1363
049 109 243	<b>06688</b>	1287, 1288, 1292, 1298, 1301, 1303, 1304, 1307, 1337, 1338, 1358, 1365, 1369, 1377
051 109 243	<b>03600</b>	1293, 1301, 1305, 1339, 1365
051 109 243 A	<b>11316</b>	1293, 1305, 1339

056 109 243 A	<b>06688</b>	1287, 1288, 1292, 1298, 1301, 1303, 1304, 1307, 1337, 1338, 1358, 1365, 1369, 1377
056 109 243 B	<b>06688</b>	1287, 1288, 1292, 1298, 1301, 1303, 1304, 1307, 1337, 1338, 1358, 1365, 1369, 1377
056 109 243 D	<b>06688</b>	1287, 1288, 1292, 1298, 1301, 1303, 1304, 1307, 1337, 1338, 1358, 1365, 1369, 1377
058 109 243 C	<b>18658</b>	1342
058 109 243 E	<b>18658</b>	1342
06B 109 243	<b>17948</b>	1309, 1332, 1368
06B 109 243 A	<b>18556</b>	1309, 1332, 1336, 1368
06B 109 243 B	<b>18554</b>	1346
06B 109 243 C	<b>30212</b>	1362
06B 109 243 D	<b>18556</b>	1309, 1332, 1336, 1368
06B 109 243 E	<b>18554</b>	1346
06B 109 243 F	<b>18556</b>	1309, 1332, 1336, 1368
06D 109 243	<b>24606</b>	1314, 1375
06D 109 243 B	<b>27364</b>	1296, 1314, 1316, 1320, 1324, 1350, 1375
069 109 243 B	<b>02558</b>	1327, 1337
074 109 243 C	<b>11560</b>	1378
074 109 243 H	<b>11560</b>	1378
078 109 243 Q	<b>18562</b>	1344, 1347
078 109 243 R	<b>18562</b>	1344, 1347
078 109 243 S	<b>18562</b>	1344, 1347
03L 109 244 D	<b>07022</b>	1342
036 109 244	<b>10046</b>	1355
036 109 244 C	<b>11339</b>	1288, 1289, 1308, 1312, 1315, 1318, 1329, 1330, 1336, 1356, 1357, 1360, 1363


**Ref. - No.**


036 109 244 D	<b>11339</b>	1288, 1289, 1308, 1312, 1315, 1318, 1329, 1330, 1336, 1356, 1357, 1360, 1363
036 109 244 J	<b>11339</b>	1288, 1289, 1308, 1312, 1315, 1318, 1329, 1330, 1336, 1356, 1357, 1360, 1363
058 109 244	<b>07022</b>	1342
06B 109 244	<b>19292</b>	1296, 1309, 1314, 1316, 1320, 1324, 1332, 1336, 1346, 1350, 1367, 1368, 1375
06D 109 244 A	<b>24188</b>	1314, 1375
06D 109 244 B	<b>24188</b>	1314, 1375
06D 109 244 C	<b>30227</b>	1296, 1314, 1316, 1320, 1324, 1350, 1367, 1375
06D 109 244 D	<b>30227</b>	1296, 1314, 1316, 1320, 1324, 1350, 1367, 1375
06D 109 244 E	<b>30227</b>	1296, 1314, 1316, 1320, 1324, 1350, 1367, 1375
077 109 244 D	<b>19398</b>	1353
077 109 244 E	<b>19398</b>	1353
077 109 244 F	<b>30893</b>	1353
078 109 244 H	<b>17076</b>	1344, 1347
078 109 244 J	<b>17076</b>	1344, 1347
078 109 244 Q	<b>17076</b>	1344, 1347
00A 109 465	<b>09234</b>	1326
021 109 465	<b>09585</b>	1294, 1306, 1310, 1311, 1333, 1340, 1343, 1347, 1370, 1371, 1376, 1379
021 109 465 B	<b>09585</b>	1294, 1306, 1310, 1311, 1333, 1340, 1343, 1347, 1370, 1371, 1376, 1379
03H 109 465	<b>09585</b>	1294, 1306, 1310, 1311, 1333, 1340, 1343, 1347, 1370, 1371, 1376, 1379

**Ref. - No.**


021 109 467	<b>25240</b>	1294, 1306, 1310, 1311, 1333, 1340, 1343, 1347, 1370, 1371, 1376, 1379
00A 109 468	<b>09280</b>	1326
021 109 469	<b>25222</b>	1294, 1306, 1310, 1311, 1333, 1340, 1343, 1347, 1370, 1371, 1376, 1379
03C 109 469 K	<b>36085</b>	1291, 1297, 1313, 1317, 1319, 1322, 1323, 1334, 1349, 1351, 1352, 1361, 1364, 1366, 1372, 1373, 1374
03D 109 469 C	<b>25468</b>	1295, 1359
03E 109 469	<b>25467</b>	1359
03E 109 469 C	<b>25467</b>	1359
06B 109 477	<b>22346</b>	1309, 1332, 1368
06B 109 477 A	<b>22347</b>	1346
06B 109 477 B	<b>30890</b>	1362
050 109 479	<b>27584</b>	1307, 1341
050 109 479 A	<b>27584</b>	1307, 1341
058 109 479 B	<b>19404</b>	1342
06A 109 479	<b>15878</b>	1309, 1314, 1316, 1331, 1341, 1345, 1369, 1375
06A 109 479 A	<b>15878</b>	1309, 1314, 1316, 1331, 1341, 1345, 1369, 1375
06A 109 479 B	<b>15878</b>	1309, 1314, 1316, 1331, 1341, 1345, 1369, 1375
06A 109 479 C	<b>15878</b>	1309, 1314, 1316, 1331, 1341, 1345, 1369, 1375
06A 109 479 F	<b>15878</b>	1309, 1314, 1316, 1331, 1341, 1345, 1369, 1375
06B 109 479	<b>22346</b>	1309, 1332, 1368
077 109 479 D	<b>22352</b>	1353, 1376
078 109 479 E	<b>22356</b>	1344, 1347
077 109 485 E	<b>22354</b>	1353, 1376
077 109 485 F	<b>22354</b>	1353, 1376

Ref. - No.

Car  
Division 

Ref. - No.



078 109 487 A	<b>22358</b>	1344, 1347
021 109 503 A	<b>09402</b>	1294, 1306, 1340, 1370, 1379
021 109 503 A S1	<b>33984</b>	1294, 1306, 1340, 1370, 1379
021 109 503 D	<b>25364</b>	1306, 1310, 1340, 1343, 1370, 1379
021 109 503 D S1	<b>33985</b>	1306, 1340, 1370, 1379
021 109 503 F	<b>25364</b>	1306, 1310, 1340, 1343, 1370, 1379
03H 109 503	<b>25404</b>	1310, 1311, 1347, 1371, 1376, 1379
066 109 503 B	<b>25404</b>	1310, 1311, 1347, 1371, 1376, 1379
066 109 503 C	<b>25404</b>	1310, 1311, 1347, 1371, 1376, 1379
00A 109 507	<b>01382</b>	1326
021 109 507 A	<b>33983</b>	1294, 1306, 1340, 1370, 1379
021 109 507 B	<b>25238</b>	1306, 1310, 1311, 1340, 1343, 1370, 1379
022 109 507 A	<b>25422</b>	1311, 1333
03E 109 507 G	<b>25412</b>	1295, 1359
03E 109 507 K	<b>25412</b>	1295, 1359
03E 109 507 L	<b>25412</b>	1295, 1359
03E 109 507 N	<b>25412</b>	1295, 1359
03E 109 507 S	<b>25412</b>	1295, 1359
03H 109 507	<b>32786</b>	1371, 1376
066 109 507 A	<b>32786</b>	1371, 1376
066 109 507 D	<b>32786</b>	1371, 1376
021 109 509 A	<b>25348</b>	1294, 1306, 1340, 1370, 1379
021 109 509 C	<b>25220</b>	1306, 1310, 1340, 1343, 1370, 1379
021 109 509 E	<b>25220</b>	1306, 1310, 1340, 1343, 1370, 1379
022 109 509 C	<b>25458</b>	1311, 1333

Ref. - No.



03C 109 509 K	<b>36224</b>	1291, 1297, 1313, 1317, 1319, 1322, 1323, 1334, 1349, 1351, 1352, 1361, 1364, 1366, 1372, 1373, 1374
03C 109 509 L	<b>36224</b>	1291, 1297, 1313, 1317, 1319, 1322, 1323, 1334, 1349, 1351, 1352, 1361, 1364, 1366, 1372, 1373, 1374
03C 109 509 M	<b>36224</b>	1291, 1297, 1313, 1317, 1319, 1322, 1323, 1334, 1349, 1351, 1352, 1361, 1364, 1366, 1372, 1373, 1374
03C 109 509 P	<b>36224</b>	1291, 1297, 1313, 1317, 1319, 1322, 1323, 1334, 1349, 1351, 1352, 1361, 1364, 1366, 1372, 1373, 1374
03D 109 509 L	<b>27060</b>	1295, 1359
03E 109 509	<b>25457</b>	1359
066 109 509 A	<b>34868</b>	1333, 1347, 1371, 1376
021 109 513	<b>25182</b>	1294, 1306, 1340, 1370, 1379
03D 109 571 L	<b>25456</b>	1295, 1359
03E 109 571 B	<b>27080</b>	1359
036 109 571	<b>27080</b>	1359
07K 145 172 B	<b>30585</b>	1321, 1325
07K 145 172 C	<b>30584</b>	1321, 1325, 1333, 1335
022 145 276 C	<b>30892</b>	1296, 1343, 1350, 1351, 1353, 1376
022 145 276 F	<b>30892</b>	1296, 1343, 1350, 1351, 1353, 1376
03C 145 276 C	<b>32024</b>	1296, 1312, 1315, 1318, 1363, 1366, 1373, 1374
03D 145 276 A	<b>31069</b>	1295, 1359, 1363
03D 145 276 D	<b>31069</b>	1295, 1359, 1363
03D 145 276 E	<b>31069</b>	1295, 1359, 1363
032 145 276	<b>21918</b>	1308, 1360


**Ref. - No.**


037 145 276	<b>04127</b>	1292, 1301, 1338, 1378
037 145 276 A	<b>04127</b>	1292, 1301, 1338, 1378
07D 145 276 B	<b>22363</b>	1348, 1353, 1376
07D 145 276 C	<b>22363</b>	1348, 1353, 1376
071 145 276 A	<b>30892</b>	1296, 1343, 1350, 1351, 1353, 1376
1J0 145 276	<b>30859</b>	1296, 1312, 1315, 1318, 1323, 1349, 1351, 1360, 1363, 1366, 1373, 1375
6QD 145 276	<b>30859</b>	1296, 1312, 1315, 1318, 1323, 1349, 1351, 1360, 1363, 1366, 1373, 1375
028 145 278	<b>01231</b>	1288, 1292, 1293, 1303, 1304, 1305, 1307, 1338, 1339, 1369, 1377
028 145 278 A	<b>01231</b>	1288, 1292, 1293, 1303, 1304, 1305, 1307, 1338, 1339, 1369, 1377
028 145 278 E	<b>01231</b>	1288, 1292, 1293, 1303, 1304, 1305, 1307, 1338, 1339, 1369, 1377
037 145 278 A	<b>04127</b>	1292, 1301, 1338, 1378
074 145 278 A	<b>04127</b>	1292, 1301, 1338, 1378
074 145 278 E	<b>04127</b>	1292, 1301, 1338, 1378
00A 145 299	<b>08109</b>	1326
021 145 299 B	<b>22364</b>	1370, 1371
021 145 299 C	<b>22364</b>	1370, 1371
022 145 299	<b>22365</b>	1311, 1333, 1371
022 145 299 A	<b>22365</b>	1311, 1333, 1371
022 145 299 D	<b>22365</b>	1311, 1333, 1371
03C 145 299 C	<b>27218</b>	1296, 1315, 1316, 1323, 1349, 1363, 1375

**Ref. - No.**


03C 145 299 Q	<b>32629</b>	1291, 1296, 1312, 1315, 1318, 1322, 1324, 1335, 1349, 1363, 1366, 1373, 1374
030 145 299 C	<b>14730</b>	1288, 1289, 1302, 1308, 1312, 1315, 1318, 1328, 1329, 1330, 1355, 1356, 1357, 1360
030 145 299 F	<b>14730</b>	1288, 1289, 1302, 1308, 1312, 1315, 1318, 1328, 1329, 1330, 1355, 1356, 1357, 1360
032 145 299 A	<b>23558</b>	1308
032 145 299 C	<b>23556</b>	1302
1J0 145 299	<b>27218</b>	1296, 1315, 1316, 1323, 1349, 1363, 1375
6Q0 145 299	<b>27216</b>	1296, 1312, 1315, 1318, 1349, 1360, 1363, 1373, 1375
6K0 198 001 A	<b>14608</b>	1328, 1357
6K0 198 001 C	<b>23530</b>	1355
6K0 198 002	<b>14574</b>	1287, 1288, 1292, 1298, 1301, 1304, 1307, 1337, 1338, 1365, 1377
026 198 119	<b>14662</b>	1341
027 198 119	<b>14604</b>	1293
030 198 119 A	<b>14608</b>	1328, 1357
030 198 119 B	<b>23644</b>	1357
030 198 119 S2	<b>23644</b>	1357
036 198 119	<b>32427</b>	1308, 1329, 1356
036 198 119 B	<b>32427</b>	1308, 1329, 1356
036 198 119 E	<b>21772</b>	1289, 1308, 1312, 1315, 1318, 1329, 1330, 1356, 1357, 1360
036 198 119 F	<b>32427</b>	1308, 1329, 1356
037 198 119	<b>14618</b>	1292, 1304, 1307, 1338, 1369

Ref. - No.

Car  
Division

Ref. - No.



Ref. - No.



051 198 119	<b>14574</b>	1287, 1288, 1292, 1298, 1301, 1304, 1307, 1337, 1338, 1365, 1377
056 198 119	<b>14574</b>	1287, 1288, 1292, 1298, 1301, 1304, 1307, 1337, 1338, 1365, 1377
058 198 119	<b>24723</b>	1342
06A 198 119	<b>23634</b>	1309, 1331, 1341, 1345, 1375
06A 198 119 A	<b>19548</b>	1309, 1332, 1368
06A 198 119 B	<b>37642</b>	1309, 1332, 1336, 1368
06B 198 119 A	<b>24755</b>	1346
06F 198 119 A	<b>30586</b>	1296, 1314, 1316, 1320, 1324, 1350, 1375
074 198 119 D	<b>24677</b>	1378
074 198 119 E	<b>30780</b>	1378
074 198 119 K	<b>30780</b>	1378
074 198 119 L	<b>24677</b>	1378
074 198 119 M	<b>30780</b>	1378
078 198 119	<b>23292</b>	1344, 1347
03E 198 229 A S1	<b>30607</b>	1359
058 198 479	<b>21100</b>	1342
078 198 479 S1	<b>23290</b>	1344, 1347
058 260 511	<b>11341</b>	1341, 1342
021 903 119 G	<b>15262</b>	1290
022 903 119 A	<b>15262</b>	1290
022 903 119 C	<b>15262</b>	1290
038 903 119 A	<b>15262</b>	1290
038 903 119 L	<b>15274</b>	1343
038 903 119 S	<b>15262</b>	1290
038 903 119 T	<b>15262</b>	1290
03E 903 133	<b>30897</b>	1295, 1359, 1363
03E 903 133 A	<b>30897</b>	1295, 1359, 1363
03E 903 133 B	<b>30897</b>	1295, 1359, 1363
058 903 133	<b>19736</b>	1345, 1346
058 903 133 A	<b>19736</b>	1345, 1346
058 903 133 B	<b>19736</b>	1345, 1346
058 903 133 D	<b>19736</b>	1345, 1346
078 903 133 AB	<b>21905</b>	1344, 1376

078 903 133 T	<b>21905</b>	1344, 1376
03D 903 305 F	<b>30897</b>	1295, 1359, 1363
00A 903 315	<b>04001</b>	1326
00A 903 315 S1	<b>15923</b>	1326
037 903 315	<b>14736</b>	1288, 1292, 1293, 1303, 1304, 1305, 1307, 1338, 1339, 1369, 1377
037 903 315 A	<b>14736</b>	1288, 1292, 1293, 1303, 1304, 1305, 1307, 1338, 1339, 1369, 1377
037 903 315 B	<b>14736</b>	1288, 1292, 1293, 1303, 1304, 1305, 1307, 1338, 1339, 1369, 1377
037 903 315 C	<b>14736</b>	1288, 1292, 1293, 1303, 1304, 1305, 1307, 1338, 1339, 1369, 1377
045 903 315 A	<b>29945</b>	1360
06A 903 315 D	<b>14714</b>	1290, 1309, 1314, 1316, 1331, 1332, 1368, 1375
06A 903 315 E	<b>14714</b>	1290, 1309, 1314, 1316, 1331, 1332, 1368, 1375
06F 903 315	<b>30166</b>	1296, 1314, 1320, 1325, 1350, 1367
00A 903 341	<b>07021</b>	1326
passend für / to fit:		
<b>VOLVO</b>		
1271808	<b>22573</b>	1420
1271914	<b>22152</b>	1389, 1390, 1392, 1409
1275380	<b>22152</b>	1389, 1390, 1392, 1409
1275409	<b>15492</b>	1415, 1422
1326284	<b>04145</b>	1387
1336953	<b>04164</b>	1387
1378122	<b>04215</b>	1391
245301	<b>09276</b>	1381, 1388, 1393


**Ref. - No.**


271713	<b>14532</b>	1380, 1383, 1388, 1391
271713 S1	<b>14531</b>	1380, 1383, 1388, 1391
271747	<b>22721</b>	1391
271747 S1	<b>22723</b>	1391
271834	<b>14934</b>	1390, 1398, 1409
271835	<b>14936</b>	1389
271835 S1	<b>14937</b>	1389
271876	<b>15735</b>	1392, 1415, 1420
271876 S1	<b>15736</b>	1392, 1420
271952	<b>15737</b>	1390
272136 S1	<b>19734</b>	1389, 1390, 1392, 1409, 1420
272327	<b>14934</b>	1390, 1398, 1409
272327 S1	<b>14935</b>	1390, 1398, 1409
272329	<b>22731</b>	1396, 1397, 1398, 1402, 1404, 1405, 1407, 1409, 1410, 1413, 1414, 1418, 1421
272386	<b>15735</b>	1392, 1415, 1420
274184	<b>22735</b>	1415, 1422
274184 S1	<b>22737</b>	1415
274184 S2	<b>28545</b>	1415, 1422
274338	<b>22731</b>	1396, 1397, 1398, 1402, 1404, 1405, 1407, 1409, 1410, 1413, 1414, 1418, 1421
274338 S1	<b>22733</b>	1398, 1405, 1409, 1410, 1414, 1421
274518	<b>27559</b>	1397, 1402, 1404, 1405, 1410, 1414, 1421
274562	<b>40562</b>	1403, 1406, 1411, 1416
274562	<b>10945</b>	1394, 1400
274562 S1	<b>11286</b>	1400
274562 S2	<b>29958</b>	1394, 1400
30621261	<b>04195</b>	1382, 1384, 1385, 1386
30622153	<b>28544</b>	1415, 1422
30637071	<b>19871</b>	1410, 1414, 1415, 1421, 1422

**Ref. - No.**


30637071	<b>21628</b>	1405
30637141	<b>14377</b>	1398, 1405, 1409, 1410, 1414, 1415, 1421, 1422
30637955	<b>27558</b>	1397, 1402, 1404, 1405, 1410, 1414, 1421
30637962	<b>21628</b>	1405
30637962	<b>19871</b>	1410, 1414, 1415, 1421, 1422
30638276	<b>28544</b>	1415, 1422
30638277	<b>14381</b>	1398, 1405, 1409, 1410, 1414, 1421
30650957	<b>27567</b>	1394, 1396, 1397, 1402
30667682	<b>34597</b>	1413, 1418
30667878	<b>14997</b>	1405, 1409, 1410, 1414, 1415, 1421, 1422
30677214	<b>36523</b>	1407, 1408, 1413, 1419, 1423
30677832	<b>29523</b>	1396, 1397, 1402, 1407, 1413, 1418
30684344	<b>32049</b>	1395, 1401, 1417
30711320	<b>27566</b>	1394, 1396, 1397, 1402
30729939	<b>19871</b>	1410, 1414, 1415, 1421, 1422
30729939	<b>21628</b>	1405
30731727	<b>27559</b>	1397, 1402, 1404, 1405, 1410, 1414, 1421
30731938	<b>21771</b>	1412
30737517	<b>14997</b>	1405, 1409, 1410, 1414, 1415, 1421, 1422
30737750	<b>11291</b>	1400
30750904	<b>11291</b>	1400
30750905	<b>29952</b>	1394, 1400
30757057	<b>14377</b>	1398, 1405, 1409, 1410, 1414, 1415, 1421, 1422
30757330	<b>30146</b>	1407, 1413, 1418



Ref. - No.

Car  
Division

Ref. - No.



Ref. - No.



30757387	<b>36298</b>	1395, 1401, 1412, 1417
30758260 SK	<b>14935</b>	1390, 1398, 1409
30758261	<b>22733</b>	1398, 1405, 1409, 1410, 1414, 1421
30758262	<b>14937</b>	1389
30758268	<b>22737</b>	1415
30758269	<b>22737</b>	1415
30758270	<b>28545</b>	1415, 1422
30777695	<b>36523</b>	1407, 1408, 1413, 1419, 1423
30777726	<b>30146</b>	1407, 1413, 1418
30855992	<b>04195</b>	1382, 1384, 1385, 1386
30855993	<b>04199</b>	1382, 1384, 1385, 1386
30873950	<b>27407</b>	1398
30873950 S1	<b>27408</b>	1398
30873954	<b>21786</b>	1398
30874227	<b>21787</b>	1398
3100124	<b>09263</b>	1382
31104600	<b>22735</b>	1415, 1422
31216066	<b>37515</b>	1407, 1408, 1413, 1419, 1423
31251250	<b>14377</b>	1398, 1405, 1409, 1410, 1414, 1415, 1421, 1422
31251254	<b>29524</b>	1396, 1397, 1402, 1407, 1413, 1418
31251337	<b>30146</b>	1407, 1413, 1418
31251429	<b>30146</b>	1407, 1413, 1418
31251653	<b>30082</b>	1394, 1396, 1397, 1402, 1404
31251654	<b>30083</b>	1394, 1396, 1397, 1402, 1404
31251845	<b>32049</b>	1395, 1401, 1417
31258034	<b>39930</b>	1403, 1406, 1411, 1416
31258082 SK	<b>32049</b>	1395, 1401, 1417
31258153	<b>30146</b>	1407, 1413, 1418
31272239	<b>32049</b>	1395, 1401, 1417
31316938	<b>22735</b>	1415, 1422
31316940	<b>15735</b>	1392, 1415, 1420

31330351	<b>10945</b>	1394, 1400
31330351	<b>40562</b>	1403, 1406, 1411, 1416
31330351 S1	<b>11286</b>	1400
31330351 S2	<b>29958</b>	1394, 1400
31330379	<b>30146</b>	1407, 1413, 1418
31330416	<b>40210</b>	1403, 1406, 1411, 1416
31330784	<b>40849</b>	1403, 1406, 1411, 1416
31330784 SK1	<b>40562</b>	1403, 1406, 1411, 1416
31401193	<b>37515</b>	1407, 1408, 1413, 1419, 1423
31401286	<b>36523</b>	1407, 1408, 1413, 1419, 1423
3287568	<b>09263</b>	1382
32875684	<b>09263</b>	1382
3287776	<b>05859</b>	1382, 1385
3343720	<b>11150</b>	1382, 1384, 1385
3343720 S1	<b>11151</b>	1382, 1384, 1385
3343740	<b>04195</b>	1382, 1384, 1385, 1386
3343741	<b>04199</b>	1382, 1384, 1385, 1386
3463763	<b>11130</b>	1384, 1386
3463763 S1	<b>11131</b>	1384, 1386
3517996	<b>04279</b>	1390, 1392
3517998	<b>22572</b>	1389, 1390, 1392
3547543	<b>04215</b>	1391
3547715	<b>11305</b>	1391
463377	<b>14532</b>	1380, 1383, 1388, 1391
463633	<b>03241</b>	1380, 1383, 1388, 1391
6842125	<b>04279</b>	1390, 1392
6900015	<b>43783</b>	1399
8610040	<b>22733</b>	1398, 1405, 1409, 1410, 1414, 1421
8610041	<b>14935</b>	1390, 1398, 1409





Ref. - No.

Car  
Division

Ref. - No.



Ref. - No.



<b>01044</b>	110 050 06 11	589, 596, 675, 693, 698, 713
<b>01045</b>	115 050 11 11	590, 591, 592, 594, 616, 619, 671, 673, 677
<b>01050</b>	102 050 10 11	593, 597, 606, 608, 609, 613, 617, 670, 672, 676, 747, 749
<b>01231</b>	028 145 278 E	1068, 1079, 1080, 1083, 1084, 1103, 1104
<b>01231</b>	028 145 278 E	1288, 1292, 1293, 1303, 1304, 1305, 1307, 1338, 1339, 1369, 1377
<b>01237</b>	1340 535	810, 868, 870, 875
<b>01237</b>	90409238	1187, 1214, 1216, 1256
<b>01315</b>	6 182 891	381, 382, 383, 384, 386, 391, 392, 393, 428, 429, 430, 431, 437
<b>01382</b>	111 050 04 11	599, 622, 623, 624, 628, 643, 653, 685, 736, 737, 744, 751, 752
<b>01382</b>	00A 109 507	1326
<b>01391</b>	6 635 941	384, 387, 394, 423, 431
<b>01392</b>	6 635 942	384, 387, 394, 423
<b>01406</b>	6 744 307	384, 387, 394, 423, 431
<b>01439</b>	104 200 05 70	702
<b>01440</b>	120 050 02 11	601, 603, 604, 626, 655, 657, 679, 702, 705, 723, 725, 726, 732
<b>01443</b>	104 200 04 70	702
<b>01508</b>	078 109 244 F	31, 37, 64, 71, 75
<b>01580</b>	11 31 1 725 441	129, 156, 168
<b>01581</b>	11 31 1 725 442	129, 156, 168
<b>01583</b>	11 31 7 531 813	129, 133, 156, 160, 168, 169, 182

<b>01882</b>	944 105 631 10	980
<b>01883</b>	944 102 277 06	980
<b>01900</b>	74 39 146 139	1007, 1033
<b>01900</b>	9146139	1389, 1390, 1392, 1409
<b>01966</b>	11 28 2 245 087	96, 97, 98, 123, 124, 190, 191, 196
<b>02135</b>	116 050 18 11	700, 701, 715, 716, 718, 719, 720
<b>02248</b>	601 200 07 70	598, 600, 602, 603, 605, 607, 610, 612, 614, 615, 678, 704, 714, 728, 729, 748
<b>02249</b>	601 200 09 70	598, 607, 608, 610, 612, 614, 674, 676, 728, 748
<b>02426</b>	103 200 02 36	600, 601, 602, 603, 604, 615, 626, 678, 697, 699, 702, 714, 723, 724, 725, 726
<b>02427</b>	102 200 02 36	598, 607, 608, 610, 612, 614, 674, 676, 748
<b>02454</b>	103 050 06 11	600, 602, 615, 678, 697, 699, 714, 724
<b>02558</b>	069 109 243 B	27, 33, 34
<b>02558</b>	069 109 243 B	1327, 1337
<b>02560</b>	11 31 1 721 264	96, 123
<b>02561</b>	11 31 1 708 806	96, 123
<b>02861</b>	077 109 243 A	65, 80
<b>02862</b>	077 109 244 A	65, 80
<b>02879</b>	0636 377	808, 856, 869, 874
<b>02879</b>	02898847	1213, 1215, 1219
<b>02885</b>	0636 812	808, 869, 874
<b>02885</b>	90080903	1213, 1215, 1219
<b>02889</b>	048 109 243 A	26, 29, 35, 69, 73
<b>03241</b>	463633	1380, 1383, 1388, 1391
<b>03339</b>	0636 700	808, 856, 869, 874
<b>03339</b>	08930030	1213, 1215, 1219
<b>03370</b>	11 31 1 721 245	123
<b>03600</b>	051 109 243	27, 30, 36, 74
<b>03600</b>	051 109 243	1104


**Ref. - No.**


<b>03600</b>	051 109 243	1293, 1301, 1305, 1339, 1365
<b>03673</b>	11 28 1 731 838	129, 134, 156, 161, 168
<b>03773</b>	11 28 1 731 220	129, 134, 156, 161, 168, 170
<b>03801</b>	11 28 1 247 051	97, 98, 124
<b>03856</b>	09128738	208, 211, 212, 215, 217
<b>03856</b>	09128738	302, 304, 306, 310
<b>03856</b>	5636 425	806, 813, 815, 833, 834, 852, 860, 872, 879, 890, 891, 894, 895
<b>03856</b>	09128738	1182, 1186, 1190, 1191, 1210, 1211, 1224, 1225, 1240, 1254, 1260, 1270, 1271
<b>03858</b>	0636 416	815, 833, 860, 890
<b>03858</b>	90411773	1186, 1191, 1210, 1224
<b>03879</b>	0636 423	814, 832, 859, 890
<b>03879</b>	90323503	1186, 1191, 1209, 1224
<b>03921</b>	0636 732	814, 832, 859, 890
<b>03921</b>	90323501	1186, 1191, 1209, 1224
<b>04001</b>	111 200 07 70	599, 622, 623, 624, 628, 643, 653, 685, 736, 737, 744, 751, 752
<b>04001</b>	00A 903 315	1326
<b>04127</b>	074 145 278 E	1292, 1301, 1338, 1378
<b>04130</b>	077 903 341	65, 80
<b>04131</b>	078 903 341 J	31, 37, 71, 75
<b>04132</b>	078 903 341 B	37
<b>04145</b>	1326284	1387
<b>04164</b>	1336953	1387
<b>04195</b>	82 00 051 091	988, 989, 999, 1006, 1007, 1019, 1027, 1029, 1031


**Ref. - No.**


<b>04195</b>	30621261	1382, 1384, 1385, 1386
<b>04199</b>	77 00 726 440	988, 989, 999, 1006, 1007, 1019, 1027, 1029, 1031
<b>04199</b>	3343741	1382, 1384, 1385, 1386
<b>04215</b>	3547543	1391
<b>04216</b>	74 39 135 036	1007, 1033
<b>04216</b>	9135036	1389, 1390, 1392, 1398, 1409
<b>04217</b>	9135555	1392, 1420
<b>04218</b>	9135556	1392, 1420
<b>04279</b>	9146258	1390, 1392
<b>04282</b>	1 371 753	406, 408, 420, 427, 442
<b>04282</b>	74 38 630 590	1007, 1033
<b>04282</b>	8630590	1389, 1390, 1392, 1396, 1397, 1398, 1402, 1404, 1405, 1407, 1409, 1410, 1413, 1414, 1418, 1421
<b>04345</b>	944 102 025 07	980
<b>04427</b>	11 31 1 727 611	96, 123
<b>04442</b>	928 105 512 12	981
<b>04556</b>	944 105 027 04	980
<b>04564</b>	944 105 241 02	980
<b>04606</b>	944 105 241 04	980
<b>04611</b>	944 105 273 02	980
<b>04613</b>	928 105 571 02	981
<b>04619</b>	928 105 571 04	981
<b>04620</b>	944 105 631 06	980
<b>04717</b>	6453.G4	228, 229
<b>04717</b>	6453.G4	911, 912, 913, 914, 915, 927, 929, 939, 940, 943
<b>04723</b>	6453.76	291, 292
<b>04723</b>	6453.76	916, 941, 944
<b>04730</b>	5751.21	955
<b>04732</b>	5751.18	233, 264, 267, 274, 275, 279
<b>04732</b>	9608859180	331, 369
<b>04732</b>	9608859180	557



<b>04732</b>	5751.18	929, 931, 932, 933, 942, 946, 971
<b>04739</b>	5751.12	955
<b>04804</b>	0829.35	265, 267, 275, 276, 279, 284, 285, 294
<b>04804</b>	9622574480	331, 370
<b>04804</b>	9622574480	558
<b>04804</b>	0829.35	933, 950, 955, 960, 965
<b>04865</b>	0829.20	294
<b>04865</b>	0829.20	942, 946
<b>04880</b>	0829.54	228, 229, 230, 231, 259, 269, 270, 271, 272, 282, 288, 289, 290
<b>04880</b>	0829.54	911, 912, 913, 915, 917, 918, 919, 927, 929, 934, 939, 940, 943, 959, 966, 969
<b>04925</b>	0829.12	291
<b>04925</b>	0829.12	916, 941, 944
<b>04968</b>	11 28 1 717 210	100, 127, 132, 159, 193, 194
<b>04987</b>	11 28 1 717 188	100, 105, 127, 132, 137, 159, 176, 181, 194, 196, 201
<b>04989</b>	11 31 1 738 700	105, 131, 176, 180, 192, 198
<b>05015</b>	1281.19	280
<b>05015</b>	1281.19	956
<b>05220</b>	103 200 05 70	600, 601, 602, 603, 604, 615, 626, 678, 697, 699, 702, 714, 723, 724, 725, 726
<b>05338</b>	26 207 509	267
<b>05338</b>	71740977	323, 329, 332, 341, 344, 345, 348, 349, 350, 351, 352, 357, 358, 359, 363, 365, 374, 375
<b>05338</b>	71740977	527, 529, 535, 552, 553
<b>05338</b>	0829.17	966

<b>05478</b>	601 200 10 70	601, 603, 604, 626, 655, 657, 660, 679, 729
<b>05552</b>	07 11 9 963 355	94, 98, 191
<b>05612</b>	6 145 027	380, 390, 428
<b>05613</b>	1 496 915	378, 434, 436, 437, 438, 444, 446
<b>05618</b>	1 022 214	385, 388, 414, 417, 432, 435, 439, 447
<b>05619</b>	1 662 847	385, 388, 414, 417, 432, 435, 439, 447
<b>05760</b>	102 200 15 14	598, 612, 614
<b>05853</b>	6453.S5	230, 231, 232, 269, 270, 271, 272, 273, 289, 290
<b>05853</b>	6453.S5	911, 912, 913, 927, 928, 969
<b>05859</b>	77 00 696 987	1031
<b>05859</b>	3287776	1382, 1385
<b>05892</b>	82 00 469 376	990, 1020, 1030
<b>05897</b>	13077-00QAD	798
<b>05897</b>	77 00 736 085	987, 991, 1002, 1017, 1026, 1028
<b>05906</b>	77 00 736 419	990, 1020, 1030
<b>05908</b>	77 00 871 168	998, 1032, 1033, 1039
<b>05929</b>	77 00 850 603	988, 1029
<b>05933</b>	77 00 851 321	986, 990, 999, 1007, 1019, 1030
<b>06050</b>	11 28 7 841 228	97, 98, 100, 105, 124, 127, 132, 140, 159, 181, 193, 194, 195, 196, 198, 201
<b>06051</b>	11 28 1 748 131	97, 98, 100, 105, 124, 127, 132, 137, 159, 163, 176, 181, 190, 191, 193, 194, 195, 196, 198, 201
<b>06051</b>	047 145 276 B	1117
<b>06146</b>	7 053 546	383, 384, 386, 392, 393
<b>06296</b>	1 639 176	385, 388, 436, 439
<b>06298</b>	119 200 03 70	703, 704
<b>06343</b>	119 200 04 70	605, 703, 704


**Ref. - No.**


<b>06346</b>	120 200 04 70	629, 702, 705, 732, 738
<b>06384</b>	102 200 77 70	612, 614
<b>06385</b>	103 200 08 70	600, 601, 602, 603, 604, 615, 626, 678, 697, 699, 702, 714, 723, 724, 725, 726
<b>06418</b>	102 200 69 70	598, 607, 608, 610, 674, 676, 748
<b>06420</b>	102 200 69 70 S1	598, 674
<b>06569</b>	604 200 03 14	697, 699, 724
<b>06597</b>	102 200 14 14	598, 607, 608, 610, 676, 748
<b>06688</b>	026 109 243 L	23, 24, 26, 29, 32, 33, 35, 72, 73
<b>06688</b>	026 109 243 L	975
<b>06688</b>	026 109 243 L	1068, 1079, 1083, 1103
<b>06688</b>	026 109 243 L	1287, 1288, 1292, 1298, 1301, 1303, 1304, 1307, 1337, 1338, 1358, 1365, 1369, 1377
<b>06880</b>	11 31 1 711 153	92, 94, 118, 121, 125, 189
<b>06971</b>	90499401	305, 308
<b>06971</b>	5636 722	810, 819, 839, 840, 843, 848, 858, 863, 887, 892
<b>06971</b>	09202478	1185, 1187, 1195, 1221, 1229, 1235, 1246, 1251, 1252, 1268
<b>06981</b>	0829.29	233, 264, 274, 278, 292
<b>06981</b>	9605266280	557
<b>06981</b>	0829.29	916, 944, 948
<b>06982</b>	0830.37	265, 275, 276, 279, 284, 285, 293, 294
<b>06982</b>	9400830379	370
<b>06982</b>	9400830379	558
<b>06982</b>	0830.37	930, 933, 945, 949, 950, 955, 960


**Ref. - No.**


<b>07021</b>	111 200 00 70	599, 622, 623, 624, 628, 643, 653, 685, 736, 737, 744, 751, 752
<b>07021</b>	00A 903 341	1326
<b>07022</b>	03L 109 244 D	47, 56, 69
<b>07022</b>	03L 109 244 D	1342
<b>07077</b>	074 109 243	33
<b>07162</b>	116 130 04 60	618, 696
<b>07297</b>	LHP 10016	1051
<b>07461</b>	116 050 16 11	586, 692, 694, 695, 715, 717
<b>07710</b>	078 109 243 C	31, 37, 64, 71, 75
<b>07713</b>	11 31 1 253 236	81, 82, 91, 93, 118, 119, 120, 122, 128, 146, 154, 155
<b>08109</b>	00A 145 299	1326
<b>08467</b>	LHP 10015	1049, 1050, 1052
<b>08468</b>	LHP 10014	1047
<b>08632</b>	PQR 10028	1047, 1049
<b>08672</b>	5997325	325, 327, 367, 368, 374, 375
<b>08672</b>	5997325	532, 533, 534, 538, 541, 549
<b>08673</b>	1854 429	870, 873, 875, 891, 897
<b>08673</b>	42 37 038	1057, 1060
<b>08673</b>	90324097	1216, 1225, 1255, 1256, 1273
<b>08678</b>	40 29 930	1059
<b>08688</b>	11 31 1 743 187	94, 98, 191
<b>08690</b>	11 28 1 720 039	157, 162, 171
<b>08697</b>	5636 455	811, 818, 820, 827, 844, 847, 848, 864, 875, 876, 883, 886, 893, 898, 903, 906
<b>08697</b>	55 350 580	1063
<b>08697</b>	55350580	1188, 1194, 1196, 1203, 1230, 1234, 1236, 1247, 1256, 1257, 1264, 1267, 1269, 1274, 1279, 1282
<b>08744</b>	11 28 1 715 626	157



Ref. - No.

Car  
Division

Ref. - No.



Ref. - No.



<b>08778</b>	103 200 01 14	600, 601, 602, 603, 604, 615, 626, 678, 702, 714, 723, 725, 726
<b>09116</b>	102 202 02 72	674, 748
<b>09160</b>	102 052 03 16	593, 597, 606, 609, 611, 617, 670, 672, 747
<b>09161</b>	102 052 04 16	593, 597, 606, 609, 617, 670, 672, 747
<b>09162</b>	110 052 08 16	589, 596, 675, 693, 698, 713
<b>09163</b>	115 052 04 16	584, 585, 587, 588, 590, 591, 592, 594, 616, 619, 671, 673, 677, 691, 721
<b>09164</b>	115 052 07 16	584, 585, 587, 588, 590, 591, 592, 594, 595, 616, 619, 671, 673, 677, 691, 696, 721
<b>09221</b>	11 31 1 247 952	97, 102, 124, 190
<b>09231</b>	002 997 03 94	597, 606, 608, 609, 617, 670, 672, 676, 747
<b>09232</b>	003 997 82 94	593, 597, 606, 608, 609, 617, 670, 672, 747
<b>09234</b>	11 31 1 403 081 S3	95, 101, 130, 147, 196
<b>09234</b>	003 997 17 94	599, 601, 604, 622, 623, 624, 626, 628, 643, 653, 655, 657, 679, 685, 702, 723, 726, 736, 737, 744, 751, 752
<b>09234</b>	00A 109 465	1326
<b>09235</b>	003 997 19 94	603, 725
<b>09240</b>	000 997 69 94	589, 596, 675, 693, 698, 713
<b>09241</b>	000 997 70 94	588, 691
<b>09242</b>	11 31 1 403 081 S1	95, 101, 130, 147, 196

<b>09242</b>	000 997 71 94	590, 591, 592, 594, 616, 619, 671, 673, 677
<b>09243</b>	000 997 75 94	586, 692, 694, 700, 715, 716
<b>09244</b>	000 997 76 94	695, 701, 717, 718, 719, 720
<b>09245</b>	000 997 80 94 S1	595
<b>09247</b>	002 997 83 94	728
<b>09250</b>	002 997 84 94	605, 660, 703, 729
<b>09251</b>	003 997 84 94	611, 613
<b>09252</b>	002 997 06 94	613
<b>09263</b>	13 02 811 94R	987, 1028, 1041
<b>09263</b>	3287568	1382
<b>09265</b>	78 030 020 00	260
<b>09265</b>	0816.07	965
<b>09271</b>	000 997 46 94	585, 691, 721
<b>09272</b>	000 997 68 94	584, 587
<b>09276</b>	0816.13	280
<b>09276</b>	0816.13	956
<b>09276</b>	79 10 245 301	998, 1000, 1008, 1034
<b>09276</b>	245301	1381, 1388, 1393
<b>09277</b>	001 997 68 94	700, 715
<b>09278</b>	6 156 318	380, 382, 383, 386, 389, 390, 392, 396, 418, 429, 430
<b>09280</b>	000 997 05 98	585, 586, 588, 589, 590, 591, 592, 594, 596, 601, 603, 604, 605, 608, 609, 616, 619, 622, 623, 624, 628, 643, 653, 655, 657, 660, 671, 673, 675, 676, 677, 679, 691, 692, 693, 694, 695, 696, 698, 700, 701, 703, 713, 715, 716, 717, 718, 719, 720, 721, 723, 726, 728, 729, 736, 744, 751, 752
<b>09280</b>	00A 109 468	1326
<b>09281</b>	000 997 32 98 S1	611, 714
<b>09339</b>	11 31 1 716 986	91, 93, 118, 119, 120, 122, 128, 146, 154, 155


**Ref. - No.**


<b>09340</b>	11 31 1 710 155	157, 162, 171
<b>09341</b>	11 31 1 247 160	94, 98, 191
<b>09342</b>	11 31 7 598 262	129, 156, 168
<b>09345</b>	11 31 7 598 263	129, 156, 168
<b>09360</b>	0636 353	808, 856, 869, 874
<b>09360</b>	08930102	1213, 1215, 1219
<b>09363</b>	11 31 0 731 105	81, 82, 91, 118, 119, 146, 154
<b>09364</b>	11 31 1 734 392	97, 102, 124, 190
<b>09366</b>	75 00 697	1055, 1058
<b>09402</b>	1 669 843	415
<b>09402</b>	003 997 67 94	753
<b>09402</b>	021 109 503 A	1294, 1306, 1340, 1370, 1379
<b>09403</b>	077 109 120	27, 28, 30, 36, 65, 70, 74, 75, 80
<b>09403</b>	077 109 120	1080, 1084, 1104
<b>09403</b>	077 109 120	1293, 1301, 1305, 1339, 1365
<b>09424</b>	0636 374	870, 875
<b>09424</b>	944 105 501 01	980
<b>09424</b>	90324533	1216, 1256
<b>09425</b>	993 105 529 00	974
<b>09426</b>	911 105 529 50	974
<b>09515</b>	7 079 279	385, 388, 414, 417, 432, 435, 439, 447
<b>09585</b>	03H 109 465	45, 78
<b>09585</b>	1 557 942	415
<b>09585</b>	003 997 66 94	753
<b>09585</b>	03H 109 465	1068, 1099, 1107, 1108
<b>09585</b>	03H 109 465	1294, 1306, 1310, 1311, 1333, 1340, 1343, 1347, 1370, 1371, 1376, 1379
<b>09613</b>	078 109 243 K	31, 37, 48, 64, 71, 75
<b>09614</b>	078 109 244 G	31, 37, 48, 64, 71, 75
<b>09762</b>	026 109 243 J	29, 35, 46, 69
<b>09762</b>	026 109 243 J	1307, 1341
<b>09778</b>	49 01 419	1059


**Ref. - No.**


<b>09782</b>	111 202 01 19	623, 624, 628, 643, 653, 736, 737
<b>09789</b>	11750-00QAS	798
<b>09789</b>	77 00 870 795	1041
<b>09790</b>	77 00 862 108	1017
<b>09792</b>	0829.C9	273
<b>09792</b>	0829.C9	913
<b>09793</b>	5751.33	264, 265, 276, 278, 279, 291, 292, 293
<b>09793</b>	9625621880	370
<b>09793</b>	9625621880	558
<b>09793</b>	5751.33	931, 948, 950
<b>09794</b>	5751.32	264, 265, 276, 278, 279, 291, 292, 293
<b>09794</b>	9625621780	370
<b>09794</b>	9625621780	558
<b>09794</b>	5751.32	931, 948, 950
<b>09810</b>	11 28 1 427 252	100, 105, 127, 132, 137, 159, 163, 176, 181, 193, 194, 195, 198
<b>09813</b>	11 28 1 432 104	97, 98, 102, 190, 191
<b>10046</b>	036 109 244	1082, 1085
<b>10046</b>	036 109 244	1355
<b>10172</b>	119 200 11 70	660, 703, 704, 729
<b>10203</b>	102 052 02 01	593, 597, 606, 609, 617, 670, 747
<b>10295</b>	030 109 243 K	1075, 1077, 1081, 1086
<b>10295</b>	030 109 243 K	1117, 1119
<b>10295</b>	030 109 243 K	1288, 1328, 1355, 1357
<b>10296</b>	0636 654	811, 818, 820, 827, 844, 847, 848, 864, 876, 883, 886, 893, 898, 903, 906
<b>10296</b>	55 567 191	1063
<b>10296</b>	55567191	1188, 1194, 1196, 1203, 1230, 1234, 1236, 1247, 1256, 1257, 1264, 1267, 1269, 1274, 1279, 1282





Ref. - No.

Car  
Division 

Ref. - No.



Ref. - No.



10297	09158004	211, 212, 215, 217, 218
10297	09158004	302, 304, 306, 310, 311
10297	5636 738	813, 815, 822, 833, 834, 860, 872, 890, 891, 894, 904
10297	09158004	1186, 1190, 1191, 1198, 1210, 1211, 1224, 1225, 1254, 1270, 1280
10299	55196971	318, 336
10299	55196971	554
10312	11 28 1 736 724	129, 156, 168
10327	102 052 04 83	593, 597, 606, 609, 617, 670, 747
10328	110 050 18 16	675, 693, 698, 713
10329	102 050 08 16	593, 597, 606, 609, 617, 670, 672, 747
10330	102 050 04 16	611, 613
10331	102 050 12 16	597, 606, 608, 609, 617, 670, 672, 676, 747, 749
10334	103 052 00 83	600, 602, 615, 678, 697, 699, 714, 724
10336	102 052 06 83	608, 672, 676
10337	103 050 03 16	600, 602, 615, 678, 697, 699, 714, 724
10338	119 050 04 16	605, 660, 703, 729
10342	103 052 07 16	600, 602, 615, 678, 697, 699, 714, 724
10343	103 052 08 16	600, 602, 615, 678, 697, 699, 714, 724
10344	104 052 04 16	603, 725
10345	104 052 05 16	725
10347	104 052 07 16	603, 725
10409	111 050 14 16	599, 622, 623, 624, 628, 643, 653, 685, 736, 737, 744, 751, 752
10411	116 052 17 16	586, 692, 694, 700, 715, 716
10412	116 050 31 16	700, 716

10413	117 052 10 16	700, 701, 716, 718, 719, 720
10414	117 050 18 16	700, 701, 715, 716, 718, 719, 720
10415	117 052 00 83	717, 718, 719, 720
10416	117 052 08 16	695, 701, 717, 718, 719, 720
10417	117 052 09 16	695, 701, 717, 718, 719, 720
10418	104 052 14 16	601, 603, 604, 626, 655, 657, 679, 702, 723, 725, 726
10546	002 997 03 94 S1	676
10615	14510-PM7-004	453, 460
10615	FDU 2691	1050
10621	23357-33130	473, 483, 490, 493
10621	MD115976	763, 767, 768, 769, 771, 775, 781, 784
10648	71736493	321, 326, 339, 362
10648	71736493	541, 545, 550
10649	60671573	2, 3, 4, 5, 7, 8
10649	60671573	317, 320, 324, 338, 353, 362
10649	60652129	531, 537, 544
10661	55211287	319, 329, 337, 340, 342, 359, 361, 364
10661	55211287	529, 535, 543
10781	11 28 1 433 571	102, 105, 132, 159, 181, 190, 193, 195, 196, 201
10939	1 653 888	380, 390, 428
10940	6 711 046	381, 382, 383, 391, 392, 428, 429, 430, 437
10941	6 711 044	384, 386, 393, 431, 437
10945	1 004 299	395, 397, 398, 399, 400, 402, 405, 407, 410, 411, 412, 414, 425, 433
10945	C201-12-201A	568
10945	1E06-12-205	568
10945	31330351	1394, 1400


**Ref. - No.**


<b>10949</b>	6 139 911	378, 434, 436, 438, 444, 446
<b>10954</b>	6 764 162	384, 387, 394, 423, 431
<b>10963</b>	GTB 1238	1049, 1050, 1052
<b>10970</b>	60807260	8
<b>10970</b>	7614999	325, 327, 366, 367, 368
<b>10970</b>	7614999	528, 530, 532, 534, 536, 538, 541, 549
<b>10972</b>	60515034	1
<b>10973</b>	60556211	1
<b>10974</b>	7722331	2, 3, 7, 8
<b>10975</b>	55221254	2, 3, 5, 7, 8
<b>10980</b>	55225504	2, 5
<b>10981</b>	55210626	2, 7
<b>10981</b>	55210626	317, 353, 362
<b>10982</b>	55210628	3, 5, 8
<b>10982</b>	55210628	317, 320, 324, 338, 353, 362
<b>10982</b>	55210628	531, 537, 544
<b>10987</b>	GTB 1238 S1	1049, 1050, 1052
<b>10992</b>	46474432	323, 344, 348, 358, 365, 374
<b>10992</b>	7554701	552, 553
<b>10992</b>	0636 357	807, 809, 840, 856, 857
<b>10992</b>	90080214	1183, 1184, 1218, 1220, 1252
<b>10994</b>	71749474	341, 348, 350, 352, 359, 363
<b>10995</b>	0816.71	233, 264, 274, 278, 292
<b>10995</b>	71739922	369, 371
<b>10995</b>	71739922	557
<b>10995</b>	0816.71	916, 929, 931, 941, 944, 948, 959, 966, 971
<b>11000</b>	0816.98	265, 275, 276, 279, 284, 285, 293
<b>11000</b>	71739919	370
<b>11000</b>	0816.98	930, 933, 945, 949, 950, 955, 960


**Ref. - No.**


<b>11002</b>	7762910	318, 336
<b>11002</b>	7762910	554
<b>11004</b>	0636 562	840, 858, 887
<b>11004</b>	GTB 1127 A	1052
<b>11004</b>	90354783	1185, 1221, 1252
<b>11006</b>	0816.79	267
<b>11006</b>	71719005	332, 349, 351, 357, 365, 375
<b>11006</b>	71719005	527, 529, 535
<b>11006</b>	0816.79	966
<b>11010</b>	46403659	13, 14, 17, 18
<b>11010</b>	46403659	315, 316, 318, 321, 322, 330, 334, 335, 336, 343, 344, 345, 347, 350, 351, 352, 354, 355, 356, 361
<b>11010</b>	46403659	539, 540, 546, 553, 555
<b>11011</b>	55188191	319, 329, 337, 340, 342, 361
<b>11011</b>	55188191	529, 535, 543
<b>11013</b>	46541065	321, 326, 339
<b>11013</b>	46541065	541, 545
<b>11024</b>	11 31 7 620 565	96, 123
<b>11025</b>	11 31 1 734 608 S1	123
<b>11026</b>	11 31 7 621 021	96, 123
<b>11027</b>	11 31 1 713 361	92, 94, 118, 121, 125, 189
<b>11028</b>	11 31 1 713 361 S1	92, 94, 118, 121, 125, 189
<b>11031</b>	0636 565	809, 812, 831, 852, 856, 858, 868, 888, 889
<b>11031</b>	90410014	1183, 1185, 1189, 1208, 1214, 1220, 1222, 1223, 1240
<b>11033</b>	0636 567	814, 832, 859, 890
<b>11033</b>	90410225	1186, 1191, 1209, 1224
<b>11041</b>	1606 197	814, 832, 859, 890
<b>11041</b>	93174266	1186, 1191, 1209, 1224
<b>11042</b>	6 794 162 S1	384, 387, 394, 423, 431



Ref. - No.

Car  
Division

Ref. - No.



Ref. - No.



<b>11048</b>	6 711 046 S1	381, 382, 383, 391, 392, 428, 429, 430, 437
<b>11049</b>	6 711 044 S1	384, 386, 393, 431, 437
<b>11056</b>	6 139 911 S1	378, 434, 436, 438, 444, 446
<b>11071</b>	7554701 S1	323, 344, 348, 358, 365, 374
<b>11071</b>	7554701 S1	552, 553
<b>11072</b>	0816.79 S1	267
<b>11072</b>	46408751 S1	349, 351, 357, 365, 375
<b>11072</b>	71719005 S1	349, 351, 357, 365, 375
<b>11072</b>	46408751 S1	527, 529, 535
<b>11072</b>	0816.79 S1	966
<b>11076</b>	71749474 S1	341, 348, 350, 352, 359, 363
<b>11082</b>	71736715	319, 337, 340, 342, 361
<b>11082</b>	71736715	529, 535, 543
<b>11083</b>	71736724	3, 5
<b>11083</b>	71736724	317, 320, 324, 338, 353
<b>11083</b>	71736724	531, 537, 544
<b>11084</b>	46541065 S1	321, 326, 339
<b>11084</b>	46541065 S1	541, 545
<b>11087</b>	71754851	318, 336
<b>11087</b>	71754851	554
<b>11118</b>	001 997 70 94 S1	670, 747
<b>11122</b>	0830.61	232, 240, 273, 283
<b>11122</b>	0830.61	913, 920, 935, 970
<b>11130</b>	77 00 857 325	999, 1007, 1019
<b>11130</b>	3463763	1384, 1386
<b>11131</b>	77 01 469 776	999, 1007, 1019
<b>11131</b>	3463763 S1	1384, 1386
<b>11132</b>	77 00 856 351	998, 1033, 1039
<b>11143</b>	77 00 743 777	990, 1020, 1030
<b>11144</b>	77 01 469 775	990, 1020, 1030
<b>11150</b>	77 00 725 577	988, 989, 1006, 1027, 1029, 1031
<b>11150</b>	3343720	1382, 1384, 1385

<b>11151</b>	77 01 468 167	988, 989, 1006, 1027, 1029, 1031
<b>11151</b>	3343720 S1	1382, 1384, 1385
<b>11156</b>	77 00 736 969	987, 1017, 1026, 1028
<b>11157</b>	77 01 472 726	987, 1017, 1026, 1028
<b>11166</b>	XD111427	787
<b>11197</b>	0816.H6	232, 234, 237, 240, 241, 242, 244, 247, 262, 273, 283, 286
<b>11197</b>	0816.H6	913, 920, 923, 924, 935, 938, 947, 963, 970, 971, 972
<b>11198</b>	0816.E0 S2	273
<b>11198</b>	0816.E0 S2	913
<b>11212</b>	0831.R5	265, 275, 276, 279, 284, 285, 294
<b>11212</b>	9467626180	370
<b>11212</b>	9467626180	558
<b>11212</b>	0831.R5	933, 950, 955, 960
<b>11217</b>	0816.56	228, 230, 259, 269, 270, 288
<b>11217</b>	0816.56	911, 915, 917, 927, 939, 969
<b>11218</b>	0831.Q3	228, 230, 259, 269, 270, 288
<b>11218</b>	0831.Q3	911, 915, 917, 939, 969
<b>11226</b>	0816.67	291
<b>11226</b>	0816.67	916, 941, 944
<b>11227</b>	0816.67 S1	291
<b>11227</b>	0816.67 S1	916, 941, 944
<b>11229</b>	0816.55	229, 259, 272, 289, 290
<b>11229</b>	0816.55	912, 913, 919, 929, 940, 943
<b>11230</b>	0831.Q5	229, 259, 272, 289, 290
<b>11230</b>	0831.Q5	912, 913, 919, 929, 934, 940, 943
<b>11241</b>	0816.44	229, 231, 259, 271, 282, 289


**Ref. - No.**


<b>11241</b>	0816.44	912, 915, 918, 927, 940, 943
<b>11242</b>	0831.Q4	229, 231, 259, 271, 282, 289
<b>11242</b>	0831.Q4	912, 915, 918, 927, 940, 943
<b>11244</b>	0831.R1	233, 264, 274, 278, 292
<b>11244</b>	9467625780	369, 371
<b>11244</b>	9467625780	557
<b>11244</b>	0831.R1	916, 929, 931, 941, 944, 948, 959, 966, 971
<b>11274</b>	036 109 243 AF	39
<b>11274</b>	036 109 243 AF	1074, 1076, 1078, 1087, 1090, 1094, 1096, 1097, 1100, 1105, 1109
<b>11274</b>	036 109 243 AF	1113, 1116, 1118, 1121, 1126
<b>11274</b>	036 109 243 AF	1288, 1289, 1308, 1312, 1315, 1318, 1329, 1330, 1336, 1356, 1357, 1360, 1363
<b>11276</b>	05080246AA	220
<b>11276</b>	000 202 09 19	625, 629, 630, 634, 635, 637, 640, 642, 644, 647, 648, 650, 651, 652, 654, 656, 658, 659, 661, 662, 665, 669, 680, 681, 682, 686, 687, 688, 689, 690, 706, 707, 710, 727, 730, 731, 734, 735, 738, 740, 741, 746, 754, 755
<b>11286</b>	1 004 297 S1	397, 398, 399, 402, 405, 411, 414, 433
<b>11286</b>	31330351 S1	1400
<b>11287</b>	1 053 942	379, 403, 424
<b>11289</b>	1 038 384	379, 403, 424
<b>11291</b>	1 361 840	397, 398, 399, 402, 405, 411, 414, 433
<b>11291</b>	30750904	1400
<b>11294</b>	46424716	319, 337, 340, 342, 349, 351, 365, 375


**Ref. - No.**


<b>11294</b>	46424716	527, 529, 535, 543, 545
<b>11295</b>	46547564	321, 326, 339
<b>11300</b>	7541718	327, 366, 368
<b>11300</b>	7541718	528, 530, 534, 536, 549
<b>11301</b>	60504224	1
<b>11302</b>	60504225	1
<b>11305</b>	3547715	1391
<b>11308</b>	60515034 S1	1
<b>11316</b>	051 109 243 A	30, 70, 74
<b>11316</b>	051 109 243 A	1293, 1305, 1339
<b>11321</b>	5636 423	822, 827, 881, 904, 907
<b>11321</b>	90529810	1198, 1203, 1262, 1280, 1283
<b>11325</b>	036 109 243 F	1076, 1078, 1097, 1105
<b>11325</b>	036 109 243 F	1308, 1329, 1356
<b>11326</b>	49 01 625	1058, 1059
<b>11329</b>	11 28 1 742 859	134, 161, 170
<b>11330</b>	11 28 1 745 545	134, 161, 170, 182
<b>11331</b>	11 28 1 742 858	134, 161, 170, 182
<b>11332</b>	11 28 1 709 613	134, 161, 170, 182
<b>11334</b>	11 28 1 435 594	102, 190
<b>11335</b>	11 28 1 702 013	129, 134, 156, 161, 170
<b>11339</b>	036 109 244 J	39
<b>11339</b>	036 109 244 J	1071, 1074, 1076, 1078, 1087, 1090, 1094, 1096, 1097, 1100, 1105, 1109
<b>11339</b>	036 109 244 J	1113, 1116, 1118, 1121, 1126
<b>11339</b>	036 109 244 J	1288, 1289, 1308, 1312, 1315, 1318, 1329, 1330, 1336, 1356, 1357, 1360, 1363
<b>11341</b>	058 260 511	46, 47, 57, 69
<b>11341</b>	058 260 511	1341, 1342
<b>11343</b>	053 903 341	30
<b>11349</b>	5751.53	264, 274, 275
<b>11349</b>	9633802580	369



Ref. - No.

Car  
Division

Ref. - No.



Ref. - No.



<b>11349</b>	5751.53	930
<b>11355</b>	77 00 272 652	1041
<b>11356</b>	82 00 211 784	296, 297, 299
<b>11356</b>	13077-00QAF	799
<b>11356</b>	82 00 211 784	992, 1002, 1013, 1015, 1017, 1035
<b>11362</b>	77 00 860 884	1041
<b>11364</b>	77 00 858 358	1041
<b>11388</b>	1 328 472	379, 403, 424, 445, 449
<b>11552</b>	55192239	3, 5, 8
<b>11552</b>	55192239	317, 320, 324, 338, 353
<b>11552</b>	55192239	531, 537, 544
<b>11554</b>	09158003	309
<b>11554</b>	5636 429	810, 812, 831, 852, 858, 868, 871, 887, 888, 889, 892, 894
<b>11554</b>	09158003	1185, 1187, 1189, 1208, 1214, 1221, 1222, 1223, 1240, 1253, 1268, 1270
<b>11557</b>	030 109 243 C	1355
<b>11560</b>	074 109 243 C	1378
<b>11625</b>	000 997 04 98	584, 587, 595
<b>11668</b>	0816.69	267
<b>11668</b>	1473011080	331
<b>11668</b>	0816.69	965
<b>11669</b>	0831.S6	267
<b>11669</b>	9467627280	331
<b>11669</b>	0831.S6	965
<b>11669</b>	0831.34	965
<b>11945</b>	71734799	319, 337, 340, 342, 361
<b>11945</b>	71734799	529, 535, 543
<b>12100</b>	119 200 02 70	703, 704, 728
<b>12110</b>	5636 427	811, 818, 820, 844, 883, 893, 903
<b>12110</b>	09128740	1188, 1194, 1196, 1230, 1264, 1269, 1279
<b>12119</b>	5636 457	805, 817, 825, 842, 846, 850, 862, 885

<b>12119</b>	55352909	1181, 1193, 1201, 1228, 1232, 1238, 1245, 1266
<b>12286</b>	11 28 1 704 500	134, 161, 170
<b>12343</b>	7740252	320, 321, 326, 338, 339, 353
<b>12343</b>	7740252	531, 537
<b>12510</b>	11 31 1 435 026	133, 160, 169, 182
<b>12511</b>	11 31 1 435 027	133, 160, 169, 182
<b>12515</b>	102 200 02 36 S1	598, 607, 608, 610, 618, 674, 676, 748
<b>12518</b>	11 28 1 742 013	134, 161, 170
<b>12652</b>	056 109 119 A	23, 24, 26, 29, 32, 33, 35, 72, 73
<b>12652</b>	056 109 119 A	1079, 1083, 1103
<b>12652</b>	056 109 119 A	1287, 1288, 1292, 1298, 1301, 1304, 1307, 1337, 1338, 1365, 1377
<b>12654</b>	026 109 119 D	46
<b>12654</b>	026 109 119 D	1303, 1304, 1341
<b>12657</b>	052 109 119	22, 24
<b>12657</b>	052 109 119	1298, 1299, 1300, 1337, 1354, 1365
<b>12661</b>	034 109 119	25, 27, 33, 34, 72
<b>12661</b>	034 109 119	1337
<b>12668</b>	074 109 119 H	1378
<b>12976</b>	5636 565	811, 844, 883, 893
<b>12976</b>	24451896	1188, 1230, 1264, 1269
<b>14108</b>	5636 355	815, 833, 860, 890
<b>14108</b>	90530598	1186, 1191, 1210, 1224
<b>14109</b>	1606 193	815, 833, 860, 890
<b>14109</b>	93174262	1186, 1191, 1210, 1224
<b>14110</b>	1606 274	811, 844, 883, 893
<b>14110</b>	93180219	1188, 1230, 1264, 1269
<b>14112</b>	92063918	309
<b>14112</b>	5636 562	810, 812, 831, 852, 858, 868, 871, 887, 888, 889, 892, 894


**Ref. - No.**


<b>14112</b>	09128725	1185, 1187, 1189, 1208, 1214, 1221, 1222, 1223, 1240, 1253, 1268, 1270
<b>14113</b>	92063918 S1	309
<b>14113</b>	5636 562 S1	810, 812, 831, 852, 858, 868, 871, 887, 888, 889, 892, 894
<b>14113</b>	09128725 S1	1185, 1187, 1189, 1208, 1214, 1221, 1222, 1223, 1240, 1253, 1268, 1270
<b>14114</b>	96352407	305, 308
<b>14114</b>	5636 560	810, 819, 839, 840, 843, 848, 858, 863, 887, 892
<b>14114</b>	09128723	1185, 1187, 1195, 1221, 1229, 1235, 1246, 1251, 1252, 1268
<b>14115</b>	96183353 S1	305, 308
<b>14115</b>	1606 368	810, 819, 839, 840, 843, 848, 858, 863, 887, 892
<b>14115</b>	93188125	1185, 1187, 1195, 1221, 1229, 1235, 1246, 1251, 1252, 1268
<b>14239</b>	13505-11040	1161, 1170, 1173
<b>14241</b>	13505-11011	1160, 1173, 1175
<b>14257</b>	13503-10011	1160, 1173, 1175
<b>14259</b>	13070-01M00	796
<b>14263</b>	13505-15041	1155, 1157, 1160, 1162
<b>14269</b>	12810-82003-000	1143, 1144, 1145
<b>14275</b>	13503-63011	1151, 1153, 1155, 1157, 1169, 1170, 1172
<b>14277</b>	13503-11030	1161, 1170, 1173
<b>14357</b>	14510-PT0-004	450, 451, 465, 466, 467
<b>14357</b>	LHP 100440	1051
<b>14358</b>	030 109 119 F	1355


**Ref. - No.**


<b>14362</b>	030 109 119 S	1075, 1077, 1081, 1086, 1091
<b>14362</b>	030 109 119 S	1328, 1355, 1357
<b>14364</b>	078 109 119 D	31, 37, 48, 64, 71, 75
<b>14366</b>	027 109 119 C	27, 30, 36, 70, 74
<b>14366</b>	027 109 119 C	1293, 1301, 1365
<b>14370</b>	074 109 119 R	1378
<b>14372</b>	048 109 119 G	1305, 1339
<b>14375</b>	611 234 01 93	640, 642
<b>14377</b>	31251250	1398, 1405, 1409, 1410, 1414, 1415, 1421, 1422
<b>14378</b>	037 109 119 C	26, 29, 35, 69, 73
<b>14378</b>	037 109 119 C	1068, 1079, 1083, 1103
<b>14378</b>	037 109 119 C	1292, 1304, 1307, 1314, 1338, 1369, 1377
<b>14379</b>	9458470	1398, 1405, 1409, 1410, 1414, 1415, 1421, 1422
<b>14380</b>	032 109 119	1302
<b>14381</b>	74 38 642 251	1007
<b>14381</b>	30638277	1398, 1405, 1409, 1410, 1414, 1421
<b>14382</b>	030 109 119 A	1077, 1078
<b>14382</b>	030 109 119 A	1299, 1300, 1302, 1354
<b>14384</b>	054 109 119 G	28, 30, 36, 70, 74, 75
<b>14407</b>	1 000 156 S1	379, 403, 424
<b>14531</b>	271713 S1	1380, 1383, 1388, 1391
<b>14532</b>	271713	1380, 1383, 1388, 1391
<b>14543</b>	60504226	1
<b>14545</b>	104 200 08 70	626, 655, 657, 679, 723, 726
<b>14546</b>	1340 533	810, 843, 887, 892
<b>14546</b>	90411025	1187, 1221, 1229, 1233, 1268



Ref. - No.

Car  
Division

Ref. - No.



Ref. - No.



<b>14574</b>	051 198 119	23, 26, 29, 32, 33, 35, 73
<b>14574</b>	051 198 119	1287, 1288, 1292, 1298, 1301, 1304, 1307, 1337, 1338, 1365, 1377
<b>14604</b>	027 198 119	30, 70, 74
<b>14604</b>	027 198 119	1293
<b>14606</b>	027 109 119 C S1	27, 30, 36, 74
<b>14606</b>	027 109 119 C S1	1293, 1301, 1365
<b>14608</b>	030 198 119 A	1075, 1077, 1081
<b>14608</b>	030 198 119 A	1328, 1357
<b>14612</b>	048 109 119 G S1	1305, 1339
<b>14616</b>	026 109 119 B S1	1303, 1304
<b>14618</b>	037 198 119	1068
<b>14618</b>	037 198 119	1292, 1304, 1307, 1338, 1369
<b>14622</b>	037 109 119 C S2	26, 29, 35, 69, 73
<b>14640</b>	078 198 119 A	31, 37, 48, 64, 71, 75
<b>14642</b>	078 109 119 D S1	31, 37, 64, 71, 75
<b>14658</b>	037 109 119 C S3	29, 35, 69
<b>14662</b>	026 198 119	46
<b>14662</b>	026 198 119	1341
<b>14714</b>	06A 903 315 E	40, 41, 77
<b>14714</b>	06A 903 315 E	1067, 1072, 1088, 1098, 1106, 1110
<b>14714</b>	06A 903 315 E	1113, 1120
<b>14714</b>	06A 903 315 E	1290, 1309, 1314, 1316, 1331, 1332, 1368, 1375
<b>14730</b>	030 145 299 F	39
<b>14730</b>	030 145 299 F	1071, 1074, 1075, 1076, 1078, 1081, 1082, 1085, 1086, 1087, 1090, 1091, 1094, 1096, 1097, 1105
<b>14730</b>	030 145 299 F	1113, 1117, 1118, 1119, 1125
<b>14730</b>	030 145 299 F	1288, 1289, 1302, 1308, 1312, 1315, 1318, 1328, 1329, 1330, 1355, 1356, 1357, 1360

<b>14736</b>	037 903 315 C	1288, 1292, 1293, 1303, 1304, 1305, 1307, 1338, 1339, 1369, 1377
<b>14838</b>	5999795	325, 327, 366, 367, 368
<b>14838</b>	5999795	528, 530, 532, 534, 536, 538, 541, 549
<b>14839</b>	7541712	325, 327, 366, 367, 368
<b>14839</b>	7541712	528, 530, 532, 534, 536, 538, 541, 549
<b>14893</b>	9135565	1392, 1420
<b>14934</b>	74 39 135 733	1007, 1033
<b>14934</b>	272327	1390, 1398, 1409
<b>14935</b>	74 39 135 733 S1	1007, 1033
<b>14935</b>	30758260 SK	1390, 1398, 1409
<b>14936</b>	271835	1389
<b>14937</b>	30758262	1389
<b>14968</b>	13070-01B00	801
<b>14969</b>	13070-24B00	801
<b>14997</b>	30667878	1405, 1409, 1410, 1414, 1415, 1421, 1422
<b>15175</b>	1 004 409	395, 397, 433
<b>15177</b>	1 213 852	379, 403, 424, 445, 449
<b>15177</b>	YF09-12-730	581
<b>15178</b>	000 202 07 19	636, 638, 641, 708, 709, 711, 733
<b>15179</b>	642 200 10 70	636, 708, 709
<b>15189</b>	1 004 297 S2	395, 397, 433
<b>15254</b>	022 903 119 D	57
<b>15258</b>	058 903 119 C	57
<b>15260</b>	038 903 119 P	57
<b>15262</b>	022 903 119 C	40, 41
<b>15262</b>	022 903 119 C	1290
<b>15274</b>	038 903 119 L	1343
<b>15277</b>	MD109958	768
<b>15491</b>	8658225	1415
<b>15492</b>	8692561	1415, 1422


**Ref. - No.**


<b>15547</b>	11 31 1 432 176	99, 105, 126, 131, 137, 158, 163, 176, 180, 192, 198
<b>15547</b>	0636 572	870, 875
<b>15547</b>	90466047	1216, 1256
<b>15548</b>	11 31 1 432 177	99, 105, 126, 131, 137, 158, 163, 176, 180, 192, 198
<b>15594</b>	96350526	217
<b>15594</b>	96350526	301, 305, 308
<b>15735</b>	9465066	1392, 1415, 1420
<b>15736</b>	271876 S1	1392, 1420
<b>15737</b>	271952	1390
<b>15779</b>	24312-23001	471, 475, 482, 484, 486, 491
<b>15837</b>	LHV 100110	1047
<b>15875</b>	05096525AA	220
<b>15875</b>	112 200 09 70	625, 629, 635, 637, 644, 647, 651, 654, 656, 659, 661, 662, 680, 681, 686, 688, 690, 706, 707, 727, 730, 731, 735, 738, 741, 754, 755
<b>15878</b>	06A 109 479 F	40, 43, 46, 50
<b>15878</b>	06A 109 479 F	1068, 1072, 1088, 1098, 1106, 1110
<b>15878</b>	06A 109 179 F	1113, 1119, 1128
<b>15878</b>	06A 109 479 F	1309, 1314, 1316, 1331, 1341, 1345, 1369, 1375
<b>15888</b>	036 109 243 AG	39
<b>15888</b>	036 109 243 AG	1074, 1076, 1078, 1087, 1090, 1094, 1096, 1097, 1100, 1105, 1109
<b>15888</b>	036 109 243 AG	1113, 1118, 1121, 1126
<b>15888</b>	036 109 243 AG	1288, 1289, 1308, 1312, 1315, 1318, 1329, 1330, 1336, 1356, 1357, 1358, 1360, 1363
<b>15907</b>	1 663 884	384, 387, 394, 423, 431


**Ref. - No.**


<b>15923</b>	00A 903 315 S1	1326
<b>17065</b>	5751.50	282, 283, 286
<b>17065</b>	5751.50	917, 918, 919, 920
<b>17072</b>	102 052 13 16	597, 606, 608, 609, 613, 617, 670, 672, 676, 747, 749
<b>17073</b>	102 052 14 16	597, 606, 608, 609, 617, 670, 672, 676, 747, 749
<b>17076</b>	078 109 244 H	49, 53, 58, 60, 64, 66
<b>17076</b>	078 109 244 H	1129
<b>17076</b>	078 109 244 H	1344, 1347
<b>17219</b>	14400-P1H-E01	451, 454, 459, 461, 464
<b>17220</b>	14400-P2T-004	454, 461
<b>17221</b>	14400-P1J-E01	453, 460
<b>17222</b>	14400-P1G-E01	455, 456
<b>17222</b>	GTB 1293 XS	1050
<b>17223</b>	14400-P45-G01	450, 466, 467
<b>17224</b>	13405-PT0-004	450, 465, 466, 467
<b>17430</b>	119 200 14 70	623, 624, 626, 628, 643, 653, 655, 657, 660, 679, 703, 704, 729, 736
<b>17431</b>	120 200 03 70	705
<b>17460</b>	96350550	217
<b>17460</b>	96350550	301, 305, 308
<b>17477</b>	92066312	211, 212, 215, 217, 218
<b>17477</b>	92066312	302, 304, 306, 310, 311
<b>17477</b>	5636 563	813, 834, 872, 891, 894
<b>17477</b>	09128726	1190, 1211, 1225, 1254, 1270
<b>17478</b>	92063917 S1	217
<b>17478</b>	92063917 S1	302, 304, 306, 310
<b>17478</b>	1606 192	813, 834, 872, 891, 894
<b>17478</b>	93174260	1190, 1211, 1225, 1254, 1270





Ref. - No.

Car  
Division 

Ref. - No.



Ref. - No.



<b>17479</b>	5636 564	818, 820, 827, 847, 848, 864, 875, 876, 886, 898, 903, 906
<b>17479</b>	24 451 895	1063
<b>17479</b>	24451895	1194, 1196, 1203, 1234, 1236, 1247, 1256, 1257, 1267, 1274, 1279, 1282
<b>17480</b>	1606 281	818, 820, 903
<b>17480</b>	93183572	1194, 1196, 1279
<b>17481</b>	5636 730	835, 836, 873, 880, 891, 897
<b>17481</b>	46 23 906	1057, 1060, 1065
<b>17481</b>	09128444	1211, 1212, 1225, 1255, 1261, 1273
<b>17482</b>	5636 422	835, 836, 873, 880, 891, 897
<b>17482</b>	90 543 739	1057, 1060, 1065
<b>17482</b>	90543739	1211, 1212, 1225, 1255, 1261, 1273
<b>17488</b>	24312-33060	484
<b>17490</b>	11407-71C00-000	1142, 1144, 1145, 1146
<b>17491</b>	0K972-12-700	509, 526
<b>17491</b>	FE1H-12-700A	574, 576
<b>17492</b>	24410-2X701	504
<b>17492</b>	B660-12-700F	571, 572, 573, 577, 578, 582
<b>17493</b>	MB630-12-700E	502, 518, 520, 522
<b>17493</b>	B630-12-700E	567, 570, 571, 572, 576
<b>17494</b>	0K938-12-730	503, 504, 509
<b>17494</b>	B660-12-730C	570, 571, 572, 578, 582
<b>17510</b>	112 200 00 14	625, 629, 635, 647, 654, 656, 661, 662, 680, 681, 706, 707, 727, 731, 735, 738
<b>17531</b>	120 200 05 70	705, 732
<b>17541</b>	46524692	4
<b>17541</b>	46524692	317, 318, 320, 324, 336, 338, 353
<b>17541</b>	46524692	531, 537, 544, 554

<b>17542</b>	5751.35	233, 264, 274, 275, 276, 278, 279, 292, 293
<b>17542</b>	9626365280	369, 371
<b>17542</b>	9626365280	557
<b>17542</b>	5751.35	929, 930, 931, 932, 933, 942, 946, 948, 949, 950, 959, 966, 971
<b>17543</b>	5751.34	264, 276, 278, 279
<b>17543</b>	9622234180	370, 371
<b>17543</b>	9622234180	558
<b>17543</b>	5751.34	933, 950, 959
<b>17544</b>	5751.20	264, 274, 292
<b>17544</b>	9608989980	369, 371
<b>17544</b>	9608989980	557
<b>17544</b>	5751.20	929, 930, 931, 932, 933, 942, 946, 948, 959, 966
<b>17600</b>	73501924	2, 4, 7, 9, 15, 16, 19
<b>17600</b>	73501924	317, 318, 320, 324, 336, 338, 353
<b>17600</b>	60610908	554
<b>17601</b>	60602136	3, 5, 8
<b>17601</b>	60602136	531, 537, 544
<b>17617</b>	55562234	206, 219
<b>17617</b>	0637 241	803, 805, 817, 825, 829, 837, 842, 846, 850, 854, 862, 866, 867, 885, 909
<b>17617</b>	55562234	1179, 1181, 1193, 1201, 1205, 1217, 1228, 1232, 1238, 1242, 1245, 1249, 1250, 1266, 1285
<b>17621</b>	MD040754	768, 769
<b>17622</b>	XD140229	786
<b>17624</b>	24410-21014	476, 484, 487
<b>17625</b>	13568-19025	1160, 1173, 1175
<b>17627</b>	13568-09041	1151, 1153, 1155, 1169, 1170, 1172
<b>17628</b>	13568-19106	1161, 1173
<b>17629</b>	F805-12-700C	574, 576
<b>17641</b>	6 959 172	417, 435, 440, 447


**Ref. - No.**


<b>17645</b>	11 31 1 403 081	95, 101, 130, 147, 196
<b>17645</b>	002 997 93 94	599, 622, 624, 628, 643, 653, 671, 673, 677, 685, 737, 744, 751
<b>17648</b>	002 997 75 94	705, 732
<b>17654</b>	074 109 119	27, 33, 74
<b>17655</b>	002 997 17 94	670, 672, 676, 749
<b>17674</b>	6 200 285	392, 394
<b>17675</b>	1 015 375	384, 394, 396, 431, 447
<b>17677</b>	601 200 12 70	674
<b>17762</b>	0816.H3	251, 253, 255, 256, 258, 277, 281
<b>17762</b>	9632959380	373
<b>17762</b>	9632959380	548
<b>17762</b>	0816.H3	952, 957, 958, 961
<b>17762</b>	96 18 337 580	986, 994, 1000, 1009, 1011, 1034
<b>17763</b>	0816.F4	246, 250, 257, 266, 284, 285, 287
<b>17763</b>	9400816190	370, 372
<b>17763</b>	9464464980	547, 559
<b>17763</b>	0816.F4	921, 936, 951, 953, 954, 958, 960, 961, 967
<b>17767</b>	55192240	2, 4, 5, 7
<b>17767</b>	55192240	317, 353, 362
<b>17769</b>	55248394	13, 14, 17, 18
<b>17769</b>	55248394	315, 316, 318, 321, 322, 330, 334, 335, 336, 343, 344, 345, 347, 350, 351, 352, 354, 355, 356, 361
<b>17769</b>	55248394	539, 540, 546, 553, 555
<b>17770</b>	55192773	321, 326, 339, 362
<b>17770</b>	55192773	541, 545, 550
<b>17772</b>	166 050 00 11	620, 750
<b>17813</b>	71719652	329, 341, 345, 348, 350, 352, 359, 363
<b>17813</b>	71719652	553


**Ref. - No.**


<b>17815</b>	55203786	323, 341, 344, 345, 348, 358, 359, 374
<b>17835</b>	000 997 32 94	695, 701, 718, 719
<b>17863</b>	110 050 15 16	693, 698, 713
<b>17948</b>	06B 109 243	41, 57, 77
<b>17948</b>	06B 109 243	1067, 1098, 1106
<b>17948</b>	06B 109 243	1120
<b>17948</b>	06B 109 243	1309, 1332, 1368
<b>18018</b>	9180687	1415
<b>18181</b>	5636 454	818, 820, 827, 847, 848, 864, 875, 876, 886, 898, 903, 906
<b>18181</b>	55 352 713	1063
<b>18181</b>	55352713	1194, 1196, 1203, 1234, 1236, 1247, 1256, 1257, 1267, 1274, 1279, 1282
<b>18233</b>	13505-15060	1150, 1155, 1157, 1160, 1162
<b>18235</b>	13505-74011	1151, 1153, 1155, 1169, 1170, 1172
<b>18237</b>	13404-PT0-004	450, 465, 466, 467
<b>18483</b>	11 28 7 838 797	100, 105, 127, 132, 137, 159, 163, 176, 181, 194, 196, 201
<b>18484</b>	11 28 1 717 210 S1	100, 127, 132, 159, 193, 194
<b>18485</b>	11 28 1 247 051 S1	97, 98, 124
<b>18489</b>	0829.C7	232, 240, 244, 283
<b>18489</b>	0829.C7	920, 935, 970
<b>18554</b>	06B 109 243 E	51, 52, 59
<b>18554</b>	06B 109 243 E	1128
<b>18554</b>	06B 109 243 E	1346
<b>18556</b>	06B 109 243 F	41, 57, 77
<b>18556</b>	06B 109 243 F	1067, 1088, 1098, 1106
<b>18556</b>	06B 109 243 F	1120
<b>18556</b>	06B 109 243 F	1309, 1332, 1336, 1368
<b>18562</b>	078 109 243 S	49, 53, 58, 60, 64, 66
<b>18562</b>	078 109 243 S	1129
<b>18562</b>	078 109 243 S	1344, 1347



Ref. - No.

Car  
Division

Ref. - No.



Ref. - No.



18658	058 109 243 E	47, 57, 69
18658	058 109 243 E	1342
18772	032 109 119 J	1086
18772	032 109 119 J	1117, 1119
18772	032 109 119 J	1302, 1355
18914	112 050 08 11	625, 629, 635, 637, 644, 647, 651, 654, 656, 659, 661, 662, 680, 681, 686, 688, 690, 706, 707, 727, 730, 731, 735, 738, 741, 742, 754
18937	14520-P2A-306	455, 456
18937	LHP 100790	1050
18944	1206 990	811, 844, 883
18944	90412884	1188, 1230, 1264
18949	120 050 03 16	705, 732
18950	120 050 05 16	705, 732
18951	120 050 06 16	705, 732
18952	120 050 07 16	705, 732
19001	104 200 10 70	604, 624, 626, 628, 643, 655, 657, 679, 702, 723, 726, 737
19189	0830.42	246, 248, 250, 252, 255, 257, 266, 268, 284, 285, 287
19189	9400830429	370, 372
19189	9400830429	547, 559
19189	0830.42	921, 936, 938, 951, 953, 954, 958, 960, 961, 967, 968
19190	0829.69	275, 284, 285, 293
19190	0829.69	930, 945, 949
19212	5751.37	233, 274, 275, 293
19212	5751.37	948, 949
19239	0830.58	251, 253, 255, 256, 258, 277, 281
19239	9400830589	373
19239	9400830589	548
19239	0830.58	952, 957, 958, 961
19239	96 16 660 580	986, 994, 1000, 1009, 1011, 1034
19240	0830.59	251, 253, 255, 256, 258, 277, 281

19240	9400830599	373
19240	9400830599	548
19240	0830.59	952, 957, 958, 961
19240	96 16 660 780	986, 994, 1000, 1009, 1011, 1034
19247	11 28 7 500 560	134, 161, 182
19283	93202400	301
19285	6340 532	810, 811, 812, 813, 814, 815, 822, 827, 831, 832, 833, 834, 843, 844, 852, 871, 872, 879, 881, 883, 888, 889, 890, 891, 892, 893, 894, 895, 904, 907
19285	24412292	1187, 1188, 1189, 1190, 1191, 1198, 1203, 1208, 1209, 1210, 1211, 1222, 1223, 1224, 1225, 1229, 1233, 1234, 1235, 1240, 1253, 1254, 1260, 1262, 1264, 1268, 1269, 1270, 1271, 1280, 1283
19292	06B 109 244	41, 44, 51, 52, 54, 57, 59, 62, 77, 79
19292	06B 109 244	1067, 1073, 1088, 1098, 1102, 1106, 1110
19292	06B 109 244	1120, 1123, 1128
19292	06B 109 244	1296, 1309, 1314, 1316, 1320, 1324, 1332, 1336, 1346, 1350, 1367, 1368, 1375
19324	7 024 224	384, 387, 394, 423, 431
19325	0829.96	246, 250, 257, 266, 284, 285, 287
19325	9400829969	370, 372
19325	9400829969	547, 559
19325	0829.96	921, 936, 951, 953, 954, 958, 960, 961, 967
19354	5751.36	233, 274, 275, 293
19354	5751.36	930, 948, 949
19355	5751.52	282, 283, 286


**Ref. - No.**


<b>19355</b>	5751.52	917, 918, 919, 920
<b>19356</b>	5751.61	250, 257, 266, 284, 285, 287
<b>19356</b>	9636207480	370, 372
<b>19356</b>	9636207480	547, 559
<b>19356</b>	5751.61	921, 936, 951, 953, 954, 958, 960, 961, 967
<b>19357</b>	5751.60	250, 252, 257, 266, 267, 284, 285, 287
<b>19357</b>	9636640580	370, 372
<b>19357</b>	9636640580	547, 559
<b>19357</b>	5751.60	921, 936, 951, 953, 954, 958, 960, 961, 967
<b>19361</b>	058 109 119 C	47, 57, 69
<b>19361</b>	058 109 119 C	1342
<b>19364</b>	036 109 119 AG	39
<b>19364</b>	036 109 119 AG	1071, 1074, 1076, 1078, 1087, 1090, 1094, 1096, 1097, 1100, 1105, 1109
<b>19364</b>	036 109 119 AG	1113, 1116, 1118, 1121, 1126
<b>19364</b>	036 109 119 AG	1288, 1289, 1308, 1312, 1315, 1318, 1329, 1330, 1336, 1355, 1356, 1357, 1358, 1360, 1363
<b>19366</b>	054 109 119 H	30, 36, 74
<b>19371</b>	077 109 119 D	65, 80
<b>19396</b>	06A 109 119 K	40, 43, 46, 50
<b>19396</b>	06A 109 119 K	1068, 1072, 1088, 1098, 1106, 1110
<b>19396</b>	06A 109 119 K	1113, 1119, 1128
<b>19396</b>	06A 109 119 K	1290, 1309, 1316, 1331, 1341, 1345, 1375
<b>19398</b>	077 109 244 E	61, 66, 67
<b>19398</b>	077 109 244 E	1353
<b>19404</b>	058 109 479 B	47, 69
<b>19404</b>	058 109 479 B	1342
<b>19405</b>	137 200 02 70	636, 708


**Ref. - No.**


<b>19445</b>	1606 306	818, 820, 827, 847, 848, 864, 875, 876, 886, 898, 903, 906
<b>19445</b>	24 451 895 S1	1063
<b>19445</b>	93185845	1194, 1196, 1203, 1234, 1236, 1247, 1256, 1257, 1267, 1274, 1279, 1282
<b>19462</b>	FE1H-12-730A	574, 576
<b>19484</b>	48 98 755	1061, 1064
<b>19485</b>	49 60 290	1056
<b>19486</b>	47 52 960	1056, 1064
<b>19487</b>	6340 538	835, 873, 878, 880, 891, 897, 900
<b>19487</b>	47 50 220	1057, 1060, 1065
<b>19487</b>	09202550	1211, 1225, 1255, 1259, 1261, 1273, 1276
<b>19488</b>	55190052	6
<b>19536</b>	1 000 156	379, 403, 424, 445, 449
<b>19539</b>	11 28 7 574 834	165
<b>19546</b>	06B 109 119 A	41, 51, 52, 57, 59, 77
<b>19546</b>	06B 109 119 A	1067, 1088, 1091, 1098, 1106
<b>19546</b>	06B 109 119 A	1120, 1128
<b>19546</b>	06B 109 119 A	1309, 1332, 1336, 1346, 1362, 1368
<b>19548</b>	06A 198 119 A	41, 57, 77
<b>19548</b>	06A 198 119 A	1067, 1098, 1106
<b>19548</b>	06A 198 119 A	1120
<b>19548</b>	06A 198 119 A	1309, 1332, 1368
<b>19550</b>	06B 109 119 A S2	41, 77
<b>19550</b>	06B 109 119 A S2	1067, 1088, 1098, 1106
<b>19550</b>	06B 109 119 A S2	1120
<b>19550</b>	06B 109 119 A S2	1309, 1332, 1368
<b>19553</b>	1 004 549	386, 392, 396, 418
<b>19606</b>	078 109 119 H	49, 53, 58, 60, 61, 64, 66, 67
<b>19606</b>	078 109 119 H	1129



Ref. - No.

Car  
Division

Ref. - No.



Ref. - No.



<b>19606</b>	078 109 119 H	1344, 1347, 1353, 1376
<b>19657</b>	55203786 S1	323, 344, 345, 348, 358
<b>19658</b>	71736718	329, 341, 345, 348, 350, 352, 359, 363
<b>19658</b>	71736718	553
<b>19662</b>	43 56 127	1056, 1061, 1064
<b>19734</b>	272136 S1	1389, 1390, 1392, 1409, 1420
<b>19736</b>	058 903 133 D	59
<b>19736</b>	058 903 133 D	1345, 1346
<b>19824</b>	1 073 096	379, 403, 424
<b>19836</b>	82 00 897 100	295, 296, 299
<b>19836</b>	16806-00QA1	800
<b>19836</b>	82 00 897 100	993, 996, 997, 1003, 1004, 1005, 1010, 1012, 1013, 1018, 1022, 1023, 1024, 1025, 1035, 1037, 1038
<b>19839</b>	77 01 063 999	986, 994, 999, 1006, 1021
<b>19840</b>	82 00 106 085	297, 300
<b>19840</b>	16806-00QA0	798
<b>19840</b>	82 00 106 085	991, 995, 997, 1002, 1016, 1025, 1036, 1042, 1045
<b>19845</b>	82 00 483 288	986, 994, 999, 1006, 1021
<b>19846</b>	4433 629	901
<b>19846</b>	82 00 989 172	986, 994, 996, 999, 1001, 1006, 1010, 1011, 1012, 1021, 1022, 1037, 1040, 1044
<b>19846</b>	93198125	1277
<b>19847</b>	77 00 107 150	295, 296, 299
<b>19847</b>	13070-00QAA	800
<b>19847</b>	77 00 107 150	986, 993, 994, 996, 997, 999, 1003, 1004, 1005, 1006, 1010, 1012, 1013, 1018, 1021, 1022, 1023, 1024, 1025, 1035, 1037, 1038

<b>19851</b>	82 00 704 394	297, 300
<b>19851</b>	13077-00QAG	798
<b>19851</b>	82 00 704 394	991, 995, 997, 1002, 1016, 1025, 1036, 1042, 1045
<b>19852</b>	77 01 476 745	297, 300
<b>19852</b>	16806-00QAW	798
<b>19852</b>	77 01 476 745	991, 995, 997, 1002, 1016, 1025, 1036, 1042, 1045
<b>19854</b>	82 00 537 021	296, 297, 299
<b>19854</b>	16806-00QAR	799
<b>19854</b>	82 00 537 021	992, 1002, 1013, 1015, 1017, 1035
<b>19856</b>	5751.51	917, 918, 919, 920
<b>19871</b>	46537101	543
<b>19871</b>	30637962	1410, 1414, 1415, 1421, 1422
<b>19910</b>	77 00 108 117	295, 296, 299
<b>19910</b>	13070-00QAB	800
<b>19910</b>	77 00 108 117	993, 996, 997, 1003, 1004, 1005, 1010, 1013, 1018, 1023, 1025, 1035, 1037
<b>19918</b>	77 01 477 014	295, 296, 299
<b>19918</b>	16806-00QAB	800
<b>19918</b>	77 01 477 014	993, 996, 997, 1003, 1004, 1005, 1010, 1013, 1018, 1023, 1025, 1035, 1037
<b>19943</b>	16806-00Q0F	802
<b>19943</b>	77 01 064 316	1001, 1010, 1040
<b>19951</b>	77 01 476 674	986, 994, 999, 1006, 1021
<b>19995</b>	111 200 04 14	599, 622, 623, 624, 628, 643, 653, 685, 736, 737, 744, 751, 752
<b>21033</b>	82 00 104 754	296, 299
<b>21033</b>	11927-00QAA	799, 800


**Ref. - No.**


<b>21033</b>	82 00 104 754	992, 993, 996, 1003, 1005, 1010, 1012, 1013, 1017, 1018, 1021, 1023, 1035
<b>21060</b>	1340 555	818, 819, 820, 827, 847, 848, 863, 864, 876, 886, 898, 903
<b>21060</b>	90 571 758	1063
<b>21060</b>	90571758	1194, 1195, 1196, 1203, 1234, 1235, 1236, 1246, 1247, 1257, 1267, 1274, 1279
<b>21061</b>	0614 533	822, 823, 828, 853, 877, 882, 896, 899, 905, 908
<b>21061</b>	24 430 296	1062
<b>21061</b>	24430296	1198, 1204, 1258, 1263, 1272, 1275, 1281, 1284
<b>21097</b>	1606 189	818, 820, 827, 847, 848, 864, 876, 886, 898, 903
<b>21097</b>	93174119	1194, 1196, 1203, 1234, 1236, 1247, 1257, 1267, 1274, 1279
<b>21098</b>	1606 190	811, 844, 883, 893
<b>21098</b>	93174120	1188, 1230, 1264, 1269
<b>21100</b>	058 198 479	47
<b>21100</b>	058 198 479	1342
<b>21133</b>	102 052 00 03	593, 597, 606, 609, 617, 670, 747
<b>21135</b>	615 052 02 03	585, 588, 590, 591, 592, 594, 616, 619, 671, 673, 677, 691, 721
<b>21207</b>	1 114 737	402
<b>21231</b>	112 052 01 16	625, 629, 635, 637, 644, 647, 654, 656, 659, 661, 662, 680, 681, 686, 688, 690, 706, 707, 727, 730, 731, 738, 741


**Ref. - No.**


<b>21232</b>	112 052 00 16	625, 629, 635, 637, 644, 647, 654, 656, 659, 661, 662, 680, 681, 686, 688, 690, 706, 707, 727, 730, 731, 738, 741
<b>21233</b>	112 052 02 16	625, 629, 635, 637, 644, 647, 654, 656, 659, 661, 662, 680, 681, 686, 688, 690, 706, 707, 727, 730, 731, 738, 741
<b>21247</b>	16806-00QAM	798
<b>21247</b>	82 00 545 581	987, 991, 1002
<b>21249</b>	16806-00QAT	798
<b>21249</b>	77 01 477 013	987, 991, 1002
<b>21268</b>	0829.90	230, 231, 235, 236, 238, 239, 268, 269, 270, 271, 282
<b>21268</b>	9400829909	333, 357
<b>21268</b>	0829.90	911, 912, 917, 918, 928, 934, 969
<b>21272</b>	0816.F2	231, 236, 239, 268, 271, 282
<b>21272</b>	9467581780	333, 357
<b>21272</b>	0816.F2	912, 918, 928, 934
<b>21274</b>	0831.S0	231, 236, 239, 268, 271, 282
<b>21274</b>	9400831869	333, 357
<b>21274</b>	0831.S0	912, 918, 928, 934
<b>21275</b>	11 31 7 567 680	83, 84, 88, 103, 104, 106, 107, 108, 114, 116, 136, 142, 172, 173, 175, 178, 197, 202
<b>21276</b>	11 31 1 439 552	139, 151, 165, 183, 185
<b>21278</b>	0816.F0	230, 235, 238, 269, 270
<b>21278</b>	0816.F0	911, 917, 969
<b>21279</b>	121 052 03 01	588, 590, 591, 592, 594, 616, 619, 671, 673, 677, 691
<b>21280</b>	0831.S1	230, 235, 238, 269, 270
<b>21280</b>	0831.S1	911, 917, 969



Ref. - No.

Car  
Division 

Ref. - No.



Ref. - No.



<b>21296</b>	11 28 7 515 865 S1	134, 161, 170, 182
<b>21301</b>	11750-00QAF	798
<b>21301</b>	82 00 901 288	991
<b>21568</b>	51 72 309	1061, 1064
<b>21628</b>	30637962	1405
<b>21629</b>	11 28 7 549 588	139, 151, 165, 183
<b>21630</b>	11 28 7 549 589	140, 165, 183
<b>21684</b>	271 155 01 15	627, 646, 664, 739
<b>21707</b>	77 00 870 432	992, 1002
<b>21709</b>	82 00 582 997	296, 299
<b>21709</b>	82 00 582 997	992, 993, 1003, 1005, 1010, 1013, 1018, 1035
<b>21717</b>	77 00 875 305	999, 1019
<b>21719</b>	77 00 869 684	992, 1002
<b>21725</b>	77 01 477 024	296, 297, 299
<b>21725</b>	16806-00QAV	799
<b>21725</b>	77 01 477 024	992, 1002, 1013, 1015, 1017, 1035
<b>21759</b>	4410 548	901
<b>21759</b>	13 07 756 30R	986, 994, 996, 999, 1001, 1006, 1010, 1011, 1012, 1021, 1022, 1037, 1040, 1044
<b>21759</b>	93160244	1277
<b>21764</b>	036 109 243 J	1082, 1085
<b>21764</b>	036 109 243 J	1355
<b>21766</b>	036 109 181 B	39
<b>21766</b>	036 109 181 B	1074, 1076, 1078, 1087, 1090, 1094, 1096, 1097, 1100, 1105, 1109
<b>21766</b>	036 109 181 B	1113, 1116, 1118, 1121, 1126
<b>21766</b>	036 109 181 B	1288, 1289, 1308, 1312, 1315, 1318, 1329, 1330, 1336, 1356, 1357, 1360, 1363
<b>21768</b>	036 109 119 P	39
<b>21768</b>	036 109 119 P	1074, 1076, 1078, 1087, 1090, 1094, 1096, 1097, 1100, 1105, 1109

<b>21768</b>	036 109 119 P	1113, 1118, 1121, 1126
<b>21768</b>	036 109 119 P	1288, 1289, 1308, 1312, 1315, 1318, 1329, 1330, 1336, 1356, 1357, 1358, 1360, 1363
<b>21770</b>	036 109 119 AG S1	39
<b>21770</b>	036 109 119 AG S1	1074, 1076, 1087, 1090, 1094, 1096, 1097, 1100, 1105, 1109
<b>21770</b>	036 109 119 AG S1	1113, 1116, 1118, 1121, 1126
<b>21770</b>	036 109 119 AG S1	1288, 1289, 1308, 1312, 1315, 1318, 1329, 1330, 1336, 1356, 1357, 1360, 1363
<b>21771</b>	1 371 224	417, 425, 427, 441, 448
<b>21771</b>	30731938	1412
<b>21772</b>	036 198 119 E	39
<b>21772</b>	036 198 119 E	1074, 1076, 1087, 1090, 1094, 1096, 1097, 1100, 1105
<b>21772</b>	036 198 119 E	1113, 1118
<b>21772</b>	036 198 119 E	1289, 1308, 1312, 1315, 1318, 1329, 1330, 1356, 1357, 1360
<b>21774</b>	036 109 119 P S1	39
<b>21774</b>	036 109 119 P S1	1074, 1076, 1078, 1087, 1090, 1094, 1096, 1097, 1100, 1105, 1109
<b>21774</b>	036 109 119 P S1	1113, 1118, 1121, 1126
<b>21774</b>	036 109 119 P S1	1288, 1289, 1308, 1312, 1315, 1318, 1329, 1330, 1336, 1356, 1357, 1358, 1360, 1363
<b>21776</b>	06C 109 119 C	53, 61, 62, 67
<b>21779</b>	1 152 890	402
<b>21786</b>	MD169592	762, 785, 789


**Ref. - No.**


<b>21786</b>	30873954	1398
<b>21787</b>	24810-33024	482
<b>21787</b>	24810-33024	512
<b>21787</b>	MD156604	762, 785, 789
<b>21787</b>	30874227	1398
<b>21797</b>	1 077 689	395, 397, 398, 433
<b>21803</b>	1 004 481	395, 397, 398, 433
<b>21830</b>	959 105 052 01	975
<b>21831</b>	964 105 079 00	975
<b>21851</b>	9143643	1398
<b>21905</b>	078 903 133 AB	48, 58, 60
<b>21905</b>	078 903 133 AB	1129
<b>21905</b>	078 903 133 AB	1344, 1376
<b>21918</b>	032 145 276	1097, 1105
<b>21918</b>	032 145 276	1119
<b>21918</b>	032 145 276	1308, 1360
<b>21989</b>	77 01 476 675	994, 999, 1006, 1021
<b>22119</b>	82 00 981 266	1001, 1010
<b>22143</b>	9146693	1389, 1390, 1398, 1409
<b>22146</b>	82 00 065 479	994, 1020
<b>22152</b>	74 31 275 380	1007, 1033
<b>22152</b>	1275380	1389, 1390, 1392, 1409
<b>22277</b>	77 00 869 666	991
<b>22309</b>	0831.T4	246, 250, 257, 266, 284, 285, 287
<b>22309</b>	9467628080	370, 372
<b>22309</b>	9467628080	547, 559
<b>22309</b>	0831.T4	921, 936, 951, 953, 954, 958, 960, 961, 967
<b>22327</b>	0831.V1	232, 240, 283
<b>22327</b>	0831.V1	920, 935, 970
<b>22329</b>	11 75 072 71R	295
<b>22329</b>	4411 707	901
<b>22329</b>	11 75 072 71R	997, 1001, 1010, 1040, 1044
<b>22329</b>	93160746	1277
<b>22340</b>	059 109 479 B	66
<b>22346</b>	06B 109 477	41, 57, 77
<b>22346</b>	06B 109 477	1067, 1088, 1106


**Ref. - No.**


<b>22346</b>	06B 109 477	1120
<b>22346</b>	06B 109 477	1309, 1332, 1368
<b>22347</b>	06B 109 477 A	51, 52, 59
<b>22347</b>	06B 109 477 A	1128
<b>22347</b>	06B 109 477 A	1346
<b>22348</b>	06C 109 485 A	53, 61, 62, 67
<b>22352</b>	077 109 479 D	61, 66, 67
<b>22352</b>	077 109 479 D	1353, 1376
<b>22353</b>	5751.91	238, 239, 240
<b>22353</b>	5751.91	934, 935, 962, 963
<b>22354</b>	077 109 485 F	61, 66, 67
<b>22354</b>	077 109 485 F	1353, 1376
<b>22355</b>	5751.C9	917, 918, 920
<b>22356</b>	078 109 479 E	49, 53, 58, 60, 64, 66
<b>22356</b>	078 109 479 E	1129
<b>22356</b>	078 109 479 E	1344, 1347
<b>22357</b>	06C 109 244	53, 61, 62, 67
<b>22358</b>	078 109 487 A	49, 53, 58, 60, 64, 66
<b>22358</b>	078 109 487 A	1129
<b>22358</b>	078 109 487 A	1344, 1347
<b>22360</b>	077 109 244 C	61, 67
<b>22363</b>	07D 145 276 C	80
<b>22363</b>	07D 145 276 C	1348, 1353, 1376
<b>22364</b>	1 106 830	415
<b>22364</b>	021 145 299 C	1370, 1371
<b>22365</b>	1 139 712	415
<b>22365</b>	022 145 299 D	1068, 1108
<b>22365</b>	022 145 299 D	1311, 1333, 1371
<b>22370</b>	55565236	206
<b>22370</b>	1340 267	803, 805, 817, 825, 829, 837, 839, 842, 846, 850, 854, 862, 866, 867, 885, 909
<b>22370</b>	55565236	1179, 1181, 1182, 1193, 1201, 1205, 1217, 1228, 1232, 1238, 1242, 1245, 1249, 1250, 1266, 1285
<b>22376</b>	55232827	13, 17





Ref. - No.

Car  
Division 

Ref. - No.



Ref. - No.



22376	55195023	315, 322, 329, 330, 332, 334, 335, 341, 343, 345, 352, 354, 355, 357, 359, 361, 363, 376
22376	55232827	539, 546, 555, 556
22376	1204 299	838
22376	55232827	1226
22377	71736717	13
22377	71736717	315, 318, 321, 334, 335, 336, 345, 350, 352, 354, 361
22377	71736717	539, 540, 546, 553, 555
22383	55 562 635	1061, 1064
22391	11 28 1 745 550	162
22404	46547566	541, 550
22405	55190054	6
22407	0830.60	237, 240, 244
22407	0830.60	919, 924, 934, 962
22572	3517998	1389, 1390, 1392
22573	1271808	1420
22574	9135033	1389, 1390, 1392
22721	271747	1391
22723	271747 S1	1391
22731	1 372 015 S1	406, 408, 420, 427, 442
22731	8627484	1396, 1397, 1398, 1402, 1404, 1405, 1407, 1409, 1410, 1413, 1414, 1418, 1421
22733	30758261	1398, 1405, 1409, 1410, 1414, 1421
22735	31316938	1415, 1422
22737	30758268	1415
22744	11 28 7 516 847	137, 163, 176
22776	271 200 02 70	627, 633, 646, 664, 739, 745
22792	6 635 941 S1	384, 387, 394, 423, 431
22900	55221253	3, 5, 8
22900	55221253	531, 537, 543
23126	058 198 479 A	47
23134	058 109 243 D	47

23165	11 28 7 549 557	139, 151, 165, 183
23238	06D 109 119	44, 52
23238	06D 109 119	1314, 1375
23290	078 198 479 S1	49, 53, 58, 60, 64, 66
23290	078 198 479 S1	1129
23290	078 198 479 S1	1344, 1347
23292	078 198 119	49, 53, 58, 60, 64, 66
23292	078 198 119	1129
23292	078 198 119	1344, 1347
23397	82 00 947 837	295
23397	82 00 947 837	997, 1001, 1010, 1040, 1044
23419	5636 371	835, 836, 873, 878, 880, 891, 897, 900
23419	47 70 491	1057, 1060, 1065
23419	09128500	1211, 1212, 1225, 1255, 1259, 1261, 1273, 1276
23421	5636 566	822, 827, 881, 904, 907
23421	55351782	1198, 1203, 1262, 1280, 1283
23423	1606 194	822
23423	93174263	1198, 1280
23425	92065902	208
23425	92065902	306
23425	5636 372	806, 852, 872, 879, 895
23425	09128722	1182, 1240, 1254, 1260, 1271
23427	92065902 S1	208
23427	92065902 S1	306
23427	1606 198	806, 852, 872, 879, 895
23427	93174267	1182, 1240, 1254, 1260, 1271
23429	90528603	208
23429	90528603	306
23429	0636 729	806, 852, 872, 879, 895


**Ref. - No.**


<b>23429</b>	90528603	1182, 1240, 1254, 1260, 1271
<b>23445</b>	71739873	10
<b>23445</b>	71739873	328
<b>23445</b>	5636 452	821, 826, 830, 851, 854, 865, 867, 876, 898, 902, 906, 910
<b>23445</b>	24422964	1197, 1202, 1206, 1239, 1242, 1248, 1250, 1257, 1274, 1278, 1283, 1286
<b>23447</b>	10068553	301
<b>23449</b>	10068553 S1	301
<b>23455</b>	96814098	217
<b>23455</b>	96814098	301, 305, 308
<b>23457</b>	96183352 S1	217
<b>23457</b>	96183352 S1	301, 305, 308
<b>23528</b>	036 109 119 H	1082, 1085
<b>23528</b>	036 109 119 H	1355
<b>23530</b>	6K0 198 001 C	1082, 1085
<b>23530</b>	6K0 198 001 C	1355
<b>23556</b>	032 145 299 C	1078
<b>23556</b>	032 145 299 C	1302
<b>23558</b>	032 145 299 A	40
<b>23558</b>	032 145 299 A	1097, 1105
<b>23558</b>	032 145 299 A	1118, 1119
<b>23558</b>	032 145 299 A	1308
<b>23599</b>	4 132 488	432
<b>23599</b>	FS01-12-700B	572, 575, 579, 580, 581
<b>23601</b>	FP01-12-700A	572, 575, 581
<b>23627</b>	3 396 014	432
<b>23627</b>	FS01-12-730A	572, 575, 579, 580, 581
<b>23634</b>	06A 198 119	40, 43, 46, 50
<b>23634</b>	06A 198 119	1068, 1072, 1088, 1098, 1106, 1110
<b>23634</b>	06A 198 119	1113, 1119, 1128
<b>23634</b>	06A 198 119	1309, 1331, 1341, 1345, 1375
<b>23640</b>	032 109 119 J S1	1086
<b>23640</b>	032 109 119 J S1	1117, 1119
<b>23640</b>	032 109 119 J S1	1328


**Ref. - No.**


<b>23642</b>	06B 109 119 F S4	51, 52, 59
<b>23642</b>	06B 109 119 F S4	1128
<b>23642</b>	06B 109 119 F S4	1346
<b>23644</b>	030 198 119 B	1075, 1086, 1091
<b>23644</b>	030 198 119 B	1357
<b>23646</b>	06B 109 119 A S3	41, 77
<b>23646</b>	06B 109 119 A S3	1309, 1332, 1368
<b>23650</b>	11 28 7 512 758	105, 132, 137, 163, 176, 181, 198
<b>23654</b>	55187100	10, 12, 14, 21
<b>23654</b>	55187100	539
<b>23779</b>	640 202 04 19	620, 621
<b>23780</b>	640 202 03 19	620, 621, 750
<b>23781</b>	166 202 06 19	620, 750
<b>24100</b>	114 052 00 02	588, 590, 591, 592, 594, 616, 619, 671, 673, 677, 691
<b>24178</b>	266 202 00 19	620, 621
<b>24186</b>	06D 109 119 B	44, 54, 62, 77, 79
<b>24186</b>	06D 109 119 B	1073, 1102, 1110
<b>24186</b>	06D 109 119 B	1123
<b>24186</b>	06D 109 119 B	1296, 1314, 1316, 1320, 1324, 1350, 1367, 1375
<b>24188</b>	06D 109 244 A	44, 52
<b>24188</b>	06D 109 244 A	1314, 1375
<b>24281</b>	166 052 00 16	620, 750
<b>24282</b>	137 052 04 16	636, 637, 638, 640, 683, 684, 708, 709, 711, 712, 733, 735
<b>24283</b>	137 052 05 16	636, 637, 638, 640, 683, 684, 708, 709, 711, 712, 733, 735
<b>24284</b>	137 052 07 16	636, 637, 638, 640, 683, 684, 708, 709, 711, 712, 733, 735
<b>24285</b>	137 052 08 16	636, 637, 638, 640, 683, 684, 708, 709, 711, 712, 733, 735
<b>24286</b>	271 052 10 16	627, 632, 645, 664, 667, 739, 745
<b>24287</b>	271 052 11 16	627, 632, 645, 664, 667, 739, 745



<b>24363</b>	13568-09020	1150, 1155, 1160, 1162
<b>24364</b>	13568-09030	1150, 1155, 1157, 1160, 1162
<b>24367</b>	0816.G7	284
<b>24367</b>	0816.G7	933
<b>24464</b>	24312-02701	469, 478, 481, 490
<b>24464</b>	24312-02701	517
<b>24543</b>	24410-02550	469, 478, 481, 490
<b>24543</b>	24410-02550	517
<b>24544</b>	24410-23400	471, 472, 475, 482, 484, 485, 486, 499, 500
<b>24544</b>	24410-23500	504, 507, 514
<b>24547</b>	24410-26000	468, 474, 476, 478, 483, 486, 487, 491
<b>24547</b>	24410-26000	507, 521
<b>24551</b>	24810-26020	468, 474, 478, 486, 491
<b>24551</b>	24810-26020	507, 521
<b>24553</b>	24450-37120	472, 488, 491, 494, 498, 500, 501
<b>24553</b>	24450-37100	512, 514
<b>24606</b>	06D 109 243	44, 52
<b>24606</b>	06D 109 243	1314, 1375
<b>24677</b>	074 198 119 L	1378
<b>24688</b>	023 109 243	1378
<b>24723</b>	058 198 119	47, 57
<b>24723</b>	058 198 119	1342
<b>24724</b>	058 198 119 A	47
<b>24730</b>	271 206 00 19	627, 633, 646, 664, 668, 739, 745
<b>24751</b>	14510-P2A-004	451, 454, 459, 464, 466
<b>24755</b>	06B 198 119 A	51, 59
<b>24755</b>	06B 198 119 A	1346
<b>24764</b>	06F 198 119	44, 52
<b>24764</b>	06F 198 119	1314, 1375
<b>24765</b>	1 139 951	386, 395, 397, 398, 404, 414, 418, 433
<b>24767</b>	14510-P30-003	454, 460, 461, 464
<b>24772</b>	13568-19025 S1	1160, 1161, 1173, 1175

<b>24787</b>	13568-19106 S1	1160, 1161, 1173
<b>24788</b>	13568-09020 S1	1150, 1155, 1160, 1162
<b>24789</b>	13568-09030 S1	1150, 1155, 1157, 1160, 1162
<b>24790</b>	13568-09041 S1	1151, 1153, 1155, 1169, 1170, 1172
<b>24791</b>	24312-02701 S1	469, 478, 481, 490
<b>24791</b>	24312-02701 S1	517
<b>24803</b>	1 000 156 S2	379, 403, 424, 445, 449
<b>24811</b>	14400-PLM-014	457, 463, 467
<b>24812</b>	14400-P7J-004	460
<b>24813</b>	14400-PDA-E01	450, 451, 467
<b>24814</b>	14400-PDA-E01 S1	450, 451, 467
<b>24817</b>	14400-P2E-004 S1	451, 459, 464
<b>24818</b>	14400-P7J-004 S1	460
<b>24819</b>	14400-PR3-004 S1	454, 461
<b>24851</b>	06C 109 479 A	67
<b>24856</b>	034 109 119 S1	27, 33, 34
<b>24856</b>	034 109 119 S1	1337
<b>24941</b>	11 21 7 504 725	165
<b>25014</b>	116 052 06 01	586, 692, 694, 695, 700, 701, 715, 716, 717, 718, 719, 720
<b>25024</b>	102 052 09 01	597, 606, 608, 609, 617, 670, 672, 676, 747, 749
<b>25026</b>	119 050 10 04	605, 660, 703, 728, 729
<b>25030</b>	119 052 01 03	586, 605, 660, 692, 694, 695, 700, 701, 703, 715, 716, 717, 718, 719, 720, 728, 729
<b>25034</b>	103 052 00 03	600, 602, 615, 678, 697, 699, 714, 724
<b>25035</b>	102 052 01 03	597, 606, 608, 609, 617, 670, 672, 676, 749
<b>25042</b>	102 050 09 06	597, 606, 608, 609, 613, 617, 670, 672, 676, 747, 749


**Ref. - No.**


<b>25043</b>	116 050 05 05	586, 692, 694, 695, 700, 701, 715, 716, 717, 718, 719, 720
<b>25044</b>	102 050 08 06	593, 597, 606, 609, 611, 613, 617, 670, 747
<b>25049</b>	116 052 00 83	586, 692, 694, 695, 700, 701, 715, 716
<b>25053</b>	116 050 27 16	586, 692, 694, 695, 715, 717
<b>25055</b>	117 050 16 16	701, 718, 719, 720
<b>25057</b>	123 050 04 11	595
<b>25058</b>	119 050 17 11	605, 660, 703, 728, 729
<b>25063</b>	11 31 1 265 006	81, 91, 93, 118, 120
<b>25068</b>	11 31 1 278 990	119, 122, 128, 146, 154, 155
<b>25072</b>	11 21 1 265 010	81, 91, 93, 118, 120
<b>25074</b>	11 21 1 265 011	119, 122, 128, 146, 154, 155
<b>25101</b>	0614 564	839, 843, 858
<b>25101</b>	90122678	1185, 1229, 1251
<b>25102</b>	0614 526	810, 819, 839, 840, 848, 863, 887, 892
<b>25102</b>	90502545	1187, 1195, 1221, 1235, 1246, 1251, 1252, 1268
<b>25108</b>	6 029 398	380, 382, 383, 386, 389, 390, 392, 396, 418, 429, 430
<b>25110</b>	1 434 861	380, 382, 383, 386, 389, 390, 392, 396, 418, 429, 430
<b>25114</b>	6 177 698	385, 388, 414, 417, 432, 435, 439, 447
<b>25118</b>	0636 351	807, 838, 856, 857
<b>25118</b>	02866445	1183, 1184, 1218, 1251
<b>25157</b>	30 518 277	1055, 1056, 1058, 1059, 1061, 1064
<b>25158</b>	027 105 263 B	30, 44, 47, 69, 74
<b>25158</b>	027 105 263 B	1301, 1305, 1339, 1365


**Ref. - No.**


<b>25159</b>	1 434 861 S2	380, 382, 383, 386, 389, 390, 392, 396, 418, 429, 430
<b>25165</b>	11 31 1 406 167	133, 135, 160, 169, 182, 204
<b>25167</b>	11 31 1 741 746	133, 160, 169, 182
<b>25172</b>	069 105 263	1378
<b>25174</b>	030 105 263 C	1288, 1299, 1300, 1302, 1354, 1355
<b>25177</b>	93 21 845	1056, 1059, 1061, 1064
<b>25178</b>	049 105 263 B	22, 23, 24
<b>25178</b>	049 105 263 B	1298, 1299, 1300, 1301, 1337, 1354, 1365
<b>25179</b>	91 31 145	1056, 1059, 1061, 1064
<b>25182</b>	1 086 533	415
<b>25182</b>	021 109 513	1294, 1306, 1340, 1370, 1379
<b>25183</b>	93 21 837	1055, 1058
<b>25193</b>	13505-10010	1161, 1173
<b>25194</b>	049 105 263 C	26, 29, 73
<b>25194</b>	049 105 263 C	1068, 1079, 1083, 1103
<b>25194</b>	049 105 263 C	1287, 1288, 1301, 1303, 1304, 1307, 1337, 1338, 1341, 1369, 1377
<b>25199</b>	13028-N8400	797
<b>25207</b>	003 997 68 94	625, 629, 635, 637, 644, 647, 651, 654, 656, 659, 661, 662, 680, 681, 686, 688, 690, 706, 707, 727, 730, 731, 735, 738, 741, 742, 754
<b>25220</b>	1 145 280	415
<b>25220</b>	021 109 509 E	1306, 1310, 1340, 1343, 1370, 1379
<b>25221</b>	003 997 95 94	636, 708
<b>25222</b>	021 109 469	45, 76, 78
<b>25222</b>	1 669 830	415



Ref. - No.

Car  
Division

Ref. - No.



Ref. - No.



<b>25222</b>	021 109 469	1068, 1099, 1107, 1108
<b>25222</b>	021 109 469	1294, 1306, 1310, 1311, 1333, 1340, 1343, 1347, 1370, 1371, 1376, 1379
<b>25223</b>	166 997 09 94	620, 750
<b>25227</b>	06D 109 229 B	44, 52, 54, 62, 79
<b>25227</b>	06D 109 229 B	1073, 1102, 1110
<b>25227</b>	06D 109 229 B	1123
<b>25227</b>	06D 109 229 B	1296, 1314, 1316, 1320, 1324, 1350, 1367, 1375
<b>25235</b>	102 050 01 04	611, 613
<b>25238</b>	1 072 677	415
<b>25238</b>	000 052 05 16	753
<b>25238</b>	021 109 507 B	1107
<b>25238</b>	021 109 507 B	1306, 1310, 1311, 1340, 1343, 1370, 1379
<b>25240</b>	021 109 467	45, 76, 78
<b>25240</b>	1 669 827	415
<b>25240</b>	021 109 467	1068, 1099, 1107, 1108
<b>25240</b>	021 109 467	1294, 1306, 1310, 1311, 1333, 1340, 1343, 1347, 1370, 1371, 1376, 1379
<b>25249</b>	621 050 04 09	585, 691, 721
<b>25250</b>	049 109 111 C	22, 23, 24, 25, 26, 27, 29, 32, 33, 34, 35, 46, 69, 72, 73, 74
<b>25250</b>	049 109 111 C	1287, 1288, 1292, 1298, 1299, 1300, 1301, 1303, 1304, 1307, 1327, 1337, 1338, 1341, 1354, 1365, 1369, 1377
<b>25251</b>	114 052 01 02	584, 587, 595
<b>25252</b>	026 109 111	1299, 1300, 1354
<b>25258</b>	06A 109 105 C	40, 43, 46, 50
<b>25258</b>	06A 109 105 C	1088, 1098, 1106, 1110

<b>25258</b>	06A 109 105 C	1290, 1309, 1314, 1316, 1331, 1341, 1345, 1375
<b>25259</b>	115 050 08 16	590, 591, 592, 594, 616, 619, 671, 673, 677
<b>25269</b>	104 050 15 16	679, 702, 723, 726
<b>25271</b>	119 052 12 16	660
<b>25275</b>	119 052 11 16	605, 660, 703, 728, 729
<b>25277</b>	119 052 06 16	728
<b>25281</b>	119 050 02 16	605, 660, 703, 728, 729
<b>25283</b>	119 050 03 16	605, 660, 703, 728, 729
<b>25285</b>	119 052 09 16	605, 660, 703, 728, 729
<b>25287</b>	119 050 01 16	728
<b>25294</b>	119 052 01 16	728
<b>25298</b>	111 052 10 16	599, 622, 623, 624, 628, 643, 653, 685, 736, 737, 744, 751, 752
<b>25300</b>	111 050 11 16	599, 622, 623, 624, 628, 643, 653, 685, 736, 737, 744, 751, 752
<b>25305</b>	911 105 222 06	974
<b>25318</b>	11 31 1 714 988	92, 94, 121, 125, 189
<b>25324</b>	11 31 1 722 841	99, 126, 131, 158, 192
<b>25325</b>	11 31 1 741 247	129, 156, 168
<b>25331</b>	79 10 246 065	998, 1000, 1008, 1034
<b>25335</b>	79 10 247 528	998, 1000, 1008, 1034
<b>25342</b>	06A 105 263 E	1067, 1072
<b>25342</b>	06A 105 263 E	1113
<b>25348</b>	1 669 848	415
<b>25348</b>	021 109 509 A	1294, 1306, 1340, 1370, 1379



Ref. - No.



<b>25358</b>	74 85 105	1056, 1059, 1061, 1064
<b>25360</b>	058 109 229 B	41, 47, 49, 51, 52, 53, 57, 58, 59, 60, 64, 66
<b>25360</b>	058 109 229 B	1067, 1088, 1098, 1106
<b>25360</b>	058 109 229 B	1120, 1128, 1129
<b>25360</b>	058 109 229 B	1309, 1332, 1342, 1344, 1346, 1347, 1353, 1368, 1376
<b>25362</b>	058 109 229	41, 57, 58, 60, 77
<b>25363</b>	--	808
<b>25364</b>	1 606 272	415
<b>25364</b>	021 109 503 F	1107
<b>25364</b>	021 109 503 F	1306, 1310, 1340, 1343, 1370, 1379
<b>25370</b>	0816.52	280
<b>25370</b>	0816.52	956
<b>25371</b>	03D 109 229	1089
<b>25371</b>	03D 109 229	1112, 1114
<b>25371</b>	03D 109 229	1295, 1359
<b>25372</b>	11 31 1 403 081 S2	95, 101, 130, 147, 196
<b>25375</b>	166 997 01 94	620, 750
<b>25378</b>	11 31 7 830 869	196, 201
<b>25379</b>	11 31 1 407 052	135, 204
<b>25387</b>	08 55 789 200	1026, 1027
<b>25402</b>	03E 109 229 A	1089
<b>25402</b>	03E 109 229 A	1112, 1125
<b>25402</b>	03E 109 229 A	1359
<b>25404</b>	03H 109 503	45, 78
<b>25404</b>	03H 109 503	1068, 1099, 1108
<b>25404</b>	03H 109 503	1310, 1311, 1347, 1371, 1376, 1379
<b>25410</b>	271 030 09 63	627, 632, 633, 645, 664, 667, 739, 745
<b>25412</b>	03E 109 507 S	1089
<b>25412</b>	03E 109 507 S	1112, 1114, 1125
<b>25412</b>	03E 109 507 S	1295, 1359
<b>25422</b>	022 109 507 A	1099, 1108
<b>25422</b>	022 109 507 A	1311, 1333



Ref. - No.



<b>25434</b>	001 997 22 94	600, 615, 678, 697, 714, 722, 723
<b>25435</b>	003 997 18 94	603, 725
<b>25447</b>	000 993 06 76	630, 634, 639, 648, 650, 658, 665, 669, 682, 683, 687, 689, 710, 734, 740, 746, 755
<b>25456</b>	03D 109 571 L	1089
<b>25456</b>	03D 109 571 L	1112, 1114
<b>25456</b>	03D 109 571 L	1295, 1359
<b>25457</b>	03E 109 509	1089
<b>25457</b>	03E 109 509	1112, 1114, 1125
<b>25457</b>	03E 109 509	1359
<b>25458</b>	022 109 509 C	1099, 1108
<b>25458</b>	022 109 509 C	1311, 1333
<b>25467</b>	03E 109 469	1089
<b>25467</b>	03E 109 469	1112, 1114, 1125
<b>25467</b>	03E 109 469	1359
<b>25468</b>	03D 109 469 C	1089
<b>25468</b>	03D 109 469 C	1112, 1114
<b>25468</b>	03D 109 469 C	1295, 1359
<b>25507</b>	003 997 68 94 S1	625, 629, 635, 644, 647, 651, 654, 659, 661, 662, 680, 681, 686, 688, 690, 706, 707, 727, 731, 735, 738, 741, 742, 754
<b>26012</b>	000 993 21 76	627, 632, 645, 647, 664, 667, 739, 745
<b>26013</b>	004 997 20 94	638, 640, 684, 708, 709, 711, 712, 733
<b>26050</b>	24312-23202	471, 475, 485, 499, 500
<b>26050</b>	24312-23202	504, 507, 508, 514
<b>26051</b>	24810-23400	471, 472, 475, 482, 484, 485, 486, 499, 500
<b>26051</b>	24810-23500	504, 507, 508, 514
<b>26052</b>	24312-23202 S1	471, 475, 485, 499, 500
<b>26052</b>	24312-23202 S1	504, 507, 514
<b>26075</b>	14400-P1J-E01 S1	453, 460
<b>26076</b>	14400-P45-G01 S1	450, 466, 467
<b>26136</b>	14400-P1G-E01 S1	455, 456



Ref. - No.

Car  
Division 

Ref. - No.



Ref. - No.



<b>26139</b>	0831.S9	275, 284, 285, 293
<b>26139</b>	0831.S9	930, 945, 949
<b>26147</b>	71736725	2, 7
<b>26147</b>	71736725	317, 353, 362
<b>26168</b>	06C 109 244 C	53, 61, 67
<b>26217</b>	13073AA142	1133, 1134, 1135, 1136, 1138, 1139, 1140
<b>26218</b>	13033AA042	1133, 1134, 1135, 1139, 1140
<b>26219</b>	13085AA080	1133, 1134, 1135, 1136, 1138, 1139, 1140
<b>26220</b>	13028AA102	1133, 1135, 1136, 1138, 1139
<b>26223</b>	5636 746	822, 827, 881, 904, 907
<b>26223</b>	55353810	1198, 1203, 1262, 1280, 1283
<b>26224</b>	1606 196	822, 881, 904
<b>26224</b>	93174265	1198, 1262, 1280
<b>26242</b>	13028AA230	1133, 1134, 1135, 1140
<b>26281</b>	24312-26001	468, 474, 478, 486, 491
<b>26281</b>	24312-26001	507, 521
<b>26282</b>	24312-38020	488, 495, 497
<b>26282</b>	24312-38020	512
<b>26296</b>	11 31 1 405 081	101, 196
<b>26300</b>	24312-37500	472, 480, 488, 491, 494, 498, 500, 501
<b>26300</b>	24312-37500	512, 514, 515, 516
<b>26368</b>	003 997 80 94	600, 602, 615, 678, 697, 699, 714, 722, 723, 724
<b>26374</b>	000 993 11 76	620, 621
<b>26457</b>	60 01 547 291	296
<b>26457</b>	77 00 110 616	993, 996, 1003, 1010, 1013, 1018, 1022, 1023
<b>26464</b>	24312-22613	468, 478, 483
<b>26567</b>	4449 586	901

<b>26567</b>	77 01 477 093	986, 996, 1001, 1010, 1011, 1012, 1022, 1037, 1040, 1044
<b>26567</b>	93198652	1277
<b>26569</b>	06B 903 133 E	50, 51, 52, 59
<b>26570</b>	4416 576	901
<b>26570</b>	82 00 542 739	986, 1001, 1010, 1011, 1012, 1022, 1037, 1040, 1044
<b>26570</b>	93188702	1277
<b>26602</b>	0K9BV-12-205	505
<b>26603</b>	0K9BV-12-730	505
<b>26604</b>	0K95K-12-750	505
<b>26605</b>	0K247-12-700	503, 509, 522, 523
<b>26623</b>	0K9BV-12-790	505
<b>26624</b>	0K9BV-12-780	505
<b>26625</b>	0K247-12-205	503, 509, 522, 523
<b>26626</b>	24312-33160	482, 490, 492
<b>26626</b>	24312-33160	511
<b>26626</b>	MD326059	763, 767, 775, 783
<b>26679</b>	9146249	1398
<b>26692</b>	24312-38210	479, 488, 493
<b>26692</b>	24312-38210	516, 524
<b>26693</b>	0K30E-12-205	504, 513, 520, 522, 523
<b>26695</b>	KK350-12-205	502, 518, 520, 522
<b>26695</b>	BP02-12-205A	567, 570, 571, 572, 576, 577
<b>26696</b>	0K954-12-205	509, 510, 519, 526
<b>26696</b>	FE3N-12-205	574
<b>26697</b>	0K955-12-730	509, 526
<b>26697</b>	FE3N-12-730	574
<b>26698</b>	0K203-12-205	513, 522, 523, 525
<b>26698</b>	B6S7-12-205D	570, 578, 582
<b>26715</b>	0829.C8	232, 234, 237, 240, 241, 242, 244, 247, 262, 283, 286
<b>26715</b>	0829.C8	920, 923, 924, 935, 938, 947, 963, 970, 971, 972


**Ref. - No.**


<b>26716</b>	0830.62	232, 234, 237, 240, 241, 242, 244, 247, 262, 283, 286
<b>26716</b>	0830.62	920, 923, 924, 935, 938, 947, 963, 970, 971, 972
<b>26717</b>	0831.R9	232, 234, 237, 240, 241, 242, 244, 247, 262, 283, 286
<b>26717</b>	0831.R9	920, 923, 924, 935, 938, 947, 963, 970, 971, 972
<b>26733</b>	24810-37120	472, 480, 488, 491, 494, 498, 500, 501
<b>26733</b>	24810-37120	506, 512, 514, 515, 516
<b>26735</b>	24450-33020	482, 490, 492
<b>26735</b>	24450-33020	511
<b>26735</b>	MD129355	763, 767, 775
<b>26738</b>	24810-35530	470, 496, 501
<b>26738</b>	24810-39810	506, 515, 524
<b>26738</b>	MD151447	770, 772, 784
<b>26740</b>	24450-35530	470, 496, 501
<b>26740</b>	24450-35530	506, 515, 524
<b>26740</b>	MD140071	770, 772, 784
<b>26751</b>	271 050 06 11	627, 632, 645, 664, 667, 739, 745
<b>26752</b>	272 050 01 11	630, 634, 648, 650, 658, 665, 669, 687, 689, 710, 734, 740, 746, 755
<b>26753</b>	275 050 05 11	636, 637, 638, 640, 683, 684, 708, 709, 711, 712, 733, 735
<b>26763</b>	0829.C5	251, 253, 255, 256, 258, 277, 281
<b>26763</b>	9467557280	373
<b>26763</b>	9467557280	548
<b>26763</b>	0829.C5	952, 958, 961
<b>26763</b>	96 42 184 080	986, 994, 1000, 1009, 1011
<b>26804</b>	0829.C6	237, 240, 244
<b>26804</b>	0829.C6	919, 924, 934, 962


**Ref. - No.**


<b>26805</b>	13505-20030	561, 564
<b>26805</b>	13505-20030	1149, 1154, 1164, 1166, 1174
<b>26806</b>	13503-62030	561, 564
<b>26806</b>	13503-62030	1149, 1154, 1164, 1166, 1174
<b>26807</b>	13568-19135	1155, 1157, 1160, 1162
<b>26808</b>	13568-79045	1156, 1158, 1169
<b>26809</b>	13505-88383	1156, 1158, 1169
<b>26845</b>	13568-29025	561
<b>26845</b>	13568-29025	1149, 1154, 1164, 1166, 1174
<b>26846</b>	13568-62030	561
<b>26846</b>	13568-62030	1154
<b>26848</b>	13568-69095	1147, 1165, 1167, 1175, 1176
<b>26849</b>	13505-62070	1147, 1165, 1167, 1175, 1176
<b>26850</b>	96610029	205, 214, 216
<b>26850</b>	96610029	303, 307
<b>26850</b>	1145A051	762, 765, 777, 778, 789
<b>26894</b>	13505-50030	562, 564, 566
<b>26894</b>	13505-50030	1148, 1167, 1174, 1176
<b>26895</b>	13503-50011	562, 564, 566
<b>26895</b>	13503-50011	1148, 1167, 1174, 1176
<b>26896</b>	13505-65040	1147, 1165, 1175
<b>26897</b>	13503-65010	1147, 1165, 1175
<b>26898</b>	0K9BV-12-206	505
<b>26902</b>	13568-19135 S1	1155, 1157, 1160, 1162
<b>26903</b>	24312-23001 S1	471, 475, 484
<b>26904</b>	0K954-12-205 S1	509, 526
<b>26905</b>	KK35012205 S1	502, 518, 520, 522
<b>26905</b>	BP02-12-205A S1	567, 570, 571, 572, 576, 577
<b>26928</b>	MD329976	765, 777, 789
<b>26951</b>	9135699	1390
<b>26991</b>	MD320174	762, 765, 776
<b>26992</b>	MD314456	762, 765, 776





Ref. - No.

Car  
Division 

Ref. - No.



Ref. - No.



<b>26993</b>	MD314456 S1	762, 765, 776
<b>26994</b>	MD356509	762, 765, 777, 778, 789
<b>26995</b>	96352965	216
<b>26995</b>	96352965	307
<b>26995</b>	1145A049	765, 777
<b>27016</b>	054 109 479	30, 36, 70, 74
<b>27017</b>	MD146186	763, 764, 774, 775
<b>27018</b>	24410-32020	479, 480, 492
<b>27018</b>	MD011536	768, 781, 784, 786, 795
<b>27019</b>	24410-35060	477, 494
<b>27019</b>	MD104578	787
<b>27020</b>	MD315265	764, 769, 790, 792
<b>27021</b>	MD182537	769, 771, 778, 780, 782, 788, 790, 791, 793
<b>27022</b>	MD129033	768, 793
<b>27046</b>	03D 105 209 E	1112, 1114
<b>27046</b>	03D 105 209 E	1295, 1359
<b>27060</b>	03D 109 509 L	1089
<b>27060</b>	03D 109 509 L	1112, 1114
<b>27060</b>	03D 109 509 L	1295, 1359
<b>27068</b>	03E 105 209	1089
<b>27068</b>	03E 105 209	1112, 1125
<b>27068</b>	03E 105 209	1359
<b>27070</b>	058 109 217 B	41, 47, 57, 77
<b>27070</b>	058 109 217 B	1067, 1088, 1098, 1106
<b>27070</b>	058 109 217 B	1120
<b>27070</b>	058 109 217 B	1309, 1332, 1342, 1368
<b>27080</b>	03E 109 571 B	1089
<b>27080</b>	03E 109 571 B	1112, 1125
<b>27080</b>	03E 109 571 B	1359
<b>27118</b>	MD179597	770
<b>27119</b>	MD316826	770
<b>27123</b>	23357-38001	480, 488, 493, 495, 497
<b>27123</b>	23357-38001	511, 512, 524
<b>27216</b>	6Q0 145 299	38, 43
<b>27216</b>	6Q0 145 299	1091, 1100

<b>27216</b>	6Q0 145 299	1114, 1121, 1125, 1126, 1131
<b>27216</b>	6Q0 145 299	1296, 1312, 1315, 1318, 1349, 1360, 1363, 1373, 1375
<b>27218</b>	03C 145 299 C	43
<b>27218</b>	03C 145 299 C	1091
<b>27218</b>	03C 145 299 C	1114, 1121, 1125, 1126
<b>27218</b>	03C 145 299 C	1296, 1315, 1316, 1323, 1349, 1363, 1375
<b>27259</b>	4434 433	901
<b>27259</b>	93198335	1277
<b>27280</b>	FP01-12-205A	572, 575, 580, 581
<b>27281</b>	FP01-12-205A S1	572, 575, 581
<b>27282</b>	FS01-12-205A	572, 575, 579, 580, 581
<b>27283</b>	FS01-12-205A S1	572, 575, 579, 580
<b>27295</b>	0636 728 SK	835, 836, 873, 880, 891, 897
<b>27295</b>	47 70 491 S1	1057, 1060
<b>27295</b>	09120501 SK	1211, 1212, 1225, 1255, 1261, 1273
<b>27298</b>	06B 109 119 A S5	41
<b>27298</b>	06B 109 119 A S5	1067, 1098
<b>27298</b>	06B 109 119 A S5	1120
<b>27298</b>	06B 109 119 A S5	1309, 1332, 1368
<b>27364</b>	06D 109 243 B	44, 54, 62, 79
<b>27364</b>	06D 109 243 B	1073, 1102, 1110
<b>27364</b>	06D 109 243 B	1123
<b>27364</b>	06D 109 243 B	1296, 1314, 1316, 1320, 1324, 1350, 1375
<b>27374</b>	11 28 1 440 378	84, 103, 104, 107, 108, 136, 172, 175, 197
<b>27395</b>	23356-33160	473, 483, 490, 493
<b>27395</b>	MR984778	763, 767, 768, 769, 771, 775, 781, 784
<b>27396</b>	23356-33160 S1	473, 483, 490, 493
<b>27396</b>	MD182295 S1	763, 767, 768, 769, 771, 775, 781, 784


**Ref. - No.**


<b>27397</b>	24312-22010	468, 476, 483, 487, 491
<b>27397</b>	MD145813	763, 764, 774, 775
<b>27398</b>	24312-22010 S1	468, 476, 483, 487, 491
<b>27407</b>	XD319023	762, 785, 789
<b>27407</b>	30873950	1398
<b>27408</b>	MD319023 S1	762, 785, 789
<b>27408</b>	30873950 S1	1398
<b>27409</b>	MD145813 S1	763, 764, 774, 775
<b>27445</b>	82 00 905 328	996, 1022
<b>27454</b>	272 200 01 14	630, 634, 640, 642, 648, 650, 652, 658, 665, 669, 682, 688, 689, 710, 734, 740, 746, 755
<b>27516</b>	XD176387	769, 790, 792
<b>27535</b>	MD176387 S1	769, 790, 792
<b>27536</b>	13069AA037	1135, 1136, 1138, 1139, 1140
<b>27537</b>	13073AA190	1133, 1134, 1135
<b>27542</b>	13028AA102 S1	1135, 1138, 1139
<b>27543</b>	13028AA102 S2	1133, 1135, 1139
<b>27546</b>	13028AA230 S1	1133, 1134, 1135, 1140
<b>27556</b>	16620-28070	1066
<b>27556</b>	16620-28070	1149, 1151, 1152, 1154, 1172
<b>27557</b>	16620-22013	1149, 1150, 1152, 1159, 1163, 1169, 1172
<b>27558</b>	30637955	1397, 1402, 1404, 1405, 1410, 1414, 1421
<b>27559</b>	30731727	1397, 1402, 1404, 1405, 1410, 1414, 1421
<b>27560</b>	11 28 1 745 547	134, 161, 170
<b>27561</b>	11 28 1 745 546	134, 161, 170
<b>27562</b>	11 28 1 745 819 KPL	182
<b>27563</b>	9635638380	373
<b>27563</b>	9635638380	548
<b>27563</b>	5751.75	952, 957, 958, 961
<b>27566</b>	1 374 427	406, 408


**Ref. - No.**


<b>27566</b>	30711320	1394, 1396, 1397, 1402
<b>27567</b>	1 374 425	406, 408
<b>27567</b>	30650957	1394, 1396, 1397, 1402
<b>27584</b>	050 109 479 A	29, 35, 46, 69, 73
<b>27584</b>	050 109 479 A	1307, 1341
<b>27792</b>	55574864	10
<b>27792</b>	55574864	328
<b>27792</b>	5636 486	821, 826, 830, 851, 854, 865, 867, 876, 898, 902, 906, 910
<b>27792</b>	55562218	1197, 1202, 1206, 1239, 1242, 1248, 1250, 1257, 1274, 1278, 1283, 1286
<b>27818</b>	55563512	10
<b>27818</b>	25189926	207, 210, 211, 218
<b>27818</b>	55563512	328, 361
<b>27818</b>	1340 268	821, 826, 830, 851, 854, 865, 876, 898, 902, 906, 910
<b>27818</b>	55563512	1197, 1202, 1206, 1239, 1242, 1248, 1257, 1274, 1278, 1283, 1286
<b>27819</b>	71739801	10
<b>27819</b>	71739801	328
<b>27819</b>	5636 978	821, 826, 830, 851, 854, 865, 867, 876, 898, 902, 906, 910
<b>27819</b>	24436052	1197, 1202, 1206, 1239, 1242, 1248, 1250, 1257, 1274, 1278, 1283, 1286
<b>27825</b>	71739873 S1	10
<b>27825</b>	71739873 S1	328
<b>27825</b>	1606 314	821, 826, 830, 851, 854, 865, 867, 876, 898, 902, 906, 910



Ref. - No.

Car  
Division

Ref. - No.



Ref. - No.



<b>27825</b>	93185849	1197, 1202, 1206, 1239, 1242, 1248, 1250, 1257, 1274, 1278, 1283, 1286
<b>27841</b>	266 155 01 15	620, 621
<b>28103</b>	0831.V2	251, 253, 255, 256, 258, 277, 281
<b>28103</b>	9467628880	373
<b>28103</b>	9467628880	548
<b>28103</b>	0831.V2	952, 958, 961
<b>28103</b>	77 01 473 569	986, 994, 1000, 1009, 1011
<b>28104</b>	06C 903 133 B	53, 61
<b>28105</b>	0816.G4	246, 248, 252, 255, 257, 268
<b>28105</b>	0816.G4	936, 938, 953, 954, 961, 968
<b>28106</b>	0829.A9	246, 248, 252, 255, 257, 268
<b>28106</b>	0829.A9	936, 938, 953, 954, 961, 968
<b>28107</b>	0831.V6	246, 248, 252, 255, 257, 268
<b>28107</b>	0831.V6	936, 938, 953, 954, 961, 968
<b>28149</b>	272 200 02 70	630, 634, 640, 642, 648, 650, 652, 658, 665, 669, 682, 688, 689, 710, 734, 740, 746, 755
<b>28229</b>	111 200 13 70	623, 624, 628, 643, 653, 736
<b>28234</b>	272 202 01 19	630, 634, 648, 650, 652, 658, 665, 688, 689, 740
<b>28255</b>	04273241	221, 222, 227
<b>28256</b>	04315705	221, 222, 227
<b>28259</b>	04621454	226
<b>28260</b>	04777017	223, 224, 225, 227
<b>28260</b>	04777017	312, 313, 314
<b>28262</b>	04792495AB	224
<b>28277</b>	1628.WA	246
<b>28277</b>	1628.WA	936

<b>28278</b>	5751.41	251, 253, 256, 258, 277, 281
<b>28278</b>	9620038880	373
<b>28278</b>	9620038880	548
<b>28278</b>	5751.41	952, 957, 958, 961
<b>28279</b>	5751.A9	251, 253, 256, 258, 277, 281
<b>28279</b>	9651019680	373
<b>28279</b>	9651019680	548
<b>28279</b>	5751.A9	952, 958, 961
<b>28283</b>	13505-46041	561, 563, 565
<b>28284</b>	13505-88480	1156, 1158, 1169
<b>28287</b>	82 00 641 468	993, 996, 1003, 1023, 1025
<b>28295</b>	KL01-12-740	573, 575, 577, 579, 582, 583
<b>28296</b>	KL01-12-730A	573, 575, 577, 579, 582, 583
<b>28306</b>	55183528	12
<b>28306</b>	55183528	321, 322
<b>28331</b>	82 00 603 359	296, 299
<b>28331</b>	82 00 603 359	993, 1003, 1005, 1013, 1018, 1021, 1035
<b>28374</b>	5636 449	822, 827, 881, 904, 907
<b>28374</b>	55353701	1198, 1203, 1262, 1280, 1283
<b>28375</b>	1606 305	822, 827, 881, 904, 907
<b>28375</b>	93185844	1198, 1203, 1262, 1280, 1283
<b>28429</b>	0007680V001000000	1132
<b>28446</b>	058 109 217 D	47, 57
<b>28446</b>	058 109 217 D	1342
<b>28544</b>	30638276	1415, 1422
<b>28545</b>	30758270	1415, 1422
<b>28590</b>	24450-38011	480, 488, 493, 495, 497
<b>28590</b>	24450-38011	512, 524
<b>28602</b>	13 0C 113 21R	1001, 1010, 1040
<b>28662</b>	55233759	17, 18


**Ref. - No.**


<b>28662</b>	55233759	315, 316, 329, 330, 333, 334, 335, 341, 343, 345, 346, 347, 352, 354, 355, 356, 357, 359, 363, 364
<b>28662</b>	1 535 439	419
<b>28662</b>	55233759	546, 555, 556
<b>28663</b>	71753156	17, 18
<b>28663</b>	71753156	315, 316, 329, 330, 333, 334, 335, 341, 343, 345, 346, 347, 352, 354, 355, 356, 357, 359, 363, 364
<b>28663</b>	1 590 748	419
<b>28663</b>	71753156	546, 555, 556
<b>28664</b>	71775900	17, 18
<b>28664</b>	71775900	315, 316, 329, 330, 333, 334, 335, 341, 343, 345, 346, 347, 352, 354, 355, 356, 357, 359, 363, 364
<b>28664</b>	1 590 748 S1	419
<b>28664</b>	71775900	546, 555, 556
<b>28687</b>	11 28 1 482 199	756
<b>28708</b>	11 28 7 530 314	85, 110, 111, 138, 148, 150, 164, 177, 184, 199, 203
<b>28709</b>	11 28 7 556 251	83, 86, 106, 112, 136, 203
<b>28719</b>	11 31 7 516 088	83, 86, 106, 111, 112, 136, 138, 144, 150, 166, 187, 203
<b>28719</b>	0816.H9	243, 245, 246, 249, 254, 261, 263
<b>28719</b>	11 31 7 516 088	759, 760, 761
<b>28719</b>	0816.H9	955, 973
<b>29232</b>	077 903 133 E	61, 66
<b>29311</b>	94580139	205, 214, 216
<b>29311</b>	94580139	303, 307
<b>29396</b>	51758383	10, 12, 19, 20
<b>29522</b>	11 31 7 504 468	139, 151, 165, 183, 185
<b>29523</b>	1 388 493	406, 408, 420, 427, 442
<b>29523</b>	30677832	1396, 1397, 1402, 1407, 1413, 1418


**Ref. - No.**


<b>29524</b>	1 372 015	406, 408, 420, 427, 442
<b>29524</b>	31251254	1396, 1397, 1402, 1407, 1413, 1418
<b>29538</b>	11 31 7 585 020	85, 86, 89, 90, 109, 112, 115, 117, 138, 141, 143, 148, 152, 164, 166, 174, 177, 179, 184, 188, 199, 200, 203
<b>29539</b>	11 31 7 592 850	85, 86, 88, 89, 90, 109, 112, 114, 115, 116, 117, 138, 141, 142, 143, 148, 152, 164, 166, 173, 174, 177, 178, 179, 184, 188, 199, 200, 202, 203
<b>29563</b>	04884320AA	223, 225, 227
<b>29563</b>	04884320AA	312, 314
<b>29629</b>	55562234 S1	206, 219
<b>29629</b>	0637 241 S1	803, 805, 817, 825, 829, 837, 842, 846, 850, 854, 862, 866, 867, 885, 909
<b>29629</b>	55562234 S1	1179, 1181, 1193, 1201, 1205, 1217, 1228, 1232, 1238, 1242, 1245, 1249, 1250, 1266, 1285
<b>29856</b>	11 31 7 584 723	85, 86, 89, 90, 109, 111, 112, 115, 117, 138, 141, 143, 144, 148, 150, 152, 164, 166, 174, 177, 179, 184, 187, 188, 199, 200, 203
<b>29864</b>	11 31 7 584 084	85, 86, 88, 89, 90, 109, 112, 114, 115, 116, 117, 138, 141, 142, 143, 148, 152, 164, 166, 173, 174, 177, 178, 179, 184, 188, 199, 200, 202, 203
<b>29867</b>	11 31 1 439 853	84, 87, 103, 107, 113
<b>29867</b>	11 31 1 439 853	758, 759, 760
<b>29868</b>	11 31 1 439 854	84, 104, 108, 136, 172, 175, 197



Ref. - No.

Car  
Division

Ref. - No.



Ref. - No.



<b>29899</b>	11 31 4 609 483	87, 113
<b>29899</b>	0829.G3	234, 241, 243, 245, 246, 249, 254, 261, 263
<b>29899</b>	11 31 4 609 483	758, 759, 760, 761
<b>29899</b>	0829.G3	925, 926, 937, 955, 972, 973
<b>29900</b>	0816.J2	234, 241, 243, 245, 249, 254, 261, 263
<b>29900</b>	0816.J2	925, 926, 937, 955, 964, 972, 973
<b>29901</b>	11 31 7 577 301	113
<b>29901</b>	0818.40	234, 241, 243, 245, 249, 254, 261, 263
<b>29901</b>	0818.40	925, 926, 937, 955, 964, 972, 973
<b>29902</b>	11 31 7 533 879	113
<b>29902</b>	0818.33	234, 241, 243, 245, 249, 254, 261, 263
<b>29902</b>	0818.33	925, 926, 937, 955, 964, 972, 973
<b>29903</b>	11 31 7 577 631	113
<b>29903</b>	0818.41	234, 241, 243, 245, 249, 254, 261, 263
<b>29903</b>	0818.41	925, 926, 937, 955, 964, 972, 973
<b>29945</b>	045 903 315 A	39
<b>29945</b>	045 903 315 A	1090
<b>29945</b>	045 903 315 A	1113, 1114, 1125, 1126
<b>29945</b>	045 903 315 A	1360
<b>29952</b>	1 376 164	377, 379, 399, 400, 401, 405, 407, 409, 410, 411, 412, 413, 414, 425
<b>29952</b>	30750905	1394, 1400
<b>29958</b>	1 004 297 S3	399, 400, 405, 407, 410, 411, 412, 414, 425
<b>29958</b>	31330351 S2	1394, 1400
<b>30082</b>	1 540 603	408, 420

<b>30082</b>	31251653	1394, 1396, 1397, 1402, 1404
<b>30083</b>	1 540 605	408, 420
<b>30083</b>	31251654	1394, 1396, 1397, 1402, 1404
<b>30119</b>	11 28 7 557 851	86, 112
<b>30120</b>	11 28 7 535 860	85, 110, 111, 138, 143, 148, 150, 164, 174, 177, 184
<b>30121</b>	11 28 7 524 267	84, 103, 104, 107, 108, 136, 172, 175, 197
<b>30129</b>	11 28 7 563 927	86, 112
<b>30130</b>	11 28 0 946 004	757
<b>30131</b>	11 28 7 509 476	757
<b>30146</b>	1 563 519	427, 442
<b>30146</b>	31330379	1407, 1413, 1418
<b>30159</b>	11 75 096 54R	993, 996, 1004, 1022, 1023, 1025, 1043
<b>30166</b>	06F 903 315	45, 79
<b>30166</b>	06F 903 315	1073, 1102, 1110
<b>30166</b>	06F 903 315	1123
<b>30166</b>	06F 903 315	1296, 1314, 1320, 1325, 1350, 1367
<b>30212</b>	06B 109 243 C	1091
<b>30212</b>	06B 109 243 C	1362
<b>30220</b>	030 109 243 M	1075, 1086, 1091
<b>30220</b>	030 109 243 M	1328, 1357
<b>30222</b>	06E 903 133 Q	55, 63, 68, 76
<b>30227</b>	06D 109 244 E	44, 54, 62, 79
<b>30227</b>	06D 109 244 E	1073, 1102, 1110
<b>30227</b>	06D 109 244 E	1123
<b>30227</b>	06D 109 244 E	1296, 1314, 1316, 1320, 1324, 1350, 1367, 1375
<b>30248</b>	82 00 769 155	995, 1025, 1042
<b>30259</b>	271 052 04 16	627, 632, 645, 664, 667, 739, 745


**Ref. - No.**


<b>30303</b>	112 050 08 11 S1	625, 629, 635, 637, 644, 647, 651, 654, 659, 661, 662, 680, 681, 686, 688, 690, 706, 707, 727, 730, 731, 735, 738, 741, 754
<b>30304</b>	111 050 04 11 S1	599, 622, 623, 624, 628, 643, 653, 685, 736, 737, 744, 751, 752
<b>30305</b>	102 050 10 11 S1	593, 597, 606, 609, 617, 670, 672
<b>30306</b>	102 050 10 11 S2	597, 606, 608, 609, 617, 670, 672, 676
<b>30307</b>	103 050 06 11 S1	600, 602, 615, 678, 697, 699, 714, 724
<b>30308</b>	110 050 06 11 S1	675, 693, 698, 713
<b>30309</b>	116 050 18 11 S1	700, 715
<b>30310</b>	116 050 16 11 S1	586, 692, 694, 715
<b>30311</b>	120 050 02 11 S1	604, 626, 655, 657, 679, 702, 723
<b>30313</b>	119 050 17 11 S1	605, 660, 703, 729
<b>30314</b>	119 050 17 11 S2	728
<b>30315</b>	271 050 06 11 S1	627, 632, 645, 664, 667, 739, 745
<b>30316</b>	271 050 06 11 S2	627, 632, 645, 664, 667, 739, 745
<b>30317</b>	120 050 02 11 S2	705, 732
<b>30318</b>	275 050 05 11 S1	637, 638, 640, 683, 684, 708, 709, 711, 712, 733, 735
<b>30325</b>	166 050 00 11 S1	620, 750
<b>30328</b>	272 050 08 11 S1	630, 634, 639, 648, 650, 658, 665, 669, 682, 683, 687, 689, 708, 710, 734, 740, 746, 755
<b>30330</b>	272 050 01 11 S2	650, 665
<b>30331</b>	11 31 1 432 177 S1	99, 105, 126, 131, 137, 158, 163, 176, 180, 192, 198
<b>30333</b>	11 31 1 439 853 S1	84, 103, 107
<b>30334</b>	11 31 1 439 854 S1	84, 104, 108, 136, 172, 175, 197


**Ref. - No.**


<b>30335</b>	11 31 7 516 088 S1	83, 106, 136
<b>30337</b>	11 31 7 516 088 S2	86, 111, 112, 138, 150, 166, 187, 203
<b>30338</b>	11 31 7 584 084 S1	85, 86, 89, 90, 109, 112, 115, 117, 138, 141, 143, 144, 148, 152, 164, 166, 174, 177, 179, 184, 188, 199, 200, 203
<b>30339</b>	11 31 7 504 468 S1	139, 151, 165, 183, 185
<b>30340</b>	11 31 7 504 468 S2	139, 151, 165, 183, 185
<b>30345</b>	0816.J2 S1	234, 241, 243, 245, 249, 254, 261, 263
<b>30345</b>	0816.J2 S1	925, 926, 937, 955, 964, 972, 973
<b>30372</b>	6606 022 SK1	805, 817, 825, 842, 846, 850, 862, 885
<b>30372</b>	93191271 SK1	1181, 1193, 1201, 1228, 1232, 1238, 1245, 1266
<b>30373</b>	93191271 SK2	1181, 1193, 1201, 1228, 1232, 1238, 1245, 1266
<b>30381</b>	11 31 1 734 392 S1	97, 102, 124, 190
<b>30393</b>	000 993 20 76	627, 632, 645, 664, 667, 739, 745
<b>30394</b>	000 993 19 76	627, 632, 645, 664, 667, 739, 745
<b>30409</b>	11 31 1 432 176 S1	99, 126
<b>30410</b>	11 31 1 432 176 S2	99, 105, 126, 131, 137, 158, 163, 176, 180, 192, 198
<b>30445</b>	0816.H9	249
<b>30445</b>	0816.H9	925, 937, 964
<b>30446</b>	0818.31	243, 245, 246, 249, 254, 261, 263
<b>30446</b>	0818.31	925, 937, 955, 964, 973
<b>30448</b>	0818.30	243, 245, 246, 249, 254, 261, 263
<b>30448</b>	0818.30	925, 937, 955, 964, 973



Ref. - No.

Car Division 



Ref. - No.



Ref. - No.



<b>30452</b>	0816.H9 S1	243, 245, 246, 249, 254, 261, 263
<b>30452</b>	11 31 7 516 088 S3	759, 760, 761
<b>30452</b>	0816.H9 S1	925, 937, 955, 964, 973
<b>30453</b>	0818.29	243, 245, 246, 249, 254, 261, 263
<b>30453</b>	0818.29	925, 937, 955, 964, 973
<b>30454</b>	272 202 14 19	630, 634, 640, 642, 648, 650, 652, 658, 665, 669, 681, 682, 688, 689, 710, 734, 740, 746, 755
<b>30458</b>	11 31 7 502 180	83, 84, 85, 86, 89, 90, 103, 104, 106, 107, 108, 109, 111, 112, 115, 117, 136, 138, 141, 143, 144, 148, 150, 152, 164, 166, 174, 175, 177, 178, 179, 184, 187, 188, 197, 199, 200, 203
<b>30460</b>	272 200 02 70 S1	630, 634, 640, 642, 648, 650, 652, 658, 665, 669, 681, 682, 688, 689, 710, 734, 740, 746, 755
<b>30475</b>	0805.K3	245, 249
<b>30475</b>	11 36 7 547 955	759, 761
<b>30475</b>	0805.K3	925, 937, 964
<b>30477</b>	0513.C8	245, 249
<b>30477</b>	11 21 7 588 996	758, 759, 760, 761
<b>30477</b>	0513.C8	925, 937, 964
<b>30478</b>	03D 109 229 S1	1089
<b>30478</b>	03D 109 229 S1	1112, 1114
<b>30478</b>	03D 109 229 S1	1295, 1359
<b>30495</b>	03D 109 229 S2	1089
<b>30495</b>	03D 109 229 S2	1112, 1114
<b>30495</b>	03D 109 229 S2	1295, 1359
<b>30497</b>	03E 109 229 A S2	1089
<b>30497</b>	03E 109 229 A S2	1112, 1125
<b>30497</b>	03E 109 229 A S2	1359

<b>30502</b>	272 052 13 16	630, 634, 639, 650, 658, 665, 669, 682, 683, 687, 689, 708, 710, 734, 740, 746, 755
<b>30503</b>	272 052 00 16	630, 634, 639, 648, 650, 658, 665, 669, 682, 683, 687, 689, 708, 710, 734, 740, 746, 755
<b>30504</b>	272 052 15 16	630, 634, 639, 648, 650, 658, 665, 669, 682, 683, 687, 689, 708, 710, 734, 740, 746, 755
<b>30505</b>	272 052 02 16	630, 634, 639, 648, 650, 658, 665, 669, 682, 683, 687, 689, 708, 710, 734, 740, 746, 755
<b>30536</b>	160 050 02 11	1132
<b>30548</b>	266 050 02 11	620, 621
<b>30549</b>	266 050 02 11 S1	620, 621
<b>30584</b>	07K 145 172 C	45, 78
<b>30584</b>	07K 145 172 C	1321, 1325, 1333, 1335
<b>30585</b>	07K 145 172 B	45, 78
<b>30585</b>	07K 145 172 B	1321, 1325
<b>30586</b>	06F 198 119 A	44, 54, 62, 79
<b>30586</b>	06F 198 119 A	1073, 1102, 1110
<b>30586</b>	06F 198 119 A	1123
<b>30586</b>	06F 198 119 A	1296, 1314, 1316, 1320, 1324, 1350, 1375
<b>30607</b>	03E 198 229 A S1	1089
<b>30607</b>	03E 198 229 A S1	1112, 1125
<b>30607</b>	03E 198 229 A S1	1359
<b>30644</b>	160 050 02 69	1132
<b>30686</b>	06B 903 341 B	50, 51, 52, 59, 62
<b>30686</b>	06B 903 341 B	1093
<b>30733</b>	51773551	10
<b>30780</b>	074 198 119 M	1378
<b>30792</b>	71736729	2, 5
<b>30795</b>	1 027 404	435, 448
<b>30799</b>	6 710 259	384, 387, 431
<b>30859</b>	1J0 145 276	38, 43


**Ref. - No.**


<b>30859</b>	1J0 145 276	1074, 1091, 1094, 1100
<b>30859</b>	1J0 145 276	1114, 1121, 1125, 1130, 1131
<b>30859</b>	1J0 145 276	1296, 1312, 1315, 1318, 1323, 1349, 1351, 1360, 1363, 1366, 1373, 1375
<b>30869</b>	06D 109 485 A	52
<b>30890</b>	06B 109 477 B	1091
<b>30890</b>	06B 109 477 B	1362
<b>30891</b>	06B 109 119 A S6	1091
<b>30891</b>	06B 109 119 A S6	1362
<b>30892</b>	022 145 276 F	45, 76, 78
<b>30892</b>	022 145 276 F	1130
<b>30892</b>	022 145 276 F	1296, 1343, 1350, 1351, 1353, 1376
<b>30893</b>	077 109 244 F	67
<b>30893</b>	077 109 244 F	1353
<b>30897</b>	03D 903 305 F	1089, 1094
<b>30897</b>	03D 903 305 F	1112, 1114, 1125
<b>30897</b>	03D 903 305 F	1295, 1359, 1363
<b>30943</b>	31170-PND-013	457
<b>30977</b>	55221254 S1	3, 5, 8
<b>30979</b>	0816.H5	237, 240, 244
<b>30979</b>	0816.H5	919, 924, 934, 962
<b>31004</b>	0816.K3	235
<b>31004</b>	0816.K3	914
<b>31004</b>	1350621020	1137
<b>31004</b>	13506-0Q010	1152, 1178
<b>31005</b>	13506-37010	1066
<b>31005</b>	13506-37010	1149, 1163, 1171, 1177, 1178
<b>31006</b>	13506-22030	1149, 1151, 1159, 1163, 1169, 1172, 1178
<b>31051</b>	0831.V0	237, 240, 244
<b>31051</b>	0831.V0	919, 924, 934, 962
<b>31058</b>	24312-38020 S1	512
<b>31059</b>	24312-22613 S1	468, 478
<b>31060</b>	24312-37500 S1	488, 491, 494, 498, 500, 501
<b>31060</b>	24312-37500 S1	512, 514


**Ref. - No.**


<b>31061</b>	24312-26001 S1	468, 474, 491
<b>31061</b>	24312-26001 S1	507, 521
<b>31069</b>	03D 145 276 E	1089, 1094
<b>31069</b>	03D 145 276 E	1112, 1114, 1125
<b>31069</b>	03D 145 276 E	1295, 1359, 1363
<b>31075</b>	5751.C8	230, 231, 232, 236, 238, 268, 282, 283, 286
<b>31075</b>	5751.C8	917, 918, 919, 920, 922, 923, 965, 969, 970
<b>31076</b>	5751.G7	925, 934, 935, 938, 962
<b>31214</b>	96966707	205, 210, 214, 215, 217
<b>31214</b>	96966707	303, 304, 309
<b>31215</b>	MN149179	772, 773, 779, 783
<b>31255</b>	31170-PNA-023	451, 458, 461, 463, 467
<b>31256</b>	25281-37120	488, 491, 494, 498, 500, 501
<b>31256</b>	25281-37120	512, 514
<b>31257</b>	PQG 100180	560
<b>31257</b>	PQG 100180A	1046, 1048, 1049, 1050, 1053, 1054
<b>31282</b>	000 997 22 98	597, 599, 601, 603, 604, 606, 608, 609, 613, 617, 622, 624, 625, 626, 628, 629, 643, 644, 647, 653, 654, 655, 656, 657, 670, 672, 676, 679, 685, 686, 702, 706, 707, 723, 725, 727, 737, 738, 744, 751
<b>31288</b>	1 374 385	421, 422, 425, 427, 448
<b>31398</b>	1145A051 S1	762, 765, 777, 778, 789
<b>31400</b>	14400-PLA-004	456, 466
<b>31428</b>	96352964 S1	216
<b>31428</b>	96352964 S1	307
<b>31439</b>	13405-PT0-004 S1	450, 466, 467
<b>31454</b>	MN 128497	766, 779
<b>31471</b>	16604-50030	562, 564, 566





Ref. - No.

Car  
Division

Ref. - No.



Ref. - No.



<b>31471</b>	16604-50030	1148, 1167, 1168, 1174, 1176
<b>31770</b>	57212-38100 S1	493, 495
<b>31803</b>	04777699AA	222, 224
<b>31803</b>	11 31 1 485 400	756, 757
<b>31840</b>	14400-PLA-004 S1	456, 463
<b>31850</b>	04145-PLC-315 S1	456, 457, 463, 467
<b>31960</b>	14400-PLM-014 S1	457, 467
<b>31976</b>	06D 109 477 A	52
<b>32017</b>	11 28 7 838 797 S1	100, 105, 127, 132, 137, 159, 163, 176, 181, 194, 198, 201
<b>32024</b>	03C 145 276 C	38
<b>32024</b>	03C 145 276 C	1069, 1094
<b>32024</b>	03C 145 276 C	1114
<b>32024</b>	03C 145 276 C	1296, 1312, 1315, 1318, 1363, 1366, 1373, 1374
<b>32049</b>	1 315 781	405, 407, 410, 411, 412
<b>32049</b>	LF50-15-980B	569
<b>32049</b>	31258082 SK	1395, 1401, 1417
<b>32148</b>	166 200 09 70	620
<b>32175</b>	43 56 119	1056
<b>32311</b>	12 31 7 576 515	758, 759, 760, 761
<b>32314</b>	12 31 7 575 518	758, 759, 760, 761
<b>32338</b>	Z501-12-730	573
<b>32396</b>	96610029 S1	205, 214, 216
<b>32396</b>	96610029 S1	303, 307
<b>32427</b>	036 198 119 F	1076, 1078, 1097, 1105
<b>32427</b>	036 198 119 F	1308, 1329, 1356
<b>32446</b>	MD362028	771, 791, 794
<b>32447</b>	MD374877	772, 773, 779, 783
<b>32477</b>	1145A049 S1	765, 777
<b>32504</b>	31170-RZP-G03	452, 457, 462, 463
<b>32518</b>	06F 109 217 A	44, 52, 54, 62, 79
<b>32518</b>	06F 109 217 A	1073, 1102, 1110
<b>32518</b>	06F 109 217 A	1123
<b>32518</b>	06F 109 217 A	1296, 1314, 1316, 1320, 1324, 1350, 1367, 1375
<b>32581</b>	11750-00Q0A	802

<b>32581</b>	4449 671	901
<b>32581</b>	82 00 840 824	1040
<b>32581</b>	93198659	1277
<b>32629</b>	03C 145 299 Q	38, 43
<b>32629</b>	03C 145 299 Q	1074, 1094, 1100
<b>32629</b>	03C 145 299 Q	1114, 1121, 1125, 1130, 1131
<b>32629</b>	03C 145 299 Q	1291, 1296, 1312, 1315, 1318, 1322, 1324, 1335, 1349, 1363, 1366, 1373, 1374
<b>32689</b>	13540-22022	1149, 1151, 1159, 1163, 1169, 1172
<b>32690</b>	13561-22020	1149, 1151, 1159, 1163, 1169, 1172
<b>32691</b>	13559-22011	1149, 1151, 1159, 1163, 1169, 1172
<b>32692</b>	13506-22030 S1	1149, 1151, 1159, 1163, 1169, 1172
<b>32780</b>	13033AA042 S1	1133, 1134, 1135, 1139, 1140, 1141
<b>32786</b>	03H 109 507	45, 76, 78
<b>32786</b>	1 118 152	415
<b>32786</b>	03H 109 507	1068, 1099, 1108
<b>32786</b>	03H 109 507	1130
<b>32786</b>	03H 109 507	1371, 1376
<b>33003</b>	96435138	208, 211, 212, 215, 217, 218
<b>33003</b>	96435138	302, 304, 306, 309, 310, 311
<b>33005</b>	96960692	212
<b>33040</b>	6606 022	805, 817, 825, 842, 846, 850, 862, 885
<b>33040</b>	93191271	1181, 1193, 1201, 1228, 1232, 1238, 1245, 1266
<b>33041</b>	93191271 S1	1181, 1193, 1201, 1228, 1232, 1238, 1245, 1266
<b>33042</b>	0636 176	828, 877, 899, 908
<b>33042</b>	55569838	1204, 1258, 1275, 1284
<b>33043</b>	24461834	209, 213


**Ref. - No.**


<b>33043</b>	5636 396	806, 823, 828, 830, 853, 855, 877, 882, 896, 899, 905, 908
<b>33043</b>	24 461 834	1062
<b>33043</b>	24461834	1199, 1204, 1207, 1241, 1243, 1258, 1263, 1272, 1275, 1281, 1284
<b>33044</b>	4807 839	806, 823, 828, 830, 853, 855, 877, 882, 896, 899, 905, 908
<b>33044</b>	12 608 580	1062
<b>33044</b>	12608580	1199, 1204, 1207, 1241, 1243, 1258, 1263, 1272, 1275, 1281, 1284
<b>33045</b>	0636 177	823, 882, 896, 899, 905
<b>33045</b>	55570337	1199, 1263, 1272, 1275
<b>33046</b>	71739362 S1	11, 12, 20
<b>33046</b>	71771252 S1	328
<b>33046</b>	0615 418	823, 828, 853, 877, 882, 896, 899, 905, 908
<b>33046</b>	55563405	1199, 1204, 1241, 1243, 1258, 1263, 1272, 1275, 1281, 1284
<b>33047</b>	0636 258	806, 823, 828, 830, 853, 855, 877, 882, 896, 899, 905, 908
<b>33047</b>	90 537 370	1062
<b>33047</b>	12645237	1199, 1204, 1207, 1241, 1243, 1258, 1263, 1272, 1275, 1281, 1284
<b>33048</b>	90537300	209, 213
<b>33048</b>	5636 380	823, 828, 853, 855, 877, 882, 896, 899, 905, 908
<b>33048</b>	90 537 300	1062


**Ref. - No.**


<b>33048</b>	90537300	1199, 1204, 1207, 1241, 1243, 1258, 1263, 1272, 1275, 1281, 1284
<b>33080</b>	6606 022 SK3	805, 817, 825, 842, 846, 850, 862, 885
<b>33080</b>	93191271 SK3	1181, 1193, 1201, 1228, 1232, 1238, 1245, 1266
<b>33081</b>	93191271 SK4	1181, 1193, 1201, 1228, 1232, 1238, 1245, 1266
<b>33082</b>	6606 022 S2	805, 817, 825, 842, 846, 850, 862, 885
<b>33082</b>	93191271 S2	1181, 1193, 1201, 1228, 1232, 1238, 1245, 1266
<b>33083</b>	93191271 S3	1181, 1193, 1201, 1228, 1232, 1238, 1245, 1266
<b>33136</b>	5751.G9	234, 241, 243, 245, 247, 249, 254, 261, 263
<b>33136</b>	11 28 7 571 015	758, 759, 760, 761
<b>33136</b>	5751.G9	926, 937, 955, 964, 972, 973
<b>33162</b>	11 31 1 439 853 S2	87, 113
<b>33162</b>	11 31 1 439 853 S2	758, 759, 760
<b>33181</b>	25286-37100	472
<b>33181</b>	25286-37100	512, 514
<b>33182</b>	0K9BV-10-730A	505
<b>33183</b>	0K9BV-10-770	505
<b>33185</b>	24410-3E500	489
<b>33185</b>	24410-3E500	506, 512, 516
<b>33186</b>	24410-23050	504, 507, 508, 514
<b>33187</b>	24312-23202 S2	504, 507, 508, 514
<b>33695</b>	0614 546	811, 818, 820, 827, 844, 847, 848, 864, 875, 883, 886, 893, 898, 906



Ref. - No.

Car  
Division 

Ref. - No.



Ref. - No.



<b>33695</b>	09129207	1188, 1194, 1196, 1197, 1203, 1230, 1234, 1236, 1247, 1256, 1267, 1269, 1274
<b>33845</b>	11 23 7 503 107 S1	83, 84, 103, 104, 106, 107, 108, 136, 172, 175, 197
<b>33846</b>	11 31 1 439 854 S2	84, 104, 108, 136, 172, 175, 197
<b>33894</b>	000 993 20 76 S1	627, 632, 645, 664, 667, 739, 745
<b>33895</b>	000 993 06 76 S1	669, 682, 710
<b>33975</b>	004 997 18 94	638, 640, 683, 684, 709, 711, 712, 733, 735
<b>33977</b>	1 387 066	399, 417, 425, 427, 441
<b>33983</b>	021 109 507 A	1294, 1306, 1340, 1370, 1379
<b>33984</b>	021 109 503 A S1	1294, 1306, 1340, 1370, 1379
<b>33985</b>	021 109 503 D S1	1306, 1340, 1370, 1379
<b>34161</b>	55562235	206, 219
<b>34161</b>	0636 059	803, 825, 829, 837, 846, 850, 854, 862, 866, 867, 885, 909
<b>34161</b>	55562235	1179, 1201, 1205, 1217, 1232, 1238, 1242, 1245, 1249, 1250, 1266, 1285
<b>34162</b>	55562234 S2	206, 219
<b>34162</b>	0637 241 S2	803, 825, 829, 837, 846, 850, 854, 862, 866, 867, 885, 909
<b>34162</b>	55562234 S2	1179, 1201, 1205, 1217, 1232, 1238, 1242, 1245, 1249, 1250, 1266, 1285
<b>34163</b>	55562234 S3	206, 219
<b>34163</b>	55562234 S3	1201, 1205, 1232, 1238, 1245, 1249, 1266

<b>34170</b>	1 318 844	404, 421, 449
<b>34244</b>	1 114 544	379, 404, 421, 424
<b>34471</b>	11 28 7 558 752	83, 106
<b>34532</b>	996 102 360 51	976, 982, 984
<b>34533</b>	996 102 117 57	976, 982, 984
<b>34534</b>	996 102 118 56	976, 982, 984
<b>34536</b>	996 102 119 58	976, 982, 984
<b>34537</b>	996 115 015 75	977
<b>34538</b>	996 115 016 72	977, 979
<b>34540</b>	997 102 260 00	976, 982, 984
<b>34542</b>	997 102 119 00	976, 982, 984
<b>34543</b>	996 115 221 72	977, 979
<b>34544</b>	996 115 015 76	979
<b>34597</b>	30667682	1413, 1418
<b>34729</b>	0007681V001000000	1132
<b>34784</b>	9A1 105 157 02	978, 983, 985
<b>34868</b>	066 109 509 A	45, 78
<b>34868</b>	066 109 509 A	1068, 1099, 1108
<b>34868</b>	066 109 509 A	1333, 1347, 1371, 1376
<b>34916</b>	266 200 09 70	620
<b>34971</b>	9A1 105 142 02	978, 983, 985
<b>34972</b>	9A1 105 233 02	978, 983, 985
<b>34973</b>	9A1 105 142 02 S1	978, 983, 985
<b>36021</b>	0829.84	284
<b>36021</b>	0829.84	933
<b>36085</b>	03C 109 469 K	38, 42
<b>36085</b>	03C 109 469 K	1069, 1070, 1092, 1095, 1101, 1109, 1111
<b>36085</b>	03C 109 469 K	1115, 1122, 1124, 1127, 1131
<b>36085</b>	03C 109 469 K	1291, 1297, 1313, 1317, 1319, 1322, 1323, 1334, 1349, 1351, 1352, 1361, 1364, 1366, 1372, 1373, 1374
<b>36221</b>	066 109 513 A	45, 78
<b>36221</b>	066 109 513 A	1068, 1099, 1108
<b>36222</b>	03H 109 503 S1	45, 78
<b>36222</b>	03H 109 503 S1	1068, 1099, 1108
<b>36224</b>	03C 109 509 P	38, 42


**Ref. - No.**


<b>36224</b>	03C 109 509 P	1069, 1070, 1092, 1095, 1101, 1109, 1111
<b>36224</b>	03C 109 509 P	1115, 1122, 1124, 1127, 1131
<b>36224</b>	03C 109 509 P	1291, 1297, 1313, 1317, 1319, 1322, 1323, 1334, 1349, 1351, 1352, 1361, 1364, 1366, 1372, 1373, 1374
<b>36242</b>	11 31 7 834 163	140, 149
<b>36288</b>	82 00 623 883	996, 1012, 1022, 1023, 1024, 1025, 1037, 1038
<b>36298</b>	1 347 669	399, 400, 405, 407, 409, 410, 411, 412, 417, 421, 422, 424, 426, 434, 441, 448
<b>36298</b>	LF02-12-500	569, 578
<b>36298</b>	30757387	1395, 1401, 1412, 1417
<b>36300</b>	77 01 477 023	996, 1012, 1022, 1023, 1024, 1025, 1037, 1038
<b>36322</b>	11 31 7 557 741	145, 153, 167, 186
<b>36323</b>	11 31 7 574 397	145, 153, 167, 186
<b>36324</b>	11 31 7 565 242	145, 153, 167, 186
<b>36336</b>	11 31 7 838 479	112
<b>36365</b>	46439471	357
<b>36366</b>	55204392	343, 360, 363
<b>36367</b>	46742968	318
<b>36367</b>	46742968	553
<b>36415</b>	77 01 478 505	996, 1001, 1010, 1023, 1024, 1025, 1037, 1038, 1043, 1045
<b>36442</b>	60671789	321, 362
<b>36443</b>	46441096	321, 326, 339
<b>36445</b>	55191536	6, 9, 11, 15, 16, 19
<b>36445</b>	55191536	542, 551
<b>36446</b>	55193330	318
<b>36446</b>	55193330	553


**Ref. - No.**


<b>36523</b>	31401286	1407, 1408, 1413, 1419, 1423
<b>36588</b>	102 052 02 01 S1	606, 609, 617
<b>36589</b>	102 050 10 11 S4	597, 606, 608, 609, 617, 670, 672, 676, 749
<b>36660</b>	5751.E9	232, 234, 244, 286
<b>36660</b>	5751.E9	917, 918, 920, 935, 970, 971, 972
<b>36851</b>	90 571 758 SK1	1063
<b>36931</b>	113 202 00 19	635, 637, 639, 646, 649, 651, 662, 663, 666, 681, 687, 690, 707, 709, 735
<b>36933</b>	271 200 05 70	627, 633, 646, 664, 668, 739, 745
<b>36981</b>	113 200 01 70	635, 651, 662, 681, 707, 735, 742
<b>37515</b>	31401193	1407, 1408, 1413, 1419, 1423
<b>37551</b>	11 28 7 558 969	83, 106, 136
<b>37586</b>	04777707AA	222, 224
<b>37587</b>	04693261AB	222, 224
<b>37590</b>	04777699 AA S1	222, 224
<b>37590</b>	11 31 1 485 400 S1	756
<b>37605</b>	82 00 908 180	296, 298, 299, 300
<b>37605</b>	82 00 908 180	1014, 1015, 1016, 1035, 1036
<b>37639</b>	82 00 939 081	296, 298, 299, 300
<b>37639</b>	82 00 939 081	1014, 1015, 1016, 1035, 1036
<b>37640</b>	13 0C 174 80R	296, 298, 299, 300
<b>37640</b>	13 0C 174 80R	1014, 1015, 1016, 1035, 1036
<b>37642</b>	06A 198 119 B	77
<b>37642</b>	06A 198 119 B	1067, 1088, 1098, 1106
<b>37642</b>	06A 198 119 B	1120
<b>37642</b>	06A 198 119 B	1309, 1332, 1336, 1368
<b>37697</b>	271 200 04 70	627, 633, 646, 652, 664, 668, 739, 742, 745



Ref. - No.

Car  
Division

Ref. - No.



Ref. - No.



<b>37702</b>	000 202 17 19	633, 652, 668, 742
<b>37703</b>	000 202 16 19	633, 652, 668, 742
<b>37766</b>	1 089 822	399, 402, 414, 418, 443
<b>38019</b>	000 993 09 78	632, 641, 667, 741
<b>38194</b>	11 31 1 439 853 S3	84, 87, 103, 107, 113, 166
<b>38195</b>	11 31 1 439 853 S4	87, 113
<b>38196</b>	11 31 1 439 853 S5	84, 103, 107
<b>38361</b>	11 31 7 592 877	88, 114, 116, 142, 178, 202
<b>38362</b>	11 31 7 584 084 S2	88, 114, 116, 142, 178, 202
<b>39090</b>	0831.T1	284
<b>39090</b>	0831.T1	933
<b>39269</b>	000 993 10 78	632, 641, 667
<b>39271</b>	000 993 09 78 S2	632, 641, 667, 741
<b>39273</b>	115 050 11 11 S1	671, 673, 677
<b>39568</b>	000 993 10 78 S3	632, 641, 667
<b>39930</b>	1 685 618	401, 409, 413, 416, 420, 440
<b>39930</b>	31258034	1403, 1406, 1411, 1416
<b>40105</b>	000 993 06 76 S2	630, 634, 639, 648, 650, 658, 665, 669, 682, 687, 689, 710, 734, 740, 746, 755
<b>40106</b>	0829.98	250
<b>40106</b>	0829.98	951
<b>40190</b>	5751.G8	246, 248, 252, 255, 257, 268
<b>40190</b>	5751.G8	936, 938, 953, 958, 961, 968
<b>40210</b>	1 685 747	401, 409, 413, 416, 420, 425, 440
<b>40210</b>	31330416	1403, 1406, 1411, 1416
<b>40390</b>	03C 109 158 A	38, 42
<b>40390</b>	03C 109 158 A	1069, 1070, 1092, 1095, 1101, 1109, 1111
<b>40390</b>	03C 109 158 A	1115, 1122, 1124, 1127, 1131

<b>40390</b>	03C 109 158 A	1291, 1297, 1313, 1317, 1319, 1322, 1323, 1334, 1349, 1351, 1352, 1361, 1364, 1366, 1372, 1373, 1374
<b>40398</b>	1 119 172	399, 400, 405, 407, 410, 411, 412, 417, 424, 441
<b>40398</b>	8694690	1395, 1401, 1412, 1417
<b>40446</b>	156 200 05 70	631, 639, 646, 649, 663, 666, 687, 690, 709, 732, 743
<b>40457</b>	1 124 373	422, 427, 434, 441, 448
<b>40466</b>	5751.A2	230, 231, 232, 282, 283, 286
<b>40466</b>	5751.A2	917, 918, 920, 922, 970
<b>40562</b>	1 675 963	377, 400, 401, 409, 413, 416, 420, 425, 440, 449
<b>40562</b>	31330784 SK1	1403, 1406, 1411, 1416
<b>40621</b>	111 050 04 11 S2	599, 622, 624, 628, 643, 653, 685, 736, 737, 744, 751, 752
<b>40848</b>	1 672 144	377, 400, 401, 409, 425
<b>40849</b>	1 672 144 S1	401, 409, 413, 416, 420, 425, 440
<b>40849</b>	31330784	1403, 1406, 1411, 1416
<b>40898</b>	51820520	14
<b>40898</b>	51820520	539, 540
<b>40953</b>	271 050 06 11 S3	627, 632, 645, 664, 667, 739, 745
<b>40954</b>	271 050 06 11 S4	627, 632, 645, 664, 667, 739, 745
<b>43531</b>	12626644	207, 208
<b>43685</b>	5751.E4	246, 257, 267, 287
<b>43685</b>	9653342680	358, 371, 372
<b>43685</b>	9653342680	547, 559

