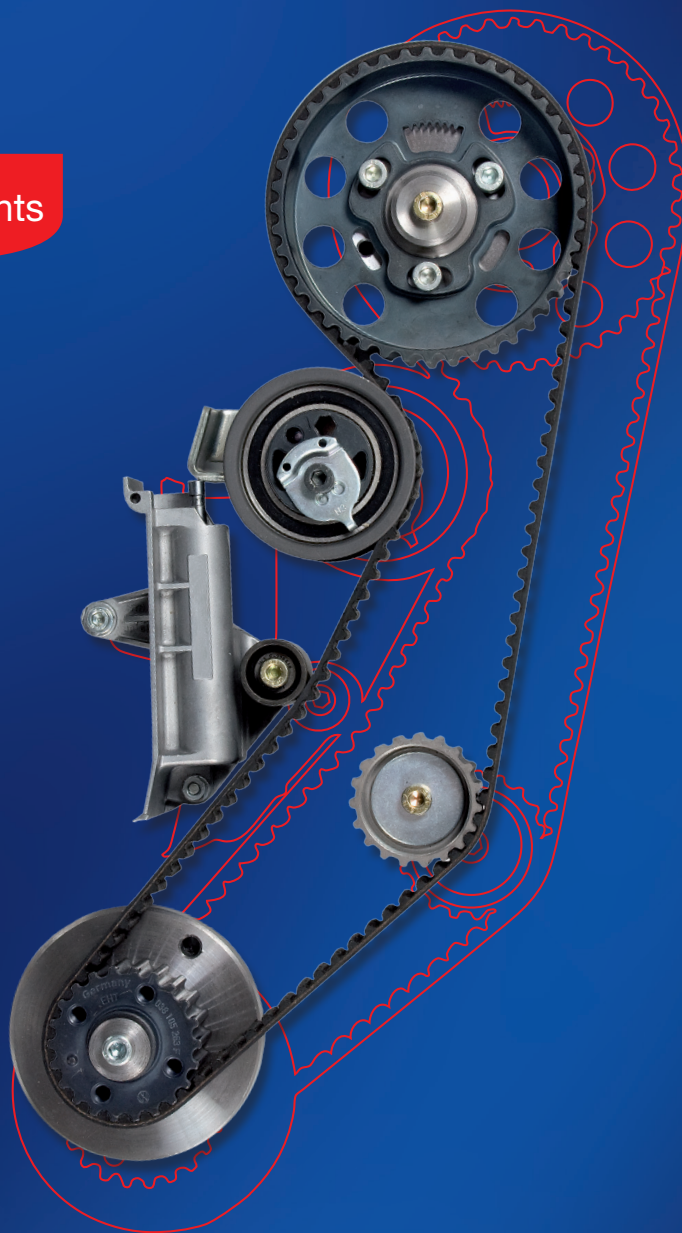


# Engine Timing Components

- Including Auxiliary Drive Components



# INDIVIDUALLY STRONG, UNBEATABLE AS A TEAM

The bilstein group is a family-run, independent group of companies providing a single strong umbrella under which the prestigious product brands febi, SWAG and Blue Print are united.

As a leading specialist in the global automotive aftermarket, the bilstein group offers spare parts and repair solutions to fit all popular makes of cars and commercial vehicles.

The range, which is exceptional in its breadth and depth, comprises approximately 47,000 different products and is supplemented by practice-oriented services. The bilstein group can therefore meet even the highest requirements.





## Solutions „Made in Germany“ – At home all over the world

With a product line of over 30,000 different parts for cars and commercial vehicles, febi bilstein offers a complete and constantly growing range of professional vehicle repair products for all current vehicle makes and models.

### Focusing on our customers' interests

As a strong partner to the vehicle trade and workshops, our top priorities are quality assurance and service. This is why you will only find products of tested original equipment quality at febi bilstein.

### Looking to the future

As a supplier and manufacturer, we use the know-how we have acquired over many years and state-of-the-art manufacturing technologies in order to meet the growing expectations of the market at all times. For this reason we are continually investing in the expansion of our in-house production, testing equipment and machinery at febi bilstein. Only this way are we able to fulfil both our own requirements and our partners' expectations in terms of credible quality assurance.

### febi bilstein added value

- Original equipment quality
- Manufacturing expertise
- Just in time delivery in more than 140 countries



# User notes: clear and simple

The febi catalogue contains the following information:

- 1 Vehicle type (alphabetical order)
- 2 Model (alphabetical order)
- 3 Model year
- 4 Engine Capacity
- 5 febi number
- 6 febi number repair kit
- 7 Reference number
- 8 Part description in German and English
- 9 Restrictions and exceptions in general, the parts shown apply to all engine and design variants; exceptions are highlighted in this list)
- 10 Dimensions

passend fit / to fit  
**OPEL Zafira B (05→12)**  
1,9 TD  
(Z 1,9 DT / Z1,9 DTL / Z 1,9 DTH)

28306  
10984

10298 23654

Rep. Satz / rep. kit  
febi 23655

Rep. Satz / rep. kit  
febi 28305

AC (ex.) AC 31089

30733 29396

(1) (mot.) Z 1,9 DT -- (ch.) 72172468 / 7G150346  
(mot.) Z 1,9 DTL -- (ch.) 72207929 / 7G150346  
(mot.) Z 1,9 DTH -- (ch.) 72212298 / 7G150346

(2) (mot.) Z 1,9 DT (ch.) 72172469 / 7G150346 →  
(mot.) Z 1,9 DTL (ch.) 72207930 / 7G150346 →  
(mot.) Z 1,9 DTH (ch.) 72212299 / 7G150346 →

Ref.-No.	Ref.-No.	Ref.-No.	Ref.-No.	Ref.-No.	Ref.-No.
10298	0636 685	Spannrolle / tension roller			ØA 64 B40
10984	5636 463	Zahnriemen / timing belt			Z 190 B24
23654	5636 743	Umlenckrolle / deflection pulley			ØA 53 ØI 10 B 31/29
<del>29665</del>	<del>4096 409 0K</del>	Rep. Satz Zahnriemen / rep. kit timing belt			(mot.) Z 1,9 DT/DTL Z 190 B24
28305	1096 434 SK	Rep. Satz Zahnriemen / rep. kit timing belt			(mot.) Z 1,9 DTH Z 199 B24
28306	5636 344	Zahnriemen / timing belt			(mot.) Z 1,9 DTH Z 199 B24
29396	6340 572	Umlenckrolle / deflection pulley		(1)	ØA 70 B26
30733	6340 557	Riemenspanner / belt tensioner		(1)	ØA 65 B26
31089	6340 556	Umlenckrolle / deflection pulley		(2)	ØA 65 B26
40988	1340 258	Riemenspanner / belt tensioner		(2)	ØA 65 B26

Die Einbau darf nur durch geschultes Fachpersonal erfolgen. / The installation may exclusively be performed by trained specialist staff.

579

# Find every part: quick and convenient

- You know the vehicle type and the vehicle manufacturer's reference number:

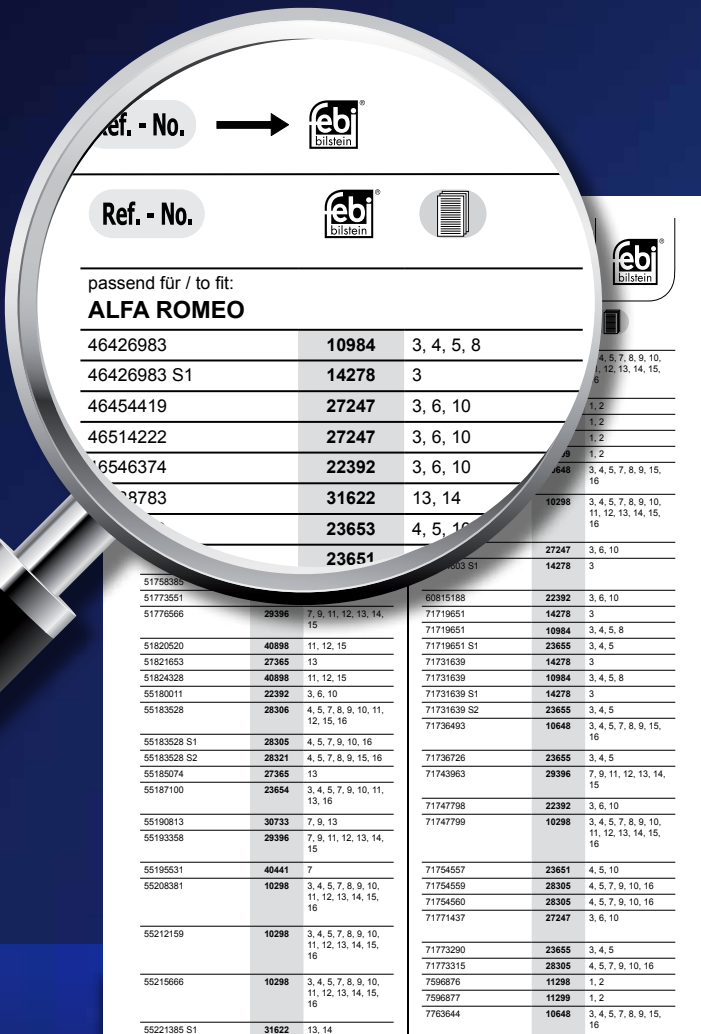
Reference number → febi number → Page number

- The positioning of the reference numbers corresponds to the vehicle manufacturers' sorting sequence:

febi number → Reference number → Page number

- This list is sorted by febi number in ascending order.

**Note:** On the catalogue cover, you will find a list of symbols and abbreviations with explanations in different languages.



Ref. - No.	febi	
passend für / to fit:		
<b>ALFA ROMEO</b>		
46426983	10984	3, 4, 5, 8
46426983 S1	14278	3
46454419	27247	3, 6, 10
46514222	27247	3, 6, 10
46546374	22392	3, 6, 10
46546374	31622	13, 14
46546374	23653	4, 5, 10
46546374	23651	4, 5, 10
51758385		
51773551		
51776566	23396	7, 9, 11, 12, 13, 14, 15
51820520	40898	11, 12, 15
51821653	27365	13
51824328	40898	11, 12, 15
55180011	22392	3, 6, 10
55183528	28306	4, 5, 7, 8, 9, 10, 11, 12, 15, 16
55183528 S1	28305	4, 5, 7, 9, 10, 16
55183528 S2	28321	4, 5, 7, 8, 9, 15, 16
55185074	27365	13
55187100	23654	3, 4, 5, 7, 9, 10, 11, 13, 16
55190813	30733	7, 9, 13
55193358	29396	7, 9, 11, 12, 13, 14, 15
55195531	40441	7
55208381	10298	3, 4, 5, 7, 8, 9, 10, 11, 12, 13, 14, 15, 16
55212159	10298	3, 4, 5, 7, 8, 9, 10, 11, 12, 13, 14, 15, 16
55215666	10298	3, 4, 5, 7, 8, 9, 10, 11, 12, 13, 14, 15, 16
55221385 S1	31622	13, 14
60815188	22392	3, 6, 10
71719651	14278	3
71719651	10984	3, 4, 5, 8
71719651 S1	23655	3, 4, 5
71731639	14278	3
71731639	10984	3, 4, 5, 8
71731639 S1	14278	3
71731639 S2	23655	3, 4, 5
71736493	10648	3, 4, 5, 7, 8, 9, 15, 16
71736726	23655	3, 4, 5
71743963	29396	7, 9, 11, 12, 13, 14, 15
71747798	22392	3, 6, 10
71747799	10298	3, 4, 5, 7, 8, 9, 10, 11, 12, 13, 14, 15, 16
71754557	23651	4, 5, 10
71754559	28305	4, 5, 7, 9, 10, 16
71754560	28305	4, 5, 7, 9, 10, 16
71771437	27247	3, 6, 10
71773290	23655	3, 4, 5
71773315	28305	4, 5, 7, 9, 10, 16
7596876	11298	1, 2
7596877	11299	1, 2
7763644	10648	3, 4, 5, 7, 8, 9, 15, 16

928 Die von uns gelieferten Produkte sind ausschließlich dem bestimmungsgemäßen Gebrauch zuzuführen. / The products delivered by us are to be put exclusively to the intended use.

938 Les produits livrés par nous sont exclusivement destinés à l'usage prévu. / I prodotti consegnati da noi sono da usare esclusivamente per l'uso previsto.

90551399 24	91855	12' 14			
			10	10648	3, 4, 5, 7, 8, 9, 10, 11, 12, 13, 14, 15, 16
90510998	40538		10	41538	1, 5
			10	41538	1, 5
90511199	40538		10	38302	4, 5, 7, 9, 10, 16
			10	38302	4, 5, 7, 9, 10, 16
			10	38302	4, 5, 7, 9, 10, 16

## ALFA-ROMEO

145 / 146 (930)	1, 3
155 (167)	2
147 (937)	4, 6
156 / SPORTWAGON (932)	5
159 / SPORTWAGON (939)	7
166 (936)	8
Brera	9
GT (937)	10
Giulietta (940)	11
Giulietta MY	12
MiTo (955)	13
MiTo MY	14-15
Spider Nuovo (939)	15-16

passend für / to fit:

## AUDI

80 / 90 (81)	17-18
80 (8C)	19-20
100 / 200 (44)	21
100 (44)	22-23
100 (4A)	24-25
A1 (8x)	26
A2 (8Z)	26-27
A3 (8L)	28-29
A3 (8P)	30
A3 / S3 / sportb. / quattro / Cabrio (8L)	31
A3 / S3 / sportb. / quattro / Cabrio (8P)	31-32
A3 / sportb. / quattro / Cabrio (8V)	33
A4 (8D)	34-35
A4 (8E)	36-39
A4 (8K)	40-41
A5 / S5 coupe / sportb. (8T)	42
A5 / S5 cabrio (8F)	43-44
A6 (4A)	45-46
A6 / S6 / avant / quattro (4B)	46
A6 (4B)	47-49
A6 (4F)	50-51
A6 (4G)	52
A8 (4D)	53-54
A8 /S8 (4E)	54
Cabrio (8G)	55
Q3 (8U)	56
Q5 (8R)	57-58

## AUDI

Q7 (4L)	58-59
TT (8J)	59

## BMW

1 'er (E87)	60
1 'er (E81/82/ 87LCI/88)	61
1 'er (F20/F21)	62
2 'er (F22)	63
3 'er (E30/E36)	64
3 'er (E46)	65-68
3 'er (E90/LCI/E91/LCI/E92/E93)	69
3 'er (E90/E90LCI/E91/E91LCI/E92/E93)	70
3 'er ( E90LCI/E91LCI/E92LCI/E93LCI )	71
3 'er (E90LCI/E91LCI/E92/LCI/E93/LCI)	72
3 'er (E92 LCI)	73
3 'er (F30/F31/F34)	74-75
4 'er (F32/F33)	76-77
5 'er (E28/E34)	78
5 'er (E34)	79
5 'er (E39)	80-82
5 'er (E60 / LCI/ E61 / LCI)	83, 85
5 'er (E60LCI / E61LCI )	84
5 'er (F07 GT)	86
5 'er (F07 GT LCI)	87
5 'er (F10 Limousine/ F11 Touring)	88-89
5 'er (F10/ F11 LCI)	90
6 'er (E63 LCI / E64 LCI)	91
6 'er (F06 GC)	92
6 'er (F12/F13)	93
7 'er (E38)	94-96
7 'er (E65/E66)	97
7 'er (F01 / F02)	98
7 'er (F01LCI / F02LCI)	99
X 1 (E84)	100
X 3 I (E83 / E83 LCI)	101- 103
X3 II (F25)	104-105
X 5 I (E53)	106-107
X 5 II (E70) / X6 (E71)	108
X 5 II (E70 LCI) / X6 (E71)	109
X 5 III (F15)	110-111

## CHEVROLET

Aveo (T300)	112
Captiva (C100)	112
Cruze (J300)	113
Cruze Notchback(J300)	113
Lacetti + Nubira + Optra (J200)	114
Epica (V250)	115

## CHRYSLER

PT Cruiser	116
------------	-----

## CITROËN

AX	117-118
Berlingo I+II	119-124
Berlingo III	125-126
Berlingo Tepee	127
C-Crosser	128
C-Elysee	129
C1 / C2 / C3	130
C1 / C2 / C3 I	131
C3 II	132
C3 III	133
C3 Picasso	134
C3 III / Picasso	135
C4	137
C4 I	137
C4 II / (B7)	138-139
C4 Picasso	140-142
C4 II Picasso (B78)	143
C4 Aircross	144
C5	144
C5 I	145
C5 II	146-148
C5 III	149-152
C6	153-154
C8	156-158
C15	159
C25	160
DS3	161
DS4/DS5	162-163
Evasion	164-166
Jumper I+II	167-171
Jumper III	172
Jumpy I+II	173-176
Jumpy III	177-180
Nemo	180-181

**CITROËN**

Saxo	182
Xantia	183-185
XM	186-187
Xsara II	187-188
Xsara	189
Xsara Picasso	190-191
ZX	192

**DACIA**

Dokker	193
Duster	193
Lodgy	194
Logan 1	195
Logan 2	196
Sandero 1	197
Sandero 2	198

**FIAT**

500 / Nuova / C	199
500L / MY	199
500L	200
Brava I / Bravo (182)	200-201
Bravo Nuova II (198)	202
Bravo II Nuova MY	203
Croma (194)	204
Doblo/ Cargo (119/223)	205-206
Doblo/Cargo Rest. (119/223)	207
Doblo Nuovo (152 /263)	208
Ducato Nuovo (250)	209
Ducato (280)	209
Ducato (290)	210-211
Ducato (230)	212-213
Ducato (244)	214
Ducato Rest. (244)	214-215
Ducato Nuovo (244)	215
Ducato (250)	216
Ducato Nuovo MY	217
Fiorino (146)	218
Fiorino Nuovo (225)	219
Freemont (JC)	220
Idea	221-222
Linea (323)	223-224
Marea / SW (185)	225
Multipla (186)	226
Palio (178)	227-228

**FIAT**

Palio / Weekend / Siena (178/DX)	229
Palio / Siena Ext. Eur. Rest (178/BX)	230
Panda II Nuova (169)	231
Panda MY (169)	232
Panda Classic / Nuova (312)	232
Punto I (176)	233
Punto II (188)	233-234
Grande Punto (199)	235-236
Punto EVO	237
Punto Nuova MY 12 (199)	238
Punto MY	238
Qubo Nuovo (225)	239
Scudo (220)	240-243
Scudo Nuovo (270)	244-246
Sedici	247
Sedici MY	248
Siena (178)	249
Strada (178)	250-251
Strada (178E)	252
Strada / Rest.2 (178/E)	252
Stilo / SW (192)	253
Stilo (192)	254
Talento (290)	254
Tipo (160) / Tempra (159)	255
Ulysse I (220)	256-258
Ulysse II Nuovo(179)	259-261
Uno (146)	262-263

**FORD**

B-Max	264
Ecosport 13	264
Escort 86 / 91 / 95 / Orion 86 / 91	265
Escort 95	266-267
Fiesta 84	267
Fiesta 89	268
Fiesta 96	269-271
Fiesta 02	272
Fiesta 08	273-274
Fiesta 13	275
Focus 99	276
Focus 04	277-279
Focus 08	280-282
Focus 11	283-284
Focus Cabriolet 06	285

**FORD**

Focus C-Max 03	286-288
Focus C-Max 07	289-290
Focus C-Max 11	291-292
Fusion 02	293
Galaxy 95	294-295
Galaxy 00	296
Galaxy 06	297-300
Kuga 08	301
Kuga 13	302
Mondeo 93	303
Mondeo 93 / 97	304
Mondeo 97	305
Mondeo 00	306
Mondeo 07	307-309
P 100	310
Ranger 12	311
Sierra 87	312
S-Max 06	313-315
Tourneo Custom 13	315
Transit	316
Transit 92 / 95	317
Transit 00	318-319
Transit 06	320-321
Transit Connect / Tourneo Connect 02	322
Transit Custom 13	323

**HONDA**

Accord VIII	324
Civic VII	324
Accord Tourer VIII	325
CRV-V II / III	325
FR-V	326

**HYUNDAI**

Accent	327
Elantra	328
Galloper	329
Getz	330
Grandeur	331
H-1	332-333
H-1 Mini Bus	334
H100	335-336
H100 Truck	336
i30	337



## HYUNDAI

Libero	338
Matrix	339
Santa Fe	340
Sonata NF	341
Terracan	342
Trajet	343
Tucson	343
Verna	344

## KIA

Besta	345
Bongo 3	346
Carnival	347
Carens	348
Cee'd	349
Cerato	350
K2500	351
K 2900	351
Magentis	352
Optima	353
Pregio	354
Picanto	354
Retona	355
Rio	355
Sportage	356-357
Sorento	358
Soul	359
Venga	360

## LANCIA

Dedra / SW	361
Delta II (836)	361
Delta Nuova III ( 844)	362
Delta MY	363
Kappa (838)	364
Lybra / SW (839)	365
Musa (350)	366-368
Phedra (179)	369-370
Thesis (841)	371
Ypsilon (843)	372
Ypsilon New (846)	373
Zeta (220)	374-375

## LAND ROVER

Defender	376-378
----------	---------

## LAND ROVER

Discovery	379
Defender / Discovery	380
Freelander 2	381
Range Rover II	382
Range Rover III	383

## LEXUS

IS 220d (ALA30)	384
-----------------	-----

## MAZDA

E2000 / 2200 (SR1)	385
E2000 / 2200 (SR2)	385
Mazda 2 (DY/DE)	386
Mazda 3 (BK / BL)	387
Mazda 5 (CW)	388
Mazda 5 (CR)	389
Mazda 6 (GG / GY)	390
Mazda 6 (GH)	390
323 (BJ)	391
323 (BA/BJ)	391
626 (GF / GW)	392
MPV II (LW)	393
Premacy (CP)	394
CX-7 (ER)	395

## MERCEDES-BENZ

BM 115 ( / 8 )	396-397
BM 123	398-399
BM 124	400-406
190er (BM 201)	407-408
207/307D - 210/310D (BM 601/602)	409-410
407D → 410D (BM 611)	411-412
507D / 508D (BM 667)	413-415
A-Klasse (BM 168)	416-417
A-Klasse (BM 169)	418
B-Klasse (BM 245)	419
A Klasse/B-Klasse (BM 176/246)	419-420
C-Klasse (BM 202)	421-422
B-Klasse (BM 245)	423
C-Klasse (BM 202)	424-425
C-Klasse (BM 203)	426-427
C-Klasse /GLK-Klasse (BM 204)	428-429
C-Klasse (BM 204)	430
Citan (BM 415)	431

## MERCEDES-BENZ

CLA Klasse (BM 117)	431
CLK-Klasse (BM 209)	432-433
CLS-Klasse (BM 218)	434-435
CLS-Klasse (BM 219)	436
E-Klasse (BM 207)	437-438
E-Klasse (BM 210)	439-444
E-Klasse (BM 211)	445-447
E-Klasse (BM 212)	448-449
G-Klasse (BM 460 / 461)	450-451, 453
G-Klasse (BM 461)	452
G-Klasse (BM 461/463)	455-456
G-Klasse (BM 463)	457-461
M-Klasse (BM 163)	462-463
M-Klasse (BM 164)	464
M-Klasse / GL-Klasse (BM 164)	464
MB 100 (BM 631)	465
ML / GL Klasse (BM 166)	466-467
R-Klasse (BM 251)	468
S-Klasse (BM 140)	469-470
S-Klasse (BM 220)	471-472
S-Klasse (BM 221)	473-475
S-Klasse (BM 222)	475
SLK-Klasse (BM 172)	476
Sprinter (BM 901 → 904)	477-478
Sprinter (BM 901 → 905)	479
Sprinter (BM 906)	480-483
Sprinter (BM 909)	484
Vaneo CDI (BM 414)	485
Vito / V-Klasse (BM 638 / 639)	486-488
Vito / Viano (BM 639)	489
Vito / V-Klasse (BM 638)	490

## MINI

Mini Coupe (R50)	491
Mini II (R55 Clubman / R56 Coupe)	492
Mini II (R55LCI/R56LCI/R57LCI/ R58/R60/R61)	493
Mini III (F56)	494

## MITSUBISHI

Carisma	495
Colt II / III (C14A/C54A)	496
Colt VI	496

## MITSUBISHI

Galant III→VI (E14A/E34A/E57A/EA6A/EA6W)	497
Grandis (NA8W)	497
L 200 / L 300 / Pajero	498
L 200	499
L 400 / Space Gear	500
Lancer III / IV (C14V/C64A)	501
Lancer V (CB8A/CB8W)	502
Lancer VII (CX8A/CY8A)	502
Outlander II	503
Outlander II (CW8W)	503
Space Runner (N18W)	504
Space Star (DG4A)	505
Space Wagon (D09W/N35W/N38W)	506

## NISSAN

Almera (N15)	507
Almera ( N16 )	507
Bluebird / Bluebird Wagon (U11 / WU11)	508
Cherry (B12 / N12 / N13 / Y10)	509
Interstar ( X70 )	510
Kubistar (X76)	511
Micra (K11)	512
Micra (K12)	513
NV400 (X62)	514
Patrol (Y60+61)	515
Primastar (X83)	516-517
Primera/ Primera Wagon	518
Qashqai (J10E) / +2 (JJ10E)	519
Serena (C23M)	520
Sunny / Sunny Wagon (N14/Y10)	521
Sunny / Sunny Wagon (B12/N12/ N13/Y10)	522
Stanza (T11)	523
Vanetta (C22 / HC23)	524
X-Trail (T31)	525

## OPEL

Agila A / B	526
Antara	526
Arena	527
Astra F	528-529
Astra G	530-532

## OPEL

Astra H	533-535
Astra J	536-538
Cascada	539
Combo D	540
Corsa A + B	541
Corsa B	542
Corsa C	542-543
Corsa D	544-545
Frontera A	546
Frontera B	547
Insignia	548
Kadett D / Kadett E	548
Kadett E	549-550
Meriva A	551-552
Meriva B	553
Mokka	554
Movano A	555-558
Movano B	558
Omega A	559
Rekord E	560
Omega B	560-562
Signum	563-565
Sintra	566
Tigra B	567
Vectra A	568
Vectra B	569-570
Vectra C	571-573
Vivaro	574-576
Zafira A	576-577
Zafira B	578-579
Zafira C	580
106	581
107	582

## PEUGEOT

205	583-584
206	585-588
206 CC / SW	589
206 +	590-591
207 / CC / SW	592-593
207	594
208	594-595
301	595
306	596-598
307	599-600

## PEUGEOT

307 / CC / SW	601
307	602
308 I	603-605
308 II	605-606
309	606
405	607-608
406	608-610
407	611-613
508	614-616
605	617-618
607	619-623
806	624-626
807	627-629
1007	630-631
2008	632
3008 / 5008	633-634
4007	635-636
4008	636
Bipper	637
Boxer I	638-640
Boxer I+II	641
Boxer II	642
Boxer III	643
Expert I+II	644-646
Expert III	647-648
J5	649
Partner I+II	650-653
Partner II	654-655
Partner III	656-657
Partner Tepee III	658-659
RCZ	659-660

## RENAULT

Avantime	661
Clio 1	661
Clio 2	662
Clio 3	663
Clio 4	664
Dokker	665
Duster	665
Espace 1 / Espace 2	666
Espace 3	667
Espace 4	668-669
Fluence	670
Kangoo 1	671-672

## RENAULT

Kangoo 2	673
Koleos	674
Laguna 1	675-677
Laguna 2	678-679
Laguna 3	679-680
Latitude	681
Lodgy	682
Logan 1	683
Logan 2	684
Master 2	685-686
Master 3	687
Megane 1 / Scénic 1	688-689
Megane 2	690-691
Megane 3	692-693
Modus	694
R 5	694
Pulse	695
R 19 / R 21	695
Rapid	696
Safrane	697
Sandero 1	698
Sandero 2	699
Scénic 2	700-703
Scénic 3	702, 704
Trafic 1	705
Trafic 2	706-707
Twingo 2	
Vel Satis	709-710

## ROVER

75	711
100	712
200	713
220 / 420 / 620	714
MG ZT	715

## SAAB

9-3 I	716
9-3 II	717
9-3 II	718
9-5 I	719-721
9-5 II	720

## SEAT

Alhambra (7M)	722-723
---------------	---------

## SEAT

Alhambra (7N)	724
Alhambra (7V)	725
Altea (5P)	726-727
Arosa (6H)	728-729
Exeo (3R)	730
Ibiza / Cordoba (6L)	731, 735
Ibiza / Cordoba (6K)	732-734
Ibiza (6J)	736
Inca (6K)	736
Leon (1M1)	737-738
Leon (1P1)	739-740
Toledo 1 (1L)	741-742
Toledo 2 (1M)	743-744
Toledo 3 (5P)	745

## ŠKODA

Fabia	746-748
Felicia / Pick-up	749
Octavia	750-752
Octavia 4x4 (1Z)	753
Roomster	754
Superb (3U)	755-756
Superb 4x4 (3T)	757
Yeti (5L)	757
Superb 4x4 combi	757
Yeti	757

## SMART

Forfour	758
Fortwo Coupe / Cabrio (BM 450/451)	759

## SUZUKI

Ignis	760
Swift III	761
SX-4 / SX-4 4x4	762
Wagon R+	763

## TOYOTA

4Runner	764
Auris (NDE150)	765
Avensis (T22)	765
Avensis (T22/T25)	766
Avensis Verso (M20)	766
Aygo	767

## TOYOTA

Carina (T19)	767
Corolla (E9/E10/E11/E12)	768
Corolla (E11 / 12)	769
Corolla Verso (R10 / E12)	769
Corolla ( ADE150 ) (1ADFTV )	769
Corolla Verso (AUR10) (2ADFHV)	769
Corona FR (T14)	770
Cressida / Crown	770
Dyna 100 / 150	771
Echo Verso (NLP22)	772
Fortuner	773
Hiace	774
Hilux	775
Land Cruiser	776
Liteace (CR 2)	777
Picnic	778
Tarago (R3)	778
RAV4 (ALA30)	779
Starlet (P7 / P8)	779
Yaris / Yaris Verso	780

## VAUXHALL

Agila Mk I / Mk II / A/B	781
Antara	782
Arena	783
Astra Mk I / Mk II	784
Astra Mk II	785-786
Astra Mk III / F	787-788
Astra Mk IV / G	789-791
Astra Mk V / H	792-794
Astra MK VI / J	795-797
Cascada	798
Carlton Mk I / Mk II / A / B	799
Cavalier Mk III	800
Combo D	801
Nova / Corsa Mk I / B	802
Corsa Mk I / B	803
Corsa Mk II	803
Corsa Mk II / C	804
Corsa Mk III / D	805-806
Frontera Mk I / A	807
Frontera Mk II / B	808
Insignia	809
Meriva Mk I / A	810-811
Meriva Mk II / B	812

## VAUXHALL

Mokka	813
Movano Mk I / A	814-816
Movano MK II / B	817
Omega B	818-820
Signum	821-823
Sintra	824
Tigra Mk II / B	825
Vectra Mk I / B	826-827
Vectra Mk II / C	828-830
Vivaro	831-833
Zafira A	833
Zafira Mk I / A	834
Zafira Mk II / B	835-836
Zafira MK III /C	837

## VOLKSWAGEN

Amarok	838
Caddy 1 (14)	838
Caddy 2 (9K)	839
Caddy 2 Pick-Up (9U)	840
Caddy 3	840
Caddy 4	841
Campmobil (Typ2/Transp./LT)	841
Crafter (2E)	842
Eos (1F)	843
Fox (5Z)	844
Golf 1+2 / Jetta 1+2 (17/19/1G)	845
Golf 3 / Vento (1H)	846-847
Golf 3 Cabriolet (1E)	848
Golf 4 / Bora (1J)	849-851
Golf 5 (1K)	852
Golf 5 / Plus / Jetta (1K)	853
Golf 5 variant / 4motion (1K)	854
Golf 6/Cabrio/Plus/ variant/4motion/Jetta (1K)	855
LT (28/29/21)	856
LT (2D)	857
Lupo (6X/6E)	858-859
New Beetle (1C/9C)	860-861
New Beetle (5C)	861
New Beetle Cabrio (1Y)	862
Passat 1+2 / Santana (32/33)	863
Passat 3 (3A)	864-865
Passat 4 (3B)	866-869
Passat 5 (3C)	870

## VOLKSWAGEN

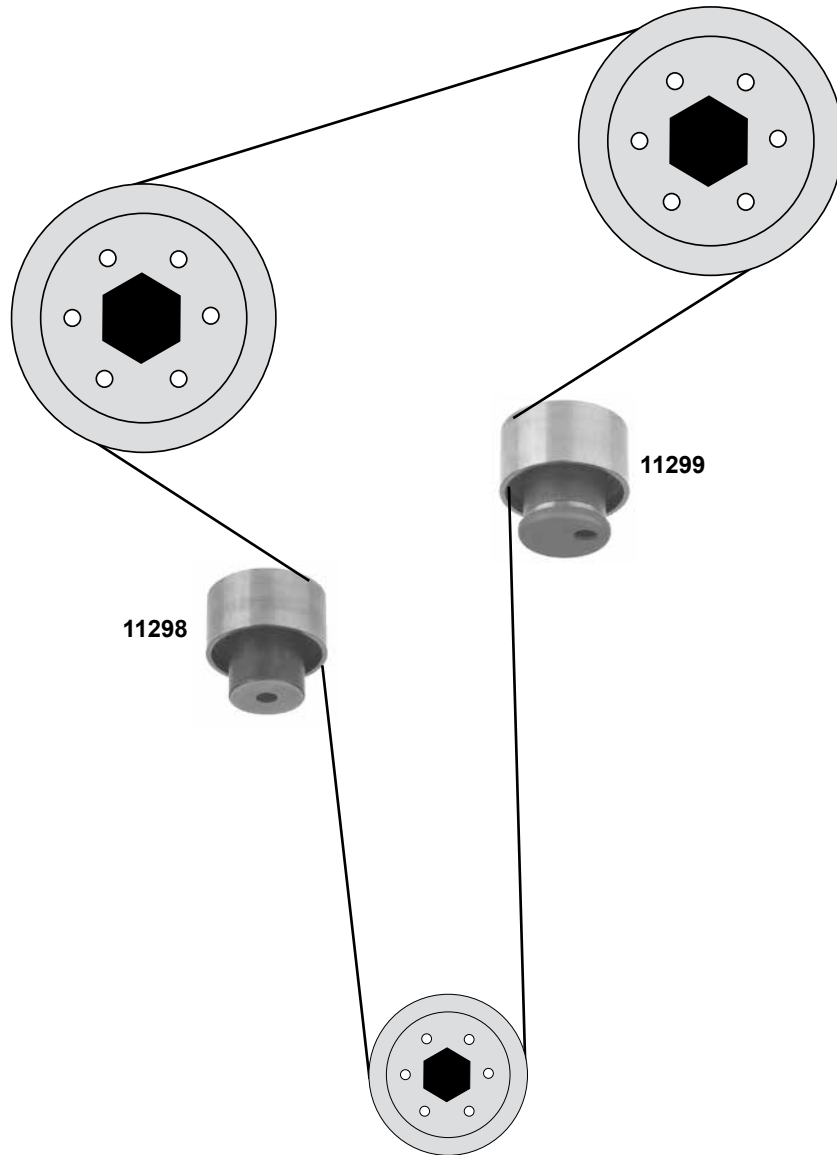
Passat 5 / CC / variant / 4motion (3C)	871
Passat 6/CC variant/4motion (36)	872
Phaeton	873
Polo 2+3 (86C)	874
Polo (6N)	875
Polo 4 (9N)	876-877
Polo (6R)	878
Scirocco 3	879
Scirocco (13)	880
Sharan (7M)	880-881
Sharan 3 (7N)	882
Taro	883
Tiguan (5N)	883
Touran (1T)	884
Touran	885
Touareg (7L)	885
Transporter Typ 3 (24/25)	886
Transporter Typ 4 (70/7D)	887-889
Transporter Typ 5 (7H/7J)	890
Transporter Typ 5 / Multivan / 4motion (7E/7F)	891

## VOLVO

240	892
340	893
440 - 460	894
740 -760	895
850	896
940 - 960	897
C 30	898-899
C 3 / C 70 II	900-901
S / V 40 I	902-904
S 40 II / V 50	905
S 40 II / V 51	906
S 40 II / V 52	907
S 40 II / V 53	908
V 40 II / Cross Country	909-910
S 60 I	911
S 60 II / V60	912
S 60 II / V61	913
C / S / V 70 I	914
V 70 II / XC 70	915
V 70 III	916
V 70 III / XC 70 II	917-919

## VOLVO

S 80 I	920-921
S 80 II	922-925
XC 60	926
XC 90	927





**ALFA ROMEO**

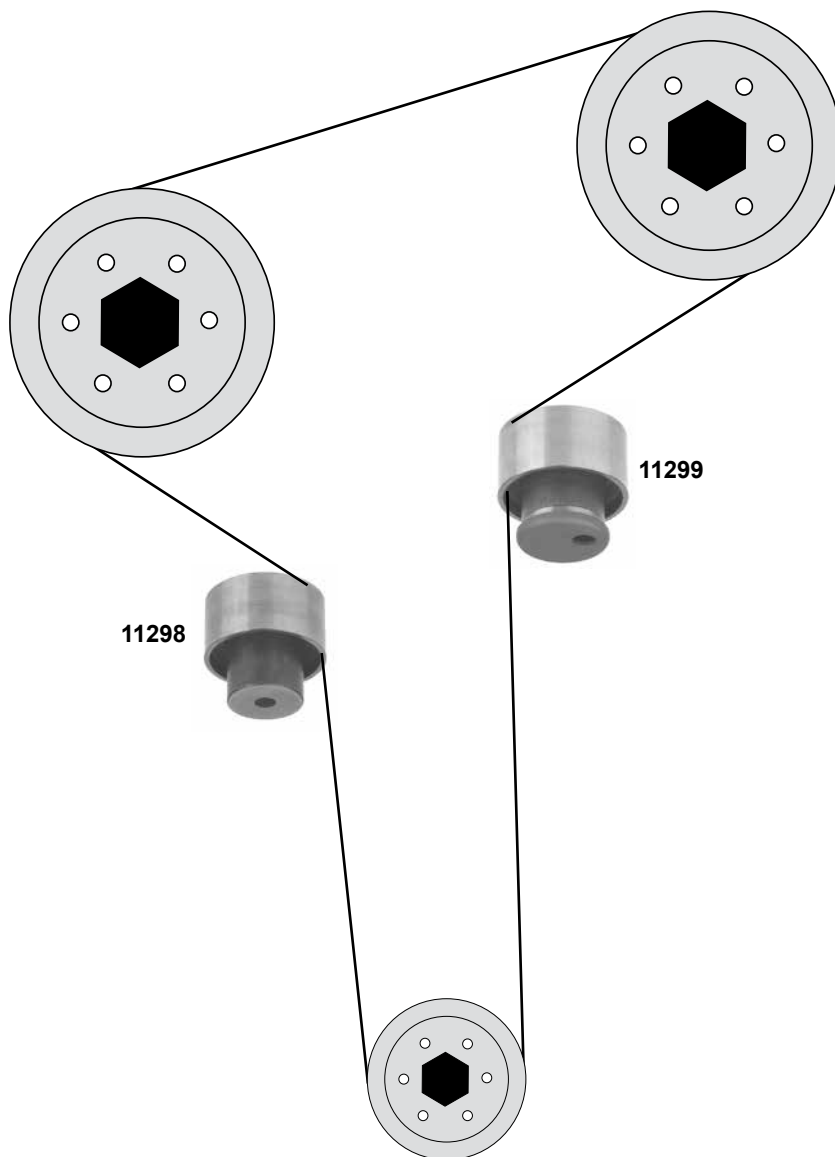
**155 (167)**

(92→97)

**Car  
Division**



**1,9 (66kW)**



**Ref. - No.**

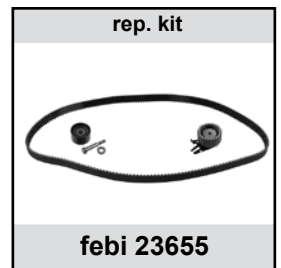
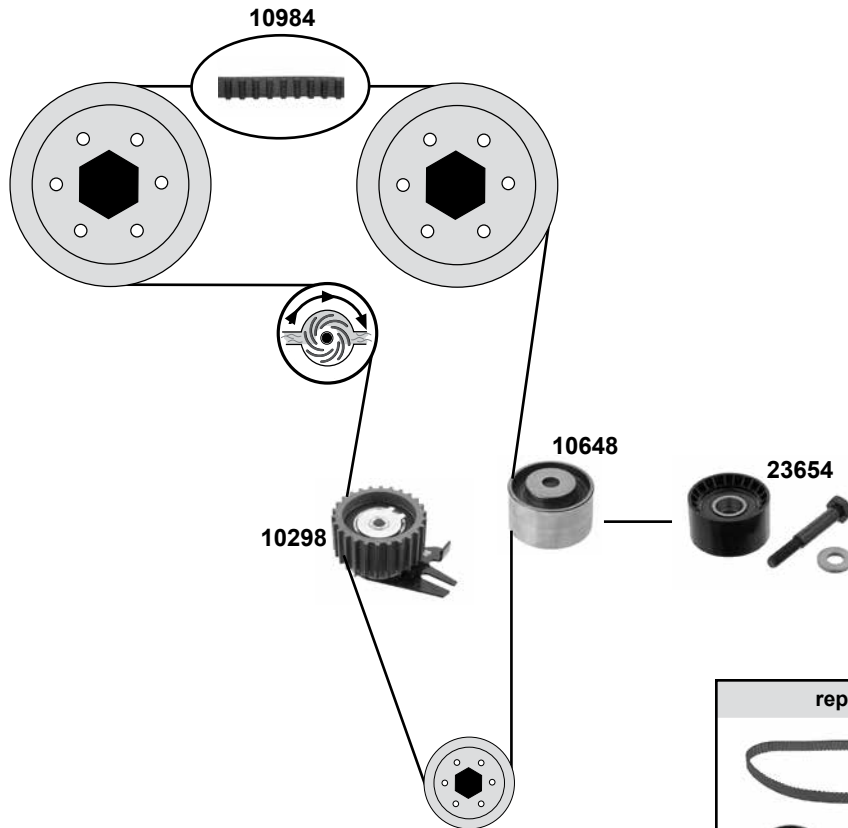


**11298**  
**11299**

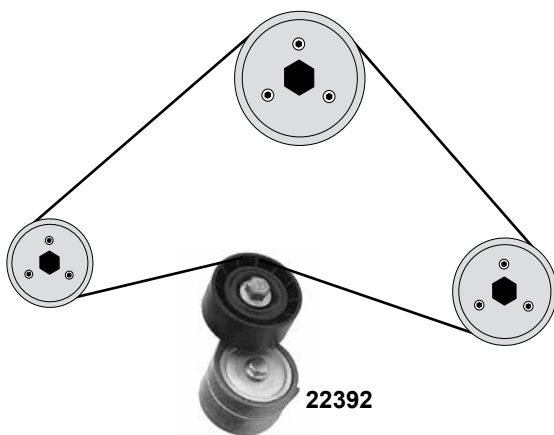
7596876  
7596877

deflection pulley  
tension roller

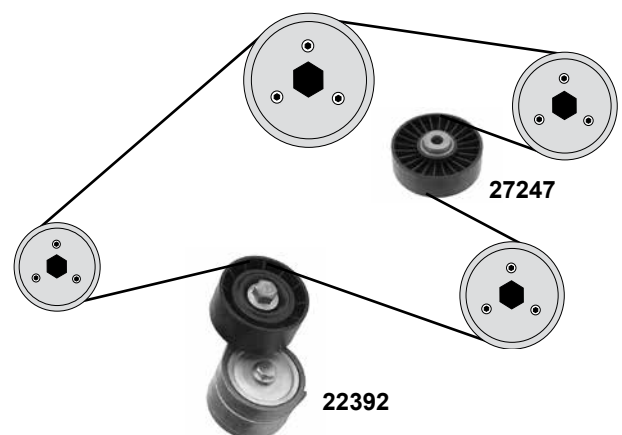
ØA 61 B57  
ØA 61 B55



(ex.) **AC**



**AC**



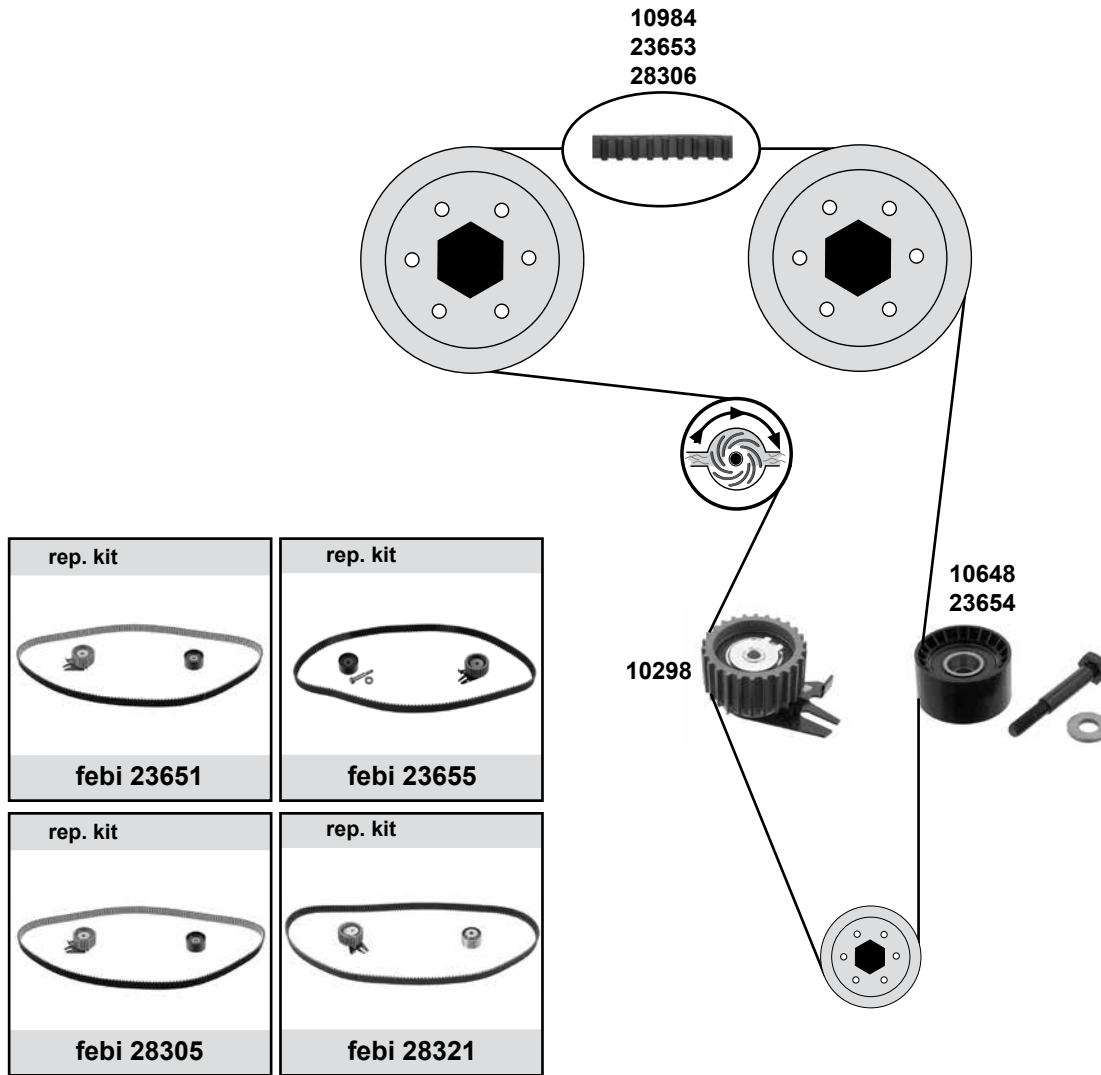
Ref. - No.



<b>10298</b>	55238027	tension roller	99→	ØA 65 Z26
<b>10648</b>	71736493	deflection pulley		ØA 53 B29
<b>10984</b>	71731639	timing belt	99→	Z 190 B24
<b>14278</b>	46426983 S1	rep. kit timing belt		Z 190 B24
<b>22392</b>	55180011	belt tensioner		ØA 65 B29
<b>23654</b>	55187100	deflection pulley	99→	ØI 10 B29
<b>23655</b>	71736726	rep. kit timing belt	99→	
<b>27247</b>	71771437	deflection pulley		ØA 80 B25



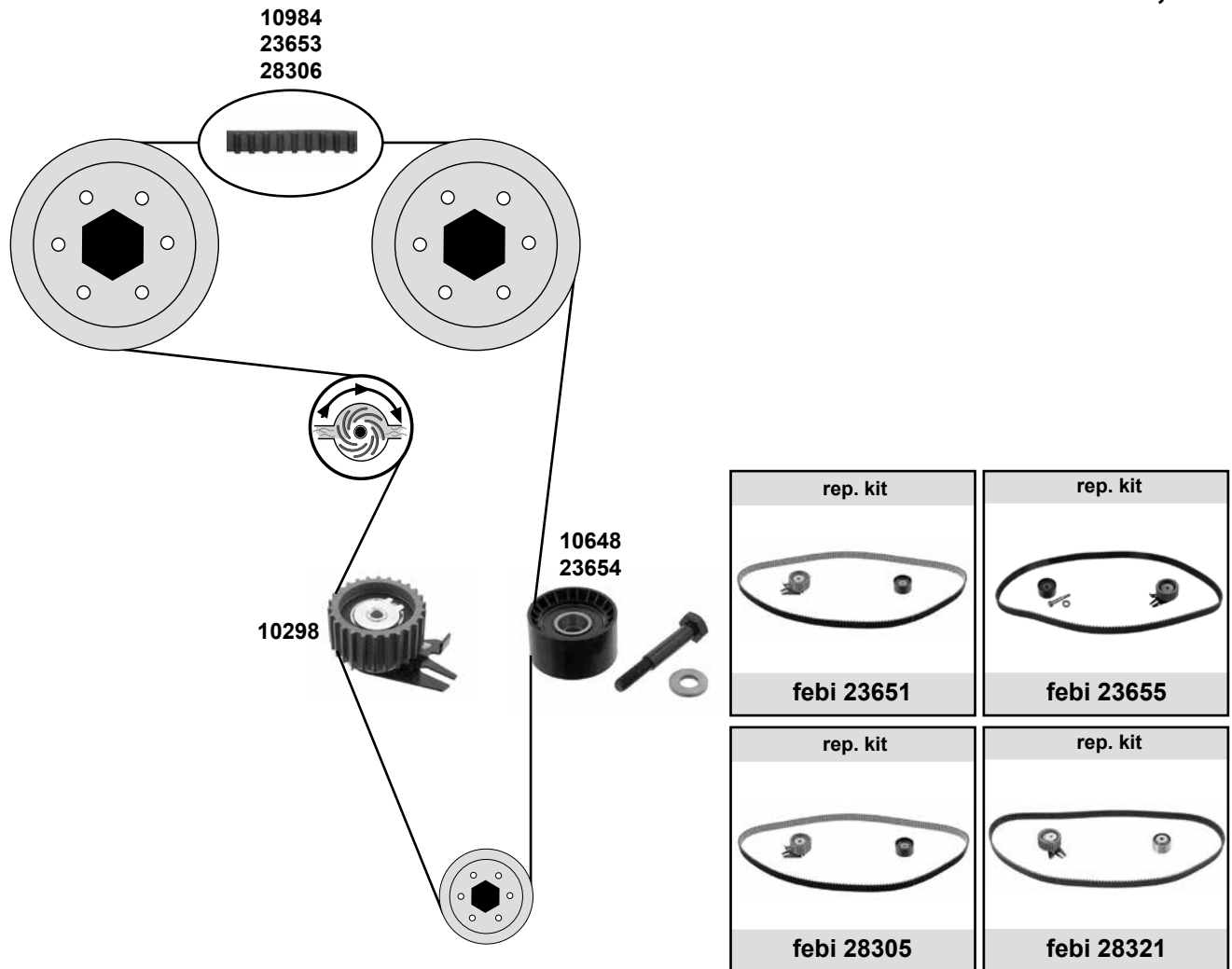
### 1,9 D



- (1) 147 (937) 00 → 10 (mot.) 1,9 JTD 16V
- (2) 147 (937) 00 → 10 (mot.) 1,9
- (3) 147 (937) 00 → 10 (mot.) 1,9 JTD 15/5/2003→ / 1,9 JTDM
- (4) 147 (937) 00 → 10 (mot.) 1,9 D 74kW,85kW,88kW
- (5) 147 (937) 00 → 10 (mot.) 1,9 D 74kW,85kW,93kW,100kW,103kW,110kW →15/5/2003 (mot.) →3646771
- (6) 147 (937) 00 → 10 (mot.) 1,9 D 74kW,85kW,(937 A2.000),88kW
- (7) 147 (937) 00 → 10 (mot.) 1,9 D 93kW,100kW,103kW,110kW →15/5/2003 (mot.) →3646771
- (8) 147 (937) 00 → 10 (mot.) 1,9 JTD 16 V 15/5/2003→



	Ref. - No.			
10298	55238027	tension roller	(2)	ØA 65 Z26
10648	71736493	de lection pulley	(5)	ØA/o 53
10984	71731639	timing belt	(4)	Z190 B24
23651	46791189 S1	rep. kit timing belt	(ex.) CF4	Z198 B24
23653	46791189	timing belt	(ex.) CF4	Z198 B24
23654	55187100	de lection pulley	(3)	ØI 10 B29
23655	71736726	rep. kit timing belt	(6)	
28305	55183528 S1	rep. kit timing belt	(8)	
28306	55183528	timing belt	(1)	Z199 B24
28321	55183528 S2	rep. kit timing belt	(7)	



- (1) 156 (932) 01 → 05 (mot.) 1,9 JTD 93kW,110kW
- (2) 156 (932) → 05 (mot.) 1,9 JTD 81kW,85kW,93kW,100kW,110kW  
(mot.) 2,4 JTD
- (3) 156 (932) 97 → 05 (mot.) 1,9 JTD / 2,4 JTD
- (4) 156 (932) 97 → 05 (mot.) 1,9 D 85kW,110kW (mot.) 2,4 D
- (5) 156 (932) 01 → 05 (mot.) 1,9 D 85kW,93kW,100kW,110kW→15/05/2003 (mot.) →3646771  
(mot.) 2,4 JTD 110kW,120kW,129kW
- (6) 156 (932) 97 → 05 (mot.) 1,9 D 81kW,85kW
- (7) 156 (932) 01 → 05 (mot.) 1,9 D 93kW,110kW→15/05/2003 (mot.) →3646771
- (8) 156 (932) 00 → 10 (mot.) 1,9 JTD 93kW,110kW



	Ref. - No.			
10298	55238027	tension roller	(2)	ØA 65 Z26
10648	71736493	deflection pulley	(5)	ØA/o 53
10984	71731639	timing belt	(4)	Z190 B24
23651	46791189 S1	rep. kit timing belt	(ex.) CF4	Z198 B24
23653	46791189	timing belt	(ex.) CF4	Z198 B24
23654	55187100	deflection pulley	(3)	Ø1 10 B29
23655	71736726	rep. kit timing belt	(6)	
28305	55183528 S1	rep. kit timing belt	(8)	
28306	55183528	timing belt	(1)	Z199 B24
28321	55183528 S2	rep. kit timing belt	(7)	

# ALFA ROMEO

## 147 (937)

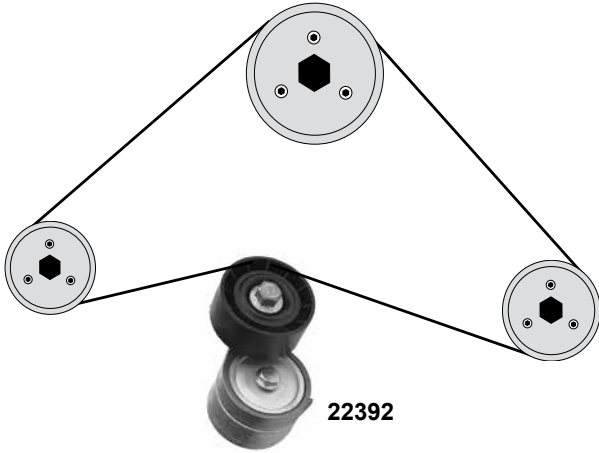
(00→10)

Car  
Division

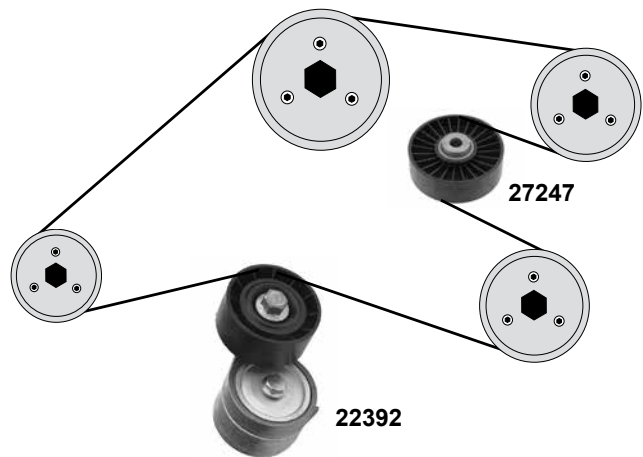


### 1,9 D

(ex.) AC



AC

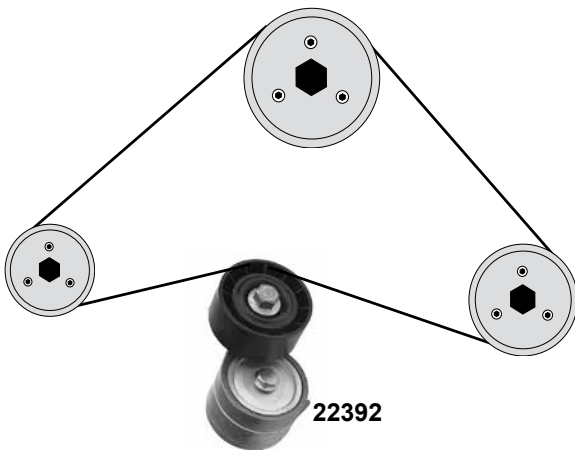


# 156 / SPORTWAGON (932)

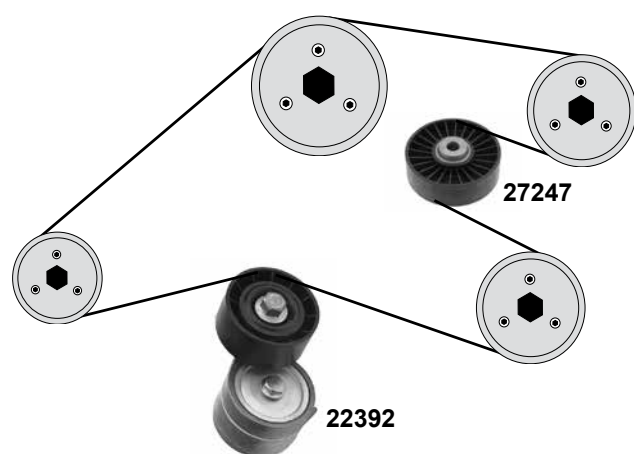
(97→06)

### 1,9 D

(ex.) AC



AC



Ref. - No.



22392  
27247

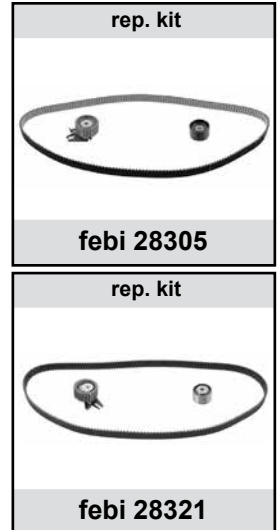
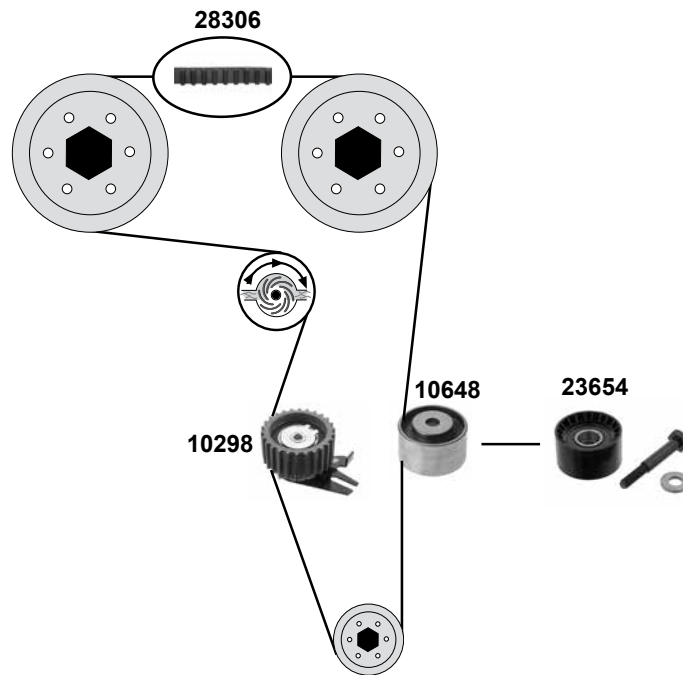
55180011  
71771437

belt tensioner  
deflection pulley

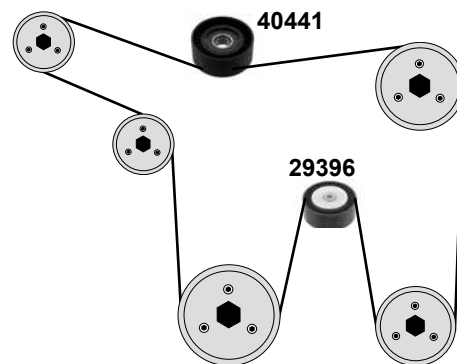
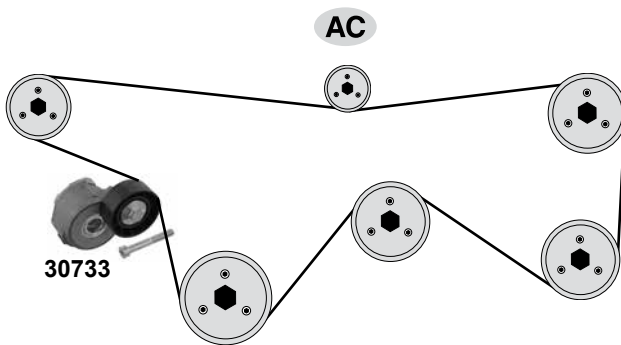
ØA 65 B29  
ØA 80 B25



1,9 D / 2,0 D / 2,4 D



1,9 D / 2,0 D / 2,4 D



- (1) → 11 (mot.) 1,9 JTDM 16 V  
(mot.) 2,0 JTDM  
(mot.) 2,4 JTDM
- (2) → 11 (mot.) 1,9 JTDM  
(mot.) 2,0 JTDM 125kW  
(mot.) 2,4 JTDM
- (3) → 11 (mot.) 1,9 JTDM  
(mot.) 2,0 JTDM 120kW
- (4) → 11 (mot.) 1,9 JTDM 8V /16V 100kW  
(mot.) 2,0 JTDM  
(mot.) 2,4 JTDM



Ref. - No.



Ref. - No.	Description	Notes	Dimensions
10298	tension roller	(2)	ØA 65 B30 Z26
10648	deflection pulley	→11 / 2,4 D	ØA 53 B29
23654	deflection pulley	(3)	ØI 10 B29
28305	rep. kit timing belt	→11 / 1,9 16V	
28306	timing belt	(1)	Z199 B24
28321	rep. kit timing belt	(mot.) 2,4 D	
29396	deflection pulley	(4)	ØA 70 B26
30733	belt tensioner	AC	ØA 65
40441	deflection pulley		ØA 65 B26

**ALFA ROMEO**

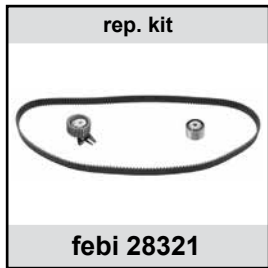
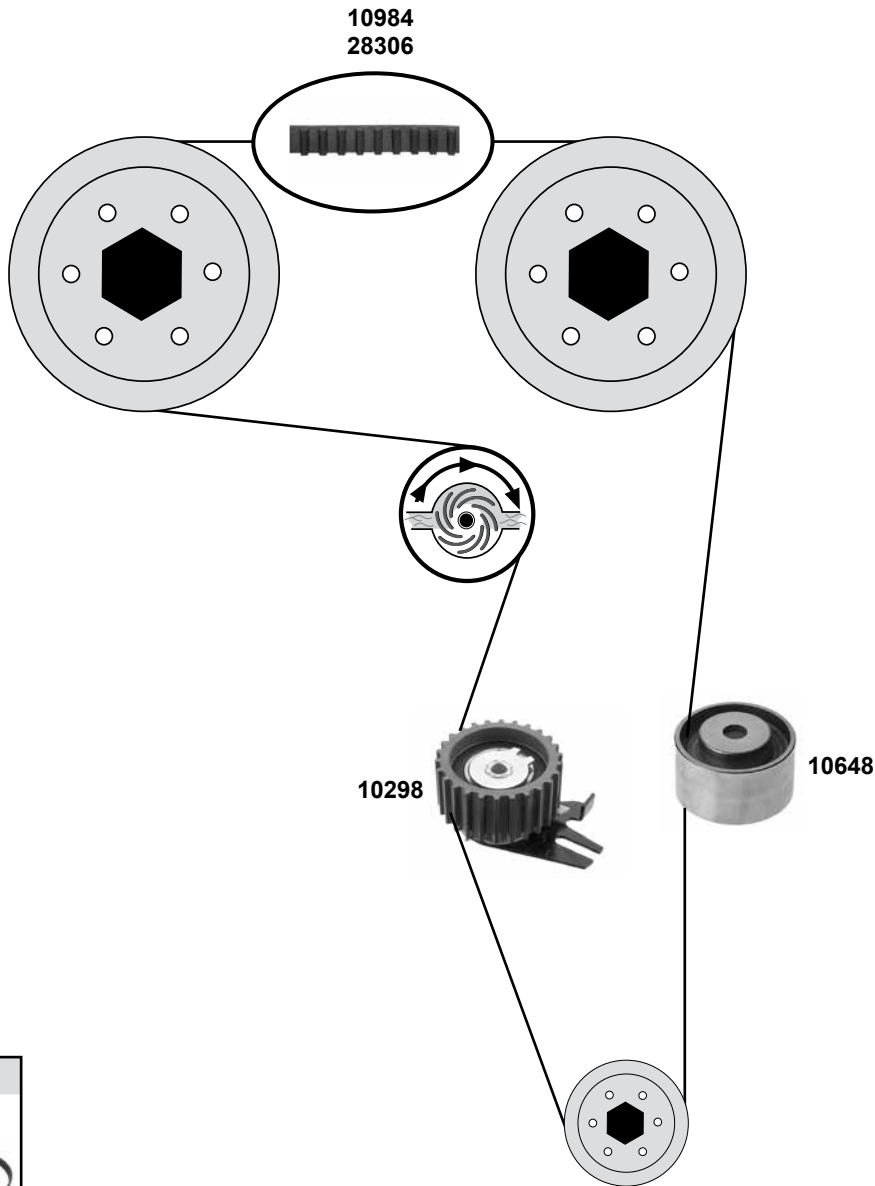
**166 (936)**

(98→07)

Car  
Division



**2,4 D (103kW / 110kW / 129kW /132kW)**



- (1) (mot.) 2,4 JTD 132kW
- (2) (mot.) 2,4 D 103kW, 110kW, 129kW,132kW
- (3) (mot.) 2,4 D 103kW, 110kW

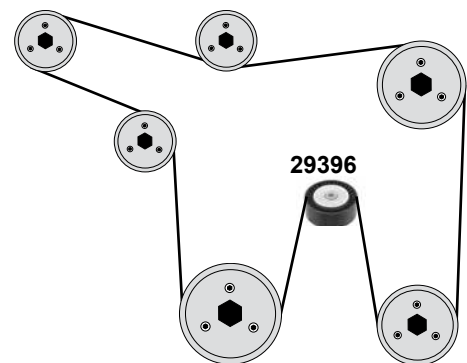
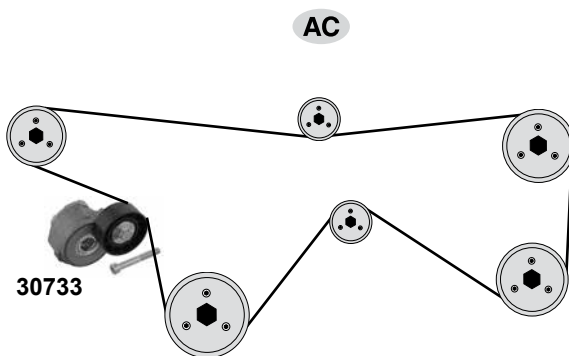
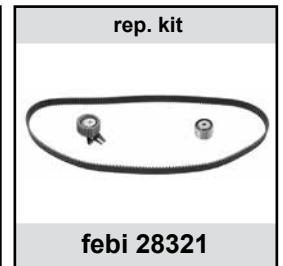
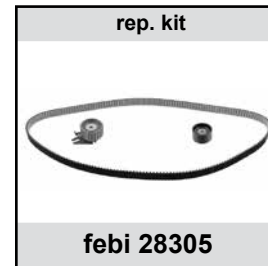
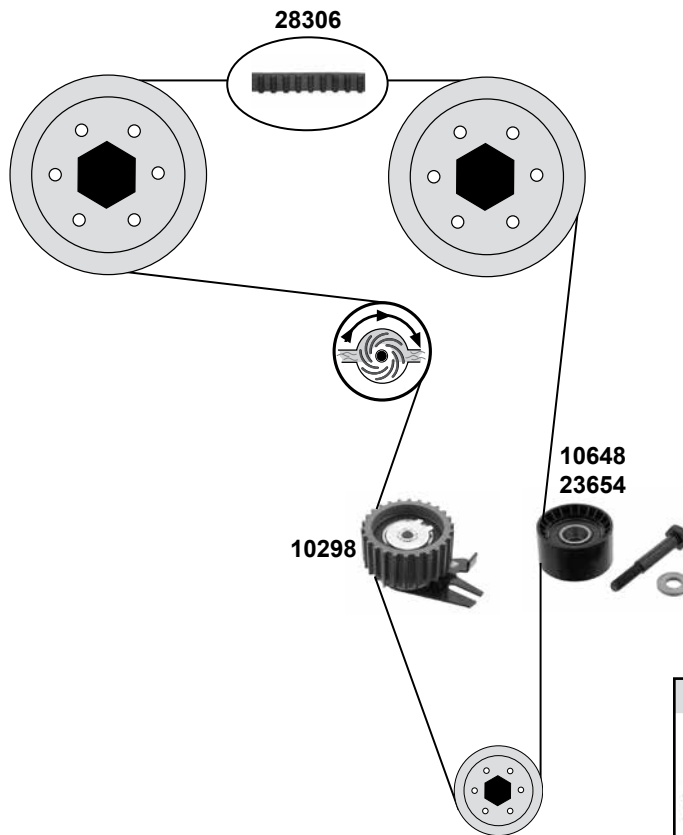


Ref. - No.



Ref. - No.	Description	Part Number	Notes
10298	tension roller	55238027	(1)
10648	deflection pulley	71736493	(2)
10984	timing belt	71731639	(3)
28306	timing belt	55183528	2.4 JTD 132kW
28321	rep. kit timing belt	55183528 S2	(mot.)2.4 132kW

**2,0 D (120kW,125kW) / 2,4 D (147kW,154kW)**



Ref. - No.



<b>10298</b>	55238027	tension roller			ØA 65 B30 Z26
<b>10648</b>	71736493	deflection pulley		2,4 D	ØA 53 B29
<b>23654</b>	55187100	deflection pulley		Coupe 120kW 08 →	ØI 10 B29
<b>28305</b>	55183528 S1	rep. kit timing belt		Coupe 120 kW 08→	Z199 B24
<b>28306</b>	55183528	timing belt		(ex.) 125kW	
<b>28321</b>	55183528 S2	rep. kit timing belt		2,4 D	
<b>29396</b>	51758383	deflection pulley			ØA 70 B25
<b>30733</b>	51773551	belt tensioner		120kW	ØA 65

# ALFA ROMEO

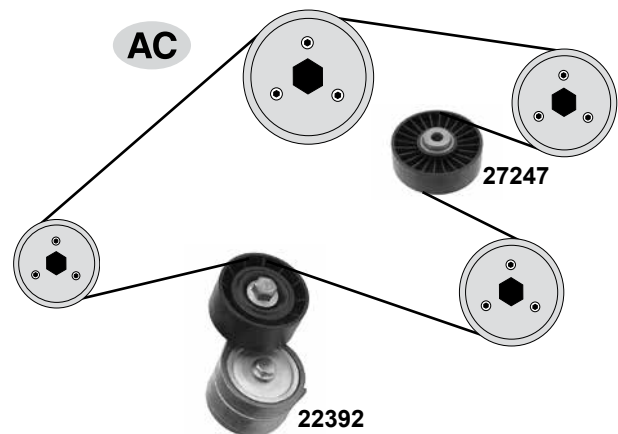
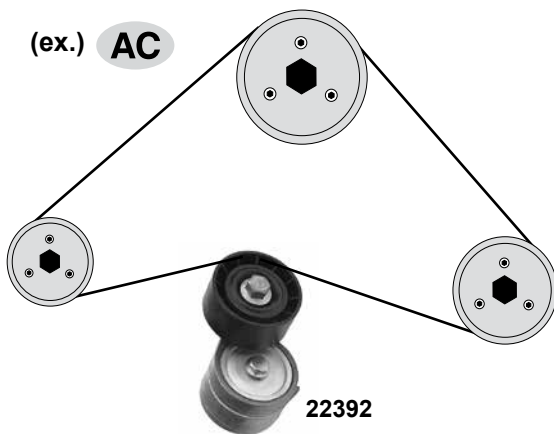
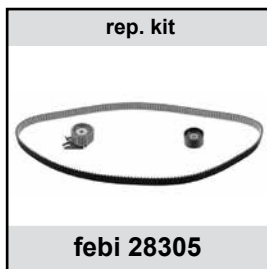
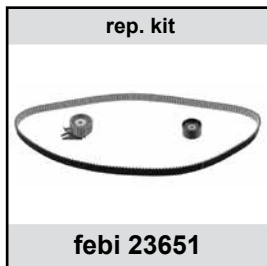
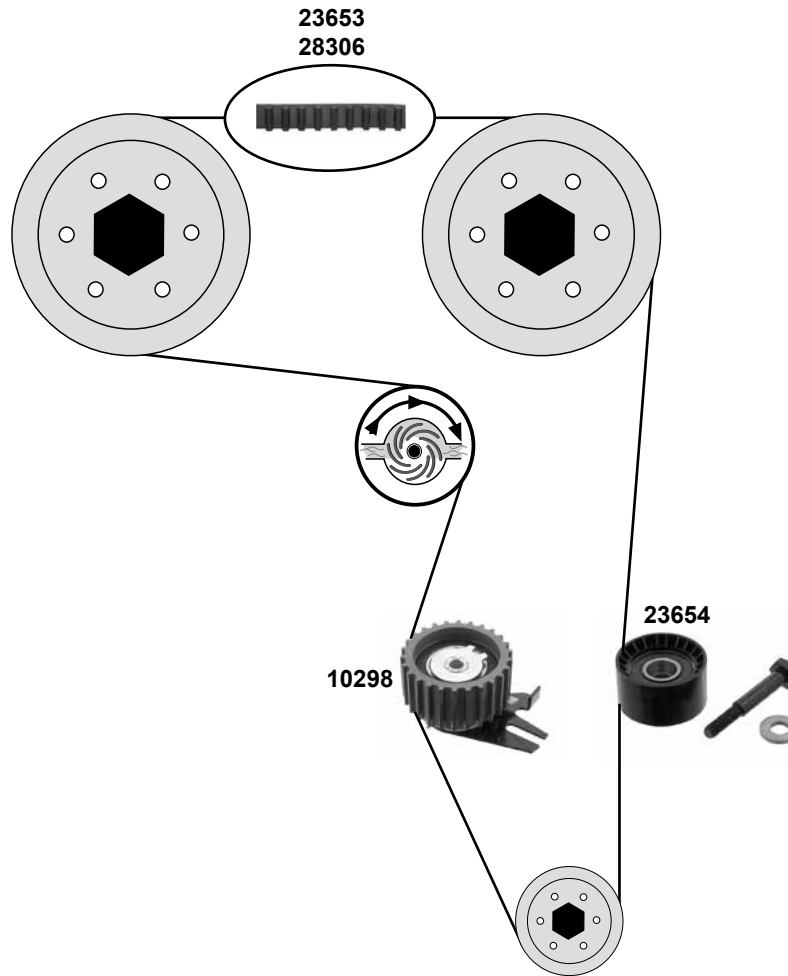
## GT (937)

(03→10)

Car  
Division



### 1,9 110kW / 125kW



- (1) → 10 (mot.) 1,9 JTD
- (2) → 10 (mot.) 1,9 JTD 110kW / 125 kW

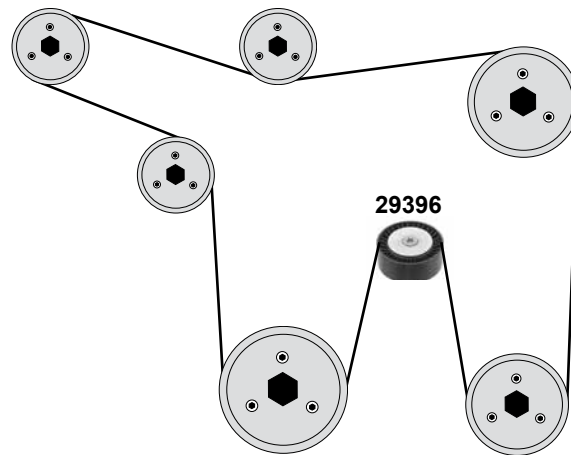
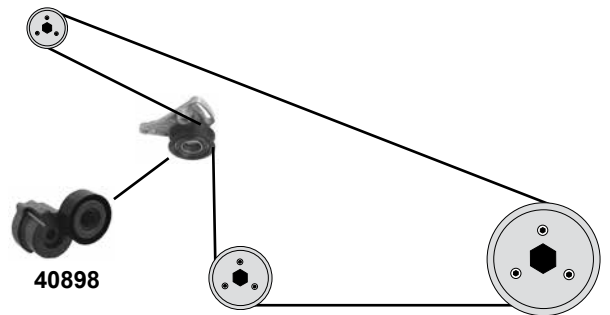
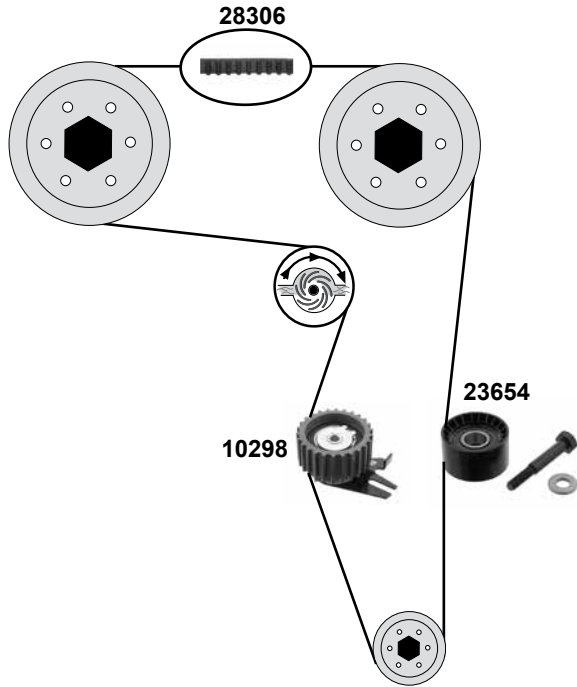


Ref. - No.



Part No.	Ref. - No.	Description	Notes	Dimensions
10298	55238027	tension roller	(1)	ØA 65 B30 Z26
22392	55180011	belt tensioner	(mot.) 1,9 16V	ØA 65 B29
23651	46791189 S1	rep. kit timing belt	(mot.) 1,9 16V	Z198 B24
23653	46791189	timing belt	(1)	Z198 B24
23654	55187100	deflection pulley	(1)	ØI 10 B29
27247	71771437	deflection pulley	AC	ØA 80 B25
28305	55183528 S1	rep. kit timing belt	(2)	B24
28306	55183528	timing belt	(1)	Z199 B24

**1,6 D (77kW)**  
**2,0 D (100kW / 103kW / 110kW / 125kW)**



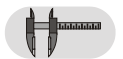
(1) →13 / (mot.) 2,0 JTDM 103kW,125kW

(2) (mot.) 1,6 77kW (mot.) 2,0 JTDM 103kW,125kW

(3) (ex.) tropische Länder / (ex.) tropical Countries



Ref. - No.



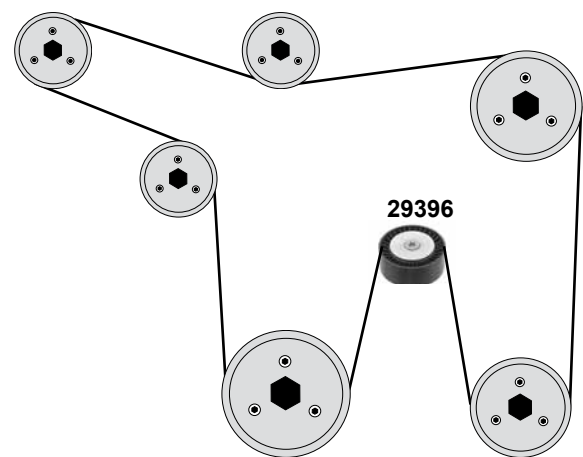
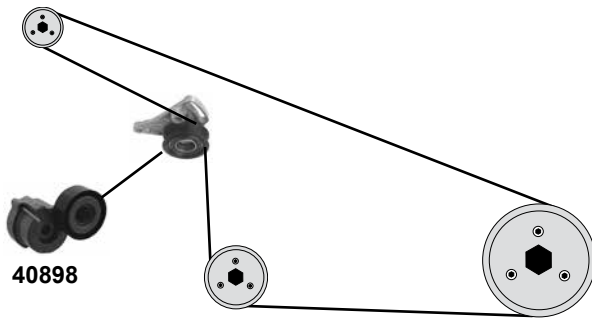
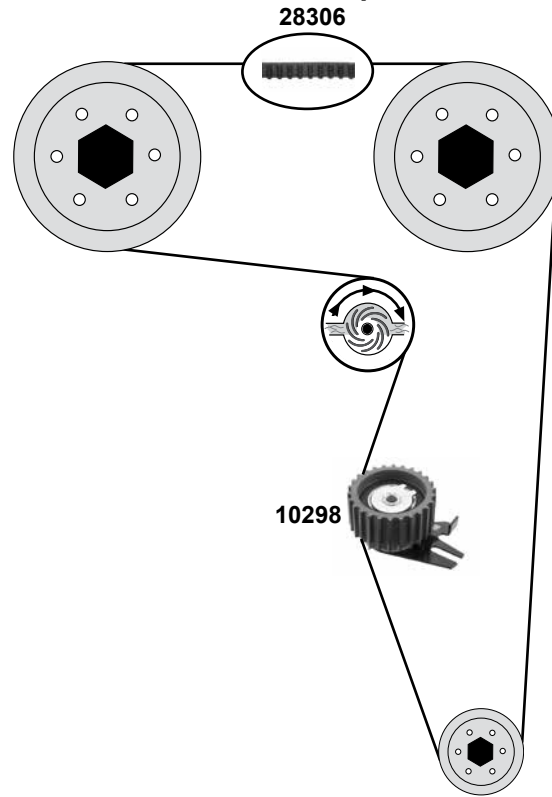
Part No.	Ref. - No.	Description	Application	Dimensions
10298	55238027	tension roller	→ 13	ØA 65 B30 Z26
23654	55187100	deflection pulley	(2)	ØI 10 B 29
28306	55183528	timing belt	(1)	Z199 B24
29396	51758383	deflection pulley	(2) →13	ØA 70 B26
40898	51820520	belt tensioner	(2) (3) →13	ØA 65 x 26





1,6 D (77kW)

2,0 D (100kW / 103kW / 110kW / 125kW)



(1) (mot.) 1,6 77kW (mot.) 2,0 JTDM 103kW,125kW

(2) (ex.) tropische Länder / (ex.) tropical Countries

(3) (mot.) 2,0 JTDM 103kW,125kW



Ref. - No.



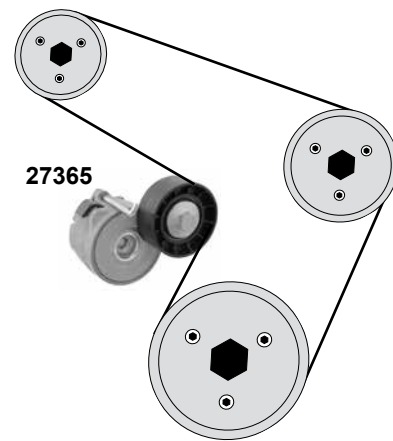
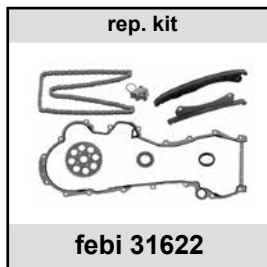
**10298** 55238027  
**28306** 55183528  
**29396** 51758383  
**40898** 51820520

tension roller  
timing belt  
deflection pulley  
belt tensioner

(3) 13→  
(1) →13  
(1) (2) 13→

ØA 65 B30 Z26  
Z 199 B24  
ØA 70 B26  
ØA 65 x 26

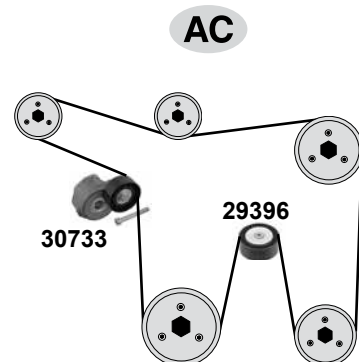
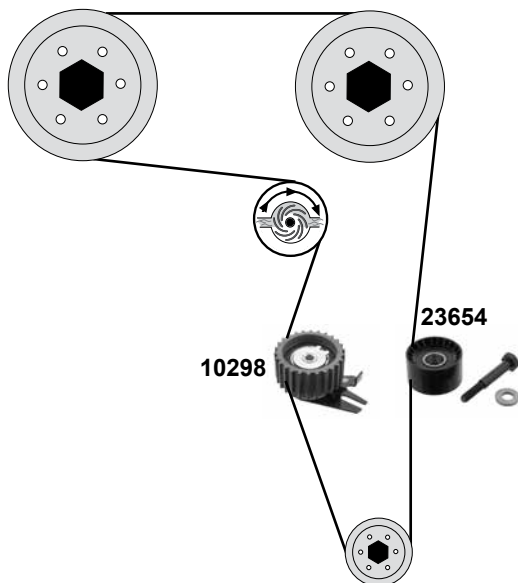
1,3 D



**MiTo (955)**  
(08→11)

1,6 D (85kW / 88kW)

1,6 D (85kW / 88kW)



Ref. - No.



10298	55238027
23654	55187100
27365	51821653
29396	51758383
30733	51773551
31622	55221385 S1

tension roller
deflection pulley
belt tensioner
deflection pulley
belt tensioner
rep. kit timing chain

88kW →11

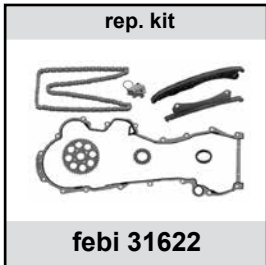
(ex.) AC →11

→11

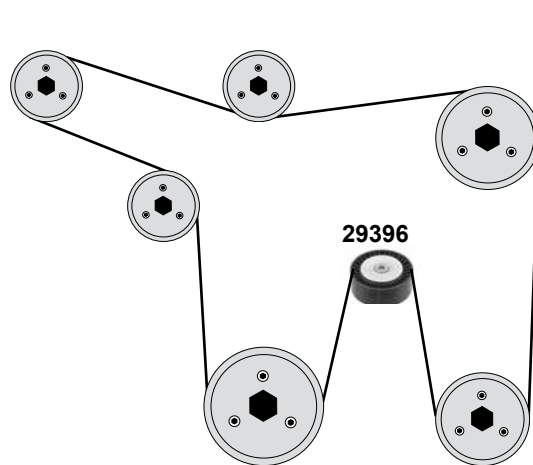
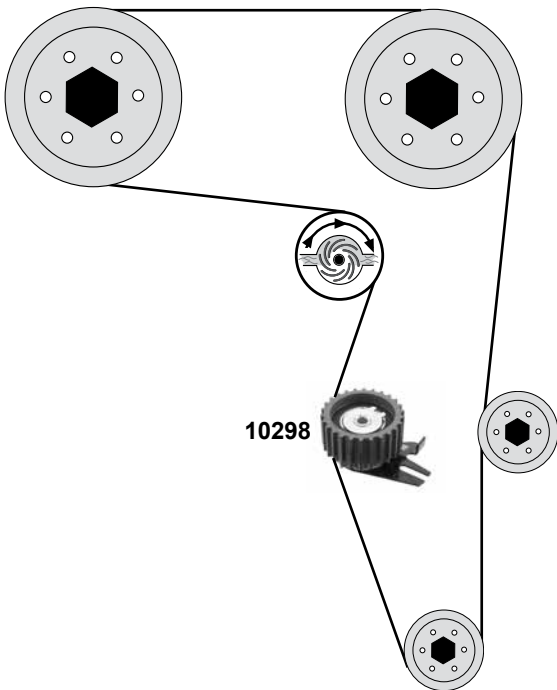
ØA 65 B30 Z26
ØI 10 B29
ØA 65 B25,5
ØA 70 B26
ØA 65



**1,3 D**



**1,6 D (85kW,88kW)**



Ref. - No.



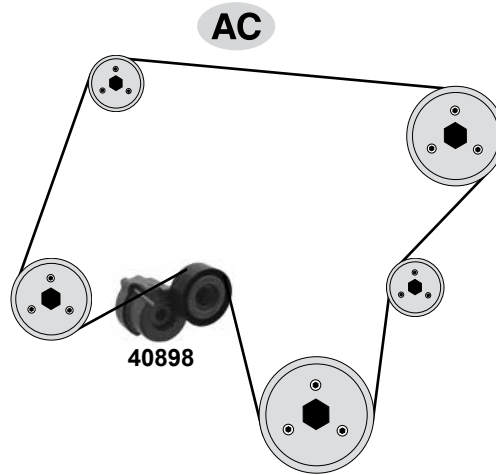
10298	55238027
29396	51758383
31622	55221385 S1

tension roller
deflection pulley
rep. kit timing chain

1,6 D 88kW

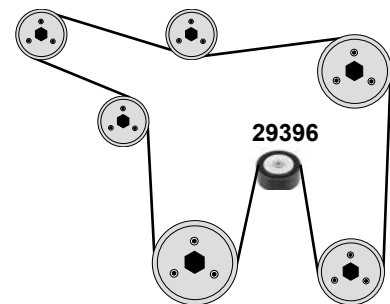
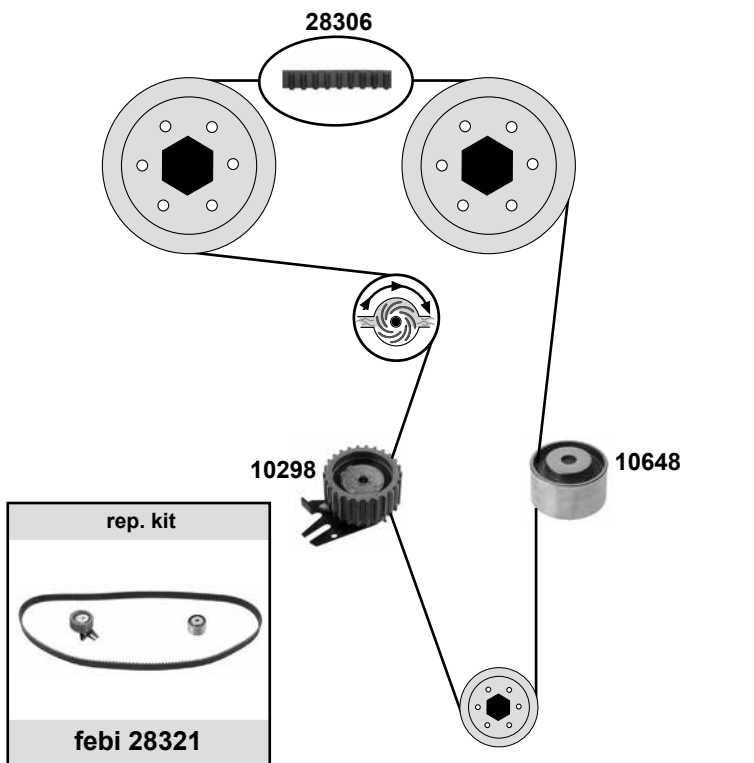
ØA 65 Z26  
ØA 70 B26

**1,6 D(88kW)**



**Spider Nuovo (939)**  
(06→10)

**2,0 D (120kW,125kW) / 2,4 D (147kW,154kW)**



(1) (ex.) tropical Countries

(2) (mot.) 2,4 JTD (147kW)



Ref. - No.



10298	55238027	tension roller	(mot.) 2,0D (120kW)	ØA 64 B40
10648	71736493	deflection pulley	(2) (147kW)	ØA 53 B29
28306	55183528	timing belt	(2)	Z199 B24
28321	55183528 S2	rep. kit timing belt	(2)	Z199
29396	51758383	deflection pulley	→10	
40898	51820520	belt tensioner	(1)	ØA 65 x 26

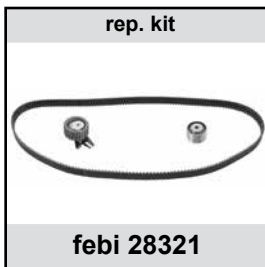
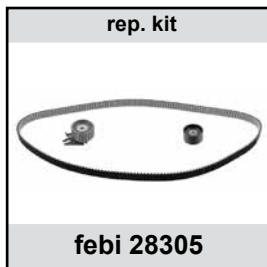
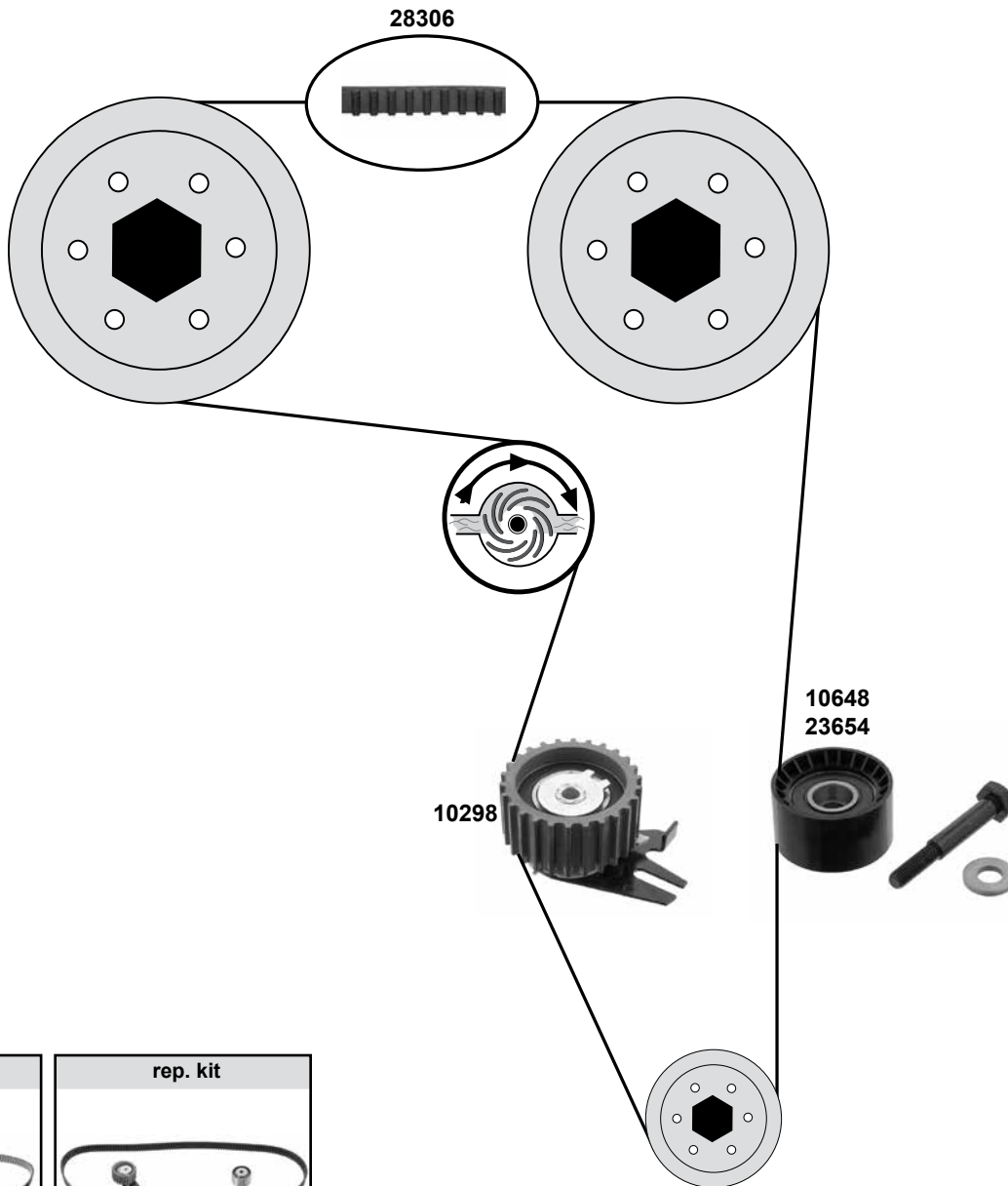
# ALFA ROMEO Spider Nuovo (939)

(06→10)

Car  
Division



2,0 JTDM / 2,4 JTDM (120kW / 125kW / 147kW / 154kW)



(1) (mot.) 2,0 JTDM 120kW

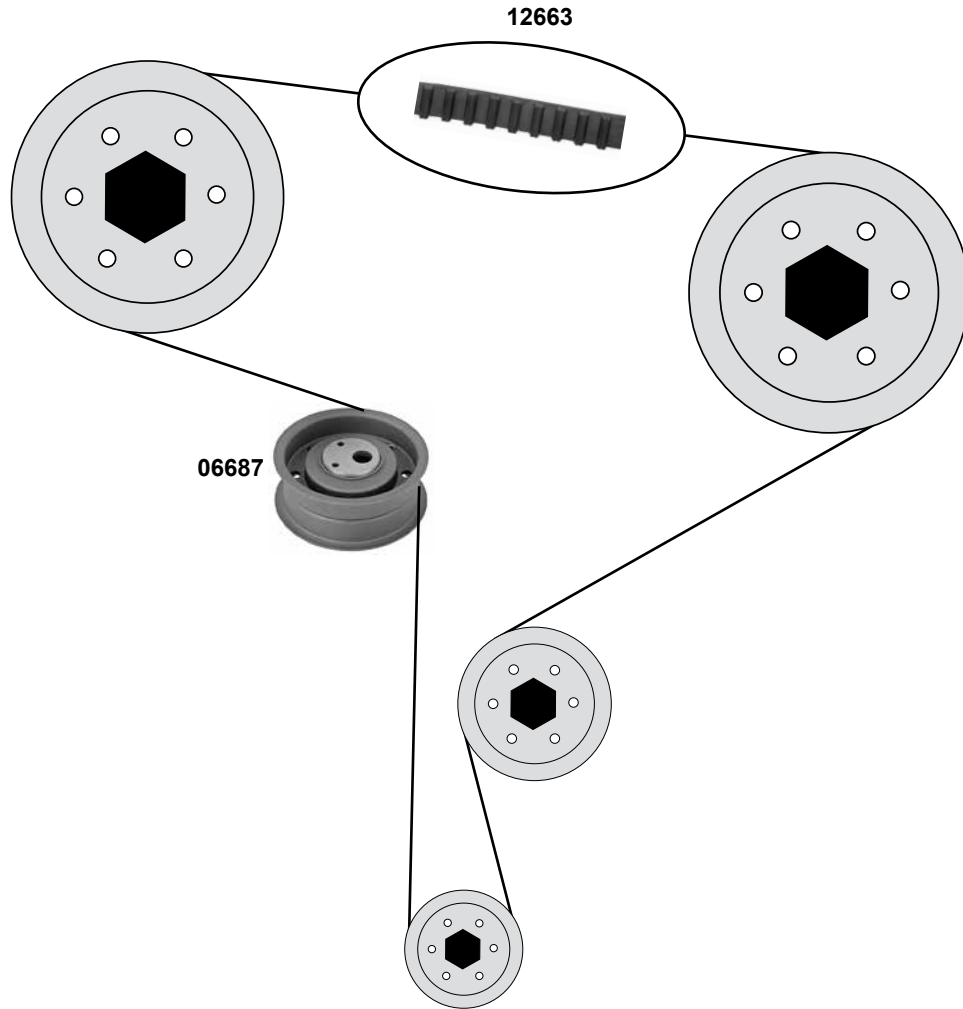
(2) (mot.) 2,0 JTDM 120kW / 2,4 JTDM 147kW, 154kW



Ref. - No.



Ref. - No.	Description	Notes	Dimensions
10298	tension roller		ØA 65 B30 Z26
10648	deflection pulley	2,4 D	ØA53 B29
23654	deflection pulley	(1) 08→	ØI 10 B29
28305	rep. kit timing belt	(1) 08→	
28306	timing belt	(2)	Z199 B24
28321	rep. kit timing belt	(ex.) 125kW	



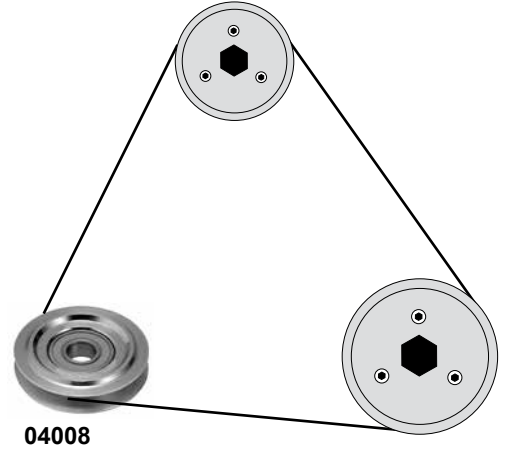
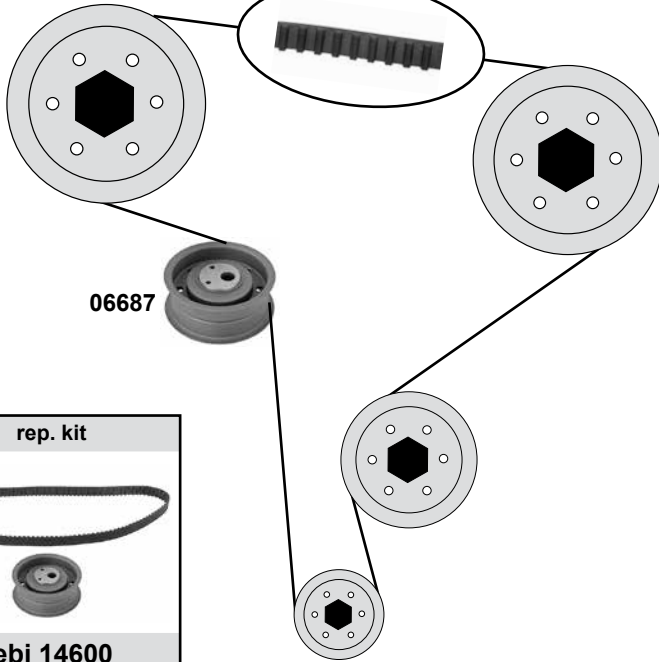
**AUDI**  
**80 / 90 (81)**  
 (87→92)

Car  
 Division 



**1,6 D / 1,6 TD**  
 (JK / RA / SB)

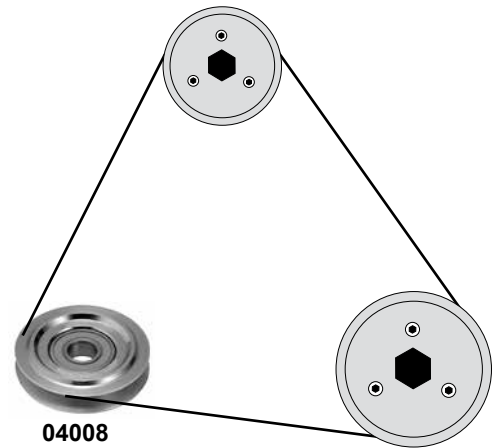
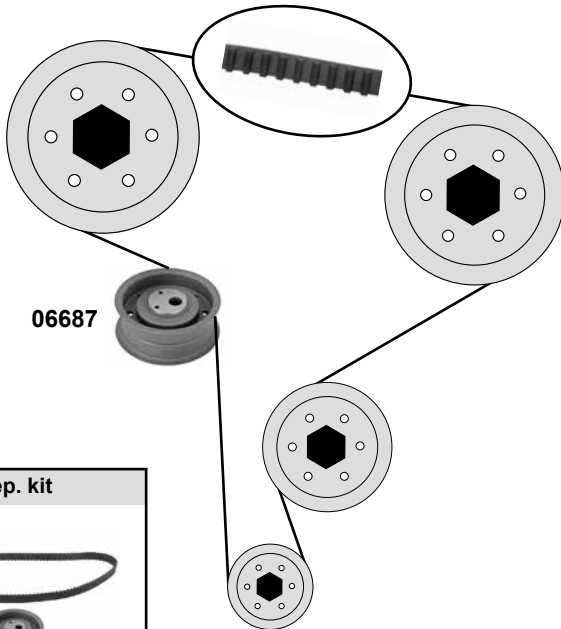
12663



04008

**1,9 TD**  
 (1Y)

11039



04008



Ref. - No.

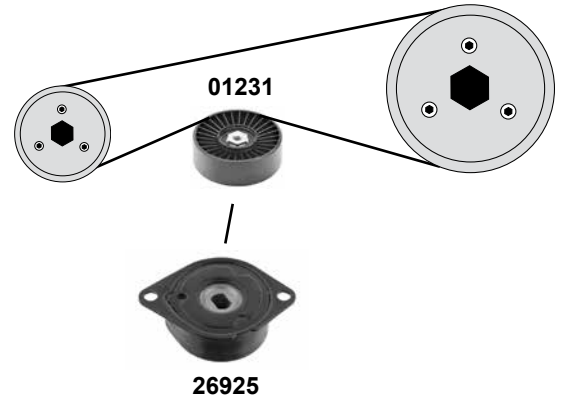
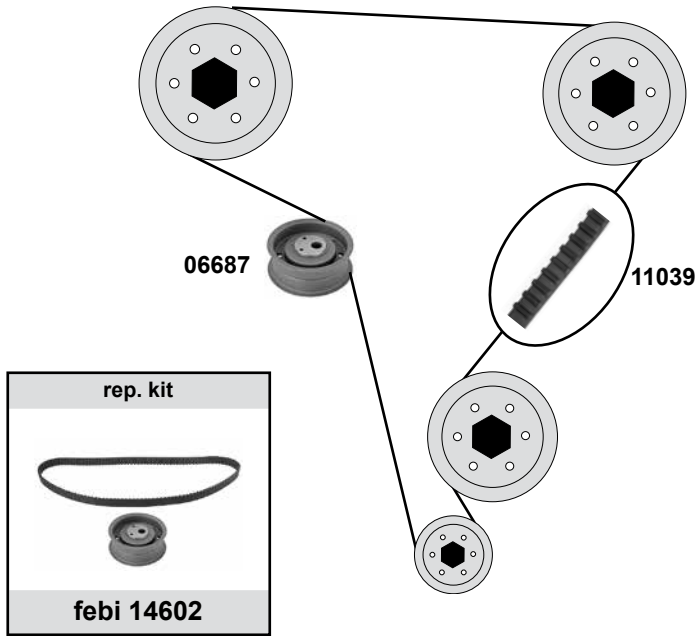


04008	068 260 940	deflection pulley	AC	ØA 46 ØI 15 B13
06687	068 109 243 F	tension roller		ØA 72 ØI 10 B33
11039	028 109 119 P	timing belt		Z 137 B25,4
12663	068 109 119 E	timing belt		Z 135 B25
14600	068 109 119 E S1	rep. kit timing belt		Z 135
14602	028 109 119 P S	rep. kit timing belt		Z 137

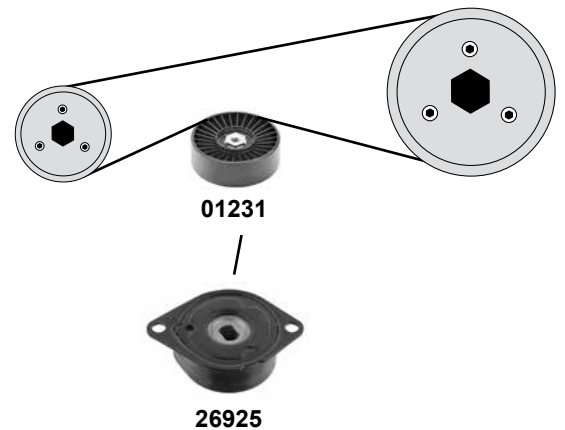
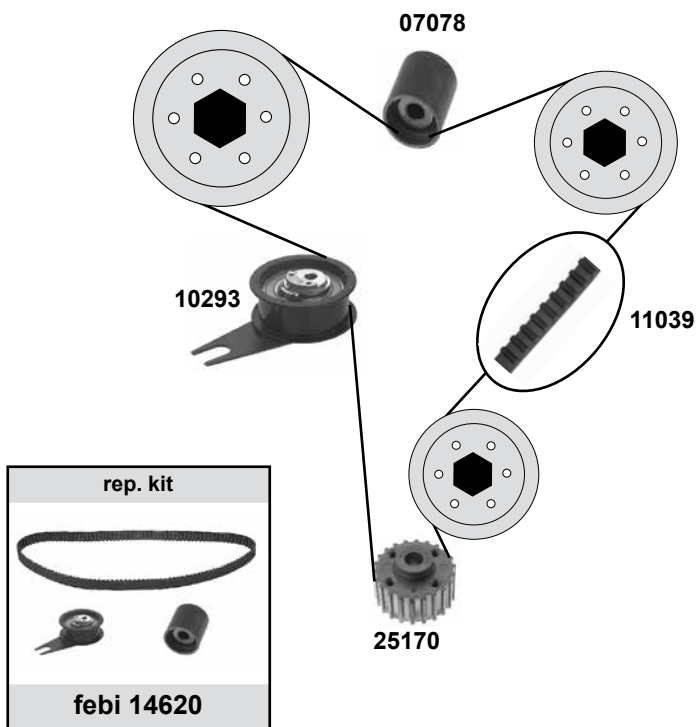




(mot.) AAZ → 552 765



(mot.) 1Z → 289 575



Ref. - No.



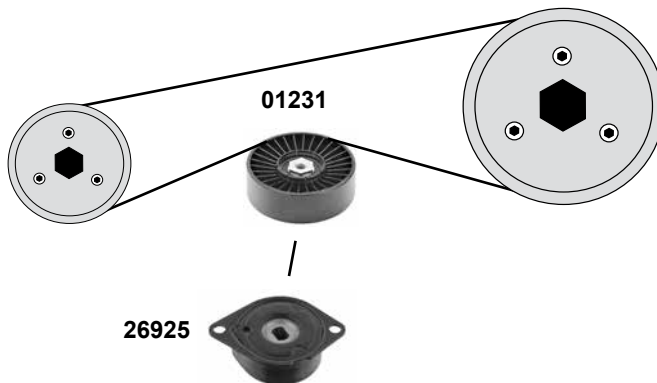
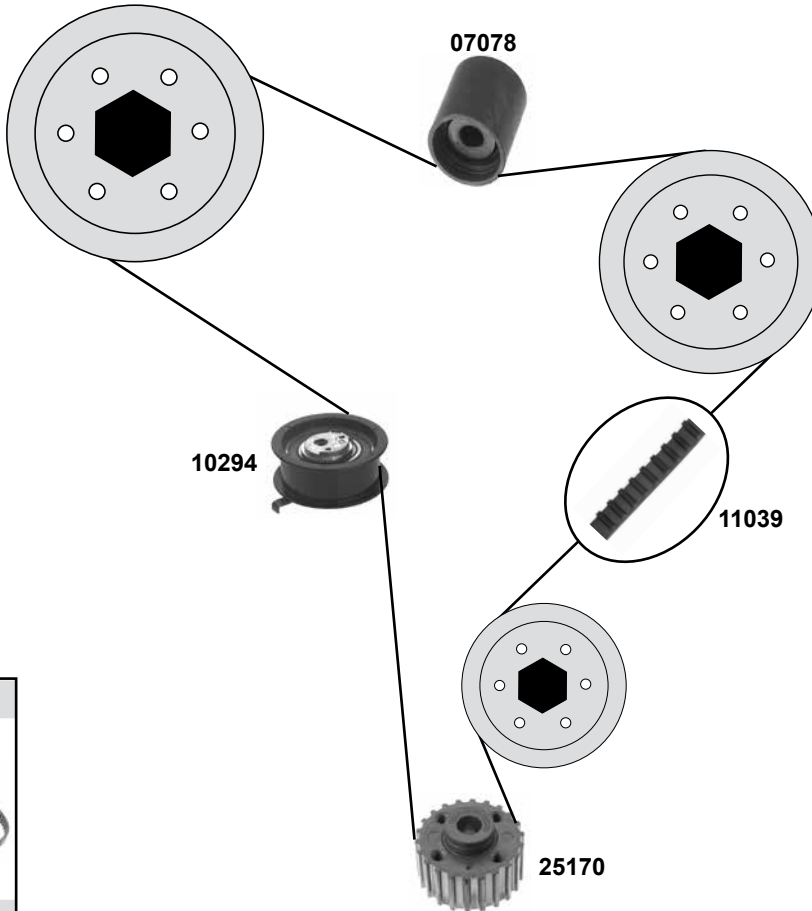
<b>01231</b>	028 145 278 E
<b>06687</b>	068 109 243 F
<b>07078</b>	028 109 244
<b>10293</b>	028 109 243
<b>11039</b>	028 109 119 P
<b>14602</b>	028 198 119
<b>14620</b>	028 198 119
<b>25170</b>	028 105 263 D
<b>26925</b>	028 903 315 R

deflection pulley
tension roller
deflection pulley
tension roller
timing belt
rep. kit timing belt
rep. kit timing belt
crankshaft gear
tension roller

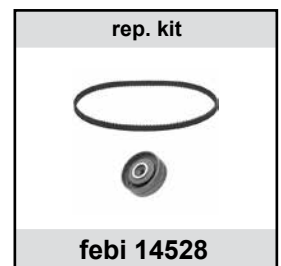
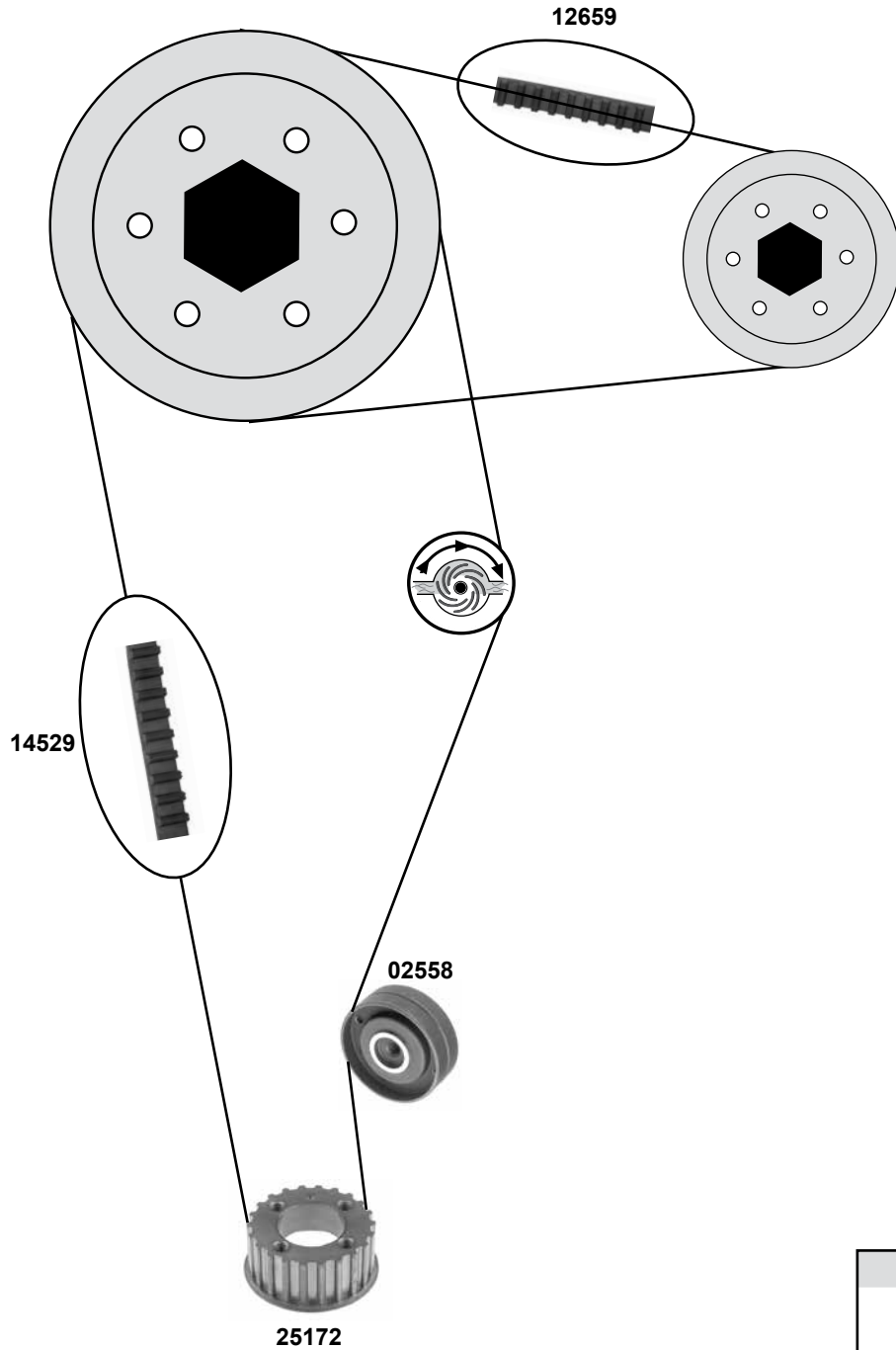
ØA 78 ØI 8 B26
ØA 72 ØI 10 B27
ØA 28 ØI 8 B31,5
ØA 67 B25
Z 137 B 25,4
Z 137
Z 137
Z 22

**1,6 D / 1,6 TD**  
 (JK / RA / SB)

(mot.) AAZ 552 766 →  
 (mot.) 1Z 289 576 →

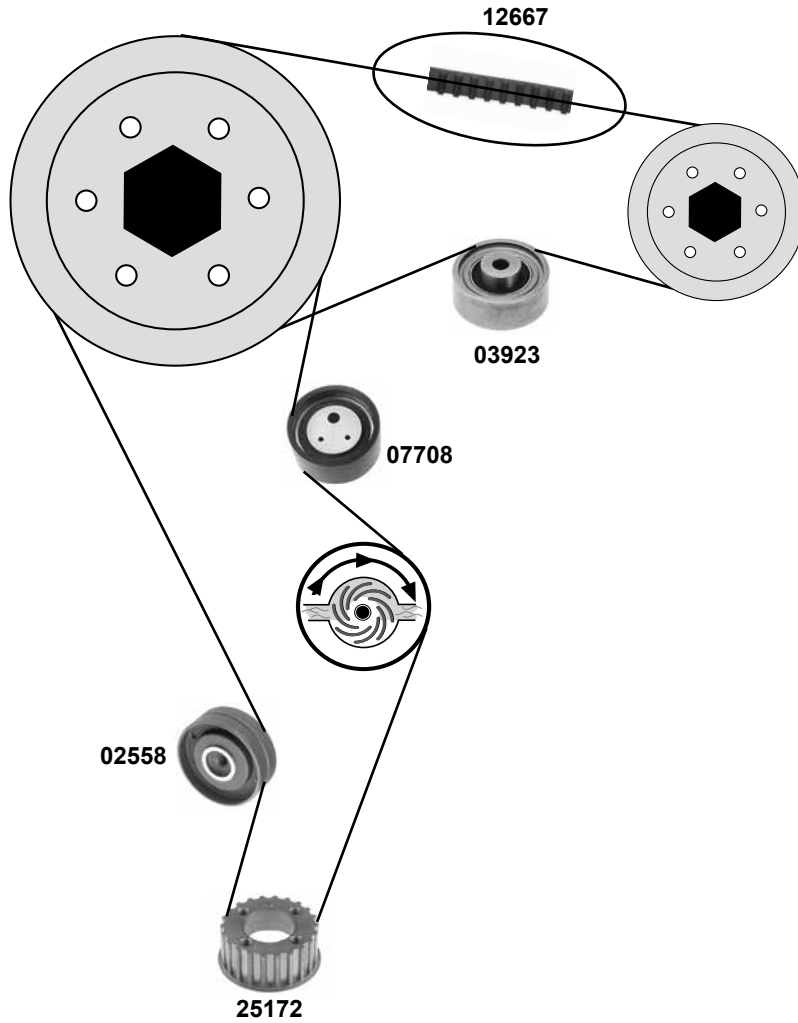


	Ref. - No.			
<b>01231</b>	028 145 278 E	deflection pulley	(mot.) 1Z	ØA 78 B26
<b>07078</b>	028 109 244	deflection pulley		ØA 28 ØI 8 B31,5
<b>10294</b>	028 109 243 F	tension roller		ØA 67 B25
<b>11039</b>	028 109 119 P	timing belt		Z 137 B25,4
<b>14626</b>	028 198 119 C	rep. kit timing belt		Z 37 B25,05
<b>25170</b>	028 105 263 D	crankshaft gear		Z 22
<b>26925</b>	028 903 315 R	tension roller		



	Ref. - No.			
<b>02558</b>	069 109 243 B	deflection pulley		
<b>12659</b>	069 130 113 A	timing belt	(ex.) (mot.) NC	ØA 74 B27 ØI 27
<b>14529</b>	075 109 119 B	timing belt		Z 75 B20
<b>25172</b>	069 105 263	crankshaft gear	(ex.) (mot.) NC	Z 119 B25,4
<b>14528</b>	075 109 119 B	timing belt		Z 22
				Z 119 B25,4

**2,4 D**  
 (AAS)



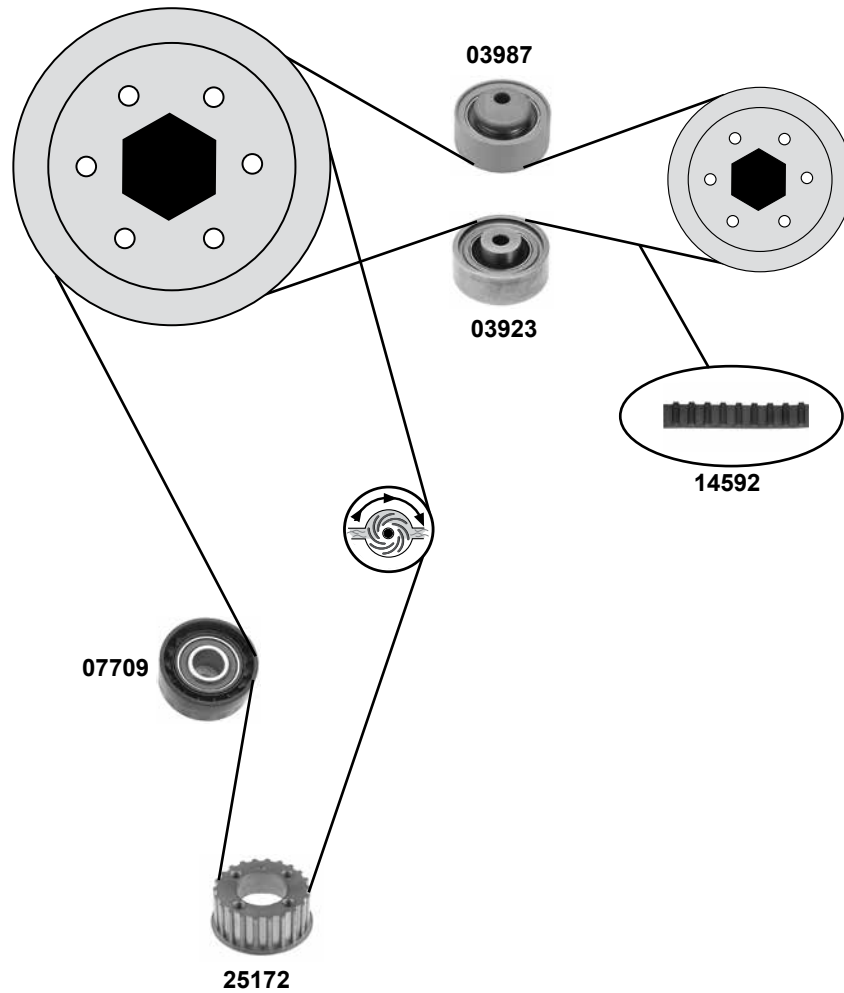
Ref. - No.



<b>02558</b>	069 109 243 B
<b>03923</b>	046 130 195 B
<b>07708</b>	074 109 243 B
<b>12667</b>	074 130 113
<b>25172</b>	069 105 263

deflection pulley
deflection pulley
tension roller
timing belt
crankshaft gear

ØA 74 B27 Øl 27
ØA 64,5 B24,5
ØA 63 B28
Z 77 B20
Z 22



Ref. - No.



<b>03923</b>	046 130 195 B
<b>03987</b>	046 130 195 B
<b>07709</b>	074 109 243 A
<b>14592</b>	046 198 113
<b>25172</b>	069 105 263

deflection pulley
tension roller
deflection pulley
timing belt
crankshaft gear

ØA 64,5 ØI 10 B24,5
ØA 60 B24
ØA 71 ØI 22 B28
Z 80 B0,07
Z 22

# AUDI 100 (4A)

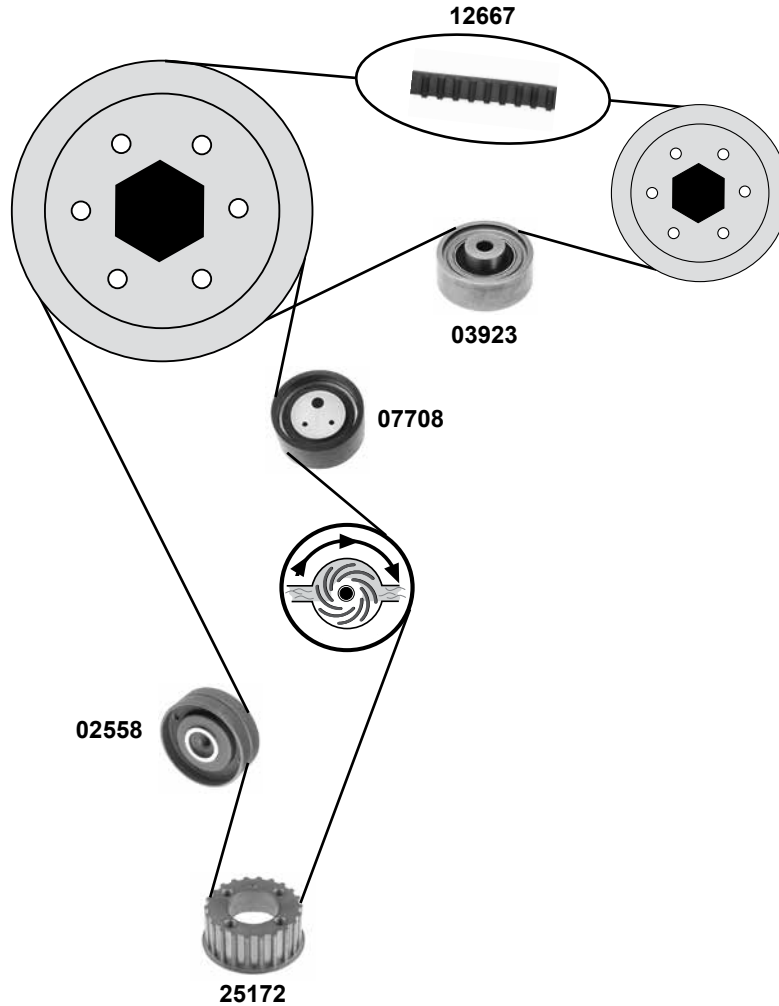
(91→94)

Car  
Division



## 2,4 D

(AAS)



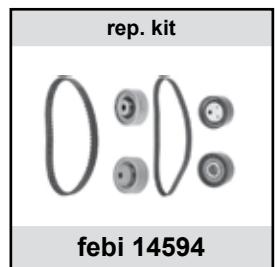
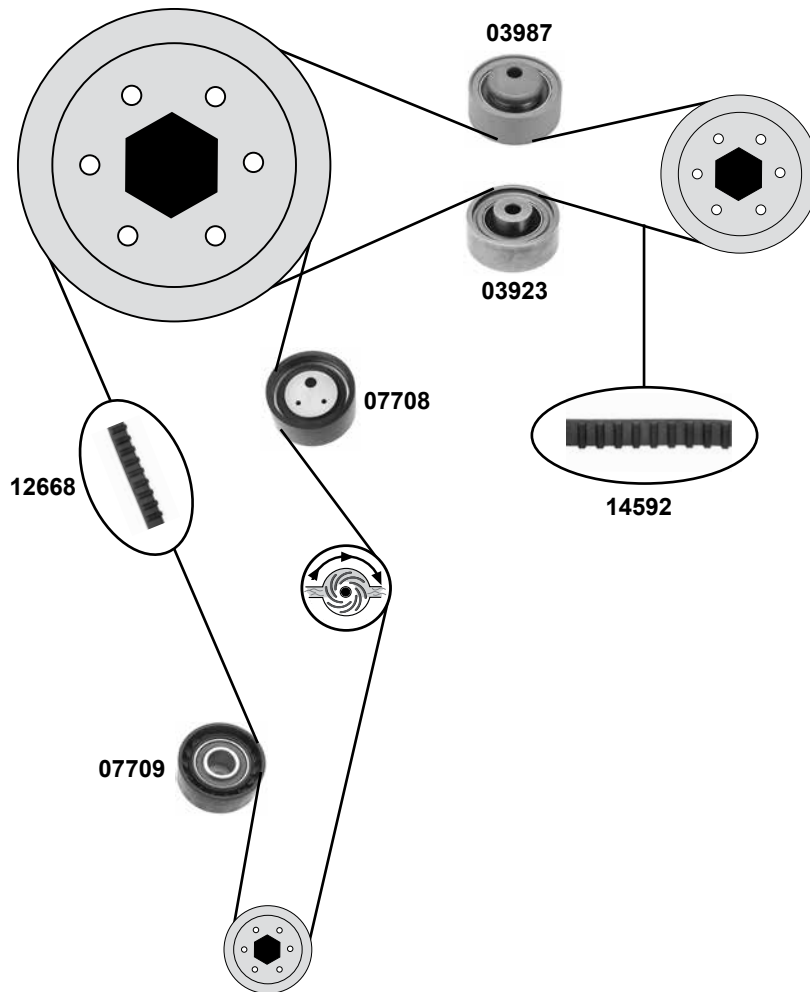
Ref. - No.



<b>02558</b>	069 109 243 B
<b>03923</b>	046 130 195 B
<b>07708</b>	074 109 243 B
<b>12667</b>	074 130 113
<b>25172</b>	069 105 263

deflection pulley  
deflection pulley  
tension roller  
timing belt  
crankshaft gear

ØA 74 B27 ØI 27  
ØA 64,5 B24,5  
ØA 63 B28  
Z 77 B20  
Z 22



	Ref. - No.			
<b>03923</b>	046 130 195 B	tension roller		ØA 64,5 ØI 10 B24,5
<b>03987</b>	046 130 195 B	tension roller		ØA 60 ØI 10 B24
<b>07708</b>	074 109 243 B	tension roller		ØA 63 B28
<b>07709</b>	074 109 243 A	deflection pulley		ØA 71 ØI 22 B28
<b>12668</b>	074 109 119 H	timing belt		Z 124 B26,5
<b>14592</b>	046 198 113	timing belt		Z 80 B0,07
<b>14594</b>	074 109 119 H S2	rep. kit timing belt		Z 80 Z 124

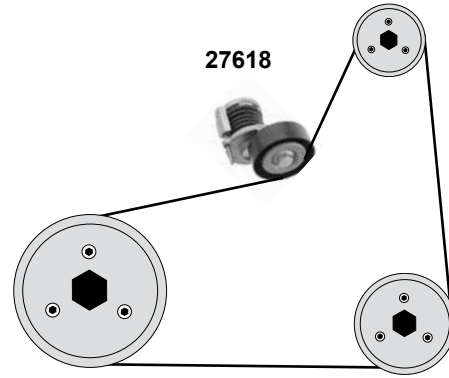
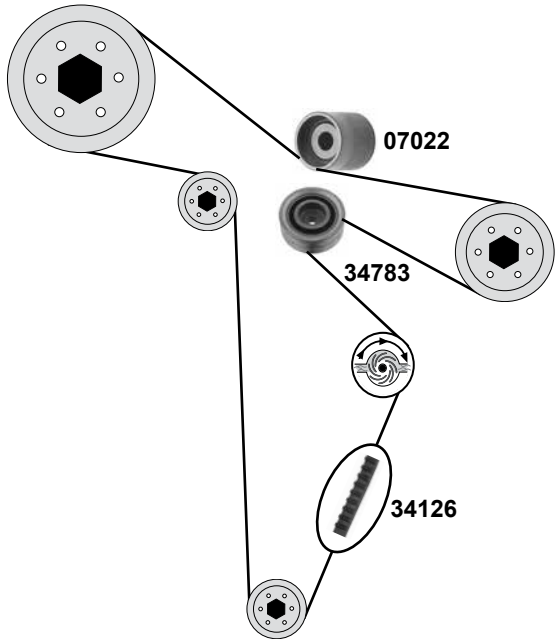


**AUDI**  
**A1 (8x)**  
(10→)

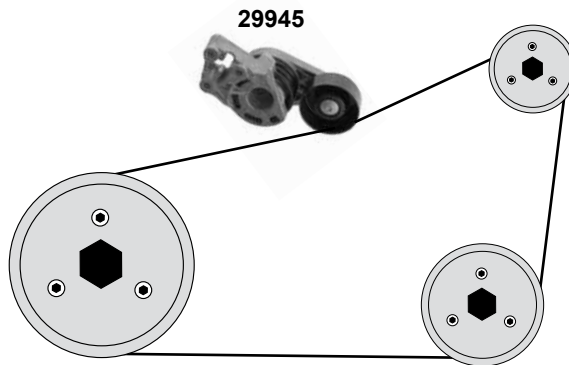
Car  
Division 







**1,6 / 2,0 TDI**  
(CAYC/CAYB/CFHB/CFHD)



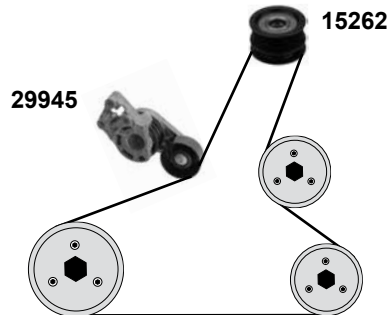
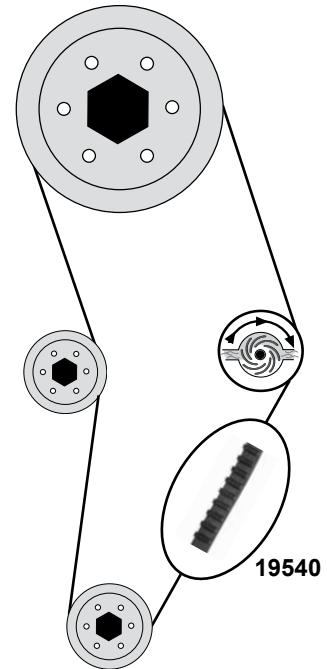
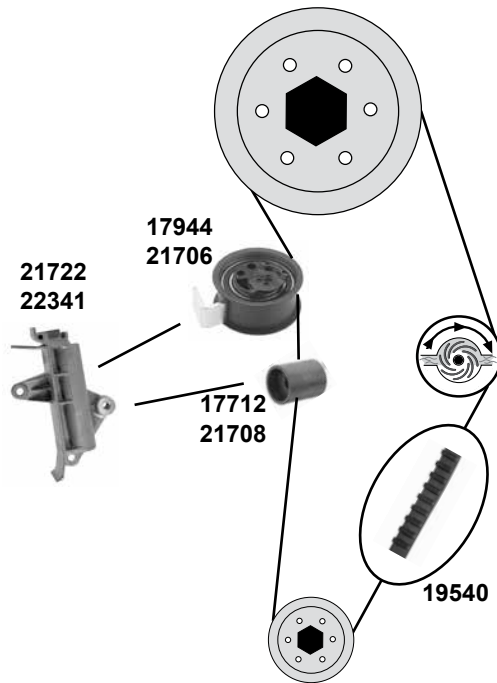
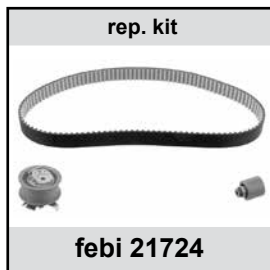
**A2 (8Z)**  
(00→05)  
**1,2 / 1,4 TDI**  
(ANY / AMF / BHC / ATL)



	Ref. - No.			
<b>07022</b>	03L 109 244 D	deflection pulley	11 →	ØA 28 ØI 8 B29
<b>27618</b>	038 903 315 AH	belt tensioner	<b>AC</b>	ØA 70 B24
<b>29945</b>	045 903 315 A	belt tensioner		
<b>34126</b>	03L 109 119 C	timing belt	11 →	Z 160 B25
<b>34783</b>	03L 109 244	deflection pulley		ØA 80 B30

**1,2 / 1,4 TDI**  
(AMF / ANY)

**1,4 TDI**  
(BHC / ATL)



- (1) ANY / AMF (ch.) → 8Z-2-017000
- (2) BHC / ATL / AMF (ch.) 8Z-2-017001 →
- (3) AMF (ch.) 8Z-2-017001 → 8Z-2-024000



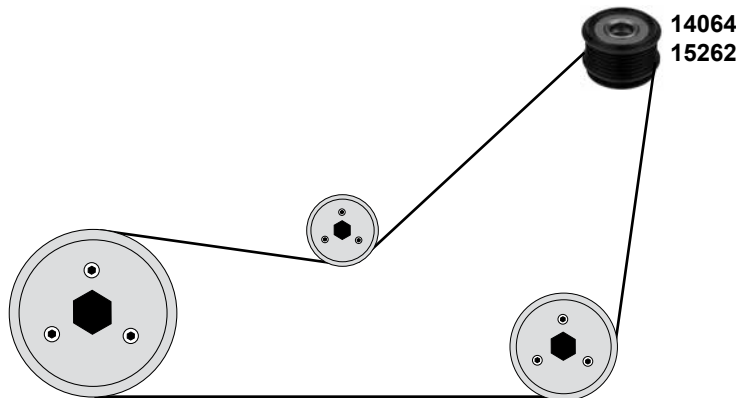
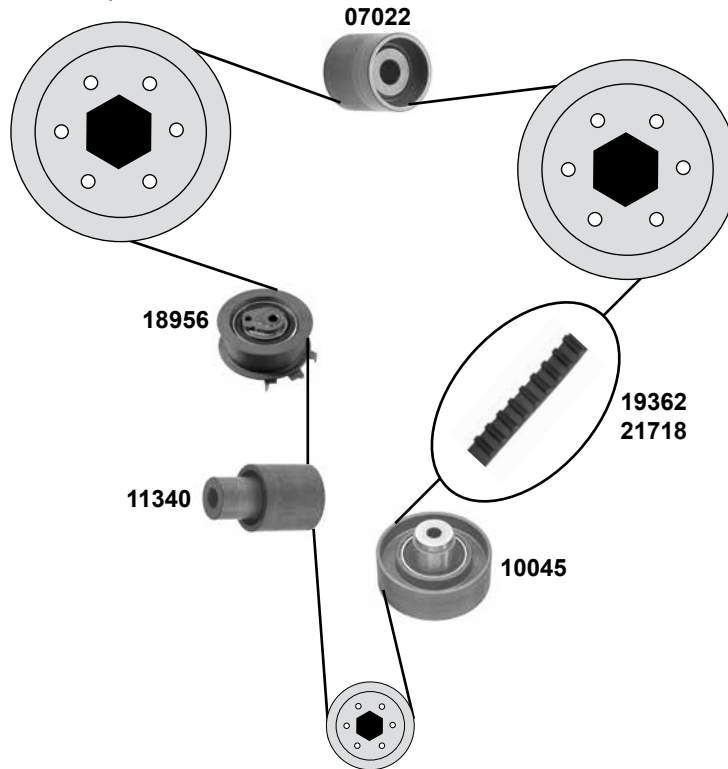
Ref. - No.



Ref. - No.	Description	Quantity	Part Number
15262	belt pulley alternator	(1)	ØA 61 ØI 17 H41
17712	deflection pulley	(1)	ØA 28 ØI 8 B34
17944	tension roller	(1)	ØA 72 B31 / 35
19540	timing belt	(ex.) ANY	Z 120 B30
21706	tension roller	(3)	ØA 68 B31,5
21708	deflection pulley	(2)	ØA 40 ØI 37 B35
21722	belt tensioner	AMF → 8Z-2-017000	
21724	rep. kit timing belt	(3)	
21726	rep. kit timing belt	(1)	Z 120 B30
22341	belt tensioner	ANY	
29945	belt tensioner		



**1,9 TDI**  
(ALH / AHL / ASV / AGR / AHF)



(1) (mot.) ALH → 500 000  
(mot.) ASV → 150 000  
(mot.) AHF → 595 000

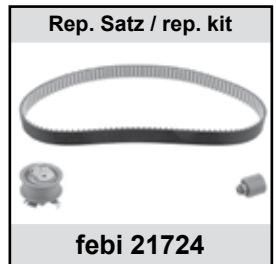
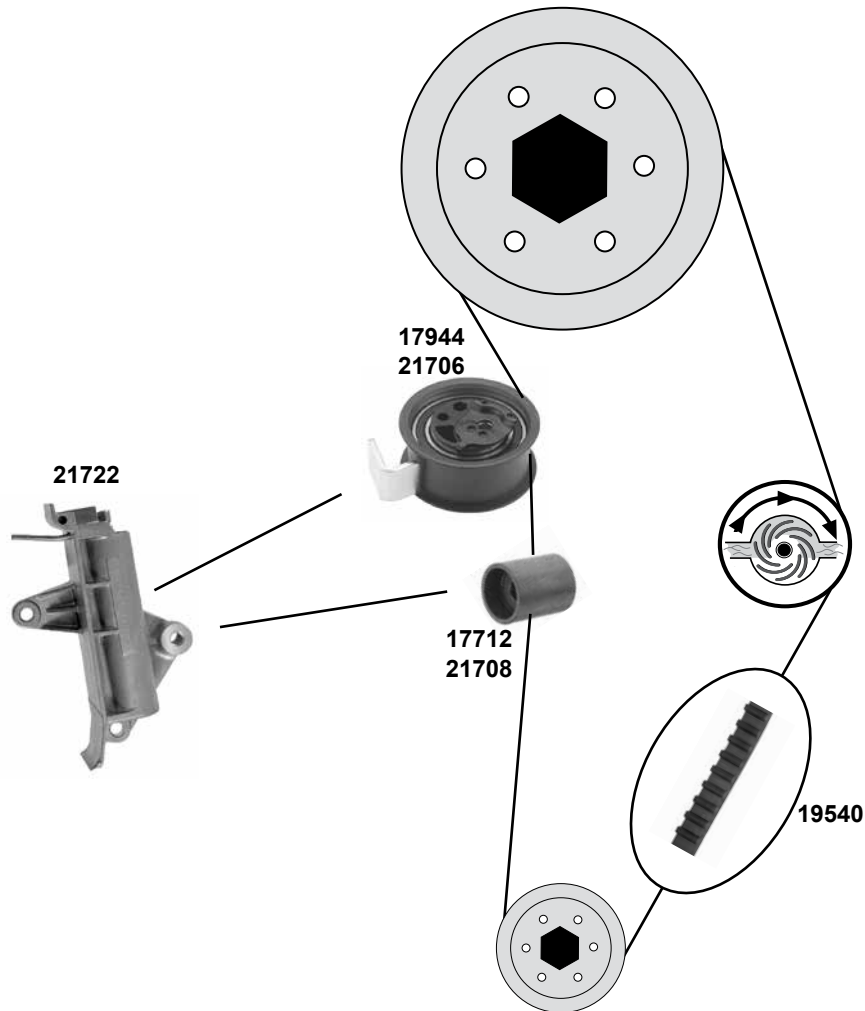
(2) (mot.) ALH 500 001 →  
(mot.) ASV 150 001 →  
(mot.) AHF 595 001 →  
(mot.) AGR 044 442 →



Ref. - No.



<b>07022</b>	058 109 244	deflection pulley	(ex.) AHL	ØA 28 ØI 8 B29
<b>10045</b>	038 109 244 M	deflection pulley		ØA 80 ØI 10 B29
<b>11340</b>	038 109 244 E	deflection pulley		ØA 28 ØI 10 B29
<b>14064</b>	038 903 119	belt pulley alternator	(ch.) → 8L-W-095 000	ØA 61 ØI 17 H40,4
<b>15262</b>	022 903 119 C	belt pulley alternator	(ch.) 8L-W-095 001 →	ØA 61 ØI 17 H41
<b>18956</b>	038 109 243 N	tension roller	<b>NEW</b>	ØA 68 ØI 8 B25
<b>19362</b>	038 109 119 D	timing belt	(1)	Z 141 B25,4
<b>21718</b>	038 109 119 M	timing belt	(2)	Z 141 B25
<b>21720</b>	038 198 119 E	rep. kit timing belt	(2)	Z 141 B25



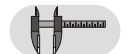
(1) (mot.) ATD → 165 000  
(mot.) ASZ → 115 000

(2) (mot.) ATD 165 001 →  
(mot.) ASZ 115 001 →

(3) 085 001 → / 115 001 → / 165 001



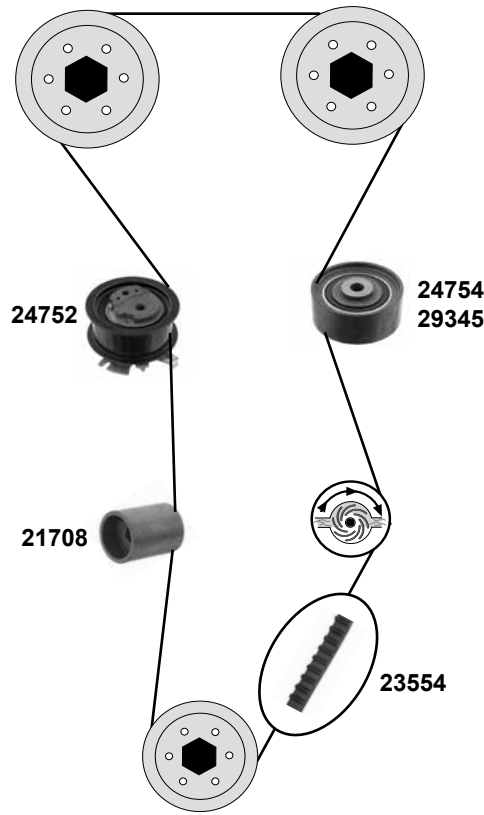
Ref. - No.



Ref. - No.	Description	Quantity	Part Number
17712	deflection pulley	(1)	ØA 28 ØI 8 B34
17944	tension roller	(1)	ØA 72 B31 / 35
19540	timing belt	(ch.)	Z 120 B30 → 8L-3-085000
21706	tension roller	(2)	ØA 68 B31,5
21708	deflection pulley	(2)	ØA 40 ØI 37 B35
21722	belt tensioner	(1)	
21724	rep. kit timing belt	(3)	Z 120 B 30
21726	rep. kit timing belt	(1)	Z 120 B30

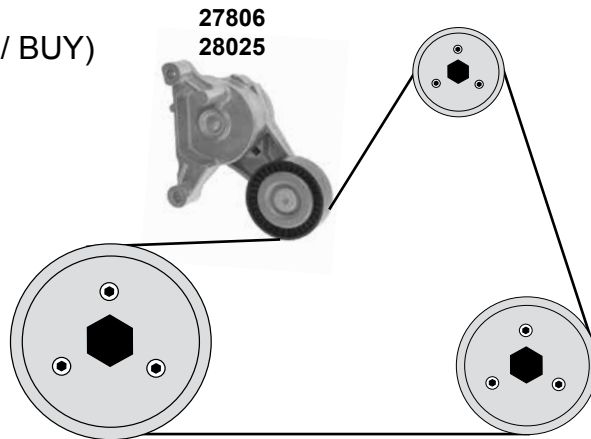
**2,0 TDI**

(BKD/AZV/BMN/BUY/BMM/CBAA/CBAB/CBBB/CFFA/CFFB/CFGB/CLJA)



**2,0 TDI**

(BMM/ BKD / AZV / BMN / BUY)



(1) (mot.) AZV/BKD (ch.) →8P-7-136 804  
für/for OE 03G 903 139A / →08

(2) (mot.) AZV/BKD 15/01/07 →  
(mot.) BMN/BUY

(3) (mot.) AZV/BKD/CBAA/CBAB/CBBB / 04→10

(4) (mot.) AZV/BKD/BMN/BUY 04→

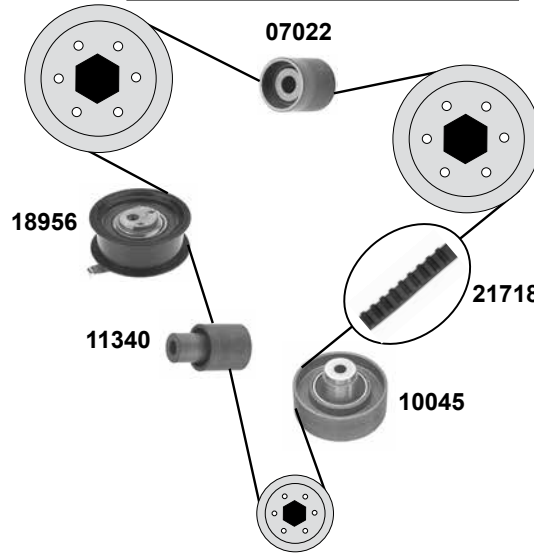


Ref. - No.



21708	038 109 244 J	deflection pulley		ØA 40 ØI 37 B35
23554	03G 109 119	timing belt	(mot.) AZV/BKD 04→	Z 141 B30
24752	03G 109 243	tension roller	(4)	ØA 68 ØI 8 B36
24754	03G 109 244	deflection pulley	(3)	ØA 80 ØI 10 B34
24756	03G 198 119	rep. kit timing belt	(1)	Z 141 B 30
27806	03G 903 315 A	Tensioner Assembly	(4)	ØA 70 H 25
28025	03G 903 315 C	Tensioner Assembly	(mot.) BMM →10	ØA 70 B24
29345	03G 109 244 A	deflection pulley	(2)	ØA 80 B34,3
30580	03G 198 119 A	rep. kit timing belt	(2)	Z 141 B30

(mot.) 006 066 / 044 442→



Rep. Satz / rep. kit

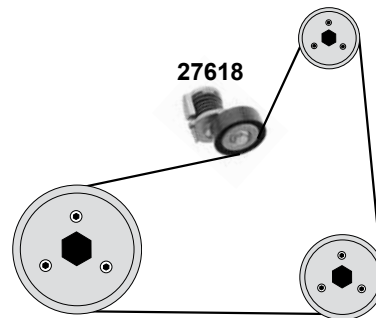
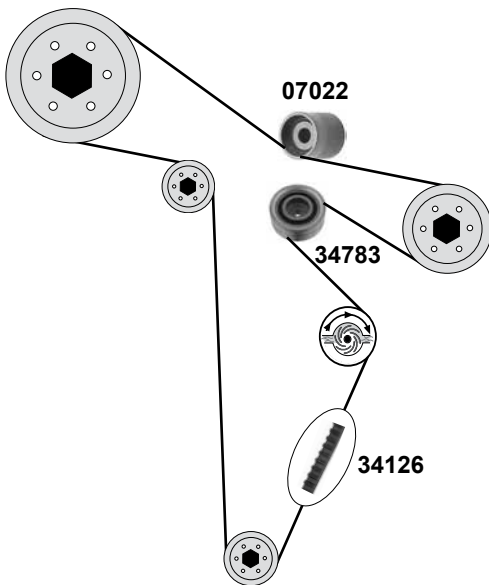


febi 21720

**A3 / S3 / sportb. / quattro / Cabrio (8P)**  
(03→)

**1,6 / 2,0 TDI**

(CFFB/CFFA/CFGB/CLJA/CAYB/CAYC/CBAA/CBAB/CBBB)



	(1) A3/S3/sportb./quattro A3 cabrio	09→ 08→	(mot.) CFFB/CFFA/CFGB/CLJA/CAYB/CAYC (mot.) CFFA/CFFB/CFGB
	(2) A3/S3/sportb./quattro A3 cabrio	09→ 08→	(ex.) (mot.) CBAA/CBAB/CBBB (mot.) CAYC/CFFA/CFFB
	(3) A3/sportb./quattro A3 cabrio	03→ 08→	(mot.) CAYB/CAYC/CFFA/CFFB/CFGB/CLJA (mot.) CAYC/CFFA/CFFB
	(4) A3/sportb./quattro A3 cabrio	08→ 08→	(mot.) CAYB/CAYC/CBAA/CBAB/CBBB/PR-9AK/9AP (mot.) CAYC/CBAA/CBAB/PR-9AK/9AP



Ref. - No.



Part No.	Ref. - No.	Description	Quantity	Dimensions
07022	03L 109 244 D	deflection pulley	(2)	ØA 28 ØI 8 B29
10045	038 109 244 M	deflection pulley		ØA 80 ØI 10 B29
11340	038 109 244 E	deflection pulley		ØA 28 ØI 10 B29
18956	038 109 243 N	tension roller		ØA 68 ØI 8 B 25
21718	038 109 119 M	timing belt		Z 141 B25
21720	038 198 119 E	rep. kit timing belt		Z 141 B25
27618	038 903 315 AH	belt tensioner	(4)	ØA 70 B24
34126	03L 109 119 C	timing belt	(1)	Z 160 B25
34783	03L 109 244 J	deflection pulley	(3)	

# AUDI A3 / S3 / sportback/quattro/cabrio (8P)

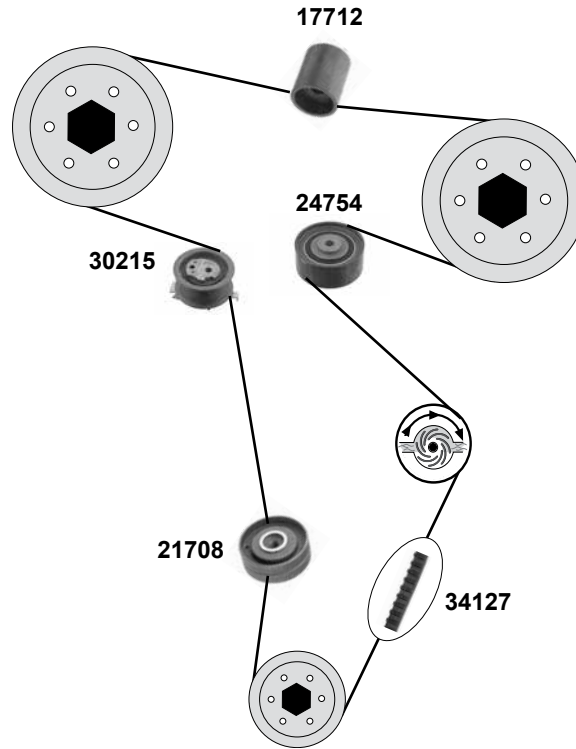
(08→)

Car  
Division



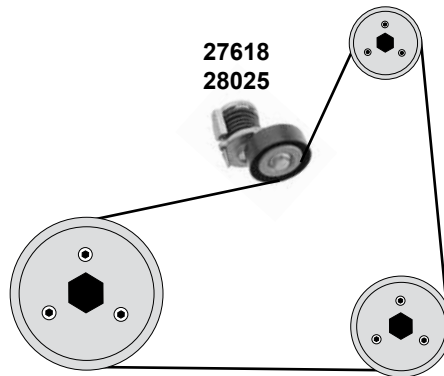
## 2,0 TDI

(CBAA/CBAB/CBBB)



## 1,9 / 2,0 TDI

(BKC/BXE/BLS/BMM/CBAA/CBAB/CBBB)

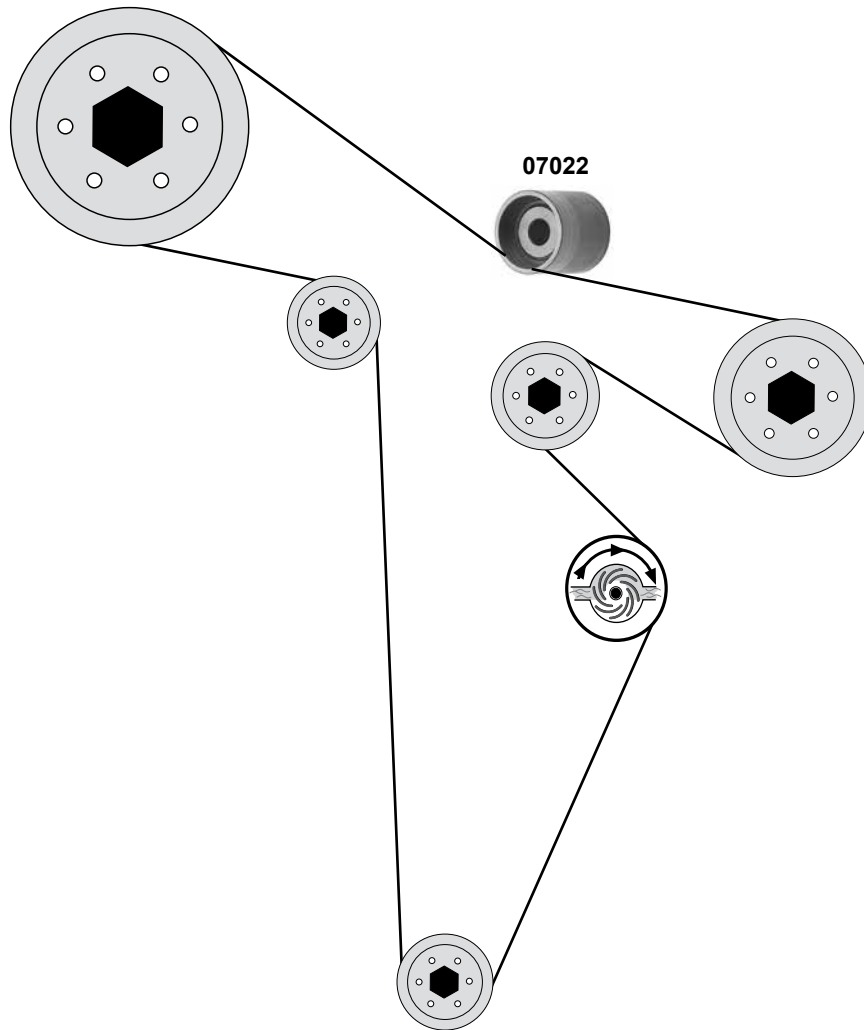


Ref. - No.

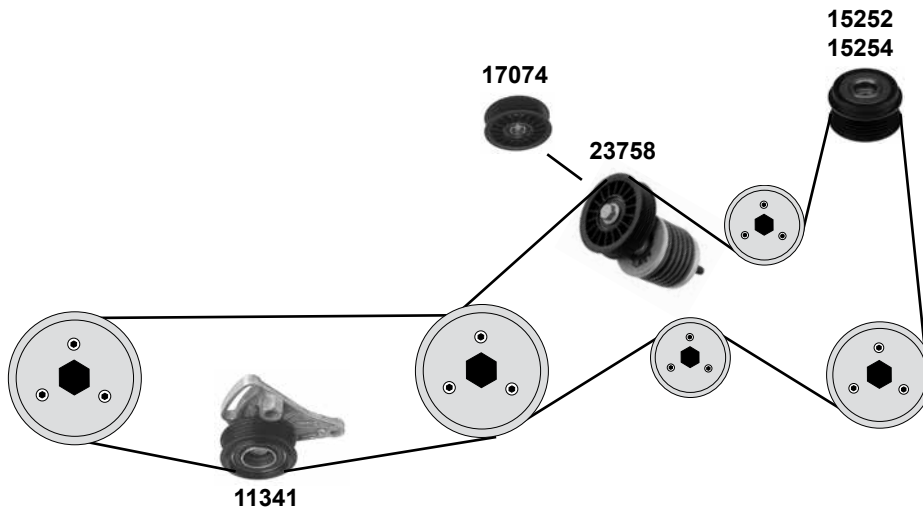
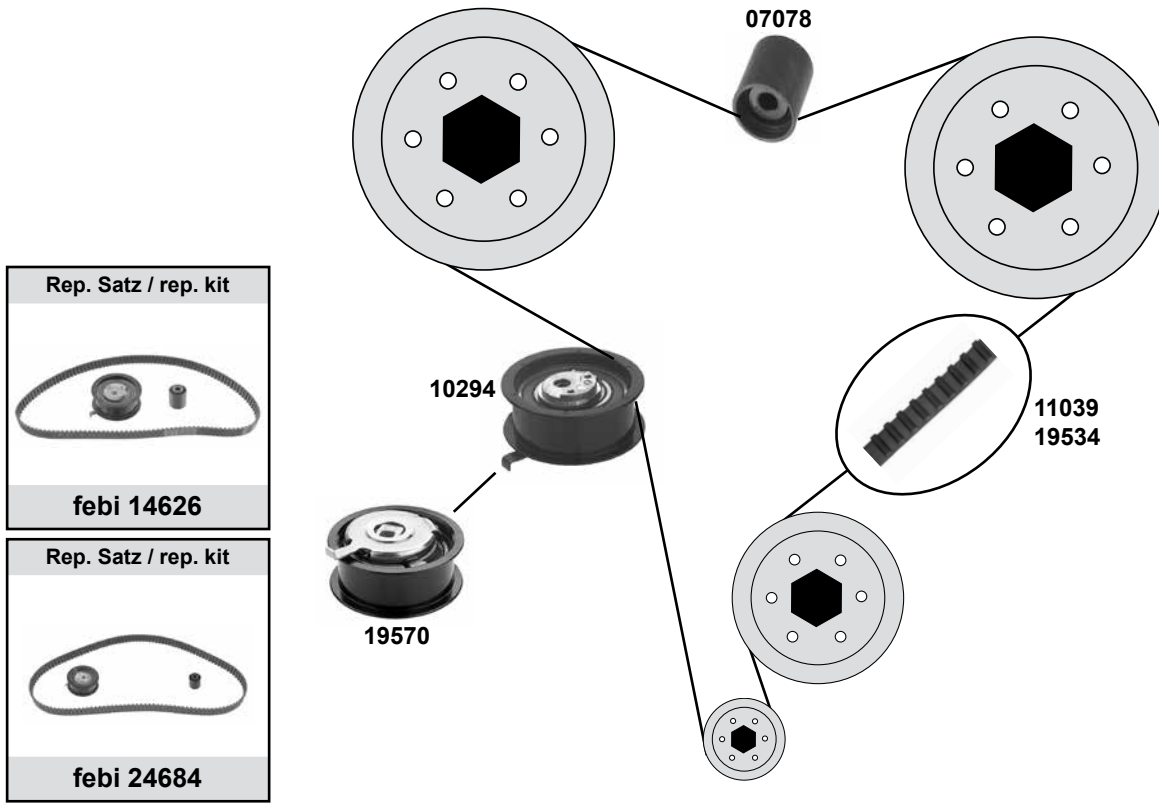






17712	03L 109 244 C	deflection pulley	AC	ØA 28 ØI 8 B34
21708	038 109 244 J	deflection pulley		ØA 40 ØI 37 B35
24754	038 109 244 J	deflection pulley		ØA 80 ØI 10 B34
27618	038 903 315 AH	belt tensioner		ØA 70 B24
28025	03G 903 315 C	belt tensioner		ØA 70 B24
30215	03L 109 243 E	tension roller		ØA 68,5 B35
34127	03L 109 119 F	timing belt		Z 160 B 30
34128	03L 198 119	rep. kit timing belt	Z 160 B 30,77	

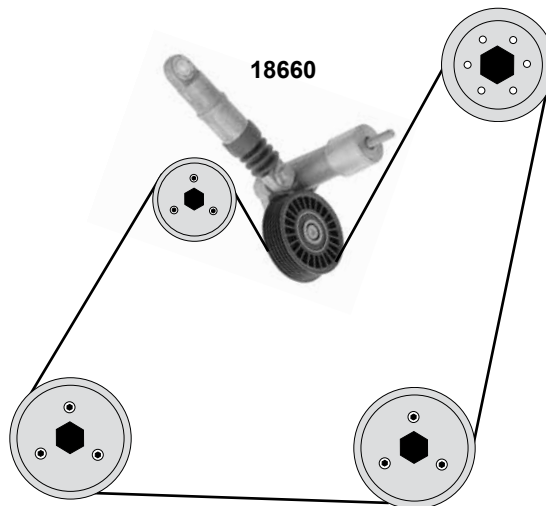
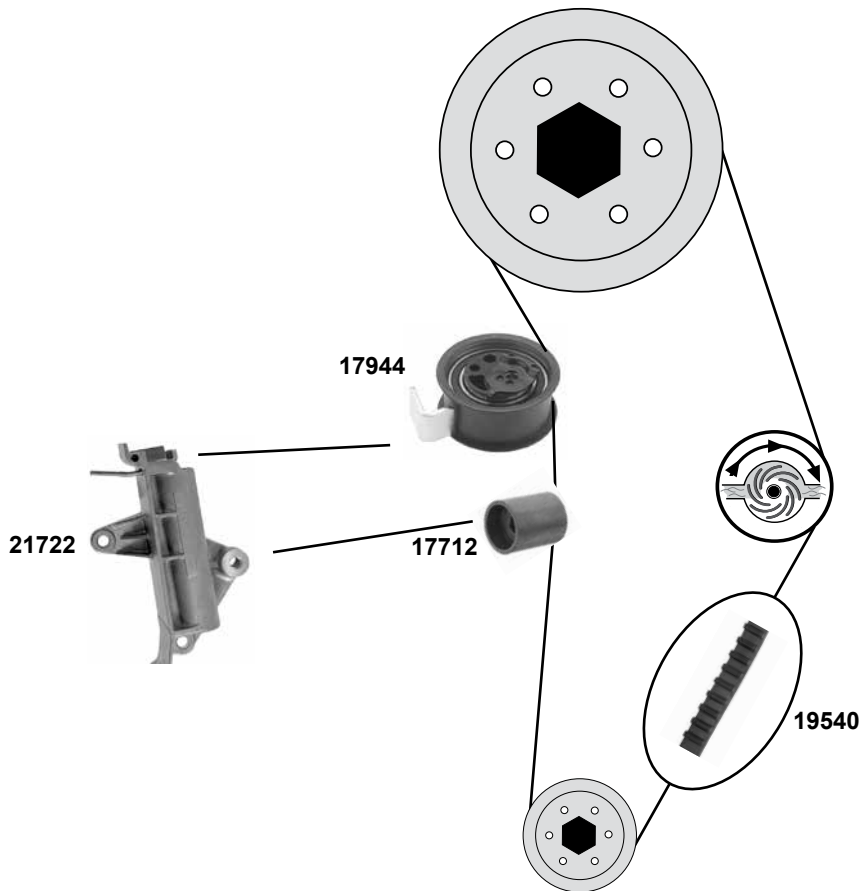




**1,9 TDI**  
(AFF / AHU / AHH / AFN / AVG)

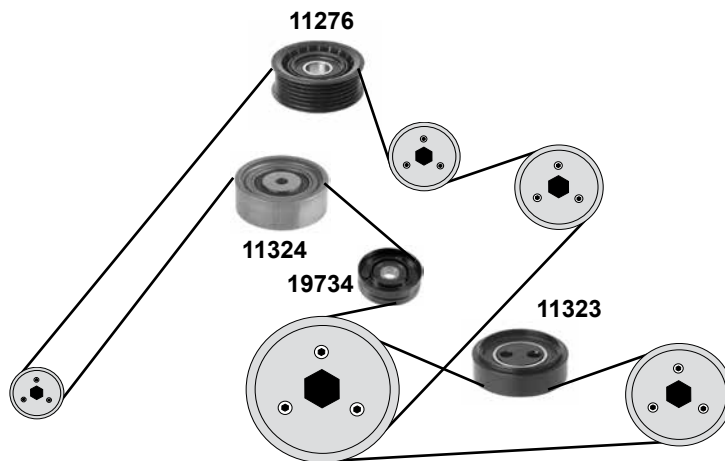
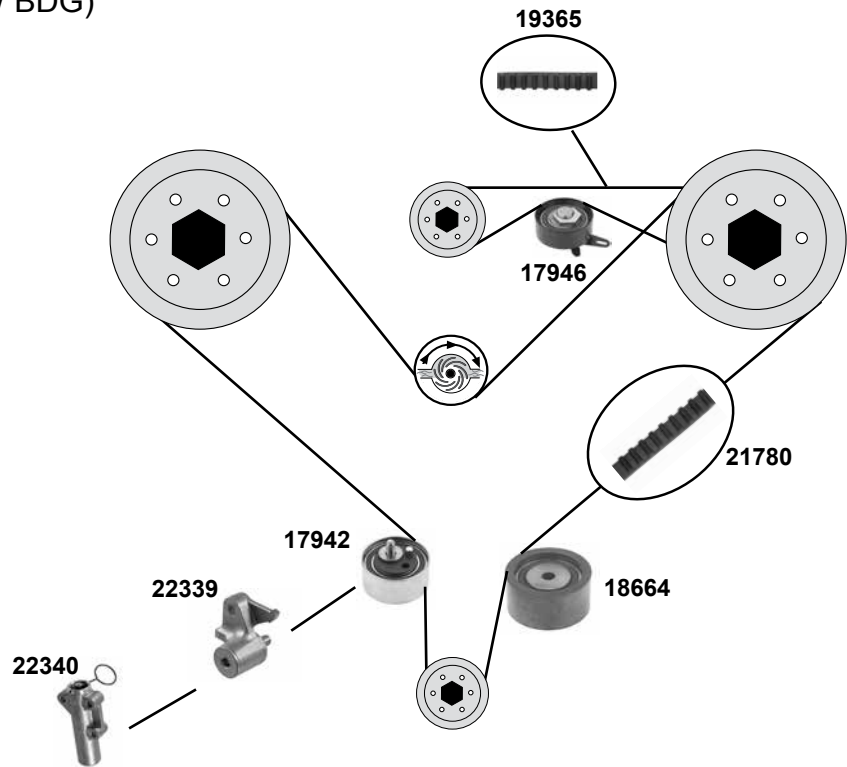
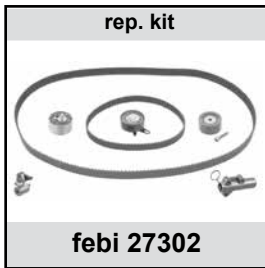
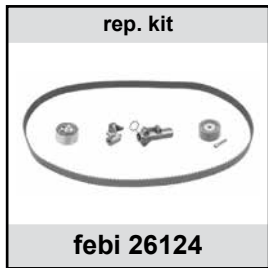
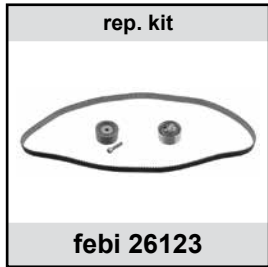






	Ref. - No.			
<b>07078</b>	028 109 244	deflection pulley		ØA 28 B31,5
<b>10294</b>	028 109 243 F	tension roller	(ex.) AHH	ØA67 B25
<b>11039</b>	028 109 119 P	timing belt	(ex.) AHH	Z 137 B25,4
<b>11341</b>	058 260 511	tension roller	<b>AC</b> (ex.) AVG	ØA 60 B15,5
<b>14626</b>	028 198 119 C	rep. kit timing belt		Z 137 B25,05
<b>15252</b>	028 903 119 T	belt pulley alternator	(ch.) → 8D-X-199 999	ØA61 H 35,5
<b>15254</b>	028 903 119 AC	belt pulley alternator	(ch.) 8D-X-200 000 →	(90A Valeo)
<b>17074</b>	028 145 278 J	tension roller		ØA 82 B26,4
<b>19534</b>	028 109 119 AA	timing belt	(mot.) AHH	Z 137 B25
<b>19570</b>	028 109 243 K	tension roller	(mot.) AHH	ØA 78 B30
<b>23758</b>	028 903 315 M	belt tensioner		
<b>24684</b>	028 198 119 D	rep. kit timing belt	(mot.) AHH	Z 137



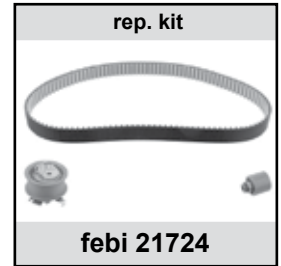
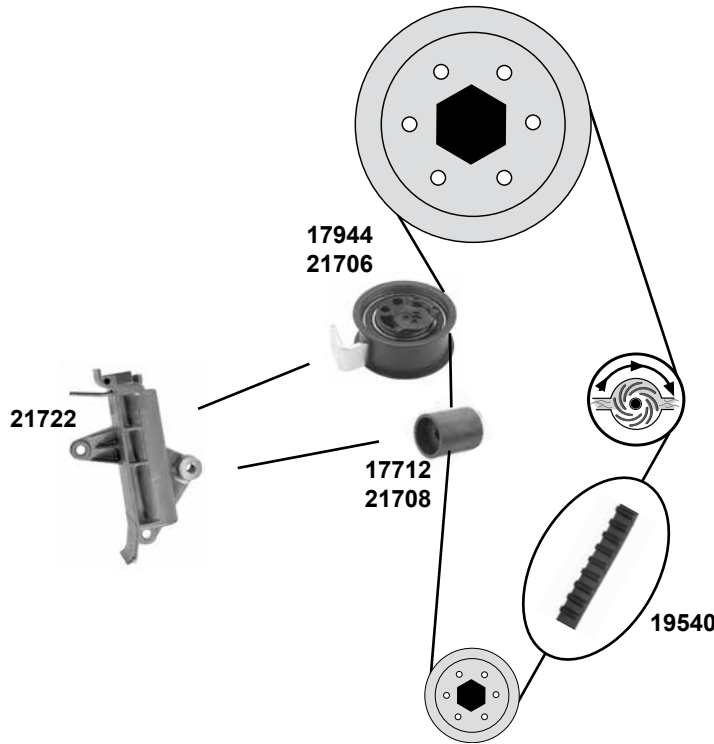
	Ref. - No.			
<b>17712</b>	045 109 244 A	deflection pulley	(ex.) ATJ	ØA 28 ØI 8 B34
<b>17944</b>	045 109 243 C	tension roller	(ex.) ATJ	ØA 72 B31 / 35
<b>18660</b>	038 903 315 P	belt tensioner	(ex.) ATJ	
<b>19540</b>	038 109 119 P	timing belt	(ex.) ATJ	Z 120 B30
<b>21722</b>	045 109 479 B	belt tensioner	08/98→	
<b>21726</b>	038 109 119 P S1	rep. kit timing belt	(ex.) ATJ	Z 120 B30

**2,5 TDI**  
(AKE / AYM / BFC / BAU / BDH / BCZ / BDG)

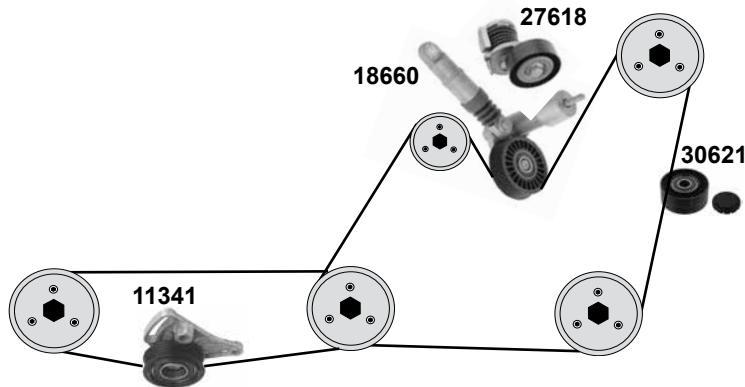


	Ref. - No.			
<b>11276</b>	059 903 341 A	deflection pulley		ØA 64 B23
<b>11323</b>	059 260 523 B	tension roller	<b>AC</b>	ØA 63 B17
<b>11324</b>	059 903 341	deflection pulley		ØA 64 B24
<b>17942</b>	059 109 243 J	tension roller		ØA 72 B34
<b>17946</b>	059 109 243 L	tension roller		ØA 73 B27
<b>18664</b>	059 109 244 B	deflection pulley		ØA 70 B34
<b>19365</b>	059 130 113 A	timing belt		Z 87 B24
<b>19734</b>	059 145 276	deflection pulley		ØA 76 B24,5
<b>21780</b>	059 109 119 B	timing belt		Z 207 B30
<b>22339</b>	059 109 487 C	belt tensioner		
<b>22340</b>	059 109 479 B	belt tensioner27618		
<b>26123</b>	059 109 119 B S1	rep. kit timing belt		Z 207 B30
<b>26124</b>	059 109 119 B S2	rep. kit timing belt		Z 207 B30
<b>27302</b>	059 109 119 B S4	rep. kit timing belt		Z 207 B30

**1,9 TDI**  
(AVB/ AWX / AVF / BKE / BRB)



**1,9 TDI**  
(AVB/ AWX / AVF / BKE / BRB)



(1) (ch.) → 8E-2-297 100 (2) (ch.) 8E-2-297 101 → (3) (mot.) AVB/AVF/BKE (ch.) → 8E-5-400 000 /BRB  
(4) (ch.) 8E-2-285 001 →



Ref. - No.

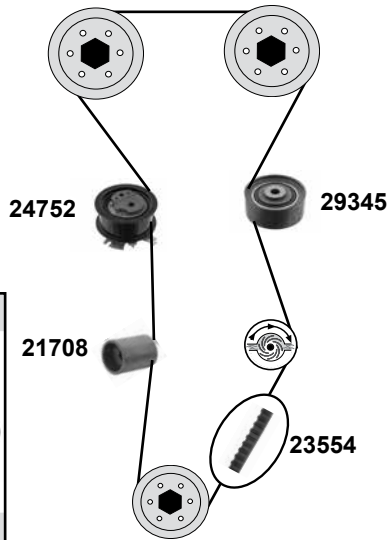


Ref. - No.	Description	Notes	Dimensions
11341	058 260 511 tension roller		ØA 60 B 15,5
17712	045 109 244 A deflection pulley		ØA 28 ØI 8 B34
17944	045 109 243 C tension roller		ØA 72 B31 / 35
18660	038 903 315 P belt.tensioner		Z 120 B30
19540	038 109 119 P timing belt		ØA 68 B31,5
21706	038 109 243 M tension roller		ØA 40 ØI 37 B35
21708	038 109 244 J deflection pulley		
21722	045 109 479 B belt tensioner		
21724	038 198 119 A rep. kit timing belt		Z 120 B30
21726	038 109 119 P S1 rep. kit timing belt		Z 120 B30
27618	038 903 315 AH belt tensioner		ØA 70 B24
30621	03G 145 276 tension roller		ØA 70 ØI 8 B27



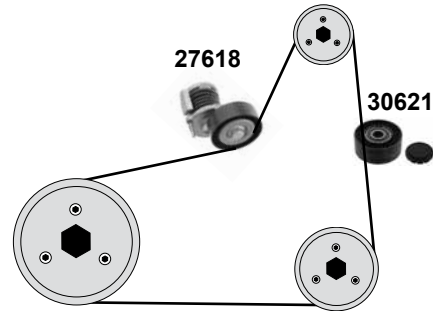
**2,0 TDI**

(BLB/BNA/BRD/BRE/BRF/BVA/BVF/BVG)



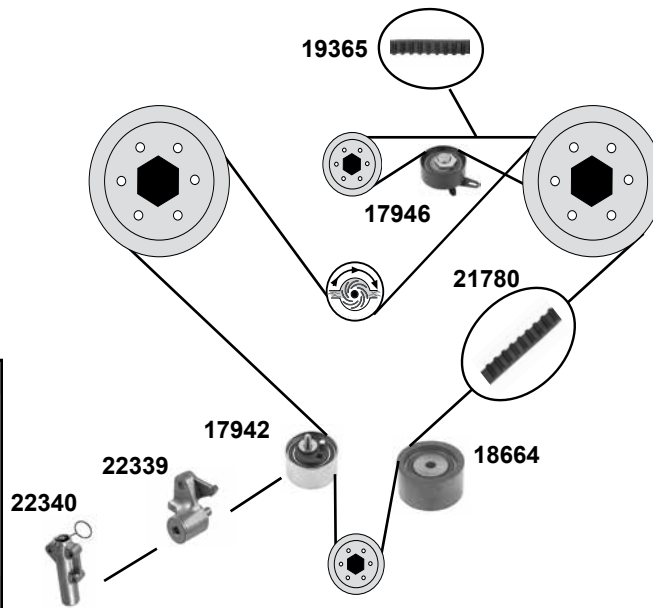
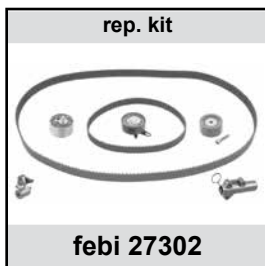
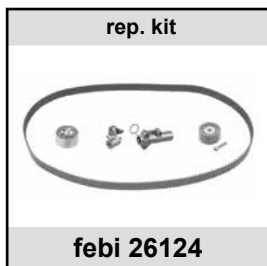
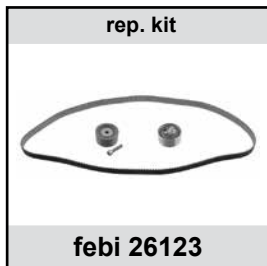
**2,0 TDI**

(BLB/BNA/BRD/BRE/BRF/BVA/BVF/BVG/  
BPW/BRC)



**2,5 TD**

(BCZ / BDG)

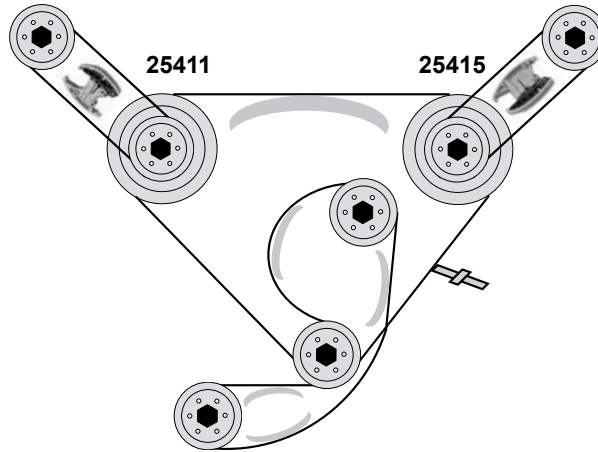


Ref. - No.

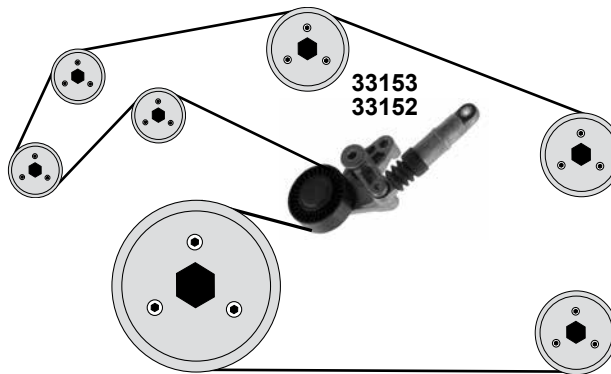


17942	059 109 243 J	tension roller	ØA 72 B34
17946	059 109 243 L	tension roller	ØA 73 B27
18664	059 109 244 B	deflection pulley	ØA 70 B34
19365	059 130 113 A	timing belt	Z 87 B24
21708	038 109 244 J	deflection pulley	ØA 40 ØI 37 B35
21780	059 109 119 B	timing belt	Z 207 B30
22339	059 109 487 C	belt tensioner	
22340	059 109 487 C	belt tensioner	
23554	03G 109 119	timing belt	Z 141 B30
24752	03G 109 243	tension roller	ØA 68 ØI 8 B36
24756	03G 198 119	rep. kit timing belt	Z 141 B 30
26123	059 109 119 B S1	rep. kit timing belt	Z 207
26124	059 109 479 B	rep. kit timing belt	Z 207
27302	059 109 119 B S4	rep. kit timing belt	Z 207 B30
27618	038 903 315 AH	belt tensioner	ØA 70 B24
29345	03G 109 244 A	deflection pulley	ØA 80 ØI 12 B34,3
30621	03G 145 276	deflection pulley	ØA 70 ØI 8 B27

**2,7 TDI / 3,0 TDi**  
(CAMA/CAMB/CGKA/CGKB/CCWA/CCWB/CCLA/BKN/ASB/BPP/BSG/CAPA)



**2,7 TDI / 3,0 TDi**  
(CCWA /CAMA/CAMB/CGKA/CGKB/CAPA/CCWB/CCLA BKN/ASB/BPP/BSG/CAPA)



(1) (mot.) BPP/BDG → 06 / (ch.) → 8E-6-252 204

(2) (mot.) ASB/BKN 05 → 09  
(mot.) BPP/BSG 06 → 09 (ch.) 8E-6-252 205 →  
(mot.) CAMA/CAMB/CGKA/CGKB/CAPA/CCWB/CCLA 08 → 09  
(mot.) CCWA 08 → 11 / (ch.) → 8K-A-000 001

(3) (mot.) BKN/ASB/BPP/BSG/CAPA



Ref. - No.



<b>25411</b>	057 109 218 K
<b>25415</b>	059 109 217 C
<b>33152</b>	059 145 201 E
<b>33153</b>	059 145 201 F

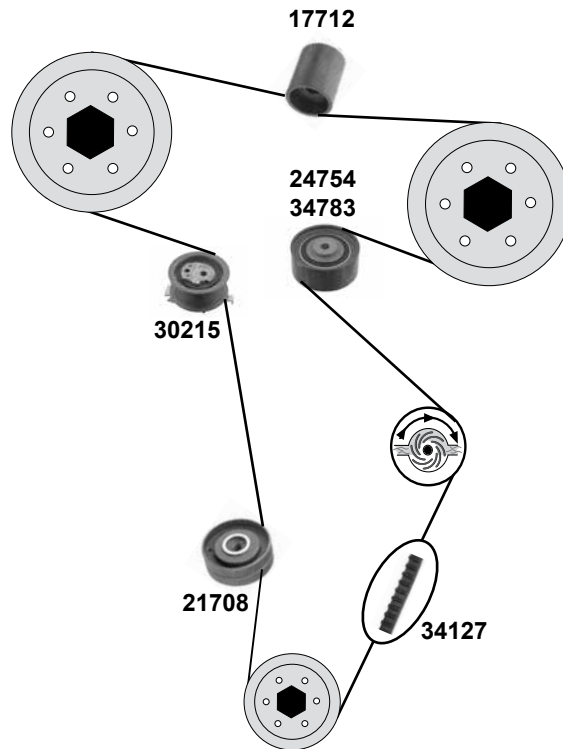
chain tensioner
chain tensioner
belt tensioner damper
belt tensioner damper

(3)  
(1)  
(2)



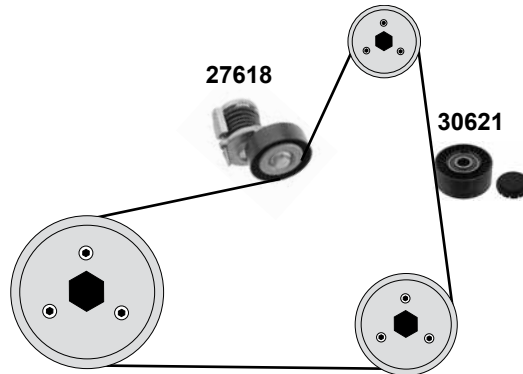
**2,0 TDI**

(AKE / AYM / BFC / BAU / BDH / BCZ / BDG)



**2,0 TDI**




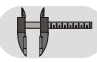
(CAGA/CAGB/CAGC/CAHA/CAHB/CJCB/CMEA)

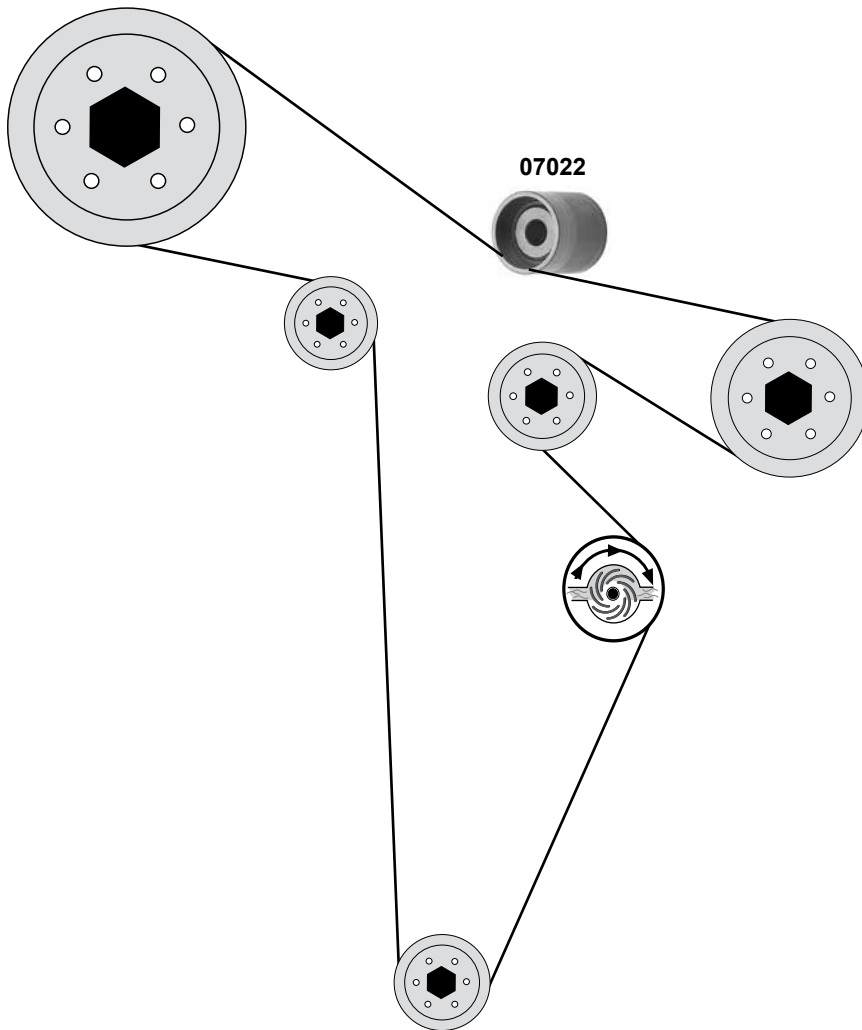


(1) A4 / S4 / avant / quattro 08 → (mot.) CAGA/CAHA/CAHB/CAGC/CMEA  
A4 allroad quattro 10 → (mot.) CAGA/CAGB/CAHA/CAHB

(2) A4 / avant 07 → (mot.) CJCB



	Ref. - No.			
17712	03L 109 244 C	deflection pulley	(1)	ØA 28 ØI 8 B34
21708	038 109 244 J	deflection pulley	(1)	ØA 40 ØI 37 B35
24754	038 109 244 J	deflection pulley	(1)	ØA 80 ØI 10 B34
27618	038 903 315 AH	belt tensioner		ØA 70 B24
30215	03L 109 243 E	tension roller	(1)	ØA 68,5 B35
30621	06G 145 276	deflection pulley		ØA 70 ØI 8 B27
34127	03L 109 119 F	timing belt	(1)	Z 160 B 30
34128	03L 198 119	rep. kit timing belt	(1)	Z 160 B 30,77
34783	03L 109 244 J	deflection pulley	(2)	



(1) A4 quattro/Avant quattro A4/Avant	(mot.)	CAPA/CCLA/CGLC/CJCA/CJCD/CNHA
	(mot.)	CAMA/CAMB/CGKA/CGKB/CGLC/CGLD/CJCA/CJCB/CJCC/CJCD/CMFA/ CMFB/CNHA/CNHC
A4 Allroad quattro A4	(mot.)	CCWA/CGLC/CGLD/CJCA/CJCB/CJCD/CNHA/CNHC
	(mot.)	CMGB



# AUDI A5 / S5 coupe / sportb. (8T)

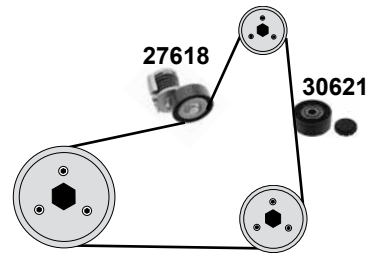
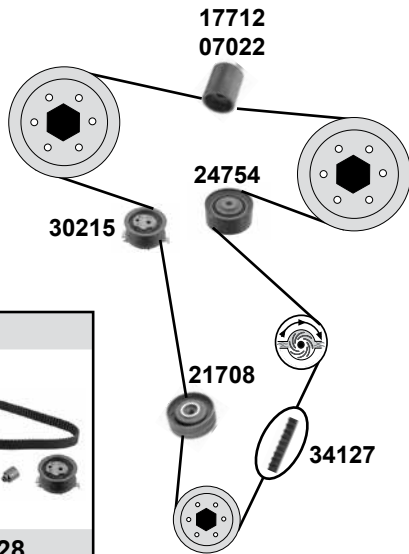
(08→)

Car  
Division



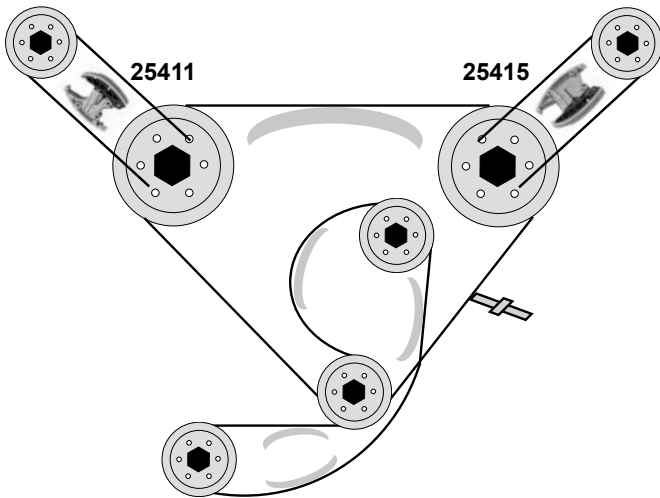
## 2,0 TDI

(CAHA/CAHB/CAGA/CAGB/CMEA/CGLC/CGLD/CJCA/CJCB/CJCD/CMFA/CMTB)



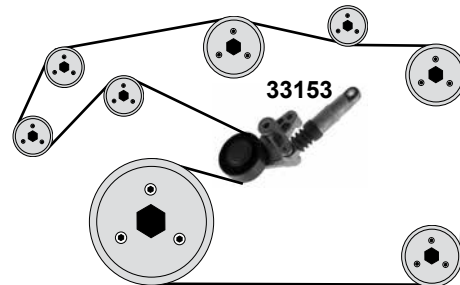
## 2,7/3,0 TDI

(CAMA/CAMB/CGKA/CGKB/CAPA/CCWA/CCWB)



## 2,7/3,0 TDI

(CGKA/CGKB/CAMA/CAMB/CCWA/CCWB)



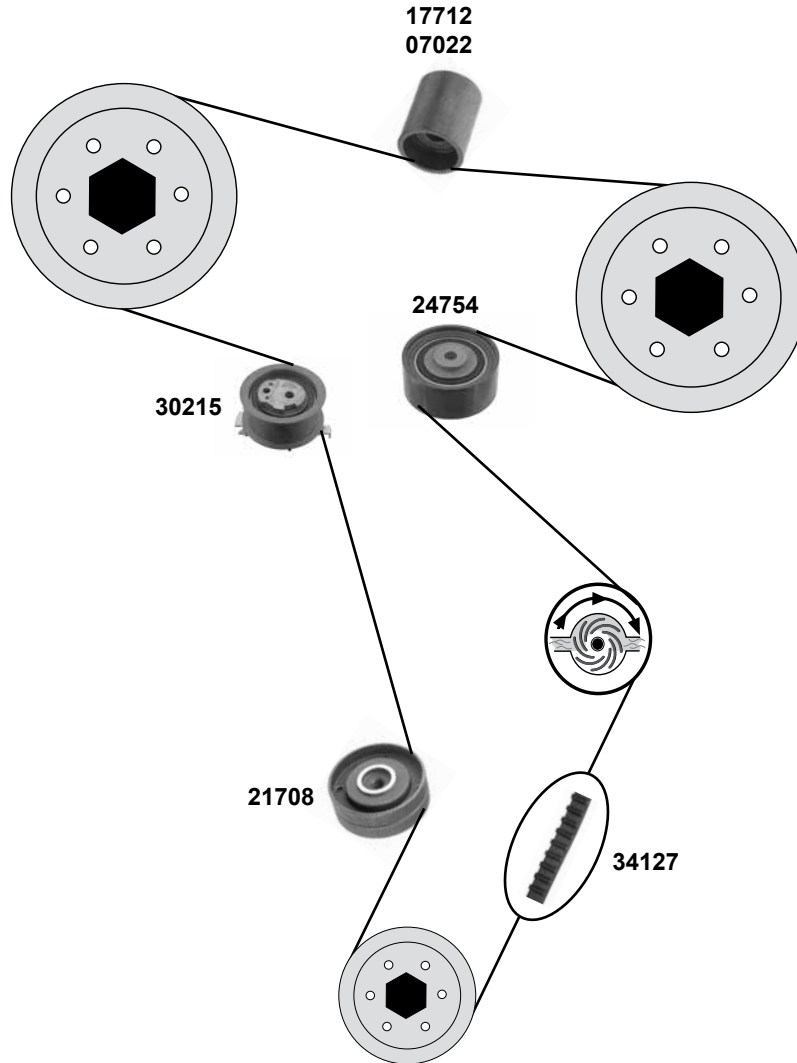
- (1) 08 →11 (ch.) → 8F-BN000
- (2) (mot.) CAHA/CAHB/CAGA/CAGB/CMEA
- (3) (mot.) CGLC/CGLD/CJCA/CJCB/CJCD/CMFA/CMTB



Ref. - No.



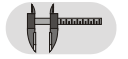
Ref. - No.	Description	Quantity	Dimensions
07022	03L 109 244 D deflection pulley	(3)	ØA 28 ØI 8 B29
17712	03L 109 244 C deflection pulley	(2)	ØA 28 ØI 8 B34
21708	038 109 244 J deflection pulley	(2)	ØA 40 ØI 37 B35
24754	038 109 244 J deflection pulley	(2)	ØA 80 ØI 10 B34
25411	057 109 218 K chain tensioner	(mot.)	CAPA
25415	059 109 217 C chain tensioner	(2)	ØA 70 B24
27618	038 903 315 AH belt tensioner	(2)	ØA 68,5 B35
30215	03L 109 243 E tension roller	(2)	ØA 70 ØI 8 B27
30621	03G 145 276 tension roller	(2)	Z 160 B30
33153	059 145 201 F belt tensioner damper	(1)	Z 160 B 30,77
34127	03L 109 119 F timing belt	(2)	
34128	03L 198 119 rep. kit timing belt	(2)	



(1) (mot.) CGLC/CNHA/CGLD/CJCA/CJCD

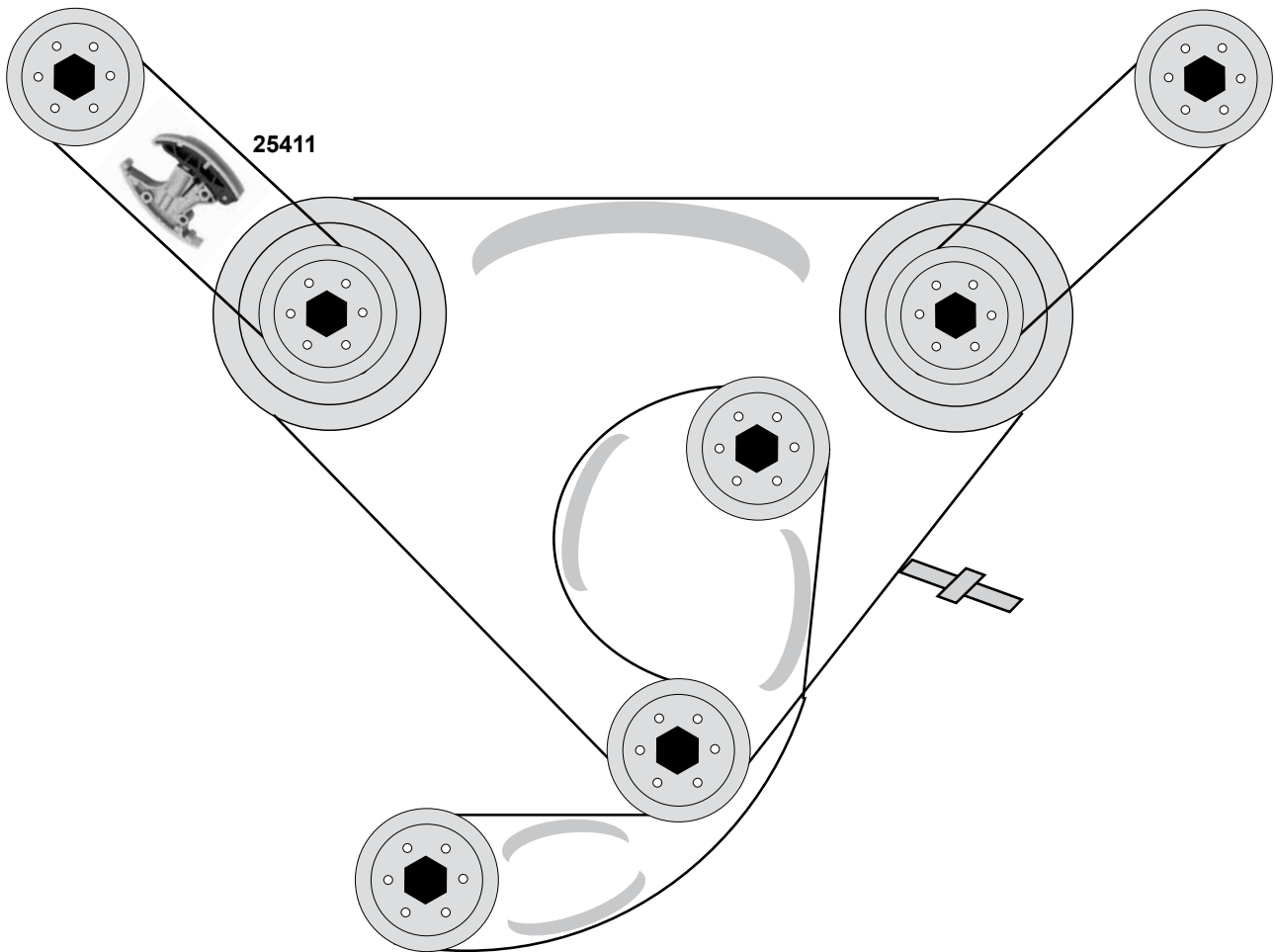


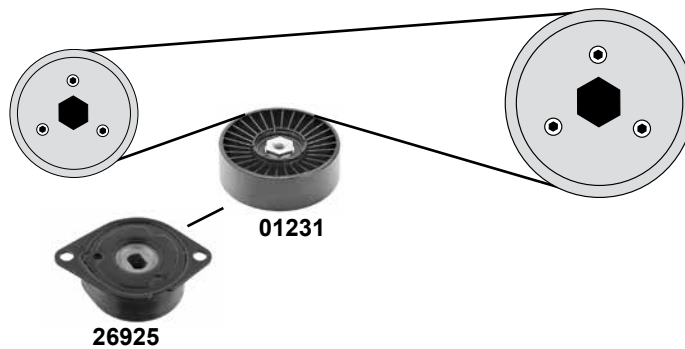
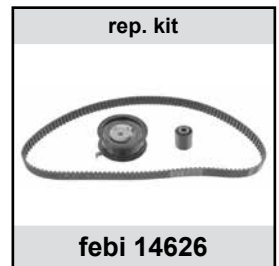
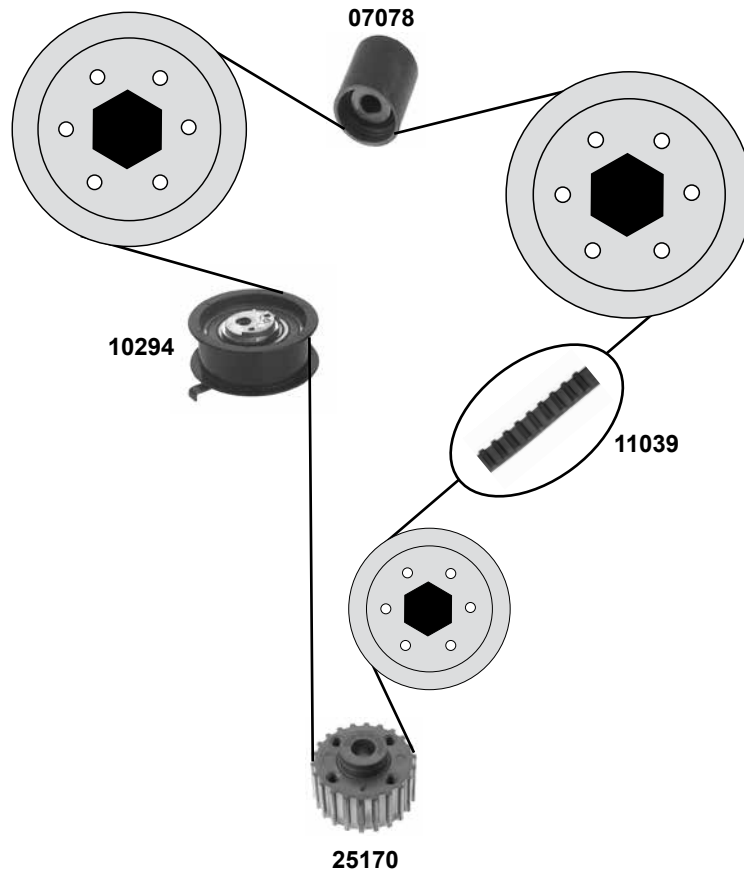
Ref. - No.



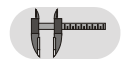
Ref. - No.	Description	Quantity	Dimensions
<b>07022</b>	deflection pulley	(1)	ØA 28 ØI 8 B29
<b>17712</b>	deflection pulley	(mot.) CAHA/CAHB	ØA 28 ØI 8 B34
<b>21708</b>	deflection pulley	(mot.) CAHA/CAHB	ØA 40 ØI 37 B35
<b>24754</b>	deflection pulley	(mot.) CAHA/CAHB	ØA 80 ØI 10 B34
<b>30215</b>	tension roller	(mot.) CAHA/CAHB	ØA 68,5 B35
<b>34127</b>	timing belt	(mot.) CAHA/CAHB	Z 160 B 30
<b>34128</b>	rep. kit timing belt	(mot.) CAHA/CAHB	Z 160 B 30,77

**2,7/3,0 TDI**  
(CGKA/CGKB/CCWA)





Ref. - No.



01231	028 145 278 E
07078	028 109 244
10294	028 109 243 F
11039	028 109 119 P
14626	028 198 119 C
25170	028 105 263 D
26925	028 903 315 R

deflection pulley
deflection pulley
tension roller
timing belt
rep. kit timing belt
crankshaft gear
tension roller

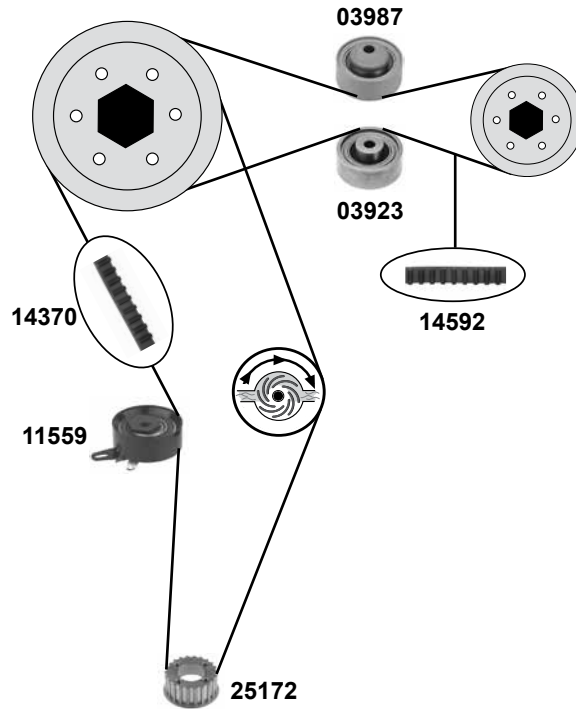
ØA78 ØI 8 B26
ØA28 ØI 8 B31,5
ØA67 ØI 8 B25
Z 137 B25,4
Z 137 B25,05
Z 22

**AUDI**  
**A6 (4A)**  
(95→97)

**Car**  
**Division**

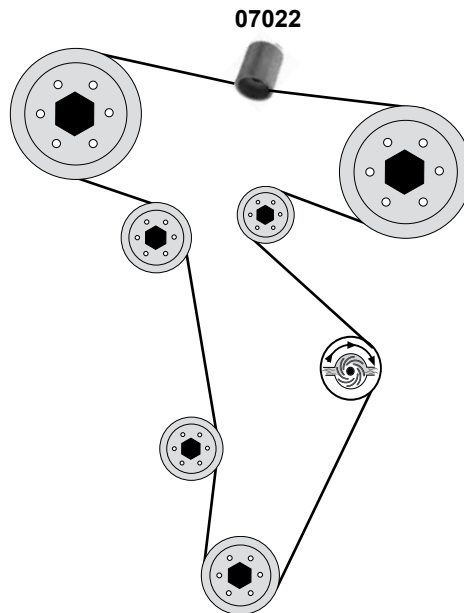


**2,5 TDI**  
(AAT / AEL)



**A6 / S6 / avant / quattro (4B)**  
(96→01)

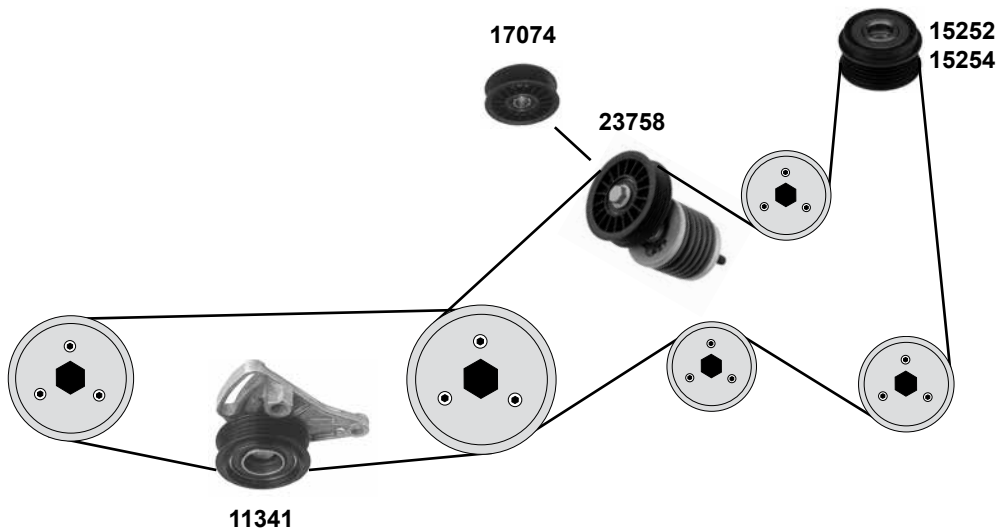
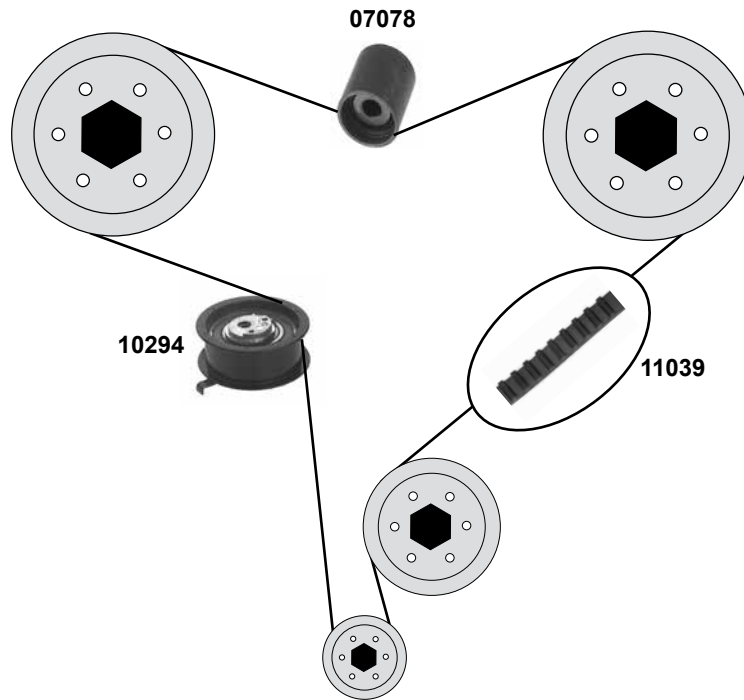
**1,8**  
(ADR/AEB/AFY/AJL/APU/ARK/ANB)



Ref. - No.



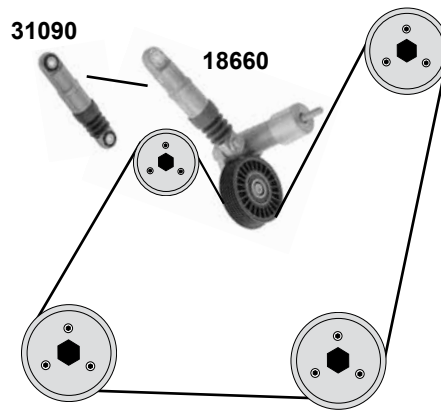
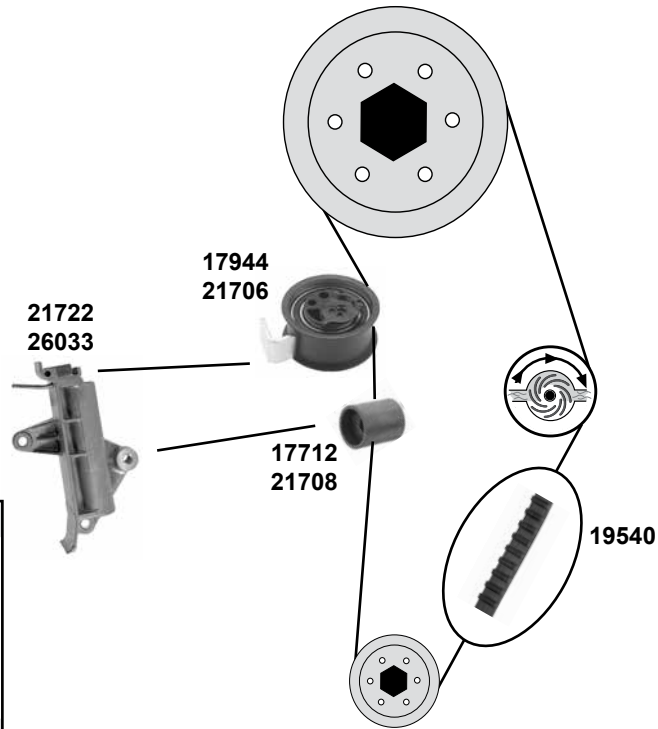
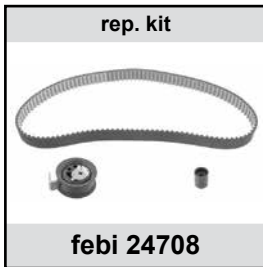
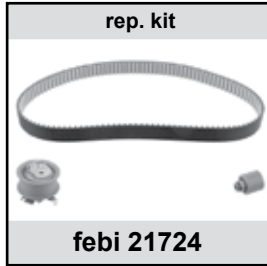
<b>03923</b>	046 130 195 B	deflection pulley	ØA 64,5 B24,5
<b>03987</b>	046 130 195 B	tension roller	ØA 60 B24
<b>07022</b>	03L 109 244 d	deflection pulley	ØA 28 ØI 8 B29
<b>11559</b>	074 109 243 F	tension roller	ØA 73 B27
<b>14370</b>	074 109 119 R	timing belt	Z 122 B26,5
<b>14592</b>	046 198 113	timing belt	Z 80 B0,07
<b>25172</b>	069 105 263	crankshaft gear	Z 22
<b>32647</b>	074 109 119 R S5	rep. kit timing belt	Z 80



	Ref. - No.			
<b>07078</b>	028 109 244	deflection pulley	<b>AC</b> <b>(ch.)</b> →4B-W-220 000 Valeo+Bosch 120 A	ØA 28 ØI 8 B31,5
<b>10294</b>	028 109 243 F	tension roller		ØA 67 ØI 8 B25
<b>11039</b>	028 109 119 P	timing belt		Z 137 B25,4
<b>11341</b>	058 260 511	Tension Roller		ØA 60 B15,5
<b>14626</b>	028 198 119 C	rep. kit timing belt		Z 137 B25,05
<b>15252</b>	028 903 119 T	belt pulley alternator		ØA 61 H 35,5
<b>15254</b>	028 903 119 AC	belt pulley alternator		ØA 61 H 34,4
<b>17074</b>	028 145 278 J	tension roller		ØA 82 B26,4
<b>23758</b>	028 903 315 M	belt tensioner		



**1,9 TDI**  
(AWX / AVF / AJM)

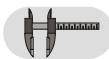


(1) (mot.) AWX / AVF / (ch.) → 4B-2-120 000

(2) (mot.) AWX / AVF / (ch.) → 4B-2-120 001



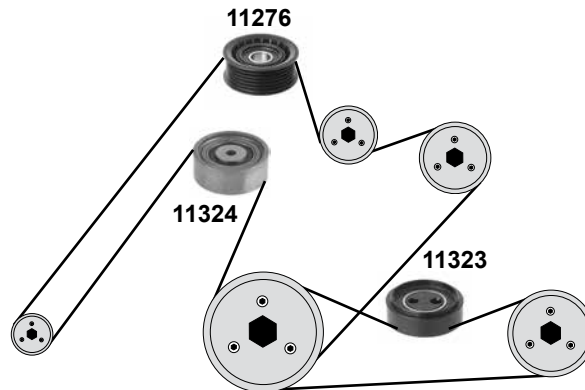
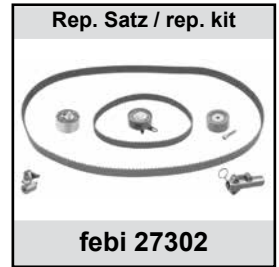
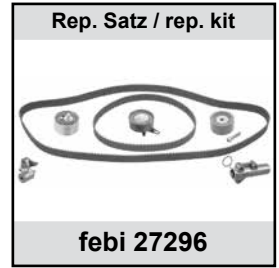
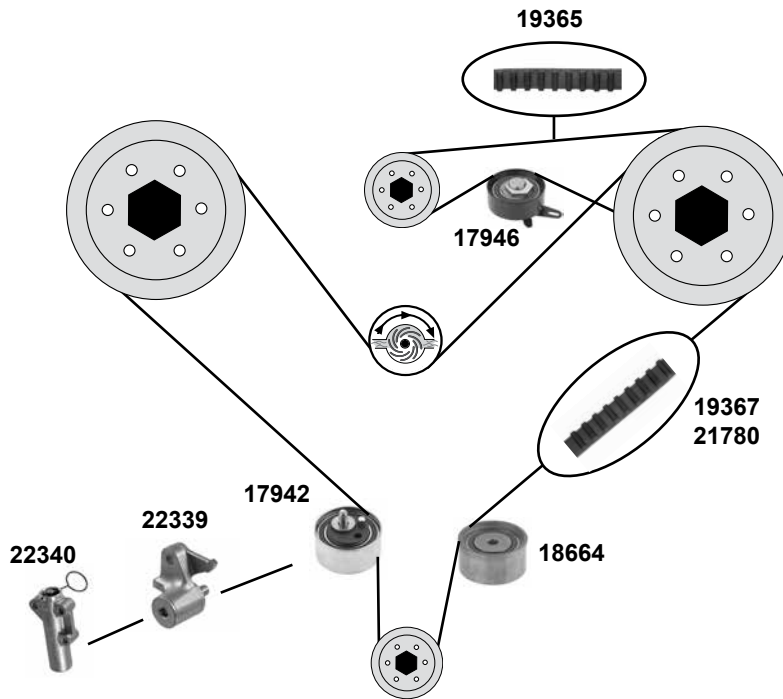
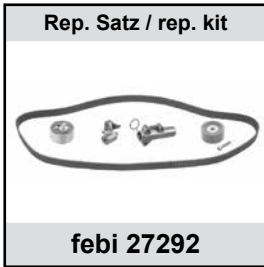
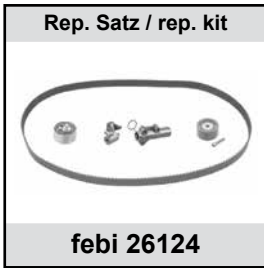
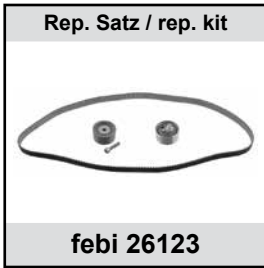
Ref. - No.



<b>17712</b>	03L 109 244 C	deflection pulley	(1)	ØA 28 ØI 8 B34
<b>17944</b>	045 109 243 C	tension roller	(1)	ØA 72 B31 / 35
<b>18660</b>	038 903 315 P	rep. kit belt tensioning damer	(ex.) (mot.) AJM	
<b>19540</b>	038 109 119 P	timing belt		Z 120 B30
<b>21706</b>	038 109 243 M	tension roller	(2)	ØA 68 B31,5
<b>21708</b>	038 109 244 J	deflection pulley	(2)	ØA 40 B35
<b>21722</b>	045 109 479 B	belt tensioner	11/00 →	
<b>21724</b>	038 198 119 A	rep. kit timing belt	(2)	Z 120 B30
<b>21726</b>	038 109 119 P S1	rep. kit timing belt	(1)	Z 120 B30
<b>24708</b>	038 198 119 B	rep. kit timing belt	(mot.) AJM → 01	Z 120
<b>26033</b>	045 109 479 C	belt tensioner	(mot.) AJM	
<b>31090</b>	038 145 299 A	vibration absorber		

**2,5 TDI**

(AFB / AYM / BCZ / BFC / BDG / BAU / BDH / AKN / AKE)

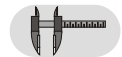


(1) (mot.) AFB/ AKN  
(mot.) AKE (ch.) → 4B-Y-050000

(2) allroad quattro (mot.) AKE/BAU/BCZ 00 →  
(mot.) AYM / BCZ / BFC / BDG / BAU / BDH / AKE  
(ch.) 4B-Y-050001 →



Ref. - No.

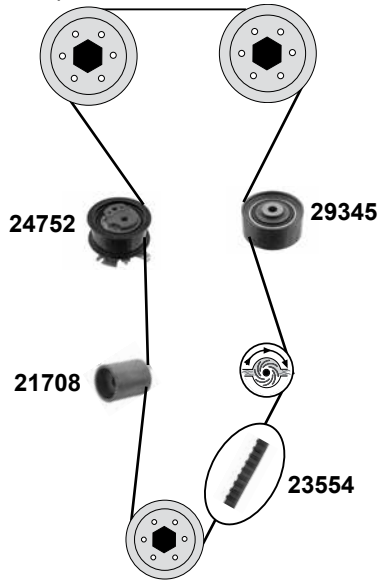
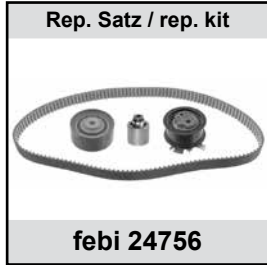


Ref. - No.	Description	AC	Dimensions
11276	deflection pulley		ØA 64 ØI 17 B23
11323	tension roller		ØA 63 ØI 8 B17
11324	deflection pulley		ØA 64 ØI 8 B24
17942	tension roller		ØA 72 B34
17946	tension roller		ØA 73 B27
18664	deflection pulley		ØA 70 B34
19365	timing belt		Z 87 B24
19367	timing belt	(1)	Z 207 B32
21780	timing belt	(2)	Z 207 B30
22339	belt tensioner		
22340	belt tensioner		
26123	rep. kit timing belt	(2)	Z 207 B30
26124	rep. kit timing belt	(2)	Z 207 B30
27292	rep. kit timing belt	(mot.) AFB/ AKN	Z 207 B32
27296	rep. kit timing belt	(mot.) AFB/ AKN	Z 207 B32
27302	rep. kit timing belt	(2)	Z 207 B30



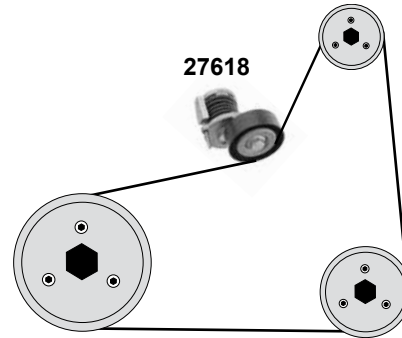
**2,0 TDI**

(BLB/ BNA / BRE / BRF)



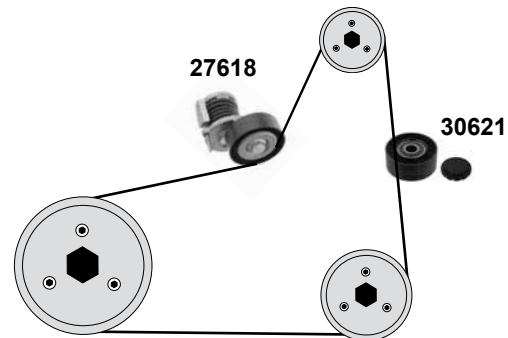
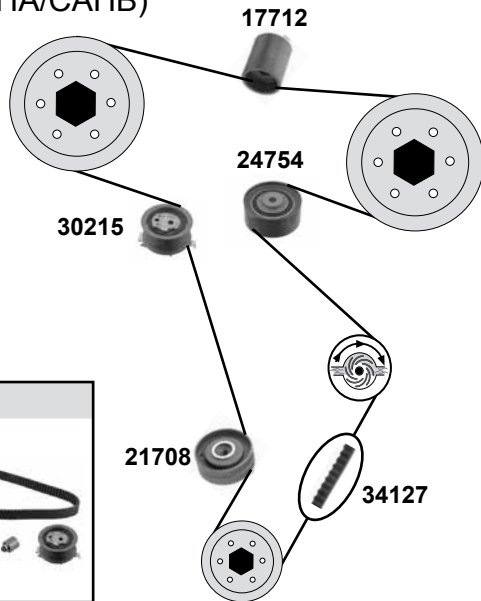
**2,0 TDI**

(BLB / BNA / BRE / BRF / BVG)



**2,0 TDI**

(CAGB/CAHA/CAHB)

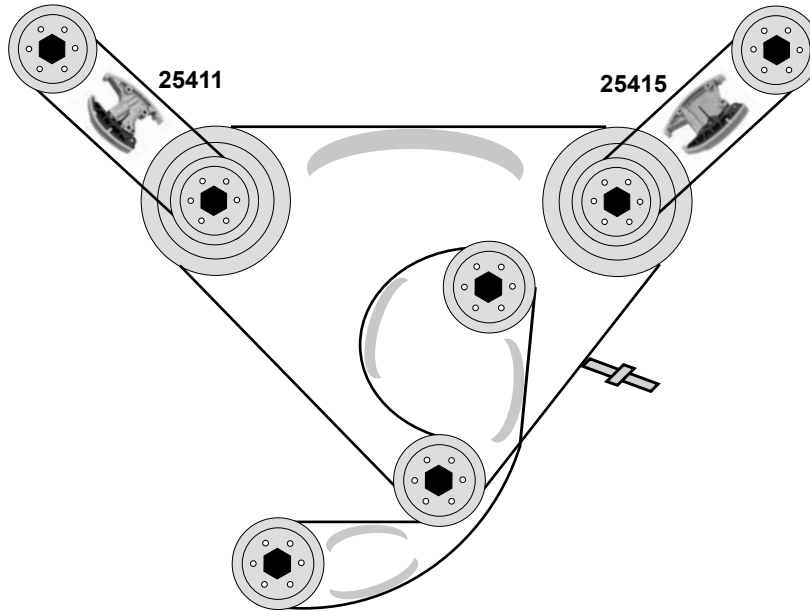


Ref. - No.

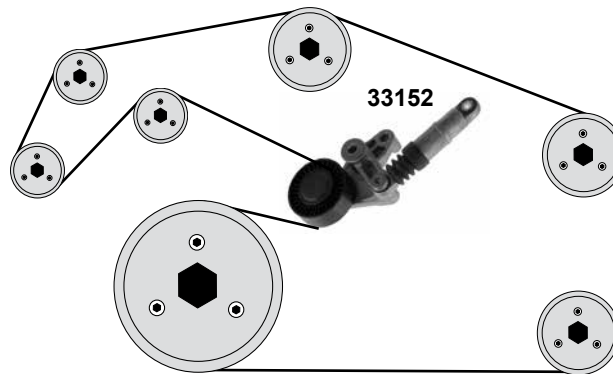


<b>17712</b>	03L 109 244 C	deflection pulley	ØA 28 ØI 8 B34
<b>21708</b>	038 109 244 J	deflection pulley	ØA 40 ØI 37 B35
<b>23554</b>	03G 109 119	timing belt	Z 141 B30
<b>24752</b>	03G 109 243	tension roller	ØA 68 ØI 8 B36
<b>24754</b>	038 109 244 J	deflection pulley	ØA 80 ØI 10 B34
<b>24756</b>	03G 198 119	rep. kit timing belt	Z 141 B 30
<b>27618</b>	038 903 315 AH	belt tensioner	ØA 70 B24
<b>29345</b>	03G 109 244 A	deflection pulley	ØA80 ØI 12 B34,3
<b>30215</b>	03L 109 243 E	tension roller	ØA 68,5 B35
<b>30580</b>	03G 198 119 A	rep. kit timing belt	Z 141 B30
<b>30621</b>	03G 145 276	deflection pulley	ØA 70 ØI 8 B27
<b>34127</b>	03L 109 119 F	timing belt	Z 160 B 30
<b>34128</b>	03L 198 119	rep. kit timing belt	Z 160 B 30,77

**2,7 / 3,0 D TDI**  
(BMK/BNG/BPP/BSG/ASB/CANA/CANB/CANC/CDYA/CDYB/CDYC/CAND)



**2,7 / 3,0 D TDI**  
(BMK/BNG/BPP/BSG/ASB)



- |  |               |  |
|--|---------------|--|
|  | (1) limousine | (mot.) BPP / BSG (ch.) 4F-5-124 001 → 4F-6-172 453   |
|  | (2) avant     | (mot.) BPP / BSG (ch.) 4F-6-017 476 → 4F-6-172 453<br>(mot.) BPP / BSG / ASB / BMK / BNG (ch.) 4F-6-172 454 → 4F-7-029 698<br>(mot.) ASB / BMK / BNG (ch.) 4F-6-100 001 → 4F-6-172 453<br>(mot.) ASB / BNG / BPP / BSG (ch.) 07→ 4F-7-036971<br>(mot.) BMK/BNG/BPP/BSG/ASB |



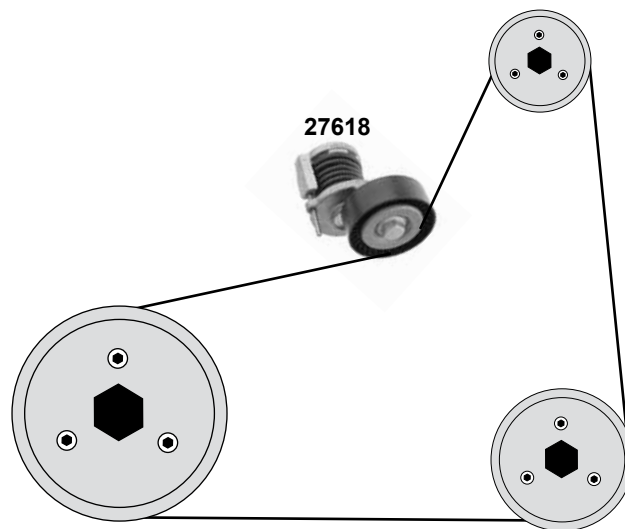
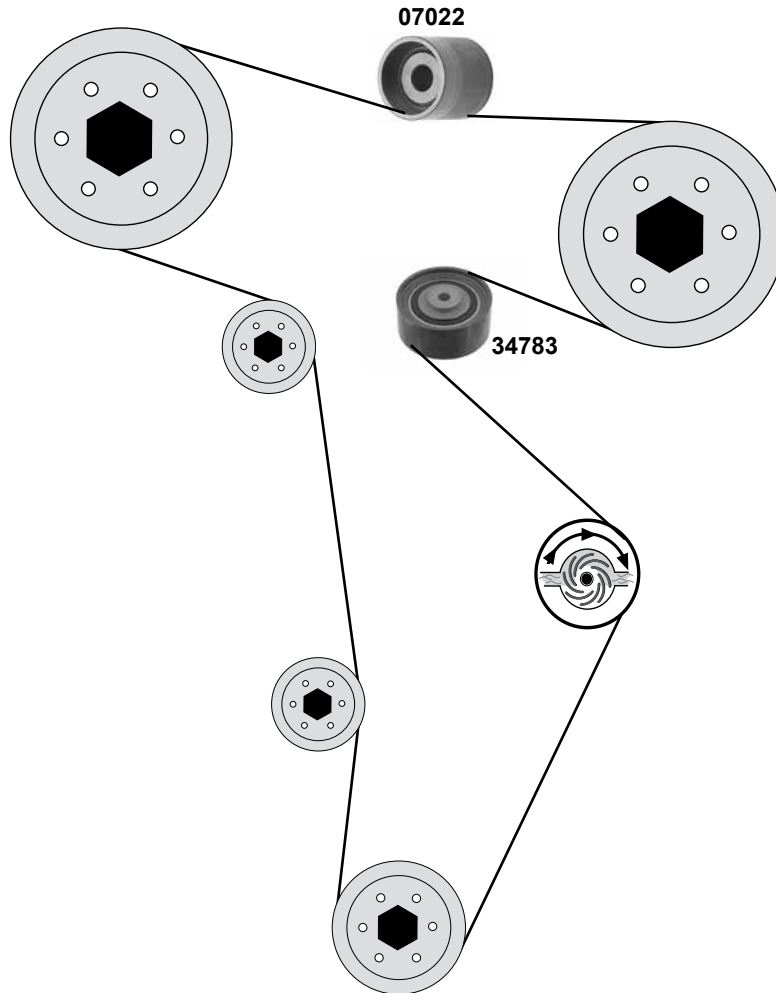
Ref. - No.



<b>25411</b>	057 109 218 K
<b>25415</b>	059 109 217 C
<b>33152</b>	059 145 201 E

chain tensioner	
chain tensioner	(2)
belt tensioner damper	(1)

**2,0 TDI**  
(CGLC/CGLD/CGLE/CMGB/CNHA)



**Ref. - No.**

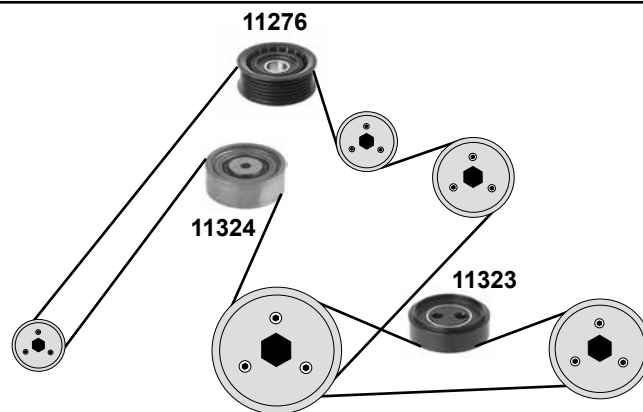
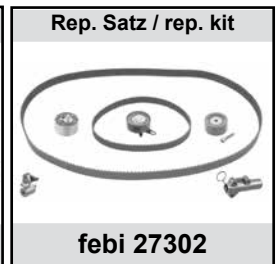
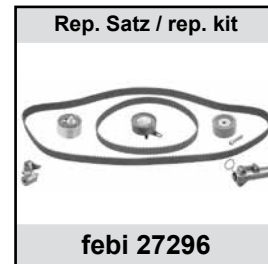
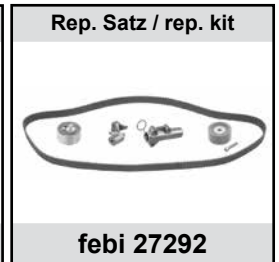
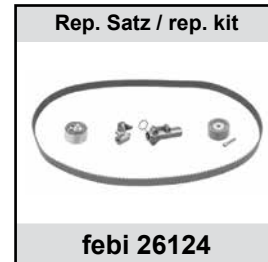
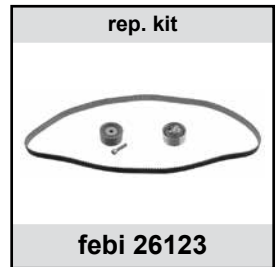
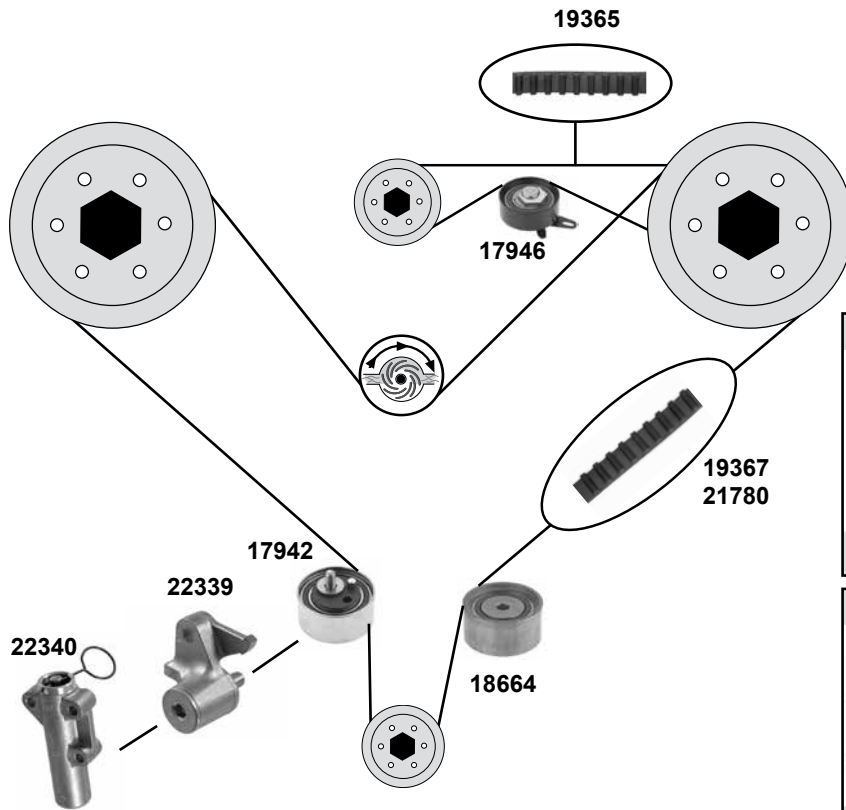


<b>07022</b>	03L 109 244 D
<b>27618</b>	038 903 315 AH
<b>34783</b>	03L 109 244 J

deflection pulley  
belt tensioner  
deflection pulley

(ex.) CMGB/CNHA  
(ex.) CMGB/CNHA

ØA 28 Ø1 8 B29  
ØA 70 B24  
ØA 80 B30



Ref. - No.



11276	059 903 341 A	deflection pulley
11323	059 260 523 B	tension roller
11324	059 903 341	deflection pulley
17942	059 109 243 J	tension roller
17946	059 109 243 L	tension roller
18664	059 109 244 B	deflection pulley
19365	059 130 113 A	timing belt
19367	059 109 119 A	timing belt
21780	059 109 119 B	timing belt
22339	059 109 487 C	belt tensioner
22340	059 109 479 B	belt tensioner
26123	059 109 119 B S1	rep. kit timing belt
26124	059 109 119 B S2	rep. kit timing belt
27292	059 109 119 A S2	rep. kit timing belt
27296	059 109 119 A S3	rep. kit timing belt
27302	059 109 119 B S4	rep. kit timing belt

Modell. 98 →  
**AC**  
Modell: 98 →  
**(ch.)** →4D-1-014000

**(ex.) (mot.)** AKE

**(ex.) (mot.)** AKE  
**(mot.)** AKE

**(mot.)** AKE

**(mot.)** AKE

**(mot.)** AFB/ AKN

**(mot.)** AFB/ AKN

**(mot.)** AKE

ØA 64 ØI 17 B23  
ØA 63 ØI 8 B17  
ØA 64 ØI 8 B24  
ØA 72 B34  
ØA 73 B27  
ØA 70 ØI 10 B34  
Z 87 B24  
Z 207 B32  
Z 207 B30

Z 207 B30

Z 207 B30

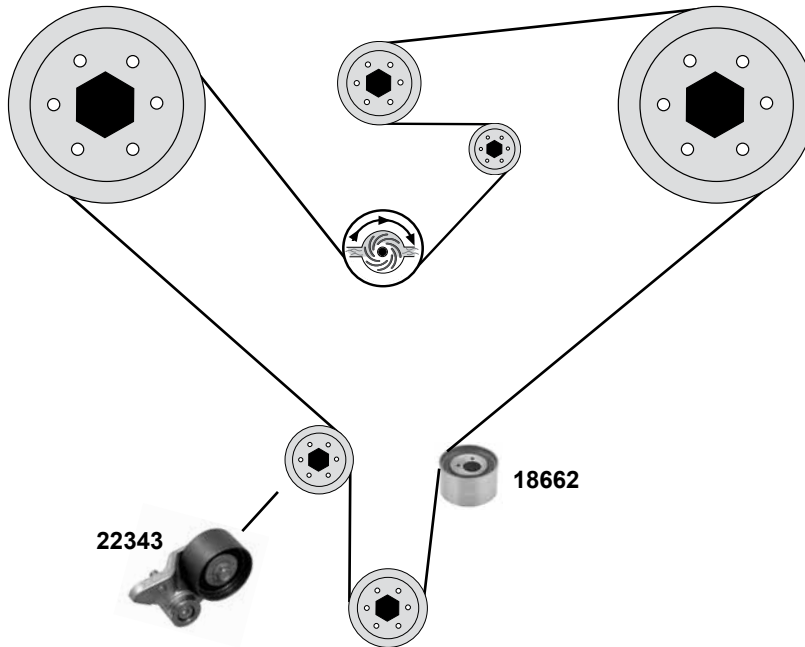
Z 207 B32

Z 207 B32

Z 207 B30

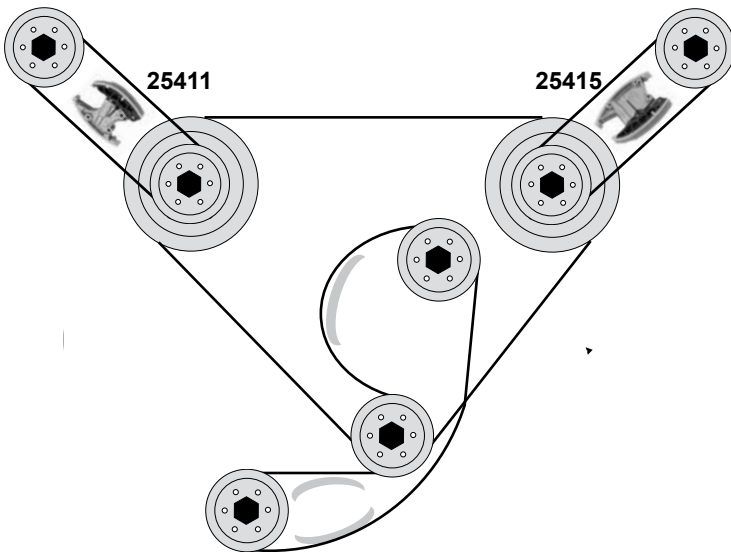
**3,3 TDI**  
(AKF)

(ch.) 4D-X-005001 →



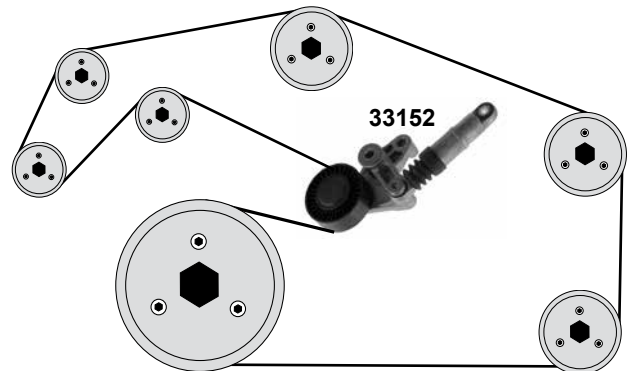
**A8 /S8 (4E)**  
(03 → 10)

**3,0 TDI**  
(ASB / BNG / ASE / BVN / BMC)



**3,0 TDI**  
(ASB / BNG)

(ch.) → 4E-6-020 000 / 4E-7-003 343 →



Ref. - No.

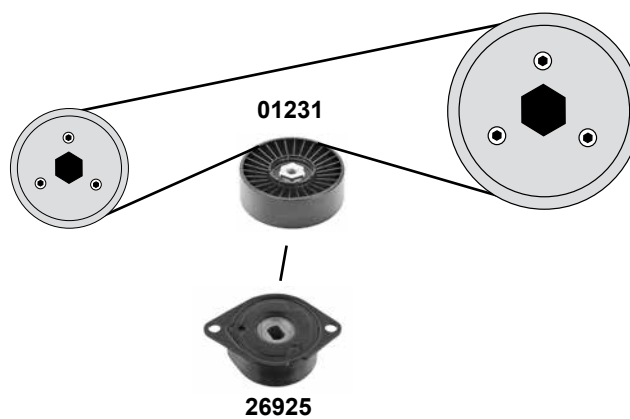
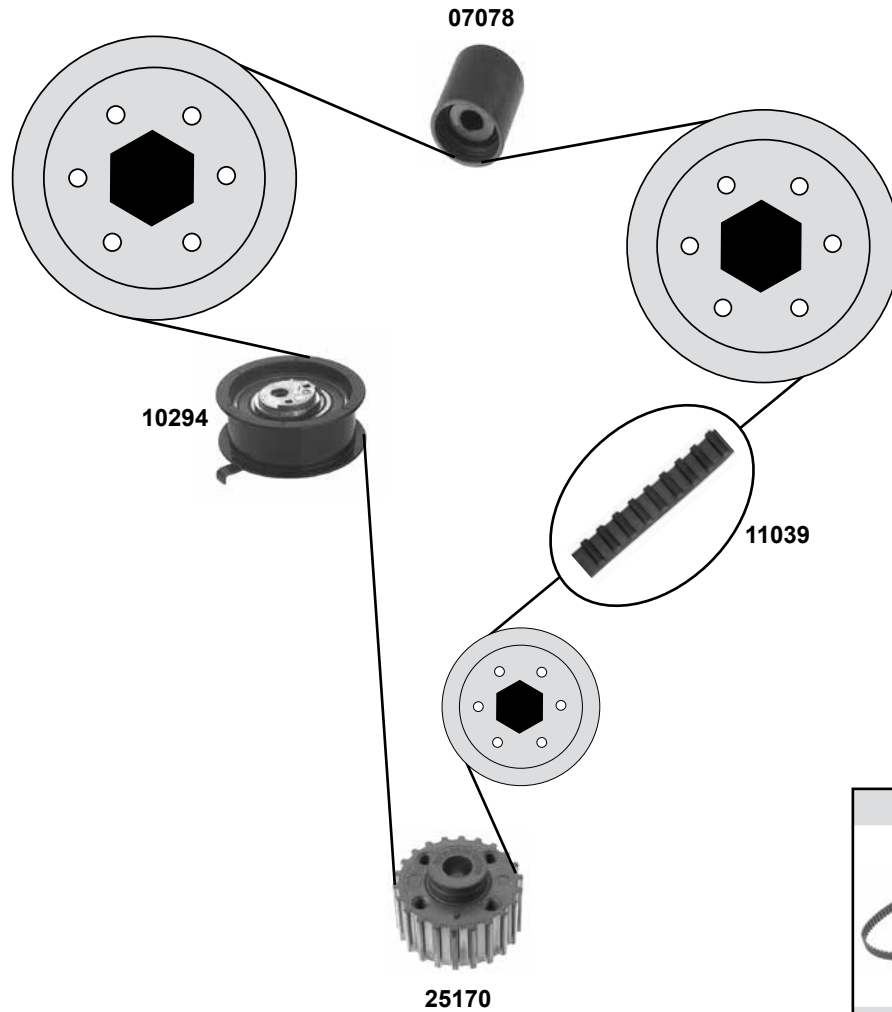


<b>18662</b>	057 109 243 A
<b>22343</b>	057 109 487
<b>25411</b>	057 109 218 K
<b>25415</b>	059 109 217
<b>33152</b>	059 145 201 E

tension roller
belt tensioner
chain tensioner
chain tensioner
belt tensioner

ØA 59 B34
Z 141 B30





Ref. - No.



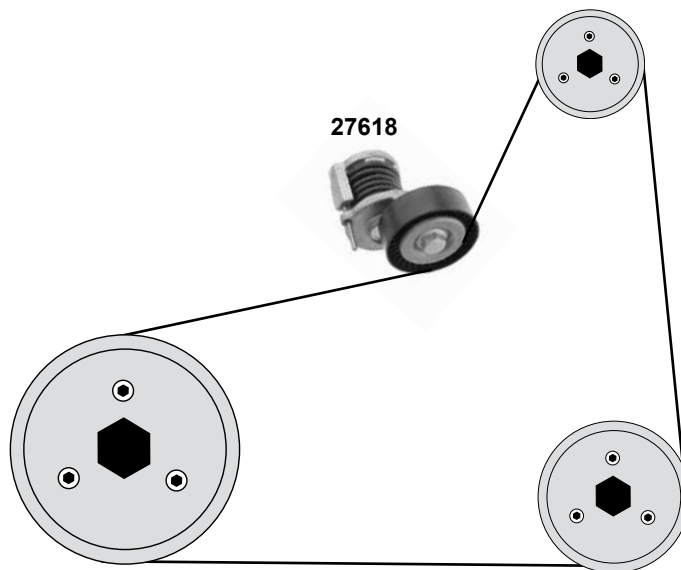
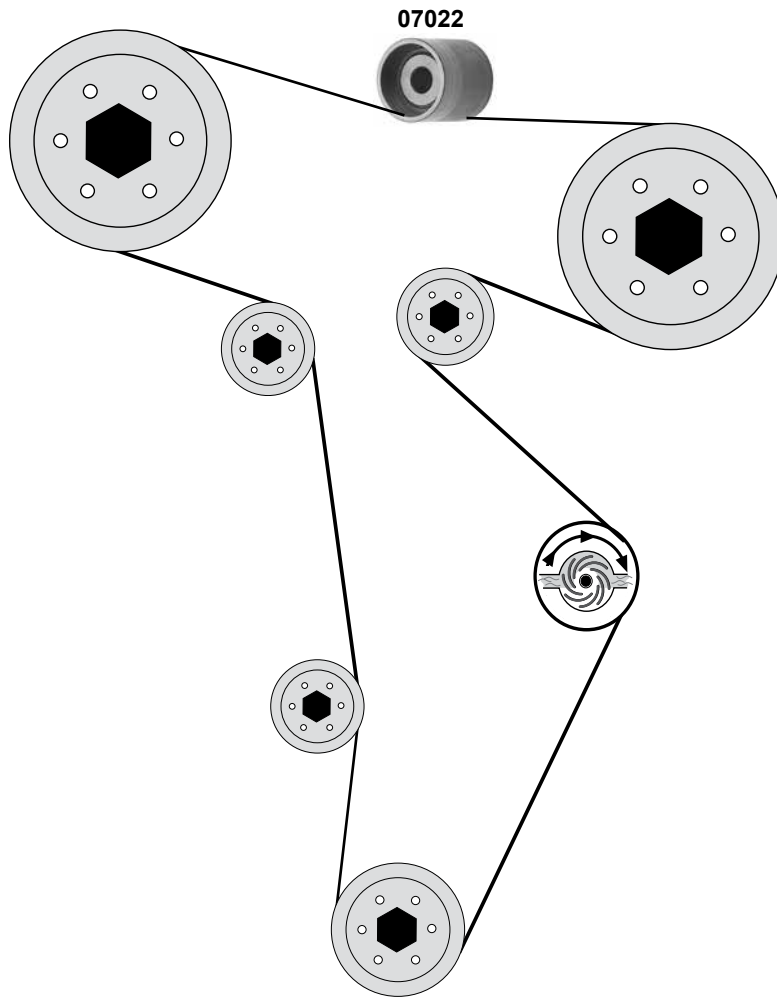
<b>01231</b>	028 145 278 E
<b>07078</b>	028 109 244
<b>10294</b>	028 109 243 F
<b>11039</b>	028 109 119 P
<b>14626</b>	028 198 119 C
<b>25170</b>	028 105 263 D
<b>26925</b>	028 903 315 R

deflection pulley
deflection pulley
tension roller
timing belt
rep. kit timing belt
crankshaft gear
tension roller

ØA 78 ØI 8 B26
ØA 28 ØI 8 B31,5
ØA 67 ØI 8 B25
Z 137 B25,4
Z 137 B25,05
Z 22



**2,0 TDI**  
 (CFFA / CFFB / CFGC / CFGD / CLLB)



Ref. - No.



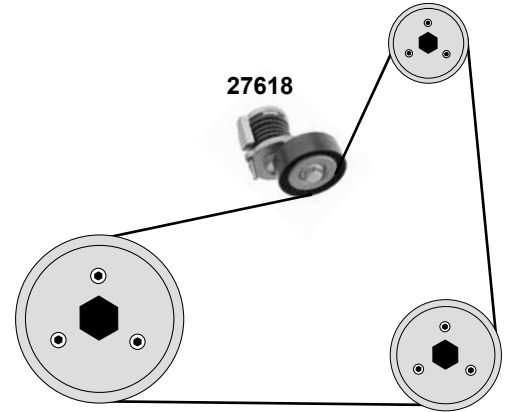
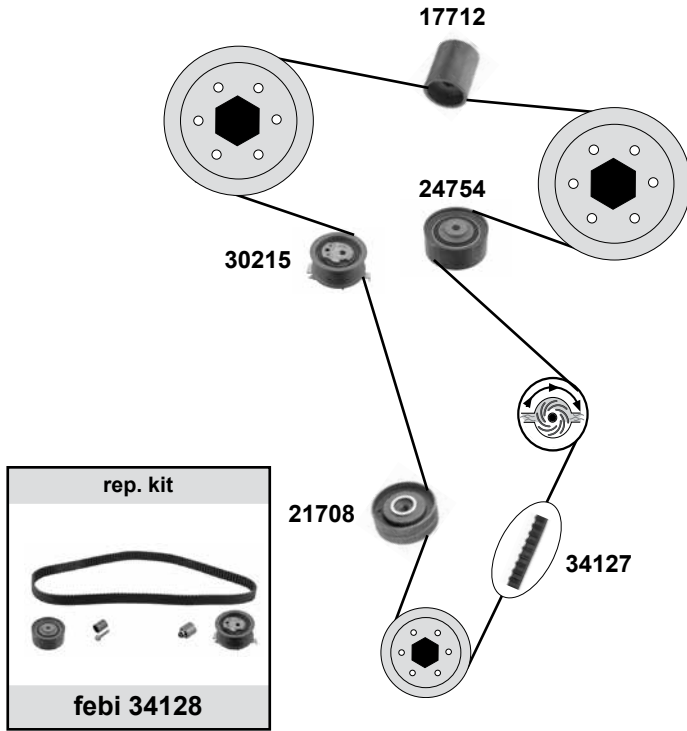
**07022** 03L 109 244 D  
**27618** 038 903 315 AH

deflection pulley  
 belt tensioner

ØA 28 ØI 8 B29  
 ØA 70 B24

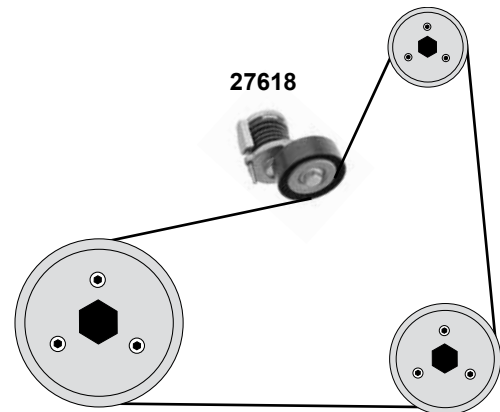
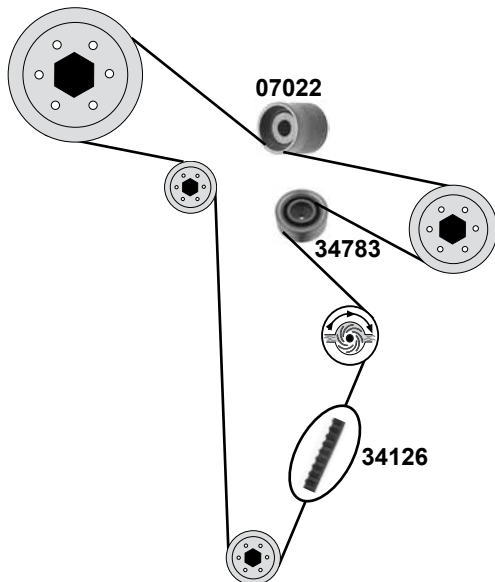
**2,0 TDI**

(CAHA / CAHB / CAGA / CAGB)



**2,0 TDI**

(CJCB / CJCA / CGLA / CGLB / CMGA)



**2,0 TDI**

(CGLA / CGLB / CJCA / CJCB / CMGA)



Ref. - No.



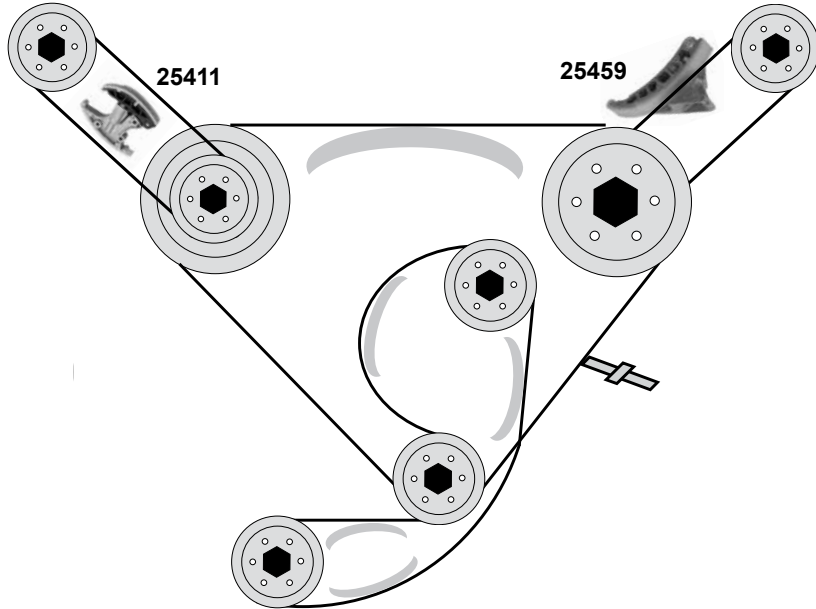
<b>07022</b>	03L 109 244 d	deflection pulley	ØA 28 ØI 8 B29
<b>17712</b>	03L 109 244 C	deflection pulley	ØA 28 ØI 8 B34
<b>21708</b>	038 109 244 J	deflection pulley	ØA 40 ØI 37 B35
<b>24754</b>	038 109 244 J	deflection pulley	ØA 80 ØI 10 B34
<b>27618</b>	038 903 315 AH	belt tensioner	ØA 70 B24
<b>30215</b>	03L 109 243 E	tension roller	ØA 68,5 B35
<b>34126</b>	03L 109 119 C	timing belt	Z 160 B25
<b>34127</b>	03L 109 119 F	timing belt	Z 160 B30
<b>34128</b>	03L 198 119	rep. kit timing belt	Z 160 B 30
<b>34783</b>	03L 109 244 J	deflection pulley	

**AUDI**  
**Q5 (8R)**  
(09→)

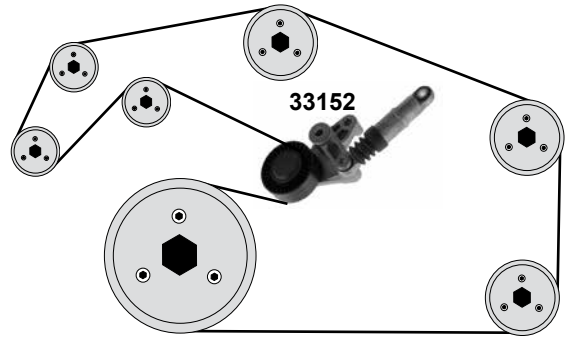
Car  
Division 



**3,0 TDI**  
(CCWA/CCWB)

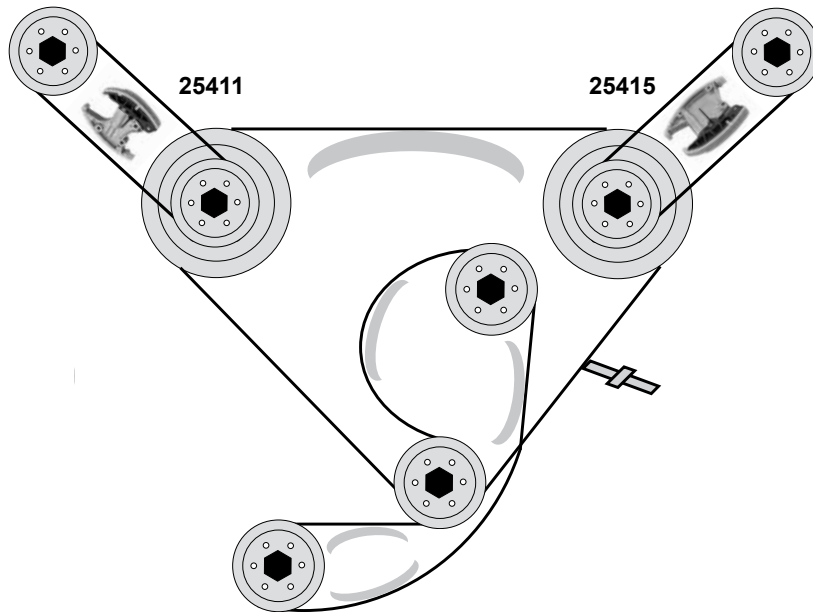


(ch.) → 8R-BA000 001



**Q7 (4L)**  
(07 →)

**3,0 TDI**  
(BUN/BUG/CASB/CASA/CCMA/BTR)



Ref. - No.



25411	057 109 218 K
25415	057 109 217C
25459	057 109 510 A
33152	059 145 201 F

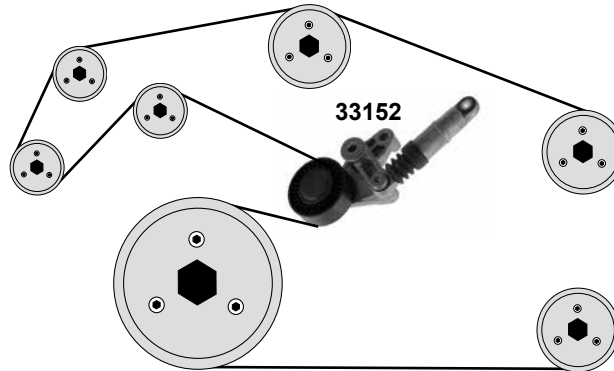
chain tensioner
chain tensioner
sliding rail
belt tensioner

(mot.) BUN/BUG

**3,0 TDI**

(BUG / BUN / CASA / CASB / CATA / CCMA)

(ch.) 4L-7-034 592 → / → 4L-BD000 001

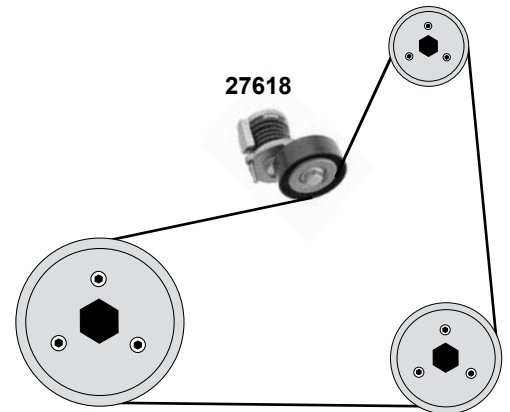
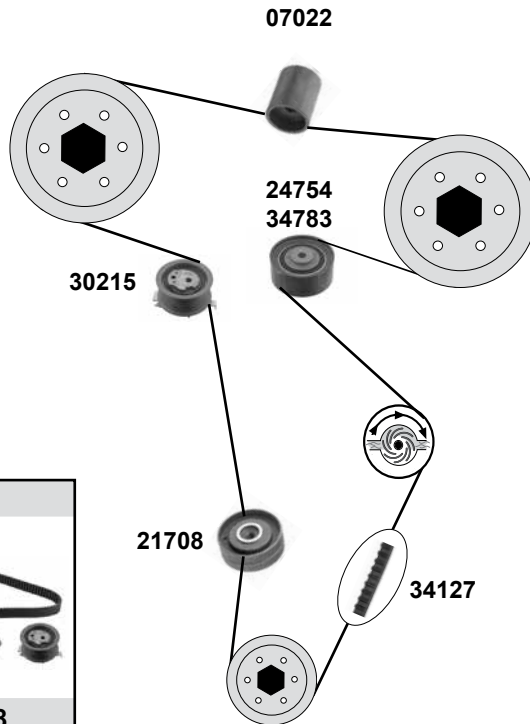


**TT (8J)**

(06 →)

**2,0 TDI**

(CFGB/CBBB/CFGB)



- |  |                                 |                         |                 |
|--|---------------------------------|-------------------------|-----------------|
|  | (1) Audi TT / TTS coupe / road. | 07 → 09                 | (mot.) CFGB/CBB |
|  |                                 | 10 →                    | (mot.) CFGB     |
| (2) Audi TT / TTS coupe / road./ quattro | 08 →                            | (mot.) CBBB/CFGB/PR-9AK |                 |



Ref. - No.



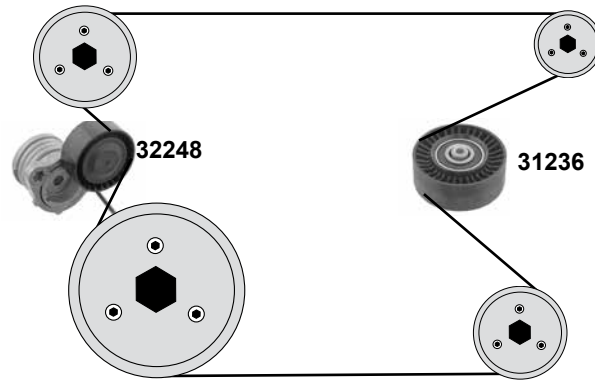
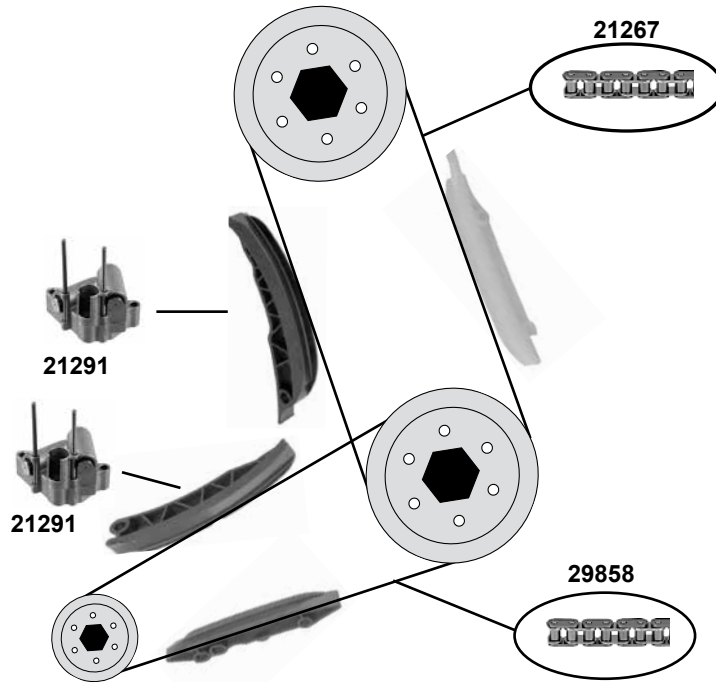
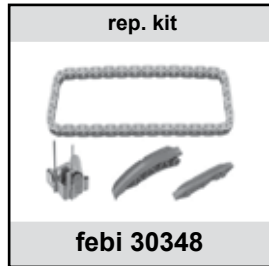
Ref. - No.	Description	Quantity	Dimensions
07022	deflection pulley	(mot.) CFGB	ØA 28 ØI 8 B29
21708	deflection pulley	(1)	ØA 40 ØI 37 B35
24754	deflection pulley	(mot.) CBBB	ØA 80 ØI 10 B34
27618	belt tensioner	(2)	
30215	tension roller	(1)	ØA 68,5 B35
33152	belt tensioner damper		
34127	timing belt	(1)	Z 160 B 30
34128	rep. kit timing belt	(1)	Z 160 B 30,77
34783	deflection pulley	(mot.) CFGB	




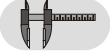
**BMW**  
**1 'er (E87)**  
 (04→07)

Car  
 Division 

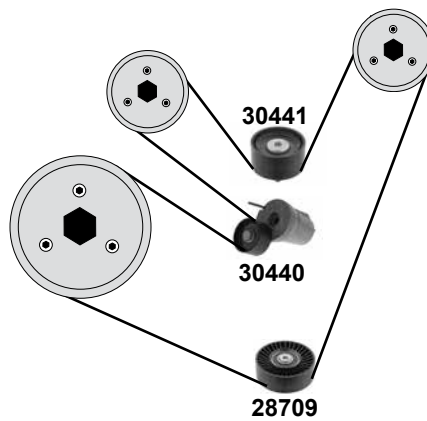
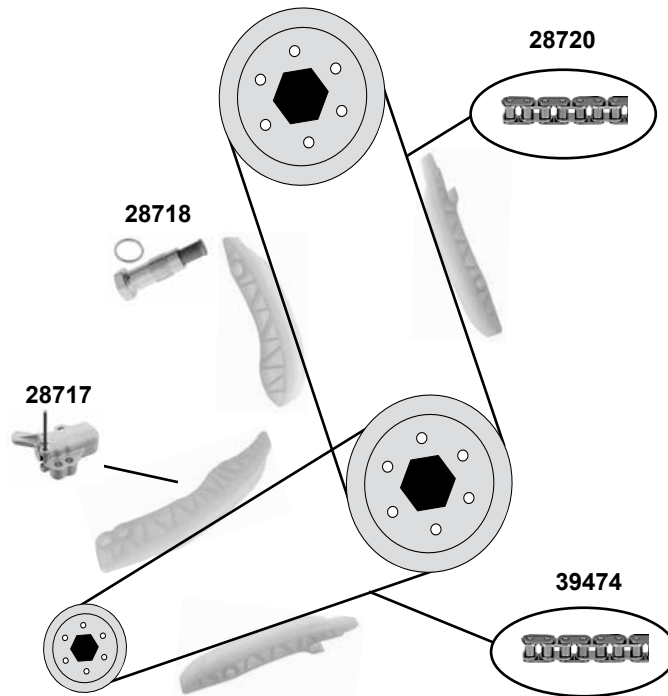


**118 d / 120d**  
 (M47 N)



	Ref. - No.			
<b>21267</b>	11 31 8 506 869	timing chain		74 E
<b>21291</b>	13 52 7 787 299	chain tensioner		
<b>29858</b>	13 52 8 506 969	timing chain		67 E
<b>30347</b>	11 31 8 506 869 S1	rep. kit timing chain		74 E
<b>30348</b>	13 52 8 506 969 S1	rep. kit timing chain		66 E
<b>31236</b>	11 28 7 790 448	deflection pulley		AØ 70 B 26
<b>32248</b>	11 28 7 790 447	belt tensioner		AØ 64 B 26

**116 d / 118 d / 120d / 123d**  
 (N 47)



- (1) E 81,E 87LCI: 116d,118d,120d,123d / E82,E 88 118d,120d,123d
- (2) E 81,E 87LCI: 116d,118d,120d,123d →01/13 / E82 118d,120d,123d→ 01/13 / E88 118d,120d,123d
- (3) E 81,E 87LCI: 116d,118d,120d,123d / E82 118d,120d,123d / E88 118d,120d,123d

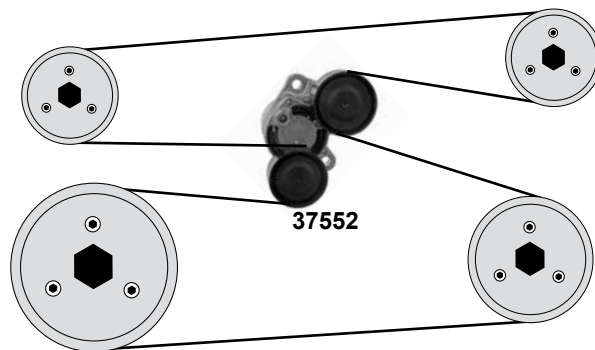
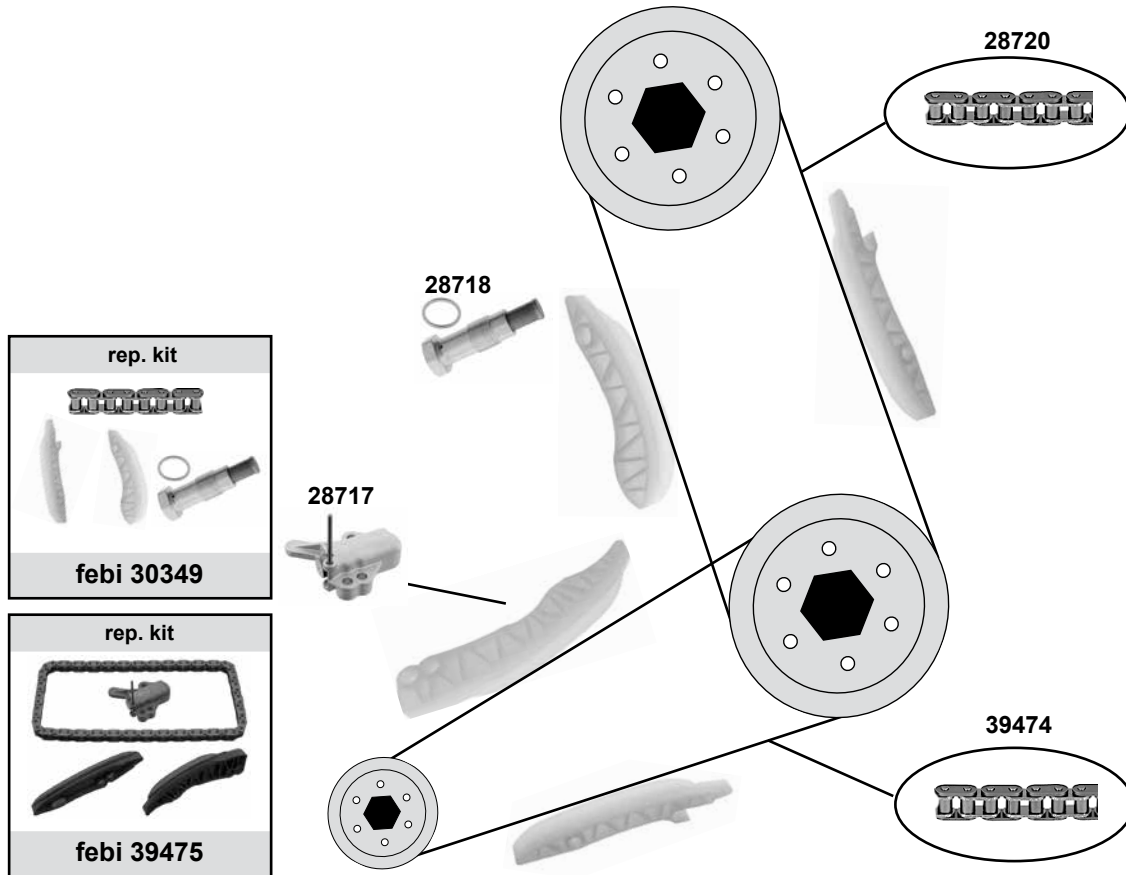
	Ref. - No.			
<b>28709</b>	11 28 7 556 251	deflection pulley		AØ80 B28
<b>28717</b>	13 52 7 797 905	chain tensioner	(1)	
<b>28718</b>	11 31 7 797 901	chain tensioner		
<b>28720</b>	11 31 8 510 014	timing chain		86 E
<b>30349</b>	11 31 8 510 014 S1	rep. kit timing chain	(1)	86 E
<b>30440</b>	11 28 7 800 333	belt tensioner		AØ55 B29
<b>30441</b>	11 28 7 800 562	deflection pulley		AØ55 B28
<b>39474</b>	13 52 8 572 504	timing chain	(3)	70 E
<b>39475</b>	13 52 8 572 504 S1	rep. kit timing chain	(2)	70 E

**BMW**  
**1 'er (F20/F21)**  
 (11→)

**Car  
 Division**

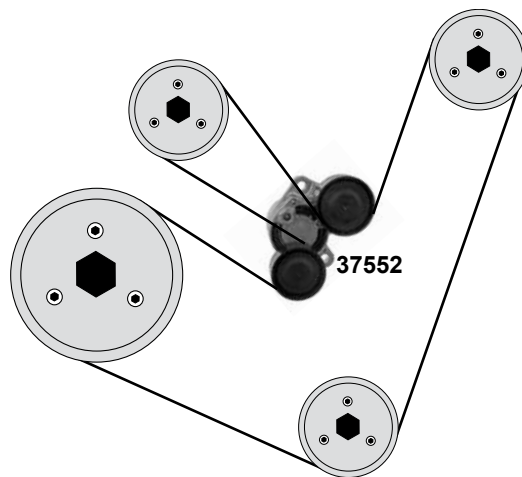
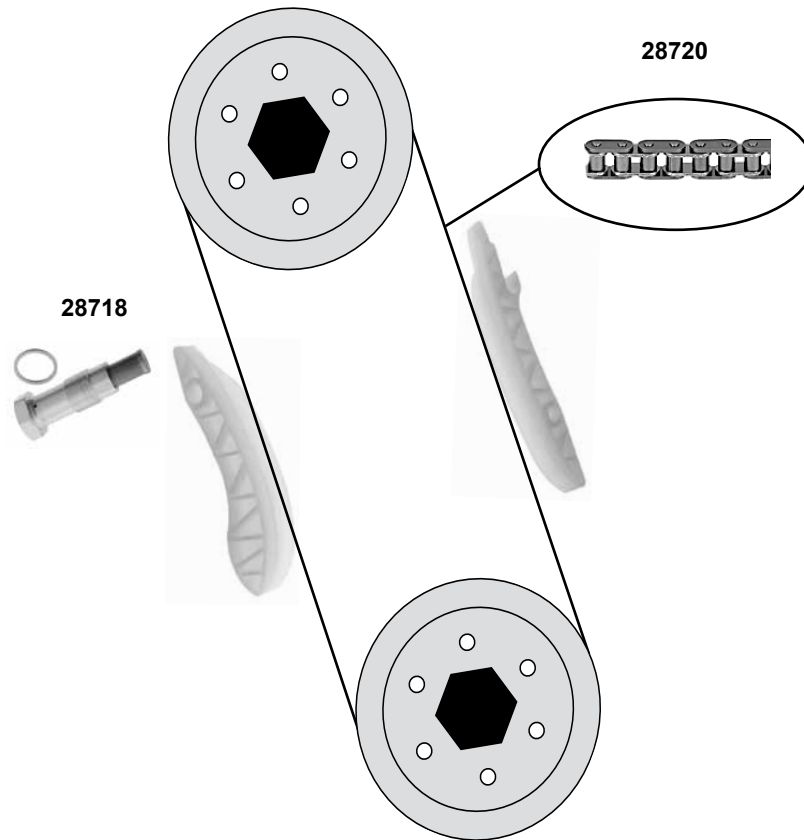


**114d / 116 d/ed / 118 d/dx / 120d/dx / 125d**  
 (N47N / S1)



	Ref. - No.			
<b>28717</b>	13 52 7 797 905	chain tensioner		
<b>28718</b>	11 31 7 797 901	chain tensioner		
<b>28720</b>	11 31 8 510 014	timing chain		86 E
<b>30349</b>	11 31 8 510 014 S1	rep. kit timing chain	→07/13	86 E
<b>37552</b>	11 28 7 810 807	belt tensioner		ØA 65/60 B26
<b>39474</b>	13 52 8 572 504	timing chain	→12/13	70 E
<b>39475</b>	13 52 8 572 504 S1	rep. kit timing chain	→12/13	70 E

**218d/220d/225d**  
(N47N)



Ref. - No.

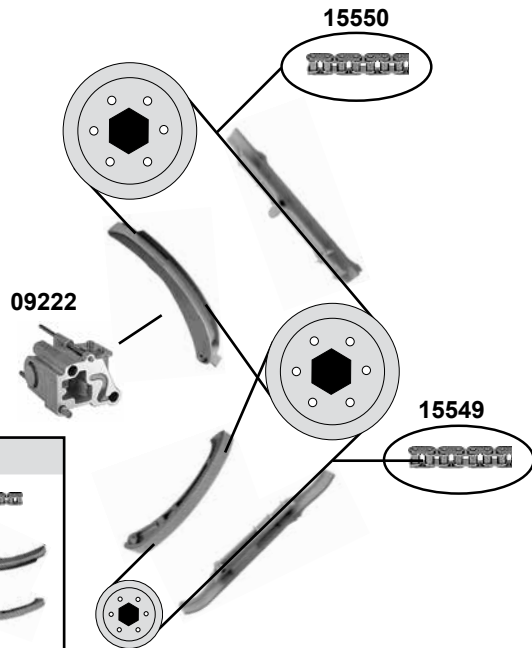


28718	11 31 7 797 901	chain tensioner
28720	11 31 8 510 014	timing chain
30349	11 31 8 510 014 S1	rep. kit timing chain
37552	11 28 7 810 807	belt tensioner

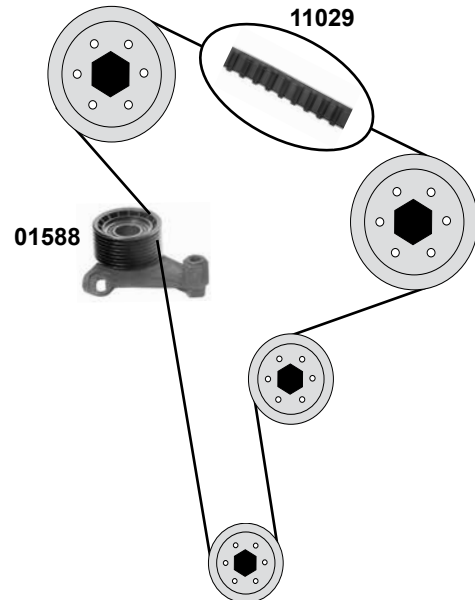
86 E  
86 E  
ØA 65



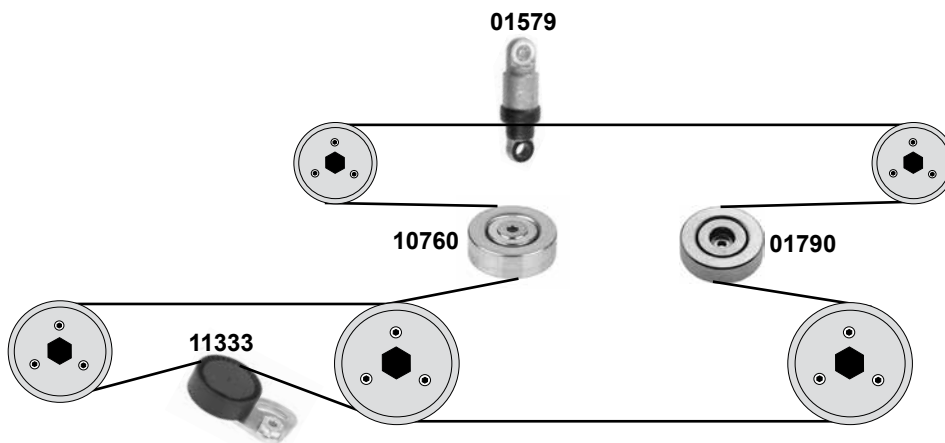
**318 tds / 325 td / tds (E36)**  
 (M41/M51)



**324 d/td (E30)**  
 (M21)



**318 tds / 325 td / tds (E36)**  
 (M41/M51)

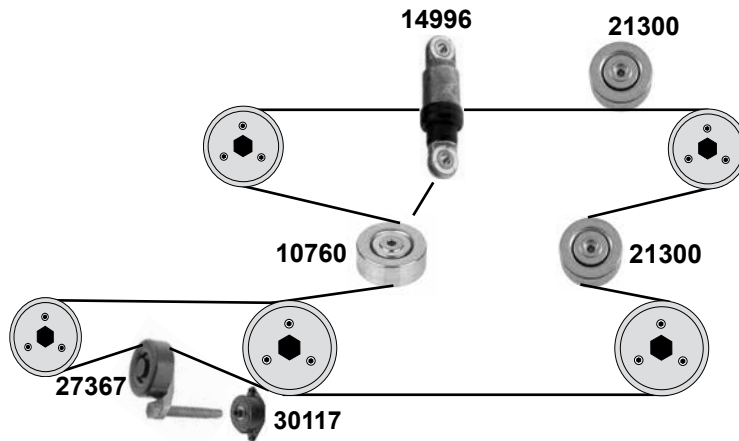
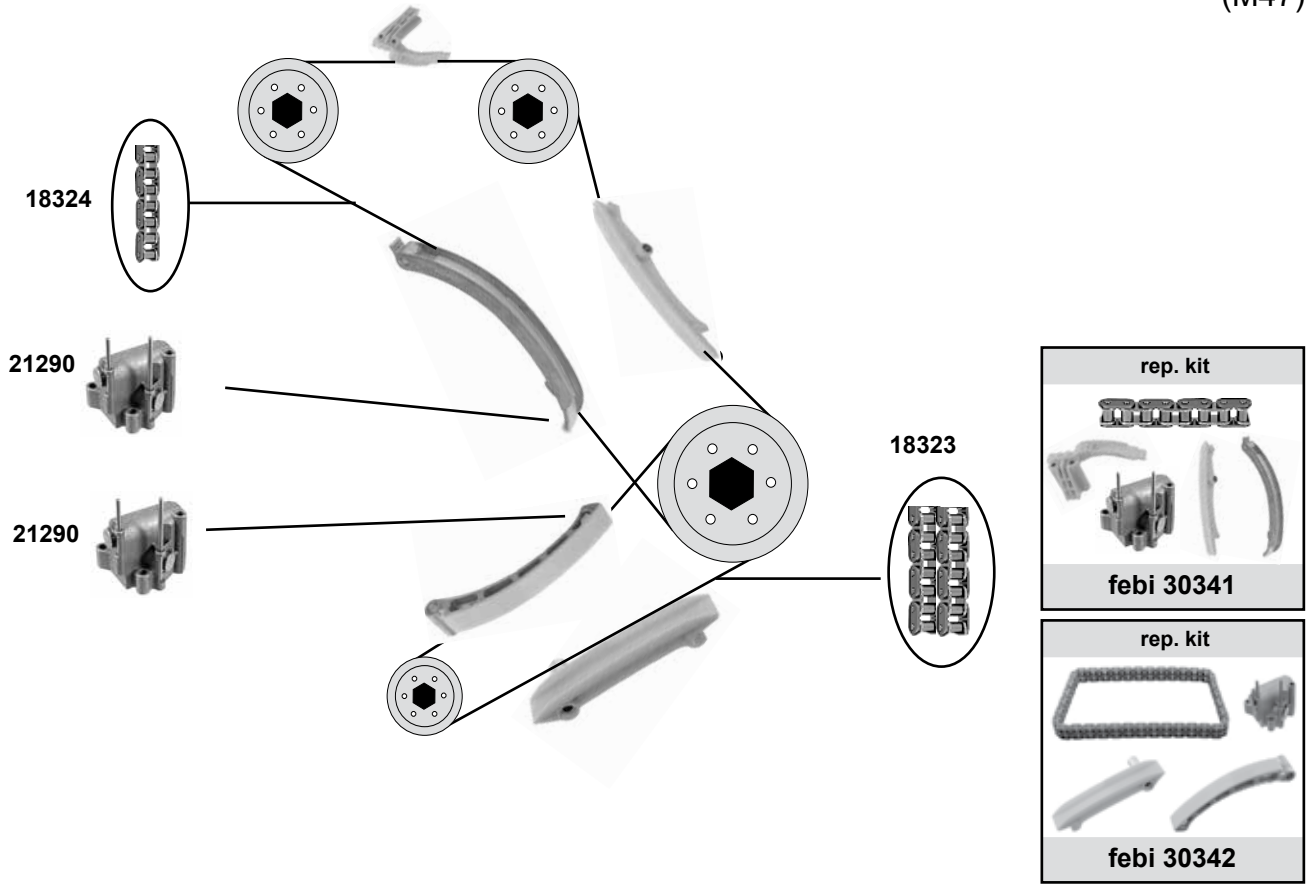


Ref. - No.



<b>01579</b>	11 28 2 248 168	belt tensioner	
<b>01588</b>	11 31 2 241 090	tension roller	24 x 67 x 33
<b>01790</b>	11 28 2 245 166	deflection pulley	80 x 23,5
<b>09222</b>	13 52 2 243 950	chain tensioner	
<b>10760</b>	11 28 2 244 754	tension roller	70 x 23
<b>11029</b>	11 31 1 279 125	timing belt	Z 138 B 28,5
<b>11333</b>	64 55 2 245 584	tension roller	70 x 24,5
<b>15549</b>	13 52 2 246 583	timing chain lower	74 E
<b>15550</b>	11 31 2 246 582	timing chain upper	80 E
<b>30384</b>	11 31 2 246 582 S1	rep. kit timing chain	74 E / 80 E

(mot.) M 41 AC



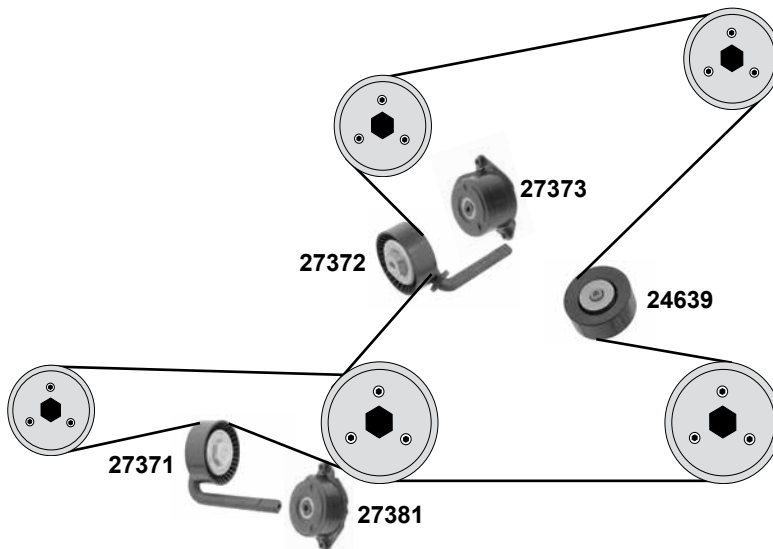
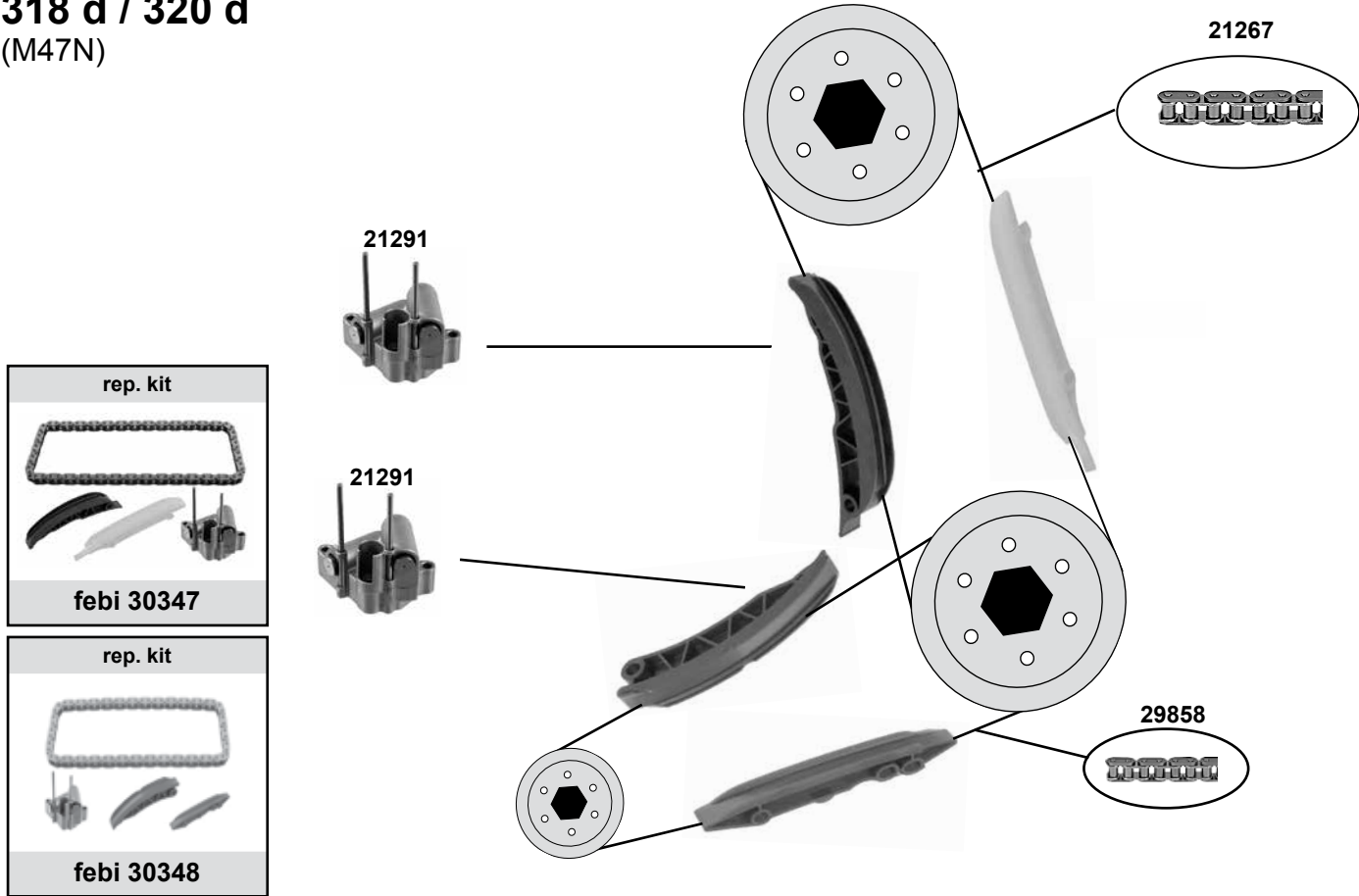
	Ref. - No.			
10760	11 28 2 244 754	tension roller		70 x 23
14996	11 28 2 248 169	belt tensioner		
18323	13 52 2 247 193	timing chain		D67 HP-2 74E G67 HP- 1 90E
18324	11 31 2 248 728	timing chain		
21290	13 52 2 246 808	chain tensioner		
21300	11 28 2 247 435	deflection pulley		AØ70 B23 AØ70 B28
27367	64 55 2 354 036	tension roller	AC	
30117	64 55 7 786 076	tension roller	AC	
30341	11 31 2 248 728 S1	rep. kit timing chain		90 E
30342	13 52 2 247 193 S1	rep. kit timing chain		74 E

**BMW**  
**3 'er (E46)**  
 (01→06)

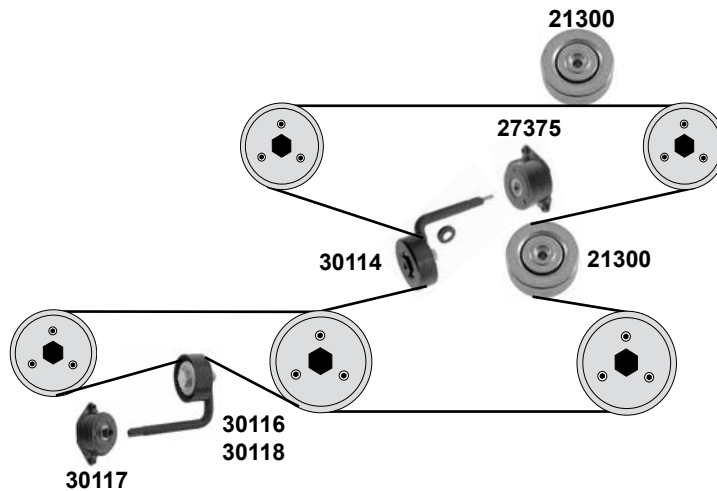
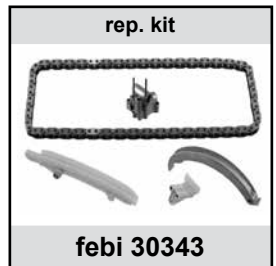
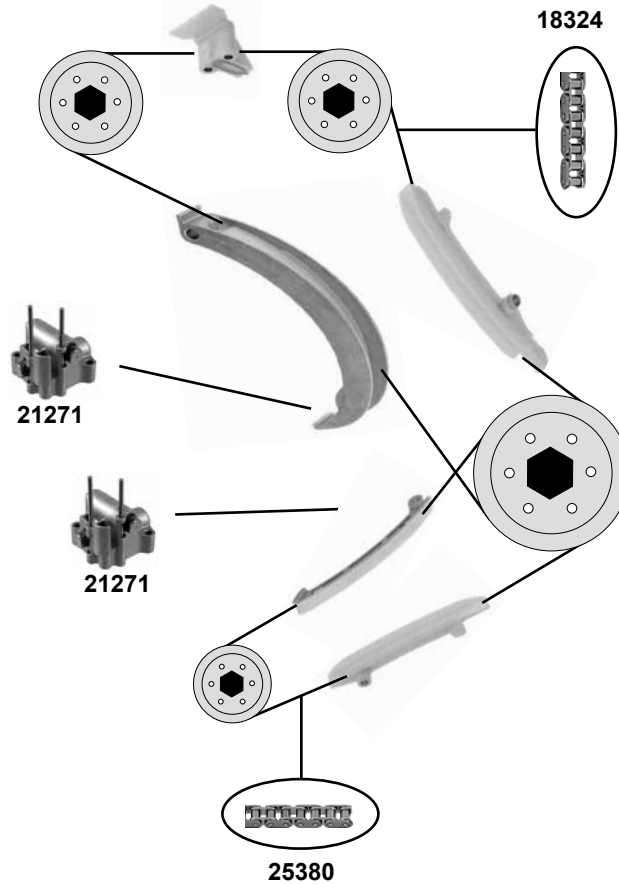
Car  
 Division



**318 d / 320 d**  
 (M47N)



Ref. - No.				
21267	11 31 8 506 869	timing chain		74 E
21291	13 52 7 787 299	chain tensioner		
24639	11 28 7 799 464	deflection pulley		AØ70 B27
27371	64 55 7 786 545	tension roller	→ 09/04 AC	AØ70 B26
27372	11 28 7 807 021	tension roller		AØ70 B26
27373	11 28 7 786 880	belt tensioner		AØ66
27381	64 55 7 787 371	belt tensioner	→ 09/04 AC	
29858	13 52 8 506 969	timing chain		67 E
30347	11 31 8 506 869 S1	rep. kit timing chain		74 E
30348	13 52 8 506 969 S1	rep. kit timing chain		66 E



Ref. - No.



<b>18324</b>	11 31 2 248 728	roller chain simplex
<b>21271</b>	13 52 2 247 644	chain tensioner
<b>21300</b>	11 28 2 247 435	deflection pulley
<b>25380</b>	13 52 2 248 729	timing chain
<b>27375</b>	11 28 2 354 130	belt tensioner
<b>30114</b>	11 28 2 354 131	tension roller
<b>30116</b>	64 55 7 788 684	tension roller
<b>30117</b>	64 55 7 786 076	belt tensioner
<b>30118</b>	64 55 2 354 034	tension roller
<b>30343</b>	11 31 2 248 728 S2	rep. kit timing chain
<b>30344</b>	13 52 2 248 729 S1	rep. kit timing chain

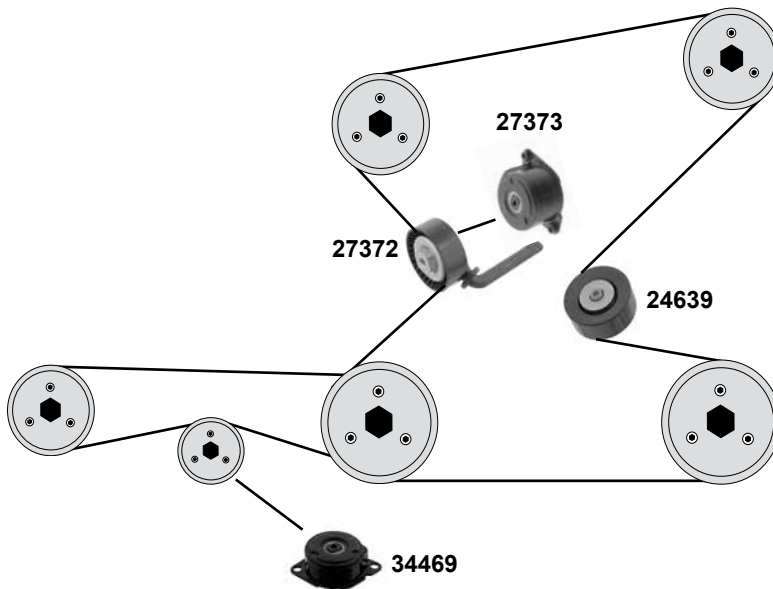
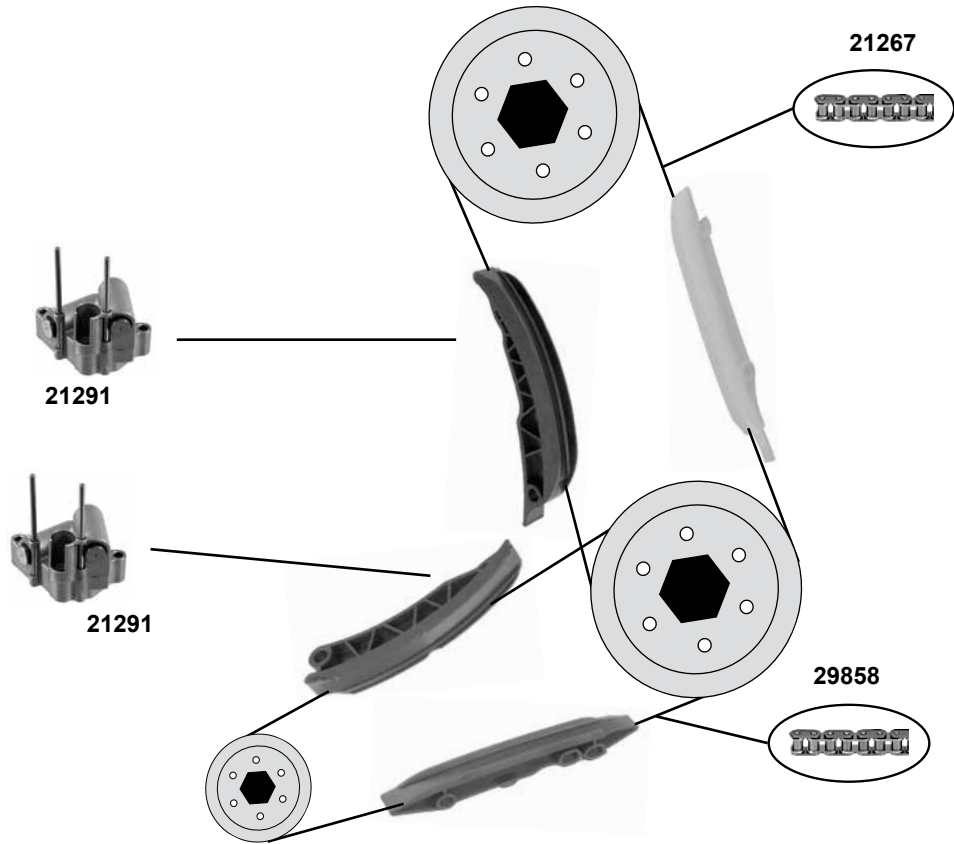
**AC**  
→10/00

G67 HP- 1 90 E

AØ 70 B23  
68 E  
AØ 66 B28  
AØ 70 B25,5

90 E  
68 E

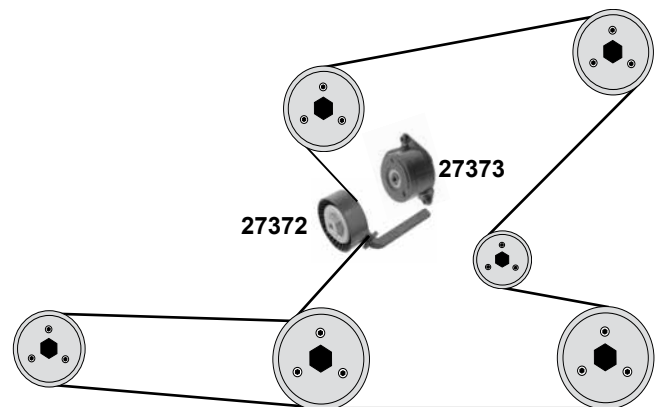
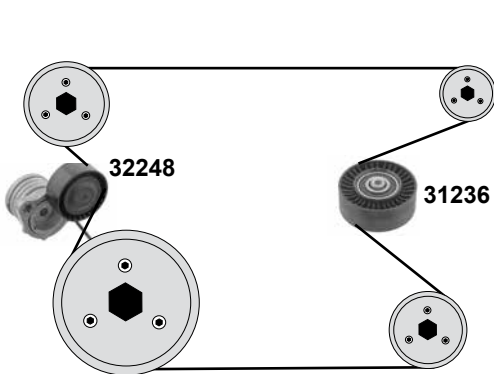
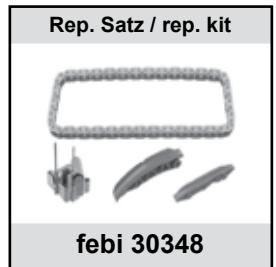
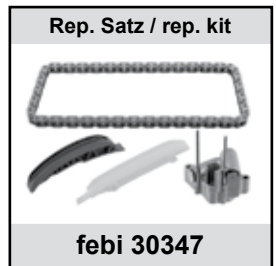
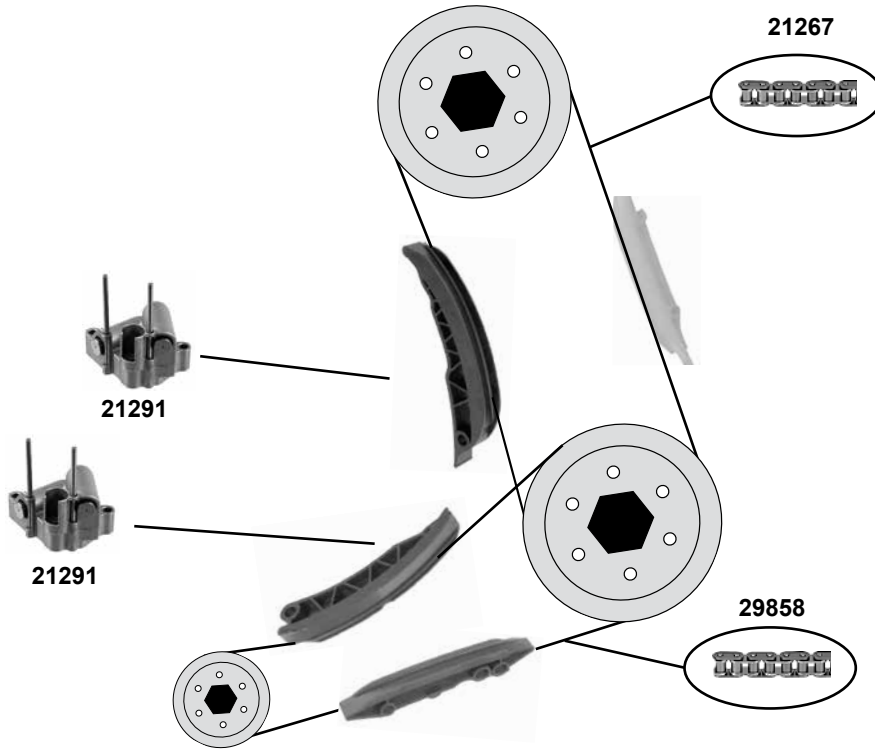
**330 d/xd**  
 (M57N)



	Ref. - No.			
<b>21267</b>	11 31 8 506 869	timing chain		74 E
<b>21291</b>	13 52 7 787 299	chain tensioner		
<b>24639</b>	11 28 7 799 464	deflection pulley		AØ70 B27
<b>27372</b>	11 28 7 807 021	tension roller		AØ70 B26
<b>27373</b>	11 28 7 786 880	belt tensioner	→ 09/04	AØ66
<b>29858</b>	13 52 8 506 969	timing chain		67 E
<b>30347</b>	11 31 8 506 869 S1	rep. kit timing chain		74 E
<b>30348</b>	13 52 8 506 969 S1	rep. kit timing chain		66 E
<b>34469</b>	64 55 7 786 711	belt tensioner	→ 09/04 <b>AC</b>	

**318d / 320d**  
(M47N2)

**325d / 330d/xd / 335d**  
(M57N2)

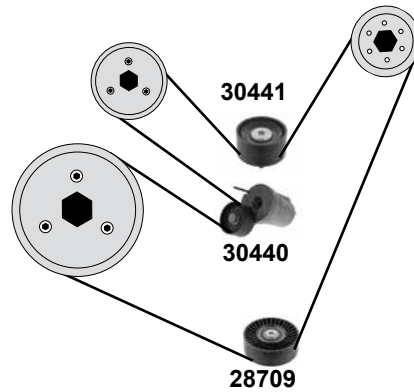
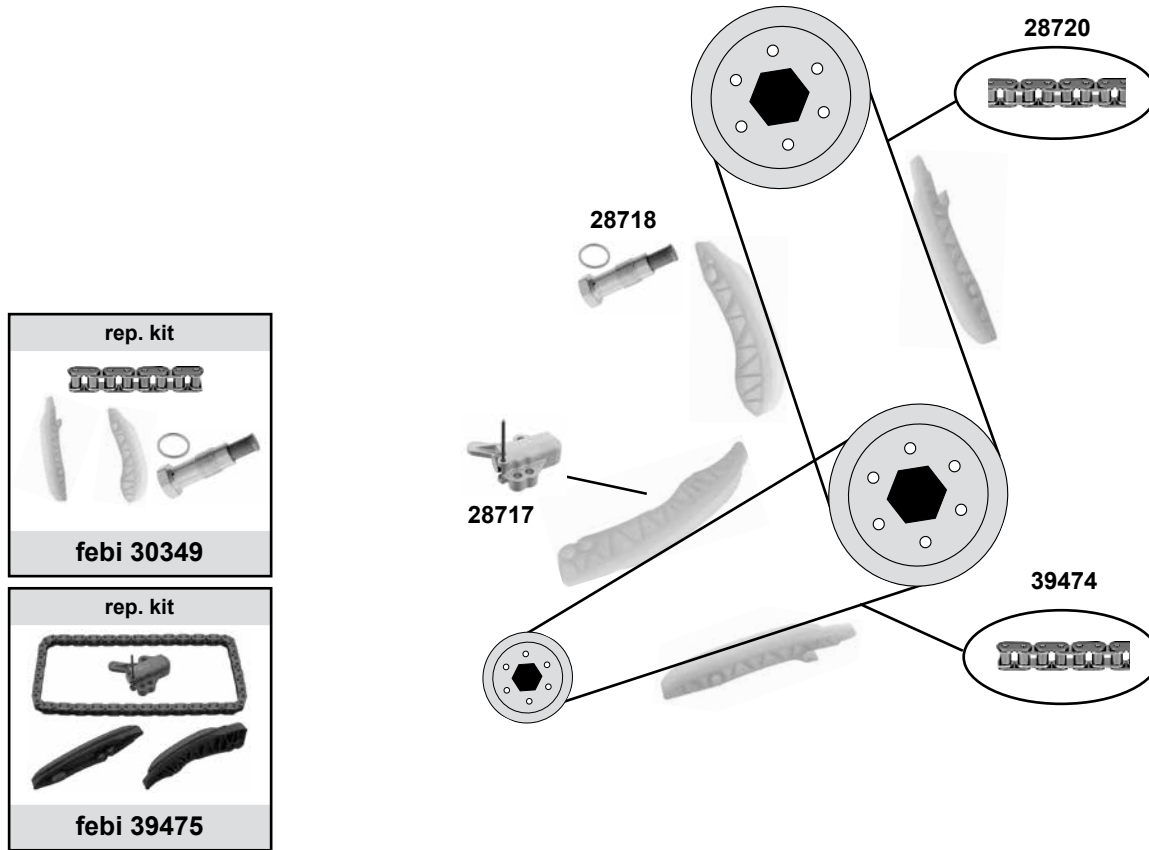


Ref. - No.




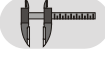


<b>21267</b>	11 31 8 506 869	timing chain		74 E
<b>21291</b>	13 52 7 787 299	chain tensioner		
<b>27372</b>	11 28 7 807 021	belt drive components	535 d	AØ70 B26
<b>27373</b>	11 28 7 786 880	belt drive components	535 d	
<b>29858</b>	13 52 8 506 969	timing chain		67 E
<b>30347</b>	11 31 8 506 869 S1	rep. kit timing chain		74 E
<b>30348</b>	13 52 8 506 969 S1	rep. kit timing chain		66 E
<b>31236</b>	11 28 7 790 448	deflection pulley		AØ70 B26
<b>32248</b>	11 28 7 790 447	belt tensioner	(ex.) 535 d	AØ64 B26

**316 d / 318 d / 320 d/xd**  
 (N47)

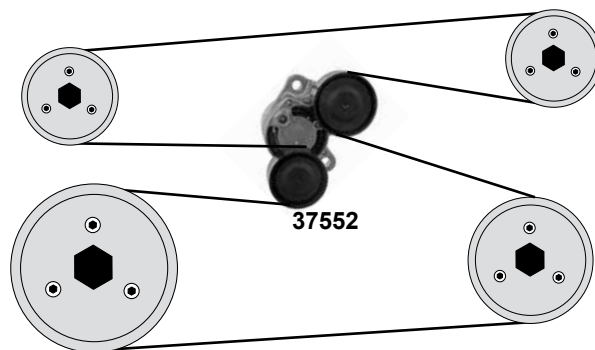
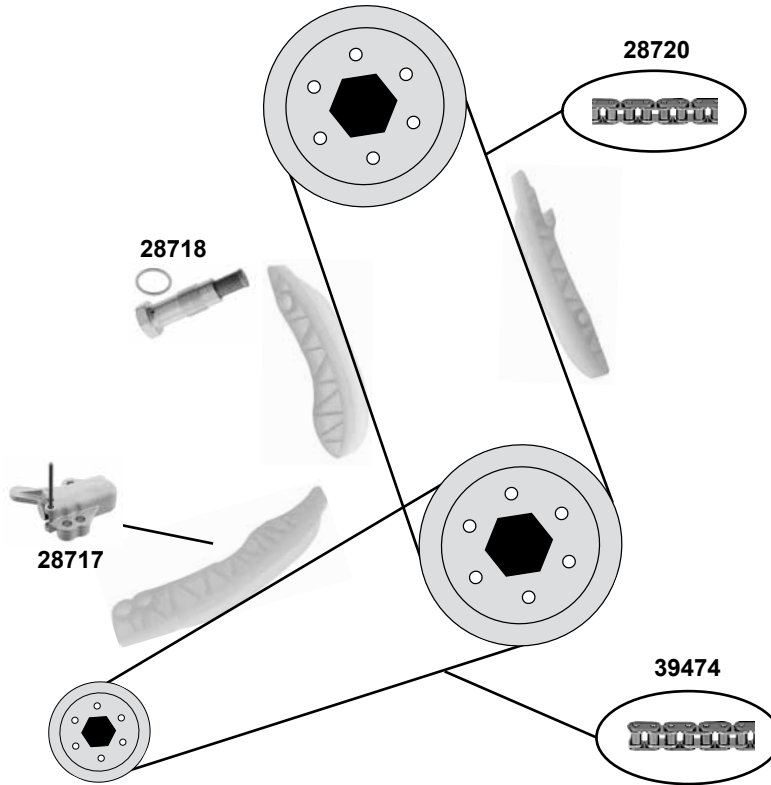


- (1)** E90 / E91 318d, 320d / E90LCI 316d, 318d, 320d/xd/ed / E91LCI 318d, 320d/xd / E92 320d/xd / E92LCI 320d/xd / E93 320d, 330d / E93LCI 320d
- (2)** E90 / E91 318d, 320d / E90LCI 316d, 318d, 320d/xd/ed / E91LCI 316d, 318d, 320d/xd/ed / E92 320d/xd / E93 320d

	Ref. - No.			
28709	11 28 7 556 251	deflection pulley		AØ80 B28
28717	13 52 7 797 905	chain tensioner		
28718	11 31 7 797 901	chain tensioner		
28720	11 31 8 510 014	timing chain		86 E
30349	11 31 8 510 014 S1	rep. kit timing chain	(1)	86 E
30440	11 28 7 800 333	belt tensioner		AØ55 B29
30441	11 28 7 800 562	deflection pulley		AØ80 B28
39474	13 52 8 572 504	timing chain	(2)	70 E
39475	13 52 8 572 504 S1	rep. kit timing chain	(2)	



**316 d / 318 d / 320 d/ed/xd**  
(N47/ N)



	Ref. - No.			
<b>28717</b>	13 52 7 797 905	chain tensioner		
<b>28718</b>	11 31 7 797 901	chain tensioner		
<b>28720</b>	11 31 8 510 014	timing chain		86 E
<b>30349</b>	11 31 8 510 014 S1	rep. kit timing chain		86 E
<b>37552</b>	11 28 7 810 807	belt tensioner		ØA 65/60 B26
<b>39474</b>	13 52 8 572 504	timing chain	→08/13	70 E
<b>39475</b>	13 52 8 572 504 S1	rep. kit timing chain	→08/13	70 E

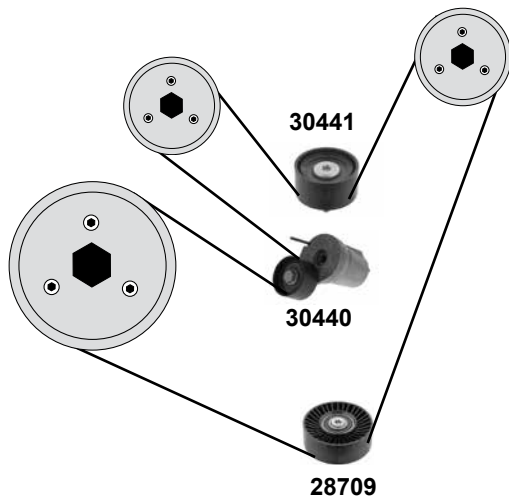
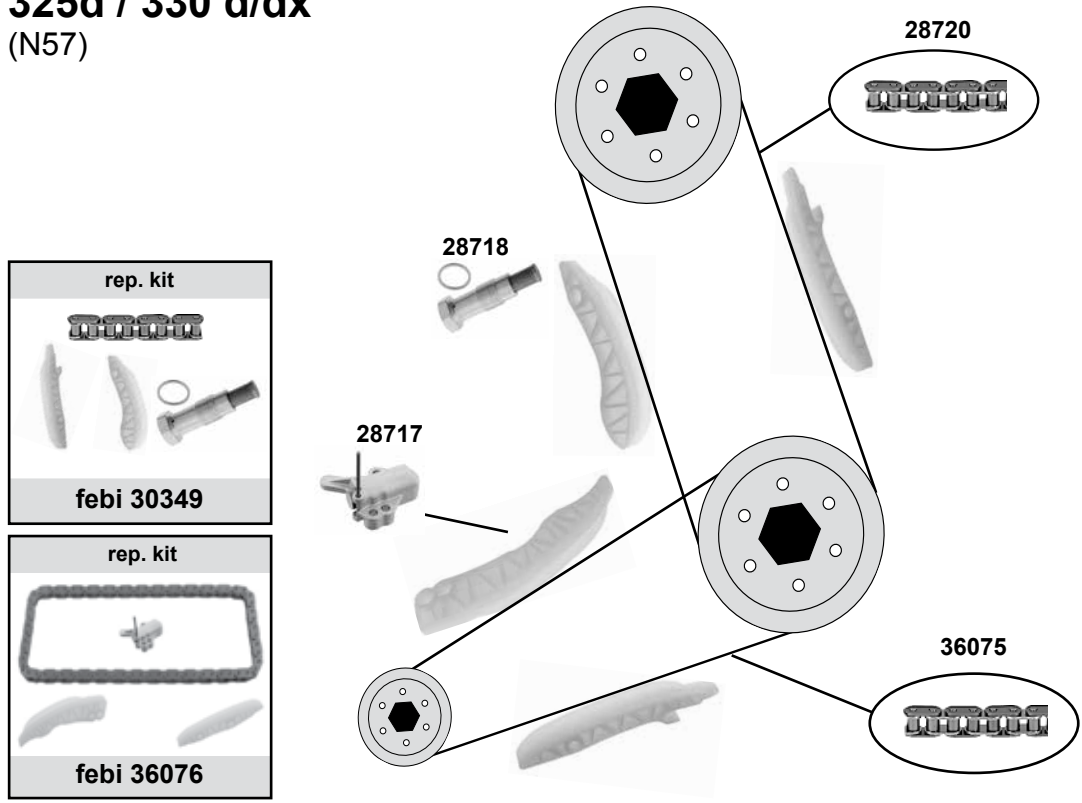


**BMW**  
**3'er (E90LCI / E91LCI / E92/LCI / E93/LCI)**  
 (07→13)

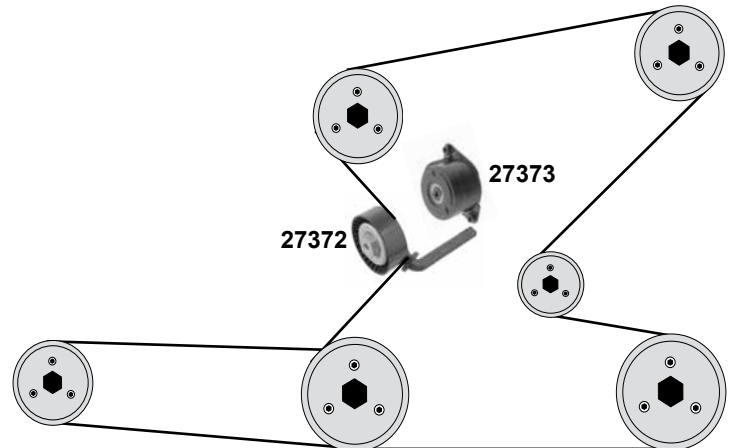
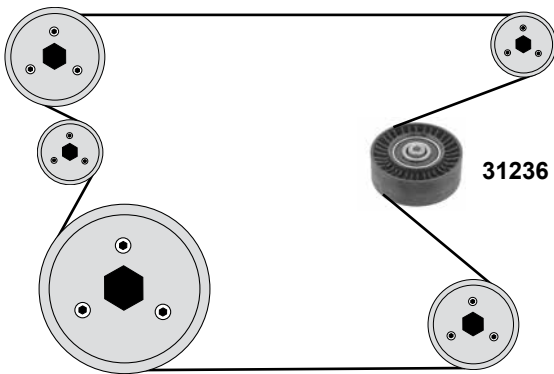
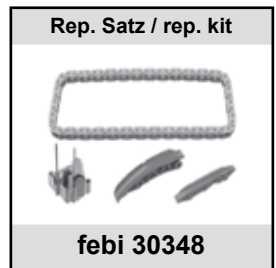
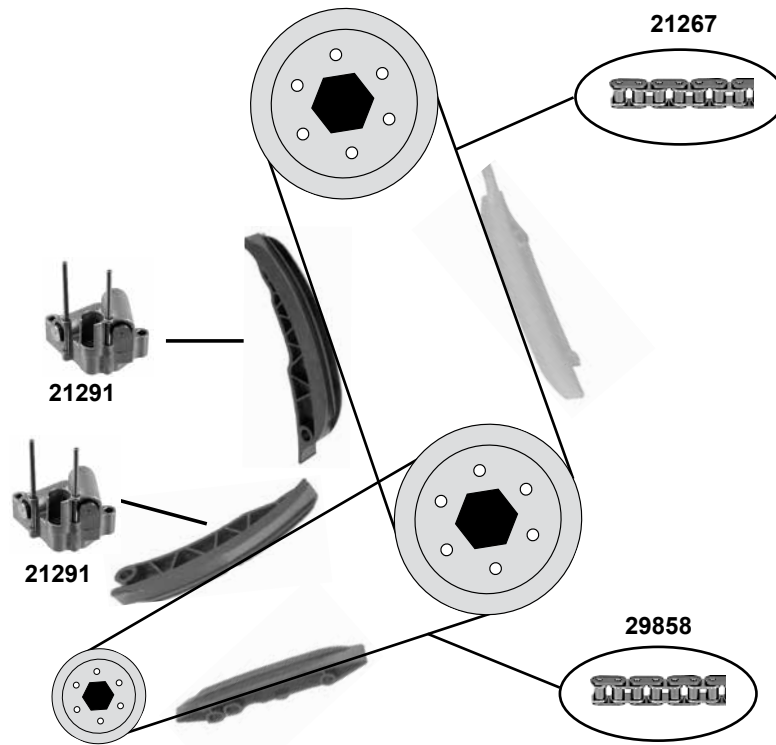
Car  
Division



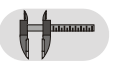
**325d / 330 d/dx**  
 (N57)



	Ref. - No.			
<b>28709</b>	11 28 7 556 251	deflection pulley	(ex.) 330 dx	Ø 80 B28
<b>28720</b>	11 31 8 510 014	timing chain		86 E
<b>28717</b>	13 52 7 797 904	chain tensioner		
<b>28718</b>	11 31 7 797 901	chain tensioner		
<b>30349</b>	11 31 8 510 014 S1	rep. kit timing chain		86 E
<b>30440</b>	11 28 7 800 333	belt tensioner	AC	AØ55 B29
<b>30441</b>	11 28 7 800 562	deflection pulley	AC	AØ55 B28
<b>36075</b>	11 31 8 506 654	timing chain		72 E
<b>36076</b>	11 31 8 506 654 S1	rep. kit timing chain		72 E



Ref. - No.



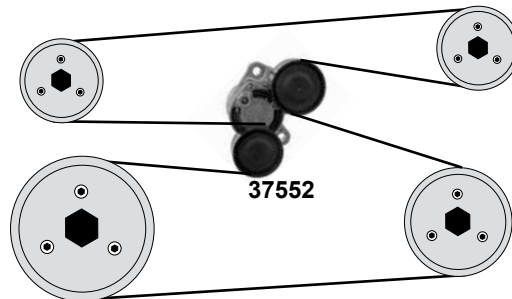
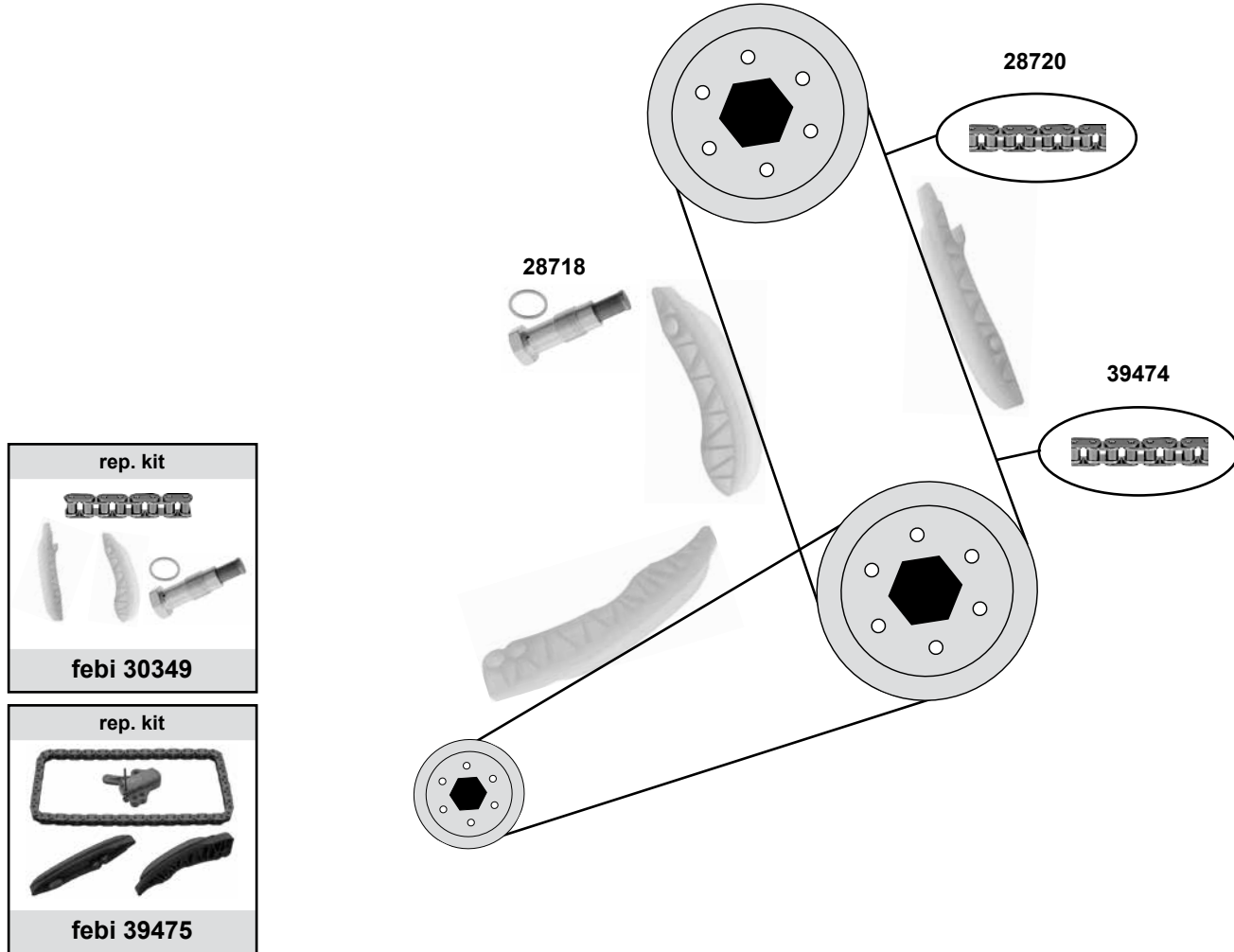
<b>21267</b>	11 31 8 506 869	timing chain	74 E
<b>21291</b>	13 52 7 787 299	chain tensioner	
<b>27372</b>	11 28 7 807 021	tension roller	AØ70 B26
<b>27373</b>	11 28 7 786 880	belt tensioner	
<b>29858</b>	13 52 8 506 969	timing chain	67 E
<b>30347</b>	11 31 8 506 869 S1	rep. kit timing chain	74 E
<b>30348</b>	13 52 8 506 969 S1	rep. kit timing chain	66 E
<b>31236</b>	11 28 7 790 448	deflection pulley	AØ70 B26

**BMW**  
**3'er (F30/F31/F34)**  
 (12→)

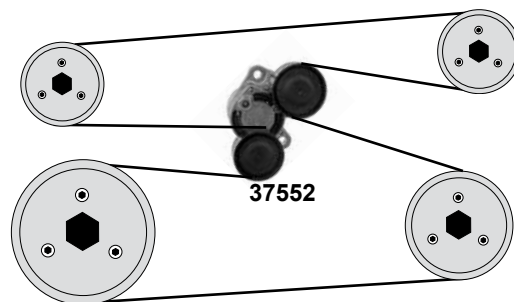
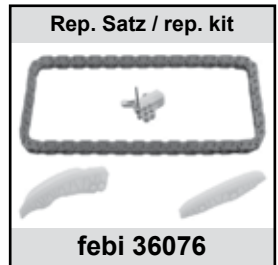
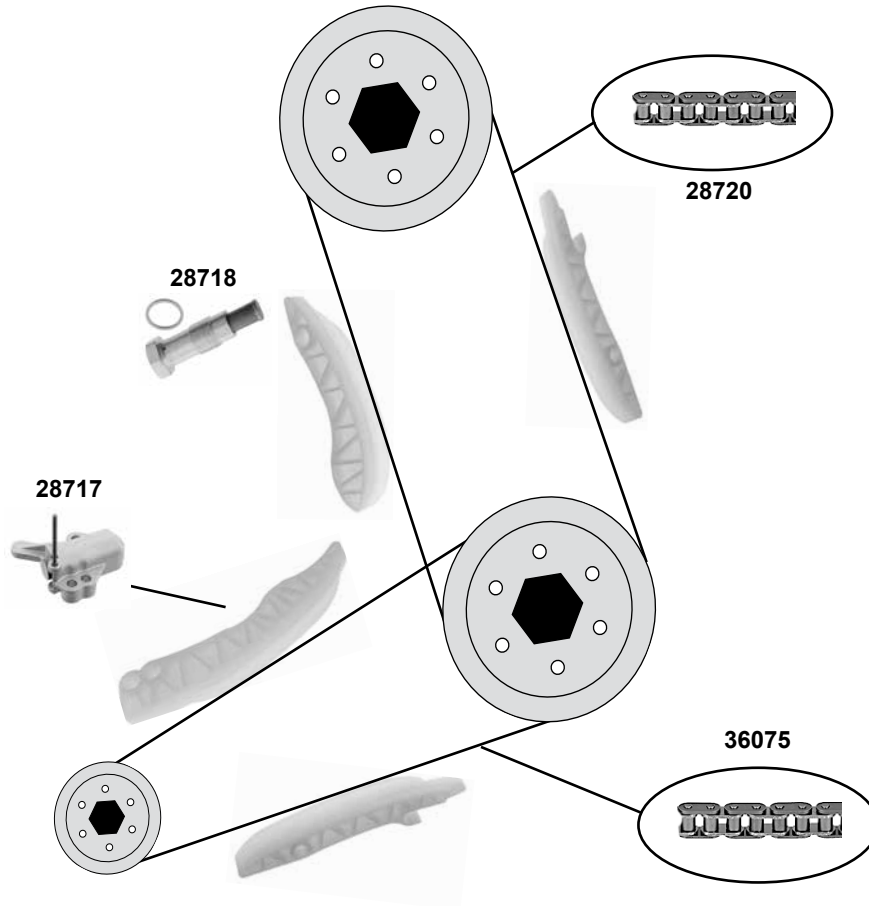
Car  
Division



**316 d / 318 d/dx / 320 d/ed/xd/325d**  
 (N47 N / S1)



	Ref. - No.			
<b>28718</b>	11 31 7 797 901	chain tensioner		
<b>28720</b>	11 31 8 510 014	timing chain		86 E
<b>30349</b>	11 31 8 510 014 S1	rep. kit timing chain		86 E
<b>37552</b>	11 28 7 810 807	belt tensioner		ØA 65/60 B26
<b>39474</b>	13 52 8 572 504	timing chain	→12/13	70 E
<b>39475</b>	13 52 8 572 504 S1	rep. kit timing chain	→08/13	



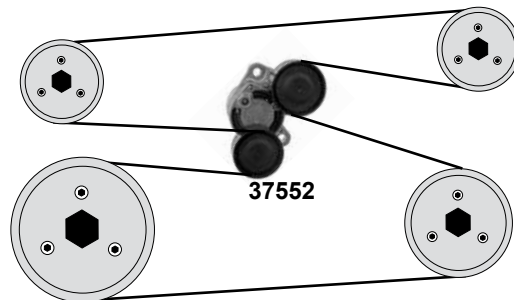
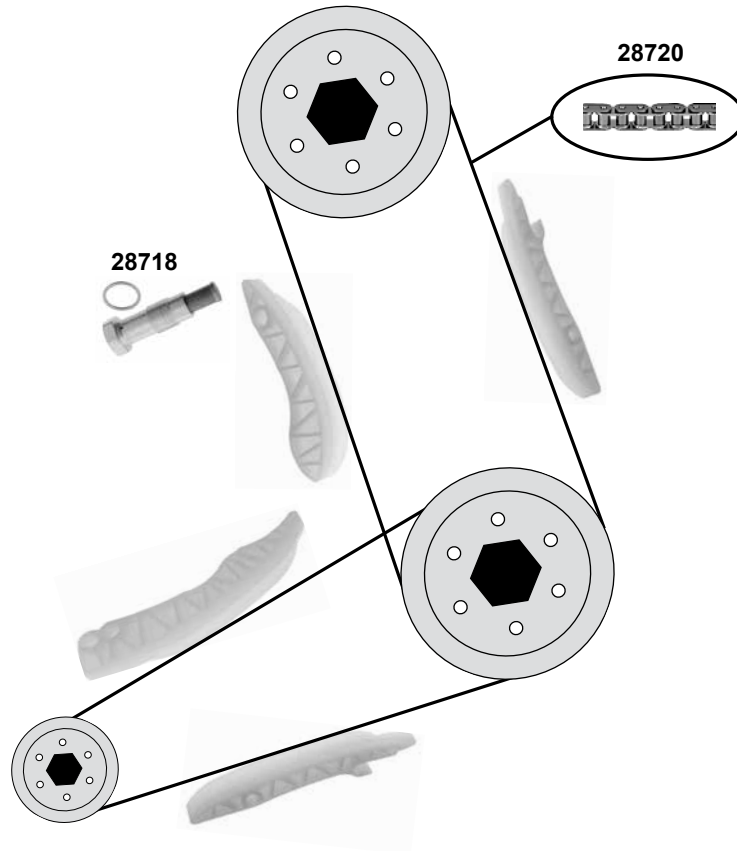
	Ref. - No.			
<b>28717</b>	13 52 7 797 905	chain tensioner		
<b>28718</b>	11 31 7 797 901	chain tensioner		
<b>28720</b>	11 31 8 510 014	timing chain		86 E
<b>30349</b>	11 31 8 510 014 S1	rep. kit timing chain		86 E
<b>36075</b>	11 31 8 506 654	timing chain simplex		72 E
<b>36076</b>	11 31 8 506 654 S1	rep. kit timing chain		
<b>37552</b>	11 28 7 810 807	belt tensioner		ØA 65/60 B26

**BMW**  
**4'er (F32/F33)**  
 (13→)

**Car**  
**Division**



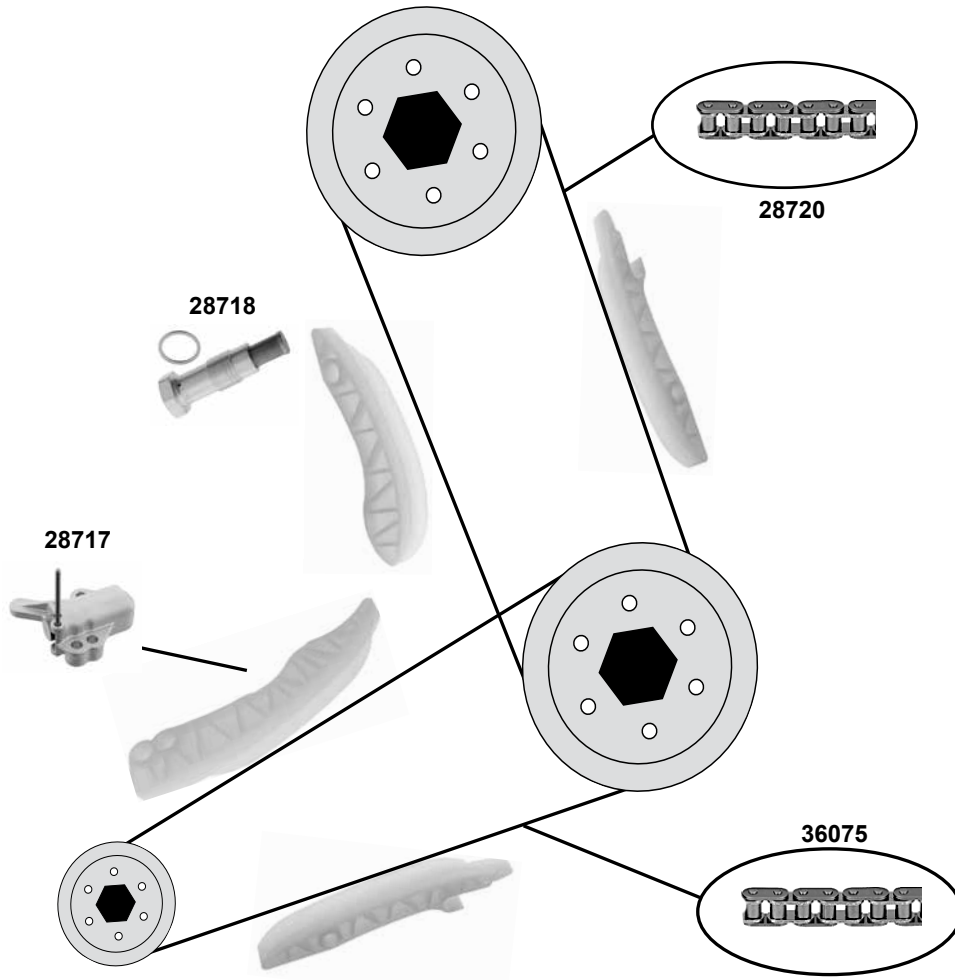
**420d/dx/425d**  
 (N47 N)



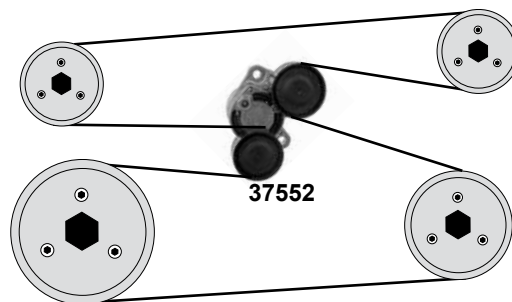
Ref. - No.	Part Description	Notes
28718	chain tensioner	
28720	timing chain	
30349	rep. kit timing chain	
37552	belt tensioner	

86 E  
 86 E  
 ØA 65/60 B26

**430d/dx/435dx**  
(N57 N)



Rep. Satz / rep. kit
<b>febi 30349</b>
Rep. Satz / rep. kit
<b>febi 36076</b>



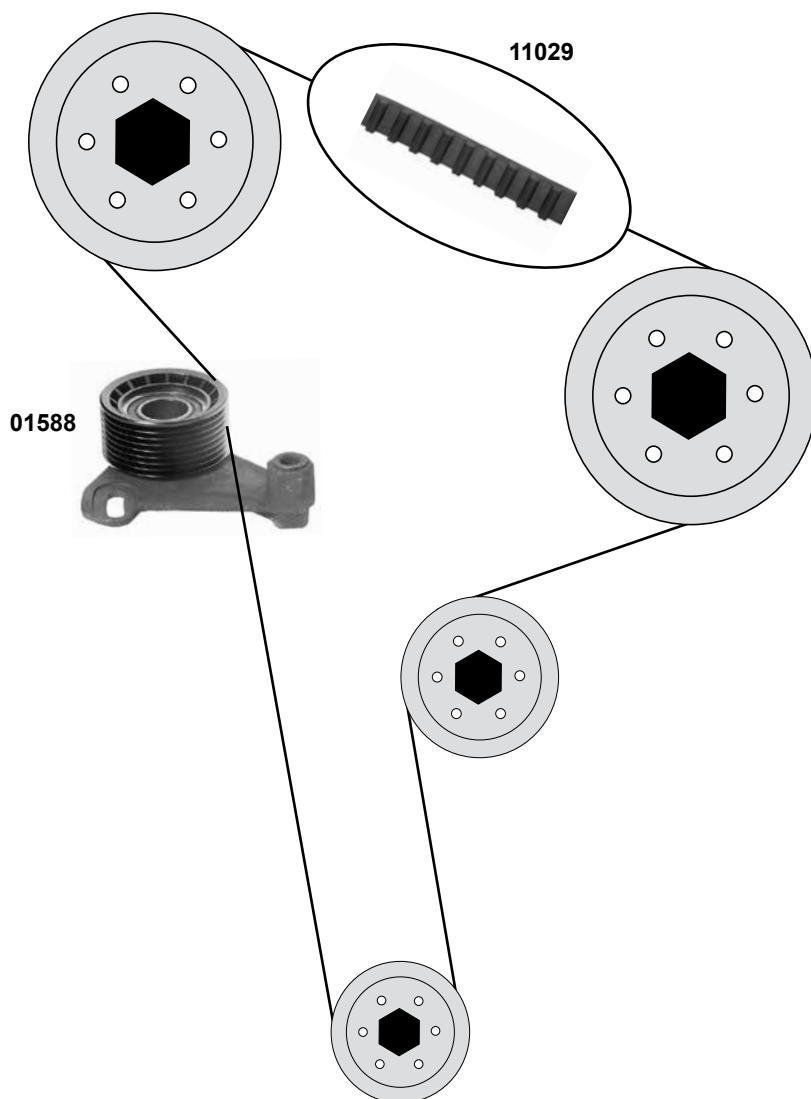
	Ref. - No.			
<b>28717</b>	13 52 7 797 905	chain tensioner		
<b>28718</b>	11 31 7 797 901	chain tensioner		
<b>28720</b>	11 31 8 510 014	timing chain		86 E
<b>30349</b>	11 31 8 510 014 S1	rep. kit timing chain		86 E
<b>36075</b>	11 31 8 506 654	timing chain simplex		72 E
<b>36076</b>	11 31 8 506 654 S1	rep. kit timing chain		
<b>37552</b>	11 28 7 810 807	belt tensioner		ØA 65/60 B26

**BMW**  
**5 'er (E28/E34)**  
(83→95)

**Car  
Division**



**524 d/td**  
(M21)



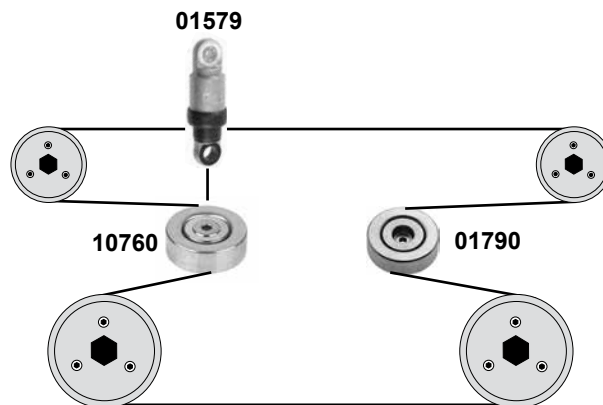
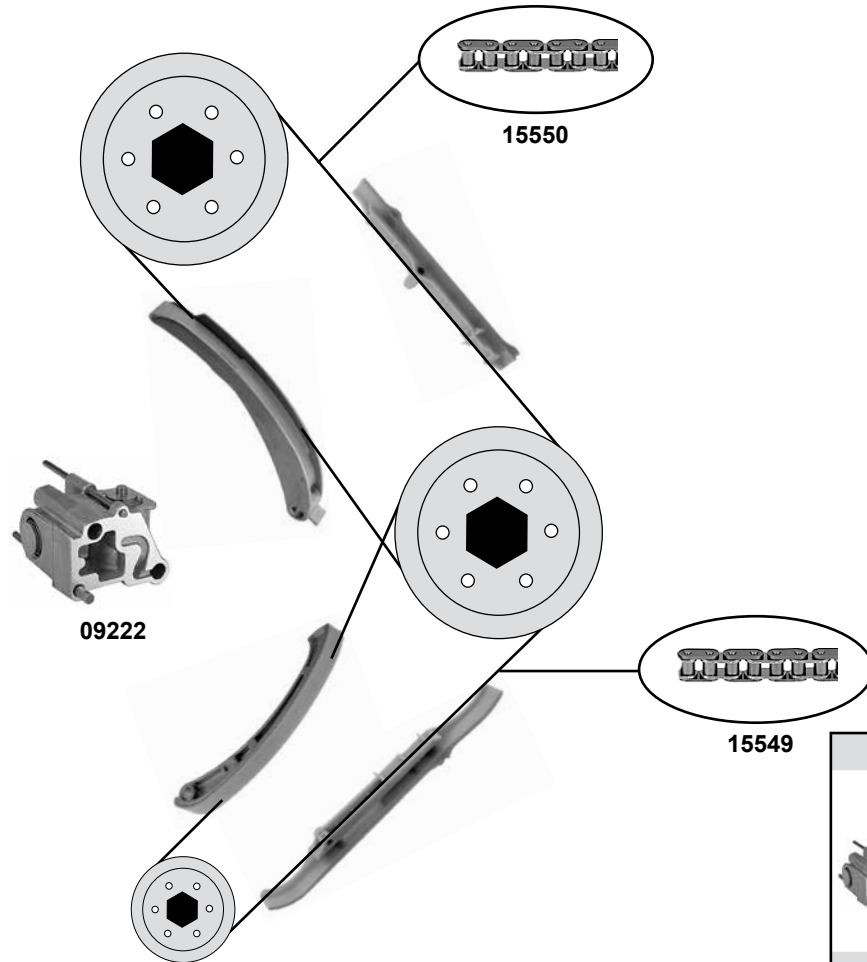
**Ref. - No.**



**01588** 11 31 2 241 090  
**11029** 11 31 1 279 125

tension roller  
timing belt

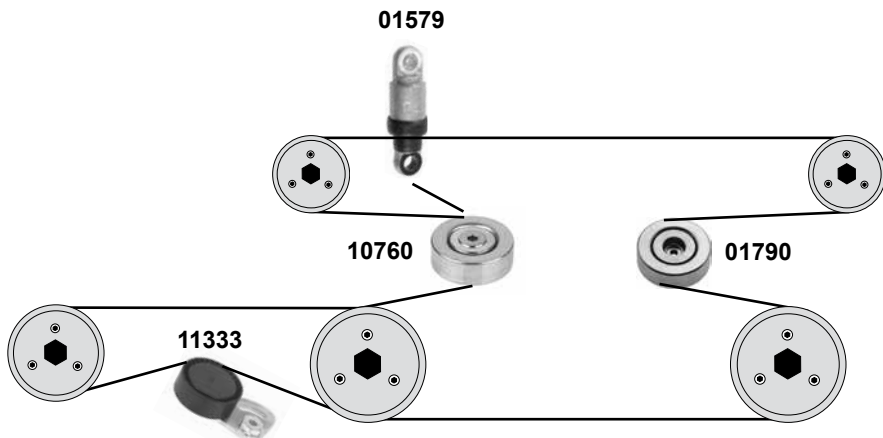
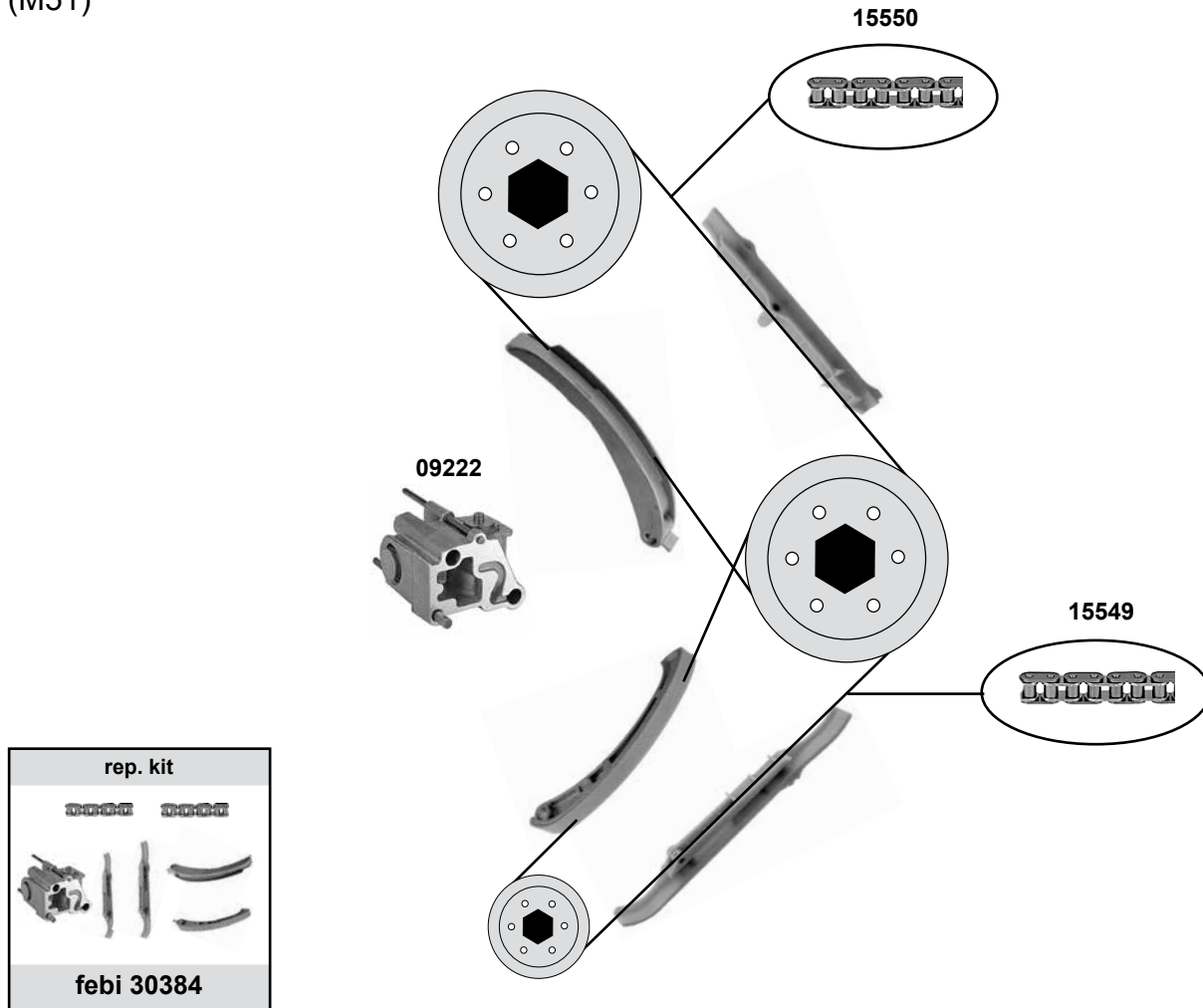
24 x 67 x 33  
Z 138 B 28,5




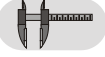


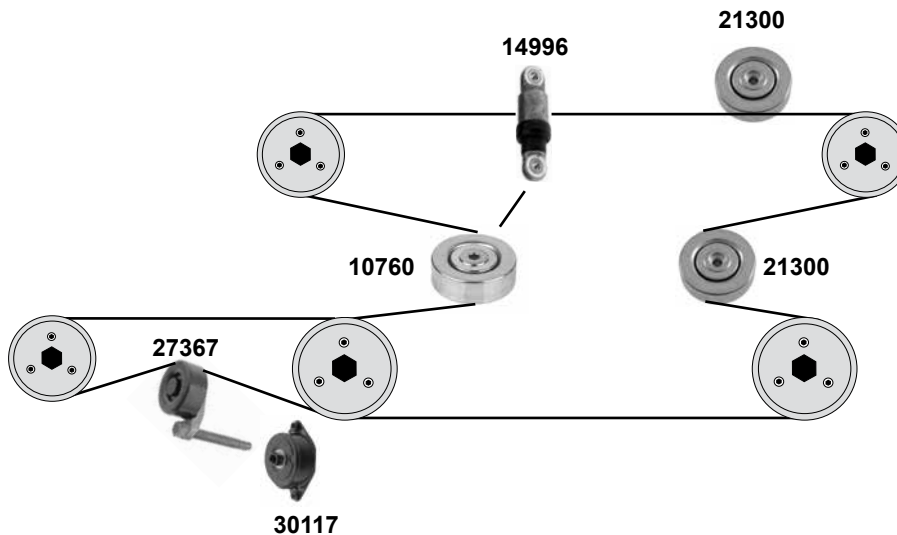
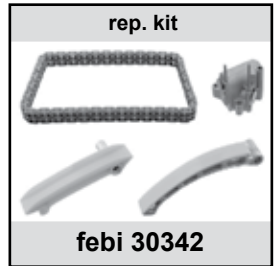
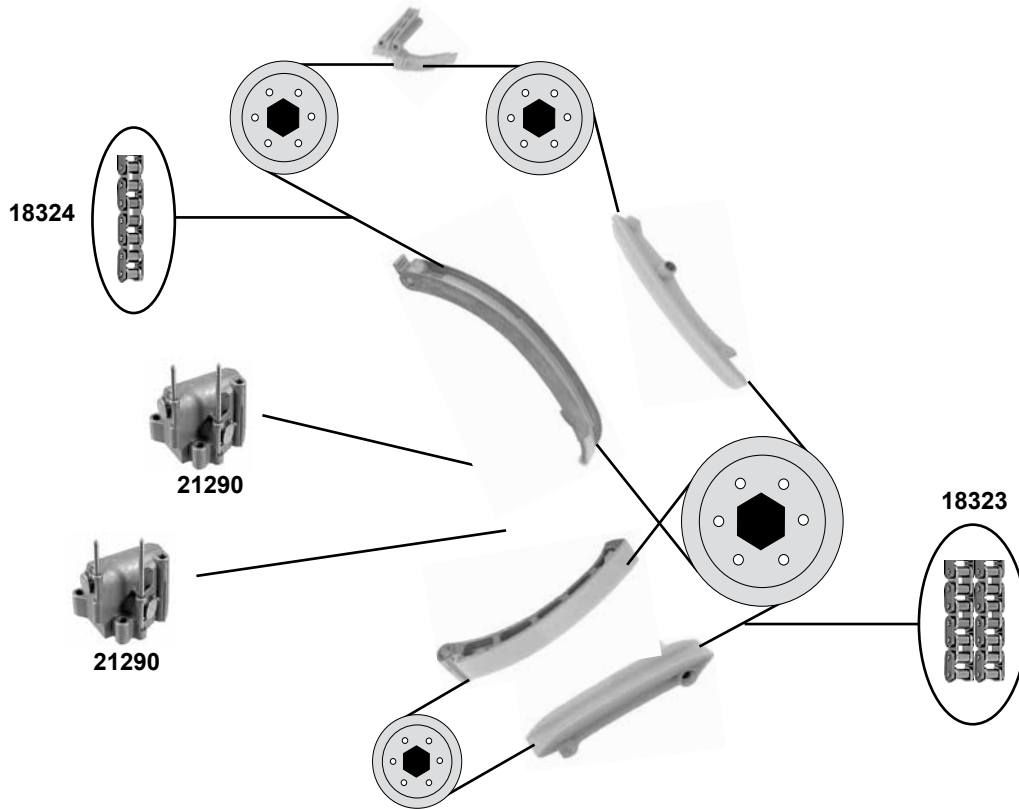
	Ref. - No.			
<b>01579</b>	11 28 2 248 168	vibration damper		
<b>01790</b>	11 28 2 245 166	deflection pulley		80 x 23,5
<b>09222</b>	13 52 2 243 950	chain tensioner		
<b>10760</b>	11 28 2 244 754	tension roller		70 x 23
<b>15549</b>	13 52 2 246 583	timing chain		74 E
<b>15550</b>	11 31 2 246 582	timing chain		80 E
<b>30384</b>	13 52 8 506 969 S1	rep. kit timing chain		74 E 80 E



**525 td/tds**  
 (M51)

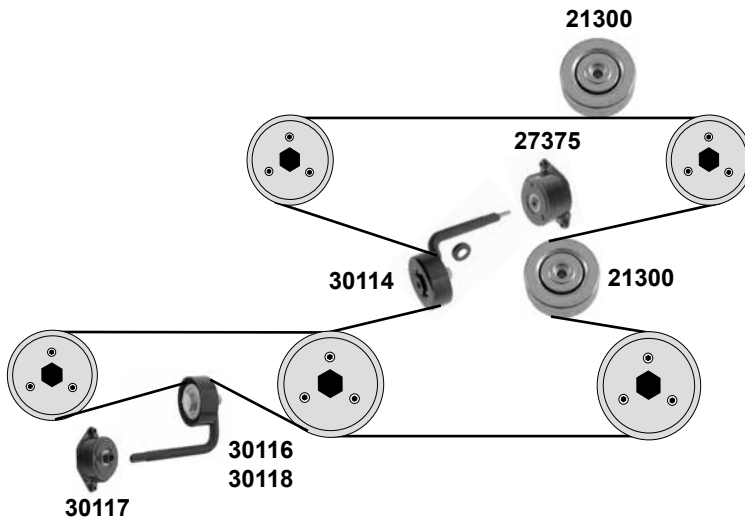
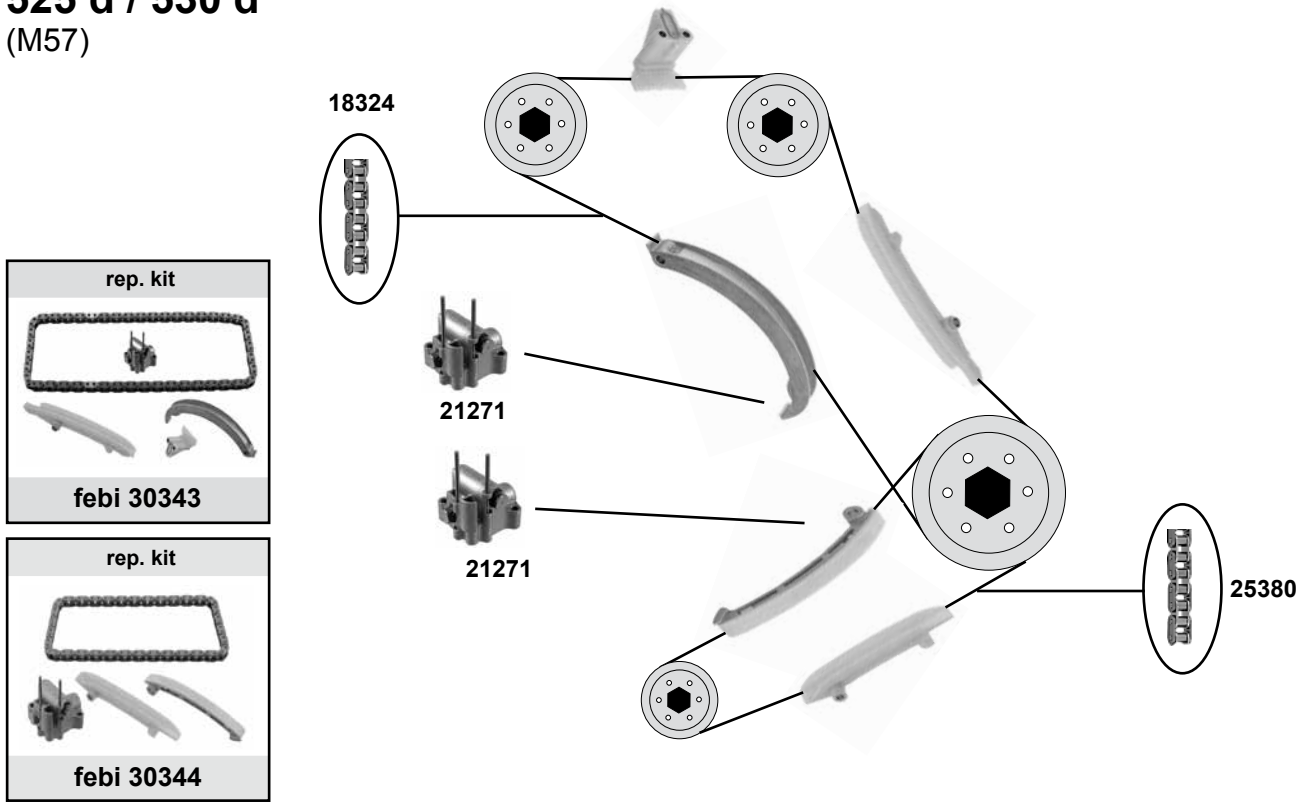


	Ref. - No.			
<b>01579</b>	11 28 2 248 168	vibration damper		
<b>01790</b>	11 28 2 245 166	deflection pulley		80 x 23,5
<b>09222</b>	13 52 2 243 950	chain tensioner		
<b>10760</b>	11 28 2 244 754	tension roller		70 x 23
<b>11333</b>	64 55 2 245 584	tension roller	<b>AC</b>	70 x 24,5
<b>15549</b>	13 52 2 246 583	timing chain		74 E
<b>15550</b>	11 31 2 246 582	timing chain		80 E
<b>30384</b>	13 52 8 506 969 S1	rep. kit timing chain		74 E + 80 E

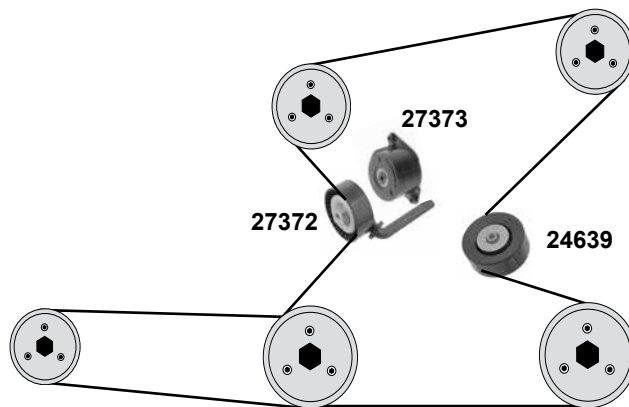
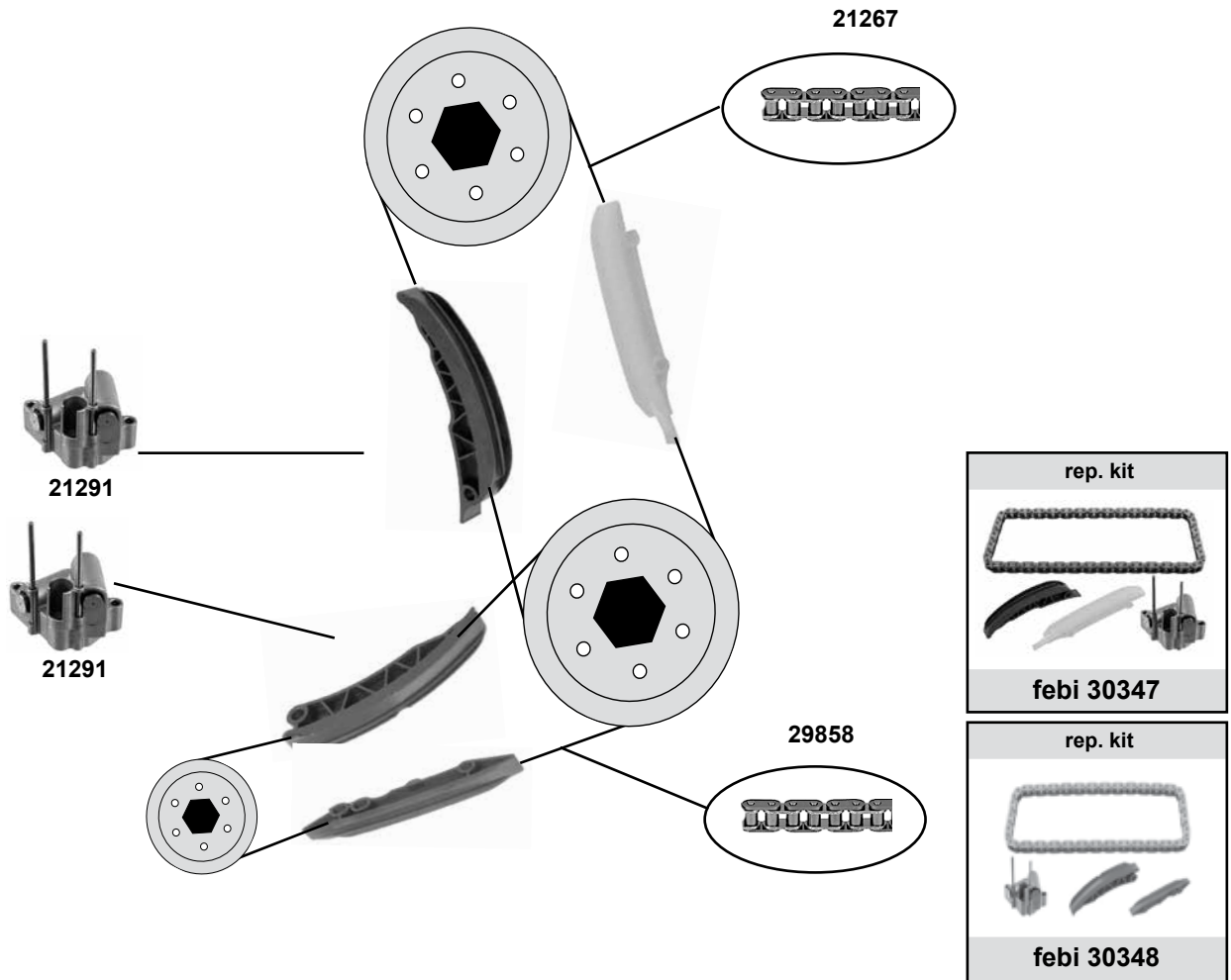


	Ref. - No.			
<b>10760</b>	11 28 2 244 754	tension roller		70 x 23
<b>14996</b>	11 28 2 248 169	vibration damper		
<b>18323</b>	13 52 2 247 193	timing chain		D67 HP-2 74E G67 HP- 1 90E
<b>18324</b>	11 31 2 248 728	timing chain		
<b>21290</b>	13 52 2 246 808	chain tensioner		
<b>21300</b>	11 28 2 247 435	deflection pulley		AØ 70 B23 AØ 70 B28
<b>27367</b>	64 55 2 354 036	tension roller	<b>AC</b>	
<b>30117</b>	64 55 7 786 076	belt tensioner	<b>AC</b>	
<b>30341</b>	11 31 2 248 728 S1	rep. kit timing chain		90 E
<b>30342</b>	13 52 2 247 193 S1	rep. kit timing chain		74 E

**525 d / 530 d**  
 (M57)



	Ref. - No.			
18324	11 31 2 248 728	timing chain	AC →10/00	G67 HP- 1 90E
21271	13 52 2 247 644	chain tensioner		
21300	11 28 2 247 435	deflection pulley		AØ 70 B23
25380	13 52 2 248 729	timing chain		68 E
27375	11 28 2 354 130	belt tensioner		AØ 66 B28
30114	11 28 2 354 131	tension roller		
30116	64 55 7 788 684	tension roller		
30117	64 55 7 786 076	belt tensioner		
30118	64 55 2 354 034	tension roller		
30343	11 31 2 248 728 S2	rep. kit timing chain		
30344	13 52 2 248 729 S1	rep. kit timing chain		68 E



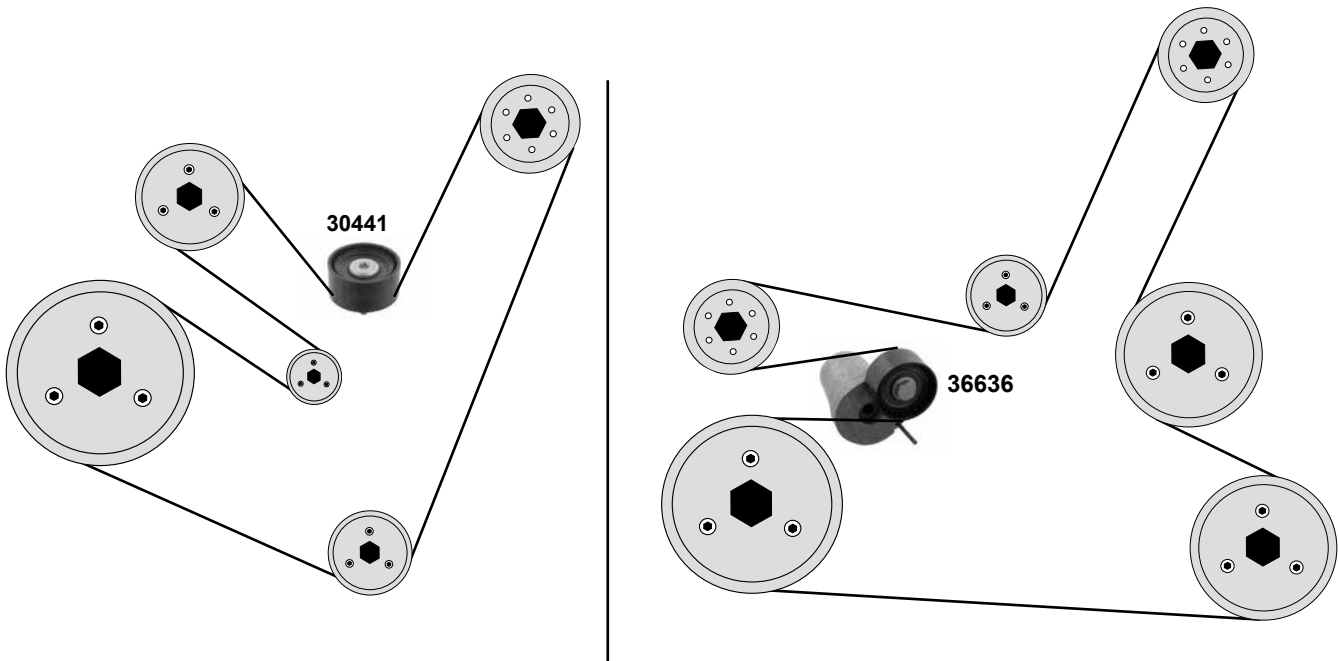
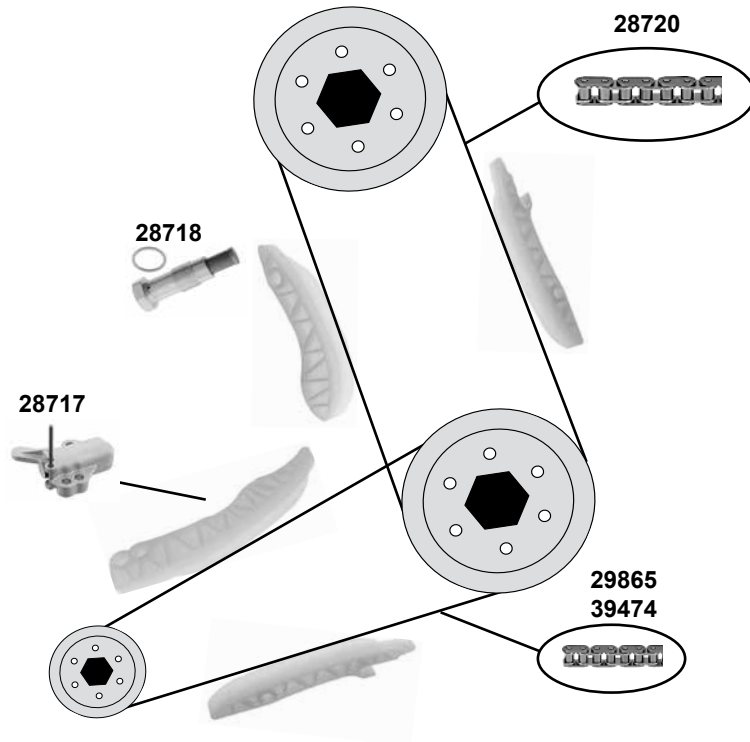
	Ref. - No.			
<b>21267</b>	11 31 8 506 869	timing chain		74 E
<b>21291</b>	13 52 7 787 299	chain tensioner		
<b>24639</b>	11 28 7 799 464	de lection pulley		AØ 70 B27 AØ 70 B26
<b>27372</b>	11 28 7 807 021	tension roller		
<b>27373</b>	11 28 7 786 880	belt tensioner		
<b>29858</b>	13 52 8 506 969	timing chain		67 E
<b>30347</b>	11 31 8 506 869 S1	rep. kit timing chain		74 E
<b>30348</b>	13 52 8 506 969 S1	rep. kit timing chain		66 E





**BMW**  
**5'er (E60LCI / E61LCI)**  
 (05→10)

Car  
 Division 

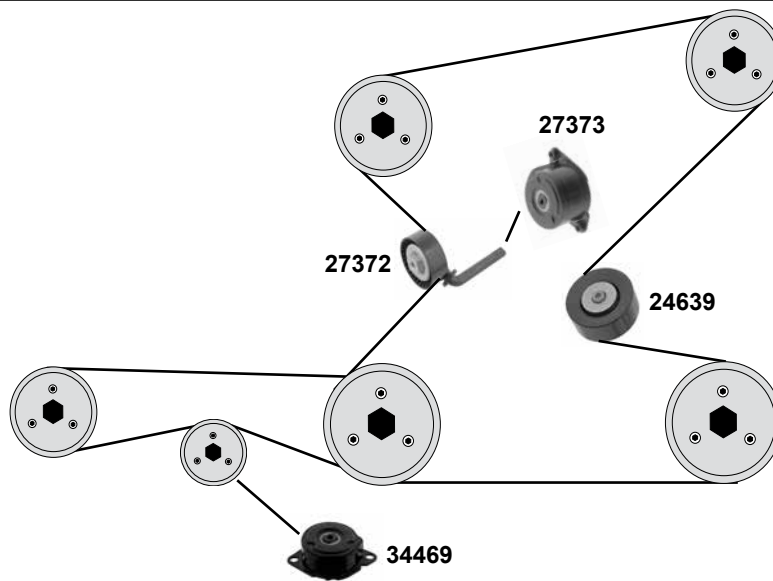
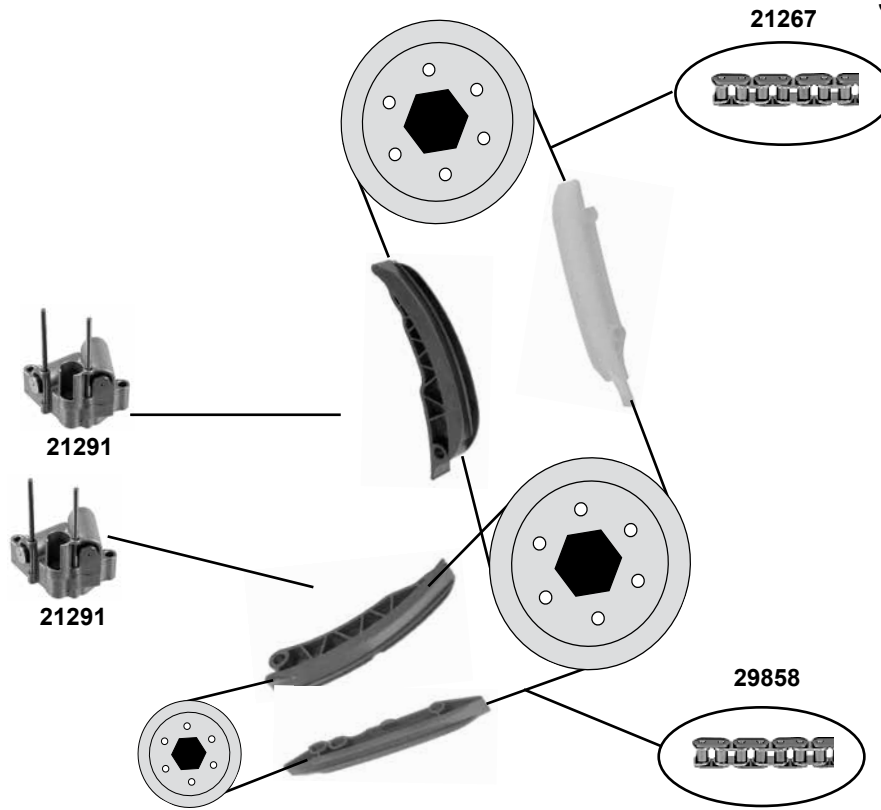


**520 d**  
 (N47)



	Ref. - No.			
28717	13 52 7 797 905	chain tensioner		
28718	11 31 7 797 901	chain tensioner		
28720	11 31 8 510 014	timing chain		86 E
30349	11 31 8 510 014 S1	rep. kit timing chain		86 E
30441	11 28 7 800 562	deflection pulley		AØ 55 B28
36636	11 28 7 800 334	belt tensioner		AØ 55 B29
39474	13 52 8 572 504	timing chain		70 E
39475	13 52 8 572 504 S1	rep. kit timing chain		

**525d / 530d / 535d**  
 (M57N/2)



(1) nur/only (mot.) M57N AC → 09/04 / (ex.) 535d

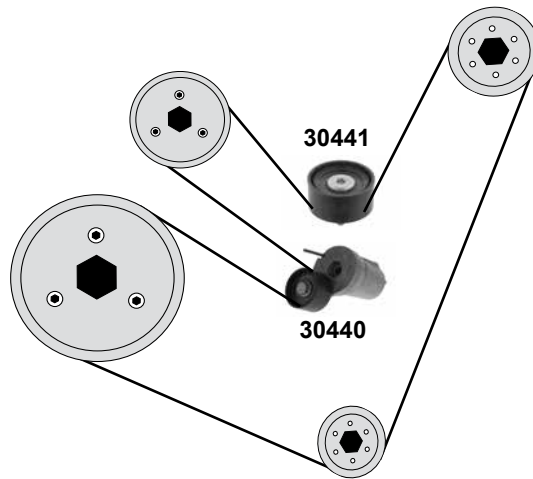
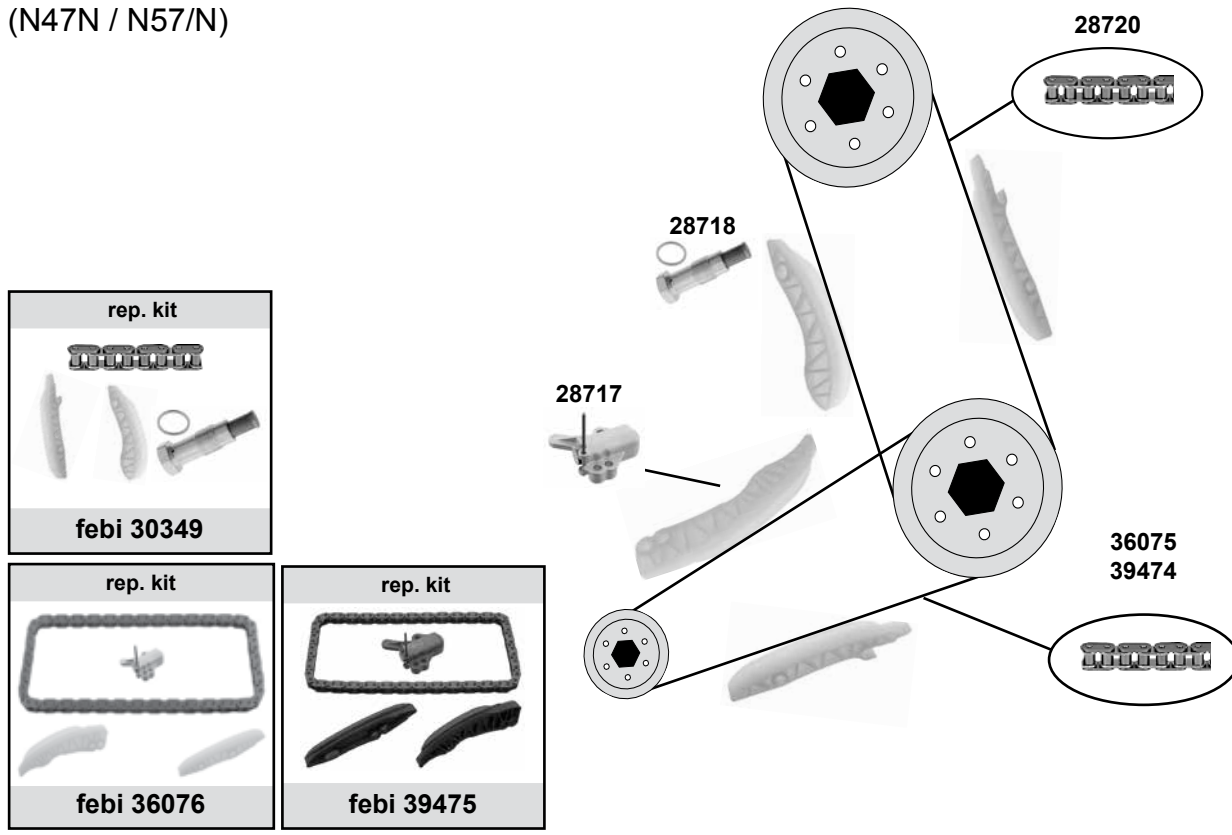





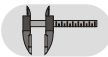
Ref. - No.



<b>21267</b>	11 31 8 506 869	timing chain		74 E
<b>21291</b>	13 52 7 787 299	chain tensioner		
<b>24639</b>	11 28 7 799 464	deflection pulley		AØ 70 B27
<b>27372</b>	11 28 7 807 021	tension roller		AØ 70 B26
<b>27373</b>	11 28 7 786 880	belt tensioner		
<b>29858</b>	13 52 8 506 969	timing chain		67 E
<b>30347</b>	11 31 8 506 869 S1	rep. kit timing chain		74 E
<b>30348</b>	13 52 8 506 969 S1	rep. kit timing chain		66 E
<b>34469</b>	64 55 7 786 711	belt tensioner	(1)	

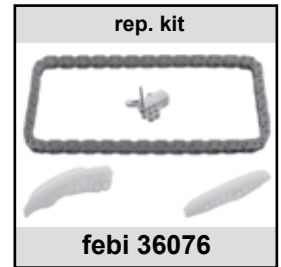
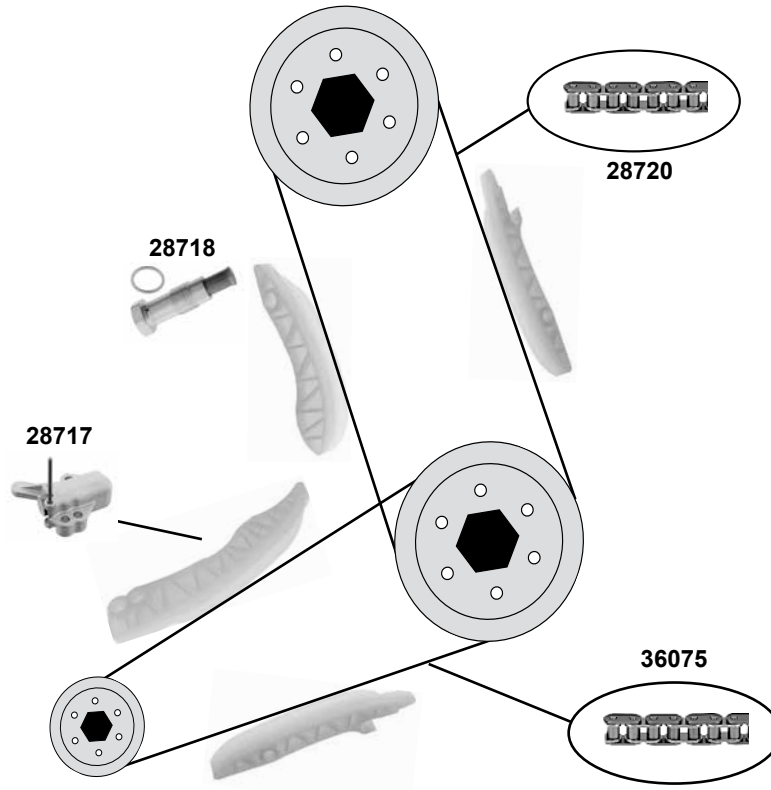
**520d / 530 d/xd / 535d**  
 (N47N / N57/N)



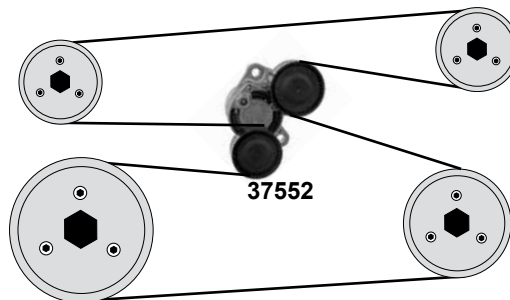
	Ref. - No.			
28717	13 52 7 797 904	chain tensioner	N57	
28718	11 31 7 797 901	chain tensioner		
28720	11 31 8 510 014	timing chain		86 E
30349	11 31 8 510 014 S1	rep. kit timing chain		86 E
30440	11 28 7 800 333	belt tensioner	N57 <b>AC</b>	AØ 55 B29
30441	11 28 7 800 562	deflection pulley	N57 <b>AC</b>	AØ 55 B28
36075	11 31 8 506 654	timing chain simplex	N57/N	72 E
36076	11 31 8 506 654 S1	rep. kit timing chain	N57/N	
39474	13 52 8 572 504	timing chain	520D N47N→12/13	70 E
39475	13 52 8 572 504 S1	rep. kit timing chain	520D N47N→08/13	



**520d / 530 d/dx / 535d/dx**  
(N47N / N57/N/Z)



**AC**



	Ref. - No.			
<b>28717</b>	13 52 7 797 904	chain tensioner	(mot.) N57/N/Z	
<b>28718</b>	11 31 7 797 901	chain tensioner		
<b>28720</b>	11 31 8 510 014	timing chain		86 E
<b>30349</b>	11 31 8 510 014 S1	rep. kit timing chain		86 E
<b>36075</b>	11 31 8 506 654	timing chain simplex	(mot.) N57/N/Z	72 E
<b>36076</b>	11 31 8 506 654 S1	rep. kit timing chain	(mot.) N57/N/Z	
<b>37552</b>	11 28 7 810 807	belt tensioner	(ex.) Dynamic Drive	ØA 65/60 B26

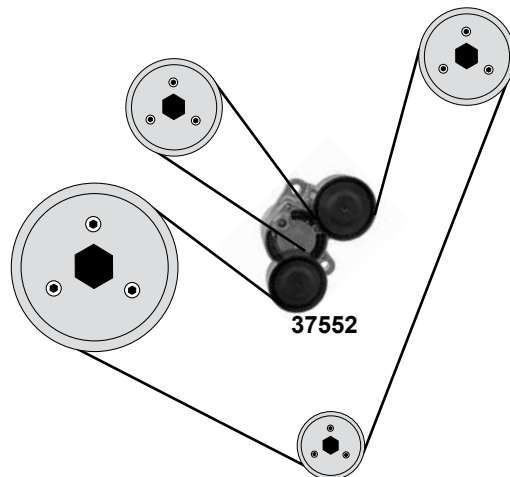
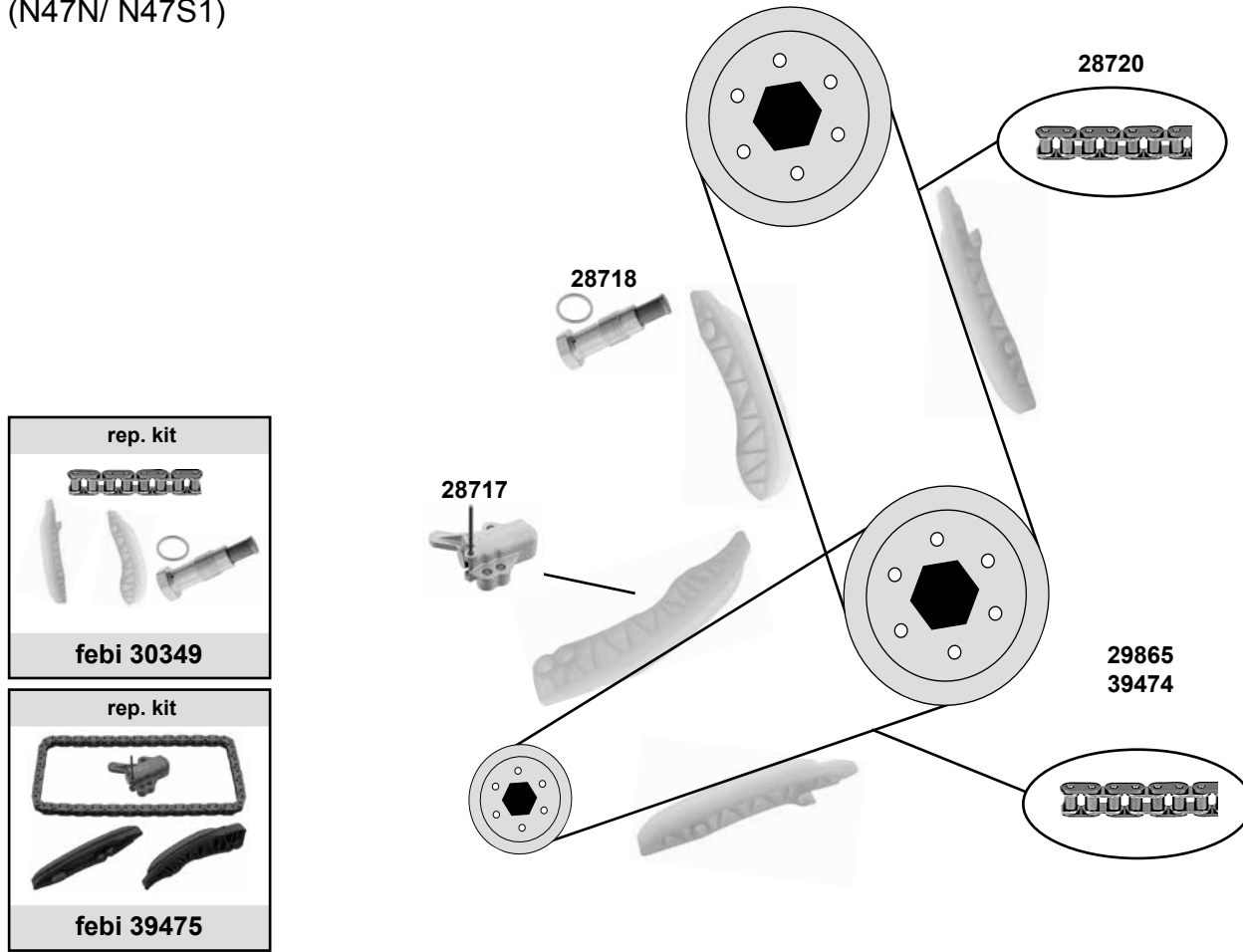






**BMW**  
**5 'er (F10 Limousine/ F11 Touring)**  
 (10→13)

Car  
 Division 

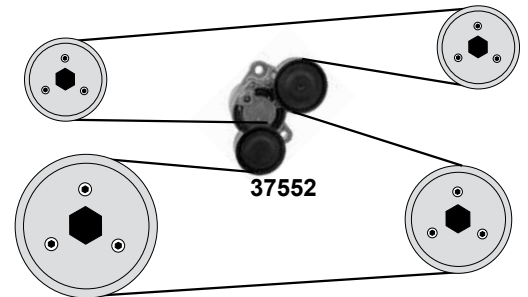
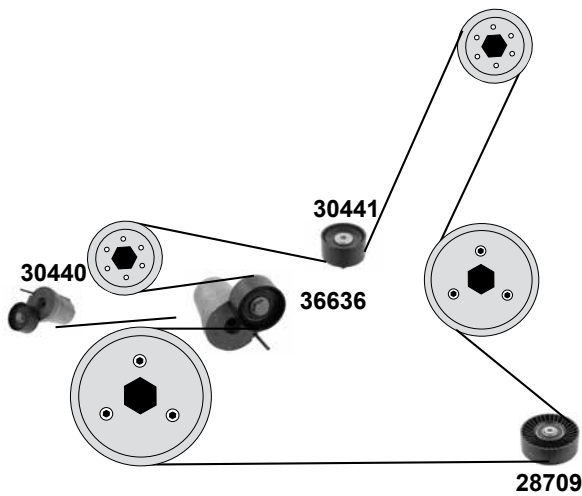
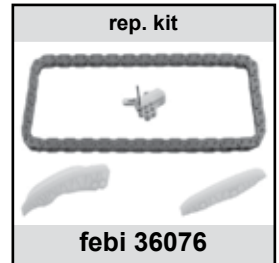
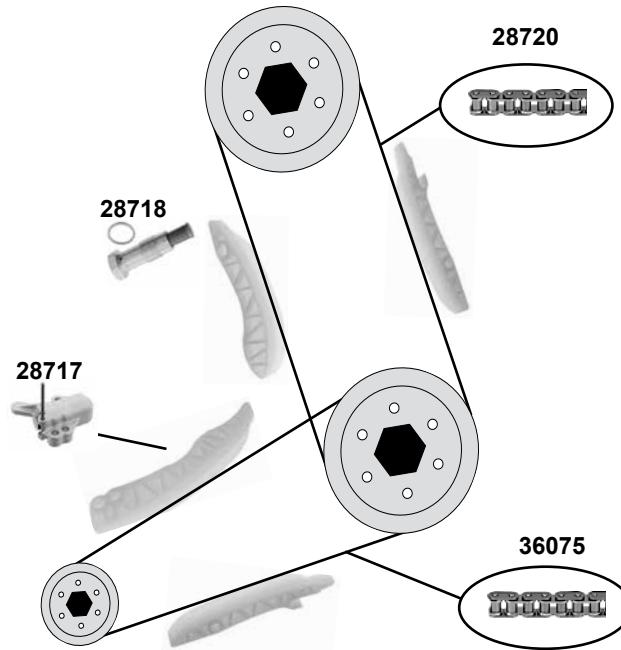


**520 d/ed / 525d/dx**  
 (N47N/ N47S1)



	Ref. - No.			
28720	11 31 8 510 014	timing chain		86 E
28717	13 52 7 797 905	chain tensioner		
28718	11 31 7 797 901	chain tensioner		
30349	11 31 8 510 014 S1	rep. kit timing chain		86 E
37552	11 28 7 810 807	belt tensioner		ØA 65/60 B26
39474	13 52 8 572 504	timing chain	(ex.) F11 520ed	70 E
39475	13 52 8 572 504 S1	rep. kit timing chain	(ex.) F11 520ed →01/13	

**525d/dx / 530d/dx /535d/dx**  
 (N47S1 / N57/N/S/Z)



- (1) (ex.) Dynamic Drive
- (2) Dynamic Drive

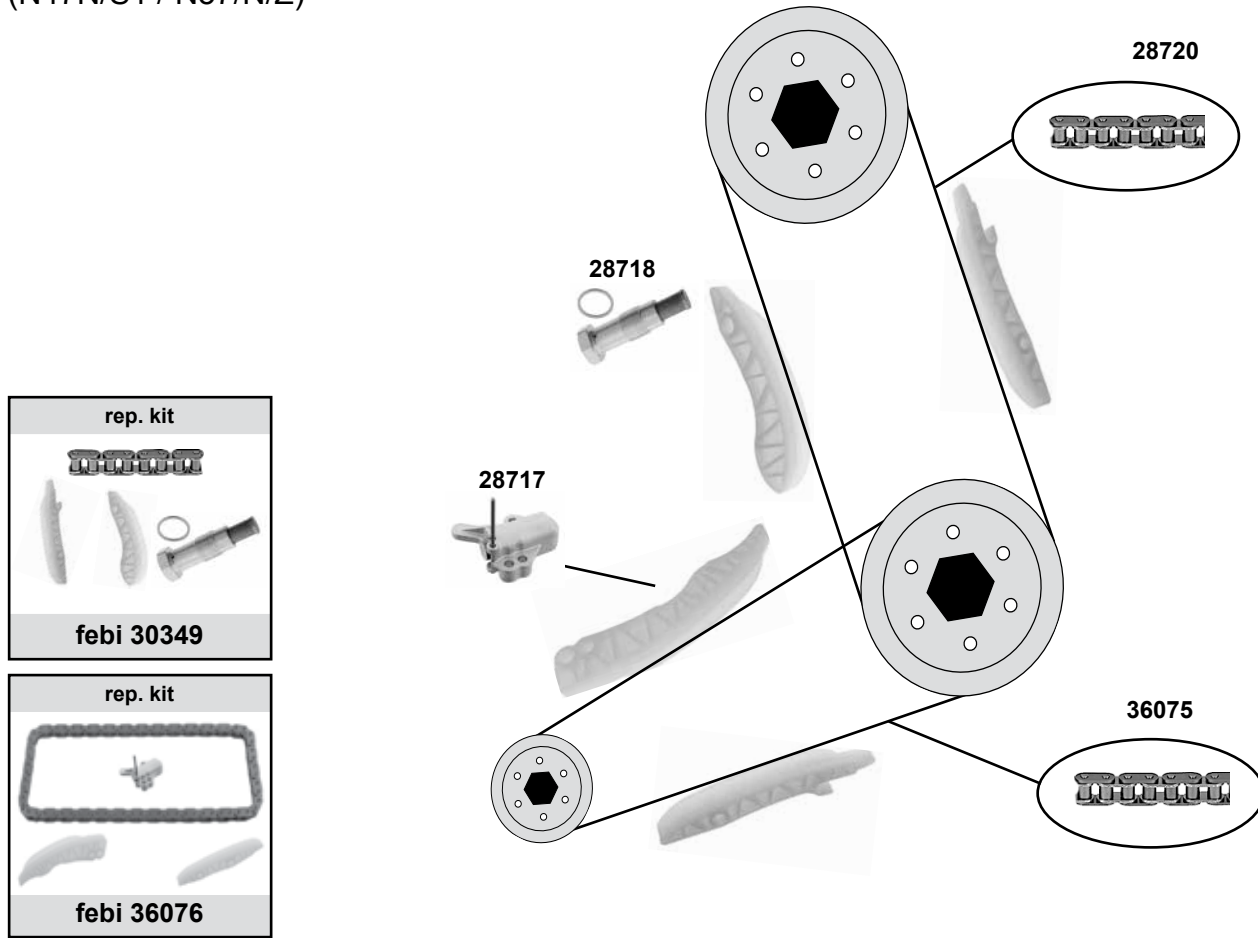


Ref. - No.

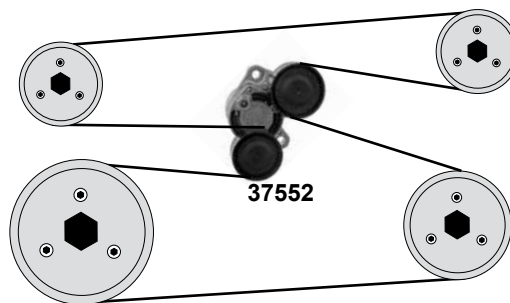


Ref. - No.	Description	Notes	Dimensions
28709	deflection pulley	(mot) N57 is (ex.)(mot) N47S1	AØ 80 B28
28717	chain tensioner		
28718	chain tensioner		
28720	timing chain		86 E
30349	rep. kit timing chain		86 E
30440	belt tensioner	(1) (mot) N57	AØ55 B29
30441	deflection pulley	(mot) N57	AØ55 B28
36075	timing chain simplex	(ex.)(mot) N47S1	72 E
36076	rep. kit timing chain	(ex.)(mot) N47S1	72 E
36636	belt tensioner	(2) N57N/S	AØ 55 B29

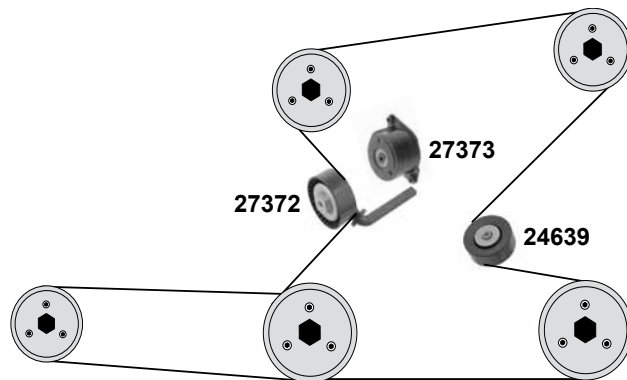
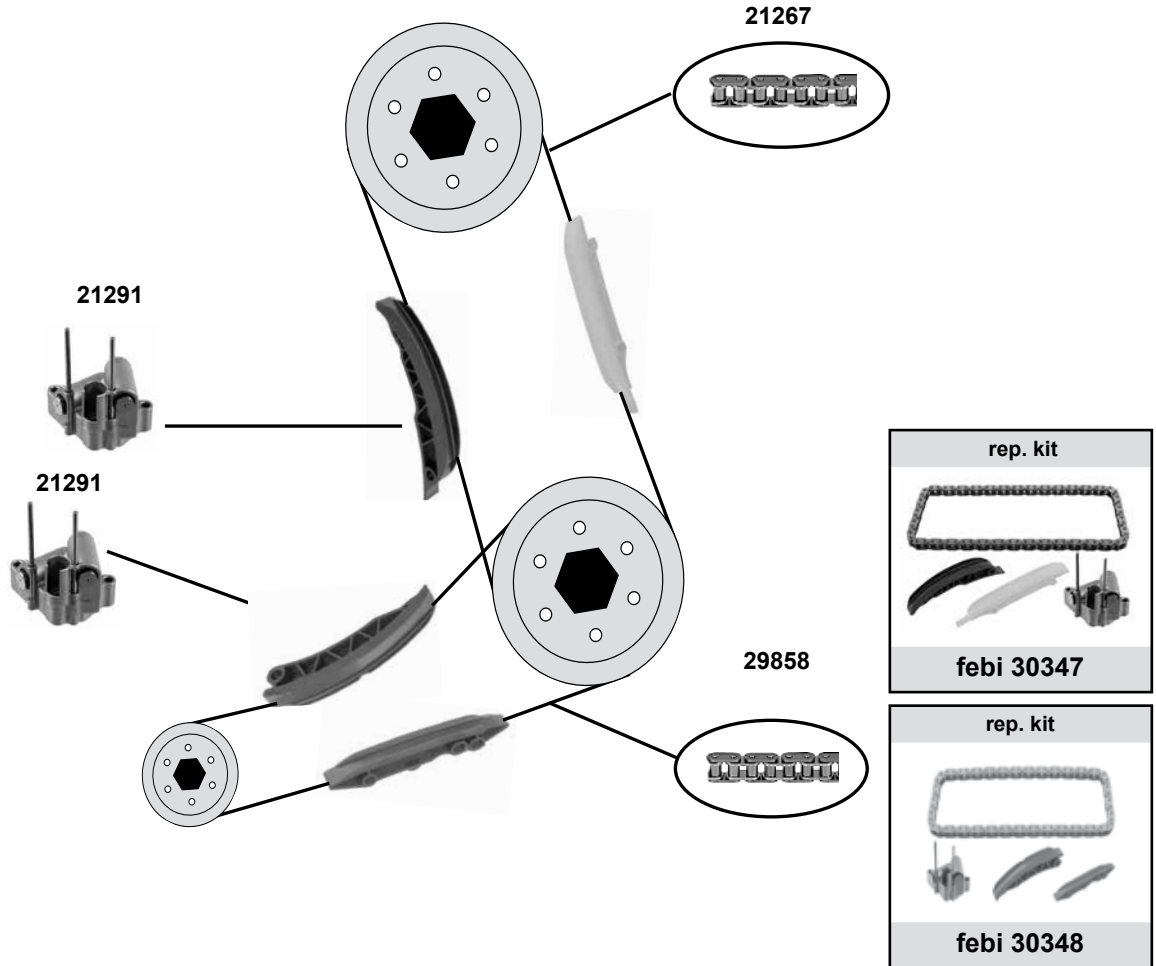
**518d / 520d/dx / 525d/dx / 530d/dx / 535d/dx**  
 (N47N/S1 / N57/N/Z)



**AC**

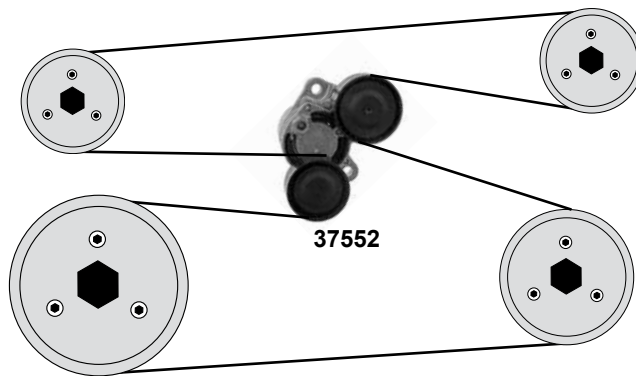
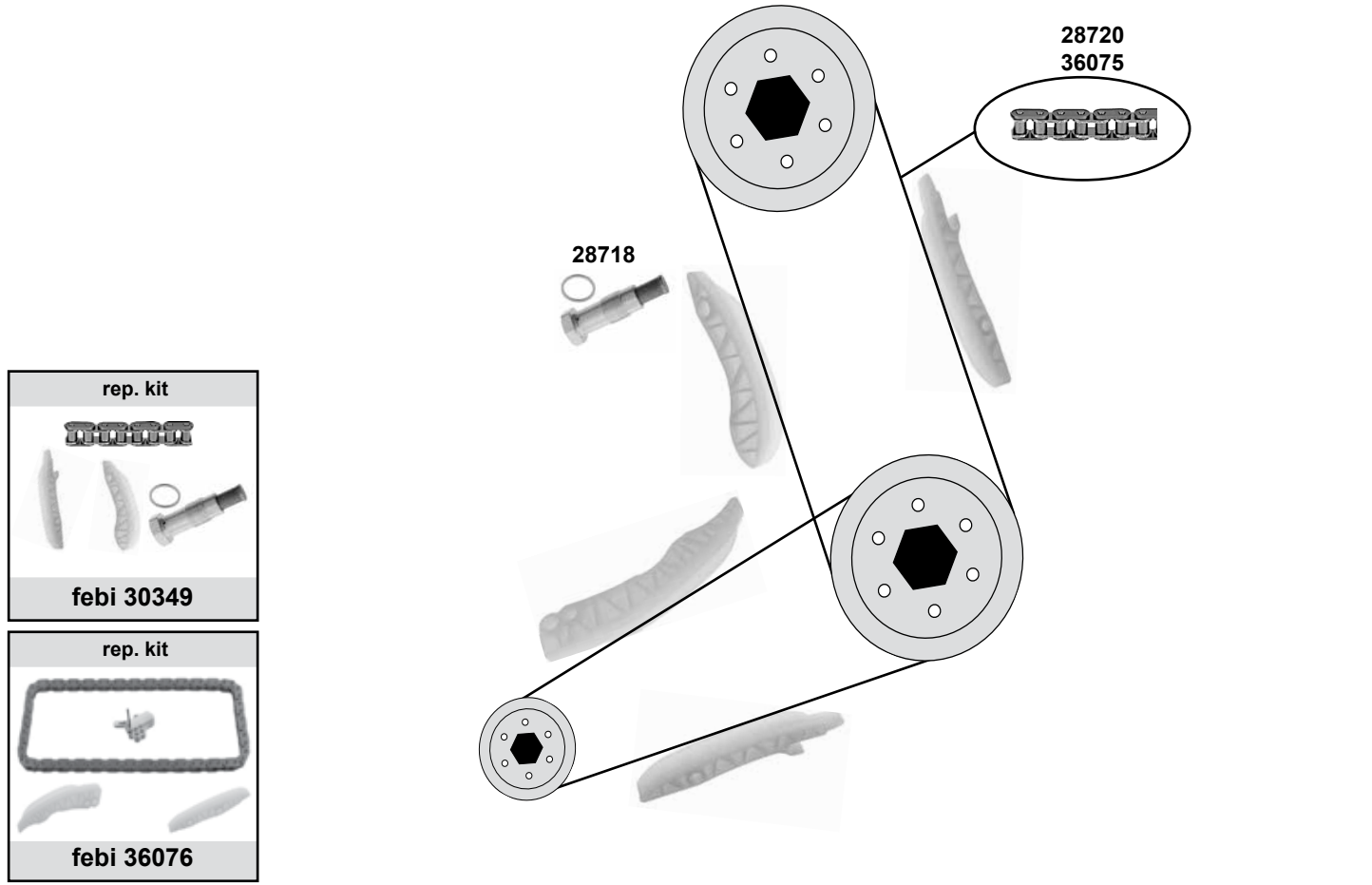





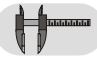
	Ref. - No.			
<b>28717</b>	13 52 7 797 904	chain tensioner	(mot.) N57/N/Z	
<b>28718</b>	11 31 7 797 901	chain tensioner		
<b>28720</b>	11 31 8 510 014	timing chain		86 E
<b>30349</b>	11 31 8 510 014 S1	rep. kit timing chain		86 E
<b>36075</b>	11 31 8 506 654	timing chain	(mot.) N57/N/Z	72 E
<b>36076</b>	11 31 8 506 654 S1	rep. kit timing chain	(mot.) N57/N/Z	72 E
<b>37552</b>	11 28 7 810 807	belt tensioner	(ex.) 530dx / 535dx	ØA 65/60 B26

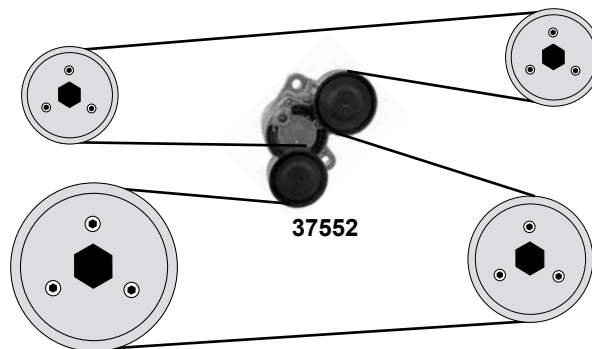
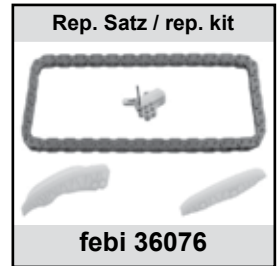
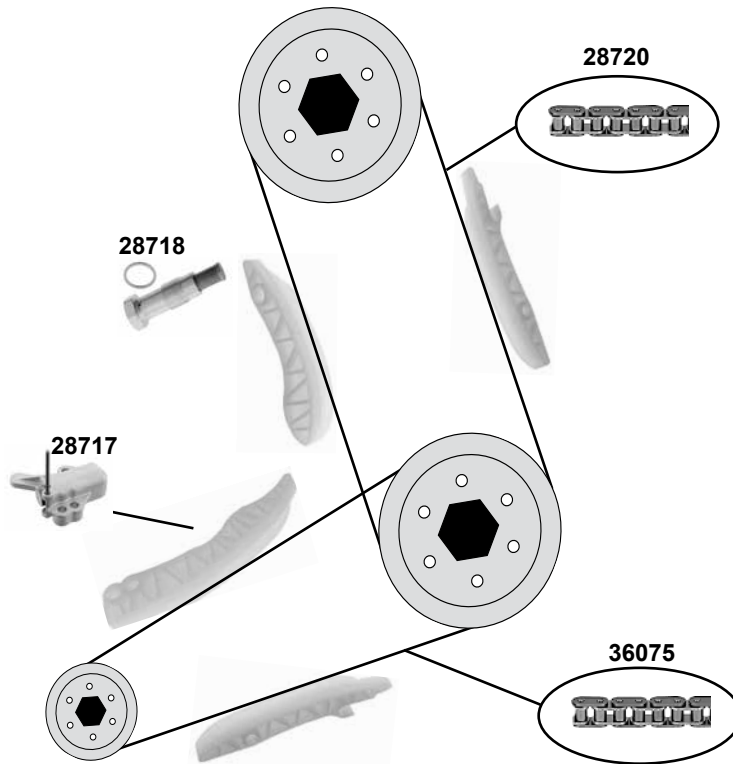


	Ref. - No.			
<b>21267</b>	11 31 8 506 869	timing chain		74 E
<b>21291</b>	13 52 7 787 299	chain tensioner		
<b>24639</b>	11 28 7 799 464	deflection pulley		AØ70 B27
<b>27372</b>	11 28 7 807 021	tension roller		AØ70 B26
<b>27373</b>	11 28 7 786 880	belt tensioner		
<b>29858</b>	13 52 8 506 969	timing chain		66 E
<b>30347</b>	11 31 8 506 869 S1	rep. kit timing chain		74 E
<b>30348</b>	13 52 8 506 969 S1	rep. kit timing chain		66 E

**640d/dx**  
 (N57/N)

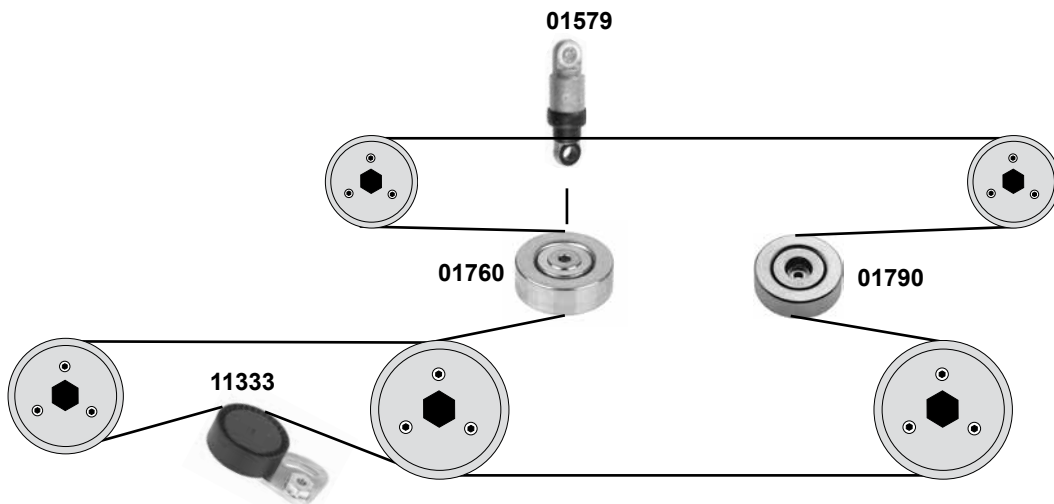
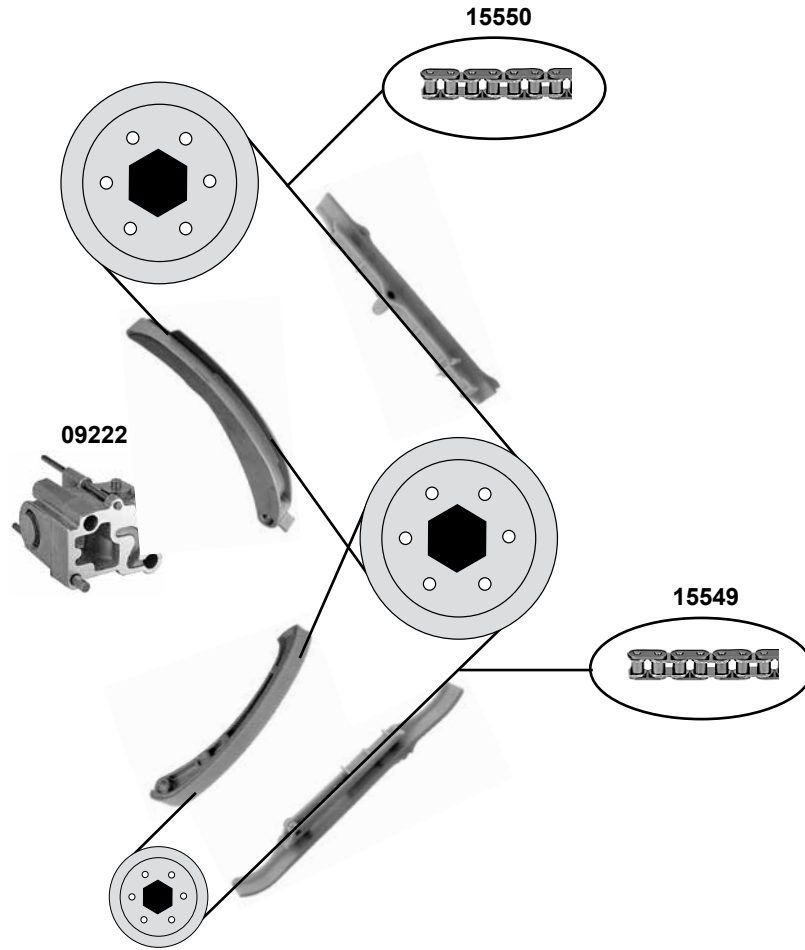


	 <b>Ref. - No.</b>			
<b>28718</b>	11 31 7 797 901	chain tensioner		
<b>28720</b>	11 31 8 510 014	timing chain		86 E
<b>30349</b>	11 31 8 510 014 S1	rep. kit timing chain		86 E
<b>36075</b>	11 31 8 506 654	timing chain simplex		72 E
<b>36076</b>	11 31 8 506 654 S1	rep. kit timing chain		72 E
<b>37552</b>	11 28 7 810 807	belt tensioner		ØA 65/60 B26

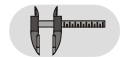


	Ref. - No.			
<b>28717</b>	13 52 7 797 904	chain tensioner	F12 / 640d	
<b>28718</b>	11 31 7 797 901	chain tensioner		
<b>28720</b>	11 31 8 510 014	timing chain		86 E
<b>30349</b>	11 31 8 510 014 S1	rep. kit timing chain		86 E
<b>36075</b>	11 31 8 506 654	timing chain simplex	F12 / 640d	72 E
<b>36076</b>	11 31 8 506 654 S1	rep. kit timing chain	F12 / 640d	72 E
<b>37552</b>	11 28 7 810 807	belt tensioner	640d	ØA 65/60 B26

**725 tds**  
 (M51)



Ref. - No.

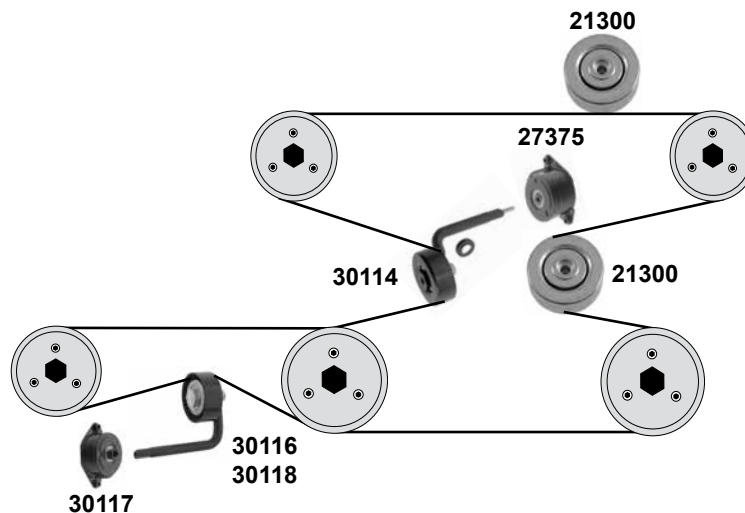
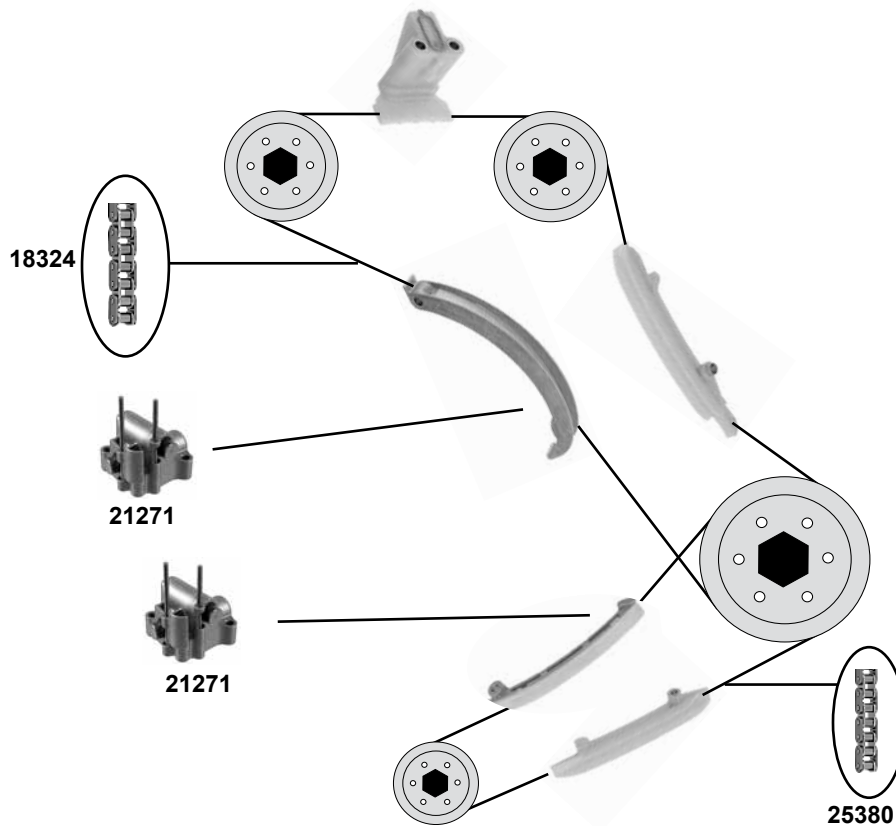


<b>01579</b>	11 28 2 248 168
<b>01790</b>	11 28 2 245 166
<b>09222</b>	13 52 2 243 950
<b>10760</b>	11 28 2 244 754
<b>11333</b>	64 55 2 245 584
<b>15549</b>	13 52 2 246 583
<b>15550</b>	11 31 2 246 582
<b>30384</b>	11 31 2 246 582 S1

deflection pulley  
 chain tensioner  
 tension roller  
 tension roller  
 timing chain  
 timing chain  
 rep. kit timing chain

AC

80 x 23,5  
 70 x 23  
 70 x 24,5  
 74 E  
 80 E  
 74 E+ 80 E

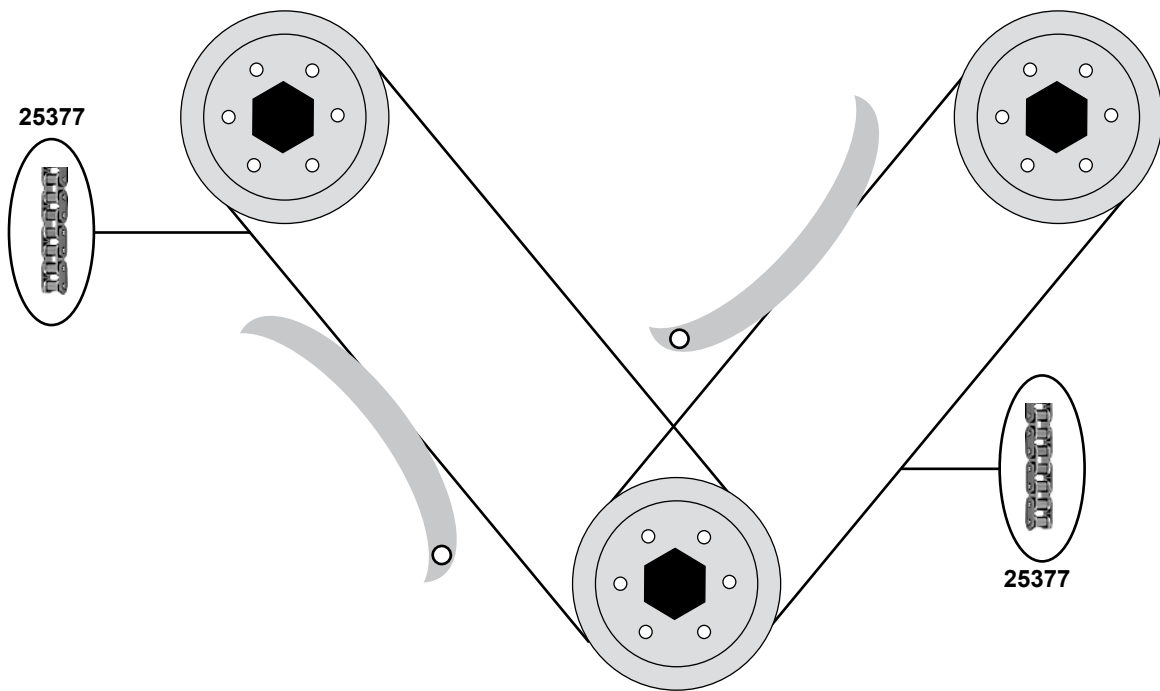


	Ref. - No.			
18324	11 31 2 248 728	timing chain		G67 HP- 1 90E
21271	13 52 2 247 644	chain tensioner		AØ 70 B23
21300	11 28 2 247 435	deflection pulley		68 E
25380	13 52 2 248 729	timing chain		AØ 66 B28
27375	11 28 2 354 130	belt tensioner		AØ 70 B25,5
30114	11 28 2 354 131	tension roller		
30116	64 55 7 788 684	tension roller		
30117	64 55 7 786 076	tension roller		
30118	64 55 2 354 034	tension roller		
30343	11 31 2 248 728 S1	rep. kit timing chain		90 E
30344	13 52 2 248 729 S1	rep. kit timing chain		68 E

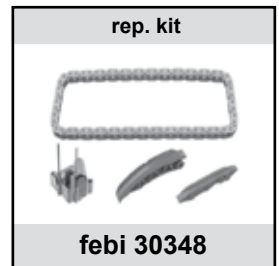
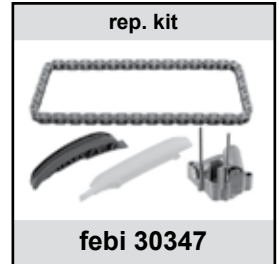
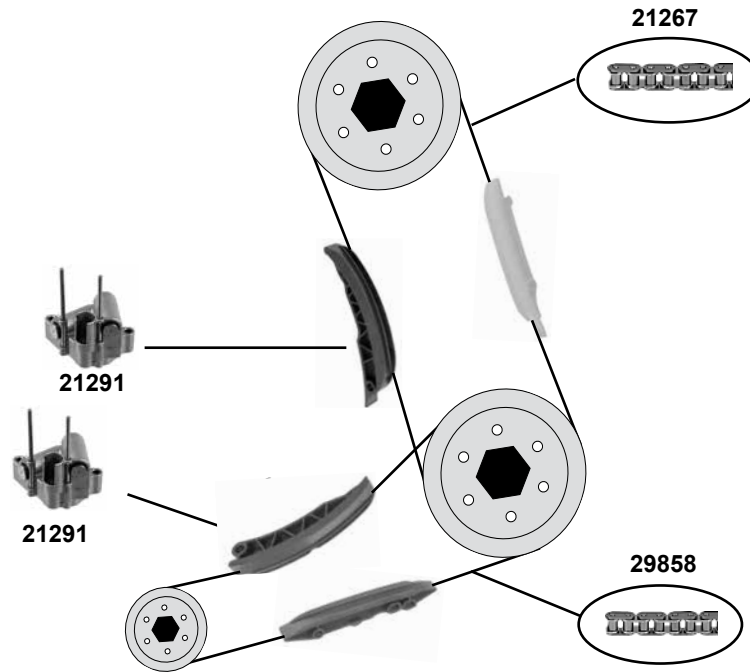
AC  
→10/00



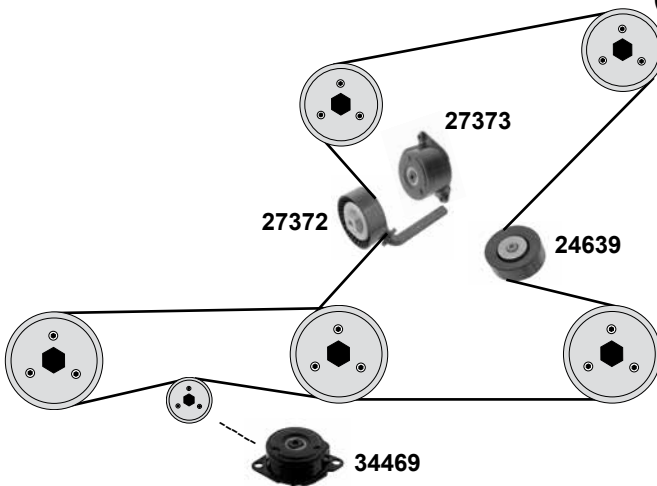
**740 d**  
(M67)



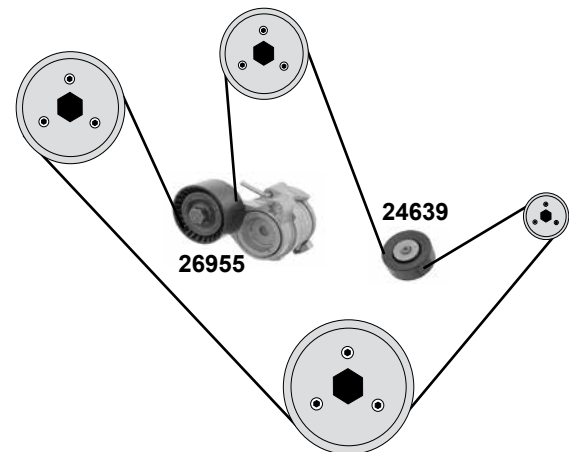
**730 d**  
(M57 N/N2)



**730 d / Ld**  
(M57N/N2)



**740 d / 745 d**  
(N67N)



(1) Generator / for water pump/generator



Ref. - No.

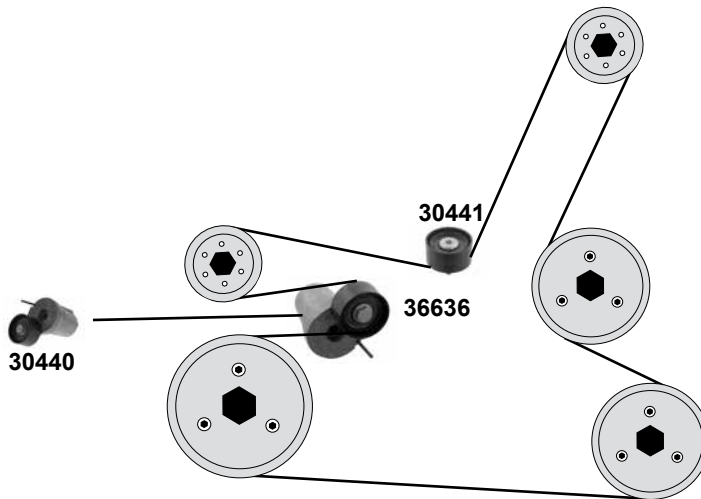
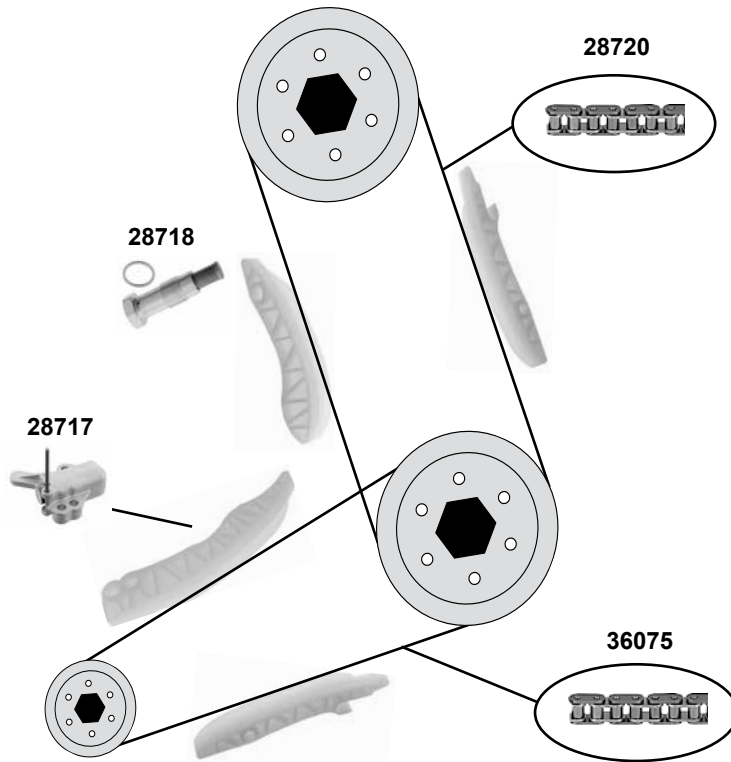
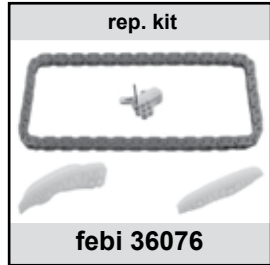


21267	11 31 8 506 869	timing chain
21291	13 52 7 787 299	chain tensioner
24639	11 28 7 799 464	deflection pulley
26955	11 28 7 806 252	belt tensioner
27372	11 28 7 807 021	tension roller
27373	11 28 7 786 880	belt tensioner
29858	13 52 8 506 969	timing chain
30347	11 31 8 506 869 S1	rep. kit timing chain
30348	13 52 8 506 969 S1	rep. kit timing chain
34469	64 55 7 786 711	belt tensioner

(mot.) M57N

74 E
AØ70 B27
AØ60 B29
AØ70 B26
66 E
74 E
66 E

**730 d / 740 d/ld/dx**  
 (N 57)



(1) F01 730d, 740d / F02 730Ld

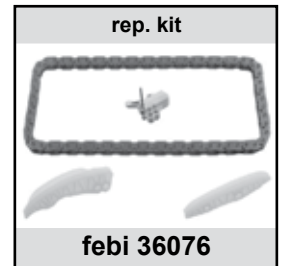
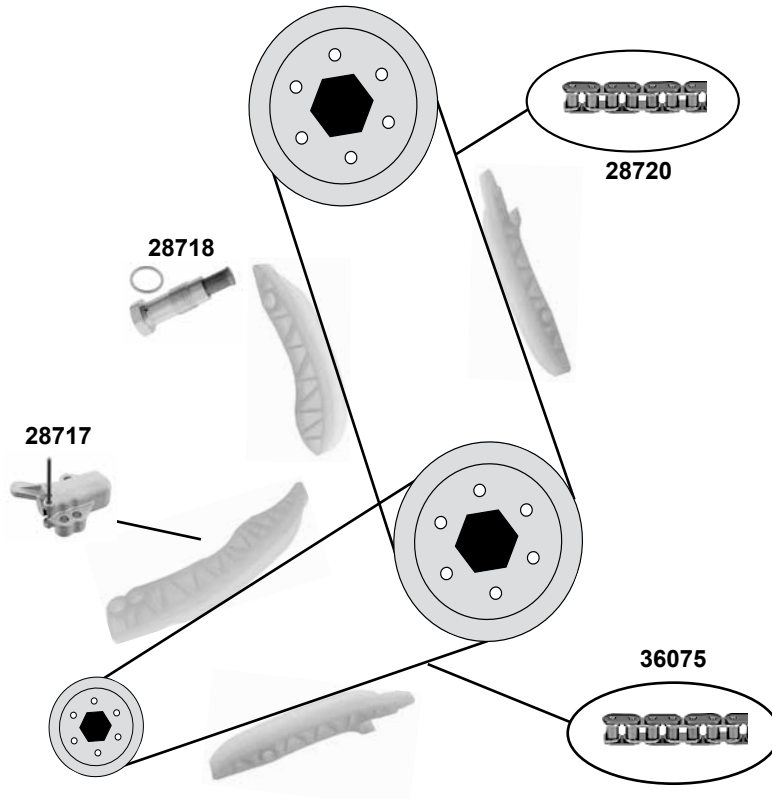


Ref. - No.

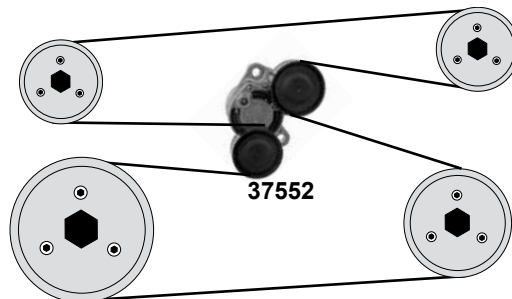


Ref. - No.	Description	Notes	Part No.
28717	chain tensioner		13 52 7 797 905
28718	chain tensioner		11 31 7 797 901
28720	roller chain		11 31 8 510 014
30349	rep. kit timing chain		11 31 8 510 014 S1
30440	belt tensioner		11 28 7 800 333
30441	deflection pulley		11 28 7 800 562
36075	timing chain		11 31 8 506 654
36076	rep. kit timing chain		11 31 8 506 654 S1
36636	belt tensioner		11 28 7 800 334
		(1) (ex.) Dynamic drive	86 E 86 E AØ55 B29 AØ55 B28 72 E 72 E
		Dynamic Drive	AØ 55 B29

**730 d/dx/Ld / 740 d/dx**  
(N 57/N)



**730 d / 740 d**  
(N 57/N)



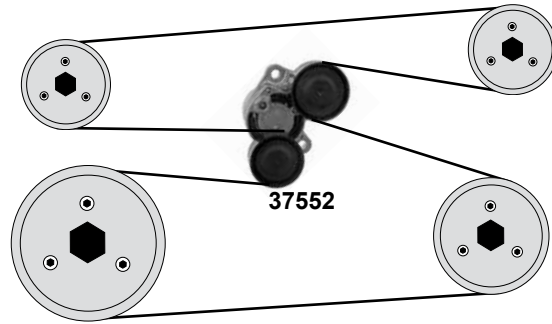
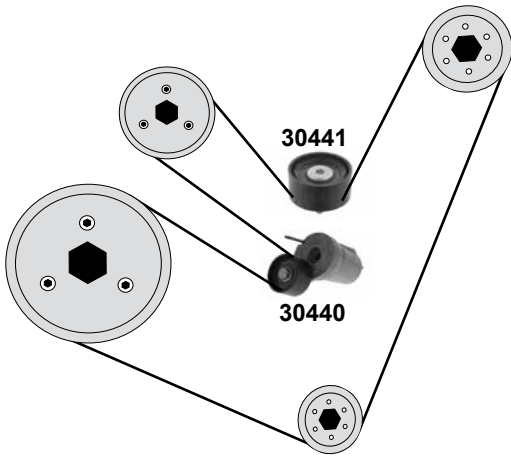
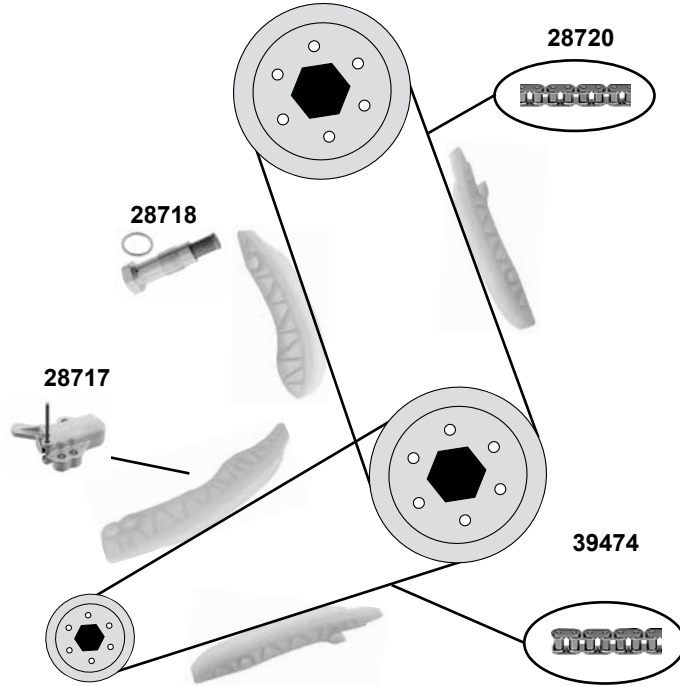
	Ref. - No.			
<b>28717</b>	13 52 7 797 905	chain tensioner		
<b>28718</b>	11 31 7 797 901	chain tensioner		
<b>28720</b>	11 31 8 510 014	roller chain		86 E
<b>30349</b>	11 31 8 510 014 S1	rep. kit timing chain		86 E
<b>36075</b>	11 31 8 506 654	timing chain simplex		72 E
<b>36076</b>	11 31 8 506 654 S1	rep. kit timing chain		
<b>37552</b>	11 28 7 810 807	belt tensioner		ØA 65/60 B26

**BMW**  
**X 1 (E84)**  
(09→)

Car  
Division 



**1,6d / 1,8 d/xd / 2,0 d/ed/dx / 2,3 dx / 2,5dx**  
(N47/N47N)



(1) (mot.) N47 / (ex.) 1,6d, 2,5dx

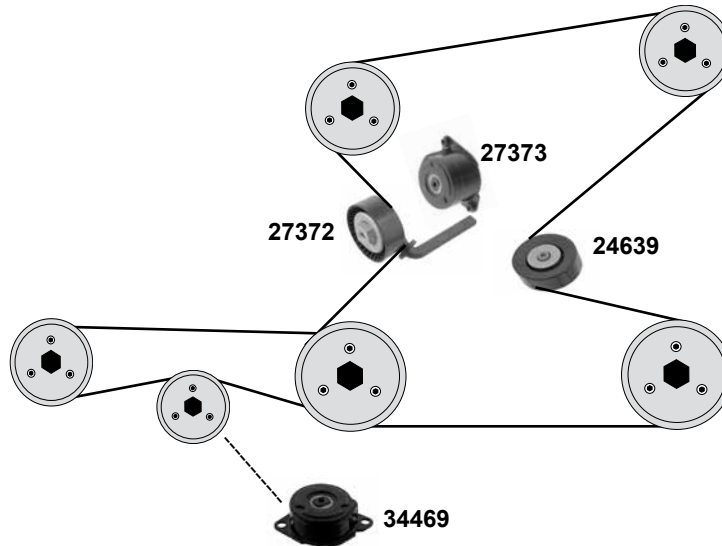
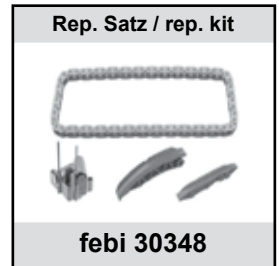
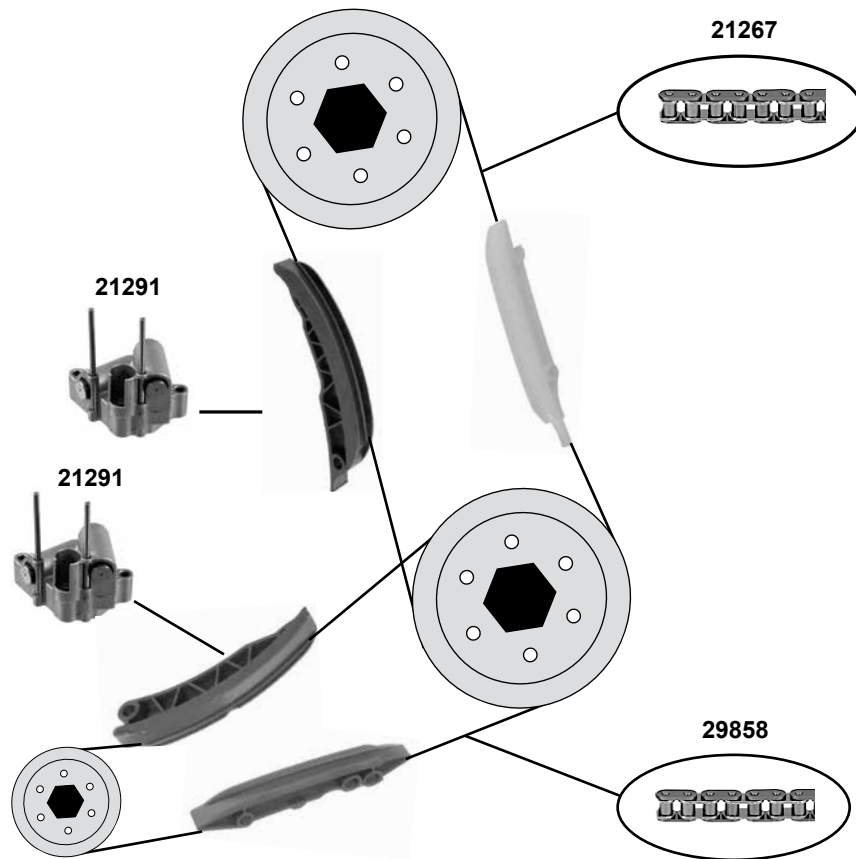


Ref. - No.



28717	13 52 7 797 905	chain tensioner		
28718	11 31 7 797 901	chain tensioner		
28720	11 31 8 510 014	timing chain		86 E
30349	11 31 8 510 014 S1	rep. kit timing chain		86 E
30440	11 28 7 800 333	belt tensioner	(1)	AØ55 B29
30441	11 28 7 800 562	deflection pulley	(1)	AØ55 B28
37552	11 28 7 810 807	belt tensioner	2,0d/ed N47N	ØA 65/60 B26
39474	13 52 8 572 504	timing chain	N47N	70 E
39475	13 52 8 572 504 S1	rep. kit timing chain	N47N →01/13	

**2,0 d / 3,0 d**  
(M47N2 / M57N)



(1) (mot.) M57N AC /→ 06



Ref. - No.



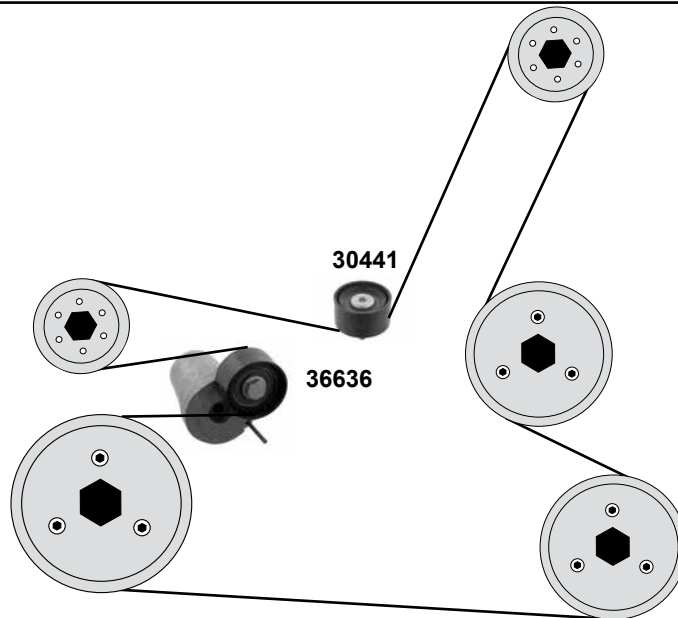
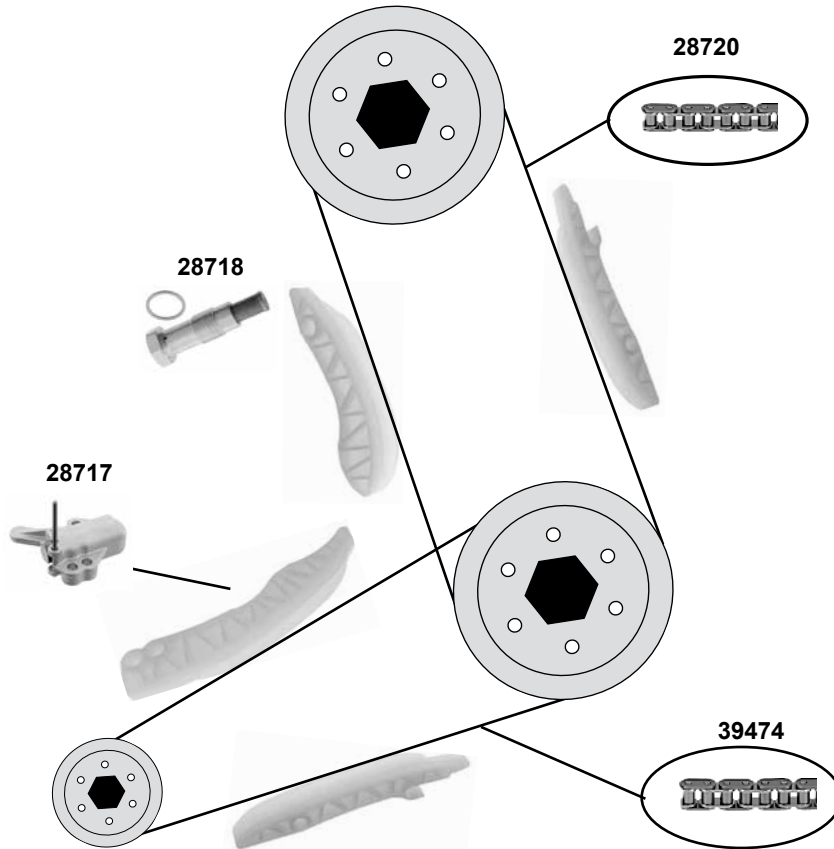
21267	11 31 8 506 869	timing chain		74 E
21291	13 52 7 787 299	chain tensioner		
24639	11 28 7 799 464	deflection pulley		AØ70 B27
27372	11 28 7 807 021	tension roller	(mot.) M47N2	AØ70 B26
27373	11 28 7 786 880	belt tensioner		
29858	13 52 8 506 969	timing chain		67 E
30347	11 31 8 506 869 S1	rep. kit timing chain		74 E
30348	13 52 8 506 969 S1	rep. kit timing chain		66 E
34469	64 55 7 786 711	belt tensioner	(1)	

**BMW**  
**X 3 I (E83 / LCI)**  
 (06→10)

Car  
 Division 



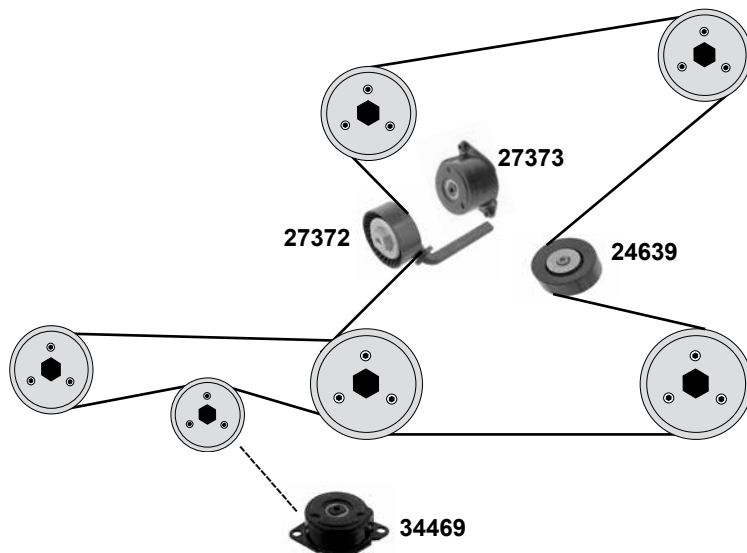
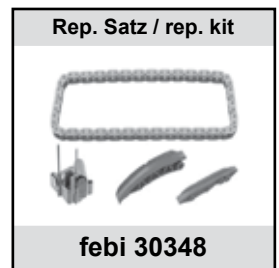
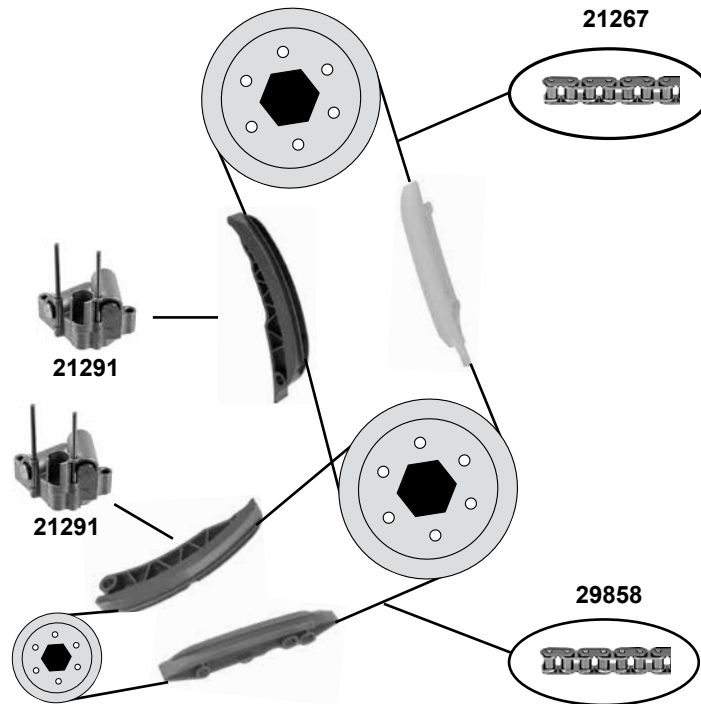
**1,8 d / 2,0 d**  
 (N47)



Ref. - No.



<b>28717</b>	13 52 7 797 905	chain tensioner	
<b>28718</b>	11 31 7 797 901	chain tensioner	
<b>28720</b>	11 31 8 510 014	timing chain	86 E
<b>30349</b>	11 31 8 510 014 S1	rep. kit timing chain	86 E
<b>30441</b>	11 28 7 800 562	deflection pulley	AØ55 B28
<b>36636</b>	11 28 7 800 334	belt tensioner	AØ 55 B29
<b>39474</b>	13 52 8 572 504	timing chain	70 E
<b>39475</b>	13 52 8 572 504 S1	rep. kit timing chain	70 E



	Ref. - No.			
21267	11 31 8 506 869	timing chain		74 E
21291	13 52 7 787 299	chain tensioner		
24639	11 28 7 799 464	deflection pulley		AØ70 B27
27372	11 28 7 807 021	tension roller		AØ70 B26
27373	11 28 7 786 880	belt tensioner		
29858	13 52 8 506 969	timing chain		67 E
30347	11 31 8 506 869 S1	rep. kit timing chain		74 E
30348	13 52 8 506 969 S1	rep. kit timing chain		66 E
34469	64 55 7 786 711	belt tensioner		



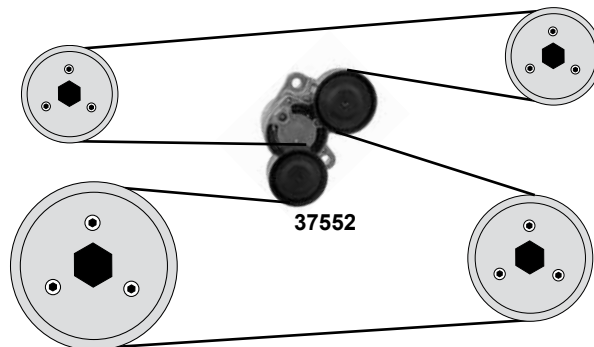
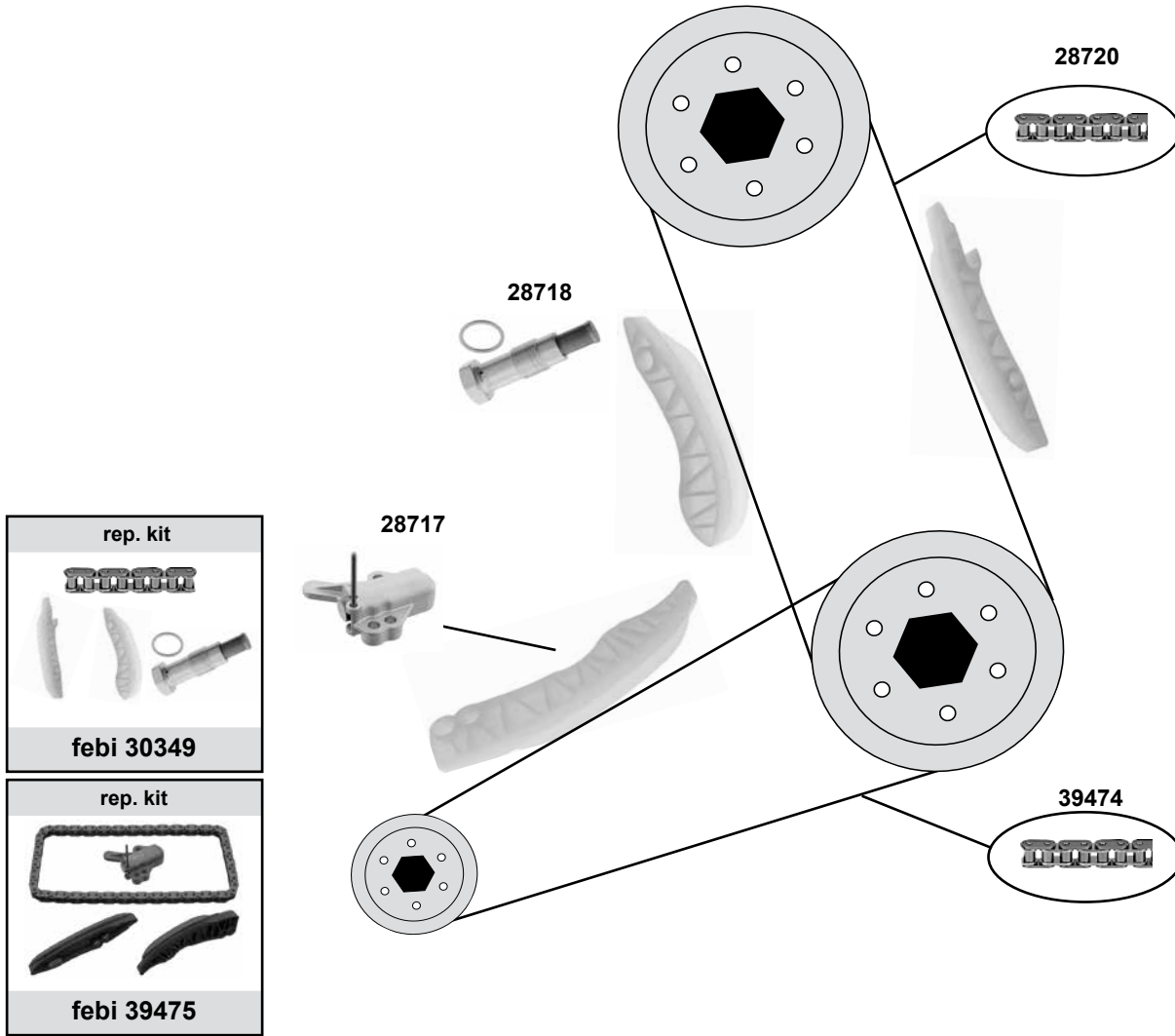
# BMW X3 II (F25)

(10→)

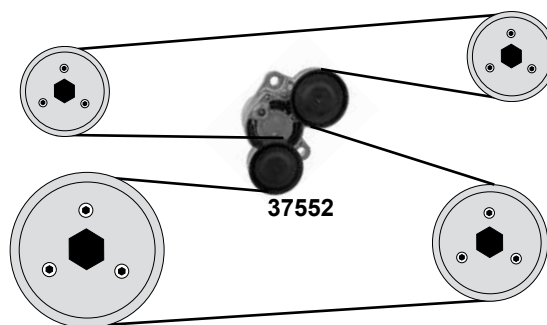
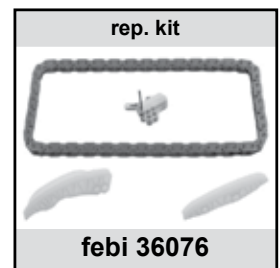
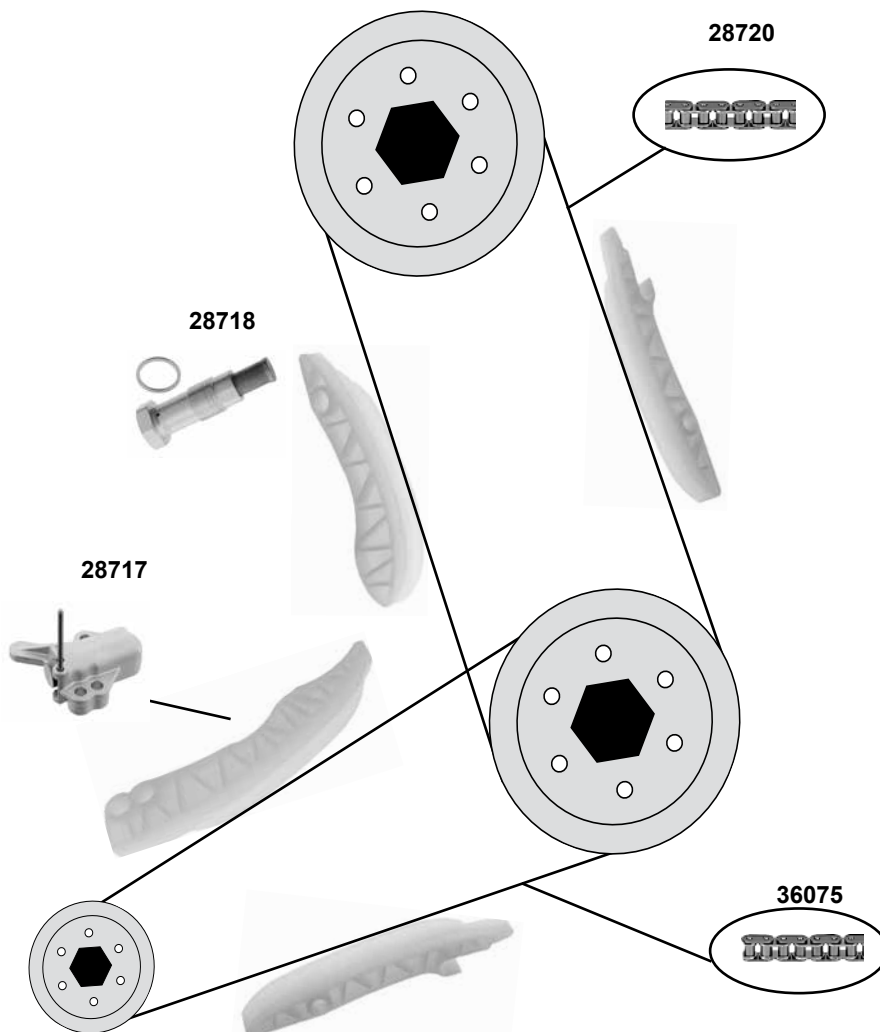
Car  
Division



1,8d / 2,0 dx  
(N47N)

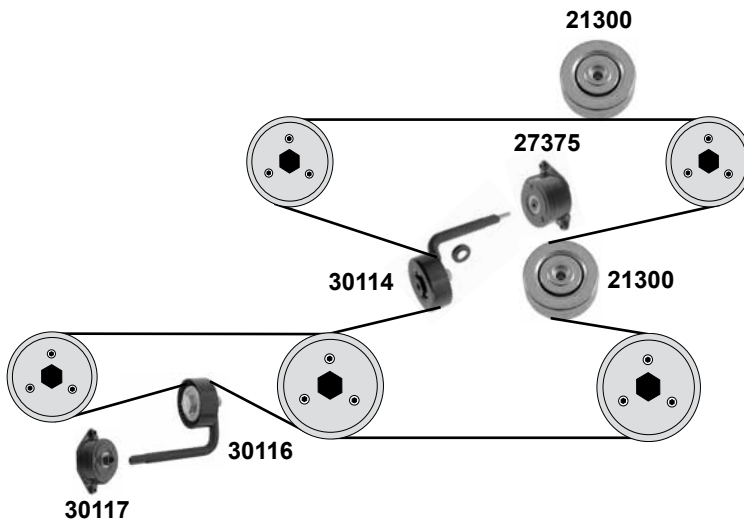
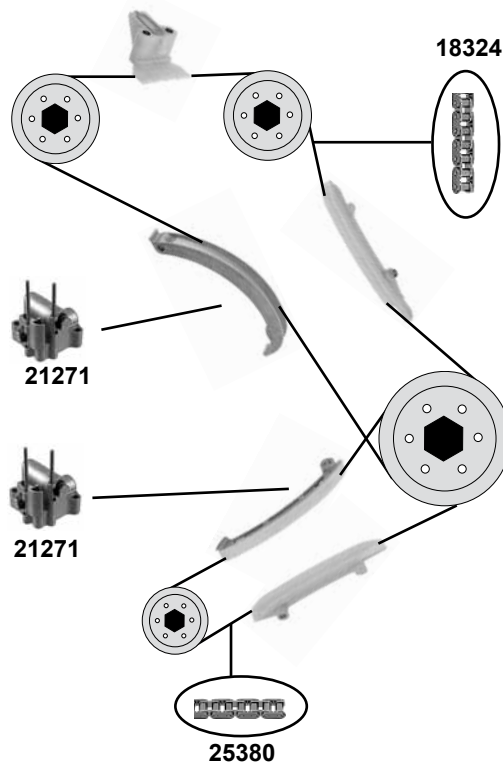





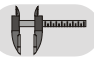
	Ref. - No.			
28717	13 52 7 797 905	chain tensioner		
28718	11 31 7 797 901	chain tensioner		
36075	11 31 8 506 654	timing chain simplex		72 E
36076	11 31 8 506 654 S1	rep. kit timing chain		72 E
37552	11 28 7 810 807	belt tensioner	(ex.) 1,8d	ØA 65/60 B26
39474	13 52 8 572 504	timing chain		70 E
39475	13 52 8 572 504 S1	rep. kit timing chain	→01/13	70 E

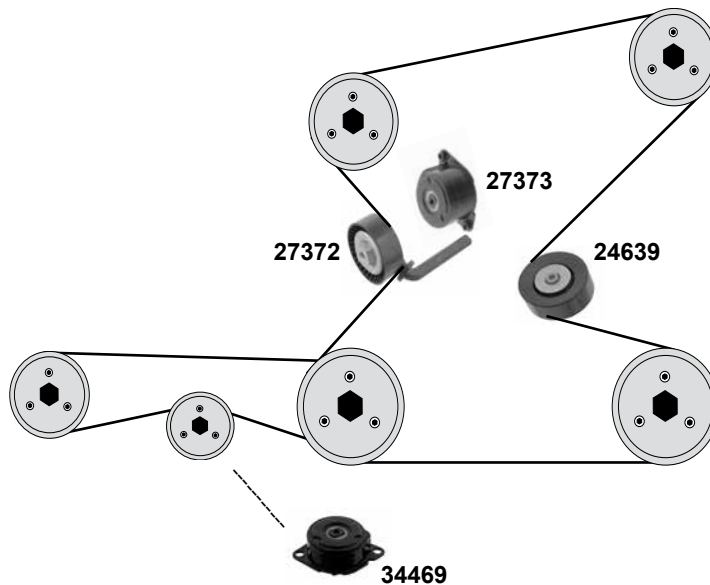
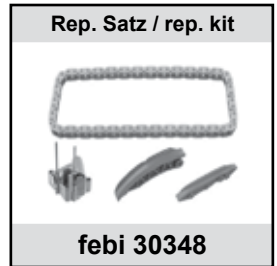
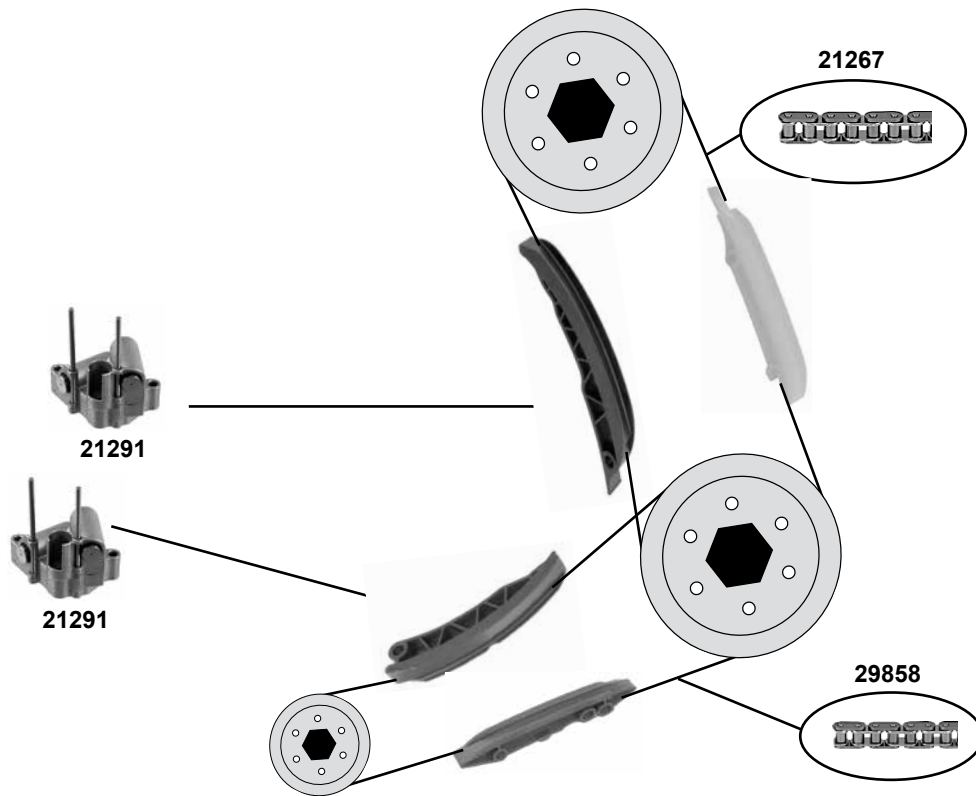


	Ref. - No.			
<b>28717</b>	13 52 7 797 905	chain tensioner		
<b>28718</b>	11 31 7 797 901	chain tensioner		
<b>28720</b>	11 31 8 510 014	timing chain		86 E
<b>30349</b>	11 31 8 510 014 S1	rep. kit timing chain		86 E
<b>36075</b>	11 31 8 506 654	timing chain simplex		72 E
<b>36076</b>	11 31 8 506 654 S1	rep. kit timing chain		72 E
<b>37552</b>	11 28 7 810 807	belt tensioner	(ex.) 1,8d	ØA 65/60 B26

**3,0 d**  
(M57)



	Ref. - No.			
<b>18324</b>	11 31 2 248 728	roller chain simplex	<b>AC</b>	G67 HP- 1 90E
<b>21271</b>	13 52 2 247 644	chain tensioner		AØ70 B23
<b>21300</b>	11 28 2 247 435	deflection pulley		68 E
<b>25380</b>	13 52 2 248 729	timing chain		AØ66 B28
<b>27375</b>	11 28 2 354 130	belt tensioner		AØ 70 B25,5
<b>30114</b>	11 28 2 354 131	tension roller		
<b>30116</b>	64 55 7 788 684	tension roller		
<b>30117</b>	64 55 7 786 076	tension roller		
<b>30343</b>	11 31 2 248 728 S2	rep. kit timing chain		90 E
<b>30344</b>	13 52 2 248 729 S1	rep. kit timing chain		68 E



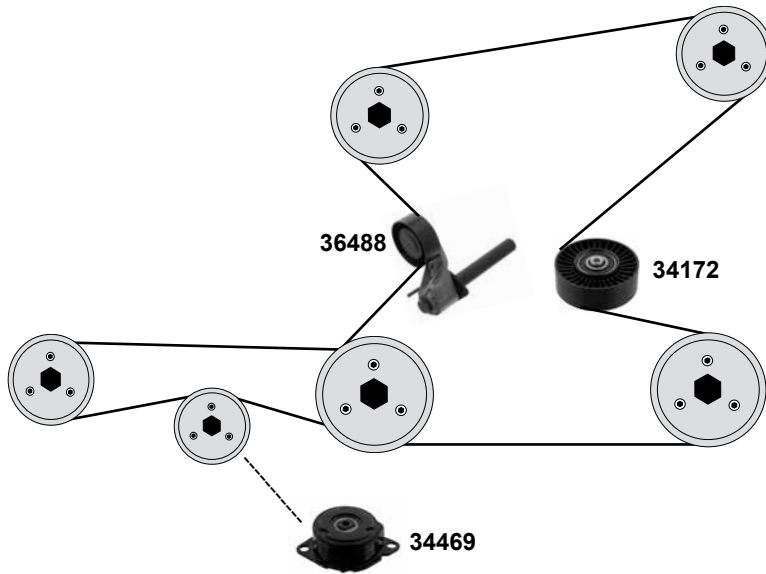
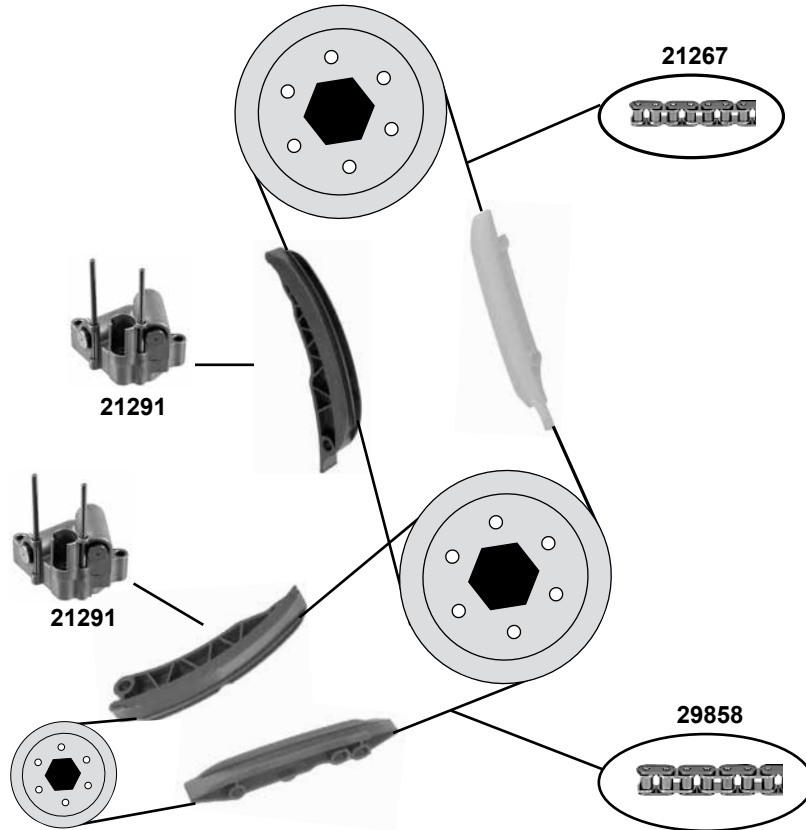
	Ref. - No.			
21267	11 31 8 506 869	timing chain		74 E
21291	13 52 7 787 299	chain tensioner		
24639	11 28 7 799 464	deflection pulley		AØ70 B27
27372	11 28 7 807 021	tension roller		AØ70 B26
27373	11 28 7 786 880	belt tensioner		
29858	13 52 8 506 969	timing chain		67 E
30347	11 31 8 506 869 S1	rep. kit timing chain		74 E
30348	13 52 8 506 969 S1	rep. kit timing chain		66 E
34469	64 55 7 786 711	belt tensioner		





**BMW**  
**X 5 II (E70) / X6 (E71)**  
 (06→13)

Car  
 Division 



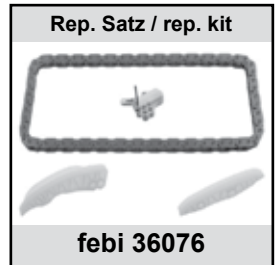
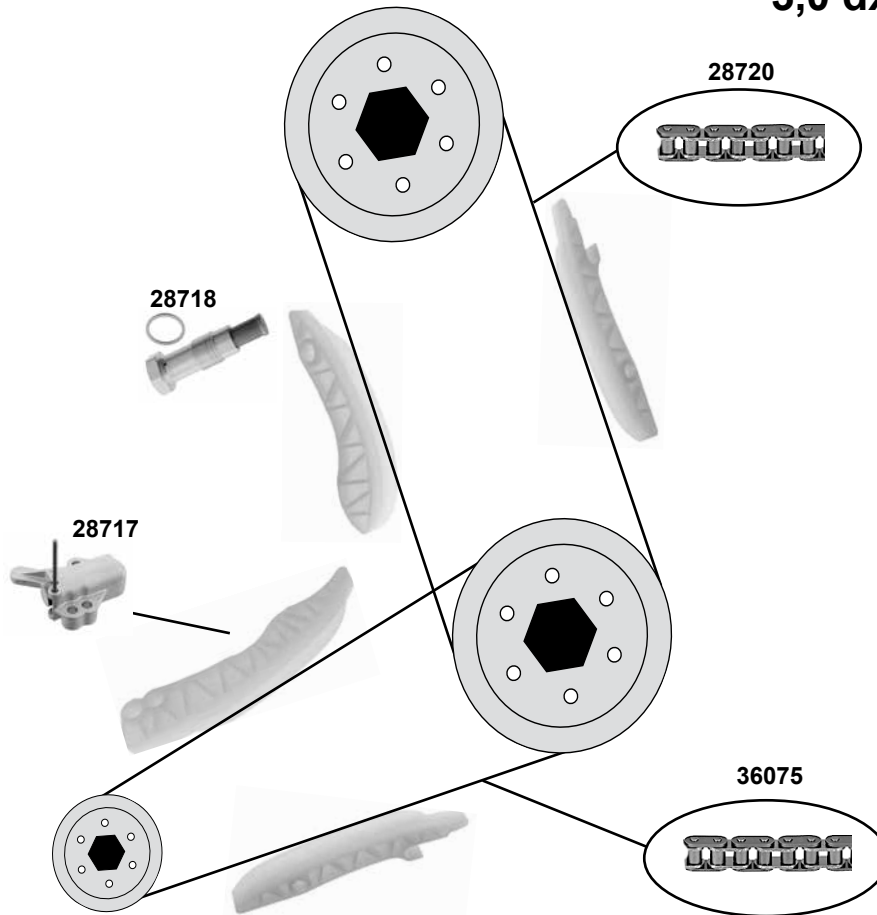
**3,0 d/sd / 3,5 dx**  
 (M57N2)



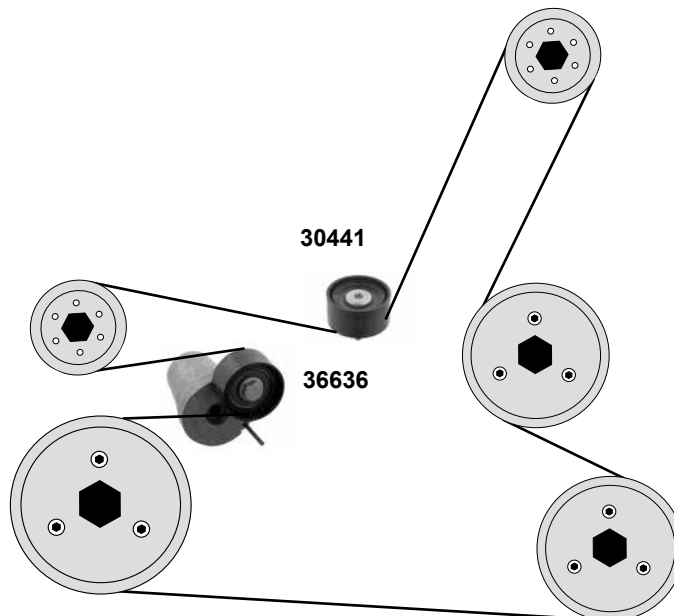
	Ref. - No.			
21267	11 31 8 506 869	timing chain		74 E
21291	13 52 7 787 299	chain tensioner		
29858	13 52 8 506 969	timing chain		67 E
30347	11 31 8 506 869 S1	rep. kit timing chain		74 E
30348	13 52 8 506 969 S1	rep. kit timing chain		66 E
34172	11 28 7 799 859	deflection pulley		AØ80 B26
34469	64 55 7 786 711	belt tensioner		
36488	11 28 7 799 851	belt tensioner		AØ70 B26



**3,0 dx / 3,5 dx / 4,0 dx**  
(N57)



**3,0 d / 4,0 dx**  
(N57)

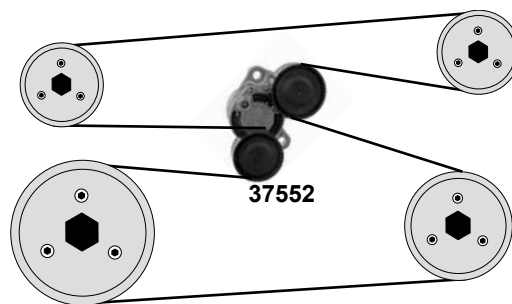
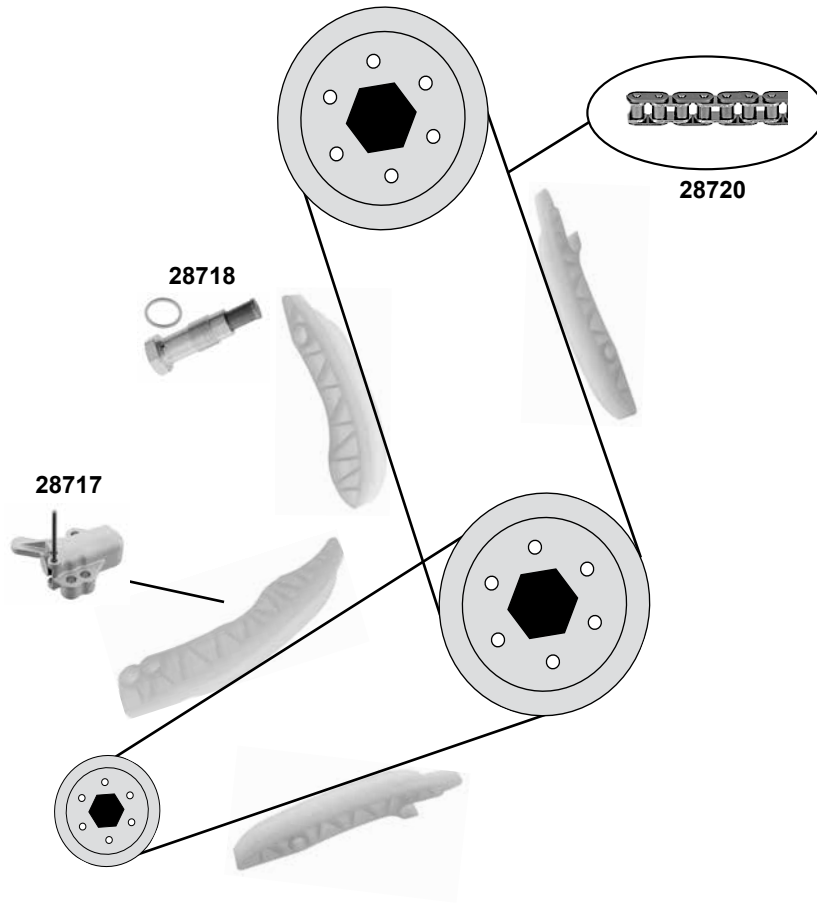


Ref. - No.



28717	13 52 7 797 905	chain tensioner		
28718	11 31 7 797 901	chain tensioner		
28720	11 31 8 510 014	timing chain		86 E
30349	11 31 8 510 014 S1	rep. kit timing chain		86 E
30441	11 28 7 800 562	deflection pulley	all	
36075	11 31 8 506 654	timing chain		72 E
36076	11 31 8 506 654 S1	rep. kit timing chain		72 E
36636	11 28 7 800 334	belt tensioner	Dynamic Drive	AØ 55 B29

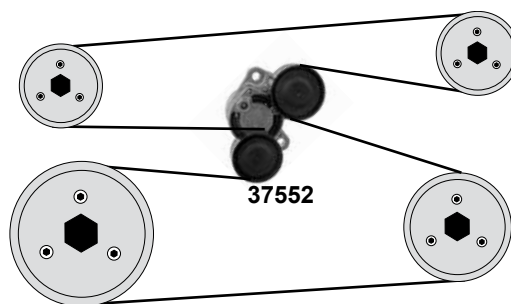
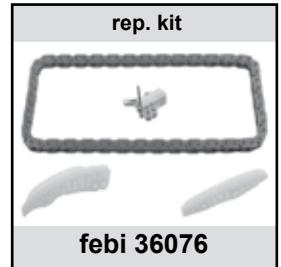
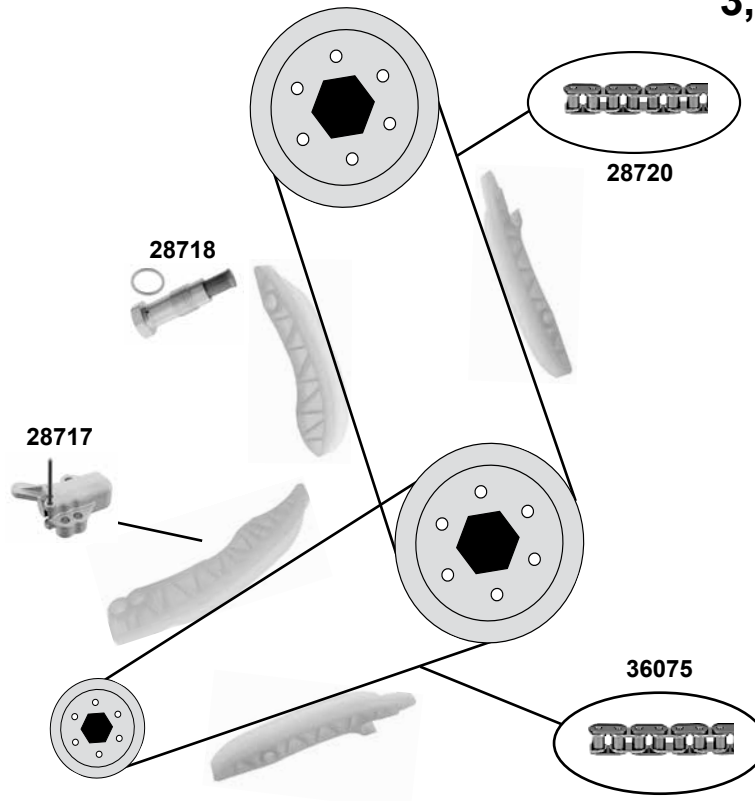
**2,5d/dx**  
 (M57N2)



	Ref. - No.			
28717	13 52 7 797 904	chain tensioner		
28718	11 31 7 797 901	chain tensioner		
37552	11 28 7 810 807	belt tensioner		
28720	11 31 8 510 014	timing chain		ØA 65/60 B26
30349	11 31 8 510 014 S1	rep. kit timing chain		86 E 86 E



**3,0dx / 4,0dx / 5,0dx**  
(N57N)



	Ref. - No.			
28717	13 52 7 797 904	chain tensioner		
28718	11 31 7 797 901	chain tensioner		
28720	11 31 8 510 014	timing chain		86 E
30349	11 31 8 510 014 S1	rep. kit timing chain		86 E
36075	11 31 8 506 654	timing chain		72 E
36076	11 31 8 506 654 S1	rep. kit timing chain		72 E
37552	11 28 7 810 807	belt tensioner		ØA 65/60 B26



# CHEVROLET Aveo (T300)

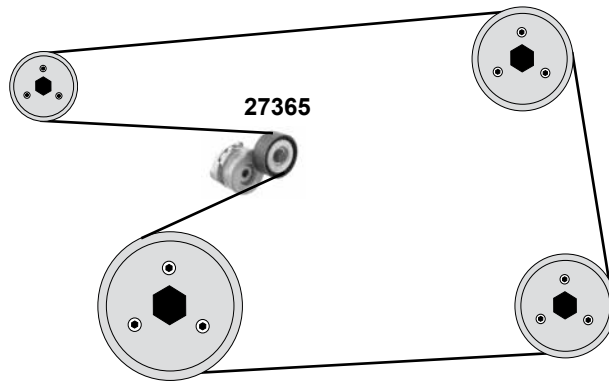
(2011→)

Car  
Division



**1,3**

(LDF / LSF)

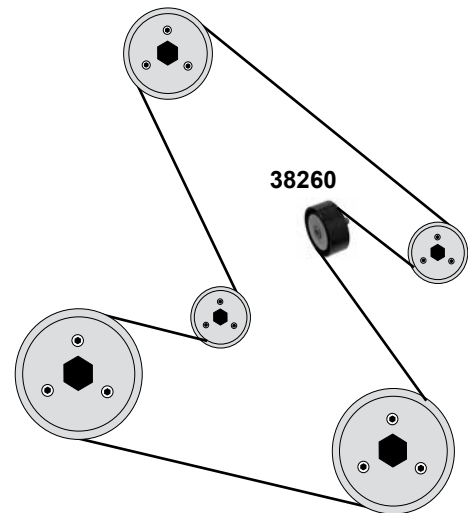
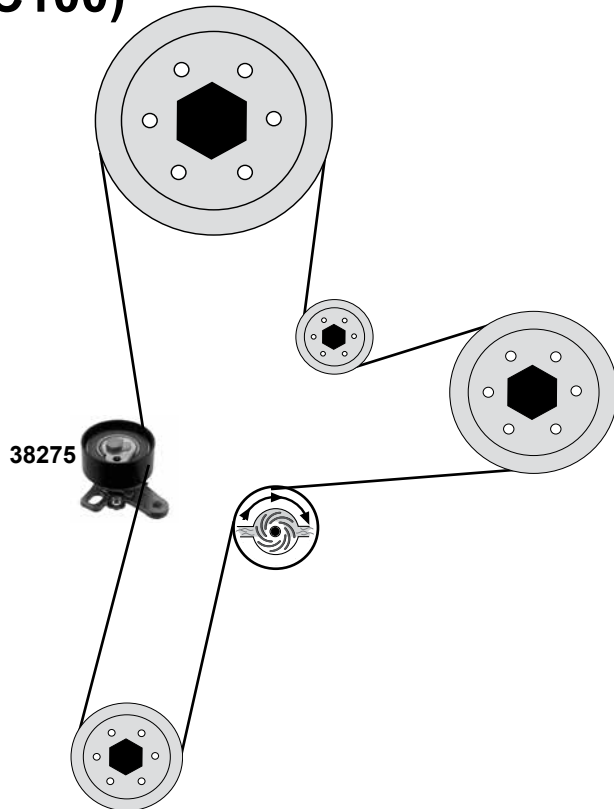


# Captiva (C100)

(06→12)

**2,0**

(LLW / LMN)



Ref. - No.



27365 55574238

38260 96440417

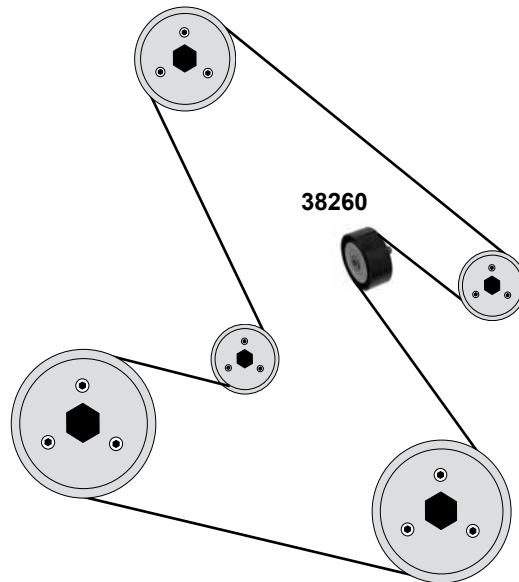
38275 96941103

belt tensioner

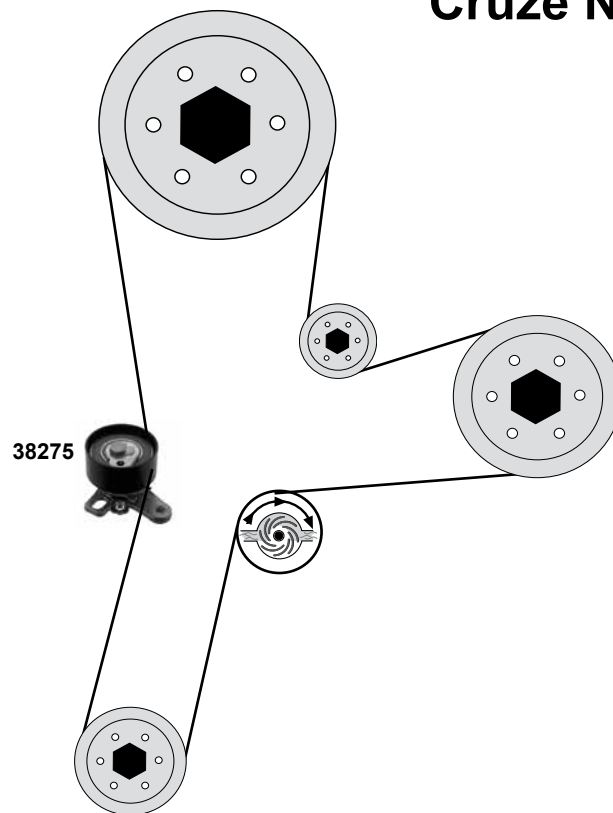
tension roller

tension roller

ØA 60 B27



**Cruze Notchback(J300)**  
(06→12)  
**2,0**  
(LLW)



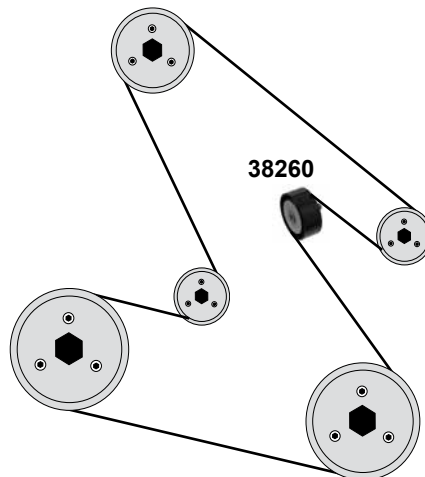
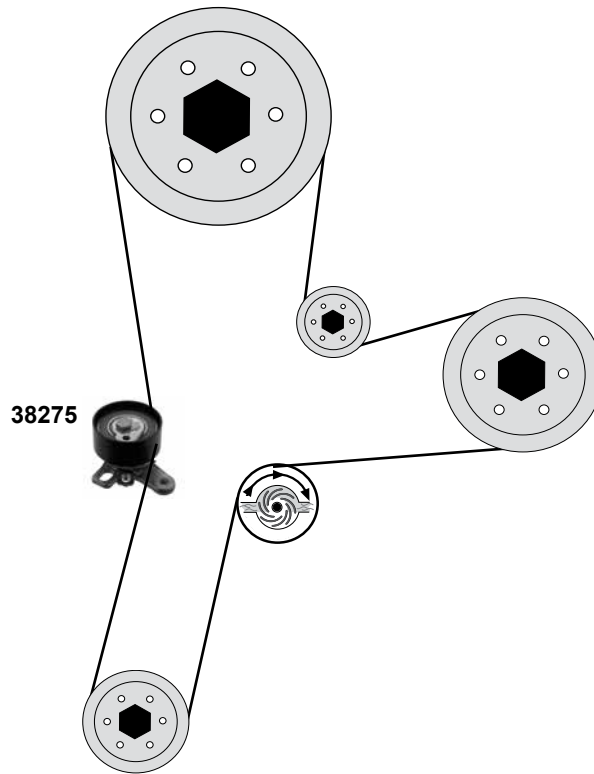
# CHEVROLET Lacetti + Nubira + Optra (J200)

(06→12)

Car  
Division 



**2,0**  
(LMN)



Ref. - No.

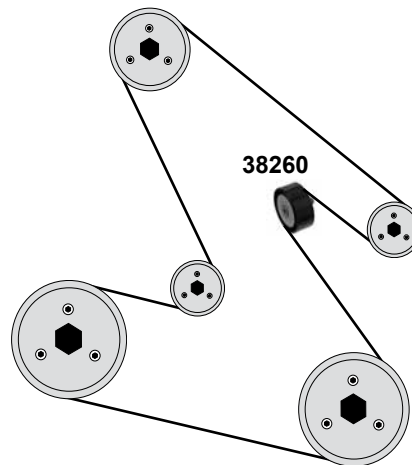
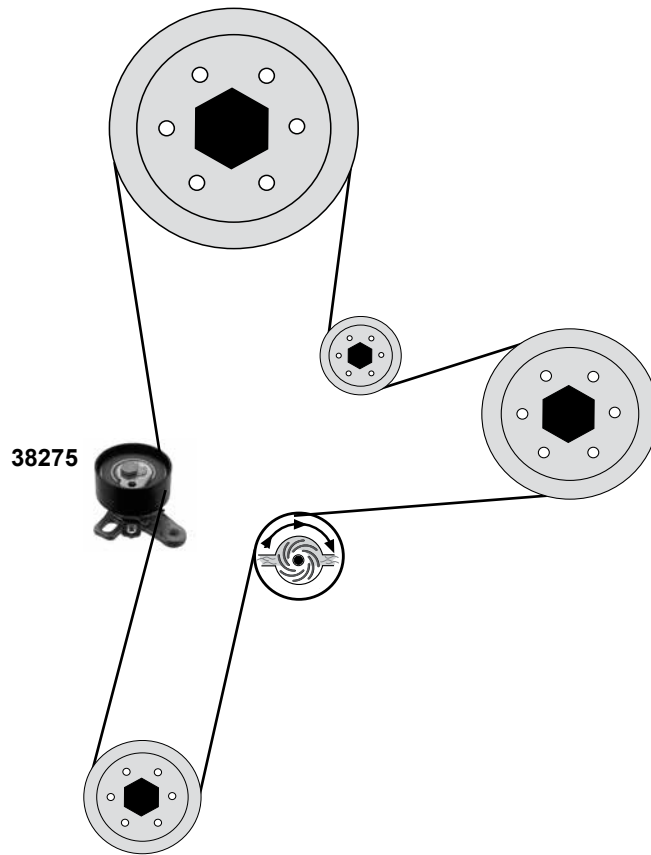


**38260** 96440417  
**38275** 96941103

tension roller  
tension roller

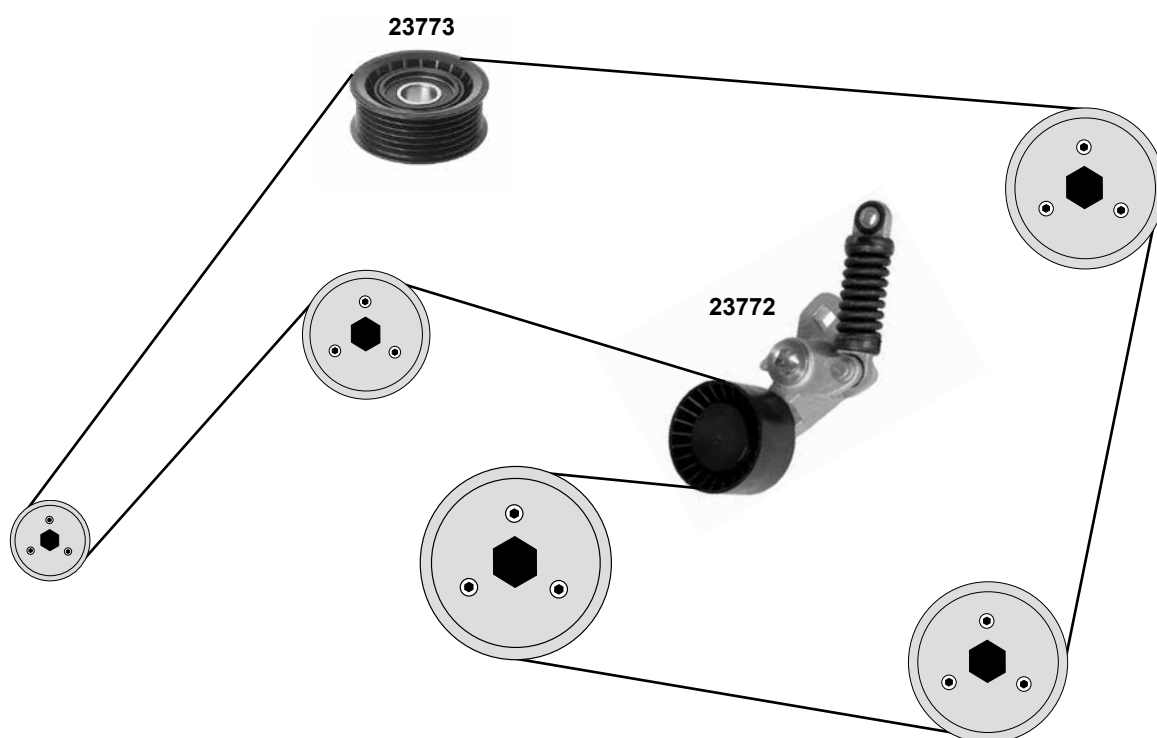
08→

ØA 60 B27





## 2,2 CRD



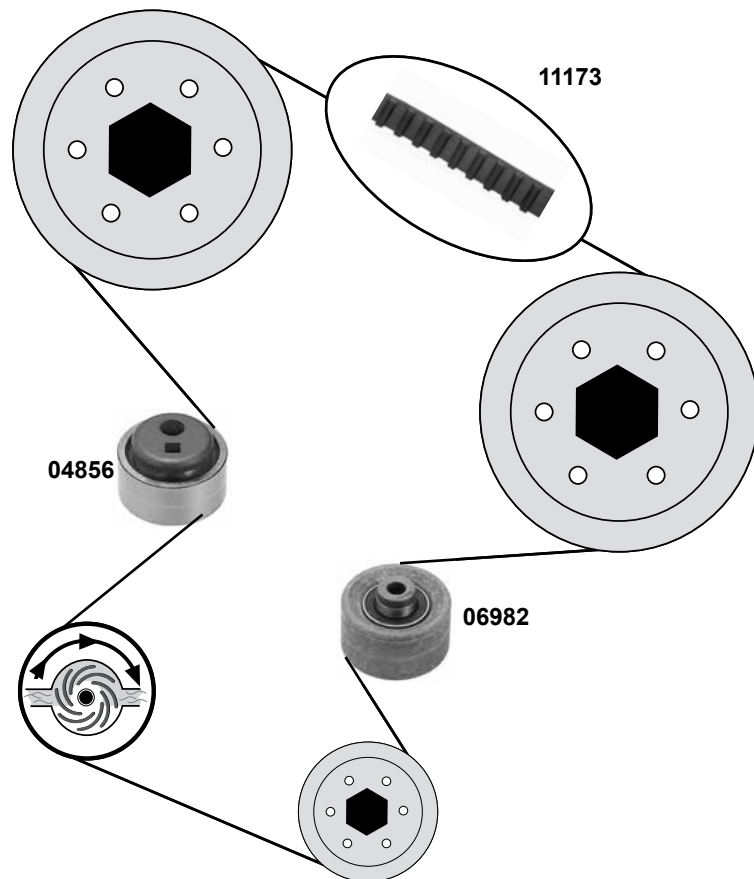
Ref. - No.



23772 05080312AA  
23773 05080319AA

belt tensioner  
deflection pulley

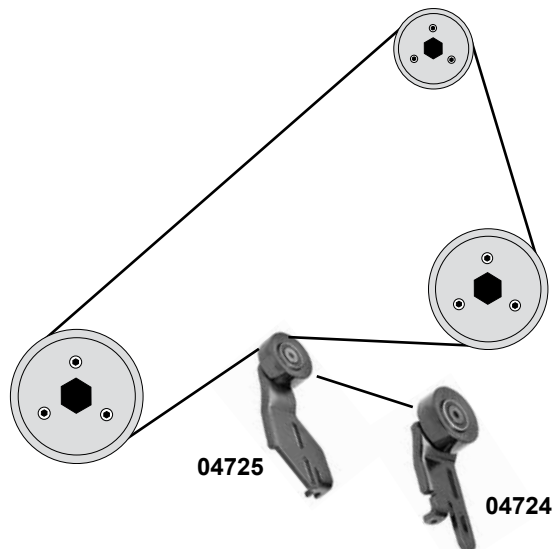
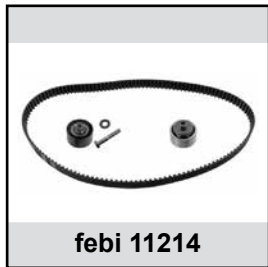
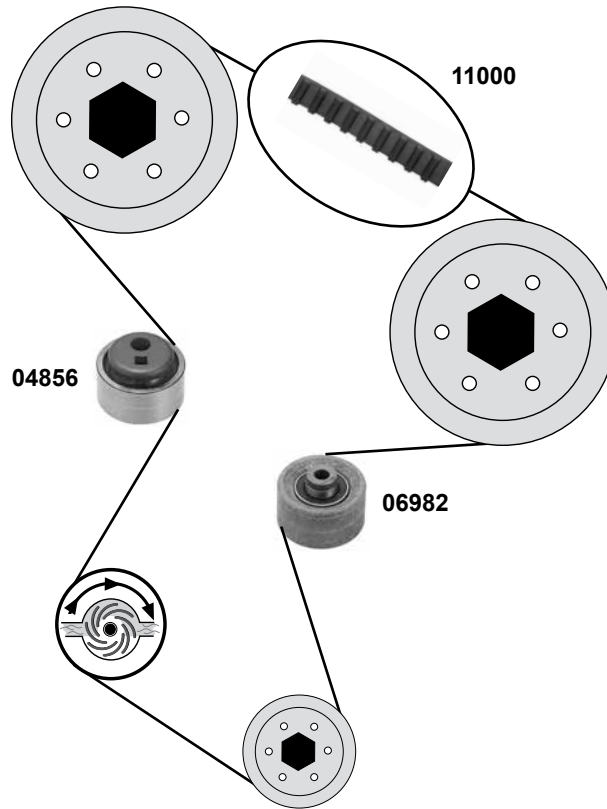
ØA 70 B26 H 20  
ØA 54 ØI17 B26



	Ref. - No.			
04856	0829.30	tension roller		ØA 59 ØI 13 B28
06982	0830.37	deflection pulley		ØA 60 ØI 10 B34
11173	0816.64	timing belt		Z 143 B25,4
11174	0816.64 S	rep. kit timing belt		Z 143 B25,4



## 1,5 D (TUD5)



Ref. - No.



<b>04724</b>	5751.27
<b>04725</b>	5751.26
<b>04856</b>	0829.30
<b>06982</b>	0830.37
<b>11000</b>	0816.98
<b>11214</b>	0831.R3

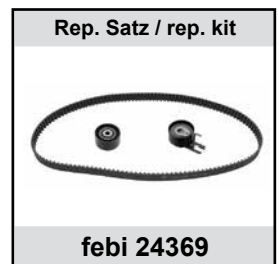
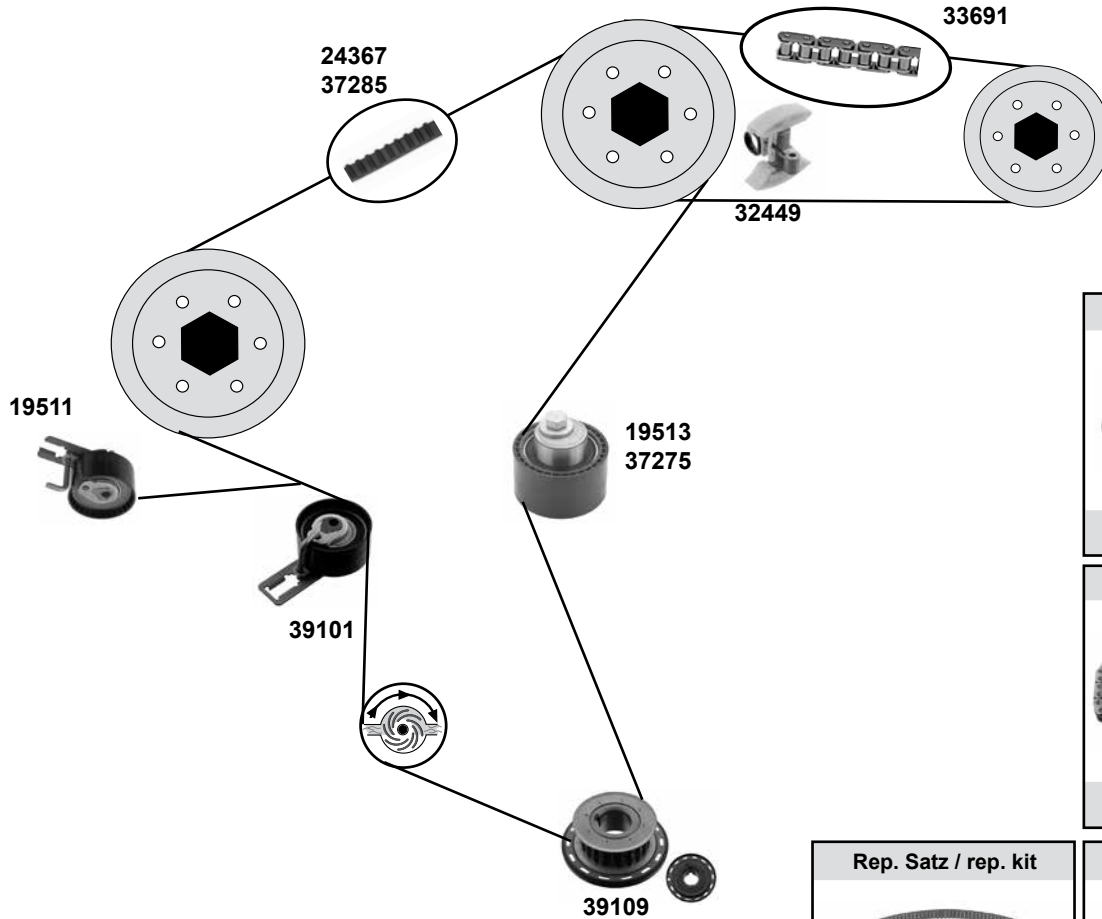
tension roller
tension roller
tension roller
de lection pulley
timing belt
rep. kit timing belt

servo   
man.

ØA 69 B24,5
ØA 69 ØI 13 B28
ØA 60 ØI 10 B34
Z 136 B25,4
Z 136 B25,4



**1,6 HDI**  
(DV6ATED4 / DV6B / DV6DTED M / DV6ETED M)



- (1) (mot.) DV6DTED M, DV6ETED M / 02→
- (2) (mot.) DV6ATED4 / DV6B 02→
- (3) (mot.) DV6DTED M, DV6ETED M



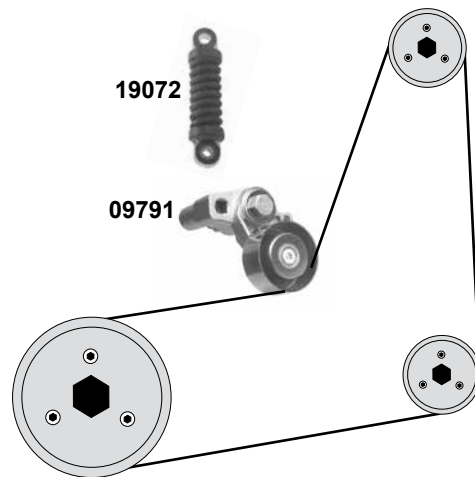
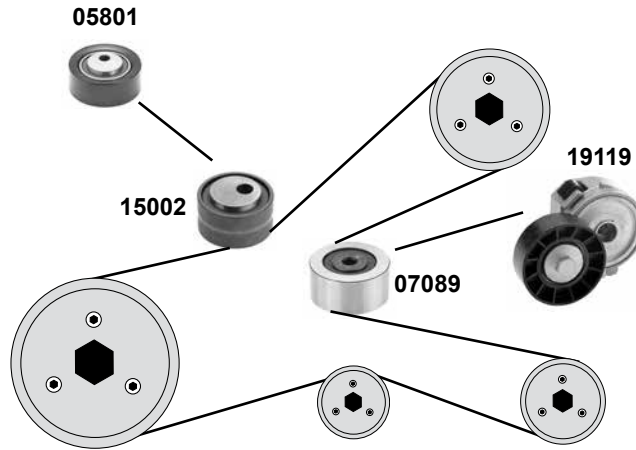
Ref. - No.



Ref. - No.	Part Description	Quantity	Notes
19511	tension roller	(2)	ØA 60 B29
19513	deflection pulley	(2)	ØA 60 B30
24367	timing belt	(2)	Z137 B25
24369	rep. kit timing belt	(2)	Z137 B25
32449	chain tensioner	(2)	
33691	timing chain	(2)	E 40
33692	rep kit timing chain	(2)	E 40
37275	deflection pulley	(3) 02→	ØA 61 B30
37285	timing belt	(1)	Z141 B25,4
39101	tension roller	(3) 02→	ØA 60 B29
39109	gear	(3) 02→	
39203	rep. kit timing belt	(3) 02→	
39204	rep. kit timing belt	(3) 02→	



**1,6 HDI**  
 (DV6ATED4 / DV6B / DV6DTED M / DV6ETED M)






(1) (mot.) DV6ATED4

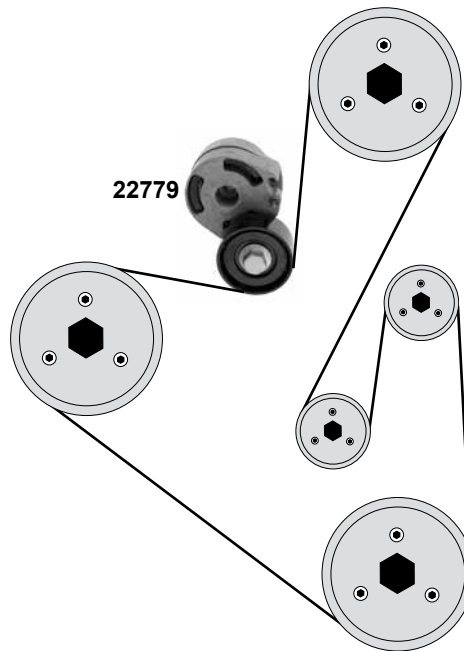
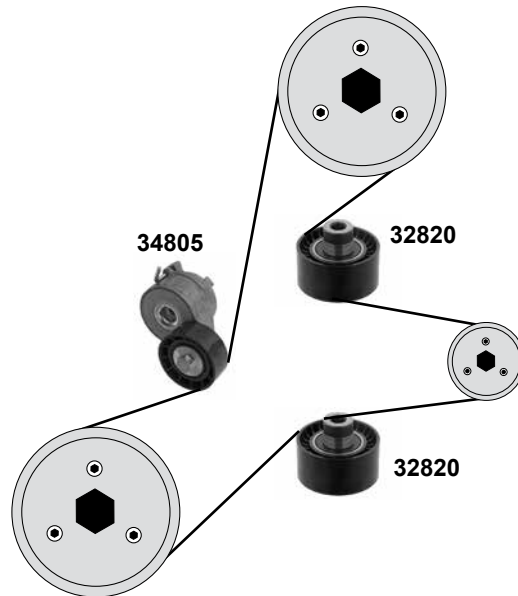


Ref. - No.



<b>05801</b>	5751.29	deflection pulley	(1) AC + servo 	ØA 70 ØI 10/16
<b>07089</b>	5751.57	tension roller	(1) ex.) AC	ØA 50 B26
<b>09791</b>	5751.30	tension roller	(1) AC + servo 	ØA 60 B26,5
<b>15002</b>	5751.56	tension roller	(1) (ex.) AC	ØA 50 B26
<b>19072</b>	5751.81	belt tensioner	(1) AC + servo 	
<b>19119</b>	5751.55	tension roller	(1)	ØA 70 B25

**1,6 HDI**  
(DV6B / DV6ATED4 / DV6ETED M / DV6DTED M)



(1) (mot.) DV6B O 10571 → / (mot.) DV6ATED / O 11773UZ,1211077,10571FL/FV →



(2) (mot.) DV6ETEDM , DV6DTEDM (mot.) DV6B O 10571 → / (mot.) DV6ATED O 12110→ / (mot.) DV6ATED O 10571→ oder 11773→

(3) (mot.) DV6B /DV6ATED4



Ref. - No.



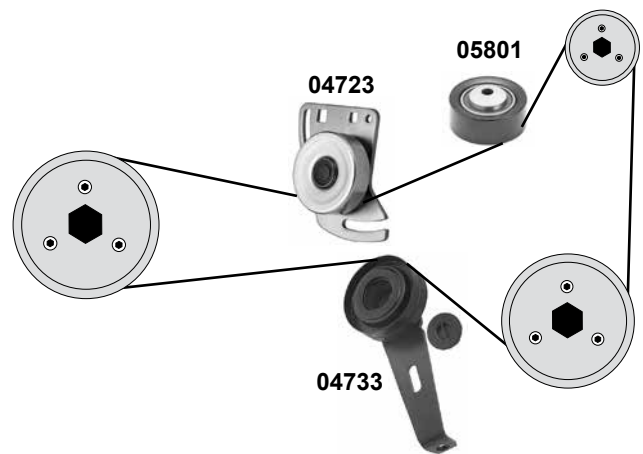
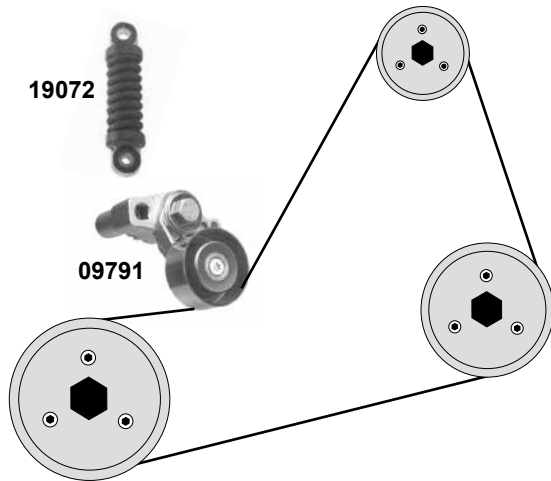
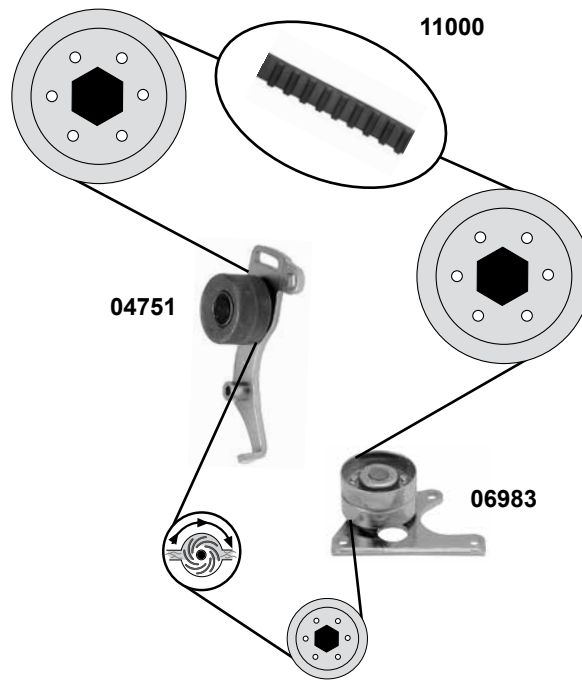
**22779** 5751.89  
**32820** 5751.E6  
**34805** 5751.F3

belt tensioner  
deflection pulley  
belt tensioner

(3) 02→ / →O 10570  
(2) 02→  
(1)

ØA55 B25  
ØA60 B30  
ØA60 B25





**1,8 D / 1,9 D**  
 (XUD7 / XUD9)



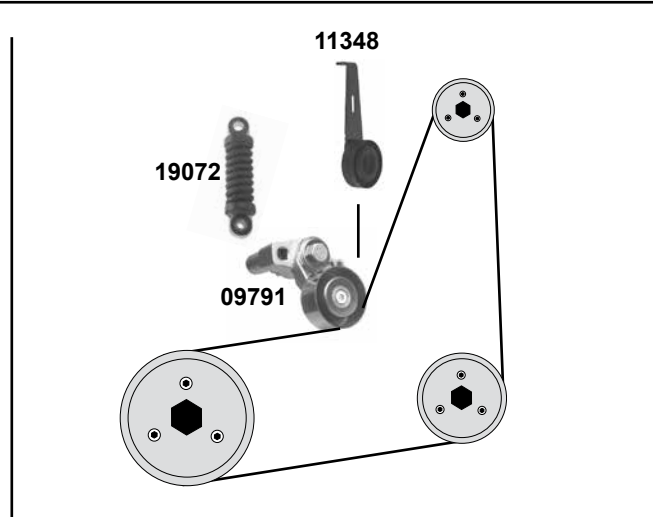
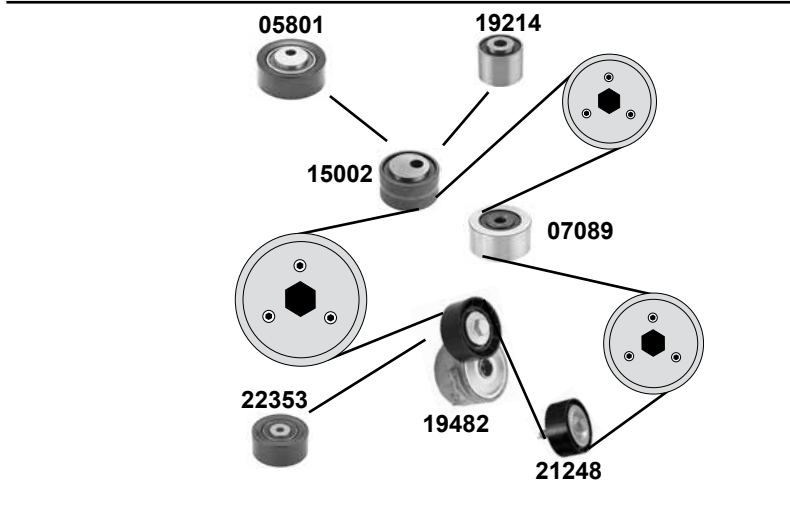
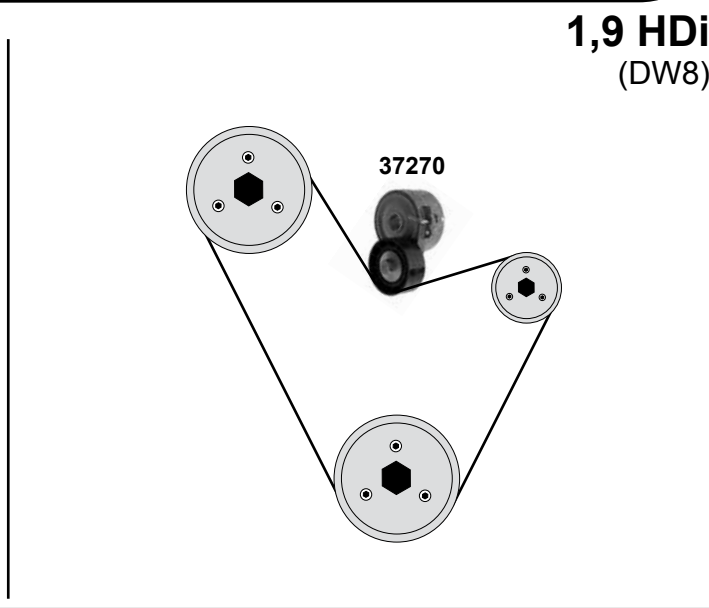
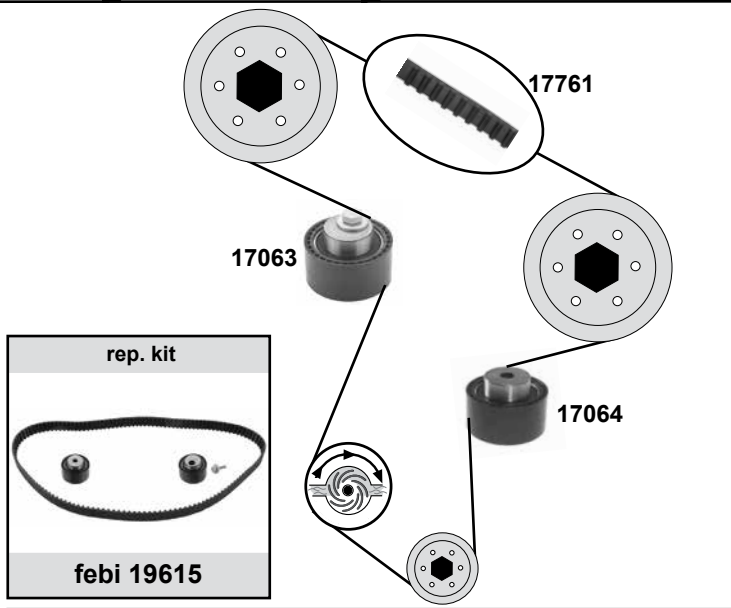
Ref. - No.



<b>04723</b>	6453.76	tension roller
<b>04733</b>	5751.38	tension roller
<b>04751</b>	0829.33	tension roller
<b>05801</b>	5751.29	deflection pulley
<b>06983</b>	0830.13	deflection pulley
<b>09791</b>	5751.30	tension roller
<b>11000</b>	0816.98	timing belt
<b>11222</b>	0831.27	rep. kit timing belt
<b>19072</b>	5751.81	belt tensioner

AC	ØA 85 B22,5
AC + man. 	ØA 85 B26 ØA 60 B34
AC + servo 	ØA 70 ØI 10/16 ØA 60 B34
AC + servo 	ØA 60 B26,5 Z 136 B25,4 Z 136 B25,51
AC + servo 	

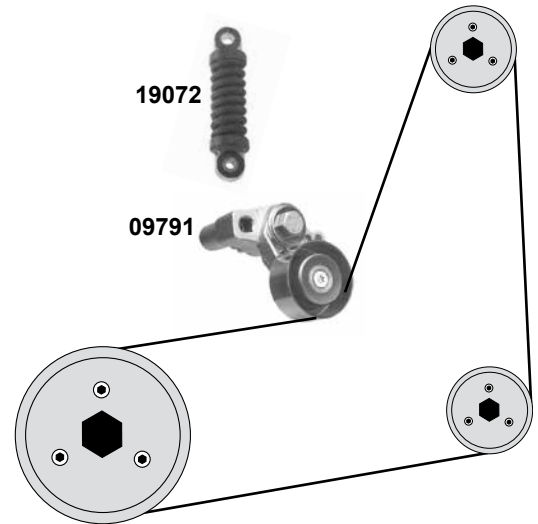
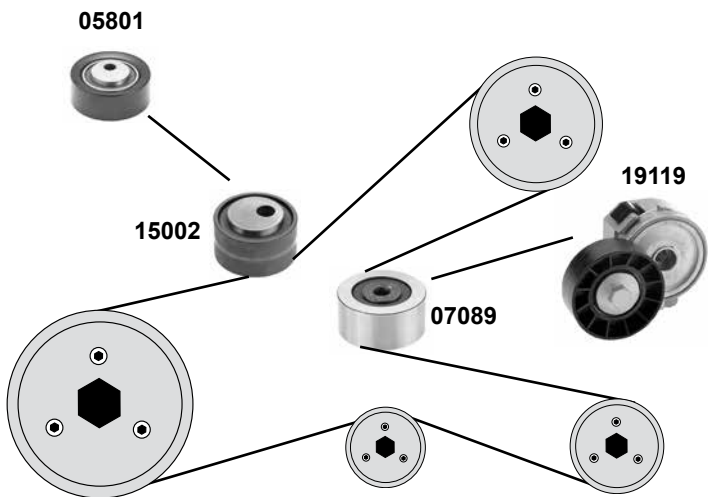
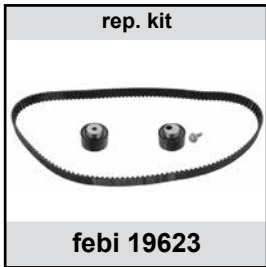
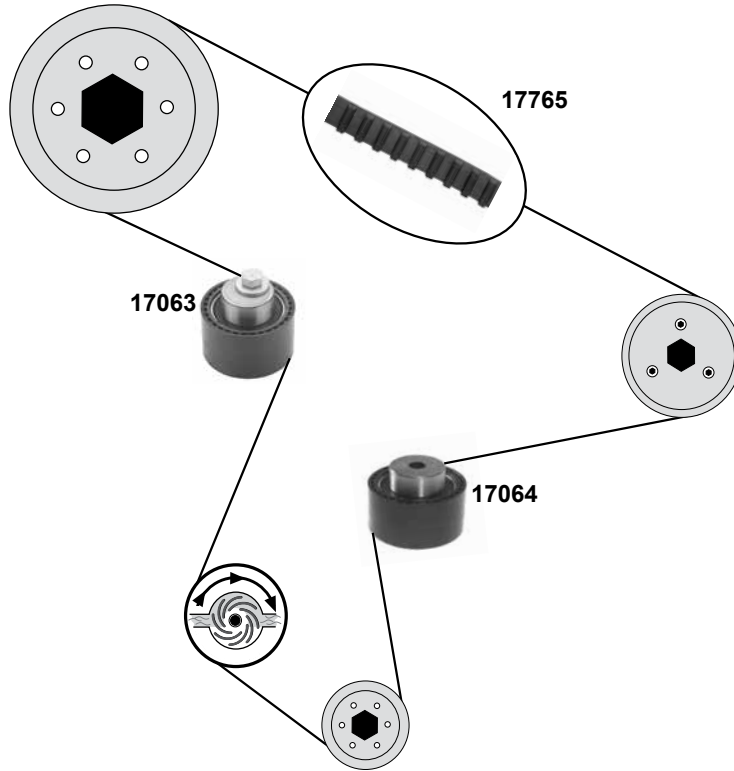
## 1,9 HDi (DW8)










- (1) (ex.) variable servo
- (2) servo (ex.) O 08400 →
- (3) (ex.) AC servo → O 08399
- (4) Berlingo I 07/96 → 11/02 DW8 servo AC O 07910-11950→ / DW8B servo AC O 08729-11950→
- (5) Berlingo II 12/02 → 03/08 DW8B AC

	Ref. - No.			
05801	5751.29	deflection pulley	AC + servo	ØA 70 ØI 10/16
07089	5751.57	tension roller	(ex.) AC	ØA 50 B26
09791	5751.30	tension roller	AC + servo	ØA 60 B26,5
11348	5751.45	tension roller	man.	ØA 85 B26
15002	5751.56	tension roller	(ex.) AC	ØA 50 B26
17063	0829.59	tension roller		ØA 60 ØI 13
17064	0830.28	deflection pulley		ØA 60 ØI 10
17761	0816.93	timing belt		Z 140 B25,4
19072	5751.81	belt tensioner	AC + servo	
19214	5751.67	deflection pulley	servo  (1) (ex.) AC	ØA 37 ØI 10 B27
19482	5751.74	tension roller	(2)	ØA 60
19615	0831.58	rep. kit timing belt		Z 140 B25,4
21248	5751.73	deflection pulley	(1) (2)	ØA 59,8 B25
22353	5751.91	tension roller	(3)	ØA 60 ØI 8 B26,5
37270	5751.94	belt tensioner	(4) (5)	ØA 60 B25

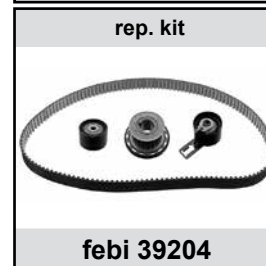
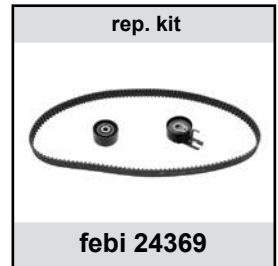
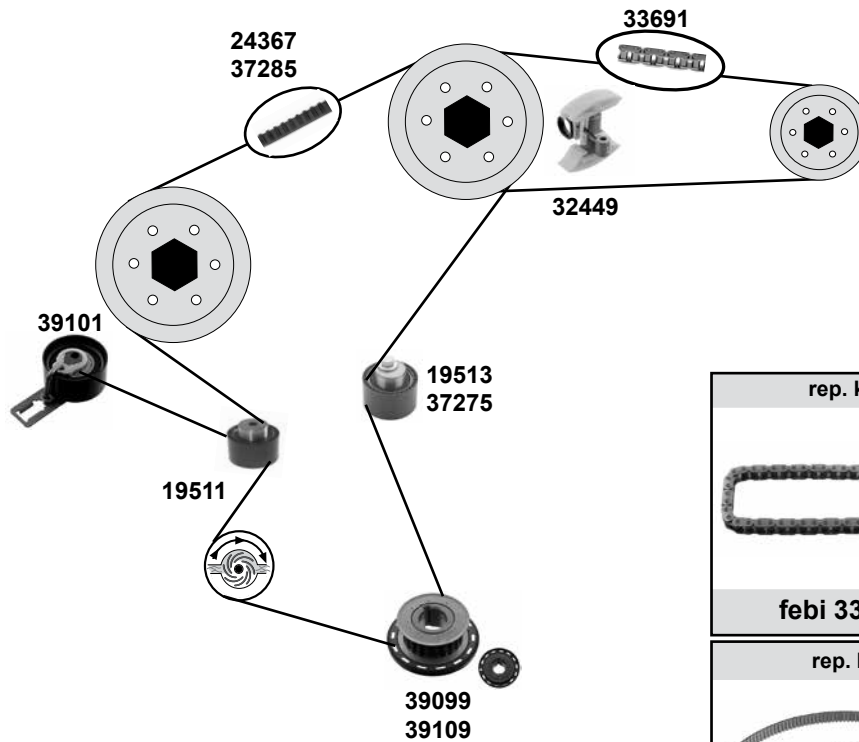
**2,0 HDi**  
 (DW10TD)



	Ref. - No.			
05801	5751.29	deflection pulley	AC + servo 	ØA 70 ØI 10/16
07089	5751.57	tension roller	(ex.) AC	ØA 50 B26
09791	5751.30	tension roller	AC + servo 	ØA 60 B26,5
15002	5751.56	tension roller	(ex.) AC	ØA 50 B26
17063	0829.59	tension roller	(mot.) 2,0 D	ØA 60 ØI 13 B30
17064	0830.28	deflection pulley	(mot.) 2,0 D	ØA 60 ØI 10
17765	0816.A9	timing belt	(mot.) 2,0 D	Z 141 B25,4
19072	5751.81	belt tensioner	AC + servo 	ØA 70 B25
19119	5751.55	tension roller	(mot.) 2,0 D	Z141 B25,4
19623	0831.83	rep. kit timing belt		

1,6 HDi

(DV6AUTED4/DV6BUTED4/DV6TED4BU/DV6C/DV6B/DV6DTED/DV6ETED4)



- (1) (mot.) DV6C, DV6DTED M, DV6ETED4, DV6DTED, DV6ETED M
- (2) (mot.) DV6AUTED4/DV6BUTED4/DV6TED4BU
- (3) (mot.) DV6DTED M, DV6ETED4, DV6DTED, DV6ETED M / DV6C → O 12719
- (4) (mot.) DV6DTED M, DV6ETED4, DV6DTED, DV6ETED M O 12720 → / (mot.) DV6C
- (5) (mot.) DV6DTED M, DV6ETED4, DV6DTED, DV6ETED M / DV6C O 12720 →
- (6) (mot.) DV6AUTED4/DV6BUTED4/DV6TED4BU / DV6TED4 / DV6ATED4 / DV6B

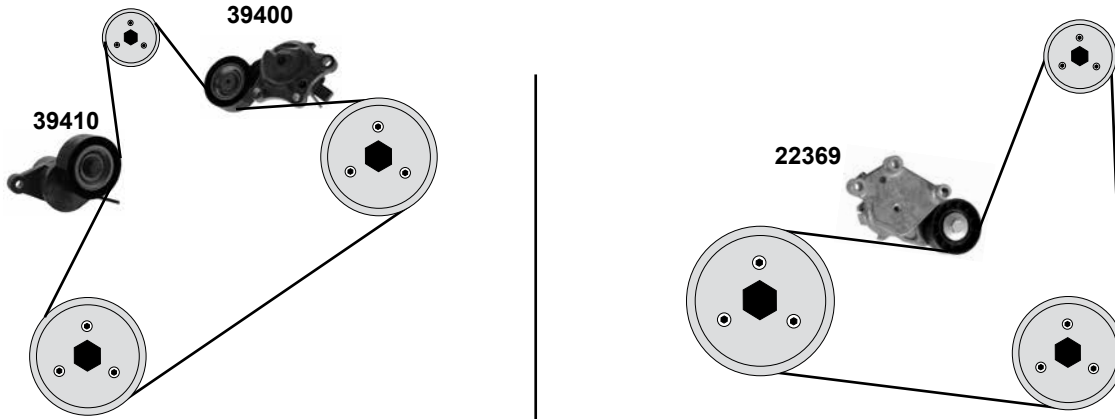


	Ref. - No.			
19511	0829.88	tension roller	(2)	ØA 60 B29
19513	0830.48	deflection pulley	(2)	ØA 60 B30
24367	0816.G7	timing belt	(2)	Z137 B25
24369	0831.V4	rep. kit timing belt	(2)	Z137 B25
32449	0816.J1 SK	chain tensioner	(2)	
33691	0816.F6	timing chain	(2) endlos / endless	E 40
33692	0816.J1	rep kit timing chain	(2) endlos / endless	E 40
37275	0830.75	deflection pulley	(1)	ØA 61 B30
37285	0816.L0	timing belt	(1)	Z 141 B25,4
39099	0805.E5	gear	(3) (6)	
39101	0829.F8	tension roller	(1)	ØA 60 B29
39109	96 772 672 80	gear	(4)	
39203	16 087 474 80	rep. kit timing belt	(1)	
39204	16 087 474 80 S1	rep. kit timing belt	(5)	
39205	16 087 474 80 S2	rep. kit timing belt	(3)	



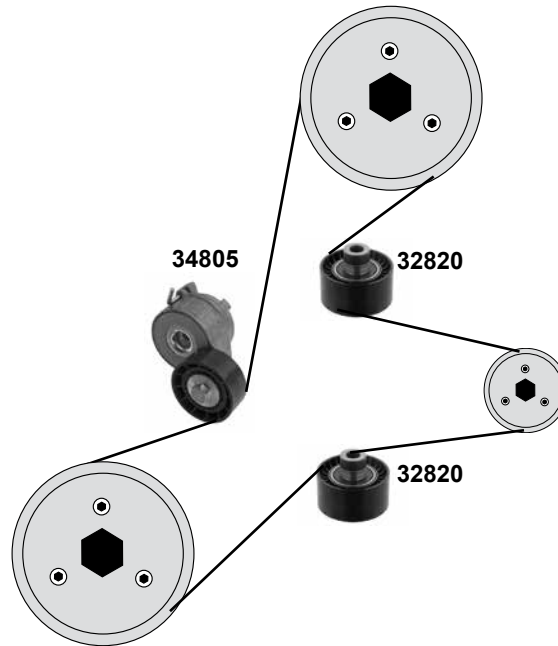
## 1,6 HDi

(DV6C / DV6ETED 4 / DV6DTED M / DV6ETED M / DV6TED4BU / DV6TED4)



## 1,6 HDi

(DV6ETEDM / DV6ETED4 / DV6C / DV6DTED/M DV6ATED4)



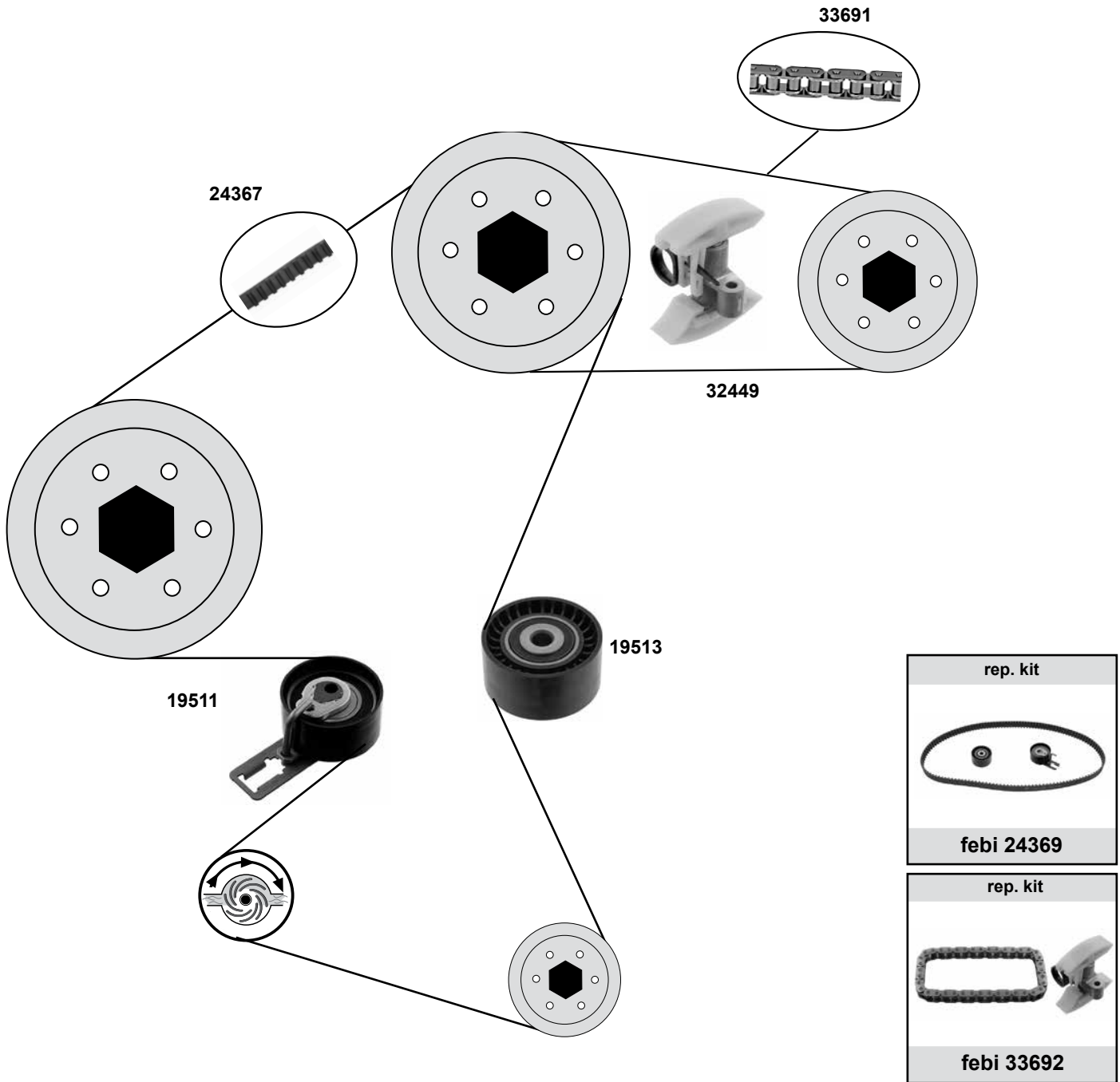
- (1) (mot.) DV6BTED4BU / DV6AUTED4 / DV6B / DV6ATED
- (2) (mot.) DV6DTED +Start Stop
- (3) (mot.) DV6BUTED4 / DV6AUTED4 / DV6B / DV6ATED4
- (4) (mot.) DV6TED4BU (mot.) DV6TED4 O 10949→  
(mot.) DV6C / DV6ETED4 / DV6DTED M / DV6ETED M (ex.) Start-Stop



Ref. - No.



Ref. - No.	Description	Quantity	Dimensions
22369	belt tensioner	(4)	ØA 65 B25,5
32820	deflection pulley	(1)	ØA 60 B30
34805	belt tensioner	(3)	ØA60 B25
39400	belt tensioner	(2)	ØA 65 B25
39410	belt tensioner	(2)	ØA 65 B25



(1) (mot.) DV6TED4BU / DV6TED4 / (mot.) DV6TED4 O 10949→  
(mot.) DV6C / DV6ETED4 / DV6DTED M / DV6ETED M (ex.) Start-Stop



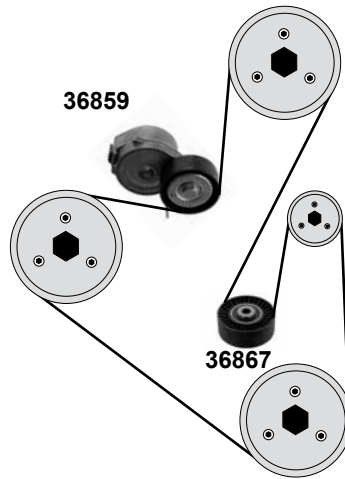
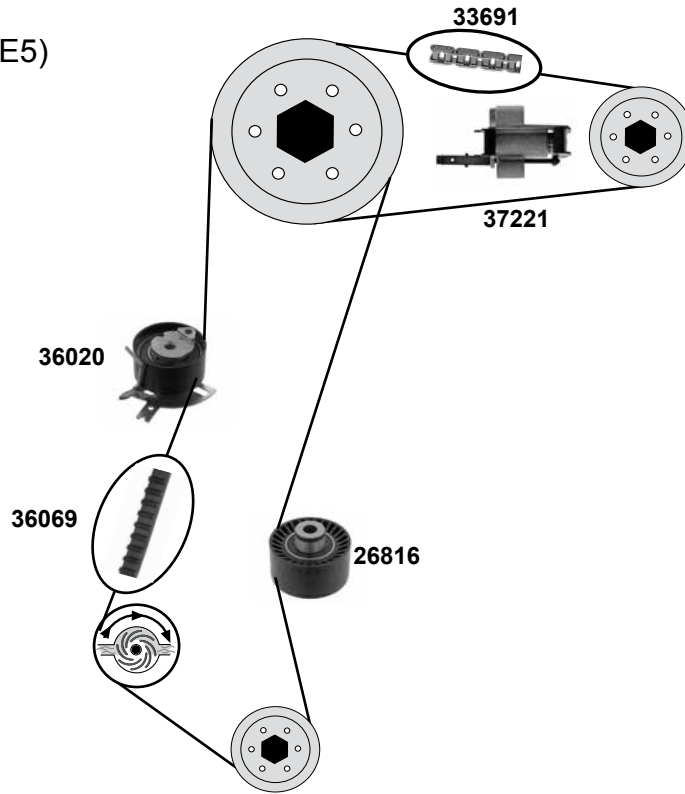
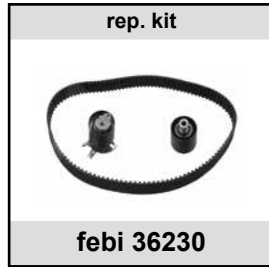
Ref. - No.



Ref. - No.	Description	Notes	Dimensions
19511	tension roller		ØA 60 B29
19513	deflection pulley		ØA 60 B30
22369	belt tensioner	(1)	ØA 65 B25,5
24367	timing belt		Z137 B25
24369	rep. kit timing belt		Z137 B25
33691	timing chain	endlos / endless	E 40
32449	chain tensioner		
33692	rep kit timing chain	endlos / endless	E 40



**2,2 HDi**  
 (DW12METED4 / DW12ME5)



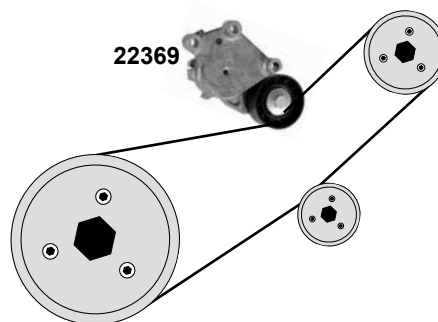
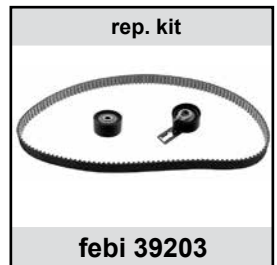
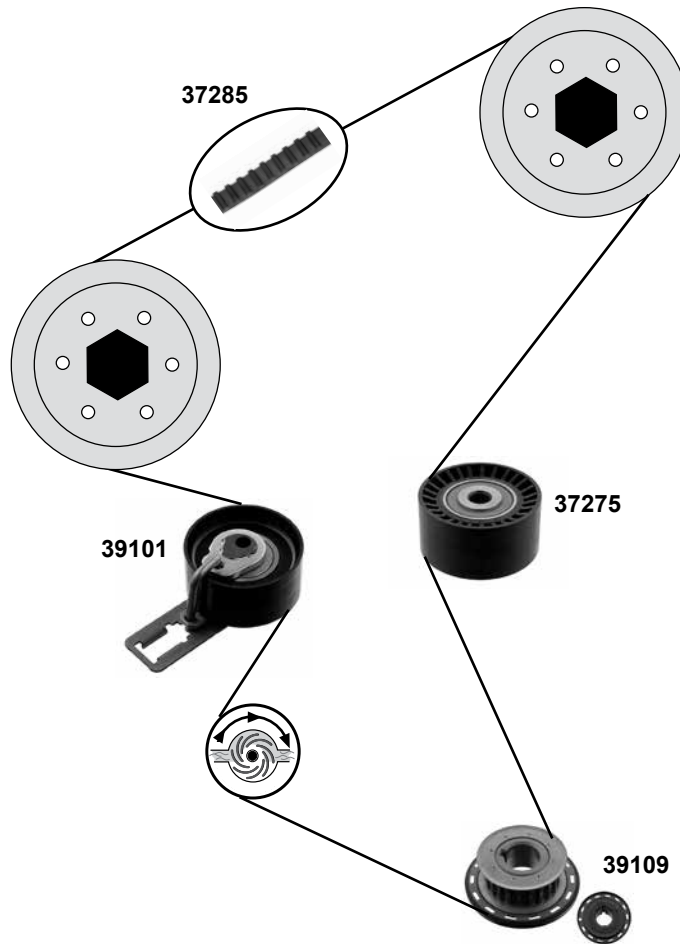
(1) (mot.) DW12BTED4  
 (mot.) DW12ME5



Ref. - No.



26816	0830.51	deflection pulley	→13	ØA60 ØI 10 B30
33691	0816.F6	timing chain	endlos / endless	E 40
36020	0829.F5	tension roller	(1)	ØA 60 B29
36069	0816.J5	timing belt		Z118 B25,4
36230	0831.V5	rep. kit timing belt		
36859	5751.G0	belt tensioner		ØA65 B25,5
36867	5751.G1	deflection pulley		ØA70 B26
37221	0849.30	chain tensioner		
37620	0816.F6 S1	rep kit timing chain		

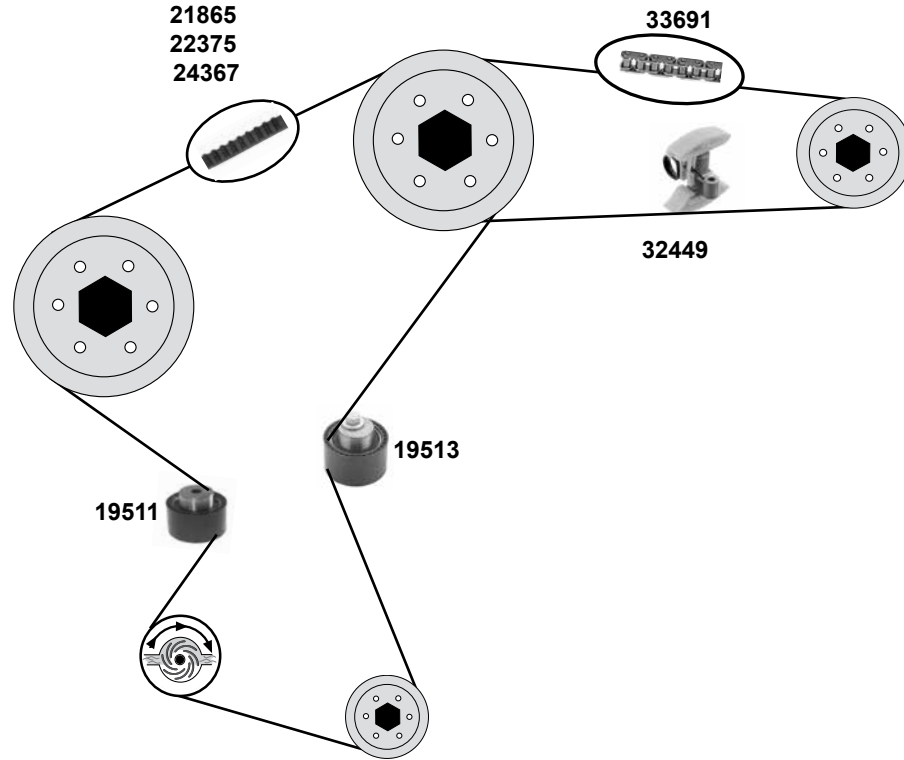
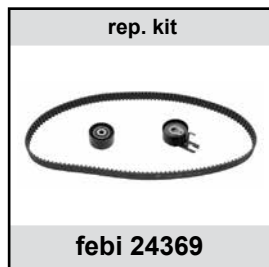
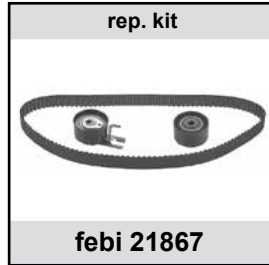


	Ref. - No.			
22369	5751.86	belt tensioner	(ex.) Start-Stop	ØA65 B25,5 ØA61 B30 Z 139 B25,4 ØA60 B29
37275	0830.75	deflection pulley		
37285	0816.L0	timing belt		
39101	0829.F8	tension roller		
39109	96 772 672 80	gear		
39203	16 087 474 80	rep. kit timing belt		
39204	16 087 474 80 S1	rep. kit timing belt		



### 1,4 HDi / 1,6HDi

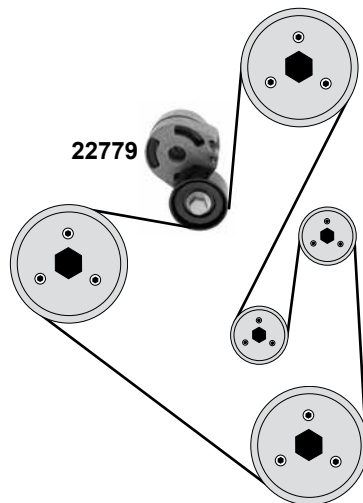
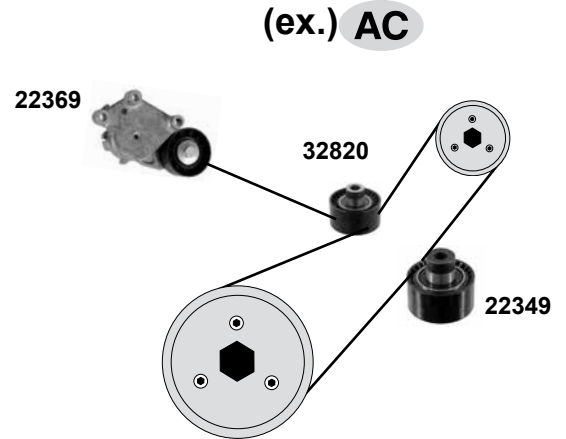
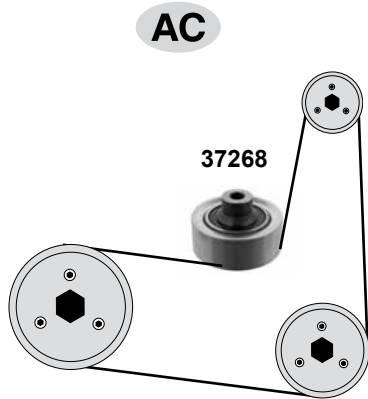
(DV4TD / DV4TED4 / DV6ATED / DV6TED4)



i	(1)	C1	05→	(mot.) DV4TD
		C2	03→10	(mot.) DV6TED4 / DV4TD
		C3	→05	(mot.) DV4TD / DV6ATED4 / DV4TED4
		C3 Pluriel	03→10	(mot.) DV4TD
	(2)	C1	05→	(mot.) DV4TD
		C2	03→ 10	(mot.) DV4TD
		C3	→05	(mot.) DV4TD
		C3 Pluriel	03→10	(mot.) DV4TD
	(3)	C3	→05	(mot.) DV4TED4
	(4)	C2	03→10	(mot.) DV6TED4
	C3 I	→10	(mot.) DV4TED4 / DV6ATED4 / DV6TED4	
(5)	C2	03→	(mot.) DV6TED4	
	C3	→09	(mot.) DV6TED4 / DV6ATED4	

febi bilstein	Ref. - No.		i	
19511	0829.88	tension roller	(1)	ØA 60 B29
19513	0830.48	deflection pulley	(1)	ØA 60 B30
21865	0816.E7	timing belt	(2)	Z 144 B25,4
21867	0831.T3	rep. kit timing belt	(2)	
22375	0816.F7	timing belt	(3)	Z 135 B25,4
24367	0816.G7	timing belt	(5)	Z 137
24369	0831.V4	rep. kit timing belt	(5)	
32449	0816.J1 SK	chain tensioner	(4)	
33691	0816.F6	timing chain	(4) endlos/endless	E 40
33692	0816.J1	rep kit timing chain	(4) endlos/endless	E 40

**1,4 D / 1,6 D**  
(DV4TD/DV4TED4/DV6TED4/DV6ATED4/DV6C/DV6DTED)



	(1)	C1	05 →	(mot.) DV4TD
		C2	03 →10	(mot.) DV4TD → O10535 / (mot.) DV6TED4
		C3	05 →	(mot.) DV4TD → O10677 / (mot.) DV4TED4
		C3 Pluriel	03 →10	(mot.) DV4TD → O10555
	(2)	C2	03 →10	(mot.) DV4TD → O 10536 - 11073
		C3 I	→05	(mot.) DV4TD → O 10678 - 11992
		C3 Pluriel	03→07	(mot.) DV4TD → O 10556 - 11073
	(3)	C2	→ 10	(mot.) DV4TD O 10427 → O 11073
		C3	→ 05	(mot.) DV4TD O 10678 →
		C3 Pluriel	03 →10	(mot.) DV4TD O 10556 → O11073
	(4)	C2	03→	(mot.) DV4TD
		C3	02→	(mot.) DV4TD / (mot.) DV4TED4

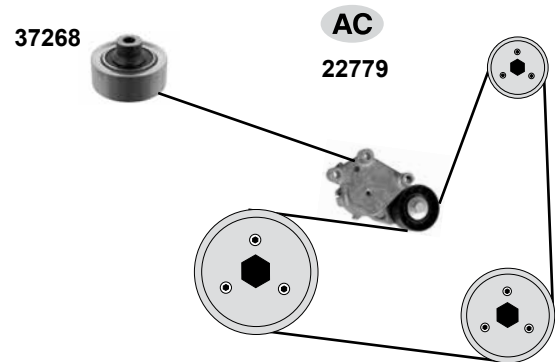
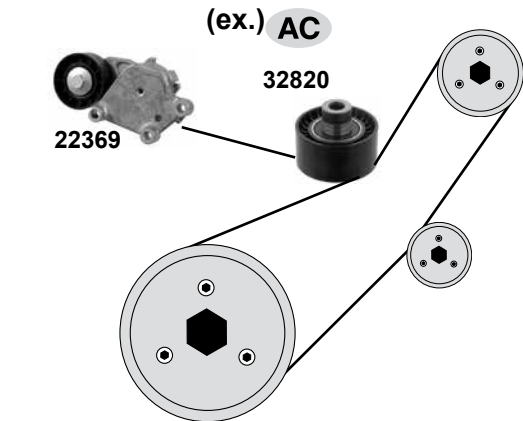
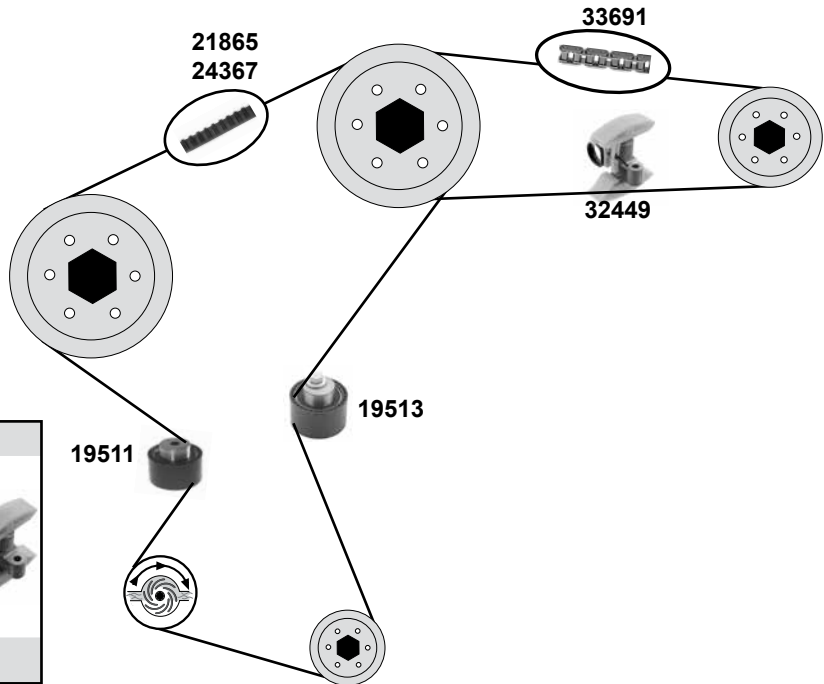
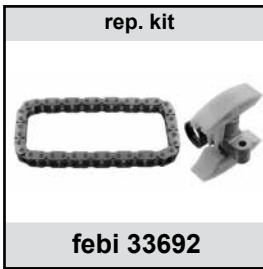
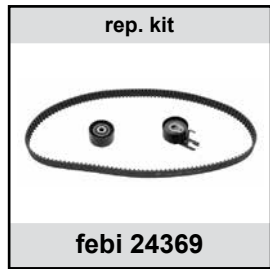
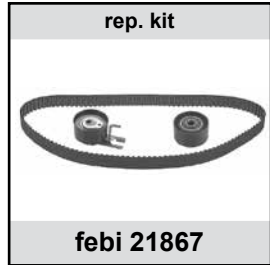


Ref. - No.






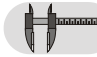
<b>22349</b>	5751.90	deflection pulley	(4)	
<b>22369</b>	5751.86	belt tensioner	(1)	ØA 65 B25,5
<b>22779</b>	5751.89	tension roller	→ 05 DV6ATED4	ØA 55 B25
<b>32820</b>	5751.E6	tension roller	(3)	ØA 60 B30
<b>37268</b>	5751.E5	deflection pulley	(2)	ØA 70 B27

**1,4 D / 1,6 HDi**  
(DV4TD/DV6ATED4/DV6TED4)



- (1) →10 / → O 10555
- (2) (mot.) DV6TED4 / DV6ATED4 / DV4TD →09
- (3) (mot.) DV6TED4 / DV6ATED4 / DV4TD →09 / → O 10556 - 11073
- (4) (mot.) DV4TD →09
- (5) (mot.) DV4TD / DV6ATED4 10556→11073 / (mot.) DV6TED4 O 10556→
- (6) (mot.) DV6ATED4 / 10→

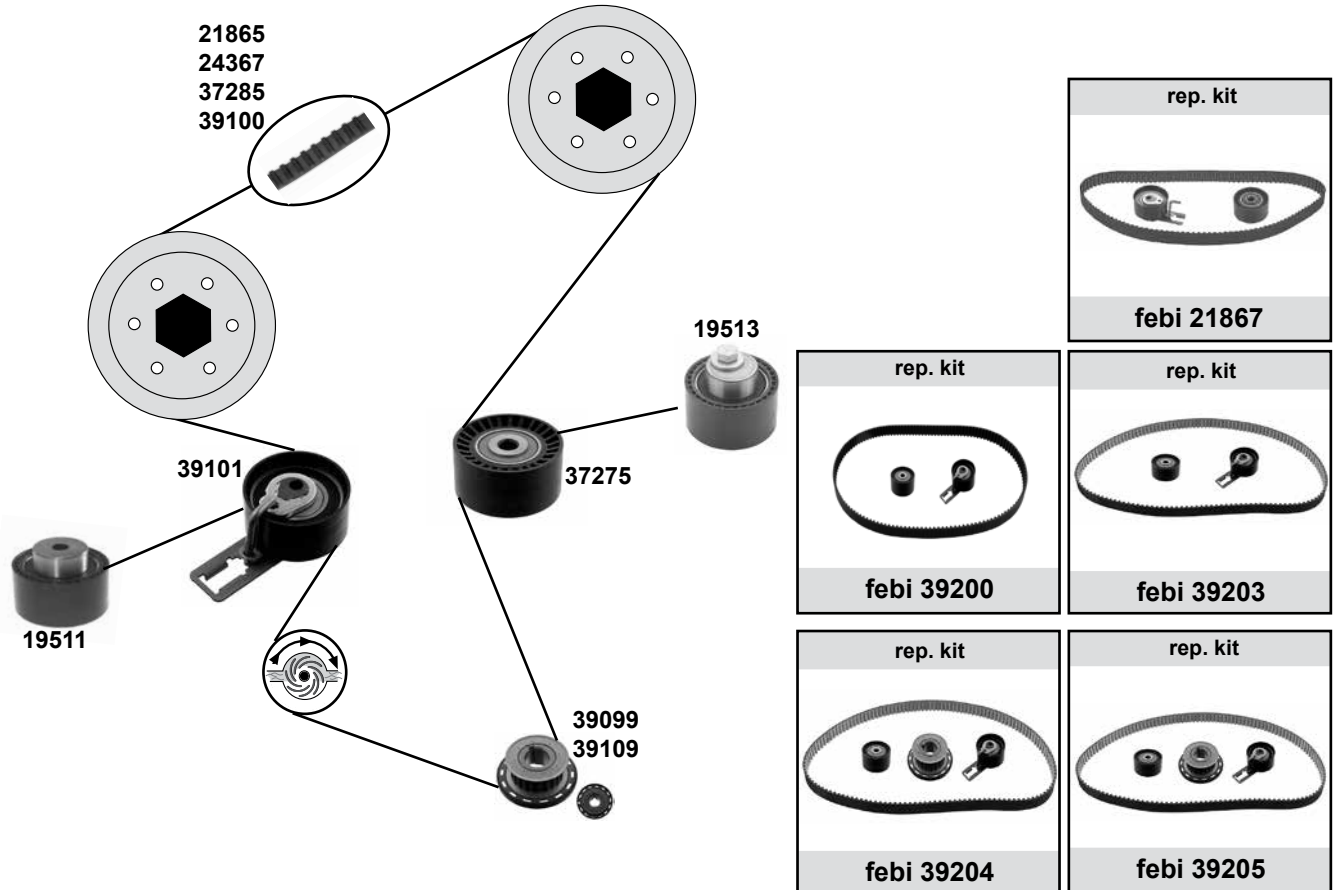


	Ref. - No.			
19511	0829.88	tension roller	(2)	ØA 60 B29
19513	0830.48	deflection pulley	(2)	ØA 60 B30
21865	0816.E7	timing belt	(4)	Z 144 B25,4
21867	0831.T3	rep. kit timing belt	(4)	
22369	5751.86	belt tensioner	(1)	ØA 65 B25,5
22779	5751.89	tension roller	→ 05 DV6ATED4	ØA 55 B25
24367	0816.G7	timing belt	(6)	Z 137 B25
24369	0831.V4	rep. kit timing belt	(6)	
32449	0816.J1 SK	chain tensioner	(6)	
32820	5751.E6	tension roller	(5)	ØA 60 B30
33691	0816.F6	timing chain	(6) endlos/endless	E 40
33692	0816.J1	rep kit timing chain	(6) endlos/endless	E 40
37268	5751.E5	deflection pulley	(3)	ØA 70 B27



**1,4 HDi / 1,6 HDi**

(DV4C / DV4TD / DV6C / DV6ATED4 / DV6DTED/M / DV6ETED/M)



(1) (mot.) DV4C/DV6C/DV6DTED/DV6ETED/DV6DTEDM / DV6ETEDM

(2) (mot.) DV6C/DV6DTED/DV6ETEDM / DV6DTEDM

(3) (mot.) DV4C/DV6C/DV6DTED/DV6DTEDM/DV6ETEDM

(4) (mot.) DV6C/DV6DTED

(5) (mot.) DV6ETEDM / DV6DTEDM / (mot.) DV6C/DV6DTED O 12720→

(6) (mot.) DV6ATED4

(7) (mot.) DV4TD



	Ref. - No.			
19511	0829.88	tension roller	(6) (7)	ØA 60 B29
19513	0830.48	de lection pulley	(6) (7)	ØA 60 B30
21865	0816.E7	timing belt	(7)	Z 144 B25,4
21867	0831.T3	rep. kit timing belt	(7)	
24367	0816.G7	timing belt	(6)	Z 137
37275	0830.75	de lection pulley	(1)	ØA 61 B30
37285	0816.L0	timing belt	(2) → O 12978	Z141 B25,4
39099	0805.E5	gear	(4) → O 12719	
39100	0816.L1	timing belt	(3)	Z139 B25,4
39101	0829.F8	tension roller	(3)	ØA60 ØI 29
39109	96 772 672 80	gear	(5)	
39200	16 087 476 80	rep. kit timing belt	(3)	
39203	16 087 474 80	rep. kit timing belt	(2)	
39204	16 087 474 80 S1	rep. kit timing belt	(5)	
39205	16 087 474 80 S2	rep. kit timing belt	(4) → O 12719	

# CITROËN C3 Picasso

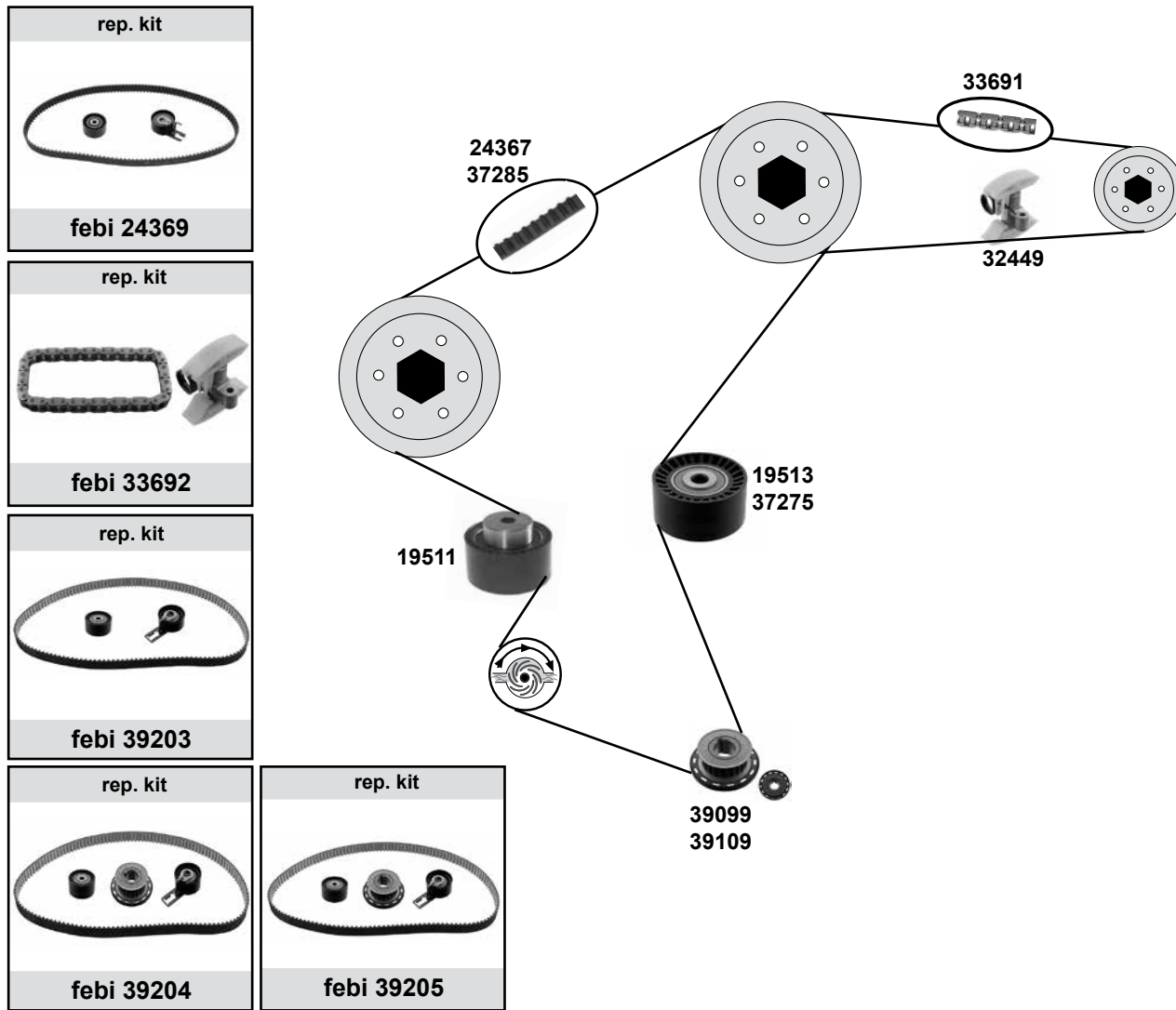
(09→)

Car  
Division



## 1,4 D / 1,6 HDi

( DV6C / DV6DTEd / DV6TED4 / DV6ATED4)



(1) (mot.) DV6C/DV6DTEd

(2) (mot.) DV6TED4 / DV6ATED4



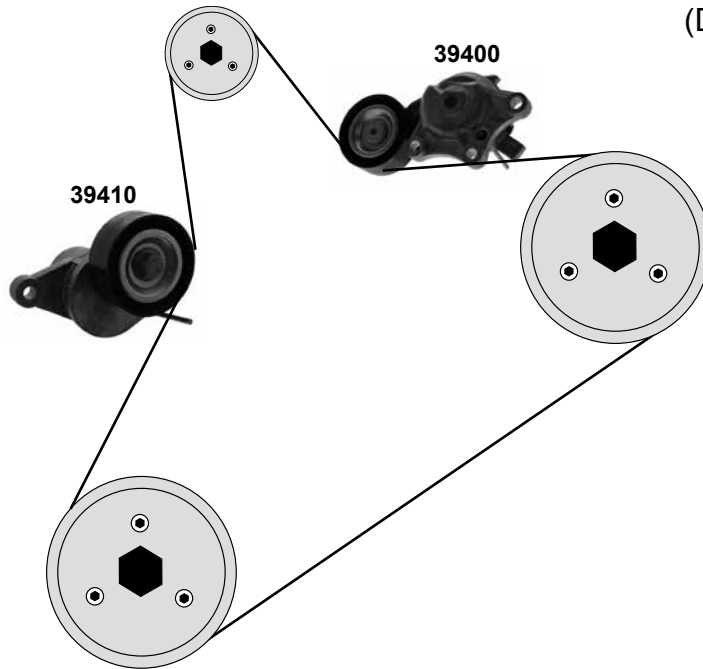
Ref. - No.



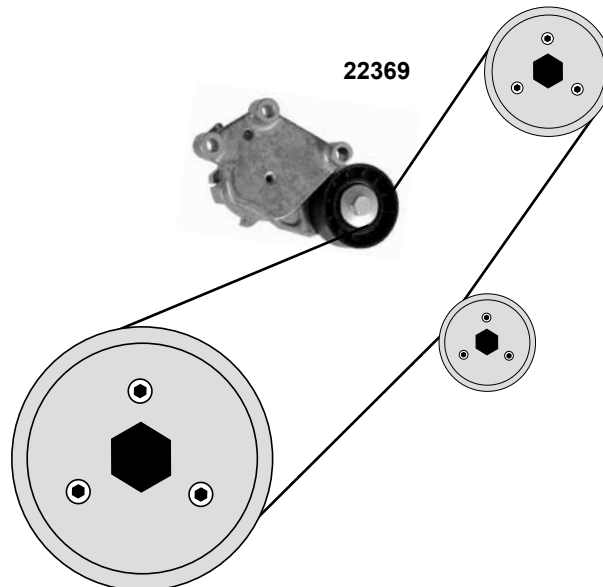
Ref. - No.	Description	Quantity	Dimensions
19511	tension roller	(2)	ØA 60 B29
19513	deflection pulley	(2)	ØA 60 B30
24367	timing belt	(2)	Z 137
24369	rep. kit timing belt	(2)	
32449	chain tensioner	(2)	
33691	timing chain	(2) endlos/ endless	E 40
33692	rep kit timing chain	(2) endlos/ endless	E 40
37275	deflection pulley	(1)	ØA 61 B30
37285	timing belt	(1) → O 12978	Z141 B25,4
39099	gear	(1) → O 12719	
39109	gear	(1) O 12720→	
39203	rep. kit timing belt	(1)	
39204	rep. kit timing belt	(1) O 12720→	
39205	rep. kit timing belt	(1) → O 12719	



**1,4 D / 1,6 HDi**  
(DV4C / DV6C / DV6DTED)



**1,4 D / 1,6 D**  
(DV4TD/DV4TED4/DV6TED4/DV6ATED4/DV6C/DV6DTED)  
**(ex.) AC**



(1)	CIII C3 Picasso	(mot.) DV6C (mot.) DV6DTED / DV4C AC + Start Stop (mot.) DV6DTED AC + Start Stop
(2)	CIII  C3 Picasso	(mot.) DV6ATED4 / DV4TD / DV6DTED / DV6C / DV4C / (ex.) Start + Stop (mot.) DV6ETED / DV6ETED M / DV6DTED M (mot.) DV6ATED4 / DV6TED4 / (mot.) DV6DTED / DV6C (ex.) Start + Stop



Ref. - No.



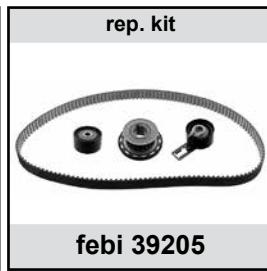
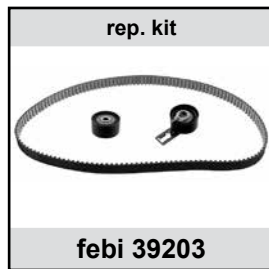
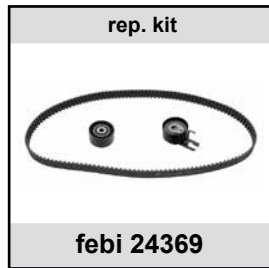
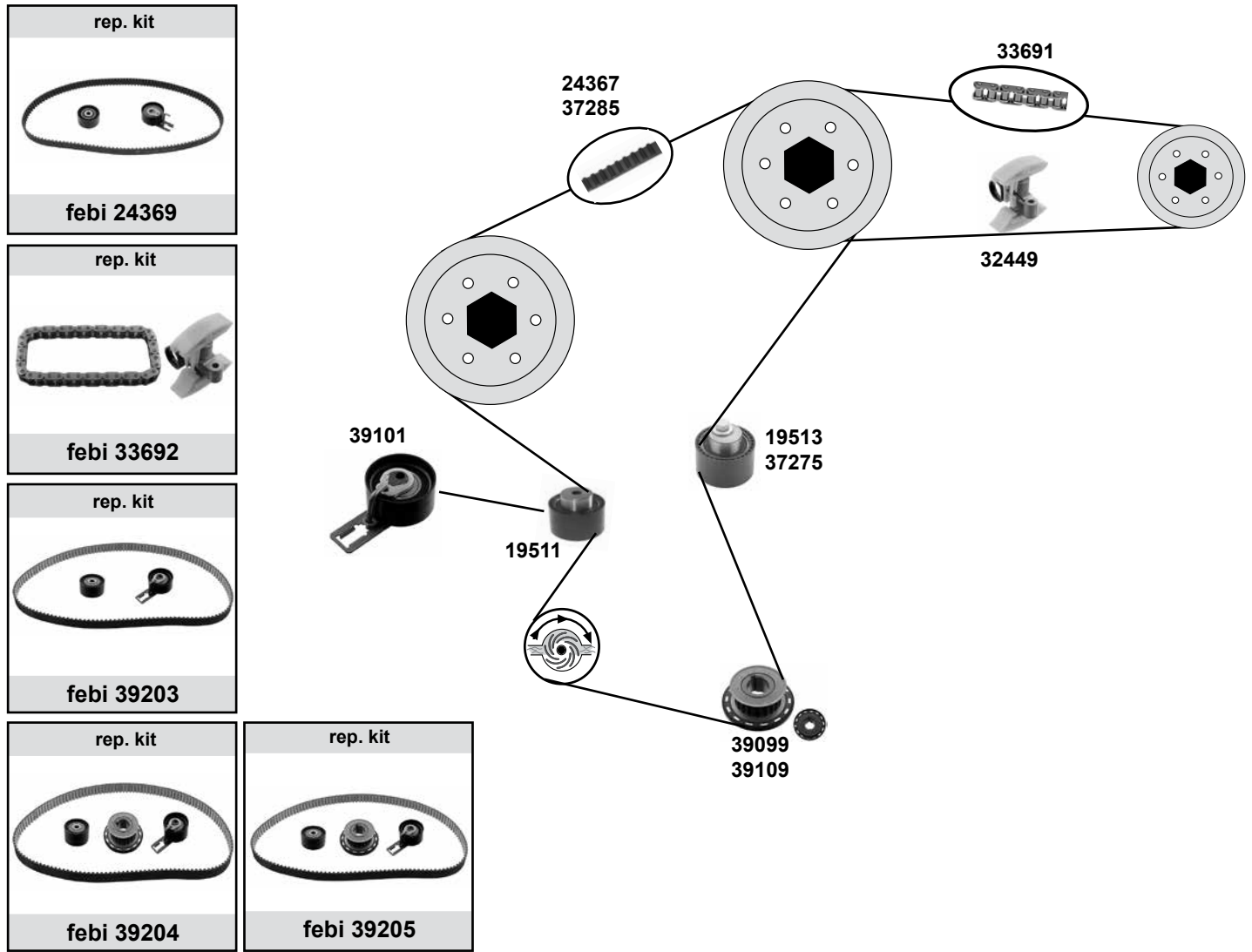
22369	5751.86	belt tensioner	(2)	ØA 65 B25,5
39400	5751.K4	belt tensioner	(1)	ØA 65 B25
39410	98 018 752 80	belt tensioner	(1)	ØA 65 B25





## 1,6 HDI

(DV6C/M / DV6TED4 / DV6ATED4 / DV6DTED/M)



(1) (mot.) DV6C / DV6TED4 / DV6ATED4

(2) (mot.) DV6C M

(3) (mot.) DV6C/M / DV6DTED / DV6DTEDM

(4) (mot.) DV6TED4 / DV6ATED4

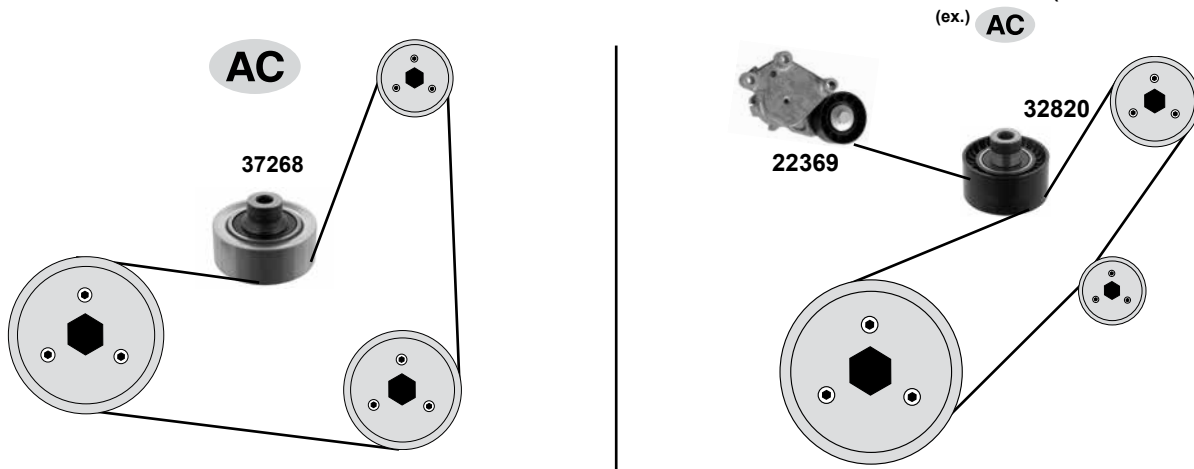


Ref. - No.

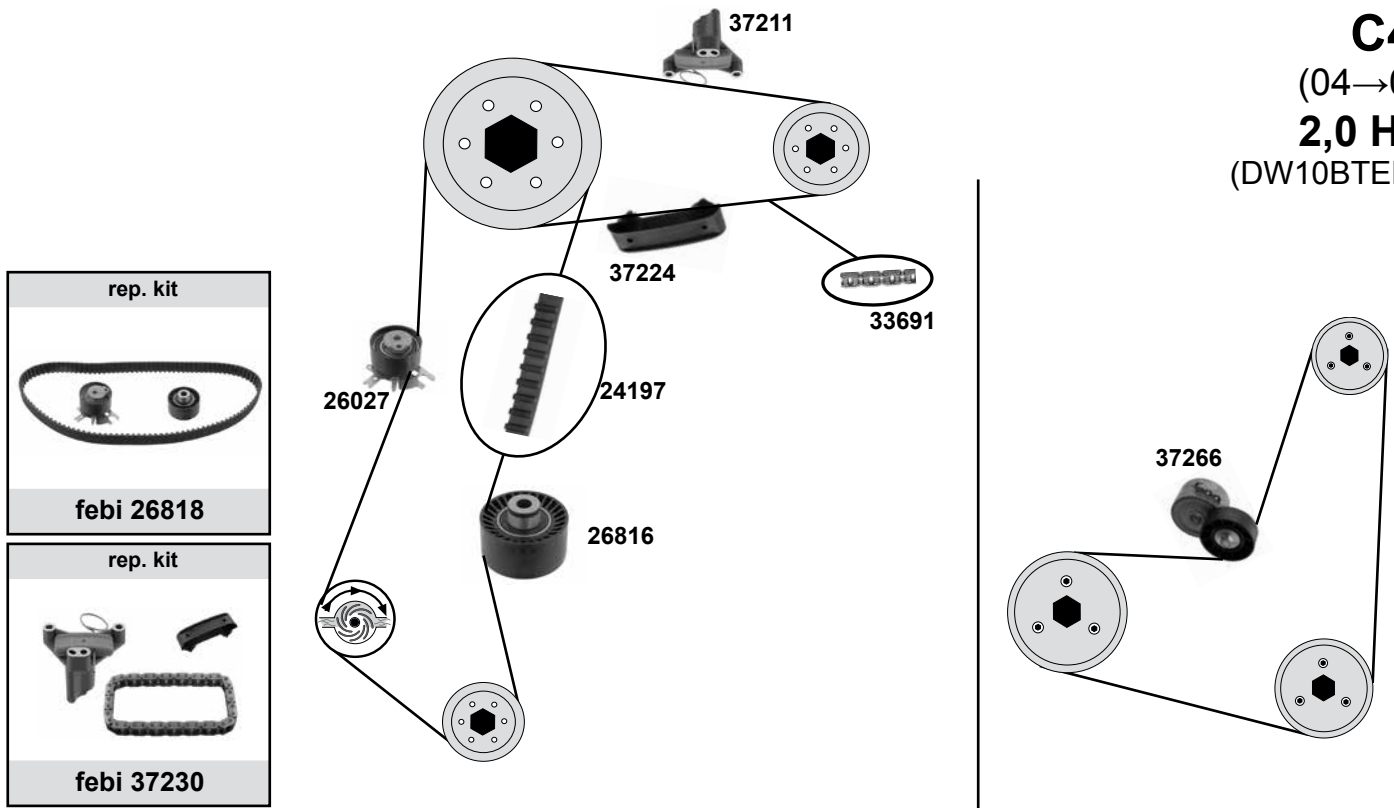


Ref. - No.	Description	Quantity	Dimensions
19511	tension roller	(1)	ØA 60 B29
19513	deflection pulley	(1)	ØA 60 B30
24367	timing belt	(4)	Z 137
24369	rep. kit timing belt	(4)	
32449	chain tensioner	(4)	
33691	timing chain	(1) endlos / endless	E 40
33692	rep kit timing chain	(4) endlos / endless	E 40
37275	deflection pulley	(2)	ØA 61 B30
37285	timing belt	(2)	Z141 B25,4
39099	gear	(2)	
39101	tension roller	(3)	ØA 60 B29
39109	gear	(2) O 12720→	
39203	rep. kit timing belt	(2)	
39204	rep. kit timing belt	(2) O 12720→	
39205	rep. kit timing belt	(2) → O 12719	

**1,6 HDI**  
(DV6TED4/DV6ATED4)



**C4 I**  
(04→09)  
**2,0 HDI**  
(DW10BTED4)



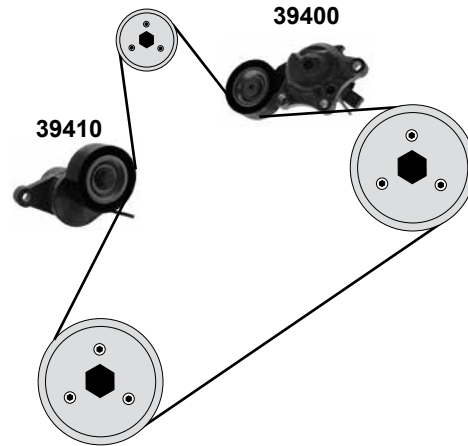
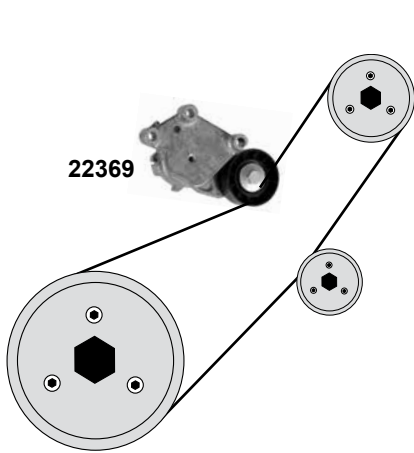
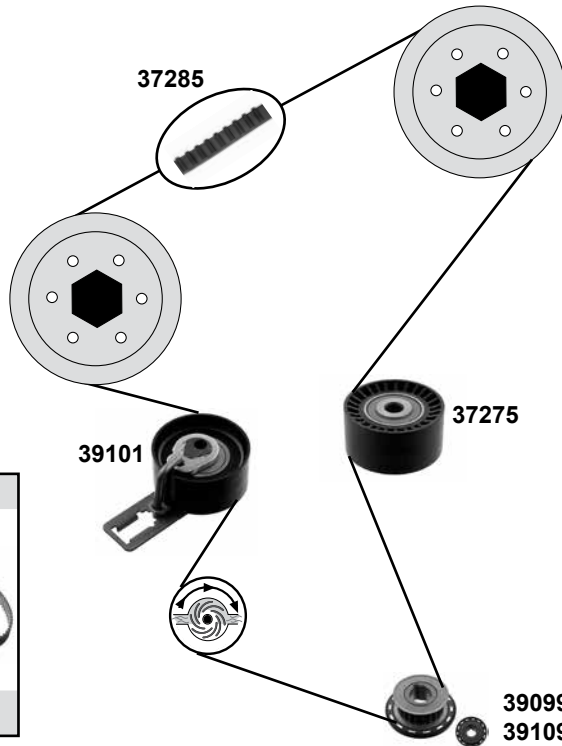
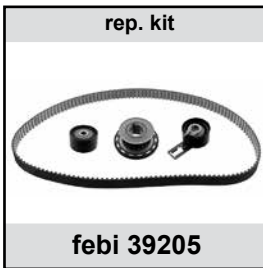
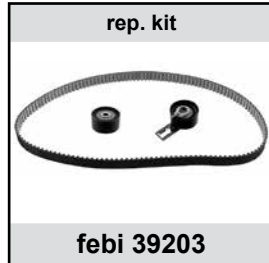
(1) O 10556 →11073 / →09

	Ref. - No.			
22369	5751.86	belt tensioner	→09	
24197	0816.G3	timing belt		Z 116 B25
26027	0829.A4	tension roller		ØA 60 B29
26816	0830.51	de lection pulley		ØA60 ØI 10 B30
26818	0831.T5	rep. kit timing belt		
32820	5751.E6	tension roller	(1)	ØA 60 ØI 10,2 B30
33691	0816.F6	timing chain	endlos / endless	E 40
37211	0849.22	chain tensioner		
37230	0849.23	rep kit timing chain		
37224	0829.94	sliding rail		
37266	5751.A7	belt tensioner		ØA 70 B25
37268	5751.E5	de lection pulley	O 10556 → 11073	ØA 70 ØI 10 B27



## 1,6 HDi

(DV6C / DV6DTED / DV6DTED M)



(1) (mot.) DV6C / DV6DTED AC +Start Stop



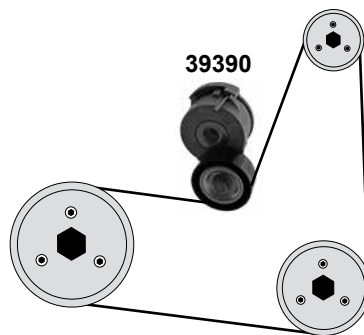
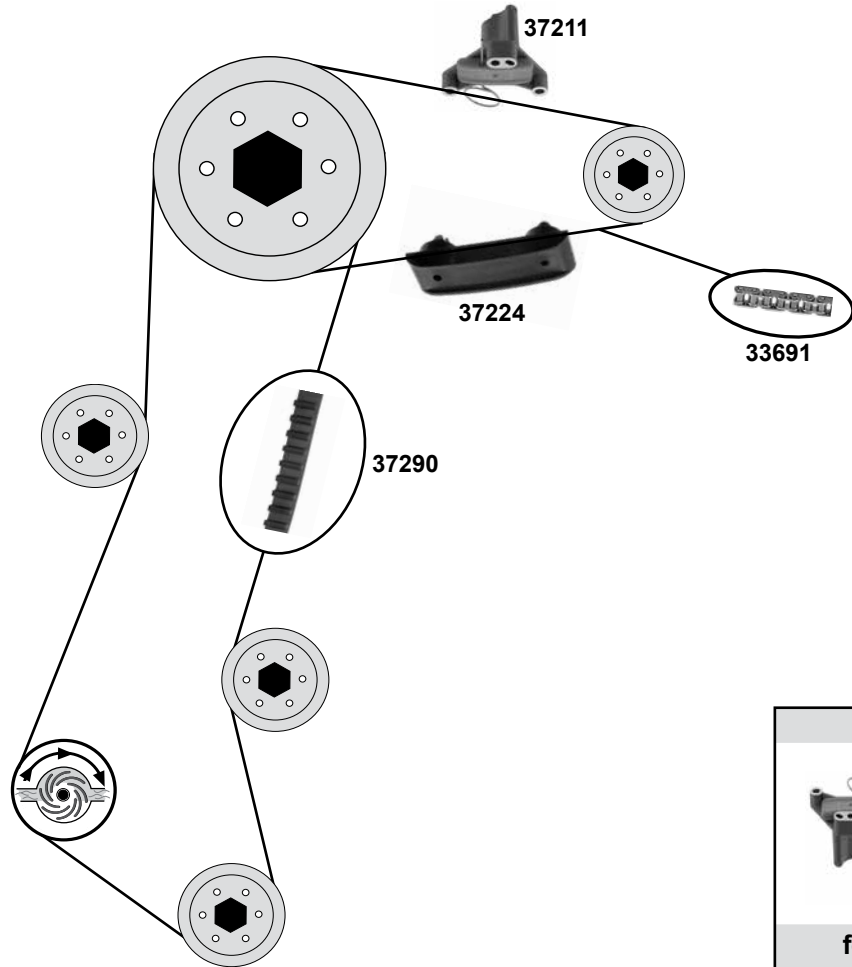
Ref. - No.



22369	5751.86	belt tensioner	(ex.) Start-Stop	
37275	0830.75	deflection pulley	→ O 12978	ØA61 B30
37285	0816.L0	timing belt		ØA 141 B25,4
39099	0805.E5	gear	→ O 12978	
39101	0829.F8	tension roller	→ O 12978	ØA 60 B29
39109	96 772 672 80	gear	O 12720 →	
39203	16 087 474 80	rep. kit timing belt	O 12720 →	
39204	16 087 474 80 S1	rep. kit timing belt	→ O 12719	
39205	16 087 474 80 S2	rep. kit timing belt		
39400	5751.K4	belt tensioner	(1) 11→	ØA 65 B25
39410	98 018 752 80	belt tensioner	(1) 11→	ØA 65 B25



**2,0 HDI**  
(DW10BTED4 / DW10CTED4 / DW10CB)



(1) 10→ / (mot.) DW10CTED4 endlos / endless

(2) (mot.) DW10CTED4 , DW10CB



Ref. - No.



**33691** 0816.F6  
**37211** 0849.22  
**37224** 0829.94  
**37230** 0849.23  
**37290** 0816.K8  
**39390** 5751.H8

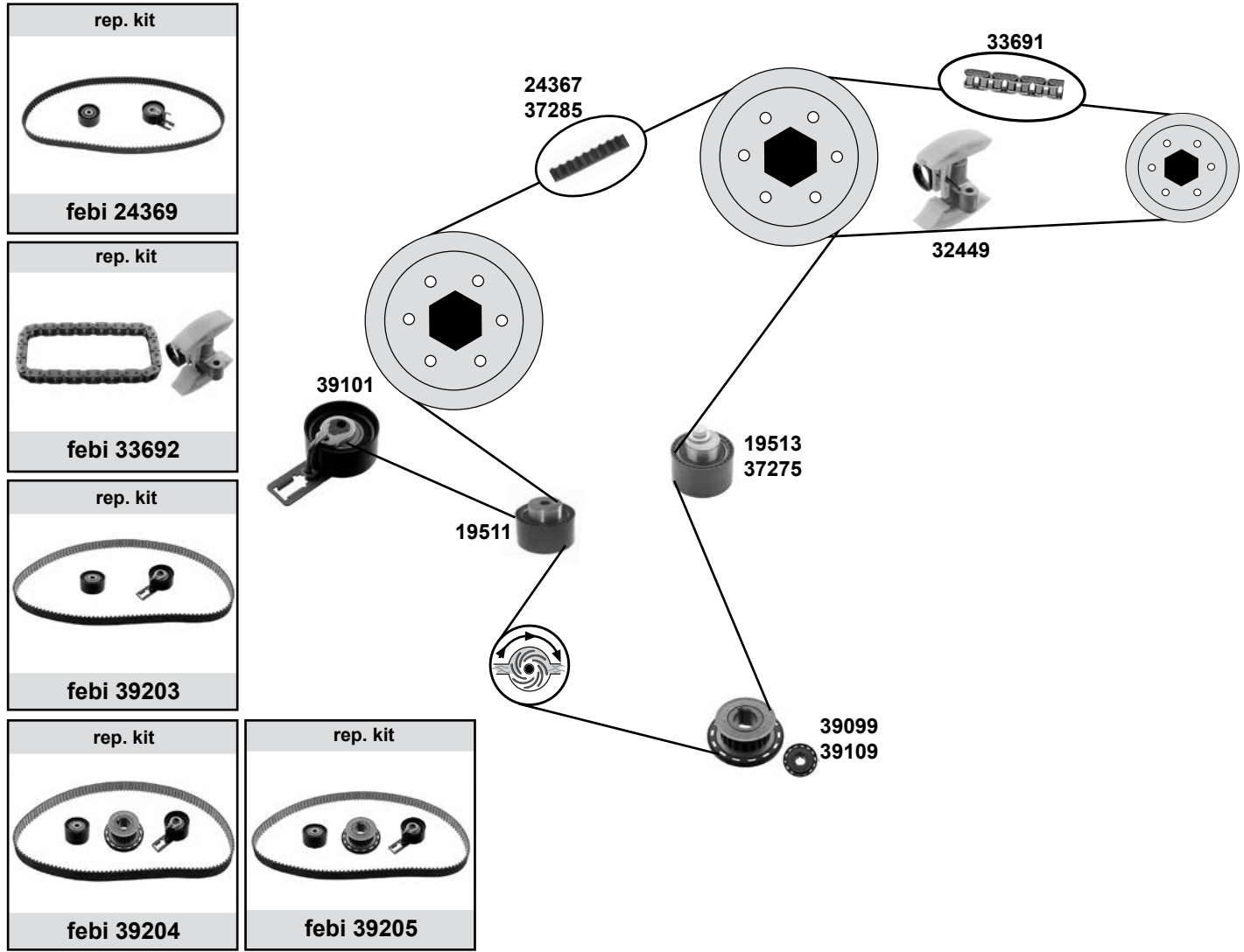
timing chain  
chain tensioner  
sliding rail  
rep kit timing chain  
timing belt  
belt tensioner

(1)  
(ex.) DW10BTED4  
(ex.) DW10BTED4  
(ex.) DW10BTED4  
(ex.) DW10BTED4  
(2) AC

40 E  
  
Z116 B24,5  
ØA 65 B25



## 1,6 HDi (DV6C / DV6TED4)



(1) (mot.) DV6TED4

(2) endlos / endless

(3) (mot.) DV6C →13

(4) (mot.) DV6C

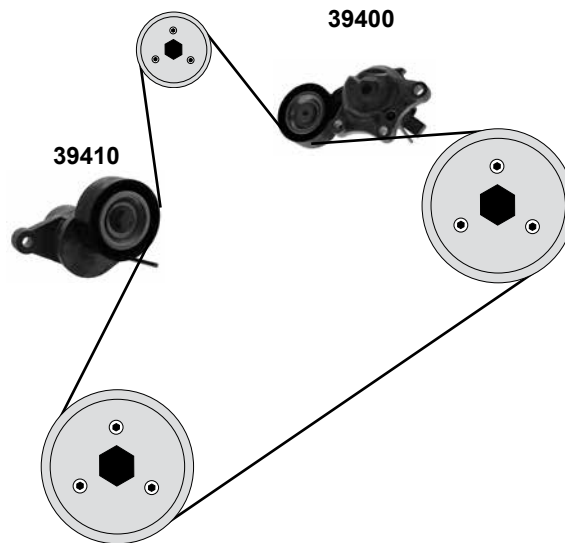


Ref. - No.

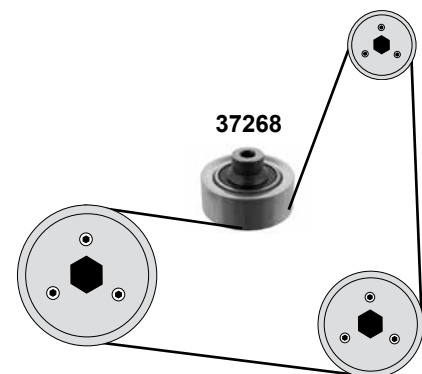
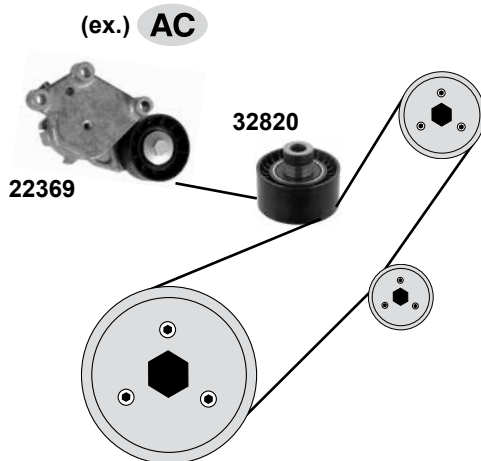


Part No.	Ref. - No.	Description	Notes	Dimensions
19511	0829.88	tension roller	(1) →09	ØA 60 B29
19513	0830.48	deflection pulley	(1) →09	ØA 60 B30
24367	0816.G7	iming belt	(1)	Z 137
24369	0831.V4	rep. kit timing belt	(1)	
32449	0816.J1 SK	chain tensioner	(1)	
33691	0816.F6	timing chain	(1) (2)	40 E
33692	0816.J1	rep kit timing chain	(1) (2)	E 40
37275	0830.75	deflection pulley	(3)	ØA 61 B30
37285	0816.L0	timing belt	(3)	Z141 B25,4
39099	0805.E5	gear	(1) / (4) → O 12719	
39101	0829.F8	tension roller	(4)	ØA 60 B29
39109	96 772 672 80	gear	(3) O 12720 →	
39203	19 087 474 80	rep. kit timing belt	(3)	
39204	16 087 474 80 S1	rep. kit timing belt	(3) O 12720 →	
39205	16 087 474 80 S2	rep. kit timing belt	(4) → O 12719/09→	

**1,6 HDi**  
(DV6C / DV6TED4)



**1,6 HDi**  
(DV6TED4 )



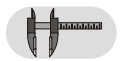
(1) → O 10947

(2) (mot.) DV6TED4 / (mot.) DV6C (ex.) Start-Stop

(3) (mot.) DV6C AC +Start Stop



Ref. - No.



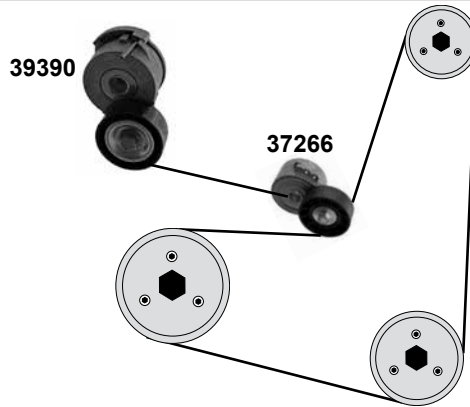
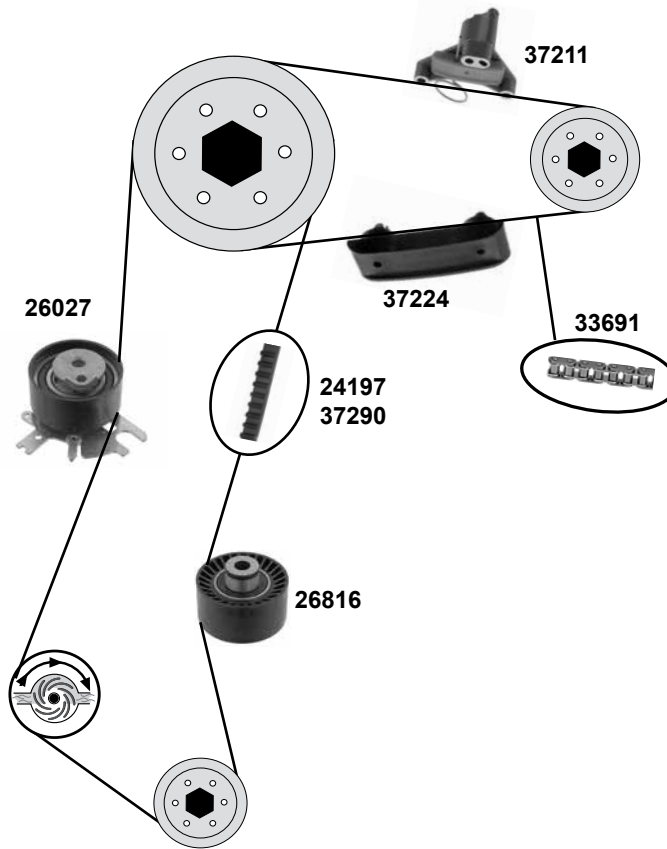
<b>22369</b>	5751.86
<b>32820</b>	5751.E6
<b>37268</b>	5751.E5
<b>39400</b>	5751.K4
<b>39410</b>	98 018 752 80

belt tensioner
tension roller
deflection pulley
belt tensioner
belt tensioner

(2)
(1) AC
(3) →13
(3) →13

ØA60 ØI10,2 B30
ØA 70 ØI 10 B27
ØA 65 B25
ØA 65 B25

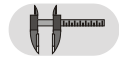
**2,0 HDi**  
 (DW10BTED4 / DW10CTED4)



(1) (mot.) DW10BTED4



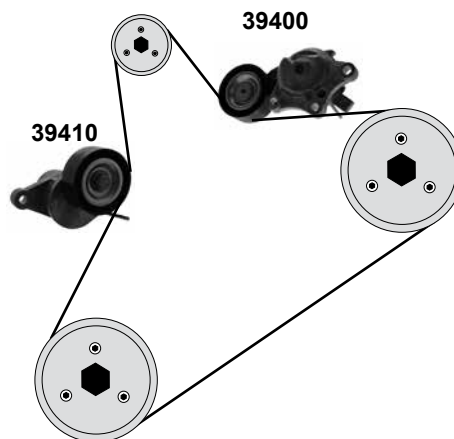
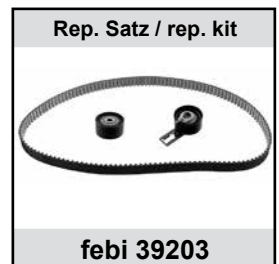
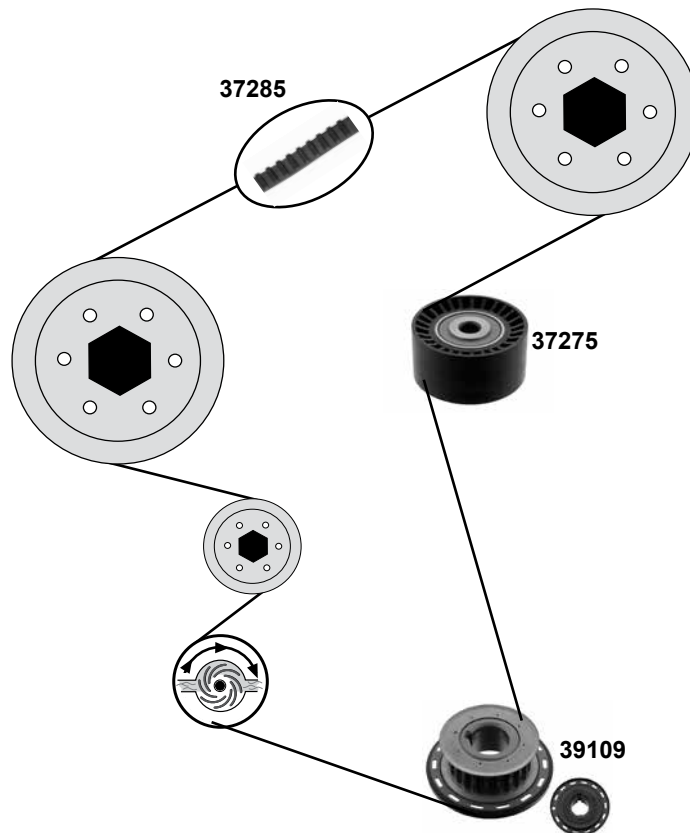
Ref. - No.



Ref. - No.	Description	Part No.	Notes
24197	0816.G3	timing belt	(1) →13
26027	0829.A4	tension roller	(1) →13
26816	0830.51	deflection pulley	(1) →13
26818	0831.T5	rep. kit timing belt	(1) →13
33691	0816.F6	timing chain	endlos / endless
37211	0849.22	chain tensioner	40 E
37224	0829.94	sliding rail	
37230	0849.23	rep kit timing chain	
37266	5751.A7	belt tensioner	(mot.) DW10BTED4 ØA 70 B25
37290	0816.K8	timing belt	(mot.) DW10CTED4 Z 116 B24,5
37353	0829.G6	tension roller	(mot.) DW10CTED4 ØA 60 B29
37460	0831.W1	rep. kit timing belt	(mot.) DW10CTED4
39390	5751.H8	belt tensioner	(mot.) DW10CTED4 ØA 65 B30



**1,6 HDI**  
(DV6C / DV6DTED)



	Ref. - No.			
<b>37275</b>	0830.75	deflection pulley		ØA 61 B30
<b>37285</b>	0816.L0	timing belt		Z 141 B25,4
<b>39109</b>	96 772 672 80	gear		
<b>39203</b>	16 087 474 80	rep. kit timing belt		
<b>39204</b>	16 087 474 80 S1	rep. kit timing belt		
<b>39400</b>	5751.K4	belt tensioner		ØA 65 B25
<b>39410</b>	98 018 752 80	belt tensioner		ØA 65 B25



# CITROËN

## C4 Aircross

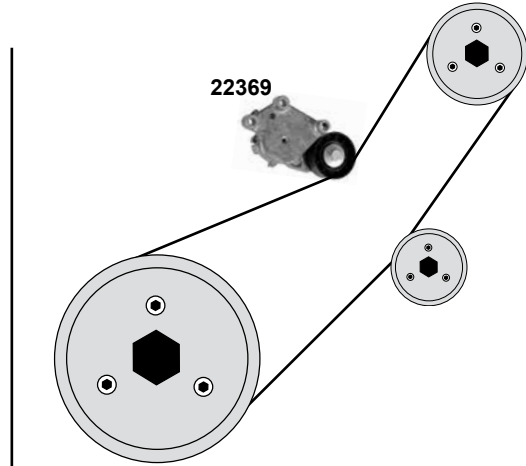
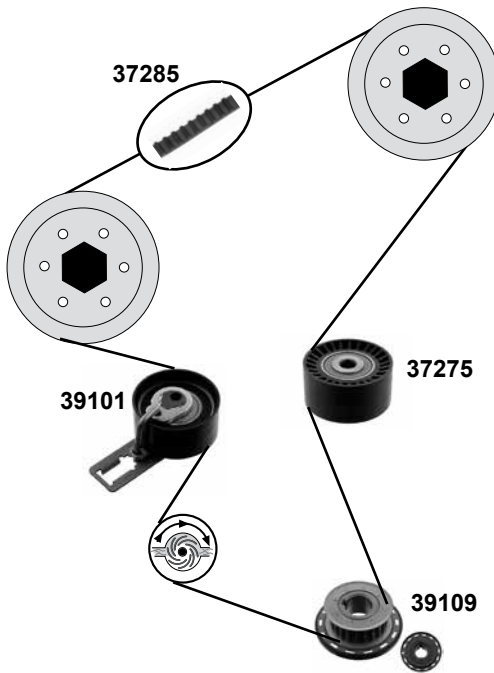
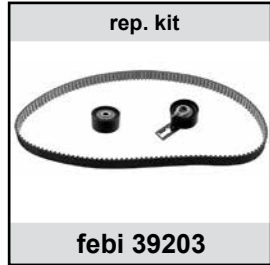
(12→)

Car  
Division



### 1,6 HDi

(DV6C)

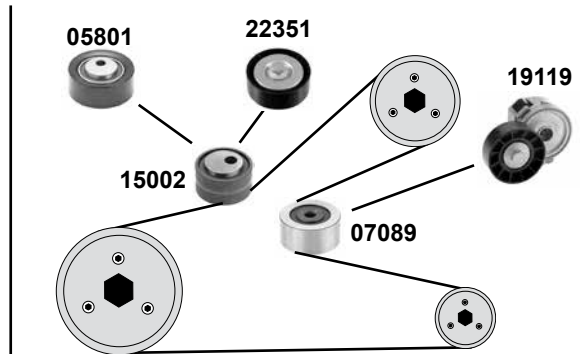
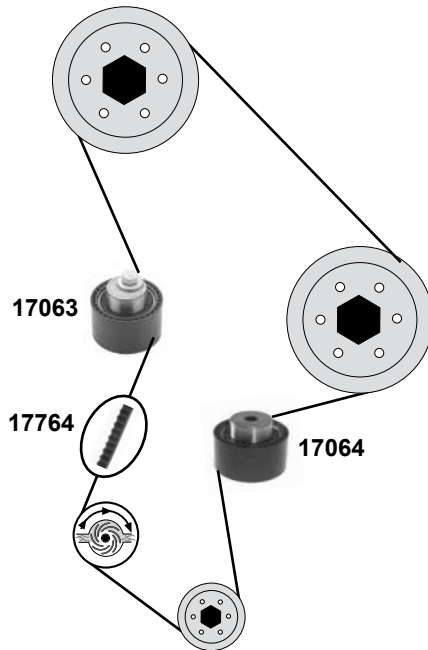
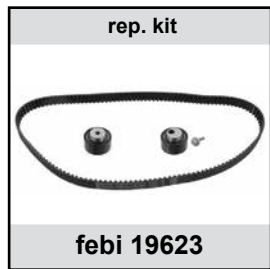


### C5

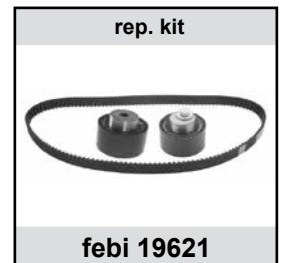
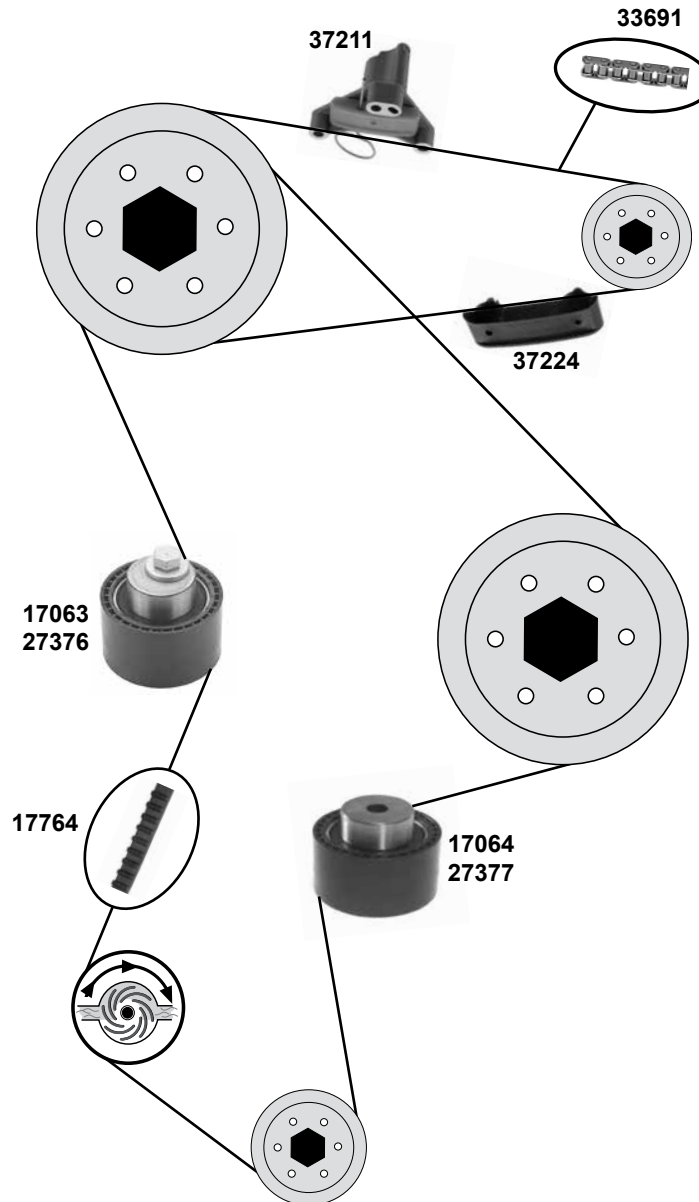
(01→04)

### 2,0 HDi

(DW10ATED)



Ref. - No.				
05801	5751.29	deflection pulley	DW10	ØA 70 ØI 10/16
07089	5751.57	tension roller	DW10 (ex.) AC	ØA 50 B26
15002	5751.56	tension roller	DW10 (ex.) AC	ØA 50 B26
17063	0829.59	tension roller		ØA 60 ØI 13 B30
17064	0830.28	deflection pulley		ØA 60 ØI 10 B30
17764	0816.A6	timing belt		Z 146 B25,4
19119	5751.55	belt tensioner		Ø A70 B25
19623	0831.R8	rep. kit timing belt	DW10	Z141 B25,4
22369	5751.86	belt tensioner		ØA 65 B25,5
22351	5751.76	deflection pulley	DW12	ØA 70 B24,8
37275	0830.75	deflection pulley		ØA 61 B30
37285	0816.L0	timing belt		Z 141 B25,4
39101	0829.F8	tension roller		ØA 61 B29
39109	96 772 672 80	gear		
39203	16 087 474 80	rep. kit timing belt		
39204	16 087 474 80 S1	rep. kit timing belt		



	Ref. - No.			
17063	0829.59	tension roller	DW12 → O 10010	ØA 60 ØI 13 B30
17064	0830.28	deflection pulley	DW12 → O 10010	ØA 60 ØI 10 B30
17764	0816.A6	timing belt	DW12 → O 10010	Z 146 B25,4
19511	0829.88	tension roller		ØA 60 B29
19513	0830.48	deflection pulley		ØA 60 B30
19621	0831.60	rep. kit timing belt	DW12 → O 10010	Z 146 B24,96
22779	5751.89	tension roller		ØA 55 B25
27376	0829.C3	tension roller	DW12 O 10011→	ØA 62 B30
27377	0829.C4	tension roller	DW12 O 10011→	ØA 62 B30
27391	0831.K7	rep. kit timing belt	DW12 O 10011→	Z 146 B25,4
33691	0816.F6	timing chain	endlos / endless	40 E
37211	0849.22	chain tensioner		
37224	0829.94	sliding rail		
37230	0849.23	rep kit timing chain		

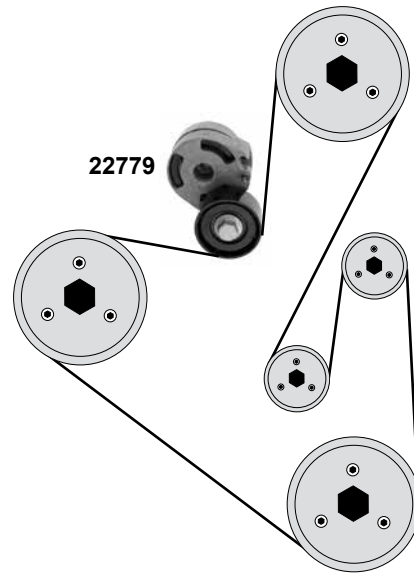
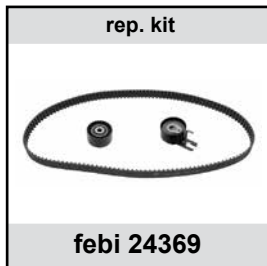
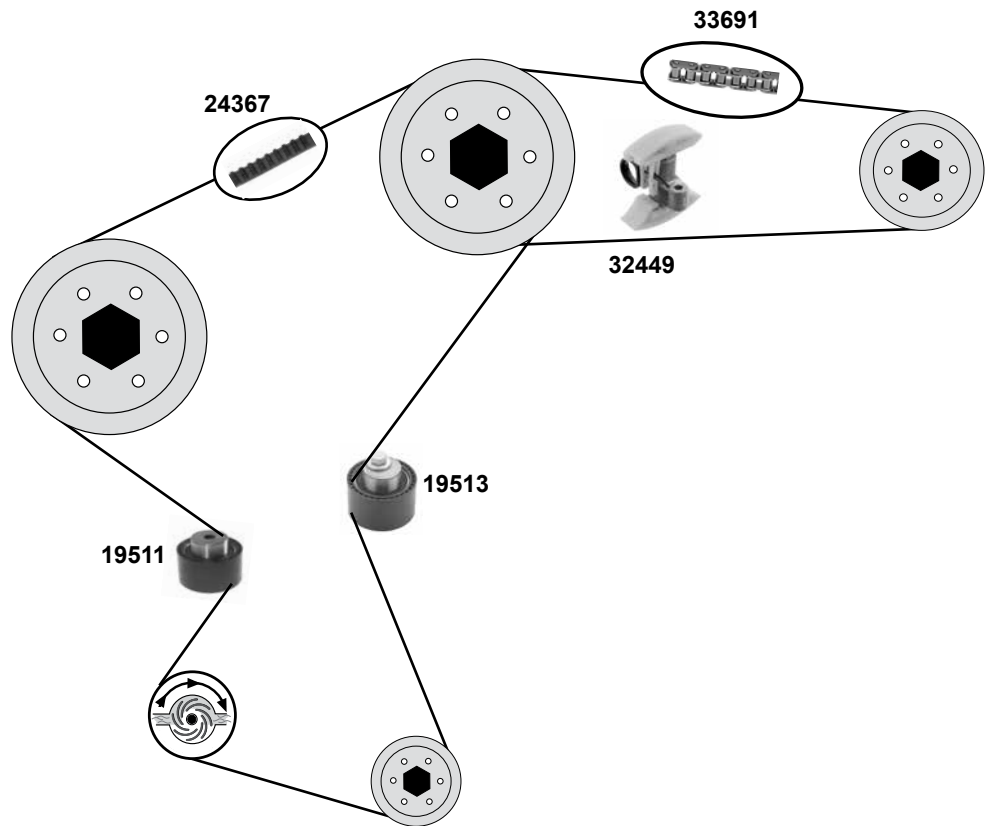
# CITROËN C5 II

(04→08)

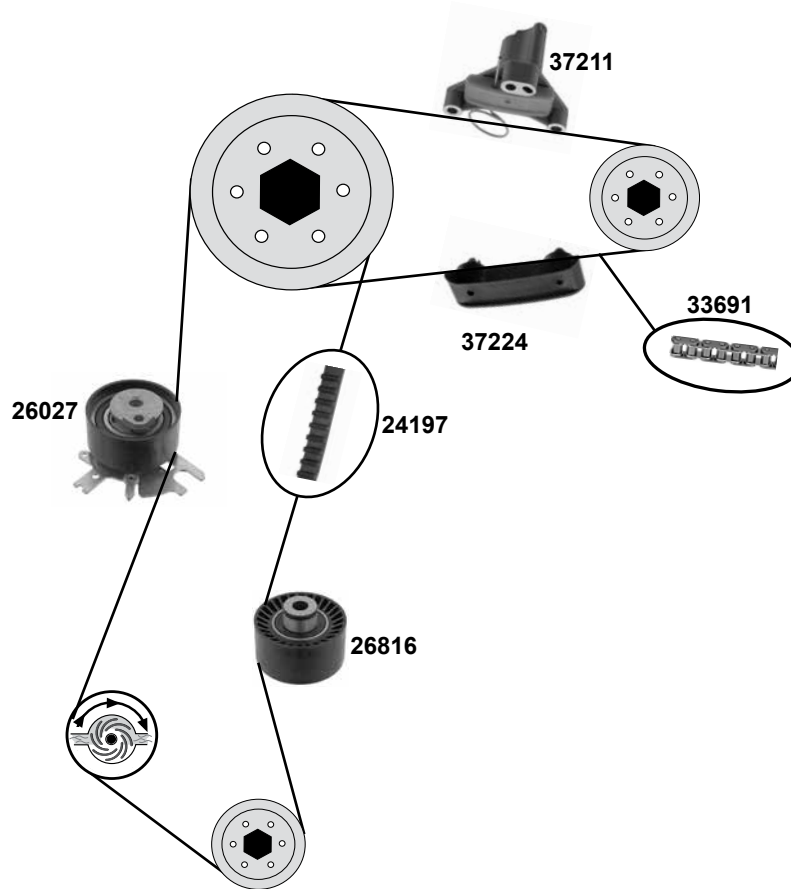
Car  
Division



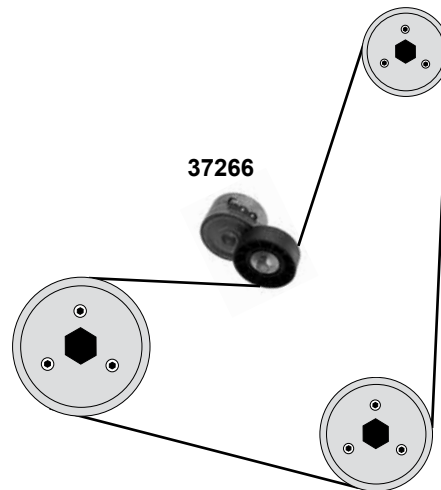
**1,6 HDi**  
(DV6TED4)



febi bilstein	Ref. - No.			
19511	0829.88	tension roller		ØA 60 B29
19513	0830.48	deflection pulley		ØA 60 B30
22779	5751.89	tension roller		ØA 55 B25
24367	0816.G7	timing belt		Z 137
24369	0831.V4	rep. kit timing belt		
32449	0816.J1 SK	chain tensioner		
33691	0816.F6	timing chain	endlos / endless	40 E
33692	0816.J1	rep kit timing chain	endlos / endless	40 E



Rep. Satz / rep. kit
<b>febi 26818</b>
Rep. Satz / rep. kit
<b>febi 37230</b>

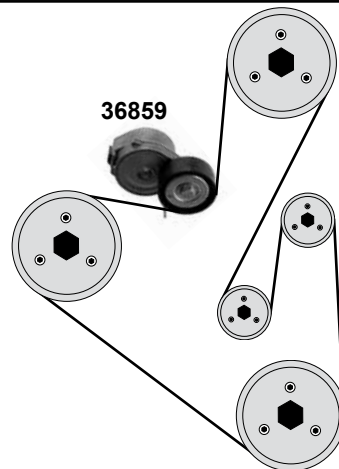
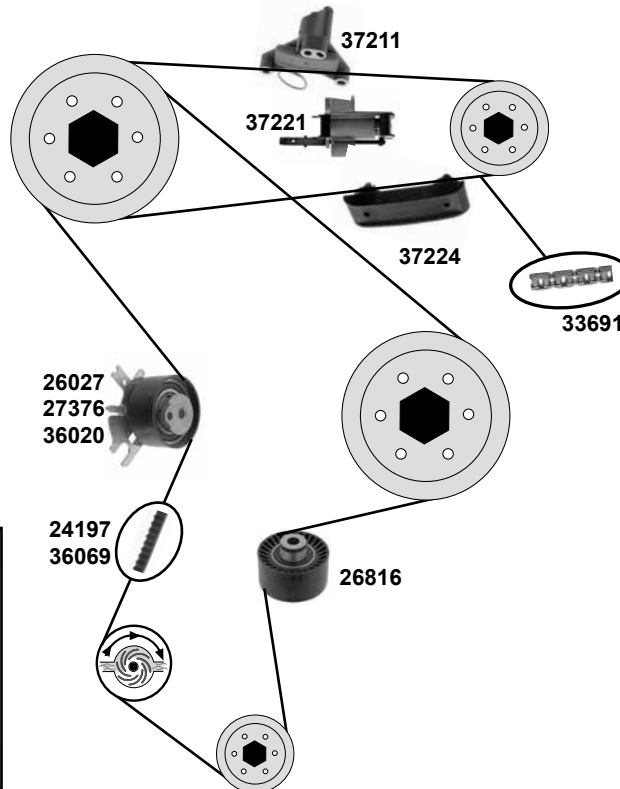
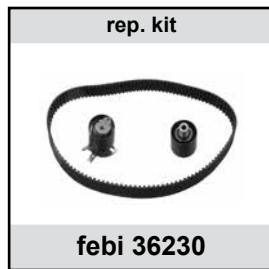
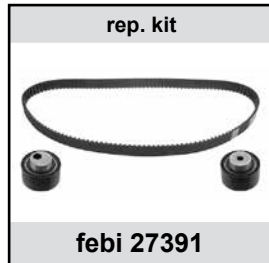


	Ref. - No.			
<b>24197</b>	0816.G3	timing belt	endless	Z 116 B25
<b>26027</b>	0829.A4	tension roller		ØA 60 B29
<b>26816</b>	0830.51	deflection pulley		ØA 60 ØI10 B30
<b>26818</b>	0831.T5	rep. kit timing belt		
<b>33691</b>	0816.F6	timing chain		40 E
<b>37211</b>	0849.22	chain tensioner		
<b>37224</b>	0829.94	sliding rail		
<b>37230</b>	0849.23	rep kit timing chain		
<b>37266</b>	5751.A7	belt tensioner		ØA 70 B25



## 2,2 HDi

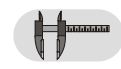
( DW12BTED4 / DW12TED4 )



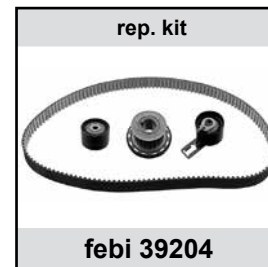
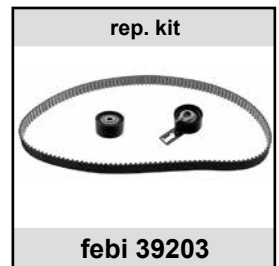
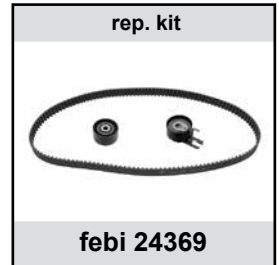
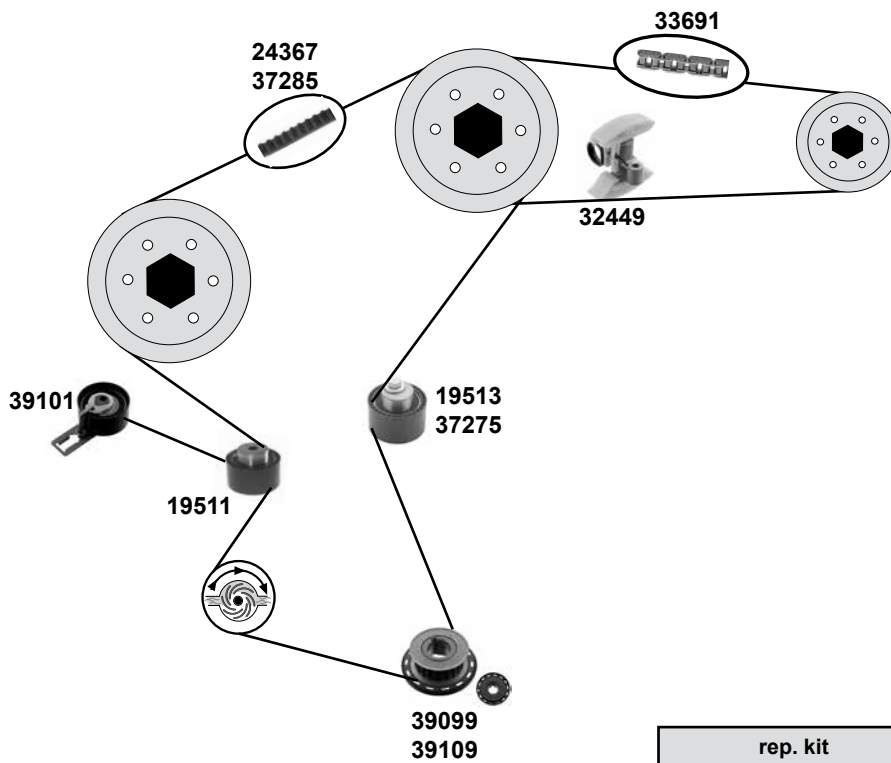
- (1) (mot.) DW12BTED4
- (2) (mot.) DW12TED4
- (3) (mot.) DW12BTED4 mit Partikelfilter / whit particle filter



Ref. - No.



Ref. - No.	Description	Quantity	Part No.
24197	timing belt	(1)	Z116 B25
26027	tension roller	(1)	ØA60 B29
26816	deflection pulley	(1) 125kW	ØA60,2 B30,2
27376	tension roller	(1) O 10011→	ØA62 B30
27391	rep. kit timing belt	(1) O 10011→	Z146 B25,4
33691	timing chain	(2) endlos / endless	E40
36020	tension roller	(3)	ØA 60 B29
36069	timing belt	(1)	Z118 B25,4
36230	rep. kit timing belt	(1)	
36859	belt tensioner	(1)	ØA65 B25,5
37211	chain tensioner	(2)	
37221	chain tensioner	(1)	
37224	sliding rail	(2)	
37230	rep kit timing chain	(2)	



(1) (mot.) DV6TED4

(2) (mot.) DV6C



Ref. - No.

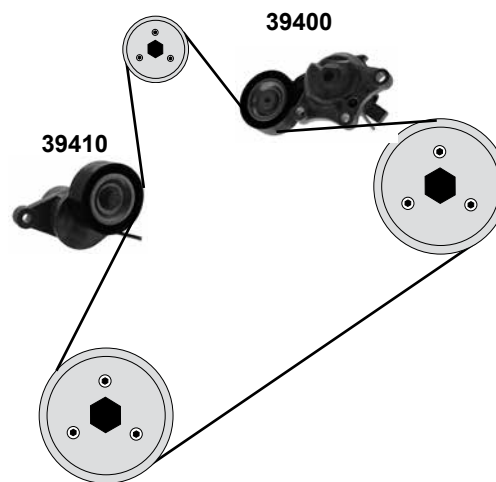
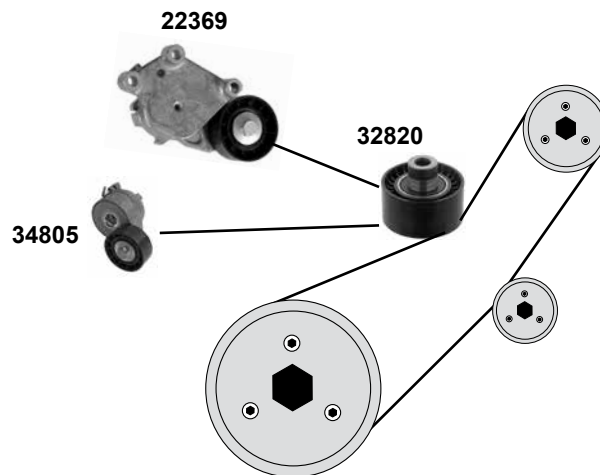


Ref. - No.	Description	Quantity	Notes
19511	tension roller	(1)	ØA 60 B29
19513	deflection pulley	(1)	ØA 60 B30
24367	timing belt	(1)	Z137 B25
24369	rep. kit timing belt	(1)	Z137 B25
32449	chain tensioner	(1)	
33691	timing chain	(1)	E 40
33692	rep kit timing chain	(1)	E 40
37275	deflection pulley	(2)	ØA 61 B30
37285	timing belt	(2)	Z 141 B25,4
39099	gear	(1) / (2) →	O 12719
39101	tension roller	(2)	ØA 60 B29
39109	gear	(2)	O 12720 →
39203	rep. kit timing belt	(2)	
39204	rep. kit timing belt	(2)	O 12720 →
39205	rep. kit timing belt	(2)	→ O 12719



## 1,6 HDi (DV6TED4 / DV6C)

(ex.) **AC**



- (1) (mot.) DV6C AC + Start-Stop
- (2) (mot.) DV6TED4 / (mot.) DV6C (ex.) Start-Stop
- (3) (mot.) DV6TED4/servo



Ref. - No.



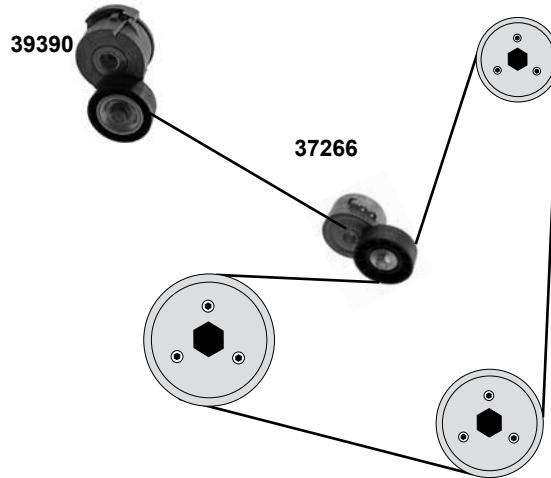
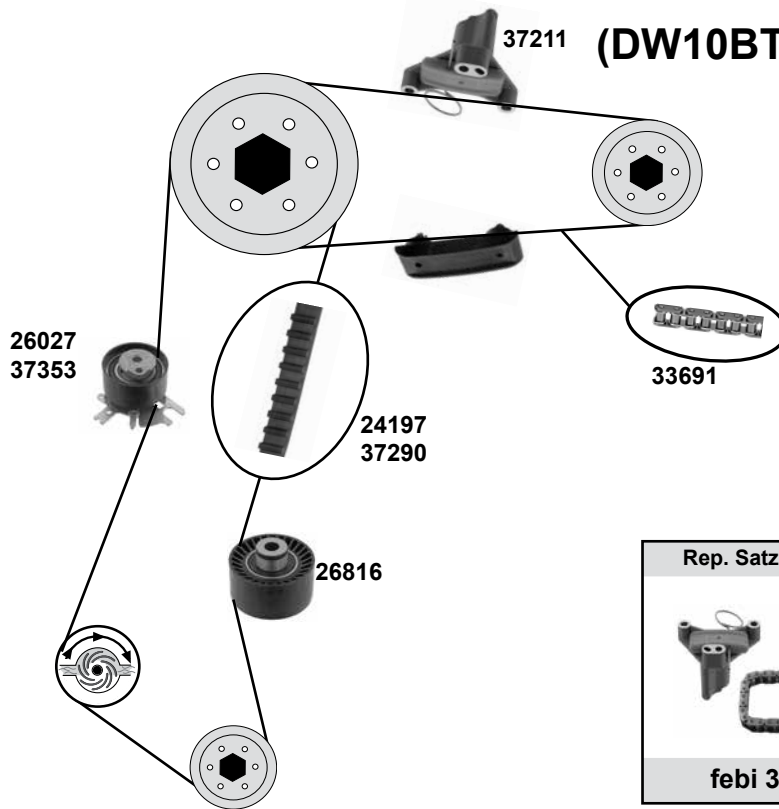
Ref. - No.	Description	Quantity	Notes
22369	belt tensioner	(2)	
32820	tension roller	(3)	
34805	belt tensioner	man.	
39400	belt tensioner	(1)	
39410	belt tensioner	(1)	





**2,0 HDi**

**(DW10BTED4 / DW10CTED4)**



(1) (mot.) DW10CTED4

(2) (mot.) DW10BTED4



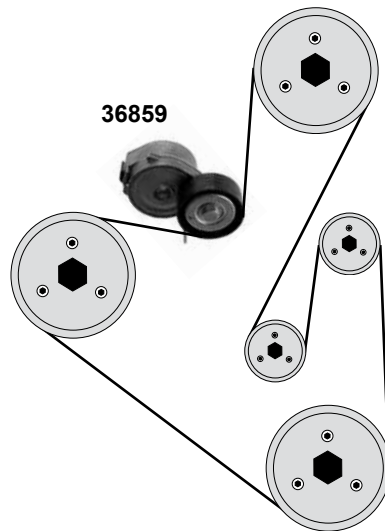
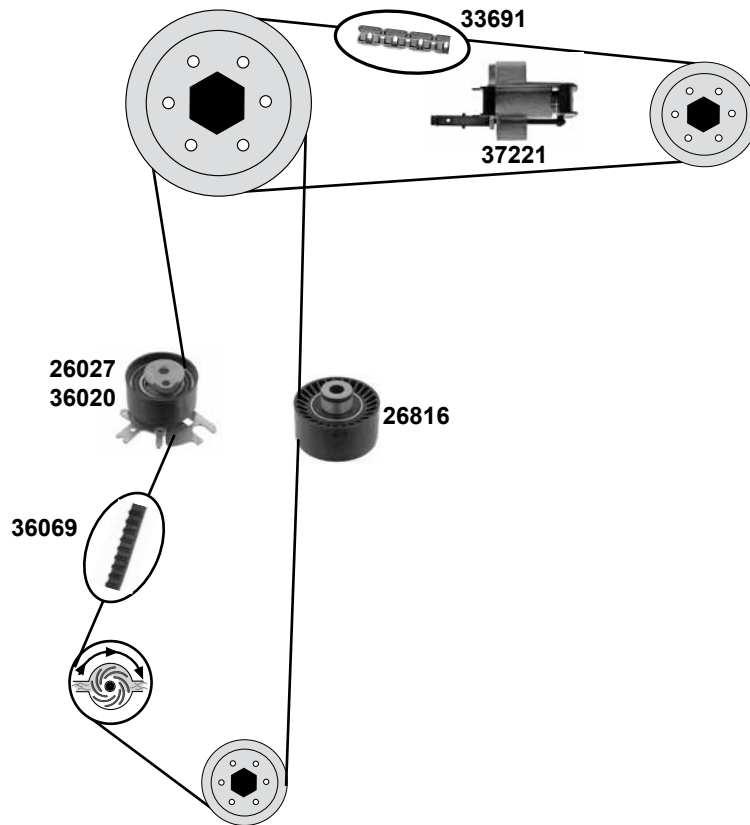
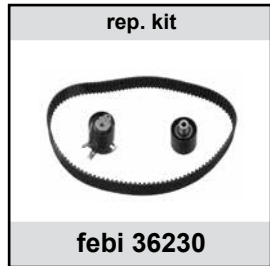
Ref. - No.



Ref. - No.	Description	Quantity	Part Number
24197	timing belt	(2)	Z 116 B25
26027	tension roller	(2)	ØA 60 B29
26816	deflection pulley		ØA 60,2 B30,2
26818	rep. kit timing belt	(2)	Z 116 B25
33691	timing chain	endless	40 E
37211	chain tensioner		
37230	rep kit timing chain		
37266	belt tensioner	(2)	ØA 70 B25
37290	timing belt	(1)	Z 116 B24,5
37353	tension roller	(1)	ØA 60 B29
37460	rep. kit timing belt	(1)	
39390	belt tensioner	(1)	ØA 65 B25



## 2,2 HDi (DW12BTED4 / DW12C)



(1) (mot.) DW112BTED4

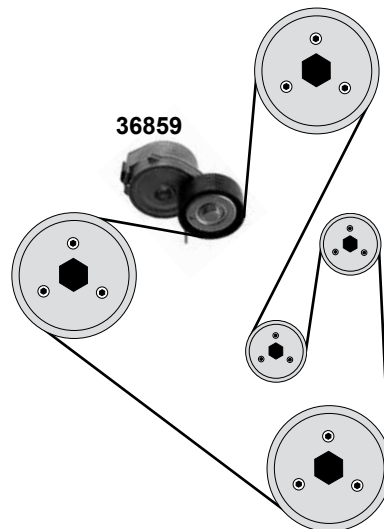
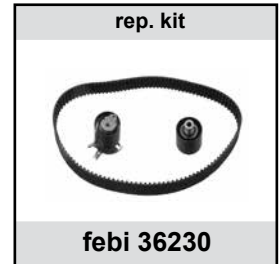
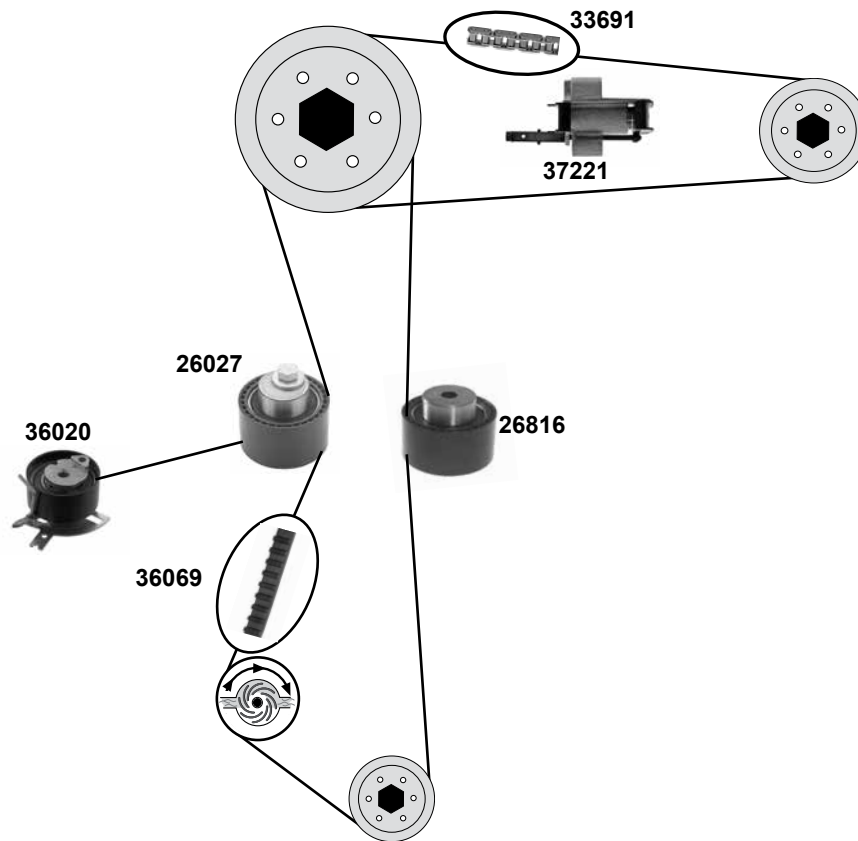
(2) (mot.) DW12BTED4 / DW12C



Ref. - No.



Ref. - No.	Description	Quantity	Notes	Dimensions
26027	tension roller	(1) 10 →		ØA 60 B29
26816	deflection pulley	(1)		ØA 60,2 B30,2
33691	timing chain	endless		40 E
36020	tension roller	(2)		ØA 60 B29
36069	timing belt			Z118 B25,4
36230	rep. kit timing belt			
36859	belt tensioner	(mot.) 2,2 HDi		ØA65 B25,5
37221	chain tensioner			
37620	rep kit timing chain	→ 10		



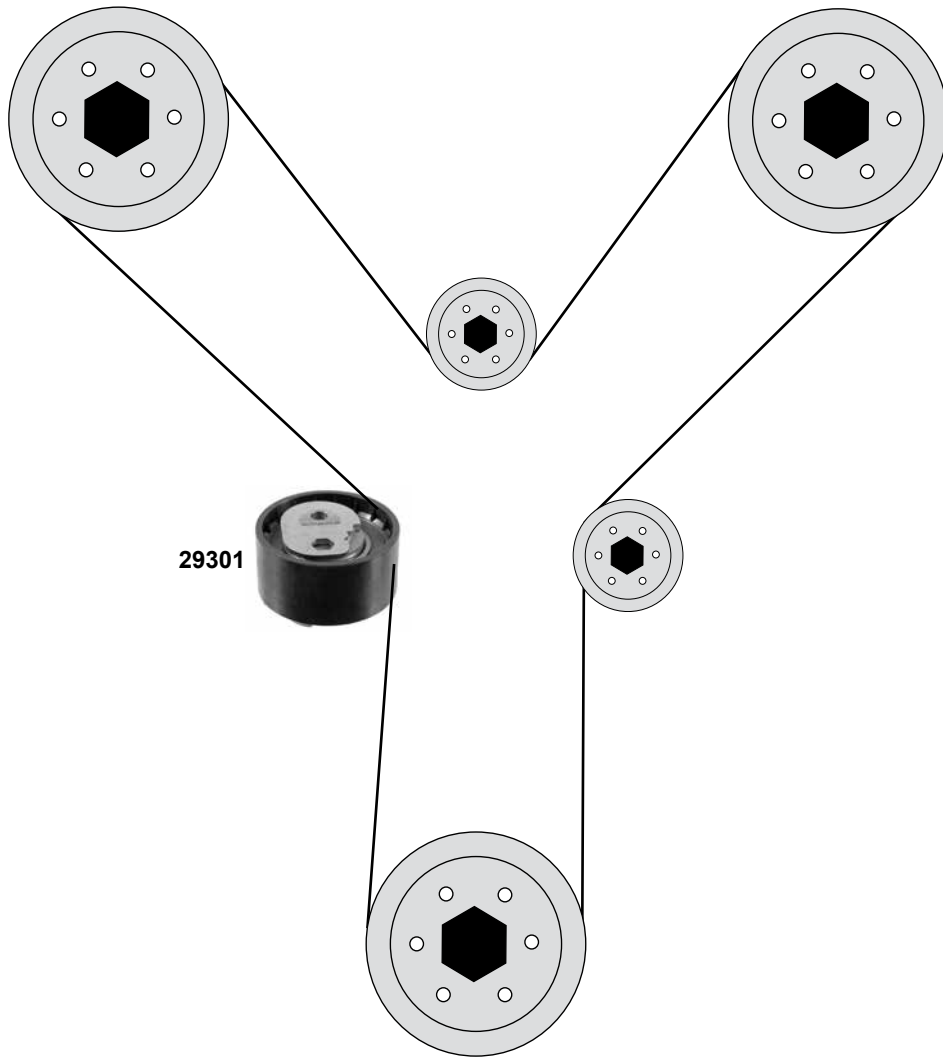
(1) whit particle filter



Ref. - No.

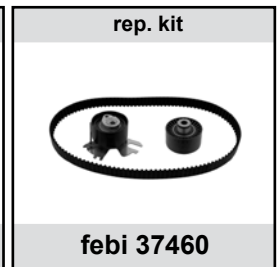
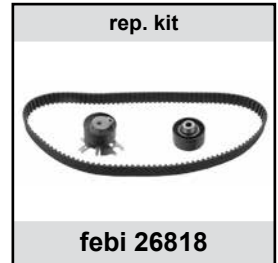
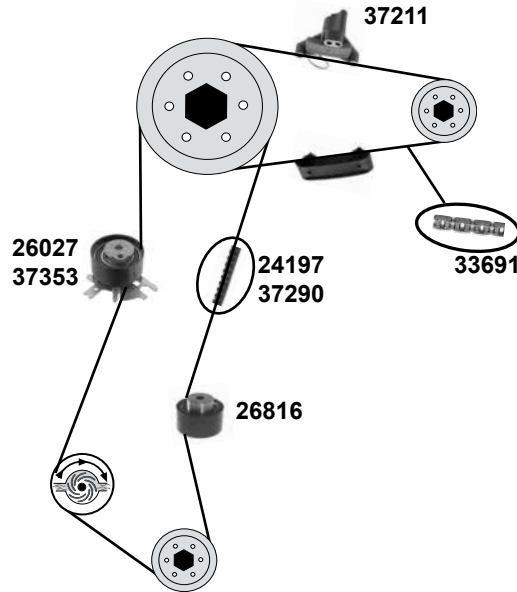


Ref. - No.	Part Description	Notes	Dimensions
26027	0829.A4 tension roller	(1)	ØA 60 B29
26816	0830.51 deflection pulley		ØA 60,2 H30,2
33691	0816.F6 timing chain	endless	40 E
36020	0829.F5 tension roller	(1)	ØA 60 B29
36069	0816.J5 timing belt		Z118 B25,4
36230	0831.V5 rep. kit timing belt	05/09 →	ØA65 B25,5
36859	5751.G0 belt tensioner		
37221	0849.30 chain tensioner		
37620	0816.F6 S1 rep kit timing chain		



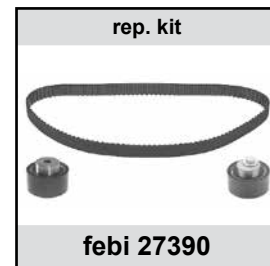
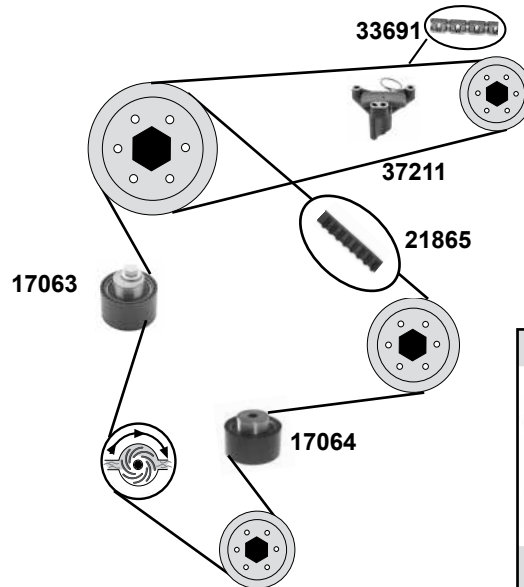
**2,0 HDI**

(DW10BTED4 / DW10CTED4 / DW10CB / DW10UTED/4)



**2,0 HDI**

(DW10ATED4)



(1) (mot.) DW10BTED4 / DW10UTED4

(2) (mot.) DW10CTED4 / DW10CB



Ref. - No.

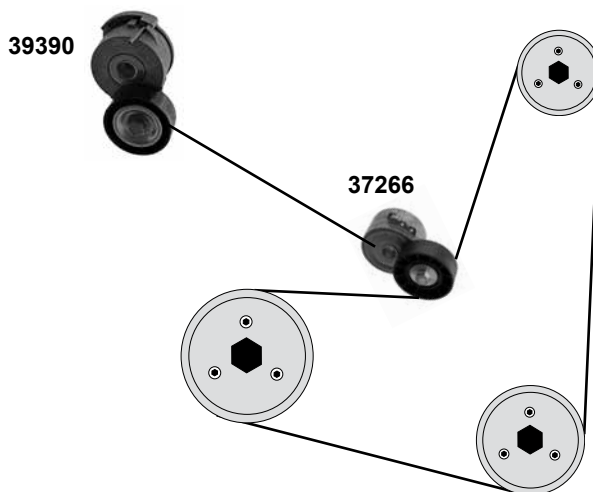
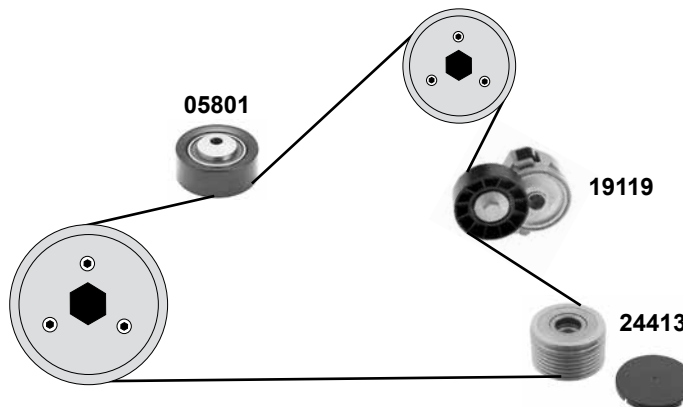


17063	0829.59	tension roller	○ 10011 →	ØA 60 B30
17064	0830.28	deflection pulley	○ 10011 →	ØA 60 B30
21865	0816.E7	timing belt		Z 144 B25,4
24197	0816.G3	timing belt	(1)	Z 116 B25
26027	0829.A4	tension roller	(1)	ØA 60 B29
26816	0830.51	deflection pulley	(1)	ØA 60 ØI 10 B30
26818	0831.T5	rep. kit timing belt	(1)	
27390	0831.S2	rep. kit timing belt		
33691	0816.F6	timing chain	endlos / endless	40 E
37211	0849.22	chain tensioner		
37230	0849.23	rep kit timing chain		
37290	0816.K8	timing belt	(2) 09→	Z116 B24,5
37353	0829.G6	tension roller	(2)	ØA 60 B29
37460	0831.W1	rep. kit timing belt	(2)	



**2,0 HDI**

(DW10ATED / DW10BTED4 / DW10CTED4 / DW10CB / DW10UTED)



(1) (ex.) DW10BTED4

(2) (mot.) DW10BTED4 / DW10UTED

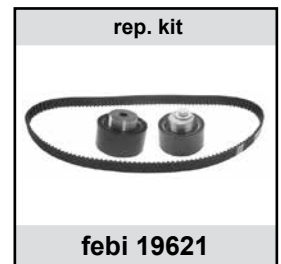
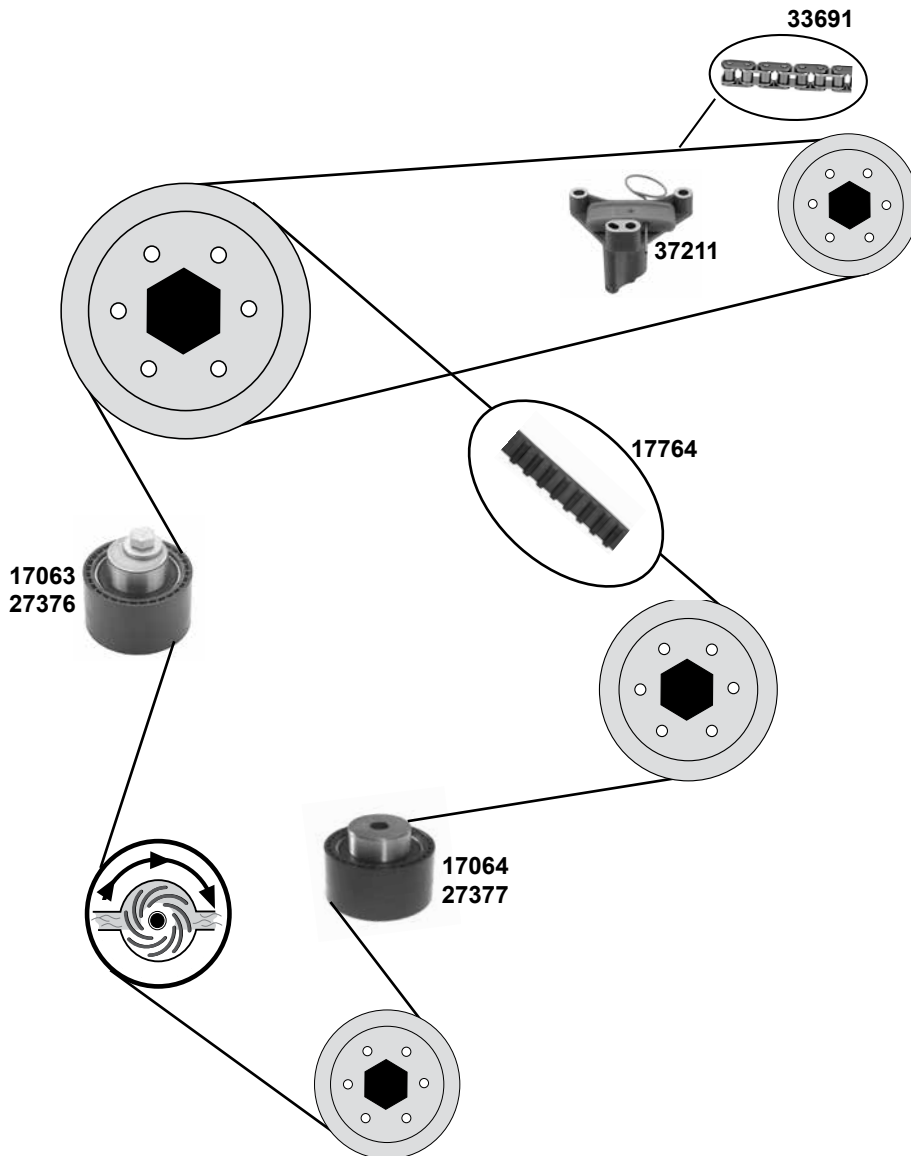
(3) (mot.) DW10CTED4 / DW10CB ac



Ref. - No.



<b>05801</b>	5751.29	deflection pulley	(1) AC + servo	ØA 70 ØI 10/16
<b>19119</b>	5751.55	tension roller		ØA 70 B25
<b>24413</b>	5705.4F S1	belt pulley alternator	für / for Valeo 150A	ØA 58,5 B32,5
<b>37266</b>	5751.A7	belt tensioner	(2)	ØA 70 B25
<b>39390</b>	5751.H8	belt tensioner	(3)	ØA 65 B25



(1) → O10011

(2) O 10011 →



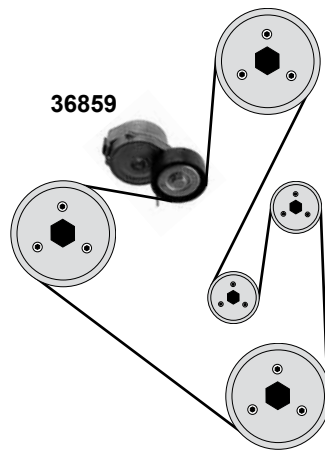
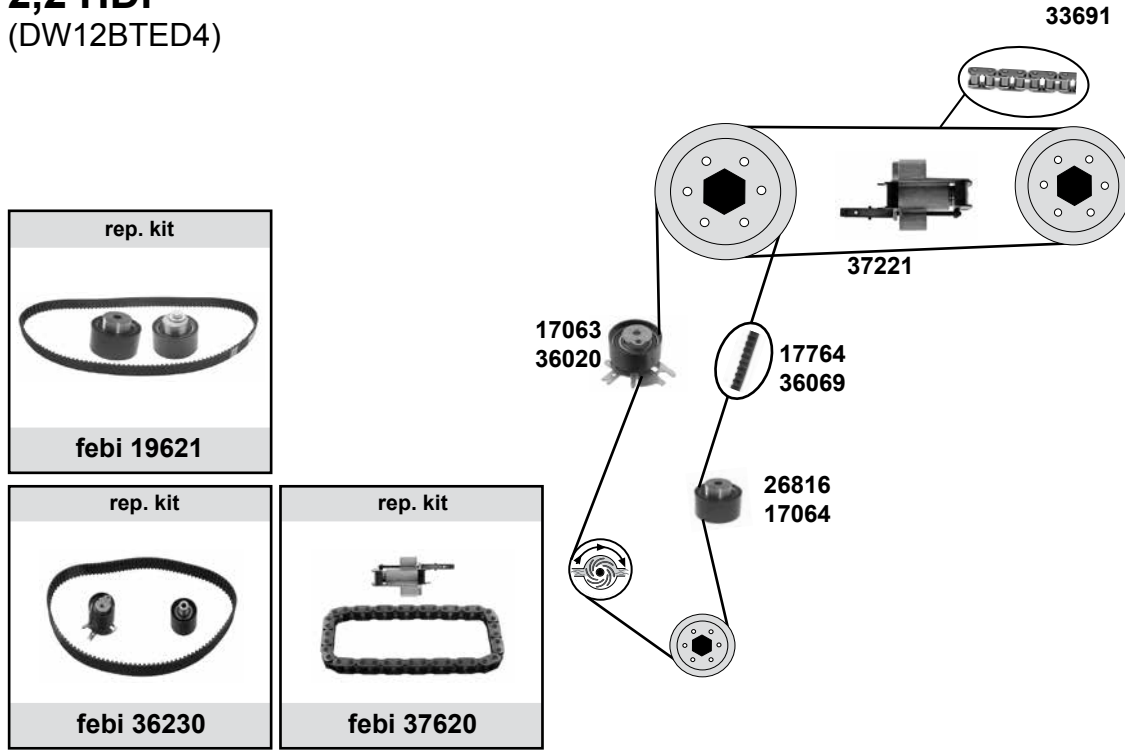
Ref. - No.



Ref. - No.	Description	Quantity	Part Number
17063	tension roller	(1)	ØA 60 B30
17064	deflection pulley	(1)	ØA 60 B30
17764	timing belt		Z 146 B25,4
19621	rep. kit timing belt	(1)	Z 146 B24,96
27376	tension roller	(2)	ØA 62 B30
27377	deflection pulley	(2)	ØA 62 B30
27391	rep. kit timing belt	(2)	Z 146 B25,4
33691	timing chain	(2)	40 E
37211	chain tensioner	endless	



## 2,2 HDi (DW12BTED4)



(1) → O10011



Ref. - No.

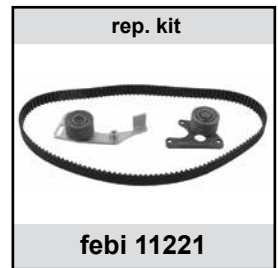
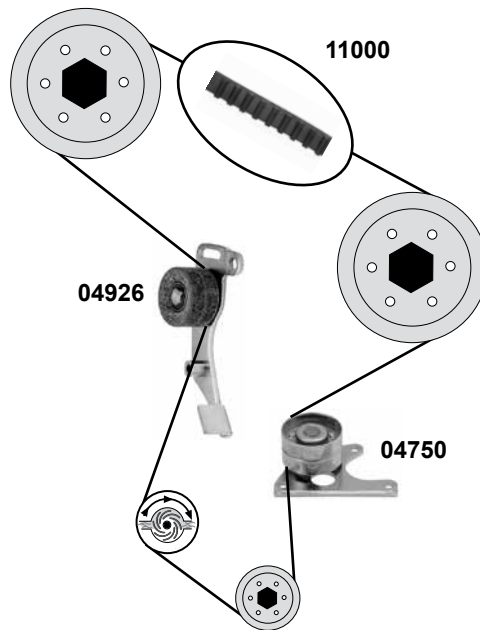


Ref. - No.	Description	Quantity	Dimensions
17063	tension roller	(1)	ØA 60 B30
17064	deflection pulley	(1)	ØA 60 B30
17764	timing belt	(1)	Z 146 B25,4
19621	rep. kit timing belt	(1)	Z 146 B24,96
26816	deflection pulley		ØA 60,2 H30,2
33691	timing chain	endless	40 E
36020	tension roller		ØA 60 B29
36069	timing belt		Z118 B25,4
36230	rep. kit timing belt		
36859	belt tensioner		ØA65 B25,5
37221	chain tensioner		
37620	rep kit timing chain		



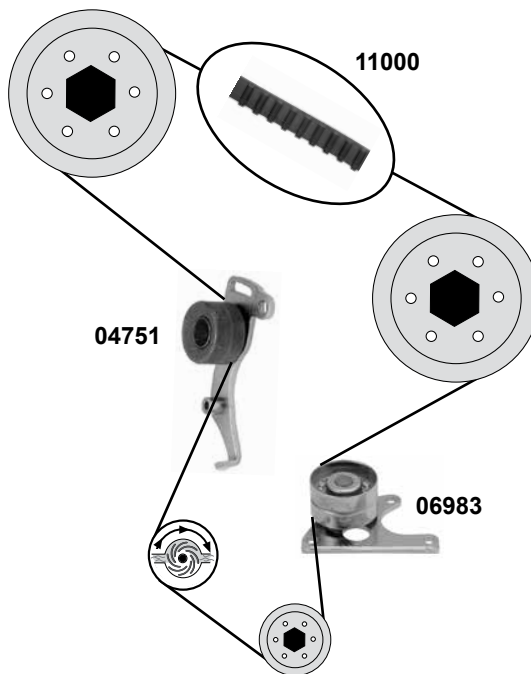
→ **O 06264**

**1,8 HDi**  
(XUD7)



**O 06265** →

**1,8 D**  
(XUD7)

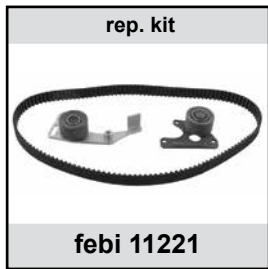
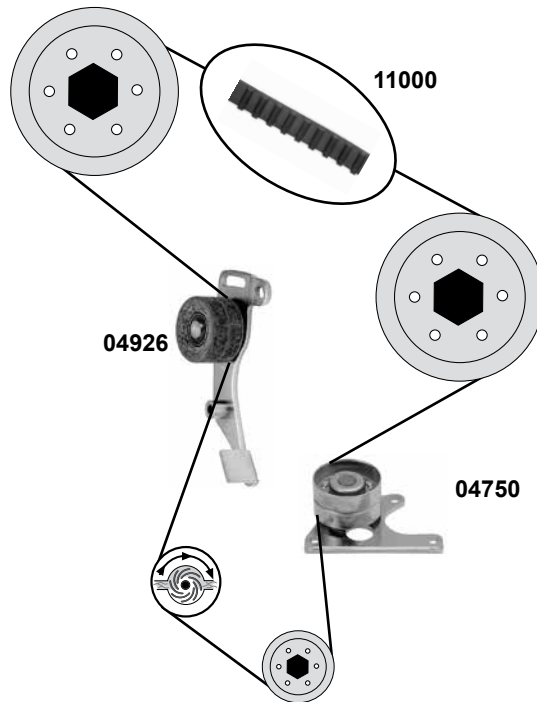


	Ref. - No.			
<b>04750</b>	0830.02	deflection pulley		ØA 60 B34
<b>04751</b>	0829.33	tension roller		ØA 60 B34
<b>04926</b>	0829.11	tension Roller		ØA 60 B34
<b>06983</b>	0830.13	deflection pulley		ØA 60 B34
<b>11000</b>	0816.98	timing belt		Z 136 B25,4
<b>11221</b>	0831.09	rep. kit timing belt		Z 136 B25,4
<b>11222</b>	0831.27	rep. kit timing belt		Z 136 B25,51

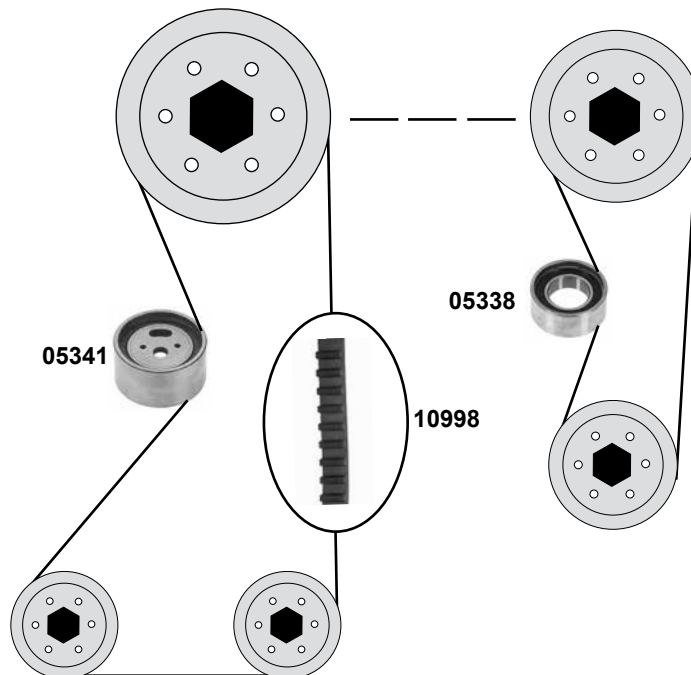




## 1,9 HDi (XUD9A)



## 2,5 D (CRD93)



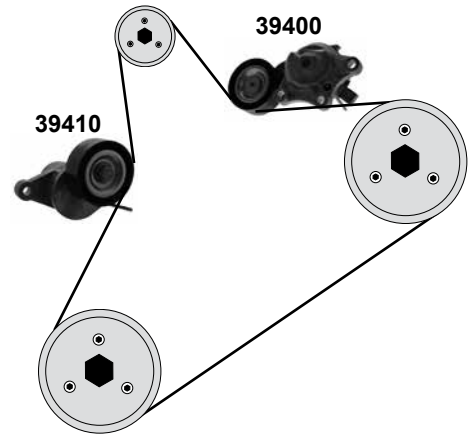
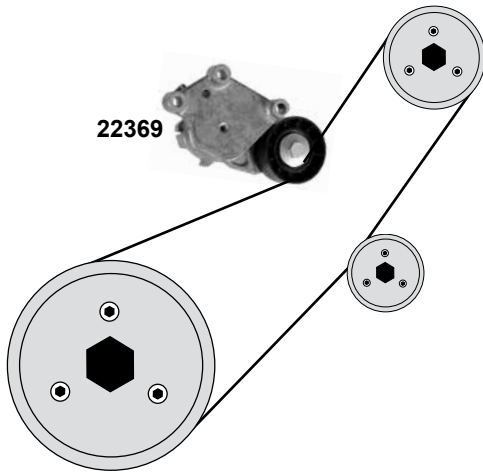
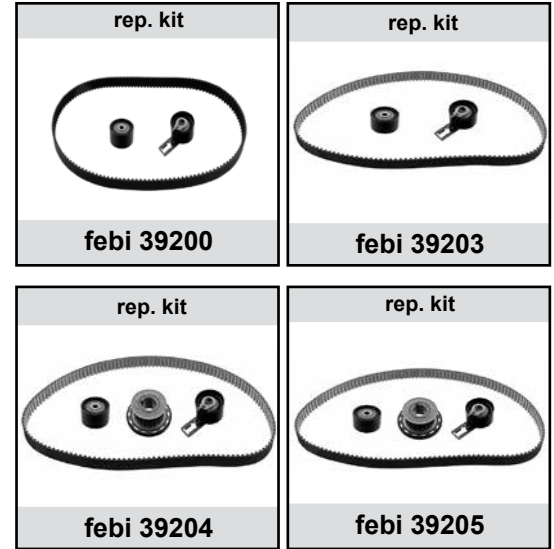
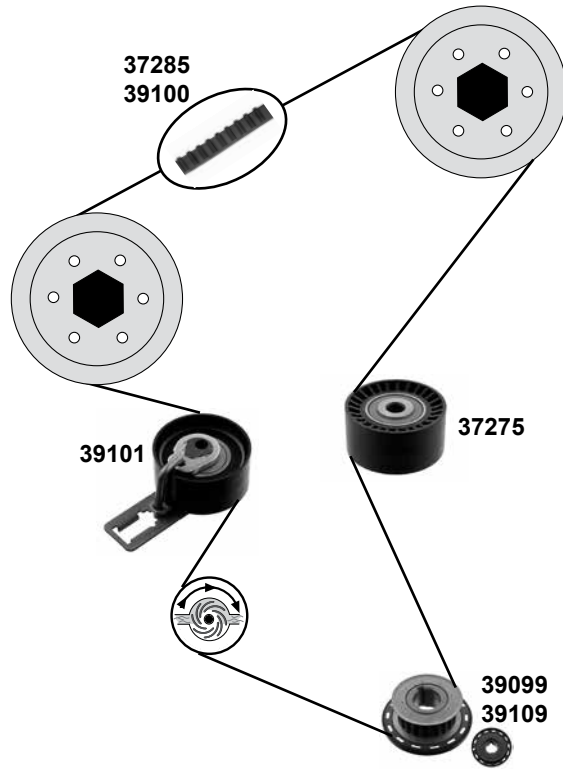
Ref. - No.



<b>04750</b>	0830.02	deflection pulley	ØA 60 B34
<b>04926</b>	0829.11	tension roller	ØA 60 B34
<b>05338</b>	26 207 509	tension roller	ØA 57 B24
<b>05341</b>	0818.22	tension roller	ØA 67,5 B35,5
<b>10998</b>	0816.33	timing belt	Z 118 B32,08
<b>11000</b>	0816.98	timing belt	Z 136 B25,4
<b>11221</b>	0831.09	rep. kit timing belt	Z 136 B25,4



**1,4 / 1,6 HDi**  
(DV4C / DV6C / DV6DTED)



- (1) (mot.) DV6C / DV6DTED O 12720 → / (mot.) DV4C O 12630 →  
 (2) (mot.) DV6C / DV6DTED → O 12719 / (mot.) DV4C → O 12629



Ref. - No.

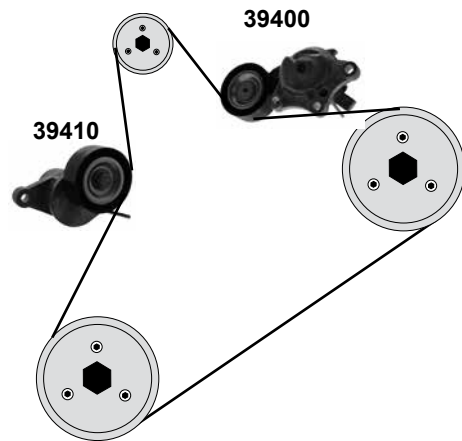
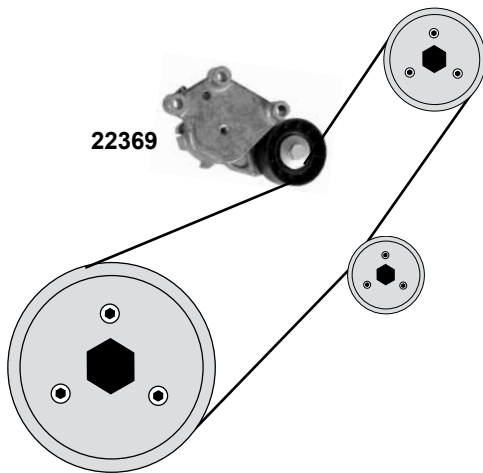
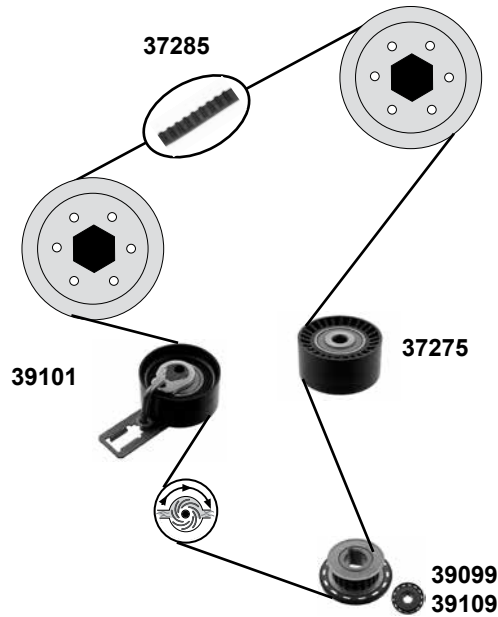
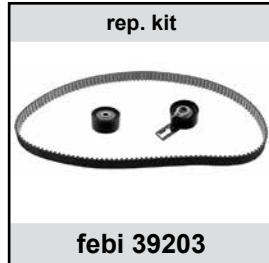


Ref. - No.	Description	Notes	Dimensions
22369	5751.86 belt tensioner		
37275	0830.75 deflection pulley		
37285	0816.L0 timing belt	(ex.) DV4C	ØA 61 B30 Z 141 B25,4
39099	0805.E5 gear	(2) (mot.) DV4C	Z 139 B25,4 ØA60 ØI 29
39100	0816.L1 timing belt	(1) (mot.) DV4C	
39101	0819.F8 tension roller	(ex.) DV4C	
39109	96 772 672 80 gear	(ex.) DV4C / O 12720 →	
39200	16 087 476 80 rep. kit timing belt	(ex.) DV4C / → O 12719	
39203	16 087 474 80 rep. kit timing belt	+ Start stop	ØA65 B25
39204	16 087 474 80 S1 rep. kit timing belt	+ Start stop	ØA65 B 25
39205	16 087 474 80 S2 rep. kit timing belt		
39400	5751.K4 belt tensioner		
39410	98 018 752 80 belt tensioner		



## 1,6 HDi

(DV6C / DV6DTED / DV6DTED M)



(1) DS4 01/11→ (mot.) DV6C, DV6DTED, DV6DTEDM  
DS5 08/11→ (mot.) DV6C

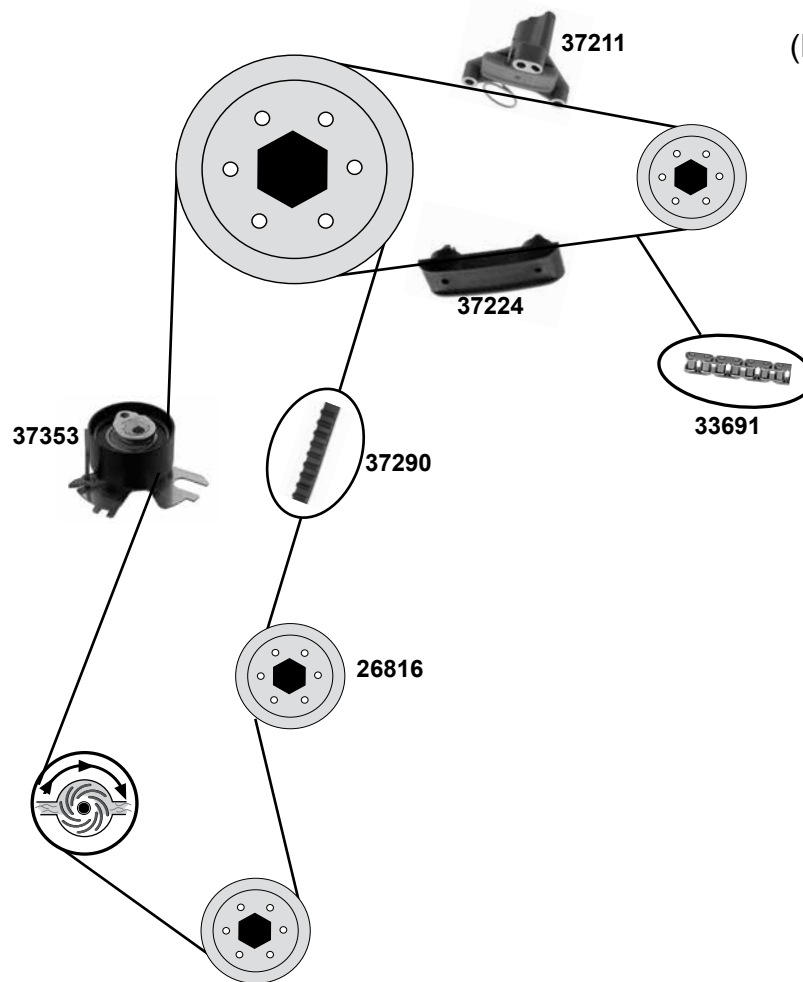
(2) DS4 01/11→ (mot.) DV6C, DV6DTED  
DS5 08/11→ (mot.) DV6C



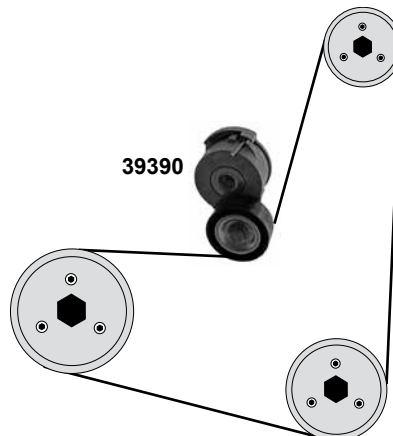
Ref. - No.



Ref. - No.	Description	Part No.	Dimensions
22369	belt tensioner	5751.86	DS4
37275	deflection pulley	0830.75	(2)
37285	timing belt	0816.L0	(1)
39099	gear	0805.E5	(1) → O 12719
39101	tension roller	0829.F8	(1)
39109	gear	96 772 672 80	(1) O 12720 →
39203	rep. kit timing belt	16 087 474 80	(1)
39204	rep. kit timing belt	16 087 474 80 S1	(1) O 12720 →
39205	rep. kit timing belt	16 087 474 80 S2	(1) → O 12719
39400	belt tensioner	5751.K4	(2) + Start stop
39410	belt tensioner	98 018 752 80	(2) + Start stop



Rep. Satz / rep. kit
<b>febi 37230</b>
Rep. Satz / rep. kit
<b>febi 37460</b>



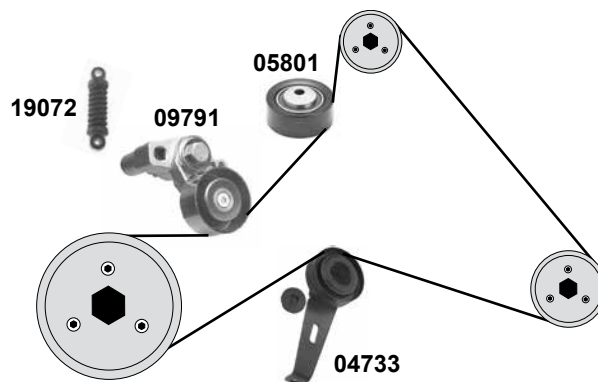
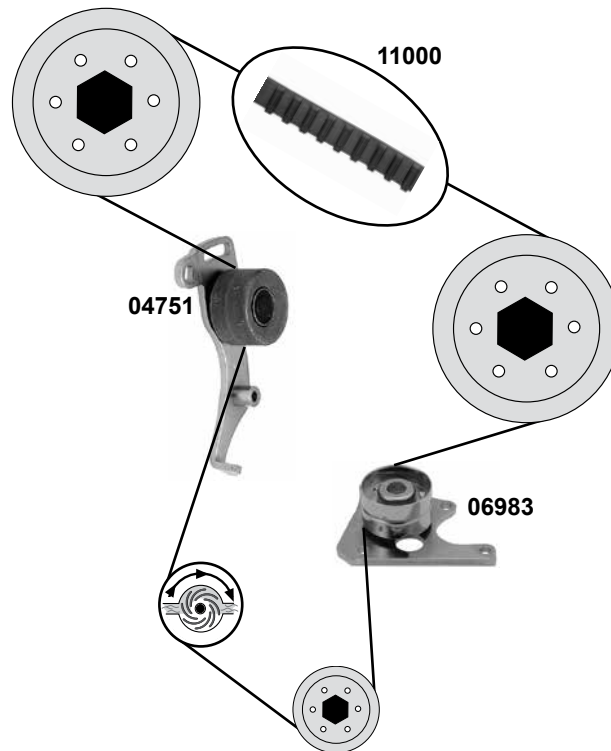
(1) (mot.) DW10CTED4 AC (ex.) Hybrid / (mot.) DW10CB AC

	Ref. - No.			
26816	0830.51	deflection pulley	endless	ØA 60 B30
33691	0816.F6	timing chain		E 40
37211	0849.22	chain tensioner	(1)	Z116 B24,5
37224	0829.94	sliding rail		
37230	0849.23	rep kit timing chain	ØA 60 B29	ØA 65 B30
37290	0816.K8	timing belt		
37353	0829.G6	tension roller		
37460	0831.W1	rep. kit timing belt		
39390	5751.H8	belt tensioner		



### 1,9 HDi

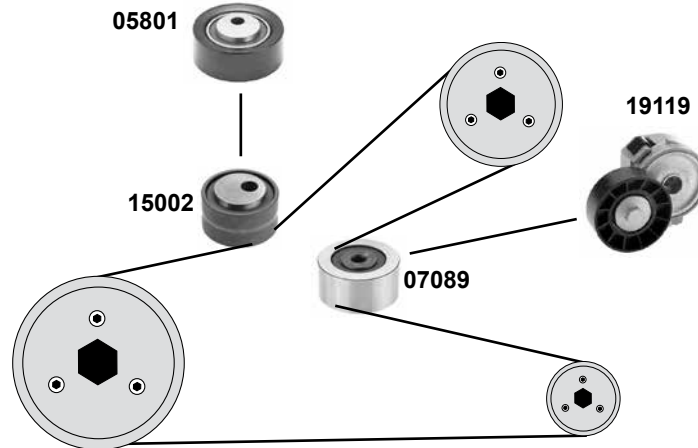
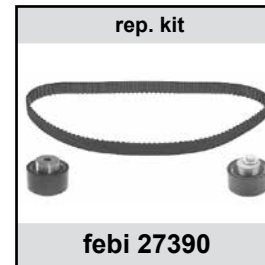
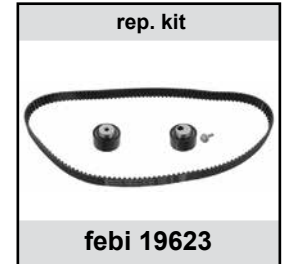
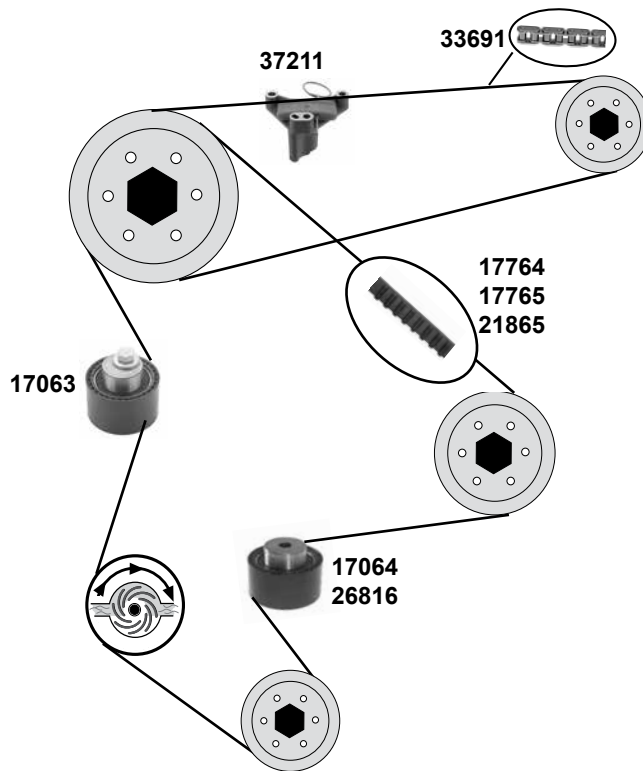
(XUD9TE)



febi bilstein	Ref. - No.			
04733	5751.38	tension roller	(ex.) AC	ØA 85 B26
04751	0829.33	tension roller		ØA 60 B34
05801	5751.29	tension roller		ØA 70 B27/29
06983	0830.13	deflection pulley		ØA 60 B34
09791	5751.30	tension roller	AC	ØA 60 B26,5
11000	0816.98	timing belt		Z 136 B25,4
11222	0831.27	rep. kit timing belt		Z 136 B25,51
19072	5751.81	belt tensioner	AC + servo	

## 2,0 HDi

(DW10ATED / DW10ATED4)



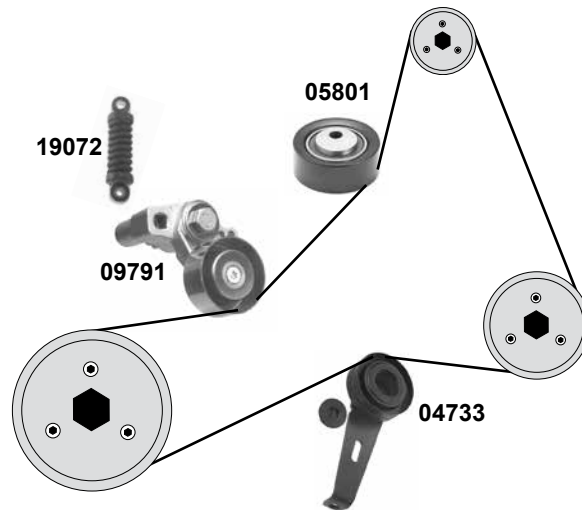
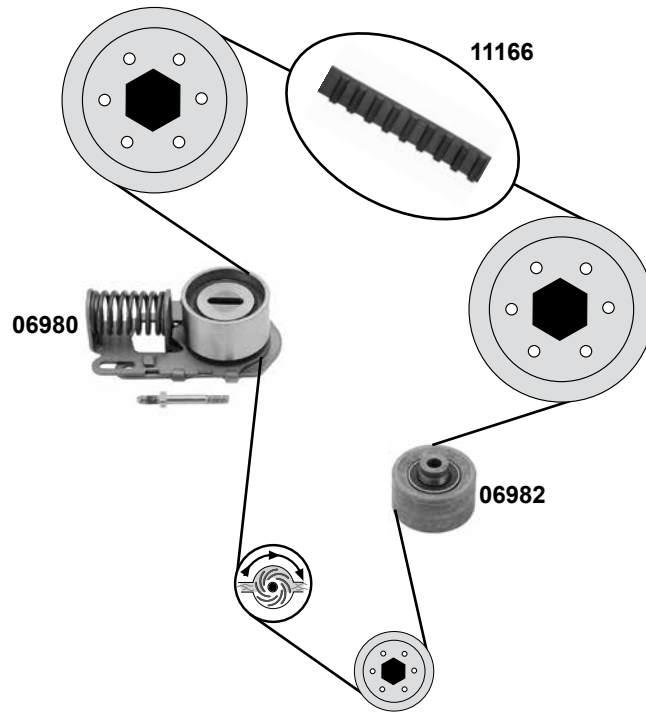
(1) (mot.) DW10ATED4

	Ref. - No.			
05801	5751.29	deflection pulley	AC + servo	ØA 70 ØI 10/16
07089	5751.57	tension roller	(ex.) AC	ØA 50 B26
15002	5751.56	tension roller	(ex.) AC	ØA 50 B26
17063	0829.59	tension roller		ØA 60 ØI 13 B30
17064	0830.28	deflection pulley		ØA 60 ØI 10 B30
17764	0816.A6	timing belt	(mot.) DW10ATED	Z 146 B25,4
17765	0816.A9	timing belt	(1)	Z 141 B25,4
19119	5751.55	tension roller		ØA 70 B25
19623	0831.83	rep. kit timing belt	(1)	Z141 B25,4
21865	0816.E7	timing belt	(1)	Z 144 B25,4
27390	0831.74	rep. kit timing belt	(1) endlos /endless	Z144 B25,4
33691	0816.F6	timing chain	(1)	E 40
37211	0849.22	chain tensioner	(1)	
37224	0829.94	sliding rail	(1)	
37230	0849.23	rep kit timing chain	(1)	

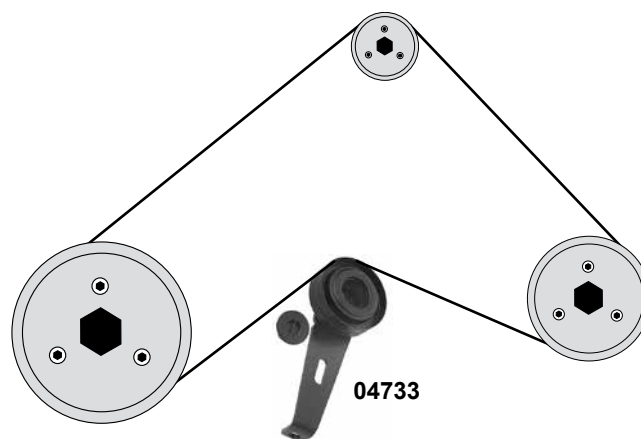
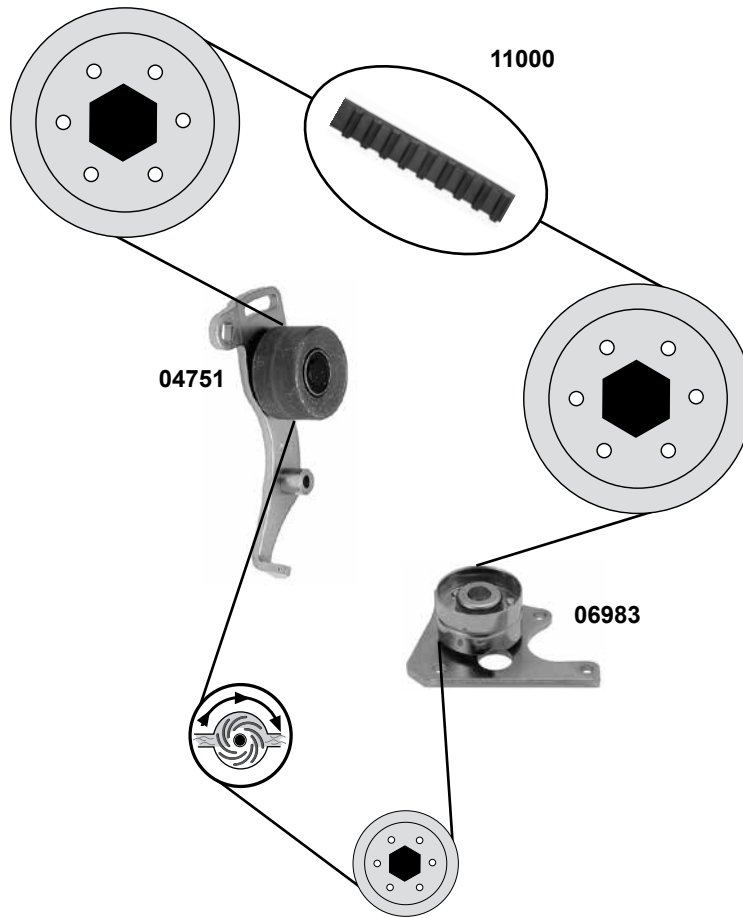


### 2,1 HDi

(XUD11BTE)



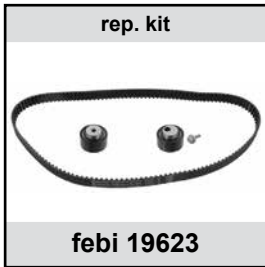
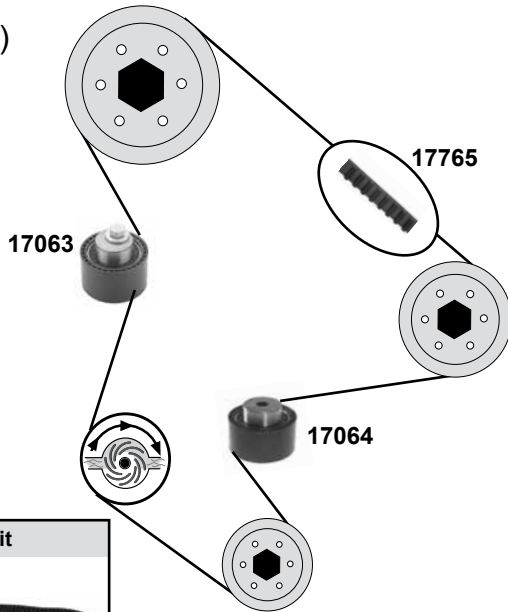
	Ref. - No.			
04733	5751.38	tension roller	(ex.) AC	ØA 85 B26
05801	5751.29	tension roller	AC	ØA 70 B27/29
06980	0818.19	tension roller		ØA 57 B31
06982	0830.37	deflection pulley		ØA 60 ØI 10 B34
09791	5751.30	tension roller	AC	ØA 60 B26,5
11106	0816.54 S	rep. kit timing belt		Z 149 B25,27
11166	0816.54	timing belt		Z 149 B25,4
19072	5751.81	belt tensioner	AC + servo	



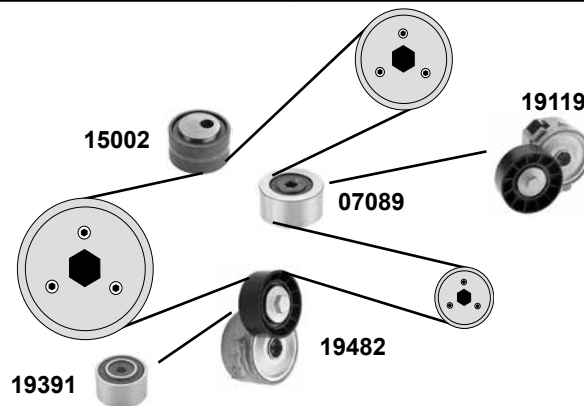
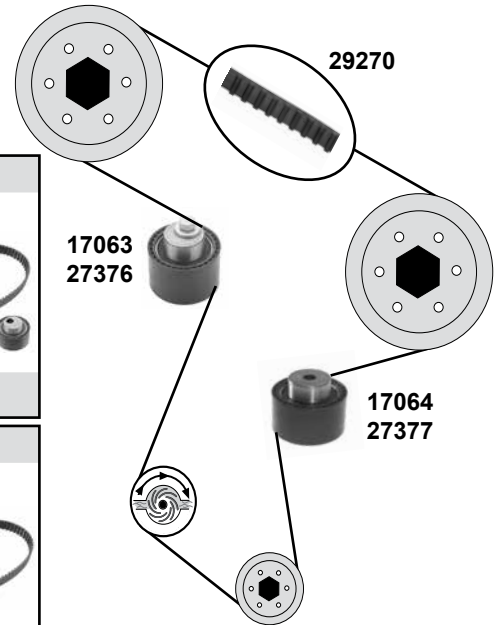
	Ref. - No.			
<b>04733</b>	5751.38	tension roller	AC	ØA 85 B26
<b>04751</b>	0829.33	tension roller		ØA 60 B34
<b>06983</b>	0830.13	deflection pulley		ØA 60 B34
<b>11000</b>	0816.98	timing belt		Z 136 B25,4
<b>11222</b>	0831.27	rep. kit timing belt		Z 136 B25,51



### 2,0 HDi (DW10TD)



### 2,2 HDi (DW12UTED)



(1) 94 → 02 (mot.) DW10TD (ex.) AC / 02 → (mot.) DW10TD/DW12TED

(2) 02 → 05.04.2004 / (mot.) DW12TED

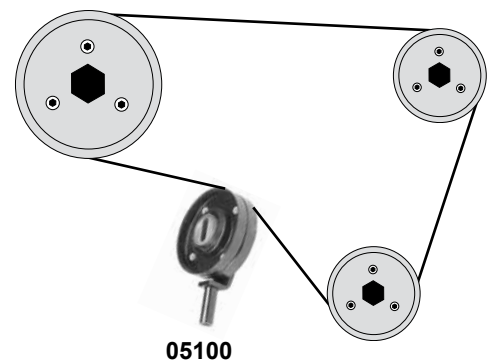
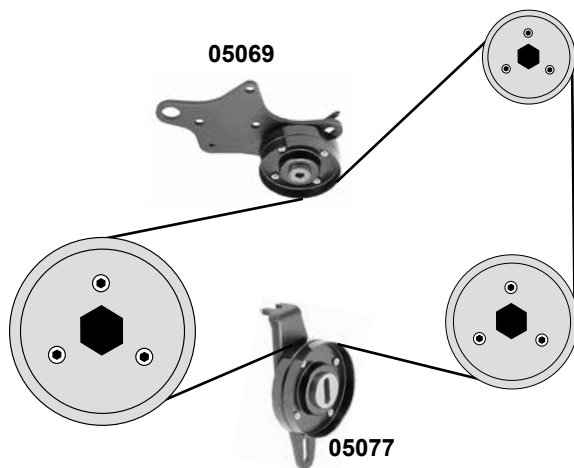
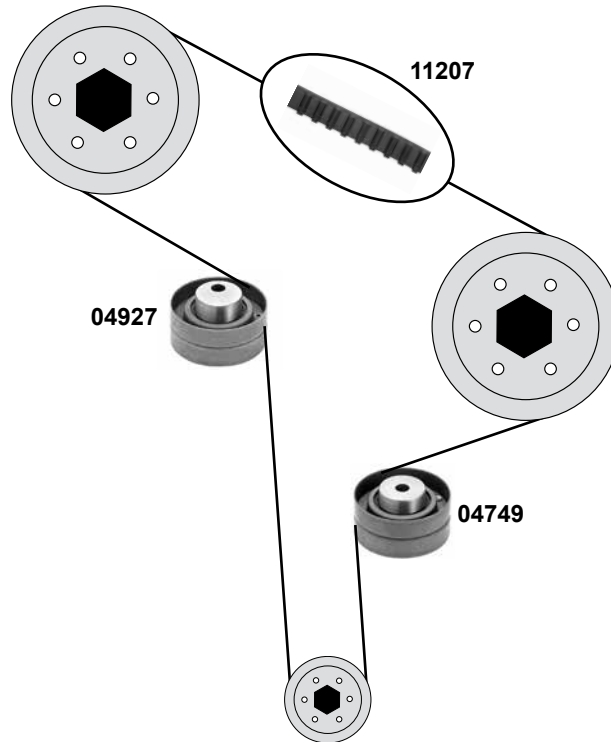
(3) 06.04.2004 → / (mot.) DW12TED



Ref. - No.



Part No.	Ref. - No.	Description	Notes	Dimensions
07089	5751.57	tension roller	(ex.) AC	ØA 50 B26
15002	5751.56	tension roller	(ex.) AC	ØA 50 B26
17063	0829.59	tension roller	(2)	ØA 60 ØI 13 B30
17064	0830.28	deflection pulley	(2)	ØA 60 ØI 10 B30
17765	0816.A9	timing belt		Z 141 B25,4
19119	5751.55	tension roller		ØA 70 B25
19391	5751.92	deflection pulley	(1)	ØA 50 ØI 8 B26
19482	5751.74	tension roller	AC	ØA 60
19623	0831.83	rep. kit timing belt		Z141 B25,4
27376	0829.C3	tension roller	(3)	ØA 62 ØI 13,3 B30
27377	0830.C4	deflection pulley	(3)	ØA 62 ØI 10 B30
29270	0816.G1	timing belt		Z 143 B25,4
29271	0831.K8	rep. kit timing belt	(3)	Z 143 B25,4
30976	0831.K9 S1	rep. kit timing belt	(2)	ØA 60 B25,5 Z 143



Ref. - No.



<b>04749</b>	0830.12	deflection pulley
<b>04927</b>	0818.20	tension roller
<b>05069</b>	1281.34	tension roller
<b>05077</b>	4007.E4	tension roller
<b>05100</b>	6453.R8	tension roller
<b>11207</b>	0816.68	timing belt
<b>11208</b>	0816.64 S	rep. kit timing belt



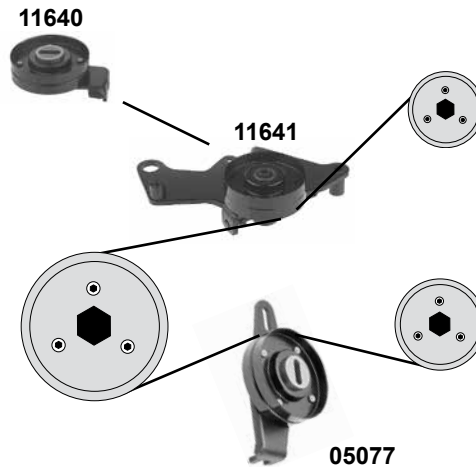
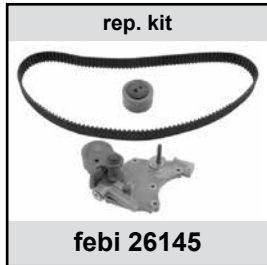
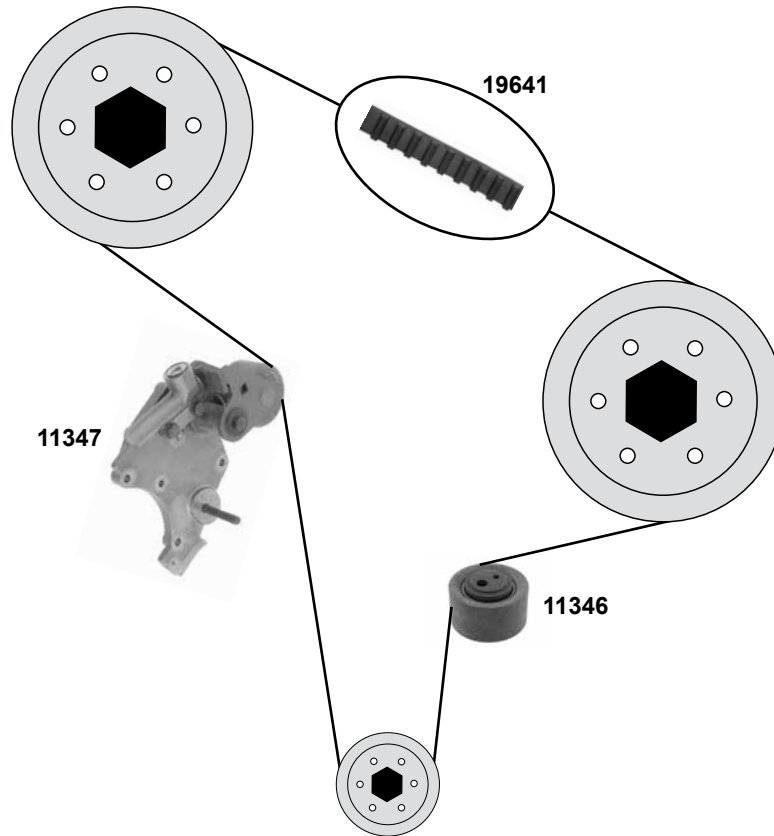
ØA 70,5 B32 / 37
ØA 70,5 B32 / 40
ØA 80 B26
ØA 93,5 B26
ØA 93,5 B26
Z 141 B28
Z 141 B28

# CITROËN Jumper I+II (94→06)

Car  
Division



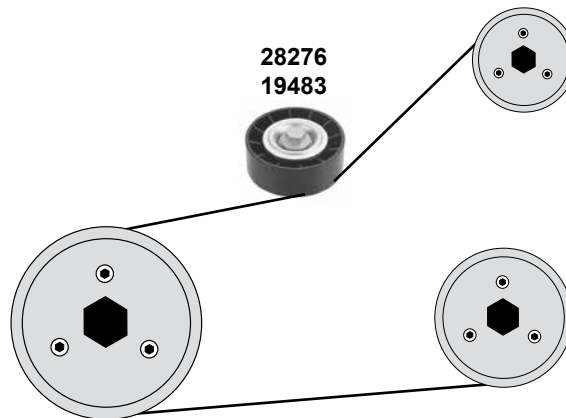
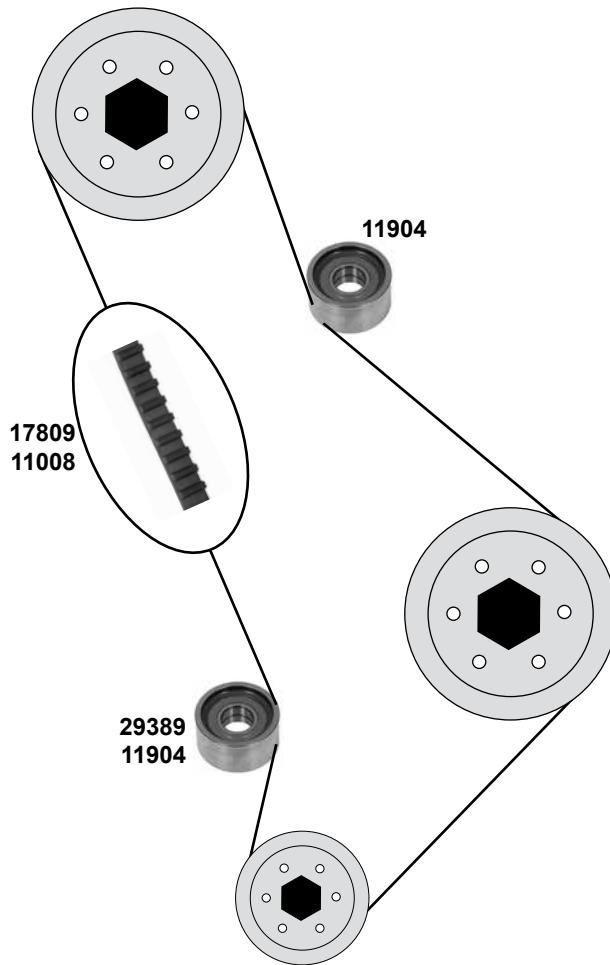
## 2,4 HDi (DJ5TED)



	Ref. - No.			
<b>05077</b>	4007.E4	tension roller	servo	ØA 93,5 B26
<b>11346</b>	0830.44	deflection pulley		ØA 70,5 B38
<b>11347</b>	0829.74	deflection pulley		ØA 70,5 B38
<b>11640</b>	6453.AN	tension roller	AC	ØA 93,5 B26
<b>11641</b>	1281.38	tension roller		ØA 60 B26
<b>19641</b>	0829.74	timing belt	96 →	Z 147 B32
<b>26145</b>	0831.64	rep. kit timing belt	96 →	Z 147 B32



2,5 SOFIM / 2,8 TD/ 2,8 HDI



(1) (mot.) 2800 TD

(2) (mot.) Sofim 2500 D / 2800 HDI

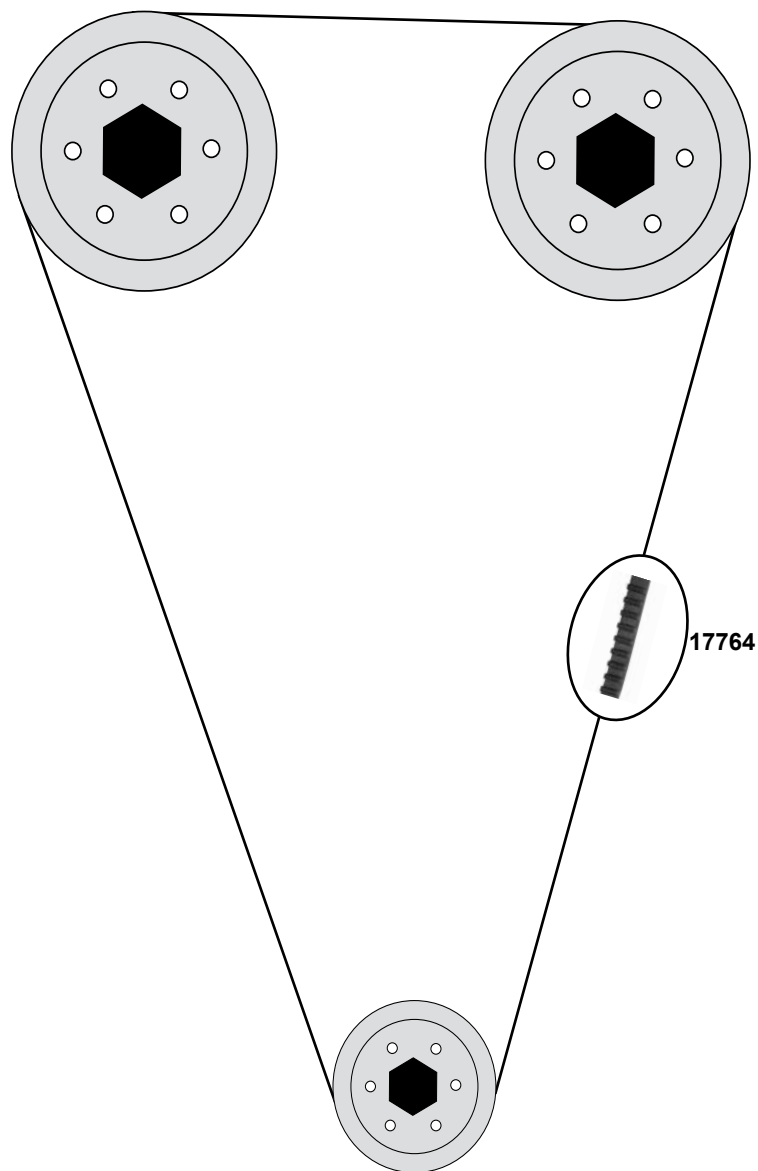


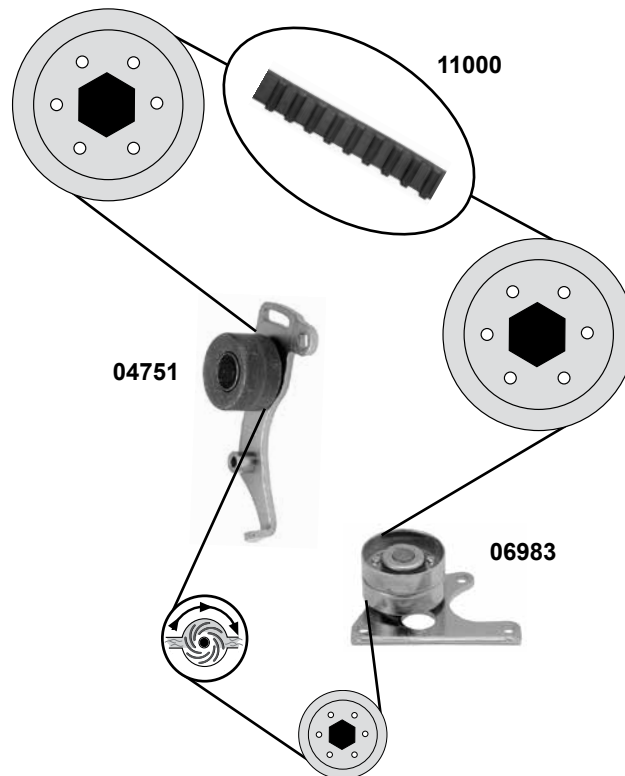
Ref. - No.



11008	0816.E5	timing belt	(2)	Z 152 B30
11904	0818.32	deflection pulley		ØA 67 ØI 25 B34
17809	0816.A4	timing belt	(1)	Z 154 B30
19483	6453.FL	deflection pulley	(mot.) 2800 HDI	ØA 69,7 B24,8
28276	6453.SQ	deflection pulley	(mot.) 2800 TD/2500 D	ØA 70 B25
29389	0830.32	tension roller	(2)	ØI 25 B34
29391	0816.E5 S1	rep. kit timing belt	(2)	Z 152 B30
29393	0816.A4 S1	rep. kit timing belt	(1)	Z 154 B30

**2,2 HDi Puma**

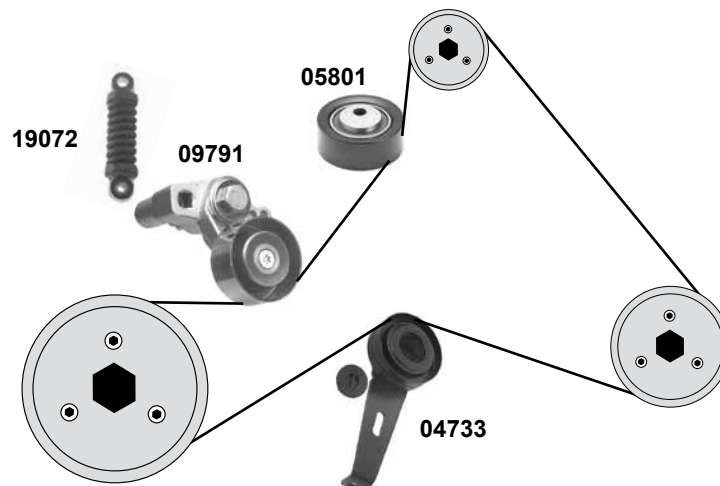




Rep. Satz / rep. kit



febi 11222



	Ref. - No.			
<b>04733</b>	5751.38	tension roller	(ex.) AC	ØA 85 B26
<b>04751</b>	0829.33	tension roller	AC	ØA 60 B34
<b>05801</b>	5751.29	tension roller	AC	ØA 70 B27/29
<b>06983</b>	0830.13	deflection pulley	AC + servo	ØA60 B34
<b>09791</b>	5751.30	tension roller	AC + servo	ØA 60 B26,5
<b>11000</b>	0816.98	timing belt		Z 136 B25,4
<b>11222</b>	0831.27	rep. kit timing belt		Z 136 B25,51
<b>19072</b>	5751.81	belt tensioner	AC + servo	

# CITROËN

## Jumpy I+II

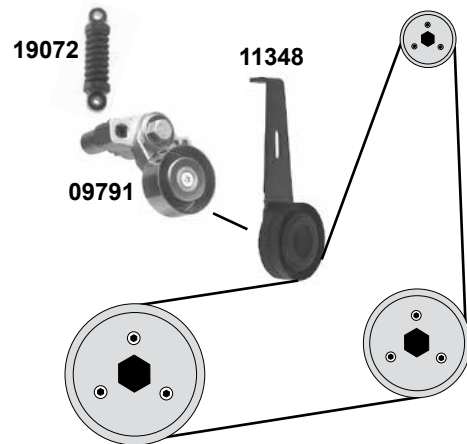
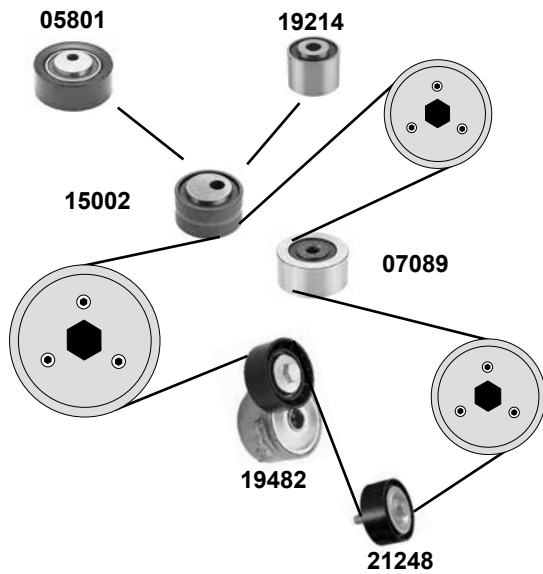
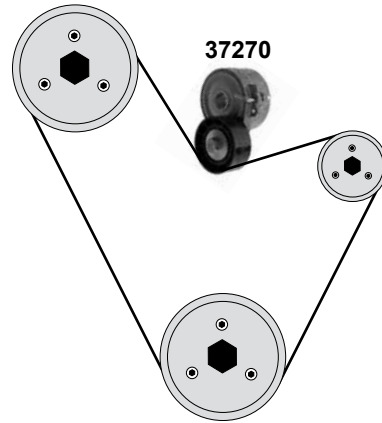
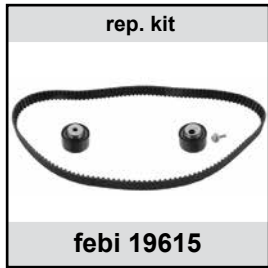
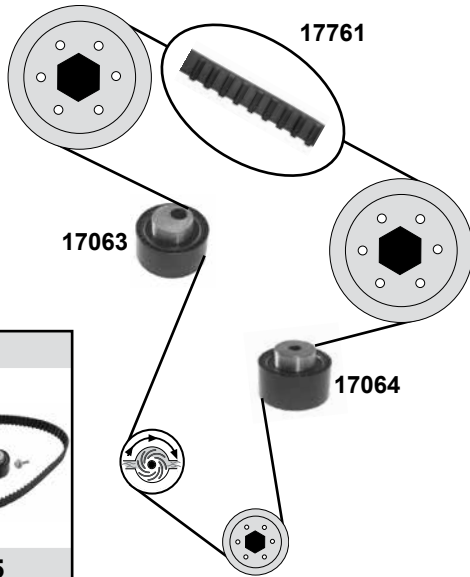
(95→06)

Car  
Division



### 1,9 HDi

(DW8)



(1) (ex.) variable servo

(2) servo (ex.) AC

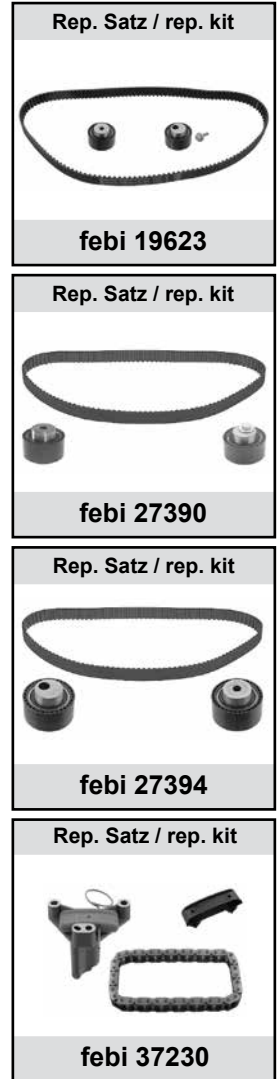
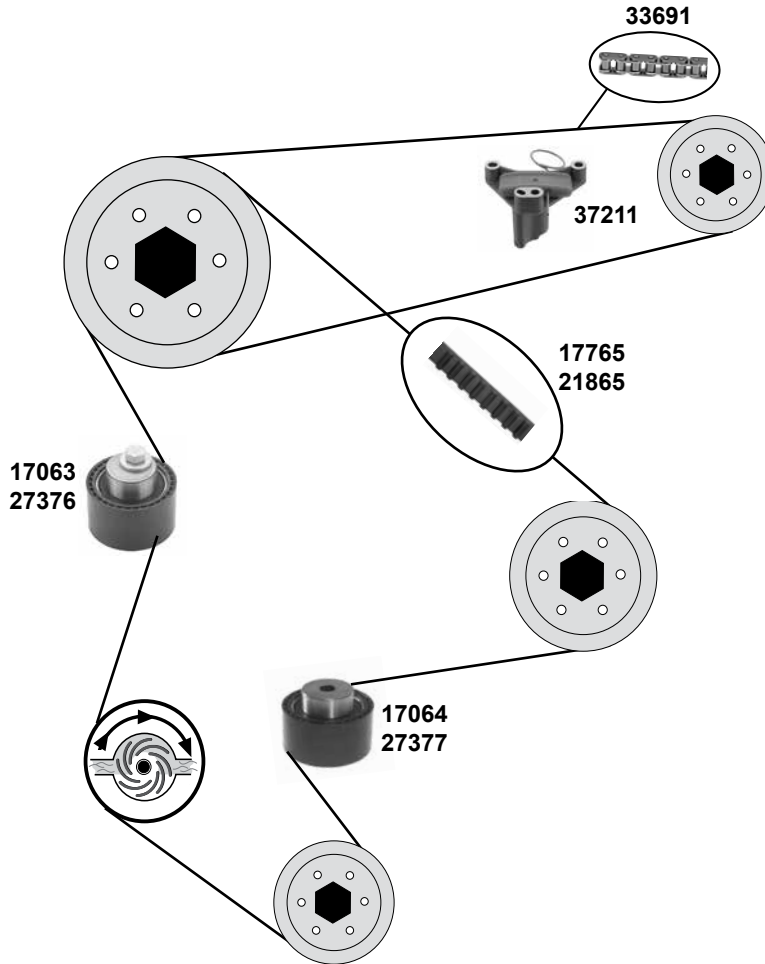
(3) → O 08374



Ref. - No.



05801	5751.29	deflection pulley	AC + servo	ØA 70 ØI 10/16
07089	5751.57	tension roller	(ex.) AC	ØA 50 B26
09791	5751.30	tension roller	AC + servo	ØA 60 B26,5
11348	5751.45	tension roller	man.	ØA 85 B26
15002	5751.56	tension roller	(3) servo  (ex.) AC	ØA 50 B26
17063	0829.59	tension roller		ØA 60 ØI 13 B30
17064	0830.28	deflection pulley		ØA 60 ØI 10 B30
17761	0816.93	timing belt		Z 140 B25,4
19072	5751.81	belt tensioner	AC + servo	
19214	5751.67	deflection pulley	(1) servo  (ex.) AC	ØA 37 ØI 10 B27
19482	5751.74	tension roller	(2)	ØA 60
19615	0831.58	rep. kit timing belt		Z 140 B25,4
21248	5751.73	deflection pulley	(1) (2)	ØA 59,8 B25
37270	5751.94	belt tensioner	AC O 09520 →	ØA 60 B25



(1) DW10ATED4

(2) DW10TED4



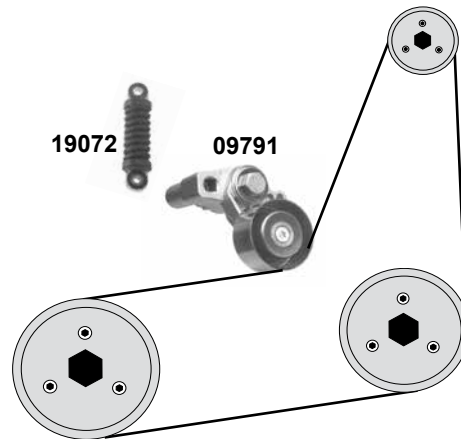
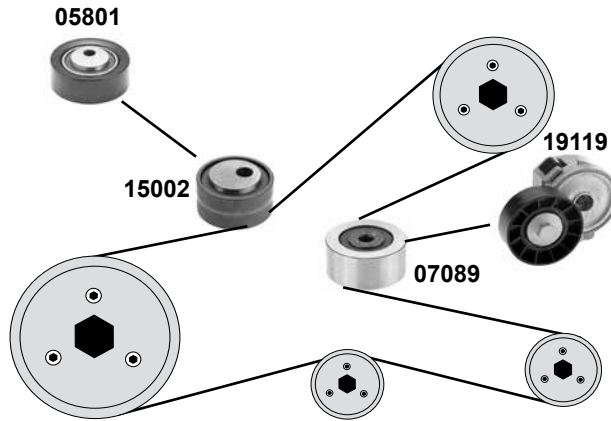
Ref. - No.










Ref. - No.	Description	Notes	Dimensions
17063	tension roller		ØA 60 ØI 13 B30
17064	deflection pulley		ØA 60 ØI 10 B30
17765	timing belt	(ex.) DW10ATED4	Z 141 B25,4
19623	rep. kit timing belt		Z141 B25,4
21865	timing belt	(1)	Z 144 B25,4
27376	tension roller	(2) O 10011 →	ØA 62 B30
27377	deflection pulley	(2) O 10011 →	ØA 62 B30
27390	rep. kit timing belt	(1) → O 10010	Z 144 B25,4
27394	rep. kit timing belt	(2) O 10011 →	Z 144 B25,4
33691	timing chain	(1) endlos/endless	E 40
37211	chain tensioner	(1)	
37230	rep kit timing chain	(1)	

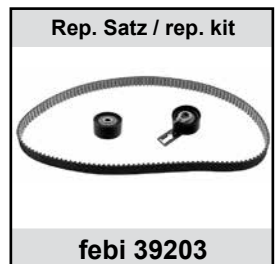
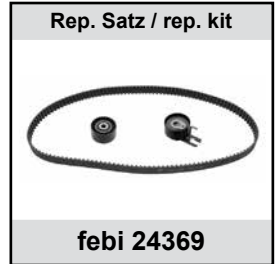
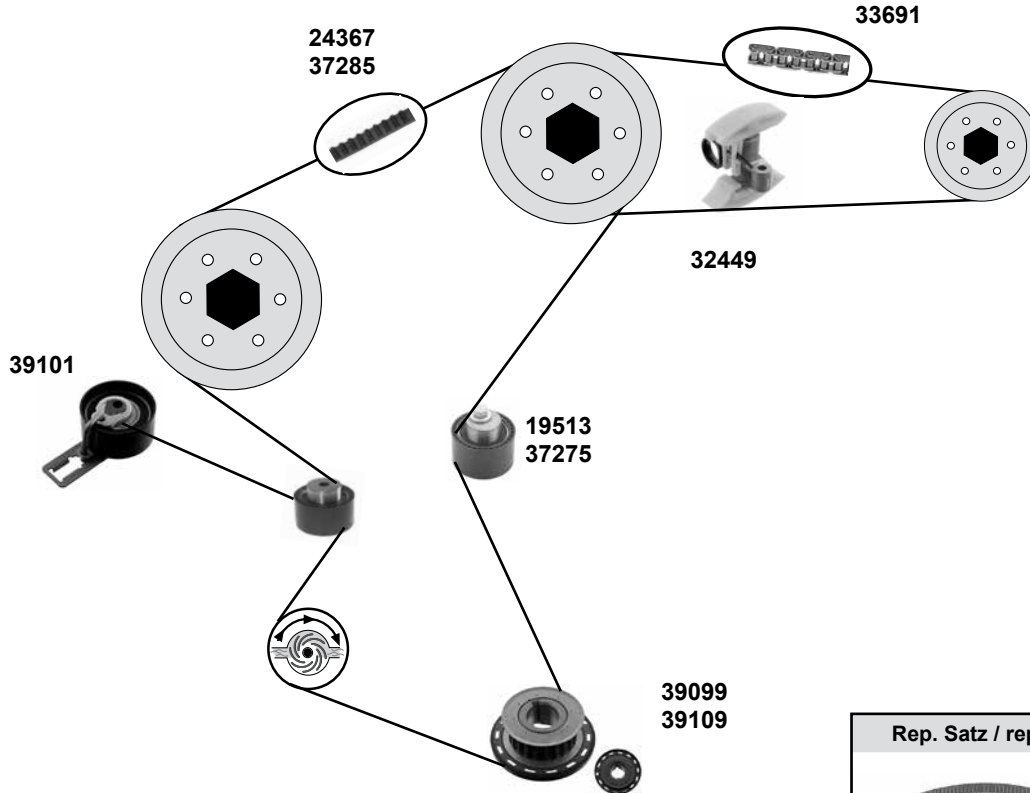


**2,0 HDi**  
 (DW10ATED / DW10BTED)



	Ref. - No.			
<b>05801</b>	5751.29	deflection pulley	AC + servo 	ØA 70 ØI 10/16
<b>07089</b>	5751.57	tension roller	(ex.) AC	ØA 50 B26
<b>09791</b>	5751.30	tension roller	AC + servo 	ØA 60 B26,5
<b>15002</b>	5751.56	tension roller	(ex.) AC	ØA 50 B26
<b>19072</b>	5751.81	belt tensioner	AC + servo 	
<b>19119</b>	5751.55	tension roller		ØA 70 B25

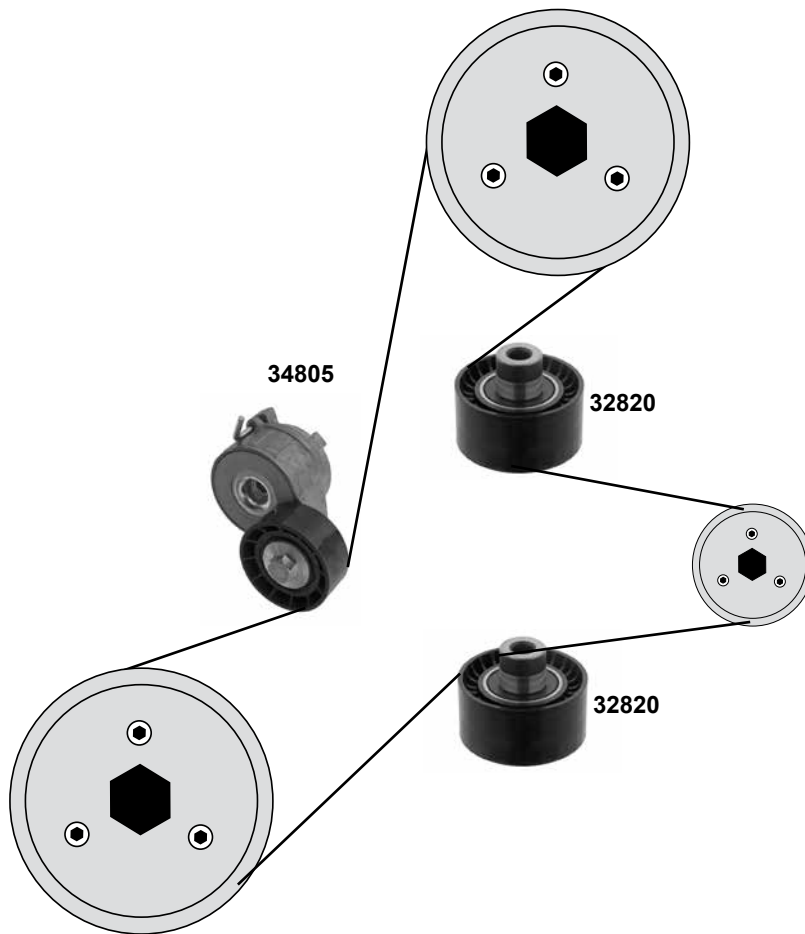
**1,6 HDi**  
(DV6UTED4 / DV6DU/M / DV6UC / DV6TED4)



	(1) (mot.) DV6DU M, DV6UC	(2) (mot.) DV6UTED4
	(3) (mot.) DV6DUM, DV6UC	(4) (mot.) DV6UC
	(5) (mot.) DV6DUM	(6) (mot.) DV6UC O 12720 →

	Ref. - No.			
19511	0829.88	tension roller	(2)	ØA 60 B29
19513	0830.48	deflection pulley	(2)	ØA 60 B30
24367	0816.G7	timing belt	(2)	Z137 B25
24369	0831.P2	rep. kit timing belt	(2)	Z137 B25
32449	0816.J1 SK	chain tensioner	(2) DV6TED4	
33691	0816.F6	timing chain	(2) endlos / endless	40 E
33692	0816.J1	rep kit timing chain	(2)	
37275	0830.75	deflection pulley	(3)	ØA 61 B30
37285	0816.L0	timing belt	(1)	Z 141 B25,4
39099	0805.E5	gear	(2) / (4) → O 12719	
39101	0829.F8	tension roller	(3)	ØA 60 B29
39109	96 772 672 80	gear	(5) (6)	
39203	16 087 474 80	rep. kit timing belt	(3)	
39204	16 087 474 80 S1	rep. kit timing belt	(5) (6)	
39205	16 087 474 80 S2	rep. kit timing belt	(4) → O 12719	

**1,6 HDi**  
 (DV6UTED4 / DV6DU M / DV6UC)



(1) (mot.) DV6UTED4



Ref. - No.

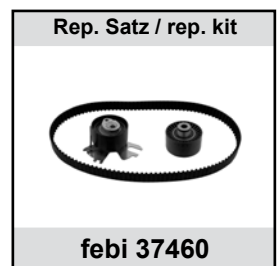
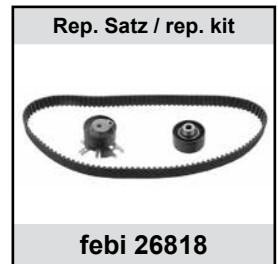
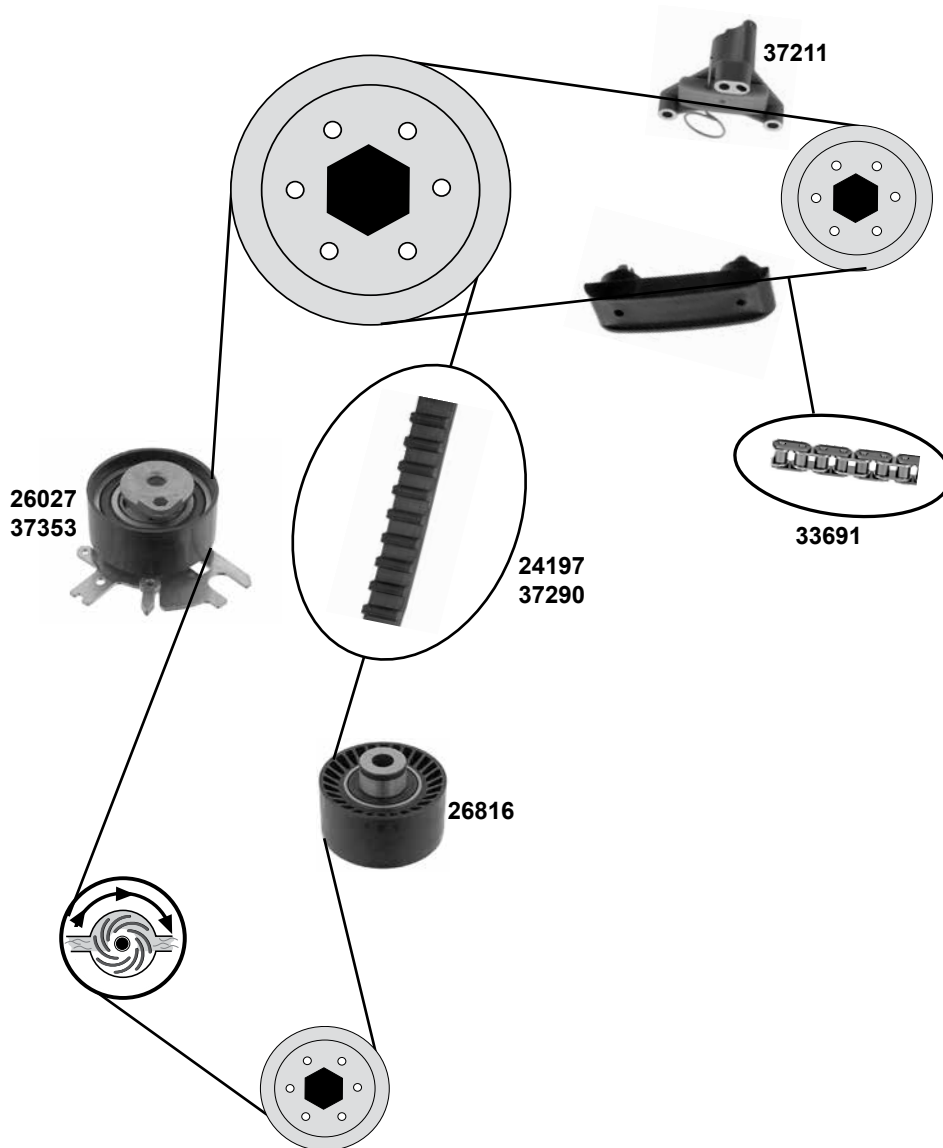


**32820** 5751.E6  
**34805** 5751.F3

deflection pulley  
 belt tensioner

(1)

ØA 60 B30  
 ØA 60 B25



(1) (mot.) DW10CTED4 / DW10CD / DW10CE

(2) (mot.) DW10BTED4 / DW10UTED4

	Ref. - No.			
<b>24197</b>	0816.G3	timing belt	(2)	Z 116 B25
<b>26027</b>	0829.A4	tension roller	(2)	ØA 60 B29
<b>26816</b>	0830.51	deflection pulley	(2)	
<b>26818</b>	0831.T5	rep. kit timing belt	(2)	Z 116 B25
<b>33691</b>	0816.F6	timing chain	endless	40 E
<b>37211</b>	0849.22	chain tensioner		
<b>37230</b>	0849.23	rep kit timing chain		
<b>37290</b>	0816.K8	timing belt	(1)	Z 116 B24,5
<b>37353</b>	029.G6	tension roller	(1)	ØA 60 B29
<b>37460</b>	0831.W1	rep. kit timing belt	(1)	

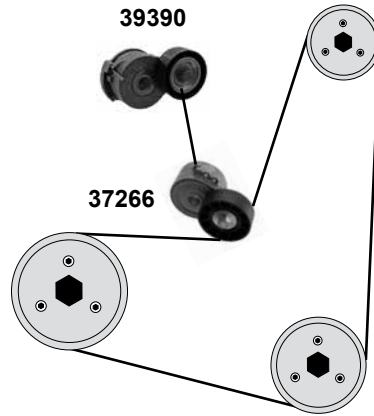
# CITROËN Jumpy III (07→)

Car  
Division



## 2,0 HDi

DW10BTED4, DW10CTED4, DW10UTED4, DW10CD, DW10CE



## Nemo

(02/08→)

## 1,4 HDi

(DV4TED)



(1) (mot.) DW10CTED4 AC / (mot.) DW10CD / DW10CE

(2) (mot.) DW10BTED4 / DW10UTED4



Ref. - No.



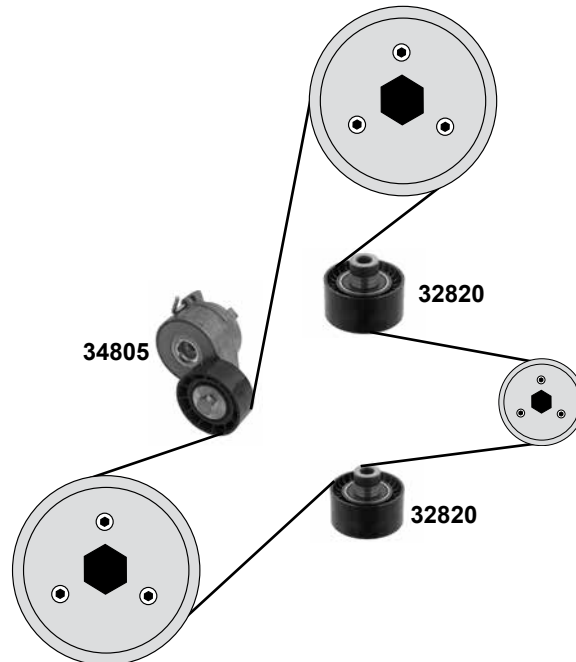
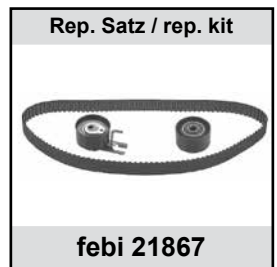
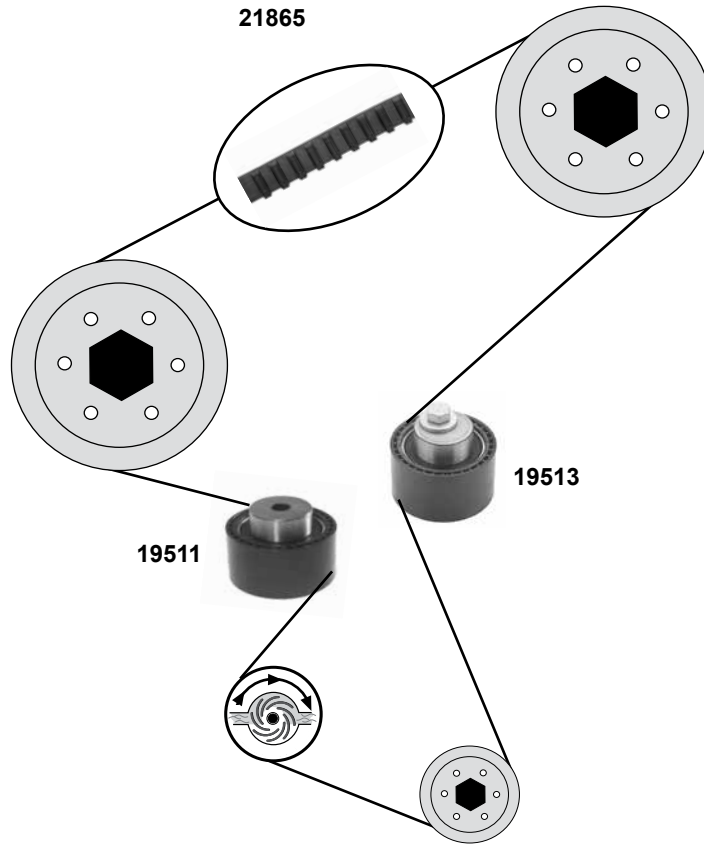
**23778**  
**28458**  
**31622**  
**37266**  
**39390**

0816.K9  
0818.44  
0816.K9 S1  
5751.A7  
5751.H8

timing chain  
chain tensioner  
rep. kit timing chain  
belt tensioner  
belt tensioner

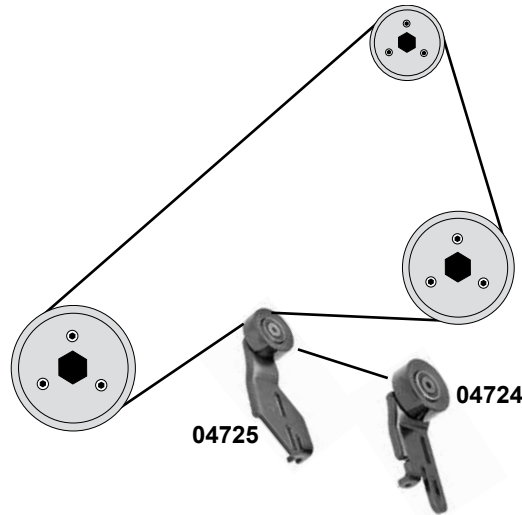
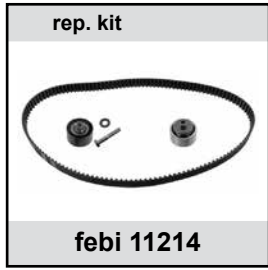
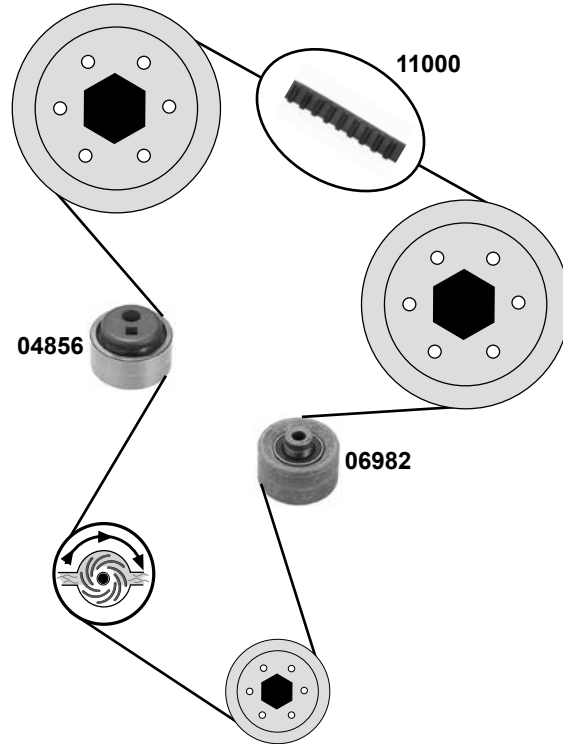
(2)  
(1)







120 E  
ØA 70 B25  
ØA 65 B25



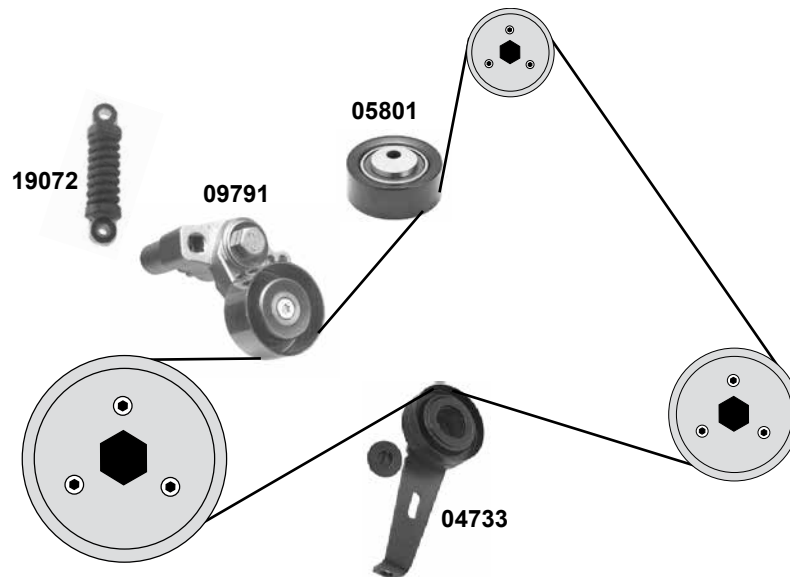
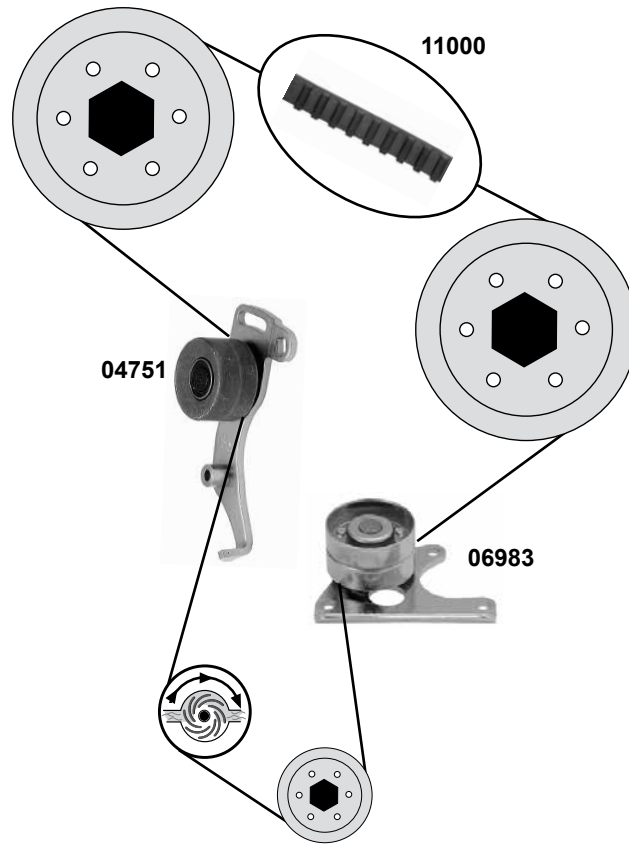
	Ref. - No.			
19511	0829.88	tension roller		ØA 60 B29
19513	0830.48	deflection pulley		ØA 60 B30
21865	0816.E7	timing belt		Z 144 B25,4
21867	0831.T3	rep. kit timing belt		
32820	5751.E6	deflection pulley		ØA 60 B30
34805	5751.F3	belt tensioner	(ex.) AC	ØA60 B25

**1,5 HDi**  
 (TUD5)



	Ref. - No.			
04724	5751.27	tension roller	servo 	ØA 69 B24,5
04725	5751.26	tension roller	man. 	ØA 69 B24,5
04856	0829.30	tension roller		ØA 59 ØI 13 B28
06982	0830.37	de lection pulley		ØA 60 ØI 10 B34
11000	0816.98	timing belt		Z 136 B25,4
11214	0816.72 S	rep. kit timing belt		Z 136 B25,4

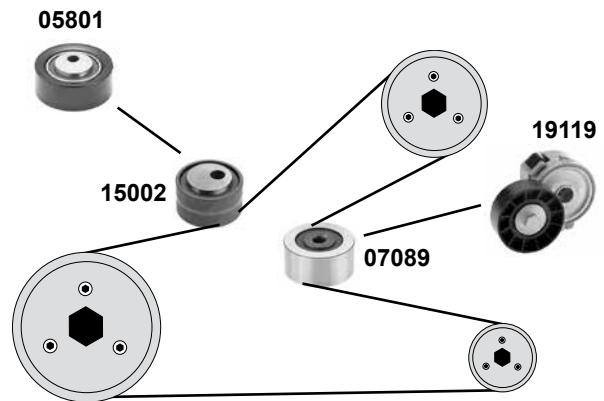
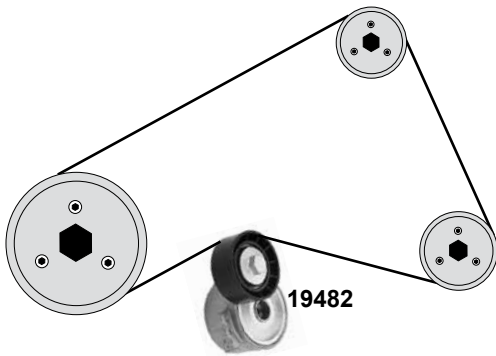
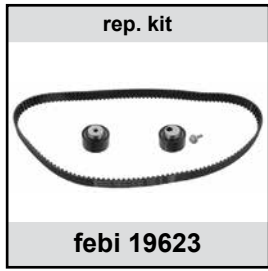
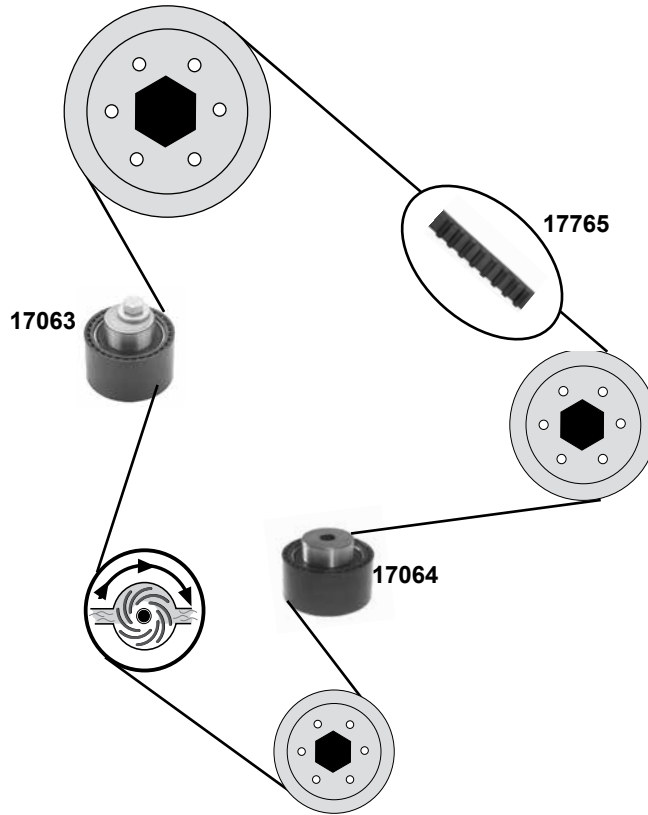
**1,9 HDi**  
(XUD9SD / XUD9TE)



	Ref. - No.			
<b>04733</b>	5751.38	tension roller	(ex.) AC	ØA 85 B26
<b>04751</b>	0829.33	tension roller		ØA 60 B34
<b>05801</b>	5751.29	tension roller	AC	ØA 70 B27/29
<b>06983</b>	0830.13	deflection pulley		ØA 60 B34
<b>09791</b>	5751.30	tension roller	AC	ØA 60 B26,5
<b>11000</b>	0816.98	timing belt		Z 136 B25,4
<b>11222</b>	0831.27	rep. kit timing belt		Z 136 B25,51
<b>19072</b>	5751.81	belt tensioner	AC + servo	




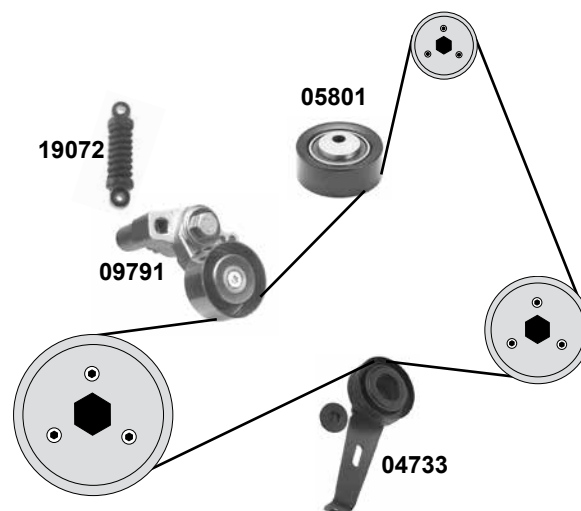
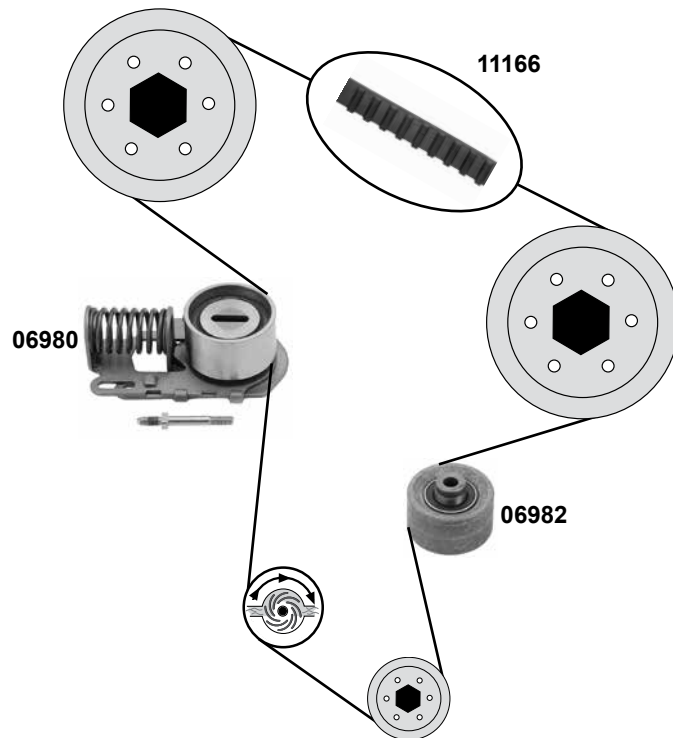
**2,0 HDi**  
 (DW10TD / DW10ATED)



Ref. - No.



<b>05801</b>	5751.29	deflection pulley	AC + servo 	ØA 70 ØI 10/16
<b>07089</b>	5751.57	tension roller	(ex.) AC	ØA 50 B26
<b>15002</b>	5751.56	tension roller	(ex.) AC	ØA 50 B26
<b>17063</b>	0829.59	tension roller		ØA 60 ØI 13 B30
<b>17064</b>	0830.28	deflection pulley		ØA 60 ØI 10 B30
<b>17765</b>	0816.A9	timing belt		Z 141 B25,4
<b>19119</b>	5751.55	tension roller		ØA 70 B25
<b>19482</b>	5751.74	tension roller		ØA 60
<b>19623</b>	0831.83	rep. kit timing belt		Z141 B25,4

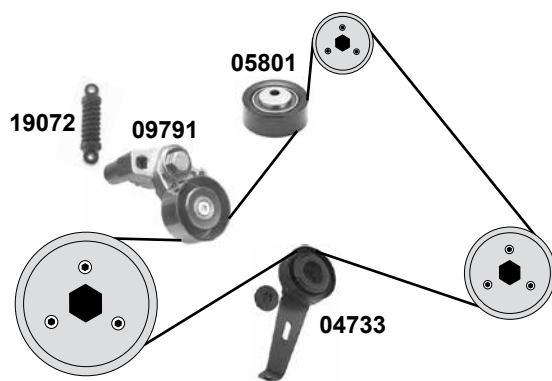
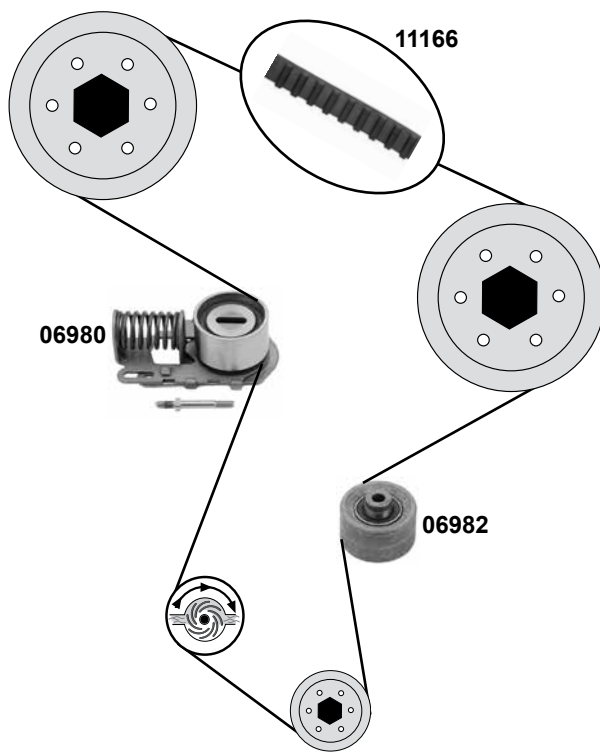


	Ref. - No.			
<b>04733</b>	5751.38	tension roller	(ex.) AC	ØA 85 B26
<b>05801</b>	5751.29	tension roller	AC	ØA 70 B27/29
<b>06980</b>	0818.19	tension roller		ØA 57 B31
<b>06982</b>	0830.37	deflection pulley		ØA 60 ØI 10 B34
<b>09791</b>	5751.30	tension roller	AC	ØA 60 B26,5
<b>11106</b>	0816.54 S	rep. kit timing belt		Z 149 B25,27
<b>11166</b>	0816.54	timing belt		Z 149 B25,4
<b>19072</b>	5751.81	belt tensioner	AC + servo	



## 2,1 HDi

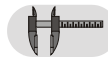
(XUD11A / XUD11ATE / XUD11BTE)



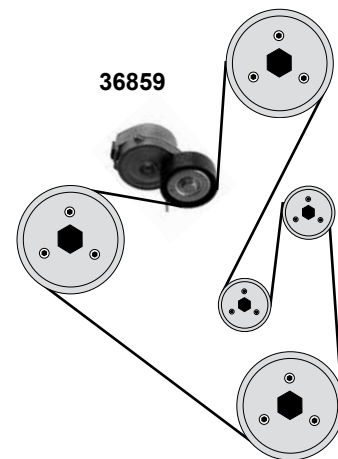
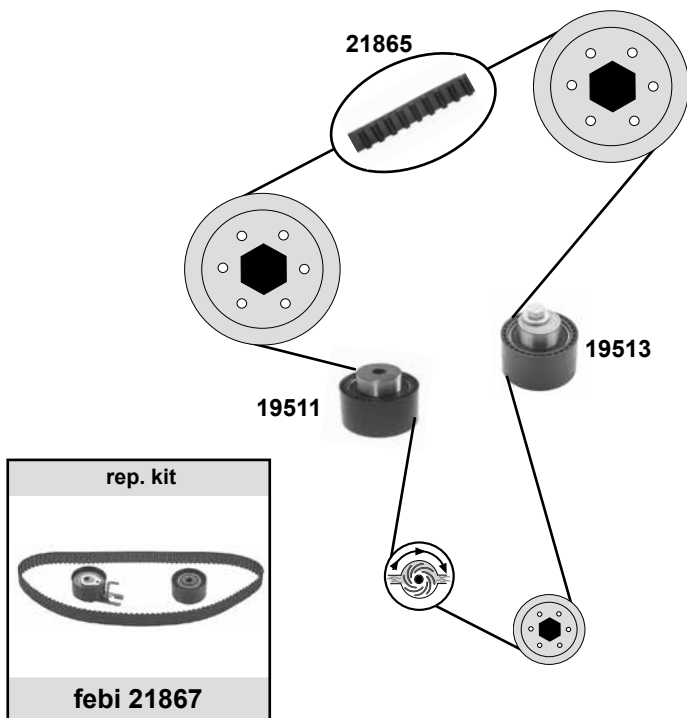
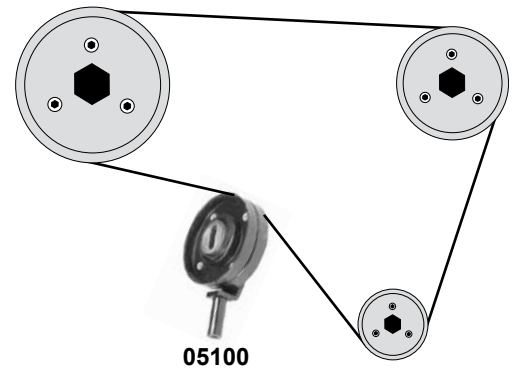
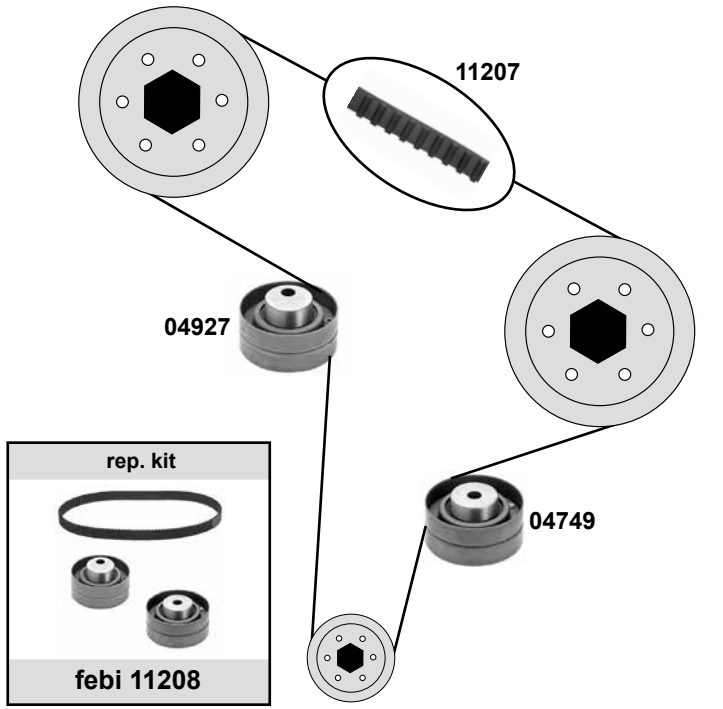
(1) (mot.) XUD11ATE / XUD11BTE



Ref. - No.



Ref. - No.	Description	Notes	Dimensions
04733	tension roller	(ex.) AC	ØA 85 B26
05801	tension roller		ØA 70 B27/29
06980	tension roller		ØA 57 B31
06982	deflection pulley		ØA 60 ØI 10 B34
09791	tension roller	AC + servo	ØA 60 B26,5
11106	rep. kit timing belt	(1)	Z 149 B25,27
11166	timing belt	(1)	Z 149 B25,4
19072	belt tensioner	AC + servo	



Ref. - No.



04749	0830.12	deflection pulley	ØA 70,5 B32 / 37
04927	0818.20	tension roller	ØA 70,5 B32 / 40
05100	6453.R8	tension roller	ØA 93,5 B26
11207	0816.68	timing belt	Z 141 B28
11208	0816.64 S	rep. kit timing belt	Z 141 B28
19511	0829.88	tension roller	ØA 60 B29
19513	0830.48	deflection pulley	ØA 60 B 30
21865	0816.E7	timing belt	Z 144 B 25,4
21867	0831.T3	rep. kit timing belt	
22779	5751.89	belt tensioner	ØA 55 B 25

# CITROËN

## Xsara II

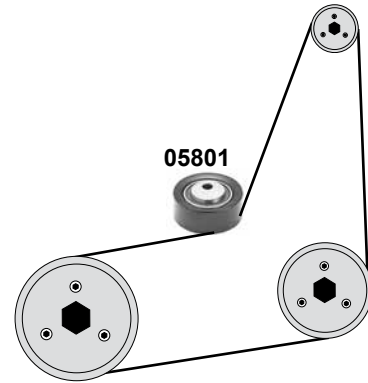
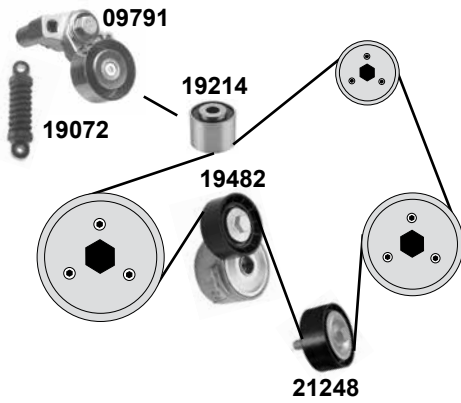
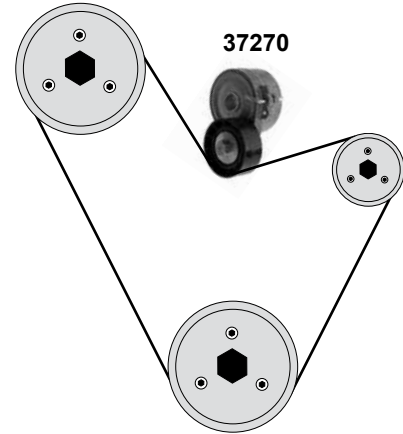
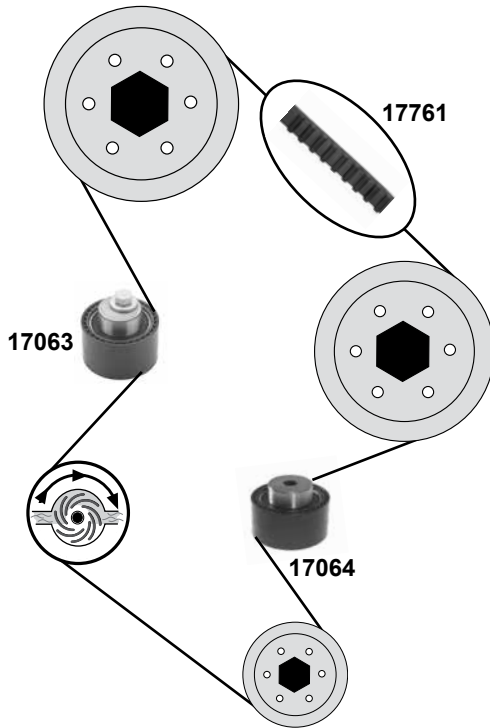
(97→05)

Car  
Division



### 1,9 HDi

(DW8B)



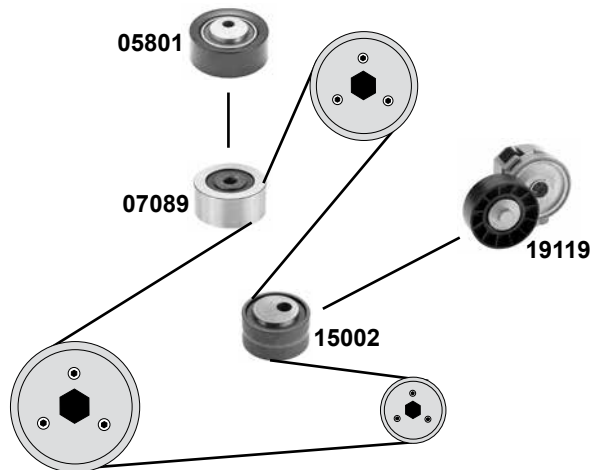
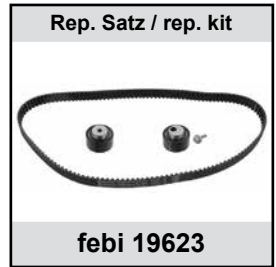
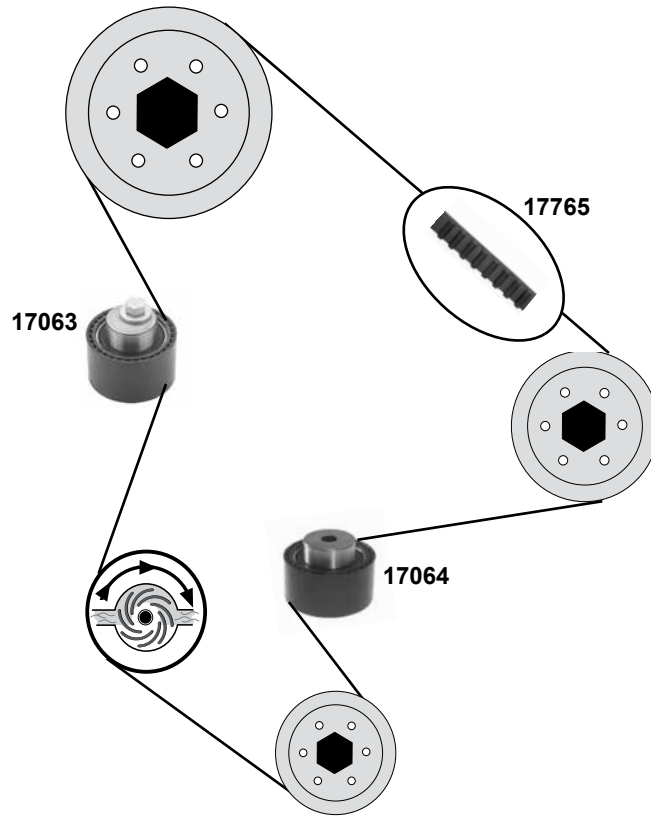
(1) AC + servo O 09611 →



Ref. - No.



Ref. - No.	Description	AC	Dimensions
05801	deflection pulley	AC	ØA 70 ØI 10/16
09791	belt tensioner	AC	ØA 60 B26,5
17063	tension roller		ØA 60 ØI 13 B30
17064	tension roller		ØA 60 ØI 10 B30
17761	timing belt		Z 140 B25,4
19072	belt tensioner	AC	
19214	deflection pulley	(ex.) AC	ØA 37 ØI 10 B27
19482	tension roller	(ex.) AC	ØA 60
19615	rep. kit timing belt		Z 140 B25,4
21248	deflection pulley	(ex.) AC	ØA 59,8 B25
37270	belt tensioner	(1)	ØA 60 B25

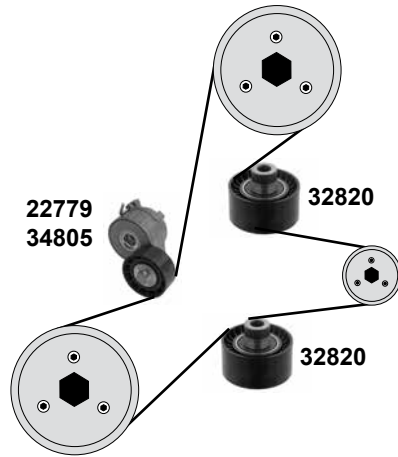
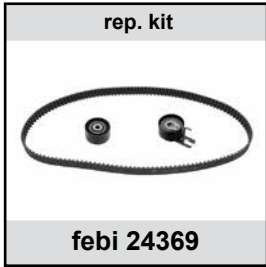
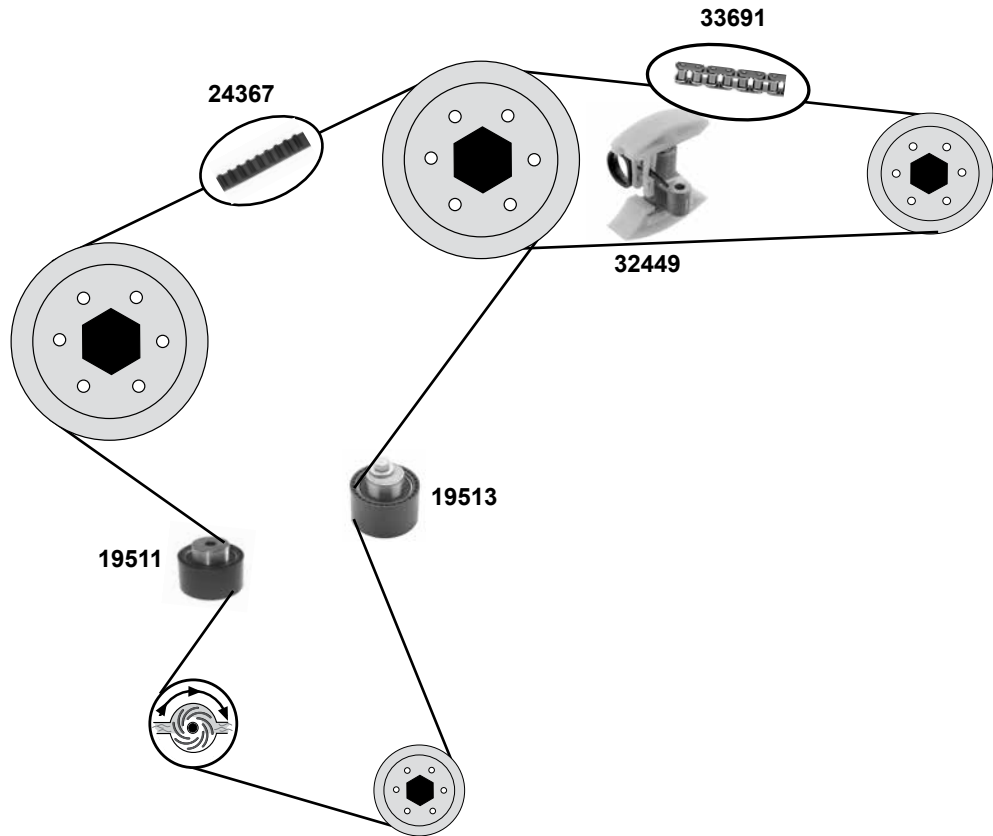


	Ref. - No.			
<b>05801</b>	5751.29	deflection pulley	AC	ØA 70 ØI 10/16
<b>07089</b>	5751.57	tension roller	(ex.) AC	ØA 50 B26
<b>15002</b>	5751.56	tension roller	(ex.) AC	ØA 50 B26
<b>17063</b>	0829.59	tension roller		ØA 60 ØI 13 B30
<b>17064</b>	0830.28	tension roller		ØA 60 ØI 10
<b>17765</b>	0816.A9	timing belt		Z 141 B25,4
<b>19119</b>	5751.55	tension roller		ØA 70 B25
<b>19623</b>	0831.83	rep. kit timing belt		Z141 B25,4



## 1,6 HDi

(DV6TED4 /DV6ATED4)



(1) (mot.) DV6TED4 / (mot.) DV6ATED4 ac

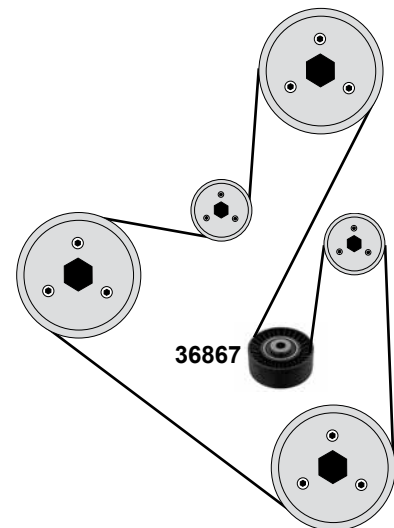
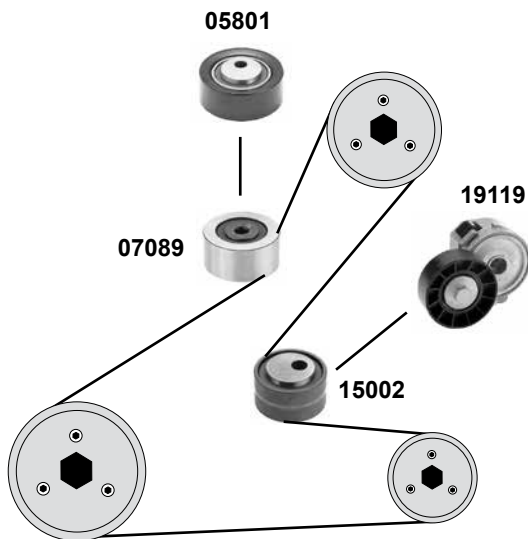
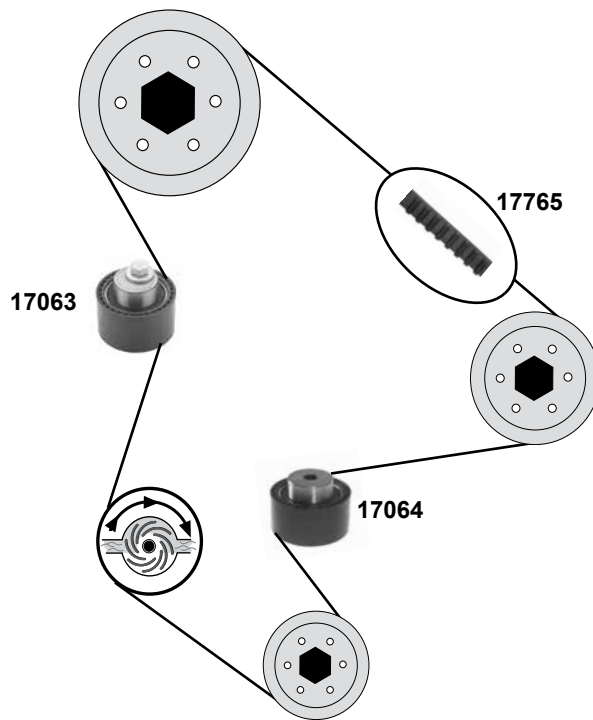
(2) alle / all DV6 / endlos / endless



Ref. - No.



Ref. - No.	Description	Quantity	Notes
19511	tension roller		
19513	deflection pulley		
22779	belt tensioner	(1)	
24367	timing belt		
24369	rep. kit timing belt		
32449	chain tensioner		
32820	deflection pulley	(2)	(mot.) DV6ATED4 ac
33691	timing chain	(2)	
33692	rep kit timing chain		
34805	belt tensioner	(2)	(mot.) DV6ATED4



Ref. - No.

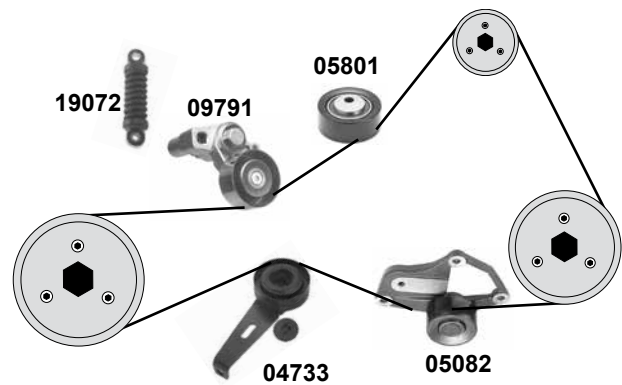
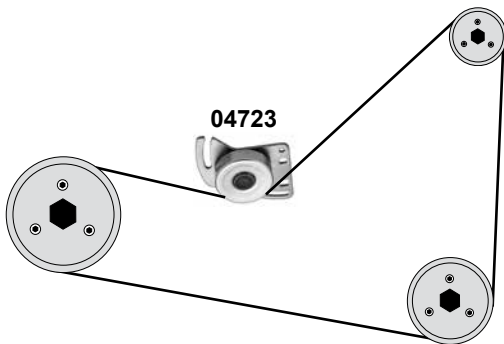
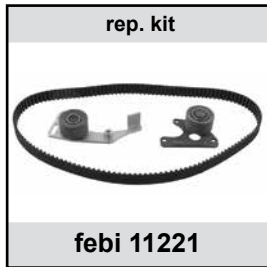
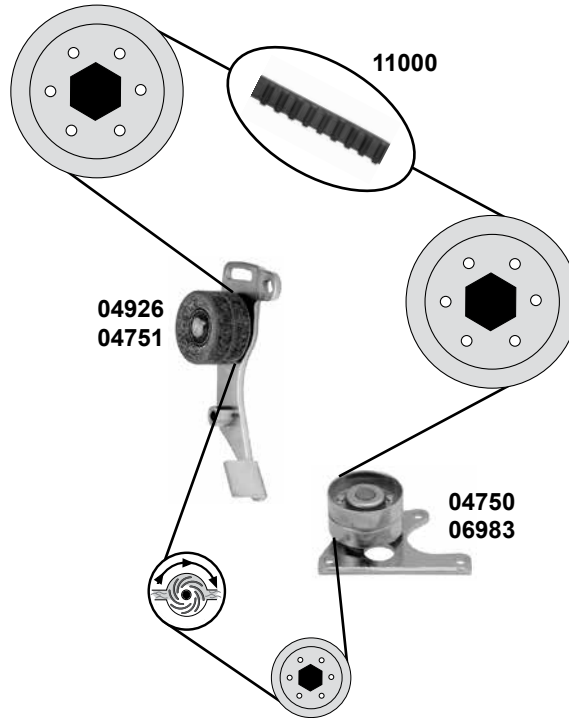


<b>05801</b>	5751.29	deflection pulley	AC	ØA 70 ØI 10/16
<b>07089</b>	5751.57	tension roller	(ex.) AC	ØA 50 B26
<b>15002</b>	5751.56	tension roller	(ex.) AC	ØA 50 B26
<b>17063</b>	0829.59	tension roller		ØA 60 ØI 13 B30
<b>17064</b>	0830.28	tension roller		ØA 60 ØI 10
<b>17765</b>	0816.A9	timing belt		Z 141 B25,4
<b>19119</b>	5751.55	tension roller		ØA 70 B25
<b>19623</b>	0831.83	rep. kit timing belt		Z141 B25,4
<b>36867</b>	5751.G1	deflection pulley	AC O 10768→	ØA 70 B25





## 1,8 / 1,9 HDi (XUD7 / XUD9 / XU9TE)

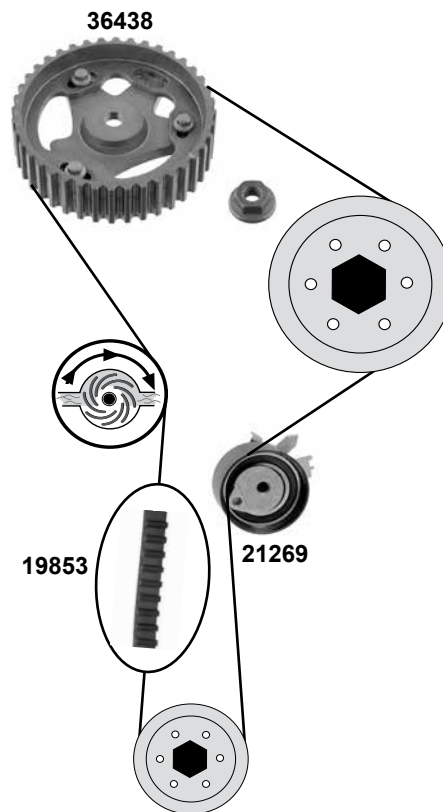
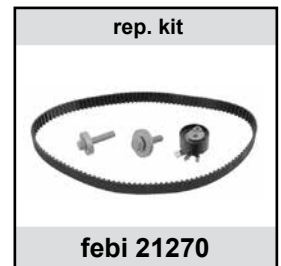
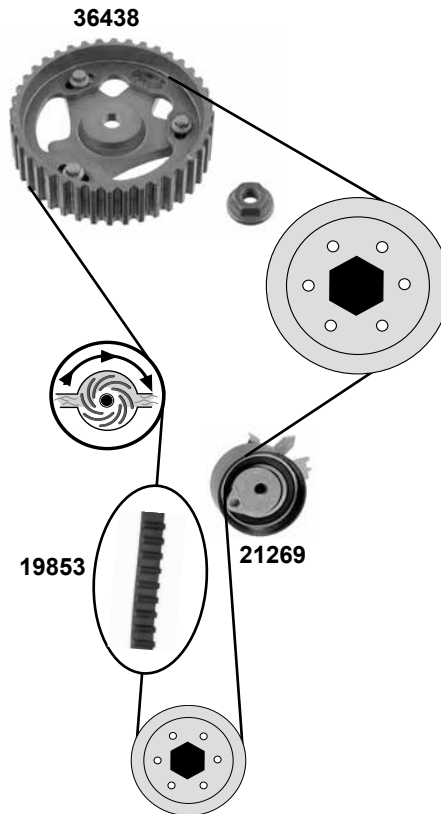


Ref. - No.

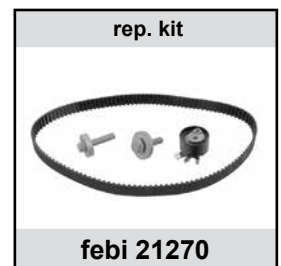


04723	6453.76	tension roller	AC	ØA 58 B22,5
04733	5751.38	tension roller	AC oder/or servo	ØA 85 B26
04750	0830.02	deflection pulley	Modell: → 01/94	ØA 60 B34
04751	0829.33	tension roller	Modell: 01/94 →	ØA 60 B34
04926	0829.11	tension roller	Modell: → 01/94	ØA 60 B34
05082	5751.24	deflection roller	AC	ØA 60 B28
05801	5751.29	deflection roller	AC	ØA 70 ØI 10/16
06983	0830.13	deflection pulley	Modell: 01/94 →	ØA 60 B34
09791	5751.30	belt tensioner	AC + servo	ØA60 B26,5
11000	0816.98	timing belt		Z 136 B25,4
11221	0831.09	rep. kit timing belt	Modell: → 01/94	Z 136 B25,4
11222	0831.27	rep. kit timing belt	Modell: 01/94 →	Z 136 B25,51
19072	5751.81	belt tensioner	AC + servo	

**1,5 D**  
(K9K)



**Duster**  
(10→)  
**1,5 D**  
(K9K)



Ref. - No.

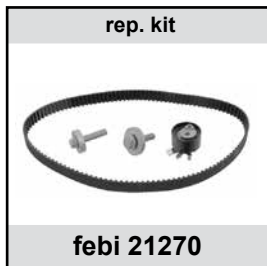
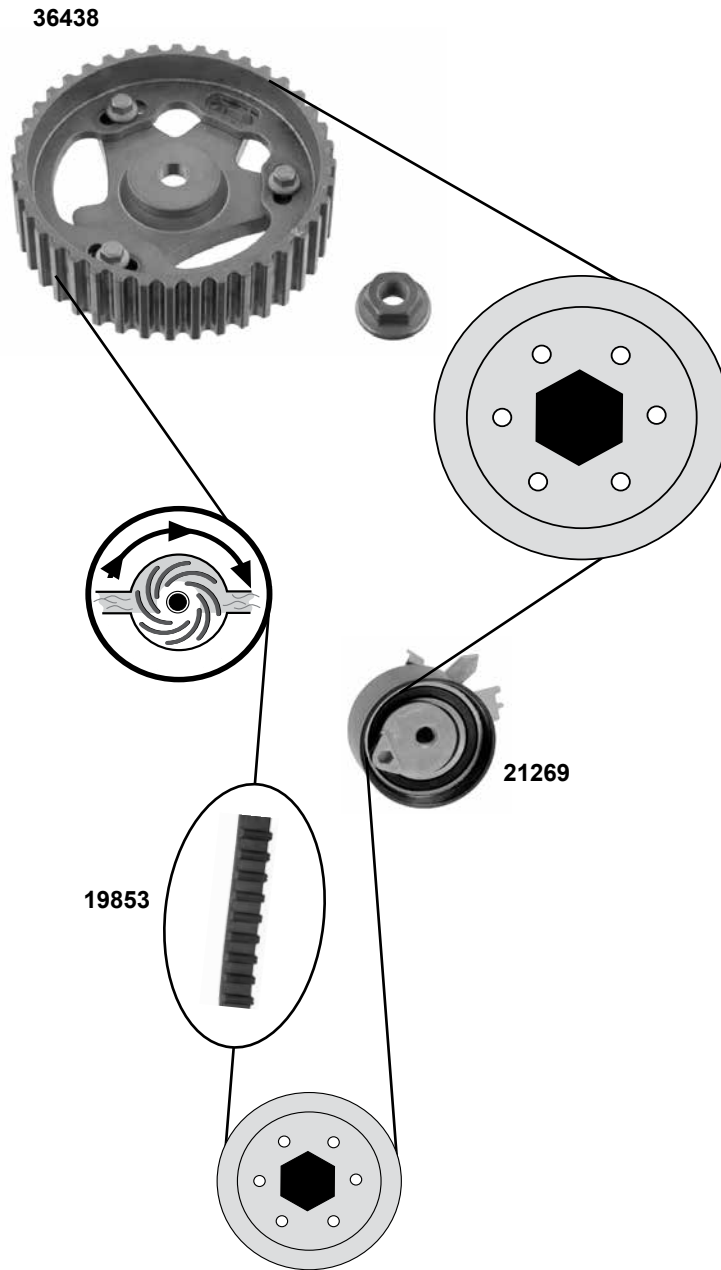


<b>19853</b>	28 00 039 519
<b>21269</b>	82 00 102 941
<b>21270</b>	77 01 477 028
<b>36438</b>	77 01 478 037

timing belt  
tension roller  
rep. kit timing belt  
camshaft timing gear

Z 123 B27  
ØA 60 B32  
Z 123 B26,8

**1,5 D**  
(K9K)



Ref. - No.

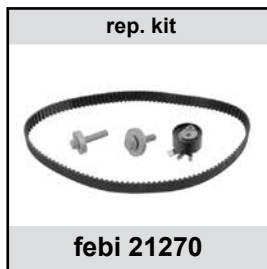
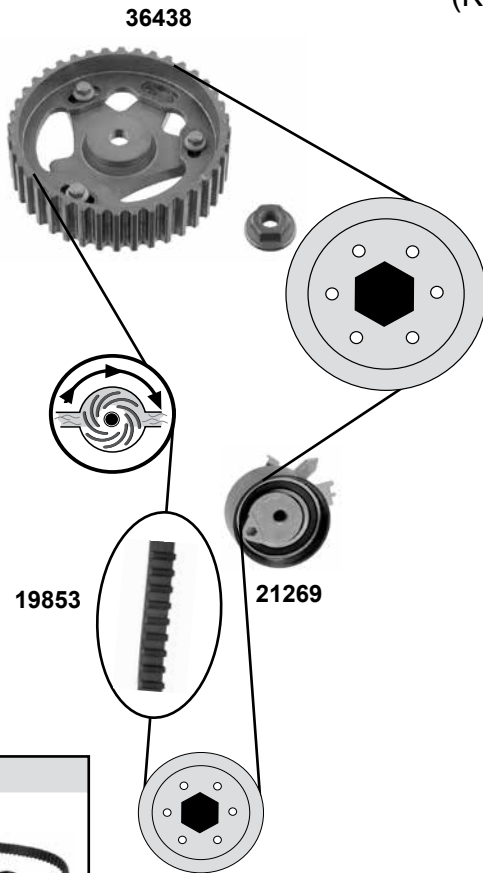


<b>19853</b>	82 00 537 033
<b>21269</b>	82 00 102 941
<b>21270</b>	77 01 477 028
<b>36438</b>	77 01 478 037

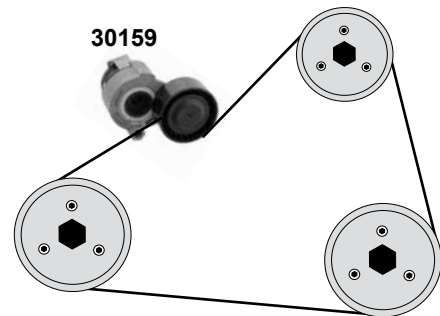
timing belt  
tension roller  
rep. kit timing belt  
camshaft timing gear

Z 123 B27  
ØA 60 B32  
Z 123 B27

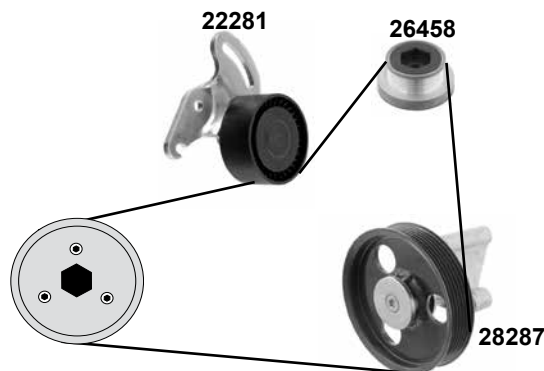
**1,5 D**  
(K9K)



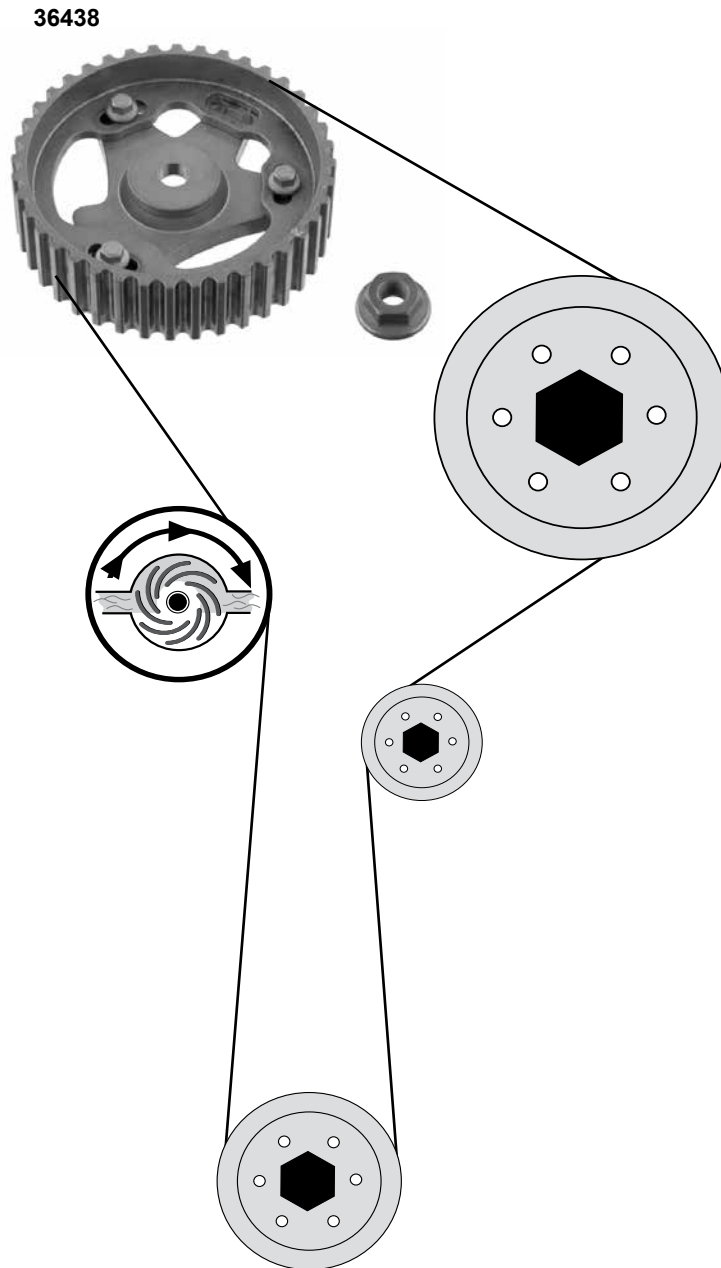
**1,5 D**  
(K9K-790 ,796)

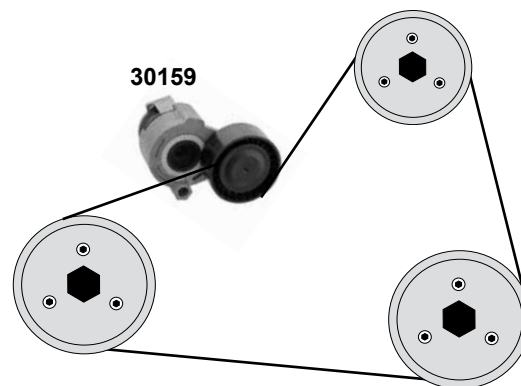
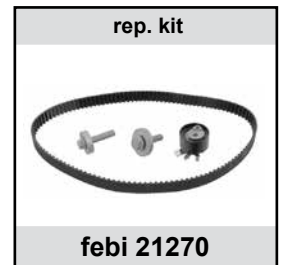
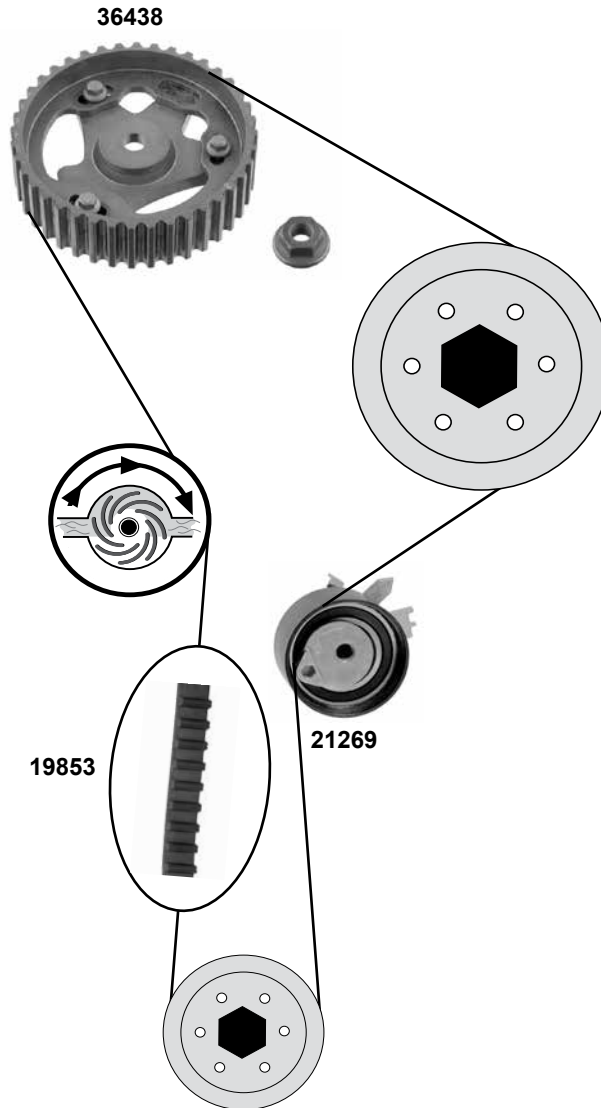


**1,5**  
(K9K)



	Ref. - No.			
19853	28 00 039 519	timing belt	(mot.) K9K-790	Z 123 B27
21269	82 00 102 941	tension roller		ØA 60 B32
21270	77 01 477 028	rep. kit timing belt	(ex.) servo  (ex.) AC	Z 123 B26,8
22281	82 00 328 372	tension roller		ØA 65,4 B26
26458	82 00 113 636	belt pulley alternator		ØA 76,4 B38
28287	82 00 641 468	deflection pulley		ØA 131,5 B27
30159	82 00 608 550	belt tensioner		ØA 65 H26
36438	77 01 478 037	camshaft timing gear		





Ref. - No.



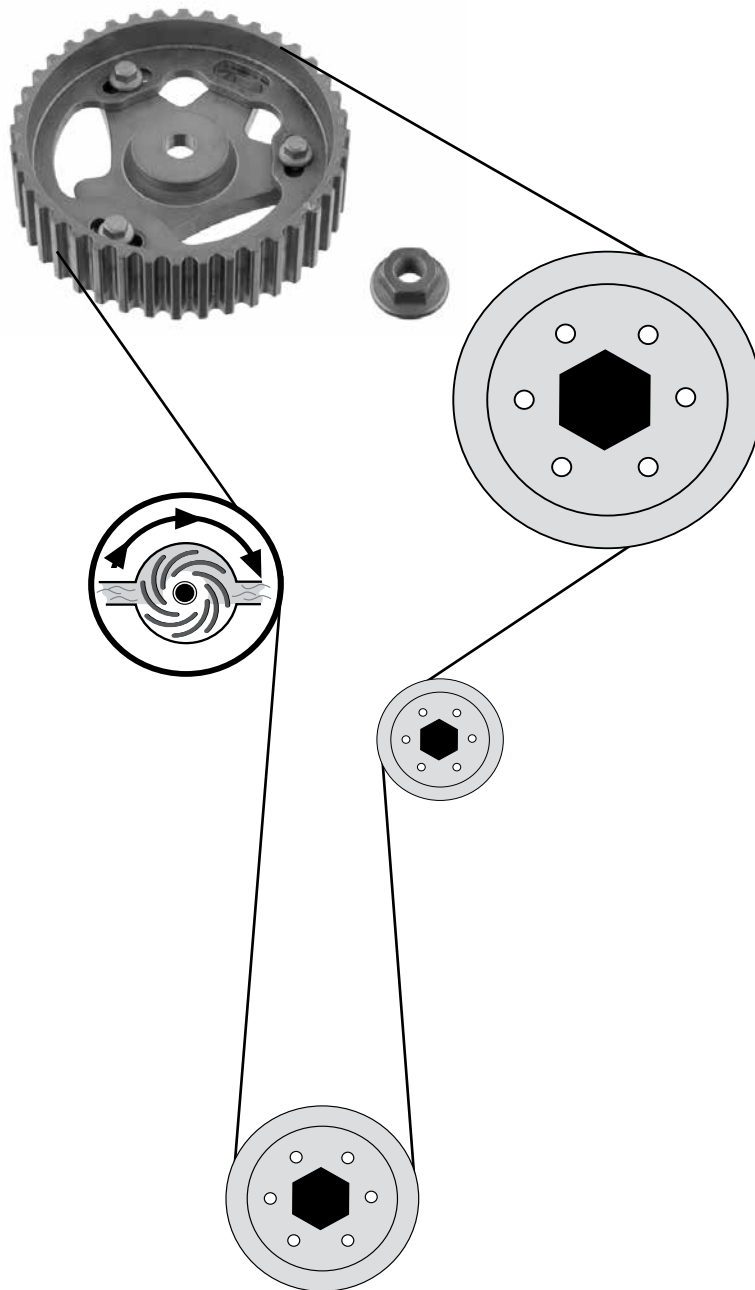
19853	28 00 039 519
21269	82 00 102 941
21270	77 01 477 028
30159	82 00 608 550

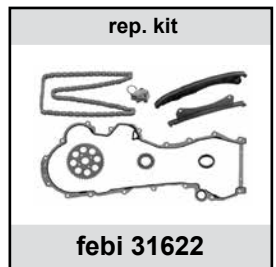
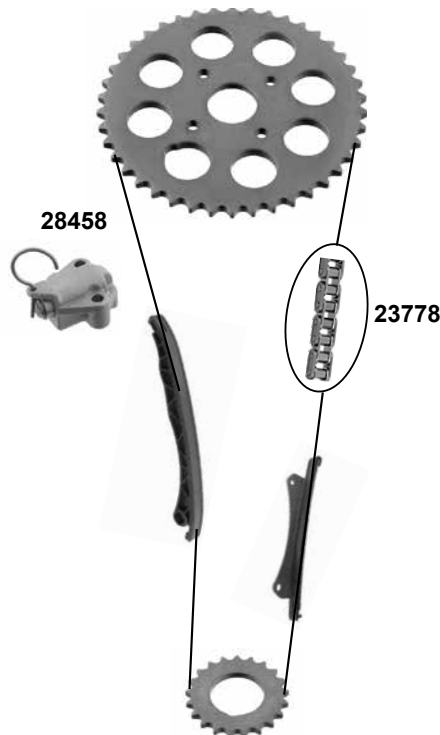
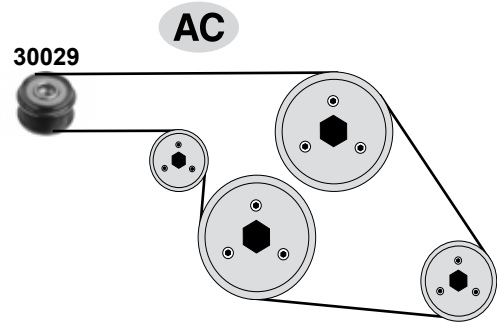
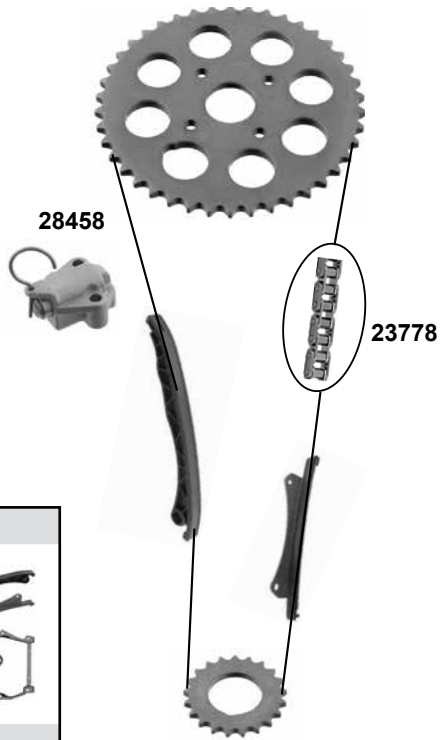
timing belt
tension roller
rep. kit timing belt
belt tensioner

Z 123 B27
ØA 60 32
Z 123 B26,8
ØA 65



36438





- (1) for Alternator: 4654 4329 / 4655 4408  
(2) 500 Nuova →12 500 C 09→ / 500 MY / 500 L 12→



Ref. - No.



timing chain  
chain tensioner  
belt pulley  
rep. kit timing chain



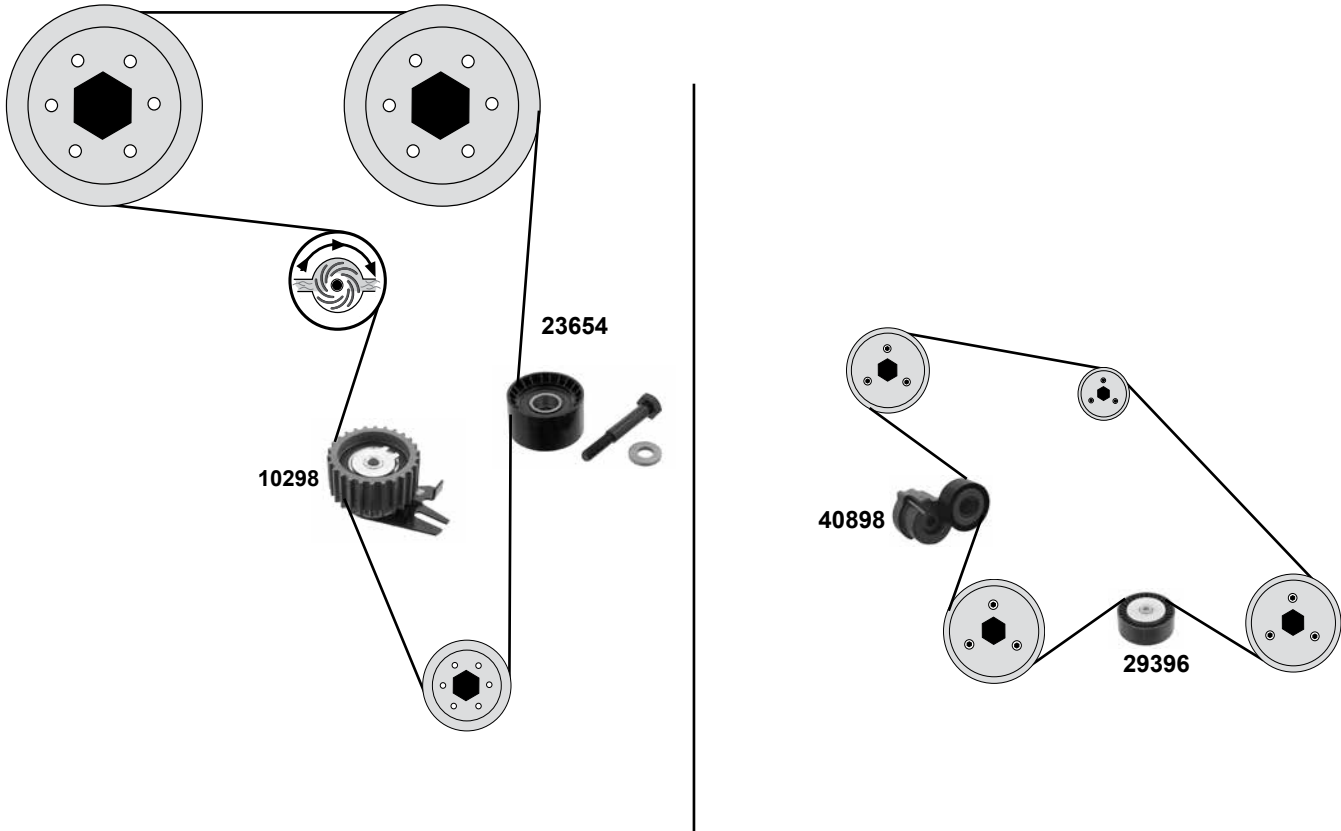
(2)  
(2)  
(1)  
(2)



120 E  
ØA 59; ØI17 B38,1  
120 E



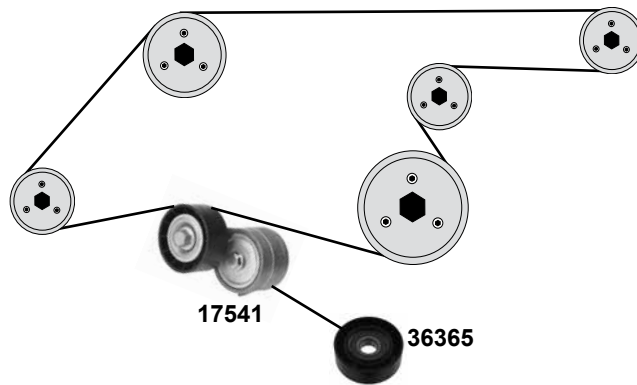
**1,6 D**



**Brava I / Bravo (182)**

(95→02)

**1,9 D**



(1) (ex.) tropical Countries



Ref. - No.



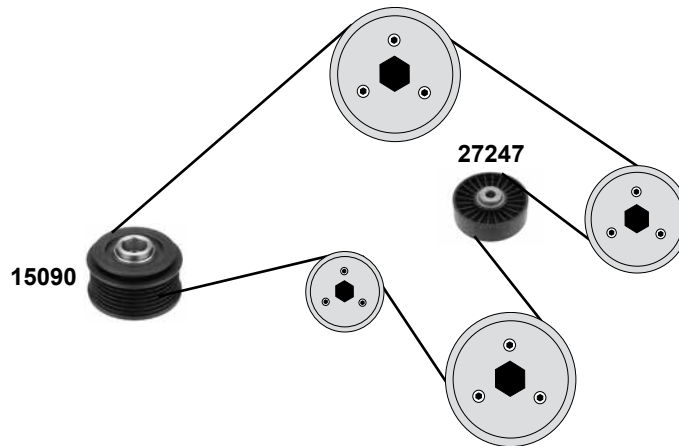
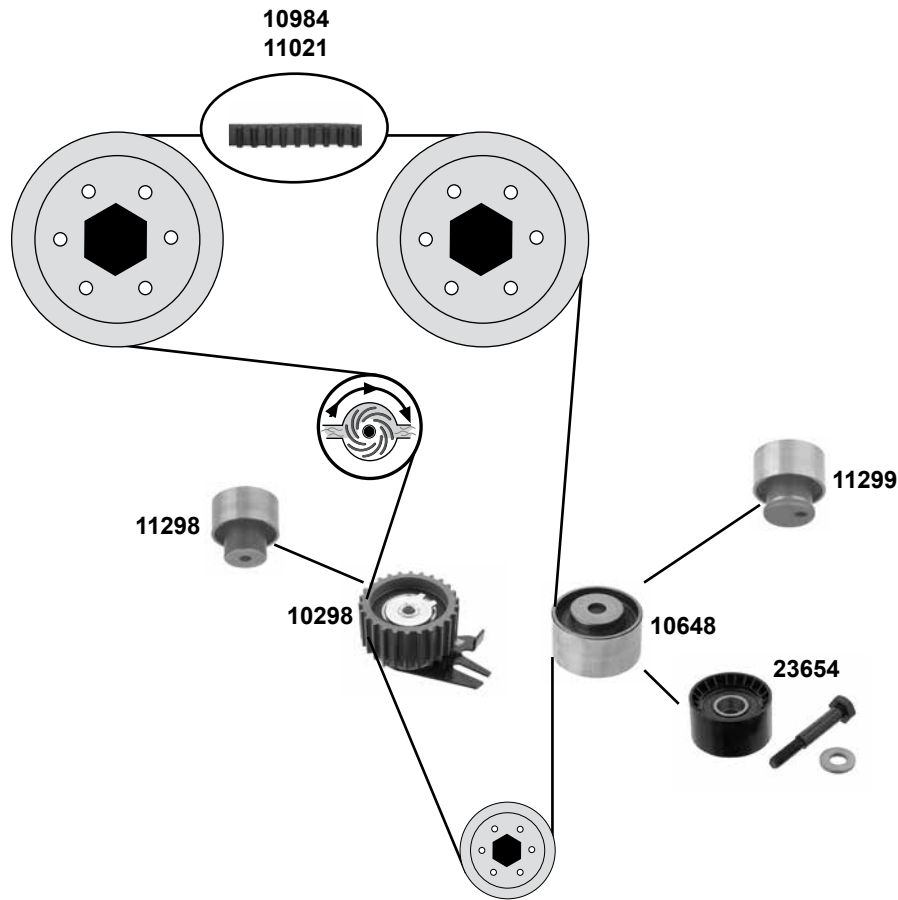
**10298**  
**17541**  
**23654**  
**29396**  
**40898**  
**36365**

55238027  
46524692  
71771498  
51758383  
51820520  
46439471

tension roller  
tensioner assembly  
deflection pulley  
deflection pulley  
tensioner assembly  
deflection pulley

(1)

ØA 64 B 40  
ØA 65 B 29  
ØA 65 B 26  
ØA 65 B 26  
ØA 80 B 27



(1) (mot.) 1,9 TD 55kW/74kW (mot.) 1,9 JTD 77kW



Ref. - No.



Ref. - No.	Description	Quantity	Dimensions
10298	tension roller	(1)	ØA 65 B 30 Z26
10648	deflection pulley		ØA 53 B 29
10984	timing belt	98→	Z 190 B 24
11021	timing belt		Z 193 B 24
11298	deflection pulley		ØA 31 B 30/57
11299	tension roller		ØA 61 B 30/55
14278	rep. kit timing belt		Z 190 B 24
15090	belt pulley alternator	98	ØA 65 ØI 17 H37,2
23654	deflection pulley	(1)	ØA 53 B 29
23655	rep. kit timing belt		Z 190 B 24
27247	deflection pulley		ØA 80 B 25 ØI 10

# FIAT

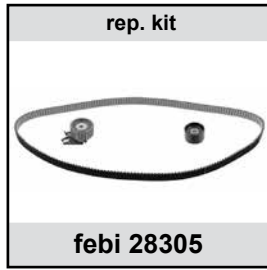
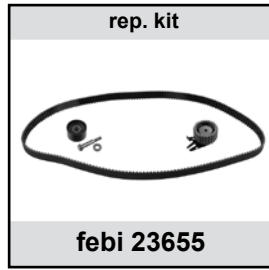
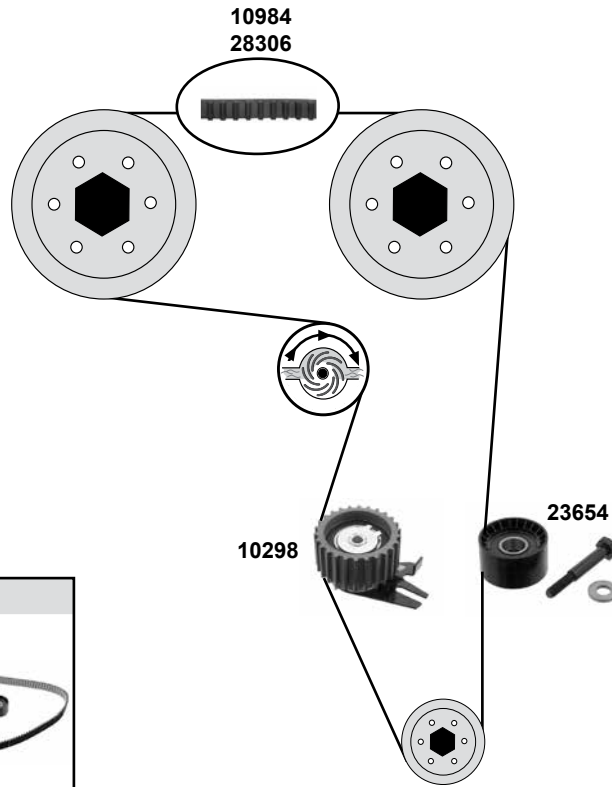
## Bravo Nuova II (198)

(07→09)

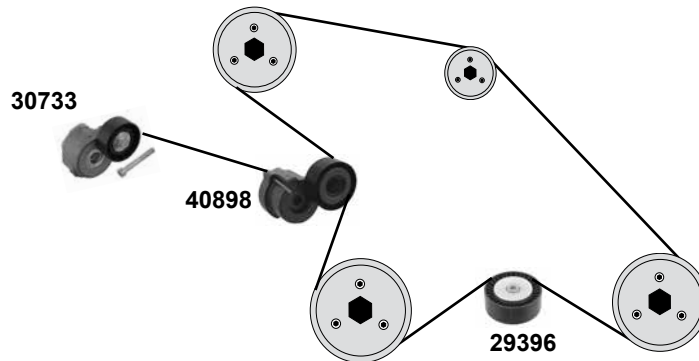
Car  
Division



1,6 / 1,9 / 2,0 D



1,6 / 1,9 D (110kW) / 2,0 D JTD



(1) (mot.) 1,6 / 1,9 66kW,88kW,110kW / 2,0

(2) (mot.) 1,6 D / 1,9 D 66kW/88kW/110kW / 2,0 D

(3) (mot.) 1,9 D Multijet 110kW / 2,0 D Multijet

(4) (mot.) 1,9 D 66kW / 85 kW / 88 kW

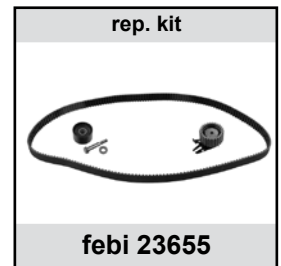
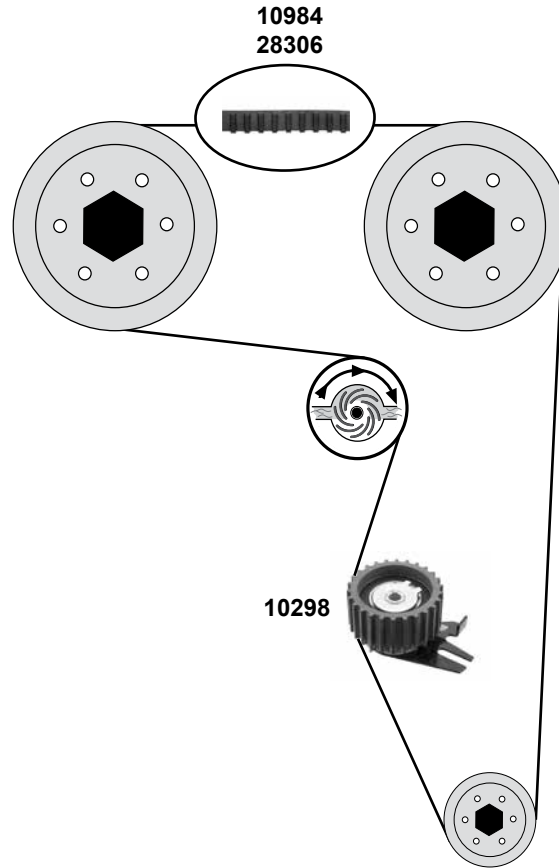
(5) (mot.) 2,0 D 15/12/09 → / (ex.) tropische Länder / (ex.) tropical Countries

(6) (mot.) 1,6 D ac / (mot.) 2,0 D

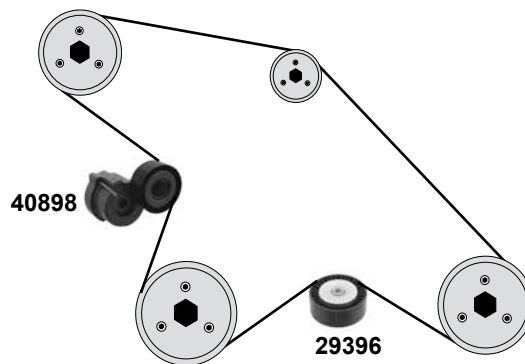


Ref. - No.				
10298	55238027	tension roller	(1)	ØA 65 B 30 Z26
10984	71731639	timing belt	1,9 D 66/88kW	Z190 B24
23654	71771498	deflection pulley	(2) Multijet	ØA 53 B 29
23655	71736726	rep. kit timing belt	(4)	
28305	55183528 S1	rep. kit timing belt	(3)	
28306	55183528	timing belt	(3)	Z199 B24
29396	51758383	deflection pulley	(6)	ØA 70 B26
30733	51773551	tensioner assembly	ac	ØA 65
40898	51820520	tensioner assembly	(5)	ØA 65 B26

**1,6 / 1,9 / 2,0 D**



**1,6 / 2,0 D**



(1) Bravo Nuova (BM 198) / (mot.) 1,6 / 1,9 66kW,88kW,110kW / 2,0

(2) (mot.) 1,9 D 66kW / 85kW / 88kW

(3) (mot.) 1,9 D Multijet 110kW / (mot.) 2,0 D

(4) (ex.) tropische Länder / (ex.) tropical Countries



Ref. - No.



**10298** 55238027  
**10984** 71731639  
**23655** 71736726  
**28306** 55183528  
**29396** 51758383  
**40898** 51820520

tension roller  
timing belt  
rep. kit timing belt  
timing belt  
deflection pulley  
tensioner assembly

(1)  
(mot.) 1,9 D 66/88kW  
(2)  
(3)  
(mot.) 1,6 D AC  
(4) AC

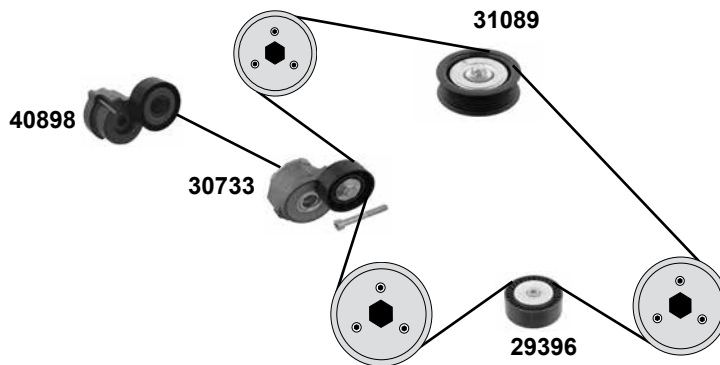
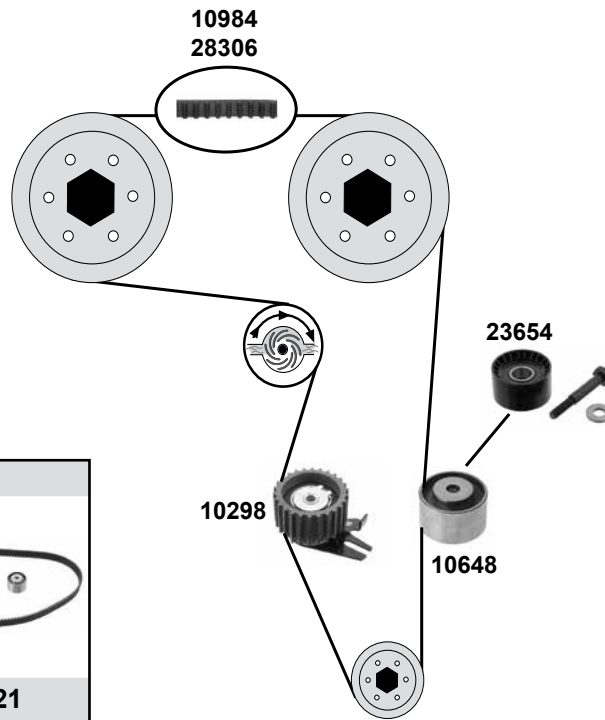
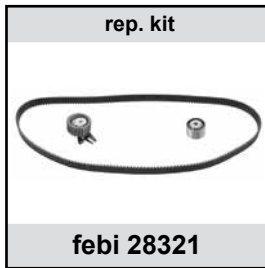
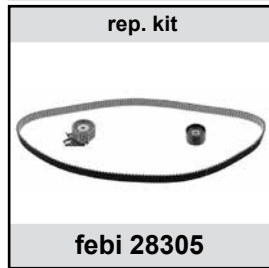
ØA 65 B 30 Z26  
Z 190 B 24  
Z 199 B24  
ØA 70 B26  
ØA 65 B26

# FIAT Croma (194) (05→10)

Car  
Division



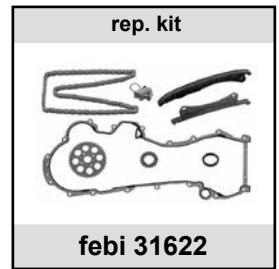
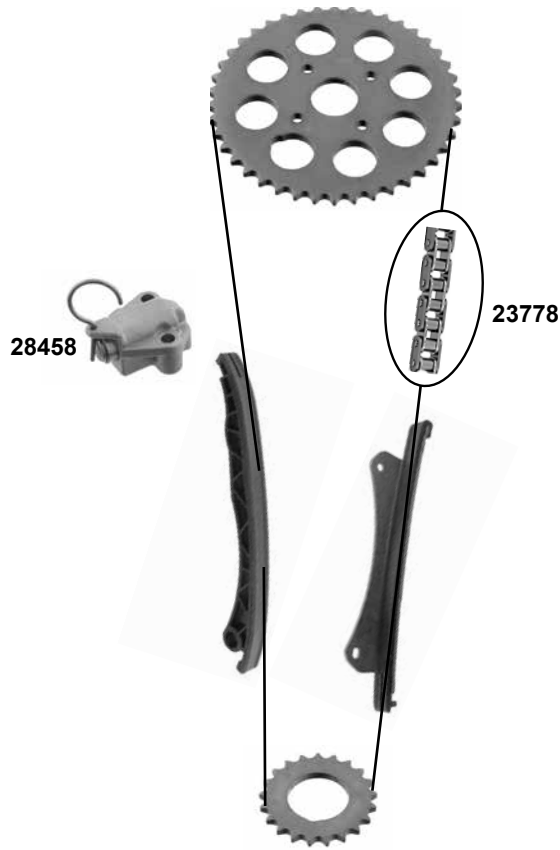
**1,9 D** (8V/16V)  
**2,4 D** (20V)



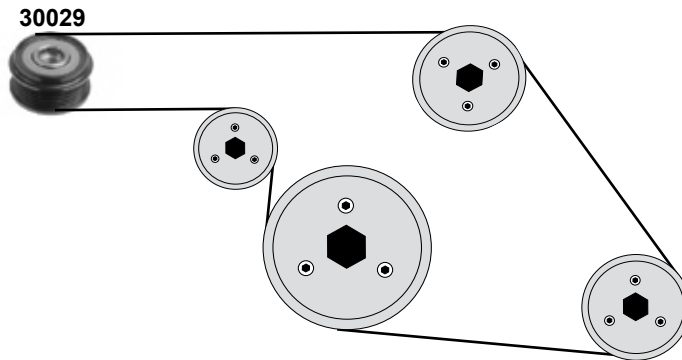
- (1) (mot.) 1,9 D Multijet
- (2) (mot.) 1,9 D Multijet 100kW / 110 kW / (mot.) 2,4 D Multijet
- (3) (mot.) 1,9 D Multijet 85kW / 88kW / 15/03/11→
- (4) (ex.) tropische Länder / (ex.) tropical Countries



Ref. - No.			
10298	55238027	tension roller	
10648	71736493	deflection pulley	(mot.) 2,4 D
10984	71731639	timing belt	(mot.) 1,9 D
14278	71731639 S1	rep. kit timing belt	(mot.) 1,9 8V
23654	71771498	deflection pulley	(1)
28305	55183528 S1	rep. kit timing belt	(1)
28306	55183528	timing belt	(2)
28321	55183528 S2	rep. kit timing belt	(mot.) 2,4 D 147kW
29396	51758383	deflection pulley	(mot.) 1,9 D
30733	51773551	tensioner assembly	(mot.) 1,9 D AC
31089	51758384	deflection pulley	(mot.) 1,9 D (ex.) AC
40898	51820520	tensioner assembly	(3) (4)



AC



(1) for Alternator: 4654 4329 / 4655 4408



Ref. - No.



**23778** 55221385  
**28458** 55197785  
**30029** 77362721  
**31622** 55221385 S1

timing chain  
chain tensioner  
belt pulley  
rep. kit timing chain

(1) 04 →  
04→05

120 E  
ØA 59 ØI17 B38,1  
120 E

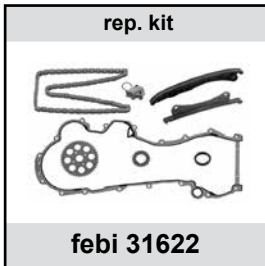
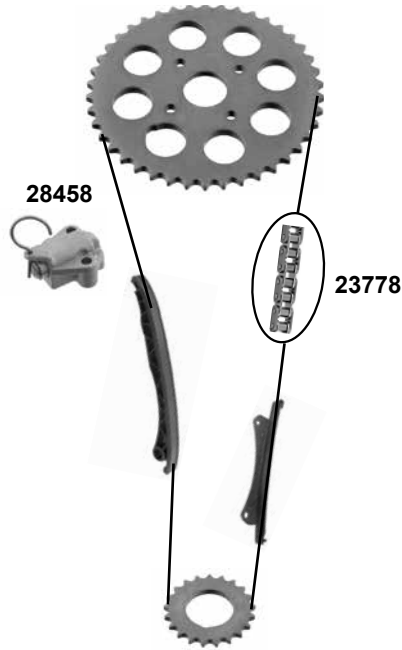
# FIAT Doblo/ Cargo (119/223)

(00→05)

Car  
Division

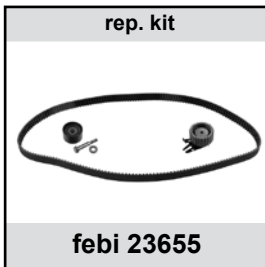
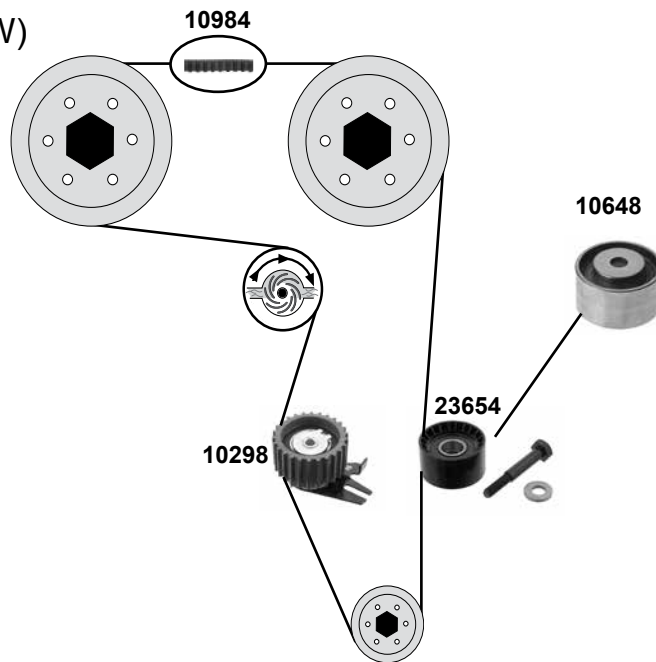


## 1,3 D



## 1,9 D

(46kW / 74kW / 77kW / 88kW)



- (1) (mot.) 1,9 D →12
- (2) → 15/05/03 / (mot.) →3646771
- (3) (mot.) 1,9 D 74 / 77 kW / →05

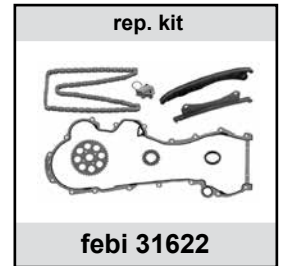
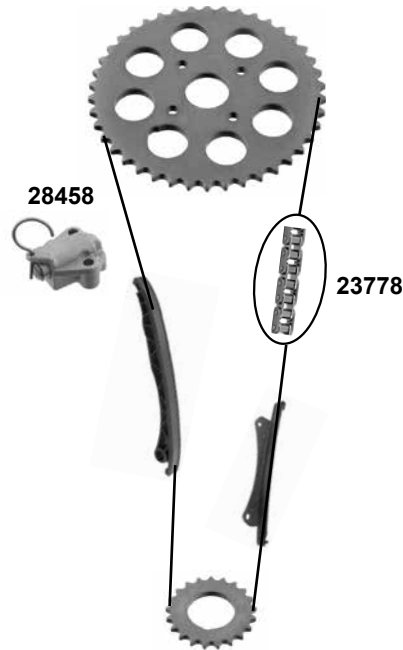


Ref. - No.

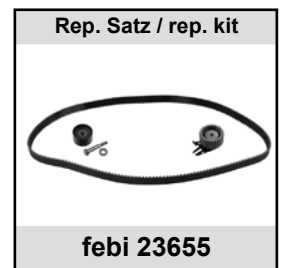
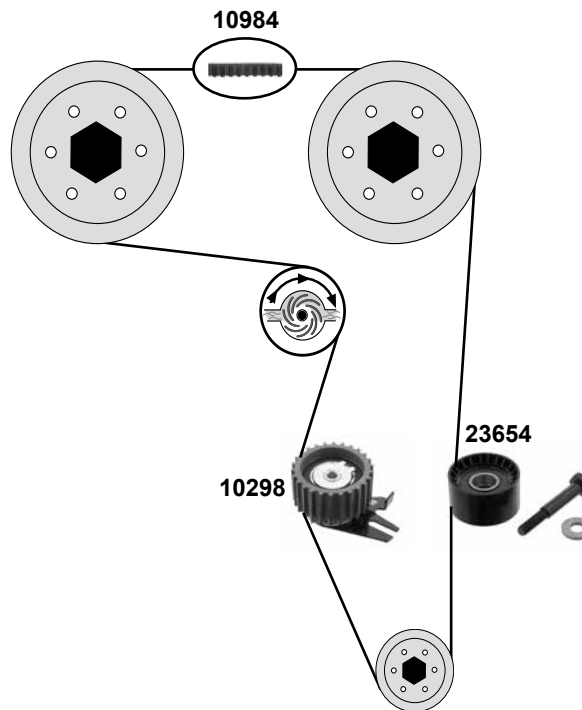


Ref. - No.	Description	Quantity	Dimensions
10298	tension roller		ØA 65 H 30
10648	deflection pulley	(2) →04	ØA 53
10984	timing belt	(3)	
23654	deflection pulley	(1)	ØA 53 B29
23655	rep. kit timing belt	(3)	
23778	timing chain		120 E
28458	chain tensioner		
31622	rep. kit timing chain	04→	120 E

**1,3 D**



**1,9 D**  
(74kW / 77kW / 88kW)



(1) (mot.) 1,9 D / 74 / 77 / 88 kW 05→ 09



Ref. - No.



<b>10298</b>	55238027	tension roller	→09	ØA 65 H 30
<b>10984</b>	71731639	timing belt	(1)	
<b>23654</b>	71771498	deflection pulley	→12	ØA 53 B29
<b>23655</b>	71736726	rep. kit timing belt	(1)	
<b>23778</b>	55221385	timing chain		120 E
<b>28458</b>	55197785	chain tensioner		
<b>31622</b>	55221385 S1	rep. kit timing chain	→09	120 E



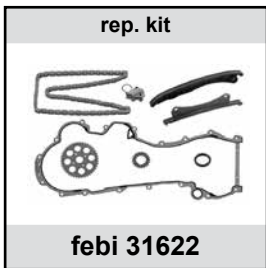
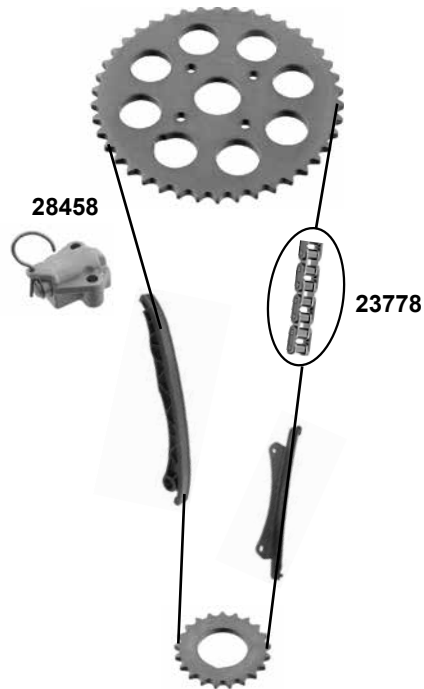
# FIAT Doblo Nuovo (152 /263)

(09→)

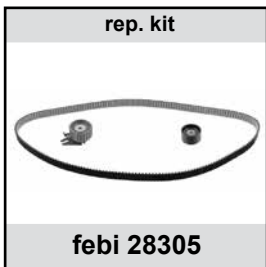
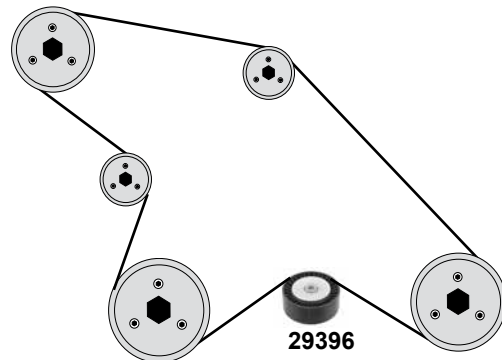
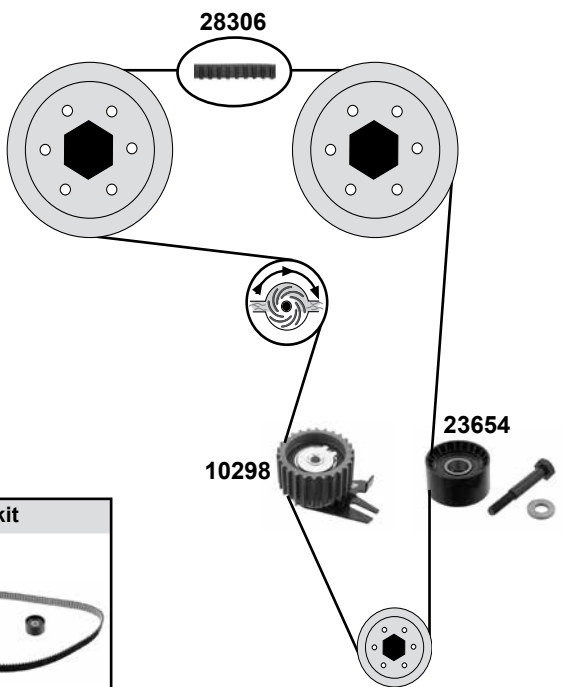
Car Division 







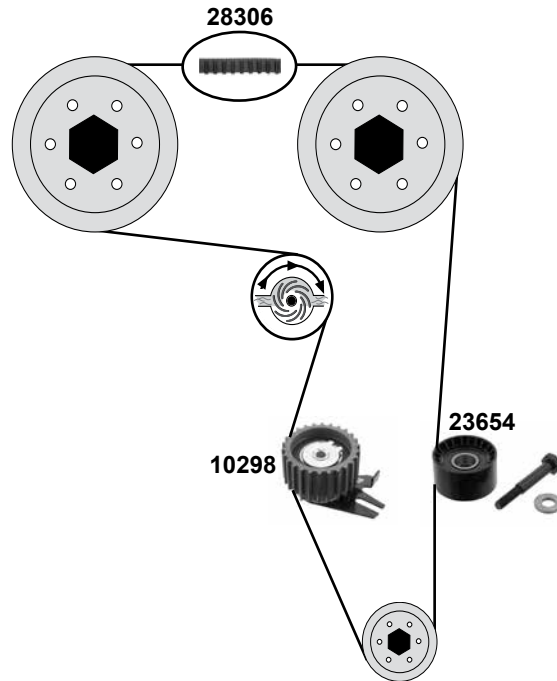
## 1,3 D



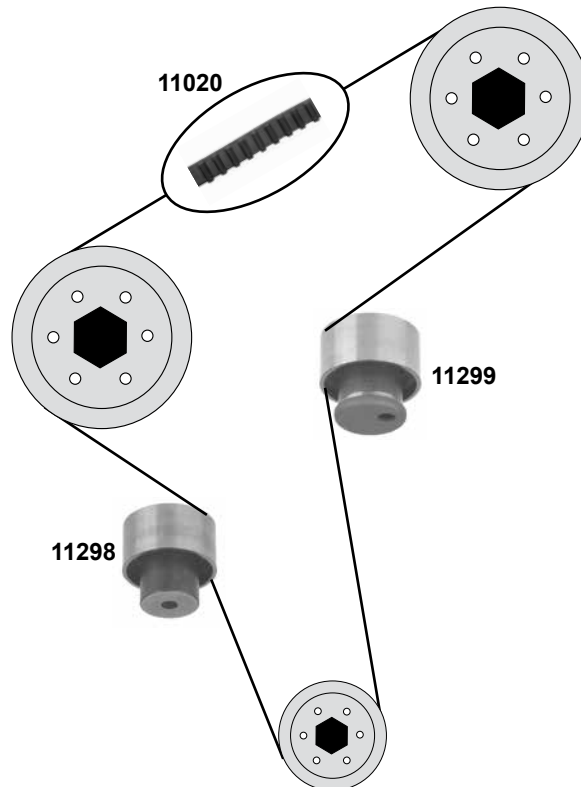
## 1,6 D /2,0 D



	Ref. - No.			
10298	55238027	tension roller		ØA 65 H 30
23654	71771498	deflection pulley		ØA 53 B29
23778	55221385	timing chain		120 E
28305	55183528 S1	rep. kit timing belt	2,0 D Multijet	Z 199 B24
28306	55183528	timing belt	2,0 D Multijet	
28458	55197785	chain tensioner		
29396	51758383	deflection pulley		
31622	55221385 S1	rep. kit timing chain	AC	ØA70 B26 120 E



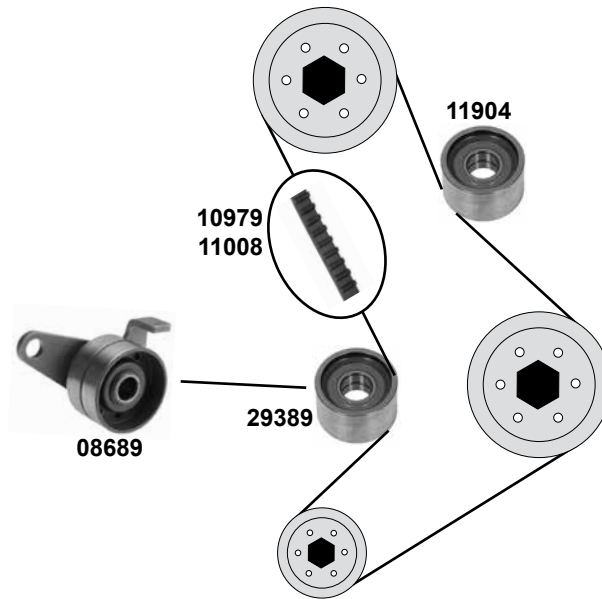
**Ducato (280)**  
(82→92)  
**1,9 D**



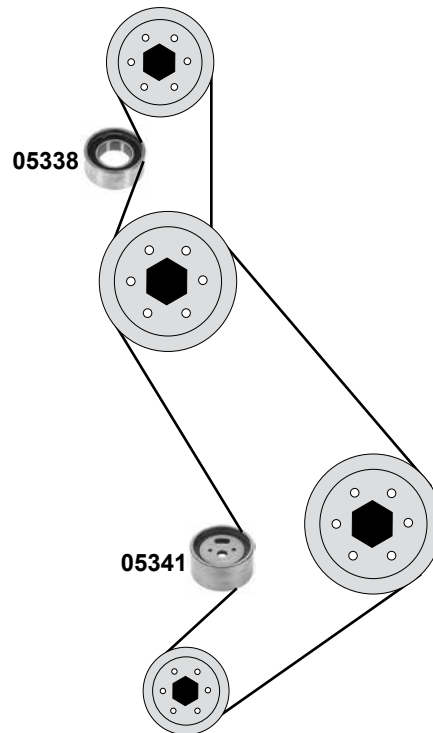
	Ref. - No.			
10298	55238027	tension roller	2,0 D Multijet	ØA 65 H 30
11020	7613823	timing belt		Z 173
11298	7596876	deflection pulley		ØA 61 H 30/57
23654	71771498	deflection pulley		ØA 53 B29
28306	55183528	timing belt		Z 199 B24
11299	7596877	tension roller		ØA 61 H 30/55

**2,5 D**

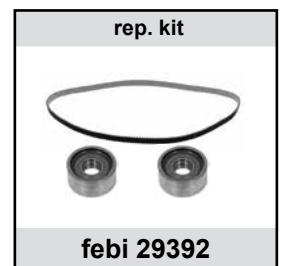
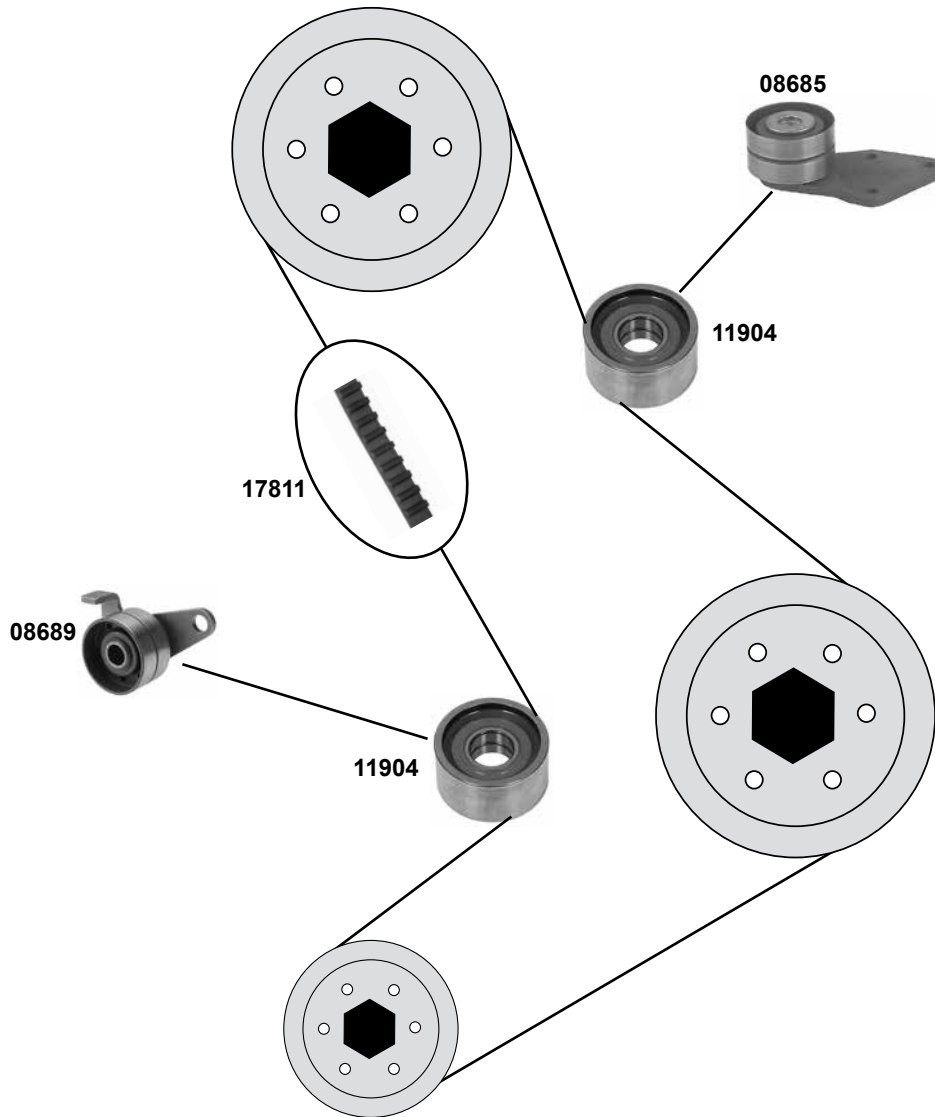
(mot.) 8144.67



(ex.) (mot.) 8144.67



	Ref. - No.			
05338	71740977	tension roller		ØA 57 H 24
05341	5495830	tension roller		ØA 67,6 H 35,5
08689	99461358 S1	tension roller	Modell: →7/90	ØA 63 H 49,9
10979	71739901	timing belt	Modell: 82→7/90	Z 152 B30
11008	99456476	timing belt	Modell: 7/90→	Z 152 B30
11066	71739901 S1	rep. kit timing belt	Modell: 82→7/90	Z 152
11904	99461357 SK	deflection pulley	Modell: 7/90→	A 67
29389	99461358	tension roller	Modell: 7/90→	A 63,75
29391	99456476 S1	rep. kit timing belt	Modell: 7/90→	



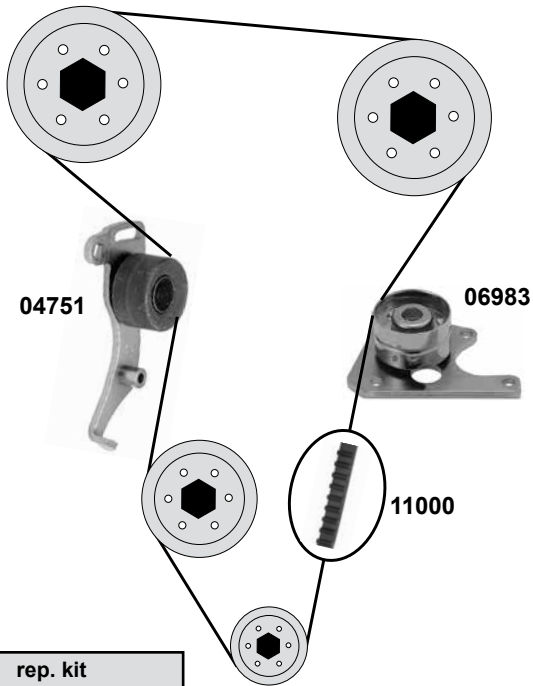
	Ref. - No.			
<b>08685</b>	99461357	deflection pulley	→94 / 2,5 TD 70kW	ØA 67
<b>08689</b>	99461358 S1	tension roller	2,5 TD 55kW	ØA 63,75
<b>11904</b>	99461357 SK	tension roller		ØA 67 H 49,9
<b>17811</b>	500323627	timing belt		Z 153 B30
<b>29392</b>	71754847	rep. kit timing belt		Z 153 B30

# FIAT Ducato (230) (94→02)

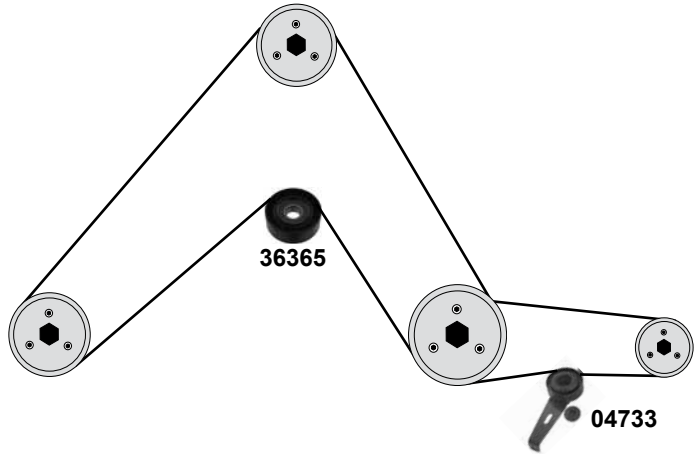
Car  
Division 



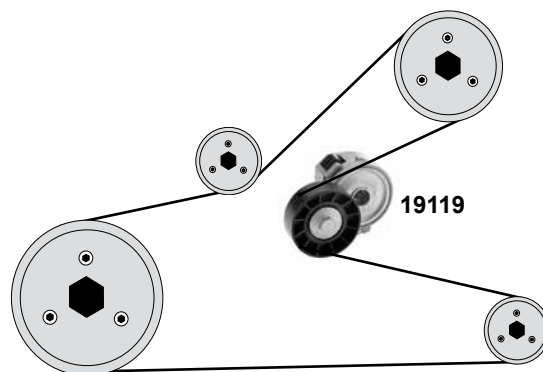
## 1,9 D (D9B/ DHX)






AC



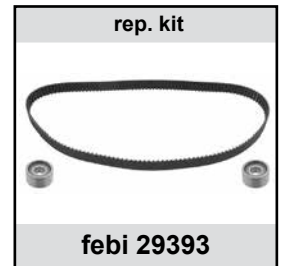
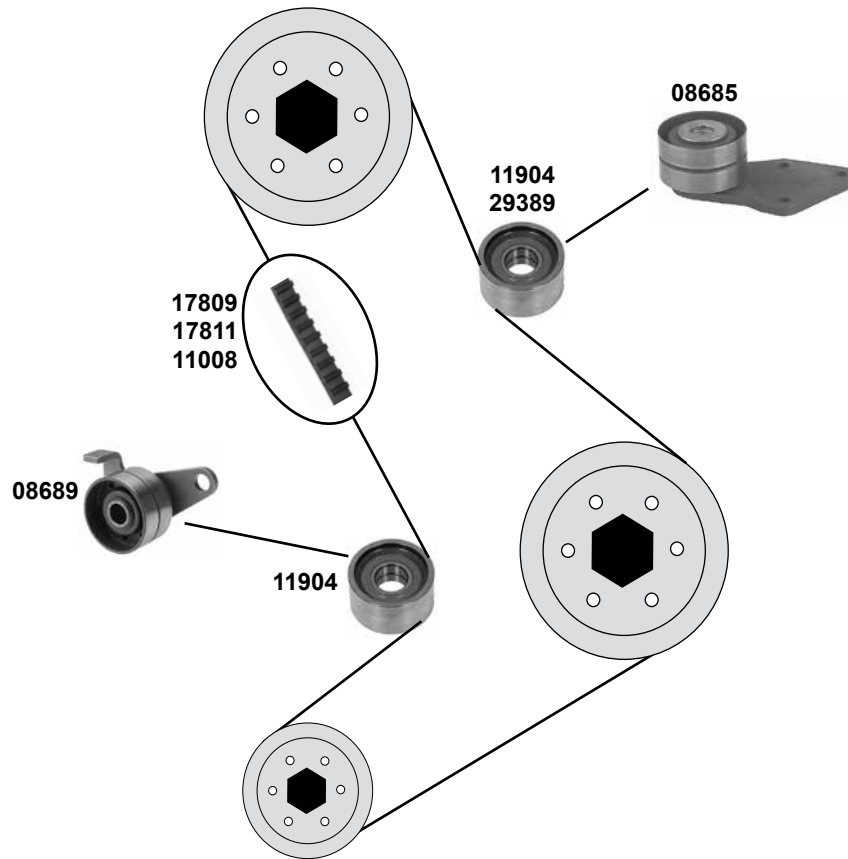
## 2,0 D



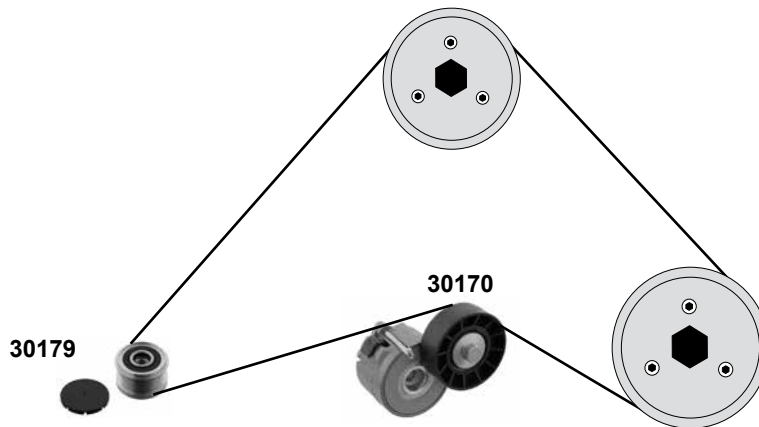
	Ref. - No.			
04733	9627860780	tension roller		ØA 85 H 26
04751	9617188680	tension roller		ØA 60 H 34
06983	9615923380	deflection pulley		ØA 60 H 34
11000	71739919	timing belt		Z 136 B25,4
11222	9467266080	rep. kit timing belt		Z 136 B25,51
19119	9653522380	belt tensioner		ØA 70 B 25
36365	46439471	deflection pulley	only 	ØA 80 B27



**2,5 D / 2,8 D**

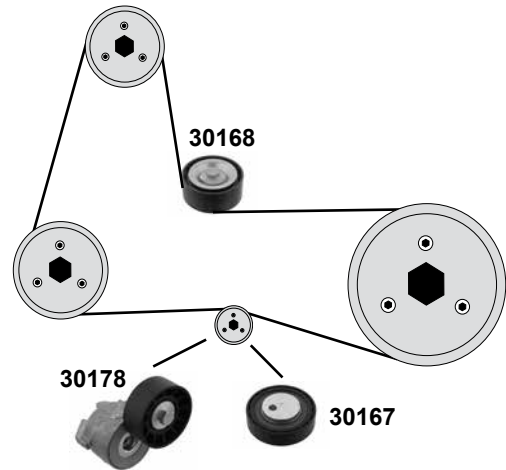
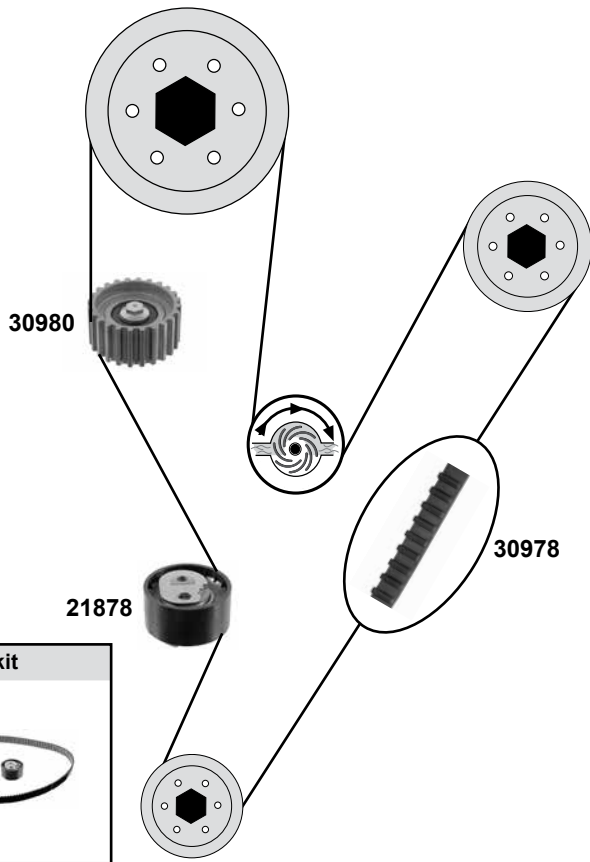


**3,0 D**



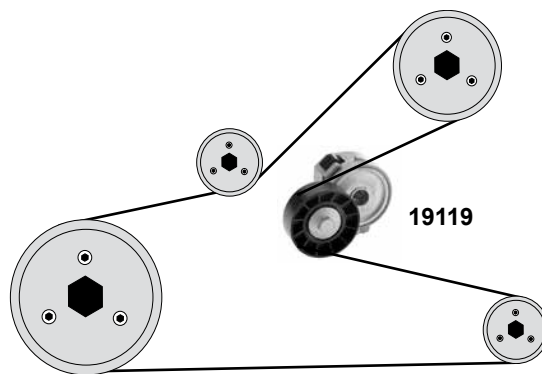
	Ref. - No.			
08685	99461357	deflection pulley		ØA 67
08689	99461358 S1	tension roller	2,5 D 62 kW	ØA 63,75
11008	99456476	timing belt	(ex.) 2,5 D	Z 152 B30
11904	99461357 SK	deflection pulley	(ex.) 2,5 D	ØA 67
17809	99456477	timing belt	(ex.) 2,5 D	Z 154 B30
17811	500323627	timing belt	(ex.) 2,5 D	Z 153 B30
29389	99461358	tension roller	(ex.) 2,5 D	ØA 63,75
29391	99456476 S1	rep. kit timing belt	(ex.) 2,5 D	Z 152 B30
29393	99456477 S1	rep. kit timing belt	(ex.) 2,5 D	Z 154 B30
30170	504086948	tension roller	(ex.) 2,5 D	ØA 70
30179	504088796	belt pulley	(ex.) 2,5 D	





**2,3 D**



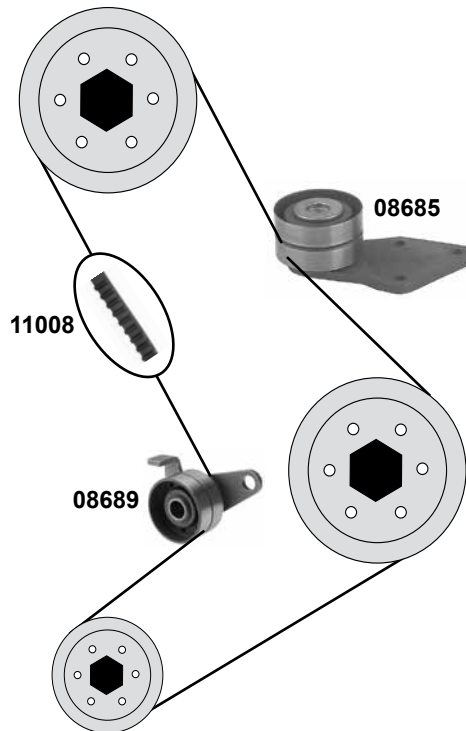
**Ducato Rest. (244)**

(01→)  
**2,0 D**

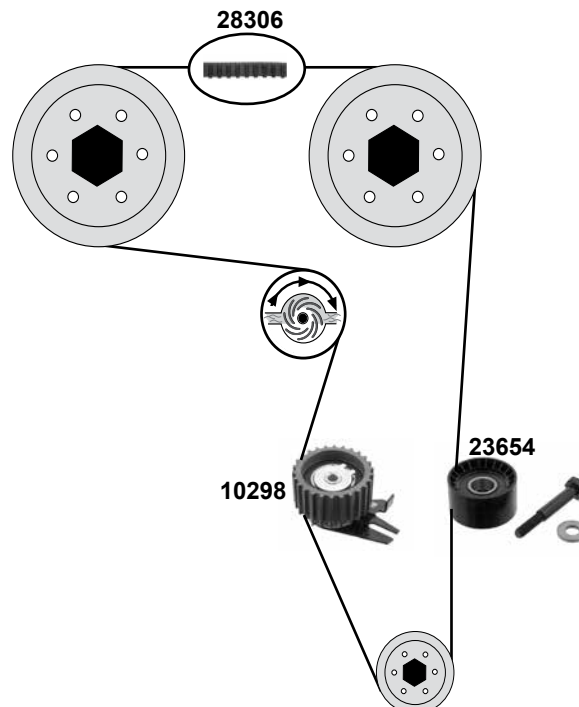


	Ref. - No.			
<b>19119</b>	9653522380	belt tensioner	→06 / → 15/05/04	ØA 70 B 25
<b>21878</b>	504183759	tension roller		ØA 70 H 29
<b>30168</b>	504000412	deflections pulley		ØA 70 H 28,4
<b>30178</b>	504086751	tension roller	02 → 06 (ex.) AC	Z 178 B30
<b>30978</b>	504076915	timing belt		B34
<b>30980</b>	500388688	deflections pulley		Z 178 B30
<b>31053</b>	71736716	rep. kit timing belt		B34
<b>30167</b>	500393575	tension roller	02 → 06 AC	Z 178 B30
				ØA 74 H 18

2,8 D 90kW,94kW,107 kW



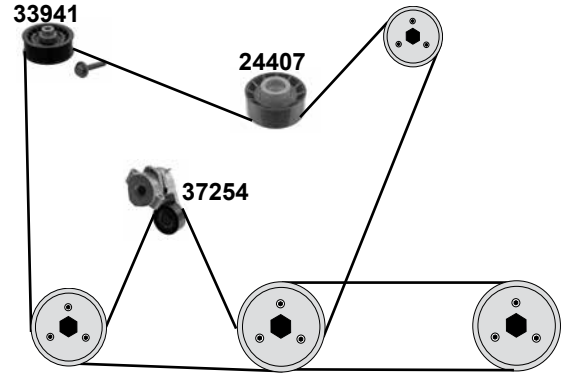
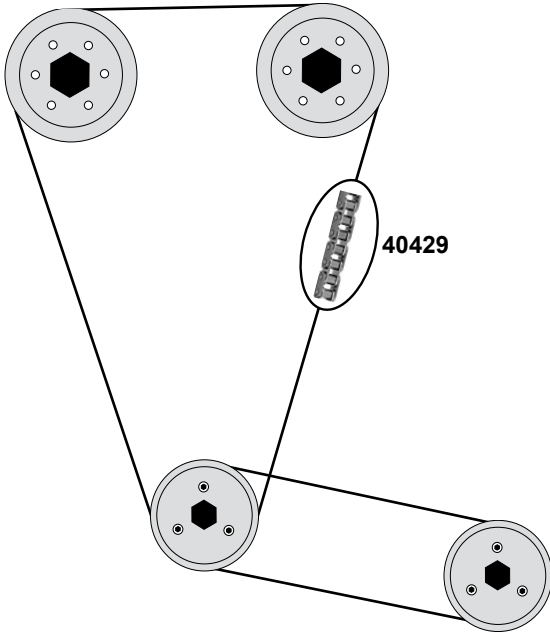
**Ducato Nuovo (244)**  
(11→)  
**2,0 D**



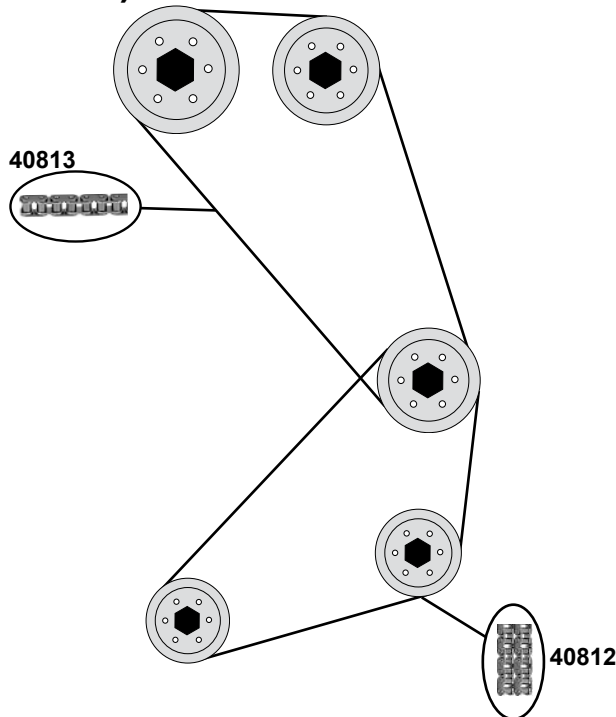
	Ref. - No.			
<b>08685</b>	99461357	deflection pulley	→06 / (ex.) 107kW 107kW	ØA 67
<b>08689</b>	99461358 S1	tension roller		ØA 63,75
<b>10298</b>	55238027	tension roller		ØA 65 H 30
<b>11008</b>	99456476	timing belt		Z 152
<b>23654</b>	71771498	deflection pulley		ØA 53 B 29
<b>28306</b>	55183528	timing belt		Z 199 B24



**2,2 D**



**3,0 D (107kW / 114kW)**



(1) Duplex / links / left

(2) Simplex / links / left (mot.) → 1442630



Ref. - No.



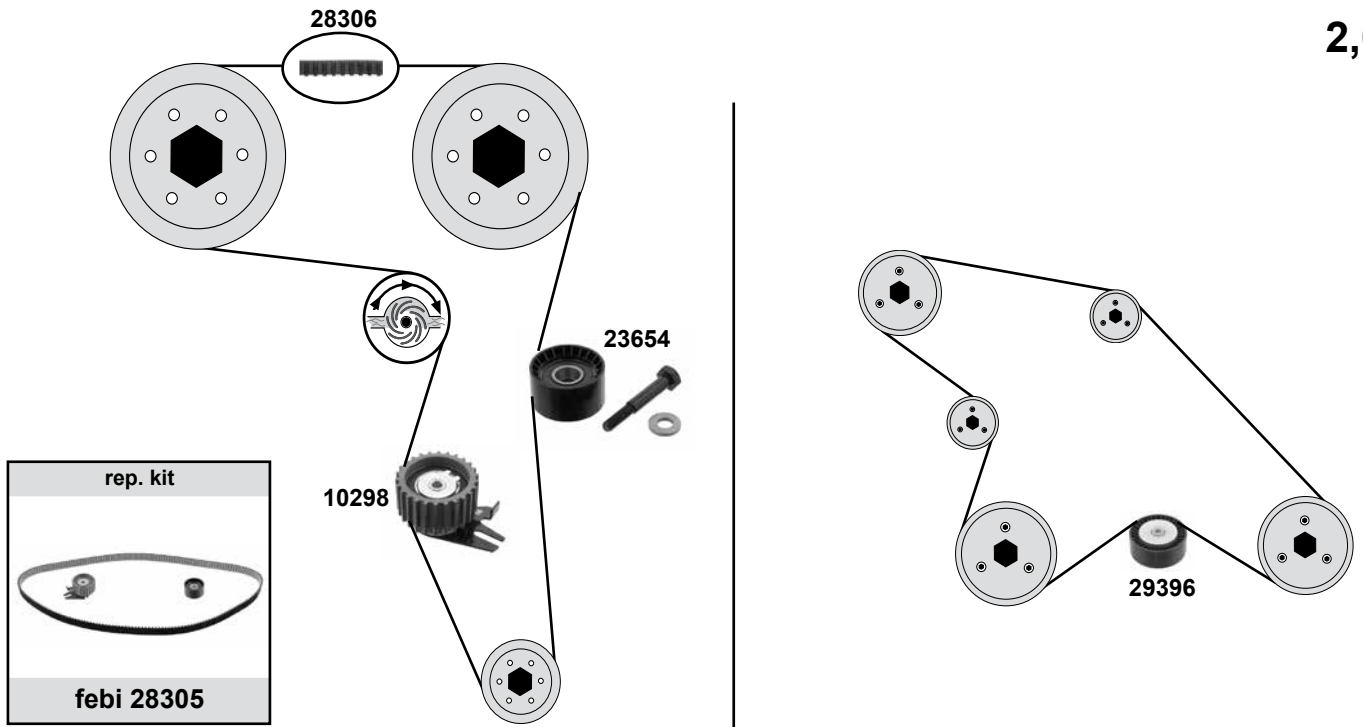
<b>24407</b>	9678770180
<b>33941</b>	1609010680
<b>37254</b>	9658142780
<b>40429</b>	9677427780
<b>40812</b>	504294672 SK
<b>40813</b>	504310251 SK

deflection pulley
deflection pulley
belt tensioner
timing chain
timing chain
timing chain

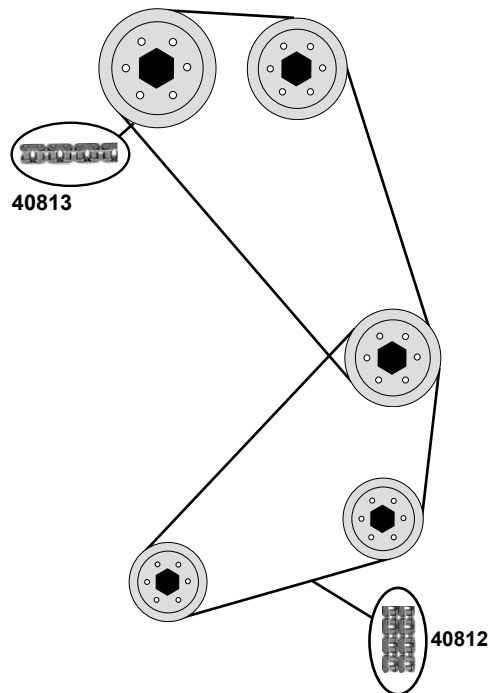
AC
AC
74kW
74 kW / Simplex
(1)
(2)

ØA 65 B32
ØA 65 B22,5
ØA 65 B26
E 122
E 82
E 120

**2,0 D**



**3,0 D (107kW / 114kW)**

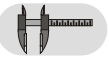


(1) Duplex / links / left

(2) Simplex / links / left (mot.) → 1442630



Ref. - No.



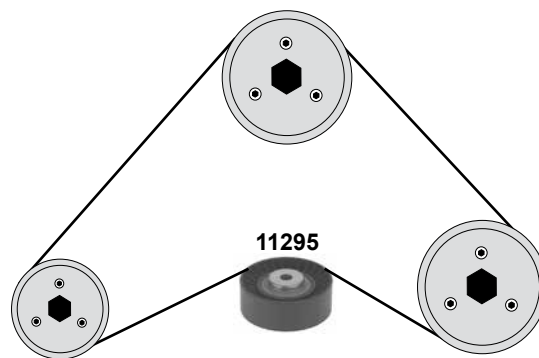
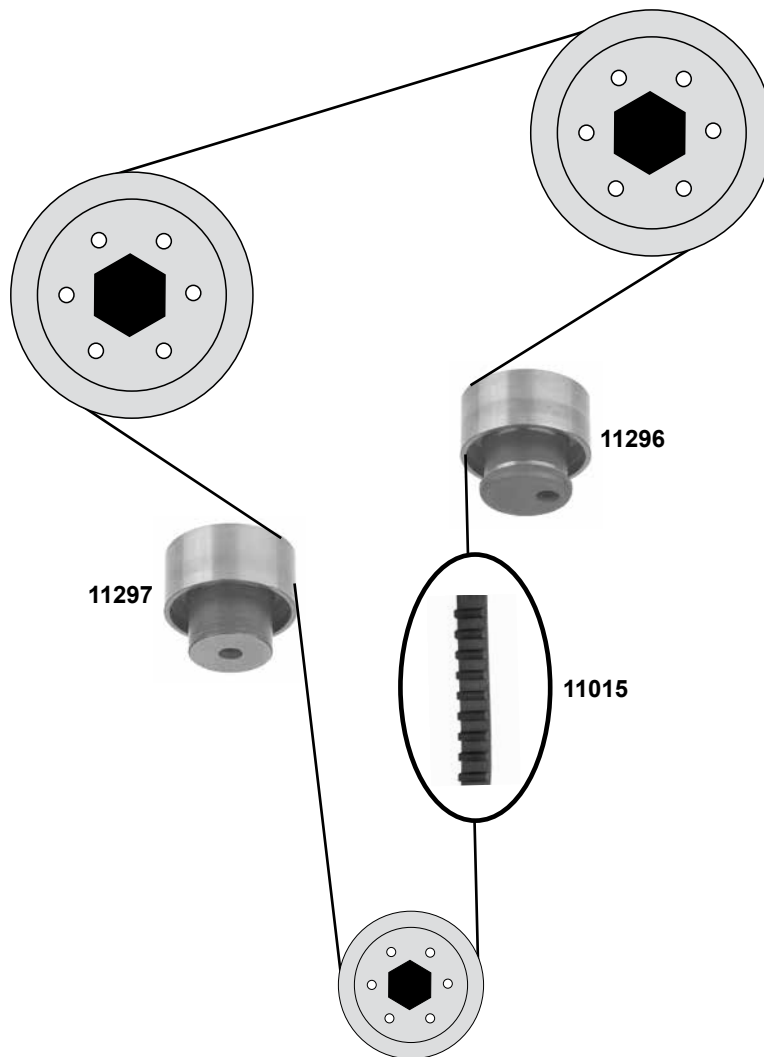
10298	55238027
23654	71771498
28305	55183528 S1
28306	55183528
29396	51758383
40812	504294672 SK
40813	504310251 SK

tension roller
deflection pulley
rep. kit timing belt
timing belt
deflection pulley
timing chain
timing chain

AC  
(1)  
(2)

ØA 63,75
ØA 53 B29
Z 199 B24
ØA 70 B26
E 82
E 120

**1,7 D**



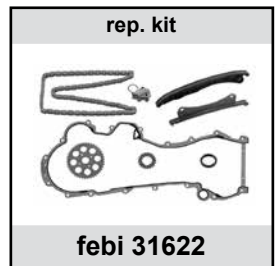
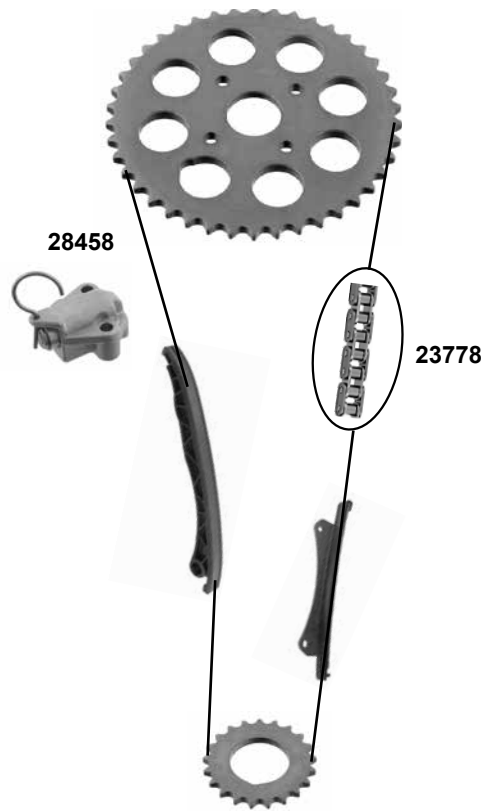
**Ref. - No.**



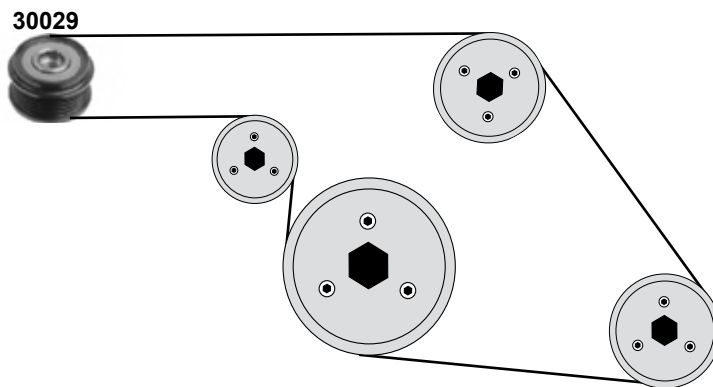
<b>11015</b>	7565617
<b>11295</b>	46547564
<b>11296</b>	46740727
<b>11297</b>	46740726

timing belt  
 tension roller  
 tension roller  
 deflection pulley

Z 168 B22  
 ØA 80 H 28,5  
 ØA 61 H 33  
 ØA 61 H 51



**AC**



(1) for alternator: 90A



Ref. - No.



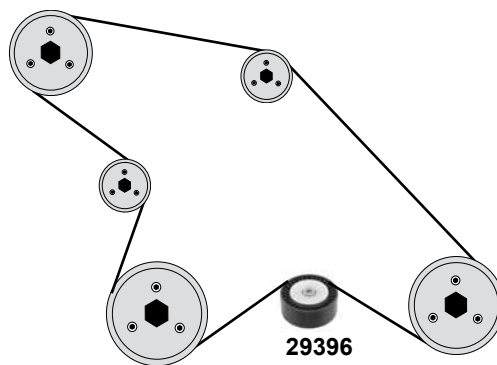
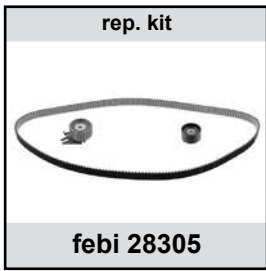
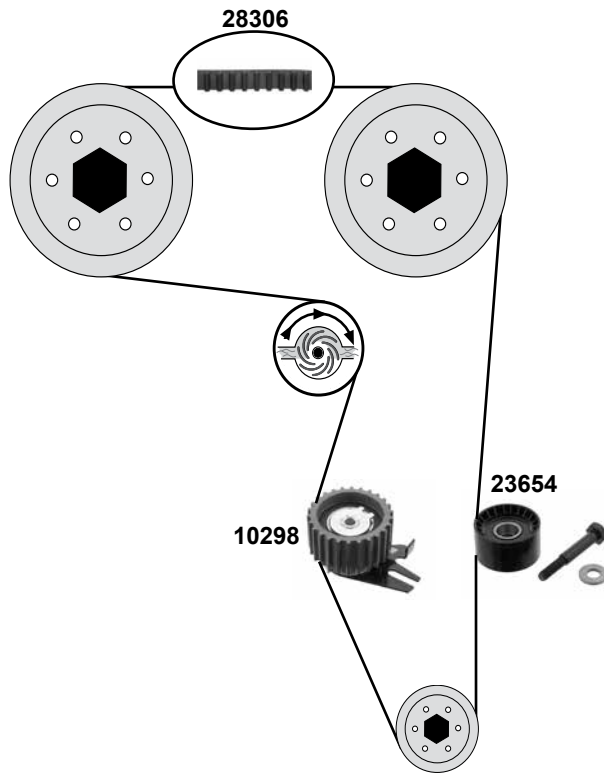
**23778** 55221385  
**28458** 55197785  
**30029** 77362721  
**31622** 55221385 S1

timing chain  
chain tensioner  
belt pulley  
rep. kit timing chain

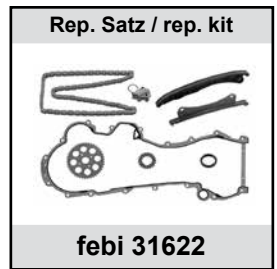
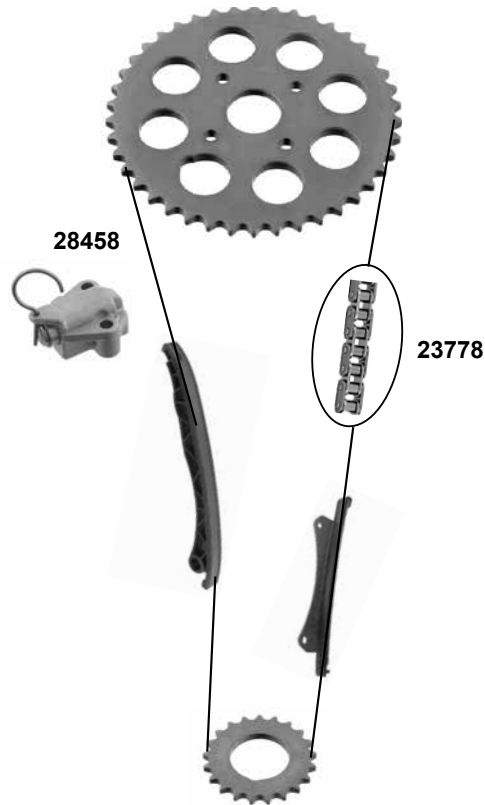
(1)

120 E  
ØA 59 ØI17 B38,1  
120 E

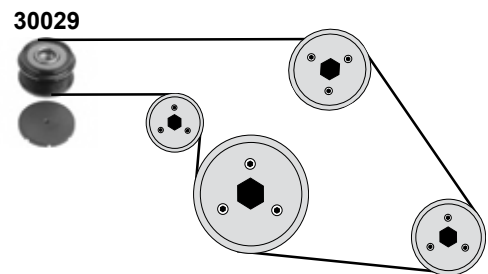
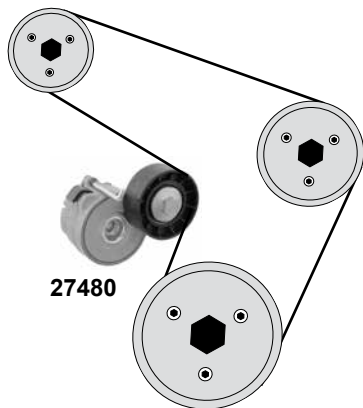
**2,0 JTD**



	Ref. - No.			
10298	55238027	tension roller		ØA 65 Z26
23654	71771498	deflection pulley		ØA 53 B29
28305	55183528 S1	rep. kit timing belt		
28306	55183528	timing belt		Z199 B24
29396	51758383	deflection pulley		ØA70 B26



**AC**



(1) for alternator: 90A / 105A



Ref. - No.

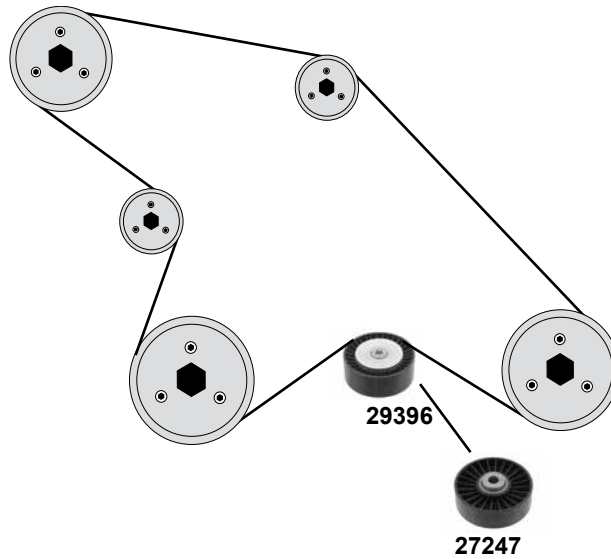
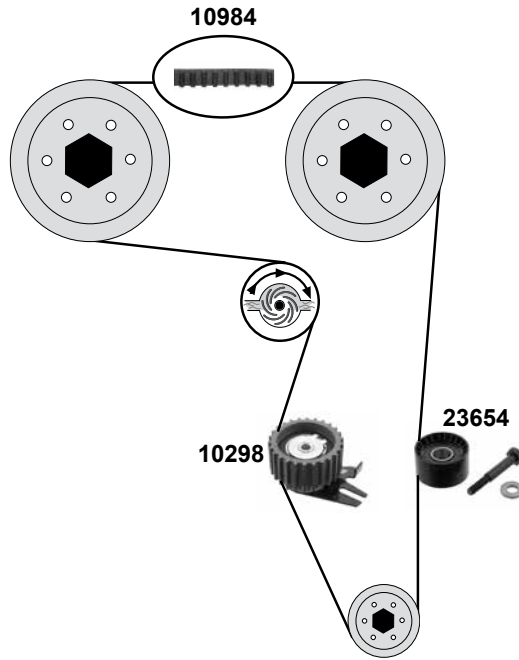


<b>23778</b>	55221385	timing chain
<b>27480</b>	51821652	tension roller
<b>28458</b>	55197785	chain tensioner
<b>30029</b>	77362721	belt pulley
<b>31622</b>	55221385 S1	rep. kit timing chain

(1)

120 E
ØA 65 H 25,5
ØA 59; ØI17 B38,1
120 E

**1,6 D / 1,9 D**



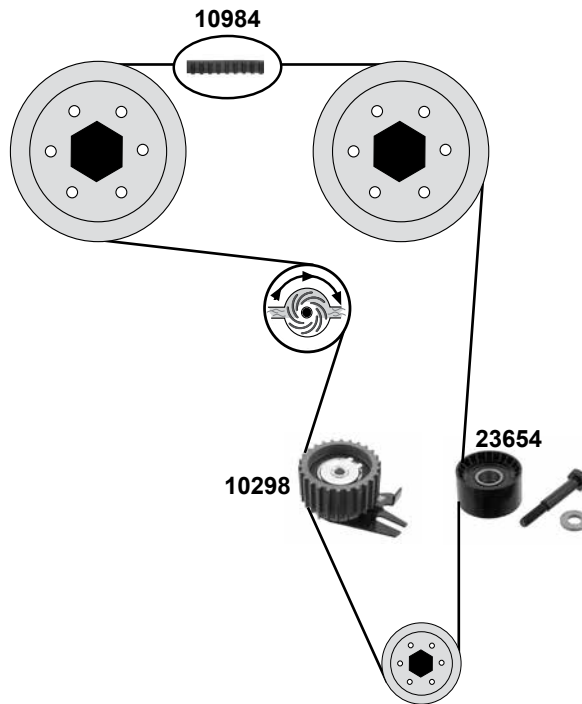
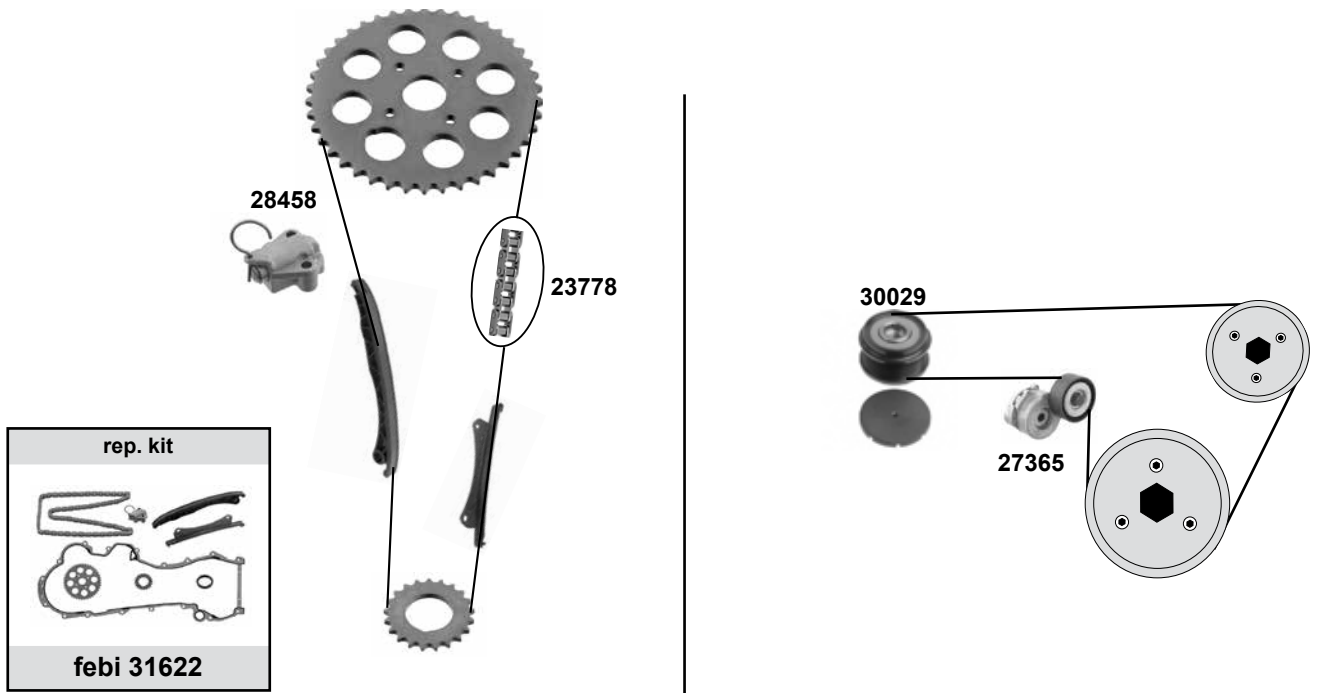
- (1) (mot.) 1,6 D / 1,9 D 74kW
- (2) (mot.) 1,6 D / ac / 08→



Ref. - No.



Ref. - No.	Description	Part No.	Dimensions
10298	tension roller	55238027	ØA 64 B40 Z26
10984	timing belt	71731639	1,9 D Z190 B24
23654	deflection pulley	71771498	ØA 53 B29
23655	rep. kit timing belt	71736726	1,9 D Z 190
27247	deflection pulley	71771437	1,9 D ØA 80 H 25
29396	deflection pulley	51758383	(2) ØA 70 B 26

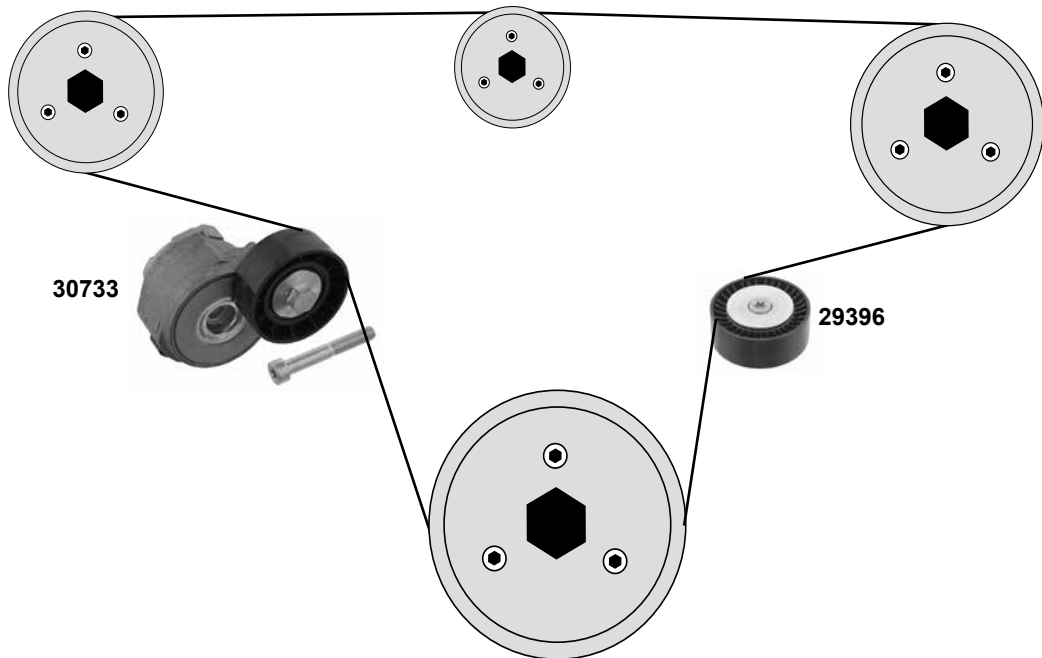


(1) for alternator: 90A / 105A (only Turkey)

	Ref. - No.			
10298	55238027	tension roller		ØA 64 B40 Z26
10984	71731639	timing belt		Z190 B24
23654	71771498	deflection pulley	77 kW	ØA 53 B29
23778	55221385	timing chain		120 E
27365	51821653	belt tensioner		
28458	55197785	chain tensioner	1,3 JTD	
30029	77362721	belt pulley	(1)	ØA 59 ØI17 B38,1
31622	55221385 S1	rep. kit timing chain	70 kW	120 E



**1,6 D / 1,9 D**



**Ref. - No.**



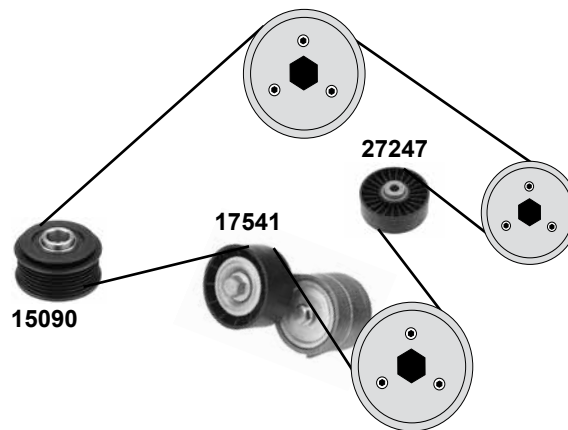
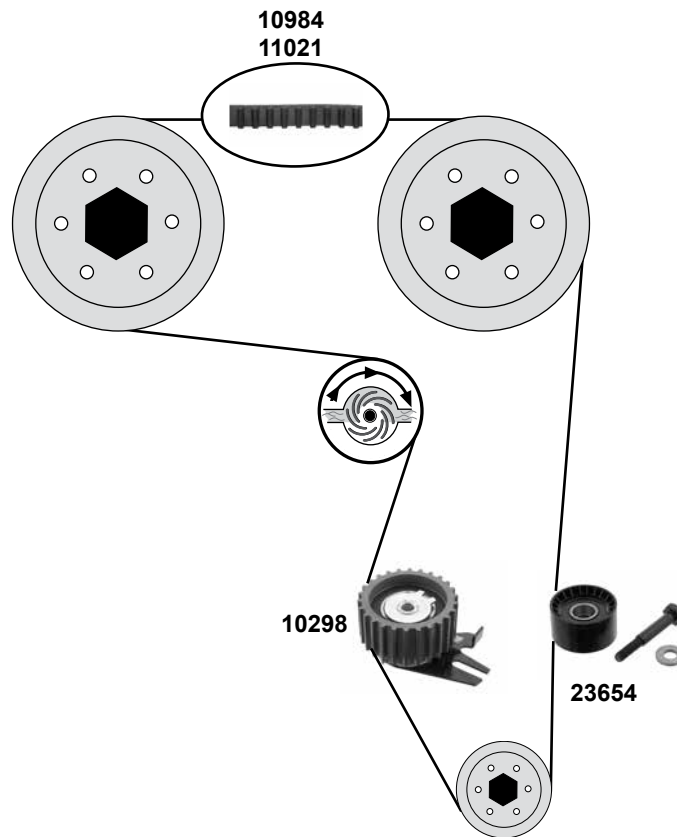
**29396**  
**30733**

51758383  
 51773551

deflection pulley  
 belt tensioner

1,6 D <sup>AC</sup>  
 1,9 D

ØA 70 B26  
 ØA 65 B26



- (1) for Alternator: 4654 4329 / 4655 4408
- (2) (mot.) 1,9 TD 55kW,74kW (mot.) 1,9 JTD 77kW,81kW (mot.) 2,4 TD 91kW
- (3) (mot.) 1,9 D 55kW,74kW,77kW,81kW (mot.) 2,4 TD 91kW
- (4) (mot.) 1,9 D 74kW,77kW,81kW / 99→

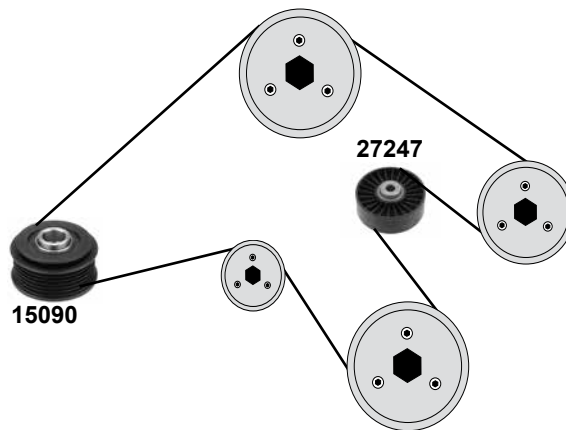
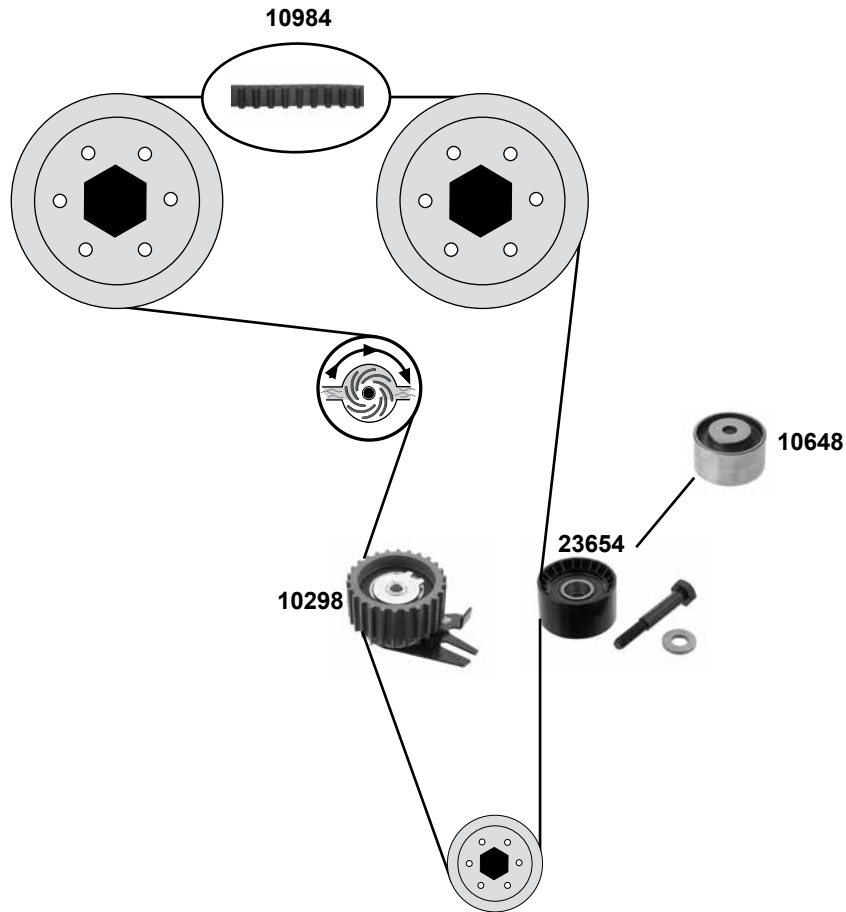


Ref. - No.



Part No.	Ref. - No.	Description	Notes	Dimensions
10298	55238027	tension roller	(3)	ØA 65 H 30
10984	71731639	timing belt	(mot.) 1,9 74/77/81kW	Z190 B24
11021	46791187	timing belt	(mot.) 1,9 D	Z193 B24
14278	71731639 S1	rep. kit timing belt	(mot.) 1,9 / 2,4 D	Z 190 B23,68
15090	9948225	belt pulley alternator	(1)	ØA 61
17541	46524692	belt tensioner	(mot.) 1,9 D	
23654	71771498	deflection pulley	(2)	ØA 53 B29
23655	7171 9651 S1	rep. kit timing belt	(4)	Z 190
27247	71771437	deflection pulley	(mot.) 1,9 D	ØA 80 H 25

**1,9 D**



(1) for Alternator: 4654 4329 / 4655 4408

(2) (mot.) 1,9 D

(3) (mot.) 1,9 JTD 15/5/2003→ (ex.) 85kW / 1,9 JTD 85kW

(4) (mot.) 1,9 D → 15/05/2003 (mot.) →3646771

(5) (mot.) 1,9 D 81kW / 85kW / 88kW

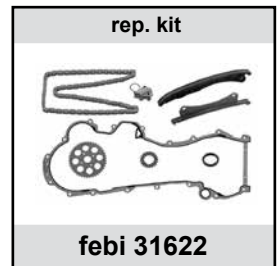
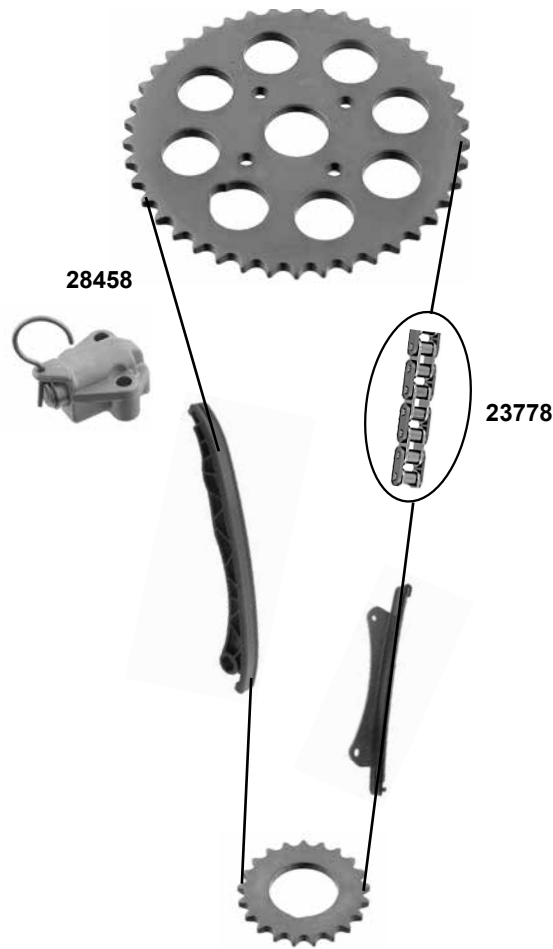


febi  
 bilstein

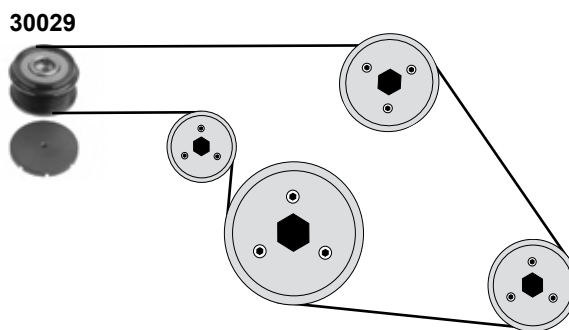
Ref. - No.



Part No.	Ref. - No.	Description	Power	Dimensions
10298	55238027	tension roller	(2)	ØA 64 B40 Z26
10648	71736493	deflection pulley	(4)	ØA 53
10984	71731639	timing belt	81 / 85 / 88 kW	Z 190 B24
15090	9948225	belt pulley alternator	(1)	ØA 61
23654	71771498	deflection pulley	(3)	ØA 53 H 29
23655	71736726	rep. kit timing belt	(5)	Z 190
27247	71771437	deflection pulley		ØA 80 H 25



**AC**



(1) for Alternator: 90A (02→)

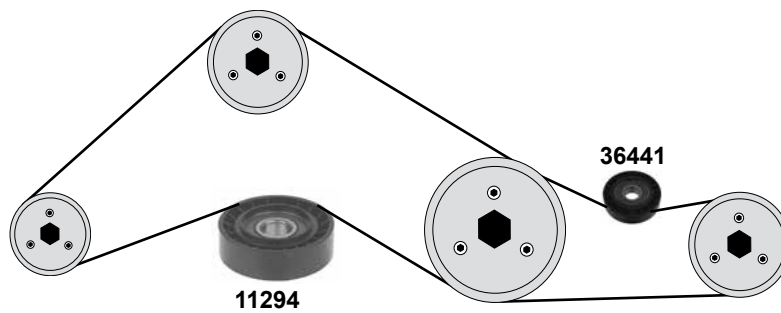
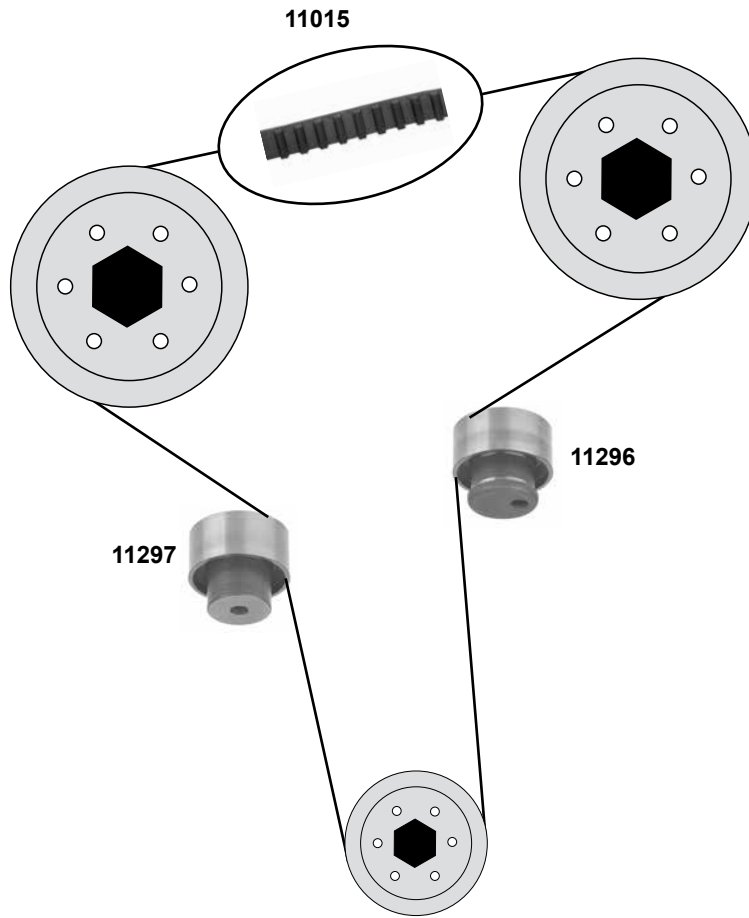


Ref. - No.



<b>23778</b>	55221385	timing chain		120 E
<b>28458</b>	55197785	chain tensioner	(1)	
<b>30029</b>	77362721	belt pulley	(1)	ØA 59 ØI17 B38,1
<b>31622</b>	5522 1385 S1	rep. kit timing chain	(1)	120 E

**1,7 D**



(1) Palio : 97 → 02 (ex.) AC / 02 → AC



Ref. - No.

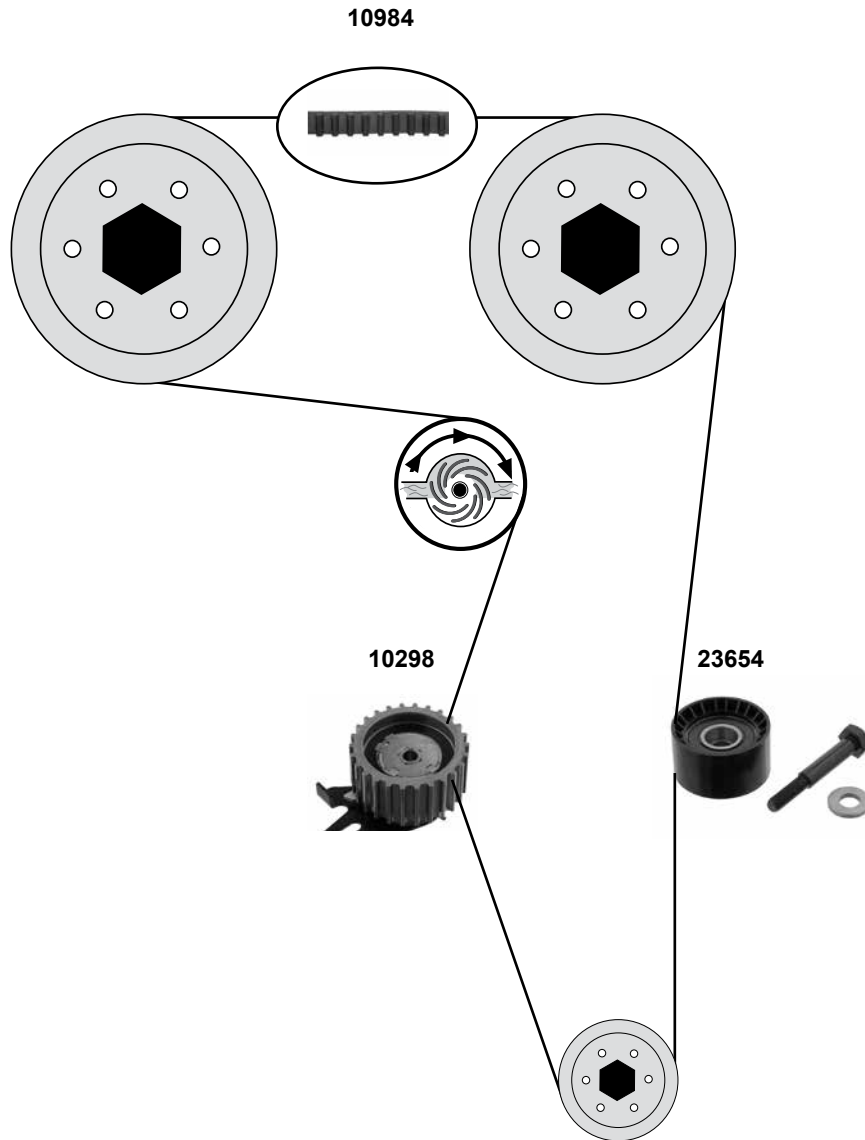


<b>11015</b>	71771437
<b>11294</b>	46424716
<b>11296</b>	46740727
<b>11297</b>	46740726
<b>36441</b>	46439454

timing belt
tension roller
tension roller
deflection pulley
deflection pulley

(1)

Z 168 B22
ØA 80 H 24
ØA 61 H 33/51
ØA 61 H 30/51
ØA 80 B17



(1) Palio (BM) 178 DX →11 1,9 D 46kW/48kW / Palio / Siena (BM) 178 1,9 D 15/5/2003→

(2) Palio Weekend (BM) 178 DX →02 / Palio Ext. Eur. Rest (178BX) →11 / Siena Ext. Eur. Rest (178)



Ref. - No.



**10298** 55238027  
**10984** 71731639  
**23654** 71771498

tension roller  
timing belt  
deflection pulley

(2)  
  
(1)

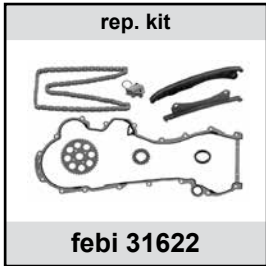
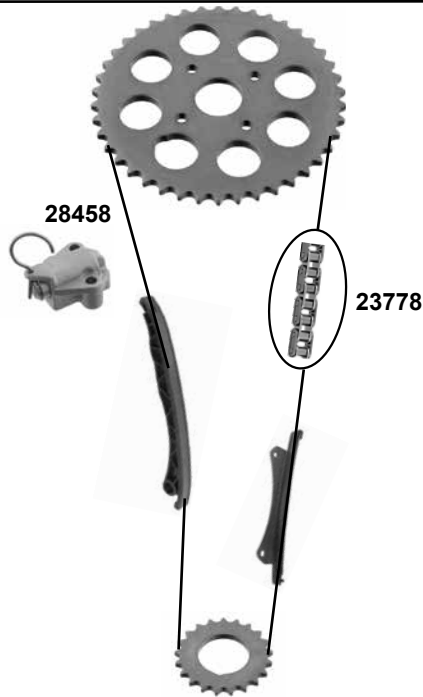
ØA 64 B40  
Z 190 B 24  
ØA 53 B23

**FIAT**  
**Palio / Siena Ext. Eur. Rest (178/BX)**  
**(02→12)**

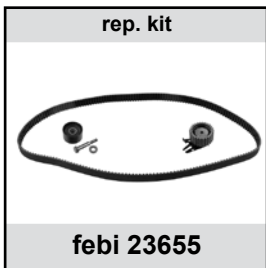
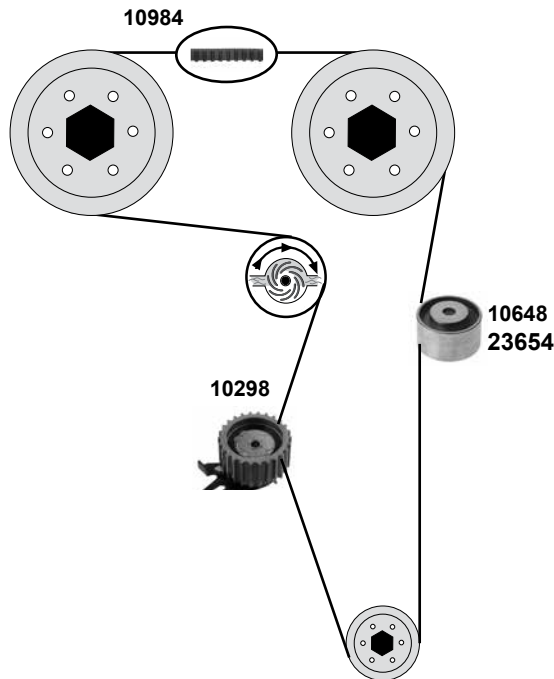
Car  
Division



**1,3 D**

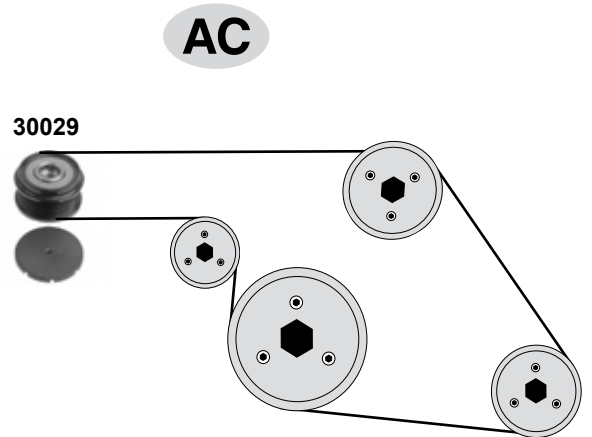
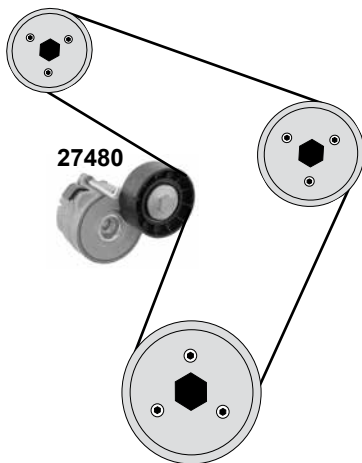
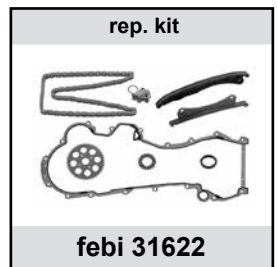
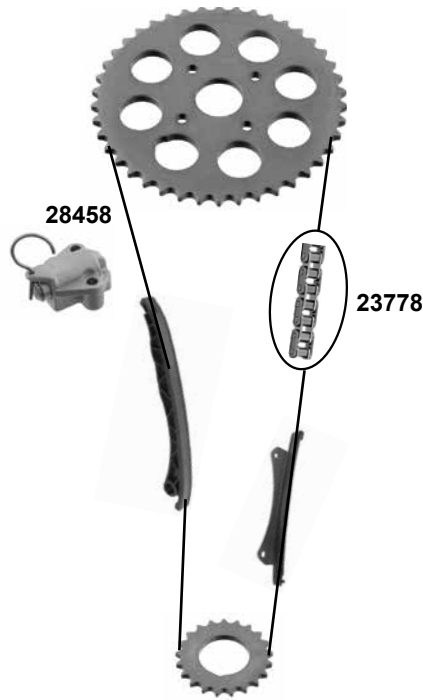


**1,9 D**



- (1) →11 Palio Ext. Eur. Restt (178/BX) →15/05/03 (mot.)→3646771 / →12 Siena Ext. Eur. Rest (178) →15/05/03 (mot.)→3646771
- (2) Palio Ext. Eur. Restt (mot.) 1,9 D 59kW
- (3) Palio Ext. Eur. Rest (178BX) →11 / Siena Ext. Eur. Rest (178)

	Ref. - No.			
10298	55238027	tension roller		ØA 64 B40
10648	71736493	deflection pulley	(1)	ØA 53
10984	71731639	timing belt	(2) →08	Z 190 B 24
23654	71771498	deflection pulley	15/05/2003→	ØA 53 B23
23655	71736726	rep. kit timing belt	(2) →08	
23778	46439454	timing chain		120 E
28458	55197785	chain tensioner		
31622	55221385 S1	rep. kit timing chain	(3)	120 E



(1) for Alternator: 75A / 90A / 105A



Ref. - No.



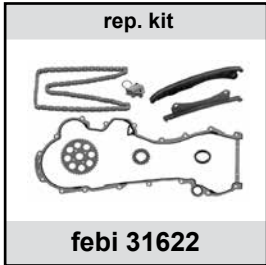
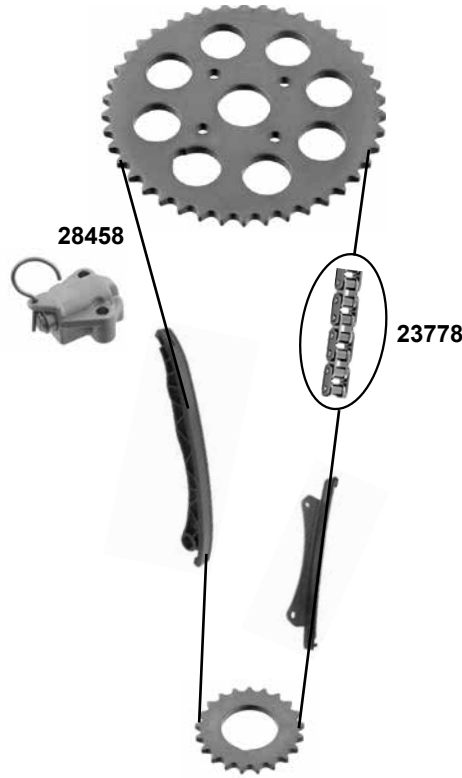
<b>23778</b>	46439454	timing chain
<b>27480</b>	51821652	tension roller
<b>28458</b>	55197785	chain tensioner
<b>30029</b>	55197785	belt pulley
<b>31622</b>	55221385 S1	rep. kit timing chain

(1)

120 E
ØA 65 H 25,5
ØA 59 ØI17 B38,1
120 E

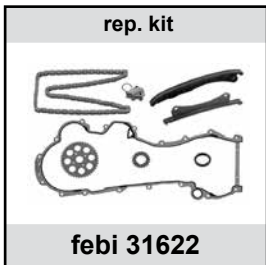
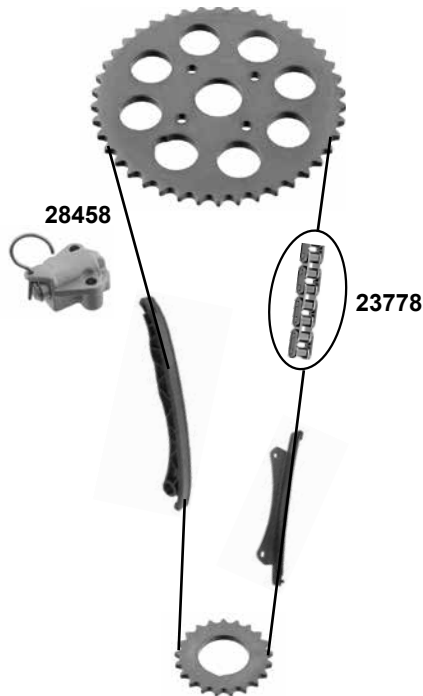


**1,3 D**



**Panda Classic / Nuova (312)**  
 (12→)

**1,3 D**



- (1) Panda My (mot.) 1,2 (51kW) / 1,3 D  
 Panda Classic (mot.) 1,2 (51kW) / 1,3 →12  
 Panda Nuova (mot.) 1,2 (51kW) / 1,3



Ref. - No.



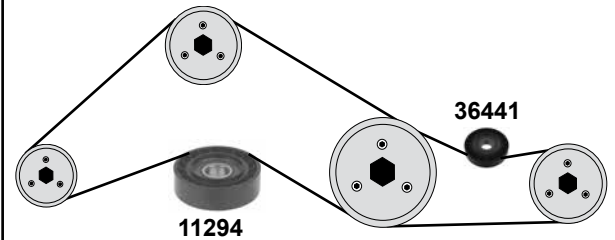
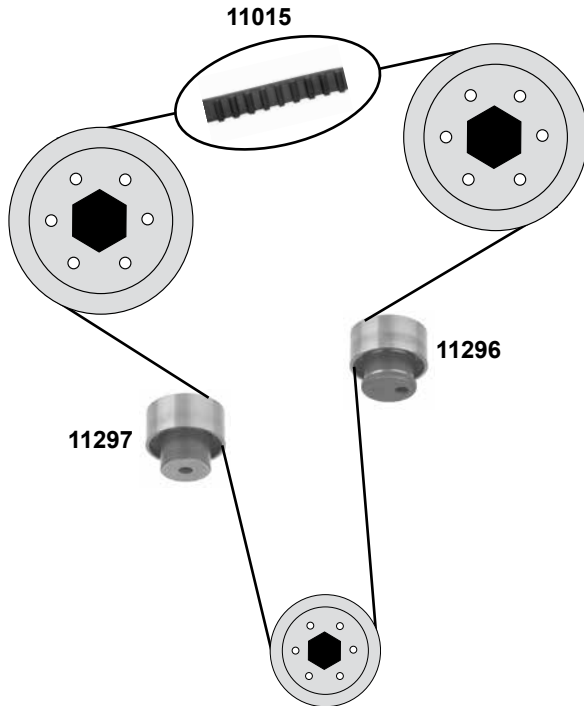
23778  
 28458  
 31622

46439454  
 55197785  
 55221385 S1

timing chain  
 chain tensioner  
 rep. kit timing chain

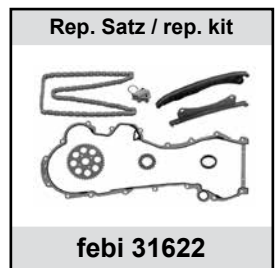
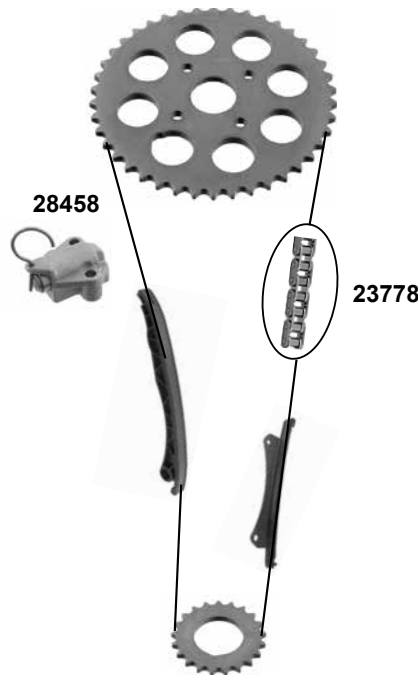
(1)

120 E  
 120 E



**Punto II (188)**  
(99→10)

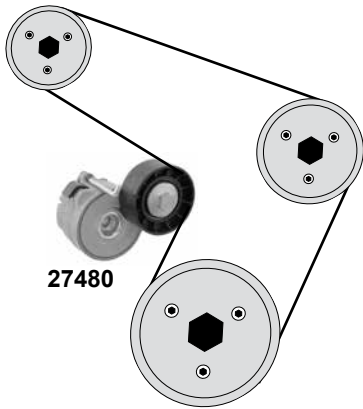
**1,3 D**



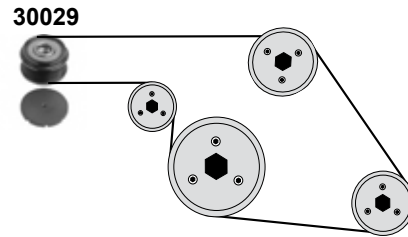
(1) for Alternator: 75A / 90A / 105A

	Ref. - No.			
11015	7565617	timing belt		Z 168 B22
11294	46424716	tension roller		ØA 80 H 24
11296	46740727	tension roller		ØA 61 H 33 / 51
11297	46740726	deflection pulley		ØA 61 H 30 / 51
23778	55221385	timing chain		120 E
28458	55197785	chain tensioner	03→05	
31622	55221385 S1	rep. kit timing chain	03→	120 E
36441	46439454	deflection pulley	(1)	ØA 80 B17

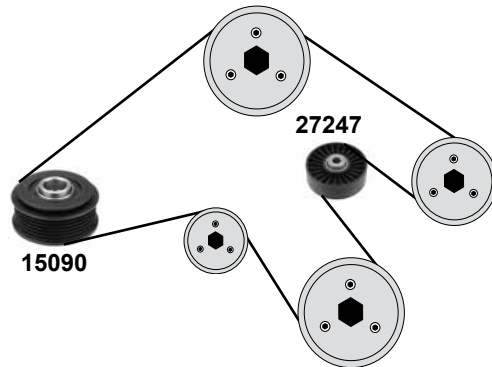
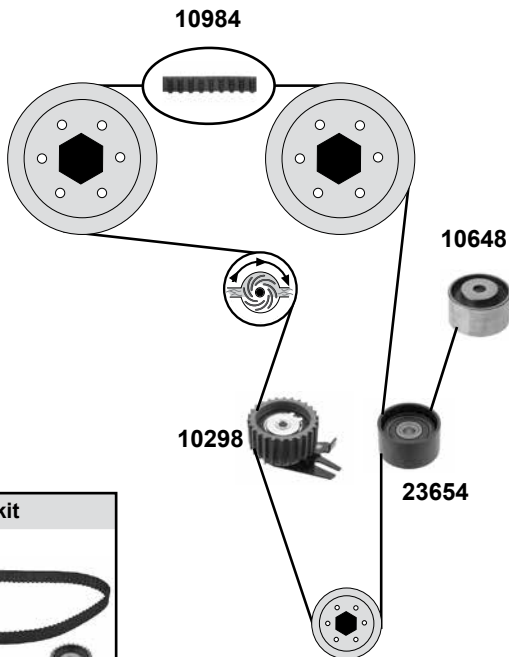
**1,3 D**



**AC**



**1,9 D**



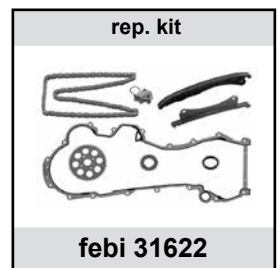
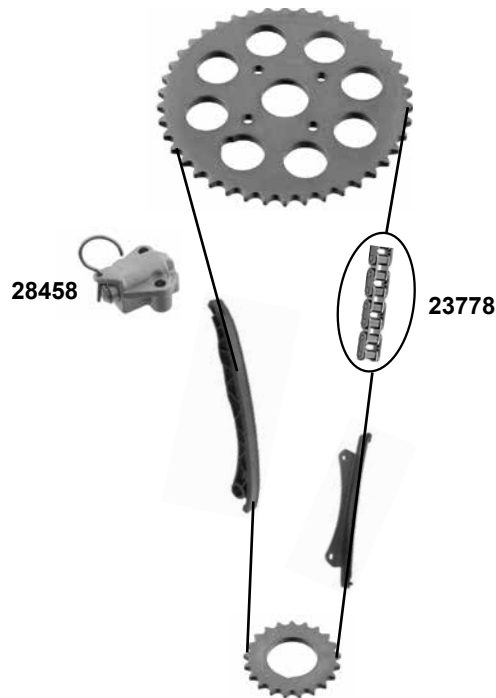
- (1) for Alternator: 75A / 90A / 105A
- (2) (mot.) 1,9 DS 15/5/2003→ / (mot.) 1,9 JTD 59kW,63kW 15/5/2003→ / (mot.) 1,9 JTD 74kW
- (3) (mot.) 1,9 D →15/05/03 (mot.) →3646771



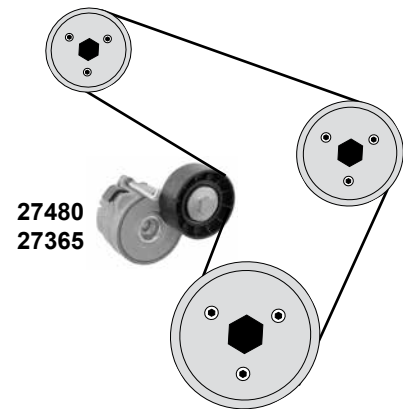
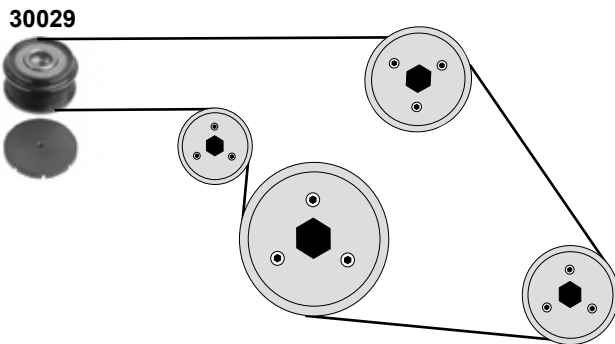
**Ref. - No.**



Ref. - No.	Description	Notes	Dimensions
10298	tension roller	(3)	ØA 65 H 30
10648	deflection pulley	(3)	ØA 53
10984	timing belt	59/63/74 kW	Z190 B24
15090	belt pulley	(1) 99→	Ø A61
23654	deflection pulley	(2)	ØA 53 B29
23655	rep. kit timing belt		Z 190
27247	deflection pulley	63/74 kW	ØA 80 H 25
27480	tension roller	03→	ØA 65 H 25,5
30029	belt pulley	(1) 03→	ØA 59 ØI17 B38,1



**AC**



(1) Grande Punto 55 kW

(2) Grande Punto M72 66 kW 08 / Grande Punto CC1.3 66kW 08 → 09

(3) for alternator: 90A / 105A



Ref. - No.



**23778** 55221385  
**27365** 51821653  
**27480** 46819146  
**28458** 55197785  
**30029** 77362721  
**31622** 55221385 S1

timing chain  
tension roller  
tension roller  
chain tensioner  
belt pulley  
rep. kit timing chain

→12  
(2)  
(1)  
→12  
(3)  
→12

120 E  
ØA 65 H 25,5  
ØA 59 ØI17 B38,1

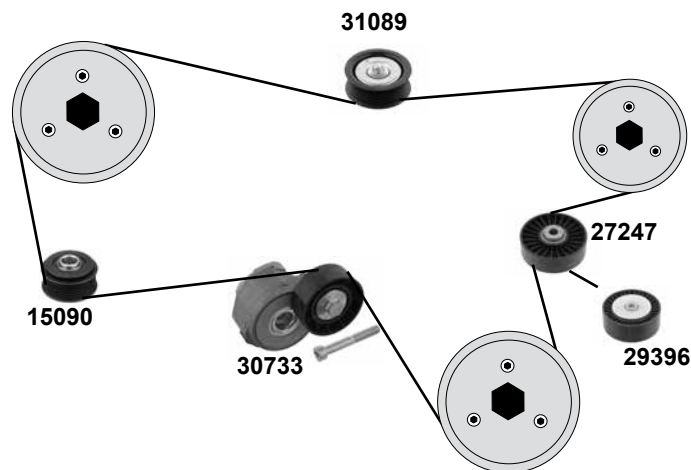
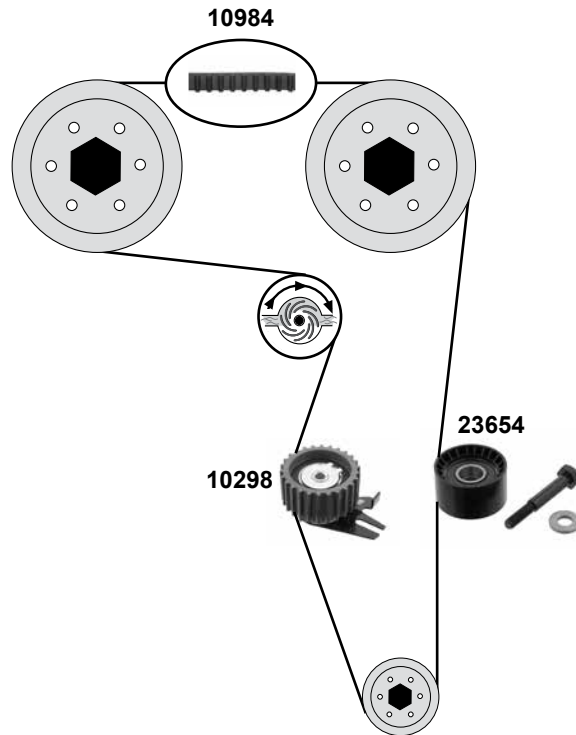
# FIAT Grande Punto (199)

(05→12)

Car Division 



## 1,6 D / 1,9 D



(1) for Alternator: 4654 4329 / 4655 4408

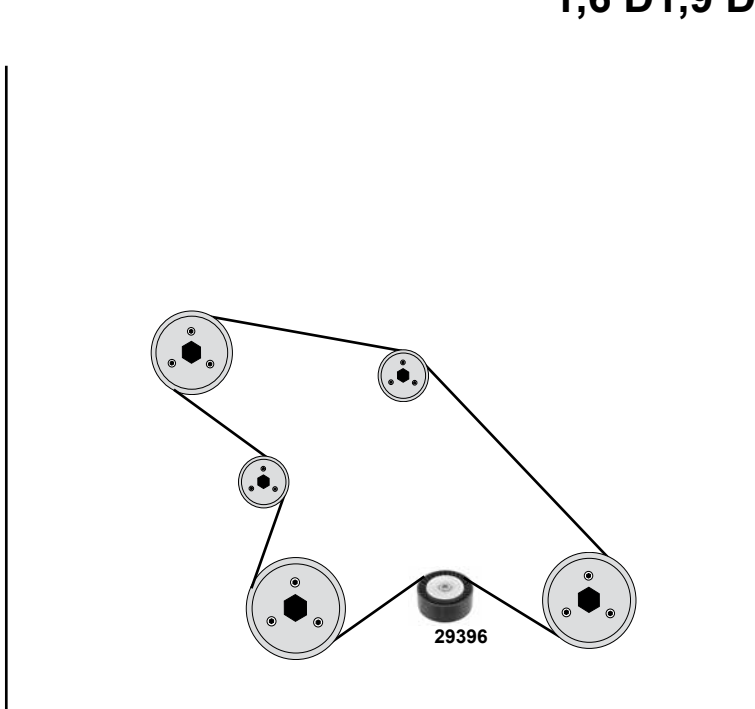
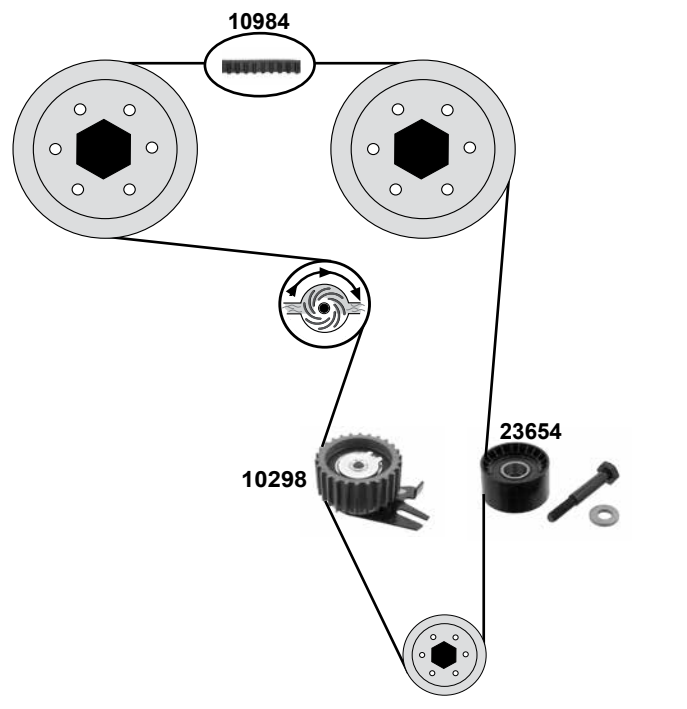
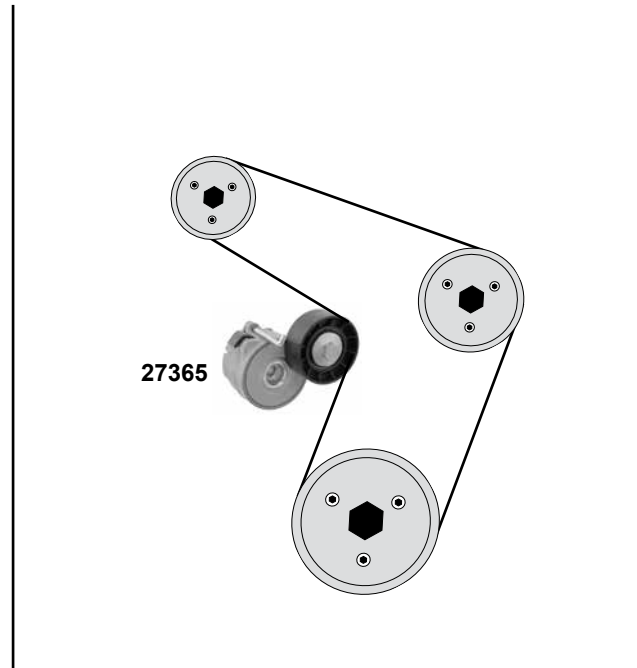
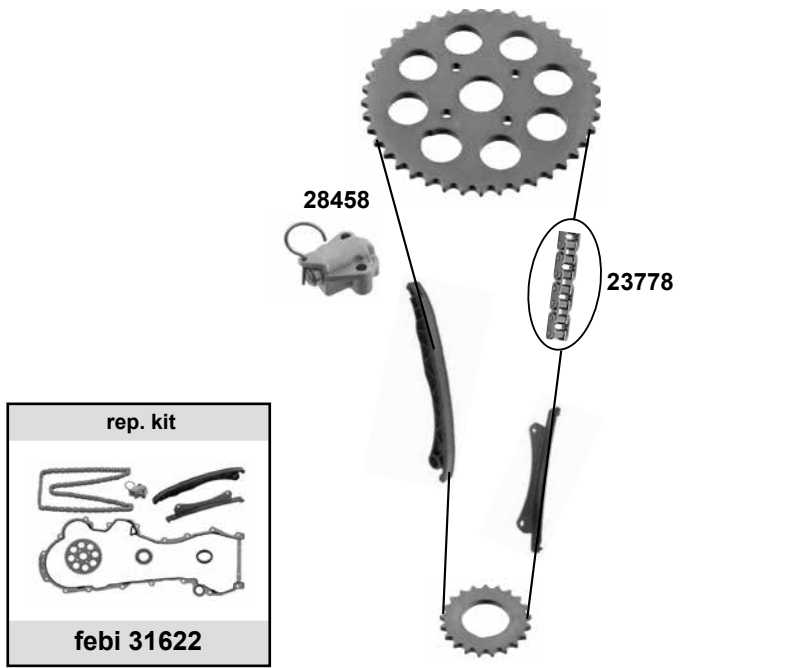
(2) →09 (mot.) 1,6 / 1,9 D Multijet



Ref. - No.



Ref. - No.	Description	Notes	Dimensions
10298	tension roller	→09 (mot.) 1,6 D	ØA 64 B40 Z 26
10984	timing belt	(mot.) 1,9	Z190 B24
15090	belt pulley	(1) (mot.) 1,9	Ø A61
23654	deflection pulley	(2)	ØA 53 B29
23655	rep. kit timing belt	(mot.) 1,9	Z 190
27247	deflection pulley	(mot.) 1,9	ØA 80 H 25
29396	deflection pulley	(mot.) 1,9 / →09	ØA 70 B26
30733	tension roller	(mot.) 1,9 AC	ØA 65
31089	deflection pulley	(mot.) 1,9 / (ex.) AC	ØA 65 B26



(1) (mot.) 1,3 D 55kW, 62kW, 66kW, 70kW

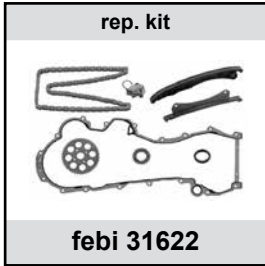
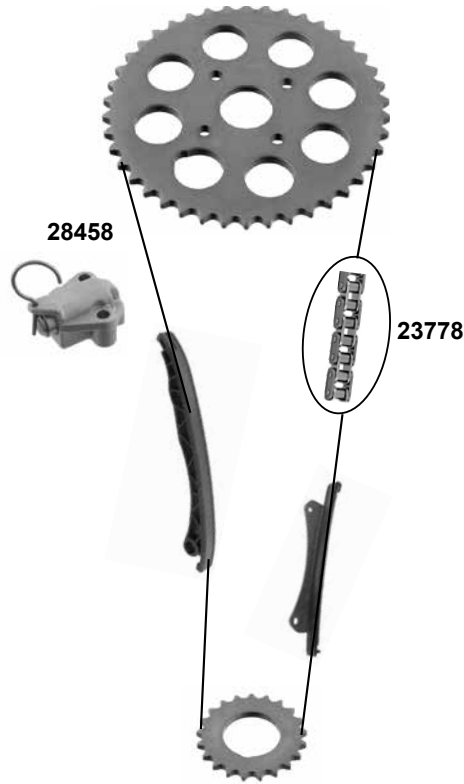
	Ref. - No.			
10298	55238027	tension roller		ØA 64 Z26
10984	71731639	timing belt		Z190 B24
23654	71771498	deflection pulley	1,6 D Multijet	ØA 53 B29
23778	55221385	timing chain	(1)	120 E
27365	51821653	belt tensioner	(1)	
28458	55197785	chain tensioner	(1)	
29396	51758383	deflection pulley	1,6 D	ØA 70 B26
31622	55221385 S1	rep. kit timing chain	(1)	120 E

**FIAT**  
**Punto Nuova MY 12 (199)**  
 (12→13)

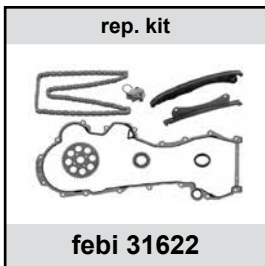
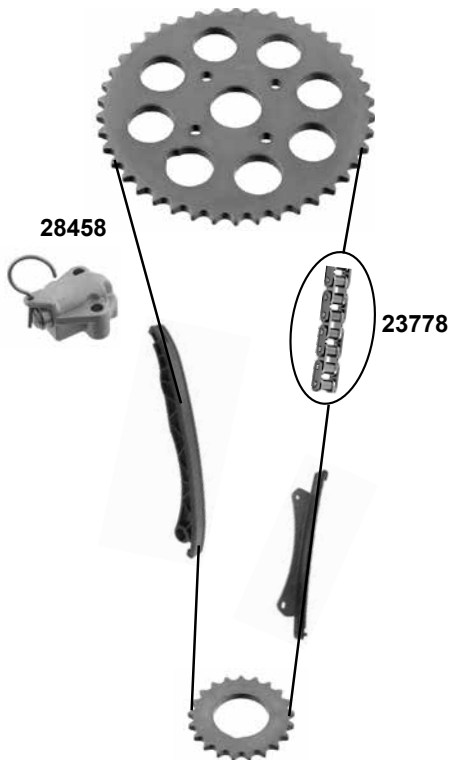
Car  
 Division 



**1,3 D**



**Punto MY**  
 (13→)  
**1,3 D**



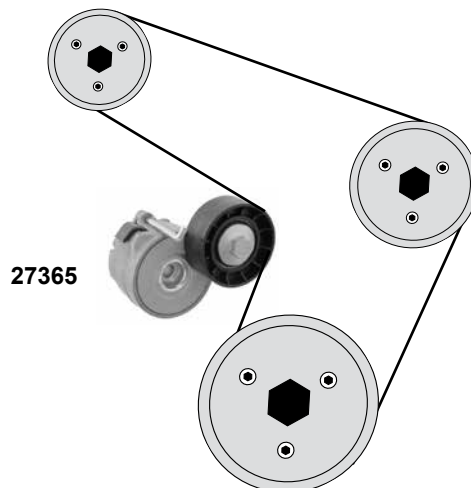
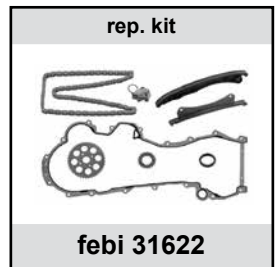
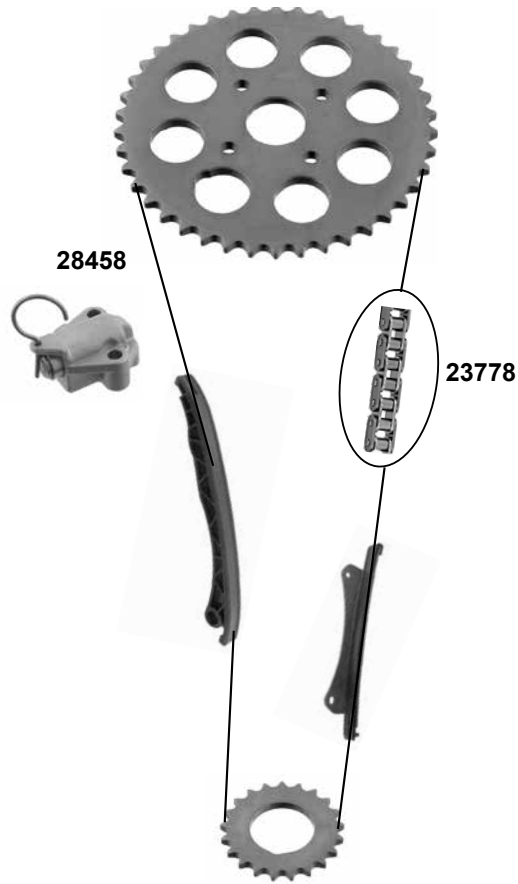
Ref. - No.



23778	55221385
28458	55197785
31622	55221385 S1

timing chain
chain tensioner
rep. kit timing chain

120 E
120 E



Ref. - No.



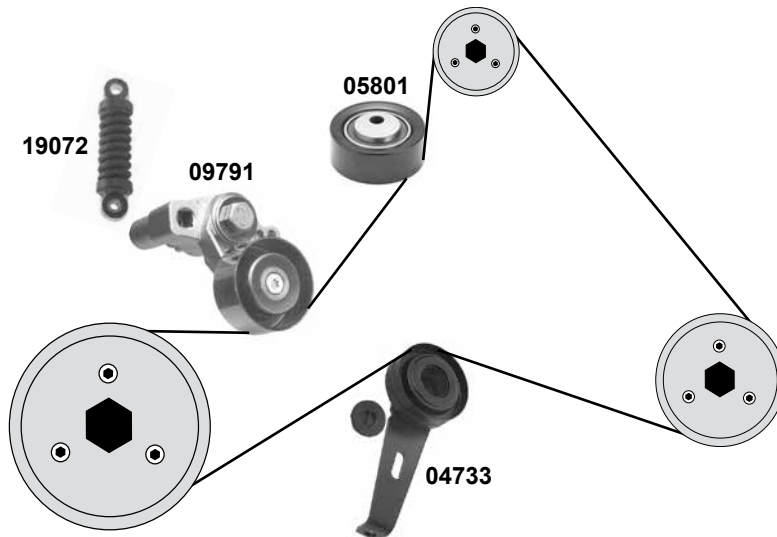
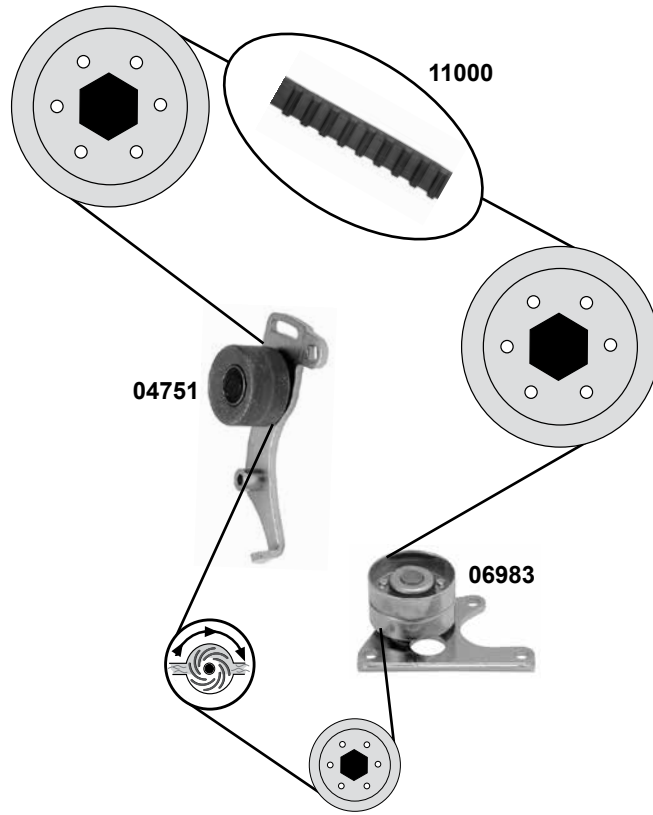
**23778** 55221385  
**27365** 51821653  
**28458** 55197785  
**31622** 55221385 S1







timing chain  
belt tensioner  
chain tensioner  
rep. kit timing chain

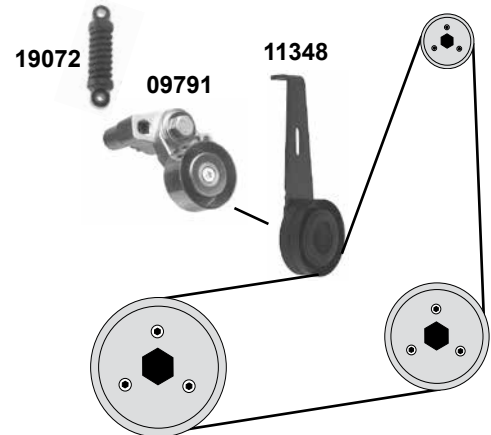
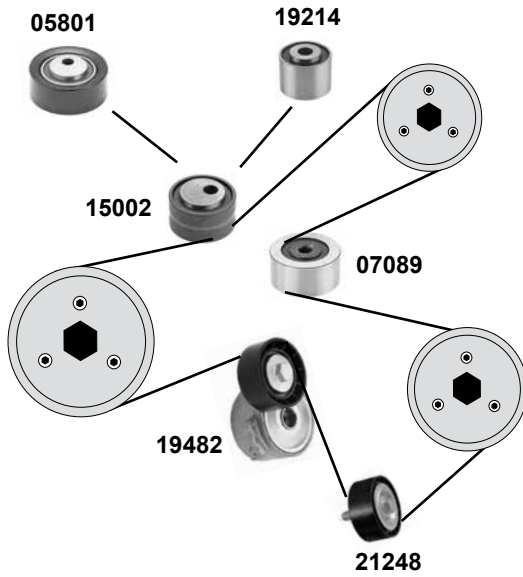
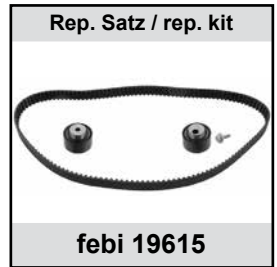
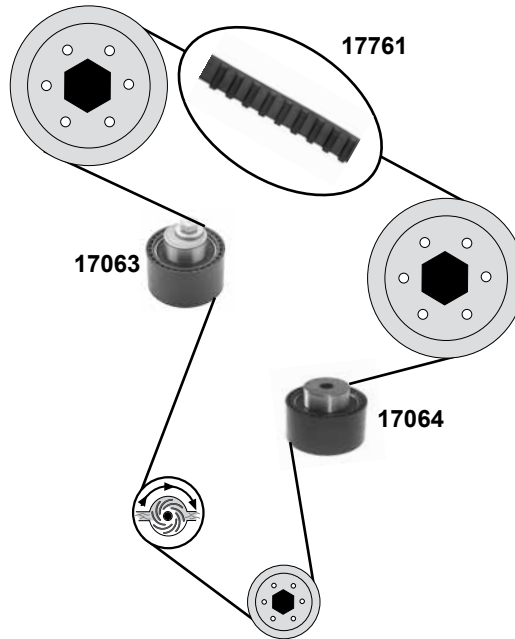
120 E  
  
120 E



**1,9 D**  
 (D8B/ D9B/ DHX)



	Ref. - No.			
<b>04733</b>	9627860780	tension roller	(ex.) AC	ØA 85 B26
<b>04751</b>	9617188680	tension roller		ØA 60 B34
<b>05801</b>	9618888580	tension roller		ØA 70 B27/29
<b>06983</b>	9615923380	deflection pulley		ØA 60 B34
<b>09791</b>	9623001280	tension roller	servo  AC	ØA 60 B26,5
<b>11000</b>	71739919	timing belt		Z 136 B25,4
<b>11222</b>	9467266080	rep. kit timing belt		Z 136 B25,51
<b>19072</b>	9405751819	vibration damper	servo  AC	



(1) (ex.) variable servo

(2) servo (ex.) AC

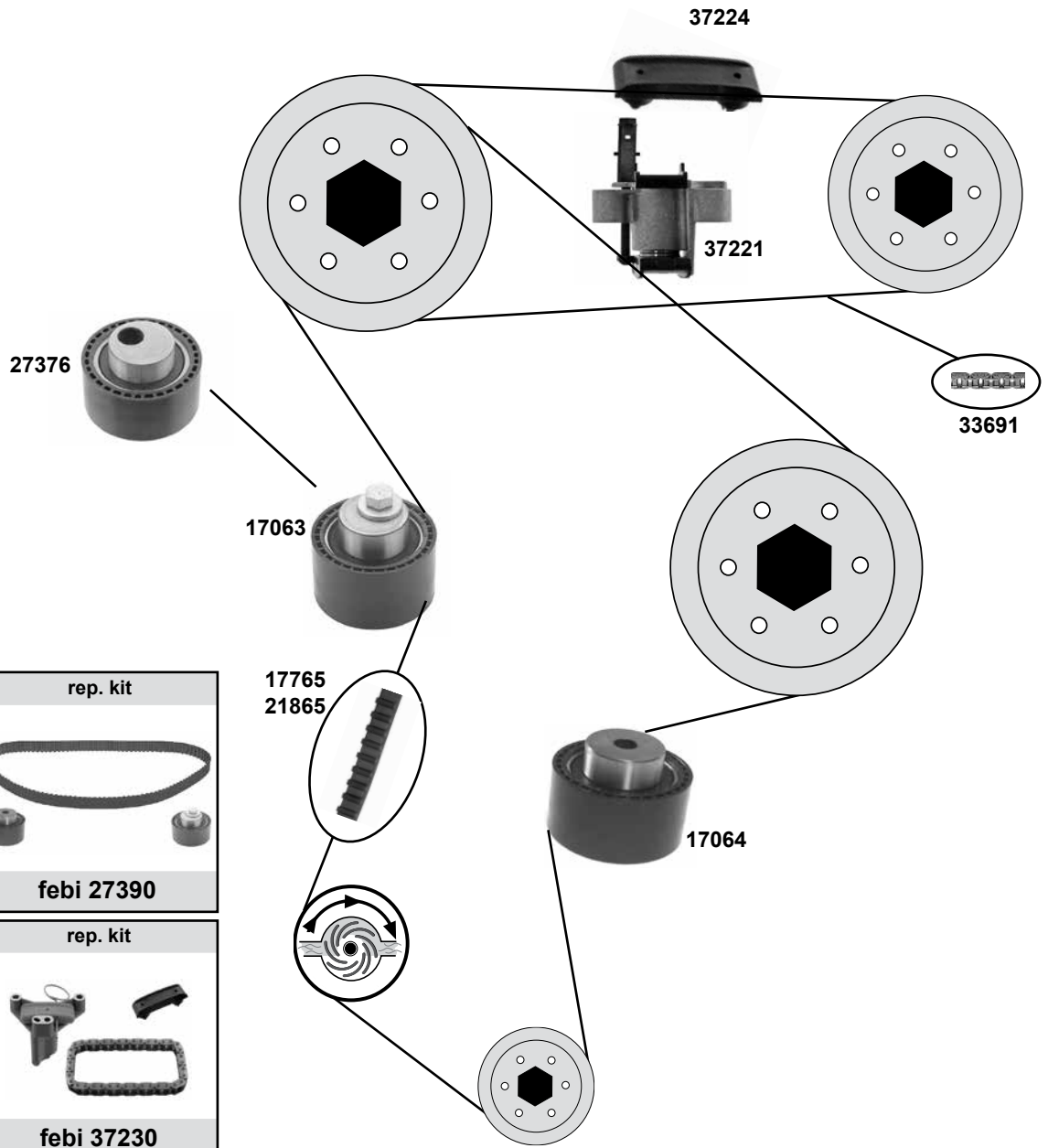


Ref. - No.



Part No.	Ref. - No.	Description	Notes	Dimensions
05801	9618888580	deflection pulley	servo  AC	ØA 70 ØI 10/16
07089	9642965780	tension roller	(ex.) AC	ØA 50 B26
09791	9623001280	tension roller	servo  AC	ØA 60 B26,5
11348	9629471780	tension roller	man.	ØA 85 B26
15002	9633315180	tension roller	(ex.) AC	ØA 50 B26
17063	9400829629	tension roller		ØA 60 ØI 13
17064	9400830319	deflection pulley		ØA 60 ØI 10
17761	9400816939	timing belt		Z 140 B25,4
19072	9405751819	vibration damper	servo  AC	
19214	9405751679	deflection pulley	servo  (1) (ex.) AC	ØA 37 B27
19482	9653522780	tension roller	(2)	ØA 60
19615	9400831589	rep. kit timing belt		Z 140
21248	9637024080	deflection pulley	(1) (2)	ØA 60 B25

**2,0 D**  
(8 V / 16 V)



(1) (mot.) 2,0D / →06

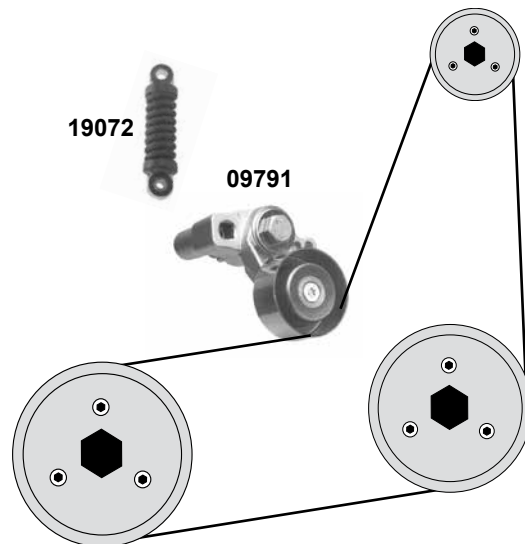
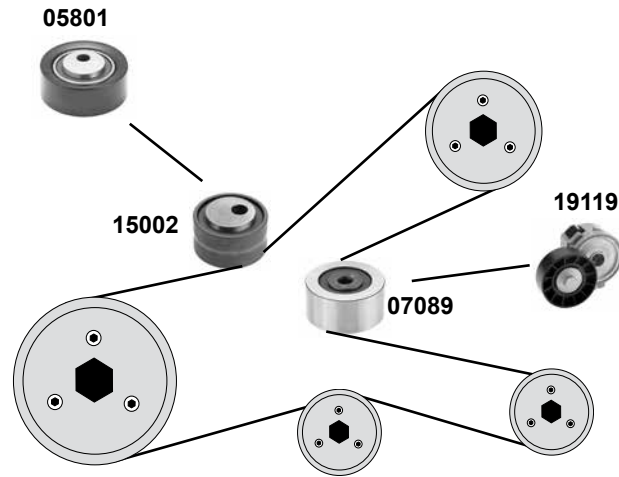
(2) endlos / endless



Ref. - No.



Ref. - No.	Description	Notes	Dimensions
17063	tension roller		ØA 60 ØI 13
17064	deflection pulley		ØA 60 ØI 10
17765	timing belt		Z 141 B25,4
19623	rep. kit timing belt	8V	Z 141 B25,4
21865	timing belt		Z 144 B25,4
27376	tension roller	16V / O 10011→	ØA 62 H30
27390	rep. kit timing belt	16V / →O 10010	Z 144 B25,4
27394	rep. kit timing belt	16V / O 10011→	Z 144 B25,4
33691	timing chain simplex	(1) (2)	E 40
37211	chain tensioner	(1)	
37224	sliding rail	(1)	
37230	rep. kit timing chain	(1)	



	Ref. - No.			
<b>05801</b>	9618888580	deflection pulley	servo  AC	ØA 70 ØI 10/16
<b>07089</b>	9642965780	tension roller	(ex.) AC	ØA 50 B26
<b>09791</b>	9623001280	tension roller	servo  AC	ØA 60 B26,5
<b>15002</b>	9633315180	tension roller	(ex.) AC	ØA 50 B26
<b>19072</b>	9405751819	vibration damper	servo  AC	
<b>19119</b>	9653522380	belt tensioner	2,0 D alle / all →06	ØA 70 B 25

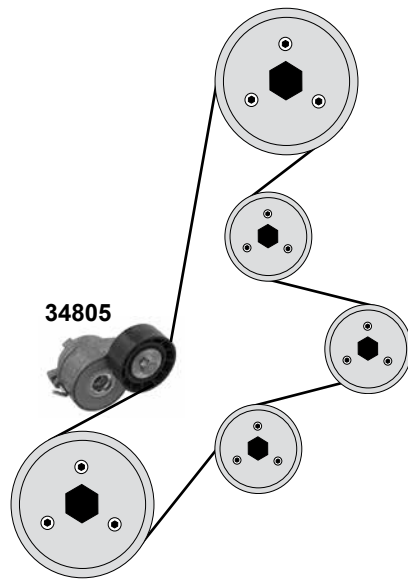
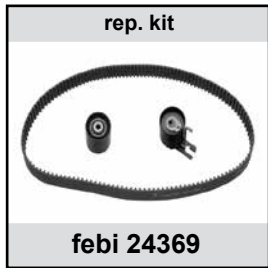
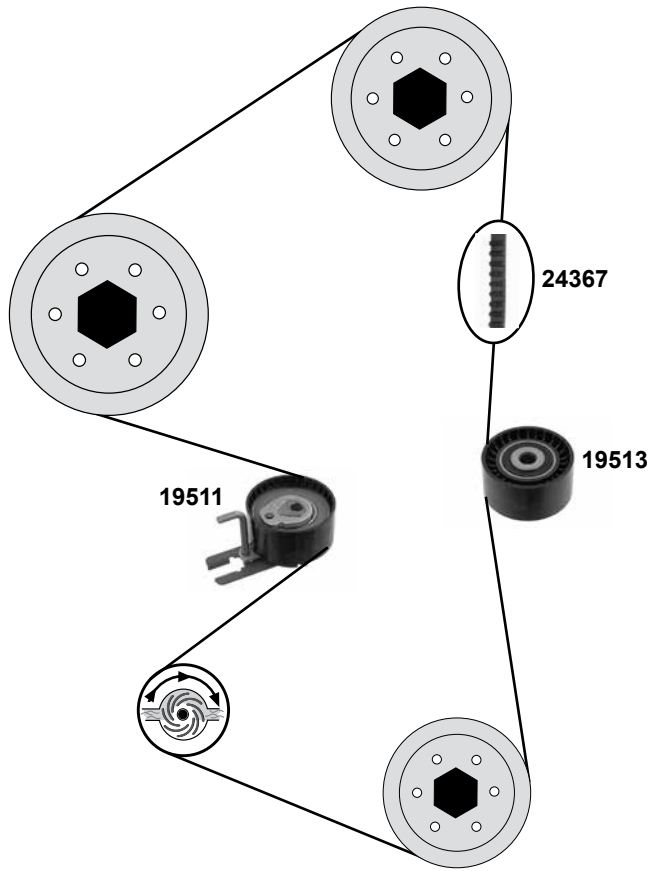
# FIAT Scudo Nuovo (270)

(07→)

Car  
Division 



**1,6 D**  
(66kW)



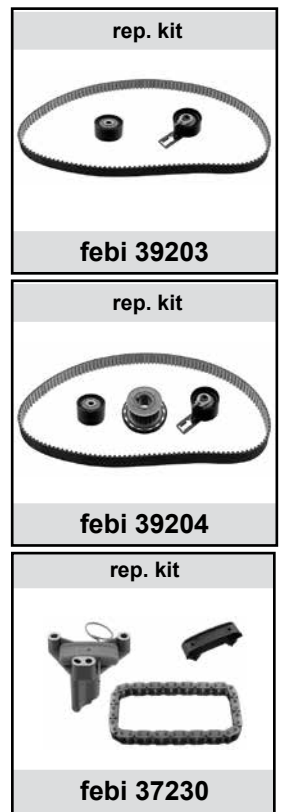
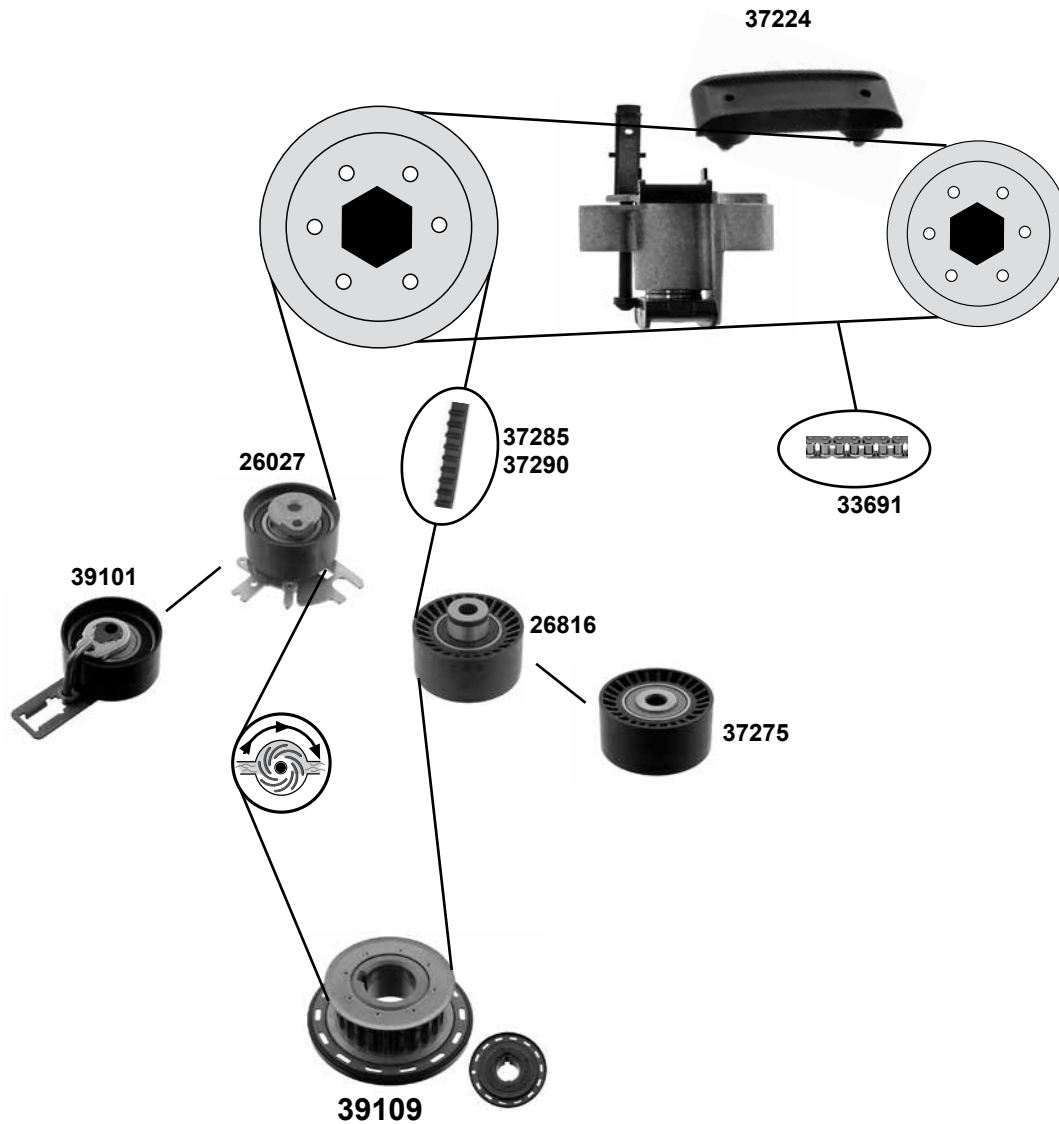
Ref. - No.



<b>19511</b>	9400829889
<b>19513</b>	9400830489
<b>24367</b>	9467615780
<b>24369</b>	9467615880
<b>34805</b>	9654127380

tension roller
deflection pulley
timing belt
rep. kit timing belt
belt tensioner

ØA60
ØA60
Z 137 B25
Z 137 B25
ØA 60 B25



- (1) 120kW DAT (15/09/2011 →)  
 (2) (mot.) 2,0 D 88kW / 103kW / M5 / M6 / M10  
 (3) Scudo Nuovo (270) / Scudo Nuovo (270) Kasten , Pritsche / Fahrgestell

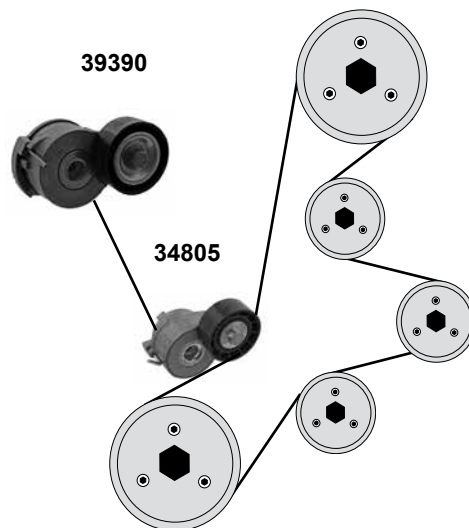
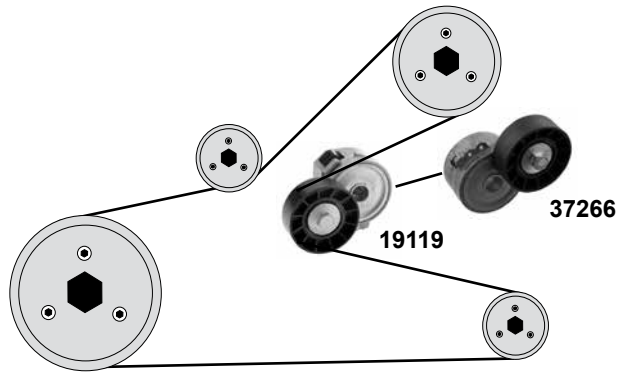


Ref. - No.



Ref. - No.	Description	Quantity	Part Number
26027	tension roller	(2)	ØA 60 B29
26816	deflection pulley	(3)	ØA 60,2 B30,2
33691	timing chain simplex	(3)	endlos / endless 40 E
37211	chain tensioner	(3)	
37224	sliding rail	(3)	
37230	rep. kit timing chain	(3)	
37275	deflection pulley	(1)	120kW ØA 61 B30
37285	timing belt	(1)	120kW Z 141 B25,4
37290	timing belt	(1)	88kW / 103kW Z 116 B25,4
39101	tension roller	(1)	ØA 60 ØI 29
39109	magnet wheel	(1)	120kW Z 22
39203	rep. kit timing belt	(1)	Z 141 B25,4
39204	rep. kit timing belt	(1)	Z 141 B25,4

**2,0 D**



(1) (mot.) 2,0 D alle / all



**Ref. - No.**



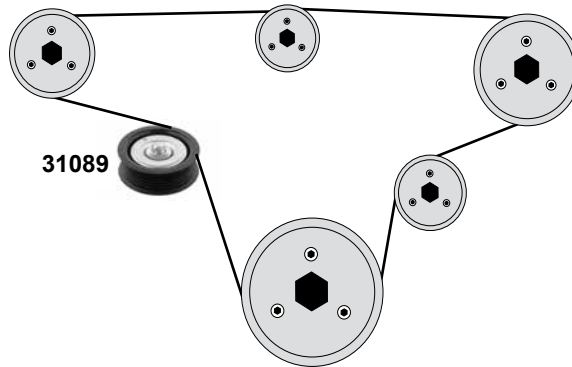
belt tensioner  
 belt tensioner  
 belt tensioner  
 belt tensioner



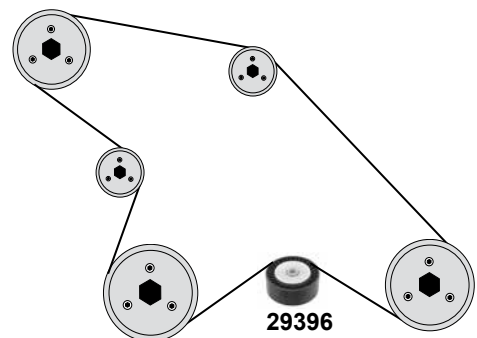
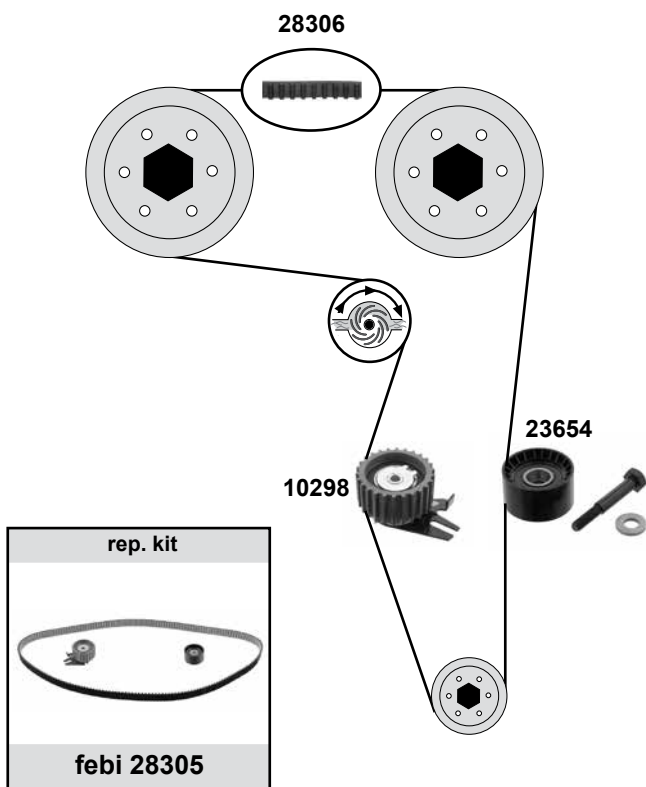
(1) 15/05/07→  
 120 kW  
 (1) →15/05/07  
 120 kW



ØA 70 B25  
 ØA 60 B25  
 ØA 70 B25  
 ØA 65 B25



**1,9 D / 2,0 D**



(1) (mot.) 1,9 D 88kW / 2,0 D  
(3) (mot.) 1,9 D / (mot.) 2,0 D AC

(2) (mot.) 2,0 D Multijet

(4) (mot.) 1,9 / 2,0 D Multijet



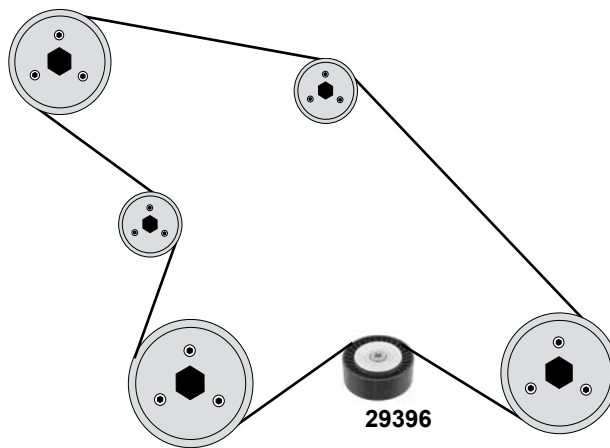
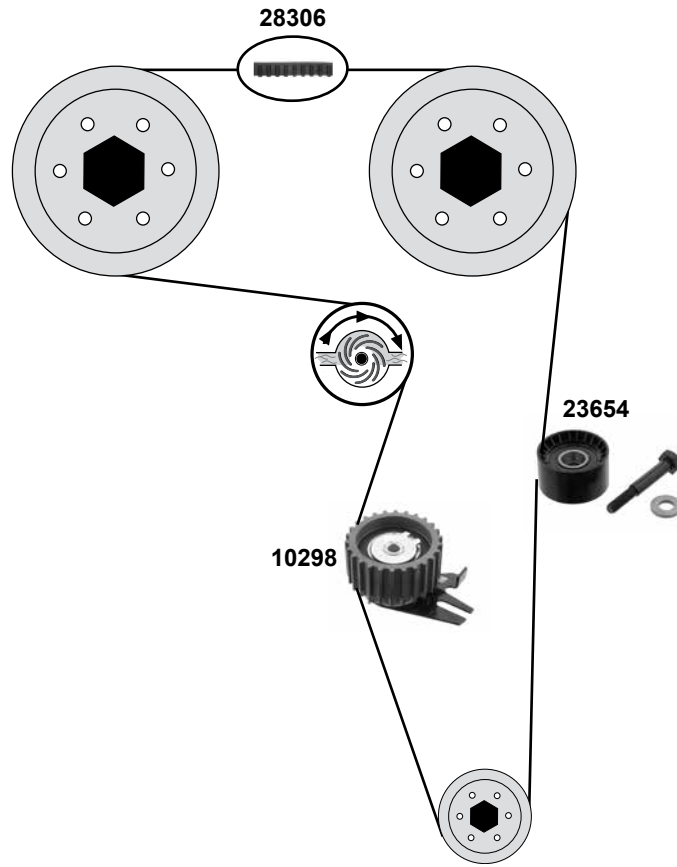
Ref. - No.



Part No.	Ref. - No.	Description	Application	Dimensions
10298	55238027	tension roller	(1) (2) →11	ØA 64 Z26
23654	71771498	deflection pulley	(4)	ØA 53 B29
28305	55183528 S1	rep. kit timing belt	(2)	Z 199 B24
28306	55183528	timing belt	(2) →11	ØA 70 B26
29396	51758383	deflection pulley	(3) →11	ØA 70 B26
31089	51758384	deflection pulley		ØA 65 B26



**2,0 D**



Ref. - No.



<b>10298</b>	55238027
<b>23654</b>	71771498
<b>28306</b>	55183528
<b>29396</b>	51758383

tension roller
deflection pulley
timing belt
deflection pulley

Multijet

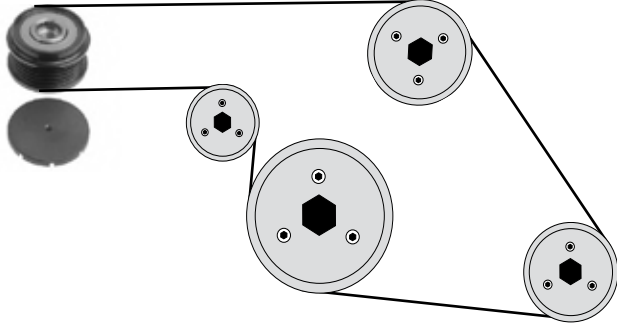
ØA 64 Z26
ØA 53 B29
Z 199 B24
ØA 70 B26

1,3 D

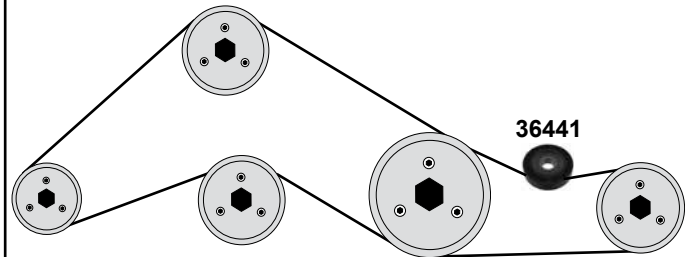
1,7 D

AC

30029

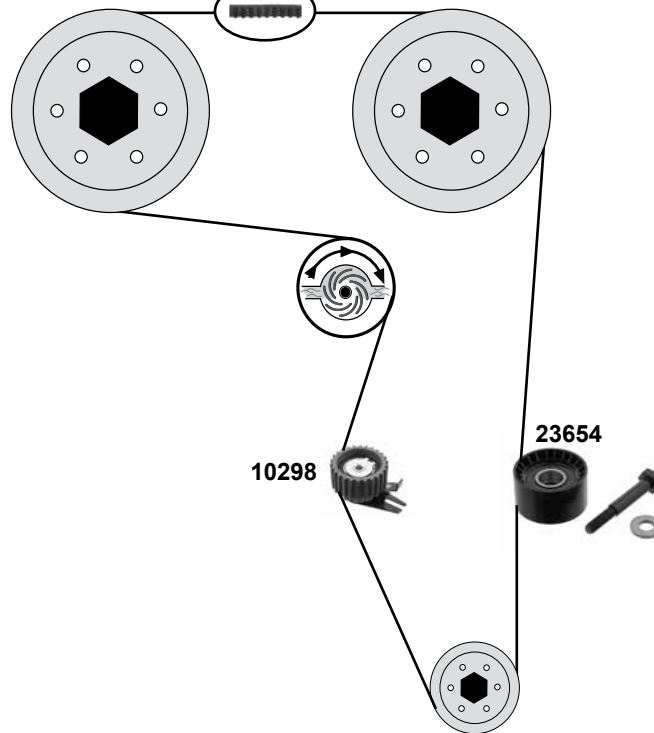


36441



10984

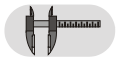
1,9 D



- (1) 02 → / (mot.) 1,9 D (DAT 15/5/2003→)
- (2) für Generator / for alternator: 90A / 02 →
- (3) 97 → 02 (ex.) AC  
02 → AC



Ref. - No.



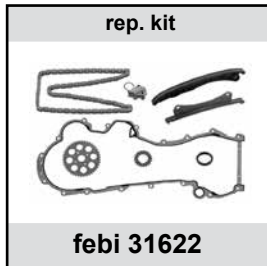
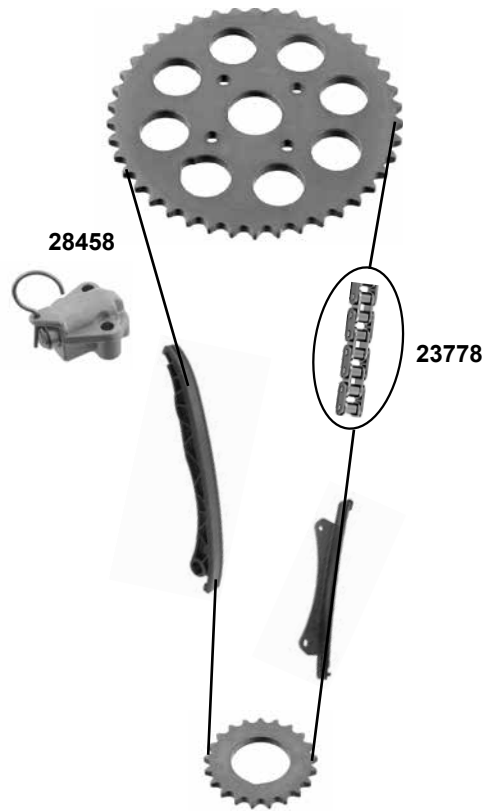
**10298** 55238027  
**10648** 71736493  
**23654** 71771498  
**30029** 77362721  
**36441** 46439454

tension roller  
deflection pulley  
deflection pulley  
belt pulley  
deflection pulley

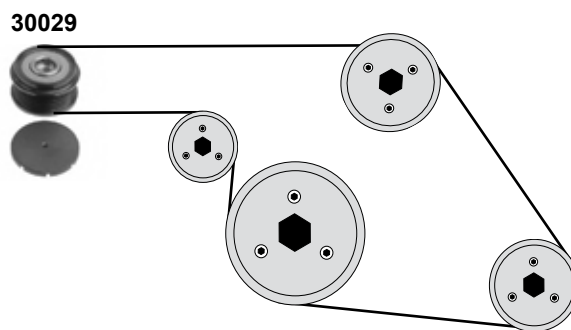
(1)  
(2)  
(3)

ØA 64 Z26  
ØA 53  
ØA 53 B29  
ØA 59 ØI17 B38,1  
ØA 80 B17

**1,3 D**



**AC**



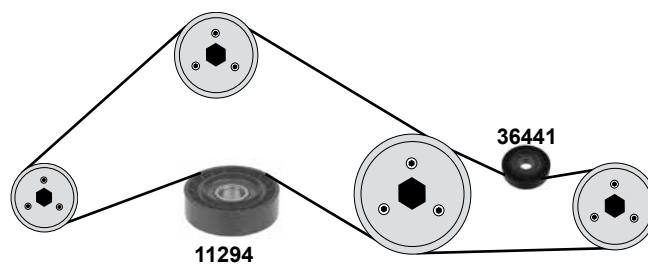
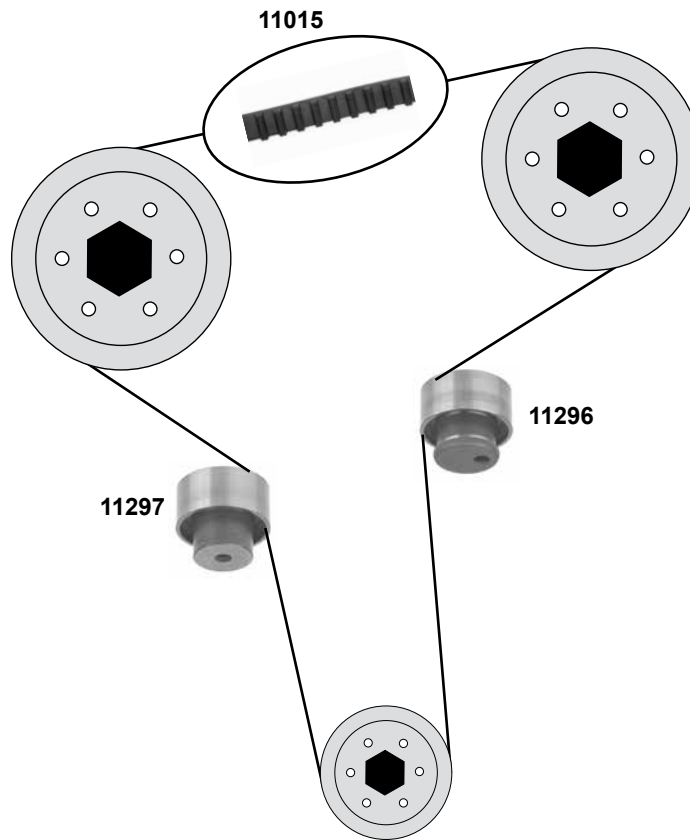
(1) for alternator: 90A / 105A (05→) / 70 kW ( 11→)



Ref. - No.



<b>23778</b>	55221385	timing chain		120 E
<b>28458</b>	55197785	chain tensioner	(1)	
<b>30029</b>	77362721	belt pulley	(1)	ØA 59 Ø117 B38,1
<b>31622</b>	5522 1385 S1	rep. kit timing chain	(1)	120 E



(1) Strada : 99 → 05 AC / 05 → (ex.) AC



Ref. - No.



timing belt  
tension roller  
tension roller  
deflection pulley  
deflection pulley



(1)



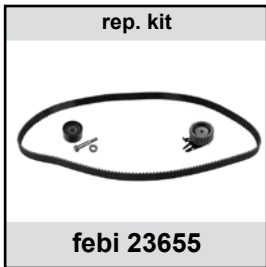
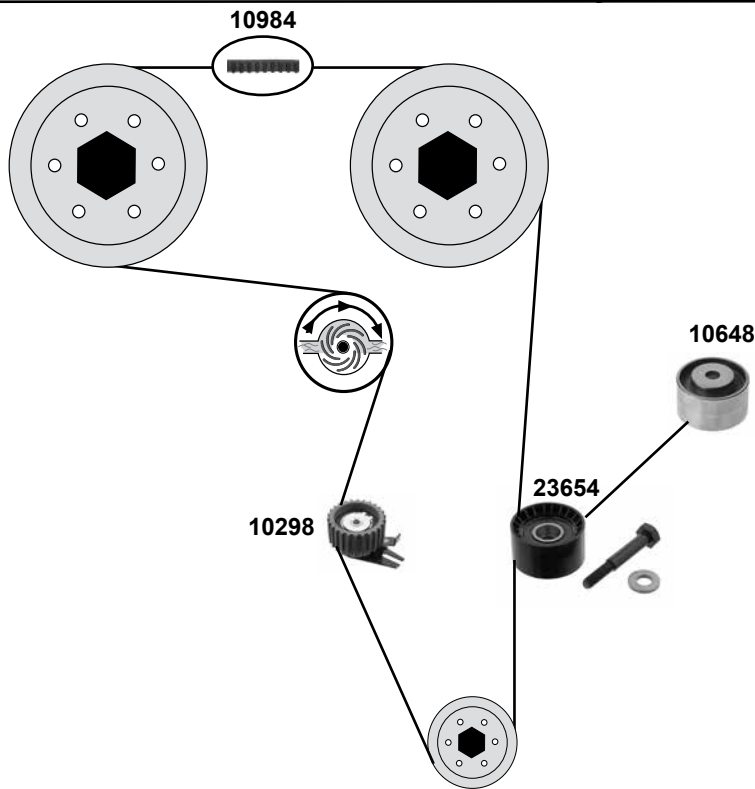
Z 168 B22  
ØA 80 H 24  
ØA 61 H 33/51  
ØA 61 H 30/51  
ØA 80 B17

**FIAT**  
**Strada (178E)**  
 (99→05)

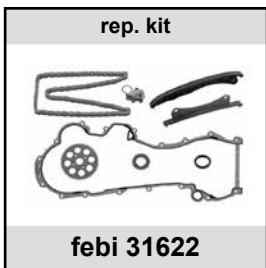
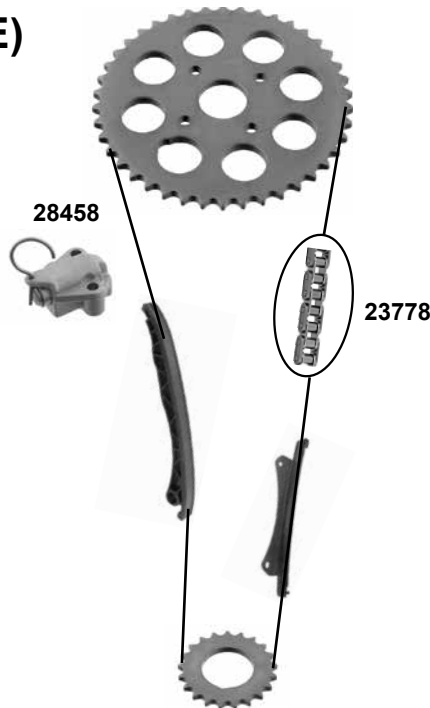
Car  
 Division 



**1,9 D**



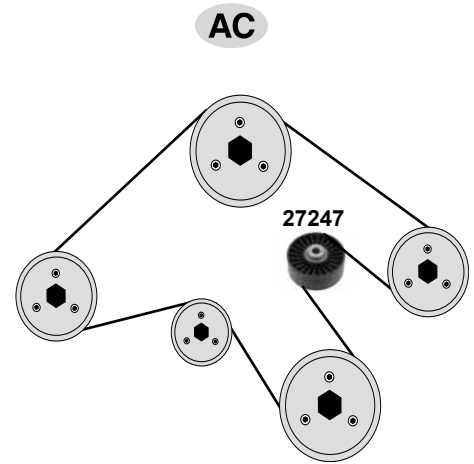
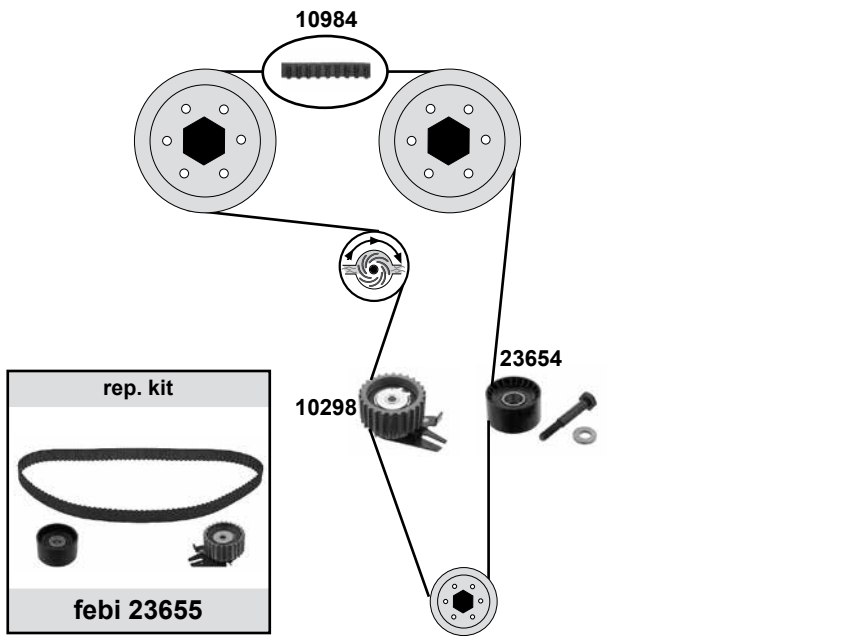
**Strada / Rest.2 (178/E)**  
 (05→)  
**1,2 / 1,3 D**



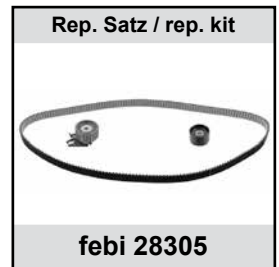
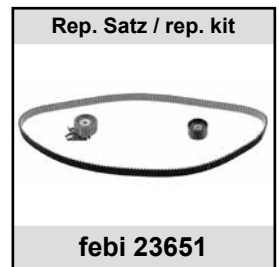
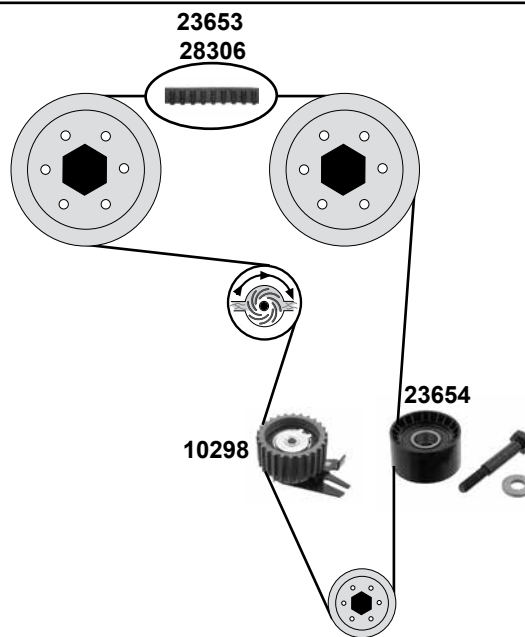
- (1) →15/05/03 (mot.) →3646771
- (2) **Strada Rest.2 (178E) 05→11 / Strada (178) 11→**

	Ref. - No.			
<b>10298</b>	55238027	tension roller		ØA 64 Z26
<b>10648</b>	71736493	deflection pulley	(1)	ØA 53
<b>10984</b>	71731639	timing belt	59 kW	Z 190 B 24
<b>23654</b>	71771498	deflection pulley	15/5/2003→	ØA 53 B29
<b>23778</b>	55221385	timing chain		120 E
<b>28458</b>	55197785	chain tensioner	(1)	
<b>31622</b>	55221385 S1	rep. kit timing chain	(2)	

**1,9 D**  
(8V)



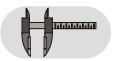
**1,9 D**  
(16V)



- (1) 03→(mot.) 1,9 D Multijet 110kW
- (2) (mot.) 1,9 58kW/66kW/74kW/85kW/88kW/110k / (mot.) 1,9 93kW/100kW/103kW 15/5/2003→
- (3) →03 (mot.) 1,9 D 58kW / 85kW / 03 → (mot.) 1,9 D alle
- (4) (mot.) 1,9 D 58kW,85kW,93kW,100kW,103kW →15/05/03 (mot.) →3646771
- (5) (mot.) 1,9 D 58kW,66kW,74kW,85kW,88kW

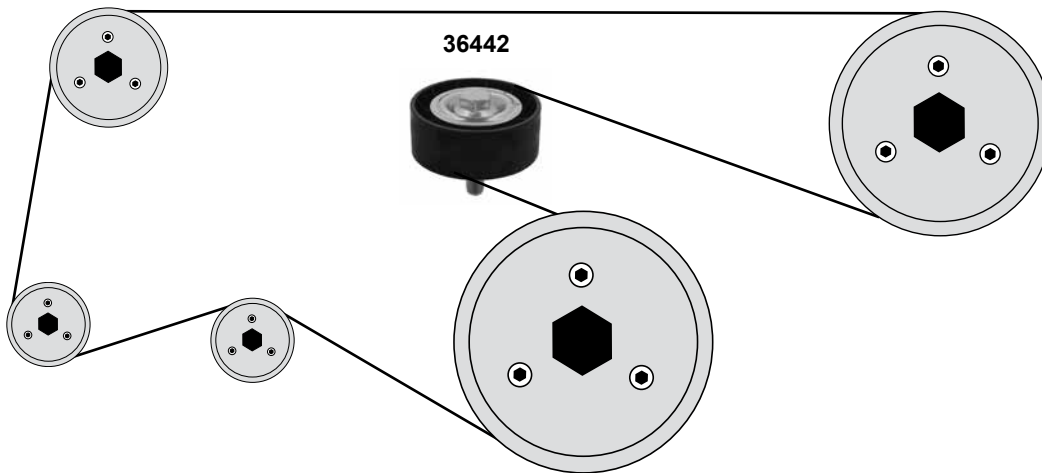


Ref. - No.

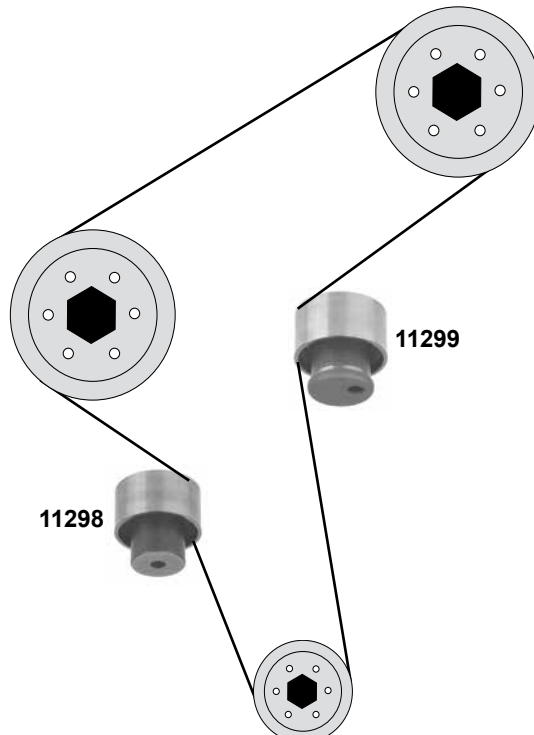


Ref. - No.	Description	Application	Part Number
10298	tension roller	Stilo / SW 1,9 D	ØA 64,5 Z26
10648	deflection pulley	(4)	ØA 53
10984	timing belt	(5)	Z 190 B24
23651	rep. kit timing belt	(mot.) 1,9 16V	Z 198 B24
23653	timing belt	(mot.) 1,9 16V	Z 198 B24
23654	deflection pulley	(2)	ØA 53 B29
23655	rep. kit timing belt		Z 190
27247	deflection pulley	(3)	ØA 80 H 25
28305	rep. kit timing belt	(1)	
28306	timing belt	(1)	Z 199 B24

**1,9 16V**



**Talento (290)**  
 (88→94)  
**1,9 D**



(1) (mot.) 1,9 93kW,100kW,103kW / 03→07



**Ref. - No.**

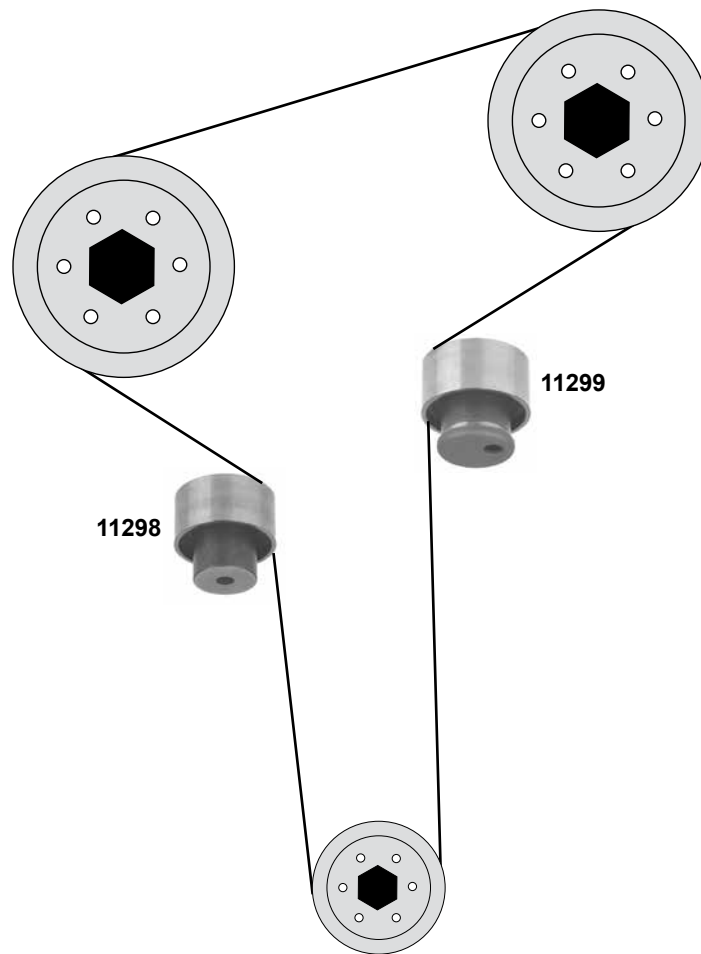


<b>11298</b>	7596876
<b>11299</b>	7596877
<b>36442</b>	60671789

deflection pulley
tension roller
deflection pulley

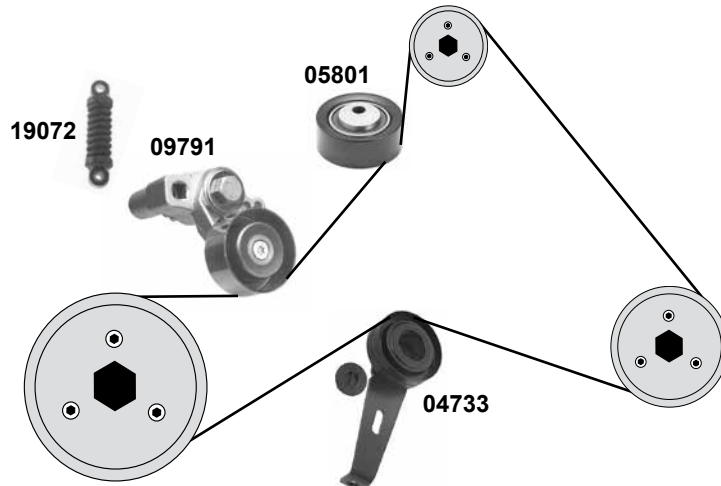
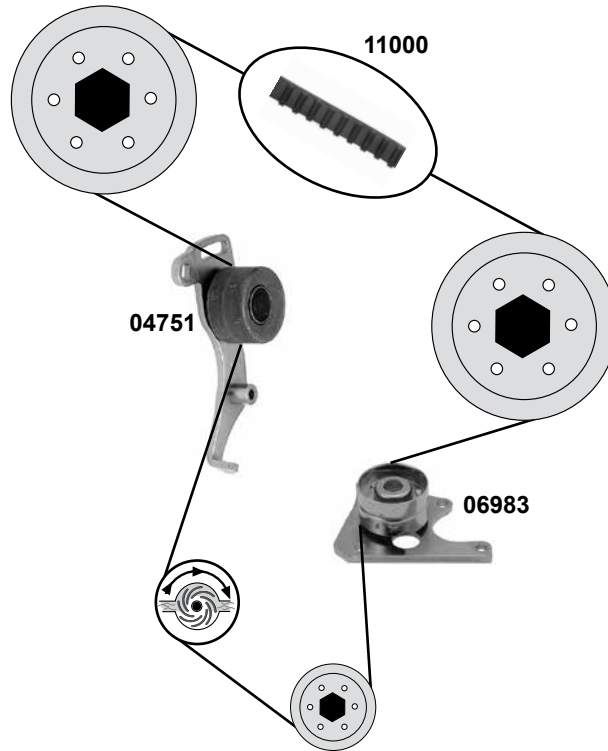
(1)






ØA 61 H 30/57
ØA 61 H 30/55
ØA65 B25

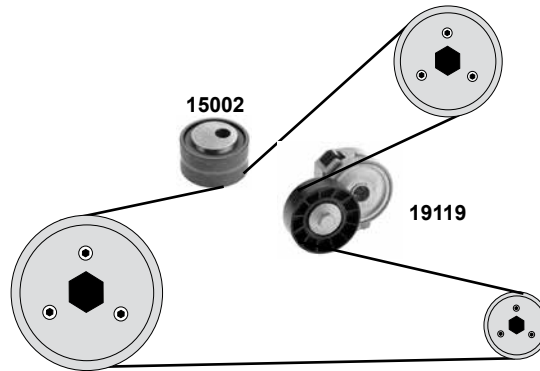
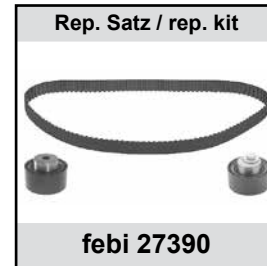
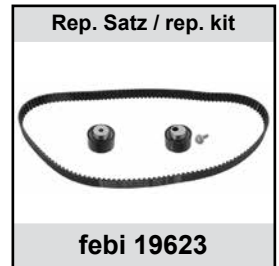
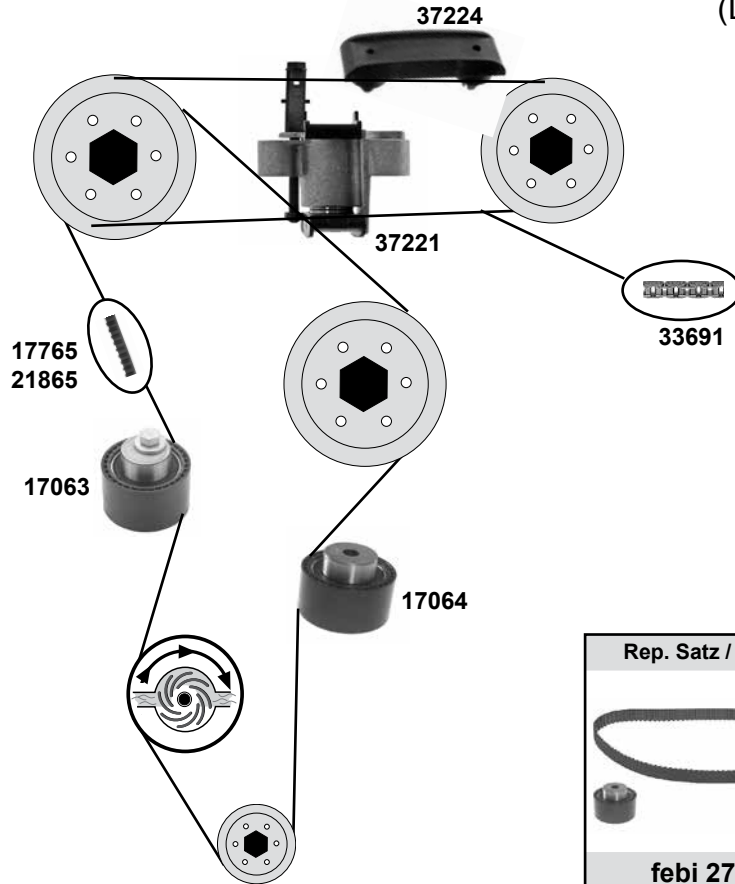




**1,9 D**



	Ref. - No.			
<b>04733</b>	9627860780	tension roller	(ex.) AC	ØA 85 B26
<b>04751</b>	9617188680	tension roller		ØA 60 B34
<b>05801</b>	9618888580	tension roller		ØA 70 B27/29
<b>06983</b>	9615923380	deflection pulley		ØA 60 B34
<b>09791</b>	9623001280	tension roller		ØA 60 B26,5
<b>11000</b>	71739919	timing belt		Z 136 B25,4
<b>11222</b>	9400831279	rep. kit timing belt		Z 136 B25,51
<b>19072</b>	9405751819	vibration damper	servo  AC	



- (1) (mot.) 2,0 D all
- (2) (mot.) 2,0 JTD 16V

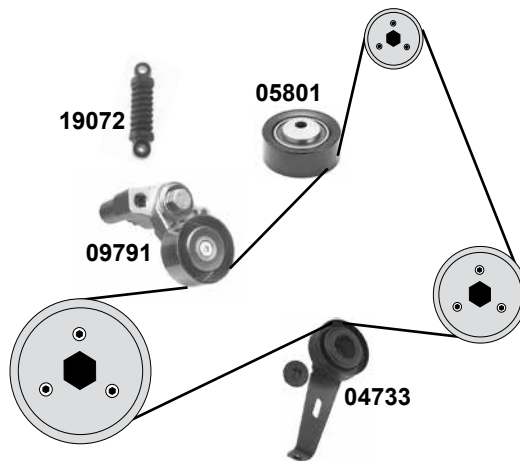
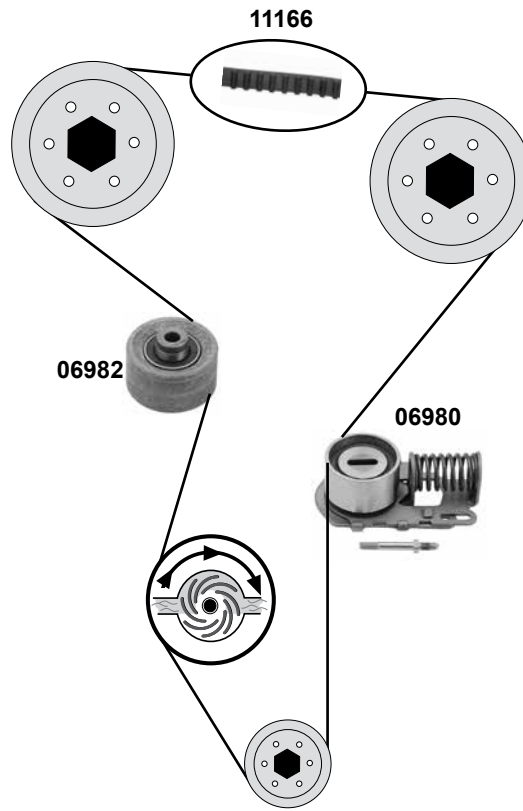







Ref. - No.

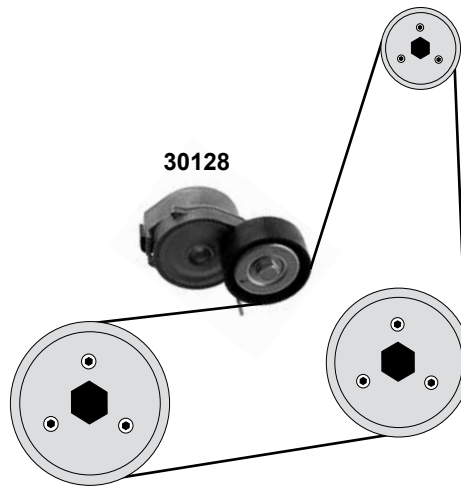
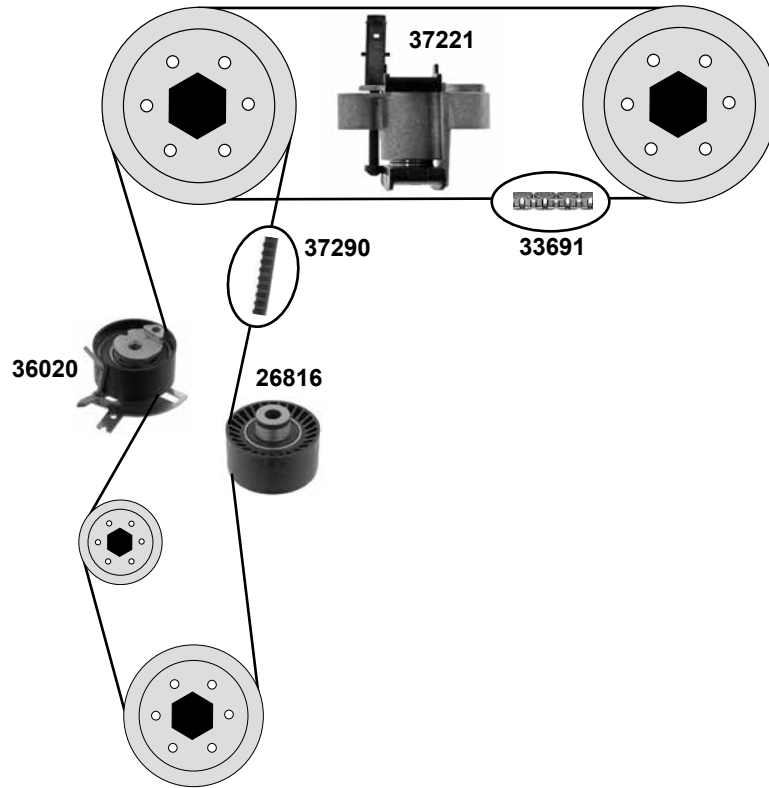


Ref. - No.	Description	Part No.	Notes
15002	tension roller	9633315180	(ex.) AC
17063	tension roller	9400829629	ØA 50 H 26
17064	deflection pulley	9400830319	ØA 60 H 30/40
17765	timing belt	9463380680	ØA 60 H 30/40
19119	belt tensioner	9653522380	Z 141 B25,4
19623	rep. kit timing belt	9467628980	(1) DW10ATED Z 141 B25,4
21865	timing belt	9464034380	DW10ATED4 Z 144 B25,4
27390	rep. kit timing belt	9467626880	DW10ATED4 Z 144 B25,4
33691	timing chain simplex	9464474289	(2) endless E 40
37211	chain tensioner	9400849229	(2)
37224	sliding rail	9400829949	(2)
37230	rep. kit timing chain	9400849239	(2)

**2,1 D**



	Ref. - No.			
<b>04733</b>	9627860780	tension roller		ØA 85 H 26
<b>05801</b>	9618888580	tension roller		ØA 70 B27/29
<b>06980</b>	9400818199	tension roller		ØA 57 H 3
<b>06982</b>	9400830379	deflection pulley		ØA 60 ØI 10 H 34
<b>09791</b>	9623001280	tension roller		ØA 60 B26,5
<b>11106</b>	9400831529	rep. kit timing belt		Z 149 B25,27
<b>11166</b>	71739918	timing belt	Z 149 B25,4	
<b>19072</b>	9405751819	vibration damper		



(1) (mot.) 2,2 D 125kW



Ref. - No.



Part No.	Description	Quantity	Notes
26816	deflection pulley	(1)	ØA 60,2 B30,2
30128	belt tensioner	(1)	ØA 65 B25
33691	timing chain simplex	(1)	40 E
36020	tension roller	(1)	ØA 60 B29
37221	chain tensioner	(1)	
37290	timing belt	(1)	Z 116 B25,4
37620	rep. kit timing chain	(1)	40 E

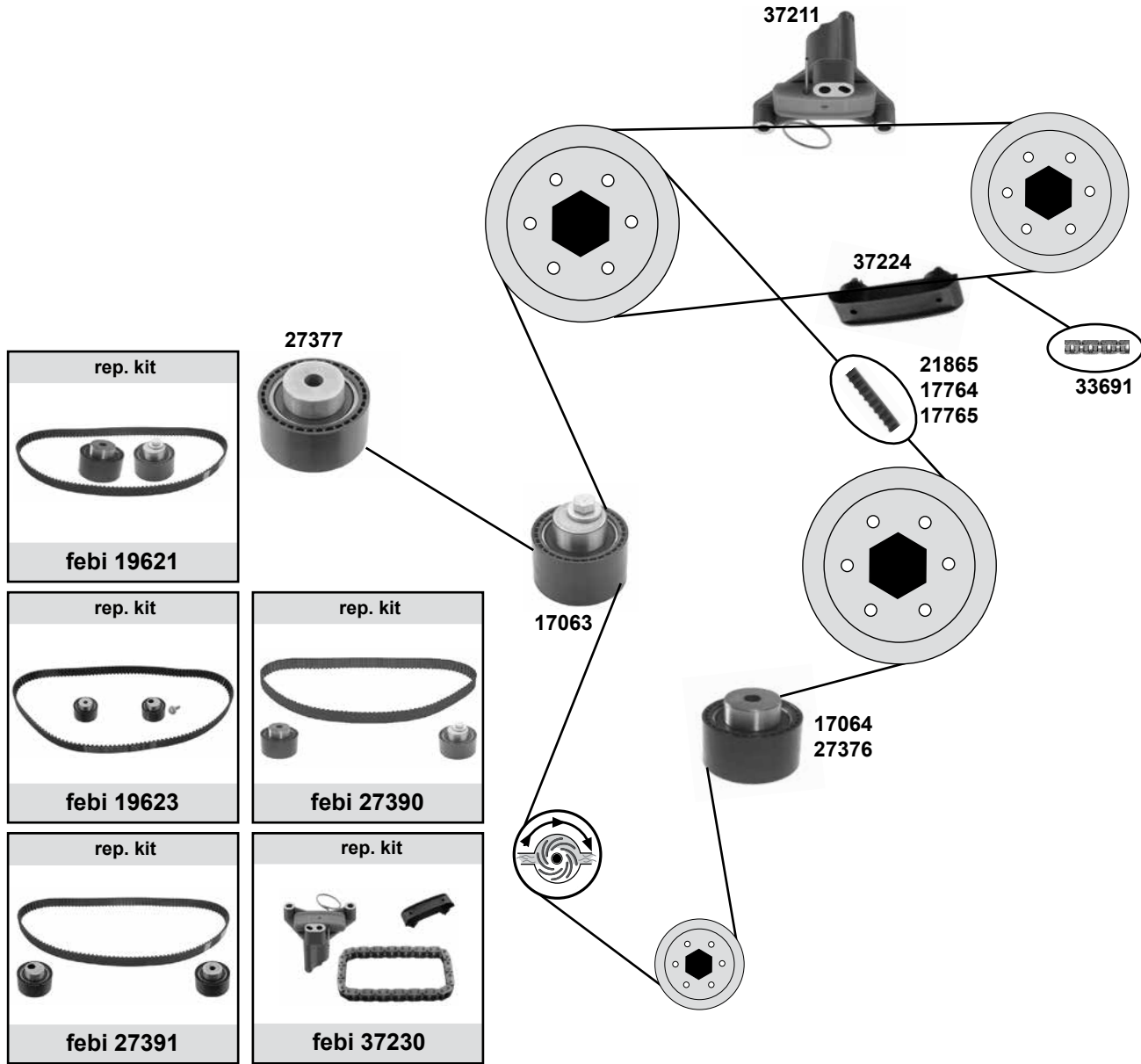
# FIAT Ulysse II Nuovo (179)

(01→10)

Car  
Division



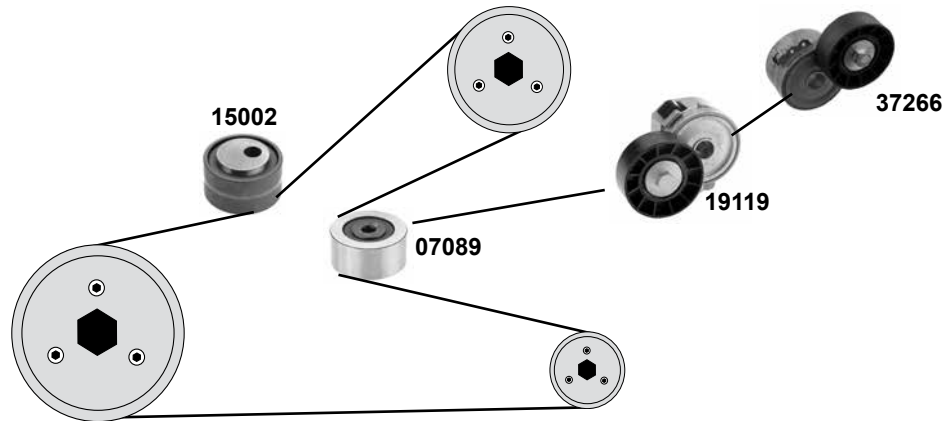
2,0 D / 2,2



(1) (mot.) 2,0 JTD 16V

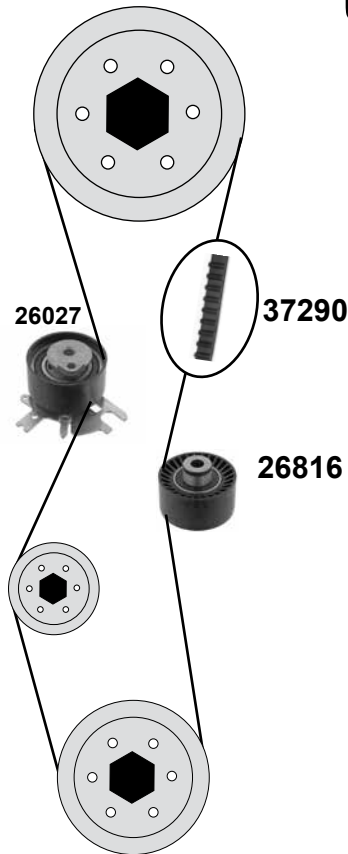
Ref. - No.	Part Description	Notes	Dimensions
<b>17063</b>	tension roller		ØA 60 ØI 13
<b>17064</b>	deflection pulley		ØA 60 ØI 10
<b>17764</b>	timing belt	(mot.) 2,2	Z 146 B25,4
<b>17765</b>	timing belt	(mot.) 2,0 8V	Z 141 B25,4
<b>19621</b>	rep. kit timing belt	(mot.) 2,2 cf	Z 146 B25,4
<b>19623</b>	rep. kit timing belt	(mot.) 2,0 8V	Z 141 B25,4
<b>21865</b>	timing belt	(mot.) 2,0 16V	Z 144 B24,4
<b>27376</b>	deflection pulley		ØA 62 ØI 13,3
<b>27377</b>	tension roller		ØA 62
<b>27390</b>	rep. kit timing belt	(mot.) 2,0 16V	Z 144 B24,4
<b>27391</b>	rep. kit timing belt	(mot.) 2,2	Z 146 B25,4
<b>33691</b>	timing chain simplex	(1) endlos / endless	E 40
<b>37211</b>	chain tensioner	(1)	
<b>37224</b>	sliding rail	(1)	
<b>37230</b>	rep. kit timing chain	(1)	

**2,0 D / 2,2 D**



**Ulysse II Nuovo (179)**  
(01→10)

**2,0 D Multijet**  
**(88 / 100 kW)**



- (1) 2,0 D 88kW,100kW 15/07/07→ / 2,0 D alle / all /2,2D 94 kW,120kW  
(2) 2,0 D 88kW,100kW →15/07/07

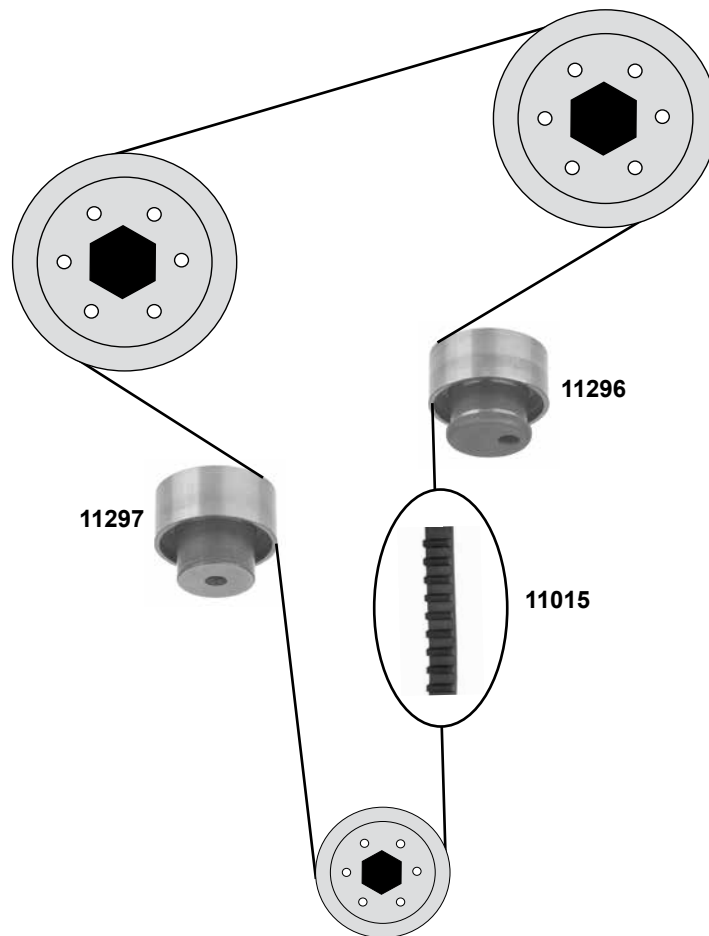


Ref. - No.



Part No.	Description	Notes	Dimensions
07089	tension roller	(ex.) AC	ØA 50 B26
15002	tension roller	(ex.) AC	ØA 50 B26
19119	belt tensioner	(1)	ØA 70 B25
26027	tension roller		ØA60 B29
26816	deflection pulley		ØA 60,2 B30,2
37266	belt tensioner	(2)	ØA 70 B25
37290	timing belt		Z 116 B25,4

**1,3→1,9D**



**Ref. - No.**

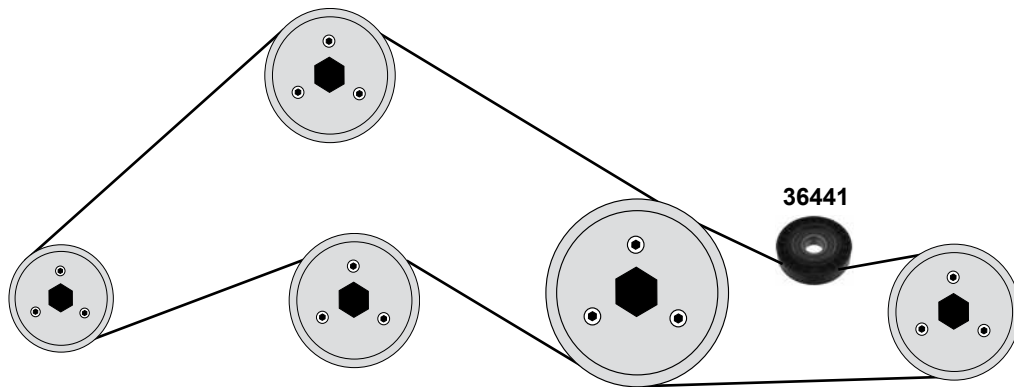


<b>11015</b>	7565617
<b>11296</b>	46740727
<b>11297</b>	46740726

timing belt  
 tension roller  
 deflection pulley

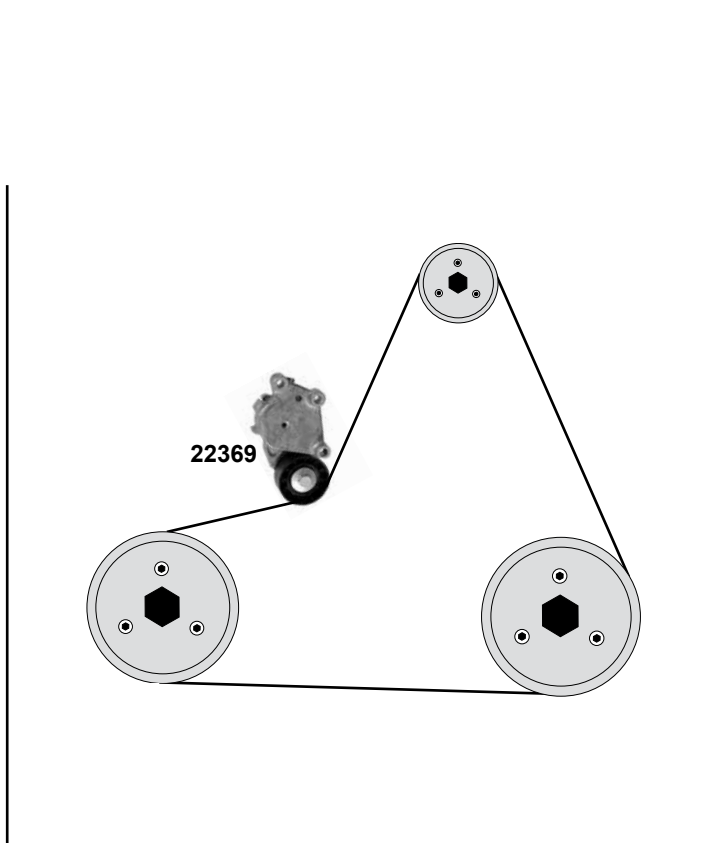
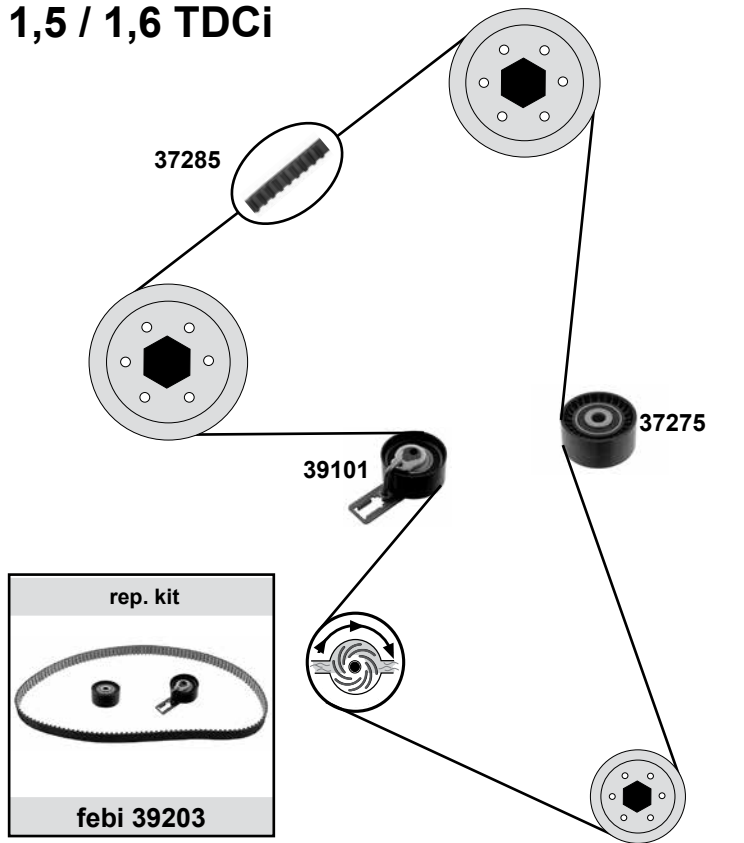
(mot.) 1,3D / 1,7D

Z 168 B22  
 ØA 61 H 33/51  
 ØA 61 H 30/51





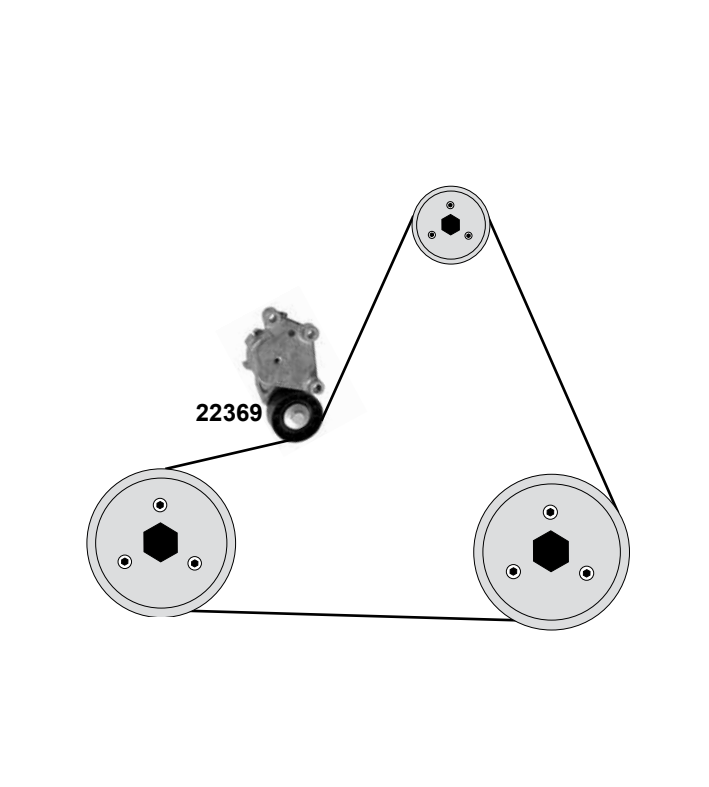
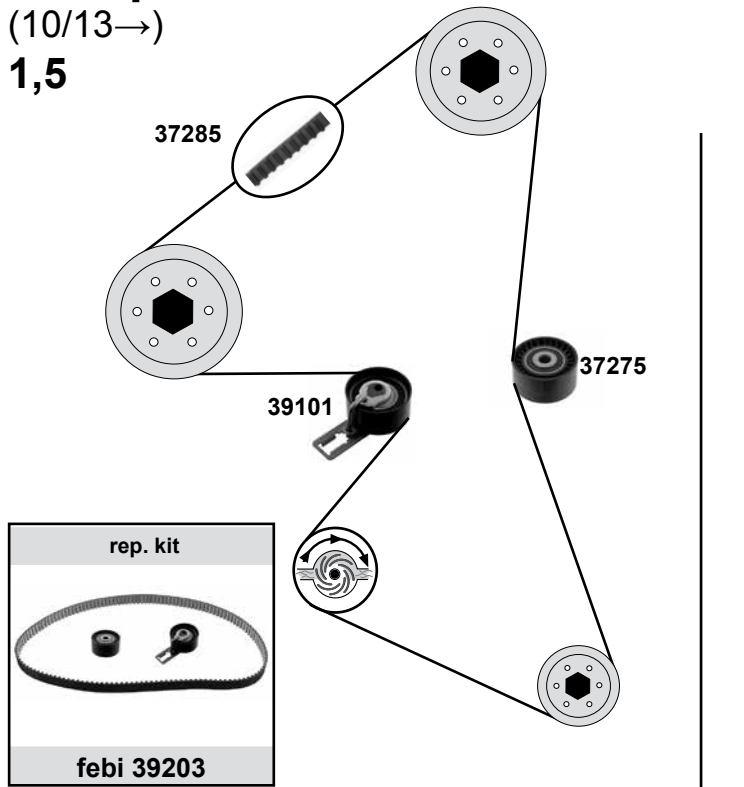
**1,5 / 1,6 TDCi**



**Ecosport 13**

(10/13→)

**1,5**



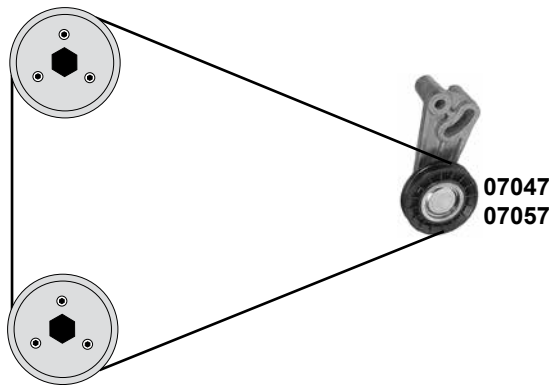
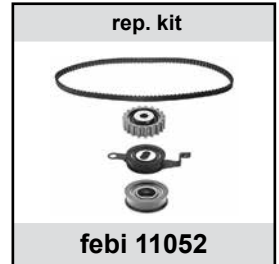
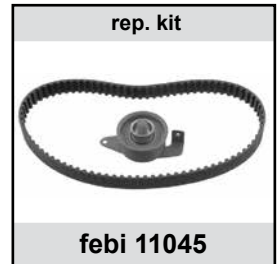
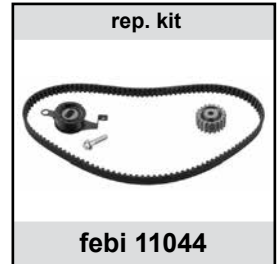
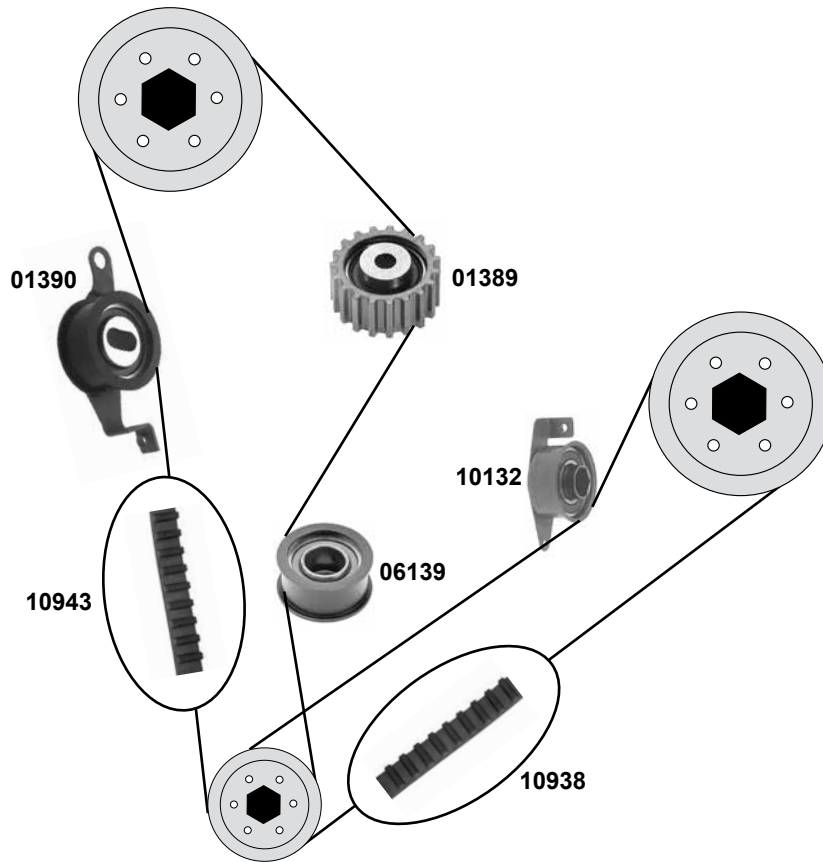
Ref. - No.



<b>22369</b>	1 690 293
<b>37275</b>	1 725 441
<b>37285</b>	1 738 632
<b>39101</b>	1 739 145
<b>39203</b>	1 787 857

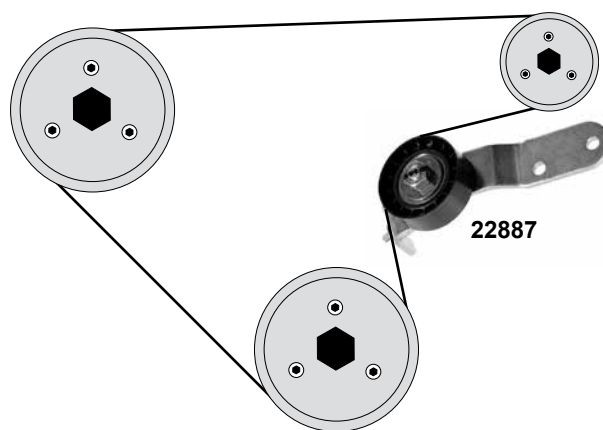
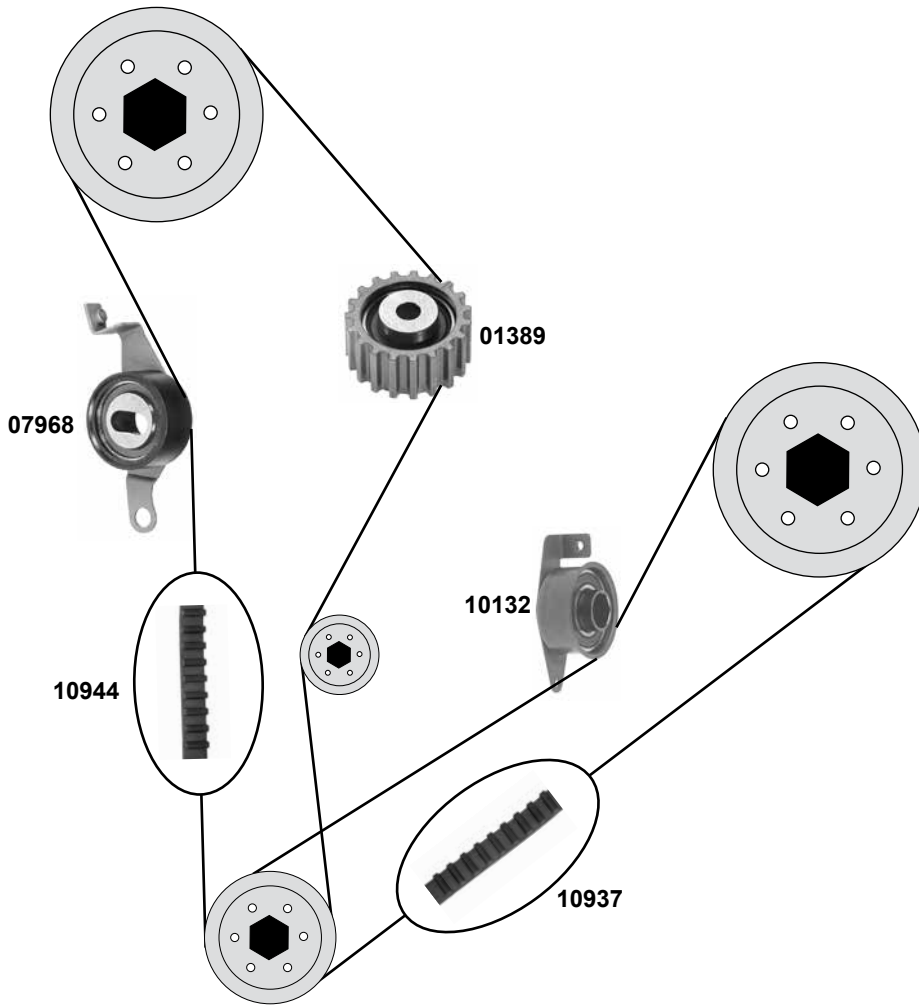
belt tensioner  
deflection pulley  
timing belt  
tension roller  
rep. kit timing belt







ØA 73 B22  
ØA 61 H 30  
Z 141 B25,4  
ØA 60 Ø I 29  
Z 141 B25,4

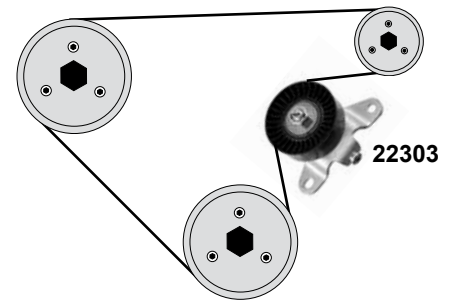
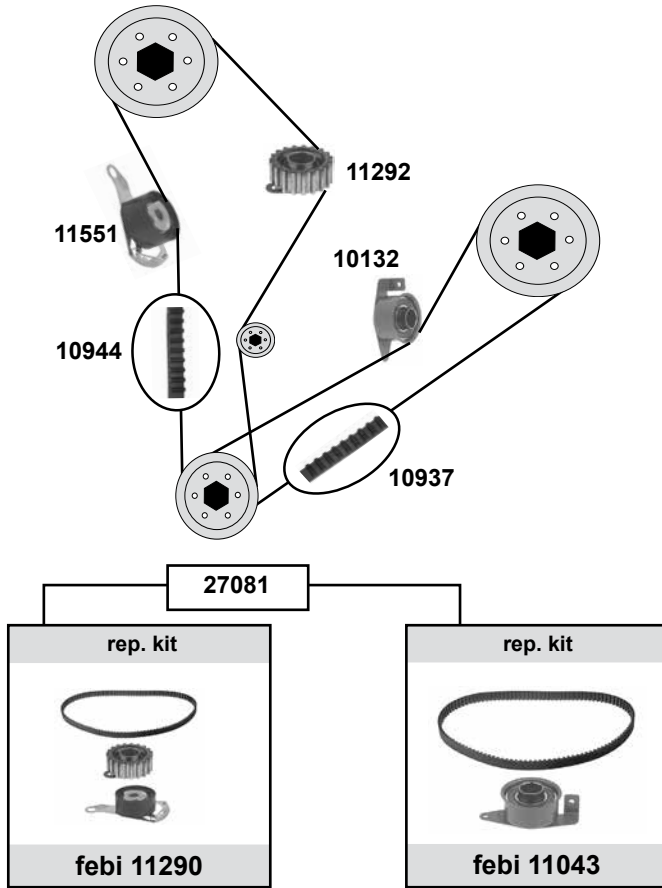


	Ref. - No.			
<b>01389</b>	1 113 169	deflection pulley	man. servo	ØA56,2 B26,7
<b>01390</b>	7 330 712	tension roller		ØA52 B29,8
<b>06139</b>	6 177 883	tension roller		ØA58 B26
<b>07047</b>	6 616 951	tension roller		76 x 16 x 75,5
<b>07057</b>	6 616 952	tension roller		76 x 16 x 41,4
<b>10132</b>	1 005 822	tension roller		ØA67
<b>10938</b>	1 657 013	timing belt		Z 85 B23
<b>10943</b>	7 174 114	timing belt		Z 116 B20
<b>11044</b>	7 174 114 S2	rep. kit timing belt		Z 116 B20
<b>11045</b>	1 657 013 S1	rep. kit timing belt		Z 85 B23
<b>11052</b>	7 174 114 S1	rep. kit timing belt	Z 116 B20	

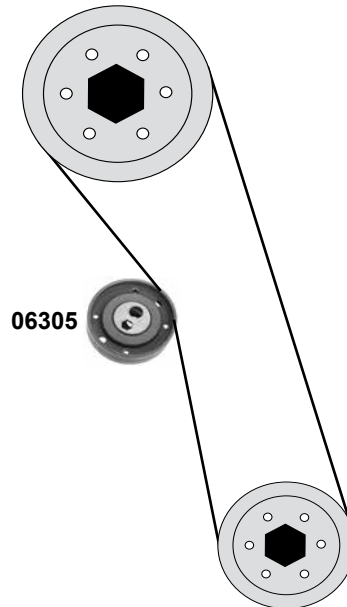
**1,8 D**



	Ref. - No.			
<b>01389</b>	1 113 169	deflection pulley		ØA56,2 B26,7
<b>07968</b>	1 005 516	tension roller		52 x 22,3 x 28,3
<b>10132</b>	1 005 822	tension roller		ØA67
<b>10937</b>	1 113 169	timing belt		Z 85 B22
<b>10944</b>	1 113 179	timing belt		Z 116 B22
<b>11043</b>	1 005 828 S1	rep. kit timing belt		Z 85 B22
<b>11051</b>	1 005 824 S1	rep. kit timing belt		Z 116 B22
<b>22887</b>	1 088 100	belt tensioner	 	ØA60 B22



**Fiesta 84**  
(02/84→02/89)  
**1,8 D**



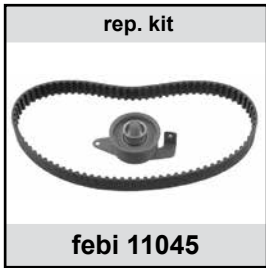
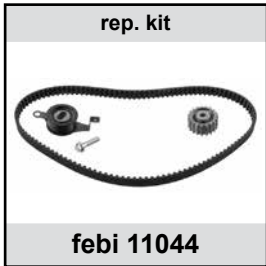
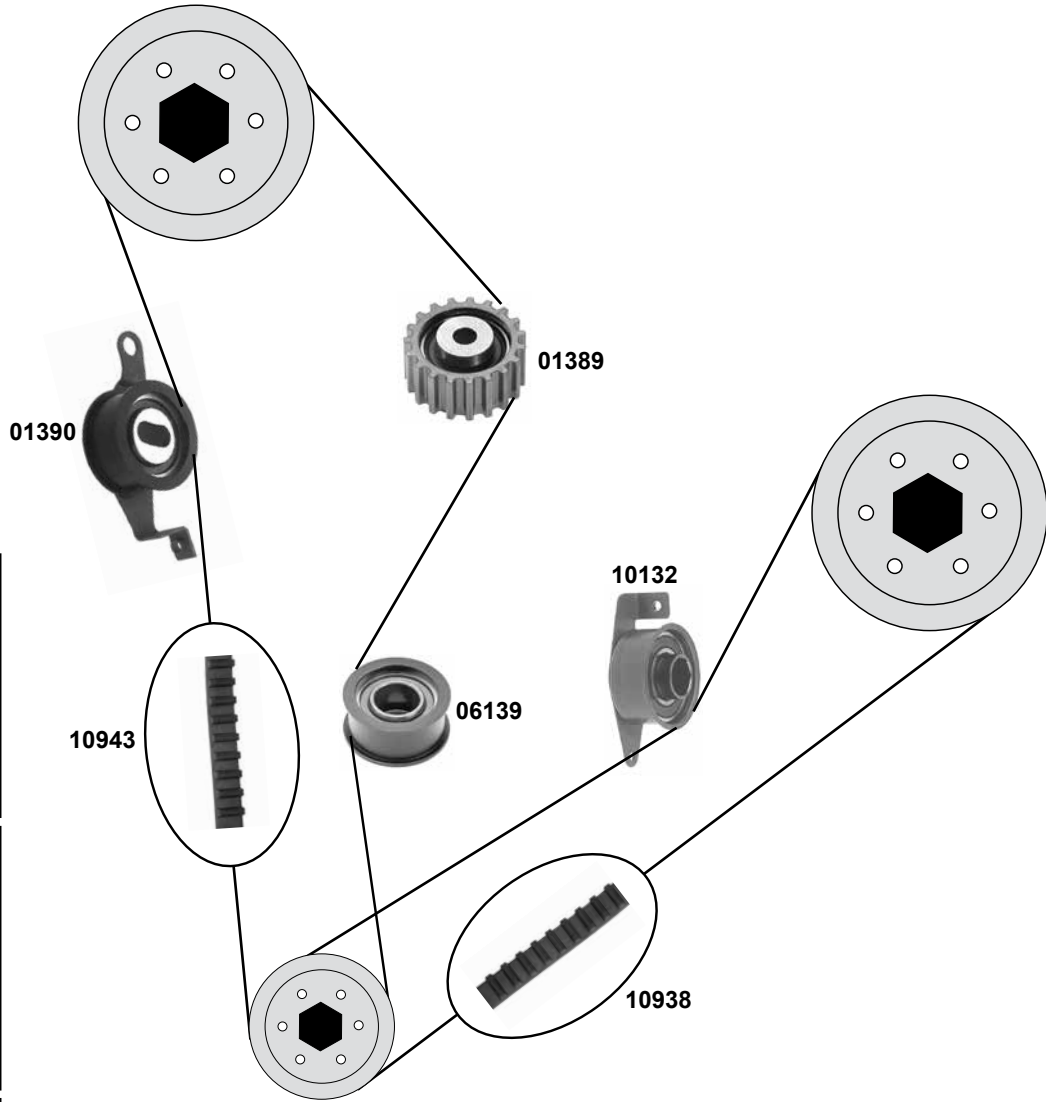
Ref. - No.







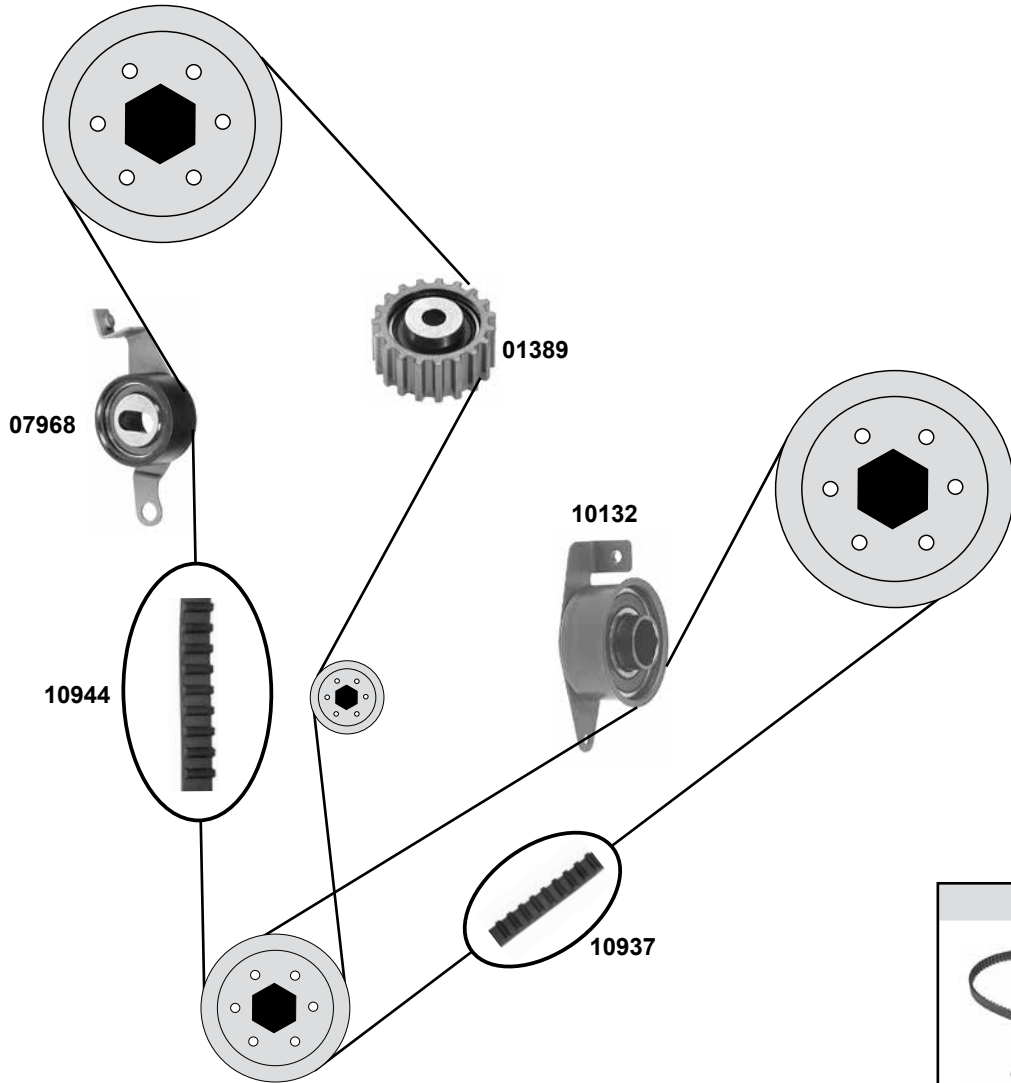
<b>06305</b>	6 121 780	tension roller		ØA72 B31,5
<b>10132</b>	1 005 822	tension roller		ØA67
<b>10937</b>	1 113 169	timing belt		Z 85 B22
<b>10944</b>	1 113 179	timing belt		Z 116 B22
<b>11043</b>	1 005 828 S1	rep. kit timing belt		Z 85 B22
<b>11290</b>	1 005 824 S2	rep. kit timing belt		Z 116 B22
<b>11292</b>	1 099 552	deflection pulley		56,2 x 25,4 x 29,5
<b>11551</b>	1 099 553	tension roller		ØA50,3 B25,5
<b>22303</b>	1 089 679	belt tensioner		ØA73 B22
<b>27081</b>	1 005 824 S3	rep. kit timing belt		

servo **AC**  
→ 02/99

**1,8 D**

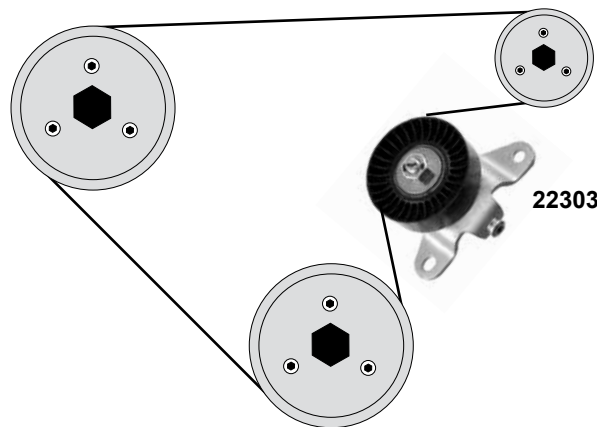
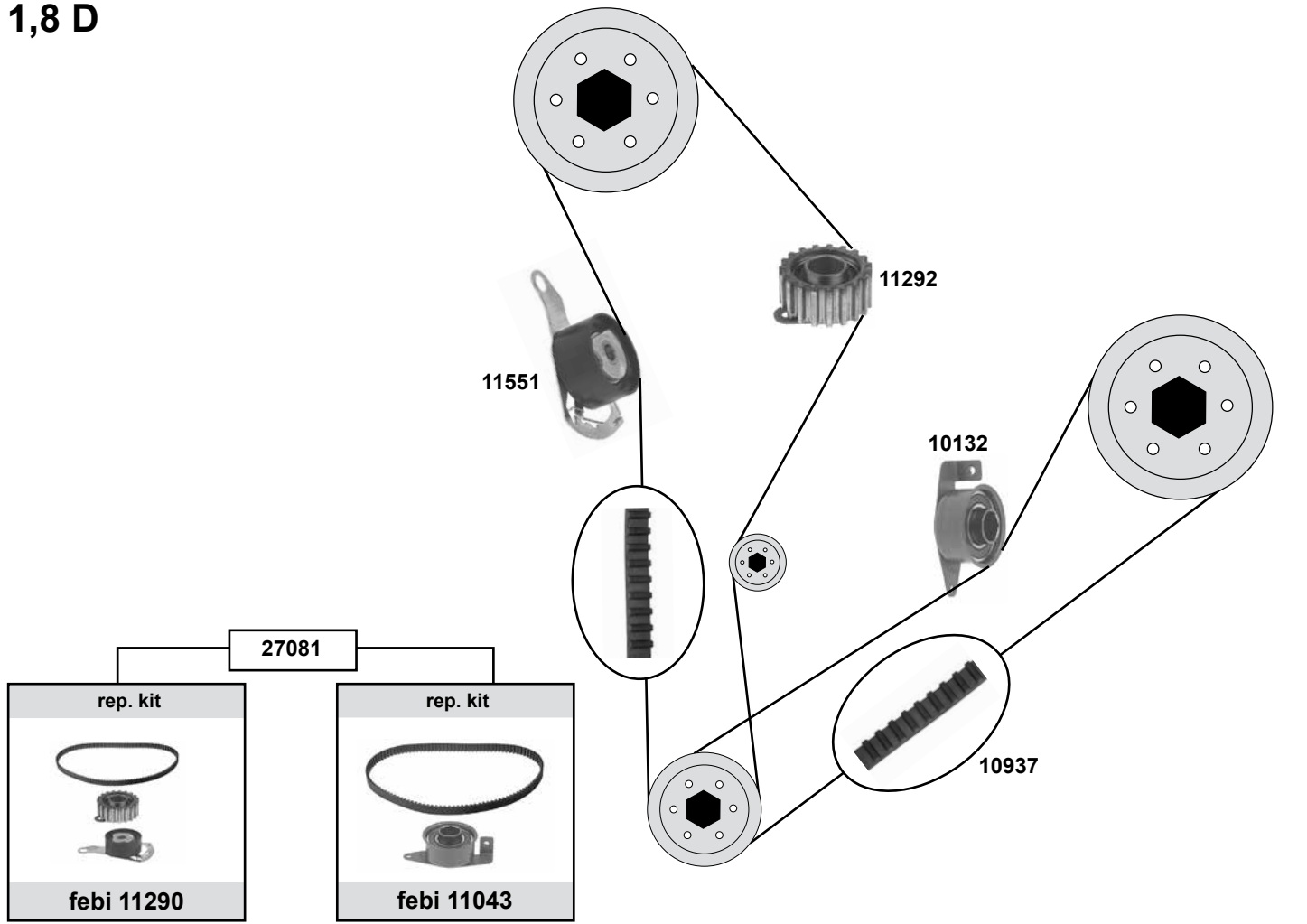







	Ref. - No.			
<b>01389</b>	1 113 169	deflection pulley		ØA56,2 B26,7
<b>01390</b>	7 330 712	tension roller		ØA52 B29,8
<b>06139</b>	6 177 883	tension roller		ØA58 B26
<b>10132</b>	1 005 822	tension roller		ØA67
<b>10938</b>	1 657 013	timing belt		Z 85 B23
<b>10943</b>	7 174 114	timing belt		Z 116 B20
<b>11044</b>	7 174 114 S2	rep. kit timing belt		Z 116 B20
<b>11045</b>	1 657 013 S1	rep. kit timing belt		Z 85 B23
<b>11052</b>	7 174 114 S1	rep. kit timing belt		Z 116 B20

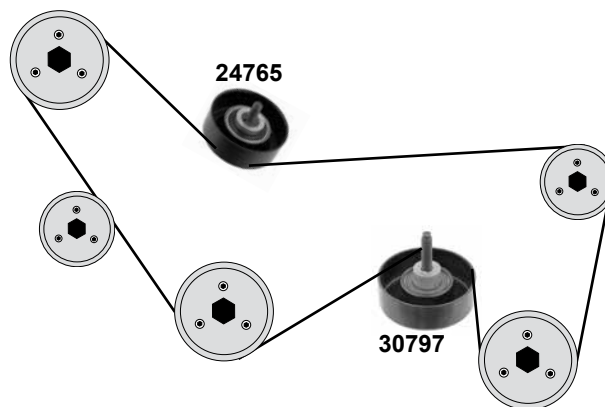
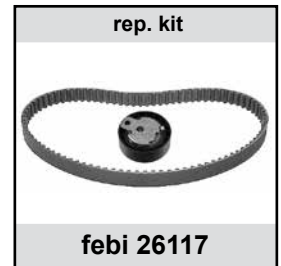
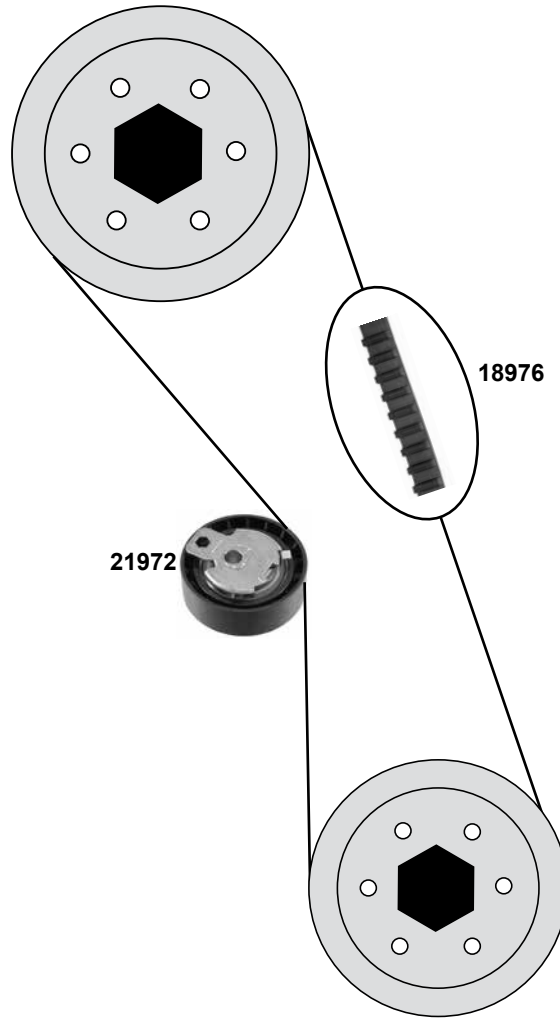


	Ref. - No.			
<b>01389</b>	1 113 169	deflection pulley		ØA56,2 B26,7
<b>07968</b>	1 005 516	tension roller		52 x 22,3 x 28,3
<b>10132</b>	1 005 822	tension roller		ØA67
<b>10937</b>	1 113 169	timing belt		Z 85 B22
<b>10944</b>	1 113 179	timing belt		Z 116 B22
<b>11043</b>	1 005 828 S1	rep. kit timing belt		Z 85 B22
<b>11051</b>	1 005 824 S1	rep. kit timing belt		Z 116 B22

**1,8 D**



	Ref. - No.			
<b>10132</b>	1 005 822	tension roller	servo  + <b>AC</b> 02/97 →	ØA67
<b>10937</b>	1 113 169	timing belt		Z 85 B22
<b>11043</b>	1 005 828 S1	rep. kit timing belt		Z 85 B22
<b>11290</b>	1 005 824 S2	rep. kit timing belt		Z 116 B22
<b>11292</b>	1 099 552	deflection pulley		56,2 x 25,4 x 29,5
<b>11551</b>	1 099 553	tension roller		ØA50,3 B25,5
<b>22303</b>	1 089 679	belt tensioner		ØA73 B22
<b>27081</b>	1 005 824 S3	rep. kit timing belt		



Ref. - No.



<b>18976</b>	1 113 180
<b>21972</b>	1 215 978
<b>24765</b>	1 139 951
<b>26117</b>	1 201 255
<b>30797</b>	1 149 503

timing belt
tension roller
deflection pulley
rep. kit timing belt
deflection pulley

Modell 02/00 →

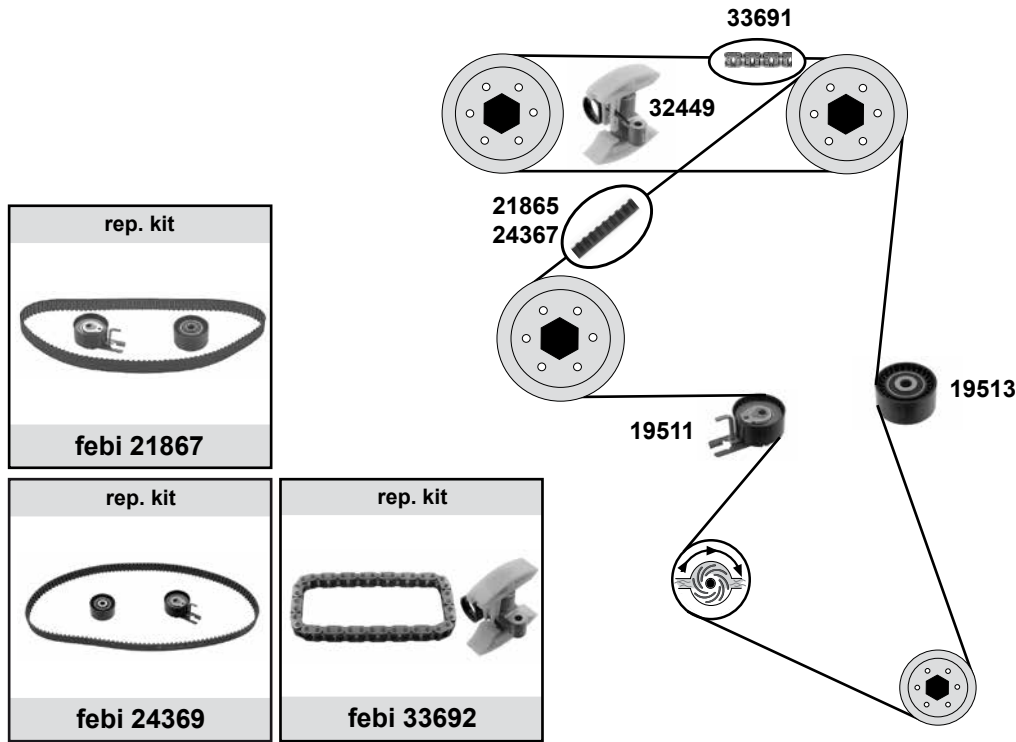
(ex.) AC

Z 91 B20
ØA 74 ØI 24
ØA 70 H25
Z 91 B20
ØA 76,5 B 30

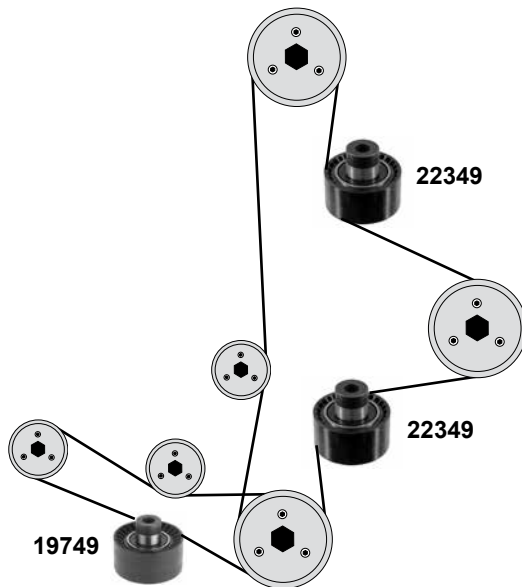




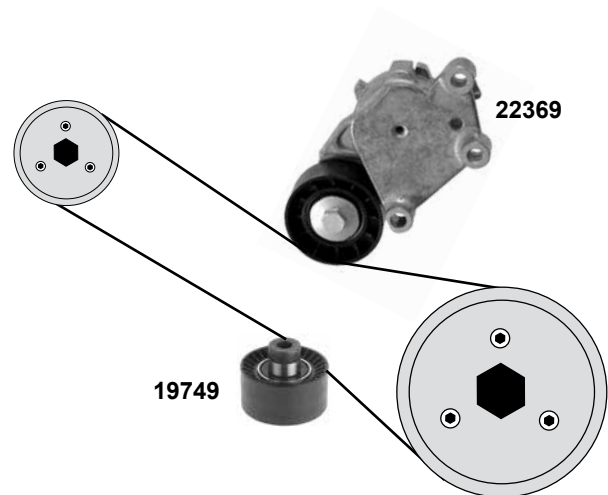
**1,4 / 1,6 TDCi**



**1,4 TDCi**



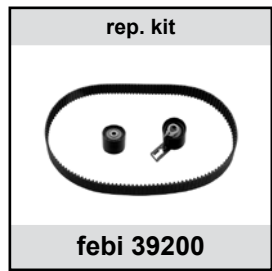
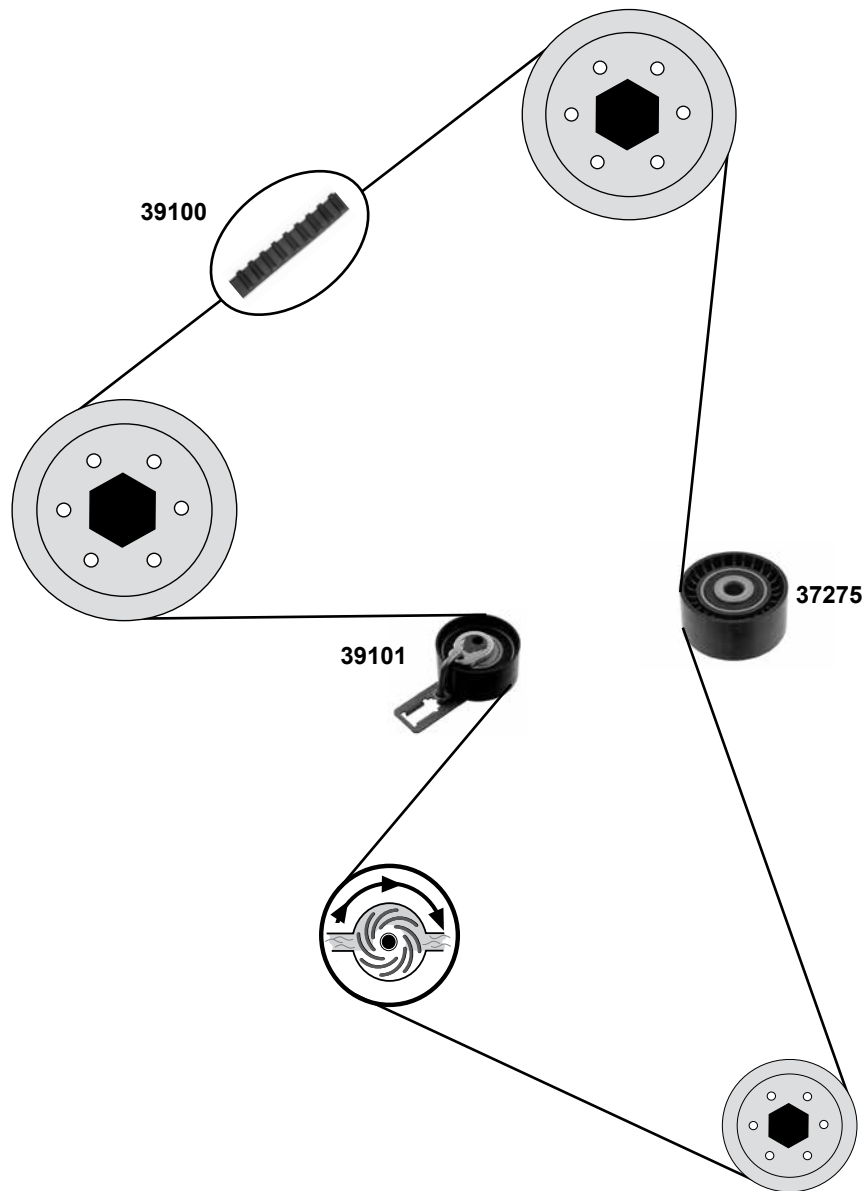
**1,6 TDCi**



Ref. - No.

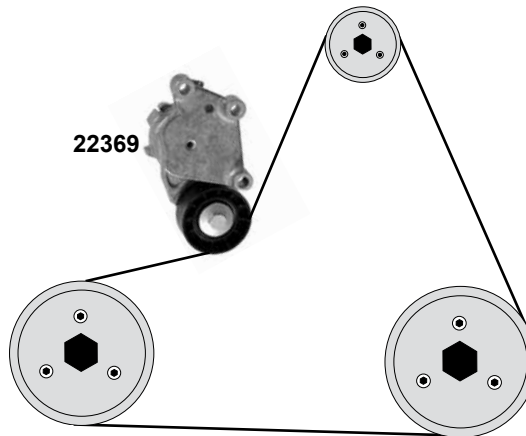
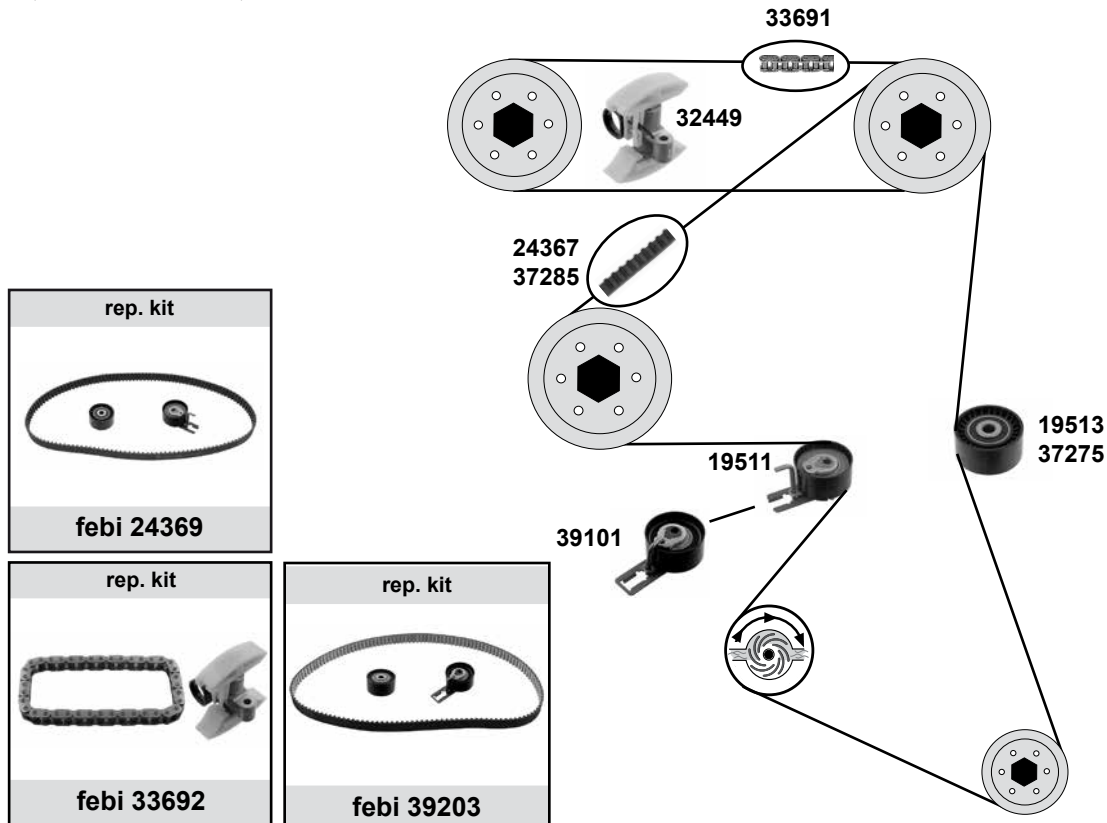


19511	1 562 503	tension roller			ØA 60 H 29
19513	1 145 955	deflection pulley			ØA 60 H 30
19749	1 222 856	deflection pulley			ØA 60 H 30
21865	1 145 950	timing belt		AC	Z 144 B25,4
21867	1 211 185	rep. kit timing belt		(ex.) 1,6	Z 116 B22
22349	1 222 855	deflection pulley		(ex.) AC	ØA 51 H 26
22369	1 690 293	belt tensioner			ØA73 B22
24367	1 446 647	timing belt		(ex.) 1,4	Z 137 B25
24369	1 446 648	rep. kit timing belt		(ex.) 1,4	Z 137 B25
32449	1 231 280	chain tensioner		(ex.) 1,4	
33691	1 231 282	timing chain simplex		(ex.) 1,4	
33692	1 448 169	timing chain kit		(ex.) 1,4	G67HP-6 / 40E



	Ref. - No.			
<b>37275</b>	1 725 441	deflection pulley		ØA 61 H 30
<b>39100</b>	1 738 649	timing belt		Z 139 / B25,4
<b>39101</b>	1 739 145	tension roller		ØA 60 Ø I 29
<b>39200</b>	1 754 317	rep. kit timing belt		Z 139 / B25,4

**1,5 TDCi / 1,6 TDCi 8V/16V**



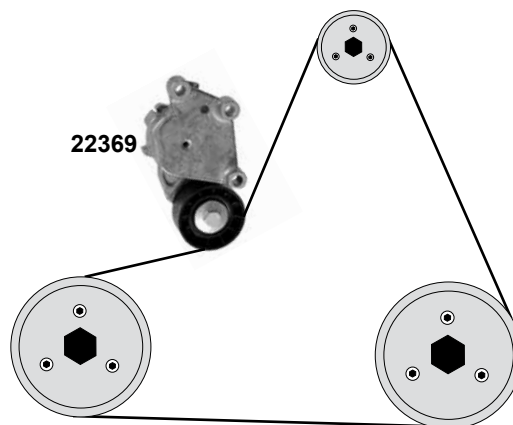
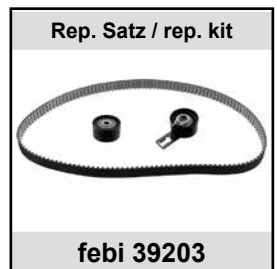
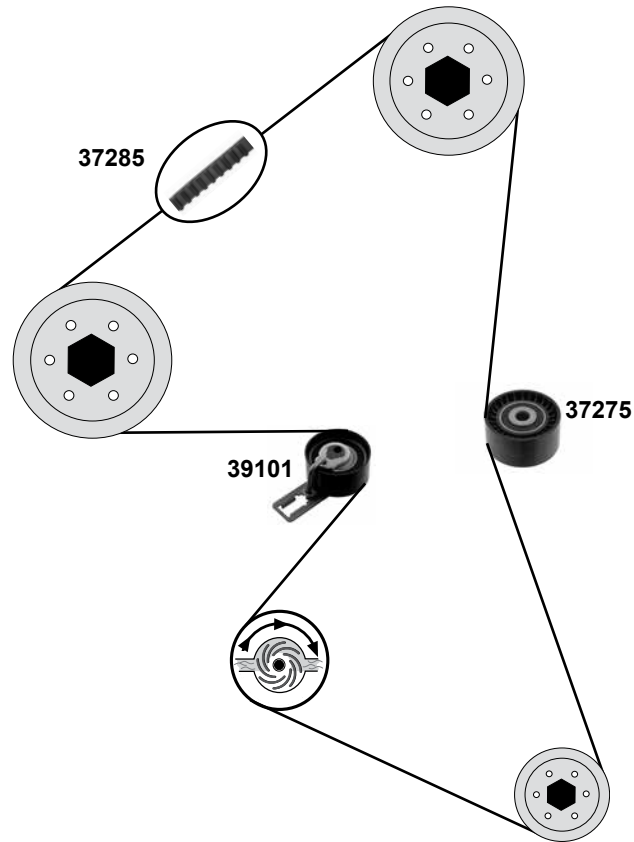
- (1) (ex.) mot. 1,6 TDCi 16V
- (2) (mot.) 1,6 TDCi / nur/only 90PS



Ref. - No.



Ref. - No.	Description	Notes	Dimensions
19511	tension roller	(mot.) 1,6 16V	ØA 60 H 29
19513	deflection pulley	(mot.) 1,6 16V	ØA 60 H 30
22369	belt tensioner	(mot.) 1,6 16V	ØA 73 B22
24367	timing belt	(mot.) 1,6 16V	Z 137 B25
24369	rep. kit timing belt	(mot.) 1,6 16V	Z 137 B25
32449	chain tensioner	(2)	
33691	timing chain simplex	(2) / endlos / endless	G67HP-6 / 40E
33692	timing chain kit	(2)	
37275	deflection pulley	(1) / 01/11 →	ØA 61 H 30
37285	timing belt	(1) / 01/11 →	Z 141 B25,4
39101	tension roller	(1) / 01/11 →	ØA 60 Ø I 29
39203	rep. kit timing belt	(1) / 01/11 →	Z 141 B25,4



Ref. - No.

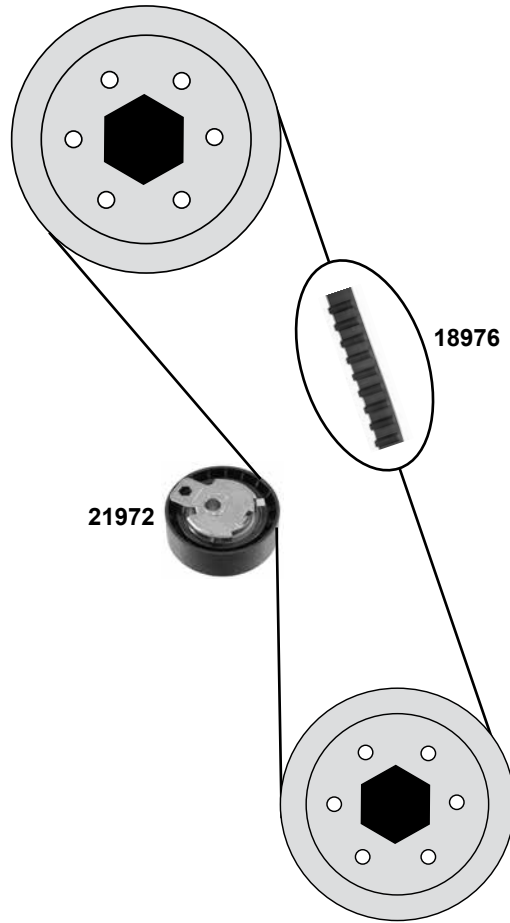


**22369** 1 690 293  
**37275** 1 725 441  
**37285** 1 738 632  
**39101** 1 739 145  
**39203** 1 787 857

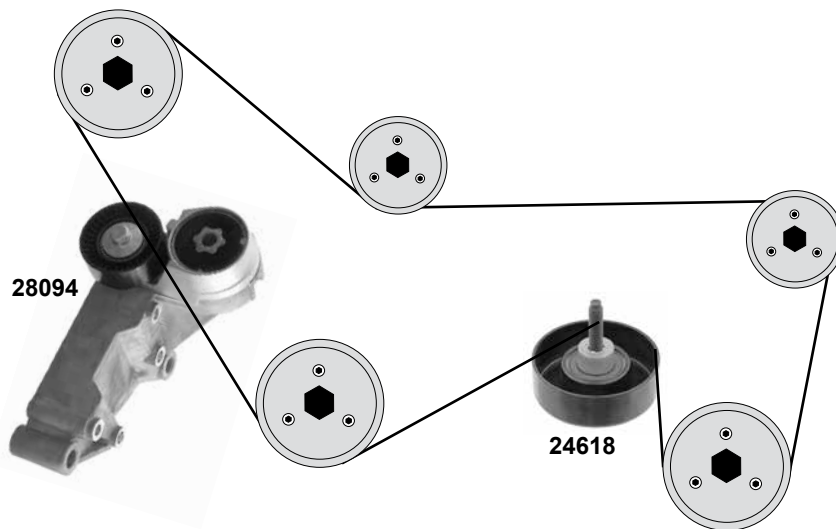
belt tensioner  
deflection pulley  
timing belt  
tension roller  
rep. kit timing belt

ØA73 B22  
ØA 61 H 30  
Z 141 B25,4  
ØA 60 Ø I 29  
Z 141 B25,4

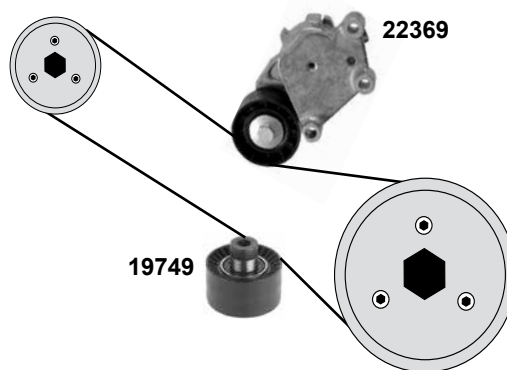
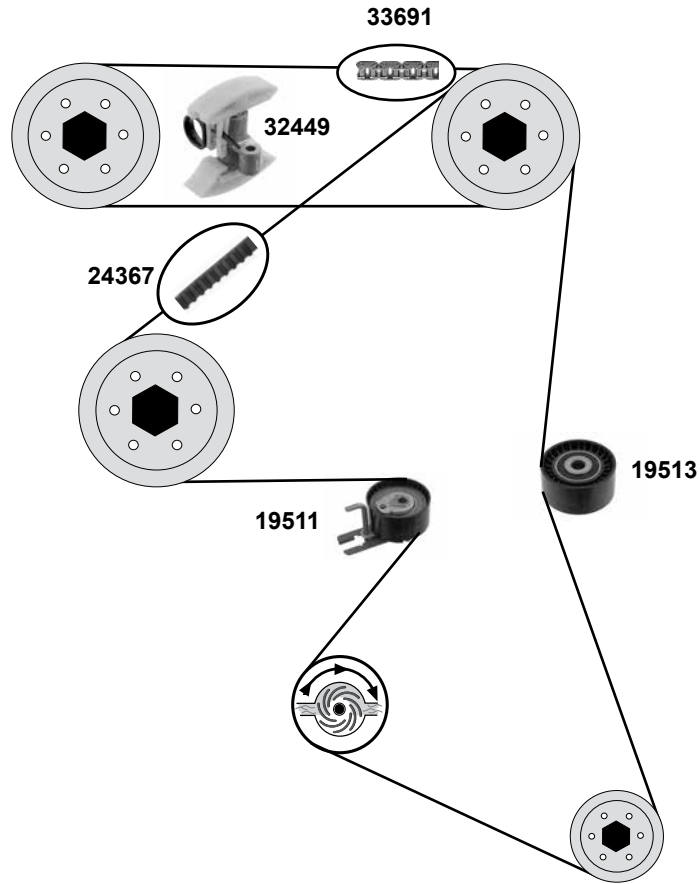
**1,8 TDCi**



**1,8 TDCi**

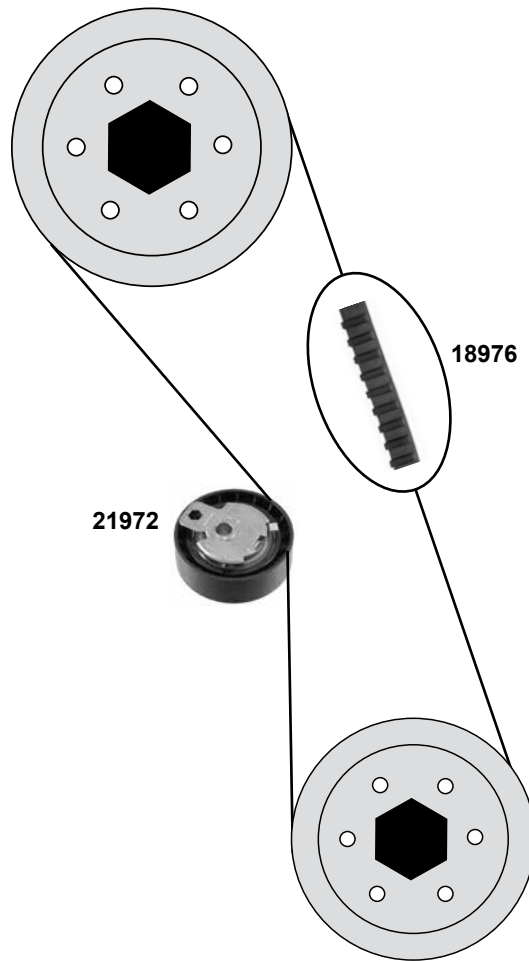


	Ref. - No.			
<b>18976</b>	1 113 180	timing belt		Z 91 B20
<b>21972</b>	1 215 978	tension roller		ØA74 ØI24
<b>24618</b>	1 145 493	deflection pulley		ØA 90,5 H 30
<b>26117</b>	1 201 255	rep. kit timing belt		Z 91 B20
<b>28094</b>	1 473 384	belt tensioner		ØA70 B26

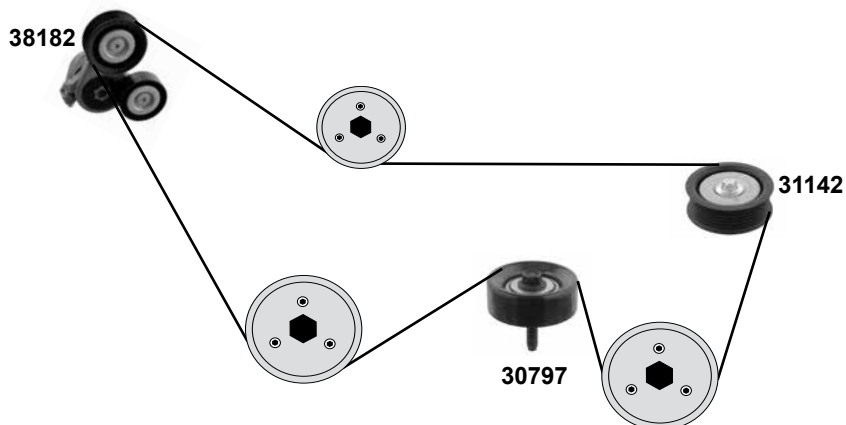






	Ref. - No.			
19511	1 562 503	tension roller		ØA 60 H 29
19513	1 145 955	deflection pulley		ØA 60 H 30
19749	1 222 856	deflection pulley	(ex.) AC	ØA74 ØI25 B31
22369	1 690 293	belt tensioner	→ 11/07	ØA73 B22
24367	1 446 647	timing belt		Z 137 B25
24369	1 446 648	rep. kit timing belt		Z 137 B25
32449	1 231 280	chain tensioner		
33691	1 231 282	timing chain simplex	endless	
33692	1 448 169	timing chain kit		G67HP-6 / 40E

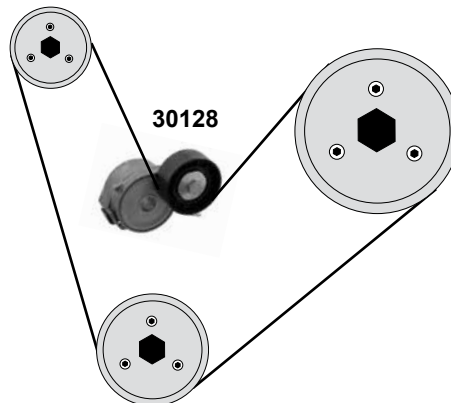
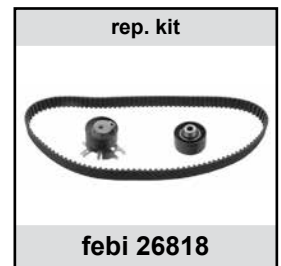
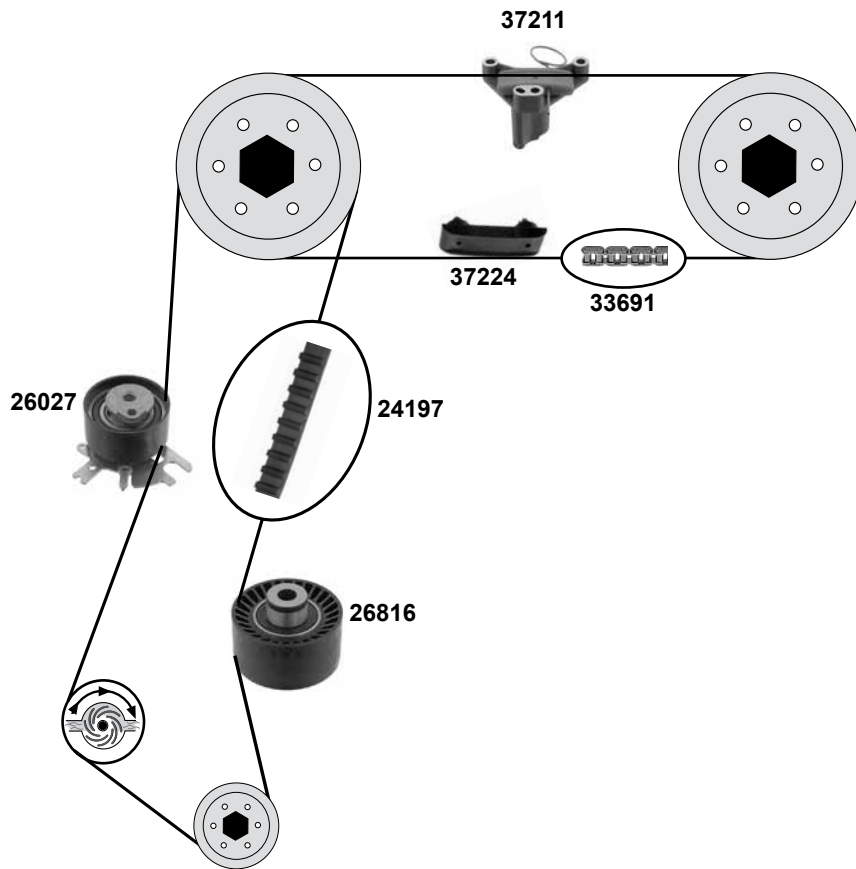
**1,8 TDCi**



**1,8 TDCi**



	Ref. - No.			
<b>18976</b>	1 113 180	timing belt	11/04 → 11/07	Z 91 B20
<b>21972</b>	1 215 978	tension roller	11/04 → 11/07	ØA74 ØI 24
<b>26117</b>	1 201 255	rep. kit timing belt	11/04 → 11/07	Z 91 B20
<b>30797</b>	1 149 503	deflection pulley		ØA 76,5 B30
<b>31142</b>	1 361 876	deflection pulley	<b>(ex.) AC</b>	ØA 62 B22
<b>38182</b>	1 367 254	belt tensioner	04/05 →	ØA 82/70 B28/24

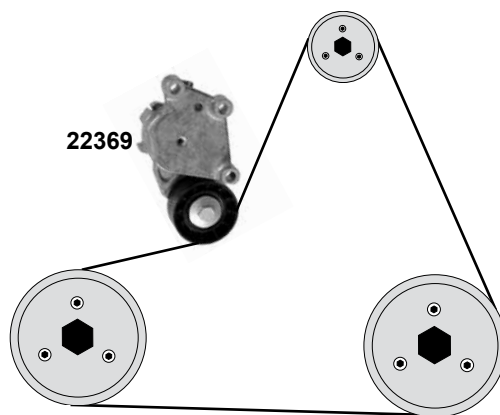
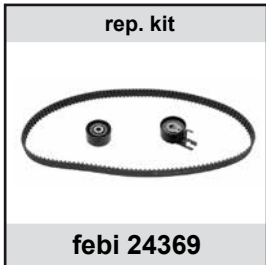
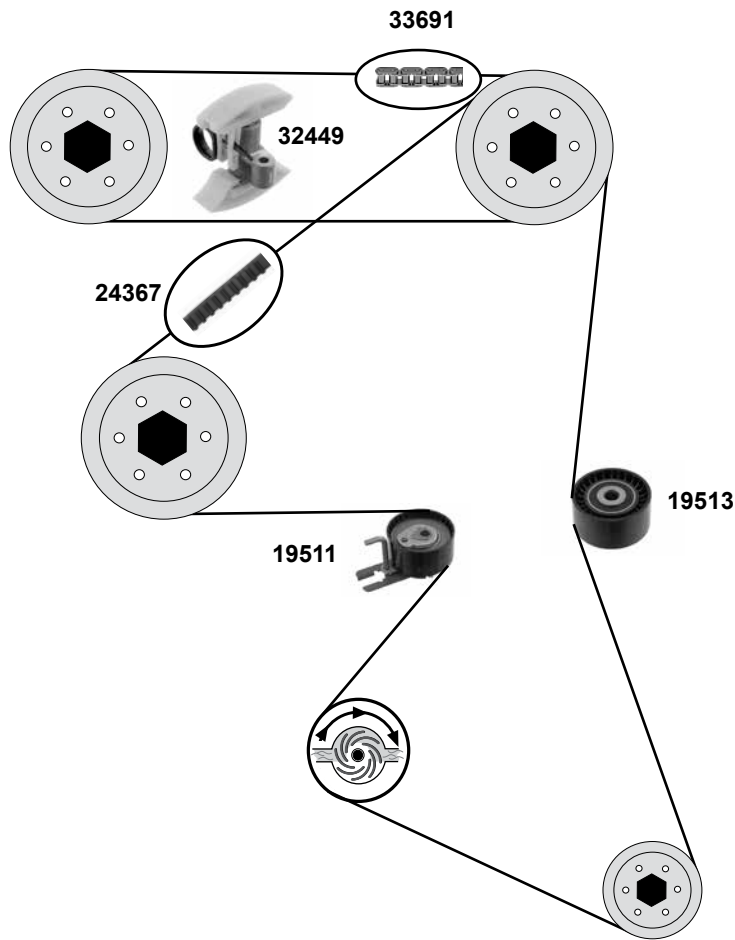





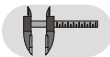
(1) only whitout particulate filter

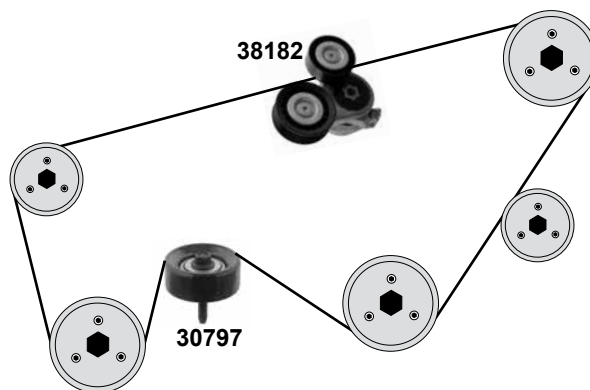
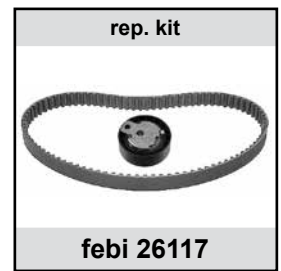
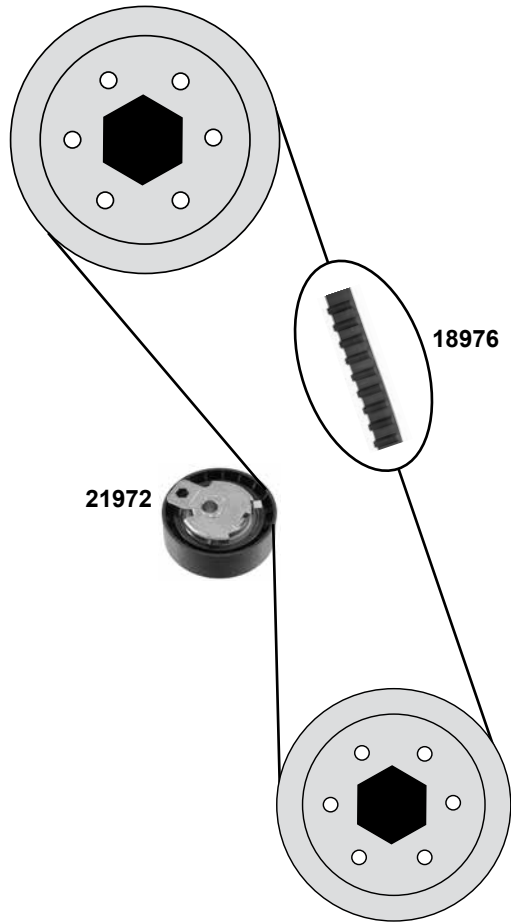
	Ref. - No.			
24197	1 231 976	timing belt	(1)	Z 116 B25
26027	1 231 975	tension roller		ØA 60 B29
26816	1 707 035	deflection pulley		ØA 60,2 H30,2
26818	1 231 979	rep. kit timing belt	(1)	Z 116 B25
30128	1 318 336	belt tensioner		ØA 65 B25,5
33691	1 231 282	timing chain simplex		G67HP-6 / 40E
37211	1 231 971	chain tensioner		
37230	1 231 971 S1	rep. kit timing chain		
37224	1 231 977	sliding rail		



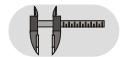
**1,6 TDCi**



	Ref. - No.			
<b>19511</b>	1 562 503	tension roller		ØA 60 H 29
<b>19513</b>	1 145 955	de lection pulley		ØA 60 H 30
<b>22369</b>	1 690 293	belt tensioner		ØA73 B22
<b>24367</b>	1 446 647	timing belt		Z 137 B25
<b>24369</b>	1 446 648	rep. kit timing belt		Z 137 B25
<b>32449</b>	1 231 280	chain tensioner		
<b>33691</b>	1 231 282	timing chain simplex		
<b>33692</b>	1 448 169	timing chain kit		G67HP-6 / 40E



Ref. - No.

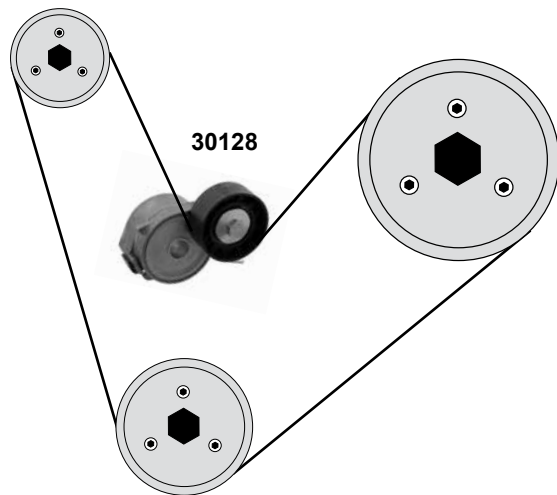
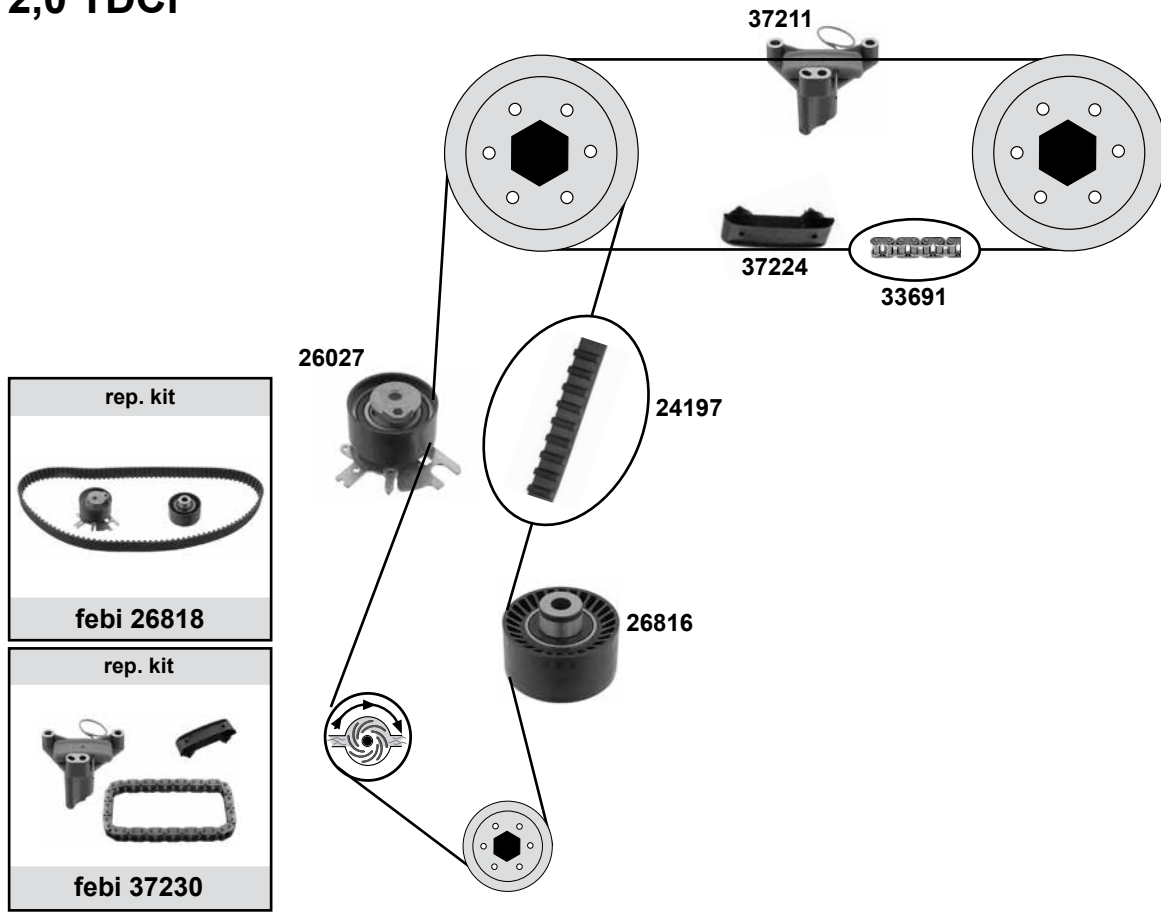


**18976** 1 113 180  
**21972** 1 215 978  
**26117** 1 201 255  
**30797** 1 149 503  
**38182** 1 367 254

timing belt  
tension roller  
rep. kit timing belt  
deflection pulley  
belt tensioner

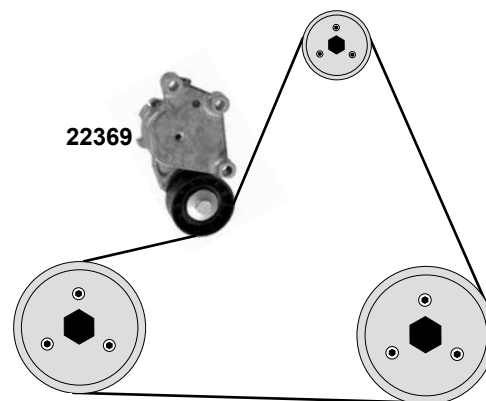
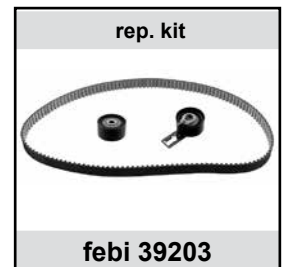
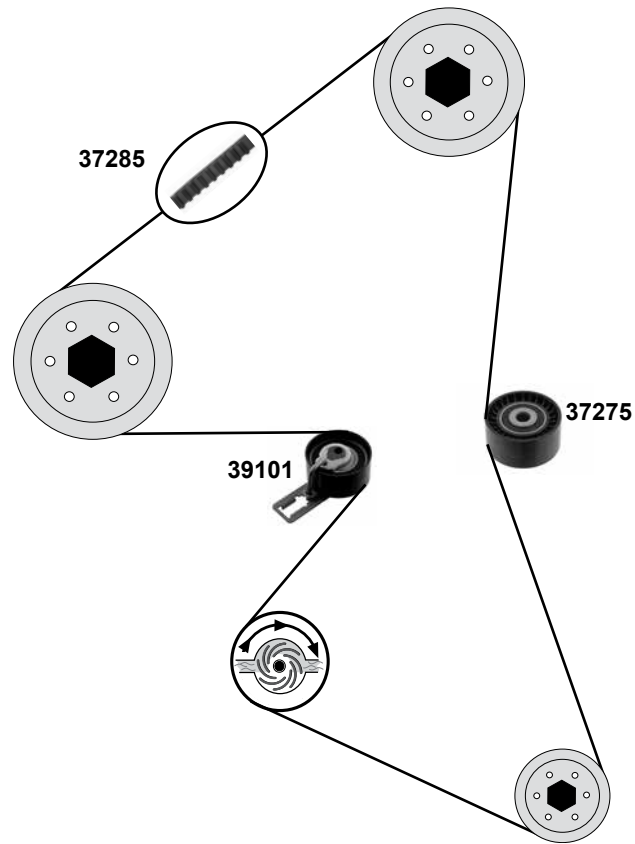
Z 91 B20  
ØA74 ØI 24  
Z 91 B20  
ØA 76,5 B30  
ØA 82/70 B28/24

**2,0 TDCi**



(1) only whitout particulate filter

	Ref. - No.			
<b>24197</b>	1 231 976	timing belt	(1) → 07/10	Z 116 B25
<b>26027</b>	1 231 975	tension roller	→ 07/10	ØA 60 B29
<b>26816</b>	1 707 035	deflection pulley	→ 07/10	ØA 60,2 H30,2
<b>26818</b>	1 231 979	rep. kit timing belt	(1)	Z 116 B25
<b>30128</b>	1 318 336	belt tensioner		ØA 65 B25,5
<b>33691</b>	1 231 282	timing chain simplex		G67HP-6 / 40E
<b>37211</b>	1 231 971	chain tensioner		
<b>37224</b>	1 231 977	sliding rail		
<b>37230</b>	1 231 971 S1	rep. kit timing chain		



Ref. - No.

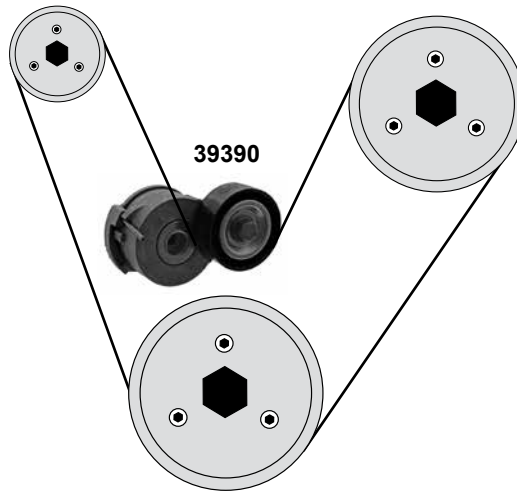
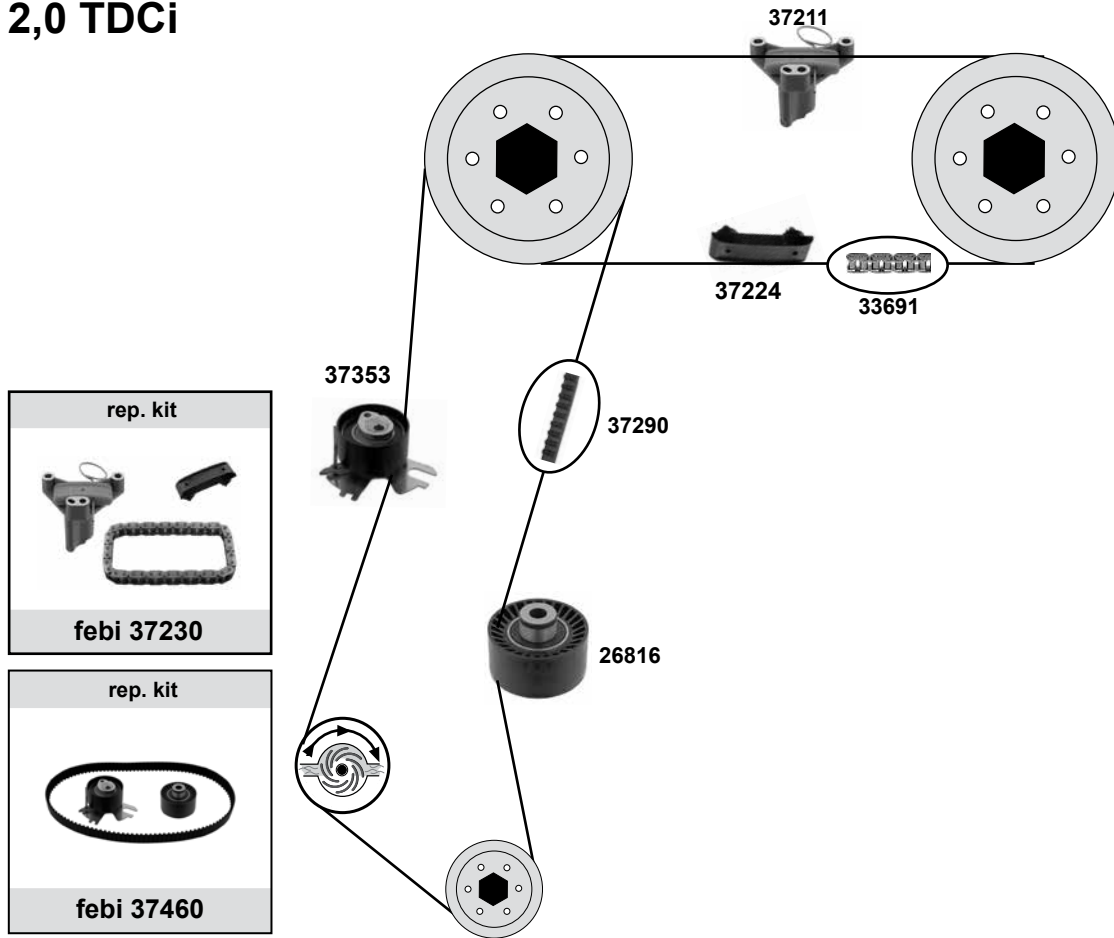


<b>22369</b>	1 690 293
<b>37275</b>	1 725 441
<b>37285</b>	1 738 632
<b>39101</b>	1 739 145
<b>39203</b>	1 787 857

belt tensioner  
deflection pulley  
timing belt  
tension roller  
rep. kit timing belt

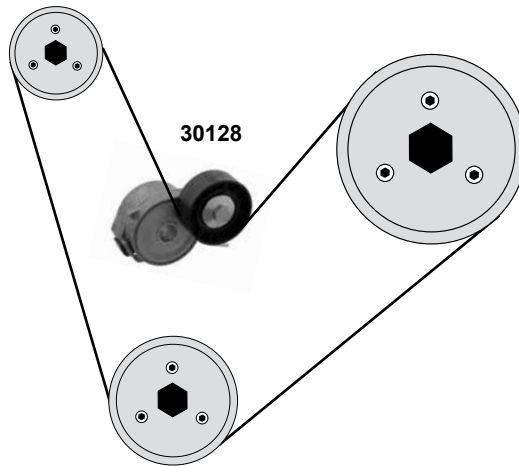
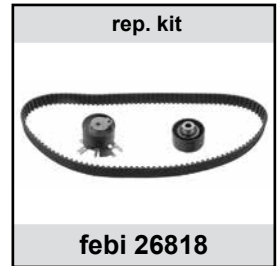
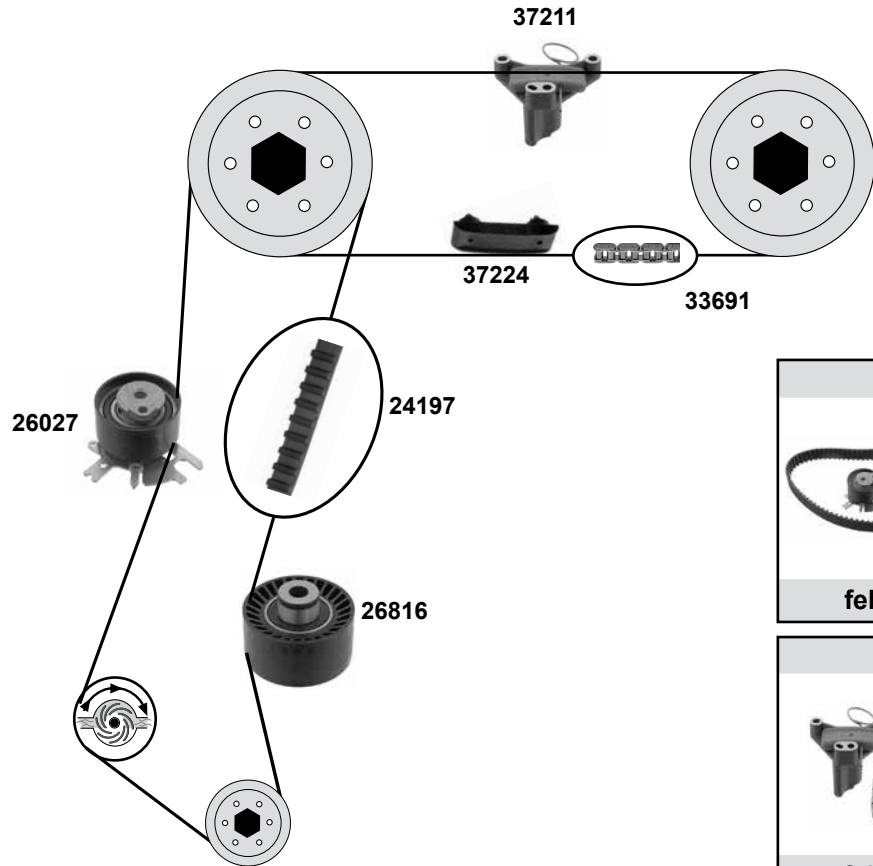
ØA73 B22  
ØA 61 H 30  
Z 141 B25,4  
ØA 60 Ø I 29  
Z 141 B25,4

**2,0 TDCi**



(1) only whitout particulate filter

	Ref. - No.			
26816	1 707 035			ØA 60,2 H30,2
33691	1 231 282			G67HP-6 / 40E
37211	1 231 971			
37224	1 231 977			
37230	1 231 971 S1			
37290	1 707 030		(1)	Z 116 B25,4
37353	1 707 028			ØA 60 H29
37460	1 683 833		(1)	Z 116 B25,4
39390	1 768 088		nur/only 163PS	



(1) only whitout particulate filter



Ref. - No.



24197	1 231 976	timing belt	(1)	Z 116 B25
26027	1 231 975	tension roller		ØA 60 B29
26816	1 707 035	deflection pulley		ØA 60,2 H30,2
26818	1 231 979	rep. kit timing belt	(1)	Z 116 B25
30128	1 318 336	belt tensioner		ØA 65 B25,5
33691	1 231 282	timing chain simplex		G67HP-6 / 40E
37211	1 231 971	chain tensioner		
37224	1 231 977	sliding rail		
37230	1 231 971 S1	rep. kit timing chain		

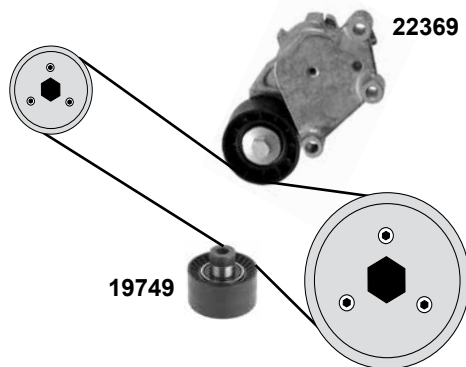
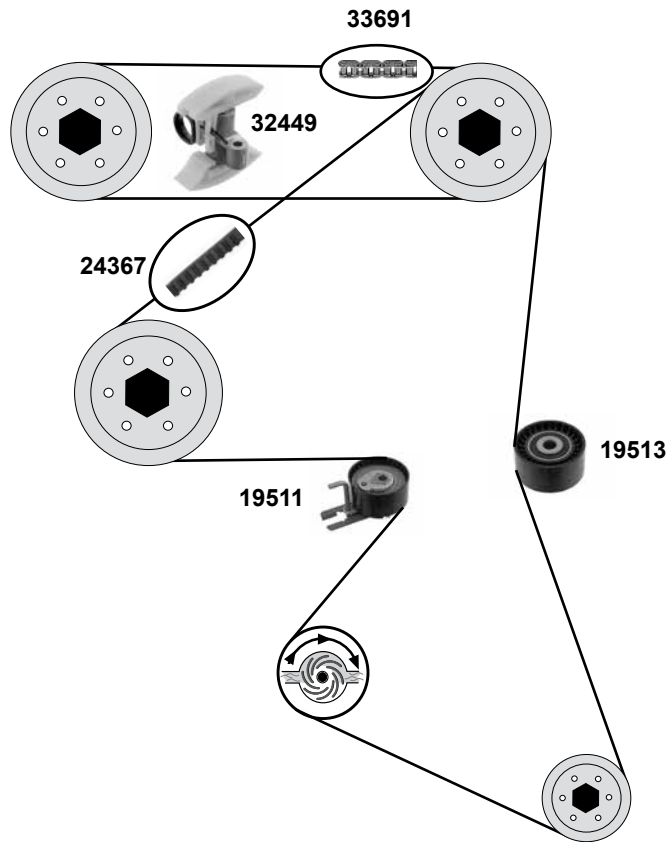
# FORD Focus C-Max 03

(09/03→02/07)

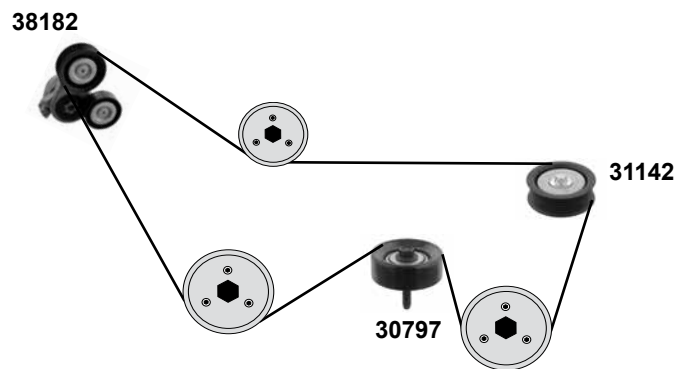
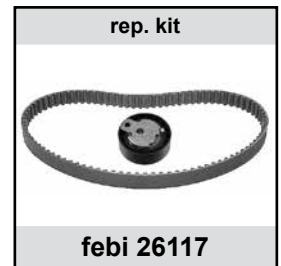
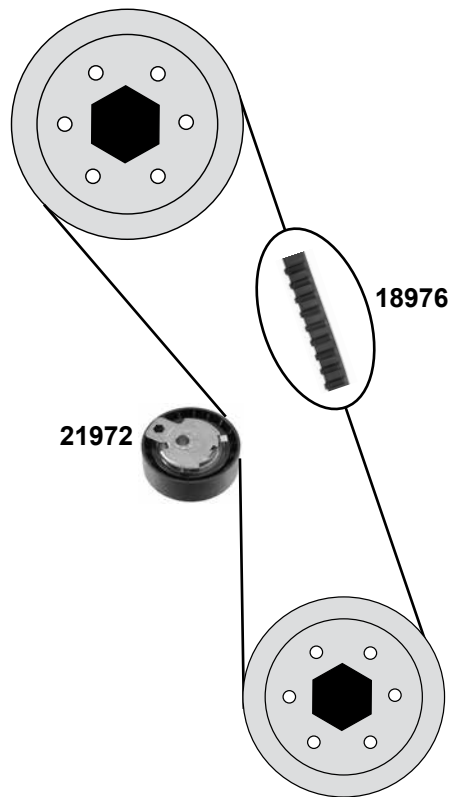
Car  
Division



## 1,6 TDCi



Ref. - No.			
19511	1 562 503	tension roller	
19513	1 145 955	deflection pulley	
19749	1 222 856	deflection pulley	(ex.) AC
22369	1 690 293	belt tensioner	
24367	1 446 647	timing belt	
24369	1 446 648	rep. kit timing belt	
32449	1 231 280	chain tensioner	04/05 →
33691	1 231 282	timing chain simplex endlos / continous /	04/05 →
33692	1 448 169	timing chain kit	04/05 →



	Ref. - No.			
<b>18976</b>	1 113 180	timing belt		Z 91 B20 ØA74 ØI 24
<b>21972</b>	1 215 978	tension roller		Z 91 B20 ØA 76,5 B30
<b>26117</b>	1 201 255	rep. kit timing belt		ØA 62 B22
<b>30797</b>	1 149 503	deflection pulley		ØA 82/70 B28/24
<b>31142</b>	1 361 876	deflection pulley	(ex.) AC	
<b>38182</b>	1 367 254	belt tensioner	04/05 →	



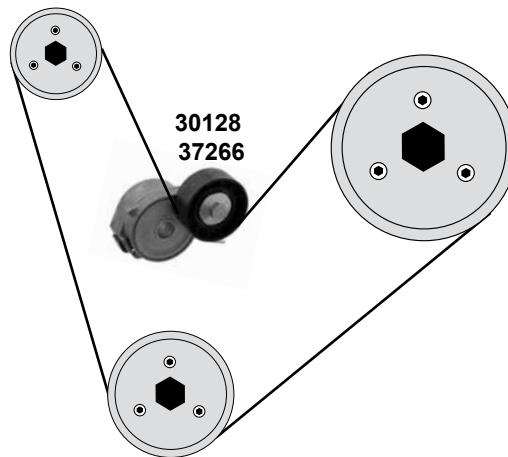
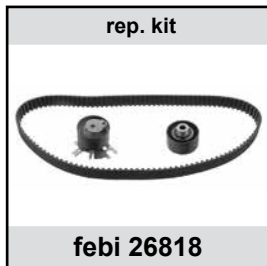
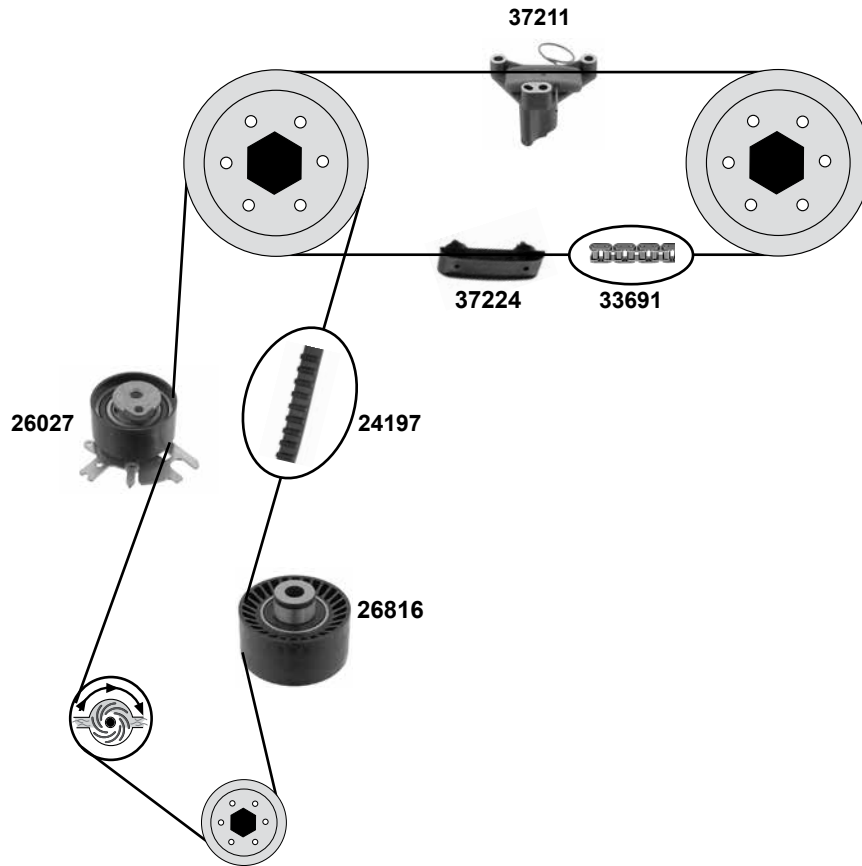
# FORD Focus C-Max 03

(09/03→02/07)

Car  
Division



## 2,0 TDCi



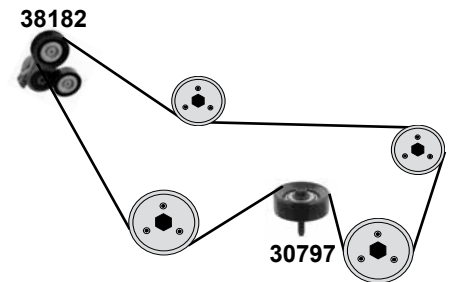
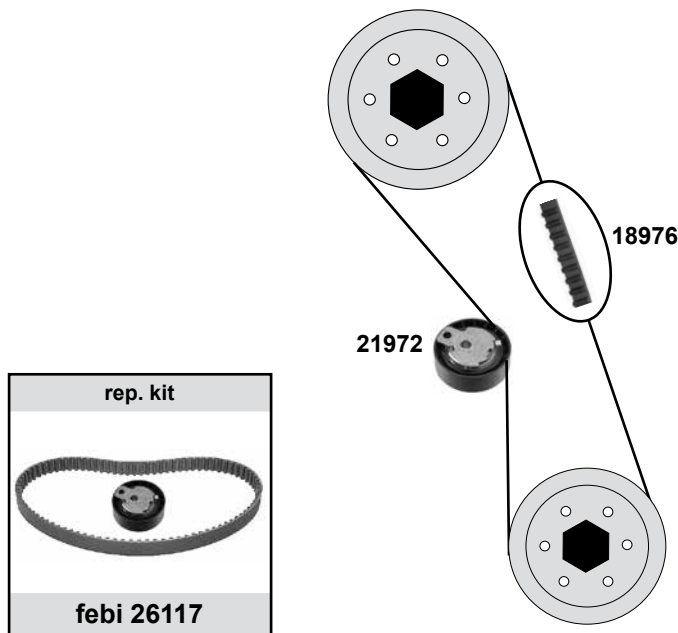
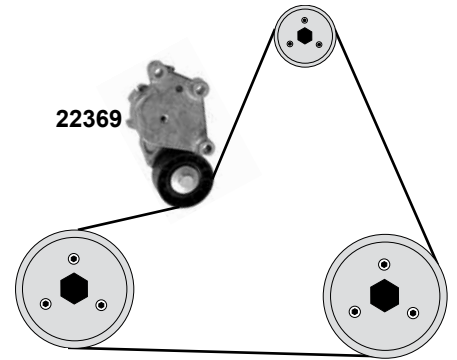
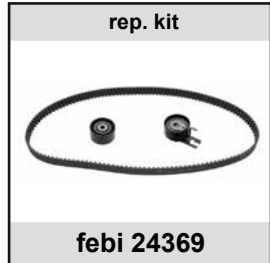
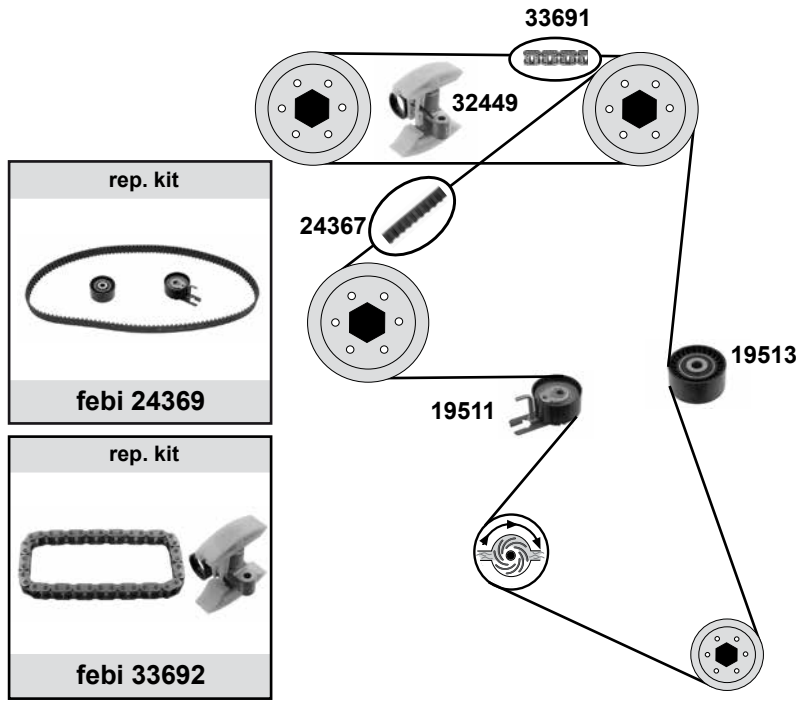
(1) only whitout particulate filter



Ref. - No.



Ref. - No.	Description	Notes	Part Number
24197	timing belt	(1)	Z 116 B25
26027	tension roller		ØA 60 B29
26816	deflection pulley		ØA 60,2 H30,2
26818	rep. kit timing belt	(1)	Z 116 B25
30128	belt tensioner	11/03 →	ØA 65 B25,5
33691	timing chain simplex	04/05 →	G67HP-6 / 40E
37211	chain tensioner	04/05 →	
37224	sliding rail	04/05 →	
37266	belt tensioner	→ 10/03	ØA 70 B25
37230	rep. kit timing chain	04/05 →	



Ref. - No.



18976	1 113 180
19511	1 562 503
19513	1 145 955
21972	1 215 978
22369	1 690 293
24367	1 446 647
24369	1 446 648
26117	1 201 255
30797	1 149 503
32449	1 231 280
33691	1 231 282
33692	1 448 169
38182	1 367 254

timing belt
tension roller
deflection pulley
tension roller
belt tensioner
timing belt
rep. kit timing belt
rep. kit timing belt
deflection pulley
chain tensioner
timing chain simplex
timing chain kit
belt tensioner

continuous

Z 91 B20
ØA 60 H 29
ØA 60 H 30
ØA74 ØI 24
ØA73 B22
Z 137 B25
Z 137 B25
Z 91 B20
ØA 76,5 B30
G67HP-6 / 40E
ØA 82/70 B28/24

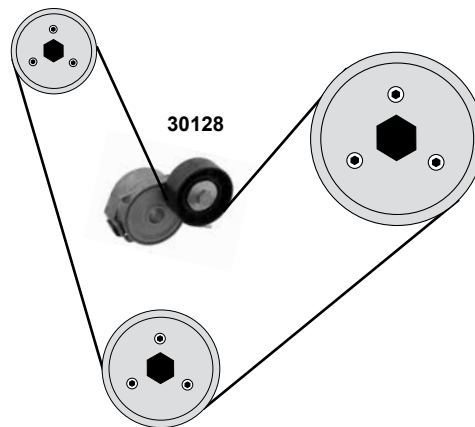
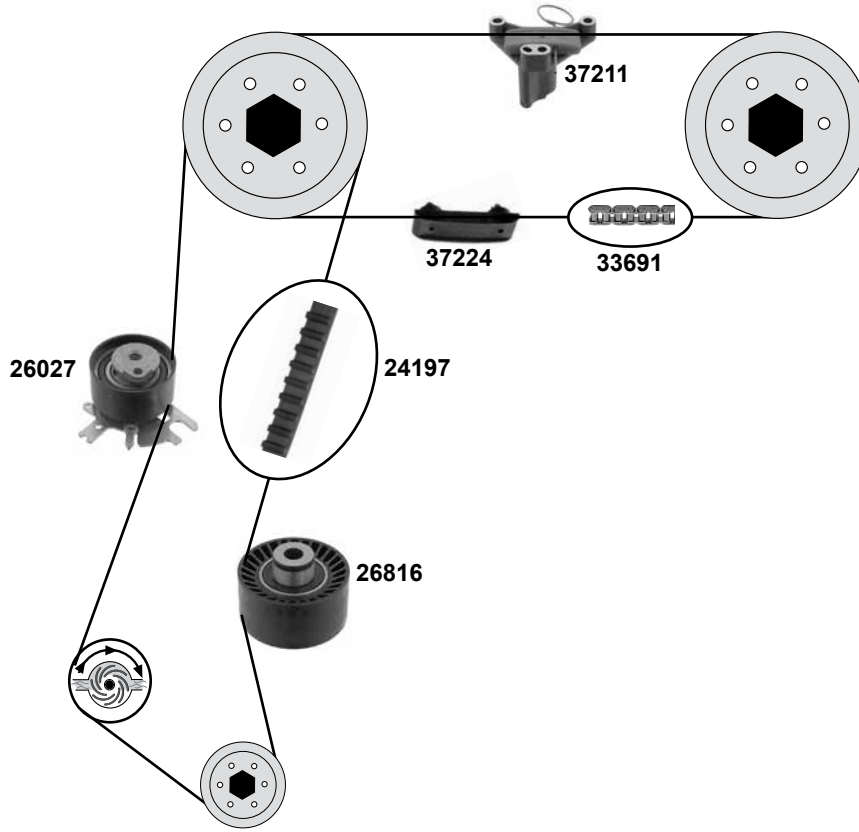
# FORD Focus C-Max 07

(03/07→07/10)

Car  
Division



## 2,0 TDCi



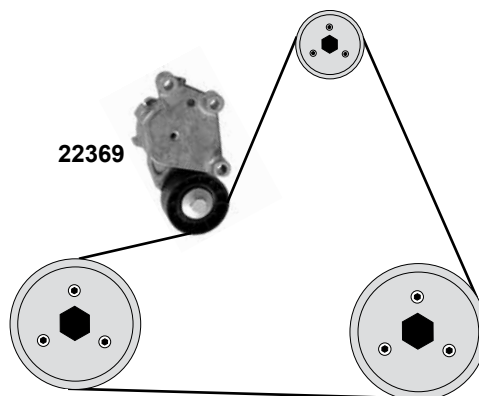
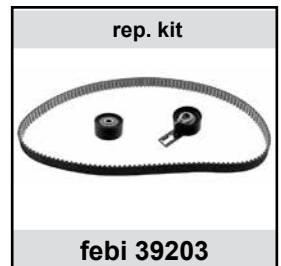
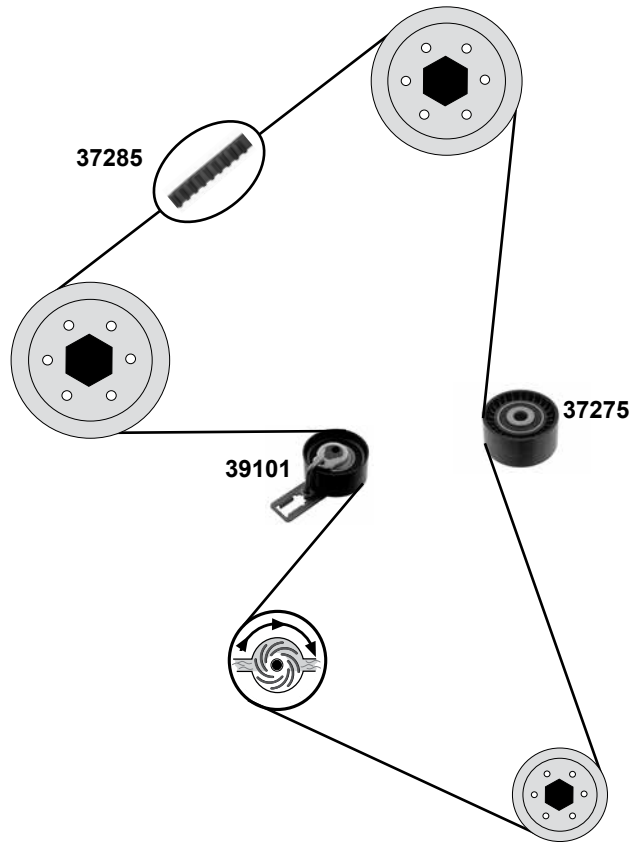
(1) only whitout particulate filter



Ref. - No.



24197	1 231 976	timing belt	(1)	Z 116 B25
26027	1 231 975	tension roller		ØA 60 B29
26816	1 707 035	deflection pulley		ØA 60 H30,2
26818	1 231 979	rep. kit timing belt	(1)	Z 116 B25
30128	1 318 336	belt tensioner		ØA 65 B25,5
33691	1 231 282	timing chain simplex		G67HP-6 / 40E
37211	1 231 971	chain tensioner		
37224	1 231 977	sliding rail		
37230	1 231 971 S1	rep. kit timing chain		



Ref. - No.



<b>22369</b>	1 690 293	belt tensioner	01/11 →	ØA73 B22
<b>37275</b>	1 725 441	deflection pulley	01/11 →	ØA 61 H 30
<b>37285</b>	1 738 632	timing belt	01/11 →	Z 141 B25,4
<b>39101</b>	1 739 145	tension roller	01/11 →	ØA 60 Ø I 29
<b>39203</b>	1 787 857	rep. kit timing belt	01/11 →	Z 141 B25,4

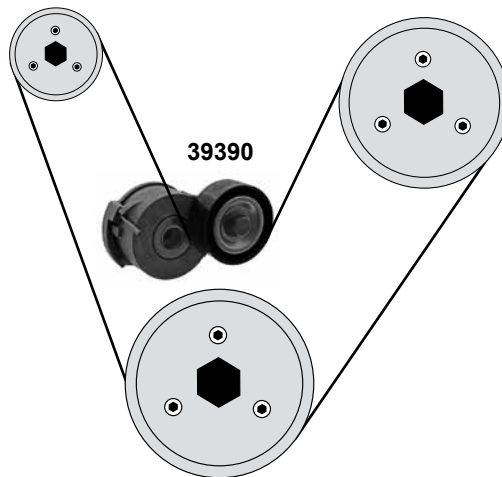
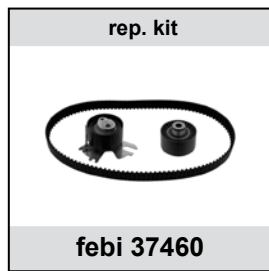
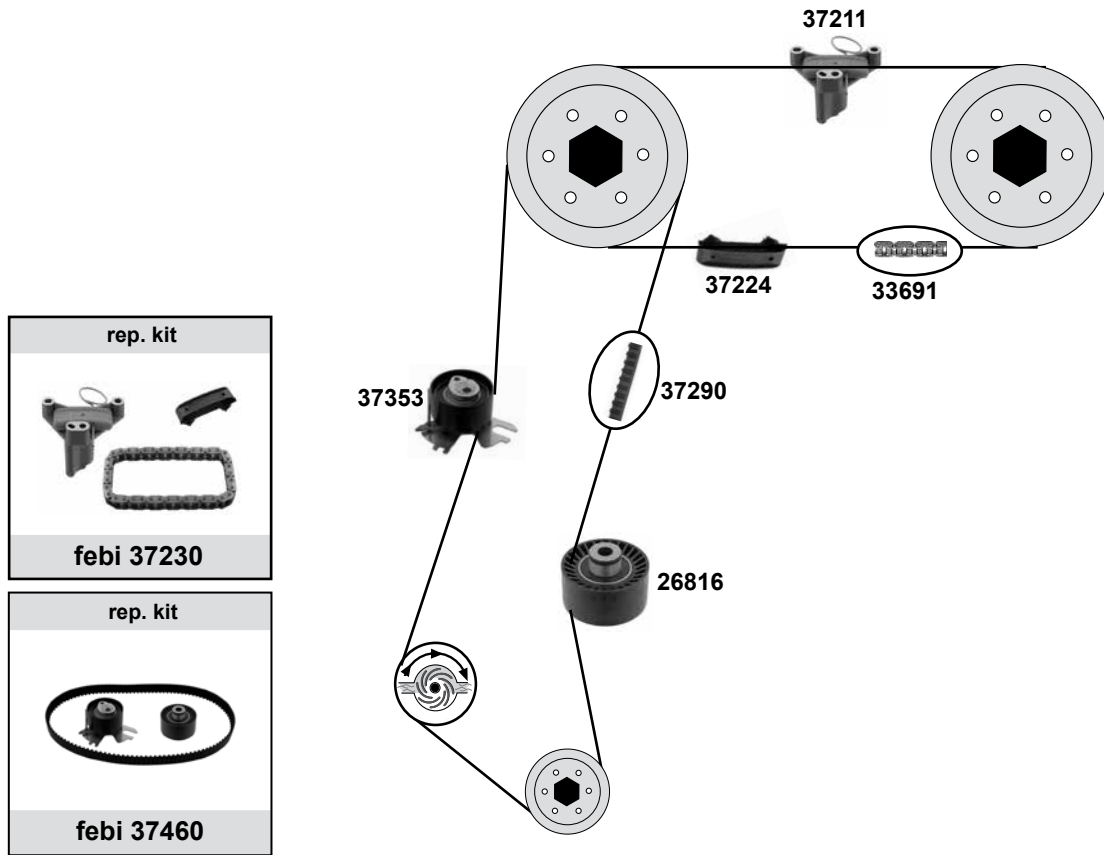
# FORD Focus C-Max 11

(08/10→)

Car  
Division



## 2,0 TDCi



(1) only 163PS / 08/11 →

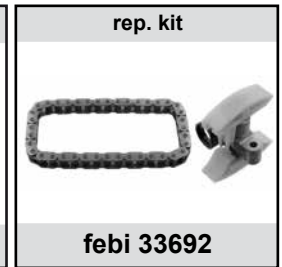
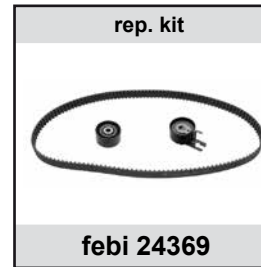
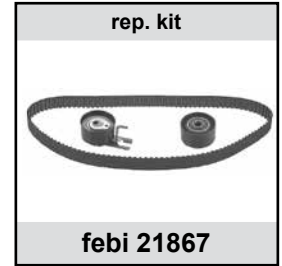
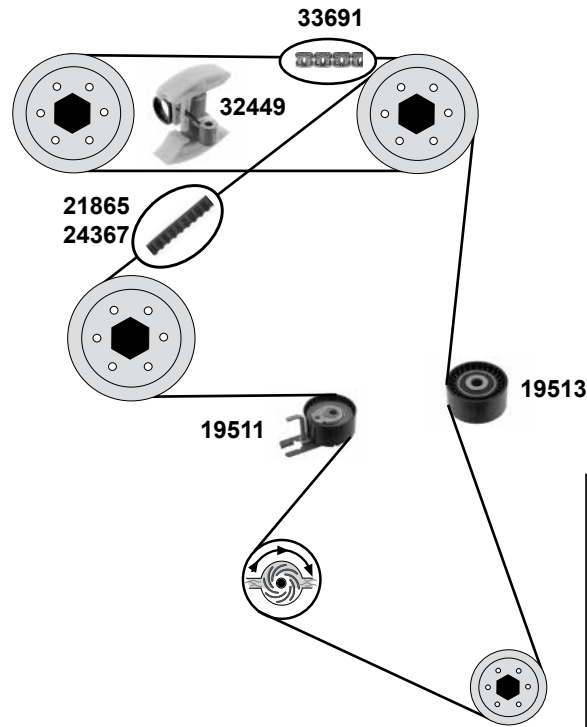
(2) only whitout particulate filter



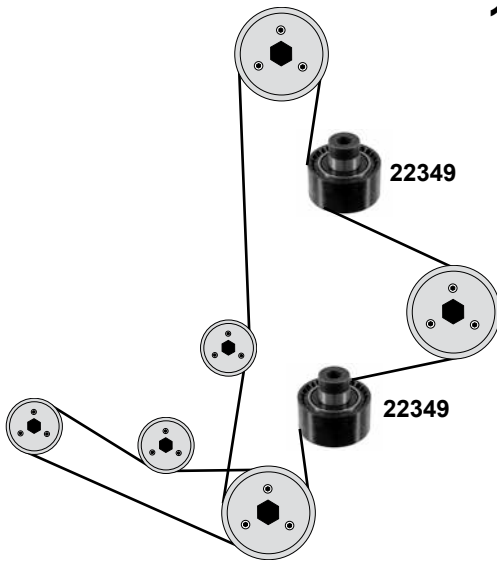
Ref. - No.



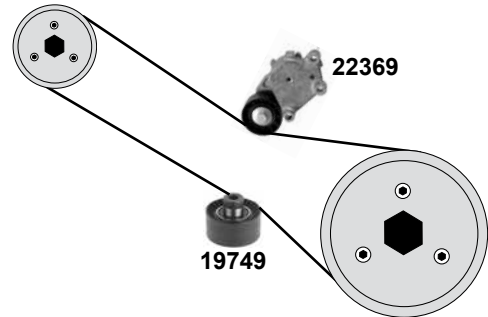
26816	1 707 035	deflection pulley		
33691	1 231 282	timing chain simplex		ØA 60,2 H30,2 G67HP-6 / 40E
37211	1 231 971	chain tensioner		
37224	1 231 977	sliding rail		
37230	1 231 971 S1	rep. kit timing chain		
37290	1 707 030	timing belt	(2)	Z 116 B25,4
37353	1 707 028	timing belt		ØA 60 H29
37460	1 683 833	rep. kit timing belt	(2)	Z 116 B25,4
39390	1 768 088	belt tensioner	(1)	



**1,4 TDCi**



**1,6 TDCi**



(1) (ex.) 1,4 / endlos / endless

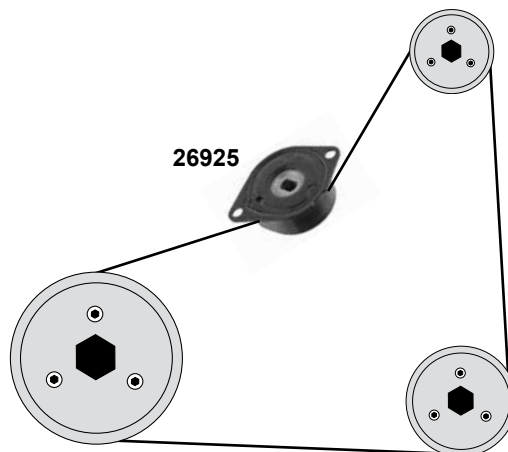
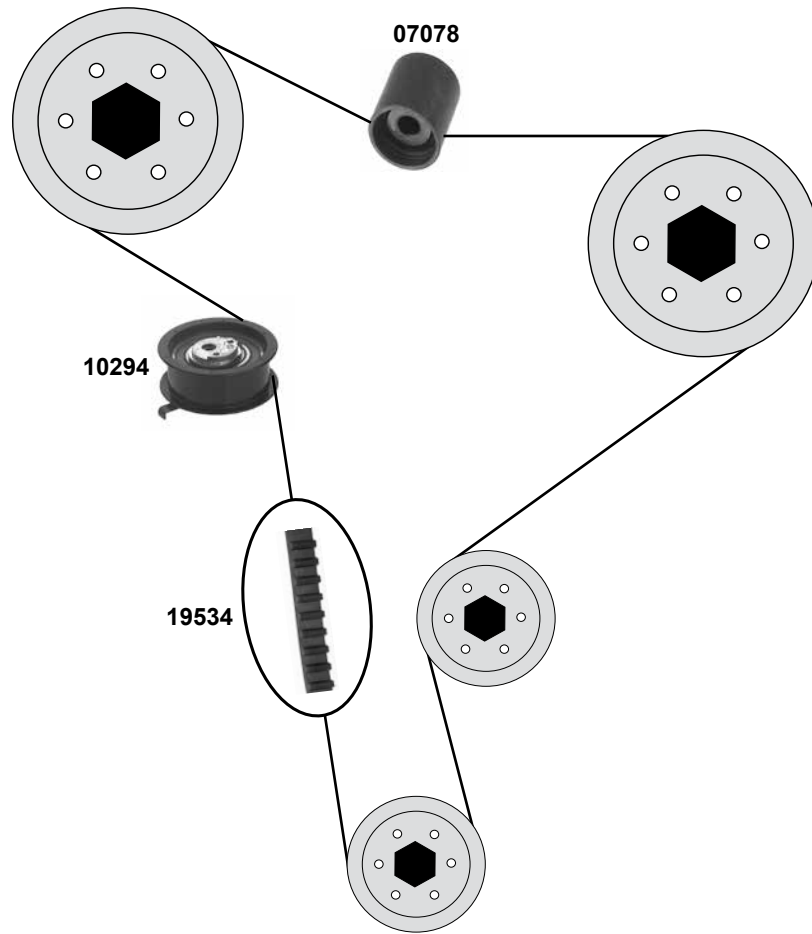


Ref. - No.

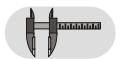


<b>19511</b>	1 562 503	tension roller			ØA 60 H 29
<b>19513</b>	1 145 955	deflection pulley			ØA 60 H 30
<b>19749</b>	1 222 856	deflection pulley			ØA 60 H 30
<b>21865</b>	1 145 950	timing belt		<b>AC</b>	Z 144 B25,4
<b>21867</b>	1 211 185	rep. kit timing belt		(ex.) 1,6	Z 116 B22
<b>22349</b>	1 222 855	deflection pulley		(ex.) 1,6	ØA 51 H 26
<b>22369</b>	1 690 293	belt tensioner		(ex.) <b>AC</b>	ØA73 B22
<b>24367</b>	1 446 647	timing belt		(ex.) 1,4	Z 137 B25
<b>24369</b>	1 446 648	rep. kit timing belt		(ex.) 1,4	Z 137 B25
<b>32449</b>	1 231 280	chain tensioner		(ex.) 1,4	
<b>33691</b>	1 231 282	timing chain simplex		(1)	G67HP-6 / 40E
<b>33692</b>	1 448 169	timing chain kit		(ex.) 1,4	

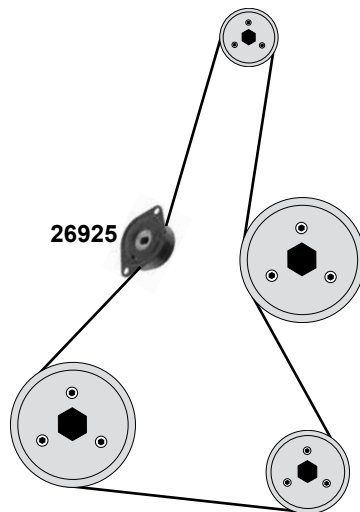
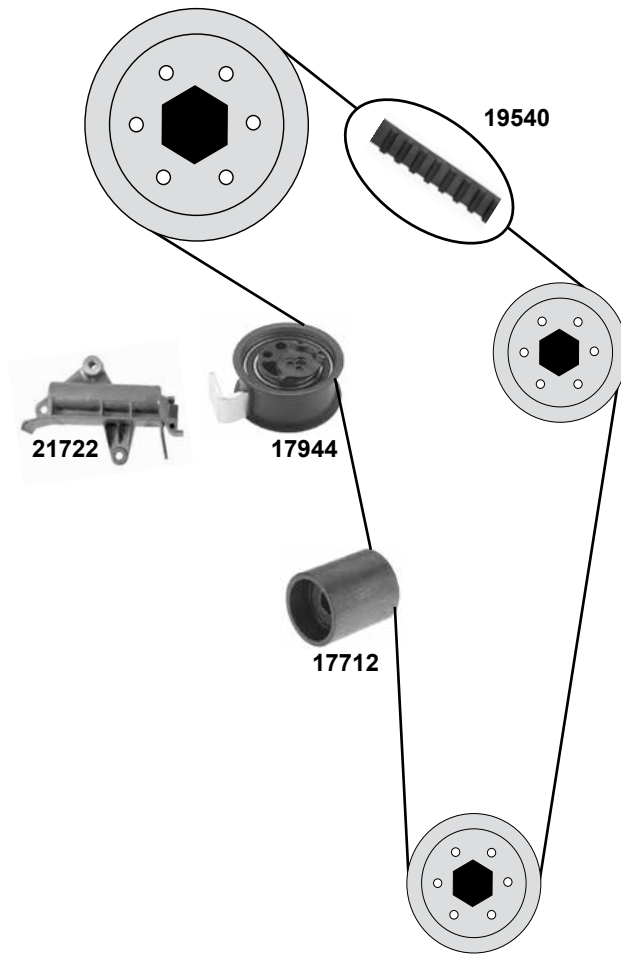
**1,9 TDI**



Ref. - No.



<b>07078</b>	1 005 120	deflection pulley	ØA28 B31,5
<b>10294</b>	1 058 458	tension roller	ØA67 Ø1 8 B25
<b>19534</b>	1 145 904	timing belt	Z 137 B25
<b>19554</b>	1 145 904 S1	rep. kit timing belt	Z 137 B25
<b>26925</b>	1 039 808	belt tensioner	

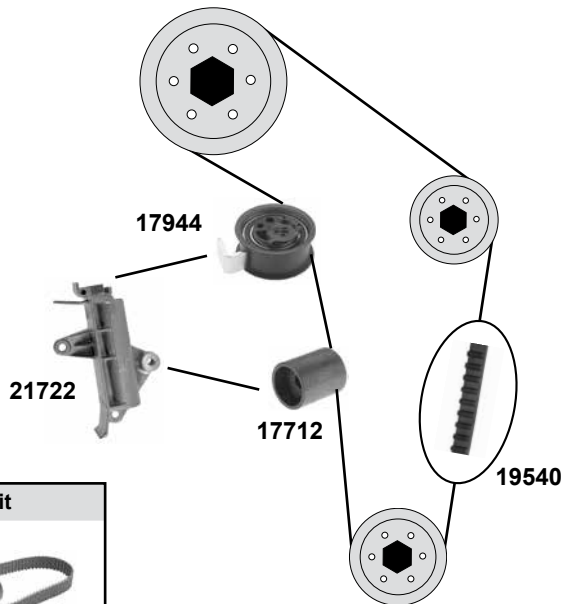


	Ref. - No.			
17712	1 100 585	deflection pulley	only 90 PS	ØA28 B34
17944	1 119 021	tension roller		ØA72 B35
19540	1 250 636	timing belt	(ex.) 96kw / 130PS	Z 120 B30
21722	1 119 023	belt tensioner		
21726	1 131 812 S1	rep. kit timing belt		
26925	1 039 808	belt tensioner		

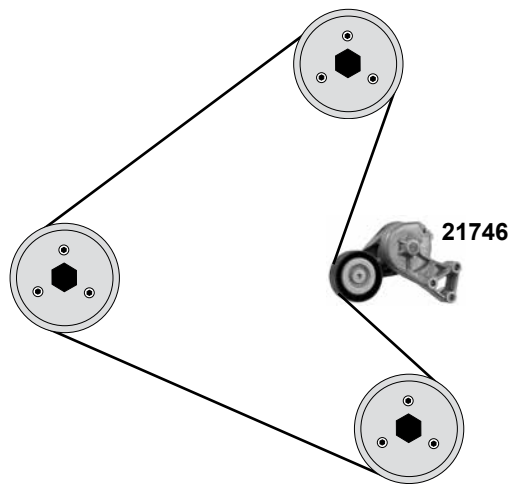
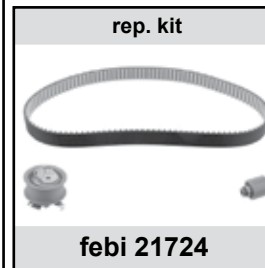
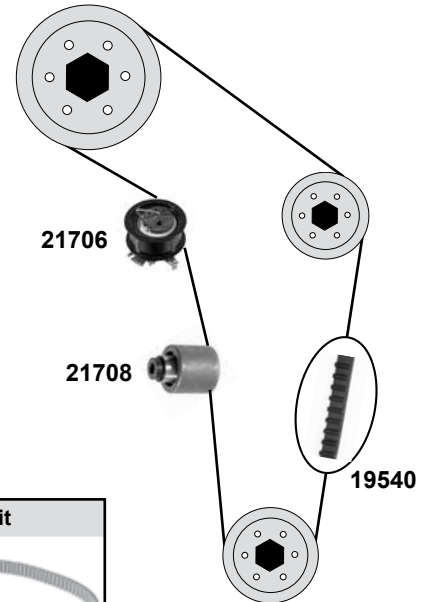




**1,9 TDI**  
 (Modell → 04/02)



**1,9 TDI**  
 (Modell 05/02 →)



(1) 04/00→ nur/only 90PS /115PS / 01/03→ nur/only 130PS / 01/05→ nur/only 150PS

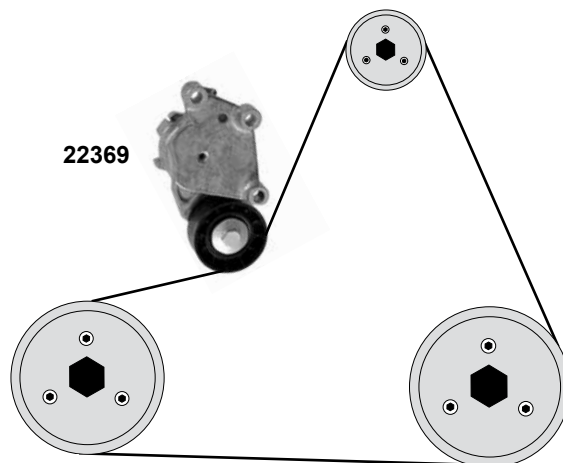
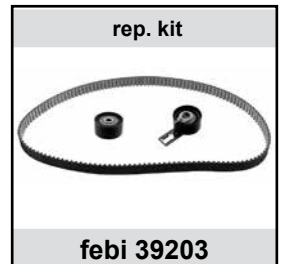
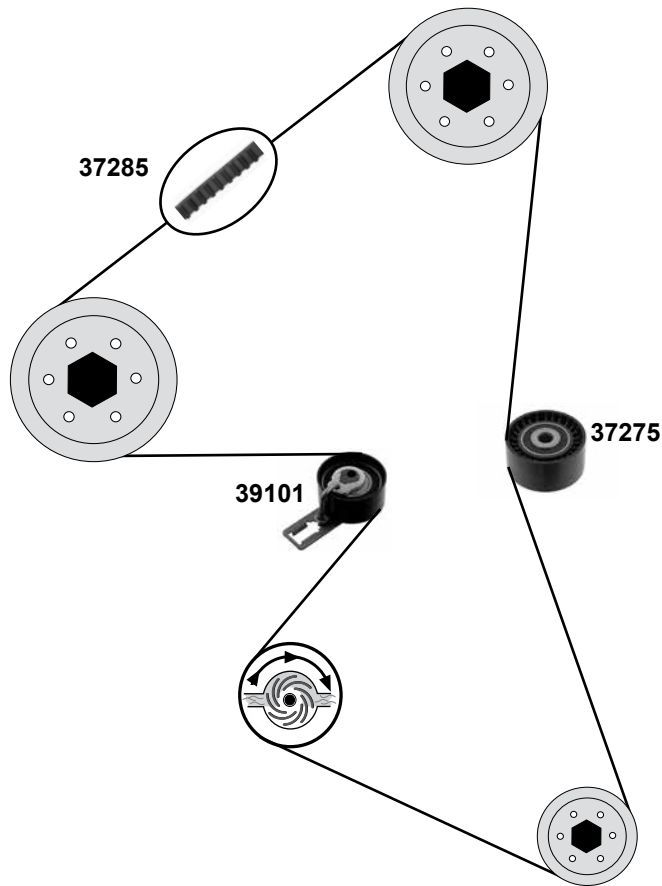
(2) 05/02→ nur/only 90PS /115PS / 01/03→ nur/only 130PS / 01/05→ nur/only 150PS



Ref. - No.



17712	1 100 585	deflection pulley		ØA28 B34
17944	1 119 021	tension roller		ØA72 B35
19540	1 250 636	timing belt	(1)	Z 120 B30
21706	1 221 490	tension roller	(2)	ØA68 B36
21708	1 221 491	deflection pulley	(2)	ØA40 B35
21722	1 119 023	timing belt tensioner		
21724	1 131 812 S1	rep. kit timing belt		Z 137 B25
21726	1 131 812 S2	rep. kit timing belt	(ex.) 96kw / 130PS	Z 120 B30
21746	1 122 523	belt tensioner		

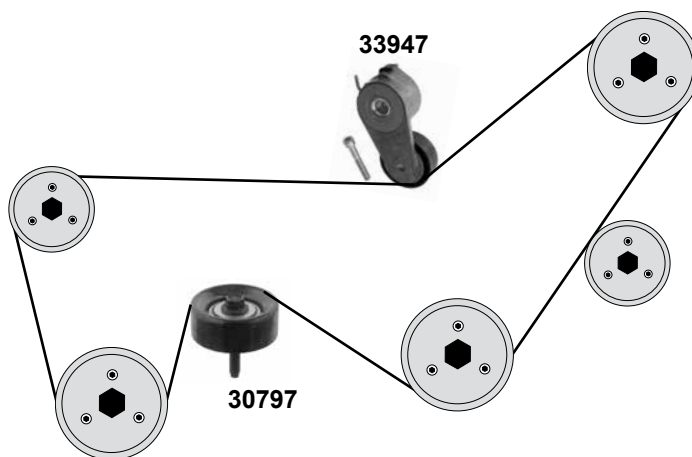
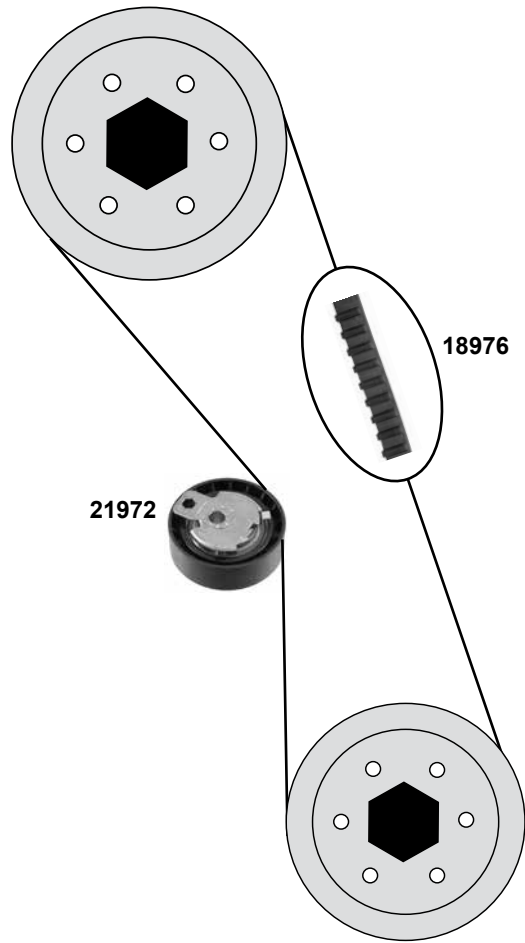


Ref. - No.



<b>22369</b>	1 690 293	belt tensioner	02/11 →	ØA73 B22
<b>37275</b>	1 725 441	deflection pulley	01/11 →	ØA 61 H 30
<b>37285</b>	1 738 632	timing belt	01/11 →	Z 141 B25,4
<b>39101</b>	1 739 145	tension roller	01/11 →	ØA 60 Ø I 29
<b>39203</b>	1 787 857	rep. kit timing belt	01/11 →	Z 141 B25,4

**1,8 TDCi**



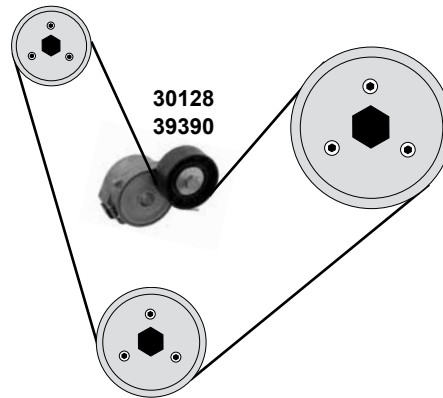
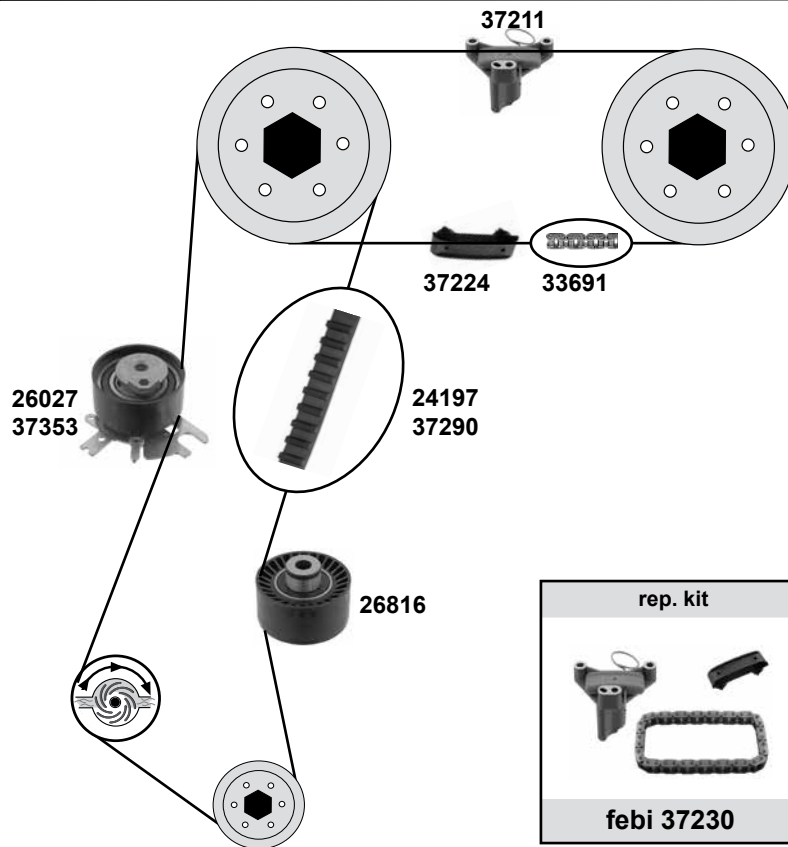
Ref. - No.



<b>18976</b>	1 113 180
<b>21972</b>	1 215 978
<b>26117</b>	1 201 255
<b>30797</b>	1 149 503
<b>33947</b>	1 425 510

timing belt
tension roller
rep. kit timing belt
deflection pulley
belt tensioner

Z 91 B20
ØA74 ØI 24
Z 91 B20
ØA 76,5 B30
ØA 65 B23



(1) 03/10 → / only 163PS

(2) only 115PS/130PS/143PS

(3) only whitout particulate filter

(4) only 115PS/136PS/140PS/150PS/163PS

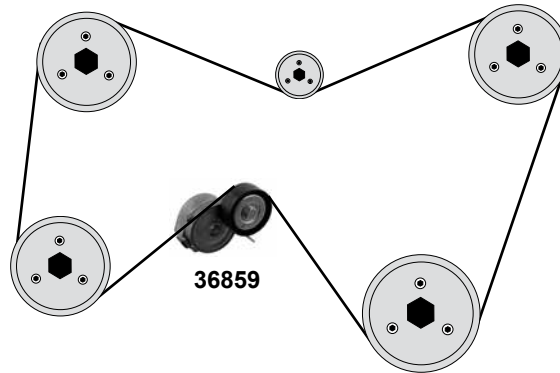
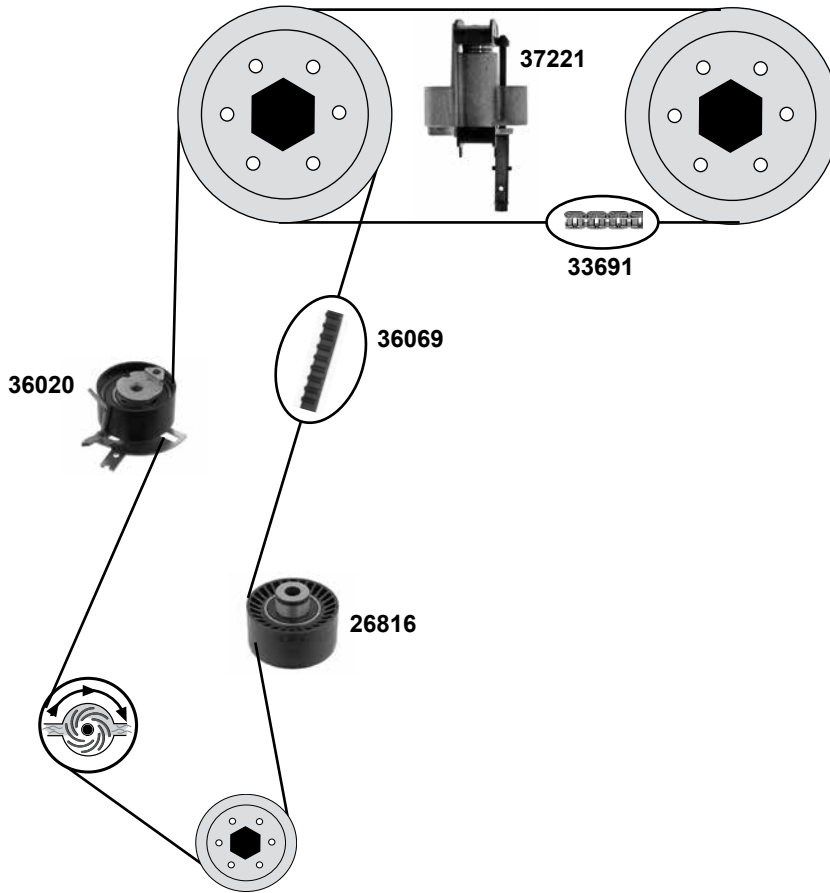


Ref. - No.



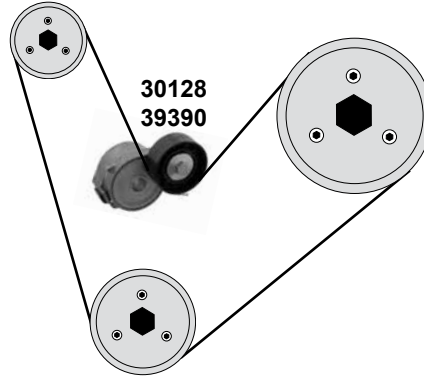
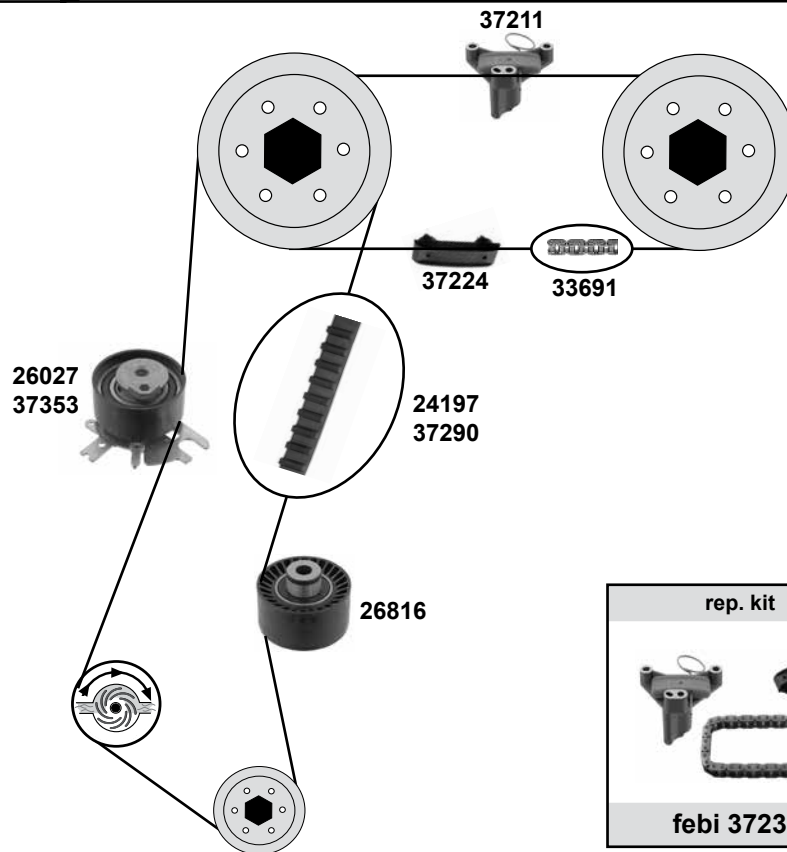
Ref. - No.	Part Description	Notes	Dimensions
24197	1 231 976 timing belt	(2) (3)	Z 116 B25
26027	1 231 975 tension roller	(2)	ØA 60 B29
26816	1 707 035 deflection pulley		ØA 60,2 H30,2
26818	1 231 979 rep. kit timing belt	(2) (3)	Z 116 B25
30128	1 318 336 belt tensioner	(ex.) 163 PS	ØA 65 B25,5
33691	1 231 282 timing chain simplex		G67HP-6 / 40E
37211	1 231 971 chain tensioner		
37224	1 231 977 sliding rail		
37230	1 231 971 S1 timing chain kit		
37290	1 707 030 Zahnriemen	(3) (4)	Z 116 B25,4
37353	1 707 028 timing belt	nur/only 163 PS	ØA 60 H29
37460	1 683 833 rep. kit timing belt	(3) (4)	Z 116 B25,4
39390	1 768 088 belt tensioner	(1)	

**2,2 TDCi**



(1) 175PS / 03/08 → 200PS / 11/10 →

	Ref. - No.			
<b>26816</b>	1 707 035	deflection pulley		ØA 60,2 H30,2
<b>33691</b>	1 231 282	timing chain simplex	(1) /	endless G67HP-6 / 40E
<b>36020</b>	1 538 439	tension roller		ØA 60 H29
<b>36069</b>	1 451 510	timing belt	08→	Z 118 B25,4
<b>36230</b>	1 451 510 S1	rep. kit timing belt	08→	
<b>36859</b>	1 477 061	belt tensioner	(1)	
<b>37221</b>	1 427 902	chain tensioner	(1)	
<b>37620</b>	1427 902 S1	timing chain kit	(1)	



- (1) 05/10 → / only 163PS
- (2) 10712 → / only 130PS
- (3) only whitout particulate filter



Ref. - No.



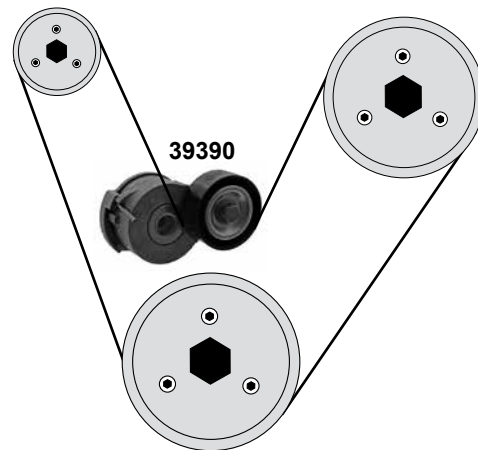
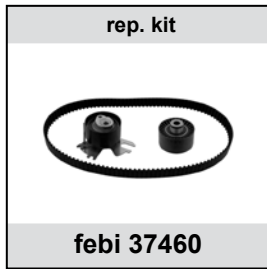
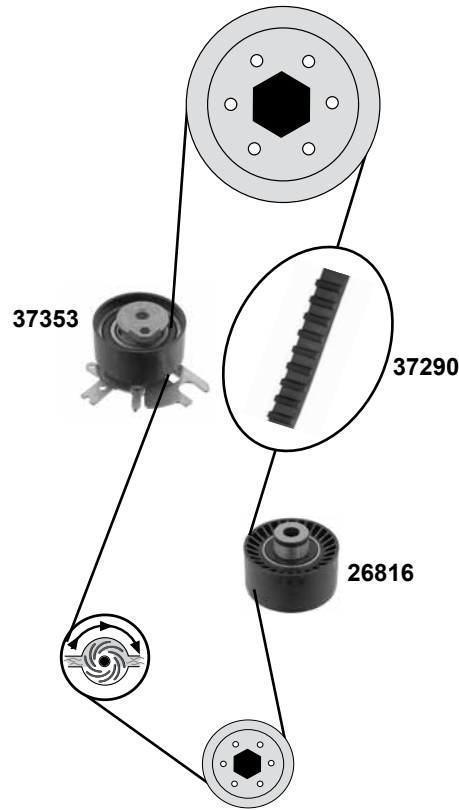
Ref. - No.	Description	Notes	Dimensions
24197	timing belt	(3)	Z 116 B25
26027	tension roller	nur/only 130PS	ØA 60 B29
26816	deflection pulley		ØA 60,2 H30,2
26818	rep. kit timing belt	(2) (3)	Z 116 B25
30128	belt tensioner	(ex.) 163 PS	ØA 65 B25,5
33691	timing chain simplex	endlos / endless	G67HP-6 / 40E
37211	chain tensioner	05/10 →	
37224	sliding rail	05/10 →	
37230	timing chain kit	05/10 →	
37290	timing belt	nur/only 163PS	Z 116 B 25,4
37353	timing belt	nur/only 163PS	ØA 60 H29
37460	rep. kit timing belt	(3) nur/only 163PS	Z 116 B25,4
39390	belt tensioner	(1)	

# FORD Kuga 13 (11/12→)

Car  
Division 



## 2,0 TDCi



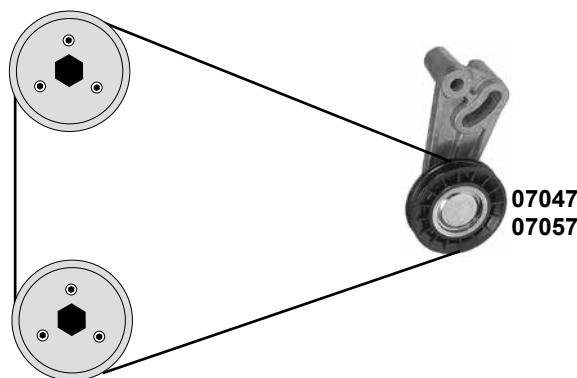
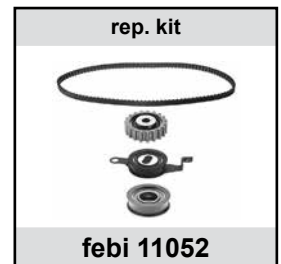
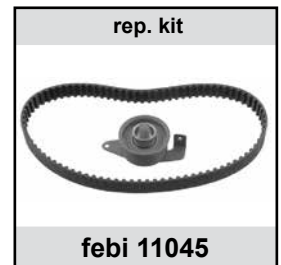
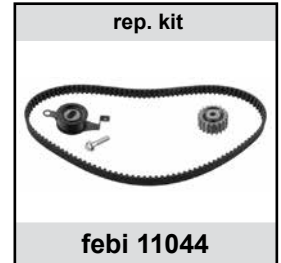
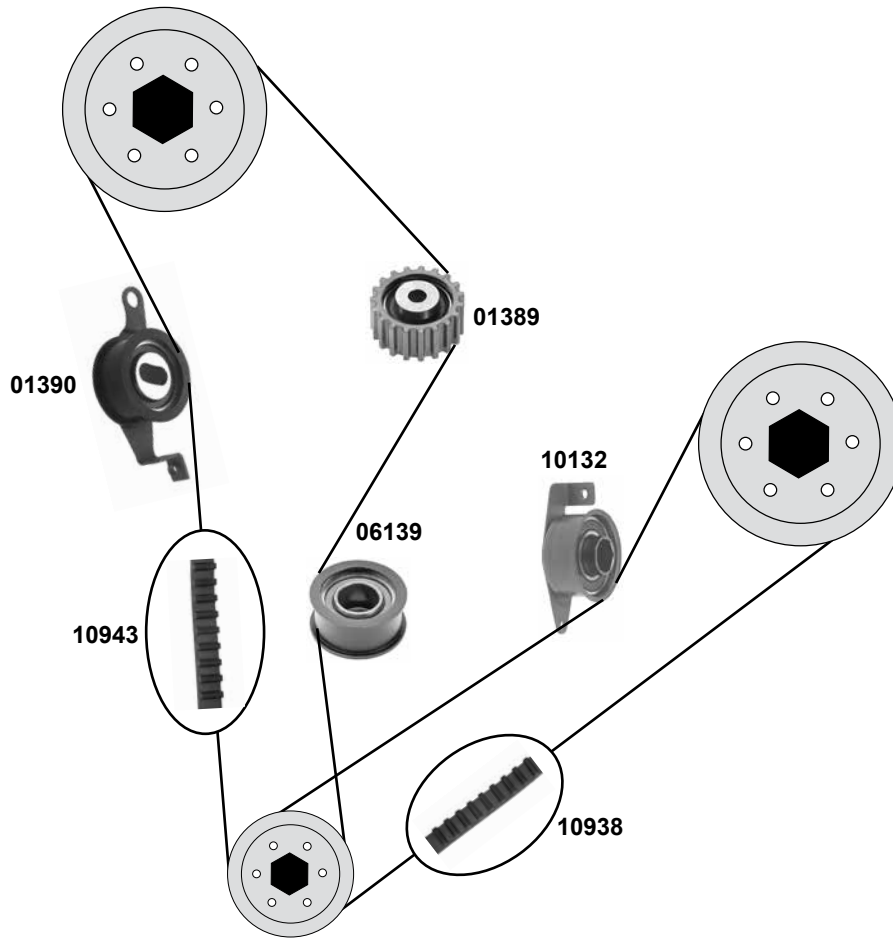
(1) only whitout particulate filter



Ref. - No.



26816	1 707 035	deflection pulley	(1)	ØA 60,2 H30,2
37290	1 707 030	timing belt	(1)	Z 116 B25,4
37353	1 707 028	timing belt	(1)	ØA 60 H29
37460	1 683 833	rep. kit timing belt	(1)	Z 116 B25,4
39390	1 768 088	belt tensioner	(1)	



Ref. - No.



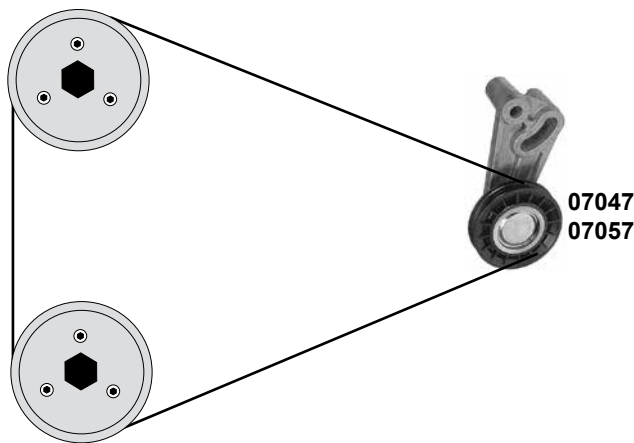
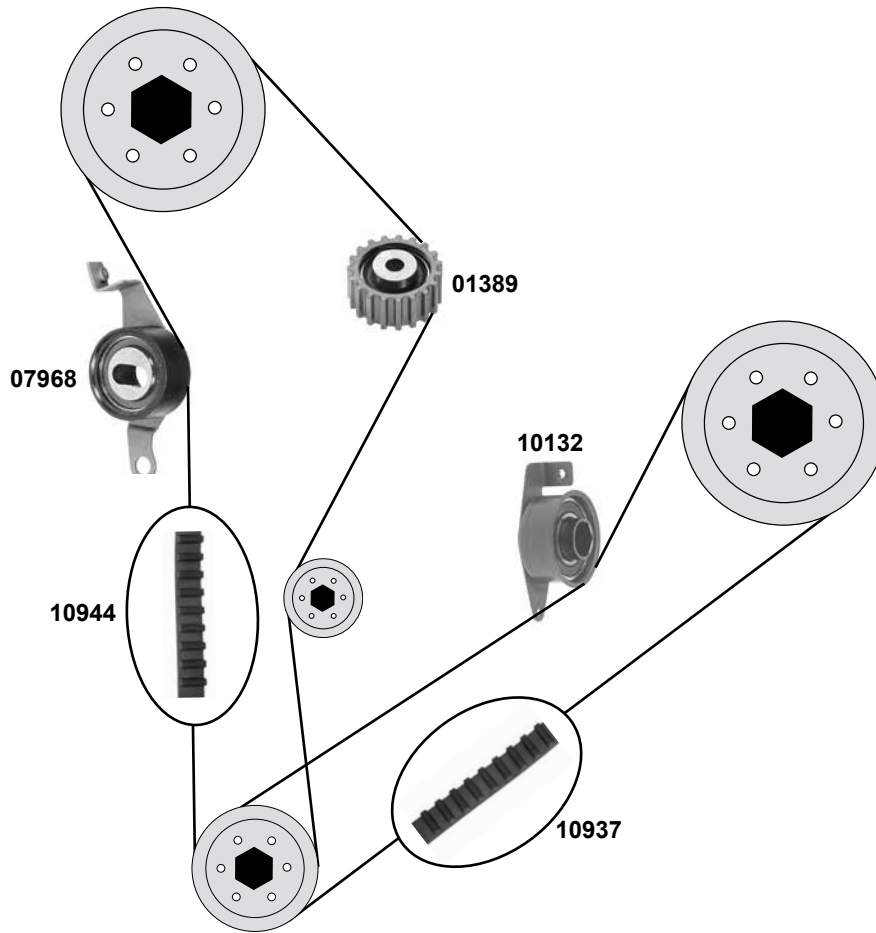
<b>01389</b>	1 113 169	deflection pulley
<b>01390</b>	7 330 712	tension roller
<b>06139</b>	6 177 883	tension roller
<b>07047</b>	6 616 951	tension roller
<b>07057</b>	6 616 952	tension roller
<b>10132</b>	1 005 822	tension roller
<b>10938</b>	1 657 013	timing belt
<b>10943</b>	7 174 114	timing belt
<b>11044</b>	7 174 114 S2	rep. kit timing belt
<b>11045</b>	1 657 013 S1	rep. kit timing belt
<b>11052</b>	7 174 114 S1	rep. kit timing belt







man.   
servo

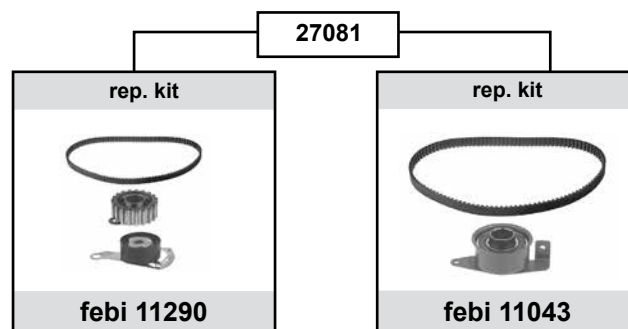
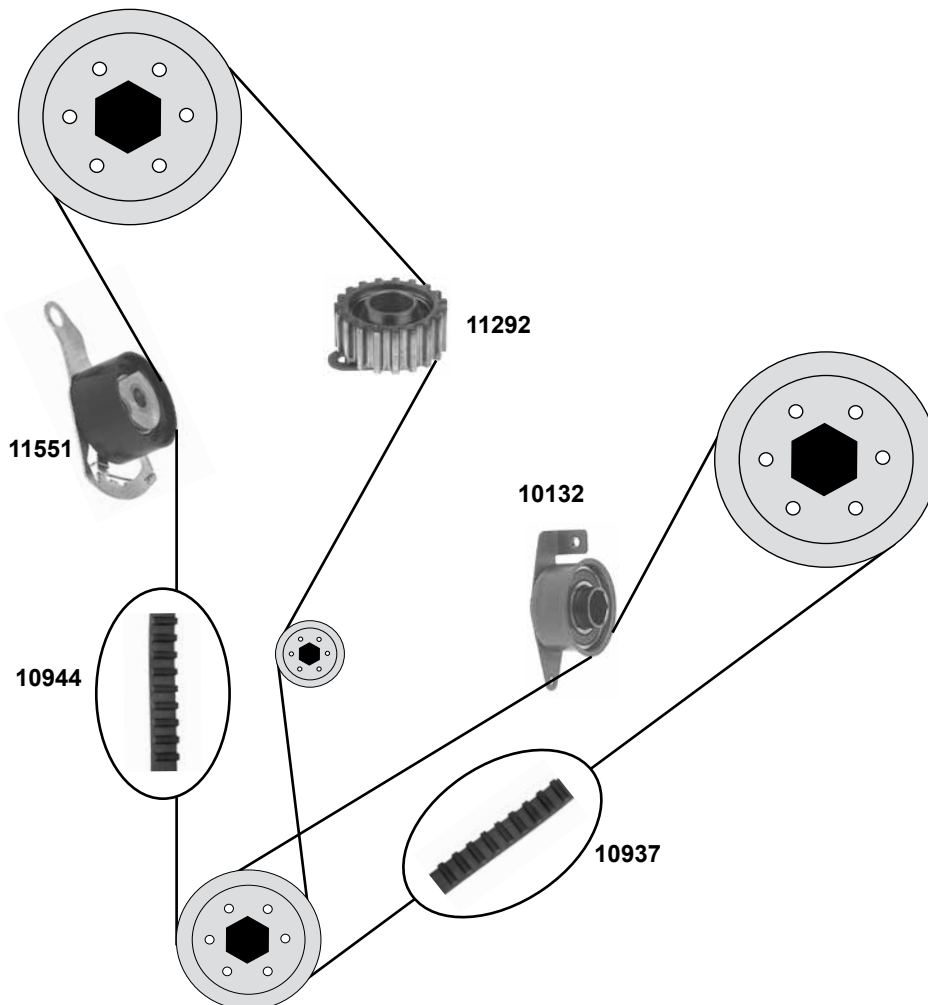
ØA56,2 B26,7  
ØA52 B29,8  
ØA58 B26  
76 x 16 x 75,5  
76 x 16 x 41,4  
ØA67  
Z 85 B23  
Z 116 B20  
Z 116 B20  
Z 85 B23  
Z 116 B20



**1,8 D / TD**

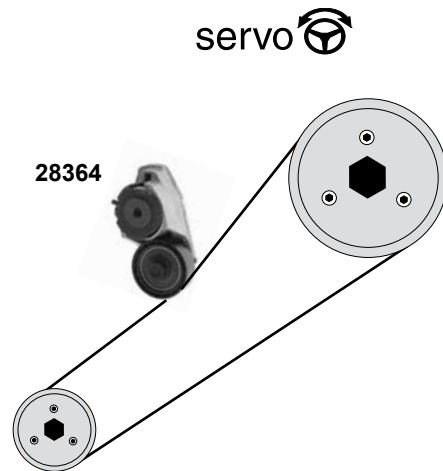
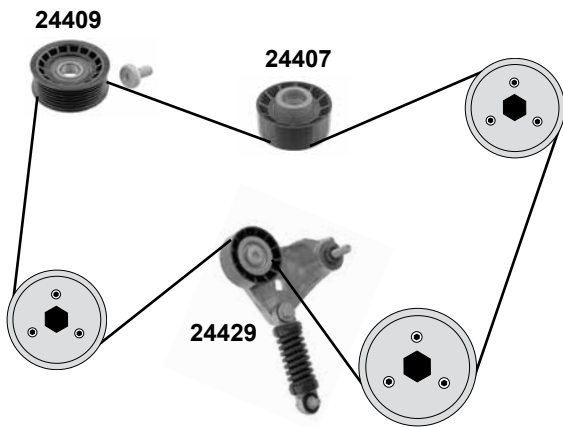
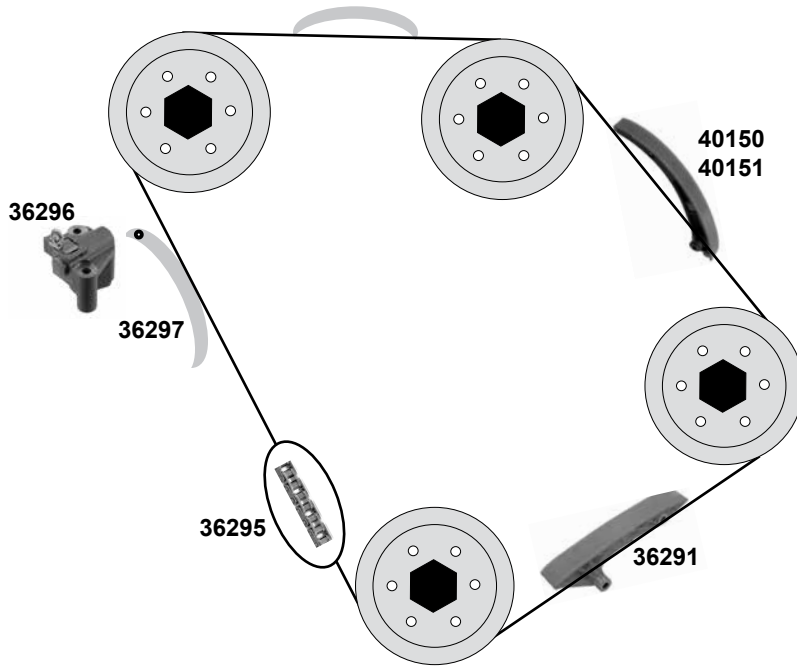


	Ref. - No.			
<b>01389</b>	1 113 169	deflection pulley		ØA56,2 B26,7
<b>07047</b>	6 616 951	tension roller	man. 	76 x 16 x 75,5
<b>07057</b>	6 616 952	tension roller	servo 	76 x 16 x 41,4
<b>07968</b>	1 005 516	tension roller		52 x 22,3 x 28,3
<b>10132</b>	1 005 822	tension roller		ØA67
<b>10937</b>	1 005 828	timing belt		Z 85 B22
<b>10944</b>	1 113 179	timing belt		Z 116 B22
<b>11043</b>	1 005 828 S1	rep. kit timing belt		Z 85 B22
<b>11051</b>	1 005 824 S1	rep. kit timing belt		Z 116 B22



	Ref. - No.			
<b>10132</b>	1 005 822	tension roller		ØA67
<b>10937</b>	1 005 828	timing belt		Z 85 B22
<b>10944</b>	1 113 179	timing belt		Z 116 B22
<b>11043</b>	1 005 828 S1	rep. kit timing belt		Z 85 B22
<b>11290</b>	1 005 824 S2	rep. kit timing belt		Z 116 B22
<b>11292</b>	1 099 552	deflection pulley		56,2 x 25,4 x 29,5
<b>11551</b>	1 099 553	tension roller		ØA50,3 B25,5
<b>27081</b>	1 005 824 S3	rep. kit timing belt		

**2,0 / 2,2 TDCi**



- (1) 10/00 → 05/03 / 90 PS/115 PS  
 10/01 → 05/03 / 130 PS  
 09/02 → 05/03 / 115 PS
- (2) 03/04 → 01/07 / (mot.) 2,0  
 08/04 → 01/07 / (mot.) 2,2



Ref. - No.

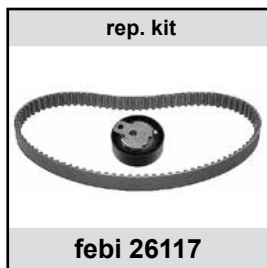
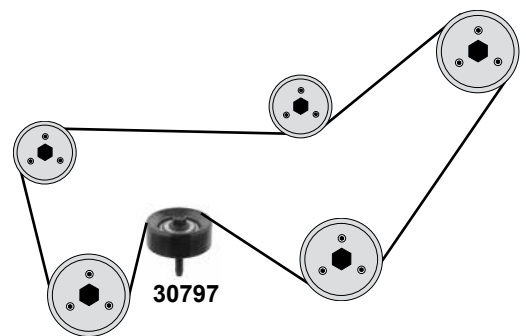
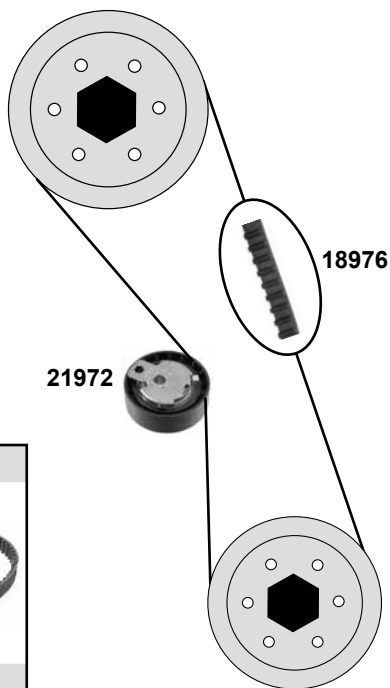
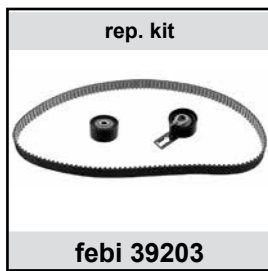
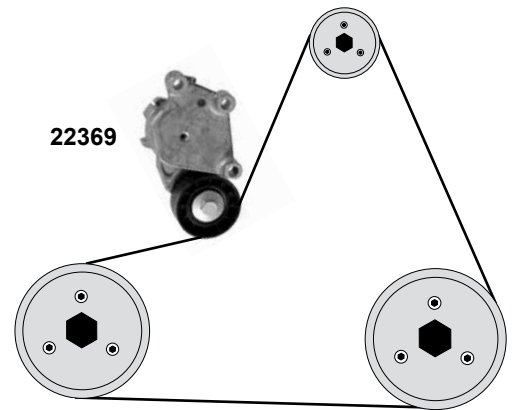
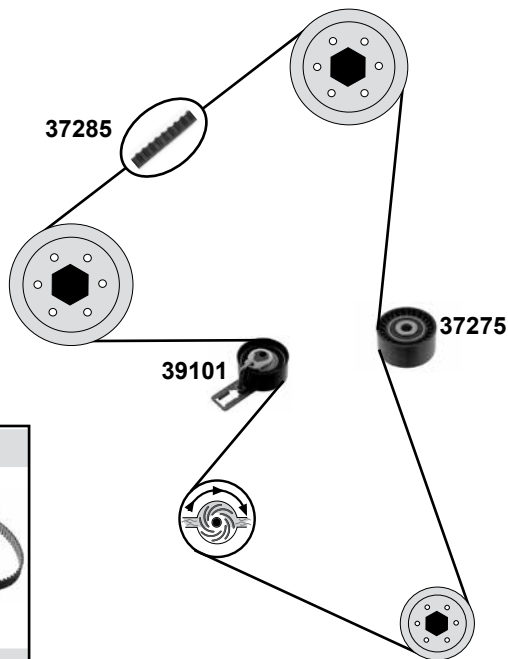


24407	1 201 178
24409	1 128 896
24429	1 201 181
28364	1 132 644
36291	1 141 681
36295	1 099 874
36296	1 138 760
36297	1 406 306
40150	1 096 496
40151	1 334 536

deflection pulley
deflection pulley
belt tensioner
belt tensioner
sliding rail
timing chain
chain tensioner
chain tensioner
sliding rail
sliding rail

(1) / (ex.) 2,2  
 → 02/04 / (ex.) 2,2  
 (2)  
 01→04 / (ex.) 2,2  
 04→

ØA 65 B26
ØA 69 B26,1
ØA 65
ØA 52
D 66 E

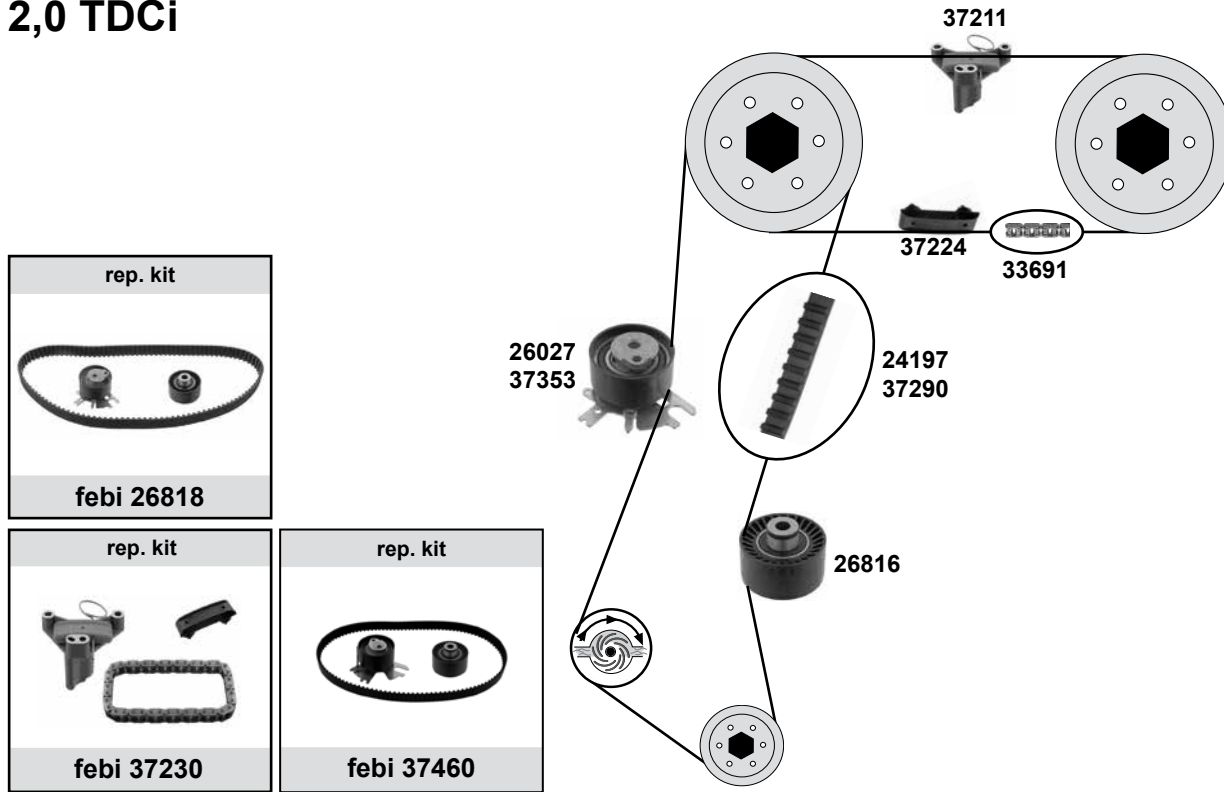


Ref. - No.

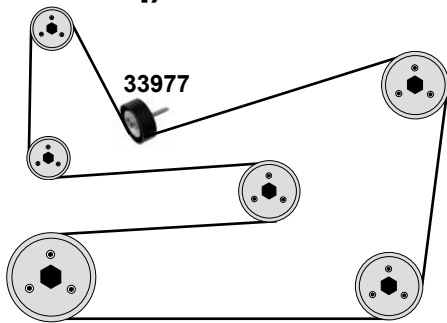


18976	1 113 180	timing belt		Z 91 B20
21972	1 215 978	tension roller		ØA74 ØI 24
22369	1 690 293	belt tensioner	02/11 →	ØA73 B22
26117	1 201 255	rep. kit timing belt		Z 91 B20
30797	1 149 503	deflection pulley		ØA 76,5 B30
37275	1 725 441	deflection pulley	01/11 →	ØA 61 H 30
37285	1 738 632	timing belt	01/11 →	Z 141 B25,4
39101	1 739 145	tension roller	01/11 →	ØA 60 Ø I 29
39203	1 787 857	rep. kit timing belt	01/11 →	Z 141 B25,4

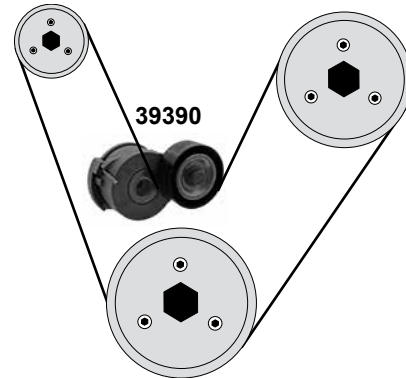
**2,0 TDCi**



**2,0 (Duratorq)**



**2,0 TDCi**



(1) only 163PS04/12 →

(2) only 115PS/130PS/143PS

(3) only whitout particulate filter

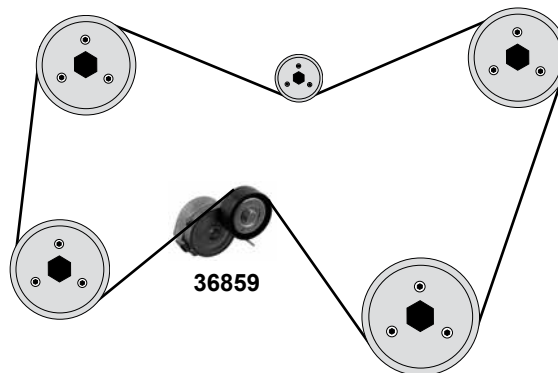
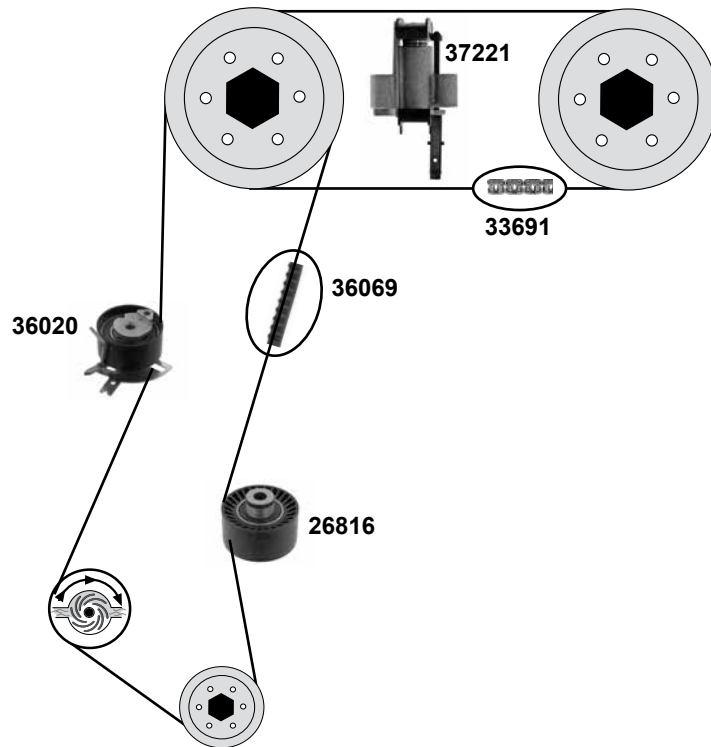
(4) only 115PS/136PS/140PS/150PS/163PS



Ref. - No.



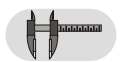
Part No.	Ref. - No.	Description	Notes	Dimensions
24197	1 231 976	timing belt	(2) (3)	Z 116 B25
26027	1 231 975	tension roller	only 115PS/130PS	ØA 60 B29
26816	1 707 035	deflection pulley		ØA 60,2 H30,2
26818	1 231 979	rep. kit timing belt	(2) (3)	Z 116 B25
33691	1 231 282	timing chain simplex		G67HP-6 / 40E
33977	1 387 066	deflection pulley		ØA 70
37211	1 231 971	chain tensioner	03/10 →	
37224	1 231 977	sliding rail	03/10 →	
37230	1 231 971 S1	timing chain kit	03/10 →	
37290	1 707 030	timing belt	(3) (4)	Z 116 B 25,4
37353	1 707 028	timing belt	only 163PS	ØA 60 H29
37460	1 683 833	rep. kit timing belt	(3) (4)	Z 116 B25,4
39390	1 768 088	belt tensioner	(1)	



(1) 175PS / 03/08 → / 200PS / 11/10 →

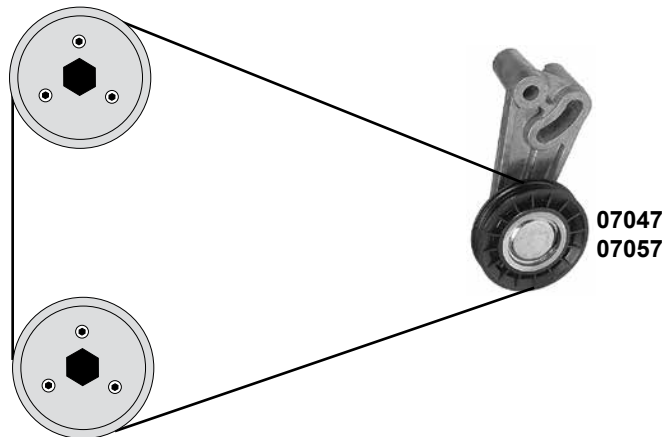
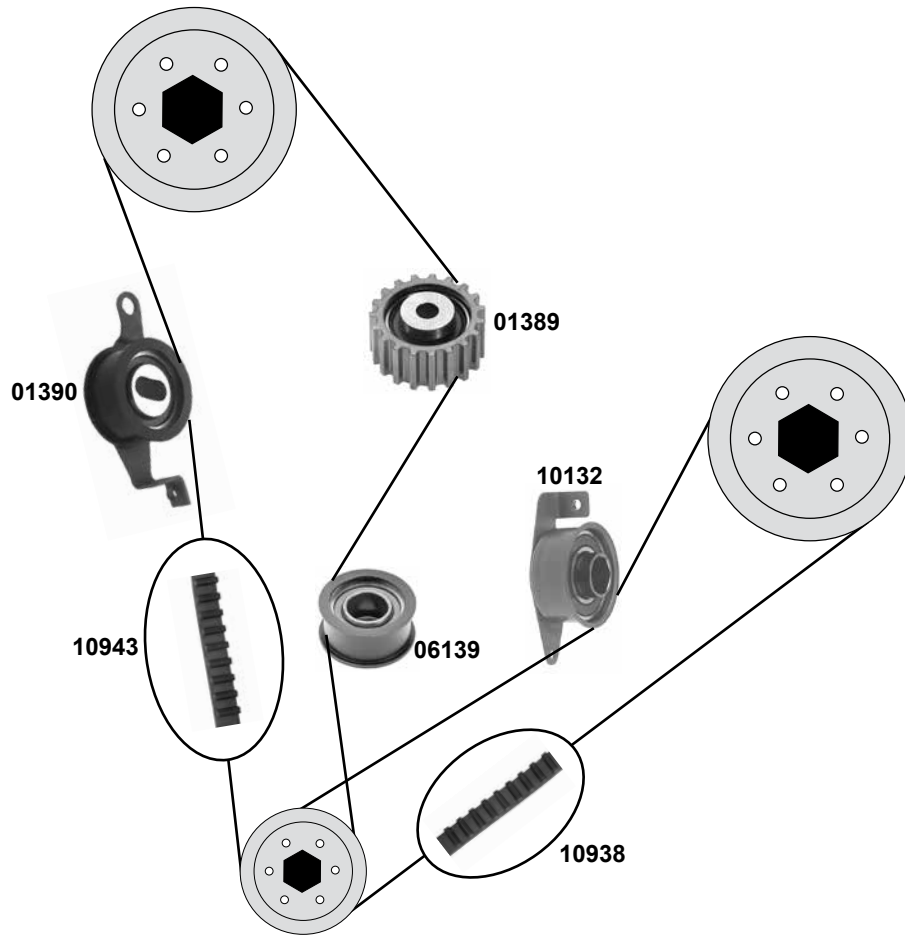
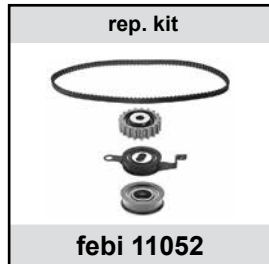
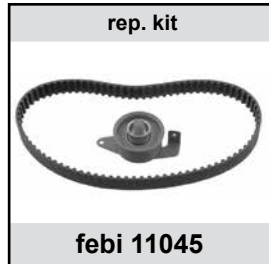
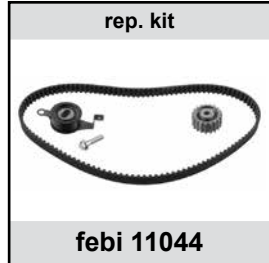








Ref. - No.

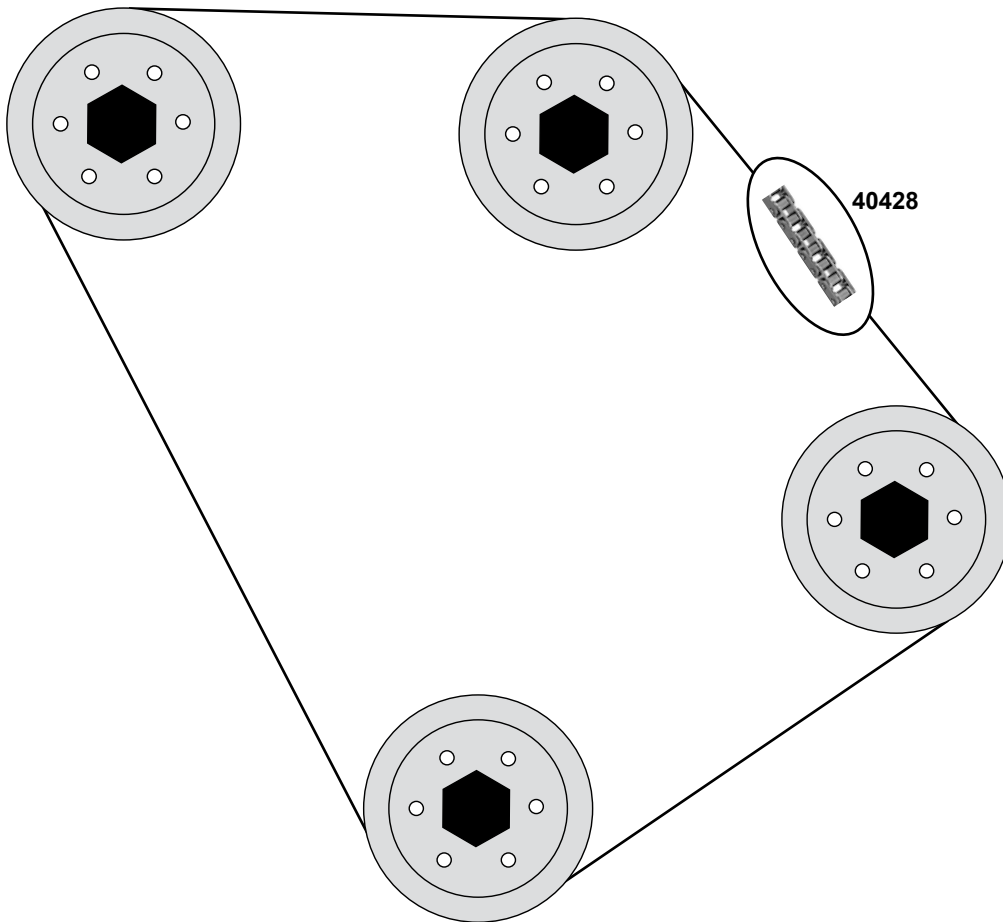


<b>26816</b>	1 707 035	deflection pulley		
<b>33691</b>	1 231 282	timing chain simplex	(1)	ØA 60,2 H30,2 G67HP-6 / 40E ØA 60 H29 Z 118 B25,4
<b>36020</b>	1 538 439	tension roller		
<b>36069</b>	1 451 510	timing belt		
<b>36230</b>	1 451 510 S1	rep. kit timing belt		
<b>36859</b>	1 477 061	belt tensioner	(1)	
<b>37221</b>	1 427 902	chain tensioner	(1)	
<b>37620</b>	1427 902 S1	timing chain kit	(1)	

**1,8 D**

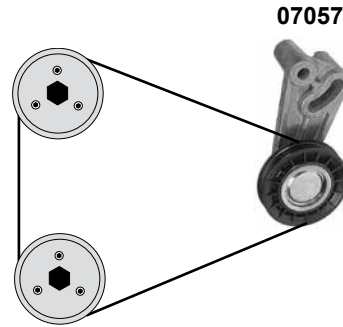
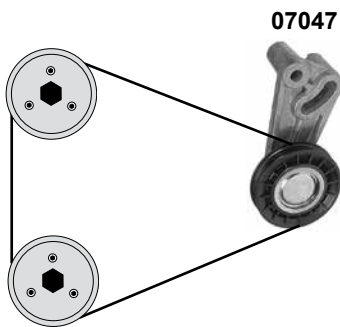
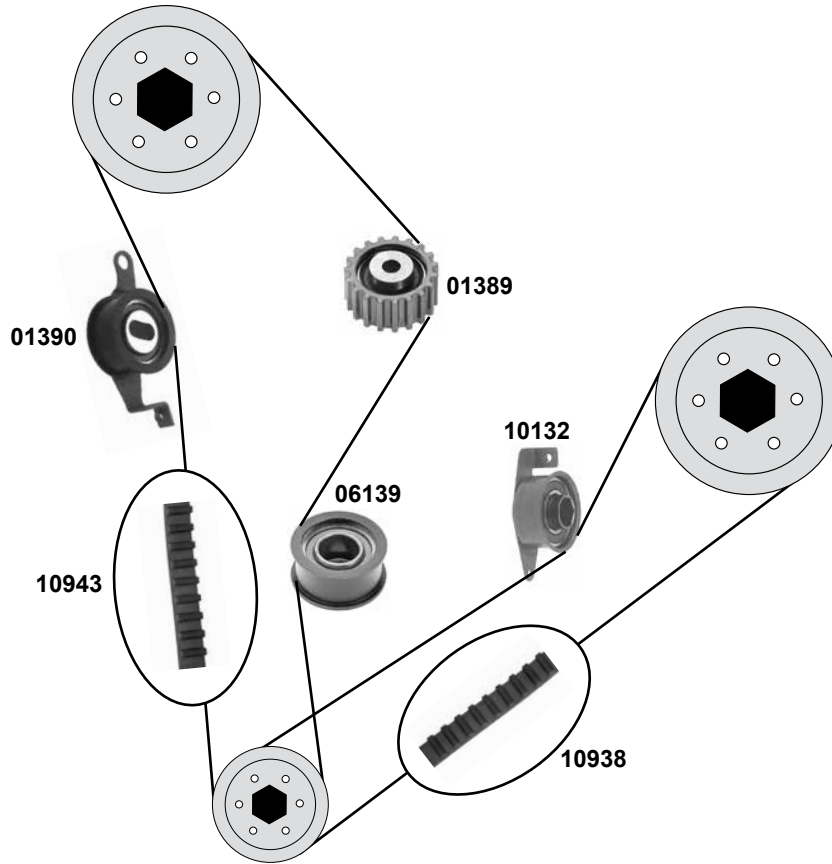
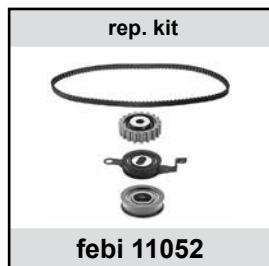
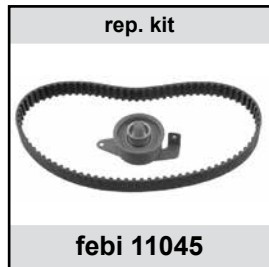
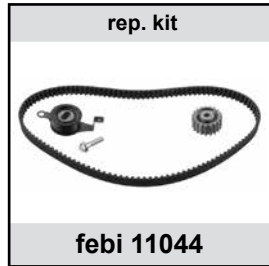


	Ref. - No.			
<b>01389</b>	1 113 169	deflection pulley	man.  servo 	ØA56,2 B26,7
<b>01390</b>	7 330 712	tension roller		ØA52 B29,8
<b>06139</b>	6 177 883	tension roller		ØA58 B26
<b>07047</b>	6 616 951	tension roller		76 x 16 x 75,5
<b>07057</b>	6 616 952	tension roller		76 x 16 x 41,4
<b>10132</b>	1 005 822	tension roller		ØA67
<b>10938</b>	1 657 013	timing belt		Z 85 B23
<b>10943</b>	7 174 114	timing belt		Z 116 B20
<b>11044</b>	7 174 114 S2	rep. kit timing belt		Z 116 B20
<b>11045</b>	1 657 013 S1	rep. kit timing belt		Z 85 B23
<b>11052</b>	7 174 114 S1	rep. kit timing belt	Z 116 B20	

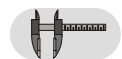




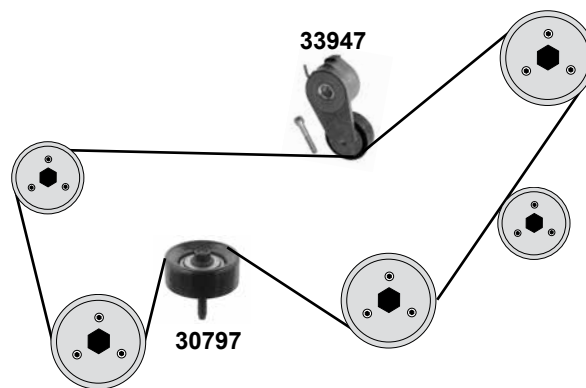
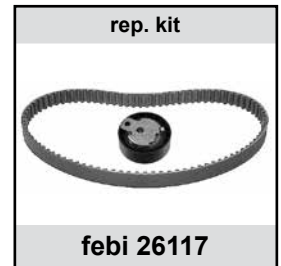
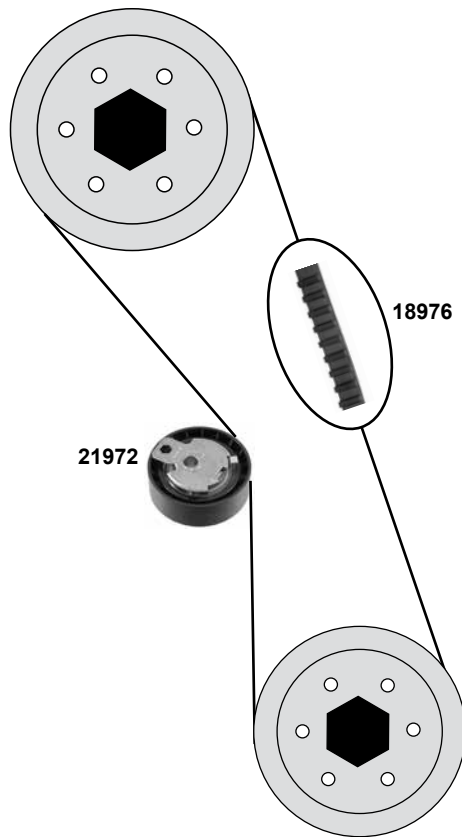
**1,8 D / TD**



Ref. - No.



<b>01389</b>	1 113 169	deflection pulley		ØA56,2 B26,7
<b>01390</b>	7 330 712	tension roller		ØA52 B29,8
<b>06139</b>	6 177 883	tension roller		ØA58 B26
<b>07047</b>	6 616 951	tension roller		76 x 16 x 75,5
<b>07057</b>	6 616 952	tension roller		76 x 16 x 41,4
<b>10132</b>	1 005 822	tension roller		ØA67
<b>10938</b>	1 657 013	timing belt		Z 85 B23
<b>10943</b>	7 174 114	timing belt		Z 116 B20
<b>11044</b>	7 174 114 S2	rep. kit timing belt		Z 116 B20
<b>11045</b>	1 657 013 S1	rep. kit timing belt		Z 85 B23
<b>11052</b>	7 174 114 S1	rep. kit timing belt		Z 116 B20



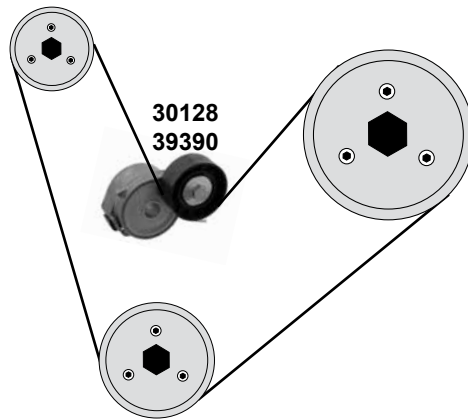
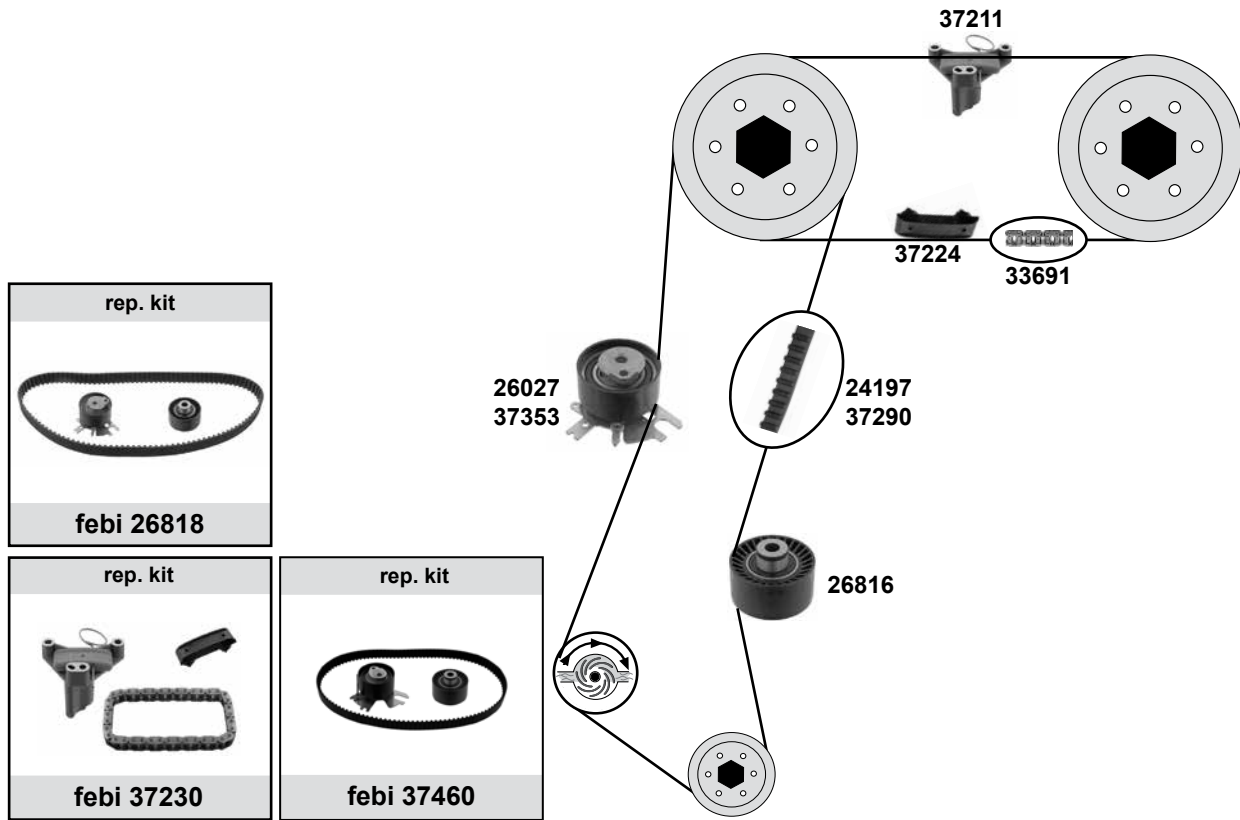
Ref. - No.



<b>18976</b>	1 113 180	timing belt
<b>21972</b>	1 215 978	tension roller
<b>26117</b>	1 201 255	rep. kit timing belt
<b>30797</b>	1 149 503	deflection pulley
<b>33947</b>	1 425 510	belt tensioner

Z 91 B20
ØA74 ØI 24
Z 91 B20
ØA 76,5 B 30
ØA 65 B23

**2,0 TDCi**



(1) 03/10 → / nur/only 163PS  
 (3) only whitout particulate filter

(2) only 115PS/130PS/143PS

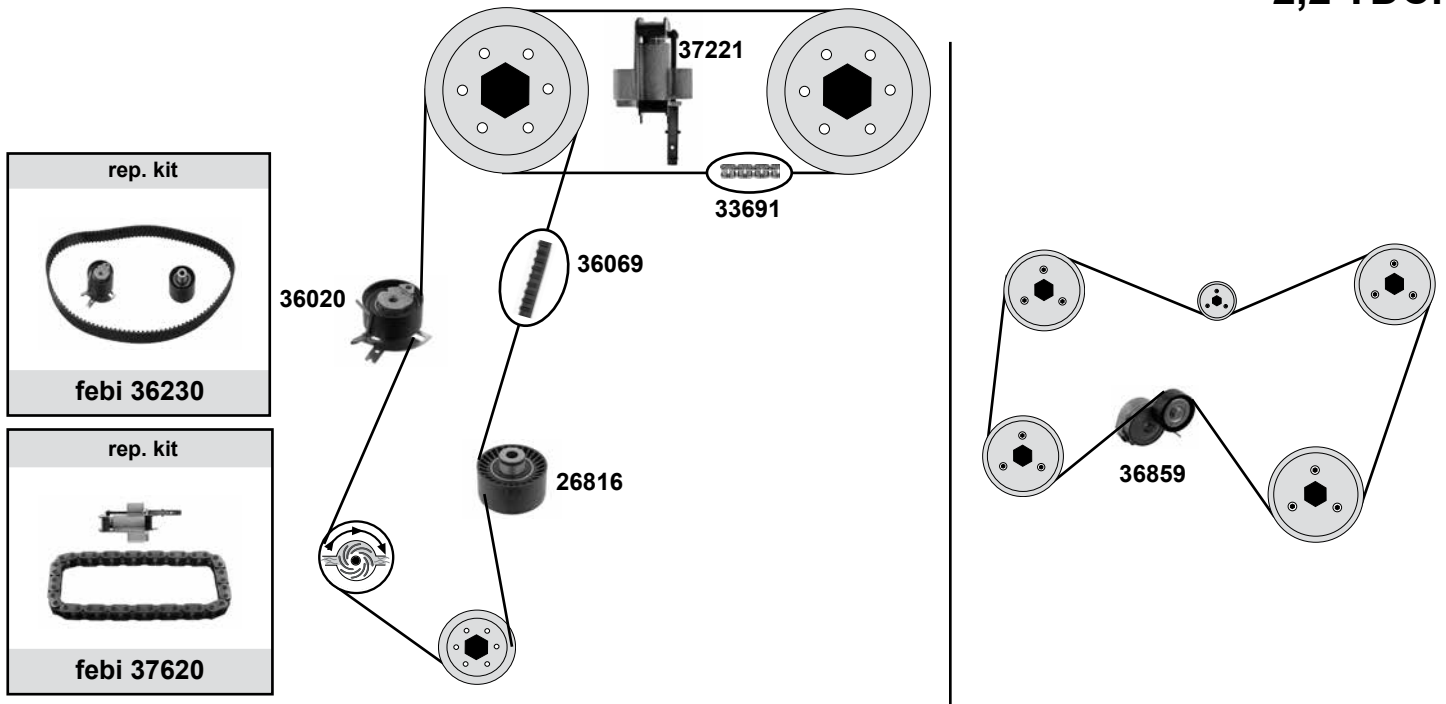
(4) only 115PS/136PS/140PS/150PS/163PS



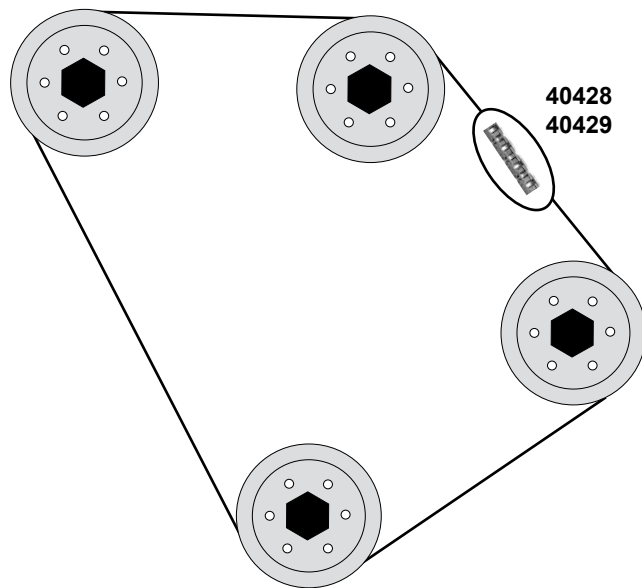
Ref. - No.



Ref. - No.	Description	Notes	Dimensions
24197	1 231 976 timing belt	(2) (3)	Z 116 B25
26027	1 231 975 tension roller	only 115PS/130PS	ØA 60 B29
26816	1 707 035 deflection pulley		ØA 60,2 H30,2
26818	1 231 979 rep. kit timing belt	(2) (3)	Z 116 B25
30128	1 318 336 belt tensioner	(ex.) 163 PS	ØA 65 B25,5
33691	1 231 282 timing chain simplex		G67HP-6 / 40E
37211	1 231 971 chain tensioner		
37224	1 231 977 sliding rail		
37230	1 231 971 S1 timing chain kit		
37290	1 707 030 timing belt	(3) (4)	Z 116 B 25,4
37353	1 707 028 timing belt	only 163PS	ØA 60 H29
37460	1 683 833 rep. kit timing belt	(3) (4)	Z 116 B25,4
39390	1 768 088 belt tensioner	(1)	



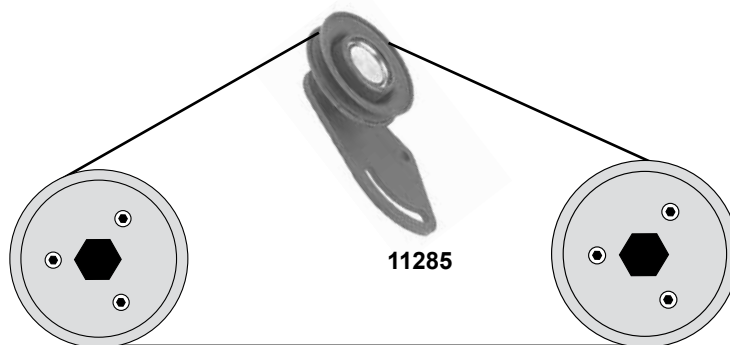
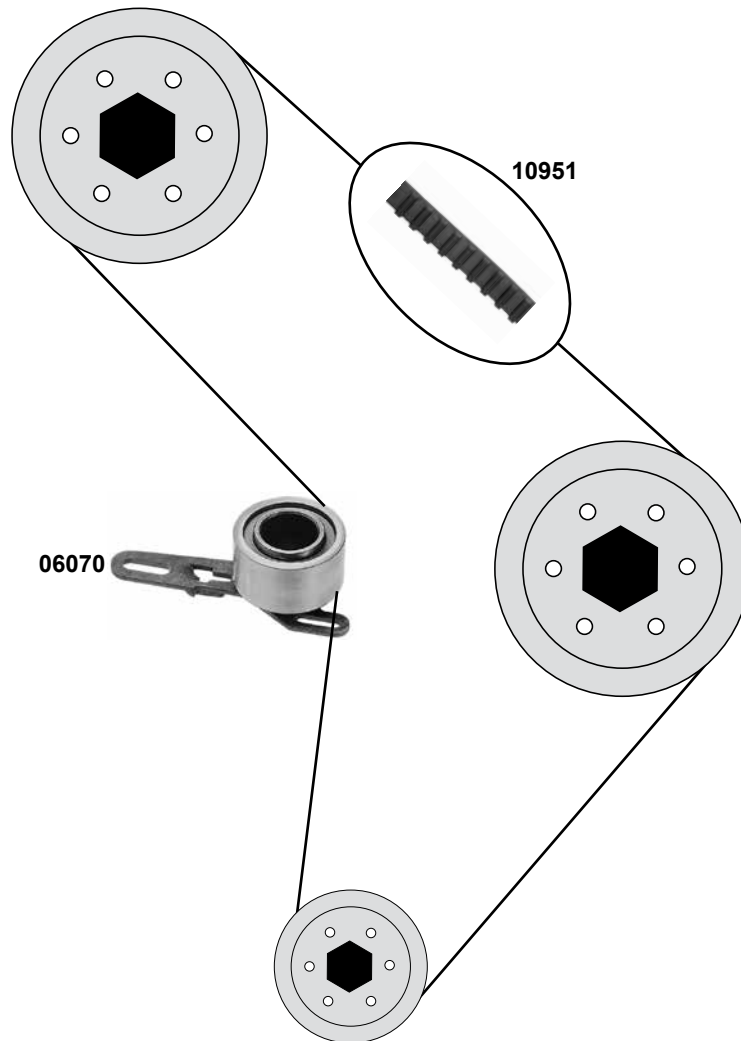
**Tourneo Custom 13**  
(09/12→)  
**2,2 TDCi**



(1) 175PS / 03/08 → / 200PS / 11/10 →

	Ref. - No.			
26816	1 707 035	deflection pulley		ØA 60,2 H30,2
33691	1 231 282	timing chain simplex	(1) /	endless G67HP-6 / 40E
36020	1 538 439	tension roller	08→	ØA 60 H29
36069	1 451 510	timing belt	08→	Z 118 B25,4
36230	1 451 510 S1	rep. kit timing belt	(1)	
36859	1 477 061	belt tensioner	(1)	
37221	1 427 902	chain tensioner	(1)	
37620	1427 902 S1	timing chain kit	(1)	
40429	1 704 087	timing chain		122 E

**2,5 D / TD**



**Ref. - No.**

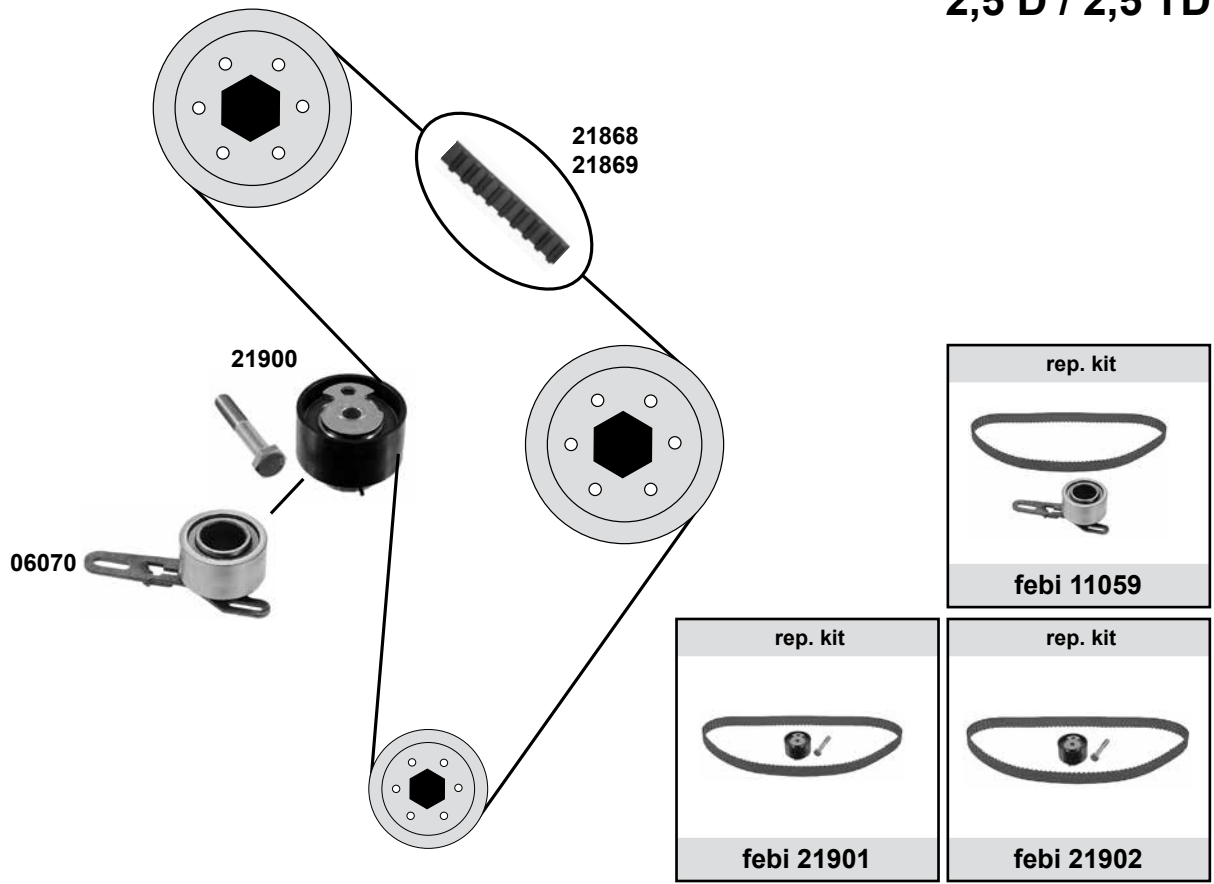


**06070** 6 121 753  
**10951** 6 138 677  
**11285** 6 094 168

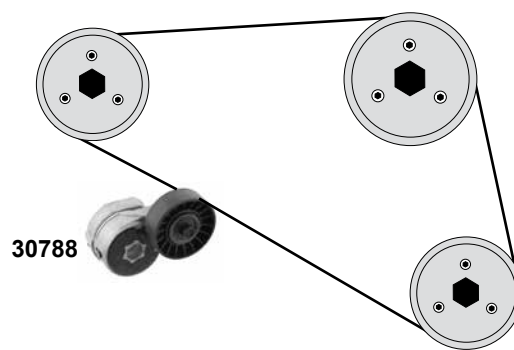
tension roller  
 timing belt  
 tension roller

**Modell:** → 11/85

ØA60 B32  
 Z 130  
 74,1 x 9,7 x 43

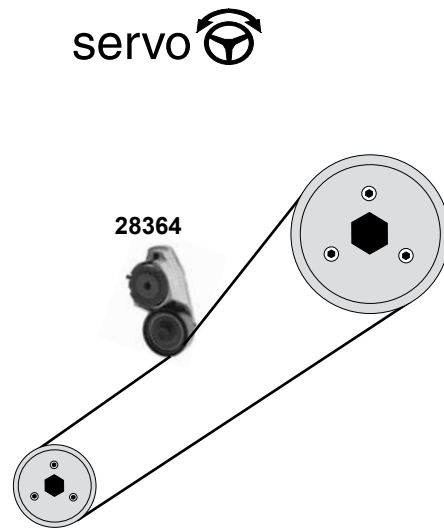
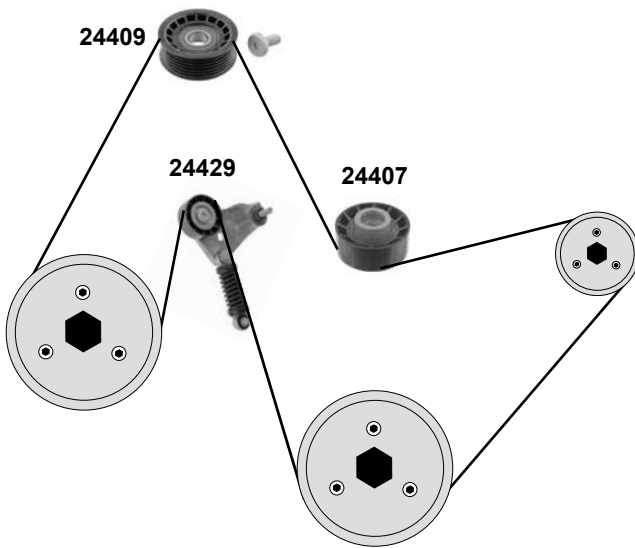
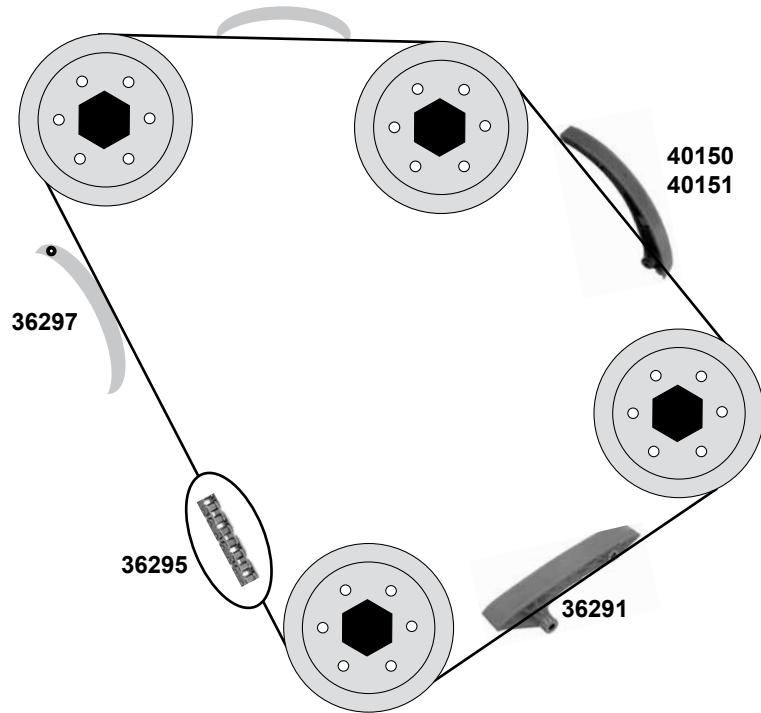


servo (ex.) AC / AC (ex.) servo



	Ref. - No.			
<b>06070</b>	6 121 753	tension roller		ØA60 B32
<b>11059</b>	6 195 101 S1	rep. kit timing belt		Z 130 B25,4
<b>21868</b>	1 135 355	timing belt	→ 09/97	Z 130 B25,4
<b>21869</b>	1 135 354	timing belt	09/97 →	Z 130 B28
<b>21900</b>	1 135 356	tension roller		ØA60 B32
<b>21901</b>	1 135 358	rep. kit timing belt	→ 09/97	Z 130 B25,4
<b>21902</b>	1 136 426	rep. kit timing belt	09/97 →	Z 130 B28
<b>30788</b>	6 992 642	tension roller	08/94 → 08/00	ØA77 B26

**2,0 TDCi**



Ref. - No.

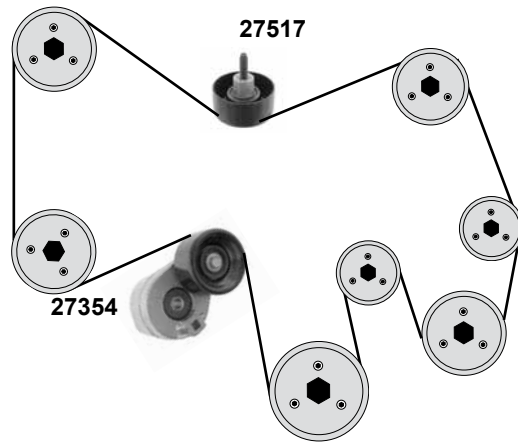
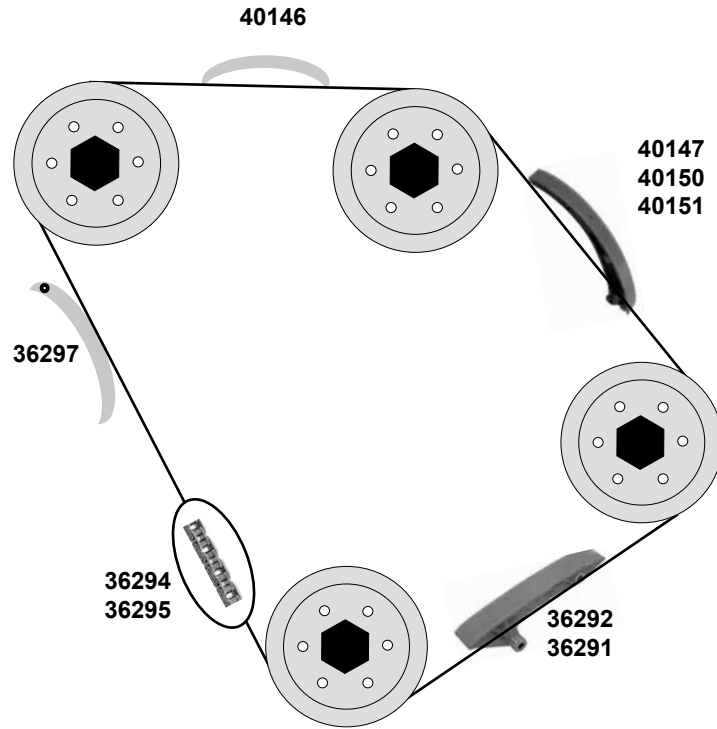


<b>24407</b>	1 201 178
<b>24409</b>	1 128 896
<b>24429</b>	1 201 181
<b>28364</b>	1 132 644
<b>36291</b>	1 141 681
<b>36295</b>	1 099 874
<b>36297</b>	1 406 306
40150	1 096 496
40151	1 334 536

deflection pulley
deflection pulley
belt tensioner
belt tensioner
sliding rail
timing chain
chain tensioner
sliding rail
sliding rail

AC
AC
AC
08/00 → 05/03
08/00 →
08/00 →
→04
04→

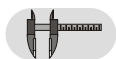
ØA 65 B26
ØA 69 B26,1
ØA 65
ØA 52
D 66 E



- (1) 01/00 → 03/06 / 120 PS/125 PS  
03/04 → 03/06 / 115 PS/135 PS/140 PS
- (2) 01/00 → 10/03 / 75 PS  
01/00 → 03/06 / 90 PS
- (3) 01/00 → 10/03 / 75 PS  
01/00 → 03/04 / 90 PS



Ref. - No.

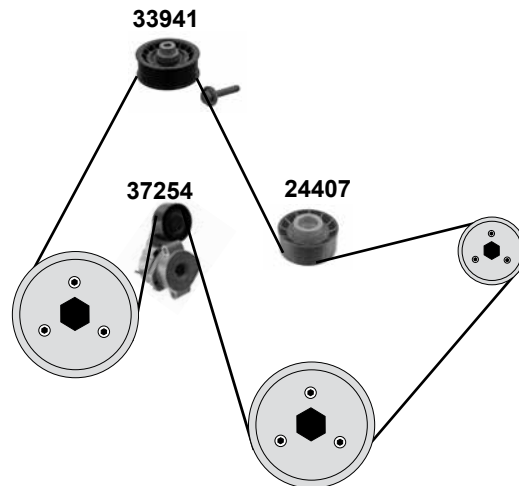
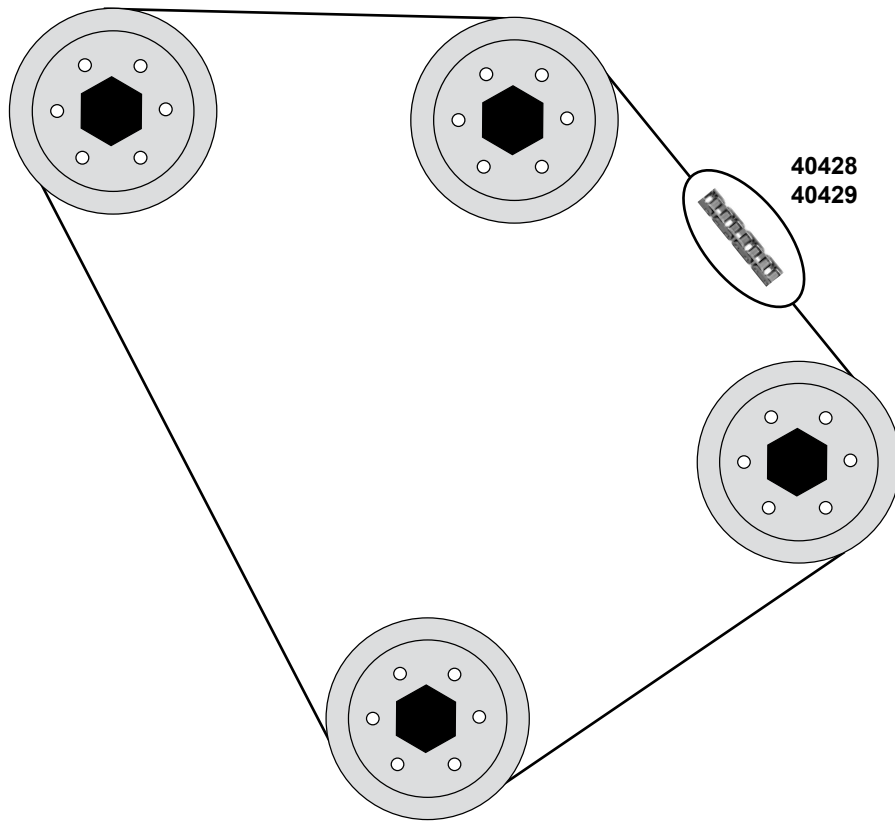


Part No.	Ref. - No.	Description	Notes	Dimensions
27354	1 333 203	belt tensioner		ØA 76,5 B37
27517	1 097 574	deflection pulley		ØA 72 H 37
36291	1 141 681	sliding rail	→ 05/03 / 75 PS/90 PS	
36292	1 253 974	sliding rail	05/03 → / (ex.) 90 PS	
36294	1 102 609	timing chain	(1)	D 66 E
36295	1 099 874	timing chain	(2)	D 66 E
36297	1 406 306	chain tensioner		
40146	1 334 537	sliding rail	04 → 120/125PS	
40147	1 112 290	sliding rail	→ 04 120/125PS	
40150	1 096 496	sliding rail	(3)	
40151	1 334 536	sliding rail	04 → 90PS	





**2,2 TDCi**



(1) only vehicles with front wheel drive

AC

(2) 2,2 Duratorq 11→ (125 ,135 , 140 , 155 PS) / 2,4 Duratorq 06→ (ex.) Vietnam



Ref. - No.

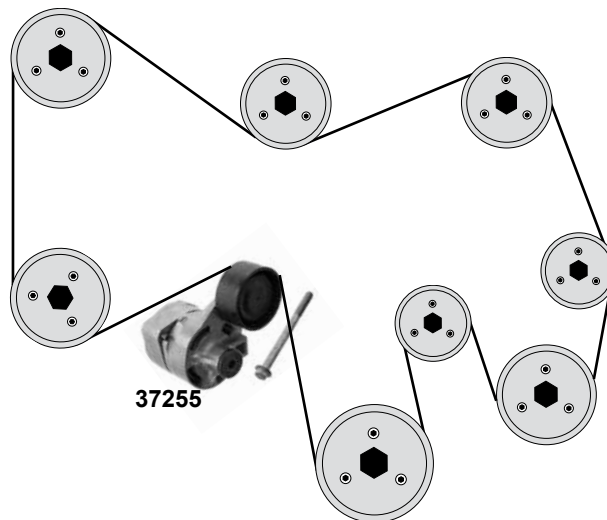
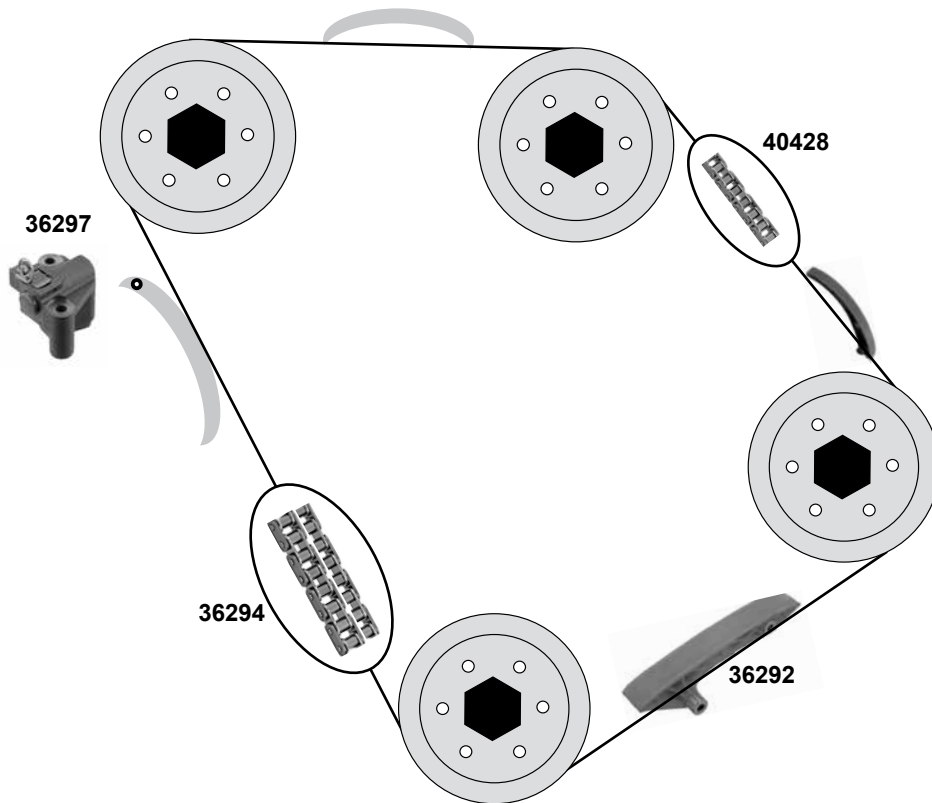


24407	1 201 178
33941	1 496 244
37254	1 420 513
40428	1 704 089
40429	1 704 087

deflection pulley
deflection pulley
belt tensioner
timing chain
timing chain

AC
AC
(1)
(2)
110 / 115 / 130PS

ØA 65 B26
ØA 65 B26
132 E
122 E



(1) 100 PS/130 PS / only : Vietnam

(2) 2,2 Duratorq 11→ (125 ,135 , 140 , 155 PS) / 2,4 Duratorq 06→ (ex.) Vietnam



Ref. - No.



sliding rail  
timing chain  
chain tensioner  
belt tensioner  
timing chain



120 PS/130 PS  
(1)  
100 PS/120 PS/130 PS  
(2)



D 66 E  
ØA 65 B30  
132 E

**36292** 1 253 974  
**36294** 1 102 609  
**36297** 1 406 306  
**37255** 1 445 915  
**40428** 1 704 089

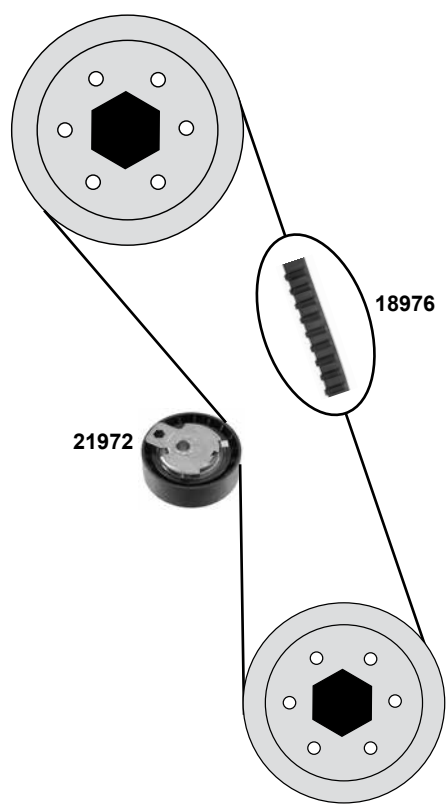
# FORD Transit Connect / Tourneo Connect 02

(05/02→)

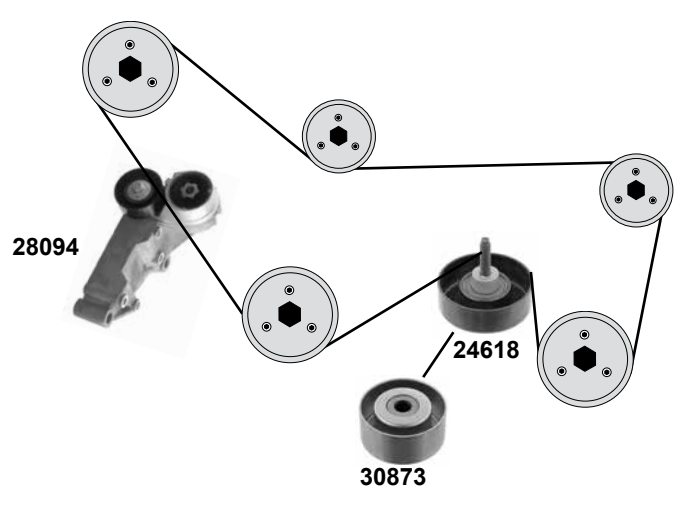
Car  
Division 







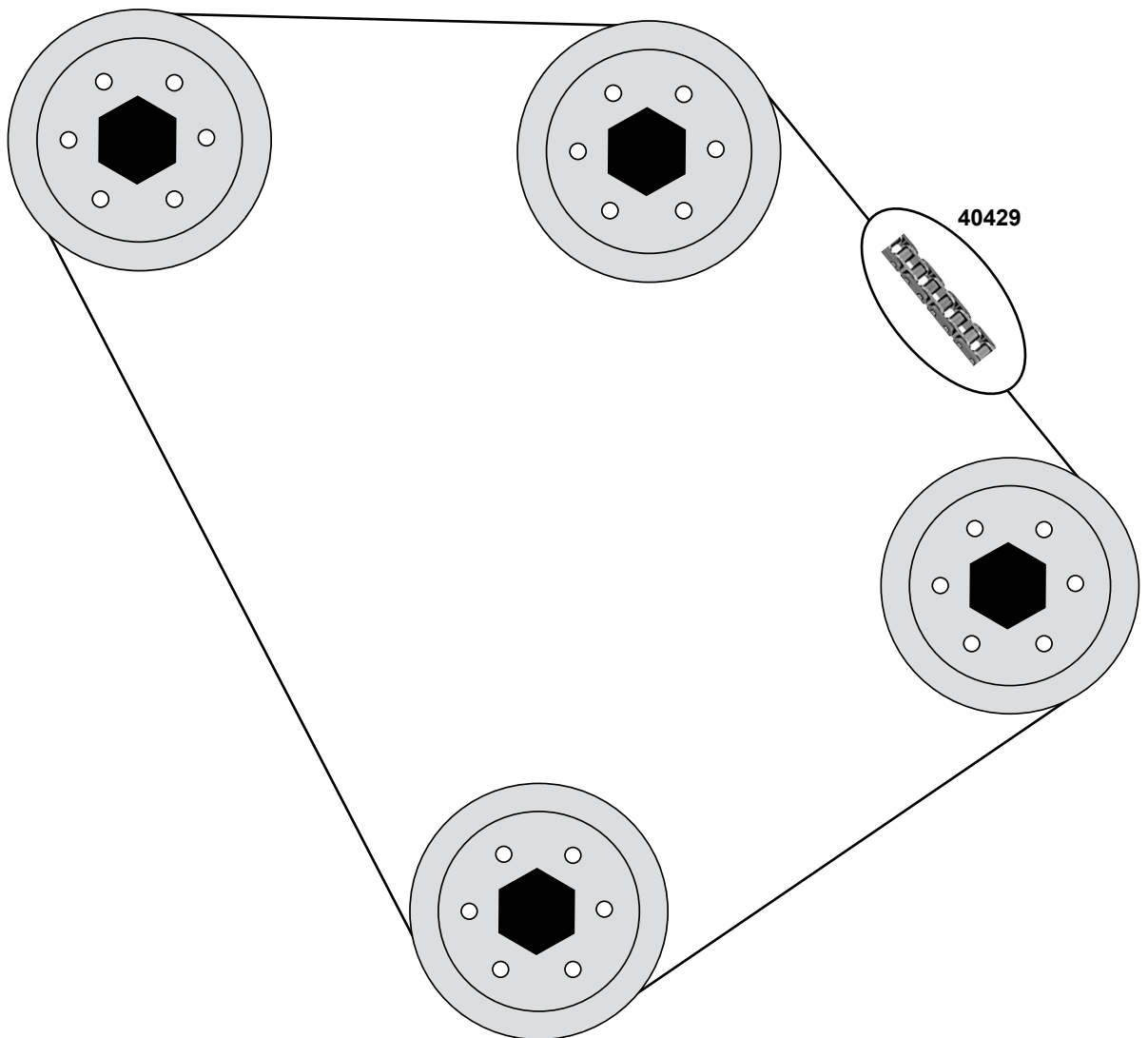
## 1,8 TDCi



## 1,8 TDCi



	Ref. - No.			
18976	1 113 180	timing belt	05/02 →	Z 91 B20
21972	1 215 978	tension roller	05/02 →	ØA74 ØI 24
24618	1 145 493	deflection pulley	09/02 → <b>AC</b>	ØA 90,5 H 30
26117	1 201 255	rep. kit timing belt	05/02 →	Z 91 B20
28094	1 473 384	belt tensioner	09/02 →	ØA70 B26
30873	1 473 383	deflection pulley	09/02 → <b>(ex.) AC</b>	



# HONDA Accord VIII

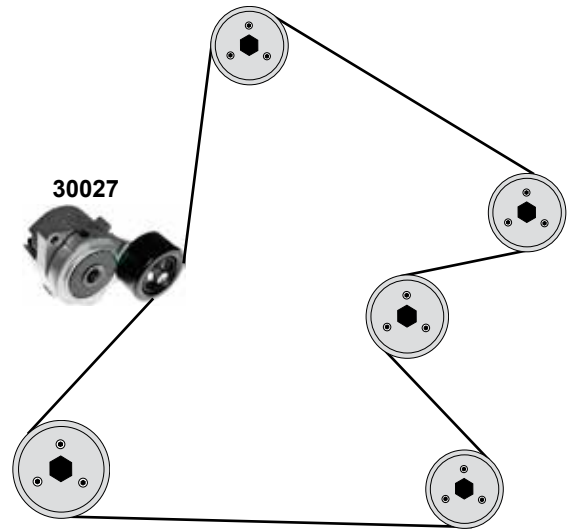
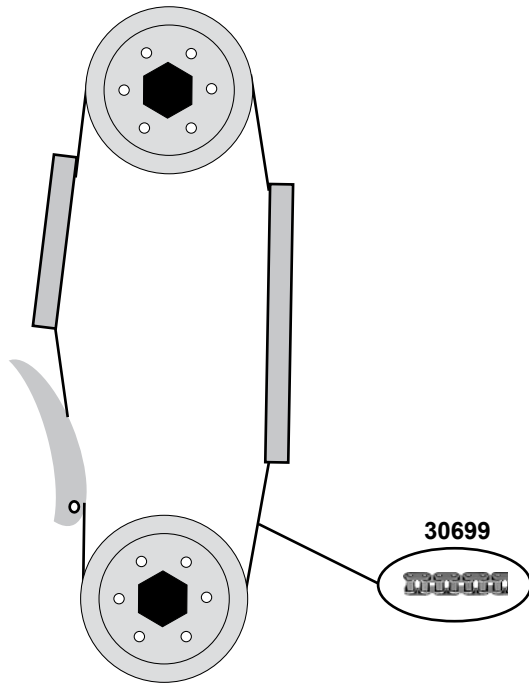
(04→)

Car  
Division



## 2,2 D

(N22A1)

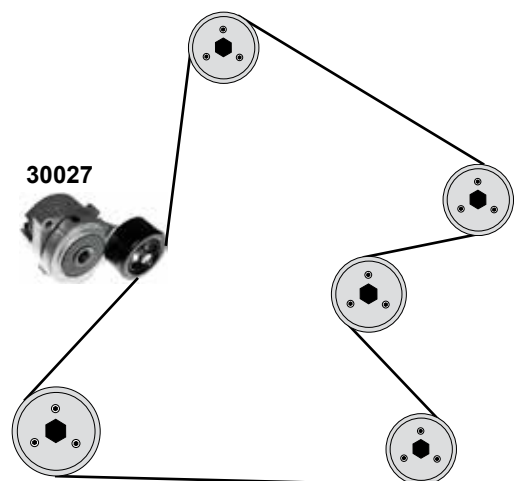
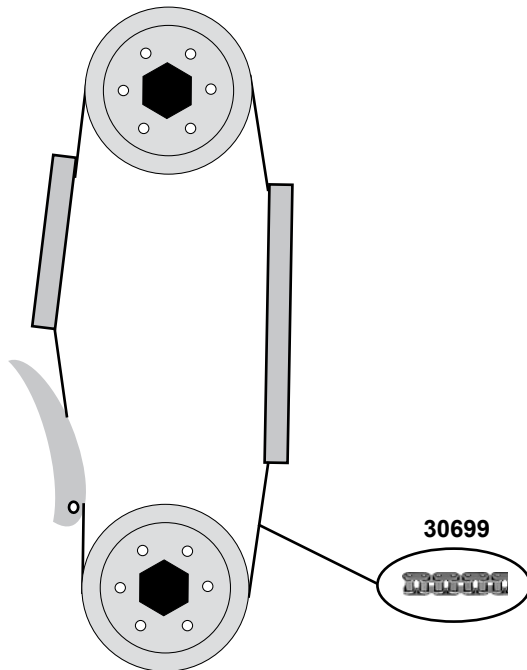


## Civic VII

(06→)

## 2,2 D

(N22A2)



Ref. - No.



30027  
30699

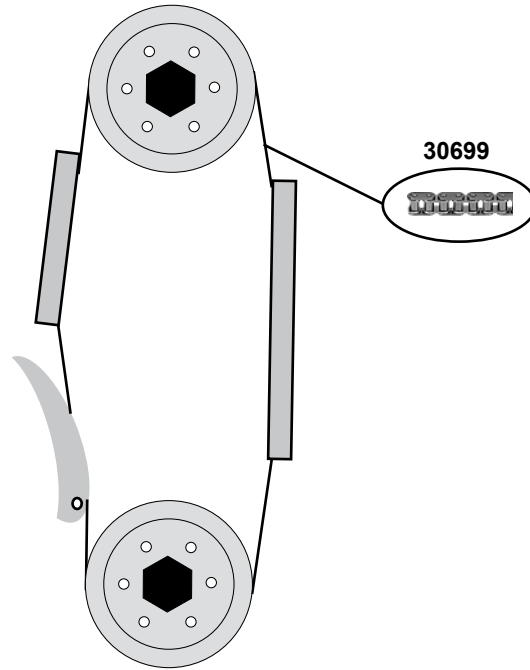
31170-RBD-E02  
14401-RBD-E01

belt tensioner  
timing chain

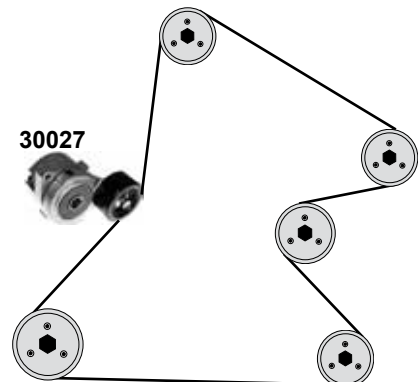
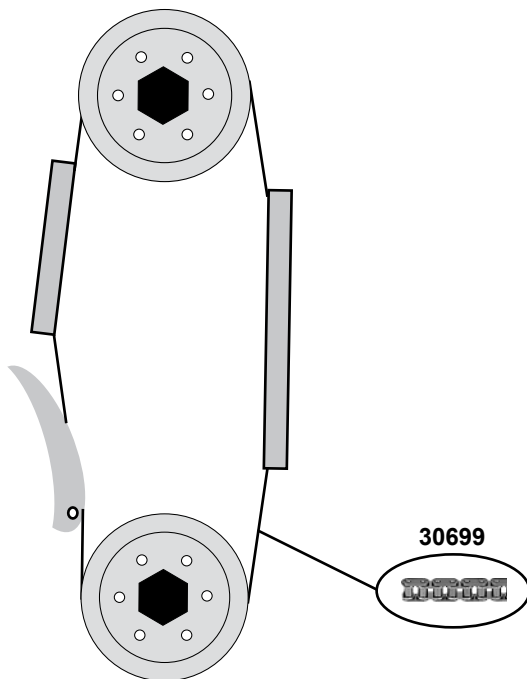
→ 08

Ø A 70 B 28  
118 E

**2,2 D**  
(N22A1)



**CRV-V II / III**  
(05→)  
**2,2 D**  
(N22A2)



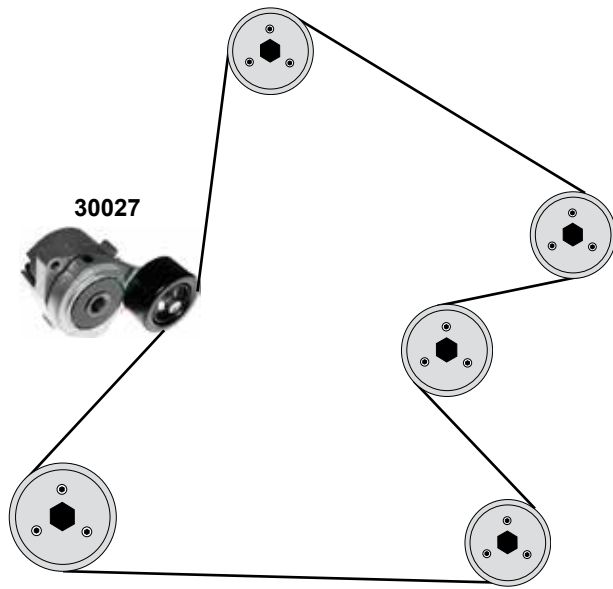
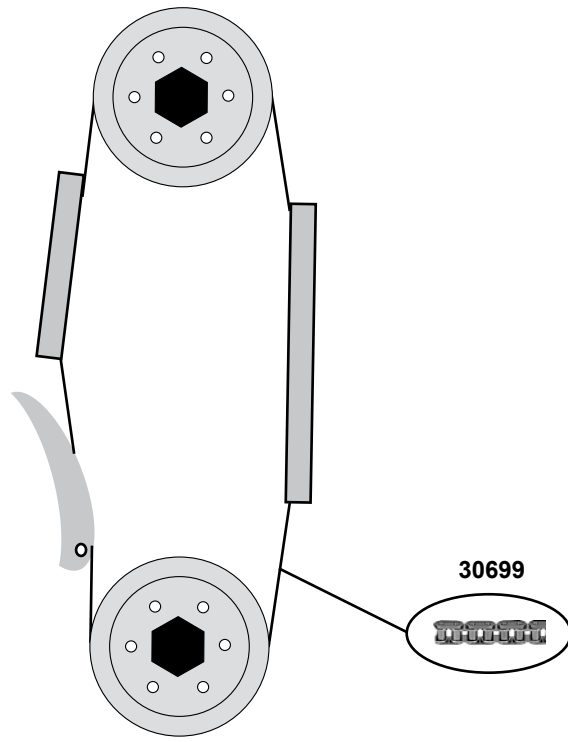
# HONDA FR-V

(06→)

Car  
Division 



## 2,2 D (N22A1)



Ref. - No.



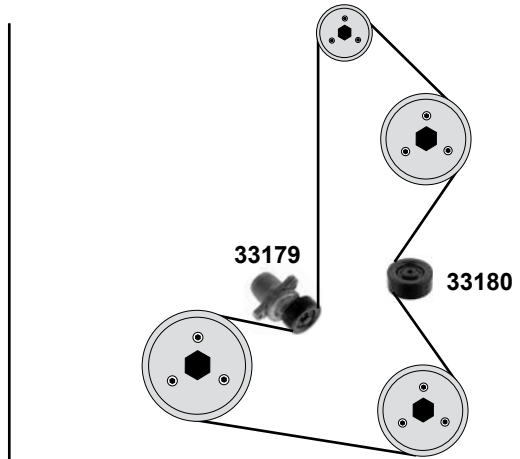
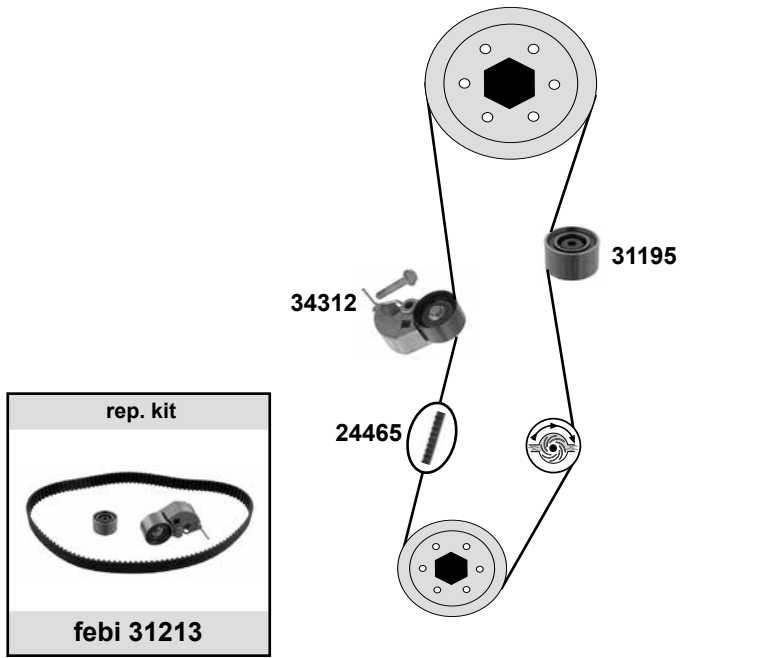
30027  
30699

31170-RBD-E02  
14401-RBD-E01

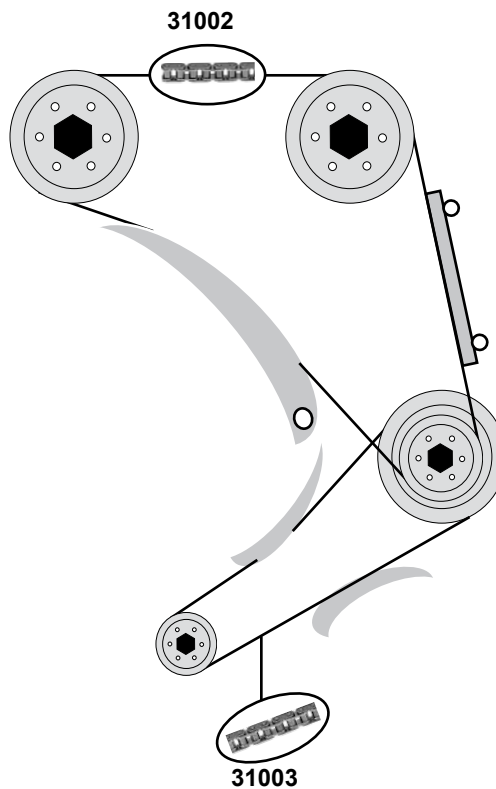
belt tensioner  
timing chain

Ø A 70 B28  
118 E

**1,5 CRDI**  
(D3EA)



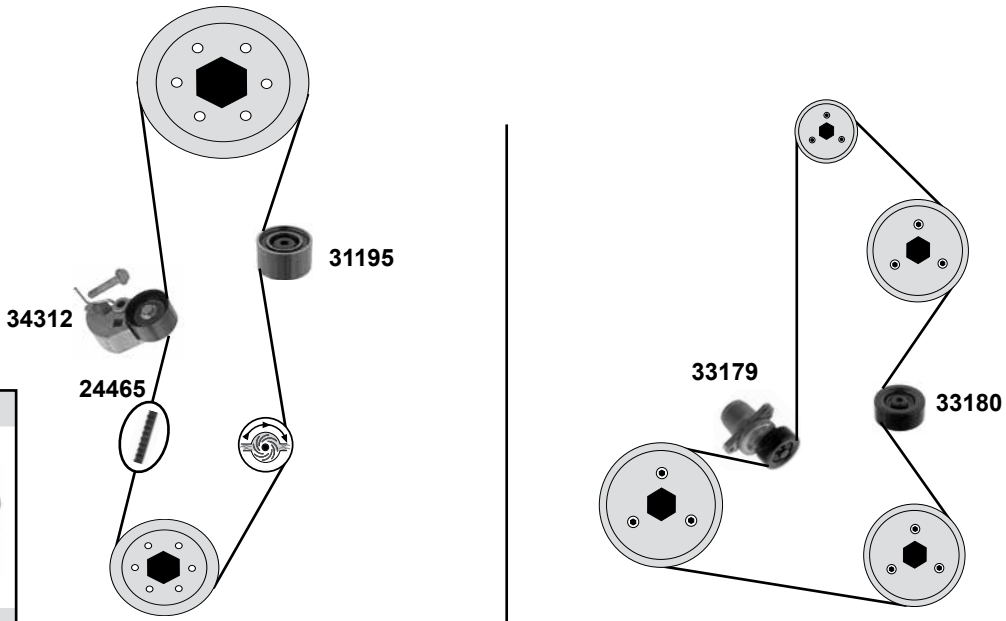
**Accent**  
(12/06→)  
**1,5 CR**  
(D4FA)



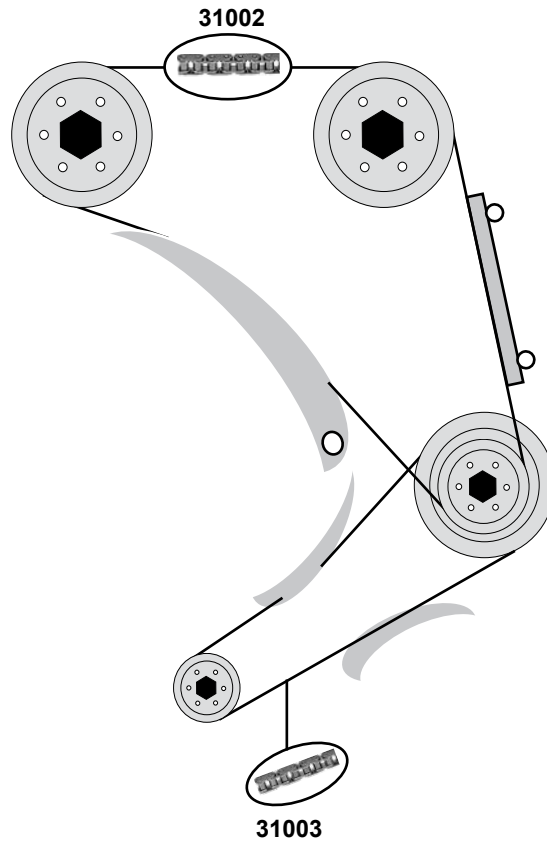
	Ref. - No.			
24465	24312-27000	timing belt		Z 123
31195	24810-27250	deflection pulley		ØA 58 B32
31213	24312-27000 S1	rep. kit timing belt		Z 123
31002	24351-2A000	timing chain		84 E
31003	24361-2A000	timing chain		76 E
33179	25281-27060	belt tensioner		
33180	25287-27001	deflection pulley		ØA 70 B27,5
34312	24410-27250	tension roller		ØA 58 B32







**2,0 D**  
(D4EA)

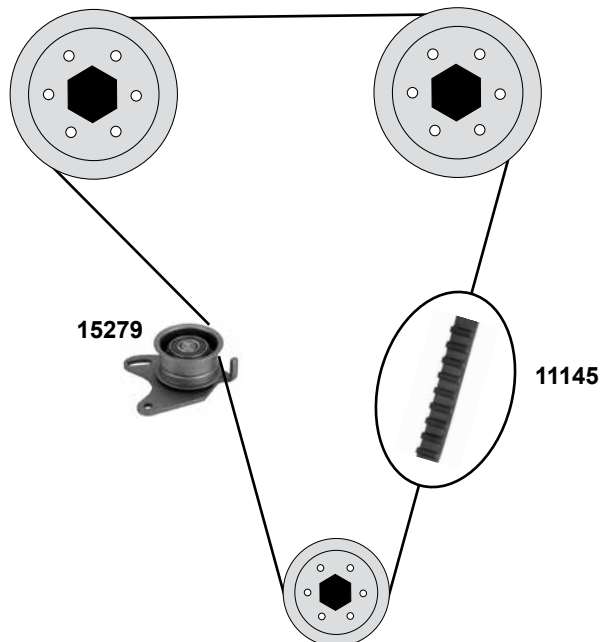
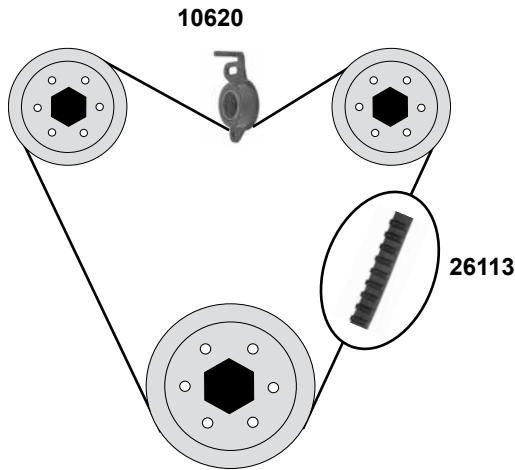


**Elantra**  
(09/06→)  
**1,5 D**  
(D4EA)



	Ref. - No.			
<b>24465</b>	24312-27000	timing belt	01/01 → 09/04	Z 123 B28
<b>31195</b>	24810-27250	deflection pulley		ØA 58 B32
<b>31213</b>	24312-27000 S1	rep. kit timing belt		Z 123
<b>31002</b>	24351-2A000	timing chain		84 E
<b>31003</b>	24361-2A000	timing chain		76 E
<b>33179</b>	25281-27060	belt tensioner		ØA 70 B27,5
<b>33180</b>	25287-27001	deflection pulley	ØA 58 B32	
<b>34312</b>	24410-27250	tension roller		

**for balancer shaft**



	Ref. - No.			
<b>10620</b>	23357-42030	tension roller		ØA 58 B22,5
<b>11145</b>	24315-42200	timing belt		Z 163
<b>15279</b>	24317-42020	tension roller		ØA 60 B34
<b>26113</b>	23356-42500	timing belt		Z 99
<b>26114</b>	23356-42500 S1	rep. kit timing belt		Z 99
<b>26184</b>	24315-42200 S1	rep. kit timing belt		Z 163

# HYUNDAI

## Getz

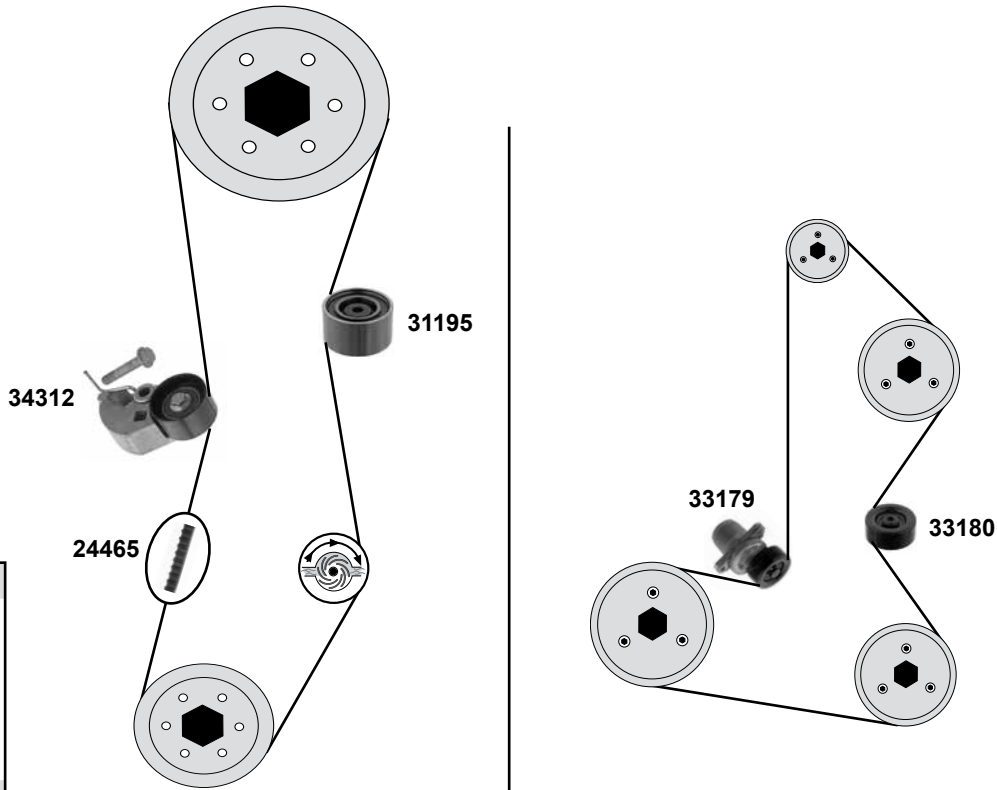
(02→)

Car  
Division



### 1,5 D

(D3EA)

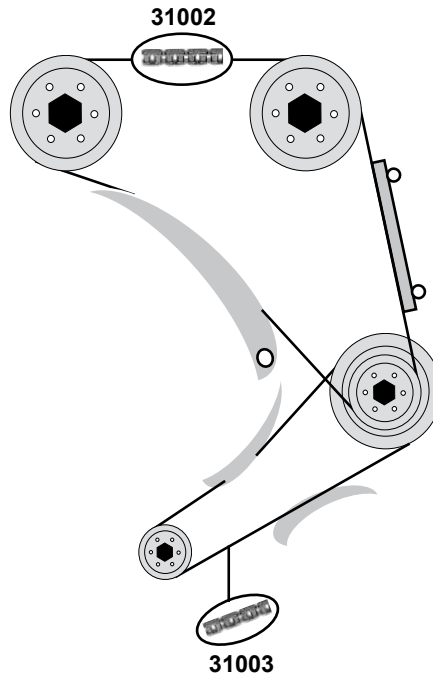


### Getz

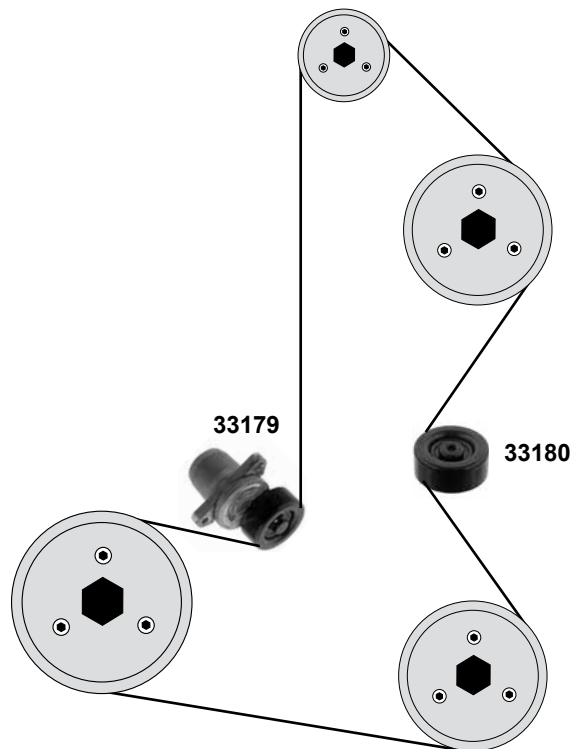
(05→)

### 1,5 D

(D4FA)



	Ref. - No.			
24465	24312-27000	timing belt	07/03 → 08/05	Z 123
31195	24810-27250	deflection pulley	07/03 → 08/05	ØA 58 B32
31213	24312-27000 S1	rep. kit timing belt	07/03 → 08/05	Z 123
31002	24351-2A000	timing chain		84 E
31003	24361-2A000	timing chain		76 E
33179	25281-27060	belt tensioner	07/03 → 09/04	
33180	25287-27001	deflection pulley	07/03 → 08/05	ØA 70 B27,5
34312	24410-27250	tension roller	07/03 → 08/05	ØA 58 B32



# HYUNDAI

## H-1

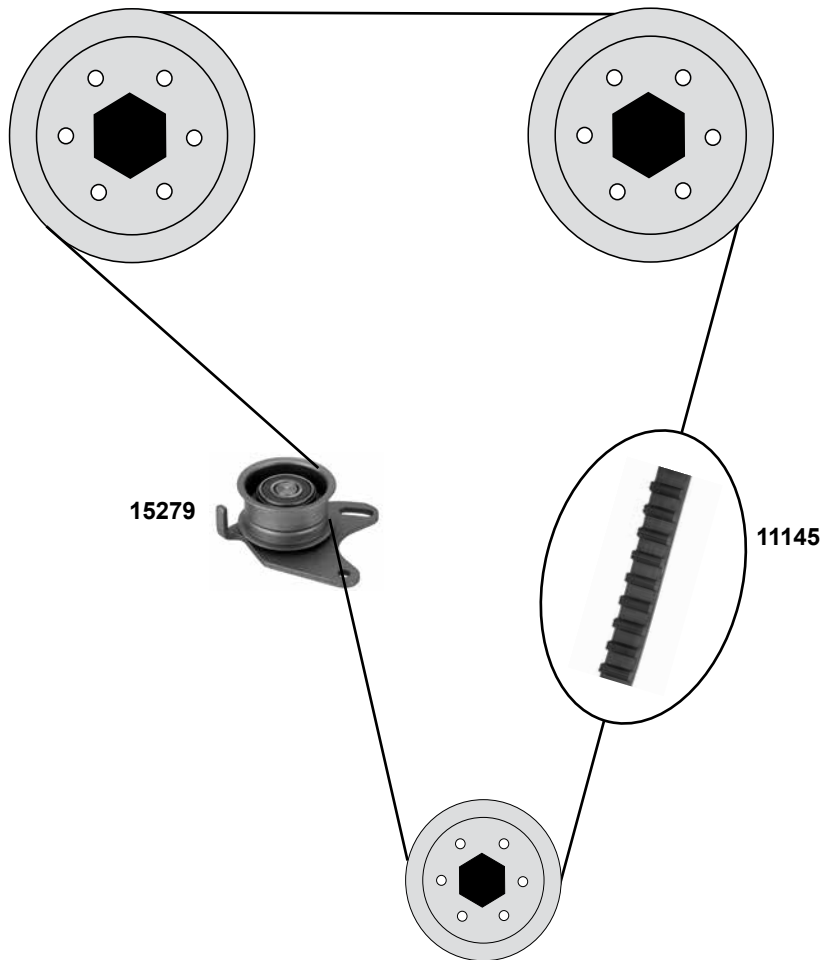
(96→)

Car  
Division



### 2,5 D

(D4BF/D4BH)



15279

11145



rep. kit

febi 26184



Ref. - No.



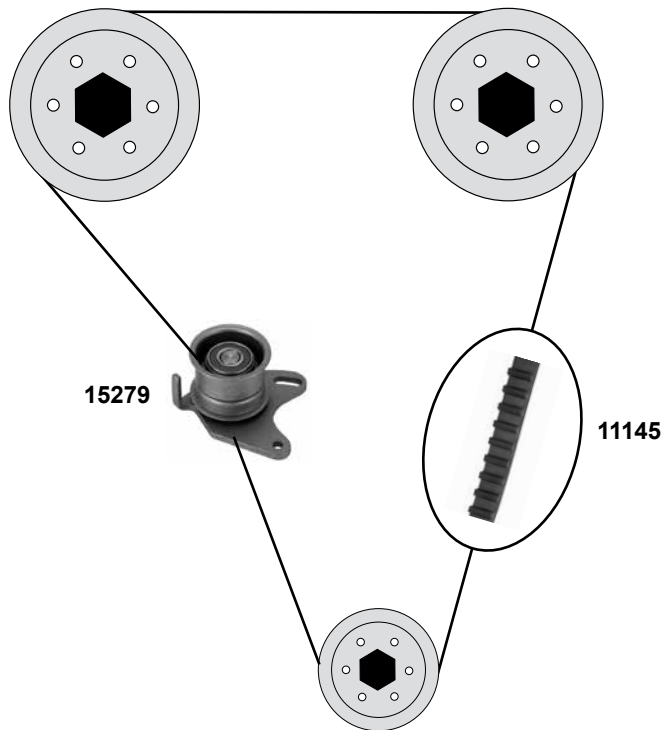
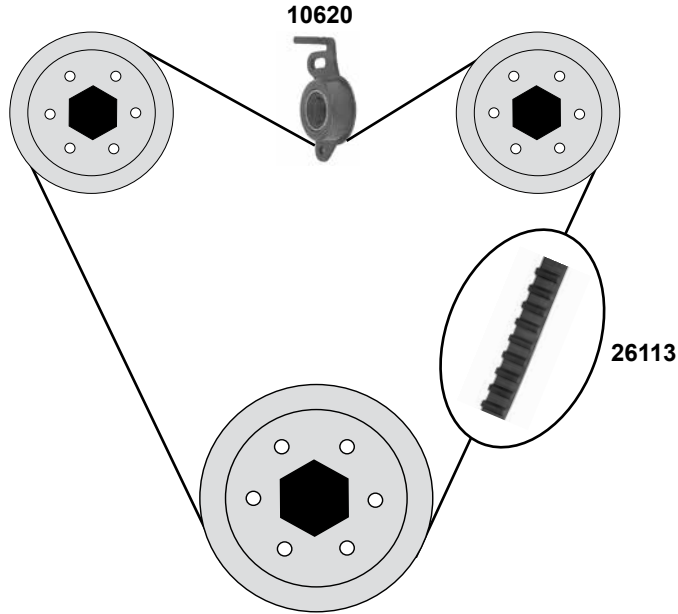
11145	24315-42200
15279	24317-42020
26184	24315-42200 S1

timing belt
tension roller
rep. kit timing belt

Z 163
ØA 60 B34
Z 163



**for balancer shaft**



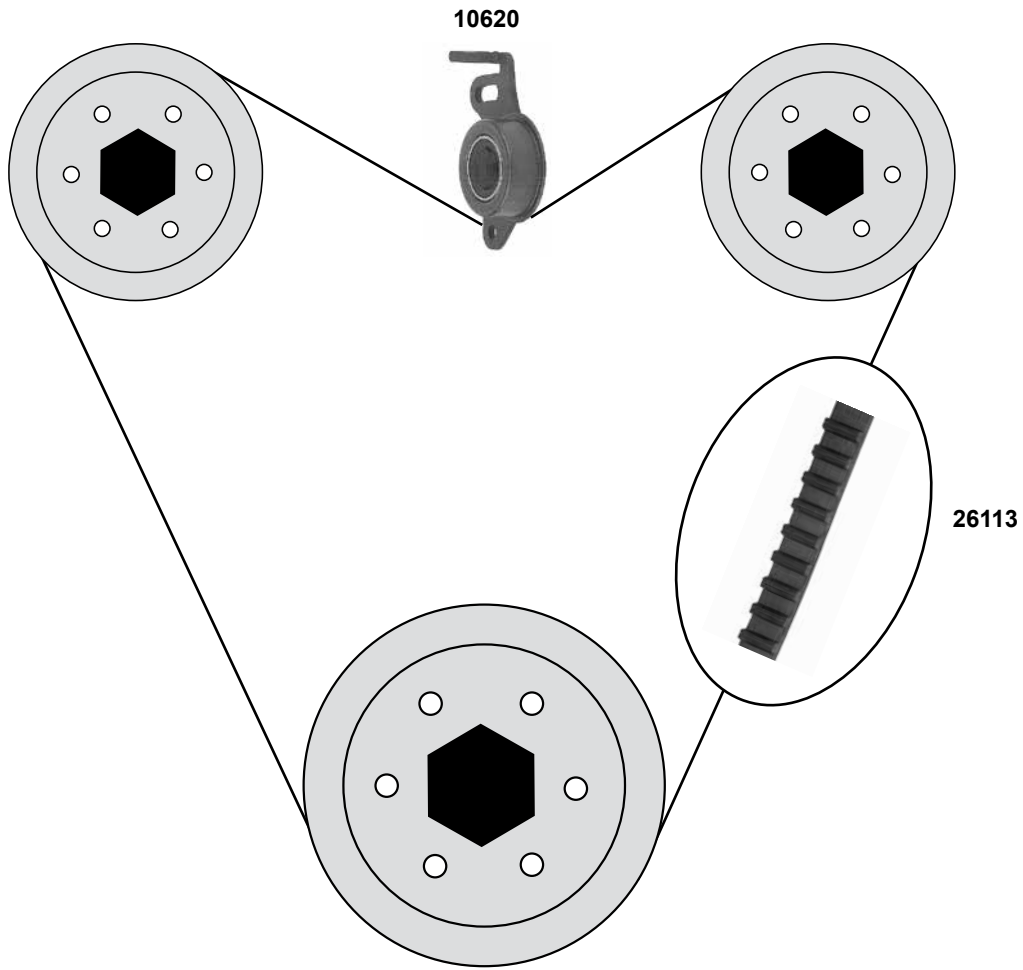
Ref. - No.







<b>10620</b>	23357-42030	tension roller	ØA 58 B22,5
<b>11145</b>	24315-42200	timing belt	Z 163
<b>15279</b>	24317-42020	tension roller	ØA 60 B34
<b>26113</b>	23356-42500	timing belt	Z 99
<b>26114</b>	23356-42500 S1	rep. kit timing belt	Z 99
<b>26184</b>	24315-42200 S1	rep. kit timing belt	Z 163

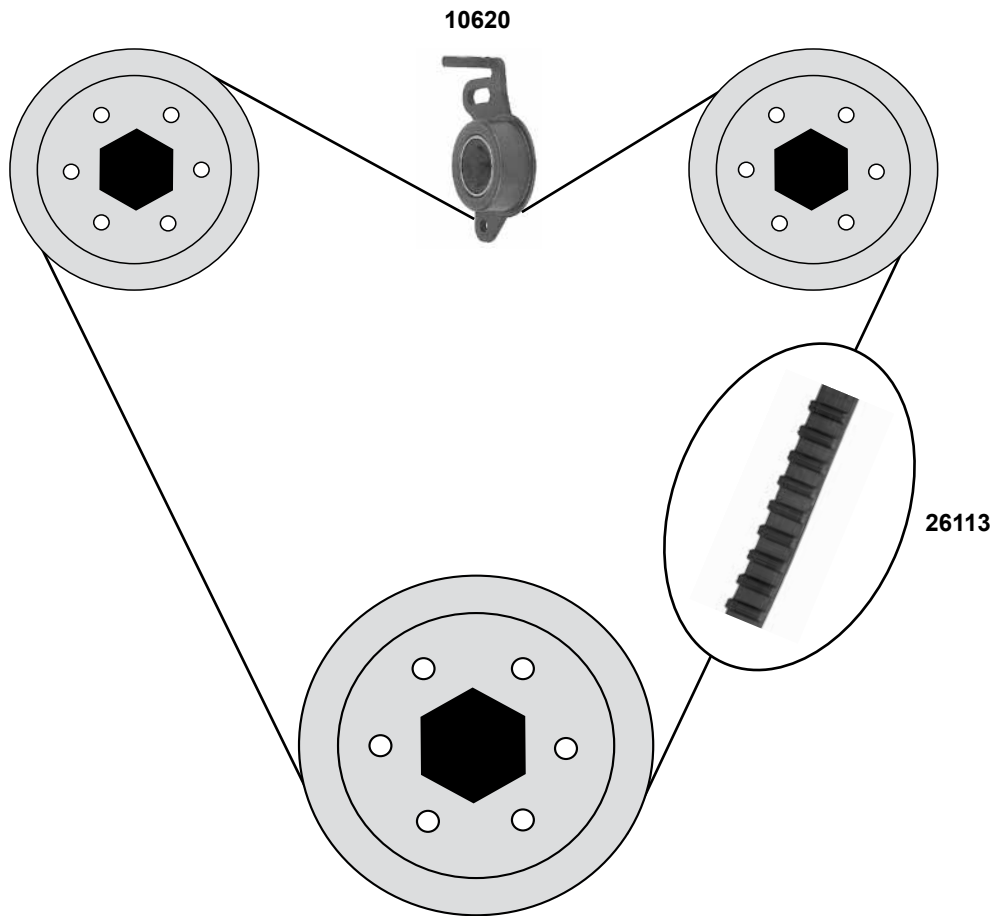
**2,5 D**  
(D4BH)

for balancer shaft



	Ref. - No.			
10620	23357-42030	tension roller		ØA 58 B22,5
26113	23356-42500	timing belt		Z 99
26114	23356-42500 S1	rep. kit timing belt		Z 99

for balancer shaft



Ref. - No.



10620	23357-42030
26113	23356-42500
26114	23356-42500 S1

tension roller
timing belt
rep. kit timing belt

ØA 58 B22,5
Z 99
Z 99



# HYUNDAI H100

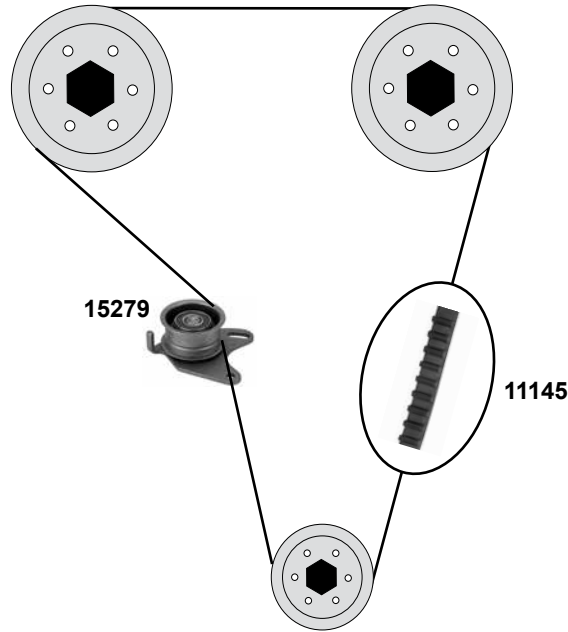
(93→)

Car  
Division



## 2,5 D

(D4BA/D4BF)



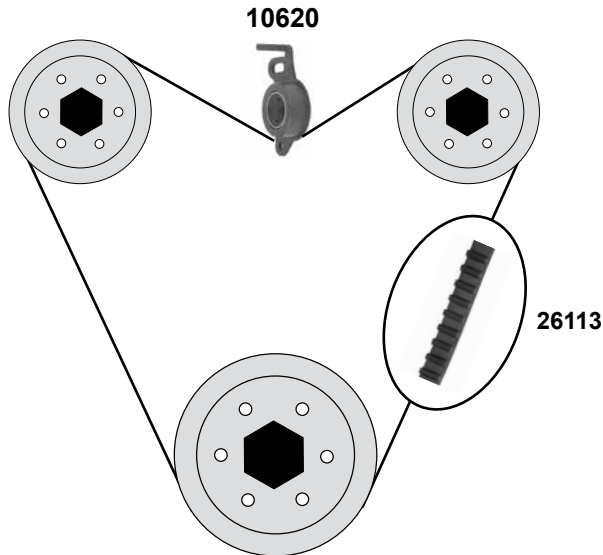
## H100 Truck

(10/95→12/03)

## 2,5 D

(D4BH)

for balancer shaft



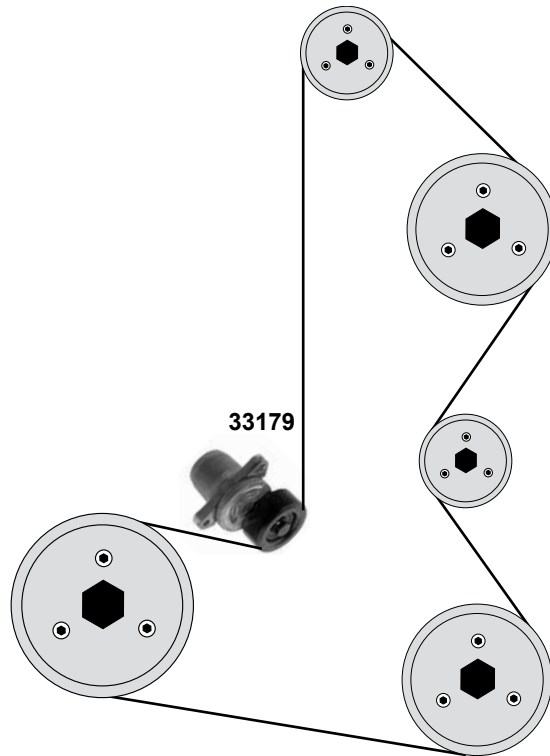
Ref. - No.



10620	23357-42030
11145	24315-42200
15279	24317-42020
26113	23356-42500
26114	23356-42500 S1
26184	24315-42200 S1

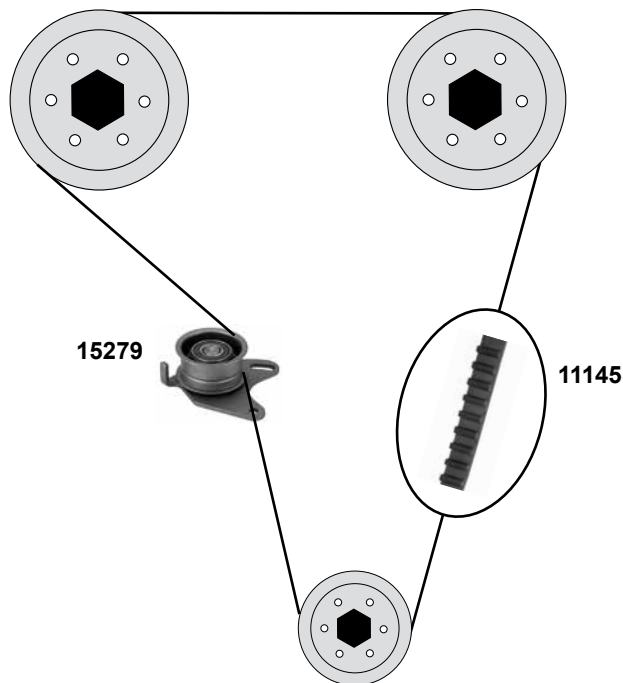
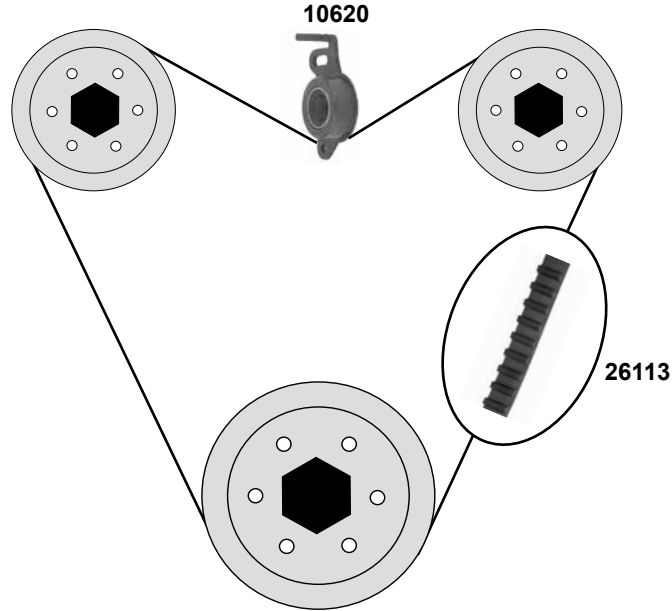
tension roller
timing belt
tension roller
timing belt
rep. kit timing belt
rep. kit timing belt





ØA 58 B22,5
Z 163
ØA 60 B34
Z 99
Z 99
Z 163

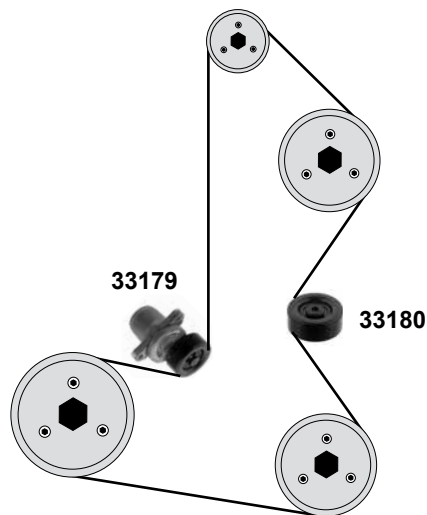
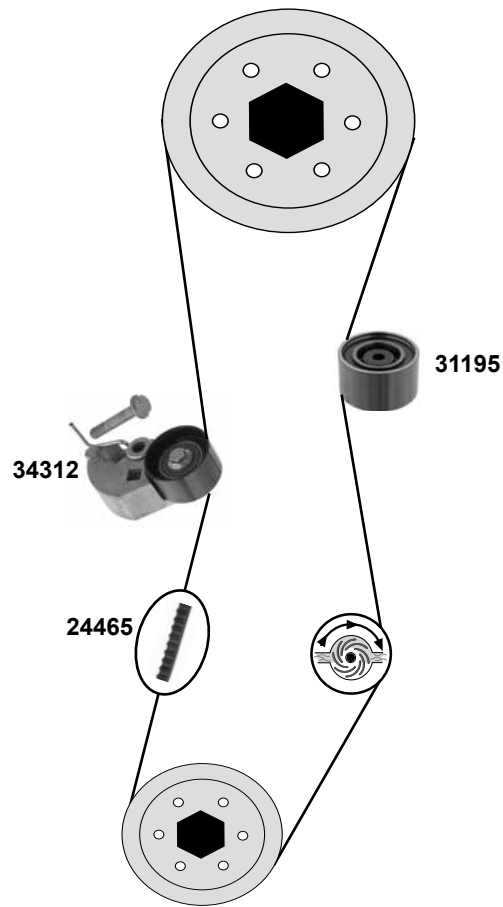


**2,5 D**  
(D4BH)

**for balancer shaft**



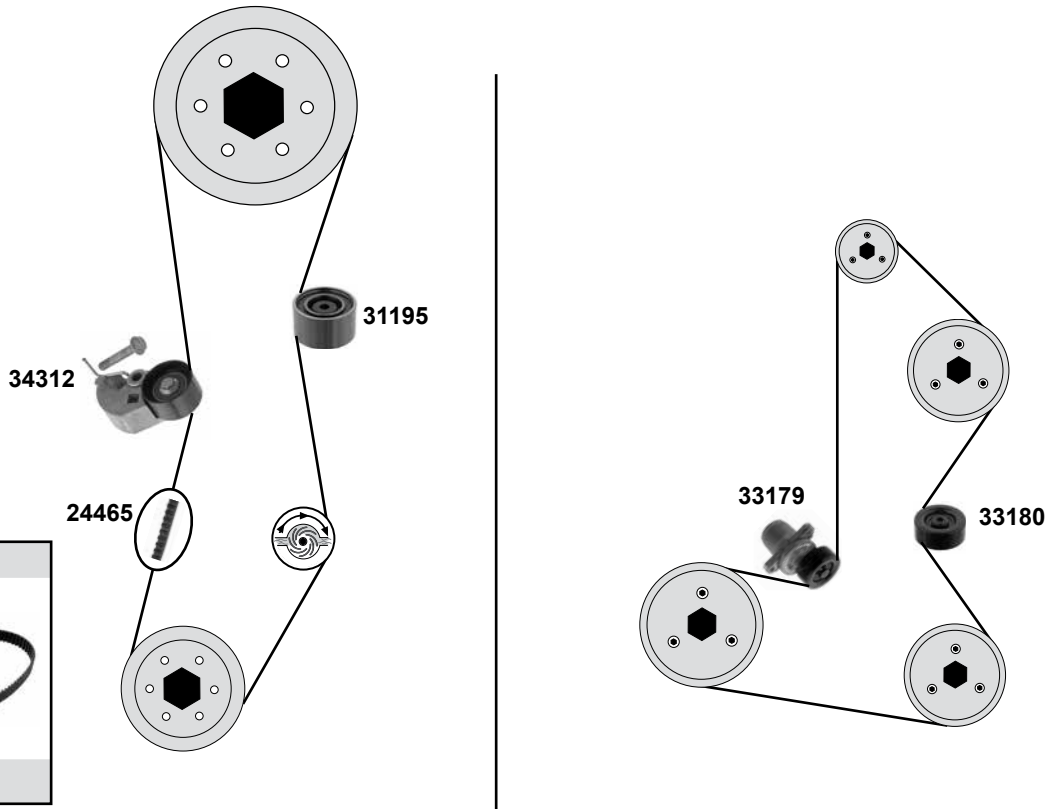
	Ref. - No.			
10620	23357-42030	tension roller		ØA 58 B22,5
11145	24315-42200	timing belt		Z 163
15279	24317-42020	tension roller		ØA 60 B34
26113	23356-42500	timing belt		Z 99
26114	23356-42500 S1	rep. kit timing belt		Z 99
26184	24315-42200 S1	rep. kit timing belt		Z 163



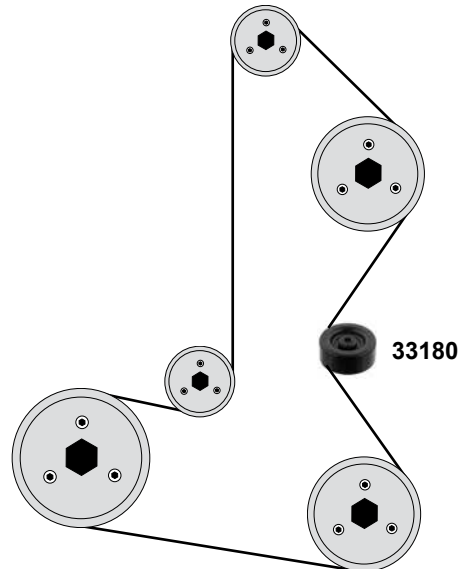
	Ref. - No.			
24465	24312-27000	timing belt	→ 05/05	Z 123
31195	24810-27250	deflection pulley	→ 05/05	ØA 58 B32
31213	24312-27000 S1	rep. kit timing belt	→ 05/05	Z 123
33179	25281-27060	belt tensioner	07/01 → 09/04	
33180	25287-27001	deflection pulley	07/01 → 05/05	ØA 70 B27,5
34312	24410-27250	tension roller	→ 05/05	ØA 58 B32



## 2,0 (TCI)



## 2,2 CRD



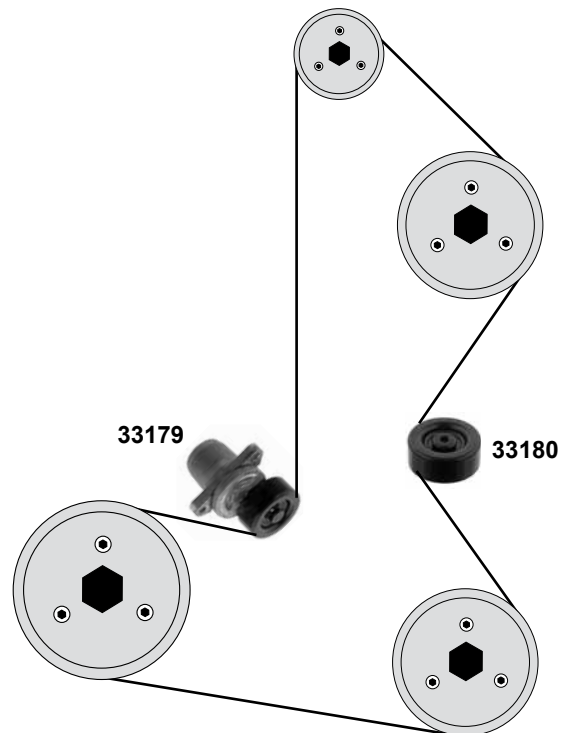
(1) 2,0 TCI 12/00 →12/05  
2,2 CRD 09/06 →



Ref. - No.



24465	24312-27000	timing belt	→ 12/05	Z 123
31195	24810-27250	deflection pulley	→ 12/05	ØA 58 B32
31213	24312-27000 S1	rep. kit timing belt	→ 12/05	Z 123
33179	25281-27060	belt tensioner	12/00 →12/05	
33180	25287-27001	deflection pulley	(1)	ØA 70 B27,5
34312	24410-27250	tension roller	→ 12/05	ØA 58 B32



Ref. - No.



33179  
33180

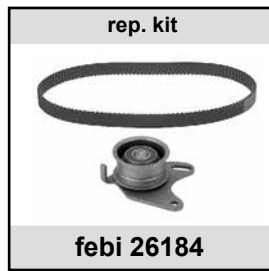
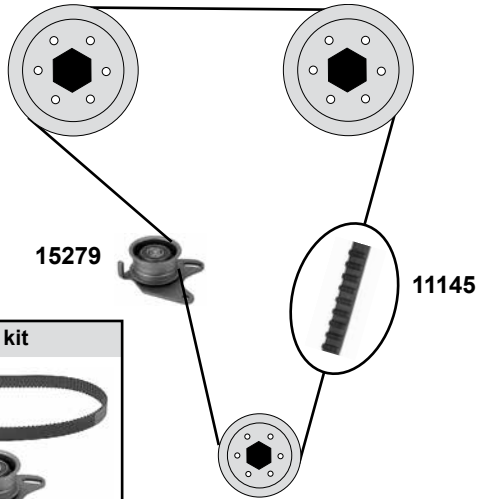
25281-27060  
25287-27001

belt tensioner  
deflection pulley

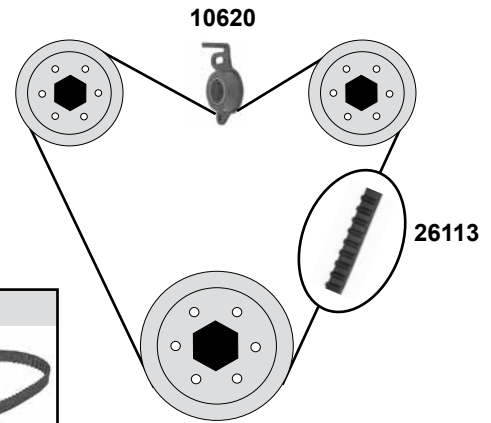
05/08 →  
12/05 → 12/07

ØA 70 B27,5

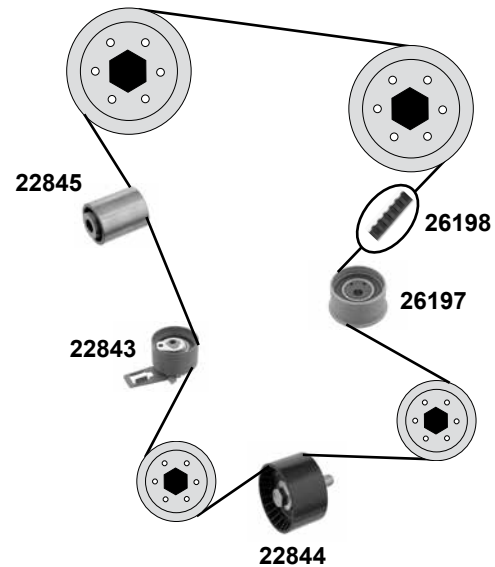
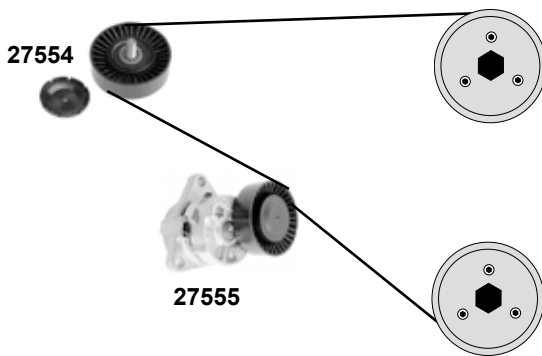
**2,5 D**  
 (D4BH)



for balancer shaft



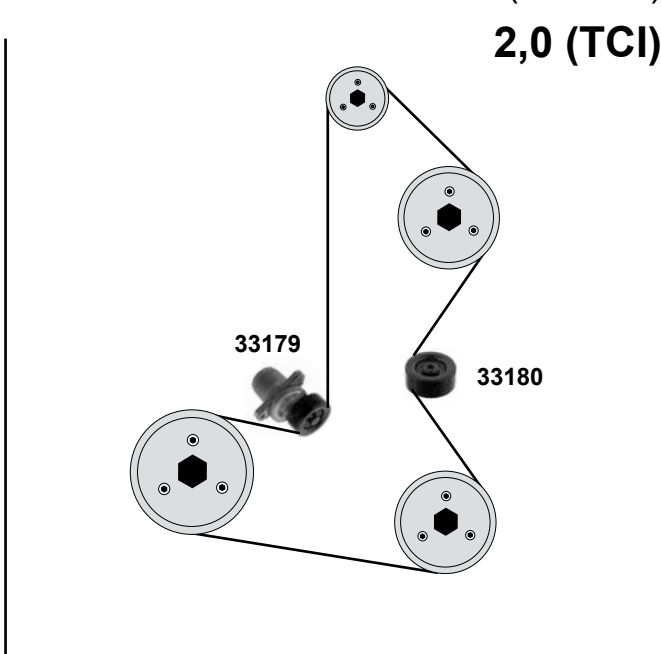
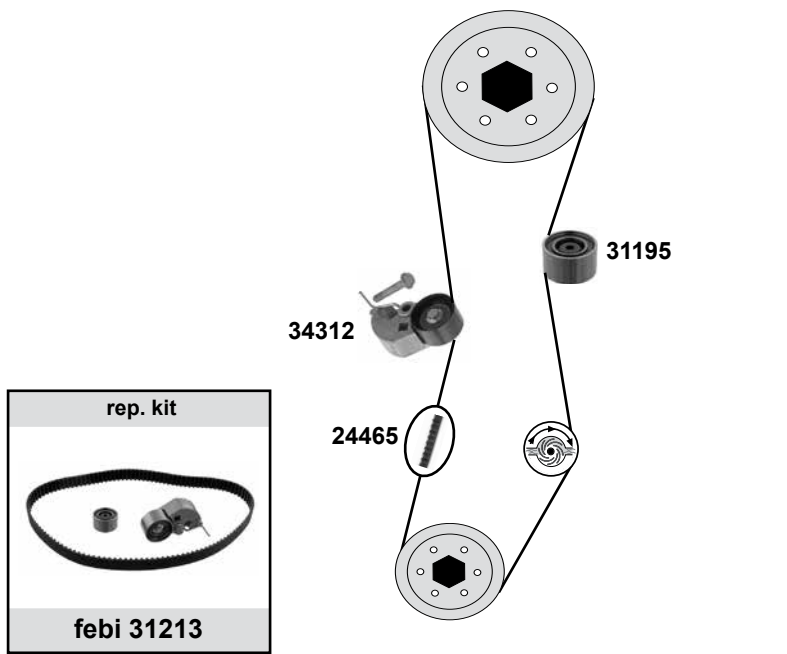
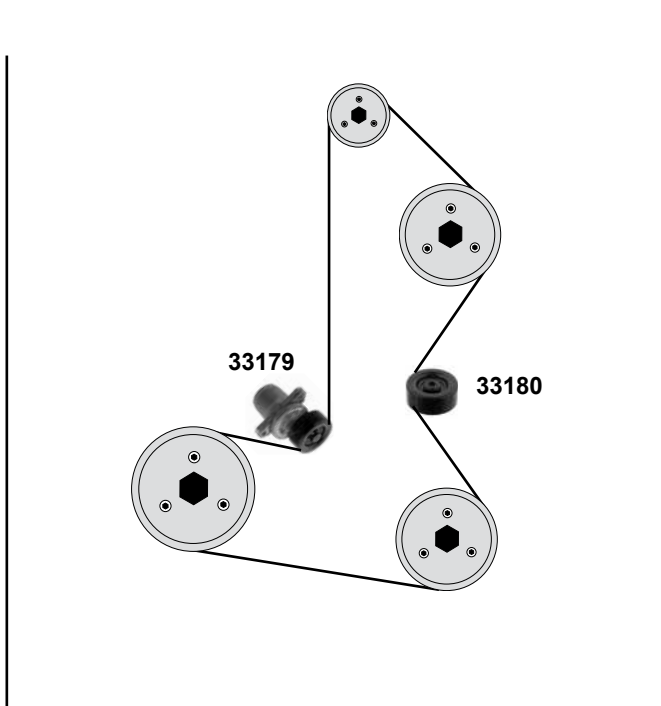
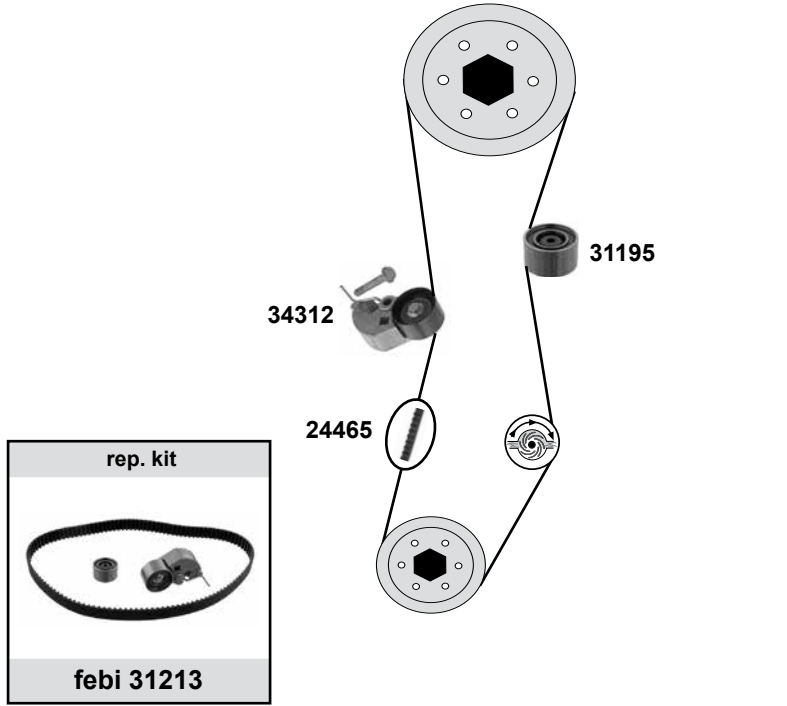
**2,9**  
 (CRDI)



Ref. - No.



10620	23357-42030	tension roller		ØA 58 B22,5
11145	24315-42200	timing belt		Z 163
15279	24317-42020	tension roller		ØA 60 B34
22843	24322-4x000	tension roller		ØA 59 B34
22844	0K88R-12740	de lection pulley		ØA 55 B34
22845	0K88R-12750	de lection pulley		ØA 55 B34
26113	23356-42500	timing belt		Z 99
26114	23356-42500 S1	rep. kit timing belt		Z 99
26184	24315-42200 S1	rep. kit timing belt		Z 163
26197	24317-4X001	de lection pulley		ØA 60 B34
26198	0K88R-12205	timing belt		Z 152
27554	25281-4X000	de lection pulley		ØA 76 B22
27555	25281-4X000	tension roller		ØA 76 B22

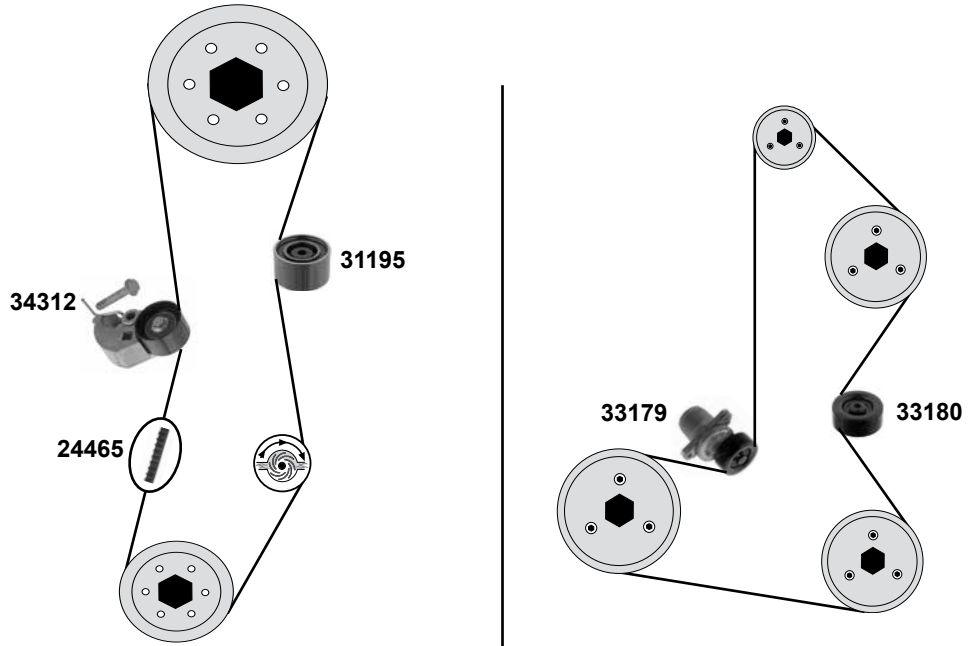


- (1) Tucson → 05/05
- (2) Tucson → 10/05

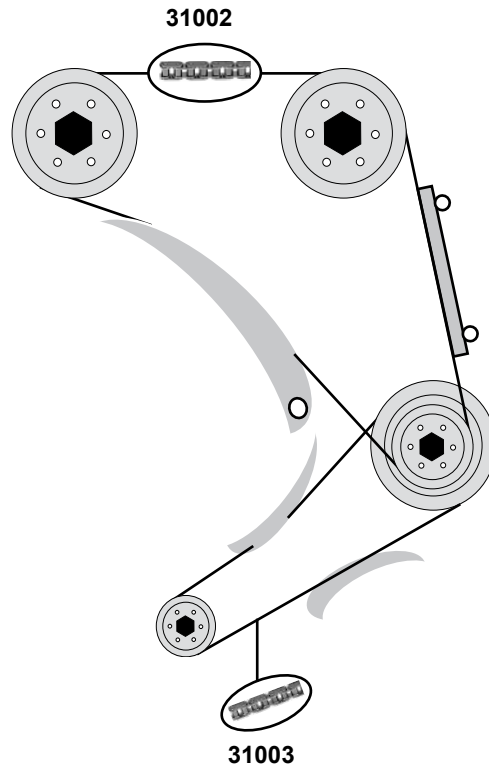
	Ref. - No.			
24465	24312-27000	timing belt	→ 12/05	Z 123
31195	24810-27250	deflection pulley	→ 12/05	ØA 58 B32
31213	24312-27000 S1	rep. kit timing belt	→ 12/05	Z 123
33179	25281-27060	belt tensioner	(1)	
33180	25287-27001	deflection pulley	(2)	ØA 70 B27,5
34312	24410-27250	tension roller	→ 12/05	ØA 58 B32




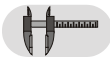


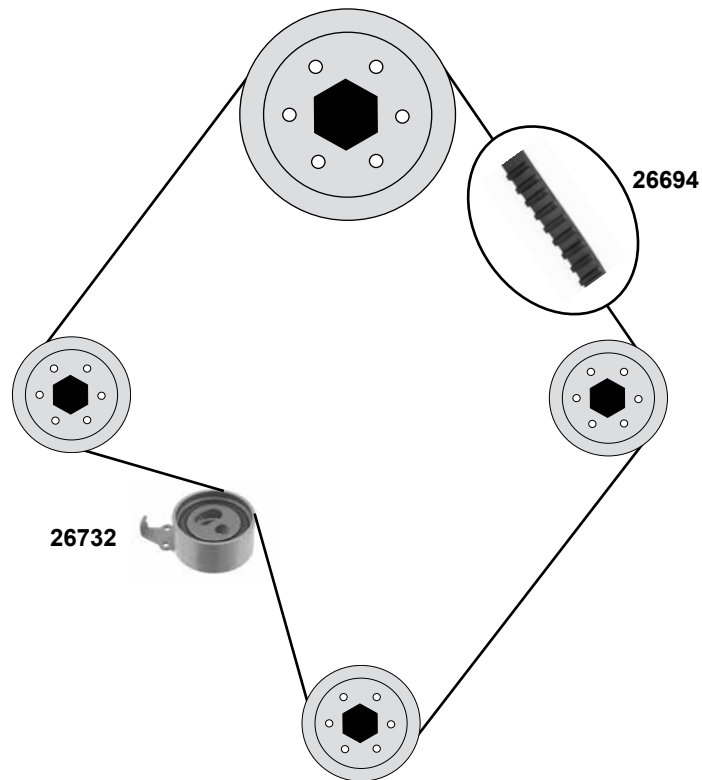
**1,5 (TCI)**



**Verna**  
 (12/06→)  
**1,5 CRDI**



	Ref. - No.			
<b>24465</b>	24312-27000	timing belt		Z 123
<b>31002</b>	24351-2A000	timing chain		84 E
<b>31003</b>	24361-2A000	timing chain		76 E
<b>31195</b>	24810-27250	deflection pulley		ØA 58 B32
<b>31213</b>	24312-27000 S1	rep. kit timing belt		Z 123
<b>33179</b>	25281-27060	belt tensioner	11/01 → 09/04	
<b>33180</b>	25287-27001	deflection pulley	11/01 → 03/06	ØA 70 B27,5
<b>34312</b>	24410-27250	tension roller		ØA 58 B32

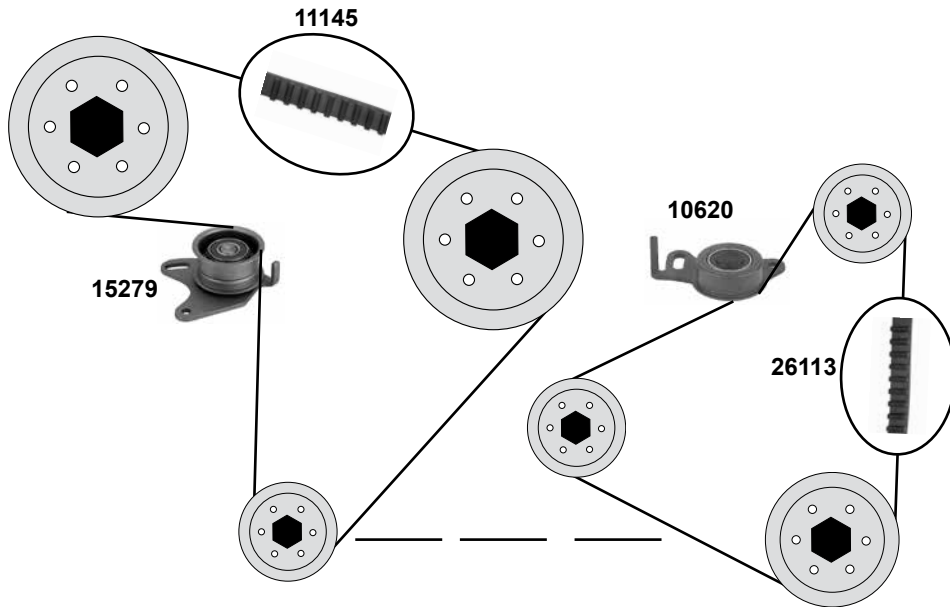


# KIA Bongo 3 (07/04→)

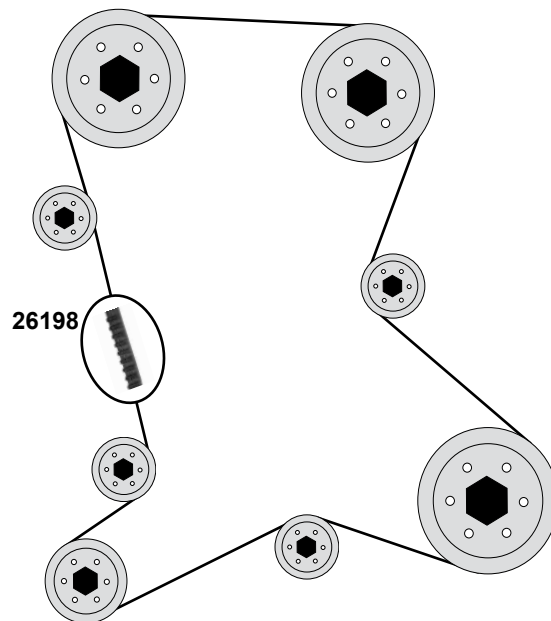
Car  
Division 







## 2,5 D (D4BH / 4D56)

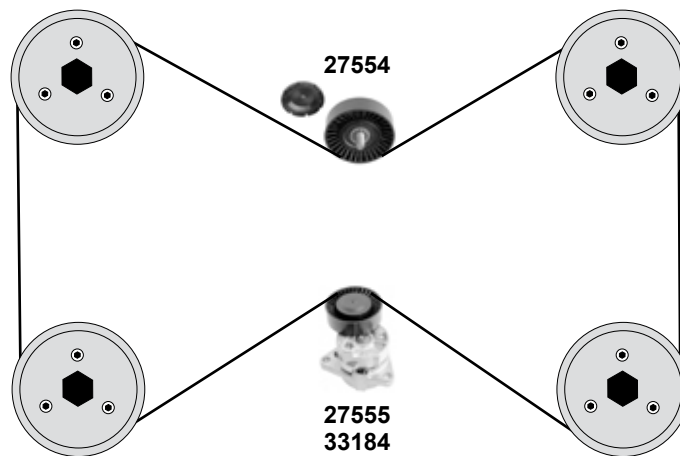
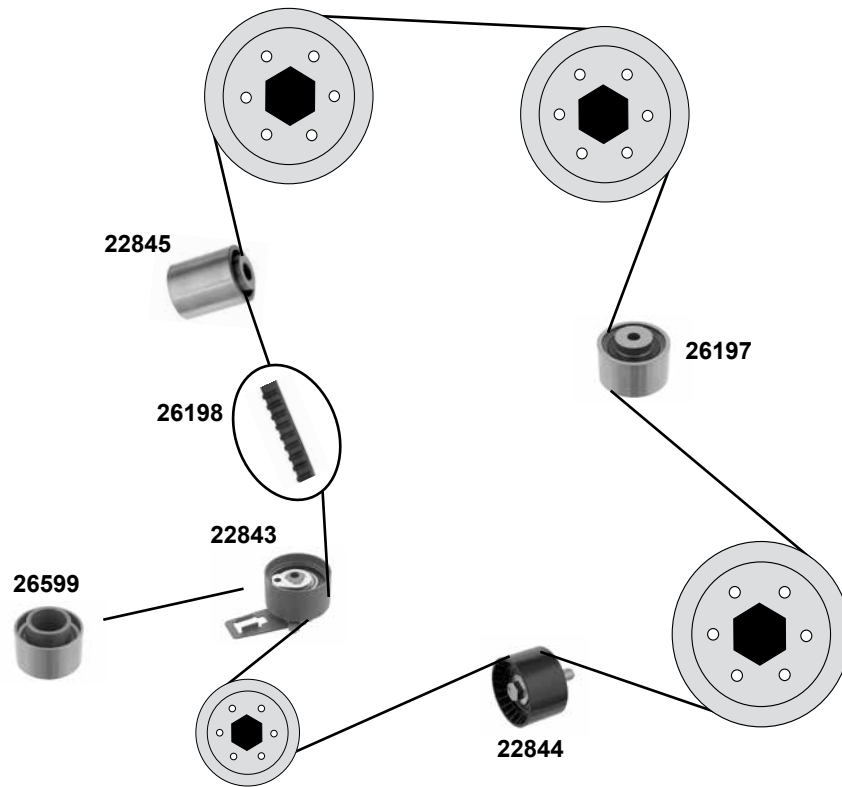


## 2,9 CRD



	Ref. - No.			
10620	23357-42030	tension roller	(mot.) 4D56 11/06 →	ØA 58 B22,5
11145	24315-42200	timing belt	(mot.) 4D56 11/06 →	Z 163
15279	24317-42020	tension roller	(mot.) 4D56 11/06 →	ØA 60 B34
26113	23356-42500	timing belt	(mot.) 4D56 11/06 →	Z 99
26114	23356-42500 S1	rep. kit timing belt	(mot.) 4D56 11/06 →	Z 163
26184	24315-42200 S1	rep. kit timing belt	(mot.) 4D56 11/06 →	Z 163
26198	0K88R-12-205	timing belt	04/07 →	Z 152 B29

**2,9 TD / CRDI**  
(DOHC)



(1) 05/04 → 11/05 / (mot.) 2,9 CRDI 10/01 →

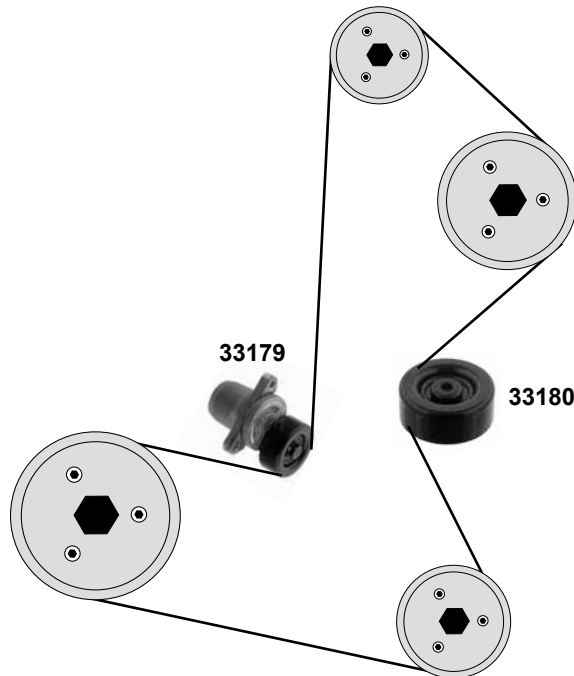
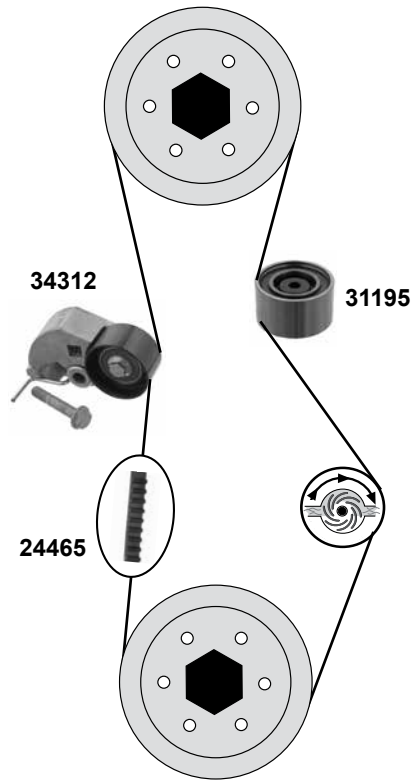






Ref. - No.



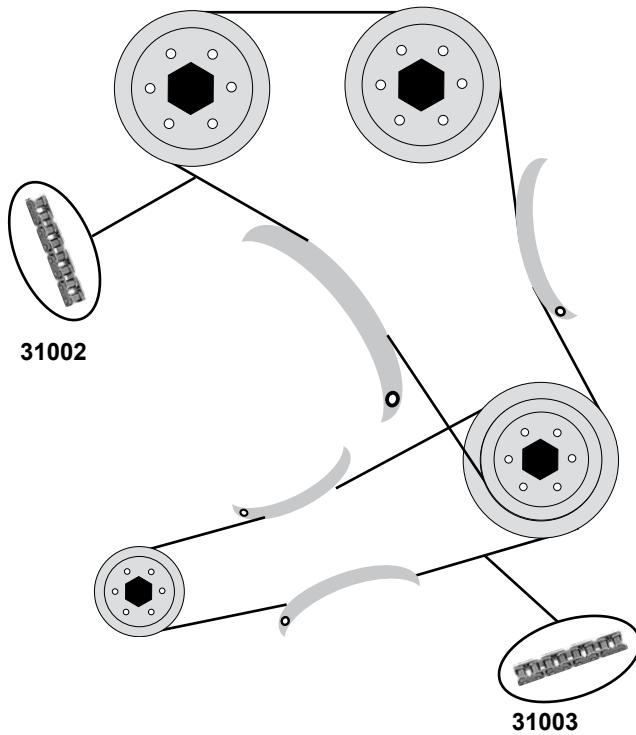
Ref. - No.	Description	Period	Dimensions
22843	tension roller	06/00 →	ØA59 B34
22844	deflection pulley	06/00 →	ØA55 B34
22845	deflection pulley	06/00 →	Ø28,4 B34
26197	deflection pulley	(1) 06/00 → 09/05	ØA60 B34
26198	timing belt	06/98 → 06/00	Z 152 B29
26599	tension roller	(1)	ØA76 B22
27554	Idler Bearin	(1)	ØA76 B22
27555	belt tensioner	(1)	ØA76 B22
33184	belt tensioner	08/99 → 07/00	ØA76 B22

**2,0 D**

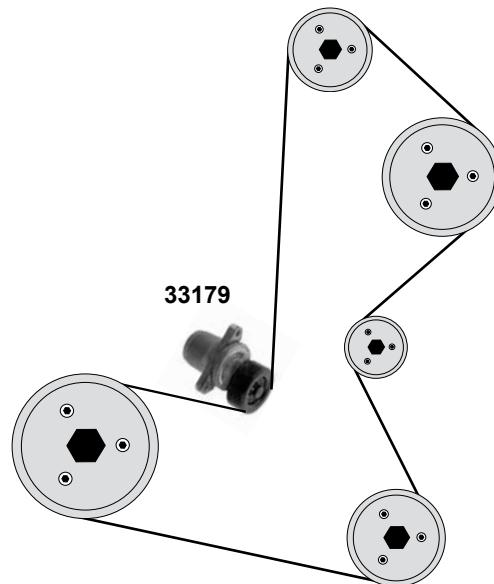
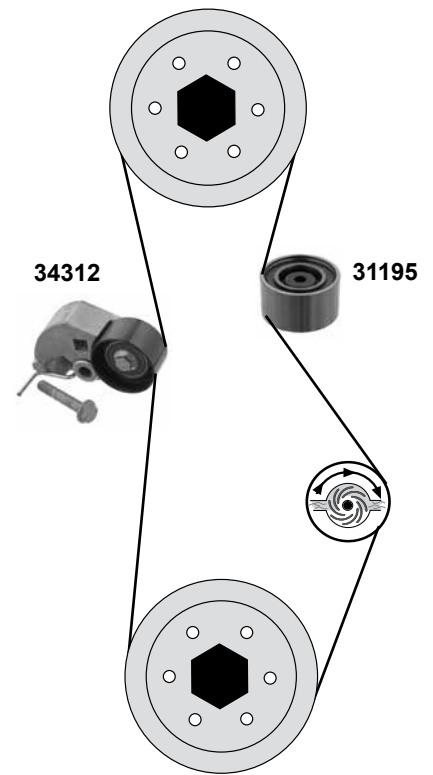


	Ref. - No.			
<b>24465</b>	24312-27000	timing belt	→ 08/06	Z 123 B28
<b>31195</b>	24810-27250	deflection pulley	→ 08/06	ØA 58 B32
<b>31213</b>	24312-27000 S1	rep. kit timing belt	→ 08/06	Z 123 B28
<b>33179</b>	25281-27060	belt tensioner		
<b>33180</b>	25287-27001	deflection pulley		ØA 70 B27,5
<b>34312</b>	24410-27250	tension roller	→ 08/06	ØA 58 B32

**1,6D CRDI**



**2,0D CRDI**



Ref. - No.



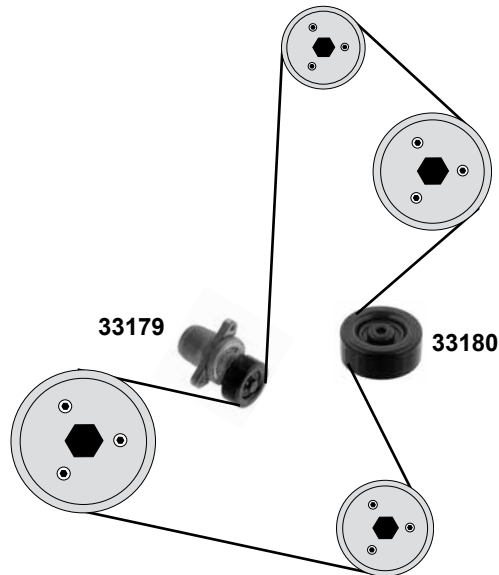
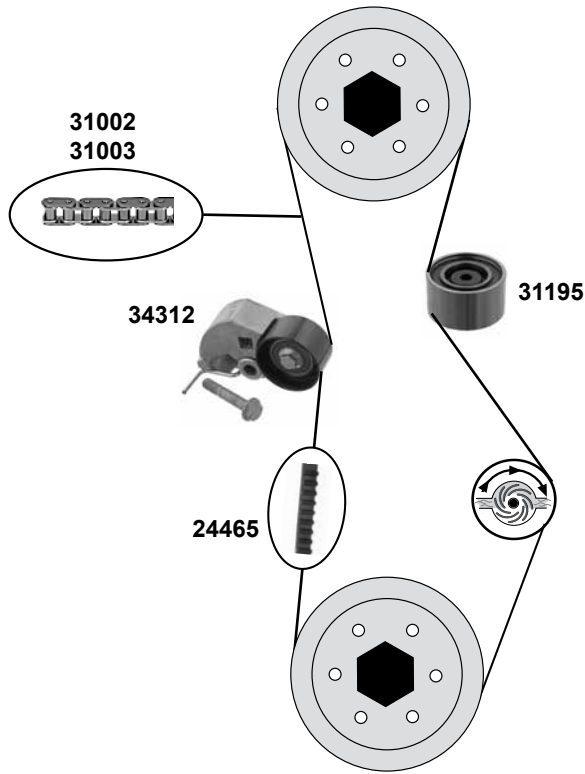
**31002** 24351-2A000  
**31003** 24361-2A000  
**31195** 24810-27250  
**33179** 25281-27060  
**34312** 24410-27250

timing chain  
 timing chain  
 deflection pulley  
 belt tensioner  
 tension roller

08/06 →

84 E  
 76 E  
 ØA58 B32  
 ØA58 B32

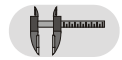
**2,0 D**



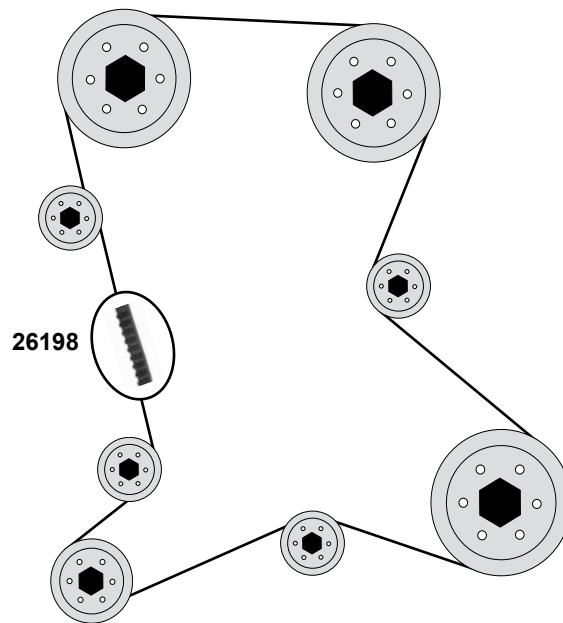
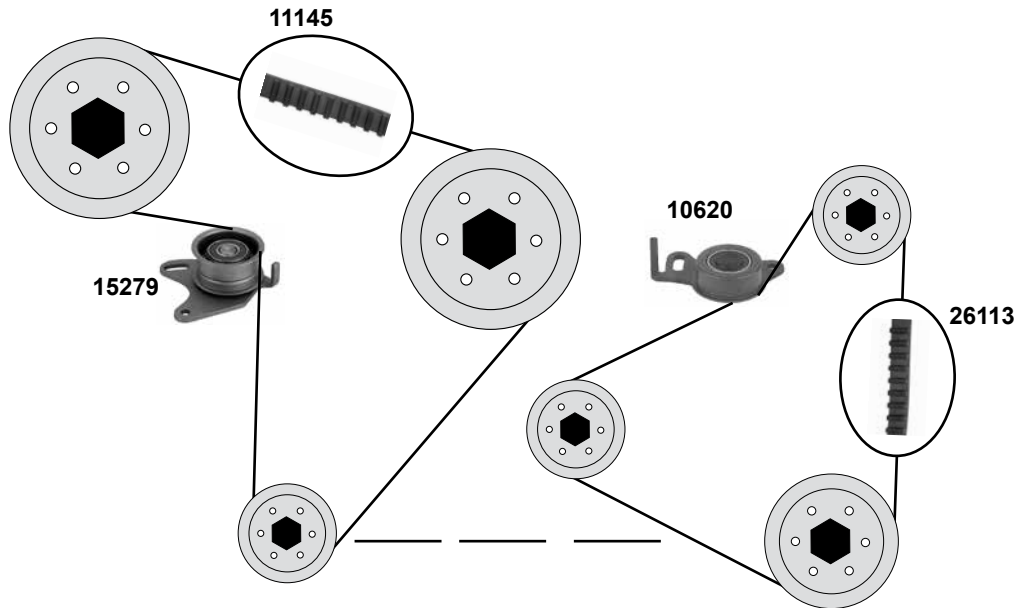
(1) (mot.) 1,5 DOHC,TDI 10/04 → 10/06 / (mot.) 1,6 DOHC,TCI 09/06 →



Ref. - No.



<b>24465</b>	24312-27000	timing belt	→ 10/06	Z 123 B28
<b>31002</b>	24351-2A000	timing chain	(1)	
<b>31003</b>	24361-2A000	timing chain for fuel injection pump	(1)	
<b>31195</b>	24810-27250	deflection pulley	→ 10/06	ØA 58 B32
<b>31213</b>	24312-27000 S1	rep. kit timing belt	→ 10/06	Z 123 B28
<b>33179</b>	25281-27060	belt tensioner	→ 10/06	
<b>33180</b>	25287-27001	deflection pulley		ØA 70 B27,5
<b>34312</b>	24410-27250	tension roller	→ 10/06	Ø A 58 B32



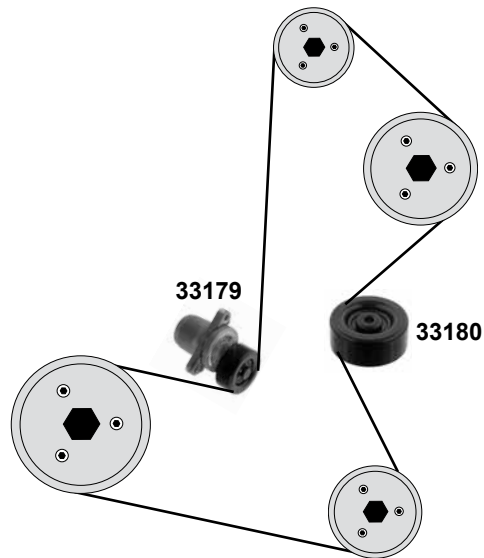
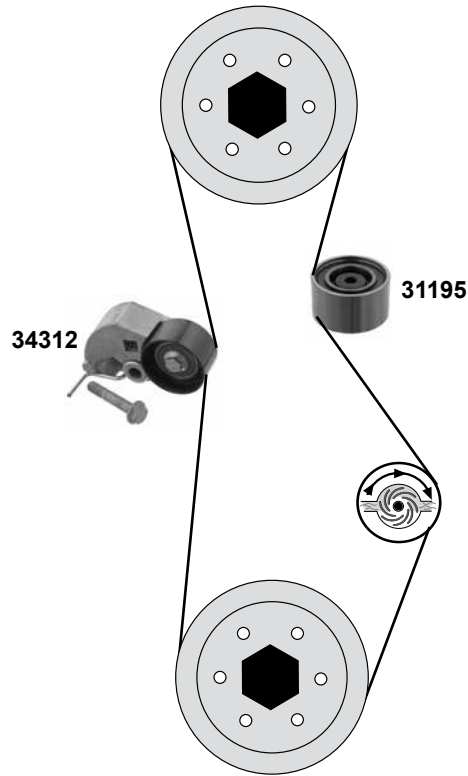
Ref. - No.



<b>10620</b>	23357-42030	tension roller		ØA 58 B19
<b>11145</b>	24315-42200	timing belt		Z 163
<b>15279</b>	24317-42020	tension roller		ØA 60 B34
<b>26113</b>	23356-42500	timing belt		Z 99
<b>26114</b>	23356-42500 S1	rep. kit timing belt		Z 99
<b>26184</b>	24315-42200 S1	rep. kit timing belt		Z 163
<b>26198</b>	0K88R-12-205	timing belt		Z 152 B29



**2,0 D**



Ref. - No.



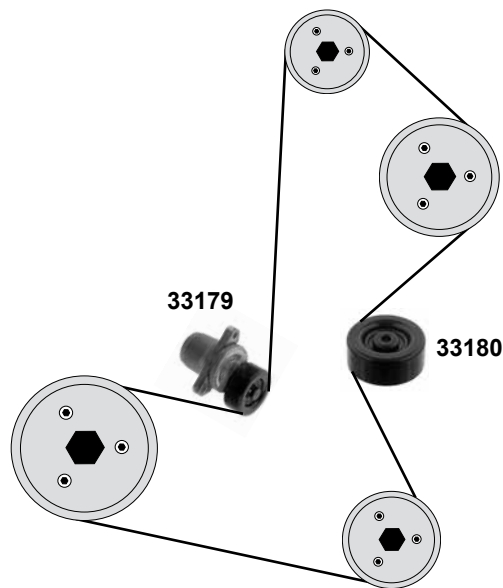
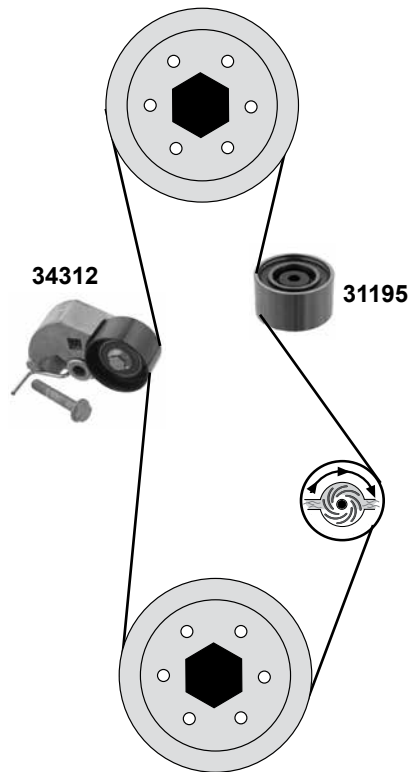
<b>31195</b>	24810-27250
<b>33179</b>	25281-27060
<b>33180</b>	25287-27001
<b>34312</b>	24410-27250

deflection pulley
belt tensioner
deflection pulley
tension roller

12/07 →

ØA 58 B32

ØA 70 B27,5



Ref. - No.



**31195** 24810-27250  
**33179** 25281-27060  
**33180** 25287-27001  
**34312** 24410-27250

deflection pulley  
belt tensioner  
deflection pulley  
tension roller

12/07→

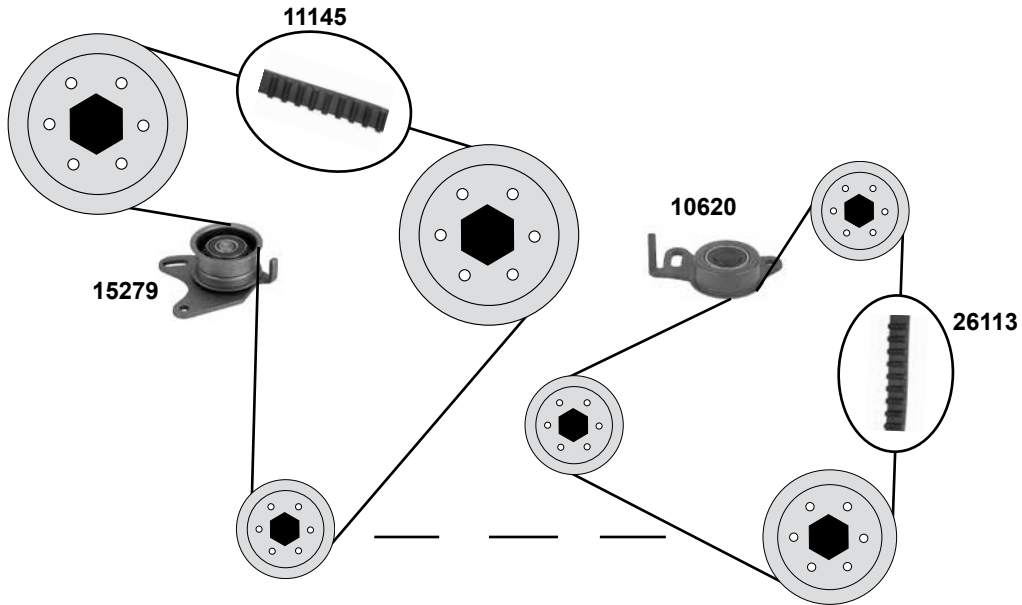
ØA 58 B32  
ØA 70 B27,5  
ØA58 B32

# KIA Pregio (97→)

Car  
Division 

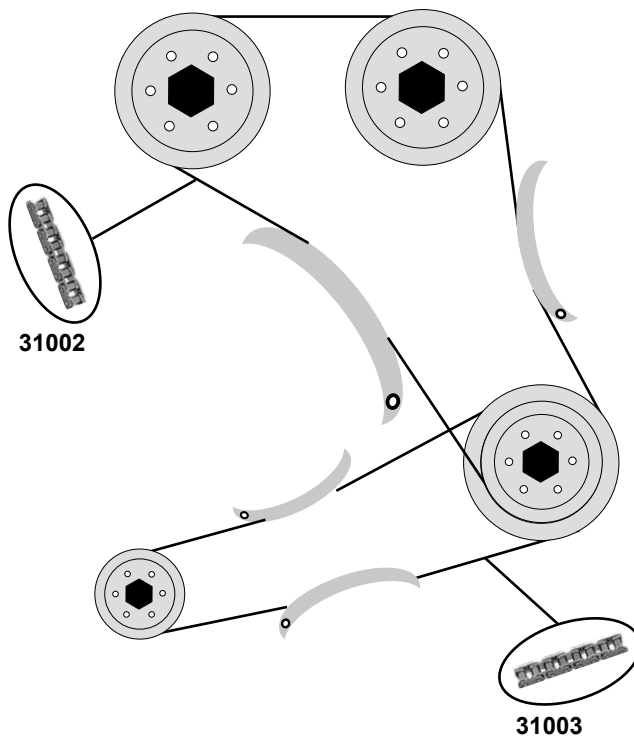


## 2,5 D (D4BH)

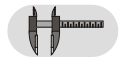


## Picanto (09/05→)

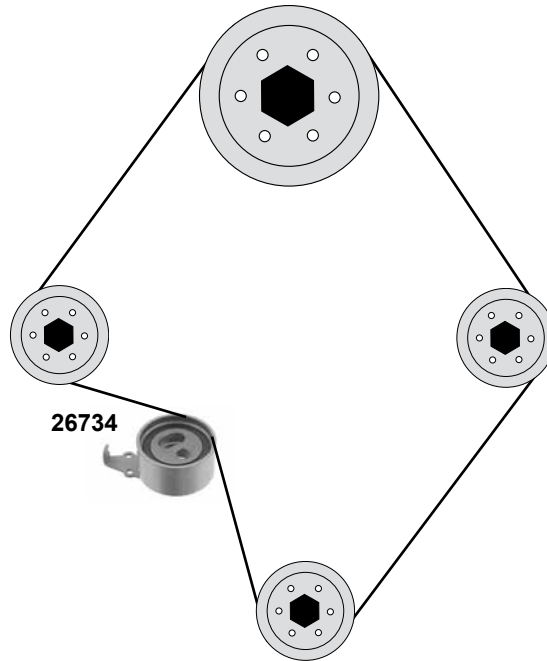
### 1,1 D (DOHC,TCI)



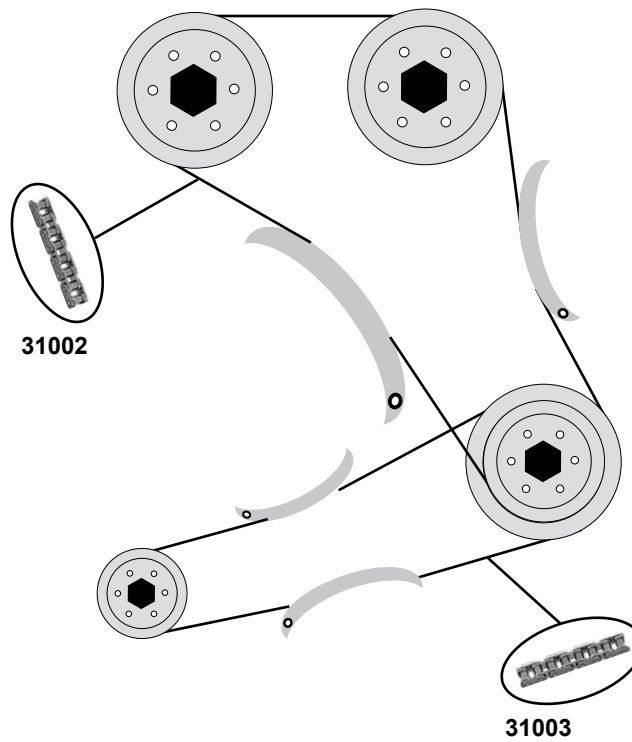
Ref. - No.



10620	23357-42030	tension roller	08/01→10/05	ØA 58 B22,5
11145	24315-42200	timing belt	08/01→10/05	Z 163
15279	24317-42020	tension roller	08/01→10/05	ØA 60 B34
26113	23356-42500	timing belt	08/01→10/05	Z 99
26114	23356-42500 S1	rep. kit timing belt	08/01→10/05	Z 99
26184	24315-42200 S1	rep. kit timing belt	08/01→10/05	Z 163
31002	24351-2A000	timing chain		84 E
31003	24361-2A000	timing chain		76 E



**Rio**  
(05/05→)  
**1,5 D**  
(DOHC, TCI)



Ref. - No.



**26734**  
**31002**  
**31003**

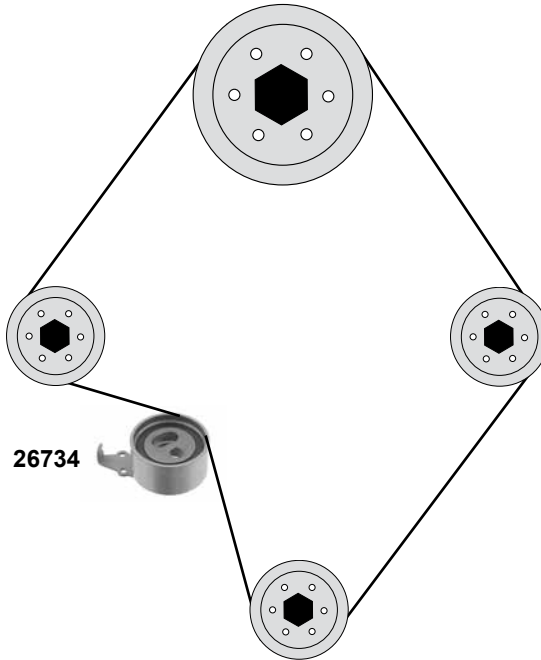
OK054-12-700  
24351-2A000  
24361-2A000

tension roller  
timing chain  
timing chain

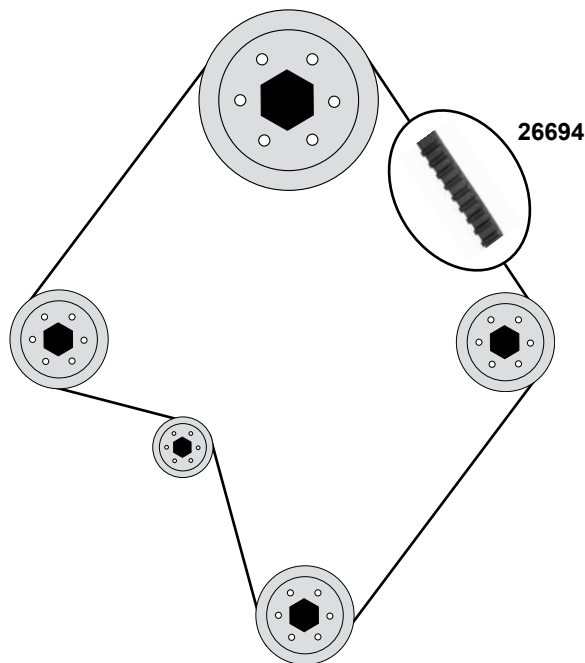
06/99 →

ØA 58 B29  
84 E  
76 E

**2,0 TD 8V**



**2,2 D**



**Ref. - No.**

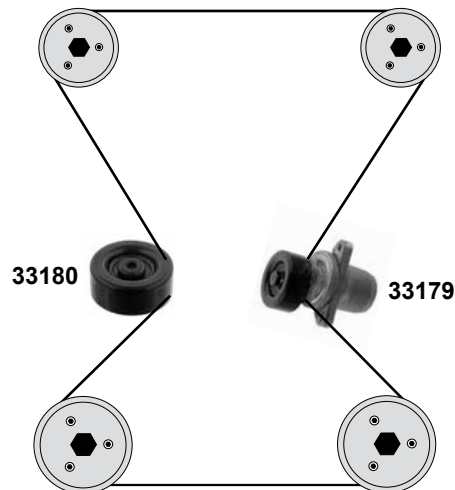
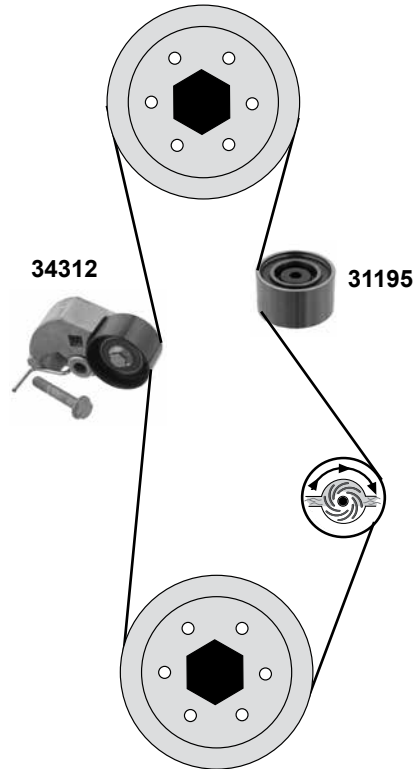


**26694** 0K016-12-205  
**26734** 0K054-12-700

timing belt  
 tension roller

12/96 → 12/97  
 10/97 →

Z 164  
 ØA 58 B29



Ref. - No.



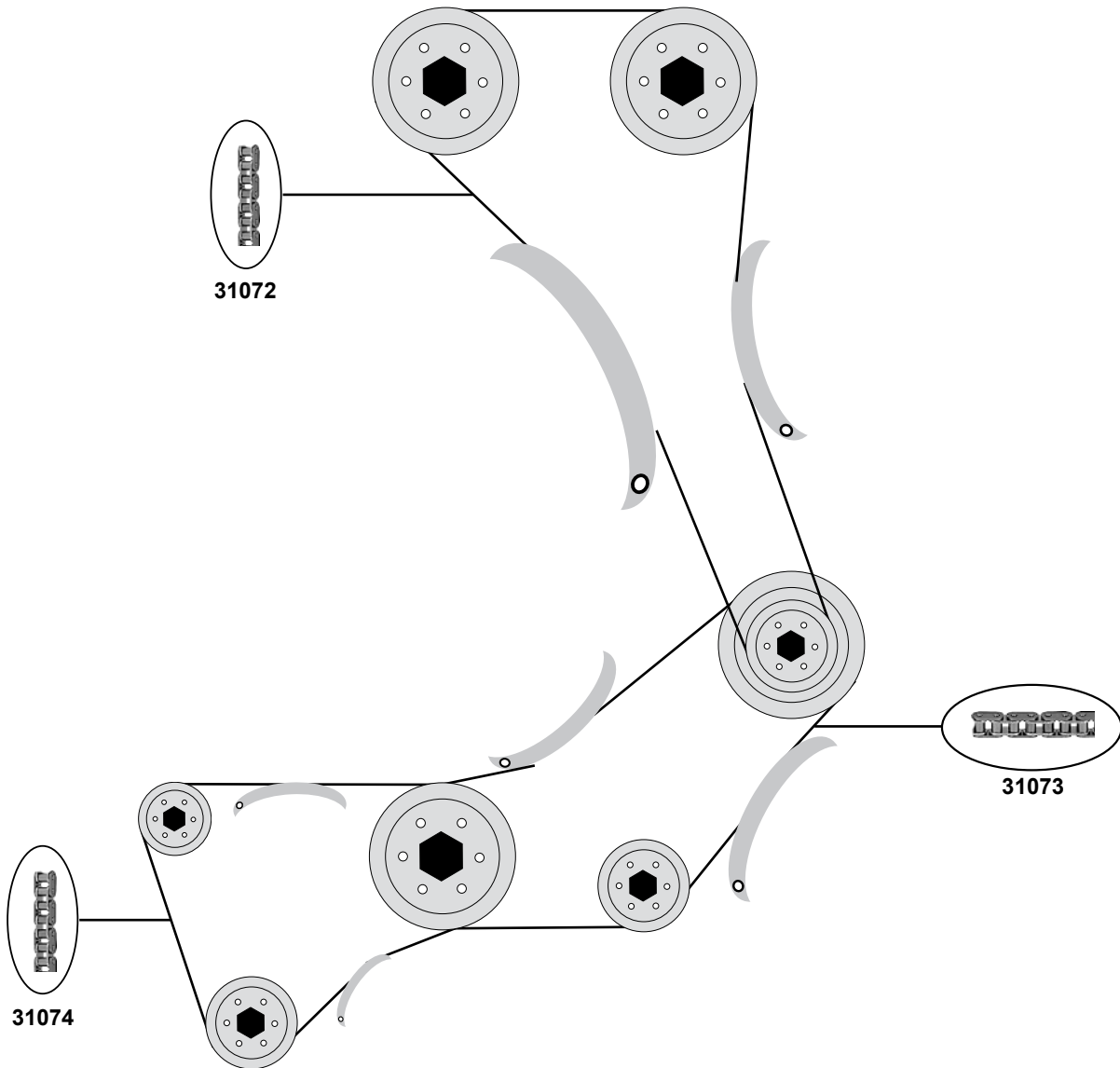
<b>31195</b>	24810-27250
<b>33179</b>	25281-27060
<b>33180</b>	25287-27001
<b>34312</b>	24410-27250

deflection pulley
belt tensioner
deflection pulley
tension roller

09/06→
08/04 →
08/04 →
09/06→

ØA 58 B32
ØA 70 B27,5

**2,5 D**  
 (16 V, CRDi, D4CH)



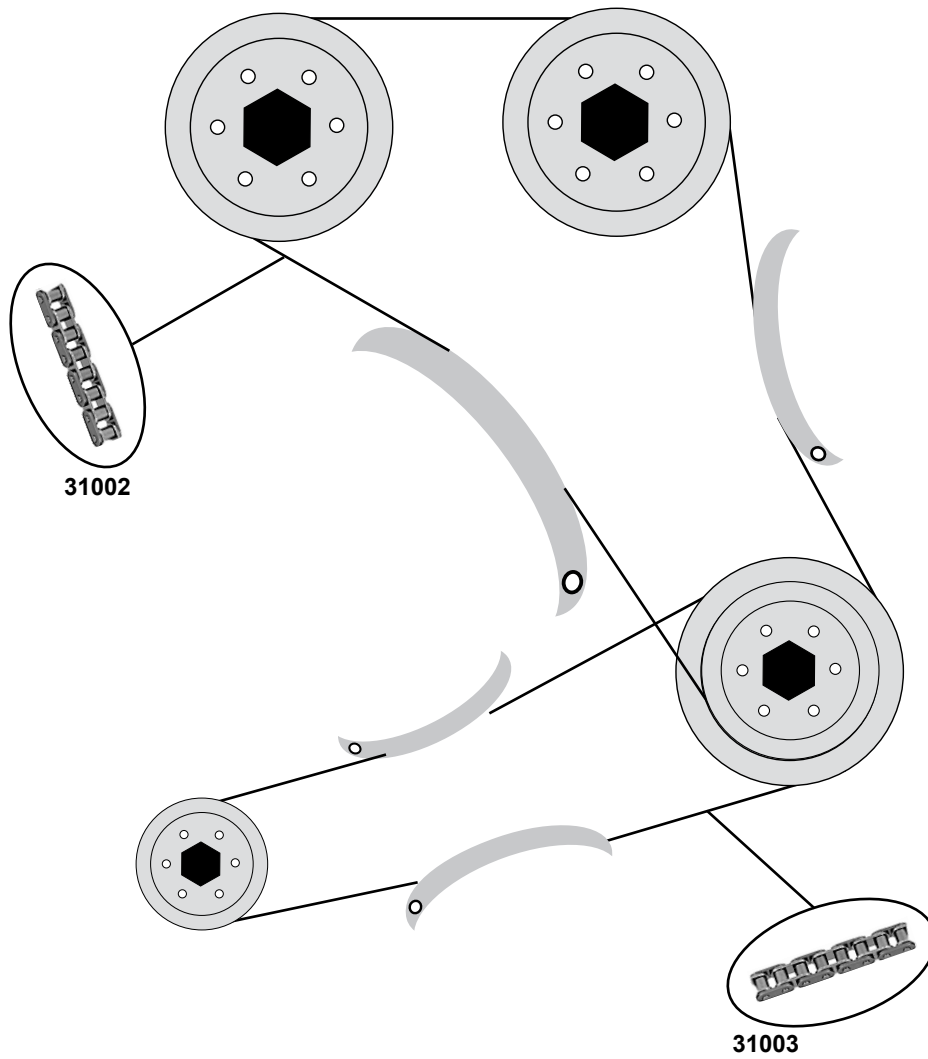
Ref. - No.



<b>31072</b>	24351-4A020
<b>31073</b>	24361-4A020
<b>31074</b>	23351-4A020

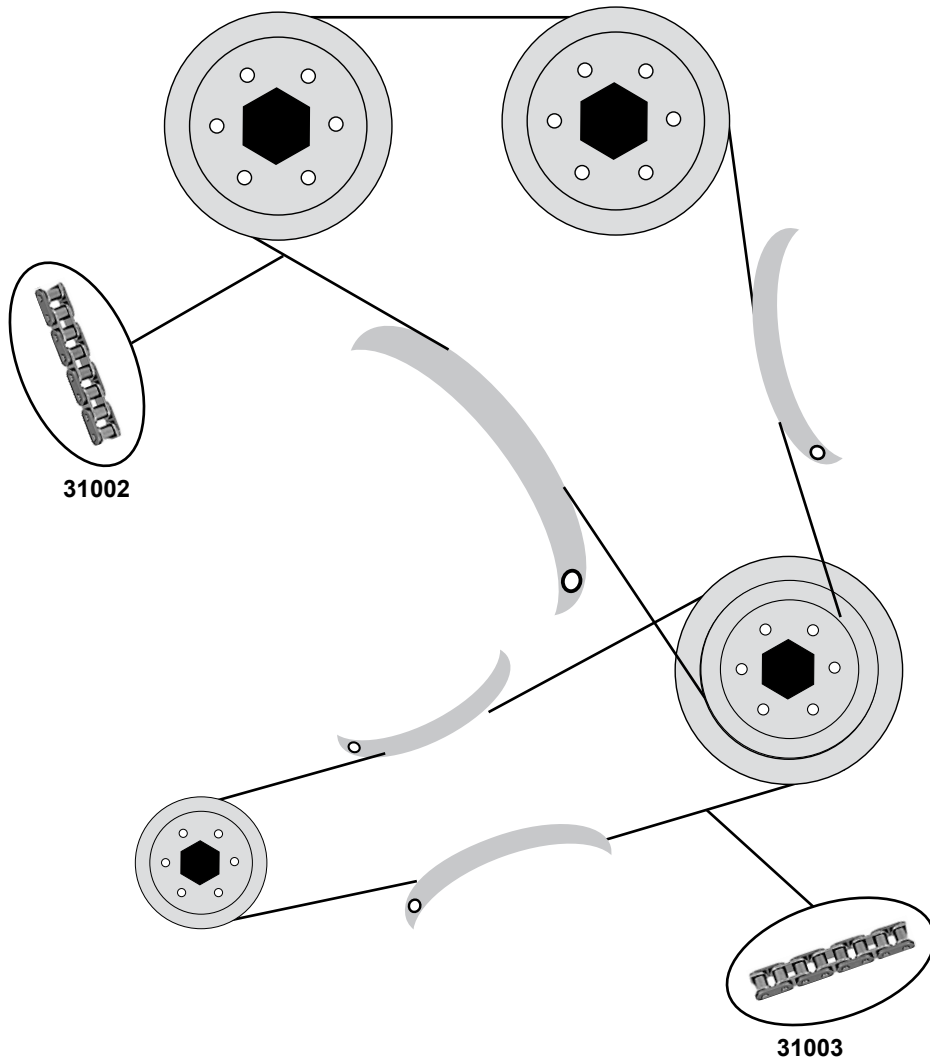
timing chain for camshaft
timing chain for fuel injection pump
timing chain for balancing shaft

98 E
90 E
80 E

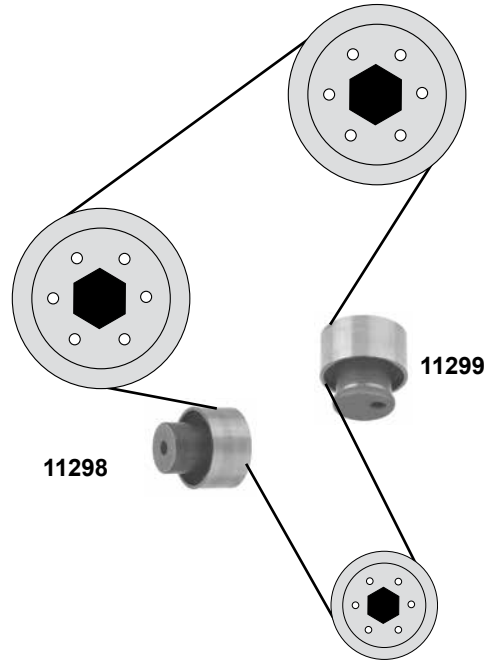




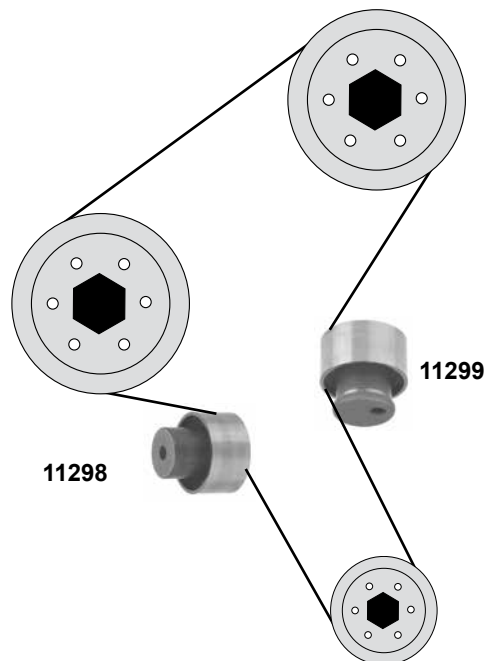
**1,4/1,6 D**  
 (DOHC,TCI)



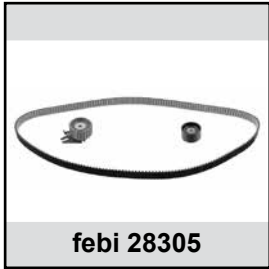
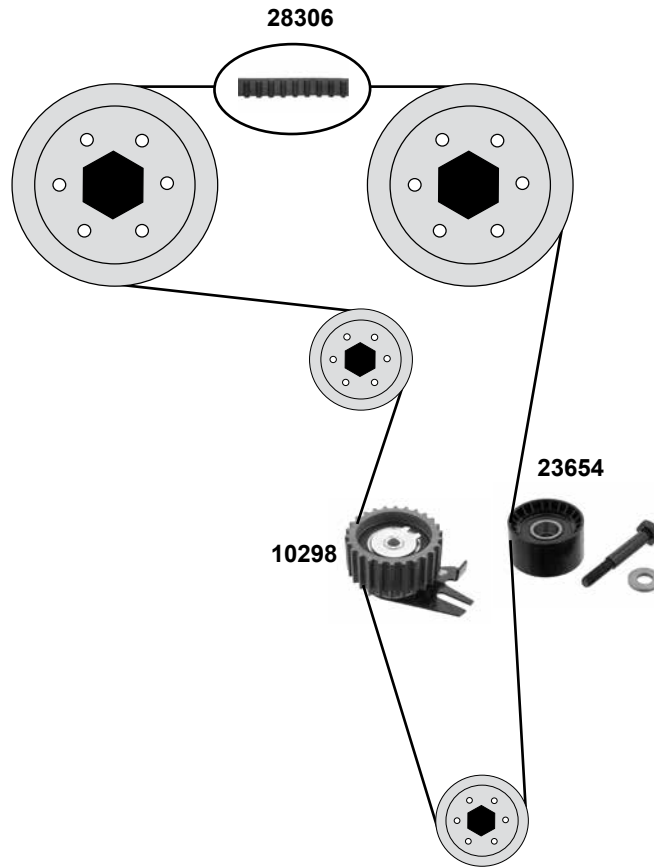
	Ref. - No.			
31002	24351-2A000	timing chain		84 E
31003	24361-2A000	timing chain		76 E



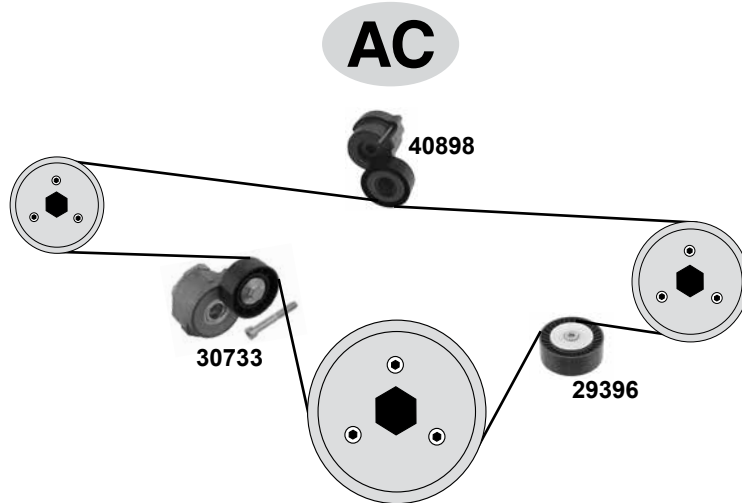
**Delta II (836)**  
(93→99)  
**1,9 D**



**1,6 D / 1,9 D / 2,0 D**



**1,6 D / 1,9 D / 2,0 D**



- (1) (mot.) 1,9 D Multijet / 2,0 D Multijet
- (2) (mot.) 1,9 D (ex.) AC
- (3) (mot.) 1,9 JTD 16 V (132kW)



Ref. - No.

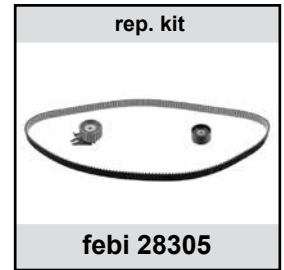
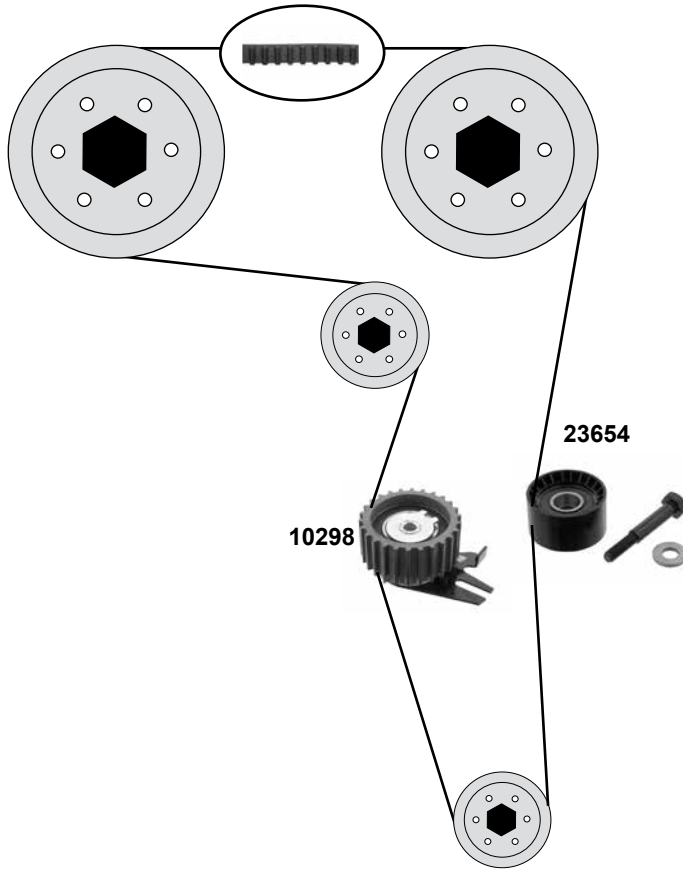


Part No.	Ref. - No.	Description	Notes	Dimensions
10298	55238027	tension roller	(1)	ØA 64 H 40
23654	55187100	deflection pulley		ØA 53 B29
28305	55183528 S1	rep. kit timing belt		
28306	55183528	timing belt	(1)	Z199 B24
29396	51758383	deflection pulley	(2)	ØA70 B26
30733	51773551	belt tensioner	(3)	ØA 65 M10x1,25
40898	51820520	belt tensioner	15/12/09 →	ØA 65 H 26

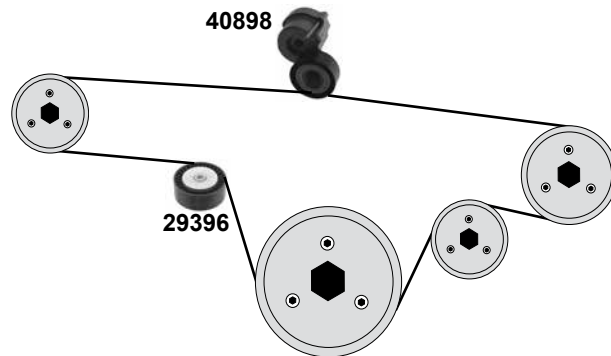


28306

1,6 D / 1,9 D / 2,0 D



**AC**



Ref. - No.



**10298**

55238027

tension roller

ØA 64 H 40

**23654**

55187100

deflection pulley

ØA 53 B29

**28305**

55183528 S1

rep. kit timing belt

**28306**

55183528

timing belt

(ex.) 1,6

Z199 B24

**29396**

51758383

deflection pulley

(mot.) 2,0

ØA 70 B26

**40898**

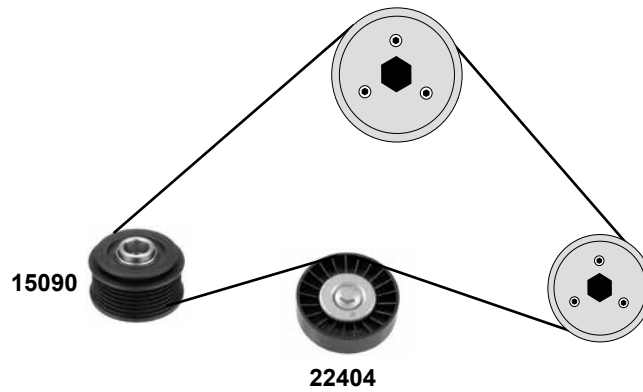
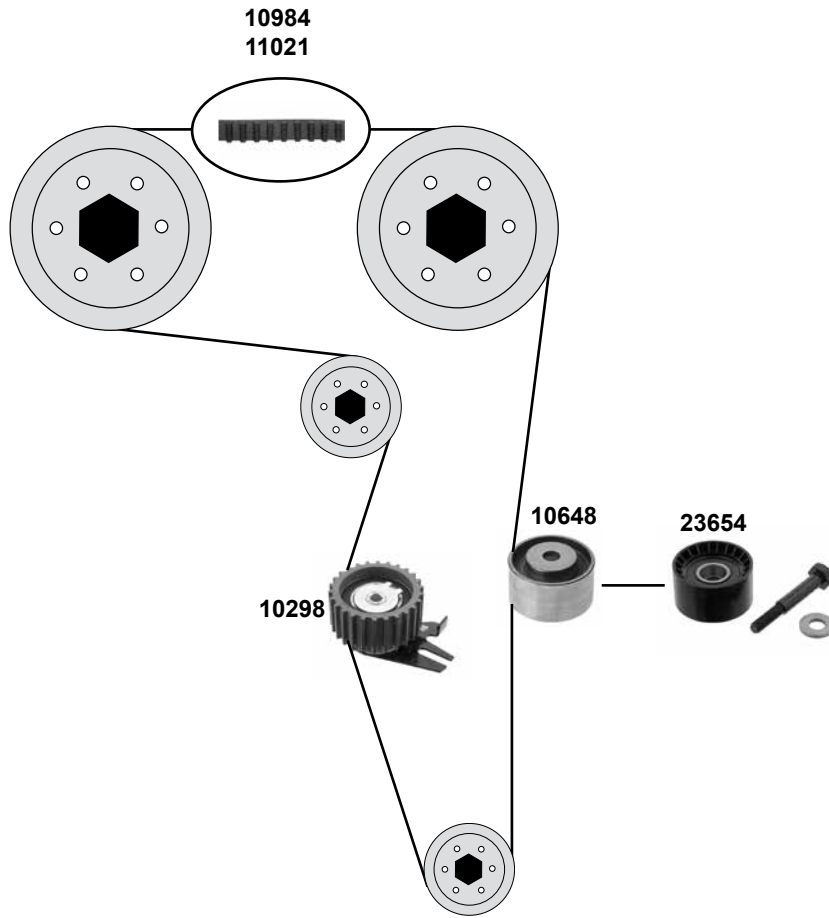
51820520

belt tensioner

15/12/09 →

ØA 65 H 26

**2,4 D**



(1) for alternator 4654 4329 / 4655 4408

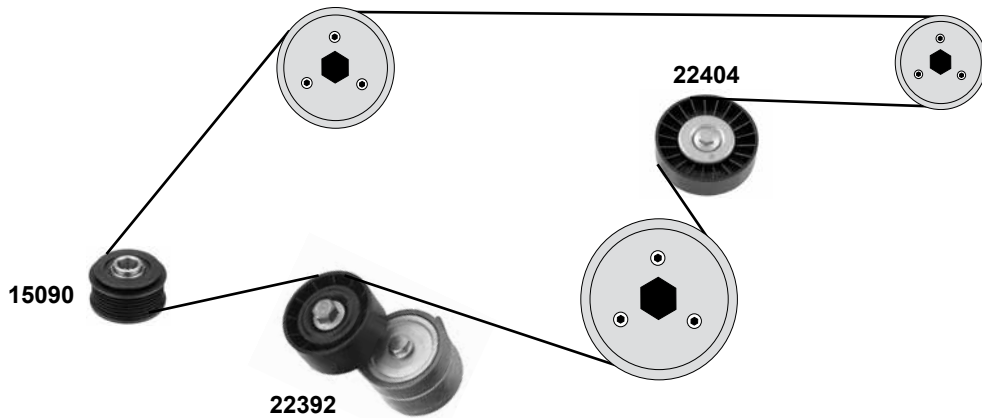
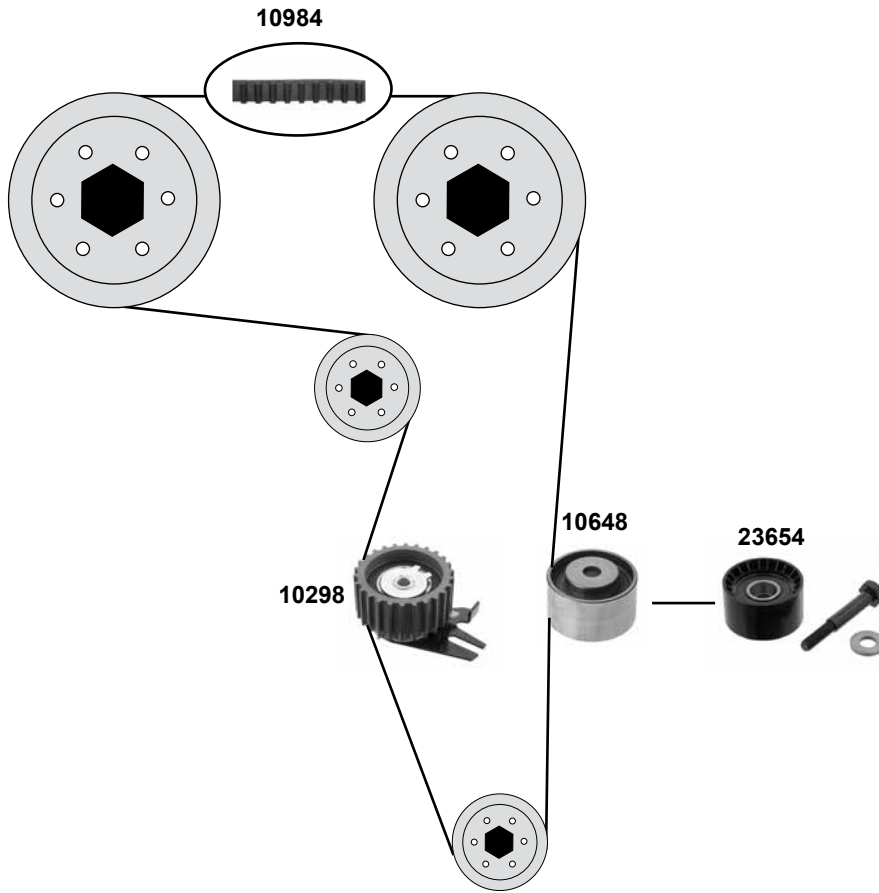
(2) (mot.) 2.4 JTD 100kW



Ref. - No.



10298	55238027	tension roller			ØA 65 H 30
10648	71736493	deflection pulley			ØA 53 H 29
10984	71731639	timing belt			Z 190 B 24
11021	7764914	timing belt		(2)	Z 193
14278	71731639 S1	rep. kit timing belt		(mot.) TDS → 0130186	
15090	9948225	belt pulley alternator		(mot.) JTD	
22404	46547566	deflection pulley		(1) Modell: 99 →	Ø A61
23654	55187100	deflection pulley			ØA 90
				91 kW / 100kW	ØA 53 B29



- (1) for alternator: 4654 4329 / 4655 4408  
 (2) (mot.) 1,9 JTD / 05/2003 → / → (mot.) 3646771  
 (3) (mot.) 1,9 JTD 15/05/2003 → / (mot.) 2,4 JTD

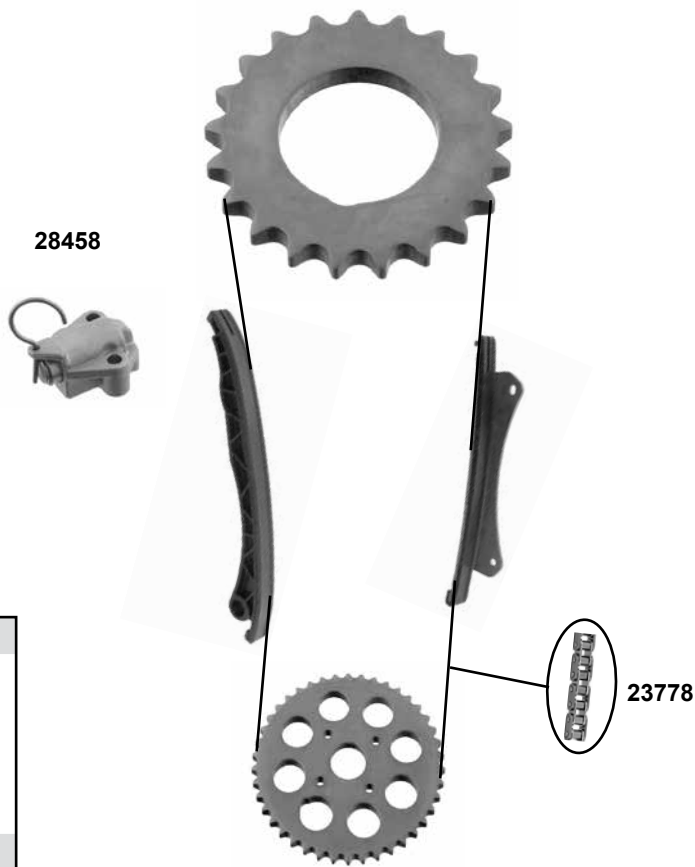


Ref. - No.

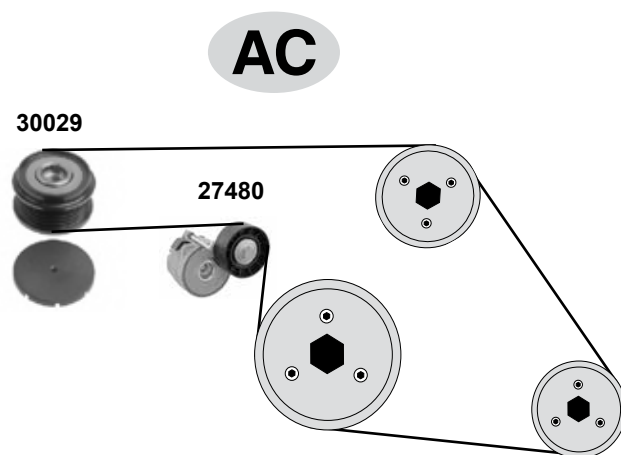






Ref. - No.	Description	Notes	Dimensions
10298	tension roller		ØA 65 B40
10648	deflection pulley	(2)	ØA 53 B29
10984	timing belt	(mot.) 1,9 JTD	Z 190 B24
14278	rep. kit timing belt		Z 190
15090	belt pulley alternator	(1)	ØA 61
22392	belt tensioner	(mot.) 1,9 JTD	
22404	deflection pulley		ØA 90
23654	deflection pulley	(3)	ØA 53 B29
23655	rep. kit timing belt	(mot.) 1,9 JTD	Z 190 B24

**1,3 D**

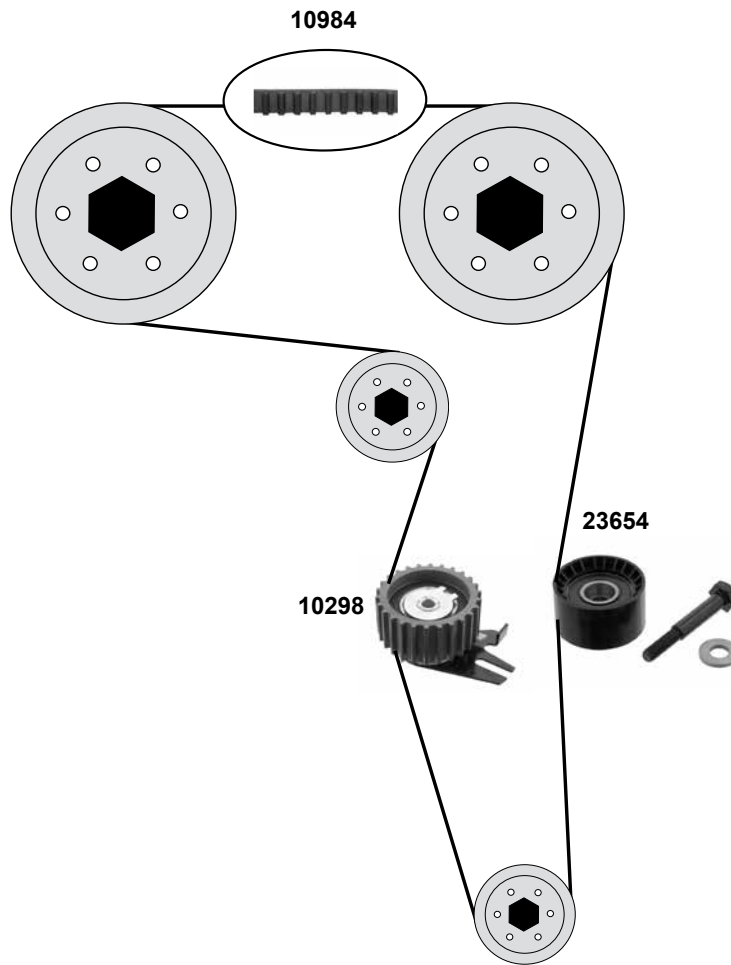


**1,3 JTD**



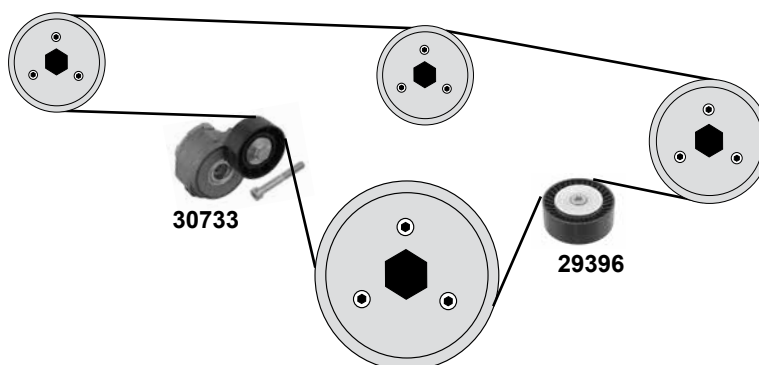
	Ref. - No.			
<b>23778</b>	55221385	timing chain	07→12	120 E
<b>27480</b>	51821652	Tensioner Assembly		
<b>28458</b>	55197785	chain tensioner	07→12	
<b>30029</b>	77362721	belt pulley	for / für 75A + 90A	ØA 59 B38,1
<b>31622</b>	55221385 S1	rep. kit timing chain	07→12	120 E

**1,6 D / 1,9 D**



**AC**

**1,6 D**

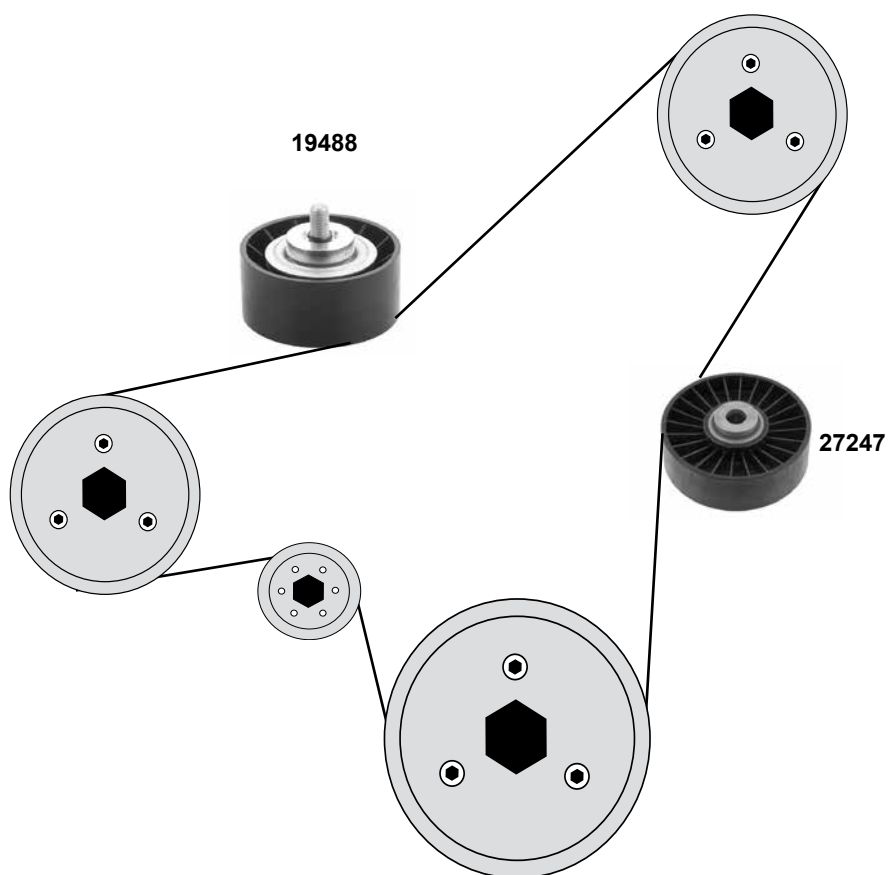


	Ref. - No.			
10298	55238027	tension roller	07→12	ØA 65 B40
10984	71731639	timing belt	→11 / (mot.) 1,9 D	
23654	55187100	deflection pulley		ØA 53 B29
23655	71736726	rep. kit timing belt	→11 / (mot.) 1,9 D	Z190 B 24
29396	51758383	deflection pulley	07→12	ØA 70 B26
30733	51773551	belt tensioner		ØA 65 M10x1,25



**1,9 D**

**AC**



Ref. - No.



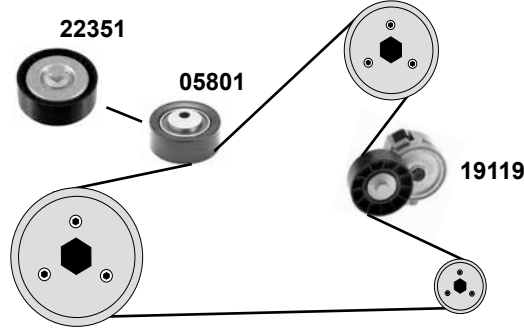
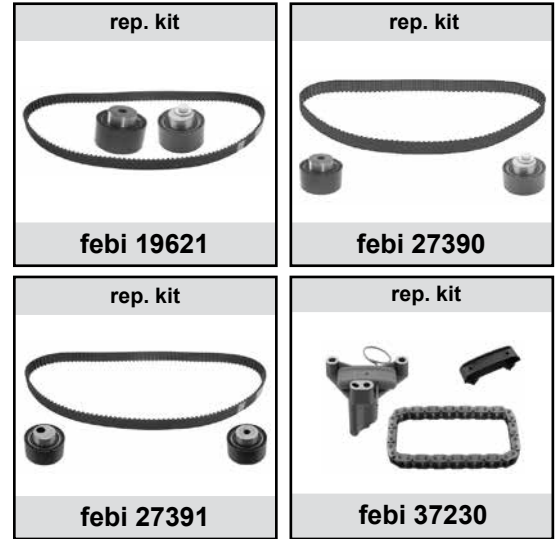
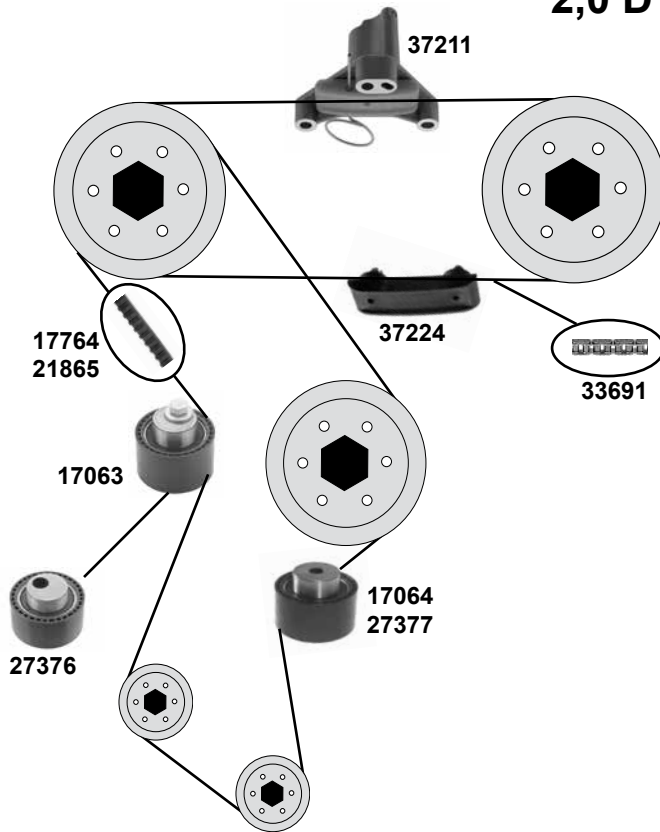
19488  
27247

55190052  
71771437

deflection pulley  
deflection pulley

ØA 65 B29  
ØA 80 B25

**2,0 D (80kW / 88kW) / 2,2 D (94kW)**



(1) (mot.) 2,0 JTD (80kW/88kW)

(2) (mot.) 2,2 JTD (94kW)

(3) → O 10010

(4) O10011 →

	Ref. - No.			
05801	9618888580	tension roller	(1)	ØA 70 ØI 10/16
17063	9400829629	tension roller	(1) (2) (3)	ØA 60 ØI 13
17064	9400830319	deflection pulley	(1) (2) (3)	ØA 60 ØI 10
17764	9463380180	timing belt	(2)	Z 146 B25,4
19119	9653522380	tensioner Assembly		ØA 70 B25
19621	9467626980	rep. kit timing belt	(2)	Z 146
21865	9464034380	timing belt	(1)	Z 144 B25,4
22351	9631847480	deflection pulley	(2)	ØA 70 ØI 10/16
27376	9467521380	tension roller	(2) (4)	ØA 62 B30
27377	9467521480	deflection pulley	(2) (4)	ØA 62 B30
27390	9467626880	rep. kit timing belt	(1)	Z 144 B25,4
27391	9467544580	rep. kit timing belt	(2) (4)	Z 146 B25,4
33691	9464474289	timing chain	(mot.) 2,0 JTD 16V	E 40
37211	9400849229	chain tensioner	(mot.) 2,0 JTD 16V	
37224	9400829949	sliding rail	(mot.) 2,0 JTD 16V	
37230	9400849239	rep. kit timing chain	(mot.) 2,0 JTD 16V	

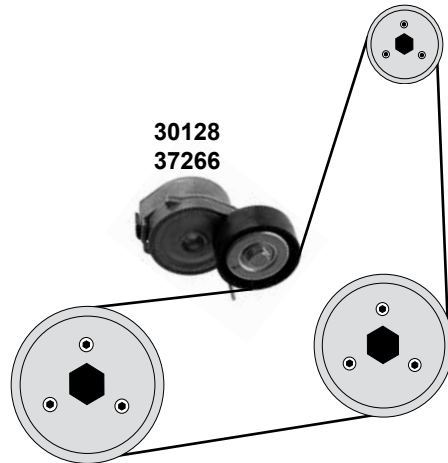
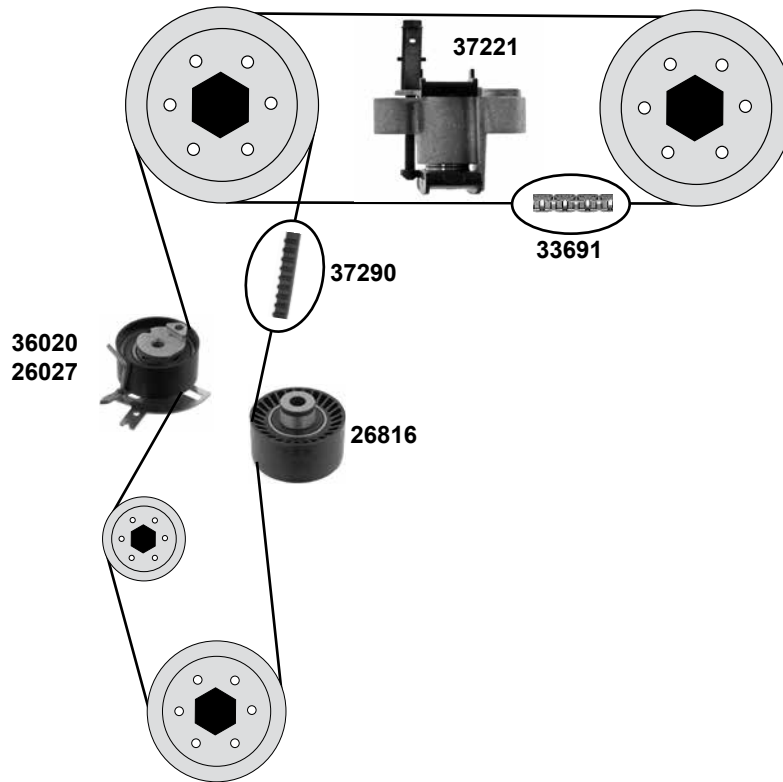
# LANCIA Phedra (179)

(01→10)

Car  
Division



**2,0 D (94kW) / 2,2 D (100kW)**



(1) (mot.) 2,0 D 88kW, 100kW (DAT → 15/07/2007)



Ref. - No.



**26027**  
**26816**  
**30128**  
**33691**  
**36020**  
**37221**  
**37266**  
**37290**  
**37620**

9464640480  
9400830509  
9653197280  
9464474289  
9683273480  
9654113880  
1611424380  
9464640380  
9464474289 S1

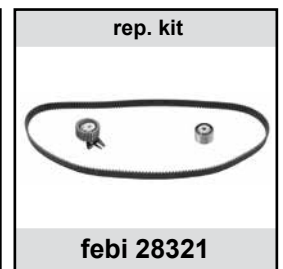
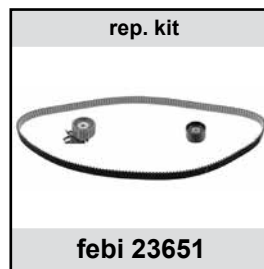
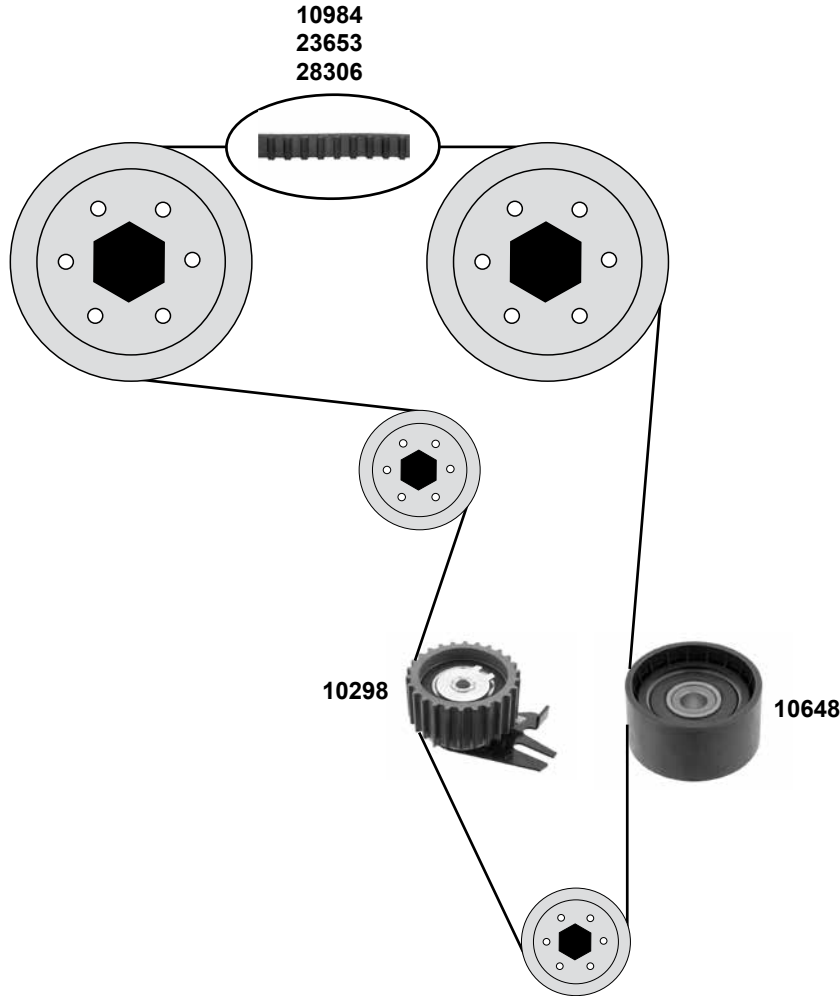
tension roller  
deflection pulley  
belt tensioner  
timing chain simplex  
tension roller  
chain tensioner  
belt tensioner  
timing belt  
rep. kit timing chain

02 → / 100kW  
100kW / Euro 4

(1)

ØA 60 B29  
ØA 60,2 B 30,2  
ØA 65 B25  
40 E  
  
ØA 70 B25  
Z 116 B25,4  
40 E

**2,4 D 10V (110kW)**  
**2,4 JTD 20V**



- (1) (mot.) 2,4 JTD (129kW)
- (2) (mot.) 2,4 JTD (110kW)
- (3) (mot.) 2,4 Multijet (ex.) 136kW



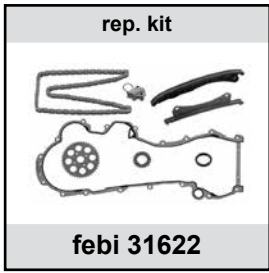
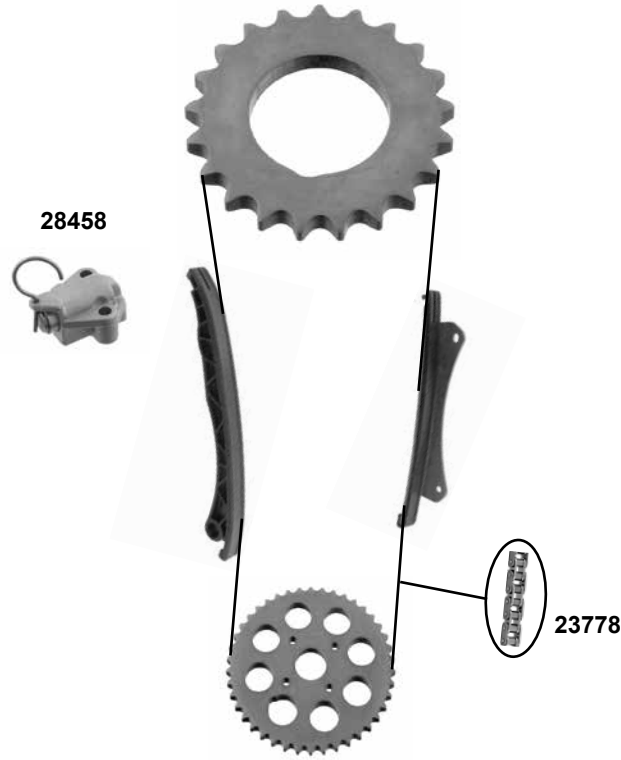
Ref. - No.



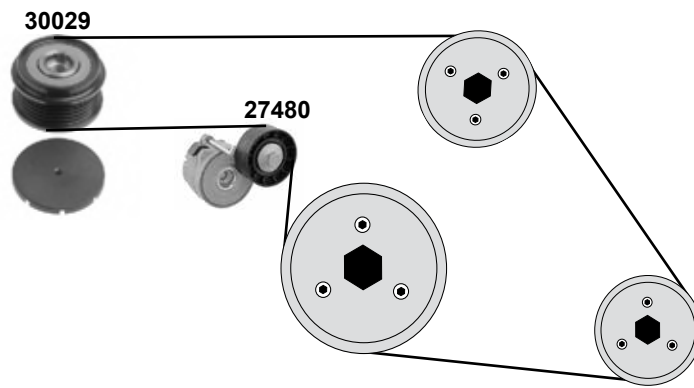
Part No.	Ref. - No.	Description	Power / Application	Dimensions
10298	55238027	tension roller	(ex.) 136kW	ØA 64 H 40
10648	71736493	deflection pulley	(1) (3)	ØA 53 H 29
10984	71731639	timing belt	(2)	Z190 B 24
14278	71731639 S1	rep. kit timing belt	(ex.) 2,4 JTD 20V	
23651	46791189 S1	rep. kit timing belt	(mot.) 2,4 JTD 20V	
23653	46791189	timing belt	(mot.) 2,4 JTD 20V	Z198 B24
23655	71736726	rep. kit timing belt		
28306	55183528	timing belt	(1)	Z199 B24
28321	55183528 S2	rep. kit timing belt	20 V ( 129 kW)	Z 199 B24



**1,3 D**

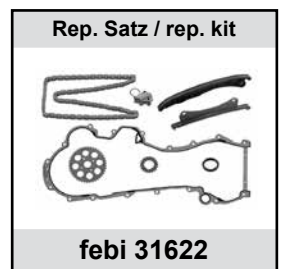
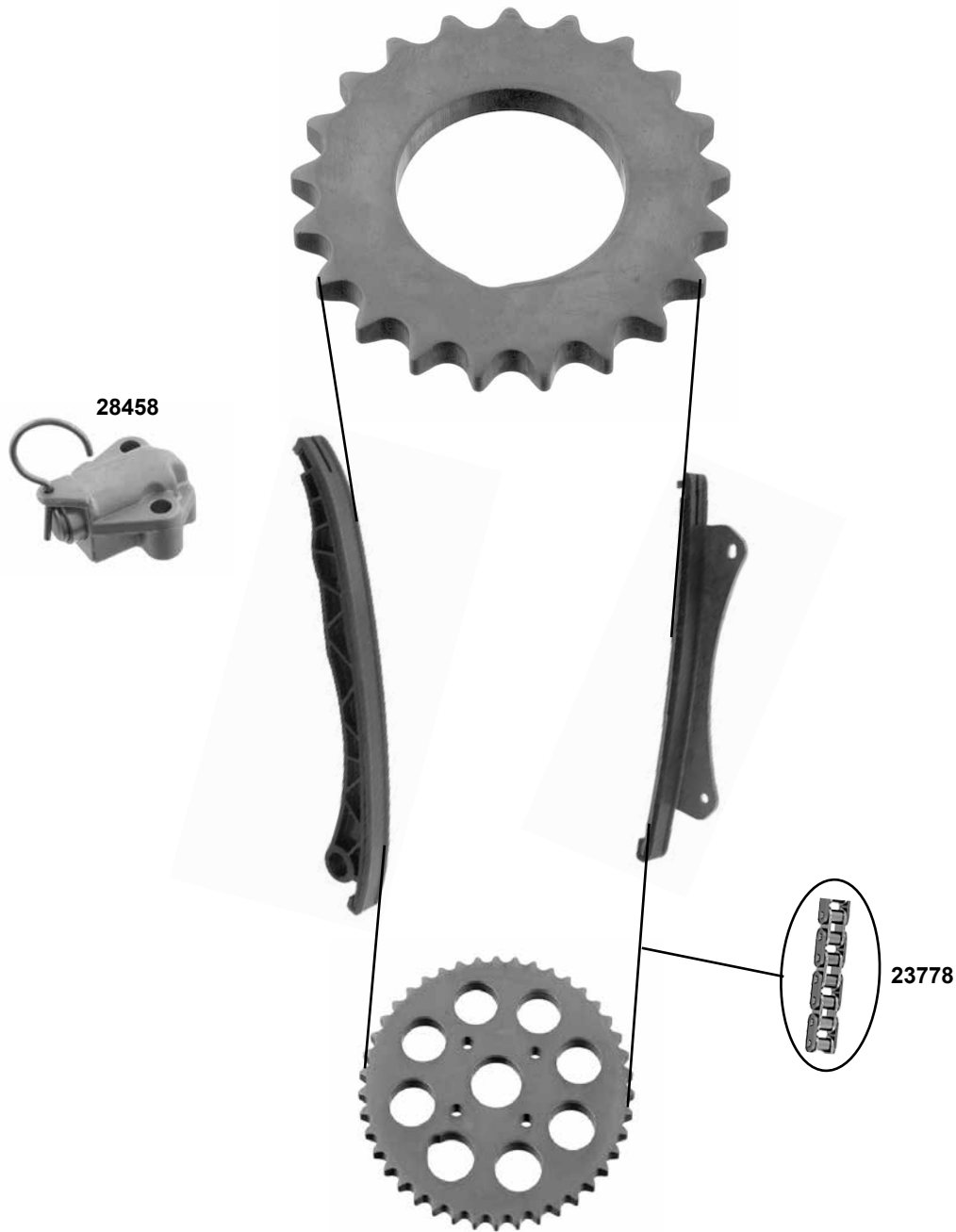


**AC**



(1) for alternator: 4654 4329 / 4655 4408

	Ref. - No.			
<b>23778</b>	55221385	timing chain	(1)	120 E
<b>27480</b>	51821652	Tensioner Assembly		ØA 65 B25,5
<b>28458</b>	55197785	chain tensioner		
<b>30029</b>	77362721	belt pulley		ØA 59 ØI17 B38,1
<b>31622</b>	55221385 S1	rep. kit timing chain		120 E



Ref. - No.



**23778** 55221385  
**28458** 55197785  
**31622** 55221385 S1

timing chain  
chain tensioner  
rep. kit timing chain

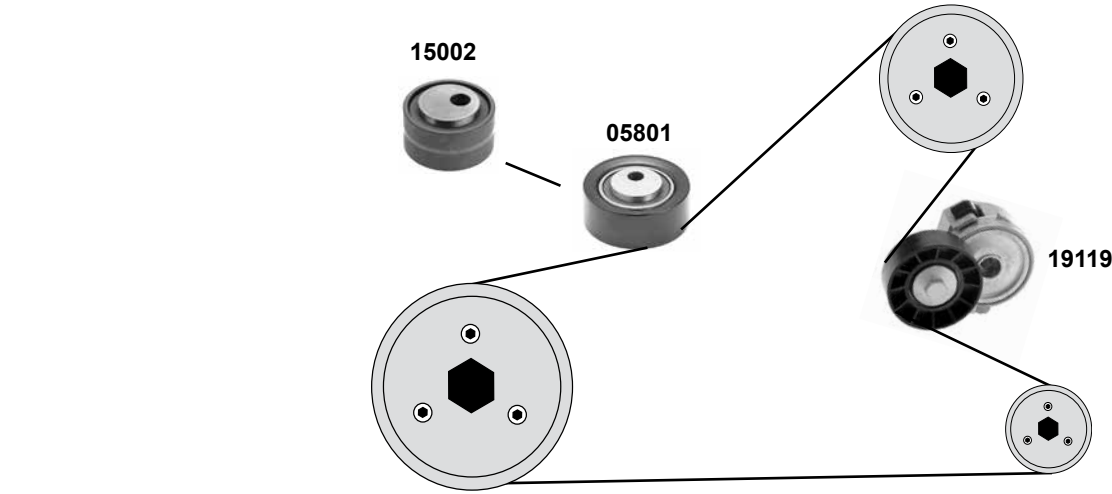
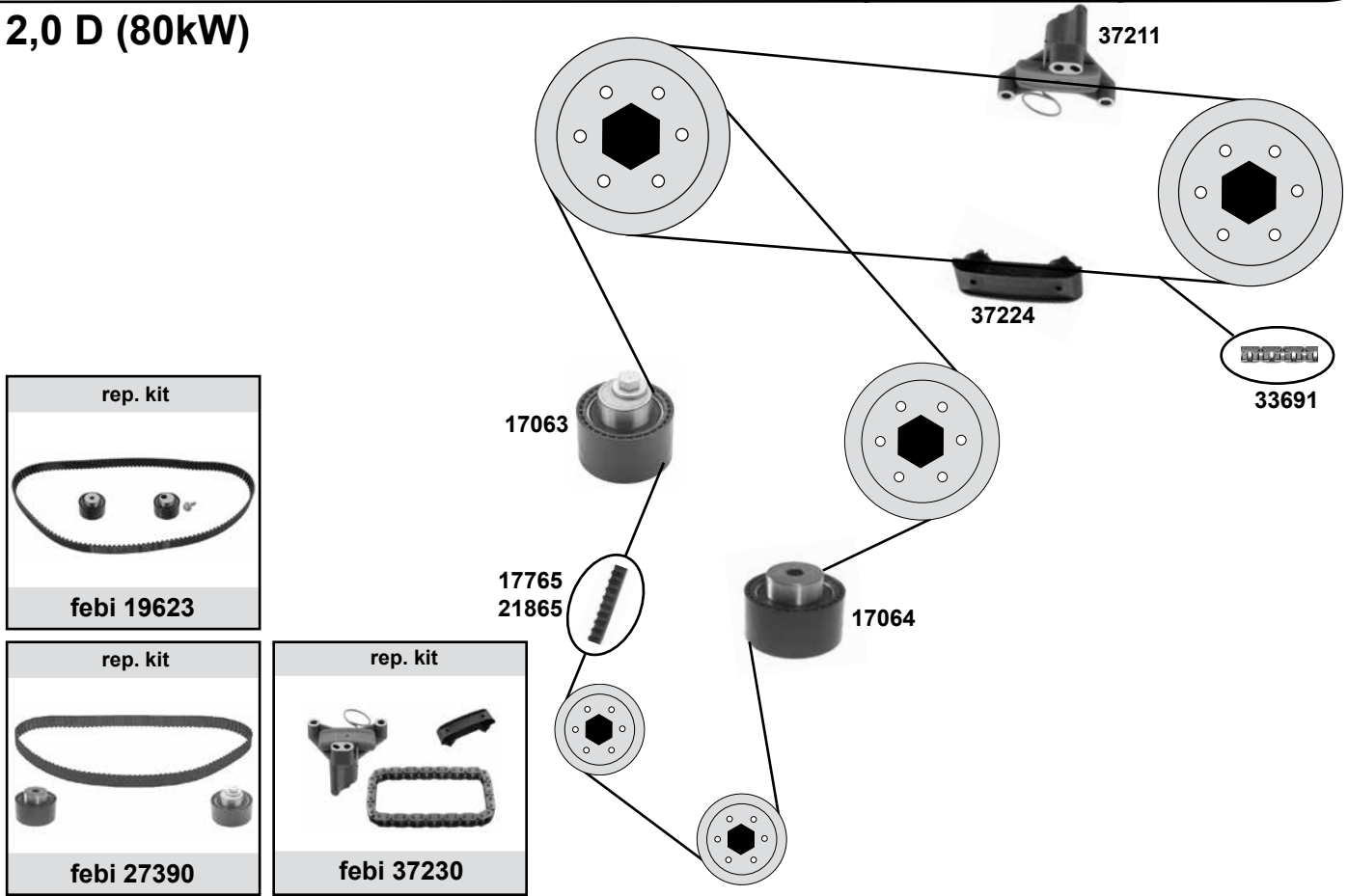
120 E  
120 E

**LANCIA**  
**Zeta (220)**  
(94→02)

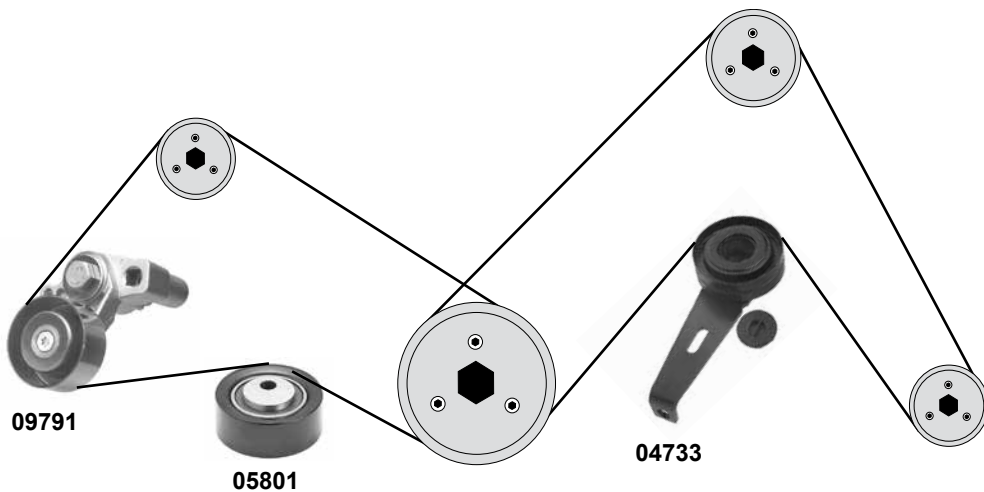
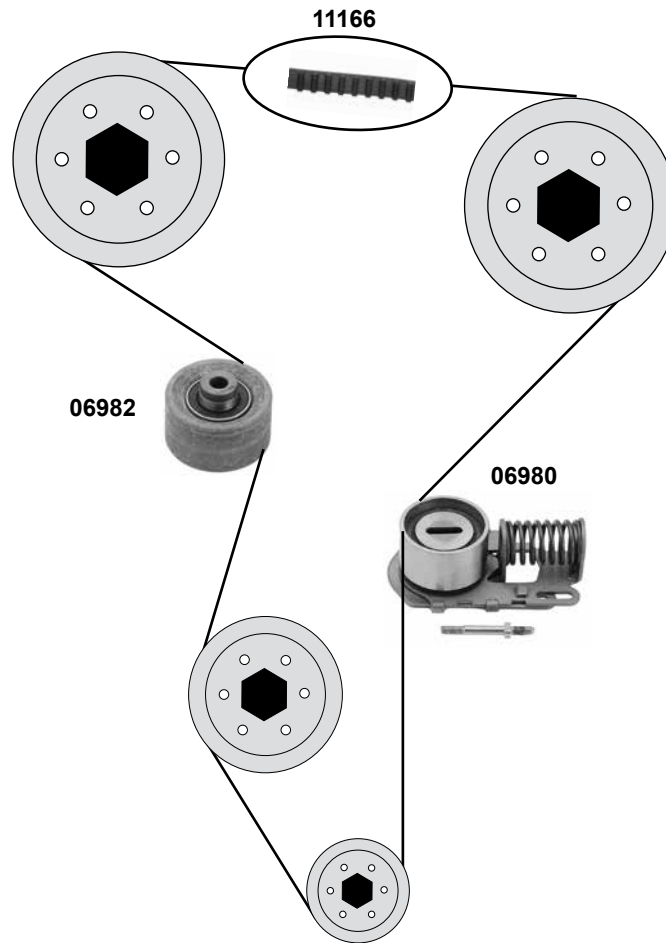
Car  
Division



**2,0 D (80kW)**



	Ref. - No.			
05801	9618888580	deflection pulley	AC	ØA 70 ØI 10/16
15002	9633315180	deflection pulley	(ex.) AC	ØA 70 ØI 10/16
17063	9400829629	tension roller		ØA 60 ØI 13
17064	9400830319	deflection pulley	(ex.) 16 V	ØA 60 ØI 10
17765	9463380680	timing belt	8 V	Z 141 B25
19119	9653522380	Tensioner Assembl		ØA 70 B25
19623	9467628980	rep. kit timing belt	8 V	
21865	9464034380	timing belt	16 V	Z 144 B25,4
27390	9467626880	rep. kit timing belt	16 V	Z 144 B25,4
33691	9464474289	timing chain	(mot.) 2,0 JTD 16V	E 40
37211	9400849229	chain tensioner	(mot.) 2,0 JTD 16V	
37224	9400829949	sliding rail	(mot.) 2,0 JTD 16V	
37230	9400849239	rep. kit timing chain	(mot.) 2,0 JTD 16V	



	Ref. - No.			
<b>04733</b>	9627860780	tension roller	(ex.) AC	ØA 85 B26
<b>05801</b>	9618888580	deflection pulley	AC	ØA 70 ØI 10/16
<b>06980</b>	9400818199	tension roller		ØA 57 B31
<b>06982</b>	9400830379	deflection pulley		ØA 60 ØI 10 B34
<b>09791</b>	9623001280	tension roller	AC	ØA 60 B26,5
<b>11166</b>	71739918	timing belt		Z 149 B25,4



# LAND ROVER Defender

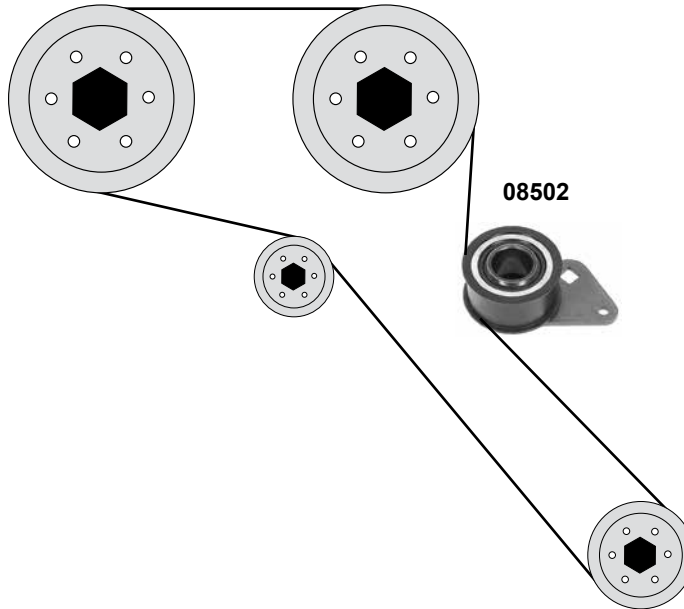
(01/86→)

Car  
Division

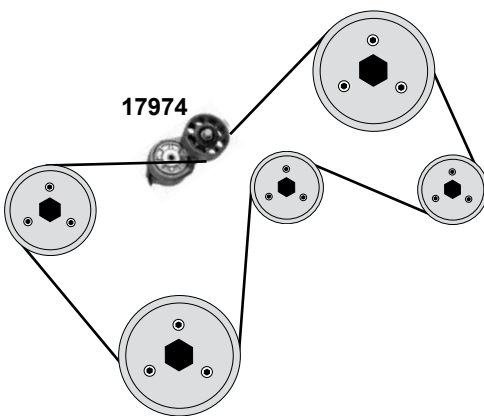


## 2,5 TD

(nur / only 200TDI)

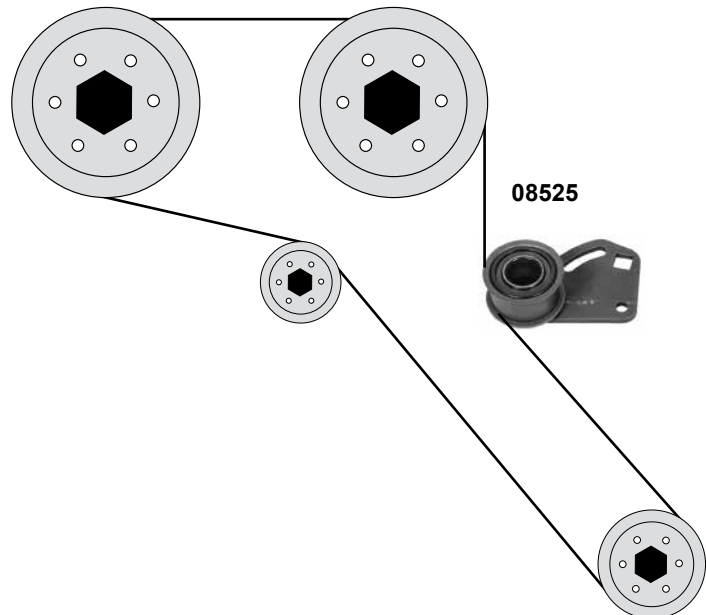


## 2,5TD



## 2,5 TD

(ex. 200TDI/300TDI/Td5)



Ref. - No.



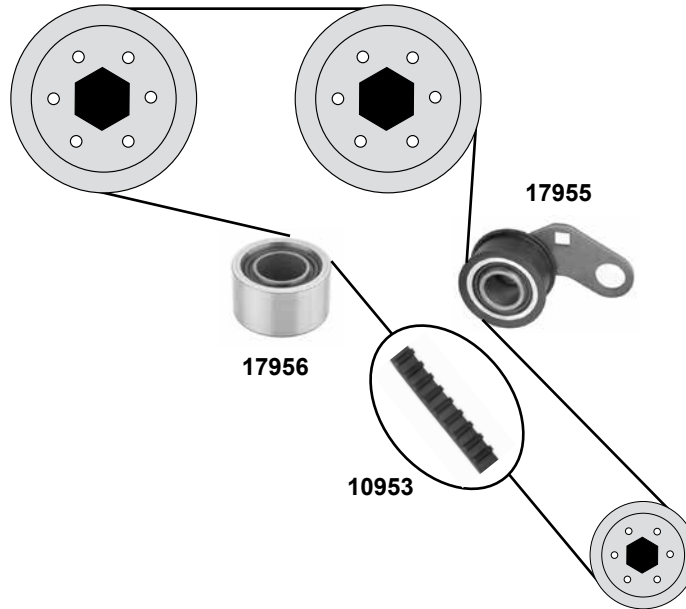
**08502** ERR 2530  
**08525** ERC 8861  
**17974** ERR 4708

tension roller  
tension roller  
belt tensioner

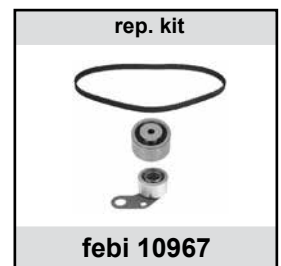
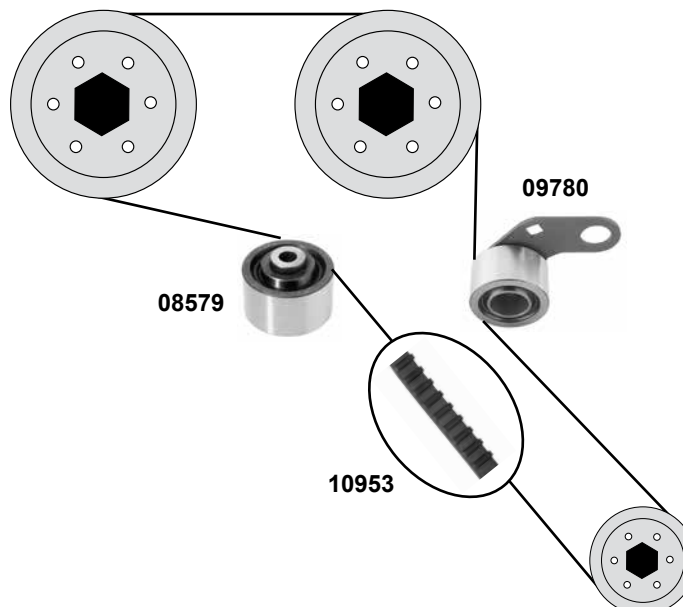
87 → 06

ØA 67 B36,5/31,5  
ØA49,5 B29/26

**Modell: → VA 117353**



**Modell: VA 117354 →**



Ref. - No.



<b>08579</b>	LHV 100150	deflection pulley	ØA 64,5 ØI 10 B 35
<b>09780</b>	LHP 100680	tension roller	ØA 73 ØI 30 B 37
<b>10953</b>	ERR 1092	timing belt	Z 118 B 30
<b>10967</b>	ERR 1092 S1	rep. kit timing belt	
<b>17955</b>	ERR 1972	tension roller	ØA 67/74 ØI 30
<b>17956</b>	ETC 8560	deflection pulley	ØA 64,4 ØI 10,5

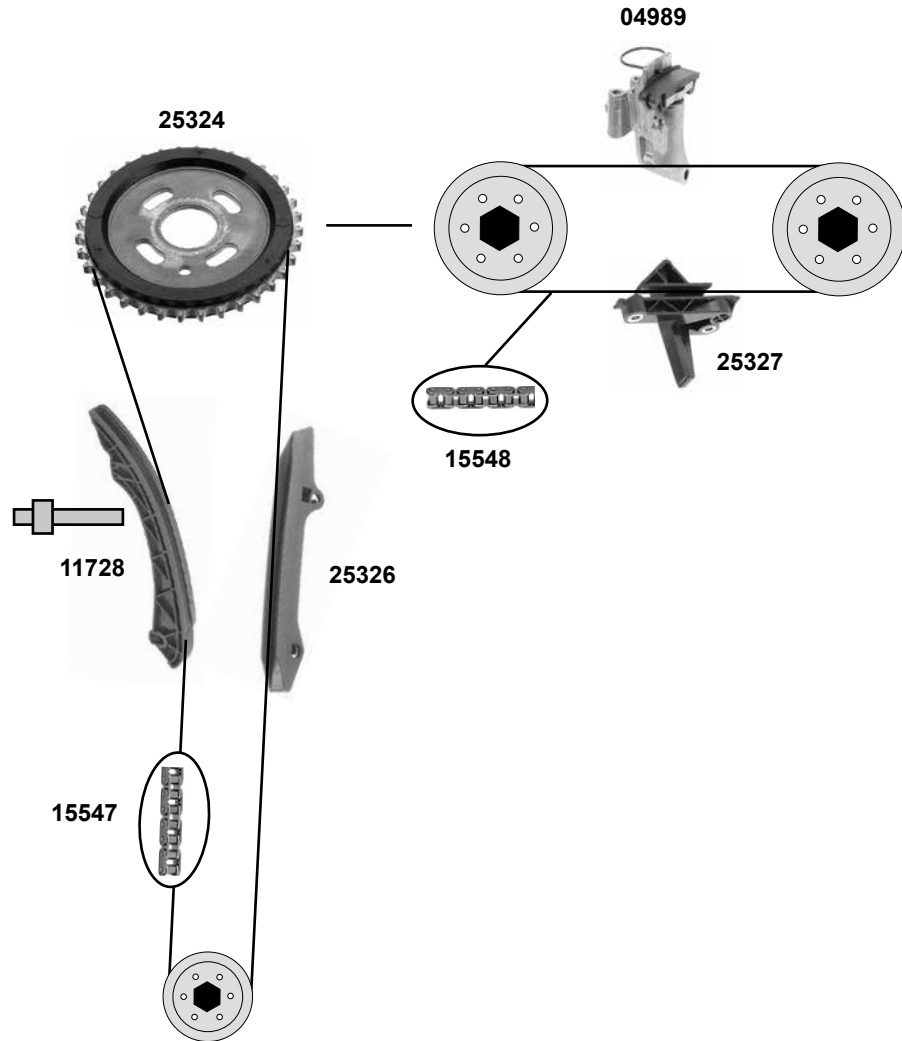
# LAND ROVER Defender





(97→00)

Car  
Division

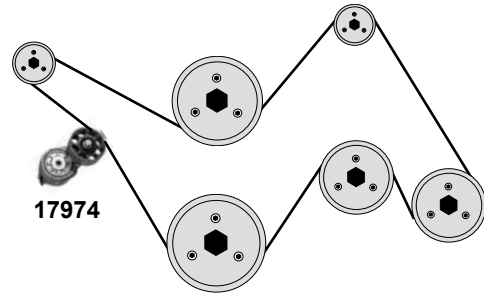
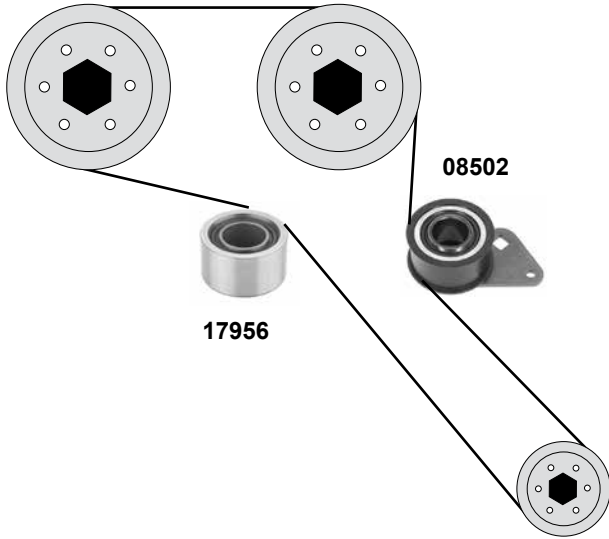


**2,8**  
(M52)

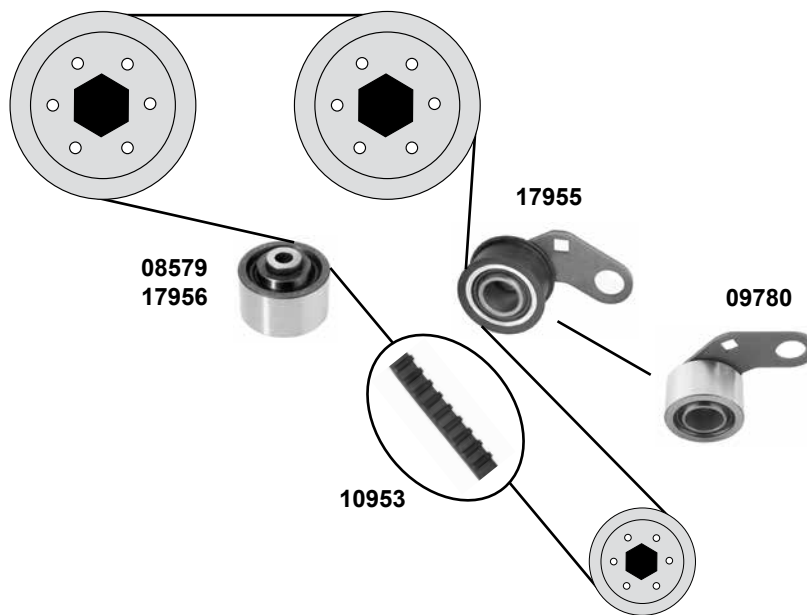


	Ref. - No.			
<b>04989</b>	1738700	chain tensioner		
<b>11728</b>	1703717	sliding rail		
<b>15547</b>	1432176	timing chain		104 E
<b>15548</b>	1432177	timing chain		58 E
<b>25324</b>	1722841	camshaft timing gear		36 E
<b>25326</b>	1726480	sliding rail		
<b>25327</b>	1722651	sliding rail		

**2,5 TD**  
(nur / only 200TDI)



**2,5 TD**  
(nur / only 300TDI)



	Ref. - No.			
<b>08502</b>	ERR 2530	tension roller		ØA 67 B 36,5
<b>08579</b>	LHV 100150	deflection pulley	(ch.) VA 560898 →	ØA 64,5 ØI 10 B 35
<b>09780</b>	LHP 100680	tension roller	(ch.) VA 560898 →	ØA 73 ØI 30 B 37
<b>10953</b>	ERR 1092	timing belt	(ch.) VA 560897 →	Z 118 B 30
<b>10967</b>	ERR 1092 S1	rep. kit timing belt	(ch.) VA 560898 →	
<b>17955</b>	ERR 1972	tension roller	(ch.) → VA 560897	ØA 67/74
<b>17956</b>	ETC 8560	deflection pulley	(ch.) → VA 560897	
<b>17974</b>	ERR 4708	belt tensioner	(mot.) MA 081992 →	

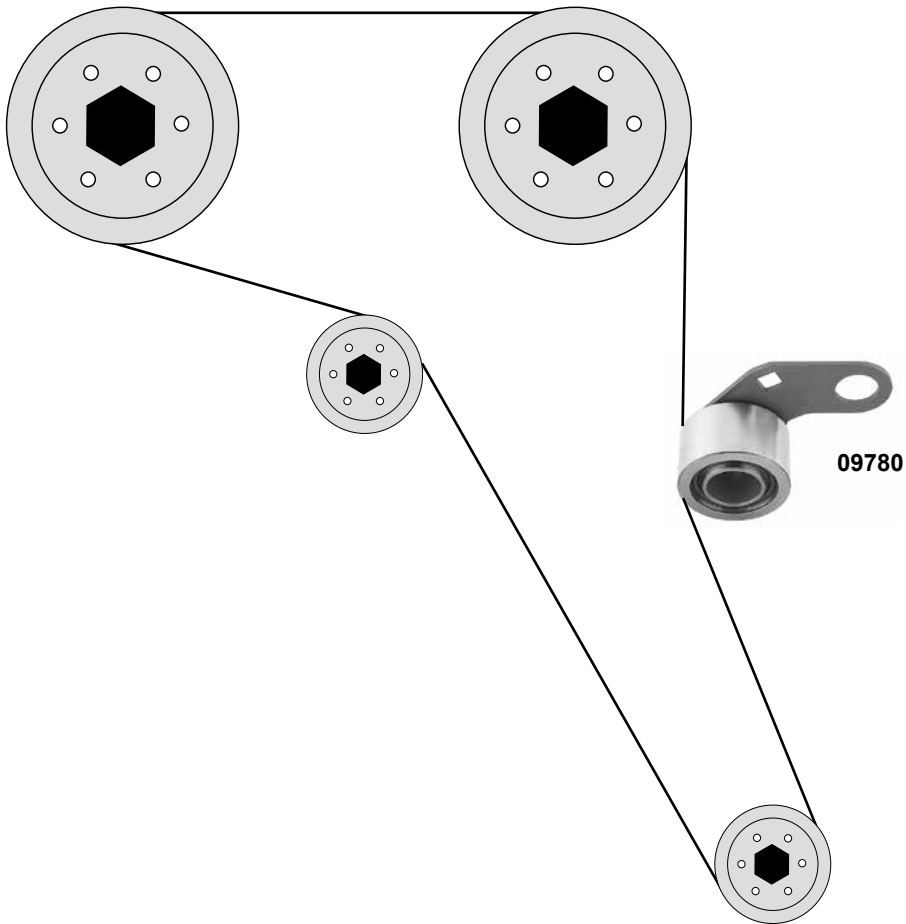
# LAND ROVER Defender / Discovery

(95→)

Car  
Division



## 2,5 TDI



Ref. - No.

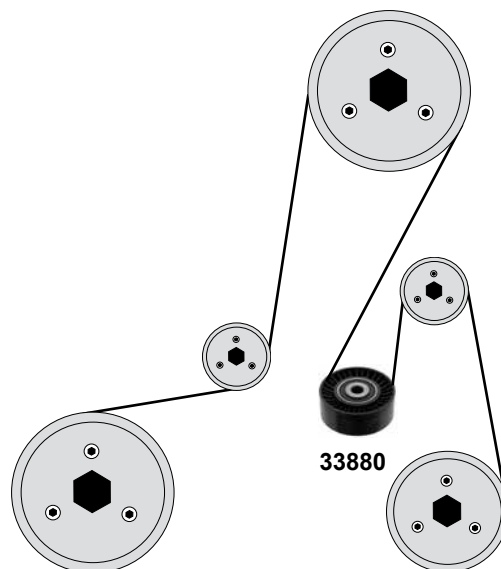
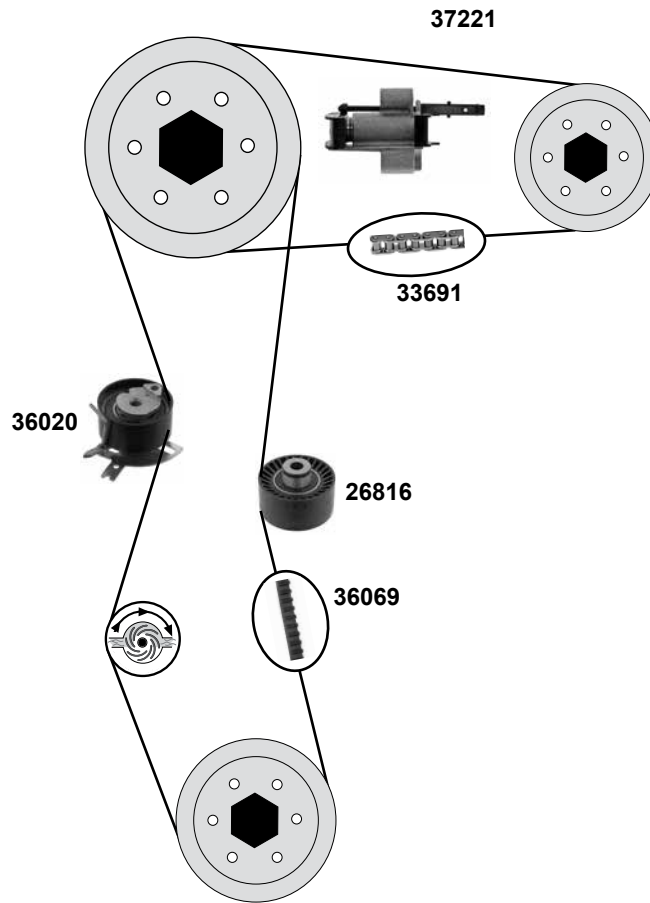


09780

LHP 100680

tension roller

ØA 73 ØI 30 B37



	Ref. - No.			
<b>26816</b>	LR 000660	deflection pulley		ØA 60,2 H 30,2
<b>33691</b>	LR 000663	timing chain		
<b>33880</b>	LR 004877	deflection pulley	01/07 →	ØA 70 B26
<b>36020</b>	LR 009395	tension roller		ØA 60 H 29
<b>36069</b>	LR 004257	timing belt		Z 118 B25,4
<b>37221</b>	LR 001300	chain tensioner		
<b>37620</b>	LR 000663 S1	rep. kit timing chain	Simplex	E40

# LAND ROVER Range Rover II

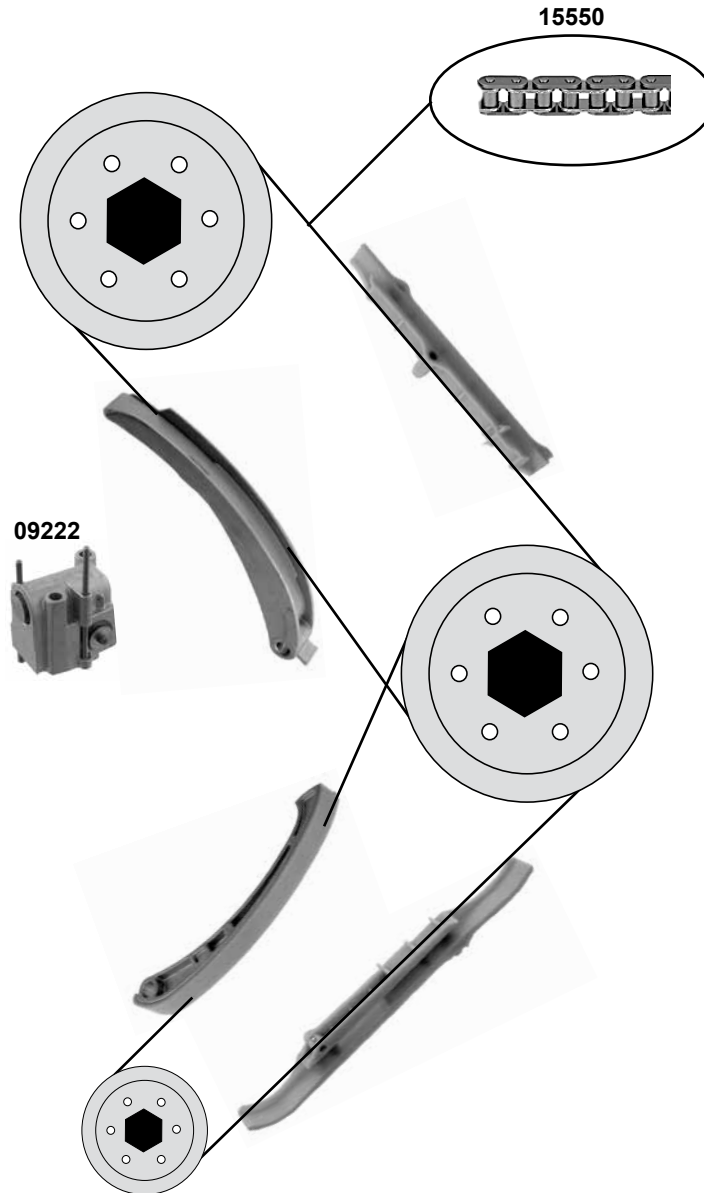
(94→02)

Car  
Division



## 2,5 D

(M51)



Ref. - No.



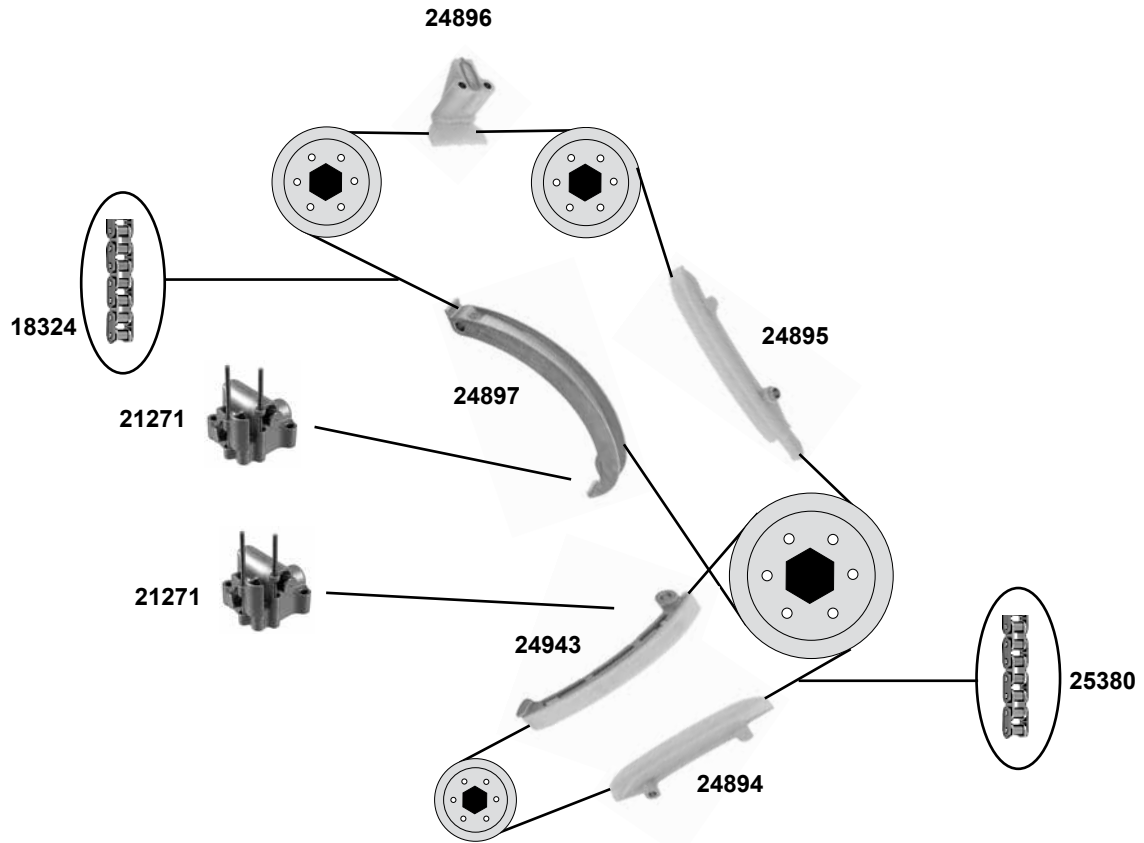
09222  
15550

STC 2282  
STC 3358

chain tensioner  
timing chain

95 → 02

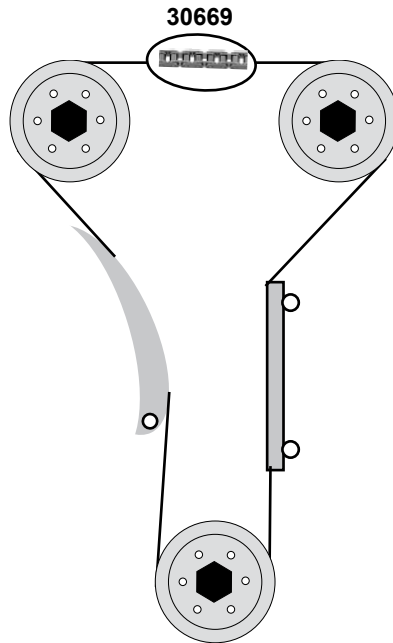
80 E



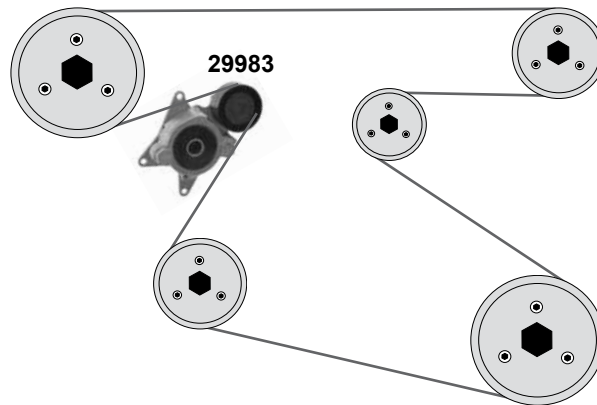
	Ref. - No.			
<b>18324</b>	LHN 100840L	timing chain		90E
<b>21271</b>	PQG 100320L	chain tensioner		
<b>24894</b>	PRF100050L	sliding rail		
<b>24895</b>	LGJ 100990L	sliding rail		
<b>24896</b>	LGJ 101000L	sliding rail		
<b>24897</b>	LGJ 100980L	sliding rail		
<b>24943</b>	PRF100040L	sliding rail		
<b>25380</b>	MVF100070L	timing chain		68E
<b>30343</b>	LHN 100840L S2	rep. kit timing chain		90E



**2,2 TD**  
(2ADFHV / ADFTV)



**2,2 TD**  
(2ADFHV)



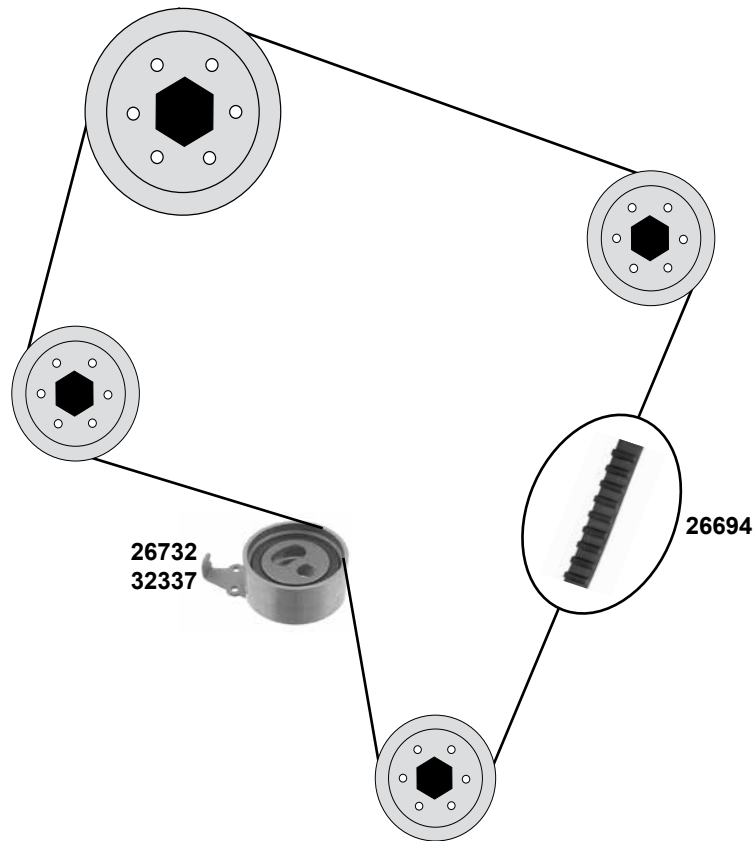
Ref. - No.



**29983** 16620-0R010  
**30669** 13506-26010

belt tensioner  
timing chain

AØ 70 H28  
112 E



(1) E1800 (SK) 99 → / E2000 (SK/SL) 97 → / E2000 (SD/SR) 97 →  
 E2200 (SK) 99 → / E2200 (SD/SR) 97 → / E2500 (SK/SL) 99 →



Ref. - No.



**26694** R201-12-205A  
**26732** R201-12-700B  
**32337** RF01-12-700B

timing belt  
 tension roller  
 tension roller

(1)

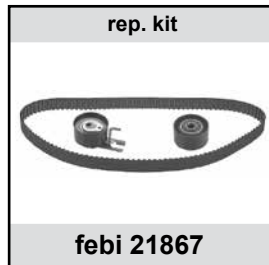
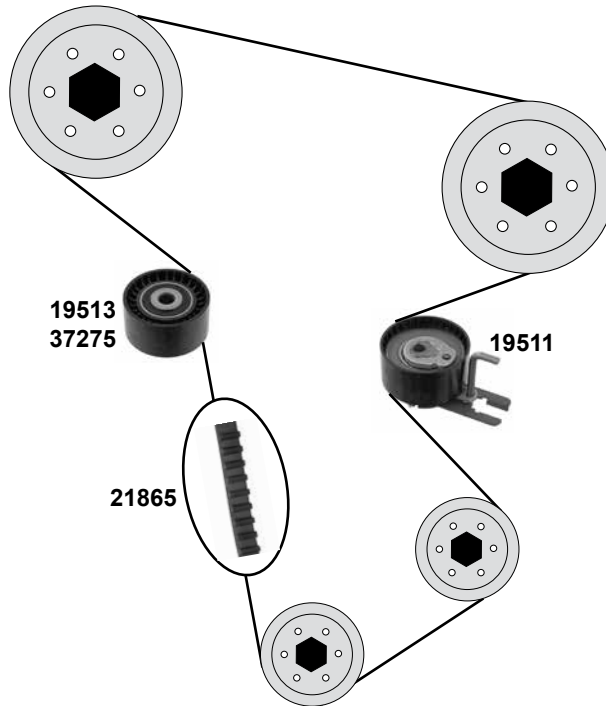
Z 164 B 25,4  
 ØA 58 H 30  
 ØA 58 H 30

**MAZDA**  
**Mazda 2 (DY/DE)**  
 (03→)

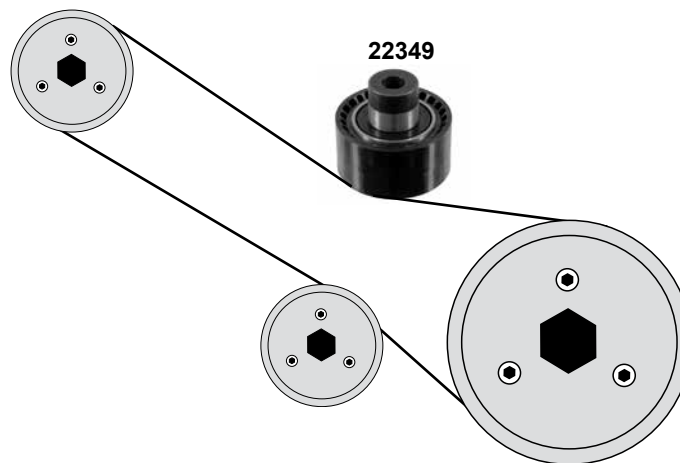
Car  
 Division 



**1,4 DI / 1,6 DI**



**(ex.) AC**



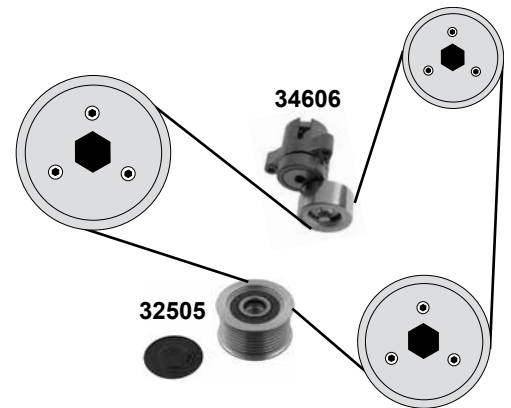
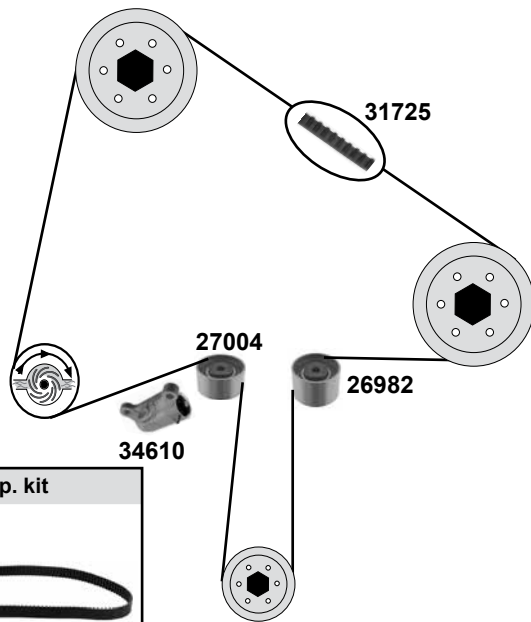
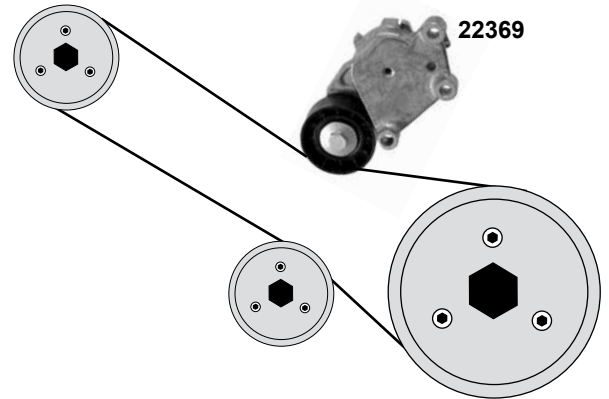
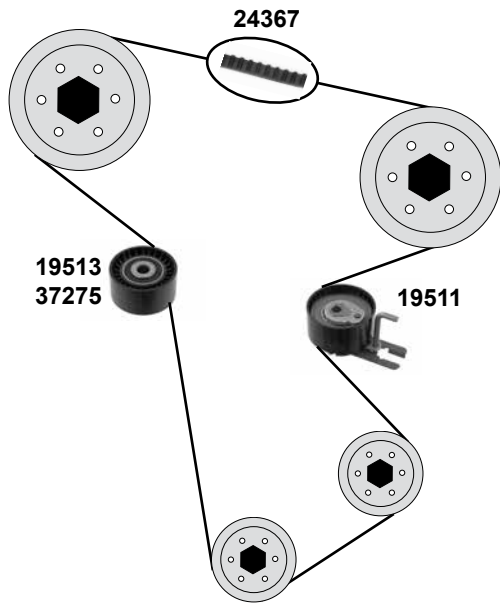
- (1) (mot.) 1,4 (DY) →07(mot.) 1,4 (DE) 07→  
 (2) (mot.) 1,6 (DE) 10/07→



Ref. - No.



<b>19511</b>	Y401-12-770D	tension roller	(1)	∅A 30 H 29
<b>19513</b>	Y401-12-730	deflection pulley	(1)	∅A 60 H 30
<b>21865</b>	Y401-12-205A	timing belt	(mot.) DY 1,4	Z 144 B24,5
<b>21867</b>	Y401-12-205A S1	rep. kit timing belt	(1)	Z 144 B24,5
<b>22349</b>	Y401-15-930	deflection pulley	(mot.) DY 1,4	∅A51 H26 B22
<b>37275</b>	Y650-12-730A	deflection pulley	(2)	∅A 61 ØI 10 H 30

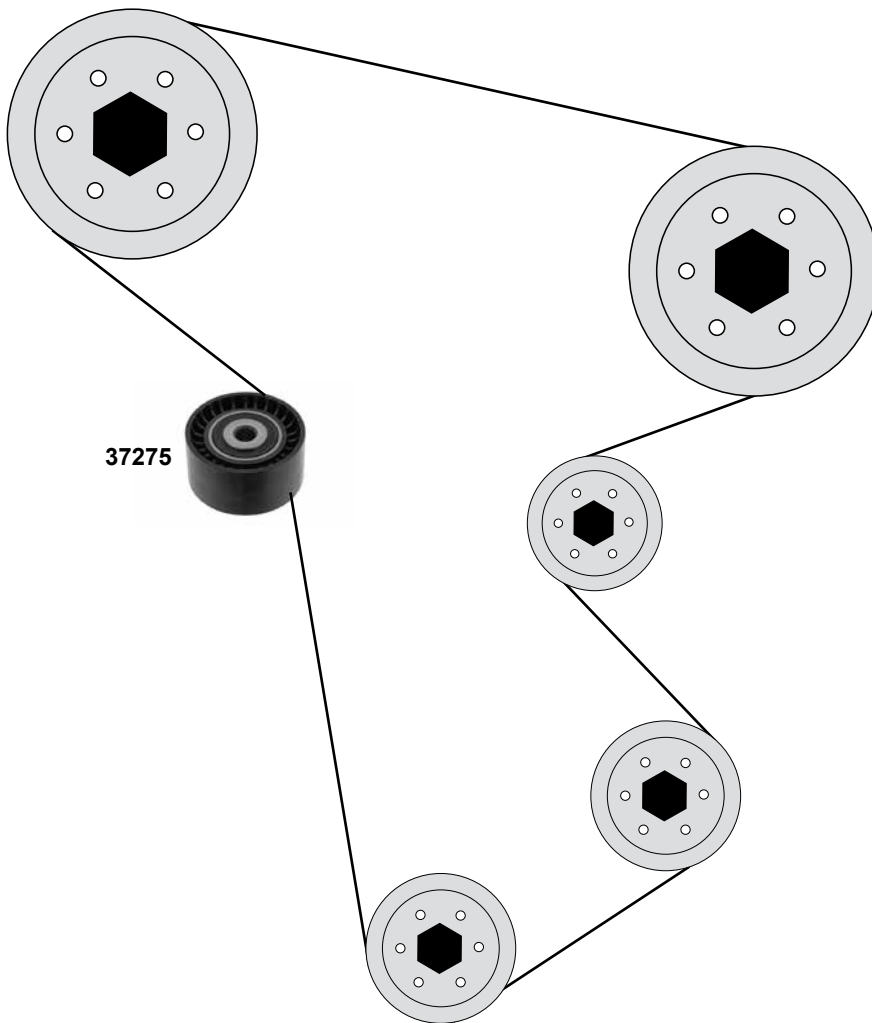


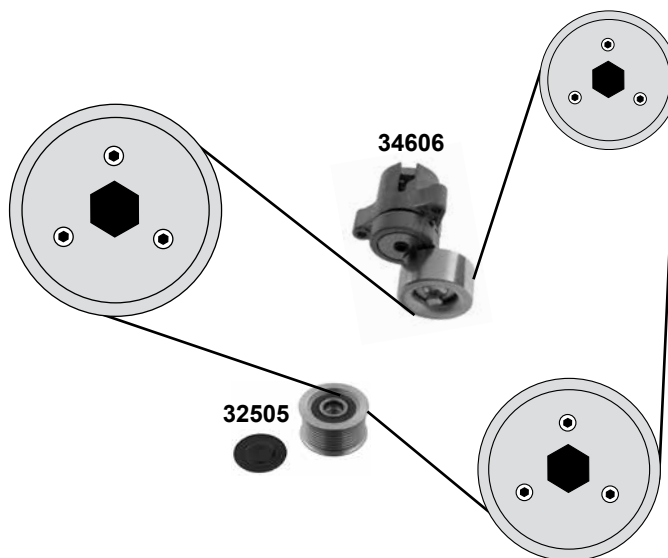
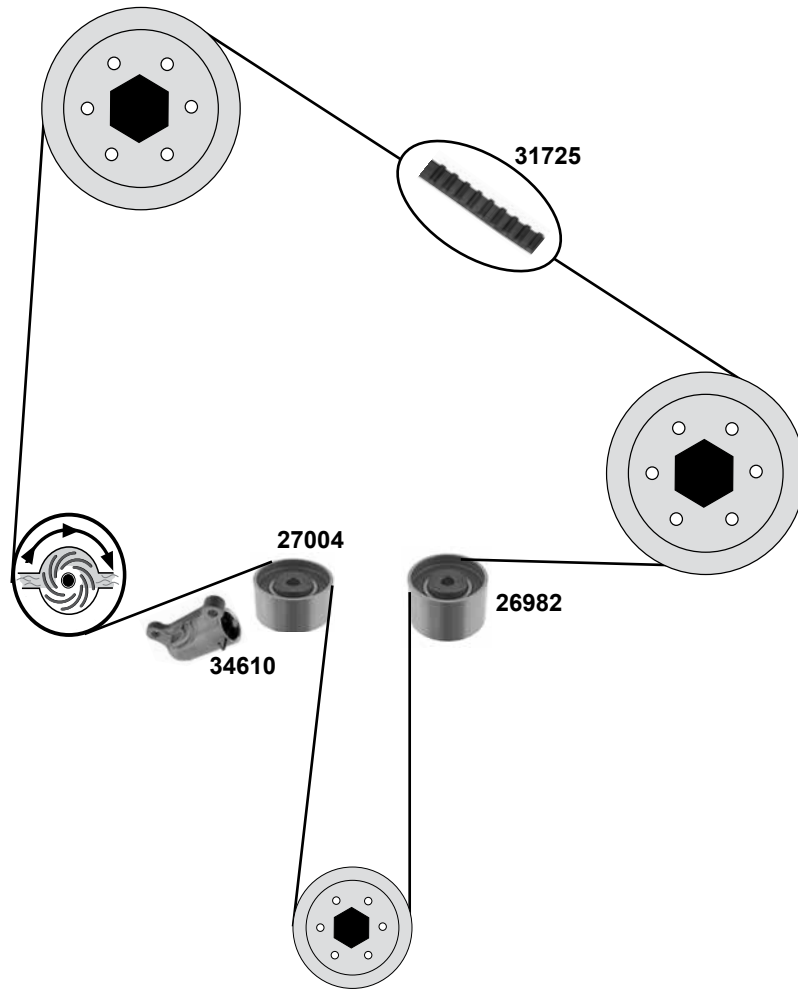
Ref. - No.



Ref. - No.	Description	Part No.	Dimensions
19511	tension roller	Y401-12-770D	→ 11/08
19513	deflection pulley	Y401-12-730	→ 11/08
22369	belt tensioner	Y601-15-980	(mot.) BK / 03/06 → 11/08
24367	timing belt	Y6Y1-12-205	(mot) BK / 03/06 → 11/08
26982	deflection pulley	RF5C-12-730	(mot) BK / 03/06 → 11/08
27004	tension roller	RF5C-12-700	(mot) BK / 03/06 → 11/08
31725	timing belt	RF7J-12-205	(mot) BK / 03/06 → 11/08
31726	rep.kit timing belt	RF7J-12-205 S1	(mot) BK / 03/06 → 11/08
32505	belt pulley	RF5C-18-330A	10/03 → 06/09
34606	belt tensioner	RF7J-15-980	(mot) BK / 12/06 → 06/09
34610	belt tensioner	RF2A-12-770B	(mot) BK / 12/06 → 06/09
37275	deflection pulley	Y650-12-730A	(mot) BL / 06/09 →
			ØA 60 H 29
			ØA 60 H 30
			ØA73 B22
			Z 137 B25
			ØA 58 H 33
			ØA 58 H 33
			Z 150 B30
			Z 150 B30
			ØA 65 ØI 17 B39
			ØA 71 B 36
			ØA 31
			ØA 61 ØI 10 H 30

**1,6 D**





	Ref. - No.			
<b>26982</b>	RF5C-12-730	deflection pulley		ØA 58 H 33
<b>27004</b>	RF5C-12-700	tension roller		ØA 58 H 33
<b>31726</b>	RF7J-12-205 S1	rep.kit timing belt		Z 150 B 30
<b>31725</b>	RF7J-12-205	timing belt		Z 150 B 30
<b>32505</b>	RF5C-18-330A	belt pulley		ØA 65 ØI 17 B39
<b>34606</b>	RF7J-15-980	belt tensioner	06/05 → 06/10	ØA 71 B 36
<b>34610</b>	RF2A-12-770B	belt tensioner	03/05 → 06/10	ØA 31

# MAZDA

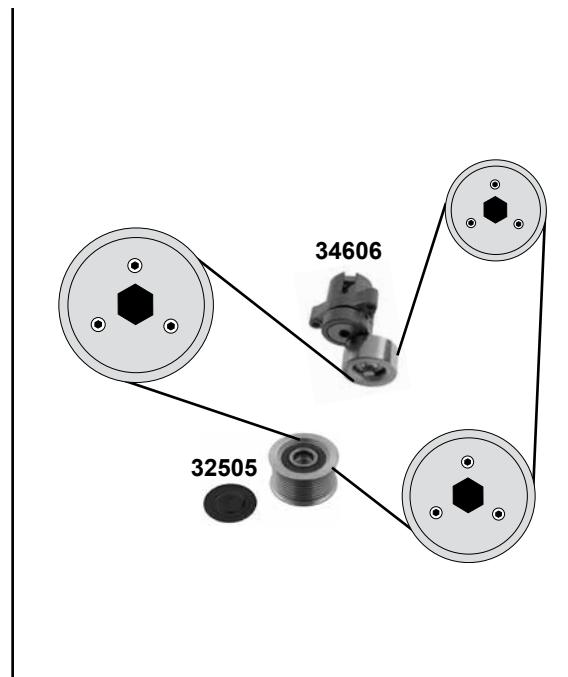
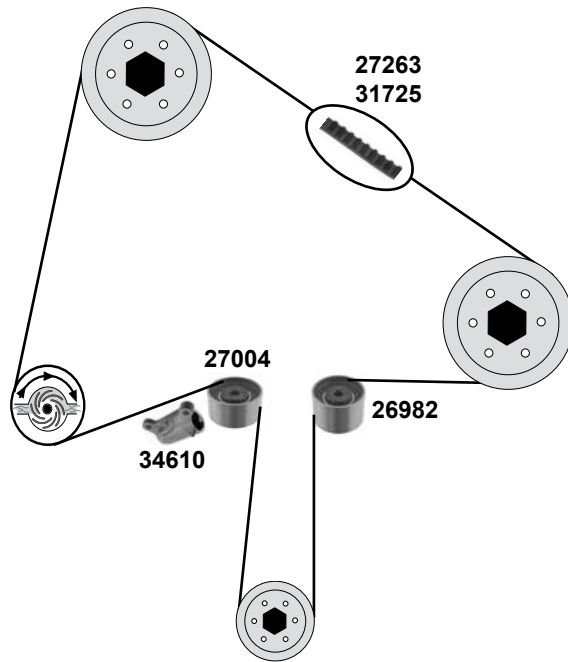
## Mazda 6 (GG / GY)

(02→)

Car  
Division



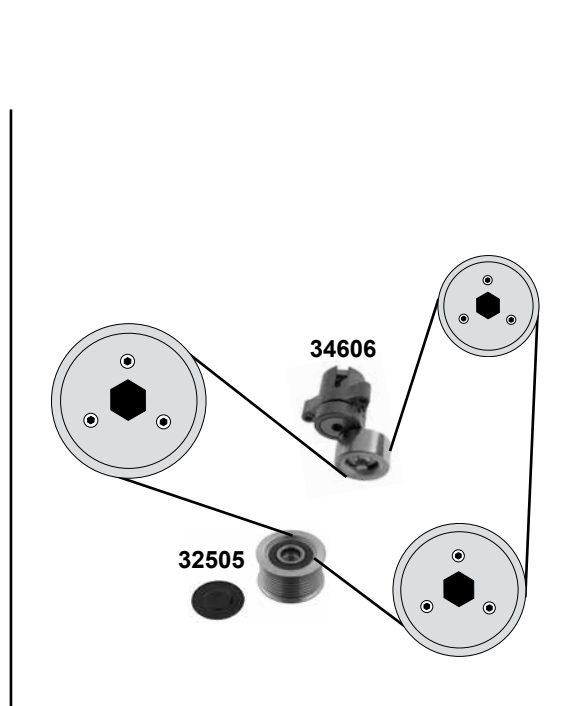
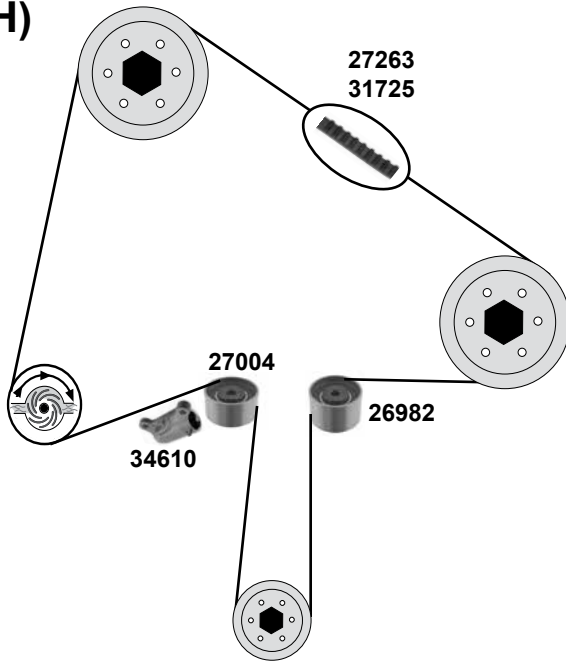
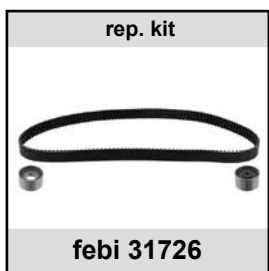
### 2,0 DI



### Mazda 6 (GH)

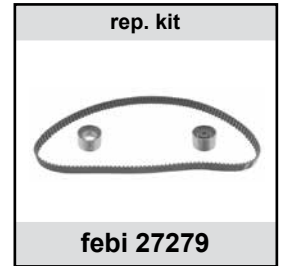
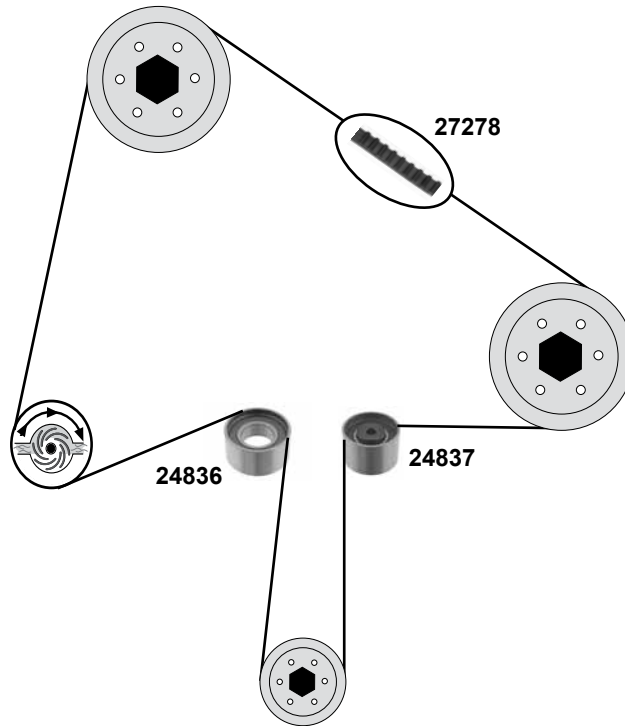
(08/07→)

### 2,0 / 2,2 DI

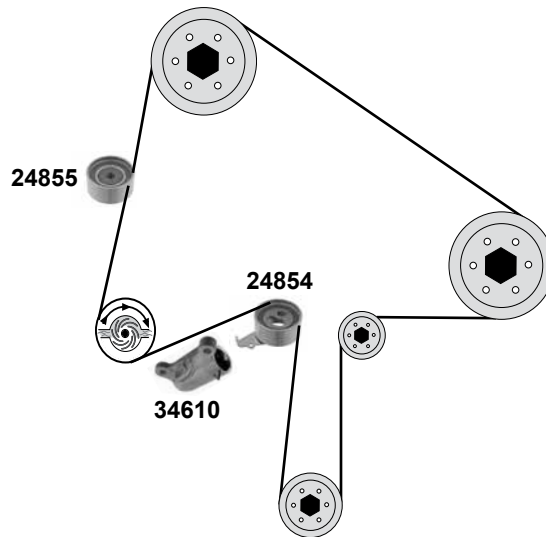


- (1) (mod.) GG/GY → 02/08 / (mod.) GH 02/08 →
- (2) (mod.) GG/GY 06/05 → 02/08 / (mod.) GH 02/08 →
- (3) (mod.) GG/GY 06/02 → 08/07 / (mod.) GH 08/07 →

Ref. - No.				
26982	RF5C-12-730	deflection pulley		ØA 58 H 33
27004	RF5C-12-700	tension roller		ØA 58 H 33
27263	RF5C-12-205A	timing belt	02/02 → 03/05	Z 153 B 30
27266	RF7J-12-205 S1	rep.kit timing belt	02/02 → 03/05	Z 153 B 30
31725	RF7J-12-205	timing belt	03/05 → 07/07	Z 150 B 30
31726	RF7J-12-205 S1	rep.kit timing belt	03/05 → 07/07	Z 150 B 30
32505	RF5C-18-330A	belt pulley	(3)	ØA 65 ØI 17 B39
34606	RF7J-15-980	belt tensioner	(2)	ØA 71 B 36
34610	RF2A-12-770B	belt tensioner	(1)	ØA 31



**323 (BA/BJ)**  
(96→)  
**2,0 D**



(1) (mod.) BA 96 → 98 (mod.) BJ 98 →

(2) (mod.) BJ 98 → 04 hydraulic



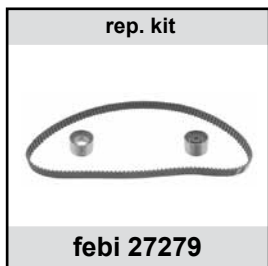
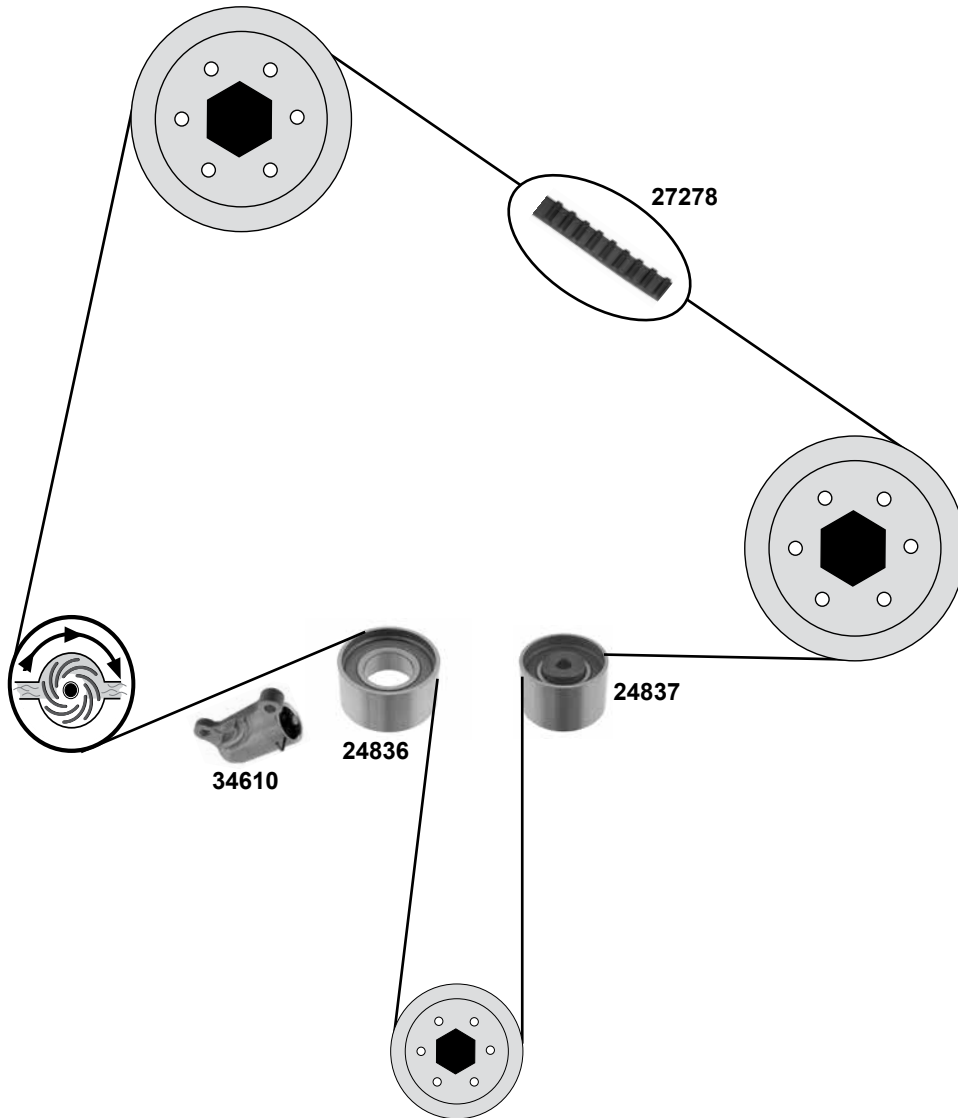
Ref. - No.





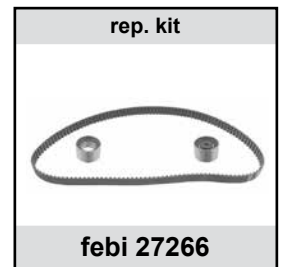
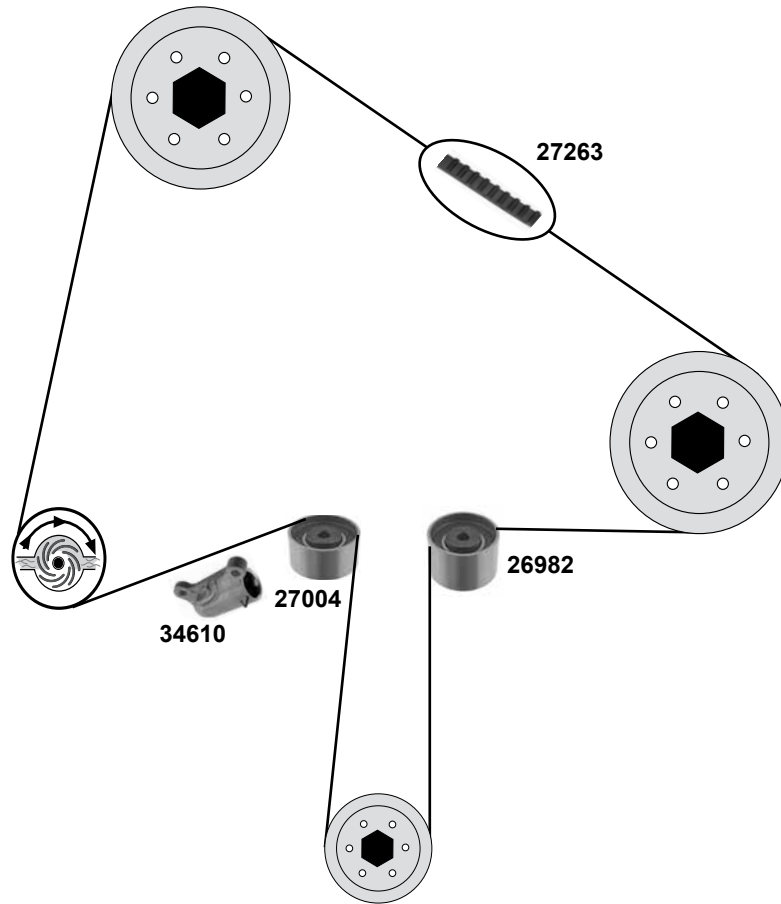
Ref. - No.	Description	Quantity	Dimensions
24836	RF2A-12-700 tension roller		ØA 58 B 30
24837	RF2A-12-730 deflection pulley		ØA 58 B 30
24854	RF1G-12-700A tension roller	(1)	ØA 58 H 27
24855	RF1G-12-730 deflection pulley	(1)	ØA 58 H 27
27278	RF2A-12-205B timing belt		Z 153 B 27
27279	RF2A-12-205B S1 rep.kit timing belt		Z 153
34610	RF2A-12-770B belt tensioner	(2)	ØA 31



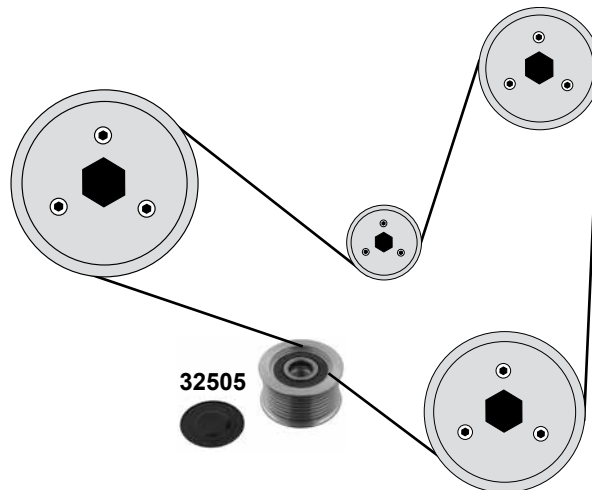
**2,0 TD**



	Ref. - No.			
24836	RF2A-12-700	tension roller		ØA 58 H 30
24837	RF2A-12-730	deflection pulley		ØA 58 H 30
27278	RF2A-12-205B	timing belt		Z 153 B27
27279	RF2A-12-205B S1	rep.kit timing belt		Z 153 B27
34610	RF2A-12-770B	belt tensioner	04/98 → 10/02	ØA 31

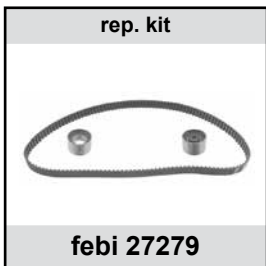
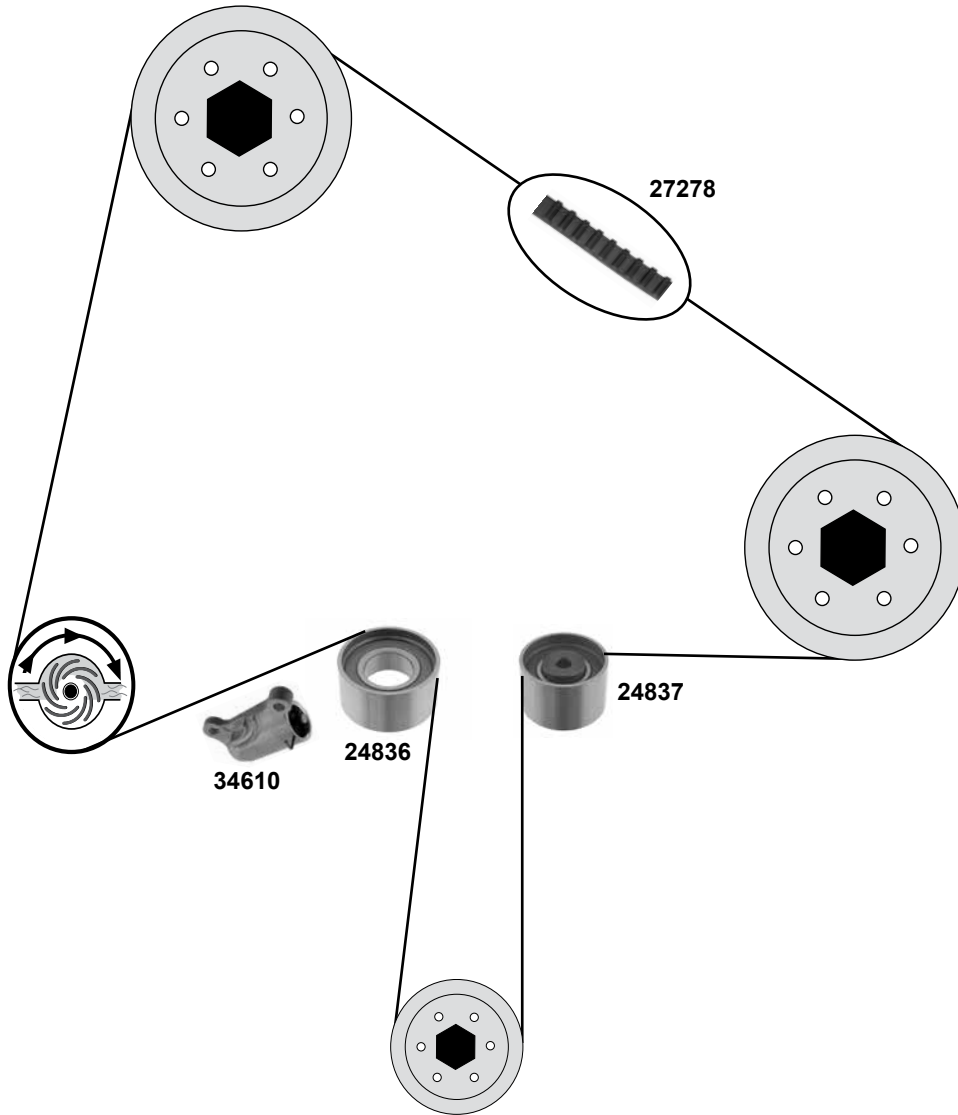





**MPV II (LW)**  
(99→)  
**2,0 DI**

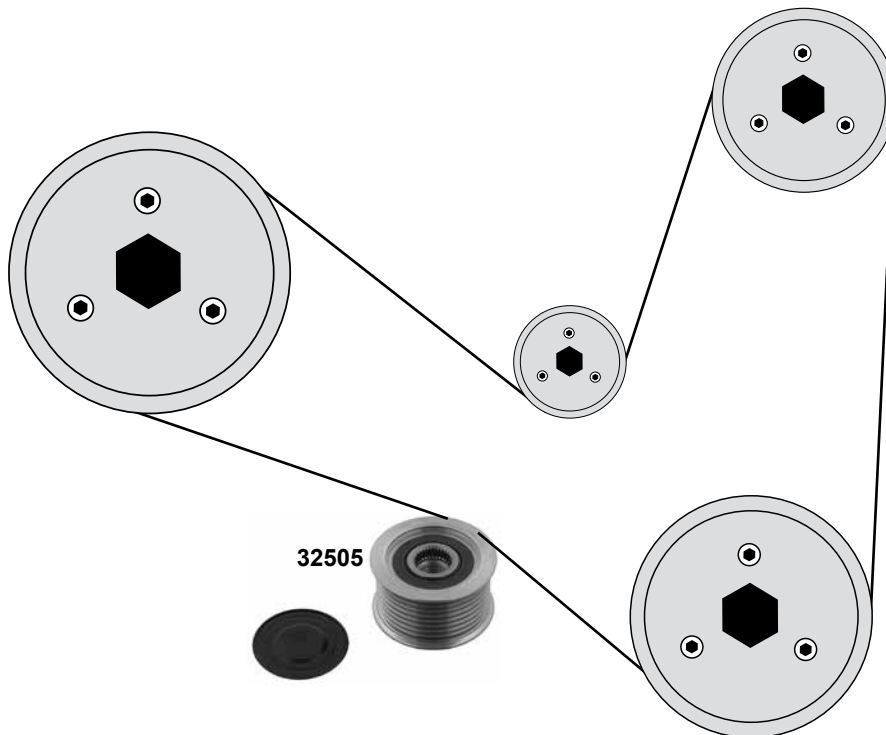


	Ref. - No.			
<b>26982</b>	RF5C-12-730	deflection pulley		ØA 58 H 33
<b>27004</b>	RF5C-12-700	tension roller		ØA 58 H 33
<b>27263</b>	RF5C-12-205A	timing belt		Z 153 B 30
<b>27266</b>	RF7J-12-205 S1	rep.kit timing belt		Z 153 B 30
<b>32505</b>	RF5C-18-330A	belt pulley		ØA 65 ØI 17 B39
<b>34610</b>	RF2A-12-770B	belt tensioner		hydraulic ØA 31

**2,0 TD**



	Ref. - No.			
24836	RF2A-12-700	tension roller		ØA 58 H 30
24837	RF2A-12-730	deflection pulley		ØA 58 H 30
27278	RF2A-12-205B	timing belt		Z 153 B27
27279	RF2A-12-205B S1	rep.kit timing belt		Z 153 B27
34610	RF2A-12-770B	belt tensioner		hydraulic ØA 31



# MERCEDES-BENZ

## BM 115 ( / 8 )

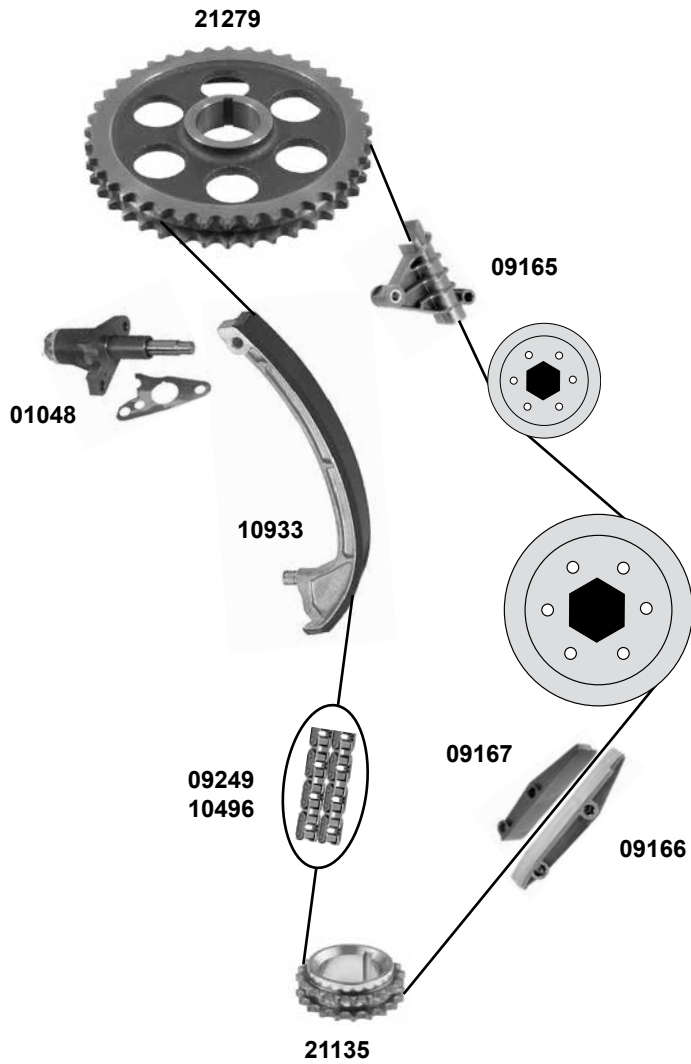
(68→77)








Car  
Division 




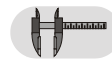


### 200 D / 220 D

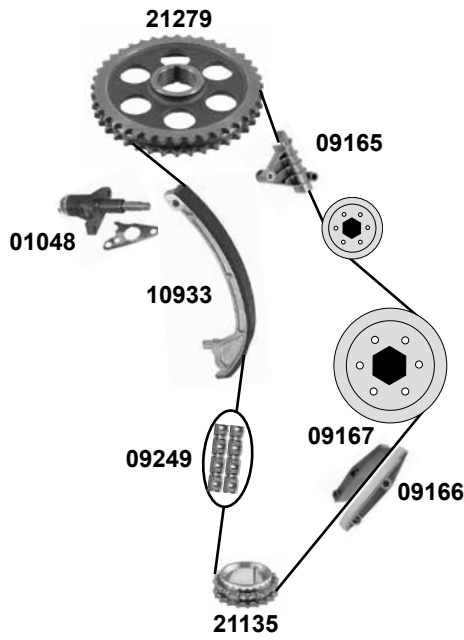
(OM 615.912,913)



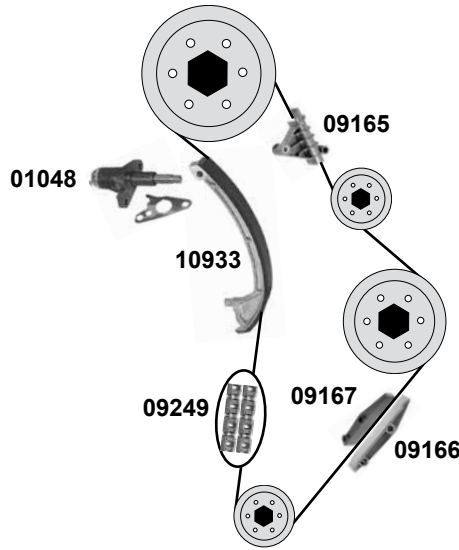
	(1) 913:	 (mot.) 325927 →	(2) 913:	 (mot.) 099403 →
		 (mot.) 008980 →		 (mot.) 002679 →
	912:	 (mot.) 383743 →	(3)	riveted link
		 (mot.) 041685 →	(4)	split link

	Ref. - No.			
01048	615 050 08 11	chain tensioner		
09165	615 050 14 16	sliding rail		
09166	615 052 10 16	sliding rail	(1)	
09167	615 052 11 16	sliding rail	(1)	
09249	003 997 62 94	timing chain	(3)	D 557 / 136 N
10496	002 997 34 94	timing chain	(4)	D 457 / 136 F
10933	615 050 09 16	sliding rail	(2)	
10934	615 050 09 16 S	rep. kit sliding rail		
21135	615 052 02 03	crankshaft gear		Z 20 Ø1 36
21279	121 052 03 01	camshaft gear		

**240 D 3.0 / 300 D USA**  
(OM 616.910,916 / 617.910)



**200 D / 220 D**  
(OM 615.912,913)



	(1) 910:	(mot.) 005356 →	(2) 910:	(mot.) 025094 →
		(mot.) 003611 →		(mot.) 023329 →
	916:	(mot.) 062398 →	916:	(mot.) 093355 →
		(mot.) 017022 →		(mot.) 030155 →

	Ref. - No.			
01048	615 050 08 11	chain tensioner	(1)	
09165	615 050 14 16	sliding rail	(2)	
09166	615 052 10 16	sliding rail	(2)	
09167	615 052 11 16	sliding rail	(ex.) (mot.) 616.910	D 136 N
09249	003 997 62 94	timing chain	(ex.) (mot.) 616.910	Z 20 Ø1 36
10933	615 050 09 16	sliding rail		
10934	615 050 09 16 S	rep. kit sliding rail		
21135	615 052 02 03	crankshaft gear		
21279	121 052 03 01	camshaft gear		
30324	615 050 08 11 S1	rep. kit timing chain	(ex.) (mot.) 616.910	

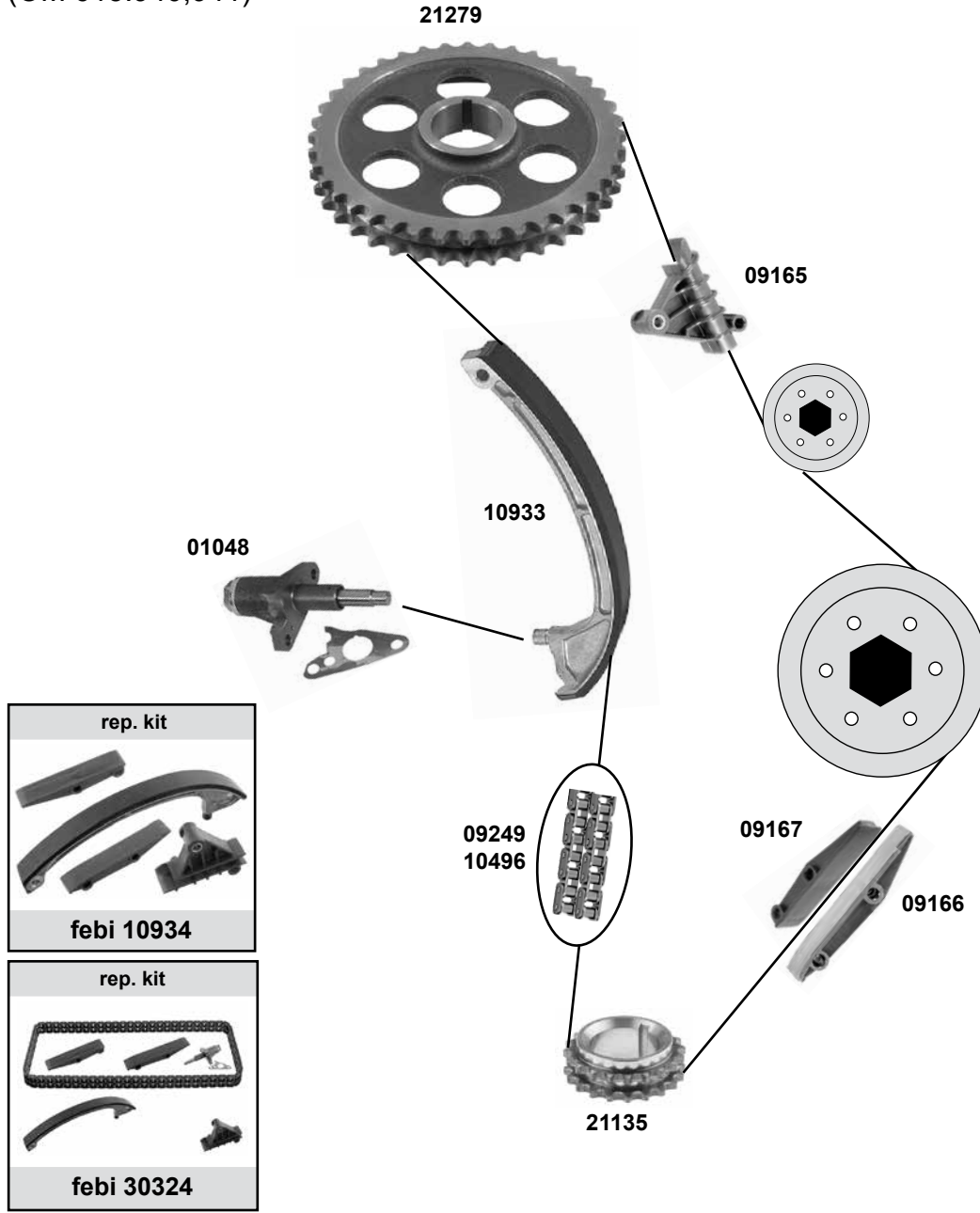
# MERCEDES-BENZ BM 123

(76→85)

Car  
Division



**200 D / 220 D**  
(OM 615.940,941)



(1) 940: (mot.) 003976 →  
 (mot.) 000184 →

(2) 941: (mot.) 001913 →  
 (mot.) 000145 →

(3) riveted link  
(4) split link

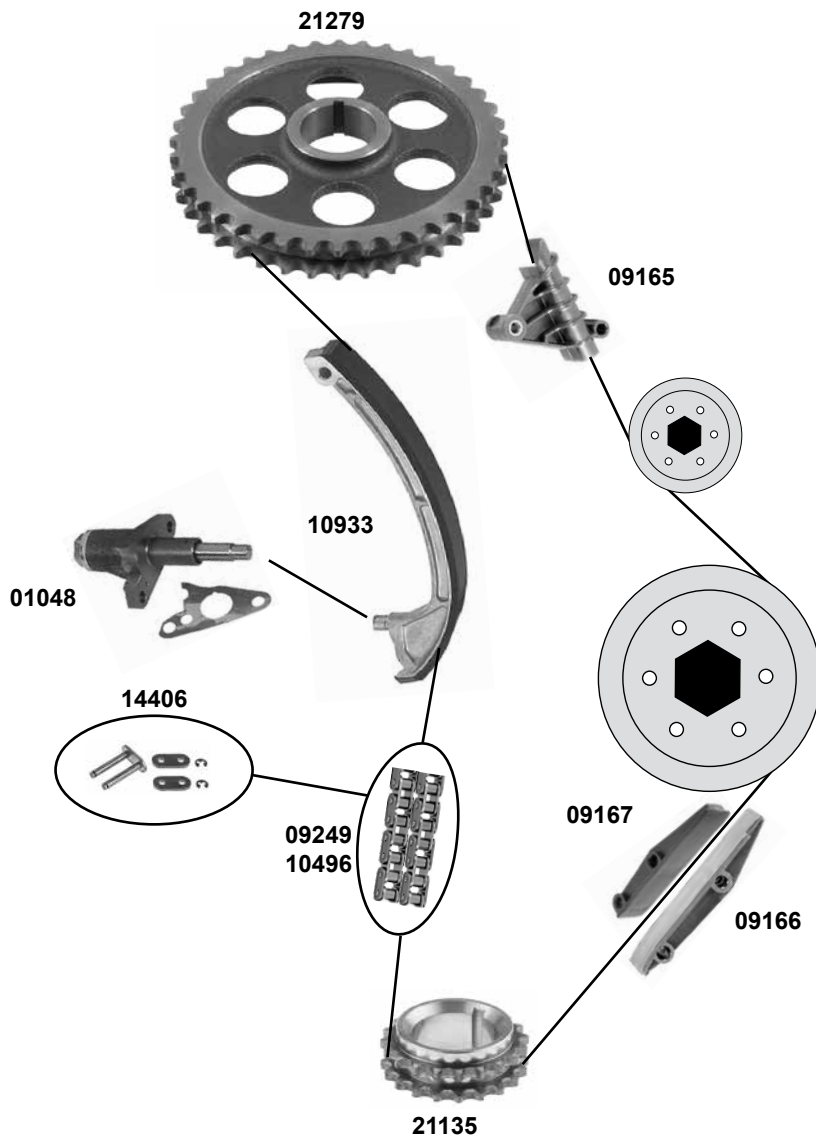


Ref. - No.



Part No.	Ref. - No.	Description	Notes	Dimensions
01048	615 050 08 11	chain tensioner		
09165	615 050 14 16	sliding rail		
09166	615 052 10 16	sliding rail	(1) (2)	
09167	615 052 11 16	sliding rail	(1) (2)	
09249	003 997 62 94	timing chain	(3)	D 557 / 136 N
10496	002 997 34 94	timing chain	(4)	D 457 / 136 F
10933	615 050 09 16	sliding rail		
10934	615 050 09 16 S	rep. kit sliding rail		
21135	615 052 02 03	crankshaft gear		Z 20 Ø1 36
21279	121 052 03 01	camshaft gear		
30324	615 050 08 11 S1	rep. kit timing chain		

**240 D / 240 TD 300 D / 300 TD / 300 TD Turbo**  
(OM 616.912 / OM 617.912,952)



(1) 616.912: (mot.) 001569 →  
 (mot.) 000331 →

(2) (mot.) 001522 →  
 (mot.) 000705 →

(3) riveted link  
(4) split link



Ref. - No.



Part No.	Ref. - No.	Description
01048	615 050 08 11	chain tensioner
09165	615 050 14 16	sliding rail
09166	615 052 10 16	sliding rail
09167	615 052 11 16	sliding rail
09249	003 997 62 94	timing chain
10496	002 997 34 94	timing chain
10933	615 050 09 16	sliding rail
10934	615 050 09 16 S	rep. kit sliding rail
14406	000 997 28 98	chain link
21135	615 052 02 03	crankshaft gear
21279	121 052 03 01	camshaft gear
30324	615 050 08 11 S1	rep. kit timing chain

(ex.) Turbodiesel

(1) (2)  
(1) (2)  
(3)  
(4)

D 136 N  
D 136 F

Z 20 Ø1 36

(ex.) (mot.) 617.952



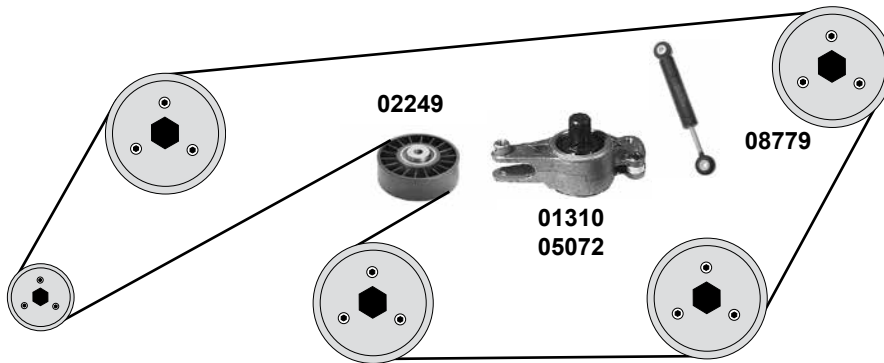
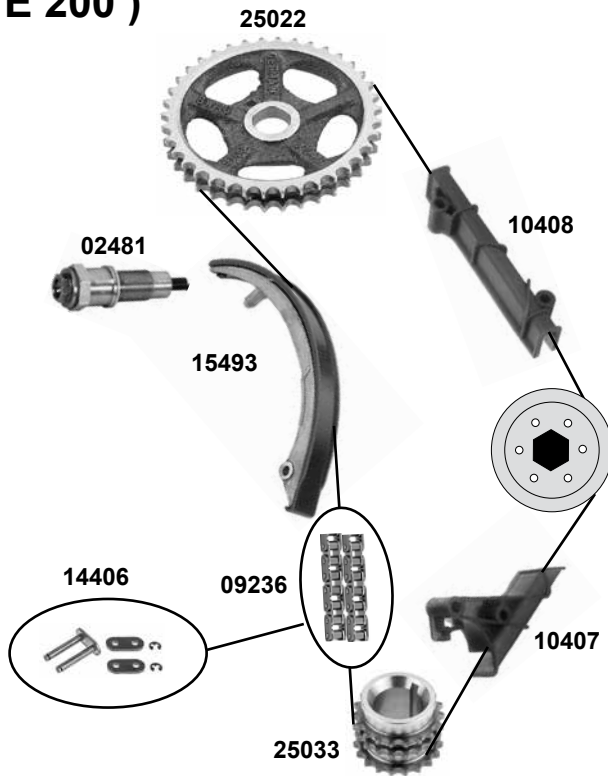
# MERCEDES-BENZ BM 124

(87→95)

Car  
Division



## 200 D / 200 TD ( E 200 ) (OM 601.912)



(1) 912: (mot.) 022682 → 204233

(2) riveted link

(mot.) 001654 → 021216

(3) 912: (mot.) 204234 →

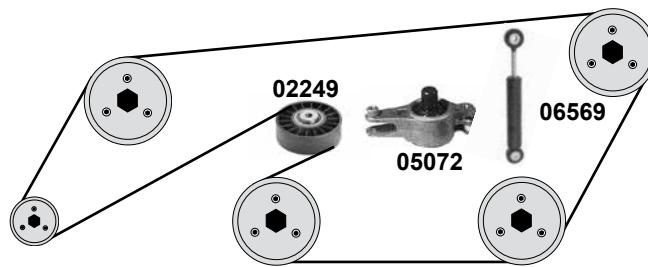
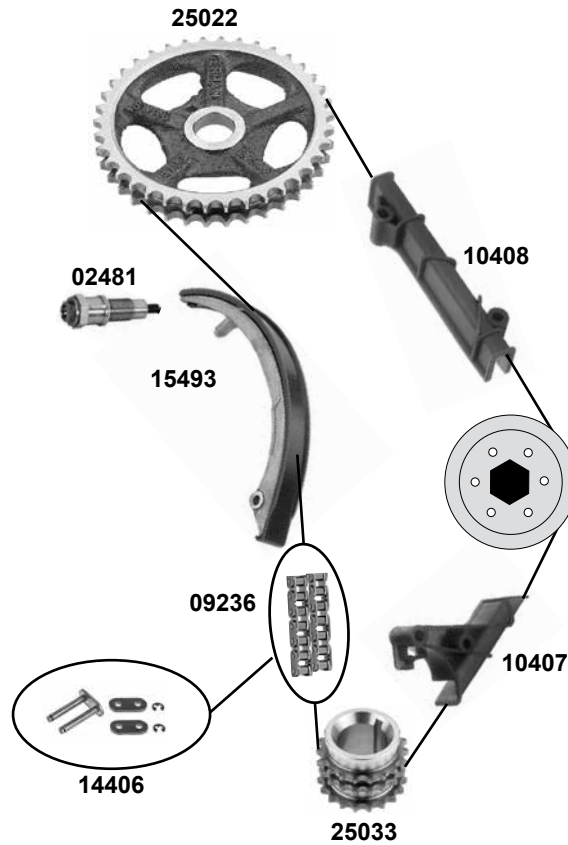


Ref. - No.



Ref. - No.	Description	Quantity	Notes
01310	lever	(2)	
02249	tension roller		ØA80 B25 / 31
02481	chain tensioner		
05072	lever	(1)	
08779	vibration damper		55 N - 1200 N
09236	timing chain	(3)	D 126 E
10407	sliding rail		
10408	sliding rail		
14406	chain link		
15493	sliding rail		
25022	camshaft gear		Z 38
25033	crankshaft gear		Z 18
26070	rep kit lever	(2)	
30302	rep. kit timing chain		

**250 D / 250 TD**  
(OM 602.912,962)



(1) riveted link



Ref. - No.



Ref. - No.	Description	Quantity	Notes
02249	tension roller		
02481	chain tensioner		
05072	lever		
06569	vibration damper		
09236	roller chain double	(1)	
10407	sliding rail		
10408	sliding rail		
14406	chain link	(mot.) 602.912	
15493	sliding rail		
25022	camshaft gear	(mot.) 602.912	Z 38
25033	crankshaft gear	(mot.) 602.912	
30302	rep. kit timing chain		

# MERCEDES-BENZ BM 124

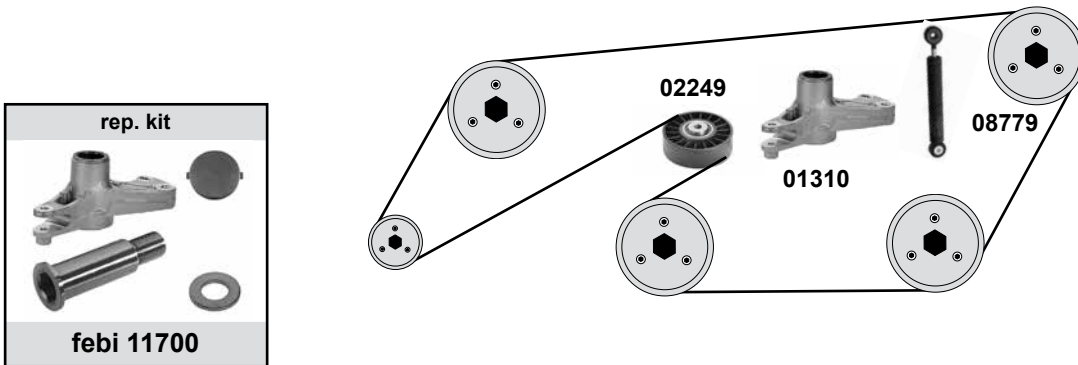
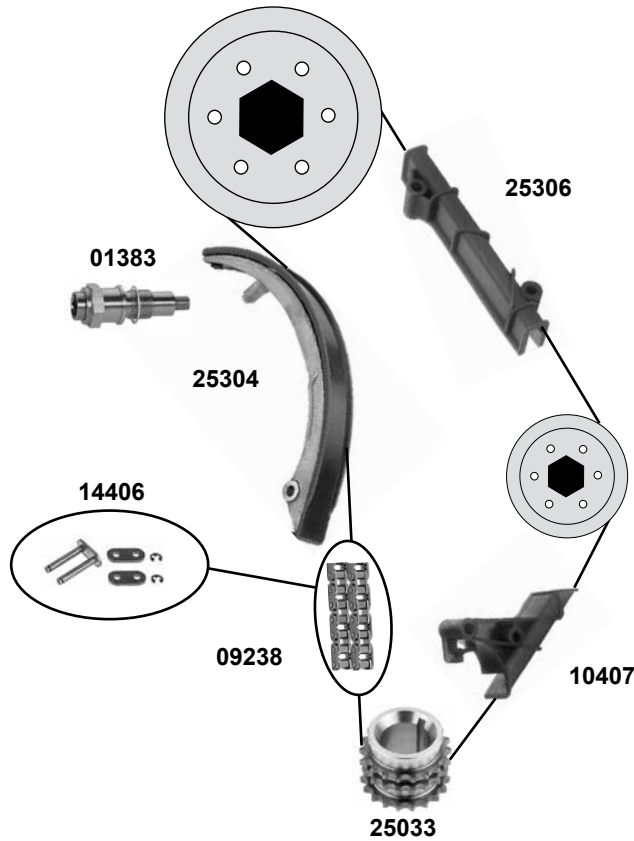
(87→95)

Car  
Division



## 250 D / 250 TD ( E250 )

( OM 605.911 / 606.910 )



(1) riveted link

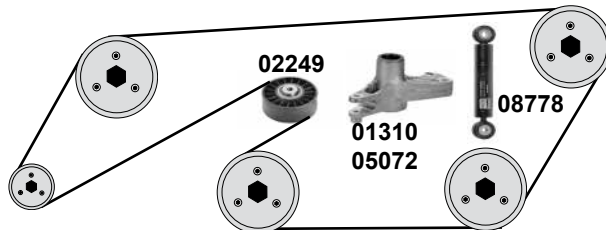
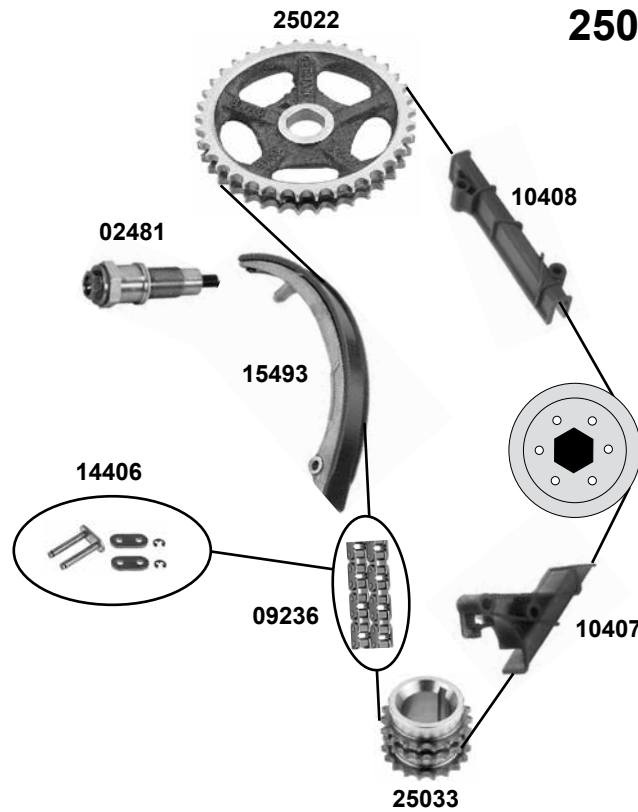


Ref. - No.



Part No.	Ref. - No.	Description	Notes	Dimensions
01310	606 200 00 73	lever	(mot.) 605.911	
01383	606 050 02 11	chain tensioner	(mot.) 605.911	
02249	601 200 09 70	tension roller	(mot.) 605.911	ØA 80 B25 / 31
08779	604 200 02 14	vibration damper	(mot.) 605.911	55 N - 1200 N
09238	003 997 56 94	timing chain	(1)	D 457 / 130 N
10407	601 052 05 16	sliding rail	(mot.) 605.911	
11700	606 200 00 73 S1	rep. kit lever	(mot.) 605.911	
14406	000 997 28 98	chain link	(mot.) 605.911	
25033	606 052 00 03	crankshaft gear	(mot.) 605.911	Z 18
25304	606 050 02 16	sliding rail	(mot.) 605.911	
25306	606 052 01 16	sliding rail	(mot.) 605.911	
30301	606 050 02 11 S1	rep kit timing chain		

**250 D Turbodiesel ( E 250 )**  
(OM 602.962)



	(1) 962:  (mot.) → 030482	(2) 962:  (mot.) 030483 →	(3) Nietverschluss / riveted link bouchon de rivet / rivetti cierre de roblón
	(mot.) → 019162	(mot.) 019163 →	

	Ref. - No.			
01310	606 200 00 73	lever	(2)	
02249	601 200 09 70	tension roller		ØA 80 B25 / 31
02481	601 050 07 11	chain tensioner		
05072	601 200 17 73	lever	(1)	
08778	103 200 01 14	vibration damper		80 N - 1050 N
09236	003 997 55 94	roller chain double	(3)	D 126 E
10407	601 052 05 16	sliding rail		
10408	601 052 03 16	sliding rail		
11700	606 200 00 73 S1	rep kit lever	(2)	
14406	000 997 28 98	chain link		
15493	601 050 08 16	sliding rail		
25022	601 052 00 01	camshaft gear		Z 38
25033	606 052 00 03	crankshaft gear		Z 18
26070	606 200 00 73 S2	rep kit lever	(2)	
30302	601 050 07 11 S1	rep. kit timing chain		
36592	601 052 00 01 S1	rep. kit timing chain		

# MERCEDES-BENZ BM 124

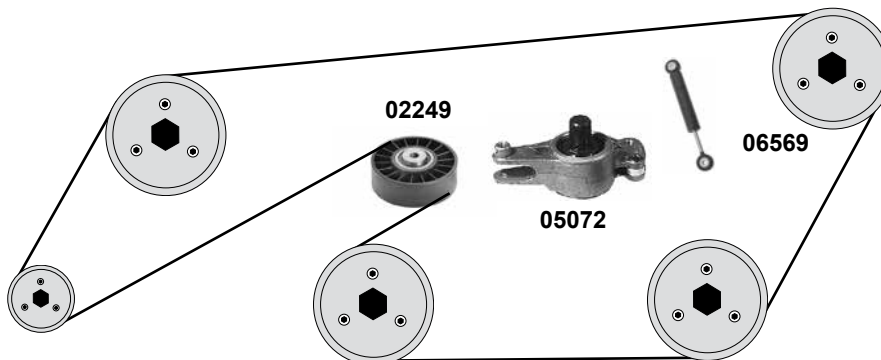
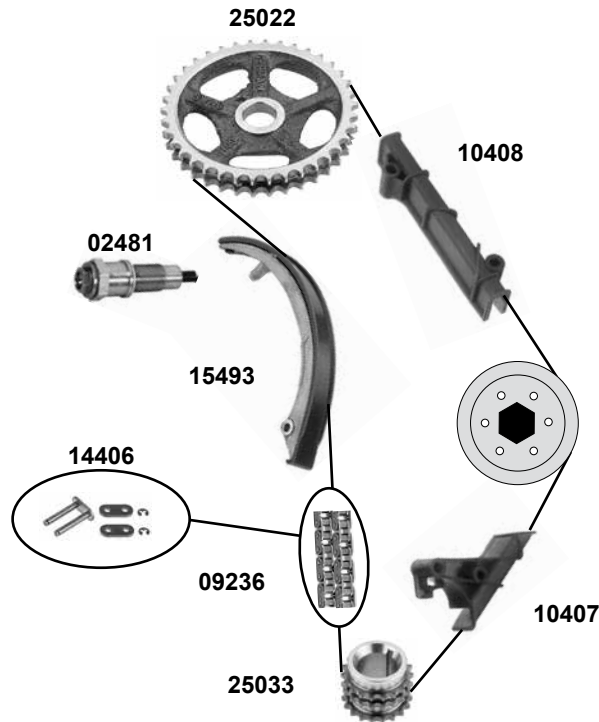
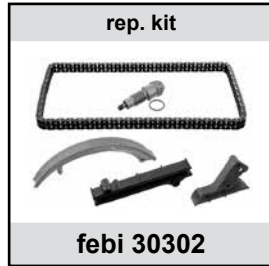
(87→95)

Car  
Division



## 300 D / 300 TD

(OM 603.912,913,960,963)



(1) riveted link

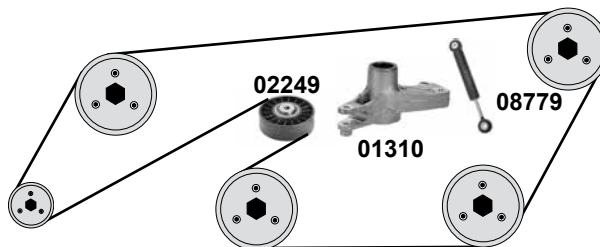
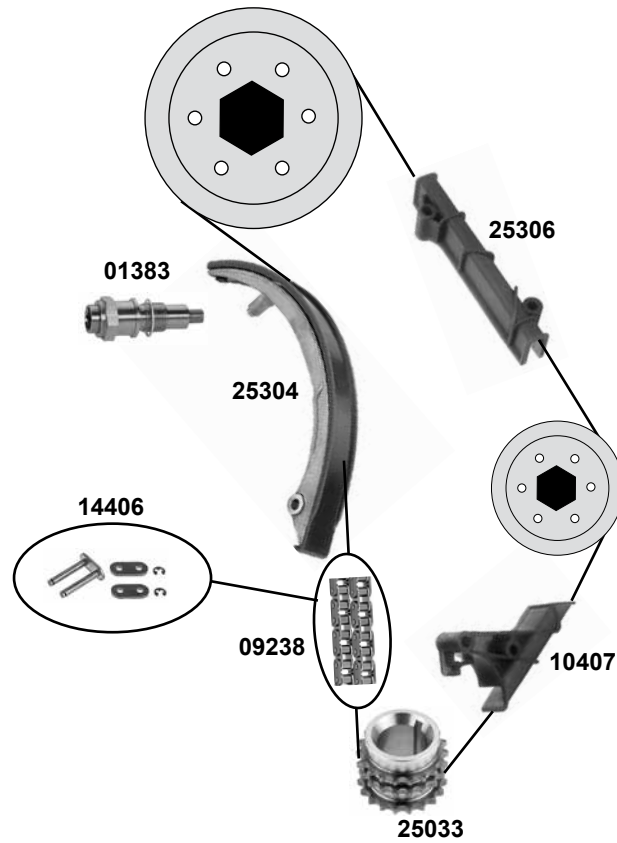


Ref. - No.



Ref. - No.	Description	Part No.	Notes
02249	tension roller	601 200 09 70	(mot.) 603.912
02481	chain tensioner	601 050 07 11	(mot.) 603.912
05072	lever	601 200 17 73	(mot.) 603.912
06569	vibration damper	103 200 01 14	(mot.) 603.912
08486	rep. kit lever	601 200 17 73 S	(mot.) 603.912
09236	timing chain	003 997 55 94	(1)
10407	sliding rail	601 052 05 16	(mot.) 603.912
10408	sliding rail	601 052 03 16	(mot.) 603.912
14406	chain link	000 997 28 98	(mot.) 603.912
15493	sliding rail	601 050 08 16	(mot.) 603.912
25022	camshaft gear	601 052 00 01	(mot.) 603.912
25033	crankshaft gear	606 052 00 03	(mot.) 603.912
30302	rep. kit timing chain	601 050 07 11 S1	
36592	rep. kit timing chain	601 052 00 01 S1	

**E 300 TD Turbo**  
(OM 606.910)



(1) riveted link



Ref. - No.



Ref. - No.	Description
01310	606 200 00 73 lever
01383	606 050 02 11 chain tensioner
02249	601 200 09 70 tension roller
08779	604 200 02 14 vibration damper
09238	003 997 56 94 timing chain
10407	601 052 05 16 sliding rail
11700	606 200 00 73 S1 rep. kit lever
14406	000 997 28 98 chain link
25033	606 052 00 03 crankshaft gear
25304	606 050 02 16 sliding rail
25306	606 052 01 16 sliding rail
30301	606 050 02 11 S1 rep. kit timing chain

(1)

ØA80 B25 / 31  
55 N - 1200 N  
D 457 / 130 N

Z 18



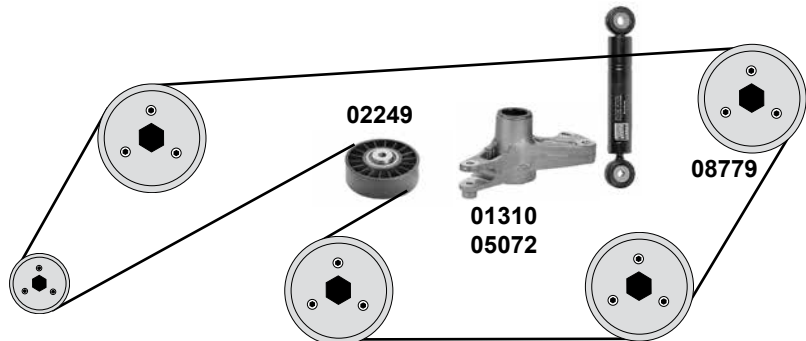
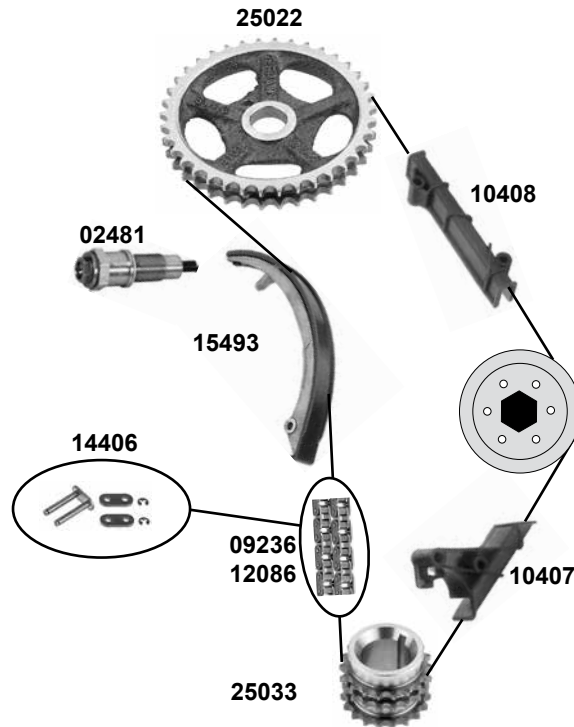
# MERCEDES-BENZ BM 124

(87→95)

Car  
Division



## 300 D / 300 TD / 300 TD Turbo / E 300 Turbo (OM 603.960)



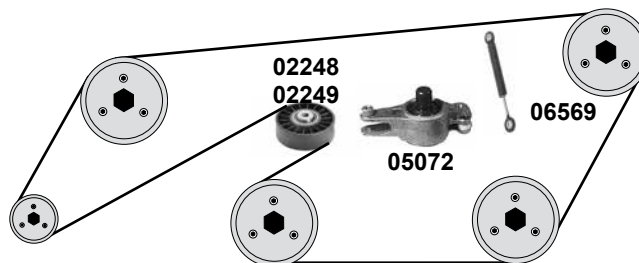
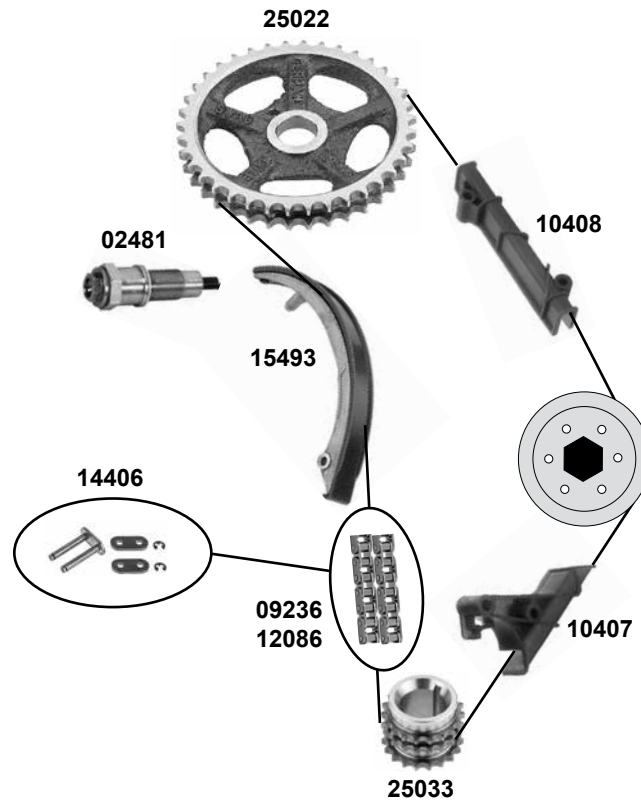
(1) riveted link



Ref. - No.



Ref. - No.	Description	Notes	Dimensions
01310	lever	(mot.) 049509 →	
02249	tension roller		ØA 80 B25 / 31
02481	chain tensioner		
05072	lever	(mot.) → 049508	
08779	vibration damper	(mot.) 049509 →	55 N - 1200 N
09236	timing chain	(1) (mot.) 054726 →	D 126 E
10407	sliding rail		
10408	sliding rail		
11700	rep kit lever		
12086	timing chain	(1) (mot.) → 054725	D 557 / 126 N
14406	chain link		
15493	sliding rail		
25022	camshaft gear		Z 38
25033	crankshaft gear		Z 18
26070	rep kit lever	(mot.) 049509 →	
30302	rep. kit timing chain		
36592	rep. kit timing chain		



(1) riveted link

	Ref. - No.			
02248	601 200 07 70	tension roller	servo man.	ØA75 B26 / 31,5
02249	601 200 09 70	tension roller		ØA 80 B25 / 31
02481	601 050 07 11	chain tensioner	(1)	55 N - 900 N
05072	601 200 17 73	lever		
06569	103 200 01 14	vibration damper		
08486	601 200 17 73 S	rep. kit lever		
09236	003 997 55 94	timing chain		
10407	601 052 05 16	sliding rail		
12086	003 997 48 94	timing chain		
14406	000 997 28 98	chain link		
15493	601 050 08 16	sliding rail		
25022	601 052 00 01	camshaft gear		
25033	606 052 00 03	crankshaft gear	D 126 E	
30302	601 050 07 11 S1	rep. kit timing chain		D 557 / 126 N
36592	601 052 00 01 S1	rep. kit timing chain		Z 38 Z 18



# MERCEDES-BENZ

## 190er (BM 201)

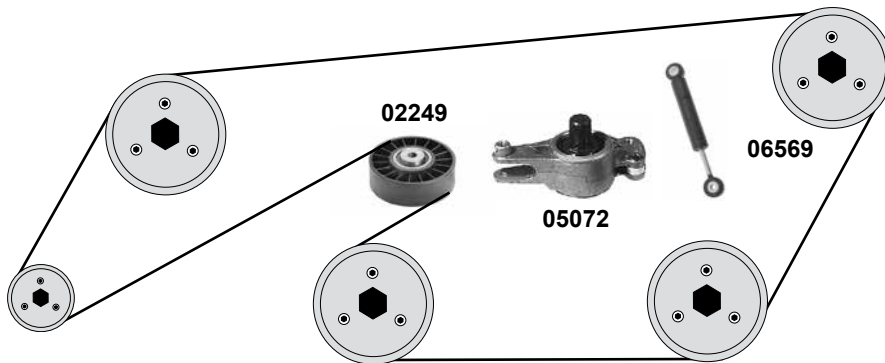
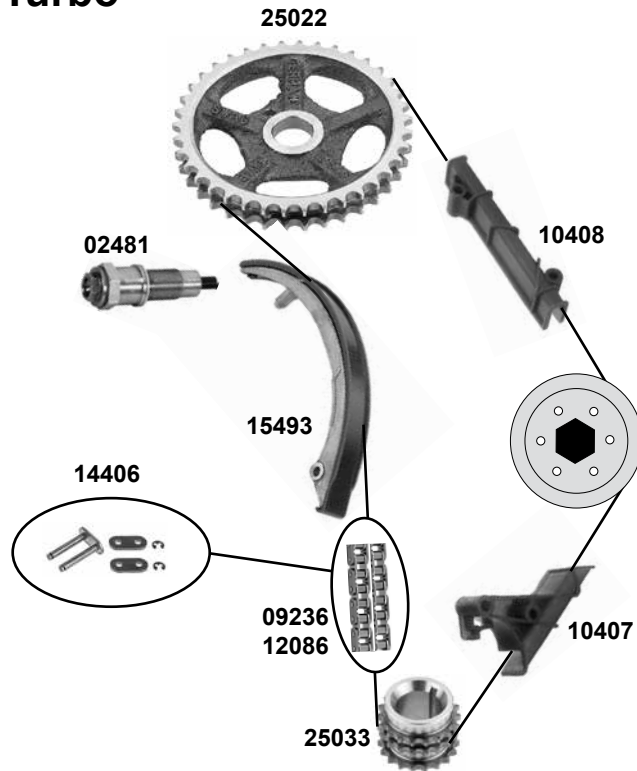
(83→92)



Car  
Division 







### 190 D 2.5 / 190 2.5 Turbo

(OM 602.911,961)



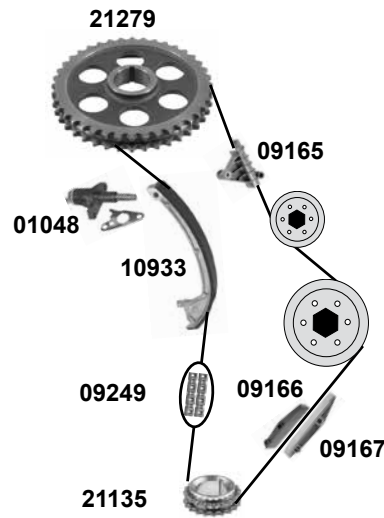
(1) 911:  (mot.) 005966 →  
 (mot.) 001372 →  
 961: alle / all

(2) riveted link

	Ref. - No.			
02249	601 200 09 70	tension roller	(1)	ØA 80 B25 / 31
02481	601 050 07 11	chain tensioner		
05072	601 200 17 73	lever		
06569	103 200 01 14	vibration damper		55 N - 900 N
08486	601 200 17 73 S	rep. kit lever		
09236	003 997 55 94	timing chain	(2)	D 126 E
10407	601 052 05 16	sliding rail		
10408	601 052 03 16	sliding rail		
12086	003 997 48 94	timing chain		D 557 / 126 N
14406	000 997 28 98	chain link		
15493	601 050 08 16	sliding rail		
25022	601 052 00 01	camshaft gear		Z 38
25033	606 052 00 03	crankshaft gear		Z 18
30302	601 050 07 11 S1	rep. kit timing chain		
36592	601 052 00 01 S1	rep. kit timing chain		

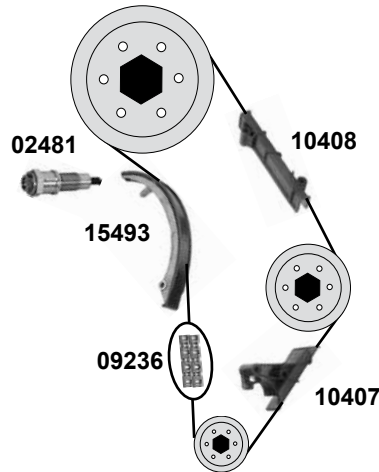
### 207 D / 208 D / 307 D / 308 D / 209 D / 210 D / 309 D / 310 D

(OM 615.944 / OM 616.917,934,937,939 / OM 617.913)



### (207 D / 208 D / 307 D / 308 D / 209 D / 210 D / 309 D / 310 D)

(OM 601.501-507,550-557,600-610,616,617,800-803,940 OM 602.940)



(1) riveted link

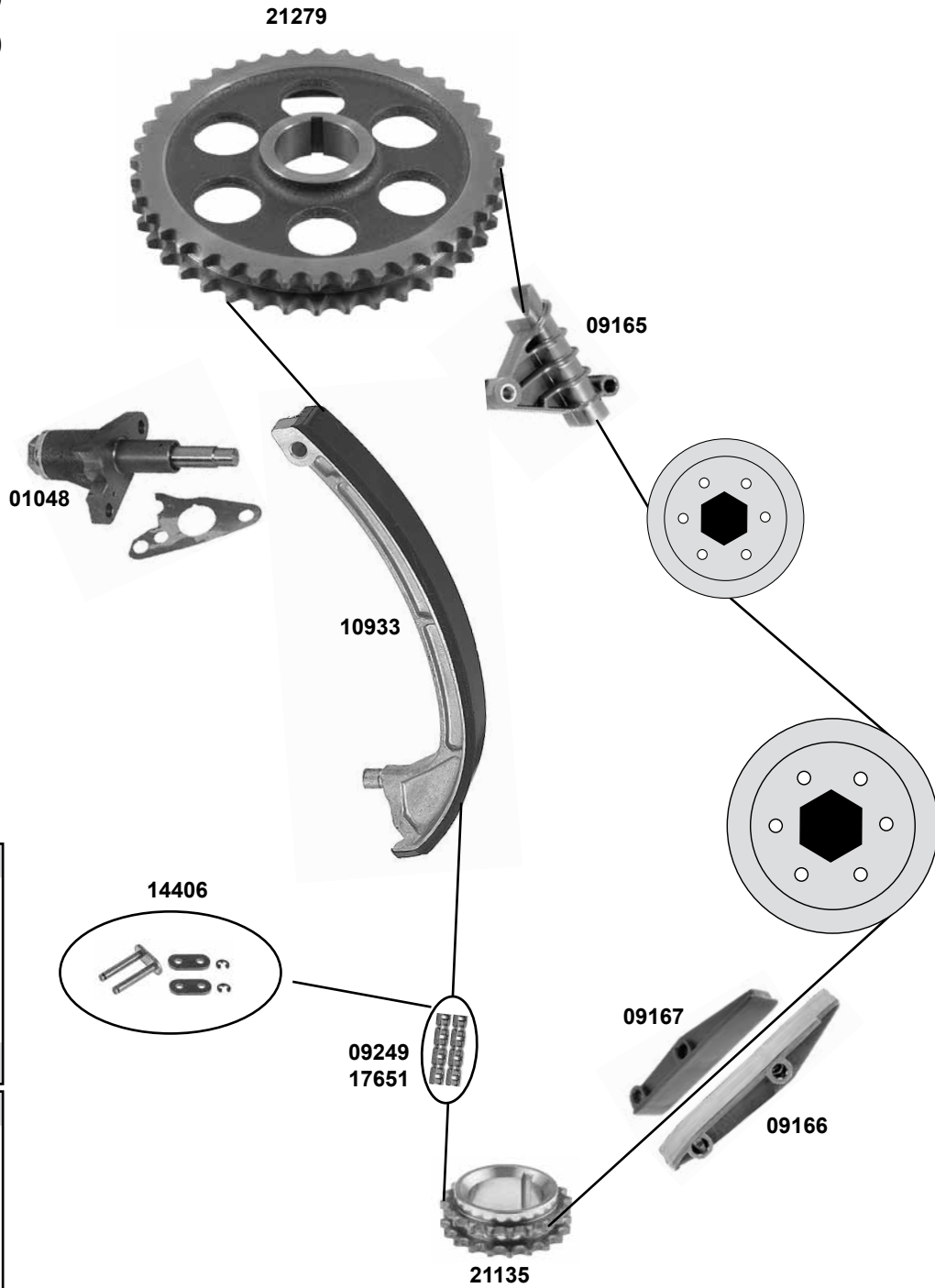
	Ref. - No.				
01048	615 050 08 11	chain tensinoer	(1)	D 126 E D 557 / 136 N	
02481	601 050 07 11	chain tensioner			
09165	615 050 14 16	sliding rail			
09166	615 052 10 16	sliding rail			
09167	615 052 11 16	sliding rail			
09236	003 997 55 94	timing chain			
09249	003 997 62 94	timing chain			
10407	601 052 05 16	sliding rail			
10408	601 052 03 16	sliding rail			
10933	615 050 09 16	sliding rail			
10934	615 050 09 16 S	rep. kit timing chain			
15493	601 050 08 16	sliding rail			
21135	615 052 02 03	crankshaft gear			Z 20 Ø 36
21279	121 052 03 01	camshaft gear			
30302	601 050 07 11 S1	rep. kit timing chain			
30324	615 050 08 11 S1	rep. kit timing chain			

**MERCEDES-BENZ**  
**207/307D - 210/310D (BM 601 / 602)**  
 (73→95)

Car  
Division

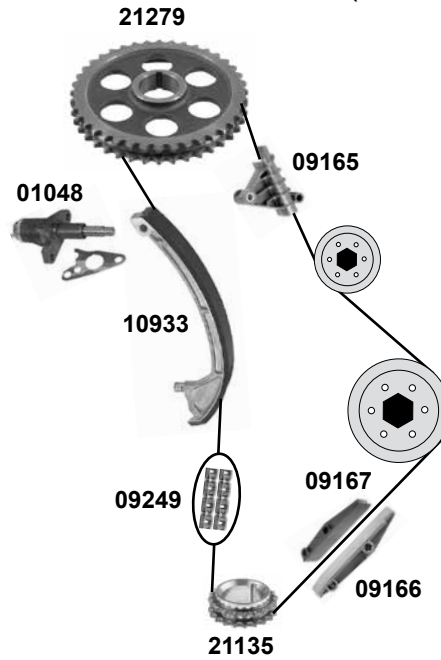


**209 D / 210 D**  
**308 D / 310 D**  
 (OM 615.913)

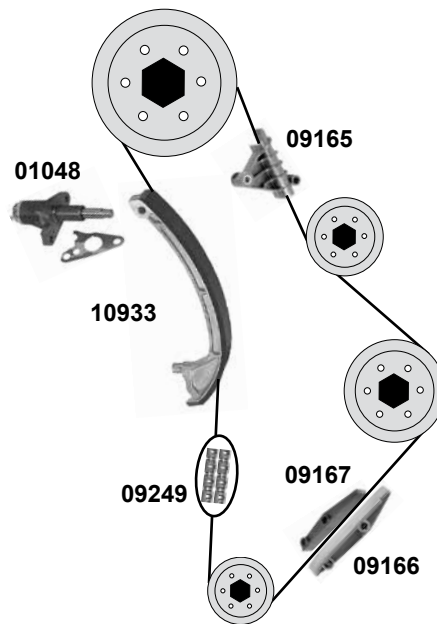


	Ref. - No.			
<b>01048</b>	615 050 08 11	chain tensioner		
<b>09165</b>	615 050 14 16	sliding rail		
<b>09166</b>	615 052 10 16	sliding rail		
<b>09167</b>	615 052 11 16	sliding rail		
<b>09249</b>	003 997 62 94	timing chain		
<b>10933</b>	615 050 09 16	sliding rail		
<b>10934</b>	615 050 09 16 S	rep. kit timing chain		
<b>14406</b>	000 997 28 98	chain link		
<b>17651</b>	003 997 57 94	timing chain		
<b>21135</b>	615 052 02 03	crankshaft gear		D 126 E
<b>21279</b>	121 052 03 01	camshaft gear		
<b>30324</b>	615 050 08 11 S1	rep. kit timing chain		Z 20 Ø1 36

**407 D → 410 D**  
(OM 616.913 / OM 616.939 / OM 617.913)



**L406 D G/ L407 DG Transporter**  
(OM 615.910,938 / 616.910)



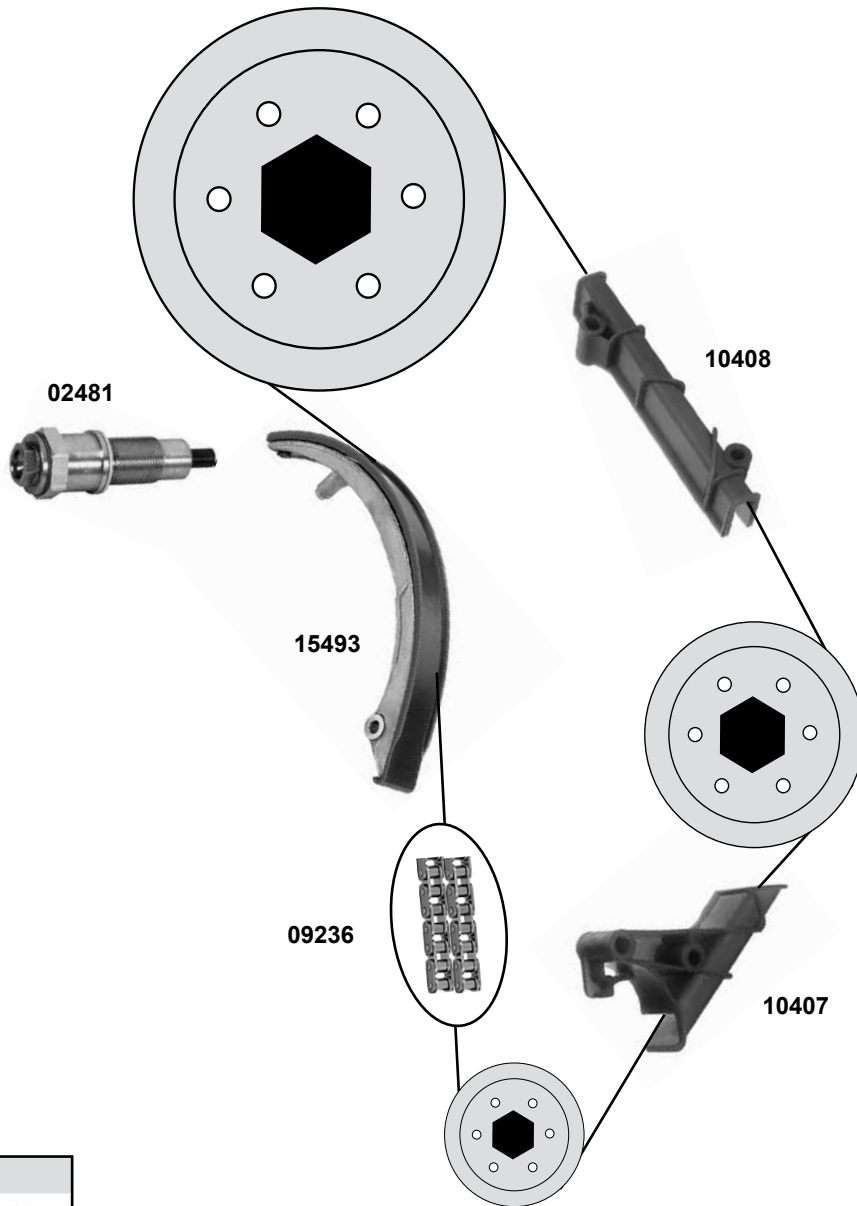
	Ref. - No.			
01048	615 050 08 11	chain tensioner		
09165	615 050 14 16	sliding rail		
09166	615 052 10 16	sliding rail		
09167	615 052 11 16	sliding rail		
09249	003 997 62 94	timing chain		D 136 N
10933	615 050 09 16	sliding rail		
10934	615 050 09 16 S	rep. kit timing chain	(mot.) 616,913	
21135	615 052 02 03	crankshaft gear	(ex.) (mot.) 617.913	Z 20 Ø1 36
21279	121 052 03 01	camshaft gear	(ex.) (mot.) 617.913	
30324	615 050 08 11 S1	rep. kit timing chain		

**MERCEDES-BENZ**  
**407D→410D (BM 611)**  
 (73→95)





Car  
 Division 



**407D→410D**  
 (OM 601.810,811,812,813)

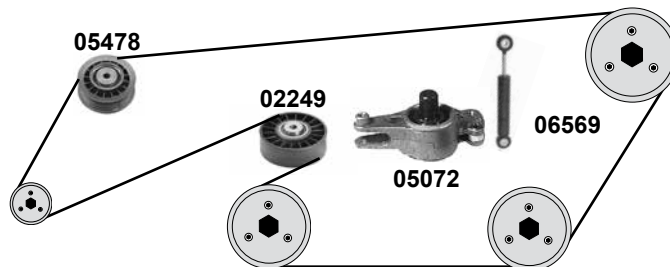
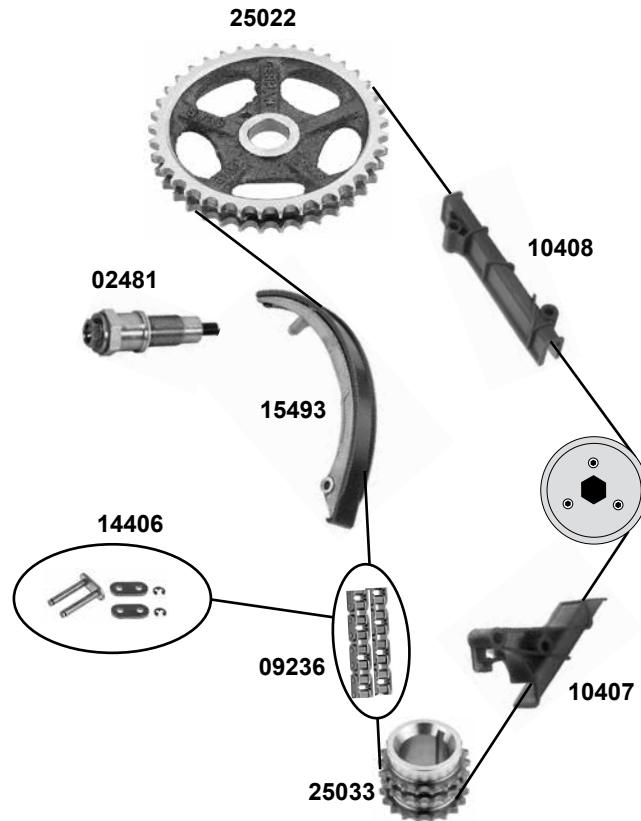


(1) riveted link

	Ref. - No.			
<b>02481</b>	601 050 07 11	chain tensioner		
<b>09236</b>	003 997 55 94	timing chain	(1)	D 126 E
<b>10407</b>	601 052 05 16	sliding rail		
<b>10408</b>	601 052 03 16	sliding rail		
<b>15493</b>	601 050 08 16	sliding rail		
<b>30302</b>	601 050 07 11 S1	rep. kit timing chain		



**507 D / 508 D**  
(OM 601.941)



(1) riveted link

	Ref. - No.			
02249	601 200 09 70	tension roller	man.	ØA80 B25 / 31
02481	601 050 07 11	chain tensioner		
05072	601 200 17 73	lever		
05478	601 200 10 70	idler bearing	(ex.) AC	ØA64 B31,5 55 N - 900 N
06569	103 200 01 14	vibration damper		
08486	601 200 17 73 S1	rep. kit lever		
09236	003 997 55 94	timing chain	(1)	D 126 E
10407	601 052 05 16	sliding rail		
10408	601 052 03 16	sliding rail		
14406	000 997 28 98	chain Link		
15493	601 050 08 16	sliding rail		
25022	601 052 00 01	camshaft gear		Z 38
25033	606 052 00 03	crankshaft gear		Z 18
30302	601 050 07 11 S1	rep. kit timing chain kit		



# MERCEDES-BENZ 507D / 508D (BM 667)

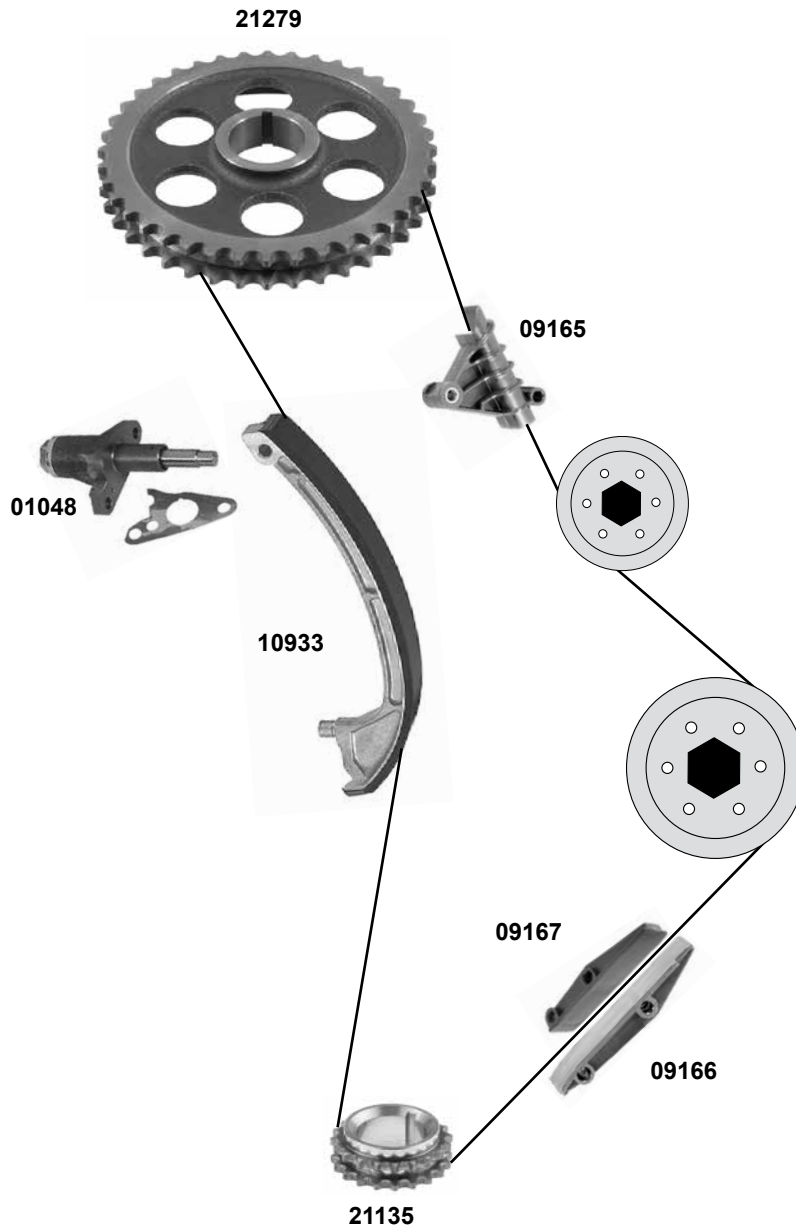
(78→)





Car  
Division 

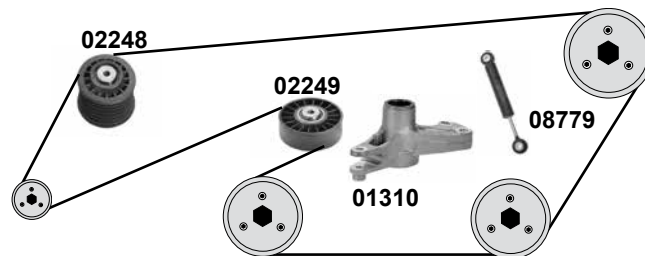
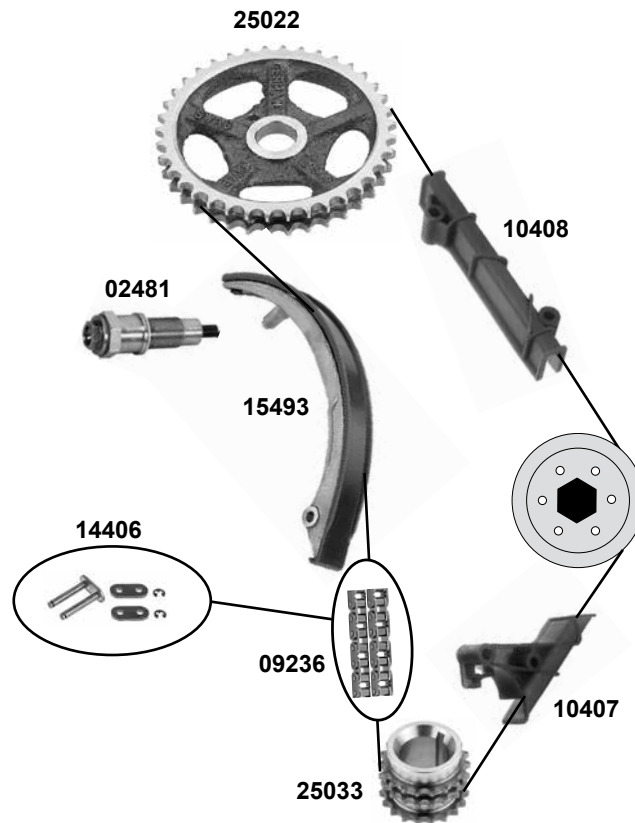


## 507 D / 508 D

( OM 616.914)



	 Ref. - No.			
01048	615 050 08 11	chain tensioner		
09165	615 050 14 16	sliding rail		
09166	615 052 10 16	sliding rail		
09167	615 052 11 16	sliding rail		
10933	615 050 09 16	sliding rail		
10934	615 050 09 16 S	rep. kit timing chain		
21135	615 052 02 03	crankshaft gear		Z 20 Ø1 36
21279	121 052 03 01	camshaft gear		
30324	615 050 08 11 S1	rep. kit timing chain		



(1) riveted link

	Ref. - No.				
<b>01310</b>	606 200 00 73	lever	<b>(ex.) AC</b>	ØA75 B26 / 31,5 ØA80 B25 / 31	
<b>02248</b>	601 200 07 70	tension roller			
<b>02249</b>	601 200 09 70	tension roller	<b>(1)</b>	55 N - 1200 N D 126 E	
<b>02481</b>	601 050 07 11	chain tensioner			
<b>08779</b>	604 200 02 14	vibration damper			
<b>09236</b>	003 997 55 94	timing chain			
<b>10407</b>	601 052 05 16	sliding rail			
<b>10408</b>	601 052 03 16	sliding rail			
<b>14406</b>	000 997 28 98	chain link			
<b>15493</b>	601 050 08 16	sliding rail			
<b>25022</b>	601 052 00 01	camshaft gear			Z 38
<b>25033</b>	606 052 00 03	crankshaft gear			Z 18
<b>26070</b>	606 200 00 73 S2	rep kit lever			
<b>30302</b>	601 050 07 11 S1	rep. kit timing chain kit			



# MERCEDES-BENZ A-Klasse (BM 168)

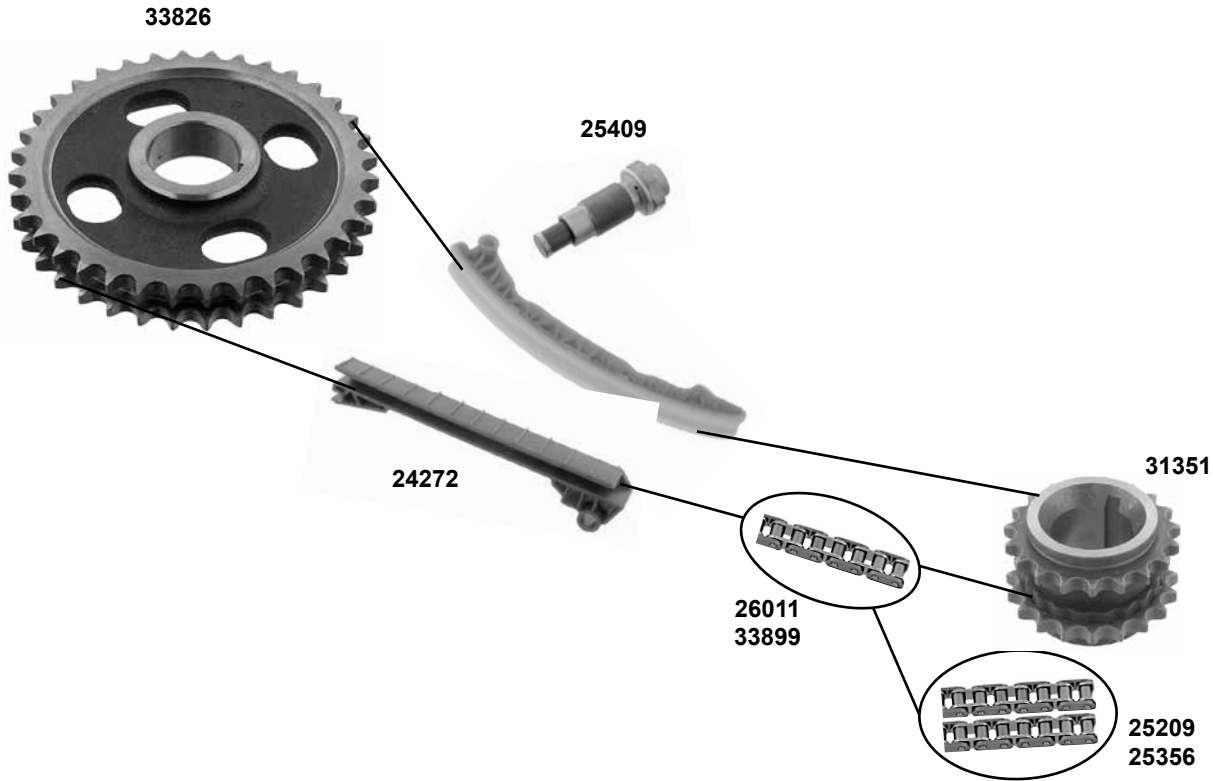
(97→05)

Car  
Division



## A 160 CDI / A 170 CDI

(OM 668.940,941,942)



(1) new execution

(2) (mot.) → 30097016

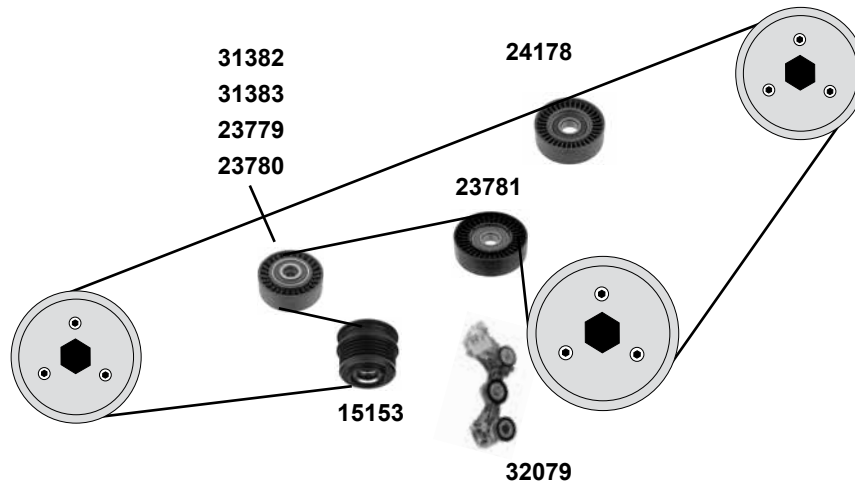
(3) (mot.) 30097017 →



Ref. - No.



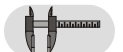
24272	668 052 02 16	sliding rail		
25209	003 997 71 94	timing chain	(2)	180 VG
25356	003 997 76 94	timing chain	(2)	
25409	668 050 01 11	chain tensioner	(1)	
26011	668 997 05 94	timing chain	(3)	
30326	668 050 01 11 S1	rep. kit timing chain	(2)	
30327	668 050 01 11 S2	rep. kit timing chain		
31351	668 050 00 03	crankshaft gear		
33826	668 052 01 01	camshaft gear	(mot.) 30327868→	
33834	668 050 01 11 S3	rep. kit timing chain	(mot.) 30097017→	
33899	000 993 68 76 S1	timing chain	(mot.) 30327868→	
36594	668 052 01 01 S1	rep. kit timing chain	(mot.) 30097017→	
37966	668 050 01 11 S5	rep. kit timing chain	(mot.) 30327868→	



(1) (ch.) J 514750 → (ex.) AC



Ref. - No.



Part No.	Ref. - No.	Description	Notes	Dimensions
15153	668 155 00 15	alternator averrun pulleyr		
23779	640 202 04 19	deflection pulley	AC (ch.) → J 568589 (ex.) AC 10.95→09.2000	
23780	640 202 03 19	deflection pulley	AC	
23781	116 202 06 19	tension roller	AC	
24178	266 202 00 19	deflection pulley	AC (ch.) J 568589 →	AØ 70 B22
31382	668 202 11 19 S1	deflection pulley	(1)	AØ 64 B22
31383	668 202 11 19 S1	deflection pulley	AC	
32079	668 200 22 70	belt tensioner		

# MERCEDES-BENZ A-Klasse (BM 169)

(05→)

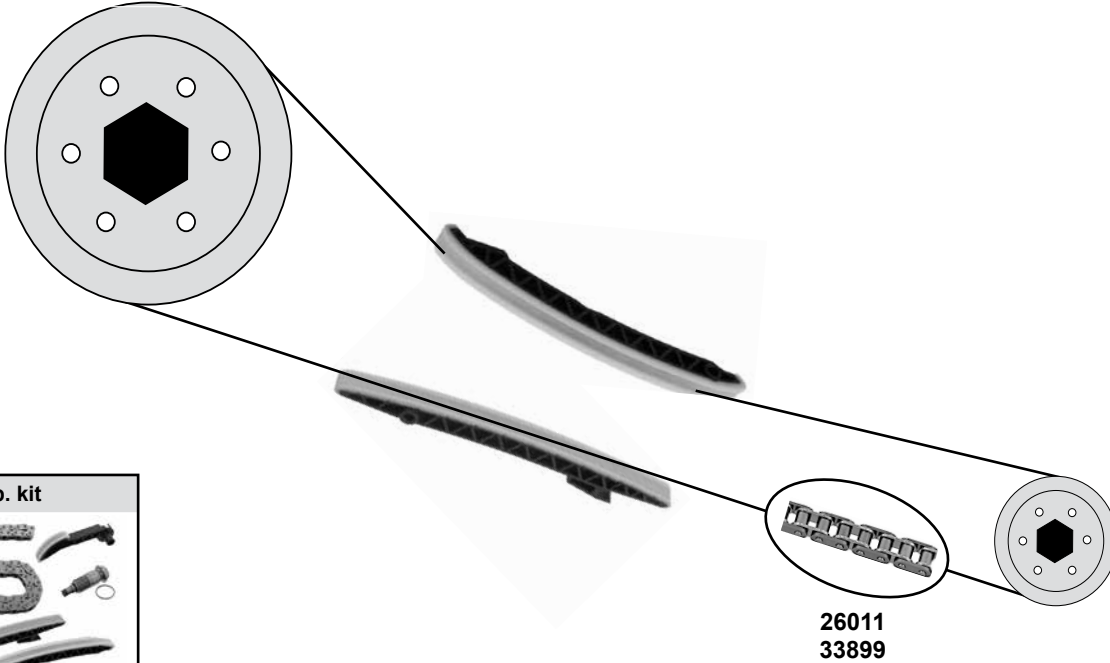
Car  
Division



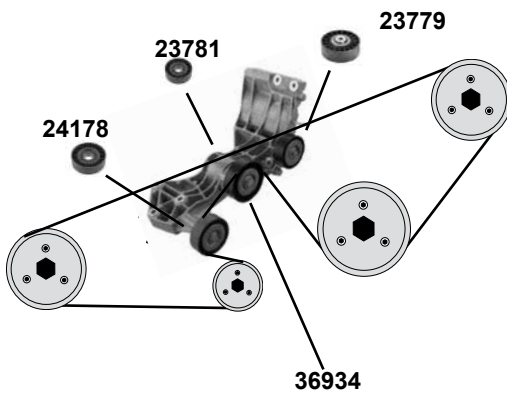
## A160/180/200 CDI

(BM 169.006/007/008/306/307/308/)

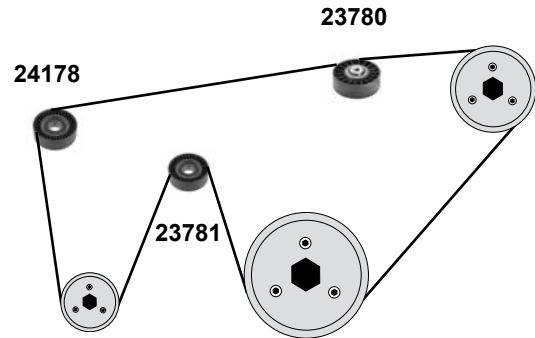
(OM 640.940,941,942)



**AC**



**(ex.) AC**



(1) riveted link

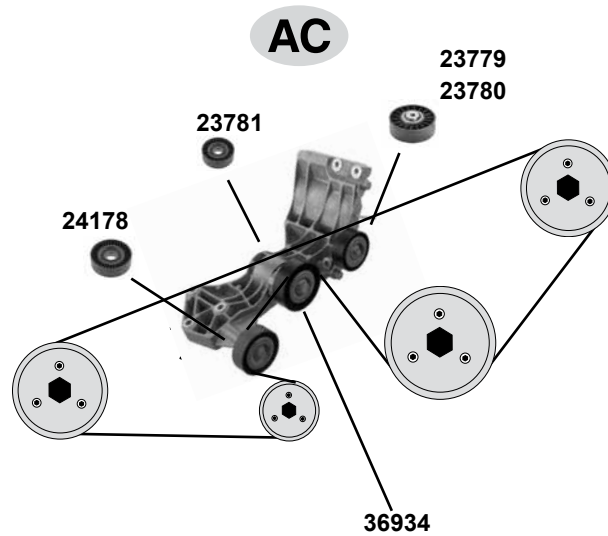


Ref. - No.

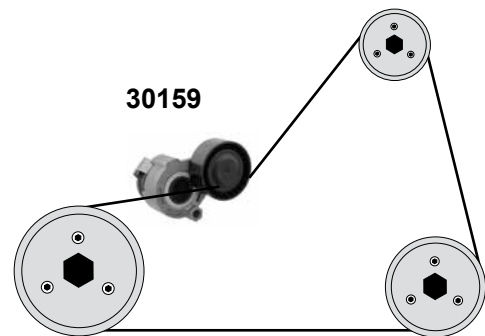
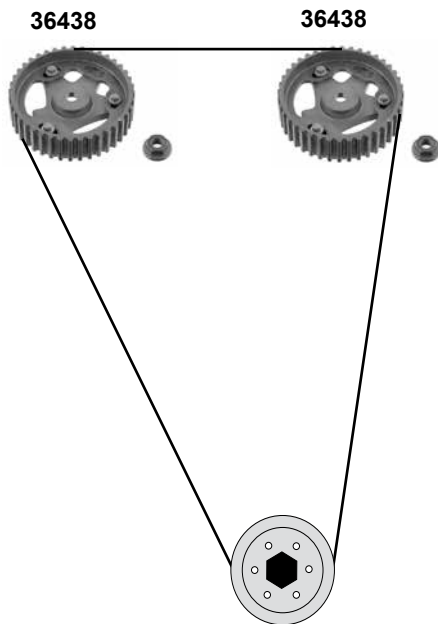


23779	640 202 04 19	tension roller	AC	
23780	640 202 03 19	deflection pulley	(ex.) AC	
23781	166 202 06 19	tension roller		
24178	266 202 00 19	deflection pulley		
26011	668 997 05 94	timing chain	(1)	ØA 70 B22 108 N
27837	640 150 05 60	belt pulley alternator		
30322	640 050 02 11 S1	rep. kit timing chain	(mot.) 30145734	
33899	000 993 68 76 S1	timing chain		108 E
36934	640 200 33 70	belt tensioner		

**B 180 CDI / B 200 CDI**  
(OM 640.940,941)



**A Klasse / B-Klasse (BM 176 / 246)**  
(11→)  
(OM 607.951)



Ref. - No.



<b>23779</b>	640 202 04 19
<b>23780</b>	640 202 03 19
<b>23781</b>	116 202 06 19
<b>24178</b>	266 202 00 19
<b>30159</b>	607 200 00 70
<b>36438</b>	607 050 01 00
<b>36934</b>	640 200 33 70

tension roller
deflection pulley
tension roller
deflection pulley
belt tensioner
camshaft timing gear
belt tensioner

(ex.) OM 668  
(ex.) AC

AØ 70 B22  
ØA 65 B26

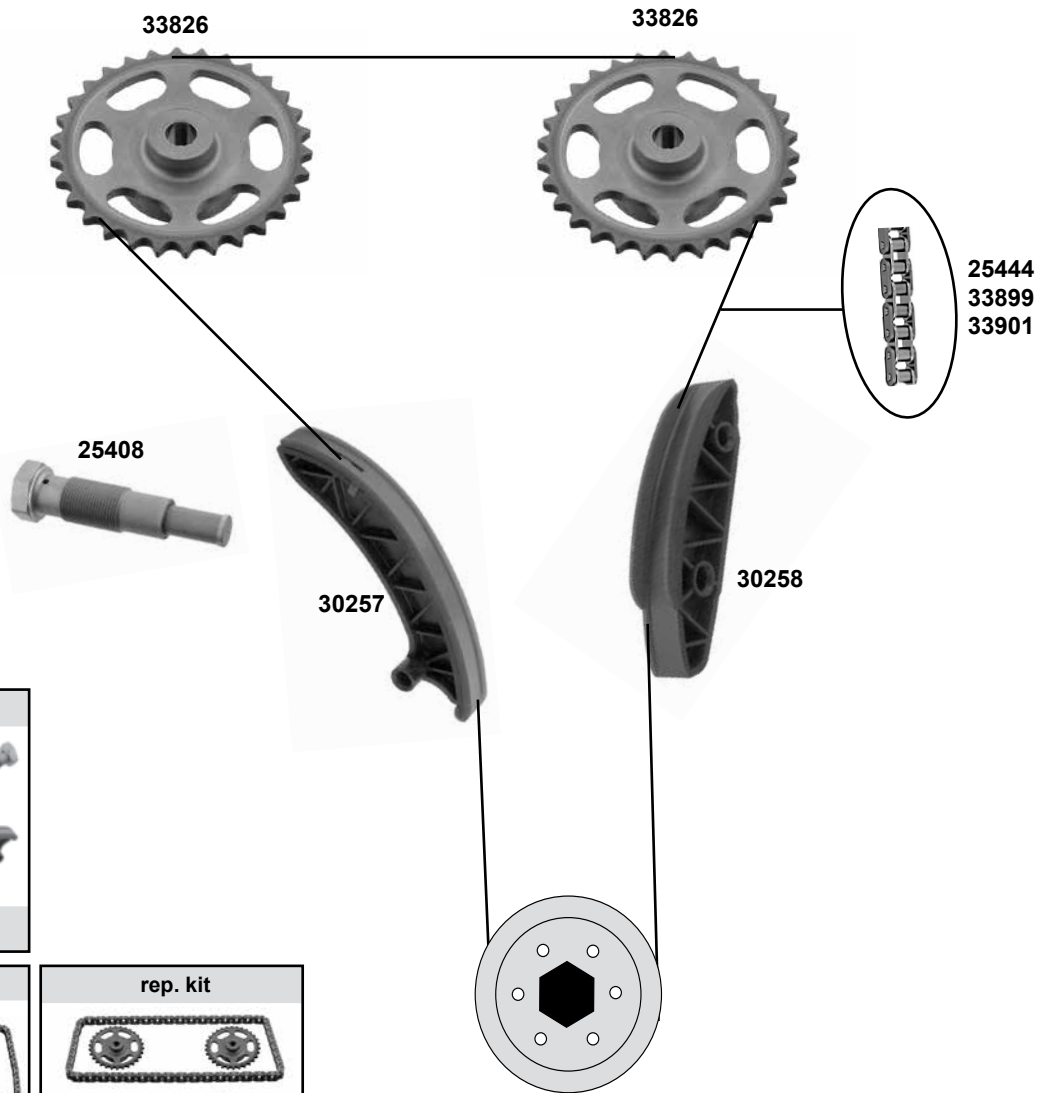
# MERCEDES-BENZ A Klasse / B-Klasse (BM 176 / 246)

(11→)

Car  
Division



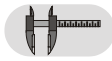
(OM 651.901,930)



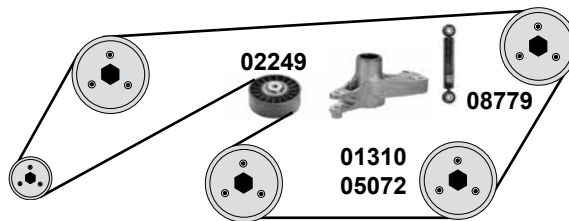
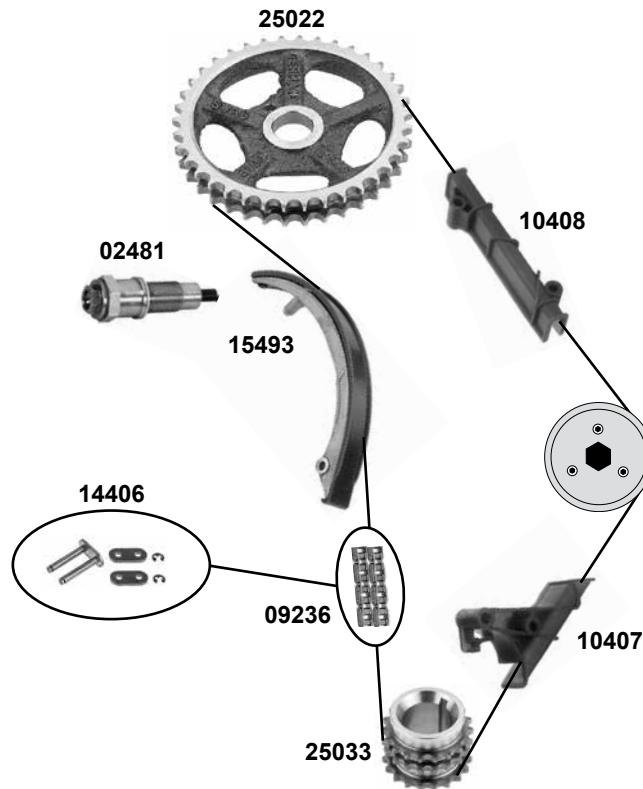
(1) riveted link



Ref. - No.



25408	651 050 07 00	chain tensioner	→2012	
25444	000 993 62 76	timing chain	(1)	96 N
30257	651 052 00 16	sliding rail	→2012	
30258	651 052 00 16	sliding rail	→2012	
30323	651 050 00 11 S1	rep. kit timing chain	→2012	
33826	668 052 01 01	camshaft timing gear	→2012	
33899	000 993 68 76 S1	timing chain	→2012	108 E
33901	000 993 62 76 S1	timing chain	→2012	96 E
36593	651 052 00 01 S1	rep. kit timing chain	→2012	
39593	651 050 01 00 S3	rep. kit timing chain		



(1) 913: (mot.) → 008285  
 (mot.) → 000482

(2) 913 (mot.) 008286 →

(3) riveted link  
 (mot.) 004483 →



Ref. - No.



Part No.	Ref. - No.	Description	Quantity	Notes
01310	606 200 00 73	lever	(2)	
02249	601 200 09 70	tension roller		ØA80 B25 / 31
02481	601 050 07 11	chain tensioner		
05072	601 200 17 73	lever	(1)	
08779	604 200 02 14	vibration damper		55 N - 1200 N
09236	003 997 55 94	timing chain	(3)	D 126 E
10407	601 052 05 16	sliding rail		
10408	601 052 03 16	sliding rail		
11700	606 200 00 73 S1	rep kit lever	(2)	
14406	000 997 28 98	chain link		
15493	601 050 08 16	sliding rail		
25022	601 052 00 01	camshaft gear		Z 38
25033	606 052 00 03	crankshaft gear		Z 18
26070	606 200 00 73 S2	rep kit lever	(2)	
30302	601 050 07 11 S1	rep. kit timing chain		

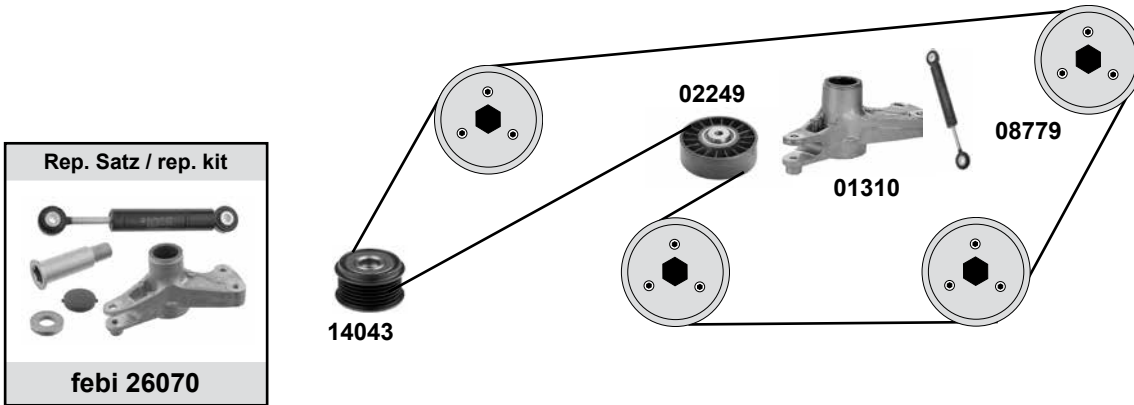
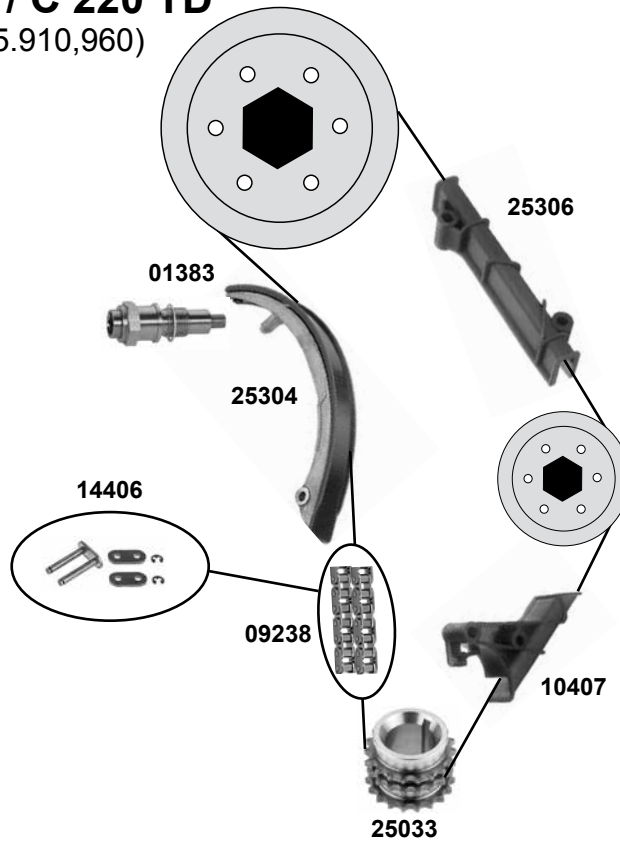
# MERCEDES-BENZ C-Klasse (BM 202)

(92→00)

Car  
Division



## C 200 TD / C 220 D / C 220 TD (OM 604.910,915 / OM 605.910,960)

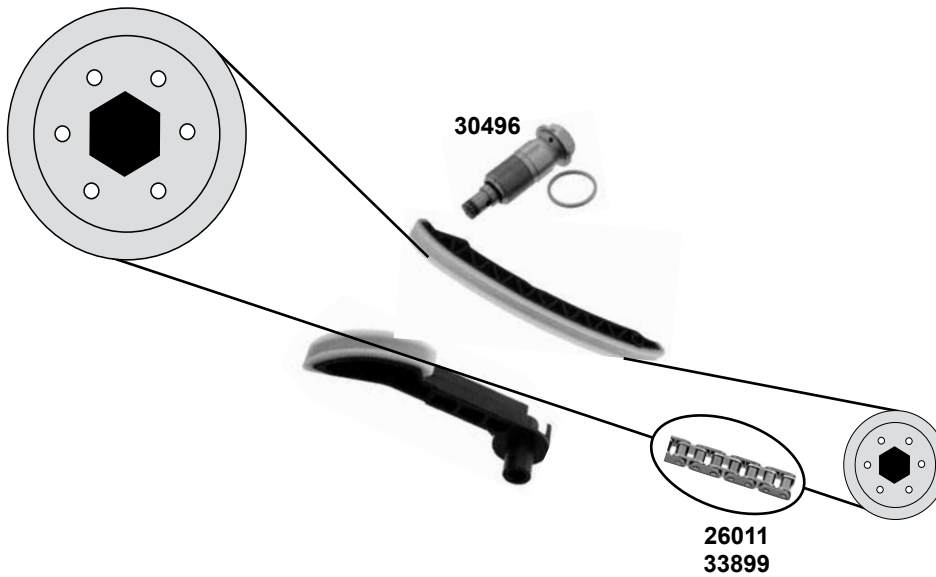


(1) riveted link

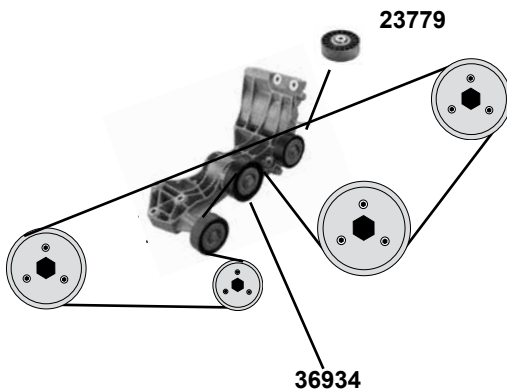
Ref. - No.				
01310	606 200 00 73	lever	(mot.) 604.910,915	
01383	606 050 02 11	chain tensioner		
02249	601 200 09 70	tension roller	(mot.) 604.910,915	ØA80 B25 / 31
08779	604 200 02 14	vibration damper	(mot.) 604.910,915	55 N - 1200 N
09238	003 997 56 94	timing chain	(1)	D 457 / 130 N
10407	601 052 05 16	sliding rail		
14043	604 150 01 60	alternator overrun pulley	(mot.) 604.910,915	
14406	000 997 28 98	chain link	(mot.) 604.910,915	
25033	606 052 00 03	crankshaft gear	(mot.) 604.910,915	Z 18
25304	606 050 02 16	sliding rail		
25306	606 052 01 16	sliding rail	(mot.) 604.910,915	
26070	606 200 00 73 S2	rep kit lever	(mot.) 604.910,915	
30301	606 050 2 11 S1	rep kit timing chain	(mot.) 604.910,915	



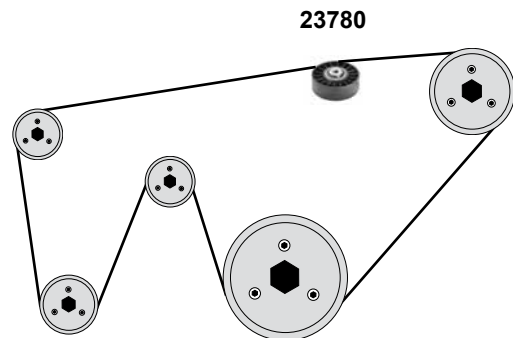
**B 180 CDI**  
(BM 245.207/208)  
(OM 640.940/941)



**AC**



**(ex.) AC**



<b>23779</b>	640 202 04 19	deflection pulley	<b>AC</b>	
<b>23780</b>	640 202 03 19	deflection pulley	<b>(ex.) AC</b>	
<b>26011</b>	668 997 05 94	timing chain	<b>(mot.) 30145734 →</b>	108 N
<b>30322</b>	640 050 02 11 S1	rep. kit timing chain	<b>(mot.) 30145734 →</b>	
<b>30496</b>	640 050 02 11	chain tensioner	<b>(mot.) 30145734 →</b>	
<b>33899</b>	000 993 68 76 S1	timing chain		108 E
<b>36934</b>	640 200 33 70	belt tensioner		



# MERCEDES-BENZ C-Klasse (BM 202)

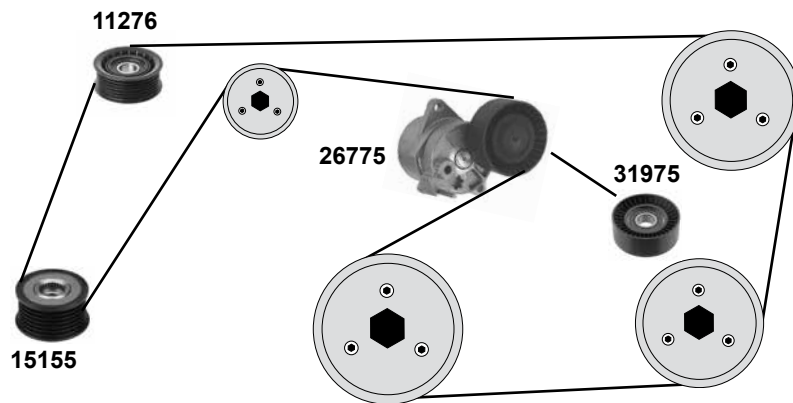
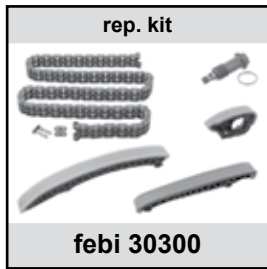
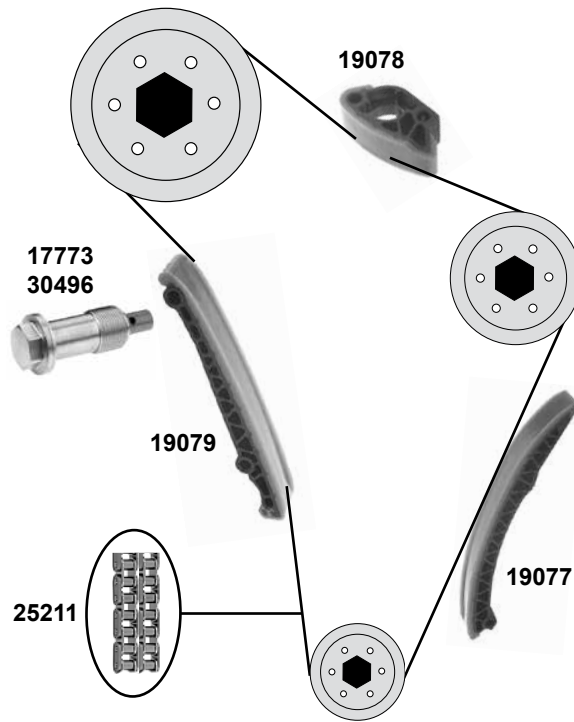
(92→00)

Car  
Division 



## C 200 CDI/TCDI / C 220 CDI/TCDI

(OM 611.960)



(1) riveted link

(2) (ch.) B 438527 → / X 065665 →



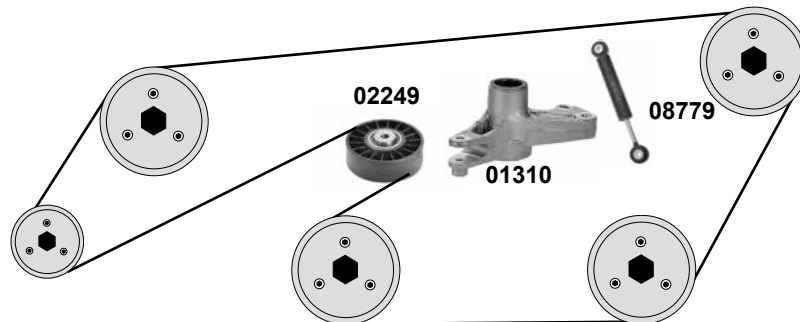
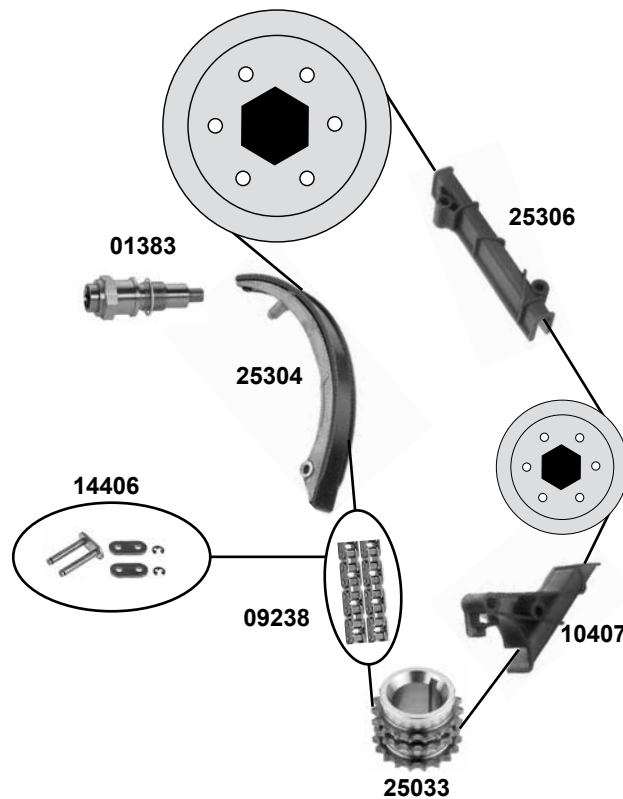
Ref. - No.



Ref. - No.	Description	Notes	Dimensions
11276	deflection pulley	(2)	ØA 64 B23
15155	alternator overrun pulley		
17773	chain tensioner	OLD	
19077	sliding rail		
19078	sliding rail		
19079	sliding rail		
25211	timing chain	(1)	
26775	belt tensioner		
30300	rep. kit timing chain		E 110
30496	chain tensioner	NEW	
31975	tension roller		ØA 70 B27



**C 250 D / C 250 TD / C 250 Turbo**  
(OM 605.910,960)



(1) riveted link



Ref. - No.



<b>01310</b>	606 200 00 73	lever
<b>01383</b>	606 050 02 11	chain tensioner
<b>02249</b>	601 200 09 70	tension roller
<b>08779</b>	604 200 02 14	vibration damper
<b>09238</b>	003 997 56 94	timing chain
<b>10407</b>	601 052 05 16	sliding rail
<b>14406</b>	000 997 28 98	chain link
<b>25033</b>	606 052 00 03	crankshaft gear
<b>25304</b>	606 050 02 16	sliding rail
<b>25306</b>	606 052 01 16	sliding rail
<b>26070</b>	606 200 00 73 S2	rep kit lever
<b>30301</b>	606 050 02 11 S1	rep kit timing chain

(1)

ØA80 B25 / 31  
55 N - 1200 N  
D 457 / 130 N

Z 18

# MERCEDES-BENZ C-Klasse (BM 203)

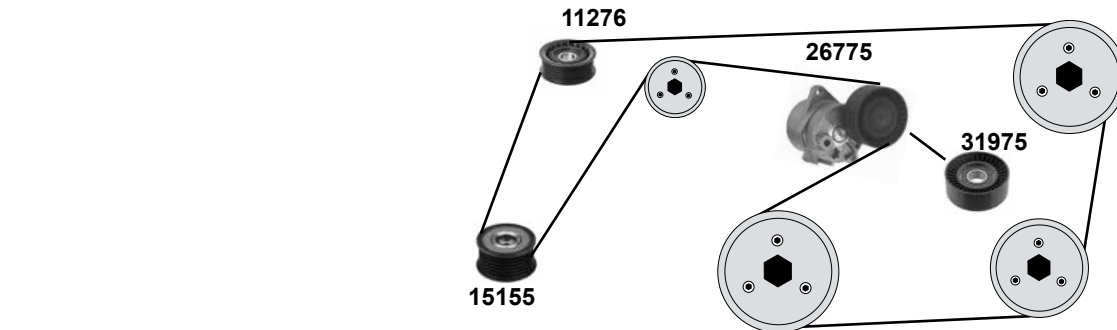
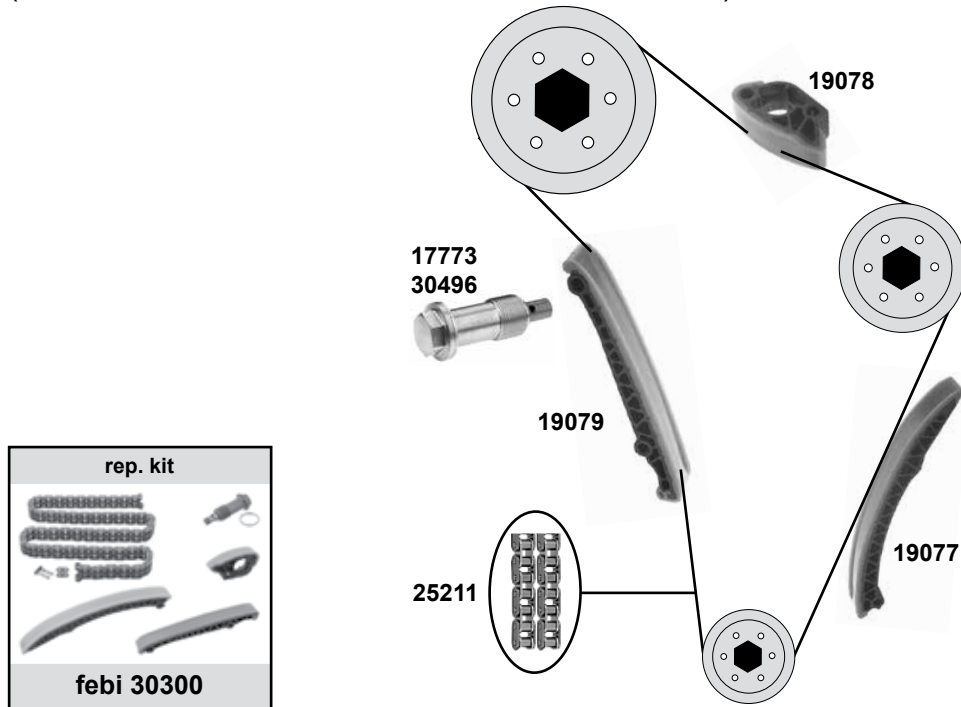
(00→07)

Car  
Division



## SC/C 200 CDI / SC 220 CDI / 270 CDI / TCDI / C 30 AMG

(OM 611.962 / OM 612.962,990 / OM 646.962,963)

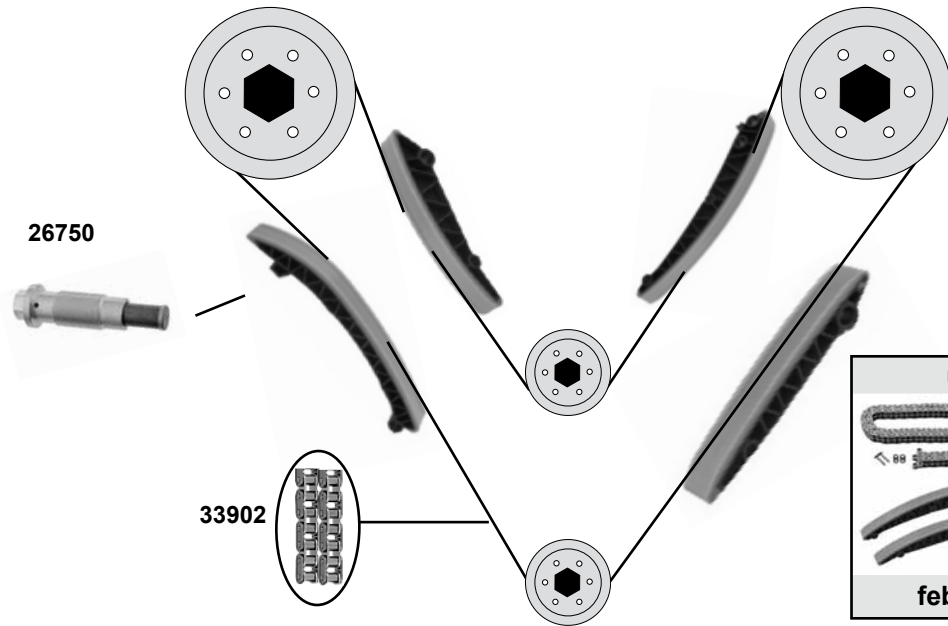


- (1) riveted link
- (2) (mot.) OM 611.962 (ch.) B 438527 → / X 065665 → / (mot.) OM 612.990 / (mot.) OM 612.962 (ch.) F 177685 → / R 028782 → / (mot.) OM 646.962,963 SA 522672 03
- (3) (ex.) mot. OM 612.990 / OM 646.962,963
- (4) mot. 611.962 / OM 612.962 / 646.962,963

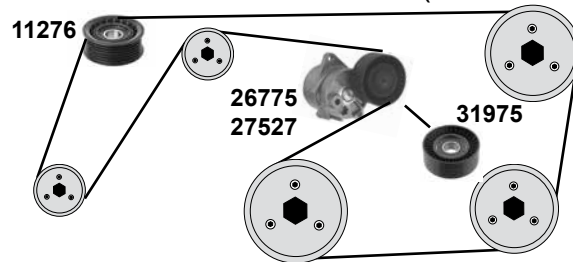
febi bilstein	Ref. - No.			
11276	272 202 10 19	deflection pulley	(2)	ØA 64 B23
15155	611 155 00 15	alternator overrun pulley	(3)	
17773	640 050 01 11	chain tensioner	(3) OLD	
19077	611 052 04 16	sliding rail		
19078	611 052 03 16	sliding rail		
19079	611 052 00 16	sliding rail		
25211	003 997 75 94	timing chain	(1) (4)	E 110
26775	646 200 02 70	belt tensioner	(3)	
30300	640 050 01 11 S1	rep. kit timing chain		E 110
30496	640 050 02 11	chain tensioner	NEW	
31975	611 202 00 19	tension roller	(3)	ØA 70 B27



**C / GLK Klasse**  
(OM 642.910)

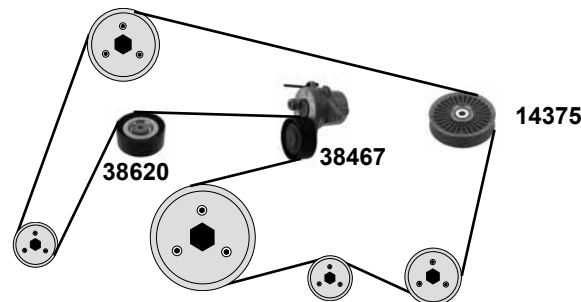


**C 200 CDI / C220 CDI / SC/CLC 200 CDI**  
(OM 646.820,821,951,962,963,966,980-986,990)



**C 320 CDI**  
(OM 642.910)

**C / GLK Klasse**  
(OM 651.911,913,916)



(1) valid for Eco Start-Stop function

7-gear



Ref. - No.



11276	272 202 10 19	deflection pulley	(mot.) 646.962,963,811	ØA 64 B23
14375	611 234 01 93	deflection pulley		
26750	642 050 03 11	chain tensioner		
26775	646 200 02 70	belt tensioner	(mot.) 646.962,963,811	
27527	642 200 13 70	belt tensioner	(mot.) 642.910	
30279	642 050 09 16	timing-chain guides kit		
30321	642 050 03 11 S3	rep. kit timing chain		
31975	611 202 00 19	tension roller	(mot.) 646.962,963,811	ØA 70 B27
33902	000 993 63 76 S1	timing chain		190 E
36419	642 050 09 16 S1	rep. kit timing chain		
38467	651 200 13 70	belt tensioner	(1)	ØA 65 B 26
38620	651 200 03 70	tension roller		ØA 65 B 26

# MERCEDES-BENZ C-Klasse /GLK-Klasse (BM 204)

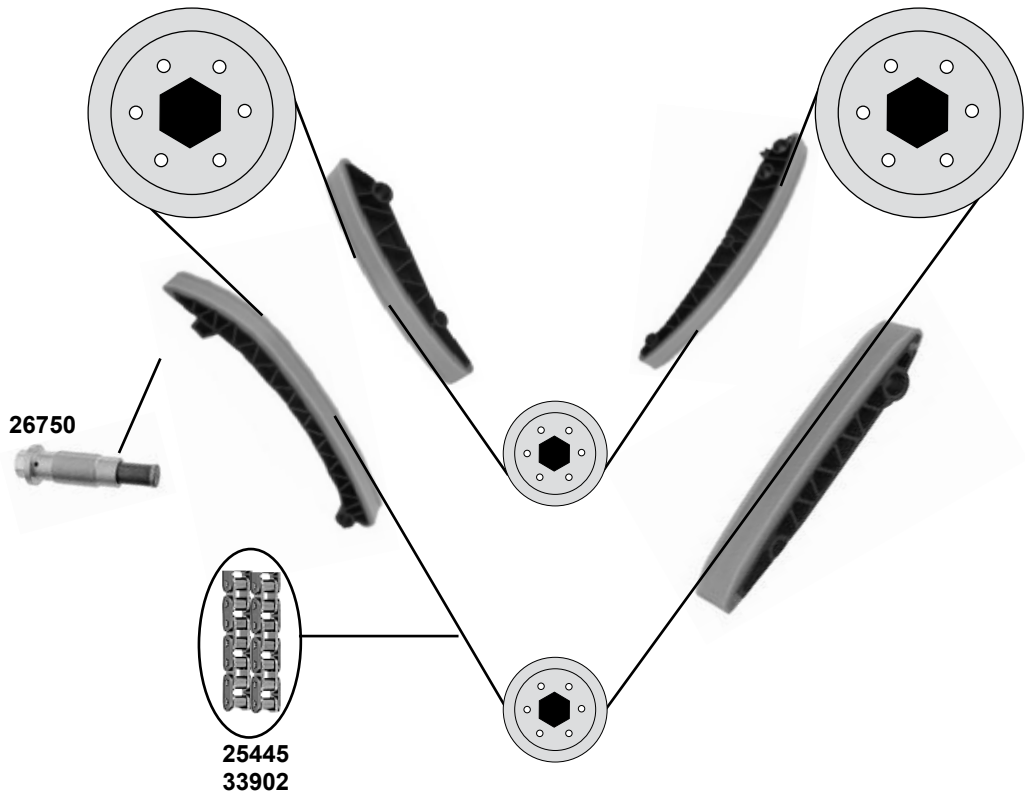
(07→)

Car  
Division



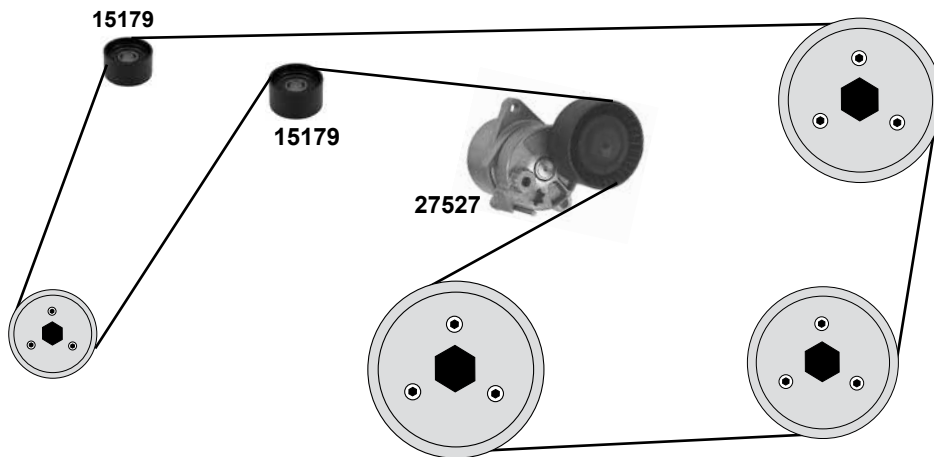
## C / GLK-Klasse

(OM 642.830,832,834,835,960,961)



## GLK 320 CDI 4 Matic

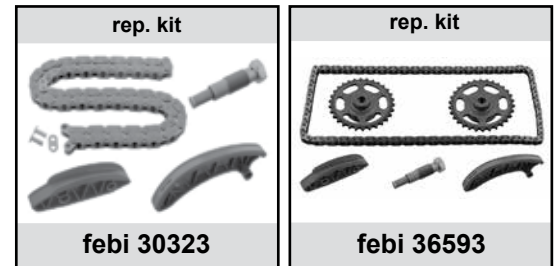
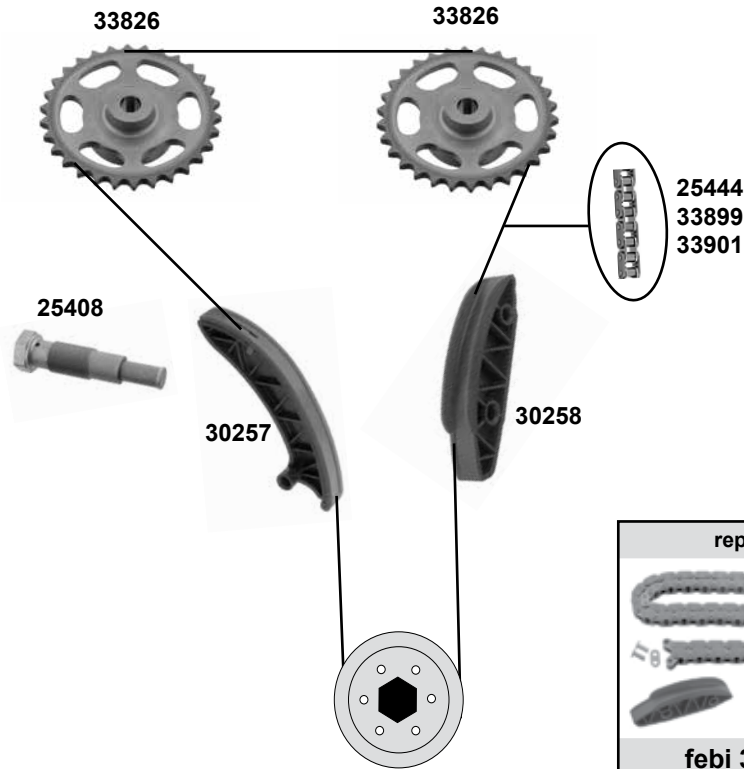
(OM 642.830,832,834,835,960,961)



febi bilstein	Ref. - No.			
15179	642 200 10 70	deflection pulley	OM 642.960,961	ØA 54 B30 190 E
25445	000 993 10 76	timing chain		
26750	642 050 03 11	chain tensioner	(ex.) 960	190 E
27527	642 200 13 70	belt tensioner		
30279	642 050 09 16	timing-chain guides kit		
30321	642 050 03 11 S3	rep. kit timing chain		
33902	000 993 63 76 S1	timing chain		
36419	642 050 09 16 S1	rep. kit timing chain		

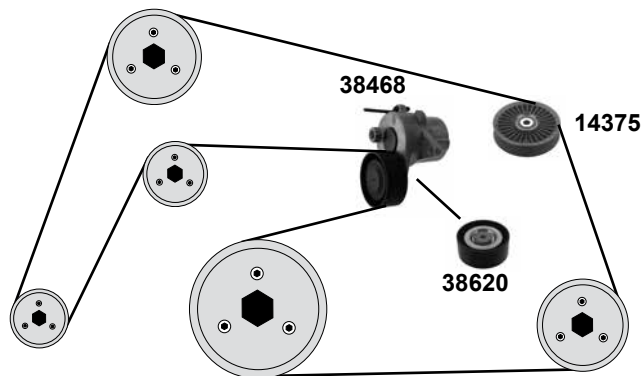
### C 250/200 CDI

(OM 651.911,912,913,916)



### C 250/200 CDI / GLK Klasse

(OM 651.911,912,913,916)



(1) riveted link

(2) not valid for Eco Start-Stop function



Ref. - No.



Ref. - No.	Description	Notes	Dimensions
14375	deflection pulley		
25408	chain tensioner		
25444	timing chain	(1)	96 N
30257	liding rail	→2012	
30258	sliding rail	→2012	
30323	rep. kit timing chain	→2012	
33826	camshaft timing gear	→2012	
33899	timing chain	→2012	108 E
33901	timing chain	→2012	96 E
36593	rep. kit timing chain	→2012	
38468	belt tensioner	(2)	ØA 65 B 26
38620	tension roller		ØA 65 B 26



# MERCEDES-BENZ C-Klasse (BM 204)

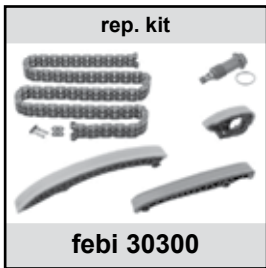
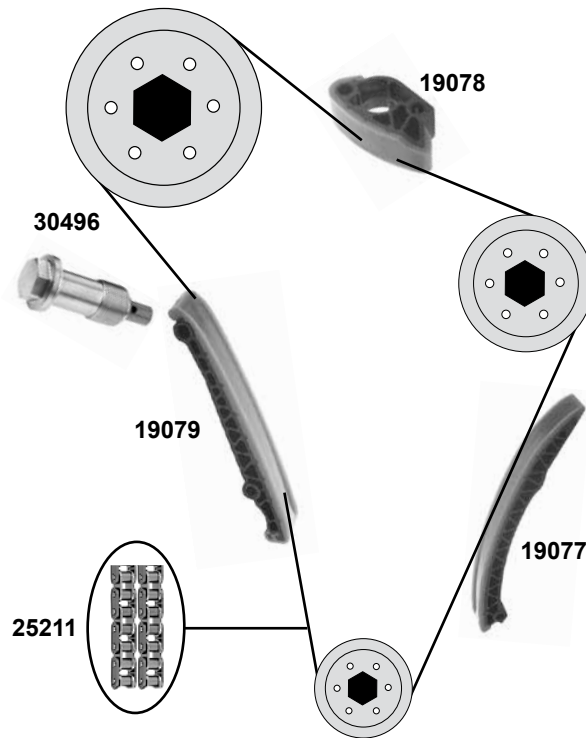
(07→)

Car  
Division



## SC 200/220 CDI

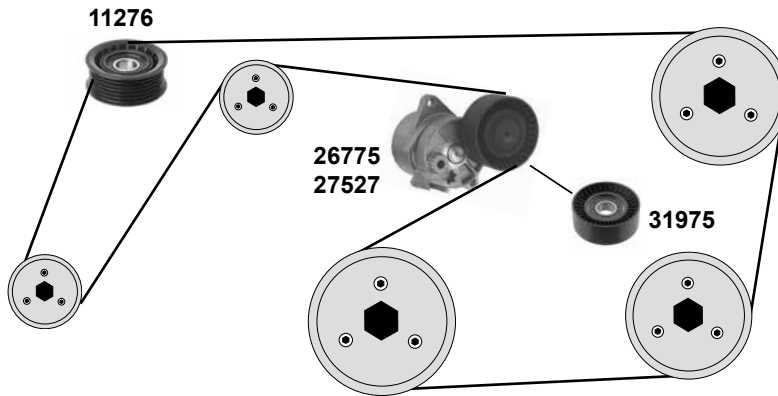
(OM 646.811/812)



## C 200/220 CDI / C 320 CDI

(OM 646.)

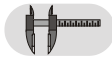
(OM 642.830,832,834,960,961)



(1) (mot.) 646.811 SA 522672 03

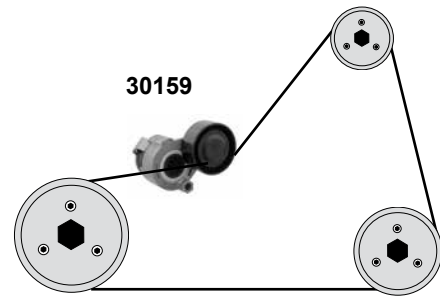
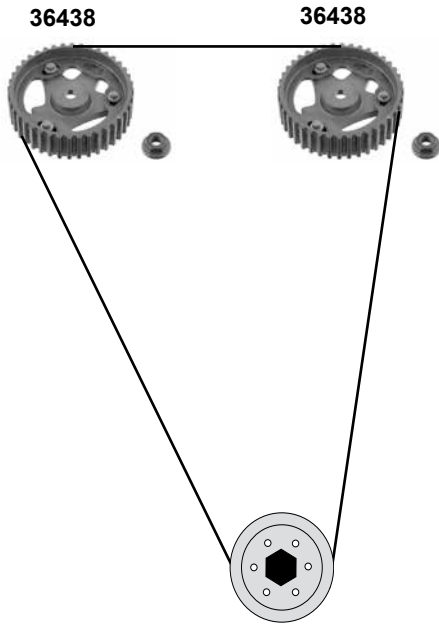


Ref. - No.



Ref. - No.	Description	Quantity	Notes
11276	deflection pulley	(1)	
19077	sliding rail		
19078	sliding rail		
19079	sliding rail		
25211	roller chain		
26775	belt tensioner	(mot.) 646.962,963,811	
27527	belt tensioner	(ex.) (mot.) 646.	
30300	rep. kit timing chain		
30496	chain tensioner	NEW	
31975	tension roller	(mot.) 646.962,963,811	ØA 70 B27

(OM 607.951.)



**CLA Klasse (BM 117)**  
(13→)  
(OM 651.901,930)



(1) riveted link



Ref. - No.



<b>25408</b>	651 050 07 00	chain tensioner	(1)	ØA 92,5 Z30 96 N ØA 65 B26
<b>25440</b>	651 052 00 00	camshaft timing gear		
<b>25444</b>	000 993 62 76	timing chain	(1)	96 E
<b>30159</b>	607 200 00 70	belt tensioner		
<b>30323</b>	651 050 01 00 S1	rep. kit timing chain		
<b>33901</b>	000 993 62 76 S1	timing chain		
<b>36593</b>	651 052 00 01 S1	rep. kit timing chain		
<b>36438</b>	607 050 01 00	camshaft timing gear		



# MERCEDES-BENZ CLK-Klasse (BM 209)

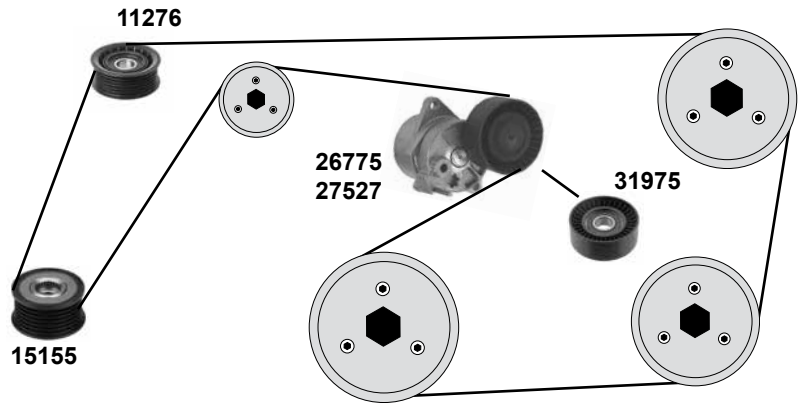
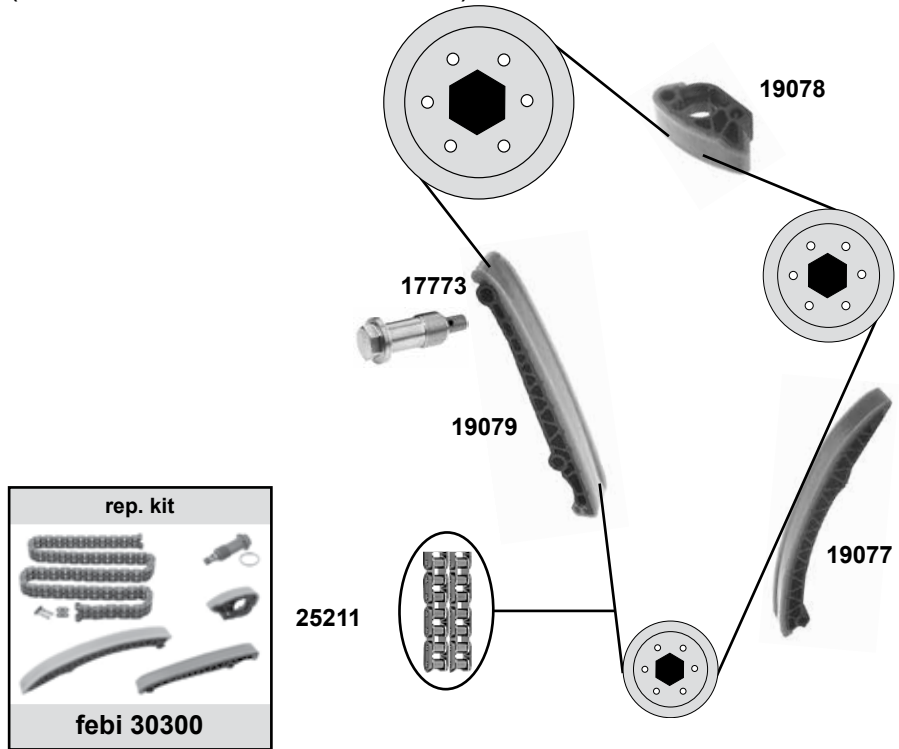
(02→)

Car  
Division 



## CLK 220 CDI / 270 CDI

(OM 612.962,967 / OM 646.966)



- (1) riveted link
- (2) (mot.) OM 612.962 (mot.) OM 646.966 SA 5226672 03

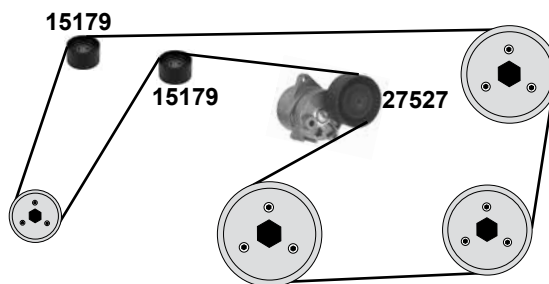
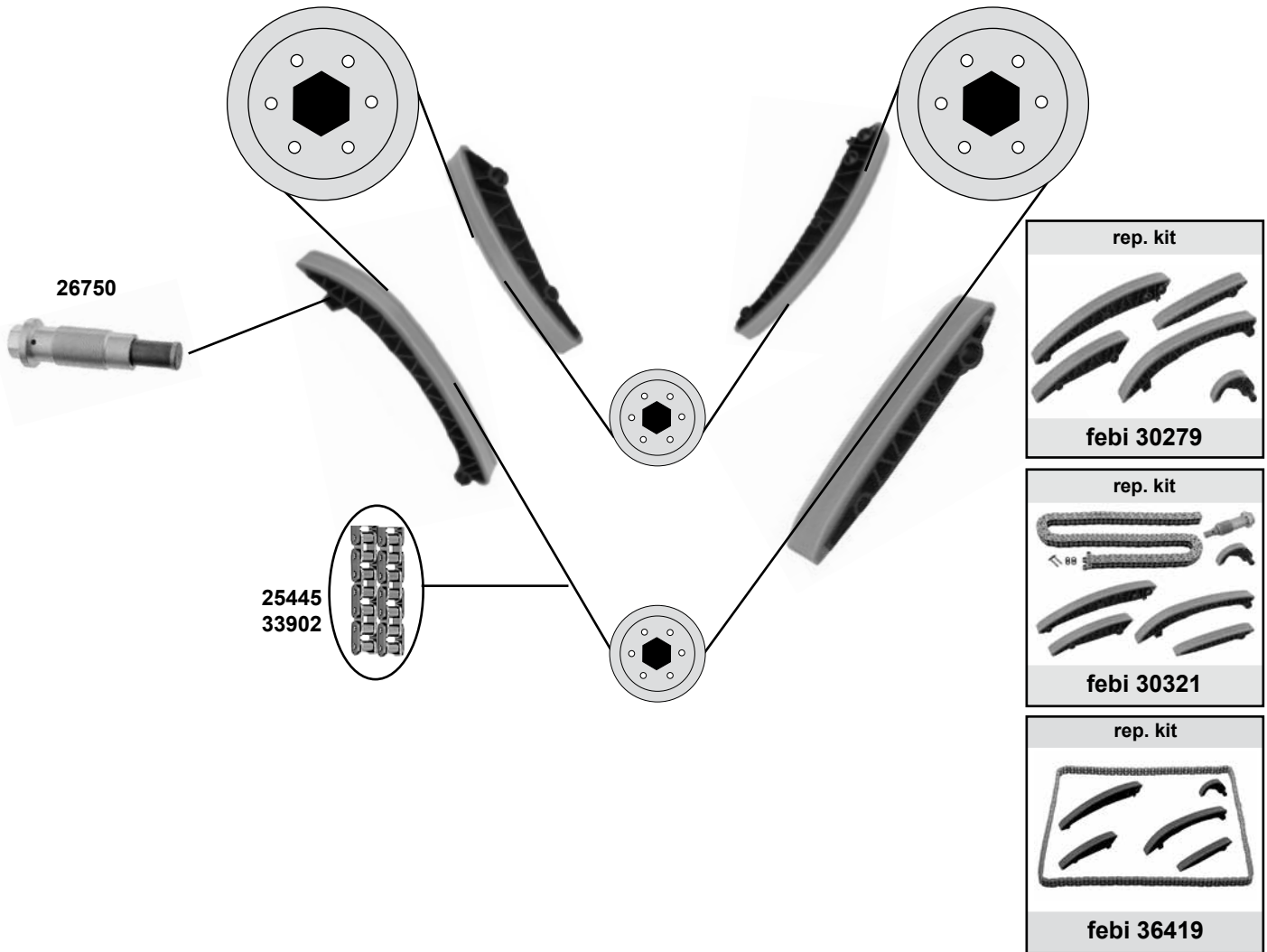


Ref. - No.



Ref. - No.	Description	Quantity	Notes
11276	deflection pulley	(2)	
15155	alternator overrun pulley		
17773	chain tensioner		
19077	sliding rail		
19078	sliding rail		
19079	sliding rail		
25211	timing chain	(1) (mot.) 646.966	
26775	belt tensioner	(mot.) 646.966	
27527	belt tensioner	(mot.) 646.966	
30300	rep. kit timing chain		
31975	tension roller		E 110 ØA 70 B27

**CLK 320 CDI**  
(OM 642.910)



	Ref. - No.			
<b>15179</b>	642 200 10 70	deflection pulley		ØA 54 B30
<b>25445</b>	000 993 10 76	roller chain		
<b>26750</b>	642 050 03 11	chain tensioner		
<b>27527</b>	642 200 13 70	belt tensioner		
<b>30279</b>	642 050 09 16	timing-chain guides kit		190 E
<b>30321</b>	642 050 03 11 S3	rep. kit timing chain		
<b>33902</b>	000 993 63 76 S1	timing chain		
<b>36419</b>	642 050 09 16 S1	rep. kit timing chain		

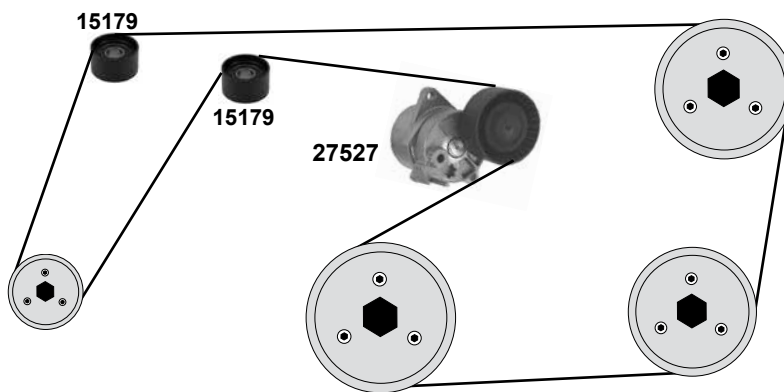
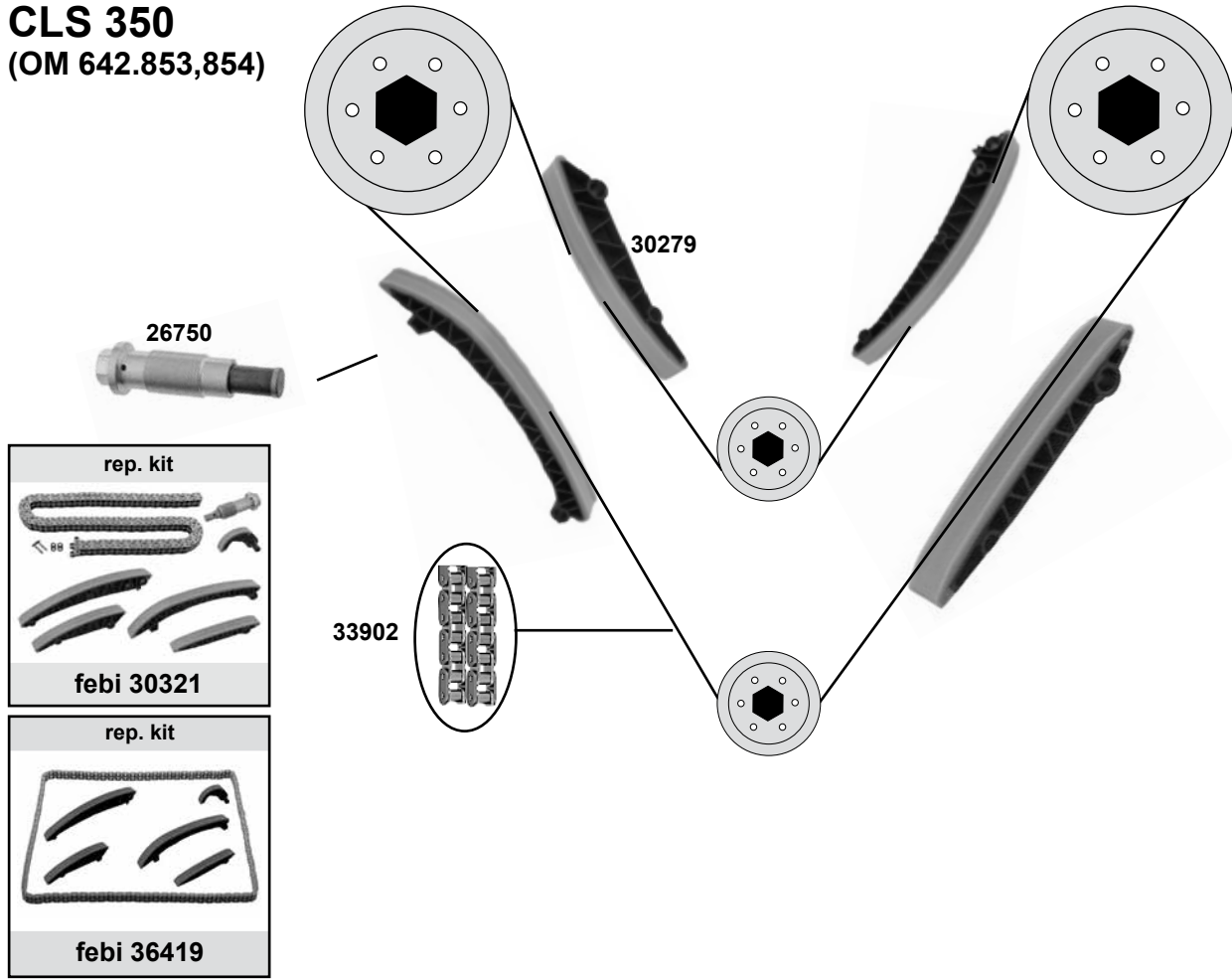
# MERCEDES-BENZ CLS-Klasse (BM 218)

(11→)

Car  
Division

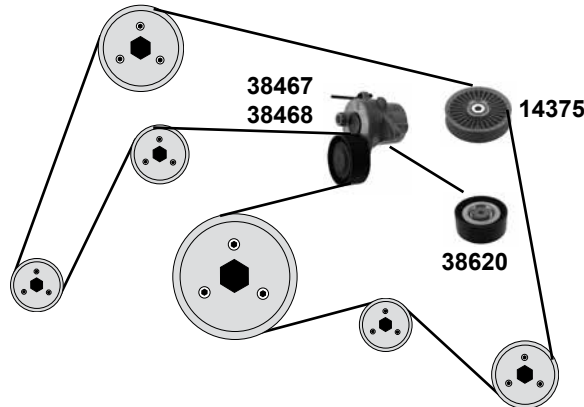
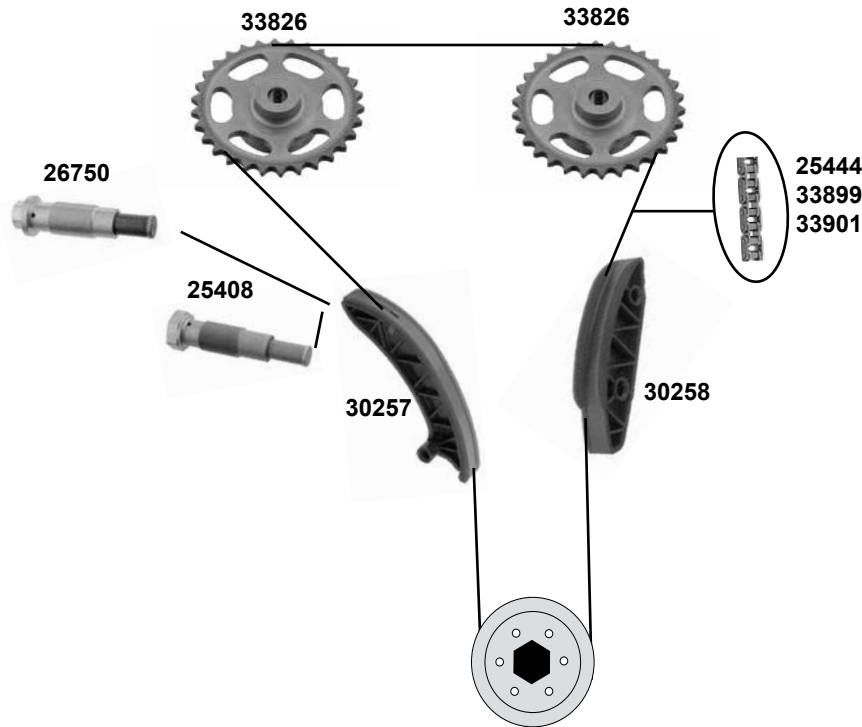


## CLS 350 (OM 642.853,854)



	Ref. - No.			
15179	642 200 10 70	deflection pulley		ØA 54 B30
26750	642 050 03 11	chain tensioner		
27527	642 200 13 70	belt tensioner		
30279	642 050 09 16	timing-chain guides kit		
30321	642 050 03 11 S3	rep. kit timing chain		
33902	000 993 63 76 S1	timing chain		190 E
36419	642 050 09 16 S1	rep. kit timing chain		

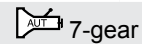
**250 CDI**  
(OM 651.924)



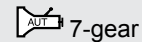
(1) riveted link



(2) valid for Eco Start-Stop function



(3) not valid for Eco Start-Stop function



Ref. - No.



Ref. - No.	Description	Notes	Part No.
14375	deflection pulley		
26750	chain tensioner		
25408	chain tensioner		
25444	timing chain	(1)	96 N
30257	sliding rail	→2012	
30258	sliding rail	→2012	
30323	rep. kit timing chain		
33826	camshaft timing gear	→2012	
33899	timing chain	→2012	108 E
33901	timing chain		96 E
36593	rep. kit timing chain	→2012	
38467	belt tensioner	(2)	ØA 65 B 26
38468	belt tensioner	(3)	ØA 65 B 26
38620	tension roller		ØA 65 B 26

# MERCEDES-BENZ CLS-Klasse (BM 219)

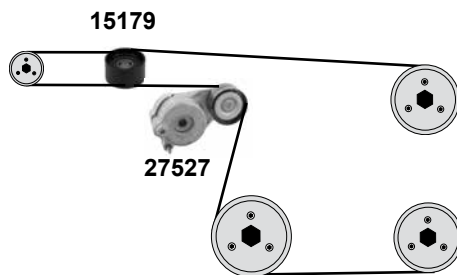
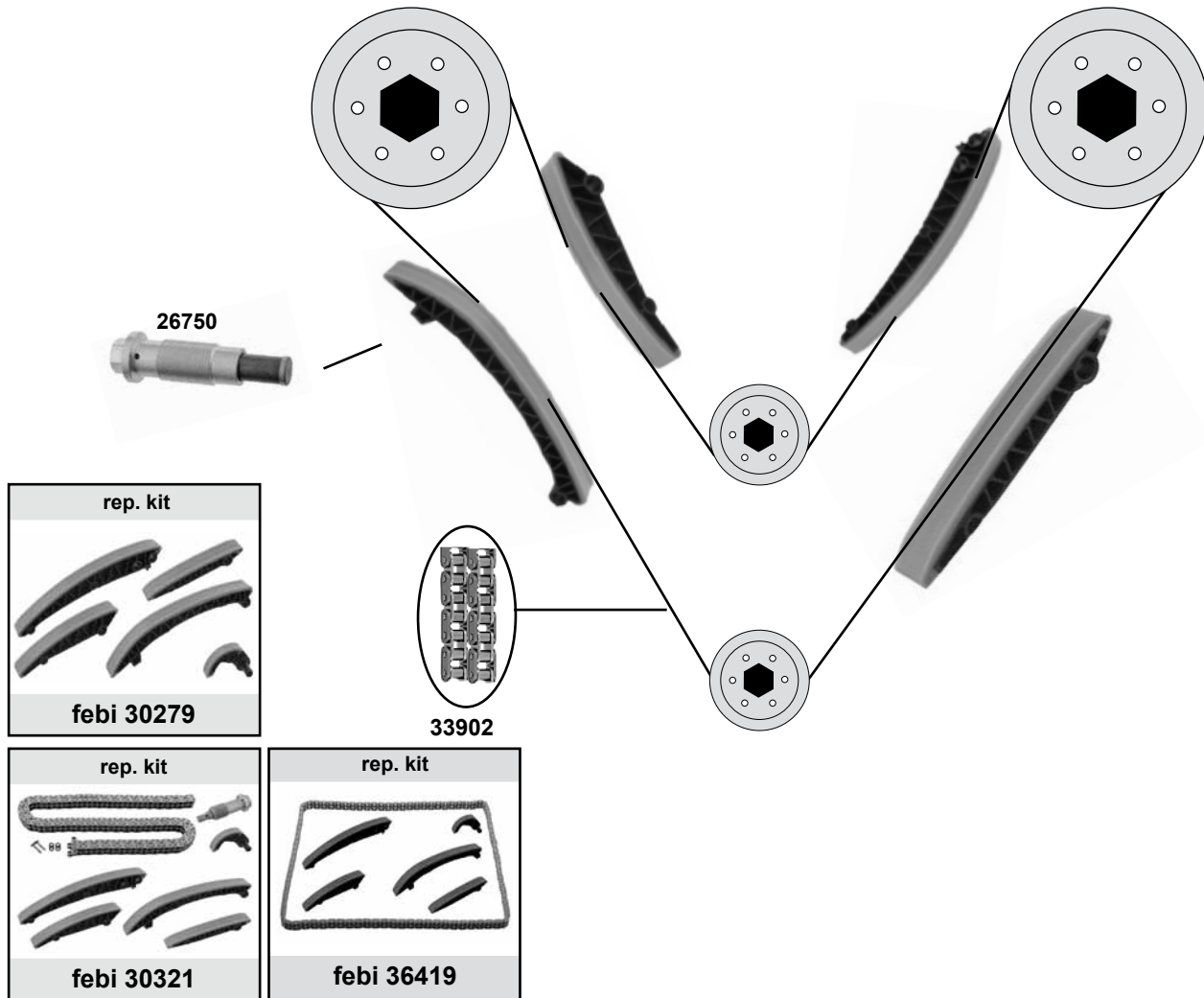
(04→)



Car  
Division 



## CLS 320 CDI

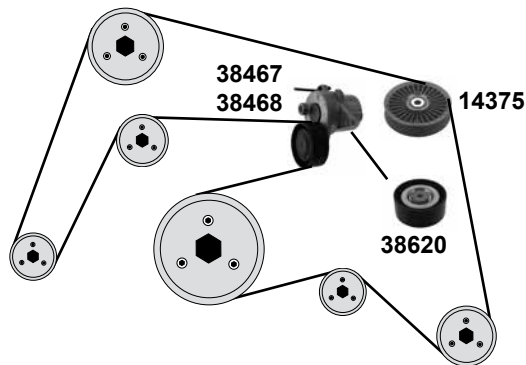
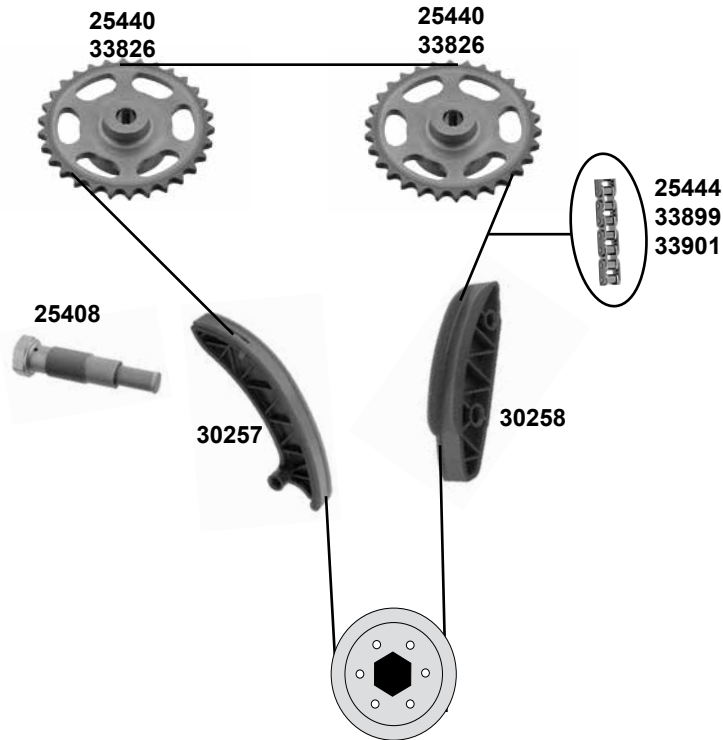
(OM 642.920)



	Ref. - No.			
<b>15179</b>	642 200 10 70	deflection pulley		
<b>26750</b>	642 050 03 11	chain tensioner		
<b>27527</b>	642 200 13 70	belt tensioner		
<b>30279</b>	642 050 09 16	timing-chain guides kit		
<b>30321</b>	642 050 03 11 S3	rep. kit timing chain		
<b>33902</b>	000 993 63 76 S1	timing chain		
<b>36419</b>	642 050 09 16 S1	rep. kit timing chain		

190 E

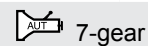
**Coupe/Cabriolet**  
(OM 651.911)



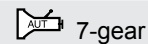
(1) riveted link



(2) valid for Eco Start-Stop function



(3) not valid for Eco Start-Stop function



	Ref. - No.			
14375	611 234 01 93	deflection pulley		
25408	651 050 07 00	chain tensioner		
25440	651 052 00 00	camshaft timing gear		
25444	000 993 62 76	timing chain	(1)	ØA 92,5 Z 30
30257	651 052 00 16	sliding rail	→2012	96 N
30258	651 052 00 16	sliding rail	→2012	
30323	651 050 01 00 S1	rep. kit timing chain	→2012	
33826	668 052 01 01	camshaft timing gear	→2012	
33899	000 993 68 76 S1	timing chain	→2012	108 E
33901	000 993 62 76 S1	timing chain	→2012	96 E
36593	651 052 00 01 S1	rep. kit timing chain	→2012	
38467	651 200 13 70	belt tensioner	(2)	ØA 65 B 26
38468	651 200 17 70	belt tensioner	(3)	ØA 65 B 26
38620	651 200 03 70	tension roller		ØA 65 B 26

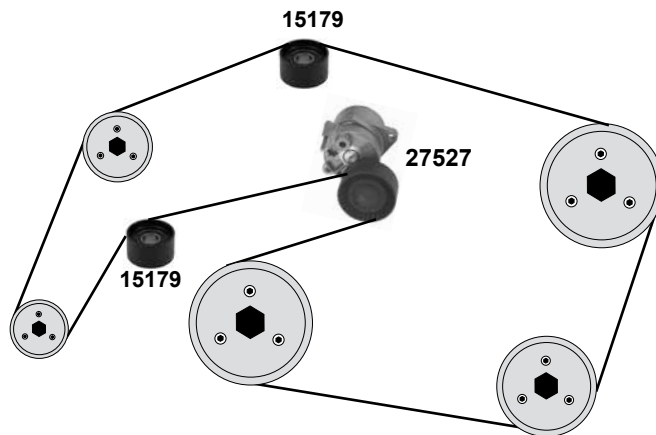
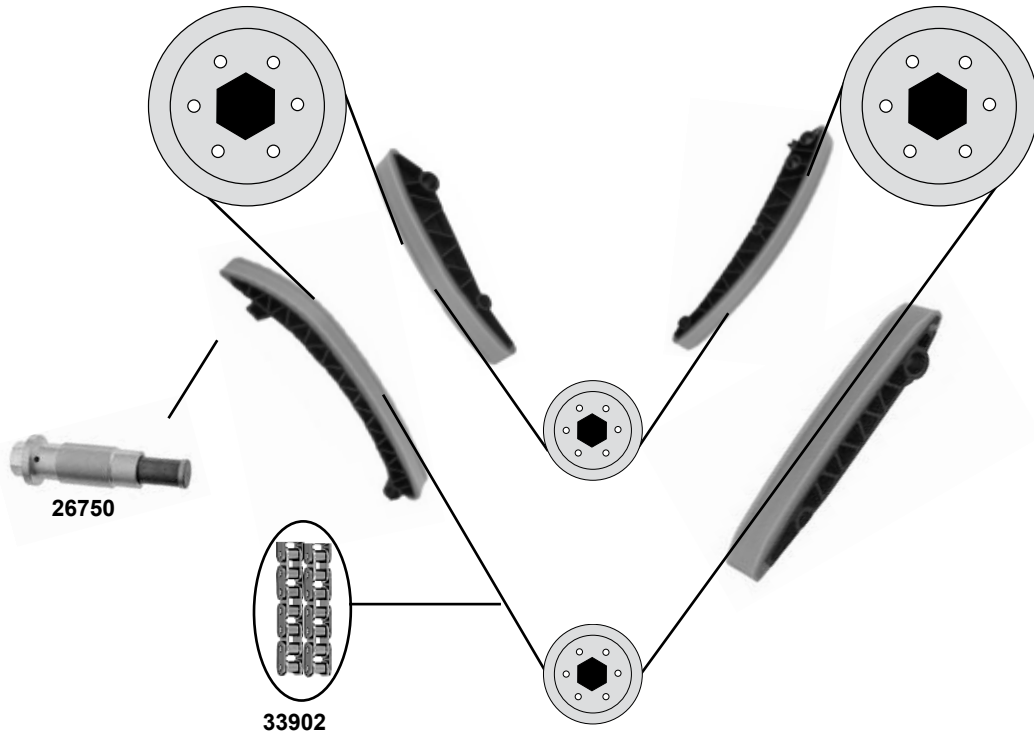
# MERCEDES-BENZ E-Klasse (BM 207)

(09→)

Car  
Division



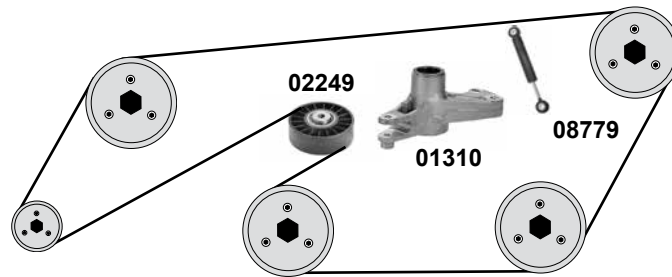
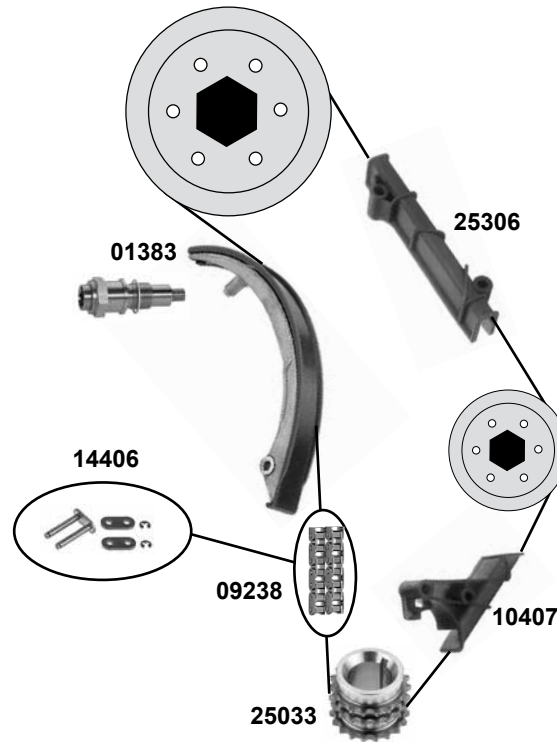
## E-Klasse (OM 642.836,838)



Ref. - No.				
15179	642 200 10 70	deflection pulley		ØA 54 B30
26750	642 050 03 11	chain tensioner		
27527	642 200 13 70	belt tensioner		
30279	642 050 09 16	timing-chain guides kit		
30321	642 050 03 11 S3	rep. kit timing chain		
33902	000 993 63 76 S1	timing chain		
36419	642 050 09 16 S1	rep. kit timing chain		190 E



**E 200 D / E 220 D**  
(OM 604.912,917 / 605.912,962 / 606.912.962)



(1) riveted link



Ref. - No.



<b>01310</b>	606 200 00 73	lever
<b>01383</b>	606 050 02 11	chain tensioner
<b>02249</b>	601 200 09 70	tension roller
<b>08779</b>	604 200 02 14	vibration damper
<b>09238</b>	003 997 56 94	timing chain
<b>10407</b>	601 052 05 16	sliding rail
<b>14406</b>	000 997 28 98	chain link
<b>25033</b>	606 052 00 03	crankshaft gear
<b>25306</b>	606 052 01 16	sliding rail
<b>26070</b>	606 200 00 73 S2	rep kit lever
<b>30301</b>	606 050 02 11 S1	rep kit timing chain

(mot.) 604.912,917

(mot.) 604.912,917

(mot.) 604.912,917

(1)

(mot.) 604.912,917

(mot.) 604.912,917

ØA 80 B25 / 31  
55 N - 1200 N  
D 457 / 130 N

Z 18



# MERCEDES-BENZ E-Klasse (BM 210)

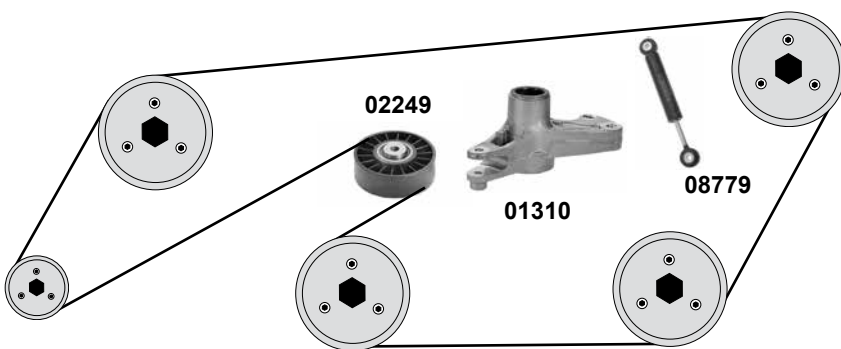
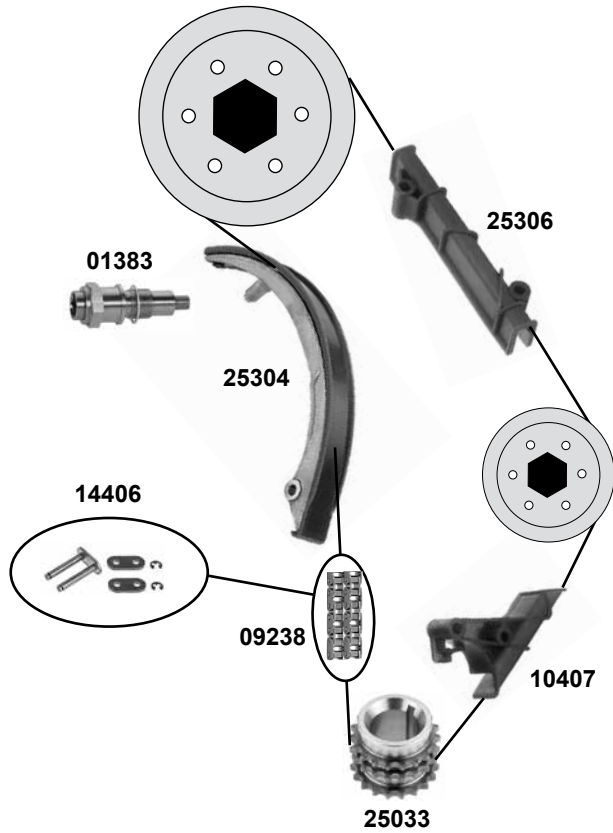
(95→03)





Car  
Division 



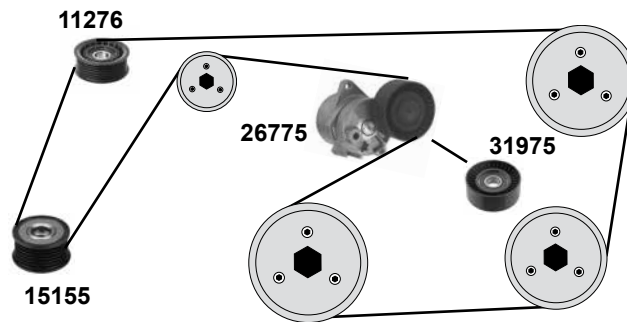
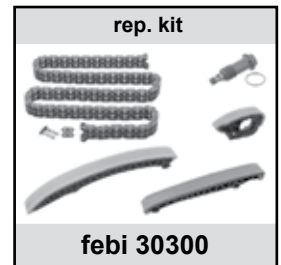
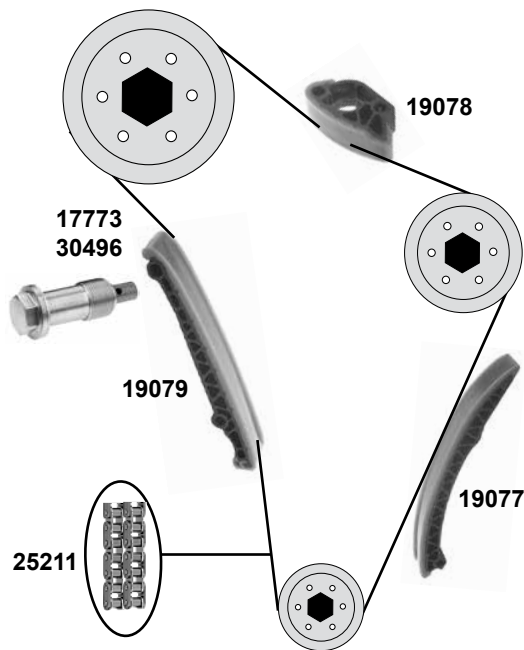
## E 250 D / E 250 Turbo

(OM 605.912,962)



	Ref. - No.			
01310	606 200 00 73	lever		
01383	606 050 02 11	chain tensioner		
02249	601 200 09 70	tension roller		
08779	604 200 02 14	vibration damper		
09238	003 997 56 94	timing chain		
10407	601 052 05 16	sliding rail		
14406	000 997 28 98	chain link		
25033	606 052 00 03	crankshaft gear		
25304	606 050 02 16	sliding rail		
25306	606 052 01 16	sliding rail		
26070	606 200 00 73 S2	rep kit lever		
30301	606 050 02 11 S1	rep kit timing chain		

ØA 80 B25 / 31  
55 N - 1200 N  
D 457 / 130 N



(1) (ch.) B 438527 → / X 065665 →

(2) riveted link



Ref. - No.



11276	272 202 09 19
15155	611 155 00 15
17773	640 050 01 11
19077	611 052 04 16
19078	611 052 03 16
19079	611 052 00 16
25211	003 997 75 94
26775	646 200 02 70
30300	640 050 01 11 S1
30496	640 050 02 11
31975	611 202 00 19

deflection pulley
alternator overrun pulley
chain tensioner
sliding rail
sliding rail
sliding rail
timing chain
belt tensioner
rep. kit timing chain
chain tensioner
tension roller

(1)

OLD

(2)

NEW

ØA 64 B23

E 110

ØA 70 B27

# MERCEDES-BENZ E-Klasse (BM 210)

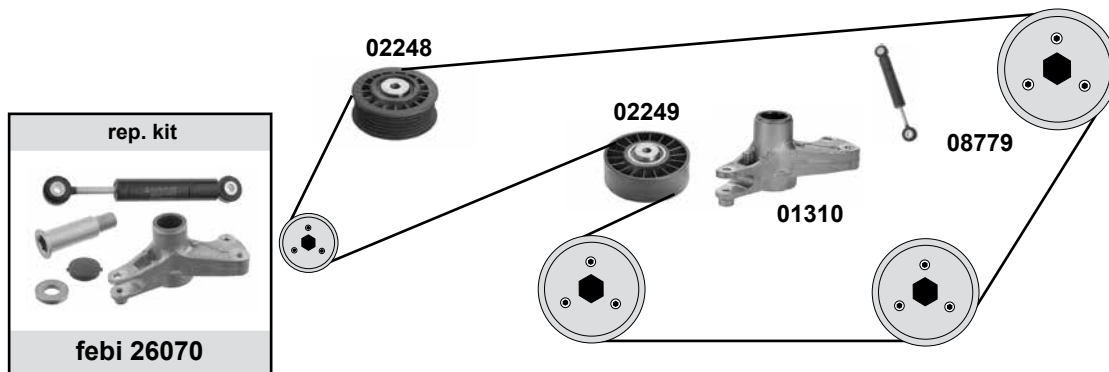
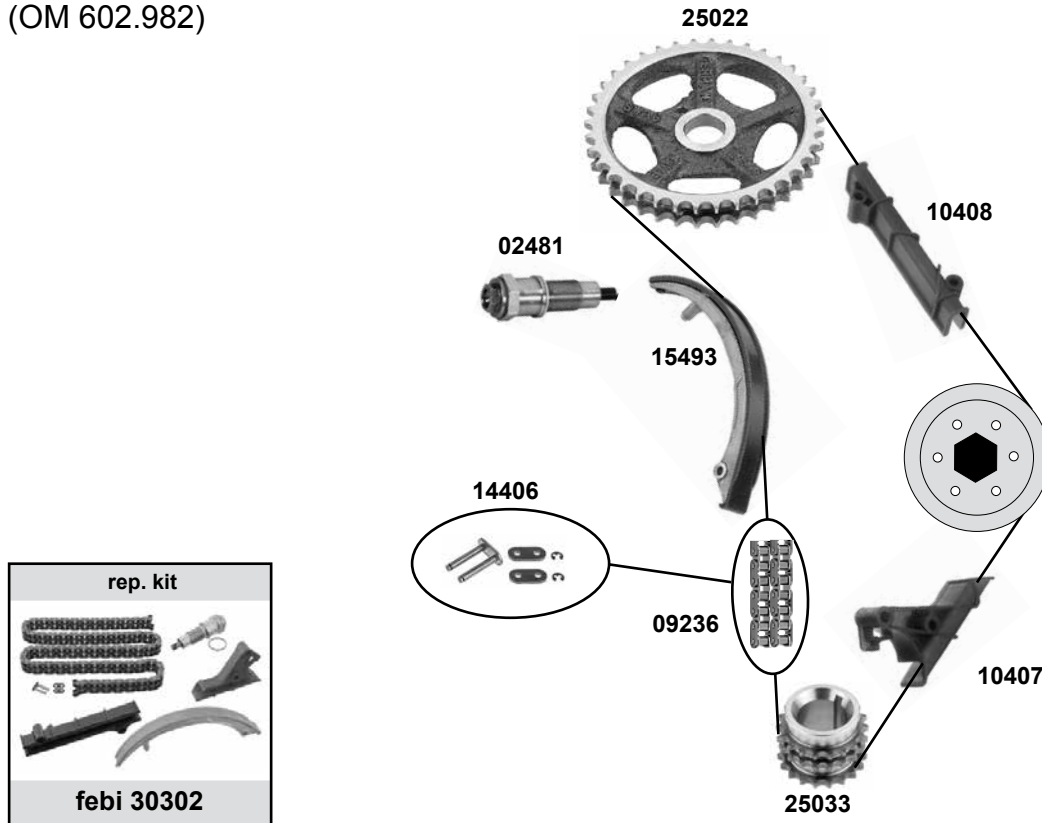
(95→03)

Car  
Division



## E 290 Turbodiesel

(OM 602.982)



(1) riveted link

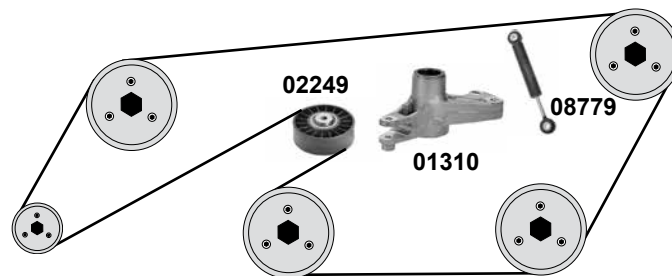
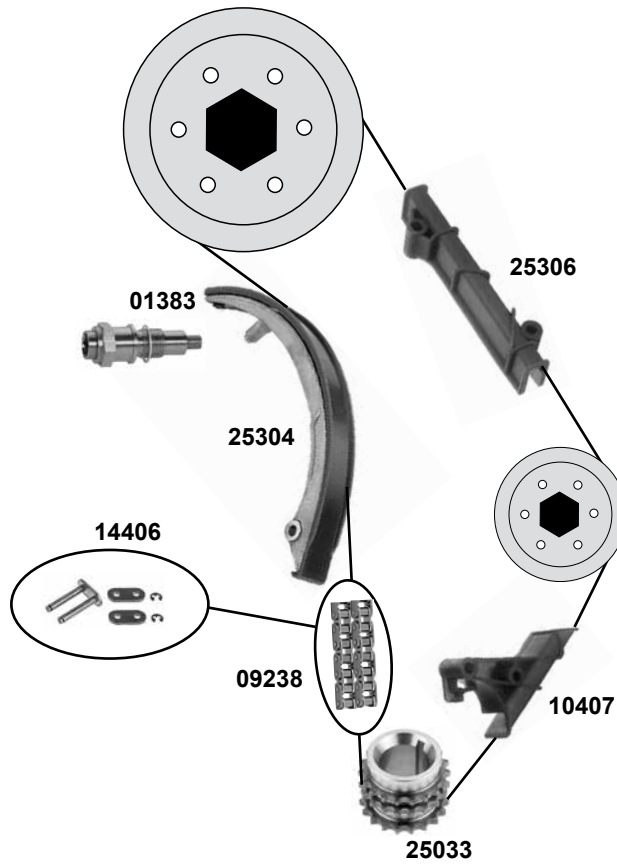


Ref. - No.



01310	606 200 00 73	lever		
02248	601 200 07 70	tension roller	(ex.) AC	ØA75 B26/31,5
02249	601 200 09 70	tension roller		Ø80 B25 / 31
02481	601 050 07 11	chain tensioner		
08779	604 200 02 14	vibration damper		55 N - 1200 N
09236	003 997 55 94	timing chain	(1)	D 126 E
10407	601 052 05 16	sliding rail		
10408	601 052 03 16	sliding rail		
14406	000 997 28 98	chain link		
15493	601 050 08 16	sliding rail		
25022	601 052 00 01	camshaft gear		Z 38
25033	606 052 00 03	crankshaft gear		Z 18
26070	606 200 00 73 S2	rep kit lever		
30302	601 050 07 11 S1	rep. kit timing chain		

**E 300 D / E 300 Turbo**  
(OM 606.912,962)



(1) riveted link



Ref. - No.



<b>01310</b>	606 200 00 73	lever
<b>01383</b>	606 050 02 11	chain tensioner
<b>02249</b>	601 200 09 70	tension roller
<b>08779</b>	604 200 02 14	vibration damper
<b>09238</b>	003 997 56 94	timing chain
<b>10407</b>	601 052 05 16	sliding rail
<b>14406</b>	000 997 28 98	chain link
<b>25033</b>	606 052 00 03	crankshaft gear
<b>25304</b>	606 050 02 16	sliding rail
<b>25306</b>	606 052 01 16	sliding rail
<b>26070</b>	606 200 00 73 S2	rep kit lever
<b>30301</b>	606 050 02 11 S1	rep kit timing chain

(1)

ØA 80 B25 / 31  
55 N - 1200 N  
D 457 / 130 N

# MERCEDES-BENZ E-Klasse (BM 210)

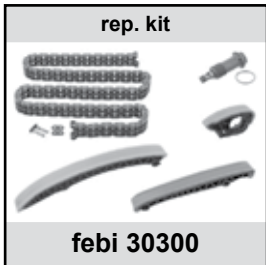
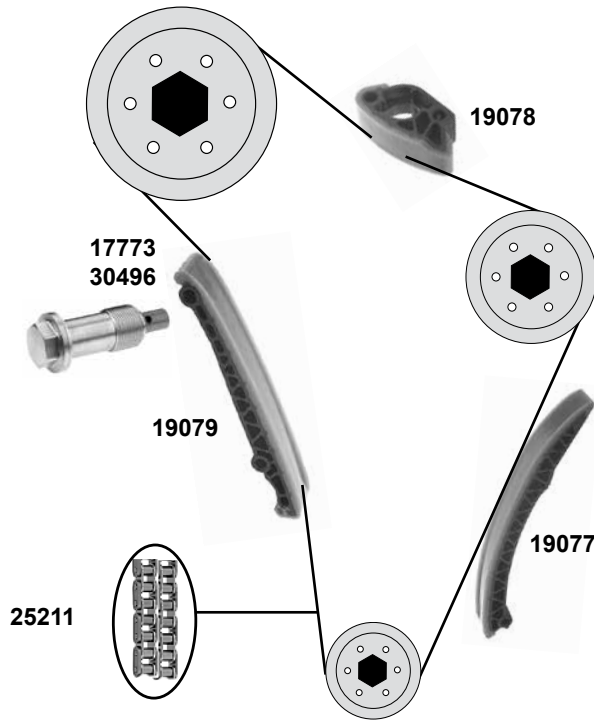
(95→03)

Car  
Division



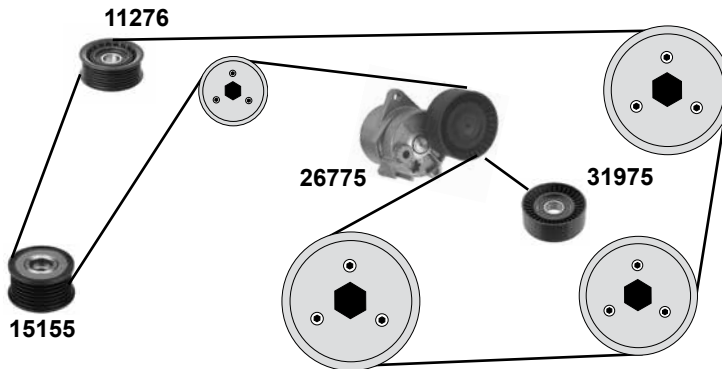
## E 320 CDI

(OM 612.961 / 613.961)



## E 320 CDI

(OM 613.960 / 961)



(1) riveted link

(2) (mot.) 612.961 (ch.) B 438527 → / X 065665 → / (mot.) 613.961

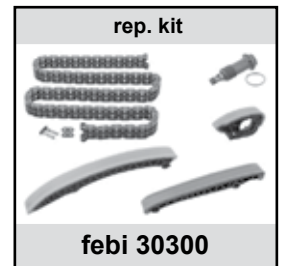
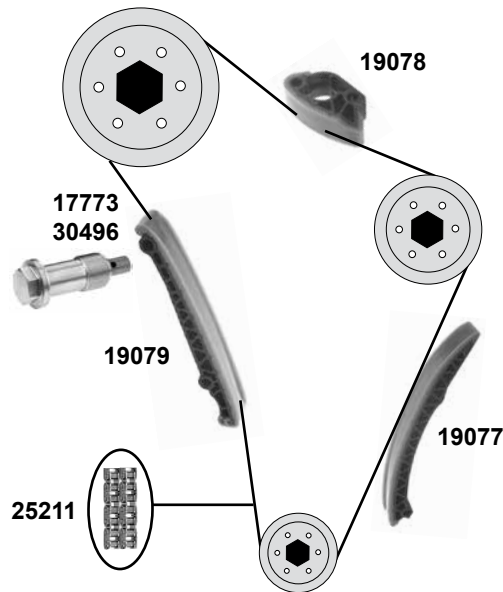


Ref. - No.

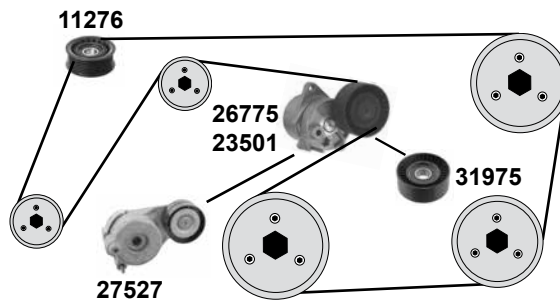


Ref. - No.	Description	Notes	Dimensions
11276	tension roller	(2)	ØA 64 B23
15155	alternator overrun pulley	(mot.) 613.961 OLD	
17773	chain tensioner		
19077	sliding rail		
19078	sliding rail		
19079	sliding rail		
25211	timing chain	(1)	
26775	belt tensioner	(mot.) 613.961	
30300	rep. kit timing chain	NEW	E 110
30496	chain tensioner		
31975	tension roller		ØA 70 B27

**E 200/220/270/280/320 CDI/ T CDI**  
( OM 646. .... / OM 647. ... / OM 648. ... )



**E 200 CDI→320 CDI**  
(OM 642. .... / 646. ... /647. .../ 648. .... )



- (1) riveted link
- (2) (mot.) 646.820,821,951,961 / 647.961 / 648.961
- (3) (mot.) 646.820,821,951,961 / 647.961
- (4) (mot.) 646.951,961 / 648.961
- (5) (mot.) 646.951,961 / 647.961 → 06/2003
- (6) (mot.) 646.951 SA 522672 03 / (mot.) 647.961 / (mot.) 648.961



**11276**  
**17773**  
**19077**  
**19078**  
**19079**  
**23501**  
**25211**  
**26775**  
**27527**  
**30300**  
**30496**  
**31975**

**Ref. - No.**  
272 202 09 19  
640 050 01 11  
611 052 04 16  
611 052 03 16  
611 052 00 16  
646 200 00 70  
003 997 75 94  
646 200 02 70  
642 200 13 70  
640 050 01 11 S1  
640 050 02 11  
611 202 00 19



tension roller  
chain tensioner  
sliding rail  
sliding rail  
sliding rail  
belt tensioner  
timing chain  
belt tensioner  
belt tensioner  
belt tensioner  
rep. kit timing chain  
chain tensioner  
tension roller



(6)  
(4) **OLD**  
(3)  
(3)  
(3)  
(3)  
(5)  
(1) (3)  
(2)  
(mot.) 642.920,921  
(3)  
(3) **NEW**  
(2)



ØA 64 B23  
  
  
  
  
  
  
  
  
  
  
E 110  
ØA 70 B27

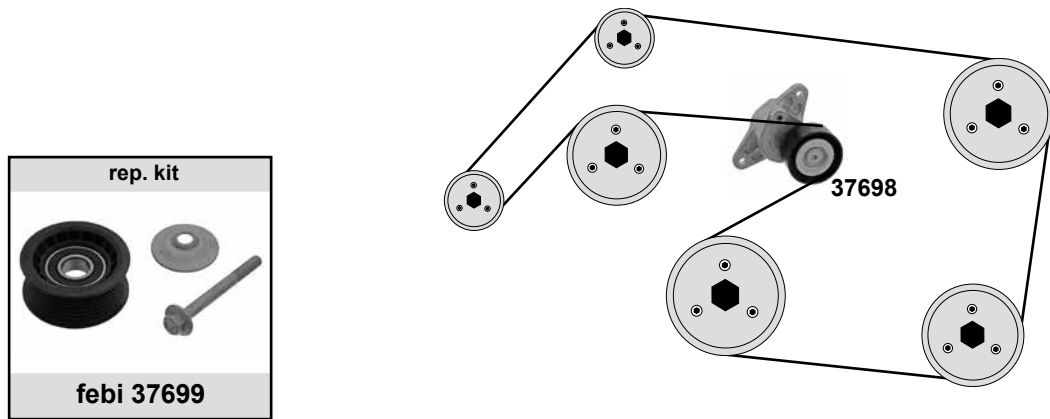
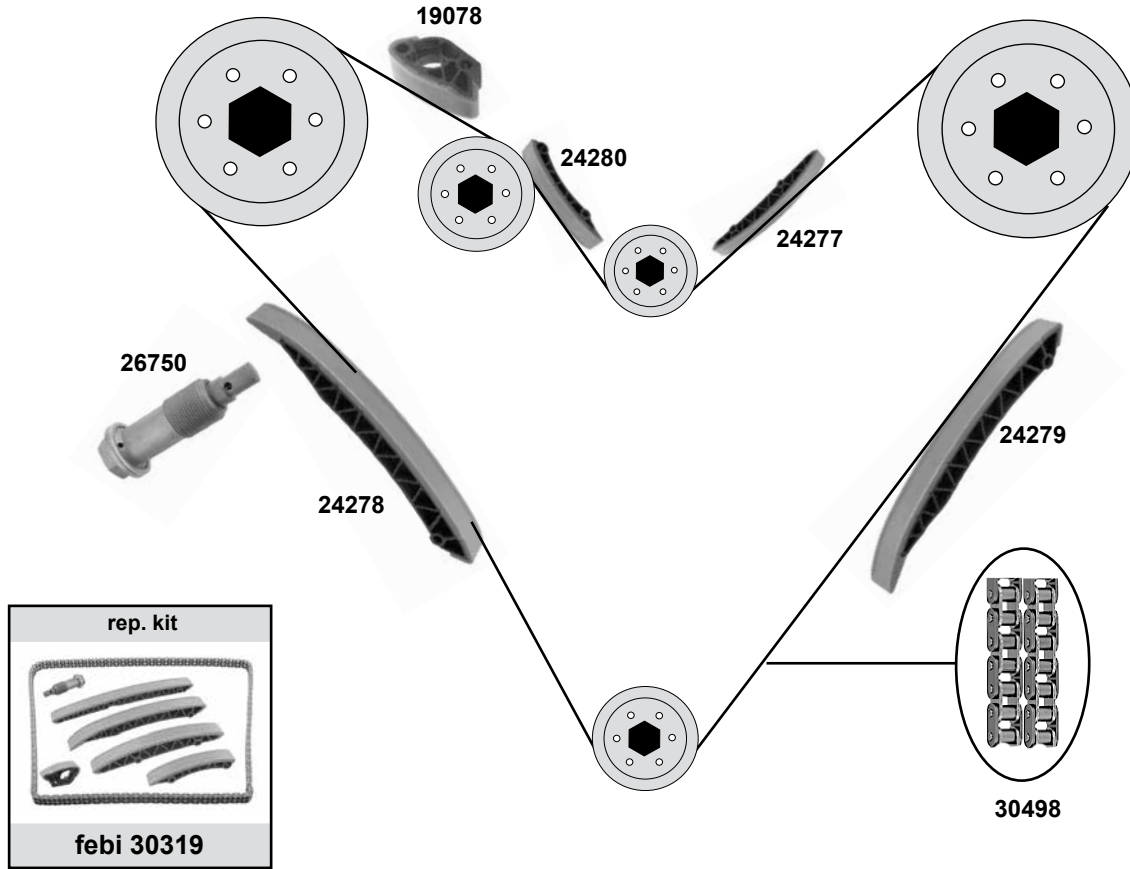
# MERCEDES-BENZ E-Klasse (BM 211)

(02→)

Car  
Division



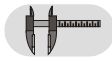
## E 400 CDI (OM 628.961)



(1) (mot.) 960/961/962/963



Ref. - No.

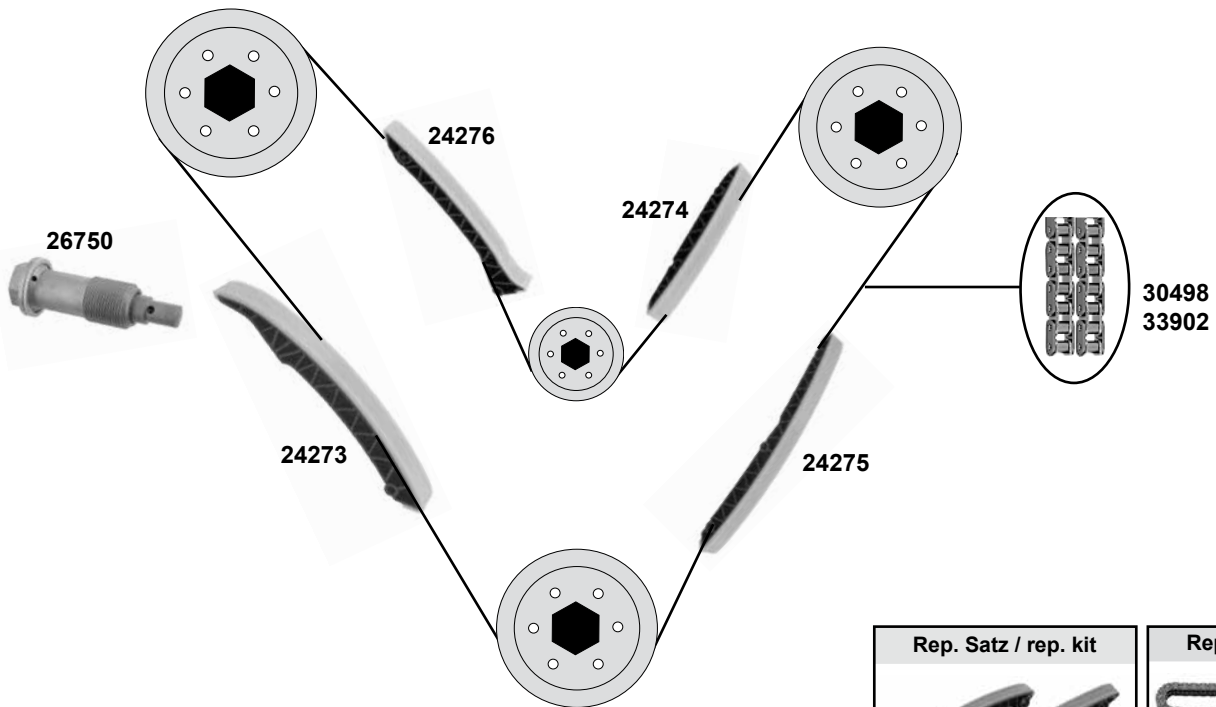


19078	611 052 03 16	sliding rail	(mot.) 628.961	
24277	628 052 01 16	sliding rail upper left	(1)	
24278	628 052 00 16	sliding rail lower right	(1)	
24279	628 052 03 16	sliding rail lower left	(1)	
24280	628 052 05 16	sliding rail upper right	(1)	
26750	642 050 03 11	chain tensioner		
30319	642 050 03 11 S1	rep. kit timing chain		
30498	000 993 30 76	timing chain	(mot.) 629.910	
37698	628 200 01 70	belt tensioner		ØA 70 B28
37699	628 202 00 19	rep. kit deflection pulley		ØA 62





**E 420 CDI / GLK 320 BLUETEC**  
(OM 629.910 / 642.920,921)



	Ref. - No.			
24273	629 050 01 16	sliding rail	(mot.) 629.910	
24274	629 050 02 16	sliding rail	(mot.) 629.910	
24275	629 050 03 16	sliding rail		
24276	629 050 04 16	sliding rail		
26750	642 050 03 11	chain tensioner		
30279	642 050 09 16	timing-chain guides kit	(ex.) OM 629.910	
30320	642 050 03 11 S2	rep. kit timing chain	(mot.) 629.910	
30321	642 050 03 11 S3	rep. kit timing chain	(ex.) OM 629.910	
30498	000 993 30 76	timing chain	(mot.) 629.910	
33902	000 993 63 76 S1	timing chain	(ex.) OM 629.910	190 E
36419	642 050 09 16 S1	rep. kit timing chain	(ex.) OM 629.910	



# MERCEDES-BENZ E-Klasse (BM 212)

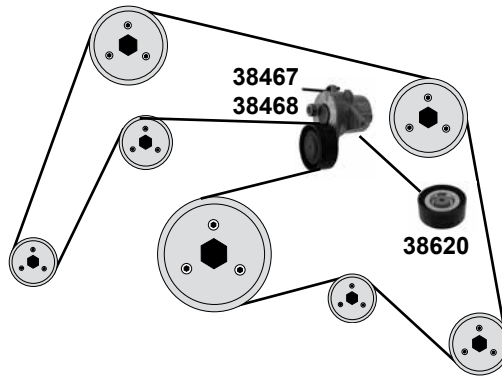
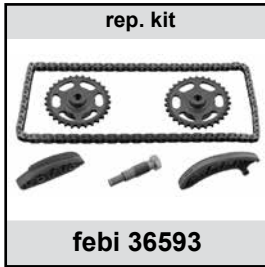
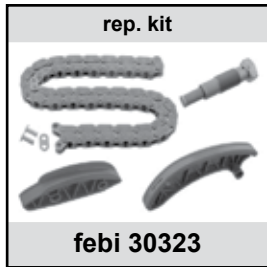
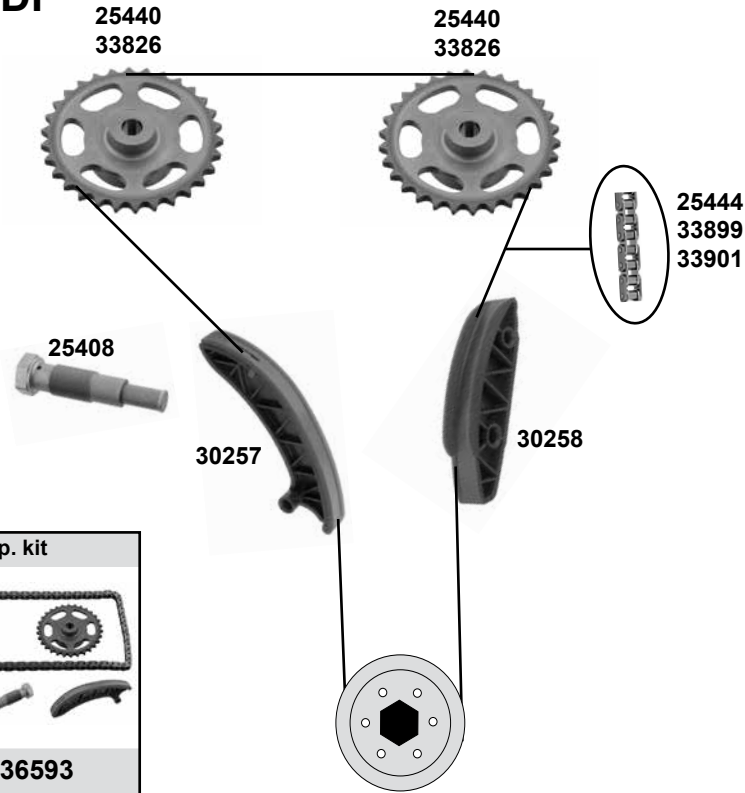
(09→)

Car  
Division



## E 200 CDI / E 250 CDI

(OM 651.924,925)



(1) riveted link

(2) valid for Eco Start-Stop function

7-gear

(3) not valid for Eco Start-Stop function

7-gear

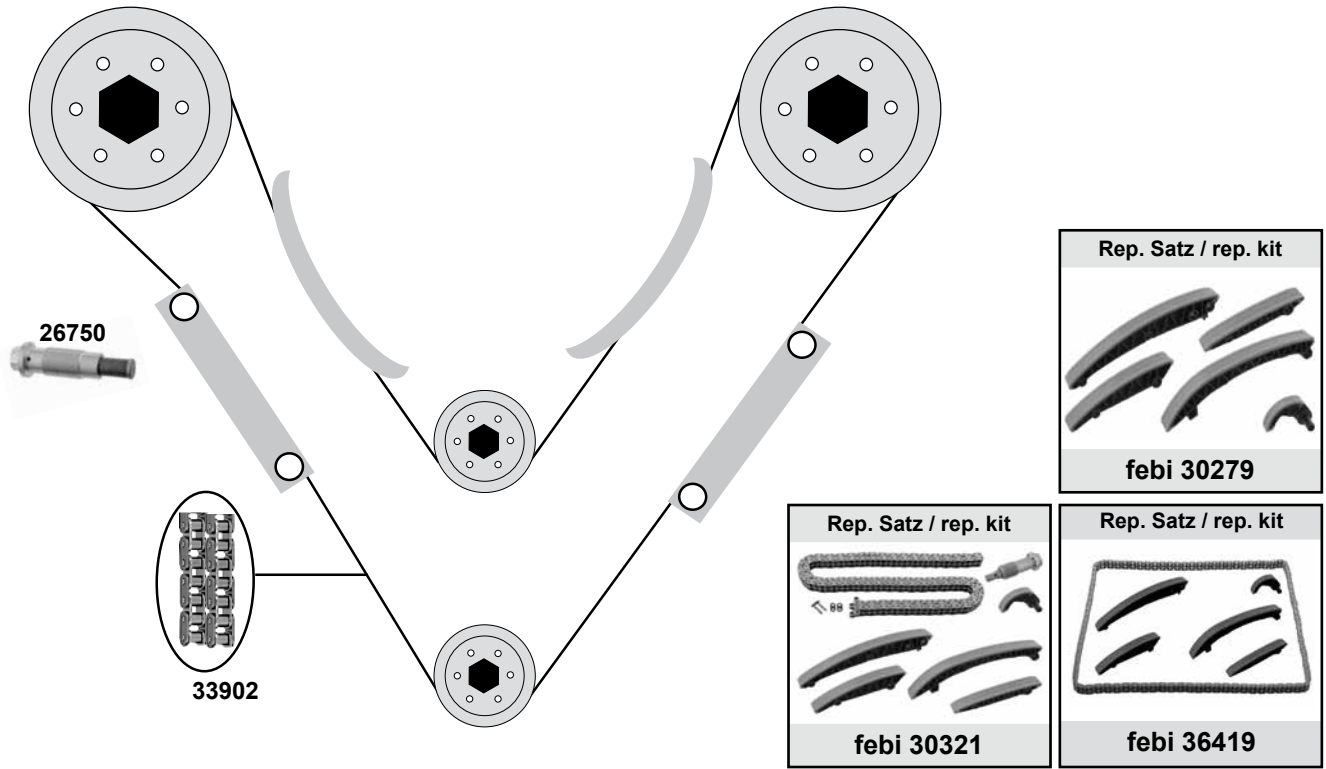


Ref. - No.

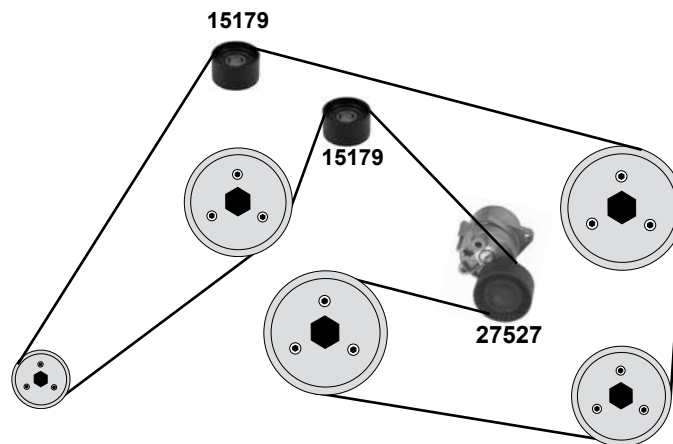


Ref. - No.	Description	Notes	Dimensions
26750	chain tensioner		
25408	chain tensioner		
25440	camshaft timing gear		
25444	timing chain	(1)	ØA 92,5 Z 30
30257	sliding rail	→2012	96 N
30258	sliding rail	→2012	
30323	rep. kit timing chain	→2012	
33826	camshaft timing gear	→2012	
33899	timing chain	→2012	108 E
33901	timing chain	→2012	96 E
36593	rep. kit timing chain	→2012	
38467	belt tensioner	(2)	ØA 65 B 26
38468	belt tensioner	(3)	ØA 65 B 26
38620	tension roller		ØA 65 B 26

**E 350 BLUETEC / E 350 CDI**  
(OM 642.850,852,856,858)



**E 350**  
(OM 642.850,852,856,858)



	Ref. - No.			
<b>15179</b>	642 200 10 70	deflection pulley		ØA 54 B30
<b>26750</b>	642 050 03 11	chain tensioner		
<b>27527</b>	642 200 13 70	belt tensioner		
<b>30279</b>	642 050 09 16	timing-chain guides kit		
<b>30321</b>	642 050 03 11 S3	rep. kit timing chain		
<b>33902</b>	000 993 63 76 S1	timing chain		190 E
<b>36419</b>	642 050 09 16 S1	rep. kit timing chain		

# MERCEDES-BENZ G-Klasse (BM 460 / 461)

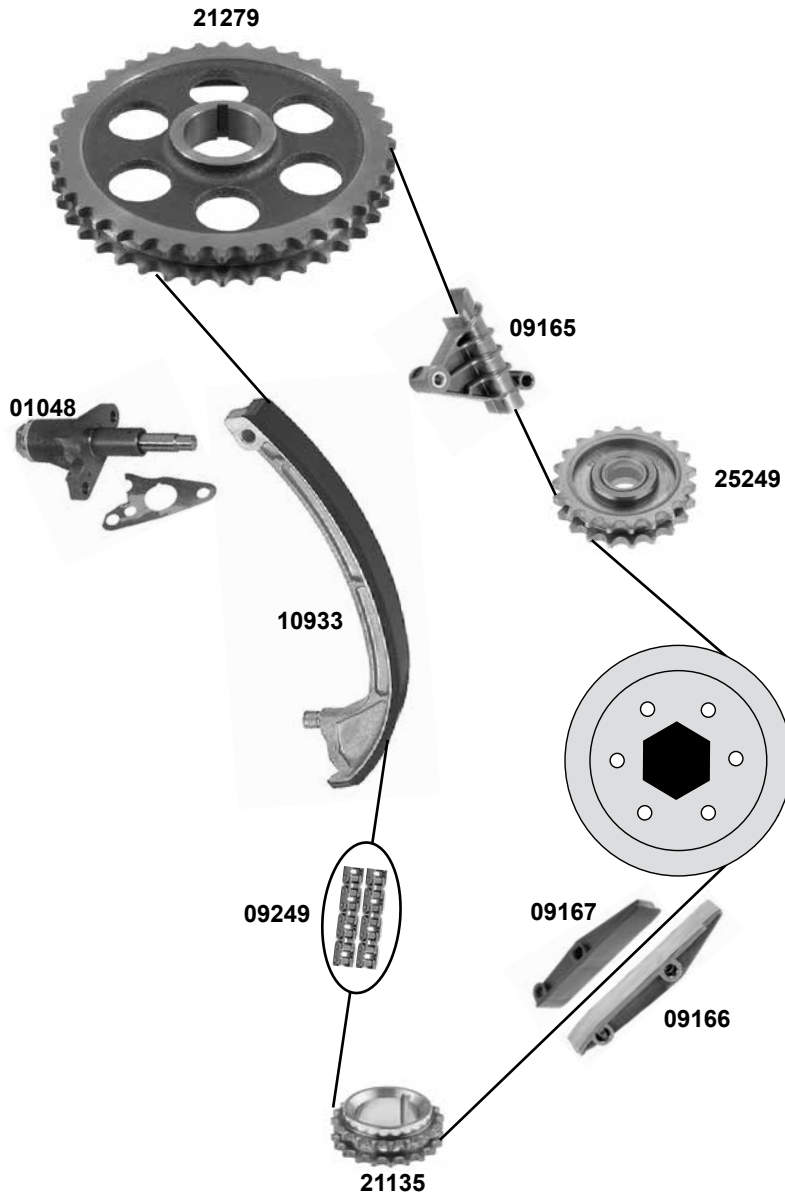
(79→)

Car  
Division



## 240 GD / 300 GD

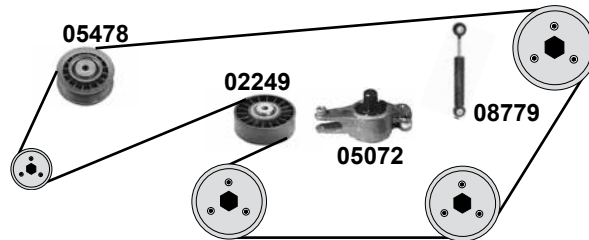
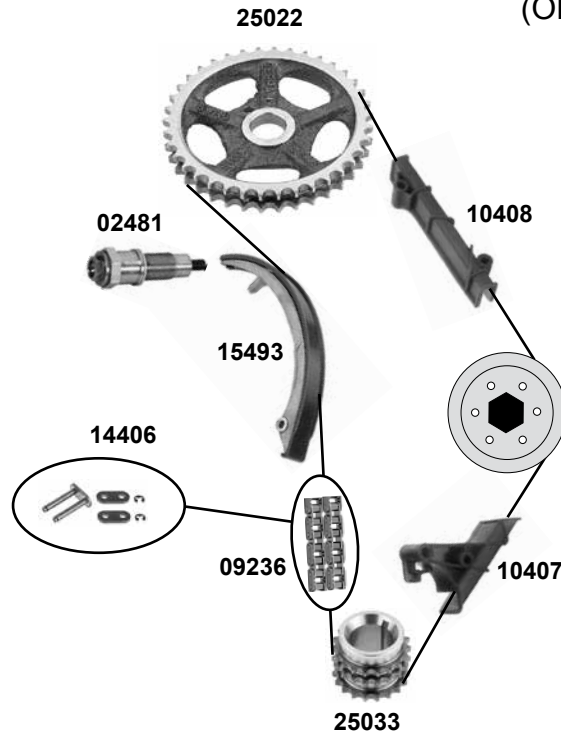
(OM 616.936,938)



	Ref. - No.			
01048	615 050 08 11	chain tensioner		
09165	615 050 14 16	sliding rail		
09166	615 052 10 16	sliding rail		
09167	615 052 11 16	sliding rail		
09249	003 997 62 94	timing chain		D 557 / 136 N
10933	615 050 09 16	sliding rail		
10934	615 050 09 16 S	rep. kit timing chain		
21135	615 052 02 03	crankshaft gear		Z 20 Ø1 36
21279	121 052 03 01	camshaft gear		
25249	621 050 04 09	intermediate gear		
30324	615 050 08 11 S1	rep. kit timing chain		

### 250 GD / 290 GD / 290 GDTurbo

(OM 602.930,938,939,942,946,947,983)



(1) riveted link

	Ref. - No.			
02249	601 200 09 70	tension roller		ØA80 B25/31
02481	601 050 07 11	chain tensioner		
05072	601 200 17 73	lever		
05478	601 200 10 70	idler bearing	(ex.) AC	ØA 64 B31,5/21,8
08486	601 200 17 73 S	rep kit lever		
08779	604 200 02 14	vibration damper		55 N - 1200 N
09236	003 997 55 94	timing chain	(1)	D 126 E
10407	601 052 05 16	sliding rail		
10408	601 052 03 16	sliding rail		
14406	000 997 28 98	chain link	(mot.) 930,939,983	
15493	601 050 08 16	sliding rail		
25022	601 052 00 01	camshaft gear	(mot.) 930,939,983	Z 38
25033	606 052 00 03	crankshaft gear	(mot.) 930,939,983	Z 18
30302	601 050 07 11 S1	rep. kit timing chain		

# MERCEDES-BENZ G-Klasse (BM 461)

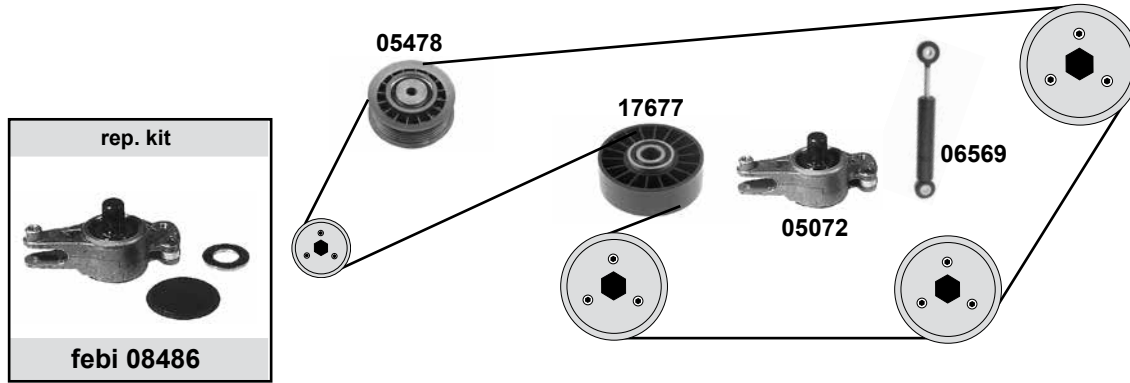
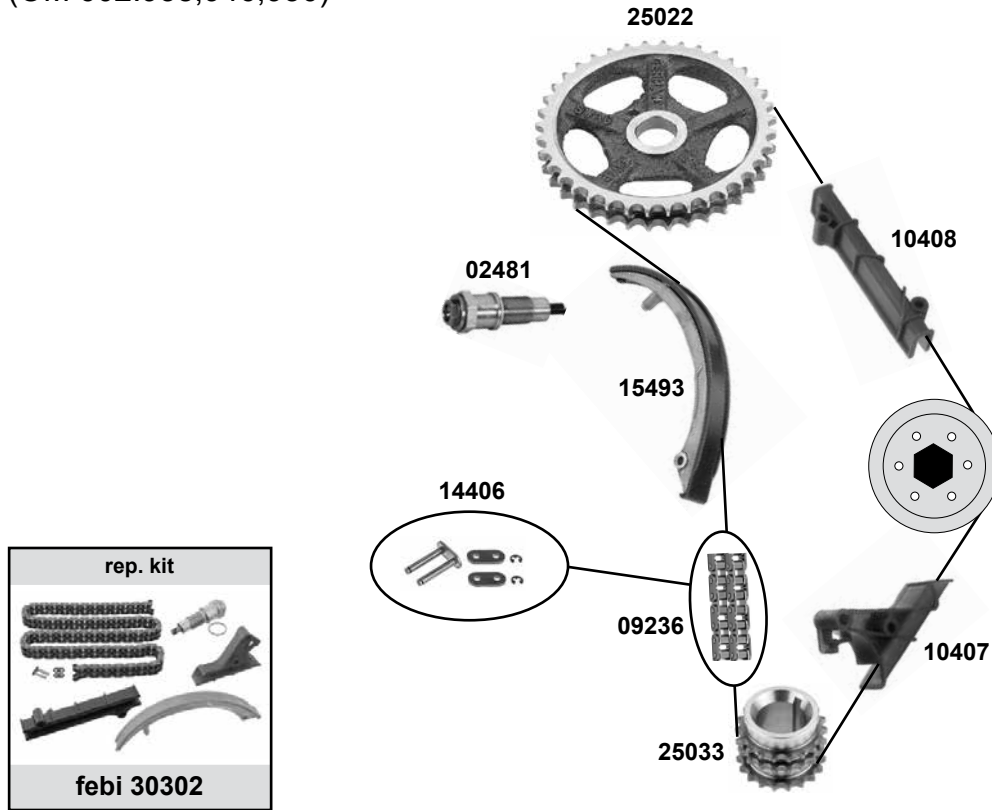
(79→)

Car  
Division



## 250 GD / 290 GD / 290 GD Turbo

(OM 602.938,946,930)

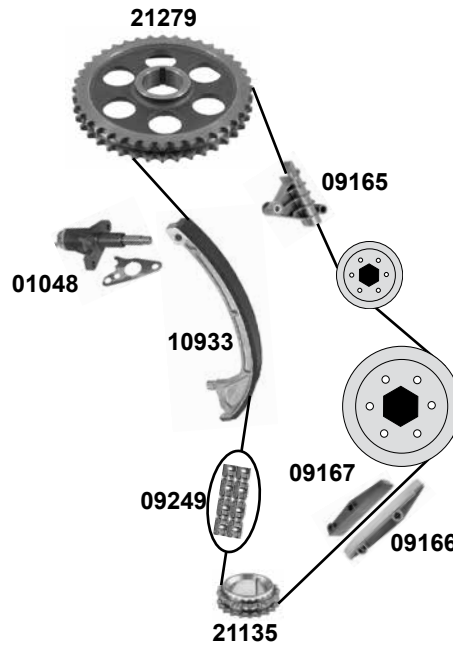


(1) riveted link

	Ref. - No.				
02481	601 050 07 11	chain tensioner	(1)	ØA69 B26 / 31,5 55 N - 900 N	
05072	601 200 17 73	lever			
05478	601 200 10 70	idler bearing			
06569	103 200 01 14	vibration damper			
08486	601 200 17 73 S	rep kit lever			
09236	003 997 55 94	timing chain			
10407	601 052 05 16	sliding rail			
10408	601 052 03 16	sliding rail			
14406	000 997 28 98	chain link			
15493	601 050 08 16	sliding rail			
17677	601 200 12 70	tension roller			
25022	601 052 00 01	camshaft gear			
25033	606 052 00 03	crankshaft gear			
30302	601 050 07 11 S1	rep. kit timing chain			D 126 E
					Z 38

**300 GD**

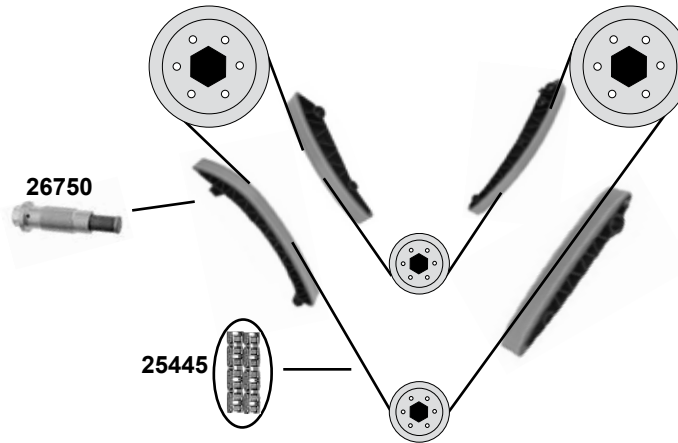
(OM 617.931,932,933,938)



## G-Klasse (BM 461 / 463)

(79→)

**G 280 / G 320 CDI**  
(OM 642.970,975)



(1) riveted link



Ref. - No.



Ref. - No.	Description	Notes	Part No.
01048	chain tensioner		
09165	sliding rail		
09166	sliding rail		
09167	sliding rail		
09249	timing chain	(1) (ex.) (mot.) 617.938	D 557 / 136 N
10933	sliding rail	(ex.) (mot.) 617.938	
10934	rep. kit sliding rail	(ex.) (mot.) 617.933	
21135	crankshaft gear	(ex.) (mot.) 617.933	
21279	camshaft gear	(ex.) (mot.) 617.933	
25445	roller chain		
26750	chain tensioner		
30321	rep. kit timing chain		
30324	rep. kit timing chain	(ex.) mot. 617.938	



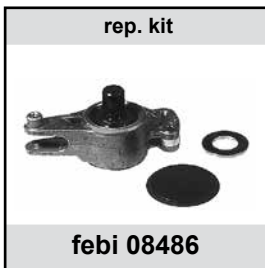
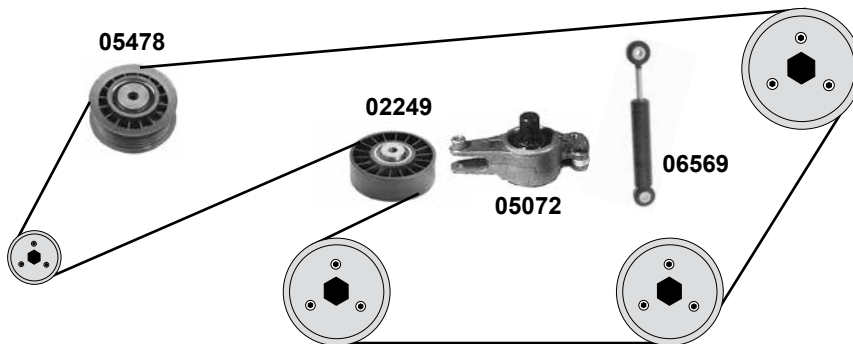
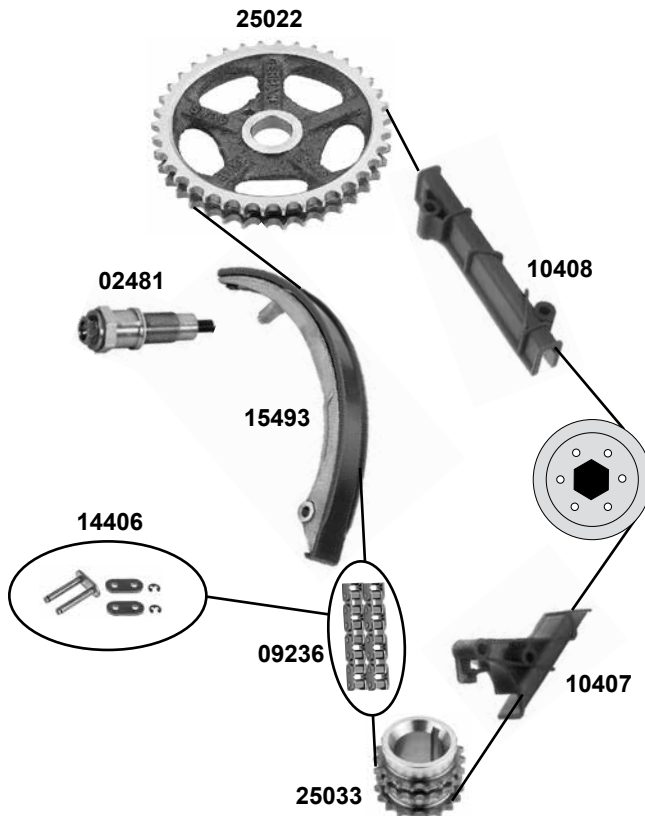
# MERCEDES-BENZ G-Klasse (BM 461 / 463)

(79→)

Car  
Division



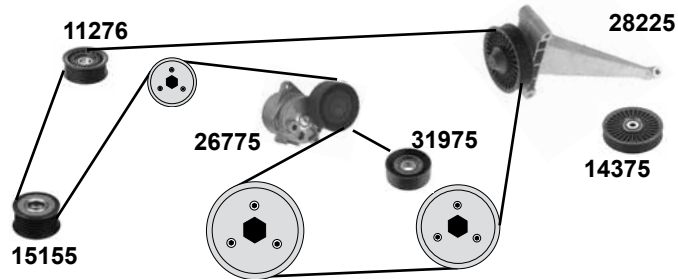
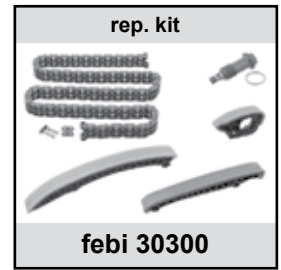
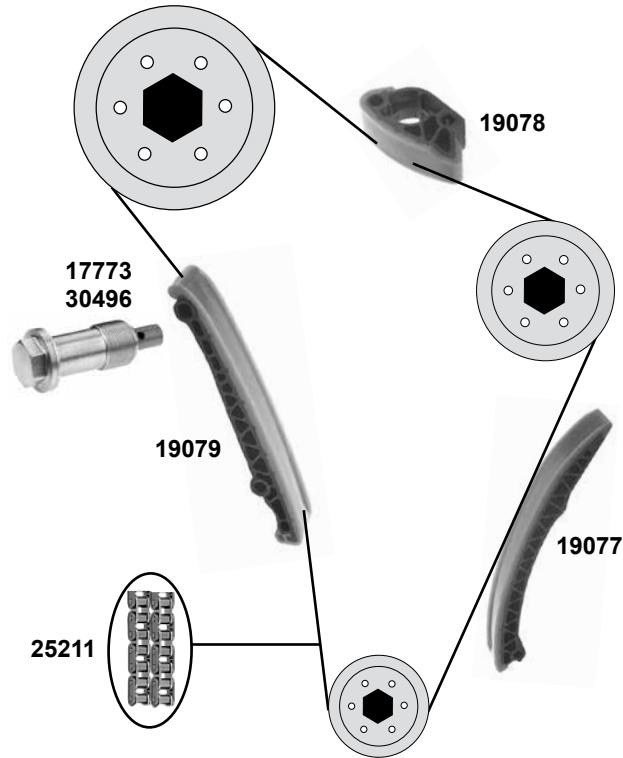
## 250 GD (OM 602.931)



(1) riveted link

	Ref. - No.			
02249	601 200 09 70	tension roller	(1)	ØA 80 B25 / 31
02481	601 050 07 11	chain tensioner		
05072	601 200 17 73	lever		
05478	601 200 10 70	idler bearing		
06569	103 200 01 14	vibration damper		
08486	601 200 17 73 S	rep kit lever		
09236	003 997 55 94	timing chain		D 126 E
10407	601 052 05 16	sliding rail		
10408	601 052 03 16	sliding rail		
14406	000 997 28 98	chain link		
15493	601 050 08 16	sliding rail	Z 38	
25022	601 052 00 01	camshaft gear	Z 18	
25033	606 052 00 03	crankshaft gear		
30302	601 050 07 11 S1	rep. kit timing chain		

**G 270 CDI**  
(OM 612.963/965/966)



- (1) riveted link
- (2) OM 612.965 (ch.) X 127404 →
- (3) Rippenzahl 6



Ref. - No.



febi bilstein	Ref. - No.			
11276	272 202 10 19	deflection pulley	(2)	ØA 64 B23
14375	611 234 02 93	deflection pulley	(3) (ex.) 612.963	
15155	611 155 00 15	alternator overrun pulley	OLD	
17773	640 050 01 11	chain tensioner		
19077	611 052 04 16	sliding rail		
19078	611 052 03 16	sliding rail		
19079	611 052 00 16	sliding rail		
25211	003 997 75 94	timing chain	(1)	
26775	646 200 02 70	belt tensioner	(mot.) 612.965	
28225	611 234 03 93	deflection pulley with holder	(ex.) 612.963	
30300	640 050 01 11 S1	rep. kit timing chain		110 E
30496	640 050 02 11	chain tensioner	NEW	
31975	611 202 00 19	tension roller		ØA 70 B27



# MERCEDES-BENZ G-Klasse (BM 461/463)

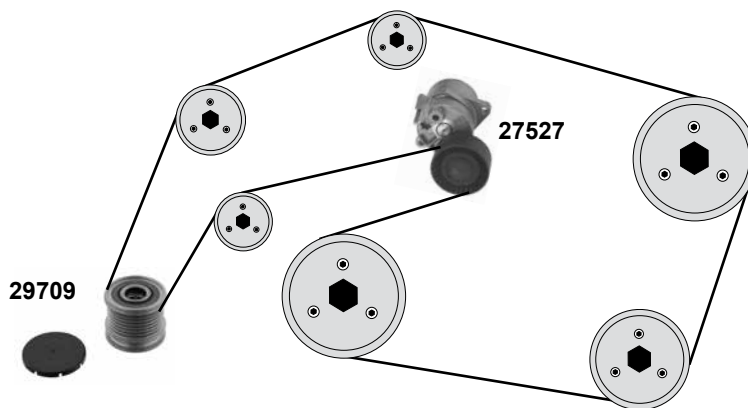
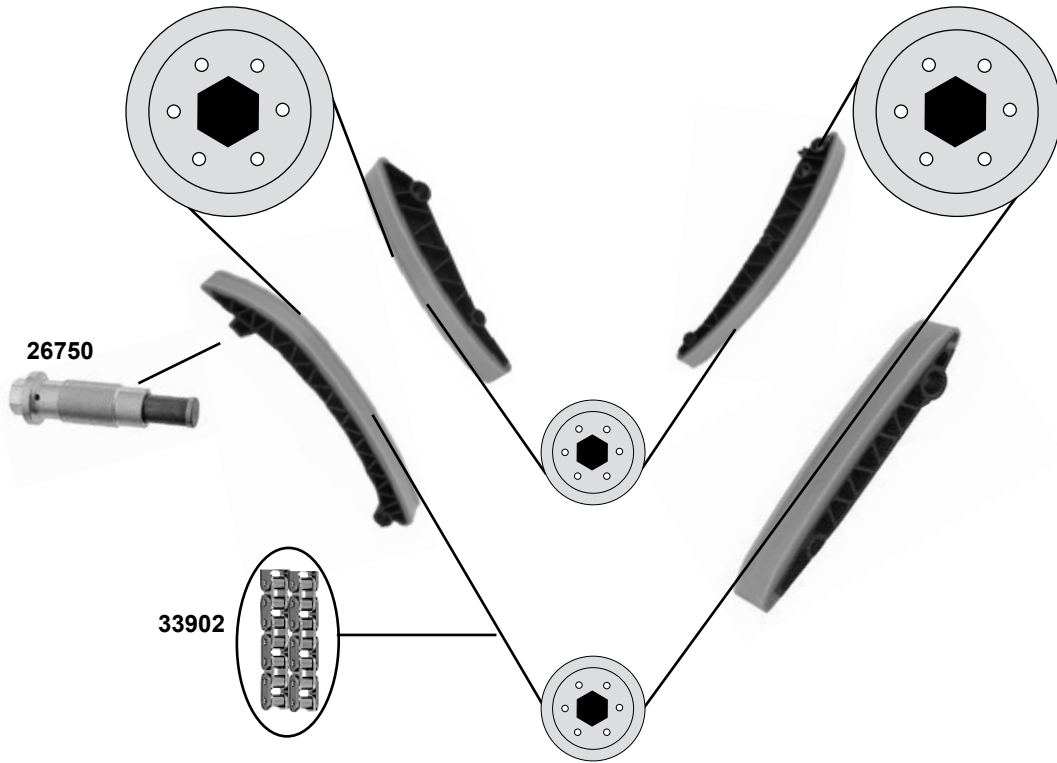
(00→)

Car  
Division



## G 280,300,320,350

(OM 642.884,975 / 886,970 )



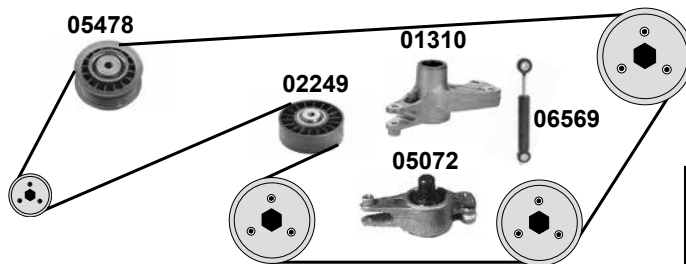
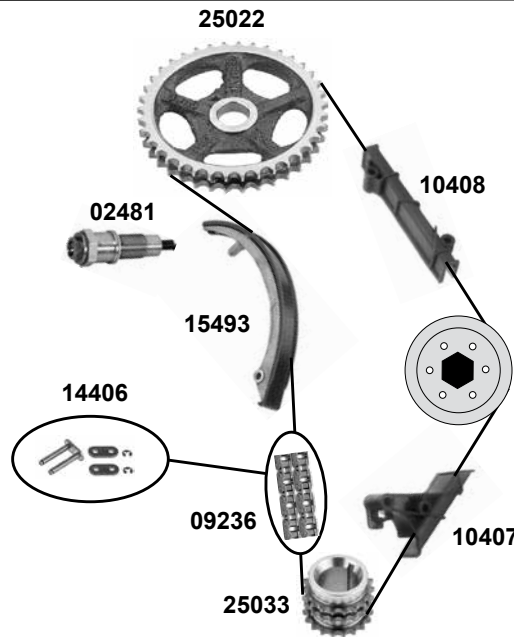
Ref. - No.



26750	642 050 03 11	chain tensioner
27527	642 200 13 70	belt tensioner
29709	642 150 06 60	alternator overrun pulley
30279	642 050 09 16	timing-chain guides kit
30321	642 050 03 11 S3	rep. kit timing chain
33902	000 993 63 76 S1	timing chain
36419	642 050 09 16 S1	rep. kit timing chain

190 E

## 300 GD / G 300 D (OM 603.931,972)



(1) riveted link

(4) (mot.) 603.931

(2) 931: (mot.) → 003134

(mot.) → 001145

(3) 931: (mot.) 003135 →

(mot.) 001146 →

	Ref. - No.			
01310	606 200 00 73	lever	(3)	
02249	601 200 09 70	tension roller	(4)	ØA 80 B25 / 31
02481	601 050 07 11	chain tensioner		
05072	601 200 17 73	lever	(2)	
05478	601 200 10 70	idler bearing	(4) AC	ØA69 B26 / 31,5
06569	103 200 01 14	vibration damper	(4)	55 N - 900 N
08486	601 200 17 73 S	rep kit lever	(2)	
09236	003 997 55 94	timing chain	(1)	D 126 E
10407	601 052 05 16	sliding rail		
10408	601 052 03 16	sliding rail		
11700	606 200 00 73 S1	rep kit lever	(4)	
14406	000 997 28 98	chain link	(4)	
15493	601 050 08 16	sliding rail		
25022	601 052 00 01	camshaft gear	(4)	Z 38
25033	606 052 00 03	crankshaft gear	(4)	Z 18
26070	606 200 00 73 S2	rep kit lever	(4)	
30302	601 050 07 11 S1	rep. kit timing chain		

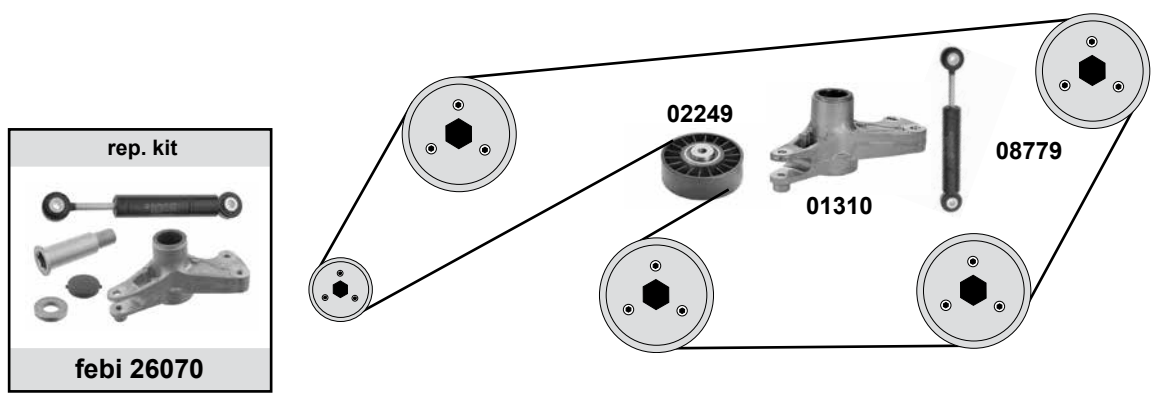
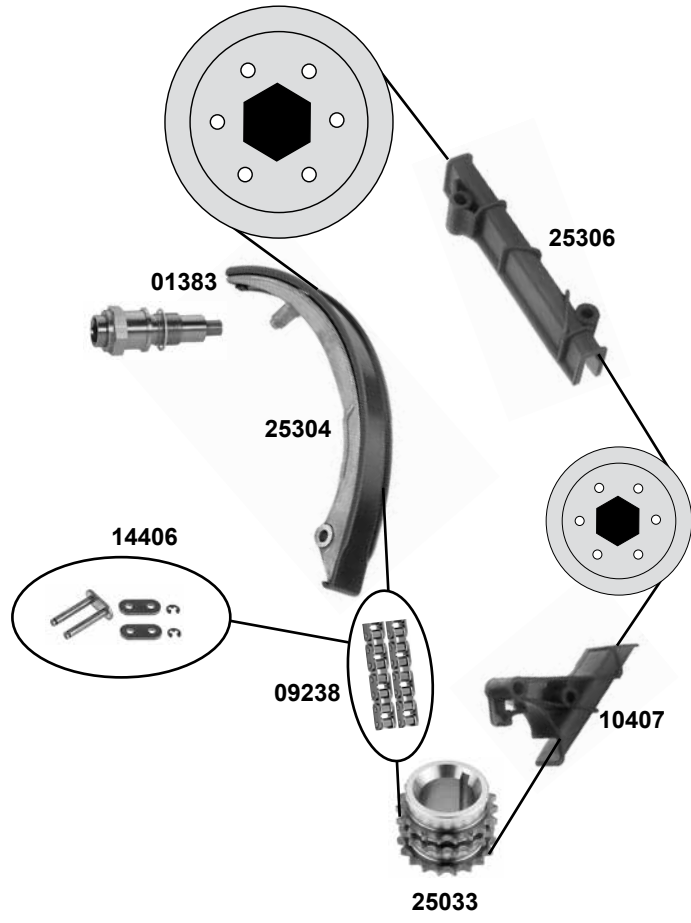
# MERCEDES-BENZ G-Klasse (BM 463)

(89→93)





Car  
Division 



## G 300 Turbo (OM 606.964)

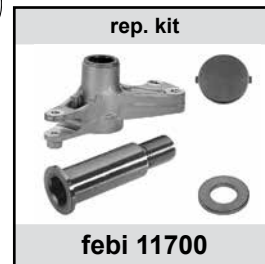
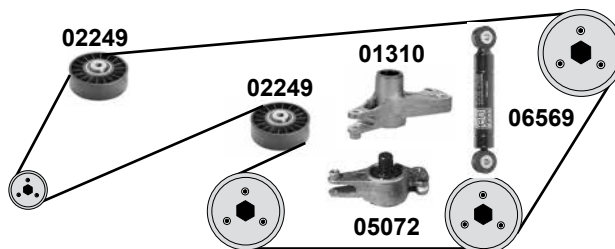
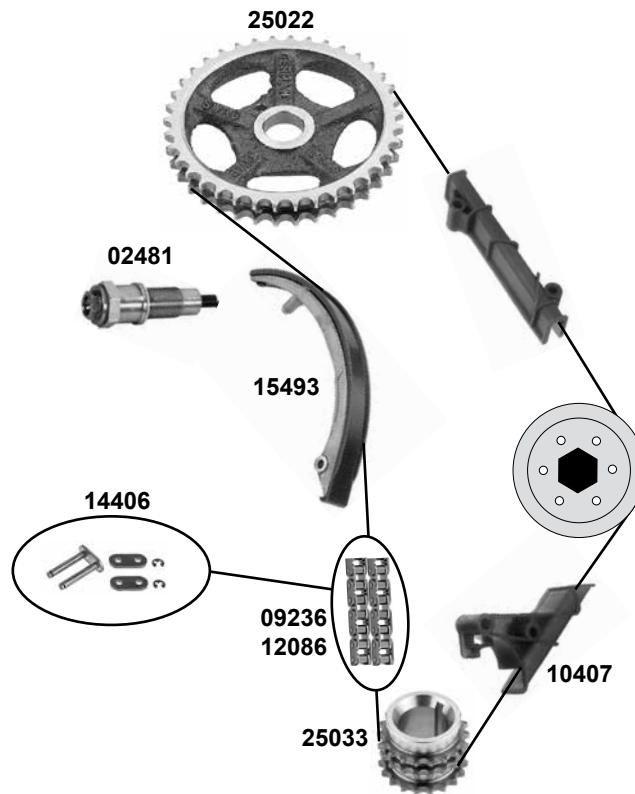


(1) riveted link

	Ref. - No.			
01310	606 200 00 73	lever	(1)	ØA 80 B25 / 31 55 N - 1200 N D 457 / 130 N
01383	606 050 02 11	chain tensioner		
02249	601 200 09 70	tension roller		
08779	604 200 02 14	vibration damper		
09238	003 997 56 94	timing chain		
10407	601 052 05 16	sliding rail		
14406	000 997 28 98	chain link		
25033	606 052 00 03	crankshaft gear		
25304	606 050 02 16	sliding rail		
25306	606 052 01 16	sliding rail		
26070	606 200 00 73 S2	rep kit lever		
30301	606 050 02 11 S1	rep kit timing chain		Z 18

### 350 GD Turbo

(OM 603.972)



(1) riveted link

	Ref. - No.			
01310	606 200 00 73	lever	(mot.) 002394 →	
02249	601 200 09 70	tension roller		ØA 80 B25 / 31
02481	601 050 07 11	chain tensioner		
05072	601 200 17 73	lever	(mot.) → 002393	
06569	103 200 01 14	vibration damper	(mot.) 002394 →	55 N - 900 N
09236	003 997 55 94	timing chain	(1) (mot.) 004407 →	D 126 E
10407	601 052 05 16	sliding rail		
11700	606 200 00 73 S1	rep kit lever	(mot.) 002394 →	
12086	003 997 48 94	timing chain	(1) (mot.) → 004406	D 457 / 126 N
14406	000 997 28 98	chain link		
15493	601 050 08 16	sliding rail		
25022	601 052 00 01	camshaft gear		Z 38
25033	606 052 00 03	crankshaft gear		Z 18
26070	606 200 00 73 S2	rep kit lever	(mot.) 002394 →	
30302	601 050 07 11 S1	rep. kit timing chain		D 126 E

# MERCEDES-BENZ G-Klasse (BM 463)

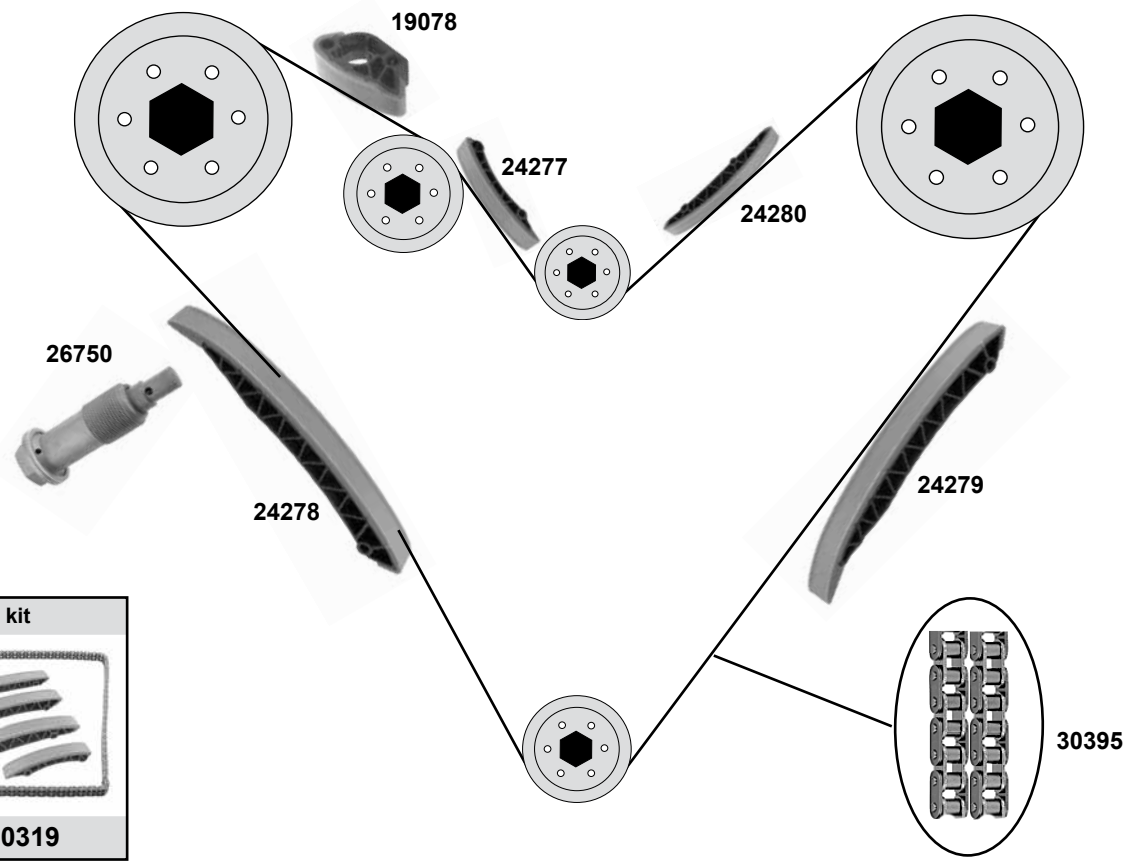
(89→93)

Car  
Division 



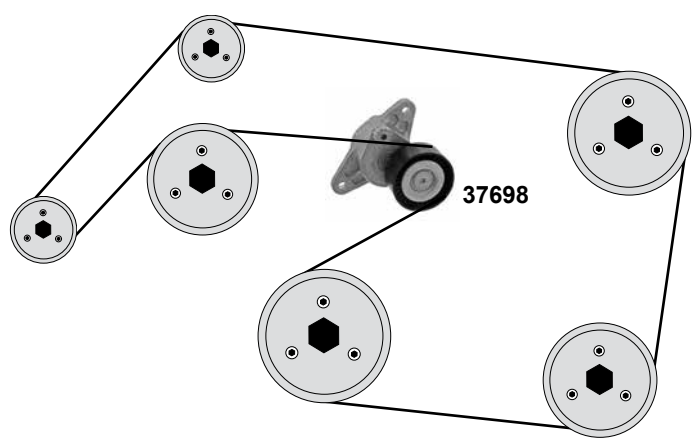
## G 400 CDI




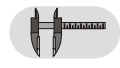
(OM 628.960/961/962)



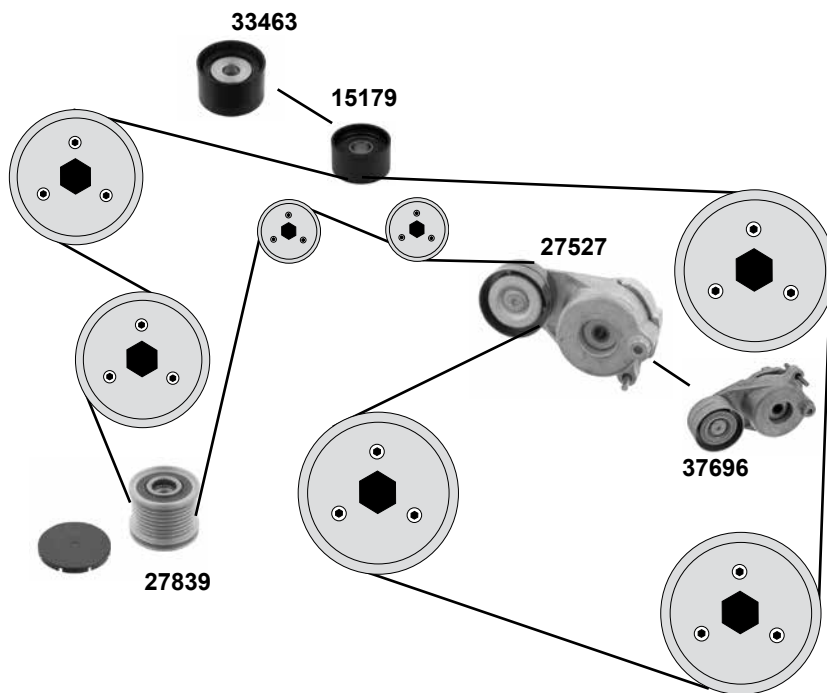
## G 400 CDI

(OM 628.960/962)



	Ref. - No.			
19078	611 052 03 16	sliding rail	(mot.) 962	
24277	628 052 01 16	sliding rail upper left		
24278	628 052 00 16	sliding rail lower right		
24279	628 052 03 16	sliding rail lower left		
24280	628 052 05 16	sliding rail upper right		
26750	642 050 03 11	chain tensioner	(mot.) 962	
30319	642 050 03 11 S1	rep. kit timing chain	(mot.) 962	
30395	642 050 03 11 S1	timing chain	(mot.) 962	
37698	628 200 01 70	belt tensioner		
37699	628 202 00 19	rep. kit deflection pulley		

ØA 70 B28  
ØA 62



	Ref. - No.			
<b>15179</b>	642 200 10 70	deflection pulley	(mot.) 40 582550→	
<b>27527</b>	642 200 13 70	belt tensioner		
<b>27839</b>	642 150 07 60	alternator overrun pulley		
<b>33463</b>	642 200 05 70	deflection pulley	→(mot.) 40582550	
<b>37696</b>	642 200 14 70	belt tensioner	→(mot.) 40777759	ØA 65 B32



# MERCEDES-BENZ M-Klasse (BM 163)

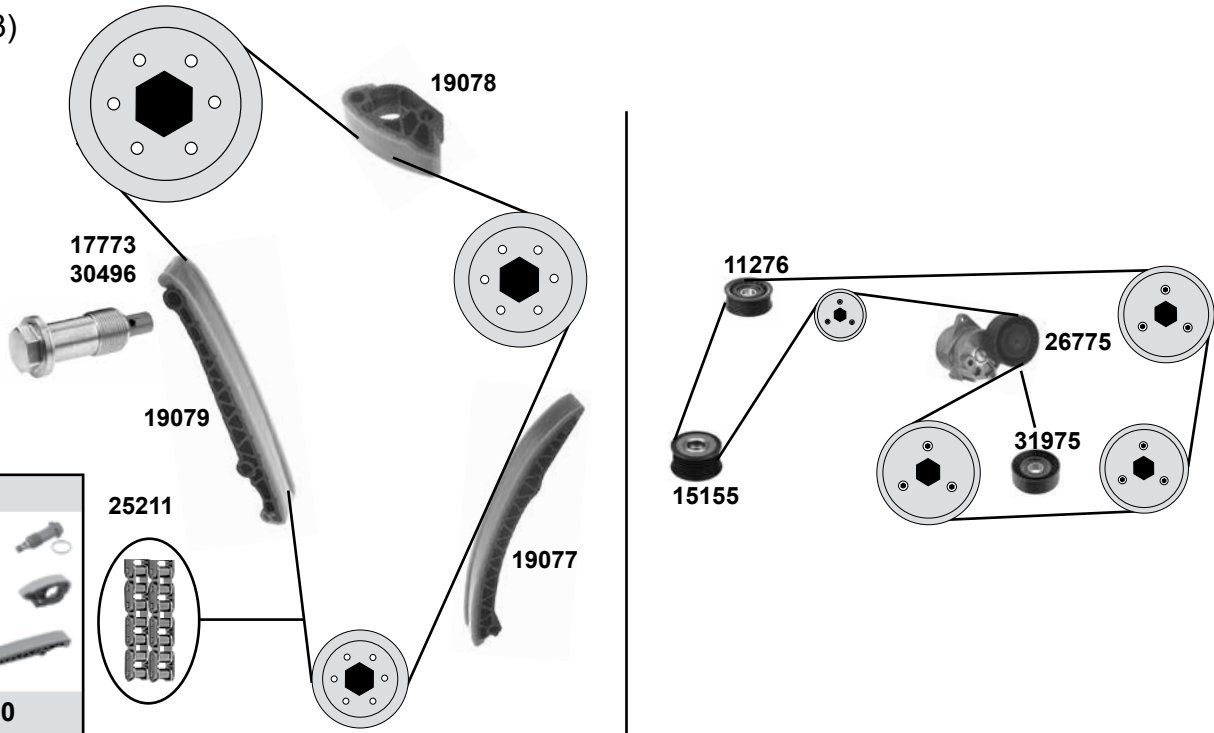
(00→05)

Car  
Division



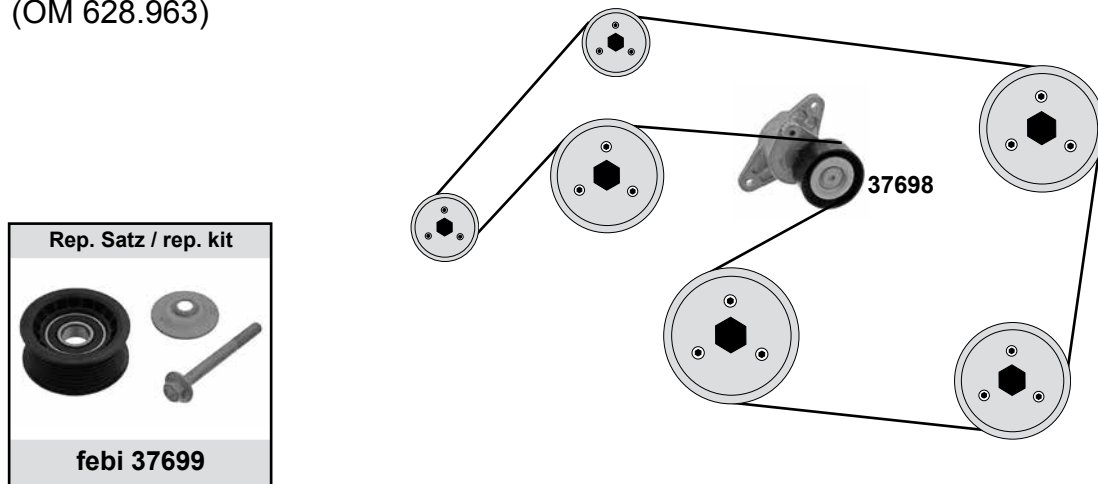
## ML 270 CDI / G 270 CDI

(OM 612.963)



## ML -Klasse

(OM 628.963)

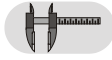


(1) riveted link

(2) (ch.) A 299267 → / X 755659 →



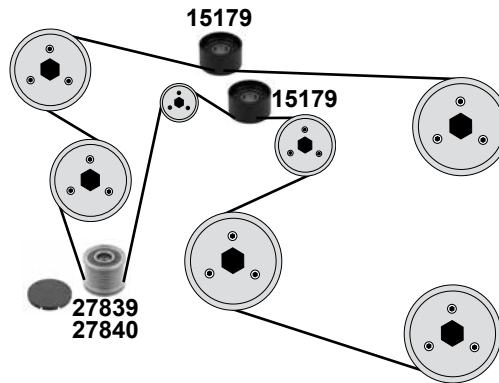
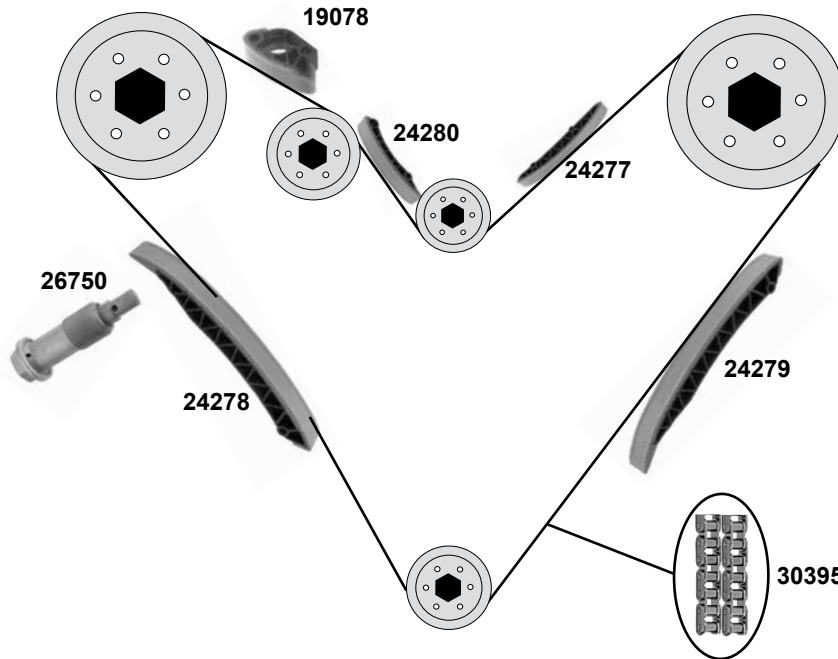
Ref. - No.



Ref. - No.	Part Description	Quantity	Notes
11276	272 202 10 19 deflection pulley	(2)	
15155	611 155 00 15 alternator overrun pulley		
17773	640 050 01 11 chain tensioner	OLD	
19077	611 052 04 16 sliding rail		
19078	611 052 03 16 sliding rail		
19079	611 052 00 16 sliding rail		
25211	003 997 75 94 timing chain	(1)	
26775	646 200 02 70 belt tensioner		
30300	640 050 01 11 S1 rep. kit timing chain		E 110
30496	640 050 02 11 chain tensioner	NEW	
31975	611 202 00 19 tension roller		ØA 70 B27
37698	628 200 01 70 belt tensioner		ØA 70 B28
37699	628 202 00 19 rep. kit deflection pulley		ØA 62

**ML 280 / 320 / GL 320 CDI**  
(OM 642.820,940)

**ML 400 CDI**  
(OM 628.)



(1) (mot.) 628.960/961/962/963

(2) 220 A Generator Bosch

(3) 180 A Generator Valeo



Ref. - No.



Ref. - No.	Description	Quantity
15179	deflection pulley	(1)
19078	sliding rail	(mot.) 963
24277	sliding rail upper left	(1)
24278	sliding rail lower right	(1)
24279	sliding rail lower left	(1)
24280	sliding rail upper right	(1)
26750	chain tensioner	(mot.) 963
27527	belt tensioner	(1)
27839	alternator overrun pulley	(3)
27840	alternator overrun pulley	(2)
30319	rep. kit timing chain	(mot.) 963
30395	timing chain	(mot.) 963



# MERCEDES-BENZ M-Klasse (BM 164)

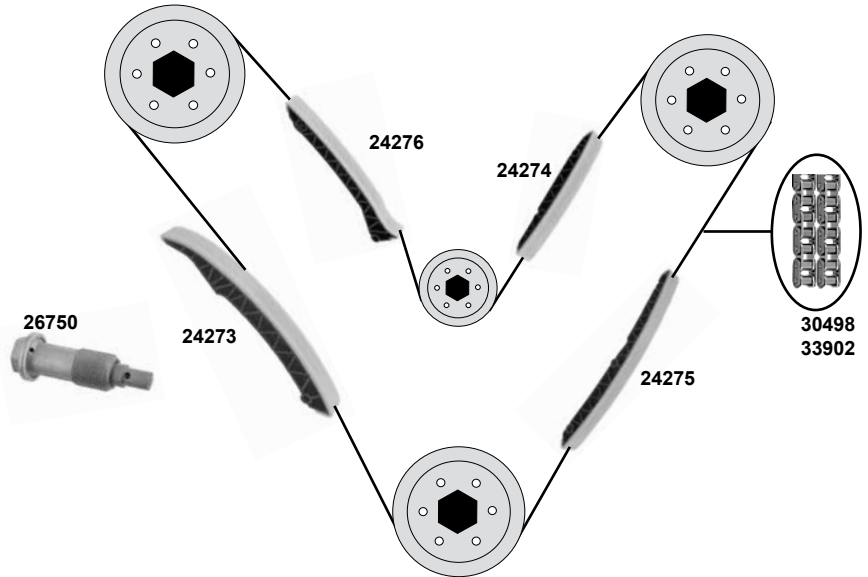
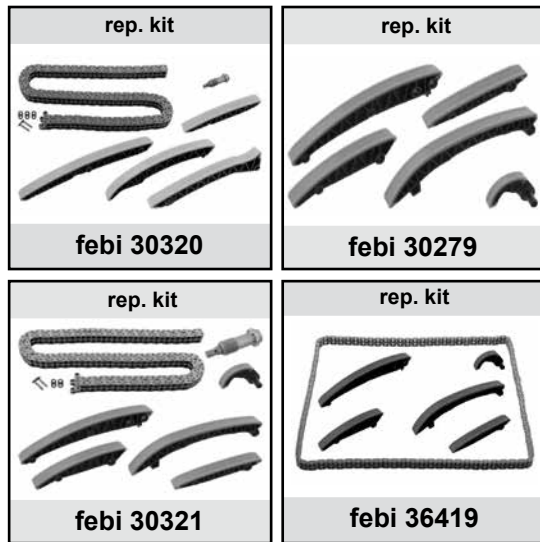
(05→)

Car  
Division



## ML 420 CDI 4-Matic

(OM 642.820,822,912,940)



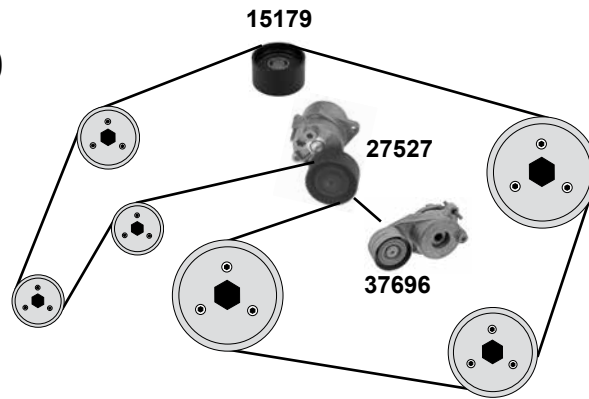
## M-Klasse / GL-Klasse (BM 164)

(05→)

### ML 280,300,320,350

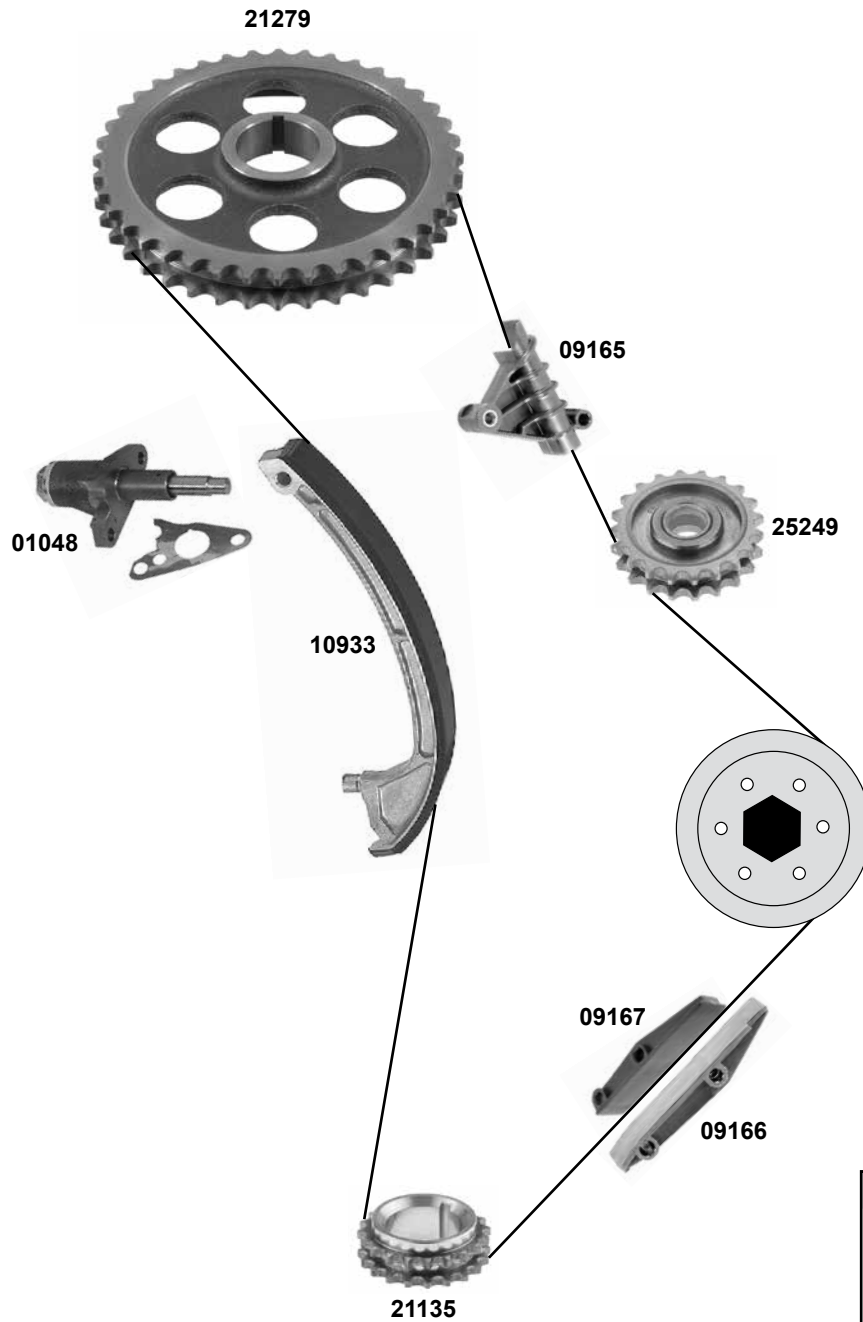
### GL 320,350

(OM 642.820,822,940)



	Ref. - No.			
15179	642 200 10 70	deflection pulley		
24273	629 050 01 16	sliding rail	OM 642.912	
24274	629 050 02 16	sliding rail	OM 642.912	
24275	629 050 03 16	sliding rail	OM 642.912	
24276	629 050 04 16	sliding rail	OM 642.912	
26750	642 050 03 11	chain tensioner	(ex.) 822	
27527	642 200 13 70	belt tensioner	(ex.) 822	
30498	000 993 30 76	timing chain	OM 642.912	
30320	642 050 03 11 S2	rep. kit timing chain	OM 642.912	
30279	642 050 09 16	timing-chain guides kit	(ex.) 912	
30321	642 050 03 11 S3	rep. kit timing chain	(ex.) 822,912	
33902	000 993 63 76 S1	timing chain	(ex.) 912	
36419	642 050 09 16 S1	rep. kit timing chain	(ex.) OM 642.912	
37696	642 200 14 70	belt tensioner	(ex.) 822	

190 E



	Ref. - No.			
<b>01048</b>	615 050 08 11	chain tensioner		
<b>09165</b>	615 050 14 16	sliding rail		
<b>09166</b>	615 052 10 16	sliding rail		
<b>09167</b>	615 052 11 16	sliding rail		
<b>10933</b>	615 050 09 16	sliding rail		
<b>10934</b>	615 050 09 16 S1	rep. kit sliding rail		
<b>21135</b>	615 052 02 03	crankshaft gear		
<b>21279</b>	121 052 03 01	camshaft gear		
<b>25249</b>	621 050 04 09	intermediate gear		

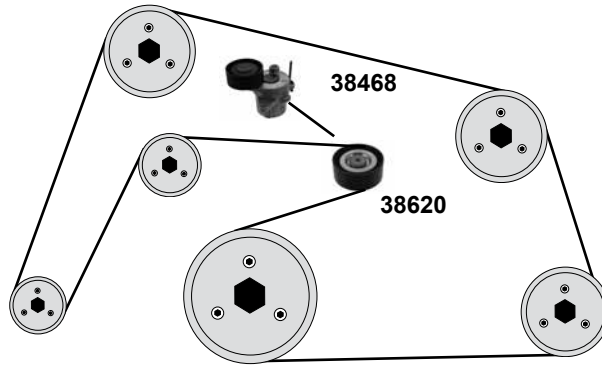
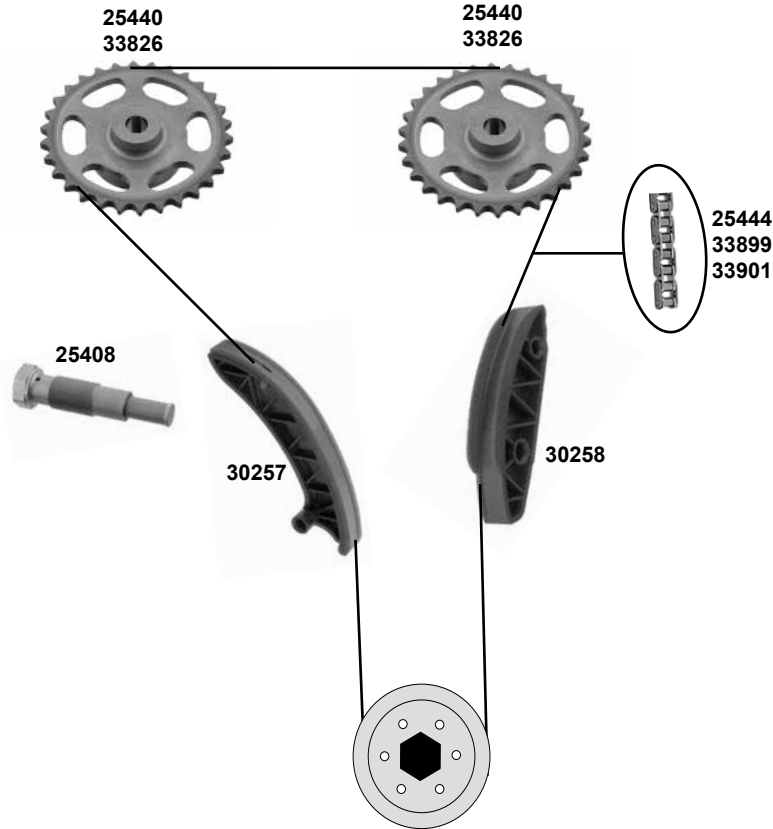
# MERCEDES-BENZ ML/GL Klasse (BM 166)

(11→)

Car  
Division



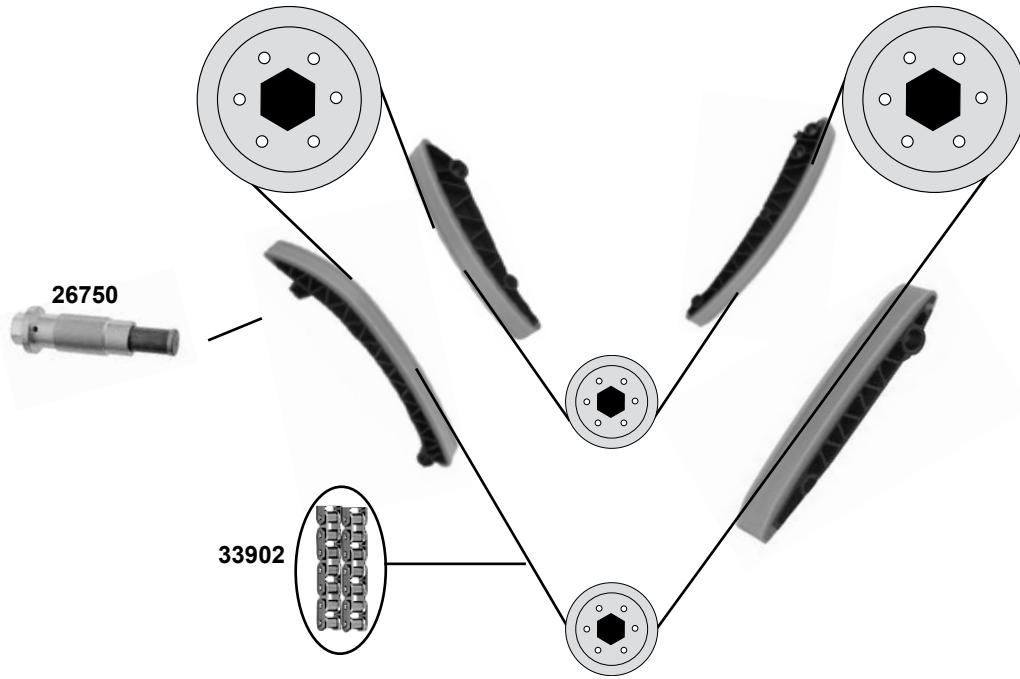
(OM 651.960)



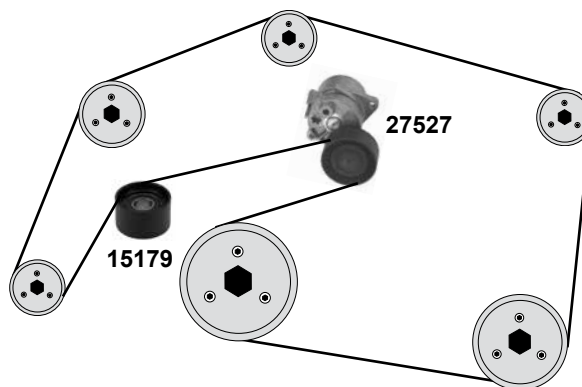
(1) riveted link

	Ref. - No.			
25408	651 050 07 00	chain tensioner		
25440	651 052 00 00	camshaft timing gear		
25444	000 993 62 76	timing chain	(1)	96 N
30257	651 052 00 16	sliding rail	→2012	
30258	651 052 00 16	sliding rail	→2012	
30323	651 050 00 11 S1	rep. kit timing chain	→2012	
33826	668 052 01 01	camshaft timing gear	→2012	
33899	000 993 68 76 S1	timing chain	→2012	108 E
33901	000 993 62 76 S1	timing chain	→2012	96 E
36593	651 052 00 01 S1	rep. kit timing chain	→2012	
38468	651 200 17 70	belt tensioner		
38620	651 200 03 70	tension roller		ØA 65 B 26

**ML / GL 350**  
(OM 642.826)



**ML / GL 350**  
(OM 642.826)



Ref. - No.



15179	642 200 10 70	deflection pulley
26750	642 050 03 11	chain tensioner
27527	642 200 13 70	belt tensioner
30279	642 050 09 16	timing-chain guides kit
30321	642 050 03 11 S3	rep. kit timing chain
33902	000 993 63 76 S1	timing chain
36419	642 050 09 16 S1	rep. kit timing chain

190 E

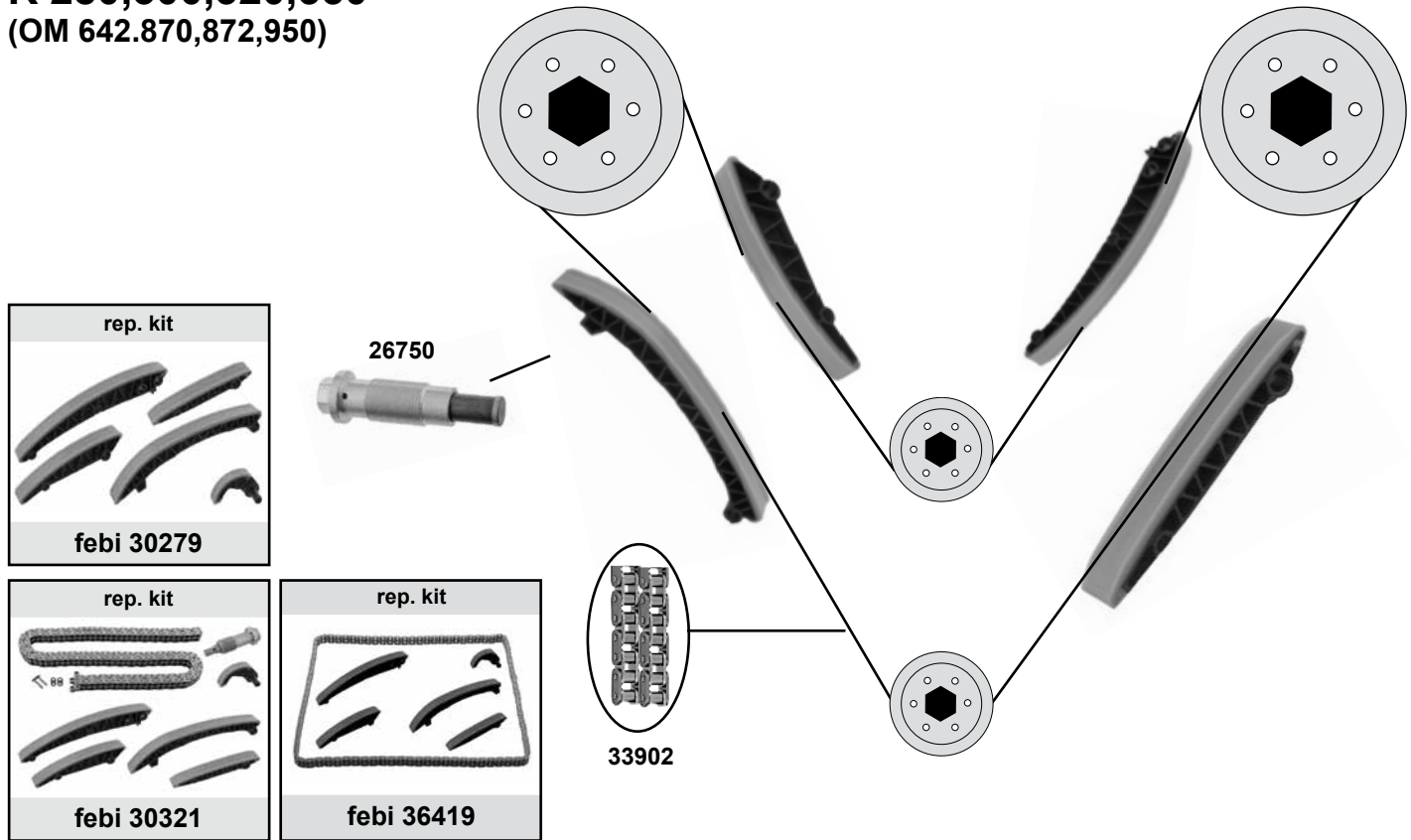
# MERCEDES-BENZ R-Klasse (BM 251)

(06→)

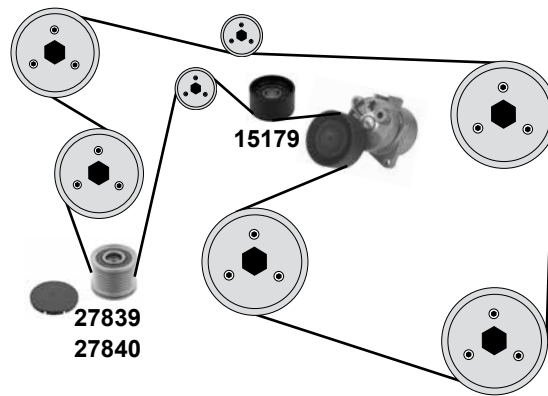
Car  
Division



**R 280,300,320,350**  
(OM 642.870,872,950)



**R 280,300,320,350**  
(OM 642.870,950)



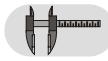
(1) 220 A Generator Bosch (OM 642.870,950)

(2) 220 A Generator Bosch (OM 642.870,950)

(3) OM 642.950 (mot.) →40777759

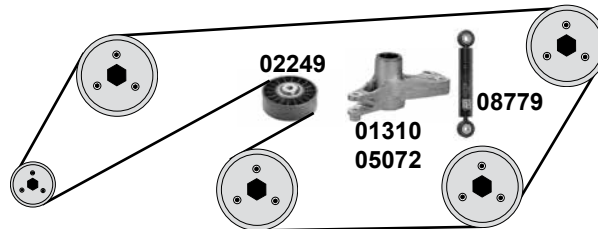
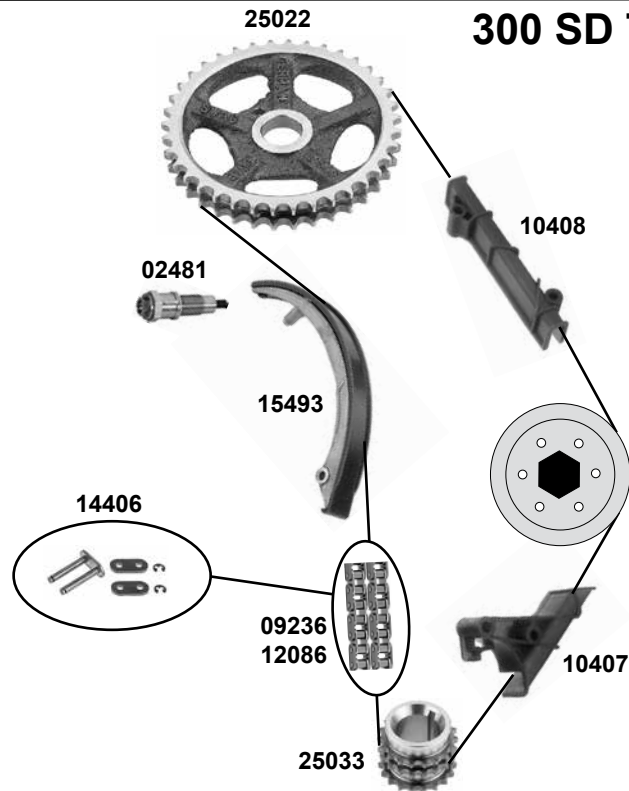


Ref. - No.



15179	642 200 10 70	deflection pulley		
26750	642 050 03 11	chain tensioner	(ex.)	642.952
27527	642 200 13 70	belt tensioner		
27839	642 150 07 60	alternator overrun pulley	(2)	
27840	629 150 00 60	alternator overrun pulley	(1)	
30279	642 050 09 16	timing-chain guides kit		
30321	642 050 03 11 S3	rep. kit timing chain		
33902	000 993 63 76 S1	timing chain		190 E
36419	642 050 09 16 S1	rep. kit timing chain		
37696	642 200 14 70	belt tensioner	(3)	ØA 65 B32

**300 SD Turbo/ S 350 D Turbo**  
(OM 603.971)



(1) riveted link

	Ref. - No.			
<b>01310</b>	606 200 00 73	lever	(mot.) 007422→	
<b>02249</b>	601 200 09 70	tension roller		ØA80 B25 / 31
<b>02481</b>	601 050 07 11	chain tensioner		
<b>05072</b>	601 200 17 73	lever	(mot.)→007421	
<b>08779</b>	604 200 02 14	vibration damper	(mot.) 007422→	55 N - 1200 N
<b>09236</b>	003 997 55 94	timing chain	(1) (mot.) 020047→	D 126 E
<b>10407</b>	601 052 05 16	sliding rail		
<b>10408</b>	601 052 03 16	sliding rail		
<b>11700</b>	606 200 00 73 S1	rep kit lever		
<b>12086</b>	003 997 48 94	timing chain	(1) (mot.)→020046	
<b>14406</b>	000 997 28 98	chain link		
<b>15493</b>	601 050 08 16	sliding rail		
<b>25022</b>	601 052 00 01	camshaft gear		Z 38
<b>25033</b>	606 052 00 03	crankshaft gear		Z 18
<b>26070</b>	606 200 00 73 S2	rep kit lever	(mot.) 007422→	
<b>30302</b>	601 050 07 11 S1	rep. kit timing chain		



# MERCEDES-BENZ S-Klasse (BM 140)

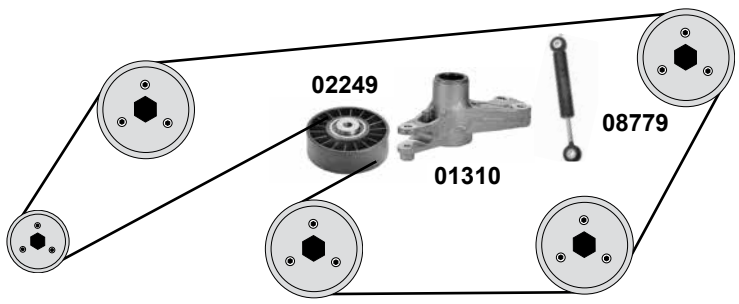
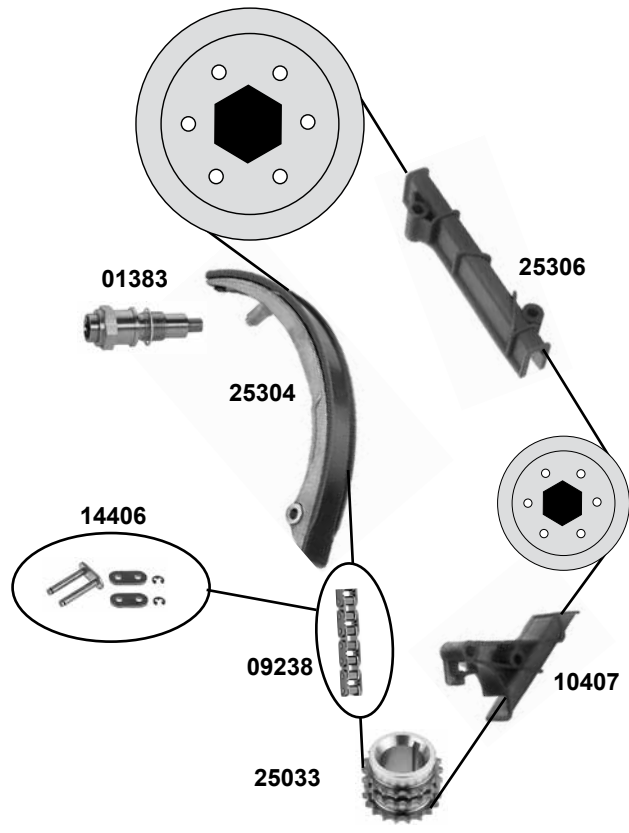
(91→99)

Car  
Division 




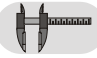


## S 300 D Turbo

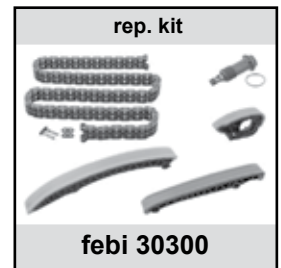
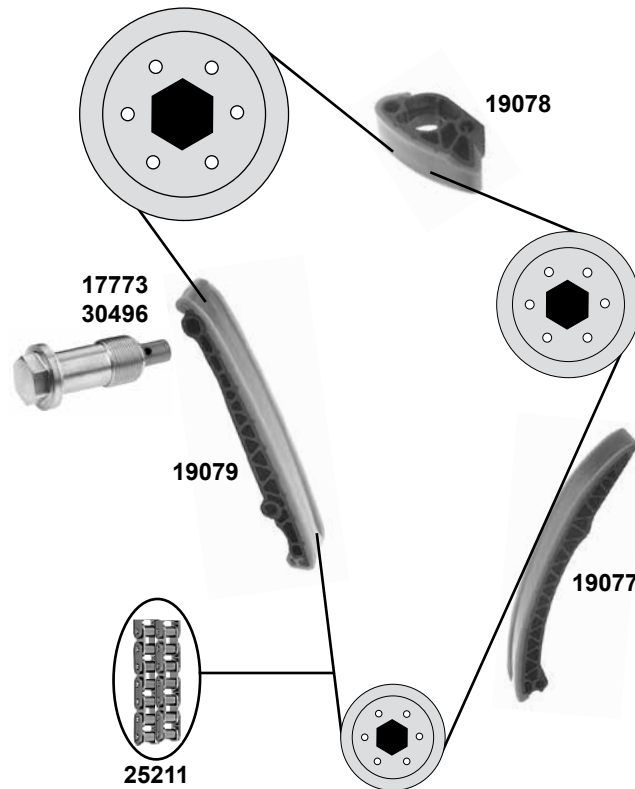
(OM 606.961)



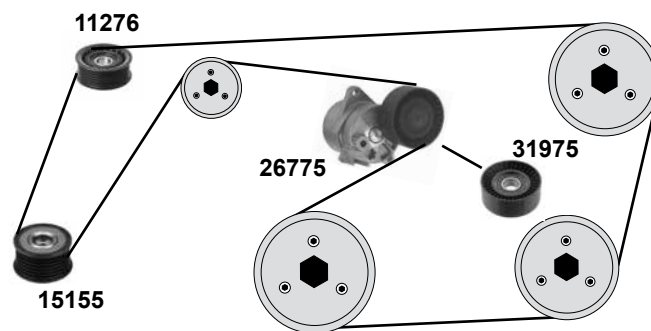
(1) riveted link

	Ref. - No.					
01310	606 200 00 73	lever	(1)	ØA 80 B25 / 31 55 N - 1200 N D 457 / 130 N		
01383	606 050 02 11	chain tensioner				
02249	601 200 09 70	tension roller				
08779	604 200 02 14	vibration damper				
09238	003 997 56 94	timing chain				
10407	601 052 05 16	sliding rail				
11700	606 200 00 73 S1	rep. kit lever				
14406	000 997 28 98	chain link				
25033	606 052 00 03	crankshaft gear				
25304	606 050 02 16	sliding rail				
25306	606 052 01 16	sliding rail				
30301	606 050 02 11 S1	rep kit timing chain				
						Z 18

**S 320 CDI / S 400 CDI**  
(OM 613.960 / OM 648.960)



**S 320 CDI**  
(OM 613.960,961 / 648.960,961)



(1) riveted link



Ref. - No.



Ref. - No.	Description	Notes	Dimensions
11276	tension roller		ØA 64 B23
15155	alternator overrun pulley	(mot.) 613.960	
17773	chain tensioner	OLD (mot.) 613.960	
19077	sliding rail		
19078	sliding rail		
19079	sliding rail		
25211	timing chain	(1)	
26775	belt tensioner	(mot.) 613.960	
30300	rep. kit timing chain		E 110
30496	chain tensioner	NEW	
31975	tension roller		ØA 70 B27



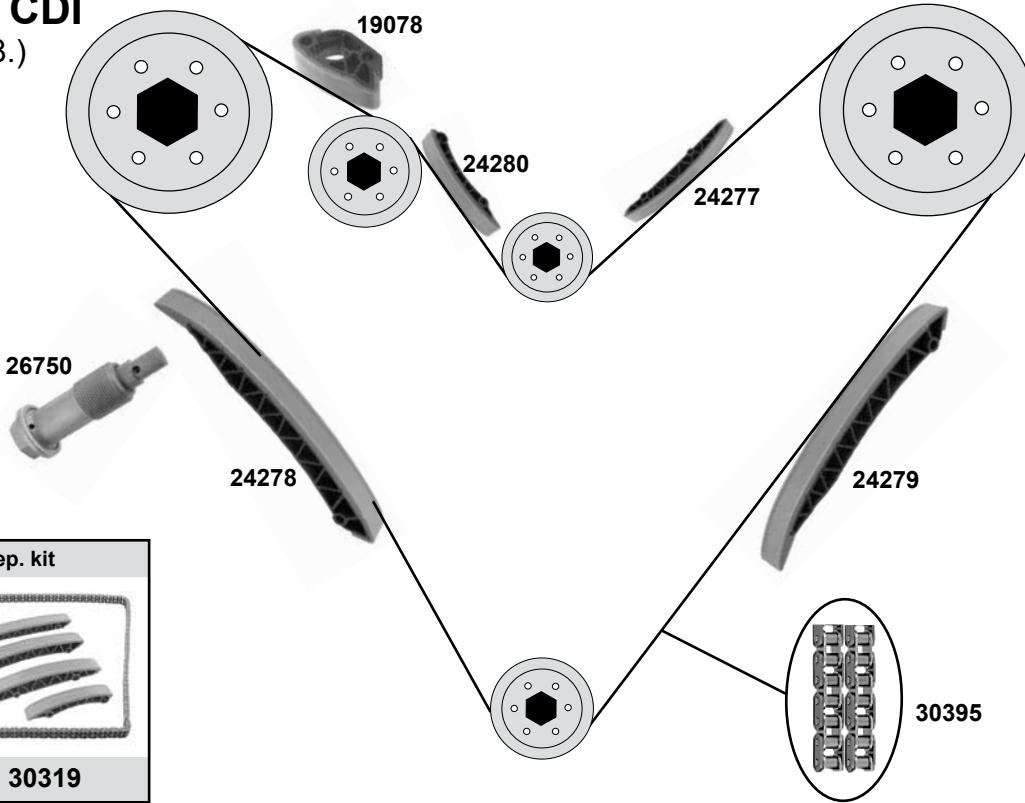
# MERCEDES-BENZ S-Klasse (BM 220)

(98 → 05)

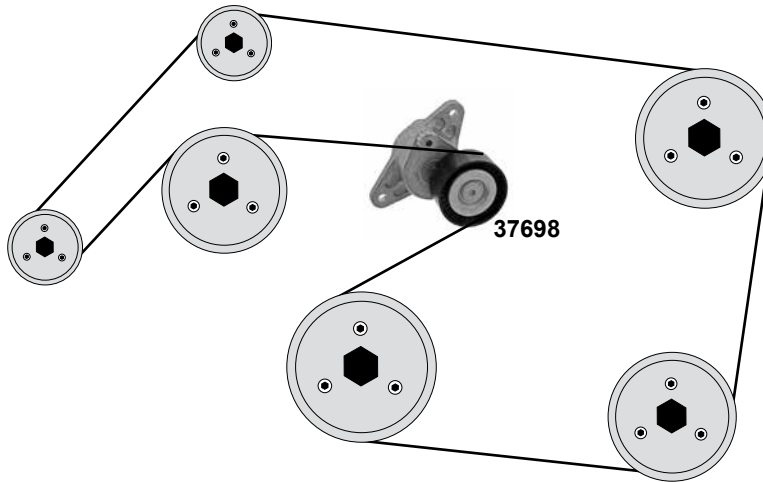
Car  
Division



## S 400 CDI (BM 628.)



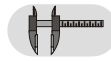
## S 400 CDI (BM 628.960)



(1) (mot.) 960/961/962/963



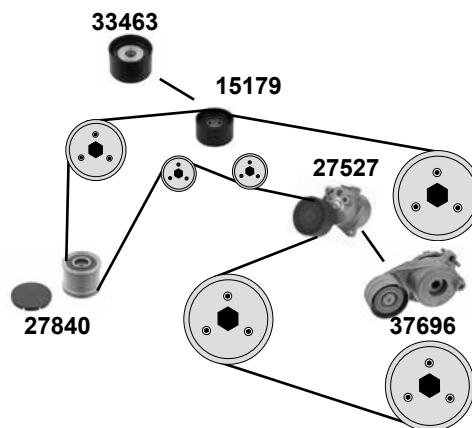
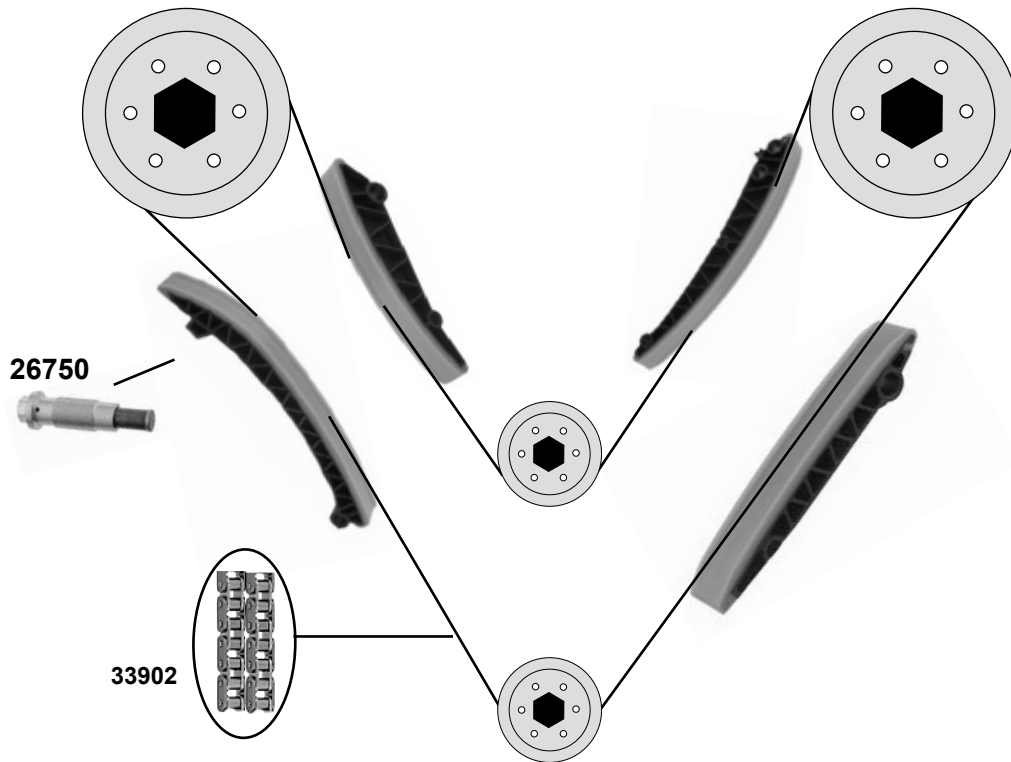
Ref. - No.



Ref. - No.	Description	Quantity
19078	sliding rail	(1)
24277	sliding rail upper left	(1)
24278	sliding rail lower right	(1)
24279	sliding rail lower left	(1)
24280	sliding rail upper right	(1)
26750	chain tensioner	
30319	rep. kit timing chain	(mot.) 960
30395	timing chain	(mot.) 960
37698	belt tensioner	
37699	rep. kit deflection pulley	

ØA 70 B28  
ØA 62

**S 320/ S 350**  
(OM 642.861,862,868,930,932)



(1) (mot.) 642.930,932



Ref. - No.



15179	642 200 10 70	deflection pulley	(1) (mot.) 40 582550 →	
26750	642 050 03 11	chain tensioner		
27527	642 200 13 70	belt tensioner		
27840	629 150 00 60	alternator overrun pulley	(1)	
30279	642 050 09 16	timing-chain guides kit		
30321	642 050 03 11 S3	rep. kit timing chain		
33463	642 200 05 70	deflection pulley	(1) → (mot.) 40 582550	
33902	000 993 63 76 S1	timing chain		190 E
36419	642 050 09 16 S1	rep. kit timing chain	(ex.) 861	
37696	642 200 14 70	belt tensioner	(1) (mot.) →40777759	ØA 65 B32

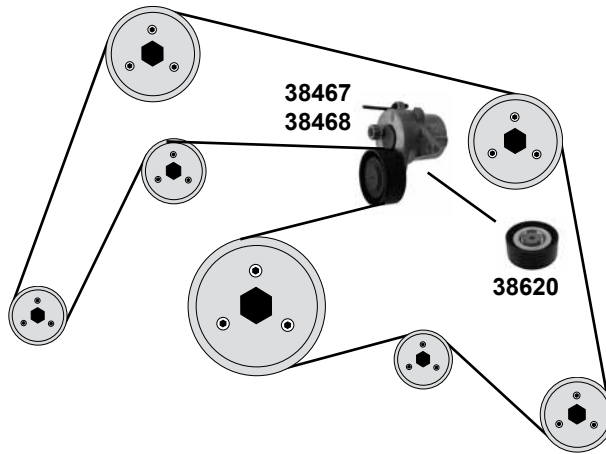
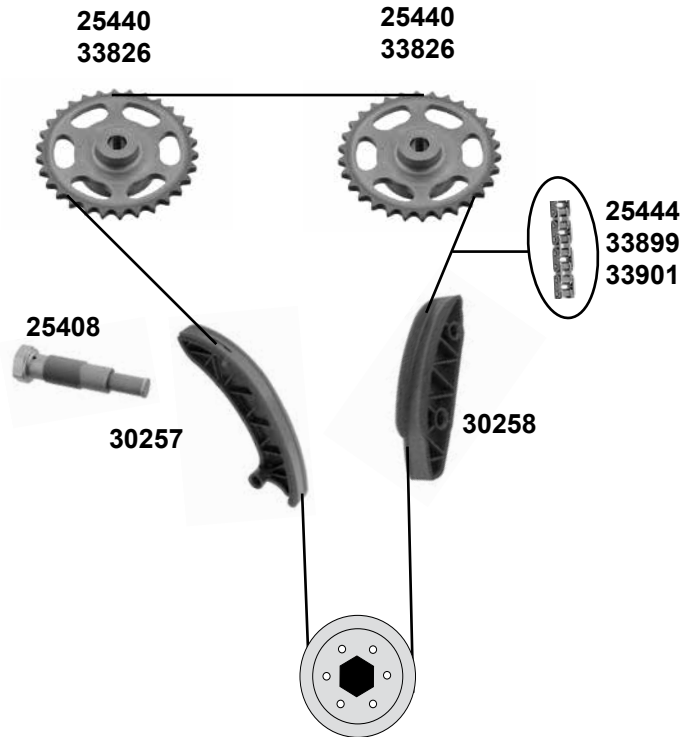
# MERCEDES-BENZ S-Klasse (BM 221)

(06→)

Car  
Division

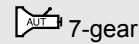


## S 250 CDI (OM 651.961)

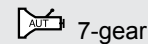


(1) riveted link

(2) valid for Eco Start-Stop function



(3) not valid for Eco Start-Stop function



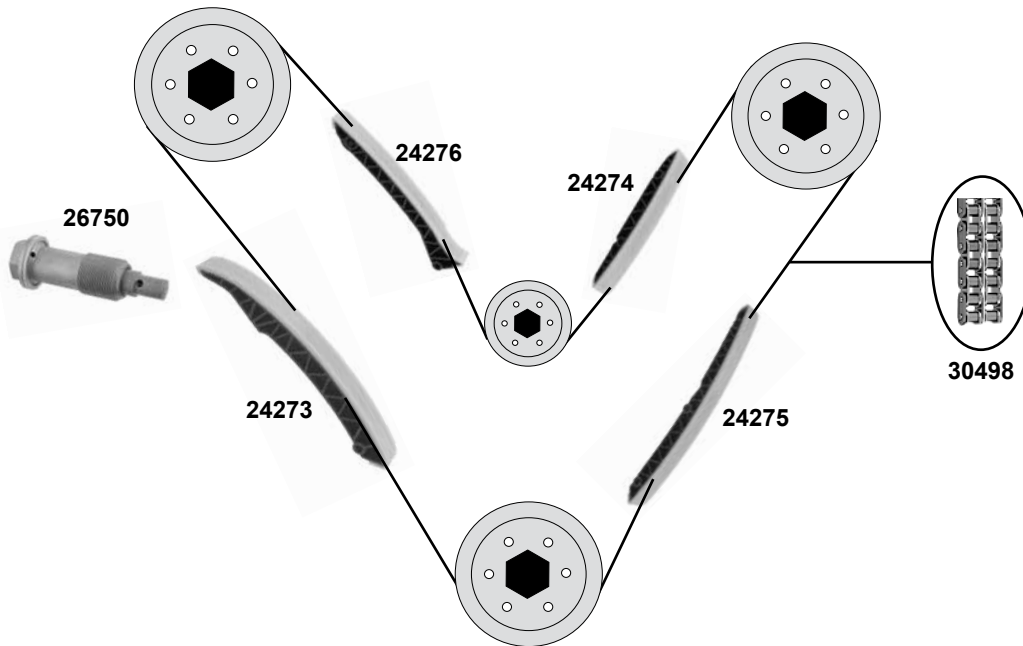
Ref. - No.



Ref. - No.	Description	Notes	Dimensions
25408	651 050 07 00 chain tensioner		
25440	651 052 00 00 camshaft timing gear		
25444	000 993 62 76 timing chain	(1)	ØA 92,5 Z30
30257	651 052 00 16 sliding rail	→2012	96 N
30258	651 052 00 16 sliding rail	→2012	
30323	651 050 00 11 S1 rep. kit timing chain	→2012	
33826	668 052 01 01 camshaft timing gear	→2012	
33899	000 993 68 76 S1 timing chain	→2012	108 E
33901	000 993 62 76 S1 timing chain	→2012	96 E
36593	651 052 00 01 S1 rep. kit timing chain	→2012	
38467	651 200 13 70 belt tensioner	(2)	ØA 65 B 26
38468	651 200 17 70 belt tensioner	(3)	ØA 65 B 26
38620	651 200 03 70 tension roller		ØA 65 B 26

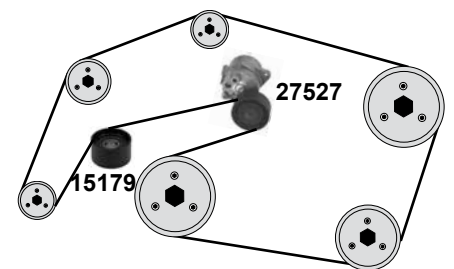
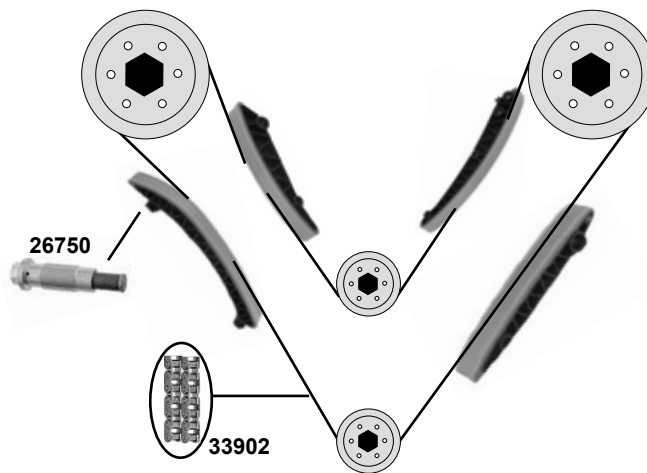


## S 420 CDI (OM 629.911)

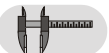


## S-Klasse (BM 222) (13→)

### S 350 (OM 642.961)



Ref. - No.



15179	642 200 10 70	deflection pulley
24273	629 050 01 16	sliding rail
24274	629 050 02 16	sliding rail
24275	629 050 03 16	sliding rail
24276	629 050 04 16	sliding rail
26750	642 050 03 11	chain tensioner
27527	642 200 13 70	belt tensioner
30279	642 050 09 16	timing-chain guides kit
30320	642 050 03 11 S2	rep. kit timing chain
30321	642 050 03 11 S3	rep. kit timing chain
30498	000 993 30 76	timing chain
33902	000 993 63 76 S1	timing chain

ØA 54 B30

190 E

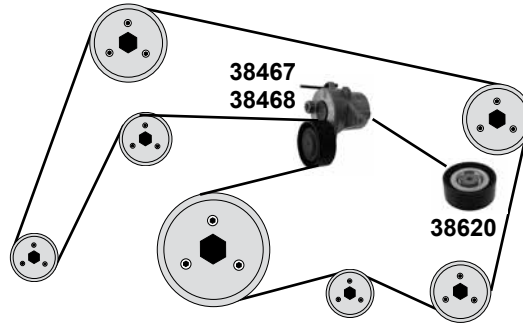
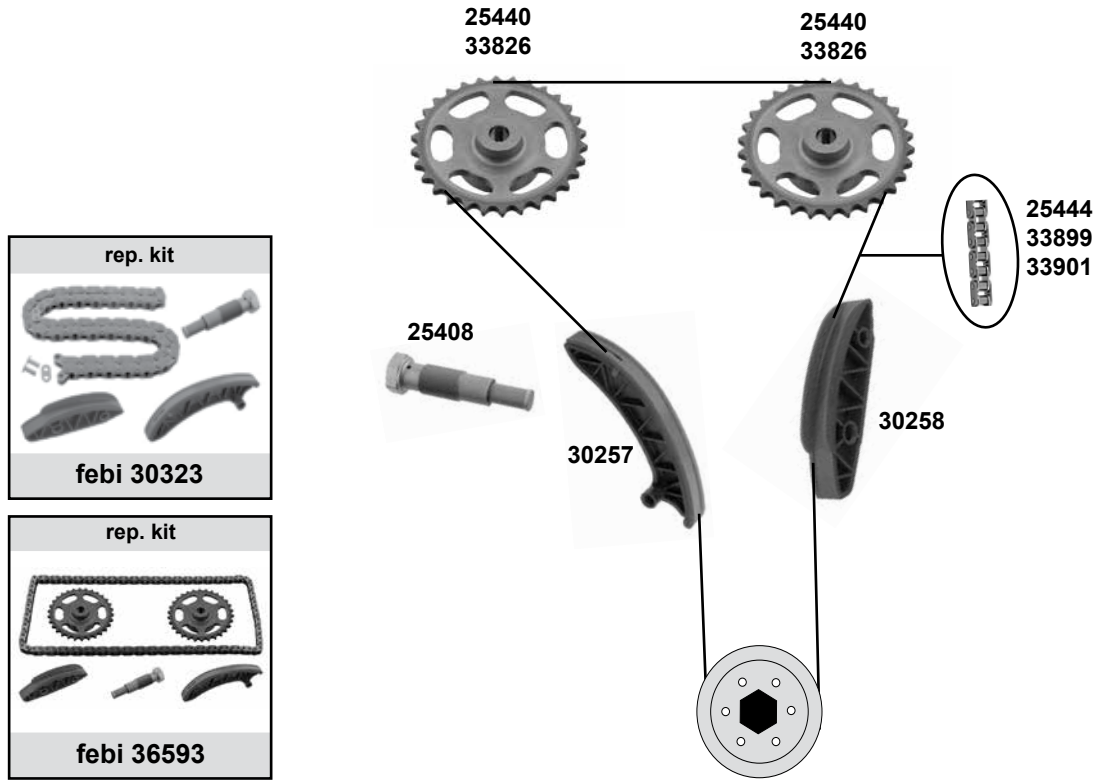
# MERCEDES-BENZ SLK-Klasse (BM 172)

(11→)

Car  
Division



(OM 651.980)



(1) riveted link

(2) valid for Eco Start-Stop function

7-gear

(3) not valid for Eco Start-Stop function

7-gear

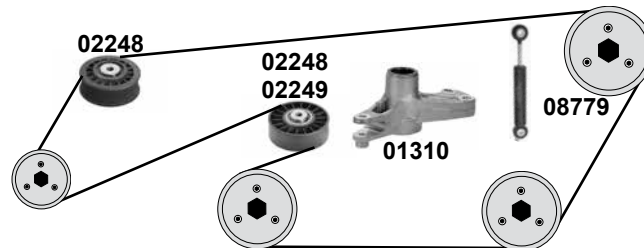
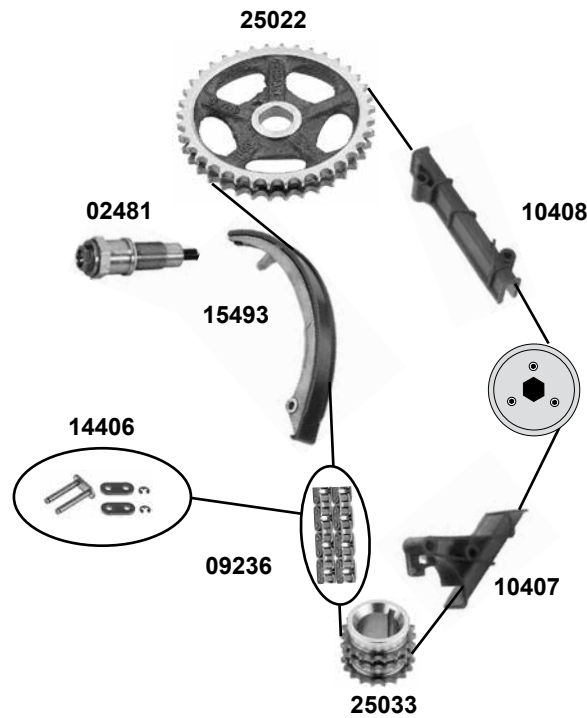


Ref. - No.



Part No.	Ref. - No.	Description	Notes	Dimensions
25408	651 050 07 00	chain tensioner		
25440	651 052 00 00	camshaft timing gear		
25444	000 993 62 76	timing chain	(1)	ØA 92,5 Z 30
30257	651 052 00 16	sliding rail	→2012	96 N
30258	651 052 00 16	sliding rail	→2012	
30323	651 050 00 11 S1	rep. kit timing chain	→2012	
33826	668 052 01 01	camshaft timing gear	→2012	
33899	000 993 68 76 S1	timing chain	→2012	108 E
33901	000 993 62 76 S1	timing chain	→2012	96 E
36593	651 052 00 01 S1	rep. kit timing chain	→2012	
38467	651 200 13 70	belt tensioner	(2)	ØA 65 B 26
38468	651 200 17 70	belt tensioner	(3)	ØA 65 B 26
38620	651 200 03 70	tension roller		ØA 65 B 26

**208 D → 408 D**  
(OM 601.943)



(1) riveted link

	Ref. - No.			
01310	606 200 00 73	Lever	servo man.	ØA75 B26 / 31,5 ØA80 B25 / 31
02248	601 200 07 70	tension roller		
02249	601 200 09 70	tension roller		
02481	601 050 07 11	chain tensioner		
08779	604 200 02 14	vibration damper		
09236	003 997 55 94	timing chain		
10407	601 052 05 16	sliding rail		
10408	601 052 03 16	sliding rail		
14406	000 997 28 98	chain link		
15493	601 050 08 16	sliding rail		
25022	601 052 00 01	camshaft gear	(1)	55 N - 1200 N D 126 E
25033	606 052 00 03	crankshaft gear		
26070	606 200 00 73 S2	rep kit lever		
30302	601 050 07 11 S1	rep. kit timing chain		Z 38 Z 18



# MERCEDES-BENZ

## Sprinter (BM 901 → 904)

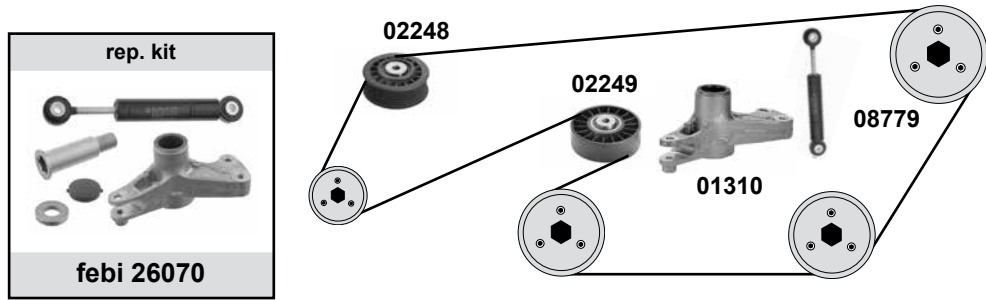
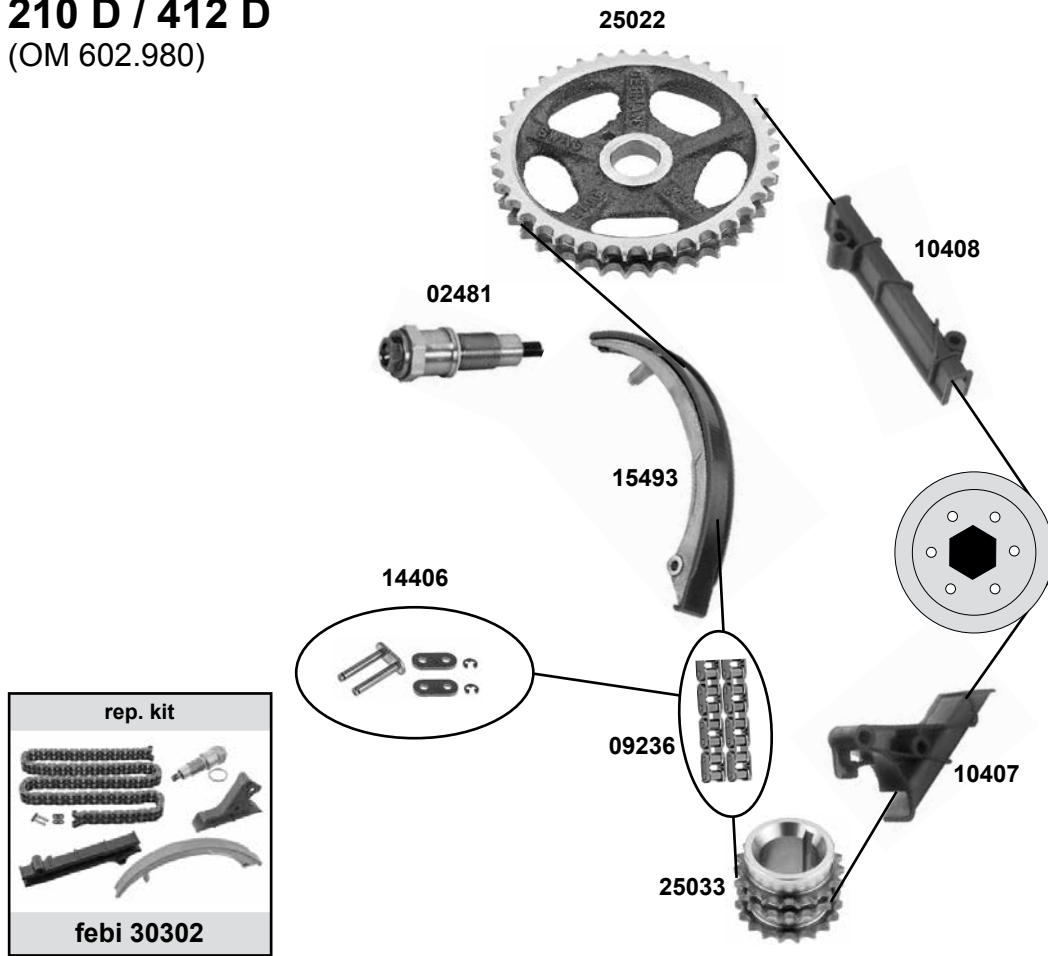
(95→)

Car  
Division



### 210 D / 412 D

(OM 602.980)

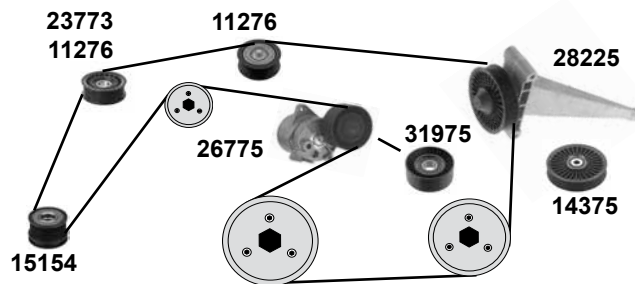
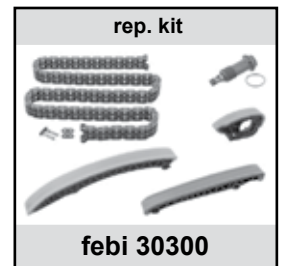
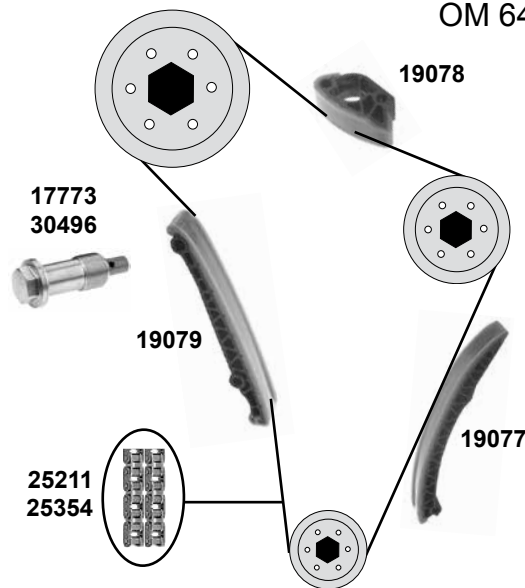


- (1) 980: (mot.) 001914 → (mot.) 000026 →
- (2) riveted Link

	Ref. - No.			
01310	606 200 00 73	lever		
02248	601 200 07 70	tension roller	(ex.) AC	ØA75 B26 / 31,5
02249	601 200 09 70	tension roller		ØA80 B25 / 31
02481	601 050 07 11	chain tensioner		
08779	604 200 02 14	vibration damper		55 N - 1200 N
09236	003 997 55 94	timing chain	(1) (2)	D 126 E
10407	601 052 05 16	sliding rail		
10408	601 052 03 16	sliding rail		
14406	000 997 28 98	chain link		
15493	601 050 08 16	sliding rail		
25022	601 052 00 01	camshaft gear	(1)	Z 38
25033	606 052 00 03	crankshaft gear	(1)	Z 18
26070	606 200 00 73 S2	rep kit lever		
30302	601 050 07 11 S2	rep. kit timing chain		

### 208 CDI → 616 CDI

(OM 611.981,987 / OM 612.981 / OM 646.984,985,986,989,990 /  
OM 647.961,981 / OM 651.955,956,957)



- (1) (mot.) OM 611.981,987 (ch.) B 438527 → / X 065665 → / 612.981 / 903-904 OM 647.981
- (2) (mot.) OM 611.981,987 / 612.984 / 647.981
- (3) (ex.) (mot.) OM 646.984,985,986,989,990
- (4) (mot.) OM 611.981,983,987 / 612.983,984 / 647.981 // endlos / endless
- (5) (ex.) (mot.) OM 647.961 / 651.955-957
- (6) Nietverschluß / riveted link / bouchon de rivet / rivetti / cierre de roblón



Ref. - No.



Part No.	Ref. - No.	Description	Quantity	Notes
11276	272 202 09 19	deflection pulley	(1)	
14375	611 234 02 93	deflection pulley	(2)	
15154	611 150 01 60	alternator overrun pulley	free wheel	
17773	640 050 01 11	chain tensioner	(2) OLD	
19077	611 052 04 16	sliding rail	(5)	
19078	611 052 03 16	sliding rail	(5)	
19079	611 052 00 16	sliding rail	(2)	
23773	000 202 04 19	deflection pulley	OM 647.981	
25211	003 997 75 94	timing chain	(5) (6)	
25354	003 997 70 94	roller chain double	(4)	
26775	646 200 02 70	belt tensioner	(3)	
28225	611 234 03 93	deflection pulley with holder	(2)	
30300	640 050 01 11 S1	rep. kit timing chain	(5)	E 110
30496	640 050 02 11	chain tensioner	(5) NEW	
31975	611 202 00 19	tension roller	(3)	ØA 70 B27



# MERCEDES-BENZ Sprinter (BM 906)

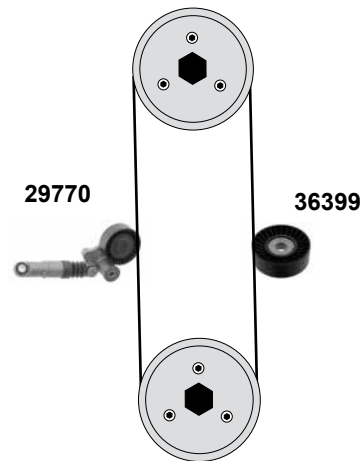
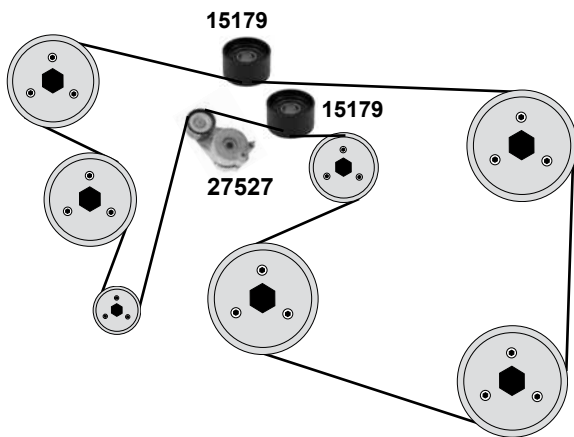
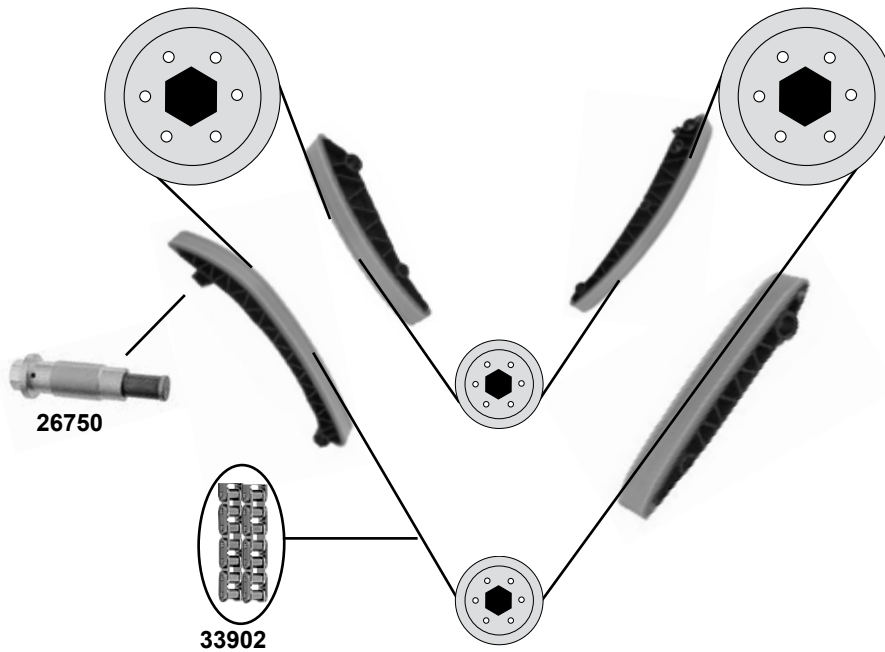
(06→)





Car  
Division 

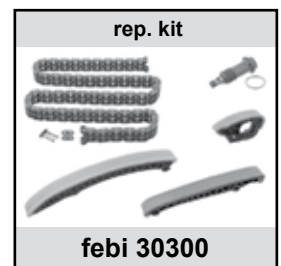
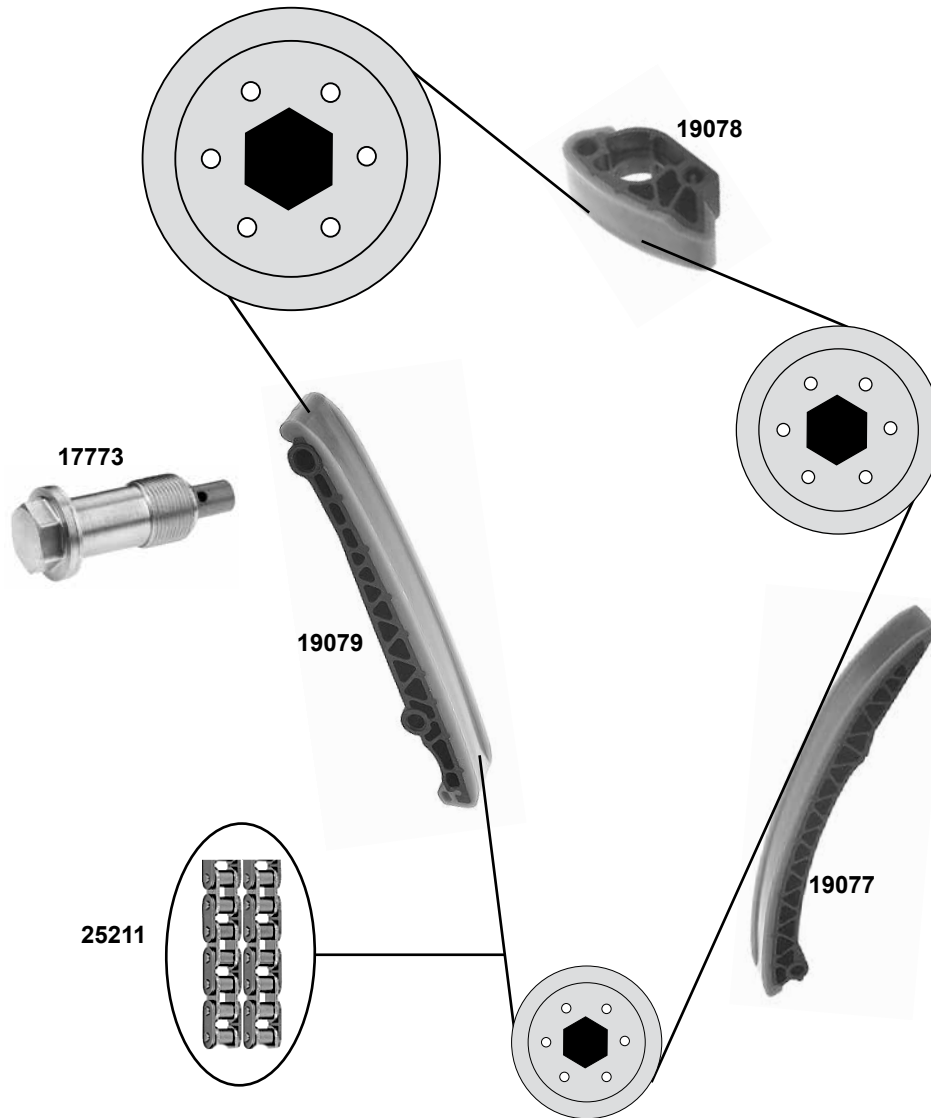


## 209 CDI→518 CDI

(OM 642.896,898,992,993)



	Ref. - No.			
26750	642 050 03 11	chain tensioner		
27527	642 200 13 70	belt tensioner		
29770	642 200 16 70	belt tensioner	(mot.) 992,993	
30279	642 050 09 16	timing-chain guides kit	(mot.) 992,993	
30321	642 050 03 11 S3	rep. kit timing chain		
33902	000 993 63 76 S1	timing chain		
36399	642 200 06 70	deflection pulley		
36419	642 050 09 16 S1	rep. kit timing chain		
				190 E ØA 80



	Ref. - No.			
17773	640 050 01 11	chain tensioner		
19077	611 052 04 16	sliding rail		
19078	611 052 03 16	sliding rail		
19079	611 052 00 16	sliding rail		
30300	640 050 01 11 S1	rep. kit timing chain		110 E

# MERCEDES-BENZ Sprinter (BM 906)

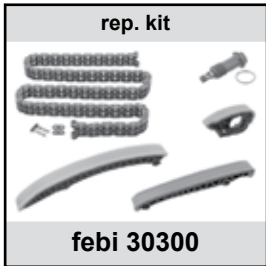
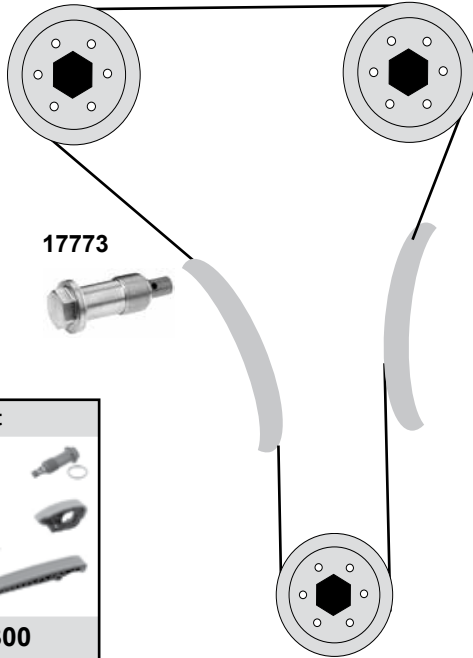
(06→)

Car  
Division



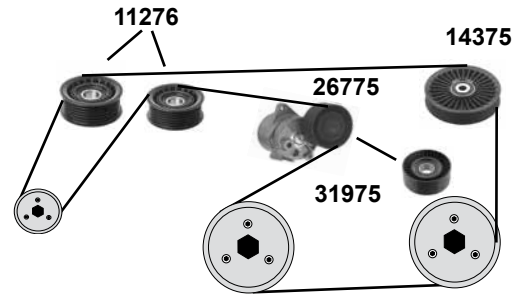
## 209 CDI→518 CDI

(OM 646.985,986,989)



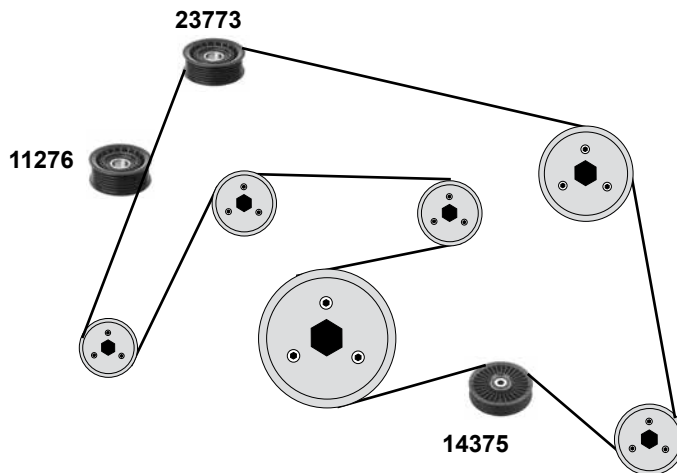
## 209 CDI→518 CDI

(OM 646.984-986,989,990)



## 209 CDI→518 CDI

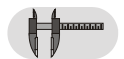
(OM 651.955,956,957)



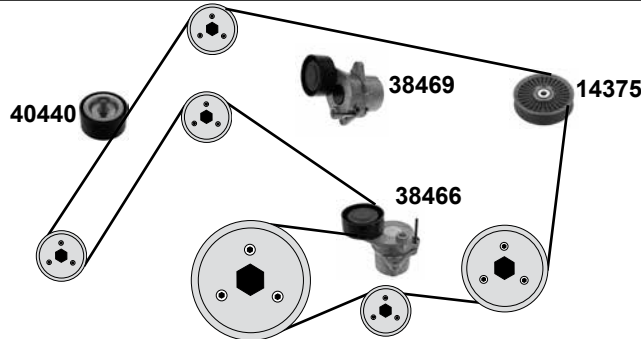
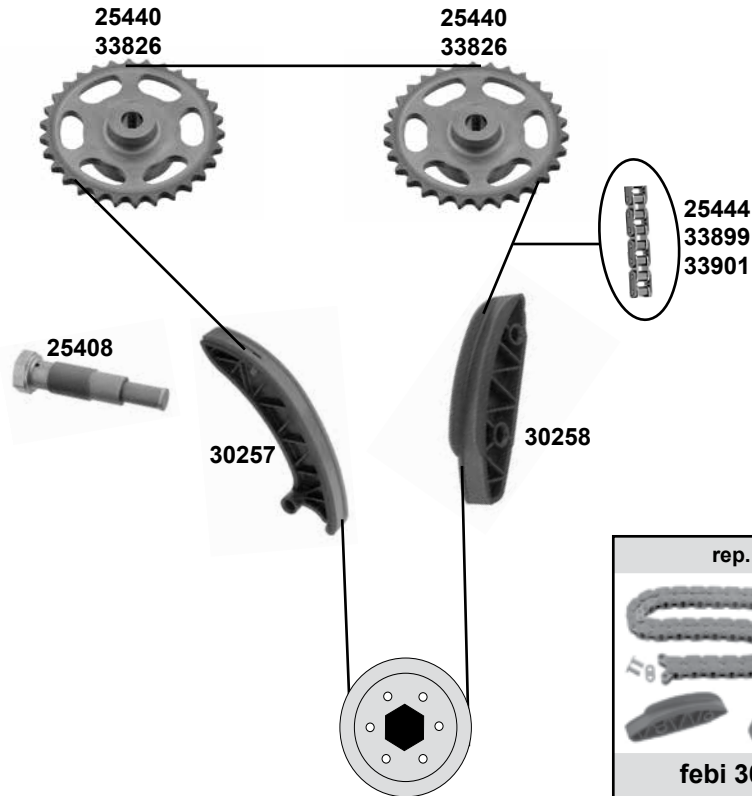
(1) OM 646.984-986,989,990 SA 522672 03  
OM 651.955,956,957



Ref. - No.



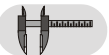
<b>11276</b>	272 202 09 19	deflection pulley	(1)	ØA 64 B23
<b>14375</b>	611 234 02 93	deflection pulley		
<b>17773</b>	640 050 01 11	chain tensioner		
<b>23773</b>	000 202 04 19	deflection pulley		
<b>25408</b>	651 050 00 11	chain tensioner		
<b>30300</b>	640 050 01 11 S1	rep. kit timing chain	OM 946.989,990	E 110 ØA 70 B27
<b>31975</b>	611 202 00 19	tension roller		



- (1) riveted link
- (2) Valid for Eco Start-Stop function
- (3) not valid for „Eco Start-Stop function“



Ref. - No.



Part No.	Ref. - No.	Description	Notes	Dimensions
14375	611 234 02 93	deflection pulley		
25408	651 050 07 00	chain tensioner		
25440	651 052 00 00	camshaft timing gear		
25444	000 993 62 76	timing chain	(1)	ØA 92,5 Z 30 96 N
30257	651 052 00 16	sliding rail	→2012	
30258	651 052 00 16	sliding rail	→2012	
30323	651 050 01 00 S1	rep. kit timing chain	→2012	
33826	668 052 01 01	camshaft timing gear	→2012	
33899	000 993 68 76 S1	timing chain	→2012	108 E
33901	000 993 62 76 S1	timing chain	→2012	96 E
36593	651 052 00 01 S1	rep. kit timing chain	→2012	
38466	651 200 12 70	belt tensioner	(2)	ØA 65 B26
38469	651 200 18 70	belt tensioner	(3)	ØA 65 B26
40440	651 200 07 70	deflection pulley		ØA 54 B26

# MERCEDES-BENZ Sprinter (BM 909)

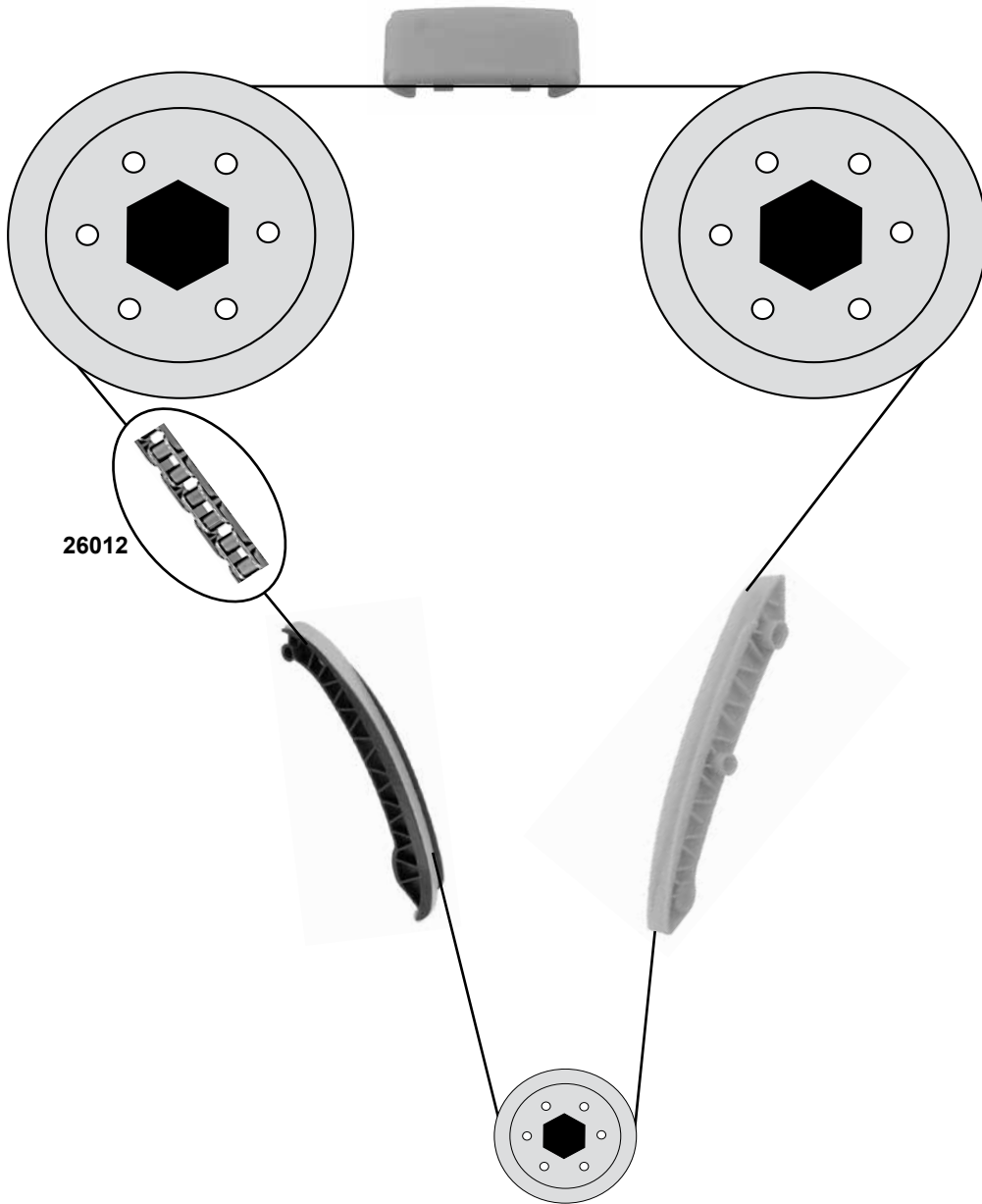
(2013→)

Car  
Division

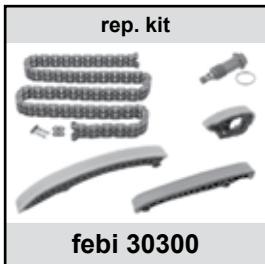


## 311 CDI / 411 CDI Classic

(OM 646.701)



26012



rep. kit

febi 30300



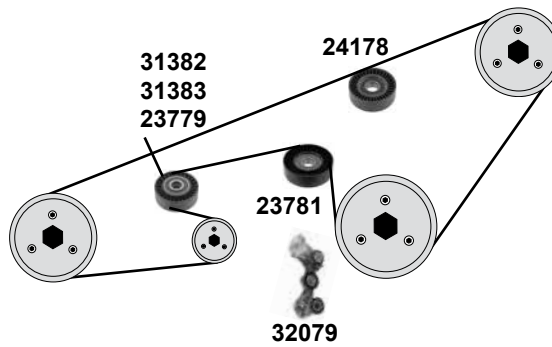
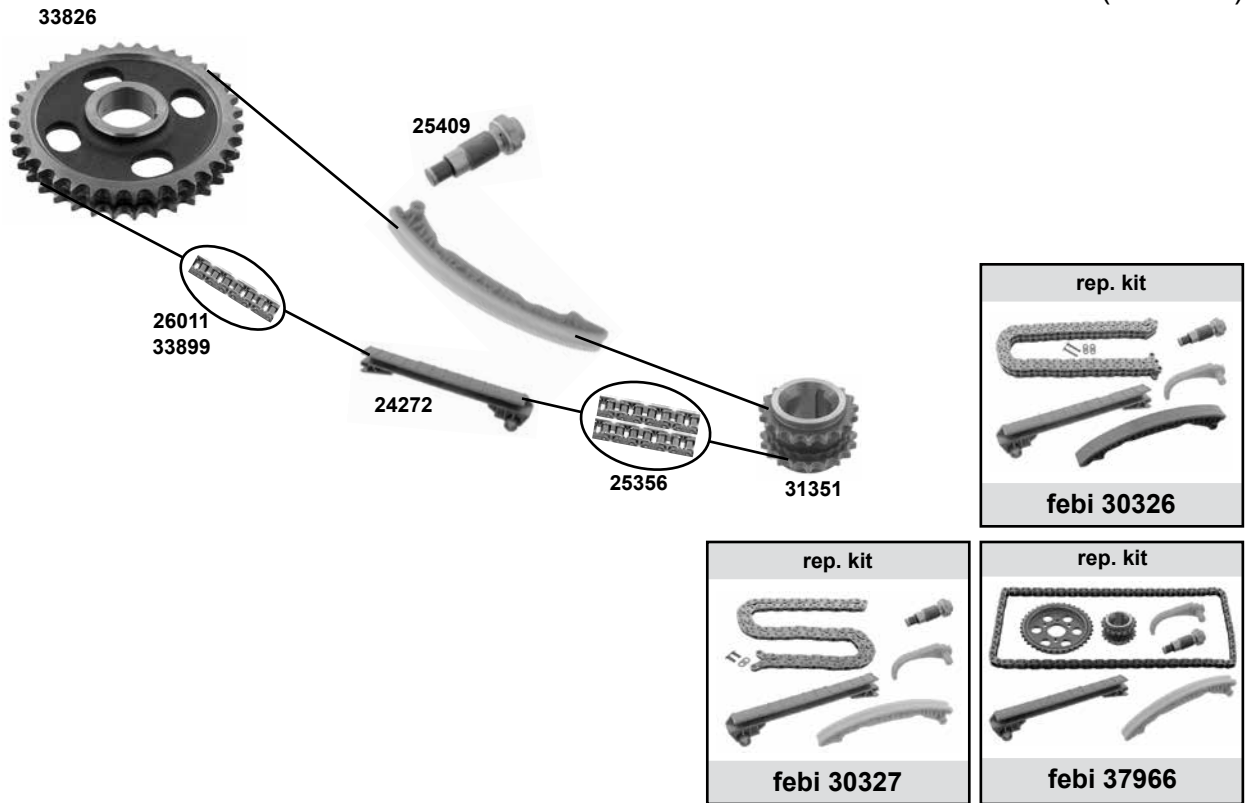
Ref. - No.



17773	640 050 01 11
26012	000 993 21 76
30300	640 050 01 11 S1

chain tensioner
timing chain with
rep. kit timing chain

142 N
E 110



	(1) (mot.) 668.914 new execution	(4) (mot.) 668.914
	(2) (mot.) 668.914 / (ch.) → 30097016	(5) (ch.) J 514750 → / (ex.) AC
	(3) (mot.) 668.914 / (ch.) 30097017 →	(6) (ch.) J 568589 → / AC

	Ref. - No.			
23779	668 202 04 19	deflection pulley	(4)	
23781	116 202 06 19	tension roller	(4) AC	
24178	266 202 00 19	deflection pulley	(4) AC	
24272	668 052 02 16	sliding rail	(1)	
25356	003 997 76 94	timing chain	(2)	D 108 N
25409	668 050 01 11	chain tensioner	(1)	
26011	668 997 05 94	timing chain	(3)	
30326	668 050 01 11 S1	rep. kit timing chain	(1)	
30327	668 050 01 11 S2	rep. kit timing chain	(3)	AØ 65 B26
31351	668 050 00 03	crankshaft gear	(4) 30327868 →	AØ 59,5 H40
31382	668 202 11 19 S1	deflection pulley	(6)	
31383	668 202 11 19 S1	deflection pulley	(4) (5)	
32079	668 200 22 70	belt tensioner	(4)	
33826	668 052 01 01	camshaft gear	(mot.) 30327868 →	
33899	000 993 68 76 S1	timing chain	(mot.) 30327868 →	108 E
37966	668 050 01 11 S5	rep. kit timing chain	(mot.) 30327868 →	

# MERCEDES-BENZ

## Vito / V-Klasse (BM 638 / 639)

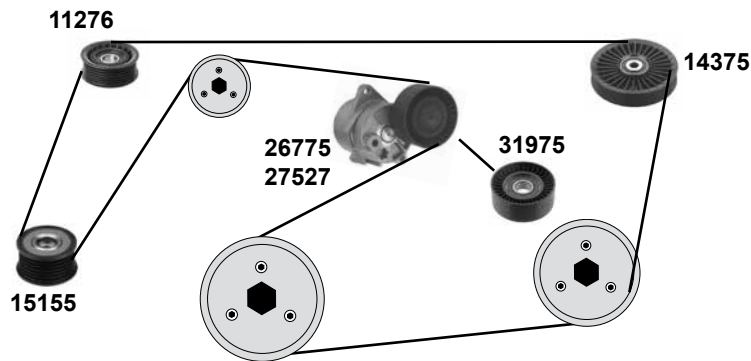
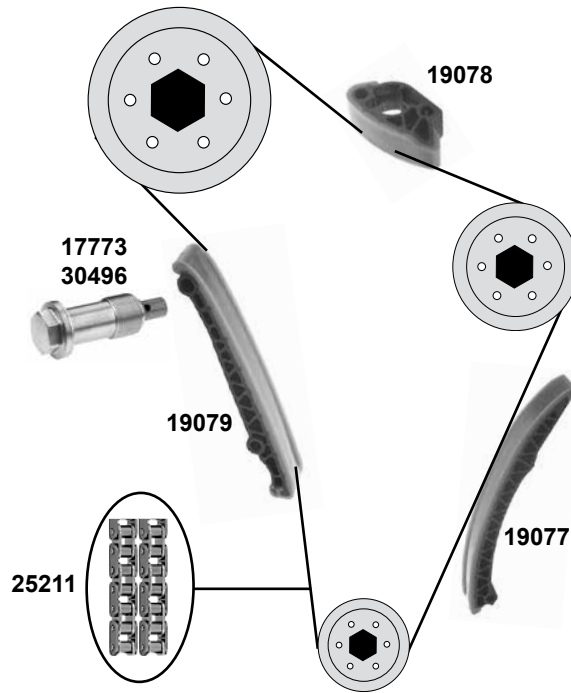
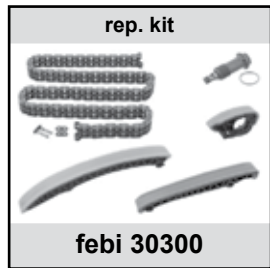
(95→)

Car  
Division



### Vito CDI

(OM 611... / 646...)



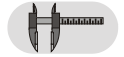
(1) riveted link

(2) **638 (mot.)** 611.980 **(ch.)** B 438527 → / X 065665 →/ 639 (mot.) OM 646.980 - 983 SA 522672 03

(3) (mot.) 611.980 / 646.980-983

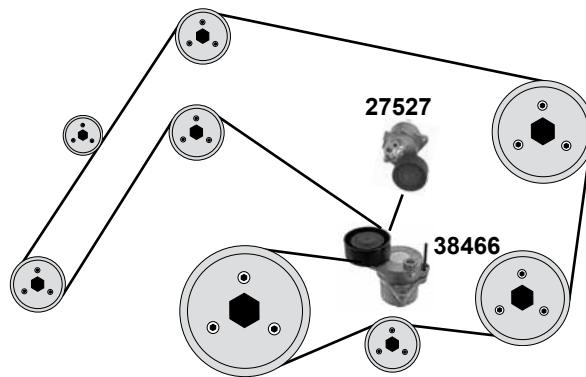
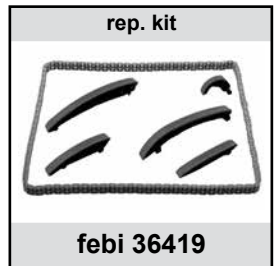
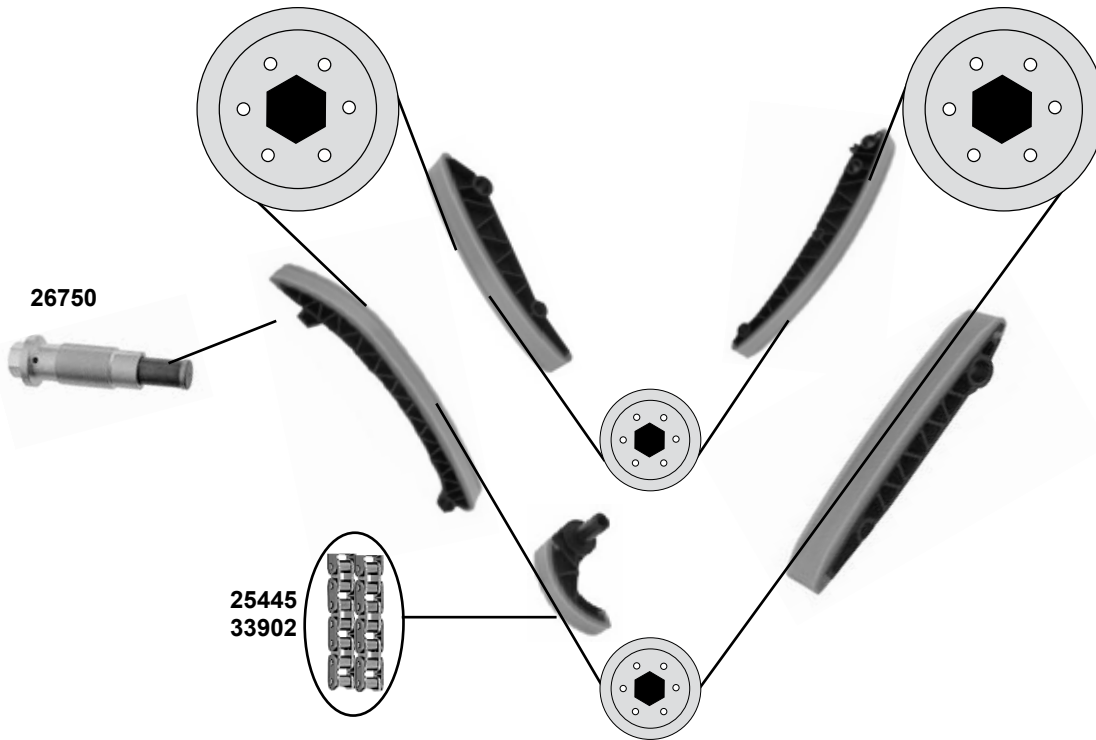


Ref. - No.



Ref. - No.	Description	Quantity	Notes
11276	deflection pulley	(2)	
14375	deflection pulley	OM 646.980-983	ØA 64 B23
15155	alternator overrun pulley		
17773	chain tensioner	(ex.) OM 642.990	
19077	sliding rail	(3)	
19078	sliding rail	(3)	
19079	sliding rail	(3)	
25211	timing chain	(1) (3)	
26775	belt tensioner	(ex.) OM 642.990	
27527	belt tensioner	OM 642.990	
30300	rep. kit timing chain	(3)	E 110
30496	chain tensioner	(3) <b>NEW</b>	
31975	tension roller		ØA 70 B27





- (1) riveted link
- (2) Valid for „Eco Start-Stop function“



Ref. - No.



Ref. - No.	Description	Quantity	Part No.
25445	timing chain	(1) (mot.) 990	190 N
26750	chain tensioner		
27527	belt tensioner		
30279	rep. kit sliding rail	(mot.) 990	
30321	rep. kit timing chain		
33902	timing chain		190 E
36419	rep. kit timing chain		
38466	belt tensioner	(2) (mot.) 990	ØA 65 B26



# MERCEDES-BENZ

## Vito / V-Klasse (BM 638 / 639)

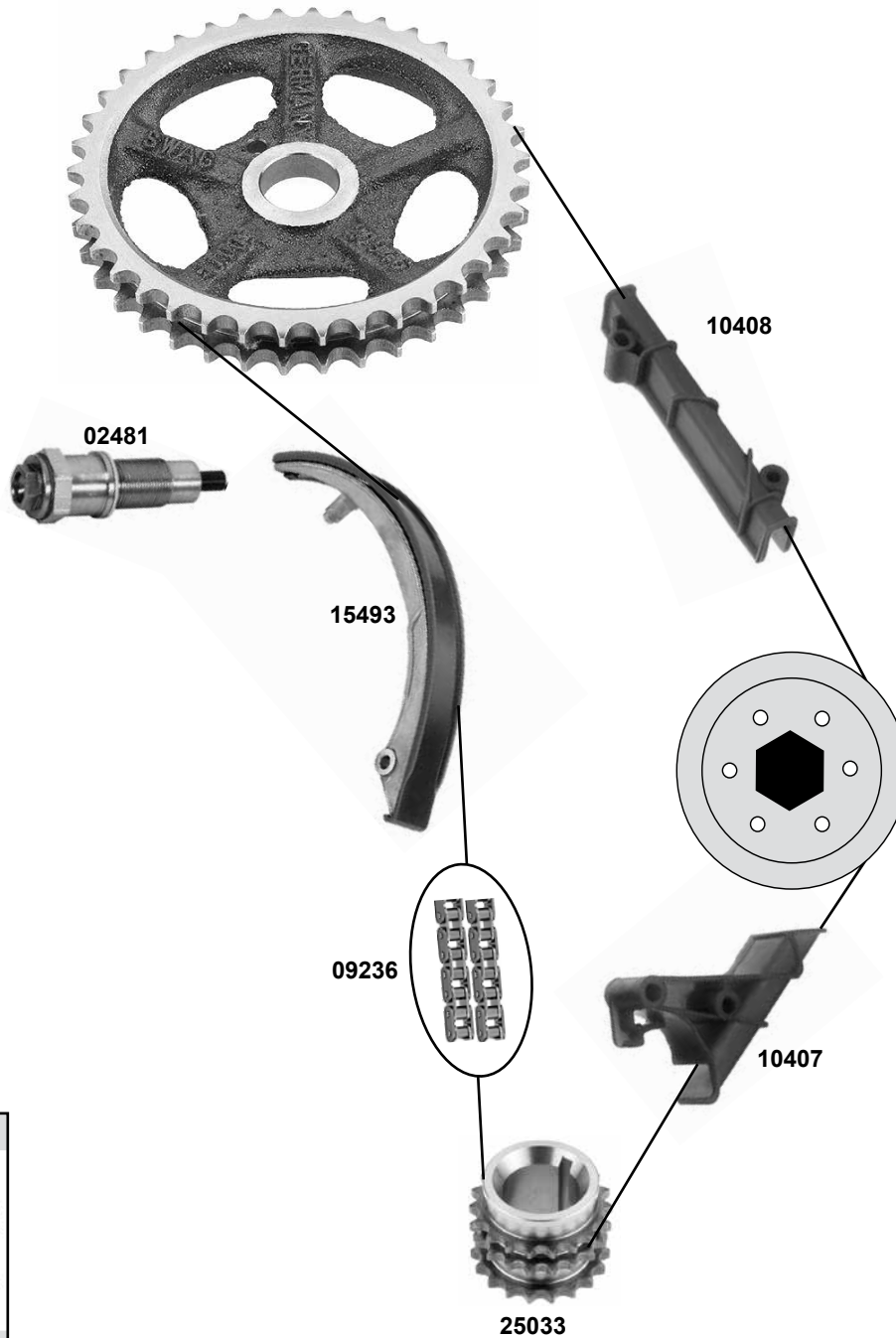
(96→)

Car  
Division



## Vito 108 D / 110 D (BM 638)

(OM 601.942,970)



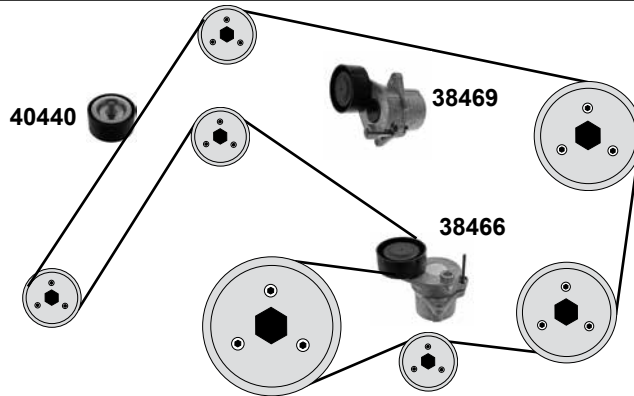
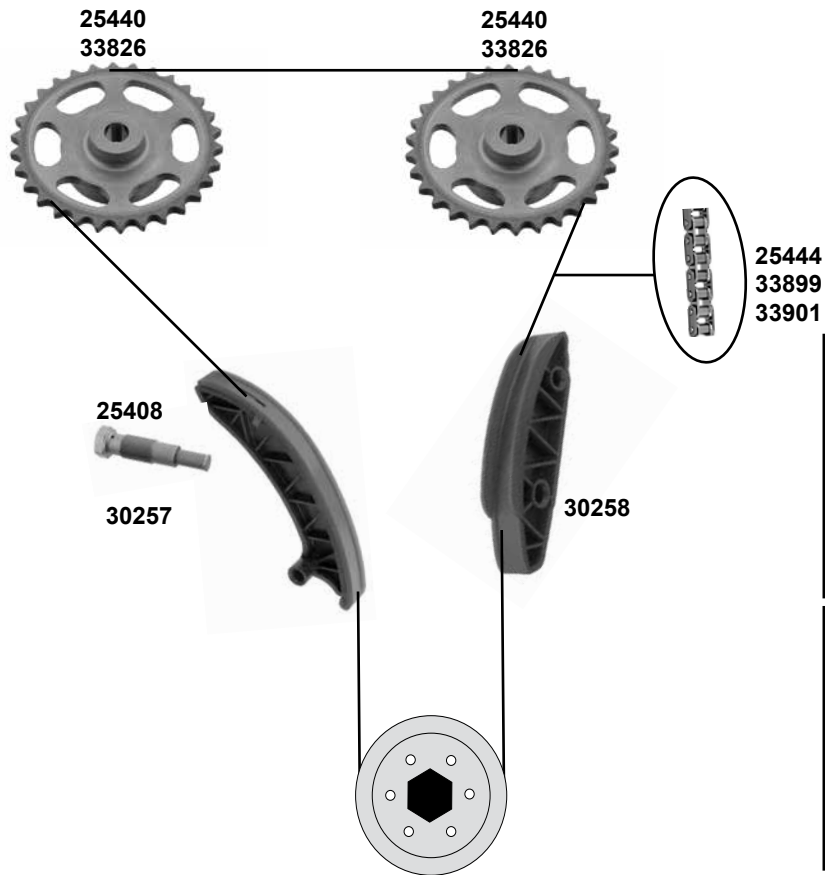
(1) riveted link



Ref. - No.



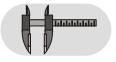
02481	601 050 07 11	chain tensioner		
09236	003 997 55 94	timing chain	(1)	D 126 E
10407	601 052 05 16	sliding rail		
10408	601 052 03 16	sliding rail		
15493	601 050 08 16	sliding rail		
25033	606 052 00 03	crankshaft gear		Z 18
30302	601 050 07 11 S1	rep. kit timing chain		



- (1) riveted link
- (2) Valid for „Eco Start-Stop function“
- (3) not valid for „Eco Start-Stop function“



Ref. - No.



Part No.	Ref. - No.	Description	Notes	Dimensions
25408	651 050 07 00	chain tensioner		
25440	651 052 00 00	camshaft timing gear		
25444	000 993 62 76	timing chain	(1)	ØA 92,5 Z 30
30257	651 052 00 16	sliding rail	→2012	96 N
30258	651 052 00 16	sliding rail	→2012	
30323	651 050 00 11 S1	rep. kit timing chain	→2012	
33826	668 052 01 01	camshaft timing gear	→2012	
33899	000 993 68 76 S1	timing chain	→2012	108 E
33901	000 993 62 76 S1	timing chain	→2012	96 E
36593	651 052 00 01 S1	rep. kit timing chain	→2012	
38466	651 200 12 70	belt tensioner	(2)	ØA 65 B26
40440	651 200 07 70	deflection pulley		
38469	651 200 18 70	belt tensioner	(3)	ØA 65 B26

# MERCEDES-BENZ

## Vito / V-Klasse (BM 638)

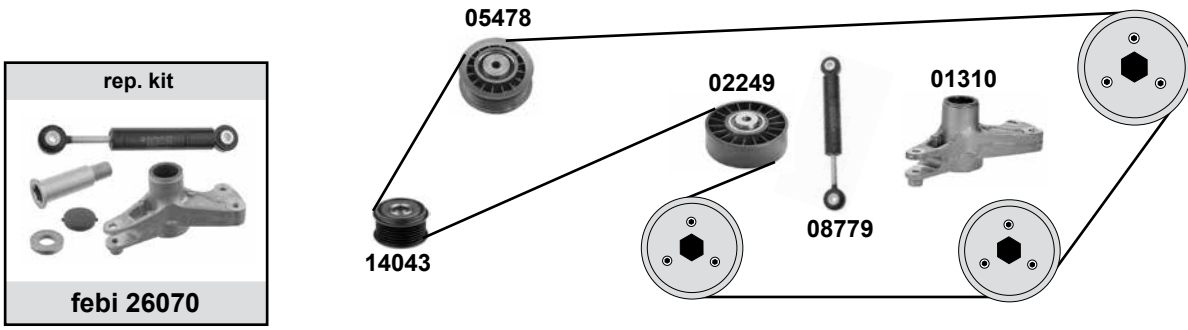
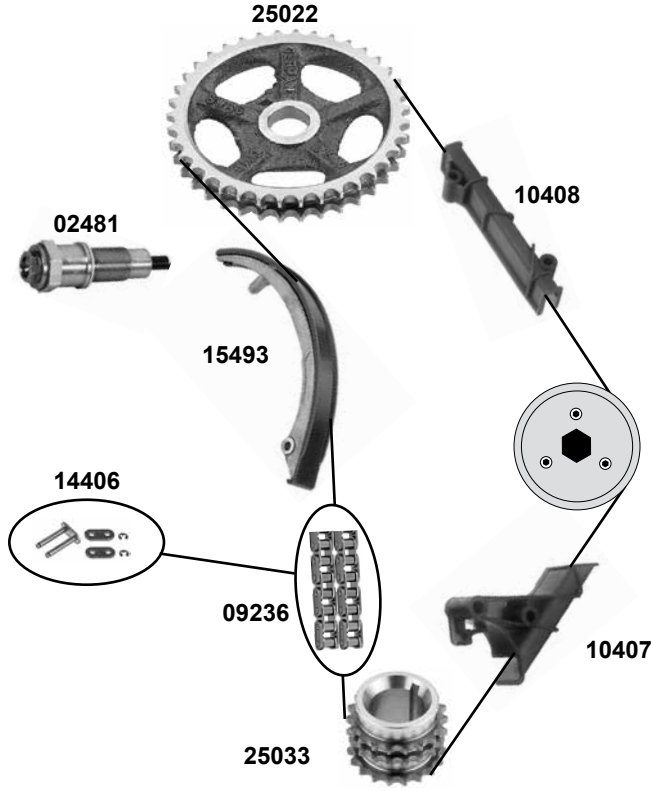
(95→04)

Car Division 








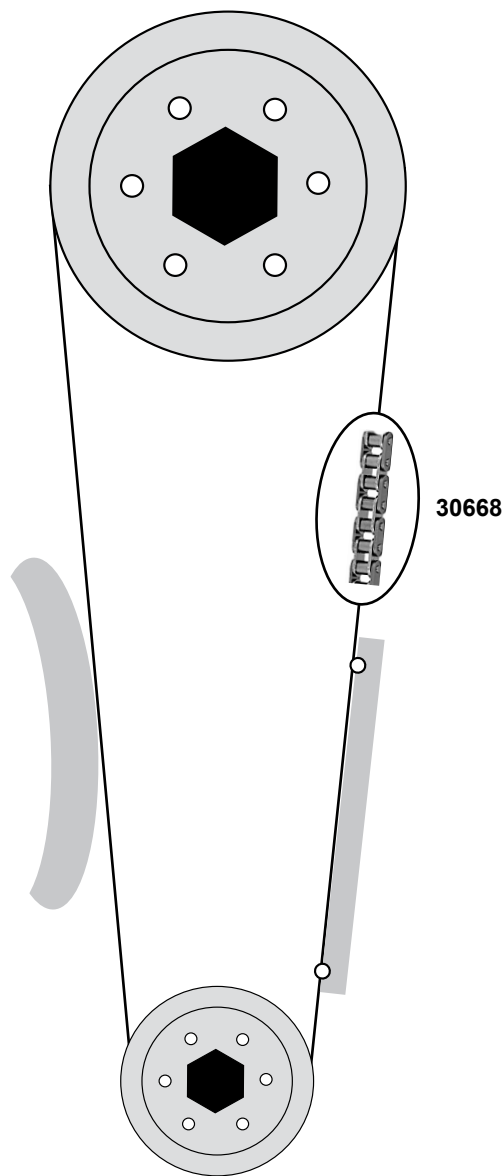
### Vito 108 D / 110 D / 230 TD

(OM 601.942,970)

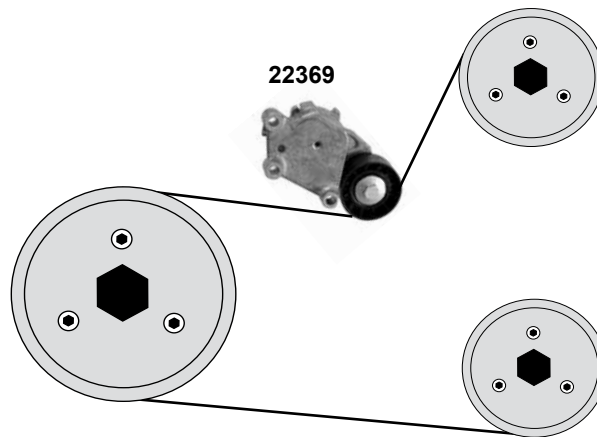
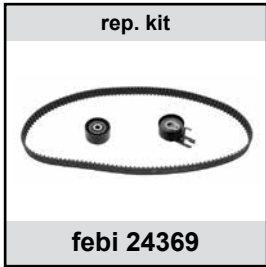
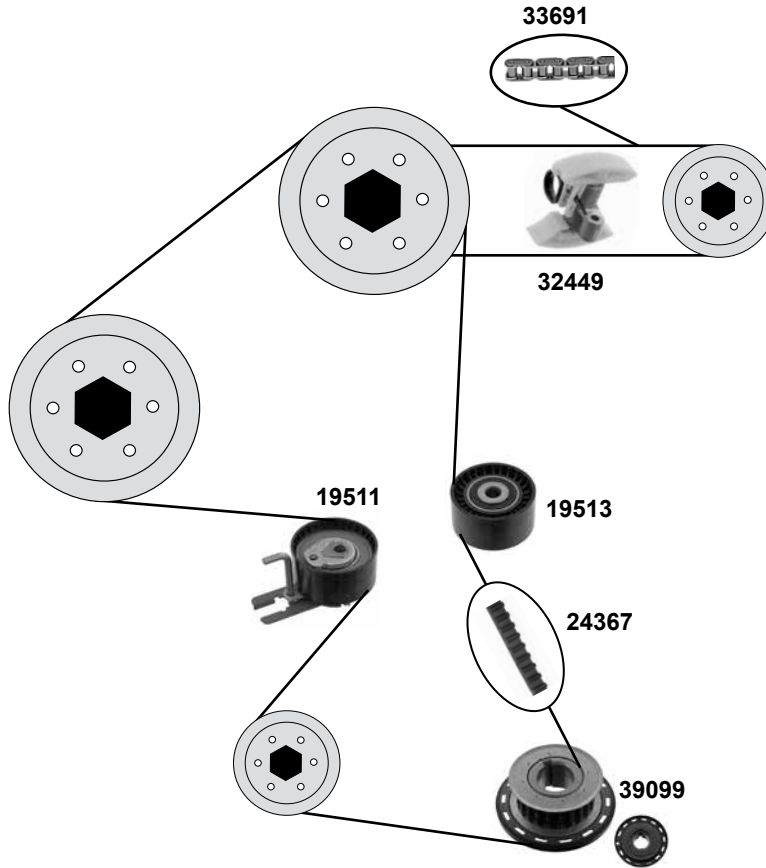


- (1) riveted link
- (2) 942: (mot.) 460421 → / 970: all

	Ref. - No.			
01310	606 200 00 73	lever	AC man.  (1) (2)	ØA80 B25/31  ØA69 B26 / 31,5 55 N - 1200 N D 126 E
02249	601 200 09 70	tension roller		
02481	601 050 07 11	chain tensioner		
05478	601 200 10 70	idler bearing		
08779	604 200 02 14	vibration damper		
09236	003 997 55 94	timing chain		
10407	601 052 05 16	sliding rail		
10408	601 052 03 16	sliding rail		
14043	604 150 01 60	alternator overrun pulley		
14406	000 997 28 98	chain link		
15493	601 050 08 16	sliding rail	Z 38 Z 18	
25022	601 052 00 01	camshaft gear		
25033	606 052 00 03	crankshaft gear		
26070	606 200 00 73 S2	rep. kit lever		
30302	601 050 07 11 S1	rep. kit timing chain		

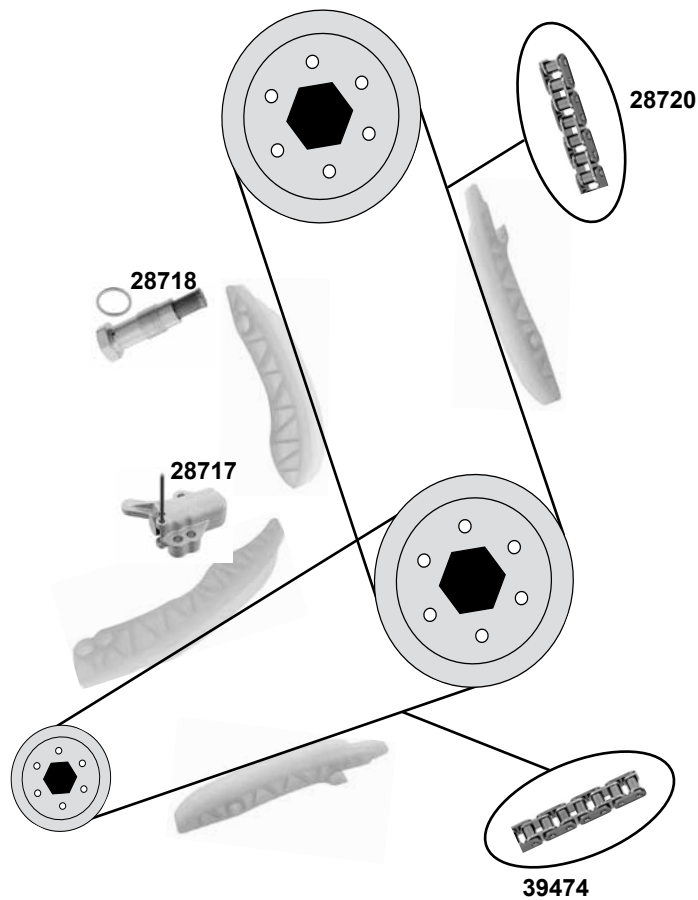


**Cooper D**  
**One D**



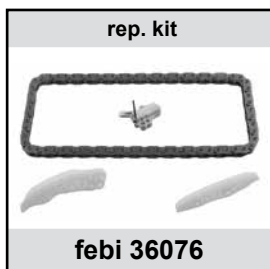
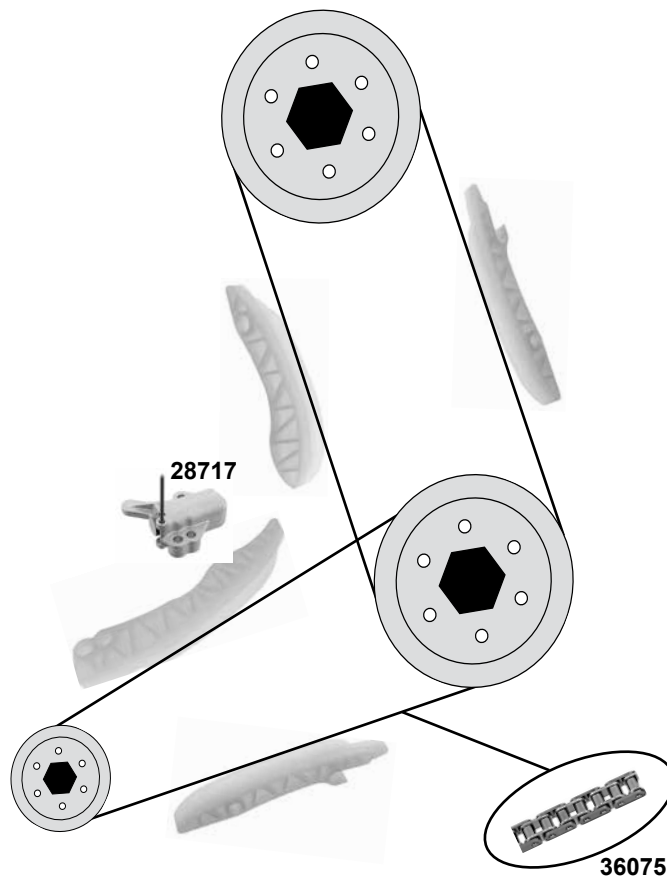
	Ref. - No.			
<b>19511</b>	11 31 7 805 960	tension roller		Ø A 60 B29
<b>19513</b>	11 31 7 805 961	deflection pulley		Ø A 60 B30
<b>22369</b>	11 28 7 795 037	belt tensioner		Ø A 65
<b>24367</b>	11 31 8 509 744	timing belt		Z137 B25
<b>24369</b>	11 31 8 509 744 S1	rep.kit timing belt		Z137 B25
<b>32449</b>	11 31 7 805 967 SK1	chain tensioner		
<b>33691</b>	11 31 7 805 967 SK2	timing chain		40 E
<b>33692</b>	11 31 7 805 967	rep. kit timing chain		40 E
<b>39099</b>	11 21 7 805 949	gear wheel for crankshaft		Z 22

**Clubman/Coupe/Cabriolet/Countryman/  
Paceman/Cooper D/DX/SD/SDX  
One D/DX/SD  
1,6D/2,0D**



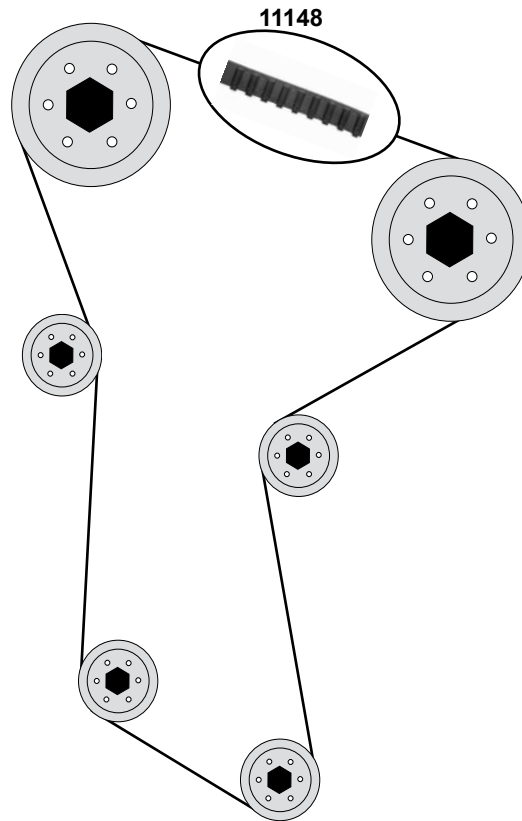
	Ref. - No.			
28717	13 52 7 797 905	chain tensioner		
28718	11 31 7 797 901	chain tensioner		
28720	11 31 8 510 014	timing chain		86 E
30349	11 31 8 572 503 S1	rep. kit timing chain		86 E
39474	13 52 8 572 504	timing chain		70E
39475	13 52 8 572 504 S1	rep. kit timing chain	→01/13	70E

**Cooper D/One D**  
**B 37 C**

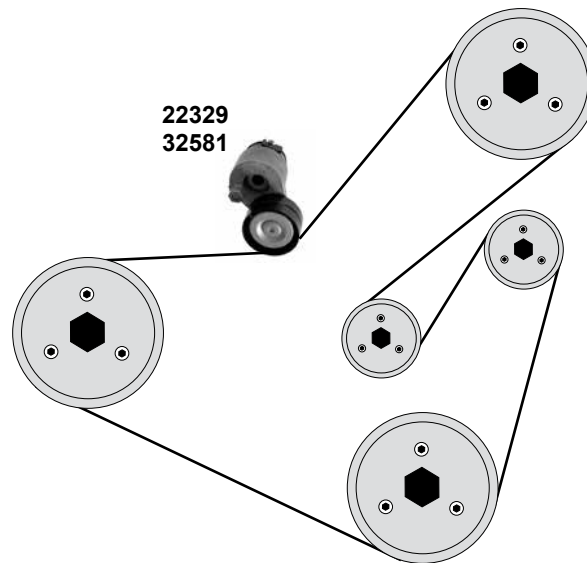


	Ref. - No.			
28717	13 52 7 797 905	chain tensioner		
36075	11 31 8 506 654	timing chain		72 E
36076	11 31 8 506 654 S1	rep. kit timing chain		72 E

**1,9 TD**  
(F8QT)



**1,9 D**  
(DA5A)



Ref. - No.



**11148** MD819383  
**22329** MW31251096  
**32581** MW30620661

timing belt  
belt tensioner  
belt tensioner

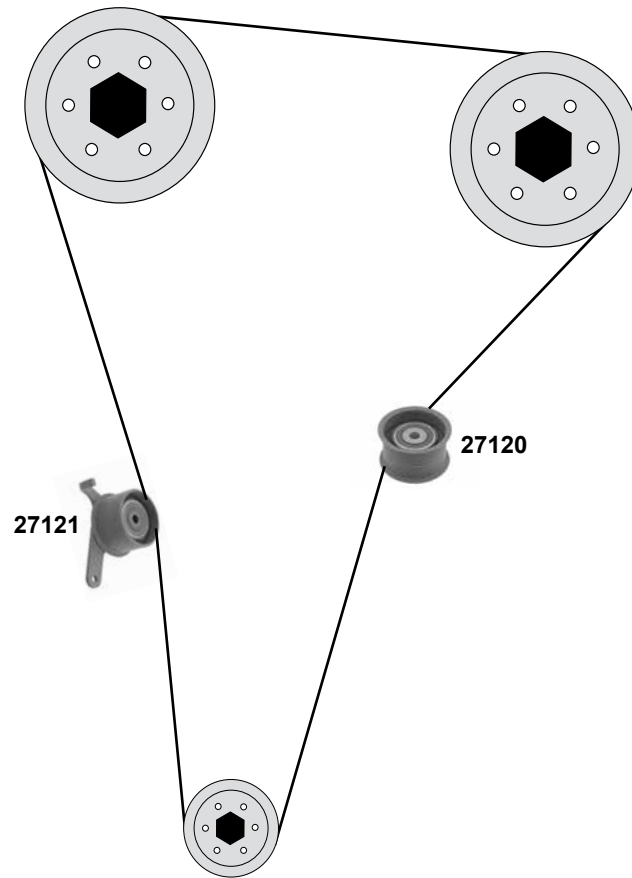
(mot.) → C003534  
00 →/ AC  
00 →/ (ex.) AC

Z 153 B 25,4  
ØA 65  
ØA 65

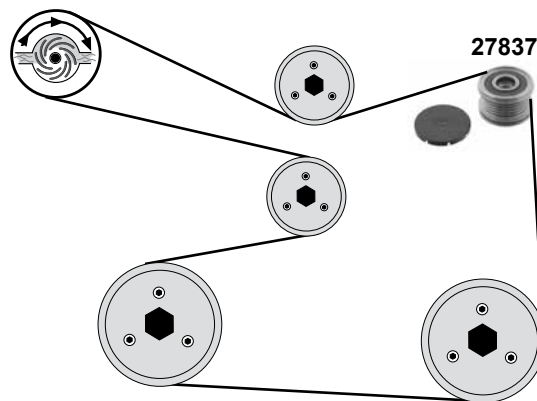




**1,8 D 8V**



**Colt VI**  
 (04→)  
**1,5 D**



(1) C14A 09/86 → 04/88 C54A 04/88 → 05/92



Ref. - No.



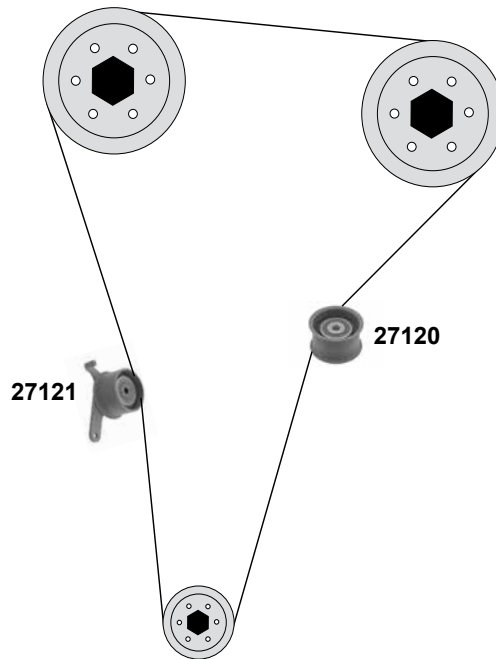
27120	MD012587
27121	MD064641
27837	MN960267

deflection pulley
tension roller
belt pully alternator

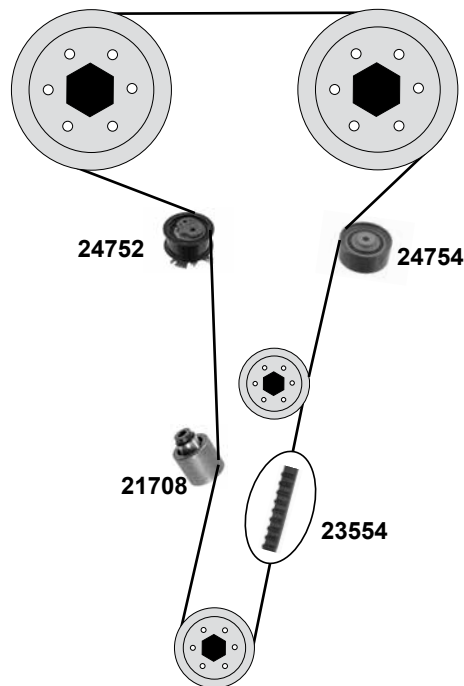
(1)  
 (1)

ØA 60 B38,5
ØA 60 B37
ØA 50 B38

**1,8 D 8V / 1,8 TD 8V**



**Grandis (NA8W)**  
(05→)



	Ref. - No.			
21708	MN980104	deflection pulley		
23554	MN980100	timing belt		
24752	MN980101	tension roller		
24754	MN980107	deflection pulley		
24756	MN980100 S1	rep.kit timing belt		
27120	MD012587	deflection pulley	06/84 →	ØA 60 B38,5
27121	MD064641	tension roller	06/84 →10/92	ØA 60 B37

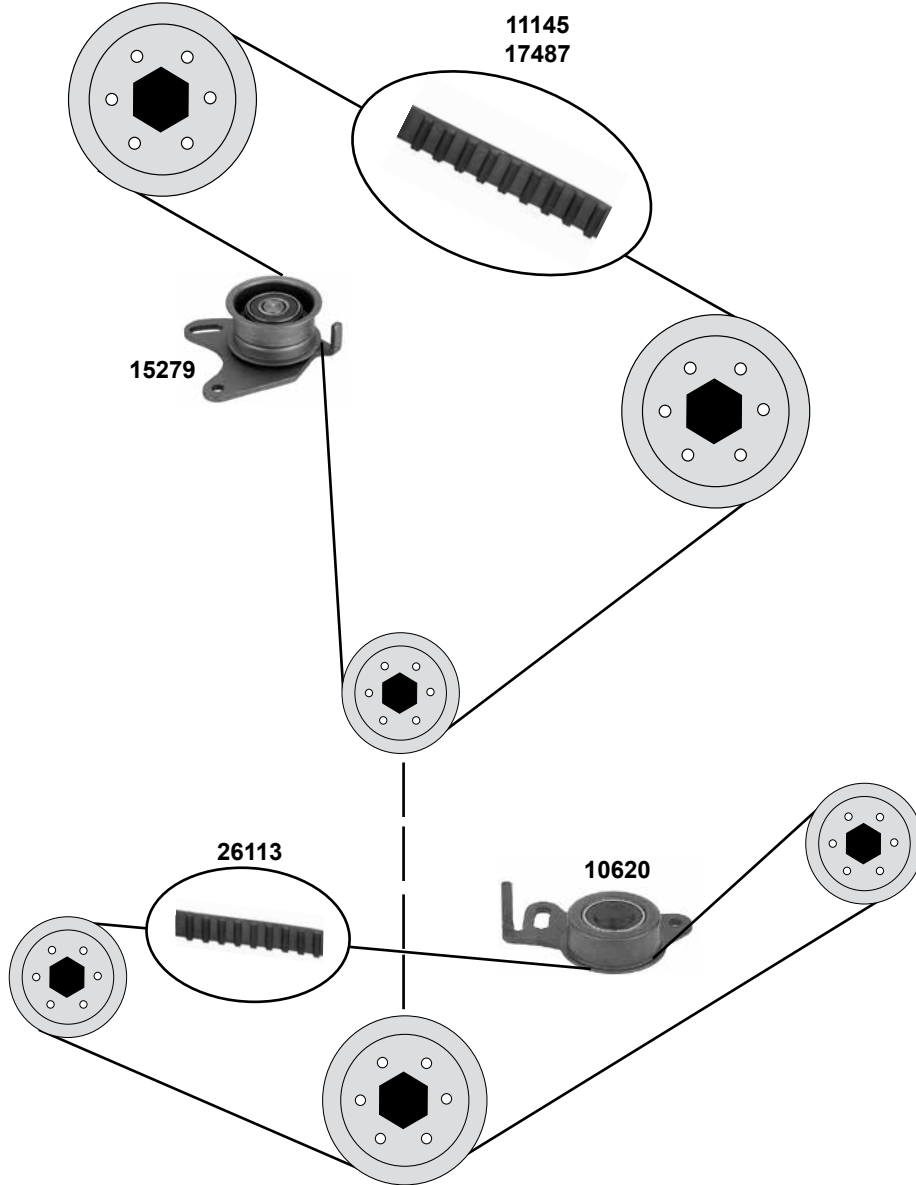
# MITSUBISHI L 200 / L 300 / Pajero

(86→01)

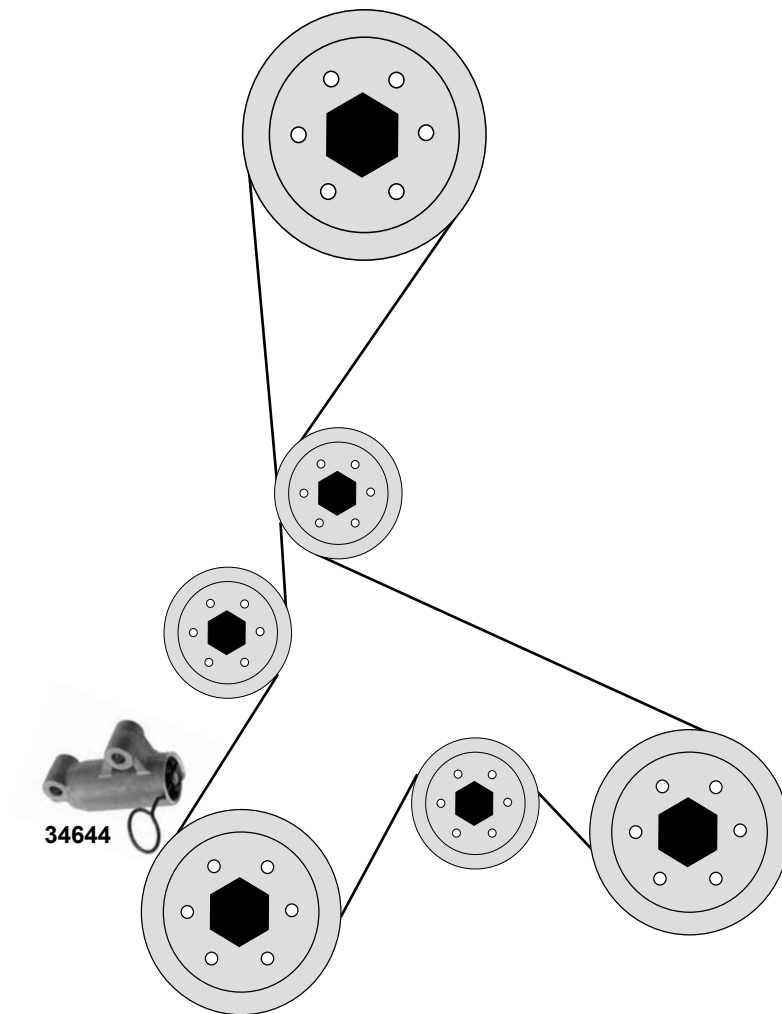
Car  
Division



## 2,5 D / TD

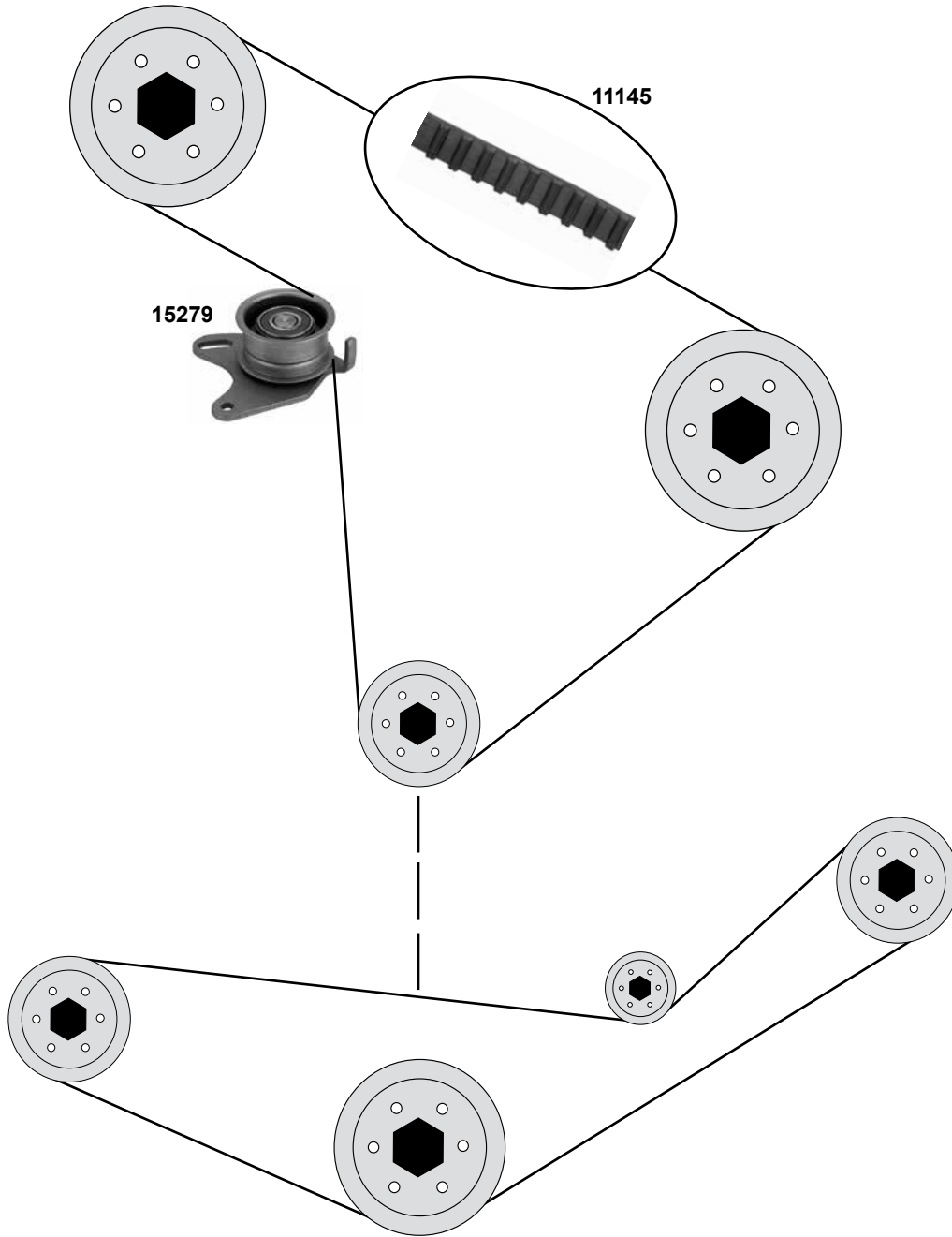


	Ref. - No.			
10620	MD050125	tension roller		ØA 58 H22,5
11145	MD300470	timing belt	93 →	Z 163 B25
15279	MD050135	tension roller		ØA 60 H34
17487	XD134377	timing belt	→ 93	Z 163 B25,4
26113	MD310484	timing belt		Z 99 B19
26114	MD310484 S1	rep. kit timing belt		Z 99 B19
26184	MD300470 S1	rep. kit timing belt		Z 163 B25

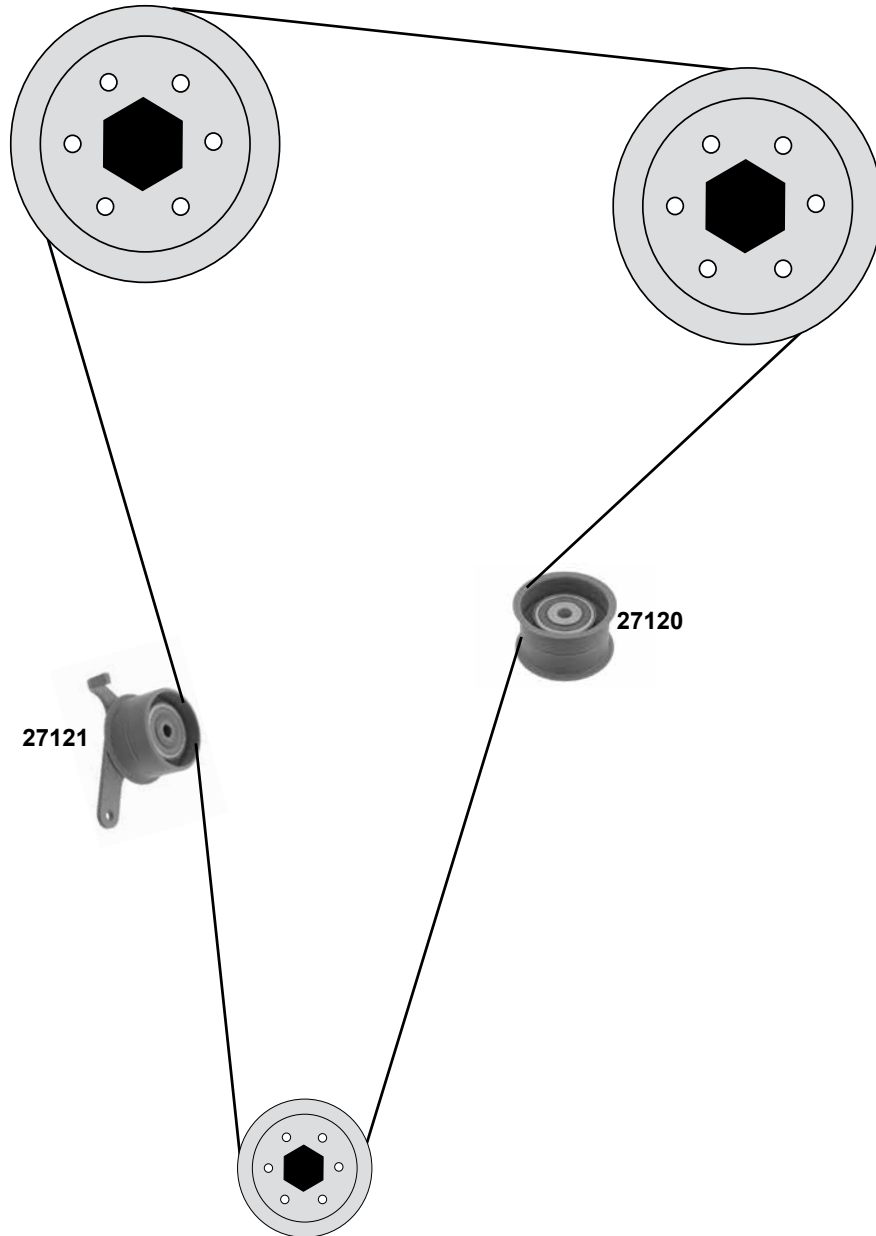




**2,5 TD**



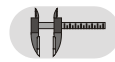
Ref. - No.	Ref. - No.	Ref. - No.	Ref. - No.
11145	MD300470	timing belt	Z 163 B25,4
15279	MD050135	tension roller	ØA 60 H34
26184	MD300470 S1	rep. kit timing belt	Z 163 B25,4



(1) C14V 09/85 → 06/92 C56A 04/88 → 05/92



Ref. - No.



27120  
27121

MD012587  
MD064641

deflection pulley  
tension roller

(1)  
(1)

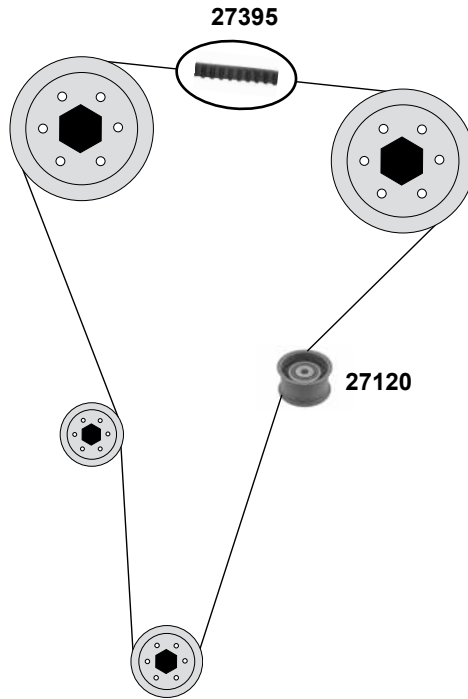
ØA 60 B38,5  
ØA 60 B37

**MITSUBISHI**  
**Lancer V (CB8A/CB8W)**  
 (92→03)

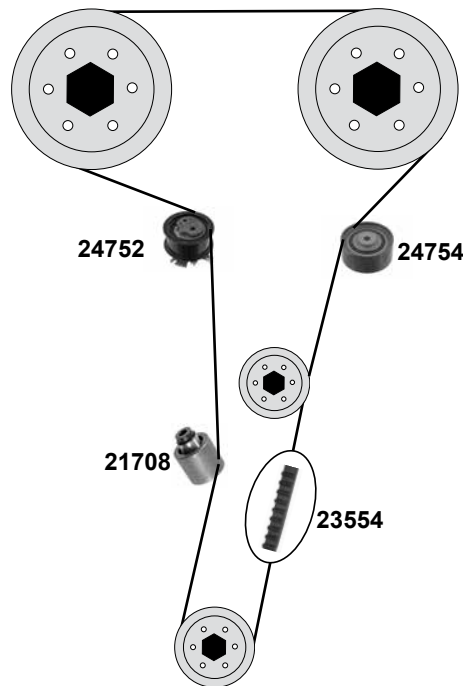
Car  
 Division 







**2,0 D 8V**

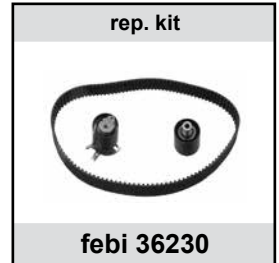
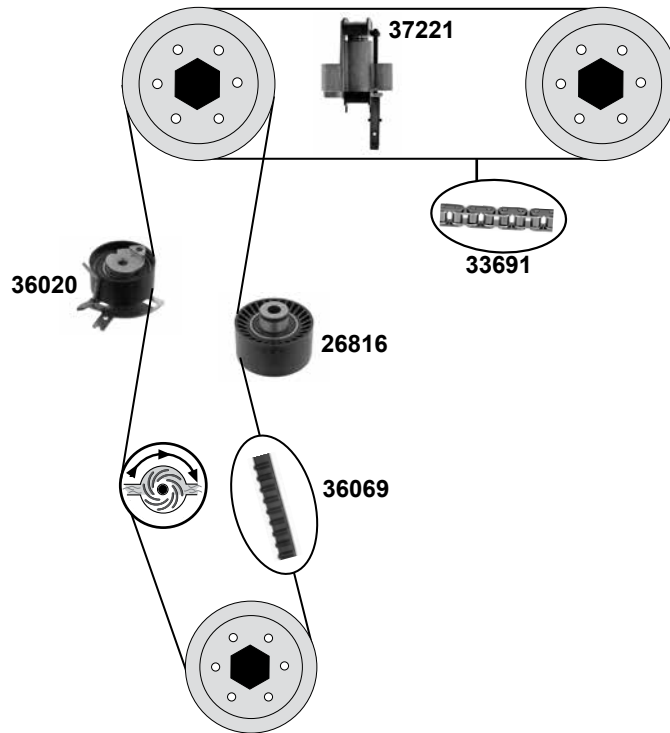


**Lancer VII (CX8A/CY8A)**  
 (08→)  
**2,0 DiD**

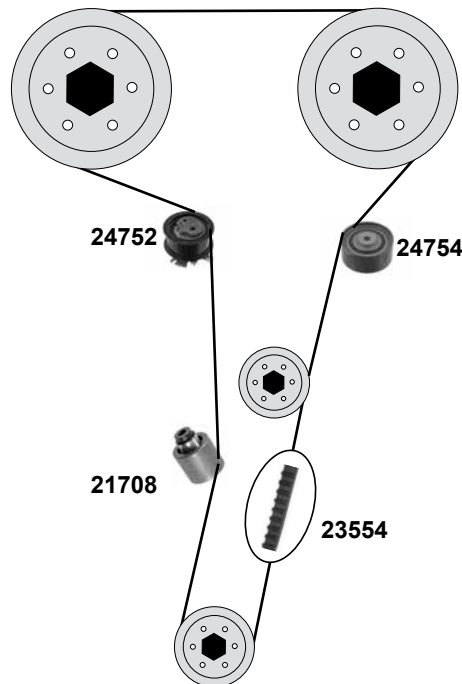


	Ref. - No.			
21708	MN980104	deflection pulley		
23554	MN980100	timing belt		
24752	MN980101	tension roller		
24754	MN980107	deflection pulley		
24756	MN980100 S1	rep.kit timing belt		
27120	MD012587	deflection pulley		
27395	MR984778	timing belt		
				ØA 60 B38,5 Z 65

**2,2 D**



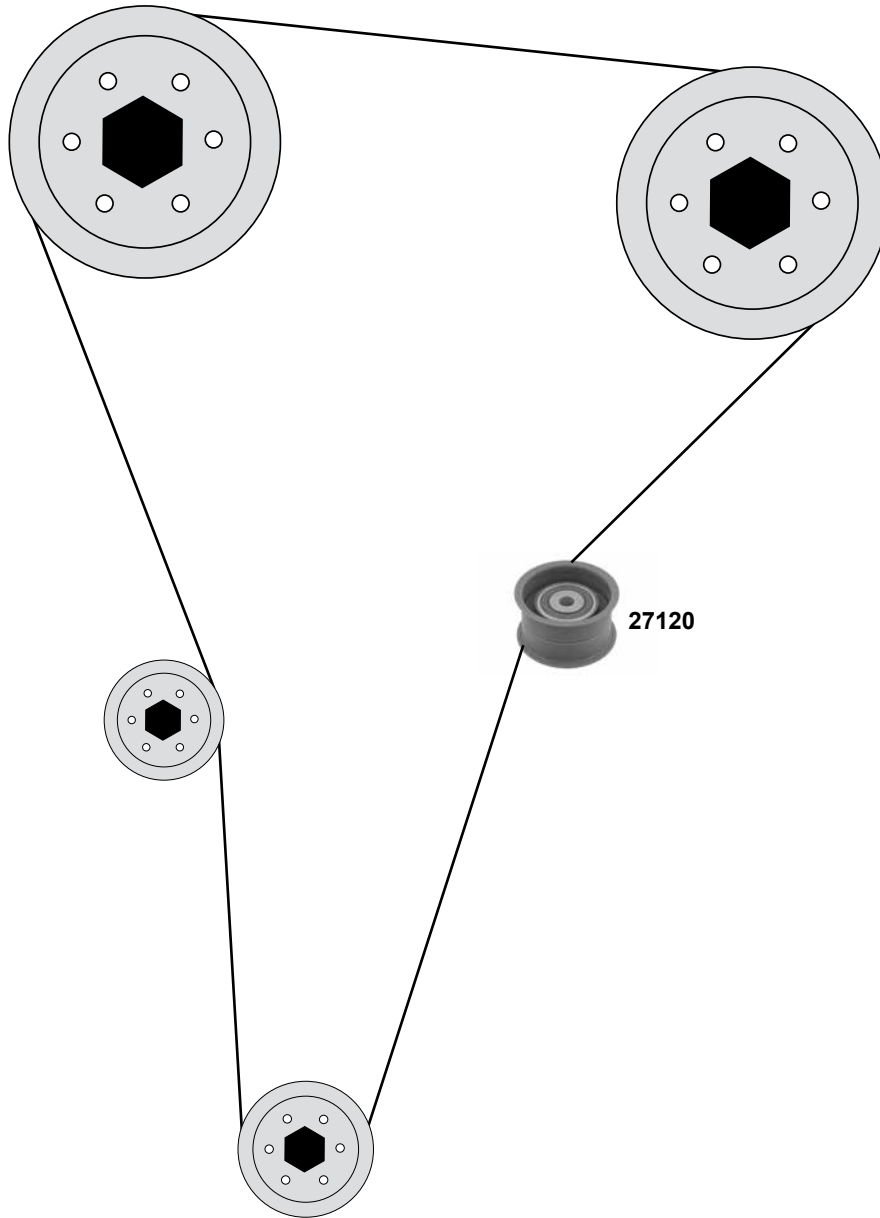
**Outlander II (CW8W)**  
(07→)  
**2,0 DiD**

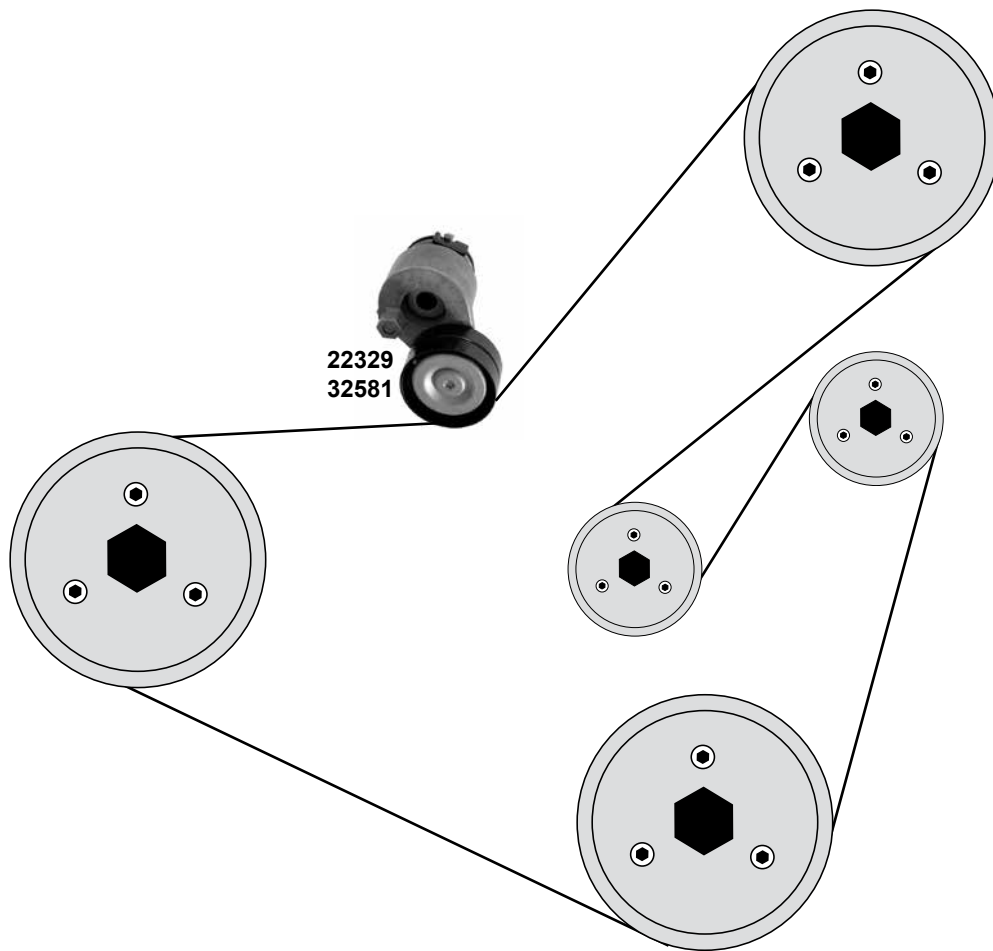


	Ref. - No.			
21708	MN980104	deflection pulley		
23554	MN980100	timing belt		
24752	MN980101	tension roller		
24754	MN980107	deflection pulley		
24756	MN980100 S1	rep.kit timing belt		
26816	MN982127	deflection pulley		ØA 60 B30
33691	MN982129	timing chain		E 40
36020	MN982126	tension roller		ØA 60 B29
36069	MN982125	timing belt		Z 118 B25,4
36230	MN982128	rep.kit timing belt		Z 118 B25,4
37221	MN982130	chain tensioner	07 →	
37620	MN982129 S1	rep. kit timing chain		



**2,0 D 8V**





22329  
32581



Ref. - No.



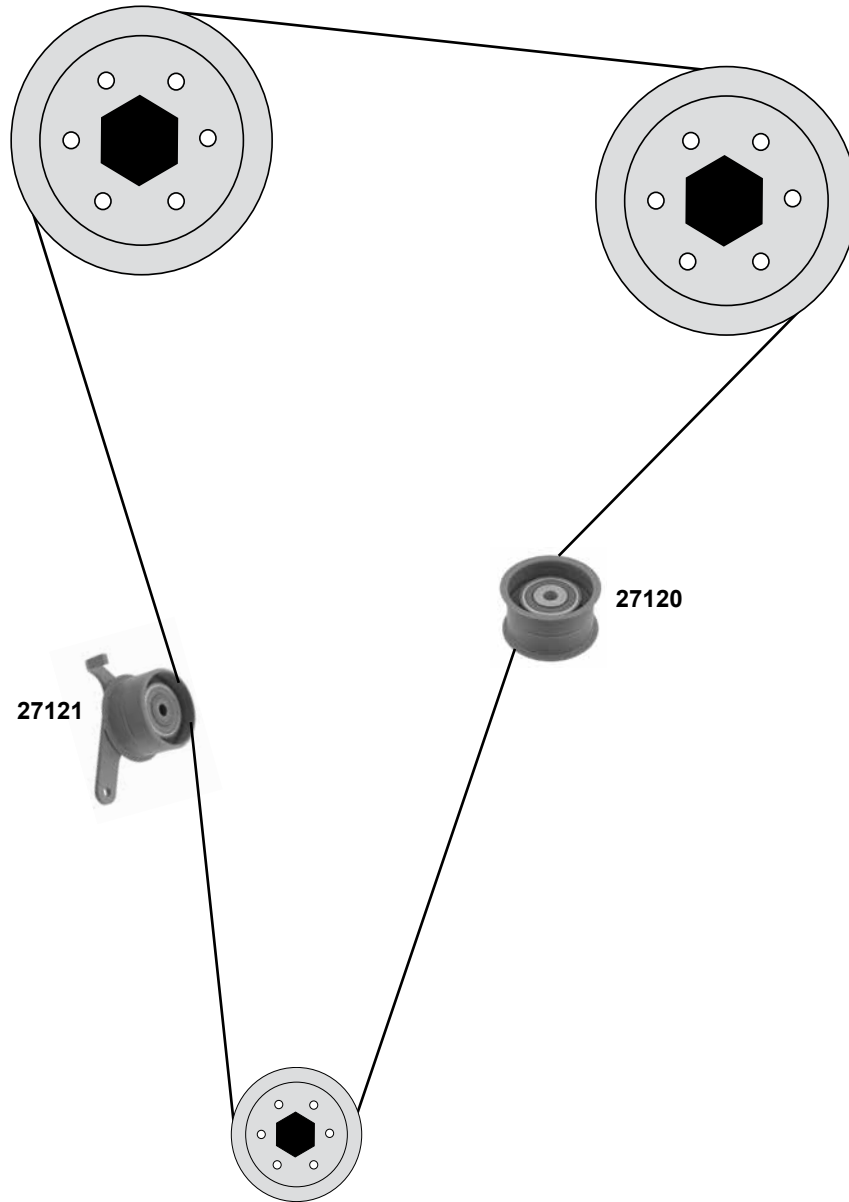
22329 MW31251096  
32581 MW30620661

belt tensioner  
belt tensioner

01 →/ AC  
01 →/ (ex.) AC

ØA 65  
ØA 65

**1,8 D 8V**



(1) **D09W** 06/86 → 04/91 / **N35/38W** 10/91 → 10/98



Ref. - No.



**27120** MD012587  
**27121** MD064641

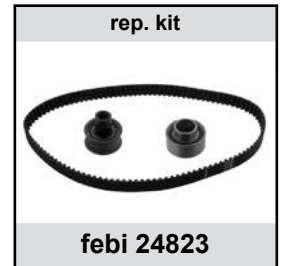
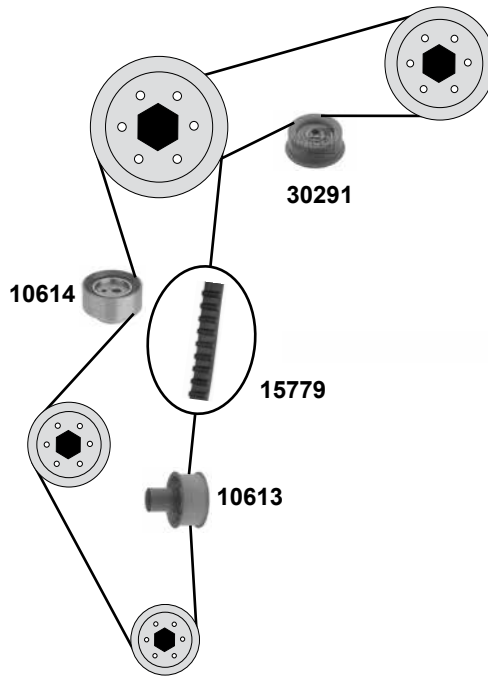
deflection pulley  
 tension roller

(1)  
 (1)

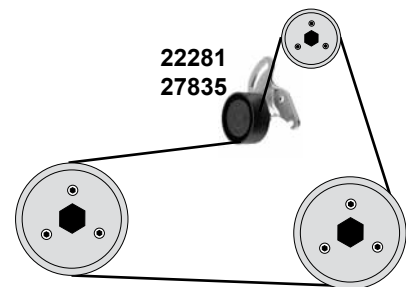
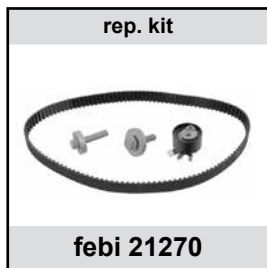
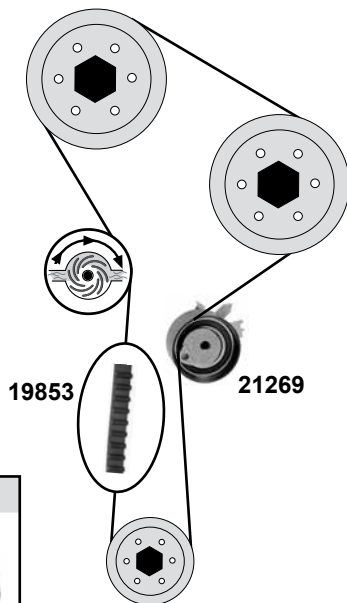
ØA 60 B38,5  
 ØA 60 B37



**2,0 D**  
(CD20)



**Almera ( N16 )**  
(00→)  
**1,5 D**  
(K9K)



Ref. - No.



<b>10613</b>	13077-54A02	deflection pulley
<b>10614</b>	13070-57J10	tension roller
<b>15779</b>	13028-2J685	timing belt
<b>19853</b>	13028-BN700	timing belt
<b>21269</b>	13070-BN700SK	tension roller
<b>21270</b>	13070-BN700	rep. kit timing belt
<b>22281</b>	11955-BN702	belt tensioner
<b>24823</b>	13028-2J685 S1	rep. kit timing belt
<b>27835</b>	11955-BN701	belt tensioner
<b>30291</b>	13070-16A10	tension roller

(ex.) AC

AC 10/02 → 10/03

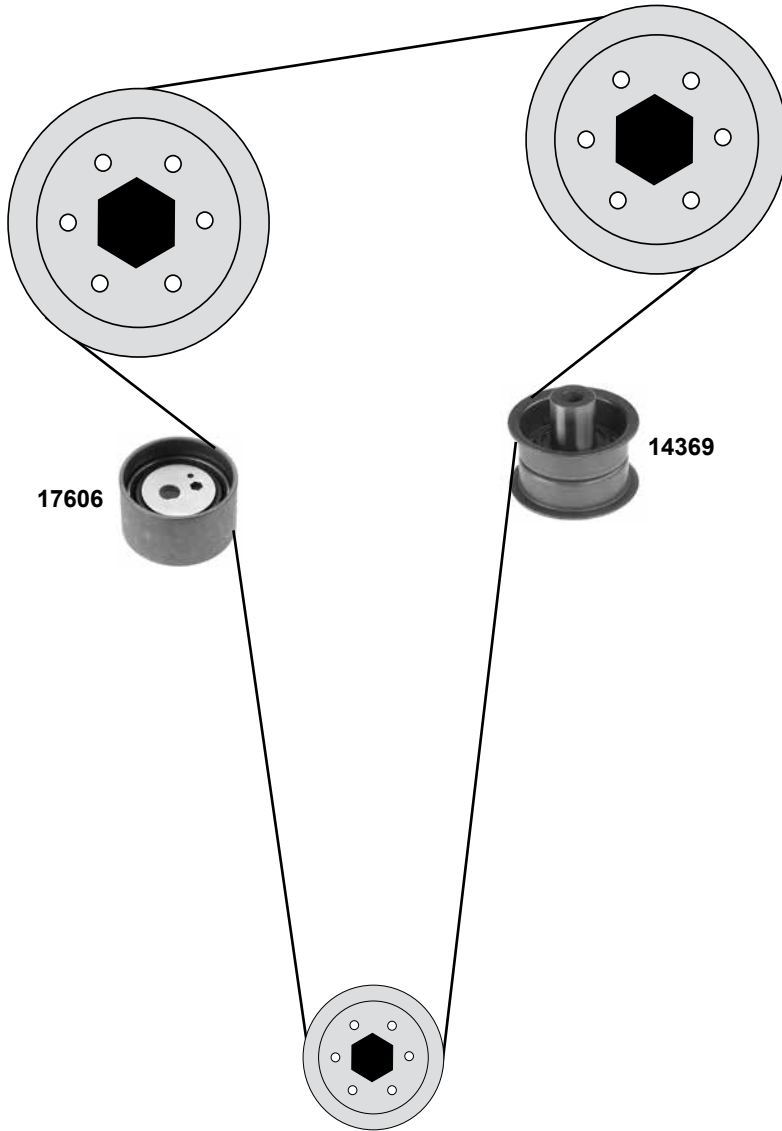
ØA 60 H 60,5
ØA 70 H 30,5
Z 111 B25,4
Z 123 B27
ØA 60 B32
Z 123 B27
ØA65,4 B26
Z 111 B25,4
ØA65 B35
ØA 60 H26

**NISSAN**  
**Bluebird / Bluebird Wagon (U11 / WU11)**  
(83→90)

Car  
Division 



**2,0 D**  
(LD20)



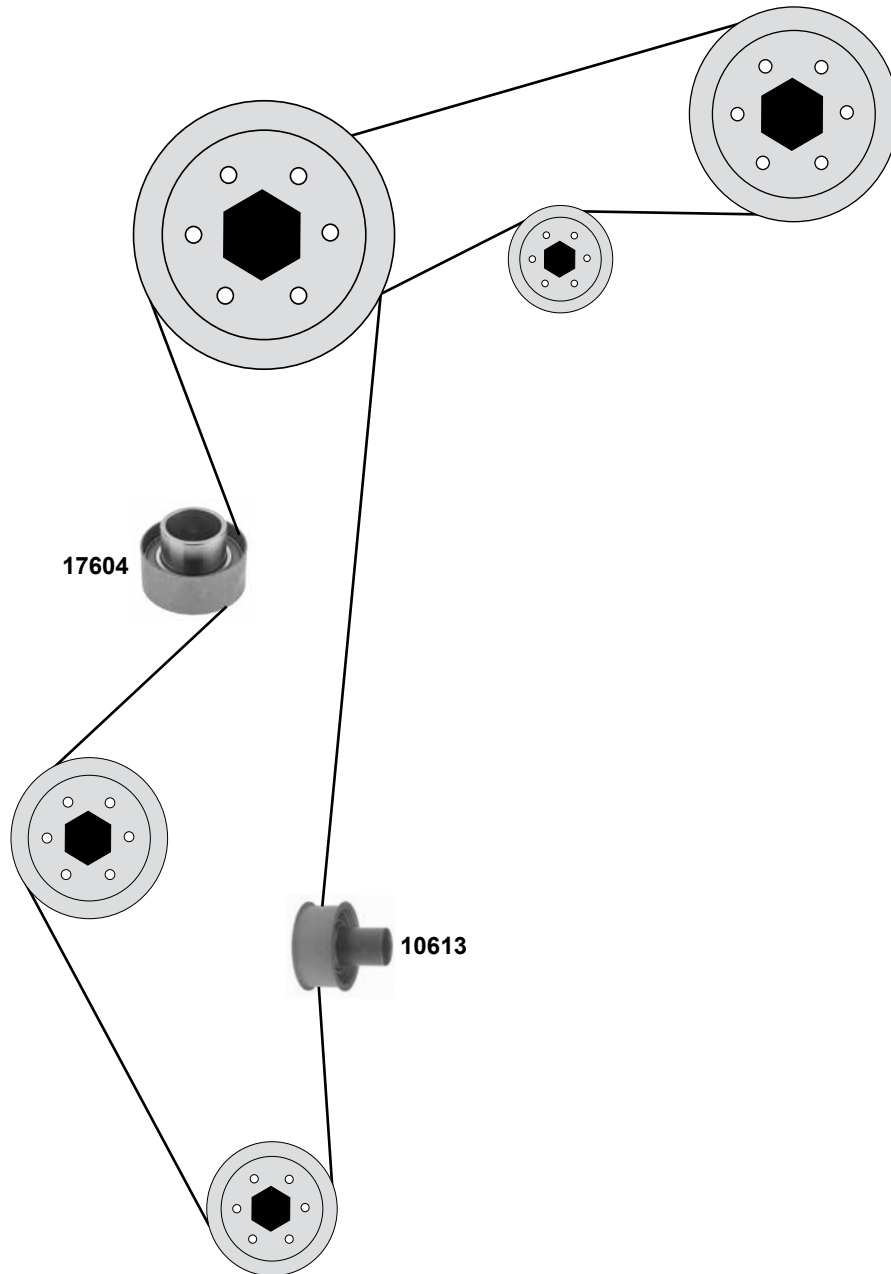
Ref. - No.



**14369** 13074-05E00  
**17606** 13070-05E10

tension roller  
tension roller

ØA 60 H57



# NISSAN Interstar ( X70 )

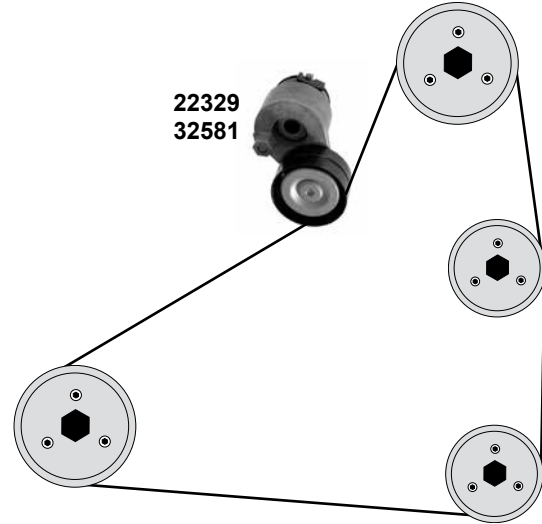
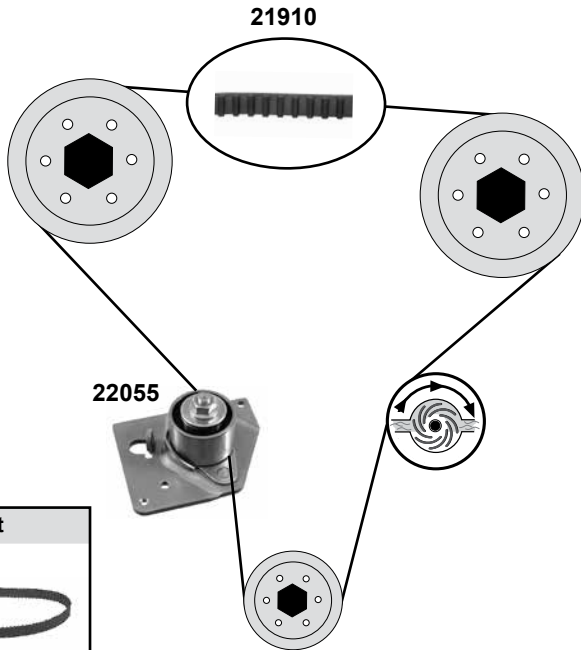
(02→)

Car  
Division



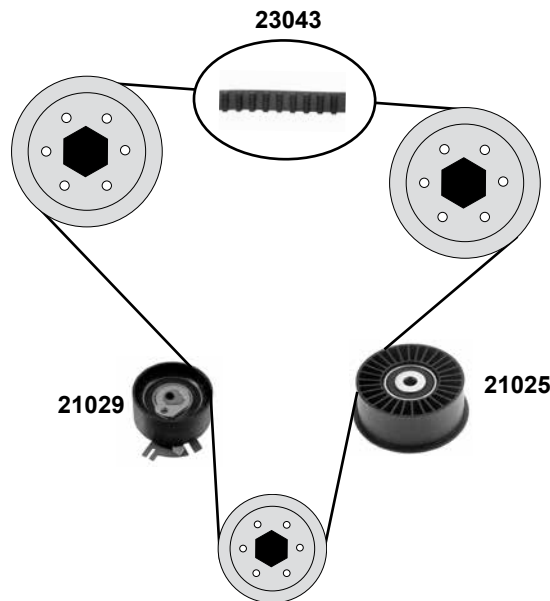
## 1,9 D

(F9Q)



## 2,2 D

(G9T)



Ref. - No.



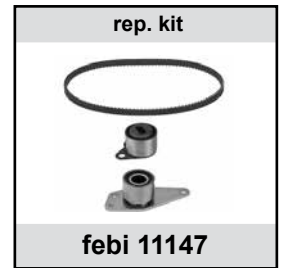
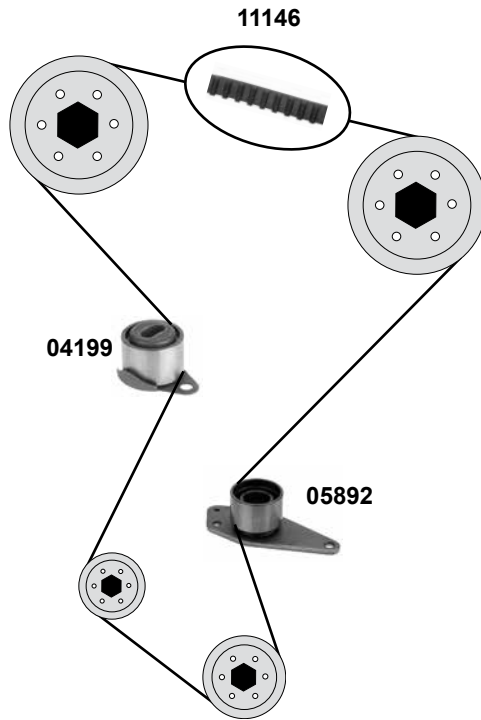
21025	13077-00QAA	deflection pulley
21029	13070-00QAE	tension roller
21910	16806-00QAC	timing belt
22055	13070-00QAC	tension roller
22056	16806-00QAF	rep. kit timing belt
22329	11750-00QAD	belt tensioner
23043	16806-00QAH	timing belt
23045	16806-00QAG	rep. kit timing belt
32581	11750-00Q0A	belt tensioner

AC →09

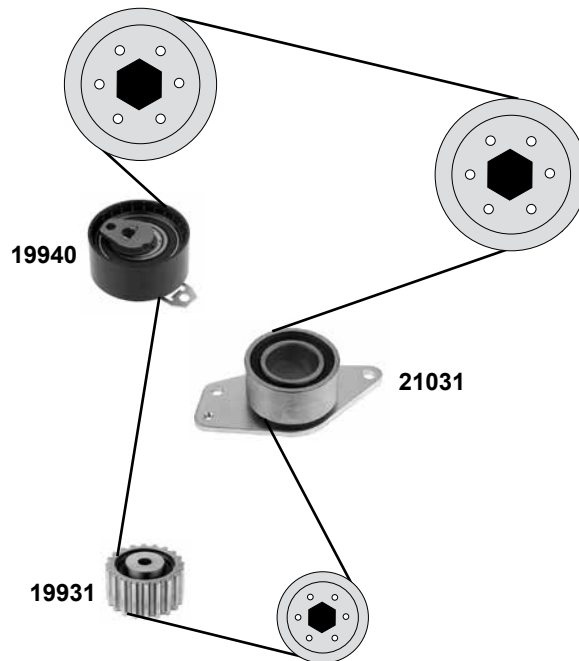
(ex.) AC →09

ØA 75,2 B32
ØA70 B32
Z 132 B26
ØA60 B30,8
Z 132 B26
ØA65 B30
Z 89 B25
ØA65

**1,9 D**  
(F8Q)



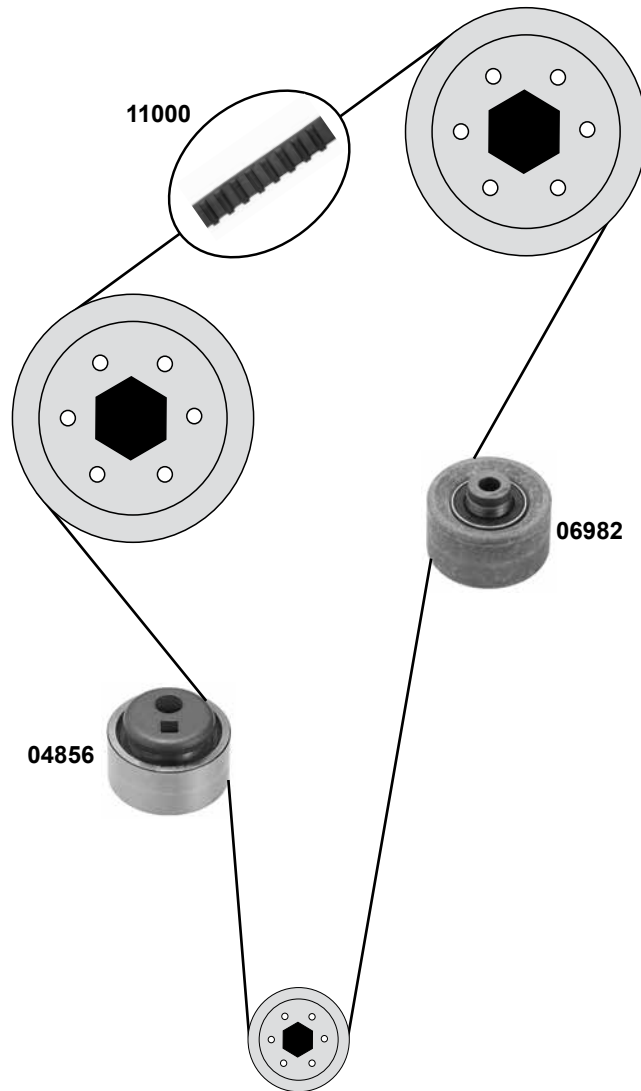
**1,9 D**  
(F9Q)



	Ref. - No.			
04199	13077-00QAC	tension roller		ØA50 B31
05892	13077-00QAH	deflection pulley		ØA50 B30,5
11146	16806-00QAP	timing belt		Z 151 B25,4
11147	16806-00QAS	rep. kit timing belt		
19931	13052-00QAC	deflection pulley		ØA60,6 B32,5
19940	13077-00QAE	tension roller	F9Q	ØA65,4 B30,5
21031	13070-00QAG	deflection pulley	F9Q	ØA60,6 B32,5



**1,5 D**  
 (TD15)



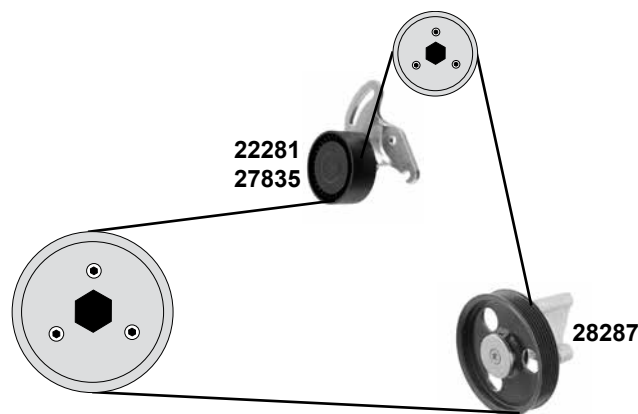
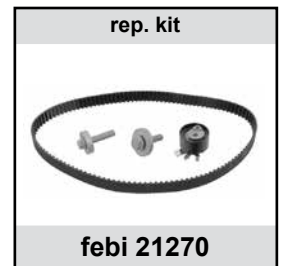
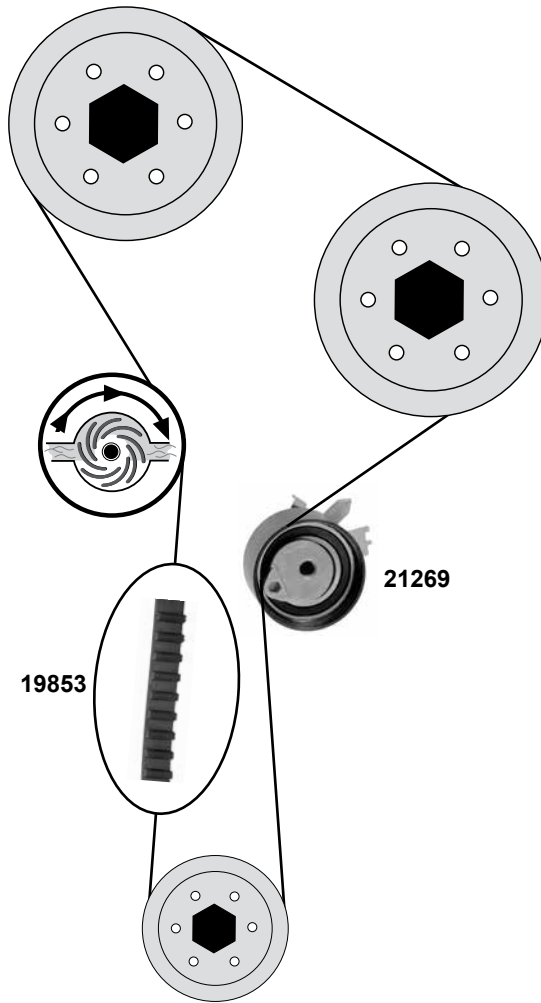
**Ref. - No.**



<b>04856</b>	13070-6F901
<b>06982</b>	13077-6F901
<b>11000</b>	13028-6F900

tension roller
deflection pulley
timing belt

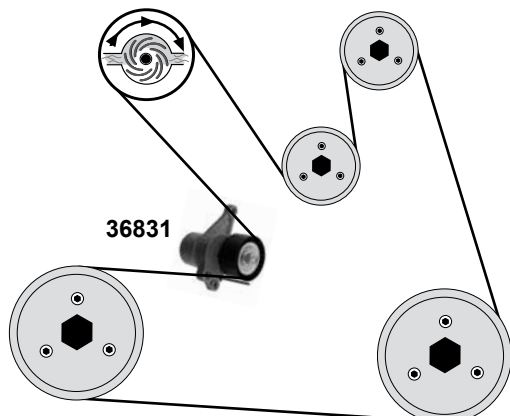
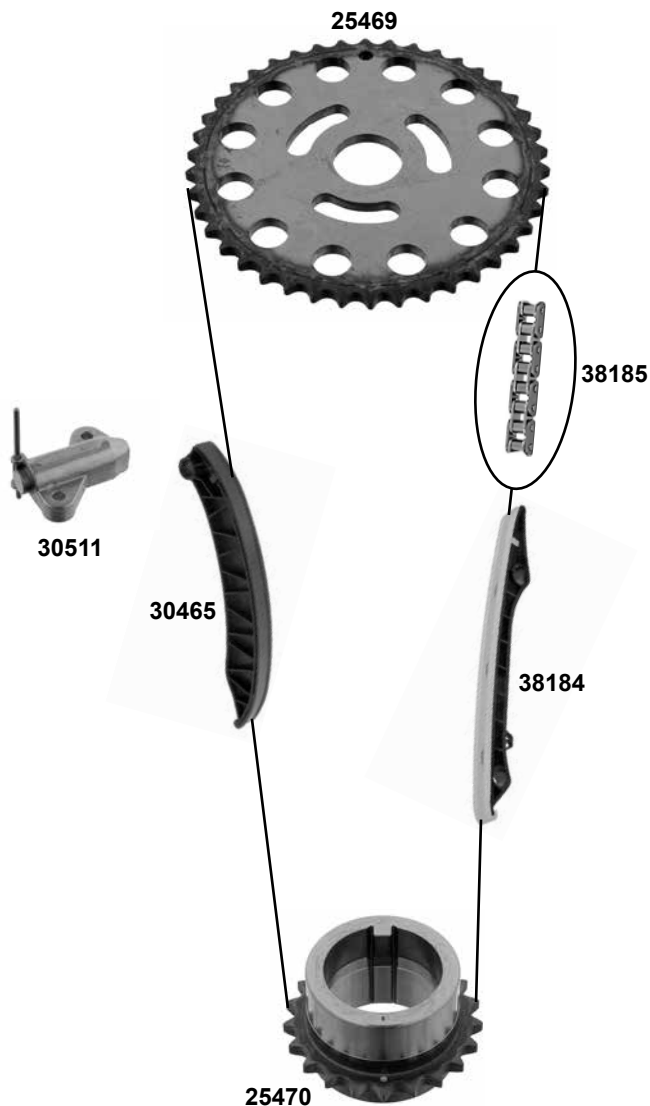
ØA 59 ØI13 B8/43
ØA 60 ØI10 B34
Z 136 B 25,4



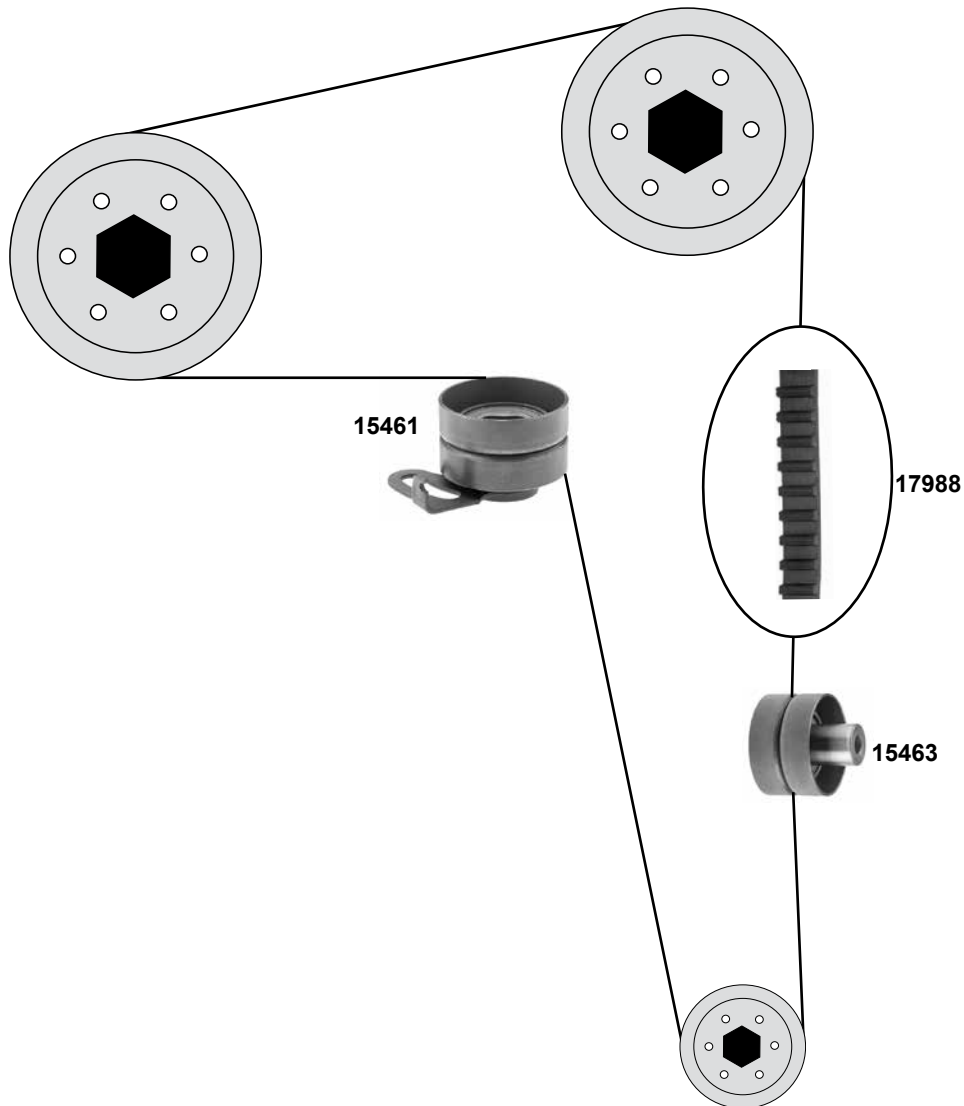
	Ref. - No.			
19853	13028-BN700	timing belt		Z 123 B27
21269	13070-BN700SK	tension roller		ØA 60 B32
21270	13070-BN700	rep. kit timing belt		Z 123 B27
22281	11955-BN702	belt tensioner	(ex.) AC	ØA65,4 B26
27835	11955-BN701	belt tensioner	AC 02/03 → 08/03	ØA65 B35
28287	11923-BN700	deflection pulley	(ex.) AC 11/02 →	ØA 75,2 B32



**2,3 D**  
(MT9)



	Ref. - No.			
25469	-	camshaft timing gear		Z 42
25470	-	crankshaft gear		Z 21
30465	-	sliding rail		
30511	13070-00Q0G	chain tensioner		
36831	-	belt tensioner		ØA 65 / H 29,5
37999	13028-00Q0D SK	rep. kit timing chain		
38184	-	sliding rail		
38185	-	timing chain		116 E



Ref. - No.



**15461** 13070-V7203  
**15463** 13077-V7202  
**17988** 13028-81T25

tension roller  
deflection pulley  
timing belt

Modell: 94 →

ØA 60 H36  
ØA 60 H36  
Z 149 B30

# NISSAN Primastar (X83)

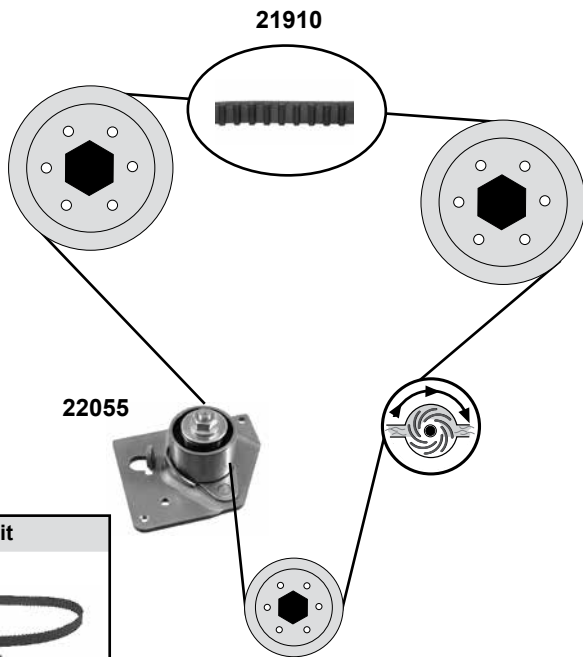
(01→)

Car  
Division



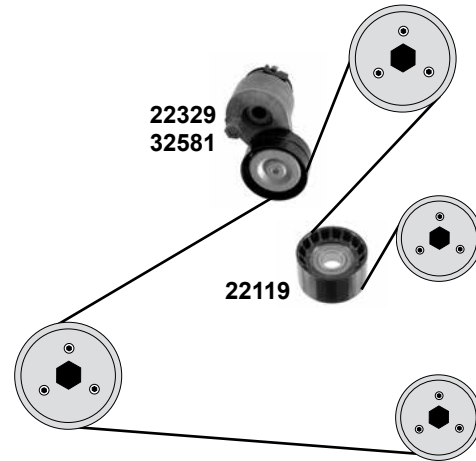
## 1,9 D

(F9Q)



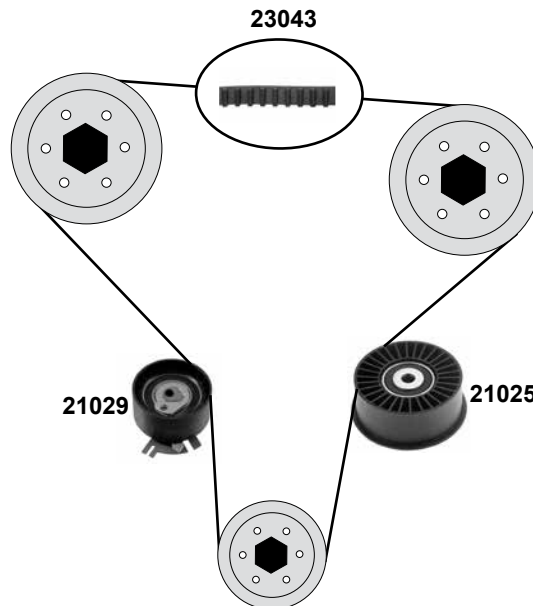
## 1,9 / 2.0 D

(F9Q)



## 2,5 D

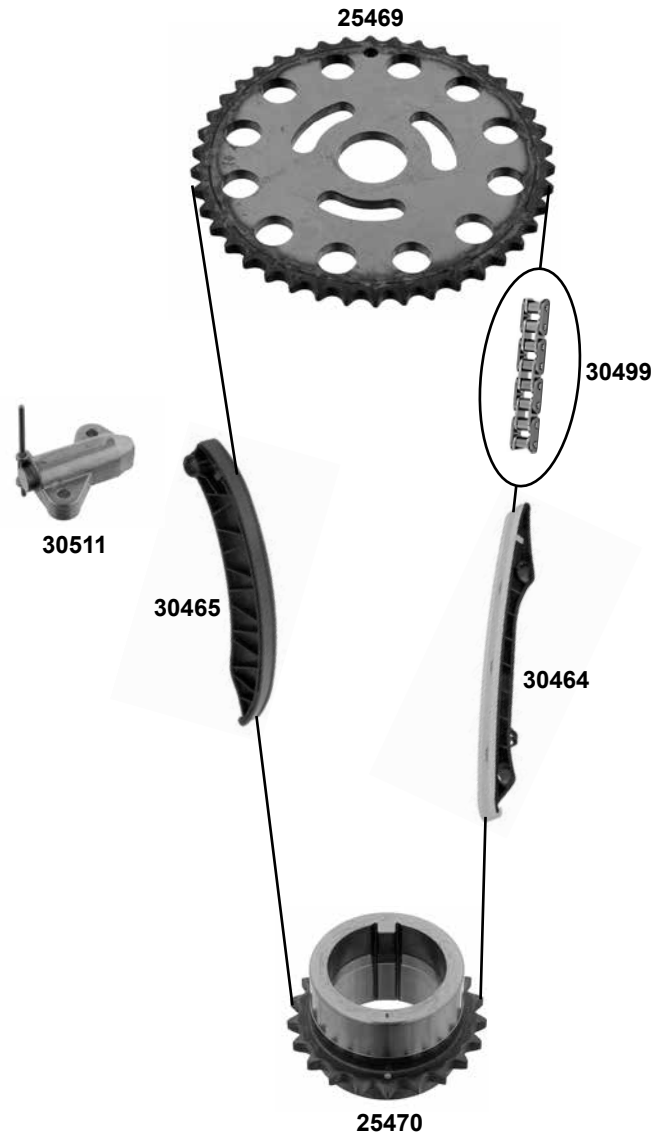
(G9U)



Ref. - No.



21025	13077-00QAA	deflection pulley			ØA 75,2 B32
21029	13070-00QAE	tension roller			ØA70 B32
21910	16806-00QAC	timing belt			Z 132 B26
22055	13070-00QAC	tension roller			ØA60 B30,8
22056	16806-00QAF	rep. kit timing belt			Z 132 B26
22119	11925-00QAE	deflection pulley			ØA60 Ø112 B31
22329	11750-00QAD	belt tensioner		AC →09	ØA65 B30
23043	16806-00QAH	timing belt			Z 89 B25
23045	16806-00QAG	rep. kit timing belt			
32581	11750-00Q0A	belt tensioner		(mot.) 1,9 (ex.) AC →09	ØA65



	Ref. - No.			
25469	-	camshaft timing gear		Z 42
25470	-	crankshaft gear		Z 21
30464	-	sliding rail		
30465	-	sliding rail		
30499	-	timing chain		112 E
30511	13070-00Q0G	chain tensioner		
30639	13028-00Q0E SK	rep. kit timing chain		

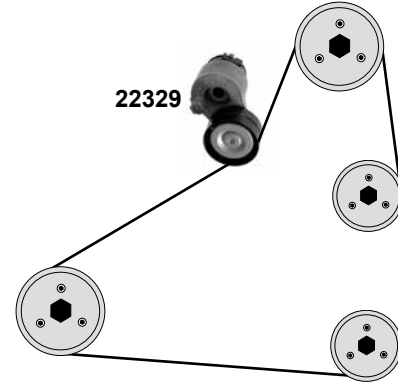
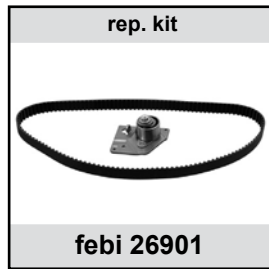
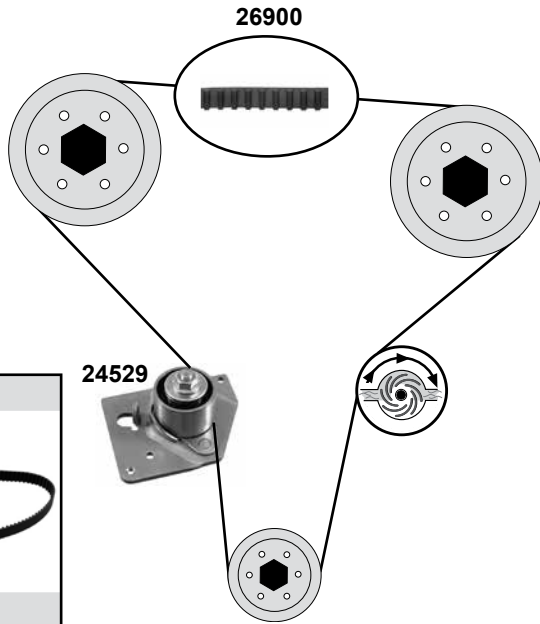
# NISSAN Primera/ Primera Wagon

(P12 / WP12)

Car  
Division

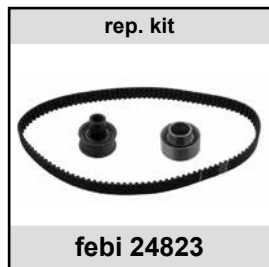
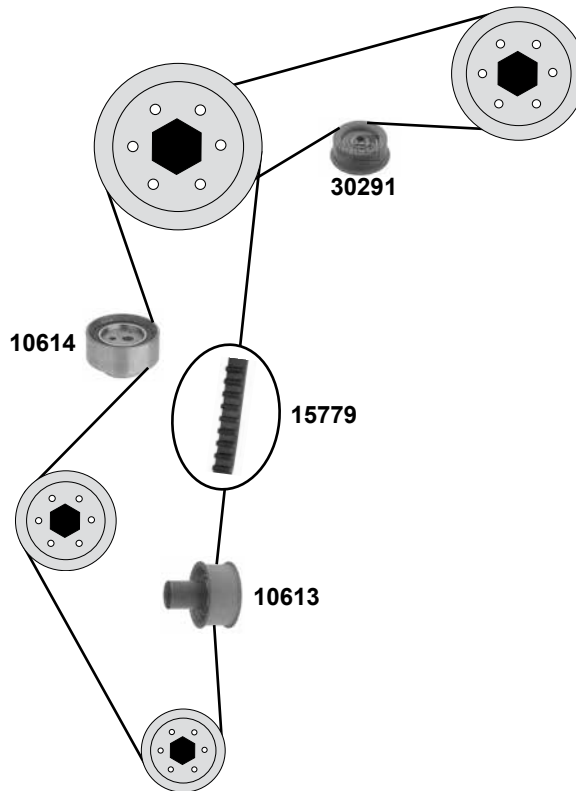


**1,9 D**  
(01/02→)  
(F9Q)



## P10 / P11 / W10 / WP11

**2,0 D**  
(90→)  
(CD20)



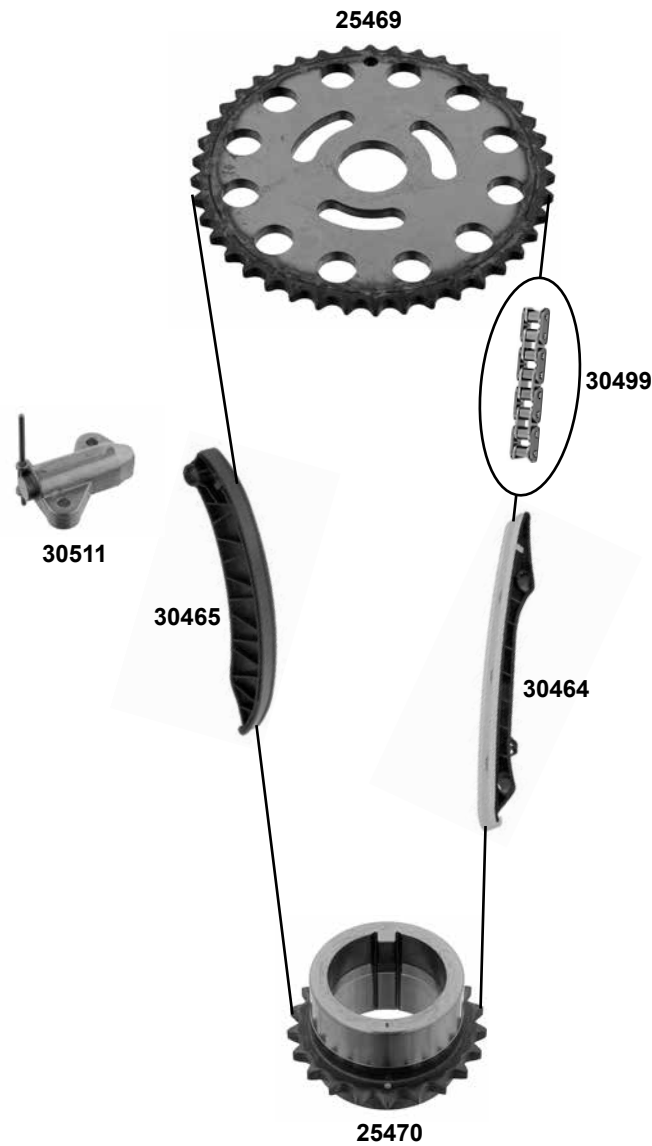
Ref. - No.



10613	13077-54A02	deflection pulley
10614	13070-57J10	tension roller
15779	13028-2J685	timing belt
22329	11750-00QAD	belt tensioner
24529	13070-AW300	timing belt
26900	13028-AW301	tension roller
26901	13028-AW301 S1	rep. kit timing belt
24823	13028-2J685 S1	rep. kit timing belt
30291	13070-16A10	tension roller

mod. P10/P11

ØA 60 H 60,5
ØA 70 H 30,5
Z 111 B25,4
ØA65 B30
Z 133 B26
Z 133 B26
Z 111 B25,4
ØA 60 H26



	Ref. - No.			
25469	-	camshaft timing gear		Z 42
25470	-	crankshaft gear		Z 21
30464	-	sliding rail		
30465	-	sliding rail		
30499	-	timing chain		112 E
30511	13070-00Q0G	chain tensioner		
30639	13028-00Q0E SK	rep. kit timing chain		



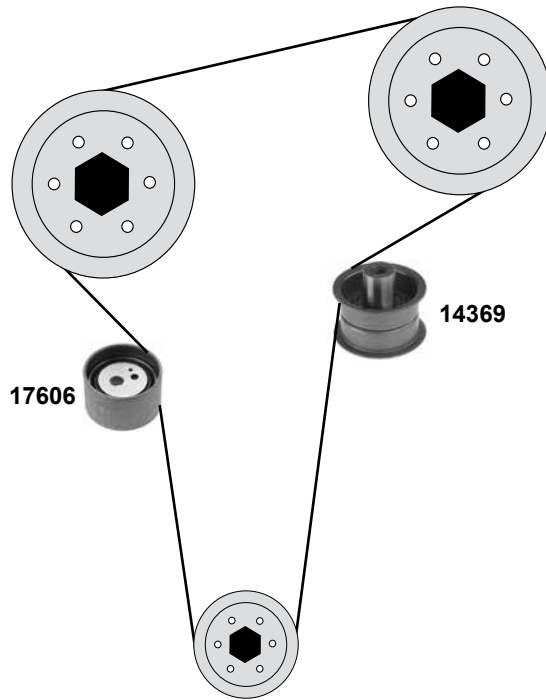
# NISSAN Serena (C23M)

(92→)

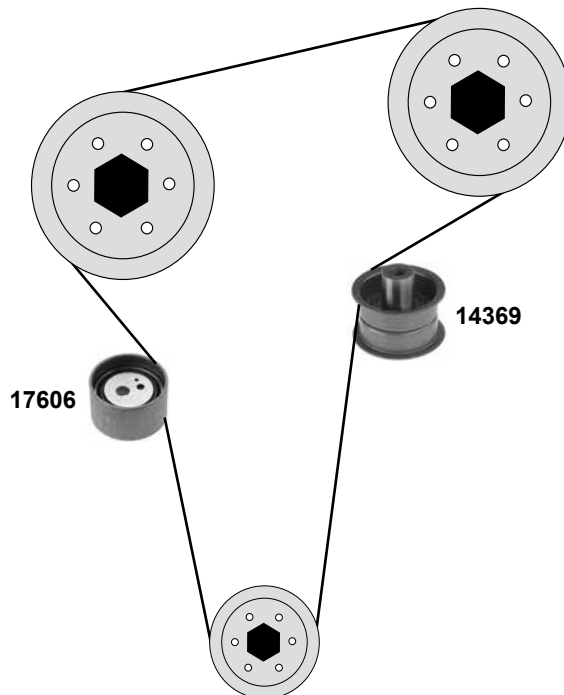
Car  
Division 



## 2,0 D (LD20)



## 2,3 D (LD23)



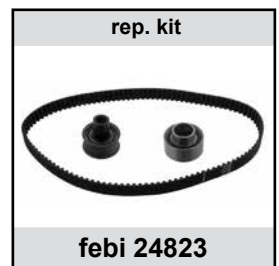
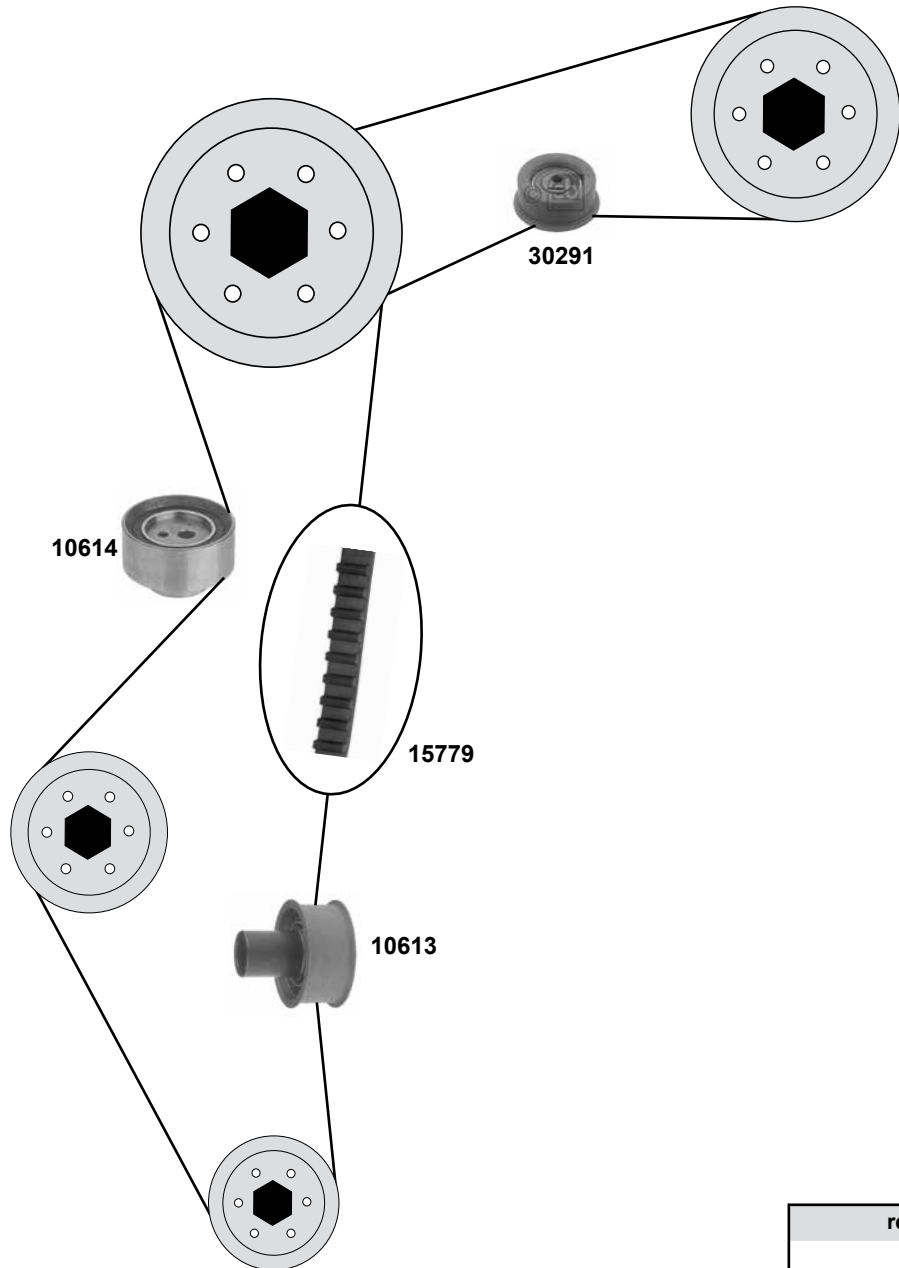
Ref. - No.



14369 13074-05E00  
17606 13070-05E10

tension roller  
tension roller

ØA 60 H57



Ref. - No.



<b>10613</b>	13077-54A02	deflection pulley
<b>10614</b>	13070-57J10	tension roller
<b>15779</b>	13028-2J685	timing belt
<b>24823</b>	13028-2J685 S1	rep. kit timing belt
<b>30291</b>	13070-16A10	tension roller

(mot.) CD20

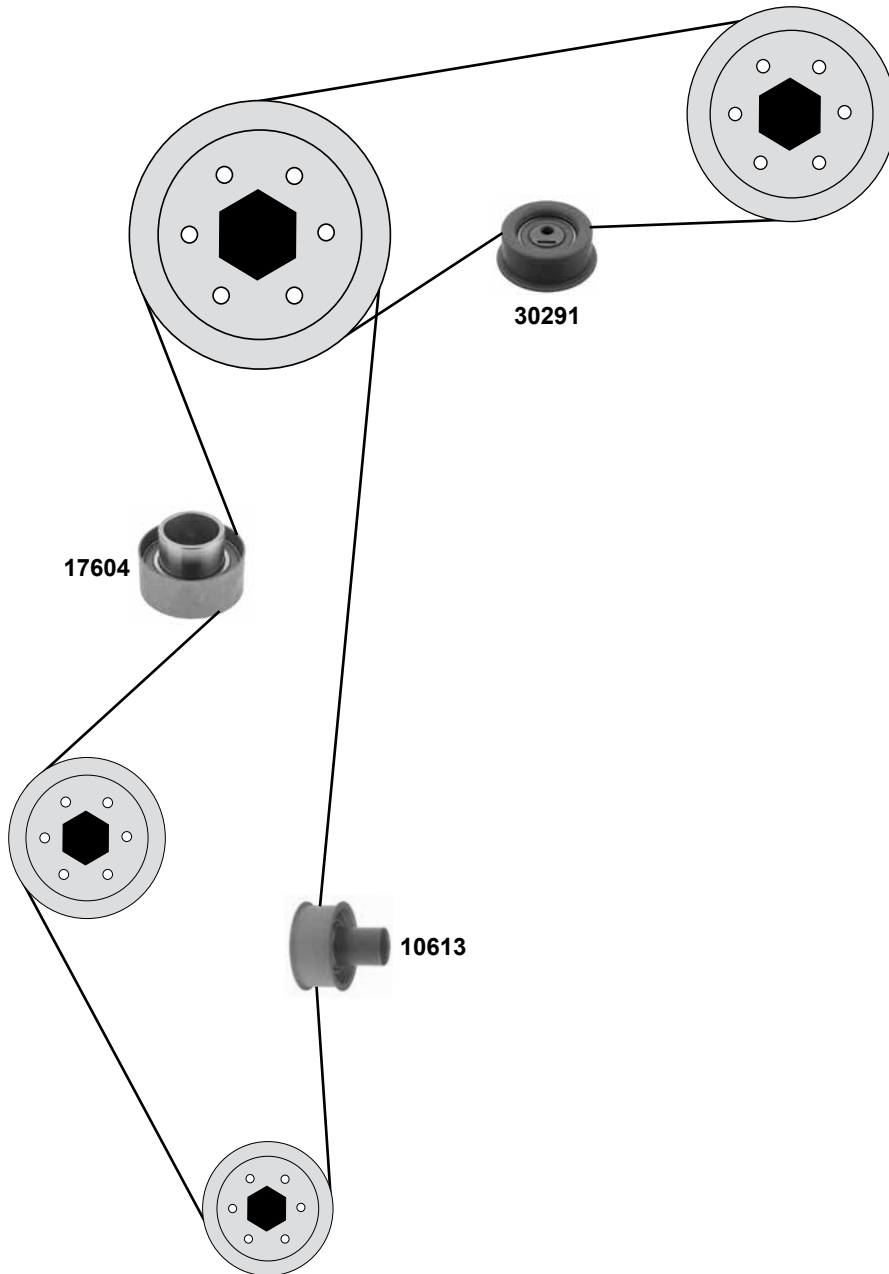
ØA 60 H 60,5
ØA 70 H 30,5
Z 111 B25,4
Z 111 B25,4
ØA 60 H26

**NISSAN**  
**Sunny / Sunny Wagon (B12/N12/N13/Y10)**  
 (82→90)

Car  
 Division 



**1,7 D**  
 (CD17)



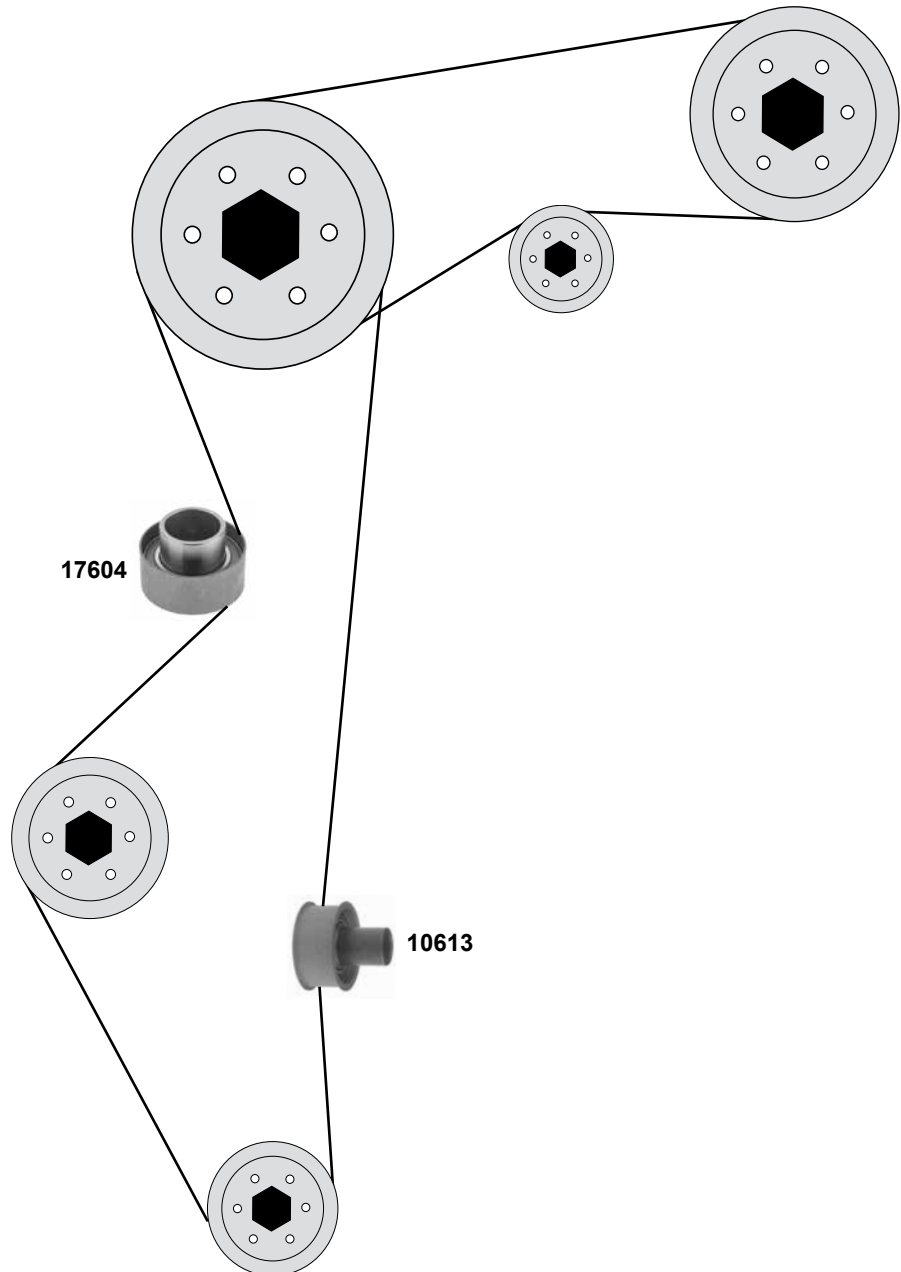
Ref. - No.



<b>10613</b>	13077-54A02
<b>17604</b>	13070-16A03
<b>30291</b>	13070-16A10

deflection pulley
tension roller
tension roller

ØA 60 H 60,5
ØA 65 H 29 / 43
ØA 60 H26



# NISSAN Vanetta (C22 / HC23)

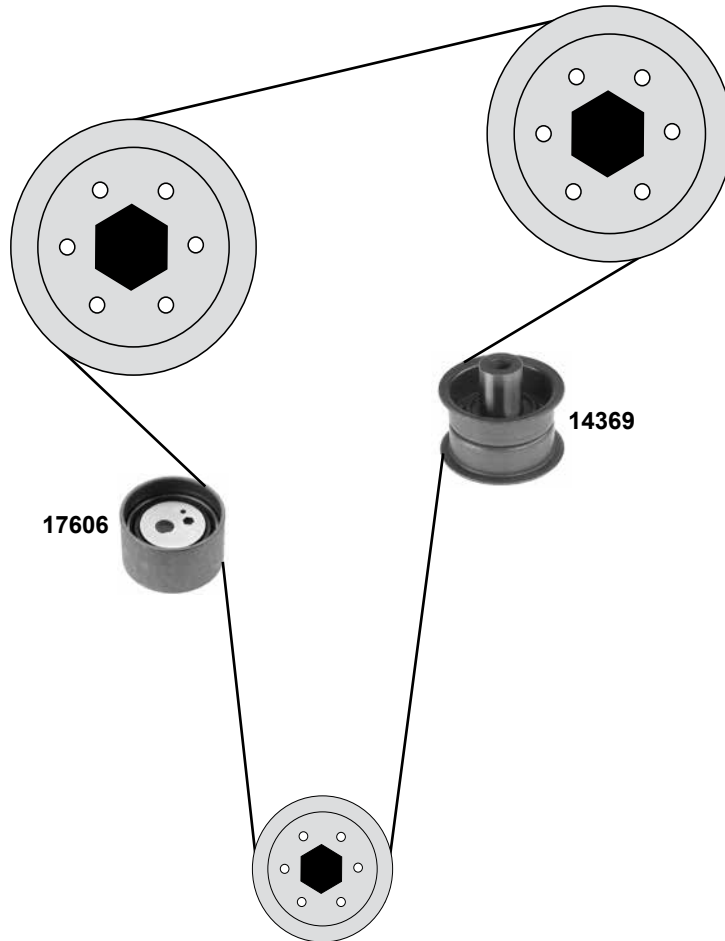
(86→)

Car  
Division



## 2,0 D / 2,3 D

(LD20 / LD23)



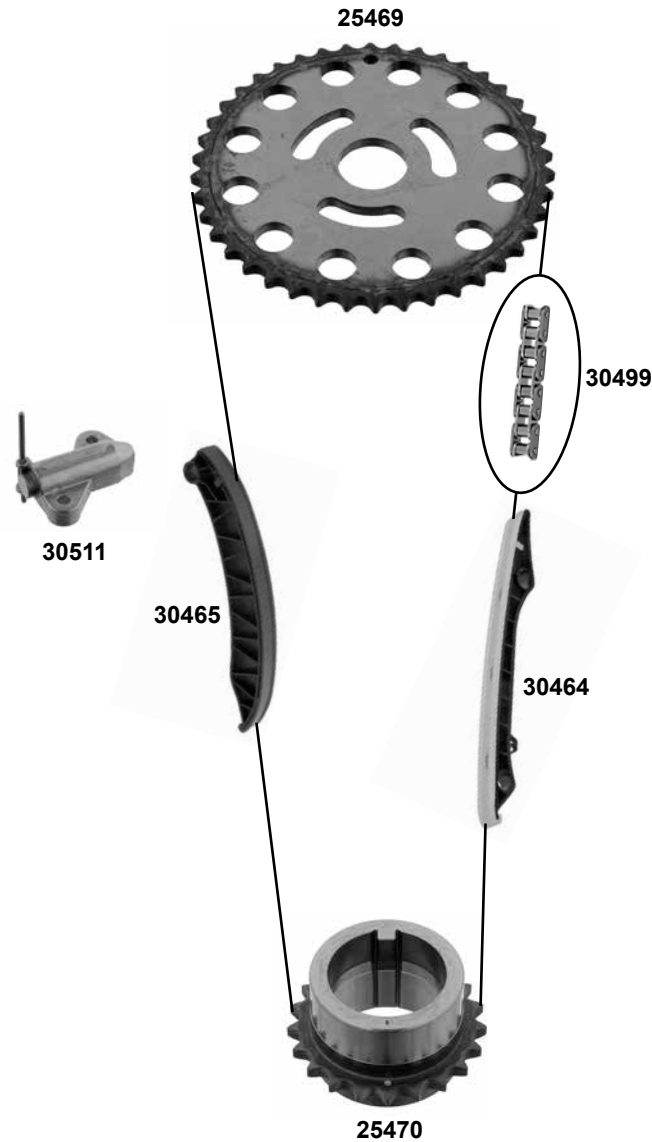
Ref. - No.



14369 13074-05E00  
17606 13070-05E10

tension roller  
tension roller

ØA 60 H57



	Ref. - No.			
25469	-	camshaft timing gear		Z 42
25470	-	crankshaft gear		Z 21
30464	-	sliding rail		
30465	-	sliding rail		
30499	-	timing chain		112 E
30511	13070-00Q0G	chain tensioner		
30639	13028-00Q0E SK	rep. kit timing chain		

# OPEL Agila A / B

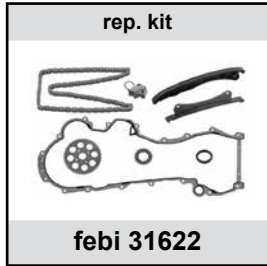
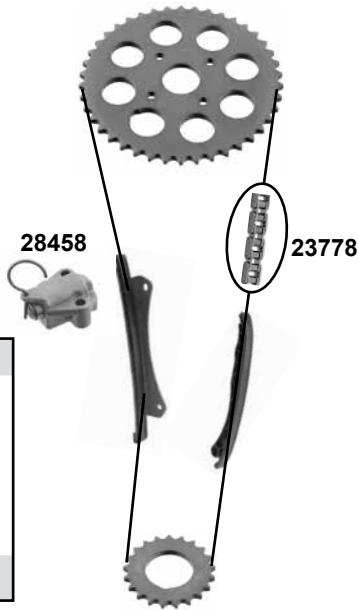
(00→)

Car  
Division

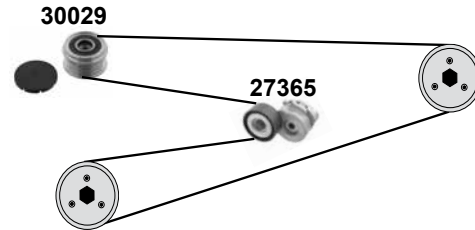


## 1,3 D

(Z 1,3 DT/DTJ)



(Z 1,3 DT/DTJ, D13A)

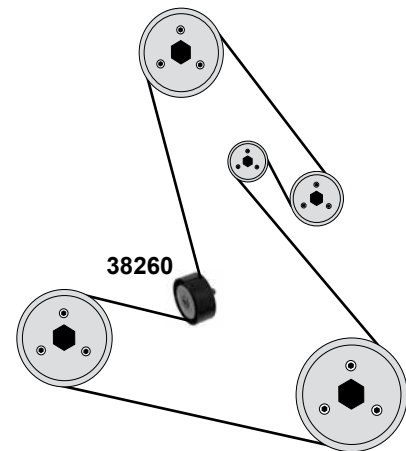
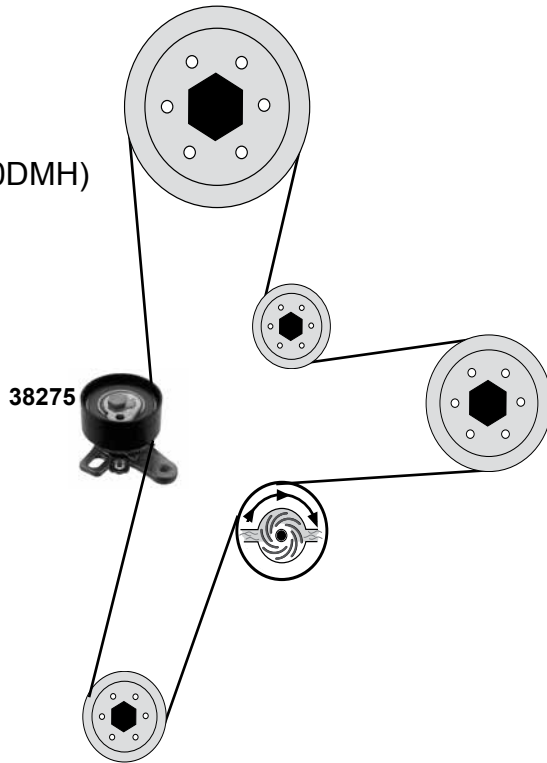


## Antara

(06→)

## 2,0 D

(Z20DM / Z20DMH)



(1) Agila A (mot.) Z1,3DT / Agila B (mot.) Z1,3DTJ

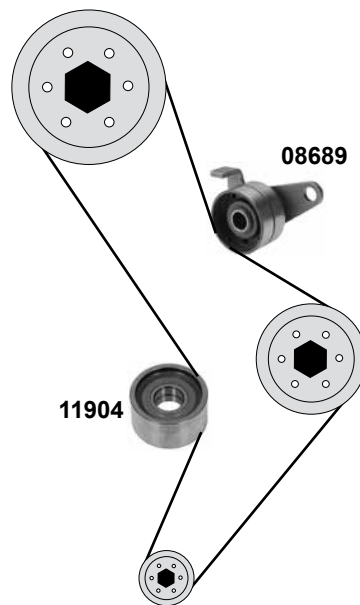
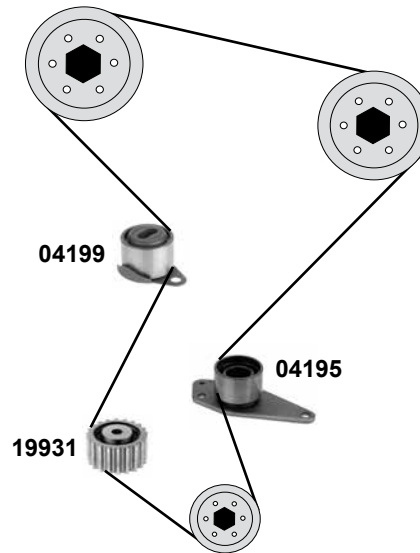
(2) Agila A (mot.) Z1,3DT mit Valeo 70A /combined with Valeo 70A



Ref. - No.



Ref. - No.	Description	Quantity	Dimensions
23778	timing chain	(1)	120 E
27365	belt tensioner	(1)	ØA 65 B25,5
28458	chain tensioner	(1)	
30029	alternator overrun pulley	(2)	ØA59 Ø17 B38,1
31622	rep. kit timing chain		
38260	tension roller		ØA 65 B26
38275	tension roller		ØA 60 B27



Ref. - No.

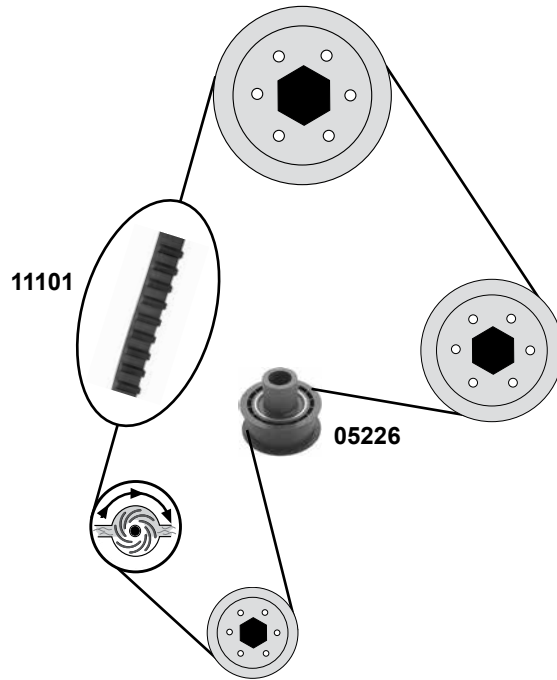


<b>04195</b>	4402 690	deflection pulley		ØA 50 B31
<b>04199</b>	4401 609	tension roller		ØA 50 B31
<b>08689</b>	4400 204	tension roller		ØA 65 B34
<b>11904</b>	4403 144	deflection pulley		ØA 67 B34
<b>19931</b>	4402 639	deflection pulley		ØA 60,6 B32,5



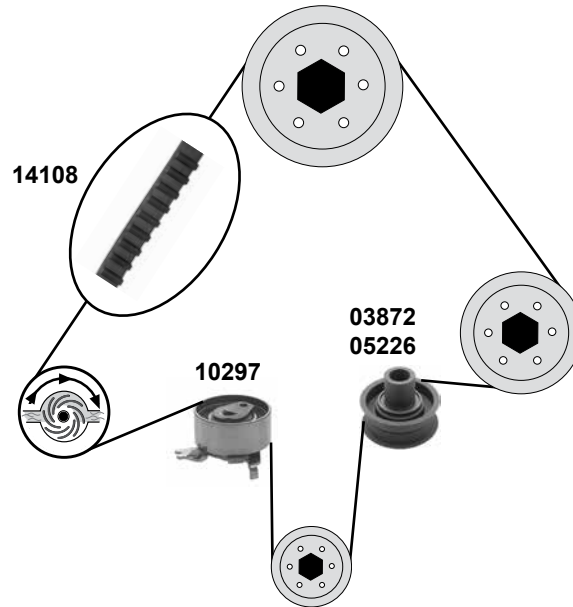
**1,7 D**

(mot.) → 14363650

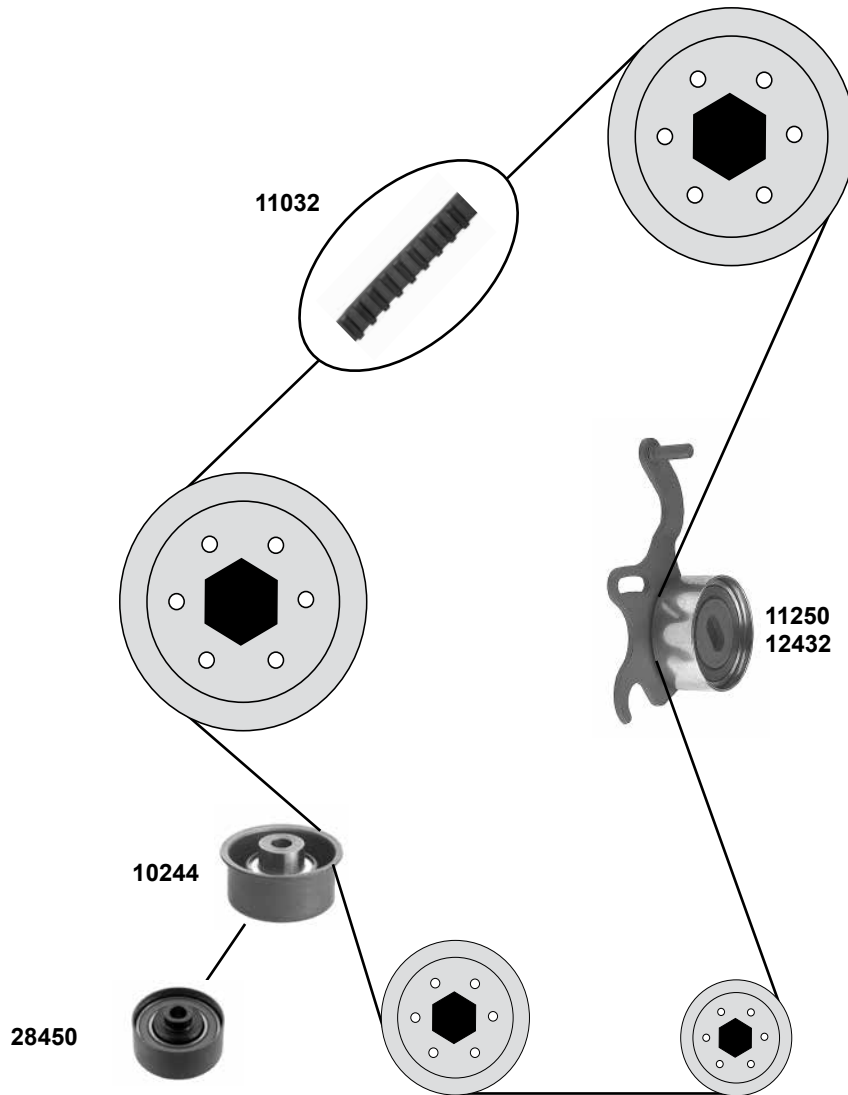


**1,7 D**  
(1,7 DR / 1,7 DTL)

(mot.) 1,7 DR 14363651 →



	Ref. - No.			
03872	5636 424	deflection pulley		27 x 52
05226	0636 422	deflection pulley		27 x 71 x 58,5
10297	5636 738	tension roller		26 x 59
11101	0636 563	timing belt		Z 146 B24
14108	5636 355	timing belt		Z 176 B24
14111	5636 355 S2	rep. kit timing belt		



- (1) (ch.) → R 2599999, → R 9999999, → R 6999999, R → 8999999  
 (2) (ch.) S 2500001→, S 5000001→, S 6000001→, SP 000001→

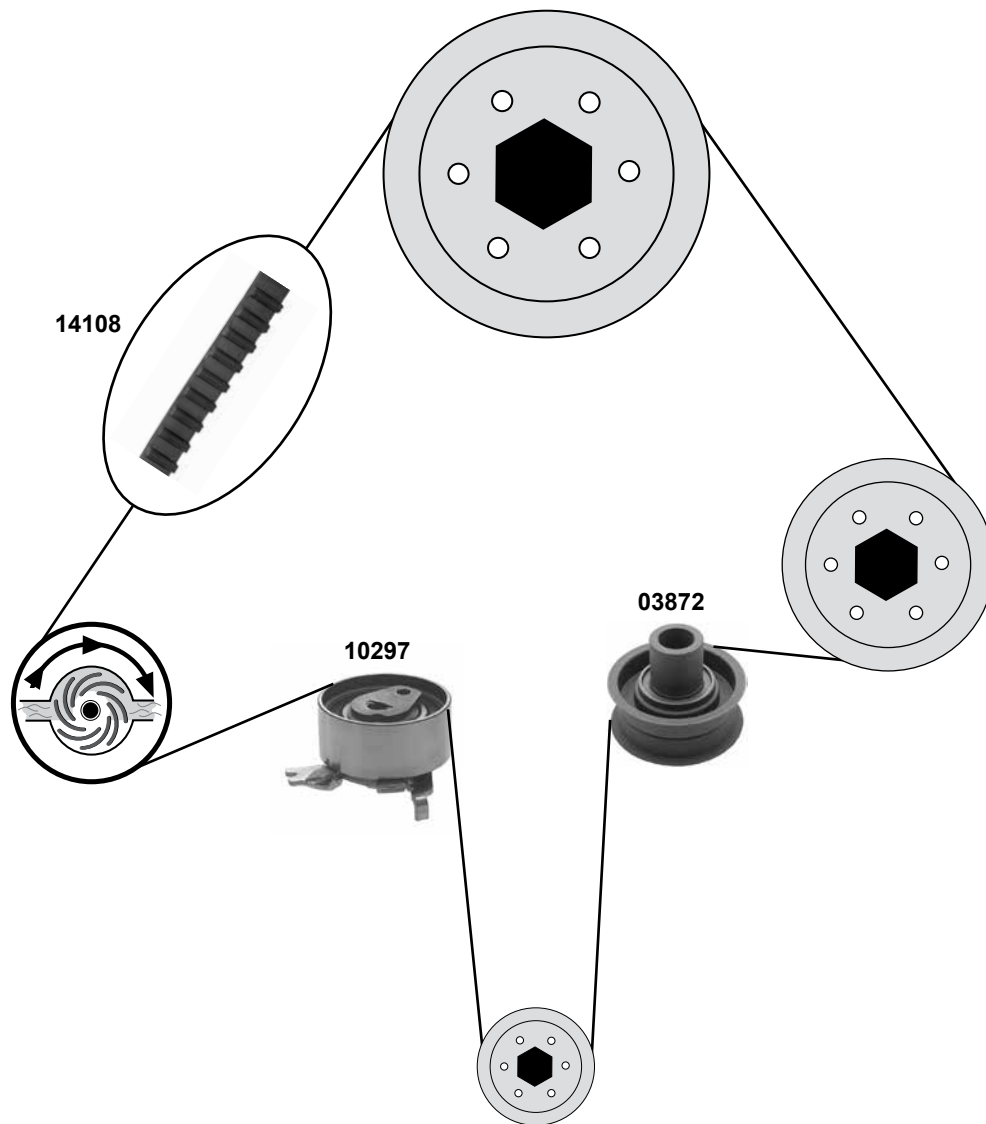


Ref. - No.



Ref. - No.	Description	Quantity	Part Number
10244	deflection pulley	(mot.)	→00029078
11032	timing belt		ØA 65 ØI 12 B31
11250	tension roller	(1)	Z 136 B25,4
12432	tension roller	(2)	ØA 65 B28,5
26084	rep. kit timing belt	(2)	ØA 65 B28
28450	deflection pulley	(2)	ØA 65 ØI 12 B31

**1,7 TD**  
 (X 1,7 DTL)



Ref. - No.

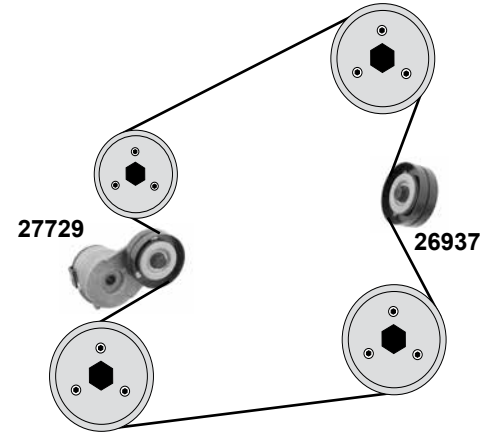
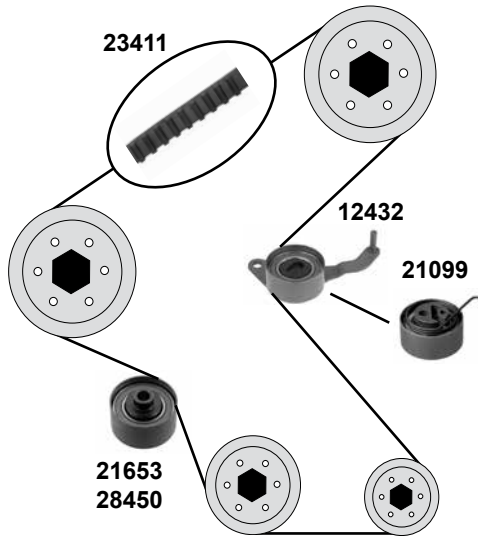
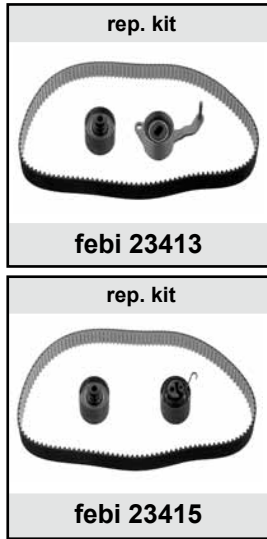


<b>03872</b>	5636 424	deflection pulley
<b>10297</b>	5636 738	tension roller
<b>14108</b>	5636 355	timing belt
<b>14111</b>	5636 355 S2	rep. kit timing belt

27 x 52
26 x 59
Z 176 B24
Z 176 B24

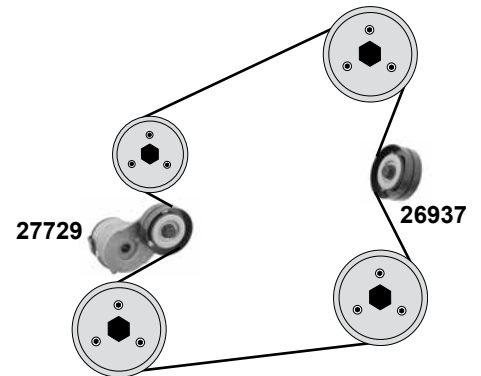
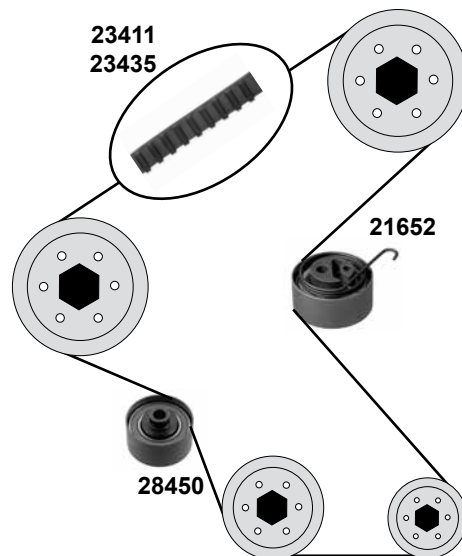
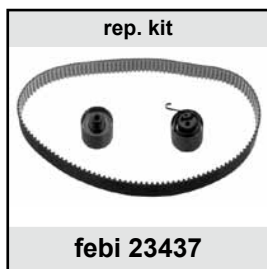
**1,7 DT**

(Y 1,7 DT/Z1,7DTJ/DTR/A1,7DTH/DTR)



**1,7 DTL**

(Z 1,7 DTL)



- (1) (mot.) Y1,7DT
- (2) (mot.) Y1,7DT / Z1,7DTL



Ref. - No.



Ref. - No.	Description	Part No.	Dimensions
12432	tension roller	0636 741	ØA 65 B34 / 28
21099	tension roller	5636 739	ØA 65 B28,5
21652	tension roller	5636 403	ØA 65 B28,5
21653	deflection pulley	5636 935	Z 131 B25
23411	timing belt	5636105	Z 131 B25
23413	rep. kit timing belt	1606 388 SK	Z 131 B25
23415	rep. kit timing belt	1606 389 SK	Z 131 B25
23435	timing belt	5636 402	Z 129 B25
23437	rep. kit timing belt	5636 402 S1	Z 129 B25
26937	deflection pulley	6854 427	ØA 76 B26
27729	belt tensioner	1204 853	ØA 70 B26
28450	deflection pulley	0636 928	ØA 65 ØI 12 B 34,5

# OPEL Astra G

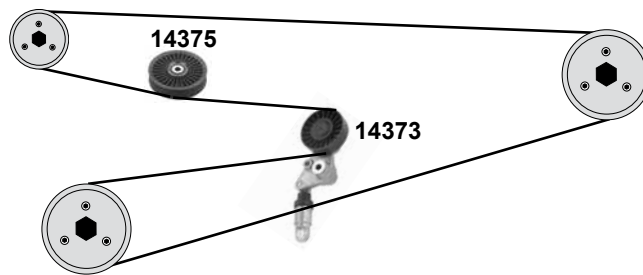
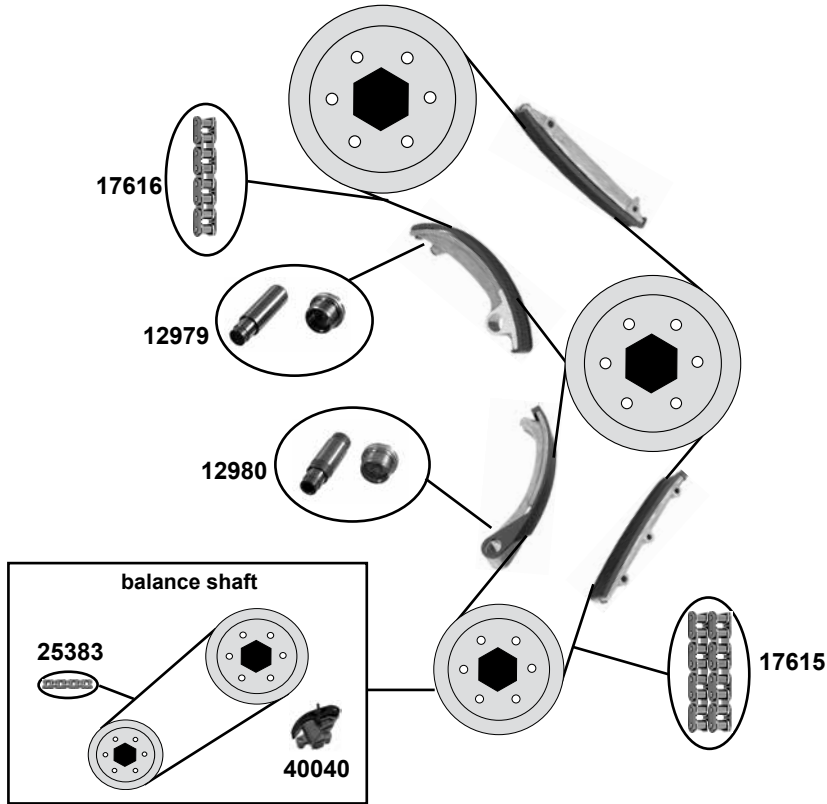
(98→04)

Car  
Division



## 2,0 TD / 2,2 TD

(X 2,0 DTL / Y 2,0 DTL / Y 2,0 DTH / Y 2,2 DTR)



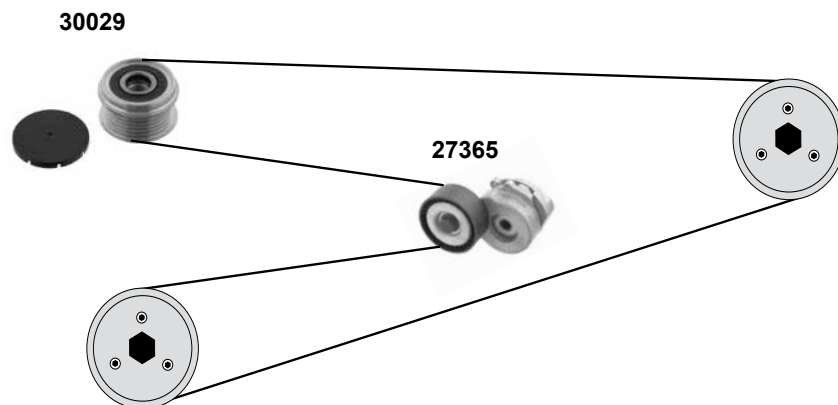
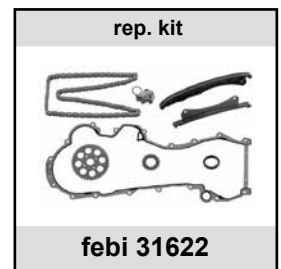
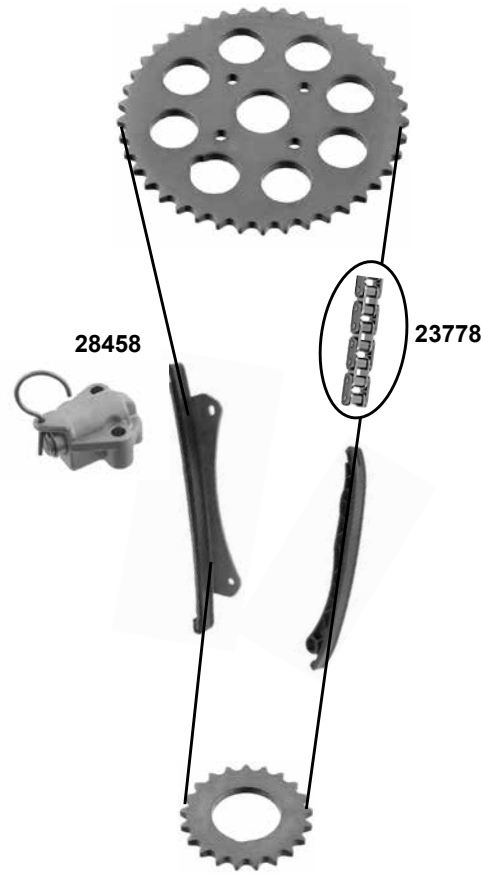
Ref. - No.



12979	5636 386	chain tensioner
12980	5636 387	chain tensioner
14373	1340 530	belt tensioner
14375	6340 551	deflection pulley
17615	5636 352	timing chain
17616	5636 353	timing chain
25383	0615 010	timing chain simplex
30444	6606 025 SK	rep. kit timing chain
30449	5636 353 S1	rep. kit timing chain
40040	0615 006	chain tensioner

(mot.) Y2,2DTR

ØA 90 B24,4  
ØA 109 B26,4  
78 E  
80 E  
78 E  
80 E  
78 E



(1) combined with Valeo 70A+100A



Ref. - No.



**23778**  
**27365**  
**28458**  
**30029**  
**31622**

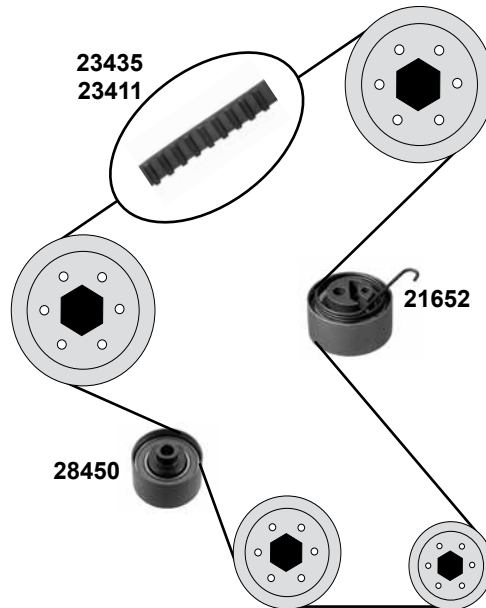
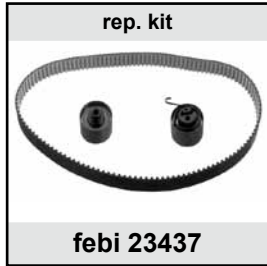
5636 444  
0636 166  
5636 443  
1204 517  
6606 024 SK

timing chain  
belt tensioner  
chain tensioner  
alternator overrun pulley  
rep. kit timing chain

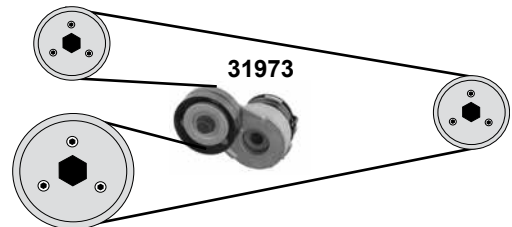
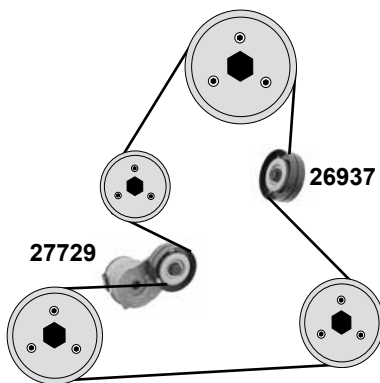
(1)

120 E  
ØA 65 B25,5  
ØA59 ØI17 B38,1

**1,7 TD**  
(Z 1,7 DTL / Z 1,7 DTH / Z 1,7 DTJ / DTR / A 1,7 DTJ / DTR)



**AC**



- (1) (mot.) Z 1,7 DTL/DTH
- (2) (mot.) Z 1,7 DTJ/DTR / A 1,7 DTJ/DTR/DTH
- (3) (mot.) Z 1,7 DTJ/DTR/DTH / A 1,7 DTJ/DTR
- (4) (mot.) Z 1,7 DTJ/DTR / A 1,7 DTH/DTR
- (5) (mot.) Z 1,7 DTL/DTH man.  1306916→
- (6) (mot.) Z 1,7 DTL/DTH (mot.) 1548039→



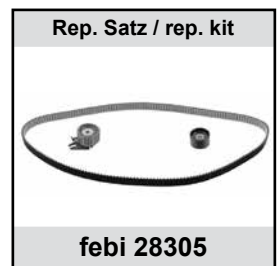
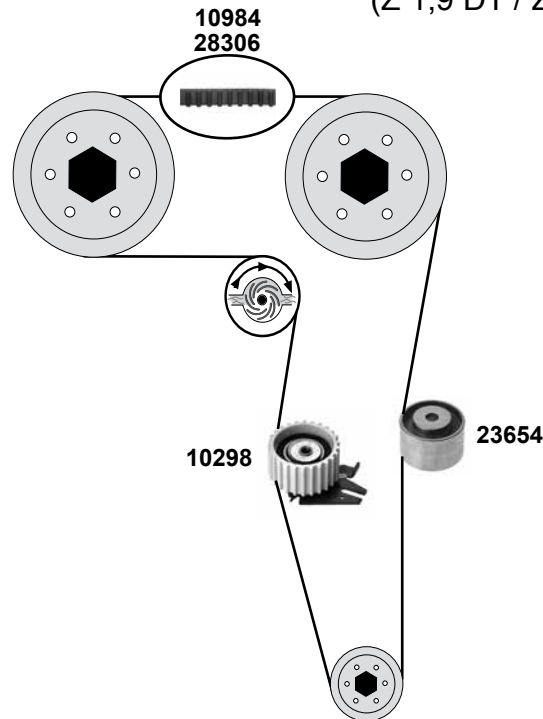
Ref. - No.



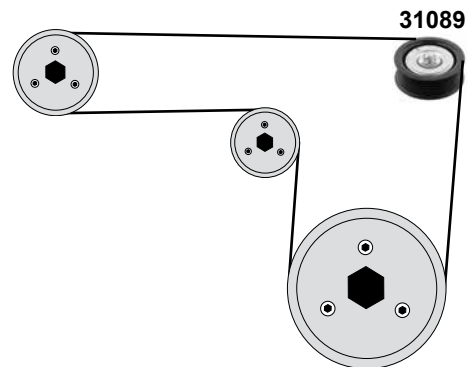
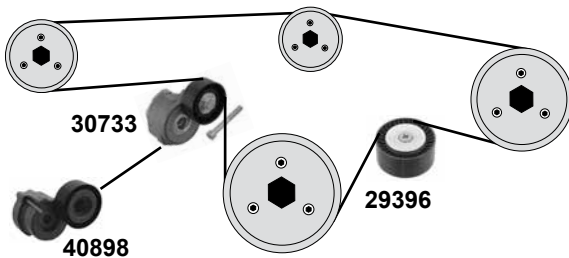
Part No.	Ref. - No.	Description	Quantity	Dimensions
21652	5636 403	tension roller	(4)	ØA 65 B28,5
23411	5636105	timing belt	(2)	Z 131 B25
23435	5636 402	timing belt	(1)	Z 129 B25
23437	5636 402 S1	rep. kit timing belt	(1)	Z 129 B25
26937	6854 427	deflection pulley	(4) (5)	ØA 76 B26
27729	1204 853	belt tensioner	(mot.) Z 1,7 DTL	ØA 70 B26
28450	0636 928	deflection pulley	(4) (6)	ØA 65 B28,5
28451	5636 086 S1	rep. kit timing belt	(4)	Z 131 B25
31973	6204 663	belt tensioner	(3)	70x26

**1,9 TD**

(Z 1,9 DT / Z1,9 DTL / Z 1,9 DTJ / Z 1,9 DTH)



**AC**



- |                            |  |
|----------------------------|--|
| (1) (mot.) Z1,9 DT         | → (ch.) 75189052 / 78104400 / 72172468 |
| (mot.) Z1,9 DTL            | → (ch.) 75189052 / 78104400 / 72207929 |
| (mot.) Z1,9 DTH / Z1,9 DTJ | → (ch.) 75189052 / 78104400 / 72212298 |

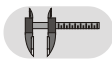


- |                            |  |
|----------------------------|--|
| (2) (mot.) Z1,9 DT         | (ch.) 72172469 / 75189053 / 781044401→ |
| (mot.) Z1,9 DTL            | (ch.) 72207930 / 75189053 / 781044401→ |
| (mot.) Z1,9 DTH / Z1,9 DTJ | (ch.) 72212299 / 75189053 / 781014401→ |

- |                            |   |
|----------------------------|---|
| (3) (mot.) Z1,9 DT         | (ch.) 72172469 / 75189053 / 781044401 / 8B000001 / 7G...→ |
| (mot.) Z1,9 DTL            | (ch.) 72207930 / 75189053 / 781044401 / 8B000001 / 7G...→ |
| (mot.) Z1,9 DTH / Z1,9 DTJ | (ch.) 72212299 / 75189053 / 781014401 / 8B000001 / 7G...→ |



Ref. - No.

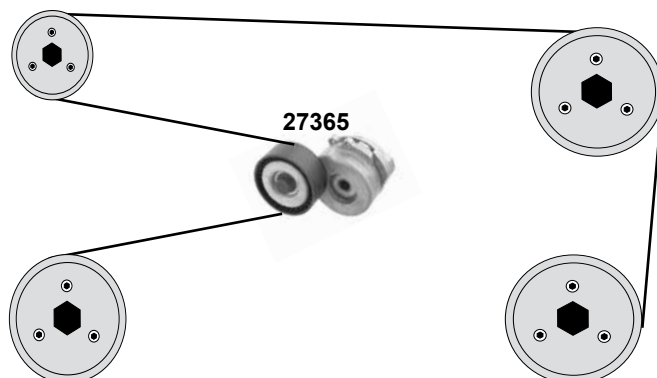
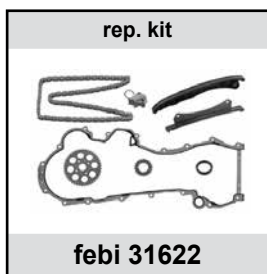
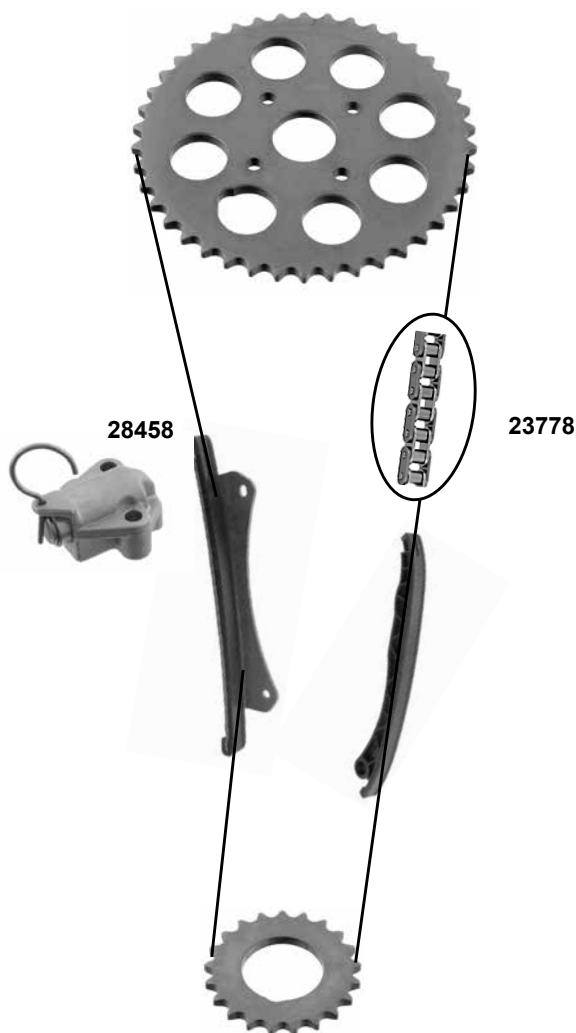


Ref. - No.	Description	Part No.	Dimensions
10298	tension roller	0636 685	ØA 64 B40
10984	timing belt	5636 463	Z 190 B24
23654	deflection pulley	5636 743	ØA 65 B30
23655	rep. kit timing belt	6606 028 SK	Z 190 B24
28305	rep. kit timing belt	1606 434 SK	Z199 B24
28306	timing belt	5636 344	Z199 B24
29396	deflection pulley	6340 572	ØA 70 B26
30733	belt tensioner	6340 557	ØA 65
31089	deflection pulley	6340 556	ØA 65 B26
40898	belt tensioner	1340 258	ØA 65 B26





**1,3 CDTI**  
 (A 1,3 DTE)



Ref. - No.



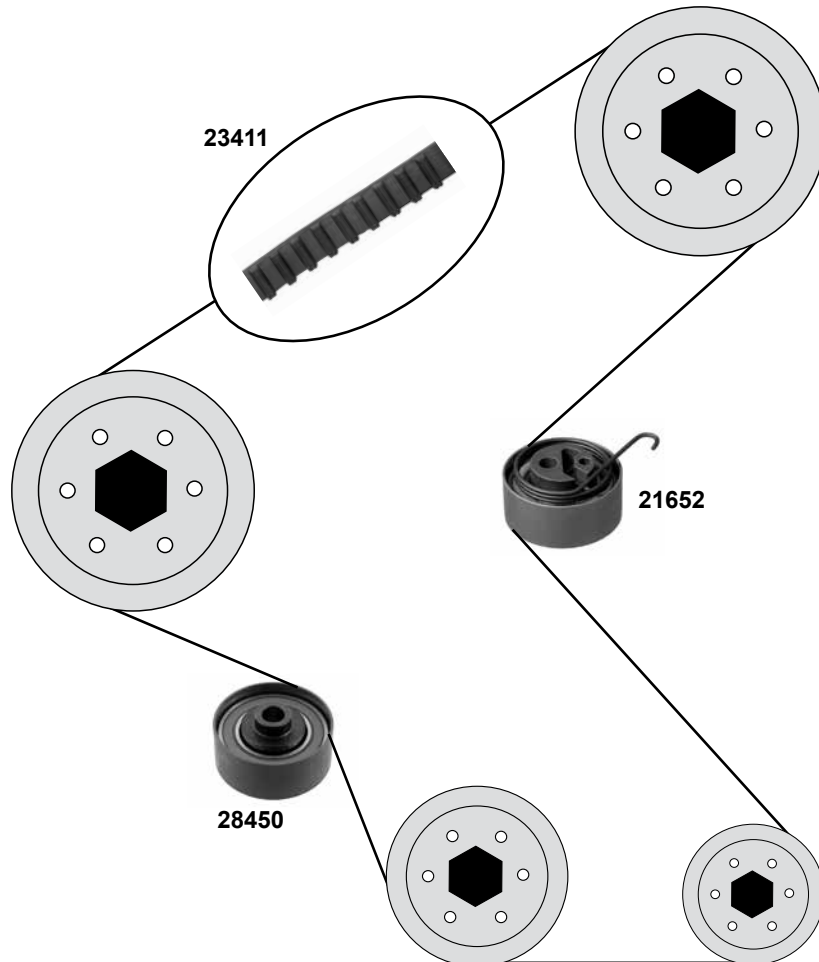
23778	5636 444
27365	0636 166
28458	5636 443
31622	6606 024 SK

timing chain
belt tensioner
chain tensioner
rep. kit timing chain

120 E  
 ØA 65 B25,5

**1,7 CDTI**

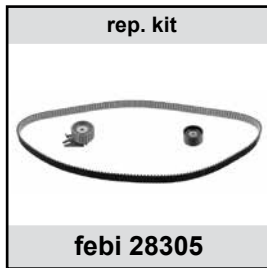
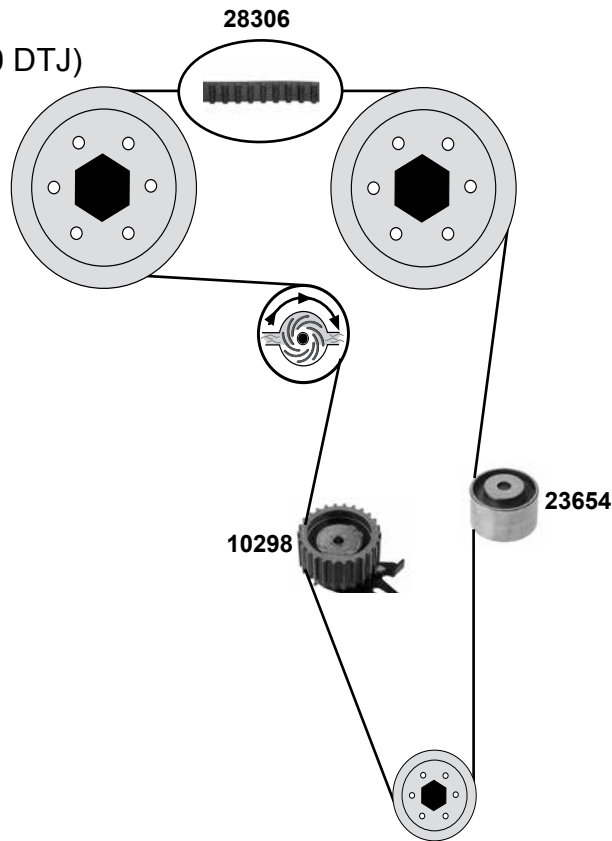
(A 1,7 DTE/DTF/DTL/DTJ/DTC/DTR/DTS/DTN/DTC)



	Ref. - No.			
21652	5636 403	tension roller	(ex.) A1,7DTN/DTC	ØA 65 B28,5
23411	0636 227	timing belt	(ex.) A1,7DTN/DTC	Z 131 B25
28450	0636 928	deflection pulley		ØA 65 B28,5
28451	5636 086 S1	rep. kit timing belt	(ex.) A1,7DTN/DTC	Z 131 B25

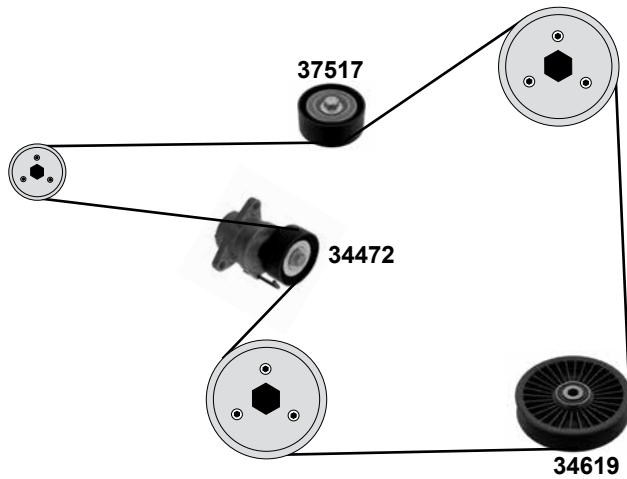
**2,0 CDTI**

(A 2,0 DTH / Y 2,0 DTJ / Z 2,0 DTJ)



**2,0 CDTI**

(A 2,0 DTH / A2,0DTR / Y 2,0 DTJ / Z 2,0 DTJ)



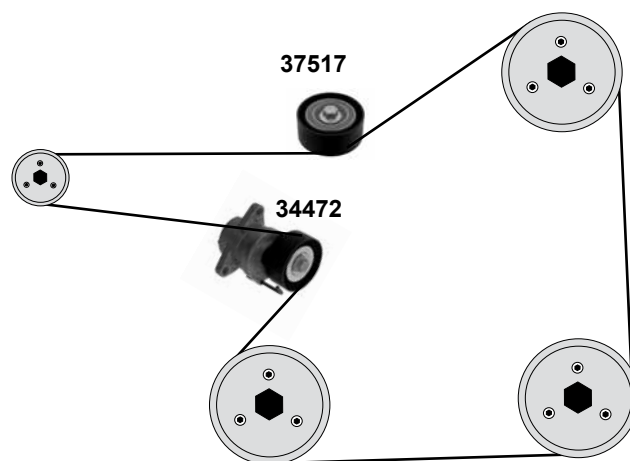
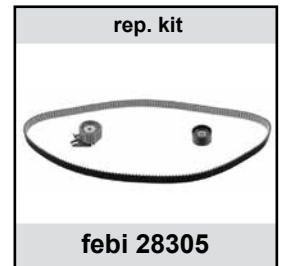
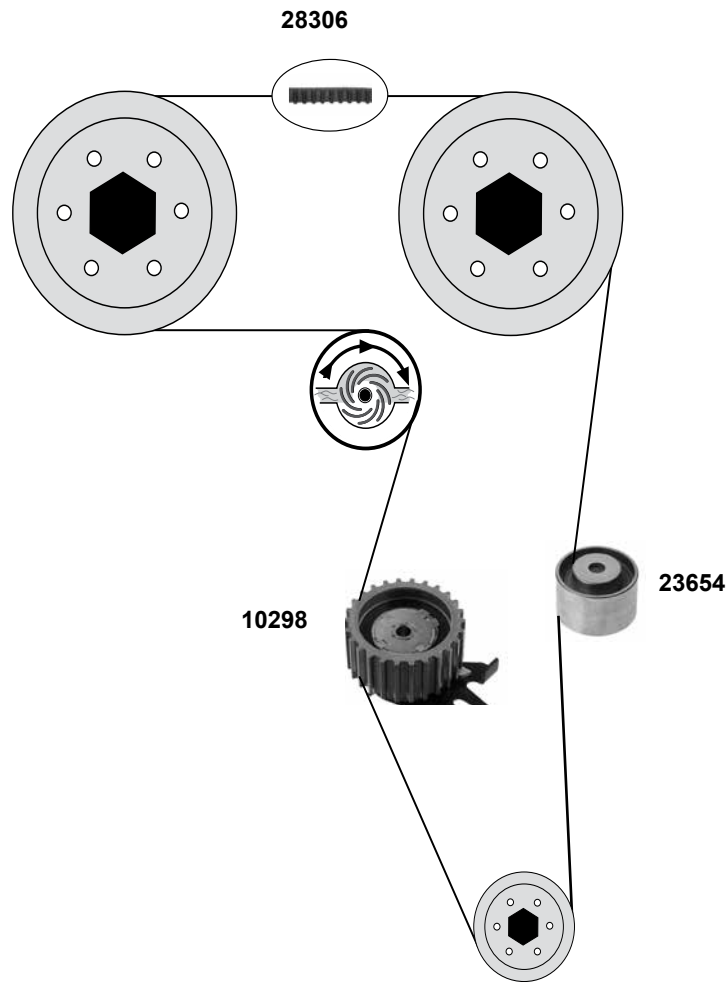
(1) (mot.) A 2,0 DTH / (ex.) AC



Ref. - No.



10298	0636 685	tension roller	(1)	ØA 64 B40
23654	5636 743	deflection pulley		ØA 53 x 31/29
28305	1606 434 S1	rep. kit timing belt		Z 199
28306	5636 344	timing belt		ØA 70 x 2,6
34472	1340 269	belt tensioner		ØA 124
34619	5636 412	deflection pulley		ØA 65
37517	1854 740	deflection pulley		



Ref. - No.



<b>10298</b>	0636 317	tension roller		ØA 64 B40
<b>23654</b>	5636 743	deflection pulley		
<b>28305</b>	1606 434 S1	rep. kit timing belt		
<b>28306</b>	5636 344	timing belt		Z 199 B24
<b>34472</b>	1340 269	belt tensioner		ØA 70 x 2,6
<b>37517</b>	1854 740	deflection pulley		ØA 65

# OPEL Combo D

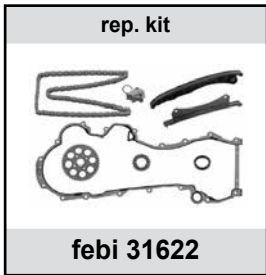
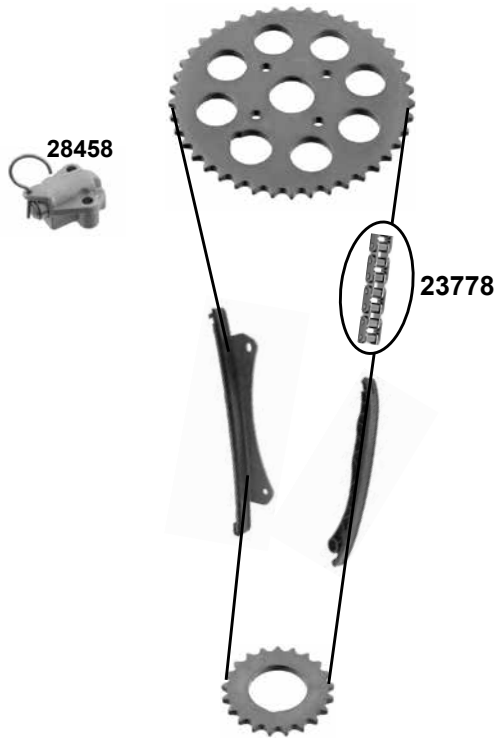
(2011→)

Car  
Division



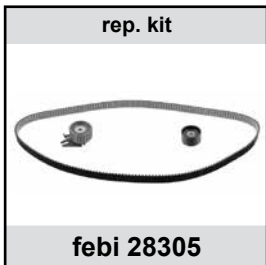
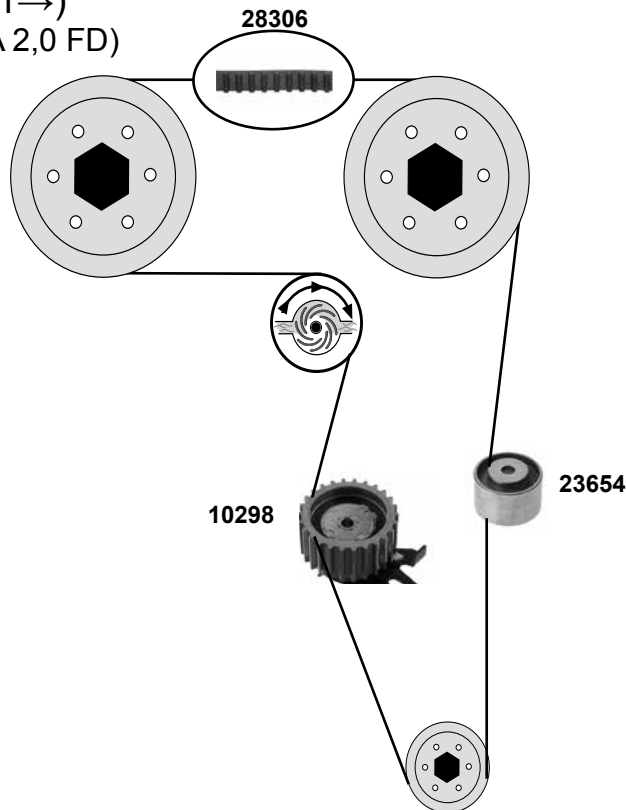
## 1,3 CDTI

(A 1,3 FD)



## 1,6 / 2,0 CDTI (2011→)

(A 1,6 FDL / A 1,6 FDH / A 2,0 FD)



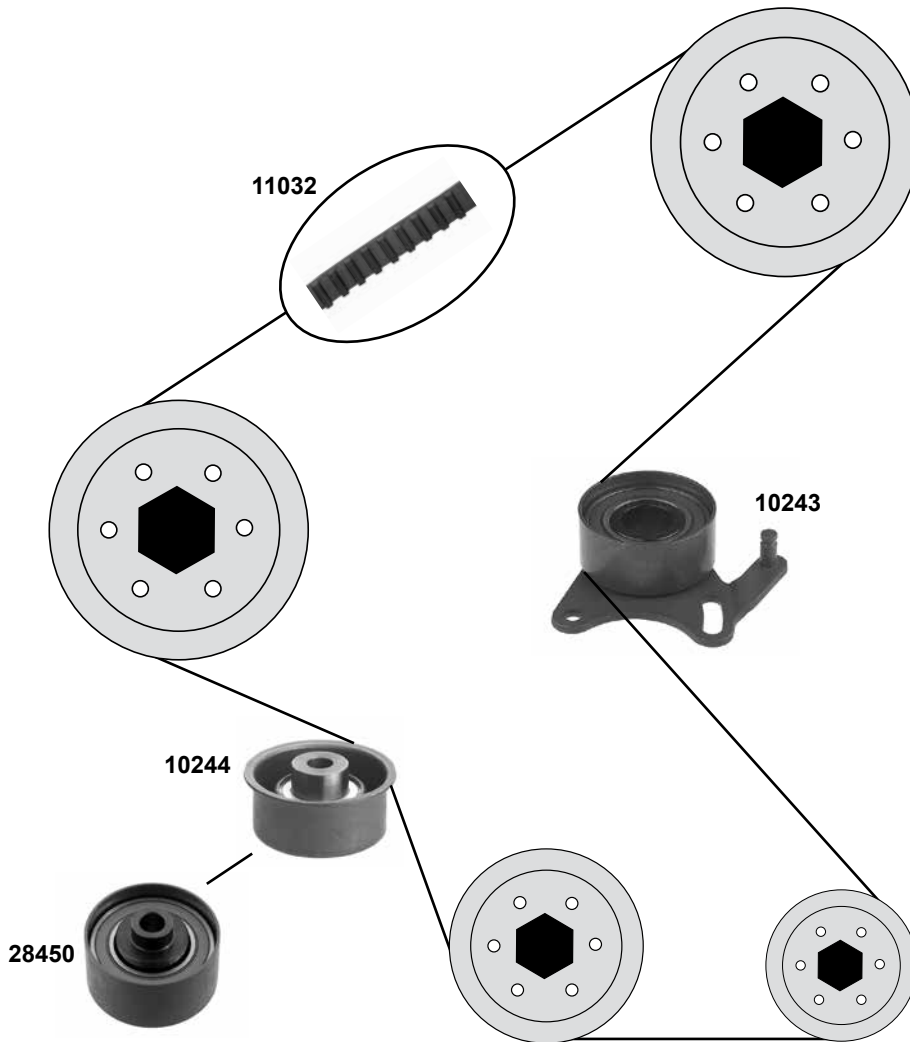
Ref. - No.



10298	0636 685	tension roller
23654	5636 743	deflection pulley
23778	5636 444	timing chain
28305	1606 434 S1	rep. kit timing belt
28306	5636 344	timing belt
28458	5636 089	chain tensioner
31622	6606 024 SK	rep. kit timing chain


Simplex  
A 2,0 FD  
A 2,0 FD

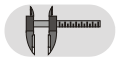
ØA 64 B40  
E 120  
Z 199 B24



- (1) CORSA B (mot.) →00029082 // CORSA A: alle/all  
(2) CORSA B (mot.) 00029083→



Ref. - No.



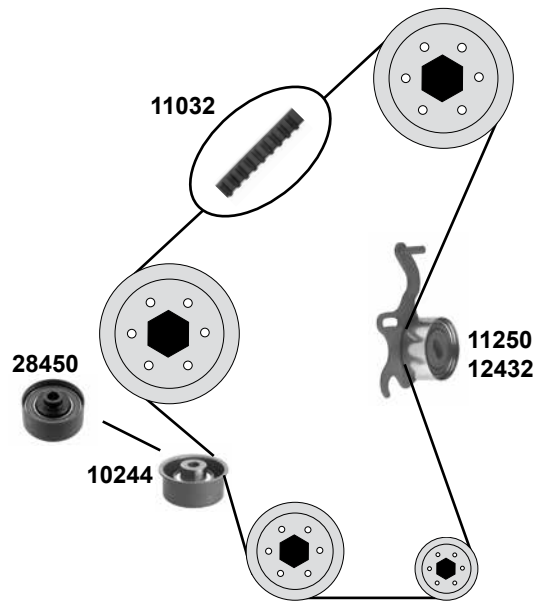
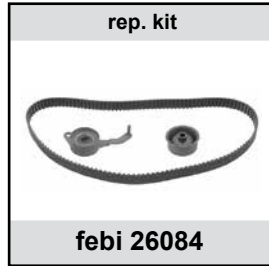
Ref. - No.	Description	Quantity	Dimensions
10243	tension roller		65 x 28 x 34,5
10244	deflection pulley	(1)	ØA 65 ØI 12 B31
11032	timing belt		Z 136 B25,4
11036	rep. kit timing belt	(1)	Z 136 B25,4
28450	deflection pulley	(2)	ØA 65 B 28,5

# OPEL Corsa B (93→00)

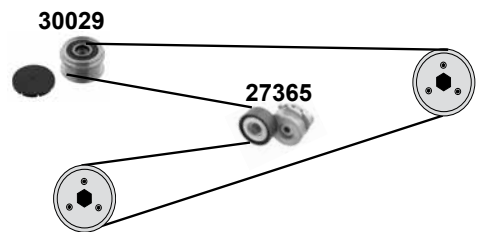
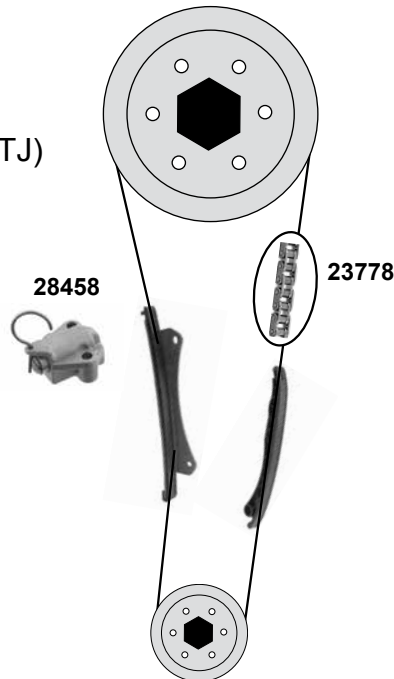
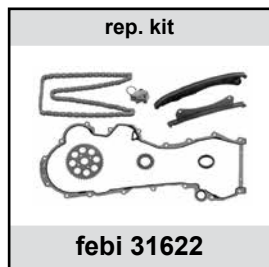
Car  
Division 



## 1,7 D (1,7 D / X 1,7 D)



## Corsa C (01→06) 1,3 D (Y 1,3 DT / Z 1,3 DT / Z 1,3 DTJ)



(1) (ch.) → R 3999999 / → R 4999999 / → R 999999

(2) (ch.) S 3000001 → / S 4000001 → / S 6000001 →

(3) mit Valeo 70A / combined with Valeo 70A

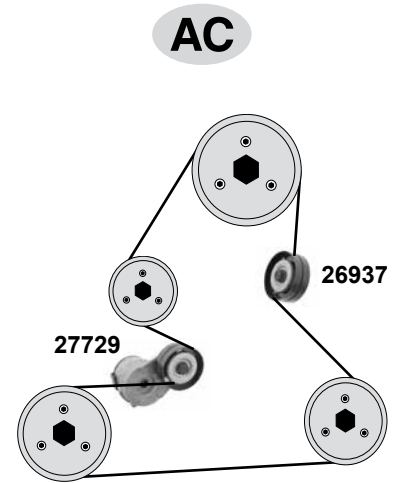
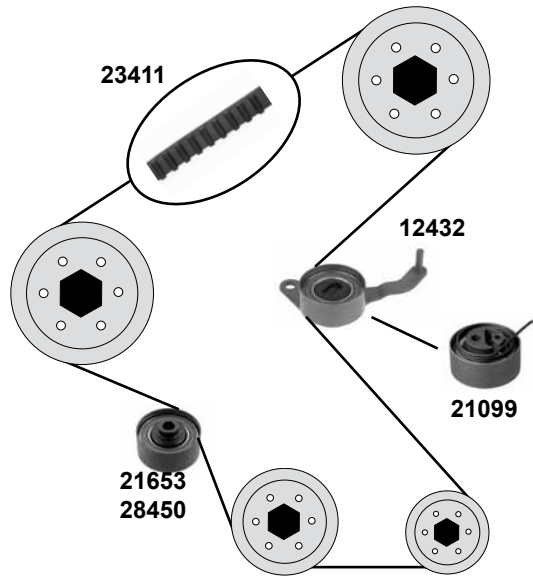
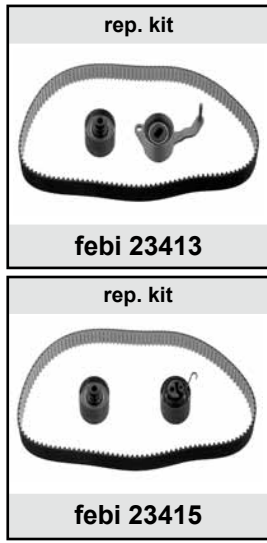


Ref. - No.

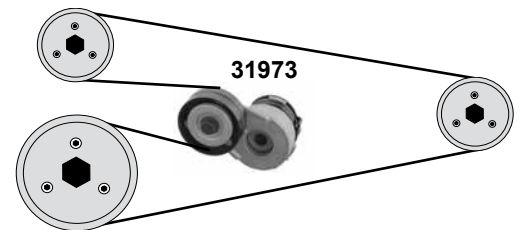
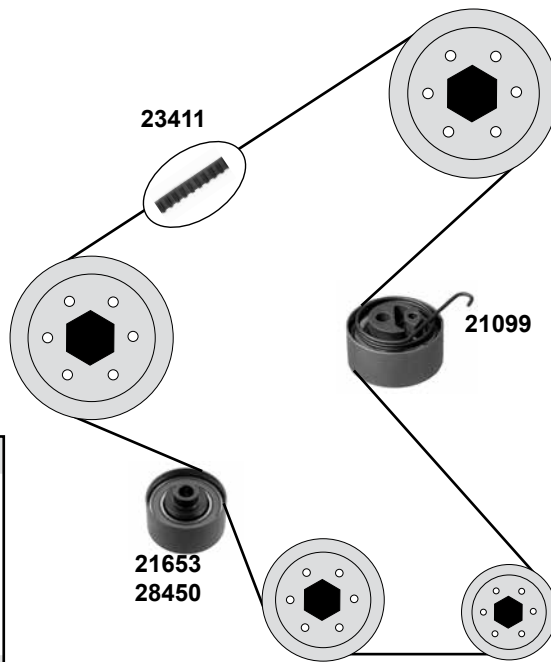


Ref. - No.	Description	Part No.	Notes
10244	deflection pulley	0636 730	(mot.) → 00029082
11032	timing belt	0636 366	
11250	tension roller	0636 735	(1)
12432	tension roller	0636 741	(2)
23778	timing chain	5636 444	
26084	rep. kit timing belt	0636 366 S2	(2)
27365	belt tensioner	0636 166	
28450	deflection pulley	0636 928	(mot.) 029083 →
28458	chain tensioner	5636 443	
30029	alternator overrun pulley	1204 517	(3)
31622	rep. kit timing chain	6606 024 SK	

**1,7 DT**  
(Y1,7DT/Y1,7DTL)



**1,7 DTH**  
(Z 1,7 DTH)



(1) Y 1,7 DTL / Y 1,7 DT (mot.)→328704

(2) Z 1,7 DTL alle/all / Y 1,7 DTL (mot.) 328705→



Ref. - No.



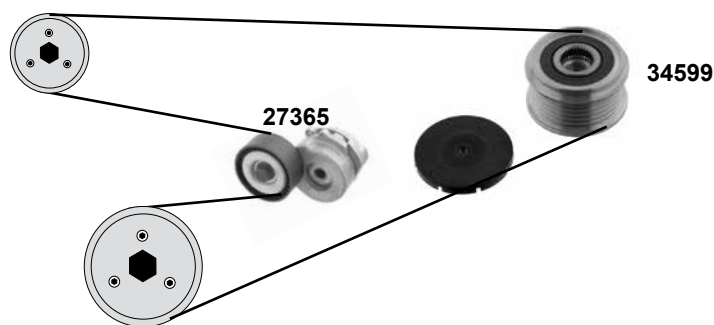
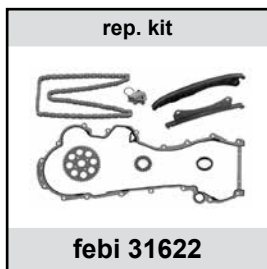
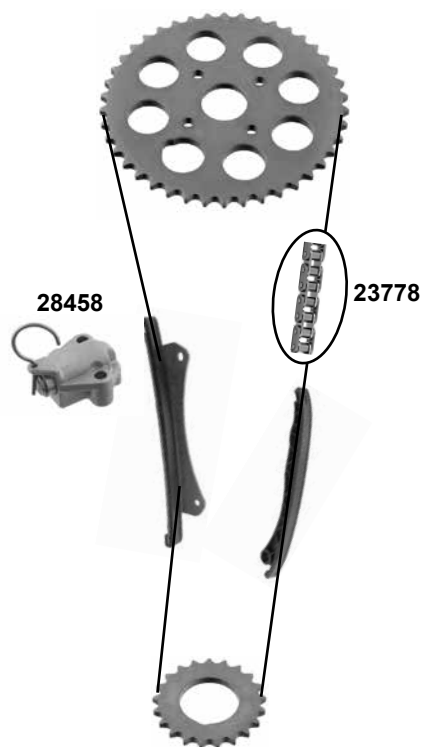
12432	0636 741	tension roller
21099	5636 739	tension roller
21653	5636 935	deflection pulley
23411	5636105	timing belt
23413	1606 388 SK	rep. kit timing belt
23415	1606 389 SK	rep. kit timing belt
26937	6854 427	deflection pulley
27729	1204 853	belt tensioner
28450	0636 928	deflection pulley
31973	6204 663	belt tensioner

(1)	ØA 65 B34 / 28
(2)	ØA 65 B28,5
(1)	Z131 B25
(2)	Z131 B25
(mot.)1306916→	ØA 76 B26
(mot.) 1548039→	ØA 70 B26
	ØA 65 B28,5
	ØA 70 B26





**1,3 D**  
(Z1,3 DTJ/DTH/DTE / A1,3DTC/DTE/ A1,3DTR )



- (1) (mot.)Z1,3 DTJ/DTH/DTE / A1,3DTC/DTE/ A1,3DTR  
(2) (mot.)Z1,3 DTE / A1,3DTC/DTE/ A1,3DTR / mit 140A Lichtmaschine / with 140A alternator

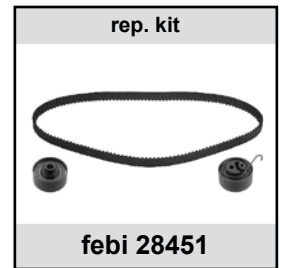
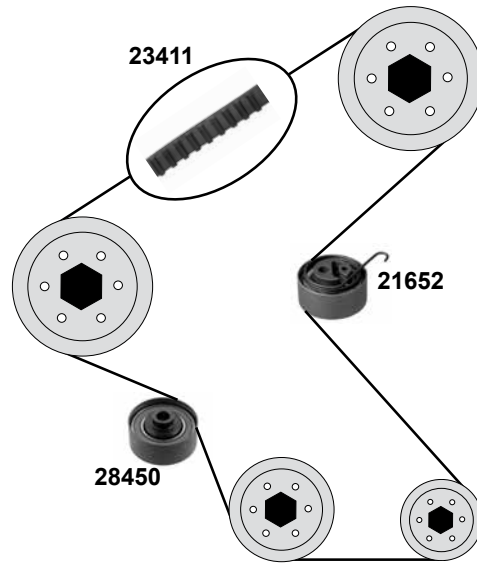


Ref. - No.



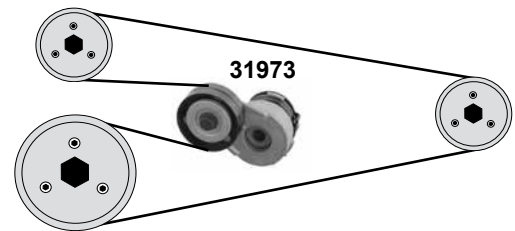
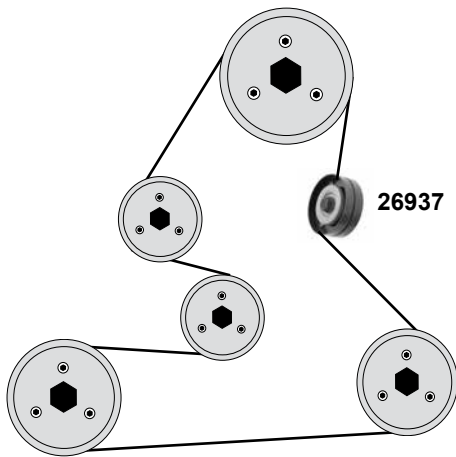
<b>23778</b>	5636 444	roller chain	(ex.) A1,3DTL	120 E
<b>27365</b>	0636 166	tension roller	(1)	ØA 65 B25,5
<b>28458</b>	5636 443	chain tensioner	(ex.) A1,3DTL	
<b>31622</b>	6606 024 SK	rep. kit timing chain	(ex.) A1,3DTL	120 E
<b>34599</b>	1204 177	alternator overrun pulley	(2)	

**1,7 D**  
(Z 1,7 DTR / A 1,7 DTS / A1,7DTR)



(Z 1,7 DTR/A1,7DTS)

**AC**

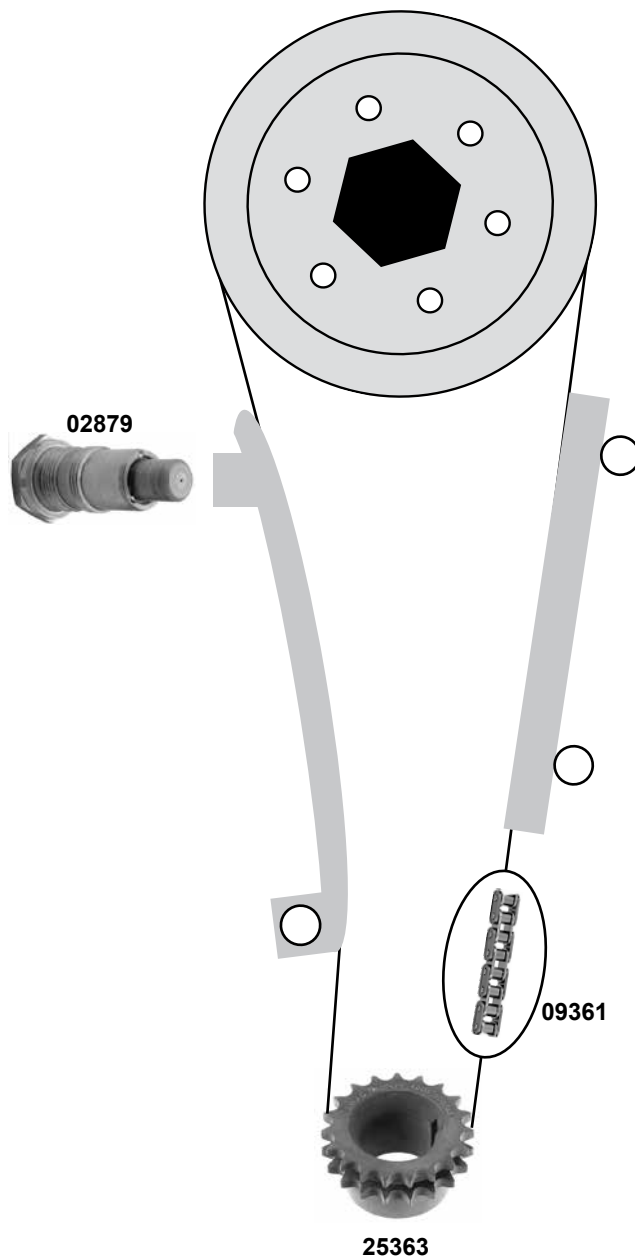


Ref. - No.



<b>21652</b>	5636 403	tension roller		ØA 65 B28,5
<b>23411</b>	5636105	timing belt		Z 131 B25
<b>26937</b>	6854 427	deflection pulley		ØA 76 B26
<b>28450</b>	0636 928	deflection pulley		ØA 65 B28,5
<b>28451</b>	5636 086 S1	rep. kit timing belt		Z 131 B25
<b>31973</b>	6204 663	belt tensioner		ØA 70 B26
			(mot.) Z1,7DTR/A1,7DTS	
			(ex.) A1,7 DTS	
			(mot.) Z1,7DTR	

**2,3 TD**



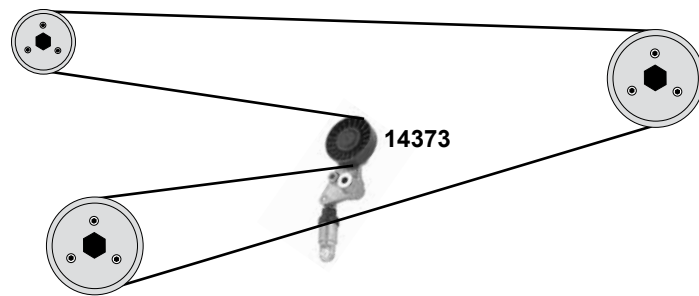
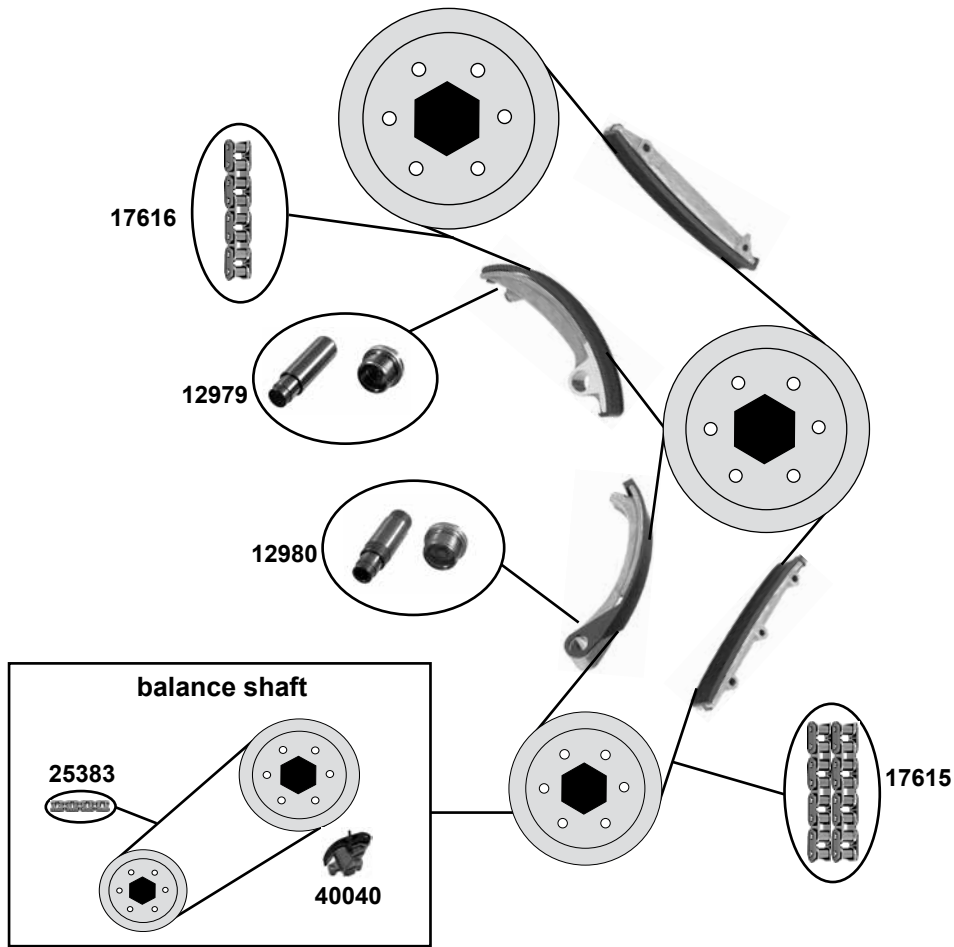
**Ref. - No.**



<b>02879</b>	0636 377
<b>09361</b>	0636 362
<b>25363</b>	-----

chain tensioner  
 timing chain  
 crankshaft gear

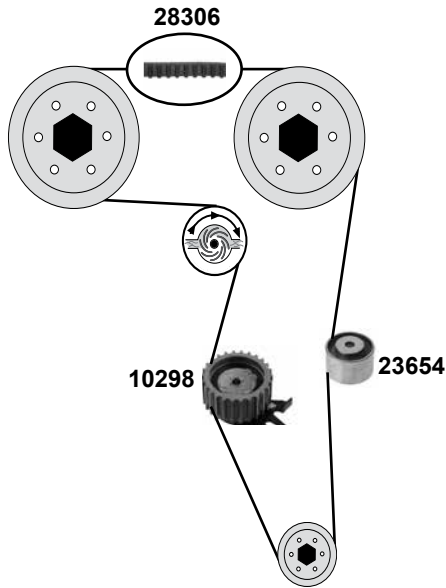
D 457 / 188 E



	Ref. - No.			
<b>12979</b>	5636 386	chain tensioner	Simplex	ØA 90 B24,4 78 E 80 E 78 E
<b>12980</b>	5636 387	chain tensioner		
<b>14373</b>	1340 530	belt tensioner		
<b>17615</b>	5636 352	roller chain duplex		
<b>17616</b>	5636 353	timing chain		
<b>25383</b>	0615 010	timing chain simplex		
<b>30449</b>	5636 353 S1	rep. kit timing chain		
<b>40040</b>	0615 006	chain tensioner		

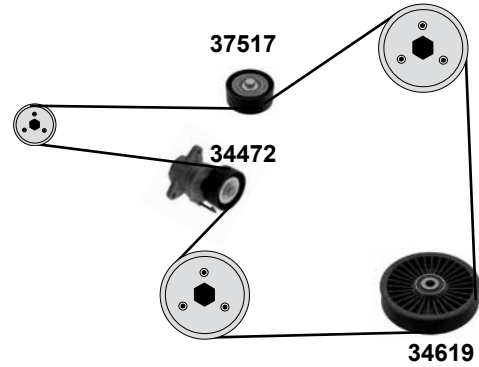
**2,0 CDTI**

(A 2,0 DTC/DTJ/DTH/DTR/DTL/DT)



**2,0 CDTI**

(A 2,0 DTH/DTC/DT/DTL/DTJ/DTR)

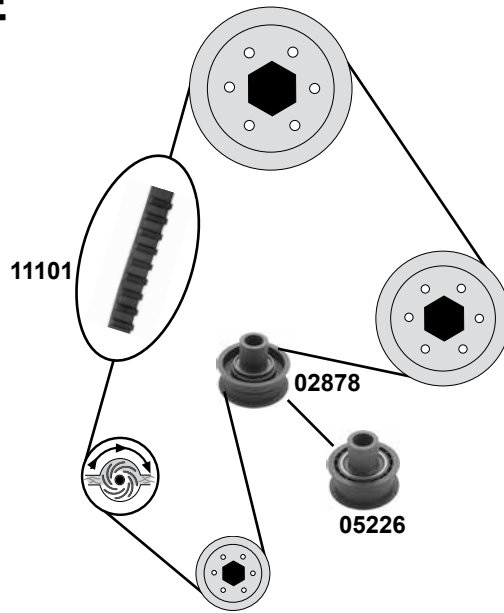


**Kadett D / Kadett E**

(79→93)

**1,6 D**

(1,6 D / 1,6 DA)



(1) KADETT D: all  
KADETT E: (mot.) DA→14498630

(2) KADETT E: (mot.) DA 14498631  
(mot.) DA 14503757→  
(mot.) DA→14503756

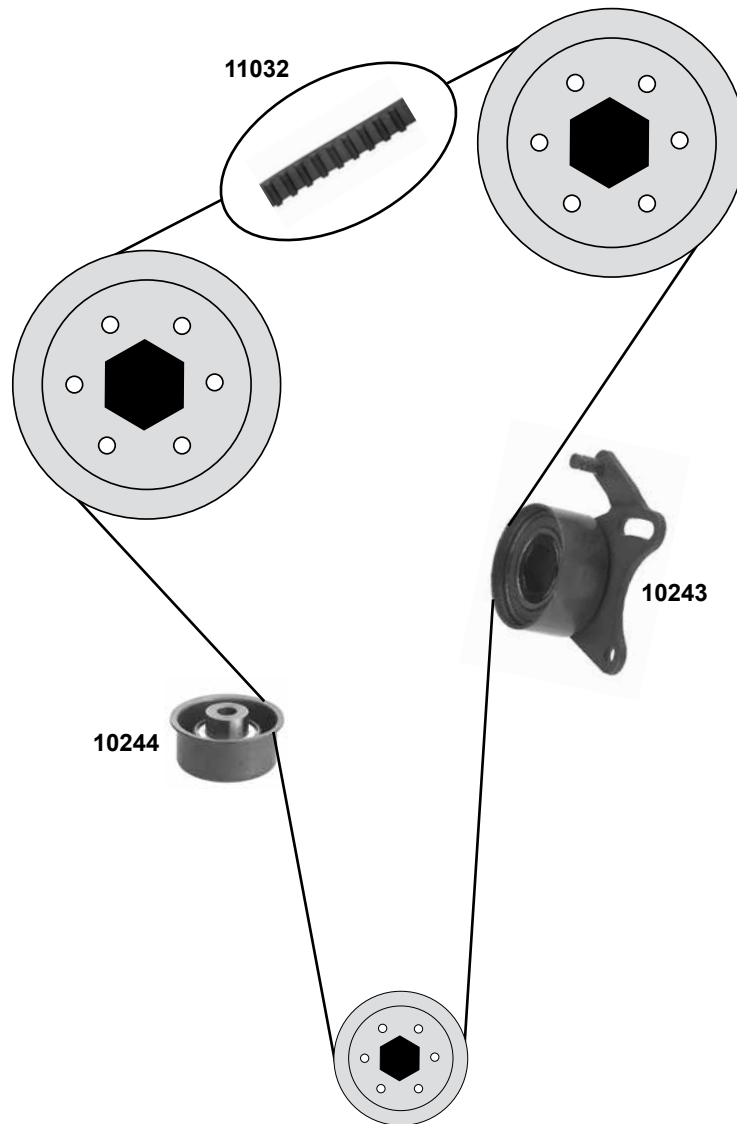
(3) (ex.) AC (mot.) A 2,0DTJ/DTH



Ref. - No.



<b>02878</b>	0636 421	deflection pulley	(1)	12 x 69 x 31/59
<b>05226</b>	0636 422	deflection pulley	(2)	27 x 71 x 58,5
<b>10298</b>	0636 685	tension roller		AØ 64 B40
<b>11101</b>	0636 563	timing belt	(2)	Z146 B24
<b>23654</b>	5636 743	deflection pulley		
<b>28306</b>	5636 344	timing belt	(ex.) (mot.) A 2,0 DTR	Z 199 B24
<b>34472</b>	1340 269	belt tensioner		
<b>34619</b>	5636 412	deflection pulley	(3)	AØ 124
<b>37517</b>	1854 740	deflection pulley		ØA 65



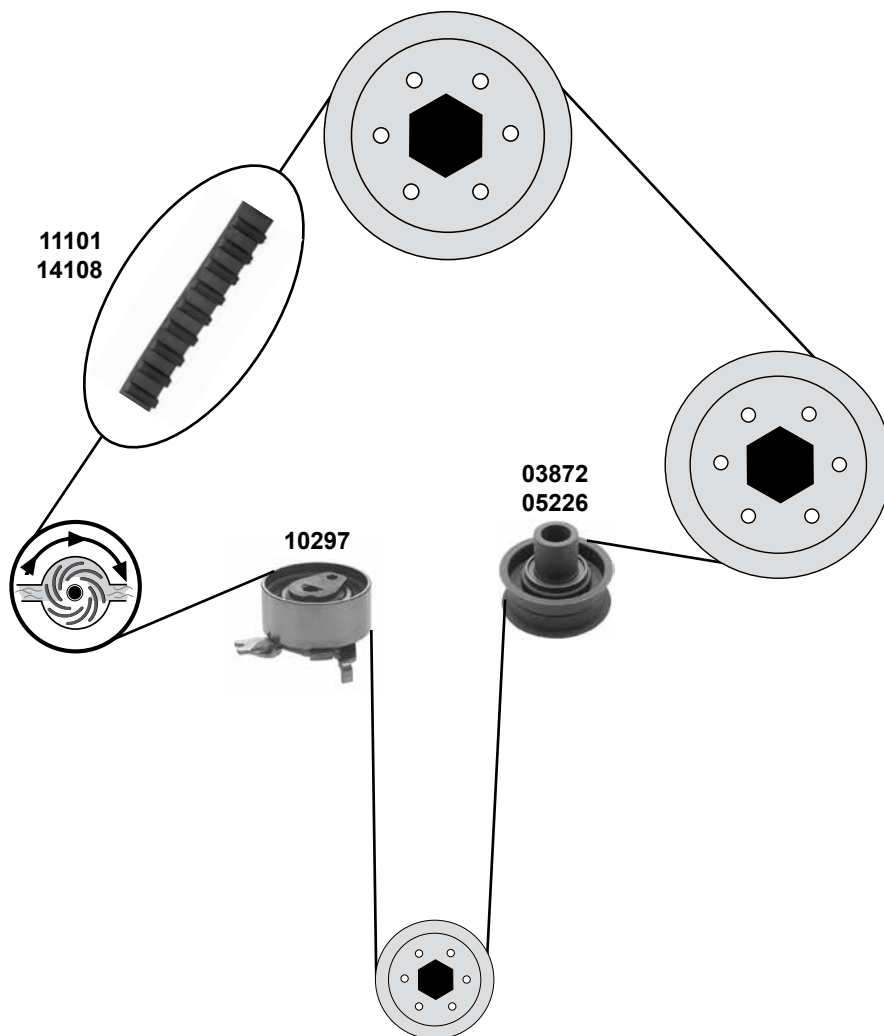
Ref. - No.



<b>10243</b>	0636 741	tension roller
<b>10244</b>	0636 730	deflection pulley
<b>11032</b>	0636 366	timing belt
<b>11036</b>	0636 366 S1	rep. kit timing belt

ØA 65 ØI 28 B34,5
ØA 65 ØI 12 B31
Z 136 B25,4
Z 136 B25,4

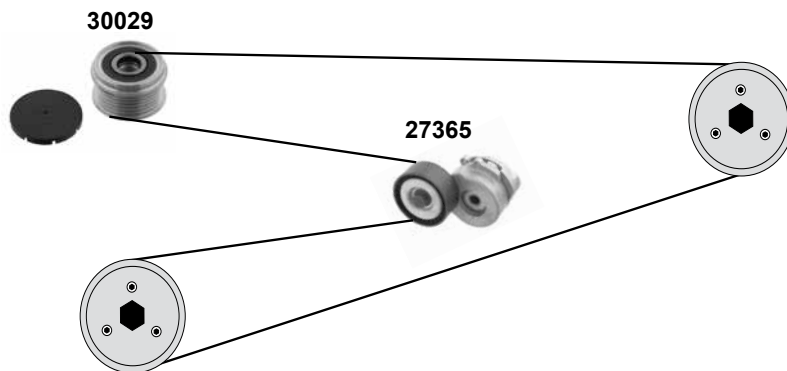
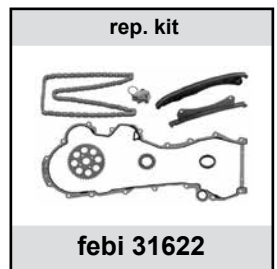
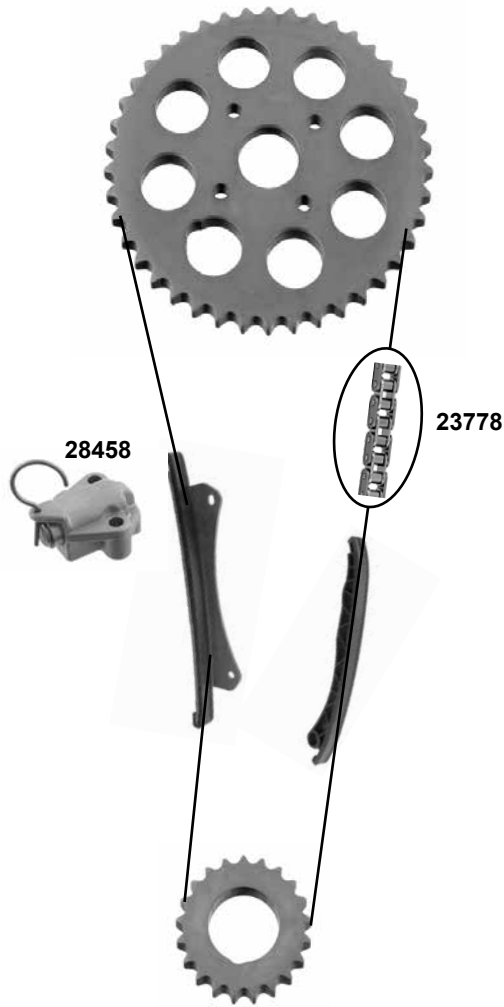
**1,7 D**  
 (1,7 DR)



	Ref. - No.			
<b>03872</b>	5636 424	deflection pulley	(mot.) 14363651 →	27 x 52
<b>05226</b>	0636 422	deflection pulley	(mot.) → 14363650	27 x 71 x 58,5
<b>10297</b>	5636 738	tension roller		26 x 59
<b>11101</b>	0636 563	timing belt	(mot.) → 14363650	Z 146 B24
<b>14108</b>	5636 355	timing belt	(mot.) 14363651 →	Z 176 B24
<b>14111</b>	5636 355 S2	rep. kit timing belt	(mot.) 14363651 →	



**1,3 D**  
(Y 1,3 DT / Z 1,3 DT / Z 1,3 DTJ)



(1) combined with Valeo 70A



Ref. - No.



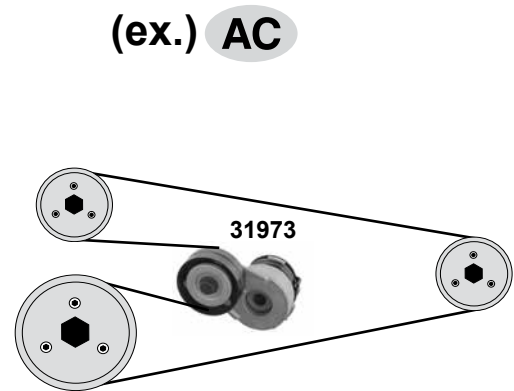
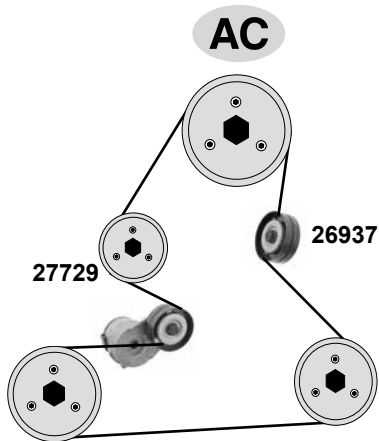
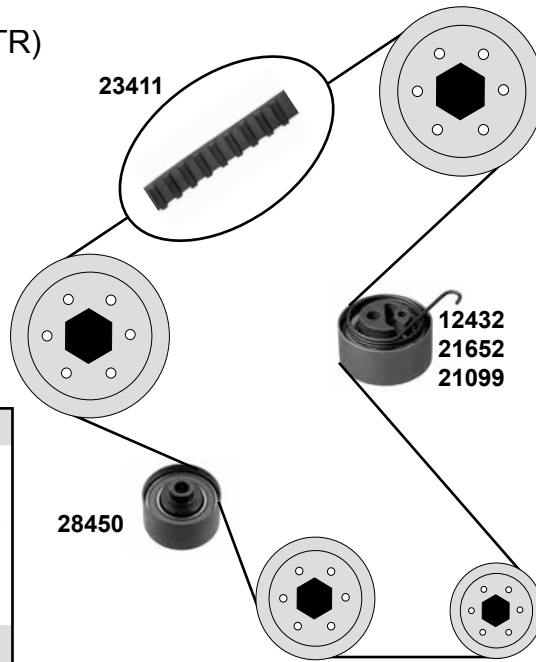
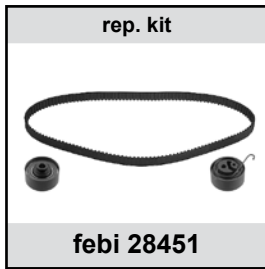
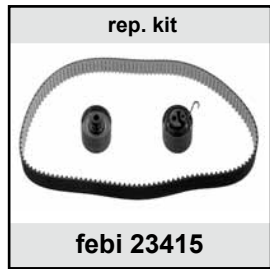
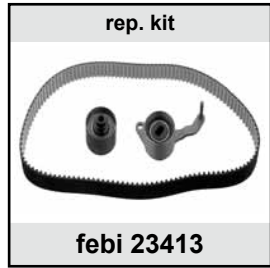
<b>23778</b>	5636 444	roller chain
<b>27365</b>	0636 166	tension roller
<b>28458</b>	5636 089	chain tensioner
<b>30029</b>	1204 517	alternator overrun pulley
<b>31622</b>	6606 024 SK	rep. kit timing chain

(1)

120 E
ØA 65 B25,5
ØA59 ØI 17 B38,1
120 E



**1,7 D**  
(Y 1,7 DT / Z 1,7 DTH / Z 1,7 DT / DTR)



- (1) (mot.) Z 1,7 DT/DTR
- (2) (mot.) Y 1,7 DT (mot.) 328705→ / Z1,7 DTH alle / all
- (3) (mot.) Y 1,7 DT→(mot.) 328704
- (4) (mot.) Y 1,7 DT

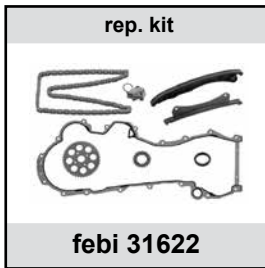
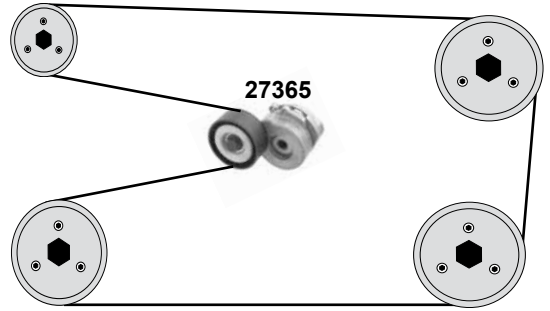
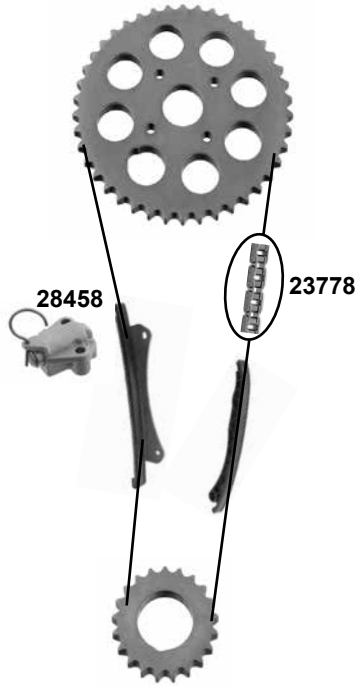


Ref. - No.

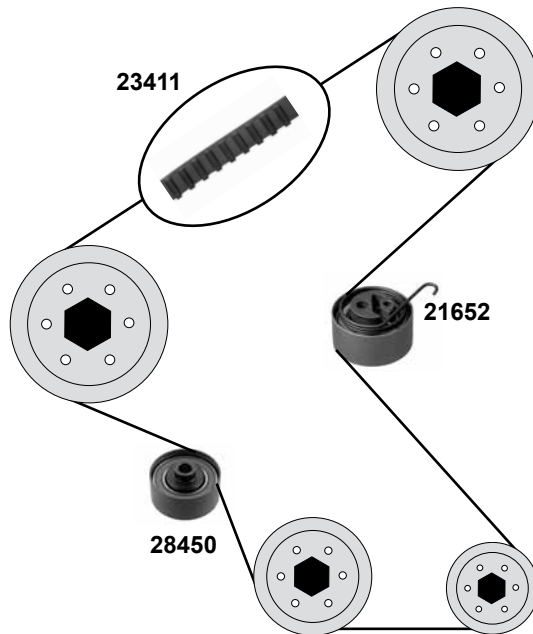


Ref. - No.	Description	Quantity	Dimensions
12432	tension roller	(3)	ØA 65 B28,5
21099	tension roller	(2)	65 x 28 x 34,5
21652	tension roller	(1)	ØA 65 B28,5
23411	timing belt	all	Z 131 B25
23413	rep. kit timing belt	(3)	Z 131 B25
23415	rep. kit timing belt	(2)	Z 131 B25
26937	deflection pulley	all	ØA 76 B26
27729	belt tensioner	(4)	ØA 70 B26
28450	deflection pulley	all	ØA 65 B28,5
28451	rep. kit timing belt	(1)	Z 131 B25
31973	belt tensioner	(1)	ØA 70 B26

**1,3 CDTI**  
(A 1,3 DTC/DTE)

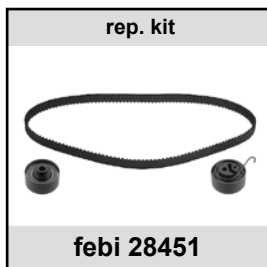
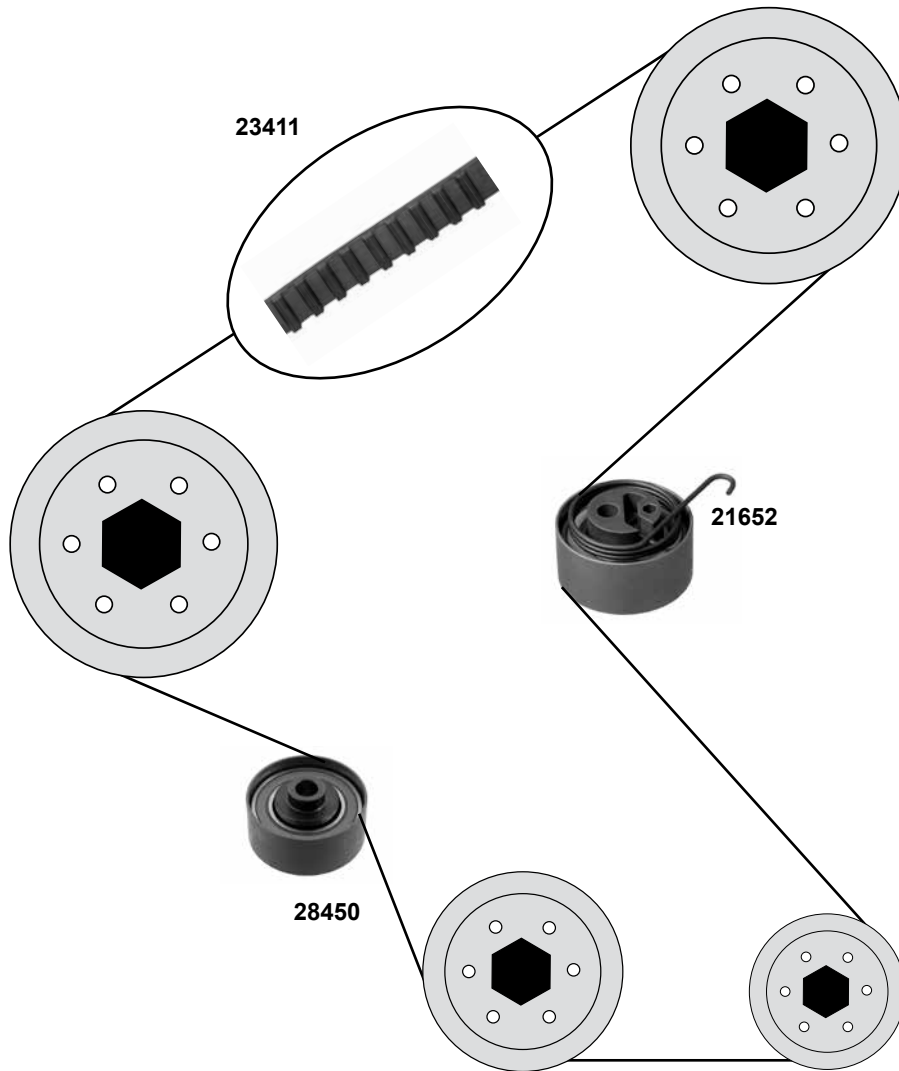


**1,7 CDTI**  
(A 1,7 DT / DTC / DTS / DTI)



	Ref. - No.			
21652	5636 403	tension roller	(ex.) A1,7DTI	ØA 65 B28,5
23411	5636105	timing belt	(ex.) A1,7DTI	Z 131 B25
23778	5636 444	timing chain		120 E
27365	0636 166	belt tensioner		ØA 65 B25,5
28450	0636 928	deflection pulley		ØA 65 B28,5
28451	5636 086 S1	rep. kit timing belt	(ex.) A1,7DTI	Z 131 B25
28458	5636 089	chain tensioner		
31622	6606 024 SK	rep. kit timing chain		120 E

**1,7 CDTI**  
(A 1,7 DTS)



Ref. - No.

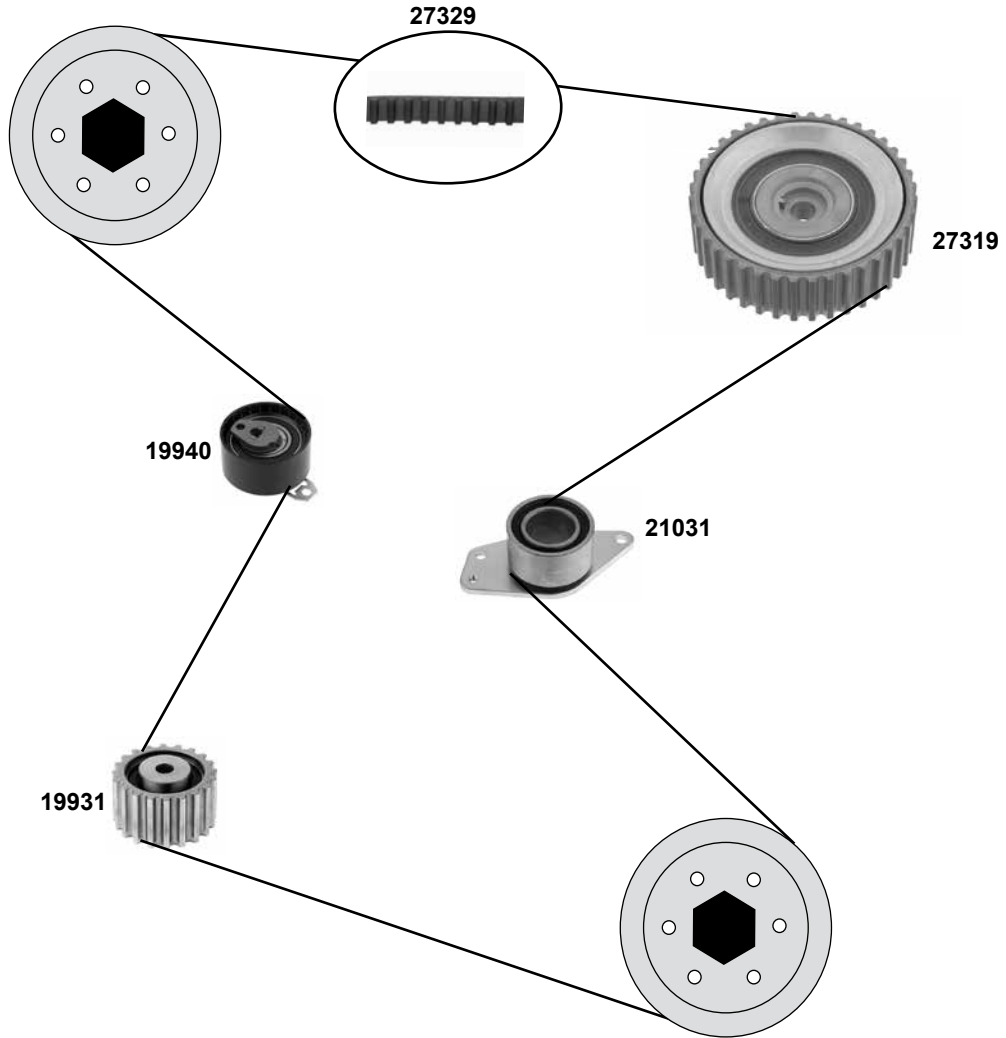


**21652**  
**23411**  
**28450**  
**28451**

5636 403  
5636105  
0636 928  
1606 384 SK

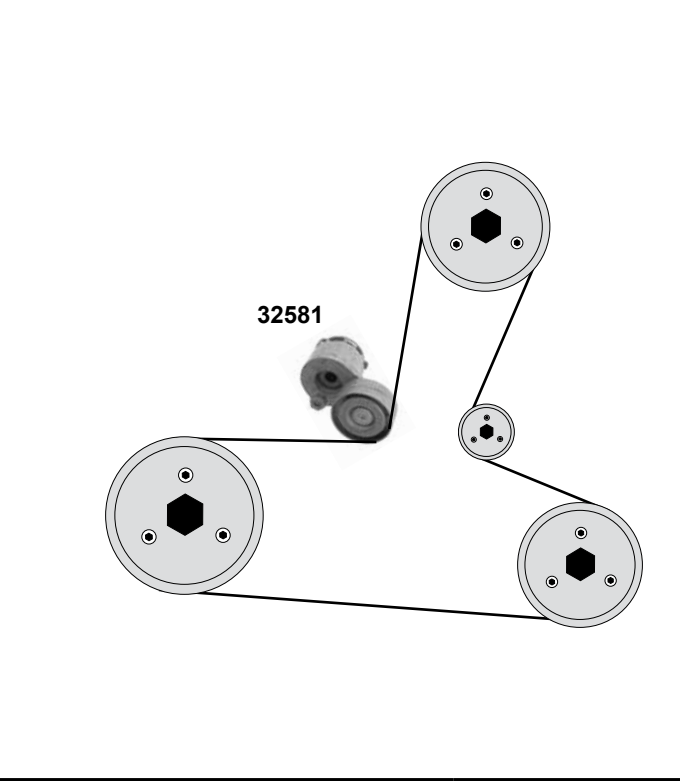
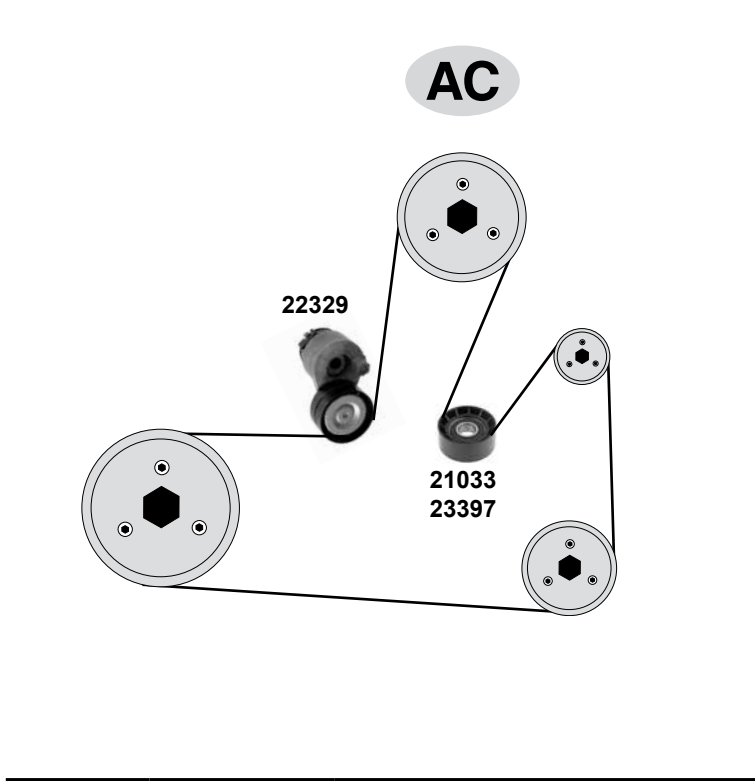
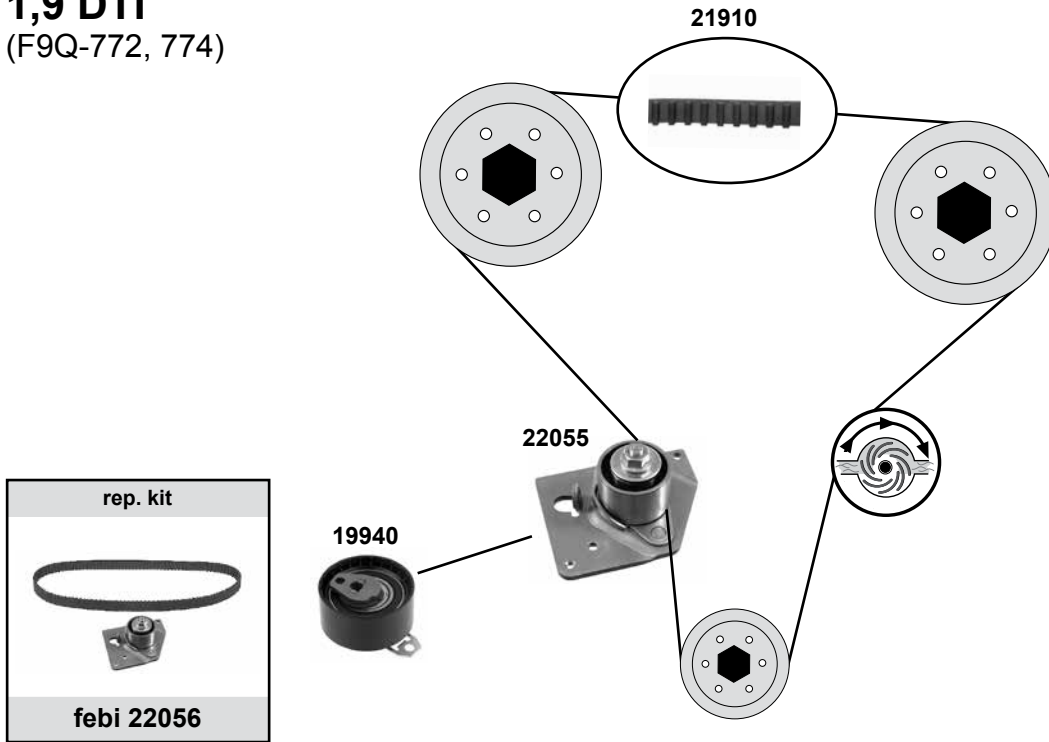
tension roller  
timing belt  
deflection pulley  
rep. kit timing belt





ØA 65 B28,5  
Z 131 B25  
ØA 65 B28,5  
Z 131 B25



	Ref. - No.			
<b>19931</b>	4402 639	deflection pulley		ØA 60,1 H 32,5
<b>19940</b>	4401 416	tension roller		ØA 65,4 H 30,5
<b>21031</b>	4402 632	deflection pulley		ØA 65 Ø130,8 H 32,5
<b>27319</b>	-----	camshaft timing gear		ØA 120 H30 Z 40
<b>27329</b>	-----	timing belt		Z 153 B26
<b>27353</b>	4404 309	rep. kit timing belt		Z 153 B26

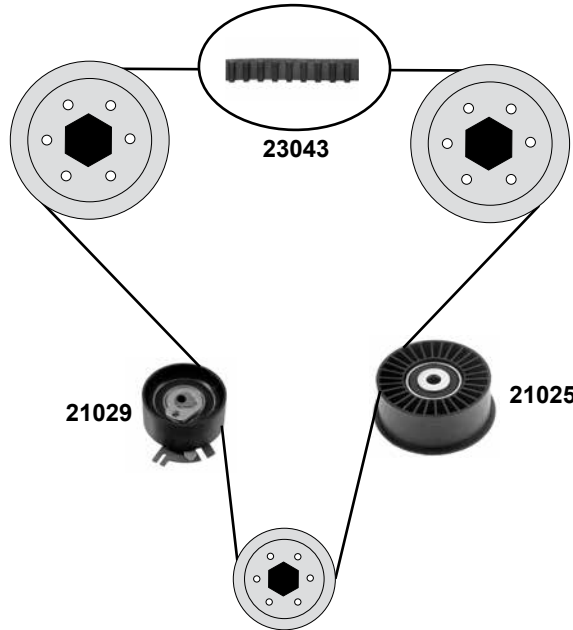
**1,9 DTI**  
(F9Q-772, 774)



	Ref. - No.			
<b>19940</b>	4401 416	tension roller	<b>(mot.)</b> F9Q-770 → <b>(ch.)</b> C029793	ØA65,4 B32
<b>21033</b>	4410 595	deflection pulley		Z 132 B26
<b>21910</b>	4430 892	timing belt	<b>(ch.)</b> C029794 →	ØA60 B30,8
<b>22055</b>	4408 922	tension roller		Z 132 B26
<b>22056</b>	4430 891	rep. kit timing belt		ØA 65 B30
<b>22329</b>	4411 707	belt tensioner		17x60x31
<b>23397</b>	4413 791	deflection pulley		ØA 65
<b>32581</b>	4401 567	belt tensioner		

**2,2 D / 2,5 D**

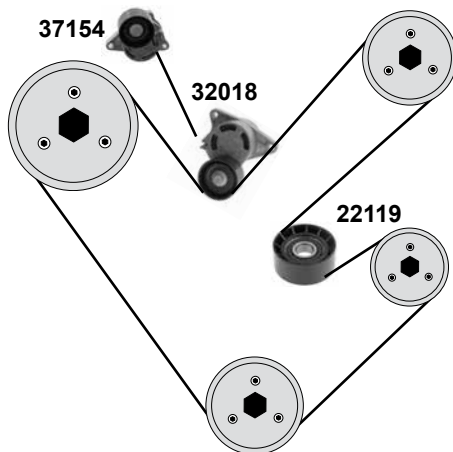
(G9U-632,650,720,724,750,754 / G9T-720,722,750)



**2,2 D (G9T-720,722,750) AC**

**2,5 D (G9U-750) AC**

(G9U-632,650,720,724,730,750,754) AC / (ex. AC)

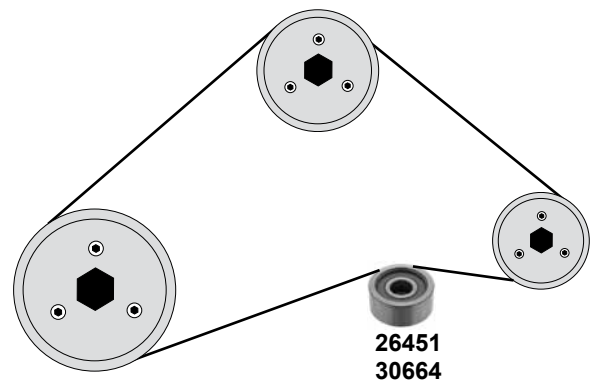


**2,5 D**

(S8U-772)

**2,8 DTI**

(S9W-700 / S9W-702)



(1) (mot.) 2,2 DTI G9T-720,-722,-750 / (mot.) 2,5 DTI G9U-720,-724,-750,754 / (mot.) 2,5 CDTI G9U-632,-650,962

(2) (mot.) 2,2 DTI G9T-720,-750 / (mot.) 2,5 DTI G9U-720,-724,-730,-750,754

(3) (ex.) (mot.) G9U-730/750/754



Ref. - No.



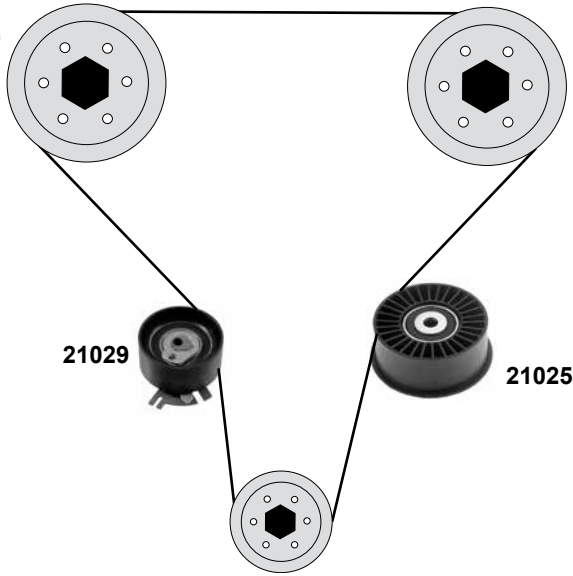
21025	4506 092	deflection pulley	(ex.) (mot.) G9U-632/650	ØA 75,2 B32
21029	4401 430	tension roller	(ex.) (mot.) G9U-632/650	ØA70 B32
22119	4414 654	deflection pulley	(3)	ØA 60 ØI 12 B31
23043	4401 429	timing belt	(ex.) (mot.) G9U-632/650	Z 89 B25
23045	4401 428	rep. kit timing belt		
26451	4500 041	deflection pulley		ØA 67,2 ØI 10 B26
30664	4500 955	tensioner roller	→ (mot.) 3053818	ØA 60 ØI 8 B26
32018	4431 739	belt tensioner	(1) AC	ØA 60
37154	4432 089	belt tensioner	(2) (ex.) AC	ØA 60

# OPEL Movano A (03→10)

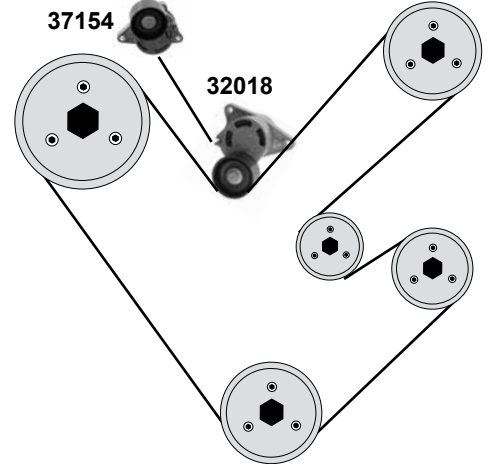
Car  
Division



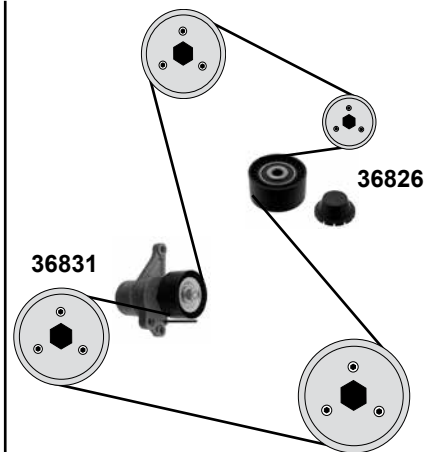
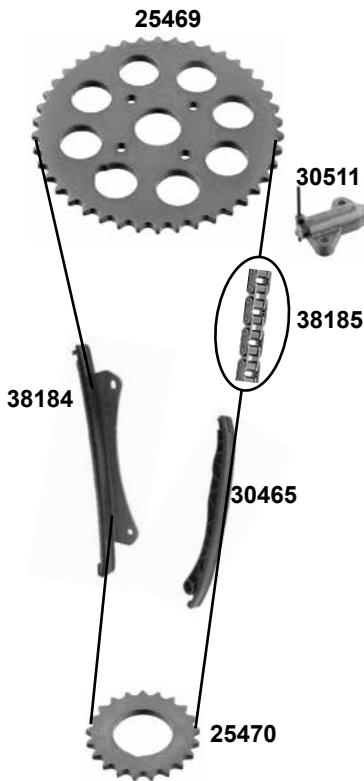
## 2,5 CDTI (G9U-724,750,754)



## 2,5 CDTI (G9U-632,-650,-692)



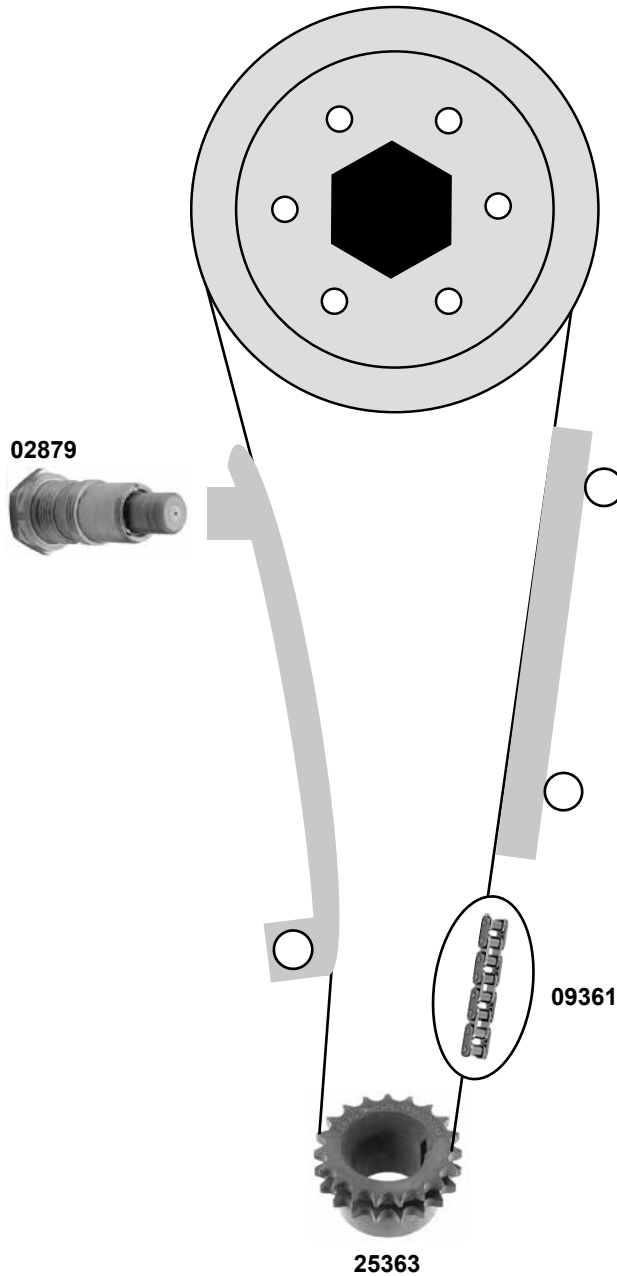
# Movano B (10→) 2,3 CDTI (M9T)



Ref. - No.



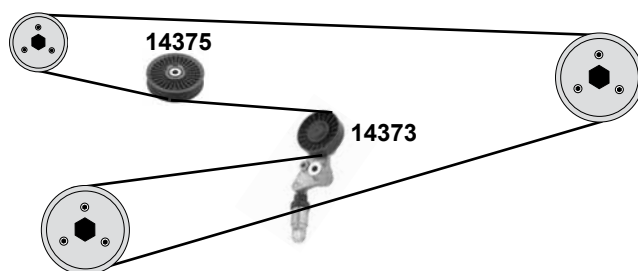
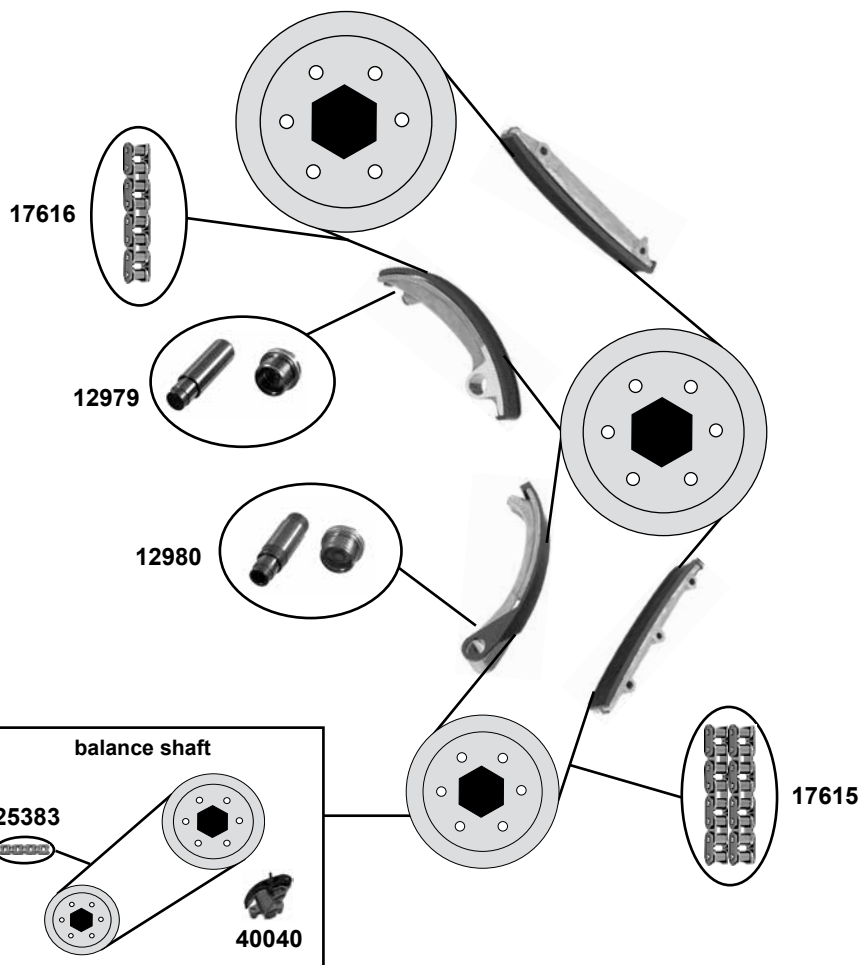
Ref. - No.	Description	Notes	Dimensions
21025	deflection pulley	(ex.) (mot.) G9U-632/650	ØA 75,2 B32
21029	tension roller	(ex.) (mot.) G9U-632/650	ØA70 B32
25469	camshaft timing gear	all	
25470	crankshaft gear	all	
30465	sliding rail	all	
30511	chain tensioner	all	
32018	belt tensioner	AC	ØA 60
36826	deflection pulley	all	ØA60 ØI 10 H30
36831	belt tensioner	all	ØA65 B29,5
37154	belt tensioner	(ex.) 9GU-692 / (ex.) AC	ØA 60
37999	rep. kit timing chain	all	
38184	sliding rail	all	
38185	timing chain	all	116 E







**2,0 TD / 2,2 TD**  
(X 2,0 DTH / Y 2,2 DTH)



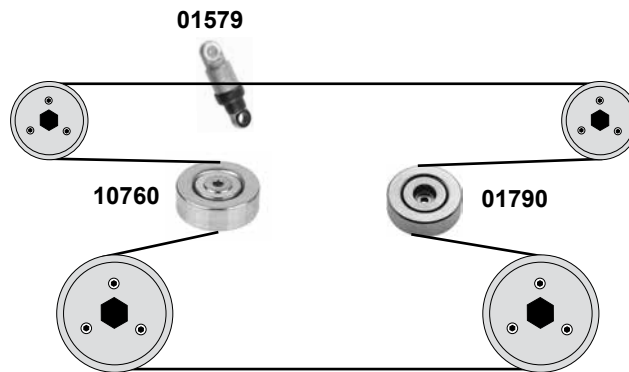
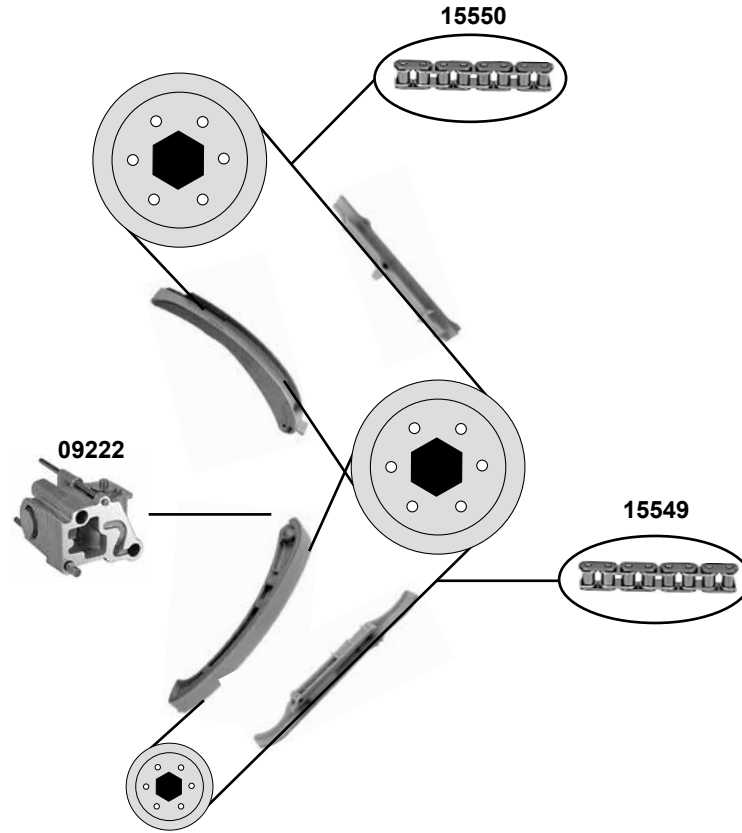
Ref. - No.



<b>12979</b>	5636 386
<b>12980</b>	5636 387
<b>14373</b>	1340 530
<b>14375</b>	6340 551
<b>17615</b>	5636 352
<b>17616</b>	5636 353
<b>25383</b>	0615 010
<b>30444</b>	6606 025 SK
<b>30449</b>	5636 353 S1
<b>40040</b>	0615 006

chain tensioner
chain tensioner
belt tensioner
deflection pulley
roller chain duplex
roller chain simplex
timing chain simplex
rep. kit timing chain
rep. kit timing chain
chain tensioner

ØA 90 B 24,4
ØA 109 B 26,4
78 E
80 E
78 E
78 E



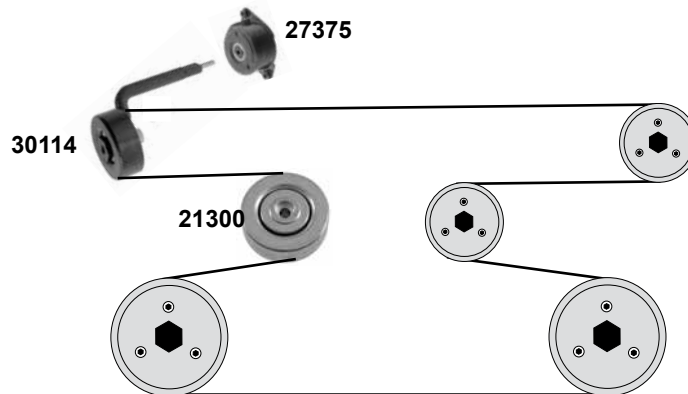
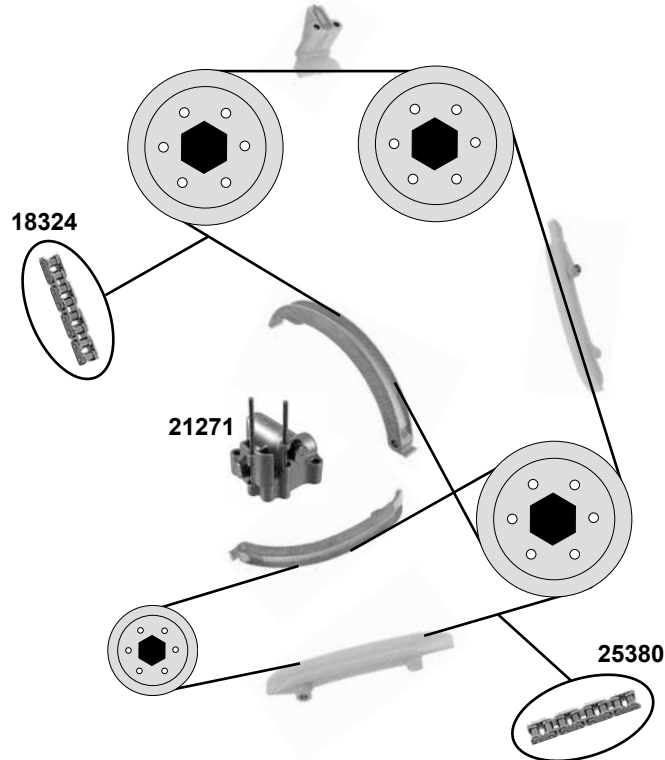
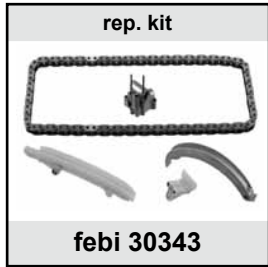
	Ref. - No.			
<b>01579</b>	1340 653	belt tensioner		
<b>01790</b>	1340 540	deflection pulley		ØA 80 B23,5
<b>09222</b>	0636 386	chain tensioner		
<b>10760</b>	1340 543	deflection pulley		Ø70 B23
<b>15549</b>	5636 366	timing chain		74 E
<b>15550</b>	5636 365	timing chain		80 E
<b>30384</b>	5636 365 S1	rep. kit timing chain		





# OPEL Omega B (94→03)

Car  
Division 

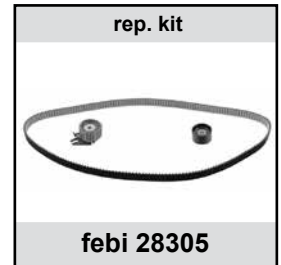
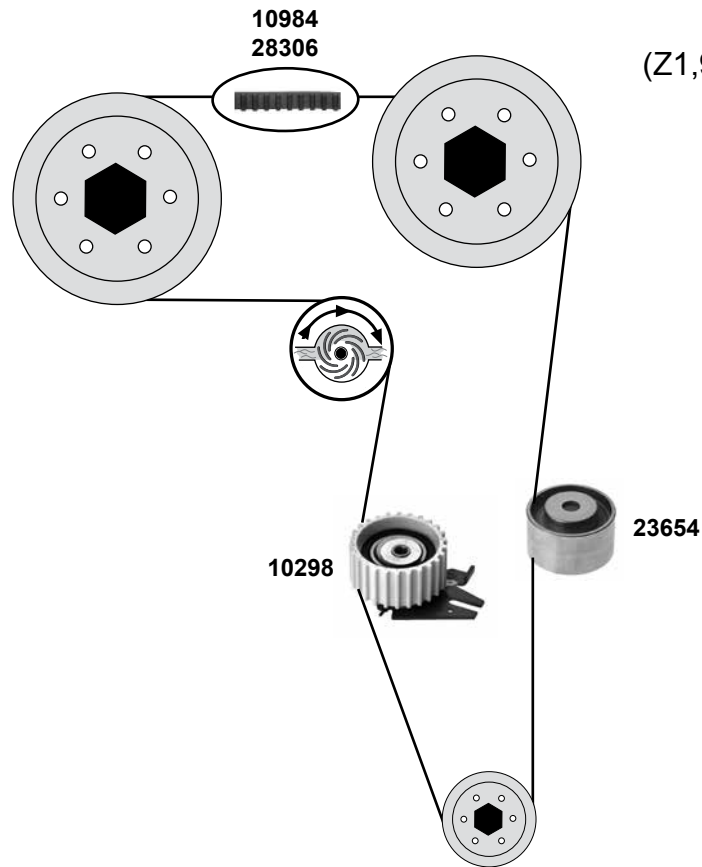


## 2,5 TD 24V (Y 2,5 TD)

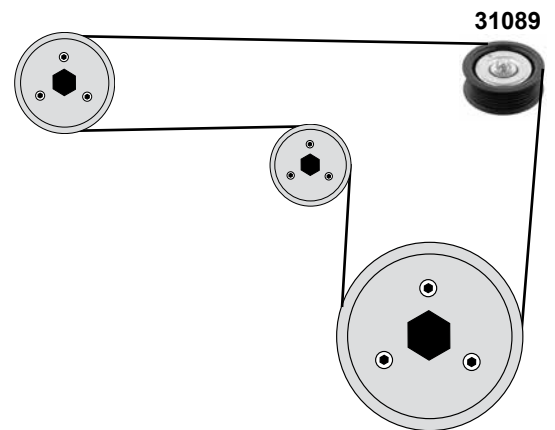
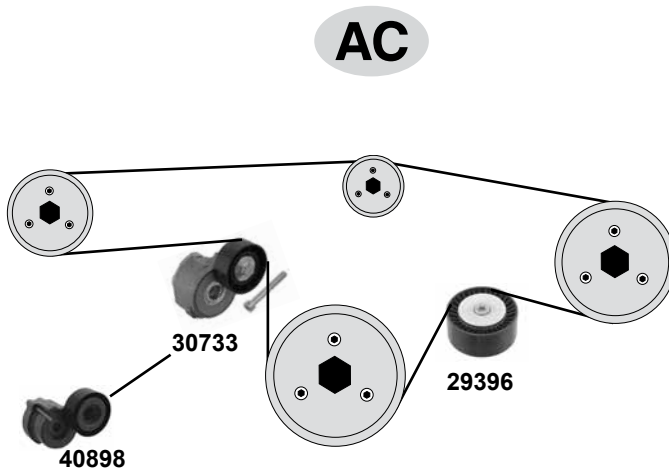


	Ref. - No.			
18324	5636 322	timing chain		90 E
21271	5636 389	chain tensioner		
21300	6340 539	deflection pulley		ØA70 Ø18 B23
25380	5636 390	timing chain		68 E
27375	1854 352	belt tensioner		ØA66 B28
30114	6340 543	tension roller		ØA70 B25,5 / 23
30343	5636 322 S1	rep. kit timing chain		90 E
30344	6606 025 SK	rep. kit timing chain		68 E

**1,9 TD**  
(Z1,9 DT / Z 1,9 DTH / Z1,9 DTL)



**1,9 TD**  
(Z1,9 DT / Z1,9 DTL / Z1,9 DTH)

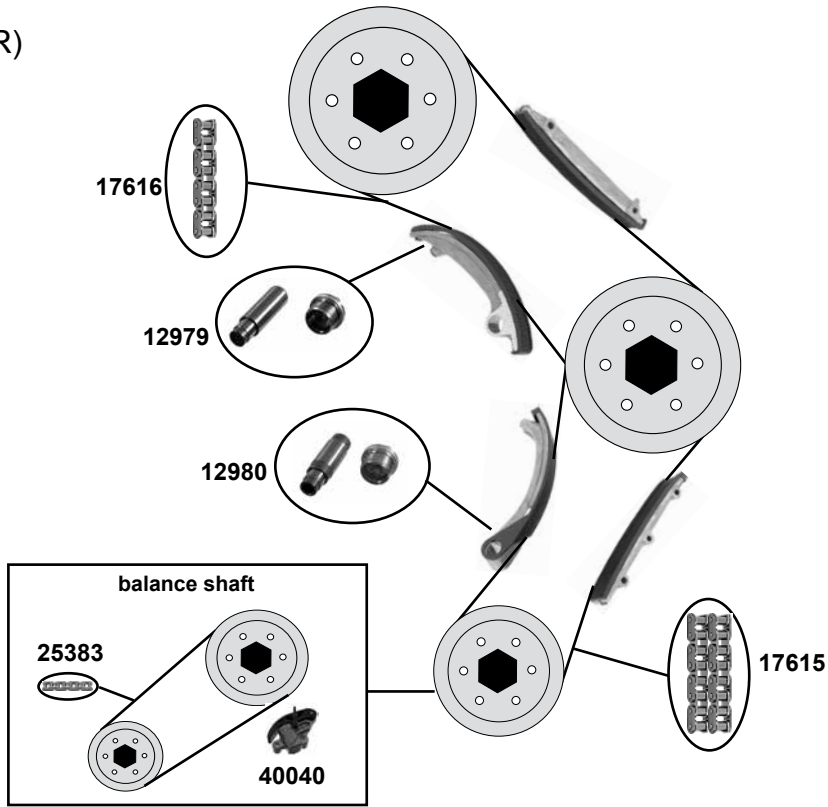
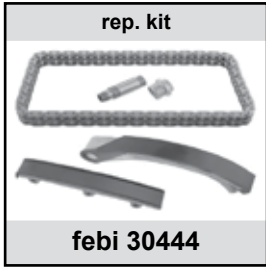


Ref. - No.

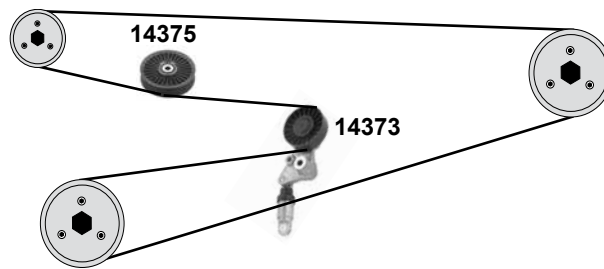






Ref. - No.	Description	Notes	Dimensions
10298	tension roller		ØA 64 B40
10984	timing belt	(mot.) DT/DTL	Z 190 B24
23654	deflection pulley	(mot.) DT/DTL	ØA 65 B30
23655	rep. kit timing belt	(mot.) Z1,9DTH	Z 190 B24
28305	rep. kit timing belt	(mot.) DTH	Z 199 B24
28306	timing belt	→(ch.) 71111927	Z 199 B24
29396	deflection pulley	→(ch.) 71111927	ØA 70 B26
30733	belt tensioner		ØA 65
31089	tension roller	(ch.) 71111928 →	ØA 65 B26
40898	belt tensioner		ØA 65 B26

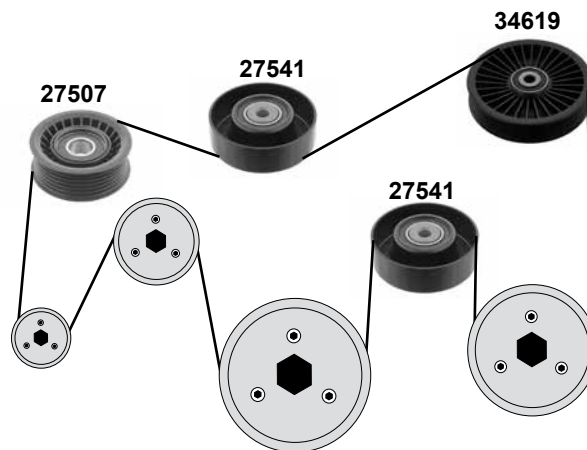
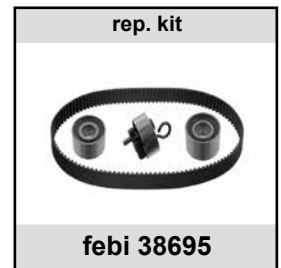
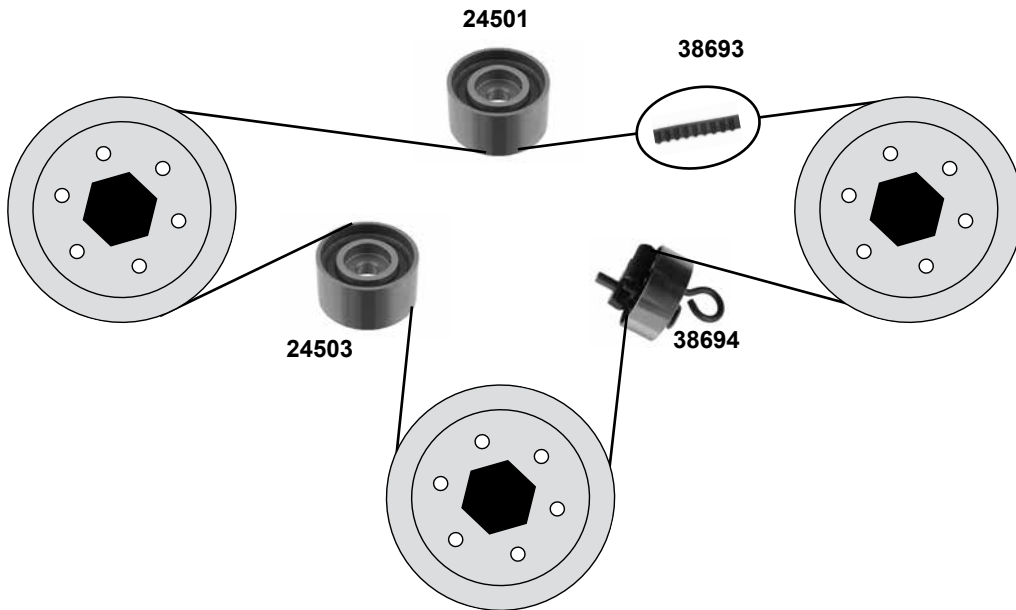
**2,0 TD / 2,2 TD**  
(Y2,0 DTH / Y 2,2 DTR)



**2,0 TD / 2,2 TD**  
(Y2,0DTH / Y 2,2 DTR)



	Ref. - No.			
12979	5636 386	chain tensioner		
12980	5636 387	chain tensioner		
14373	1340 530	belt tensioner		
14375	6340 551	deflection pulley		
17615	5636 352	timing chain duplex		ØA 90 B24,4
17616	5636 353	timing chain simplex		ØA 109 B26,4
25383	0615 010	timing chain simplex		78 E
30444	5636 352 S1	rep. kit timing chain		80 E
30449	5636 353 S1	rep. kit timing chain		78 E
40040	0615 006	chain tensioner	(mot.) Y2,2DTR	



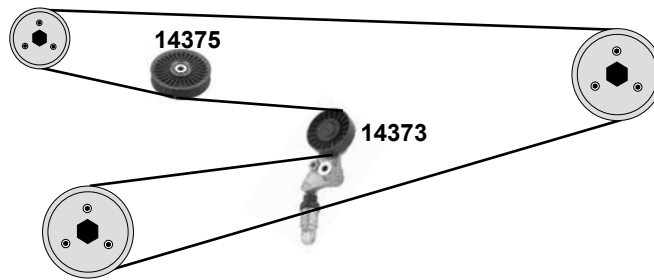
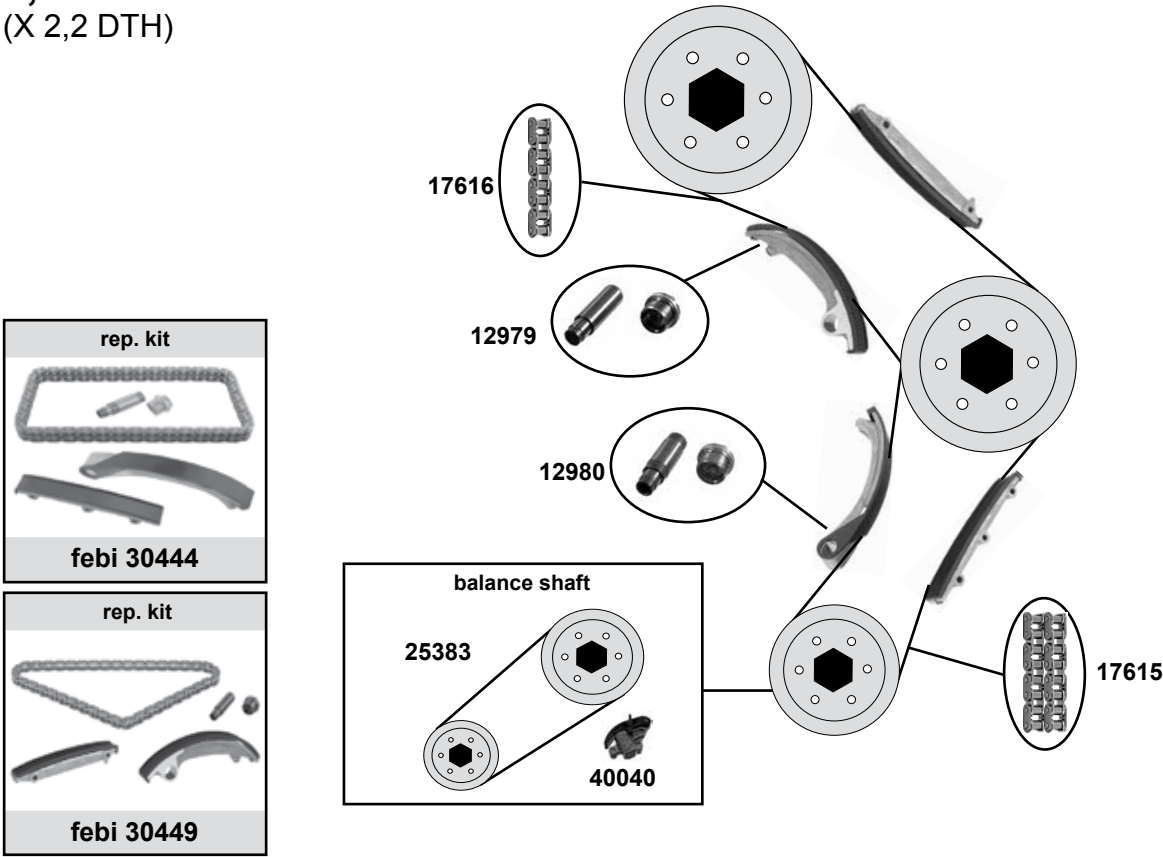
Ref. - No.



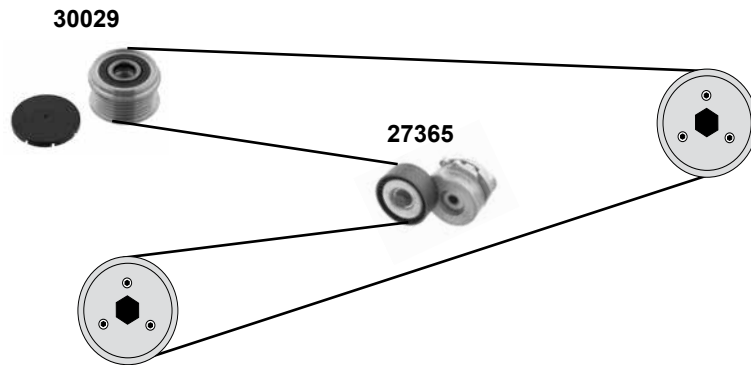
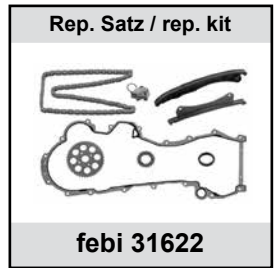
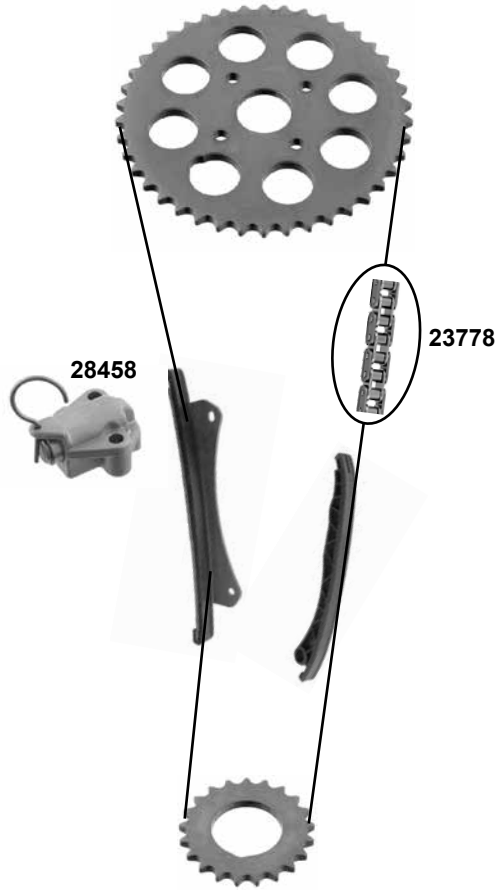
<b>24501</b>	5636 755	deflection pulley		ØA 58 ØI 10 B28
<b>24503</b>	5636 756	deflection pulley		ØA 58 ØI 10 B28
<b>27507</b>	5636 437	deflection pulley		ØA 70 ØI 12
<b>27541</b>	5636 411	deflection pulley		ØA 85 ØI 10
<b>34619</b>	5636 412	deflection pulley		AØ 124
<b>38693</b>	5636 405	timing belt		Z 116 B25
<b>38694</b>	5636 404	tension roller		ØA 72 x 28
<b>38695</b>	5636 757 S1	rep. kit timing belt		



**2,2 TD**  
(X 2,2 DTH)



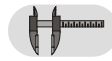
	Ref. - No.			
12979	5636 386	chain tensioner		
12980	5636 387	chain tensioner		
14373	1340 530	belt tensioner		
14375	6340 551	deflection pulley		
17615	5636 352	timing chain duplex		ØA 90 B24,4
17616	5636 353	timing chain simplex		ØA 109 B26,4
25383	0615 010	timing chain simplex		78 E
30444	5636 352 S1	rep. kit timing chain		80 E
30449	5636 353 S1	rep. kit timing chain		74 E
40040	0615 006	chain tensioner		



(1) combined with Valeo 70A+100A



Ref. - No.



<b>23778</b>	5636 444	timing chain
<b>27365</b>	0636 166	belt tensioner
<b>28458</b>	5636 443	chain tensioner
<b>30029</b>	1204 517	alternator overrun pulley
<b>31622</b>	6606 024 SK	rep. kit timing chain

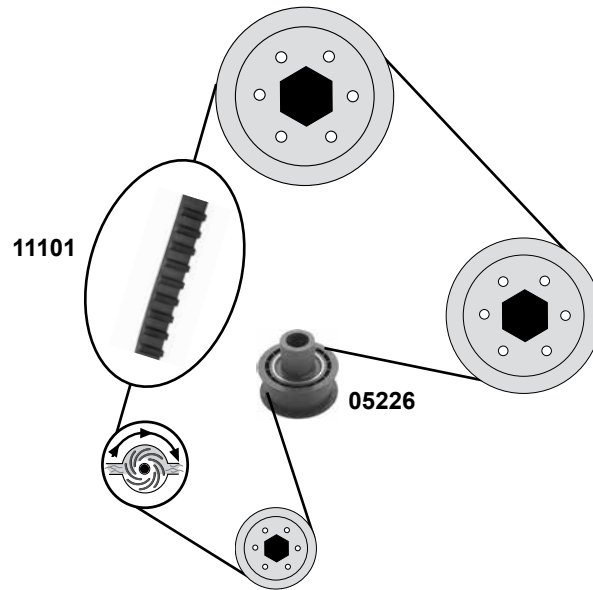
(1)

120 E
ØA 65 B25,5
ØA59 ØI 17 B38,1



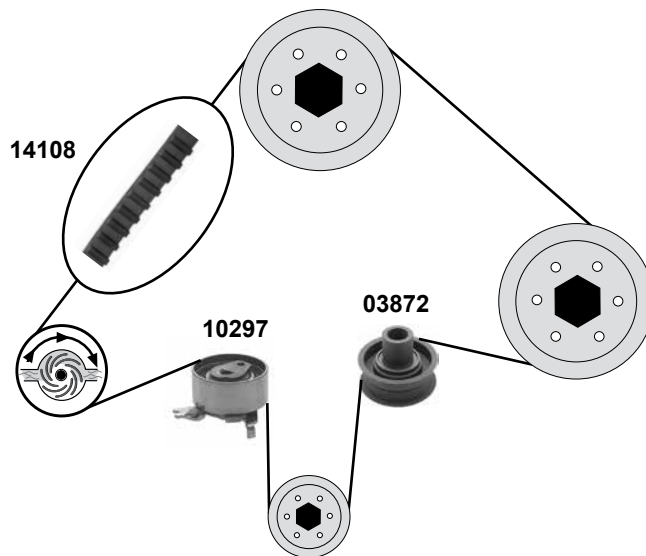
**1,7 D**

(mot.) → 14363650



**1,7 D**  
 (1,7 DR / 1,7 DTL)

(mot.) 1,7 DR 14363651 →

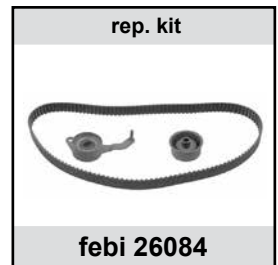
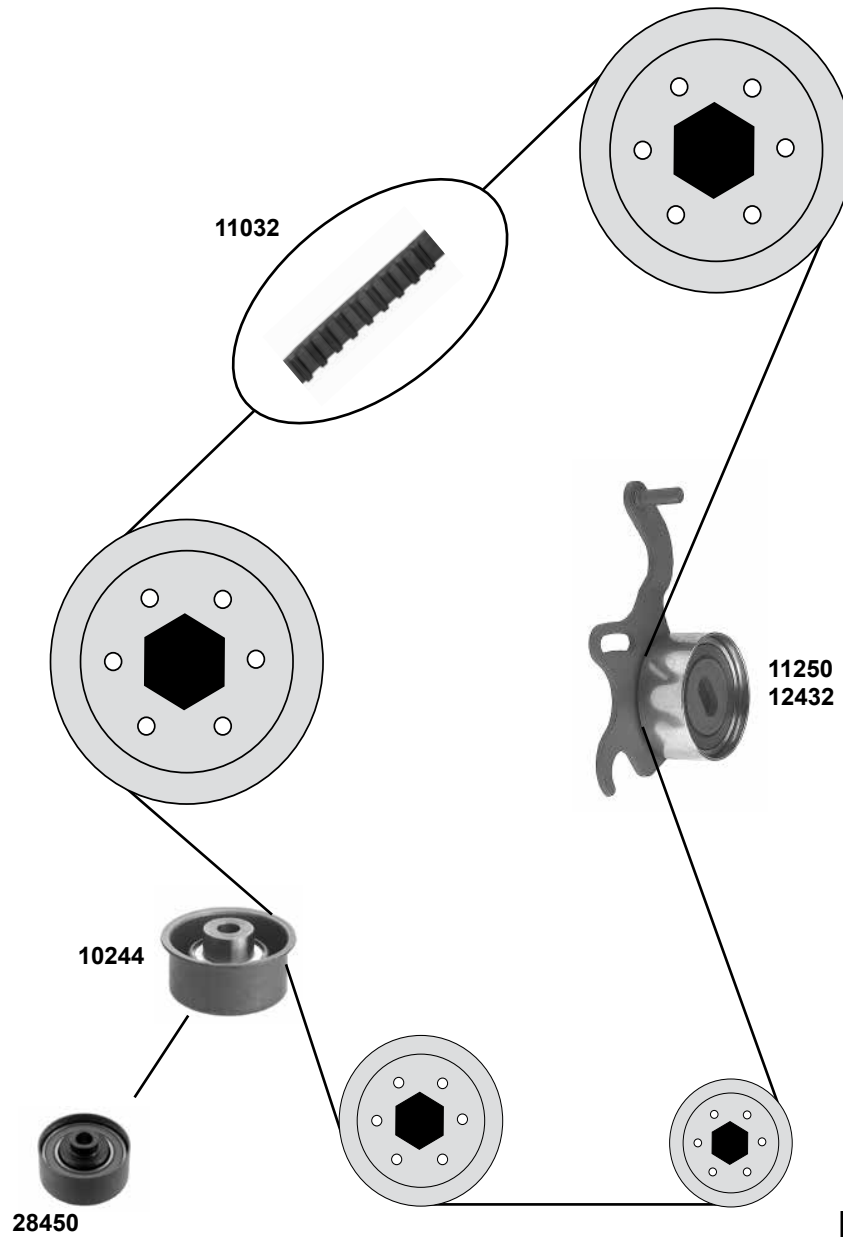


Ref. - No.



03872	5636 424	deflection pulley	27x52
05226	0636 422	deflection pulley	27x71x58,5
10297	5636 738	tension roller	26 x 59
11101	0636 563	timing belt	Z 146 B24
14108	5636 355	timing belt	Z 176 B24
14111	5636 355 S2	rep. kit timing belt	

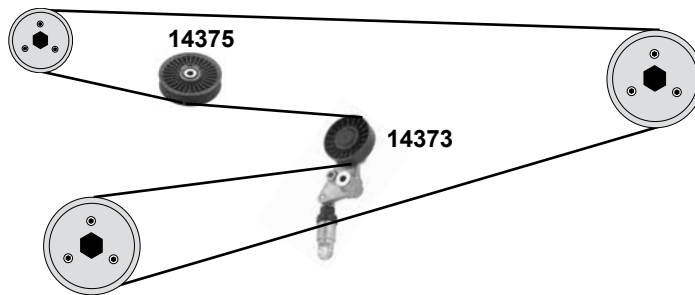
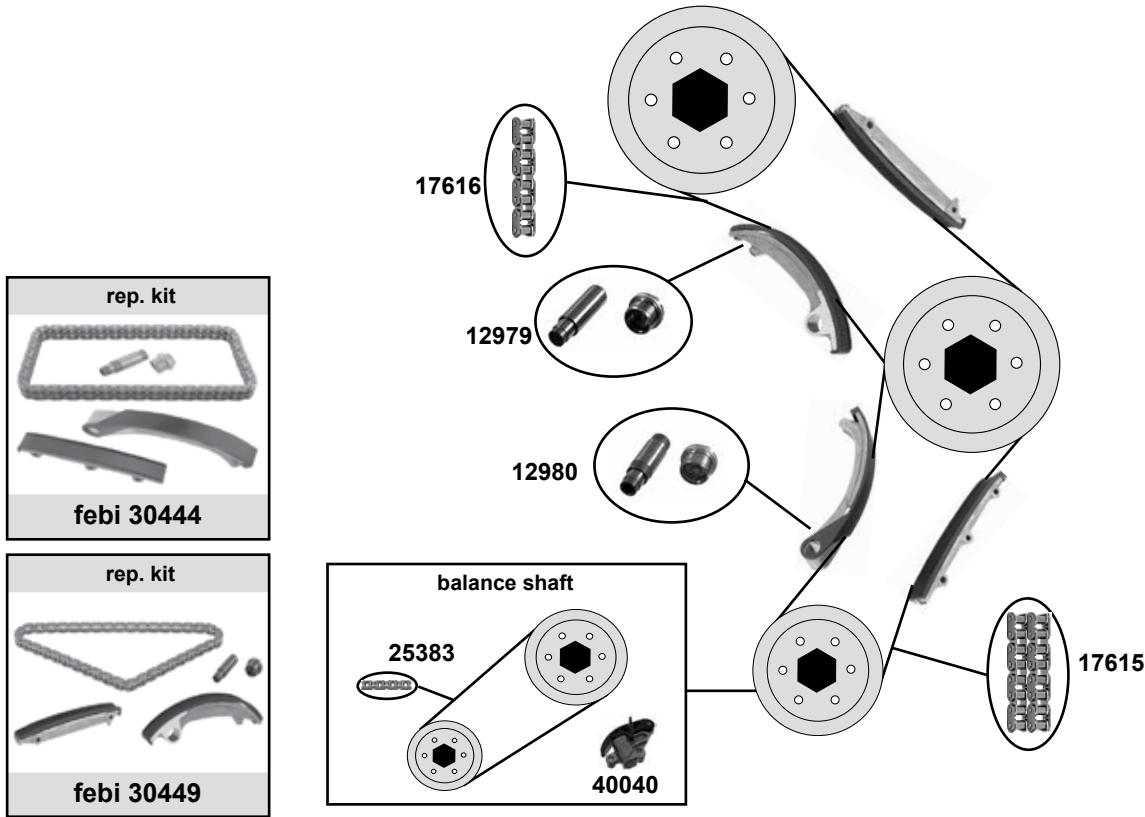
**1,7 TD / X 1,7 TD**




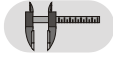


(1) (mot.) X1,7 TD 00029078→

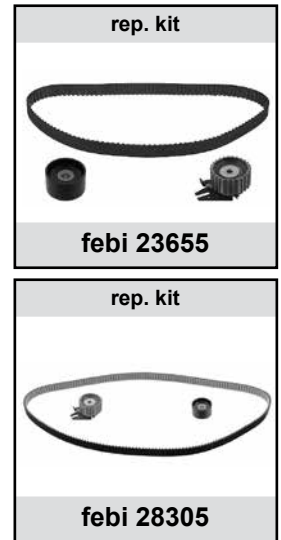
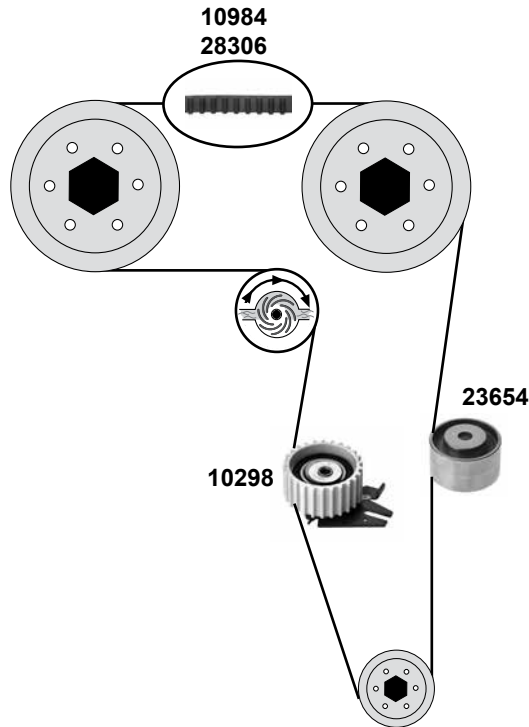
	Ref. - No.			
<b>10244</b>	0636 730	deflection pulley	(mot.)→000290078	ØA 65 ØI 12 B31
<b>11032</b>	0636 366	timing belt		Z 136 B25,4
<b>11250</b>	0636 735	tension roller	(1)	ØA 65 B28,5
<b>12432</b>	0636 741	tension roller	(1)	ØA 65 B34
<b>26084</b>	0636 366 S2	rep. kit timing belt	(1)	
<b>28450</b>	0636 928	deflection pulley	(1)	

**2,0 TD / 2,2 TD**  
( X 2,0 DTL / X 2,0 DTH / Y 2,0 DTH / Y 2,2 DTR )

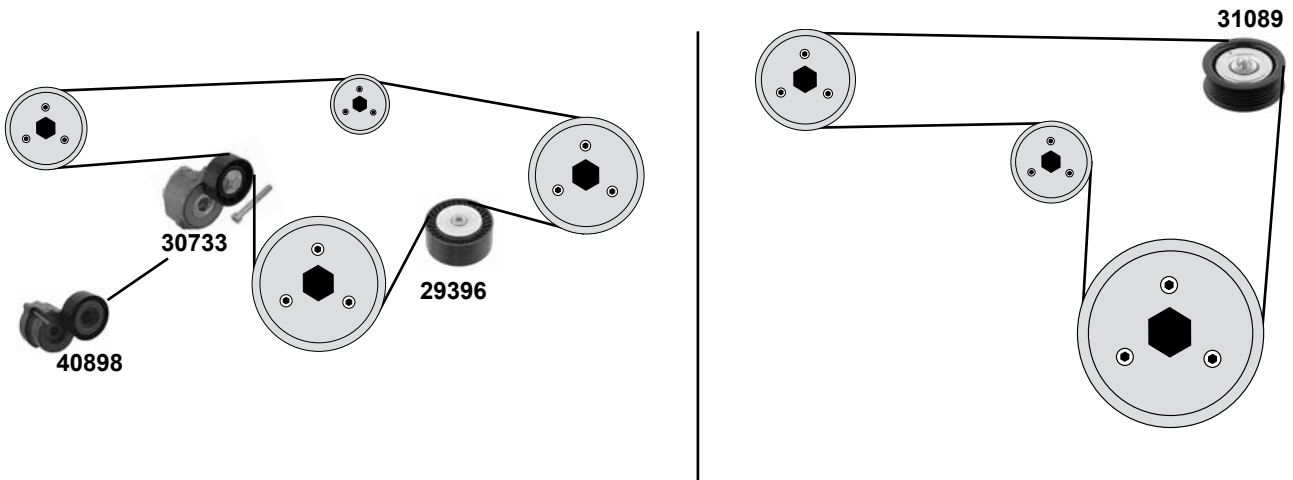


	Ref. - No.			
12979	5636 386	chain tensioner		
12980	5636 387	chain tensioner		
14373	1340 530	belt tensioner		
14375	6340 551	deflection pulley		ØA 90 B24,4 ØA 109 B23
17615	5636 352	roller chain duplex		78 E
17616	5636 353	timing chain simplex		80 E
25383	0615 010	timing chain simplex		74 E
30444	6606 025 SK	rep. kit timing chain		78 E
30449	5636 353 S1	rep. kit timing chain		80 E
40040	0615 006	chain tensioner	(mot.) Y2,2DTR	

**1,9 TD**  
(Z1,9 DT / Z 1,9 DTH / Z 1,9 DTL)



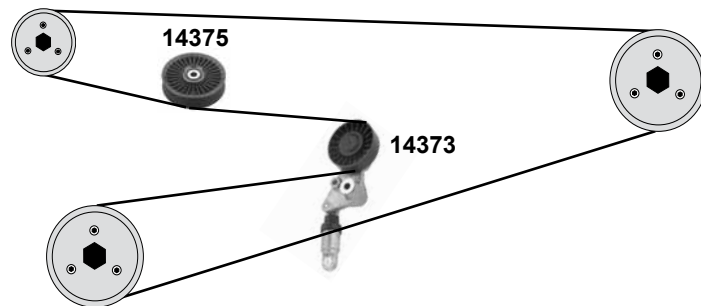
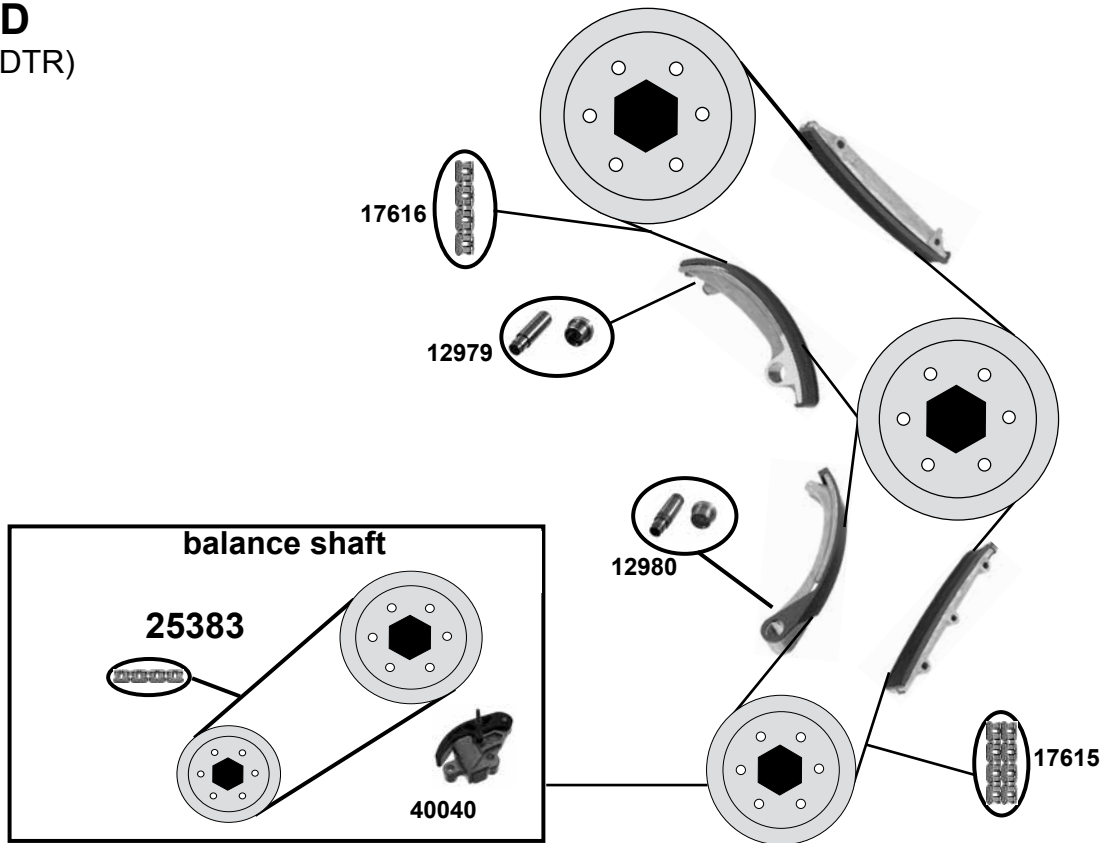
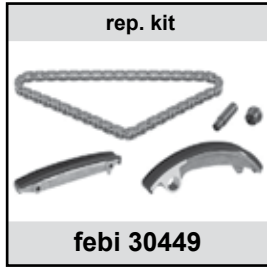
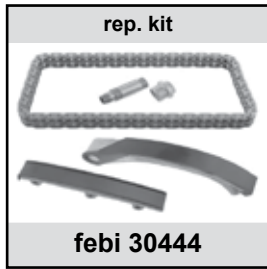
**AC**







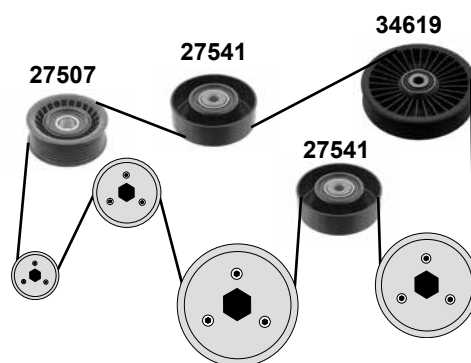
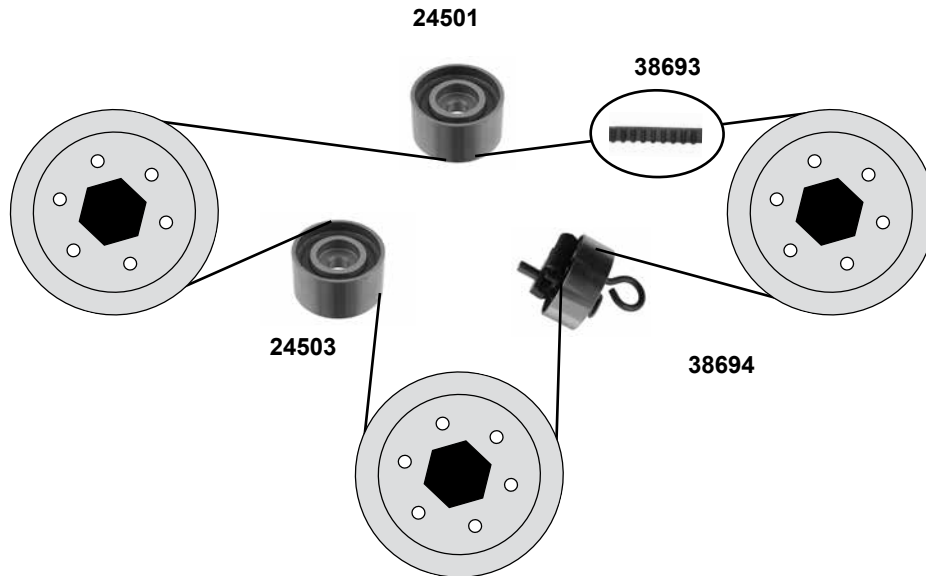
(1) →(ch.) 71111927 / 4899999

	Ref. - No.			
10298	0636 685	tension roller		ØA 64 B40
10984	5636 463	timing belt	(mot.) DT/DTL	Z 190 B24
23654	5636 743	deflection pulley	(mot.) DT/DTL	ØA 65 B30
23655	6606 028 SK	rep. kit timing belt	(mot.) DT/DTL	Z190 B24
28305	1606 434 SK	rep. kit timing belt	(mot.) Z1,9DTH	Z 199 B24
28306	5636 344	timing belt	(mot.) DTH	Z 199 B24
29396	6340 572	deflection pulley	→ (ch.) 71111927	ØA 70 B26
30733	6340 557	belt tensioner	(1)	ØA 65
31089	6340 556	tension roller		ØA 65 B26
40898	1340 258	belt tensioner	(ch.) 71111928, 78... →	ØA 65 B26

**2,0 TD / 2,2 TD**  
(Y2,0 DTH / Y 2,2 DTR)

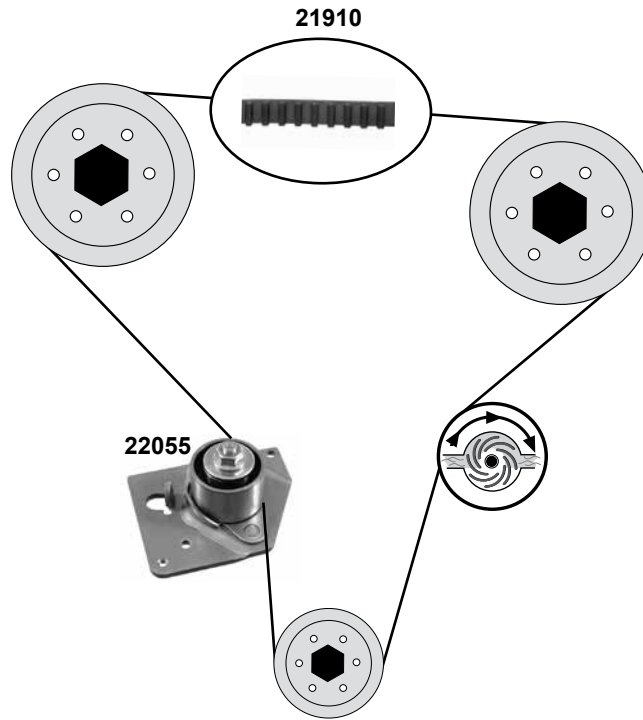


	Ref. - No.			
12979	5636 386	chain tensioner		
12980	5636 387	chain tensioner		
14373	1340 530	belt tensioner		
14375	6340 551	deflection pulley		ØA 90 B24,4
17615	5636 352	timing chain duplex		ØA 109 B26,4
17616	5636 353	timing chain simplex		78 E
25383	0615 010	timing chain simplex		80 E
30444	6606 025 SK	rep. kit timing chain		74 E
30449	5636 353 S1	rep. kit timing chain		78 E
40040	0615 006	chain tensioner		80 E
			(mot.) Y2,2DTR	

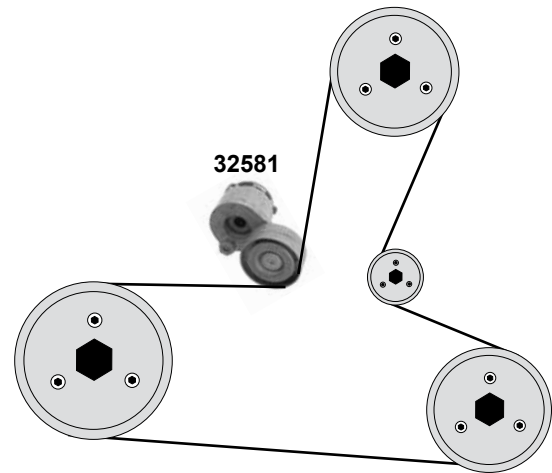
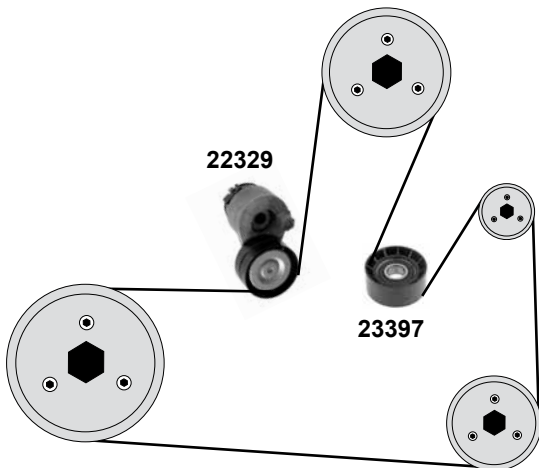


	Ref. - No.			
24501	5636 755	deflection pulley		ØA 52 x ØI 10 H28
24503	5636 756	deflection pulley		ØA 52 x ØI 10 H28
27507	5636 437	deflection pulley		ØA 70 x 22,6
27541	5636 411	deflection pulley		ØA 85 x 26
34619	5636 412	deflection pulley		ØA 124
38693	5636 405	timing belt		Z 116 B25
38694	5636 404	tension roller		ØA 72 x 28
38695	5636 757 S1	rep. kit timing belt		

**1,9 DT / 1,9 DTI**  
(F9Q-760, 762)



**AC**



Ref. - No.

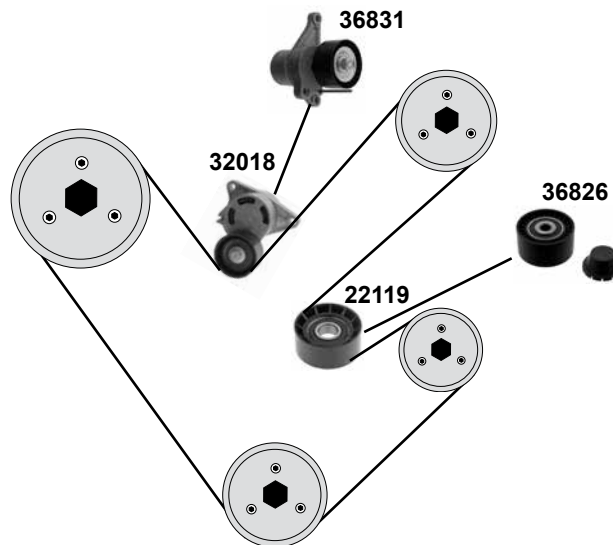


<b>21910</b>	4430 892	timing belt	Z 132 B26
<b>22055</b>	4408 922	tension roller	ØA 60 B30,8
<b>22056</b>	4430 891	rep. kit timing belt	Z 132 B26
<b>22329</b>	4411 707	belt tensioner	ØA 65 B30
<b>23397</b>	4413 791	deflection pulley	ØA 60 ØI17 B31
<b>32581</b>	4401 567	belt tensioner	ØA 65 B26



**2,0 CDTI**

(M9R-780,-782,-784,-786,-788,-630,-692)



	Ref. - No.			
22119	4414 654	deflection pulley		ØA 60 ØI12 B31
25469	-----	camshaft timing gear	M9R-780,-782,-784	
25470	-----	crankshaft gear	M9R-780,-782,-784	
30464	-----	sliding rail	M9R-780,-782,-784	
30465	-----	sliding rail	M9R-780,-782,-784	
30499	-----	timing chain	M9R-780,-782,-784	112 E
30511	4449 126	chain tensioner		112 E
30639	4431 205 SK	rep. kit timing chain		ØA 60
32018	4431 739	belt tensioner		



# OPEL Vivaro

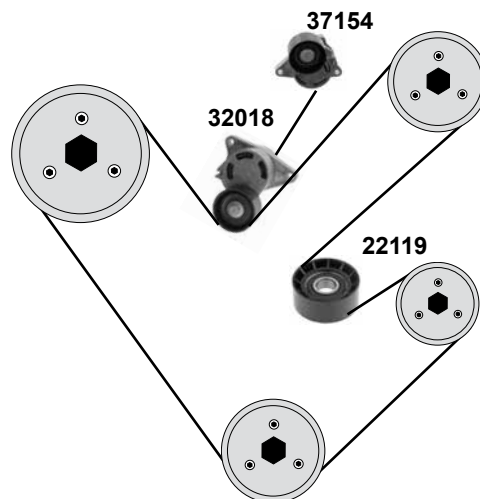
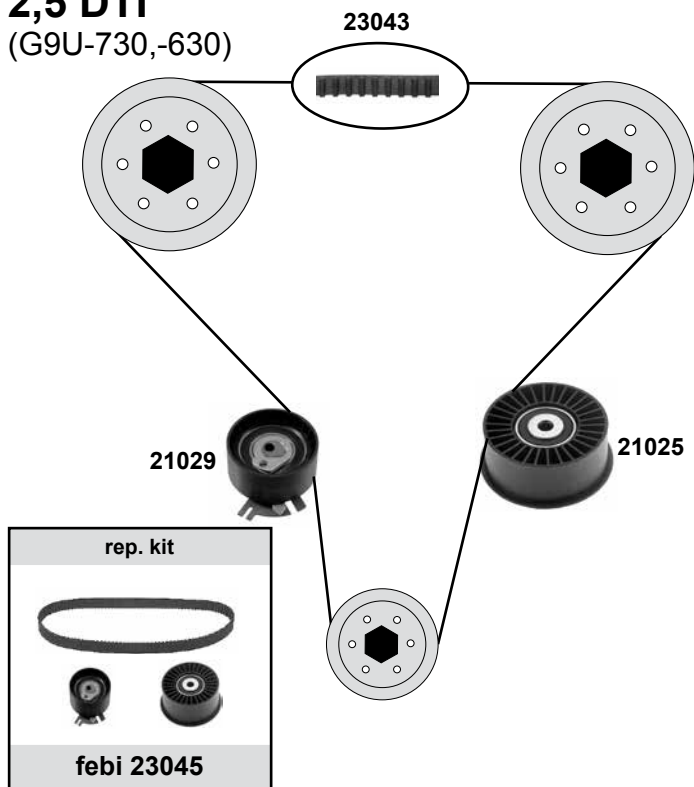
(03→)

Car  
Division



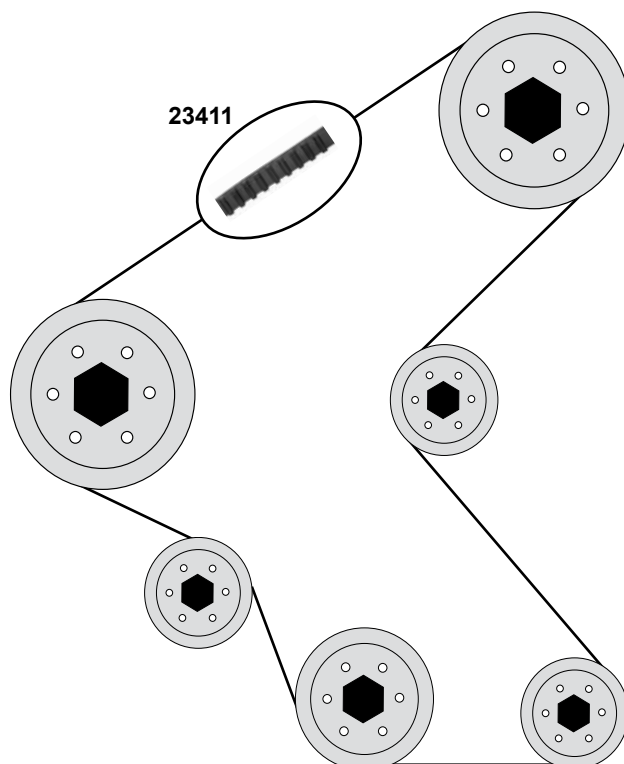
## 2,5 DTI

(G9U-730,-630)



## Zafira A

(98→04)  
1,7 CDTI  
(Y1,7DT / Z1,7DTL)



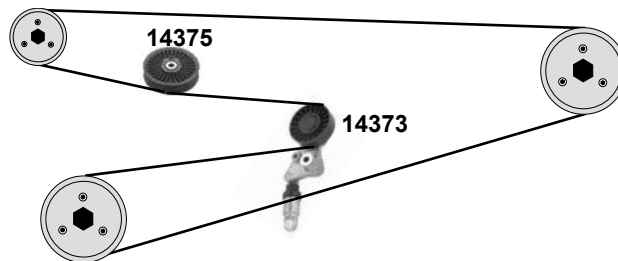
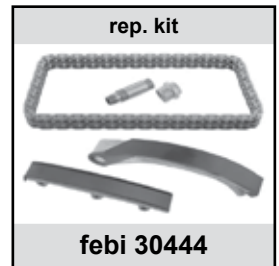
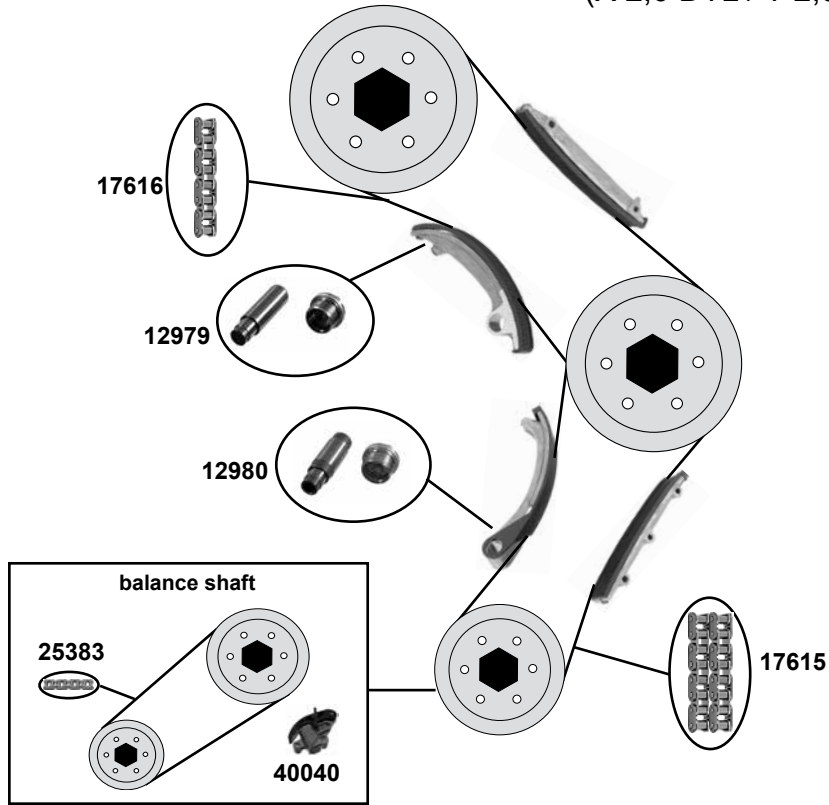
Ref. - No.



21025	4506 092	deflection pulley		ØA 75,2 B32
21029	4401 430	tension roller		ØA 70 B32
22119	4414 654	deflection pulley	AC (mot.) 9GU-730	Z 89 B25
23043	4401 429	timing belt		Z 131 B25
23045	4401 428	rep. kit timing belt		ØA 60
23411	5636105	timing belt	AC	ØA 60
32018	4431 739	belt tensioner	(mot.) 9GU-730 (ex.) AC	ØA 60
37154	4432 089	belt tensioner		

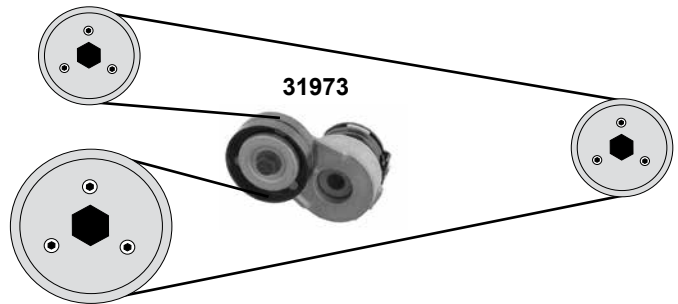
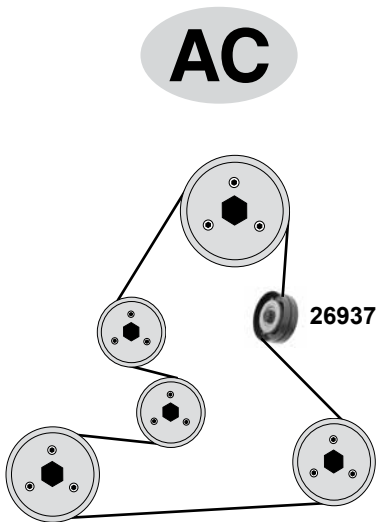
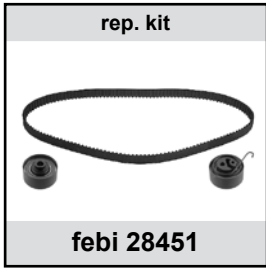
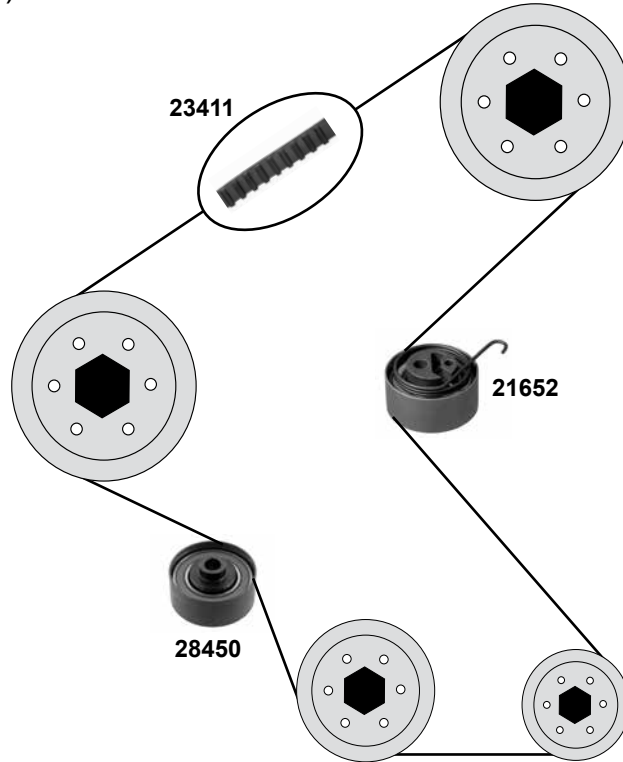


**2,0 TD / 2,2 TD**  
(X 2,0 DTL / Y 2,0 DTL / Y 2,0 DTH / Y 2,2 DTR)



	Ref. - No.			
12979	5636 386	chain tensioner		
12980	5636 387	chain tensioner		
14373	1340 530	belt tensioner		
14375	6340 551	deflection pulley		ØA 90 B24,4 ØA 109 B26,4
17615	5636 352	timing chain duplex		78 E
17616	5636 353	timing chain simplex		80 E
25383	0615 010	timing chain simplex	(mot.) Y2,2DTR	74 E
30444	5636 352 S1	rep. kit timing chain		
30449	5636 353 S1	rep. kit timing chain		
40040	0615 006	chain tensioner	(mot.) Y2,2DTR	80 E

**1,7 CDTI**  
 (Z 1,7 DTJ / A 1,7 DTJ / DTR)

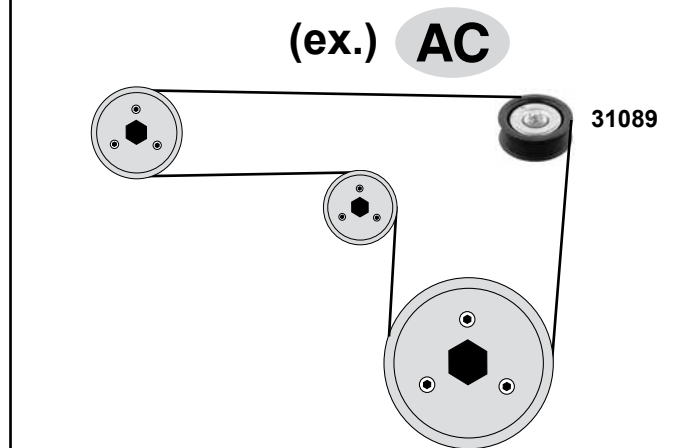
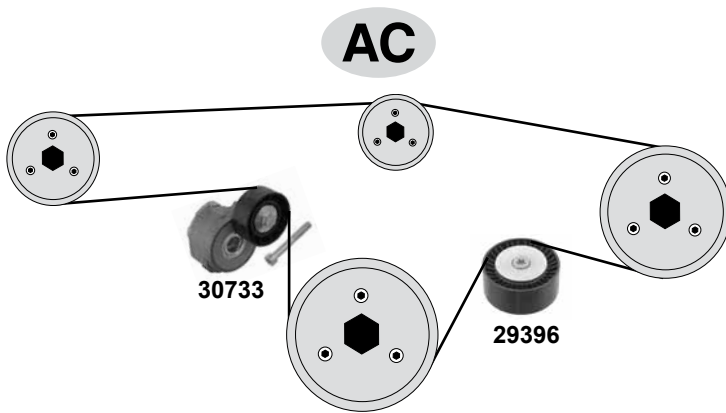
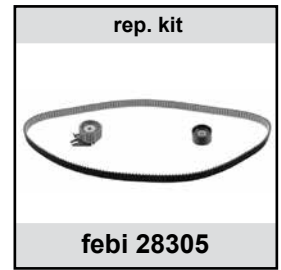
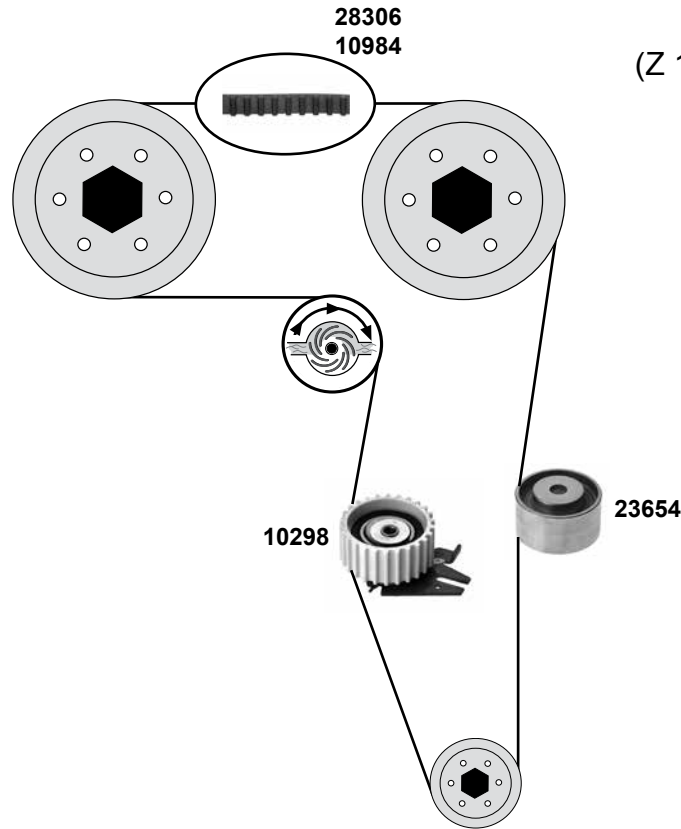


Ref. - No.



<b>21652</b>	5636 403	tension roller	ØA 65 B28,5
<b>23411</b>	5636105	timing belt	Z 131 B25
<b>26937</b>	6854 427	deflection pulley	ØA 76 B26
<b>28450</b>	0636 928	deflection pulley	ØA 65 B28,5
<b>28451</b>	5636 086 S1	rep. kit timing belt	Z 131 B25
<b>31973</b>	6204 663	belt tensioner	ØA 70 B26

**1,9 TD**  
(Z 1,9 DT / Z1,9 DTL / Z 1,9 DTH)



- |                     |                             |
|---------------------|-----------------------------|
| (1) (mot.) Z 1,9 DT | → (ch.) 72172468 / 7G150345 |
| (mot.) Z 1,9 DTL    | → (ch.) 72207929 / 7G150345 |
| (mot.) Z 1,9 DTH    | → (ch.) 72212298 / 7G150345 |
| (2) (mot.) Z 1,9 DT | (ch.) 72172469 / 7G150346 → |
| (mot.) Z 1,9 DTL    | (ch.) 72207930 / 7G150346 → |
| (mot.) Z 1,9 DTH    | (ch.) 72212299 / 7G150346 → |

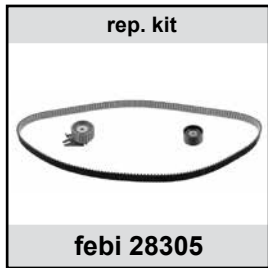
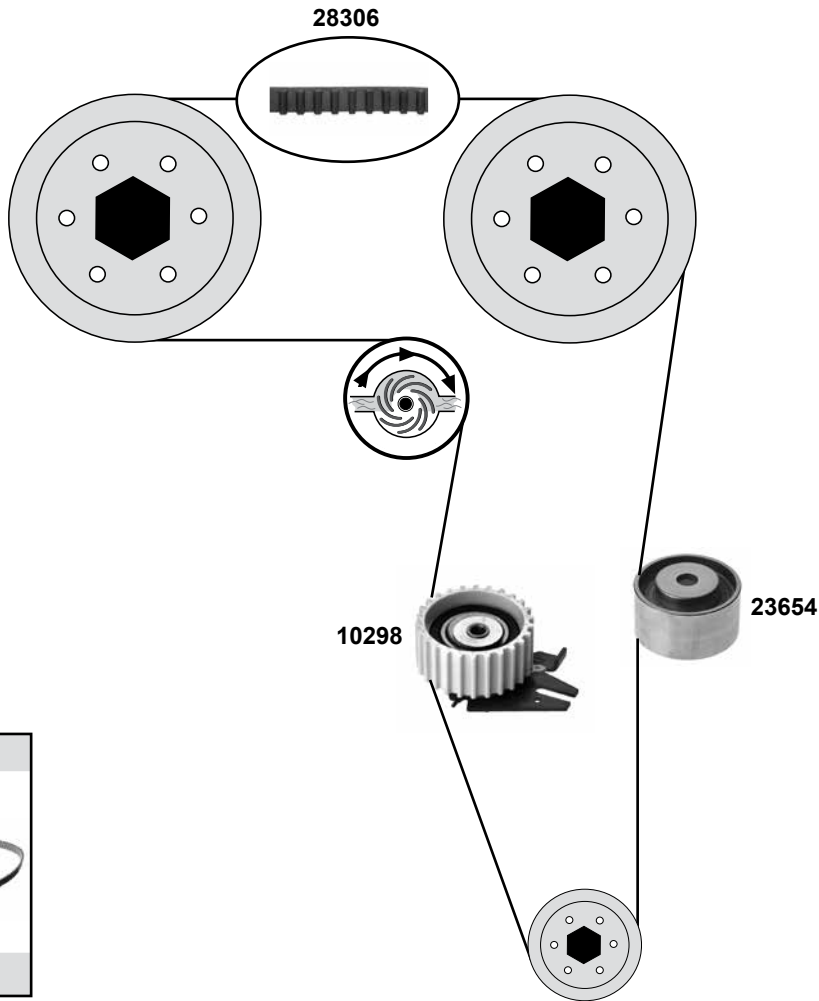


Ref. - No.

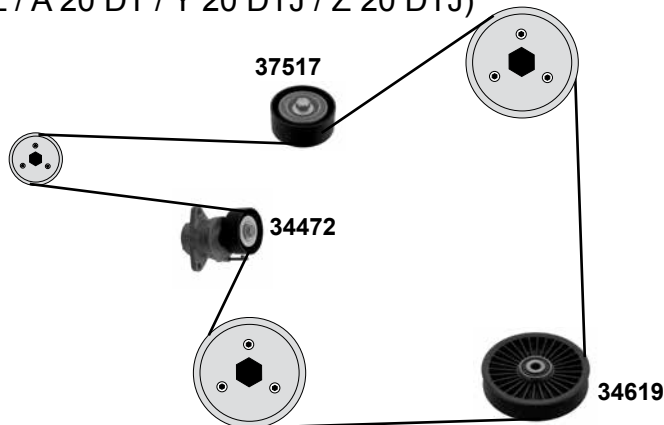




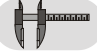
Ref. - No.	Description	Part No.	Dimensions
10298	tension roller	0636 685	ØA 64 B40
10984	timing belt	5636 463	Z 190 B24
23654	deflection pulley	5636 743	ØA 53 ØI 10 B 31/29
23655	rep. kit timing belt	6606 028 SK	Z 190 B24
28305	rep. kit timing belt	1606 434 SK	Z 199 B24
28306	timing belt	5636 344	Z 199 B24
29396	deflection pulley	6340 572	Z 199 B24
30733	belt tensioner	6340 557	(1) ØA 70 B26
31089	deflection pulley	6340 556	(1) ØA 65 B26
40898	belt tensioner	1340 258	(2) ØA 65 B26

**2,0**  
(A 2,0 DTR / A 20 DTL / A 20 DT / Y 20 DTJ / Z 20 DTJ / A 20 DTH )



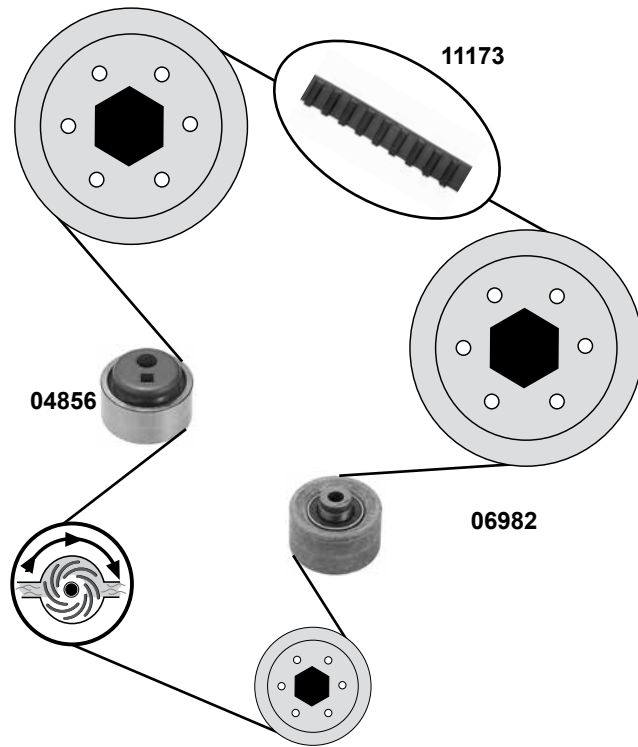
**2,0**  
(A 2,0 DTH / A 20 DTL / A 20 DT / Y 20 DTJ / Z 20 DTJ)



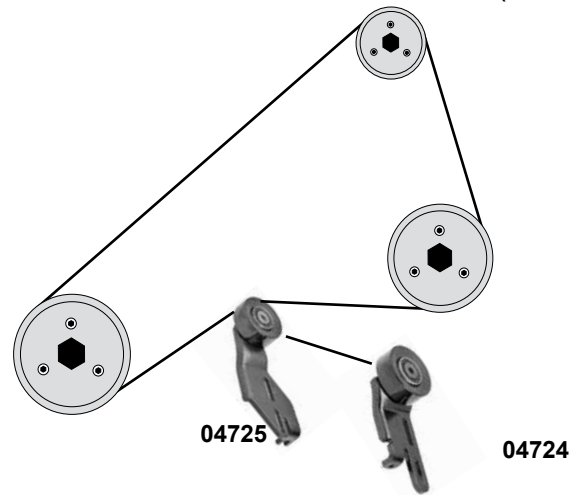
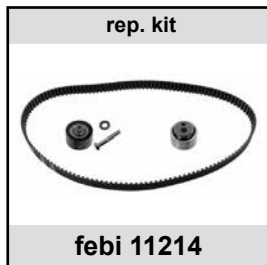
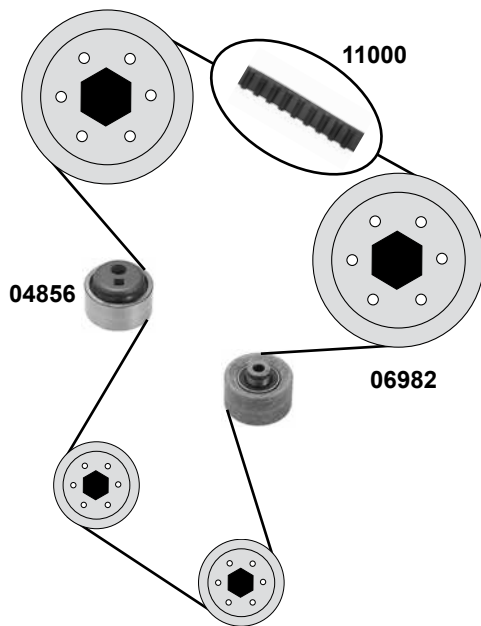
	Ref. - No.			
<b>10298</b>	0636 685	tension roller	<b>(ex.)</b> A2,0DTR	ØA 64 B40
<b>23654</b>	5636 743	deflection pulley		ØA 53 ØI 10 B 31/29
<b>28305</b>	1606 434 SK	rep. kit timing belt		Z 199 B24
<b>28306</b>	5636 344	timing belt		ØA 124
<b>34472</b>	1340 269	belt tensioner		ØA 65
<b>34619</b>	5636 412	deflection pulley		
<b>37517</b>	1854 740	deflection pulley		



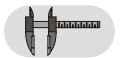
**1,4 D**  
(TUD3)



**1,5 D**  
(TUD5)



Ref. - No.



<b>04724</b>	5751.27	tension roller
<b>04725</b>	5751.26	tension roller
<b>04856</b>	0829.30	tension roller
<b>06982</b>	0830.37	deflection pulley
<b>11000</b>	0816.98	timing belt
<b>11173</b>	0816.64	timing belt
<b>11174</b>	0831.Q6	rep. kit timing belt
<b>11214</b>	0831.46	rep. kit timing belt

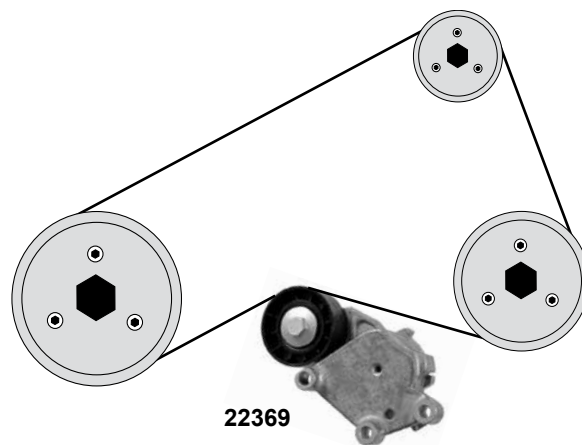
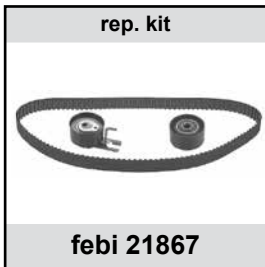
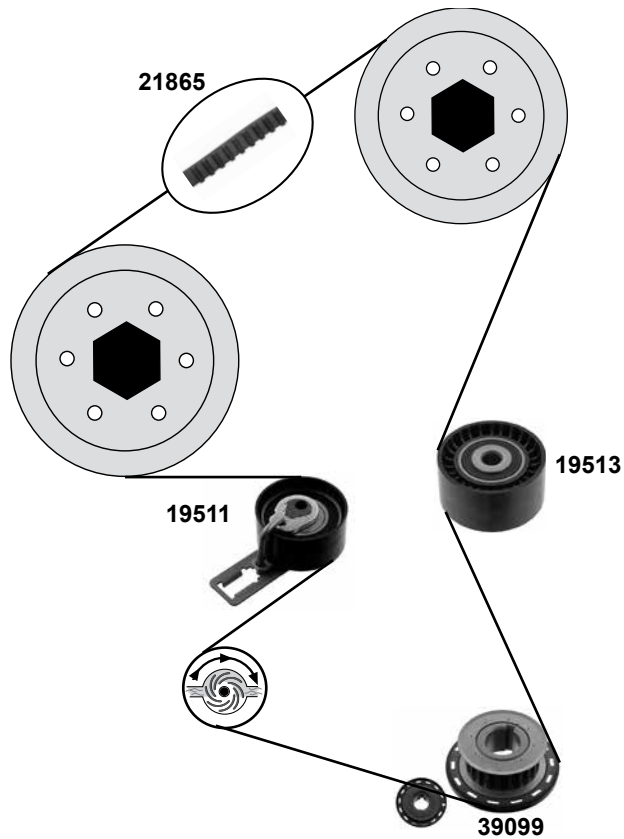
servo   
man.

ØA 59 B24,5  
ØA 59 B24,5  
ØA 59 ØI 13  
ØA 60 ØI 10  
Z 136 B25,4  
Z 143 B25,4

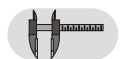


### 1,4 HDi

(DV4TD)

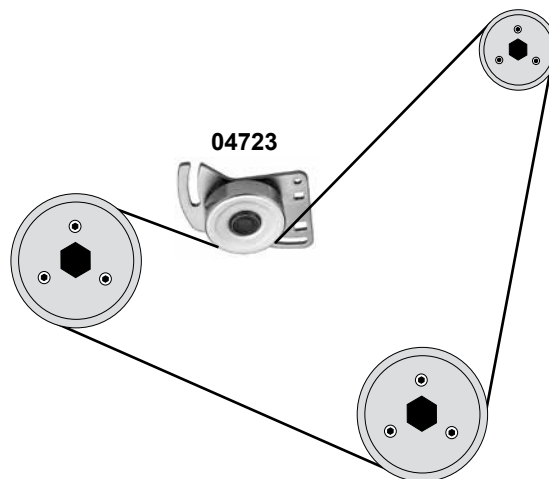
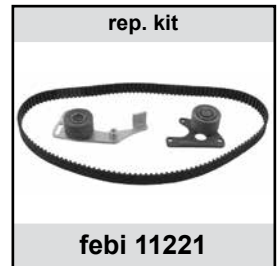
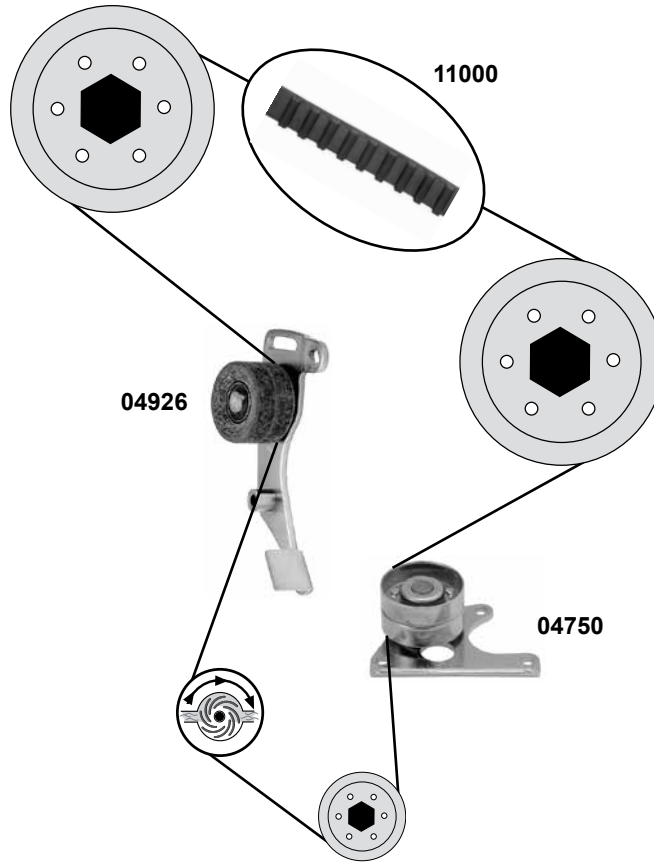


Ref. - No.



<b>19511</b>	0829.88	tension roller		ØA 60 B29
<b>19513</b>	0830.48	deflection pulley		ØA 60 B30
<b>21865</b>	0816.E7	timing belt		Z 144 B25,4
<b>21867</b>	0831.T3	rep. kit timing belt		Z 144
<b>22369</b>	5751.86	belt tensioner		ØA 65 B25,5
<b>39099</b>	0805.E5	gear		

**Modell: → 01/94**



Ref. - No.



**04723** 6453.76  
**04750** 0830.02  
**04926** 0829.11  
**11000** 0816.98  
**11221** 0831.09

tension roller  
deflection pulley  
tension Roller  
timing belt  
rep. kit timing belt

ØA 58 B22,5  
ØA 60 B34  
ØA 60 B34  
Z 136 B25,4



# PEUGEOT 205

(83→96)

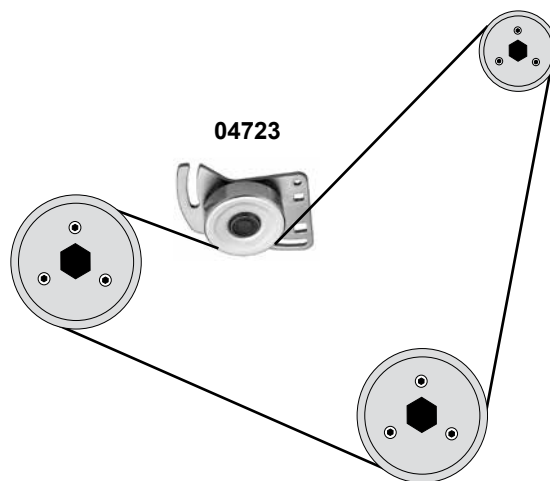
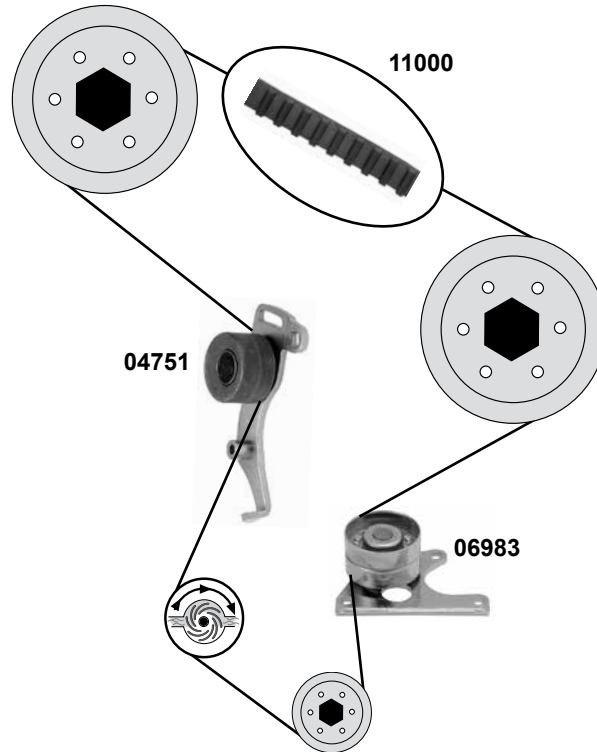
Car  
Division 



## 1,8 D / 1,9 D

(XUD7 / XUD7T / XUD9)

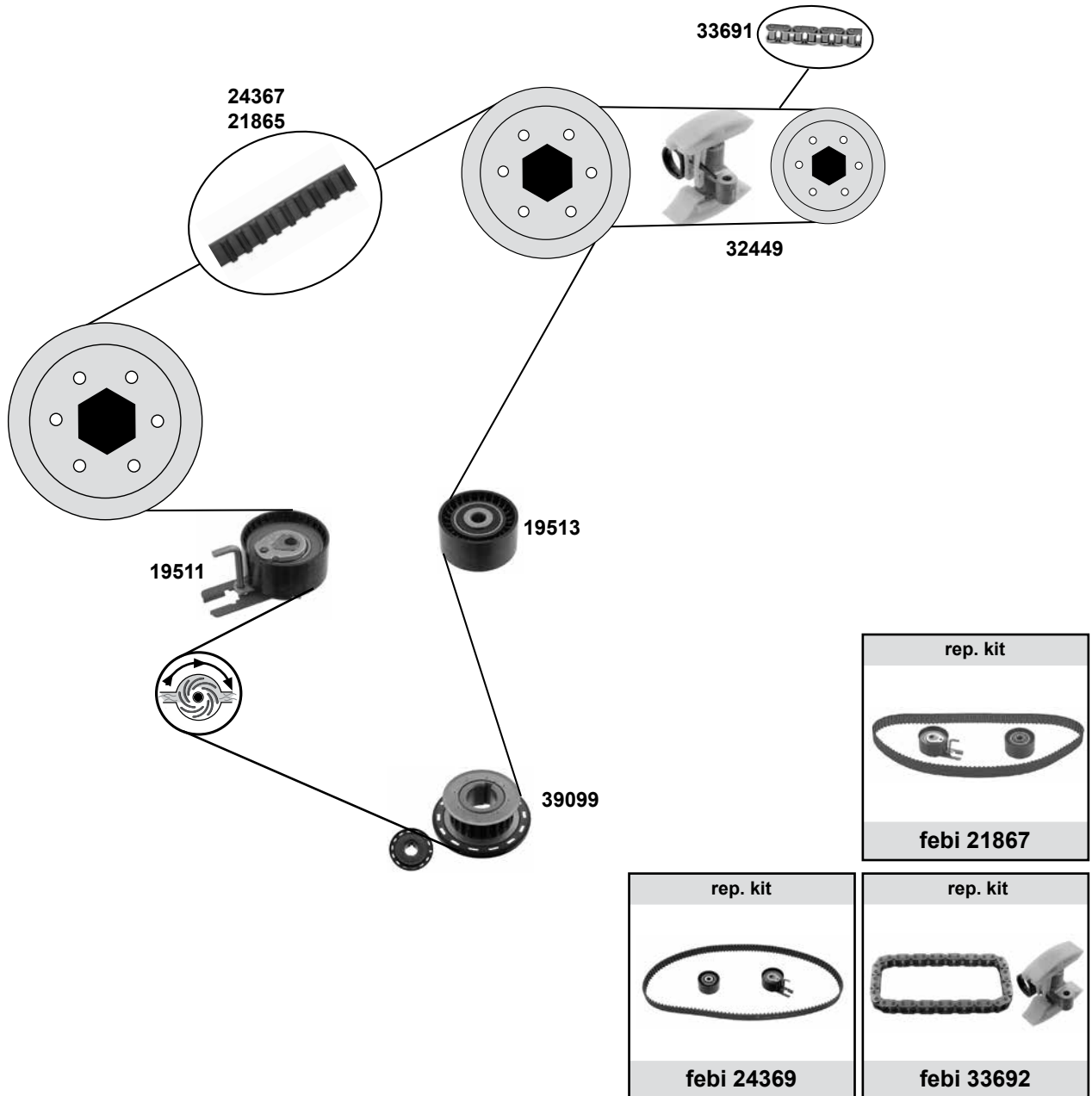
Modell: 01/94→



Ref. - No.



Ref. - No.	Description	Dimensions
<b>04723</b>	tension roller	ØA 58 B22,5
<b>04751</b>	tension roller	ØA 60 B34
<b>06983</b>	deflection pulley	ØA 60 B34
<b>11000</b>	timing belt	Z 136 B25,4
<b>11222</b>	rep. kit timing belt	Z 136 B25,51



(1) endless



Ref. - No.

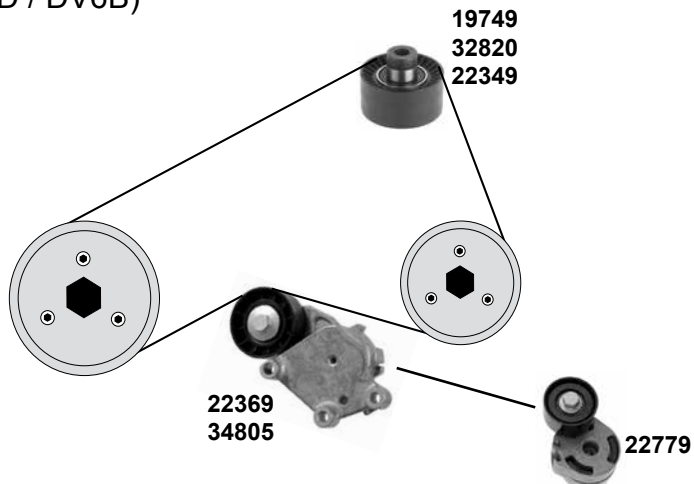


Ref. - No.	Description	Motor	Part Number
19511	tension roller		ØA 60 B29
19513	deflection pulley		ØA 60 B30
21865	timing belt		Z 144 B25,4
21867	rep. kit timing belt	(mot.) DV4TD	
24367	timing belt	(mot.) DV4TD	
24369	rep. kit timing belt	(mot.) DV6TED4	Z 137 B25
32449	chain tensioner	(mot.) DV6TED4	Z 137 B25
33691	timing chain	(mot.) DV6TED4	
33692	rep. kit timing chain	(1) (mot.) DV6TED4	40 E
39099	gear	(mot.) DV6TED4	40 E

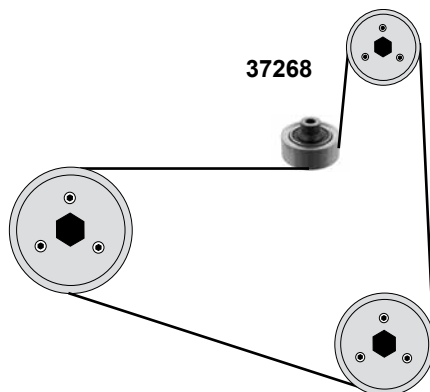


## 1,4 / 1,6 HDi

(DV4TD / DV6TED4 / DV6ATED / DV6B)



## AC



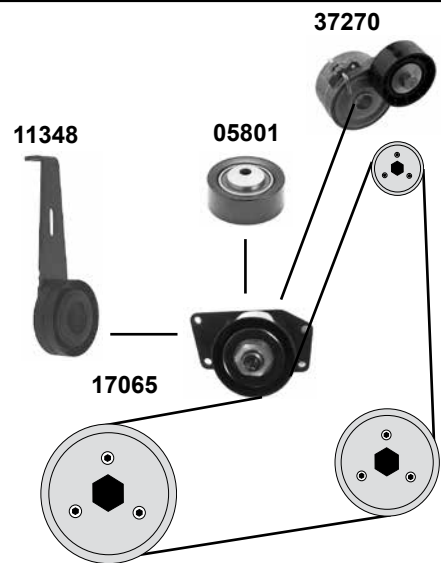
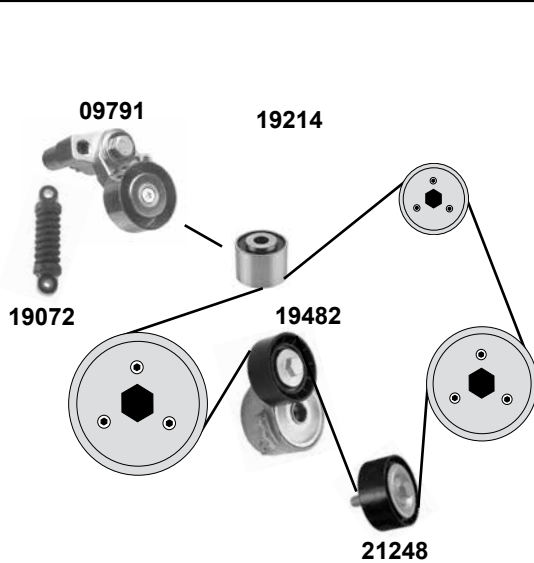
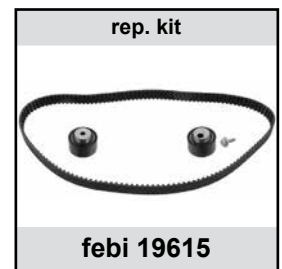
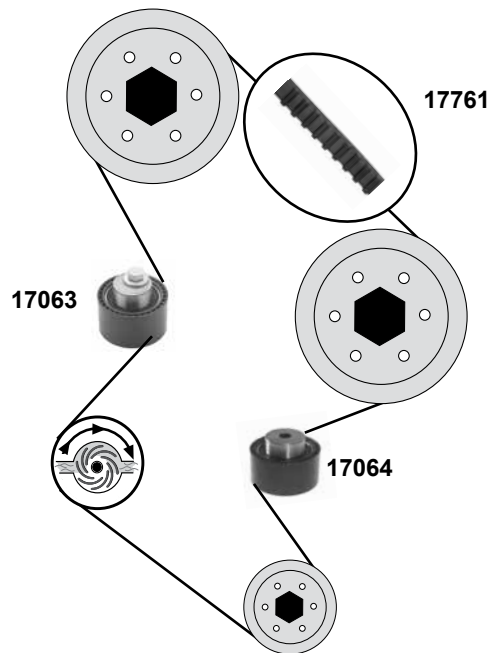
- (1) (mot.) DV6TED4 →O 10555
- (2) (mot.) DV4TD →O 10541
- (3) (mot.) DV6TED4 O 10556→
- (4) (mot.) DV4TD Sedan Number of Doors 3 O 10528→
- (5) (mot.) DV4TD Break and Sedan Number of Doors 5 O 10542→
- (6) (mot.) DV4TD O 10528, 3TR→ / (mot.) DV4TD O. 10542, 5/5TR→



Ref. - No.



Ref. - No.	Description	Part No.	Notes
19749	deflection pulley	5751.87	(mot.) DV4TD
22349	deflection pulley	5751.90	(mot.) DV4TD
22369	belt tensioner	5751.86	(1)
22779	belt tensioner	5751.89	(2)
32820	deflection pulley	5751.E6	(3) (4) (5)
34805	belt tensioner	5751.F3	(6)
37268	deflection pulley	5751.E5	(mot.) DV6TED4



- (1) (ex.) variable servo
- (2) O 08336→



Ref. - No.



Ref. - No.	Description	Notes	Dimensions
05801	tension roller	AC servo	ØA70 ØI16 B29
09791	belt tensioner	AC servo	ØA 60 B 26,5
11348	tension roller	man.	ØA 85 B 26
17063	tension roller		ØA 60 ØI 13
17064	deflection pulley		ØA 60 ØI 10 B42,2
17065	tension roller	(ex.) AC	ØA 70 H 27
17761	timing belt		Z 140 B 25,4
19072	vibration damper	AC servo	
19214	deflection pulley	(1) servo  (ex.) AC	ØA 37 B 27
19482	tension roller	(1) (2) AC servo	ØA 60
19615	rep. kit timing belt		
21248	deflection pulley	servo  (ex.) AC	ØA 60 B25
37270	belt tensioner	O 09520 →	ØA 60 B25

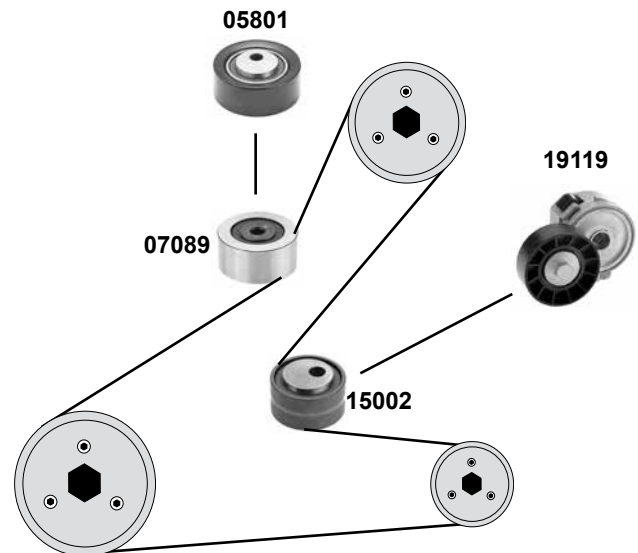
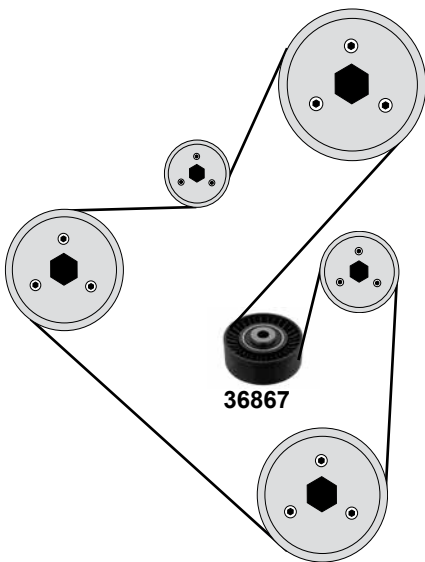
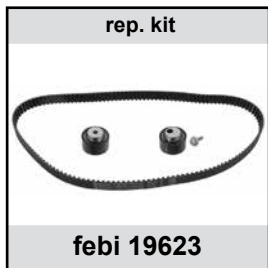
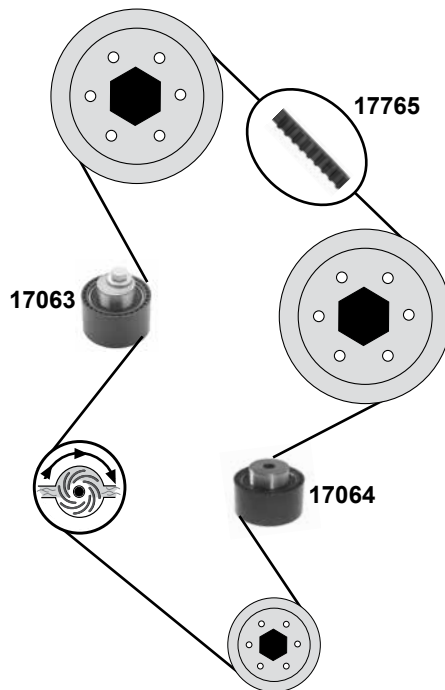
# PEUGEOT 206

(98→09)

Car  
Division 





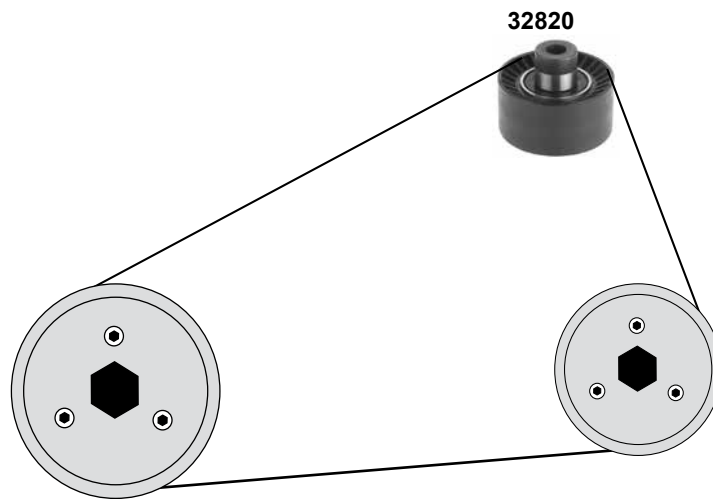
## 2,0 HDi (DW10TD)



Ref. - No.



<b>05801</b>	5751.29	tension roller	AC servo 	ØA 70 ØI 10/16
<b>07089</b>	5751.96	tension roller	(ex.) AC servo 	ØA 50 B26
<b>15002</b>	5751.56	tension roller	(ex.) AC servo 	ØA 50 B26
<b>17063</b>	0829.59	tension roller		ØA 60 ØI 13 B42
<b>17064</b>	0830.63	deflection pulley		ØA 60 ØI 10 B42,2
<b>17765</b>	0816.A9	timing belt		Z 141 B25,4
<b>19119</b>	5751.55	belt tensioner		ØA 70 B25
<b>19623</b>	0831.R8	rep. kit timing belt		
<b>36867</b>	5751.G1	deflection pulley	AC	ØA 70 B26



(1) (ex.) AC O 10556→



Ref. - No.



deflection pulley



(1)

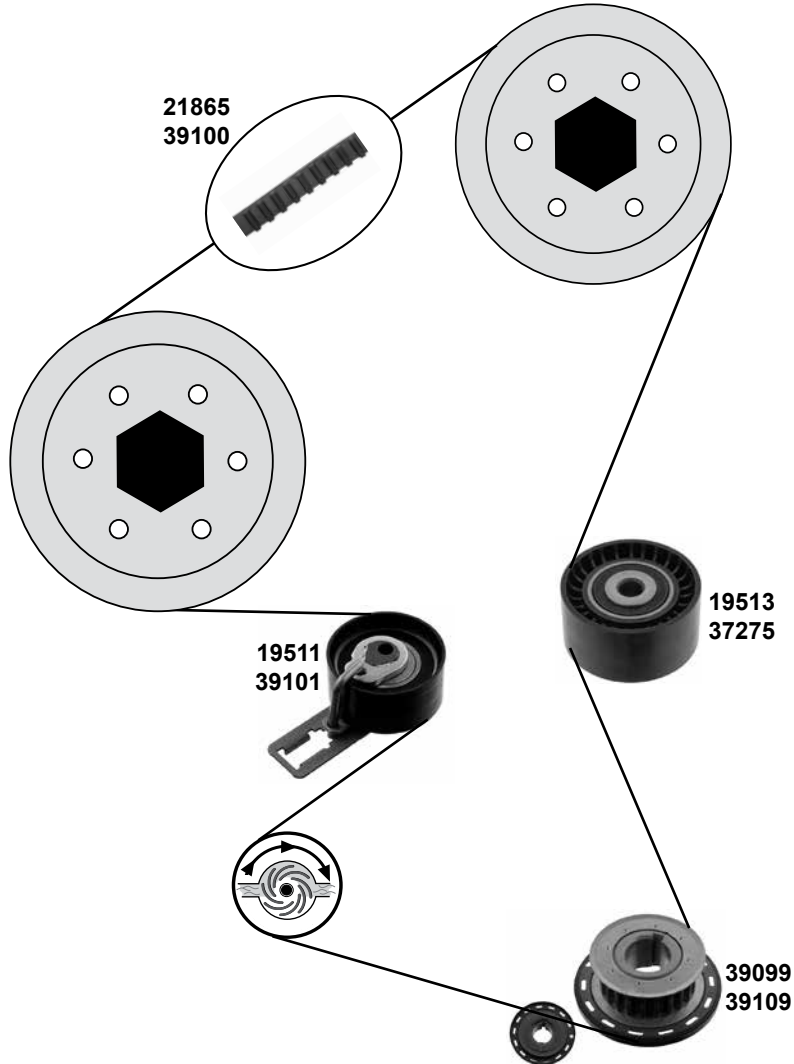
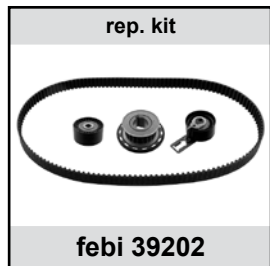
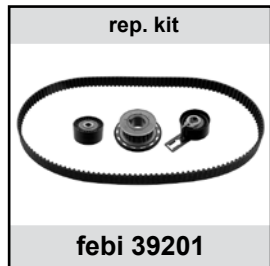
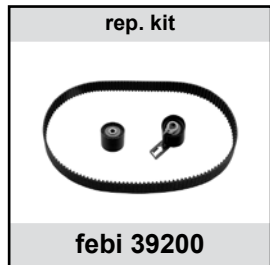
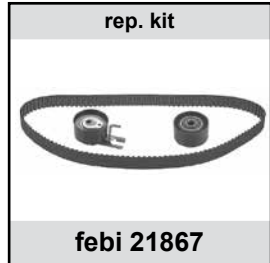


ØA 60 B30

32820

5751.E6

**1,4 HDi**  
(DV4C / DV4TD)

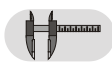


(1) (mot.) DV4C

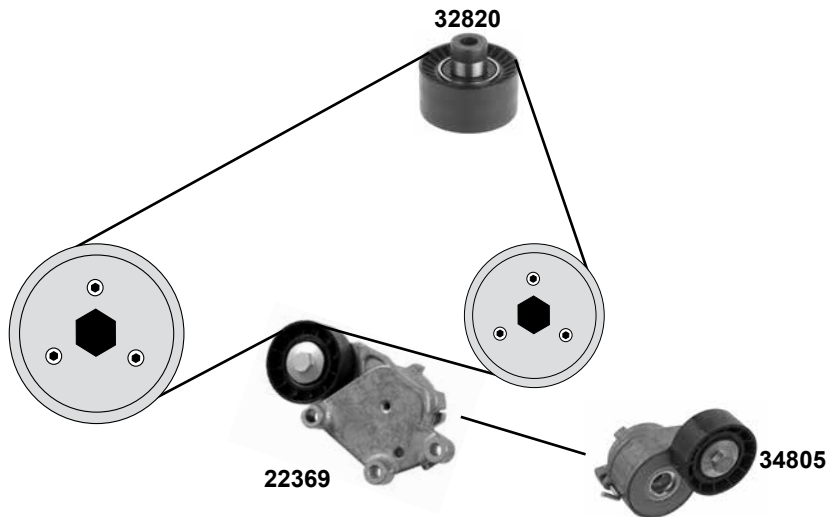
(2) (mot.) DV4C → O 12719



Ref. - No.



Ref. - No.	Description	Notes	Dimensions
19511	tension roller	(mot.) DV4TD	ØA 60 B29
19513	deflection pulley	(mot.) DV4TD	ØA 60 B30
21865	timing belt	(mot.) DV4TD	Z 144 B25,4
21867	rep. kit timing belt	(mot.) DV4TD	
37275	deflection pulley	(1)	ØA 61 B30
39099	gear	(2) (mot.) DV4TD	
39100	timing belt	(1)	Z 139 B25,4
39101	tension roller	(1)	ØA 60 B29
39109	gear	(1) O 12720 →	
39200	rep. kit timing belt	(1)	
39201	rep. kit timing belt	(1) O 12630 →	
39202	rep. kit timing belt	(1) O → 12629	



(1) (mot.) DV4C

(2) (mot.) DV4TD



Ref. - No.



**22369**  
**32820**  
**34805**

5751.86  
5751.E6  
5751.F3

belt tensioner  
deflection pulley  
belt tensioner

(1)  
(2)  
(2)

ØA 65 B25,5  
ØA 60 B30  
ØA 60 B25



# PEUGEOT 207 / CC / SW

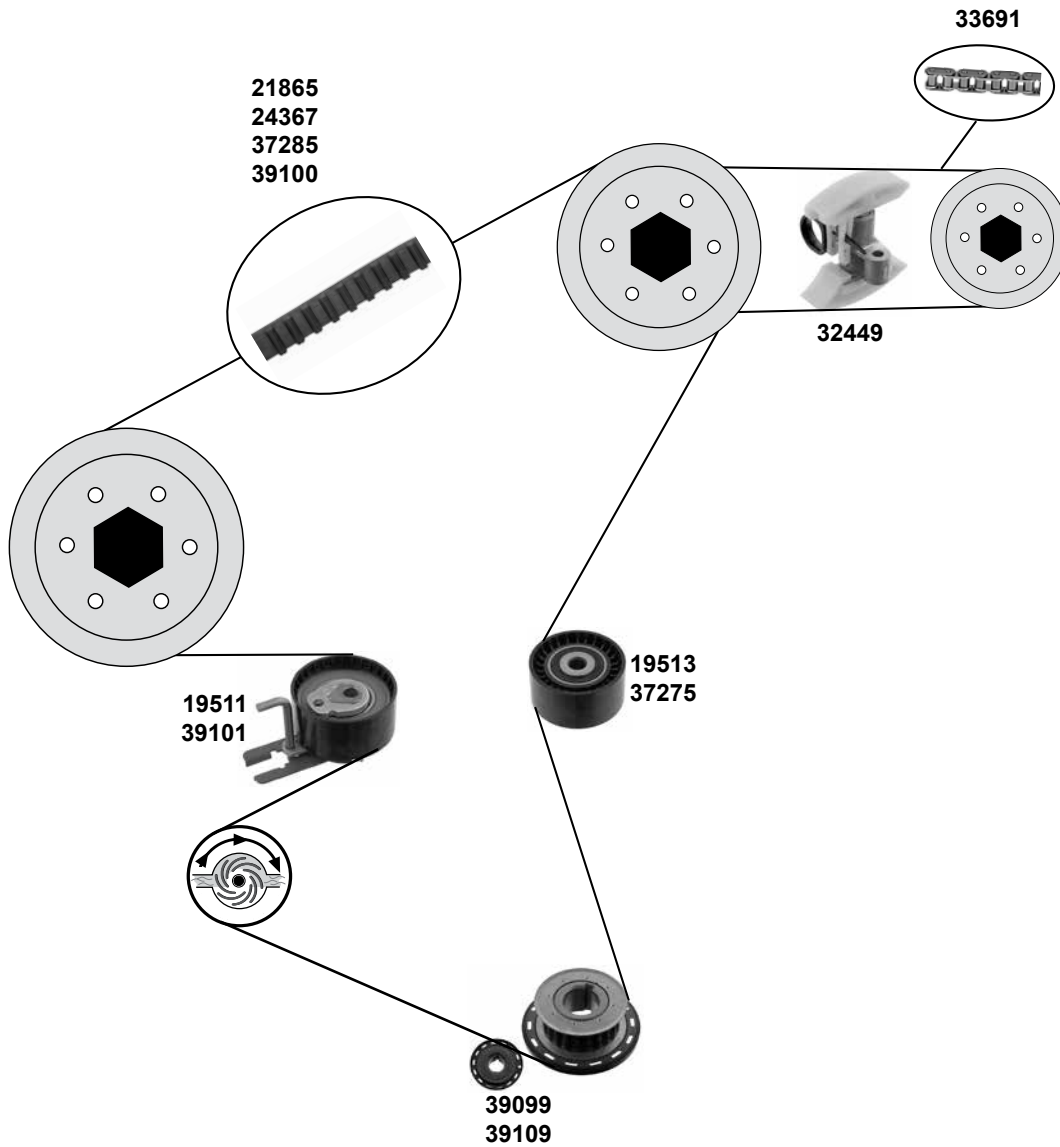
(06→12)










Car  
Division 



## 1,4 / 1,6 HDi

(DV6ATED4/DV6TED4/V6DTED/DV6C/DV4C/DV4TD / DV6TED4BU)



rep. kit  febi 21867	rep. kit  febi 24369	rep. kit  febi 33692	rep. kit  febi 39200	
rep. kit  febi 39201	rep. kit  febi 39202	rep. kit  febi 39203	rep. kit  febi 39204	rep. kit  febi 39205



**1,4 / 1,6 HDi**  
(DV6ATED4/DV6TED4/V6DTED/DV6C/DV4C/DV4TD / DV6TED4BU)



<b>(1) (mot.) DV6ATED4 / DV6TED4 / DV4TD (ex.) AC</b>	<b>(2) (mot.) DV6DTED / DV6C / DV4C</b>
<b>(3) (mot.) DV6C / DV6DTED</b>	<b>(4) (mot.) DV6TED4 / DV4TD / DV4C</b>
<b>(5) (mot.) DV6C / DV6DTED → O 12719</b>	<b>(6) (mot.) DV4TD</b>
<b>(7) (mot.) DV6ATED4 / DV6TED4 / DV4TD</b>	<b>(8) (mot.) DV6ATED4 / DV6TED4</b>
<b>(9) (mot.) DV4C</b>	

	Ref. - No.			
<b>19511</b>	0829.88	tension roller	<b>(7)</b>	ØA 60 B29
<b>19513</b>	0830.48	deflection pulley	<b>(7)</b>	ØA 60 B30
<b>21865</b>	0816.E7	timing belt	<b>(6)</b>	Z 144 B25,4
<b>21867</b>	0831.T3		<b>(6)</b>	
<b>24367</b>	0816.G7	timing belt	<b>(1)</b>	Z 137 B25
<b>24369</b>	0831.V4	rep. kit timing belt	<b>(8)</b>	
<b>32449</b>	0816.J1 SK	chain tensioner	<b>(1)</b>	
<b>33691</b>	0816.F6	timing chain	<b>(8) endlos / endless</b>	40 E
<b>33692</b>	0816.J1	rep. kit timing chain	<b>(1)</b>	40 E
<b>37275</b>	0830.75	deflection pulley	<b>(2)</b>	ØA 61 B30
<b>37285</b>	0816.L0	timing belt	<b>(3)</b>	Z141 B 25,4
<b>39099</b>	0805.E5	gear	<b>(4) (5)</b>	
<b>39100</b>	0816.L1	timing belt	<b>(9)</b>	Z139 B25,4
<b>39101</b>	0829.F8	tension roller	<b>(2)</b>	
<b>39109</b>	96 772 672 80	gear	<b>(2) O 12720→</b>	
<b>39200</b>	16 087 476 80	rep. kit timing belt	<b>(9)</b>	
<b>39201</b>	16 087 476 80 S1	rep. kit timing belt	<b>(9) O 12630 →</b>	
<b>39202</b>	16 087 476 80 S2	rep. kit timing belt	<b>(9) O → 12629</b>	
<b>39203</b>	16 087 474 80	rep. kit timing belt	<b>(3)</b>	
<b>39204</b>	16 087 474 80 S1	rep. kit timing belt	<b>(3) O 12720→</b>	
<b>39205</b>	16 087 474 80 S2	rep. kit timing belt	<b>(5)</b>	

# PEUGEOT 207

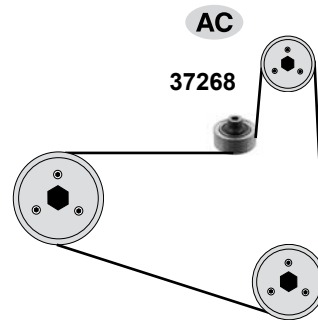
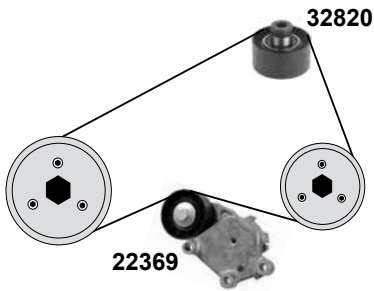
(06→12)

Car  
Division



## 1,4 D / 1,6 HDi

(DV6ATED4/DV6TED/DV6TED4/DV6DTED/DV6C/DV4C/DV4TD / DV6TED4BU)

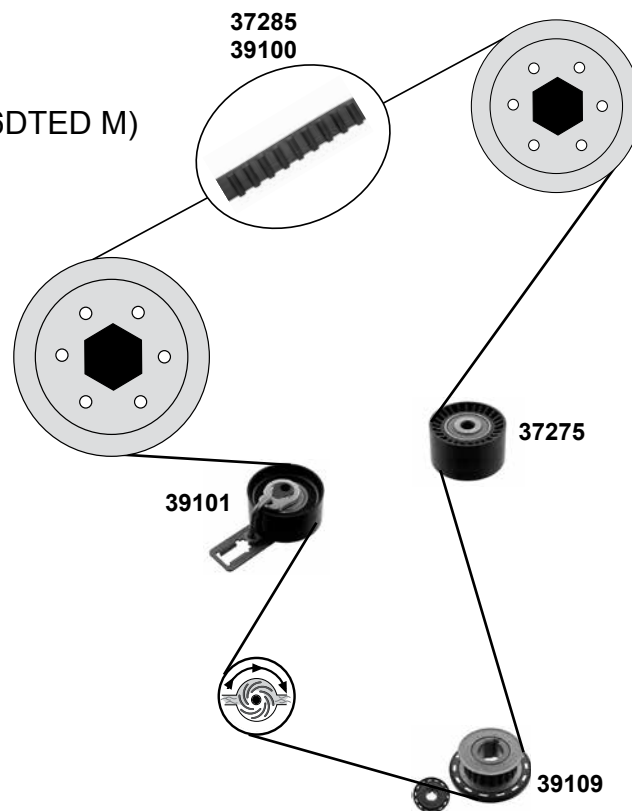
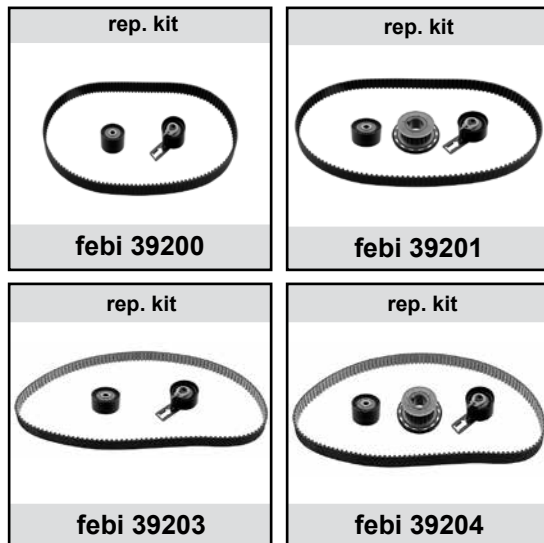


## 208

(03/12→)

### 1,4/1,6 HDi

(DV6C/DV4C/DV6DTED/DV6ETED M/DV6DTED M)



(1) (mot.) DV6C / DV6DTED / DV6DTEDM / DV6ETEDM

(2) (mot.) DV6C/DV4C / DV6DTED

(3) (mot.) DV6ATED4 / DV6TED4 / DV4TD

(4) (mot.) DV6ATED4 / DV6TED4 / DV4TD O 11074→

(5) (mot.) DV6TED4BU/DV6ETED4/DV4C/DV6C7DV6DTED

(6) (mot.) DV6ATED4 / DV6TED4 / DV4TD → O 11073



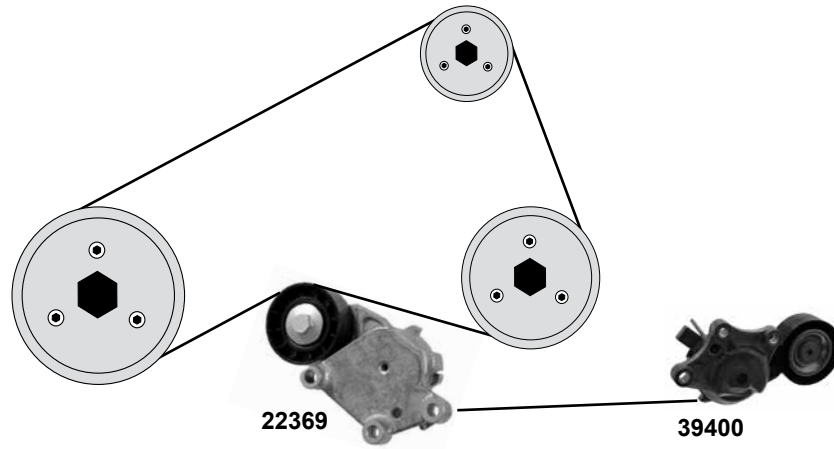
Ref. - No.



22369	5751.86	belt tensioner	(4) (5)	
32820	5751.E6	deflection pulley	(3) → O 11073	ØA 60 B30
37268	5751.E5	deflection pulley	(6)	ØA 70 B27
37275	0830.75	deflection pulley	(2)	ØA 61 B30
37285	0816.L0	timing belt	(1)	Z 141 B25,4
39100	0816.L1	timing belt	(mot.) DV4C	Z 139 B25,4
39101	0829.F8	tension roller		
39109	96 772 672 80	gear		
39200	16 087 476 80	rep. kit timing belt	(mot.) DV4C	
39201	16 087 476 80 S1	rep. kit timing belt	(mot.) DV4C	
39203	16 087 474 80	rep. kit timing belt	(1)	
39204	16 087 474 80 S1	rep. kit timing belt	(1)	

**1,4/1,6 HDi**

(DV4C/DV6C/DV6DTED/DV6ETED M/DV6DTED M)

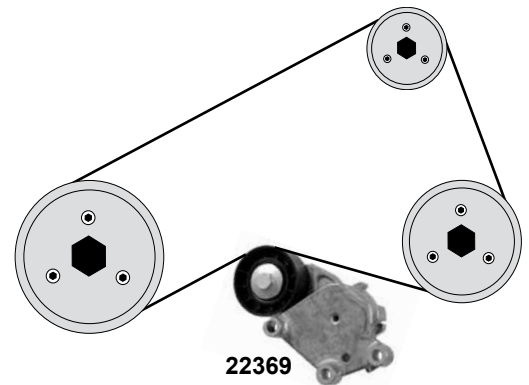
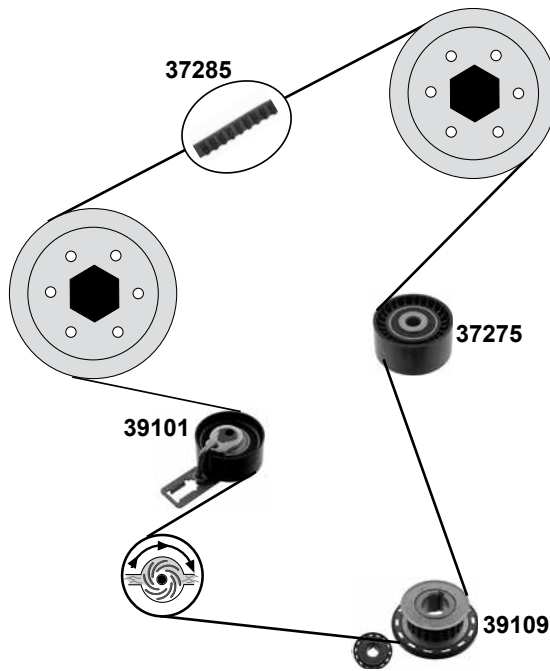
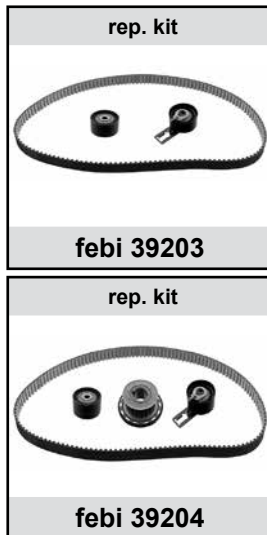


**301**

(12→)

**1,6 HDi**

(DV6DTED / DV6DTED M)



(1) (mot.) DV4C/DV6ETED M/DV6DTED M (ex.) Start - Stopp

(2) (mot.) DV4C/DV6C/DV6DTED + Start Stop



Ref. - No.



Ref. - No.	Description	Notes	Dimensions
22369	belt tensioner	(1)	ØA 65 B25,5
37275	deflection roller		ØA 61 B30
37285	timing belt		Z 141 B25,4
39101	tension roller		ØA 60 B29
39109	gear	(mot.) DV6DTED	
39203	rep. kit timing belt		
39204	rep. kit timing belt		
39400	belt tensioner	(2)	ØA 65 B25
39410	belt tensioner	(2)	ØA 65 B25

# PEUGEOT 306

(93→01)

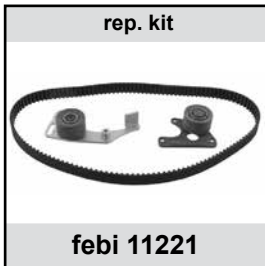
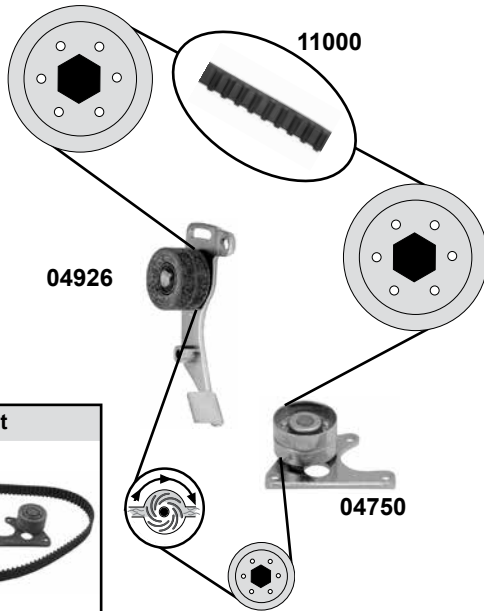
Car  
Division



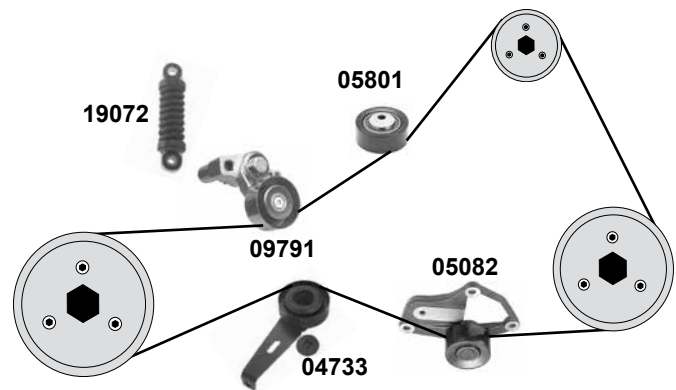
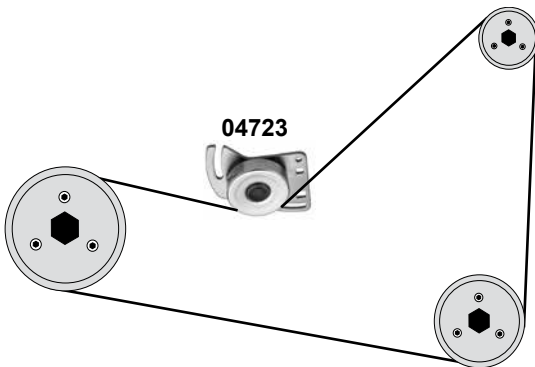
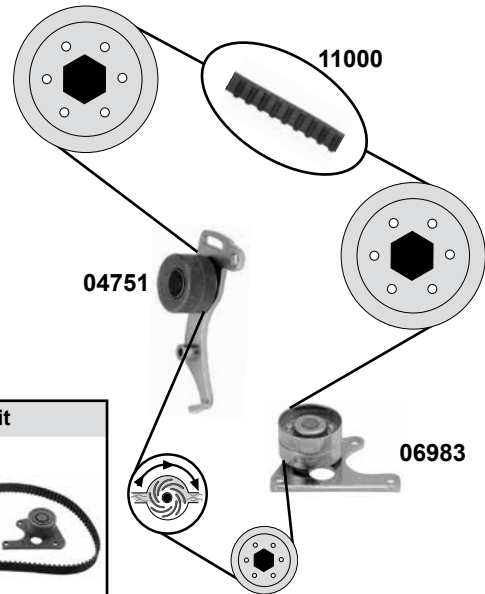
## 1,8 D / 1,9 D

(XUD7 / XUD7T / XUD9 / XU9TE)

Modell: → 01/94



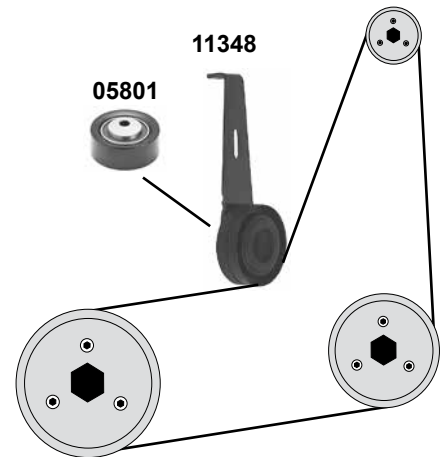
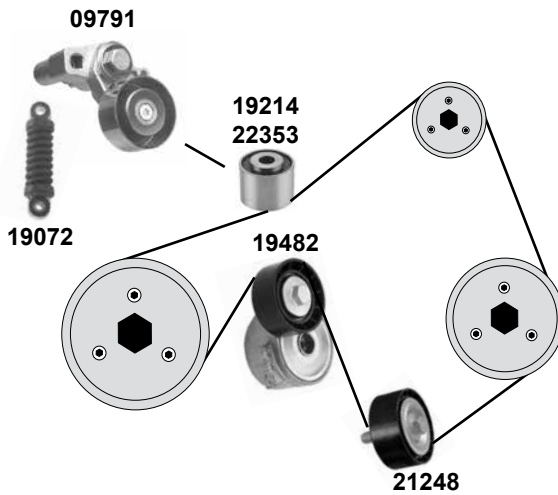
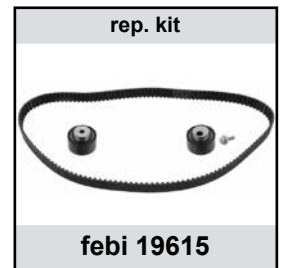
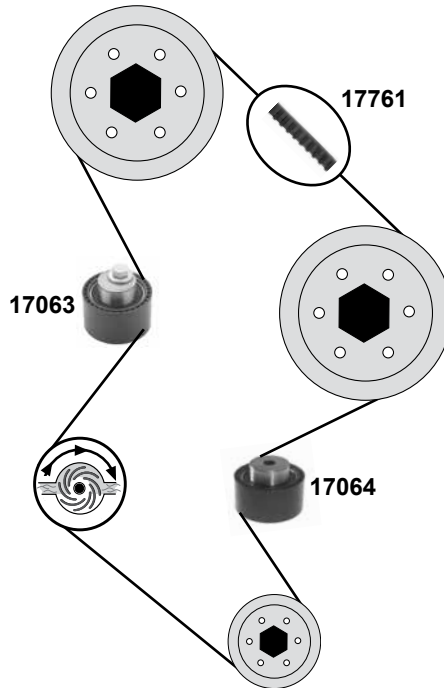
Modell: 01/94 →



Ref. - No.



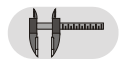
04723	6453.76	tension roller			ØA 58 B22,5
04733	5751.38	tension roller		AC or servo	ØA 85 B26
04750	0830.02	deflection pulley			ØA 60 B34
04751	0829.33	tension roller			ØA 60 B34
04926	0829.11	tension roller			ØA 60 B34
05082	5751.24	deflection roller			ØA 60 B28
05801	5751.29	tension roller			ØA 70 Ø1 10/16
06983	0830.13	deflection pulley			ØA 60 B34
09791	5751.30	belt tensioner		servo AC	ØA 60 B26,5
11000	0816.98	timing belt			Z 136 B25,4
11221	0831.09	rep. kit timing belt			
11222	0831.27	rep. kit timing belt			
19072	5751.81	vibration damper		servo AC	



- (1) (ex.) variable servo
- (2) O 08375→
- (3) Limosine (mot.) DW8 ex. variable servo (ex.) AC → O 08374  
Break (mot.) DW8 ex. variable servo (ex.) AC → O 08374



Ref. - No.



Ref. - No.	Description	Notes	Dimensions
05801	tension roller	servo  AC	ØA 70 ØI 10/16
09791	belt tensioner	servo  AC	ØA 60 B 26,5
11348	tension roller	man.	ØA 85 B 26
17063	tension roller		ØA 60 ØI 13
17064	deflection pulley		ØA 60 ØI 10 B42,2
17761	timing belt		Z 140 B 25,4
19072	vibration damper	servo  AC	
19214	deflection pulley	servo  (1) (ex.) AC	ØA 37 B 27
19482	tension roller	servo  AC (1) (2)	ØA 60
19615	rep. kit timing belt		
21248	deflection pulley	(1) (2) servo	ØA 60 B 25
22353	deflection pulley	(3)	ØA 60 B 26,5

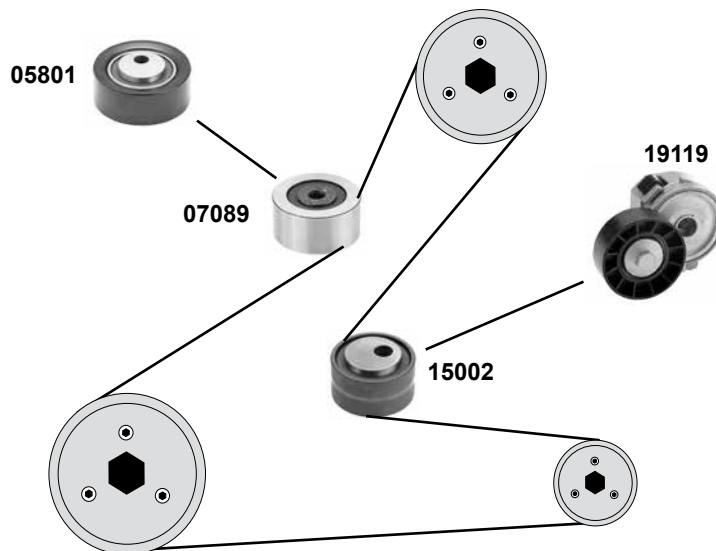
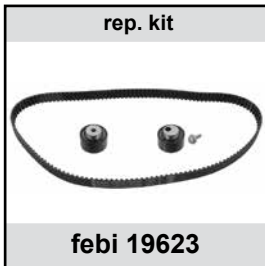
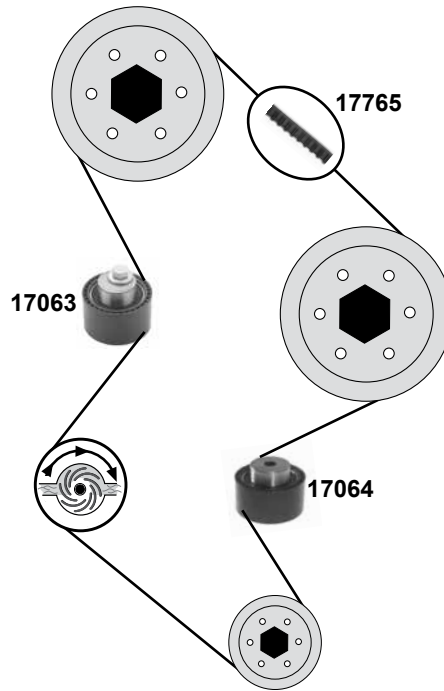
# PEUGEOT 306

(93→01)

Car  
Division 




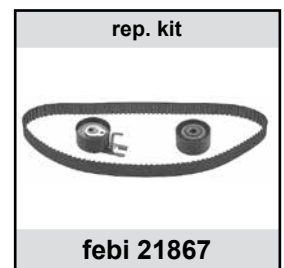
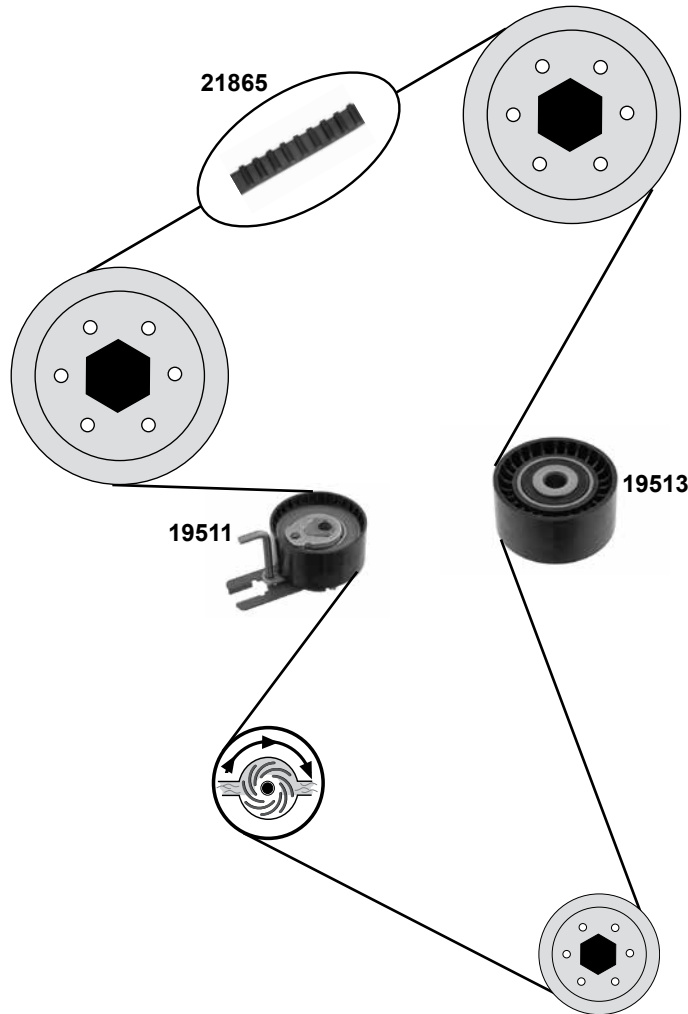
**2,0 HDi**  
(DW10TD)



Ref. - No.



<b>05801</b>	5751.29	tension roller	servo  AC	ØA 70 ØI 10/16
<b>07089</b>	5751.96	tension roller	(ex.) AC	ØA 50 B26
<b>15002</b>	5751.56	tension roller	(ex.) AC	ØA 50 B26
<b>17063</b>	0829.59	tension roller		ØA 60 ØI 13
<b>17064</b>	0830.63	deflection pulley		ØA 60 ØI 10 B42,2
<b>17765</b>	0816.A9	timing belt		Z 141 B25,4
<b>19119</b>	5751.55	belt tensioner		ØA 70 B25
<b>19623</b>	0831.R8	rep. kit timing belt		



(1) 06.01 → 04.05



Ref. - No.



<b>19511</b>	0829.88	tension roller	
<b>19513</b>	0830.48	deflection pulley	
<b>21865</b>	0816.E7	timing belt	(1)
<b>21867</b>	0831.T3	rep. kit timing belt	(1)

Z 144



# PEUGEOT 307

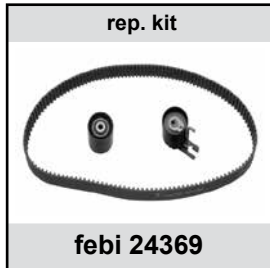
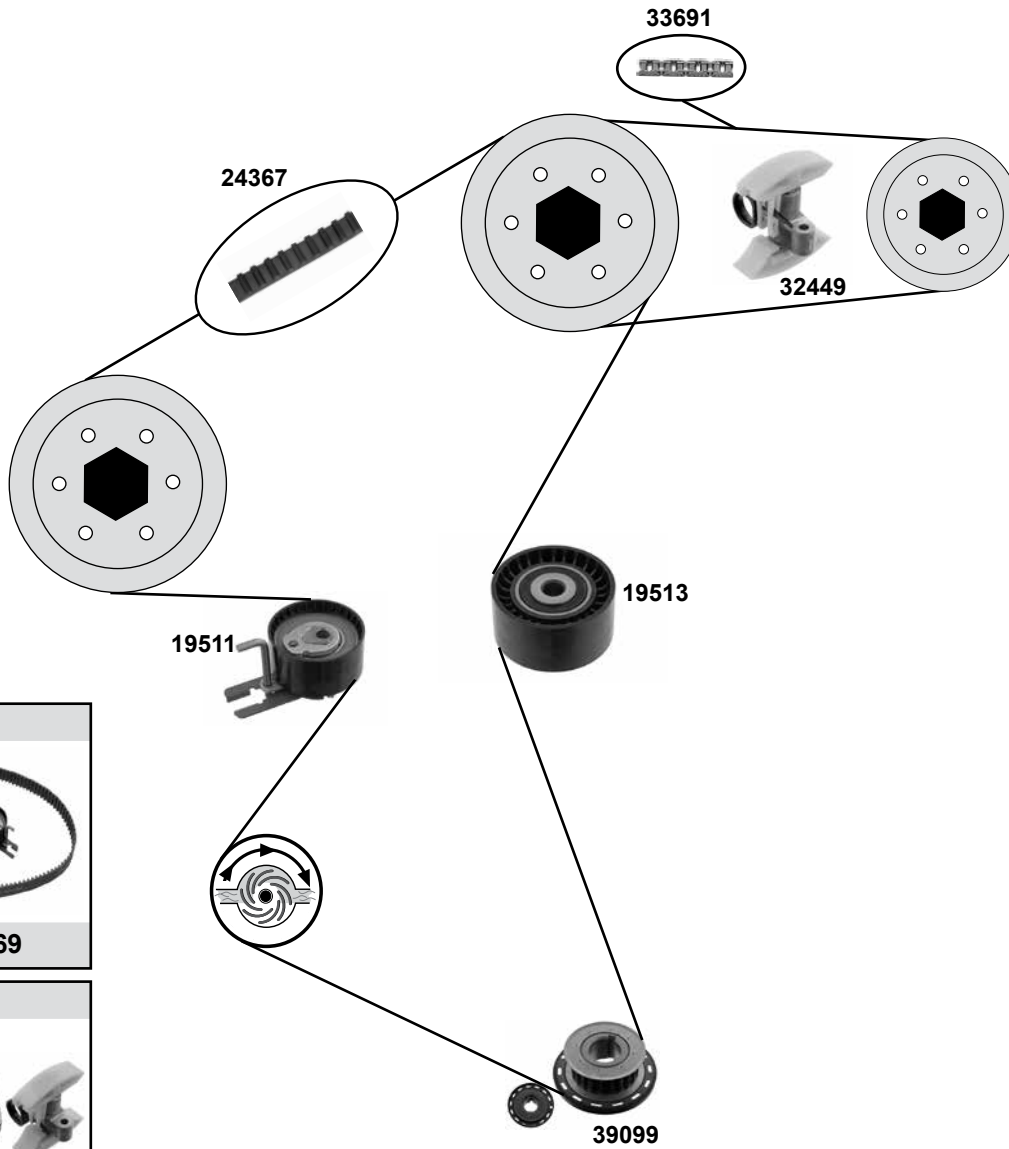
(01→08)

Car  
Division 



## 1,6 HDi

(DV6ATED4, DV6TED4)



(1) 05.05 → 08.07

(2) endless



Ref. - No.



19511  
19513  
24367  
24369  
32449  
33691  
33692  
39099

0829.88  
0830.48  
0816.G7  
0831.V4  
0816.J1 SK  
0816.F6  
0816.J1  
0805.E5

tension roller  
deflection pulley  
timing belt  
rep. kit timing belt  
chain tensioner  
timing chain  
rep. kit timing chain  
gear

(2)

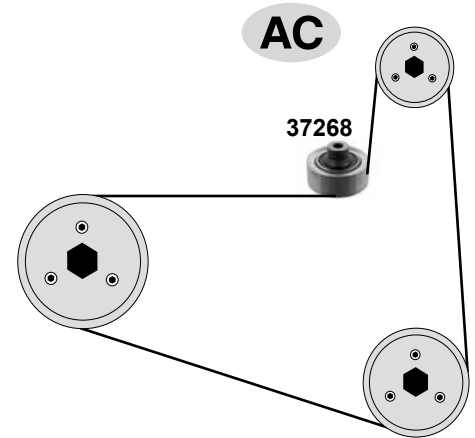
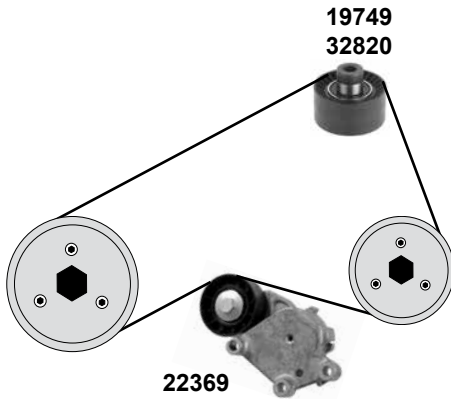
(1)

Z 137 B25

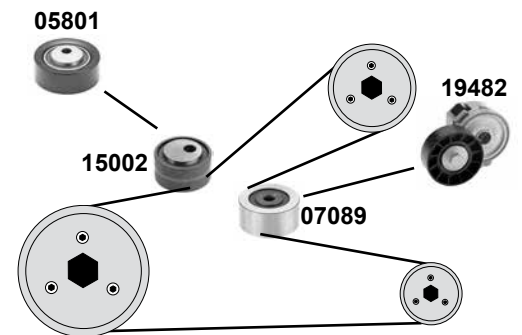
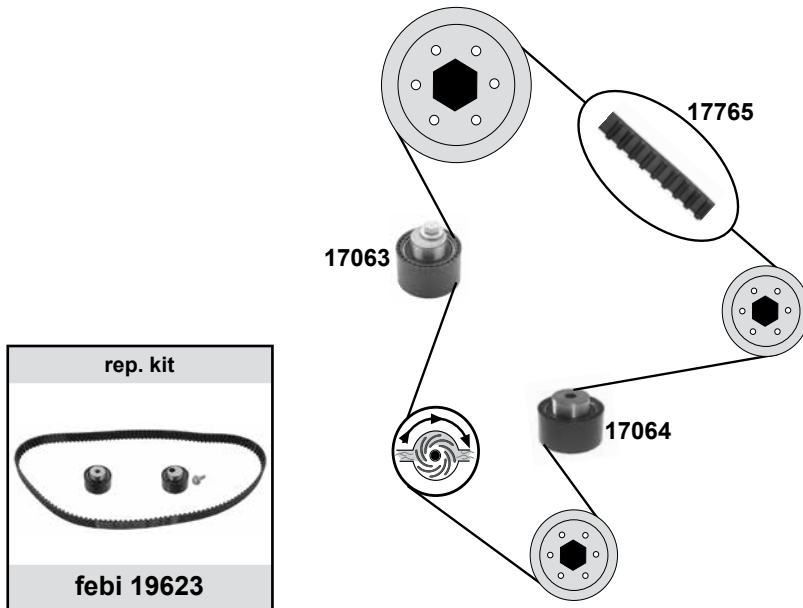
E40

Z 137 B25

**1,4 / 1,6 HDi**  
(DV6ATED4, DV6TED4, DV4TD)



**2,0 HDi**  
(DW10TD / DW10ATED)



- (1) 307 Restyling 05.05→08.07 (mot.) DV6TED4 / (mot.) DV6ATED4 → O 10548 / (mot.) DV6ATED4 O 11074→
- (2) 05.05→08.07 DV6TED4 / DV6ATED4 O 10556→O 11073
- (3) 307 → 05.05
- (4) 307 Restyling 05.05→08.07 DV6TED4 / DV6ATED4 → O 11073



Ref. - No.



Ref. - No.	Description	Notes	Dimensions
05801	tension roller	servo  AC	ØA 50 B26
07089	tension roller	(ex.) AC	ØA 50 B26
15002	tension roller	(ex.) AC	ØA 60 ØI 13
17063	tension roller		ØA 60 ØI 10
17064	deflection pulley		Z 141 B25,4
17765	timing belt		ØA 60
19482	tension roller		Z 141 B25,4
19623	rep. kit timing belt		ØA 60 B30
19749	deflection pulley	(mot.) DV4TD(ex.) AC	ØA 65 B25,5
22369	belt tensioner	(1) (3)	ØA 60 B30
32820	deflection pulley	(2)	
37268	deflection pulley	(4)	

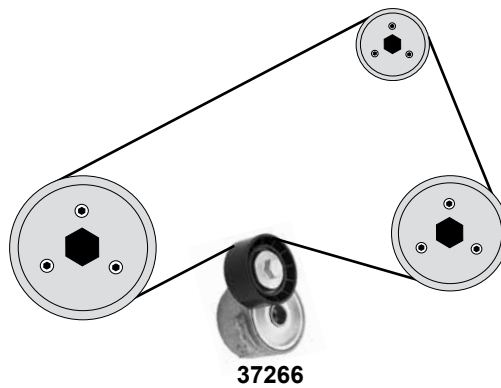
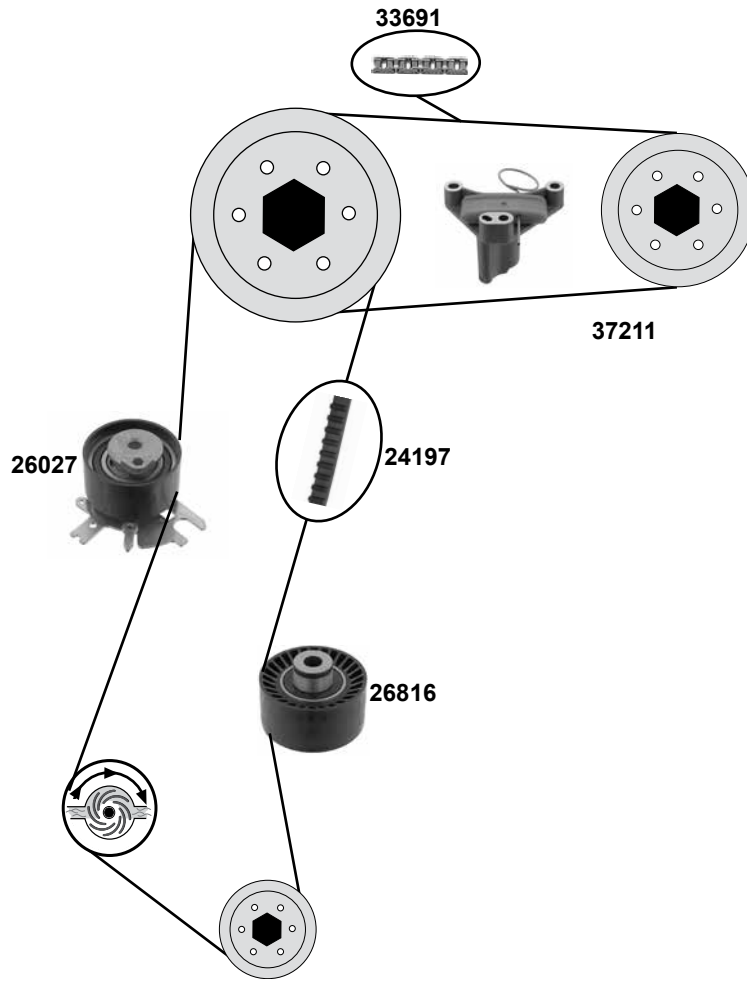
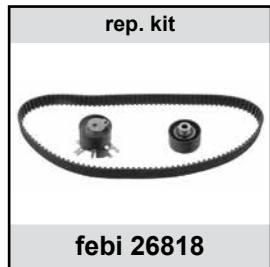
# PEUGEOT 307

(00→08)

Car  
Division 



## 2,0 HDi (DW10BTED4)



- (1) 307 06.01 → 04.05
- (2) 307 Restyling 05.05→08.07



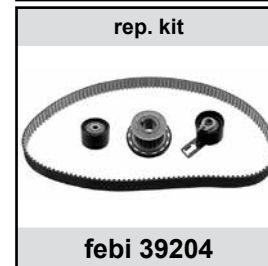
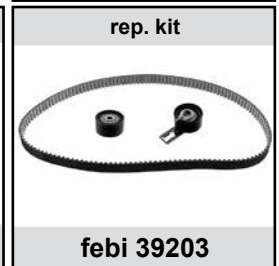
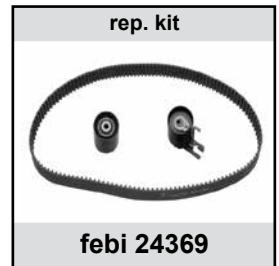
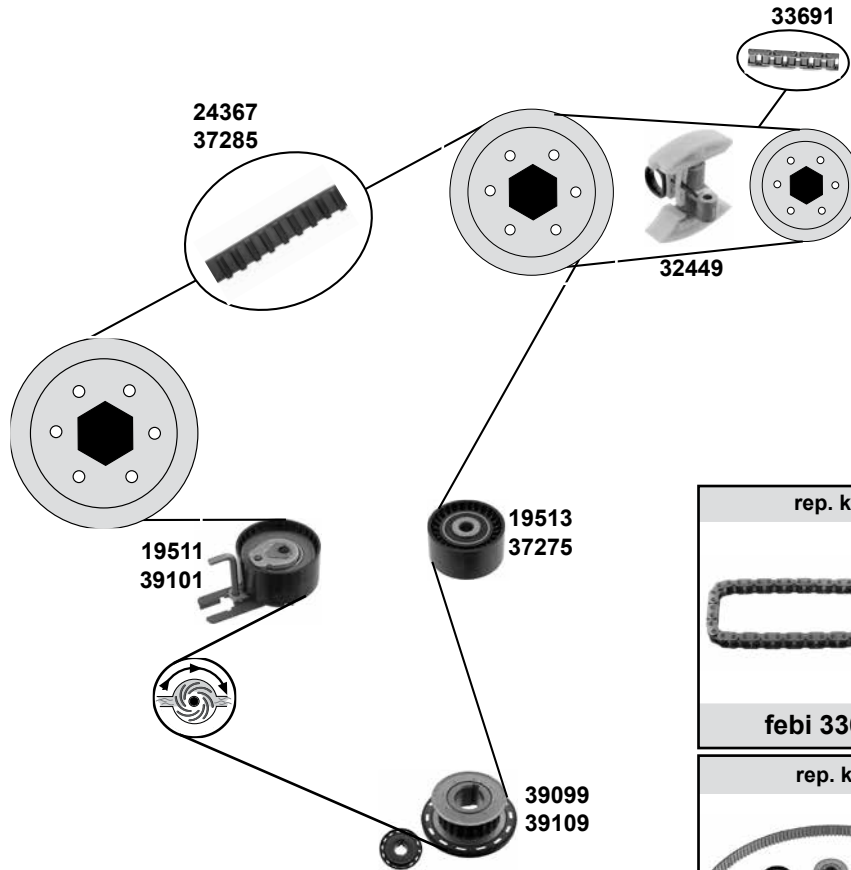
Ref. - No.



Ref. - No.	Description	Quantity	Notes	Dimensions
24197	timing belt			Z 116 B25
26027	tension roller			ØA 60 B29
26816	deflection pulley	(1) (2)		ØA 60 ØI 10 B30
26818	rep. kit timing belt			Z 116 B25
33691	timing chain		endless	E 40
37211	chain tensioner	(1) (2)		
37230	rep. kit timing chain	(1) (2)		
37266	belt tensioner	(1) (2)		ØA 70 B25



**1,6 HDi**  
(DV6ATED4/DV6TED4/DV6C/DV6DTED M/DV6DTED/DV6C M)



- (1) (mot.) DV6ATED4/DV6TED4
- (2) (mot.) DV6C/DV6DTED M/DV6DTED/DV6C M
- (3) (mot.) DV6C/DV6DTED
- (4) (mot.) DV6C/DV6DTED M/DV6DTED/DV6C M →O.12719



Ref. - No.

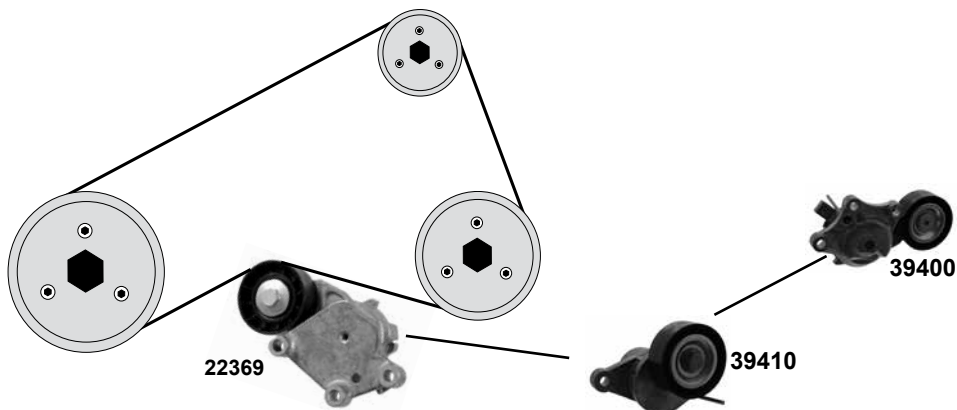


Part No.	Ref. - No.	Description	Quantity	Notes	Dimensions
19511	0829.88	tension roller	(1)		ØA 60 B29
19513	0830.48	deflection pulley	(1)		ØA 60 B30
24367	0816.G7	timing belt	(1)		Z 137 B25
24369	0831.V4	rep. kit timing belt	(1)		Z 137 B25
32449	0816.J1 SK	chain tensioner	(1)		
33691	0816.F6	timing chain	(1)	endless	40 E
33692	0816.J1	rep. kit timing chain	(1)		40 E
37275	0830.75	deflection pulley	(3)		ØA 61 B 30
37285	0816.L0	timing belt	(2)		Z 141 B 25,4
39099	0805.E5	gear	(1) (4)		
39101	0829.F8	tension roller	(2)		ØA 60 B 29
39109	96 772 672 80	gear	(2)	O 12720 →	
39203	16 087 474 80	rep. kit timing belt	(2)		
39204	16 087 474 80 S1	rep. kit timing belt	(2)	O 12720 →	
39205	16 087 474 80 S2	rep. kit timing belt	(2)	→ O 12719	



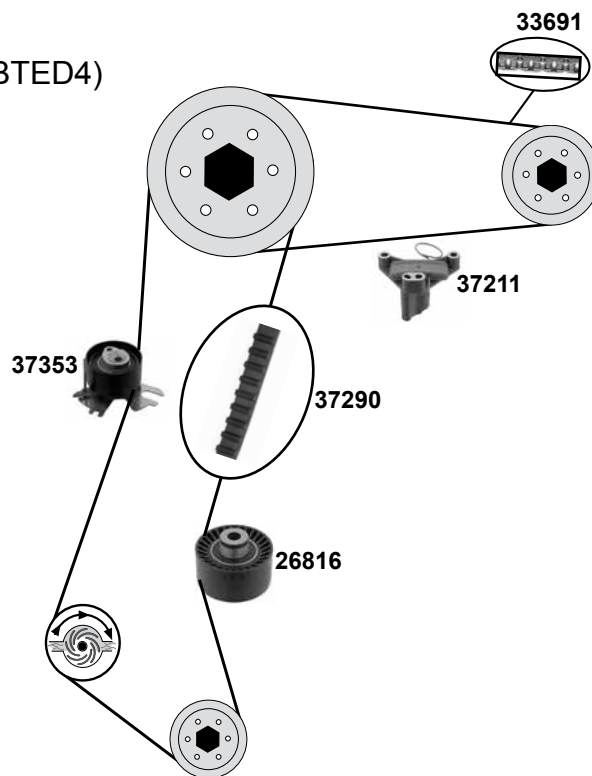
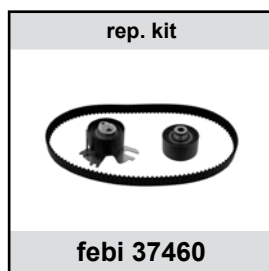
### 1,6 HDi

(DV6ATED4/DV6TED4/DV6C/DV6DTED M/DV6DTED/DV6C M)



### 2,0 HDi

(DW10CB/DW10CTED4/DW10BTED4)



- (1) (mot.) DV6TED4 / DV6ATED4 / DV6DTED / DV6DTED M / DV6C M / (mot.) DV6C (ex.) Start - Stopp
- (2) (mot.) DW10CB / DW10CTED4
- (3) (mot.) DW10CTED4 / DW10BTED4 endless
- (4) (mot.) DV6C + Start Stopp

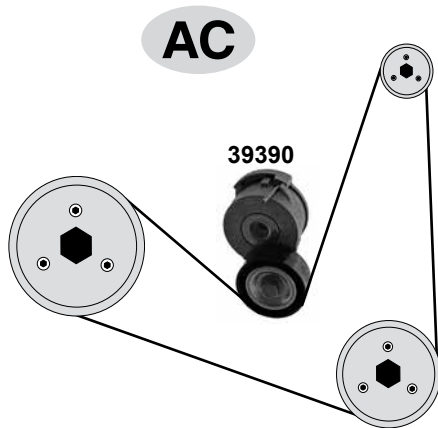


Ref. - No.

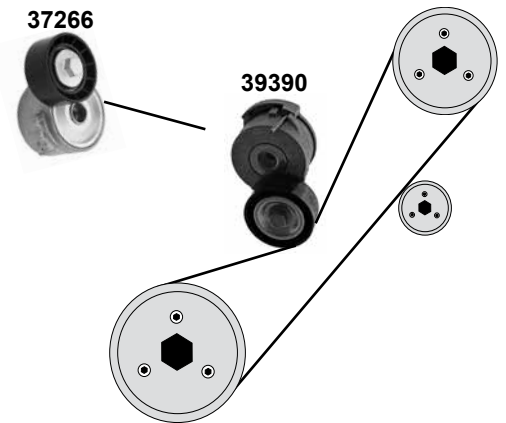


Ref. - No.	Description	Notes	Dimensions
22369	belt tensioner	(1)	ØA 65 B25,5
26816	deflection pulley	DW10BTED4	ØA 60 ØI 10H30,2
33691	timing chain	(3)	E40
37211	chain tensioner		
37230	rep. kit timing chain		
37290	timing belt		
37353	tension roller		ØA 60 B29
37460	rep. kit timing belt	(2)	
39400	belt tensioner	(4)	ØA65 B25
39410	belt tensioner	(4)	ØA65 B25

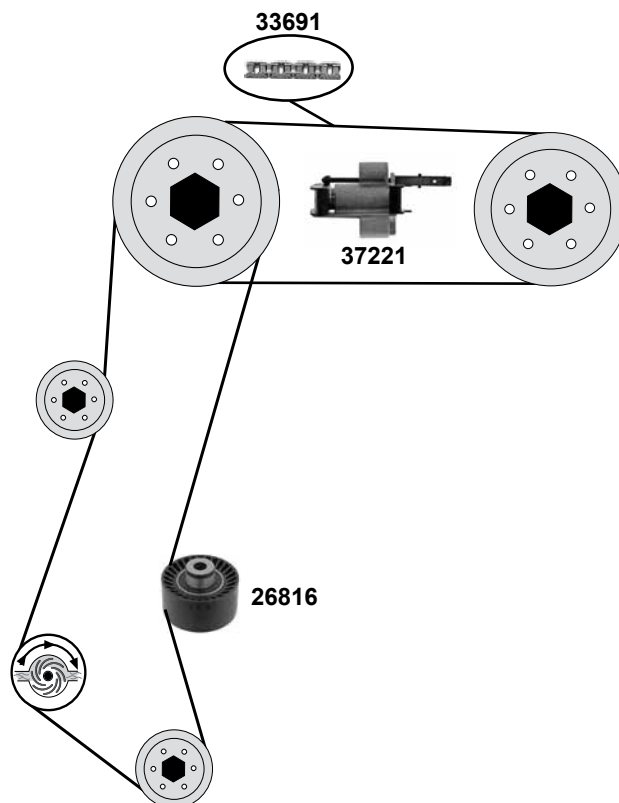
**2,0 HDi**  
(DW10CB / DW10CTED4 / DW10BTED4)



**2,0 / 2,2 HDi**  
(DW10CB / DW10CTED4 / DW12TED4)



**308 II**  
(13→)  
**2,0 HDi**  
(DW10FD)



- (1) (mot.) DW10CTED4 / (mot.) DW10CB **AC** + Start Stop  
(2) (mot.) DW12TED4



Ref. - No.



<b>26816</b>	0830.51	deflection pulley			ØA 60 ØI 10 B30
<b>33691</b>	0816.F6	timing chain			E40
<b>37221</b>	0849.30	chain tensioner			
<b>37266</b>	5751.A7	belt tensioner		(2)	ØA 70 B25
<b>37620</b>	0816.F6 S1	rep. kit timing chain			
<b>39390</b>	5751.H8	belt tensioner		(1)	ØA 65 B25

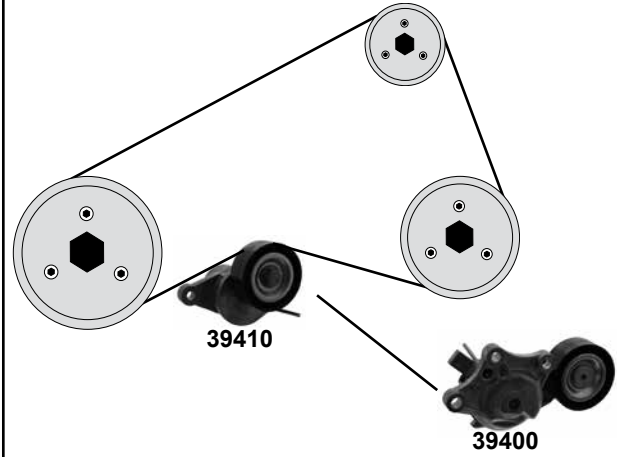
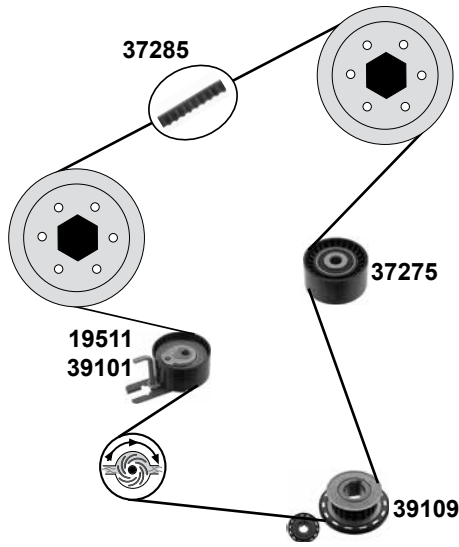
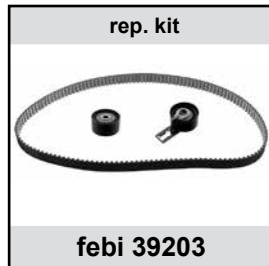
# PEUGEOT 308 II

(13→)

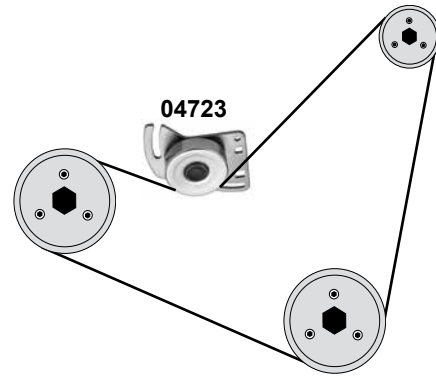
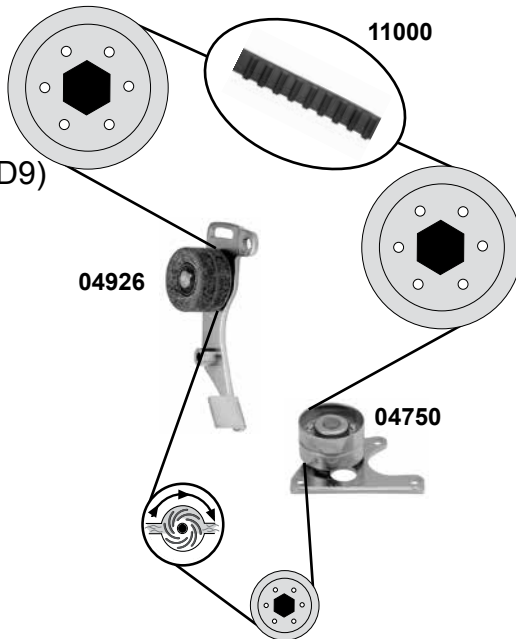
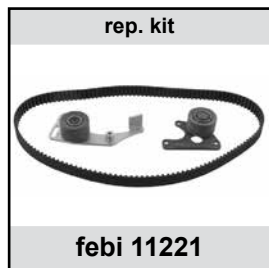
Car  
Division



## 1,6 HDi (DV6C / DV6DTED)



## 309 (86→93) 1,8 D / 1,9 D (XUD7 / XUD7T / XUD9)



(1) (mot.) DV6C + Start Stop



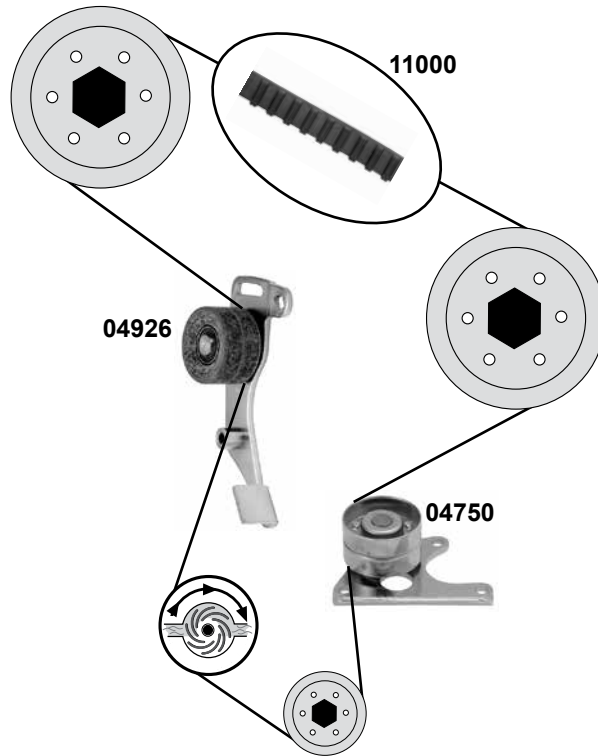
Ref. - No.



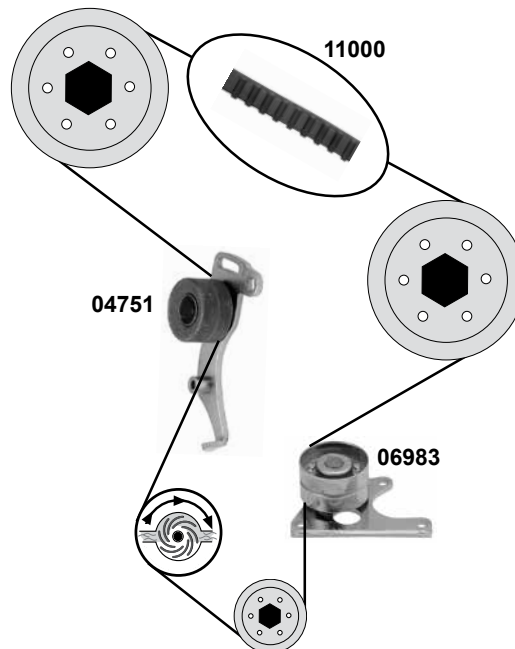
Ref. - No.	Description	Dimensions
04723	tension roller	ØA 58 B22,5
04750	deflection pulley	ØA 60 B34
04926	tension roller	ØA 60 B34
11000	timing belt	Z 136 B25,4
11221	rep. kit timing belt	
37275	deflection pulley	ØA 61 B 30
37285	timing belt	Z 141 B 25,4
39101	tension roller	ØA 60 B 29
39109	gear	
39203	rep. kit timing belt	
39204	rep. kit timing belt	
39400	belt tensioner	(1) ØA 65 B25
39410	belt tensioner	(1) ØA 65 B25



**1,8 D / 1,9 D**  
(XUD7 / XUD7T / XUD9 / XUD9A / XU9TE)



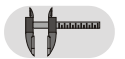
**Modell: → 01/94**



**Modell: 01/94 →**



Ref. - No.



<b>04750</b>	0830.02	deflection pulley		ØA 60 B34
<b>04751</b>	0829.33	tension roller		ØA 60 B34
<b>04926</b>	0829.11	tension roller		ØA 60 B34
<b>06983</b>	0830.13	deflection pulley		ØA 60 B34
<b>11000</b>	0816.98	timing belt		Z 136 B25,4
<b>11221</b>	0831.09	rep. kit timing belt		
<b>11222</b>	0831.27	rep. kit timing belt		



# PEUGEOT 405

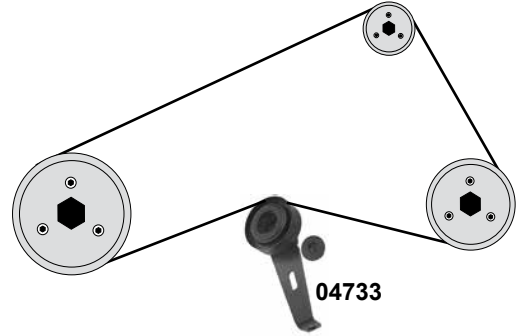
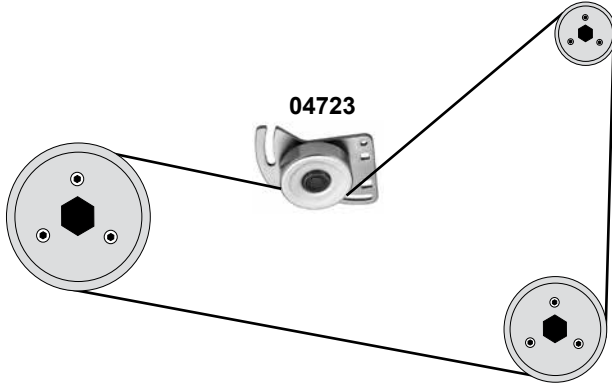
(88→96)

Car  
Division



## 1,8 D / 1,9 D

(XUD7 / XUD7T / XUD9 / XUD9A / XU9TE)

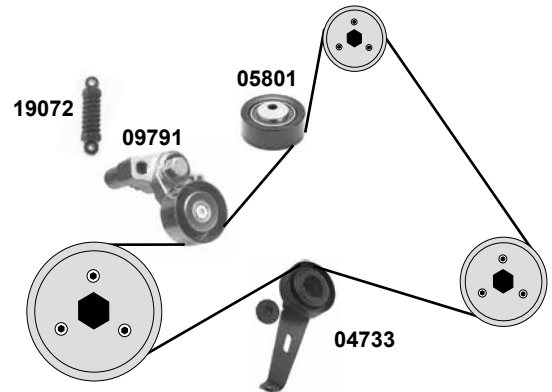
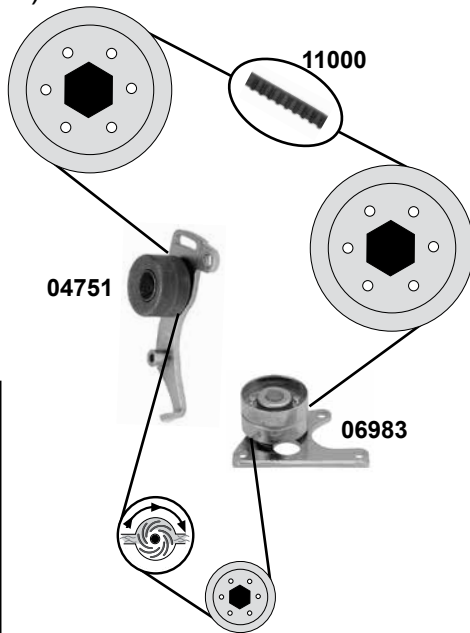


## 406

(96→04)

### 1,9 D

(XUD9SD / XUD9TE)



(1) 405 man. AC

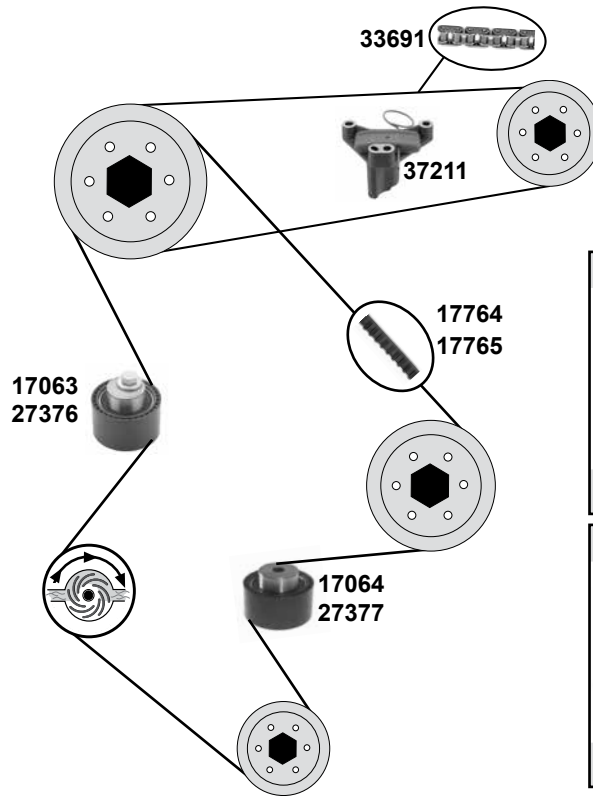
(2) 406 (ex.) AC



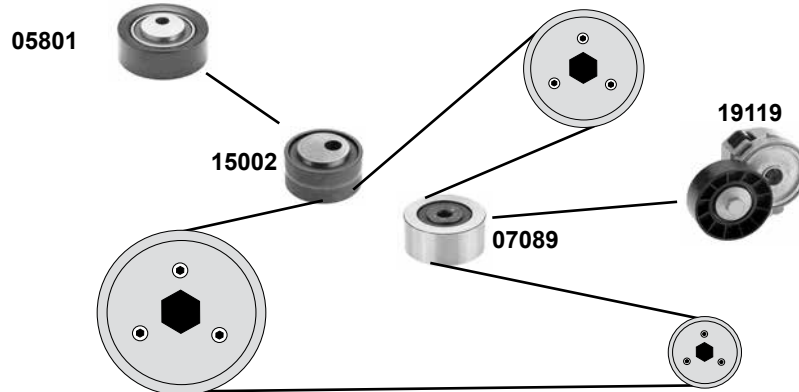
Ref. - No.



Part No.	Ref. - No.	Description	Notes	Dimensions
04723	6453.76	tension roller	(1) (2)	ØA 58 B22,5
04733	5751.38	tension roller		ØA 85 B26
04751	0829.33	tension roller		ØA 60 B34
05801	5751.29	tension roller		ØA 70 B27/29
06983	0830.13	deflection pulley		ØA 60 B34
09791	5751.30	tension roller		ØA 60 B26,5
11000	0816.98	timing belt		Z 136 B25,4
11222	0831.27	rep. kit timing belt		
19072	5751.81	vibration damper	servo  AC	



rep. kit  febi 19621	rep. kit  febi 19623
rep. kit  febi 27391	rep. kit  febi 37230



(1) DW12TED4 → O 10010

(3) DW10ATED/DW10

(2) DW12TED4 O 10011→

(4) DW12TED4



Ref. - No.



Ref. - No.	Description	Notes	Dimensions
05801	tension roller	servo  AC	ØA 70 ØI 10/16
07089	tension roller	(ex.) AC	ØA 50 B26
15002	tension roller	(ex.) AC	ØA 50 B26
17063	tension roller	(1)	ØA 60 ØI 13
17064	deflection pulley	(1)	ØA 60 ØI 10
17764	timing belt	(4)	Z 146 B25,4
17765	timing belt	(3)	Z 141 B25,4
19119	belt tensioner		ØA 70 B25
19621	rep. kit timing belt	(1)	146 Z B24,96
19623	rep. kit timing belt	(3)	141 Z B25,4
27376	tension roller	(2)	ØA 62 B30
27377	deflection pulley	(2)	ØA 62 B30
27391	rep. kit timing belt	(2)	Z 146 B25,4
33691	timing chain	(4) 00 →	
37211	chain tensioner	(4) 99 →04	
37230	rep. kit timing chain	(4)	40 E

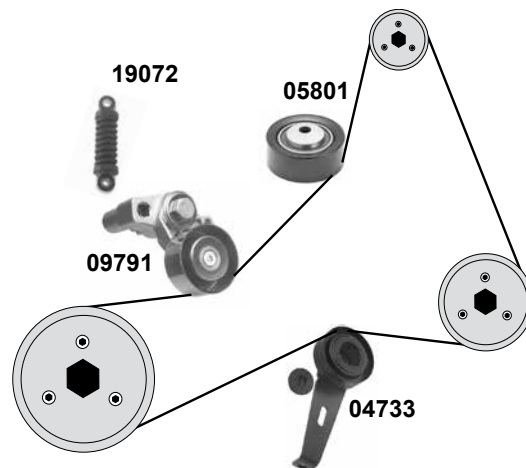
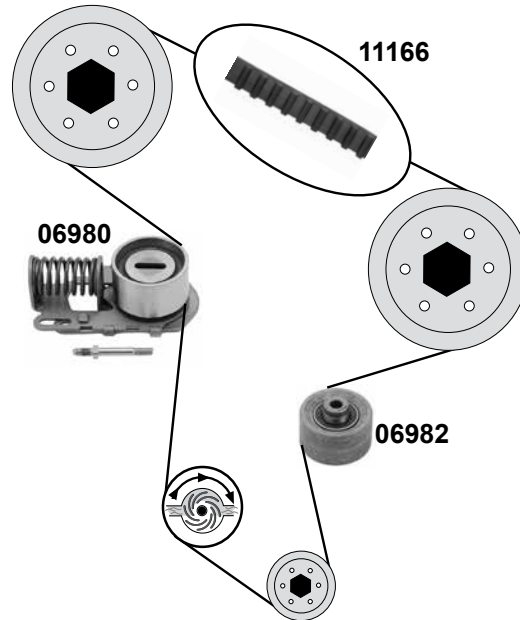
# PEUGEOT 406






(96→04)

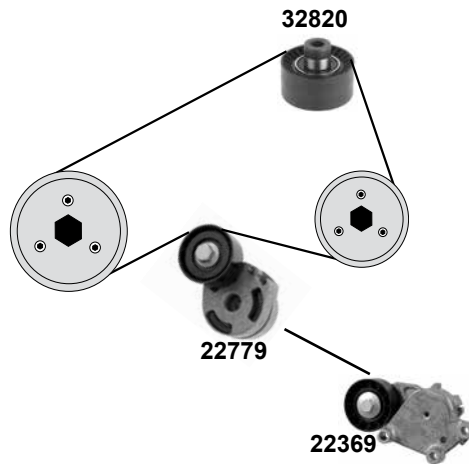
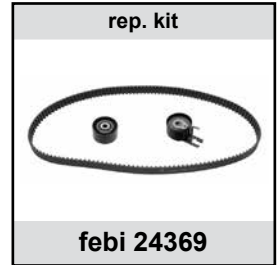
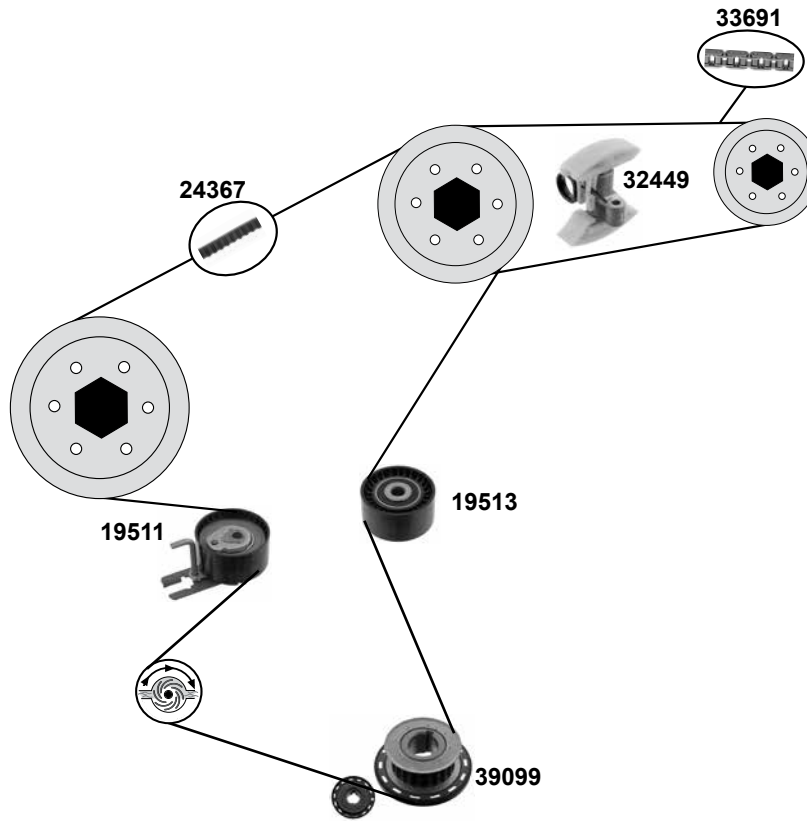
Car  
Division



## 2,1 D (XUD11BTE)



	Ref. - No.			
<b>04733</b>	5751.38	tension roller	(ex.) AC	ØA 85 B26
<b>05801</b>	5751.29	tension roller		ØA 70 B27/29
<b>06980</b>	0818.19	tension roller		ØA 60 B34
<b>06982</b>	0830.37	deflection pulley		ØA 60 B34
<b>09791</b>	5751.30	tension roller		ØA 60 B26,5
<b>11106</b>	0831.52	rep. kit timing belt		
<b>11166</b>	0816.54	timing belt		Z 149 B25,4
<b>19072</b>	5751.81	vibration damper	servo  AC	



(1) O 11620→ mit FAP / O 11921→ ohne FAP



Ref. - No.

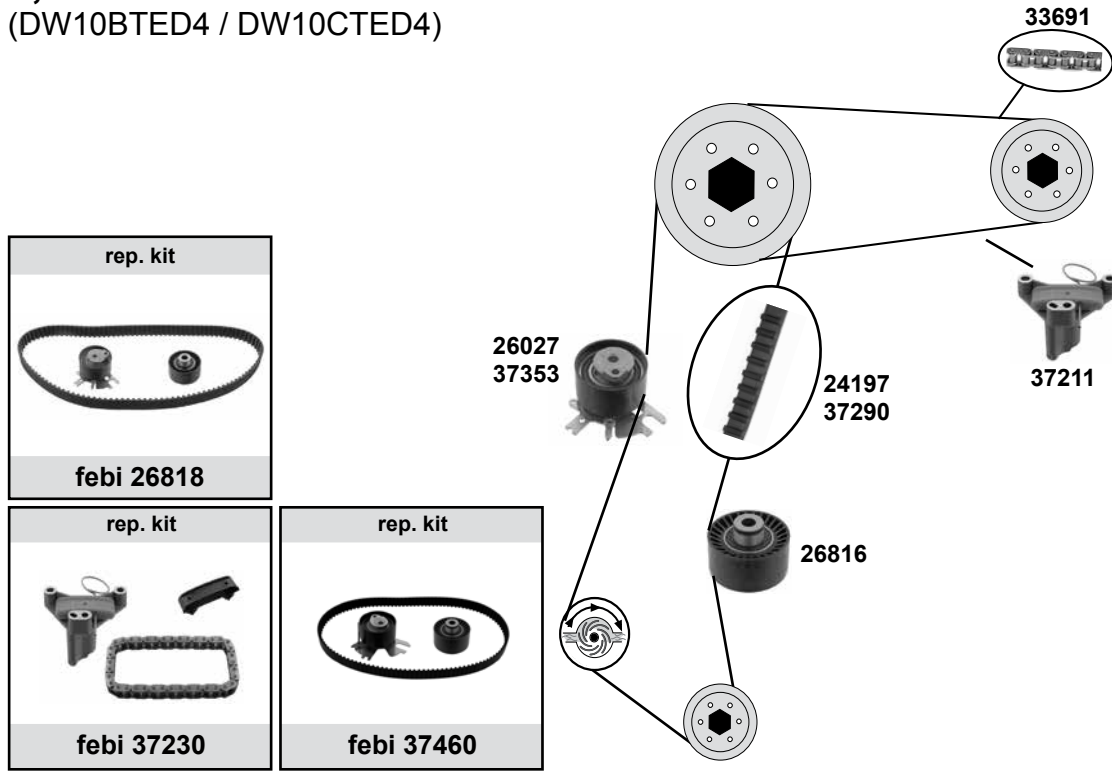


Ref. - No.	Description	Notes	Dimensions
19511	tension roller		ØA 60 B29
19513	deflection pulley		ØA 60 B30
22369	belt tensioner	servo  → O 11920	ØA 65 B25,5
22779	belt tensioner		ØA 55 B25
24367	timing belt		Z 137 B 25
24369	rep. kit timing belt		
32449	chain tensioner		
33691	timing chain	endless	40 E
33692	rep. kit timing chain		40 E
32820	deflection pulley	(1)	ØA 60 B30
39099	gear		

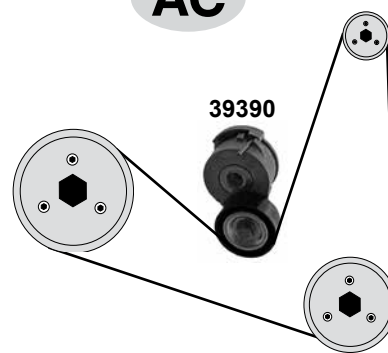
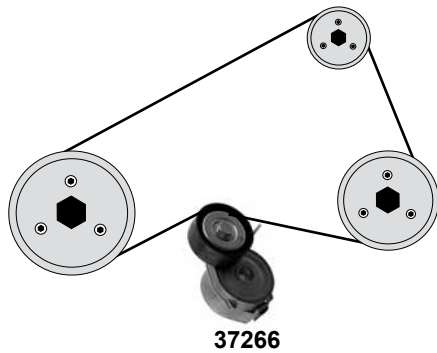


## 2,0 D

(DW10BTED4 / DW10CTED4)



AC



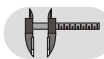
(1) (mot.) DW10BTED4

(2) (mot.) DW10CTED4

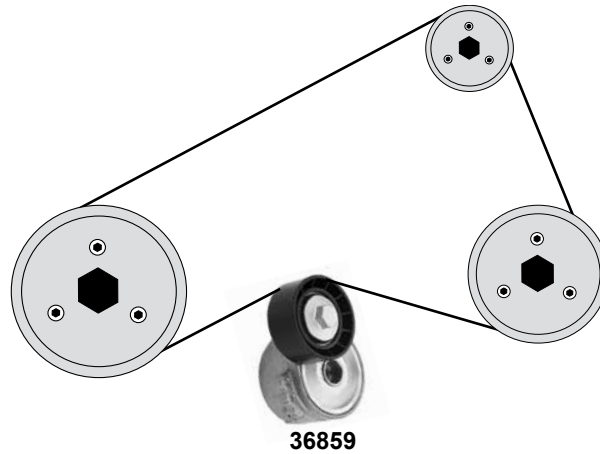
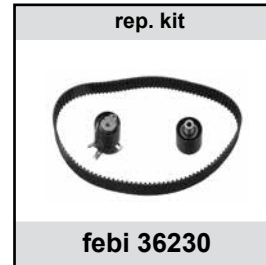
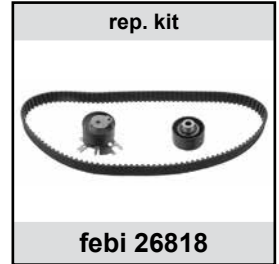
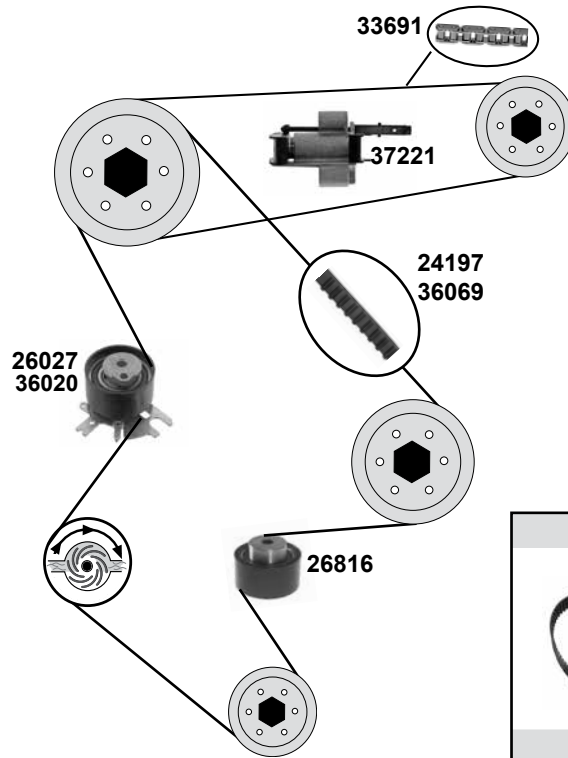
(3) endlos / endless



Ref. - No.



Ref. - No.	Description	Quantity	Dimensions
24197	timing belt	(1)	Z 116 B25
26027	tension roller	(1)	ØA 60 B29
26816	deflection pulley	(1)	ØA 60 ØI10 B30
26818	rep. kit timing belt	(1)	Z 116 B25
33691	timing chain	(3)	40 E
37211	chain tensioner	(1) (2)	
37230	rep. kit timing chain	(1) (2)	
37266	belt tensioner	(1)	ØA 70 B25
37290	timing belt	(1)	
37353	tension roller	(2)	ØA 60 B29
37460	rep. kit timing belt	(2)	
39390	belt tensioner	(2)	ØA 65 B25



(1) endless



Ref. - No.



24197	0816.G3
26027	0829.A4
26816	0830.51
26818	0831.T5
33691	0816.F6
36020	0829.F5
36069	0816.J5
36230	0831.V5
36859	5751.G0
37221	0849.30
37620	0816.F6 S1

timing belt
tension roller
deflection pulley
rep. kit timing belt
timing chain
tension roller
timing belt
rep. kit timing belt
belt tensioner
chain tensioner
rep. kit timing chain

(1)

Z 116 B25
ØA 60 B29
ØA 60 Ø110 B30
Z 116 B25
40 E
ØA 60 B29
Z 118
ØA 65 B29

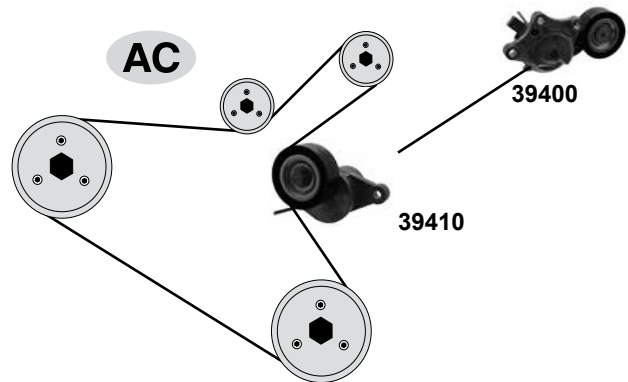
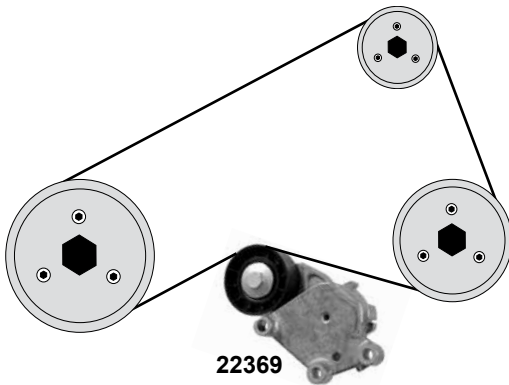
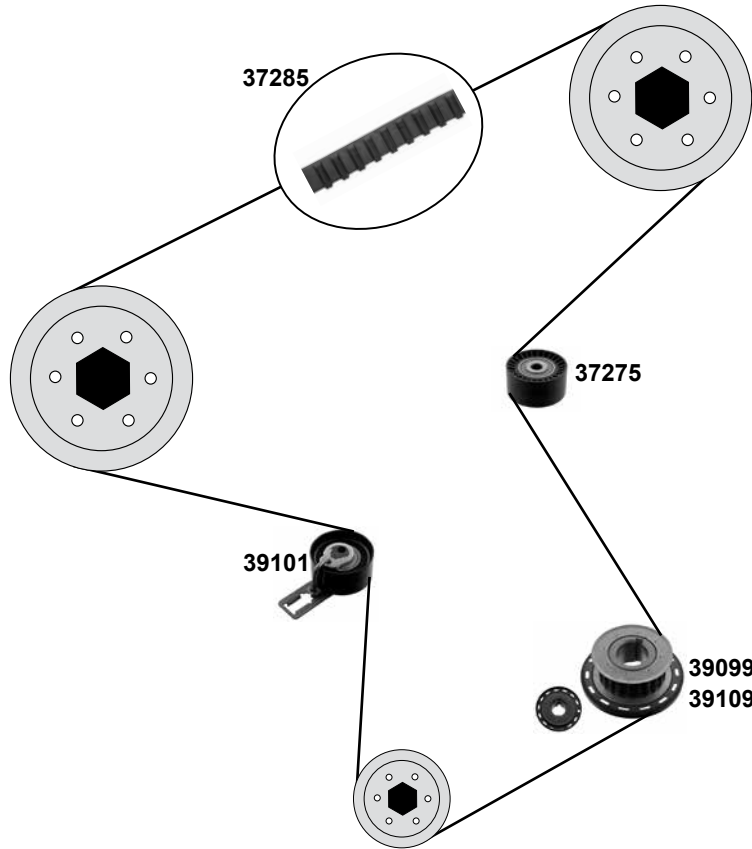
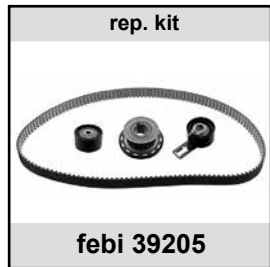
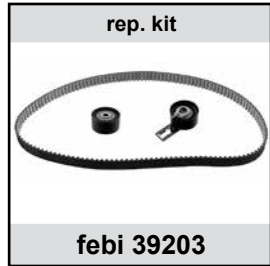
# PEUGEOT 508

(10→)

Car  
Division



## 1,6 HDi (DV6C)



Ref. - No.

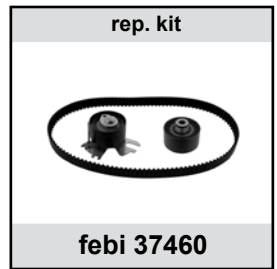
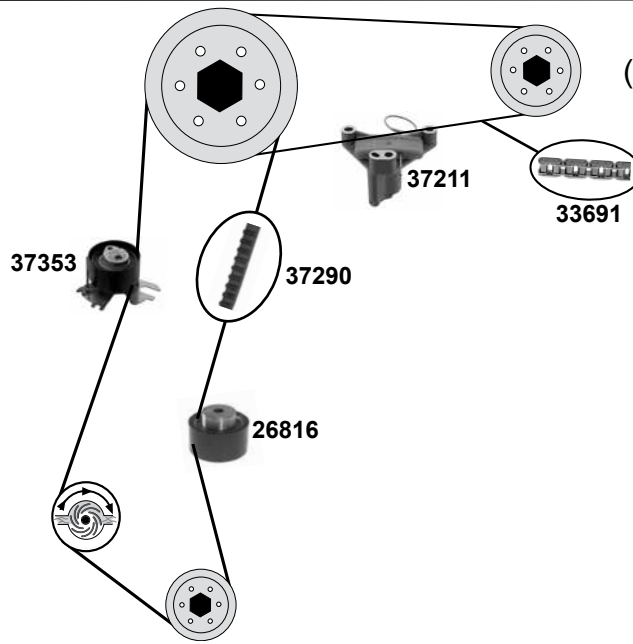


Ref. - No.	Description	Notes	Dimensions
22369	belt tensioner		ØA 65 B25,5
37275	idler bearing		ØA 61 B 30
37285	timing belt		Z 141 B 25,4
39099	gear	→ O 12719	
39101	tensioner bearing		ØA 60 B 29
39109	gear	O 12720 →	
39203	rep. kit timing belt		
39204	rep. kit timing belt	O 12720→	
39205	rep. kit timing belt	→ O 12719	
39400	belt tensioner	+ Start Stopp	ØA 65 B25
39410	belt tensioner	+ Start Stopp	ØA 65 B25



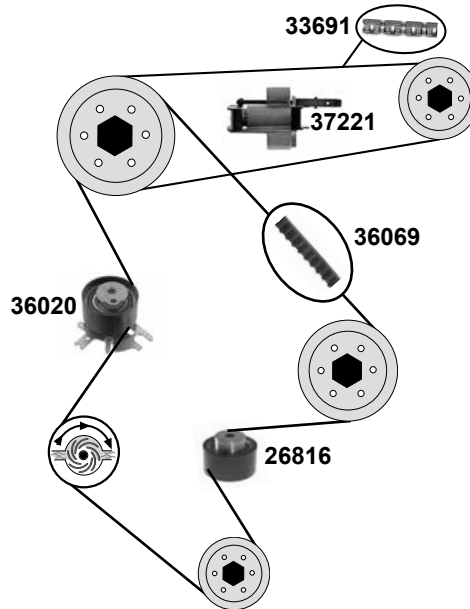
**2,0 HDi**

(DW10CTED4 / DW10BTED4)



**2,2 HDi**

(DW12C)



- (1) (mot.) DW12C mit
- (2) endless
- (3) (mot.) DW10CTED4
- (4) (mot.) DW10BTED4



Ref. - No.



Ref. - No.	Description	Quantity	Dimensions
26816	0830.51 deflection pulley	(4)	ØA 60 Ø110 B30
33691	0816.F6 timing chain	(2)	40 E
36020	0829.F5 tension roller	(1)	ØA 60 B29 Z 118
36069	0816.J5 timing belt		
36230	0831.V5 rep. kit timing belt		
37211	0849.22 chain tensioner	(3) (4)	
37221	0849.30 chain tensioner		
37230	0849.23 rep. kit timing chain	(3) (4)	
37290	0816.K8 timing belt		
37353	0829.G6 tension roller	(3)	ØA 60 B29
37460	0831.W1 rep. kit timing belt	(3)	
37620	0816.F6 S1 rep. kit timing chain		



**PEUGEOT**

**508**

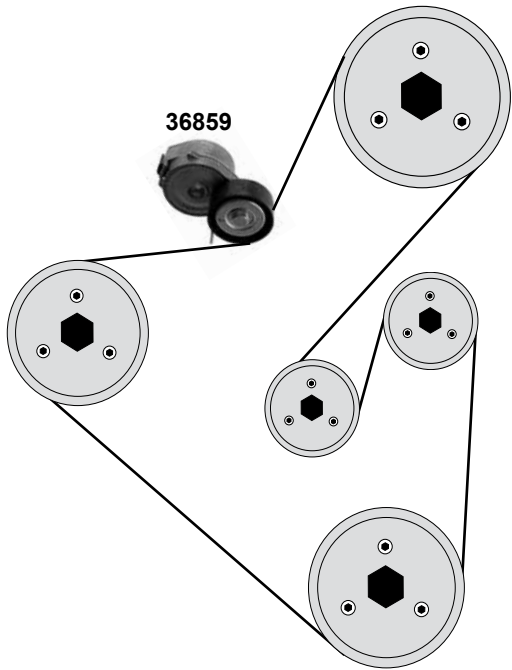
(10→)

Car  
Division

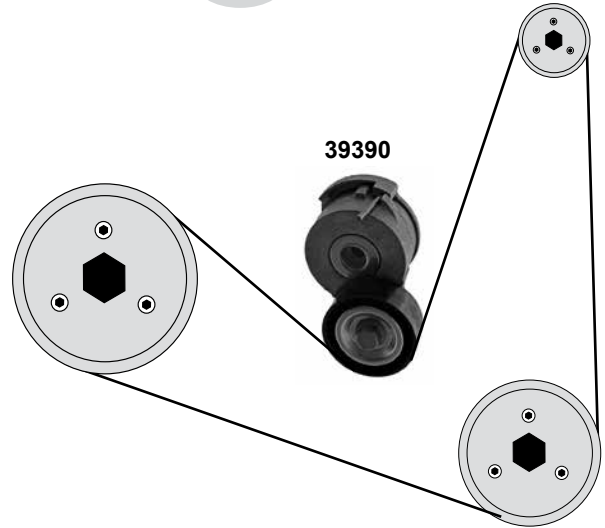


**2,0 HDi / 2,2 HDi**

(DW10CTED4 / DW12C)

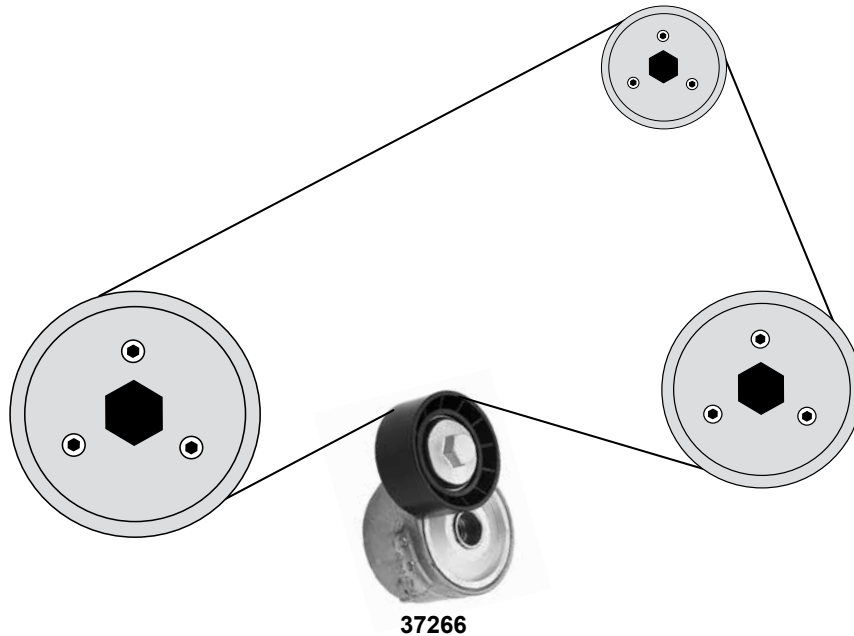


**AC**



**2,0 HDi / 2,2 HDi**

(DW10BTED4)



(1) (mot.) DW10CTED4 (ex.) Start Stop



Ref. - No.



36859 5751.G0  
37266 5751.A7  
39390 5751.H8

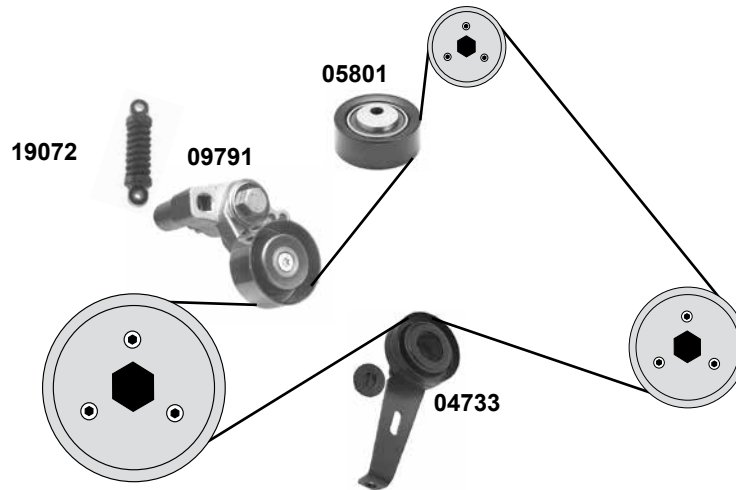
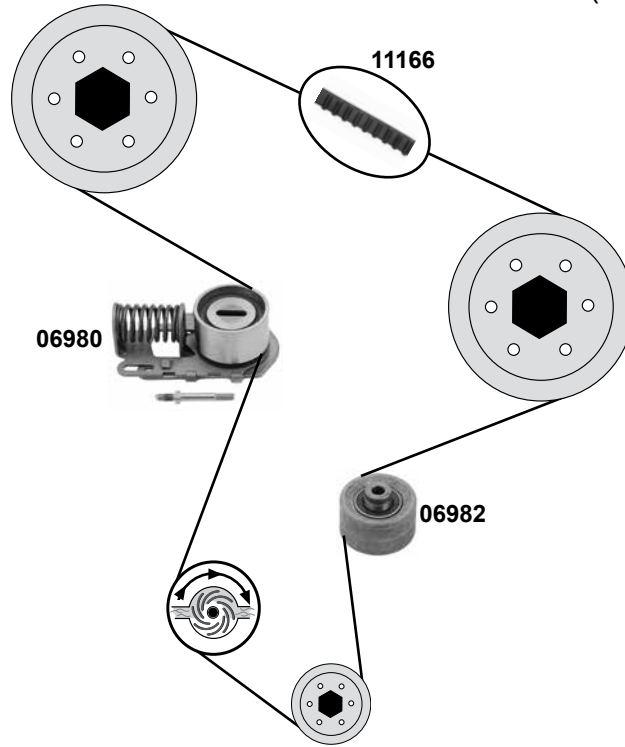
belt tensioner  
belt tensioner  
belt tensioner

(mot.) DW12C  
(1)

ØA 65 B29  
ØA 70 B25  
ØA 65 B25



**2,1 D**  
(XUD / XUD11A / XUD11ATE)



(1) (mot.) XUD11ATE / XUD



Ref. - No.



<b>04733</b>	5751.38	tension roller
<b>05801</b>	5751.29	tension roller
<b>06980</b>	0818.19	tension roller
<b>06982</b>	0830.37	deflection pulley
<b>09791</b>	5751.30	tension roller
<b>11106</b>	0831.52	rep. kit timing belt
<b>11166</b>	0816.54	timing belt
<b>19072</b>	5751.81	vibration damper

(ex.) AC

	ØA 85 B26
	ØA 70 B27/29
	ØA 60 B34
	ØA 60 B34
servo  AC	ØA 60 B26,5
(1)	
(1)	Z 149 B25,4
servo  AC	

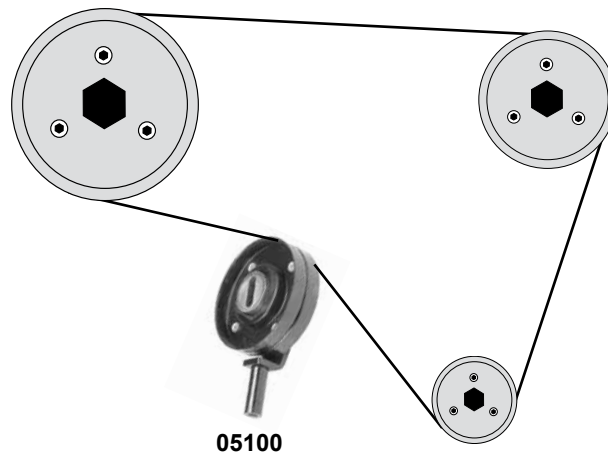
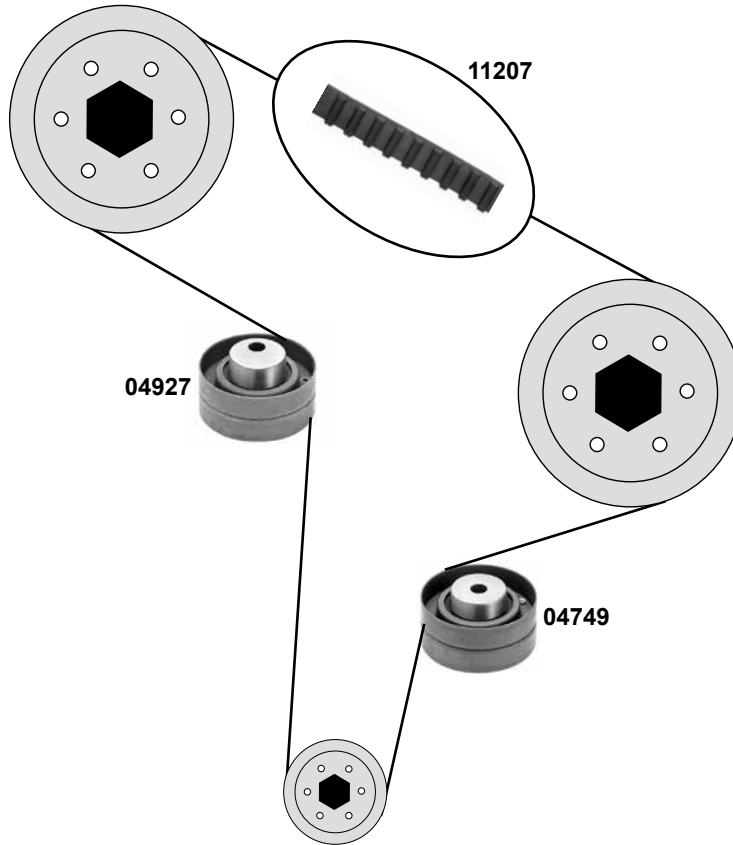
# PEUGEOT 605

(90→00)

Car  
Division 



## 2,5 D (DK5ATE)



05100



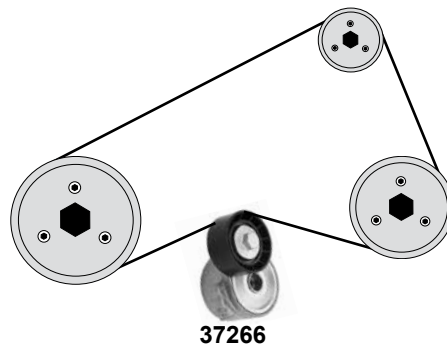
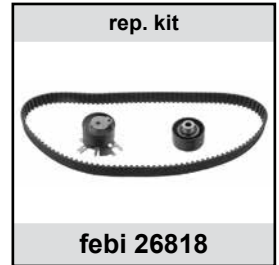
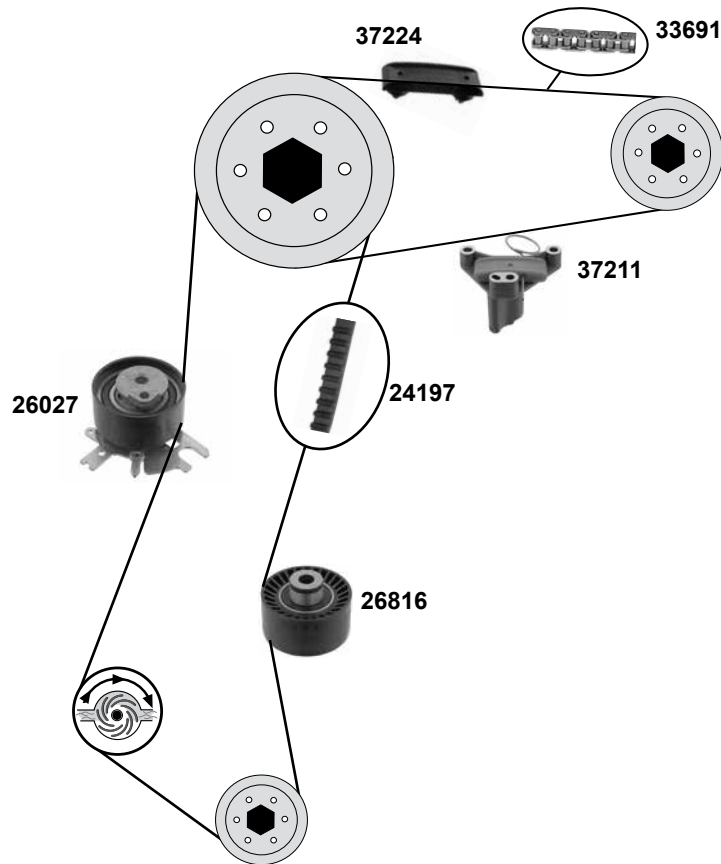
Ref. - No.



04749 0830.12  
04927 0818.20  
05100 6453.R8  
11207 0816.68  
11208 0831.36

deflection pulley  
tension roller  
tension roller  
timing belt  
rep. kit timing belt

ØA 70,5 B32 / 37  
ØA 70,5 B32 / 40  
ØA 93,5 B26  
Z 141 B28

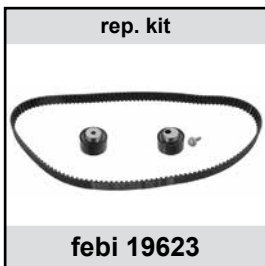
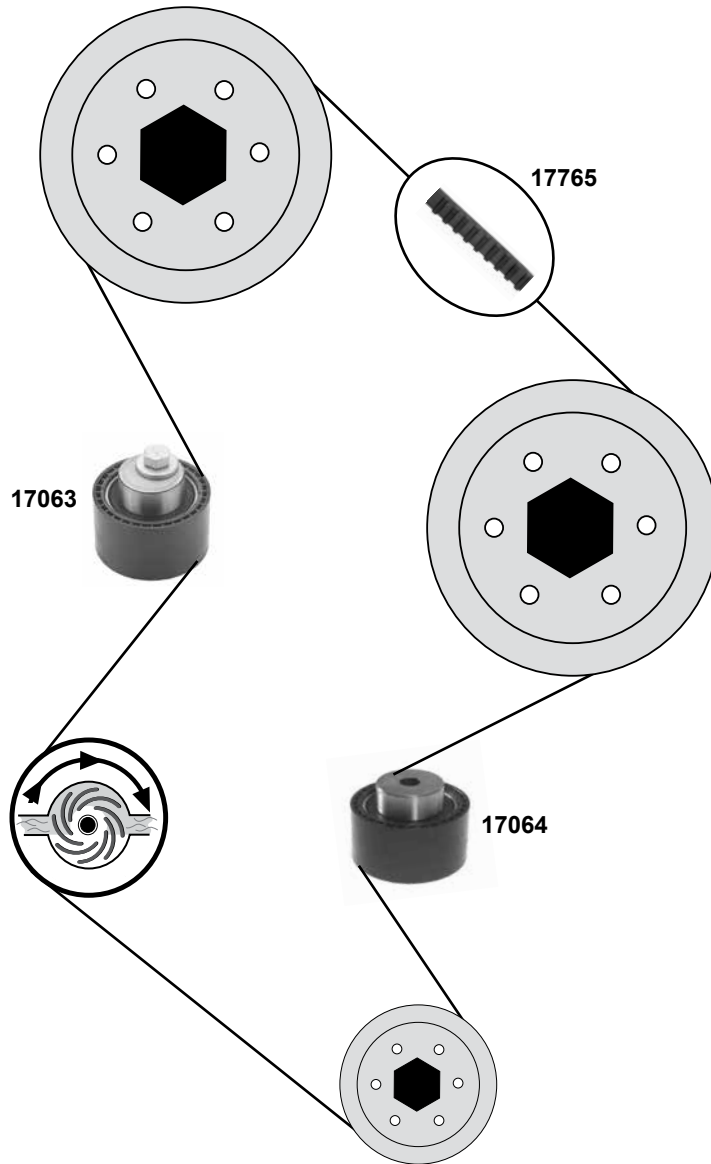



(1) 607 Lifting 12/04 → 09/10

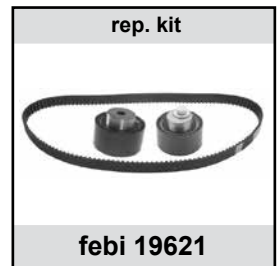
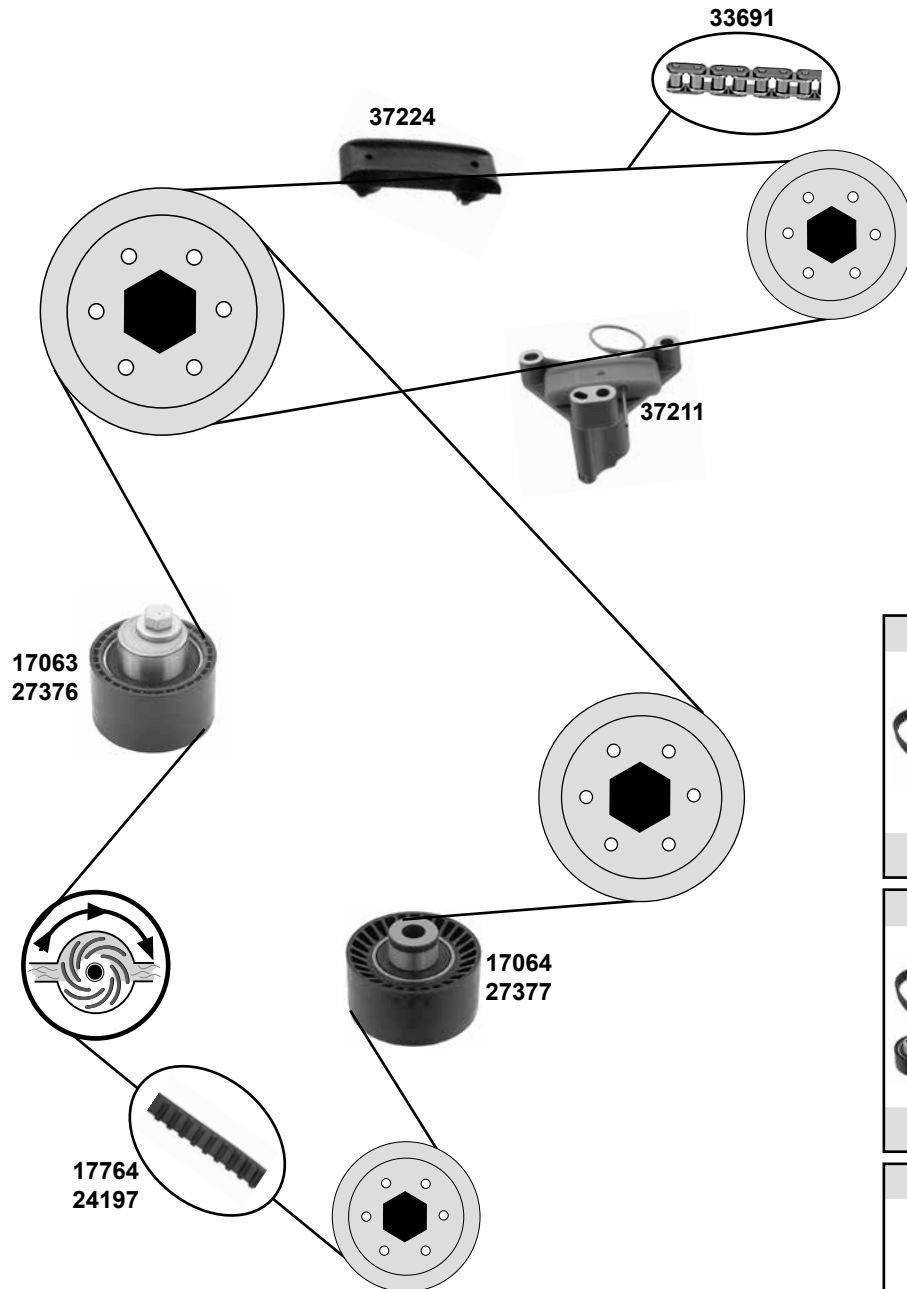
	Ref. - No.			
24197	0816.G3	timing belt	05 →	Z 116 B25
26027	0829.A4	tension roller	05 →	ØA 60 B29
26816	0830.51	deflection pulley	(1)	ØA 60,2 H30,2
26818	0831.T5	rep. kit timing belt		Z 116 B25
33691	0816.F6	timing chain	endless	E 40
37211	0849.22	chain tensioner		
37224	0829.94	sliding rail		
37230	0849.23	rep. kit timing chain	(1)	
37266	5751.A7	belt tensioner	(1)	ØA 70 B25

**2,0 HDi**

(DW10ATED / DW10TD)



	Ref. - No.			
17063	0829.59	tension roller		ØA 60 ØI 13 B42
17064	0830.63	deflection pulley		ØA 60 ØI 10 B42,2
17765	0816.A9	timing belt		Z 141 B25,4
19623	0831.82	rep. kit timing belt		

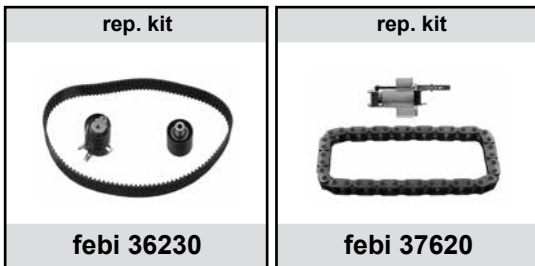
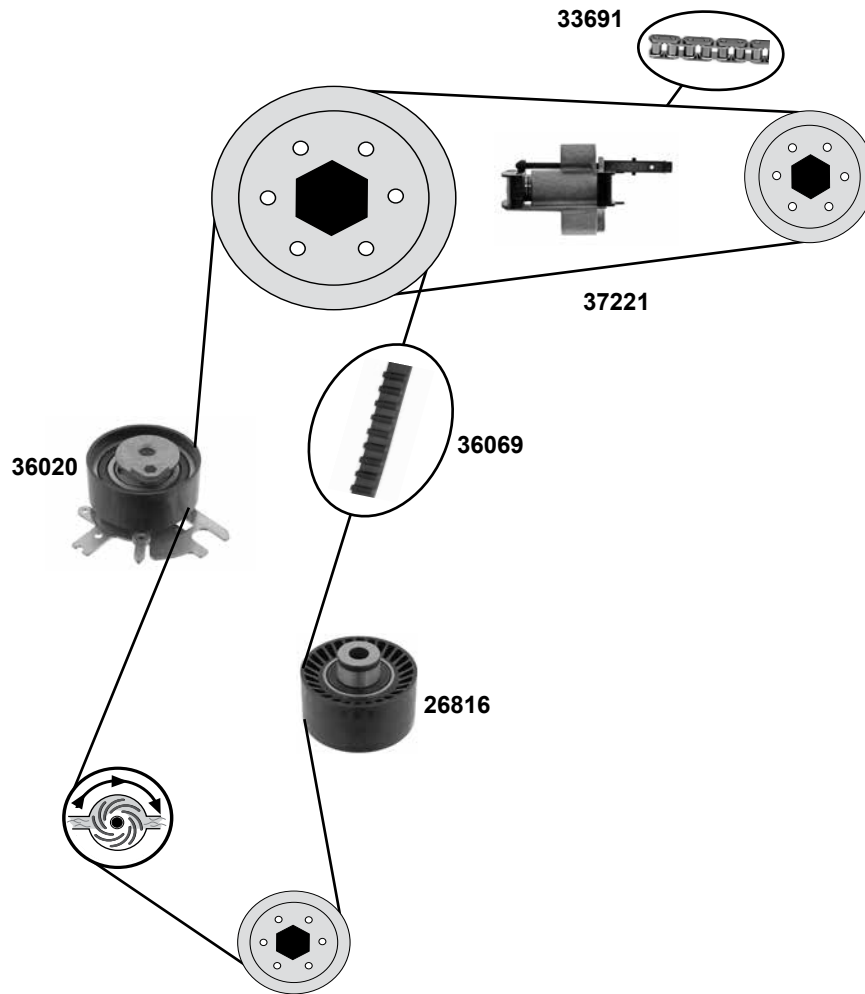


	Ref. - No.			
17063	0829.59	tension roller	→ O 10010	ØA 60 ØI 13
17064	0830.28	deflection pulley	→ O 10010	
17764	0816.A6	timing belt		Z 146 B25,4
19621	0831.60	rep. kit timing belt	→ O 10010	
27376	0829.C3	tension roller	O 10011→	ØA 62 B30
27377	0829.C4	deflection pulley	O 10011→	ØA 62 B30
33691	0816.F6	timing chain	endless	E 40
37211	0849.22	chain tensioner		
37224	0829.94	sliding rail		



## 2,2 D

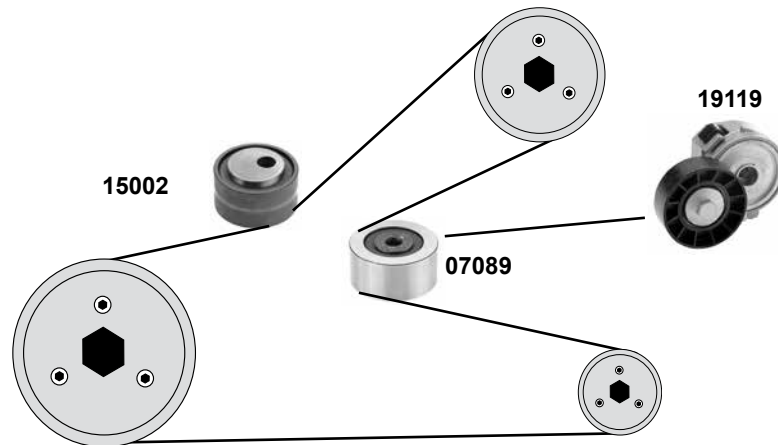
(DW12BTED4)



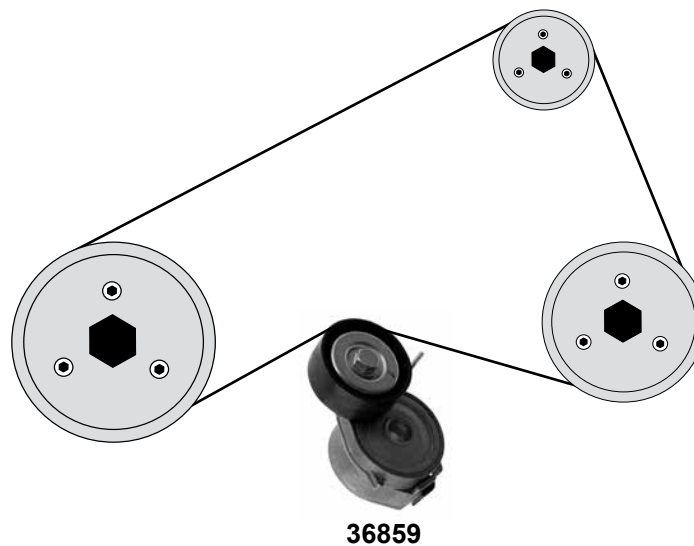
(1) 607 Lifting 12/04 → 09.10

Ref. - No.				
26027	0829.A4	tension roller	05 →	ØA 60 B29
26816	0830.51	deflection pulley	(1)	ØA 60,2 H30,2
26818	0831.T5	rep. kit timing belt	(125kW)	Z 116 B25
33691	0816.F6	timing chain	endless	E 40
36020	0829.F5	tension roller		ØA 60 B29
36069	0816.J5	timing belt		Z 118
36230	0831.V5	rep. kit timing belt	(1)	
37221	0849.30	chain tensioner	(04→10)	
37620	0816.F6 S1	rep. kit timing chain		

**2,0 / 2,2 HDi**  
(DW10ATED / DW12TED4)



**2,2 HDi**  
(DW12BTED4)



	Ref. - No.			
<b>07089</b>	5751.96	tension roller	(ex.) AC	ØA 50 B26
<b>15002</b>	5751.56	tension roller	(ex.) AC	ØA 50 B26
<b>19119</b>	5751.55	belt tensioner		ØA 70 B25
<b>36859</b>	5751.G0	belt tensioner	(mot.) DW12BTED4	ØA 65 B25



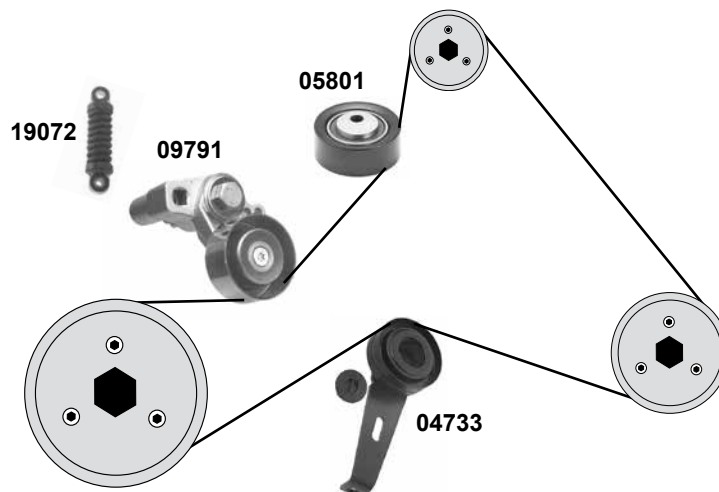
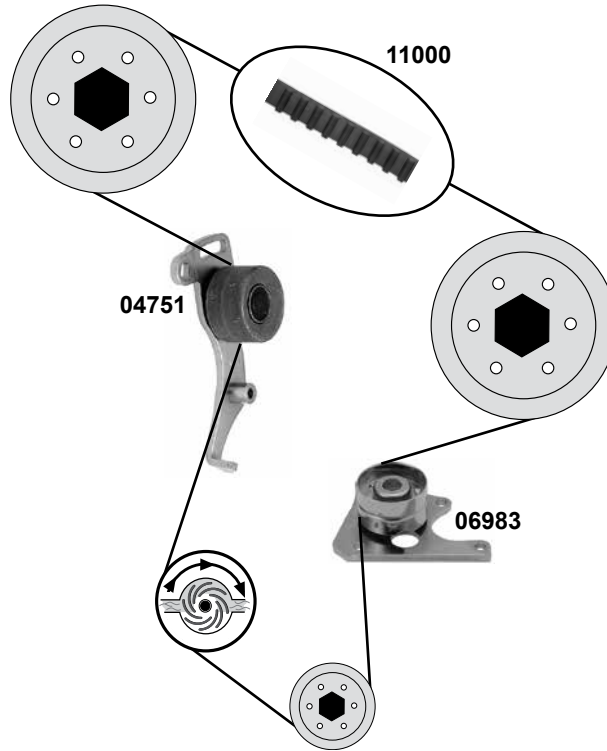
# PEUGEOT 806






(94→02)

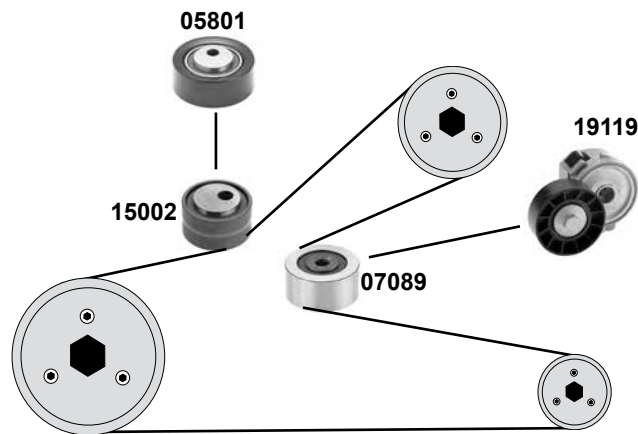
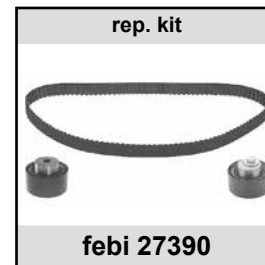
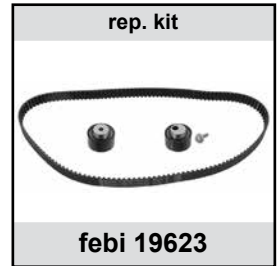
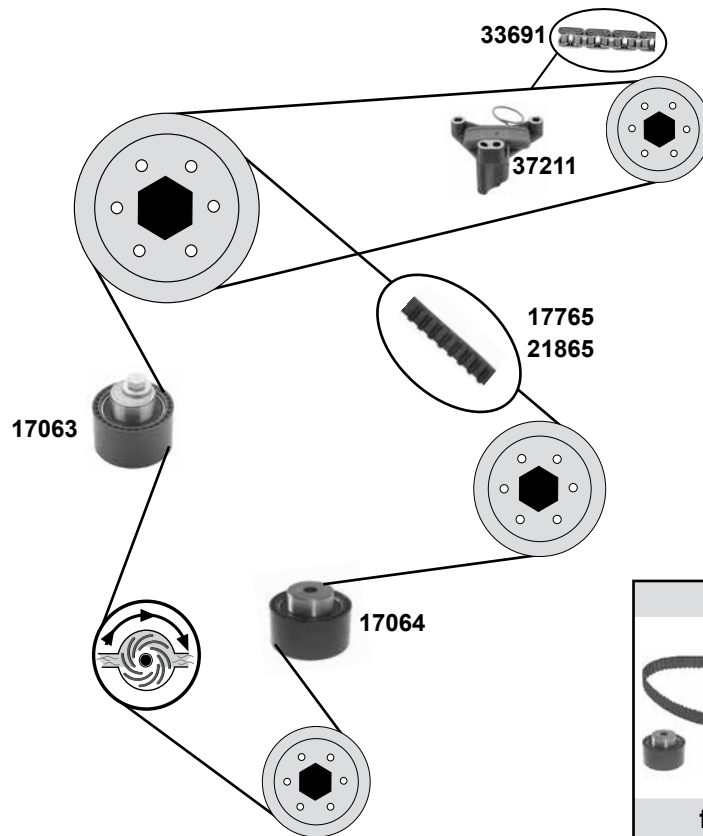
Car  
Division 



**1,9 D**  
(XUD9TE)



	Ref. - No.			
<b>04733</b>	5751.38	tension roller	(ex.) AC	ØA 85 B26 ØA 60 B34 ØA 70 B27/29 ØA 60 B34 ØA 60 B26,5 Z 136 B25,4
<b>04751</b>	0829.33	tension roller		
<b>05801</b>	5751.29	tension roller	servo  AC	
<b>06983</b>	0830.13	deflection pulley		
<b>09791</b>	5751.30	tension roller		
<b>11000</b>	0816.98	timing belt		
<b>11222</b>	0831.R4	rep. kit timing belt		
<b>19072</b>	5751.81	vibration damper		



	Ref. - No.			
05801	5751.29	tension roller	servo  AC	ØA 70 ØI 10/16
07089	5751.96	tension roller	(ex.) AC	ØA 50 B26
15002	5751.56	tension roller	(ex.) AC	ØA 50 B26
17063	0829.59	tension roller		ØA 60 ØI 13
17064	0830.28	deflection pulley		ØA 60 ØI 10
17765	0816.A9	timing belt	DW10ATED	Z 141 B25,4
19119	5751.55	belt tensioner		ØA 70 B25
19623	0831.82	rep. kit timing belt	DW10ATED	
21865	0816.E7	timing belt	DW10ATED4	Z 144 B25,4
27390	0831.73	rep. kit timing belt	DW10ATED4	Z 141 B25,4
33691	0816.F6	timing chain	endlos/endless	E 40
37211	0849.22	chain tensioner	DW10ATED4	
37230	0849.23	rep. kit timing chain	DW10ATED4	40 E

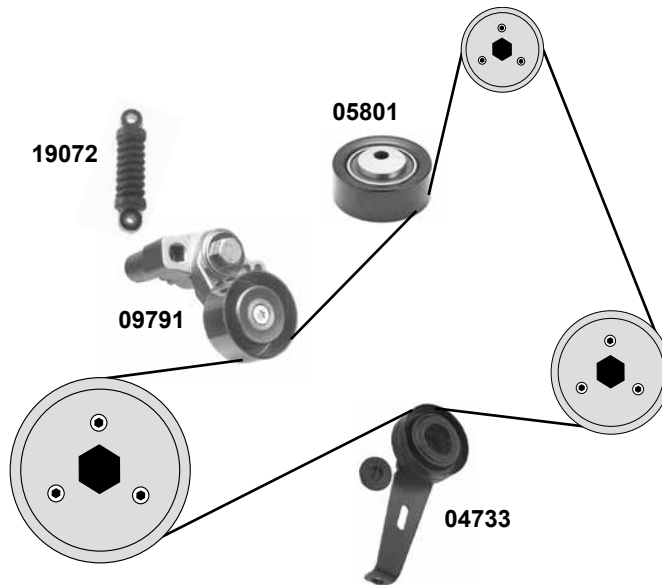
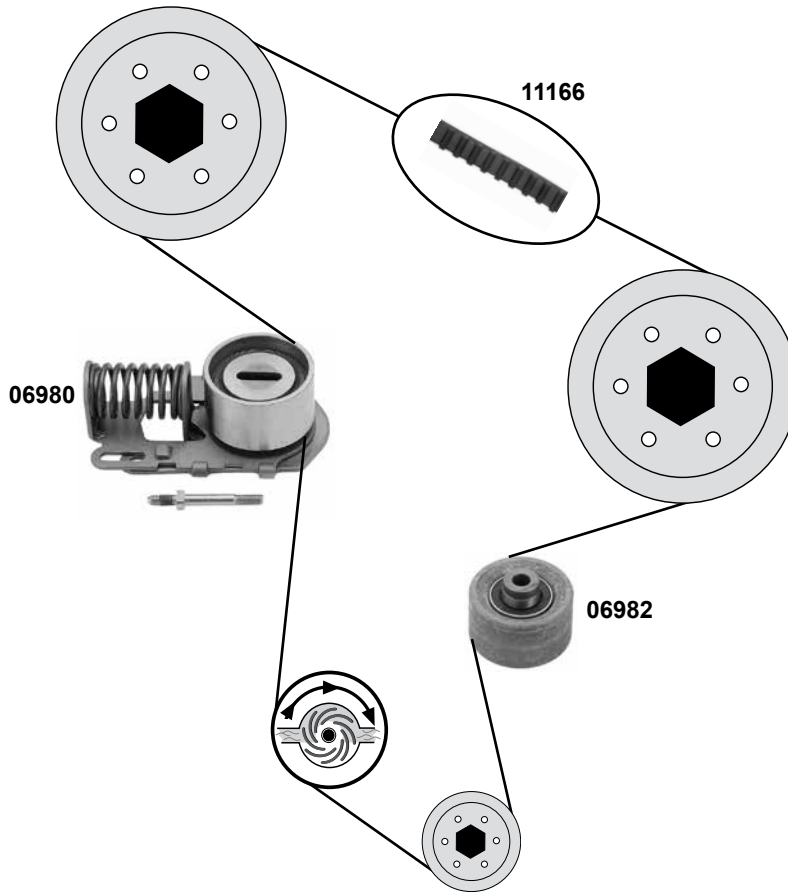
# PEUGEOT 806

(94→02)

Car  
Division



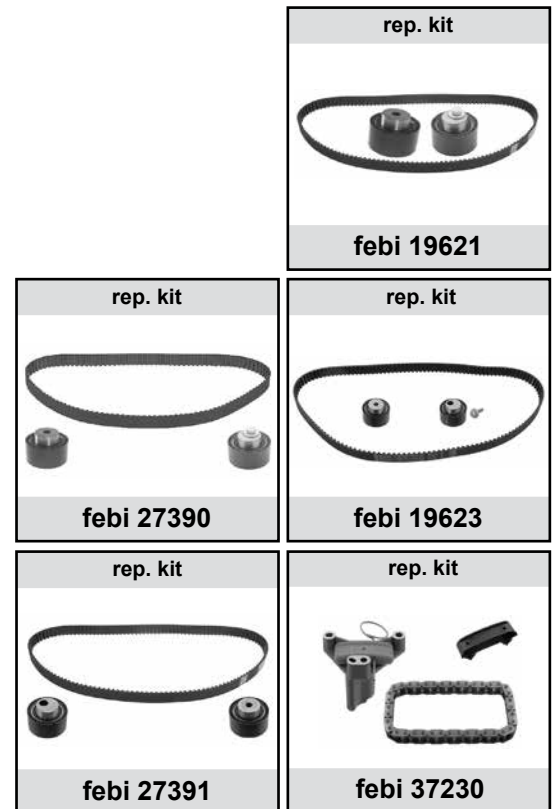
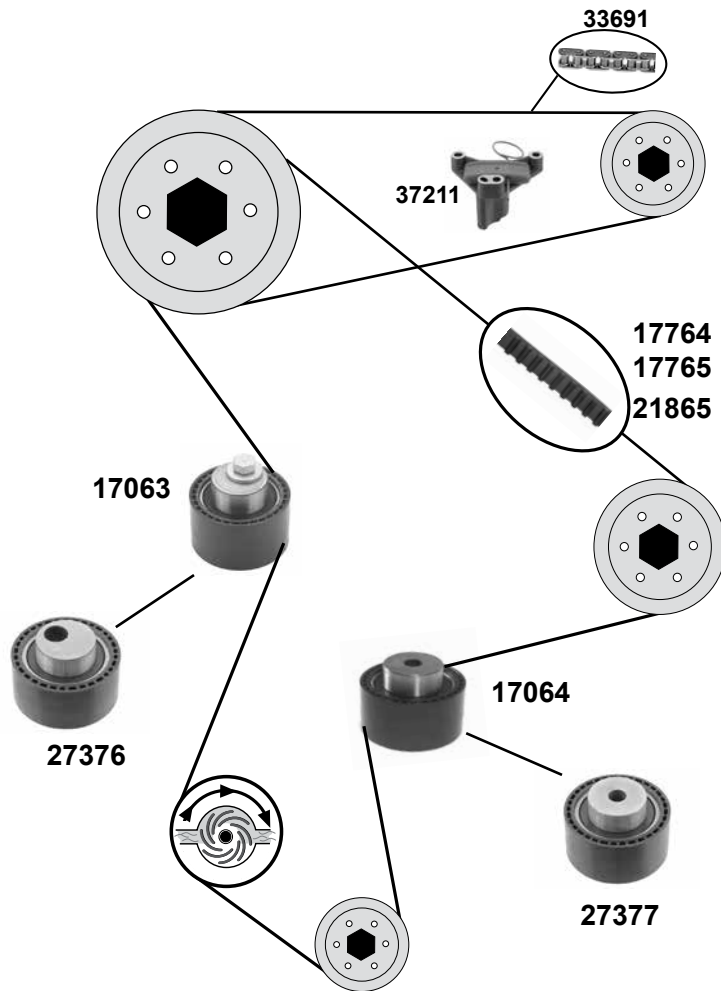
## 2,1 D (XUD11BTE)



Ref. - No.



Ref. - No.	Description	Notes	Dimensions
04733	tension roller	(ex.) AC	ØA 85 B26
05801	tension roller		ØA 70 B27/29
06980	tension roller		ØA 60 B34
06982	deflection pulley		ØA60 B34
09791	tension roller		ØA 60 B26,5
11106	rep. kit timing belt		
11166	timing belt		Z 149 B25,4
19072	vibration damper	servo AC	



(1) DW12TED4 → O 10010 / DW10ATED/DW10TD

(4) DW12TED4

(2) DW12TED4 O 10011→

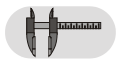
(5) DW12TED4 → O 10010

(3) DW10ATED/DW10TD

(6) DW10ATED4



Ref. - No.

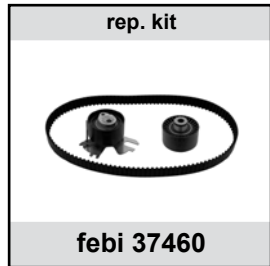
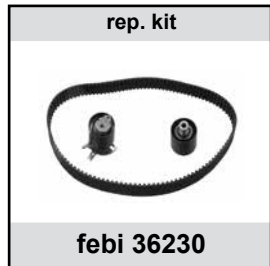
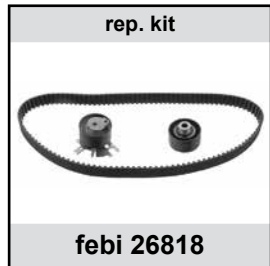
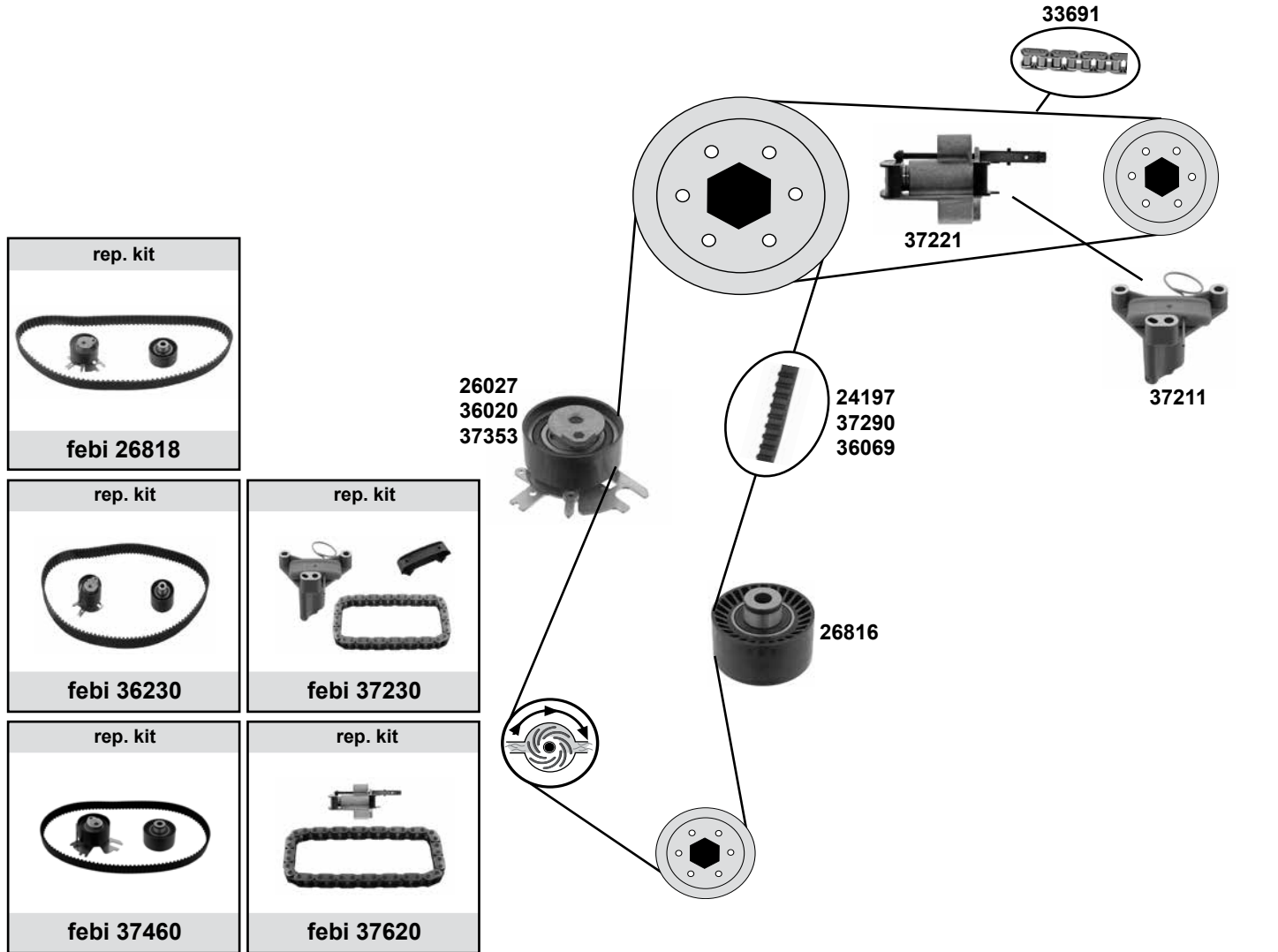


Ref. - No.	Description	Quantity	Part Number
17063	tension roller	(1)	ØA 60 ØI 13
17064	deflection pulley	(1)	ØA 60 ØI 10
17764	timing belt	(4)	Z 146 B25,4
17765	timing belt	(3)	Z 141 B25,4
19621	rep. kit timing belt	(5)	
19623	rep. kit timing belt	(3)	
21865	timing belt	(6)	Z 144 B25,4
27376	tension roller	(2)	ØA 62 B30
27377	deflection pulley	(2)	ØA 62 B30
27390	rep. kit timing belt	(6)	Z 141 B25,4
27391	rep. kit timing belt	(2)	Z 146 B25,4
33691	timing chain	(4)	E 40
37211	chain tensioner	(6)	
37230	rep. kit timing chain	(mot.)	DW10ATED4



**2,0 HDi / 2,2 HDi**

(DW10BTED4/DW10UTED4/DW10CB/DW10CTED4/DW12BTED4)



(1) (mot.) DW10BTED4/DW10UTED4

(2) (mot.) DW10CB/DW10CTED4

(3) (mot.) DW12BTED4

(4) mit / with PF = Partikelfilter / particle filter

(5) (ex.) (mot.) DW10CB endlos / endless

(6) (ex.) (mot.) DW12BTED4

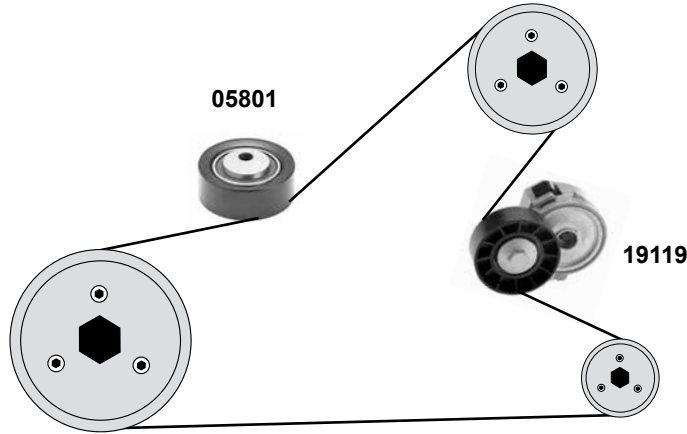


Ref. - No.

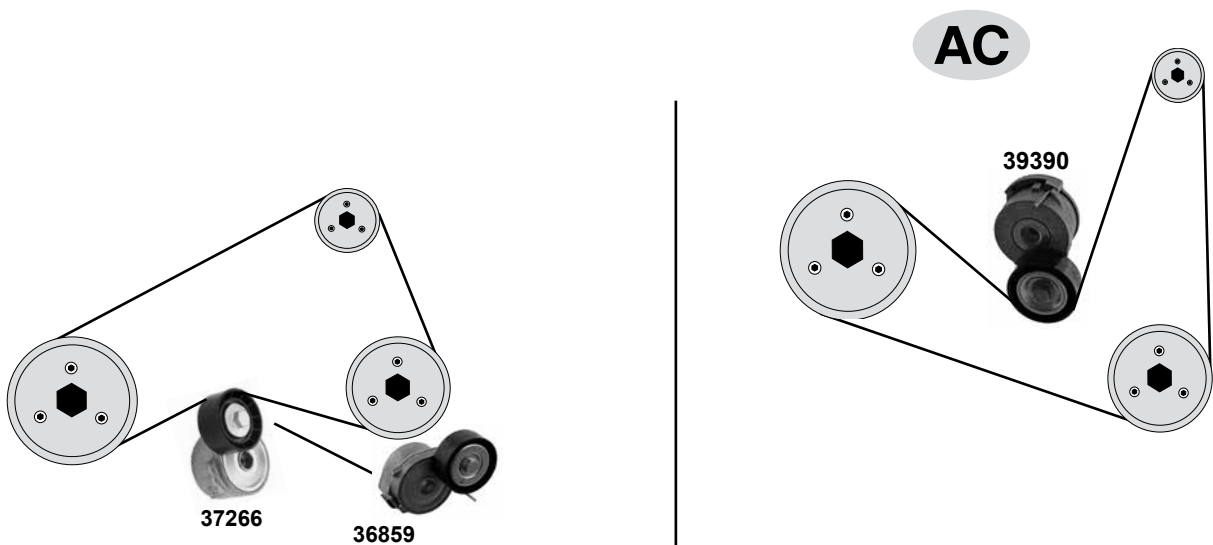


Ref. - No.	Description	Notes	Dimensions
24197	0816.G3 timing belt	(mot.) 1,4 HDI	Z 116 B25
26027	0829.A4 tension roller	(1)	ØA 60 B29
26816	0830.51 deflection pulley	(1) (3)	ØA 60,2 H30,2
26818	0831.92 rep. kit timing belt	(1)	Z 116 B25
33691	0816.F6 timing chain	(5)	E 40
36020	0829.F5 tension roller	(3) (4)	ØA 60 B29
36069	0816.J5 timing belt		Z 118
36230	0831.V5 rep. kit timing belt	(3)	
37211	0849.22 chain tensioner	(6)	
37221	0849.30 chain tensioner	(3)	
37230	0849.23 rep. kit timing chain	(ex.) DW12BTED4	
37290	0816.K8 timing belt		
37353	0829.G6 tension roller	(2)	ØA 60 B29
37460	0831.W1 rep. kit timing belt	(2)	
37620	0816.F6 S1 rep. kit timing chain	(3)	

**2,0 D / 2,2 D**  
(DW10TD / DW10ATED / DW10ATED4 / DW12TED4)



**2,0 HDi / 2,2 HDi**  
(DW10BTED4/DW10UTED4/DW10CTED4/DW10CB/DW12BTED4)



(1) DW12TED4 → O 10010 / DW10ATED/DW10TD  
(3) (mot.) DW12BTED4

(2) (mot.) DW10BTED4/DW10UTED4  
(4) (mot.) DW10CTED4/DW10CB



Ref. - No.



tension roller  
belt tensioner  
belt tensioner  
belt tensioner  
belt tensioner



(1) servo AC  
(3)  
(2)  
(4)



ØA 70 ØI 10/16  
ØA 70 B25  
ØA 65 B25  
ØA 70 B25  
ØA 65 B25

**05801** 5751.29  
**19119** 5751.55  
**36859** 5751.G0  
**37266** 5751.A7  
**39390** 5751.H8

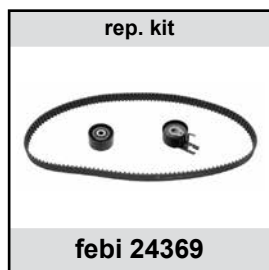
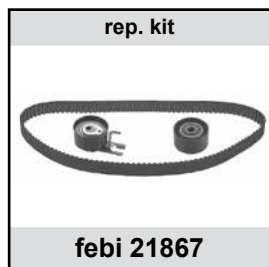
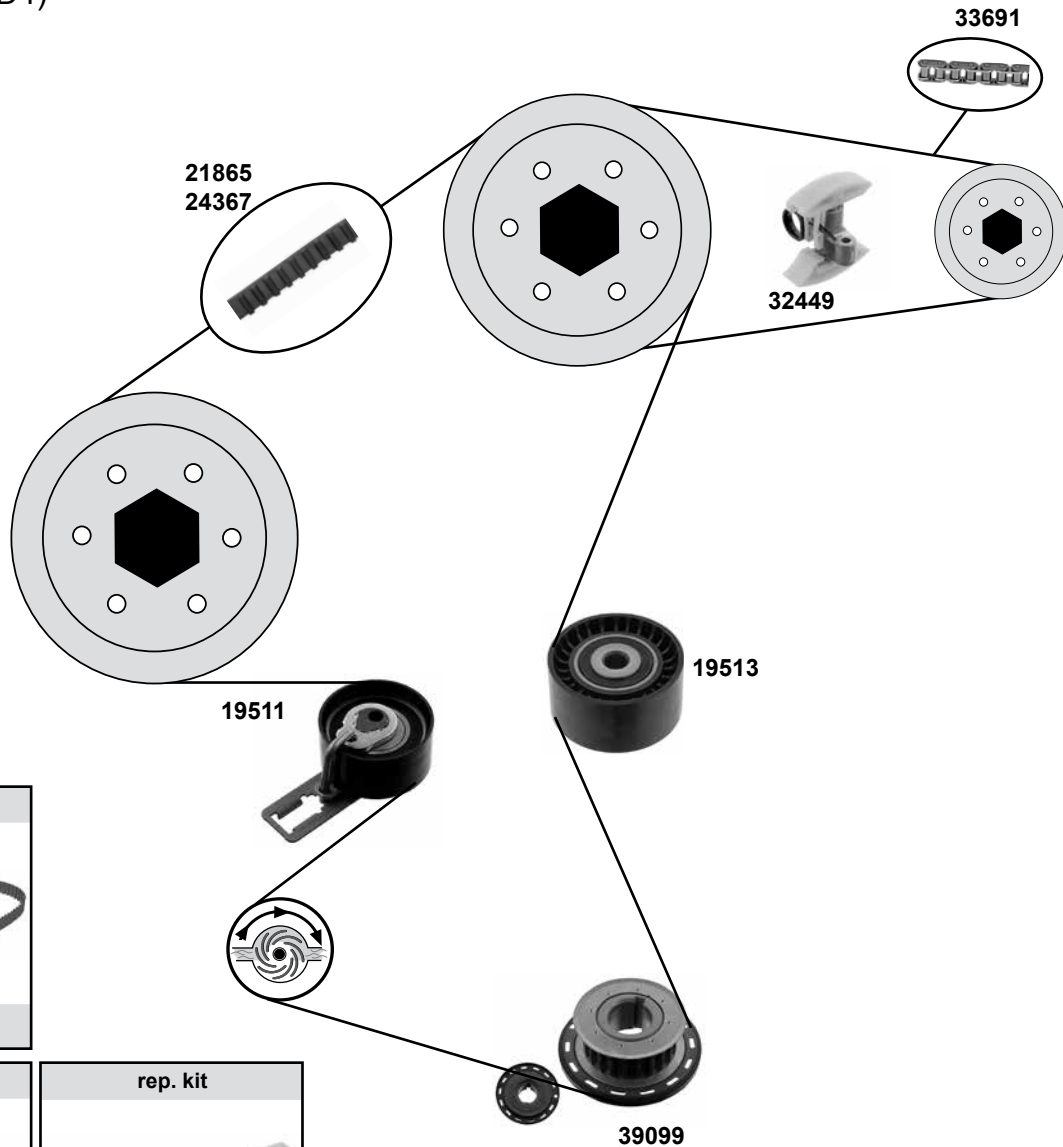
# PEUGEOT 1007

(05→09)

Car  
Division



**1,4 HDi / 1,6 HDi**  
(DV4TD/DV6TED4)



- (1) (mot.) 1,4 HDI
- (2) endlos / endless

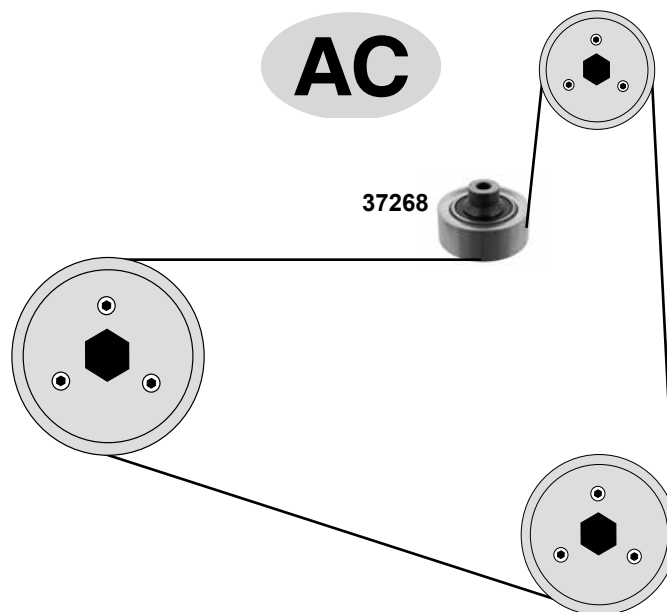
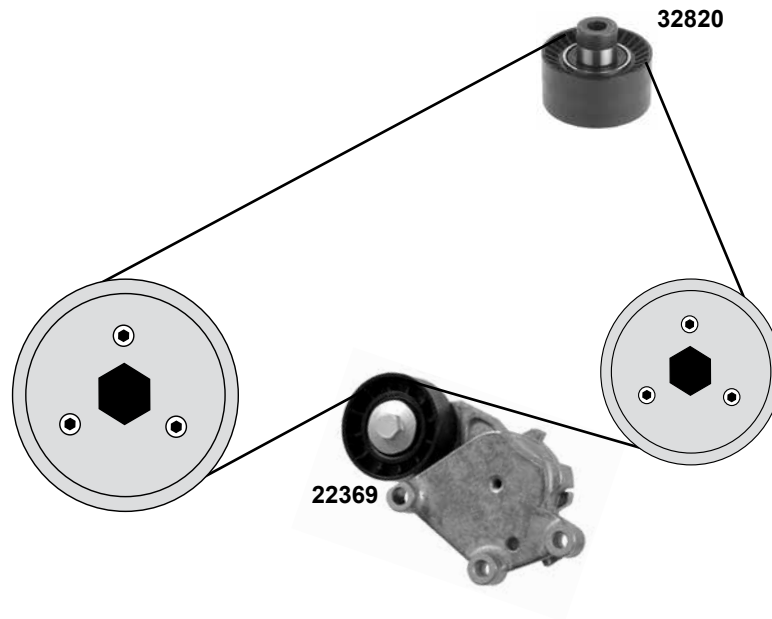


Ref. - No.



Ref. - No.	Description	Notes	Dimensions
19511	tension roller		ØA 60 B29
19513	deflection pulley		ØA 60 B30
21865	timing belt		Z 144 B25,4
21867	rep. kit timing belt	(mot.) DV4TD	Z 145 B25,4
24367	timing belt	(1)	
24369	rep. kit timing belt	(mot.) DV6TED4	
32449	chain tensioner	(mot.) DV6TED4	
33691	timing chain	(mot.) DV6TED4	
33692	rep. kit timing chain	(2) (mot.) DV6TED4	40 E
39099	gear	(mot.) DV6TED4	

**1,4 HDi / 1,6 HDi**  
(DV4TD/DV6TED4)



(1) → 09 (mot.) DV6TED4 → O 11073

(2) (mot.) DV6TED4 → O 11073



Ref. - No.



**22369** 5751.86  
**32820** 5751.E6  
**37268** 5751.E5

belt tensioner  
deflection pulley  
deflection pulley

→09  
(2)  
(1)

ØA 65 B25,5  
ØA 60 B30  
ØA 70 B27



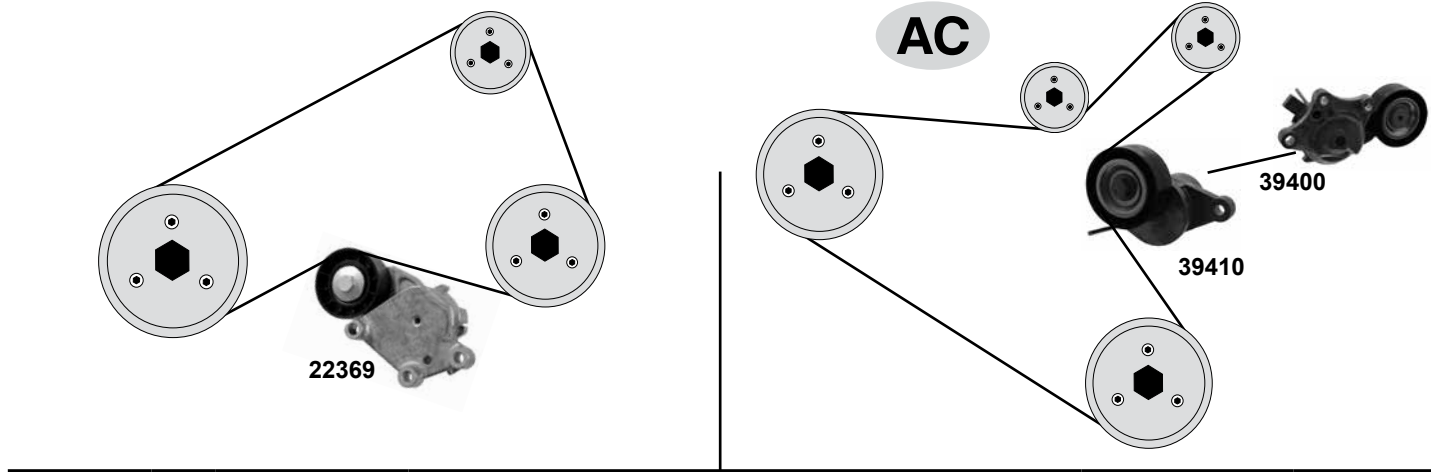
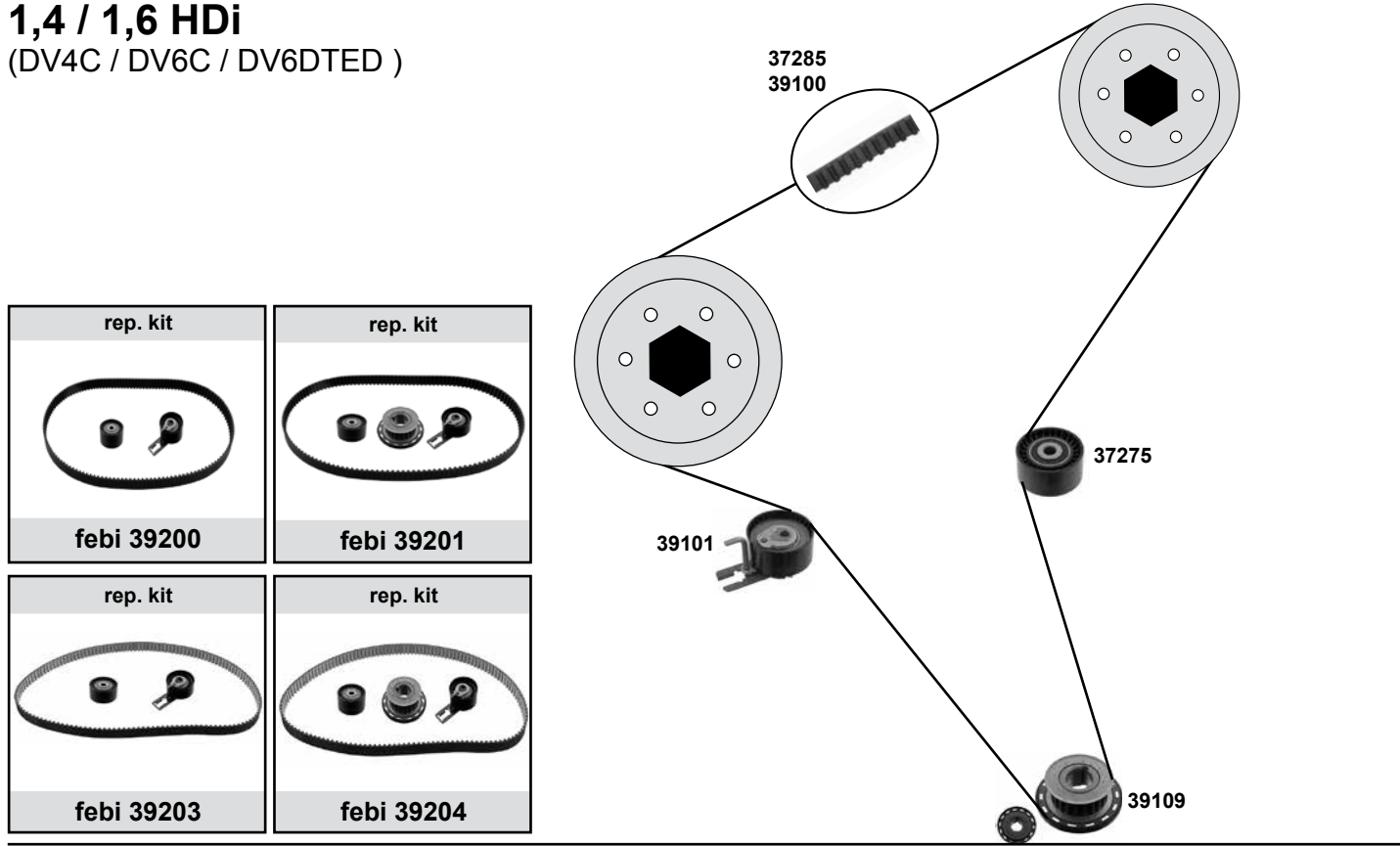
# PEUGEOT 2008

(13→)

Car  
Division

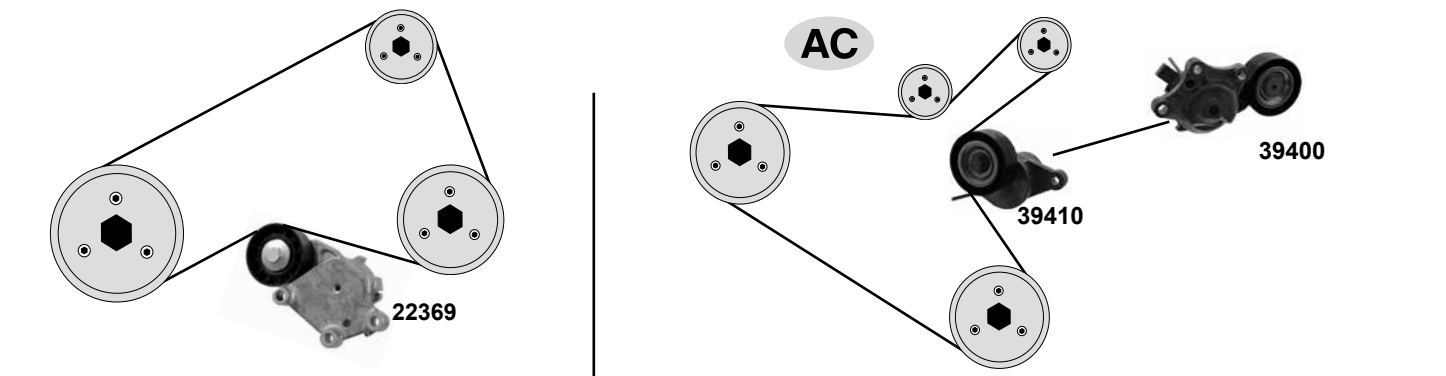
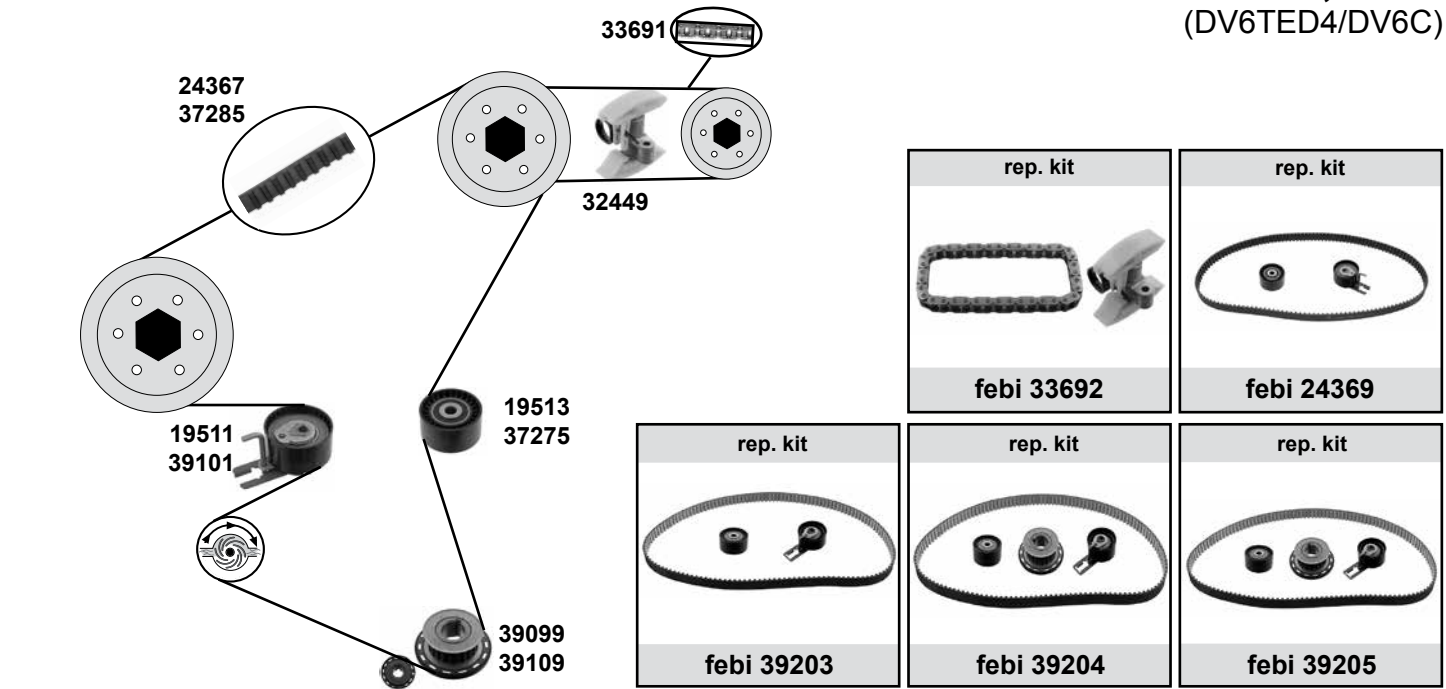


**1,4 / 1,6 HDi**  
(DV4C / DV6C / DV6DTE D)



- (1) (mot.) DV4C (ex.) Start - Stopp
- (2) (ex.) (mot.) DV4C / + Start - Stopp

Ref. - No.				
22369	5751.86	belt tensioner	(1)	ØA 65 B25,5
37275	0830.75	deflection pulley		ØA 60 B30
37285	0816.L0	timing belt	(ex.) (mot.) DV4C	
39100	0816.L1	timing belt	(mot.) DV4C	Z 139 B25,4
39101	0829.F8	tension roller	(mot.) DV4C	ØA 60 B29
39109	96 772 672 80	gear		
39200	16 087 476 80	rep. kit timing belt	(mot.) DV4C	
39201	16 087 476 80 S1	rep. kit timing belt	(mot.) DV4C	
39203	16 087 474 80	rep. kit timing belt	(ex.) (mot.) DV4C	
39204	16 087 474 80 S1	rep. kit timing belt	(ex.) (mot.) DV4C	
39400	5751.K4	belt tensioner	(2)	ØA 65 B25
39410	98 018 752 80	belt tensioner	(2)	ØA 65 B25



(1) (mot.) DV6TED4	(2) (mot.) DV6C
(3) 3008 (mot.) DV6TED4 / DV6C	(4) 5008 (mot.) DV6TED4/(mot.) DV6C (ex.) Start-Stop
(5) (mot.) DV6C + Start - Stop	

	Ref. - No.			
19511	0829.88	tension roller	(1)	ØA 60 B29
19513	0830.48	deflection pulley	(1)	ØA 60 B30
22369	5751.86	belt tensioner	(3) (4)	ØA 65 B25,5
24367	0816.G7	timing belt	(1)	Z 137 B25
24369	0831.V4	rep. kit timing belt	(1)	Z 137 B25
32449	0816.J1 SK	chain tensioner	(1)	
33691	0816.F6	timing chain	(1) endless 40 E	
33692	0816.J1	rep. kit timing chain	(1)	40 E
37275	0830.75	deflection pulley	(2)	ØA 61 B 30
37285	0816.L0	timing belt	(2)	Z 141 B 25,4
39099	0805.E5	gear	(1) (2)→O 12719	
39101	0829.F8	tension roller	(2)	ØA 60 B29
39109	96 772 672 80	gear	(2)→O 12720	
39203	16 087 474 80	rep. kit timing belt	(2)	
39204	16 087 474 80 S1	rep. kit timing belt	(2) O 12720→	
39205	16 087 474 80 S2	rep. kit timing belt	(2) →O 12719	
39400	5751.K4	belt tensioner	(5)	ØA 65 B25
39410	98 018 752 80	belt tensioner	(5)	ØA 65 B25

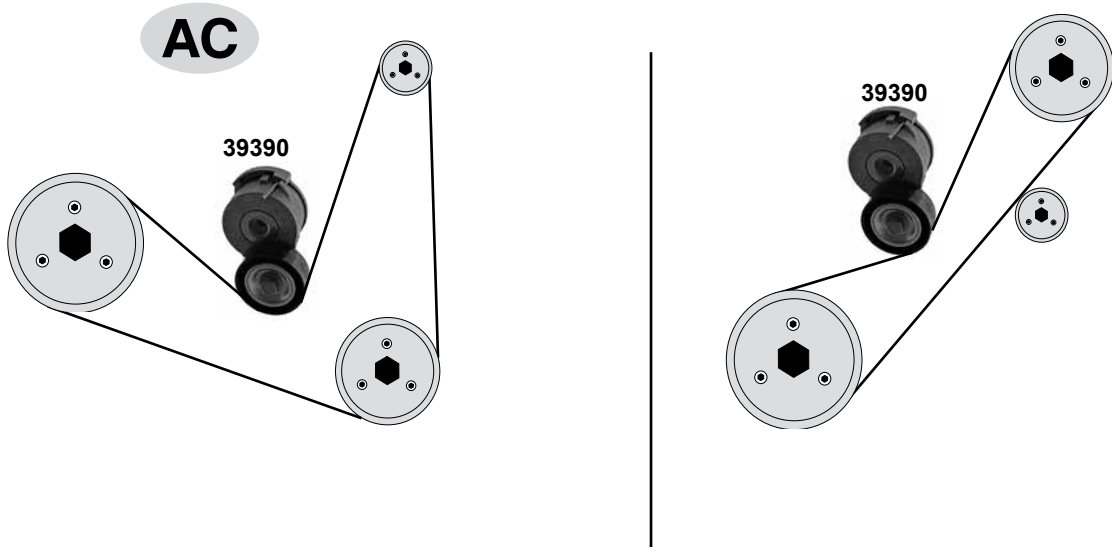
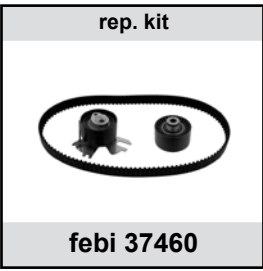
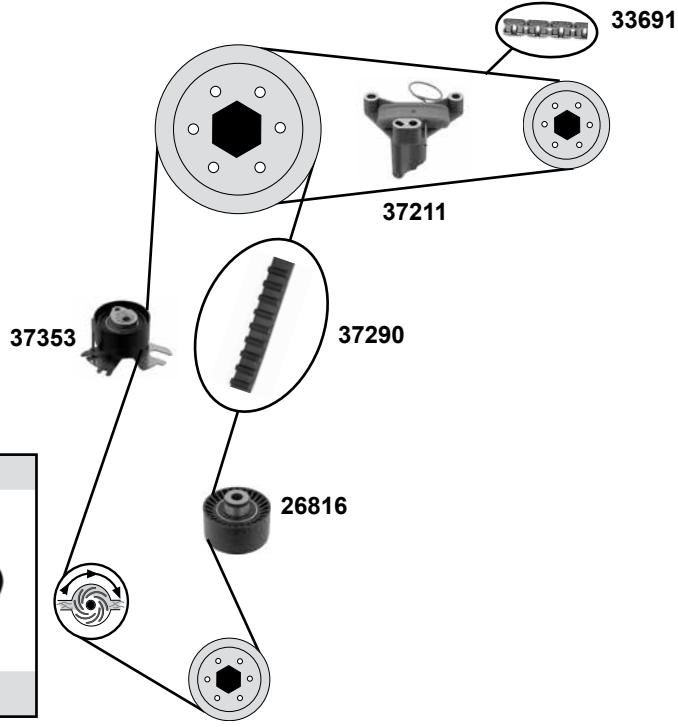
# PEUGEOT 3008 / 5008

(09→)

Car  
Division 







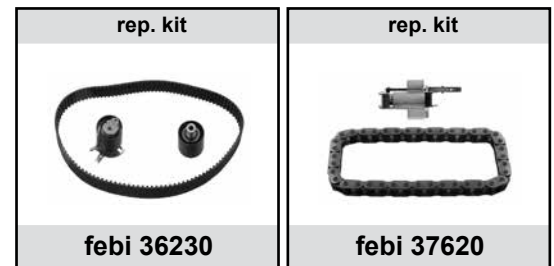
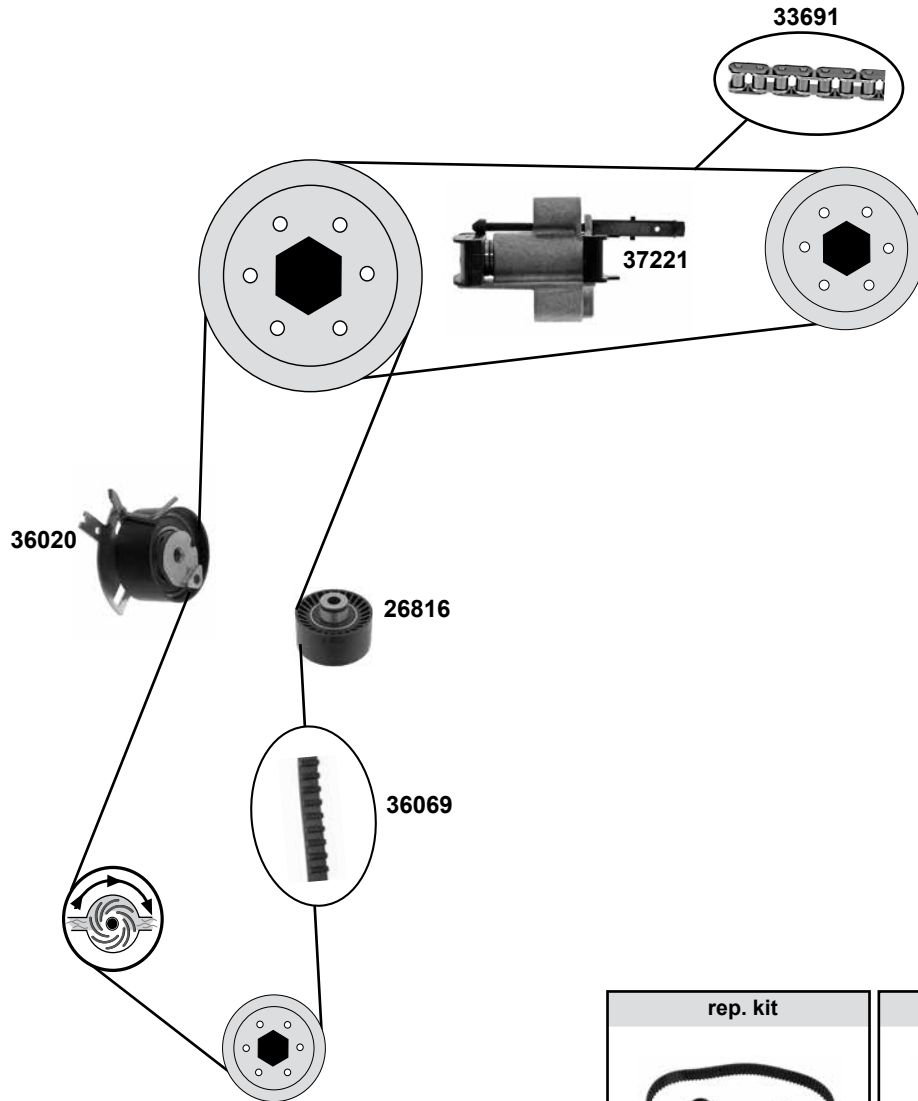
## 2,0 HDi (DW10CB / DW10CTED4)



- (1) 3008
- (2) 5008 (mot.) DW10CB
- (3) 3008 / 5008 (mot.) DW10CTED4
- (4) 3008 (mot.) DW10CTED4 (ex.) Hybrid / (mot.) DW10CB AC + Start Stop
- (5) 5008 (mot.) DW10CTED / (mot.) DW10CB AC (ex.) Start Stop



	Ref. - No.			
26816	0830.51	deflection pulley		ØA 60 B30
33691	0816.F6	timing chain	(3) endless 40 E	
37211	0849.22	chain tensioner	endless	
37230	0849.23	rep. kit timing chain		
37290	0816.K8	timing belt		
37353	0829.G6	tension roller		ØA 60 B29
37460	0831.W1	rep. kit timing belt	(1) (2)	
39390	5751.H8	belt tensioner	(4) (5)	ØA 65 B25



- (1) (mot.) DW12BTED4 mit
- (2) (mot.) DW12ME5 mit
- (3) (mot.) DW12METED4 / (mot.) DW12ME5



Ref. - No.



Ref. - No.	Description	Notes	Dimensions
26816	0830.51	deflection pulley	(ex.) DW12BTED4 ØA 60 B30
33691	0816.F6	timing chain	(3) endless 40 E
36020	0829.F5	tension roller	(1) (2) ØA 60 B29
36069	0816.J5	timing belt	(ex.) DW12BTED4 Z 118
36230	0831.V5	rep. kit timing belt	(mot.) DW12BTED4
37221	0849.30	chain tensioner	
37230	0849.23	rep. kit timing chain	

# PEUGEOT 4007

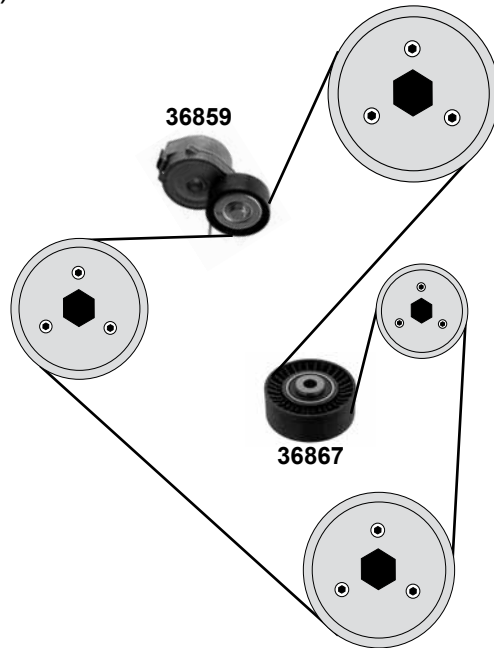
(07→11)

Car  
Division



## 2,2 HDi

(DW12METED4 / DW12ME5)

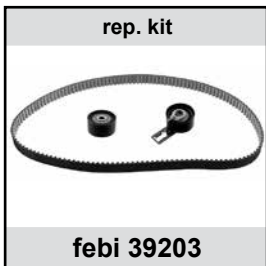
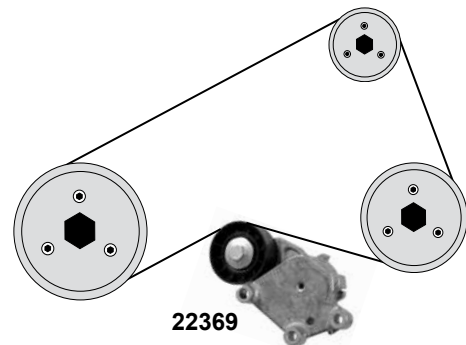
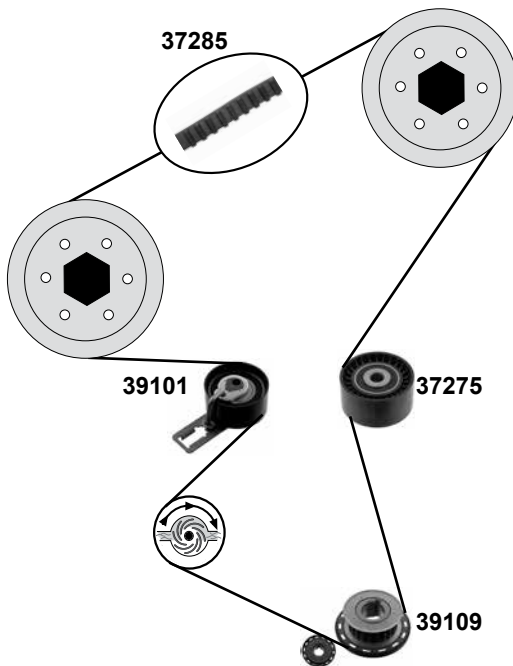


## 4008

(12→)

### 1,6 HDi

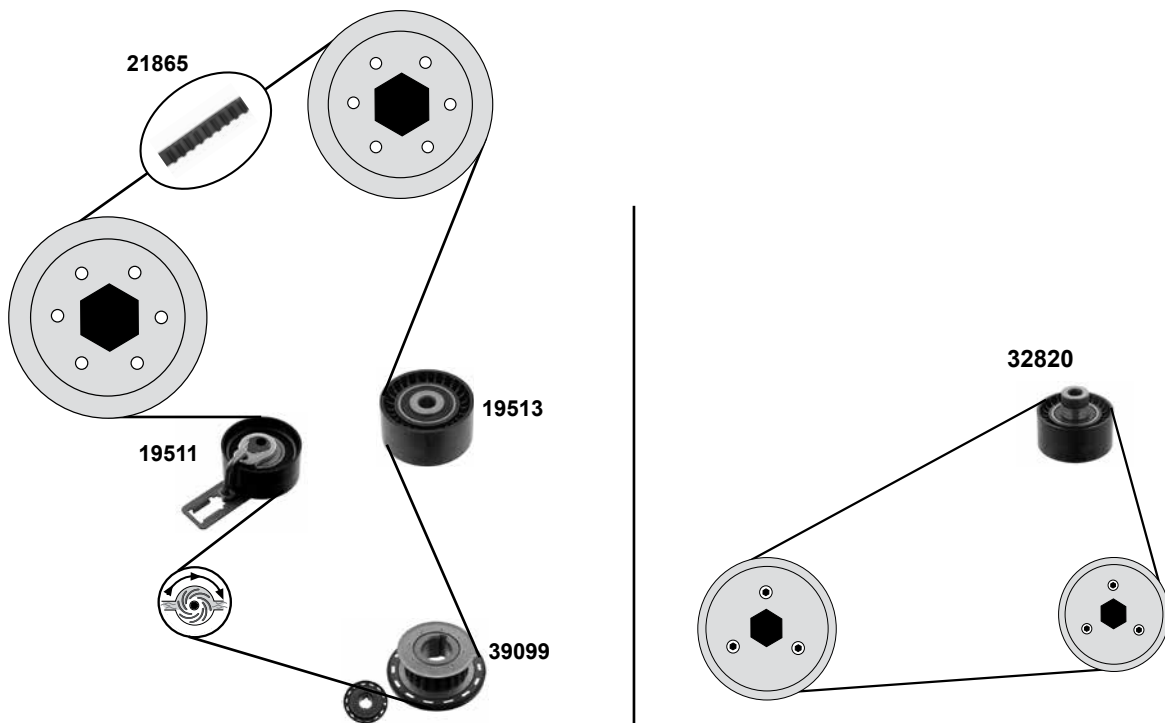
(DV6C)



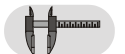
Ref. - No.



22369	5751.86	belt tensioner		ØA 65 B25,5
36867	5751.G1	deflection roller		ØA 70 B26
36859	5751.G0	belt tensioner		ØA 65 B25
37275	0830.75	deflection roller		ØA 61 B30
37285	0816.L0	timing belt		Z 141 B25,4
39101	0829.F8	tension roller		ØA 60 B29
39109	96 772 672 80	gear		
39203	16 087 474 80	rep. kit timing belt		
39204	16 087 474 80 S1	rep. kit timing belt		



Ref. - No.



<b>19511</b>	0829.88	tension roller		ØA 60 B29
<b>19513</b>	0830.48	deflection pulley		ØA 60 B30
<b>21865</b>	0816.E7	timing belt		Z 144 B25,4
<b>23778</b>	0816.K9	timing chain		120 E
<b>28458</b>	0818.44	chain tensioner		
<b>31622</b>	0816.K9 S1	rep. kit timing chain		
<b>32820</b>	5751.E6	deflection pulley		ØA 60 B30
<b>39099</b>	0805.E5	gear		

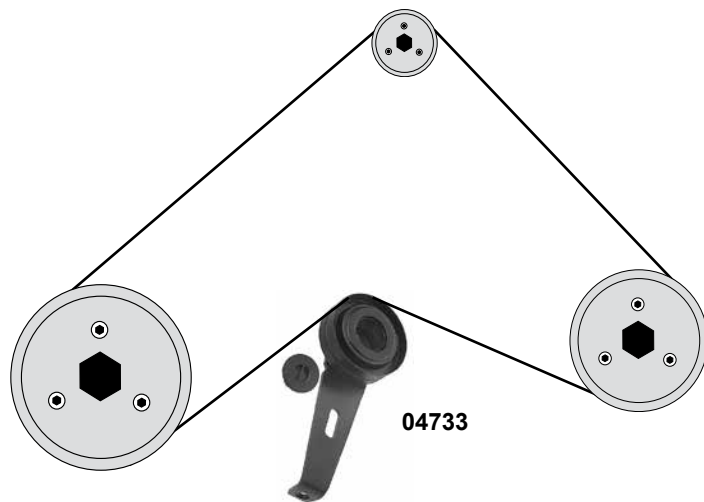
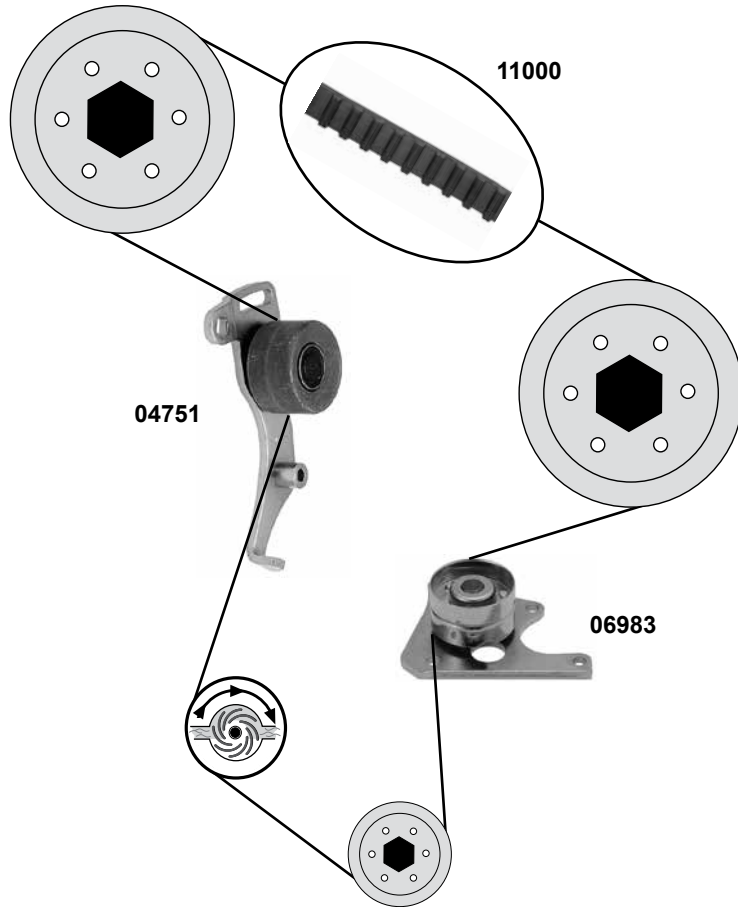
# PEUGEOT Boxer I

(94→02)

Car  
Division 



**1,9 D**  
(XUD→)



Ref. - No.

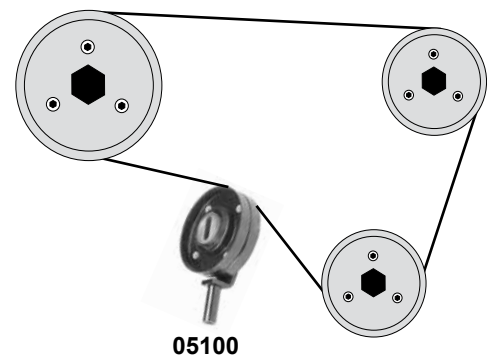
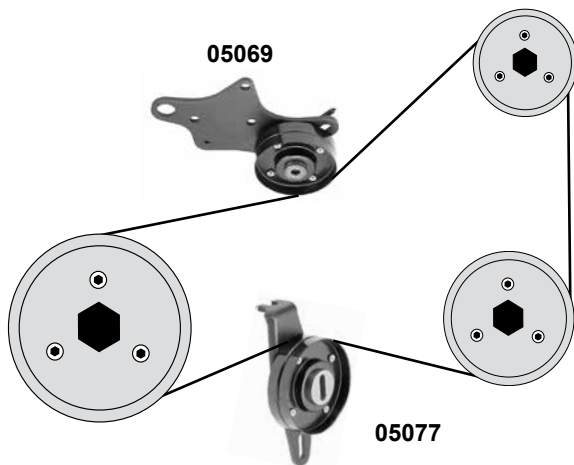
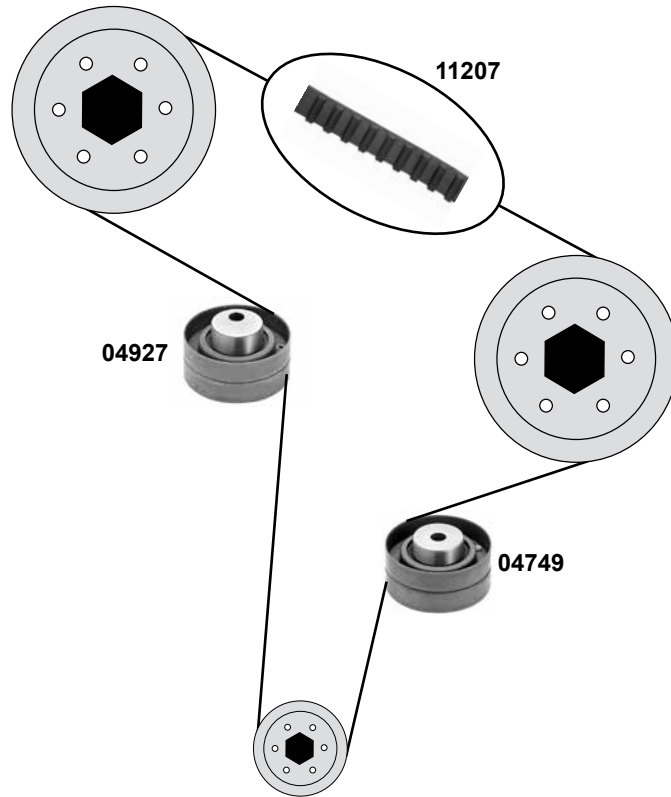


**04733** 5751.38  
**04751** 0829.33  
**06983** 0830.13  
**11000** 0816.98  
**11222** 0831.27

tension roller  
tension roller  
deflection pulley  
timing belt  
rep. kit timing belt

ØA 85 B26  
ØA 60 B34  
ØA 60 B34  
Z 136 B25,4





Ref. - No.



04749	0830.12	deflection pulley
04927	0818.20	tension roller
05069	1281.34	tension roller
05077	4007.E4	tension roller
05100	6453.R8	tension roller
11207	0816.68	timing belt
11208	0831.36	rep. kit timing belt

servo

ØA 70,5 B32 / 37  
ØA 70,5 B32 / 40  
ØA 80 B26  
ØA 93 ØI 8/26 B26  
ØA 93,5 B26  
Z 141 B28



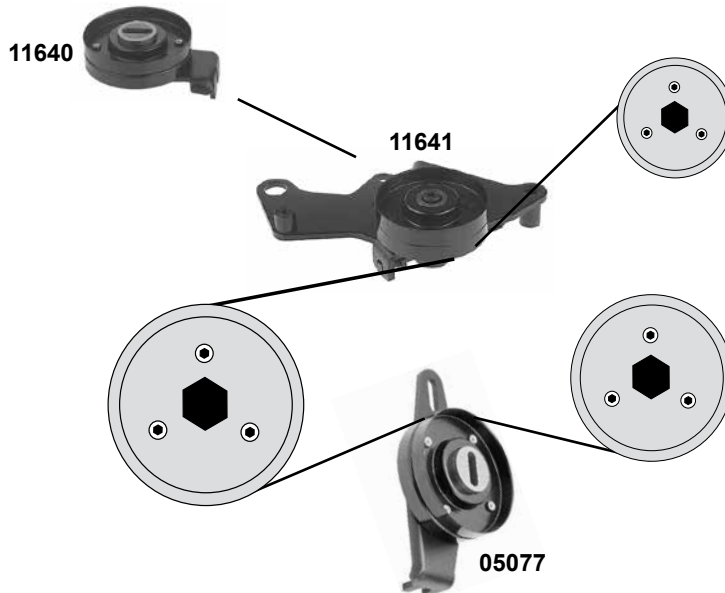
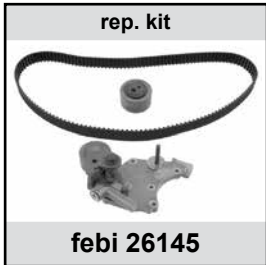
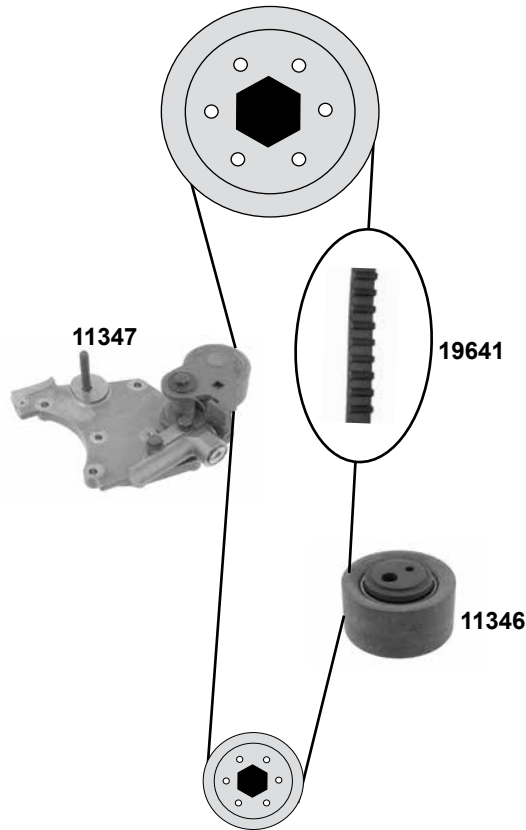
# PEUGEOT Boxer I

(94→02)

Car  
Division



**2,5 D**  
(DJ5TED)



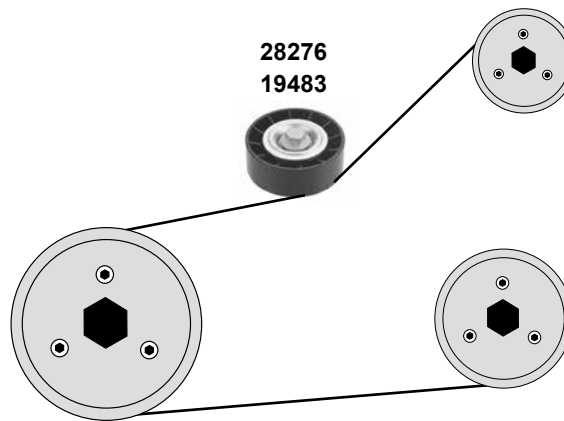
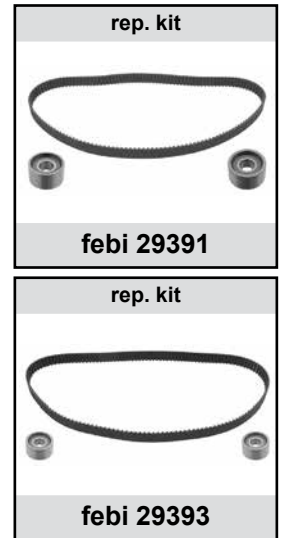
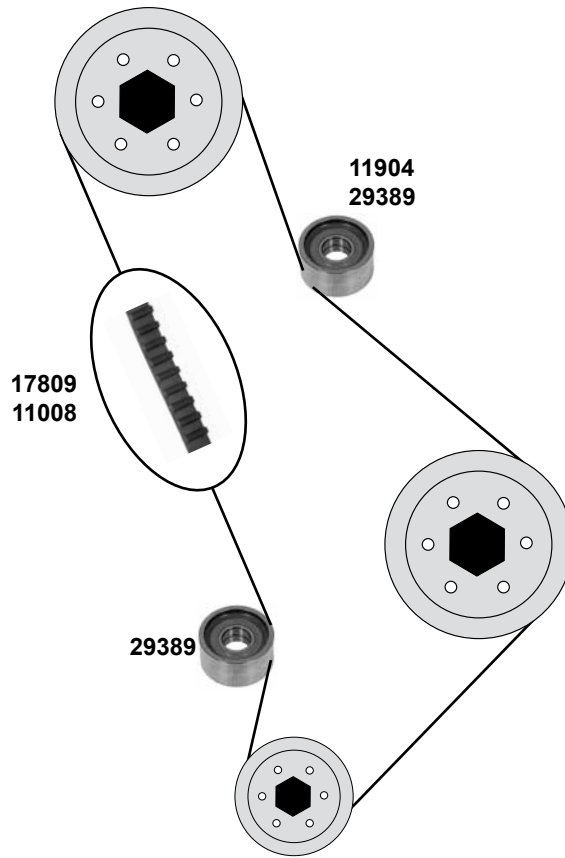
Ref. - No.



Part No.	Ref. - No.	Description	servo	Dimensions
05077	4007.E4	tension roller		ØA 93 ØI 8/26 B26
11346	0830.44	deflection pulley		ØA 70,5 B38
11347	0829.74	deflection pulley		ØA 70,5 B38
11640	6453.AN	tension roller		ØA 96,5 B26
11641	1281.38	tension roller		Ø A 60 B26
19641	0816.C1	timing belt		Z 147 B32
26145	0831.63	rep. kit timing belt		Z 147 B32



**2,5 SOFIM / 2,8 TD / 2,8 HDI**

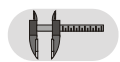


(1) (mot.) 2800 TD

(2) (mot.) Sofim 2500 D / 2800 HDI



Ref. - No.



<b>11008</b>	0816.E5	timing belt	(2)	Z 152 B 30
<b>11904</b>	0818.32	deflection pulley		ØA 67 B 49,9
<b>17809</b>	0816.A4	timing belt	(1)	Z 154 B 30
<b>19483</b>	6453.FL	deflection pulley	(mot.) 2800 HDI	ØA 69,7 B 24,8
<b>28276</b>	6453.SQ	deflection pulley	(mot.) 2800 TD/2500 D	ØA 70 B 25
<b>29389</b>	0830.32	tension roller	(2)	ØA63,75 ØI25 B34
<b>29391</b>	0816.E5 S1	rep. kit timing belt	(2)	Z 152 B 30
<b>29393</b>	0816.A4 S1	rep. kit timing belt	(1)	Z 154 B 30

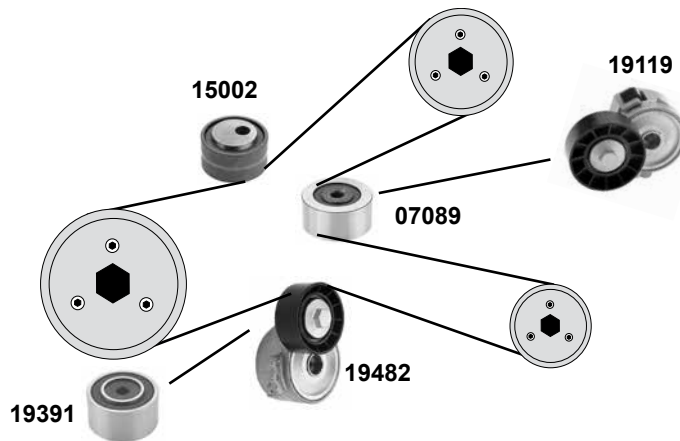
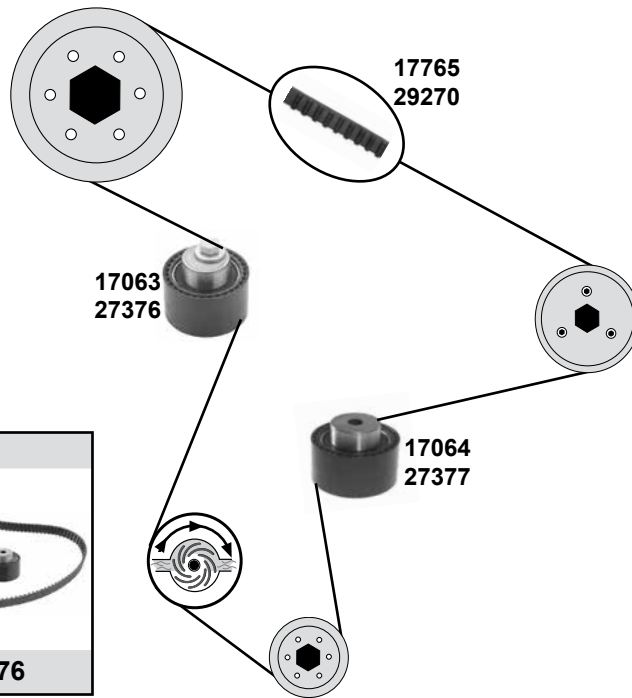
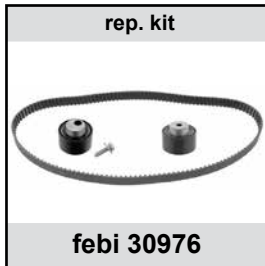
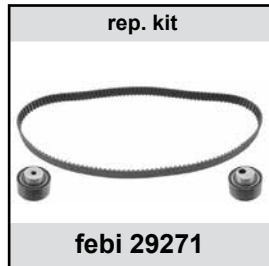
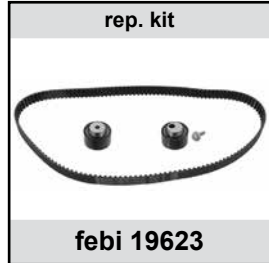
# PEUGEOT Boxer II

(02→06)

Car  
Division



## 2,0 / 2,2 HDi (DW10TD / DW12TED)



(1) (mot.) DW12TED 06.04.2004 →

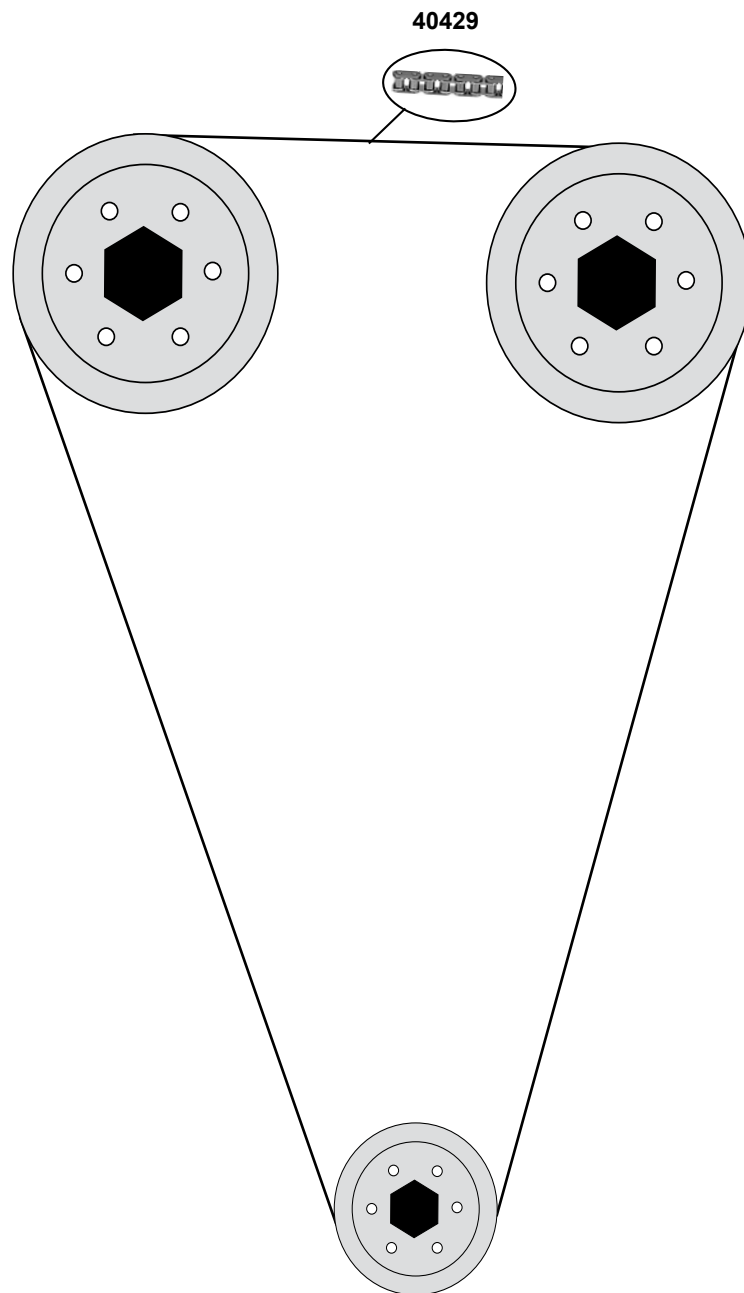
(2) (mot.) DW12TED → 05.04.2004



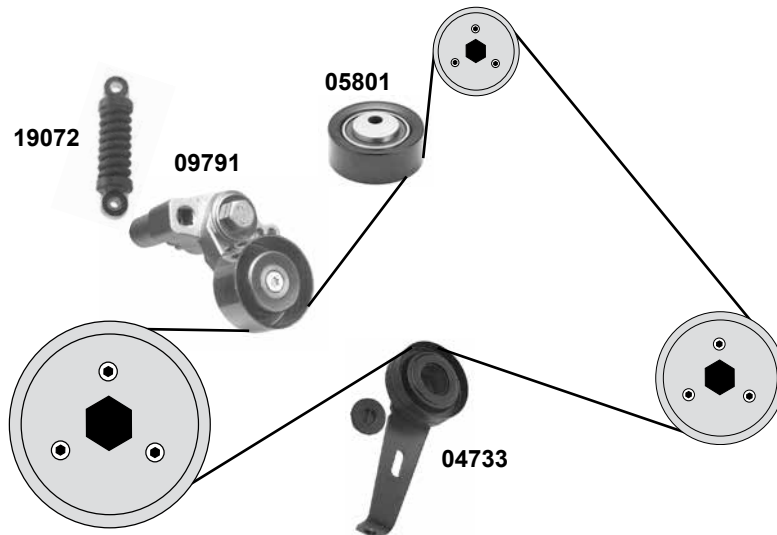
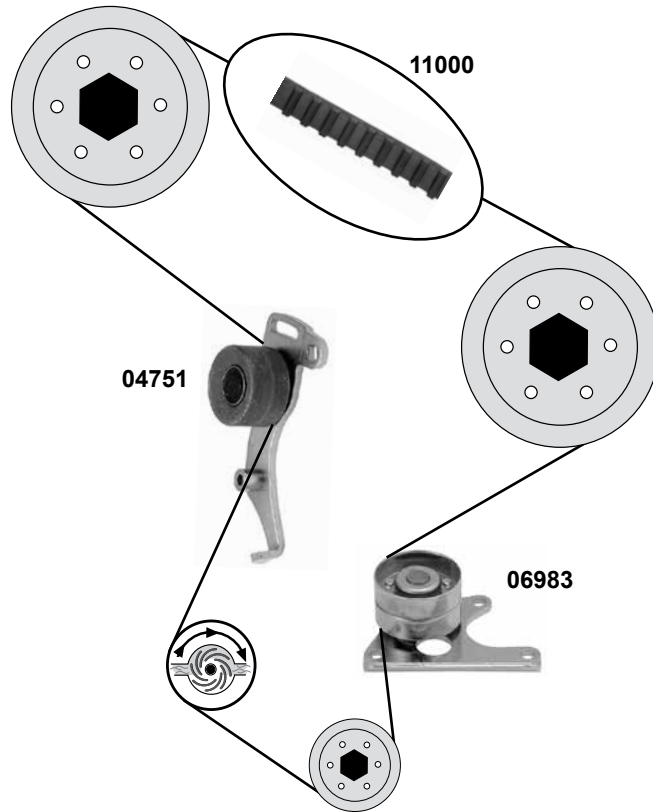
Ref. - No.









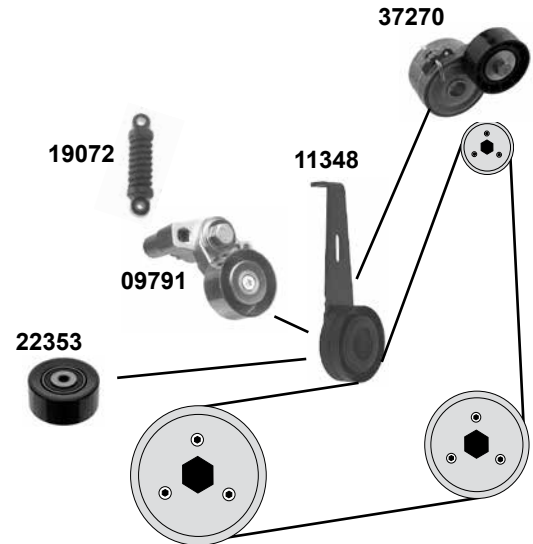
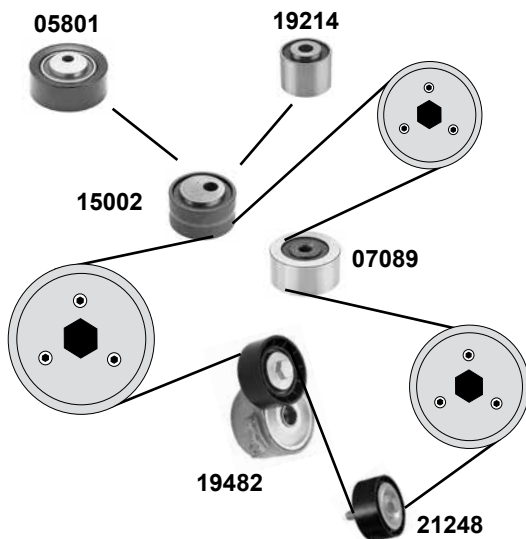
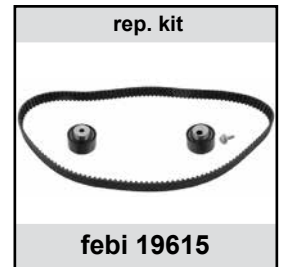
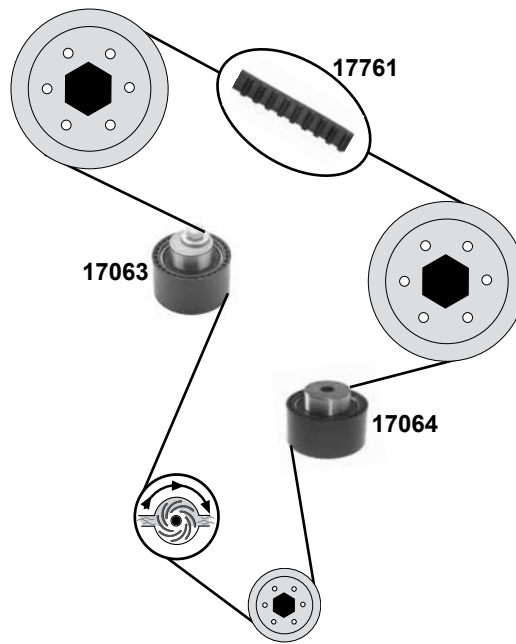
Ref. - No.	Description	Notes	Dimensions
07089	tension roller	(ex.) AC	ØA 50 B26
15002	tension roller	(ex.) AC	ØA 50 B26
17063	tension roller		ØA 60 ØI 13
17064	deflection pulley		ØA 60 ØI 10
17765	timing belt	(mot.) DW10TD	Z 141 B25,4
19119	belt tensioner	(mot.) DW10TD	ØA 70 B25
19391	deflection pulley		ØA 60
19482	tension roller		ØA 60
19623	rep. kit timing belt	(mot.) DW10TD	
27376	tension roller	(1)	ØA62 ØI13,3 B30
27377	tension roller	(1)	ØA62 B 30
29270	timing belt		Z 143 B25,5
29271	rep. kit timing belt	(1)	
30976	rep. kit timing belt	(2)	



**1,9 D**  
(XUD9 / XU9TE)



	Ref. - No.			
<b>04733</b>	5751.38	tension roller	(ex.) AC	ØA 85 B26
<b>04751</b>	0829.33	tension roller		ØA 60 B34
<b>05801</b>	5751.29	tension roller		ØA 70 B27/29
<b>06983</b>	0830.13	deflection pulley		ØA60 B34
<b>09791</b>	5751.30	tension roller	servo  AC	ØA 60 B26,5
<b>11000</b>	0816.98	timing belt		Z 136 B25,4
<b>11222</b>	0831.27	rep. kit timing belt		
<b>19072</b>	5751.81	vibration damper	servo  AC	



(1) (ex.) variable servo

(2) servo (ex.) AC

(3) → O 08374

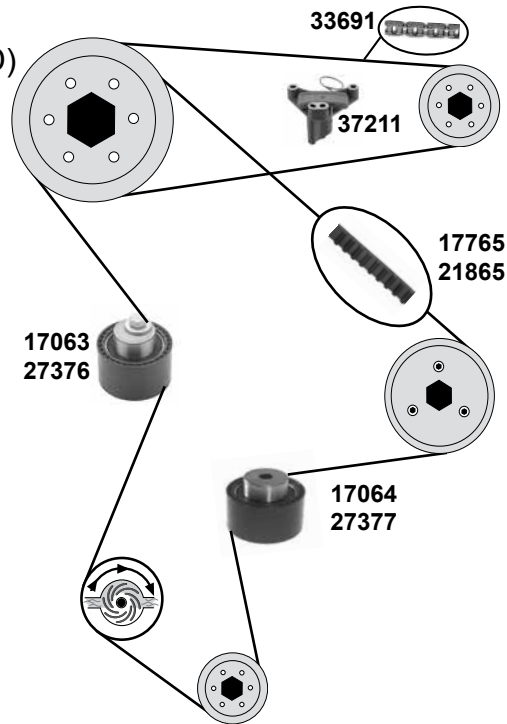
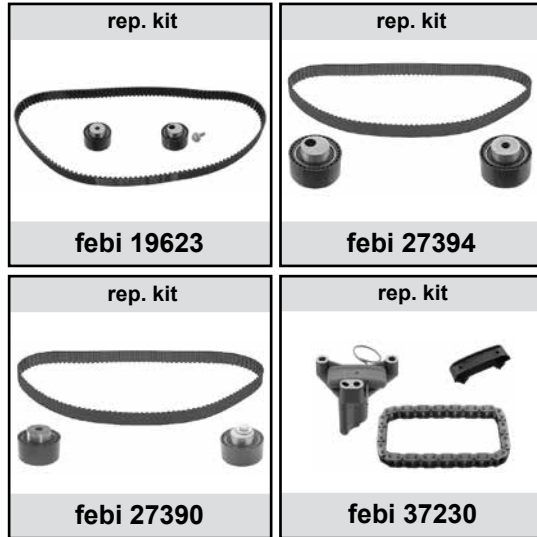


Ref. - No.

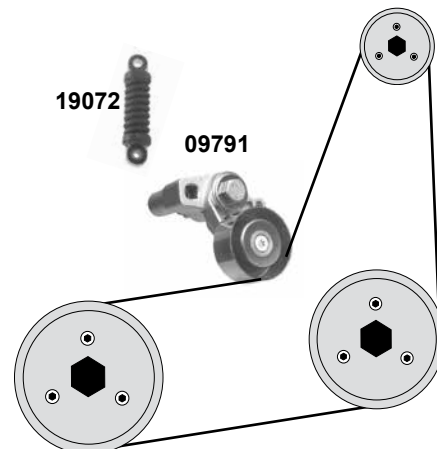
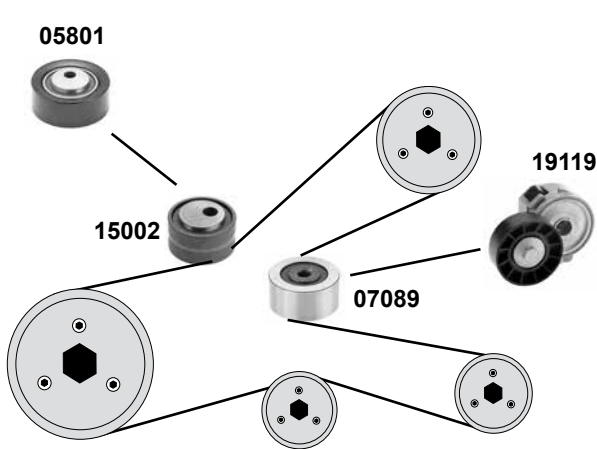








Ref. - No.	Description	Notes	Dimensions
05801	tension roller	servo  AC	ØA 70 ØI 10/16
07089	tension roller	(ex.) AC	ØA 50 B26
09791	tension roller	servo  AC	ØA 60 B26,5
11348	tension roller	man.	ØA 85 B26
15002	tension roller	(3) servo  (ex.) AC	ØA 50 B26
17063	tension roller		ØA 60 ØI 13
17064	deflection pulley		ØA 60 ØI 10
17761	timing belt		Z 140 B25,4
19072	vibration damper	servo  AC	
19214	deflection pulley	(1) servo  (ex.) AC	ØA 37 B27
19482	tension roller	(2)	ØA 60
19615	rep. kit timing belt		
21248	deflection pulley	(1) (2)	ØA 60 B25
22353	deflection pulley	(2) (3)	ØA 60 B26,5
37270	belt tensioner	O 09520 →	ØA 60 B25

**2,0 HDi**  
(DW10ATED / DW10ATED4 / DW10BTED)



**2,0 HDi**  
(DW10ATED / DW10BTED)

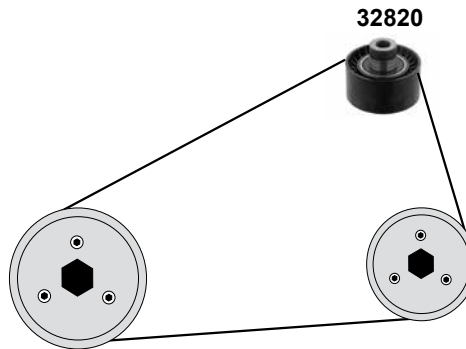
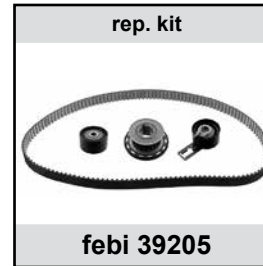
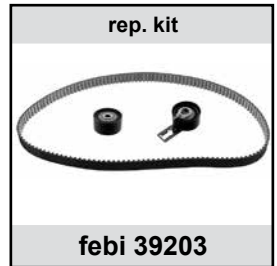
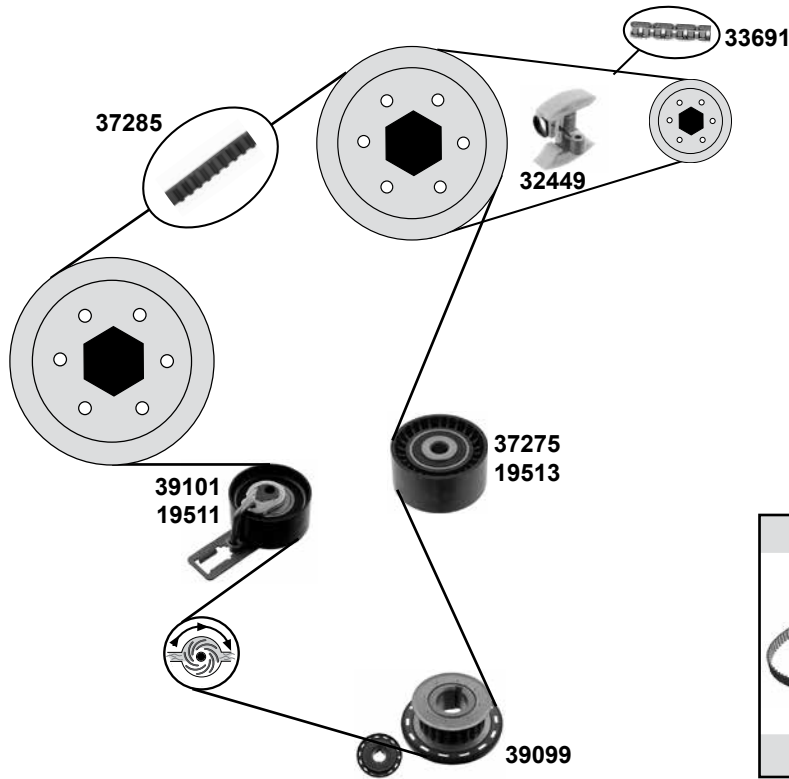


	Ref. - No.			
05801	5751.29	tension roller	AC	ØA 70 ØI 10/16
07089	5751.96	tension roller	(ex.) AC	ØA 50 B26
09791	5751.30	tension roller	servo  AC	ØA 60 B26,5
15002	5751.56	tension roller	(ex.) AC	ØA 50 B26
17063	0829.59	tension roller	(ex.) DW10ATED4	ØA 60 ØI 13
17064	0830.28	deflection pulley	(ex.) DW10ATED4	ØA 60 ØI 10
17765	0816.A9	timing belt	(ex.) DW10ATED4	Z 141 B25,4
19072	5751.81	vibration damper	servo  AC	
19119	5751.55	belt tensioner		ØA 70 B25
19623	0831.82	rep. kit timing belt	(ex.) DW10ATED4	
21865	0816.E7	timing belt	(mot.) DW10ATED4	Z 144 B25,4
27376	0829.C3	tension roller	O 10011 →	ØA 62 B30
27377	0829.C4	deflection pulley	O 10011 →	ØA 62 B30
27390	0831.73	rep. kit timing belt	→ O 10010	Z 141 B25,4
27394	0831.K4	rep. kit timing belt	O 10011 →	Z 141 B25,4
33691	0816.F6	timing chain	endlos / endless	
37211	0849.22	chain tensioner	(mot.) DW10ATED4	
37230	0849.23	rep. kit timing chain	(mot.) DW10ATED4	



## 1,6 HDi

(DV6DU / DV6UC / DV6DU M / DV6UTED4)

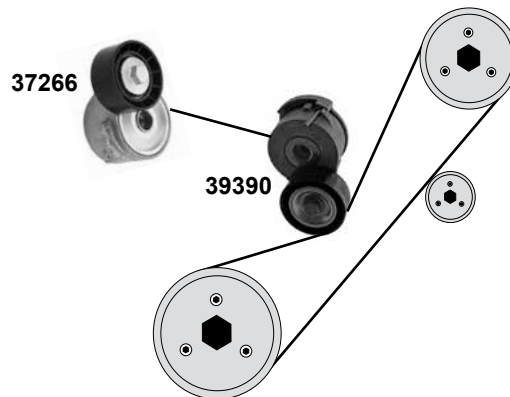
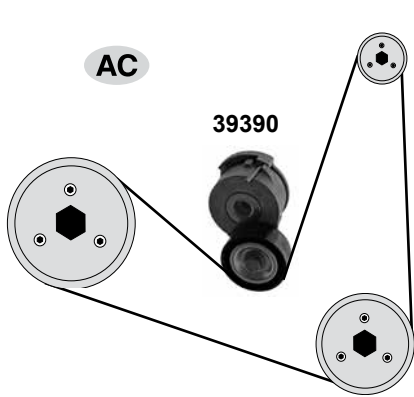
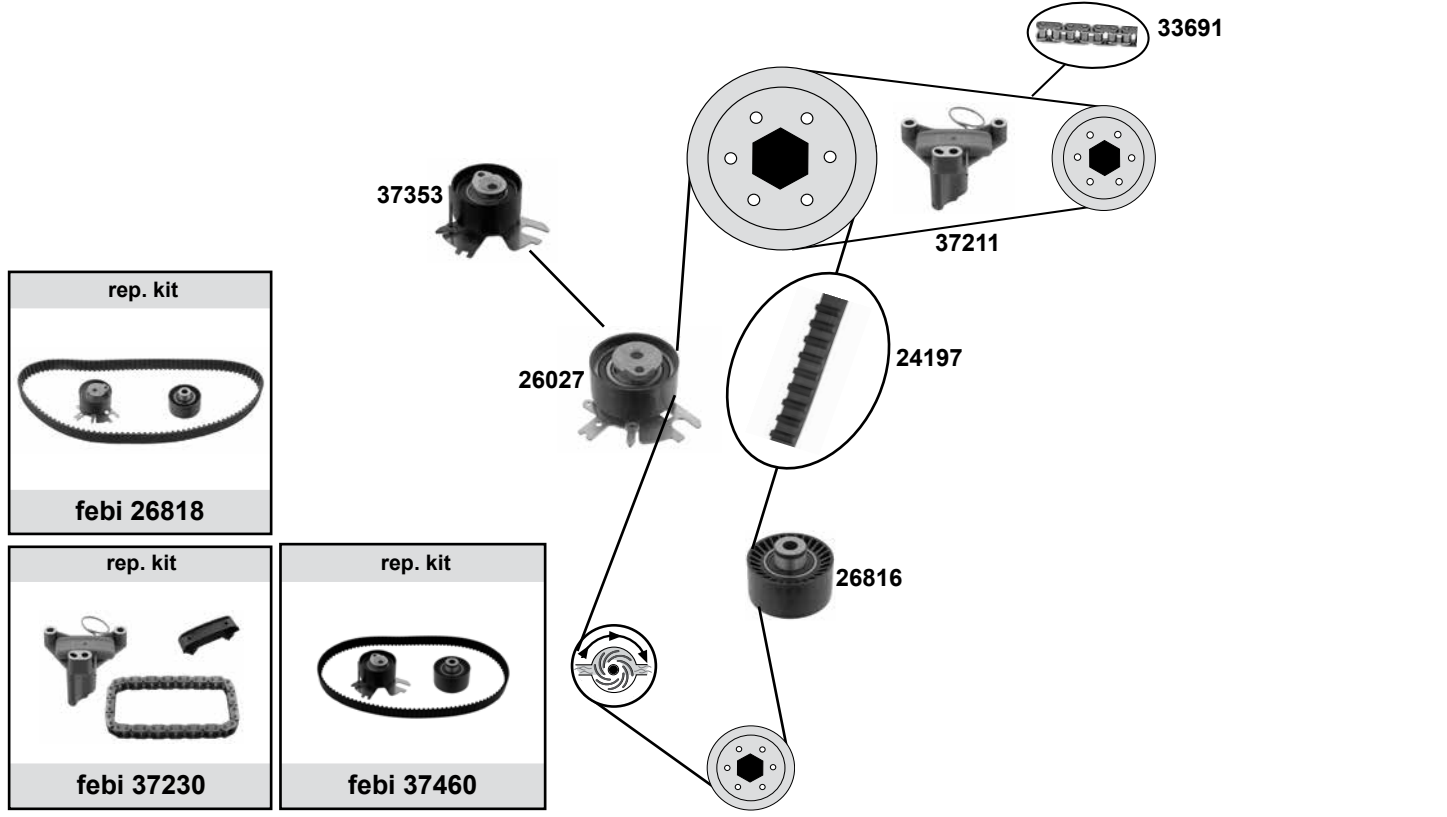


	(1) (mot.) DV6DU / DV6UC	(3) (mot.) DV6UTED4
	(2) (mot.) DV6UC / DV6DU M	(4) (mot.) DV6UC
	(5) (mot.) DV6DU M	

	Ref. - No.			
19511	0829.88	tension roller	(3)	ØA 60 B29
19513	0830.48	deflection roller	(3)	ØA60 B30
24369	0831.V4	Zahnriemensatz	(3)	T 137 B25
32449	0816.J1 SK	chain tensioner	(3)	
33691	0816.F6	timing chain	(3) endlos/endless	
33692	0816.J1	rep. kit timing chain	(3)	
37275	0830.75	deflection roller	(1)	ØA 61 B30
37285	0816.L0	timing belt	(2)	Z 141 B25,4
32820	5751.E6	deflection roller	(ex.) DV6DU	ØA 60 B30
39099	0805.E5	gear	(3) (4) →O12719	
39101	0829.F8	tension roller	(2)	ØA 60 B29
39203	16 087 474 80	rep. kit timing belt	(2)	
39204	16 087 474 80 S1	rep. kit timing belt	(5) (4) O 12720→	
39205	16 087 474 80 S2	rep. kit timing belt	(4) →O 12719	

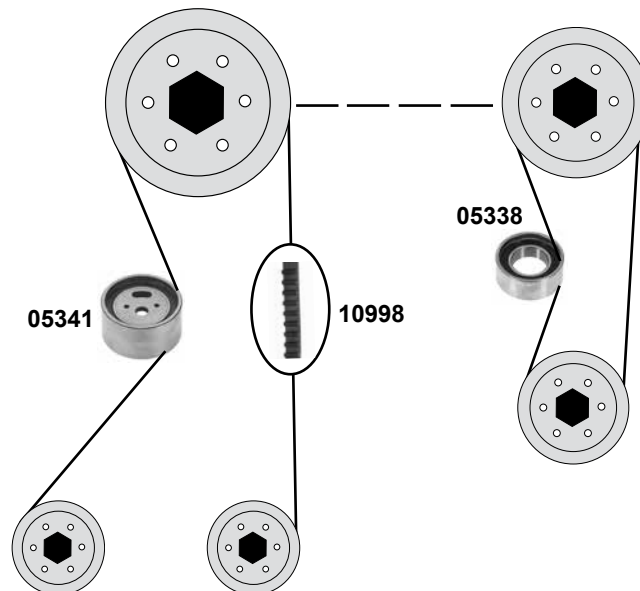
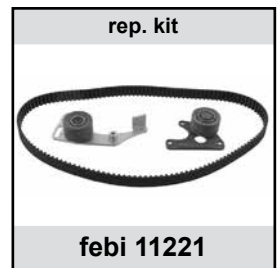
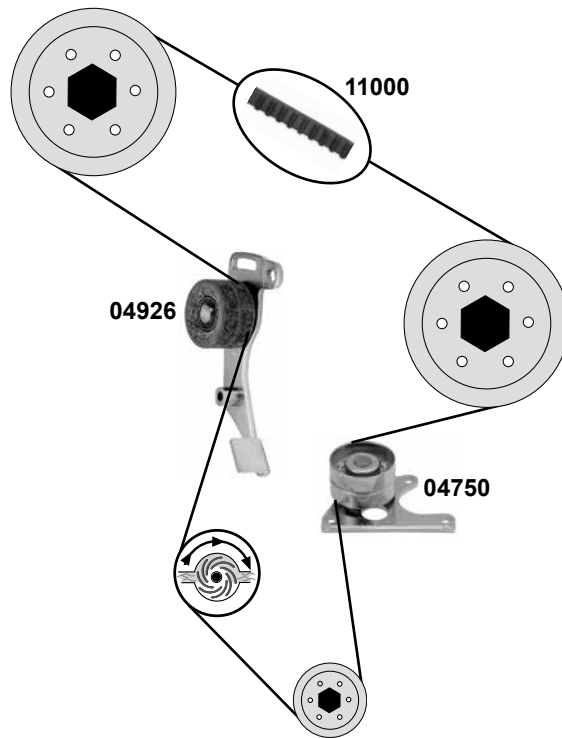


**2,0 HDi**  
**(DW10BTED4 / DW10UTED4 / DW10CTED4 / DW10CD / DW10CE)**



	(1) (mot.) DW10BTED4/DW10UTED4	(2) (mot.) DW10CTED4/DW10CD/DW10CE
	(3) (mot.) DW10BTED4/DW10UTED4 / DW10CTED4	(4) (mot.) DW10CTED4 AC / DW10CD/DW10CE

	Ref. - No.			
24197	0816.G3	timing belt	(1)	Z 116 B25
26027	0829.A4	tension roller	(1)	ØA 60 B29
26816	0830.51	deflection pulley	(1)	ØA 60 H30
26818	0831.92	rep. kit timing belt	(1)	Z 116 B25
33691	0816.F6	timing chain	(3)	endless E 40
37211	0849.22	chain tensioner		
37230	0849.23	rep. kit timing chain		
37266	5751.A7	belt tensioner	(1)	ØA 70 B25
37353	0829.G6	tension roller	(2)	ØA 60 B29
37460	0831.W1	rep. kit timing belt	(2)	
39390	5751.H8	belt tensioner	(4)	ØA 65 B25



Ref. - No.



<b>04750</b>	0830.02
<b>04926</b>	0829.11
<b>05338</b>	0829.17
<b>05341</b>	0818.22
<b>10998</b>	0816.33
<b>11000</b>	0816.98
<b>11221</b>	0831.09

deflection pulley
tension roller
tension roller
tension roller
timing belt
timing belt
rep. kit timing belt

ØA 60 B34
ØA 60 B34
ØA 57 B24
ØA 67,5 B35,5
Z 118 B31,8
Z 136 B25,4

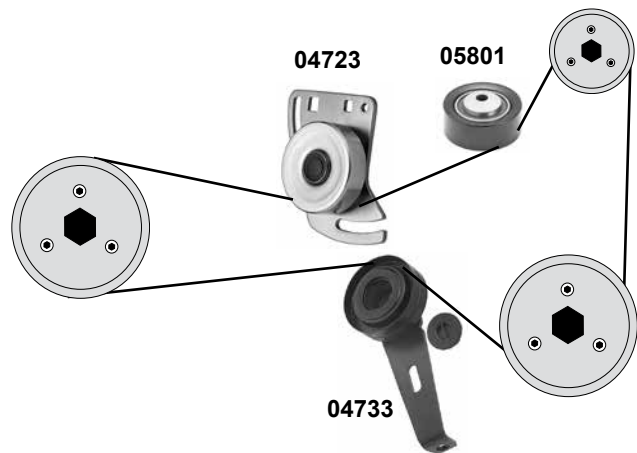
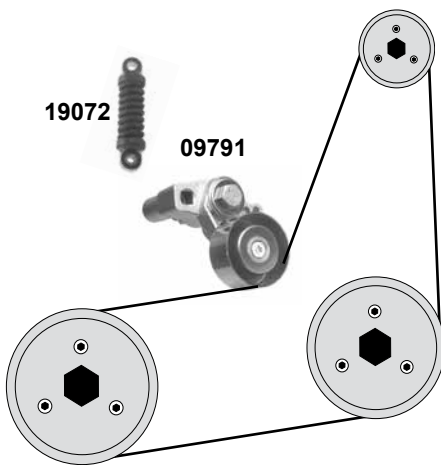
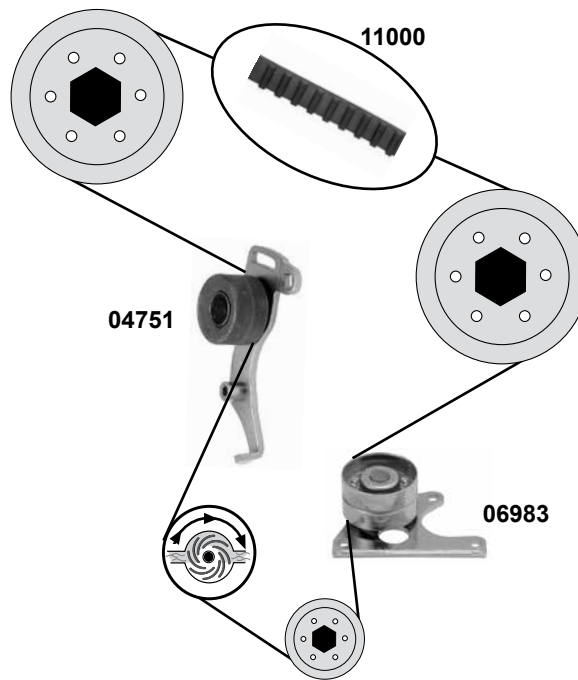
# PEUGEOT Partner I+II

(96→08)

Car  
Division 












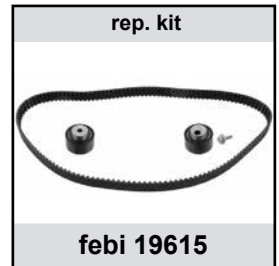
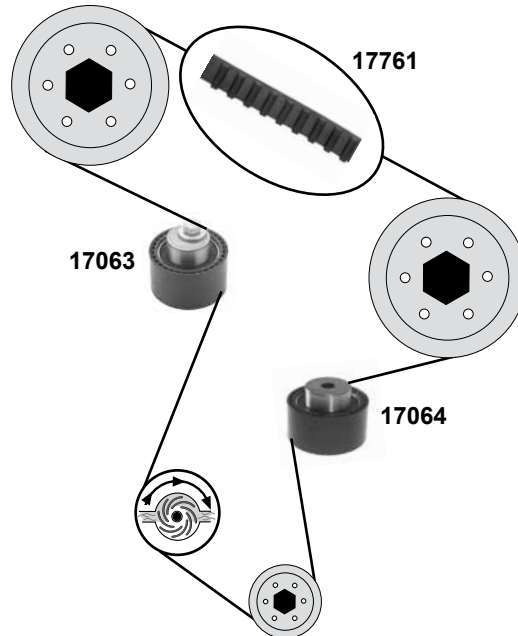
**1,8 D / 1,9 D**  
(XUD7 / XUD9)



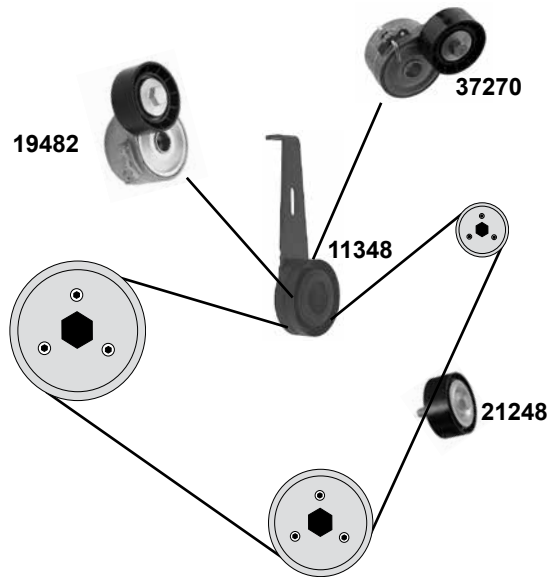
Ref. - No.



Ref. - No.	Description	Operation	Dimensions
04723	tension roller	man.  AC	ØA 58 B22,5
04733	tension roller	man.  AC	ØA 85 B26
04751	tension roller	man.  AC	ØA 60 B34
05801	tension roller	servo  AC	ØA 70 ØI 10/16
06983	deflection pulley	servo  AC	ØA 60 B34
09791	tension roller	servo  AC	ØA 60 B26,5
11000	timing belt	servo  AC	Z 136 B25,4
11222	rep. kit timing belt	servo  AC	
19072	vibration damper	servo  AC	



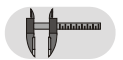
**AC**



(1) (ex.) variable servo  
(2) servo (ex.) O 08400→



Ref. - No.

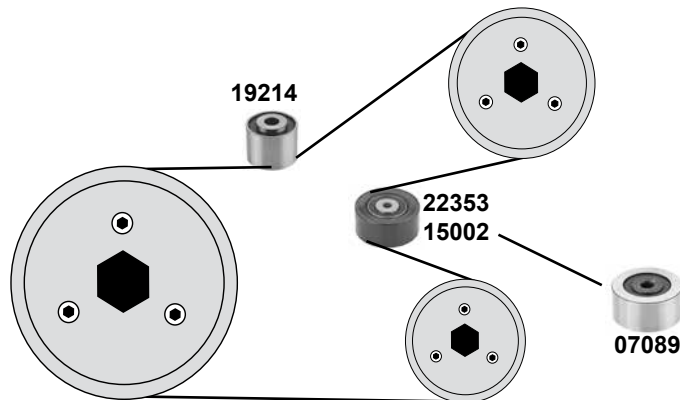
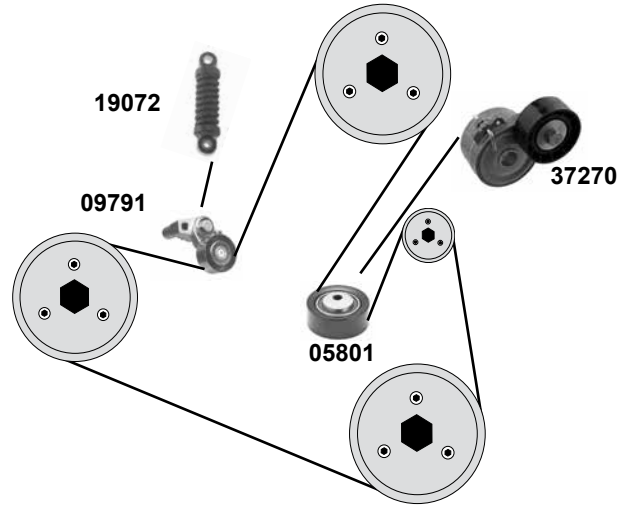


Ref. - No.	Description	Notes	Dimensions
11348	tension roller	man.	ØA 85 B26
17063	tension roller		ØA 60 ØI 13
17064	deflection pulley		ØA 60 ØI 10
17761	timing belt		Z 140 B25,4
19482	tension roller	(2)	ØA 60
19615	rep. kit timing belt	(1) (2)	ØA 60 B25
21248	deflection pulley	02→	ØA 60 B25
37270	belt tensioner		ØA 60 B25



## 1,9 D (DW8 / DW8B)

AC



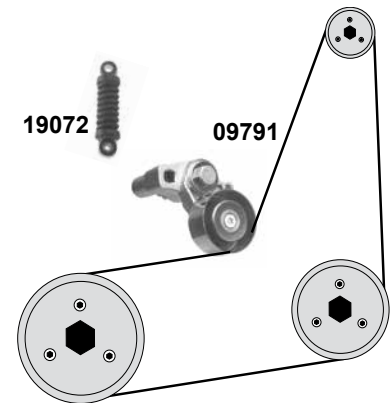
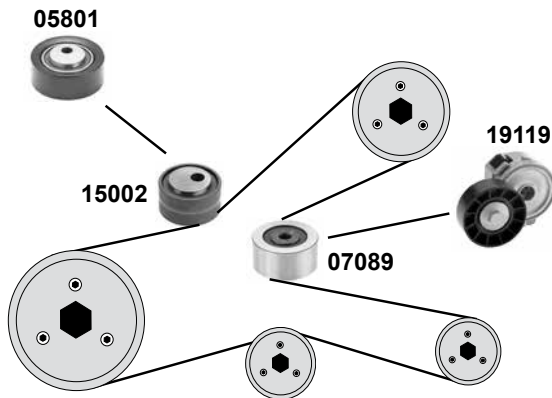
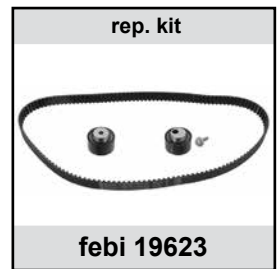
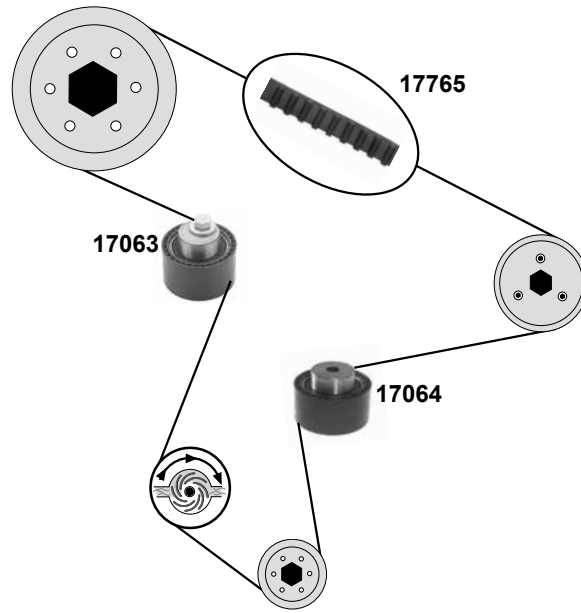
- (1) Partner II → O 08399  
(2) (mot.) DW8 O 07910 - 11950 / (mot.) DW8B O 08729 - 11950



Ref. - No.



Ref. - No.	Description	Notes	Dimensions
05801	tension roller	servo  AC	ØA 70 ØI 10/16
07089	tension roller	(ex.) AC	ØA 50 B26
09791	tension roller	servo  AC	ØA 60 B26,5
15002	tension roller	(ex.) AC	ØA 50 B26
19072	vibration damper	servo  AC	
19214	deflection pulley	servo  (1) (ex.) AC	ØA 37 B 27
22353	deflection pulley	(1) servo  (ex.) AC	
37270	belt tensioner	(2)	ØA 60 B25



Ref. - No.



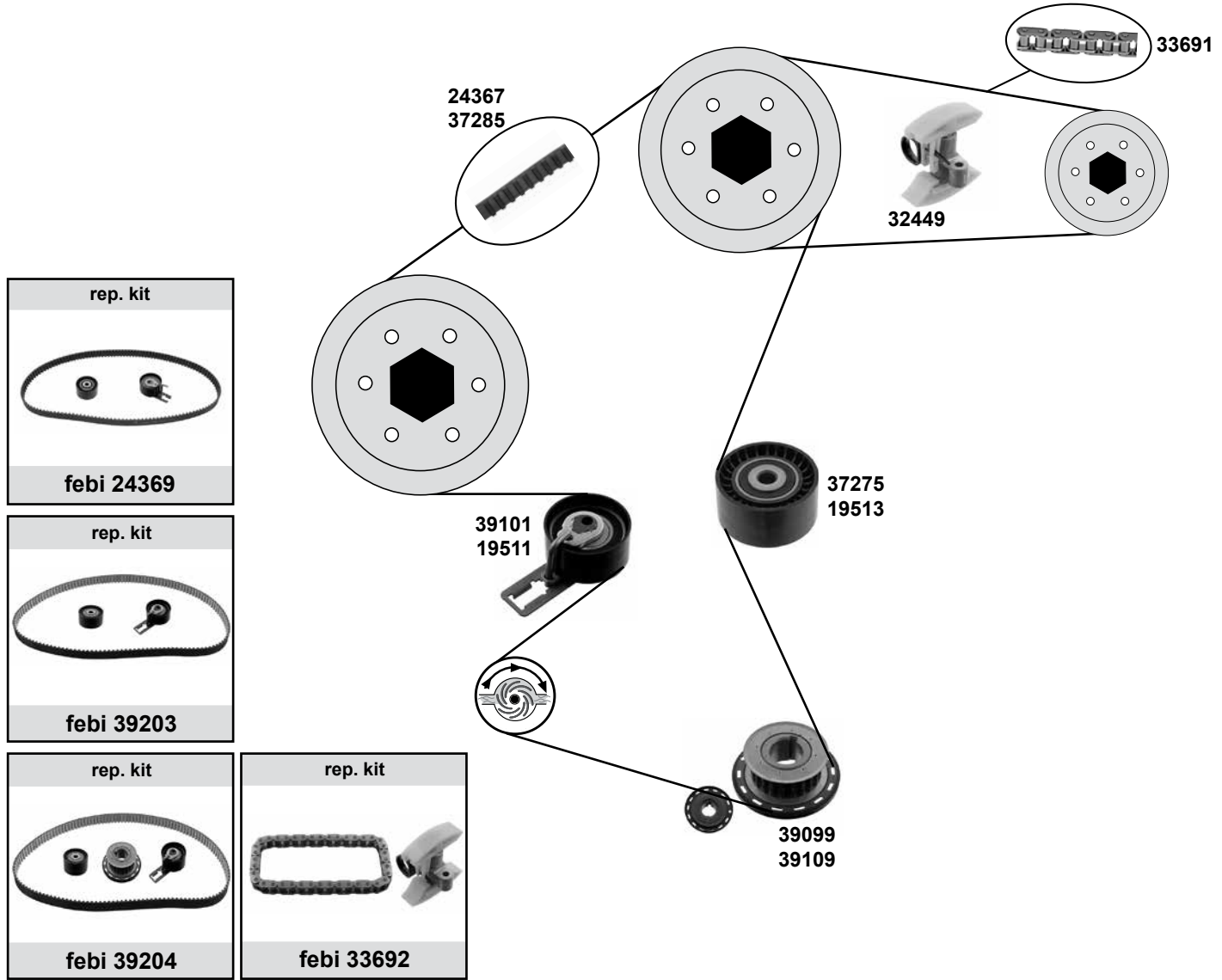
Ref. - No.	Description
05801	tension roller
07089	tension roller
09791	tension roller
15002	tension roller
17063	tension roller
17064	deflection pulley
17765	timing belt
19072	vibration damper
19119	belt tensioner
19623	rep. kit timing belt

Part	Dimensions
servo  AC	ØA 70 ØI 10/16
(ex.) AC	ØA 50 B26
servo  AC	ØA 60 B26,5
(ex.) AC	ØA 50 B26
	ØA 60 ØI 13
	ØA 60 ØI 10
	Z 141 B25,4
servo  AC	ØA 70 B25



## 1,6 HDi

(DV6TED4/DV6DTED M/DV6ETED M/DV6DTED/DV6ETED/DV6ATED4/DV6B)



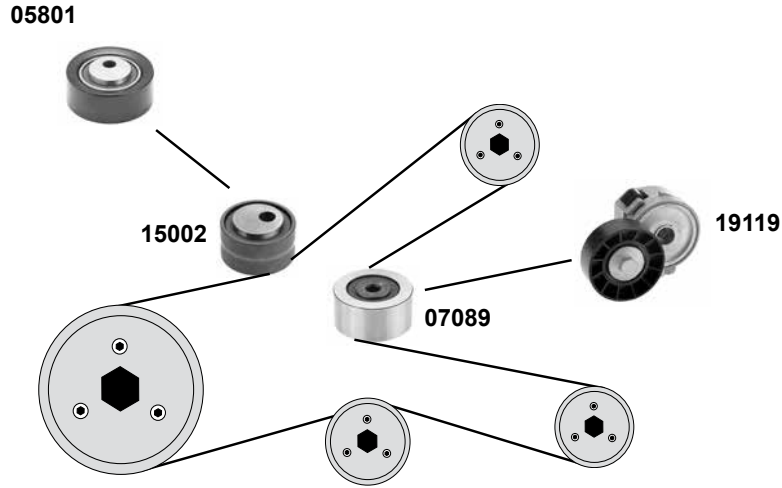
	(1) (mot.) DV6DTED M/DV6ETED M	(2) (mot.) DV6DTED/DV6ETED
	(3) (mot.) DV6ATED4/DV6B	(4) (mot.) DV6AUTED4 / DV6BUTED4 / DV6TED4BU

	Ref. - No.			
19511	0829.88	tension roller	(3)	ØA60 B29
19513	0830.48	deflection pulley	(3)	ØA60 B30
24367	0816.G7	timing belt	(4)	
24369	0831.V4	rep. kit timing belt	(3)	
32449	0816.J1 SK	chain tensioner	(3)	
33691	0816.F6	timing chain	(3) endless	
33692	0816.J1	rep. kit timing chain	(3)	
37275	0830.75	deflection pulley	(2)	ØA 61 B30
37285	0816.L0	timing belt	(1)	Z 141 B25,4
39099	0805.E5	gear	(3)	
39101	0829.F8	tension roller	(1)	ØA 60 B29
39109	96 772 672 80	gear	(1)	
39203	16 087 474 80	rep. kit timing belt	(1)	
39204	16 087 474 80 S1	rep. kit timing belt	(1)	

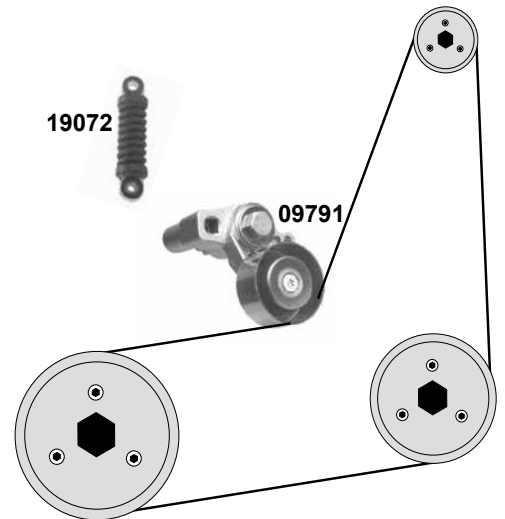
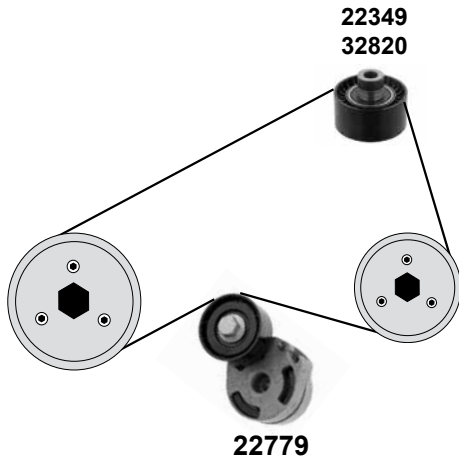


**1,6 HDi**

(DV6TED4/DV6DTED M/DV6ETED M/DV6DTED/DV6ETED/DV6ATED4/DV6B)



**AC**



(1) (mot.) DV6TED4 / (ex.) AC	(2) (mot.) DV6TED4 / servo  AC
(3) (mot.) DV6TED4 / DV6B → O 10570	(4) (mot.) DV6ETED, DV6DTEDM / (mot.) DV6B O 10571→
(5) (mot.) DV6ATED4 O 12110→	(6) (mot.) DV6ATED4 O 10571 oder O 11773
(7) (mot.) DV6ATED4 / DV6B → O 10570	



Ref. - No.



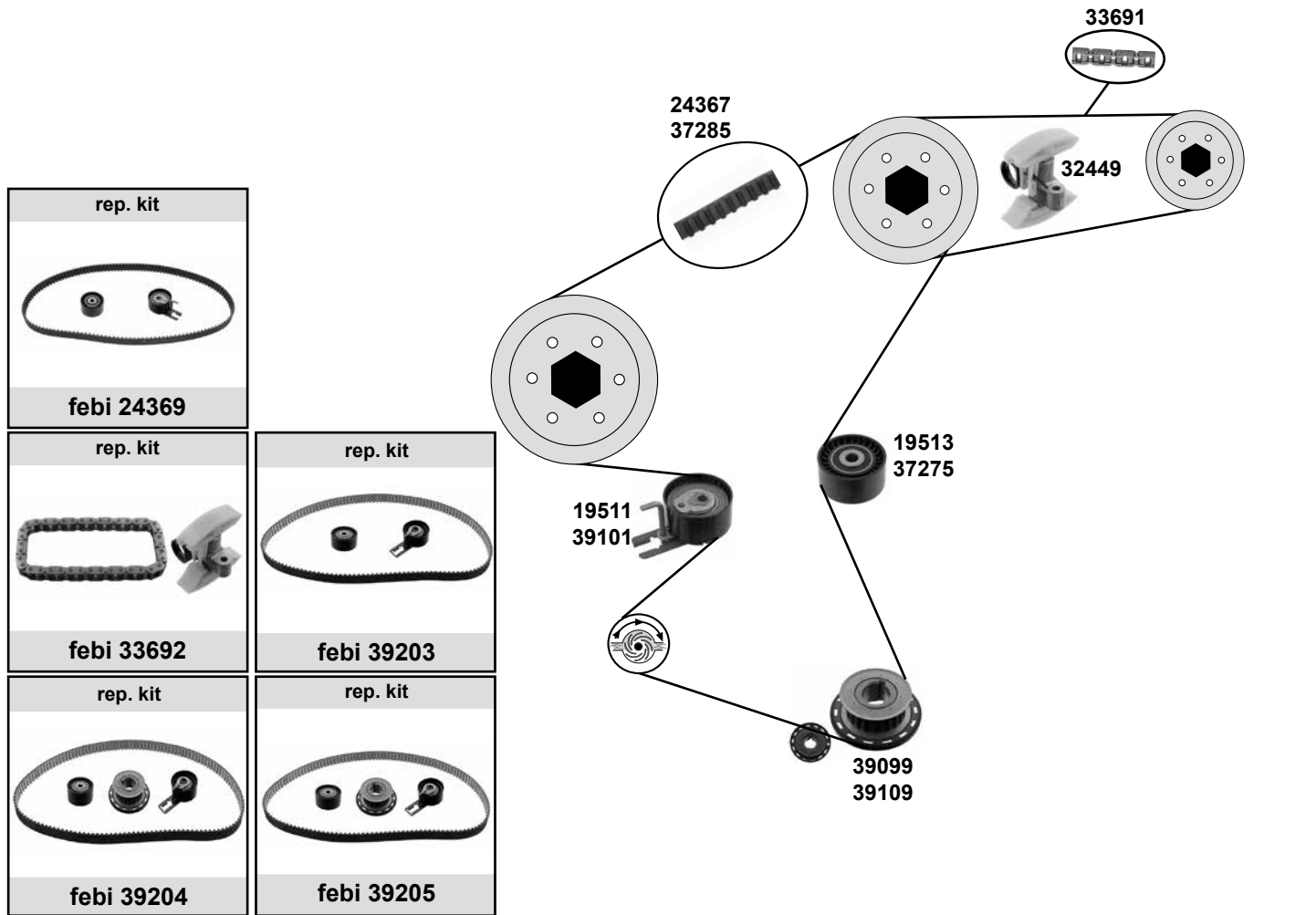
Part No.	Ref. - No.	Description	Quantity	Dimensions
05801	5751.29	tension roller	(2)	ØA70 ØI 10/16
07089	5751.96	tension roller	(1)	ØA 50 B26
09791	5751.30	tension roller	(2)	ØA 60 B26,5
15002	5751.56	tension roller	(1)	ØA 50 B26
19072	5751.81	vibration damper	(2)	
19119	5751.55	belt tensioner	(mot.) DV6TED4	ØA 70 B25
22349	5751.90	deflection pulley	(7)	
22779	5751.89	belt tensioner	(3)	ØA55 B25
32820	5751.E6	deflection pulley	(4) (5) (6)	ØA60 B30





## 1,6 HDi

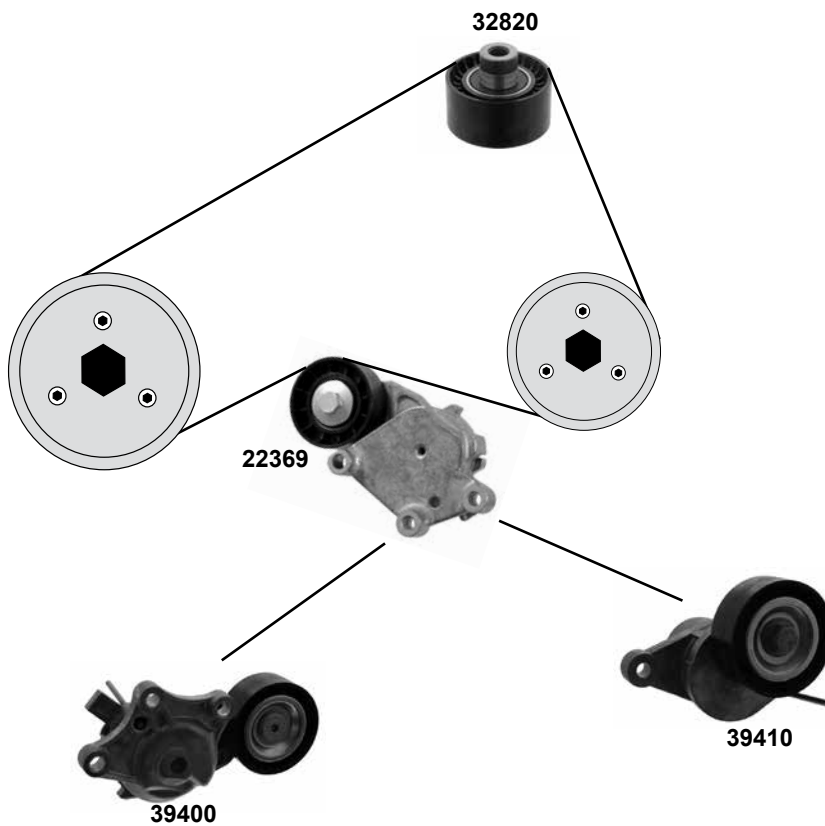
(DV6AUTED4/DV6BUTED4/DV6TED4BU/DV6ETED M/DV6ETED4/DV6DTED/DV6DTED M/DV6C)



- (1) (mot.) DV6AUTED4 / DV6BUTED4 / DV6TED4BU
- (2) (mot.) DV6ETED M / DV6ETED4 / DV6DTED / DV6DTED M / DV6C
- (3) (mot.) DV6DTED / DV6ETED4 / DV6DTED M / DV6ETED M
- (4) (mot.) DV6C/DV6ETED4/DV6DTED/DV6ETED
- (5) (mot.) DV6C



	Ref. - No.			
19511	0829.88	tension roller	(1)	ØA 60 B29
19513	0830.48	deflection pulley	(1)	ØA 60 B30
24367	0816.G7	timing belt	(1)	Z 137
24369	0831.V4	rep. kit timing belt	(1)	
32449	0816.J1 SK	chain tensioner	(1)	
33691	0816.F6	timing chain	(1)	endless 40 E
33692	0816.J1	rep. kit timing chain	(1)	40 E
37275	0830.75	deflection pulley	(4)	ØA 61 B30
37285	0816.L0	timing belt	(2)	Z 141 B25,4
39099	0805.E5	gear	(1) / (3) →12719	
39101	0829.F8	tension roller	(2)	ØA 60 B29
39109	62 93 9109	gear	(5) / (3) O12720→	
39203	16 087 474 80	rep. kit timing belt	(2)	
39204	16 087 474 80 S1	rep. kit timing belt	(3) 12720→/ (5)	
39205	16 087 474 80 S2	rep. kit timing belt	(3) → O 12719	



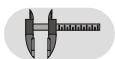
(1) (ex.) DV6DTED / DV6B / DV6ATED

(2) (mot.) DV6DTED + Start - Stopp

(3) (mot.) DV6B / DV6ATED



Ref. - No.

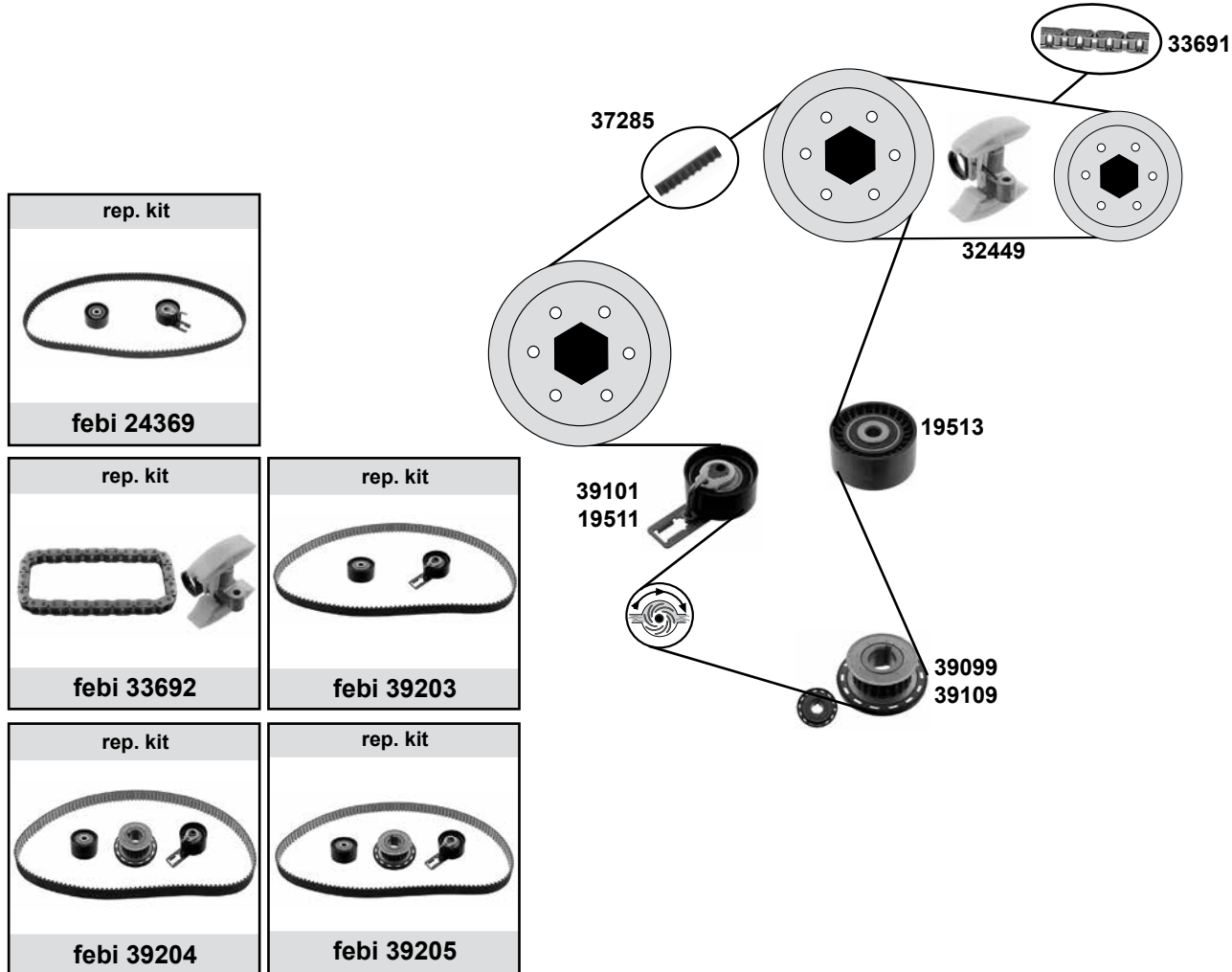


Ref. - No.	Part Name	Quantity	Dimensions
22369	belt tensioner	(1)	ØA 65 B25,5
32820	deflection pulley	(3)	ØA60 B30
39400	belt tensioner	(2)	ØA 65 B25
39410	belt tensioner	(2)	ØA 65 B25



## 1,6 HDi

(DV6C/DV6TED4/DV6ETED4/DV6ETED M/DV6DTED/DV6DTEDM/DV6ATED4/DV6B/DV6ETED M)



(1) (mot.) DV6C/DV6ETED4/DV6ETED M/DV6DTED/DV6DTED M

(2) (mot.) DV6TED4/DV6ATED4/DV6B

(3) (mot.) DV6DTED/DV6ETED4/DV6C/DV6DTED M/DV6ETED M

(4) (mot.) DV6ATED/DV6B

(5) endlos/ endless

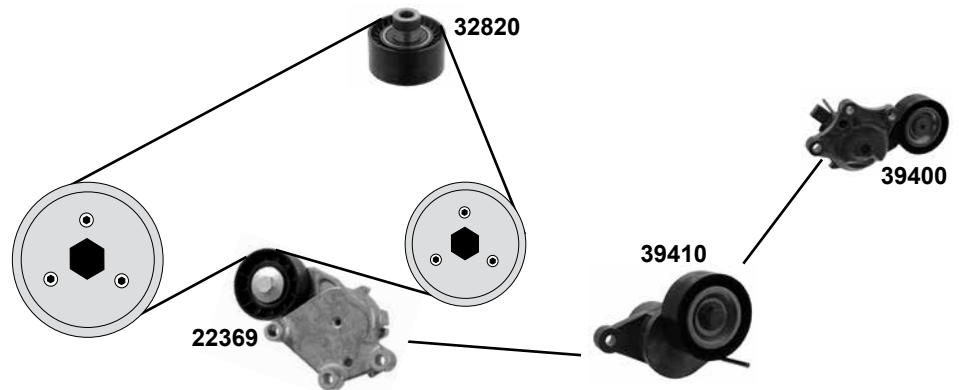


Ref. - No.

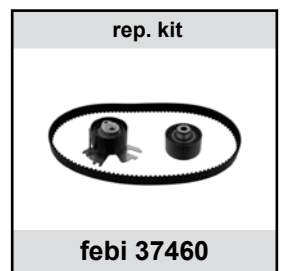
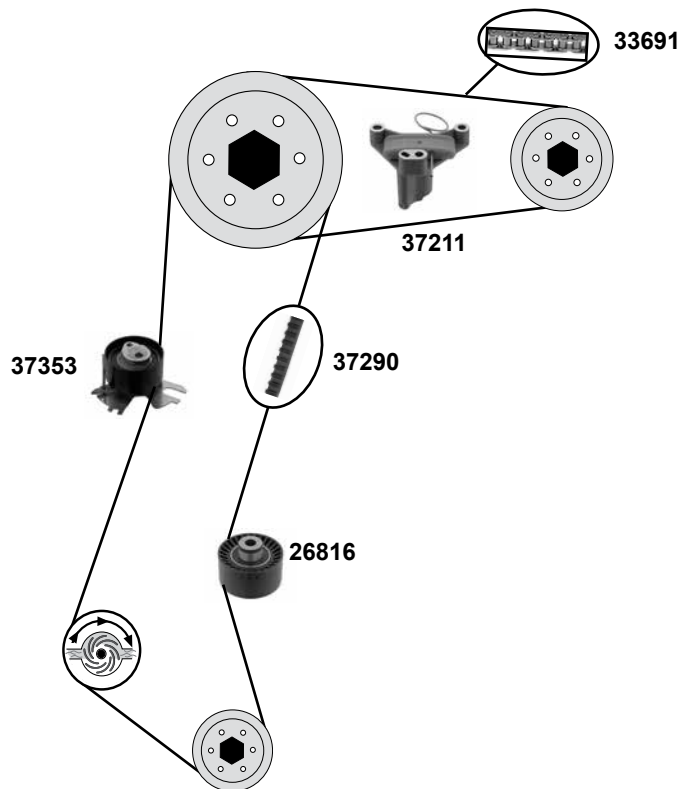


Part No.	Ref. - No.	Description	Quantity	Notes
19511	0829.88	tension roller	(2)	ØA60 B29
19513	0830.48	deflection pulley	(2)	ØA60 B30
24369	0831.V4	Zahnriemensatz	(2)	Z 137 B25
32449	0816.J1 SK	chain tensioner	(4)	
33691	0816.F6	timing chain	(2) (5)	E 40
33692	0816.J1	rep. kit timing chain	(4)	40 E
37285	0816.L0	timing belt	(1)	Z 141 B25,4
39099	0805.E5	gear	(2) (3) →O 12719	
39101	0829.F8	tension roller	(1)	ØA 60 B29
39109	96 772 672 80	gear	(1) O 12720→	
39203	16 087 474 80	rep. kit timing belt	(1)	
39204	16 087 474 80 S1	rep. kit timing belt	(3) O 12720→	
39205	16 087 474 80 S2	rep. kit timing belt	(3)→O 12719	

**1,6 HDi**  
(DV6C/DV6TED4/DV6ETED4/DV6DTED/DV6DTED M/DV6ETED M/DV6BUTED4/DV6AUTED4)



**RCZ**  
(10→)  
**2,0 HDi**  
(DW10CTED4)



- (1) DV6ETED4 / DV6ETED M / DV6DTED / DV6DTED M / DV6C (ex.) Start - Stopp
- (2) DV6DTED
- (3) DV6BUTED4 / DV6AUTED4



Ref. - No.



Ref. - No.	Description	Notes	Dimensions
22369	belt tensioner	(1) (2)	
26816	deflection pulley		ØA60 B30
32820	deflection pulley	(3)	ØA60 B30
33691	timing chain	endless E 40	
37211	chain tensioner		
37230	rep. kit timing chain		
37290	timing belt		
37353	tension roller		ØA 60 B29
37460	rep. kit timing belt		
39400	belt tensioner	(2) + Start Stop	ØA 65 B25
39410	belt tensioner	(2) + Start Stop	ØA 65 B25

**PEUGEOT  
RCZ**

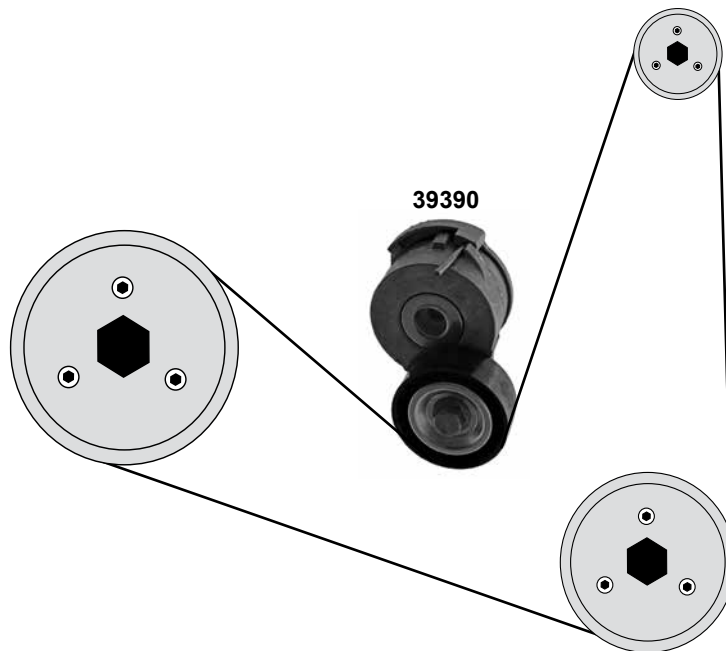
(10→)

**Car  
Division**



**2,0 HDi**  
(DW10CTED4)

**AC**



**Ref. - No.**



belt tensioner

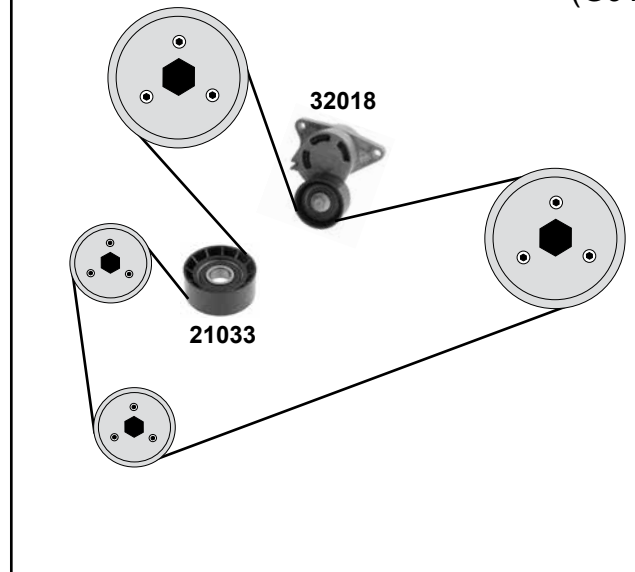
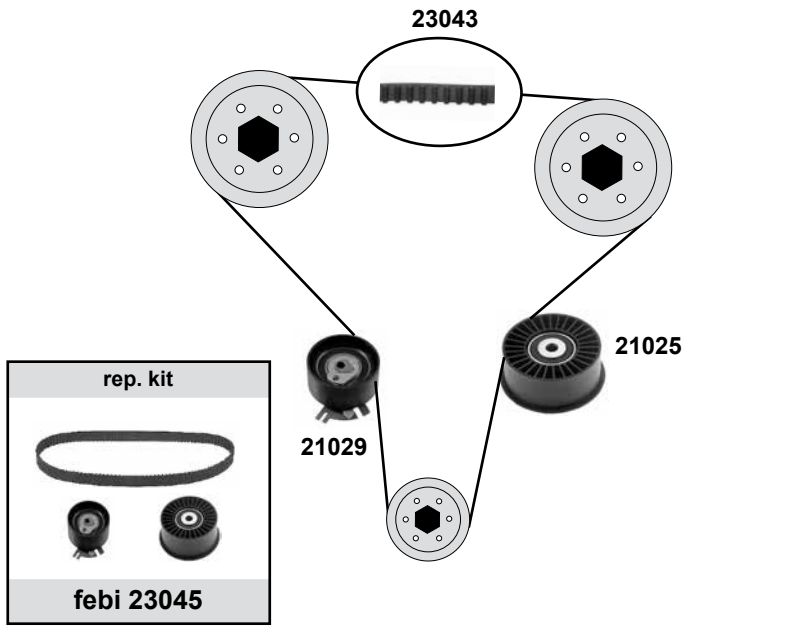


ØA 65 B25

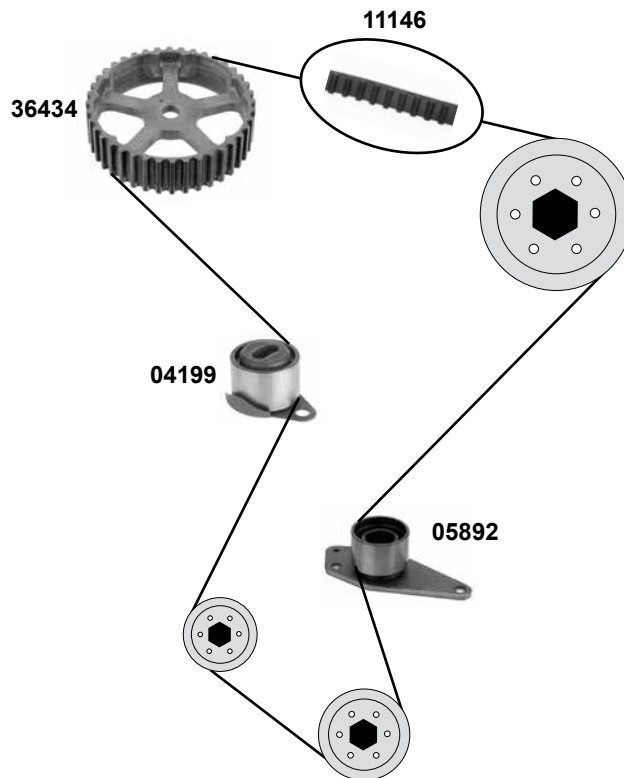
**39390**

5751.H8

**2,2 D**  
(G9T)



**Clio 1**  
(85→98)  
**1,9 D**  
(F8Q)



	Ref. - No.			
04199	77 00 726 440	tension roller		ØA50 B31
05892	82 00 469 376	deflection pulley		ØA50 B30,5
11146	77 01 063 979	timing belt		Z 151 B25,4
11147	77 01 469 774	rep. kit timing belt		ØA 75,2 B32
21025	82 00 004 593	deflection pulley		ØA70 B32
21029	82 00 127 467	tension roller		ØA 60,2 Ø1 17 B5,5
21033	82 00 104 754	deflection pulley		Z 89 B25
23043	82 00 127 627	timing belt		
23045	77 01 473 849	rep. kit timing belt		
32018	82 00 761 529	belt tensioner	(mot.) 710/712	ØA60
36434	77 00 866 844	camshaft timing gear	90→	

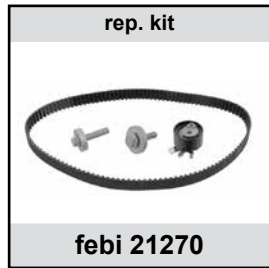
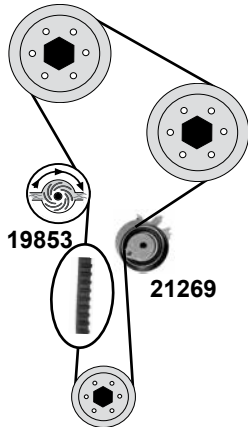
# RENAULT Clio 2

(98→05)

Car  
Division

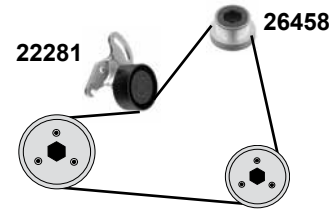


## 1,5 D (K9K-700,702,704,710)

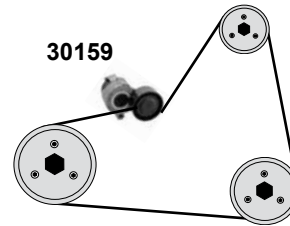


## 1,5 D (K9K-700,702,704,710)

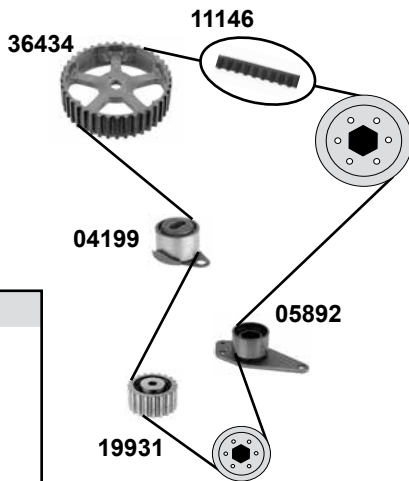
(ex.) AC



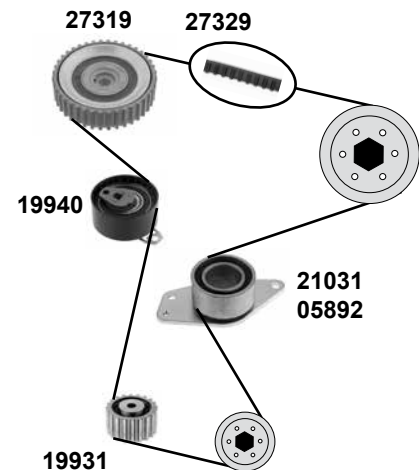
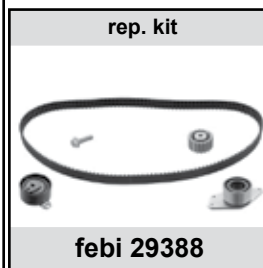
## 1,5 D (K9K-700,702,704,706,710,712)



## 1,9 D (F8Q)



## 1,9 D (F9Q-780,782)



Ref. - No.



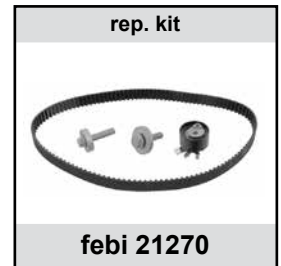
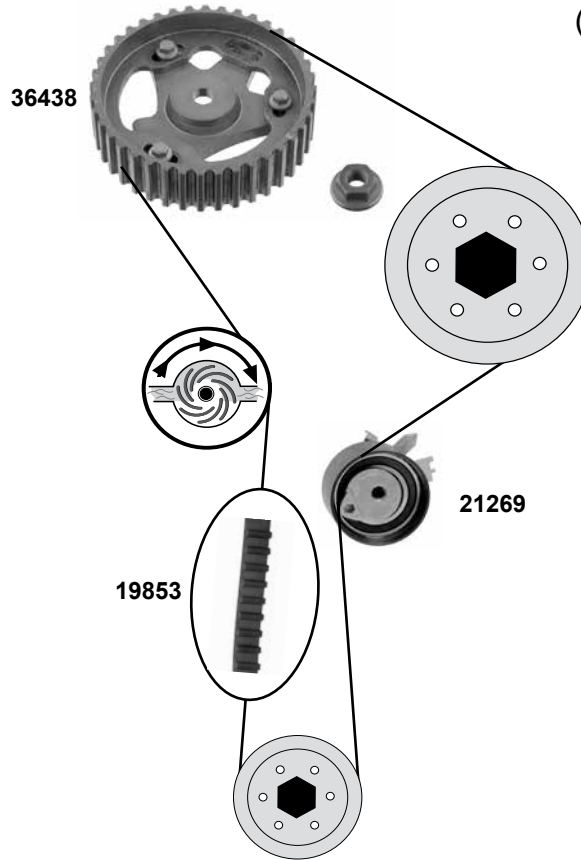
04199	77 00 726 440	tension roller	ØA50 B31
05892	82 00 469 376	deflection pulley	ØA50 B30,5
11146	77 01 063 979	timing belt	Z 151 B25,4
11147	77 01 469 774	rep. kit timing belt	Z 151 B25,27
19853	82 00 537 033	timing belt	Z 123 B27
19931	82 00 420 964	deflection pulley	ØA60,6 B32,5
19940	82 00 079 341	tension roller	ØA65,4 B30,5
21031	77 00 116 054	deflection pulley	ØA65 B30,8
21269	82 00 102 941	tension roller	ØA 60 B32
21270	77 01 477 028	rep. kit timing belt	Z 123 B27
22281	82 00 328 372	belt tensioner	ØA 65,4
26458	82 00 113 636	alternator overrun pulley	ØA 76,4 B38
27319	82 00 548 227	camshaft timing gear	Z 40 ØA 120 Ø113
27329	82 00 542 746	timing belt	Z 153 B26
27353	77 01 477 026 S1	rep. kit timing belt	Z 153 B26
29388	77 01 477 049	rep. kit timing belt	Z 153 B26
30159	82 00 608 550	belt tensioner	ØA 65
36434	77 00 866 844	camshaft timing gear	

Valeo

01/05→05/05

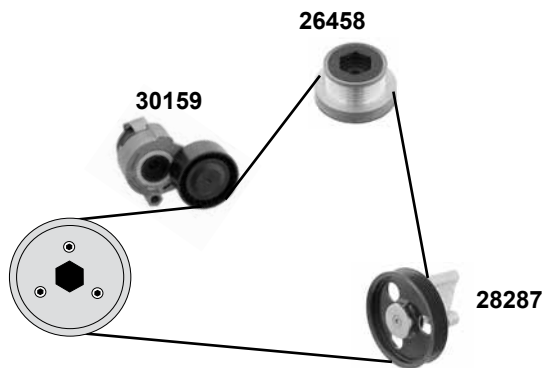
**1,5 D**

(K9K-750,752,764,766,768,772)



**1,5 D**

(K9K)



(1) (mot.) K9K -750,752,766,768,772 05 →  
(mot.) K4J-780 / 05 → nur / only **AC**  
(mot.) K4M- 800,801,804 / 05 → nur / only **AC**



Ref. - No.



<b>19853</b>	28 00 039 519
<b>21269</b>	82 00 102 941
<b>21270</b>	77 01 477 028
<b>26458</b>	82 00 113 636
<b>28287</b>	82 00 641 468
<b>30159</b>	82 00 608 550
<b>36438</b>	77 01 478 037

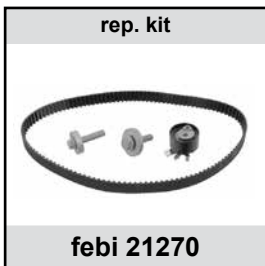
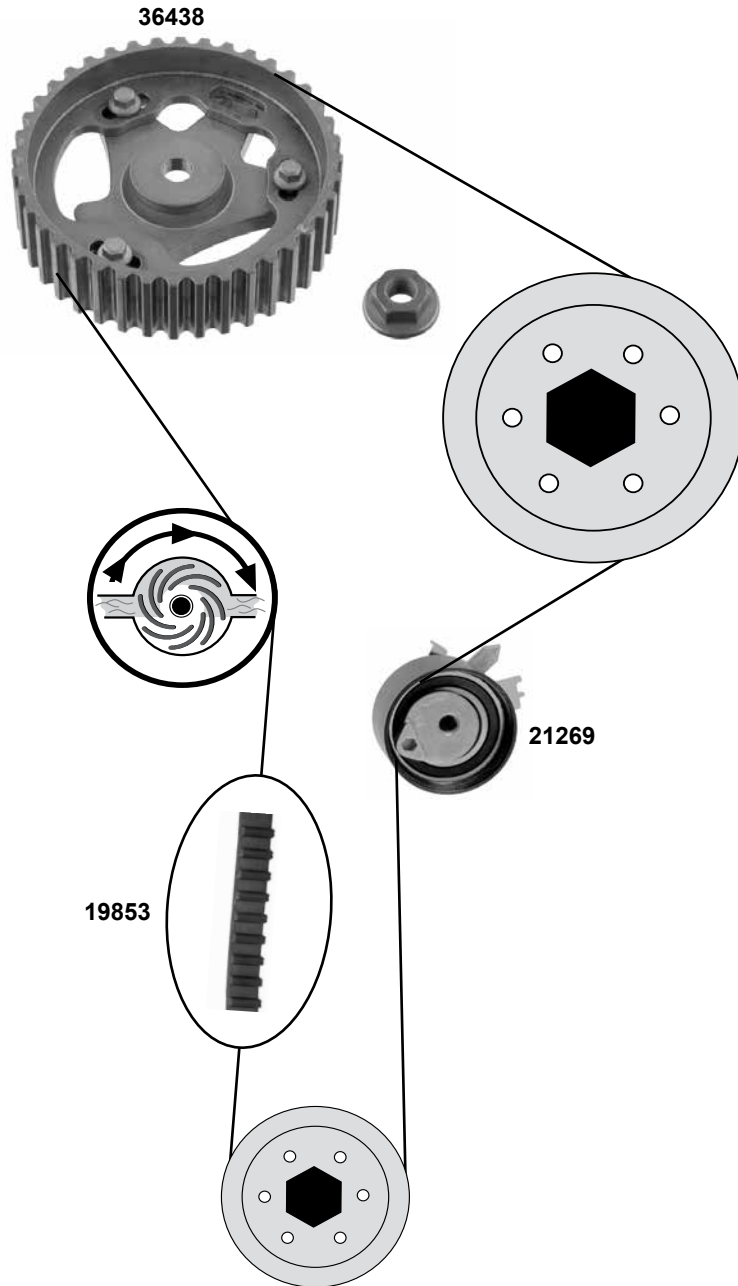
timing belt
tension roller
rep. kit timing belt
alternator overrun pulley
deflection pulley
belt tensioner
camshaft timing gear

Bosch  
(ex.) **AC**  
(1)

Z 123 B27
ØA 60 H32
Z 123 B27
ØA 76,4 B38
ØA 131,5
ØA 65



## 1,5 D (K9K)



Ref. - No.

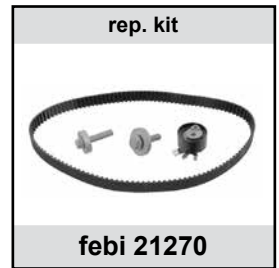
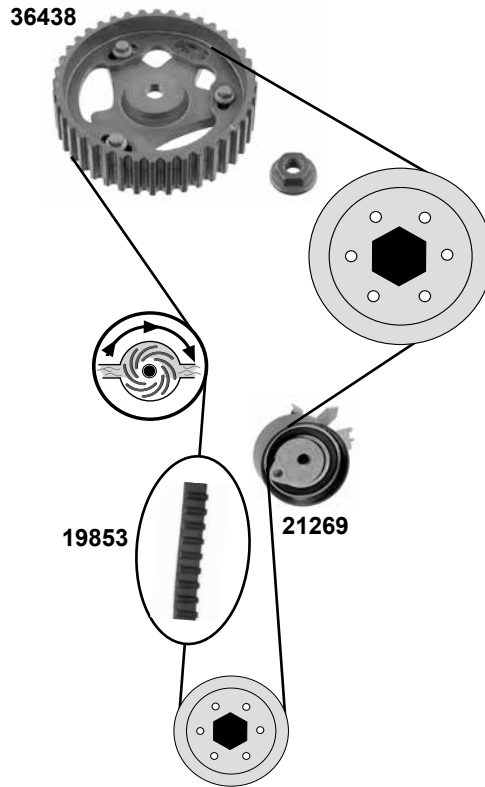


19853	82 00 537 033
21269	82 00 102 941
21270	77 01 477 028
36438	77 01 478 037

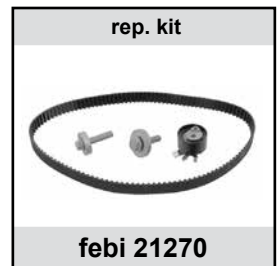
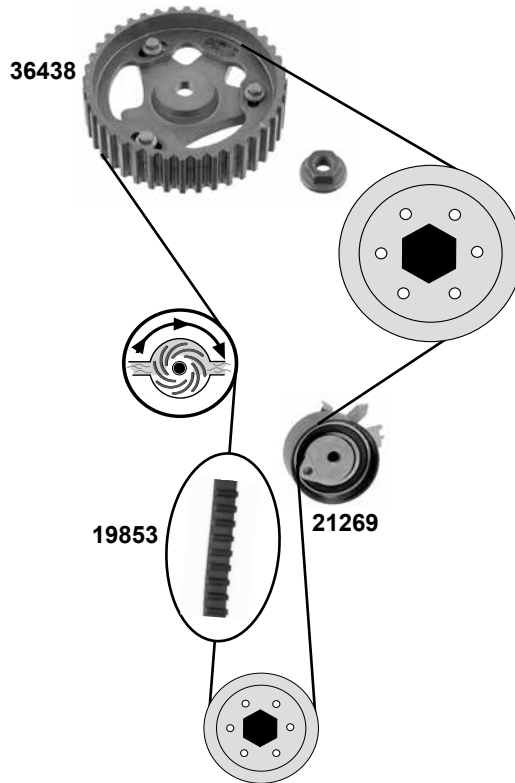
timing belt  
tension roller  
rep. kit timing belt  
camshaft timing gear

Z 123 B27  
ØA 60 B32  
Z 123 B27

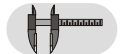
**1,5 D**  
(K9K)



**Duster**  
(10→)  
**1,5 D**  
(K9K)



Ref. - No.



<b>19853</b>	28 00 039 519
<b>21269</b>	82 00 102 941
<b>21270</b>	77 01 477 028
<b>36438</b>	77 01 478 037

timing belt  
tension roller  
rep. kit timing belt  
camshaft timing gear

Z 123 B27  
ØA 60 B32  
Z 123 B26,8

# RENAULT

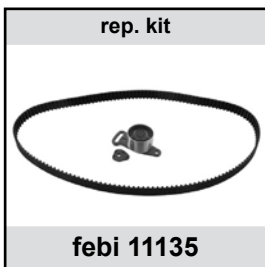
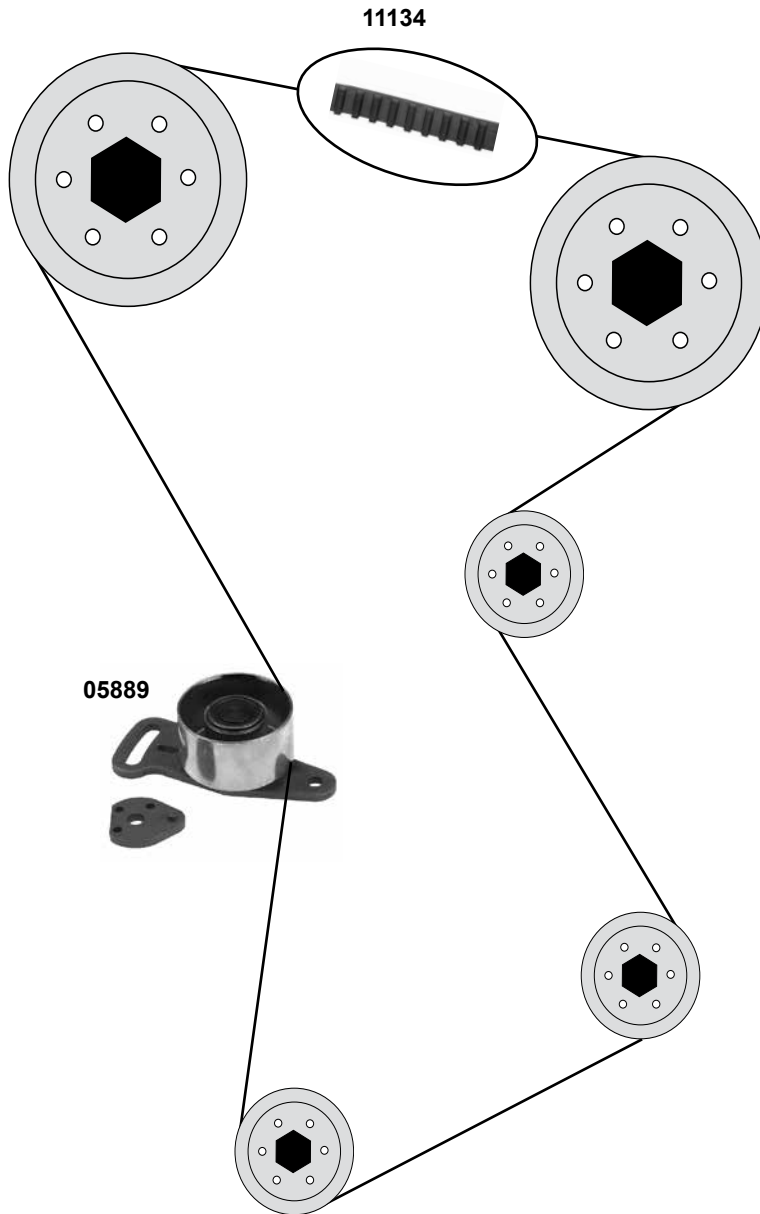
## Espace 1 / Espace 2

(85→96)

Car  
Division 



**2,1 TD**  
(J8S-852,750)



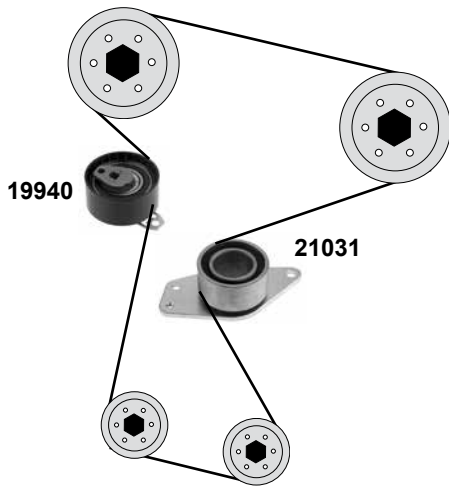
Ref. - No.



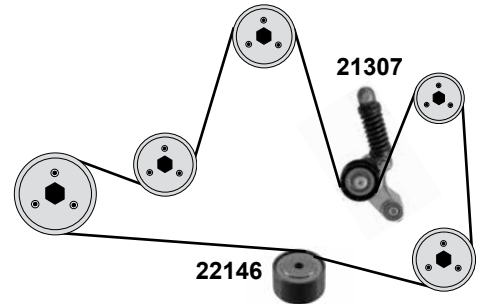
**05889** 77 00 871 169  
**11134** 77 00 663 544  
**11135** 77 00 663 544 S

tension roller  
timing belt  
rep. kit timing belt

ØA 60 B30  
Z148 B25



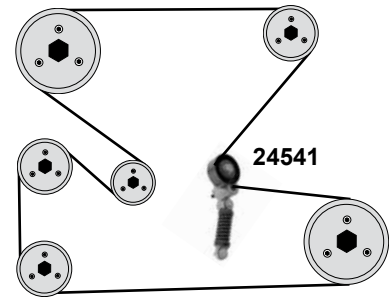
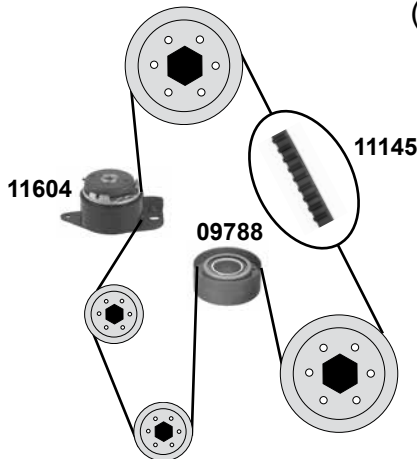
**1,9 D**  
(F9Q-722)



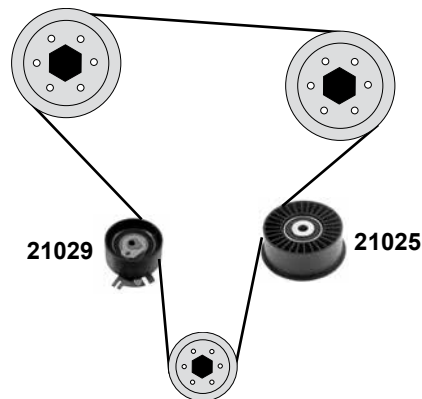
**2,2 D**  
(G8T)

**AC**

**2,2 D**  
(G8T-714,716)



**2,2 D**  
(G9T)



Ref. - No.



Ref. - No.	Description	Part No.	Notes
09788	deflection pulley	77 00 862 615	
11145	timing belt	77 00 875 412	
11604	tension roller	77 00 872 531	
19940	tension roller	82 00 079 341	
21025	deflection pulley	82 00 004 593	
21029	tension roller	82 00 127 467	
21031	deflection pulley	77 00 116 054	
21307	belt tensioner	77 00 102 395	AC
21549	rep. kit timing belt	77 01 469 821	
22146	deflection pulley	82 00 065 479	AC
24541	belt tensioner	77 00 106 708	

ØA 80 B32
Z 163 B25,4
ØA66 B29,5
ØA65,4 B30,5
ØA 75,2 B32
ØA70 B32
ØA65 ØI30,8 B42,1
ØA60 B25,5
Z 163 B25,4
ØA50 ØI8 B26
ØA 65

# RENAULT Espace 4

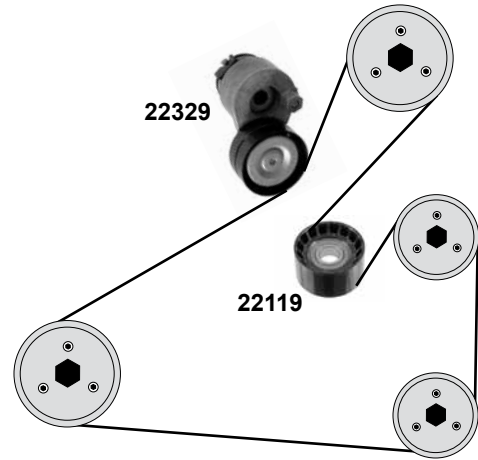
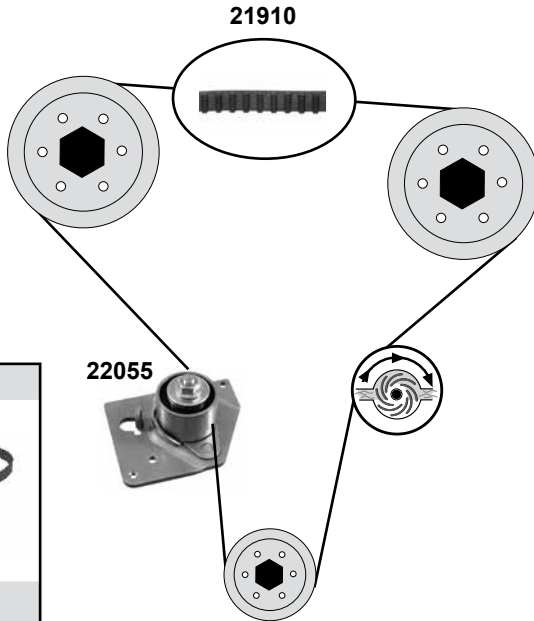
(02→)

Car  
Division



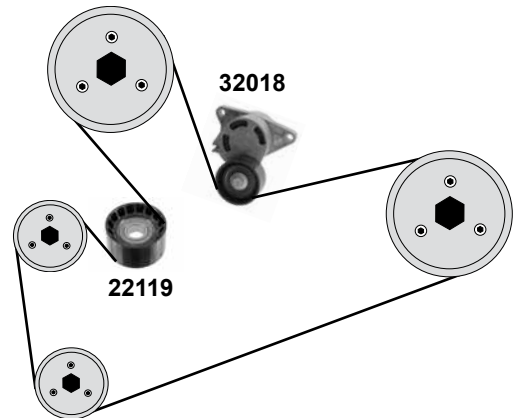
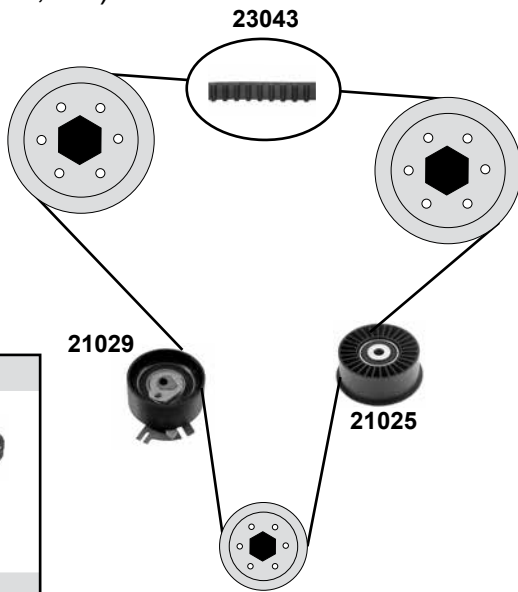
## 1,9 D

(F9Q-680,820)



## 2,2 D

(G9T-942,742,743,645)

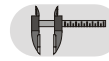


(1) (mot.) G9T-942,742,743

(2) (mot.) F9Q-680,820



Ref. - No.



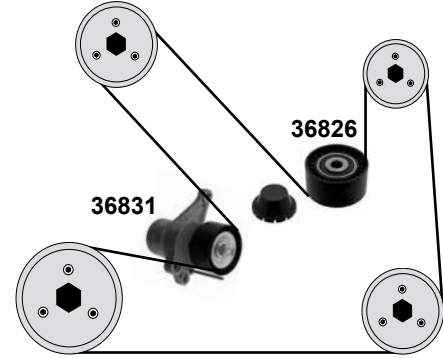
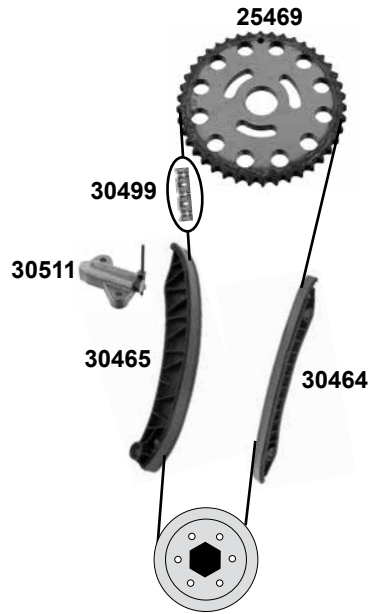
21025	82 00 004 593
21029	82 00 127 467
21910	82 00 542 740
22055	77 00 111 822
22056	77 01 477 048
22119	82 00 071 404
22329	82 00 071 402
23043	82 00 127 627
23045	77 01 473 849
32018	82 00 761 529

deflection pulley
tension roller
timing belt
tension roller
rep. kit timing belt
deflection pulley
belt tensioner
timing belt
rep. kit timing belt
belt tensioner

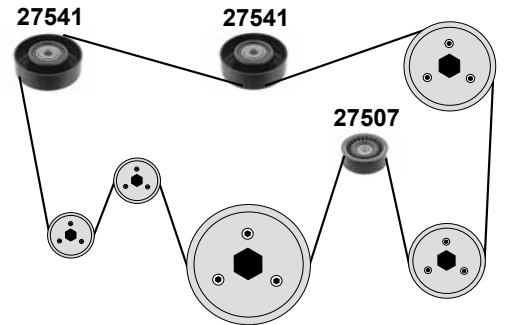
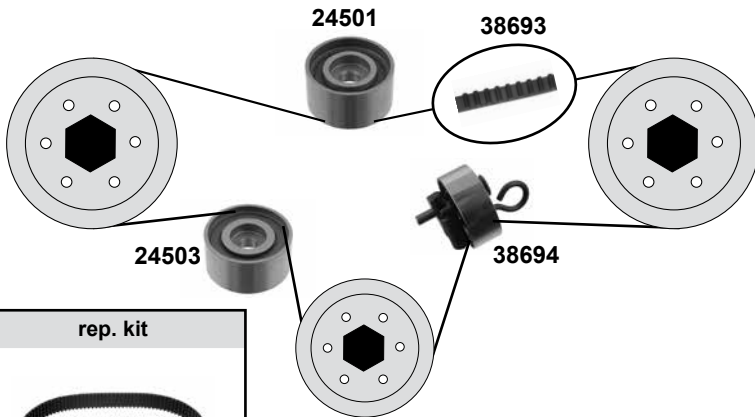
(1)
(1)
(1) (2)
(1)
(1)
(ex.) G9T-942

ØA 75,2 B32
ØA70 B32
Z 132 B26
ØA60 B30,8
Z 132 B26
ØA60 Ø112 B31
ØA65 B30
Z 89 B25

## 2,0 DCI (M9R)

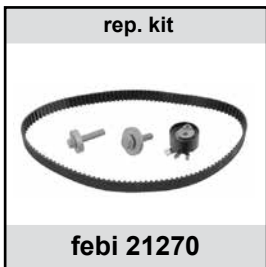
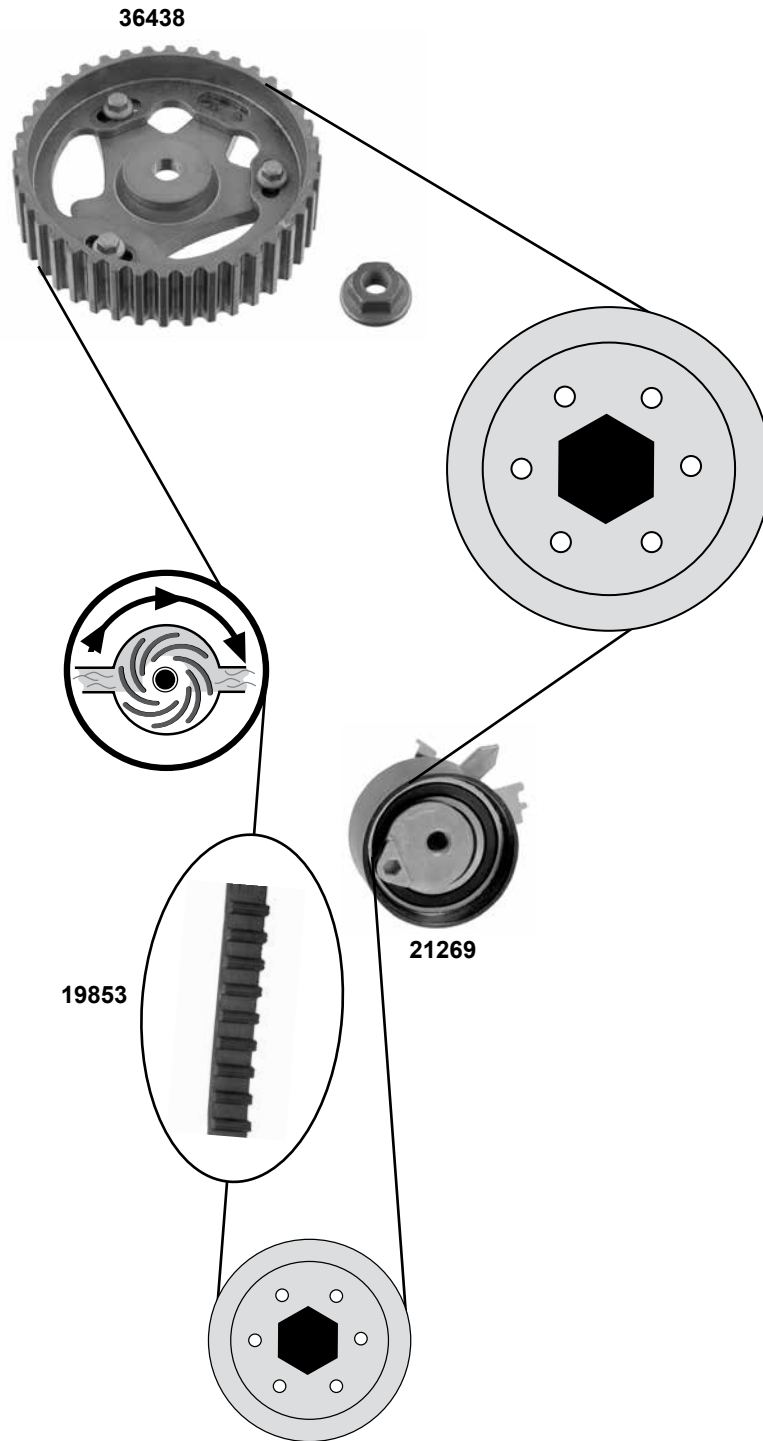


## 3,0 DCI (P9X-701,715)



	Ref. - No.			
24501	77 01 639 970	deflection pulley		Ø 58 B 28
24503	77 01 063 971	deflection pulley		Ø 58 B 28
25469	82 00 918 794	camshaft timing gear		Z 42
27507	77 01 052 775	deflection pulley	(mot.) P9X-701	
27541	77 01 052 673	deflection pulley	(mot.) P9X-701	
30464	82 00 337 106	sliding rail		
30465	82 00 337 109	sliding rail		
30499	82 00 343 394	timing chain		112 E
30511	82 00 918 797	chain tensioner		
30639	77 01 476 597	rep.kit timing chain		
36826	82 00 725 951	deflection pulley		ØA 60 ØI 10 H 30
36831	82 00 357 406	belt tensioner		ØA 65 H 29,5
38693	77 01 050 368	timing belt	(mot.) P9X-701	Z 116 B 25
38694	77 01 064 510	tension roller		Ø 72 B 28
38695	77 01 474 198	rep. kit timing belt	(mot.) P9X-701	

## 1,5 D (K9K)



Ref. - No.

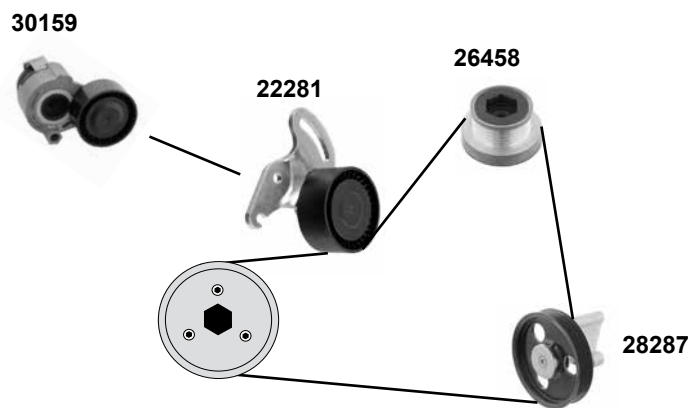
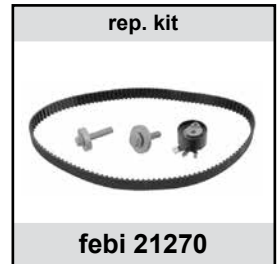
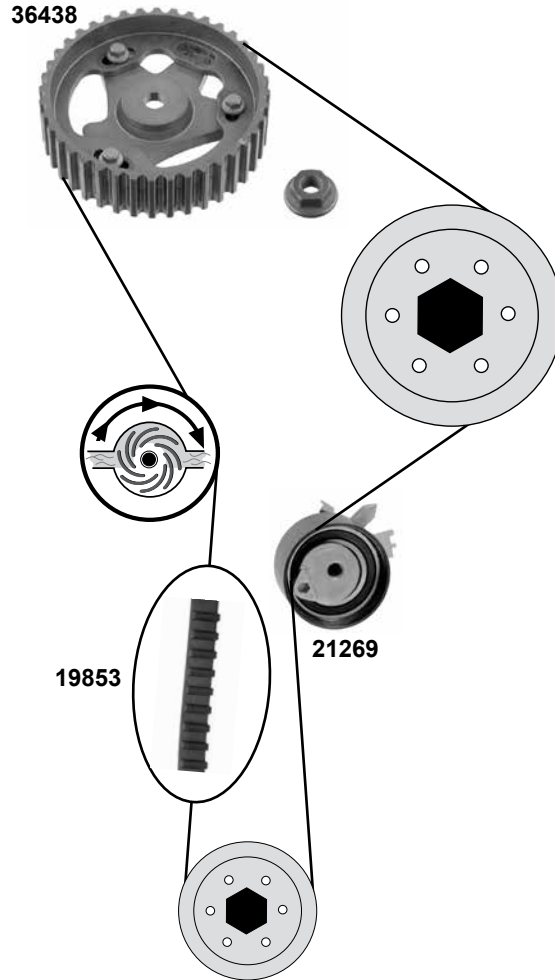


19853	82 00 537 033
21269	82 00 102 941
21270	77 01 477 028
36438	77 01 478 037

timing belt  
tension roller  
rep. kit timing belt  
camshaft timing gear

Z 123 B27  
ØA 60 B32

**1,5 D**  
(K9K-700,702,704,710)



	Ref. - No.			
19853	82 00 537 033	timing belt		Z 123 B27
21269	82 00 102 941	tension roller		ØA 60 B32
21270	77 01 477 028	rep. kit timing belt		
22281	82 00 328 372	belt tensioner	(ex.) AC	ØA 65,4
26458	82 00 113 636	alternator overrun pulley	Valeo	ØA76,4 B38
28287	82 00 641 468	deflection pulley	(ex.) AC	ØA131,5
30159	82 00 608 550	belt tensioner	05→ AC	ØA 65
36438	77 01 478 037	camshaft timing gear		



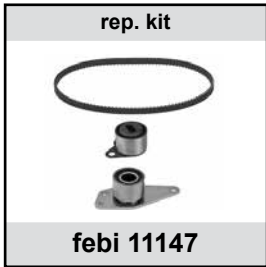
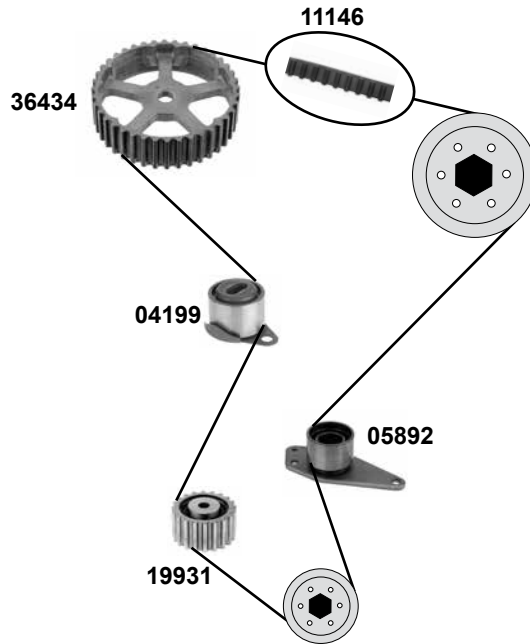
# RENAULT Kangoo 1

(98→08)

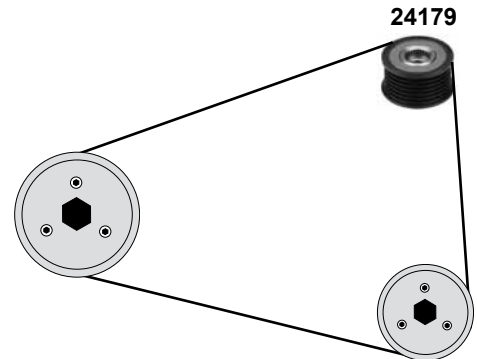
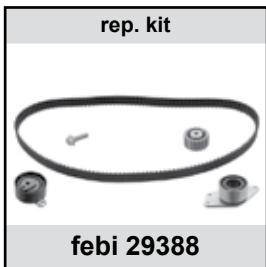
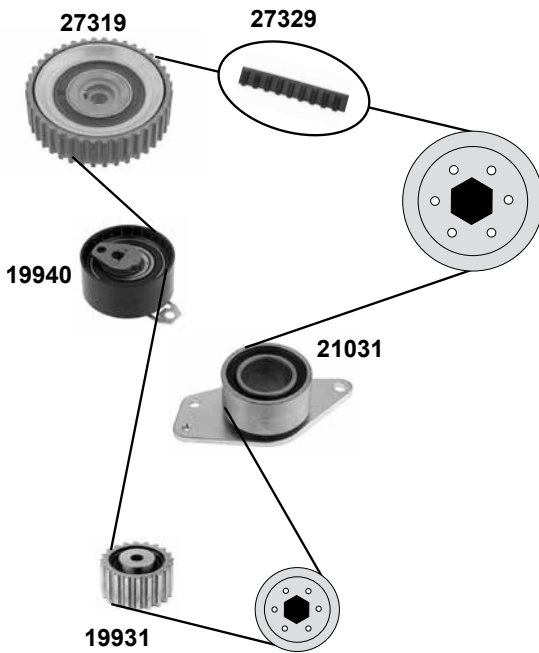
Car  
Division 



## 1,9 D (F8Q)



## 1,9 D (F9Q-780,782)



Ref. - No.

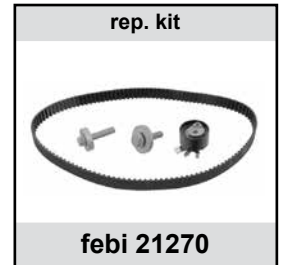
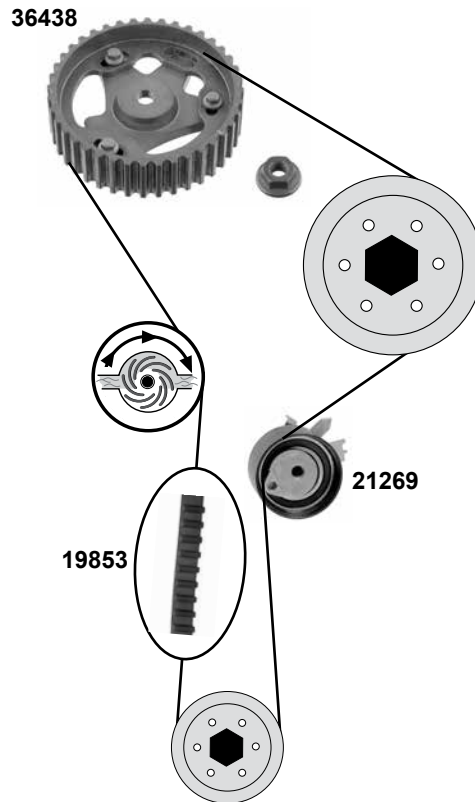


Ref. - No.	Description	Dimensions
04199	tension roller	ØA50 B31
05892	deflection pulley	ØA50 B30,5
11146	timing belt	Z 151 B25,4
11147	rep. kit timing belt	
19931	deflection pulley	ØA60,6 B32,5
19940	tension roller	ØA65,4 B30,5
21031	deflection pulley	ØA65Ø135,6 B30,8
24179	alternator overrun pulley	ØA65 B42,1
27319	camshaft timing gear	Z 40 ØA 120 Ø113
27329	timing belt	Z 153 B26
27353	rep. kit timing belt	Z 153 B26
29388	rep. kit timing belt	Z 153 B26
36434	camshaft timing gear	Z 153 B26

AC

**1,5 D**

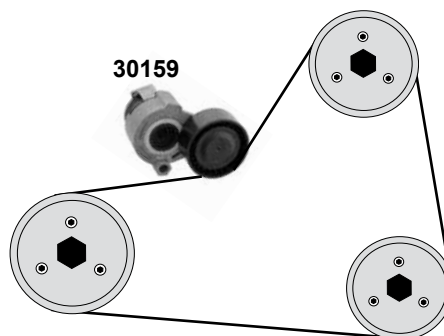
(K9K-800,802,804,806,808,812)



**1,5 D**

(K9K-800,802,804,806,808,812)

**AC**



Ref. - No.



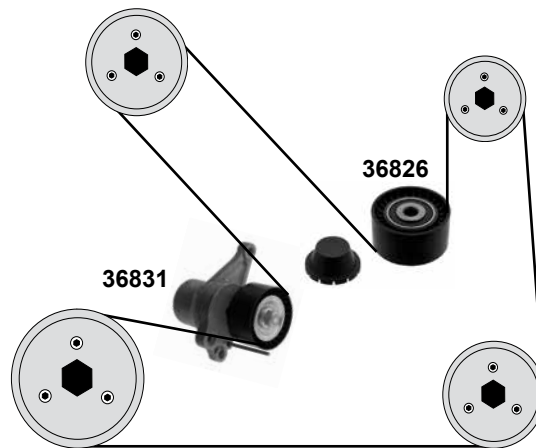
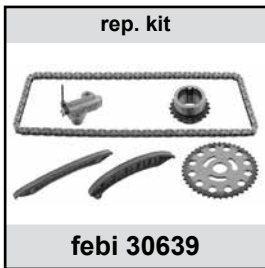
<b>19853</b>	82 00 537 033
<b>21269</b>	82 00 102 941
<b>21270</b>	77 01 477 028
<b>30159</b>	82 00 608 550
<b>36438</b>	77 01 478 037

timing belt  
tension roller  
rep. kit timing belt  
belt tensioner  
camshaft timing gear

Z 123 B27  
ØA 60 B32  
ØA 65

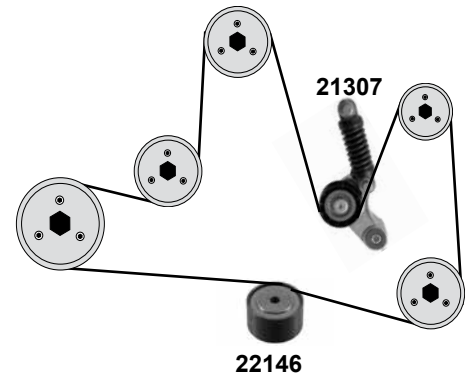
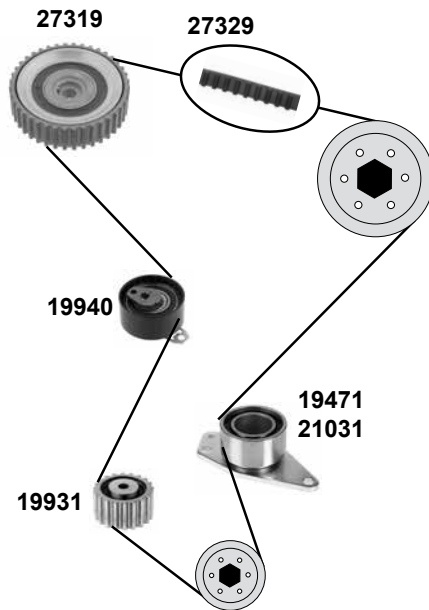
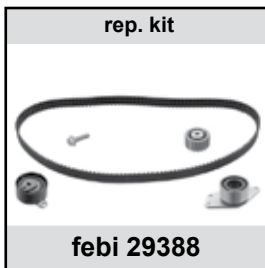
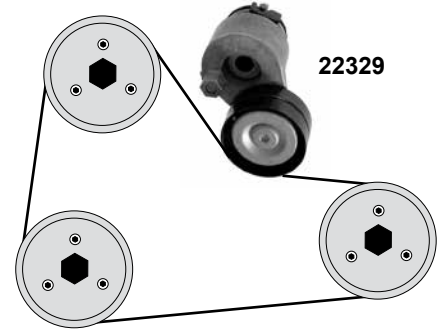
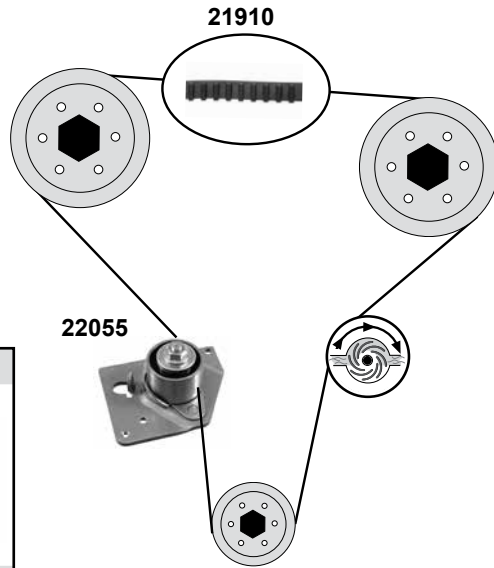


## 2,0 DCI (M9R)



	Ref. - No.			
25469	82 00 918 794	camshaft gear		Z 42
25470	82 00 918 795	crankshaft gear		Z 21
30464	82 00 337 106	sliding rail		
30465	82 00 337 109	sliding rail		
30499	82 00 343 394	timing chain		112 E
30511	82 00 918 797	chain tensioner		
30639	77 01 476 597	rep.kit timing chain		
36826	82 00 725 951	deflection pulley		ØA 60 ØI 10 H 30
36831	82 00 357 406	belt tensioner		ØA 65 H 29,5

**1,9 D**  
(F9Q-718)



**1,9 D**  
(F9Q-710,716,717)

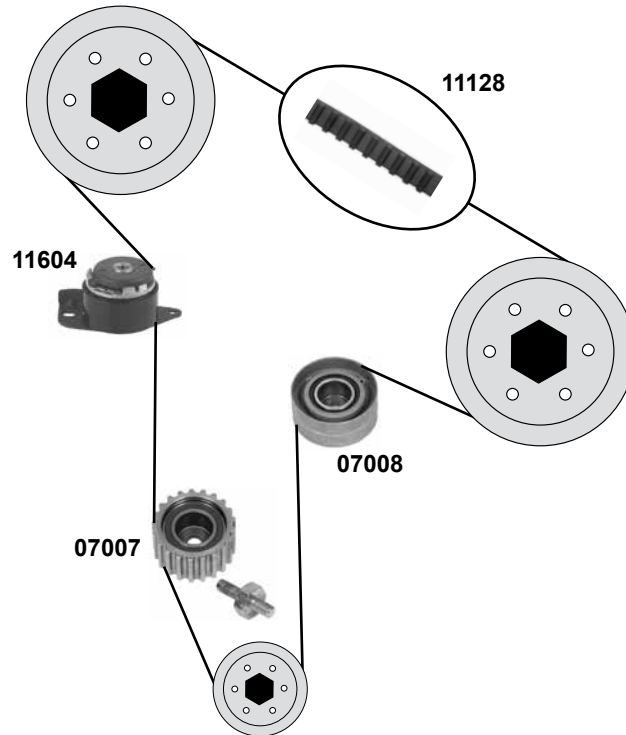


(1) F9Q-710 Modell 96 → 10 / 01  
F9Q-716 Modell 96 → 03 / 98

(2) F9Q 710 Modell 10/00 → 01  
F9Q 717 Modell 96 → 01

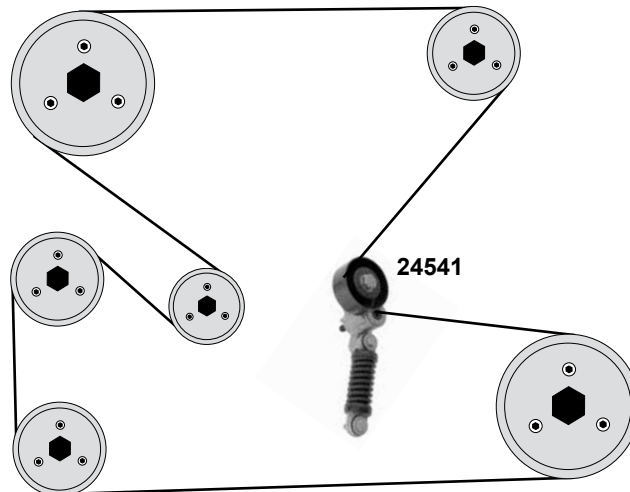
	Ref. - No.			
19471	82 00 045 735	deflection pulley	(1)	ØA65 B31
19931	82 00 420 964	deflection pulley	(ex.) F9Q 716	ØA60,6 B32,5
19940	82 00 079 341	tension roller	(2)	ØA65,4 B30,5
21031	77 00 116 054	deflection pulley	AC	ØA65 ØI30,8 B42
21307	77 00 102 395	belt tensioner		ØA60 B25,5
21910	82 00 542 740	timing belt		Z 132 B26
22055	77 00 111 822	tension roller		ØA60 B30,8
22056	77 01 477 048	rep. kit timing belt		Z 132 B26
22146	82 00 065 479	deflection pulley	AC	ØA50 ØI8 B26
27319	82 00 548 227	camshaft timing gear		ØA120 ØI 13
27329	82 00 071 402	belt tensioner		Z 40 ØA65 B30
27329	82 00 542 746	timing belt		Z 153 B26
27353	77 01 477 026 S1	rep. kit timing belt		Z 153 B26
29388	77 01 477 049	rep. kit timing belt	(mot.) F9Q-717	Z 153 B26

**2,2 D**  
(G8T- 706,790)



**2,2 D**  
(G8T- 752,760,792,794)

**AC**



Ref. - No.

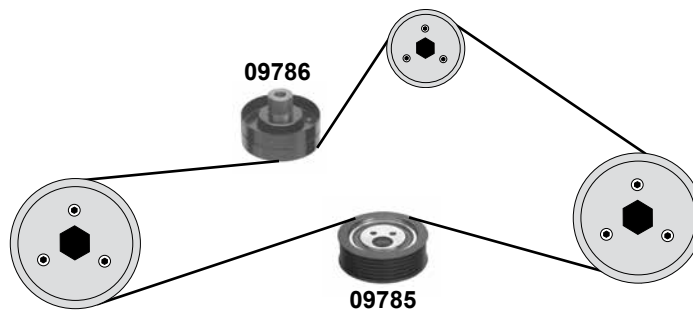
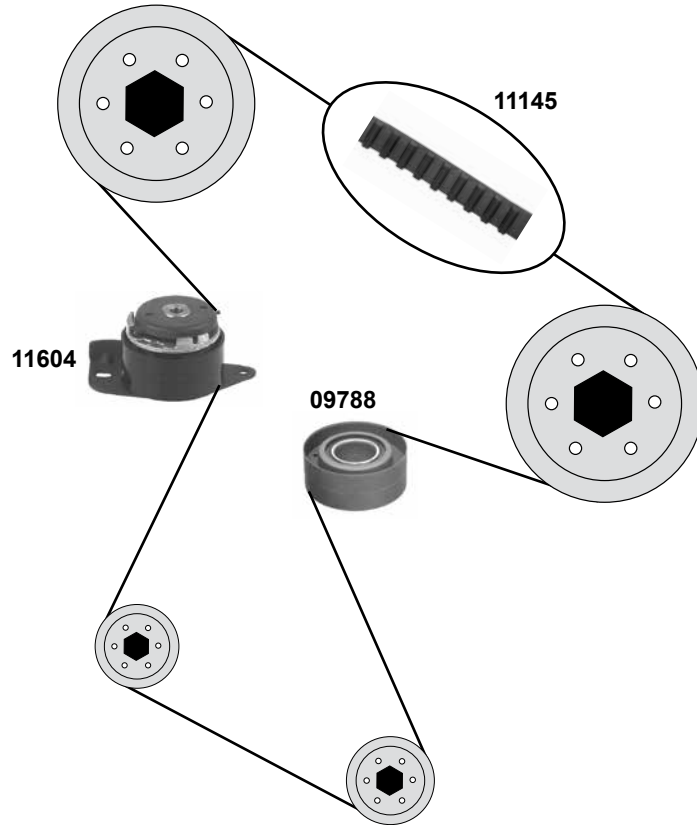


<b>07007</b>	77 00 864 572
<b>07008</b>	77 00 857 492
<b>11128</b>	77 00 100 460
<b>11604</b>	77 00 872 531
<b>24541</b>	77 00 106 708

deflection pulley
deflection pulley
timing belt
tension roller
belt tensioner

ØA 62 B32
ØA 70 B32
Z 157 B 25,4
ØA 66 B29,5
ØA 65

**2,2 D / TD**  
(G8T- 752,760,792,794)



(1) (B56) (mot.) 752,794 / (K56) (mot.) 752,760,792,794



Ref. - No.



<b>09785</b>	77 00 862 743	tension roller	(1)	ØA 72 B24
<b>09786</b>	77 00 862 744	deflection pulley	(1)	ØA 72 B24
<b>09788</b>	77 00 862 615	deflection pulley		ØA 80 B32
<b>11145</b>	77 00 875 412	timing belt		Z 163 B 25,4
<b>11604</b>	77 00 872 531	tension roller		ØA 66 B29,5
<b>21549</b>	77 01 469 821	rep. kit timing belt		Z 163 B25,4

# RENAULT Laguna 2

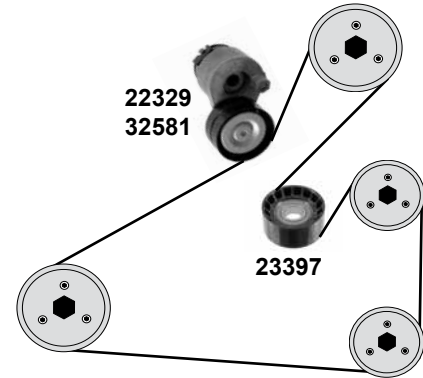
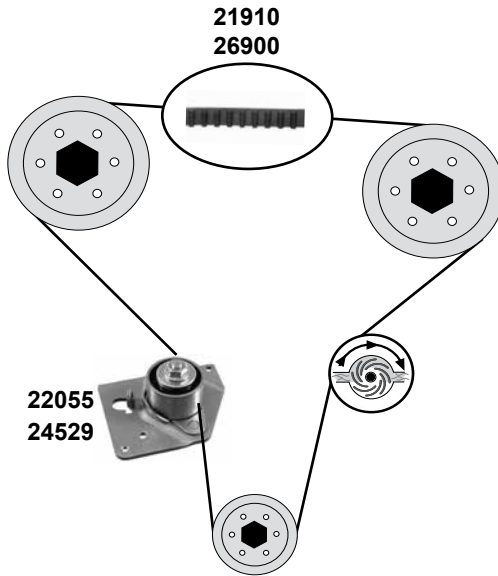
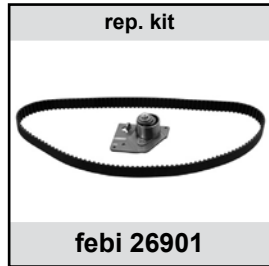
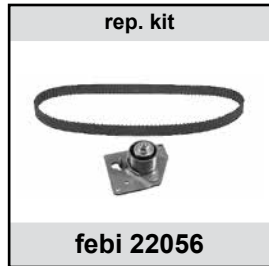
(01→07)

Car  
Division



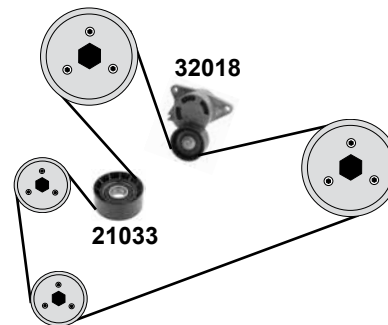
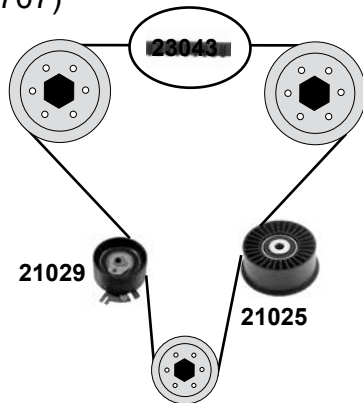
## 1,9 D

(F9Q-650/664/670/674/750/752/754/758/759)



## 2,2 D

(G9T-600,702,703,706,707)



- (1) (mot.) F9Q-664,674,758,759
- (2) (mot.) F9Q-752 AC
- (3) (mot.) F9Q-650,664,670,674,750,758 / (mot.) F9Q-752,754 03/02→
- (4) (mot.) F9Q-650,670,750,752,754



Ref. - No.

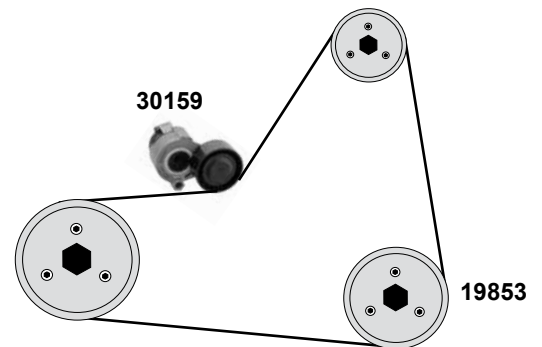
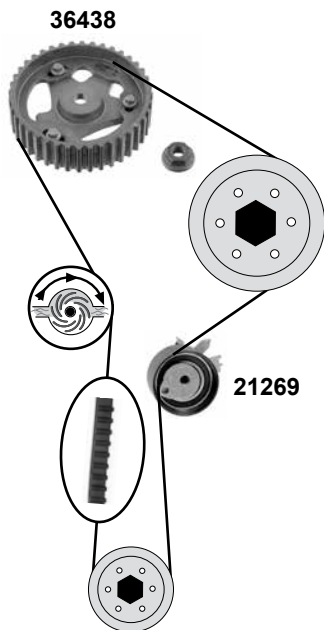
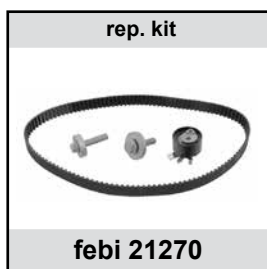
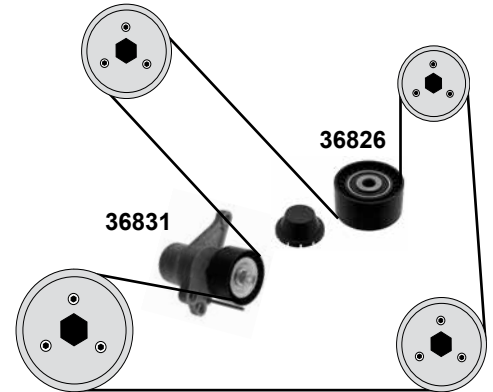


Ref. - No.	Description	Quantity	Notes	Dimensions
21025	deflection pulley			ØA75,2 B32
21029	tension roller			ØA70 B32
21033	deflection pulley			ØA 60,2 ØI 17 B5,5
21910	timing belt	(4)		Z 132 B26
22055	tension roller	(4)		ØA60 B30,8
22056	rep. kit timing belt	(4)		Z 132 B26
22329	belt tensioner	(2)		ØA65 B30
23043	timing belt			Z 89 B25
23045	rep. kit timing belt			
23397	deflection pulley	(ex.)	AC (3)	ØA60 ØI17 B31
24529	tension roller	(1)		ØA 50
26900	timing belt	(1)		Z 133 B26
26901	rep. kit timing belt	(1)		Z 133 B26
32018	belt tensioner			ØA60
32581	belt tensioner	(ex.)	AC	





**2,0 DCI**  
(M9R)



**Laguna 3**  
(07→)  
**1,5 D**  
(K9K-780)



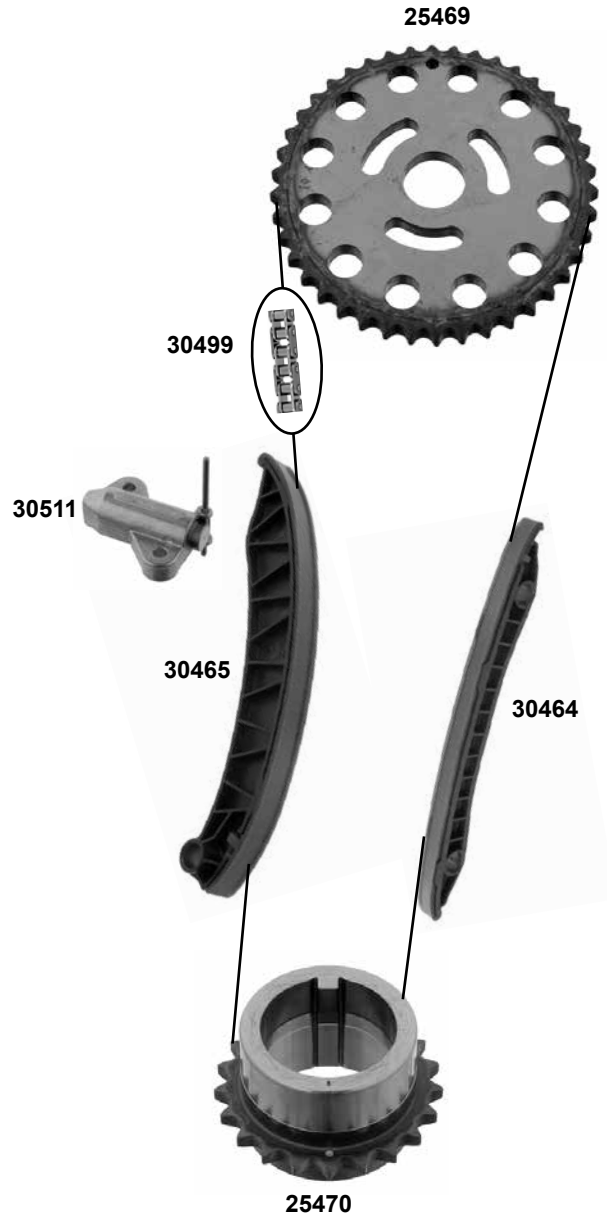
Ref. - No.







19853	82 00 537 033	timing belt	Z 123 B27 ØA 60 B32
21269	82 00 102 941	tension roller	
21270	77 01 477 028	rep. kit timing belt	
25469	82 00 918 794	camshaft gear	Z 42
25470	82 00 918 795	crankshaft gear	Z 21
30159	82 00 608 550	belt tensioner	ØA 65
30464	82 00 337 106	sliding rail	
30465	82 00 337 109	sliding rail	
30499	82 00 343 394	timing chain	112 E
30511	82 00 918 797	chain tensioner	
30639	77 01 476 597	rep. kit timing chain	
36438	77 01 478 037	camshaft timing gear	
36826	82 00 725 951	deflection pulley	ØA 60 ØI 10 H 30
36831	82 00 357 406	belt tensioner	ØA 65 H 29,5

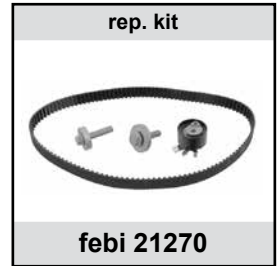
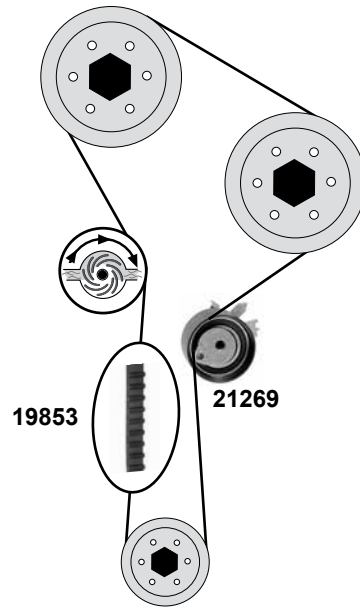


**2,0 D**  
 (M9R)



	Ref. - No.			
<b>25469</b>	82 00 918 794	camshaft gear		Z 42
<b>25470</b>	82 00 918 795	crankshaft gear		Z 21
<b>30464</b>	82 00 337 106	sliding rail		
<b>30465</b>	82 00 337 109	sliding rail		
<b>30499</b>	82 00 343 394	timing chain		
<b>30511</b>	82 00 918 797	chain tensioner		
<b>30639</b>	77 01 476 597	rep.kit timing chain		

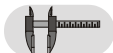
**1,5 D**  
(K9K)



**2,0 DCI**  
(M9R)



Ref. - No.

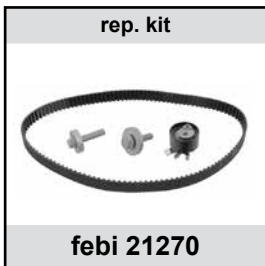
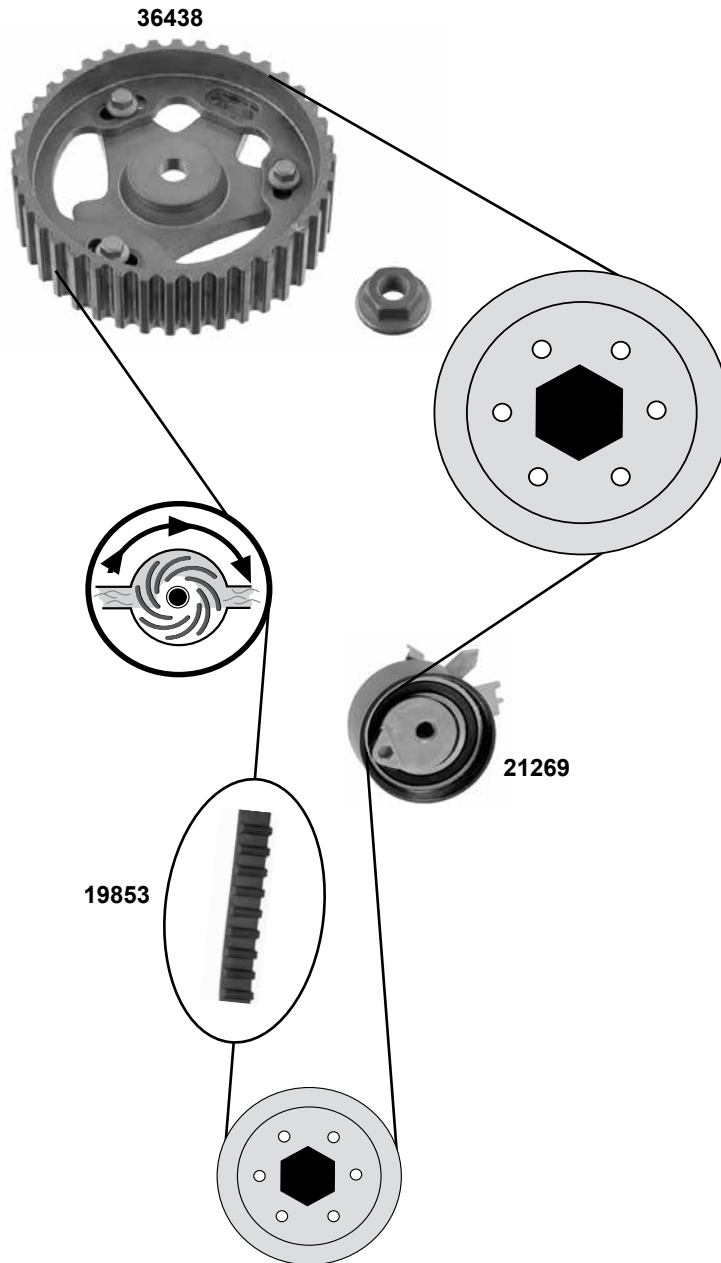


19853	82 00 537 033
21269	82 00 102 941
21270	77 01 477 028
25469	82 00 918 794
25470	82 00 918 795
30464	82 00 337 106
30465	82 00 337 109
30499	82 00 343 394
30511	82 00 918 797
30639	77 01 476 597
36826	82 00 725 951
36831	82 00 357 406

timing belt
tension roller
rep. kit timing belt
camshaft gear
crankshaft gear
sliding rail
sliding rail
timing chain
chain tensioner
rep. kit timing chain
deflection pulley
belt tensioner

Z 123 B 27
ØA 60 H 32
Z 123 B27
Z 42
Z 21
112 E
ØA 60 ØI 10 H 30
ØA 65 H 29,5

**1,5 D**  
(K9K)



Ref. - No.

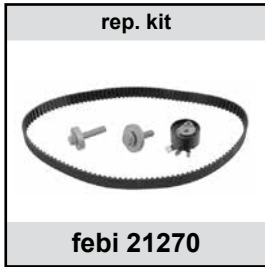
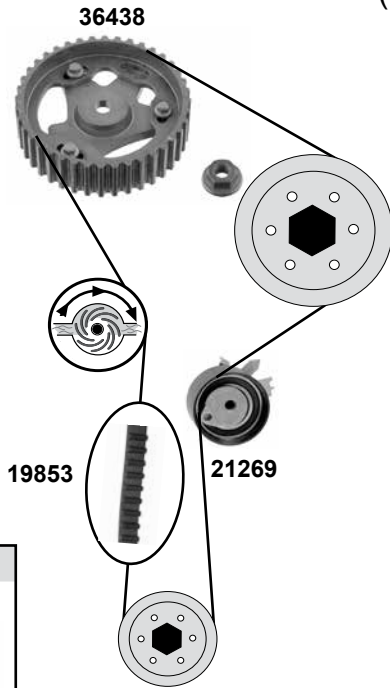


<b>19853</b>	82 00 537 033
<b>21269</b>	82 00 102 941
<b>21270</b>	77 01 477 028
<b>36438</b>	77 01 478 037

timing belt
tension roller
rep. kit timing belt
camshaft timing gear

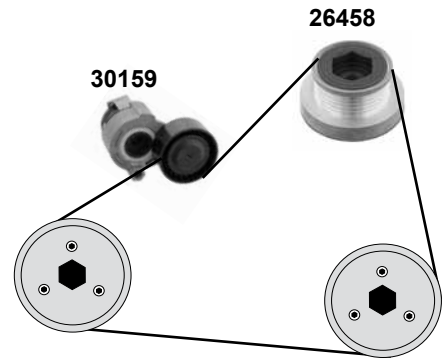
Z 123 B27
ØA 60 B32
Z 123 B27

**1,5 D**  
(K9K)



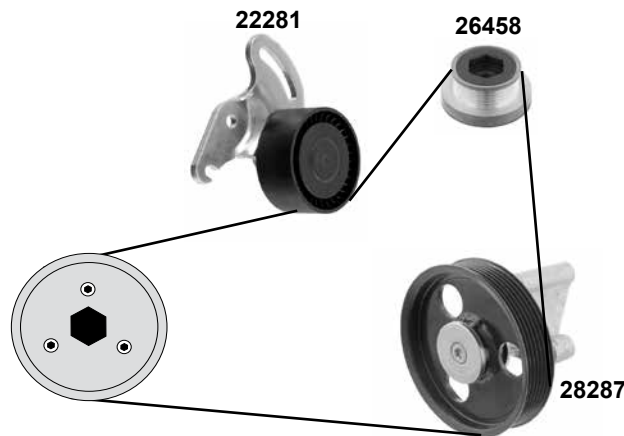
**1,5 D**  
(K9K-790 ,796)

**AC**



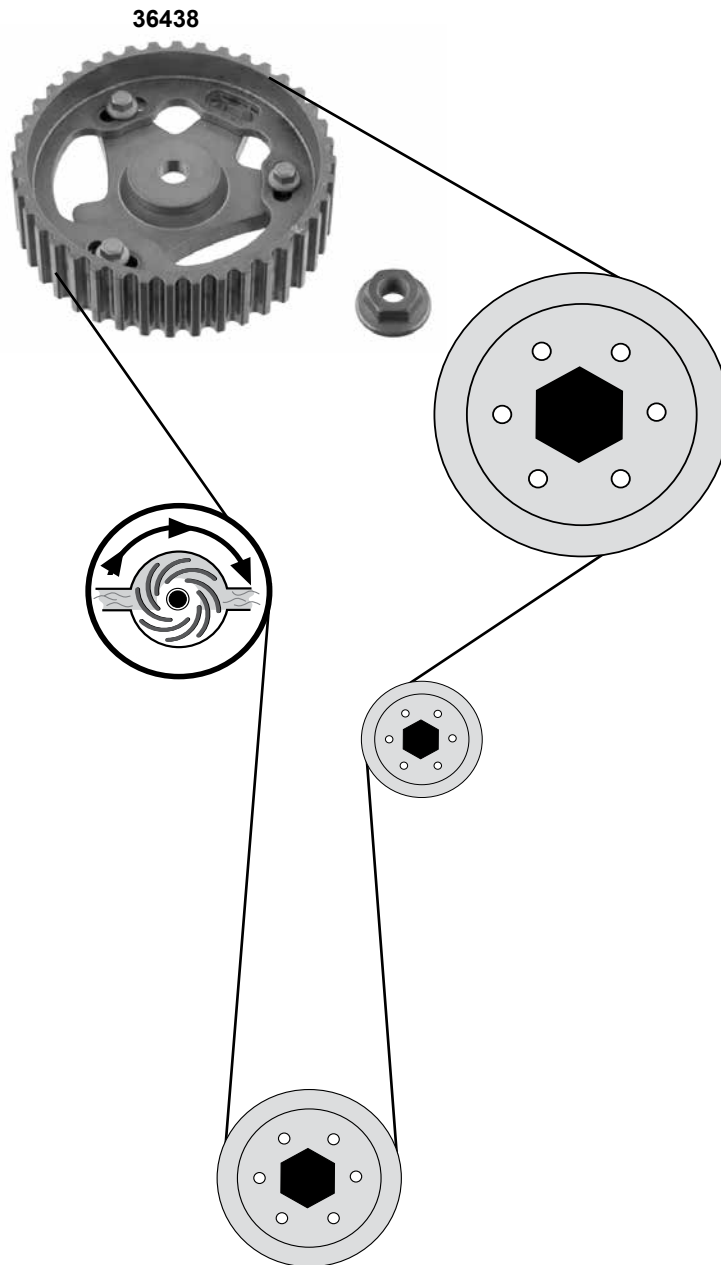
**1,5**  
(K9K)

(ex.) **AC**

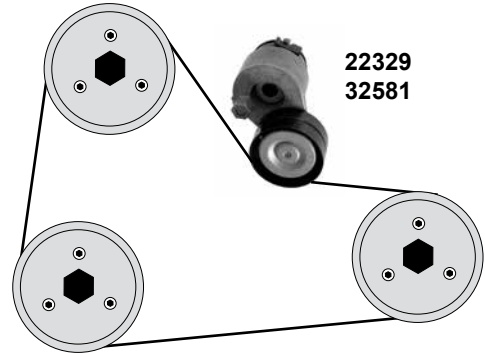
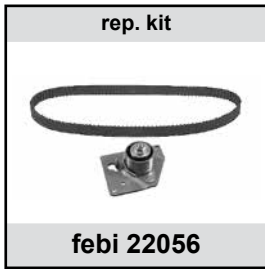
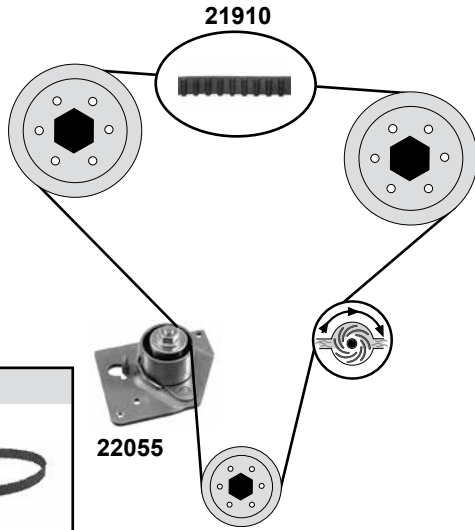


	Ref. - No.			
<b>19853</b>	28 00 039 519	timing belt	(mot.) K9K-790	Z 123 B27
<b>21269</b>	82 00 102 941	tension roller		ØA 60 B32
<b>21270</b>	77 01 477 028	rep. kit timing belt	(ex.) servo  (ex.) AC	Z 123 B26,8
<b>22281</b>	82 00 328 372	tension roller		ØA 65,4 B26
<b>26458</b>	82 00 113 636	belt pulley alternator		ØA 76,4 B38
<b>28287</b>	82 00 641 468	deflection pulley		ØA 131,5 B27
<b>30159</b>	82 00 608 550	belt tensioner		ØA 65 H26
<b>36438</b>	77 01 478 037	camshaft timing gear	10→	

**1,5 D**  
(K9K)



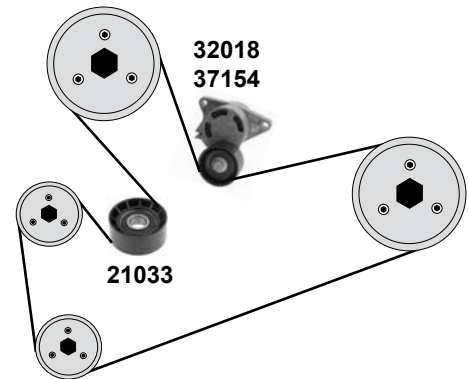
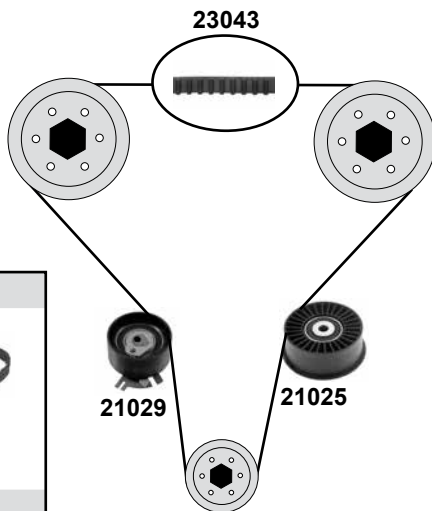
**1,9 D**  
(F9Q)



22329  
32581

**2,2 / 2,5 TD**

(G9U-632,650,720,724,754 / G9T-720,722,754)



32018  
37154

21033

- (1) (mot.) F9Q-770,772,774 AC
- (2) (mot.) G9U-720,724 / G9T-720722
- (3) (mot.) G9T-720,722,754 / (mot.) G9U-632,650,720,754 AC
- (4) (mot.) G9T-720,722,754 (ex.) AC / (mot.) G9U-632,650,720,754 (ex.) AC



Ref. - No.

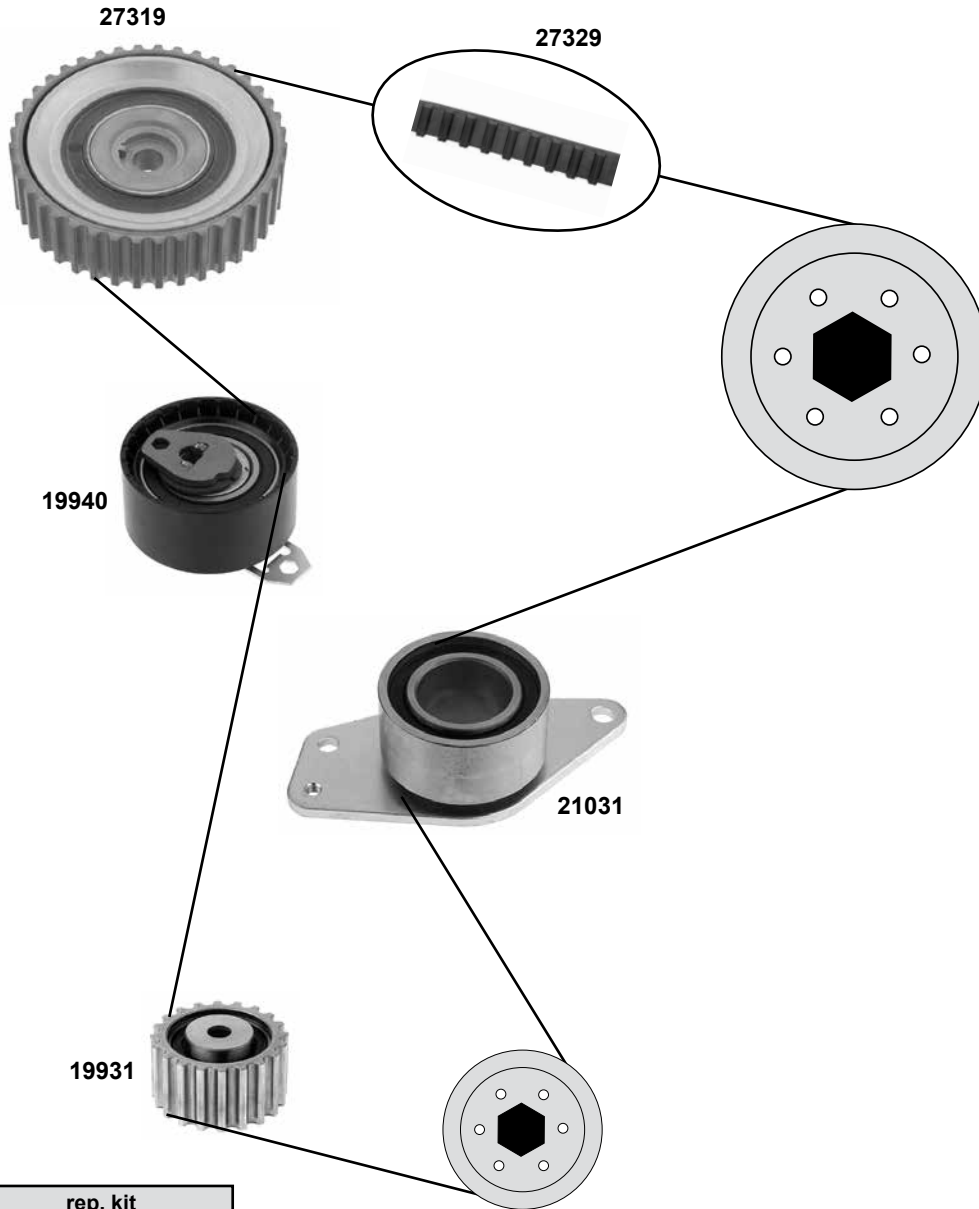


Ref. - No.	Description	Quantity	Notes	Dimensions
21025	deflection pulley	(2)		ØA 75,2 B32
21029	tension roller	(2)		ØA70 B32
21033	deflection pulley	(2) AC		ØA 60,2 ØI 17 B5,5
21910	timing belt			Z 132 B26
22055	tension roller			ØA60 B30,8
22056	rep. kit timing belt			Z 132 B26
22329	belt tensioner	(1)		ØA65 B30
23043	timing belt	(2)		Z 89 B25
23045	rep. kit timing belt	(2)		
32018	belt tensioner	(3)		ØA
32581	belt tensioner	(ex.) AC		
37154	belt tensioner	(4)		ØA 60



## 1,9 D

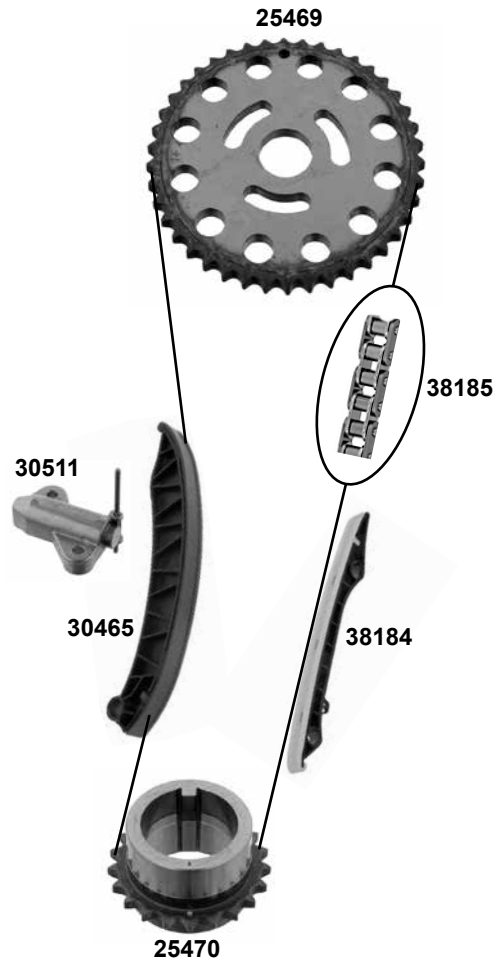
(F9Q-770)



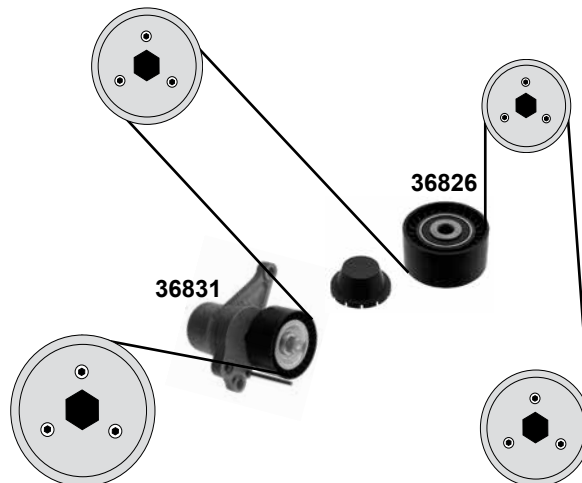
	Ref. - No.			
19931	82 00 420 964	deflection pulley		ØA60,6 B32,5
19940	82 00 079 341	tension roller		ØA65,4 B30,5
21031	77 00 116 054	deflection pulley		ØA65 ØI30,8 B42
27319	82 00 548 227	camshaft timing gear		ØA120 ØI 13
27329	82 00 542 746	timing belt		Z 153 B26
27353	77 01 477 026 S1	rep. kit timing belt		Z 153 B26
29388	77 01 477 049	rep. kit timing belt		Z 153 B26



**2,3 DCI**  
(M9T)



**2,3 DCI**  
(M9T)



Ref. - No.



<b>25469</b>	82 00 918 794	camshaft gear
<b>25470</b>	82 00 918 795	crankshaft gear
<b>30465</b>	82 00 337 109	sliding rail
<b>30511</b>	82 00 918 797	chain tensioner
<b>36826</b>	82 00 725 951	deflection pulley
<b>36831</b>	82 00 357 406	belt tensioner
<b>37999</b>	13 0C 118 63R	rep.kit timing chain
<b>38184</b>	82 00 805 645	sliding rail
<b>38185</b>	82 01 012 338	timing chain

Z 42
Z 21
ØA 60 ØI 10 H 30
ØA 65 H 29,5
116 E



# RENAULT Megane 1 / Scénic 1

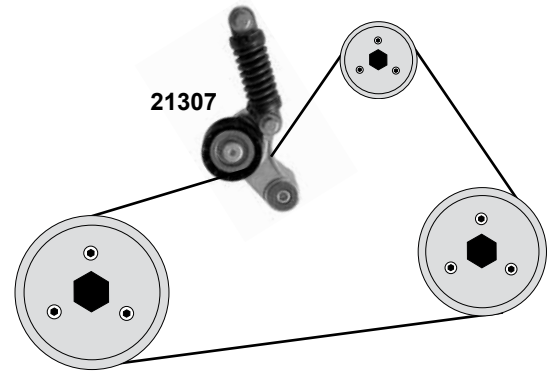
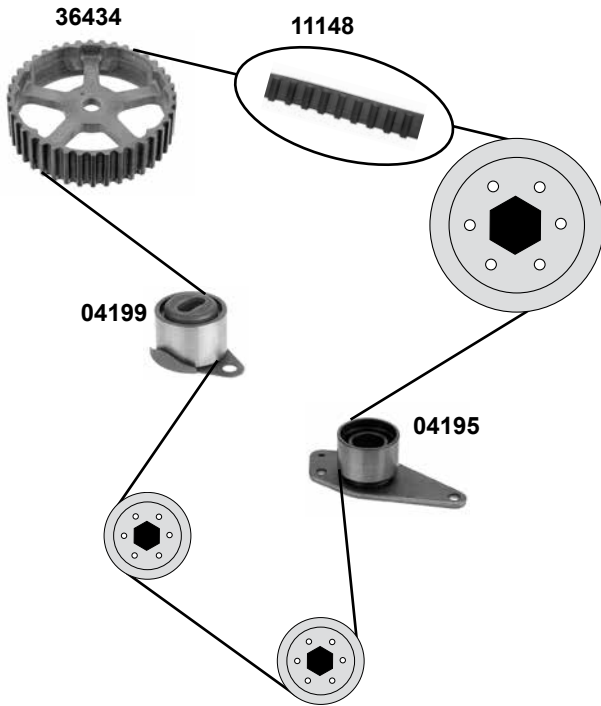
(96→03)

Car  
Division



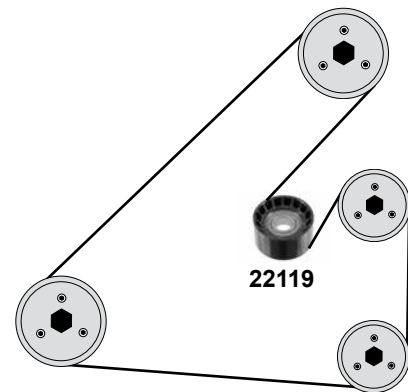
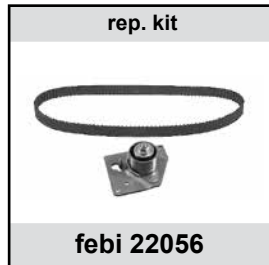
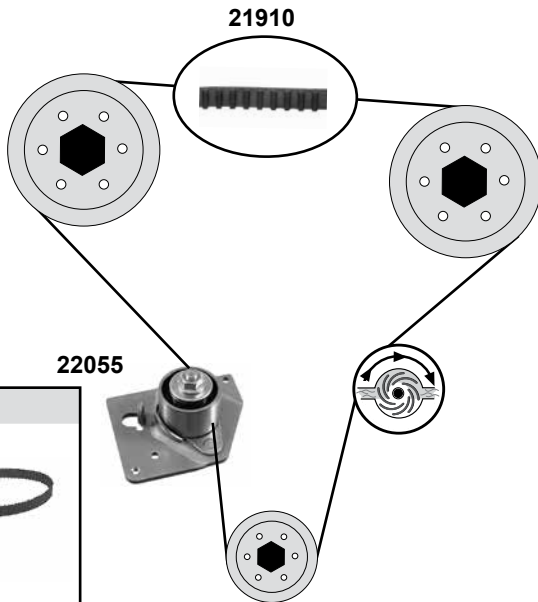
## 1,9 D

(F8Q)



## 1,9 D

(F9Q-650,750,752,754)



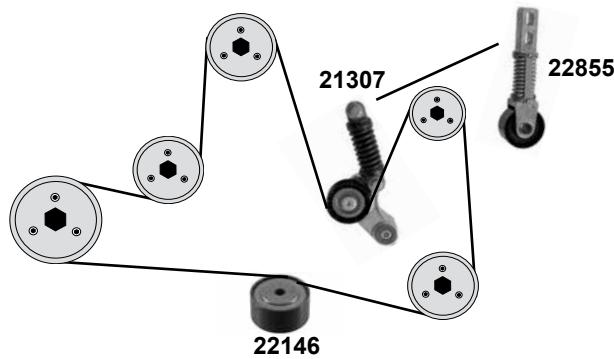
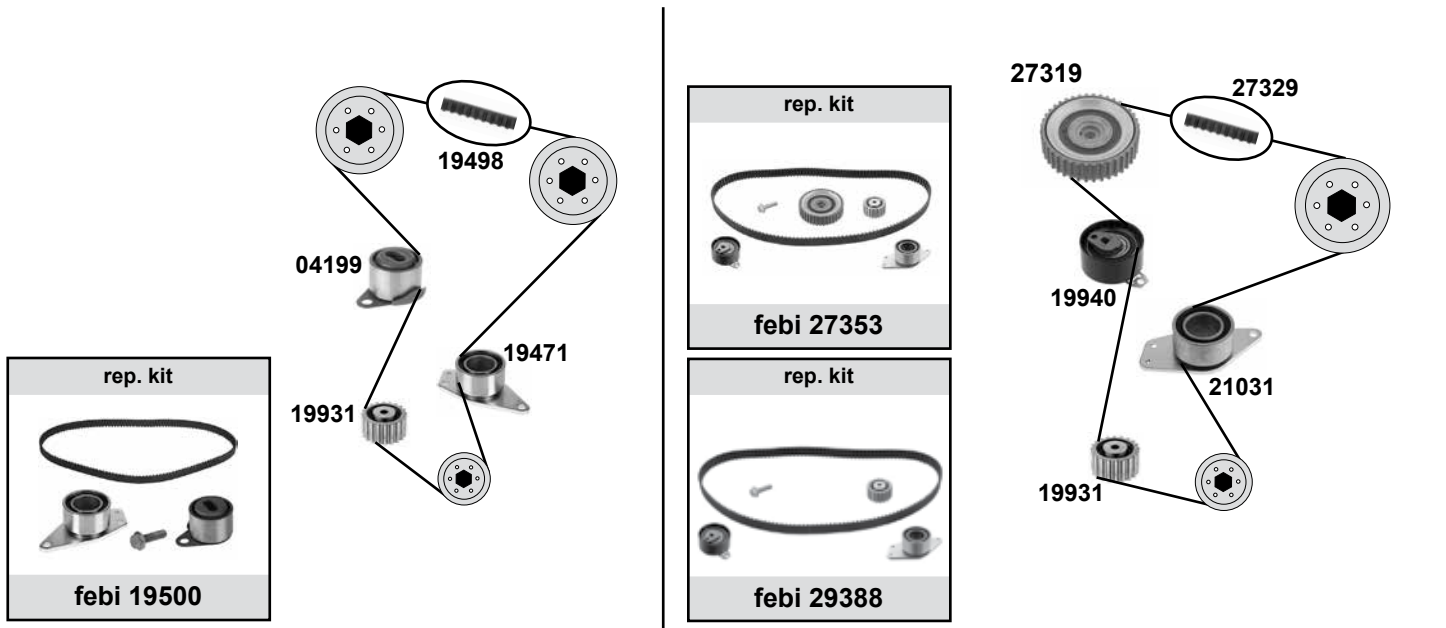
Ref. - No.



<b>04195</b>	82 00 051 091	deflection pulley	ØA 50 B31
<b>04199</b>	77 00 726 440	tension roller	ØA 50 B31
<b>11148</b>	77 00 875 439	timing belt	Z 135 B25,4
<b>21307</b>	77 00 102 395	belt tensioner	ØA60 B25,5
<b>21910</b>	82 00 542 740	timing belt	Z 132 B26
<b>22055</b>	77 00 111 822	tension roller	ØA60 B30,8
<b>22056</b>	77 01 477 048	rep. kit timing belt	Z 132 B26
<b>22119</b>	82 00 071 404	deflection pulley	ØA60 ØI12 B31
<b>36434</b>	77 00 866 844	camshaft timing gear	

**1,9 D**  
(F9Q-732,733,734,738,740,748)

**1,9 D**  
(F9Q-731,744)



(1)	Megane 1	(mot.) F9Q-732/733/738 →02
	Megane 1 Classic / Break	(mot.) F9Q-732/733/738
(2)	Megane 1 Coach	(mot.) F9Q-732/733
	Megane 1 Scenic	(mot.) F9Q-732/733/734/738/740/748
	Megane 1 Scenic	(mot.) F9Q-736 →10/00
	Megane 1	(mot.) F9Q-731/744 →02
(2)	Megane 1 Classic / Break	(mot.) F9Q-731/744
	Megane 1 Coach	(mot.) F9Q-731
	Megane 1 Scenic	(mot.) F9Q-731/744
	Megane 1 Scenic	(mot.) F9Q-736 →10/00

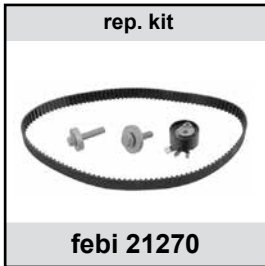
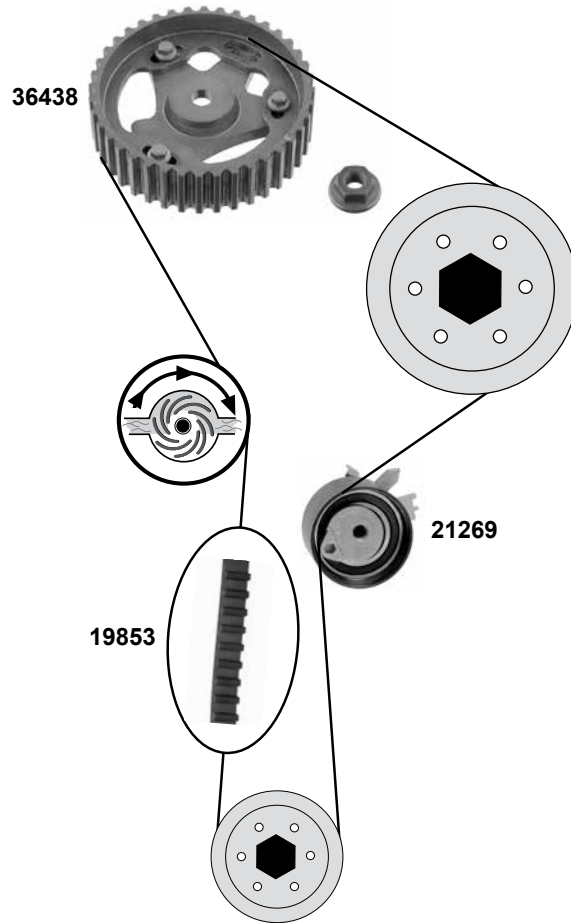


Ref. - No.

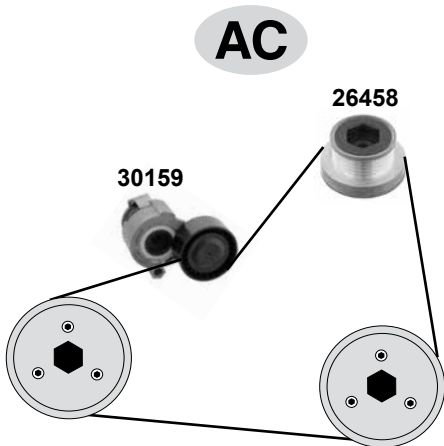


Ref. - No.	Description	Notes	Dimensions
04199	tension roller		ØA50 B31
19931	deflection pulley		ØA60,6 B32,5
19471	deflection pulley		ØA65 B31
19498	timing belt		Z 153 B26
19500	rep. kit timing belt		Z 153 B26
21031	deflection pulley		ØA65 B30,8
21307	belt tensioner		ØA60 B25,5
22146	deflection pulley		ØA50 Ø18 B26
22855	belt tensioner		ØA60 B25,5
27319	camshaft timing gear		ØA120 H30 Z40
27353	rep. kit timing belt (2)	(1)	Z 153 B26
27329	timing belt	AC Modell→03/01	Z 153 B26
29388	rep. kit timing belt (2)	AC AC Modell 03/01→	Z 153 B26

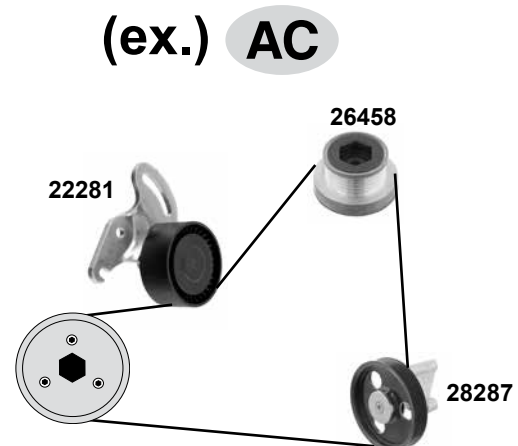
**1,5 D**  
(K9K-722)



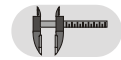
**1,5 D**  
(K9K-722,728)



**1,5 D**  
(K9K-722,724,728,729,732)



Ref. - No.



19853	82 00 537 033
21269	82 00 102 941
21270	77 01 477 028
22281	82 00 328 372
26458	82 00 113 636
28287	82 00 641 468
30159	82 00 608 550
36438	77 01 478 037

timing belt
tension roller
rep. kit timing belt
belt tensioner
alternator overrun pulley
deflection pulley
belt tensioner
camshaft timing gear

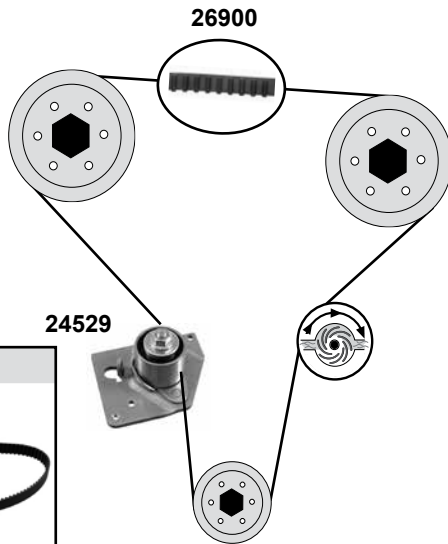
Valeo / Bosch

01/05 →

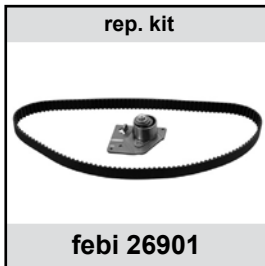
Z 123 B27
ØA 60 B32
Z 123 B27
ØA 65,4
ØA76,4 B38
ØA131,5
ØA 65

## 1,9 DCI

(F9Q-800/803/804/808/816/818)

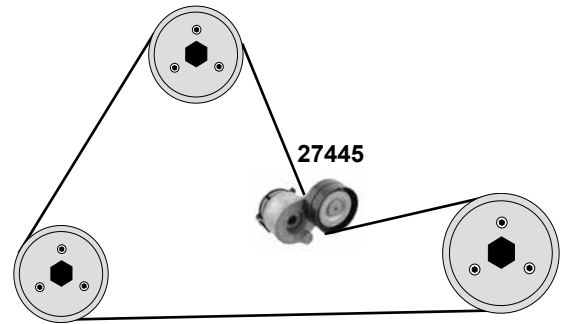


24529



## 1,9 D

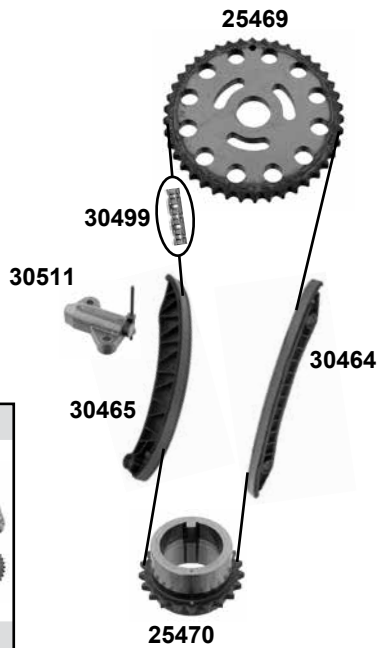
(F9Q-800/803/804/808)



27445

## 2,0 DCI

(M9R)



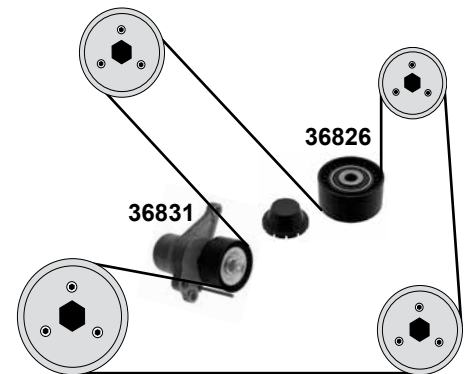
30499

30511

30465

30464

25470



36831

36826

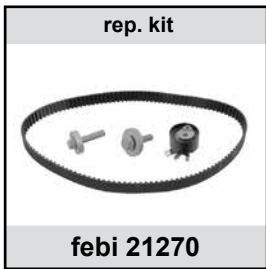
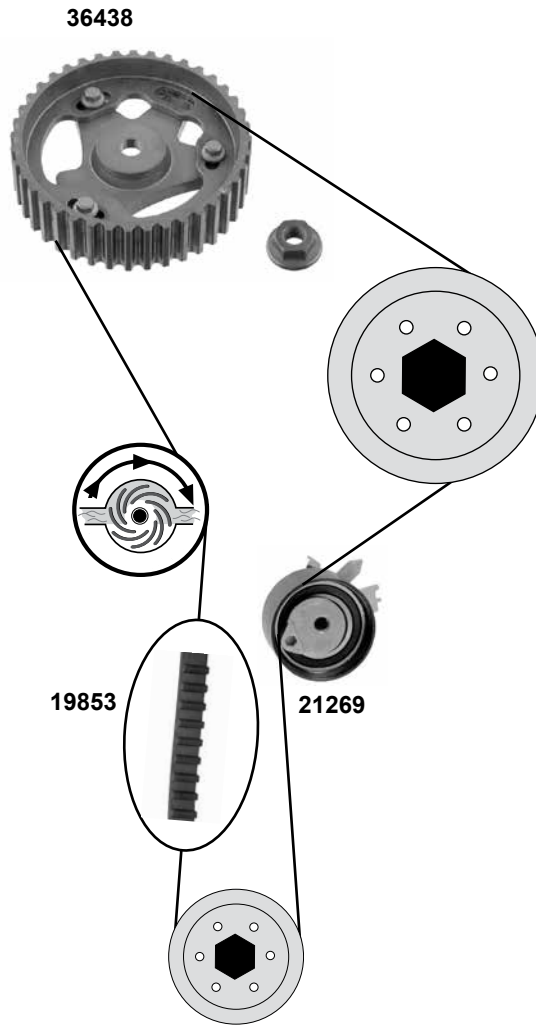


Ref. - No.

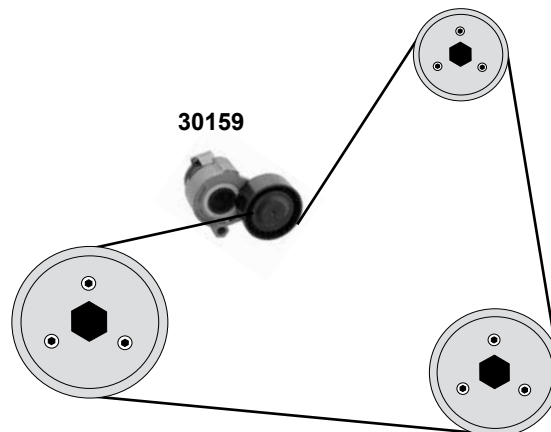






24529	82 00 071 267	tension roller	ØA 50
25469	82 00 918 794	camshaft gear	Z 42
25470	82 00 918 795	crankshaft gear	Z 21
26900	82 00 248 497	timing belt	Z 133 B26
26901	77 01 477 050	rep. kit timing belt	Z 133 B26
27445	82 00 472 180	belt tensioner	ØA 65 H30
30464	82 00 337 106	sliding rail	
30465	82 00 337 109	sliding rail	
30499	82 00 343 394	timing chain	112 E
30511	82 00 918 797	chain tensioner	
30639	77 01 476 597	rep. kit timing chain	
36826	82 00 725 951	deflection pulley	ØA 60 ØI 10 H 30
36831	82 00 357 406	belt tensioner	ØA 65 H 29,5

**1,5 D**  
 (K9K-750,752,830,832,834,836)

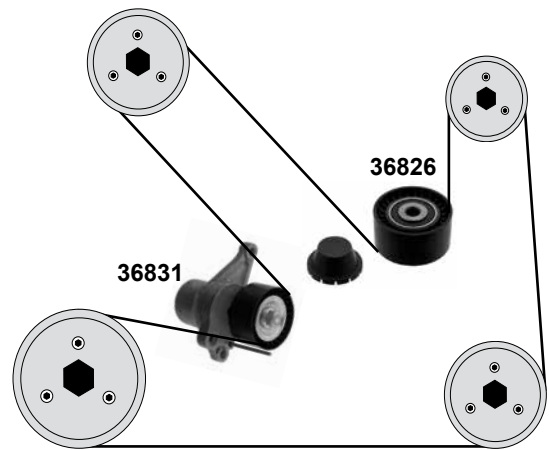
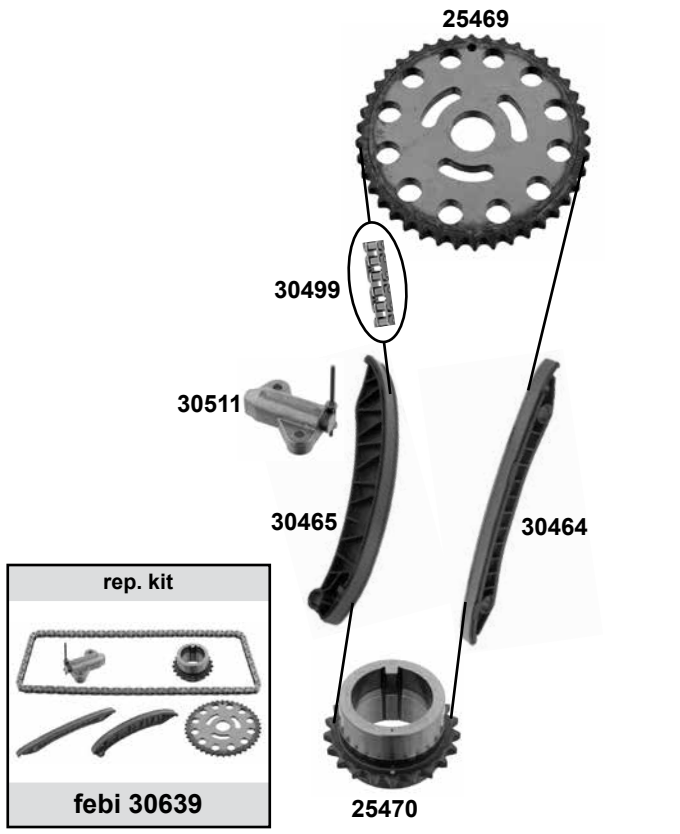


**1,5 DCI**  
 (K9K-830,832,834,836)

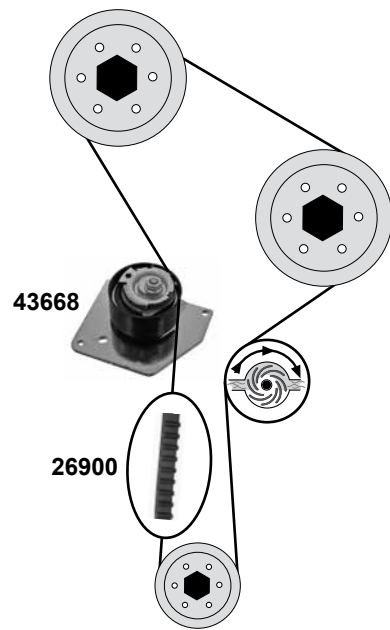


	Ref. - No.			
19853	82 00 537 033	timing belt		Z 123 B27
21269	82 00 102 941	tension roller		ØA 60 B32
21270	77 01 477 028	rep. kit timing belt		
30159	82 00 608 550	belt tensioner		ØA 65
36438	77 01 478 037	camshaft timing gear		

**1,6 / 2,0 DCI**  
(R9M/M9R)



**1,9 DCI**  
(F9Q-870,872)



	Ref. - No.			
<b>25469</b>	82 00 918 794	camshaft timing gear	(mot.) M9R/R9M	Z 42
<b>25470</b>	82 00 918 795	crankshaft gear	(mot.) M9R	21 E
<b>26900</b>	82 00 542 743	timing belt		
<b>30499</b>	82 00 343 394	timing chain	(mot.) M9R	112 E
<b>30639</b>	77 01 476 597	rep. kit timing chain	(mot.) M9R	
<b>30464</b>	82 00 337 106	sliding rail	(mot.) M9R	
<b>30465</b>	82 00 337 109	sliding rail	(mot.) M9R	
<b>30511</b>	82 00 918 797	chain tensioner	(mot.) M9R/R9M	
<b>36826</b>	82 00 725 951	deflection pulley	(mot.) M9R	ØA 60 ØI 10 H 30
<b>36831</b>	82 00 357 406	belt tensioner	(mot.) M9R	ØA 65 H 29,5
<b>43668</b>	82 01 033 287	tensioner bearing	(mot.) M9R	ØA 67 H 30,5
<b>43669</b>	82 01 038 625	rep. kit timing belt		

# RENAULT Modus

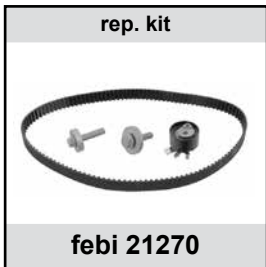
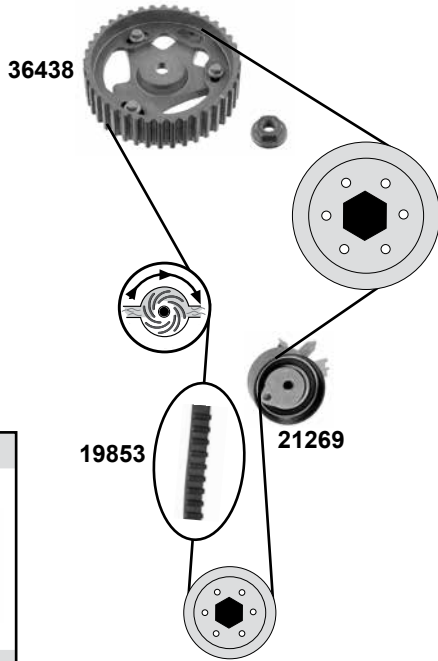
(04→)

Car  
Division



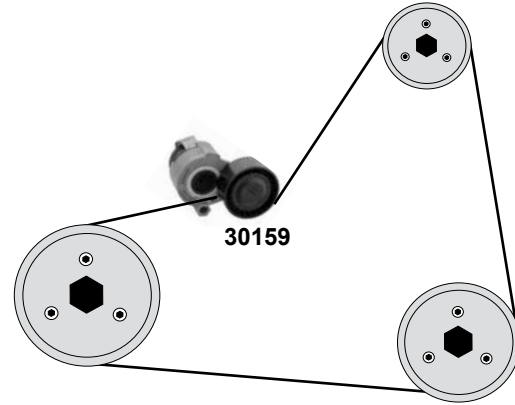
## 1,5 D

(K9K-750,752)



## 1,5 D

(K9K-750,752,760,762,772)



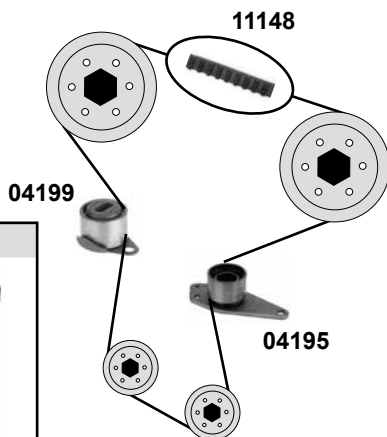
## R 5

(02/85→95)

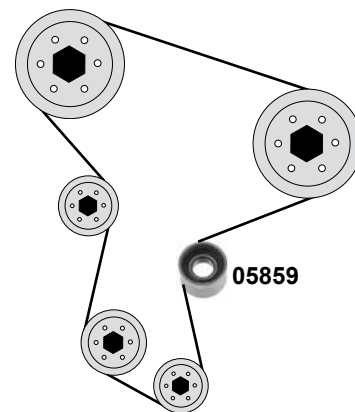
## 1,6 D

(F8M- 720,730)

Modell: 02/88 →



Modell: → 01/88



Ref. - No.

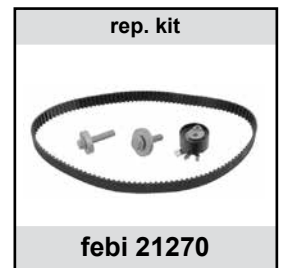
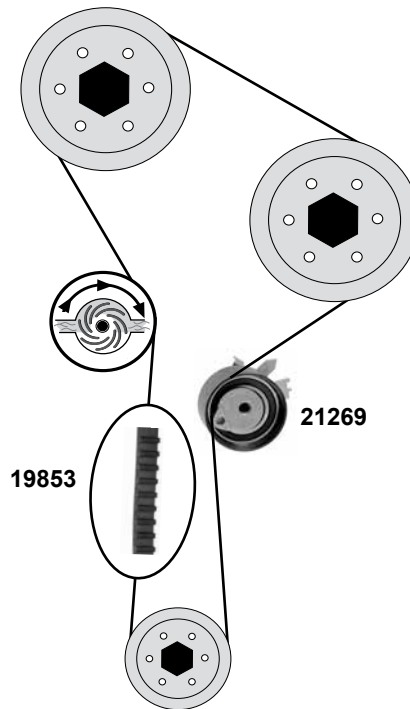


04195	82 00 051 091	deflection pulley
04199	77 00 726 440	tension roller
05859	77 00 696 987	deflection pulley
11148	77 00 875 439	timing belt
11149	77 01 468 168	rep. kit timing belt
19853	82 00 537 033	timing belt
21269	82 00 102 941	tension roller
21270	77 01 477 028	rep. kit timing belt
30159	82 00 608 550	belt tensioner
36438	77 01 478 037	camshaft timing gear

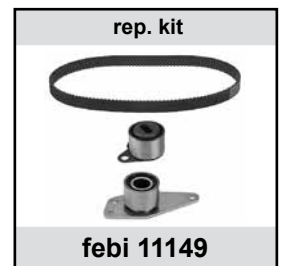
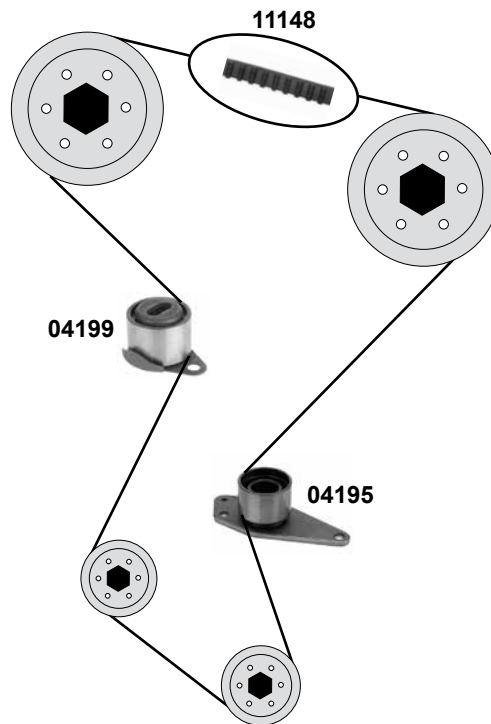
ØA 50 B31
ØA 50 B31
ØA 50 B31
Z 153 B25,4
Z 153 B25,4
Z 123 B27
ØA 60 H32
ØA 65



**1,5 D**  
(K9K-422)



**R 19 / R 21**  
(86→96)  
**1,9 D**  
(F8Q)



Ref. - No.

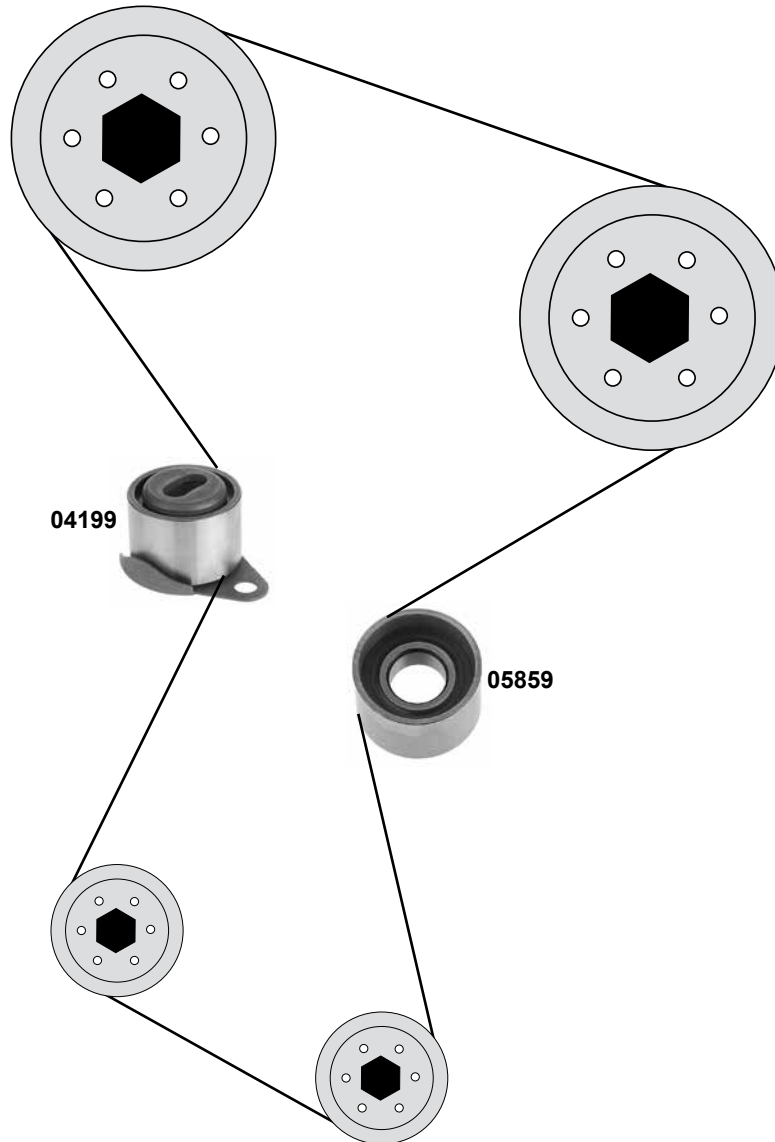


<b>04195</b>	82 00 051 091	deflection pulley
<b>04199</b>	77 00 726 440	tension roller
<b>11148</b>	77 00 875 439	timing belt
<b>11149</b>	77 01 468 168	rep. kit timing belt
<b>19853</b>	82 00 537 033	timing belt
<b>21269</b>	82 00 102 941	tension roller
<b>21270</b>	77 01 477 028	rep. kit timing belt

ØA50 B31
ØA50 B31
Z 153 B25,4
Z 153 B25,4
Z 123 B27
ØA 60 B32
Z 123 B27



**1,6 D**  
 (F8M- 720,730)



(1) Modell: 01/86→01/88

(2) Modell: 02/88→93



Ref. - No.



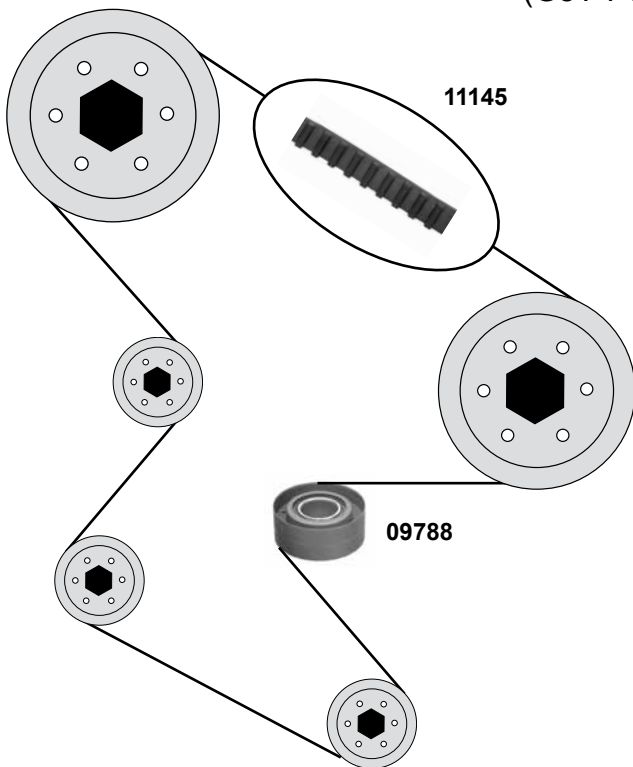
**04199** 77 00 726 440  
**05859** 77 00 696 987

tension roller  
 deflection pulley

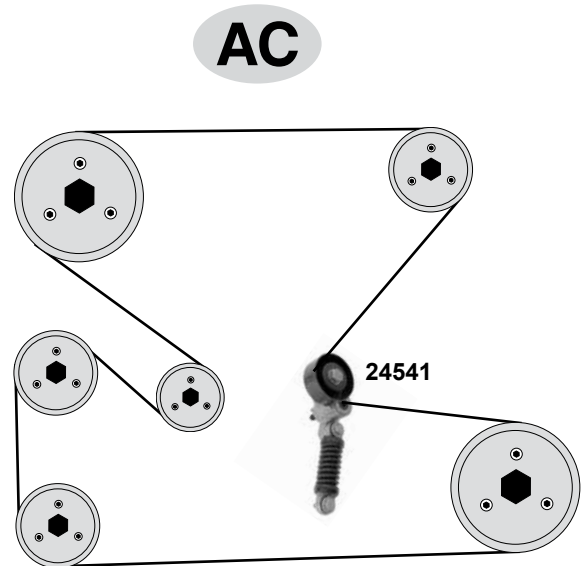
(2)  
 (1)

ØA 50 B31  
 ØA 50 ØI 22 B31

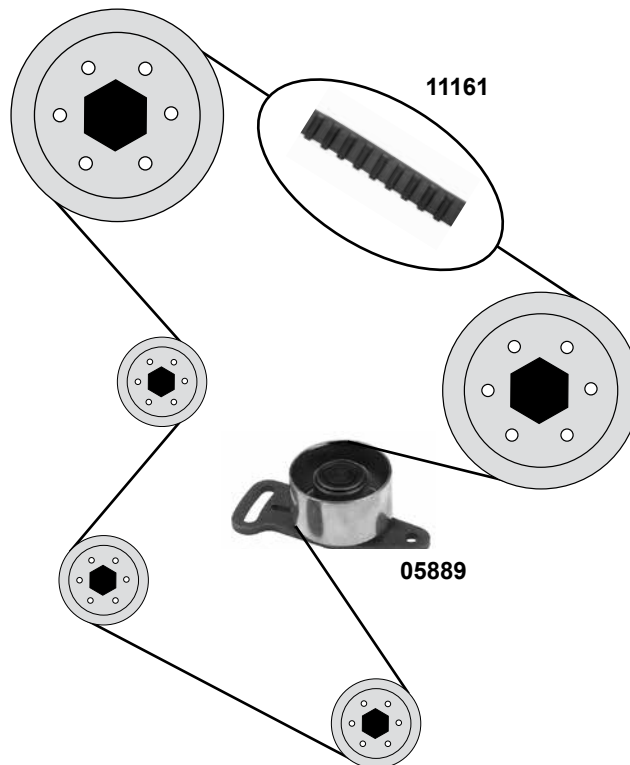
**2,2 TD**  
(G8T-740)



**2,2 TD**  
(G8T-752,760,792,794)



**2,1 DT**  
(J8S-760)



Ref. - No.



<b>05889</b>	77 00 871 169
<b>09788</b>	77 00 862 615
<b>11145</b>	77 00 875 412
<b>11161</b>	77 00 853 862
<b>24541</b>	77 00 106 708

tension roller
deflection pulley
timing belt
timing belt
belt tensioner

92→96

92→96

ØA 60 B30
ØA 80 B32
Z 163 B25,4
Z 148 B25
ØA 65

# RENAULT Sandero 1

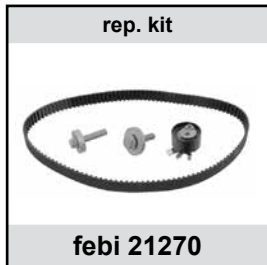
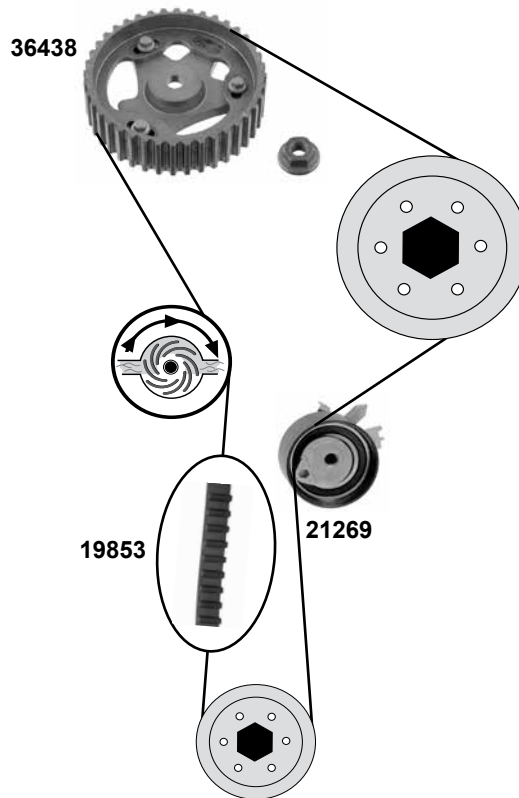
(08→13)

Car  
Division



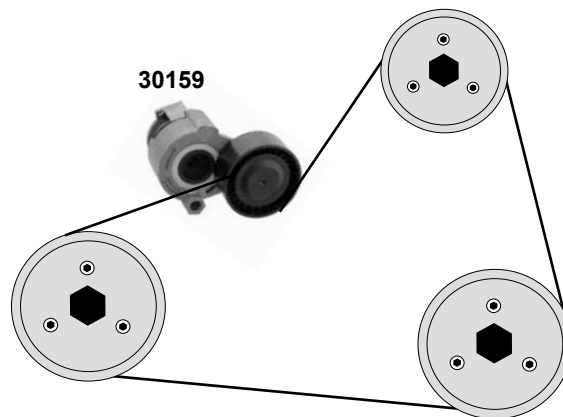
## 1,5 D

(K9K-792,796)



## 1,5 D

(K9K-790,796)



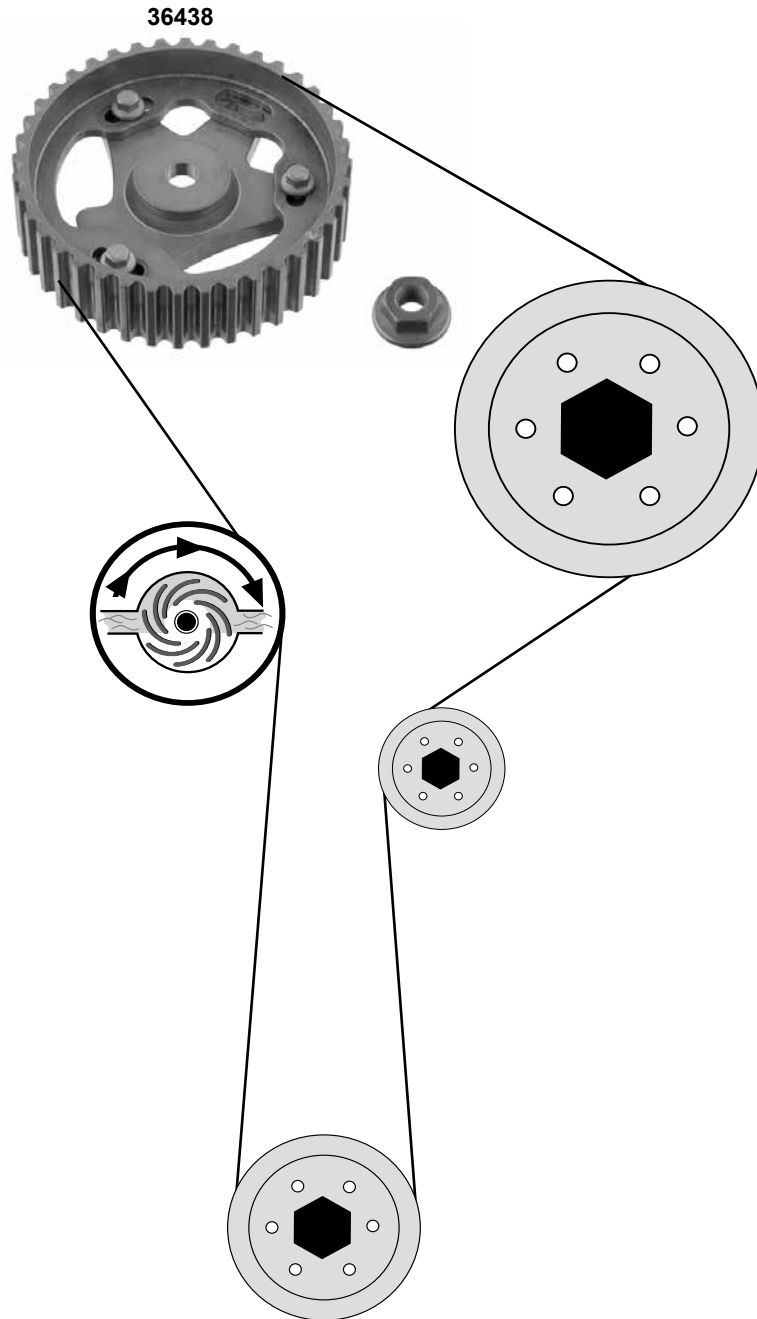
Ref. - No.



19853	28 00 039 519
21269	82 00 102 941
21270	77 01 477 028
30159	82 00 608 550
36438	77 01 478 037

timing belt
tension roller
rep. kit timing belt
belt tensioner
camshaft timing gear

Z 123 B27
ØA 60 32
Z 123 B26,8
ØA 65



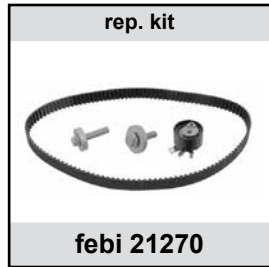
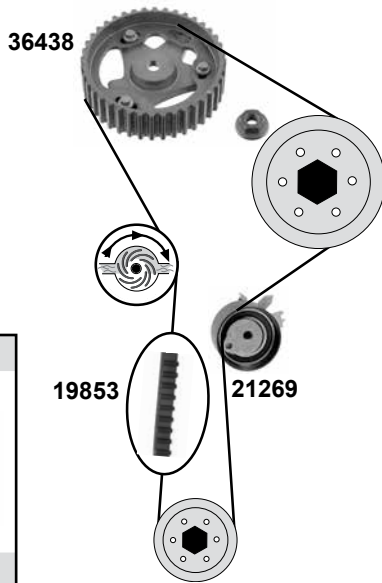
# RENAULT Scénic 2

(03→09)

Car  
Division

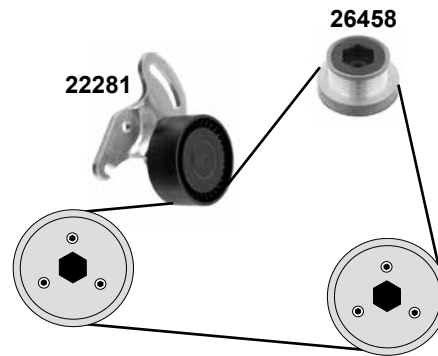


## 1,5 D (K9K-722)

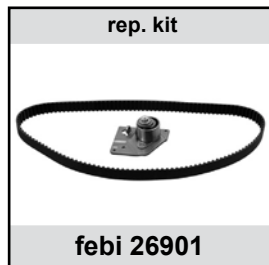
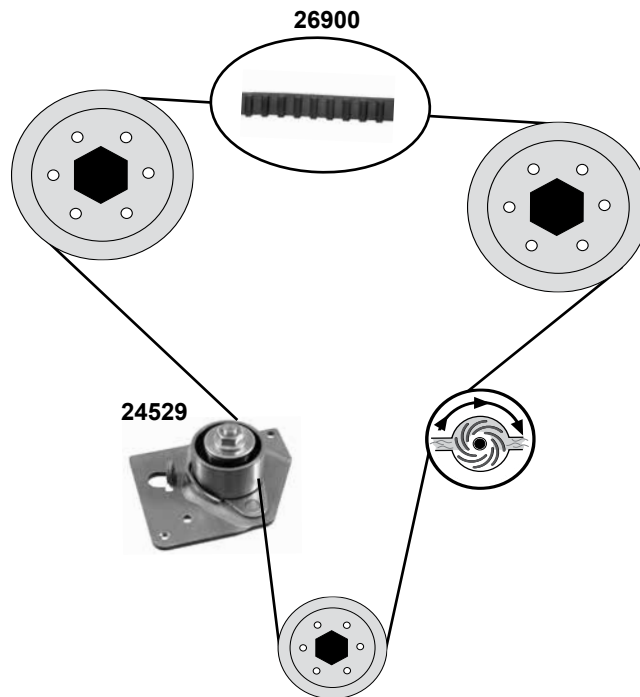


## 1,5 D (K9K)

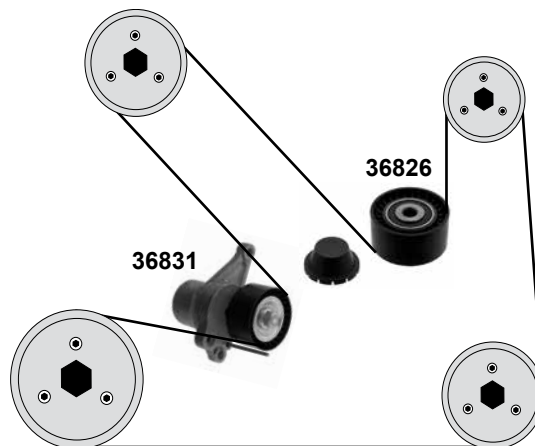
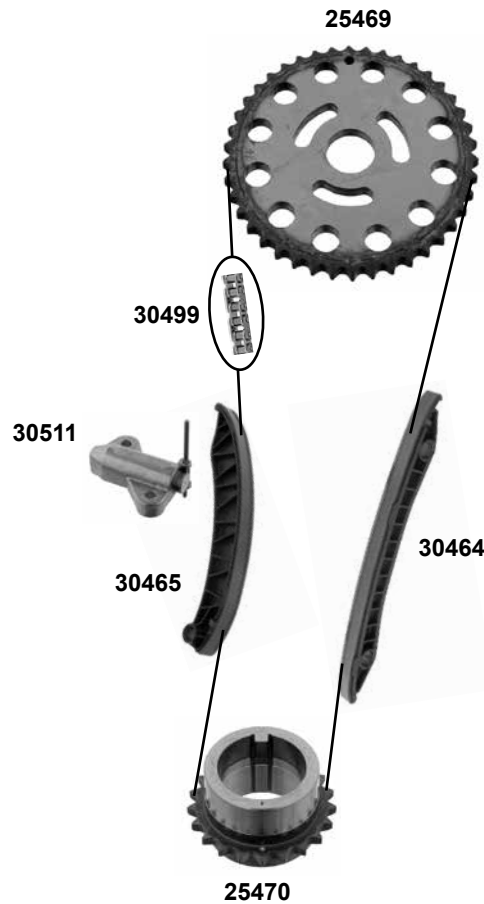
(ex.) AC



## 1,9 D (F9Q-803,804,812)



Ref. - No.				
19853	82 00 537 033	timing belt		Z 123 B27
21269	82 00 102 941	tension roller		ØA 60 B32
21270	77 01 477 028	rep. kit timing belt		
22281	82 00 328 372	belt tensioner		
24529	82 00 071 267	tension roller		
26458	82 00 113 636	alternator overrun pulley	(mot.) K9K-722	ØA 65,4
26900	82 00 248 497	timing belt	Valeo / Bosch	ØA 50
26901	77 01 477 050	rep. kit timing belt		ØA76,4 B38
36438	77 01 478 037	camshaft timing gear		Z 133 B26
				Z 133 B26



	Ref. - No.			
<b>25469</b>	82 00 918 794	camshaft gear		Z 42
<b>25470</b>	82 00 918 795	crankshaft gear		Z 21
<b>30464</b>	82 00 337 106	sliding rail		
<b>30465</b>	82 00 337 109	sliding rail		
<b>30499</b>	82 00 343 394	timing chain		112 E
<b>30511</b>	82 00 918 797	chain tensioner		
<b>30639</b>	77 01 476 597	rep.kit timing chain		
<b>36826</b>	82 00 725 951	deflection pulley		ØA 60 ØI 10 H 30
<b>36831</b>	82 00 357 406	belt tensioner		ØA 65 H 29,5

# RENAULT Scénic 2

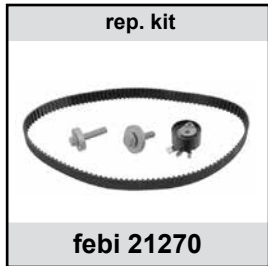
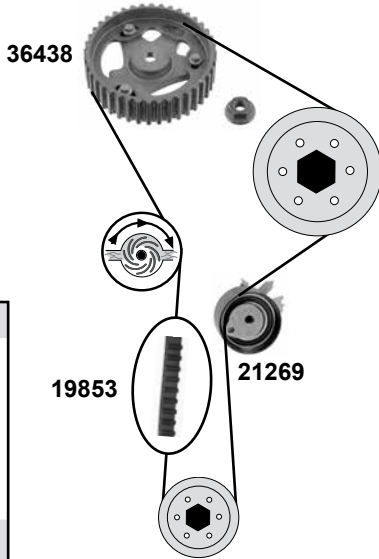
(02→09)

Car  
Division



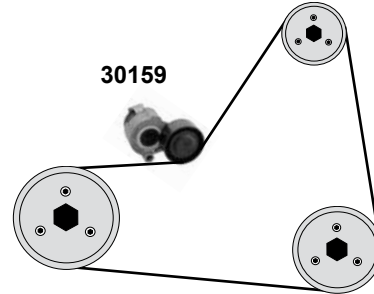
## 1,5 D

(K9K-722,724,728,732,734)



## 1,5 D

K9K-722,728

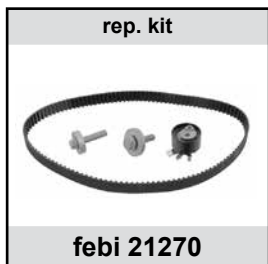
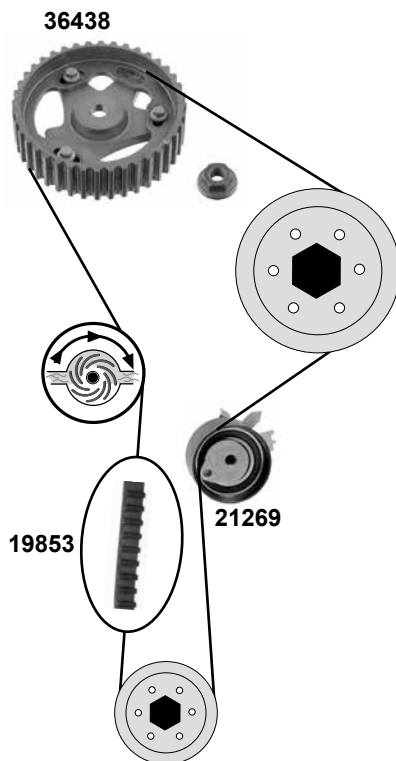


## Scénic 3

(09→)

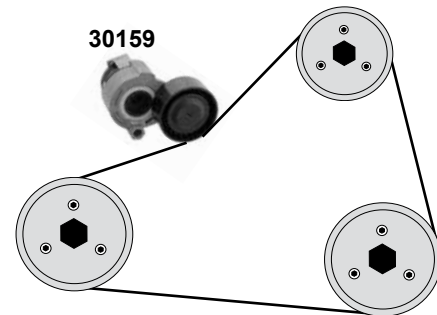
## 1,5 D

(K9K-830,832,836)



## 1,5 D

(K9K-830,832,836)



Ref. - No.

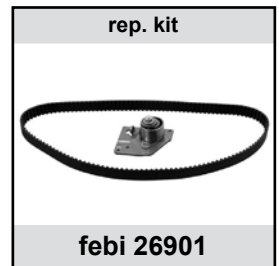
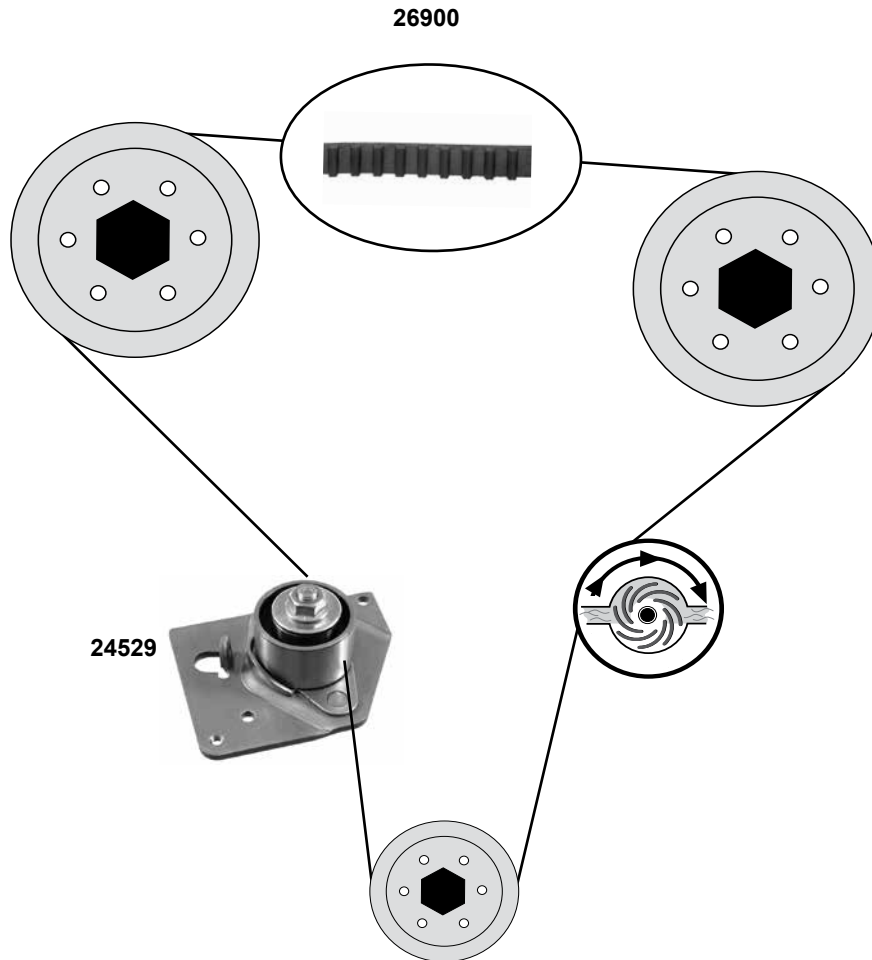


19853	82 00 537 033
21269	82 00 102 941
21270	77 01 477 028
30159	82 00 608 550
36438	77 01 478 037

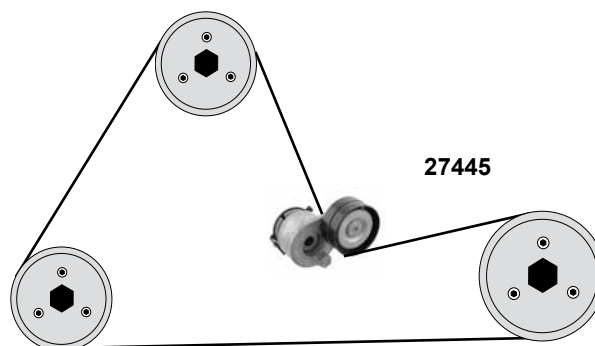
timing belt
tension roller
rep. kit timing belt
belt tensioner
camshaft timing gear

Z 123 B27
ØA 60 B32
ØA 65

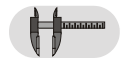
**1,9 D**  
(F9Q-803,804,812)



**1,9 DCI**  
F9Q-803,804,812,816,818



Ref. - No.



24529	82 00 071 267
26900	82 00 248 497
26901	77 01 477 050
27445	82 00 472 180

tension roller  
timing belt  
rep. kit timing belt  
belt tensioner

ØA 50  
Z 133 B26  
Z 133 B26  
ØA 65 H30



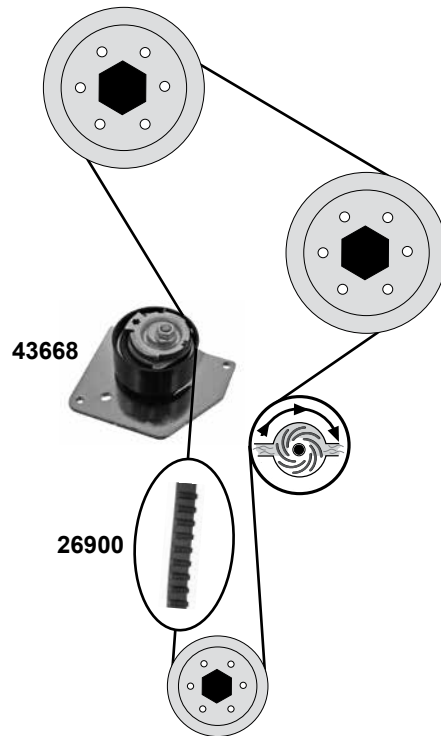
# RENAULT Scénic 3

(09→)

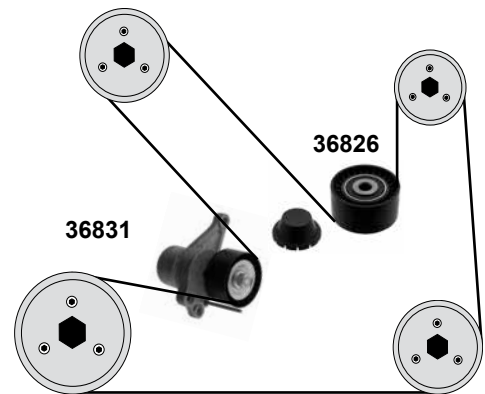
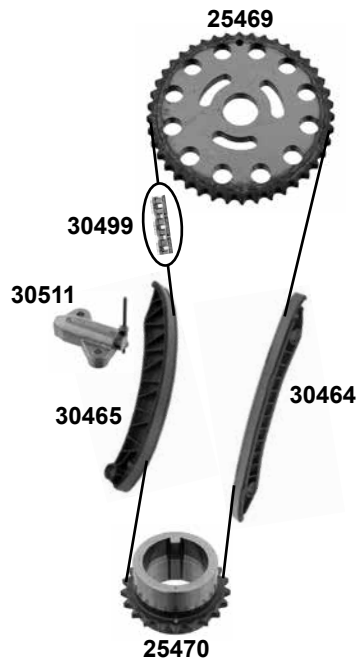
Car  
Division



## 1,9 DCI (F9Q-870,872)



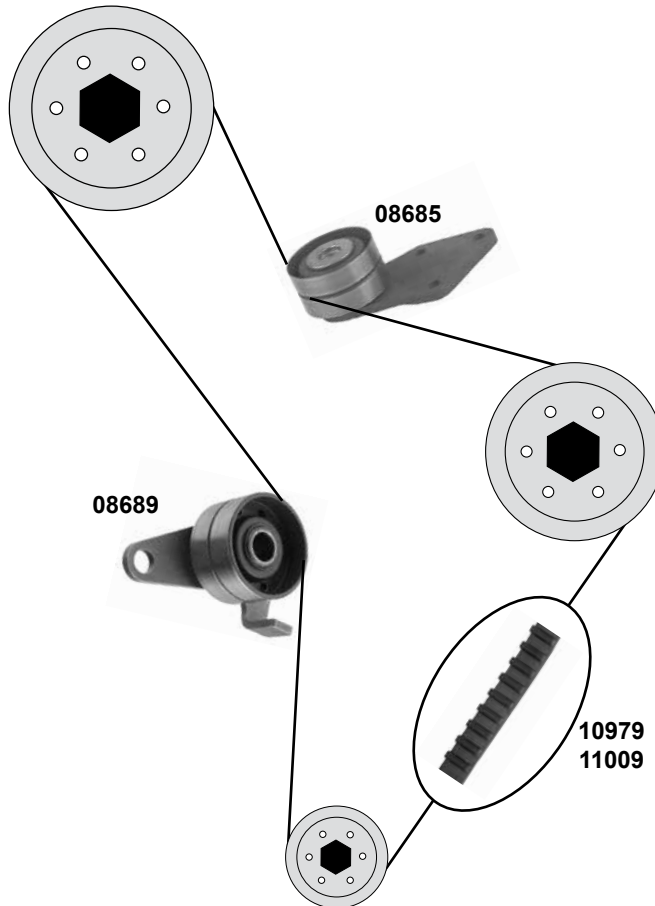
## 2,0 DCI (M9R)



Ref. - No.



25469	82 00 918 794	camshaft gear	Z 42
25470	82 00 918 795	crankshaft gear	Z 21
26900	82 00 542 743	timing belt	
30464	82 00 337 106	sliding rail	
30465	82 00 337 109	sliding rail	
30499	82 00 343 394	timing chain	
30511	82 00 918 797	chain tensioner	
30639	77 01 476 597	rep.kit timing chain	
36826	82 00 725 951	deflection pulley	ØA 60 ØI 10 H 30
36831	82 00 357 406	belt tensioner	ØA 65 H 29,5
43668	82 01 033 287	tensioner bearing	ØA 67 H 30,5
43669	82 01 038 625	rep. kit timing belt	



(1) (mot.) 750,752: **Modell** 89→09/90

(2) (mot.) 750,752: **Modell** 09/90→10/96  
(mot.) 758: **Modell** 89→10/96



Ref. - No.



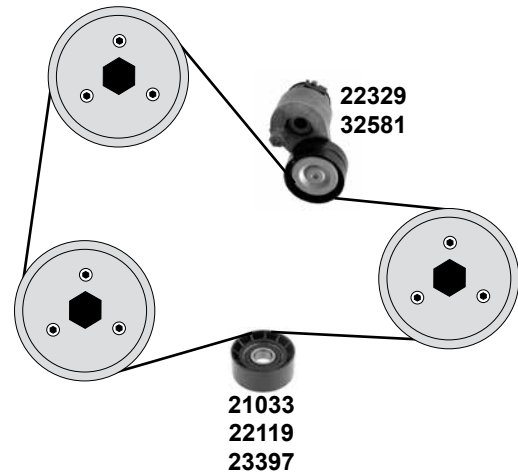
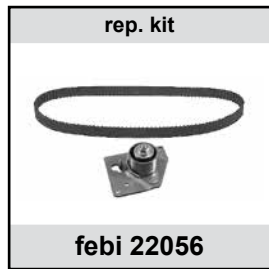
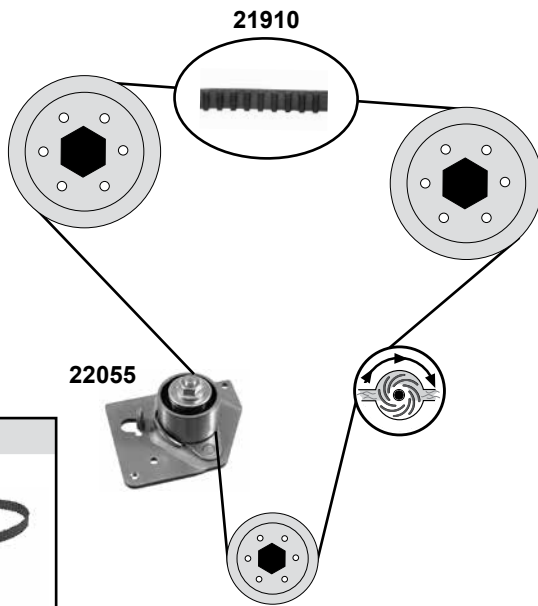
<b>08685</b>	50 01 001 272	deflection pulley
<b>08689</b>	50 01 001 272	tension roller
<b>10979</b>	50 00 814 593	timing belt
<b>11009</b>	77 01 043 483	timing belt
<b>11066</b>	77 01 471 769	rep. kit timing belt
<b>11127</b>	77 01 471 771	rep. kit timing belt

(1)  
(2)  
(1)  
(2)

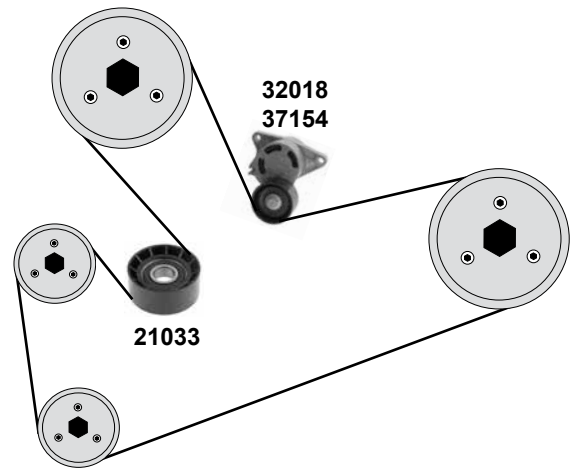
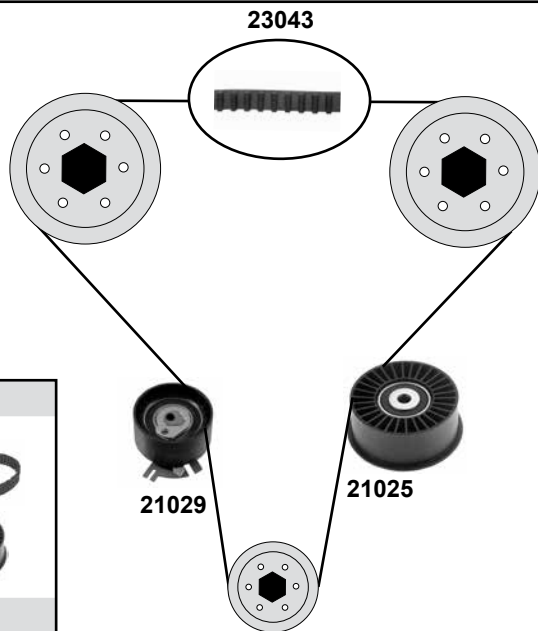
ØA 64 B34  
ØA 67 B34  
Z 152  
Z 152



## 1,9 D (F9Q)



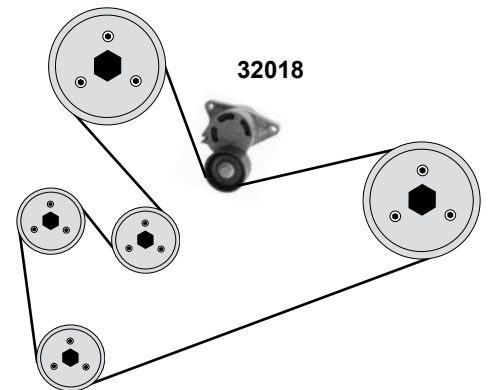
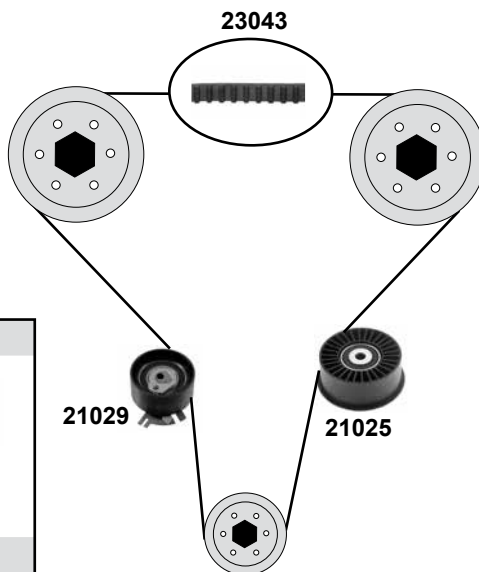
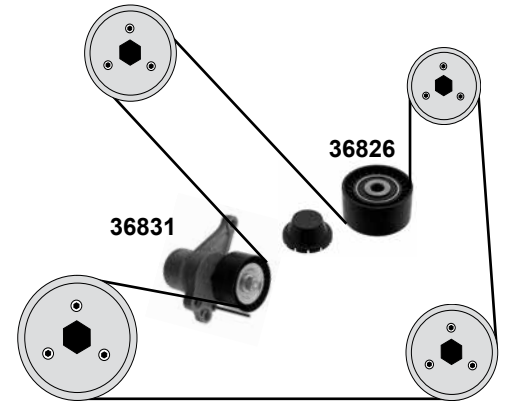
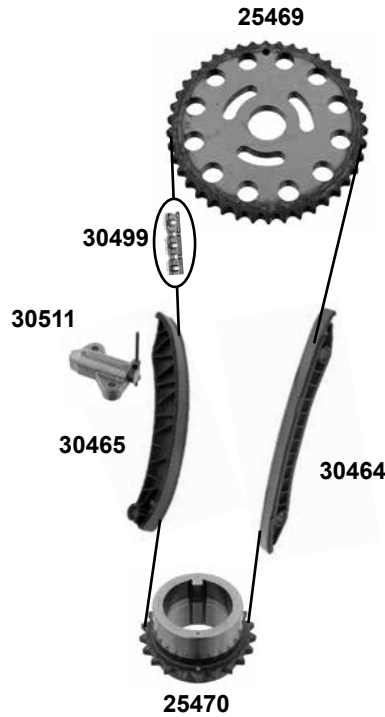
## 2,5 D (G9U)



Ref. - No.



Ref. - No.	Description	Notes	Dimensions
21025	deflection pulley		ØA 75,2 B32
21029	tension roller		ØA70 B32
21033	deflection pulley		ØA 60,2 ØI 17 B5,5
21910	timing belt		Z 132 B26
22055	tension roller		ØA60 B30,8
22056	rep. kit timing belt		Z 132 B26
22119	deflection pulley		ØA 60,2 ØI 17 B5,5
22329	belt tensioner		ØA65 B30
23043	timing belt		Z 89 B25
23045	rep. kit timing belt		
23397	deflection pulley		ØA 60,2 ØI 17 B5,5
32018	belt tensioner		ØA65
32581	belt tensioner		
37154	belt tensioner		



Ref. - No.



<b>21025</b>	82 00 004 593	deflection pulley		ØA 75,2 B32
<b>21029</b>	82 00 127 467	tension roller		ØA 70 B32
<b>23043</b>	82 00 127 627	timing belt		Z 89 B25
<b>23045</b>	77 01 473 849	rep. kit timing belt		
<b>25469</b>	82 00 918 794	camshaft gear		Z 42
<b>25470</b>	82 00 918 795	crankshaft gear		Z 21
<b>30464</b>	82 00 337 106	sliding rail		
<b>30465</b>	82 00 337 109	sliding rail		
<b>30499</b>	82 00 343 394	timing chain		112 E
<b>30511</b>	82 00 918 797	chain tensioner		
<b>30639</b>	77 01 476 597	rep. kit timing chain		
<b>32018</b>	82 00 761 529	belt tensioner	AC	
<b>36826</b>	82 00 725 951	deflection pulley		ØA 60 ØI 10 H 30
<b>36831</b>	82 00 357 406	belt tensioner		ØA 65 H 29,5

# RENAULT Twingo 2

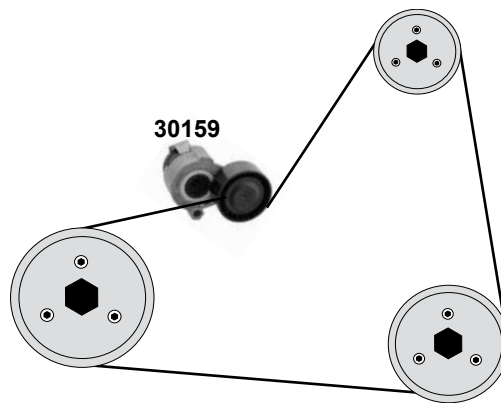
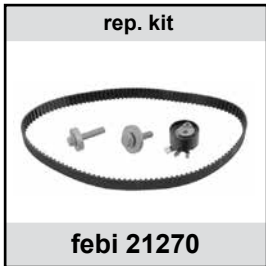
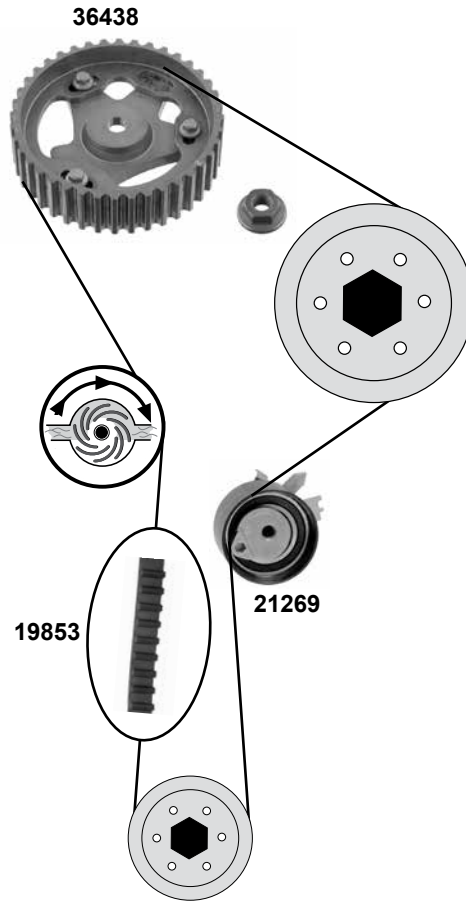
(07→)

Car  
Division



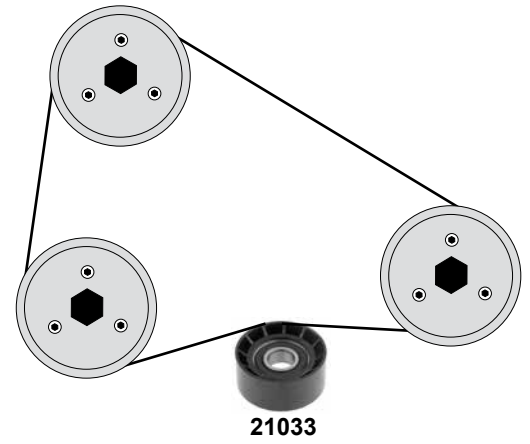
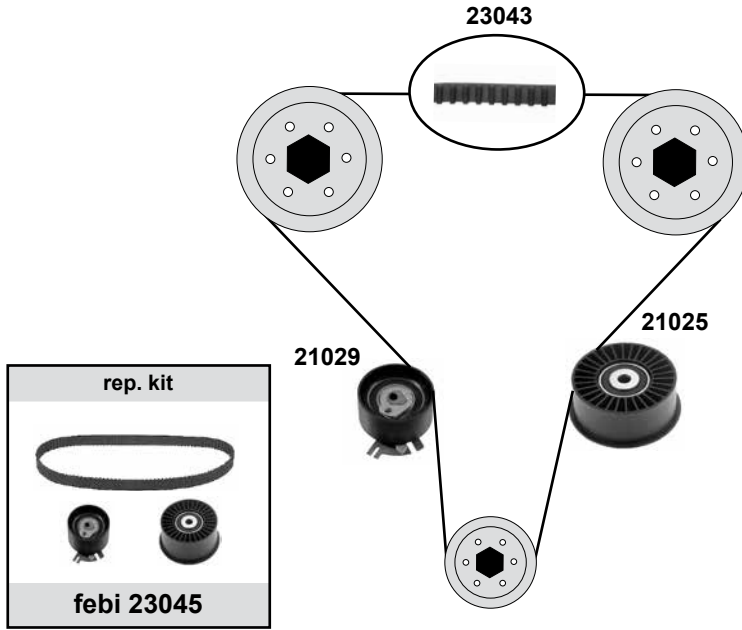
## 1,5 D

(K9K-718/740)

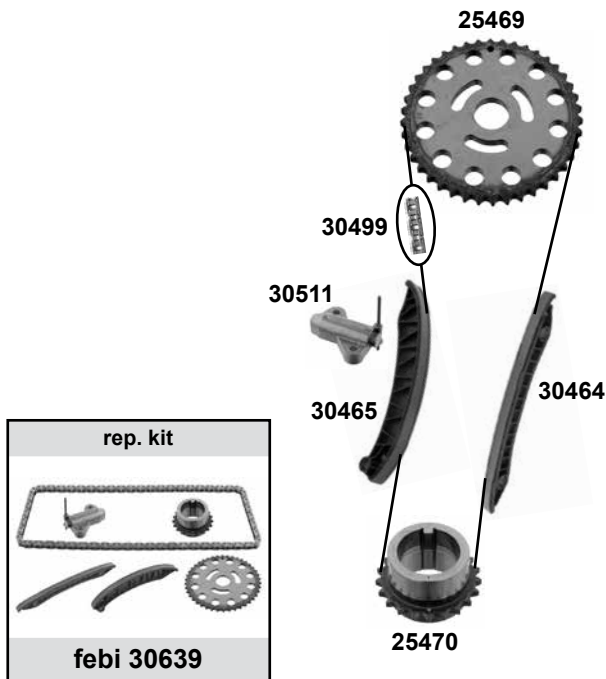


	Ref. - No.			
19853	82 00 537 033	timing belt		Z 123 B27
21269	82 00 102 941	tension roller		ØA 60 B32
21270	77 01 477 028	rep. kit timing belt		
30159	82 00 608 550	belt tensioner		ØA 65
36438	77 01 478 037	camshaft timing gear		

**2,2 D**  
(G9T-600,702,703)



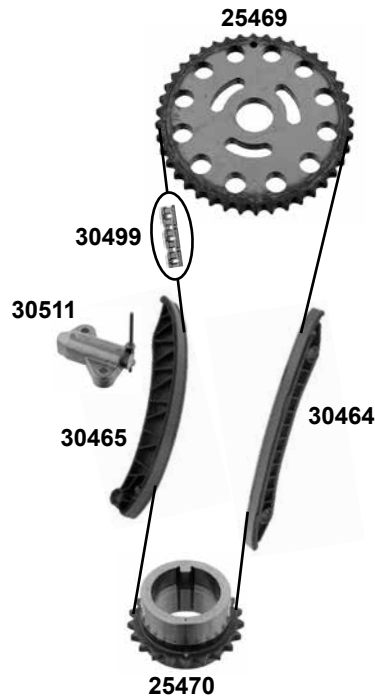
**2,0 DCI**  
(M9R)



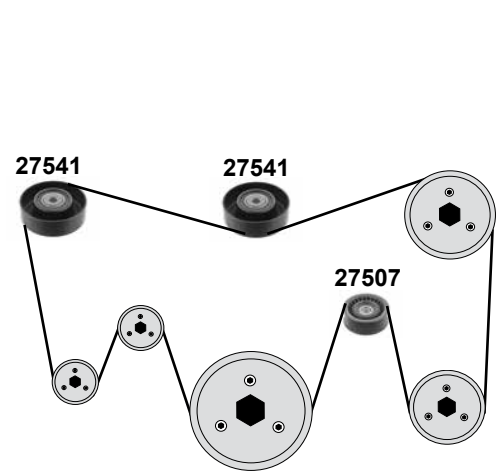
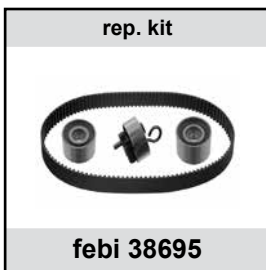
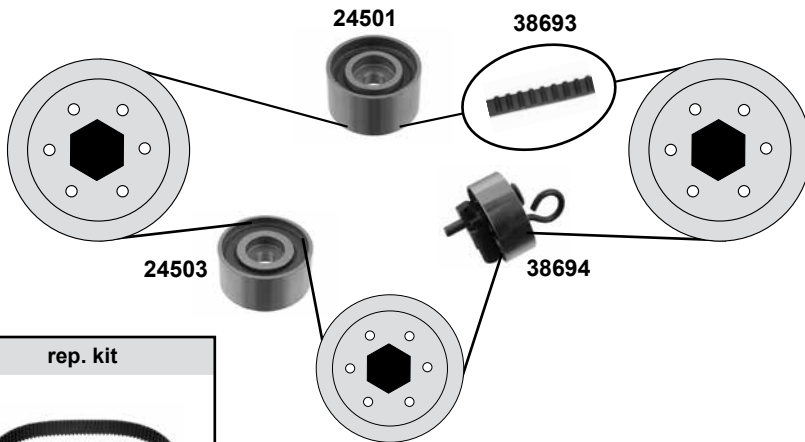
	Ref. - No.			
21025	82 00 004 593	deflection pulley		ØA 75,2 B32
21029	82 00 127 467	tension roller		ØA70 B32
21033	82 00 104 754	deflection pulley	(mot.) G9T-702 AC	ØA 60,2 Ø1 17 B5,5
23043	82 00 127 627	timing belt		Z 89 B25
23045	77 01 473 849	rep. kit timing belt		
25469	82 00 918 794	camshaft gear		Z 42
25470	82 00 918 795	crankshaft gear		Z 21
30464	82 00 337 106	sliding rail		
30465	82 00 337 109	sliding rail		
30499	82 00 343 394	timing chain		12 E
30511	82 00 918 797	chain tensioner		
30639	77 01 476 597	rep.kit timing chain		
36826	82 00 725 951	deflection pulley		ØA 60 ØI 10 H 30
36831	82 00 357 406	belt tensioner		ØA 65 H 29,5



## 2,0 D (M9R)



## 3,0 D (P9X-701,715)



Ref. - No.



24501	77 01 639 970
24503	77 01 063 971
25469	82 00 918 794
25470	82 00 918 795
27507	77 01 052 775
27541	77 01 052 673
30464	82 00 337 106
30465	82 00 337 109
30499	82 00 343 394
30511	82 00 918 797
30639	77 01 476 597
38693	77 01 050 368
38694	77 01 064 510
38695	77 01 474 198

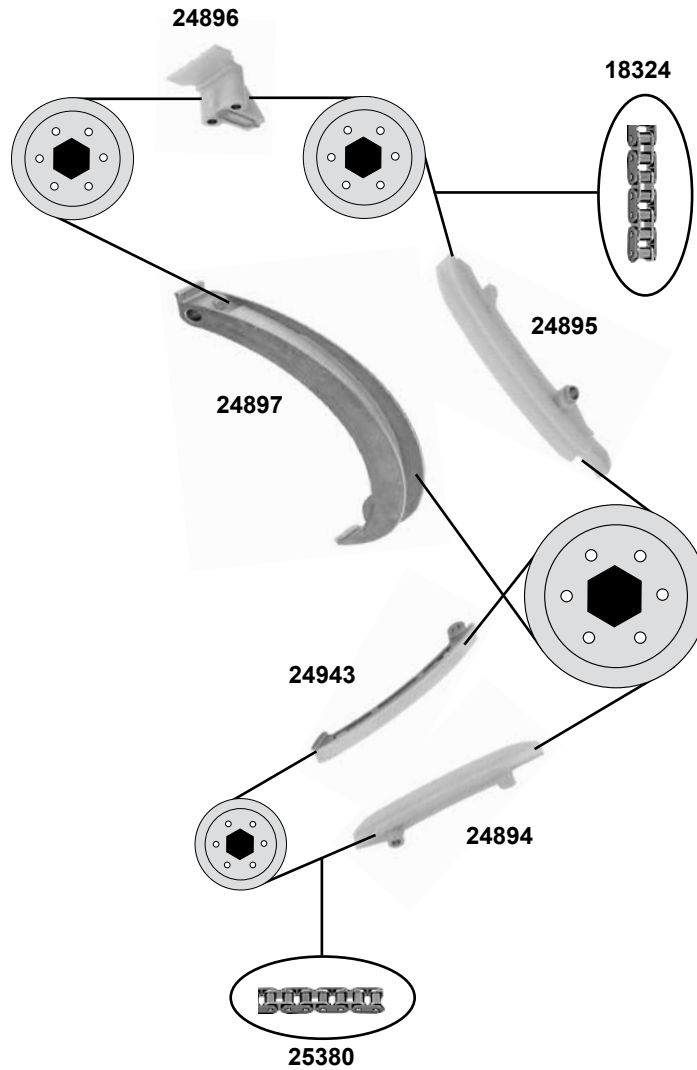
deflection pulley
deflection pulley
camshaft gear
crankshaft gear
deflection pulley
deflection pulley
sliding rail
sliding rail
timing chain
chain tensioner
rep. kit timing chain
timing belt
tension roller
rep. kit timing belt

(mot.) P9X-701  
(mot.) P9X-701

(mot.) P9X-701  
(mot.) P9X-701

Ø 58 B 28
Ø 58 B 28
Z 42
Z 21
Z 116 B 25
Ø 72 B 28





	Ref. - No.			
<b>18324</b>	LHN 100840	timing chain		90 E
<b>24894</b>	PRF 100050	sliding rail		
<b>24895</b>	LGJ 100990	sliding rail		
<b>24896</b>	LGJ 101000	sliding rail		
<b>24897</b>	LGJ 100980	sliding rail		
<b>24943</b>	PRF 100040	sliding rail		
<b>25380</b>	MVF 100070	timing chain		68 E



**ROVER**  
**100**

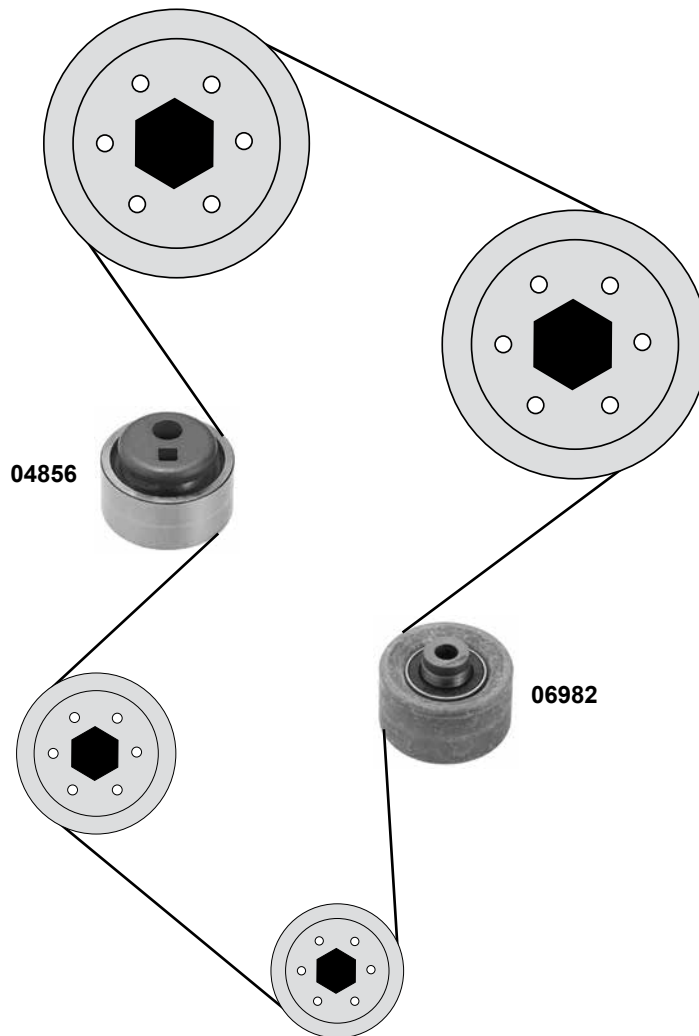
(89→98)

Car  
Division



**1,4 D / 1,5 D**

1,4D: (mot.) E 409474 →  
1,5D: alle / all



Ref. - No.

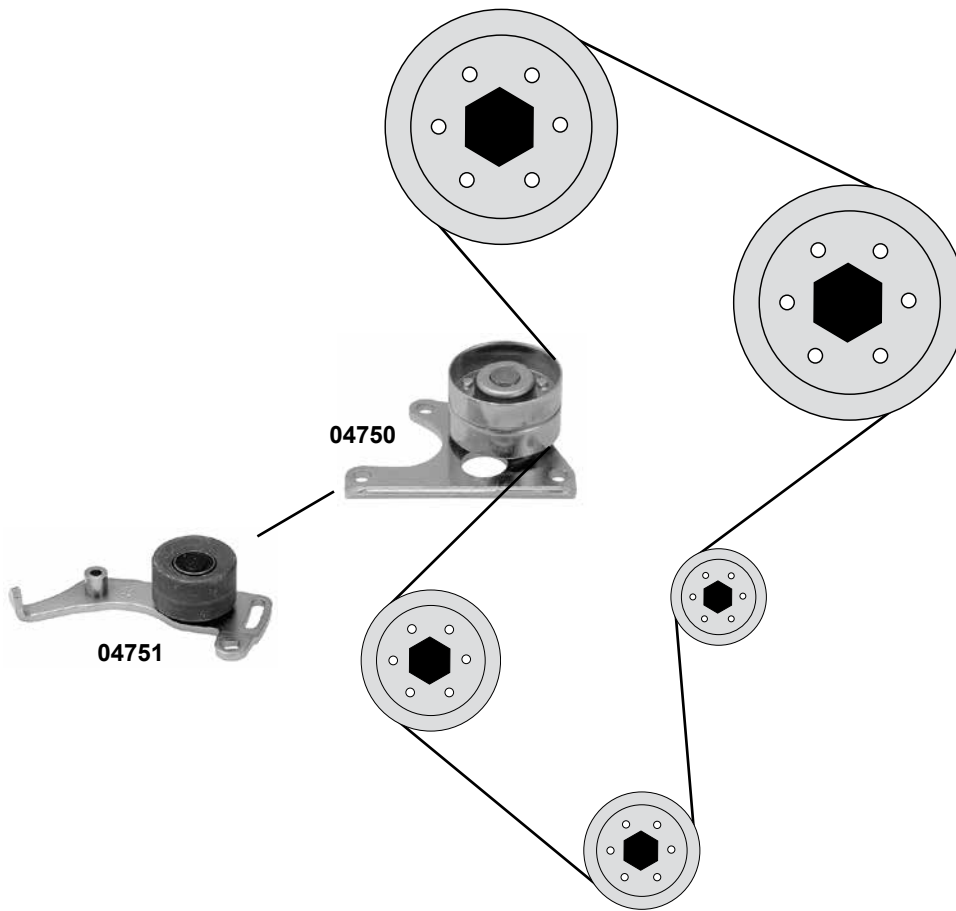


04856  
06982

LHP 10013  
LHV 100080

tension roller  
deflection pulley

ØA 59 B28/43  
ØA 60 ØI 10 B34



(1) 1,7 TD Modell: 10/92 → 02/96 (mot.) → E 4016153  
1,9 D Modell: 10/92 → 02/96 (mot.) → E 4014119

(2) 1,7 D Modell: 03/96 →



Ref. - No.



tension roller  
tension roller



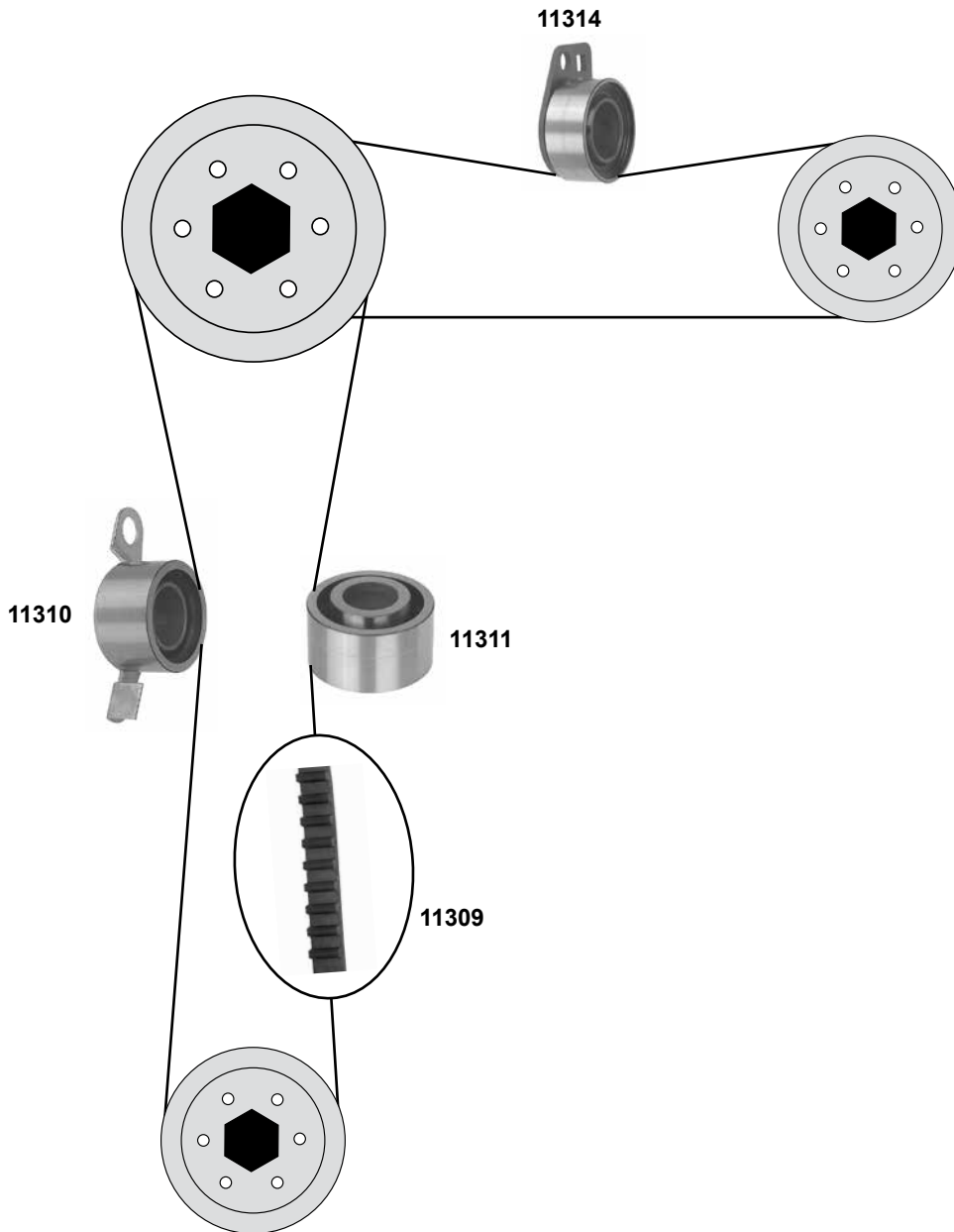
(1)  
(2)







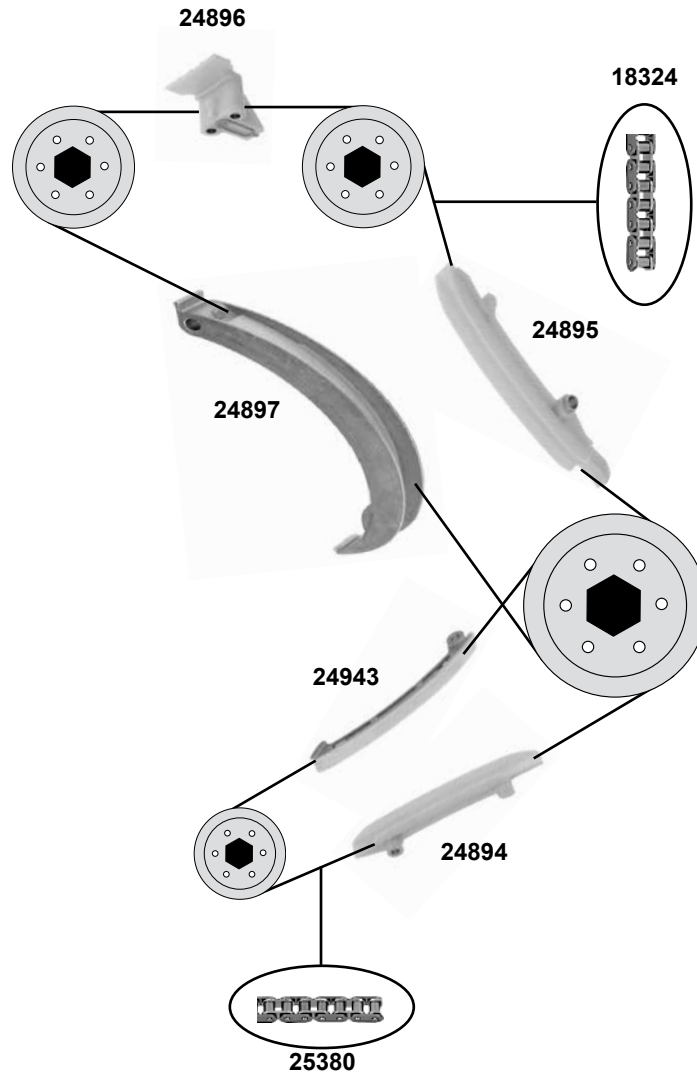
ØA 60 ØI 34  
ØA 60 ØI 34

**2,0 D**

**220 / 420: all**  
**620: (mot.) (V) BM 246797 →**

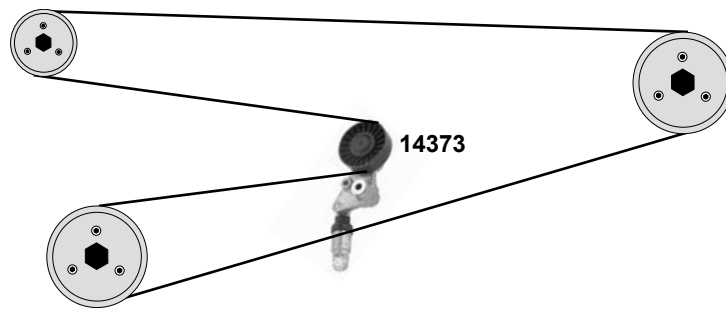
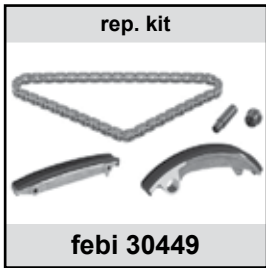
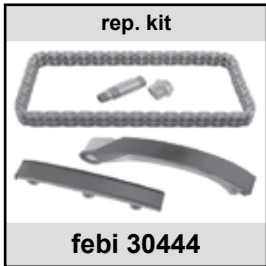
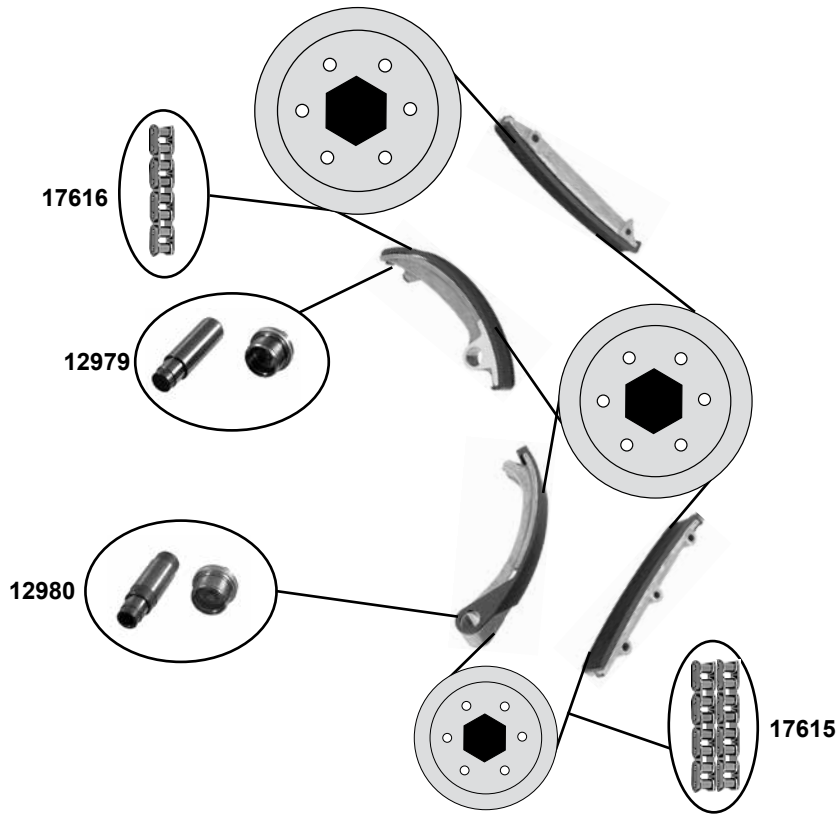


	Ref. - No.			
11309	GTB 2003	timing belt		Z 112 B28
11310	LHP 100390	tension roller		ØA 60 ØI 32 B32
11311	LHV 100120	deflection pulley		ØA 60 B32
11312	GTB 2003 S1	rep. kit timing belt		
11314	LHP 100550	tension roller		ØA 60 ØI 32 B26



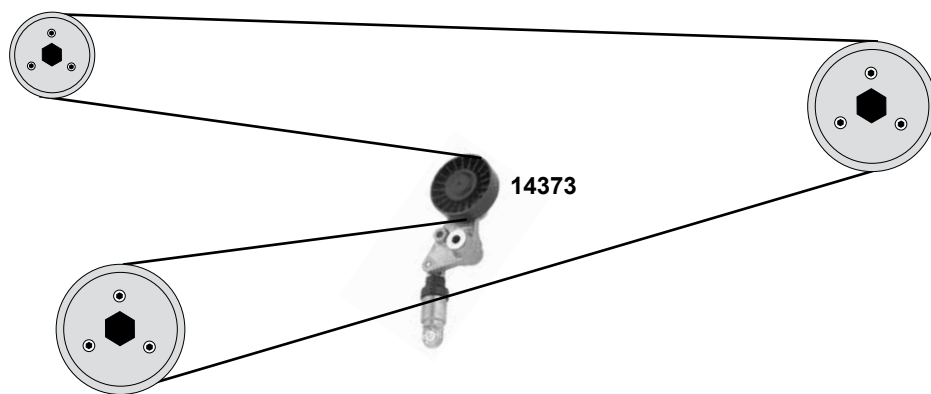
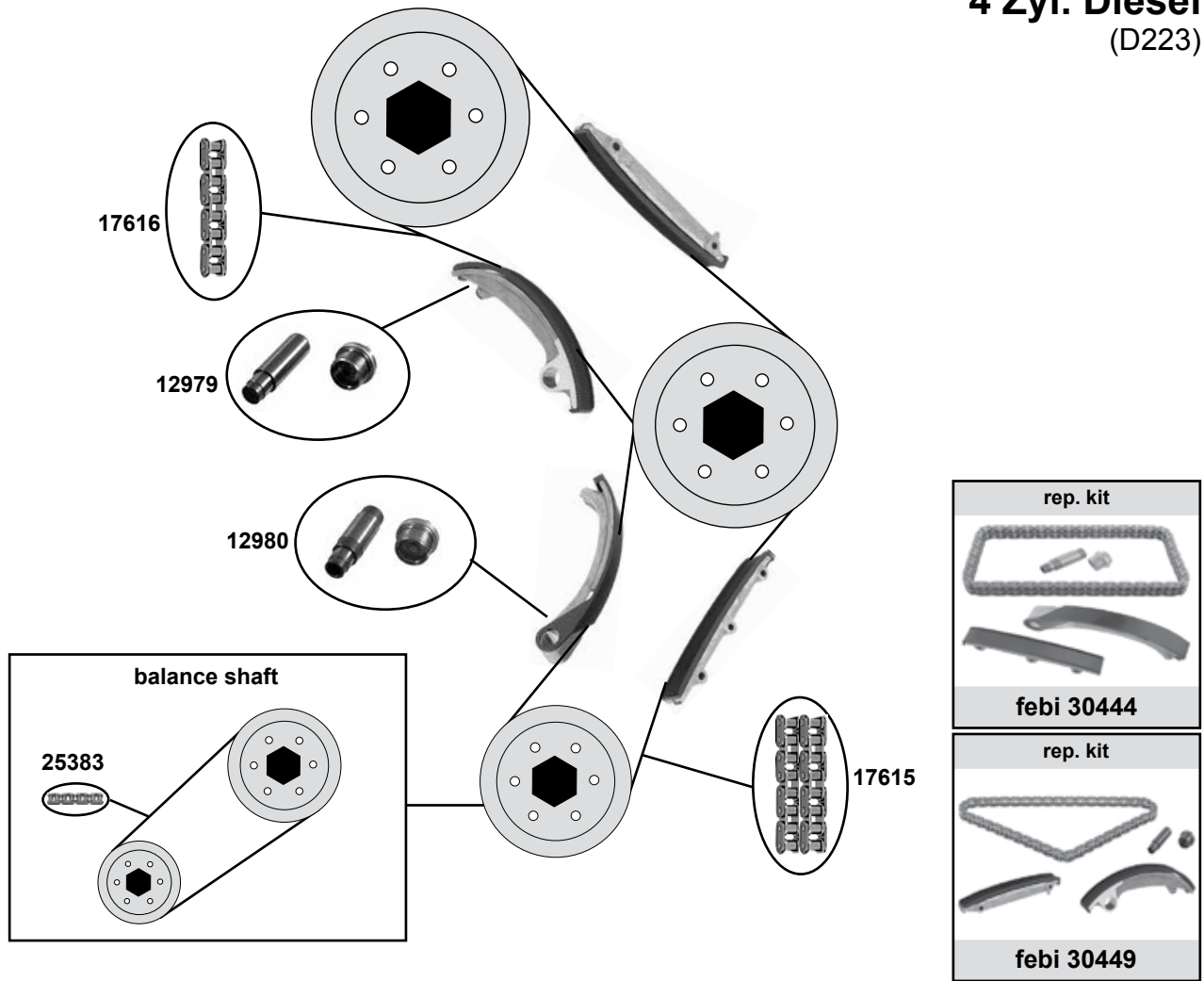
	Ref. - No.			
<b>18324</b>	LHN 100840	timing chain		
<b>24894</b>	PRF 100050	sliding rail		
<b>24895</b>	LGJ 100990	sliding rail		
<b>24896</b>	LGJ 101000	sliding rail		
<b>24897</b>	LGJ 100980	sliding rail		
<b>24943</b>	PRF 100040	sliding rail		
<b>25380</b>	MVF 100070	timing chain		

**4 Zyl. Diesel**  
 (D223)



	Ref. - No.			
<b>12979</b>	24 418 171	chain tensioner	Simplex	ØA 90 B24,4 78 E 80 E
<b>12980</b>	24 418 172	chain tensioner	Duplex	
<b>14373</b>	91 80 809	belt tensioner		
<b>17615</b>	90 529 247	timing chain	Duplex	
<b>17616</b>	90 529 247	timing chain	Simplex	
<b>30444</b>	90 529 247 S1	rep. kit timing chain	Duplex	
<b>30449</b>	90 529 248 S1	rep. kit timing chain	Simplex	

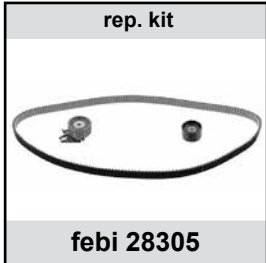
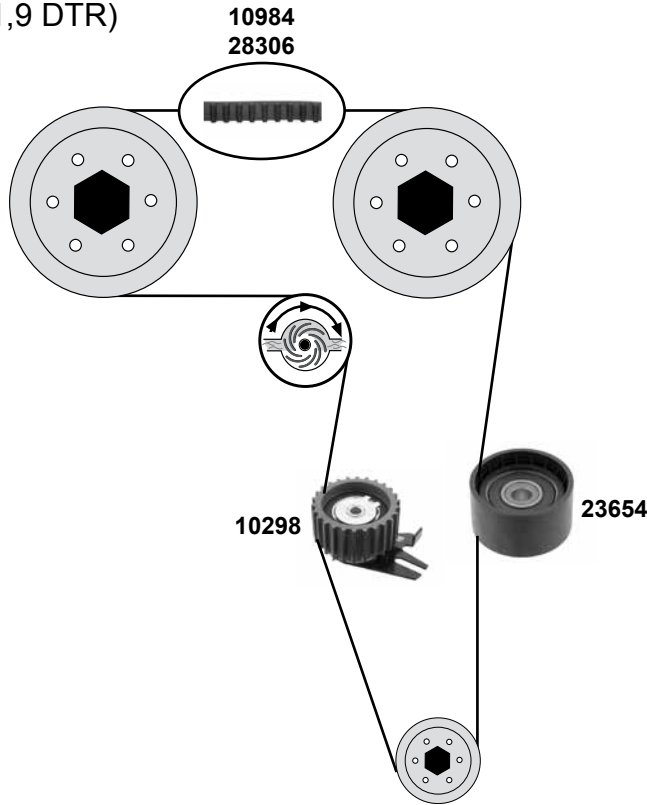
**4 Zyl. Diesel**  
(D223)



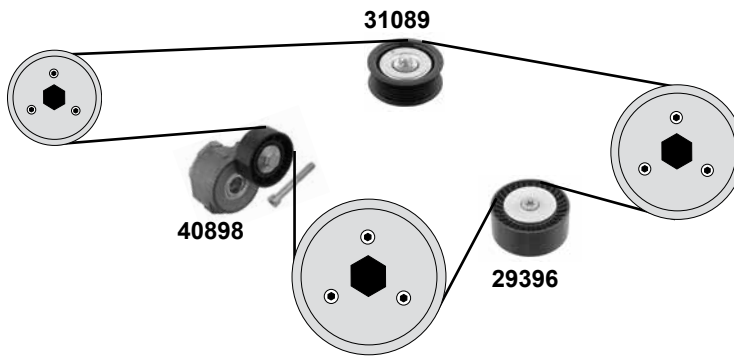
	Ref. - No.			
<b>12979</b>	24 418 171	chain tensioner	Simplex	ØA 90 B24,4 78 E 80 E 78 E
<b>12980</b>	24 418 172	chain tensioner	Duplex	
<b>14373</b>	91 80 809	belt tensioner		
<b>17615</b>	90 529 247	timing chain	Duplex	
<b>17616</b>	90 529 247	timing chain	Simplex	
<b>25383</b>	91 28 999	timing chain simplex		
<b>30444</b>	90 529 247 S1	rep. kit timing chain	Duplex	
<b>30449</b>	90 529 248 S1	rep. kit timing chain	Simplex	



**1,9 D**  
(Z1,9 DT/Z 1,9 DTH/Z1,9 DTR)



(Z1,9 DT / DTH / DTR)



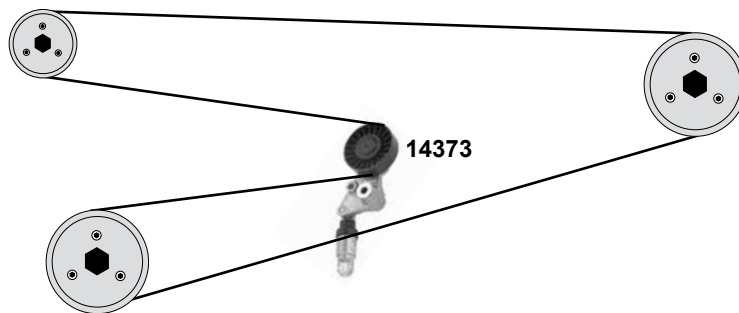
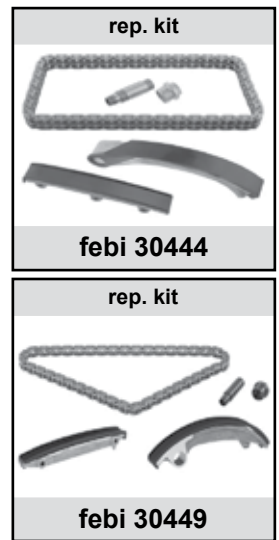
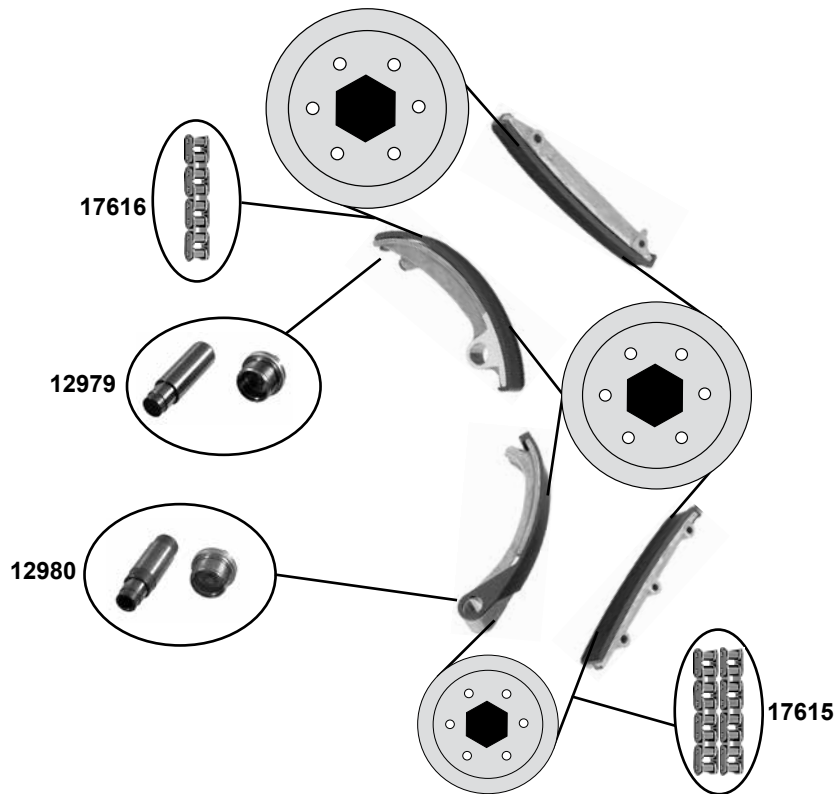
Ref. - No.



<b>10298</b>	55 566 028	tension roller		ØA 64,5 Z 26
<b>10984</b>	93 185 336	timing belt	Z 1,9 DT	Z 190 B 24
<b>23654</b>	93 178 807	deflection pulley		ØA 53 B31
<b>23655</b>	93 185 336 S1	rep. kit timing belt	(mot.) Z 1,9 DT	Z 190 B24
<b>28305</b>	93 178 812 S1	rep. kit timing belt	(mot.) Z 1,9 DTH/DTR	Z 199 B24
<b>28306</b>	93 178 812	timing belt		Z 199 B24
<b>29396</b>	55 562 251	deflection pulley		ØA 70 B 26
<b>31089</b>	55 190 812	tension roller	(ex.) (mot.) Z 1,9 DTL	ØA 65 B26
<b>40898</b>	55 561 330	belt tensioner	(ch.) 71145526→	ØA 65 B 26



**4 Zyl. Diesel**  
(D223)



	Ref. - No.			
<b>12979</b>	24 418 171	chain tensioner	Simplex	ØA 90 B24,4 78 E 80 E
<b>12980</b>	24 418 172	chain tensioner	Duplex	
<b>14373</b>	91 80 809	belt tensioner		
<b>17615</b>	90 529 247	timing chain	Duplex	
<b>17616</b>	90 529 247	timing chain	Simplex	
<b>30444</b>	90 529 247 S1	rep. kit timing chain	Duplex	
<b>30449</b>	90 529 248 S1	rep. kit timing chain	Simplex	



# SAAB 9-5 I

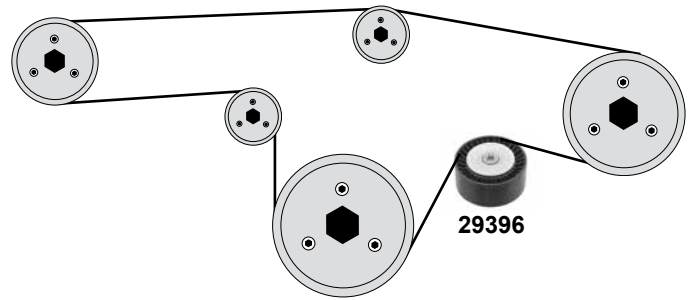
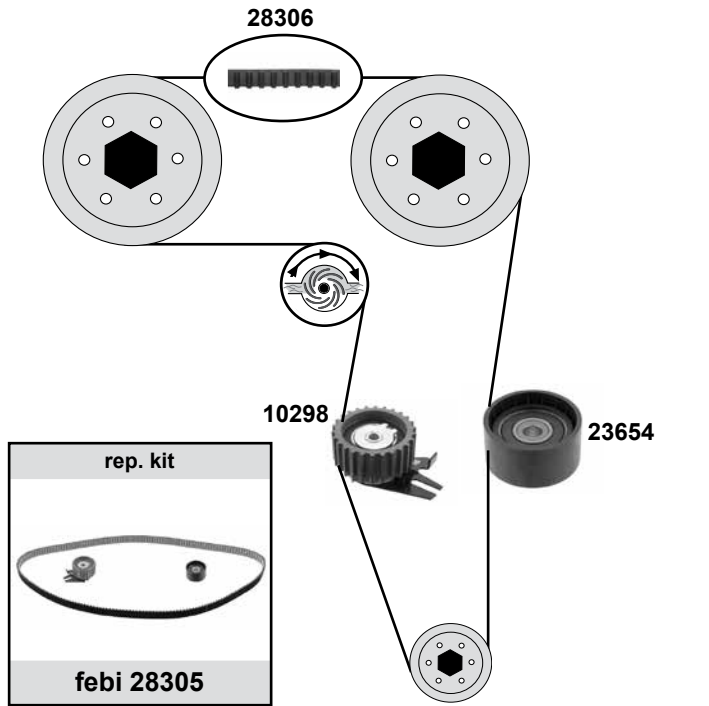
(06→10)

Car  
Division



## 1,9 TID

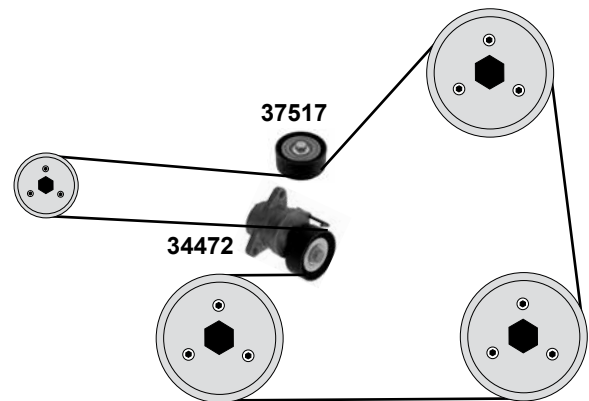
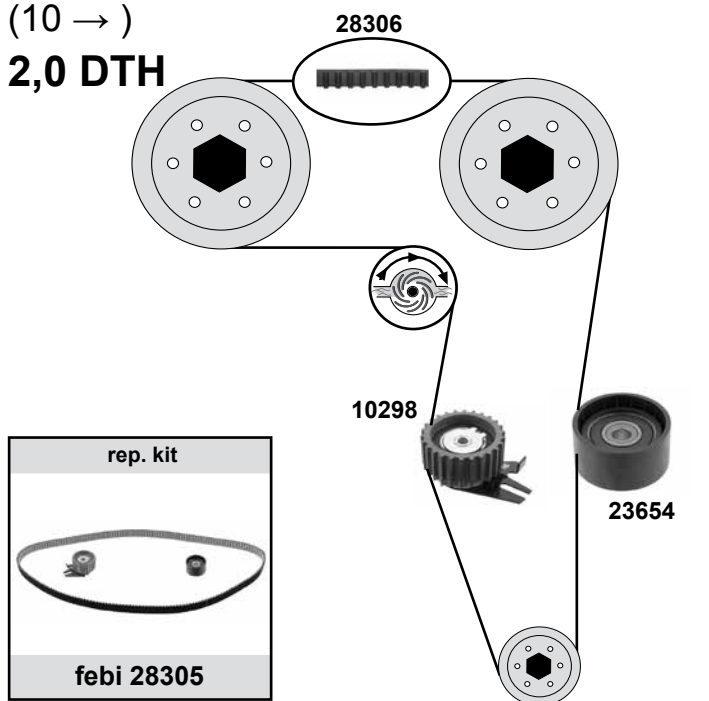
(Z 1,9 DTH)



## 9-5 II

(10 → )

### 2,0 DTH



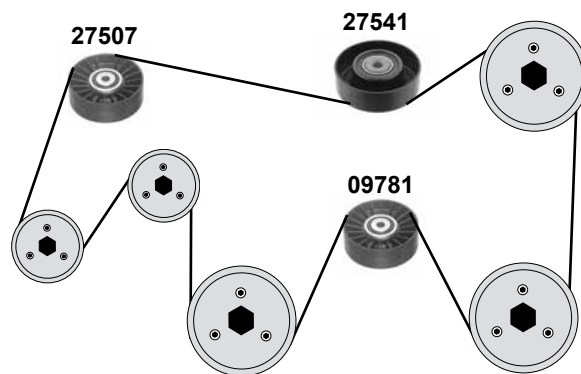
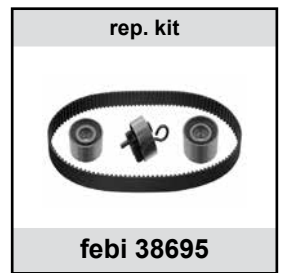
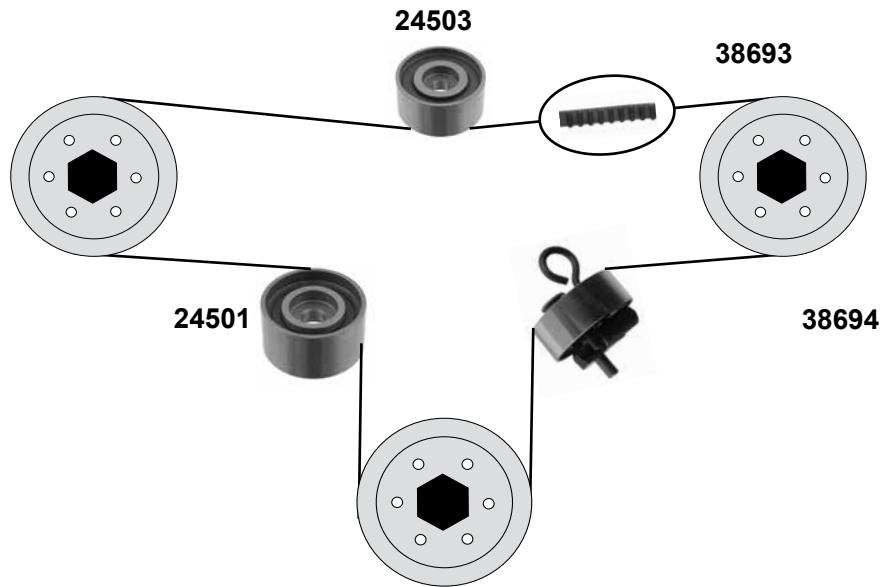
Ref. - No.



10298	55 566 028
23654	93 178 807
28305	93 178 812 S1
28306	93 178 812
29396	55 562 251
34472	55 562 864
37517	55 562 865

tension roller
deflection pulley
rep. kit timing belt
timing belt
deflection pulley
belt tensioner
deflection pulley

ØA 64,5 Z 26
ØA 53 B31
Z 199 B24
ØA 70 B 26
ØA 65



	Ref. - No.			
<b>09781</b>	53 40 617	deflection pulley		ØA 95 ØI10 B 32
<b>24501</b>	59 54 516	deflection pulley		ØA 58 B28
<b>24503</b>	59 54 524	deflection pulley		ØA 58 B28
<b>27507</b>	59 54 763	deflection pulley		ØA 70 ØI 12
<b>27541</b>	59 54 805	deflection pulley		ØA 85 ØI 10
<b>38693</b>	59 54 557	timing belt		Z 116 B25
<b>38694</b>	59 54 508	tension roller		ØA 72 B28
<b>38695</b>	59 545 57 S1	rep. kit timing belt		Z 116 B25

# SEAT Alhambra (7M)

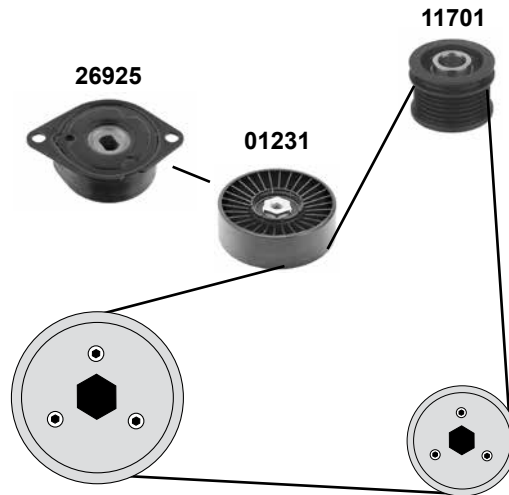
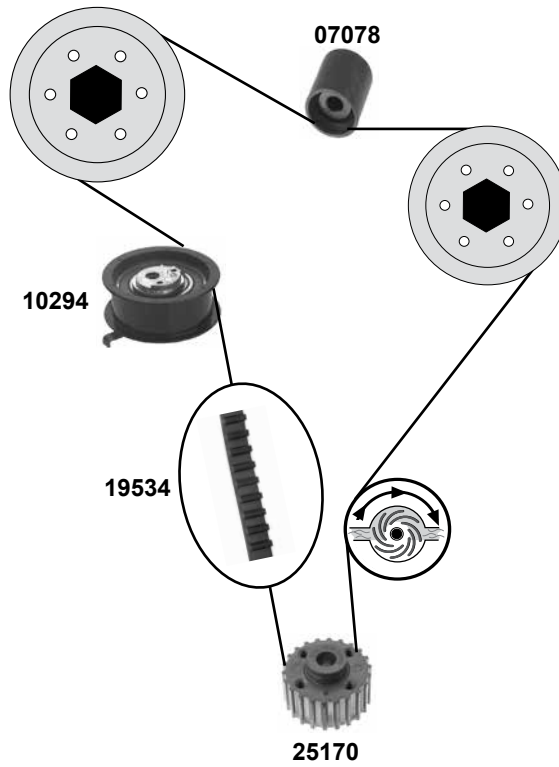
(96→10)

Car  
Division



## 1,9 TDI

(1Z / AHU / AFN / AVG)



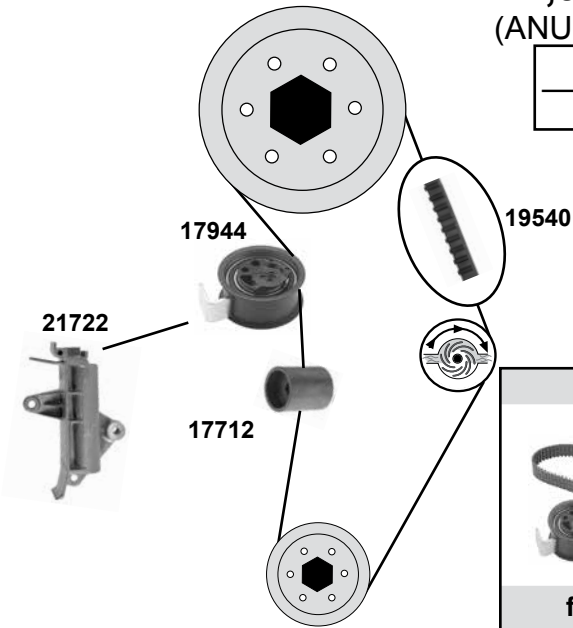
Ref. - No.



<b>01231</b>	028 145 278 E	tension roller	ØA 78 ØI 8 B26
<b>07078</b>	028 109 244	deflection pulley	ØA 28 ØI 8 B31,5
<b>10294</b>	028 109 243 F	tension roller	ØA 67 ØI 8 B25
<b>11701</b>	028 903 119 AA	Freewheel Clutch, generator	
<b>19534</b>	028 109 119 AA	timing belt	Z 137
<b>19554</b>	028 109 119 AA S1	rep. kit timing belt	
<b>25170</b>	028 105 263 D	crankshaft gear	Z 22
<b>26925</b>	028 903 315 R	tension roller	

**1,9 TDI (PD)**  
(ANU / AUY / ASZ)

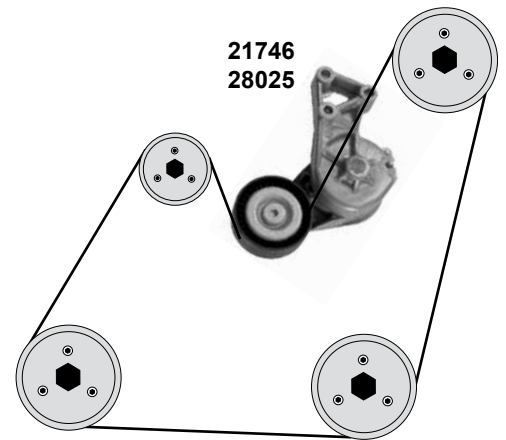
→ **2002**



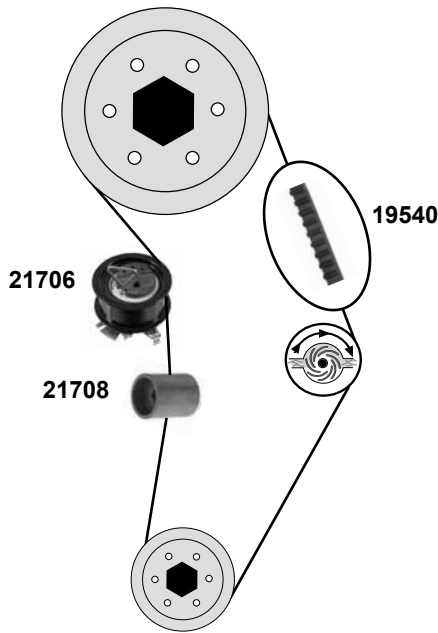
rep. kit

febi 21726

**1,9 / 2,0 TDI (PD)**  
(ANU / AUY / ASZ / BTB / BRT)



**2003** →



rep. kit

febi 21724

(1) (mot.) AUY / ASZ (mot.) ANU 005 001 →

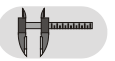
(2) (mot.) BVK → (ch.) 7M-6-506 379 / (mot.) ANU / ASZ / AUY / BTB → (ch.) 7M-9-500 001 / (mot.) BRT 06/00 →

(3) (mot.) ANU / ASZ / BTB 06/00 → (ch.) 7M-8-520 000 / (mot.) AUY 06/00 → (ch.) 7M-6-506 378

(4) (mot.) BRT



Ref. - No.



Ref. - No.	Description	Quantity	Part Number	
17712	deflection pulley	(1)	ØA 28 B34	
17944	tension roller		ØA 72 B35/31	
19540	timing belt		Z 120 B30	
21706	tension roller		ØA 68 B31,5	
21708	deflection pulley		ØA 28 B34	
21722	belt tensioner			
21724	rep. kit timing belt			
21726	rep. kit timing belt			
21746	belt tensioner		(3) (4)	
28025	belt tensioner		(2)	ØA 90 B24,6

# SEAT Alhambra (7N)

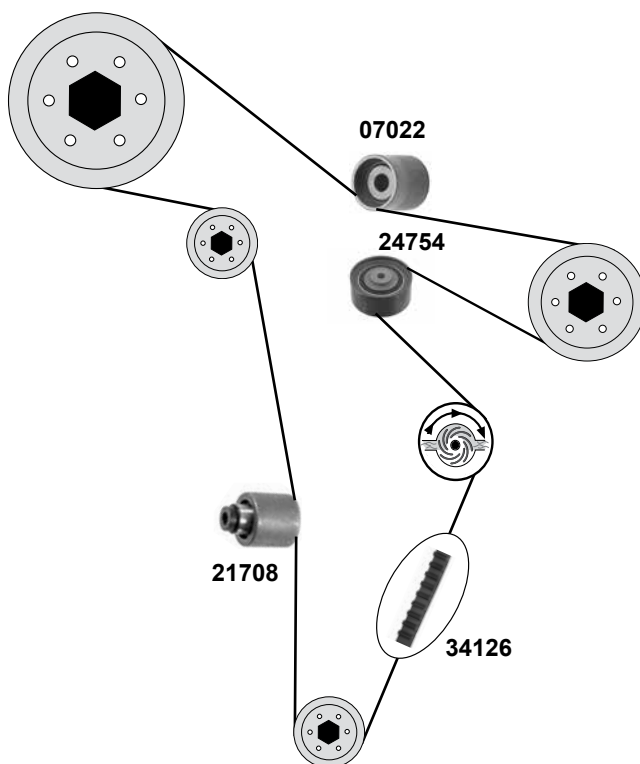
(11→)

Car  
Division



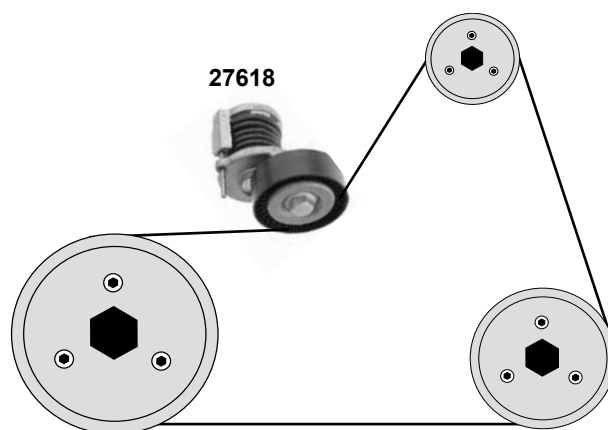
## 2,0 TDI

(CFFA/CFFB/CFGB)



## 2,0 TDI

(CFFA/CFFB/CFGB/CFFE)



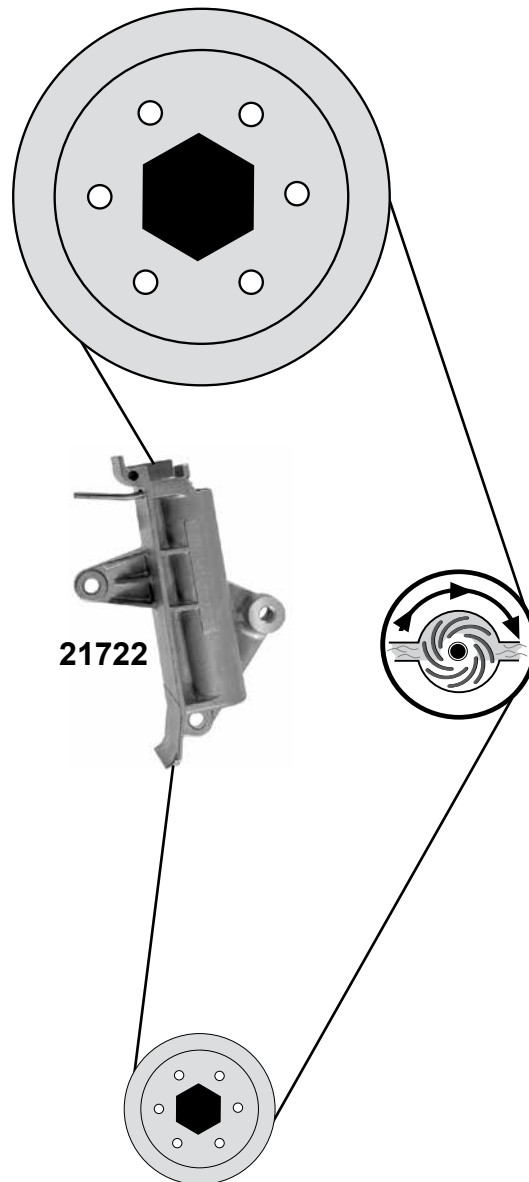
Ref. - No.



<b>07022</b>	03L 109 244 D
<b>21708</b>	038 109 244 J
<b>24754</b>	03G 109 244
<b>27618</b>	038 903 315 AH
<b>34126</b>	03L 109 119 C

deflection pulley
deflection pulley
deflection pulley
tension roller
timing belt

ØA 28 B29
ØA 40 B35
ØA 80 B34
ØA 70 B24
Z 160



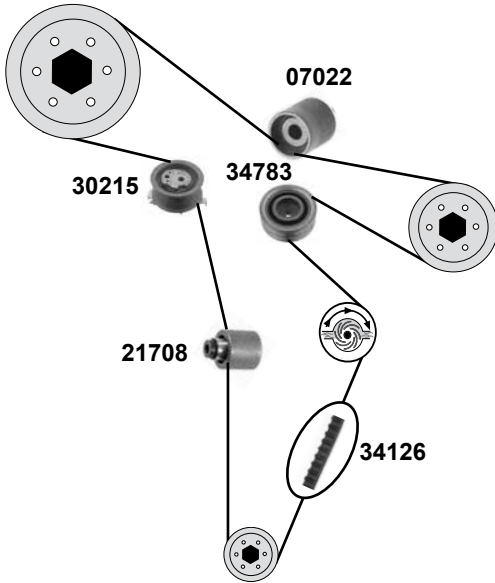
# SEAT Altea (5P)

(04→)

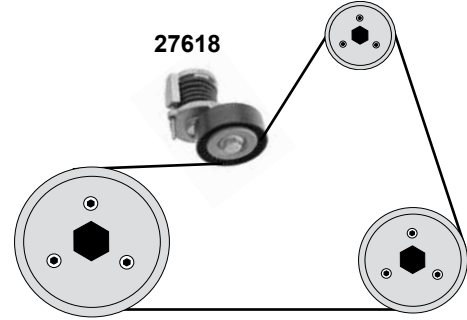
Car  
Division



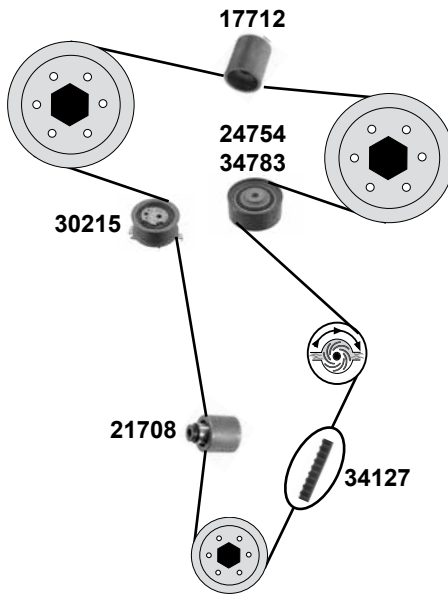
## 1,6 TDI (CAYC/CAYB)



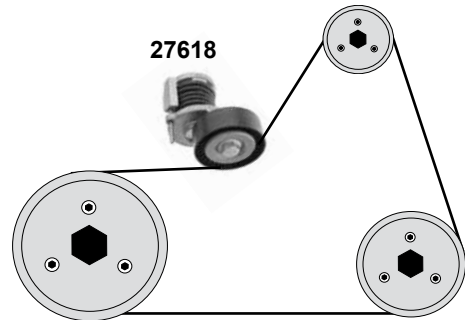
## 1,6 TDI (CAYC)



## 2,0 TDI (CEGA/CFHC/CFJA)



## 2,0 TDI (CEGA/CAYC/CFHC)



(1) (mot.) CAYC 07→  
(mot.) CAYB 11→

(2) (mot.) CAYC/CAYB 07→10  
(mot.) CFHC 04→  
(mot.) CFJA 08→



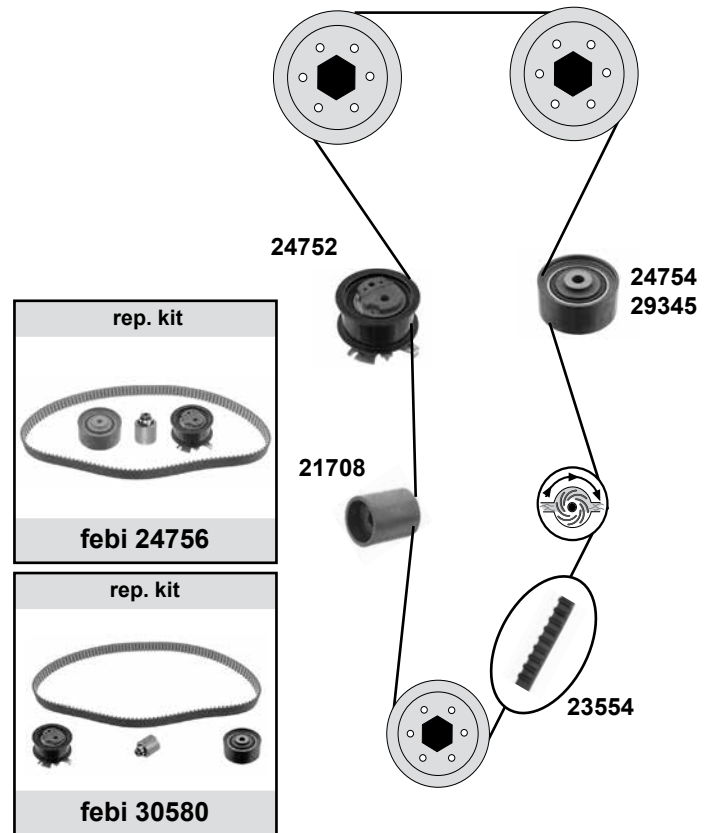
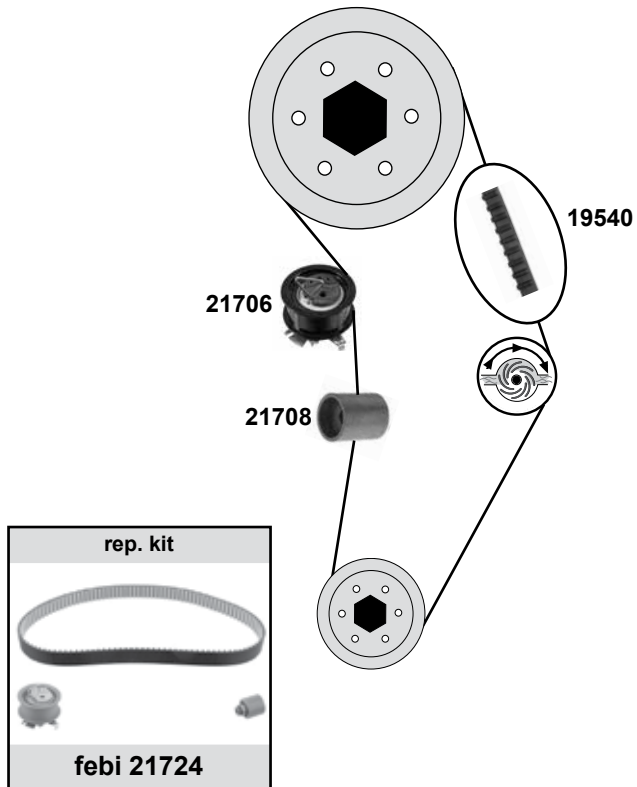
Ref. - No.



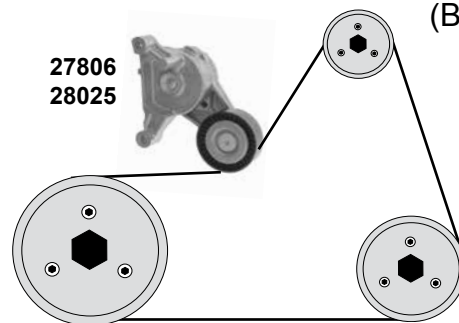
07022	03L 109 244 D	deflection pulley	(mot.) CAYC	ØA 28 B29
17712	03L 109 244 C	deflection pulley	(mot.) CEGA	ØA 28 B34
21708	038 109 244 J	deflection pulley	(mot.) CEGA	ØA 40 B35
24754	038 109 244 J	deflection pulley	(mot.) CEGA	ØA 80 ØI 10 B34
27618	038 903 315 AH	tension roller		ØA 70 B24
30215	03L 109 243 E	tension roller	(mot.) CEGA	ØA68,5 ØI8,5 B35
34126	03L 109 119 C	timing belt	(1)	Z 160
34127	03L 109 119 F	timing belt	(mot.) CEGA	Z 160
34128	03L 198 119	rep. kit timing belt		Z 160
34783	03L 109 244	deflection pulley	(2)	ØA 80 B35,2

**1,9 TDI**  
(BKC / BJB)

**2,0 TDI**  
(AZV / BKD / BMN)



**1,9 / 2,0 TDI**  
(BJB/BKC/BLS/BXE/BXF/AZV/BKD/BMN/BMM)



(1) (mot.) AZV/BKD (ch.) → 5P-7-000 000  
(3) (mot.) BJB/BKC/BLS/BXE/BXF/BMM

(2) (mot.) AZV/BKD (ch.) 5P-7-000 001 →  
(mot.) BMN



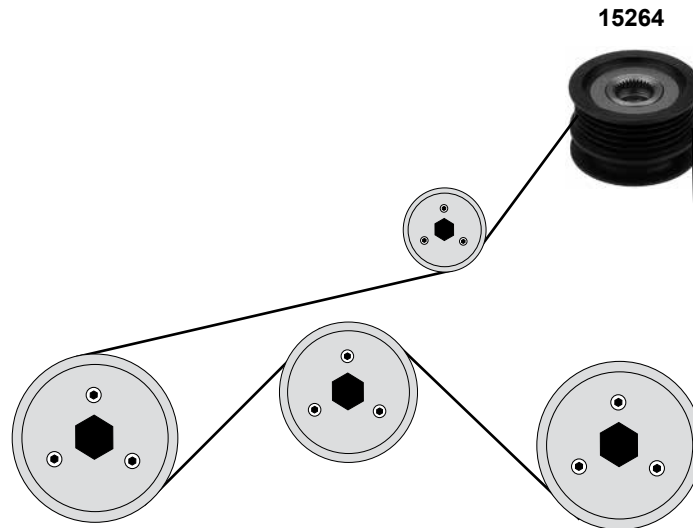
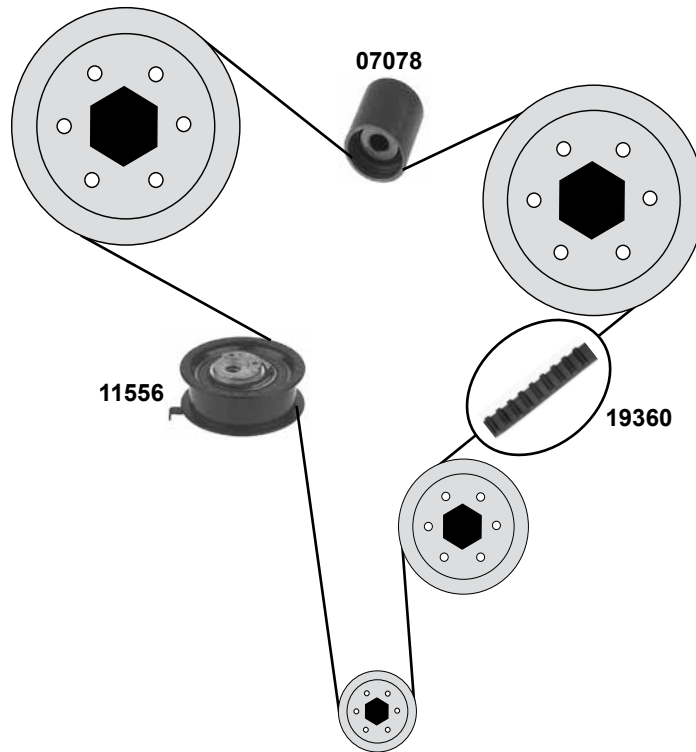
Ref. - No.







19540	038 109 119 P	timing belt		Z 120 B30
21706	038 109 243 M	tension roller		ØA 68 B31,5
21708	038 109 244 J	deflection pulley		ØA 28 B34
21724	038 198 119 A	rep. kit timing belt		
23554	03G 109 119	timing belt		Z 141 B30
24752	03G 109 243	tension roller		ØA 78 B36
24754	03G 109 244	deflection pulley		ØA 28 B34
24756	03G 198 119	rep. kit timing belt	(1)	
27806	03G 903 315 A	belt tensioner	(1)	
28025	03G 903 315 C	belt tensioner	(mot.) AZV/AKB/BMN	
29345	03G 109 244 A	deflection pulley	(3)	ØA 90 B24.6
30580	03G 198 119 A	rep. kit timing belt	(2)	ØA 80 B34,3
			(2)	

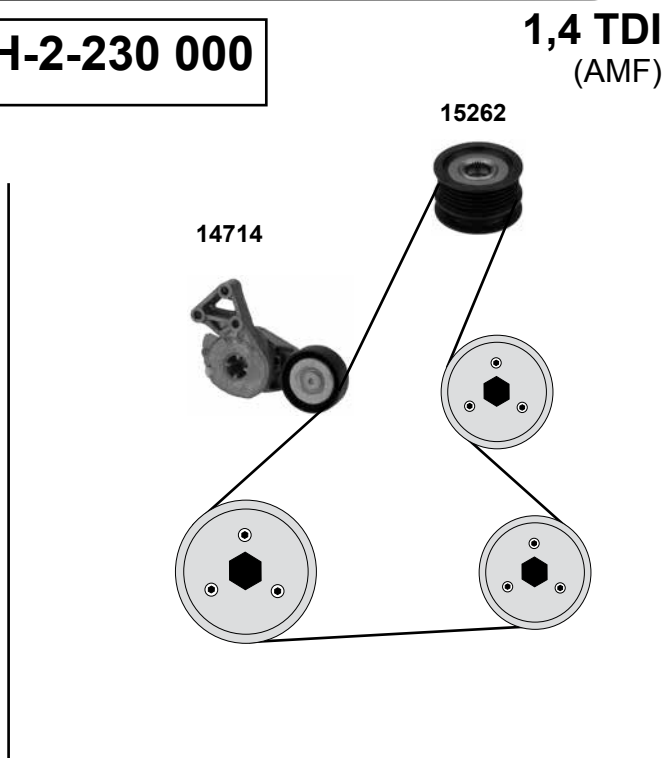
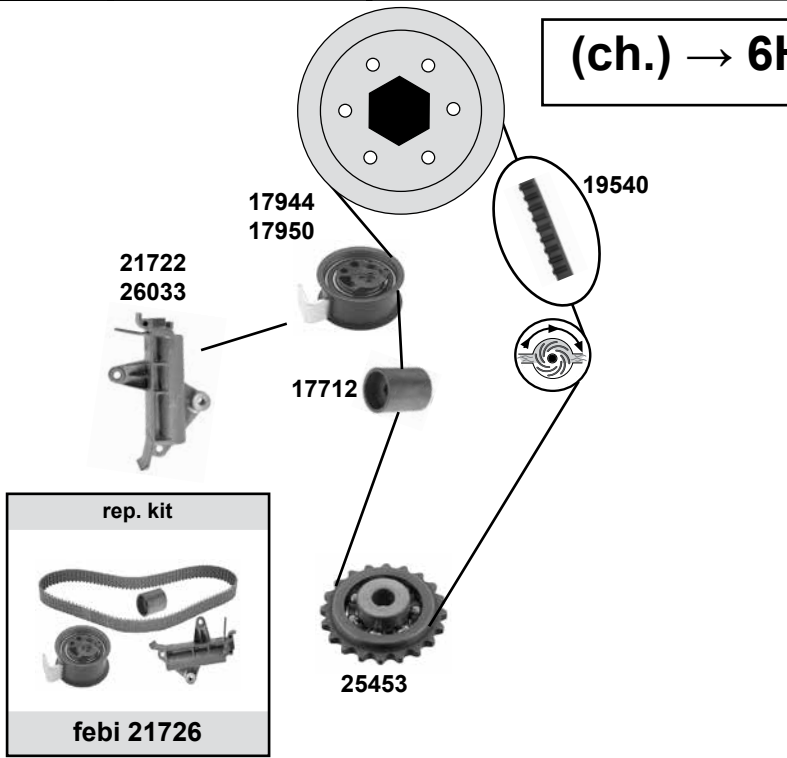


**1.7 SDI**  
 (AKU)

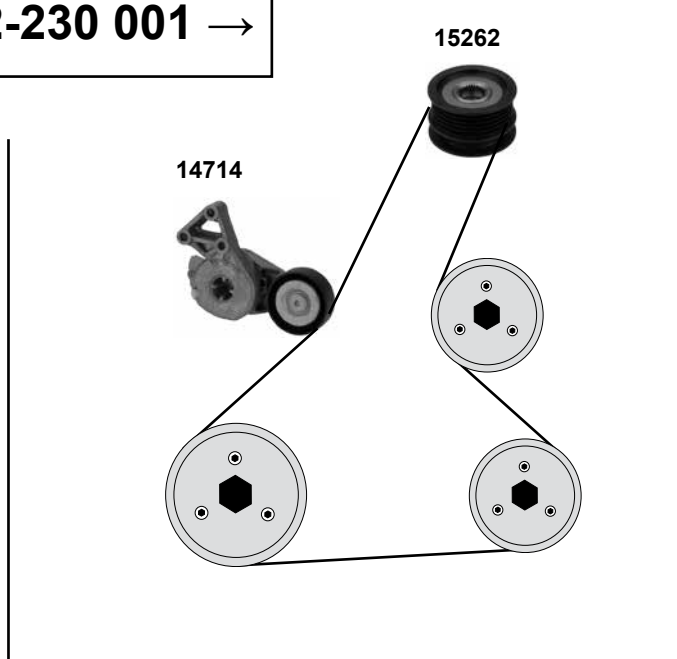
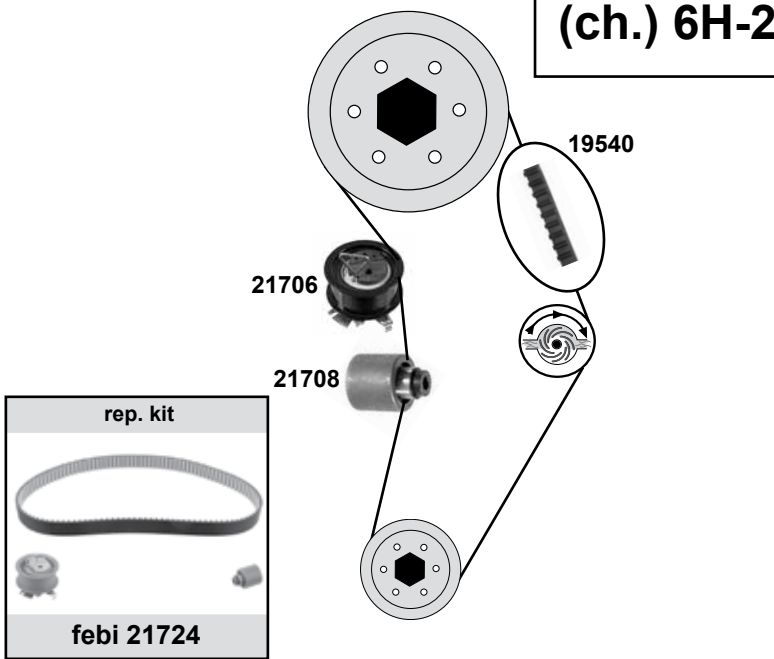


	Ref. - No.			
<b>07078</b>	028 109 244	deflection pulley		ØA 28 ØI 8 B31,5
<b>11556</b>	028 109 243 G	tension roller		ØA 67 ØI 8 B24
<b>15264</b>	038 903 119 Q	belt pulley alternator		Z 137 B23
<b>19360</b>	028 109 119 AC	timing belt		
<b>21236</b>	028 198 119 F	rep. kit timing belt		

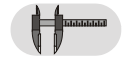
**(ch.) → 6H-2-230 000**



**(ch.) 6H-2-230 001 →**



Ref. - No.

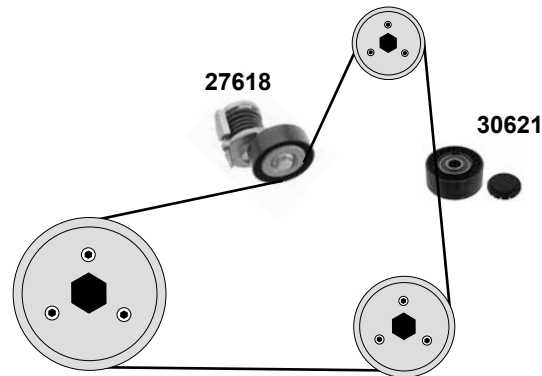
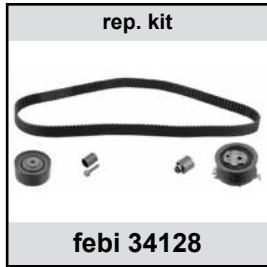
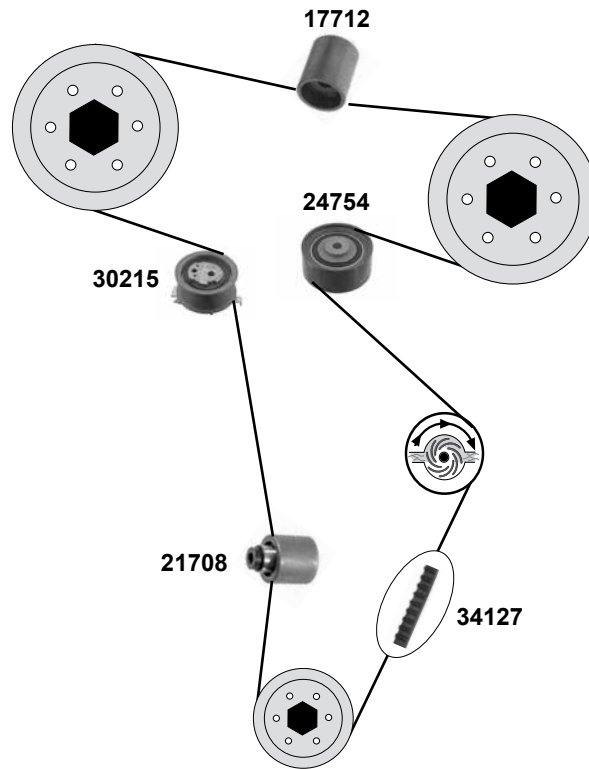






14714	06A 903 315 E	belt tensioner
15262	038 903 119 A	belt pulley alternator
17712	045 109 244 A	deflection pulley
17944	045 109 243 C	tension roller
17950	045 109 243 B	tension roller
19540	038 109 119 P	timing belt
21706	038 109 243 M	tension roller
21708	038 109 244 J	deflection pulley
21722	045 109 479 B	belt tensioner
21724	038 198 119 A	rep. kit timing belt
21726	038 109 119 P S1	rep. kit timing belt
25453	045 103 319 A	sprocket
26033	045 109 479 C	belt tensioner

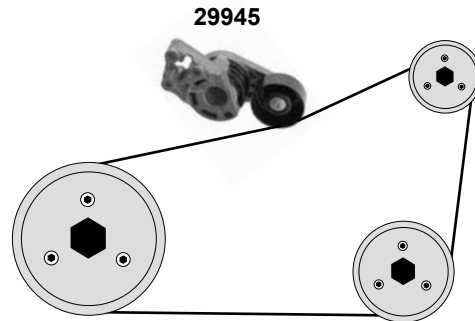
(mot.) AMF 011 495 →  
(mot.) AMF → 011 494  
  
(mot.) AMF 011 495 →  
  
(mot.) AMF → 011 494

ØA 28 B34  
ØA 72 B31/ 35  
ØA 72 B31/ 35  
Z 120 B30  
ØA 68 B31,5  
  
Z 20

**2,0 TDI**  
(CAGA/CAGC/CAHA)

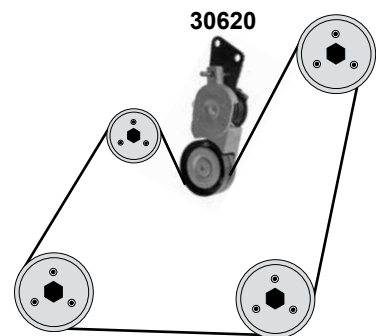
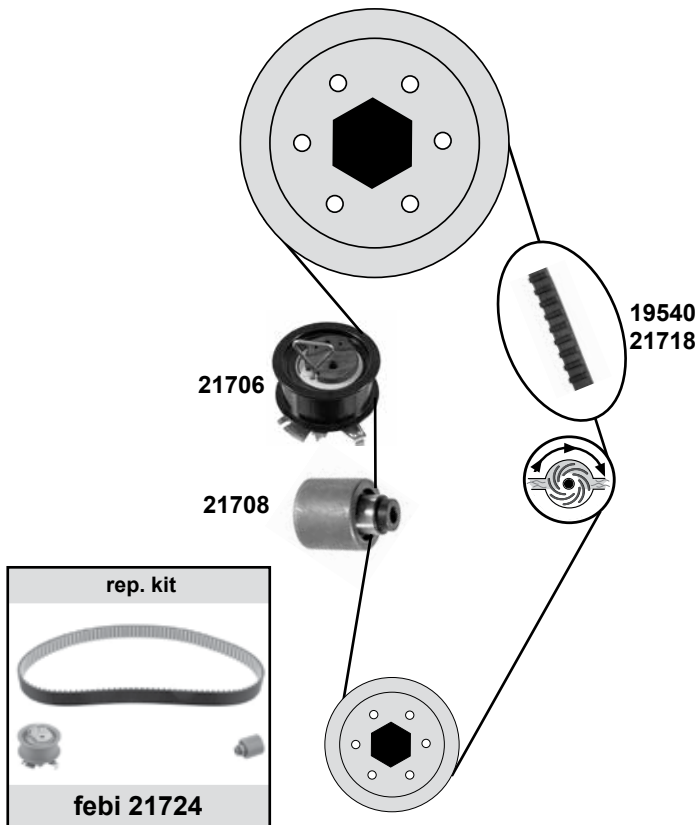


	Ref. - No.			
<b>17712</b>	03L 109 244 C	deflection pulley		ØA 28 B34
<b>21708</b>	038 109 244 J	deflection pulley		ØA 40 B35
<b>24754</b>	038 109 244 J	deflection pulley		ØA 80 Ø1 10 B34
<b>27618</b>	038 903 315 AH	belt tensioner		ØA 70 B24
<b>30215</b>	03L 109 243 E	tension roller		ØA68,5 Ø18,5 B35
<b>30621</b>	03G 145 276	deflection pulley		ØA 70 Ø1 8 B27
<b>34127</b>	03L 109 119 F	timing belt		Z 160
<b>34128</b>	03L 198 119	rep. kit timing belt		Z 160



**1,9 TDI**  
(ATD / ASZ / BPX / ASY)

**1,9 TDI**  
(ASY / ASZ / ATD / AXR / BLT / BPX / BUK)



Ref. - No.



<b>19540</b>	038 109 119 P
<b>21706</b>	038 109 243 M
<b>21708</b>	038 109 244 J
<b>21718</b>	038 109 119 M
<b>21724</b>	038 198 119 A
<b>29945</b>	045 903 315 A
<b>30620</b>	038 903 315 AB

timing belt
tension roller
deflection pulley
timing belt
rep. kit timing belt
belt tensioner
belt tensioner

(ex.) ASY
(ex.) ASY
(ex.) ASY
(mot.) ASY
(ex.) AC

Z 120 B30
ØA 68 B31,5
ØA 28 B34
Z 141 B25
ØA 90 B24,6

# SEAT Ibiza / Cordoba (6K)

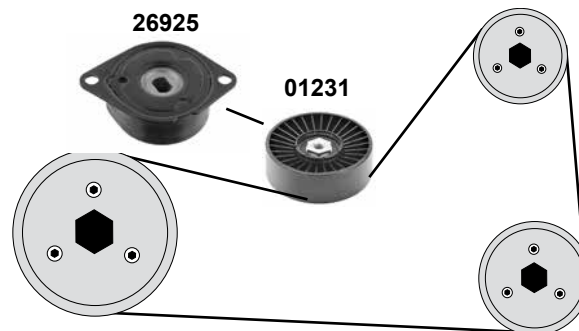
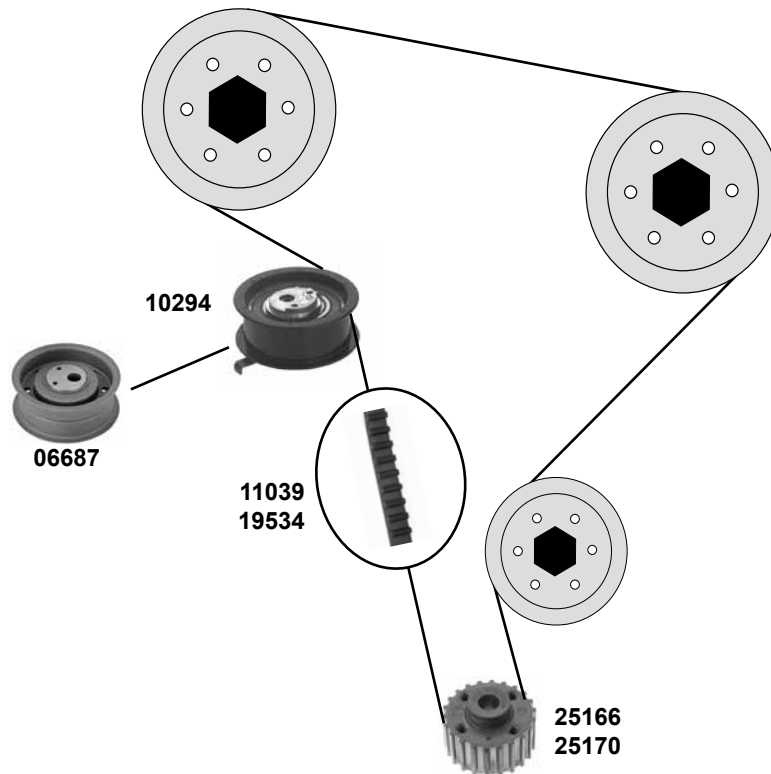
(93→96)

Car  
Division



## 1,9 D / TD

(AAZ / 1Y)



(1) (mot.) AAZ → 552 765  
(mot.) 1Y → 378 364

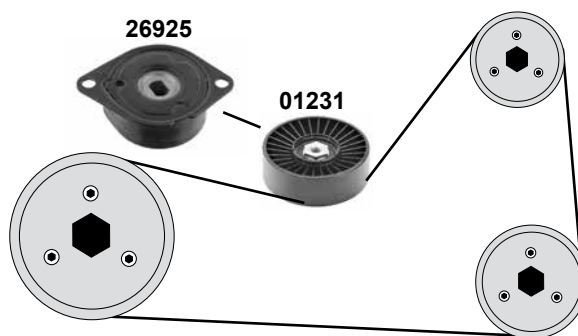
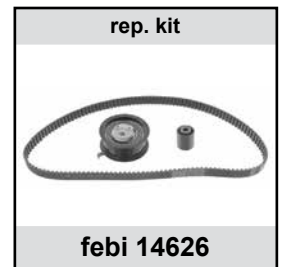
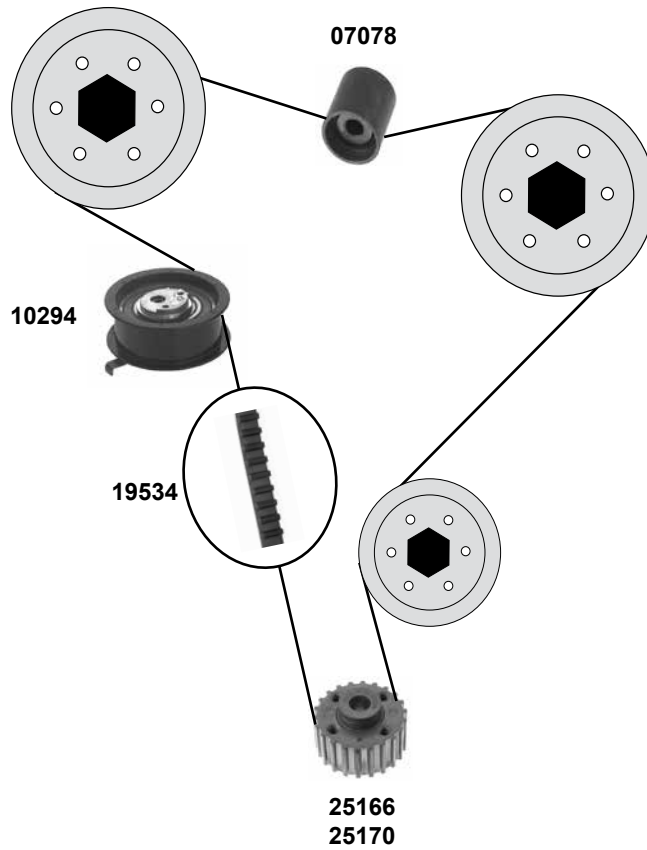
(2) (mot.) AAZ 552 766 →  
(mot.) 1Y 378 364 →



Ref. - No.

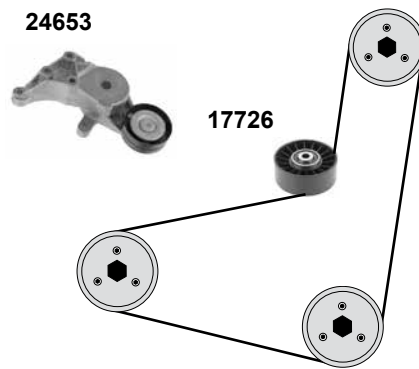
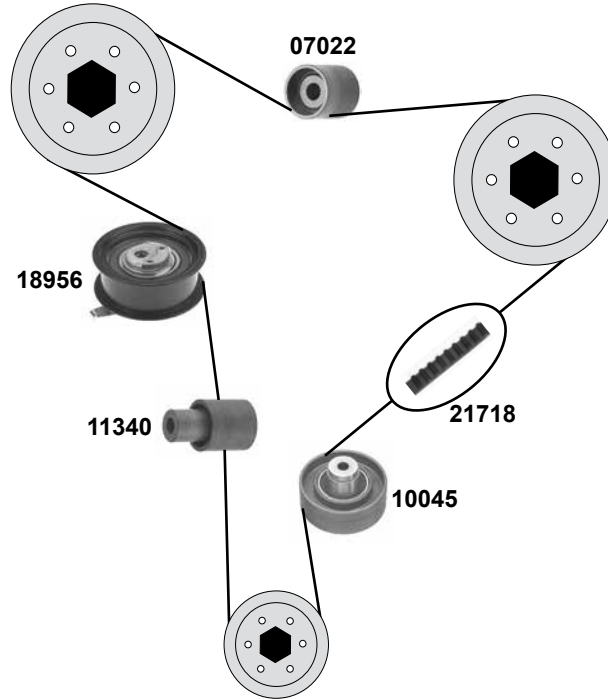


Ref. - No.	Description	Notes	Dimensions
01231	tension roller		ØA 78 ØI 8 B26
06687	tension roller	(1)	ØA 72 ØI 10 B27
10294	tension roller	(2)	ØA 67 ØI 8 B25
11039	timing belt		Z 137 B 25,4
14600	rep. kit timing belt	(1)	
14630	rep. kit timing belt	(2)	
19534	timing belt		Z 137 B25
25166	crankshaft gear		Z 22
25170	crankshaft gear	(ex.) (mot.) 1Y / AAZ	Z 22
26925	tension roller		




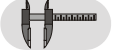


	Ref. - No.			
01231	028 145 278 E	tension roller		ØA 78 ØI 8 B26
07078	028 109 244	deflection pulley		ØA 28 ØI 8 B31,5
10294	028 109 243 F	tension roller		ØA 67 ØI 8 B25
14626	028 109 119 P S3	rep. kit timing belt		
19534	028 109 119 AA	timing belt		Z 137
25166	028 105 263 E	crankshaft gear	(mot.) 1Y / AAZ	
25170	028 105 263 D	crankshaft gear	(ex.) (mot.) 1Y / AAZ	
26925	028 903 315 R	tension roller		

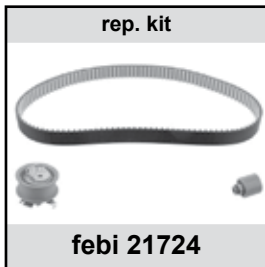
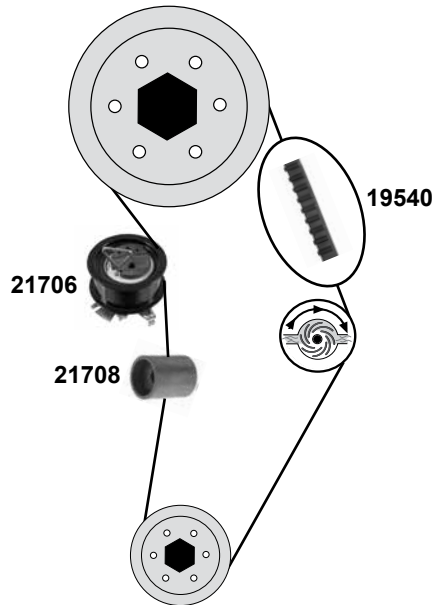
**1,6 TDI / 1,9 SDI / TDI**  
 (AGP / AGR / ALH / AQM / ASV)



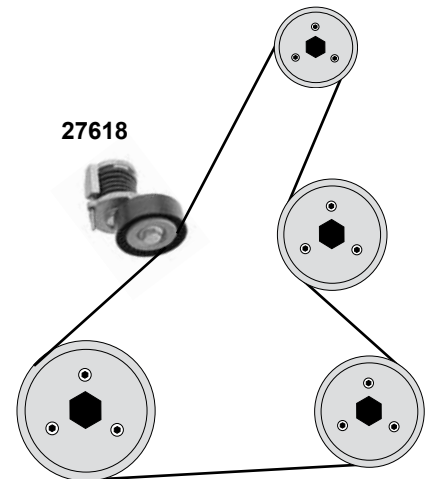
- (1) (ch.)** → 6K-X-499 999  
**(mot.)** 004 132 / 229 903 →
- (2) (mot.)** AGP/AQM  
**(ch.)** 6K-X-400 000 → 6K-X-499 999
- (3) (mot.)** AQM 045 001 → / **(mot.)** ASV 150 001 → / ALH 500 001 →  
**(mot.)** AGR 565 001 → / **(mot.)** AGP 595 001 →

	Ref. - No.			
<b>07022</b>	03L 109 244 D	deflection pulley	<b>(1)</b>	ØA 28 ØI 8 B29
<b>10045</b>	038 109 244 M	deflection pulley	<b>(1)</b>	ØA 80 ØI 10 B29
<b>11340</b>	038 109 244 E	deflection pulley	<b>(1)</b>	ØA 28 ØI 8 B29
<b>17726</b>	038 145 276	deflection pulley	<b>AC</b>	ØA 68 ØI 8 B25
<b>18956</b>	038 109 243 N	tension roller		ØA 68 ØI 8 B25
<b>21718</b>	038 109 119 M	timing belt	<b>(1)</b>	Z 141 B25
<b>21720</b>	038 198 119 E	rep. kit timing belt	<b>(3)</b>	
<b>24653</b>	038 903 315 K	tension roller	<b>(2)</b>	

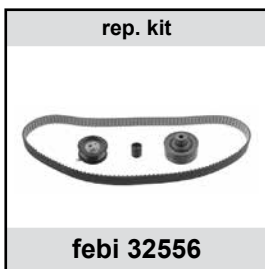
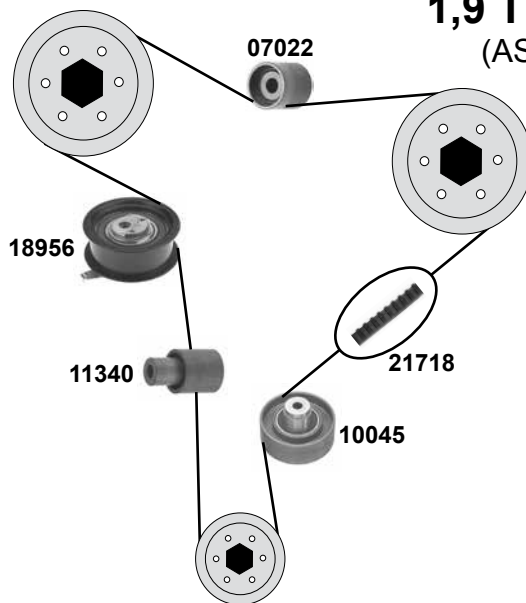
## 1,4 TDI (AMF)



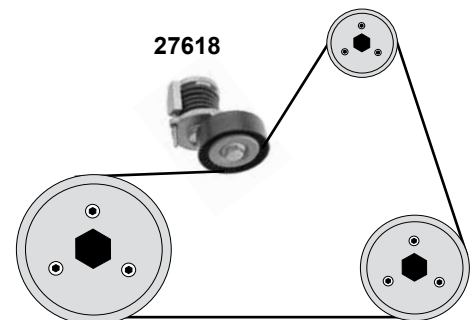
## 1,4 TDI (AMF / BMS)



## 1,9 TDI (ASY)



## 1,9 TDI (ASY / ASZ / ATD / AXR / BLT / BMT)



(1) Cordoba 2003 →  
Ibiza 2002 → 2010

(2) Cordoba 2002 →  
Ibiza 2002 → 2005



Ref. - No.



07022	03L 109 244 D	deflection pulley
10045	038 109 244 M	deflection pulley
11340	038 109 244 E	deflection pulley
18956	038 109 243 N	tension roller
19540	038 109 119 P	timing belt
21706	038 109 243 M	tension roller
21708	038 109 244 J	deflection pulley
21718	038 109 119 M	timing belt
21720	038 198 119 E	rep. kit timing belt
21724	038 198 119 A	rep. kit timing belt
27618	038 903 315 AH	belt tensioner
32556	038 109 119 M S2	rep. kit timing belt

(1)	ØA 28 ØI 8 B29
(2)	ØA 80 ØI 10 B29
	ØA 28 ØI 8 B29
	ØA 68 ØI 8 B25
	Z 120 B30
	ØA 68 B31,5
	ØA 28 B34
	Z 141 B25
(2)	
→ 05	
AC (ex.) AMF	ØA 70 B24

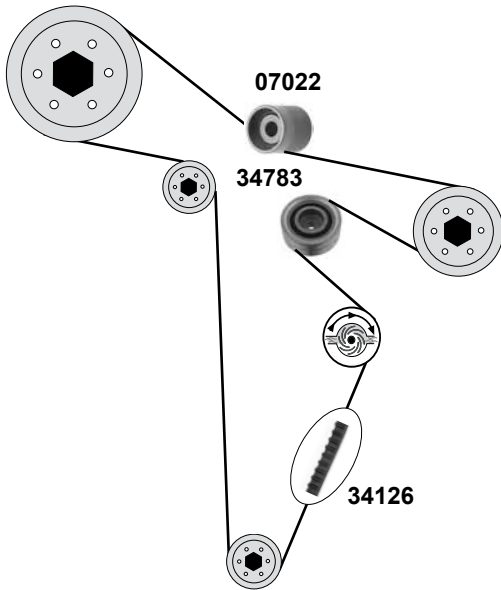


**SEAT**  
**Ibiza (6J)**  
(08→)

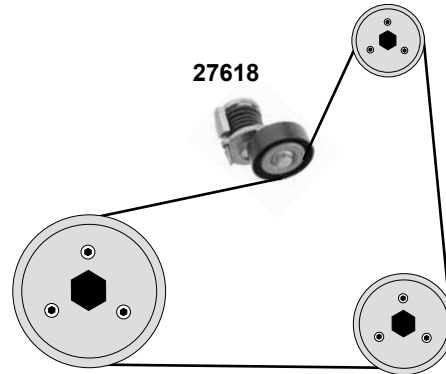
Car  
Division



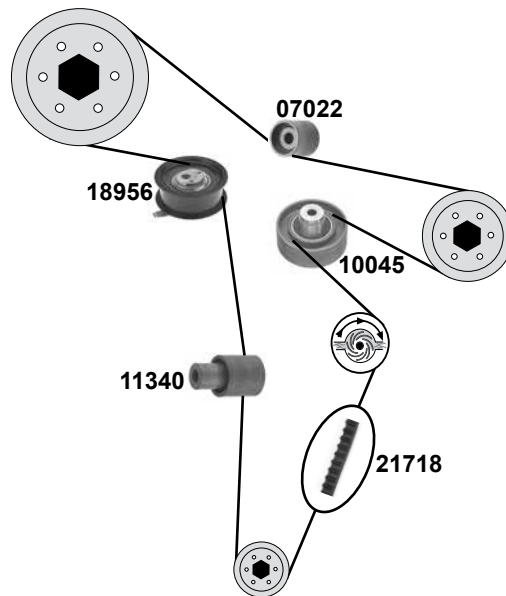
**1,2 / 1,6 / 2,0 TDI**  
(CAYB/CAYC/CFHD/CFWA/CLNA)



**1,2 / 1,4 / 1,6 / 1,9 / 2,0 TDI**  
(CFWA/BMS/CAYB/CAYC/BLS/BXJ/CFHD)



**Inca (6K)**  
(96→03)  
**1,9 SDI**  
(AYQ)

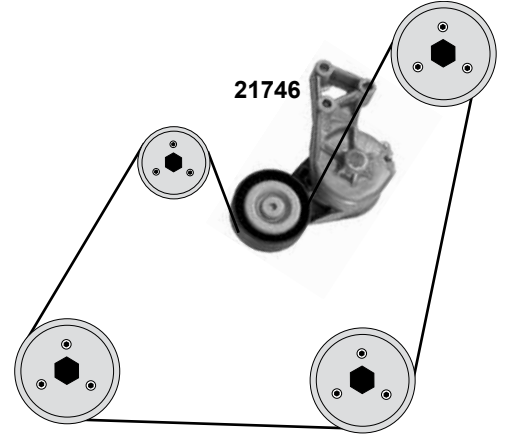
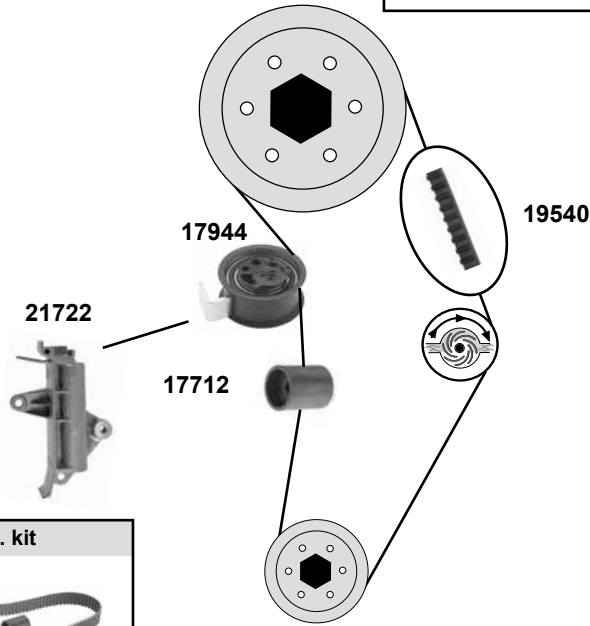


	Ref. - No.			
<b>07022</b>	03L 109 244 D	deflection pulley	(ex.) CAYC	ØA 28 B29
<b>10045</b>	038 109 244 M	deflection pulley		ØA 80 Ø1 10 B29
<b>11340</b>	038 109 244 E	deflection pulley		ØA 28 Ø1 8 B29
<b>18956</b>	038 109 243 N	tension roller		ØA 68 Ø1 8 B25
<b>21718</b>	038 109 119 M	timing belt		Z 141 B25
<b>21720</b>	038 198 119 E	rep. kit timing belt	005 518 →	
<b>27618</b>	038 903 315 AH	belt tensioner	AC	ØA 70 B24
<b>34126</b>	03L 109 119 C	timing belt	(ex.) CAYC	Z 160
<b>34783</b>	03L 109 244	deflection pulley		

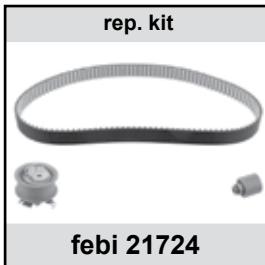
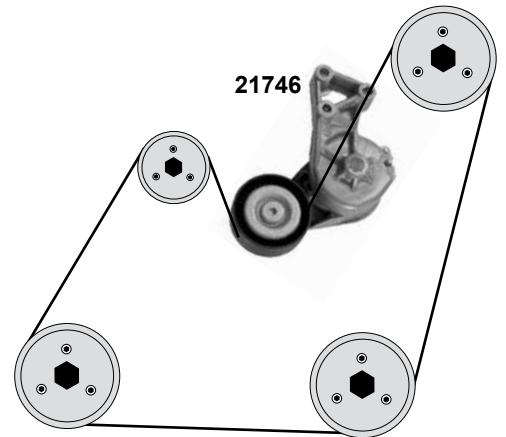
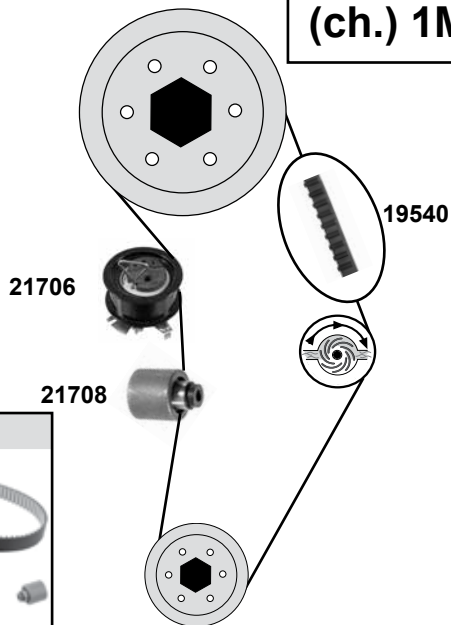


(ch.) → 1M-2-R- 120 000

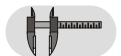
**1,9 TDI (PD)**  
(ARL / ASZ/ AXR)



(ch.) 1M-2-R- 120 001 →

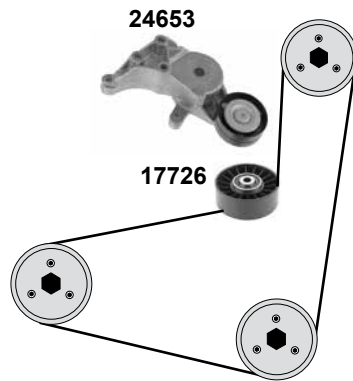
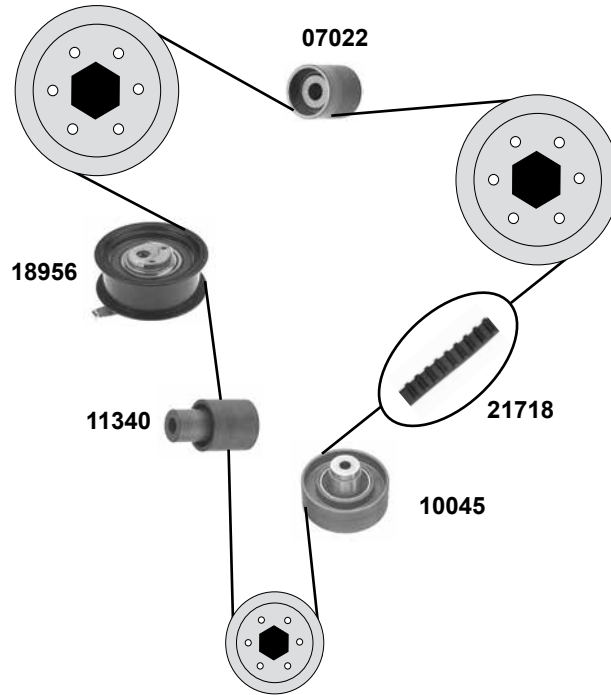


Ref. - No.



17712	045 109 244 A	deflection pulley	(ex.) AXR	ØA 28 B34
17944	045 109 243 C	tension roller	(ex.) AXR	ØA 72 B35/31
19540	038 109 119 P	timing belt	(ex.) AXR	Z 120 B30
21706	038 109 243 M	tension roller	(ex.) AXR	ØA 68 B31,5
21708	038 109 244 J	deflection pulley	(ex.) AXR	ØA 28 B34
21722	045 109 479 B	belt tensioner	(ex.) AXR	
21724	038 198 119 A	rep. kit timing belt	(ex.) AXR	
21726	038 109 119 P S1	rep. kit timing belt	(ex.) AXR	Z 120
21746	038 903 315 F	belt tensioner	(ex.) AXR	

**1,9 SDI / TDI**  
 (AGP / AGR / ALH / AQM / ASV / AHF)



(1) (mot.) 030 000 →  
 (ex.) (mot.) AGP / CAYC

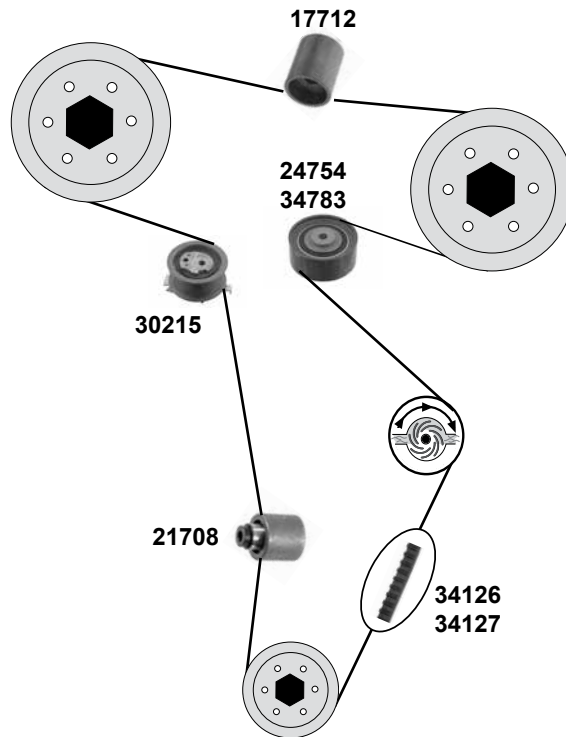
(2) (ex.) (mot.) AHF / CAYC

(3) (mot.) AQM 045 001 → / (mot.) ASV 150 001 → / ALH 500 001 →  
 (mot.) AGR 565 001 → / (mot.) AGP 595 001 →

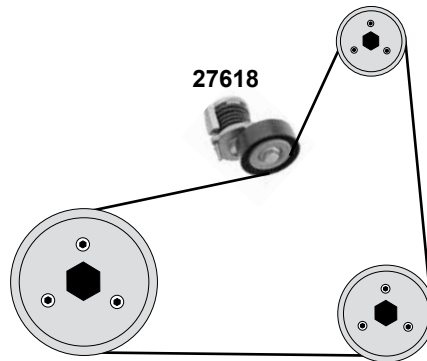


Ref. - No.				
<b>07022</b>	03L 109 244 D	deflection pulley	(1)	ØA 28 ØI 8 B29
<b>10045</b>	038 109 244 M	deflection pulley	(1)	ØA 80 ØI 10 B29
<b>11340</b>	038 109 244 E	deflection pulley	(1)	ØA 28 ØI 8 B29
<b>17726</b>	038 145 276	deflection pulley	(2) AC	ØA 68 ØI 8 B25
<b>18956</b>	038 109 243 N	tension roller	(ex.) AGP	ØA 68 ØI 8 B25
<b>21718</b>	038 109 119 M	timing belt	(ex.) AGP	Z 141 B25
<b>21720</b>	038 198 119 E	rep. kit timing belt	(3)	
<b>24653</b>	038 903 315 K	tension roller	02→ (mot.) AQM	

**1,6 / 2,0 TDI**  
( AZV / BKD / BMN / CAYC / CEGA / CAYB / CFHC / CFJA / CLCB )



**1,6 / 2,0 TDI**  
( CAYC / CEGA / CFHC / CFJA / CLCB )



- (1) (mot.) AZV/BKD → 1P-7-000 000  
(mot.) BMN / CEGA
- (2) (mot.) CAYC 06 → 10  
(mot.) CAYB 11 →
- (3) (mot.) CAYB / CAYC / CFHC / CFJA / CLCB



Ref. - No.



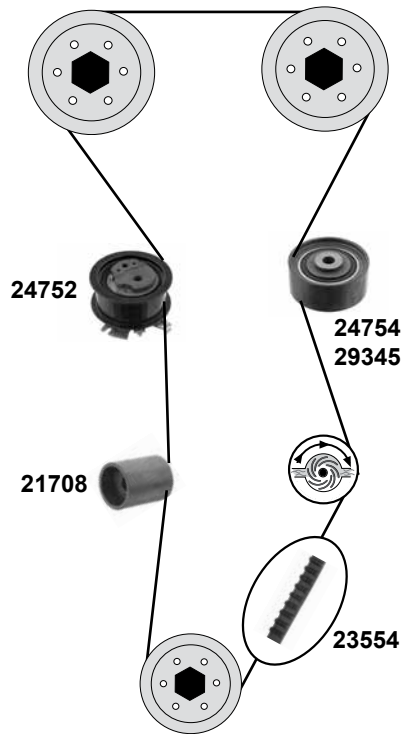
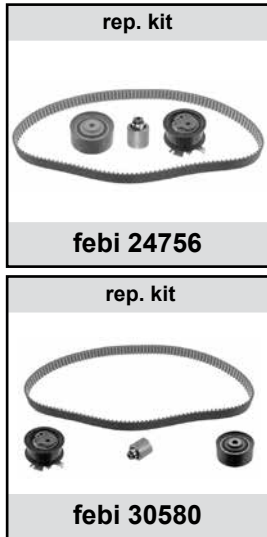
Ref. - No.	Description	Motor	Dimensions
17712	deflection pulley	(mot.) CEGA	
21708	deflection pulley	(mot.) CEGA	ØA 28 B34
24754	deflection pulley	(1)	ØA 80 B34
27618	belt tensioner		ØA 70 B24
30215	tension roller	(mot.) CEGA	
34126	timing belt	(2)	Z 160
34127	timing belt	(mot.) CEGA	
34128	rep. kit timing belt	(mot.) CEGA	
34783	deflection pulley	(3)	

# SEAT Leon (1P1) (05→)

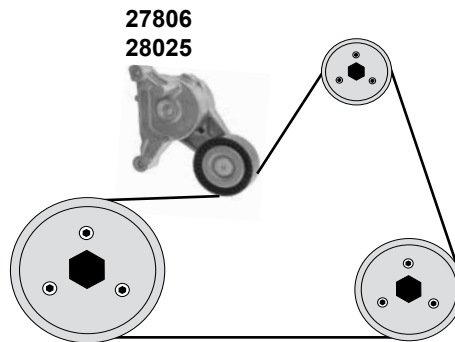
Car  
Division



## 2,0 TDI (AZV / BKD / BMN / CEGA)



## 1,9 / 2,0 TDI (AZV/BKD/BMN BKC/BLS/BXE/BXF/BMM)



(1) (mot.) AZV/BKD →1P-7-000 000  
(mot.) BMN / CEGA

(2) (mot.) AZV/BKD 1P-7-000 001→  
(mot.) BMN

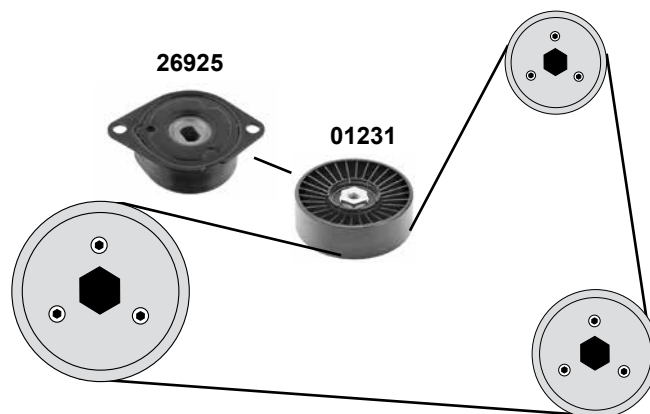
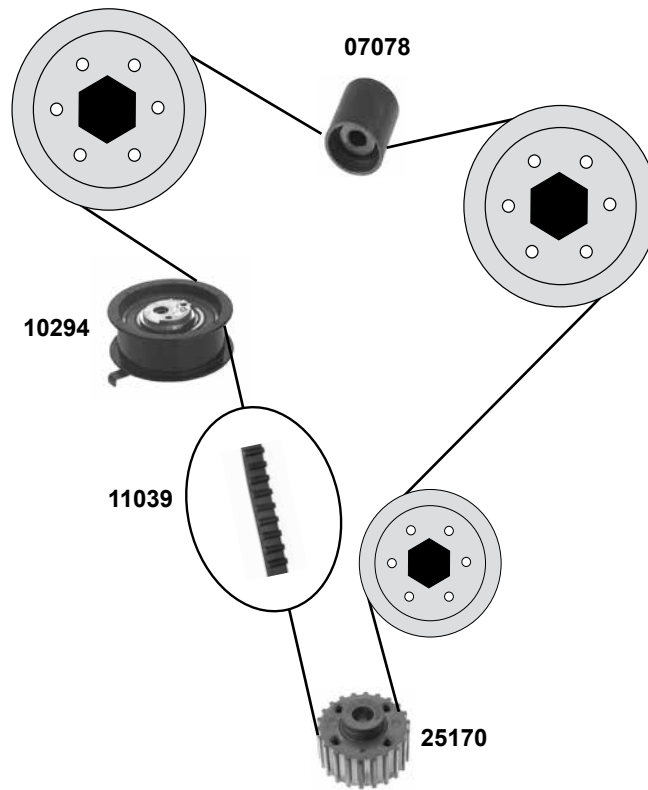
(3) (mot.) BKC/BLS/BXE/BXF/BMM



Ref. - No.



Ref. - No.	Description	Notes	Dimensions
21708	038 109 244 J deflection pulley	(mot.) CEGA	ØA 28 B34
23554	03G 109 119 timing belt		Z 141 B30
24752	03G 109 243 tension roller	(ex.) (mot.) CEGA	ØA 78 B36
24754	03G 109 244 deflection pulley	(1)	ØA 80 B34
24756	03G 198 119 rep. kit timing belt	(1)	
27806	03G 903 315 A tension roller	(mot.) AZV/AKB/BMN	
28025	03G 903 315 C belt tensioner	(3)	ØA 90 B24,6
29345	03G 109 244 A deflection pulley	(2)	ØA 80 B34,3
30580	03G 198 119 A rep. kit timing belt	(2)	



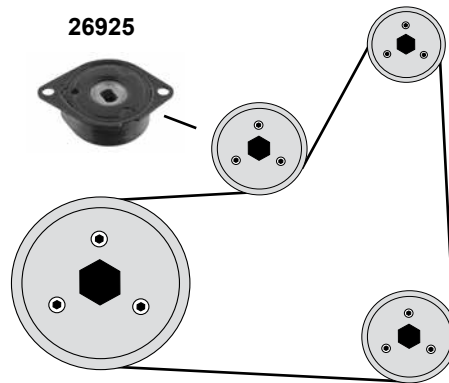
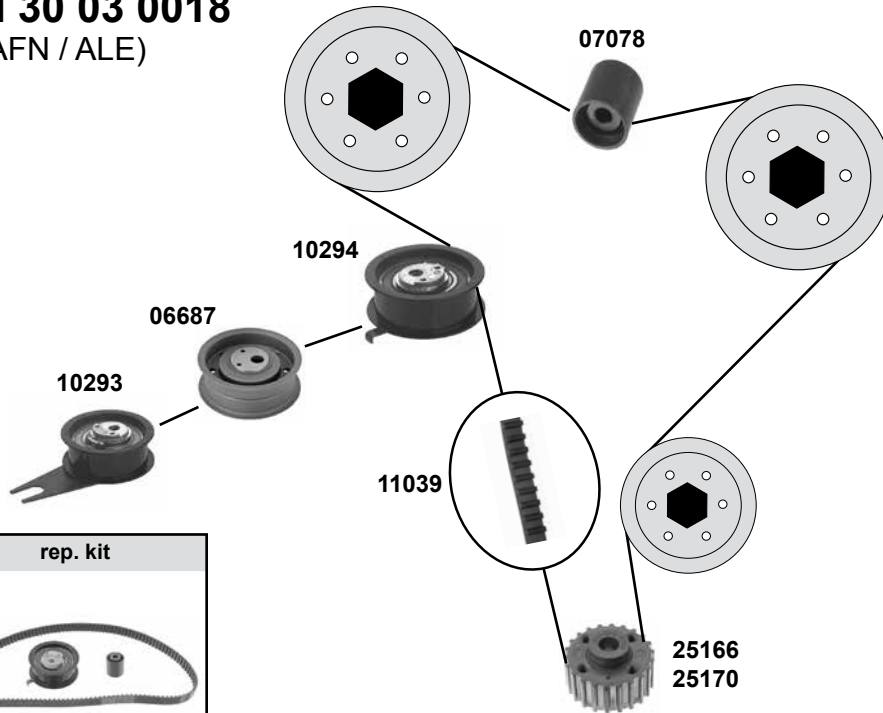
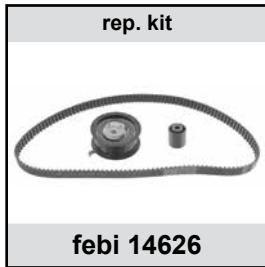
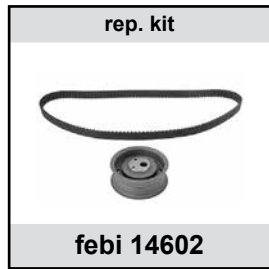
	Ref. - No.			
<b>01231</b>	028 145 278 E	tension roller		ØA 78 ØI 8 B26
<b>07078</b>	028 109 244	deflection pulley		ØA 28 ØI 8 B31,5
<b>10294</b>	028 109 243 F	tension roller		ØA 67 ØI 8 B25
<b>11039</b>	028 109 119 P	timing belt		Z 137 B25,4
<b>14626</b>	028 109 119 P S3	rep. kit timing belt		
<b>25170</b>	028 105 263 D	crankshaft gear		Z 22
<b>26925</b>	028 903 315 R	tension roller	(ex.) (mot.) AHU	

# SEAT Toledo 1 (1L) (97→99)

Car  
Division 



## 1,9 TD / TDI / SDI 30 03 0018 (AAZ / 1Y / 1Z / AHU / AFN / ALE)



(1) (mot.) 1Z → 289 575  
AHU → 136 385  
AFN → 136 733

(2) (mot.) AAZ → 634 078  
1Y → 705 902

(4) (mot.) 1Y / AAZ

(3) (mot.) 1Y 705 903 →  
AHU 136 386 →  
AAZ 634 079 →  
AFN 136 734 →  
1Z 289 577 →

(5) (mot.) AFN / AHU / 1Z

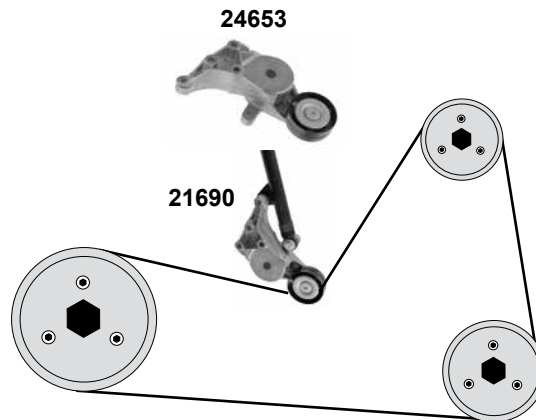
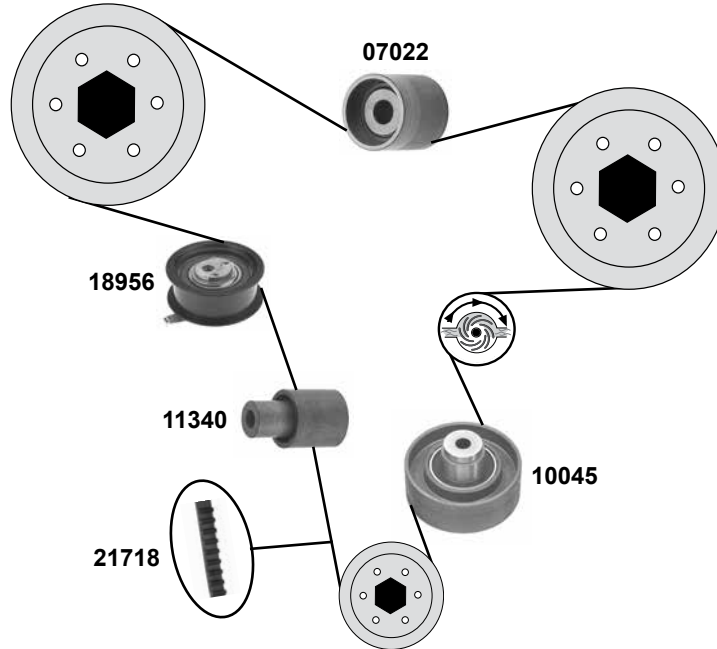


Ref. - No.



Part No.	Description	Quantity	Dimensions
06687	tension roller	(2)	ØA 72 B27
07078	deflection pulley	(1)	ØA 28 ØI 8 B31,5
10293	tension roller	(3)	ØA 67 ØI 8 B25
10294	tension roller	(3)	ØA 67 ØI 8 B25
11039	timing belt	(2)	Z 137 B25,4
14602	rep. kit timing belt	(1)	
14620	rep. kit timing belt	(3)	
14626	rep. kit timing belt	(4)	
25166	crankshaft gear	(5)	Z 22
25170	crankshaft gear		Z 22
26925	tension roller		

(mot.) 030 000 →



(1) (mot.) AQM 045 001 → / (mot.) ASV 150 001 → / ALH 500 001 →  
(mot.) AGR 565 001 → / (mot.) AGP 595 001 →



Ref. - No.



**07022** 03L 109 244 D  
**10045** 038 109 244 M  
**11340** 038 109 244 E  
**18956** 038 109 244 N  
**21690** 038 903 315 C  
**21718** 038 109 119 M  
**21720** 038 198 119 E  
**24653** 038 903 315 K

deflection pulley  
deflection pulley  
deflection pulley  
tension roller  
belt tensioner  
timing belt  
rep. kit timing belt  
tension roller

(ex.) (mot.) AQM

(1)  
02→04 (mot.) AQM

ØA 28 ØI 8 B29  
ØA 80 ØI 10 B29  
ØA 28 ØI 8 B29  
ØA 68 ØI 8 B25  
Z 141



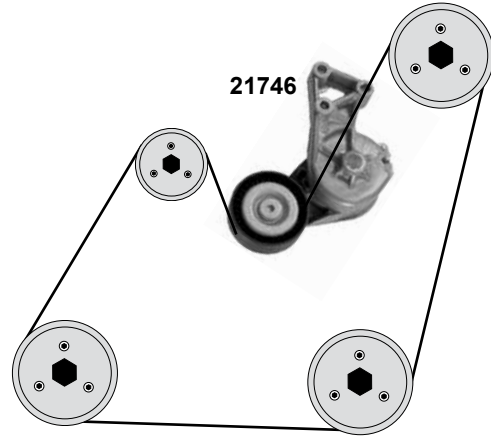
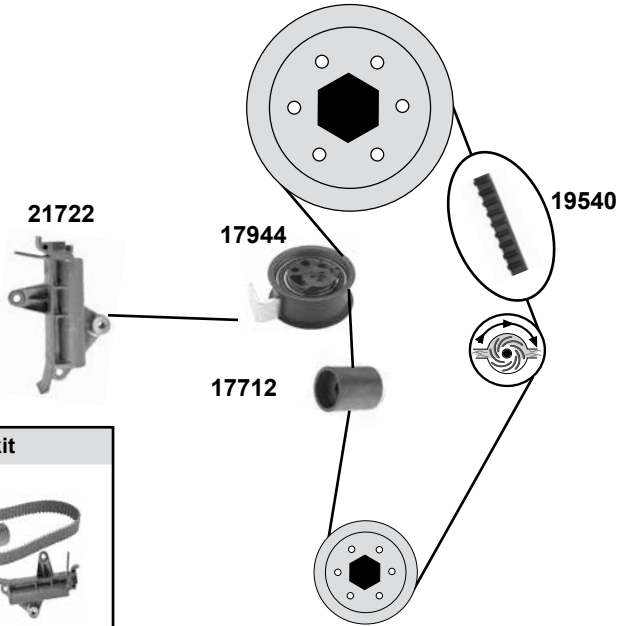
**SEAT**  
**Toledo 2 (1M)**  
 (99→06)

Car  
 Division

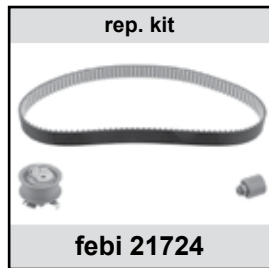
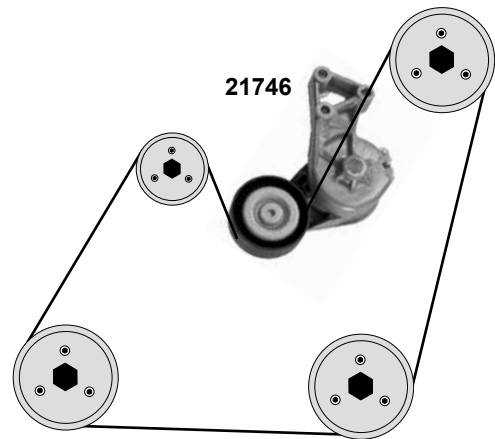
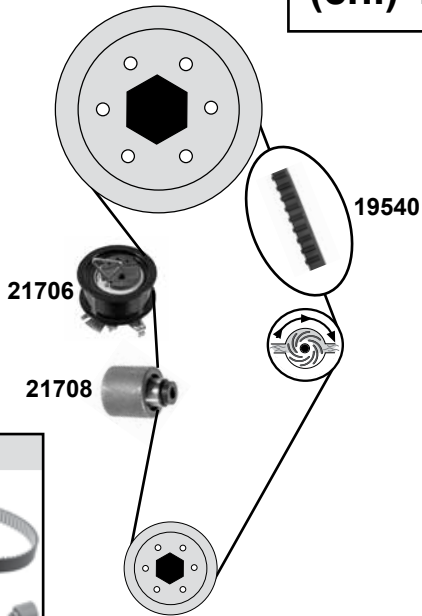


**1,9 TDI (PD)**  
 (ARL / ASZ)

(ch.) → 1M-2-R- 120 000

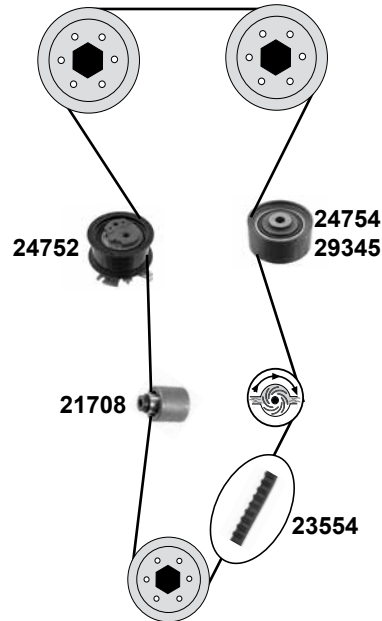
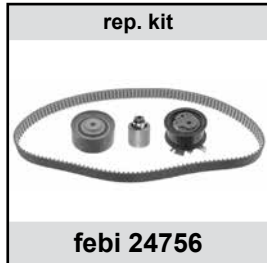


(ch.) 1M-2-R- 120 001 →

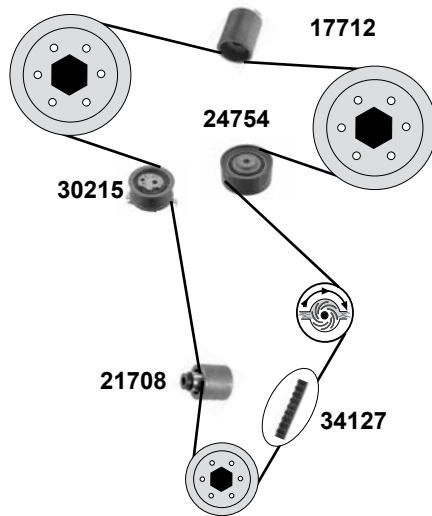
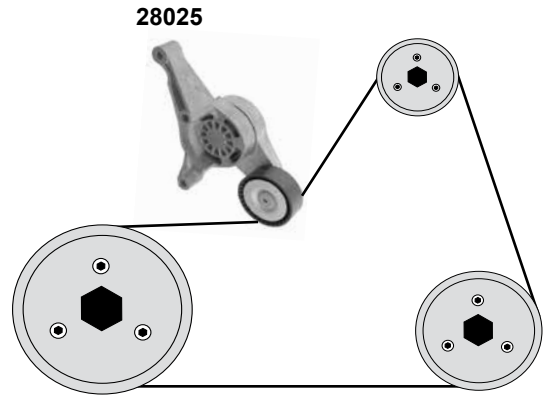


	Ref. - No.			
17712	045 109 244 A	deflection pulley		ØA 28 B34
17944	045 109 243 C	tension roller		ØA 72 B35/31
19540	038 109 119 P	timing belt		Z 120 B30
21706	038 109 243 M	tension roller		ØA 68 B36/31,5
21708	038 109 244 J	deflection pulley		ØA 40 B35
21722	045 109 479 B	belt tensioner		
21724	038 198 119 A	rep. kit timing belt		
21726	038 109 119 P S1	rep. kit timing belt		
21746	038 903 315 F	belt tensioner		

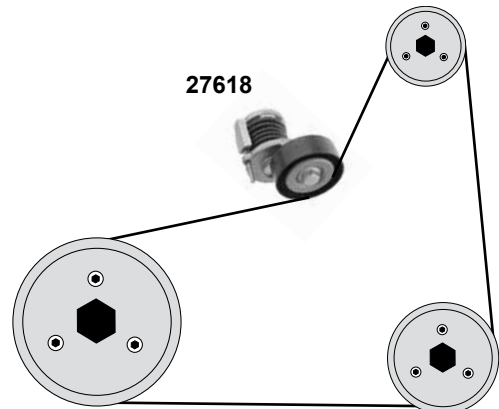
## 2,0 TDI (AZV / BKD / BMN)



## 1,9 / 2,0 TDI (BMM/BXE/BLS/BKC/BJB/AZV/BKD/BMN)



## 2,0 TDI (CEGA)



(1) (mot.) AZV/BKD → 5P-7-032 500  
(mot.) BMN  
(mot.) CEGA → 09

(2) (mot.) AZV/BKD 5P-7-032 501 →  
(mot.) BMN

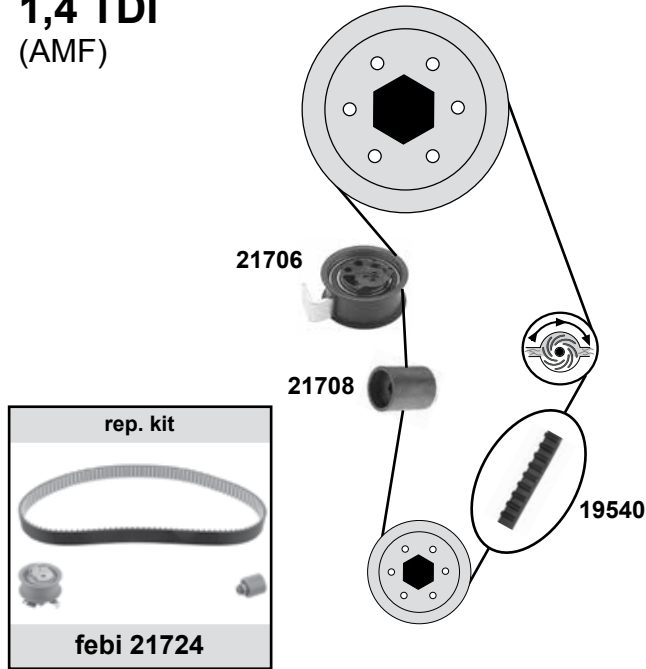


Ref. - No.

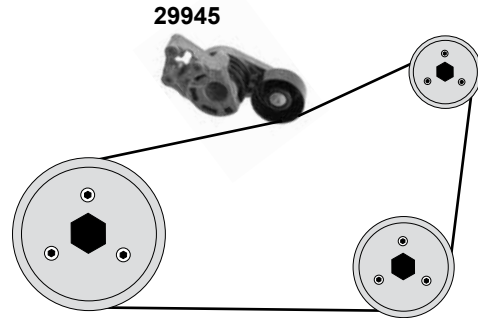


Ref. - No.	Description	Part No.	Dimensions
17712	deflection pulley	→ 09	ØA 28 B34
21708	deflection pulley	→ 09	ØA 28 B34
23554	timing belt		Z 141 B30
24754	deflection pulley	(1)	ØA 80 B34
24756	rep. kit timing belt	(1)	
24752	tension roller		ØA 78 B36
27618	belt tensioner	AC	ØA 70 B24
28025	belt tensioner		ØA 90 B24,6
29345	deflection pulley	(2)	ØA 80 B34,3
30215	tension roller	→ 09	ØA 68,5 Ø18,5 B35
30580	rep. kit timing belt	(2)	
34127	timing belt	→ 09	Z 160 B30
34128	rep. kit timing belt	→ 09	

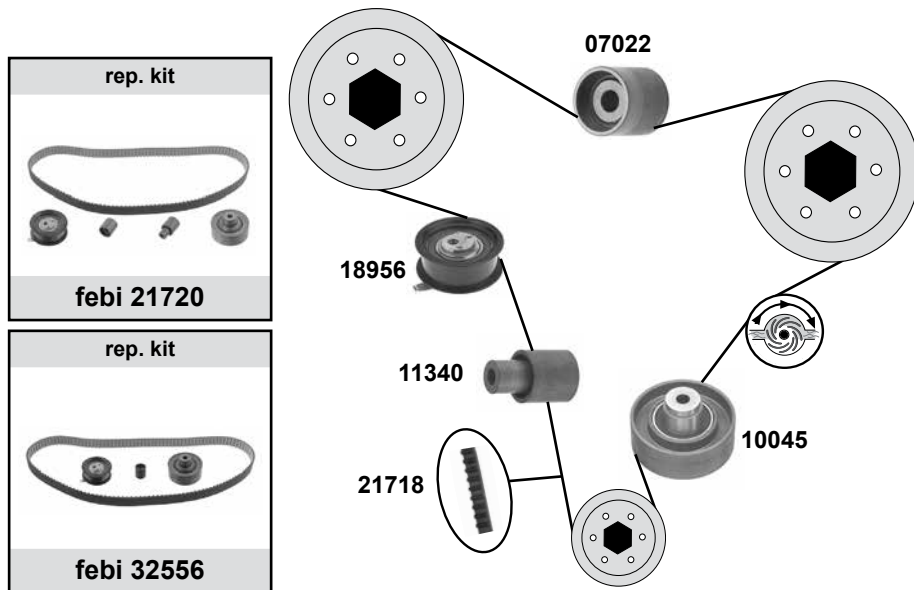
**1,4 TDI**  
(AMF)



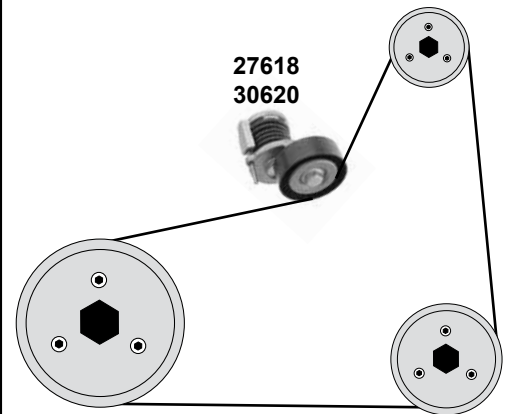
**1,4 TDI**  
(AMF / BNM / BNV)



**1,9 SDI**  
(ASY)



**1,9 SDI / TDI**  
(ASY/AXR/BLT/ASZ/ATD)



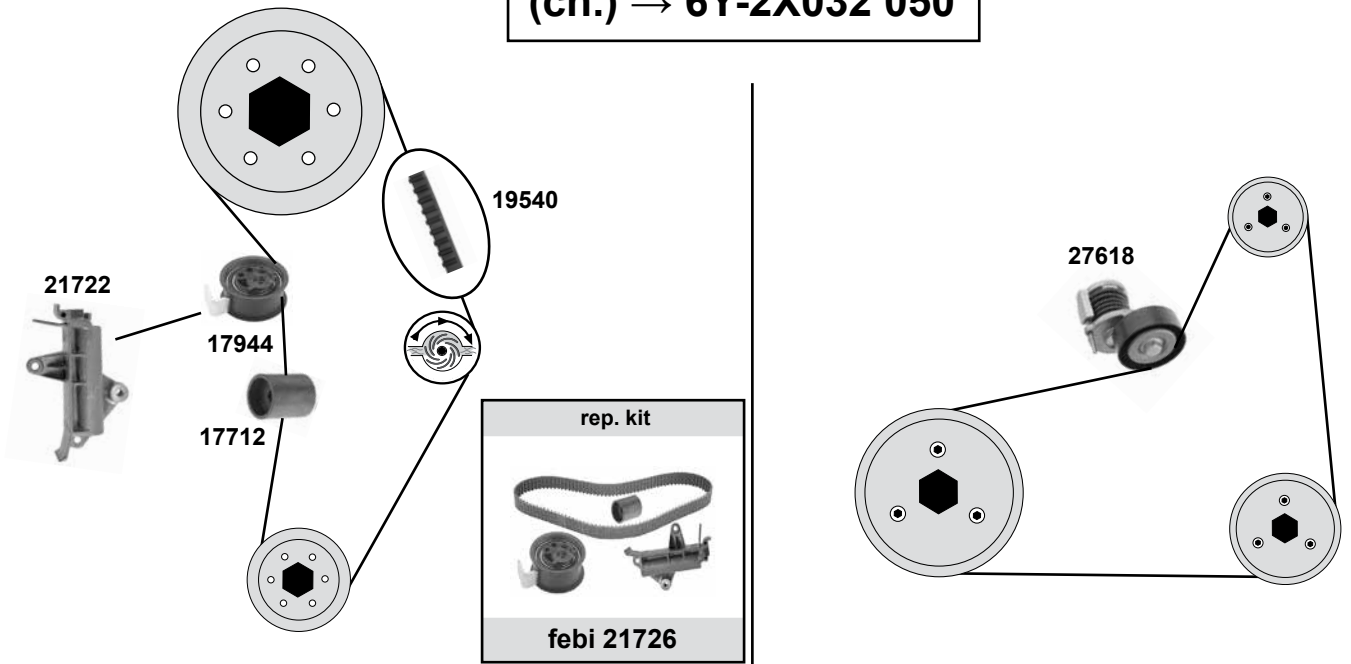
Ref. - No.



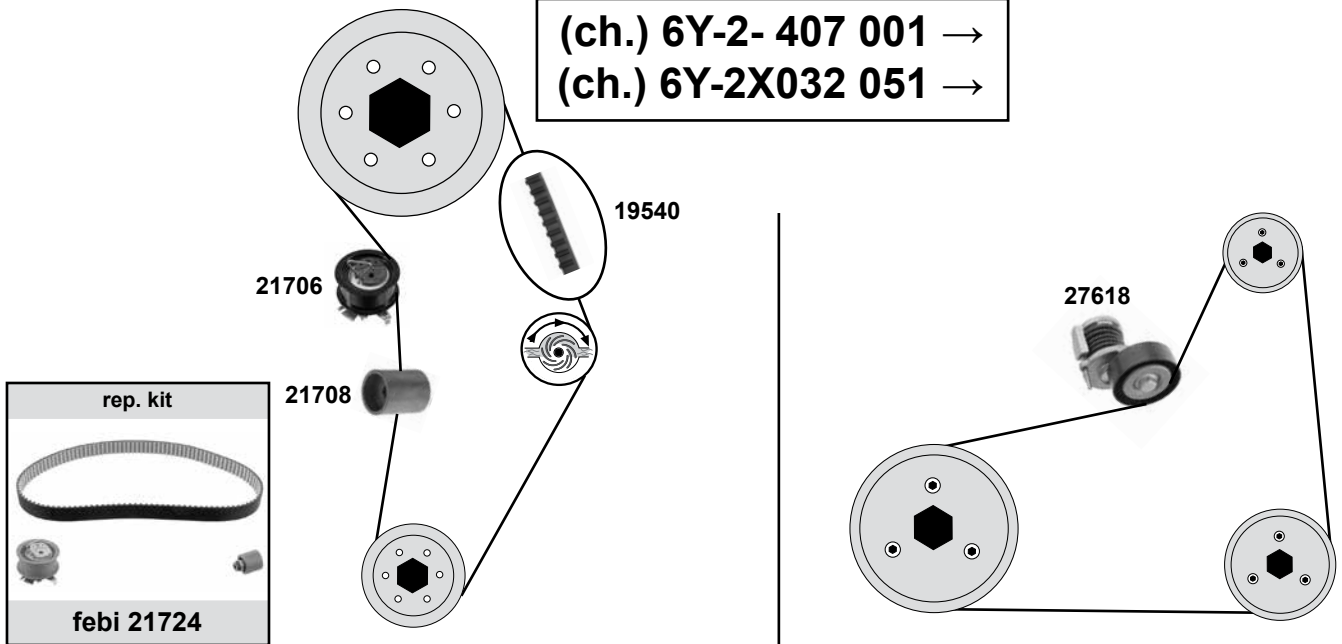
<b>07022</b>	058 109 244	deflection pulley			ØA 28 ØI 8 B29
<b>10045</b>	038 109 244 M	deflection pulley			ØA 80 ØI 10 B29
<b>11340</b>	038 109 244 E	deflection pulley			ØA 28 ØI 8 B29
<b>18956</b>	038 109 243 N	tension roller			ØA 68 B25
<b>19540</b>	038 109 119 P	timing belt			Z 120 B30
<b>21706</b>	038 109 243 M	tension roller			ØA 68 B31,5
<b>21708</b>	038 109 244 J	deflection pulley			ØA 28 B34
<b>21718</b>	038 109 119 M	timing belt			Z 141 B25
<b>21724</b>	038 198 119 A	rep. kit timing belt		(mot.) 021 001 →	
<b>21720</b>	038 198 119 E	rep. kit timing belt		AC (ex.) ATD/ASZ	ØA 70 B24
<b>27618</b>	038 903 315 AH	belt tensioner		(ex.) AC	ØA 90 B24,6
<b>29945</b>	045 903 315 A	belt tensioner			
<b>30620</b>	038 903 315 AB	belt tensioner			
<b>32556</b>	038 109 119 M S2	rep. kit timing belt			

(ch.) → 6Y-2- 407 000  
(ch.) → 6Y-2X032 050

**1,9 TDI (PD)**  
(ATD / ASZ)



(ch.) 6Y-2- 407 001 →  
(ch.) 6Y-2X032 051 →



(1) (ch.) → 6Y-43893 312 / → 10/05

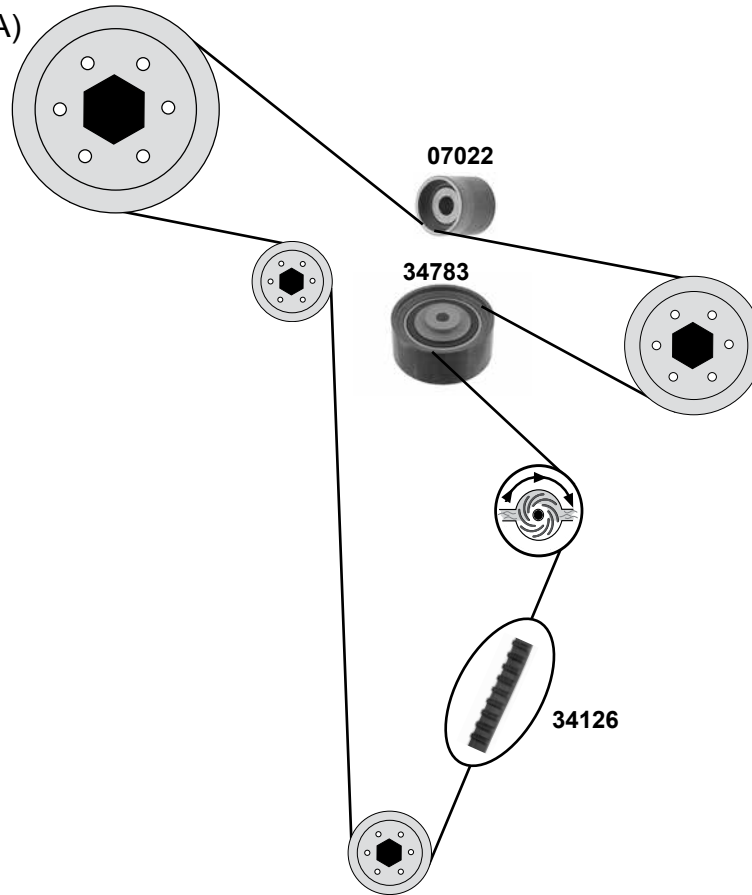


Ref. - No.

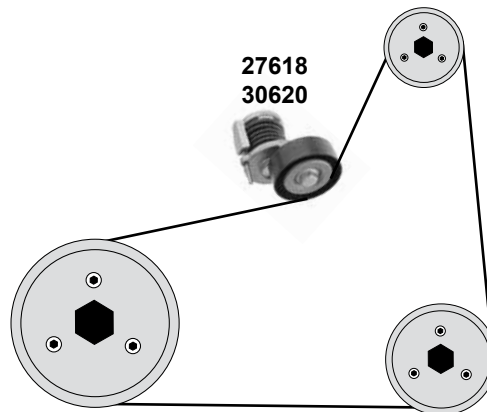



17712	045 109 244 A	deflection pulley	(1)	ØA 28 B34
17944	045 109 243 C	tension roller		ØA 72 B35/31
19540	038 109 119 P	timing belt		Z 120 B30
21706	038 109 243 M	tension roller		ØA 68 B31,5
21708	038 109 244 J	deflection pulley		ØA 28 B34
21722	045 109 479 B	belt tensioner		
21724	038 198 119 A	rep. kit timing belt		
21726	038 109 119 P S1	rep. kit timing belt		
27618	038 903 315 AH	belt tensioner		ØA 70 B24
				AC

## 1,2 / 1,6 TDI (CAYA/CAYB/CAYC/CFWA)



## 1,2 / 1,4 / 1,6 / 1,9 TDI (CFWA / BMS / CAYA / CAYB / CAYC / BLS / BSW)



-  (1) (mot.) CFWA/CAYA/CAYB/CAYC → (ch.) 5J-AA500320  
→ (ch.) 5J-BB501082  
→ (ch.) 5J-BK505248  
→ (ch.) 5J-B3093188



Ref. - No.

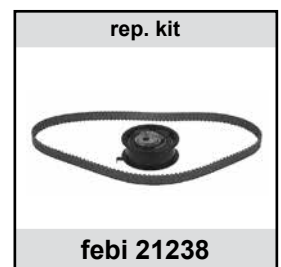
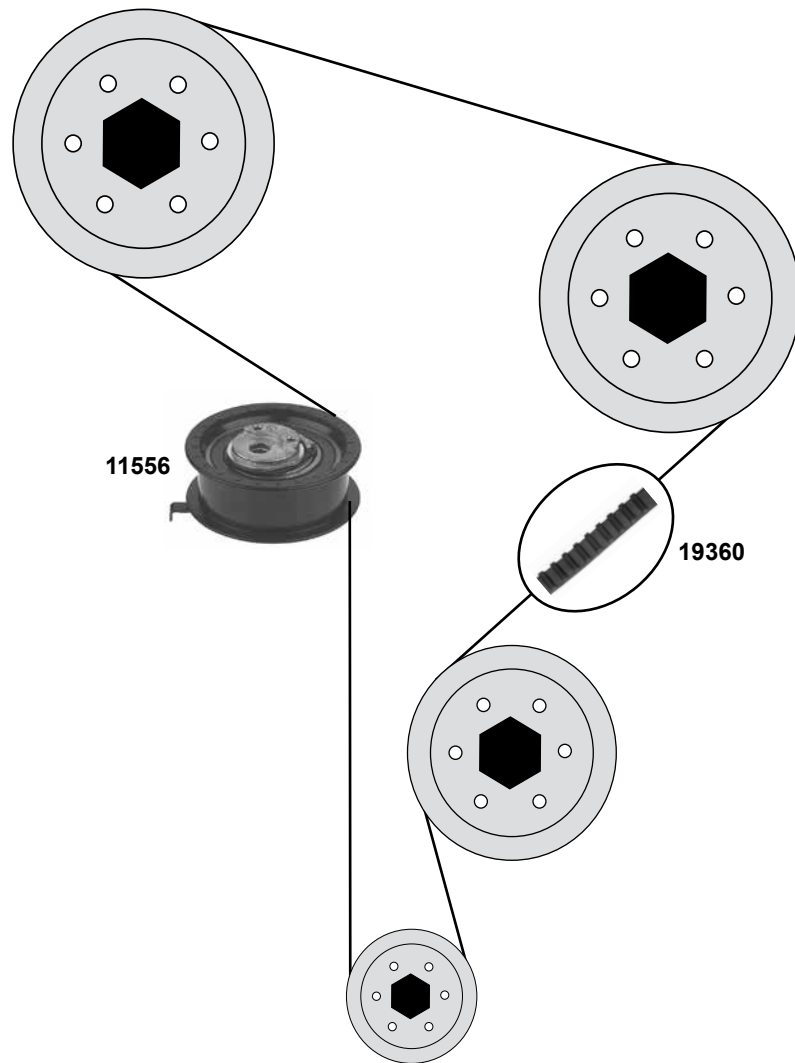


<b>07022</b>	058 109 244
<b>27618</b>	038 903 315 AH
<b>30620</b>	038 903 315 AB
<b>34126</b>	03L 109 119 C
<b>34783</b>	03L 109 244 J

deflection pulley
belt tensioner
belt tensioner
timing belt
deflection pulley

AC (ex.) (mot.)BSW  
(ex.) AC (mot.)BSW  
(1)

ØA 28 ØI 8 B29
ØA 70 B24
ØA 90 B24,6
Z 160



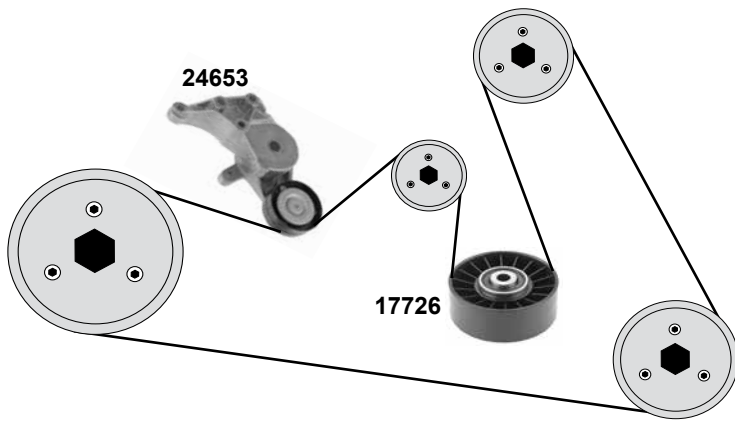
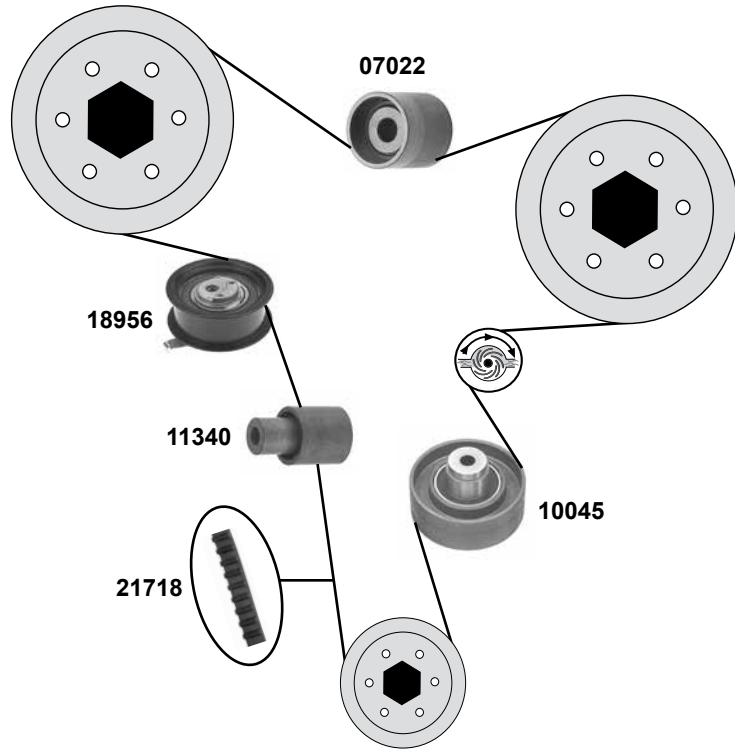
Ref. - No.



<b>11556</b>	028 109 243 G	tension roller
<b>19360</b>	028 109 119 AC	timing belt
<b>21238</b>	028 109 119 AC S2	rep. kit timing belt

ØA 67 ØI 8 B24  
Z 137 B23

**1,9 TDI**  
(AGR / AGP / AHF / ASV / ALH / AQM)







(1) (mot.) AGP 97 → 00  
(mot.) AGR 97 → 98  
(mot.) AQM 01 →

(2) (mot.) 006 066 / 044 442 / 400 000 →

(3) (mot.) AQM 045 001 →  
(mot.) ALH 500 001 →

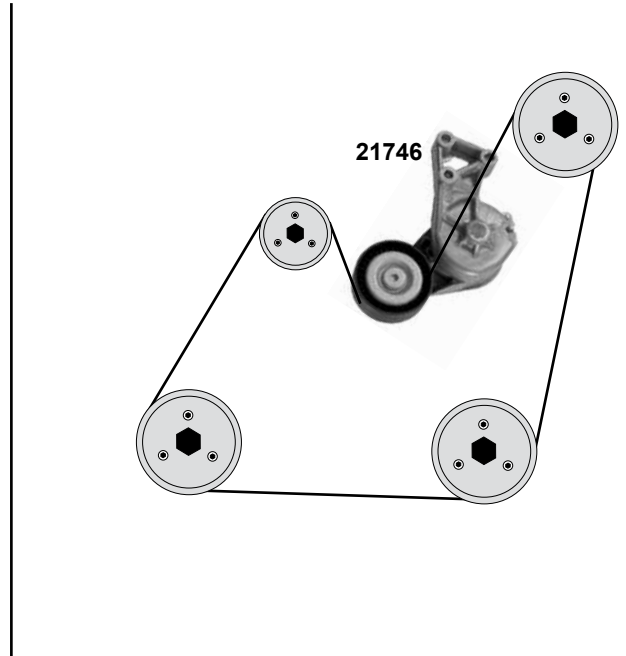
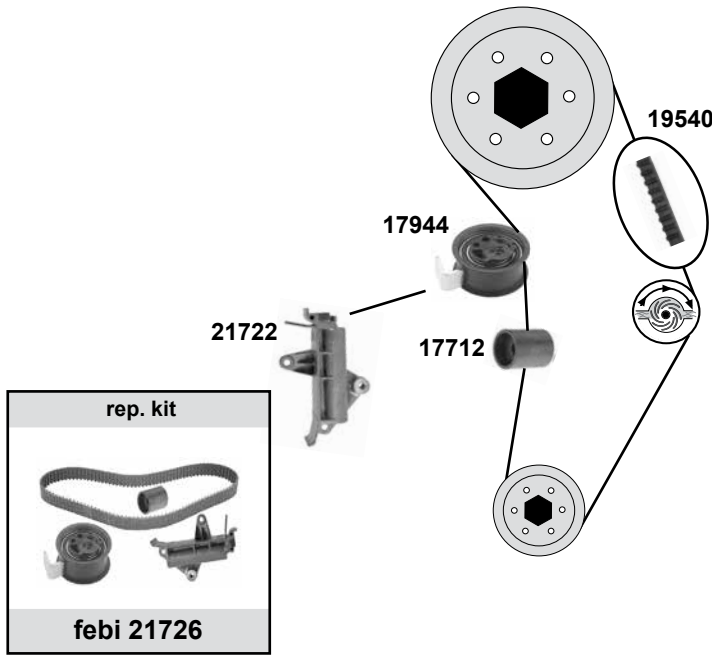


	Ref. - No.			
<b>07022</b>	058 109 244	deflection pulley	(2)	ØA 28 ØI 8 B29
<b>10045</b>	038 109 244 M	deflection pulley	(2)	ØA 80 ØI 10 B29
<b>11340</b>	038 109 244 E	deflection pulley	(2)	ØA 28 ØI 8 B29
<b>17726</b>	038 145 276	deflection pulley	(ex.) (mot.) AQM / ALH	ØA 65 ØI 8 B25
<b>18956</b>	038 109 243 N	tension roller	(2)	ØA 68 ØI 8 B25
<b>21718</b>	038 109 119 M	timing belt		Z 141 B25
<b>21720</b>	038 198 119 E	rep. kit timing belt	(3)	
<b>24653</b>	038 903 315 K	tension roller	(1) (ex.) (mot.) AQM / ALH	

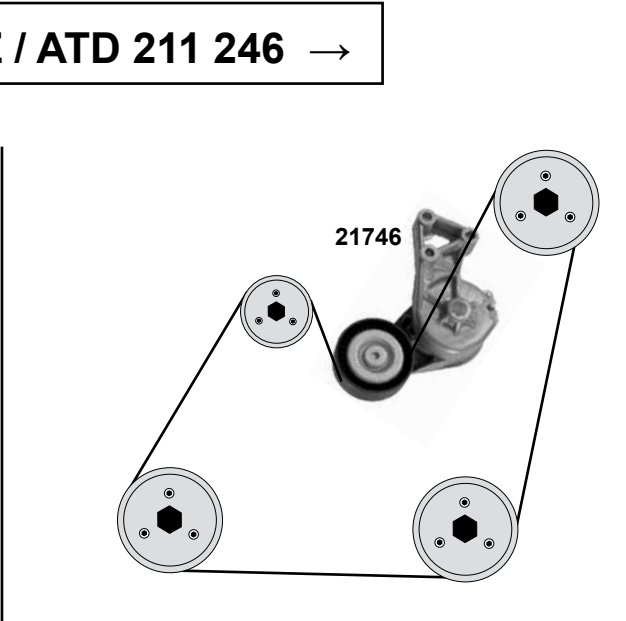
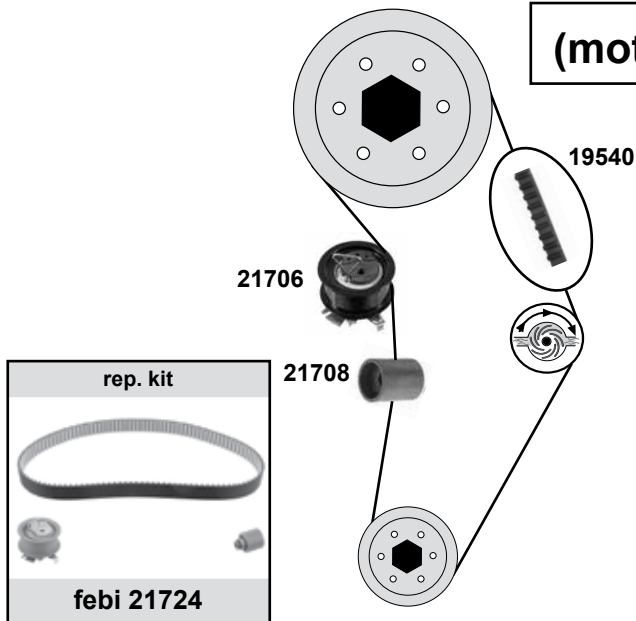


(mot.) ATD → 211 245

**1,9 TDI (PD)**  
(ATD / ASZ)



(mot.) ASZ / ATD 211 246 →



(1) (mot.) ATD / (ch.) → 1U-2A008026 / → 1U-32716385 / → 1U-38680305



Ref. - No.



17712	045 109 244 A	deflection pulley
17944	045 109 243 C	tension roller
19540	038 109 119 P	timing belt
21706	038 109 243 M	tension roller
21708	038 109 244 J	deflection pulley
21722	045 109 479 B	belt tensioner
21724	038 198 119 A	rep. kit timing belt
21726	038 109 119 P S1	rep. kit timing belt
21746	038 903 315 F	belt tensioner

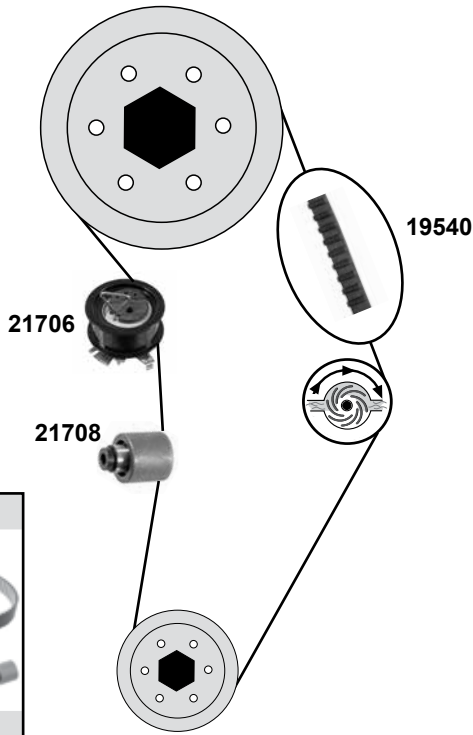
(1)

ØA 28	B34
ØA 72	B35/31
Z 120	B30
ØA 68	B31,5
ØA 28	B34

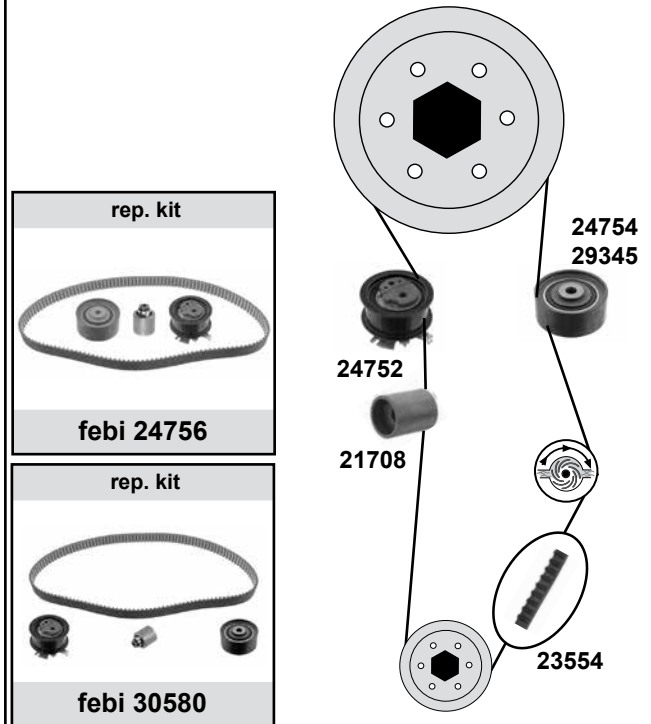




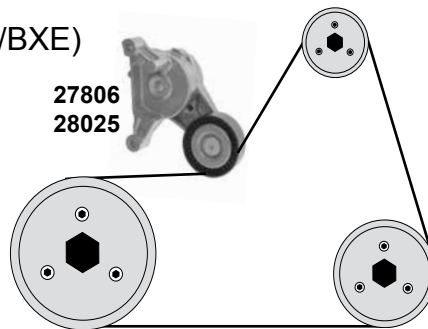
## 1,9 TDI (BJB/ BK)



## 2,0 TDI (AZV / BKD / BMN)



## 1,9 TDI / 2,0 TDI (AZV/BKD/BMN/BJB/BKC/BLS/BMM/BXE)



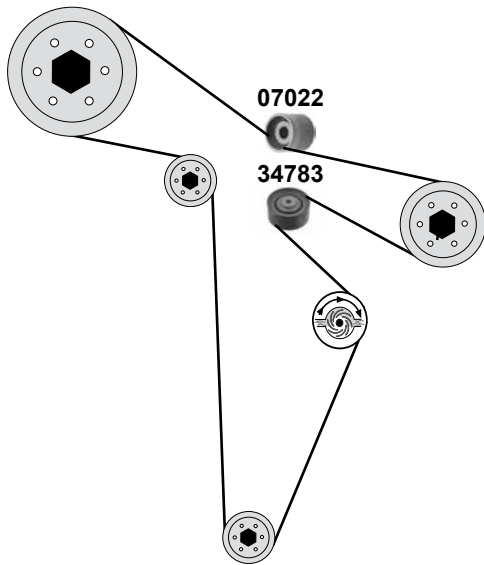
- (1) (mot.) BJB / BKC → 1Z-52121 646 / 1Z-58052 421 / (ex.) (mot.) BLS / BMM / BXE
- (2) (mot.) BJB / BKC / BLS / BMM / BXE 1Z-52121 647 / 1Z-58052 422 →
- (3) (mot.) AZV/BKD → 1Z-6A151 621 / → 1Z-62272 755 / → 1Z-68089 110  
(mot.) BMN
- (4) (mot.) AZV/BKD 1Z-6A151 622 → / 1Z-62272 756 → / 1Z-68089 111 →  
(mot.) BMN



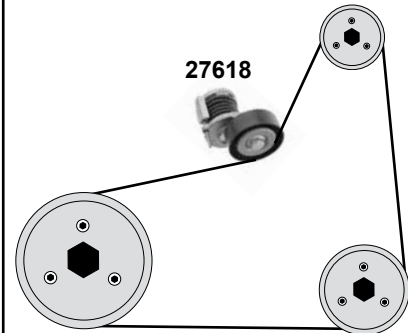
Ref. - No.



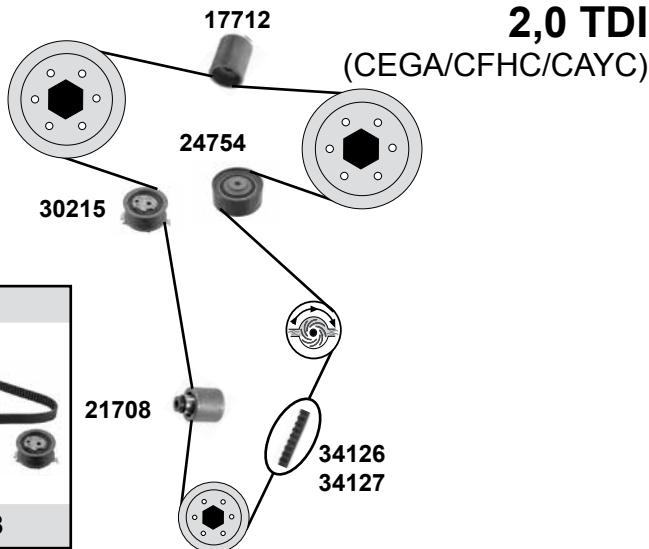
Ref. - No.	Description	Quantity	Dimensions
19540	timing belt		Z 120 B30
21706	tension roller		ØA 68B31,5
21708	deflection pulley		ØA 28 B34
21724	rep. kit timing belt		
23554	timing belt		Z 141 B30
24752	tension roller		ØA 78 B 36
24754	deflection pulley	(3)	ØA 80 B 34
24756	rep. kit timing belt	(3)	
27806	tension roller	(1)	
28025	belt tensioner	(2)	ØA 90 B24,6
29345	deflection pulley	(4)	ØA 80 B34,3
30580	rep. kit timing belt	(4)	



**1,6 TDI**  
(CAYC)



**2,0 TDI**  
(CEGA/CFHC/CFHF/CLCA/CLCB)



- (1) 04 → (mot.) CEGA  
09 → (mot.) CFHC
- (2) 09 → 11 (mot.) CAYC → (ch.) 1Z-AA155752  
→ (ch.) 1Z-BB151758  
→ (ch.) 1Z-BC150009  
→ (ch.) 1Z-BD150097  
→ (ch.) 1Z-BK150681  
→ (ch.) 1Z-B204167  
→ (ch.) 1Z-B8018981



Ref. - No.

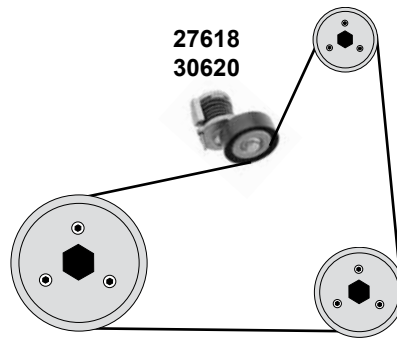


Ref. - No.	Description	Quantity	Dimensions
07022	058 109 244 deflection pulley		ØA 28 ØI 8 B29
17712	03L 109 244 C deflection pulley	(1)	ØA 28 B 34
21708	038 109 244 J deflection pulley	(1)	ØA 40 B 35
24754	038 109 244 J deflection pulley	(1)	ØA 80 ØI 10 B34
27618	038 903 315 AH belt tensioner/ belt tensioner		ØA 70 B24
30215	03L 109 243 E tension roller	(1)	ØA68,5 ØI8,5 B35
34126	03L 109 119 C timing belt	(2)	Z 160
34127	03L 109 119 F timing belt	(1)	Z 160
34128	03L 198 119 rep. kit timing belt	(1)	Z 160
34783	03L 109 244 J deflection pulley	2004 →	



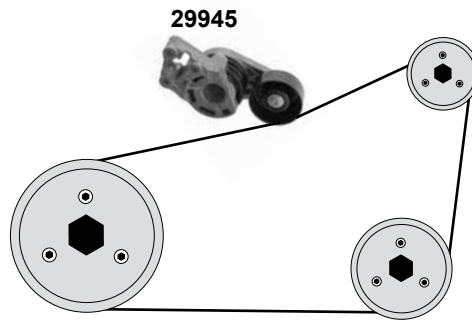
## 1,2 / 1,4 / 1,6 / 1,9 TDI

(CFWA / BMS / CAYB / CAYC / BLS / AXR / BSW)



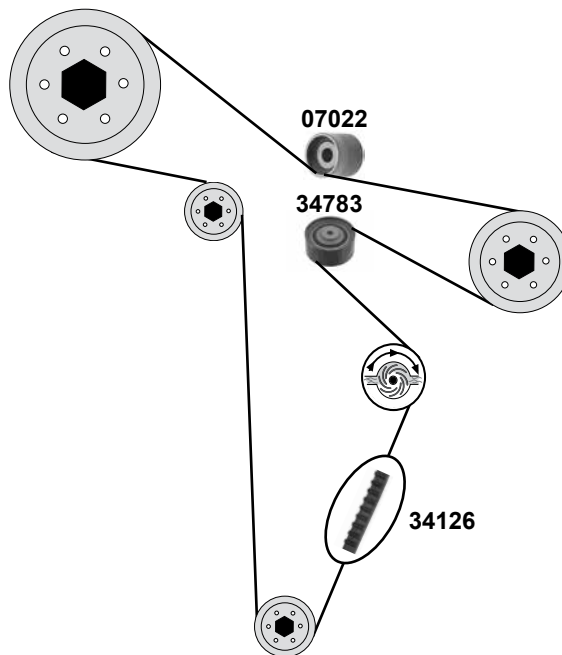
## 1,4 TDI

(BNM / BNV)



## 1,2 / 1,6 TDI

(CAYB/CAYC/CFWA)



(1) (mot.) CFWA/CAYB/CAYC → (ch.) 5J-BB600134  
→ (ch.) 5J-BK601010  
→ (ch.) 5J-B5021950



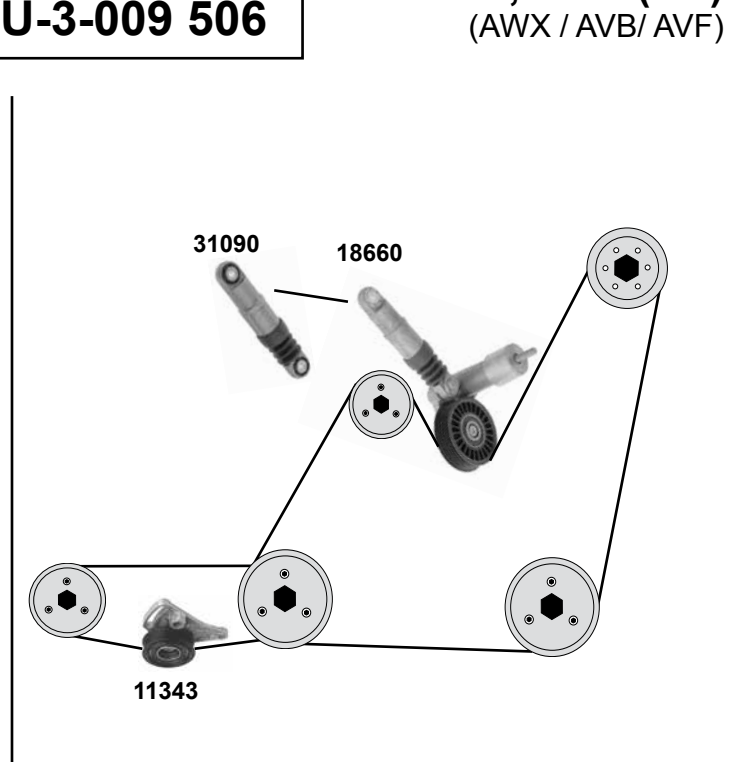
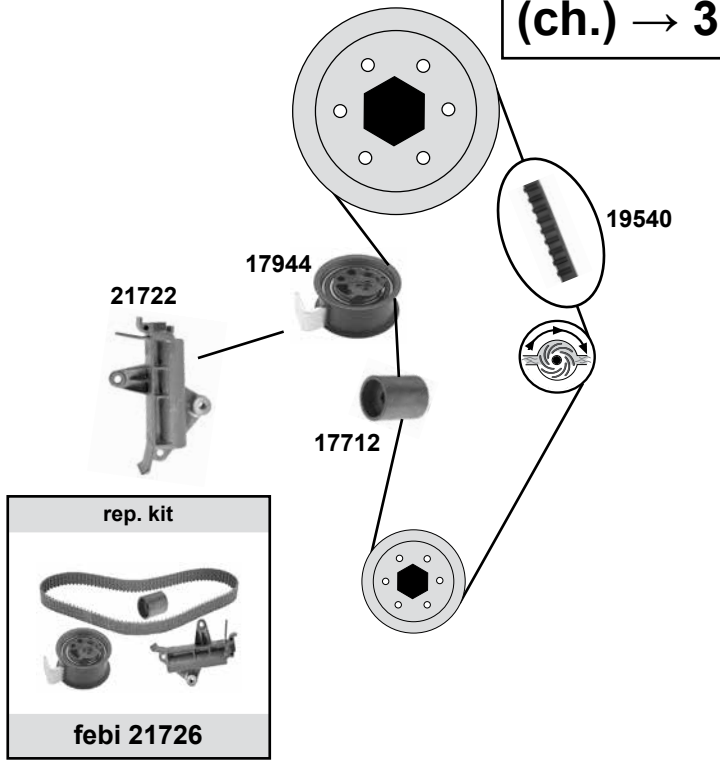
Ref. - No.



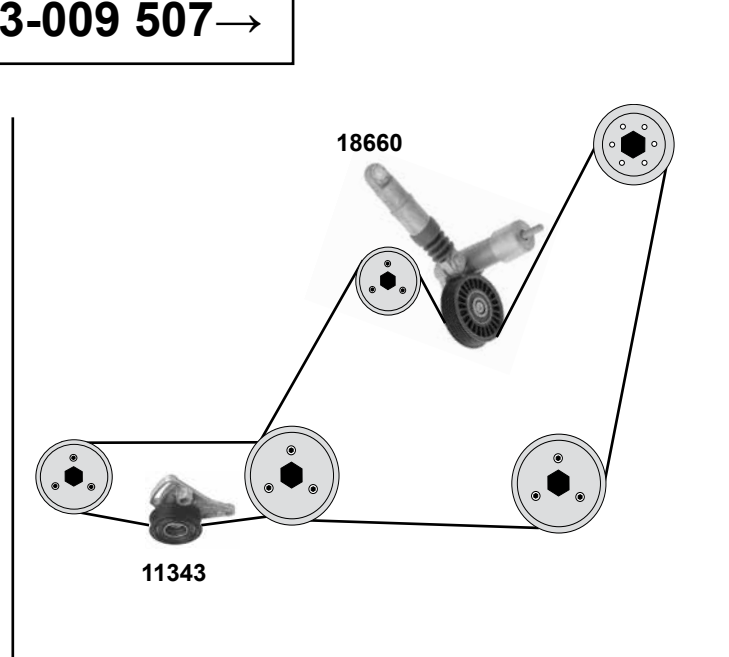
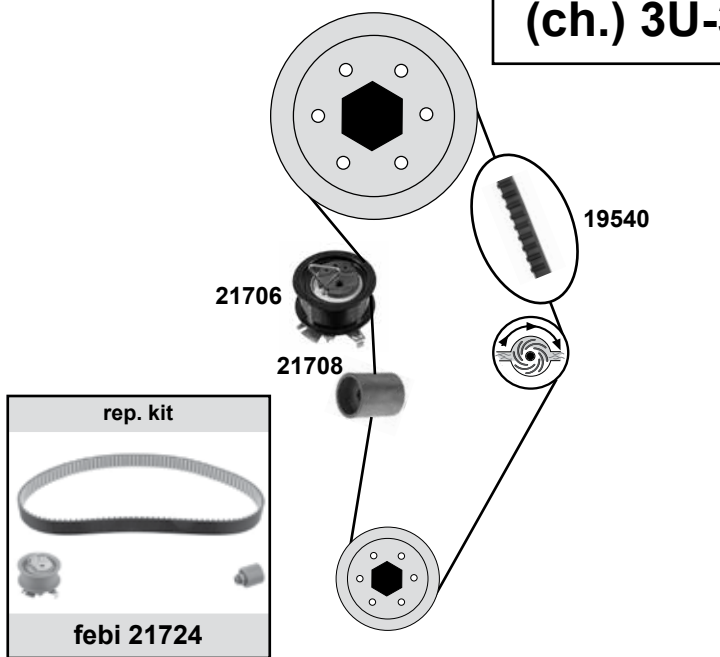
<b>07022</b>	03L 109 244 D	deflection pulley		ØA 28 B29
<b>27618</b>	038 903 315 AH	belt tensioner	(ex.) AC (mot.) AXR/BSW	ØA 70 B24
<b>29945</b>	045 903 315 A	belt tensioner		
<b>30620</b>	038 903 315 AB	belt tensioner	(ex.) AC (mot.) AXR/BSW	ØA 90 B24,6
<b>34126</b>	03L 109 119 C	timing belt	(1)	Z 160
<b>34783</b>	03L 109 244 J	deflection pulley		

(ch.) → 3U-3-009 506

1,9 TDI (PD)  
(AWX / AVB / AVF)



(ch.) 3U-3-009 507 →



Ref. - No.

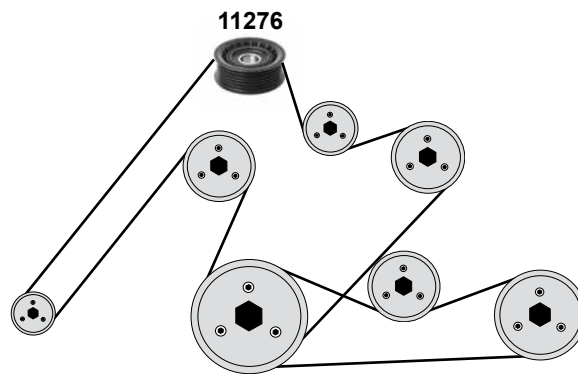
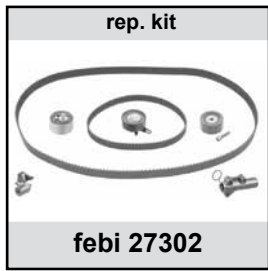
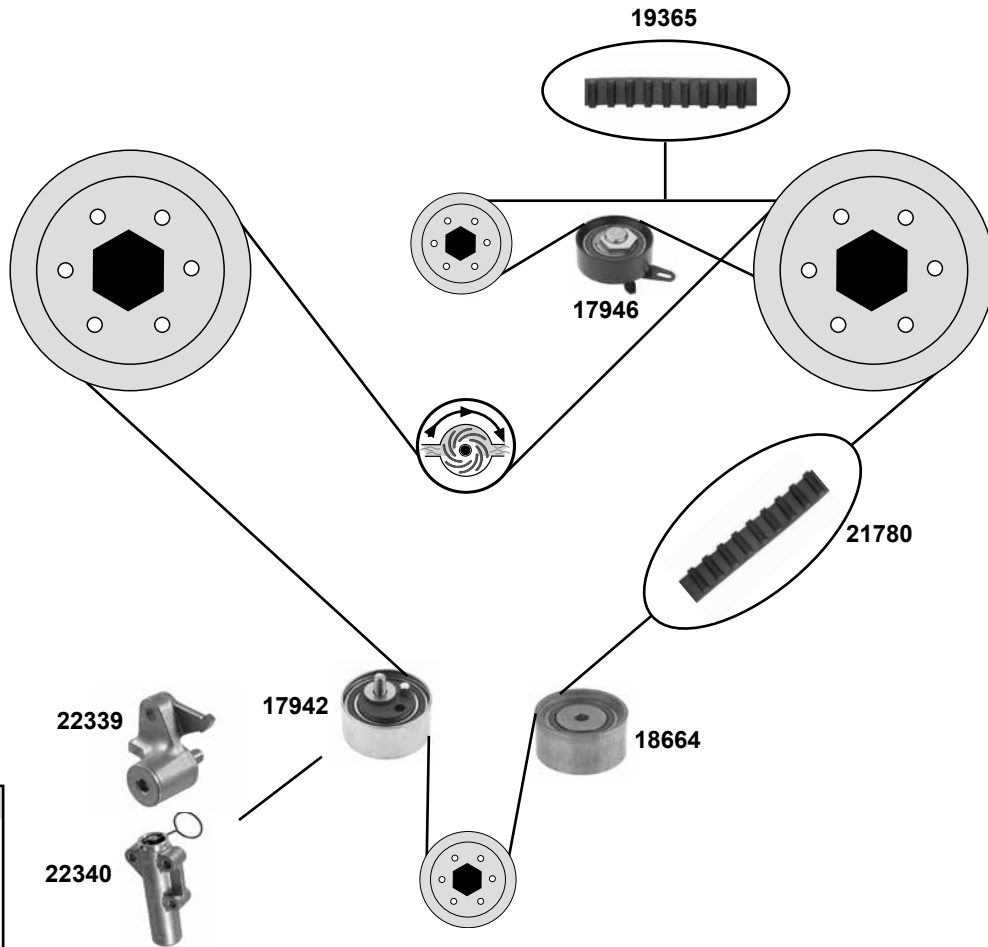






11343	058 260 511	tension roller
17712	045 109 244 A	deflection pulley
17944	045 109 243 C	tension roller
18660	038 903 315 P	belt tensioner
19540	038 109 119 P	timing belt
21706	038 109 243 M	tension roller
21708	038 109 244 J	deflection pulley
21722	045 109 479 B	belt tensioner
21724	038 198 119 A	rep. kit timing belt
21726	038 109 119 P S1	rep. kit timing belt
31090	038 145 299 A	vibration absorber

AC  
  
(mot.) AVB / AWX

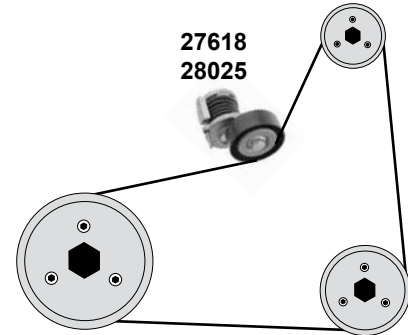
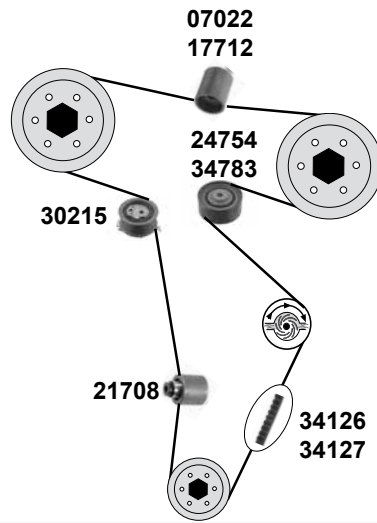
ØA 78 ØI 8 B18  
ØA 28 B34  
ØA 72 B35/31  
  
Z 120 B30  
ØA 68 B31,5  
ØA 28 B34

**2,5 TDI**  
 (AYM / BDG)

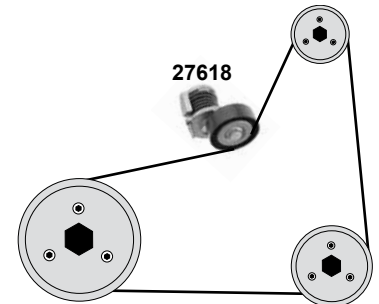
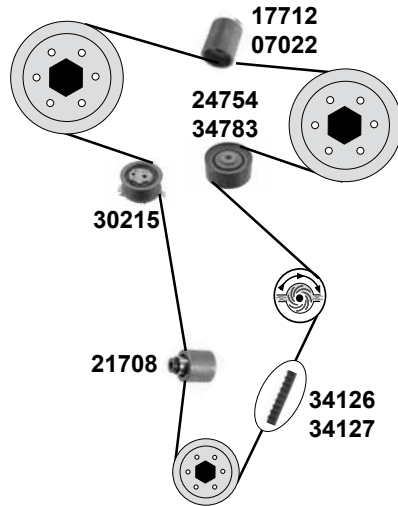


	Ref. - No.			
<b>11276</b>	059 903 341 A	deflection pulley		ØA 64 ØI 17 B23
<b>17942</b>	059 109 243 J	tension roller		ØA 72 B34
<b>17946</b>	059 109 243 L	tension roller		ØA 73 B27
<b>18664</b>	059 109 244 B	deflection pulley		ØA 70 B34
<b>19365</b>	059 130 113 A	timing belt		Z 87 B24
<b>21780</b>	059 109 119 B	timing belt		Z 207 B24
<b>22339</b>	059 109 487 C	belt tensioner		
<b>22340</b>	059 109 479 B	belt tensioner		
<b>27302</b>	059 109 119 B S4	rep. kit timing belt		Z 207 B30

## 1,6 TDI / 2,0 TDI (CBBB/CAYC/CFFB/CFGB/CLJA)



## Yeti (5L) (10→) 1,6 / 2,0 TDI (CAYC/CBDB/CEGA/CFHA/CFHF/CFHC/CFJA)



(1)	(mot.) CBBB / CBDB / CEGA	
(2)	Superb 4x4 combi → 11	(mot.) CAYC/DFFB/CFGB → (ch.) 3T-AA303393 → (ch.) 3T-BB300298 → (ch.) 3T-BD300058 → (ch.) 3T-BK301506 → (ch.) 3T-B9025046
	Yeti → 11	(mot.) CFHA/CFHF/CFHC/CFJA → (ch.) 5L-AA700293 → (ch.) 5L-BK702099 → (ch.) 5L-5B6022494
	(3) Superb / 4x4/ combi Yeti	(mot.) CFFB / CFGB (ex.) (mot.) CBDB / CEGA
(4)	Superb / 4x4/ combi Yeti → 09	(mot.) CAYC / CFFB / CFGB / CLJA (mot.) CAYC / CFHA / CFHC / CFHF / CFJA

	Ref. - No.			
07022	03L 109 244 D	deflection pulley	(3)	ØA 28 ØI 8 B29
17712	03L 109 244 C	deflection pulley	(1)	ØA 28 B34
21708	038 109 244 J	deflection pulley	(1)	ØA 40 B35
24754	038 109 244 J	deflection pulley	(1)	ØA 80 ØI 10 B34
27618	038 903 315 AH	belt tensioner	(ex.) (mot.) BMP	ØA 70 B24
28025	03G 903 315 C	belt tensioner	(mot.) BMP	ØA 90 B24,6
30215	03L 109 243 E	tension roller	(1)	ØA68,5 ØI8,5 B35
34126	03L 109 119 C	timing belt	(2)	Z 160
34127	03L 109 119 F	timing belt	(1)	Z 160
34128	03L 198 119	rep. kit timing belt	(1)	Z 160
34783	03L 109 244 J	deflection pulley	(4)	

# SMART Forfour

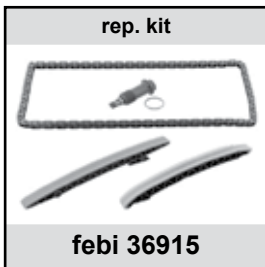
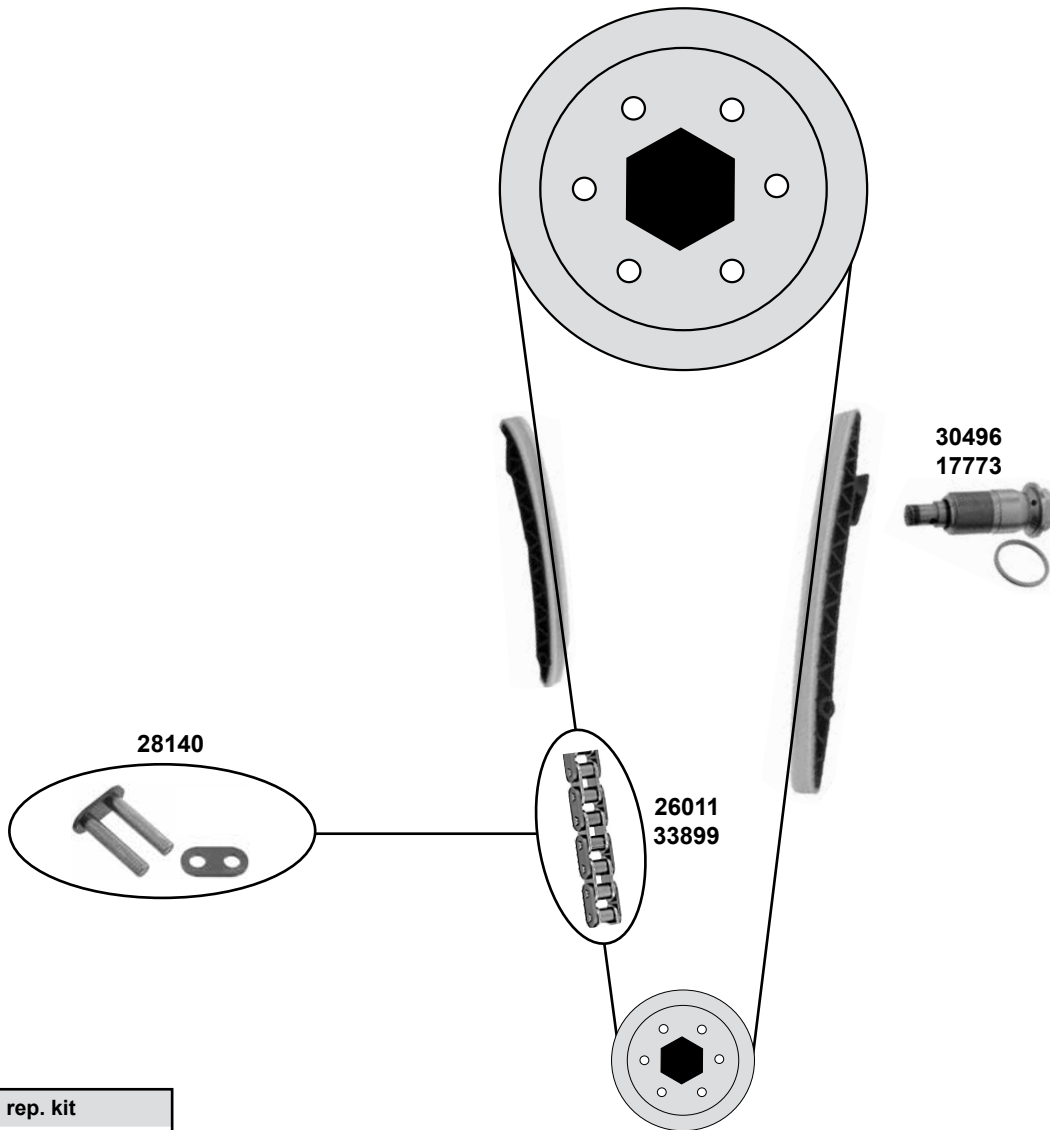
(04→)

Car  
Division



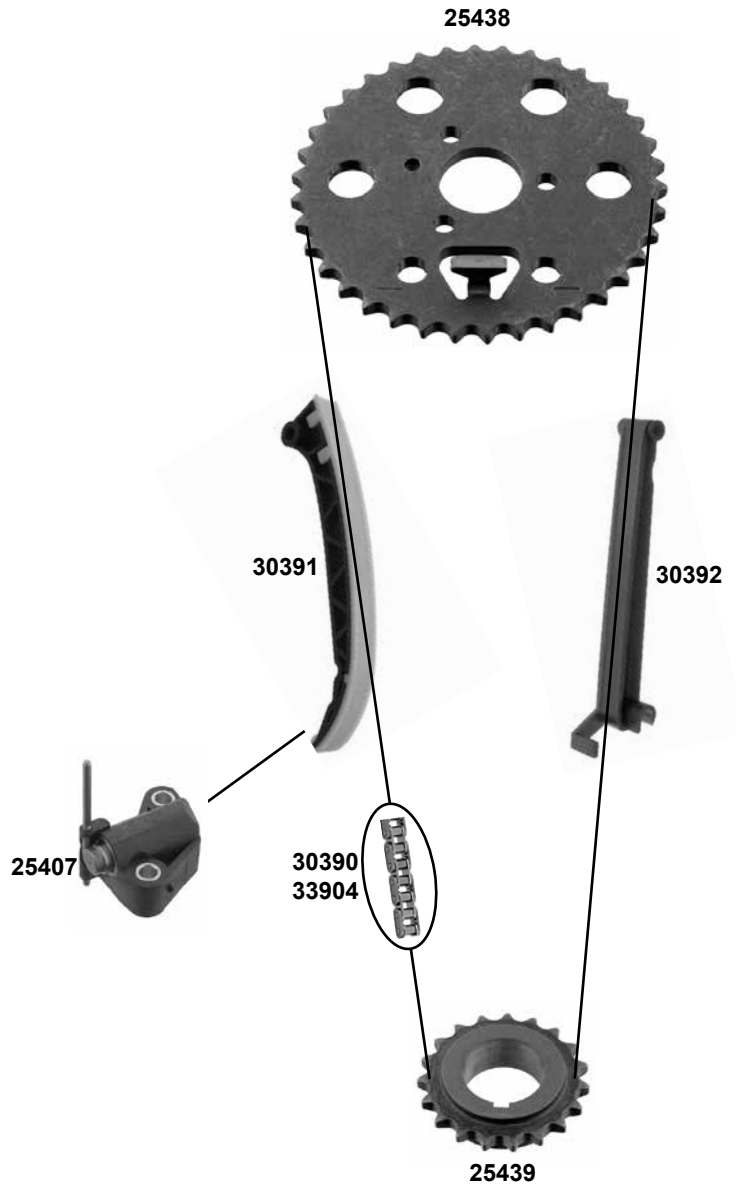
## 1,5 CDI

(BM.454.000 / 001)



	Ref. - No.			
17773	640 050 01 11	chain tensioner		
26011	668 997 05 94	roller chain		108 E
28140	000 997 31 98	chain link		
30496	640 050 01 11	chain tensioner		
33899	000 993 68 76 S1	roller chain endless		108 E
36915	640 050 01 11 S2	rep. kit timing chain		

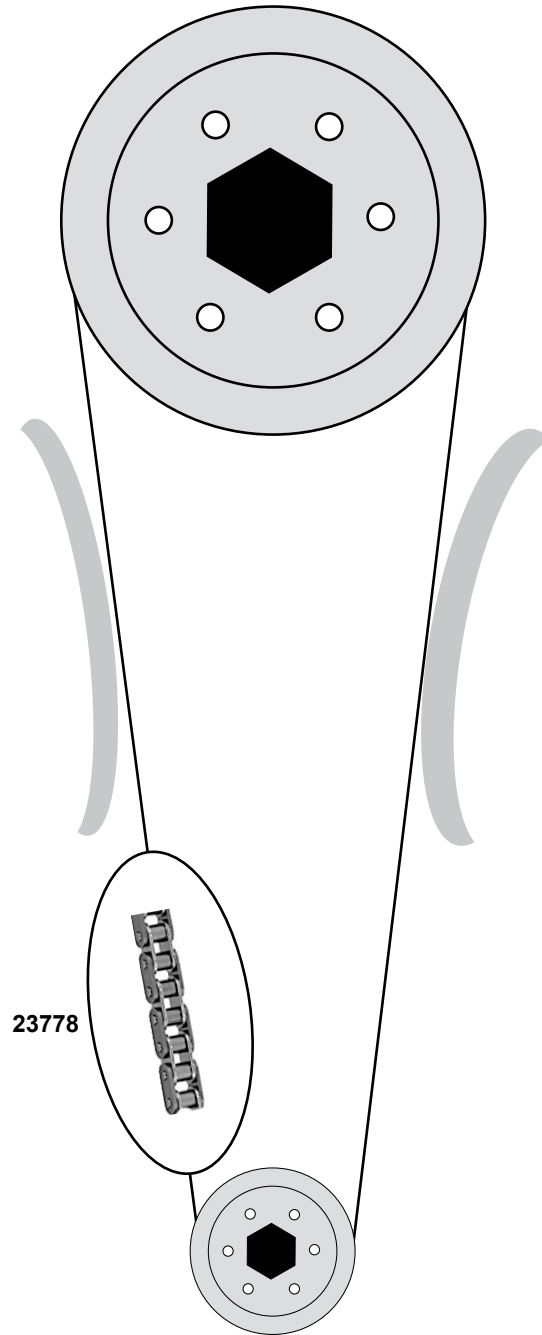


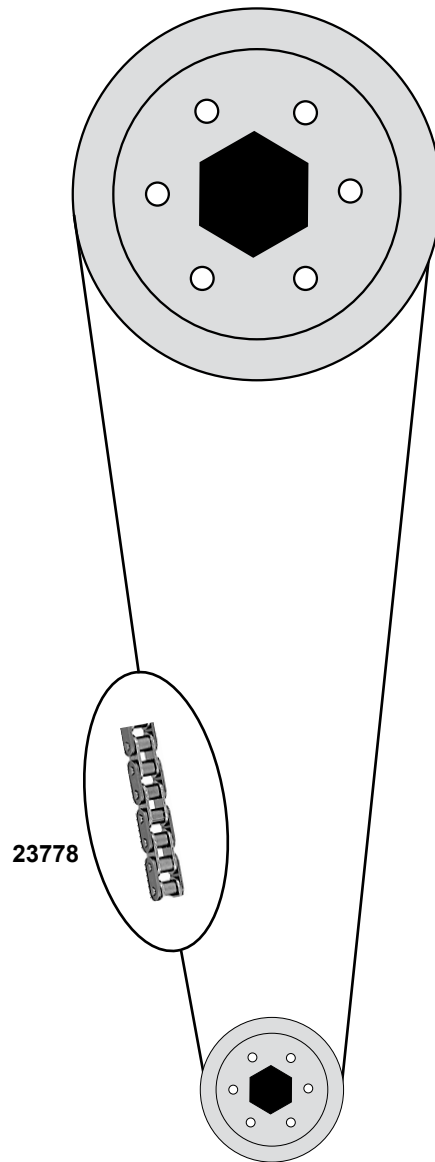


	Ref. - No.			
25407	660 050 01 11	chain tensioner		
25438	660 052 01 01	camshaft timing gear		Z 38
25439	660 052 01 03	crankshaft gear		Z 19
30390	660 997 00 94	timing chain		100 E
30391	660 052 01 16	sliding rail		
30392	660 052 00 16	sliding rail		
30539	660 050 01 11 S2	rep. kit timing chain		100 E
33904	660 997 00 94 S1	timing chain with riveted link		100 E



**1,3 D**  
(RM413D)





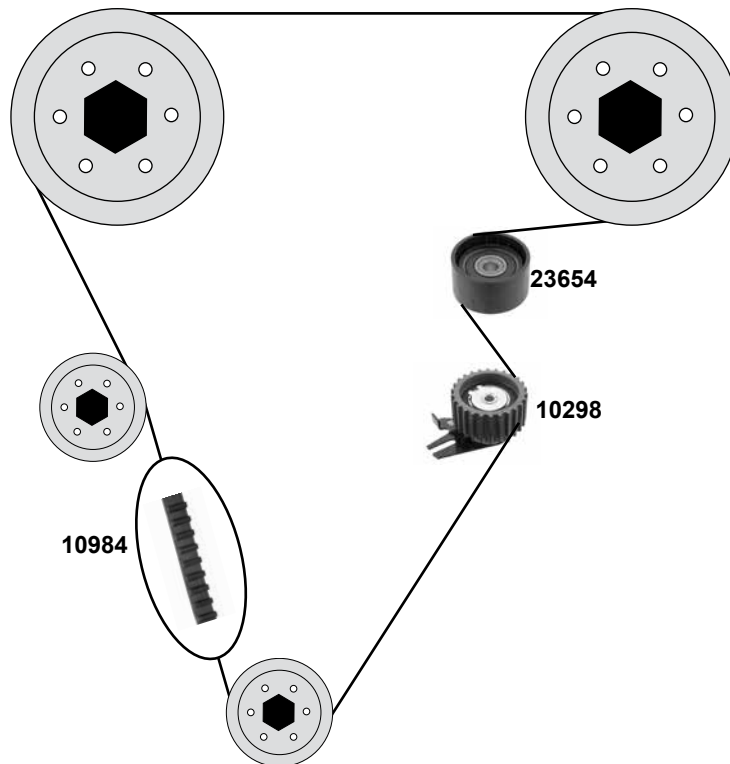
# SUZUKI SX-4 / SX-4 4x4

(06→)

Car  
Division



**1,9 D**  
(RW419D)



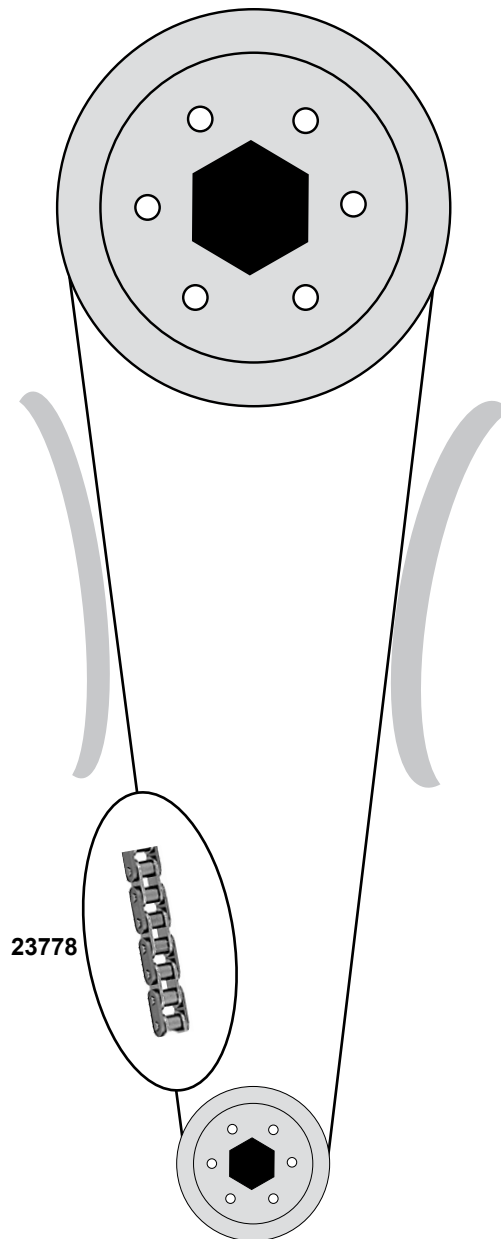
Ref. - No.



<b>10298</b>	12810-79J51-000
<b>10984</b>	12761-79J50-000
<b>23654</b>	12781-79J50-000
<b>23655</b>	12761-79J50-000S1

tension roller
timing belt
deflection pulley
rep. kit timing belt

ØA 65 B 30
Z 190 B24
ØA 53 H29/31
Z 190 B24

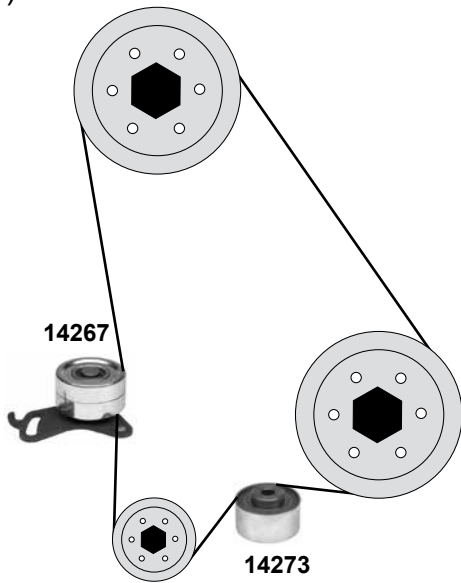


# TOYOTA 4Runner (83→89)

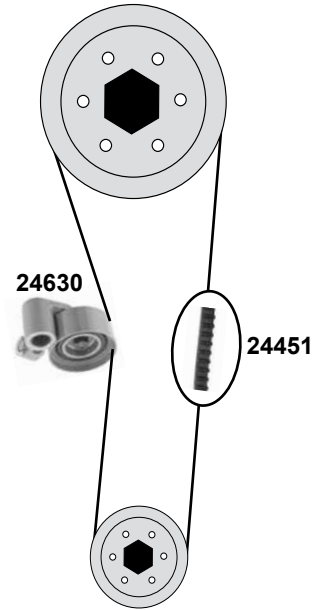
Car  
Division



## 2,4 D (1L)



## 3,0 D (1KZTE)

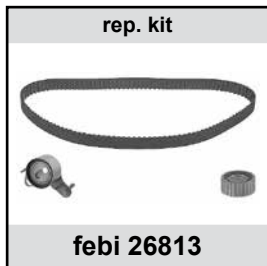
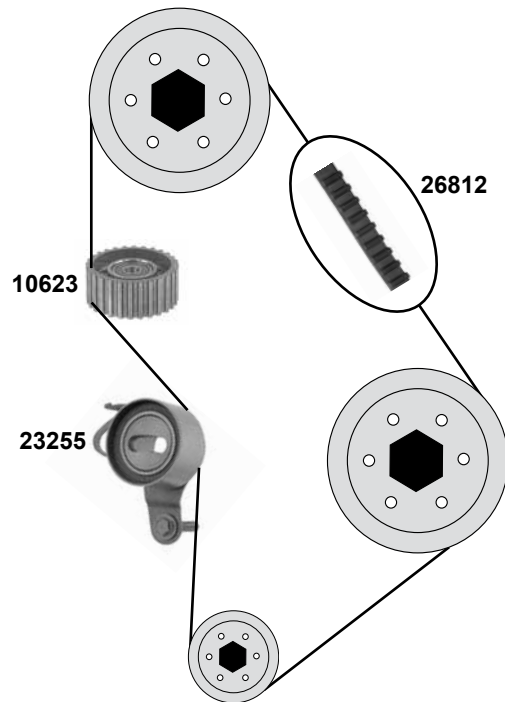


# 4Runner

(95→03)

2,8 D  
(3L)

3,0 D  
(5L)



(1) (mot.) 3L 12/95 → 06/01  
(mot.) 5L 06/01 → 05/03

(2) Modell KZN185 11/95 → 11/02  
Modell KZN205 08/01 → 12/04  
Modell KZN215 11/02 →

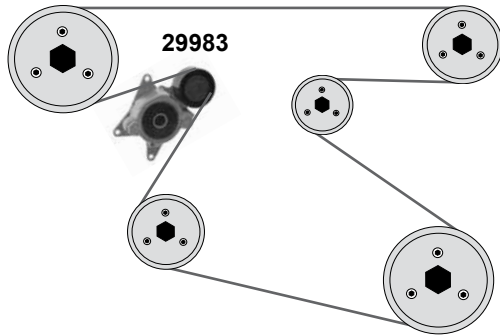


Ref. - No.

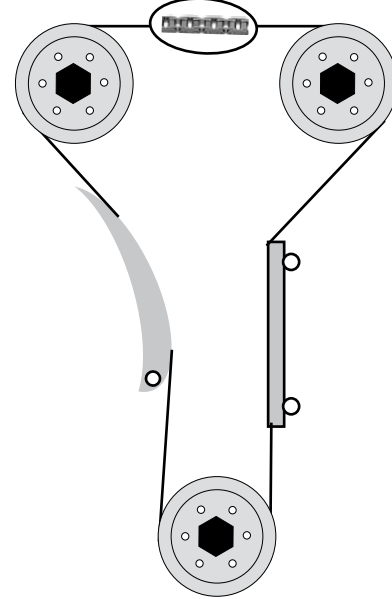


Ref. - No.	Description	Quantity	Dimensions
10623	deflection pulley	(1)	ØA 83 B 35
14267	tension roller	(1)	ØA 60 B 31,2
14273	deflection pulley	(1)	ØA 60 B 30
23255	tension roller	(1)	ØA 62 B 35
24451	timing belt	(2)	
24630	tension roller	(2)	ØA 62 H 28,5
26812	timing belt	(1)	Z 129 B 31
26813	rep.kit timing belt	(1)	Z 129 B 31

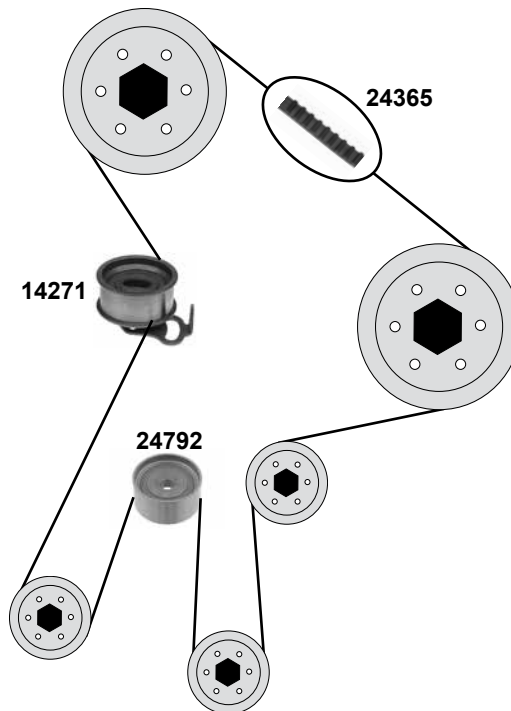
**2,0 TD / 2,2 TD**  
(1ADFTV) / (2ADFHV)



**1,4 TD / 2,0 TD**  
(1NDTV) / (1ADFTV)



**Avensis (T22)**  
(97→00)  
**2,0 D**  
(2CTE)



(1) (mot.) 1NDTV → 02/09

(2) (mot.) 1ADFTV



Ref. - No.



14271	13505-64012	tension roller
24792	13503-64021	deflection pulley
24365	13568-69066	timing belt
24833	13568-69066 S1	rep.kit timing belt
29983	16620-0R010	belt tensioner
30668	13506-33020	timing chain
30669	13506-26010	timing chain

→ 03/09

(1)  
(2)

ØA 62 B28,5  
Z 177 B 25,4  
Z 177 B 25,4  
ØA 70 B28  
G67HP-4 106  
112 E

# TOYOTA

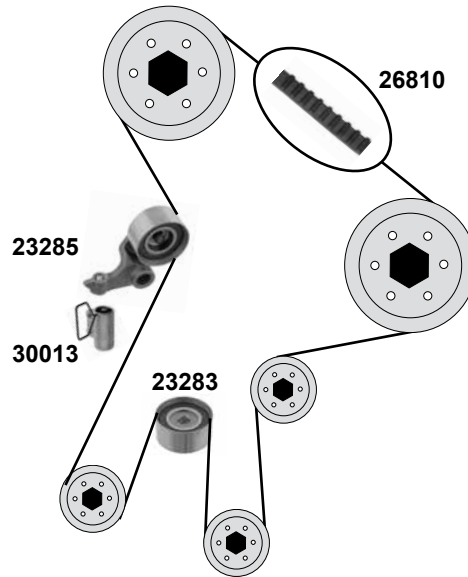
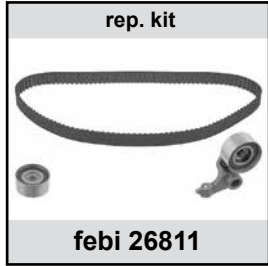
## Avensis (T22/T25) (97→07)

## Avensis Verso (M20) (01→)

Car  
Division

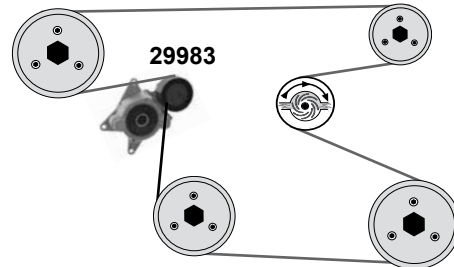
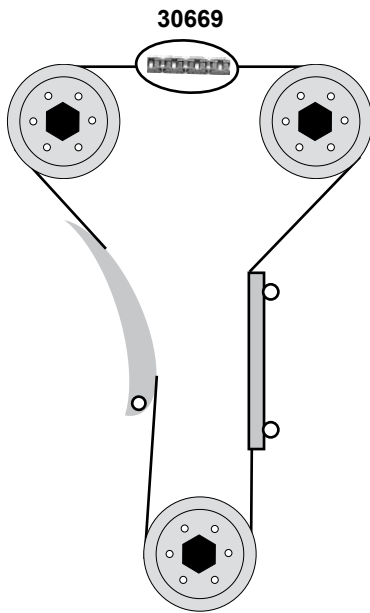


### 2,0 TD (1CDFTV)



### 2,0 TD / 2,2 TD

(1ADFTV / 2ADFTV / 2ADFHV)



**(1)** Avensis (T22) 08/99 → 01/03  
(T25) 03/03 → 11/04  
Avensis Verso (M20) 05/01 → 07/05

**(2)** Avensis (T25) 04/05 → 04/06 (mot.) 2ADFHV / 2ADFTV  
(T27) 11/08 → (mot.) 1ADFTV / 2ADFHV / 2ADFTV

**(3)** Avensis (T22) 08/99 →  
(T25) 03/03 →  
Avensis Verso (M20) 05/01 → 07/05

**(4)** Avensis (T25) 04/05 → 04/06 (mot.) 2ADFHV  
(T25) 04/06 → (mot.) 1ADFTV  
(T27) 11/08 → (mot.) 1ADFTV / 2ADFHV

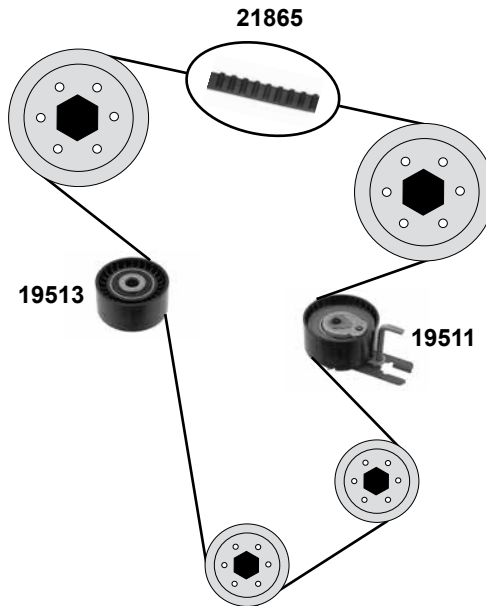


Ref. - No.

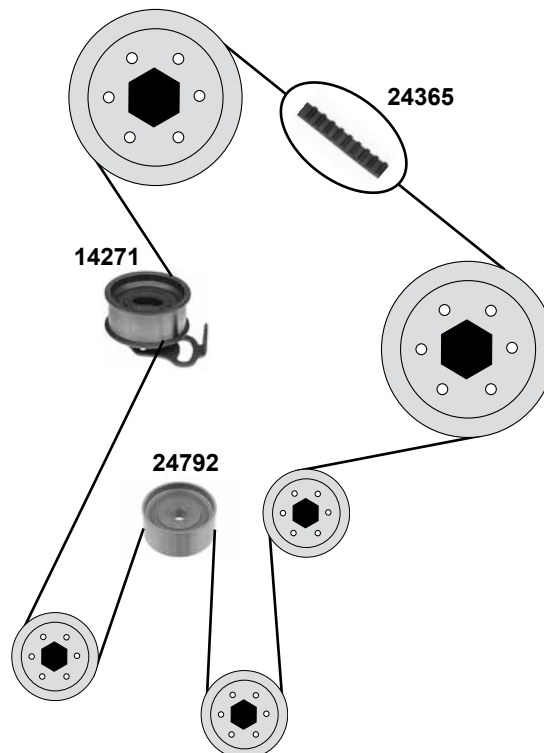


<b>23283</b>	13503-27010	deflection pulley	<b>(1)</b>	ØA 62 B28,5
<b>23285</b>	13505-27010	tension roller	<b>(1)</b>	ØA 62 B 30
<b>26810</b>	13568-29035	timing belt	<b>(1)</b>	Z 178 B 25
<b>26811</b>	13568-29035 S1	rep.kit timing belt	<b>(1)</b>	Z 178 B 25
<b>29983</b>	16620-0R010	belt tensioner	<b>(4)</b>	ØA 70 B28
<b>30013</b>	13540-27011	belt tensioner	<b>(2)</b>	
<b>30669</b>	13506-26010	timing chain	<b>(3)</b>	112 E

**1,4 TD**  
(2WZTV)



**Carina (T19)**  
(92→97)  
**2,0 D**  
(2CTE)



Ref. - No.



<b>14271</b>	13505-64012	tension roller
<b>19511</b>	SU001-00542	tension roller
<b>19513</b>	SU001-00543	deflection pulley
<b>21865</b>	SU001-00544	timing belt
<b>24365</b>	13568-69066	timing belt
<b>24792</b>	13503-64021	deflection pulley
<b>24833</b>	13568-69066 S1	rep.kit timing belt

ØA 60 H 29
ØA 60 H 30
Z 144 B 25,4
Z 177 B 25,4
ØA 62 B28,5
Z 177 B 25,4

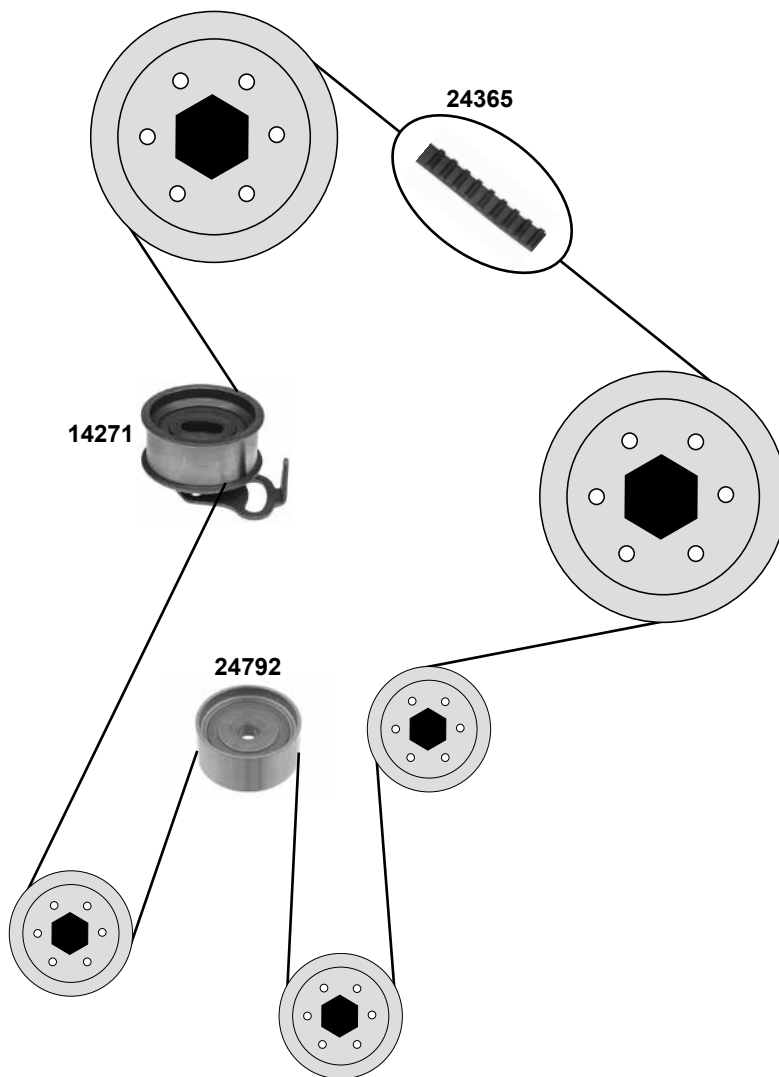


**TOYOTA**  
**Corolla (E9/E10/E11/E12)**  
 (87→05)

Car  
 Division

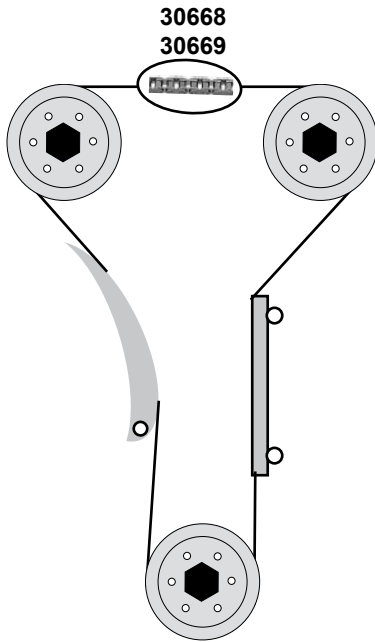


**1,8/2,0 D**  
 (1C/2C/2CE)

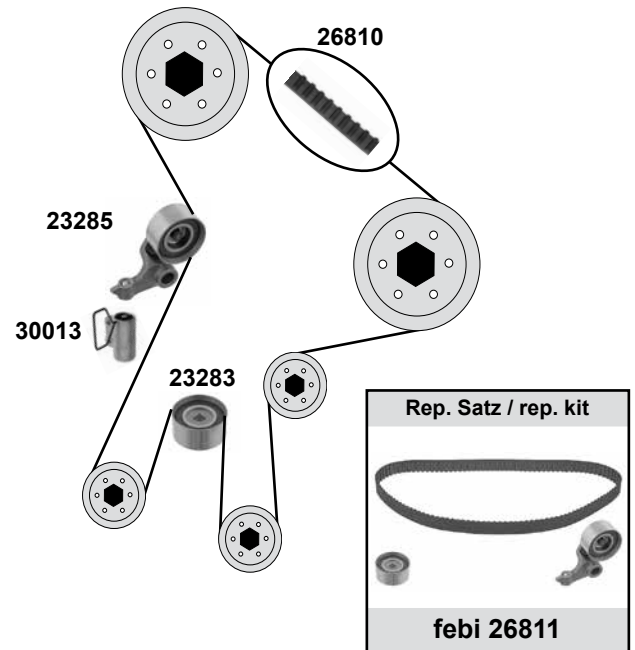


	Ref. - No.			
14271	13505-64012	tension roller		
24365	13568-69066	timing belt		Z 177 B 25,4
24792	13503-64021	deflection pulley		ØA 62 B 28,5
24833	13568-69066 S1	rep.kit timing belt		Z 177 B 25,4

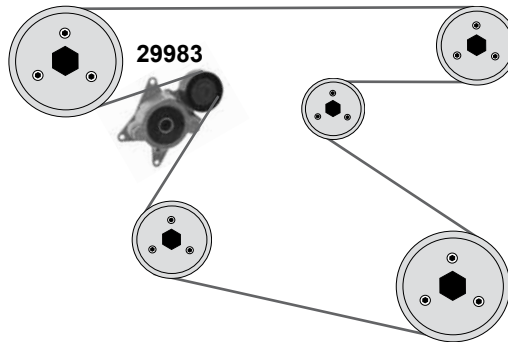
**1,4 TD / 2,0 TD**  
 (NDE150) / (1NDTV) / (1ADFTV)



**2,0 TD**  
 (1CDFTV)



**Corolla ( ADE150 ) (1ADFTV ) (11/06→03/09)**  
**Corolla Verso ( AUR10 ) ( 2ADFHV ) (11/06→03/09)**



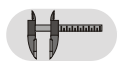
(1) **Corolla** (E11)08/00 → 11/01  
 (E12)11/01 →

(2) **Corolla Verso** (R10) 02/04 → 08/05  
 (E12) 10/01 → 01/04

(3) **Corolla** (E11) 08/00 → 09/01  
 (E12) 10/01 →



Ref. - No.



<b>23283</b>	13503-27010	deflection pulley	(1) (2)	ØA 62 B 28,5
<b>23285</b>	13505-27010	tension roller	(1) (2)	ØA 62 B 30
<b>26810</b>	13568-29035	timing belt	(1) (2)	Z 178 B 25
<b>26811</b>	13568-29035 S1	rep.kit timing belt	(1) (2)	Z 178 B 25
<b>29983</b>	16620-0R010	belt tensioner	(1) (2)	ØA 70 B 28
<b>30013</b>	13540-27011	belt tensioner	(2) (3)	
<b>30668</b>	13506-33020	timing chain	(mot.) 1NDTV 08/04 →	106 E
<b>30669</b>	13506-26010	timing chain	(mot.) 1ADTFV 11/06 →	112 E

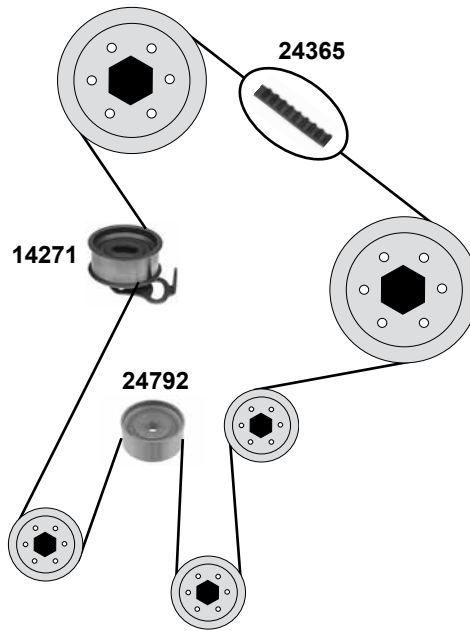
# TOYOTA Corona FR (T14)

(90→99)

Car  
Division



**2,0 D**  
(2C)



## Cressida

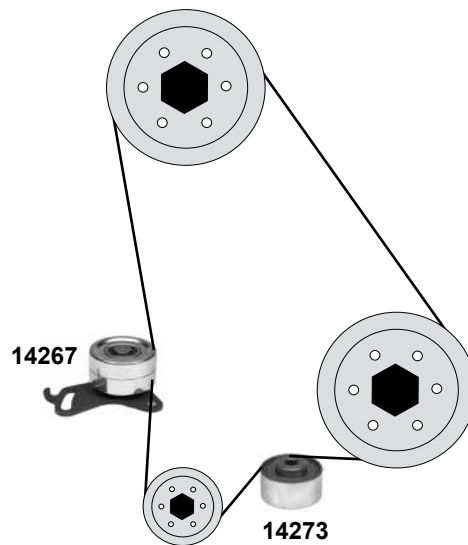
(80→88)

## Crown

(79→87)

**2,2 D / 2,4 D**

(L / 2L)



(1) Cressida (mot.) L 80 → 85 / (mot.) 2L 85 → 88 Crown (mot.) L 79 → 87

(2) Cressida (mot.) L 05/80 → 85 / (mot.) 2L 85 → 88 Crown (mot.) L 08/82 → 87



Ref. - No.



14267	13505-54010
14271	13505-64012
14273	13503-54020
24365	13568-69066
24792	13503-64021
24833	13568-69066 S1

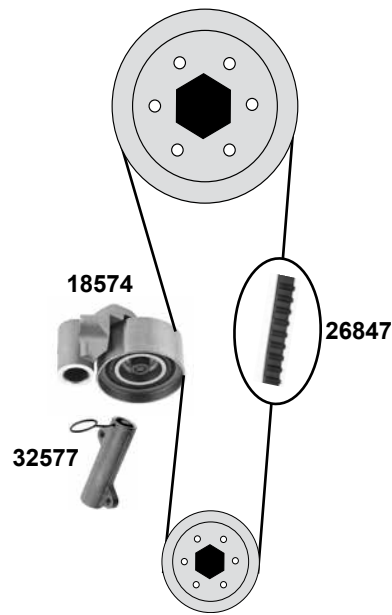
tension roller
tension roller
deflection pulley
timing belt
deflection pulley
rep.kit timing belt

(1)  
(2)

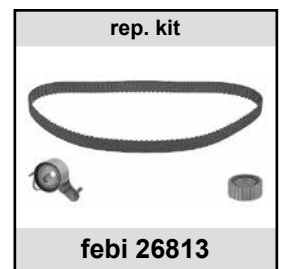
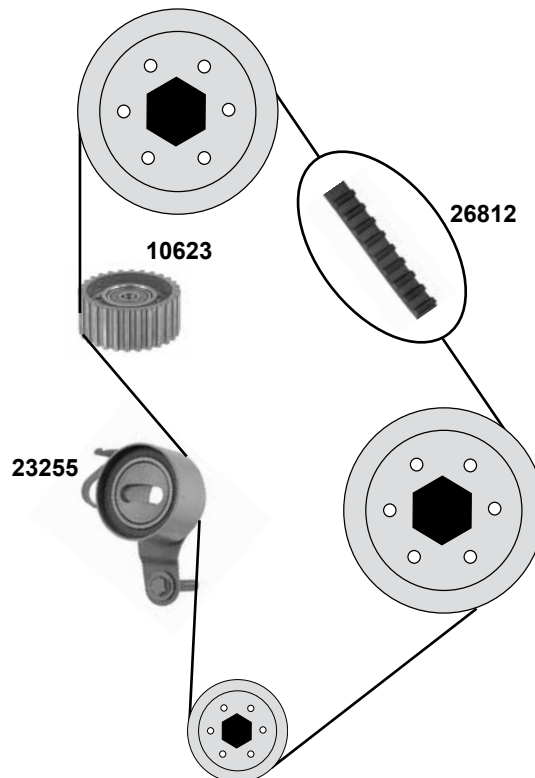
ØA 60 B31,2
ØA 60 B30
Z 177 B 25,4
ØA 62 B 28,5
Z 177 B 25,4



**2 KDFTV 2,5**  
**1 KDFTV 3,0**



**2,4 D (2L)**  
**2,8 D (3L)**  
**3,0 D (5L)**



(1) (mot.) 2L 12/95 → 08/01 / (mot.) 3L 12/95 → 10/01 / (mot.) 5L 12/95 → 09/06

(2) (mot.) 2KDFTV 08/01 → 10/06 / (mot.) 1KDFTV 08/01 →

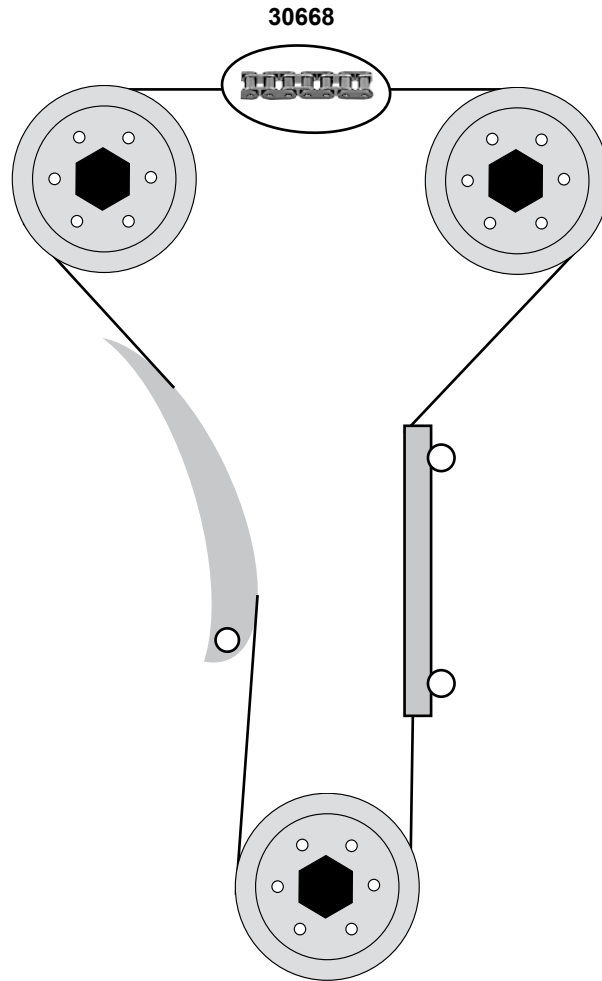


Ref. - No.

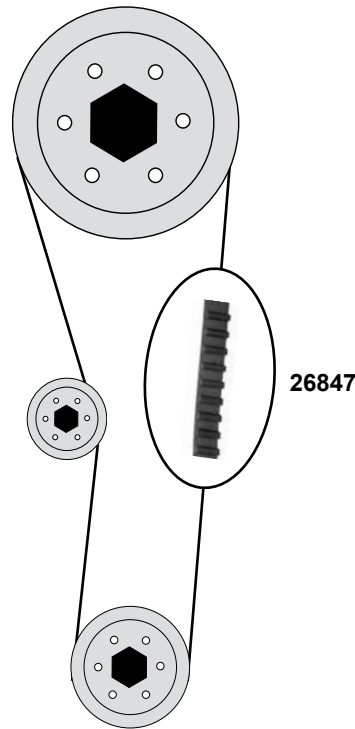


<b>10623</b>	13503-54030	deflection pulley	(1)	ØA 83 B 35
<b>18574</b>	13505-67040	tension roller		ØA 62 B 38
<b>23255</b>	13505-54021	tension roller	(1)	ØA 62 B 35
<b>26812</b>	13568-59106	timing belt	(1)	Z 129 B 31
<b>26813</b>	13568-59106 S1	rep.kit timing belt	(1)	Z 129 B 31
<b>26847</b>	13568-39015	timing belt	(2)	Z 97 B 25
<b>32577</b>	13540-67020	belt tenioner	(2)	

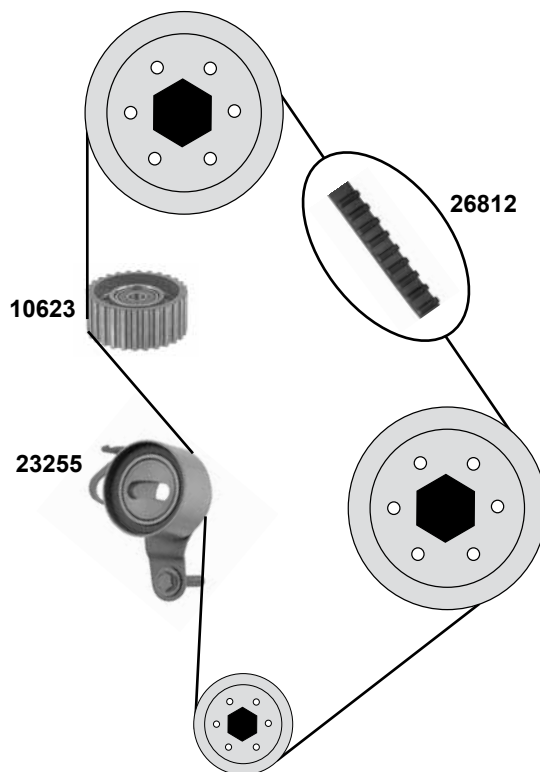
**1,4 TD**  
(1NDTV)



**3,0 TD**  
(1KDFTV)



**3,0 D**  
(5L)



Ref. - No.



<b>10623</b>	13503-54030	deflection pulley
<b>23255</b>	13505-54021	tension roller
<b>26812</b>	13568-59106	timing belt
<b>26813</b>	13568-59106 S1	rep.kit timing belt
<b>26847</b>	13568-39015	timing belt

12/06 →

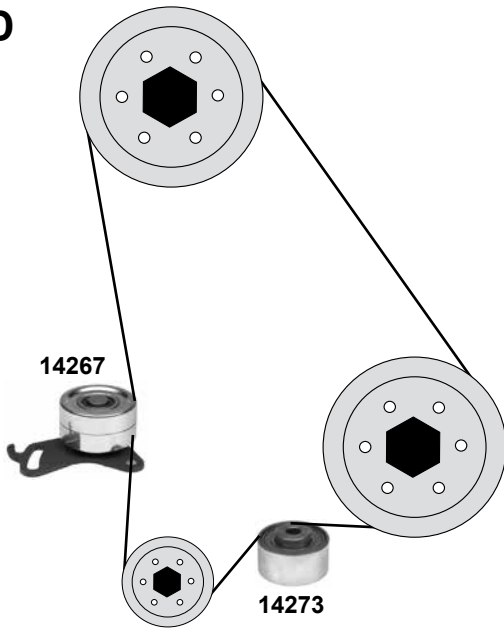
ØA 83 B 35
ØA 62 B 35
Z 129 B 31
Z 129 B 31
Z 97 B 25

# TOYOTA Hiace (89→)

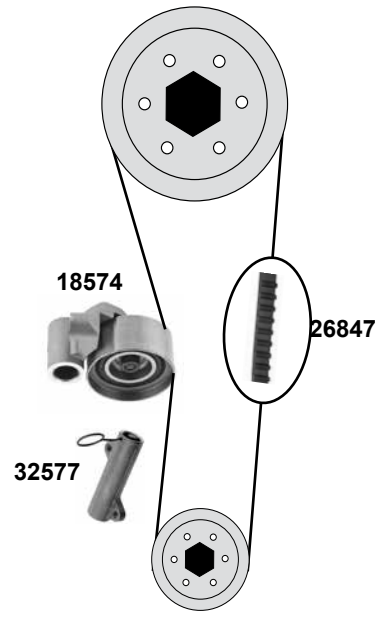
Car  
Division



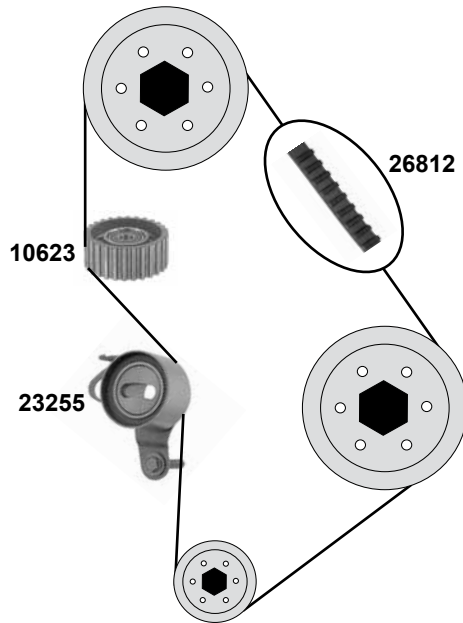
**2,2 D**  
(L)



**2,5 TD**  
(2KDFTV)  
**3,0 TD**  
(1KDFTV)



**2,4 D** (2L)  
**2,8 D** (3L)  
**3,0 D** (5L)



(1) (mot.) 2L 12/95 → 08/01  
05/03 → 07/03  
(mot.) 3L 07/99 → 08/00  
(mot.) 5L 02/95 → 02/06

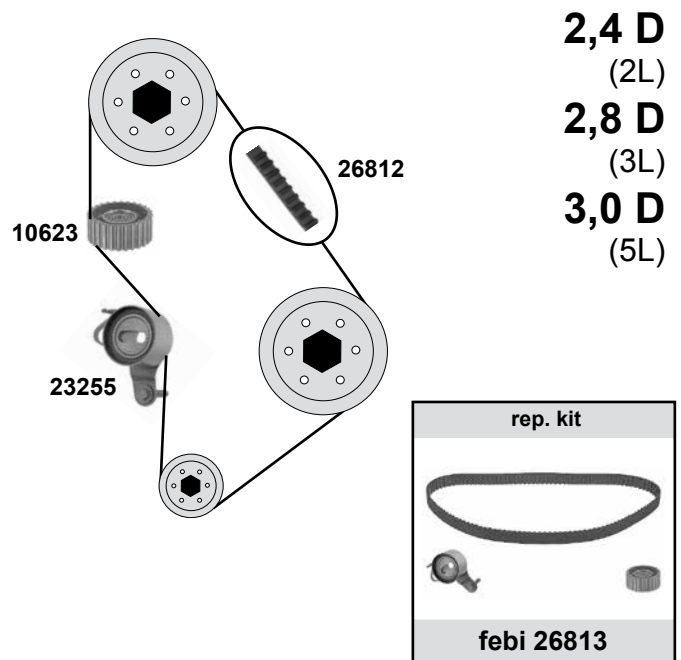
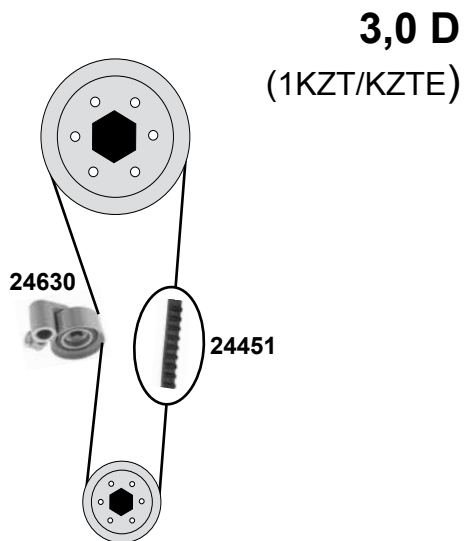
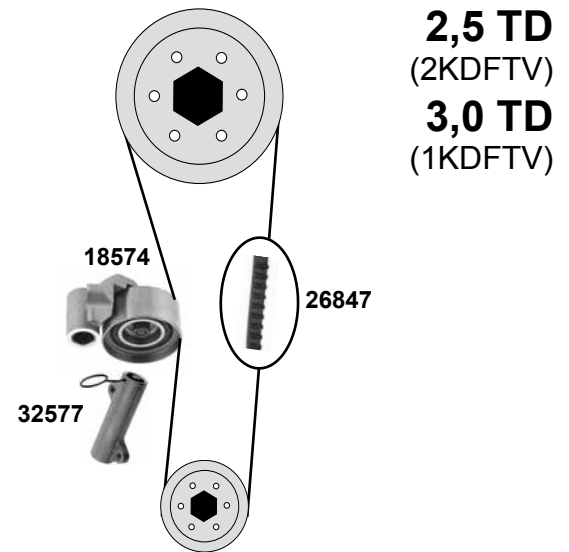
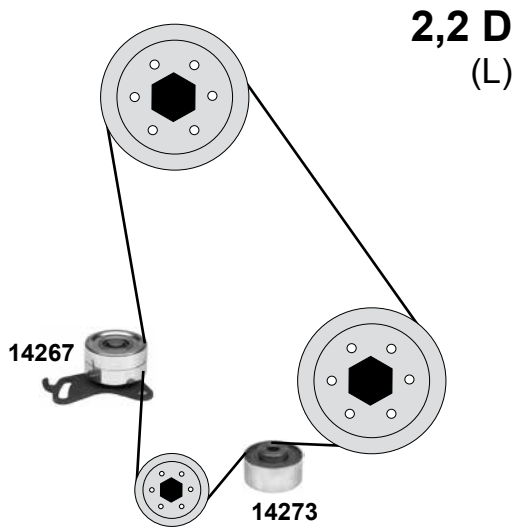
(2) (KDH) (mot.) 2KDFTV  
(KLH) 01/05 → 08/01 → 08/06  
(3) (mot.) L 82 → 88



Ref. - No.



Ref. - No.	Description	Quantity	Dimensions
10623	deflection pulley	(1)	ØA 83 B 35
14267	tension roller	(3)	ØA 60 B 31,2
14273	deflection pulley	(3)	ØA 60 B 30
18574	tension roller	(2)	ØA 62 B 38
23255	tension roller	(1)	ØA 62 B 35
26812	timing belt	(1)	Z 129 B 31
26813	rep.kit timing belt	(1)	Z 129 B 31
26847	timing belt	(2)	Z 97 B 25
32577	belt tensioner	(2)	



	(1) (mot.) 2L 12/95 → 06/05 (mot.) 3L 12/95 → 06/05 (mot.) 5L 08/97 → 04/05	(2) KDN (mot.) 2KDFTV 08/01 → (mot.) 1KDFTV 10/01 → 11/04 KUN 08/06 →
	(3) (mot.) L febi 14273 05/82 → 97 febi 14267 84 → 97	(4) KZN (mot.) 1KZT 09/99 → 06/00 JPP KZN130 (mot.) 1KZT 08/93 → 11/95
	(5) KZN205 (mot.) KZTE 08/01 → 12/04 KZN130 (mot.) KZT 08/93 → 11/95 KZN165,190 (mot.) KZTE 09/99 → 04/05	



Ref. - No.



Ref. - No.	Description	Quantity	Part Number
10623	deflection pulley	(1)	ØA 83 B35
14267	tension roller	(3)	ØA 60 B31,2
14273	deflection pulley	(3)	ØA 60 B30
18574	tension roller	(2)	ØA 62 B 38
23255	tension roller	(1)	ØA 62 B 38
24451	timing belt	(5)	Z 102 B25
24630	tension roller	(4)	ØA 62 H28,5
26812	timing belt	(1)	Z 129 B 31
26813	rep.kit timing belt	(1)	Z 129 B 31
26847	timing belt	(2)	Z 97 B 25
32577	belt tensioner	(2)	



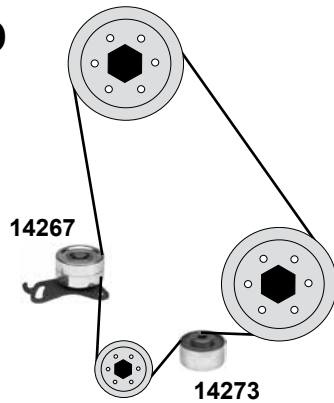
# TOYOTA Land Cruiser

(84→)

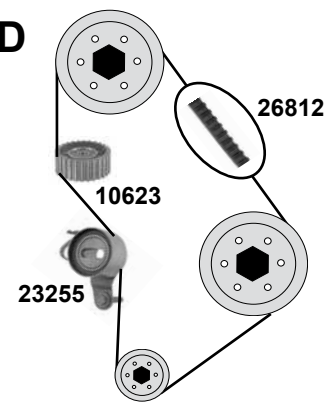
Car  
Division



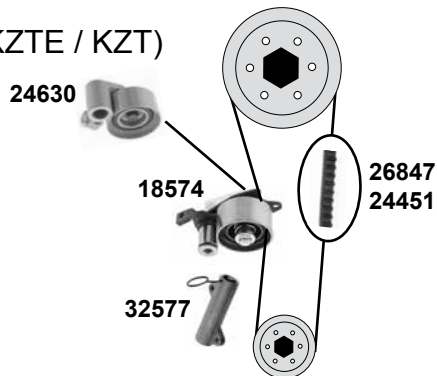
## 2,2 / 2,4 D (L / LT)



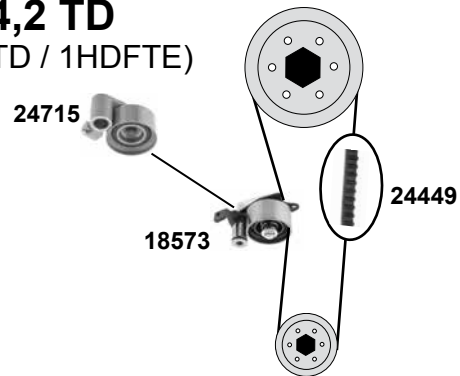
## 2,4 D 2,8 D 3,0 D (2L) (3L) (5L)



## 3,0 TD (1KDFTV / 1KZTE / KZT)



## 4,2 D / 4,2 TD (1HZ / 1HTD / 1HDFTE)



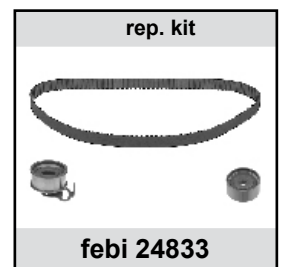
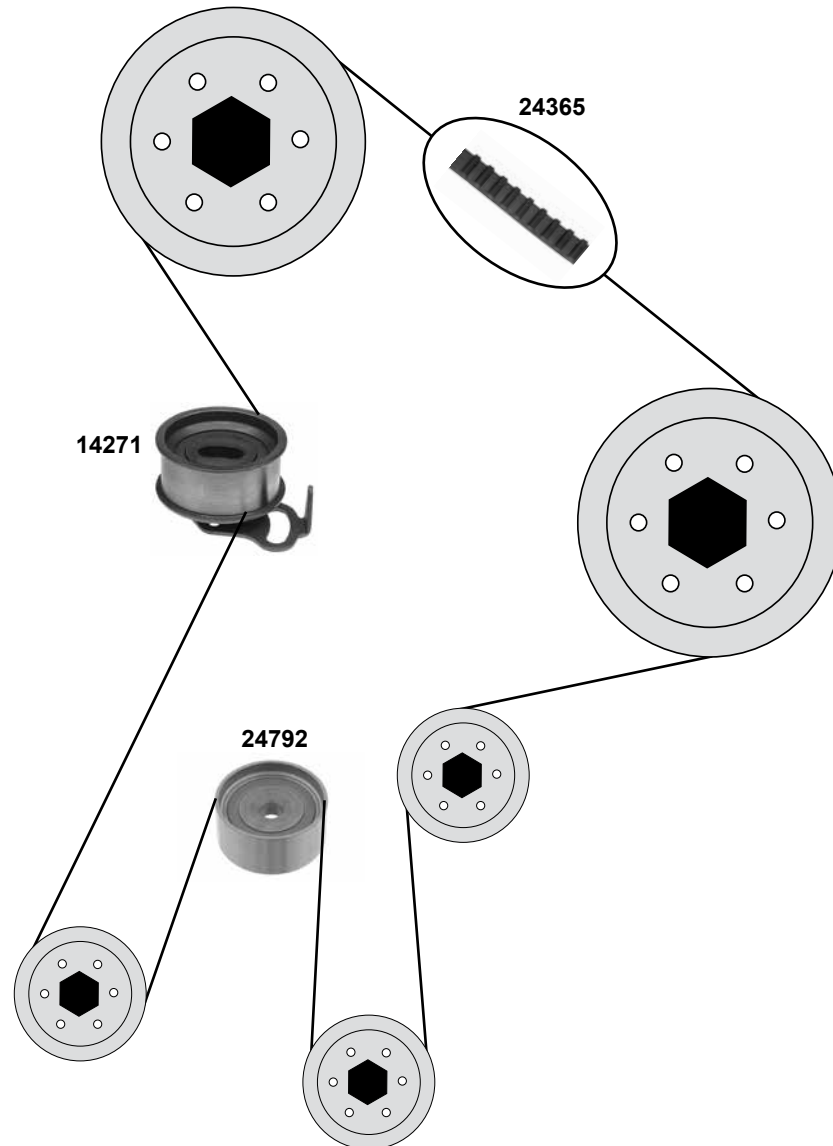
(1)	70 90 Prado J12 Prado	(mot.) 3L (mot.) 3L (mot.) 5L	12/95 → 04/96 04/96 → 09/02 09/02 →	(5)	J7 J8	(mot.) HZ 90 (mot.) HZ, 1HDT	→ 98 90 → 97
(2)	J9 J12 J12 Prado	(mot.) 1KDFTV (mot.) 1KDFTV (mot.) 1KDFTV	08/00 → 09/02 09/02 → 08/06 →	(6)	KZJ7 KZJ9	(mot.) 1KZT (mot.) 1KZTE	05/93 → 04/96 → 09/02
(3)	J8 J10	(mot.) 1HDFTE (mot.) 1HDFTE	01/95 → 01/98 01/98 → 08/01	(7)	70(HZJ7) (HZJ70,75) 80(HDJ80) 100	(mot.) 1HZ (mot.) 1HZ (mot.) HDFT (mot.) HD/HZ	05/98 → 08/01 05/98 → 07/00 01/95 → 01/98 01/96 →
(4)	J9 J12		96→ 03→	(8)	70 (KZJ7#) 90 (KZJ9#) 90 (KDJ9#) 120 (KDJ12) 150 (KDJ15)	(mot.) 1KZT (mot.) 1KZTE (mot.) 1KZTE (mot.) 1KDFTV (mot.) 1KDFTV	05/93 → 04/96 04/96 → 09/02 04/96 → 09/02 09/02 → 08/09 →
					90 Prado (KZJ9#) 120 Prado (KZJ120)	(mot.) 1KZTE (mot.) 1KZTE	04/96 → 09/02 09/02 →



Ref. - No.



10623	13503-54030	deflection pulley	(1)	ØA 83 B35
14267	13505-54010	tension roller	→ 90	ØA 60 B31,2
14273	13503-54020	deflection pulley	→ 90	ØA 60 B30
18573	13505-17011	tension roller	(5)	
18574	13505-67040	tension roller	(4)	ØA 62 B38
23255	13505-54021	tension roller	(1)	ØA 62 B35
24449	13568-19175	timing belt	(3)	Z 105 B25,4
24451	13568-69085	timing belt	(8)	Z 1202 B25
24630	13505-67050	tension roller	(6)	ØA 62 H28,5
24715	13505-17020	tension roller	(7)	ØA 62 H28,5
26812	13568-59106	timing belt	(1)	Z 129 B31
26813	13568-59106 S1	rep.kit timing belt	(1)	Z 129 B31
26847	13568-39015	timing belt	(2)	Z 97 B25
32577	13540-67020	belt tensioner	(8)	



Ref. - No.

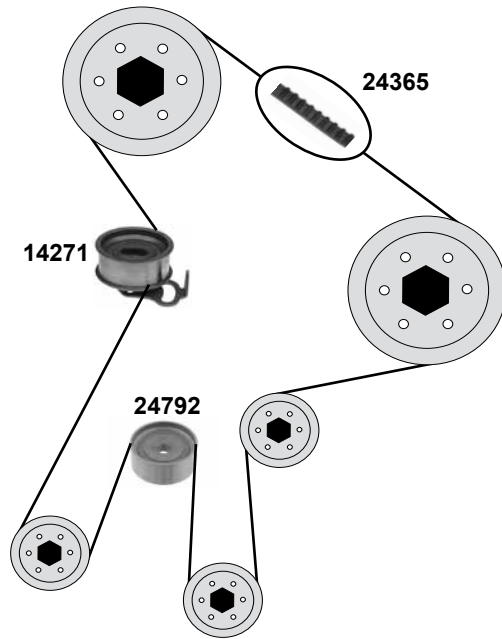


<b>14271</b>	13505-64012	tension roller
<b>24365</b>	13568-69066	timing belt
<b>24792</b>	13503-64021	deflection pulley
<b>24833</b>	13568-69066 S1	rep.kit timing belt

Z 177 B25,4
ØA 62 B28,5
Z 177 B25,4



**2,2 D**  
(3CTE)



**Picnic / Previa (R3)**

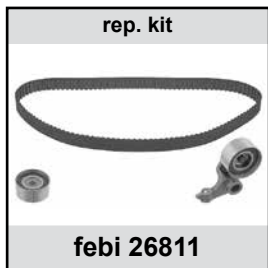
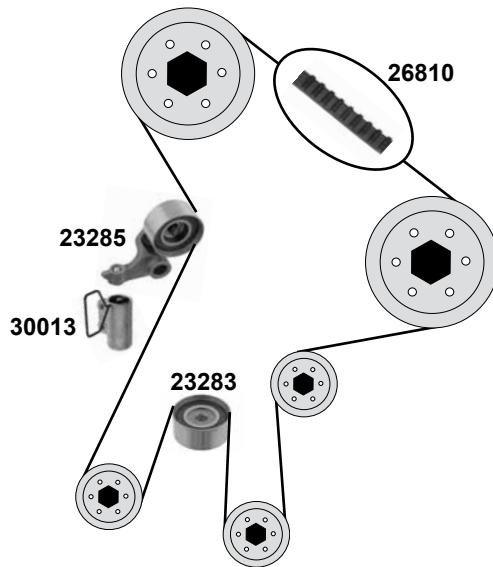
**RAV 4 (A2)**

**Tarago (R3)**

(00→)

**2,0 TD**

(1CDFTV)



(1) RAV 4 (A2) 05/01 → / Tarago (R3) 02/01 → 04/04 / Previa (R3) 02/01 → 04/047

(2) RAV 4 (A2) 05/01 → / Tarago (R3) 04/03 → / Previa (R3) 04/03 → / (ex.) Picnic

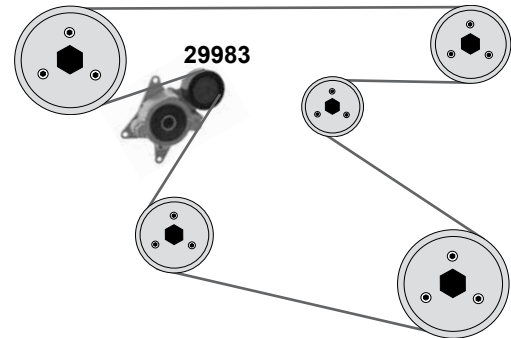
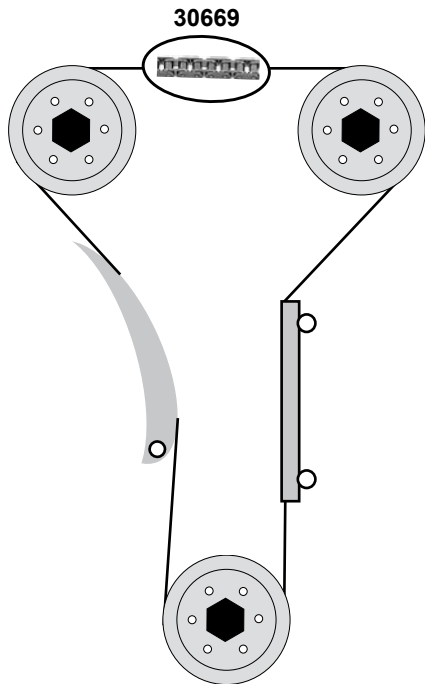


Ref. - No.



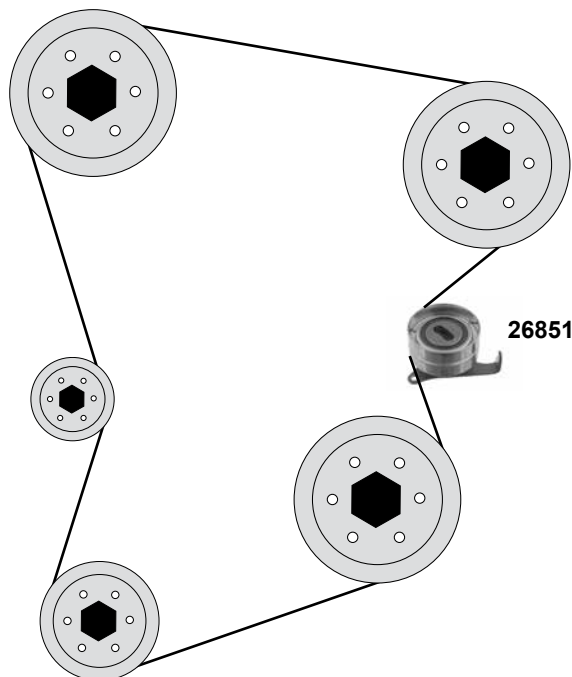
14271	13505-64012	tension roller		
23283	13503-27010	deflection pulley	(1)	ØA 62 B28,5
23285	13505-27010	tension roller	(1)	ØA 62 B 30
24365	13568-69066	timing belt		Z 177 B25,4
24792	13503-64021	deflection pulley		ØA 62 B28,5
24833	13568-69066 S1	rep.kit timing belt		Z 177 B25,4
26810	13568-29035	timing belt	(1)	Z 178 B25
26811	13568-29035 S1	rep.kit timing belt	(1)	Z 178
30013	13540-27011	belt tensioner	(2)	

**2,2 TD**  
(2ADFHV / ADFTV)



**Starlet (P7 / P8)**  
(12/86→01/96)

**1,5 D**  
(1N)



Ref. - No.



**26851** 13505-55020  
**29983** 16620-0R010  
**30669** 13506-26010

tension roller  
belt tensioner  
timing chain

(mot.) 2ADFHV

AØ62 H28,5  
AØ70 H28  
112 E

# TOYOTA Yaris / Yaris Verso

(99→)

Car  
Division



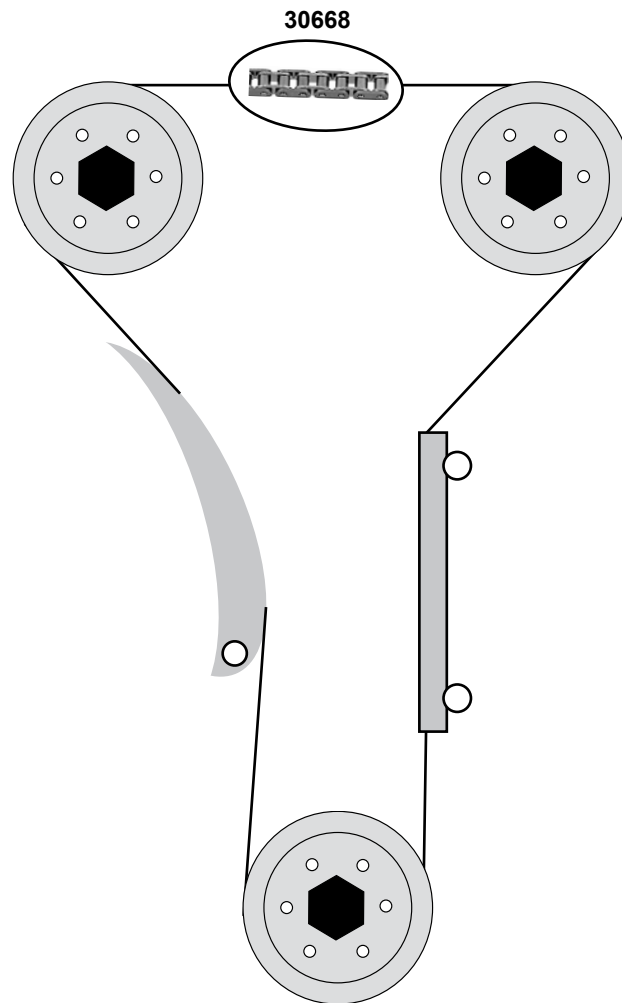
## 1,4 TD

(1NDTV)

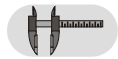
Modell NLP22 10/01 →

Modell NLP10 12/02 →

Modell NLP90 11/05 → 11/08



Ref. - No.

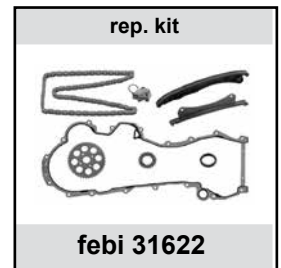
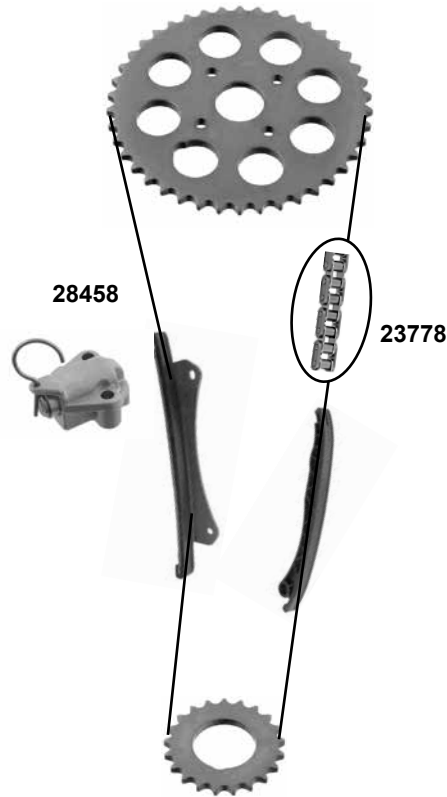


30668

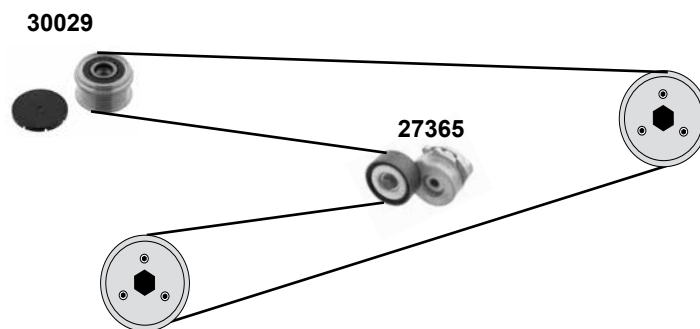
13506-33020

timing chain

106 E



(Z 1,3 DT/DTJ,D13A)



(1) Agila A (mot.) Z1,3DT / Agila B (mot.) Z1,3DTJ

(2) Agila A (mot.) Z1,3DT mit Valeo 70A /combined with Valeo 70A



Ref. - No.

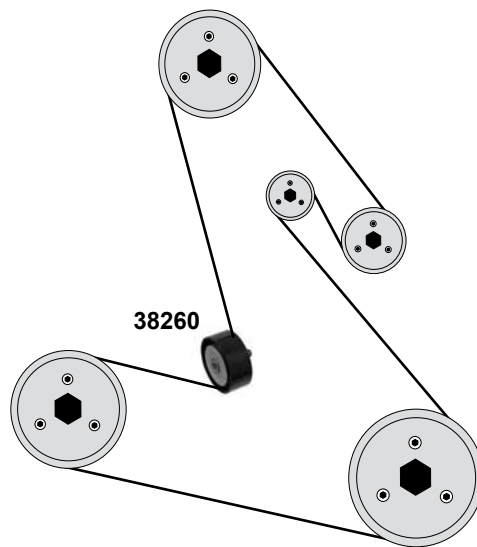
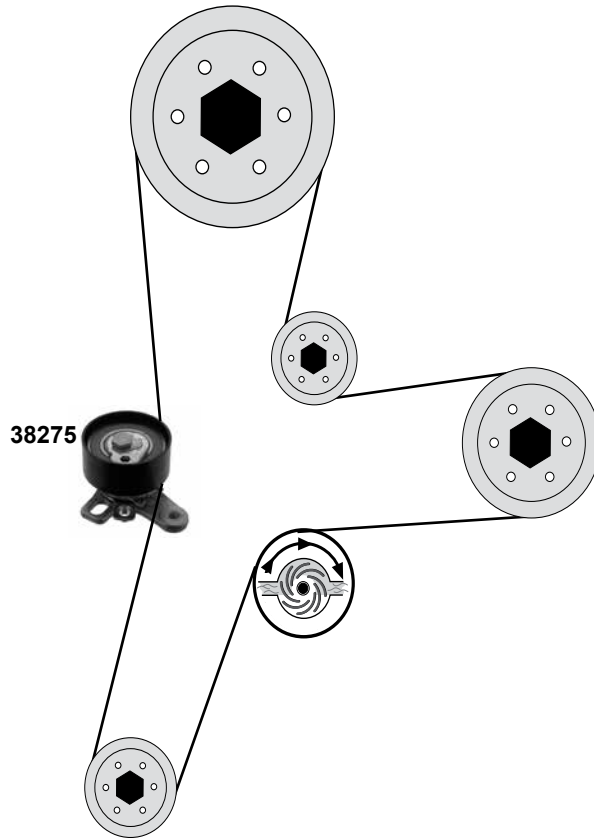


23778	93177407	timing chain
27365	55574238	belt tensioner
28458	93190427	chain tensioner
30029	93192631	alternator overrun pulley
31622	93191273 SK	rep. kit timing chain

(1)  
(mot.) Z1,3DTJ  
(2)

120 E  
ØA 65 B25,5  
ØA59 Ø17 B38,1

**2,0 D**  
 (Z20DM / Z20DMH)



Ref. - No.

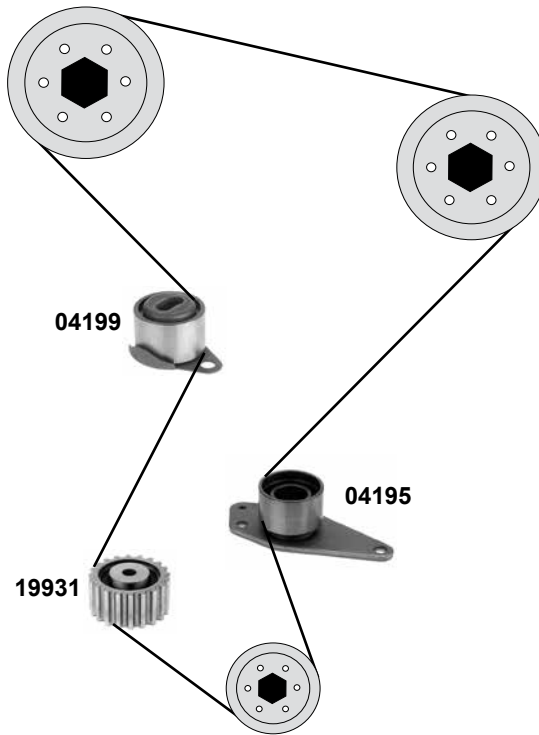


38260	96440417
38275	96941103

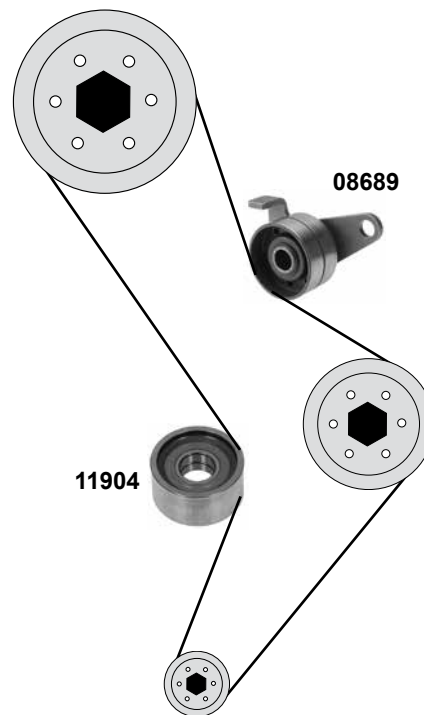
tension roller  
 tension roller

ØA 65 B26  
 ØA 60 B27

**1,9 D**  
(F8Q-600 / F8Q-606)



**2,5 D**  
(S8U-758 / S8U-780 / S8U-782)



Ref. - No.



<b>04195</b>	09110690	deflection pulley	ØA 50 B31
<b>04199</b>	09109609	tension roller	ØA 50 B31
<b>08689</b>	09108204	deflection pulley	ØA 65 B34
<b>11904</b>	09111144	tension roller	ØA 67 B34
<b>19931</b>	09110639	deflection pulley	ØA60,6 B32,5



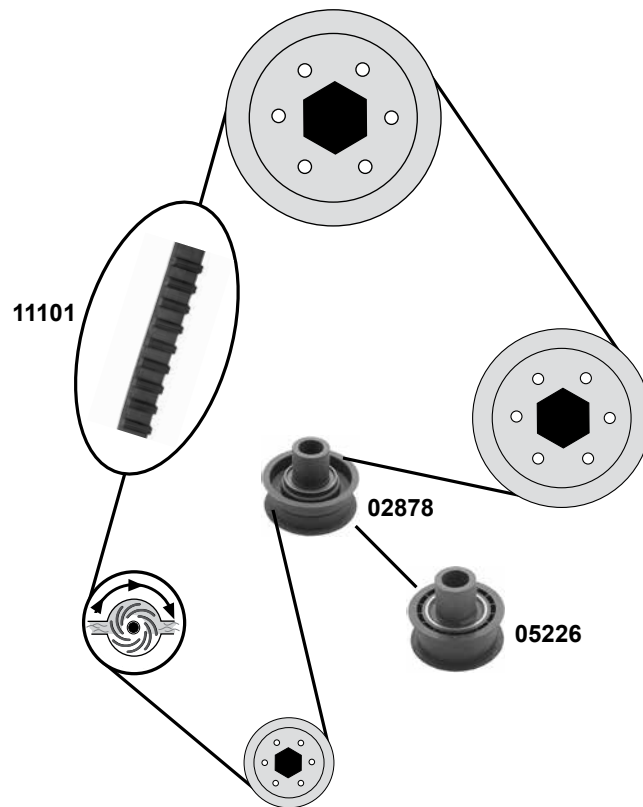
# VAUXHALL Astra Mk I / Mk II

(79→93)

Car  
Division



**1,6 D**  
(D / DA)



(1) Astra Mk I: all  
Astra Mk II: (mot.) DA→14498630

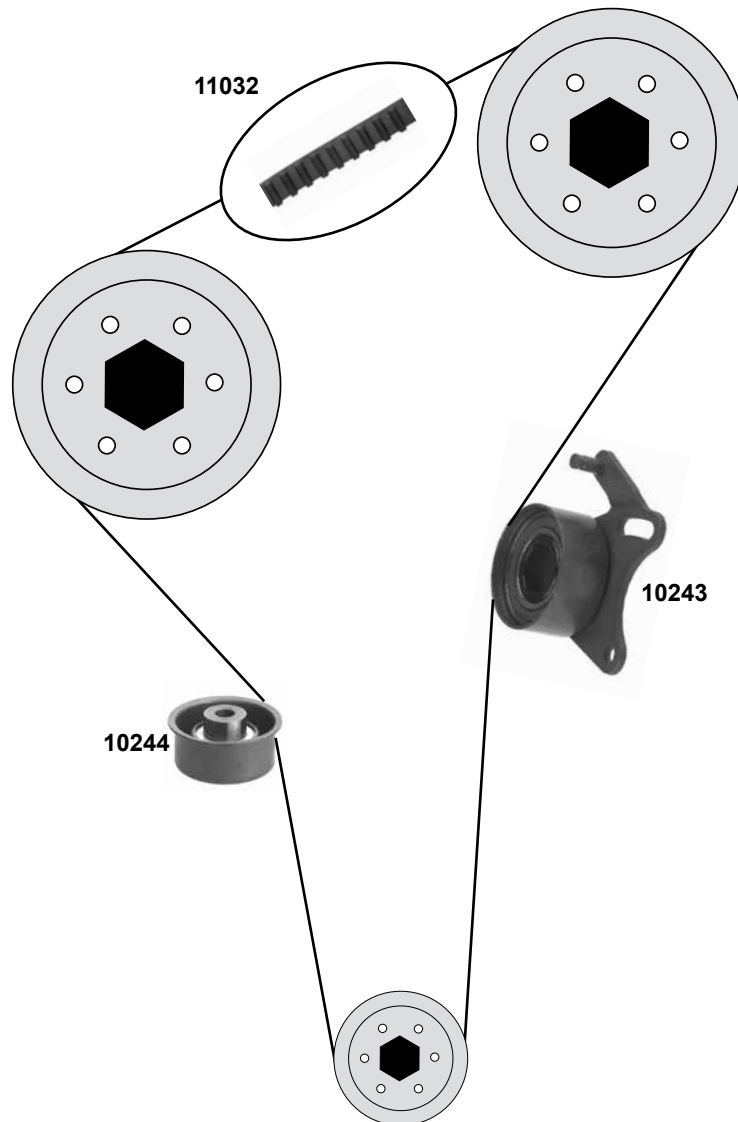
(2) Astra Mk II: (mot.) DA 14498631  
(mot.) DA 14503757→  
(mot.) DA→14503756



Ref. - No.



02878	90180131	deflection pulley	(1)	12 x 69 x 31/59
05226	90264022	deflection pulley	(2)	27 x 71 x 58,5
11101	90410784	timing belt	(2)	Z146 B24



	Ref. - No.			
10243	97112439	tension roller		ØA 65 ØI 28 B34,5
10244	94106001	deflection pulley		ØA 65 ØI 12 B31
11032	94449307	timing belt		Z 136 B 25,4
11036	94449307 S1	rep. kit timing belt		Z 136 B 25,4

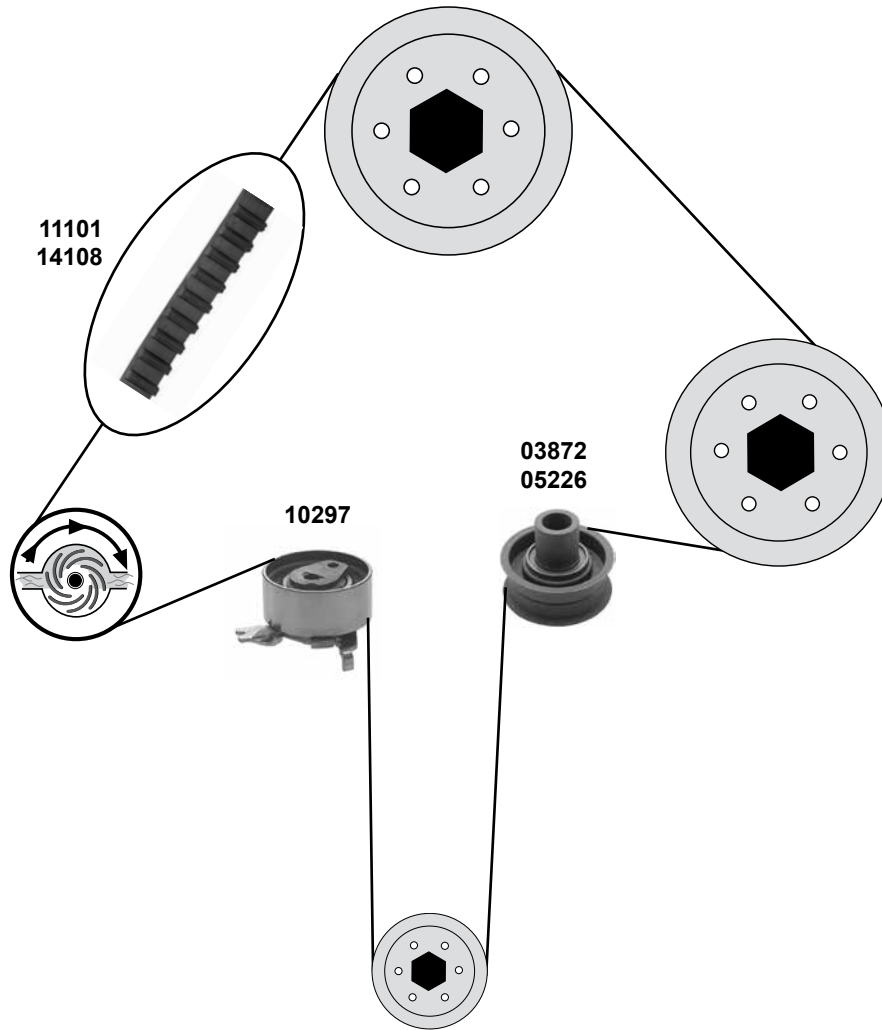
# VAUXHALL Astra Mk II

(85→93)

Car  
Division



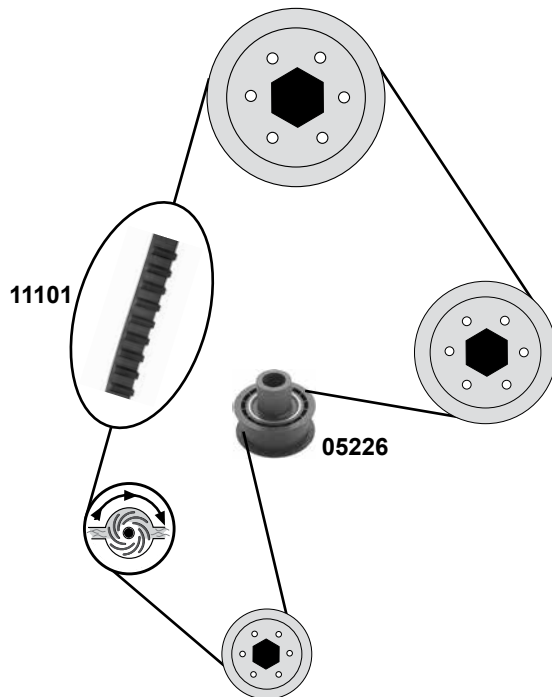
**1,7 D**  
(DR)



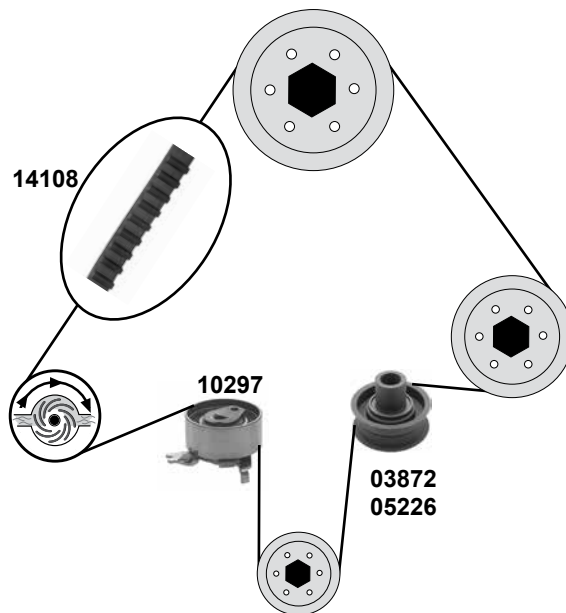
	Ref. - No.			
<b>03872</b>	09128741	deflection pulley	(mot.) 14363651→	ØA 52 ØI 27
<b>05226</b>	90264022	deflection pulley	(mot.)→14363650	27 x 71 x 58,5
<b>10297</b>	09158004	tension roller		26 x 59
<b>11101</b>	90410784	timing belt	(mot.)→14363650	Z 146 B 24
<b>14108</b>	90530598	timing belt	(mot.) 14363651→	Z 176 B 24
<b>14111</b>	90530598 S2	rep. kit timing belt	(mot.) 14363651→	



(mot.) → 14363650



(mot.) 1,7 DR 14363651 →



Rep. Satz / rep. kit

**febi 14111**



Ref. - No.



<b>03872</b>	09128741	deflection pulley
<b>05226</b>	90264022	deflection pulley
<b>10297</b>	09158004	tension roller
<b>11101</b>	90410784	timing belt
<b>14108</b>	90530598	timing belt
<b>14111</b>	90530598 S2	rep. kit timing belt

ØA 52 ØI 27
ØA 71 ØI 27B58,5
ØA 58 ØI 26
Z 146 B24
Z 176 B24

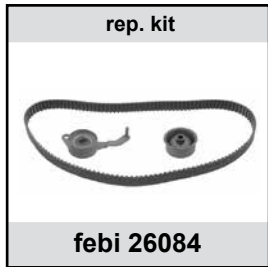
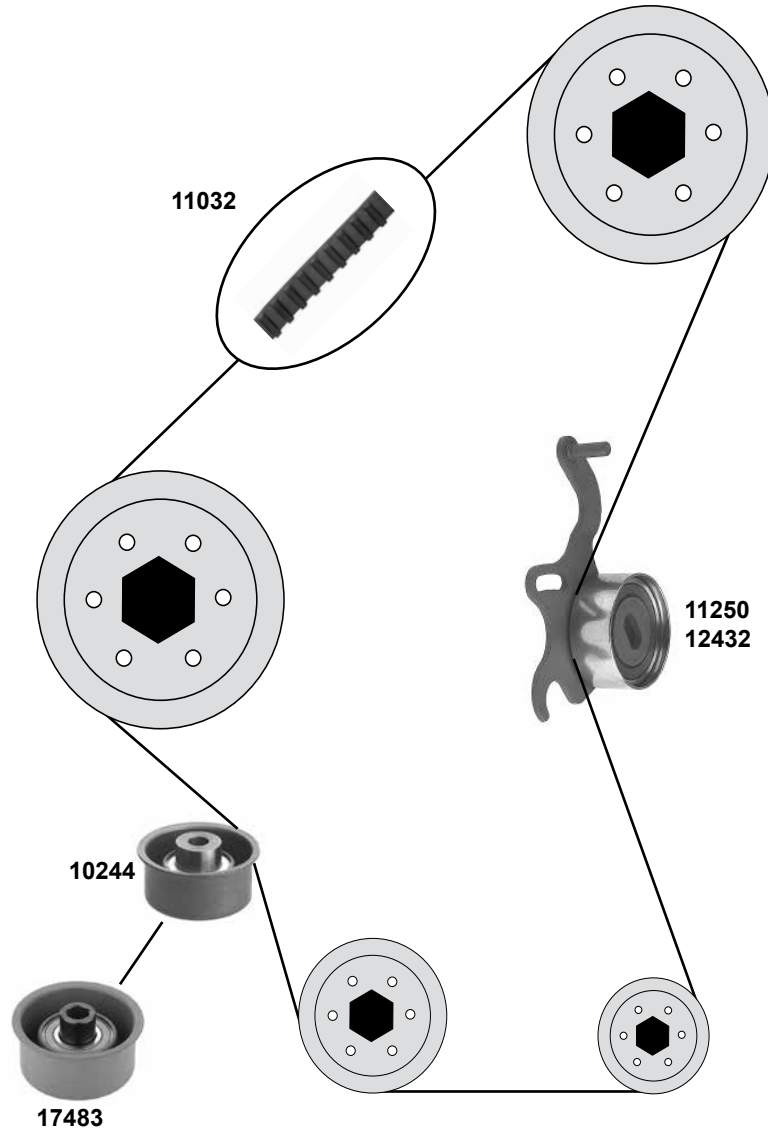
# VAUXHALL Astra Mk III / F

(92→98)

Car  
Division



1,7 TD



(1) (ch.)→R 2599999,→R 9999999,→R 6999999,R→8999999

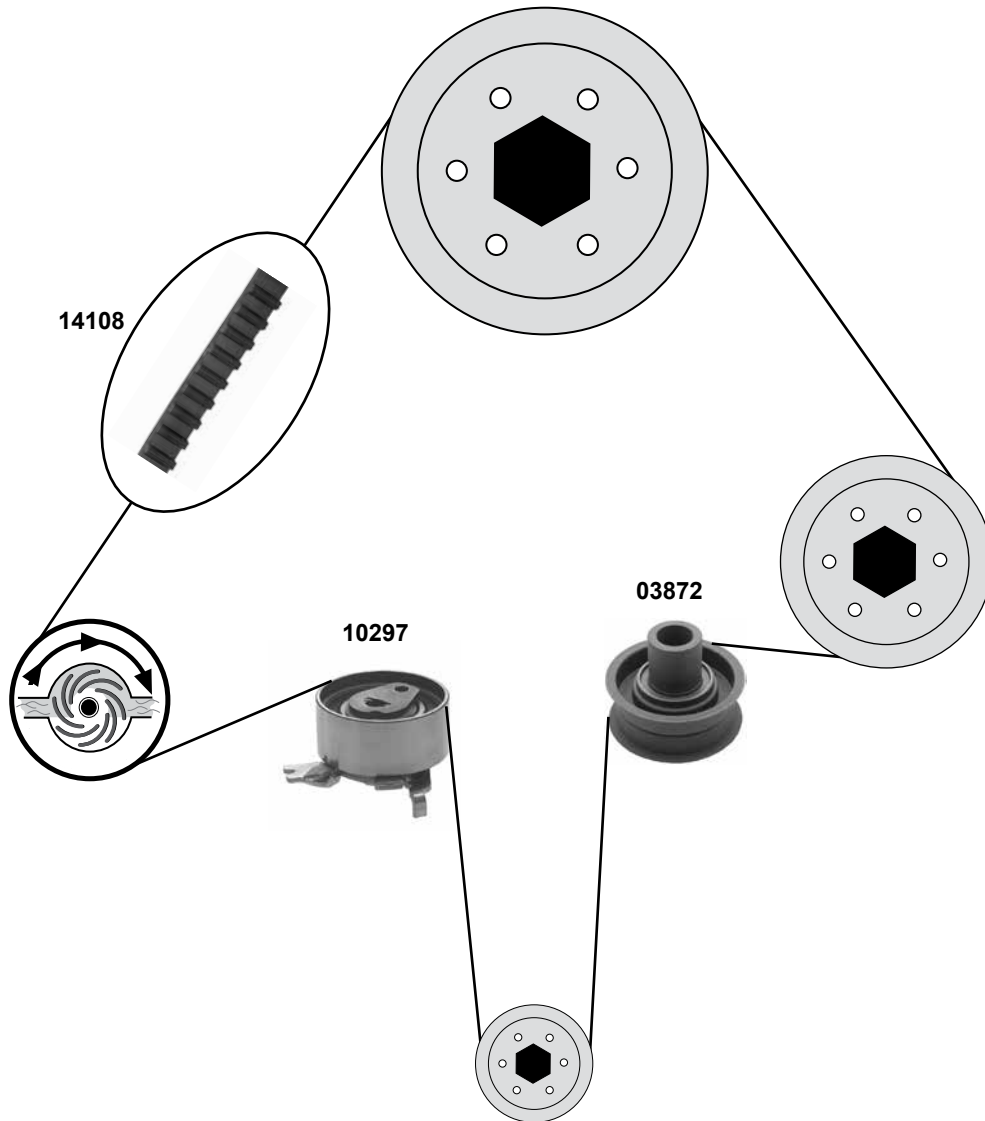
(2) (ch.) S 2500001→,S 5000001→,S 6000001→,SP 000001→



Ref. - No.



Part No.	Ref. - No.	Description	Notes	Dimensions
10244	94106001	deflection pulley	(mot.)→ 00029078	ØA 65 ØI 12 B31
11032	94449307	timing belt		Z 136 B25,4
11250	97010530	tension roller	(1)	ØA 65 B28,5
12432	97112438	tension roller	(2)	ØA 65 B28
17483	97129939	deflection pulley	(2)	ØA 65 B 31
26084	94449307 S2	rep. kit timing belt	(2)	



Ref. - No.



<b>03872</b>	09128741	deflection pulley
<b>10297</b>	09158004	tension roller
<b>14108</b>	90530598	timing belt
<b>14111</b>	90530598 S2	rep. kit timing belt

27 x 52
26 x 59
Z 176 B24
Z 176 B24

# VAUXHALL Astra Mk IV / G

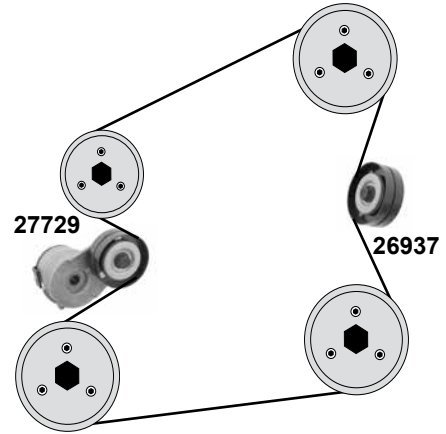
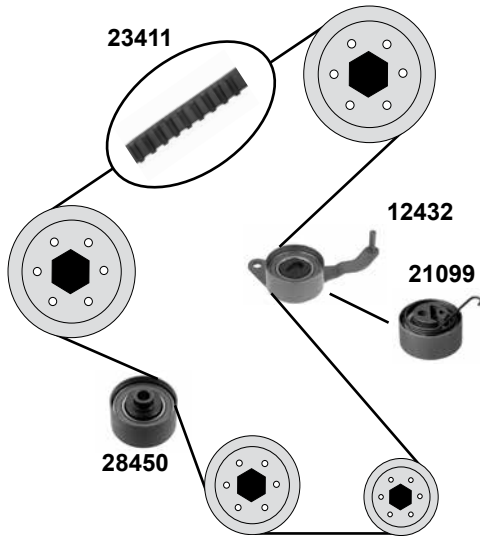
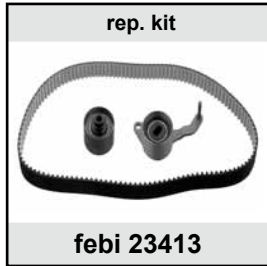
(98→04)

Car  
Division



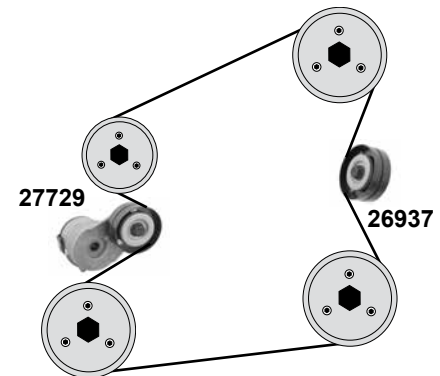
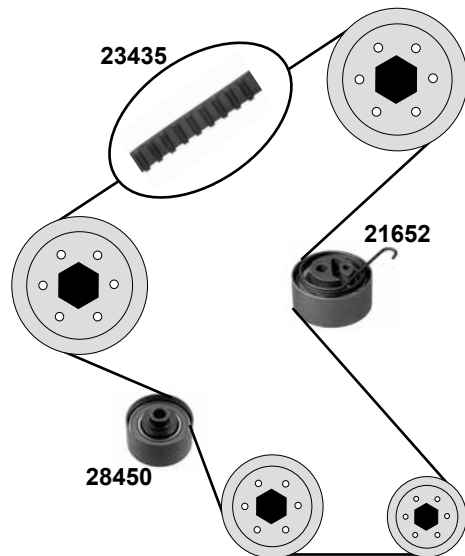
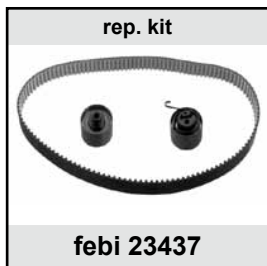
## 1,7 DT

(Y 1,7 DT)



## 1,7 DTL

(Z 1,7 DTL)



Ref. - No.



12432	97112438	tension roller
21099	97249944	tension roller
21652	97249945	tension roller
23411	97212727	timing belt
23413	93188136 SK	rep. kit timing belt
23415	93188137 SK	rep. kit timing belt
23435	97227192	timing belt
23437	97227192 S1	rep. kit timing belt
26937	98012238	deflection pulley
27729	97184929	belt tensioner
28450	97376296	deflection pulley

(mot.)→328704  
(mot.) 328705→

(mot.)→328704  
(mot.) 328705→

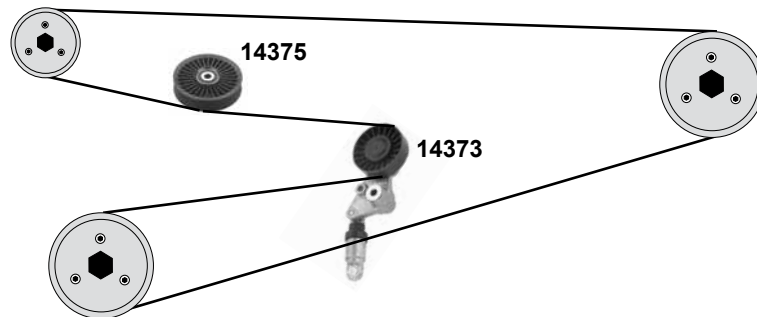
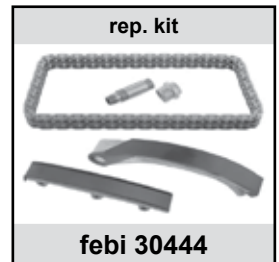
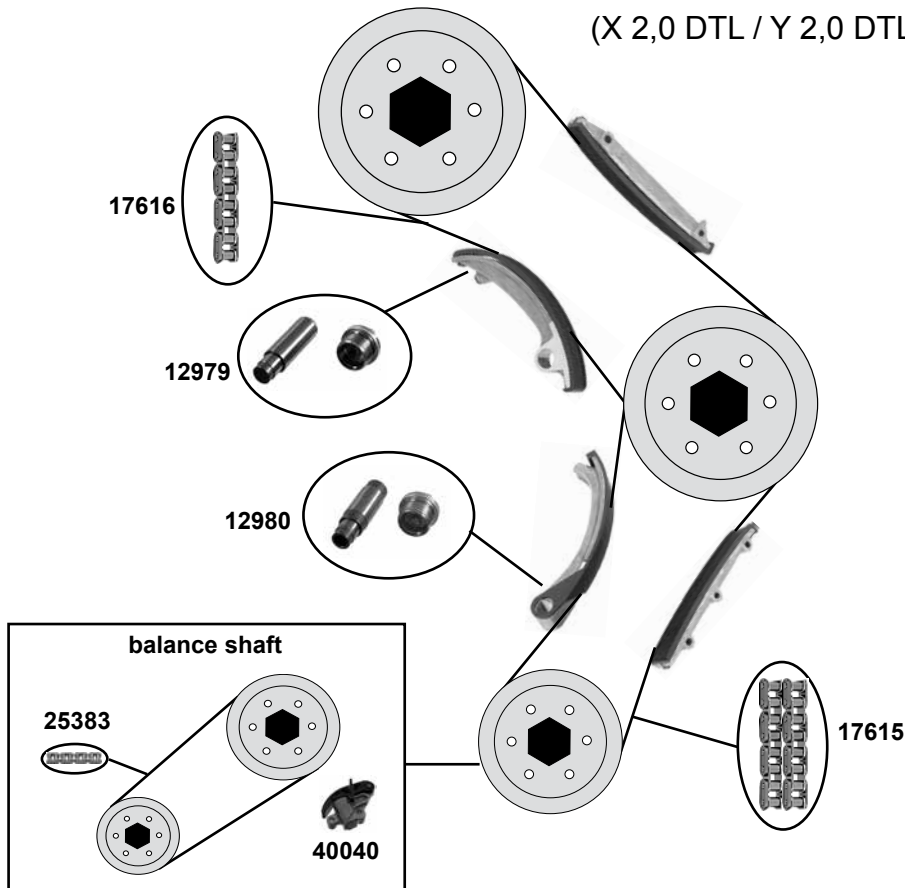
AC (mot.) 1306916→

ØA 65 B34 / 28  
ØA 65 B28,5  
ØA 65 B28,5  
Z 131 B25  
Z 131 B25  
Z 131 B25  
Z 129 B25  
Z 129 B25  
ØA 76 B26  
ØA 70 B26  
ØA 65 B24,5



**2,0 TD / 2,2 TD**

(X 2,0 DTL / Y 2,0 DTL / Y 2,0 DTH / Y 2,2 DTR)



Ref. - No.



12979	24418171	chain tensioner
12980	24418172	chain tensioner
14373	09180809	belt tensioner
14375	55350960	deflection pulley
17615	90529247	timing chain
17616	90529248	timing chain
25383	09128999	timing chain simplex
30444	90529247 S1	rep. kit timing chain
30449	90529248 S1	rep. kit timing chain
40040	90573822	chain tensioner

(mot.) Y2,2DTR

ØA 90 B24,4  
ØA 109 B26,4  
78 E  
80 E  
78 E

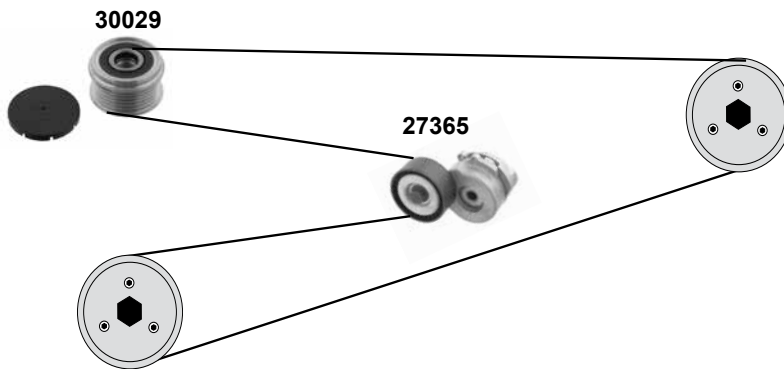
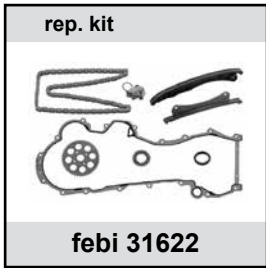
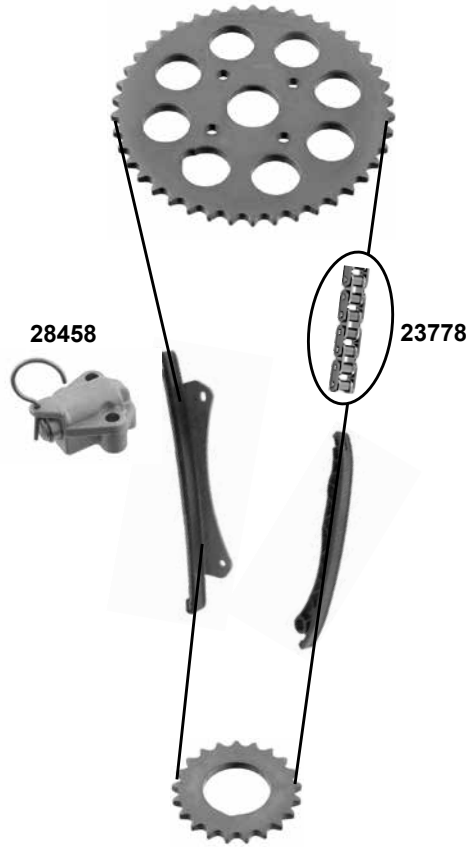


**VAUXHALL**  
**Astra Mk V / H**  
 (2004→2009)

Car  
 Division 



**1,3 D**  
 (Z 1,3 DTH)



(1) mit Valeo 70A /combined with Valeo 70A



Ref. - No.



**23778**  
**27365**  
**28458**  
**30029**  
**31622**

93177407  
 55574238  
 93190427  
 93192631  
 93191273 SK

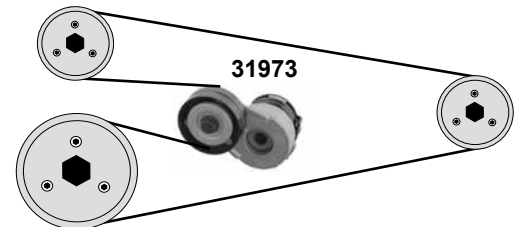
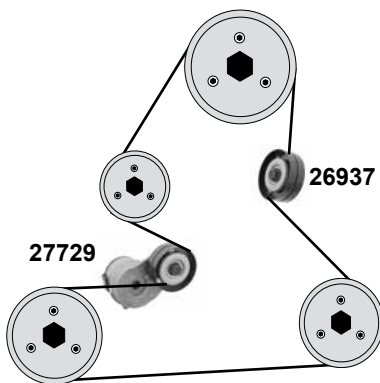
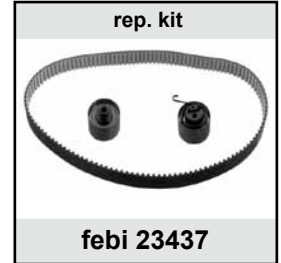
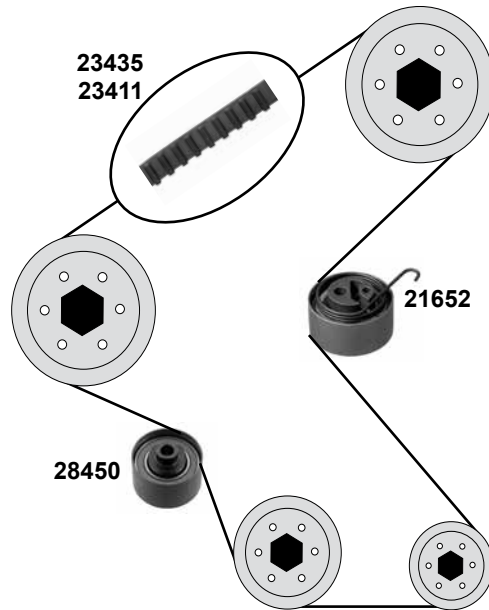
timing chain  
 belt tensioner  
 chain tensioner  
 alternator overrun pulley  
 rep. kit timing chain

(1)

120 E  
 ØA59 ØI 17 B38,1

**1,7 TD**

(Z 1,7 DTL / Z 1,7 DTH / Z 1,7 DTJ / DTR / A 1,7 DTJ / DTR)



- (1) (mot.) Z 1,7 DTL/DTH  
 (2) (mot.) Z 1,7 DTJ/DTR / A 1,7 DTJ/DTR/DTH  
 (3) (mot.) Z 1,7 DTJ/DTR/DTH / A 1,7 DTJ/DTR  
 (4) (mot.) Z 1,7 DTJ/DTR / A 1,7 DTH/DTR  
 (5) (mot.) Z 1,7 DTL/DTH man. 1306916→  
 (6) (mot.) Z 1,7 DTL/DTH (mot.) 1548039→

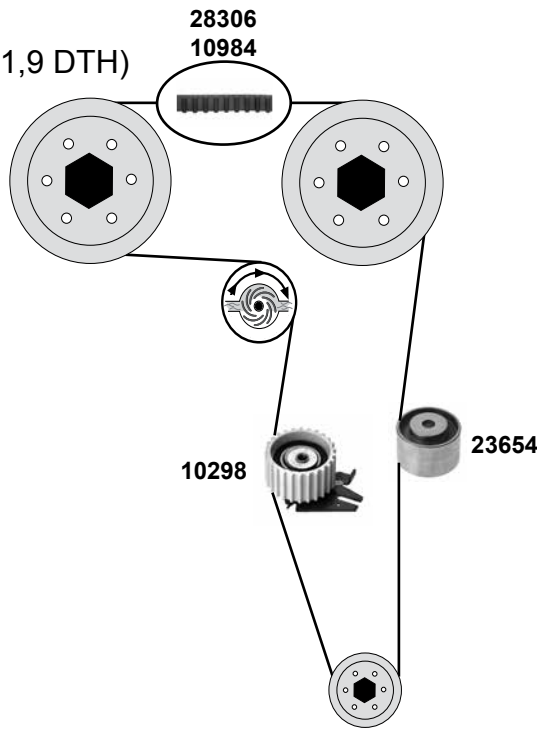
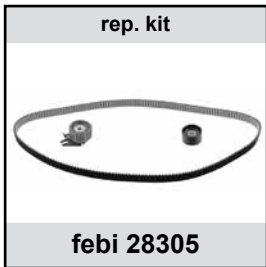


Ref. - No.

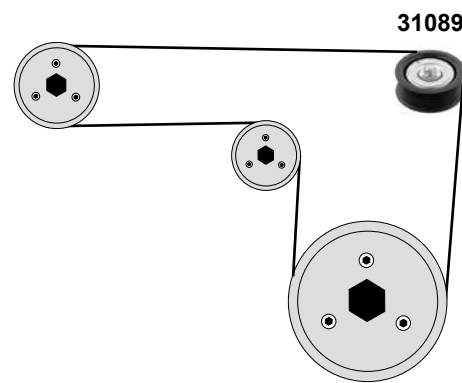
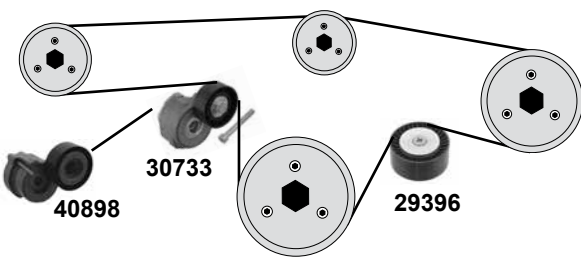


Part No.	Ref. - No.	Description	Quantity	Notes	Dimensions
21652	97249945	tension roller	(4)		ØA 65 B28,5
23411	97212727	timing belt	(2)		Z 131 B25
23435	97227192	timing belt	(1)		Z 129 B25
23437	97227192 S1	rep. kit timing belt	(1)		Z 129 B25
26937	98012238	deflection pulley	(4) (5)	AC	ØA 76 B26
27729	97184929	belt tensioner	(1)	(mot.) Z 1,7 DTL	ØA 70 B26
28450	97376296	deflection pulley	(4) (6)		ØA 65 B28,5
28451	98014186 S1	rep. kit timing belt	(4)		Z 131 B25
31973	98005564	belt tensioner	(3)		70x26




**1,9 TD**  
 (Z 1,9 DT / Z1,9 DTL / Z 1,9 DTJ / Z 1,9 DTH)



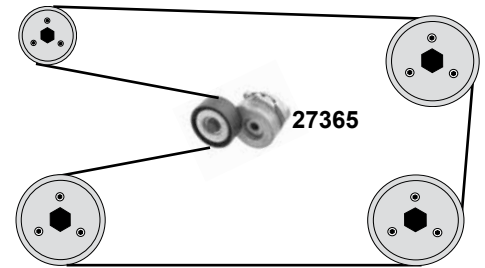
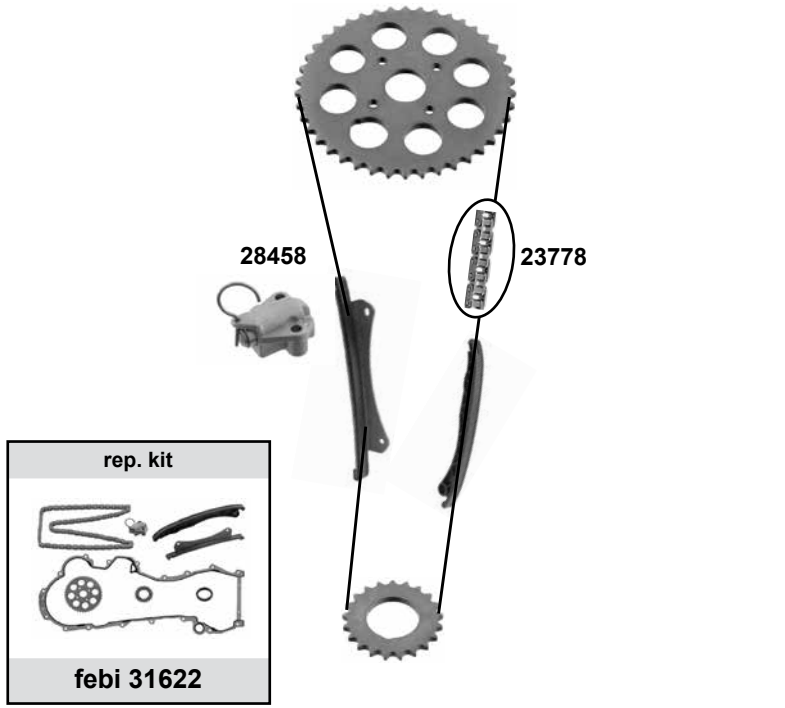
**AC**



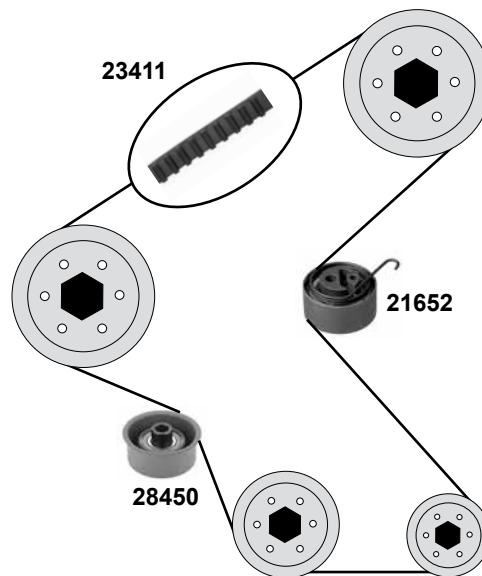
(1)	(mot.) Z1,9 DT	→(ch.) 75189052 / 78104400 / 72172468
	(mot.) Z1,9 DTL	→(ch.) 75189052 / 78104400 / 72207929
	(mot.) Z1,9 DTH / Z1,9 DTJ	→(ch.) 75189052 / 78104400 / 72212298
(2)	(mot.) Z1,9 DT	(ch.) 72172469 / 75189053 / 780144401→
	(mot.) Z1,9 DTL	(ch.) 72207930 / 75189053 / 781044401→
	(mot.) Z1,9 DTH / Z1,9 DTJ	(ch.) 72212299 / 75189053 / 781014401→
(3)	(mot.) Z1,9 DT	(ch.) 72172469 / 75189053 / 781044401 / 8B000001 / 7G...→
	(mot.) Z1,9 DTL	(ch.) 72207930 / 75189053 / 781044401 / 8B000001 / 7G...→
	(mot.) Z1,9 DTH / Z1,9 DTJ	(ch.) 72212299 / 75189053 / 781014401 / 8B000001 / 7G...→

	Ref. - No.			
10298	93186866	tension roller		ØA 53 B29
10984	93185336	timing belt	(mot.) Z 1,9 DT/DTL	Z 190 B24
23654	93178807	deflection pulley		ØA 65 B30
23655	93185336 S1	rep. kit timing belt	(mot.) Z 1,9 DT/DTL	Z 190 B24
28305	93191278 SK	rep. kit timing belt	(mot.) Z 1,9 DTJ/DTH	Z199 B24
28306	93178812	timing belt	(mot.) Z 1,9 DTJ/DTH	Z199 B24
29396	55562251	deflection pulley		ØA 70 B26
30733	55190813	belt tensioner	(1)	ØA 65
31089	55190812	deflection pulley	(2)	ØA 65 B26
40898	55561330	belt tensioner	(3)	ØA 65 B26

**1,3 CDTI**  
(A 1,3 DTE)

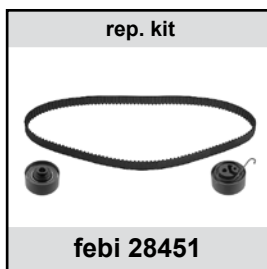
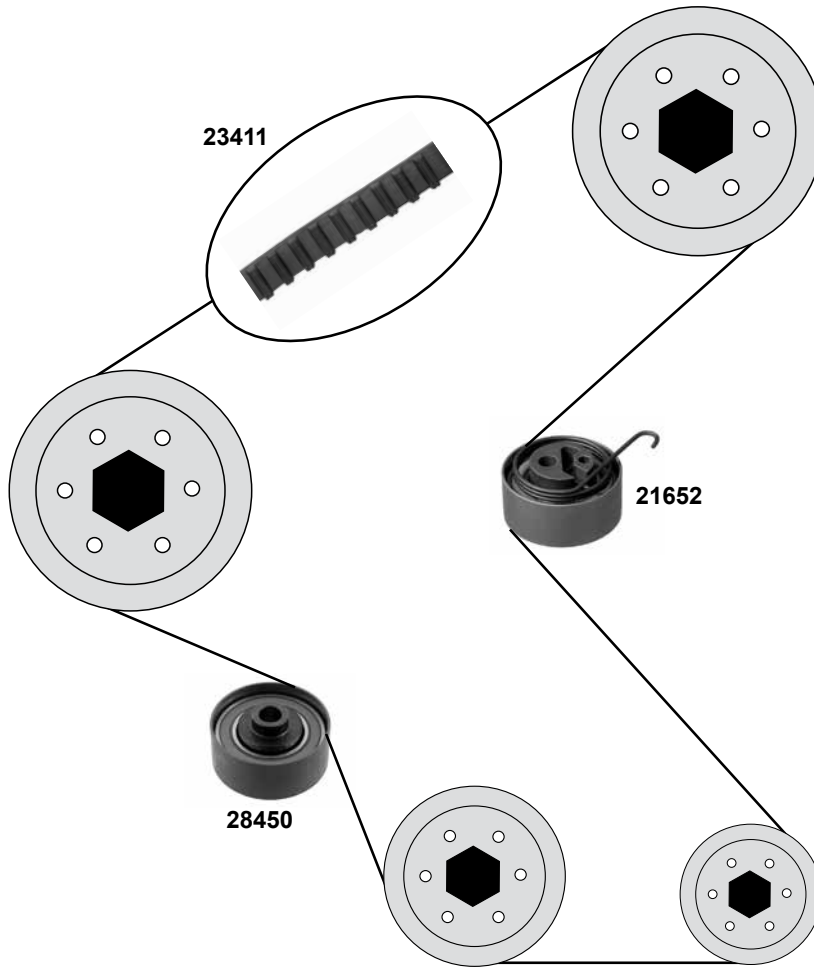


**1,7 CDTI**  
(A 1,7 DTE/DTF/DTL/DTJ/DTC/DTR/DTS/DTN/DTC)



	Ref. - No.			
21652	97249945	tension roller	(ex.) A1,7DTN/DTC	ØA 65 B28,5
23411	97212727	timing belt	(ex.) A1,7DTN/DTC	Z 131 B25
23778	5636 444	timing chain		120 E
27365	55574238	belt tensioner		
28450	97376296	deflection pulley		ØA 65 B28,5
28451	93196791 SK	rep. kit timing belt	(ex.) A1,7DTN/DTC	Z 131 B25
28458	93190427	chain tensioner		
31622	93191273 SK	rep. kit timing chain		

**1,7 CDTI**  
 (A 1,7 DTE/DTF/DTL/DTJ/DTC/DTR/DTS)



Ref. - No.



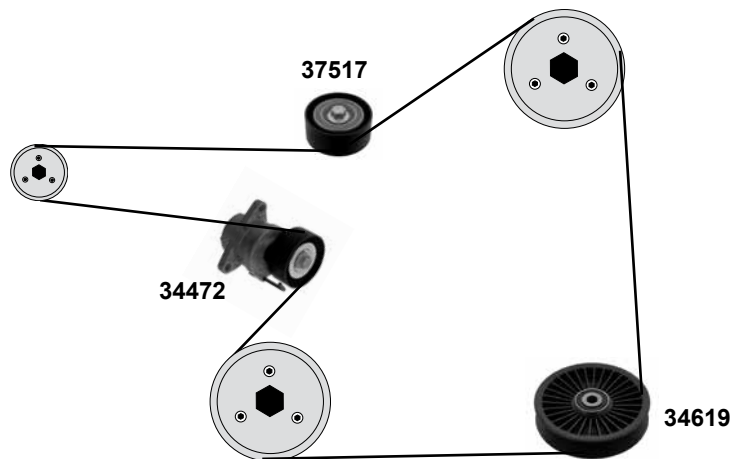
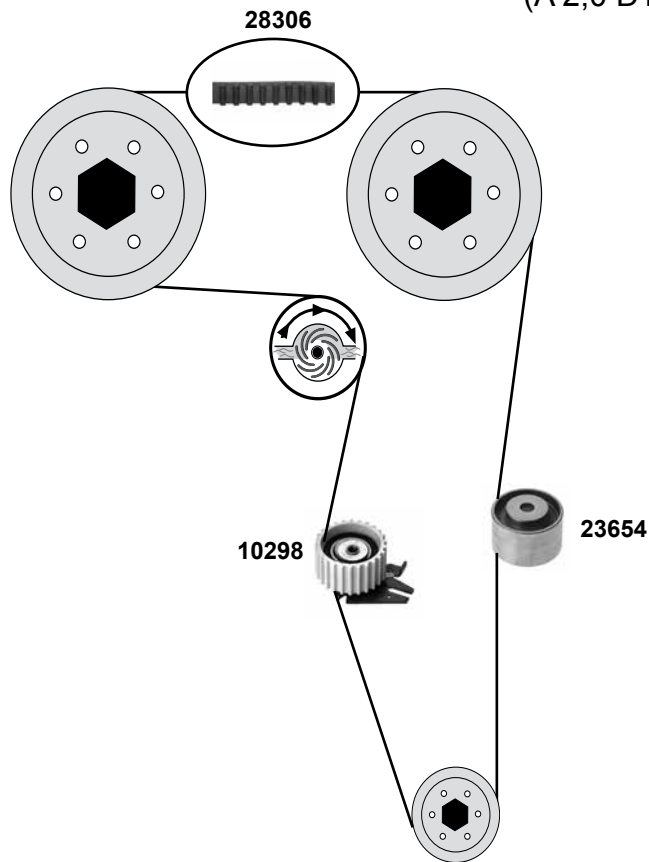
21652	97249945	tension roller
23411	97212727	timing belt
28450	97376296	deflection pulley
28451	93196791 SK	rep. kit timing belt

ØA 65 B28,5
Z 131 B25
ØA 65 B28,5
Z 131 B25



## 2,0 CDTI

(A 2,0 DTH / Y 2,0 DTJ / Z 2,0 DT)



Ref. - No.



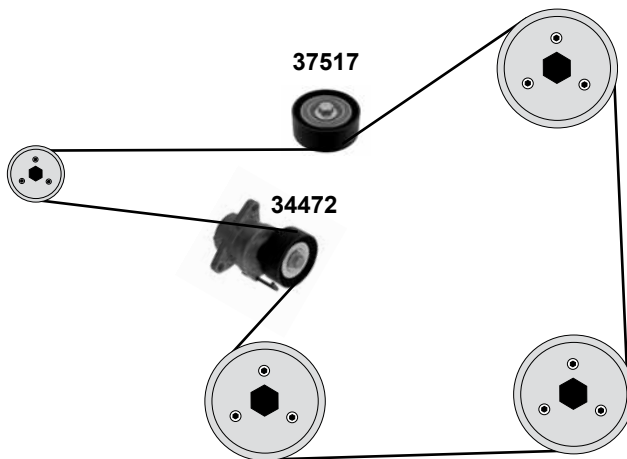
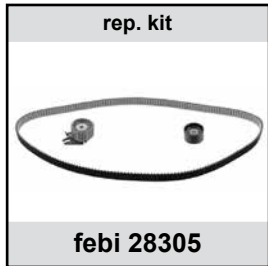
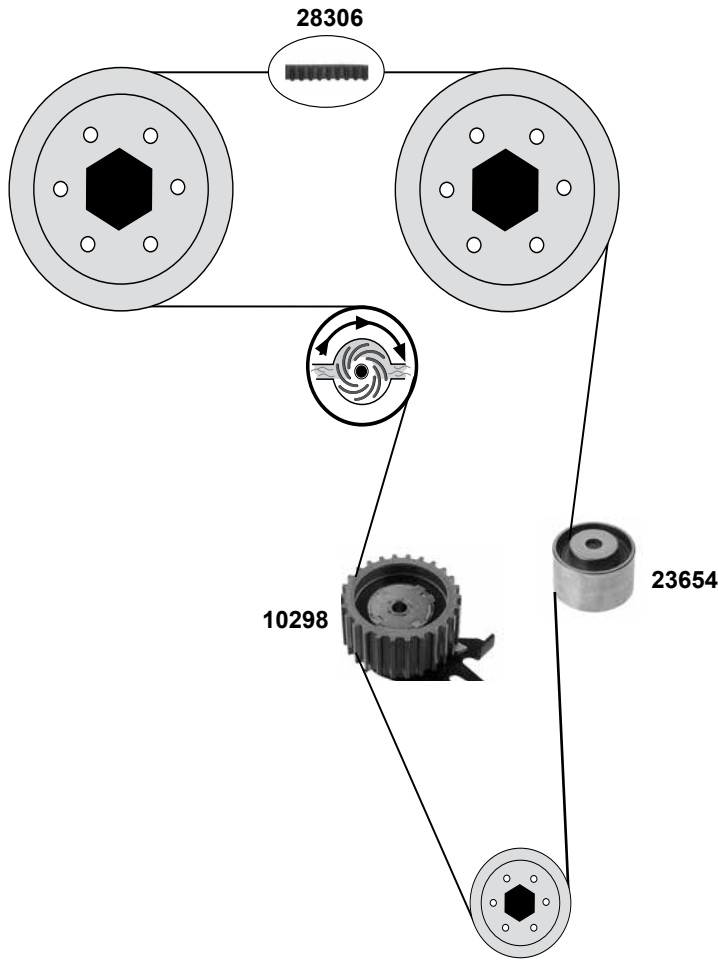
**10298** 55566028  
**23654** 93178807  
**28306** 93178812  
**34472** 55562864  
**34619** 97250750  
**37517** 55562865

tension roller  
deflection pulley  
timing belt  
belt tensioner  
deflection pulley  
deflection pulley

ØA 64 B40  
Z 199  
AØ 124  
ØA 65



## 2,0 CDTI (A 2,0 DTH)



Ref. - No.

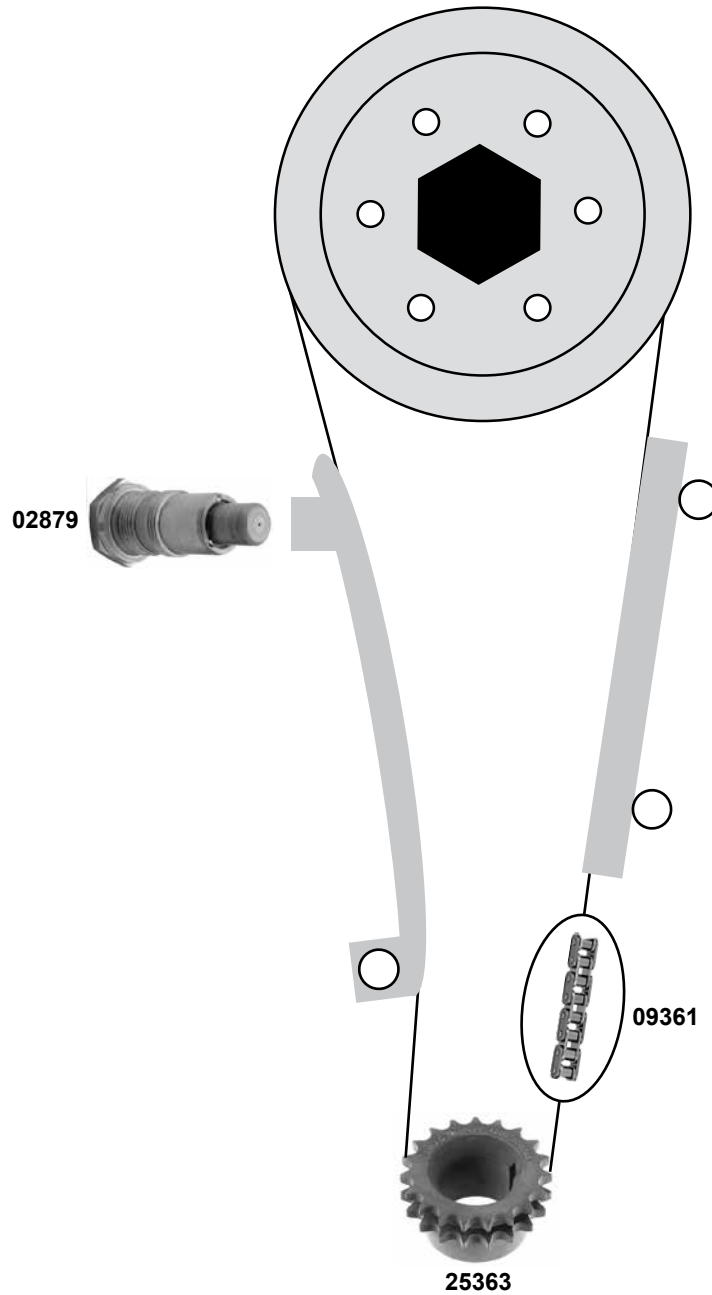


10298  
23654  
28305  
28306  
34472  
37517

55566028  
93178807  
95507810 SK  
93178812  
55562864  
55562865

tension roller  
deflection pulley  
rep. kit timing belt  
timing belt  
belt tensioner  
deflection pulley

ØA 64 B40  
  
Z 199 B24  
ØA 70 x 2,6  
ØA 65



Ref. - No.



**02879**  
**09361**  
**25363**

02898847  
90190996  
1606 109 SK

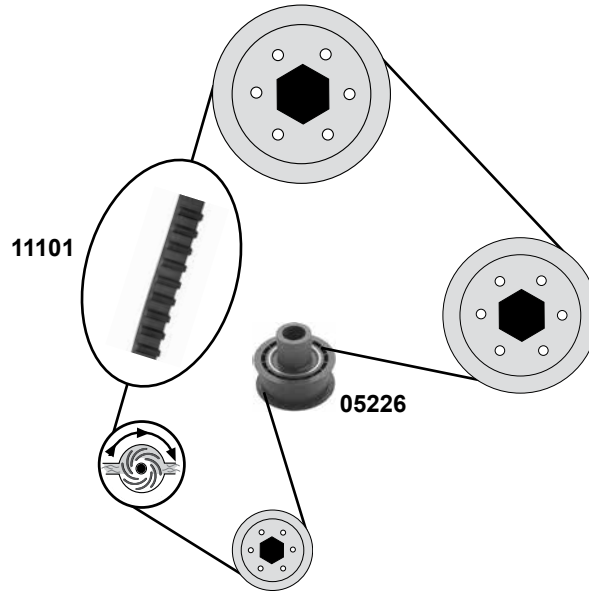
chain tensioner  
timing chain  
crankshaft gear

188 E  
Z 19 ØA 61 ØI 30



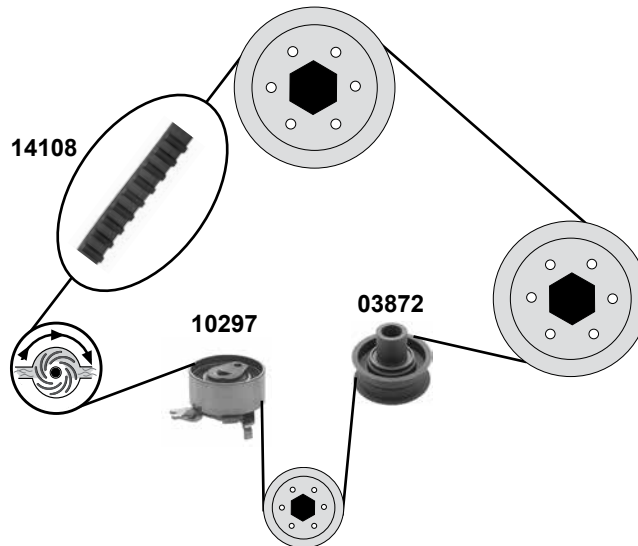
**1,7 D**




(mot.) → 14363650



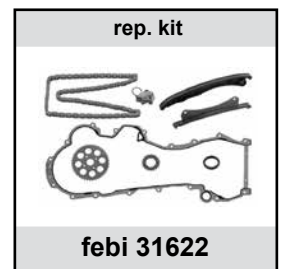
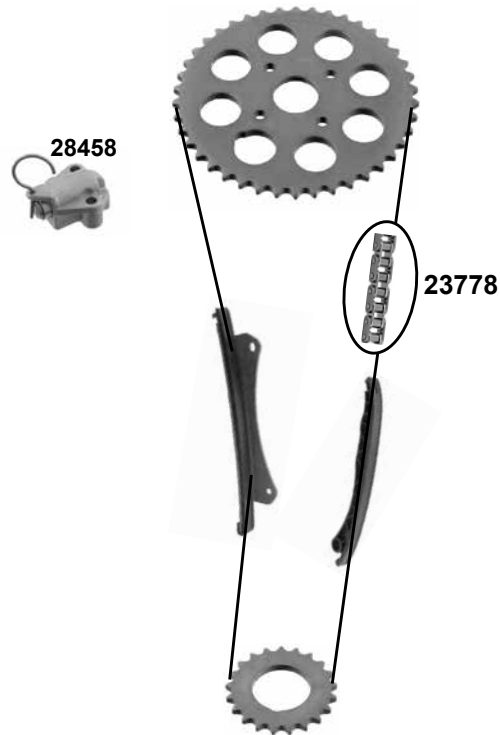
**1,7 D**  
 (1,7 DR / 1,7 DTL)

(mot.) 1,7 DR 14363651 →

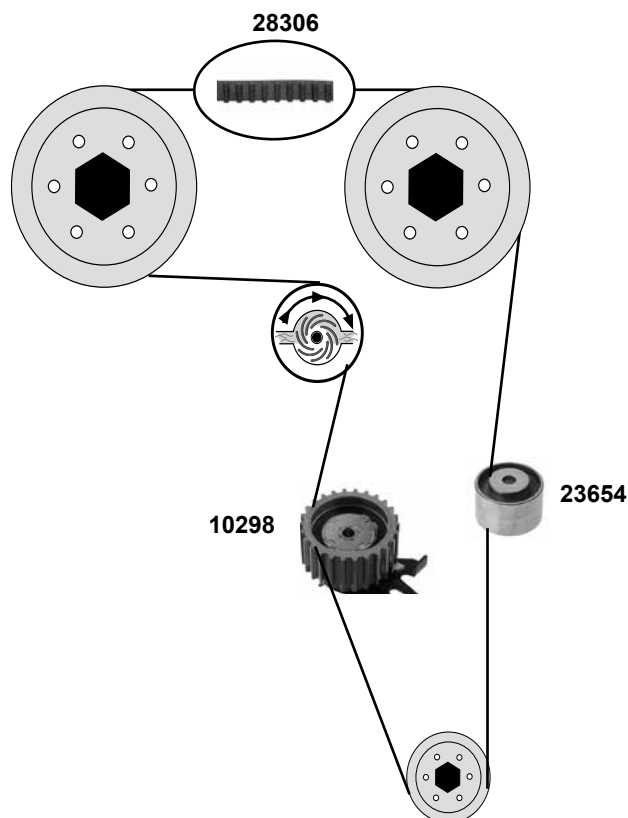


	Ref. - No.			
<b>03872</b>	09128741	deflection pulley		27 x 52
<b>05226</b>	90264022	deflection pulley		27 x 71 x 58,5
<b>10297</b>	09158004	tension roller		26 x 59
<b>11101</b>	90410784	timing belt		Z 146 B24
<b>14108</b>	90530598	timing belt		Z 176 B24
<b>14111</b>	90530598 S2	rep. kit timing belt		

**1,3 CDTI**  
(A 1,3 FD)



**1,6 / 2,0 CDTI (2011→)**  
(A 1,6 FDL / A 1,6 FDH / A 2,0 FD)



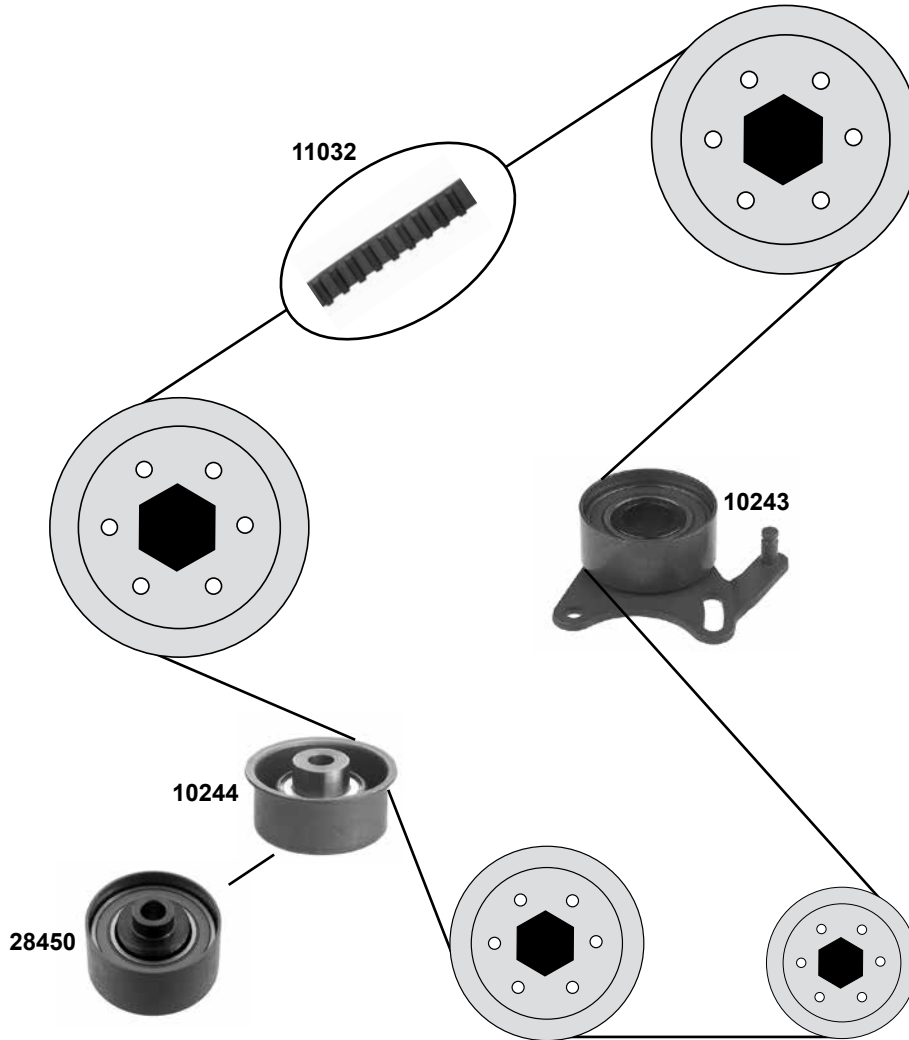
	Ref. - No.			
10298	55566028	tension roller	Simplex (mot.) A 2,0 FD	ØA 64 B40
23654	93178807	deflection pulley		
23778	93196893	timing chain	(mot.) A 2,0 FD	E 120
28305	95507810 SK	rep. kit timing belt		
28306	93178812	timing belt	Z 199 B24	
28458	55197785	chain tensioner		
31622	93191273 SK	rep. kit timing chain		

**VAUXHALL**  
**Nova / Corsa Mk I / B**  
 (83→00)

Car  
 Division 



**1,5 D / 1,5 TD**



(1) CORSA Mk I (mot.)→ 00029082 // Nova:/all

(2) CORSA Mk I (mot.) 00029083→

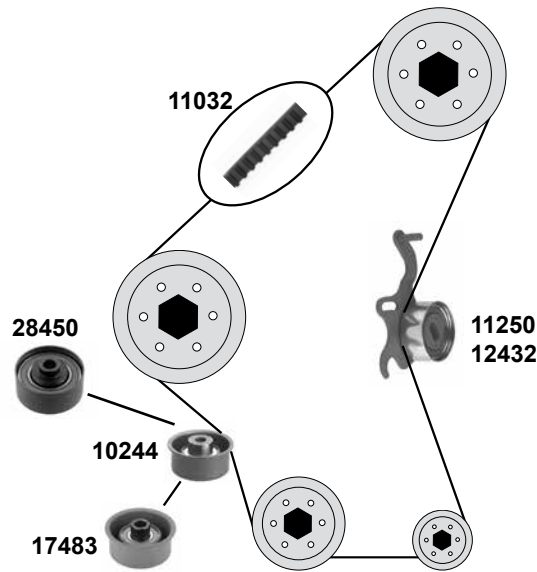


Ref. - No.



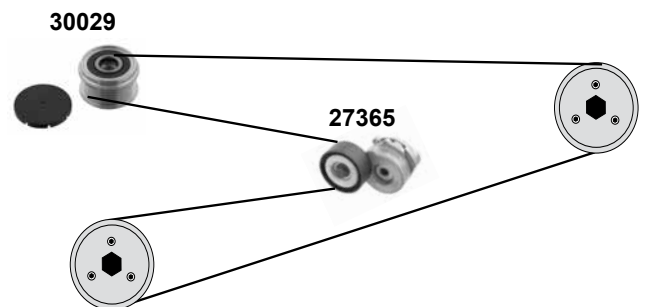
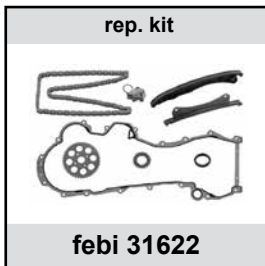
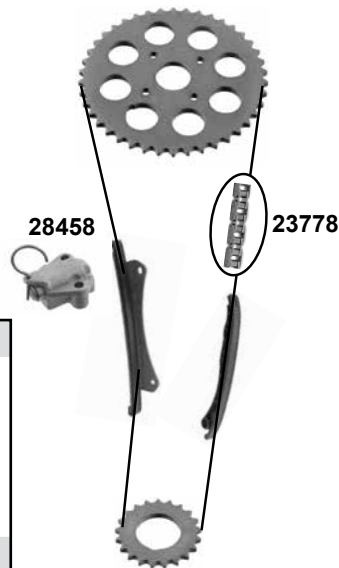
Ref. - No.	Description	Quantity	Dimensions
10243	tension roller	(1)	65 x 28 x 34,5
10244	deflection pulley	(1)	ØA 65 ØI 12 B31
11032	timing belt	(1)	Z 136 B25,4
11036	rep. kit timing belt	(1)	
28450	deflection pulley	(2)	ØA 65 B28,5

**1,7 D**  
(1,7 D / X 1,7 D)



## Corsa Mk II

(01→06)  
**1,3 D**  
(Y 1,3 DT / Z 1,3 DT / Z 1,3 DTJ)



(1) (ch.)→R 3999999 / →R 4999999 / →R 999999

(2) (ch.) S 3000001→ / S 4000001→ / S 6000001→

(3) mit Valeo 70A /combined with Valeo 70A



Ref. - No.



Ref. - No.	Description	Part No.	Notes
10244	deflection pulley	94106001	
11032	timing belt	94449307	
11250	tension roller	97010530	
12432	tension roller	97112438	
17483	deflection pulley	97129939	
23778	timing chain	93177407	
26084	rep. kit timing belt	94449307 S2	
27365	belt tensioner	55574238	
28450	deflection pulley	0636 928	
28458	chain tensioner	93190427	
30029	alternator overrun pulley	93192631	
31622	rep. kit timing chain	93191273 SK	
			(mot.)→00029082 ØA 65 ØI 12 B31 Z 136 B25,4
			(1) ØA 65 B28,5
			(2) ØA 65 B28
			(2) ØA 65 B31
			120 E
			(2) Z 136 B25,4
			ØA 65 B28,5
			(mot.) 029083→ AØ65 B28,5
			(3) ØA59 ØI17B38,1 120 E

# VAUXHALL Corsa Mk II / C

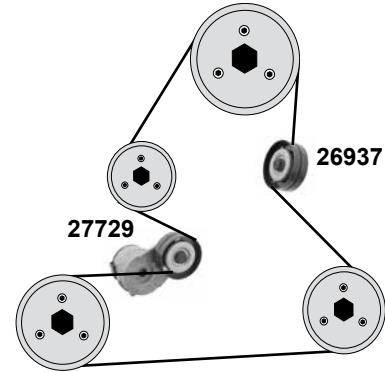
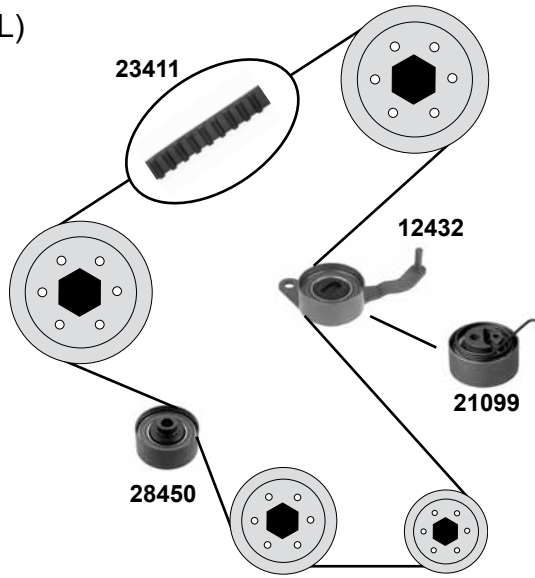
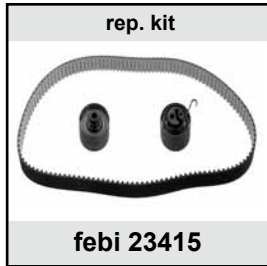
(01→06)

Car  
Division



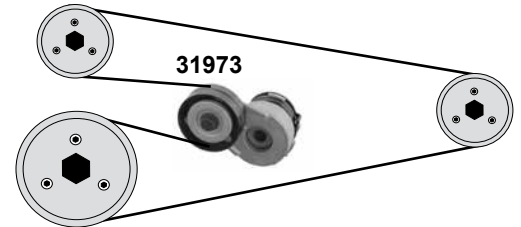
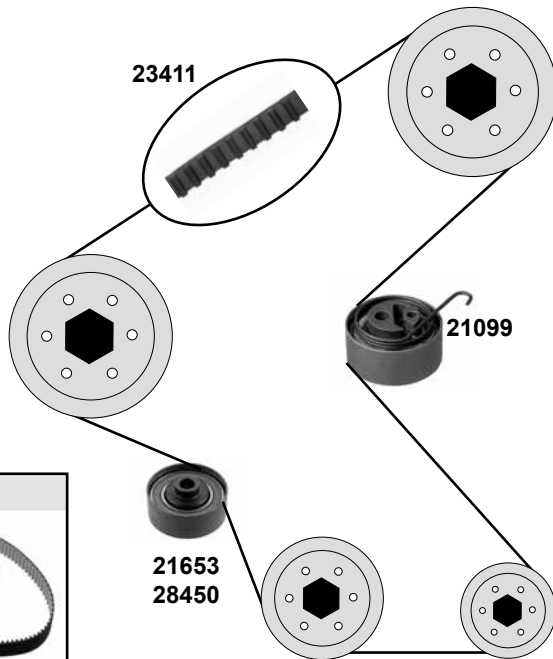
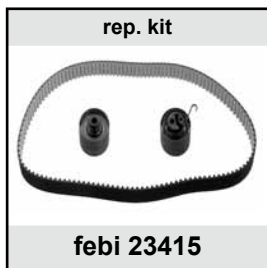
## 1,7 DT

(Y 1,7 DT / Y 1,7 DTL)



## 1,7 DTH

(Z 1,7 DTH)



(1) Y 1,7 DTL / Y 1,7 DT (mot.)→328704

(2) Z 1,7 DTL all / Y 1,7 DTL (mot.) 328705→



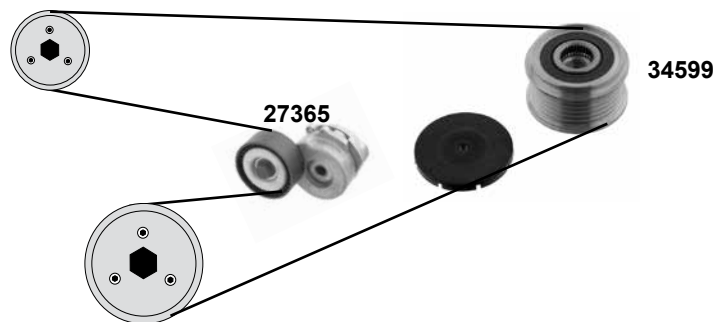
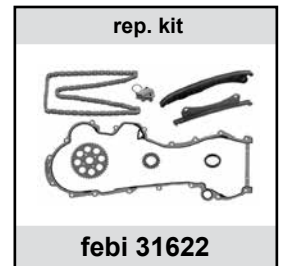
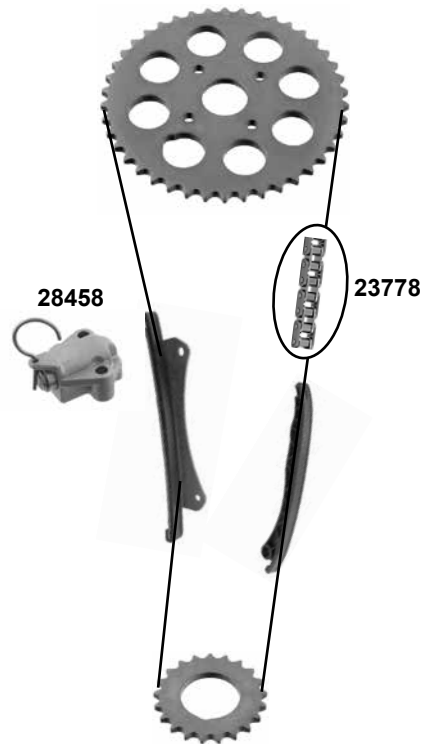
Ref. - No.



12432	97112438	tension roller
21099	97249944	tension roller
21653	97309495	deflection pulley
23411	97212727	timing belt
23413	93188136 SK	rep. kit timing belt
23415	93188137 SK	rep. kit timing belt
26937	98012238	deflection pulley
27729	97184929	belt tensioner
28450	97376296	deflection pulley
31973	98005564	belt tensioner

(1)	ØA 65 B34 / 28
(2)	ØA 65 B28,5
	Z131 B25
(1)	Z131 B25
(2)	Z131 B25
AC	ØA 76 B26
	ØA 70 B26
(mot.) 1548039→	ØA 65 B28,5
	ØA 70 B26

**1,3 D**  
(Z1,3 DTJ/DTH/DTE / A1,3DTC/DTE/ A1,3DTR )



- (1) (mot.)Z1,3 DTJ/DTH/DTE / A1,3DTC/DTE/ A1,3DTR  
(2) (mot.)Z1,3 DTE / A1,3DTC/DTE/ A1,3DTR / mit 140A Lichtmaschine / with 140A alternator



Ref. - No.



<b>23778</b>	93177407	roller chain	(ex.) A1,3DTL	120 E
<b>27365</b>	55574238	tension roller	(1)	ØA 65 B25,5
<b>28458</b>	93190427	chain tensioner	(ex.) A1,3DTL	
<b>31622</b>	93191273 SK	rep. kit timing chain	(ex.) A1,3DTL	120 E
<b>34599</b>	13258483	alternator overrun pulley	(2)	

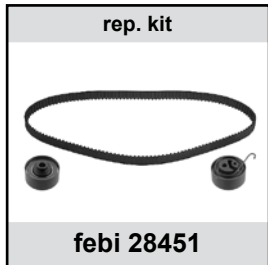
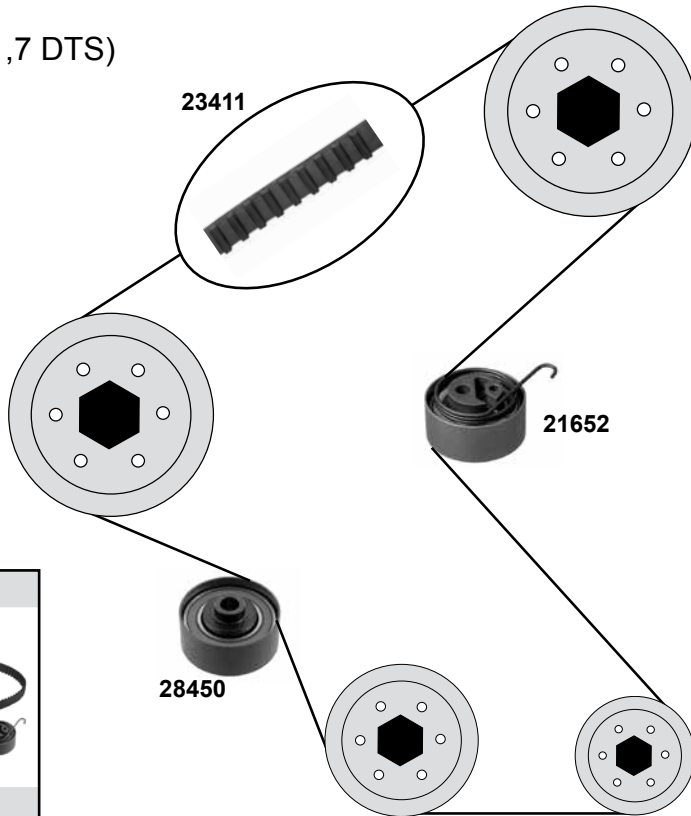
# VAUXHALL Corsa Mk III / D

(06→)

Car  
Division

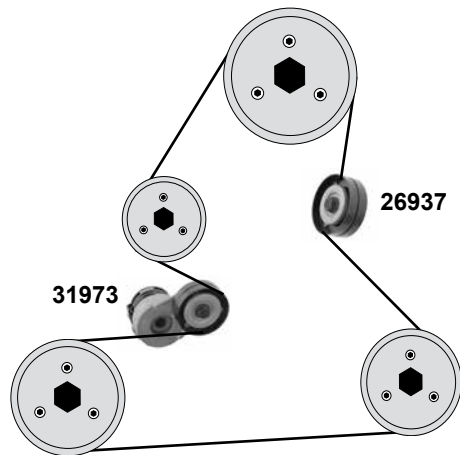


## 1,7 D (Z 1,7 DTR / A 1,7 DTS)



(Z 1,7 DTR)

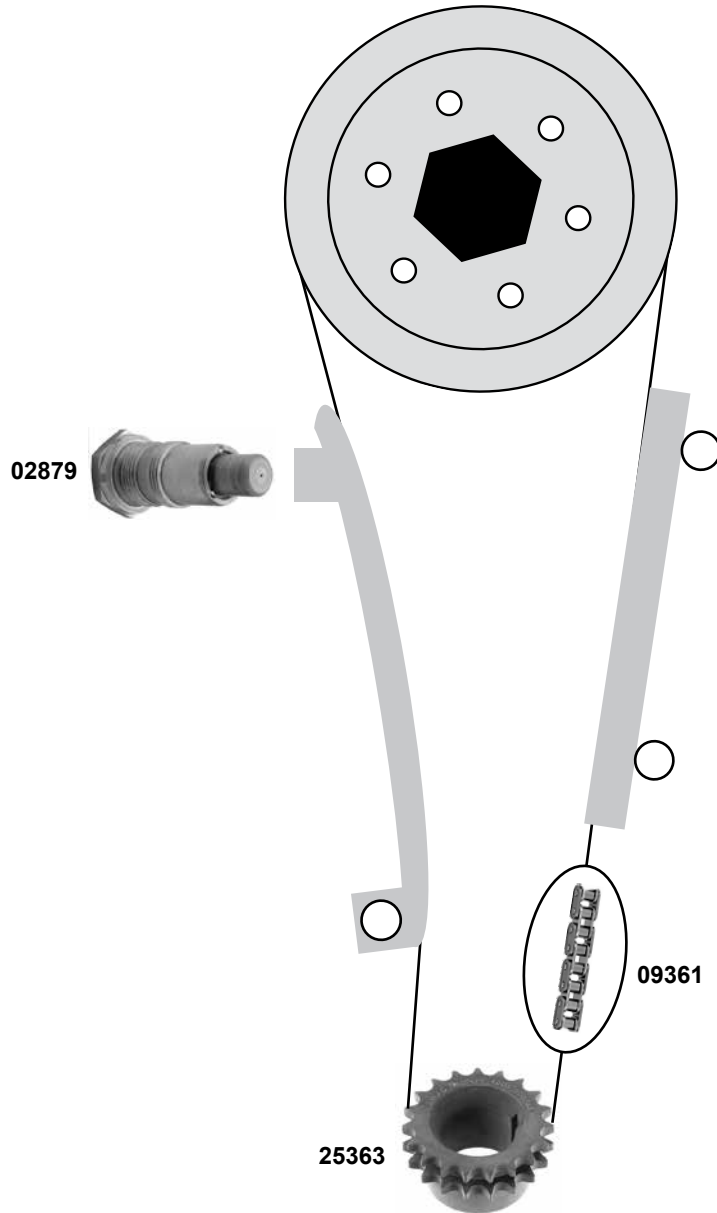
## AC



Ref. - No.



21652	97249945	tension roller	ØA 65 B28,5
23411	97212727	timing belt	Z 131 B25
26937	98012238	deflection pulley	ØA 76 B26
28450	97376296	deflection pulley	ØA 65 B28,5
28451	98014186 S1	rep. kit timing belt	Z 131 B25
31973	98005564	belt tensioner	70x26



Ref. - No.



**02879**  
**09361**  
**25363**

02898847  
90190996  
-----

chain tensioner  
timing chain  
crankshaft gear

188 E  
Z 19 ØA 61 ØI 30



# VAUXHALL Frontera Mk II / B

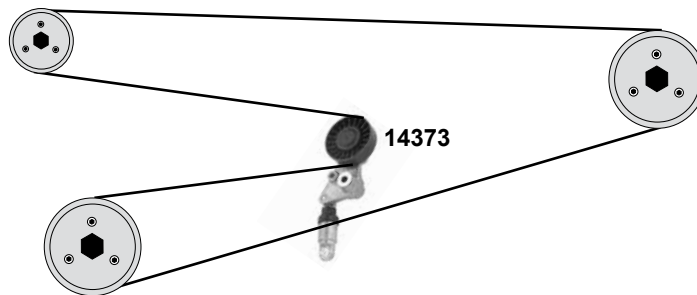
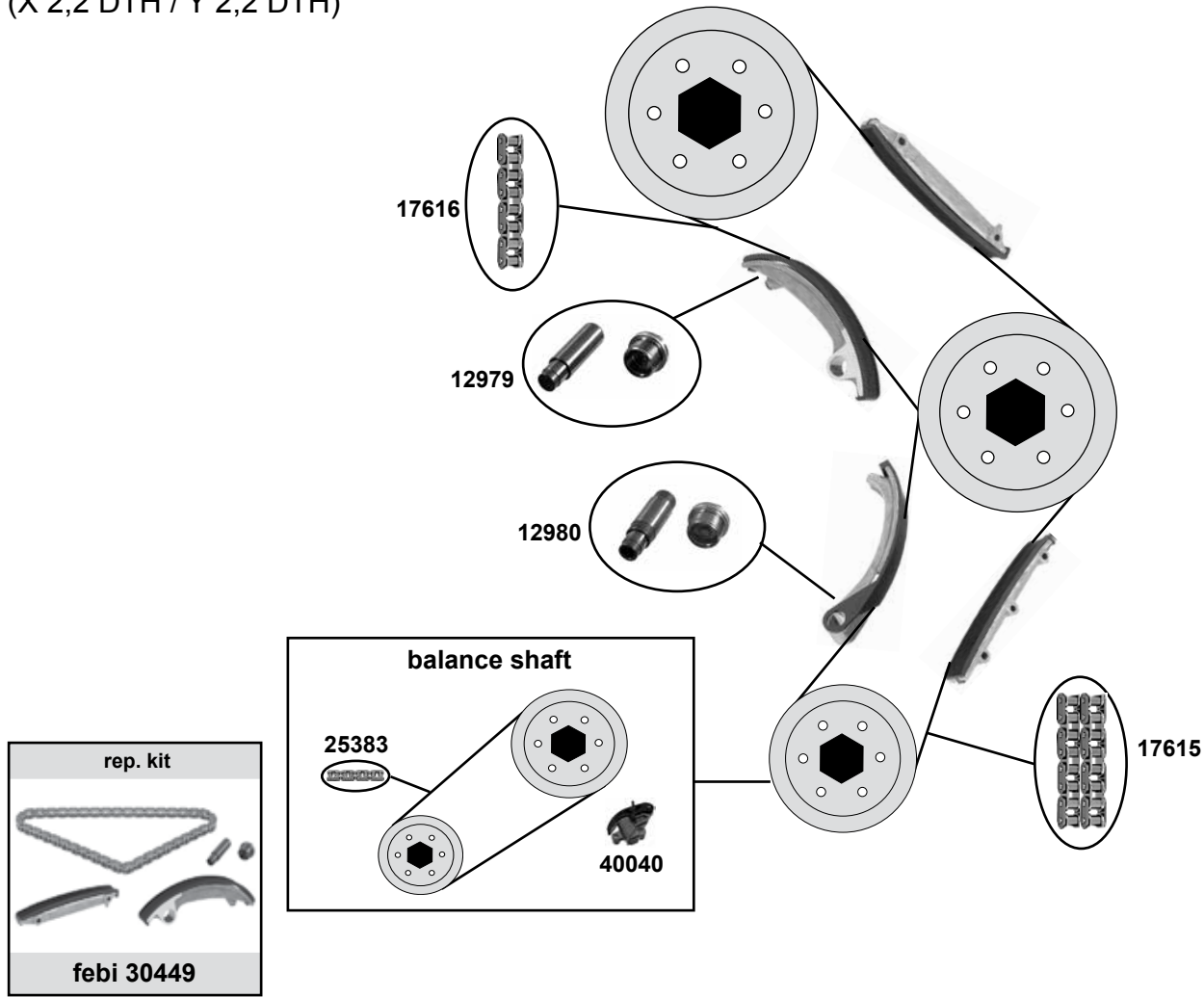
(99→04)

Car  
Division

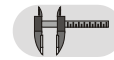


## 2,2 TD

(X 2,2 DTH / Y 2,2 DTH)



Ref. - No.



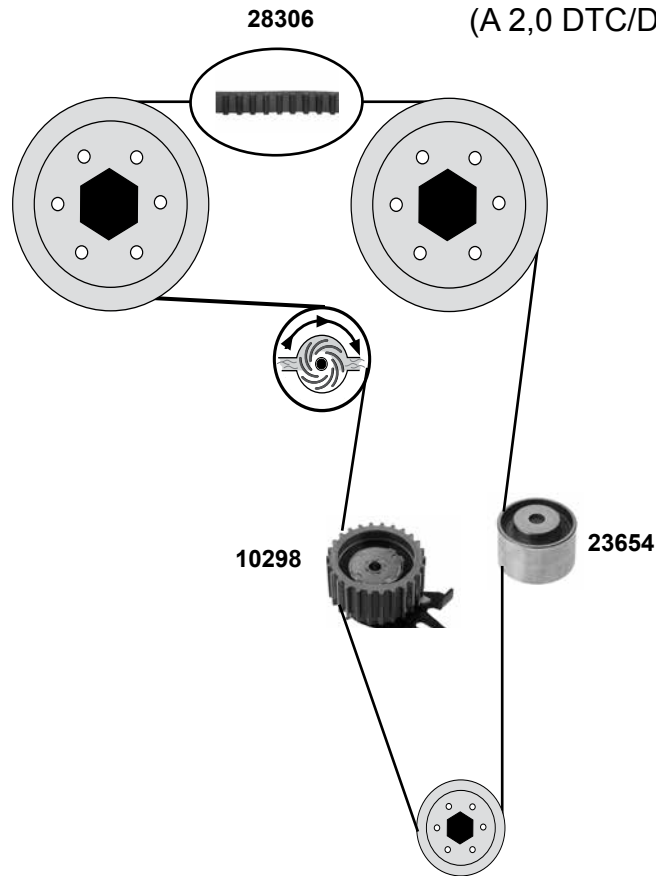
12979	24418171	chain tensioner
12980	24418172	chain tensioner
14373	09180809	belt tensioner
17615	90529247	timing chainx
17616	90529248	timing chain
25383	09128999	timing chain simplex
30449	90529248 S1	rep. kit timing chain
40040	90573822	chain tensioner

Simplex

ØA 90 B24,4  
78 E  
80 E  
74 E

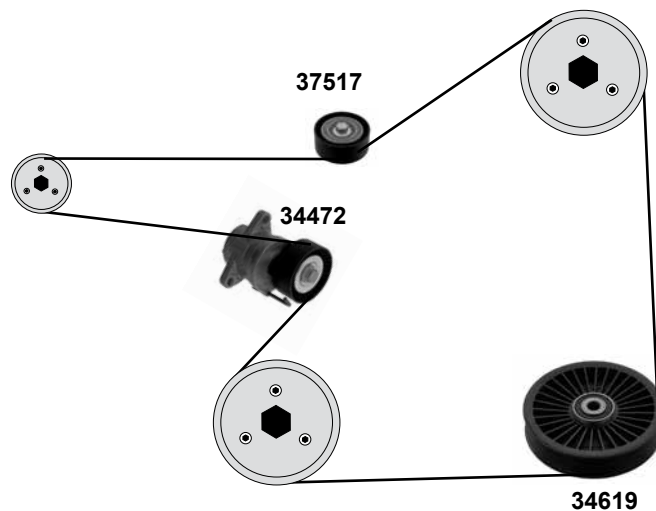
**2,0 CDTI**

(A 2,0 DTC/DTJ/DTH/DTR/DTL/DT)



**2,0 CDTI**

(A 2,0 DTH/DTC/DT/DTL/DTJ/DTR)



Ref. - No.



<b>10298</b>	55566028
<b>23654</b>	93178807
<b>28306</b>	93178812
<b>34472</b>	55562864
<b>34619</b>	97250750
<b>37517</b>	1854 740

tension roller
deflection pulley
timing belt
belt tensioner
deflection pulley
deflection pulley

(ex.) (mot.) A 2,0 DTR

ØA 64 B40
Z 199 B24
ØA 124
ØA 65

# VAUXHALL Meriva Mk I / A

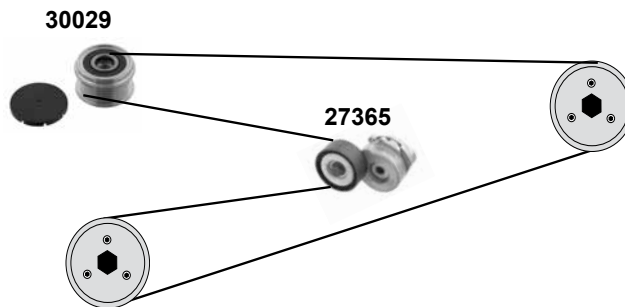
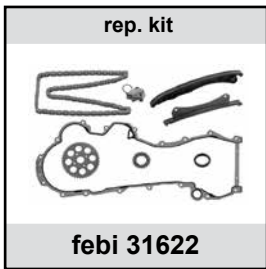
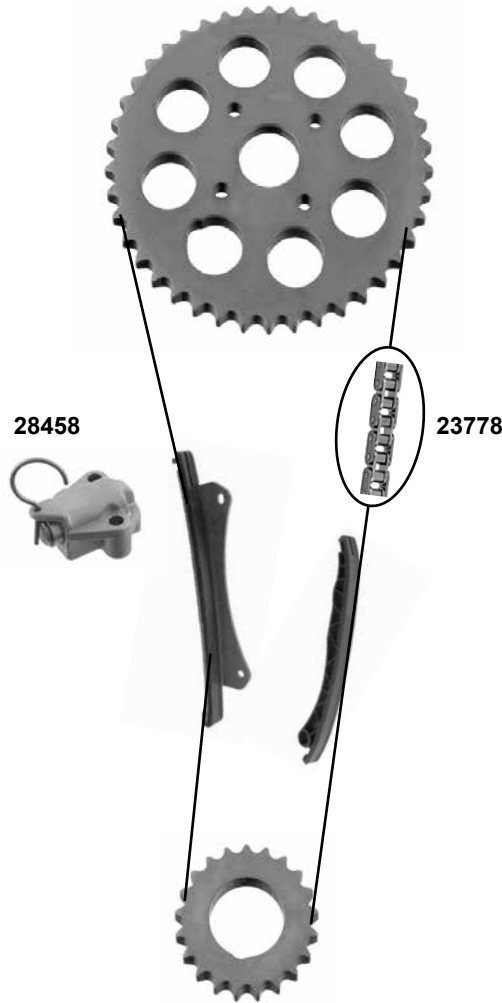
(03→10)

Car  
Division



## 1,3 D

(Y 1,3 DT / Z 1,3 DT / Z 1,3 DTJ)



(1) mit Valeo 70A /combined with Valeo 70A

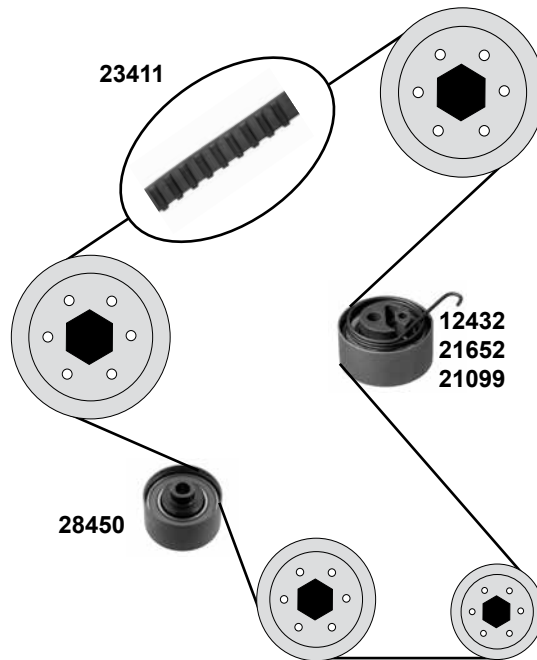


Ref. - No.

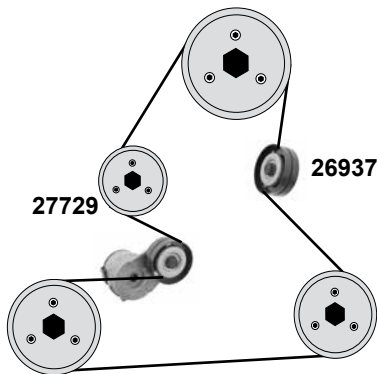


23778	93177407	timing chain	(1)	120 E
27365	55574238	belt tensioner		ØA 65 B25,5
28458	93190427	chain tensioner		
30029	93192631	alternator overrun pulley		ØA59 ØI 17 B38,1
31622	93191273 SK	rep. kit timing chain		120 E

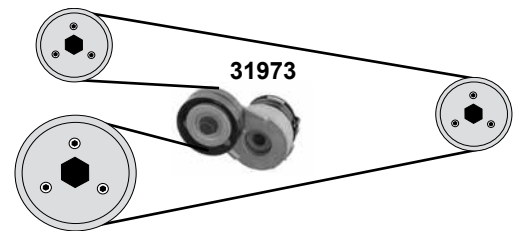
**1,7 D**  
(Y 1,7 DT / Z 1,7 DTH / Z 1,7 DT / DTR)



**AC**



**(ex.) AC**



- (1) (mot.) Z 1,7 DT/DTR**  
**(2) (mot.) Y 1,7 DT (mot.) 328705→ / Z1,7 DTH alle / all**  
**(3) (mot.) Y 1,7 DT→(mot.) 328704**  
**(4) (mot.) Y 1,7 DT**



Ref. - No.



Ref. - No.	Description	Quantity	Dimensions
12432	tension roller	(3)	ØA 65 B28,5
21099	tension roller	(2)	65 x 28 x 34,5
21652	tension roller	(1)	ØA 65 B28,5
23411	timing belt	alle / all	Z 131 B25
23413	rep. kit timing belt	(3)	Z 131 B25
23415	rep. kit timing belt	(2)	Z 131 B25
26937	deflection pulley	alle / all	ØA 76 B26
27729	belt tensioner	(4)	ØA 70 B26
28450	deflection pulley	alle / all	ØA 65 B28,5
28451	rep. kit timing belt	(1)	Z 131 B25
31973	belt tensioner	(1)	ØA 70 B26

# VAUXHALL Meriva Mk II / B

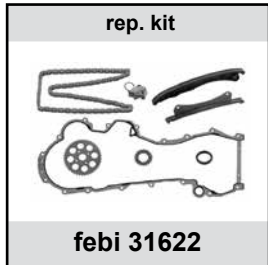
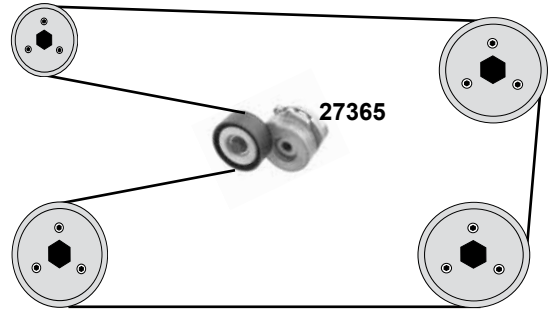
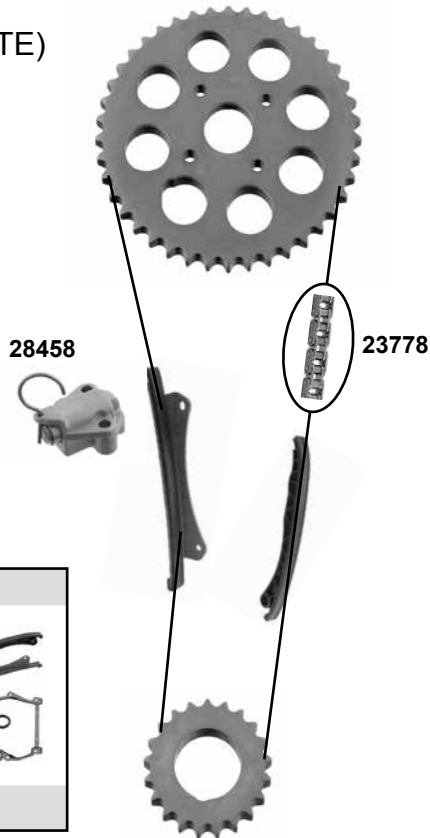
(10 →)

Car  
Division



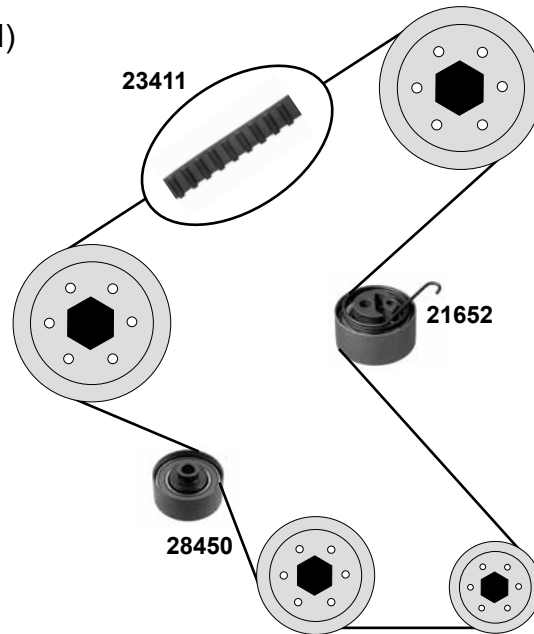
## 1,3 CDTI

(A 1,3 DTC/DTE)



## 1,7 CDTI

(A 1,7 DT / DTC / DTS / DTI)



Ref. - No.



21652

97249945

tension roller

(ex.) A1,7DTI

ØA 65 B28,5

23411

97212727

timing belt

(ex.) A1,7DTI

Z 131 B25

23778

93177407

timing chain

120 E

27365

55574238

belt tensioner

28450

97376296

deflection pulley

28451

93196791 SK

rep. kit timing belt

(ex.) A1,7DTI

ØA 65 B28,5

28458

93190427

chain tensioner

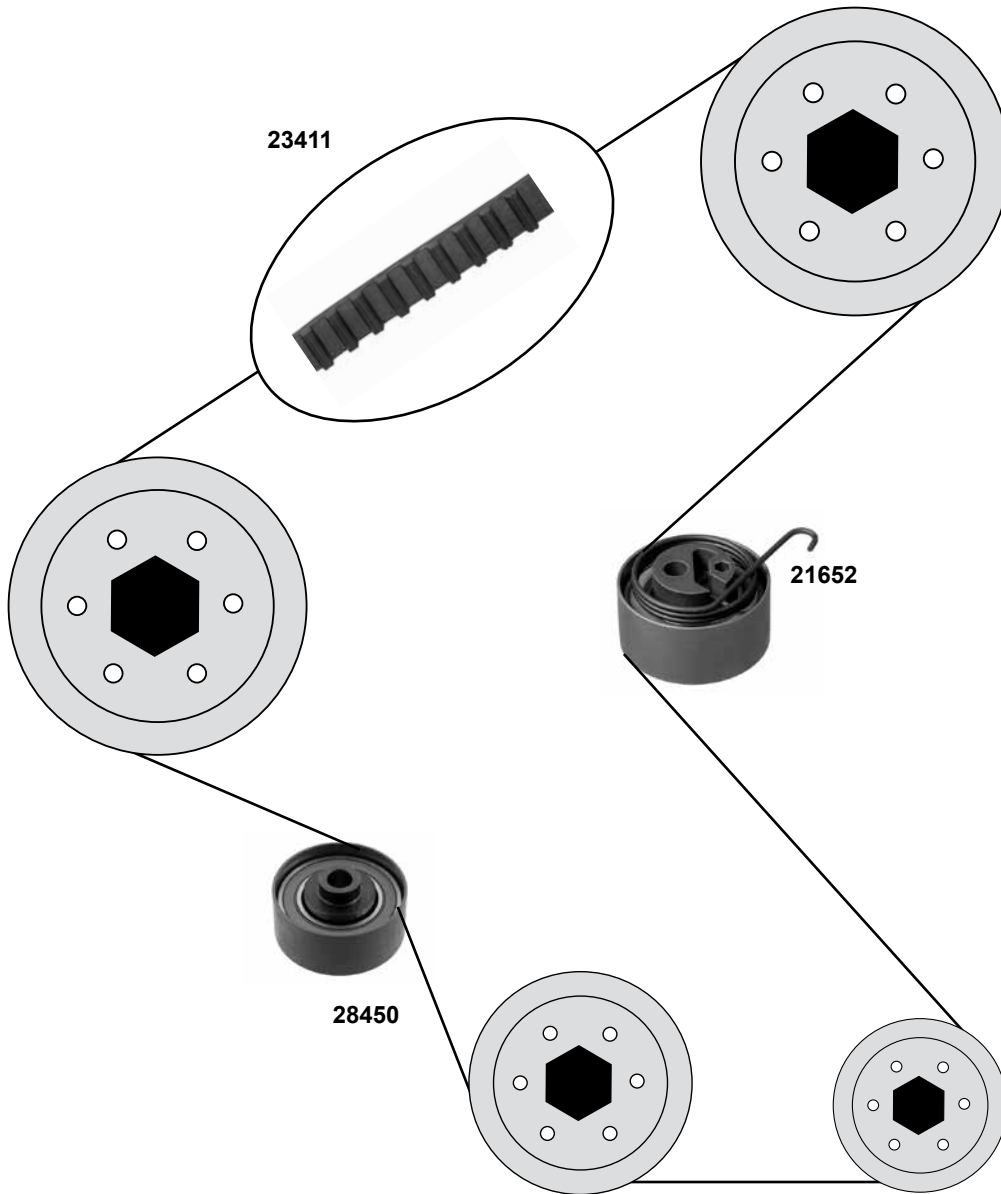
Z 131 B25

31622

93191273 SK

rep. kit timing chain

120 E



Ref. - No.



21652	97249945	tension roller
23411	93192782	timing belt
28450	97376296	deflection pulley
28451	93196791 SK	rep. kit timing belt

ØA 65 B28,5
Z 131 B25
ØA 65 B28,5
Z 131 B25

# VAUXHALL Movano Mk I / A

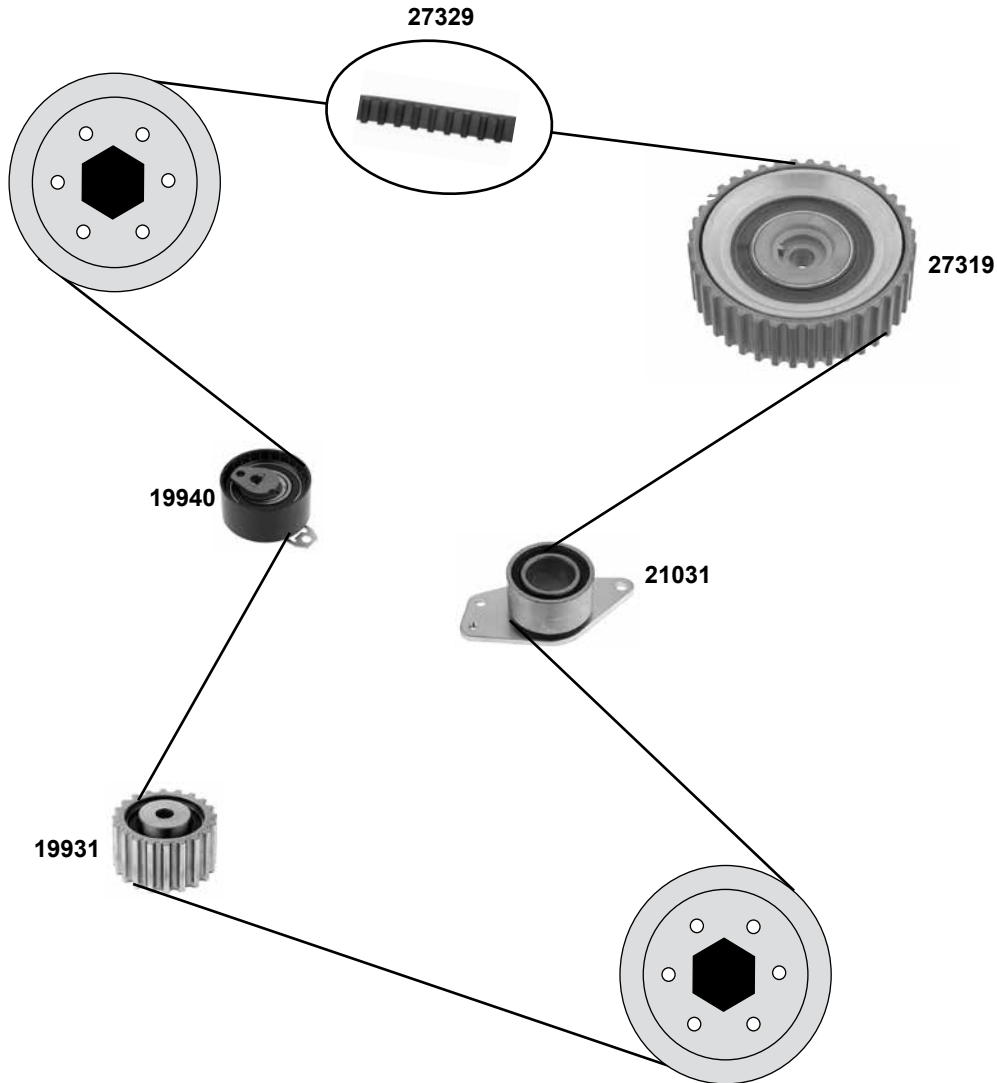
(03→10)

Car  
Division

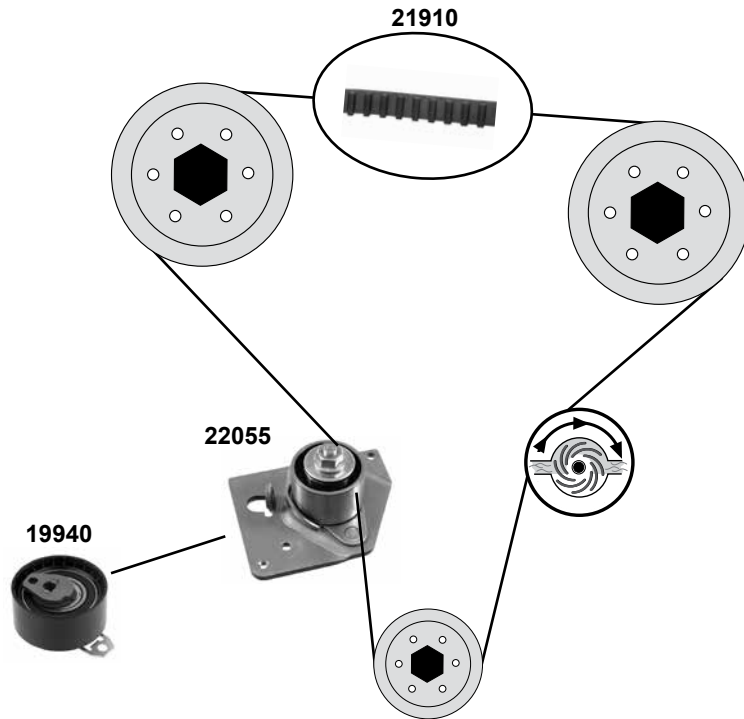


## 1,9 DTI

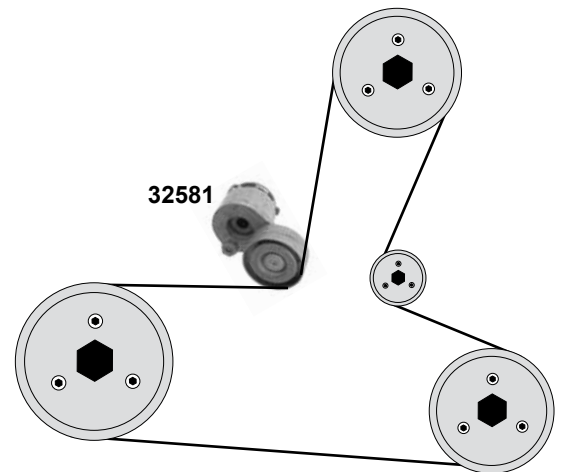
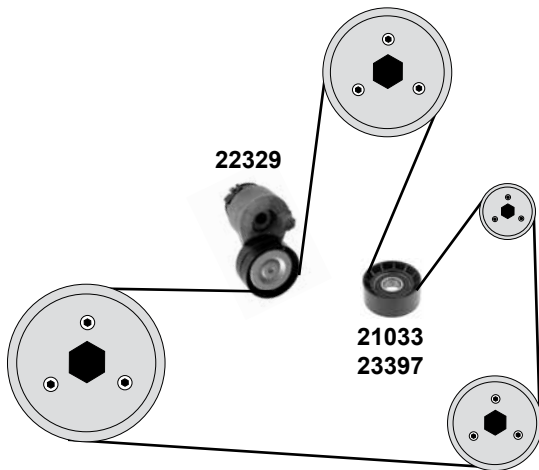
(F9Q-770)



	Ref. - No.			
19931	09110639	deflection pulley		ØA 60,1 H 32,5
19940	09109416	tension roller		ØA 65,4 H 30,5
21031	09110632	deflection pulley		ØA 65 Ø130,8 H 32,5
27319	-----	camshaft timing gear		ØA 120 H30 Z 40
27329	-----	timing belt		Z 153 B26
27353	09112309	rep. kit timing belt		Z 153 B26



**AC**



Ref. - No.



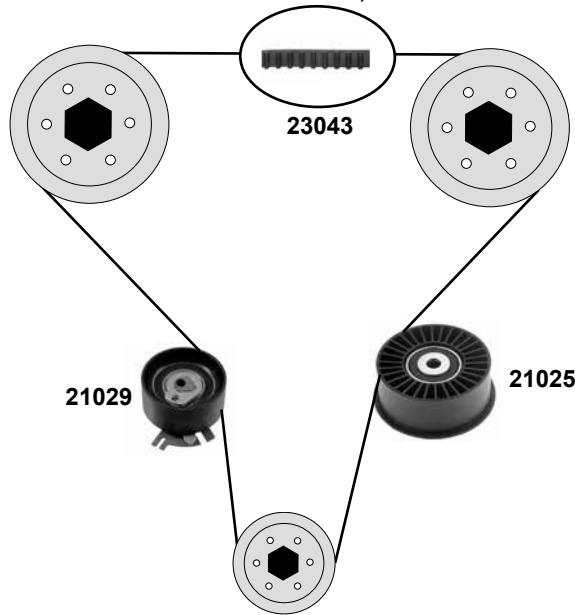
<b>19940</b>	09109416	tension roller		ØA65,4 B32
<b>21033</b>	93160256	deflection pulley	→ (ch.) C029793	ØA60,2 ØI 17B25,5
<b>21910</b>	93161479	timing belt		Z 132 B26
<b>22055</b>	91160164	tension roller		ØA60 B30,8
<b>22056</b>	93161478	rep. kit timing belt		Z 132 B26
<b>22329</b>	93160746	belt tensioner		ØA 65 B30
<b>23397</b>	93161273	deflection pulley	(ch.) C029794 →	17x60x31
<b>32581</b>	09109567	belt tensioner		ØA 65 B26





## 2,2 D / 2,5 D

(G9U-632,650,720,724,750,754 / G9T-720,722,750)

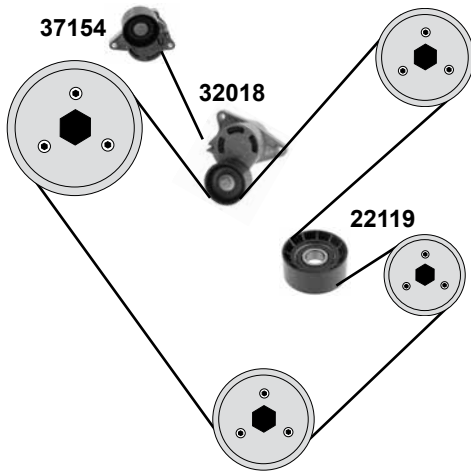


### 2,2 D

(G9T-720,722,750) **AC**

### 2,5 D(G9U-750) **AC**

(G9U-632,650,720,724,730,750,754) **AC** / (ex. **AC**)

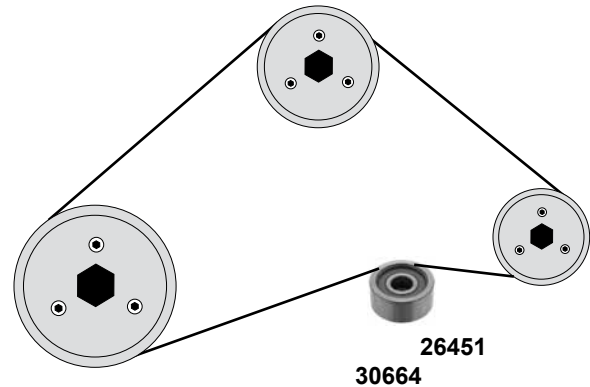


### 2,5 D

(S8U-772)

### 2,8 DTI

(S9W-700 / S9W-702)



(1) (mot.) 2,2 DTI G9T-720,-722,-750 / (mot.) 2,5 DTI G9U-720,-724,-750,754 / (mot.) 2,5 CDTI G9U-632,-650,962

(2) (mot.) 2,2 DTI G9T-720,-750 / (mot.) 2,5 DTI G9U-720,-724,-730,-750,754

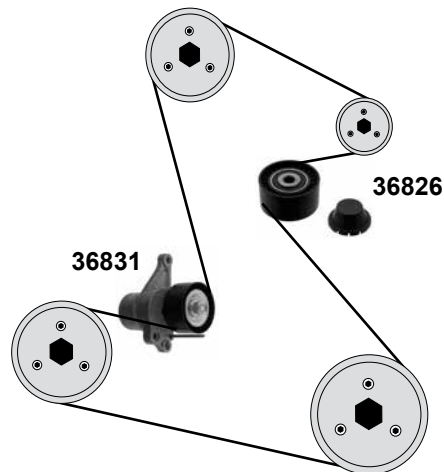
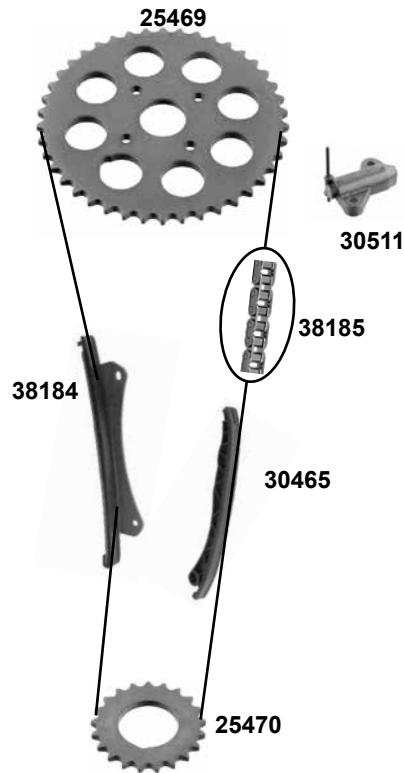
(3) (ex.) (mot.) G9U-730/750/754



Ref. - No.



21025	09201540	deflection pulley	(ex.) (mot.) G9U-632/650	ØA 75,2 B32
21029	09109430	tension roller	(ex.) (mot.) G9U-632/650	ØA70 B32
22119	93160779	deflection pulley	(3)	ØA 60 ØI 12 B31
23043	09109429	timing belt	(ex.) (mot.) G9U-632/650	Z 89 B25
23045	09109428	rep. kit timing belt		
26451	09160341	deflection pulley		ØA 67,2 ØI 10 B26
30664	09161255	tensioner roller	→ (mot.) 3053818	ØA 60 ØI 8 B26
32018	93161842	belt tensioner	(1) <b>AC</b>	ØA 60
37154	93161922	belt tensioner	(2) (ex.) <b>AC</b>	ØA 60



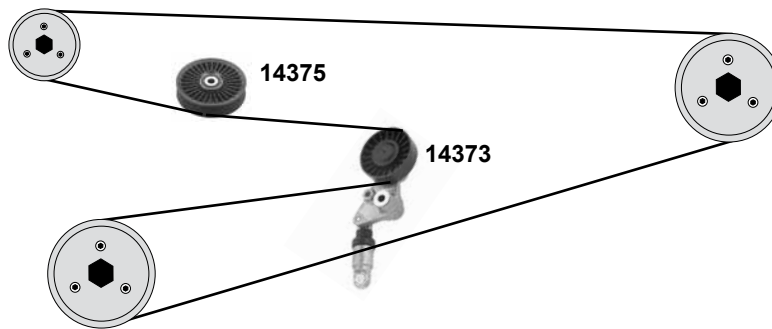
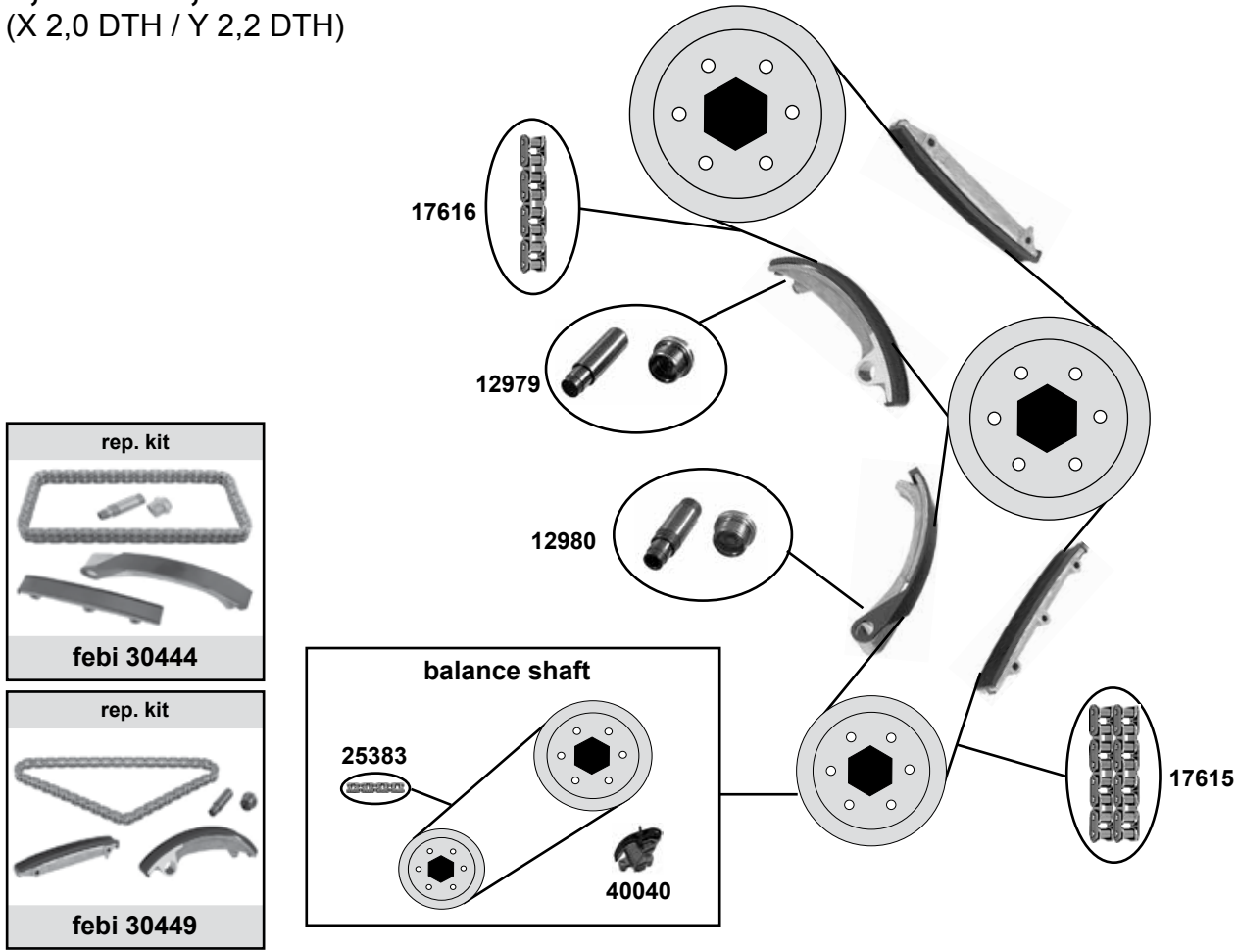
	Ref. - No.			
25469	-----	camshaft timing gear	all	
25470	-----	crankshaft gear	all	
30465	-----	sliding rail	all	
30511	93198575	chain tensioner	all	
36826	--	deflection pulley	all	ØA60 ØI 10 H30
36831	--	belt tensioner	all	ØA65 B29,5
37999	96168149 SK	rep. kit timing chain	all	
38184	--	sliding rail	all	
38185	--	timing chain	all	116 E

# VAUXHALL Omega B (94→03)

Car  
Division



## 2,0 TD / 2,2 TD (X 2,0 DTH / Y 2,2 DTH)



Ref. - No.

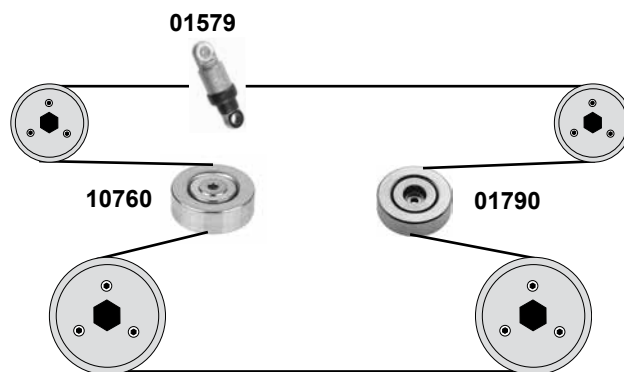
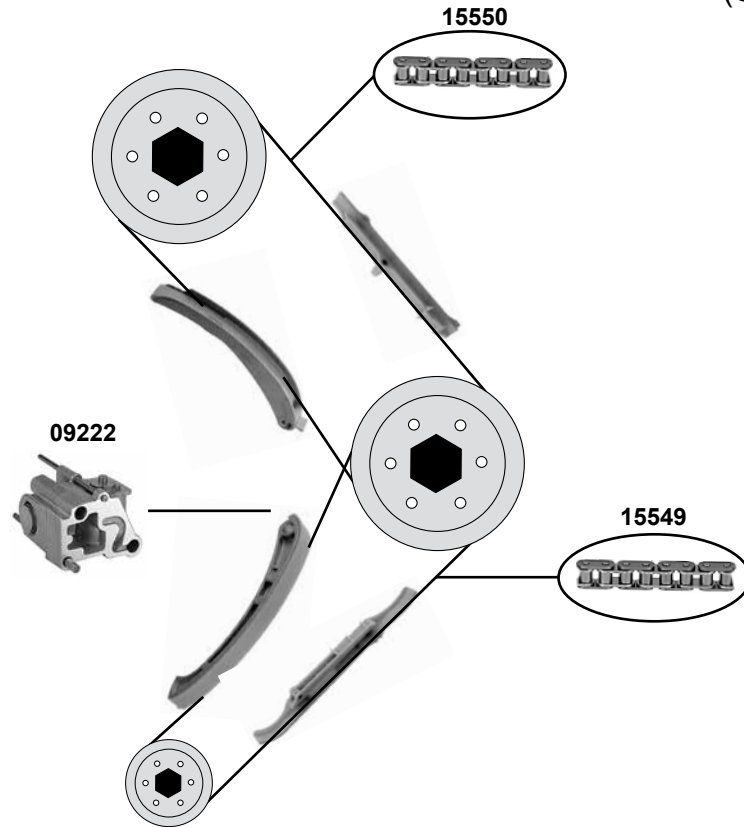


12979	24418171	chain tensioner
12980	24418172	chain tensioner
14373	09180809	belt tensioner
14375	55350960	deflection pulley
17615	90529247	timing chain
17616	90529248	timing chain
25383	09128999	timing chain simplex
30444	90529247 S1	rep. kit timing chain
30449	90529248 S1	rep. kit timing chain
40040	90573822	chain tensioner

ØA 90 B24,4  
ØA 109 B26,4  
78 E  
80 E  
74 E



**2,5 TD 12V**  
(U 2,5 TD / X 2,5 TD)



Ref. - No.



<b>01579</b>	1340 653	belt tensioner
<b>01790</b>	1340 540	deflection pulley
<b>09222</b>	0636 386	chain tensioner
<b>10760</b>	1340 543	deflection pulley
<b>15549</b>	5636 366	timing chain
<b>15550</b>	5636 365	timing chain
<b>30384</b>	5636 365 S1	rep. kit timing chain

ØA 80 B23,5

Ø70 B23  
74 E  
80 E

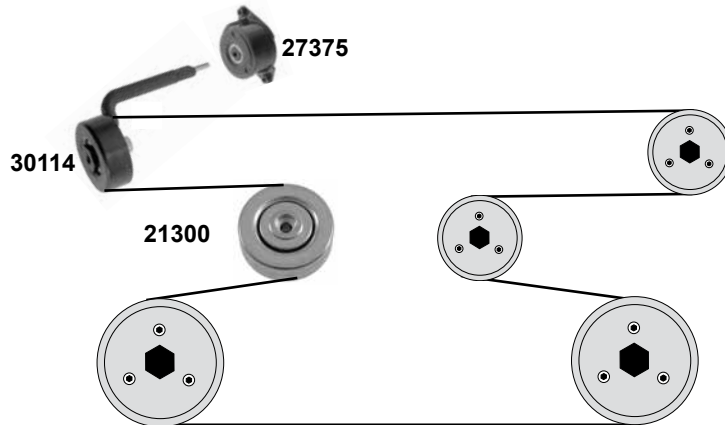
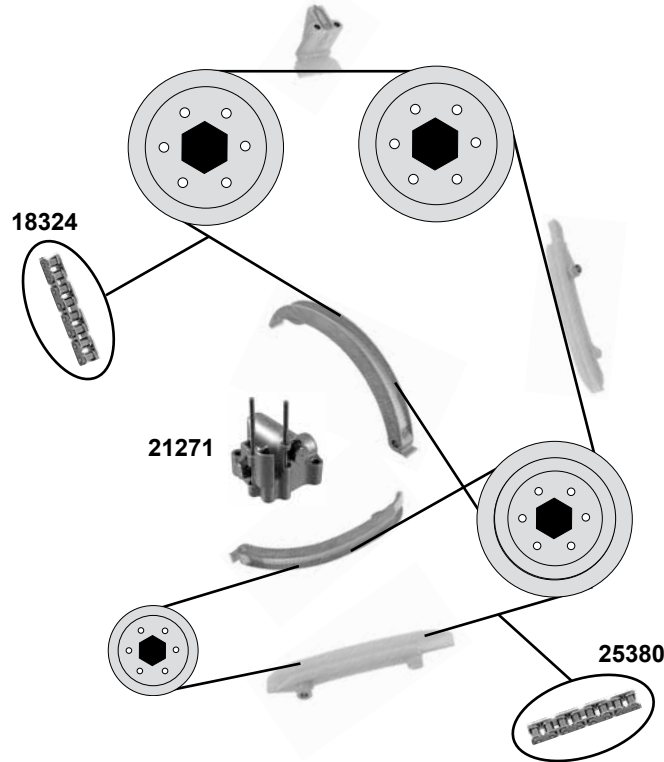
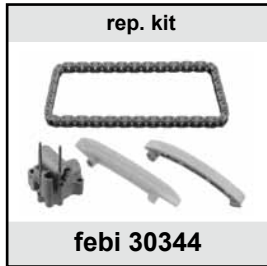
# VAUXHALL Omega B

(94→03)

Car  
Division



## 2,5 TD 24V (Y 2,5 TD)



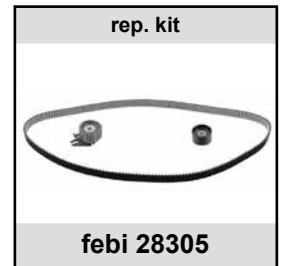
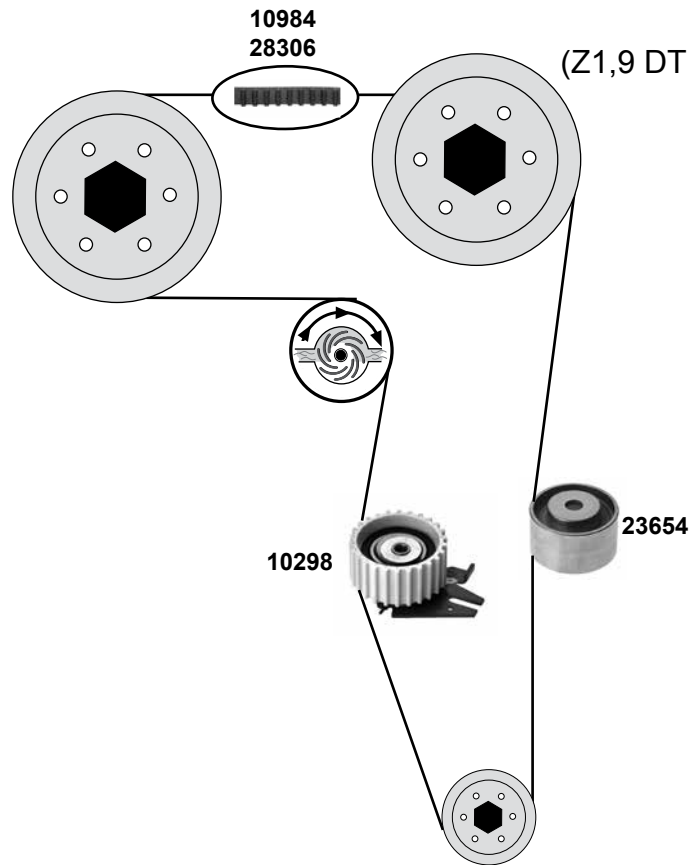
Ref. - No.



<b>18324</b>	93171417	timing chain	90 E
<b>21271</b>	93171416	chain tensioner	
<b>21300</b>	09266523	deflection pulley	ØA70 Ø18 B23
<b>25380</b>	93171410	timing chain	68 E
<b>27375</b>	93172026	belt tensioner	ØA66 B28
<b>30114</b>	93171384	tension roller	ØA70 B25,5 / 23
<b>30343</b>	93171410 S1	rep. kit timing chain	90 E
<b>30444</b>	93191274 SK	rep. kit timing chain	68 E

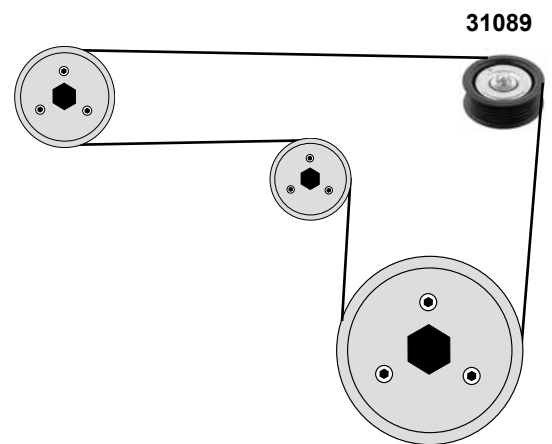
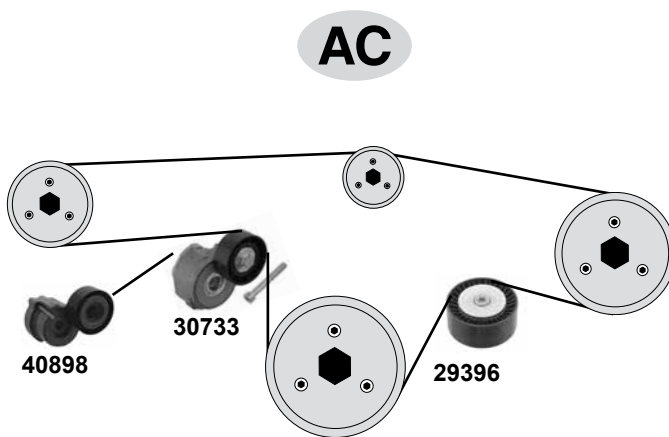
**1,9 TD**

(Z1,9 DT / Z 1,9 DTH / Z 1,9 DTL)

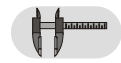


**1,9 TD**

(Z1,9 DT / Z1,9 DTL / Z1,9 DTH)

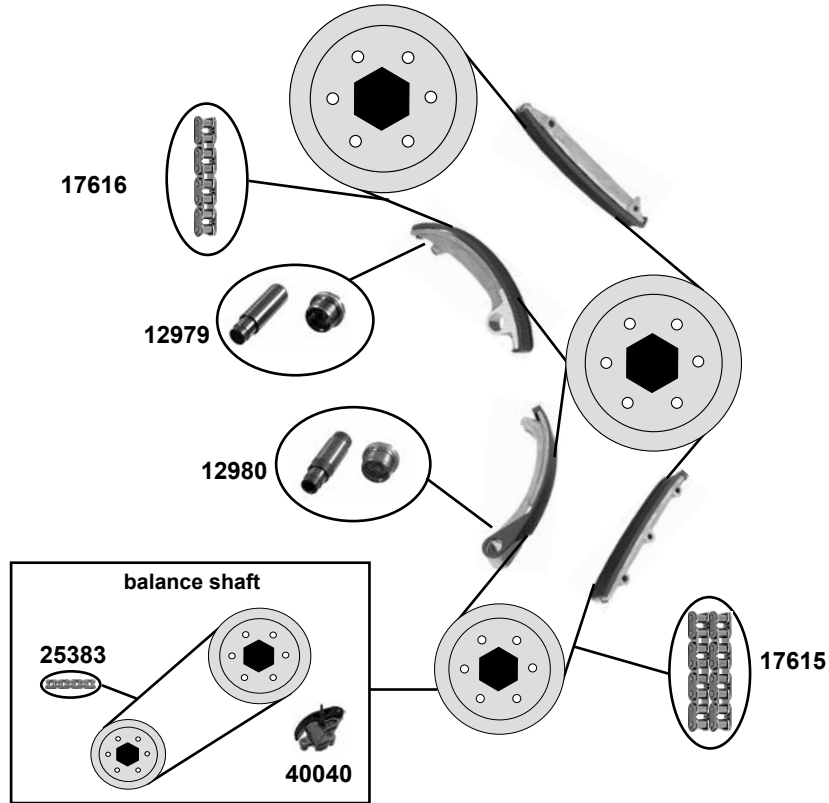
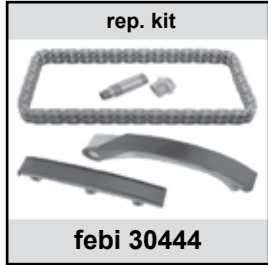


Ref. - No.

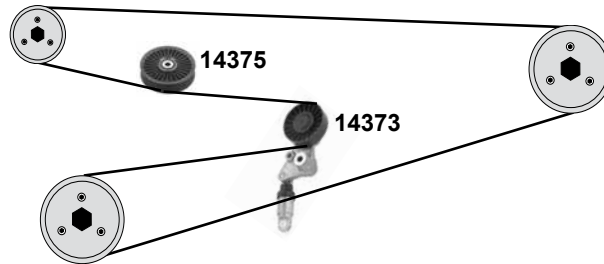


10298	93186866	tension roller			ØA 53 B29
10984	93185336	timing belt		(mot.) DT/DTL	Z 190 B24
23654	93178807	deflection pulley			ØA 65 B30
23655	93185336 S1	rep. kit timing belt		(mot.) DT/DTL	Z 190 B24
28305	93191278 SK	rep. kit timing belt		(mot.) DTH	Z 199 B24
28306	93178812	timing belt		(mot.) DTH	Z 199 B24
29396	55562251	deflection pulley		→(ch.) 71111927	ØA 70 B26
30733	55190813	belt tensioner		→(ch.) 71111927	ØA 65
31089	55190812	tension roller			ØA 65 B26
40898	55561330	belt tensioner		(ch.) 71111928 →	ØA 65 B26

**2,0 TD / 2,2 TD**  
 (Y2,0 DTH / Y 2,2 DTR)

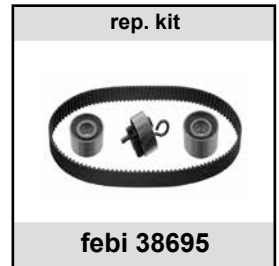
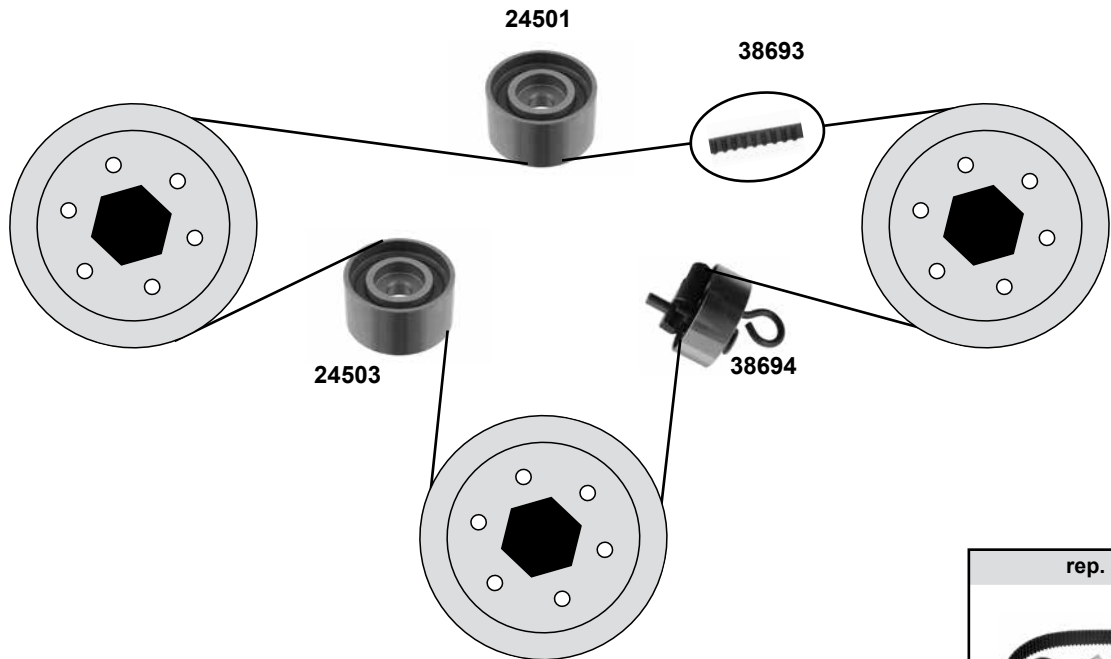


**2,0 TD / 2,2 TD**  
 (Y2,0DTH / Y 2,2 DTR)

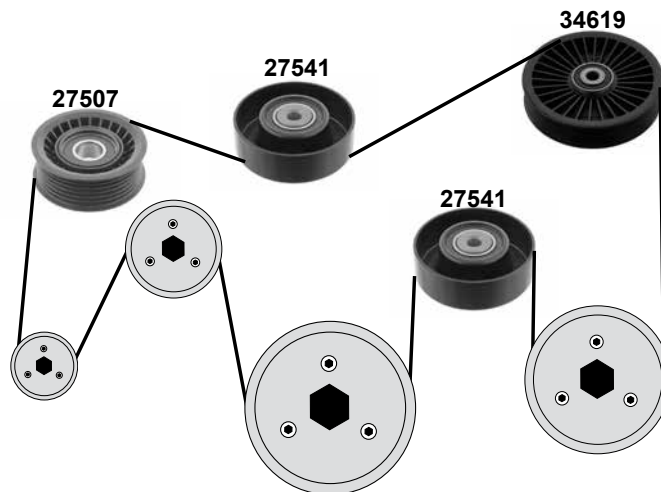


	Ref. - No.			
12979	24418171	chain tensioner		
12980	24418172	chain tensioner		
14373	09180809	belt tensioner		
14375	55350960	tension roller		ØA 90 B24,4
17615	90529247	timing chainx		ØA 109 B26,4
17616	90529248	timing chain		78 E
25383	09128999	timing chain simplex		80 E
30444	90529247 S1	rep. kit timing chain		74 E
30449	90529248 S1	rep. kit timing chain		
40040	90573822	chain tensioner	(mot.) Y2,2DTR	

**3,0 TD**  
(Y 3,0 DT / Z 3,0 DT)



**3,0 TD**  
(Y 3,0 DT / Z 3,0 DT)



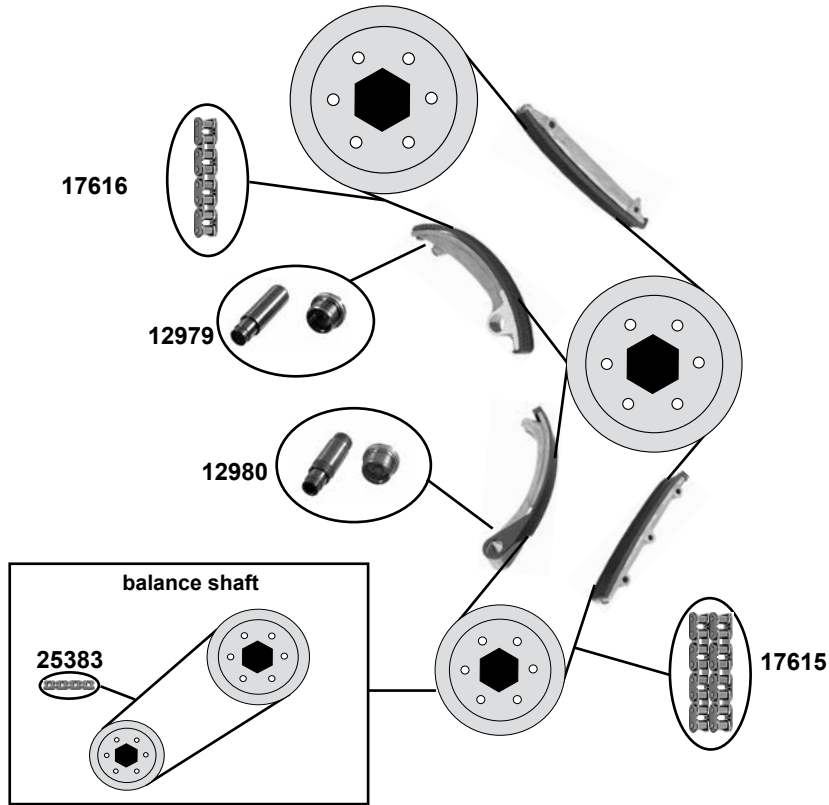
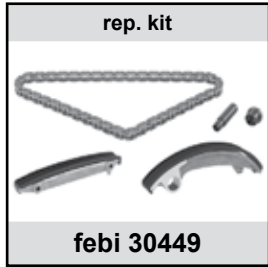
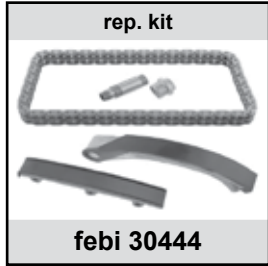
Ref. - No.



<b>24501</b>	97229131	deflection pulley	ØA 52 x 28
<b>24503</b>	97229132	deflection pulley	ØA 58 x 28
<b>27507</b>	97312464	deflection pulley	ØA 70 x 22,6
<b>27541</b>	97241065	deflection pulley	ØA 85 x 26
<b>34619</b>	97250750	deflection pulley	AØ 124
<b>38693</b>	97229277	timing belt	Z 116 B25
<b>38694</b>	97229145	tension roller	ØA 72 x 28
<b>38695</b>	97381209 S1	rep. kit timing belt	



**2,2 TD**  
 (X 2,2 DTH)

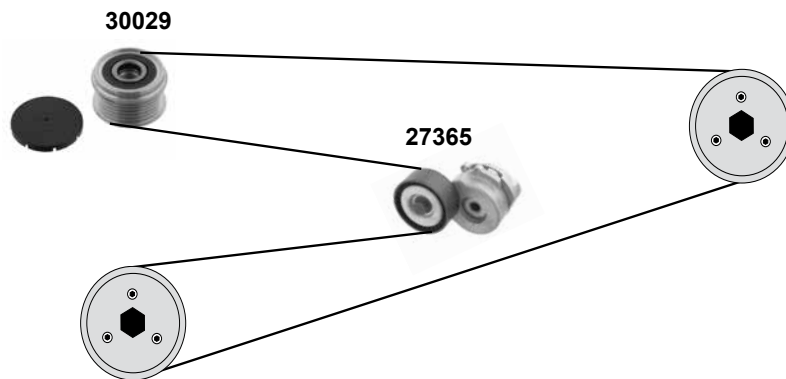
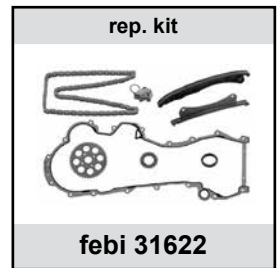
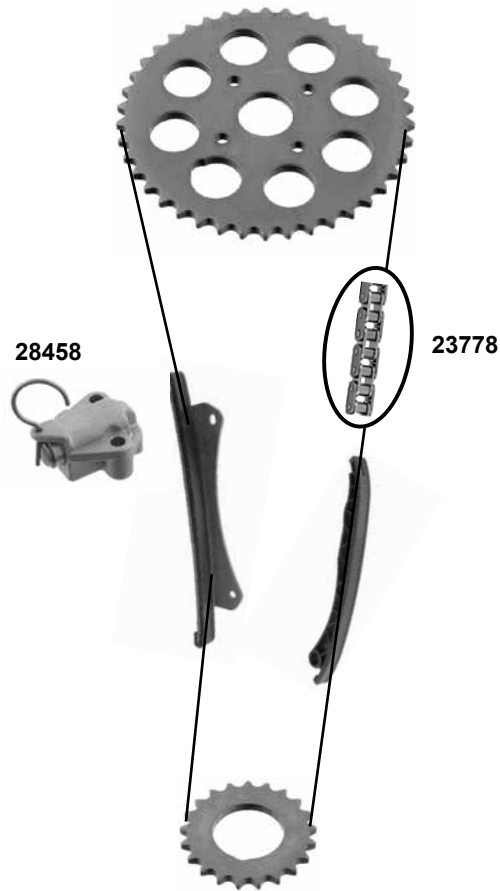


Ref. - No.



<b>12979</b>	24418171	chain tensioner
<b>12980</b>	24418172	chain tensioner
<b>14373</b>	09180809	belt tensioner
<b>14375</b>	55350960	tension roller
<b>17615</b>	90529247	timing chainx
<b>17616</b>	90529248	timing chain
<b>25383</b>	09128999	timing chain simplex
<b>30444</b>	90529247 S1	rep. kit timing chain
<b>30449</b>	90529248 S1	rep. kit timing chain

ØA 90 B24,4  
 ØA 109 B26,4  
 78 E  
 80 E  
 74 E



(1) mit Valeo 70A /combined with Valeo 70A



Ref. - No.



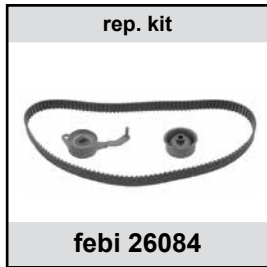
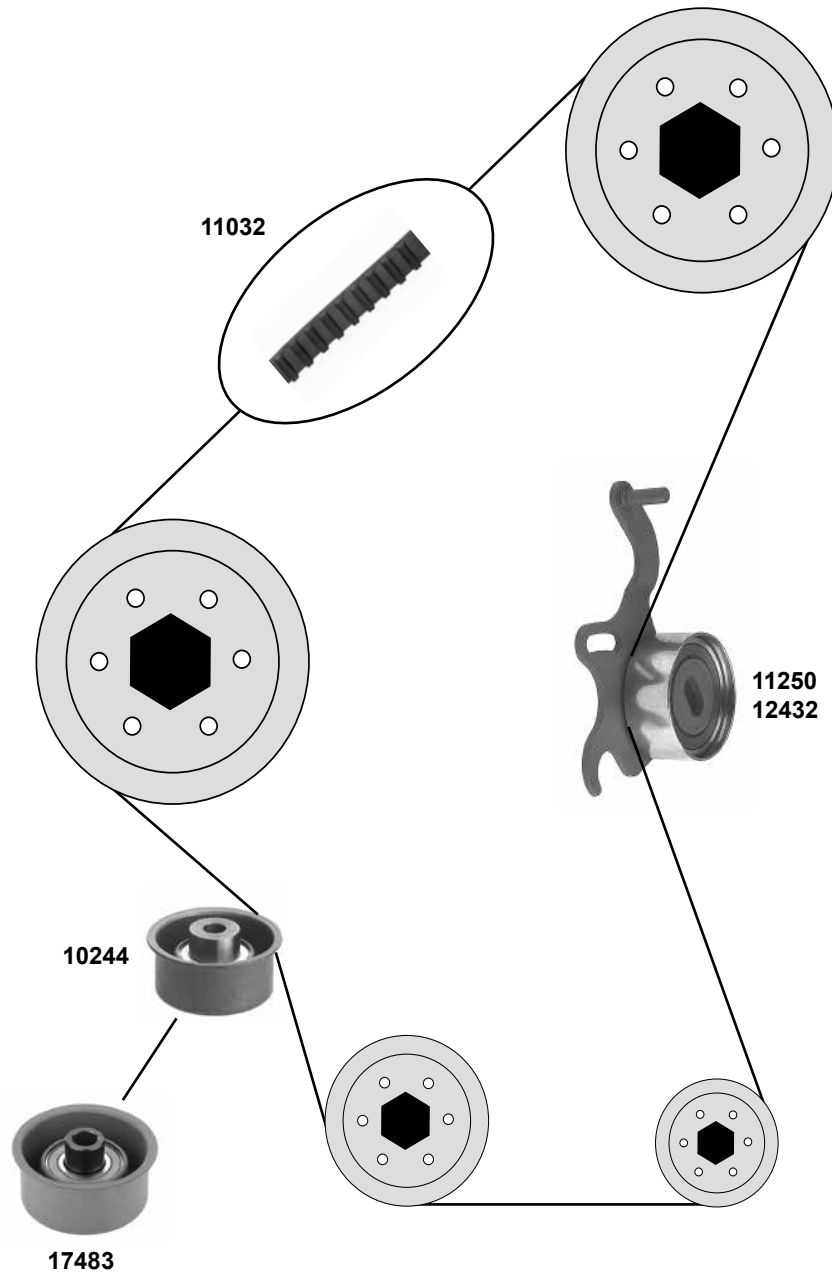
<b>23778</b>	93177407	timing chain
<b>27365</b>	55574238	belt tensioner
<b>28458</b>	93190427	chain tensioner
<b>30029</b>	93192631	alternator overrun pulley
<b>31622</b>	93191273 SK	rep. kit timing chain

(1)

120 E
ØA 65 B25,5
ØA59 ØI 17 B38,1



**1,7 TD / X 1,7 TD**

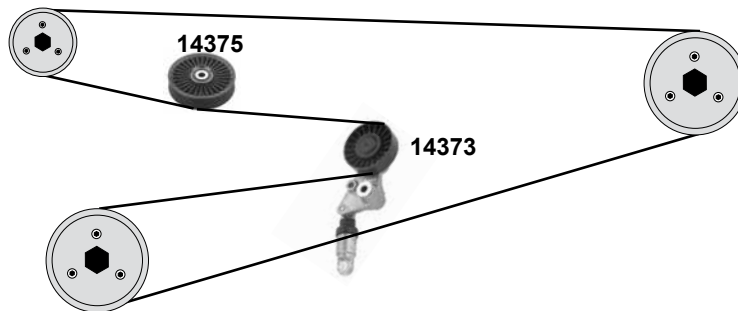
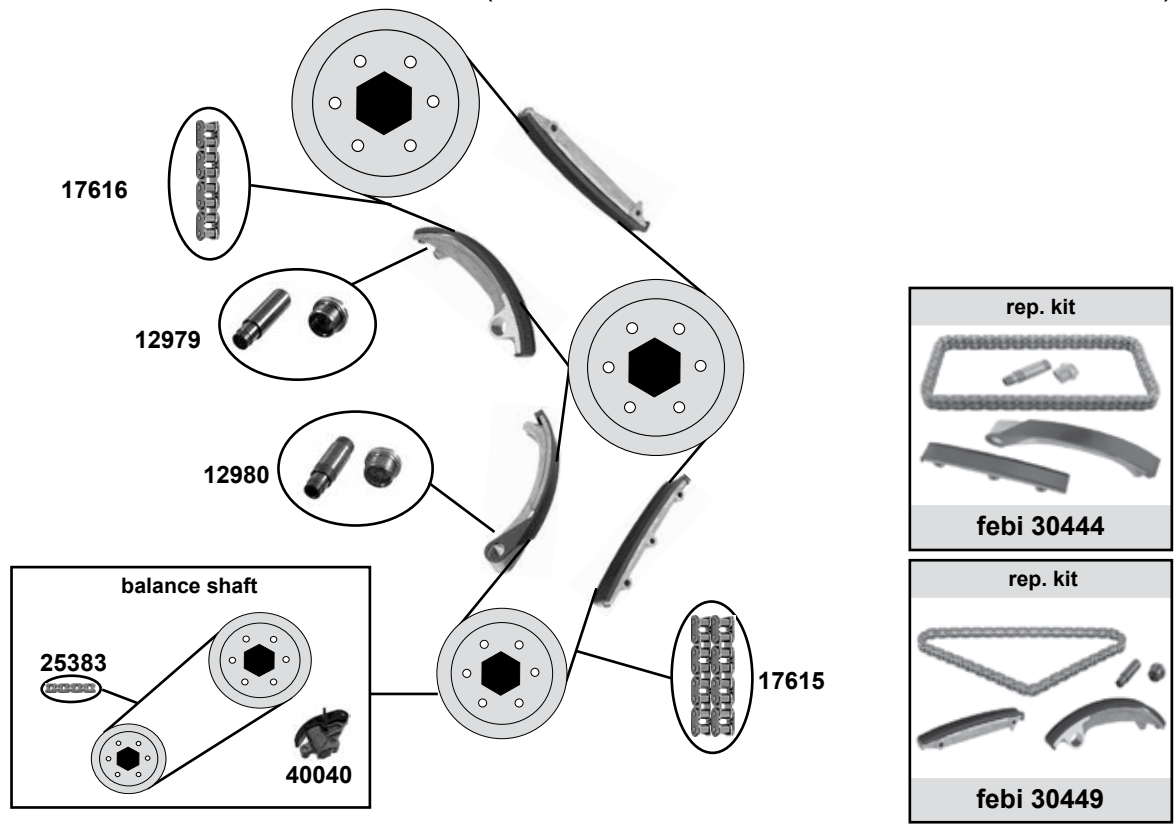


(1) (mot.) X1,7 TD 00029078→

	Ref. - No.			
10244	94106001	deflection pulley	(mot.)→000290078	ØA 65 ØI 12 B31
11032	94449307	timing belt		Z 136 B25,4
11250	97010530	tension roller		ØA 65 B28,5
12432	97112438	tension roller	(1)	ØA 65 B34
17483	97129939	deflection pulley	(1)	ØA 65 B31
26084	94449307 S2	rep. kit timing belt	(1)	



**2,0 TD / 2,2 TD**  
(X 2,0 DTL / X 2,0 DTH / Y 2,0 DTH / Y 2,2 DTR)



	Ref. - No.			
12979	24418171	chain tensioner		
12980	24418172	chain tensioner		
14373	09180809	belt tensioner		
14375	55350960	deflection pulley		
17615	90529247	timing chain		ØA 90 B24,4 ØA 109 B23 78 E
17616	90529248	timing chain		80 E
25383	09128999	timing chain simplex		74 E
30444	90529247 S1	rep. kit timing chain		
30449	90529248 S1	rep. kit timing chain		
40040	90573822	chain tensioner	(mot.) Y2,2DTR	

# VAUXHALL Vectra Mk II / C

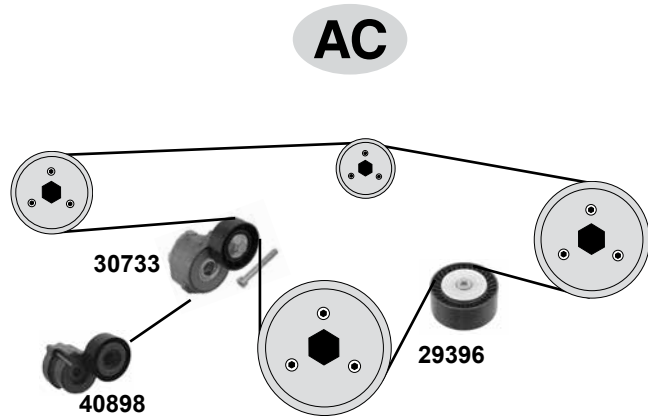
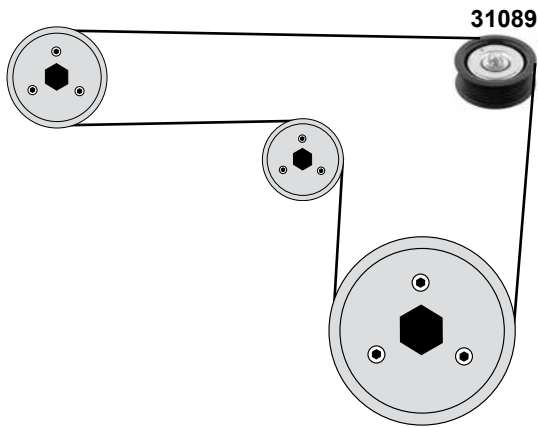
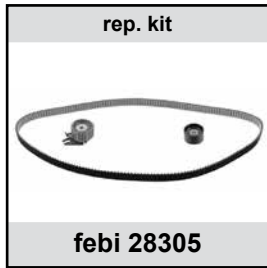
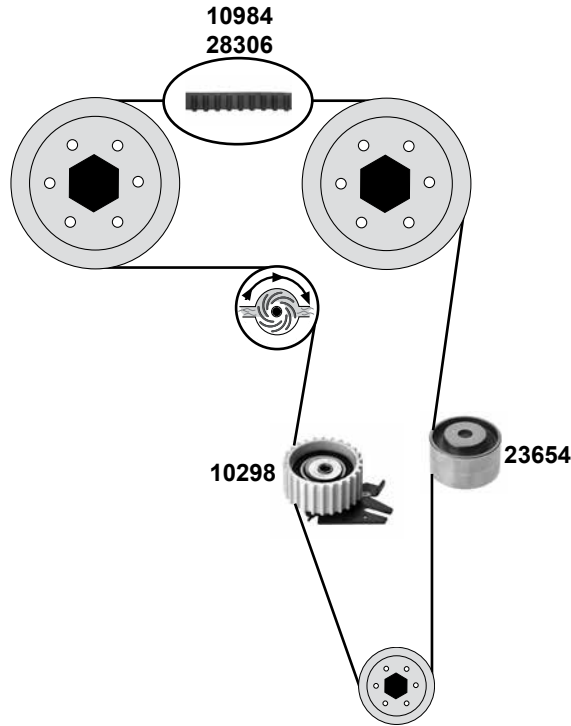
(02→08)

Car  
Division



## 1,9 TD

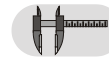
(Z1,9 DT / Z 1,9 DTH / Z 1,9 DTL)



(1) →(ch.) 71111927 / 4899999

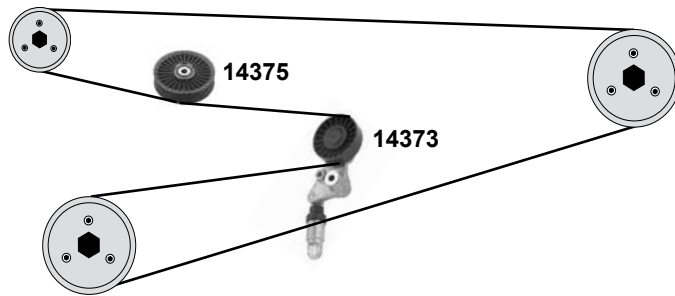
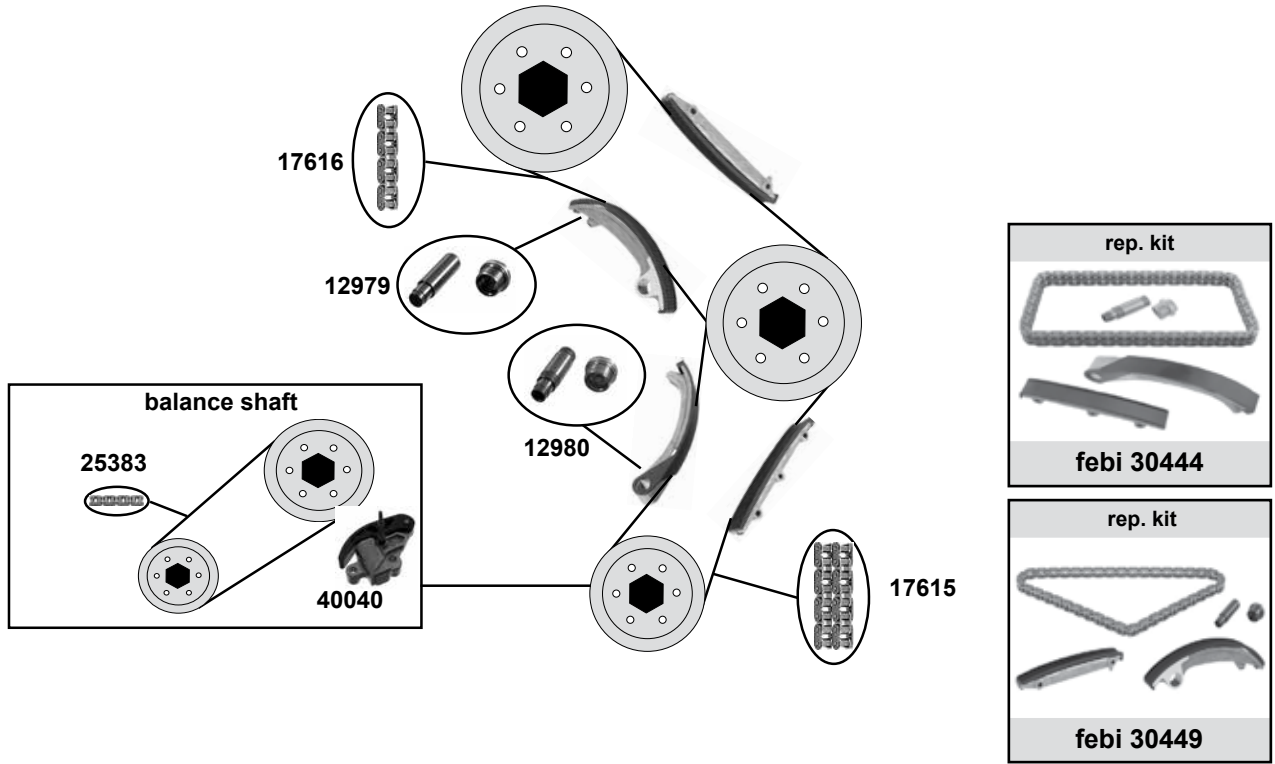


Ref. - No.



10298	93186866	tension roller		
10984	93185336	timing belt	(mot.) DT/DTL	ØA 53 B29 Z 190 B24
23654	93178807	deflection pulley	(mot.) DT/DTL	ØA 65 B30 Z 190 B24
23655	93185336 S1	rep. kit timing belt	(mot.) DTH	Z 199 B24
28305	93191278 SK	rep. kit timing belt	(mot.) DTH	Z 199 B24
28306	93178812	timing belt	→(ch.) 71111972	ØA 70 B26
29396	55562251	deflection pulley	(1)	ØA 65 ØA 65 B26
30733	55190813	belt tensioner	(ch.) 71111928, 78... →	ØA 65 B26
31089	55190812	tension roller		
40898	55561330	belt tensioner		

**2,0 TD / 2,2 TD**  
(Y2,0 DTH / Y 2,2 DTR)

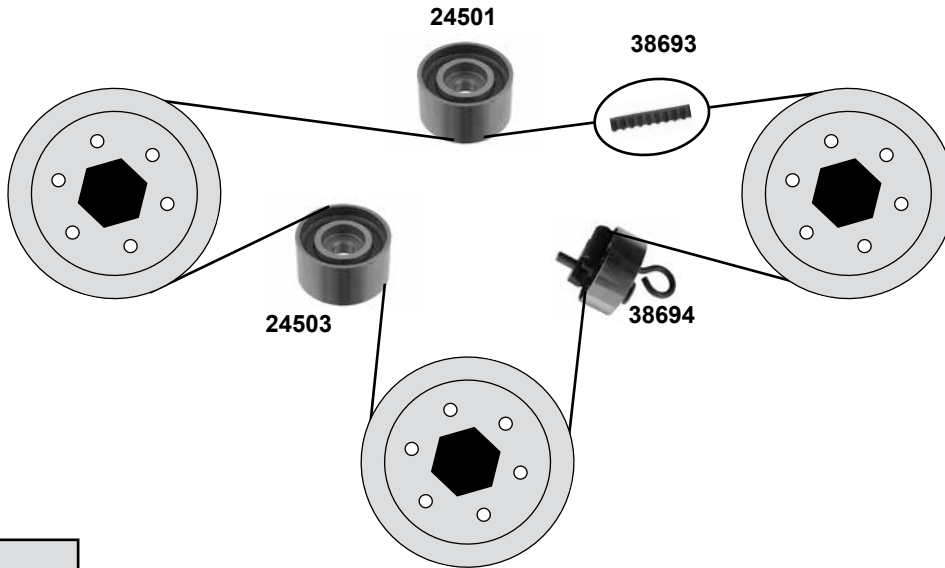


	Ref. - No.			
12979	24418171	chain tensioner		
12980	24418172	chain tensioner		
14373	09180809	belt tensioner		
14375	55350960	deflection pulley		ØA 90 B24,4 ØA 109 B26,4
17615	90529247	timing chain		78 E
17616	90529248	timing chain		80 E
30444	90529247 S1	rep. kit timing chain		78 E
30449	90529248 S1	rep. kit timing chain		80 E
34619	97250750	deflection pulley		ØA 124
40040	90573822	chain tensioner	(mot.) Y2,2DTR	



**3,0 TD**

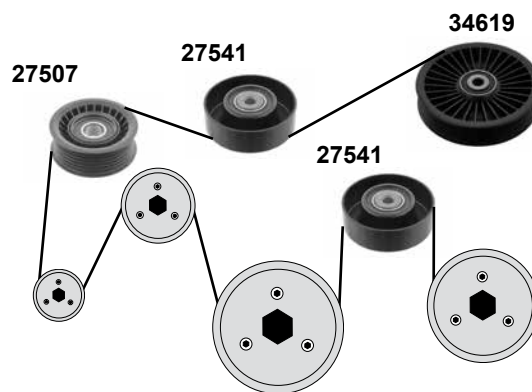
(Y3,0DT / Z3,0DT)



rep. kit



febi 38695



Ref. - No.



24501

97229131

deflection pulley

ØA 52 x 28

24503

97229132

deflection pulley

ØA 58 x 28

27507

97312464

deflection pulley

ØA 70 x 22,6

27541

97241065

deflection pulley

ØA 85 x 26

34619

97250750

deflection pulley

ØA 124

38693

97229277

timing belt

Z 116 B25

38694

97229145

tension roller

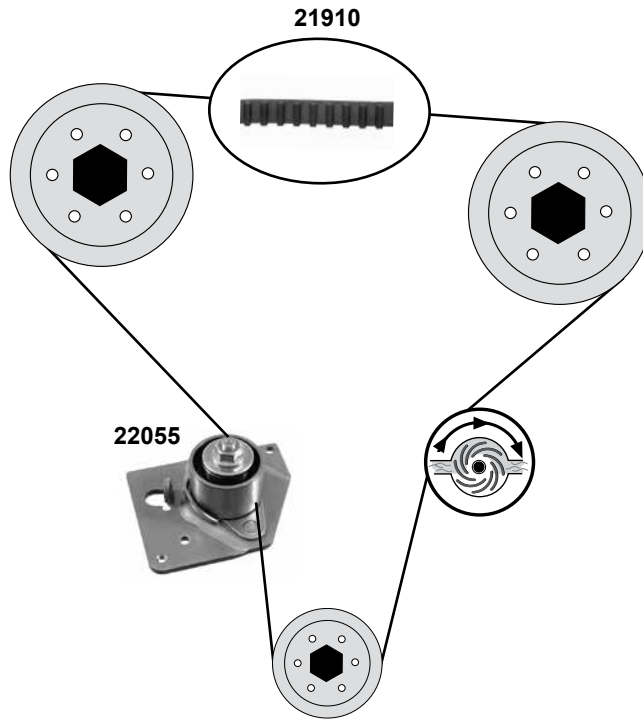
ØA 72 x 28

38695

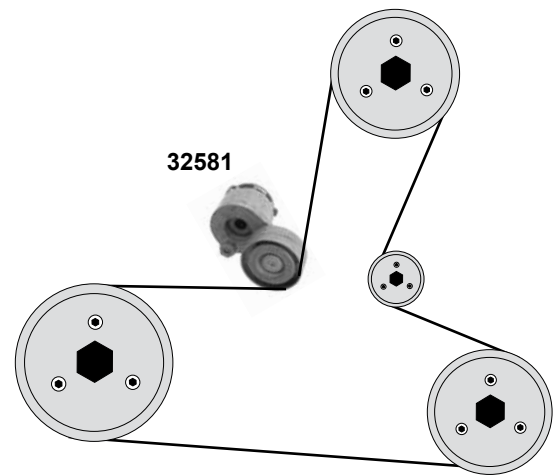
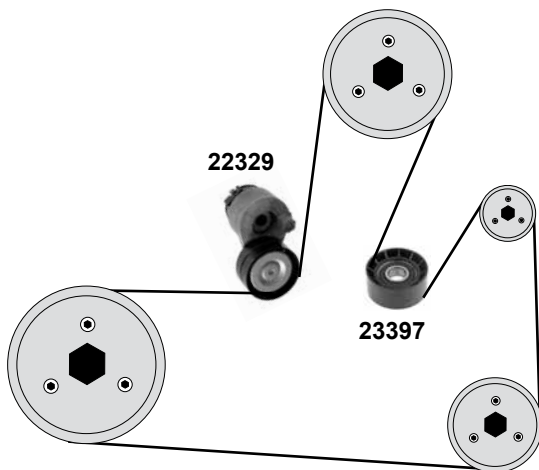
97229277

rep. kit timing belt

**1,9DT / 1,9 DTI**  
(F9Q-760, -762)



**AC**



Ref. - No.



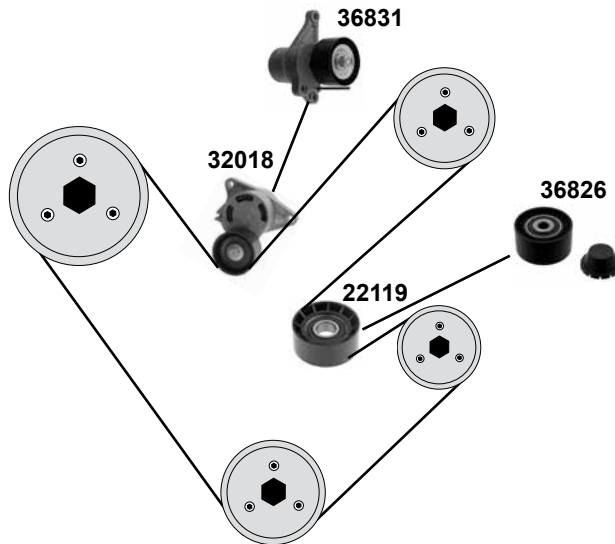
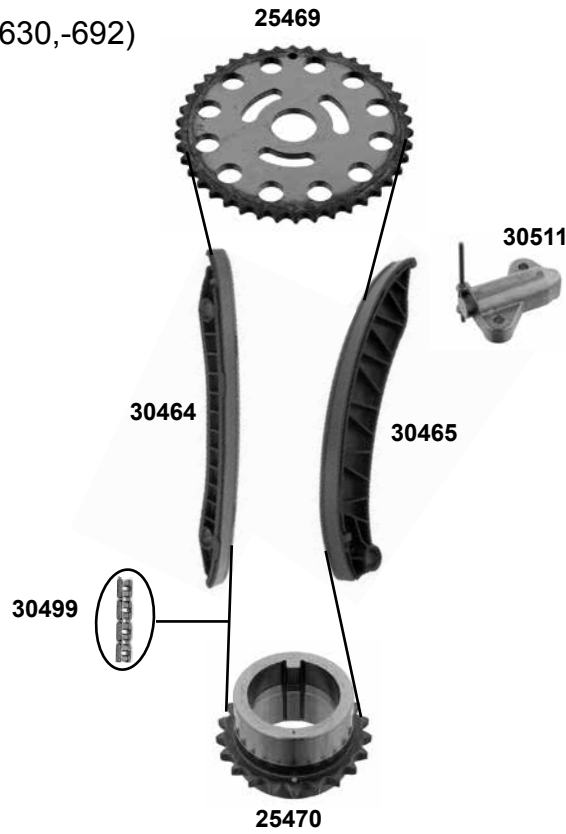
<b>21910</b>	93161479	timing belt	Z 132 B26
<b>22055</b>	91160164	tension roller	ØA60 B30,8
<b>22056</b>	93161478	rep. kit timing belt	Z 132 B26
<b>22329</b>	93160746	belt tensioner	ØA 65 B30
<b>23397</b>	93161273	deflection pulley	17x60x31
<b>32581</b>	09109567	belt tensioner	ØA 65 B26





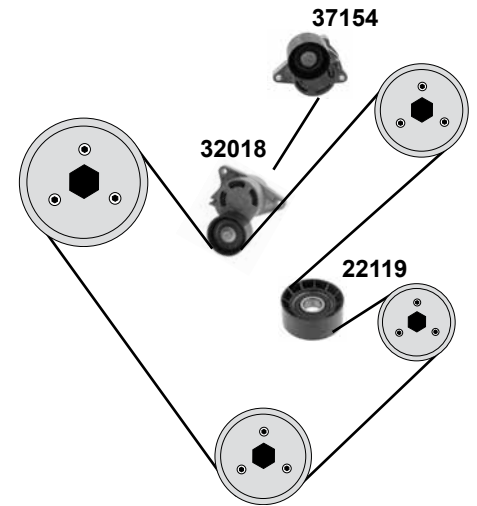
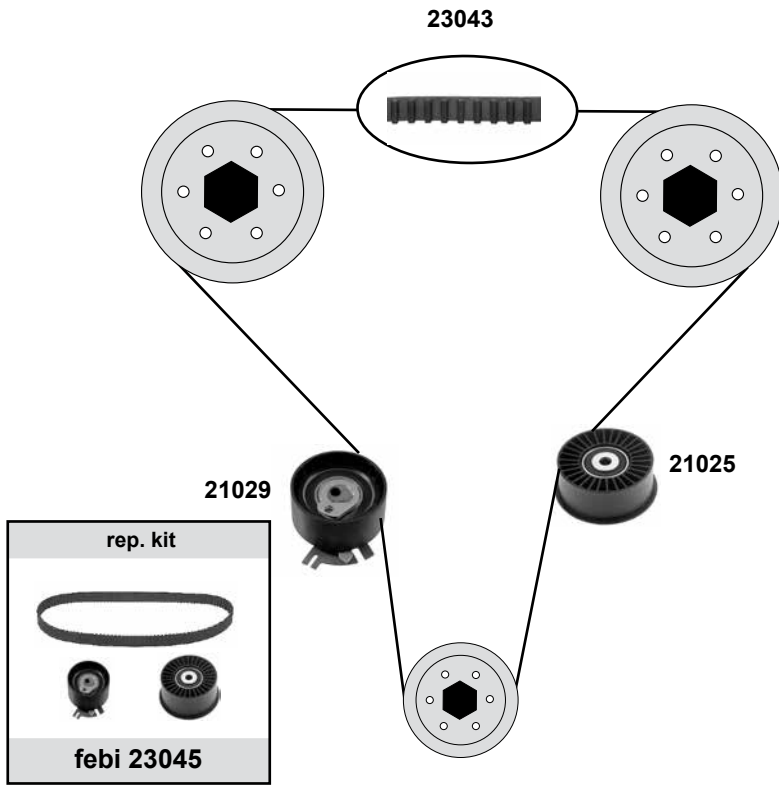
## 2,0 CDTI

(M9R-780,-782,-784,-786,-788,-630,-692)

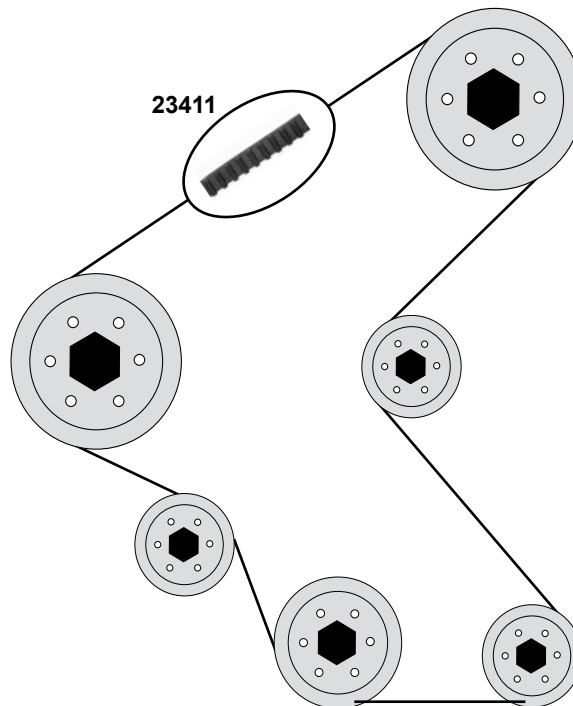


	Ref. - No.			
22119	93160779	deflection pulley		ØA 60 ØI 12 B31
25469	-----	camshaft timing gear		Z 42
25470	-----	crankshaft gear		Z 21
30464	-----	sliding rail		
30465	-----	sliding rail		
30499	-----	timing chain		
30511	93161657	chain tensioner		112 E
30639	93161656 SK	rep. kit timing chain		ØA 60
32018	93161842	belt tensioner		ØA60 ØI 10 H30
36826	--	deflection pulley	all	ØA65 B29,5
36831	--	belt tensioner	all	

**2,5 D**  
(G9U-730)



**Zafira A**  
(98→04)  
**1,7 CDTI**  
(Y1,7DT / Z1,7DTL)



	Ref. - No.			
21025	09201540	deflection pulley		ØA 75,2 B32
21029	09109430	tension roller		ØA 70 B32
22119	93160779	deflection pulley	AC (mot.) 9GU-730	ØA 60 ØI 12 B31
23043	09109429	timing belt		Z 89 B25
23045	09109428	rep. kit timing belt		
23411	93192782	timing belt		Z 131 B25
32018	93161842	belt tensioner		ØA 60
37154	93161922	belt tensioner	(mot.) G9U-730 (ex.) AC	ØA 60

# VAUXHALL Zafira Mk I / A

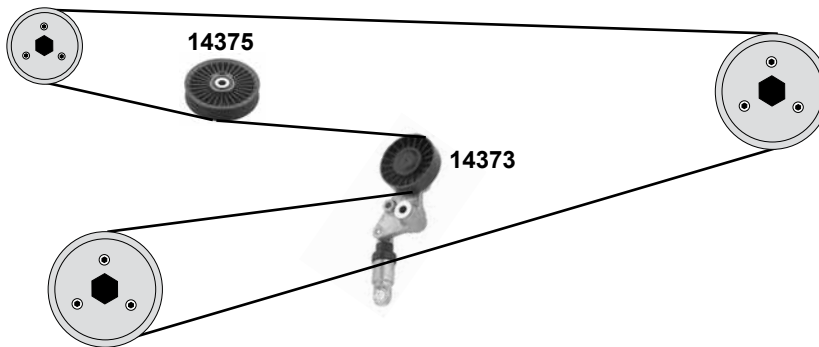
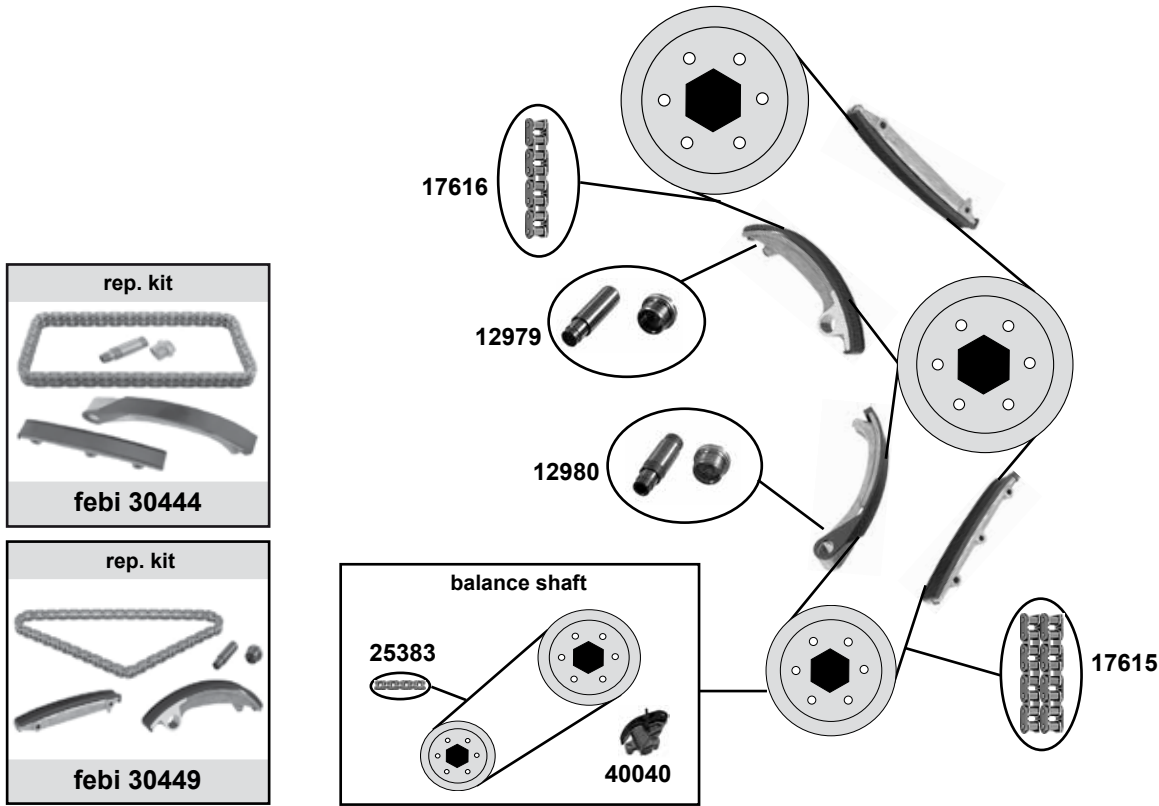
(98→04)

Car  
Division



## 2,0 TD / 2,2 TD

(X 2,0 DTL / Y 2,0 DTL / Y 2,0 DTH / Y 2,2 DTR)



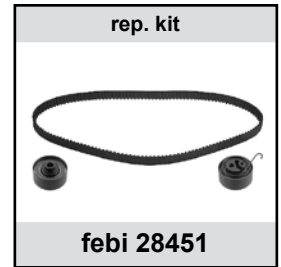
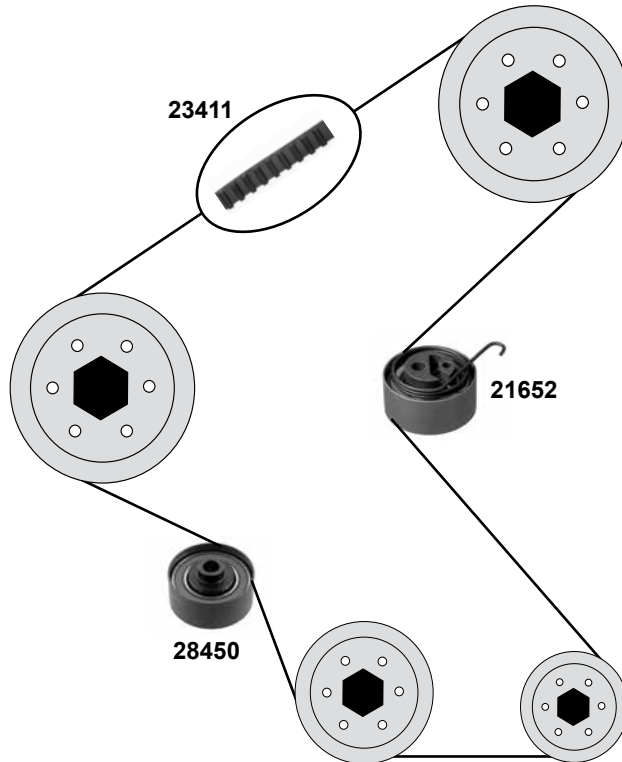
Ref. - No.



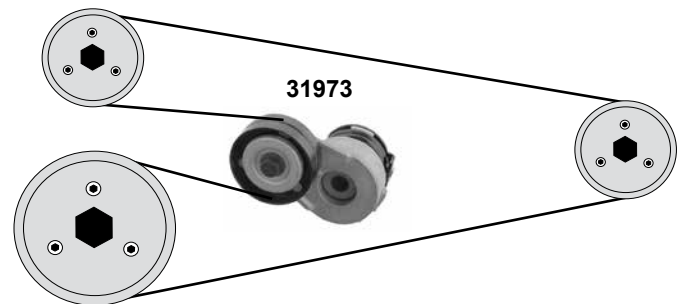
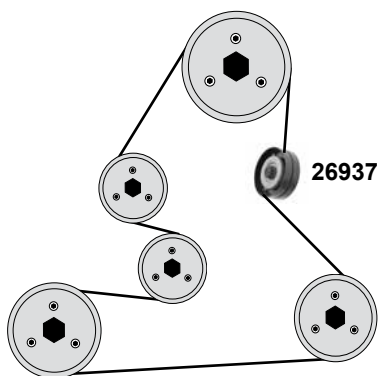
<b>12979</b>	24418171	chain tensioner
<b>12980</b>	24418172	chain tensioner
<b>14373</b>	09180809	belt tensioner
<b>14375</b>	55350960	tension roller
<b>17615</b>	90529247	timing chain
<b>17616</b>	90529248	timing chain
<b>30444</b>	90529247 S1	rep. kit timing chain
<b>30449</b>	90529248 S1	rep. kit timing chain
<b>40040</b>	90573822	chain tensioner

(mot.) Y2,2DTR

ØA 90 B24,4  
ØA 109 B26,4  
78 E  
80 E  
78 E  
80 E



**AC**



Ref. - No.



<b>21652</b>	97249945	tension roller
<b>23411</b>	97212727	timing belt
<b>26937</b>	98012238	deflection pulley
<b>28450</b>	97376296	deflection pulley
<b>28451</b>	98014186 S1	rep. kit timing belt
<b>31973</b>	98005564	belt tensioner

ØA 65 B28,5
Z 131 B25
ØA 76 B26
ØA 65 B28,5
Z 131 B25
ØA 70 B26

# VAUXHALL Zafira Mk II / B

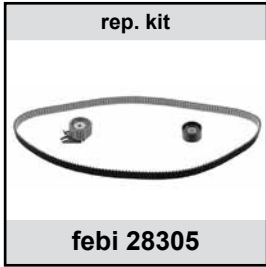
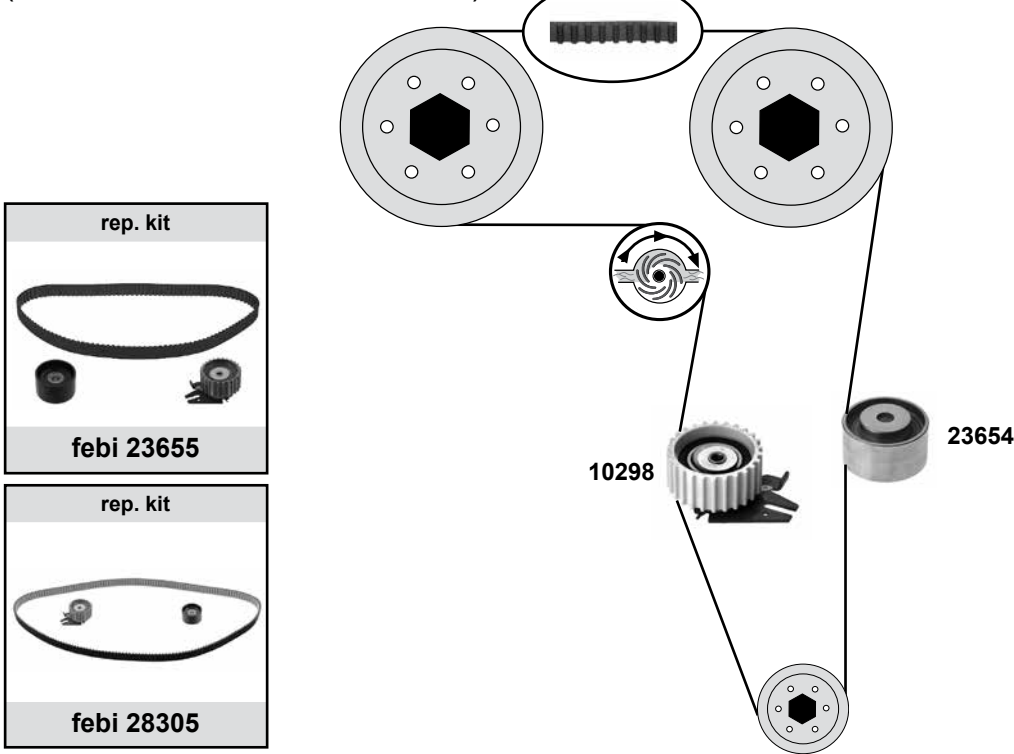
(05→12)

Car  
Division

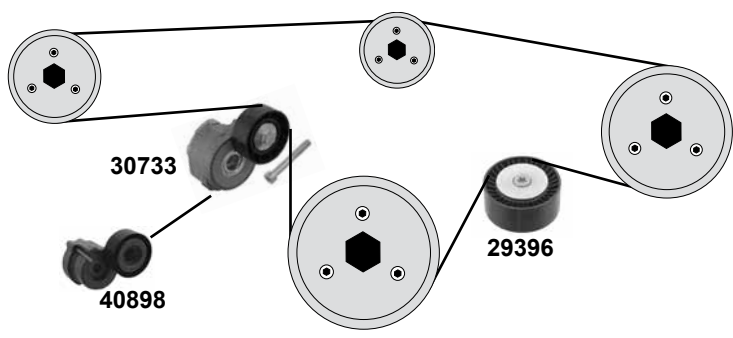


## 1,9 TD

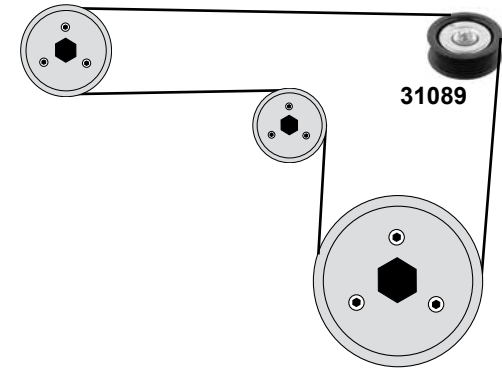
(Z 1,9 DT / Z1,9 DTL / Z 1,9 DTH)



## AC



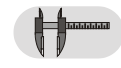
## (ex.) AC



- |     |                  |                             |
|-----|------------------|-----------------------------|
| (1) | (mot.) Z 1,9 DT  | →(ch.) 72172468 / 7G150345  |
|     | (mot.) Z 1,9 DTL | →(ch.) 72207929 / 7G150345  |
|     | (mot.) Z 1,9 DTH | →(ch.) 72212298 / 7G150345  |
| (2) | (mot.) Z 1,9 DT  | (ch.) 72172469 / 7G150346 → |
|     | (mot.) Z 1,9 DTL | (ch.) 72207930 / 7G150346 → |
|     | (mot.) Z 1,9 DTH | (ch.) 72212299 / 7G150346 → |



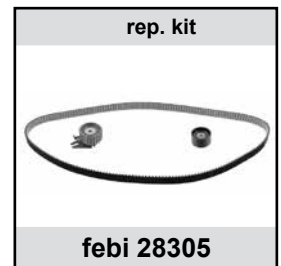
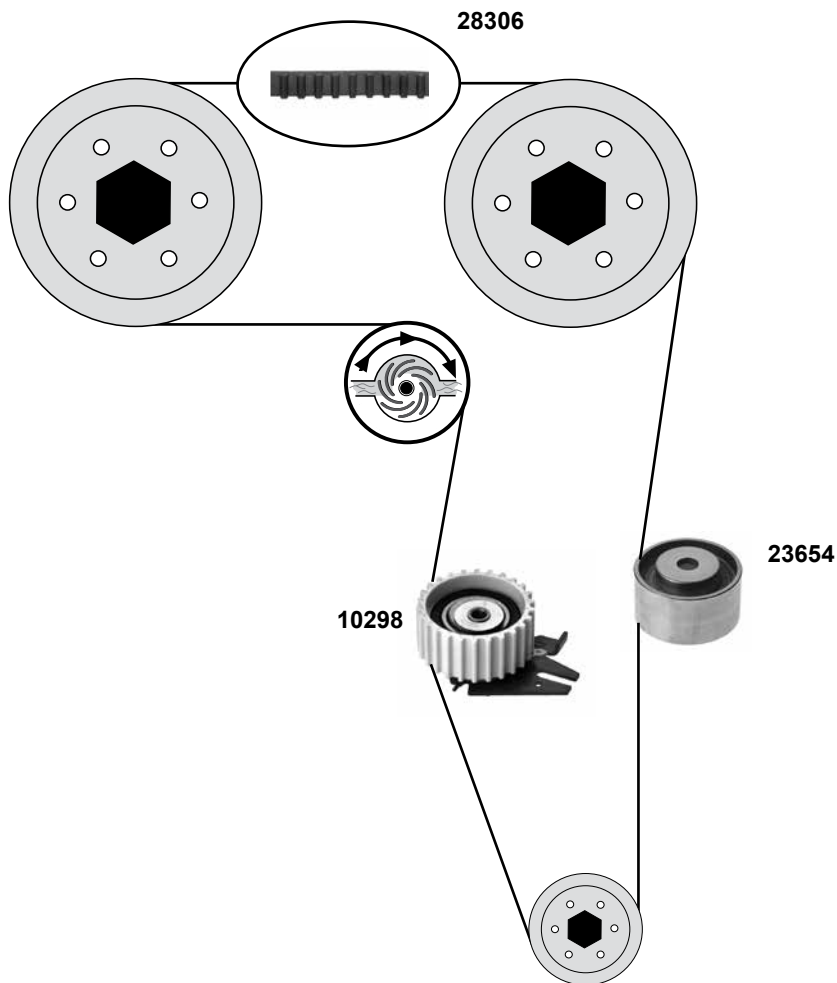
Ref. - No.



Part No.	Ref. - No.	Description	Notes	Dimensions
10298	93186866	tension roller		ØA 53 B29
10984	93185336	timing belt	(mot.) Z 1,9 DT/DTL	Z 190 B24
23654	93178807	deflection pulley	(mot.) Z 1,9 DT/DTL	ØA 53 Ø1 10 B31
23655	93185336 S1	rep. kit timing belt	(mot.) Z 1,9 DTH	Z 190 B24
28305	93191278 SK	rep. kit timing belt	(mot.) Z 1,9 DTH	Z 199 B24
28306	93178812	timing belt	(mot.) Z 1,9 DTH	Z 199 B24
29396	55562251	deflection pulley	(1)	ØA 70 B26
30733	55190813	belt tensioner		
31089	55190812	tension roller	(2)	ØA 65 B26
40898	55561330	belt tensioner		ØA 65 B26

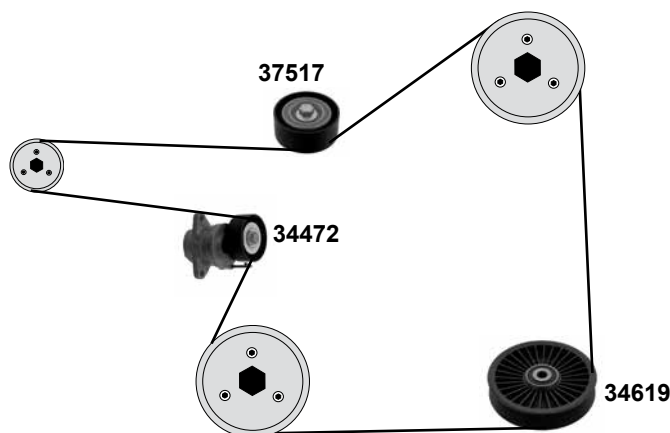
**2,0**

(A 2,0 DTR / A 20 DTL / A 20 DT / Y 20 DTJ / Z 20 DTJ / A 20 DTH )



**2,0**

(A 2,0 DTH / A 20 DTL / A 20 DT / Y 20 DTJ / Z 20 DTJ)

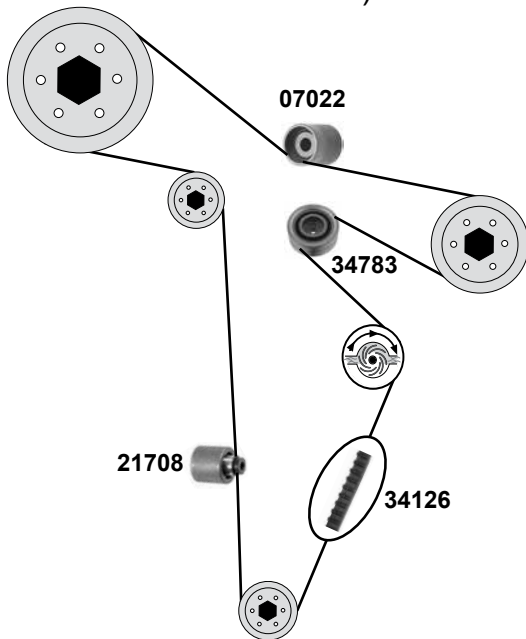


	Ref. - No.			
<b>10298</b>	55566028	tension roller	(ex.) A2,0DTR	ØA 64 B40
<b>23654</b>	93178807	deflection pulley		ØA 53 ØI 10 B 31/29
<b>28305</b>	95507810 SK	rep. kit timing belt		Z 199 B24
<b>28306</b>	93178812	timing belt		ØA 124
<b>34472</b>	55562864	belt tensioner		ØA 65
<b>34619</b>	97250750	deflection pulley		
<b>37517</b>	55562865	deflection pulley		



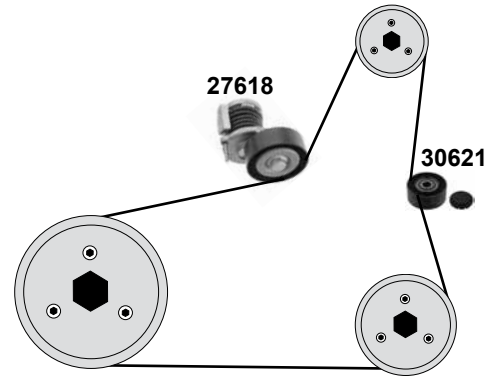
## 2,0 TDI

(CDCA/CNEA/CSHA/CNFA/CDBA)



## 2,0 TDI

(CBDA/CDCA/CNEA/CNFA/CSHA)

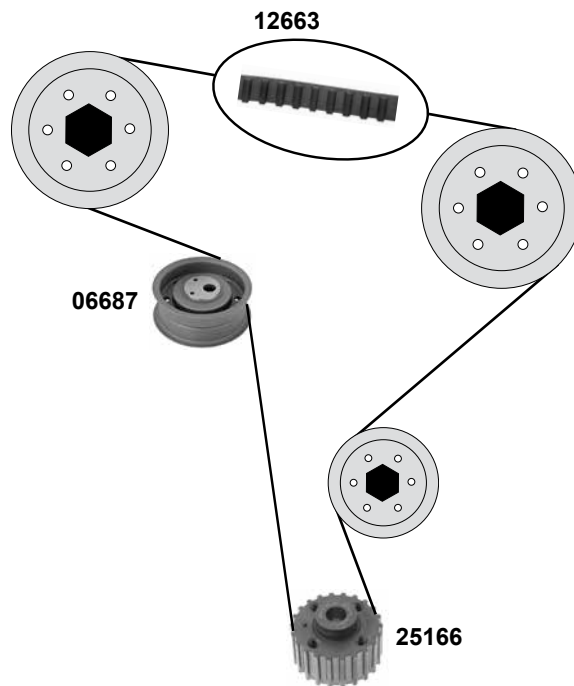


## Caddy 1 (14)

(83→92)

## 1,6 D

(JK / ME)



(1) (mot.) CDBA / CDCA

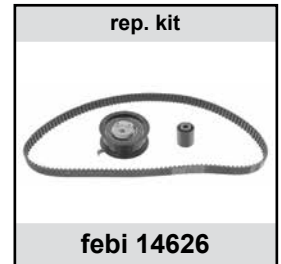
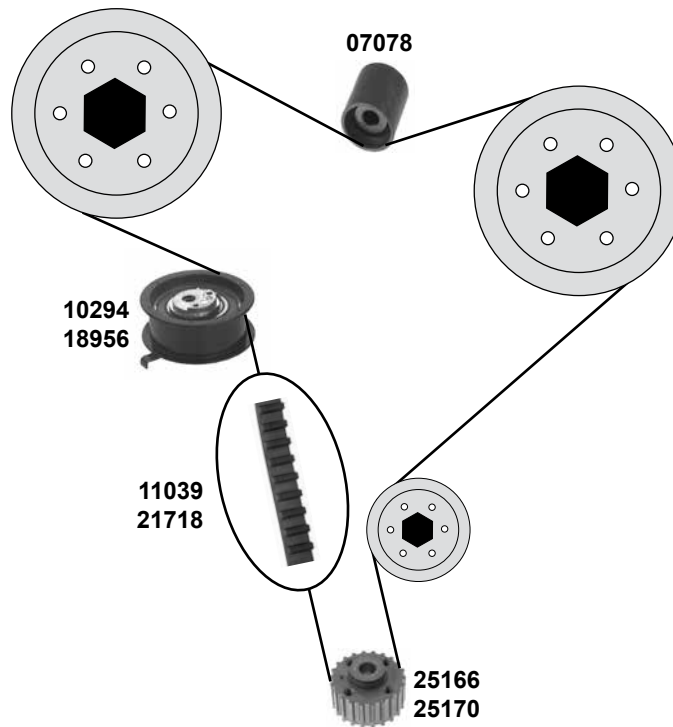


Ref. - No.

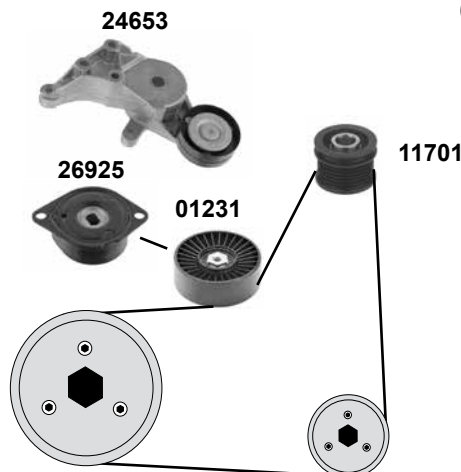


06687	068 109 119 E	tension roller		ØA 72 ØI 10 B27
07022	03L 109 244 D	deflection pulley		
12663	068 109 119 E	timing belt		Z 135 B25
21708	038 109 244 J	deflection pulley	→ 02/11	
25166	028 105 263 E	crankshaft gear		Z 22
27618	038 903 315 AH	belt tensioner		ØA 70 B24
30621	03G 145 276	deflection pulley		ØA 70 ØI 8 B27
34126	03L 109 119 C	timing belt		Z 160
34783	03L 109 244	deflection pulley	(1)	

**1,7 SDI / 1,9 D / 1,9 SDI / 1,9 TDI**  
(1Y / AEY / AHB / AHU / ALE)



**1,7 SDI / 1,9 D / 1,9 SDI / 1,9 TDI**  
(1Y / AEY / AHB / AHU / ALE / AYQ)



Ref. - No.



Ref. - No.	Description	Notes	Dimensions
01231	tension roller	(ex.) (mot.) AYQ	ØA 78 ØI 8 B26
07078	deflection pulley		ØA 28 ØI 8 B31,5
10294	tension roller		ØA 67 ØI 8 B25
11039	timing belt		Z 137 B25,4
11701	belt pulley alternator	(ex.) 1Y / AYQ	
14626	rep. kit timing belt		
18956	tension roller	(mot.) ALH / AYQ	ØA 66 B25
21718	timing belt	(mot.) ALH / AYQ	Z 141 B25
24653	tension roller	(mot.) AYQ	
25166	crankshaft gear	(mot.) 1Y	Z 22
25170	crankshaft gear		Z 22
26925	tension roller	(ex.) (mot.) AYQ	



# VOLKSWAGEN

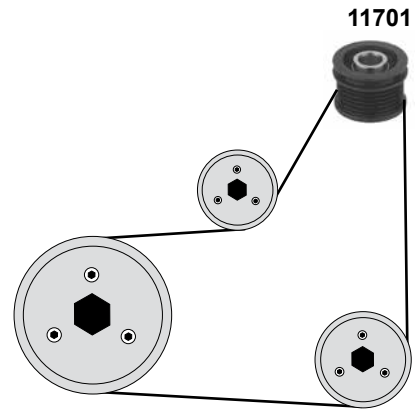
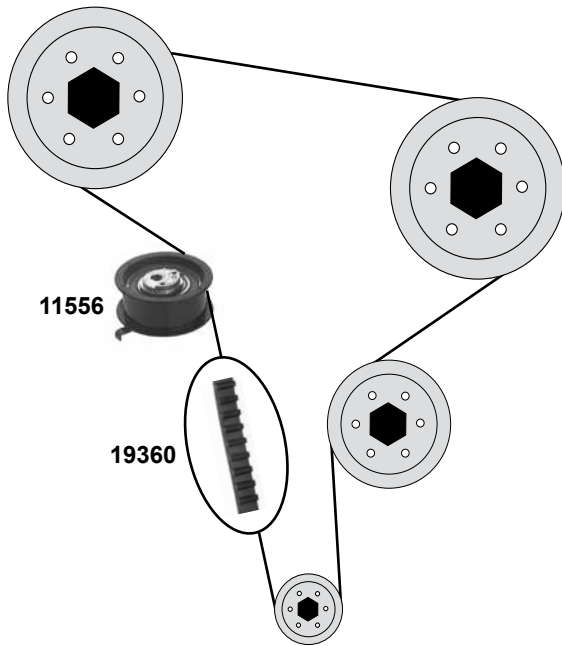
## Caddy 2 Pick-Up (9U)

(97→03)

Car  
Division



### 1,9 D (AEF)

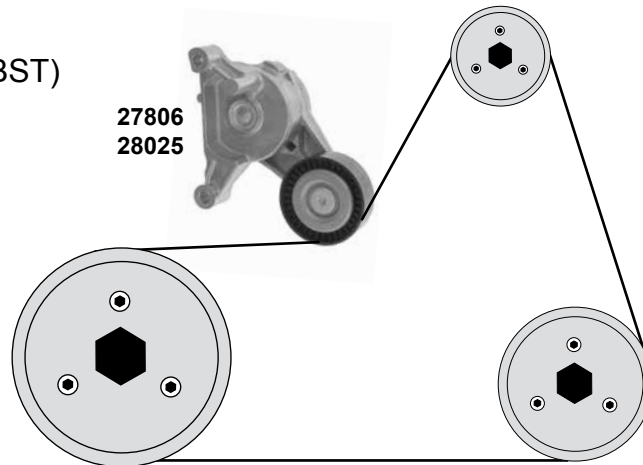


### Caddy 3

(03 → 11)

#### 1,9 TDI / 2,0 SDI

(BLS/BSU/BMM/BJB/BDJ/BST)



(1) (mot.) BJB/BDJ/BST → (ch.) 2K-6-048 669

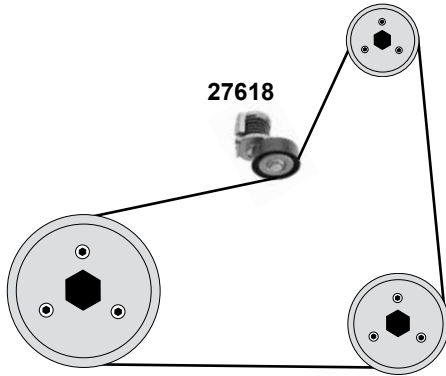


Ref. - No.

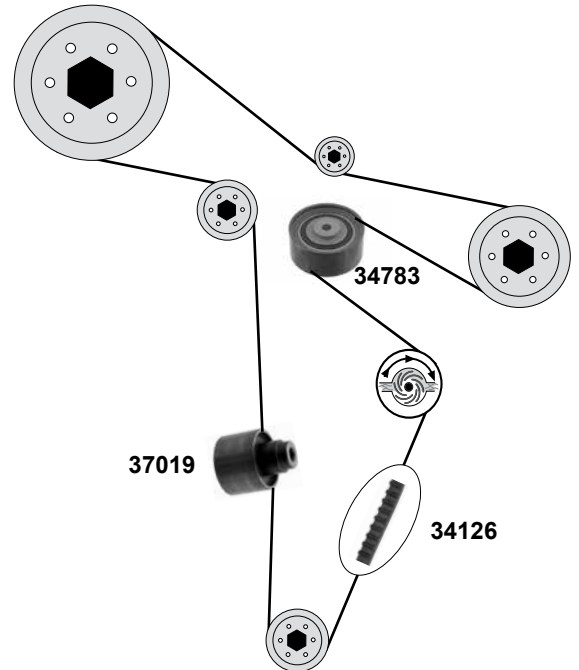


11556	028 109 243 G	tension roller		ØA 67 ØI 8 B24
11701	028 903 119 AQ	belt pulley alternator		
19360	028 109 119 AC	timing belt		Z 137 B23
27806	03G 903 315 A	belt tensioner	(1)	ØA 70
28025	03G 903 315 C	belt tensioner	AC (ch.) 2K-6-000 001 →	ØA 70 B 24

**1,2 / 1,6 / 2,0TDI**  
(CBZA/CBZB/BSF/CAYD/CAYE/CHGA/  
CFHC/CFHE/CFHF/CLCA/BSX)

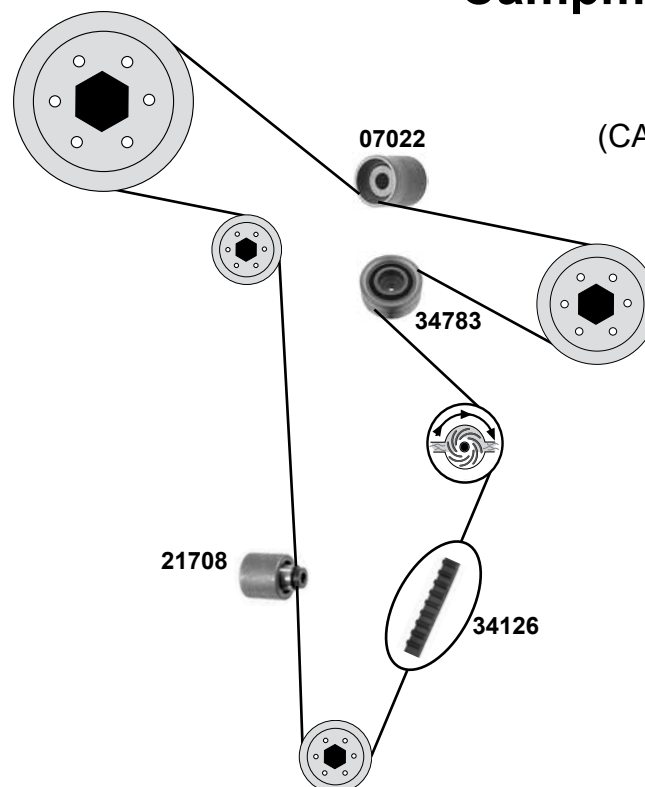


**1,6 / 2,0 TDI**  
(CAYE/CAYD/CFHE/CFHF/CFHC/CLCA)



**Campmobil (Typ2/Transp./LT)**  
(11→)

**2,0 TDI**  
(CAAB/CAAC/CCHB/CCHA/CFCA)



Ref. - No.



<b>07022</b>	03L 109 244 D
<b>21708</b>	038 109 244 J
<b>27618</b>	038 903 315 AH
<b>34126</b>	03L 109 119 C
<b>34783</b>	03L 109 244
<b>37019</b>	03L 109 244 G

deflection pulley
deflection pulley
belt tensioner
timing belt
deflection pulley
deflection pulley

11 →

ØA 28 B29
ØA 70 B24 Z 160

# VOLKSWAGEN Crafter (2E)

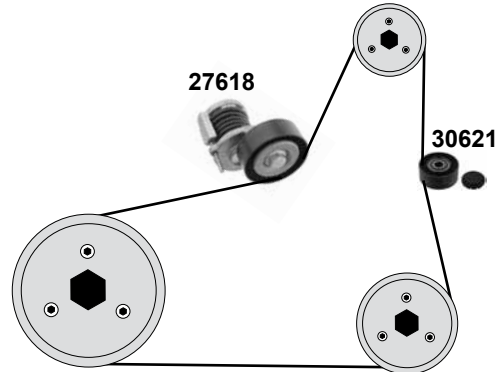
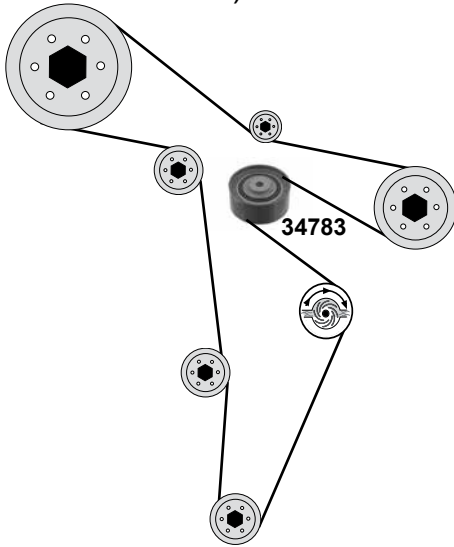
(06→)

Car  
Division



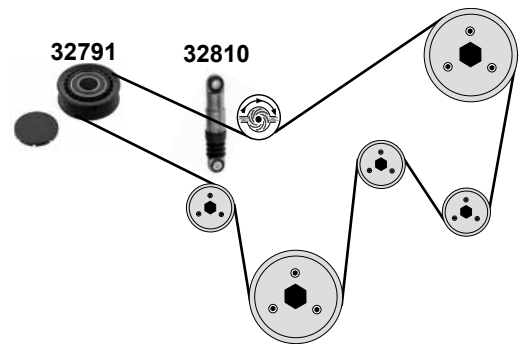
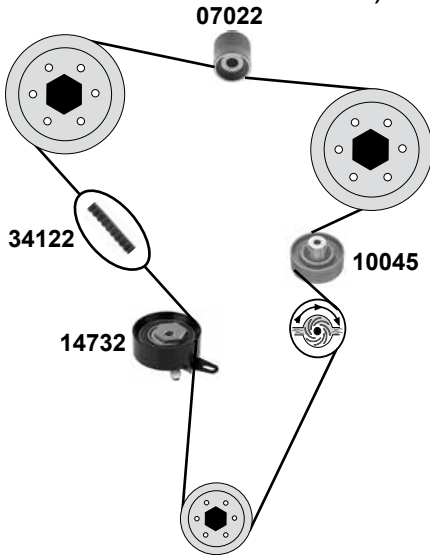
## 2,0 TDI

(CKTB/CKTC/CKUB/CKUC)



## 2,5 TDI

(BJJ/BJK/BJL/BJM/CEBA/CEBB/CECA/CECB)



(1) (ex.) BJJ/BJK/BJL/BJM

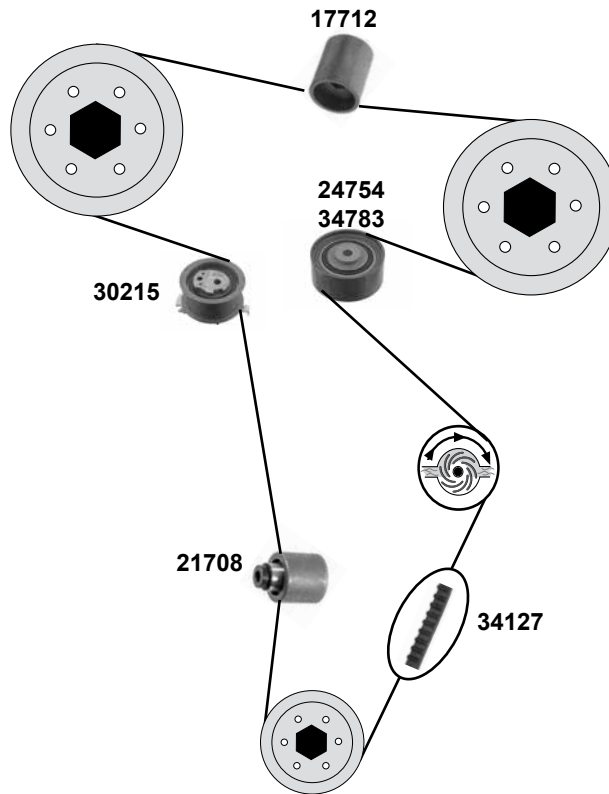
(2) (ex.) CEBA/CEBB/CECA/CECB

(3) Crafter 35/50 (2E/F) / (2F) (mot.) BJJ / BJK / BJL / BJM / CEBA / CEBB / CECA / CECB  
Crafter 30/50 (2EF) (mot.) BJJ / BJK / BJL / BJM / CEBA / CEBB / CECA / CECB

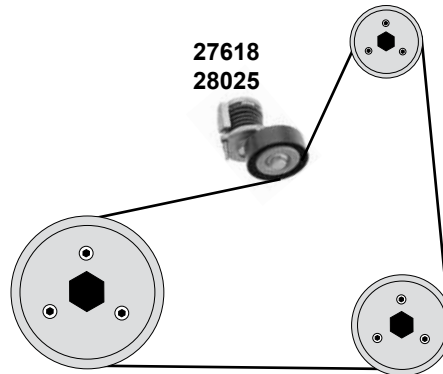


Ref. - No.				
07022	03L 109 244 D	deflection pulley		ØA 28 ØI 8 B 29
10045	038 109 244 M	deflection pulley		ØA 80 ØI 10 B 29
14732	074 109 243 E	tension roller		ØA 73 ØI 8 B 27
27618	038 903 315 AH	belt tensioner	(3)	ØA 70 B24
30621	03G 145 276	deflection pulley		ØA 70 ØI 8 B 27
32791	076 145 278	tension roller		
32810	076 145 299	vibration absorber		
34122	076 109 116 A	timing belt		Z 141
34123	076 198 119	rep. kit timing belt	(2)	Z 141
34124	076 198 119 S1	rep. kit timing belt	(1)	Z 141
34783	03L 109 244 J	deflection pulley		

**2,0 TDI**  
(CBAB / CFFA / CFFB)



**2,0 TDI**  
(CBAB / BMM)



(1) (mot.) CBAB / 09 → 11

(2) (mot.) CFFA / CFFB / 10 →



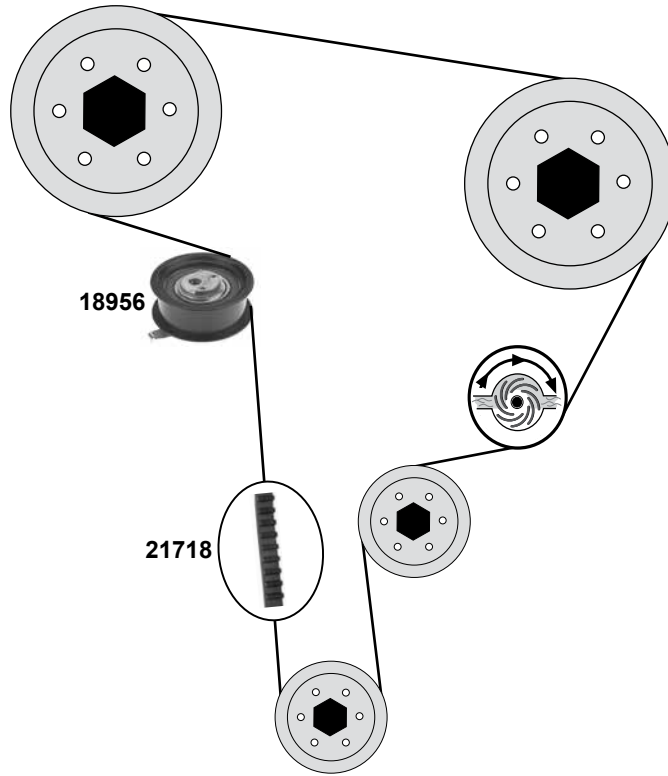
Ref. - No.



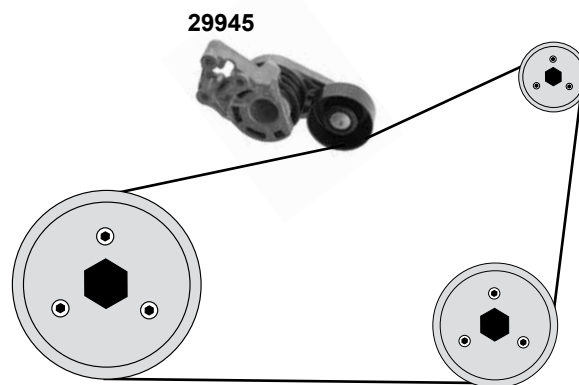
17712	03L 109 244 C	deflection pulley	(1)	ØA 28 B 34
21708	038 109 244 J	deflection pulley	(1)	ØA 40 B 35
24754	038 109 244	deflection pulley	(1)	ØA 80 ØI 10 B 34
27618	038 903 315 AH	belt tensioner	(mot.) CBAB	ØA 70 B24
28025	03G 903 315 C	belt tensioner	(mot.) BMM	ØA 90 B24,6
30215	03L 109 243 E	tension roller	(1)	ØA 68,5 ØI 8,5 B 35
34127	03L 109 119 F	timing belt	(1)	Z 160
34128	03L 198 119	rep. kit timing belt	(1)	Z 160
34783	03L 109 244 J	deflection pulley	(2)	



### 1,9 D (ASY)



### 1,4 TDI (BNM)



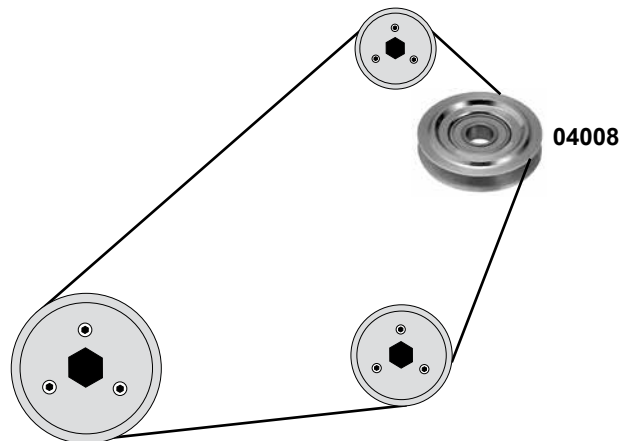
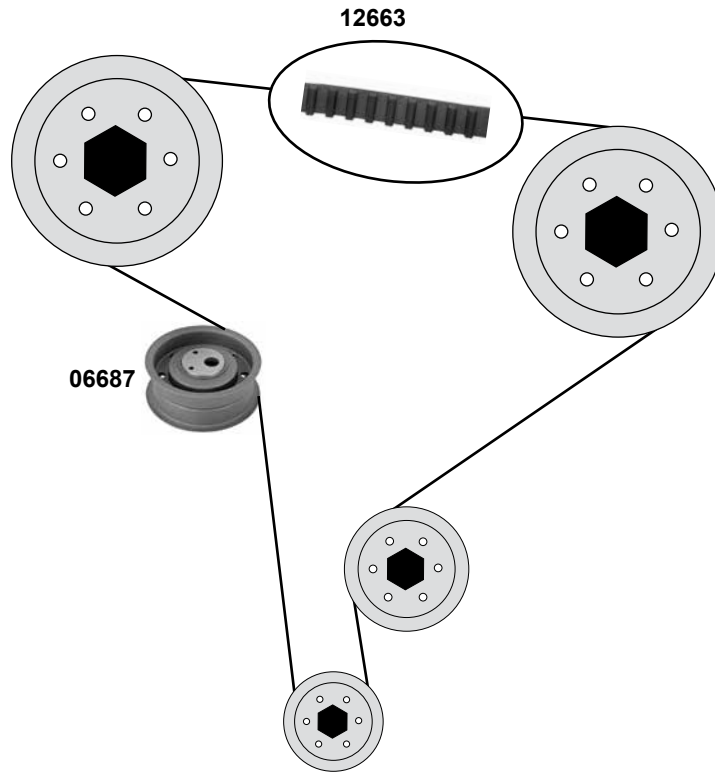
Ref. - No.



18956	038 109 243 N
21718	038 109 119 M
29945	045 903 315 A

tension roller  
timing belt  
tension roller

ØA 66 B25  
Z 141 B25



Ref. - No.



**04008**  
**06687**  
**12663**  
**14600**

068 260 940  
068 109 119 E  
068 109 119 E  
068 109 119 E S1

deflection pulley  
tension roller  
timing belt  
rep. kit timing belt

ØA 70 ØI 15 B13  
ØA 72 ØI 10 B27  
Z 135 B25

# VOLKSWAGEN Golf 3 / Vento (1H)

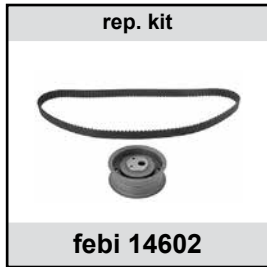
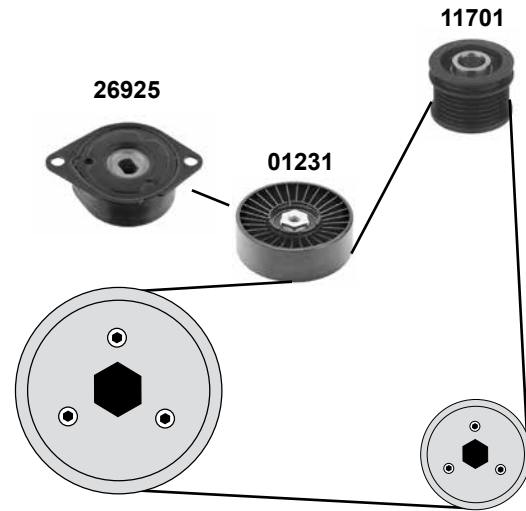
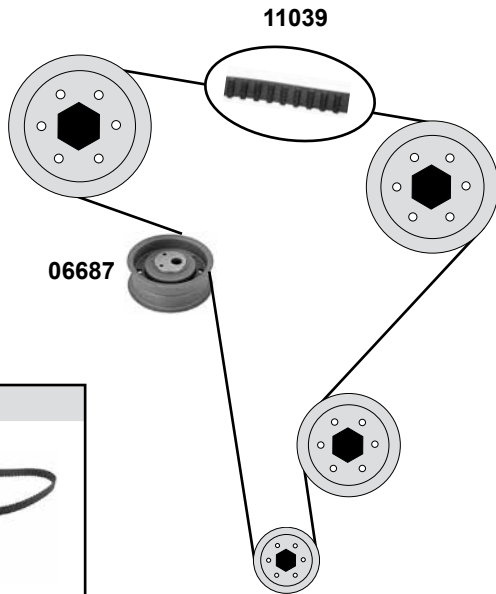
(92→99)

Car  
Division

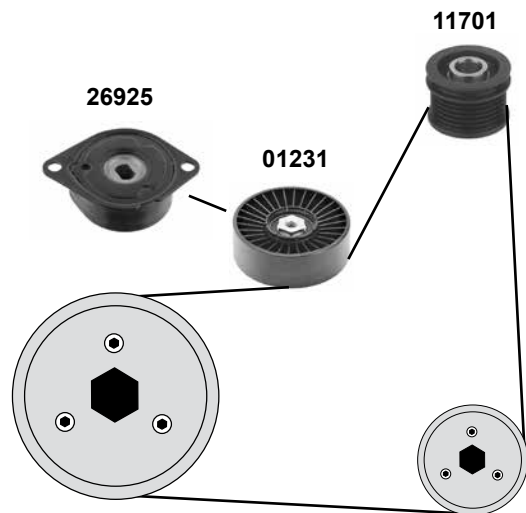
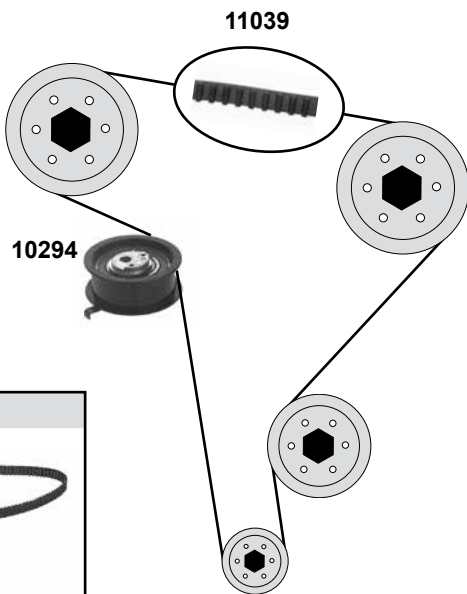


**1,9 D / TD**  
(AAZ / 1Y)

(mot.) → **AAZ 552 765**  
(mot.) → **1Y 378 364**



(mot.) **AAZ 552 766** →  
(mot.) **1Y 378 365** →



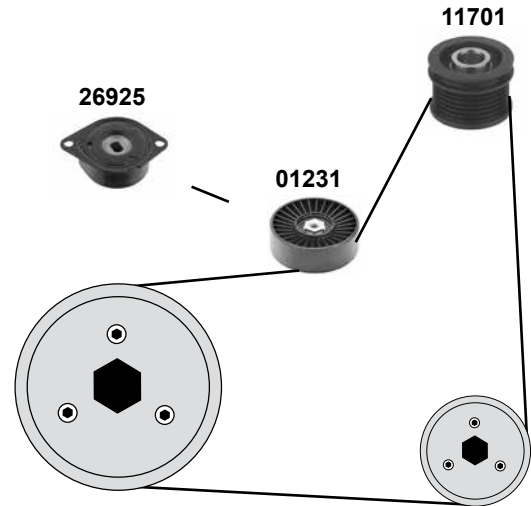
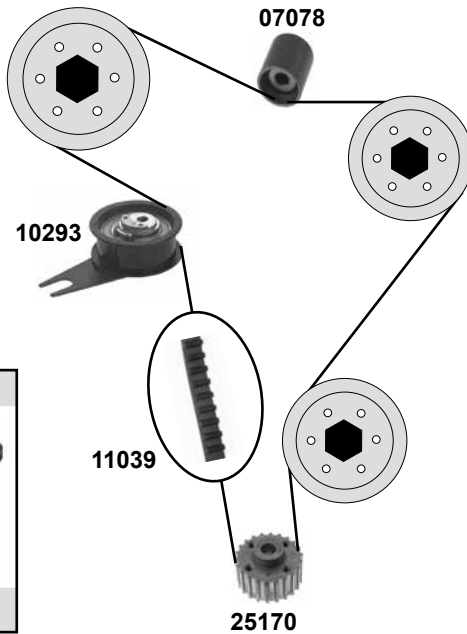
Ref. - No.



<b>01231</b>	028 145 278 E	tension roller	ØA 78 ØI 8 B26
<b>06687</b>	068 109 119 E	tension roller	ØA 72 ØI 10 B27
<b>10294</b>	028 109 243 F	tension roller	ØA 67 ØI 8 B25
<b>11039</b>	028 109 119 P	timing belt	Z 137 B25,4
<b>11701</b>	028 903 119 AQ	belt pulley alternator	
<b>14602</b>	028 198 119	rep. kit timing belt	
<b>14630</b>	028 198 119 A	rep. kit timing belt	
<b>26925</b>	028 903 315 R	tension roller	

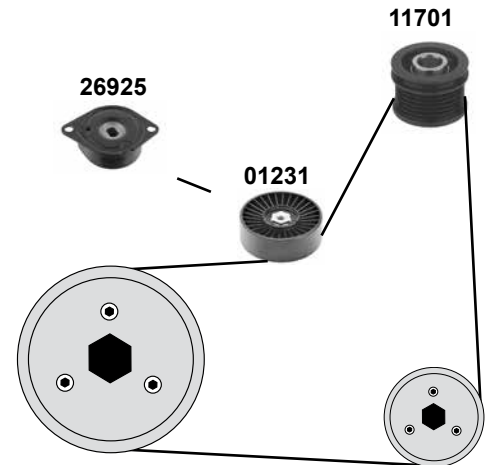
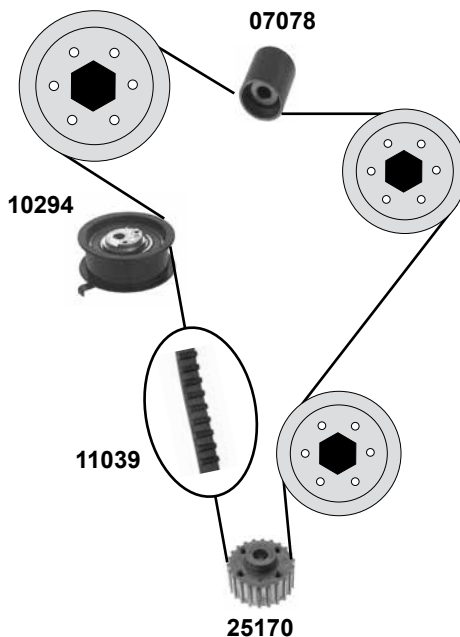
**1,9 TDI**  
(1Z)

(mot.) 1Z → 289 575



**1,9 TDI / SDI**  
(1Z / AFN / AHU / ALE / AEY)

(mot.) 1Z 289 576 →



Ref. - No.



01231	028 145 278 E	tension roller	ØA 78 Ø 8 B26
07078	028 109 244	deflection pulley	ØA 28 Ø 8 B31,5
10293	028 109 243	tension roller	ØA 67 Ø 8 B25
10294	028 109 243 F	tension roller	ØA 67 Ø 8 B25
11039	028 109 119 P	timing belt	Z 137 B25,4
11701	028 903 119 AQ	belt pulley alternator	
14620	028 198 119 B	rep. kit timing belt	
14626	028 198 119 C	rep. kit timing belt	
25170	028 105 263 D	crankshaft gear	Z 22
26925	028 903 315 R	tension roller	



# VOLKSWAGEN Golf 3 Cabriolet (1E)

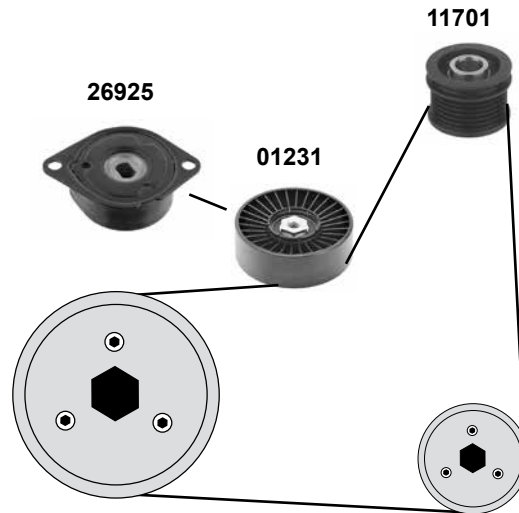
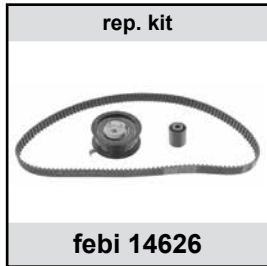
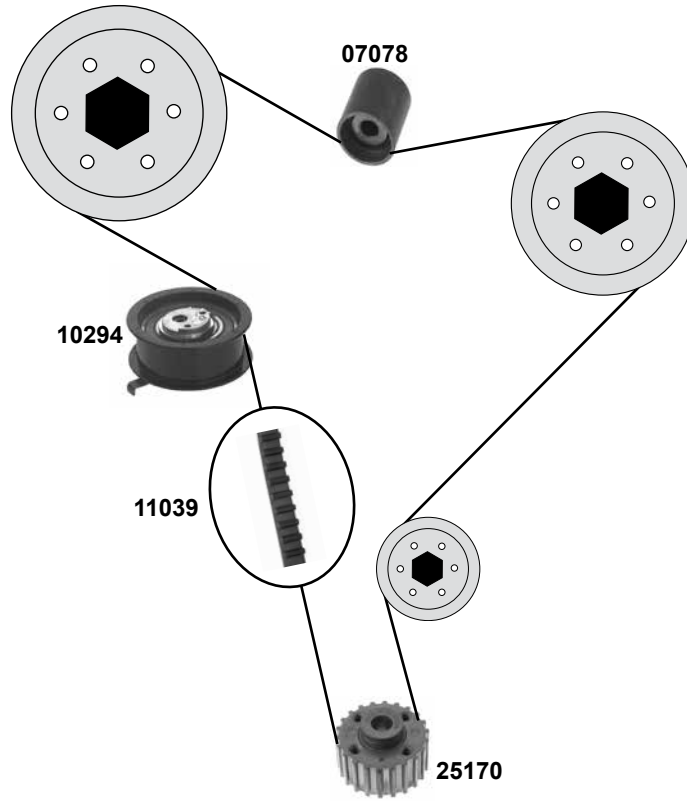
(94→02)

Car  
Division



## 1,9 TDI

(1Z / AHU / ALE / AFN)



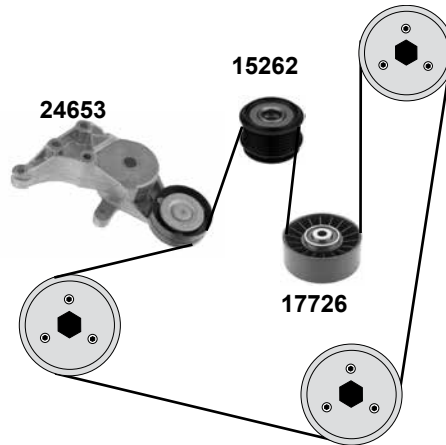
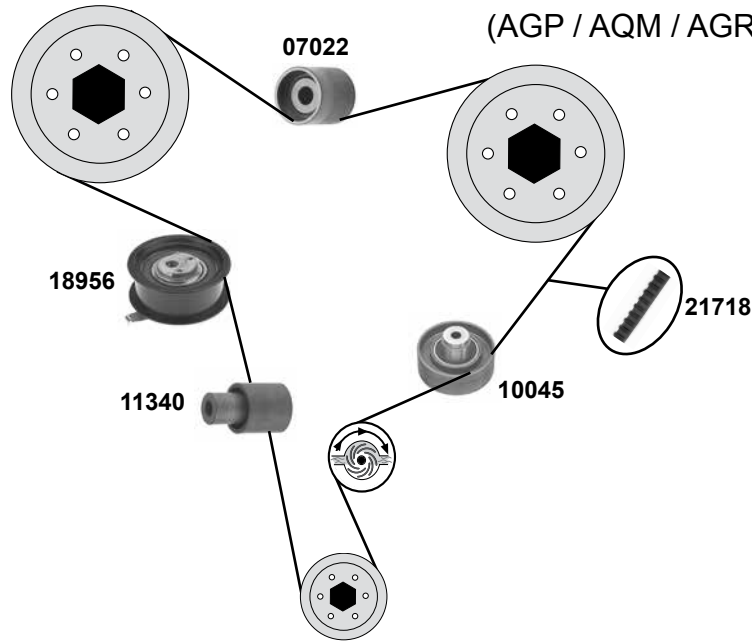
Ref. - No.



<b>01231</b>	028 145 278 E	tension roller	ØA 78 ØI 8 B26
<b>07078</b>	028 109 244	deflection pulley	ØA 28 ØI 8 B31,5
<b>10294</b>	028 109 243 F	tension roller	ØA 67 ØI 8 B25
<b>11039</b>	028 109 119 P	timing belt	Z 137 B25,4
<b>11701</b>	028 903 119 AQ	belt pulley alternator	
<b>14626</b>	028 198 119 C	rep. kit timing belt	
<b>25170</b>	028 105 263 D	crankshaft gear	Z 22
<b>26925</b>	028 903 315 R	tension roller	

**1,9 TDI**

(AGP / AQM / AGR / ALH / AHF / ASV)



(1) Bora (mot.) AGP/AQM/ASV (ch.) 1J-Y-300 001 → / Golf (mot.) AGP/AQM

(2) (mot.) 030 00 / 400 000 →

(3) (mot.) AQM 045 001 → / (mot.) AGP 400 001 →

(4) Bora (mot.) AGP / AGR / AHF / ALH / AQM / ASV  
 Bora Variant (mot.) AGR / AHF / ALH / ASV  
 Bora 4 motion (mot.) AGR  
 Golf 4 / Variant (mot.) AGP / AGR / AHF / ALH / AQM / ASV  
 Golf 4 motion (mot.) AGR / ALH  
 Golf 4 Variant 4 motion (mot.) AGR / ALH



Ref. - No.



Ref. - No.	Description	Quantity	Dimensions
07022	deflection pulley	(2)	ØA 28 ØI 8 B29
10045	deflection pulley	(2)	ØA 80 ØI 10 B29
11340	deflection pulley	(2)	ØA 28 ØI 8 B29
15262	belt pulley alternator		ØA 61 ØI 17
17726	deflection pulley		ØA 68 ØI 8 B25
18956	tension roller	(4)	ØA 66 B25
21718	timing belt	(4)	Z 141 B25
21720	rep kit timing belt	(3)	
24653	tension roller	(1)	

# VOLKSWAGEN Golf 4 / Bora (1J)

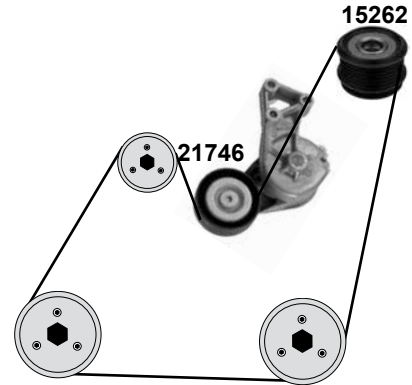
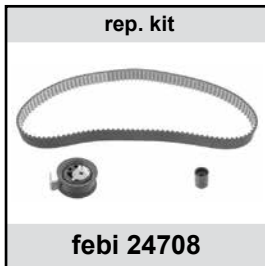
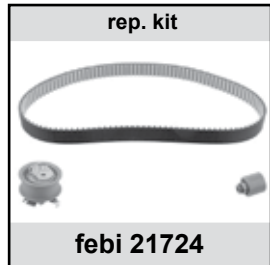
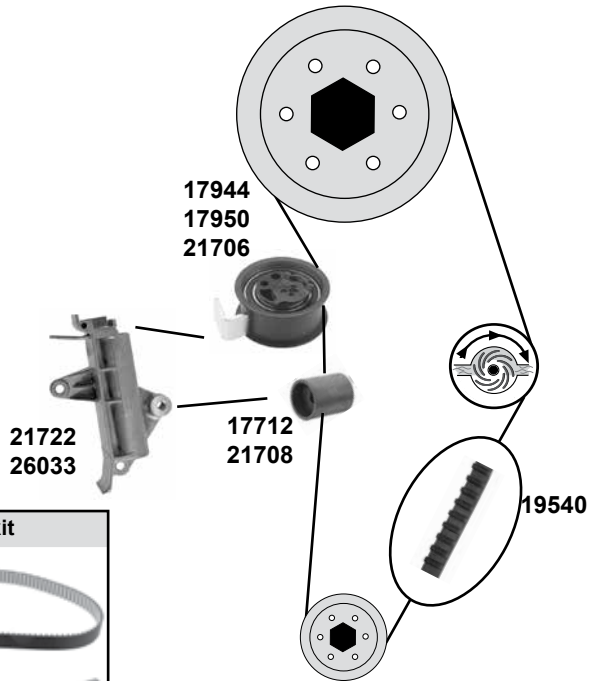
(98→05)

Car  
Division



## 1,9 TDI

(AJM / ARL / ASZ / ATD / AUY / AXR)



(1) → (ch.) 1J-2W-525 000  
→ (ch.) 1J-2U-403 276  
→ (ch.) 1J-2D-352 773  
→ (ch.) 1J-2B-123 078  
→ (ch.) 1J-2P-394 000

(2) (ch.) 1J-2W-525 001 →  
(ch.) 1J-2U-403 277 →  
(ch.) 1J-2D-352 774 →  
(ch.) 1J-2B-123 079 →  
(ch.) 1J-2P-394 001 →

(3) → 01 / (mot.) AJM → 185 670

(4) (mot.) AJM 185 671 →  
(mot.) ARL/ASZ/ATD/AUY / → (ch.) 1J-2-592 782  
(mot.) ARL/ASZ/ATD/AUY / → (ch.) 1J-2D352 773  
(mot.) AXR → 010 000  
(mot.) ARL/ASZ/ATD/AUY / → (ch.) 1J-2W592 782  
(mot.) ARL/ASZ/ATD/AUY / → (ch.) 1J-2U403 276  
(mot.) ARL/ASZ/ATD/AUY / → (ch.) 1J-ZB123 078  
(mot.) ARL/ASZ/ATD/AUY / → (ch.) 1J-ZP394 000

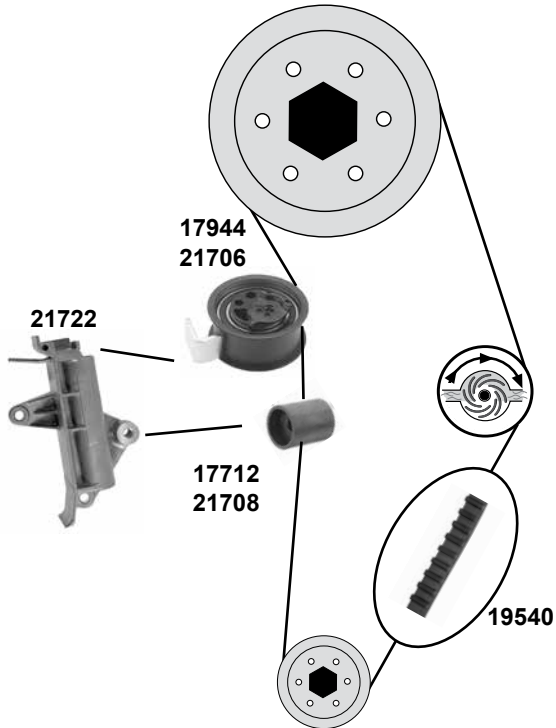
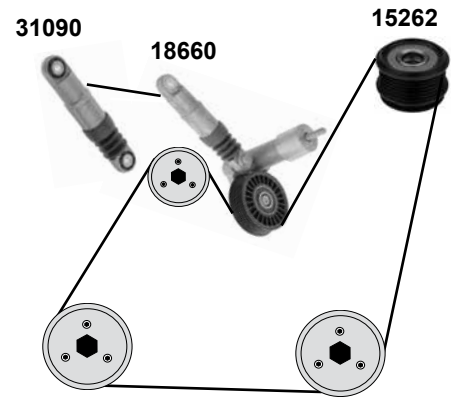


Ref. - No.

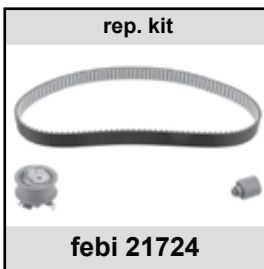
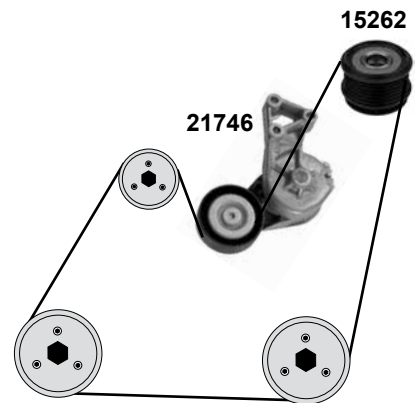


Part No.	Ref. - No.	Description	Notes	Dimensions
15262	022 903 119 C	belt pulley alternator	(mot.) AJM	ØA 61 ØI 17
17712	045 109 244 A	deflection pulley	(1) (mot.) AJM	ØA 28 B34
17944	045 109 243 C	tension roller	(1) (mot.) AJM	ØA 72 B31 / 35
17950	045 109 243 B	tension roller	(3) (mot.) AJM	ØA 72 B35
19540	038 109 119 P	timing belt	(mot.) AJM	Z 120 B30
21706	038 109 243 M	tension roller	(2) (mot.) AJM	ØA 68 B31,5
21708	038 109 244 J	deflection pulley	(2) (mot.) AJM	ØA 28 B34
21722	045 109 479 B	belt tensioner	(4)	
21724	038 198 119 A	rep. kit timing belt	(2) (mot.) AJM	
21726	038 109 119 P S1	rep. kit timing belt	(1) (mot.) AJM	
21746	038 903 315 F	belt tensioner	(mot.) AJM	
24708	038 198 119 B	rep. kit timing belt	(3) (mot.) AJM	
26033	045 109 479 C	belt tensioner	(mot.) AJM → 185670	

(mot.) AUY / ATD



(mot.) ARL / ASZ



(1) → (ch.) 1J-2W-525 000  
→ (ch.) 1J-2U-403 276  
→ (ch.) 1J-2D-352 773  
→ (ch.) 1J-2B-123 078  
→ (ch.) 1J-2P-394 000

(2) (ch.) 1J-2W-525 001 →  
(ch.) 1J-2U-403 277 →  
(ch.) 1J-2D-352 774 →  
(ch.) 1J-2B-123 079 →  
(ch.) 1J-2P-394 001 →



Ref. - No.



15262	022 903 119 C	belt pulley alternator
17712	045 109 244 A	deflection pulley
17944	045 109 243 C	tension roller
18660	038 903 315 P	belt tensioner
19540	038 109 119 P	timing belt
21706	038 109 243 M	tension roller
21708	038 109 244 J	deflection pulley
21722	045 109 479 B	belt tensioner
21724	038 198 119 A	rep. kit timing belt
21726	038 109 119 P S1	rep. kit timing belt
21746	038 903 315 F	belt tensioner
31090	038 145 299 A	vibration absorber

(1)  
(1)

(2)  
(2)  
(1)  
(2)  
(1)

ØA 61 ØI 17  
ØA 28 B34  
ØA 72 B31 / 35  
Z 120 B30  
ØA 68 B31,5  
ØA 28 B34

# VOLKSWAGEN Golf 5 (1K)

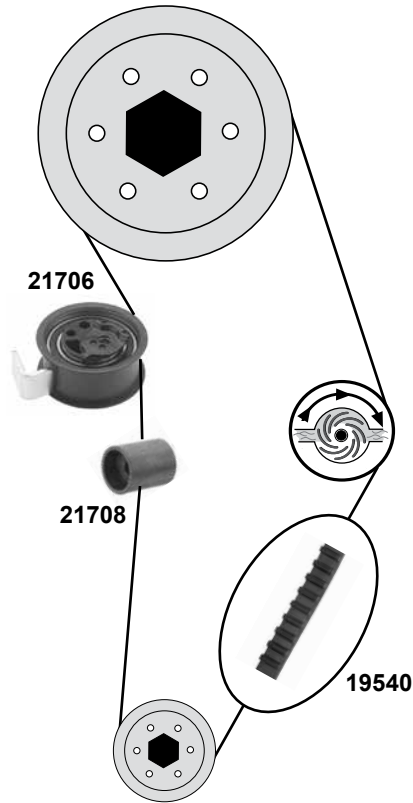
(04→)

Car  
Division



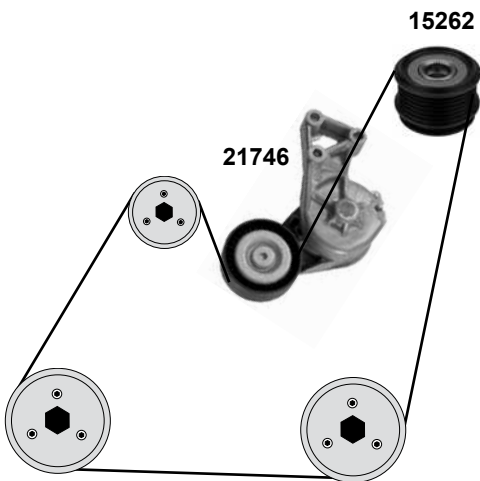
## 1,9 TDI

(ATD / AXR / ASZ / ARL)



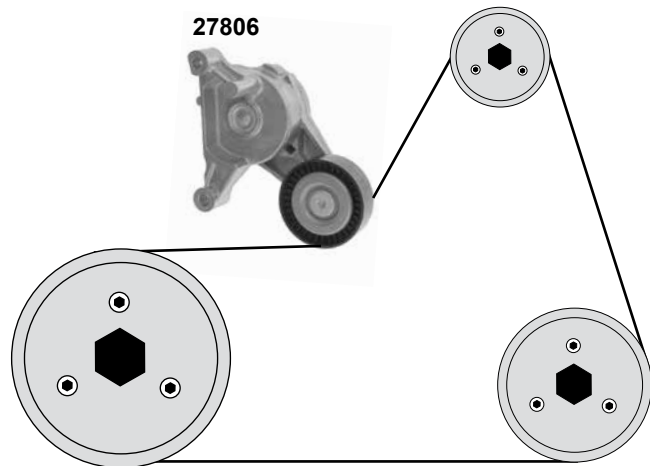
## 1,9 TDI

(ATD / AXR / ASZ / ARL)



## 1,9 TDI / 2,0 TDI / 2,0 SDI

(BDK / BKC / BKD / AZV / BRU / BMN)



Ref. - No.



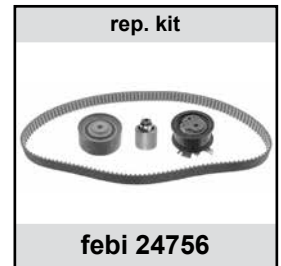
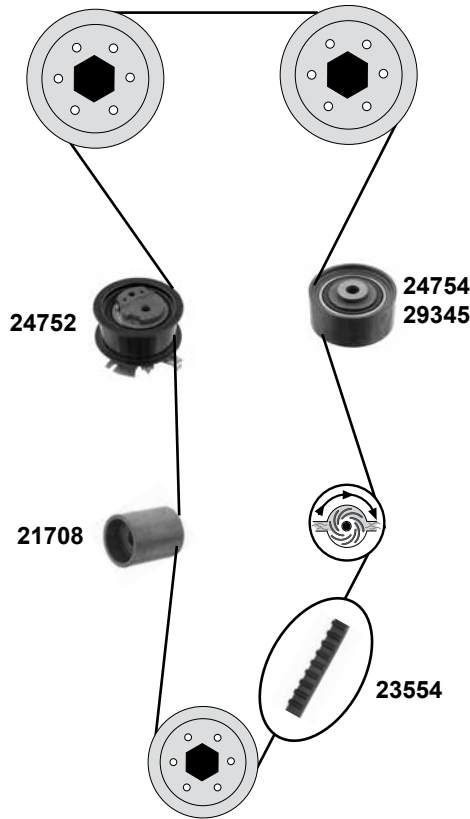
15262	022 903 119 C
19540	038 109 119 P
21706	038 109 243 M
21708	038 109 244 J
21724	038 198 119 A
21746	038 903 315 F
27806	03G 903 315 A

belt pulley alternator
timing belt
tension roller
deflection pulley
rep. kit timing belt
belt tensioner
belt tensioner

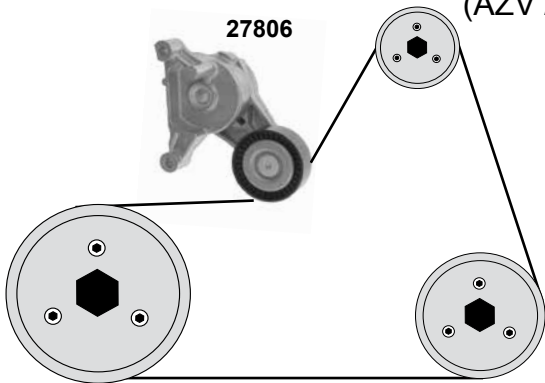
ØA 61 ØI 17
Z 120 B30
ØA 68 B31,5
ØA 28 B34

ØA 70

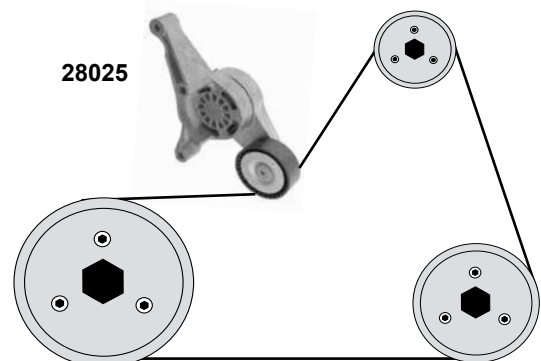
**2,0 TDI**  
(AZV / BKD / BMN)



**2,0 TDI**  
(AZV / BKD)



**1,9 / 2,0 TDI**  
(BKC/BLS/BRU/BXE/BXF/BXJ/BDK/BMM/BVB)



(1) Golf / Golf plus (mot.) AZV/BKD (ch.) → 1K-6-250 000  
Jetta (mot.) AZV/BKD (ch.) → 1K-6-899 000

(2) (mot.) AZV/BKD (ch.) 1K-7-000 001 (mot.) BMN



Ref. - No.



21708	038 109 244 J	deflection pulley		ØA 28 B34
23554	03G 109 119	timing belt		Z 141 B30
24752	03G 109 243	tension roller		ØA 78 B36
24754	03G 109 244	deflection pulley	(1)	ØA 80 B34
24756	03G 198 119	rep. kit timing belt	(1)	
27806	03G 903 315 A	belt tensioner	(ch.) → 1K-6-600 000	ØA 70
28025	03G 903 315 C	belt tensioner		ØA 90 B24,6
29345	03G 109 244 A	deflection pulley	(2)	ØA 80 B34,3
30580	03G 198 119 A	rep. kit timing belt	(2)	

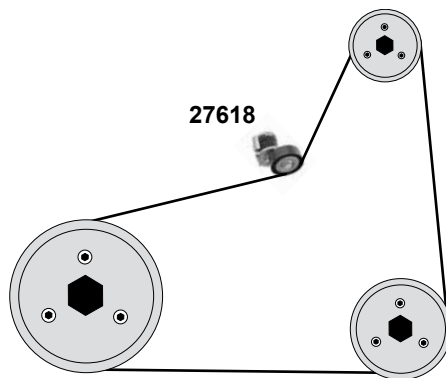
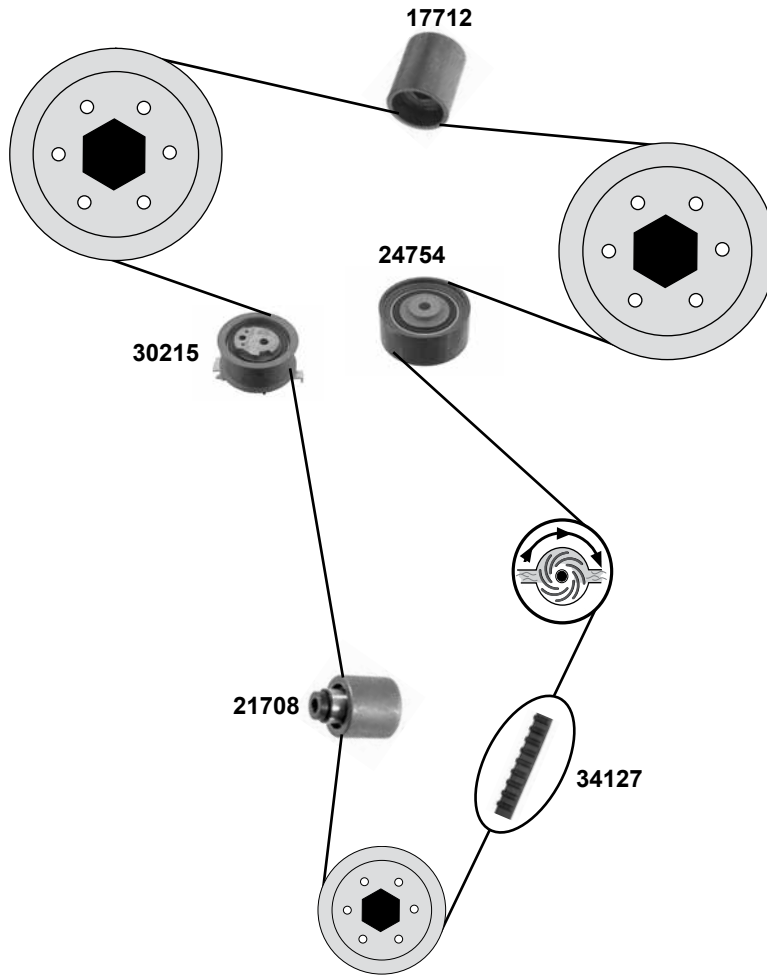
# VOLKSWAGEN Golf 5 variant / 4motion (1K)

(07→09)

Car  
Division

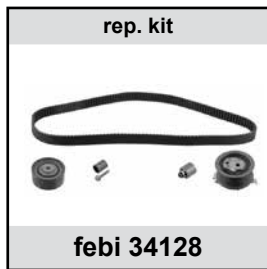
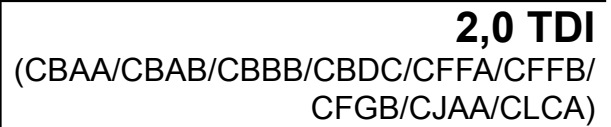
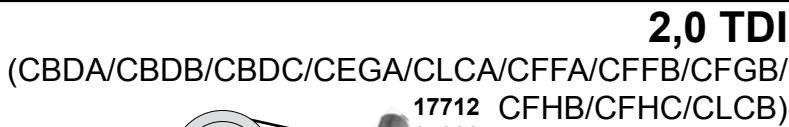
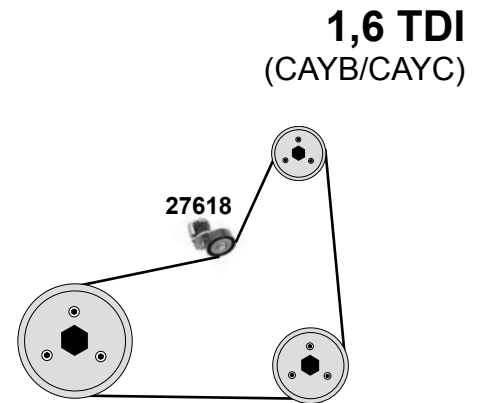
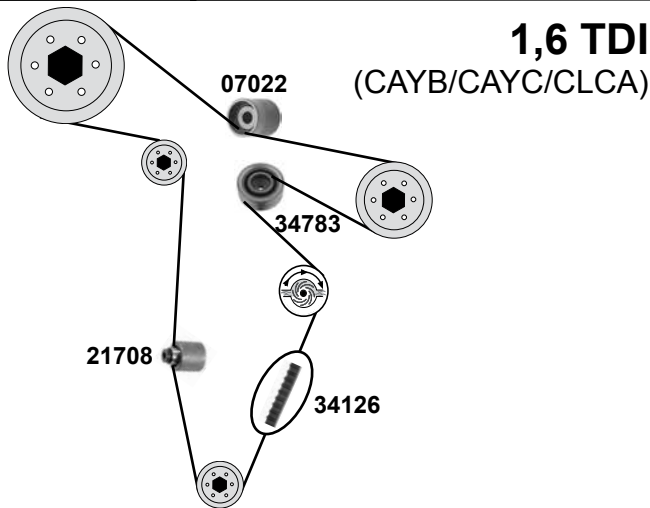


**2,0 TDI**  
(CBDA / CBDB)



	Ref. - No.			
17712	03L 109 244 C	deflection pulley	(mot.) CBDB	ØA 28 B34
21708	038 109 244 J	deflection pulley		ØA 40 B35
24754	038 109 244	deflection pulley		ØA 80 ØI 10 B34
27618	038 903 315 AH	belt tensioner		ØA 70 B24
30215	03L 109 243 E	tension roller		ØA68,5ØI 8,5B35
34127	03L 109 119 F	timing belt		Z 160
34128	03L 198 119	rep. kit timing belt		Z 160

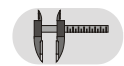




	(1) Golf 6 variant/ 4motion Golf 6 plus Jetta	(ex.) mot. CEGA (mot.) CBDC / CBDA / CBDB → 2010 (mot.) CBDC / CBDA / CEGA
	(2) Golf 6 variant / 4motion Jetta	(mot.) CAYB / CAYC 2010 → (ch.) 1K-A-690468 (mot.) CAYB / CAYC / CLCA 2010 → (ch.) 1K-A-690468
	(3) Golf 6 / variant / 4 motion Golf 6 plus Jetta	(mot.) CLCA / CFFA / CFFB / CFGB (mot.) CFHB / CFHC (mot.) CAYB / CAYC / CLCA
	(4) Golf 6 variant / 4motion Golf 6 / 4motion Golf 6 Cabrio Golf 6 plus Jetta	(mot.) CAYB / CAYC / CFHB / CFHC / CLCA (mot.) CAYB / CAYC / CFFA / CFFB / CFGB / CLCA (mot.) CAYC 03/2011 → (mot.) CAYB / CAYC / CFHB / CFHC CLCA / 01/2009 → 05/2011 (mot.) CAYC / CFFB / CFHC / CLCA / CLCB / 04/2010 →



Ref. - No.



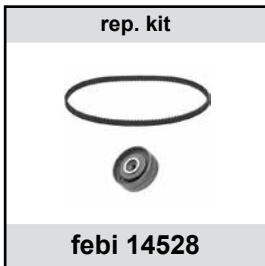
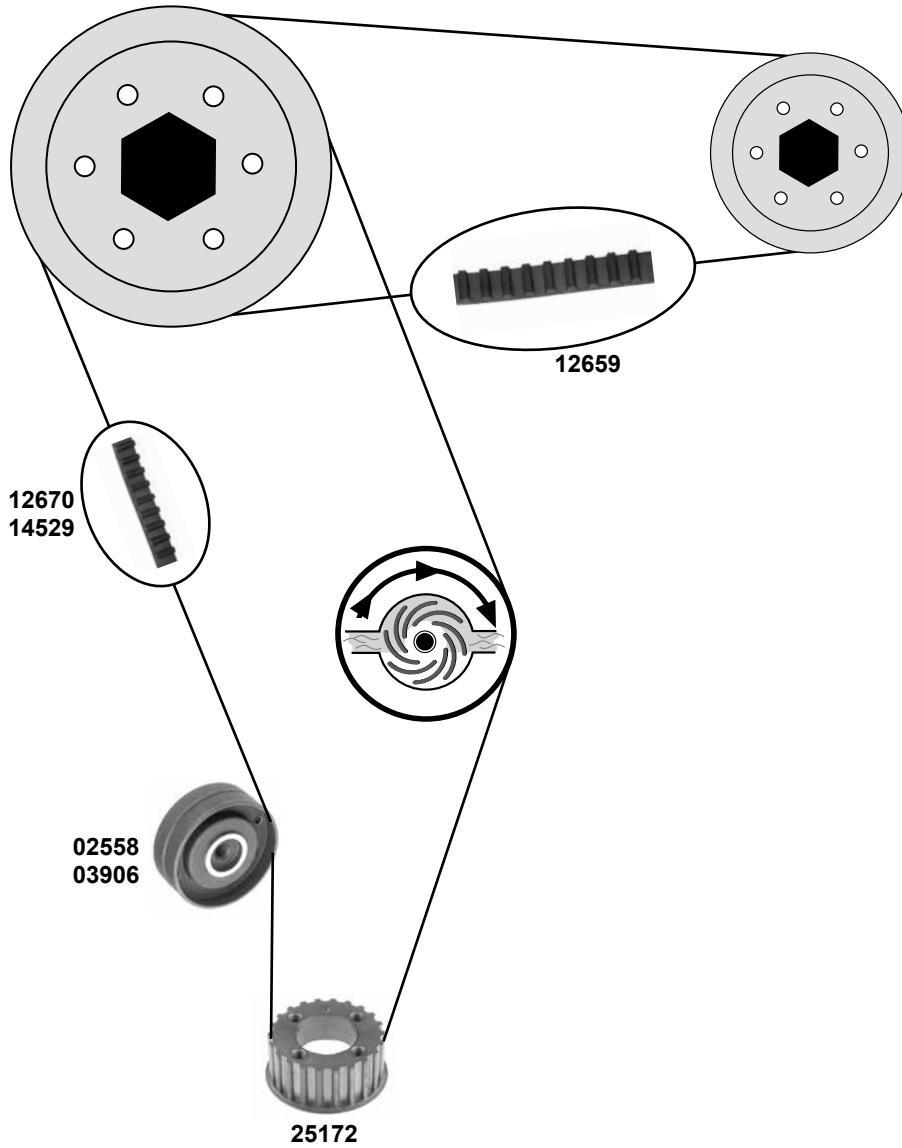
Ref. - No.	Description	Quantity	Dimensions
07022	03L 109 244 D deflection pulley	(3)	ØA 28 ØI 8 B29
17712	03L 109 244 C deflection pulley	(1)	ØA 28 B34
21708	038 109 244 J deflection pulley	(1)	ØA 40 B35
24754	038 109 244 deflection pulley	(1)	ØA 80 ØI 10 B34
27618	038 903 315 AH belt tensioner	(1)	ØA 70 B24
30215	03L 109 243 E tension roller	(1)	ØA 68,5 ØI 8,5 B35
34126	03L 109 119 C timing belt	(2)	Z 160
34127	03L 109 119 F timing belt	(1)	Z 160
34128	03L 198 119 rep. kit timing belt	(1)	Z 160
34783	03L 109 244 deflection pulley	(4)	





### 2,4 TD

(ACL / ACT / DV / CP / DV / DW / 1G / 1S)



(1) (mot.) CP/DV/1G/DW/1S

(2) (mot.) ACL/ACT

(3) (mot.) ACL/ACT/DV/DW/1G/1S

(4) (mot.) DW/DV/1G/1S

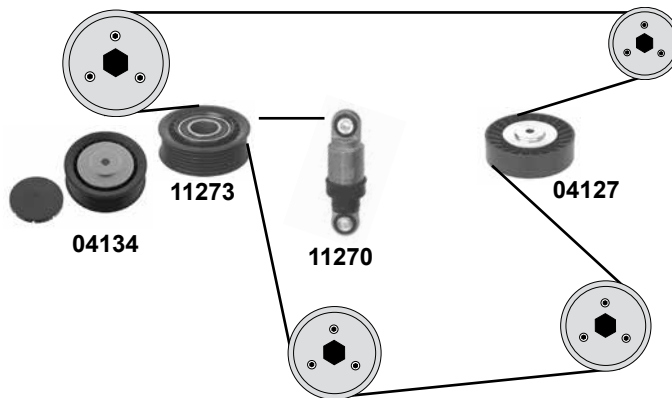
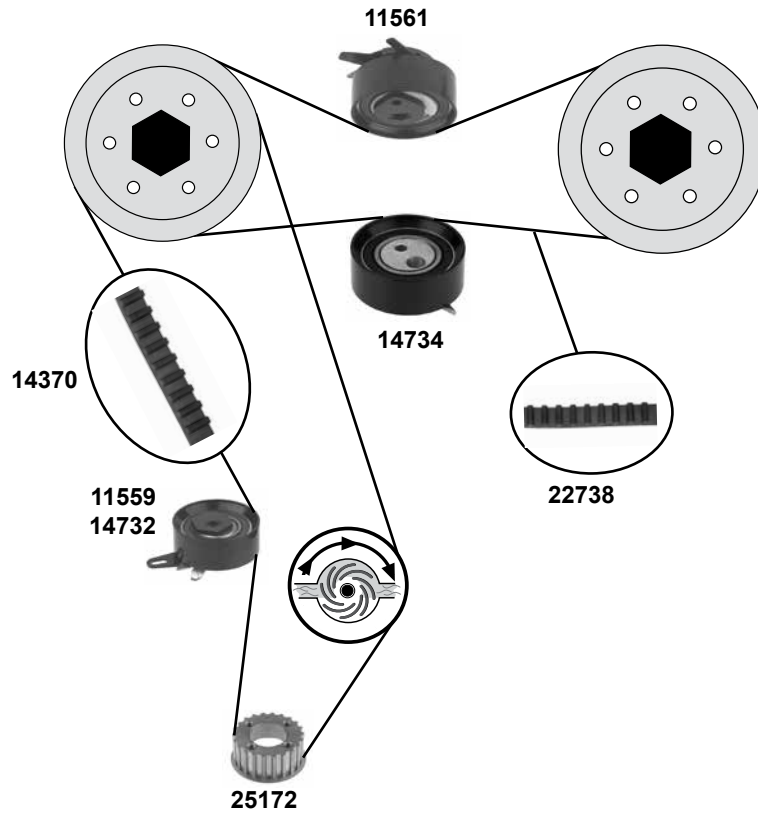


Ref. - No.



02558	069 109 243 B	Umlenkrolle / deflection pulley	(1)	ØA 75 B34
03906	075 109 243 D	Umlenkrolle / deflection pulley	(2)	ØA 64 ØI 23 B27
12659	069 130 113 A	Zahnriemen / timing belt	(3)	Z 75 B20
12670	075 109 119 C	Zahnriemen / timing belt	(2)	Z 120 B25,4
14528	075 109 119 B S2	Rep. Satz Zahnriemen / rep. kit timing belt	(1)	
14529	075 109 119 B	Zahnriemen / timing belt	(4)	Z 119 B25,4
25172	069 105 263	Kurbelwellenzahnrad / crankshaft gear	(3)	Z 22

**2,5 SDI / 2,5 TDI**  
(AHD / AGX / APA / ANJ / BBE / BBF / AVR)



	Ref. - No.			
04127	074 145 278 E	tension roller	→ 03	ØA 90 ØI 8 B25
04134	074 145 278 f	tension roller	01 → 03	ØA 90
11270	074 145 299 A	belt tensioner	→ 03	ØI 8 L 95
11273	074 145 278 D	deflection pulley	→ 03	ØA 76 ØI 8 B22
11559	074 109 243 F	tension roller	(ex.) AGX → 03	ØA 73 ØI 8 B27
11561	074 130 195 B	tension roller	→ 03	ØA 66 ØI 8 B24
14370	074 109 119 R	timing belt	→ 06	Z 122 B26,5
14732	074 109 243 E	tension roller	(mot.) AGX	ØA 73 ØI 8 B27
14734	074 130 245	tension roller	→ 03	ØA 63 B24
22738	074 130 113 J	timing belt	→ 03	Z 81 B21
25172	069 105 263	crankshaft gear	→ 03	Z 22
30779	074 198 119 Q	rep kit timing belt	04 → (ex.) AGX/AHD	

# VOLKSWAGEN

## Lupo (6X/6E)

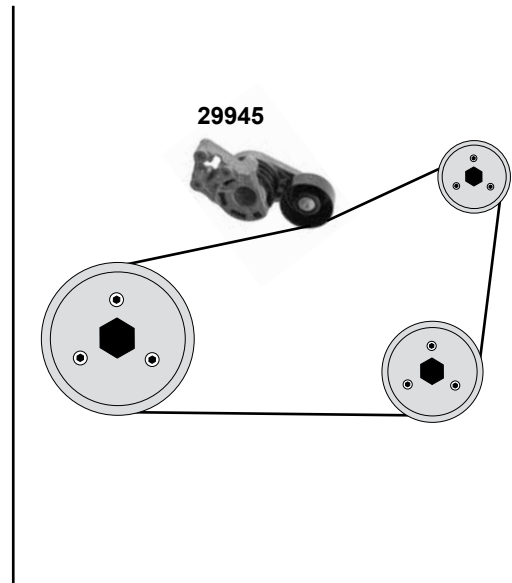
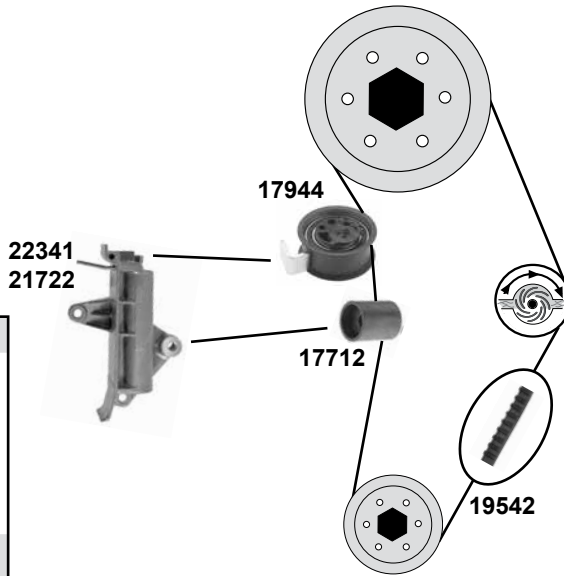
(99→)

Car  
Division



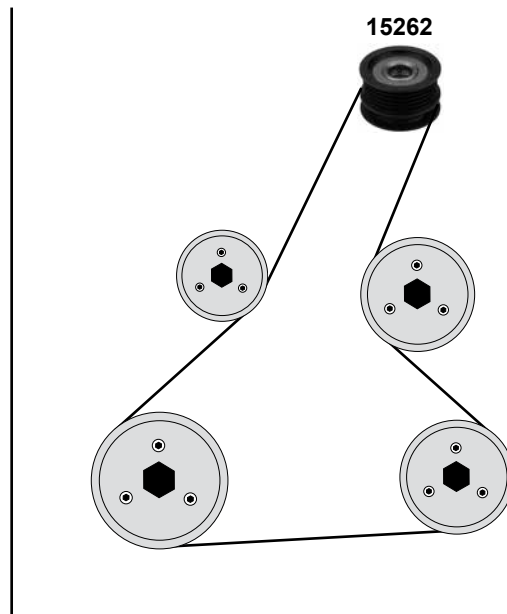
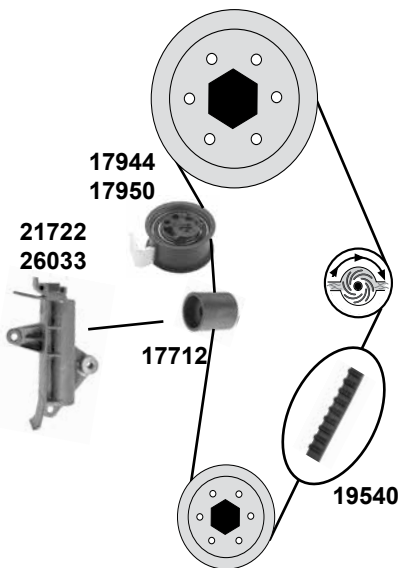
### 1,2 TDI 3L

(ANY / AYZ)



### 1,4 TDI

(AMF)



(1) (mot.) AMF 011 495 →  
(ch.) → 6X-2-015 000  
→ 07/05

(2) (mot.) → AMF 011 494  
(ch.) → 6X-2-015 000



Ref. - No.



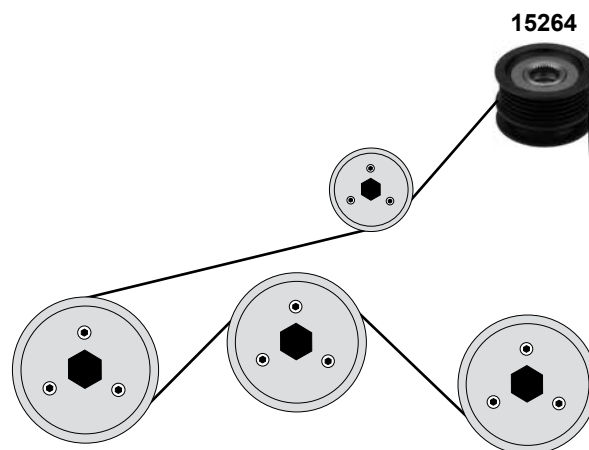
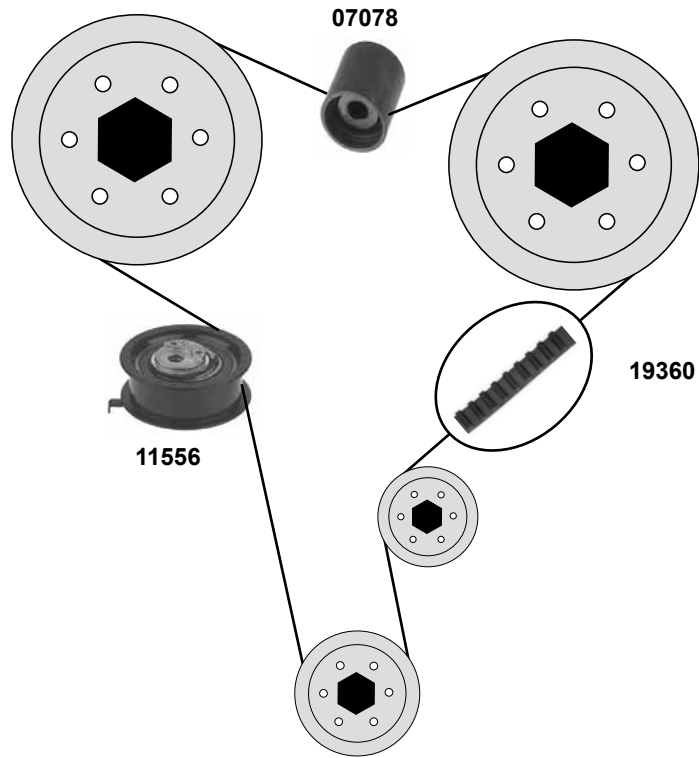
15262	022 903 119 C	belt pulley alternator
17712	045 109 244 A	deflection pulley
17944	045 109 243 C	tension roller
17950	045 109 243 B	tension roller
19540	038 109 119 P	timing belt
19542	045 109 119 L	timing belt
19544	045 109 119 L S1	rep. kit timing belt
21722	045 109 479 B	belt tensioner
21726	038 109 119 P S1	rep. kit timing belt
22341	045 109 479 D	belt tensioner
24708	038 198 119 B	rep. kit timing belt
26033	045 109 479 C	belt tensioner
29945	045 903 315 A	belt tensioner

(mot.) AMF 011 495 →  
(mot.) AMF → 011 494

(1)  
(mot.) AMF 011 495 →

(2)  
(mot.) AMF → 011 494  
→ 06

ØA 61 ØI 17  
ØA 28 B34  
ØA 72 B35/31  
ØA 72 B35/31  
Z 120  
Z 117 B30



Ref. - No.



<b>07078</b>	028 109 244
<b>11556</b>	028 109 243 G
<b>15264</b>	038 903 119 Q
<b>19360</b>	028 109 119 AC
<b>21236</b>	028 198 119 F

deflection pulley
tension roller
belt pulley alternator
timing belt
rep. kit timing belt

ØA 28 ØI 8 B31,5
ØA 68 ØI 8 B25
Z 137 B23

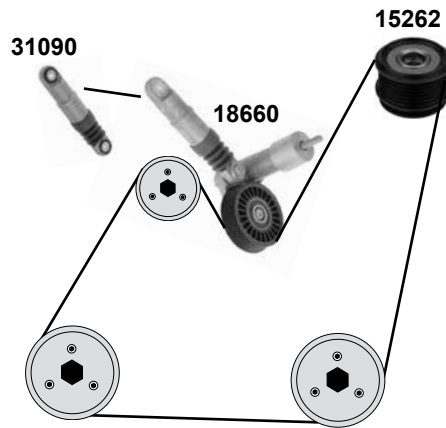
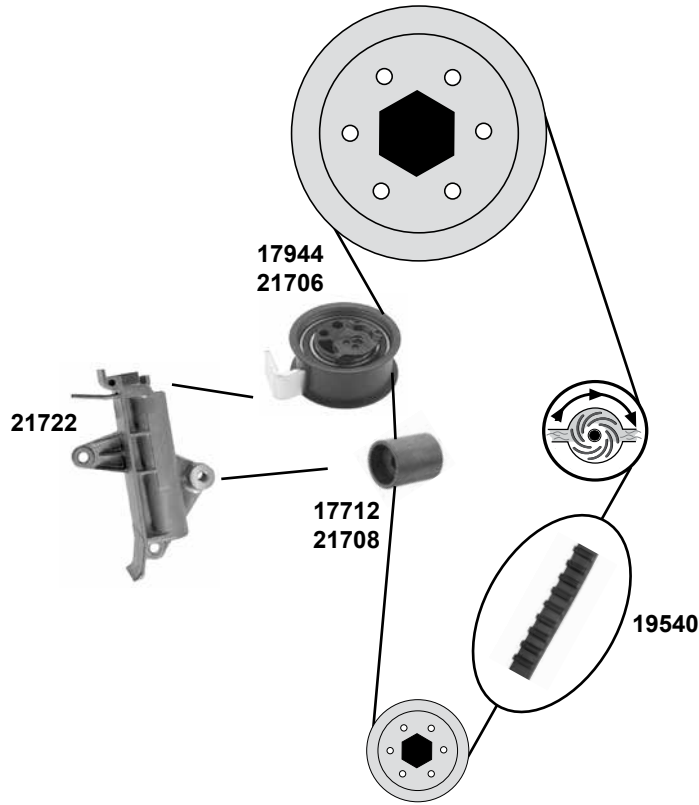
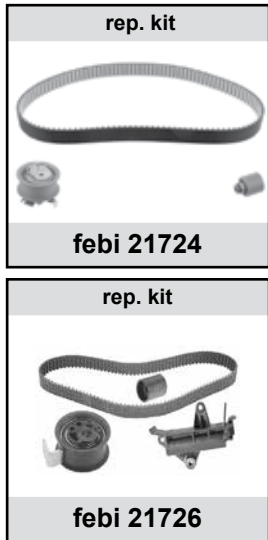
# VOLKSWAGEN New Beetle (1C/9C)

(98→10)

Car  
Division



**1,9 TDI**  
(ATD)



(1) (ch.) → 9C-2-613 920

(2) (ch.) 9C-2-613 921 →

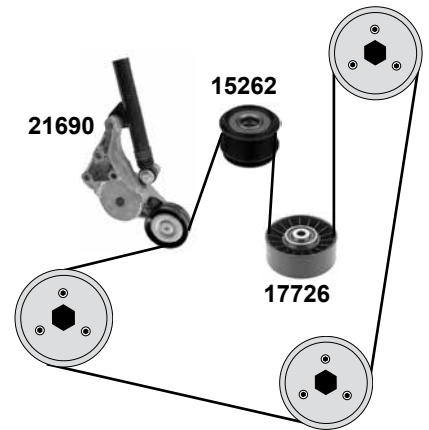
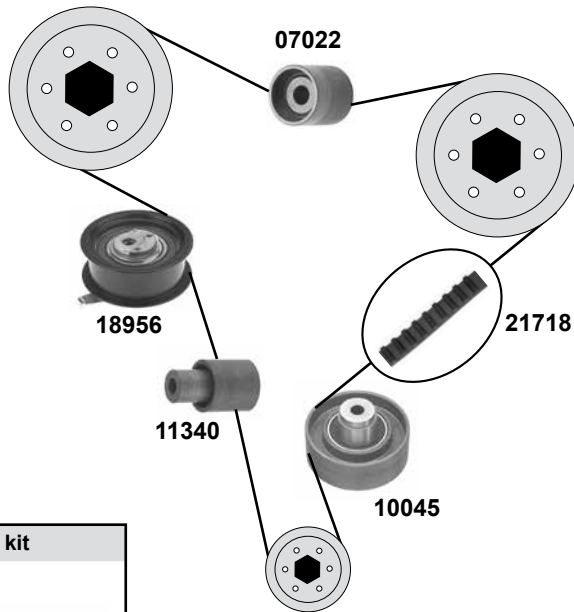


Ref. - No.

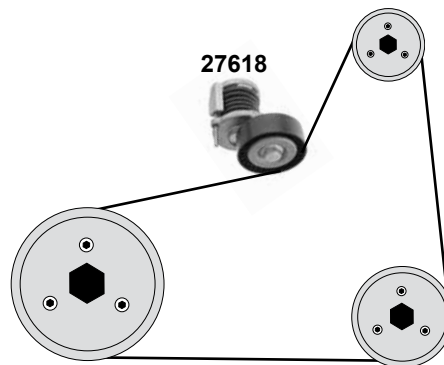


Ref. - No.	Description	Quantity	Dimensions
15262	belt pulley alternator		ØA 61 ØI 17
17712	deflection pulley	(1)	ØA 28 B34
17944	tension roller	(1)	ØA 72 B31 / 35
18660	belt tensioner		
19540	timing belt		Z 120 B30
21706	tension roller	(2)	ØA 68 B31,5
21708	deflection pulley	(2)	ØA 28 B34
21722	belt tensioner	(1)	
21724	rep. kit timing belt	(2)	
21726	rep. kit timing belt	(1)	
31090	vibration absorber		

**1,9 TDI**  
(ALH)



**New Beetle (5C)**  
(12→)  
**1,6 / 2,0 TDI**  
(CAYC / CFFB / CJAA)



	Ref. - No.			
<b>07022</b>	03L 109 244 D	deflection pulley	→ 04	ØA 28 ØI 8 B29
<b>10045</b>	038 109 244 M	deflection pulley		ØA 80 ØI 10 B29
<b>11340</b>	038 109 244 E	deflection pulley		ØA 28 ØI 8 B28
<b>15262</b>	022 903 119 C	belt pulley alternator		ØA 61 ØI 17
<b>17726</b>	038 145 276	deflection pulley		ØA 68 ØI 8 B25
<b>18956</b>	038 109 243 N	tension roller		ØA 68 ØI 8 B25
<b>21690</b>	038 903 315 C	belt tensioner		
<b>21718</b>	038 109 119 M	timing belt		Z 141 B25
<b>21720</b>	038 198 119 E	rep. kit timing belt		
<b>27618</b>	038 903 315 AH	belt tensioner		ØA 70 B24

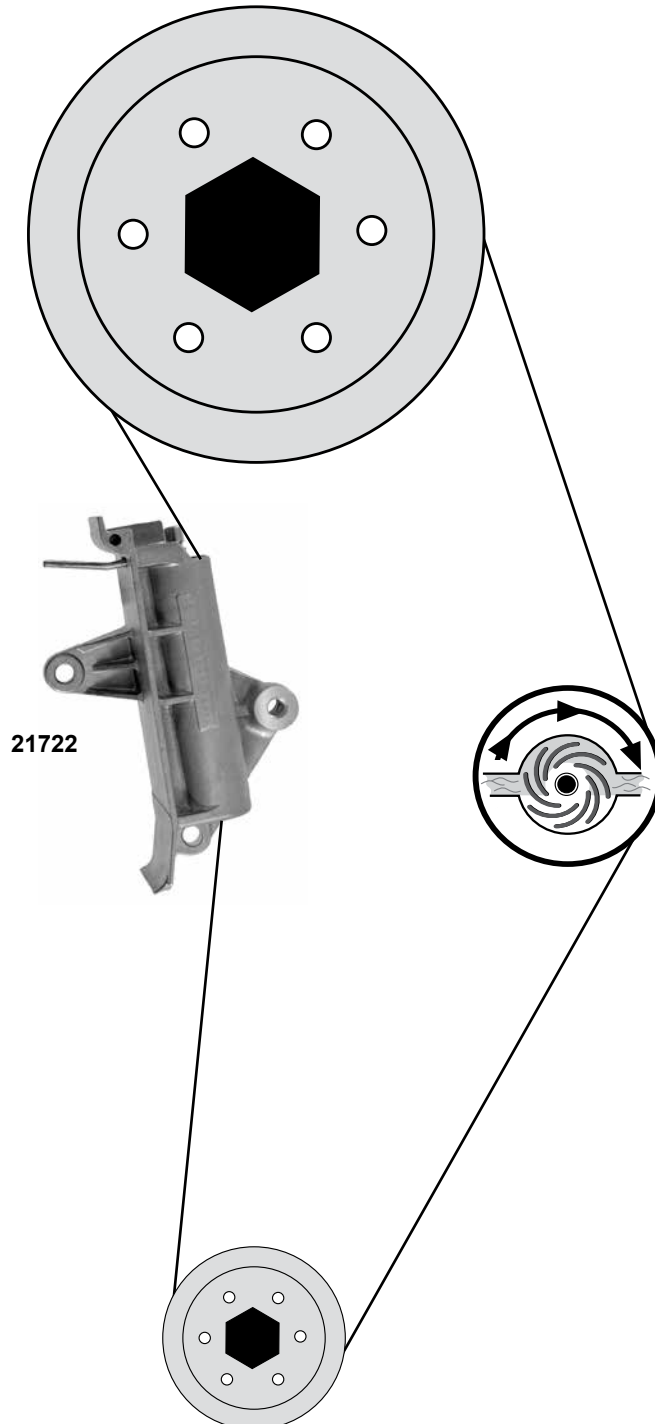
# VOLKSWAGEN New Beetle Cabrio (1Y)

(03→)

Car  
Division 



1,9 TDI  
(ARX)



Ref. - No.



21722

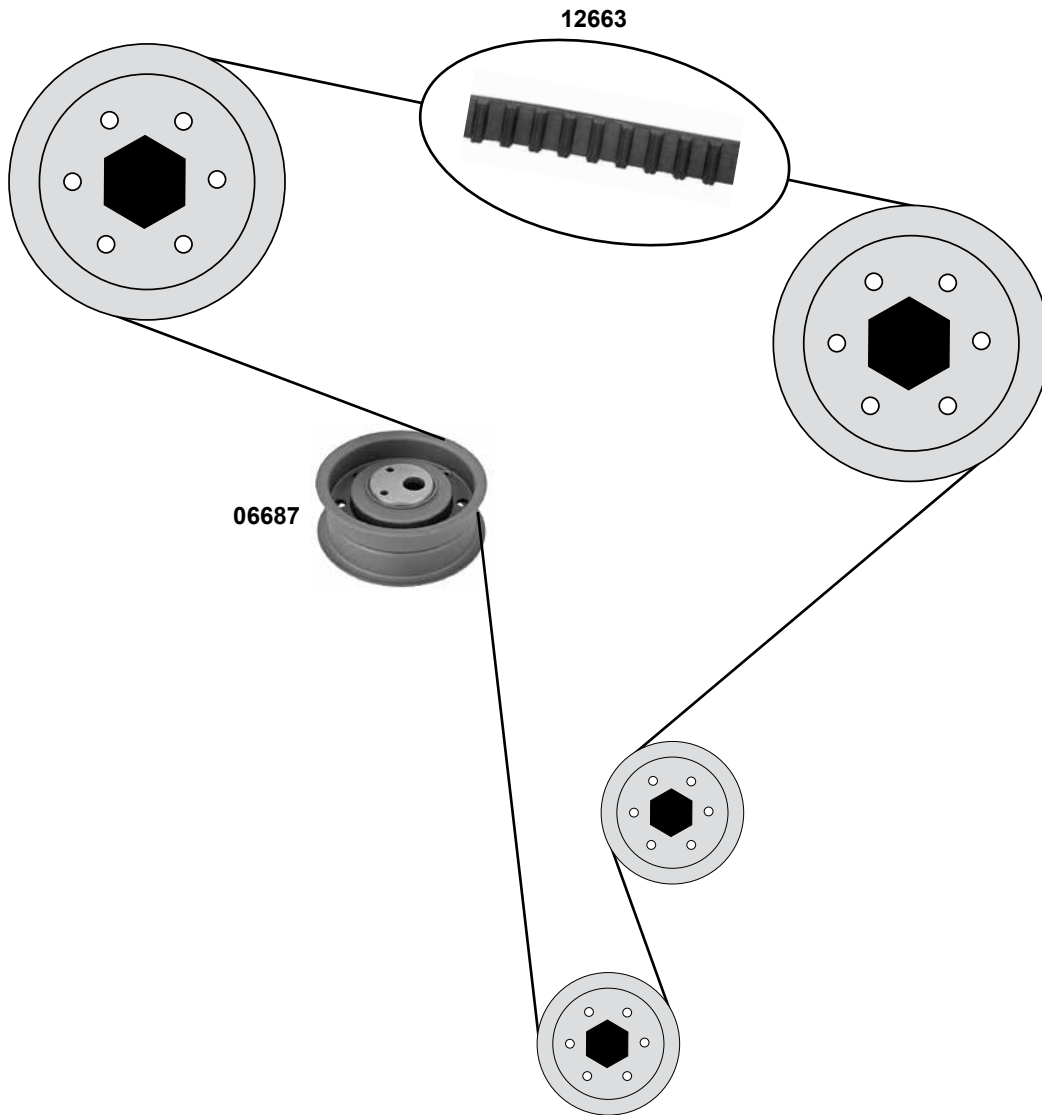
045 109 479 B

belt tensioner



(ch.) →9C-2-613 920





	Ref. - No.			
06687	068 109 119 E	tension roller		ØA 72 ØI 10 B27 Z 135 B25
12663	068 109 119 E	timing belt		
14600	068 109 119 E S1	rep. kit timing belt		



# VOLKSWAGEN Passat 3 (3A)

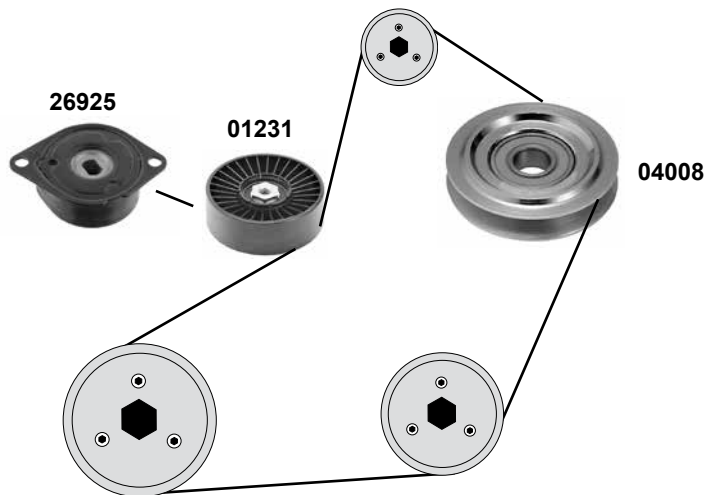
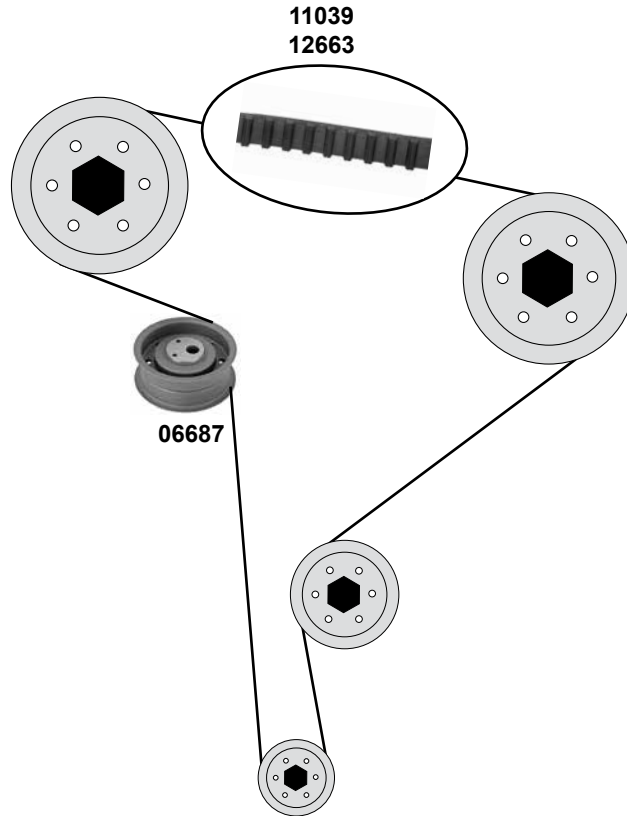
(88→94)

Car  
Division

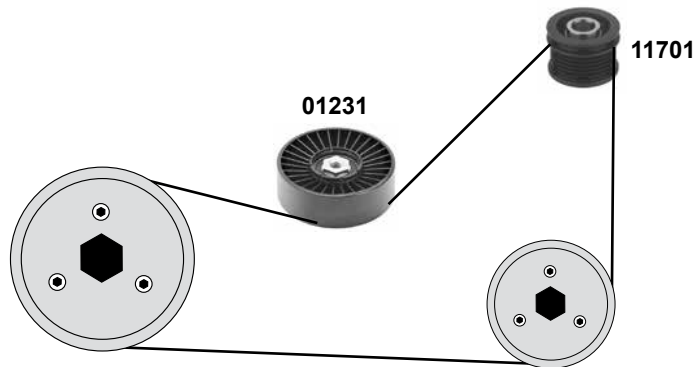
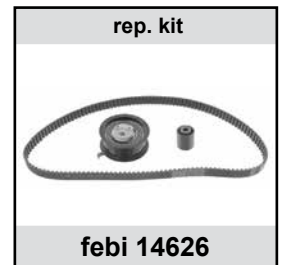
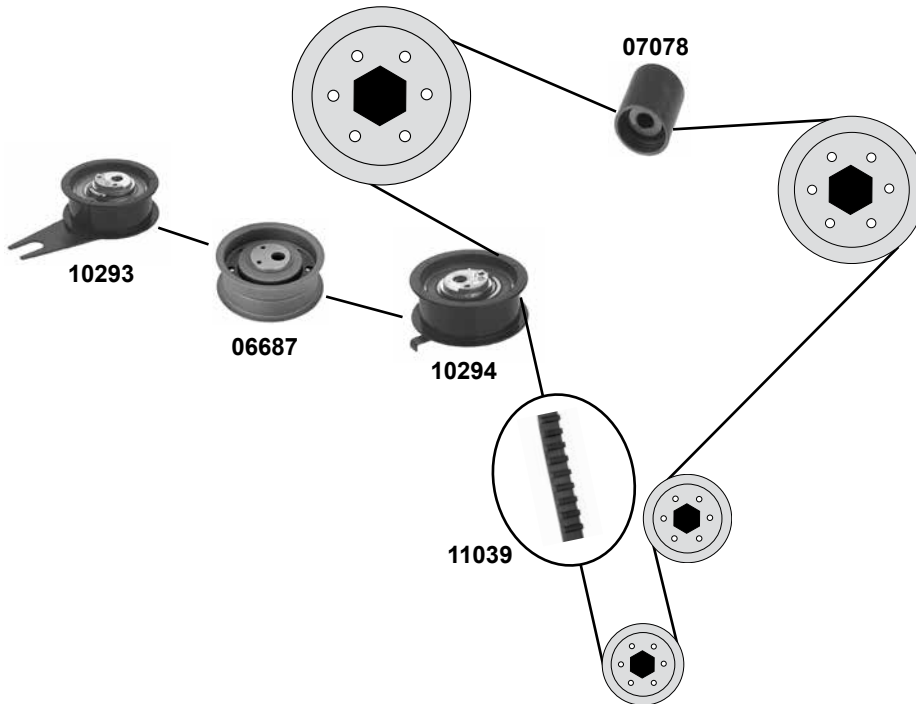


## 1,9 D / 1,9 TD

(AAZ / 1Y / SB/ RA)



Ref. - No.			
<b>01231</b>	028 145 278 E	tension roller	
<b>04008</b>	068 260 940	deflection pulley	
<b>06687</b>	068 109 119 E	tension roller	
<b>11039</b>	028 109 119 P	timing belt	
<b>12663</b>	068 109 119 E	timing belt	
<b>14600</b>	068 109 119 E S1	rep. kit timing belt	
<b>14602</b>	028 198 119	rep. kit timing belt	
<b>26925</b>	028 903 315 R	tension roller	
			(mot.) AAZ + AC (ex.) (mot.) SB/ RA (mot.) SB/ RA (mot.) SB/ RA (ex.) (mot.) SB/ RA
			ØA 78 ØI 8 B25 ØA 70 ØI 15 B13 ØA 72 ØI 10 B27 Z 137 B25,4 Z 135 B25



(1) (mot.) AAZ → 552 765  
(mot.) 1Z → 289 575

(2) (mot.) AHU / ALE / AFN: alle / all  
(mot.) AAZ 552 766 →  
(mot.) 1Z 289 576 →



Ref. - No.



Ref. - No.	Description	Quantity	Dimensions
01231	tension roller		ØA 78 ØI 8 B25
06687	tension roller	(1)	ØA 72 ØI 10 B27
07078	deflection pulley		ØA 28 ØI 8 B31,5
10293	tension roller	(1)	ØA 67 ØI 8 B25
10294	tension roller	(2)	ØA 67 ØI 8 B25
11039	timing belt		Z 137 B25,4
11701	belt pulley alternator		
14620	rep. kit timing belt	(1)	
14626	rep. kit timing belt	(2)	

# VOLKSWAGEN Passat 4 (3B)

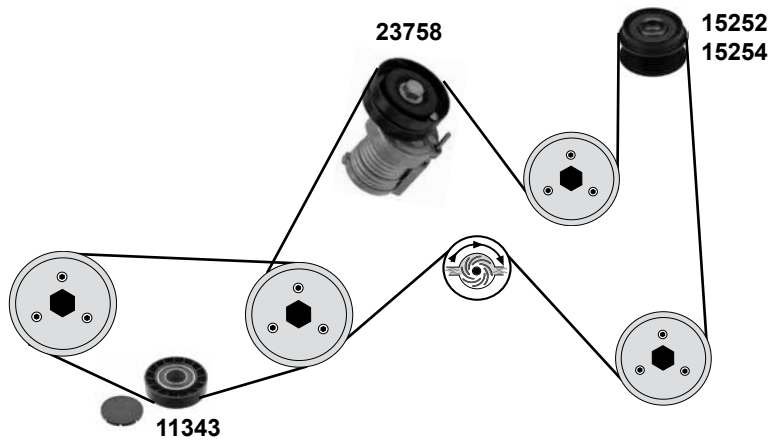
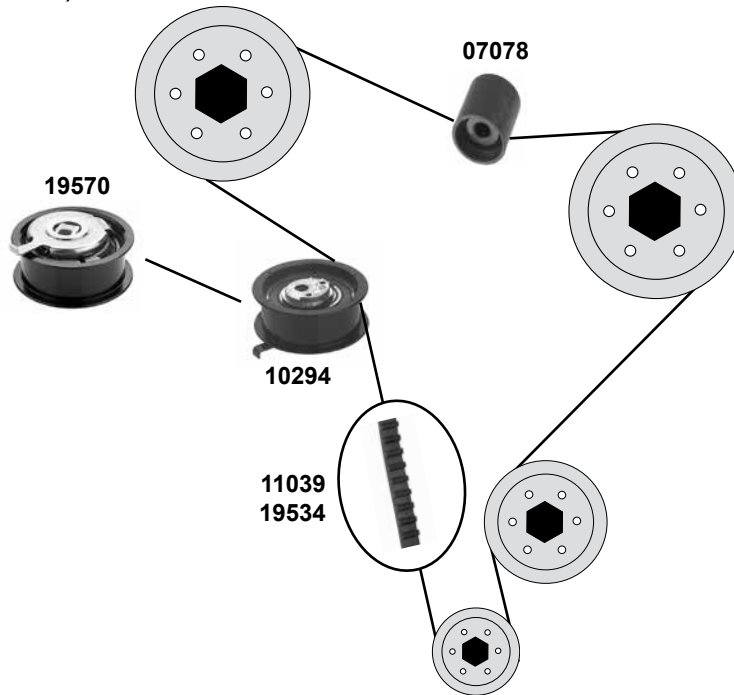
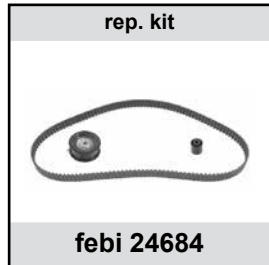
(97→05)

Car  
Division

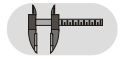


## 1,9 TDI

(AHU / AHH / AFN / AVG)



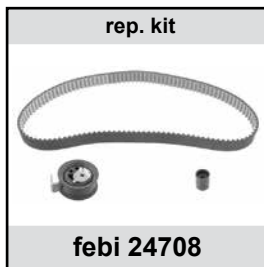
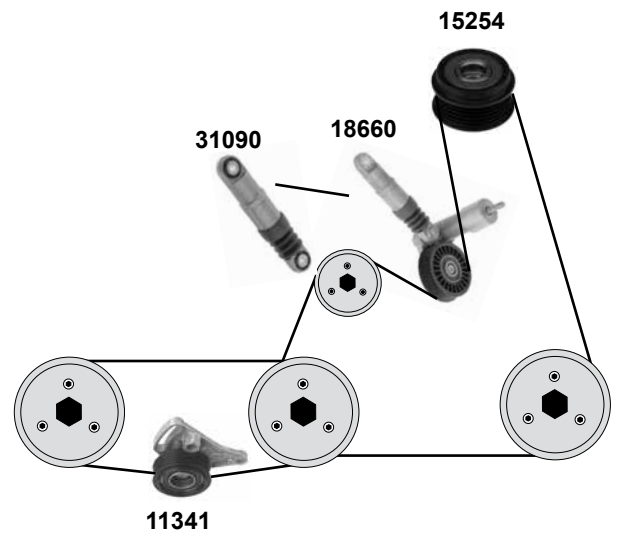
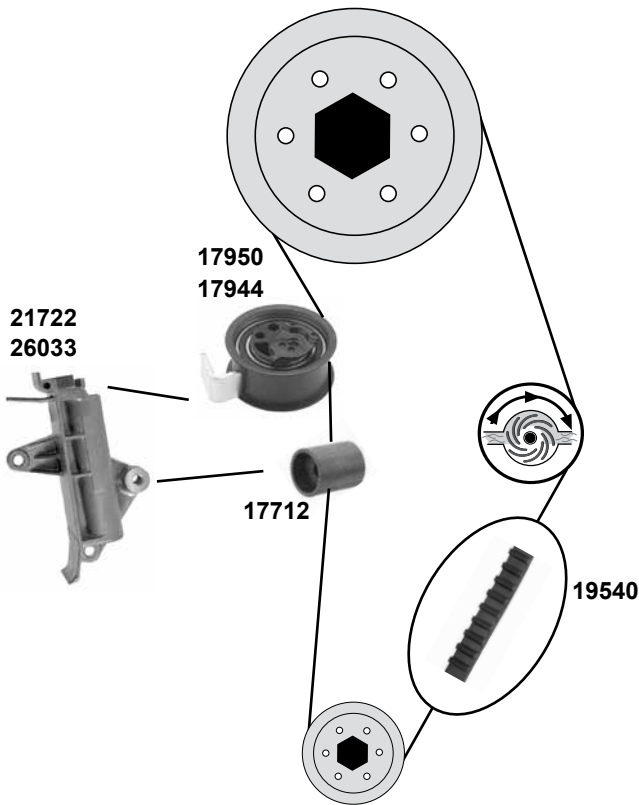
- (1) 90 A Valeo Generator / alternator
- (2) 120 A Bosch Generator / alternator
- (3) 70 A Bosch Generator / alternator



Ref. - No.			
07078	028 109 244	deflection pulley	
10294	028 109 243 F	tension roller	(ex.) (mot.) AHH
11039	028 109 119 P	timing belt	(ex.) (mot.) AHH
11343	058 260 511	deflection pulley	AC
14626	028 198 119 C	rep. kit timing belt	(ex.) (mot.) AHH
15252	028 903 119 T	belt pulley alternator	(1) (2)
15254	028 903 119 AC	belt pulley alternator	(3)
19570	028 109 243 K	tension roller	(mot.) AHH
19534	028 109 119 AA	timing belt	(mot.) AHH
23758	028 903 315 M	belt tensioner	
24684	028 198 119 D	rep. kit timing belt	(mot.) AHH → 00

ØA 28 ØI 8 B31,5  
ØA 67 ØI 8 B25  
Z 137 B25,4

ØA 78 B30  
Z 137 B25



(1) ATJ all  
AJM (mot.) 185 671 →

(2) AJM (mot.) → 185 670  
→ 00



Ref. - No.



Ref. - No.	Description	AC	Dimensions
11341	tension roller		ØA 60 B15,5
15254	belt pulley alternator		ØA 28 B34
17712	deflection pulley		ØA 72 B35
17944	tension roller	(1)	ØA 72 B35
17950	tension roller	(2)	ØA 72 B35
18660	belt tensioner		Z 120 B30
19540	timing belt		
21722	belt tensioner	(1)	
21726	rep. kit timing belt	(1)	
24708	rep. kit timing belt	(2)	
26033	belt tensioner	(mot.) AJM → 185670	
31090	vibration absorber		

# VOLKSWAGEN

## Passat 4 (3B)

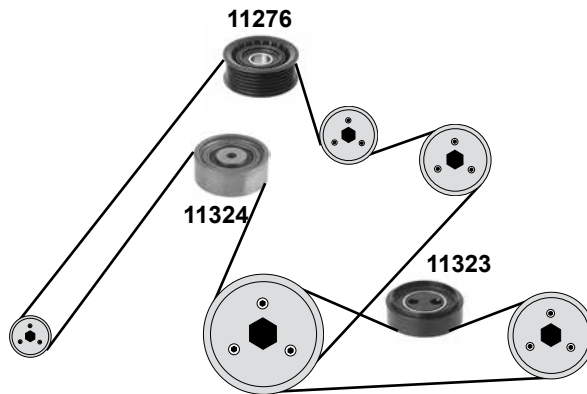
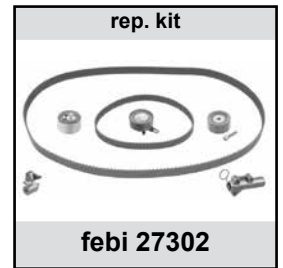
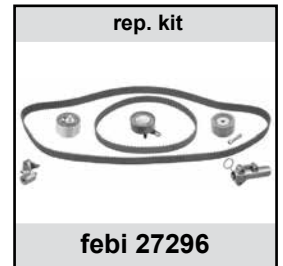
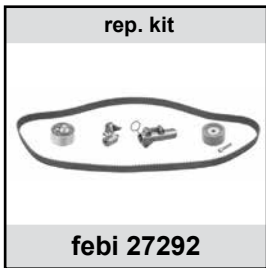
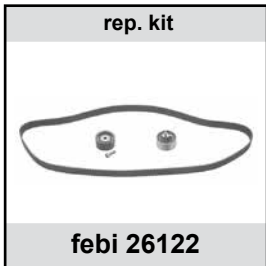
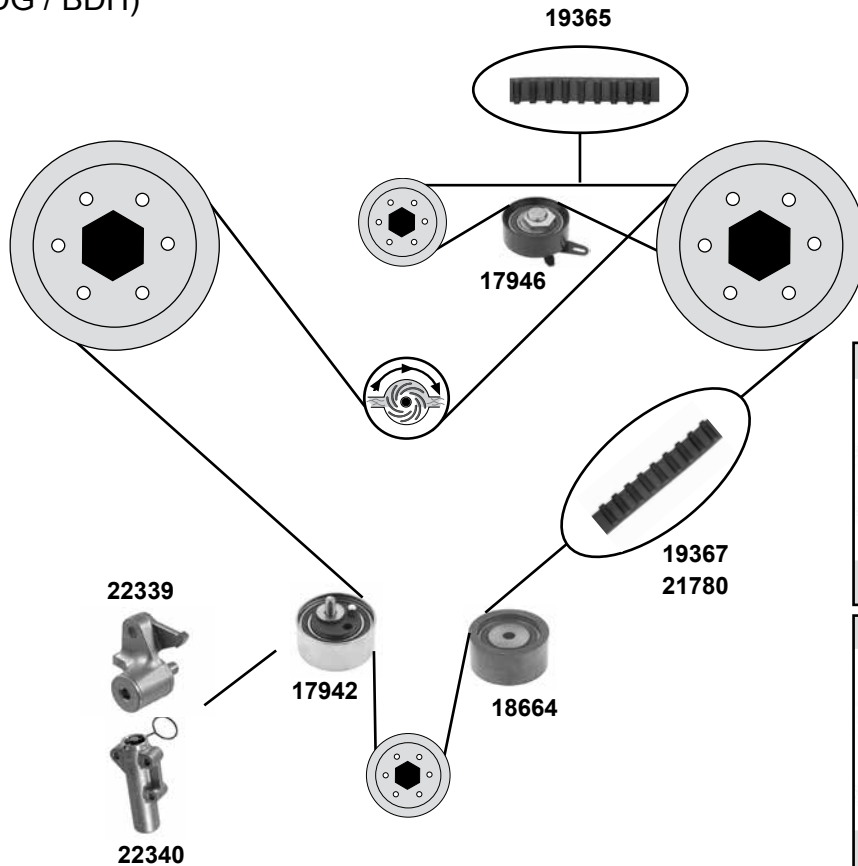
(97→05)

Car  
Division

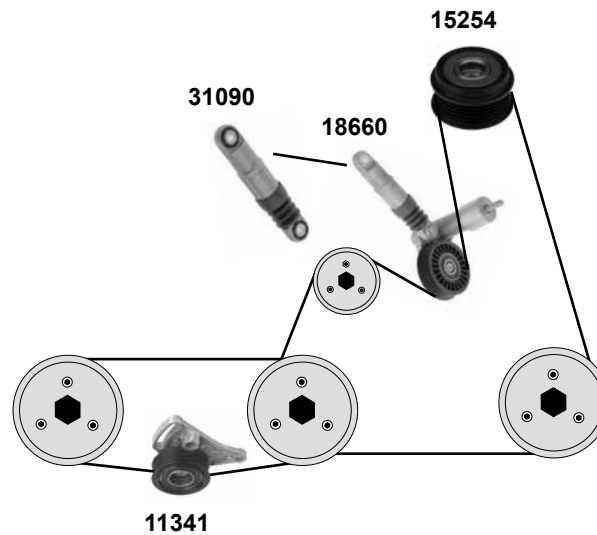
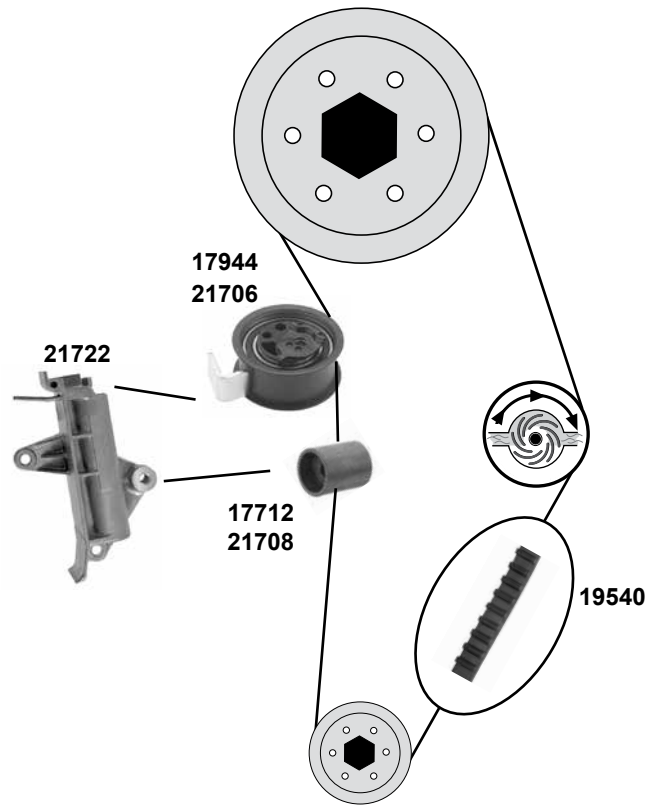


### 2,5 TDI

(AFB / AKN / BAU / BDG / BDH)



Ref. - No.				
11276	059 903 341 A	deflection pulley	Modell: 98 →	ØA 64 ØI 17 B23
11323	059 260 523 A	tension roller		ØA 63 ØI 8 B17
11324	059 903 341	deflection pulley	Modell: 98 →	ØA 64 ØI 8 B24
17942	059 109 243 J	tension roller		ØA 72 B34
17946	059 109 243 L	tension roller		ØA73 B27
18664	059 109 244 B	deflection pulley		Z 87 B24
19365	059 130 113 A	timing belt	(mot.) AFB/AKN	Z 207 B24
19367	059 109 119 A	timing belt	(ex.) (mot.) AFB/AKN	Z 207 B30
21780	059 109 119 B	timing belt		
22339	059 109 487 C	belt tensioner		
22340	059 109 479 B	belt tensioner		
26122	059 109 119 A S1	rep. kit timing belt	(mot.) AFB/AKN	Z 207 B24
27302	059 109 119 B S4	rep. kit timing belt	(ex.) (mot.) AFB/AKN	Z 207 B30
27292	059 109 119 A S2	rep. kit timing belt		
27296	059 109 119 A S3	rep. kit timing belt		



	Ref. - No.			
11341	058 260 511	tension roller	AC	
15254	028 909 119 AC	belt pulley alternator		
17712	045 109 244 A	deflection pulley	Modell: → 02	ØA 28 B34
17944	045 109 243 C	tension roller	Modell: → 02	ØA 72 B35
18660	038 903 315 P	belt tensioner		Z 120 B30
19540	038 109 119 P	timing belt		
21706	038 109 243 M	tension roller	Modell: 03 →	ØA 68 B31,5
21708	038 109 244 J	deflection pulley	Modell: → 02	ØA 40 B35
21722	045 109 479 B	belt tensioner	Modell: → 02	
21726	038 109 119 P S1	rep. kit timing belt	Modell: → 02	
31090	038 145 299 A	vibration absorber		

# VOLKSWAGEN Passat 5 (3C)

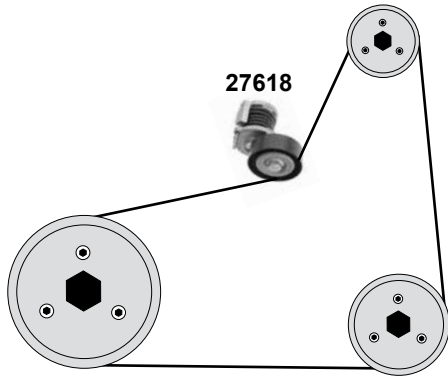
(06→)

Car  
Division



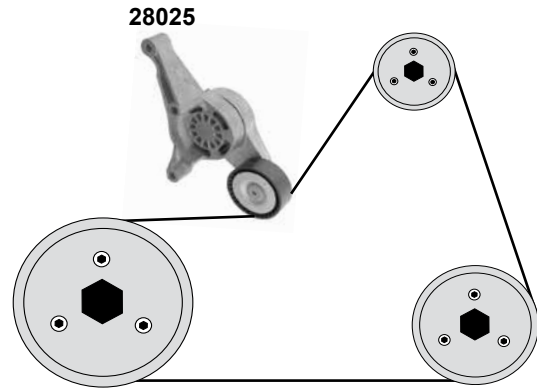
## 1,6 / 2,0 TDI

(CAYC/CBAA/CBAB/CBAC/CBBB/CBDC)



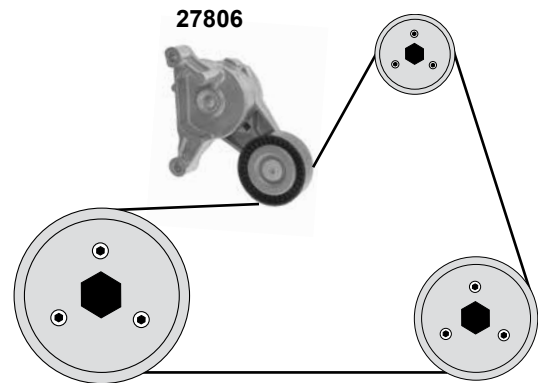
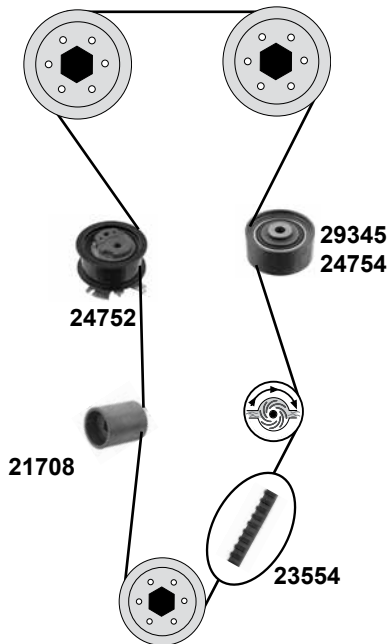
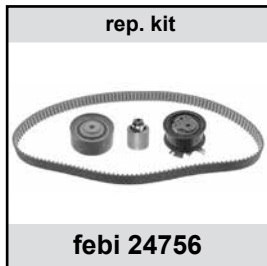
## 1,9 / 2,0 TDI

(BKC/BLS/BXE/BMP)

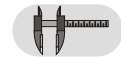


## 2,0 TDI

(BVE / BMV / BMA / BKP / BUZ / BMR)



Ref. - No.

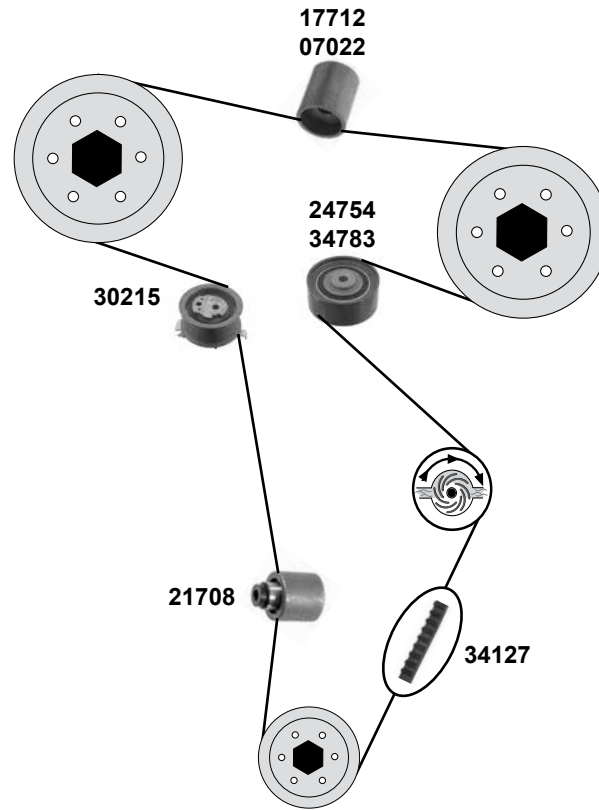


21708	038 109 244 J	deflection pulley		ØA 28 B34
23554	03G 109 119	timing belt		Z 141 B30
24752	03G 109 243	tension roller		ØA 78 B 36
24754	03G 109 244	deflection pulley		ØA 28 B34
24756	03G 198 119	rep. kit timing belt		
27618	038 903 315 AH	belt tensioner		ØA 70 B24
27806	03G 903 315 A	belt tensioner		ØA 70
28025	03G 903 315 C	belt tensioner		ØA 90 B24,6
29345	03G 109 244 A	deflection pulley	(ch.) → 3C-6-300 000	ØA 80 B34,3
30580	03G 198 119 A	rep. kit timing belt	(ch.) → 3C-6-300 000	
			(ch.) 3C-7-000 001 →	
			(ch.) 3C-7-000 001 →	



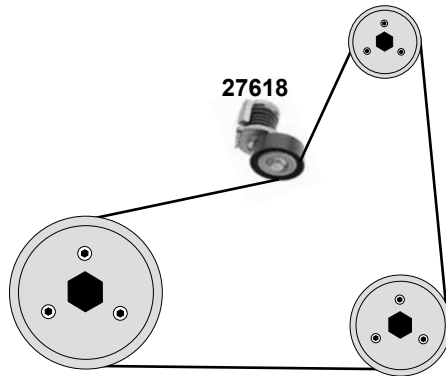
### 1,6 / 2,0 TDI

(CBDC/CBAA/CBAB/CBAC/CBBB/CAYC/CFFA/CFFB/CFGB/CLLA)



### 1,6 / 2,0 TDI

(CBAA/CBAB/CBAC/CBBB/CFFA/CFFB/CFGB)



(1) Passat CC 09 → (ex.) mot. CBDC / CAYC / CFFA / CFFB / CFGB / CLLA

(2) Passat 5 / variant / 4motion 09 → (mot.) CAYC

(3) Passat CC / CC 4motion (mot.) CFFA / CFFB / CFGB / CLLA



Ref. - No.



Ref. - No.	Description	Quantity	Notes
07022	03L 109 244 D deflection pulley	(2)	
17712	03L 109 244 C deflection pulley	(1)	
21708	038 109 244 J deflection pulley	(1)	
24754	038 109 244 deflection pulley	(1)	
27618	038 903 315 AH belt tensioner	09 →	ØA 70 B24
30215	03L 109 243 E tension roller	(1)	ØA68,5Ø18,5B35
34127	03L 109 119 F timing belt	(1)	Z 160
34128	03L 198 119 rep. kit timing belt	(1)	Z 160
34783	03L 109 244 J deflection pulley	(3)	



# VOLKSWAGEN Passat 6 / CC /variant/ 4motion (36)

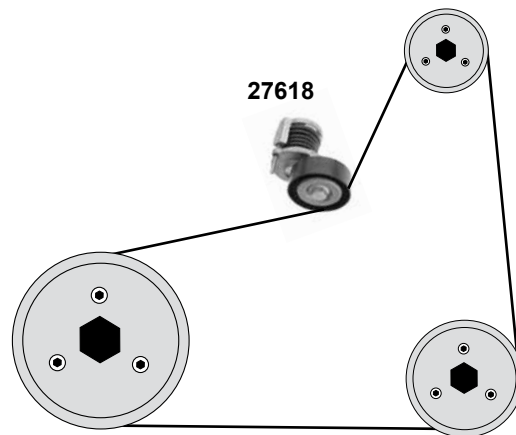
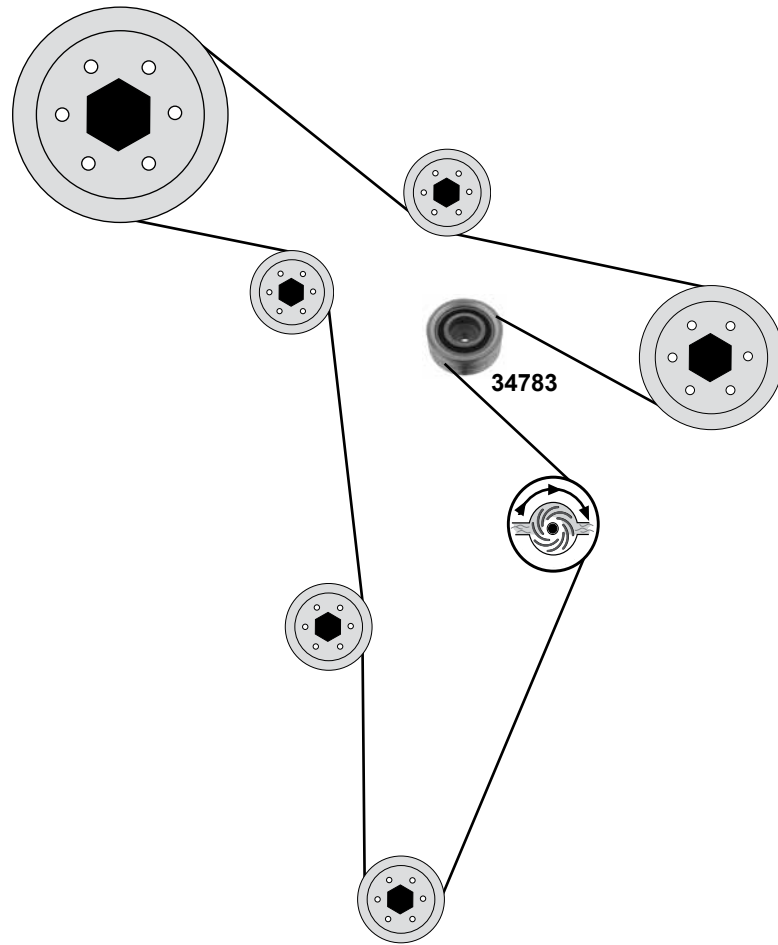
(10→)

Car  
Division 



## 1,6 / 2,0 TDI

(CAYC/CFFA/CFFB/CFGB/CLLA)



Ref. - No.

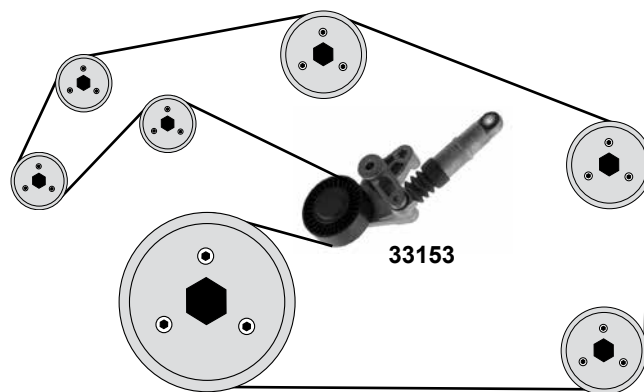
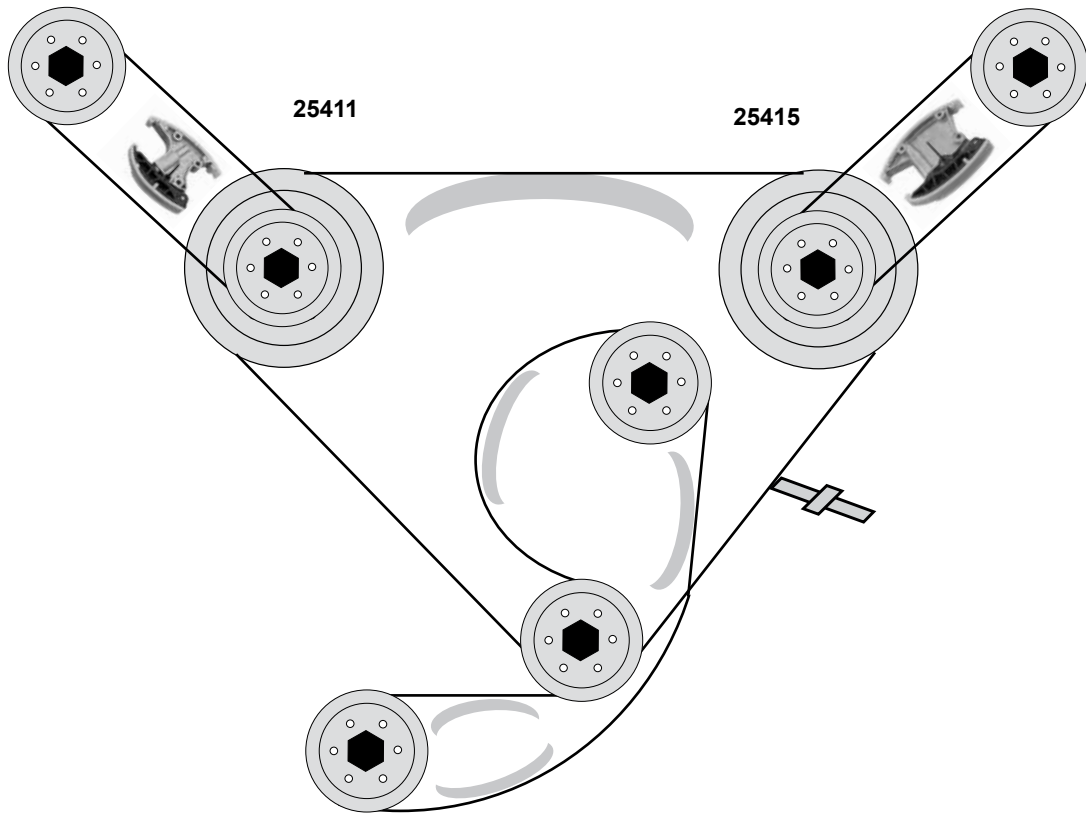


27618 038 903 315 AH  
34783 03L 109 244 J

belt tensioner  
deflection pulley

11→

ØA 70 B24



(1) (mot.) BMK / CARA / CEXA (ch.) → 3D-B-000 001

(2) (mot.) CAXA 11 →



Ref. - No.



**25411** 057 109 218 K  
**25415** 059 109 217 C  
**33153** 059 145 201 F

chain tensioner  
chain tensioner  
belt tensioner damper

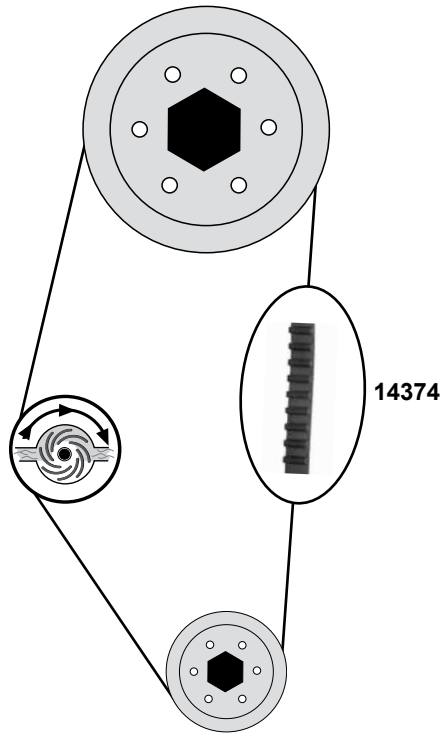
(2)  
(mot.) BMK → 07  
(1)

**VOLKSWAGEN**  
**Polo 2+3 (86C)**  
 (82→00)

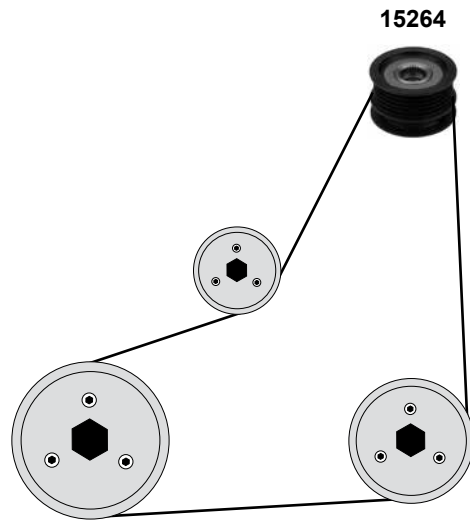
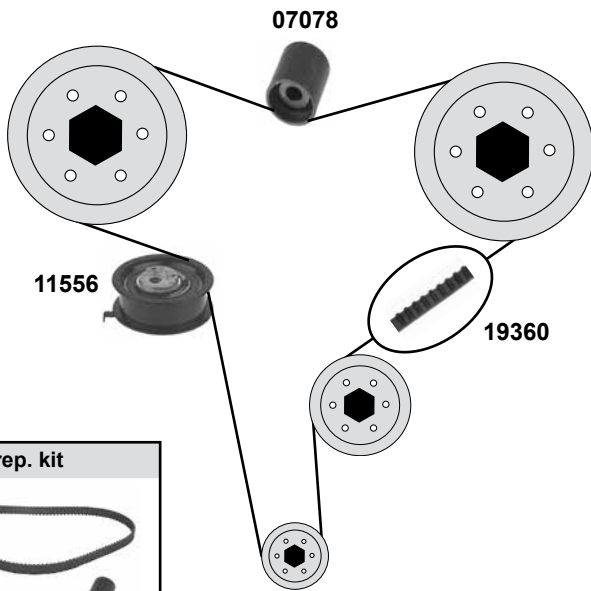
Car  
 Division 







**Polo 2**  
**1,3 D**  
 (MN / 1W)

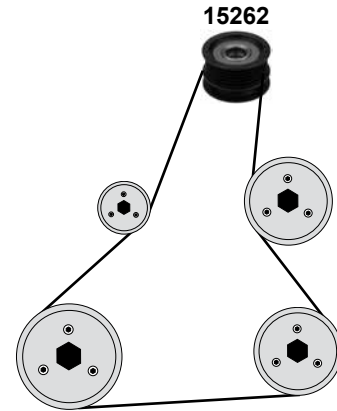
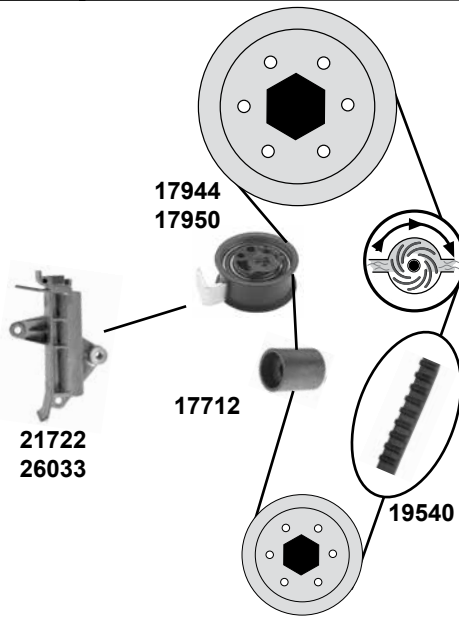


**Polo 3**  
**1,7 SDI / 1,9 D**  
 (AHG / AKU / AEF / AGD)

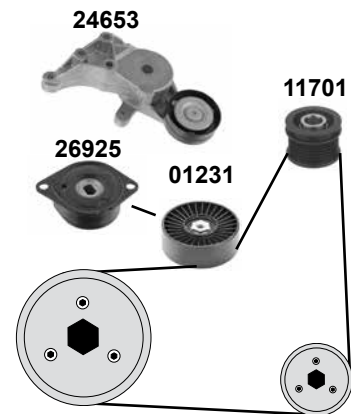
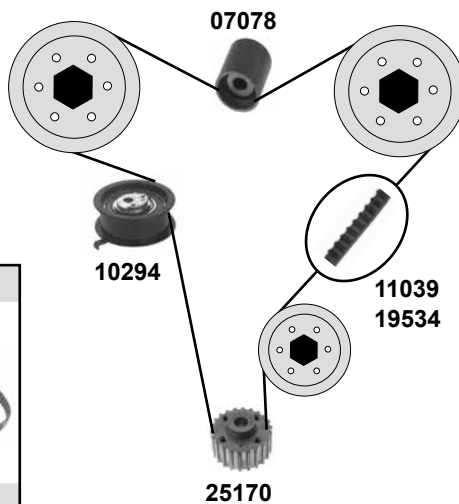
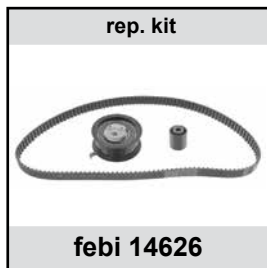


	Ref. - No.			
07078	028 109 244	deflection pulley	(ch.) 6N-Y- 500 001 →	ØA 28 ØI 8 B31,5
11556	028 109 243 G	tension roller		ØA 68 ØI 8 B25
14374	031 109 119 D	timing belt		Z 107 B20
15264	038 903 119 Q	belt pulley alternator		
19360	028 109 119 AC	timing belt		Z 137 B23
21236	028 198 119 F	rep. kit timing belt		

### 1,4 TDI (AMF)



### 1,9 D / SDI / TDI (AEY / 1Y / AHU / 1Z / AKW / ALE / AFN / AGP / AQM)



Ref. - No.



01231	028 145 278 E	tension roller	(ex.) (mot.) AKW/AEX	ØA 78 ØI 8 B26
07078	028 109 244	deflection pulley		ØA 28 ØI 8 B31,5
10294	028 109 243 F	tension roller		ØA 67 ØI 8 B25
11039	028 109 119 P	timing belt	(ex.) (mot.) AKW/AEX	Z 137 B25,4
11701	028 903 119 AQ	belt pulley alternator	(ex.) (mot.) AKW/AEX	
14626	028 198 119 C	rep. kit timing belt		
15262	022 903 119 C	belt pulley alternator	(ch.) 6N-Y-500 000→	ØA 61 ØI 17
17712	045 109 244 A	deflection pulley		ØA 28 B34
17944	045 109 243 C	tension roller	(mot.) AMF 011 495 →	ØA 72 B35/31
17950	045 109 243 B	tension roller	(mot.) AMF→ 011 494	ØA 72 B35/31
19534	028 109 119 AA	timing belt	(mot.) AKW/AEX	Z 137 B25,4
19540	038 109 119 P	timing belt		Z 120 B30
21722	045 109 479 B	belt tensioner	(mot.) AMF 011 495 →	
21726	038 109 119 P S1	rep. kit timing belt	(mot.) AMF 011 495 →	
24653	038 903 315 K	tension roller	(mot.) AGP/AQM	
24708	038 198 119 B	rep. kit timing belt	(mot.) AMF→ 011 494	
25170	028 105 263 D	crankshaft gear		Z 22
26033	045 109 479 C	belt tensioner	(mot.) AMF → 011 494	
26925	028 903 315 R	tension roller		

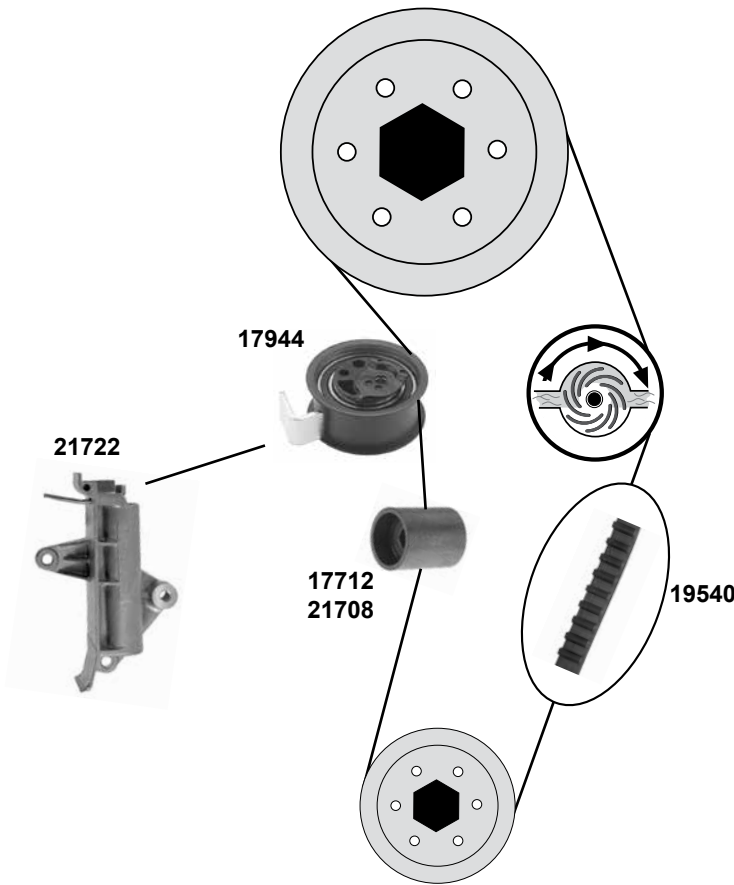
# VOLKSWAGEN Polo 4 (9N)

(02→10)

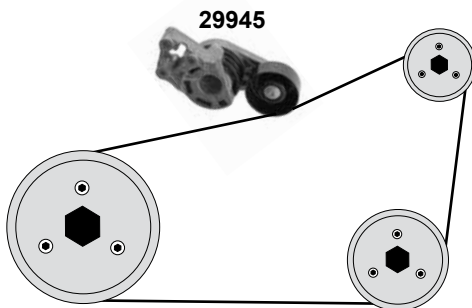
Car  
Division



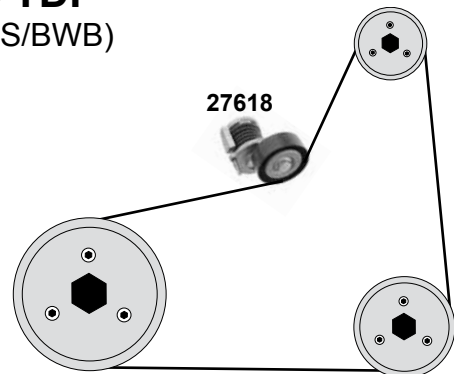
## 1,4 TDI (AMF / BAY)



## 1,4 TDI (AMF / BAY / BNM / BNV)



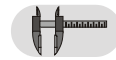
## 1,4 TDI (BMS/BWB)



(1) → 05 (mot.) AMF / BAY / (mot.) BNM / BNV 05 → AC



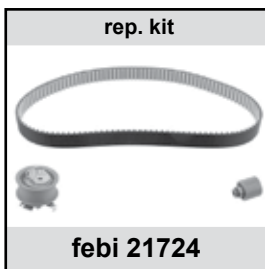
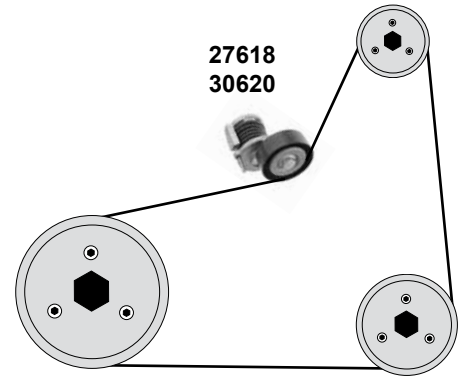
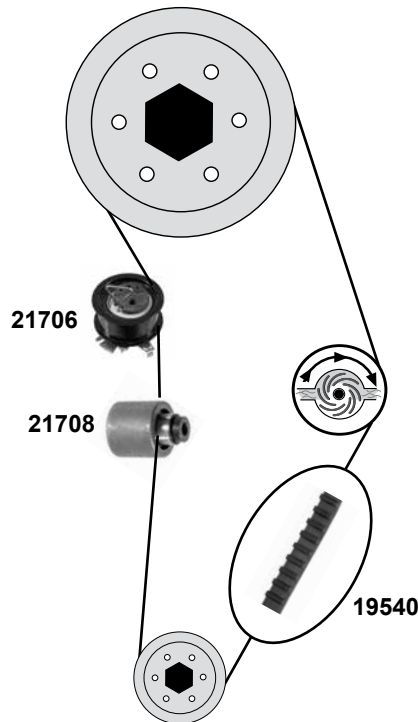
Ref. - No.



17712	045 109 244 A	deflection pulley	(ch.) → 9N-2-050 000	ØA 28 B34
17944	045 109 243 C	tension roller	(ch.) → 9N-2-050 000	ØA 72 B35/31
19540	038 109 119 P	timing belt		Z 120 B30
21708	038 109 244 J	deflection pulley	(ch.) 9N-2-050 001 →	ØA 40 B35
21722	045 109 479 B	belt tensioner	(ch.) → 9N-2-044 000	
21726	038 109 119 P S1	rep. kit timing belt	(ch.) → 9N-2-050 000	
27618	038 903 315 AH	belt tensioner		ØA 70 B24
29945	045 903 315 A	belt tensioner	(1)	

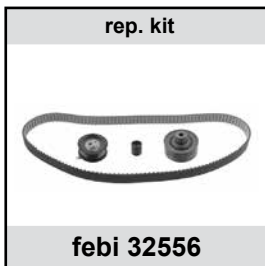
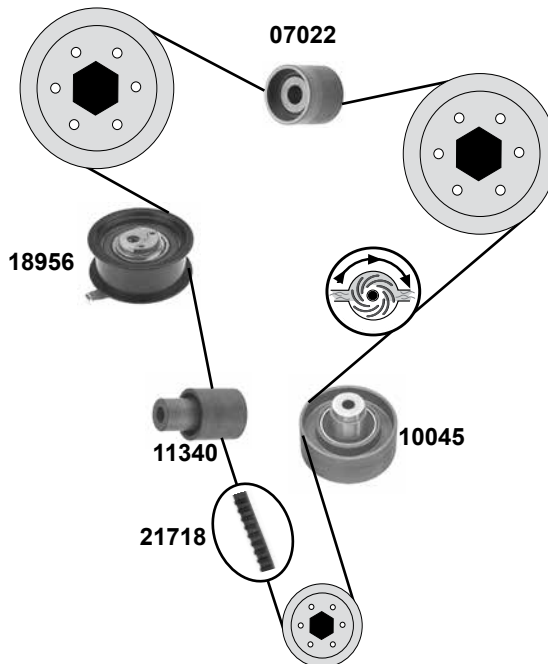
### 1,9 TDI

(ATD / AXR / ASZ / BLT)



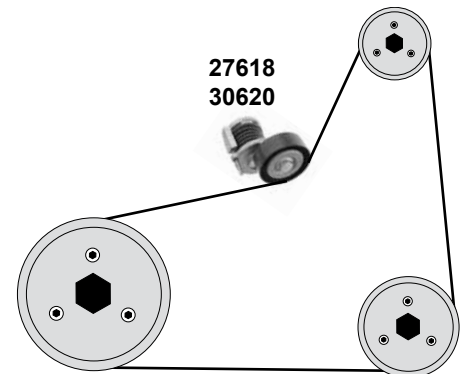
### 1,9 SDI

(ASY)



### 1,9 SDI

(ASY / BMT)



Ref. - No.



07022	03L 109 244 D D
10045	038 109 244 M
11340	038 109 244 E
18956	038 109 243 N
19540	038 109 119 P
21706	038 109 243 M
21708	038 109 244 J
21718	038 109 119 M
21720	038 198 119 E
21724	038 198 119 A
27618	038 903 315 AH
30620	038 903 315 AB
32556	038 109 119 M S2

deflection pulley
deflection pulley
deflection pulley
tension roller
timing belt
tension roller
deflection pulley
timing belt
rep. kit timing belt
rep. kit timing belt
belt tensioner
belt tensioner
rep. kit timing belt

→ 05

→ 05

AC  
(ex.) AC

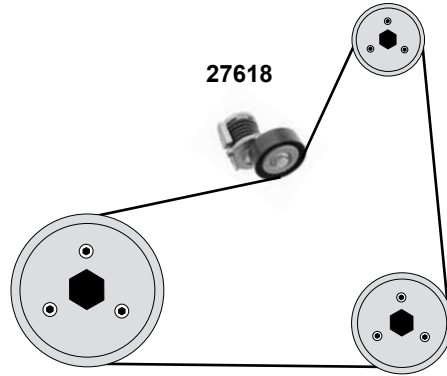
ØA 28 ØI 8 B29
ØA 80 ØI 10 B29
ØA 28 ØI 8 B29
ØA 68 B25
Z 120 B30
ØA 68 B31,5
ØA 28 B34
Z 141 B25

ØA 70 B24
ØA 70 B24



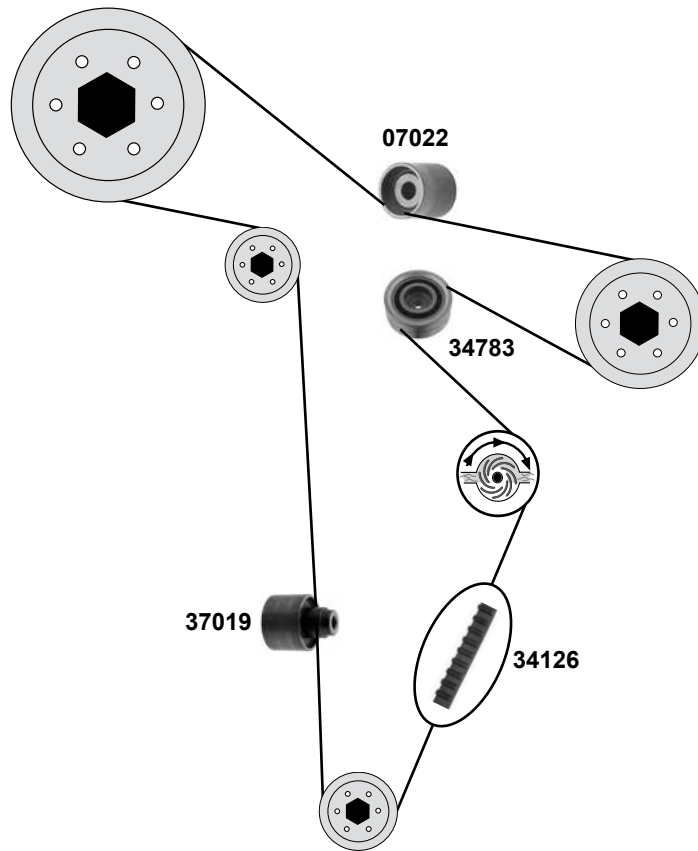
### 1,2 / 1,6 TDI

(CFWA/CAYA/CAYB/CAYC/CLNA)



### 1,2 / 1,6 TDI

(CFWA/CAYA/CAYB/CAYC/CLNA)



Ref. - No.

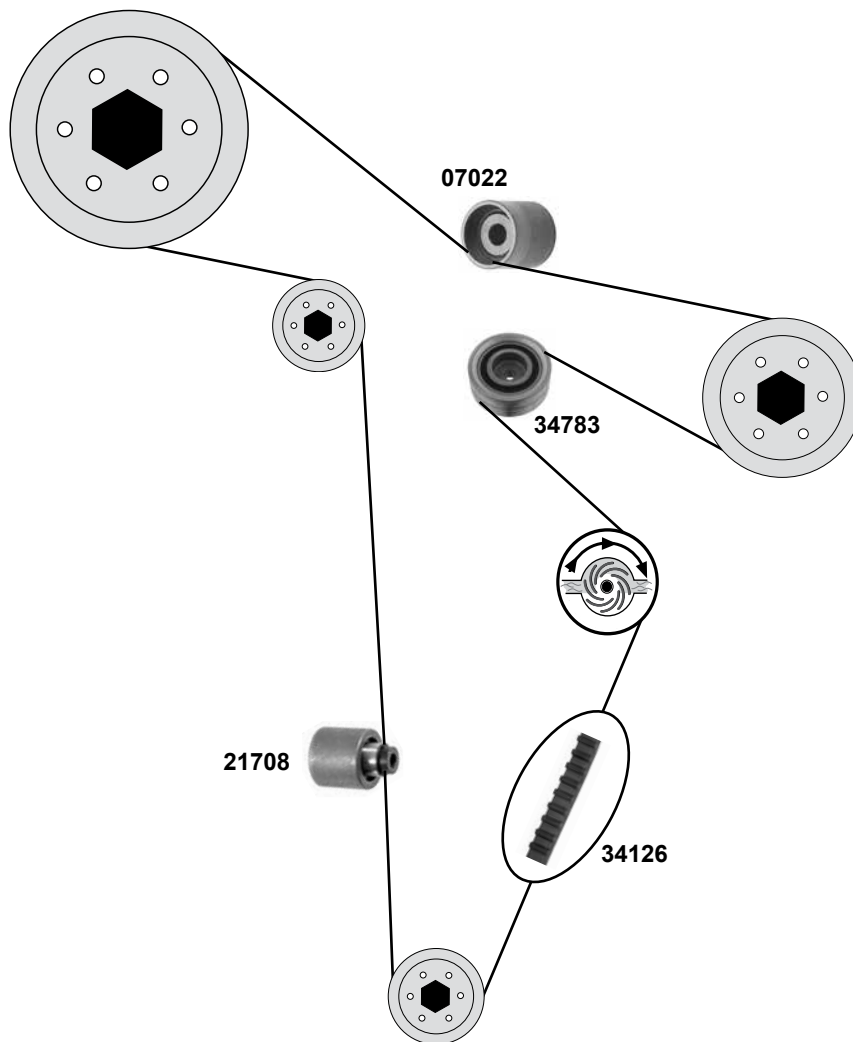


<b>07022</b>	03L 109 244 D
<b>27618</b>	038 903 315 AH
<b>34126</b>	03L 109 119 C
<b>34783</b>	03L 109 244
<b>37019</b>	03L 109 244 G

deflection pulley
belt tensioner
timing belt
deflection pulley
deflection pulley

10 →

ØA 28 B29  
ØA 70 B24  
Z 160



(1) (mot.) CFGB / CFHB / CFHC 08/2008 →



Ref. - No.



**07022** 03L 109 244 D  
**21708** 038 109 244 J  
**34126** 03L 109 119 C  
**34783** 03L 109 244

deflection pulley  
deflection pulley  
timing belt  
deflection pulley

09 →  
→ 11/10  
09 →  
(1)

Z 160



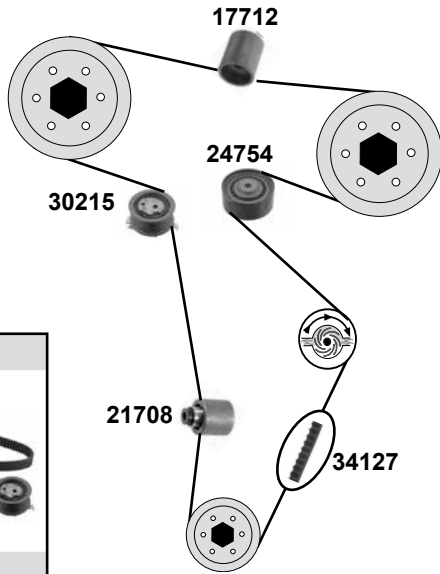
# VOLKSWAGEN Scirocco (13)

(09→)

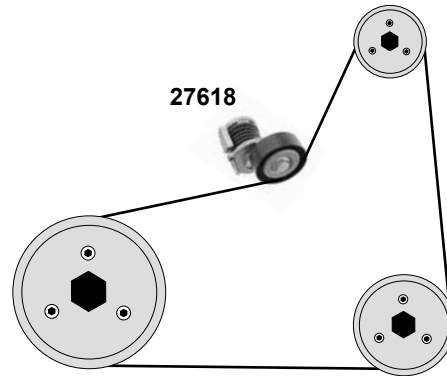
Car  
Division



## 2,0 TDI (CBDB/CBBB)



## 2,0 TDI (CBBB/CBDB/CFGB/CFHB/CFHC)

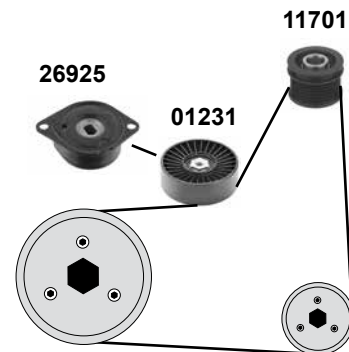
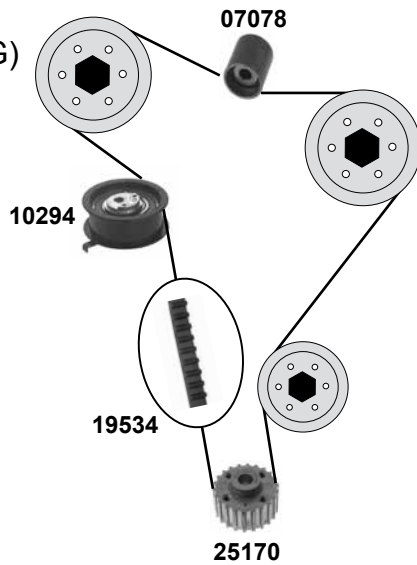


## Sharan (7M)

(96→10)

### 1,9 TDI

(1Z / AHU / AFN / AVG)



Ref. - No.



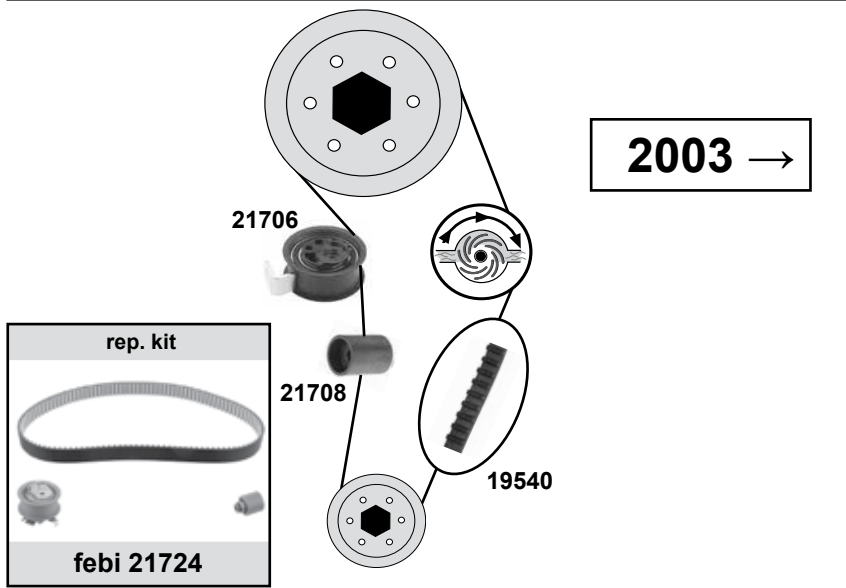
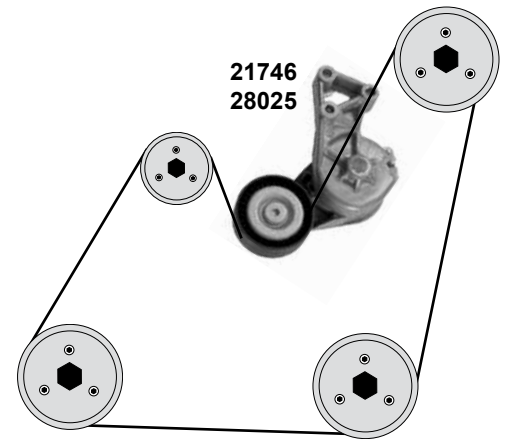
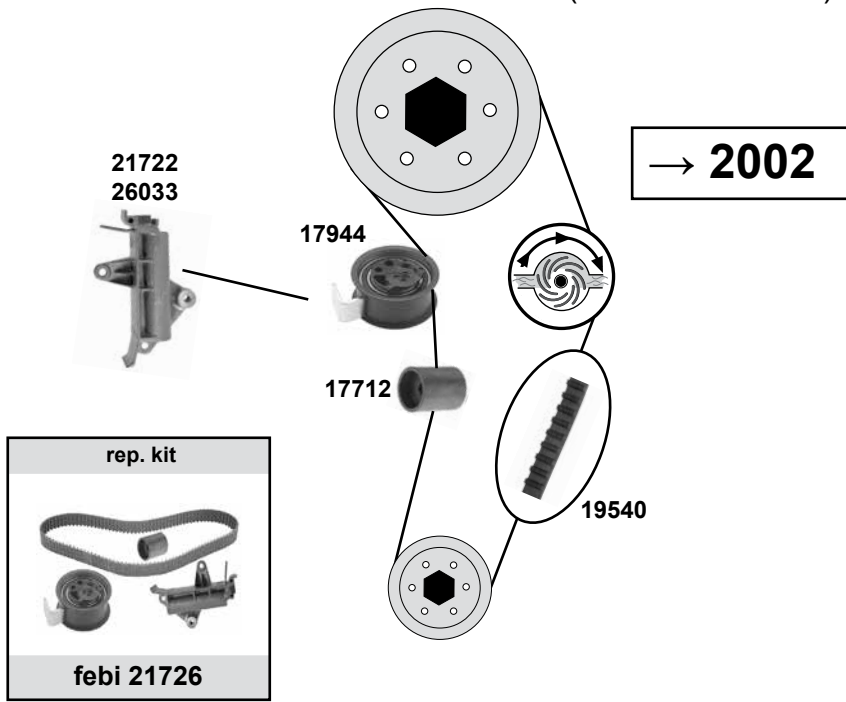
01231	028 145 278 E	tension roller	ØA 78 ØI 8 B26
07078	028 109 244	deflection pulley	ØA 28 ØI 8 B31,5
10294	028 109 243 F	tension roller	ØA 67 ØI 8 B25
11701	028 903 119 AQ	belt pulley alternator	
17712	03L 109 244 C	deflection pulley	ØA 28 B 34
19534	028 109 119 AA	timing belt	Z 137
21708	038 109 244 J	deflection pulley	ØA 40 B 35
24754	038 109 244	deflection pulley	
25170	028 105 263 D	crankshaft gear	Z 22
26925	028 903 315 R	tension roller	
27618	038 903 315 AH	belt tensioner	ØA 70 B24
30215	03L 109 243 E	tension roller	ØA68,5ØI8,5B 35
34127	03L 109 119 F	timing belt	Z 160
34128	03L 198 119	rep. kit timing belt	Z 160

### 1,9 TDI (PD)

(ANU / AUY / ASZ)

### 1,9 / 2,0 TDI (PD)

(ANU / AUY / ASZ / BTB / BRT / BUK / BUH)



(1) (mot.) AUY / ANU (mot.) ANU 005 001 →

(2) (mot.) ANU / ASZ / AUY / BTB (ch.) → 7M-8-520 000 / 7M-8-520 000 → / (mot.) BUK / BRT / BUH



Ref. - No.



Ref. - No.	Description	Notes	Dimensions
17712	045 109 244 A	deflection pulley	ØA 28 B34
17944	045 109 243 C	tension roller	ØA 72 B35/31
19540	038 109 119 P	timing belt	Z 120 B30
21706	038 109 243 M	tension roller	ØA 68 B31,5
21708	038 109 244 J	deflection pulley	ØA 28 B34
21722	045 109 479 B	belt tensioner	(1)
21724	038 198 119 A	rep. kit timing belt	(mot.) ANU 005 001 →
21726	038 109 119 P S1	rep. kit timing belt	(mot.) ANU → 005 000
21746	038 903 315 F	belt tensioner	(2)
26033	045 109 479 C	belt tensioner	ØA 90 B24,6
28025	03G 903 315 C	belt tensioner	

# VOLKSWAGEN Sharan 3 (7N)

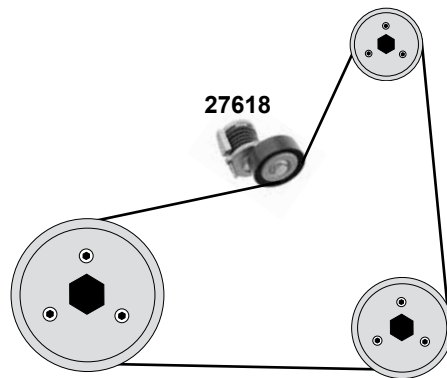
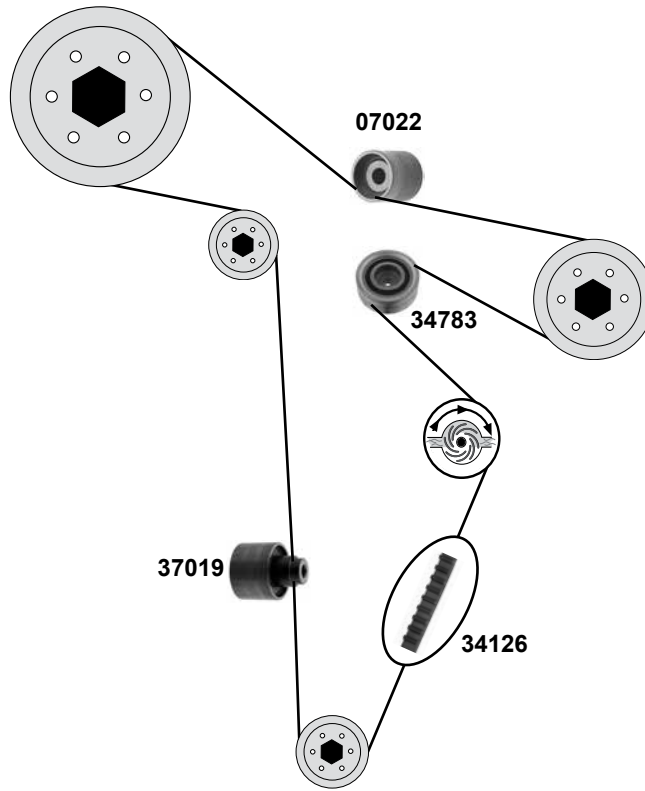
(10→)

Car  
Division



## 2,0 TDI

(CFFA/CFFB/CFGB/  
CFFE)



Ref. - No.



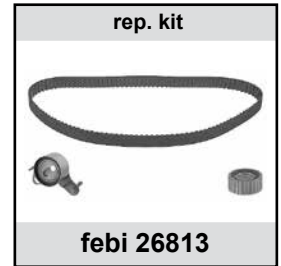
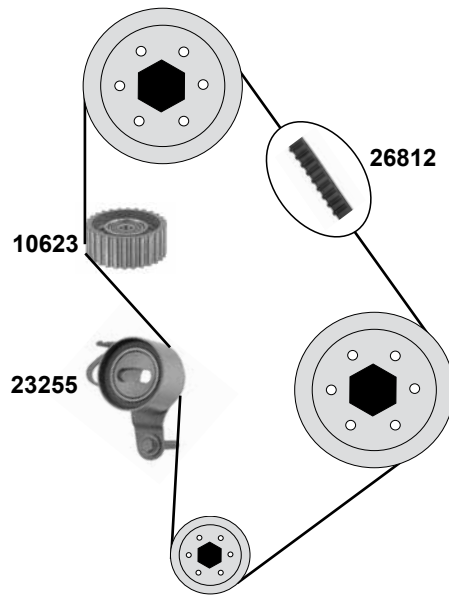
<b>07022</b>	03L 109 244 D
<b>27618</b>	038 903 315 AH
<b>34126</b>	03L 109 119 C
<b>34783</b>	03L 109 244
<b>37019</b>	03L 109 244 G

deflection pulley  
belt tensioner  
timing belt  
deflection pulley  
deflection pulley

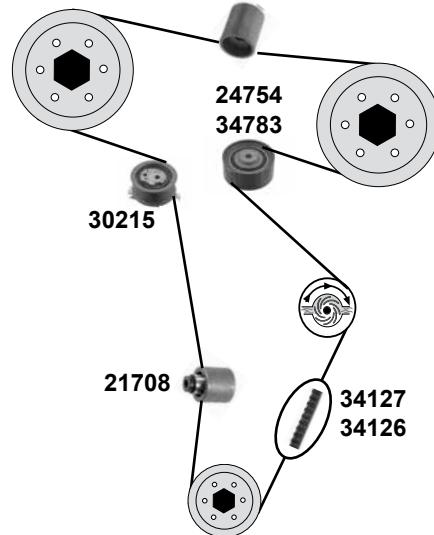
(ex.) CFFE  
(ex.) CFFE  
12/10 →

ØA 70 B24  
Z 160

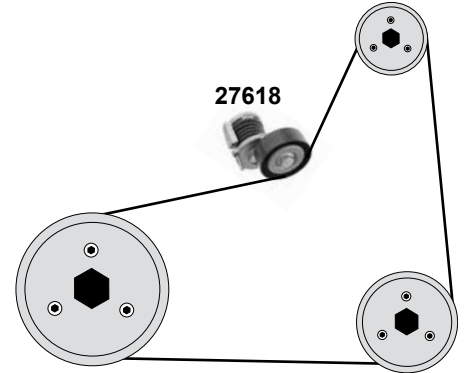
**2,5 D**  
(2L)



07022  
17712



**Tiguan (5N)**  
(08→)  
**2,0 TDI**  
(CBAA/CBAB/CBBA/CBBB/  
CFFD/CFFA/CLJA/CFFB/CFGB)



- (1) (mot.) CBAA/CBAB/CBBA/CBBB
- (2) (mot.) CFFD/CFFA/CLJA/CFFB/CFGB
- (3) (mot.) CFFD/CFFA/CFFB/CFGB
- (4) (mot.) CFFA/CFFB/CFFD/CFGB/CLJA



Ref. - No.

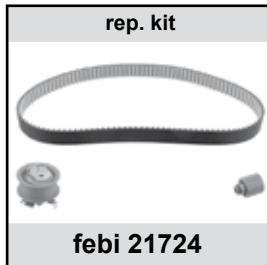
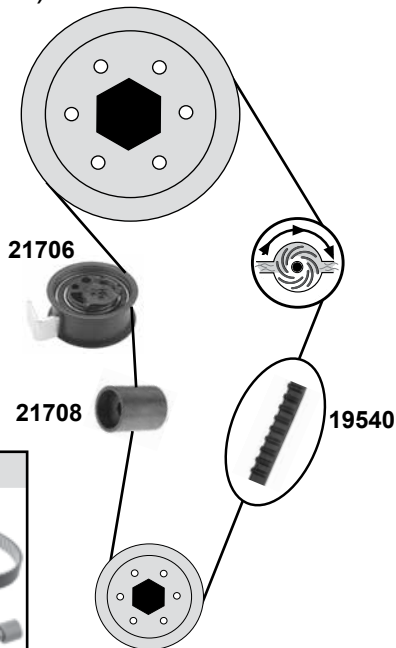


Ref. - No.	Description	Quantity	Dimensions
07022	03L 109 244 D deflection pulley	(3)	ØA 83 B35
10623	J13 503 540 30 deflection pulley	(1)	ØA 83 B35
17712	03L 109 244 C deflection pulley	(1)	ØA 28 B34
21708	038 109 244 J deflection pulley	(1)	ØA 40 B 35
23255	J13 505 540 21 Tension roller	(1)	
24754	038 109 244 deflection pulley	(1)	
26812	J13 568 591 06 timing belt	(1)	Z 129 B 31
26813	J13 568 591 06 S1 rep. kit timing belt	(1)	
27618	038 903 315 AH belt tensioner		ØA 70 B24
30215	03L 109 243 E tension roller	(1)	ØA68,5ØI8,5B 35
34126	03L 109 119 C timing belt	(2)	Z 160
34127	03L 109 119 F timing belt	(1)	Z 160
34128	03L 198 119 rep. kit timing belt	(1)	Z 160
34783	03L 109 244 J deflection pulley	(4)	



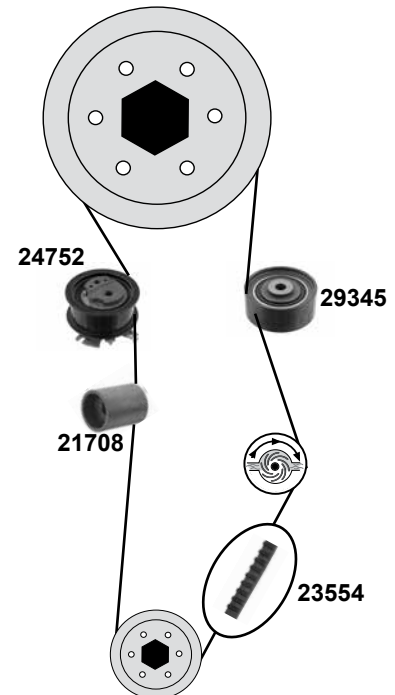
### 1,9 TDI

(BRU / AVQ / BKC)



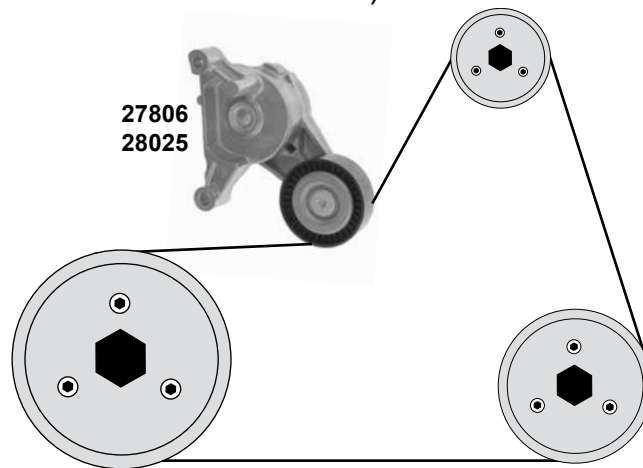
### 2,0 TDI

(AZV / BKD / BMN)



### 1,9 / 2,0 TDI

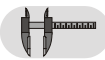
(BRU/AVQ/BKC/AZV/BKD/BMN/BLS/BMM/BXE/BXJ)



(1) (ex.) (mot.) BMN/BLS/BMM/BXE/BXF/BXJ



Ref. - No.



19540

038 109 119 P

timing belt

Z 120 B30

21706

038 109 243 M

tension roller

ØA 68 B31,5

21708

038 109 244 J

deflection pulley

ØA 28 B34

21724

038 198 119 A

rep. kit timing belt

23554

03G 109 119

timing belt

Z 141 B30

24752

03G 109 243

tension roller

ØA 78 B 36

24756

03G 198 119

rep. kit timing belt

(1)

27806

03G 903 315 A

belt tensioner

ØA 70

28025

06G 903 315 C

belt tensioner

ØA 90 B 24,6

29345

03G 109 244 A

deflection pulley

ØA 80 B34,3

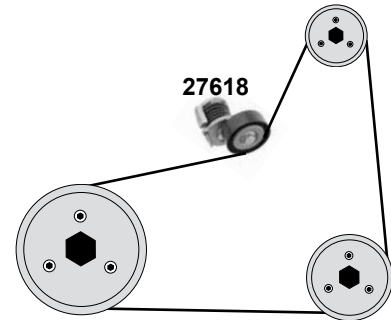
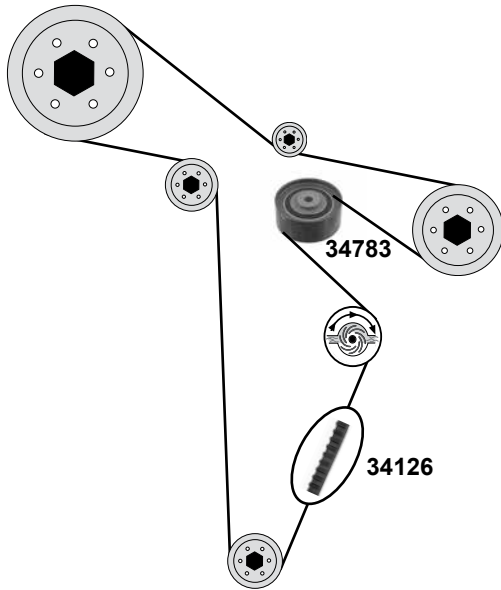
30580

03G 198 119 A

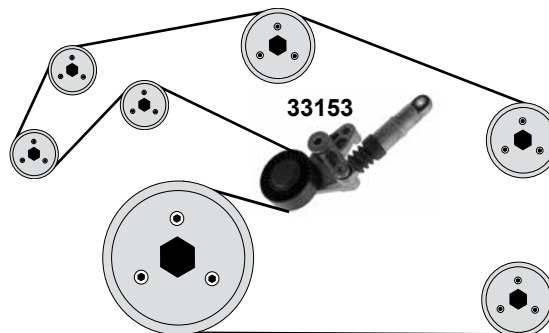
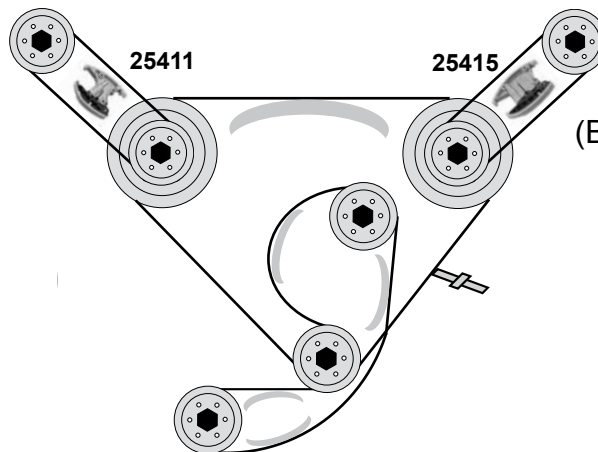
rep. kit timing belt

(ch.) 1T-6-185 467 →

**1,6 / 2,0 TDI**  
(CAYB/CAYC/CLCA/CFHC/CFJA)



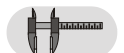
**Touareg (7L)**  
(03 → 10)  
**3,0 TDI**  
(BKS/BUN/CASA/CASB/CASC/CATA)



(1) → 10 (mot.) BKS/BUN/CASA/CASB/CASC/CATA  
11 → (mot.) CASA/CASD/CATA/CKDA



Ref. - No.



<b>25411</b>	057 109 218 K
<b>25415</b>	059 109 217 C
<b>27618</b>	038 903 315 AH
<b>33153</b>	059 145 201 F
<b>34126</b>	03L 109 119 C
<b>34783</b>	03L 109 244 J

chain tensioner
chain tensioner
belt tensioner
belt tensioner damper
timing belt
deflection pulley

(1)
(mot.) BKS/BUN → 10
→ 10
11 →

ØA 70 B 24
Z 160

# VOLKSWAGEN

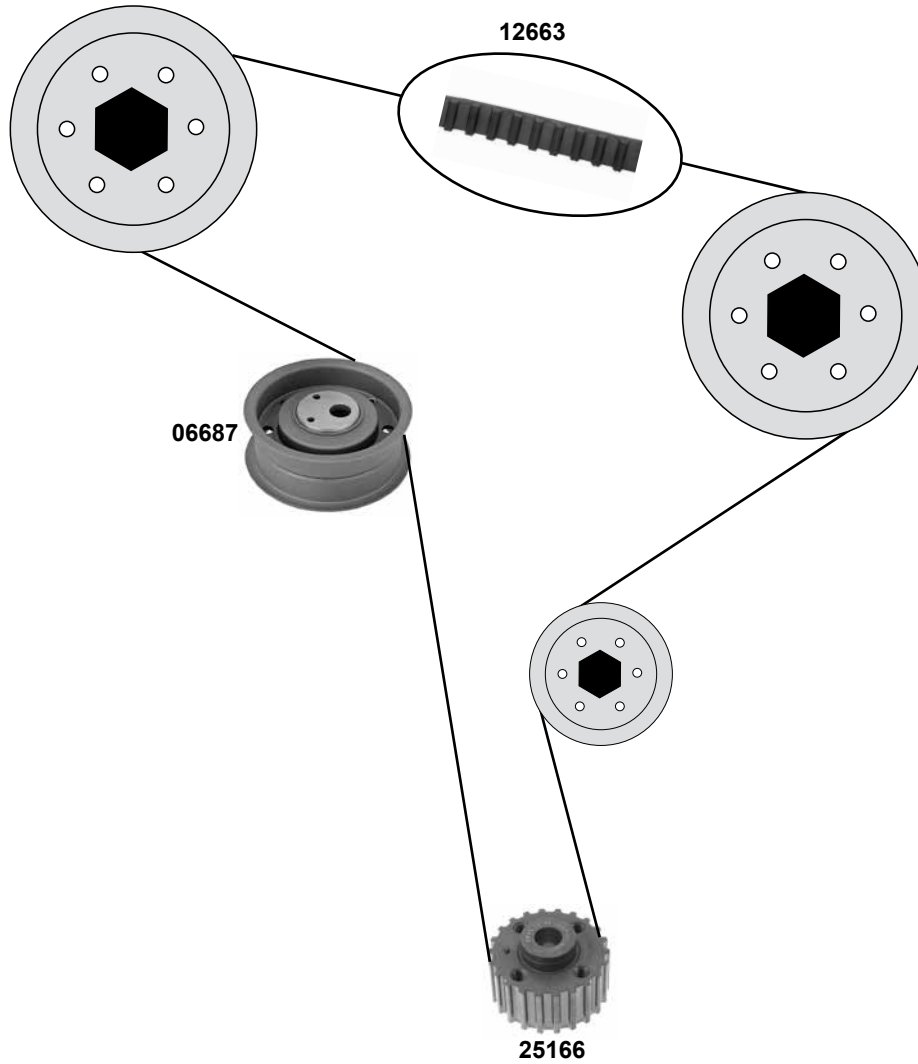
## Transporter Typ 3 (24/25)





(80→91)

Car  
Division 

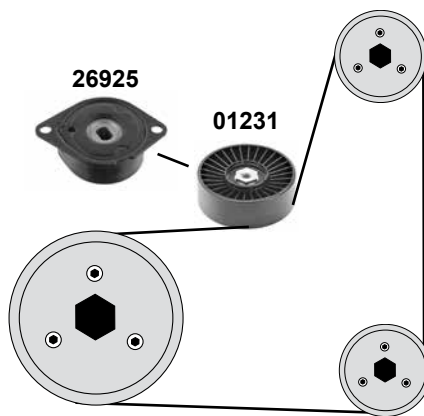
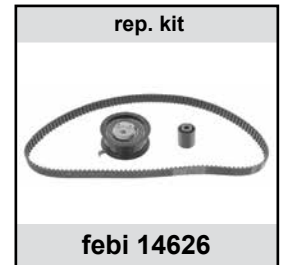
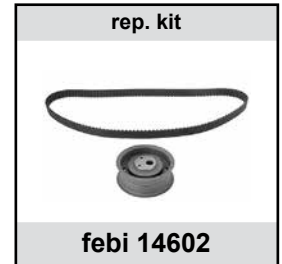
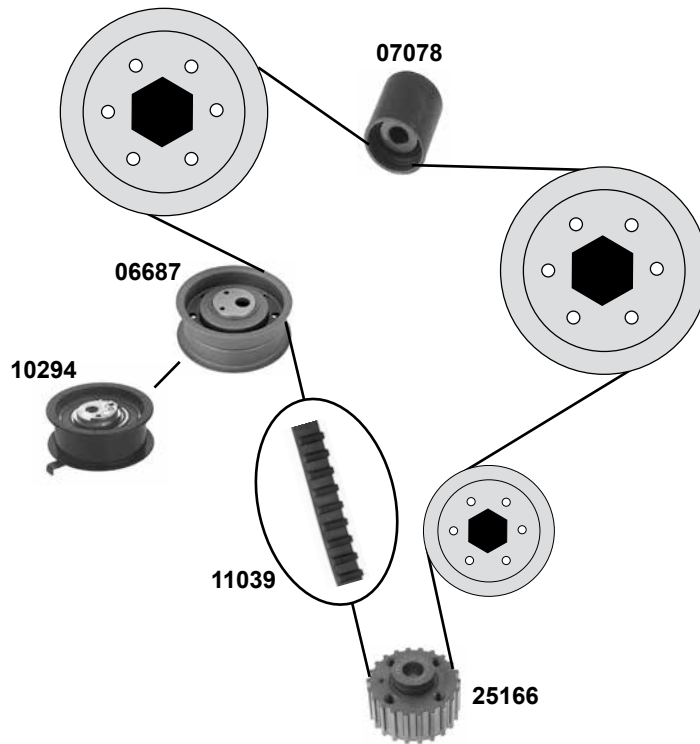


**1,6 D / 1,6 TD / 1,7 D**  
(CS / JX / KY)



	Ref. - No.			
<b>06687</b>	068 109 119 E	tension roller		ØA 72 ØI 10 B27
<b>12663</b>	068 109 119 E	timing belt		Z 135 B25
<b>14600</b>	068 109 119 E S1	rep. kit timing belt		
<b>25166</b>	028 105 263 E	crankshaft gear		Z 22

**1,9 D / 1,9 TD**  
(1X / ABL)



(1) 120A alternator

(2) (mot.) ABL: → 029319  
(mot.) 1X: → 120077

(3) (mot.) ABL: 029320 →  
(mot.) 1X: → 120077  
(mot.) 1X: → 120078



Ref. - No.



Ref. - No.	Description	Quantity	Dimensions
01231	tension roller	(1)	ØA 78 ØI 8 B26
06687	tension roller	(2)	ØA 72 ØI 10 B27
07078	deflection pulley	(3)	ØA 28 ØI 8 B31,5
10294	tension roller	(3)	ØA 67 ØI 8 B25
11039	timing belt		Z 137 B25,4
14602	rep. kit timing belt	(2)	
14626	rep. kit timing belt	(3)	
25166	crankshaft gear		Z 22
26925	tension roller	93→	



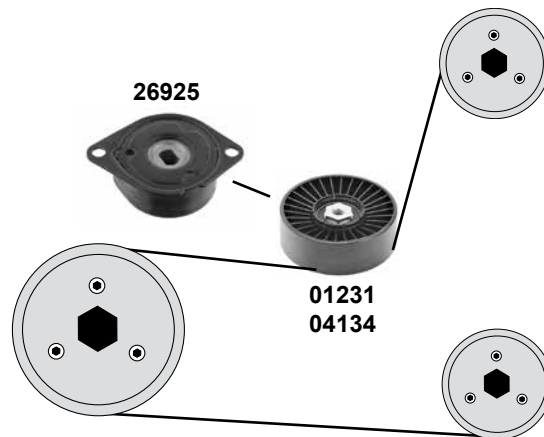
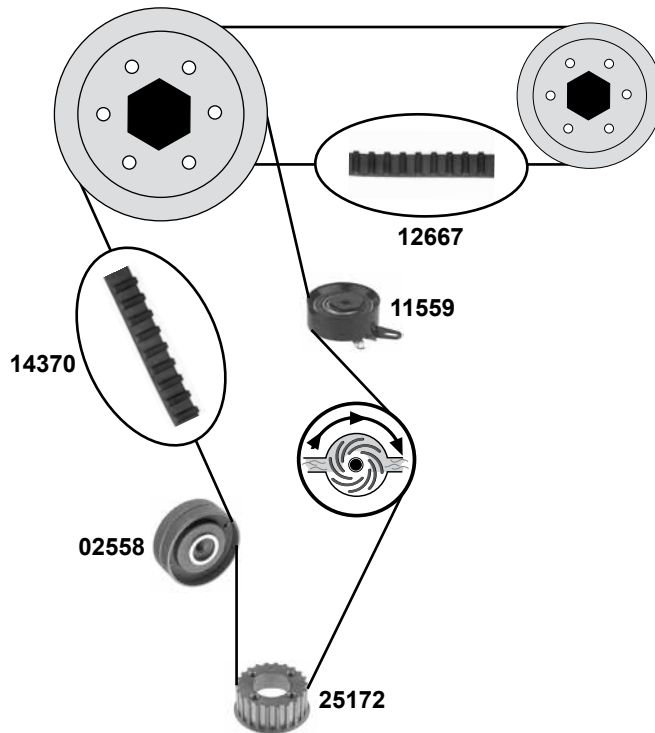
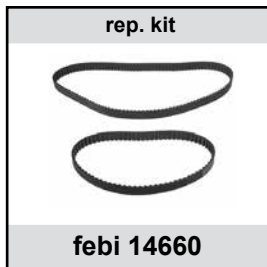
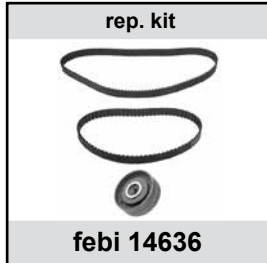
# VOLKSWAGEN Transporter Typ 4 (70/7D)

(90→04)

Car  
Division



**2,4 D**  
(AAB/ AJA)



- (1) auxiliary drive
- (2) (ex.) auxiliary drive
- (3) (mot.) AAB: 320127 →
- (4) (mot.) AAB 09/90 → 06/03
- (5) (mot.) AJA 01/96 → 06/03



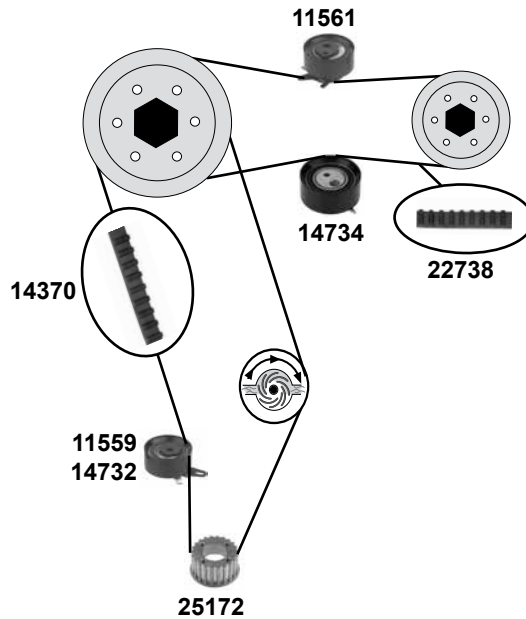
Ref. - No.



Ref. - No.	Description	Notes	Dimensions
01231	028 145 278 E tension roller	(2) (ch.)70-S-071 872→	ØA 78 ØI 8 B26
02558	069 109 243 B deflection pulley		ØA 75 B34
04134	074 145 278 F tension roller	(1) (ch.)70-S-071 872 →	ØA 81 ØI 8 B22,5
11559	074 109 243 F tension roller	(3)	ØA 73 ØI 8 B27
12667	074 130 113 timing belt		Z 77 B20
14370	074 109 119 R timing belt	(4) (5)	Z 122 B26,5
14636	074 109 119 R S2 rep. kit timing belt		
14660	074 109 119 R S3 rep. kit timing belt		
25172	069 105 263 crankshaft gear		Z 22
26925	028 903 315 R tension roller	(2) 97→	

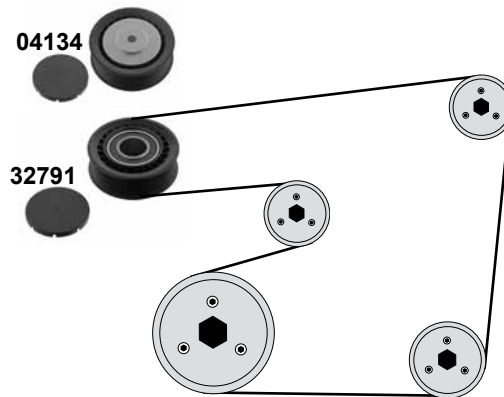
### 2,5 TDI

(ACV / AUF / AYC / AHY / AJT / AXG / AXL / AYY)



### 2,5 TDI

(AET / AEU / APL / AVT / AJA / AJT / ACV / AYC / AUF / AYY)



(1) (mot.) ACV / AUF / AYC / 95 → 03	(2) (mot.) ACV / AUF / AYC / 96 → 03
(3) (mot.) ACV / AUF / AYC / 96 → 04	(4) (mot.) ACV / AUF / AYC / 99 → 04
(5) (mot.) ACV / 90 → 03	(6) (mot.) AHY / AJT / AUF / AXG / AXL / AYC / AYY / 96 → 03
(7) Transporter T4 (mot.) AHY / AJT / AXG / AYY Transporter T4 syncro (mot.) AXL	



Ref. - No.



Ref. - No.	Description	Part No.	Dimensions
11559	tension roller	(1)	ØA 73 B27
11561	tension roller	(2)	
04134	tension roller	(3)	ØA 90
14370	timing belt	(5) (6)	Z 122 B26,5
14732	tension roller	(7)	ØA 73 ØI 8 B27
14734	tension roller	(3)	ØA 24 B24
22738	timing belt	(2)	Z 81 B21
25172	crankshaft gear	(mot.) ACV / 96 → 03	Z 22
30779	rep. kit timing belt	(3)	
32791	tension roller	(4)	ØA 80

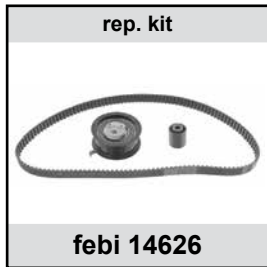
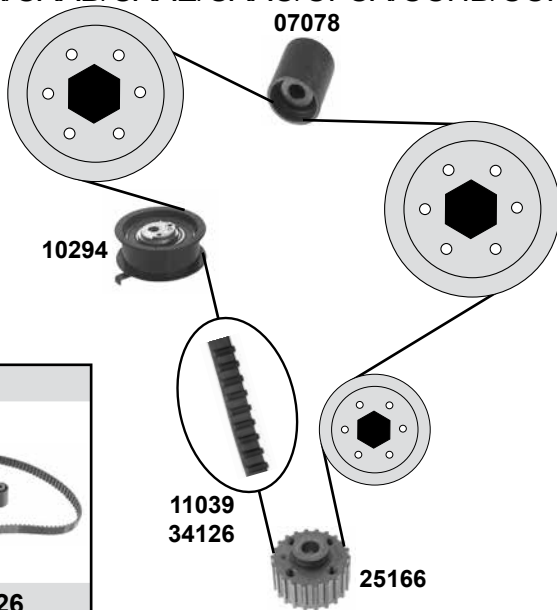
# VOLKSWAGEN Transporter Typ 5 (7H/7J)

(03→)

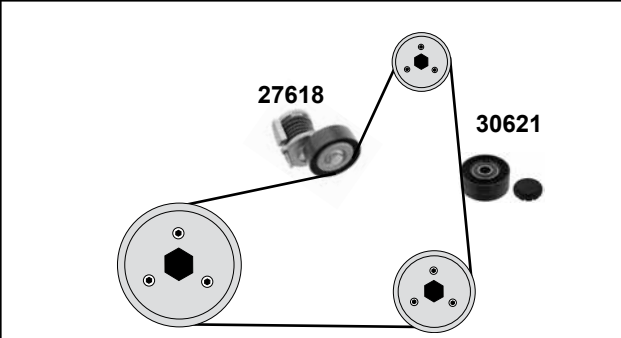
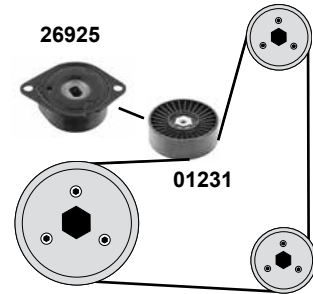
Car  
Division



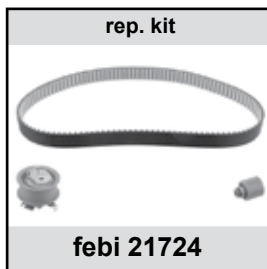
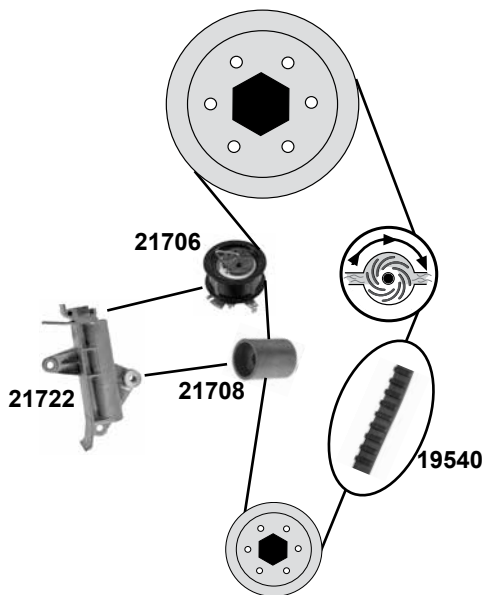
## 1,9 D / 1,9 TD / 2,0 TDI (ABL/CAAA/CAAB/CAAE/CAAC/CFCA/CCHB/CCHA)



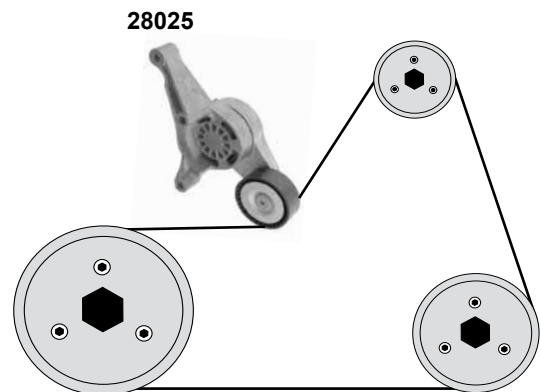
## 1,9 TD (ABL)



## 1,9 TDI (AXC / AXB)



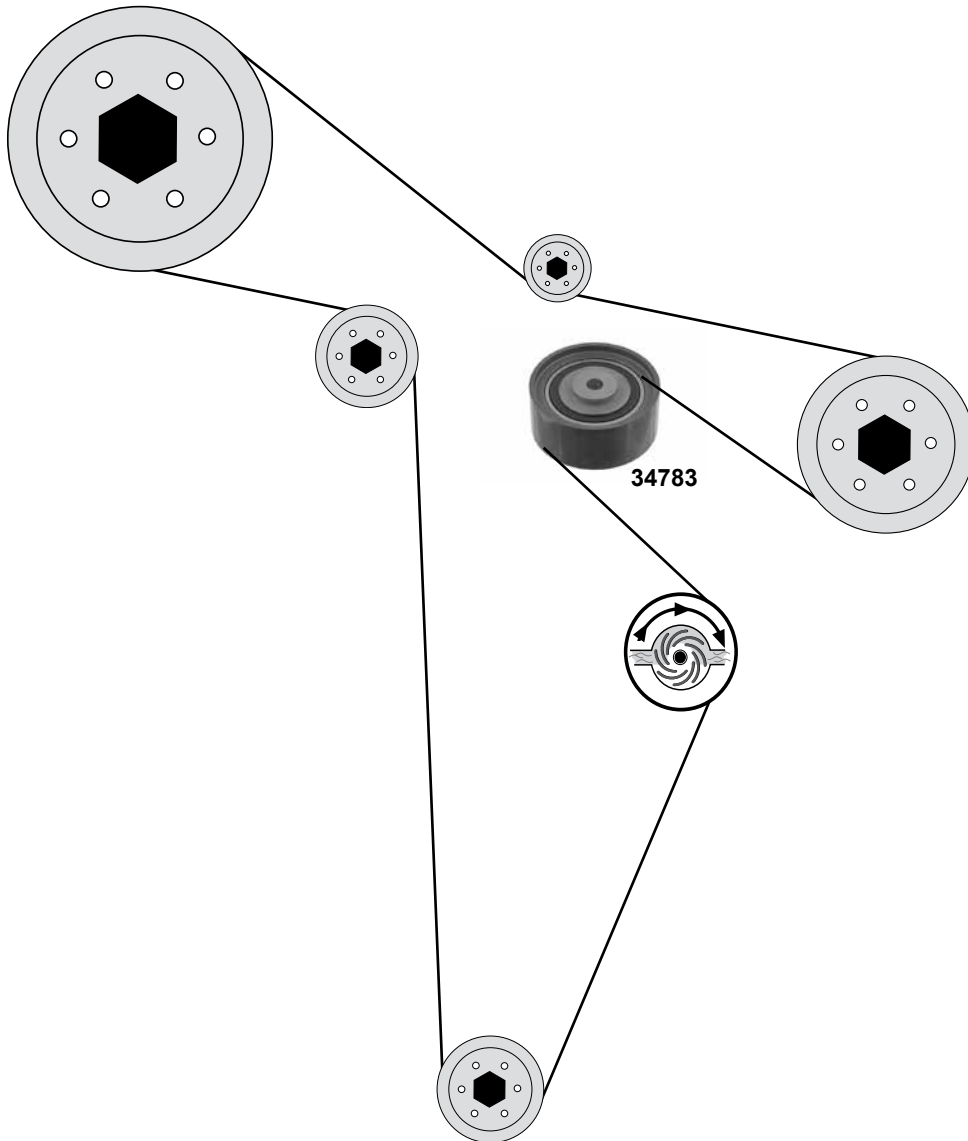
## 1,9 TDI (AXC / AXB / BRR / BRS)



Ref. - No.



01231	028 145 278 E	tension roller	(mot.) ABL	ØA 78 ØI 8 B26
07078	028 109 244	deflection pulley	(mot.) ABL	ØA 28 ØI 8 B31,5
10294	028 109 243 F	tension roller	(mot.) ABL	ØA 67 ØI 8 B25
11039	028 109 119 P	timing belt	(mot.) ABL	Z 137 B25,4
14626	028 198 119 C	rep. kit timing belt	(mot.) ABL	
19540	038 109 119 P	timing belt		Z 120 B30
21706	038 109 243 M	tension roller		ØA 68 B31,5
21708	038 109 244 J	deflection pulley		ØA 28 B34
21722	045 109 479 B	belt tensioner	→ 11/09	
21724	038 198 119 A	rep. kit timing belt		
25166	028 105 263 E	crankshaft gear	(mot.) ABL	Z 22
26925	028 903 315 R	tension roller	(mot.) ABL / → 04	
27618	038 903 315 AH	belt tensioner		ØA 70 B24
28025	03G 903 315 C	belt tensioner		ØA 90 B24,6
30621	03G 145 276	deflection pulley		ØA 70 ØI 8 B27
34126	03L 109 119 C	timing belt	(ex.) (mot.) ABL / 10 →	Z 160

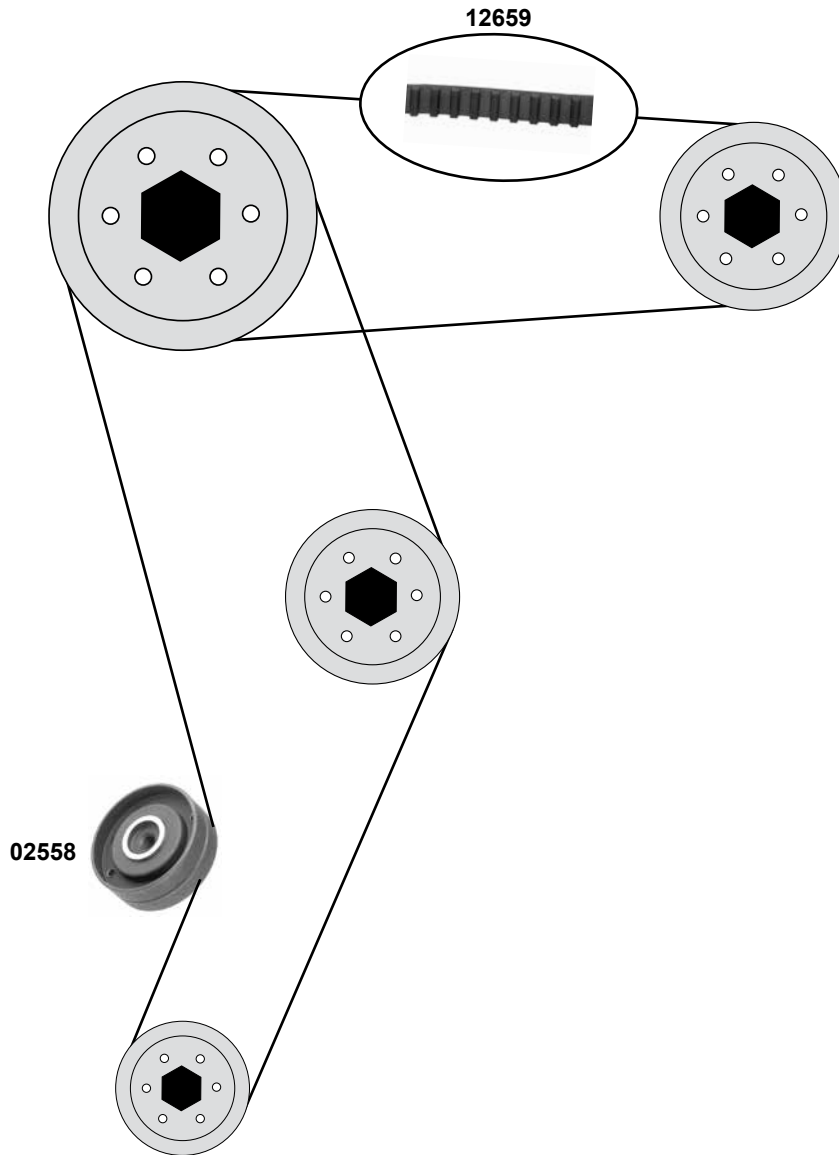


**VOLVO**  
**240**  
(79→92)

**Car**  
**Division**



**2,0 D / 2,4 D**  
(D20 / D24)



**Ref. - No.**

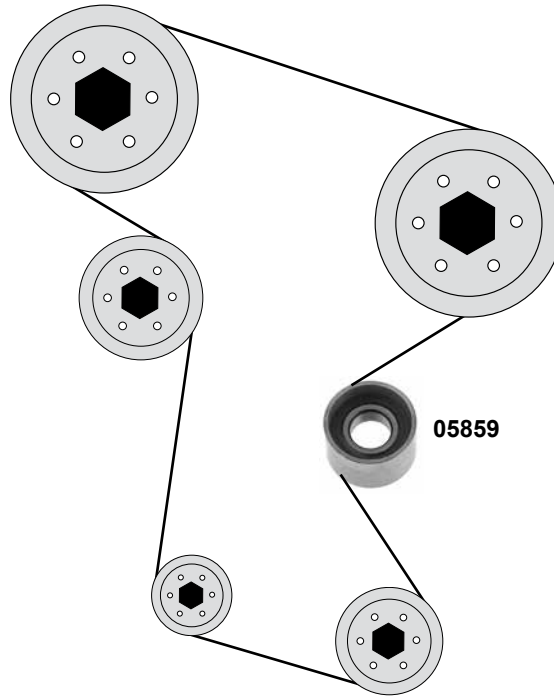


**02558** 1257120  
**12659** 1257237

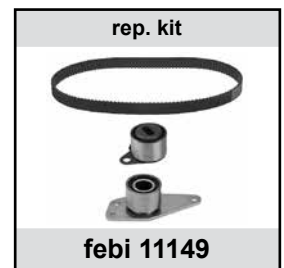
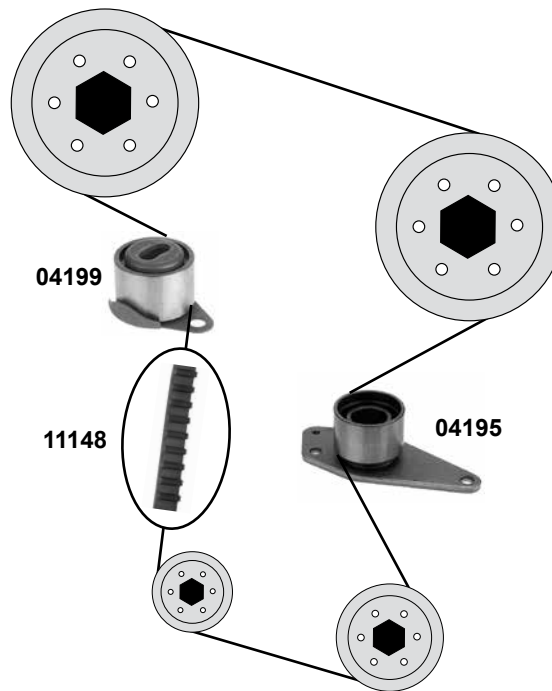
deflection pulley  
timing belt injection pump

ØA 75 B34

(mot.) → 32767



(mot.) 32768 →



Ref. - No.

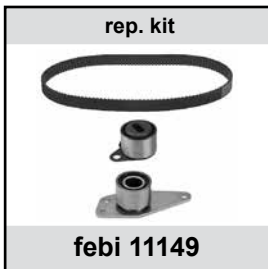
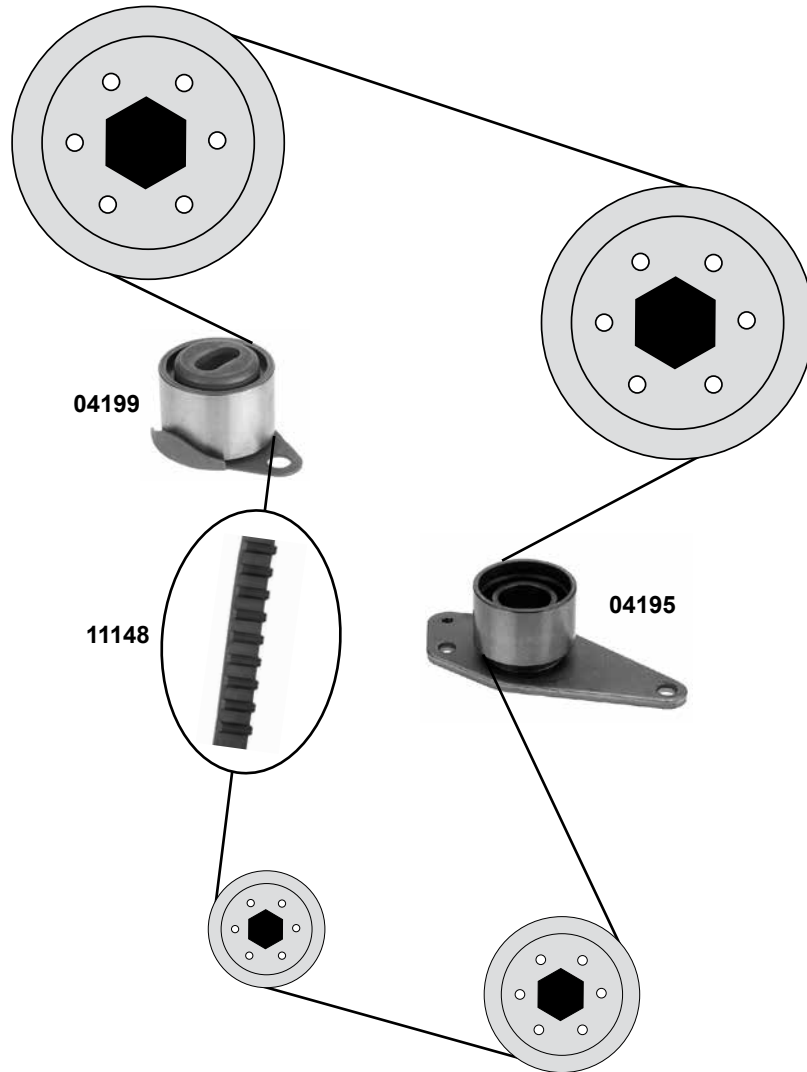


04195	30621261
04199	3343741
05859	3287776
11148	3343893
11149	3343893 S1

deflection pulley
tension roller
deflection pulley
timing belt
rep. kit timing belt

ØA 50 B31
ØA 50 ØI 23,5 B31
ØA 50 B30,5
Z 153 B 25,4

**1,9 D**  
 (D19 T / D19 TIC)



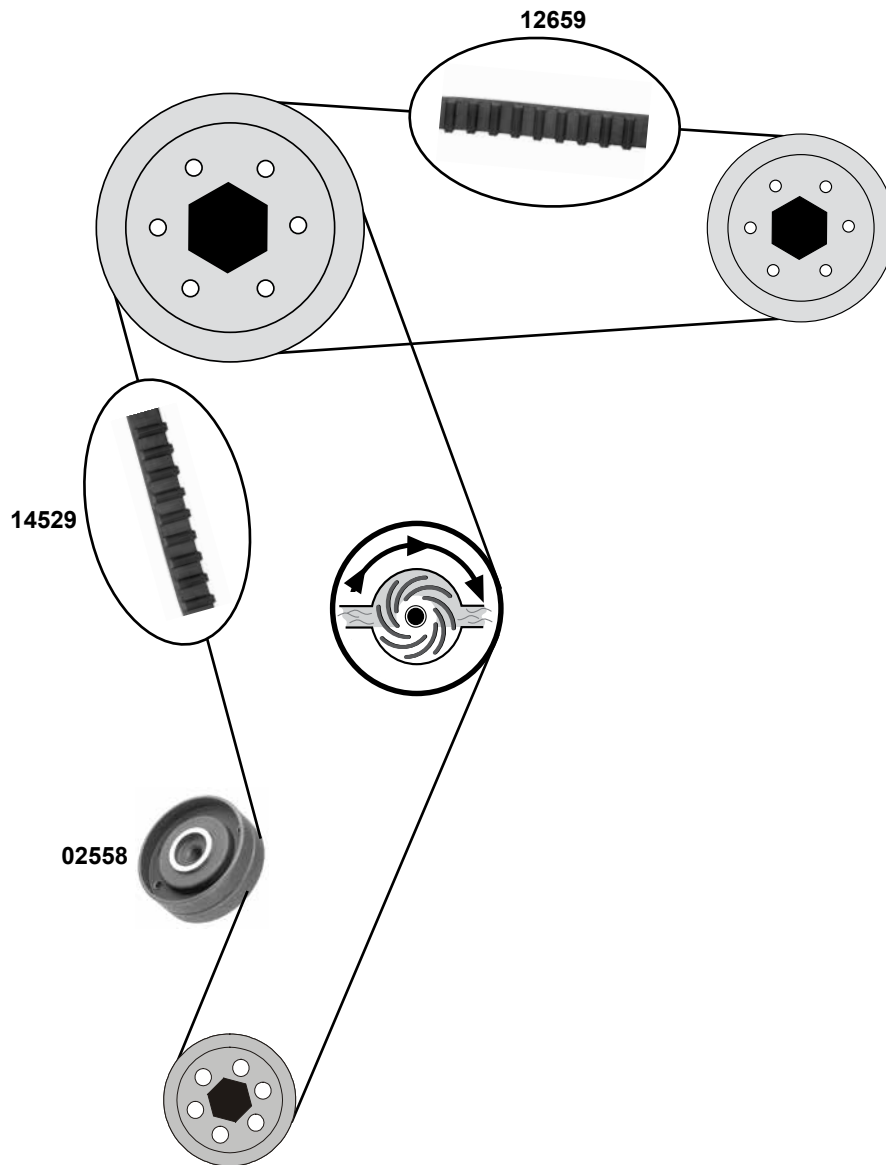
Ref. - No.



04195	30621261
04199	3343741
11148	3343893
11149	3343893 S1

deflection pulley
tension roller
timing belt
rep. kit timing belt

ØA 50 B31
ØA 50 ØI 23,5 B31
Z 153 B25,4



Ref. - No.



**02558** 1257120  
**12659** 1257237  
**14529** 3507227

deflection pulley  
timing belt inj. pump  
timing belt

ØA 75 B34  
Z 75 B20  
Z 119 B25,4



# VOLVO

## 850

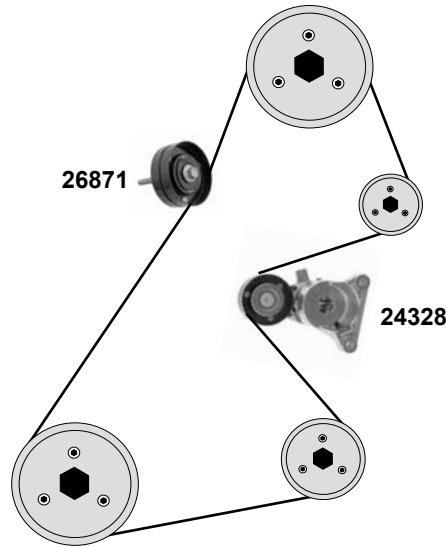
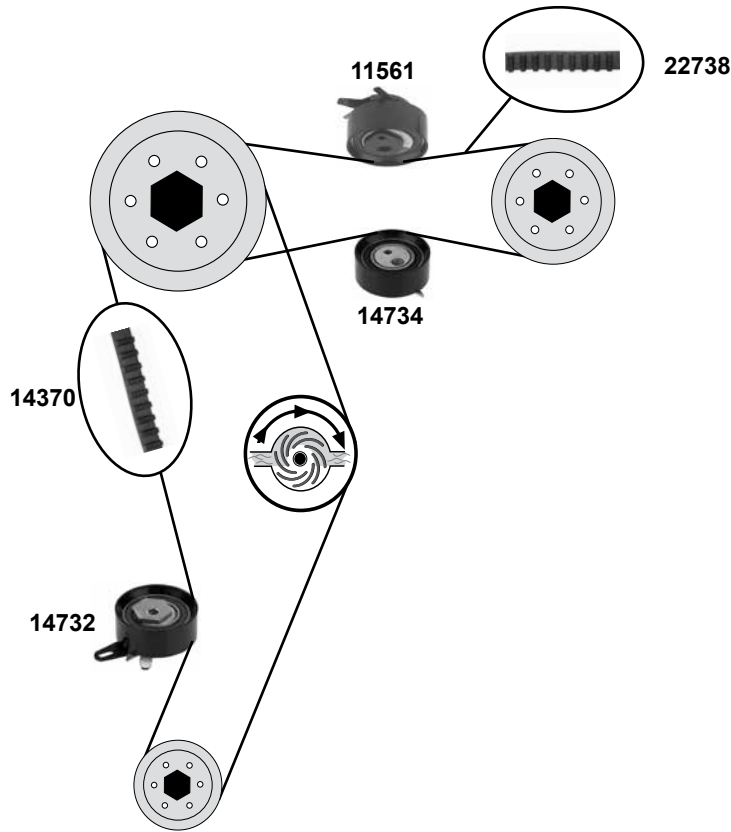
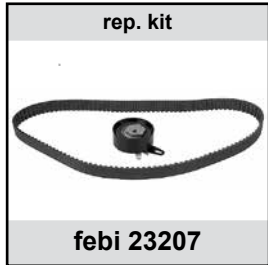
(92→97)

Car  
Division



## 2,5 TDI

(D5252 T)



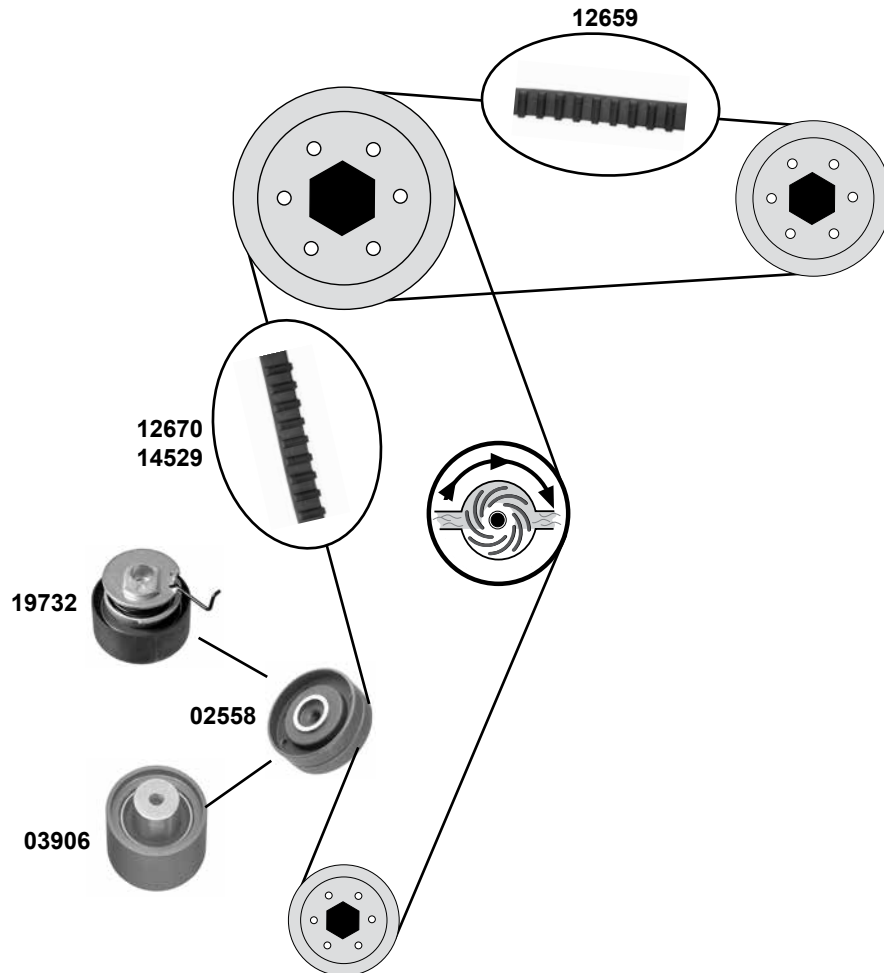
(1) for Injection pump



Ref. - No.



11561	9207927	tension roller		ØA 66 ØI 8 B24
14370	272462	timing belt		Z 122 B26,5
14732	8677053	tension roller		ØA 73 ØI 8 B27
14734	9180594	deflection pulley		ØA 63,5 ØI 8B24
22738	9202398	timing belt	(1)	Z 81 B21
22739	9202398 S1	rep. kit timing belt	(1)	Z 81 B21
23207	272462 S1	rep. kit timing belt		
24328	9179314	tension roller		Ø A 76 B24
26871	9207905	deflection roller		Ø A 76 B26

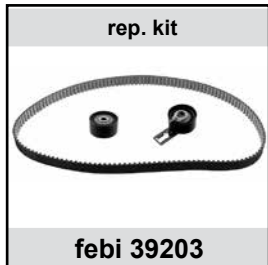
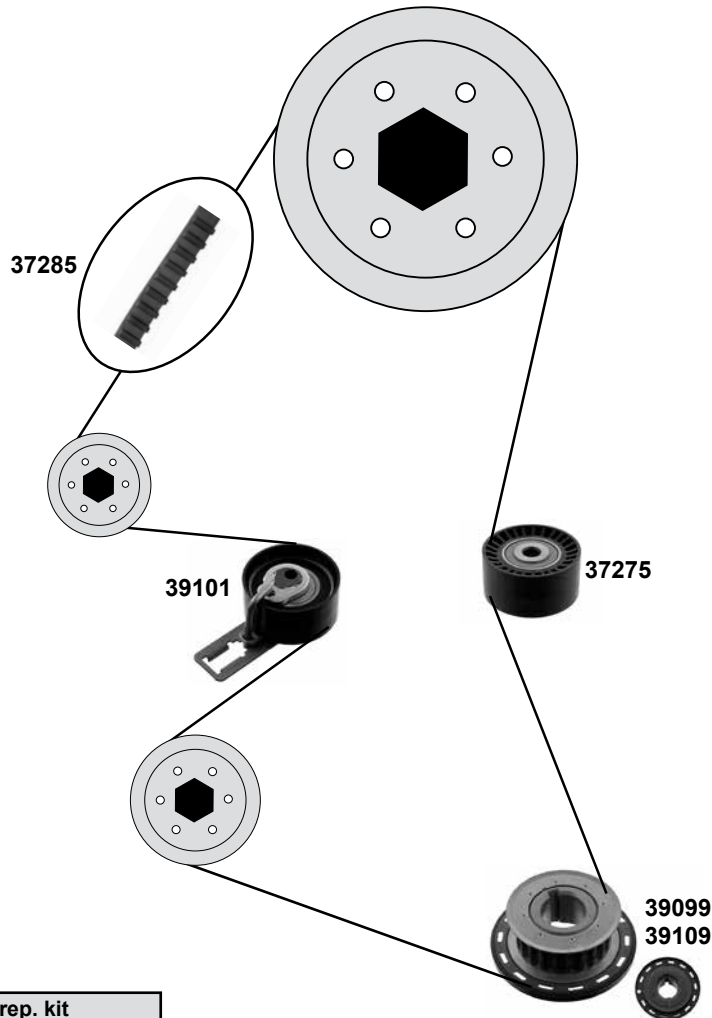


	Ref. - No.			
<b>02558</b>	1257120	deflection pulley	<b>Modell:</b> → 93	Ø A75 B34
<b>03906</b>	9135946	deflection pulley	<b>Modell:</b> 94 →	Ø A64 B64
<b>12659</b>	1257237	timing belt		Z 75 B20
<b>12670</b>	9135933	timing belt	<b>Modell:</b> 94 →	Z120 B25,4
<b>14529</b>	3507227	timing belt	<b>Modell:</b> → 93	Z119 B25,4
<b>19732</b>	9135937	deflection pulley	<b>Modell:</b> 93 →	Ø A65 B27



### 1,6 TD

(D 4162 T)



(1) (ch.) 235668 →

(2) → (ch.) 235667

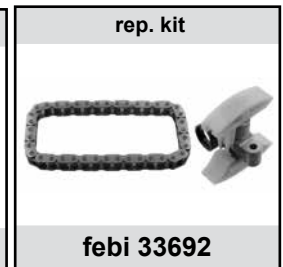
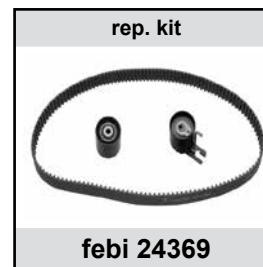
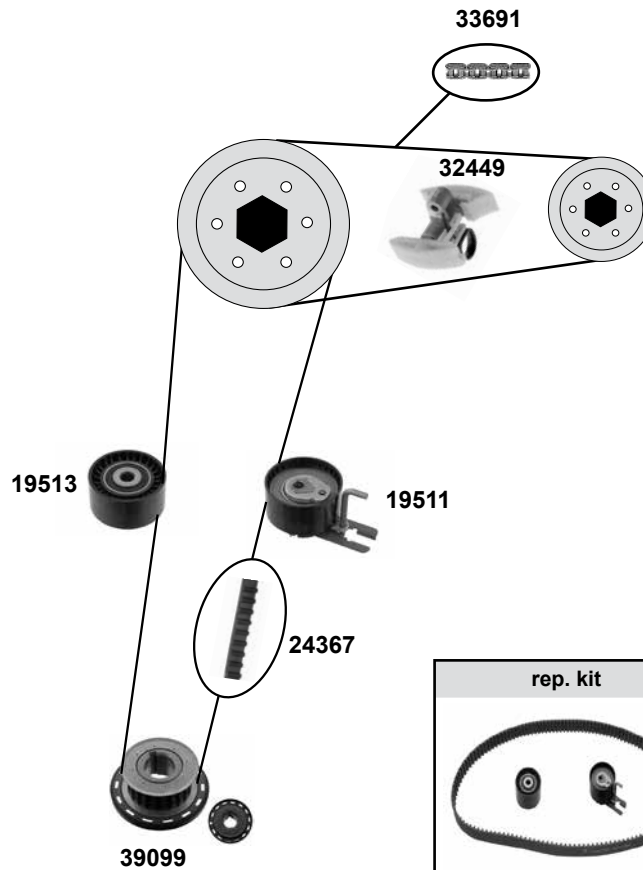


Ref. - No.

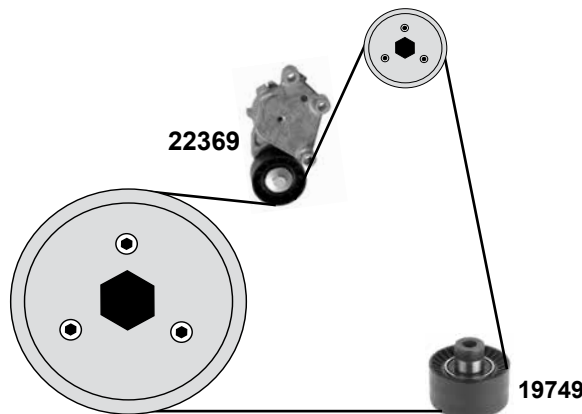


37275	31339887	deflection pulley			B 30
37285	31370046 SK	timing belt			Z 141 B25,4
39099	31251356	gear	(2)		
39101	31370047	tension roller			ØA 60 ØI 29
39109	31370048	gear	(1)		
39203	31370046	rep kit. timing belt			
39204	31370046 S1	rep kit. timing belt	(1)		
39205	31370046 S2	rep kit. timing belt	(2)		

**1,6 TD**  
(D 4164 T)



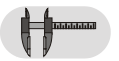
**1,6 TD**  
(D 4164 T)



(1) → (ch.) 196529



Ref. - No.



<b>19511</b>	30751981	tension roller	(1)
<b>19513</b>	30711069	deflection pulley	
<b>19749</b>	30637505	deflection pulley	
<b>22369</b>	31251129	tension roller	
<b>24367</b>	30777770	timing belt	
<b>24369</b>	31370440	rep. kit timing belt	
<b>32449</b>	31259232 SK	chain tensioner	
<b>33691</b>	8653755	timing chain	
<b>33692</b>	31259232	rep. kit timing chain	
<b>39099</b>	31251356	gear	

Ø A 60 B29  
Ø A 60 B30  
Ø A 60 B30  
Ø A 65  
Z 137 B25  
Z 137 B25  
40 E

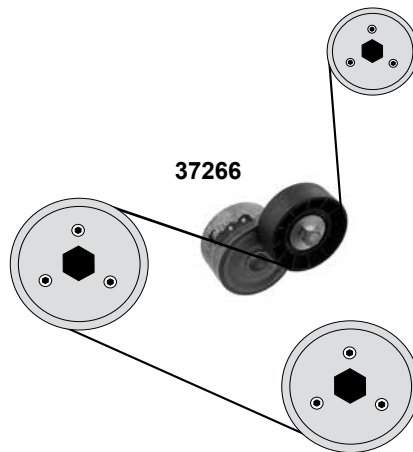
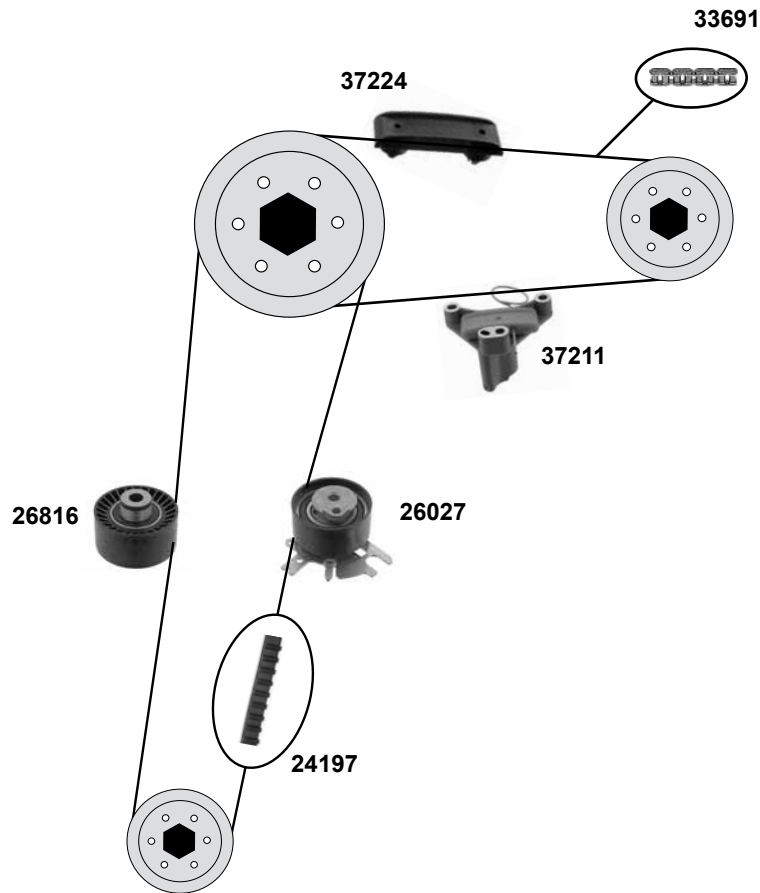
# VOLVO C 30 / C 70 II

(06→13)

Car  
Division



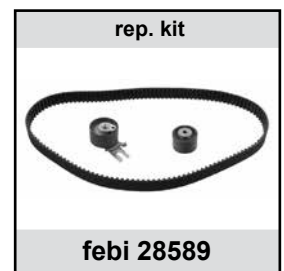
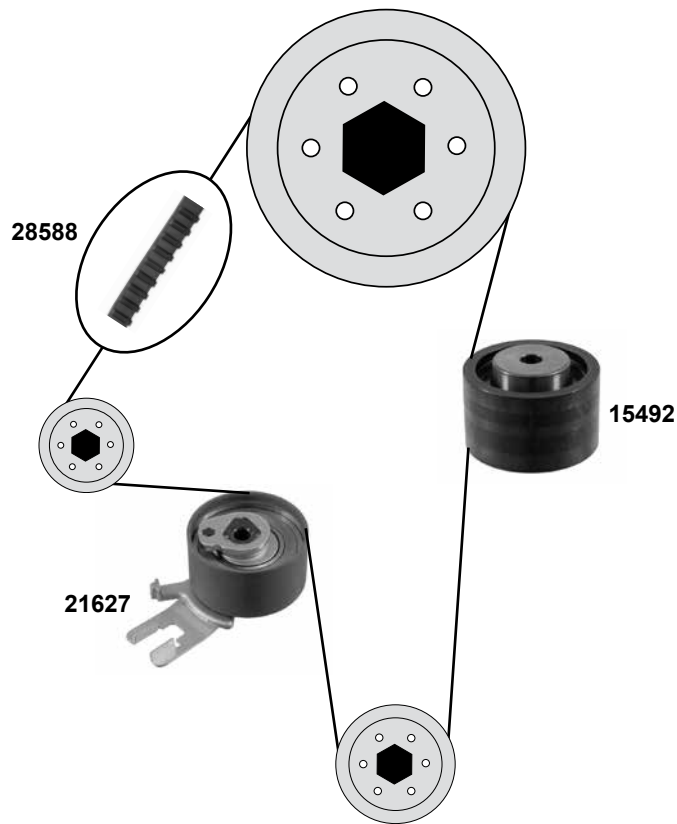
**2,0 TD**  
(D42....)



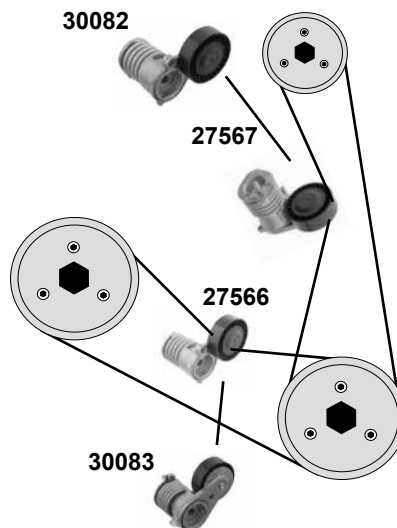
Ref. - No.	Part Description	Technical Specifications
24197	timing belt	Z 116 B25
26027	tension roller	Ø A 60 B29
26816	deflection pulley	Ø A 60,2 B30,2
26818	rep kit. timing belt	Z 116 B25
33691	timing chain	40 E
37211	chain tensioner	
37224	sliding rail	
37230	rep. kit timing chain	
37266	belt tensioner	Ø A 70 B25



**2,0 TD / 2,4 TD**  
(D 5204 T...,D 5244 T...)

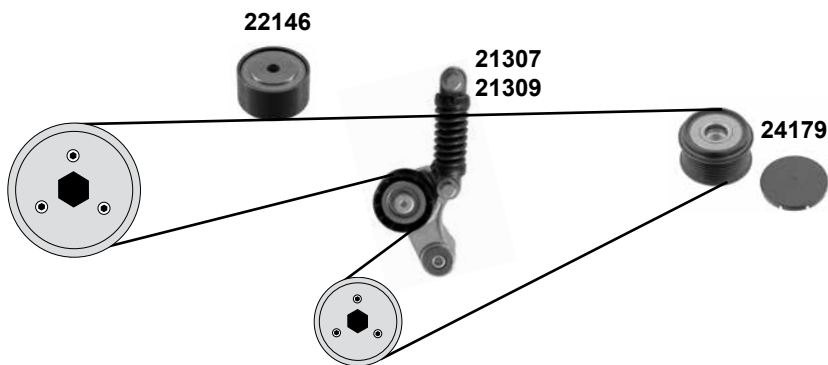
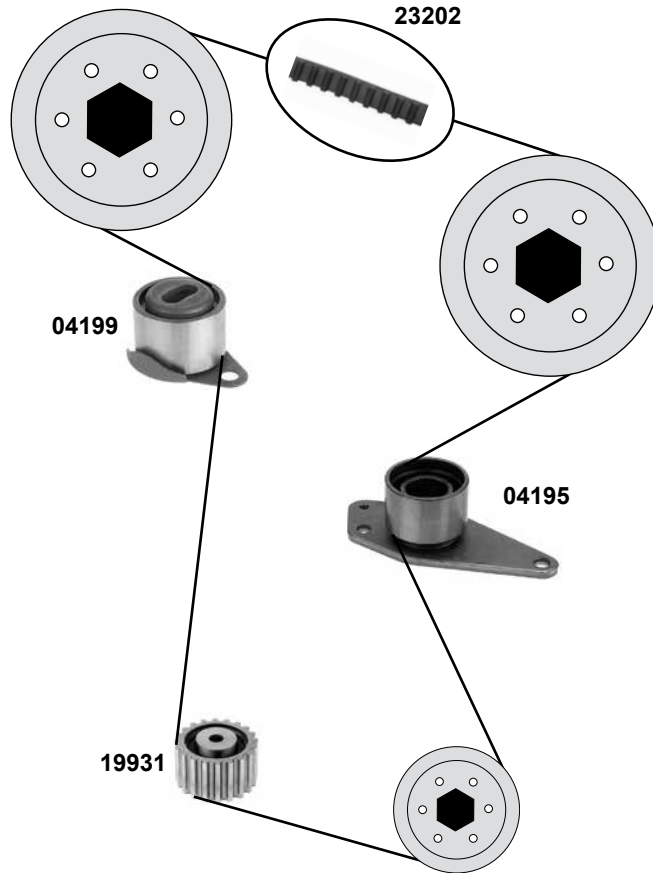


**2,0 TD / 2,4 TD**  
(D 5..... )



	Ref. - No.			
<b>15492</b>	8692561	deflection pulley		Ø A 53 B32
<b>21627</b>	30731774	tension roller		ØA 59 B32
<b>27566</b>	30711320	belt tensioner	(mot.) → 619467	ØA 65 B21
<b>27567</b>	30650957	belt tensioner	(mot.) → 619467	ØA 70 B20
<b>28588</b>	30731772	timing belt		Z 132 B28
<b>30082</b>	31251653	belt tensioner	(mot.) 619468 →	
<b>30083</b>	31251654	belt tensioner	(mot.) 619468 →	
<b>28589</b>	30731772 S1	rep. kit timing belt		Z 132 B28

**1,9 TD**  
 (D4192T)



(1) AC (mot.) → 7795

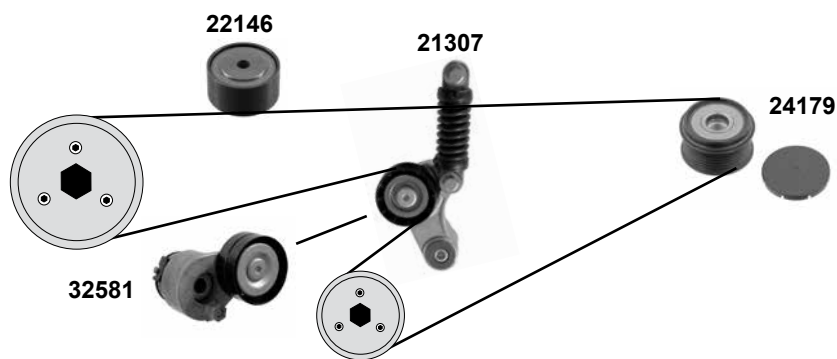
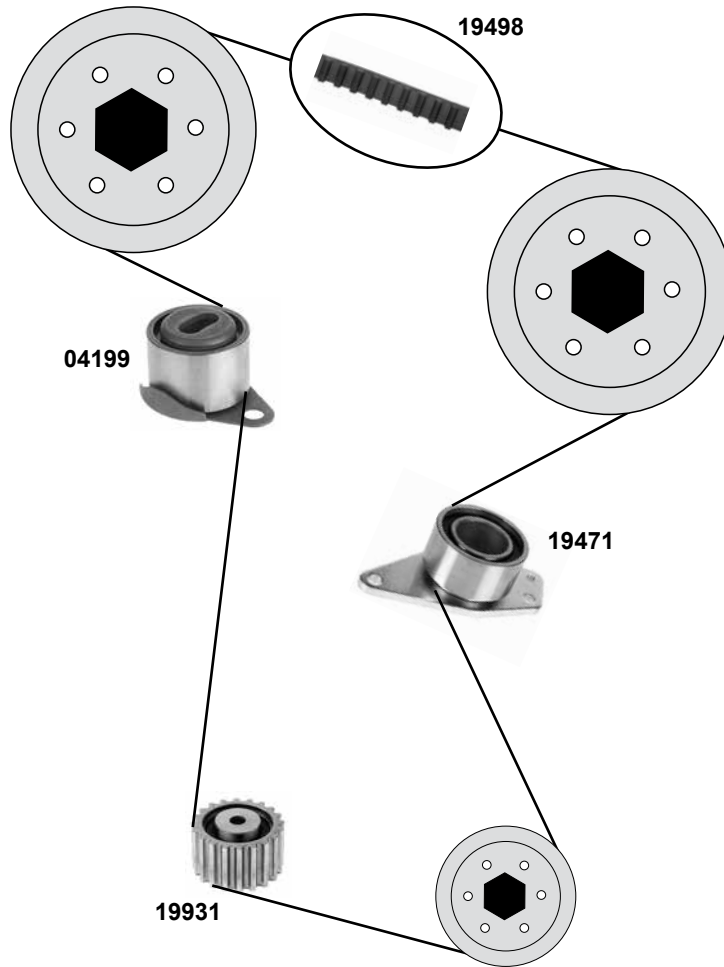
(2) AC (mot.) → 7795



Ref. - No.



Ref. - No.	Description	Part No.	Dimensions
04195	deflection pulley	30621261	ØA 50 B31
04199	tension roller	3343741	ØA 50 ØI 23,5 B31
19931	deflection pulley	30865078	ØA 60,6 B32,5
21307	belt tensioner	30852898	ØA 60 B25,5
21309	belt tensioner	30812354	ØA 60 B25,5
22146	deflection pulley	30621270	ØA 50 B26
23202	timing belt	30864046	Z 153 B25,4
23203	rep. kit timing belt	30864046 S1	
24179	pulley alternator	8641982	



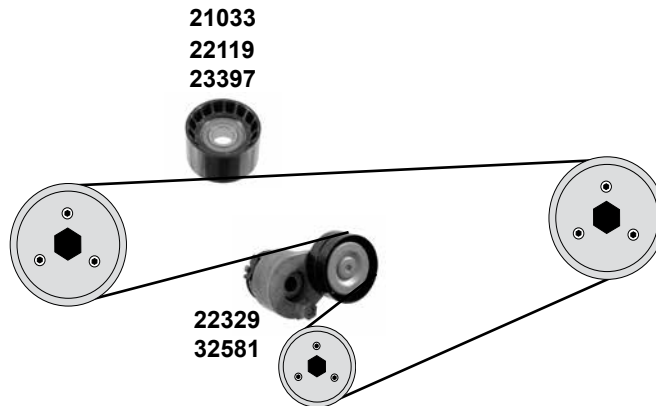
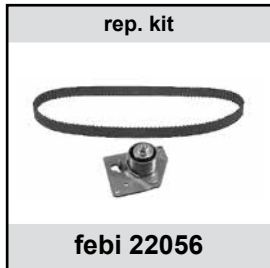
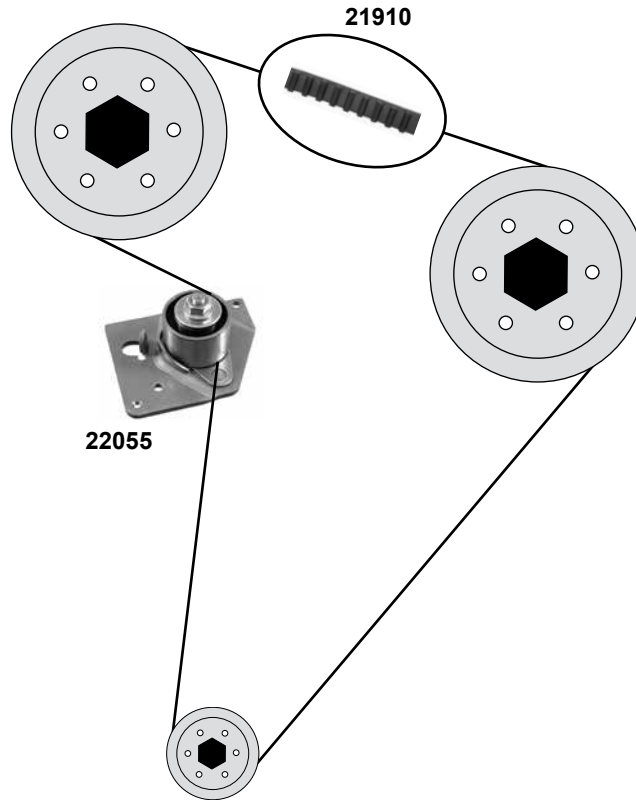
	Ref. - No.			
04199	3343741	tension roller		ØA 50 ØI 23,5 B31
19471	8642248	deflection pulley		Ø A 65 B42
19498	30865077	timing belt		Z 153 B26
19500	30865077 S1	rep. kit timing belt		
19931	30865078	deflection pulley	(mot.) 20560 →	ØA 60,6 B32,5
21307	30852898	belt tensioner	AC	ØA 60 B25,5
22146	30621270	deflection pulley	AC	ØA 50 B26
24179	8641982	pulley alternator		Z 153 B26
24805	30865077 S2	rep. kit timing belt		ØA 65 B26
32581	31310434	belt tensioner	(ex.) AC	





### 1,9 TD

(D4192T3 / T4)



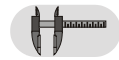
(1) D 4192 T3 (mot.) → 19167  
D 4192 T4 (mot.) → 25353

(2) D 4192 T3 (mot.) 19168 →

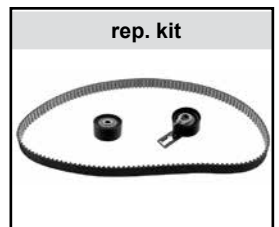
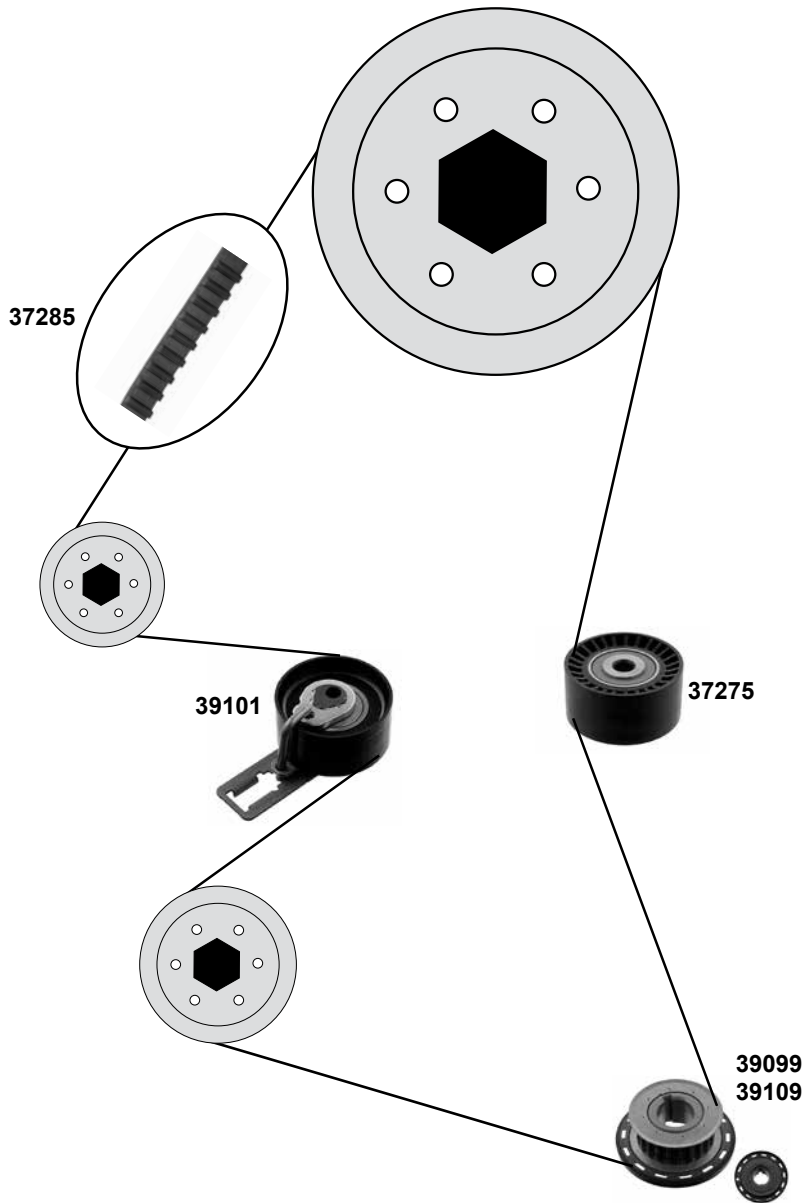
(3) D 4192 T/T2/T3/T4 / (ex.) AC



Ref. - No.



Ref. - No.	Description	Notes	Dimensions
21033	deflection pulley	(1) AC	ØA 62,2 B25,5
21910	timing belt		Z 132 B26
22055	tension roller		ØA 50 B30,8
22056	rep. kit timing belt		
22119	deflection pulley	(2) OLD AC	ØA 60 B31
22329	tension roller	AC	ØA 65 B30
23397	deflection pulley	(2) AC	ØA 60 B31
32581	belt tensioner	(3)	ØA 65 B26



- (1) **S 40 II (ch.)** 541046→541287 / **(ch.)** 541366→  
**V 50 (ch.)** 615660→616300 / **(ch.)** 61504→
- (2) **S 40 II (ch.)** →541045 **(ch.)** 541288→541365  
**V 50 (ch.)** → 615659 **(ch.)** 616301→616503



Ref. - No.



Part No.	Ref. - No.	Description	Quantity	Dimensions
<b>37275</b>	31339887	deflection pulley		B 30
<b>37285</b>	31370046 SK	timing belt		Z 141 B25,4
<b>39099</b>	31251356	gear	(2)	ØA 60 ØI 29
<b>39101</b>	31370047	tension roller		
<b>39109</b>	31370048	gear	(1)	
<b>39203</b>	31370046	rep kit. timing belt		
<b>39204</b>	31370046 S1	rep kit. timing belt	(1)	
<b>39205</b>	31370046 S2	rep kit. timing belt	(2)	

# VOLVO

## S 40 II / V 50

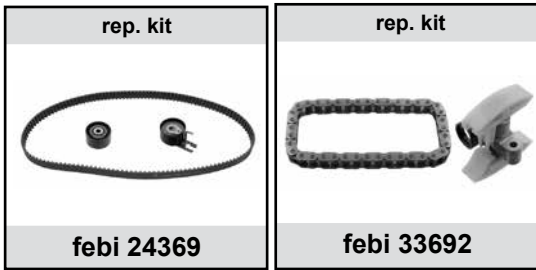
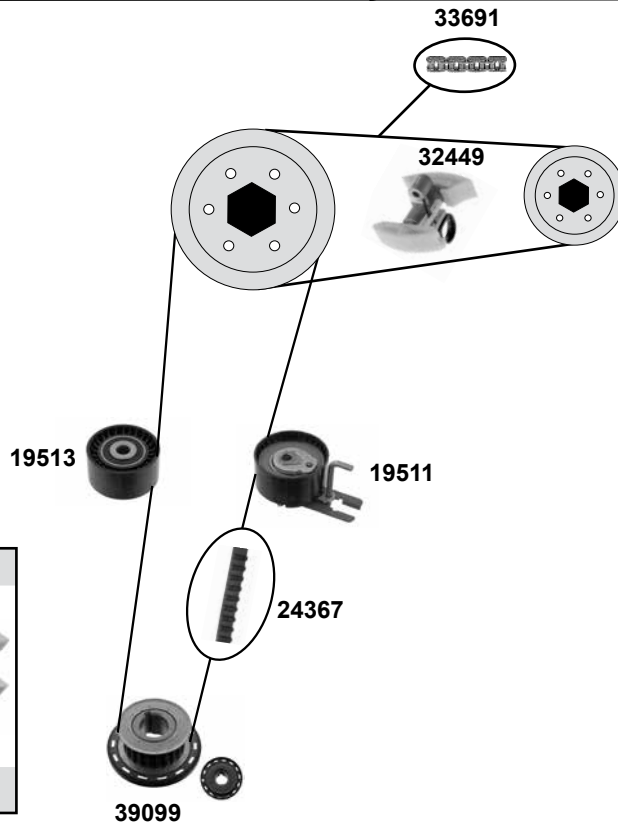
(04→13)

Car  
Division



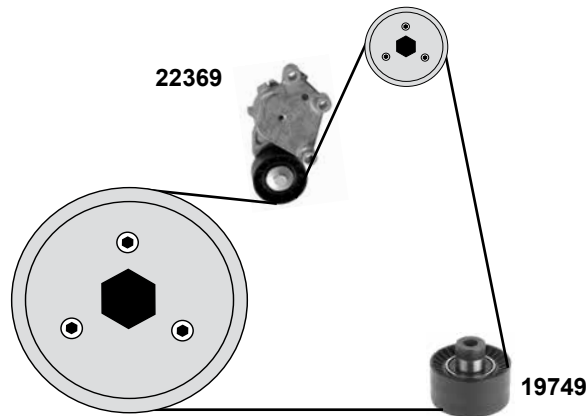
### 1,6 TD

(D 4164 T)



### 1,6 TD

(D 4164 T)



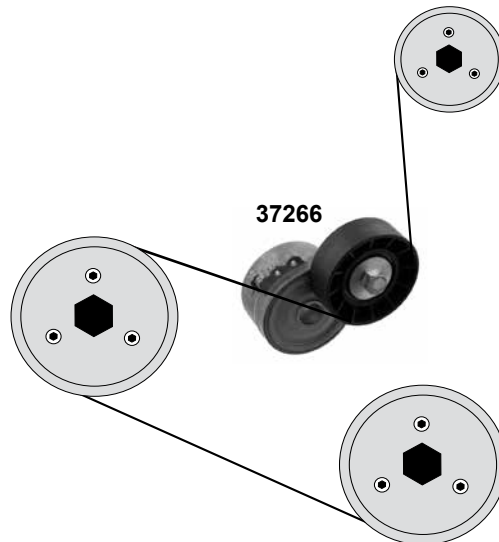
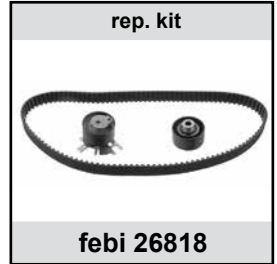
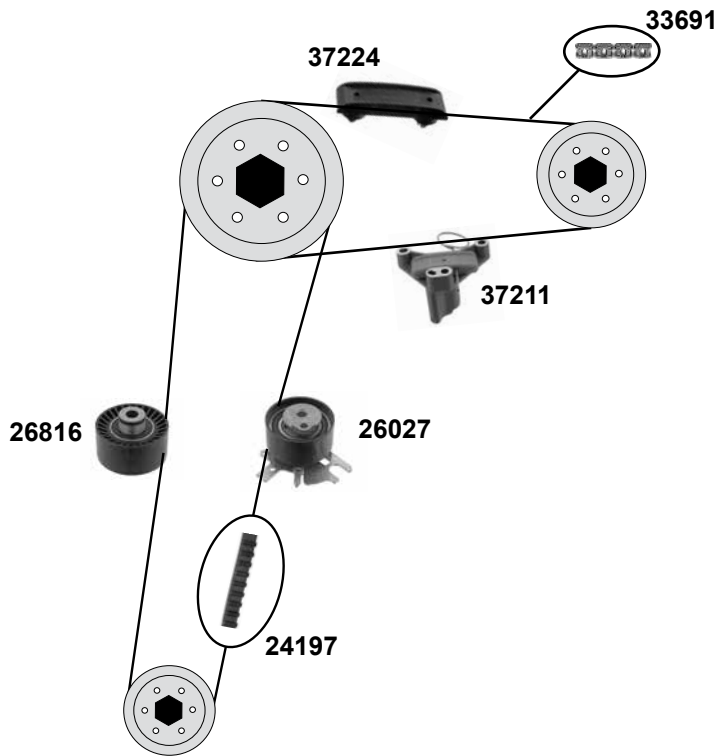
(1) → (ch.) 196529



Ref. - No.



Ref. - No.	Description	Quantity	Dimensions
19511	tension roller	(1)	Ø A 60 B29
19513	deflection pulley		Ø A 60 B30
19749	deflection pulley		Ø A 60 B30
22369	tension roller		Ø A 65
24367	timing belt		Z 137 B25
24369	rep. kit timing belt		Z 137 B25
32449	chain tensioner		
33691	timing chain		40 E
33692	rep. kit timing chain		
39099	gear		



Ref. - No.



24197	8653650	timing belt		Z 116 B25
26027	8653651	tension roller		Ø A 60 B29
26816	8653652	deflection pulley		Ø A 60,2 B30,2
26818	8653649	rep kit. timing belt		Z 116 B25
33691	8653755	timing chain		40 E
37211	30725030	chain tensioner		
37224	8653756	sliding rail		
37230	8653755 S1	timing chain kit		
37266	30684427	belt tensioner		Ø A 70 B25

# VOLVO

## S 40 II / V 50

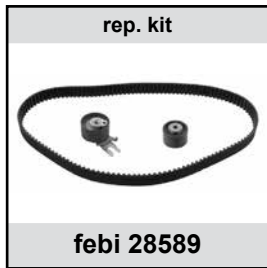
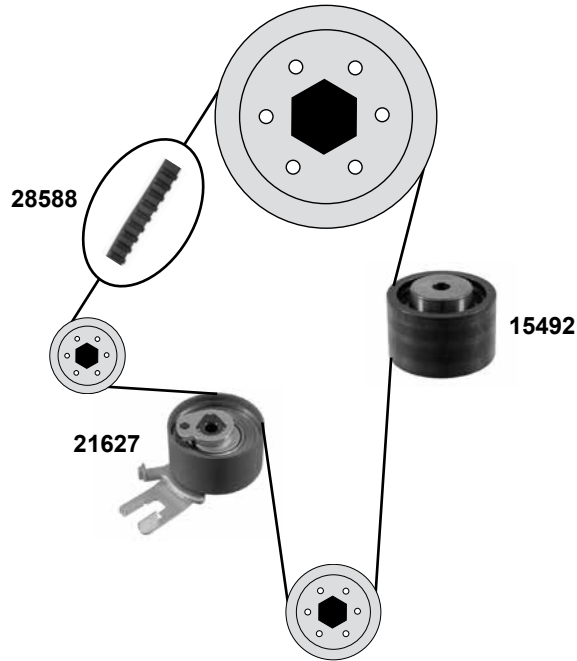
(04→13)

Car  
Division



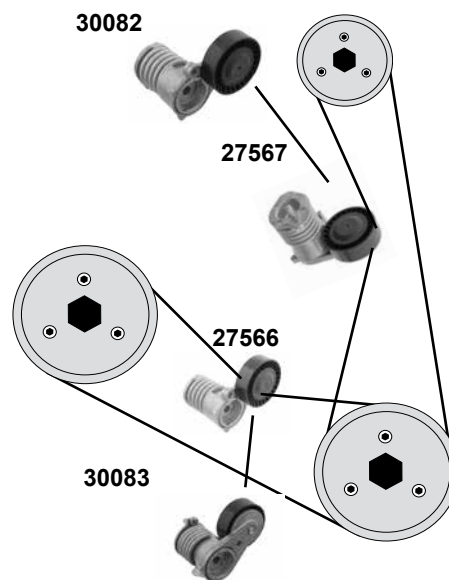
### 2,0 TD / 2,4 TD

(D 5204 T...,D 5244 T...)



### 2,0 TD / 2,4 TD

(D 5. )



Ref. - No.

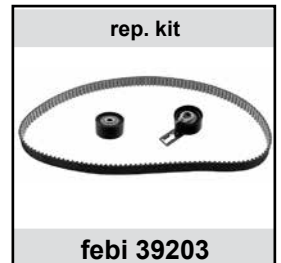
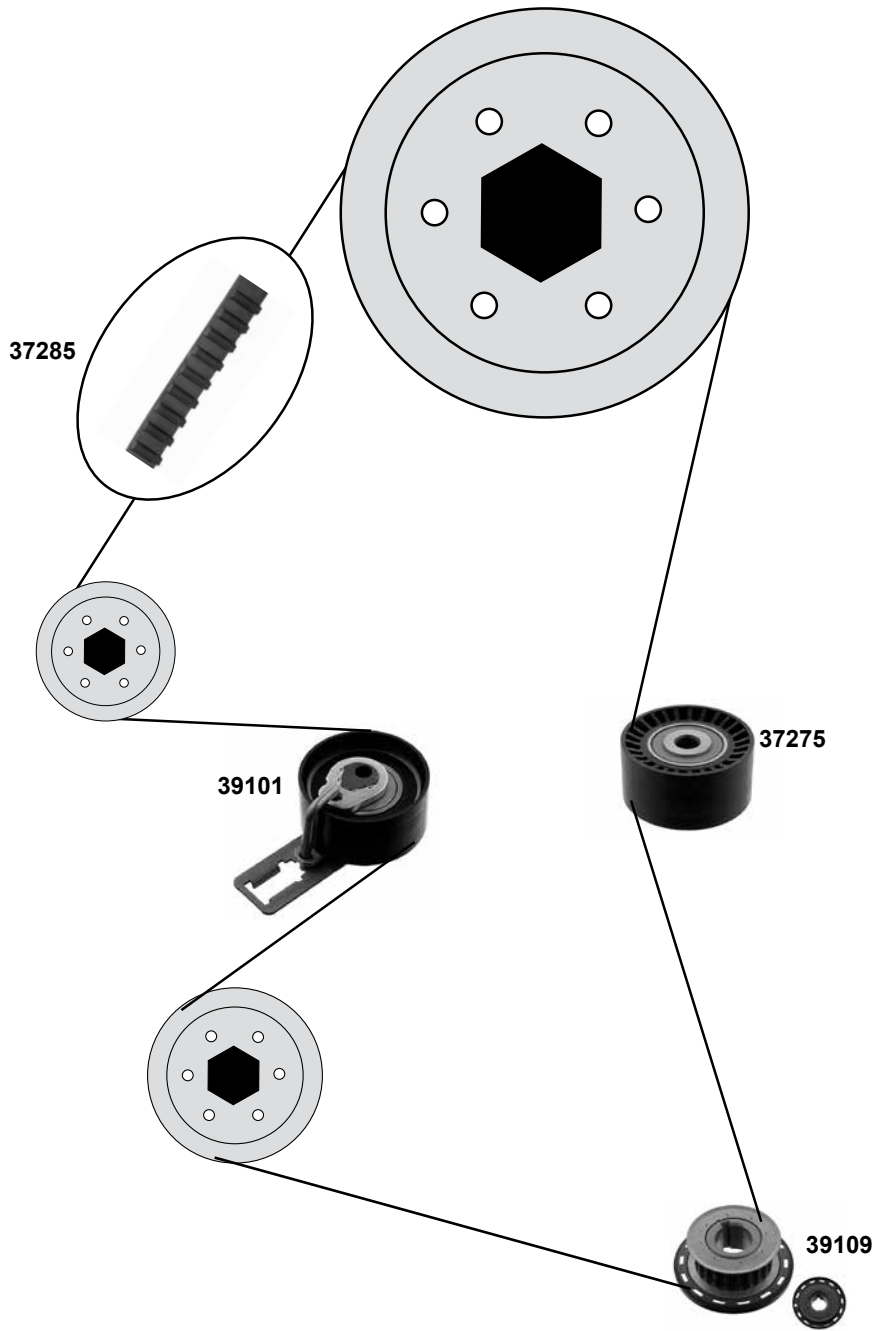


15492	8692561
21627	30731774
27566	30711320
27567	30650957
28588	30731772
28589	30731772 S1
30082	31251653
30083	31251654

deflection pulley
tension roller
tension roller
tension roller
timing belt
rep kit. timing belt
belt tensioner
belt tensioner

(mot.) → 619467
(mot.) → 619467
(mot.) 619468 →
(mot.) 619468 →

Ø A 53 B32
ØA 59 B32
ØA 65 B21
ØA 70 B20
Z 132 B28
Z 132 B28



(1) with Start



Ref. - No.



37275	31339887	deflection pulley
37285	31370046 SK	timing belt
39101	31370047	tension roller
39109	31370048	gear
39203	31370046	rep kit. timing belt
39204	31370046 S1	rep kit. timing belt

(1)

B 30  
Z 141 B25,4  
ØA 60 ØI 29

# VOLVO V 40 II / Cross Country

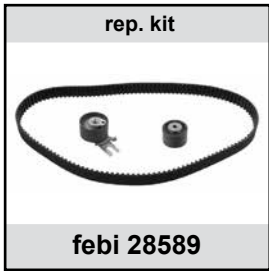
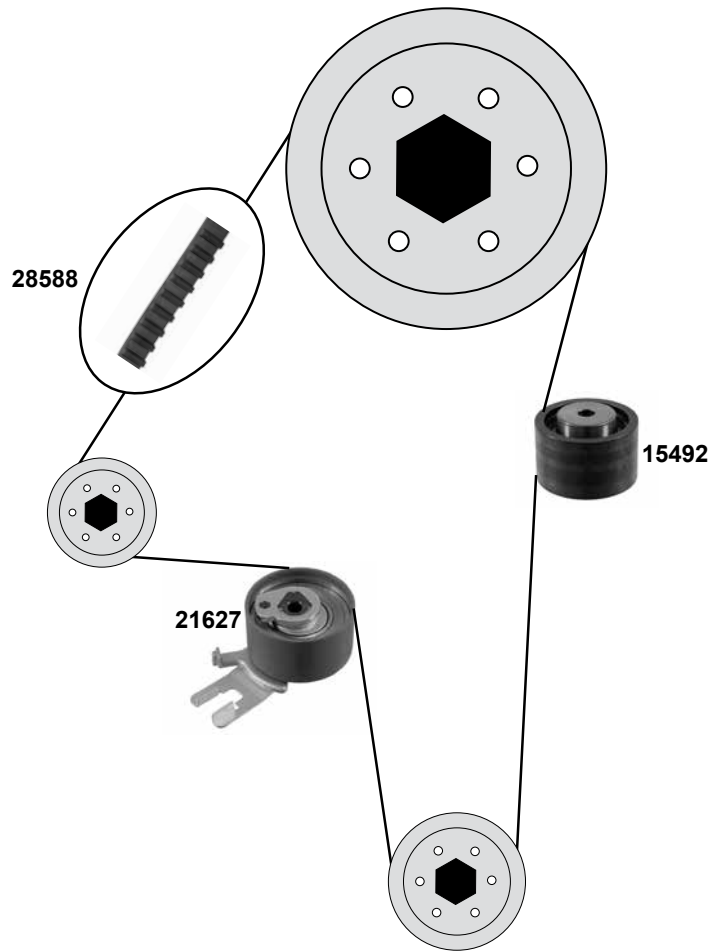
(13→)

Car  
Division



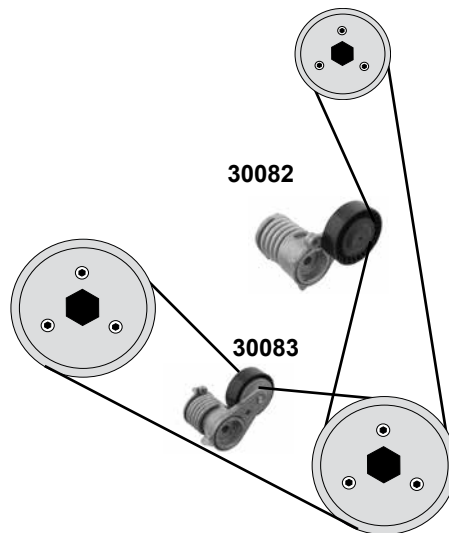
## 2,0 TD

(D 5204 T...)



## 2,0 TD

(D 5....)



Ref. - No.



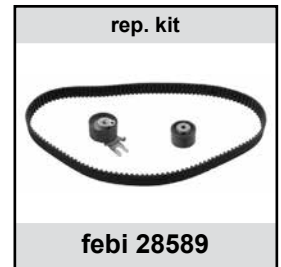
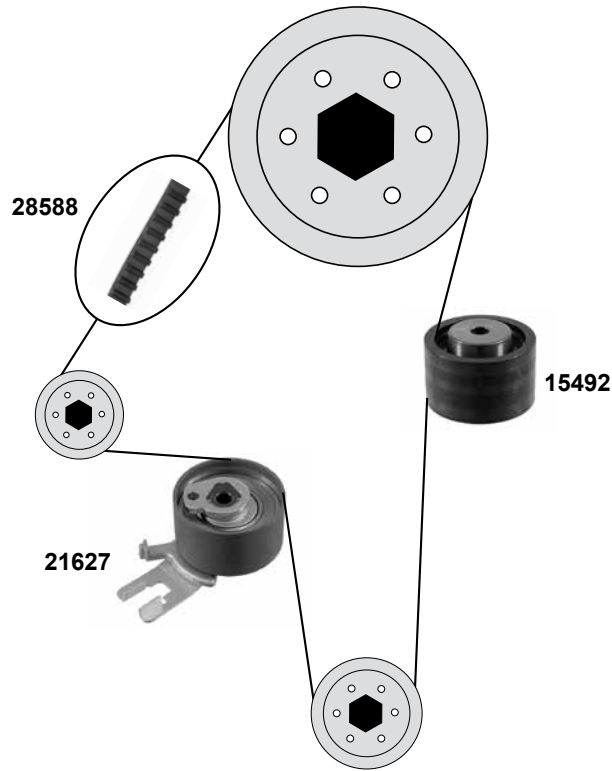
**15492**  
**21627**  
**28588**  
**28589**  
**30082**  
**30083**

8692561  
30731774  
30731772  
30731772 S1  
31251653  
31251654

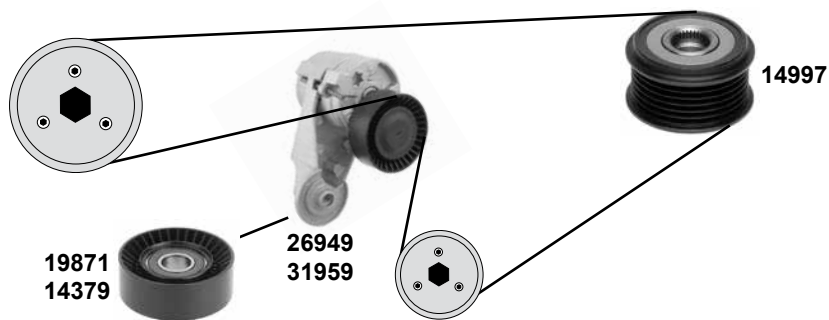
deflection pulley  
tension roller  
timing belt  
rep. kit timing belt  
belt tensioner  
belt tensioner

Ø A 53 B32  
ØA 59 B32  
Z 132 B28  
Z 132 B28

**2,4 TD**  
(D 5244 T...)



**2,4 TD**  
(D 5244 T / T2)

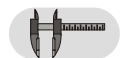


(1) (mot.) →349808

(2) (mot.) 349809→



Ref. - No.



Ref. - No.	Description	Notes	Dimensions
14379	9458470	deflection pulley	
14997	8676497	belt pulley free wheel	
15492	8692561	deflection pulley	
19871	30637962	deflection pulley	
21627	30731774	tension roller	
26949	30757056	belt tensioner	
28588	30731772	timing belt	
28589	30731772 S1	rep kit. timing belt	
31959	31251251	belt tensioner	

(ex.) AC  
nur / only 140 A

Ø A 61 B23  
Ø A 53 B32

ØA 59 B32

(1) AC

Ø A 70 B24

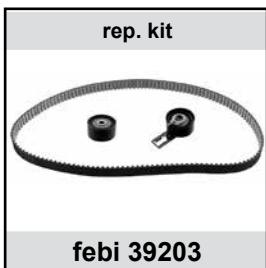
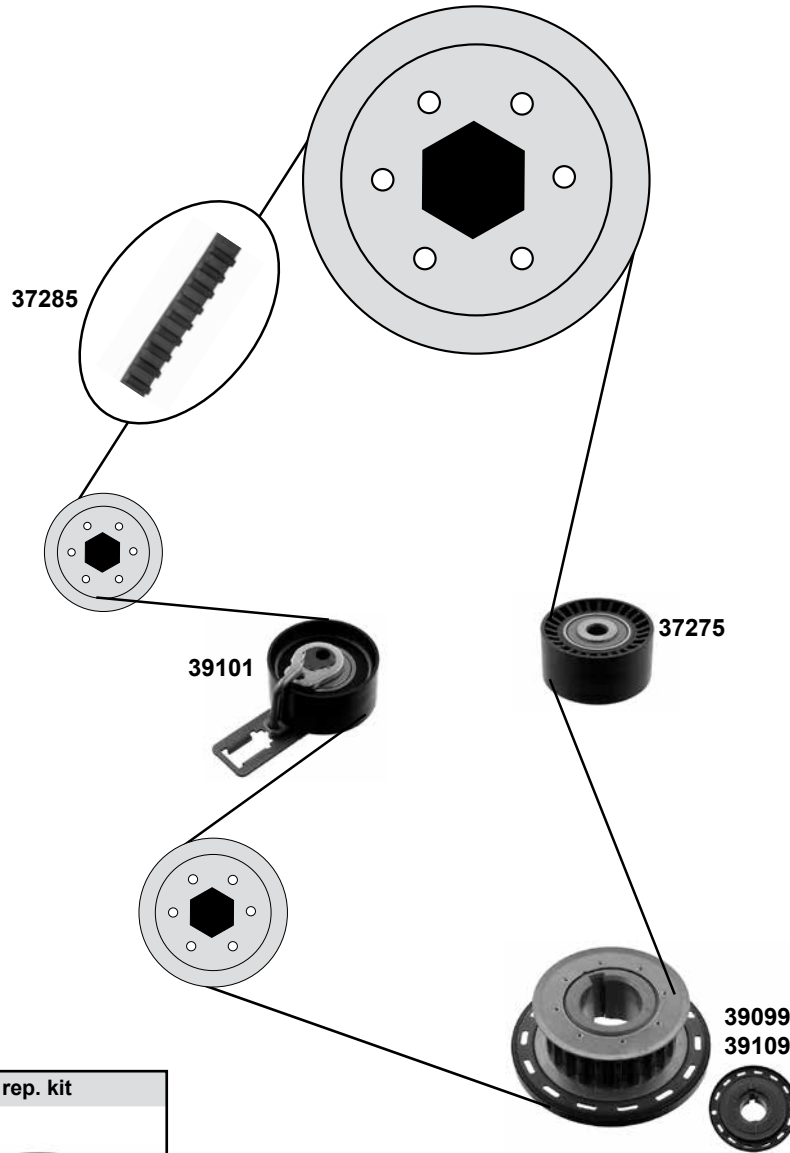
Z 132 B28

(2)

Z 132 B28  
Ø A 70 B24



**1,6 TD**  
 (D 4162 T)



- (1) with Start
- (2) without Start

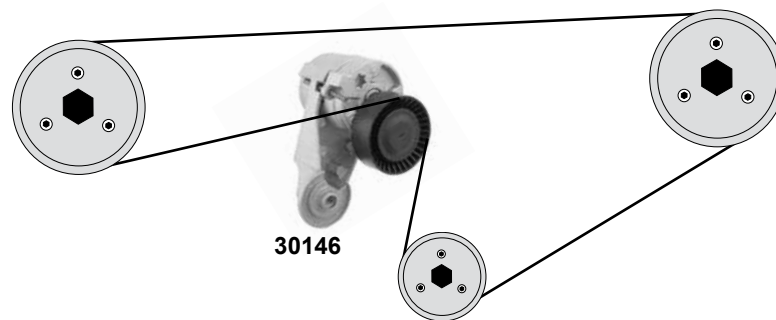
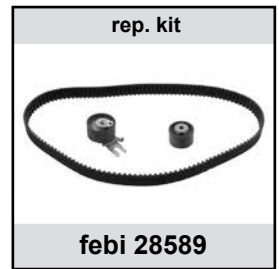
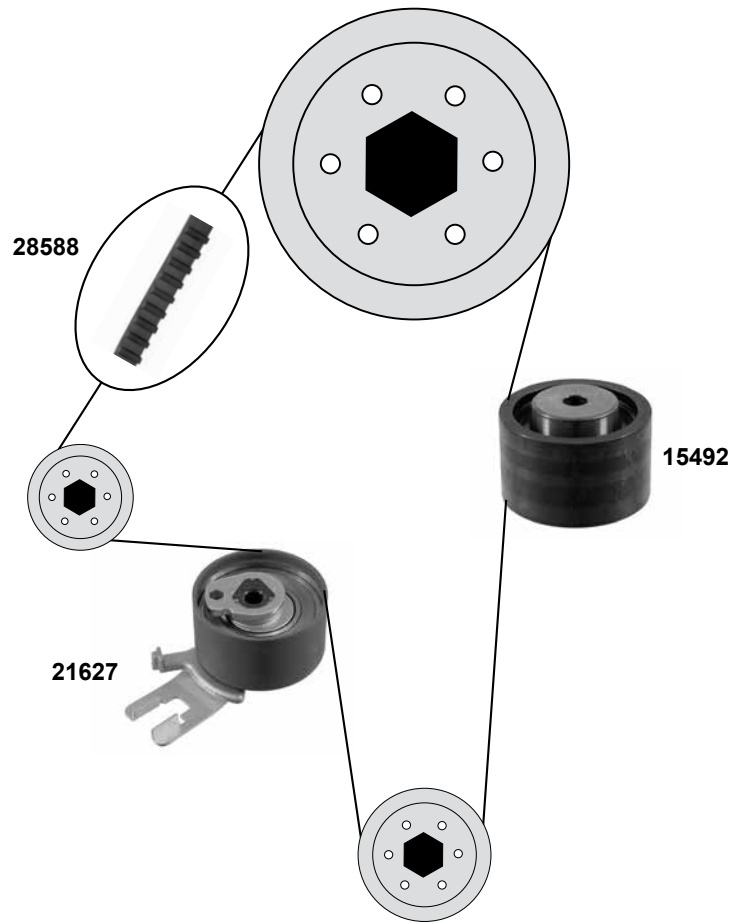


Ref. - No.



37275	31339887	deflection pulley			B 30
37285	31370046 SK	timing belt			Z 141 B25,4
39099	31251356	gear	(2)		
39101	31370047	tension roller			ØA 60 ØI 29
39109	31370048	gear	(1)		
39203	31370046	rep kit. timing belt			
39204	31370046 S1	rep kit. timing belt	(1)		
39205	31370046 S2	rep kit. timing belt	(2)		

**2,0 TD / 2,4 TD**  
(D 5204 T..., D 5244 T...)



Ref. - No.



**15492** 8692561  
**21627** 30731774  
**28588** 30731772  
**28589** 30731772 S1  
**30146** 31330379

deflection pulley  
tension roller  
timing belt  
rep kit. timing belt  
belt tensioner

(mot.) 1046802→

Ø A 53 B32  
ØA 59 B32  
Z 132 B28  
Z 132 B28

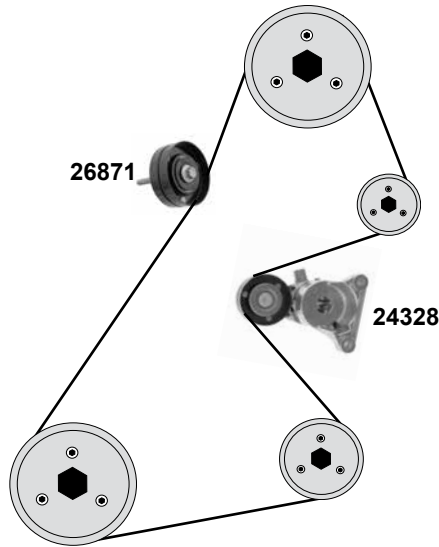
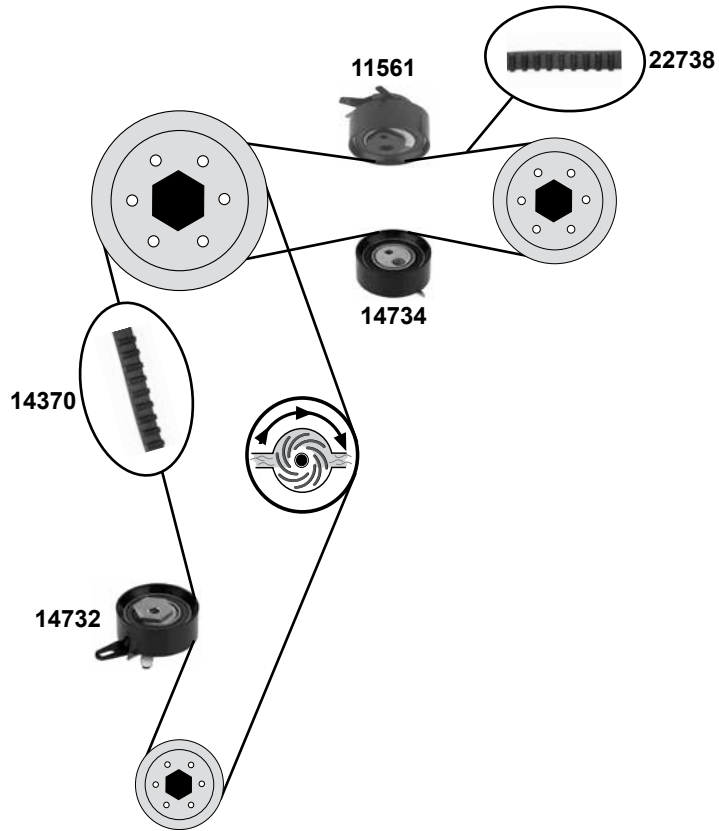
# VOLVO C / S / V 70 I

(→01)

Car  
Division



## 2,5 TDI (D5252 T)



(1) for Injection pump



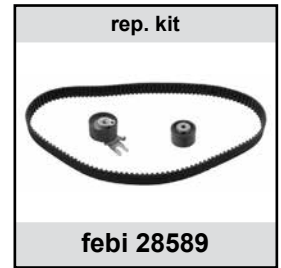
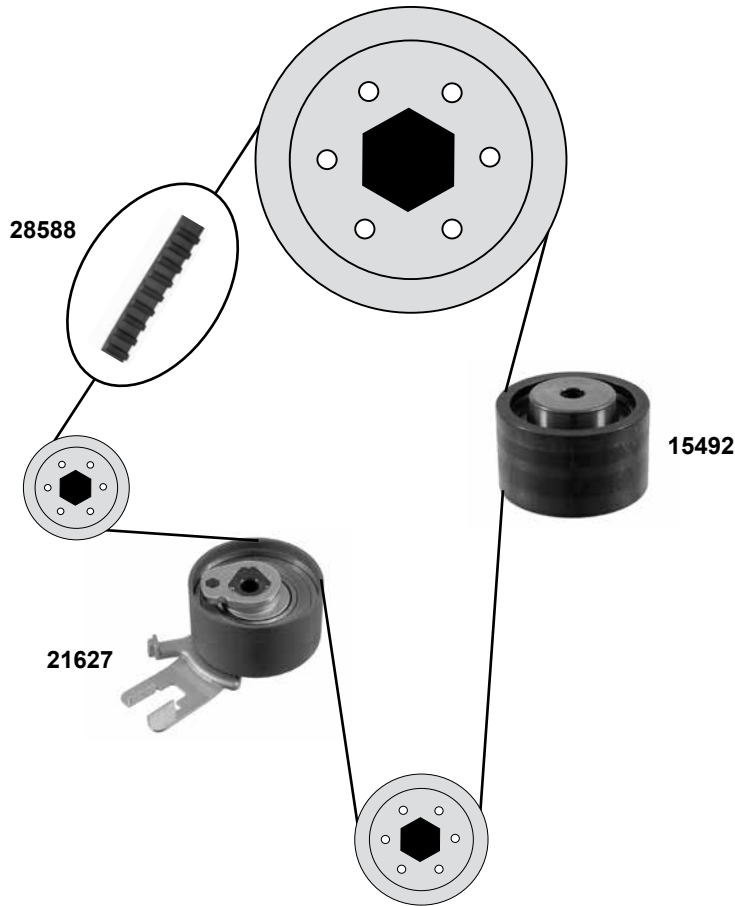
Ref. - No.



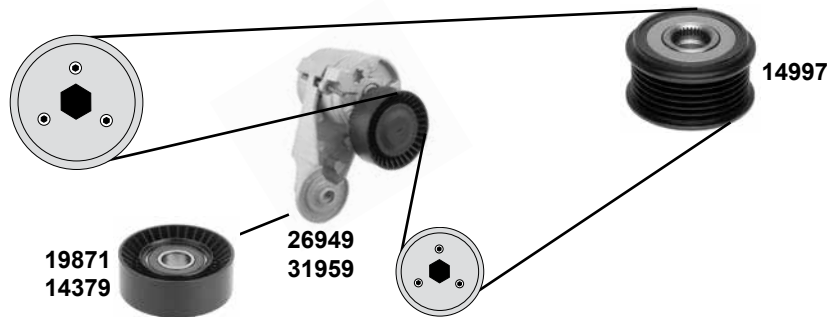
11561	9207927	tension roller		ØA 66 ØI 8 B24
14370	272462	timing belt		Z 122 B26,5
14732	8677053	tension roller		ØA 73 ØI 8 B27
14734	9180594	deflection pulley		ØA 63,5 ØI 8 B24
22738	9202398	timing belt	(1)	Z 81 B21
22739	9202398 S1	rep. kit timing belt	(1)	Z 81 B21
23207	272462 S1	rep. kit timing belt		
24328	9179314	tension roller		Ø A 76 B24
26871	9207905	deflection pulley		Ø A 76 B26



**2,4 TDI**  
(D 5244 T... )



**2,4 TDI**  
(D5.... )



(1) (mot.) →349809

(2) (mot.) 349809→

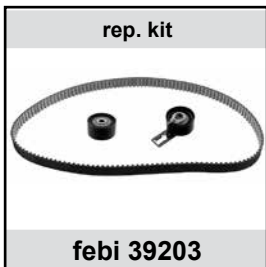
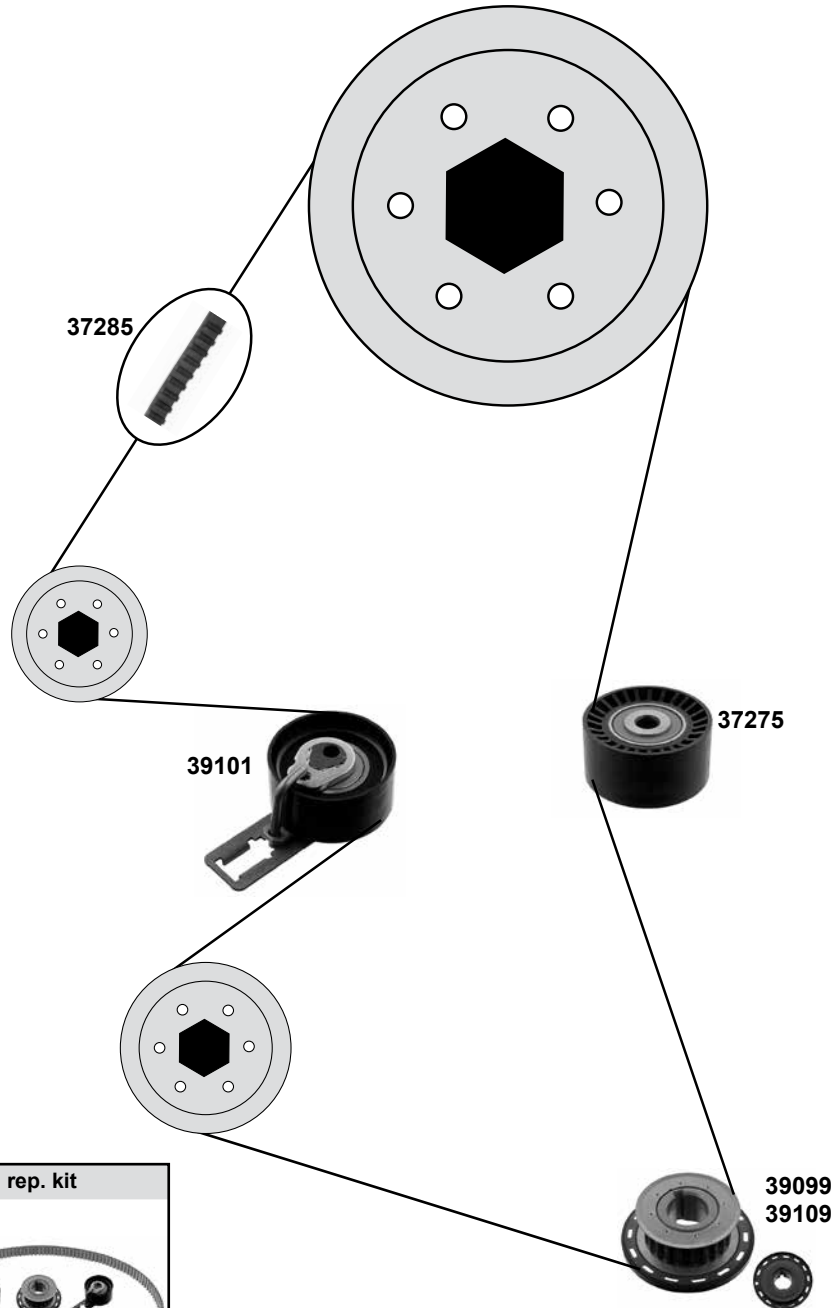


Ref. - No.



Ref. - No.	Description	Quantity	Notes	Dimensions
14379	deflection pulley	(ex.)	AC	Ø A 61 B23
14997	belt pulley free wheel	nur / only	140 A	Ø A 53 B32
15492	deflection pulley	(1)		ØA 59 B32
19871	deflection pulley	(1)	AC	Ø A 70 B24
21627	tension roller	(1)		Z 132 B28
26949	belt tensioner	(1)		Z 132 B28
28588	timing belt	(2)		Ø A 70 B24
28589	rep kit. timing belt			
31959	belt tensioner			

**1,6 TD**  
(D 4162 T)



- (1) with Start
- (2) without Start



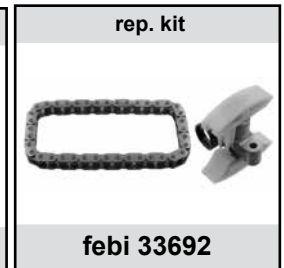
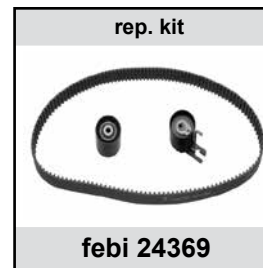
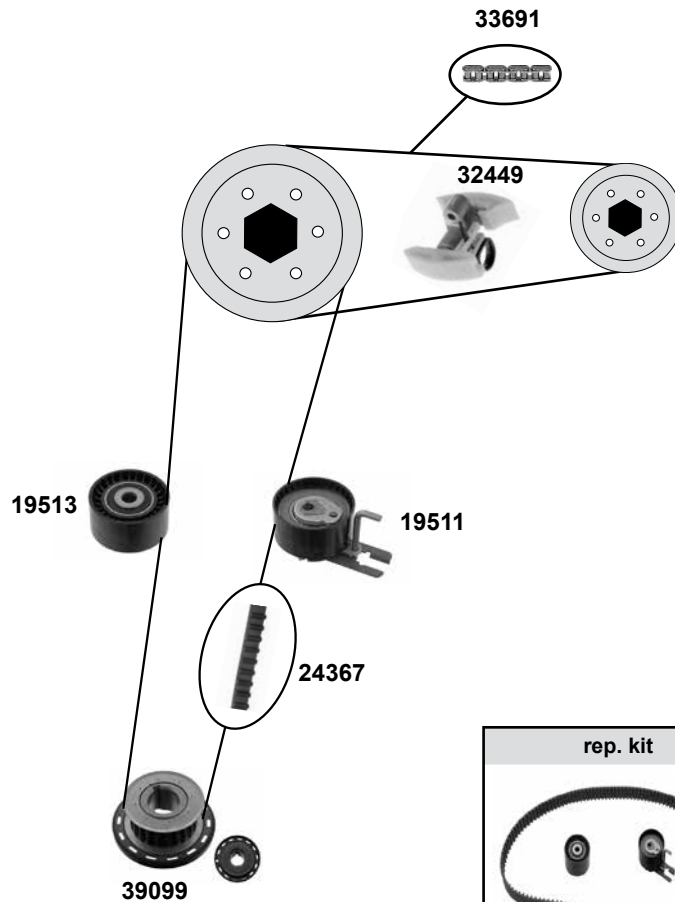
Ref. - No.



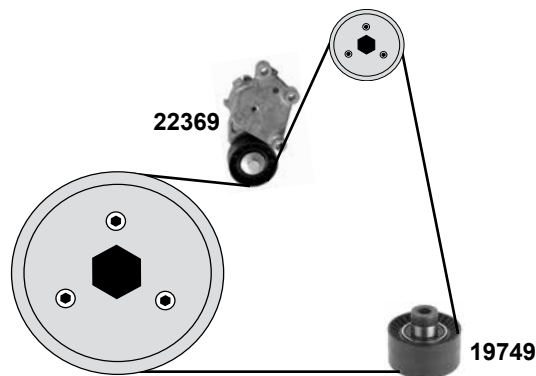
Ref. - No.	Description	Quantity	Dimensions
<b>37275</b>	31339887 deflection pulley		B 30
<b>37285</b>	31370046 SK timing belt		Z 141 B25,4
<b>39099</b>	31251356 gear	(2)	
<b>39101</b>	31370047 tension roller		ØA 60 ØI 29
<b>39109</b>	31370048 gear	(1)	
<b>39203</b>	31370046 rep kit. timing belt		
<b>39204</b>	31370046 S1 rep kit. timing belt	(1)	
<b>39205</b>	31370046 S2 rep kit. timing belt	(2)	



**1,6 TD**  
(D 4164 T)



**1,6 TD**  
(D 4164 T)



Ref. - No.



<b>19511</b>	30751981	tension roller	V 70 III	Ø A 60 B29
<b>19513</b>	30711069	deflection pulley	V 70 III	Ø A 60 B30
<b>19749</b>	30637505	deflection pulley		Ø A 60 B30
<b>22369</b>	31251129	belt tensioner	→ ( ch.) 47629	Ø A 65
<b>24367</b>	30777770	timing belt	V 70 III	Z 137 B25
<b>24369</b>	31370440	rep. kit timing belt	V 70 III	Z 137 B25
<b>32449</b>	31259232	chain tensioner		
<b>33691</b>	8653755	timing chain		40 E
<b>33692</b>	31259232	rep. kit timing chain		
<b>39099</b>	31251356	gear		

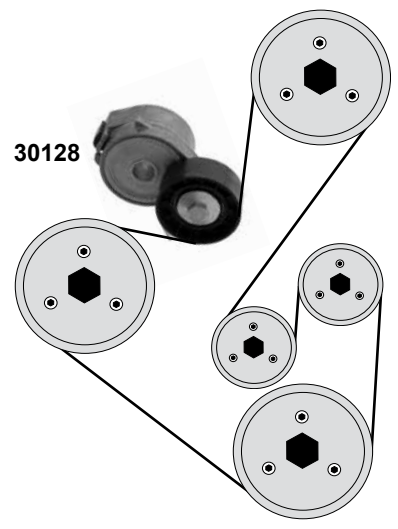
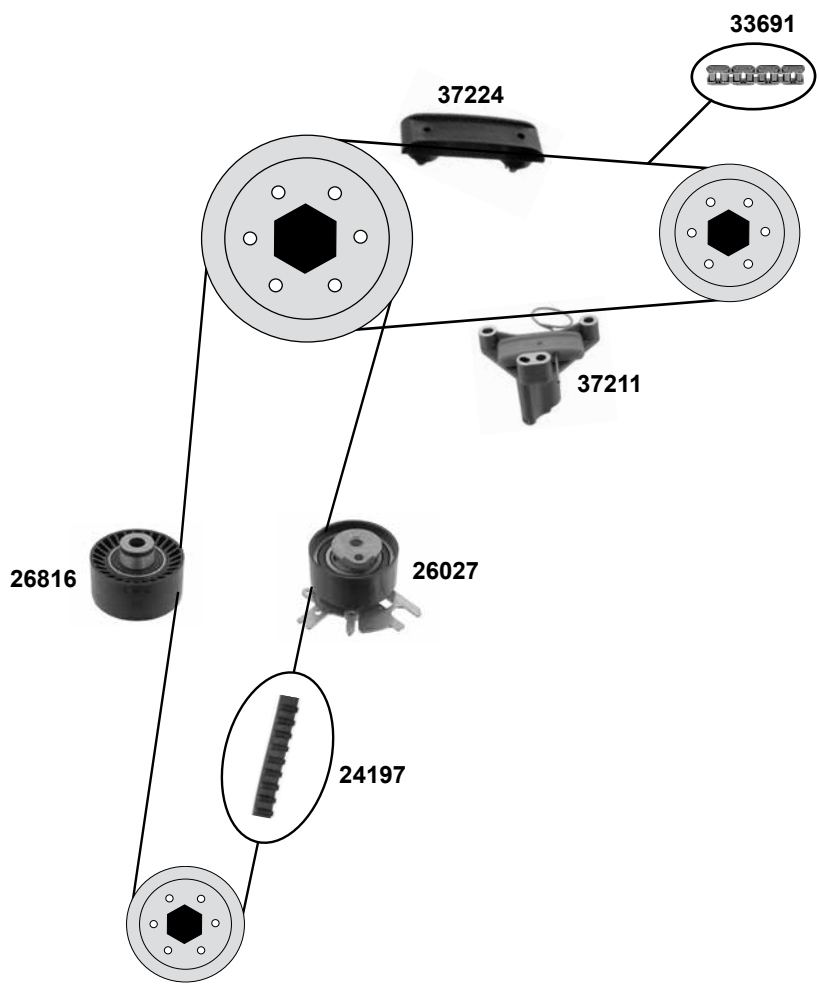
# VOLVO V 70 III / XC 70 II





(08→)

Car  
Division 

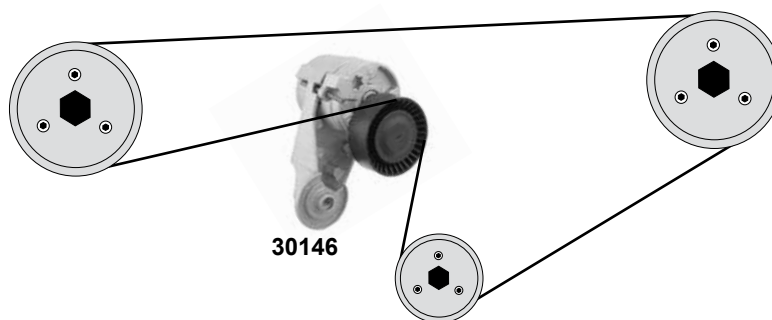
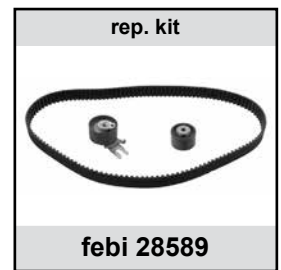
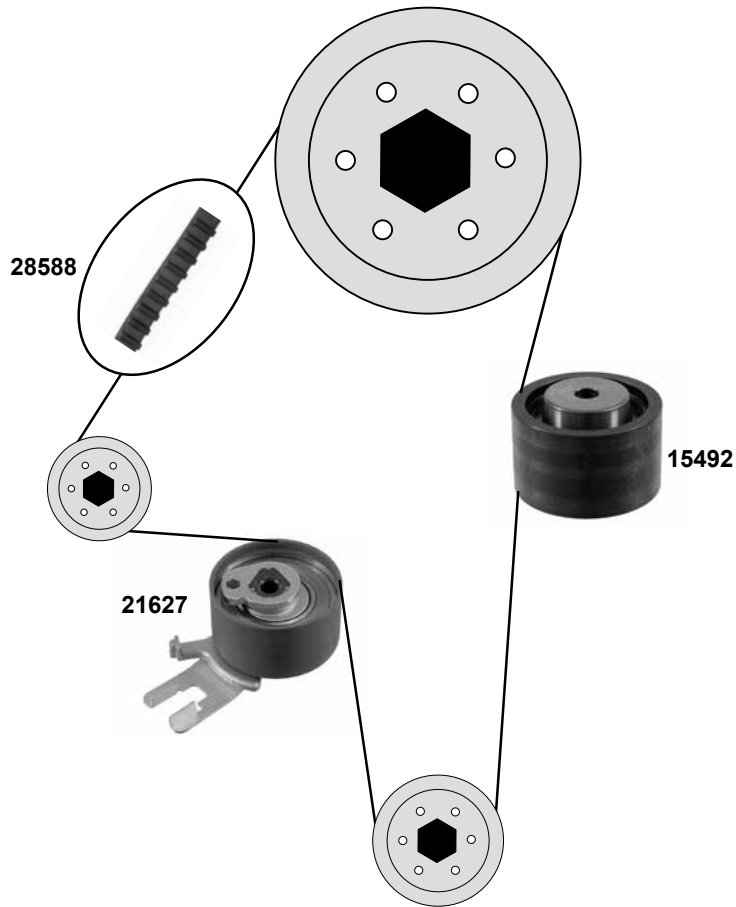


## 2,0 TD (D 4204T)



	Ref. - No.			
24197	8653650	timing belt		Z 116 B25
26027	8653651	tension roller		Ø A 60 B29
26816	8653652	deflection pulley		Ø A 60,2 B30,2
26818	8653649	rep kit. timing belt		Z 116 B25
30128	31216514	belt tensioner		Ø A 65
33691	8653755	timing chain		40 E
37211	30725030	chain tensioner		
37224	8653756	sliding rail		
37230	8653755 S1	rep. kit timing chain		

**2,0 TD / 2,4 TDI**  
(D 5244 T..., D 5204)



Ref. - No.



<b>15492</b>	8692561	deflection pulley
<b>21627</b>	30731774	tension roller
<b>28588</b>	30731772	timing belt
<b>28589</b>	30731772 S1	rep. kit timing belt
<b>30146</b>	31330379	belt tensioner

(mot.) 1046802→

Ø A 53 B32  
ØA 59 B32  
Z 132 B28  
Z 132 B28



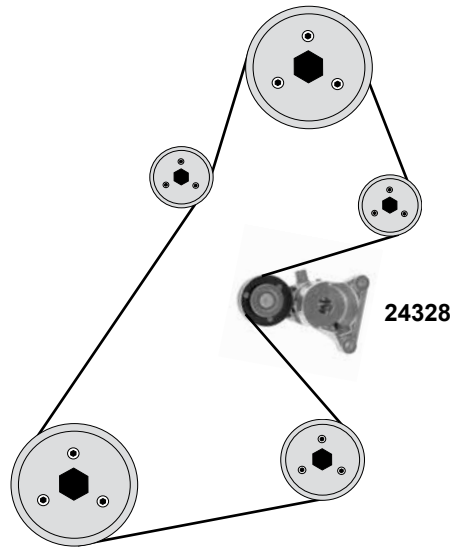
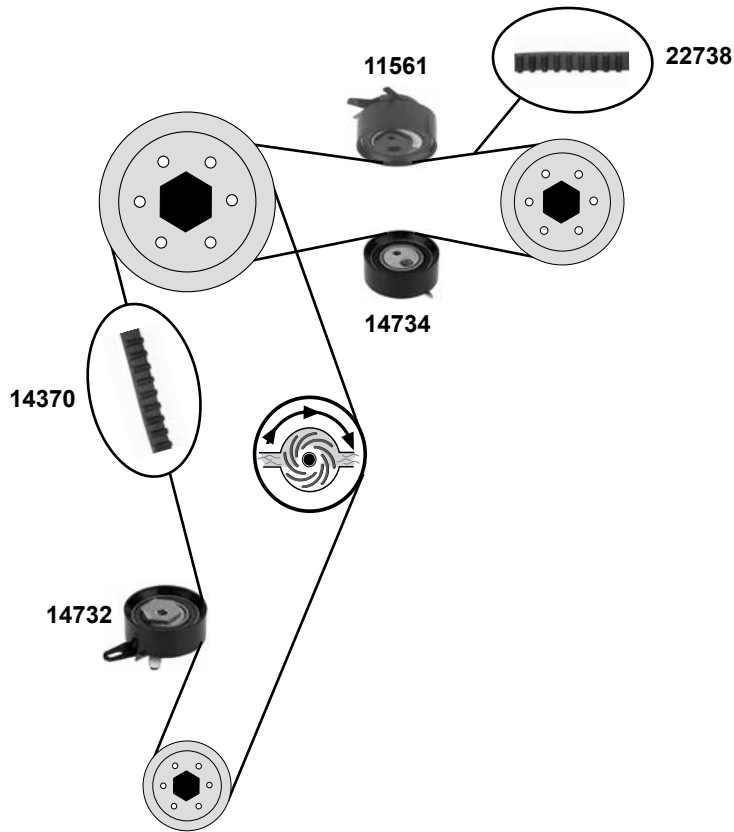
# VOLVO S 80 I

(98→01)

Car  
Division



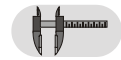
## 2,5 TDI (D5252 T)



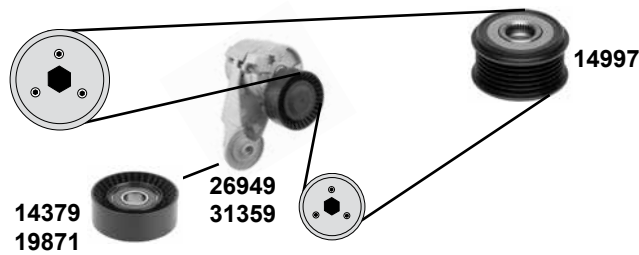
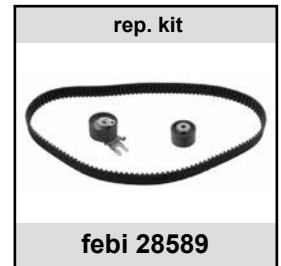
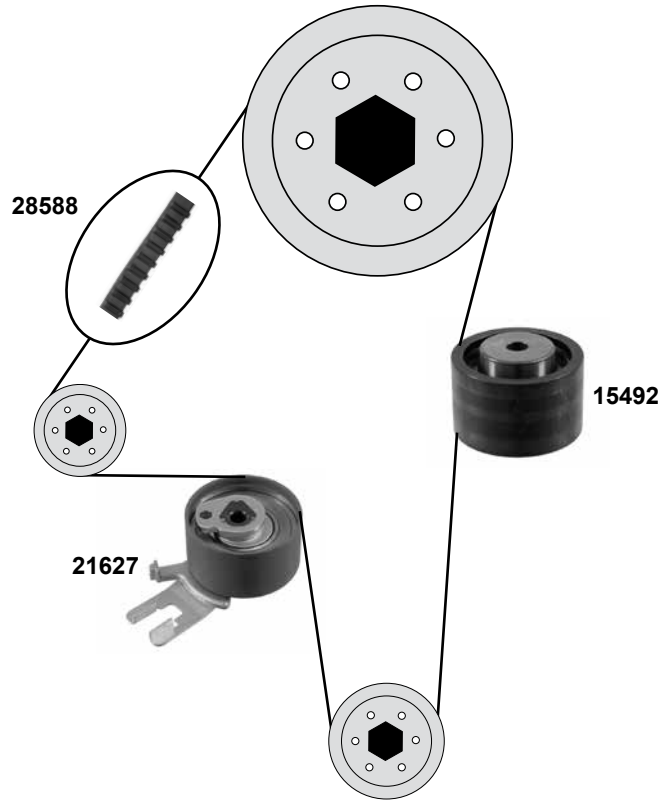
(1) for Injection pump



Ref. - No.



11561	9207927	tension roller		
14370	272462	timing belt		ØA 66 ØI 8 B24 Z 122 B26,5
14732	8677053	tension roller		ØA 73 ØI 8 B27
14734	9180594	deflection pulley		ØA 63,5 ØI 8 B24
22738	9202398	timing belt	(1)	Z 81 B21
22739	9202398 S1	rep. kit timing belt	(1)	Z 81 B21
23207	272462 S1	rep. kit timing belt		
24328	9179314	tension roller		Ø A 76 B24

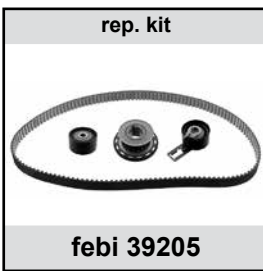
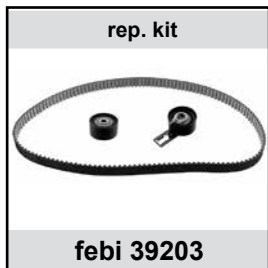
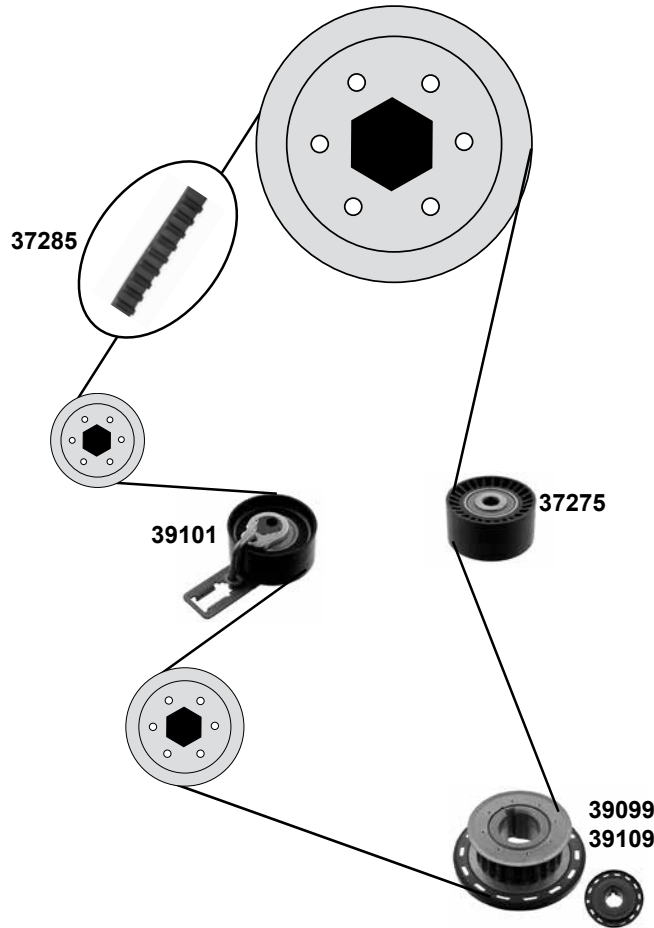


	Ref. - No.			
14379	9458470	deflection pulley	(ex.) AC	
14997	8676497	belt pulley free wheel	nur / only 140 A	Ø A 61 B23
15492	8692561	deflection pulley		Ø A 53 B32
19871	30637962	deflection pulley	(mot.) →349808	
21627	30731774	tension roller		ØA 59 B32
26949	30757056	belt tensioner	(mot.) →349808	Ø A 70 B24
28588	30731772	timing belt		Z 132 B28
28589	30731772 S1	rep. kit timing belt		Z 132 B28
31359	31251251	belt tensioner	(mot.) 349809→	Ø A 70 B24



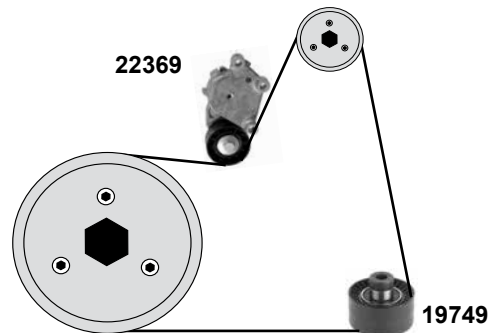
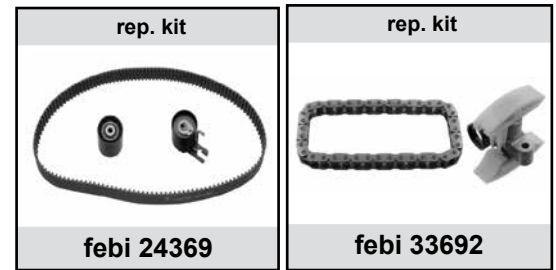
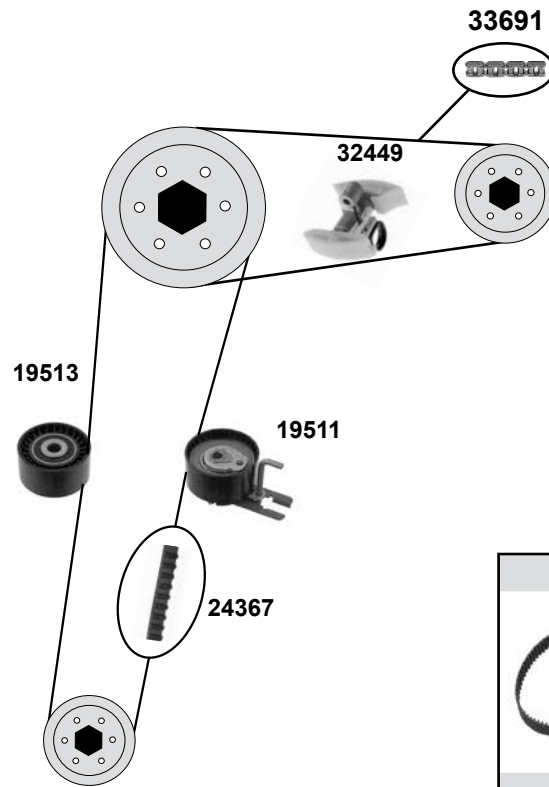
**1,6 TD**

(D 4162 T)



- (1) with Start
- (2) without Start

	Ref. - No.			
37275	31339887	deflection pulley		B 30
37285	31370046 SK	timing belt		Z 141 B25,4
39099	31251356	gear	(2)	
39101	31370047	tension roller		ØA 60 ØI 29
39109	31370048	gear	(1)	
39203	31370046	rep kit. timing belt		
39204	31370046 S1	rep kit. timing belt	(1)	
39205	31370046 S2	rep kit. timing belt	(2)	

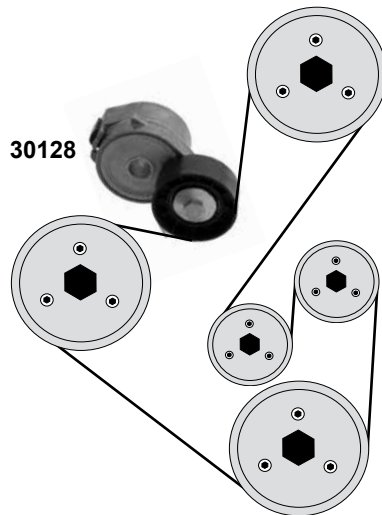
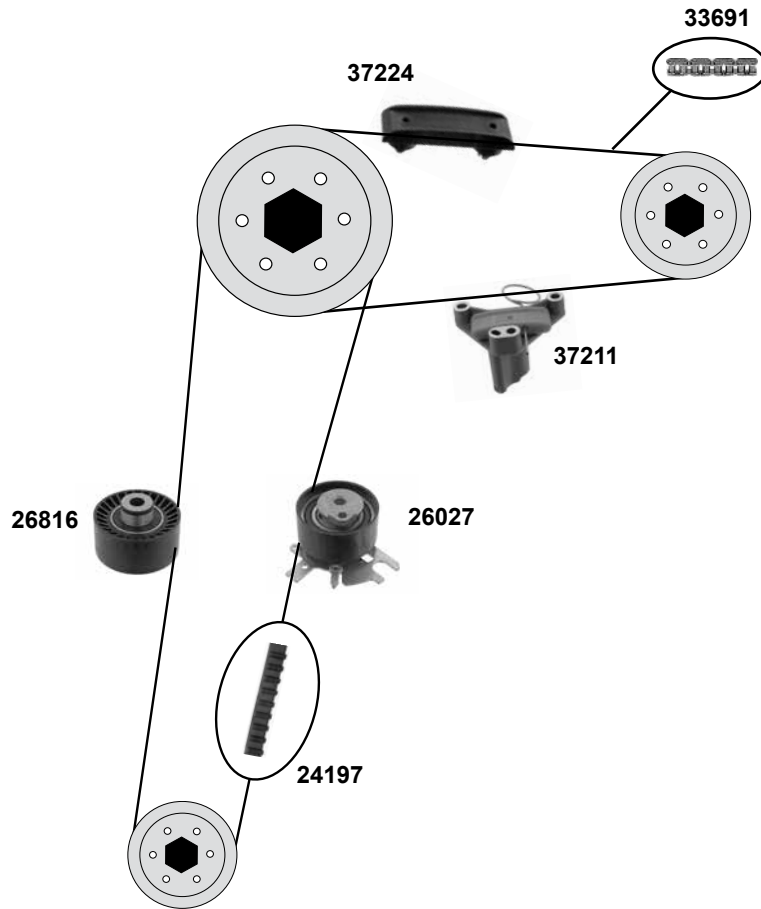


	Ref. - No.			
<b>19511</b>	30751981	tension roller		Ø A 60 B29
<b>19513</b>	30711069	deflection pulley		Ø A 60 B30
<b>19749</b>	30637505	deflection pulley		ØA 60 B30
<b>22369</b>	31251129	belt tensioner	→ (ch.) 125483	ØA 65
<b>24367</b>	30777770	timing belt		
<b>24369</b>	31370440	rep. kit timing belt		Z 137 B25
<b>32449</b>	31259232 SK	chain tensioner		Z 137 B25
<b>33691</b>	8653755	timing chain		40 E
<b>33692</b>	31259232	rep. kit timing chain		



## 2,0 TD

(D42....)

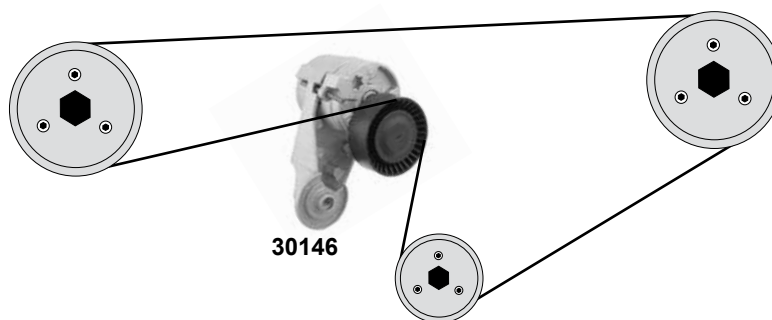
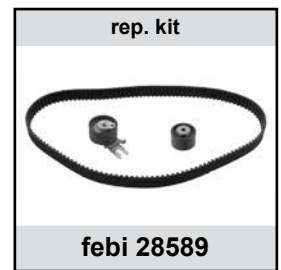
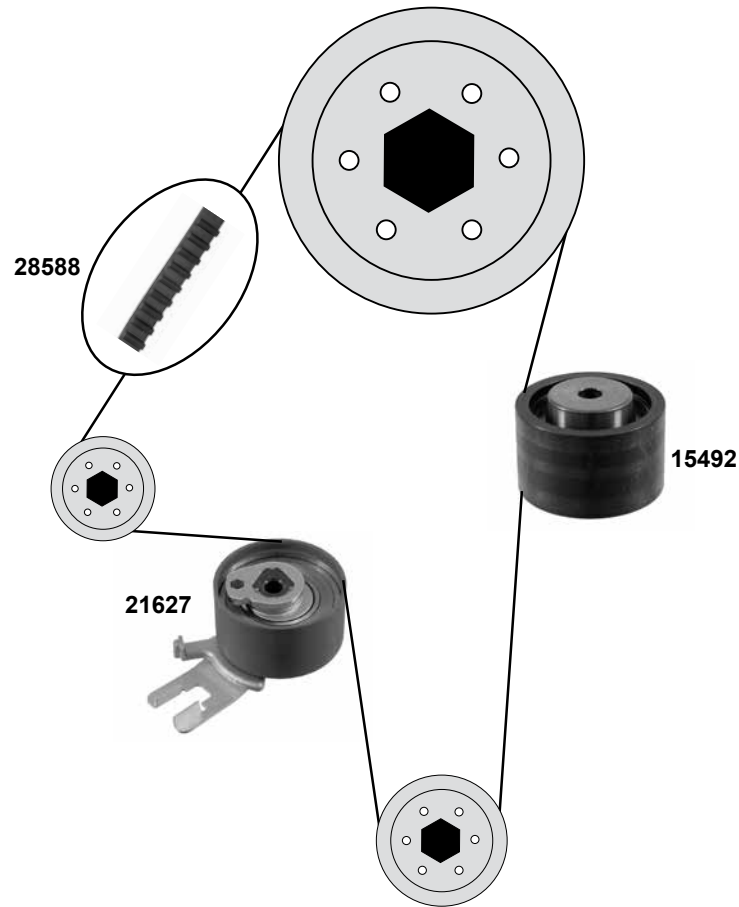


Ref. - No.



24197	8653650	timing belt	Z 116 B25
26027	8653651	tension roller	Ø A 60 B29
26816	8653652	deflection pulley	Ø A 60,2 B30,2
26818	8653649	rep kit. timing belt	Z 116 B25
30128	31216514	belt tensioner	Ø A 65
33691	8653755	timing chain	40 E
37211	30725030	chain tensioner	
37224	8653756	sliding rail	
37230	8653755 S1	timing chain kit	

**2,0 / 2,4 TD**  
(D 5204 T..., D 5244 T...)



Ref. - No.



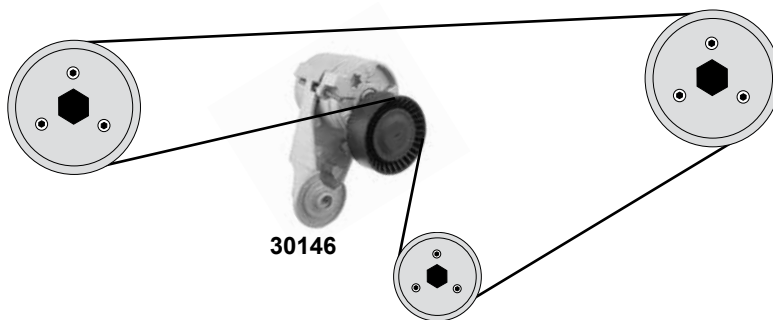
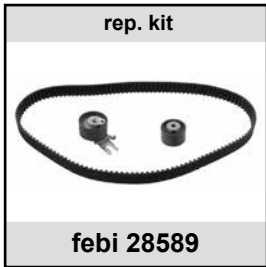
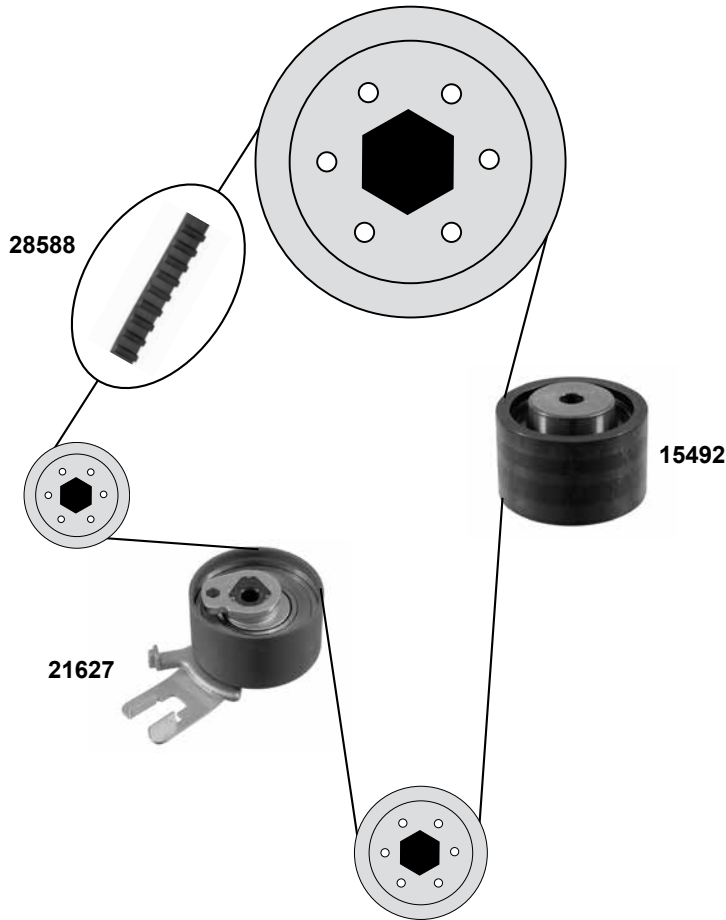
**15492** 8692561  
**21627** 30731774  
**28588** 30731772  
**28589** 30731772 S1  
**30146** 31330379

deflection pulley  
tension roller  
timing belt  
rep. kit timing belt  
belt tensioner

(mot.) 1046802→

Ø A 53 B32  
ØA 59 B32  
Z 132 B28  
Z 132 B28

(D 5204 T..., D 5244 T...)



(1) D 5244....→(mot.) 884797  
D 5204....(mot.) 1046802→



Ref. - No.



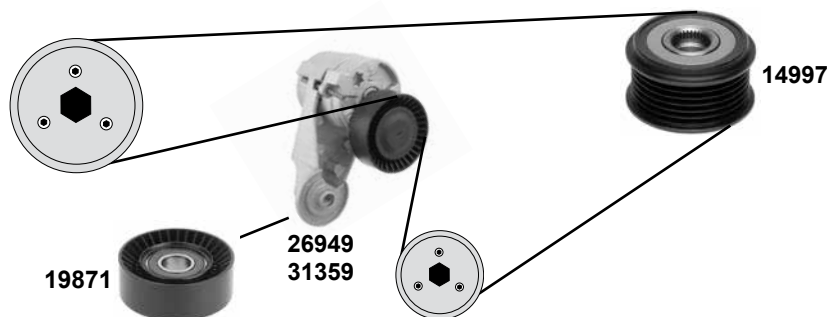
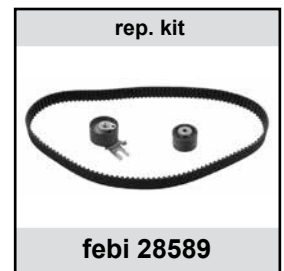
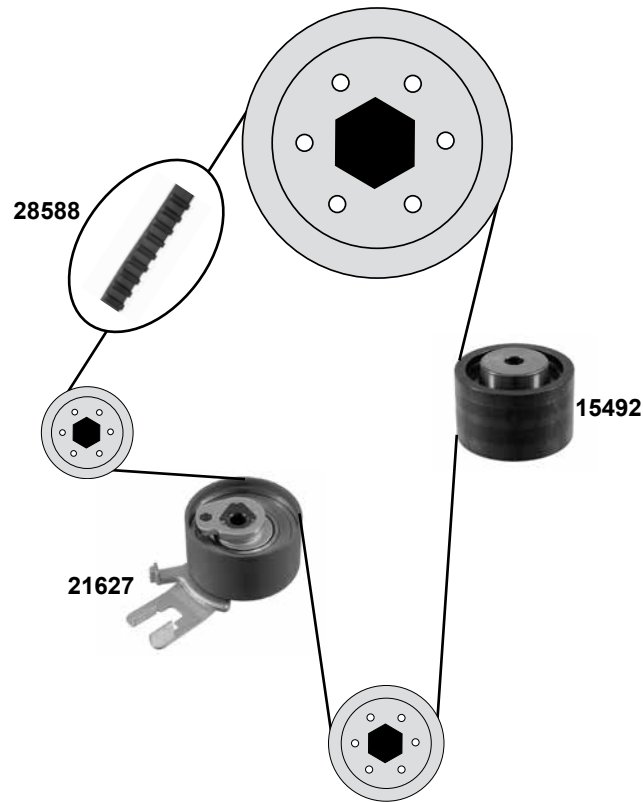
**15492**  
**21627**  
**28588**  
**28589**  
**30146**

8692561  
30731774  
30731772  
30731772 S1  
31330379

deflection pulley  
tension roller  
timing belt  
rep kit. timing belt  
belt tensioner

(1)

Ø A 53 B32  
ØA 59 B32  
Z 132 B28  
Z 132 B28



	Ref. - No.			
<b>14997</b>	8676497	belt pulley free wheel	<b>nur / only</b> 140 A	Ø A 61 B23
<b>15492</b>	8692561	deflection pulley		Ø A 53 B32
<b>19871</b>	30637962	deflection pulley	→ (mot.) 349808	
<b>21627</b>	30731774	tension roller		Ø A 59 B32
<b>26949</b>	30757056	belt tensioner	→ (mot.) 349808	Ø A 70 B24
<b>28588</b>	30731772	timing belt		Z 132 B28
<b>28589</b>	30731772 S1	rep kit. timing belt		Z 132 B28
<b>31359</b>	31251251	belt tensioner	→ (mot.) 349809	Ø A 70 B24



Ref. - No.

Car  
Division

Ref. - No.



Ref. - No.



## ALFA ROMEO

46426983	<b>10984</b>	3, 4, 5, 8
46426983 S1	<b>14278</b>	3
46454419	<b>27247</b>	3, 6, 10
46514222	<b>27247</b>	3, 6, 10
46546374	<b>22392</b>	3, 6, 10
46788783	<b>31622</b>	13, 14
46791189	<b>23653</b>	4, 5, 10
46791189 S1	<b>23651</b>	4, 5, 10
46794035	<b>27247</b>	3, 6, 10
46804589 S1	<b>31622</b>	13, 14
51758383	<b>29396</b>	7, 9, 11, 12, 13, 14, 15
51758385	<b>30733</b>	7, 9, 13
51773551	<b>30733</b>	7, 9, 13
51776566	<b>29396</b>	7, 9, 11, 12, 13, 14, 15
51820520	<b>40898</b>	11, 12, 15
51821653	<b>27365</b>	13
51824328	<b>40898</b>	11, 12, 15
55180011	<b>22392</b>	3, 6, 10
55183528	<b>28306</b>	4, 5, 7, 8, 9, 10, 11, 12, 15, 16
55183528 S1	<b>28305</b>	4, 5, 7, 9, 10, 16
55183528 S2	<b>28321</b>	4, 5, 7, 8, 9, 15, 16
55185074	<b>27365</b>	13
55187100	<b>23654</b>	3, 4, 5, 7, 9, 10, 11, 13, 16
55190813	<b>30733</b>	7, 9, 13
55193358	<b>29396</b>	7, 9, 11, 12, 13, 14, 15
55195531	<b>40441</b>	7
55208381	<b>10298</b>	3, 4, 5, 7, 8, 9, 10, 11, 12, 13, 14, 15, 16
55212159	<b>10298</b>	3, 4, 5, 7, 8, 9, 10, 11, 12, 13, 14, 15, 16
55215666	<b>10298</b>	3, 4, 5, 7, 8, 9, 10, 11, 12, 13, 14, 15, 16
55221385 S1	<b>31622</b>	13, 14

55238027	<b>10298</b>	3, 4, 5, 7, 8, 9, 10, 11, 12, 13, 14, 15, 16
60808692	<b>11298</b>	1, 2
60808693	<b>11299</b>	1, 2
60811487	<b>11298</b>	1, 2
60811488	<b>11299</b>	1, 2
60813590	<b>10648</b>	3, 4, 5, 7, 8, 9, 15, 16
60813592	<b>10298</b>	3, 4, 5, 7, 8, 9, 10, 11, 12, 13, 14, 15, 16
60814033	<b>27247</b>	3, 6, 10
60814603 S1	<b>14278</b>	3
60815188	<b>22392</b>	3, 6, 10
71719651	<b>14278</b>	3
71719651	<b>10984</b>	3, 4, 5, 8
71719651 S1	<b>23655</b>	3, 4, 5
71731639	<b>14278</b>	3
71731639	<b>10984</b>	3, 4, 5, 8
71731639 S1	<b>14278</b>	3
71731639 S2	<b>23655</b>	3, 4, 5
71736493	<b>10648</b>	3, 4, 5, 7, 8, 9, 15, 16
71736726	<b>23655</b>	3, 4, 5
71743963	<b>29396</b>	7, 9, 11, 12, 13, 14, 15
71747798	<b>22392</b>	3, 6, 10
71747799	<b>10298</b>	3, 4, 5, 7, 8, 9, 10, 11, 12, 13, 14, 15, 16
71754557	<b>23651</b>	4, 5, 10
71754559	<b>28305</b>	4, 5, 7, 9, 10, 16
71754560	<b>28305</b>	4, 5, 7, 9, 10, 16
71771437	<b>27247</b>	3, 6, 10
71773290	<b>23655</b>	3, 4, 5
71773315	<b>28305</b>	4, 5, 7, 9, 10, 16
7596876	<b>11298</b>	1, 2
7596877	<b>11299</b>	1, 2
7763644	<b>10648</b>	3, 4, 5, 7, 8, 9, 15, 16


**Ref. - No.**

**AUDI**

028 105 263 A	<b>25170</b>	19, 20, 45, 55
028 105 263 D	<b>25170</b>	19, 20, 45, 55
069 105 263	<b>25172</b>	21, 22, 23, 24, 46
028 109 119 AA	<b>19534</b>	34
028 109 119 K	<b>11039</b>	18, 19, 20, 34, 45, 47, 55
028 109 119 K S2	<b>14620</b>	19
028 109 119 K S3	<b>14626</b>	20, 34, 45, 47, 55
028 109 119 M	<b>11039</b>	18, 19, 20, 34, 45, 47, 55
028 109 119 M S3	<b>14626</b>	20, 34, 45, 47, 55
028 109 119 M S2	<b>14620</b>	19
028 109 119 P	<b>11039</b>	18, 19, 20, 34, 45, 47, 55
028 109 119 P S1	<b>14602</b>	18, 19
028 109 119 P S2	<b>14620</b>	19
028 109 119 P S3	<b>14626</b>	20, 34, 45, 47, 55
028 109 119 S	<b>19534</b>	34
03G 109 119	<b>23554</b>	30, 38, 50
03L 109 119 C	<b>34126</b>	26, 31, 57
03L 109 119 D	<b>34127</b>	32, 40, 42, 43, 50, 57, 59
03L 109 119 F	<b>34127</b>	32, 40, 42, 43, 50, 57, 59
03L 109 119 G	<b>34126</b>	26, 31, 57
03L 109 119 J	<b>34126</b>	26, 31, 57
038 109 119	<b>21718</b>	28, 31
038 109 119	<b>19362</b>	28
038 109 119 B	<b>19362</b>	28
038 109 119 B	<b>21718</b>	28, 31
038 109 119 B S1	<b>21720</b>	28, 31
038 109 119 D	<b>21718</b>	28, 31
038 109 119 D	<b>19362</b>	28
038 109 119 D S1	<b>21720</b>	28, 31
038 109 119 L	<b>19540</b>	27, 29, 35, 37, 48
038 109 119 M	<b>21718</b>	28, 31
038 109 119 M S1	<b>21720</b>	28, 31
038 109 119 N	<b>19540</b>	27, 29, 35, 37, 48
038 109 119 P	<b>19540</b>	27, 29, 35, 37, 48
038 109 119 R	<b>21718</b>	28, 31
038 109 119 S1	<b>21726</b>	27, 29, 35, 37, 48

**Ref. - No.**


046 109 119 E	<b>14370</b>	46
059 109 119 A	<b>19367</b>	49, 53
059 109 119 A S2	<b>27292</b>	49, 53
059 109 119 A S3	<b>27296</b>	49, 53
059 109 119 B	<b>21780</b>	36, 38, 49, 53
059 109 119 B S1	<b>26123</b>	36, 38, 49, 53
059 109 119 B S4	<b>27302</b>	36, 38, 49, 53
059 109 119 B S2	<b>26124</b>	36, 38, 49, 53
068 109 119 A	<b>12663</b>	17, 18
068 109 119 A S1	<b>14600</b>	17, 18
068 109 119 E	<b>12663</b>	17, 18
068 109 119 E S1	<b>14600</b>	17, 18
068 109 119 F	<b>12663</b>	17, 18
069 109 119 A	<b>14529</b>	21
069 109 119 A S2	<b>14528</b>	21
074 109 119 E	<b>14370</b>	46
074 109 119 H	<b>12668</b>	25
074 109 119 H S2	<b>14594</b>	25
074 109 119 R	<b>14370</b>	46
074 109 119 R S5	<b>32647</b>	46
075 109 119 B	<b>14529</b>	21
075 109 119 B S2	<b>14528</b>	21
059 109 217 C	<b>25415</b>	39, 42, 51, 54, 58
059 109 217 G	<b>25415</b>	39, 42, 51, 54, 58
057 109 218 F	<b>25411</b>	39, 42, 44, 51, 54, 58
057 109 218 G	<b>25411</b>	39, 42, 44, 51, 54, 58
057 109 218 J	<b>25411</b>	39, 42, 44, 51, 54, 58
057 109 218 K	<b>25411</b>	39, 42, 44, 51, 54, 58
028 109 243	<b>10293</b>	19
028 109 243 B	<b>10293</b>	19
028 109 243 E	<b>10294</b>	20, 34, 45, 47, 55
028 109 243 F	<b>10294</b>	20, 34, 45, 47, 55
028 109 243 H	<b>19570</b>	34
028 109 243 J	<b>19570</b>	34
028 109 243 K	<b>19570</b>	34
03G 109 243	<b>24752</b>	30, 38, 50
03L 109 243 E	<b>30215</b>	32, 40, 42, 43, 50, 57, 59
038 109 243 D	<b>18956</b>	28, 31

Ref. - No.

Car  
Division

Ref. - No.



Ref. - No.



038 109 243 F	<b>18956</b>	28, 31
038 109 243 G	<b>18956</b>	28, 31
038 109 243 H	<b>18956</b>	28, 31
038 109 243 M	<b>21706</b>	27, 29, 37, 48
038 109 243 N	<b>18956</b>	28, 31
045 109 243 A	<b>17944</b>	27, 29, 35, 37, 48
045 109 243 C	<b>17944</b>	27, 29, 35, 37, 48
045 109 243 F	<b>21706</b>	27, 29, 37, 48
057 109 243 A	<b>18662</b>	54
059 109 243 D	<b>17942</b>	36, 38, 49, 53
059 109 243 F	<b>17946</b>	36, 38, 49, 53
059 109 243 G	<b>17946</b>	36, 38, 49, 53
059 109 243 J	<b>17942</b>	36, 38, 49, 53
059 109 243 L	<b>17946</b>	36, 38, 49, 53
068 109 243	<b>06687</b>	17, 18, 19
068 109 243 C	<b>06687</b>	17, 18, 19
068 109 243 F	<b>06687</b>	17, 18, 19
069 109 243 B	<b>02558</b>	21, 22, 24
074 109 243 A	<b>07709</b>	23, 25
074 109 243 B	<b>07708</b>	22, 24, 25
074 109 243 F	<b>11559</b>	46
074 109 243 G	<b>11559</b>	46
074 109 243 J	<b>11559</b>	46
074 109 243 R	<b>11559</b>	46
028 109 244	<b>07078</b>	19, 20, 34, 45, 47, 55
03G 109 244	<b>24754</b>	30, 32, 40, 42, 43, 50, 57, 59
03G 109 244 A	<b>29345</b>	30, 38, 50
03G 109 244 B	<b>24754</b>	30, 32, 40, 42, 43, 50, 57, 59
03G 109 244 C	<b>29345</b>	30, 38, 50
03L 109 244	<b>34783</b>	26, 31, 40, 52, 57, 59
03L 109 244 B	<b>34783</b>	26, 31, 40, 52, 57, 59
03L 109 244 C	<b>17712</b>	27, 29, 32, 35, 37, 40, 42, 43, 48, 50, 57
03L 109 244 D	<b>07022</b>	26, 28, 31, 33, 41, 42, 43, 46, 52, 56, 57, 59

03L 109 244 E	<b>34783</b>	26, 31, 40, 52, 57, 59
03L 109 244 J	<b>34783</b>	26, 31, 40, 52, 57, 59
038 109 244 B	<b>10045</b>	28, 31
038 109 244 C	<b>10045</b>	28, 31
038 109 244 E	<b>11340</b>	28, 31
038 109 244 H	<b>10045</b>	28, 31
038 109 244 J	<b>21708</b>	27, 29, 30, 32, 37, 38, 40, 42, 43, 48, 50, 57, 59
038 109 244 M	<b>10045</b>	28, 31
038 109 244 N	<b>21708</b>	27, 29, 30, 32, 37, 38, 40, 42, 43, 48, 50, 57, 59
038 109 244 Q	<b>11340</b>	28, 31
038 109 244 R	<b>10045</b>	28, 31
045 109 244 A	<b>17712</b>	27, 29, 32, 35, 37, 40, 42, 43, 48, 50, 57
058 109 244	<b>07022</b>	26, 28, 31, 33, 41, 42, 43, 46, 52, 56, 57, 59
059 109 244	<b>18664</b>	36, 38, 49, 53
059 109 244 A	<b>18664</b>	36, 38, 49, 53
059 109 244 B	<b>18664</b>	36, 38, 49, 53
045 109 479	<b>22341</b>	27
045 109 479 B	<b>21722</b>	27, 29, 35, 37, 48
045 109 479 C	<b>26033</b>	48
045 109 479 D	<b>22341</b>	27
059 109 479 B	<b>22340</b>	36, 38, 49, 53
057 109 487	<b>22343</b>	54
059 109 487 A	<b>22339</b>	36, 38, 49, 53
059 109 487 B	<b>22339</b>	36, 38, 49, 53
059 109 487 C	<b>22339</b>	36, 38, 49, 53
057 109 510 A	<b>25459</b>	58
057 109 510 B	<b>25459</b>	58
046 130 113 C	<b>14592</b>	23, 25, 46
059 130 113	<b>19365</b>	36, 38, 49, 53
059 130 113 A	<b>19365</b>	36, 38, 49, 53
069 130 113 A	<b>12659</b>	21
074 130 113	<b>12667</b>	22, 24
046 130 195 B	<b>03987</b>	23, 25, 46


**Ref. - No.**


046 130 195 C	<b>03923</b>	22, 23, 24, 25, 46
046 130 195 D	<b>03923</b>	22, 23, 24, 25, 46
059 145 201 E	<b>33152</b>	39, 51, 54, 58, 59
059 145 201 F	<b>33153</b>	39, 42
059 145 201 H	<b>33153</b>	39, 42
03G 145 276	<b>30621</b>	37, 38, 40, 42, 50
059 145 276	<b>19734</b>	36
028 145 278	<b>01231</b>	19, 20, 45, 55
028 145 278 A	<b>01231</b>	19, 20, 45, 55
028 145 278 E	<b>01231</b>	19, 20, 45, 55
028 145 278 J	<b>17074</b>	34, 47
028 145 278 J	<b>23758</b>	34, 47
038 145 299 A	<b>31090</b>	48
046 198 113	<b>14592</b>	23, 25, 46
028 198 119	<b>14602</b>	18, 19
028 198 119 B	<b>14620</b>	19
028 198 119 C	<b>14626</b>	20, 34, 45, 47, 55
028 198 119 D	<b>24684</b>	34
03G 198 119	<b>24756</b>	30, 38, 50
03G 198 119 A	<b>30580</b>	30, 50
03G 198 119 B	<b>24756</b>	30, 38, 50
03G 198 119 C	<b>30580</b>	30, 50
03L 198 119	<b>34128</b>	32, 40, 42, 43, 50, 57, 59
038 198 119 A	<b>21724</b>	27, 29, 37, 48
038 198 119 B	<b>24708</b>	48
038 198 119 C	<b>21724</b>	27, 29, 37, 48
038 198 119 E	<b>21720</b>	28, 31
058 260 511	<b>11341</b>	34, 37, 47
059 260 523 A	<b>11323</b>	36, 49, 53
059 260 523 B	<b>11323</b>	36, 49, 53
068 260 940	<b>04008</b>	18
021 903 119 G	<b>15262</b>	27, 28
022 903 119 A	<b>15262</b>	27, 28
022 903 119 B	<b>15254</b>	34, 47
022 903 119 C	<b>15262</b>	27, 28
022 903 119 D	<b>15254</b>	34, 47
028 903 119 AC	<b>15254</b>	34, 47
028 903 119 AD	<b>15254</b>	34, 47
028 903 119 AM	<b>15262</b>	27, 28
028 903 119 Q	<b>15254</b>	34, 47
028 903 119 T	<b>15252</b>	34, 47
038 903 119	<b>14064</b>	28

**Ref. - No.**


038 903 119 A	<b>15262</b>	27, 28
038 903 119 M	<b>15254</b>	34, 47
038 903 119 T	<b>15262</b>	27, 28
028 903 315	<b>26925</b>	19, 20, 45, 55
028 903 315 B	<b>26925</b>	19, 20, 45, 55
028 903 315 G	<b>26925</b>	19, 20, 45, 55
028 903 315 H	<b>26925</b>	19, 20, 45, 55
028 903 315 J	<b>26925</b>	19, 20, 45, 55
028 903 315 K	<b>26925</b>	19, 20, 45, 55
028 903 315 M	<b>23758</b>	34, 47
028 903 315 N	<b>26925</b>	19, 20, 45, 55
028 903 315 R	<b>26925</b>	19, 20, 45, 55
03G 903 315	<b>27806</b>	30
03G 903 315 A	<b>27806</b>	30
03G 903 315 C	<b>28025</b>	30, 32
03G 903 315 D	<b>28025</b>	30, 32
03G 903 315 G	<b>28025</b>	30, 32
038 903 315 AD	<b>27618</b>	26, 31, 32, 37, 38, 40, 42, 50, 52, 56, 57, 59
038 903 315 AG	<b>27618</b>	26, 31, 32, 37, 38, 40, 42, 50, 52, 56, 57, 59
038 903 315 AH	<b>27618</b>	26, 31, 32, 37, 38, 40, 42, 50, 52, 56, 57, 59
038 903 315 AJ	<b>27618</b>	26, 31, 32, 37, 38, 40, 42, 50, 52, 56, 57, 59
038 903 315 D	<b>18660</b>	35, 37, 48
038 903 315 P	<b>18660</b>	35, 37, 48
038 903 315 T	<b>27618</b>	26, 31, 32, 37, 38, 40, 42, 50, 52, 56, 57, 59
045 903 315 A	<b>29945</b>	26, 27
059 903 341	<b>11324</b>	36, 49, 53
059 903 341 A	<b>11276</b>	36, 49, 53
059 903 341 E	<b>11276</b>	36, 49, 53
059 903 341 J	<b>11276</b>	36, 49, 53

**BMW**

11 28 2 243 510	<b>01579</b>	64, 79, 80, 94
-----------------	--------------	----------------

Ref. - No.

Car  
Division

Ref. - No.



11 28 2 243 592	<b>10760</b>	64, 65, 79, 80, 81, 94
11 28 2 243 702	<b>01790</b>	64, 79, 80, 94
11 28 2 244 424	<b>01579</b>	64, 79, 80, 94
11 28 2 244 754	<b>10760</b>	64, 65, 79, 80, 81, 94
11 28 2 245 166	<b>01790</b>	64, 79, 80, 94
11 28 2 246 769	<b>01579</b>	64, 79, 80, 94
11 28 2 247 226	<b>14996</b>	65, 81
11 28 2 247 435	<b>21300</b>	65, 67, 81, 82, 95, 106
11 28 2 248 168	<b>01579</b>	64, 79, 80, 94
11 28 2 248 169	<b>14996</b>	65, 81
11 28 2 248 483	<b>30114</b>	67, 82, 95, 106
11 28 2 248 484	<b>27375</b>	67, 82, 95, 106
11 28 2 354 130	<b>27375</b>	67, 82, 95, 106
11 28 2 354 131	<b>30114</b>	67, 82, 95, 106
11 28 7 556 251	<b>28709</b>	61, 70, 72, 89
11 28 7 780 124	<b>24639</b>	66, 68, 83, 85, 91, 97, 101, 103, 107
11 28 7 786 880	<b>27373</b>	66, 68, 69, 73, 83, 85, 91, 97, 101, 103, 107
11 28 7 786 881	<b>27372</b>	66, 68, 69, 73, 83, 85, 91, 97, 101, 103, 107
11 28 7 789 020	<b>26955</b>	97
11 28 7 790 447	<b>32248</b>	60, 69
11 28 7 790 448	<b>31236</b>	60, 69, 73
11 28 7 799 464	<b>24639</b>	66, 68, 83, 85, 91, 97, 101, 103, 107
11 28 7 799 851	<b>36488</b>	108
11 28 7 799 859	<b>34172</b>	108
11 28 7 800 333	<b>30440</b>	61, 70, 72, 86, 89, 98, 100
11 28 7 800 334	<b>36636</b>	84, 89, 98, 102, 109
11 28 7 800 562	<b>30441</b>	61, 70, 72, 84, 86, 89, 98, 100, 102, 109
11 28 7 806 252	<b>26955</b>	97
11 28 7 807 021	<b>27372</b>	66, 68, 69, 73, 83, 85, 91, 97, 101, 103, 107

Ref. - No.



11 28 7 810 807	<b>37552</b>	62, 63, 71, 74, 75, 76, 77, 87, 88, 90, 92, 93, 99, 100, 104, 105, 110, 111
11 31 1 279 125	<b>11029</b>	64, 78
11 31 1 287 463	<b>01588</b>	64, 78
11 31 2 241 090	<b>01588</b>	64, 78
11 31 2 243 776	<b>15550</b>	64, 79, 80, 94
11 31 2 245 171	<b>15550</b>	64, 79, 80, 94
11 31 2 246 582	<b>15550</b>	64, 79, 80, 94
11 31 2 246 582 S1	<b>30384</b>	64, 79, 80, 94
11 31 2 247 192	<b>18324</b>	65, 67, 81, 82, 95, 106
11 31 2 248 503	<b>25377</b>	96
11 31 2 248 728	<b>18324</b>	65, 67, 81, 82, 95, 106
11 31 2 248 728 S1	<b>30341</b>	65, 81
11 31 2 248 728 S2	<b>30343</b>	67, 82, 95, 106
11 31 2 249 851	<b>21267</b>	60, 66, 68, 69, 73, 83, 85, 91, 97, 101, 103, 107, 108
11 31 2 249 851 S1	<b>30347</b>	60, 66, 68, 69, 73, 83, 85, 91, 97, 101, 103, 107, 108
11 31 7 789 691	<b>25377</b>	96
11 31 7 797 897	<b>28720</b>	61, 62, 63, 70, 71, 72, 74, 75, 76, 77, 84, 86, 87, 88, 89, 90, 92, 93, 98, 99, 100, 102, 105, 109, 110, 111
11 31 7 797 897 S1	<b>30349</b>	61, 62, 63, 70, 71, 72, 74, 75, 76, 77, 84, 86, 87, 88, 89, 90, 92, 93, 98, 99, 100, 102, 105, 109, 110, 111
11 31 7 797 901	<b>28718</b>	61, 62, 63, 70, 71, 72, 74, 75, 76, 77, 84, 86, 87, 88, 89, 90, 92, 93, 98, 99, 100, 102, 104, 105, 109, 110, 111


**Ref. - No.**


11 31 8 506 650	<b>28720</b>	61, 62, 63, 70, 71, 72, 74, 75, 76, 77, 84, 86, 87, 88, 89, 90, 92, 93, 98, 99, 100, 102, 105, 109, 110, 111
11 31 8 506 650 S1	<b>30349</b>	61, 62, 63, 70, 71, 72, 74, 75, 76, 77, 84, 86, 87, 88, 89, 90, 92, 93, 98, 99, 100, 102, 105, 109, 110, 111
11 31 8 506 652	<b>39474</b>	61, 62, 70, 71, 74, 84, 86, 88, 100, 102, 104
11 31 8 506 652 S1	<b>39475</b>	61, 62, 70, 71, 74, 84, 86, 88, 100, 102, 104
11 31 8 506 654	<b>36075</b>	72, 75, 77, 86, 87, 89, 90, 92, 93, 98, 99, 104, 105, 109, 111
11 31 8 506 654 S1	<b>36076</b>	72, 75, 77, 86, 87, 89, 90, 92, 93, 98, 99, 104, 105, 109, 111
11 31 8 506 869	<b>21267</b>	60, 66, 68, 69, 73, 83, 85, 91, 97, 101, 103, 107, 108
11 31 8 506 869 S1	<b>30347</b>	60, 66, 68, 69, 73, 83, 85, 91, 97, 101, 103, 107, 108
11 31 8 510 014	<b>28720</b>	61, 62, 63, 70, 71, 72, 74, 75, 76, 77, 84, 86, 87, 88, 89, 90, 92, 93, 98, 99, 100, 102, 105, 109, 110, 111
11 31 8 510 014 S1	<b>30349</b>	61, 62, 63, 70, 71, 72, 74, 75, 76, 77, 84, 86, 87, 88, 89, 90, 92, 93, 98, 99, 100, 102, 105, 109, 110, 111

**Ref. - No.**


11 31 8 572 503	<b>28720</b>	61, 62, 63, 70, 71, 72, 74, 75, 76, 77, 84, 86, 87, 88, 89, 90, 92, 93, 98, 99, 100, 102, 105, 109, 110, 111
11 31 8 572 503 S1	<b>30349</b>	61, 62, 63, 70, 71, 72, 74, 75, 76, 77, 84, 86, 87, 88, 89, 90, 92, 93, 98, 99, 100, 102, 105, 109, 110, 111
11 31 8 576 201	<b>28718</b>	61, 62, 63, 70, 71, 72, 74, 75, 76, 77, 84, 86, 87, 88, 89, 90, 92, 93, 98, 99, 100, 102, 104, 105, 109, 110, 111
13 52 2 243 775	<b>15549</b>	64, 79, 80, 94
13 52 2 243 950	<b>09222</b>	64, 79, 80, 94
13 52 2 245 172	<b>15549</b>	64, 79, 80, 94
13 52 2 246 583	<b>15549</b>	64, 79, 80, 94
13 52 2 246 583 S1	<b>30384</b>	64, 79, 80, 94
13 52 2 246 808	<b>21290</b>	65, 81
13 52 2 247 193	<b>18323</b>	65, 81
13 52 2 247 193 S1	<b>30342</b>	65, 81
13 52 2 247 644	<b>21271</b>	67, 82, 95, 106
13 52 2 248 729	<b>25380</b>	67, 82, 95, 106
13 52 2 248 729 S1	<b>30344</b>	67, 82, 95, 106
13 52 2 249 852	<b>29858</b>	60, 66, 68, 69, 73, 83, 85, 91, 97, 101, 103, 107, 108
13 52 7 787 299	<b>21291</b>	60, 66, 68, 69, 73, 83, 85, 91, 97, 101, 103, 107, 108
13 52 7 789 690	<b>29858</b>	60, 66, 68, 69, 73, 83, 85, 91, 97, 101, 103, 107, 108
13 52 7 789 690 S1	<b>30348</b>	60, 66, 68, 69, 73, 83, 85, 91, 97, 101, 103, 107, 108

Ref. - No.

Car  
Division 

Ref. - No.



13 52 7 797 902	<b>39474</b>	61, 62, 70, 71, 74, 84, 86, 88, 100, 102, 104
13 52 7 797 902 S1	<b>39475</b>	61, 62, 70, 71, 74, 84, 86, 88, 100, 102, 104
13 52 7 797 905	<b>28717</b>	61, 62, 70, 71, 72, 75, 77, 84, 86, 87, 88, 89, 90, 93, 98, 99, 100, 102, 104, 105, 109, 110, 111
13 52 7 800 024	<b>36075</b>	72, 75, 77, 86, 87, 89, 90, 92, 93, 98, 99, 104, 105, 109, 111
13 52 7 800 024 S1	<b>36076</b>	72, 75, 77, 86, 87, 89, 90, 92, 93, 98, 99, 104, 105, 109, 111
13 52 8 506 969	<b>29858</b>	60, 66, 68, 69, 73, 83, 85, 91, 97, 101, 103, 107, 108
13 52 8 506 969 S1	<b>30348</b>	60, 66, 68, 69, 73, 83, 85, 91, 97, 101, 103, 107, 108
13 52 8 572 504	<b>39474</b>	61, 62, 70, 71, 74, 84, 86, 88, 100, 102, 104
13 52 8 572 504 S1	<b>39475</b>	61, 62, 70, 71, 74, 84, 86, 88, 100, 102, 104
64 55 2 245 584	<b>11333</b>	64, 80, 94
64 55 2 247 184	<b>30117</b>	65, 67, 81, 82, 95, 106
64 55 2 248 562	<b>27367</b>	65, 81
64 55 2 248 563	<b>30118</b>	67, 82, 95
64 55 2 354 034	<b>30118</b>	67, 82, 95
64 55 2 354 036	<b>27367</b>	65, 81
64 55 2 354 037	<b>30117</b>	65, 67, 81, 82, 95, 106
64 55 7 786 076	<b>30117</b>	65, 67, 81, 82, 95, 106
64 55 7 786 287	<b>30116</b>	67, 82, 95, 106
64 55 7 786 545	<b>27371</b>	66

Ref. - No.



64 55 7 786 711	<b>34469</b>	68, 85, 97, 101, 103, 107, 108
64 55 7 787 371	<b>27381</b>	66
64 55 7 788 684	<b>30116</b>	67, 82, 95, 106
passend für / to fit:		
<b>CHEVROLET</b>		
55574238	<b>27365</b>	112
96440336	<b>38275</b>	112, 113, 114, 115
96440417	<b>38260</b>	112, 113, 114, 115
96837555	<b>38275</b>	112, 113, 114, 115
96941103	<b>38275</b>	112, 113, 114, 115
<b>CHRYSLER</b>		
05080312AA	<b>23772</b>	116
05080312AB	<b>23772</b>	116
05080312AC	<b>23772</b>	116
05080319AA	<b>23773</b>	116
passend für / to fit:		
<b>CITROËN</b>		
0805.E5	<b>39099</b>	125, 133, 134, 136, 138, 140, 149, 161, 162, 177
0816.A4	<b>17809</b>	171
0816.A4 S1	<b>29393</b>	171
0816.A6	<b>17764</b>	144, 145, 157, 158, 165, 172
0816.A6 S1	<b>19621</b>	145, 157, 158
0816.A9	<b>17765</b>	124, 165, 168, 175, 184, 189, 191
0816.C1	<b>19641</b>	170
0816.E2	<b>24367</b>	119, 125, 127, 130, 132, 133, 134, 136, 140, 146, 149, 177, 190
0816.E4	<b>21865</b>	130, 132, 133, 155, 165, 175
0816.E5	<b>11008</b>	171
0816.E5 S1	<b>29391</b>	171
0816.E7	<b>21865</b>	130, 132, 133, 155, 165, 175




**Ref. - No.**


0816.F6	<b>33691</b>	119, 125, 127, 128, 130, 132, 134, 136, 137, 139, 140, 142, 145, 146, 147, 148, 149, 151, 152, 153, 155, 157, 158, 163, 165, 175, 177, 179, 190
0816.F6 S1	<b>37620</b>	128, 152, 153, 158
0816.F7	<b>22375</b>	130
0816.F8	<b>33691</b>	119, 125, 127, 128, 130, 132, 134, 136, 137, 139, 140, 142, 145, 146, 147, 148, 149, 151, 152, 153, 155, 157, 158, 163, 165, 175, 177, 179, 190
0816.G1	<b>29270</b>	168
0816.G3	<b>24197</b>	137, 142, 147, 148, 151, 155, 179
0816.G7	<b>24367</b>	119, 125, 127, 130, 132, 133, 134, 136, 140, 146, 149, 177, 190
0816.G7 S1	<b>24369</b>	119, 125, 127, 130, 132, 134, 136, 140, 146, 149, 177, 190
0816.J0	<b>33692</b>	119, 125, 127, 130, 132, 134, 136, 140, 146, 149, 177, 190
0816.J0 SK	<b>32449</b>	119, 125, 127, 130, 132, 134, 136, 140, 146, 149, 177, 190
0816.J1	<b>33692</b>	119, 125, 127, 130, 132, 134, 136, 140, 146, 149, 177, 190
0816.J1 SK	<b>32449</b>	119, 125, 127, 130, 132, 134, 136, 140, 146, 149, 177, 190
0816.J1 SK2	<b>33691</b>	119, 125, 127, 128, 130, 132, 134, 136, 137, 139, 140, 142, 145, 146, 147, 148, 149, 151, 152, 153, 155, 157, 158, 163, 165, 175, 177, 179, 190

**Ref. - No.**


0816.J5	<b>36069</b>	128, 148, 152, 153, 158
0816.K1	<b>37285</b>	119, 125, 129, 133, 134, 136, 138, 140, 143, 144, 149, 161, 162, 177
0816.K4	<b>39100</b>	133, 161
0816.K5	<b>37290</b>	139, 142, 151, 155, 163, 179
0816.K8	<b>37290</b>	139, 142, 151, 155, 163, 179
0816.K9	<b>23778</b>	180
0816.K9 S1	<b>31622</b>	180
0816.L0	<b>37285</b>	119, 125, 129, 133, 134, 136, 138, 140, 143, 144, 149, 161, 162, 177
0816.L1	<b>39100</b>	133, 161
0816.33	<b>10998</b>	160
0816.54	<b>11166</b>	166, 185, 186
0816.54 S	<b>11106</b>	166, 185, 186
0816.54 S1	<b>11106</b>	166, 185, 186
0816.58	<b>11000</b>	118, 122, 159, 160, 164, 167, 173, 182, 183, 192
0816.64	<b>11173</b>	117
0816.64 S	<b>11174</b>	117
0816.68	<b>11207</b>	169, 187
0816.68 S	<b>11208</b>	169, 187
0816.72	<b>11000</b>	118, 122, 159, 160, 164, 167, 173, 182, 183, 192
0816.72 S	<b>11214</b>	118, 182
0816.73	<b>11000</b>	118, 122, 159, 160, 164, 167, 173, 182, 183, 192
0816.88	<b>19641</b>	170
0816.93	<b>17761</b>	123, 174, 188
0816.98	<b>11000</b>	118, 122, 159, 160, 164, 167, 173, 182, 183, 192
0818.19	<b>06980</b>	166, 185, 186
0818.20	<b>04927</b>	169, 187



Ref. - No.

Car  
Division

Ref. - No.



0818.22	<b>05341</b>	160
0818.32	<b>11904</b>	171
0818.44	<b>28458</b>	180
0829.A4	<b>26027</b>	137, 142, 147, 148, 151, 152, 153, 155, 179
0829.C3	<b>27376</b>	145, 148, 157, 168, 175
0829.C4	<b>27377</b>	145, 157, 168, 175
0829.E8	<b>36020</b>	128, 148, 152, 153, 158
0829.F5	<b>36020</b>	128, 148, 152, 153, 158
0829.F7	<b>37353</b>	142, 151, 155, 163, 179
0829.F8	<b>39101</b>	119, 125, 129, 133, 136, 138, 140, 144, 149, 161, 162, 177
0829.F9	<b>29301</b>	154
0829.G6	<b>37353</b>	142, 151, 155, 163, 179
0829.11	<b>04926</b>	159, 160, 192
0829.21	<b>04926</b>	159, 160, 192
0829.30	<b>04856</b>	117, 118, 182
0829.33	<b>04751</b>	122, 159, 164, 167, 173, 183, 192
0829.52	<b>11347</b>	170
0829.59	<b>17063</b>	123, 124, 144, 145, 155, 157, 158, 165, 168, 174, 175, 184, 188, 189, 191
0829.62	<b>17063</b>	123, 124, 144, 145, 155, 157, 158, 165, 168, 174, 175, 184, 188, 189, 191
0829.74	<b>11347</b>	170
0829.88	<b>19511</b>	119, 125, 127, 130, 132, 133, 134, 136, 140, 145, 146, 149, 177, 181, 187, 190
0829.94	<b>37224</b>	137, 139, 142, 145, 147, 148, 163, 165
0830.02	<b>04750</b>	159, 160, 192

Ref. - No.



0830.11	<b>06982</b>	117, 118, 166, 182, 185, 186
0830.12	<b>04749</b>	169, 187
0830.13	<b>06983</b>	122, 159, 164, 167, 173, 183, 192
0830.14	<b>06982</b>	117, 118, 166, 182, 185, 186
0830.23	<b>11346</b>	170
0830.28	<b>17064</b>	123, 124, 144, 145, 155, 157, 158, 165, 168, 174, 175, 184, 188, 189, 191
0830.31	<b>17064</b>	123, 124, 144, 145, 155, 157, 158, 165, 168, 174, 175, 184, 188, 189, 191
0830.32	<b>29389</b>	171
0830.37	<b>06982</b>	117, 118, 166, 182, 185, 186
0830.44	<b>11346</b>	170
0830.48	<b>19513</b>	119, 125, 127, 130, 132, 133, 134, 136, 140, 145, 146, 149, 177, 181, 187, 190
0830.51	<b>26816</b>	128, 137, 142, 147, 148, 151, 152, 153, 155, 158, 163, 179
0830.63	<b>17064</b>	123, 124, 144, 145, 155, 157, 158, 165, 168, 174, 175, 184, 188, 189, 191
0830.74	<b>26816</b>	128, 137, 142, 147, 148, 151, 152, 153, 155, 158, 163, 179
0830.75	<b>37275</b>	119, 125, 129, 133, 134, 136, 138, 140, 143, 144, 149, 161, 162, 177
0831.K0	<b>26818</b>	137, 142, 147, 151, 155, 179
0831.K5	<b>27394</b>	175
0831.K7	<b>27391</b>	145, 148, 157
0831.K8 S1	<b>30976</b>	168


**Ref. - No.**


0831.K9	<b>29271</b>	168
0831.N2	<b>19615</b>	123, 174, 188
0831.P2	<b>24369</b>	119, 125, 127, 130, 132, 134, 136, 140, 146, 149, 177, 190
0831.P6	<b>36230</b>	128, 148, 152, 153, 158
0831.Q0	<b>37460</b>	142, 151, 155, 163, 179
0831.Q1	<b>39203</b>	119, 125, 129, 133, 134, 136, 138, 140, 143, 144, 149, 161, 162, 177
0831.Q6	<b>11174</b>	117
0831.Q8	<b>11221</b>	159, 160, 192
0831.R0	<b>11106</b>	166, 185, 186
0831.R3	<b>11214</b>	118, 182
0831.R4	<b>11222</b>	122, 159, 164, 167, 173, 183, 192
0831.R6	<b>11208</b>	169, 187
0831.R7	<b>19615</b>	123, 174, 188
0831.R8	<b>19623</b>	124, 144, 165, 168, 175, 184, 189, 191
0831.S2	<b>27390</b>	155, 165, 175
0831.S3	<b>27391</b>	145, 148, 157
0831.S8	<b>26145</b>	170
0831.T3	<b>21867</b>	130, 132, 133, 181, 187
0831.T5	<b>26818</b>	137, 142, 147, 151, 155, 179
0831.T7	<b>27394</b>	175
0831.T8	<b>29271</b>	168
0831.V3	<b>19623</b>	124, 144, 165, 168, 175, 184, 189, 191
0831.V4	<b>24369</b>	119, 125, 127, 130, 132, 134, 136, 140, 146, 149, 177, 190
0831.V5	<b>36230</b>	128, 148, 152, 153, 158
0831.V7	<b>39200</b>	133, 161
0831.W1	<b>37460</b>	142, 151, 155, 163, 179

**Ref. - No.**


0831.W2	<b>39205</b>	125, 133, 134, 136, 138, 140, 149, 161, 162, 177
0831.W2	<b>39204</b>	119, 125, 129, 133, 134, 136, 138, 140, 143, 144, 149, 161, 162, 177
0831.W2	<b>39203</b>	119, 125, 129, 133, 134, 136, 138, 140, 143, 144, 149, 161, 162, 177
0831.W2 S1	<b>39204</b>	119, 125, 129, 133, 134, 136, 138, 140, 143, 144, 149, 161, 162, 177
0831.W2 S2	<b>39205</b>	125, 133, 134, 136, 138, 140, 149, 161, 162, 177
0831.W3	<b>39200</b>	133, 161
0831.09	<b>11221</b>	159, 160, 192
0831.27	<b>11222</b>	122, 159, 164, 167, 173, 183, 192
0831.37	<b>11208</b>	169, 187
0831.45	<b>11174</b>	117
0831.58	<b>19615</b>	123, 174, 188
0831.60	<b>19621</b>	145, 157, 158
0831.64	<b>26145</b>	170
0831.74	<b>27390</b>	155, 165, 175
0831.81	<b>21867</b>	130, 132, 133, 181, 187
0831.83	<b>19623</b>	124, 144, 165, 168, 175, 184, 189, 191
0831.90	<b>30976</b>	168
0831.91	<b>30976</b>	168
0849.22	<b>37211</b>	137, 139, 142, 145, 147, 148, 151, 155, 157, 163, 165, 175, 179
0849.23	<b>37230</b>	137, 139, 142, 145, 147, 148, 151, 155, 163, 165, 175, 179

Ref. - No.

Car  
Division

Ref. - No.



0849.26	<b>32449</b>	119, 125, 127, 130, 132, 134, 136, 140, 146, 149, 177, 190
0849.30	<b>37221</b>	128, 148, 152, 153, 158
1281.34	<b>05069</b>	169
1281.38	<b>11641</b>	170
16 069 481 80	<b>39101</b>	119, 125, 129, 133, 136, 138, 140, 144, 149, 161, 162, 177
16 069 489 80	<b>39101</b>	119, 125, 129, 133, 136, 138, 140, 144, 149, 161, 162, 177
16 087 459 80	<b>37285</b>	119, 125, 129, 133, 134, 136, 138, 140, 143, 144, 149, 161, 162, 177
16 087 461 80	<b>39100</b>	133, 161
16 087 474 80	<b>39203</b>	119, 125, 129, 133, 134, 136, 138, 140, 143, 144, 149, 161, 162, 177
16 087 474 80	<b>39205</b>	125, 133, 134, 136, 138, 140, 149, 161, 162, 177
16 087 474 80	<b>39204</b>	119, 125, 129, 133, 134, 136, 138, 140, 143, 144, 149, 161, 162, 177
16 087 474 80 S1	<b>39204</b>	119, 125, 129, 133, 134, 136, 138, 140, 143, 144, 149, 161, 162, 177
16 087 474 80 S2	<b>39205</b>	125, 133, 134, 136, 138, 140, 149, 161, 162, 177
16 087 476 80	<b>39200</b>	133, 161
1926.67	<b>29301</b>	154
26 207 509	<b>05338</b>	160
4007.E4	<b>05077</b>	169, 170
5705.4F S1	<b>24413</b>	156
5751.A7	<b>37266</b>	137, 142, 147, 151, 156, 180

Ref. - No.



5751.E5	<b>37268</b>	131, 132, 137, 141
5751.E6	<b>32820</b>	121, 126, 131, 132, 137, 141, 150, 178, 190
5751.F3	<b>34805</b>	121, 126, 150, 178, 181, 190
5751.F4	<b>32820</b>	121, 126, 131, 132, 137, 141, 150, 178, 190
5751.F5	<b>36859</b>	128, 148, 152, 153, 158, 187
5751.F6	<b>37266</b>	137, 142, 147, 151, 156, 180
5751.F7	<b>36867</b>	128, 191
5751.F9	<b>22369</b>	126, 127, 129, 131, 132, 135, 137, 138, 141, 144, 150, 161, 162
5751.G0	<b>36859</b>	128, 148, 152, 153, 158, 187
5751.G1	<b>36867</b>	128, 191
5751.G2	<b>22369</b>	126, 127, 129, 131, 132, 135, 137, 138, 141, 144, 150, 161, 162
5751.H3	<b>39390</b>	139, 142, 151, 156, 163, 180
5751.H6	<b>22369</b>	126, 127, 129, 131, 132, 135, 137, 138, 141, 144, 150, 161, 162
5751.H8	<b>39390</b>	139, 142, 151, 156, 163, 180
5751.J5	<b>39400</b>	126, 135, 138, 141, 143, 150, 161, 162
5751.J6	<b>39410</b>	126, 135, 138, 141, 143, 150, 161, 162
5751.K4	<b>39400</b>	126, 135, 138, 141, 143, 150, 161, 162
5751.K5	<b>39410</b>	126, 135, 138, 141, 143, 150, 161, 162


**Ref. - No.**


5751.15	<b>04733</b>	122, 164, 166, 167, 173, 183, 185, 186, 192
5751.24	<b>05082</b>	192
5751.26	<b>04725</b>	118, 182
5751.27	<b>04724</b>	118, 182
5751.29	<b>05801</b>	120, 122, 123, 124, 144, 156, 164, 165, 166, 173, 174, 176, 183, 184, 185, 186, 188, 189, 191, 192
5751.30	<b>09791</b>	120, 122, 123, 124, 164, 166, 173, 174, 176, 183, 185, 186, 188, 192
5751.38	<b>04733</b>	122, 164, 166, 167, 173, 183, 185, 186, 192
5751.44	<b>19072</b>	120, 122, 123, 124, 164, 166, 173, 174, 176, 183, 185, 186, 188, 192
5751.45	<b>11348</b>	123, 174
5751.46	<b>19214</b>	123, 174, 188
5751.47	<b>22353</b>	123
5751.55	<b>19119</b>	120, 124, 144, 156, 165, 168, 176, 184, 189, 191
5751.56	<b>15002</b>	120, 123, 124, 144, 165, 168, 174, 176, 184, 189, 191
5751.57	<b>07089</b>	120, 123, 124, 144, 165, 168, 174, 176, 184, 189, 191
5751.59	<b>19214</b>	123, 174, 188
5751.62	<b>19214</b>	123, 174, 188
5751.63	<b>19214</b>	123, 174, 188
5751.67	<b>19214</b>	123, 174, 188
5751.72	<b>19214</b>	123, 174, 188
5751.73	<b>21248</b>	123, 174, 188
5751.74	<b>19482</b>	123, 168, 174, 184, 188
5751.76	<b>22351</b>	144

**Ref. - No.**


5751.81	<b>19072</b>	120, 122, 123, 124, 164, 166, 173, 174, 176, 183, 185, 186, 188, 192
5751.86	<b>22369</b>	126, 127, 129, 131, 132, 135, 137, 138, 141, 144, 150, 161, 162
5751.89	<b>22779</b>	121, 131, 132, 145, 146, 187, 190
5751.90	<b>22349</b>	131
5751.91	<b>22353</b>	123
5751.92	<b>19391</b>	168
5751.94	<b>37270</b>	123, 174, 188
5751.96	<b>07089</b>	120, 123, 124, 144, 165, 168, 174, 176, 184, 189, 191
6453.AN	<b>11640</b>	170
6453.CE	<b>19483</b>	171
6453.FL	<b>19483</b>	171
6453.KH	<b>28276</b>	171
6453.R8	<b>05100</b>	169, 187
6453.SQ	<b>28276</b>	171
6453.76	<b>04723</b>	122, 192
91 516 222	<b>04723</b>	122, 192
93 501 404	<b>04926</b>	159, 160, 192
95 495 830	<b>05341</b>	160
95 619 217	<b>05338</b>	160
95 640 195	<b>04856</b>	117, 118, 182
95 640 269	<b>11173</b>	117
96 056 183	<b>06980</b>	166, 185, 186
96 074 514	<b>04733</b>	122, 164, 166, 167, 173, 183, 185, 186, 192
96 094 102	<b>04749</b>	169, 187
96 098 279	<b>04927</b>	169, 187
96 133 311	<b>05100</b>	169, 187
96 156 400	<b>04725</b>	118, 182
96 159 233	<b>06983</b>	122, 159, 164, 167, 173, 183, 192
96 165 457	<b>04724</b>	118, 182
96 171 886	<b>04751</b>	122, 159, 164, 167, 173, 183, 192

Ref. - No.

Car  
Division

Ref. - No.



Ref. - No.



96 188 885	<b>05801</b>	120, 122, 123, 124, 144, 156, 164, 165, 166, 173, 174, 176, 183, 184, 185, 186, 188, 189, 191, 192
96 201 545	<b>05082</b>	192
96 379 145 80	<b>24367</b>	119, 125, 127, 130, 132, 133, 134, 136, 140, 146, 149, 177, 190
96 442 584 80	<b>26816</b>	128, 137, 142, 147, 148, 151, 152, 153, 155, 158, 163, 179
96 541 138 80	<b>37221</b>	128, 148, 152, 153, 158
96 565 845 80	<b>39099</b>	125, 133, 134, 136, 138, 140, 149, 161, 162, 177
96 716 091 80	<b>39390</b>	139, 142, 151, 156, 163, 180
96 725 750 80	<b>39101</b>	119, 125, 129, 133, 136, 138, 140, 144, 149, 161, 162, 177
96 735 280 80	<b>37275</b>	119, 125, 129, 133, 134, 136, 138, 140, 143, 144, 149, 161, 162, 177
96 742 478 80	<b>37290</b>	139, 142, 151, 155, 163, 179
96 759 966 80	<b>39100</b>	133, 161
96 760 188 80	<b>37285</b>	119, 125, 129, 133, 134, 136, 138, 140, 143, 144, 149, 161, 162, 177
96 768 548 80	<b>39400</b>	126, 135, 138, 141, 143, 150, 161, 162
96 772 672 80	<b>39109</b>	119, 125, 129, 133, 134, 136, 138, 140, 143, 144, 149, 161, 162, 177
96 772 795 80	<b>39410</b>	126, 135, 138, 141, 143, 150, 161, 162

96 776 558 80	<b>39101</b>	119, 125, 129, 133, 136, 138, 140, 144, 149, 161, 162, 177
96 776 561 80	<b>39101</b>	119, 125, 129, 133, 136, 138, 140, 144, 149, 161, 162, 177
98 018 752 80	<b>39410</b>	126, 135, 138, 141, 143, 150, 161, 162
98 025 712 80	<b>39100</b>	133, 161
98 025 714 80	<b>37285</b>	119, 125, 129, 133, 134, 136, 138, 140, 143, 144, 149, 161, 162, 177

**DACIA**

11 75 036 62R	<b>30159</b>	195, 197
11 75 096 54R	<b>30159</b>	195, 197
77 01 473 120	<b>21270</b>	193, 194, 195, 197
77 01 473 179	<b>36438</b>	193, 194, 195, 196, 198
77 01 475 115	<b>21270</b>	193, 194, 195, 197
77 01 476 570	<b>36438</b>	193, 194, 195, 196, 198
77 01 476 571	<b>21270</b>	193, 194, 195, 197
77 01 477 012	<b>21270</b>	193, 194, 195, 197
77 01 477 028	<b>21270</b>	193, 194, 195, 197
77 01 478 037	<b>36438</b>	193, 194, 195, 196, 198
82 00 039 519	<b>19853</b>	193, 194, 195, 197
82 00 102 941	<b>21269</b>	193, 194, 195, 197
82 00 113 636	<b>26458</b>	195
82 00 170 009	<b>28287</b>	195
82 00 171 807	<b>28287</b>	195
82 00 360 524	<b>30159</b>	195, 197
82 00 460 446	<b>30159</b>	195, 197
82 00 508 612	<b>19853</b>	193, 194, 195, 197
82 00 537 033	<b>19853</b>	193, 194, 195, 197
82 00 608 550	<b>30159</b>	195, 197
82 00 612 619	<b>30159</b>	195, 197
82 00 641 468	<b>28287</b>	195

**FIAT**

1606948980	<b>39101</b>	245
------------	--------------	-----


**Ref. - No.**


1608747480	<b>39203</b>	245
1608747480 S1	<b>39204</b>	245
1609010680	<b>33941</b>	216
1611424380	<b>37266</b>	246, 261
2994029	<b>30178</b>	214
46424716	<b>11294</b>	228, 233, 251
46426983 S1	<b>14278</b>	201, 204, 225
46439454	<b>36441</b>	228, 233, 249, 251, 263
46439471	<b>36365</b>	200, 212
46454419	<b>27247</b>	201, 222, 225, 226, 234, 236, 253
46514222	<b>27247</b>	201, 222, 225, 226, 234, 236, 253
46524692	<b>17541</b>	200, 225
46547564	<b>11295</b>	218
46740726	<b>11297</b>	218, 228, 233, 251, 262
46740727	<b>11296</b>	218, 228, 233, 251, 262
46788783	<b>31622</b>	199, 205, 206, 207, 208, 219, 221, 223, 227, 230, 231, 232, 233, 235, 237, 238, 239, 250, 252
46788786	<b>28458</b>	199, 205, 206, 207, 208, 219, 221, 223, 227, 230, 231, 232, 233, 235, 237, 238, 239, 250, 252
46791187	<b>11021</b>	201, 225
46791189	<b>23653</b>	253
46791189 S1	<b>23651</b>	253
46794035	<b>27247</b>	201, 222, 225, 226, 234, 236, 253
46804589	<b>23778</b>	199, 205, 206, 207, 208, 219, 221, 223, 227, 230, 231, 232, 233, 235, 237, 238, 239, 250, 252
46804589 S1	<b>31622</b>	199, 205, 206, 207, 208, 219, 221, 223, 227, 230, 231, 232, 233, 235, 237, 238, 239, 250, 252
46819146	<b>27480</b>	221, 231, 234, 235
4720777	<b>10979</b>	210

**Ref. - No.**


4740846	<b>08685</b>	211, 213, 215
4740846 SK	<b>11904</b>	210, 211, 213
4740847	<b>29389</b>	210, 213
4740847 S1	<b>08689</b>	210, 211, 213, 215
500323627	<b>17811</b>	211, 213
500323627 S1	<b>29392</b>	211
500328902	<b>08685</b>	211, 213, 215
500328902 SK	<b>11904</b>	210, 211, 213
500371975	<b>30978</b>	214
500388688	<b>30980</b>	214
500390458	<b>30980</b>	214
500393575	<b>30167</b>	214
504000410	<b>30178</b>	214
504000412	<b>30168</b>	214
504010846	<b>21878</b>	214
504076915	<b>30978</b>	214
504086751	<b>30178</b>	214
504086948	<b>30170</b>	213
504088796	<b>30179</b>	213
504183759	<b>21878</b>	214
504294672	<b>40812</b>	216, 217
504294672 SK	<b>40812</b>	216, 217
504310251	<b>40813</b>	216, 217
504310251 SK	<b>40813</b>	216, 217
51758383	<b>29396</b>	200, 202, 203, 204, 208, 217, 220, 222, 224, 236, 237, 247, 248
51758384	<b>31089</b>	204, 236, 247
51758385	<b>30733</b>	202, 204, 224, 236
51773551	<b>30733</b>	202, 204, 224, 236
51791594	<b>27247</b>	201, 222, 225, 226, 234, 236, 253
51820520	<b>40898</b>	200, 202, 203, 204
51821652	<b>27480</b>	221, 231, 234, 235
51821653	<b>27365</b>	223, 235, 237, 239
5495830	<b>05341</b>	210
55183528	<b>28306</b>	202, 203, 204, 208, 209, 215, 217, 220, 247, 248, 253
55183528 S1	<b>28305</b>	202, 204, 208, 217, 220, 247, 253
55183528 S2	<b>28321</b>	204

Ref. - No.

Car  
Division

Ref. - No.



55185074	<b>27365</b>	223, 235, 237, 239
55187100	<b>23654</b>	200, 201, 202, 204, 206, 207, 208, 209, 215, 217, 220, 222, 223, 225, 226, 229, 230, 234, 236, 237, 247, 248, 249, 252, 253
55190813	<b>30733</b>	202, 204, 224, 236
55191315	<b>10298</b>	200, 201, 202, 203, 204, 206, 207, 208, 209, 215, 217, 220, 222, 223, 225, 226, 229, 230, 234, 236, 237, 247, 248, 249, 252, 253
55192323	<b>10298</b>	200, 201, 202, 203, 204, 206, 207, 208, 209, 215, 217, 220, 222, 223, 225, 226, 229, 230, 234, 236, 237, 247, 248, 249, 252, 253
55193358	<b>29396</b>	200, 202, 203, 204, 208, 217, 220, 222, 224, 236, 237, 247, 248
55197785	<b>28458</b>	199, 205, 206, 207, 208, 219, 221, 223, 227, 230, 231, 232, 233, 235, 237, 238, 239, 250, 252
55208381	<b>10298</b>	200, 201, 202, 203, 204, 206, 207, 208, 209, 215, 217, 220, 222, 223, 225, 226, 229, 230, 234, 236, 237, 247, 248, 249, 252, 253
55212159	<b>10298</b>	200, 201, 202, 203, 204, 206, 207, 208, 209, 215, 217, 220, 222, 223, 225, 226, 229, 230, 234, 236, 237, 247, 248, 249, 252, 253

Ref. - No.



55215666	<b>10298</b>	200, 201, 202, 203, 204, 206, 207, 208, 209, 215, 217, 220, 222, 223, 225, 226, 229, 230, 234, 236, 237, 247, 248, 249, 252, 253
55216455	<b>27480</b>	221, 231, 234, 235
55221385	<b>23778</b>	199, 205, 206, 207, 208, 219, 221, 223, 227, 230, 231, 232, 233, 235, 237, 238, 239, 250, 252
55221385 S1	<b>31622</b>	199, 205, 206, 207, 208, 219, 221, 223, 227, 230, 231, 232, 233, 235, 237, 238, 239, 250, 252
55238027	<b>10298</b>	200, 201, 202, 203, 204, 206, 207, 208, 209, 215, 217, 220, 222, 223, 225, 226, 229, 230, 234, 236, 237, 247, 248, 249, 252, 253
5889260	<b>11015</b>	218, 228, 233, 251, 262
5972277	<b>05338</b>	210
60671789	<b>36442</b>	254
60805593	<b>05338</b>	210
60813590	<b>10648</b>	201, 204, 206, 226, 230, 234, 249, 252, 253
60813592	<b>10298</b>	200, 201, 202, 203, 204, 206, 207, 208, 209, 215, 217, 220, 222, 223, 225, 226, 229, 230, 234, 236, 237, 247, 248, 249, 252, 253
60814033	<b>27247</b>	201, 222, 225, 226, 234, 236, 253
60814603	<b>10984</b>	201, 202, 203, 204, 206, 207, 222, 223, 225, 226, 229, 230, 234, 236, 237, 252, 253
60814603 S1	<b>14278</b>	201, 204, 225




**Ref. - No.**


71719651	<b>10984</b>	201, 202, 203, 204, 206, 207, 222, 223, 225, 226, 229, 230, 234, 236, 237, 252, 253
71719651	<b>14278</b>	201, 204, 225
71719651 S1	<b>23655</b>	201, 202, 203, 206, 207, 222, 225, 226, 230, 234, 236, 253
71731639	<b>10984</b>	201, 202, 203, 204, 206, 207, 222, 223, 225, 226, 229, 230, 234, 236, 237, 252, 253
71731639	<b>14278</b>	201, 204, 225
71731639 S1	<b>14278</b>	201, 204, 225
71731639 S2	<b>23655</b>	201, 202, 203, 206, 207, 222, 225, 226, 230, 234, 236, 253
71736493	<b>10648</b>	201, 204, 206, 226, 230, 234, 249, 252, 253
71736716	<b>31053</b>	214
71736726	<b>23655</b>	201, 202, 203, 206, 207, 222, 225, 226, 230, 234, 236, 253
71739901	<b>10979</b>	210
71739901 S1	<b>11066</b>	210
71739918	<b>11166</b>	258
71739919	<b>11000</b>	212, 240, 256
71740977	<b>05338</b>	210
71743962	<b>31089</b>	204, 236, 247
71743963	<b>29396</b>	200, 202, 203, 204, 208, 217, 220, 222, 224, 236, 237, 247, 248
71747799	<b>10298</b>	200, 201, 202, 203, 204, 206, 207, 208, 209, 215, 217, 220, 222, 223, 225, 226, 229, 230, 234, 236, 237, 247, 248, 249, 252, 253
71754557	<b>23651</b>	253
71754559	<b>28305</b>	202, 204, 208, 217, 220, 247, 253

**Ref. - No.**


71754847	<b>29392</b>	211
71771437	<b>27247</b>	201, 222, 225, 226, 234, 236, 253
71771498	<b>23654</b>	200, 201, 202, 204, 206, 207, 208, 209, 215, 217, 220, 222, 223, 225, 226, 229, 230, 234, 236, 237, 247, 248, 249, 252, 253
71773290	<b>23655</b>	201, 202, 203, 206, 207, 222, 225, 226, 230, 234, 236, 253
71773300	<b>11106</b>	258
71773302	<b>27390</b>	242, 257, 260
71773315	<b>28305</b>	202, 204, 208, 217, 220, 247, 253
71773326	<b>29392</b>	211
7303414	<b>10979</b>	210
7303414 S1	<b>11066</b>	210
7553564	<b>11296</b>	218, 228, 233, 251, 262
7553565	<b>11297</b>	218, 228, 233, 251, 262
7565617	<b>11015</b>	218, 228, 233, 251, 262
7596727	<b>11298</b>	201, 209, 254, 255
7596728	<b>11299</b>	201, 209, 254, 255
7596876	<b>11298</b>	201, 209, 254, 255
7596877	<b>11299</b>	201, 209, 254, 255
7609213	<b>11299</b>	201, 209, 254, 255
7613823	<b>11020</b>	209
7635678	<b>11294</b>	228, 233, 251
7721595	<b>36441</b>	228, 233, 249, 251, 263
77362721	<b>30029</b>	199, 205, 219, 221, 223, 227, 231, 234, 235, 249, 250
7749452	<b>36441</b>	228, 233, 249, 251, 263
7763644	<b>10648</b>	201, 204, 206, 226, 230, 234, 249, 252, 253
7764914	<b>11021</b>	201, 225



Ref. - No.

Car  
Division

Ref. - No.



Ref. - No.



7778565	<b>10298</b>	200, 201, 202, 203, 204, 206, 207, 208, 209, 215, 217, 220, 222, 223, 225, 226, 229, 230, 234, 236, 237, 247, 248, 249, 252, 253
7784613	<b>36441</b>	228, 233, 249, 251, 263
7796283	<b>11294</b>	228, 233, 251
7797142	<b>11294</b>	228, 233, 251
9400816549	<b>11166</b>	258
9400816549 S	<b>11106</b>	258
9400816589	<b>11000</b>	212, 240, 256
9400816589 S	<b>11222</b>	212, 240, 256
9400816939	<b>17761</b>	241
9400816969	<b>17765</b>	242, 257, 260
9400818199	<b>06980</b>	258
9400829629	<b>17063</b>	241, 242, 257, 260
9400829889	<b>19511</b>	244
9400829949	<b>37224</b>	242, 245, 257, 260
9400830149	<b>06982</b>	258
9400830319	<b>17064</b>	241, 242, 257, 260
9400830379	<b>06982</b>	258
9400830489	<b>19513</b>	244
9400830509	<b>26816</b>	245, 259, 261
9400831119	<b>11106</b>	258
9400831279	<b>11222</b>	212, 240, 256
9400831409	<b>19623</b>	242, 257, 260
9400831529	<b>11106</b>	258
9400831589	<b>19615</b>	241
9400831609	<b>19621</b>	260
9400831739	<b>27390</b>	242, 257, 260
9400831789	<b>19623</b>	242, 257, 260
9400849229	<b>37211</b>	242, 245, 257, 260
9400849239	<b>37230</b>	242, 245, 257, 260
9405751679	<b>19214</b>	241
9405751819	<b>19072</b>	240, 241, 243, 256, 258
9463380180	<b>17764</b>	260
9463380680	<b>17765</b>	242, 257, 260
9464034380	<b>21865</b>	242, 257, 260
9464474289	<b>33691</b>	242, 245, 257, 259, 260

9464474289 S1	<b>37620</b>	259
9464640380	<b>37290</b>	245, 259, 261
9464640480	<b>26027</b>	245, 261
9467266080	<b>11222</b>	212, 240, 256
9467521280	<b>27394</b>	242
9467521380	<b>27376</b>	242, 260
9467521480	<b>27377</b>	260
9467538580	<b>19623</b>	242, 257, 260
9467544580	<b>27391</b>	260
9467565880	<b>24367</b>	244
9467577389	<b>24369</b>	244
9467615780	<b>24367</b>	244
9467615880	<b>24369</b>	244
9467625680	<b>11106</b>	258
9467626880	<b>27390</b>	242, 257, 260
9467626980	<b>19621</b>	260
9467628380	<b>27394</b>	242
9467628980	<b>19623</b>	242, 257, 260
9467629080	<b>24369</b>	244
9467643789	<b>37285</b>	245
9467643789	<b>39204</b>	245
9467643789 S1	<b>39204</b>	245
9467644089	<b>37275</b>	245
9467644189	<b>39203</b>	245
9607451480	<b>04733</b>	212, 240, 256, 258
9615923380	<b>06983</b>	212, 240, 256
9617188680	<b>04751</b>	212, 240, 256
9618888480	<b>09791</b>	240, 241, 243, 256, 258
9618888580	<b>05801</b>	240, 241, 243, 256, 258
9623001280	<b>09791</b>	240, 241, 243, 256, 258
9623659880	<b>19072</b>	240, 241, 243, 256, 258
9627860780	<b>04733</b>	212, 240, 256, 258
9629471780	<b>11348</b>	241
9631962880	<b>19214</b>	241
9632155180	<b>19072</b>	240, 241, 243, 256, 258
9633056680	<b>19072</b>	240, 241, 243, 256, 258
9633315180	<b>15002</b>	241, 243, 257, 261


**Ref. - No.**


9633315280	<b>07089</b>	241, 243, 261
9634465780	<b>19119</b>	212, 214, 243, 246, 257, 261
9636782780	<b>19482</b>	241
9636791280	<b>37230</b>	242, 245, 257, 260
9637024080	<b>21248</b>	241
9642965780	<b>07089</b>	241, 243, 261
9650542480	<b>37266</b>	246, 261
9653197280	<b>30128</b>	259
9653522380	<b>19119</b>	212, 214, 243, 246, 257, 261
9653522780	<b>19482</b>	241
9654113880	<b>37221</b>	259
9654127380	<b>34805</b>	244, 246
9658142480	<b>33941</b>	216
9658142680	<b>24407</b>	216
9658142780	<b>37254</b>	216
9659438580	<b>40429</b>	216
9660484680	<b>19119</b>	212, 214, 243, 246, 257, 261
9671609180	<b>39390</b>	246
9677267280	<b>39109</b>	245
9677427780	<b>40429</b>	216
9678770180	<b>24407</b>	216
9683273480	<b>36020</b>	259
98415921	<b>17811</b>	211, 213
98419390	<b>11008</b>	210, 213, 215
98419390 S1	<b>29391</b>	210, 213
99430032	<b>17809</b>	213
99432547	<b>08685</b>	211, 213, 215
99432547 SK	<b>11904</b>	210, 211, 213
99456476	<b>11008</b>	210, 213, 215
99456476 S1	<b>29391</b>	210, 213
99456477	<b>17809</b>	213
99456477 S1	<b>29393</b>	213
99461357	<b>11904</b>	210, 211, 213
99461357	<b>08685</b>	211, 213, 215
99461357 SK	<b>11904</b>	210, 211, 213
99461358	<b>08689</b>	210, 211, 213, 215
99461358	<b>29389</b>	210, 213
99461358 S1	<b>08689</b>	210, 211, 213, 215
9948225	<b>15090</b>	201, 225, 226, 234, 236

**Ref. - No.**


9951162	<b>15090</b>	201, 225, 226, 234, 236
passend für / to fit:		
<b>FORD</b>		
VX028109244VX2	<b>07078</b>	294
1 004 961	<b>22303</b>	267, 270
1 004 967	<b>22303</b>	267, 270
1 005 120	<b>07078</b>	294
1 005 516	<b>07968</b>	266, 269, 304
1 005 822	<b>10132</b>	265, 266, 267, 268, 269, 270, 303, 304, 305, 310, 312
1 005 823	<b>01389</b>	265, 266, 268, 269, 303, 304, 310, 312
1 005 824	<b>10944</b>	266, 267, 269, 304, 305
1 005 824 S1	<b>11051</b>	266, 269, 304
1 005 824 S2	<b>11290</b>	267, 270, 305
1 005 824 S3	<b>27081</b>	267, 270, 305
1 005 828	<b>10937</b>	266, 267, 269, 270, 304, 305
1 021 706	<b>11551</b>	267, 270, 305
1 021 707	<b>11292</b>	267, 270, 305
1 037 149	<b>19534</b>	294
1 039 808	<b>26925</b>	294, 295
1 040 677	<b>11292</b>	267, 270, 305
1 040 678	<b>11551</b>	267, 270, 305
1 053 684	<b>22303</b>	267, 270
1 053 687	<b>22303</b>	267, 270
1 056 697	<b>11292</b>	267, 270, 305
1 058 458	<b>10294</b>	294
1 069 359	<b>28094</b>	276, 322
1 073 485	<b>28094</b>	276, 322
1 079 155	<b>28094</b>	276, 322
1 079 390	<b>18976</b>	271, 276, 278, 281, 287, 289, 298, 307, 313, 322
1 079 393	<b>24618</b>	276, 322
1 088 100	<b>22887</b>	266
1 089 679	<b>22303</b>	267, 270
1 096 496	<b>40150</b>	306, 318, 319
1 097 574	<b>27517</b>	319
1 099 552	<b>11292</b>	267, 270, 305

Ref. - No.

Car  
Division

Ref. - No.



Ref. - No.



1 099 553	<b>11551</b>	267, 270, 305
1 099 794	<b>36291</b>	306, 318, 319
1 099 874	<b>36295</b>	306, 318, 319
1 100 583	<b>17944</b>	295, 296
1 100 585	<b>17712</b>	295, 296
1 100 672	<b>19540</b>	295, 296
1 102 609	<b>36294</b>	319, 321
1 102 690	<b>36296</b>	306
1 112 290	<b>40147</b>	319
1 112 807	<b>24765</b>	271
1 113 169	<b>10937</b>	266, 267, 269, 270, 304, 305
1 113 169 S1	<b>11043</b>	266, 267, 269, 270, 304, 305
1 113 174	<b>21972</b>	271, 276, 278, 281, 287, 289, 298, 307, 313, 322
1 113 179	<b>10944</b>	266, 267, 269, 304, 305
1 113 180	<b>18976</b>	271, 276, 278, 281, 287, 289, 298, 307, 313, 322
1 113 261	<b>36296</b>	306
1 113 611	<b>28094</b>	276, 322
1 117 008	<b>24407</b>	306, 318, 320
1 118 677	<b>24618</b>	276, 322
1 119 021	<b>17944</b>	295, 296
1 119 023	<b>21722</b>	295, 296
1 119 954	<b>27354</b>	319
1 120 687	<b>28364</b>	306, 318
1 122 523	<b>21746</b>	296
1 124 040	<b>26117</b>	271, 276, 278, 281, 287, 289, 298, 307, 313, 322
1 125 419	<b>24429</b>	306, 318
1 128 896	<b>24409</b>	306, 318
1 131 255	<b>28364</b>	306, 318
1 131 812	<b>19540</b>	295, 296
1 131 812 S1	<b>21724</b>	296
1 131 812 S2	<b>21726</b>	295, 296
1 132 644	<b>28364</b>	306, 318
1 133 988	<b>28094</b>	276, 322
1 135 354	<b>21869</b>	317

1 135 355	<b>21868</b>	317
1 135 356	<b>21900</b>	317
1 135 358	<b>21901</b>	317
1 136 183	<b>30797</b>	271, 278, 281, 287, 289, 298, 307, 313
1 136 426	<b>21902</b>	317
1 138 760	<b>36296</b>	306
1 139 951	<b>24765</b>	271
1 141 681	<b>36291</b>	306, 318, 319
1 141 999	<b>22349</b>	272, 293
1 142 000	<b>19749</b>	272, 277, 286, 293
1 145 493	<b>24618</b>	276, 322
1 145 904	<b>19534</b>	294
1 145 904 S1	<b>19554</b>	294
1 145 947	<b>19511</b>	272, 274, 277, 280, 286, 289, 293
1 145 950	<b>21865</b>	272, 293
1 145 955	<b>19513</b>	272, 274, 277, 280, 286, 289, 293
1 149 503	<b>30797</b>	271, 278, 281, 287, 289, 298, 307, 313
1 152 359	<b>19749</b>	272, 277, 286, 293
1 152 360	<b>22349</b>	272, 293
1 201 178	<b>24407</b>	306, 318, 320
1 201 181	<b>24429</b>	306, 318
1 201 255	<b>26117</b>	271, 276, 278, 281, 287, 289, 298, 307, 313, 322
1 211 185	<b>21867</b>	272, 293
1 215 977	<b>18976</b>	271, 276, 278, 281, 287, 289, 298, 307, 313, 322
1 215 978	<b>21972</b>	271, 276, 278, 281, 287, 289, 298, 307, 313, 322
1 221 490	<b>21706</b>	296
1 221 491	<b>21708</b>	296
1 222 855	<b>22349</b>	272, 293
1 222 856	<b>19749</b>	272, 277, 286, 293
1 229 540	<b>22369</b>	264, 272, 274, 275, 277, 280, 283, 286, 289, 291, 293, 297, 307



<b>Ref. - No.</b>		
1 229 723	<b>24367</b>	272, 274, 277, 280, 286, 289, 293
1 229 768	<b>24369</b>	272, 274, 277, 280, 286, 289, 293
1 231 280	<b>32449</b>	272, 274, 277, 280, 286, 289, 293
1 231 282	<b>33691</b>	272, 274, 277, 279, 280, 282, 284, 285, 286, 288, 289, 290, 292, 293, 299, 300, 301, 308, 309, 314, 315
1 231 958	<b>37266</b>	288
1 231 971	<b>37211</b>	279, 282, 284, 285, 288, 290, 292, 299, 301, 308, 314
1 231 971 S1	<b>37230</b>	279, 282, 284, 285, 288, 290, 292, 299, 301, 308, 314
1 231 975	<b>26027</b>	279, 282, 285, 288, 290, 299, 301, 308, 314
1 231 976	<b>24197</b>	279, 282, 285, 288, 290, 299, 301, 308, 314
1 231 977	<b>37224</b>	279, 282, 284, 285, 288, 290, 292, 299, 301, 308, 314
1 231 978	<b>26816</b>	279, 282, 284, 285, 288, 290, 292, 299, 300, 301, 302, 308, 309, 314, 315
1 231 979	<b>26818</b>	279, 282, 285, 288, 290, 299, 301, 308, 314
1 250 636	<b>19540</b>	295, 296
1 253 954	<b>37266</b>	288
1 253 974	<b>36292</b>	319, 321
1 305 339	<b>37266</b>	288
1 308 227	<b>30873</b>	322
1 310 771	<b>37266</b>	288
1 318 336	<b>30128</b>	279, 282, 285, 288, 290, 299, 301, 314
1 333 203	<b>27354</b>	319

<b>Ref. - No.</b>		
1 334 536	<b>40151</b>	306, 318, 319
1 334 537	<b>40146</b>	319
1 346 473	<b>21865</b>	272, 293
1 348 648	<b>21867</b>	272, 293
1 351 134	<b>28094</b>	276, 322
1 352 451	<b>38182</b>	278, 281, 287, 289
1 355 389	<b>22369</b>	264, 272, 274, 275, 277, 280, 283, 286, 289, 291, 293, 297, 307
1 361 545	<b>30873</b>	322
1 361 876	<b>31142</b>	278, 287
1 367 254	<b>38182</b>	278, 281, 287, 289
1 372 398	<b>33941</b>	320
1 373 250	<b>24367</b>	272, 274, 277, 280, 286, 289, 293
1 373 306	<b>24369</b>	272, 274, 277, 280, 286, 289, 293
1 376 316	<b>33947</b>	298, 313
1 376 631	<b>21746</b>	296
1 387 066	<b>33977</b>	308
1 387 199	<b>33947</b>	298, 313
1 406 306	<b>36297</b>	306, 318, 319, 321
1 420 513	<b>37254</b>	320
1 425 510	<b>33947</b>	298, 313
1 427 861	<b>36069</b>	300, 309, 315
1 427 902	<b>37221</b>	300, 309, 315
1 427 902 S1	<b>37620</b>	300, 309, 315
1 440 933	<b>36859</b>	300, 309, 315
1 445 915	<b>37255</b>	321
1 446 647	<b>24367</b>	272, 274, 277, 280, 286, 289, 293
1 446 648	<b>24369</b>	272, 274, 277, 280, 286, 289, 293
1 448 169	<b>33692</b>	272, 274, 277, 280, 286, 289, 293
1 451 510	<b>36069</b>	300, 309, 315
1 451 510 S1	<b>36230</b>	300, 309, 315
1 451 630	<b>36020</b>	300, 309, 315
1 466 113	<b>36020</b>	300, 309, 315

Ref. - No.

Car  
Division

Ref. - No.



Ref. - No.



1 469 717	<b>22369</b>	264, 272, 274, 275, 277, 280, 283, 286, 289, 291, 293, 297, 307
1 473 383	<b>30873</b>	322
1 473 384	<b>28094</b>	276, 322
1 477 061	<b>36859</b>	300, 309, 315
1 479 084	<b>21972</b>	271, 276, 278, 281, 287, 289, 298, 307, 313, 322
1 489 119	<b>21865</b>	272, 293
1 492 247	<b>36020</b>	300, 309, 315
1 496 244	<b>33941</b>	320
1 538 439	<b>36020</b>	300, 309, 315
1 562 503	<b>19511</b>	272, 274, 277, 280, 286, 289, 293
1 657 013	<b>10938</b>	265, 268, 303, 310, 312
1 657 013 S1	<b>11045</b>	265, 268, 303, 310, 312
1 669 904	<b>10294</b>	294
1 682 935	<b>06070</b>	316, 317
1 683 723	<b>37353</b>	284, 292, 299, 301, 302, 308, 314
1 683 833	<b>37460</b>	284, 292, 299, 301, 302, 308, 314
1 685 739	<b>37285</b>	264, 274, 275, 283, 291, 297, 307
1 685 777	<b>39101</b>	264, 273, 274, 275, 283, 291, 297, 307
1 690 273	<b>24369</b>	272, 274, 277, 280, 286, 289, 293
1 690 293	<b>22369</b>	264, 272, 274, 275, 277, 280, 283, 286, 289, 291, 293, 297, 307
1 696 474	<b>36859</b>	300, 309, 315
1 700 248	<b>37285</b>	264, 274, 275, 283, 291, 297, 307
1 703 246	<b>39100</b>	273
1 703 348	<b>39200</b>	273
1 704 087	<b>40429</b>	315, 320, 323
1 704 089	<b>40428</b>	311, 320, 321

1 707 028	<b>37353</b>	284, 292, 299, 301, 302, 308, 314
1 707 030	<b>37290</b>	284, 292, 299, 301, 302, 308, 314
1 707 035	<b>26816</b>	279, 282, 284, 285, 288, 290, 292, 299, 300, 301, 302, 308, 309, 314, 315
1 725 441	<b>37275</b>	264, 273, 274, 275, 283, 291, 297, 307
1 731 709	<b>24407</b>	306, 318, 320
1 731 729	<b>33941</b>	320
1 738 632	<b>37285</b>	264, 274, 275, 283, 291, 297, 307
1 738 649	<b>39100</b>	273
1 739 145	<b>39101</b>	264, 273, 274, 275, 283, 291, 297, 307
1 750 527	<b>36230</b>	300, 309, 315
1 754 317	<b>39200</b>	273
1 759 714	<b>39101</b>	264, 273, 274, 275, 283, 291, 297, 307
1 768 088	<b>39390</b>	284, 292, 299, 301, 302, 308, 314
1 782 087	<b>39101</b>	264, 273, 274, 275, 283, 291, 297, 307
1 787 857	<b>39203</b>	264, 274, 275, 283, 291, 297, 307
6C1Q6A228BC	<b>37255</b>	321
6 094 168	<b>11285</b>	316
6 121 753	<b>06070</b>	316, 317
6 121 754	<b>06070</b>	316, 317
6 121 780	<b>06305</b>	267
6 138 677	<b>10951</b>	316
6 177 882	<b>10132</b>	265, 266, 267, 268, 269, 270, 303, 304, 305, 310, 312
6 177 883	<b>06139</b>	265, 268, 303, 310, 312
6 177 884	<b>01389</b>	265, 266, 268, 269, 303, 304, 310, 312
6 177 887	<b>10943</b>	265, 268, 303, 310, 312


**Ref. - No.**


6 178 656	<b>01390</b>	265, 268, 303, 310, 312
6 187 610	<b>10938</b>	265, 268, 303, 310, 312
6 190 857	<b>07047</b>	265, 303, 304, 310, 312
6 195 101 S1	<b>11059</b>	317
6 492 482	<b>01389</b>	265, 266, 268, 269, 303, 304, 310, 312
6 497 120	<b>01390</b>	265, 268, 303, 310, 312
6 616 951	<b>07047</b>	265, 303, 304, 310, 312
6 616 952	<b>07057</b>	265, 303, 304, 310, 312
6 988 203	<b>10132</b>	265, 266, 267, 268, 269, 270, 303, 304, 305, 310, 312
6 992 642	<b>30788</b>	317
7 044 044	<b>22887</b>	266
7 053 802	<b>01389</b>	265, 266, 268, 269, 303, 304, 310, 312
7 109 163	<b>24765</b>	271
7 174 114	<b>10943</b>	265, 268, 303, 310, 312
7 174 114 S1	<b>11052</b>	265, 268, 303, 310, 312
7 174 114 S2	<b>11044</b>	265, 268, 303, 310, 312
7 330 712	<b>01390</b>	265, 268, 303, 310, 312
7 400 530	<b>07078</b>	294

**Honda**

14401-RBD-E01	<b>30699</b>	324, 325, 326
31170-RBD-E01	<b>30027</b>	324, 325, 326
31170-RBD-E02	<b>30027</b>	324, 325, 326
31170-RBD-E022	<b>30027</b>	324, 325, 326

**HYUNDAI**

OK551-12730A	<b>26197</b>	342
OK551-12740A	<b>22844</b>	342
OK88R-12205	<b>26198</b>	342

**Ref. - No.**


OK88R-12700	<b>22843</b>	342
OK88R-12740	<b>22844</b>	342
OK88R-12750	<b>22845</b>	342
OK88R-15981	<b>27555</b>	342
OK88R-15983	<b>27554</b>	342
23356-42500	<b>26113</b>	329, 333, 334, 335, 336, 338, 342
23356-42500 S1	<b>26114</b>	329, 333, 334, 335, 336, 338, 342
23357-42020	<b>10620</b>	329, 333, 334, 335, 336, 338, 342
23357-42030	<b>10620</b>	329, 333, 334, 335, 336, 338, 342
24312-27000	<b>24465</b>	327, 328, 330, 339, 340, 343, 344
24312-27000 S1	<b>31213</b>	327, 328, 330, 339, 340, 343, 344
24315-42200	<b>11145</b>	329, 332, 333, 336, 338, 342
24315-42200 S1	<b>26184</b>	329, 332, 333, 336, 338, 342
24317-4X000	<b>26197</b>	342
24317-4X001	<b>26197</b>	342
24317-42010	<b>15279</b>	329, 332, 333, 336, 338, 342
24317-42020	<b>15279</b>	329, 332, 333, 336, 338, 342
24322-4X000	<b>22843</b>	342
24351-2A000	<b>31002</b>	327, 328, 330, 344
24351-2A001	<b>31002</b>	327, 328, 330, 344
24361-2A000	<b>31003</b>	327, 328, 330, 344
24361-2A001	<b>31003</b>	327, 328, 330, 344
24410-27000	<b>34312</b>	327, 328, 330, 339, 340, 343, 344
24410-27250	<b>34312</b>	327, 328, 330, 339, 340, 343, 344
24810-27000	<b>31195</b>	327, 328, 330, 339, 340, 343, 344
24810-27250	<b>31195</b>	327, 328, 330, 339, 340, 343, 344
25281-27000	<b>33179</b>	327, 328, 330, 331, 337, 339, 340, 341, 343, 344

Ref. - No.

Car  
Division

Ref. - No.



25281-27001	<b>33179</b>	327, 328, 330, 331, 337, 339, 340, 341, 343, 344
25281-27010	<b>33179</b>	327, 328, 330, 331, 337, 339, 340, 341, 343, 344
25281-27060	<b>33179</b>	327, 328, 330, 331, 337, 339, 340, 341, 343, 344
25281-4X000	<b>27555</b>	342
25286-4X000	<b>27554</b>	342
25287-27000	<b>33180</b>	327, 328, 330, 331, 339, 340, 341, 343, 344
25287-27001	<b>33180</b>	327, 328, 330, 331, 339, 340, 341, 343, 344

**KIA**

OR019-12-700	<b>26732</b>	345
OK016-12-205	<b>26694</b>	345, 356
OK016-12-700A	<b>26732</b>	345
OK054-12-700	<b>26734</b>	355, 356
OK054-12-700A	<b>26734</b>	355, 356
OK551-12-205B	<b>26198</b>	346, 347, 351
OK551-12-700B	<b>26599</b>	347
OK551-12-730A	<b>26197</b>	347
OK551-15-981B	<b>33184</b>	347
OK552-15-983C	<b>27554</b>	347
OK88R-12-205	<b>26198</b>	346, 347, 351
OK88R-12-700	<b>22843</b>	347
OK88R-12-740	<b>22844</b>	347
OK88R-12-750	<b>22845</b>	347
OK88R-15-981	<b>27555</b>	347
OK88R-15-983	<b>27554</b>	347
OR019-12-700	<b>26732</b>	345
OR201-12-700A	<b>26732</b>	345
23351-4A020	<b>31074</b>	358
23356-42500	<b>26113</b>	346, 351, 354
23356-42500 S1	<b>26114</b>	346, 351, 354
23357-42030	<b>10620</b>	346, 351, 354
24312-27000	<b>24465</b>	348, 350
24312-27000 S1	<b>31213</b>	348, 350

Ref. - No.



24315-42200	<b>11145</b>	346, 351, 354
24315-42200 S1	<b>26184</b>	346, 351, 354
24317-42000	<b>10620</b>	346, 351, 354
24317-42020	<b>15279</b>	346, 351, 354
24351-2A000	<b>31002</b>	349, 350, 354, 355, 359, 360
24351-2A001	<b>31002</b>	349, 350, 354, 355, 359, 360
24351-4A020	<b>31072</b>	358
24361-2A000	<b>31003</b>	349, 350, 354, 355, 359, 360
24361-2A001	<b>31003</b>	349, 350, 354, 355, 359, 360
24361-4A020	<b>31073</b>	358
24410-27000	<b>34312</b>	348, 349, 350, 352, 353, 357
24410-27250	<b>34312</b>	348, 349, 350, 352, 353, 357
24810-27000	<b>31195</b>	348, 349, 350, 352, 353, 357
24810-27250	<b>31195</b>	348, 349, 350, 352, 353, 357
25281-27000	<b>33179</b>	348, 349, 350, 352, 353, 357
25281-27001	<b>33179</b>	348, 349, 350, 352, 353, 357
25281-27010	<b>33179</b>	348, 349, 350, 352, 353, 357
25281-27060	<b>33179</b>	348, 349, 350, 352, 353, 357
25281-4X000	<b>27555</b>	347
25286-4X000	<b>27554</b>	347
25287-27000	<b>33180</b>	348, 350, 352, 353, 357
25287-27001	<b>33180</b>	348, 350, 352, 353, 357

**LANCIA**

1611424380	<b>37266</b>	370
46426983 S1	<b>14278</b>	364, 365, 371
46454419	<b>27247</b>	368
46514222	<b>27247</b>	368
46546374	<b>22392</b>	365





Ref. - No.



46547566	<b>22404</b>	364, 365
46788783	<b>31622</b>	366, 372, 373
46788786	<b>28458</b>	366, 372, 373
46791189	<b>23653</b>	371
46791189 S1	<b>23651</b>	371
46794035	<b>27247</b>	368
46804589	<b>23778</b>	366, 372, 373
46804589 S1	<b>31622</b>	366, 372, 373
46819146	<b>27480</b>	366, 372
51758383	<b>29396</b>	362, 363, 367
51758385	<b>30733</b>	362, 367
51773551	<b>30733</b>	362, 367
51820520	<b>40898</b>	362, 363
51821652	<b>27480</b>	366, 372
51824328	<b>40898</b>	362, 363
55180011	<b>22392</b>	365
55183528	<b>28306</b>	362, 363, 371
55183528 S1	<b>28305</b>	362, 363
55183528 S2	<b>28321</b>	371
55187100	<b>23654</b>	362, 363, 364, 365, 367
55190052	<b>19488</b>	368
55190813	<b>30733</b>	362, 367
55191315	<b>10298</b>	362, 363, 364, 365, 367, 371
55192323	<b>10298</b>	362, 363, 364, 365, 367, 371
55193358	<b>29396</b>	362, 363, 367
55197785	<b>28458</b>	366, 372, 373
55208381	<b>10298</b>	362, 363, 364, 365, 367, 371
55212159	<b>10298</b>	362, 363, 364, 365, 367, 371
55215666	<b>10298</b>	362, 363, 364, 365, 367, 371
55216455	<b>27480</b>	366, 372
55221385	<b>23778</b>	366, 372, 373
55221385 S1	<b>31622</b>	366, 372, 373
55238027	<b>10298</b>	362, 363, 364, 365, 367, 371
60813590	<b>10648</b>	364, 365, 371
60813592	<b>10298</b>	362, 363, 364, 365, 367, 371

Ref. - No.



60814033	<b>27247</b>	368
60814603	<b>10984</b>	364, 365, 367, 371
60814603 S1	<b>14278</b>	364, 365, 371
60815188	<b>22392</b>	365
71719651	<b>10984</b>	364, 365, 367, 371
71719651	<b>14278</b>	364, 365, 371
71719651 S1	<b>23655</b>	365, 367, 371
71731639	<b>10984</b>	364, 365, 367, 371
71731639	<b>14278</b>	364, 365, 371
71731639 S1	<b>14278</b>	364, 365, 371
71731639 S2	<b>23655</b>	365, 367, 371
71736493	<b>10648</b>	364, 365, 371
71736726	<b>23655</b>	365, 367, 371
71739918	<b>11166</b>	375
71743963	<b>29396</b>	362, 363, 367
71747798	<b>22392</b>	365
71747799	<b>10298</b>	362, 363, 364, 365, 367, 371
71754557	<b>23651</b>	371
71754559	<b>28305</b>	362, 363
71754560	<b>28305</b>	362, 363
71771437	<b>27247</b>	368
71773290	<b>23655</b>	365, 367, 371
71773302	<b>27390</b>	369, 374
71773315	<b>28305</b>	362, 363
7596727	<b>11298</b>	361
7596728	<b>11299</b>	361
7596876	<b>11298</b>	361
7596877	<b>11299</b>	361
77362721	<b>30029</b>	366, 372
7763644	<b>10648</b>	364, 365, 371
7763647	<b>22404</b>	364, 365
7764914	<b>11021</b>	364
7778565	<b>10298</b>	362, 363, 364, 365, 367, 371
9400816549	<b>11166</b>	375
9400816969	<b>17765</b>	374
9400818199	<b>06980</b>	375
9400829629	<b>17063</b>	369, 374
9400829949	<b>37224</b>	369, 374
9400830149	<b>06982</b>	375
9400830319	<b>17064</b>	369, 374
9400830379	<b>06982</b>	375



Ref. - No.

Car  
Division

Ref. - No.



Ref. - No.



9400830509	<b>26816</b>	370
9400831409	<b>19623</b>	374
9400831609	<b>19621</b>	369
9400831739	<b>27390</b>	369, 374
9400831789	<b>19623</b>	374
9400849229	<b>37211</b>	369, 374
9400849239	<b>37230</b>	369, 374
9463380180	<b>17764</b>	369
9463380680	<b>17765</b>	374
9464034380	<b>21865</b>	369, 374
9464474289	<b>33691</b>	369, 370, 374
9464474289 S1	<b>37620</b>	370
9464640380	<b>37290</b>	370
9464640480	<b>26027</b>	370
9467521380	<b>27376</b>	369
9467521480	<b>27377</b>	369
9467538580	<b>19623</b>	374
9467544580	<b>27391</b>	369
9467626880	<b>27390</b>	369, 374
9467626980	<b>19621</b>	369
9467628980	<b>19623</b>	374
9607451480	<b>04733</b>	375
9618888480	<b>09791</b>	375
9618888580	<b>05801</b>	369, 374, 375
9623001280	<b>09791</b>	375
9627860780	<b>04733</b>	375
9631847480	<b>22351</b>	369
9633315180	<b>15002</b>	374
9634465780	<b>19119</b>	369, 374
9636791280	<b>37230</b>	369, 374
9650542480	<b>37266</b>	370
9653197280	<b>30128</b>	370
9653522380	<b>19119</b>	369, 374
9654113880	<b>37221</b>	370
9660484680	<b>19119</b>	369, 374
9683273480	<b>36020</b>	370
9948225	<b>15090</b>	364, 365
9951162	<b>15090</b>	364, 365

**LAND ROVER**

ERC 8861	<b>08525</b>	376
ERR 1092	<b>10953</b>	377, 379
ERR 1092 S1	<b>10967</b>	377, 379

ERR 1972	<b>17955</b>	377, 379
ERR 2530	<b>08502</b>	376, 379
ERR 4708	<b>17974</b>	376, 379
ETC 8552	<b>08502</b>	376, 379
ETC 8560	<b>17956</b>	377, 379
LGJ100980L	<b>24897</b>	383
LGJ100990L	<b>24895</b>	383
LGJ101000L	<b>24896</b>	383
LHN 100840L	<b>18324</b>	383
LHN 100840L S2	<b>30343</b>	383
LHP 100680	<b>09780</b>	377, 379, 380
LHP 100860	<b>09780</b>	377, 379, 380
LHV 100150	<b>08579</b>	377, 379
LR 000660	<b>26816</b>	381
LR 000663	<b>33691</b>	381
LR000663 S1	<b>37620</b>	381
LR 001269	<b>36069</b>	381
LR 001300	<b>37221</b>	381
LR 004257	<b>36069</b>	381
LR 004877	<b>33880</b>	381
LR 005362	<b>36020</b>	381
LR 006671	<b>36020</b>	381
LR 009395	<b>36020</b>	381
MVF100070L	<b>25380</b>	383
PQG100320L	<b>21271</b>	383
PRF100040L	<b>24943</b>	383
PRF100050L	<b>24894</b>	383
STC 2142	<b>15550</b>	382
STC 2282	<b>09222</b>	382
STC 3358	<b>15550</b>	382
1432176	<b>15547</b>	378
1432177	<b>15548</b>	378
1703717	<b>11728</b>	378
1722651	<b>25327</b>	378
1722841	<b>25324</b>	378
1726471	<b>25326</b>	378
1726480	<b>25326</b>	378
1726502	<b>04989</b>	378
1738700	<b>04989</b>	378

**LEXUS**

13506-26010	<b>30669</b>	384
16620-0R010	<b>29983</b>	384


**Ref. - No.**

**MAZDA**

OR201-12-700A	<b>26732</b>	385
RF01-12-700B	<b>32337</b>	385
RF1G-12-700	<b>24854</b>	391
RF1G-12-700A	<b>24854</b>	391
RF1G-12-730	<b>24855</b>	391
RF2A-12-205	<b>27278</b>	391, 392, 394
RF2A-12-205A	<b>27278</b>	391, 392, 394
RF2A-12-205B	<b>27278</b>	391, 392, 394
RF2A-12-205B S1	<b>27279</b>	391, 392, 394
RF2A-12-700	<b>24836</b>	391, 392, 394
RF2A-12-730	<b>24837</b>	391, 392, 394
RF2A-12-770A	<b>34610</b>	387, 389, 390, 391, 392, 393, 394
RF2A-12-770B	<b>34610</b>	387, 389, 390, 391, 392, 393, 394
RF5C-12-205	<b>27263</b>	390, 393
RF5C-12-205A	<b>27263</b>	390, 393
RF5C-12-205A S1	<b>27266</b>	390, 393
RF5C-12-205A-9A	<b>27263</b>	390, 393
RF5C-12-205A-9A S1	<b>27266</b>	390, 393
RF5C-12-205 S1	<b>27266</b>	390, 393
RF5C-12-700	<b>27004</b>	387, 389, 390, 393
RF5C-12-730	<b>26982</b>	387, 389, 390, 393
RF5C-18-W11	<b>32505</b>	387, 389, 390, 393, 395
RF5C-18-330	<b>32505</b>	387, 389, 390, 393, 395
RF5C-18-330A	<b>32505</b>	387, 389, 390, 393, 395
RF7J-12-205	<b>31725</b>	387, 389, 390
RF7J-12-205 S1	<b>31726</b>	387, 389, 390
RF7J-15-980	<b>34606</b>	387, 389, 390
RF8D-15-980	<b>34606</b>	387, 389, 390
R201-12-205	<b>26694</b>	385
R201-12-205A	<b>26694</b>	385
R201-12-700A	<b>26732</b>	385
Y401-12-205	<b>21865</b>	386
Y401-12-205A	<b>21865</b>	386
Y401-12-205A S1	<b>21867</b>	386
Y401-12-205B	<b>21865</b>	386
Y401-12-205B S1	<b>21867</b>	386

**Ref. - No.**


Y401-12-730	<b>19513</b>	386, 387
Y401-12-770	<b>19511</b>	386, 387
Y401-12-770A	<b>19511</b>	386, 387
Y401-12-770B	<b>19511</b>	386, 387
Y401-12-770C	<b>19511</b>	386, 387
Y401-12-770D	<b>19511</b>	386, 387
Y401-15-930	<b>22349</b>	386
Y6Y1-12-205	<b>24367</b>	387
Y601-12-205	<b>24367</b>	387
Y601-12-205A	<b>24367</b>	387
Y601-15-980	<b>22369</b>	387
Y650-12-730	<b>37275</b>	386, 387, 388
Y650-12-730A	<b>37275</b>	386, 387, 388

**MERCEDES-BENZ**

607 050 01 00	<b>36438</b>	419, 431
651 050 00 00 S1	<b>30323</b>	420, 429, 431, 435, 437, 448, 466, 474, 476, 483, 489
651 050 00 00	<b>25408</b>	420, 429, 431, 435, 437, 448, 466, 474, 476, 482, 483, 489
651 050 00 00 S3	<b>39593</b>	420
651 050 01 00 S2	<b>36593</b>	420, 429, 431, 435, 437, 448, 466, 474, 476, 483, 489
651 050 01 00	<b>25408</b>	420, 429, 431, 435, 437, 448, 466, 474, 476, 482, 483, 489
651 050 01 00 S1	<b>30323</b>	420, 429, 431, 435, 437, 448, 466, 474, 476, 483, 489
651 050 01 00 S3	<b>39593</b>	420
651 050 07 00	<b>25408</b>	420, 429, 431, 435, 437, 448, 466, 474, 476, 482, 483, 489
668 050 00 03 S1	<b>37966</b>	416, 485
668 050 00 03	<b>31351</b>	416, 485
621 050 01 09	<b>25249</b>	450, 465
621 050 04 09	<b>25249</b>	450, 465

Ref. - No.

Car  
Division

Ref. - No.



601 050 01 11	<b>02481</b>	400, 401, 403, 404, 406, 407, 408, 409, 412, 413, 415, 421, 442, 451, 452, 454, 457, 459, 469, 477, 478, 488, 490
601 050 03 11	<b>02481</b>	400, 401, 403, 404, 406, 407, 408, 409, 412, 413, 415, 421, 442, 451, 452, 454, 457, 459, 469, 477, 478, 488, 490
601 050 06 11	<b>02481</b>	400, 401, 403, 404, 406, 407, 408, 409, 412, 413, 415, 421, 442, 451, 452, 454, 457, 459, 469, 477, 478, 488, 490
601 050 07 11 S1	<b>30302</b>	400, 401, 403, 404, 406, 407, 408, 409, 412, 413, 415, 421, 442, 451, 452, 454, 457, 459, 469, 477, 478, 488, 490
601 050 07 11 S1	<b>36592</b>	403, 404, 406, 407, 408
601 050 07 11	<b>02481</b>	400, 401, 403, 404, 406, 407, 408, 409, 412, 413, 415, 421, 442, 451, 452, 454, 457, 459, 469, 477, 478, 488, 490
606 050 01 11	<b>01383</b>	402, 405, 422, 425, 439, 440, 443, 458, 470
606 050 02 11 S1	<b>30301</b>	402, 405, 422, 425, 439, 440, 443, 458, 470
606 050 02 11	<b>01383</b>	402, 405, 422, 425, 439, 440, 443, 458, 470
611 050 00 11	<b>17773</b>	424, 426, 432, 441, 444, 445, 455, 462, 471, 479, 481, 482, 484, 486

Ref. - No.



611 050 02 11	<b>17773</b>	424, 426, 432, 441, 444, 445, 455, 462, 471, 479, 481, 482, 484, 486
615 050 00 11	<b>01048</b>	396, 397, 398, 399, 409, 410, 411, 414, 450, 453, 465
615 050 04 11	<b>01048</b>	396, 397, 398, 399, 409, 410, 411, 414, 450, 453, 465
615 050 05 11	<b>01048</b>	396, 397, 398, 399, 409, 410, 411, 414, 450, 453, 465
615 050 06 11	<b>01048</b>	396, 397, 398, 399, 409, 410, 411, 414, 450, 453, 465
615 050 08 11	<b>01048</b>	396, 397, 398, 399, 409, 410, 411, 414, 450, 453, 465
615 050 08 11 S1	<b>30324</b>	397, 398, 399, 409, 410, 411, 414, 450, 453
628 050 00 11	<b>26750</b>	427, 428, 433, 434, 435, 436, 438, 446, 447, 448, 453, 456, 460, 463, 464, 467, 468, 472, 473, 475, 480, 487
628 050 03 11	<b>26750</b>	427, 428, 433, 434, 435, 436, 438, 446, 447, 448, 453, 456, 460, 463, 464, 467, 468, 472, 473, 475, 480, 487
640 050 00 11	<b>17773</b>	424, 426, 432, 441, 444, 445, 455, 462, 471, 479, 481, 482, 484, 486
640 050 01 11	<b>17773</b>	424, 426, 432, 441, 444, 445, 455, 462, 471, 479, 481, 482, 484, 486



Ref. - No.		
640 050 01 11 S1	<b>30300</b>	424, 426, 430, 432, 441, 444, 445, 455, 462, 471, 479, 481, 482, 484, 486
640 050 02 11	<b>30496</b>	423, 424, 426, 430, 441, 444, 445, 455, 462, 471, 479, 486
640 050 02 11 S1	<b>30322</b>	418, 423
640 050 03 11	<b>30496</b>	423, 424, 426, 430, 441, 444, 445, 455, 462, 471, 479, 486
642 050 02 11	<b>26750</b>	427, 428, 433, 434, 435, 436, 438, 446, 447, 448, 453, 456, 460, 463, 464, 467, 468, 472, 473, 475, 480, 487
642 050 03 11	<b>26750</b>	427, 428, 433, 434, 435, 436, 438, 446, 447, 448, 453, 456, 460, 463, 464, 467, 468, 472, 473, 475, 480, 487
642 050 03 11 S1	<b>30319</b>	446, 460, 463, 472
642 050 03 11 S2	<b>30320</b>	447, 464, 475
642 050 03 11 S3	<b>30321</b>	427, 428, 433, 434, 436, 438, 447, 453, 456, 464, 467, 468, 473, 475, 480, 487
651 050 00 11 S1	<b>30323</b>	420, 429, 431, 435, 437, 448, 466, 474, 476, 483, 489
651 050 00 11 S3	<b>39593</b>	420
651 050 00 11	<b>25408</b>	420, 429, 431, 435, 437, 448, 466, 474, 476, 482, 483, 489
651 050 00 11 S2	<b>36593</b>	420, 429, 431, 435, 437, 448, 466, 474, 476, 483, 489
668 050 00 11	<b>25409</b>	416, 485
668 050 01 11 S1	<b>30326</b>	416, 485
668 050 01 11 S3	<b>33834</b>	416
668 050 01 11 S4	<b>36594</b>	416
668 050 01 11	<b>25409</b>	416, 485
668 050 01 11 S2	<b>30327</b>	416, 485

Ref. - No.		
668 050 01 11 S5	<b>37966</b>	416, 485
601 050 08 16	<b>15493</b>	400, 401, 403, 404, 406, 407, 408, 409, 412, 413, 415, 421, 442, 451, 452, 454, 457, 459, 469, 477, 478, 488, 490
601 050 08 16 S1	<b>36592</b>	403, 404, 406, 407, 408
606 050 02 16	<b>25304</b>	402, 405, 422, 425, 440, 443, 458, 470
606 050 06 16	<b>25304</b>	402, 405, 422, 425, 440, 443, 458, 470
615 050 08 16	<b>10933</b>	396, 397, 398, 399, 409, 410, 411, 414, 450, 453, 465
615 050 09 16 S	<b>10934</b>	396, 397, 398, 399, 409, 410, 411, 414, 450, 453, 465
615 050 09 16	<b>10933</b>	396, 397, 398, 399, 409, 410, 411, 414, 450, 453, 465
615 050 09 16 S1	<b>10934</b>	396, 397, 398, 399, 409, 410, 411, 414, 450, 453, 465
615 050 13 16	<b>09165</b>	396, 397, 398, 399, 409, 410, 411, 414, 450, 453, 465
615 050 14 16	<b>09165</b>	396, 397, 398, 399, 409, 410, 411, 414, 450, 453, 465
621 050 04 16	<b>09165</b>	396, 397, 398, 399, 409, 410, 411, 414, 450, 453, 465
621 050 05 16	<b>09165</b>	396, 397, 398, 399, 409, 410, 411, 414, 450, 453, 465
629 050 01 16	<b>24273</b>	447, 464, 475
629 050 02 16	<b>24274</b>	447, 464, 475
629 050 03 16	<b>24275</b>	447, 464, 475
629 050 04 16	<b>24276</b>	447, 464, 475

Ref. - No.

Car  
Division

Ref. - No.



642 050 07 16	<b>30279</b>	427, 428, 433, 434, 436, 438, 447, 456, 464, 467, 468, 473, 475, 480, 487
642 050 09 16	<b>30279</b>	427, 428, 433, 434, 436, 438, 447, 456, 464, 467, 468, 473, 475, 480, 487
642 050 09 16 S1	<b>36419</b>	427, 428, 433, 434, 436, 438, 447, 456, 464, 467, 468, 473, 480, 487
651 050 00 16	<b>30257</b>	420, 429, 435, 437, 448, 466, 474, 476, 483, 489
651 050 00 16 S3	<b>39593</b>	420
651 050 00 16 S1	<b>36593</b>	420, 429, 431, 435, 437, 448, 466, 474, 476, 483, 489
651 052 00 00	<b>25440</b>	431, 437, 448, 466, 474, 476, 483, 489
651 052 00 00 S1	<b>39593</b>	420
651 052 01 00 S1	<b>39593</b>	420
121 052 02 01	<b>21279</b>	396, 397, 398, 399, 409, 410, 411, 414, 450, 453, 465
121 052 03 01	<b>21279</b>	396, 397, 398, 399, 409, 410, 411, 414, 450, 453, 465
601 052 00 01	<b>25022</b>	400, 401, 403, 404, 406, 407, 408, 413, 415, 421, 442, 451, 452, 454, 457, 459, 469, 477, 478, 490
601 052 00 01 S1	<b>36592</b>	403, 404, 406, 407, 408
651 052 00 01 S1	<b>36593</b>	420, 429, 431, 435, 437, 448, 466, 474, 476, 483, 489
651 052 00 01	<b>25440</b>	431, 437, 448, 466, 474, 476, 483, 489
668 052 01 01	<b>33826</b>	416, 420, 429, 435, 437, 448, 466, 474, 476, 483, 485, 489

Ref. - No.



668 052 01 01 S2	<b>37966</b>	416, 485
668 052 01 01 S1	<b>36594</b>	416
606 052 00 03	<b>25033</b>	400, 401, 402, 403, 404, 405, 406, 407, 408, 413, 415, 421, 422, 425, 439, 440, 442, 443, 451, 452, 454, 457, 458, 459, 469, 470, 477, 478, 488, 490
606 052 00 03 S1	<b>36592</b>	403, 404, 406, 407, 408
615 052 01 03	<b>21135</b>	396, 397, 398, 399, 409, 410, 411, 414, 450, 453, 465
615 052 02 03	<b>21135</b>	396, 397, 398, 399, 409, 410, 411, 414, 450, 453, 465
601 052 02 16	<b>10407</b>	400, 401, 402, 403, 404, 405, 406, 407, 408, 409, 412, 413, 415, 421, 422, 425, 439, 440, 442, 443, 451, 452, 454, 457, 458, 459, 469, 470, 477, 478, 488, 490
601 052 03 16 S1	<b>36592</b>	403, 404, 406, 407, 408
601 052 03 16	<b>10408</b>	400, 401, 403, 404, 406, 408, 409, 412, 413, 415, 421, 442, 451, 452, 454, 457, 469, 477, 478, 488, 490
601 052 05 16	<b>10407</b>	400, 401, 402, 403, 404, 405, 406, 407, 408, 409, 412, 413, 415, 421, 422, 425, 439, 440, 442, 443, 451, 452, 454, 457, 458, 459, 469, 470, 477, 478, 488, 490
601 052 05 16 S1	<b>36592</b>	403, 404, 406, 407, 408
606 052 01 16	<b>25306</b>	402, 405, 422, 425, 439, 440, 443, 458, 470



<b>Ref. - No.</b>		
611 052 00 16	<b>19079</b>	424, 426, 430, 432, 441, 444, 445, 455, 462, 471, 479, 481, 486
611 052 02 16	<b>19078</b>	424, 426, 430, 432, 441, 444, 445, 446, 455, 460, 462, 463, 471, 472, 479, 481, 486
611 052 03 16	<b>19078</b>	424, 426, 430, 432, 441, 444, 445, 446, 455, 460, 462, 463, 471, 472, 479, 481, 486
611 052 04 16	<b>19077</b>	424, 426, 430, 432, 441, 444, 445, 455, 462, 471, 479, 481, 486
615 052 07 16	<b>09166</b>	396, 397, 398, 399, 409, 410, 411, 414, 450, 453, 465
615 052 07 16	<b>09167</b>	396, 397, 398, 399, 409, 410, 411, 414, 450, 453, 465
615 052 08 16	<b>09165</b>	396, 397, 398, 399, 409, 410, 411, 414, 450, 453, 465
615 052 09 16	<b>09167</b>	396, 397, 398, 399, 409, 410, 411, 414, 450, 453, 465
615 052 10 16	<b>09166</b>	396, 397, 398, 399, 409, 410, 411, 414, 450, 453, 465
615 052 11 16	<b>09167</b>	396, 397, 398, 399, 409, 410, 411, 414, 450, 453, 465
628 052 00 16	<b>24278</b>	446, 460, 463, 472
628 052 01 16	<b>24277</b>	446, 460, 463, 472
628 052 03 16	<b>24279</b>	446, 460, 463, 472
628 052 05 16	<b>24280</b>	446, 460, 463, 472
651 052 00 16 S1	<b>36593</b>	420, 429, 431, 435, 437, 448, 466, 474, 476, 483, 489

<b>Ref. - No.</b>		
651 052 00 16	<b>30258</b>	420, 429, 435, 437, 448, 466, 474, 476, 483, 489
668 052 02 16 S2	<b>37966</b>	416, 485
668 052 02 16 S1	<b>36594</b>	416
668 052 02 16	<b>24272</b>	416, 485
668 052 03 16 S1	<b>36594</b>	416
668 052 03 16 S2	<b>37966</b>	416, 485
611 150 02 15	<b>15154</b>	479
604 150 01 60	<b>14043</b>	422, 490
604 150 05 60	<b>14043</b>	422, 490
611 150 01 60	<b>15154</b>	479
611 150 03 60	<b>15155</b>	424, 426, 432, 441, 444, 455, 462, 471, 486
629 150 00 60	<b>27840</b>	463, 468, 473
640 150 03 60	<b>27837</b>	418
640 150 05 60	<b>27837</b>	418
640 150 07 60	<b>27837</b>	418
640 150 09 60	<b>27837</b>	418
642 150 06 60	<b>29709</b>	456
642 150 07 60	<b>27839</b>	461, 463, 468
611 155 02 15	<b>15154</b>	479
611 155 04 15	<b>15155</b>	424, 426, 432, 441, 444, 455, 462, 471, 486
668 155 00 15	<b>15153</b>	417
668 155 02 15	<b>27837</b>	418
668 155 06 15	<b>27837</b>	418
668 155 07 15	<b>15153</b>	417
166 181 01 59 S1	<b>36594</b>	416
166 181 01 59 S2	<b>37966</b>	416, 485
103 200 01 14	<b>08778</b>	403
601 200 03 14	<b>06569</b>	401, 404, 407, 408, 413, 452, 454, 457, 459
601 200 05 14	<b>06569</b>	401, 404, 407, 408, 413, 452, 454, 457, 459
603 200 01 14	<b>06569</b>	401, 404, 407, 408, 413, 452, 454, 457, 459

Ref. - No.

Car  
Division

Ref. - No.



603 200 03 14	<b>06569</b>	401, 404, 407, 408, 413, 452, 454, 457, 459
604 200 01 14	<b>06569</b>	401, 404, 407, 408, 413, 452, 454, 457, 459
604 200 02 14	<b>08779</b>	400, 402, 405, 406, 415, 421, 422, 425, 439, 440, 442, 443, 451, 458, 469, 470, 477, 478, 490
604 200 03 14	<b>06569</b>	401, 404, 407, 408, 413, 452, 454, 457, 459
601 200 07 70	<b>02248</b>	407, 415, 442, 477, 478
601 200 09 70	<b>02249</b>	400, 401, 402, 403, 404, 405, 406, 407, 408, 413, 415, 421, 422, 425, 439, 440, 442, 443, 451, 454, 457, 458, 459, 469, 470, 477, 478, 490
601 200 10 70	<b>05478</b>	413, 451, 452, 454, 457, 490
601 200 12 70	<b>17677</b>	452
611 200 04 70	<b>26775</b>	424, 426, 427, 430, 432, 441, 444, 445, 455, 462, 471, 479, 486
611 200 05 70 S1	<b>31975</b>	424, 426, 427, 430, 432, 441, 444, 445, 455, 462, 471, 479, 482, 486
611 200 06 70	<b>23501</b>	445
628 200 01 70	<b>37698</b>	446, 460, 462, 472
640 200 18 70	<b>36934</b>	418, 419, 423
640 200 23 70	<b>36934</b>	418, 419, 423
640 200 26 70	<b>36934</b>	418, 419, 423
640 200 27 70	<b>36934</b>	418, 419, 423
640 200 33 70	<b>36934</b>	418, 419, 423
642 200 00 70	<b>27527</b>	427, 428, 430, 432, 433, 434, 436, 438, 445, 456, 461, 463, 464, 467, 468, 473, 475, 480, 486, 487

Ref. - No.



642 200 04 70	<b>37696</b>	461, 464, 468, 473
642 200 05 70	<b>33463</b>	461, 473
642 200 06 70	<b>36399</b>	480
642 200 07 70	<b>29770</b>	480
642 200 09 70	<b>15179</b>	428, 433, 434, 436, 438, 461, 463, 464, 467, 468, 473, 475
642 200 10 70	<b>15179</b>	428, 433, 434, 436, 438, 461, 463, 464, 467, 468, 473, 475
642 200 11 70	<b>29770</b>	480
642 200 13 70	<b>27527</b>	427, 428, 430, 432, 433, 434, 436, 438, 445, 456, 461, 463, 464, 467, 468, 473, 475, 480, 486, 487
642 200 14 70	<b>37696</b>	461, 464, 468, 473
642 200 16 70	<b>29770</b>	480
642 200 23 70	<b>15179</b>	428, 433, 434, 436, 438, 461, 463, 464, 467, 468, 473, 475
642 200 25 70	<b>15179</b>	428, 433, 434, 436, 438, 461, 463, 464, 467, 468, 473, 475
646 200 00 70	<b>23501</b>	445
646 200 02 70 S1	<b>31975</b>	424, 426, 427, 430, 432, 441, 444, 445, 455, 462, 471, 479, 482, 486
646 200 02 70	<b>26775</b>	424, 426, 427, 430, 432, 441, 444, 445, 455, 462, 471, 479, 486
646 200 03 70	<b>26775</b>	424, 426, 427, 430, 432, 441, 444, 445, 455, 462, 471, 479, 486
646 200 05 70	<b>26775</b>	424, 426, 427, 430, 432, 441, 444, 445, 455, 462, 471, 479, 486
651 200 00 70	<b>38468</b>	429, 435, 437, 448, 466, 474, 476





Ref. - No.		
651 200 03 70	<b>38620</b>	427, 429, 435, 437, 448, 466, 474, 476
651 200 04 70	<b>38469</b>	483, 489
651 200 07 70	<b>40440</b>	483, 489
651 200 12 70	<b>38466</b>	483, 487, 489
651 200 13 70	<b>38467</b>	427, 435, 437, 448, 474, 476
651 200 16 70	<b>38468</b>	429, 435, 437, 448, 466, 474, 476
651 200 17 70	<b>38468</b>	429, 435, 437, 448, 466, 474, 476
651 200 18 70	<b>38469</b>	483, 489
668 200 07 70 S1	<b>31383</b>	417, 485
668 200 08 70	<b>32079</b>	417, 485
668 200 11 70 S1	<b>31383</b>	417, 485
668 200 12 70	<b>32079</b>	417, 485
668 200 15 70 S1	<b>31383</b>	417, 485
668 200 16 70	<b>32079</b>	417, 485
668 200 21 70 S1	<b>31383</b>	417, 485
668 200 22 70	<b>32079</b>	417, 485
601 200 13 73 S	<b>08486</b>	404, 407, 408, 413, 451, 452, 454, 457
601 200 13 73	<b>05072</b>	400, 401, 403, 404, 406, 407, 408, 413, 421, 451, 452, 454, 457, 459, 469
601 200 17 73	<b>05072</b>	400, 401, 403, 404, 406, 407, 408, 413, 421, 451, 452, 454, 457, 459, 469
601 200 17 73 S1	<b>08486</b>	404, 407, 408, 413, 451, 452, 454, 457
601 200 17 73 S	<b>08486</b>	404, 407, 408, 413, 451, 452, 454, 457
606 200 00 73 S1	<b>11700</b>	402, 403, 405, 406, 421, 457, 459, 469, 470
606 200 00 73	<b>01310</b>	400, 402, 403, 405, 406, 415, 421, 422, 425, 439, 440, 442, 443, 457, 458, 459, 469, 470, 477, 478, 482, 486

Ref. - No.		
606 200 00 73 S2	<b>26070</b>	400, 403, 406, 415, 421, 422, 425, 439, 440, 442, 443, 457, 458, 459, 469, 477, 478, 490
606 200 01 73 S2	<b>26070</b>	400, 403, 406, 415, 421, 422, 425, 439, 440, 442, 443, 457, 458, 459, 469, 477, 478, 490
606 200 01 73 S1	<b>11700</b>	402, 403, 405, 406, 421, 457, 459, 469, 470
606 200 01 73	<b>01310</b>	400, 402, 403, 405, 406, 415, 421, 422, 425, 439, 440, 442, 443, 457, 458, 459, 469, 470, 477, 478, 490
000 202 00 19	<b>11276</b>	424, 426, 427, 430, 432, 441, 444, 445, 455, 462, 471, 479, 482, 486
000 202 04 19	<b>23773</b>	479, 482
000 202 09 19	<b>11276</b>	424, 426, 427, 430, 432, 441, 444, 445, 455, 462, 471, 479, 482, 486
137 202 01 19	<b>15179</b>	428, 433, 434, 436, 438, 461, 463, 464, 467, 468, 473, 475
166 202 00 19	<b>23780</b>	417, 418, 419, 423
166 202 01 19	<b>24178</b>	417, 418, 419, 485
166 202 02 19	<b>23781</b>	417, 418, 419, 485
166 202 03 19	<b>23780</b>	417, 418, 419, 423
166 202 04 19	<b>24178</b>	417, 418, 419, 485
166 202 05 19	<b>23781</b>	417, 418, 419, 485
166 202 06 19	<b>23781</b>	417, 418, 419, 485
166 202 07 19	<b>23780</b>	417, 418, 419, 423
166 202 08 19	<b>24178</b>	417, 418, 419, 485
266 202 00 19	<b>24178</b>	417, 418, 419, 485
272 202 08 19 S1	<b>11276</b>	424, 426, 427, 430, 432, 441, 444, 445, 455, 462, 471, 479, 482, 486



Ref. - No.

Car  
Division 

Ref. - No.



272 202 10 19 S1	<b>11276</b>	424, 426, 427, 430, 432, 441, 444, 445, 455, 462, 471, 479, 482, 486
272 202 12 19 S1	<b>11276</b>	424, 426, 427, 430, 432, 441, 444, 445, 455, 462, 471, 479, 482, 486
611 202 00 19	<b>31975</b>	424, 426, 427, 430, 432, 441, 444, 445, 455, 462, 471, 479, 482, 486
628 202 00 19	<b>37699</b>	446, 460, 462, 472
640 202 03 19	<b>23780</b>	417, 418, 419, 423
640 202 04 19	<b>23779</b>	417, 418, 419, 423, 485
668 202 00 19	<b>23780</b>	417, 418, 419, 423
668 202 01 19	<b>23779</b>	417, 418, 419, 423, 485
668 202 02 19	<b>23781</b>	417, 418, 419, 485
668 202 03 19	<b>23780</b>	417, 418, 419, 423
668 202 04 19	<b>23779</b>	417, 418, 419, 423, 485
668 202 05 19	<b>24178</b>	417, 418, 419, 485
668 202 07 19 S1	<b>31382</b>	417, 485
668 202 09 19 S1	<b>31382</b>	417, 485
668 202 10 19 S1	<b>31382</b>	417, 485
668 202 11 19 S1	<b>31382</b>	417, 485
668 202 99 19	<b>31383</b>	417, 485
611 230 02 42	<b>28225</b>	455, 479
611 234 00 93	<b>28225</b>	455, 479
611 234 01 93	<b>14375</b>	427, 429, 435, 437, 455, 479, 482, 483, 486
611 234 02 93	<b>14375</b>	427, 429, 435, 437, 455, 479, 482, 483, 486
611 234 03 93	<b>28225</b>	455, 479
611 234 04 93	<b>28225</b>	455, 479
000 993 10 76 S1	<b>33902</b>	427, 428, 433, 434, 436, 438, 447, 456, 464, 467, 468, 473, 475, 480, 487

Ref. - No.



000 993 10 76	<b>25445</b>	428, 433, 453, 487
000 993 10 76	<b>36419</b>	427, 428, 433, 434, 436, 438, 447, 456, 464, 467, 468, 473, 480, 487
000 993 17 76 S1	<b>33902</b>	427, 428, 433, 434, 436, 438, 447, 456, 464, 467, 468, 473, 475, 480, 487
000 993 17 76	<b>25445</b>	428, 433, 453, 487
000 993 17 76	<b>36419</b>	427, 428, 433, 434, 436, 438, 447, 456, 464, 467, 468, 473, 480, 487
000 993 21 76	<b>26012</b>	484
000 993 30 76	<b>30498</b>	446, 447, 464, 475
000 993 35 76	<b>25354</b>	479
000 993 46 76 S1	<b>33901</b>	420, 429, 431, 435, 437, 448, 466, 474, 476, 483, 489
000 993 46 76	<b>25444</b>	420, 429, 431, 435, 437, 448, 466, 474, 476, 483, 489
000 993 62 76	<b>25444</b>	420, 429, 431, 435, 437, 448, 466, 474, 476, 483, 489
000 993 62 76 S1	<b>33901</b>	420, 429, 431, 435, 437, 448, 466, 474, 476, 483, 489
000 993 62 76 S3	<b>39593</b>	420
000 993 63 76 S1	<b>33902</b>	427, 428, 433, 434, 436, 438, 447, 456, 464, 467, 468, 473, 475, 480, 487
000 993 68 76 S2	<b>36593</b>	420, 429, 431, 435, 437, 448, 466, 474, 476, 483, 489
000 993 68 76 S1	<b>33899</b>	416, 418, 420, 423, 429, 435, 437, 448, 466, 474, 476, 483, 485, 489
000 993 68 76	<b>26011</b>	416, 418, 423, 485
000 993 68 76 S4	<b>37966</b>	416, 485


**Ref. - No.**


000 993 68 76 S3	<b>36594</b>	416
000 997 35 94	<b>09249</b>	396, 397, 398, 399, 409, 410, 411, 450, 453
000 997 43 94	<b>09249</b>	396, 397, 398, 399, 409, 410, 411, 450, 453
000 997 43 94	<b>10496</b>	396, 398, 399
000 997 66 94	<b>09249</b>	396, 397, 398, 399, 409, 410, 411, 450, 453
000 997 66 94	<b>10496</b>	396, 398, 399
001 997 16 94	<b>12086</b>	406, 407, 408, 459, 469
001 997 17 94	<b>10496</b>	396, 398, 399
001 997 17 94	<b>09249</b>	396, 397, 398, 399, 409, 410, 411, 450, 453
001 997 29 94 S1	<b>09236</b>	400, 401, 403, 404, 406, 407, 408, 409, 412, 413, 415, 421, 442, 451, 452, 454, 457, 459, 469, 477, 478, 488, 490
001 997 29 94	<b>12086</b>	406, 407, 408, 459, 469
001 997 30 94	<b>10496</b>	396, 398, 399
001 997 30 94	<b>09249</b>	396, 397, 398, 399, 409, 410, 411, 450, 453
002 997 33 94 S1	<b>09236</b>	400, 401, 403, 404, 406, 407, 408, 409, 412, 413, 415, 421, 442, 451, 452, 454, 457, 459, 469, 477, 478, 488, 490
002 997 33 94	<b>12086</b>	406, 407, 408, 459, 469
002 997 34 94	<b>09249</b>	396, 397, 398, 399, 409, 410, 411, 450, 453
002 997 34 94	<b>10496</b>	396, 398, 399
003 997 10 94	<b>12086</b>	406, 407, 408, 459, 469

**Ref. - No.**


003 997 20 94 S1	<b>09236</b>	400, 401, 403, 404, 406, 407, 408, 409, 412, 413, 415, 421, 442, 451, 452, 454, 457, 459, 469, 477, 478, 488, 490
003 997 20 94	<b>12086</b>	406, 407, 408, 459, 469
003 997 21 94	<b>09238</b>	402, 405, 422, 425, 439, 440, 443, 458, 470
003 997 25 94	<b>10496</b>	396, 398, 399
003 997 25 94	<b>09249</b>	396, 397, 398, 399, 409, 410, 411, 450, 453
003 997 27 94 S1	<b>09236</b>	400, 401, 403, 404, 406, 407, 408, 409, 412, 413, 415, 421, 442, 451, 452, 454, 457, 459, 469, 477, 478, 488, 490
003 997 32 94	<b>12086</b>	406, 407, 408, 459, 469
003 997 32 94 S1	<b>09236</b>	400, 401, 403, 404, 406, 407, 408, 409, 412, 413, 415, 421, 442, 451, 452, 454, 457, 459, 469, 477, 478, 488, 490
003 997 33 94	<b>09238</b>	402, 405, 422, 425, 439, 440, 443, 458, 470
003 997 34 94	<b>09249</b>	396, 397, 398, 399, 409, 410, 411, 450, 453
003 997 37 94	<b>12086</b>	406, 407, 408, 459, 469
003 997 42 94 S1	<b>09236</b>	400, 401, 403, 404, 406, 407, 408, 409, 412, 413, 415, 421, 442, 451, 452, 454, 457, 459, 469, 477, 478, 488, 490
003 997 48 94	<b>12086</b>	406, 407, 408, 459, 469

Ref. - No.

Car  
Division

Ref. - No.



003 997 48 94 S1	<b>09236</b>	400, 401, 403, 404, 406, 407, 408, 409, 412, 413, 415, 421, 442, 451, 452, 454, 457, 459, 469, 477, 478, 488, 490
003 997 49 94	<b>09238</b>	402, 405, 422, 425, 439, 440, 443, 458, 470
003 997 54 94	<b>09238</b>	402, 405, 422, 425, 439, 440, 443, 458, 470
003 997 55 94	<b>09236</b>	400, 401, 403, 404, 406, 407, 408, 409, 412, 413, 415, 421, 442, 451, 452, 454, 457, 459, 469, 477, 478, 488, 490
003 997 55 94 S1	<b>36592</b>	403, 404, 406, 407, 408
003 997 56 94	<b>09238</b>	402, 405, 422, 425, 439, 440, 443, 458, 470
003 997 57 94	<b>17651</b>	410
003 997 58 94	<b>09249</b>	396, 397, 398, 399, 409, 410, 411, 450, 453
003 997 58 94	<b>10496</b>	396, 398, 399
003 997 60 94	<b>17651</b>	410
003 997 62 94	<b>09249</b>	396, 397, 398, 399, 409, 410, 411, 450, 453
003 997 70 94	<b>25354</b>	479
003 997 71 94	<b>25209</b>	416
003 997 75 94	<b>25354</b>	479
003 997 75 94	<b>25211</b>	424, 426, 430, 432, 441, 444, 445, 455, 462, 471, 479, 486
003 997 76 94	<b>25356</b>	416, 485
003 997 97 94 S1	<b>26012</b>	484
004 997 09 94	<b>30395</b>	460, 463, 472
004 997 24 94	<b>26012</b>	484

Ref. - No.



668 997 05 94 S1	<b>33899</b>	416, 418, 420, 423, 429, 435, 437, 448, 466, 474, 476, 483, 485, 489
668 997 05 94	<b>26011</b>	416, 418, 423, 485
000 997 28 98	<b>14406</b>	399, 400, 401, 402, 403, 404, 405, 406, 407, 408, 410, 413, 415, 421, 422, 425, 439, 440, 442, 443, 451, 452, 454, 457, 458, 459, 469, 470, 477, 478, 490
<b>MINI</b>		
11 21 7 805 949	<b>39099</b>	492
11 28 7 795 037	<b>22369</b>	492
11 31 7 790 950	<b>30668</b>	491
11 31 7 797 897	<b>28720</b>	493
11 31 7 797 897 S1	<b>30349</b>	493
11 31 7 797 901	<b>28718</b>	493
11 31 7 805 957	<b>24367</b>	492
11 31 7 805 957 S1	<b>24369</b>	492
11 31 7 805 960	<b>19511</b>	492
11 31 7 805 961	<b>19513</b>	492
11 31 7 805 967	<b>33692</b>	492
11 31 7 805 967 SK1	<b>32449</b>	492
11 31 7 805 967 SK2	<b>33691</b>	492
11 31 8 506 650	<b>28720</b>	493
11 31 8 506 650 S1	<b>30349</b>	493
11 31 8 506 652	<b>39474</b>	493
11 31 8 506 652 S1	<b>39475</b>	493
11 31 8 509 744	<b>24367</b>	492
11 31 8 509 744 S1	<b>24369</b>	492
11 31 8 510 014	<b>28720</b>	493
11 31 8 510 014 S1	<b>30349</b>	493
11 31 8 572 503	<b>28720</b>	493
11 31 8 572 503 S1	<b>30349</b>	493
11 31 8 576 201	<b>28718</b>	493
13 52 7 797 902	<b>39474</b>	493
13 52 7 797 902 S1	<b>39475</b>	493
13 52 7 797 905	<b>28717</b>	493, 494
13 52 8 572 504	<b>39474</b>	493
13 52 8 572 504 S1	<b>39475</b>	493


**Ref. - No.**

**mitsubishi**

MD012587	<b>27120</b>	496, 497, 501, 502, 504, 506
MD050125	<b>10620</b>	498
MD050130	<b>17487</b>	498
MD050135	<b>15279</b>	498, 500
MD060461	<b>17487</b>	498
MD064641	<b>27121</b>	496, 497, 501, 506
MD099707	<b>17487</b>	498
MD134377	<b>17487</b>	498
MD182295	<b>27395</b>	502
MD197153	<b>17487</b>	498
MD300470	<b>11145</b>	498, 500
MD300470 S1	<b>26184</b>	498, 500
MD300473	<b>26113</b>	498
MD300473 S1	<b>26114</b>	498
MD310484	<b>26113</b>	498
MD310484 S1	<b>26114</b>	498
MN960267	<b>27837</b>	496
MN980100	<b>23554</b>	497, 502, 503
MN980100 S1	<b>24756</b>	497, 502, 503
MN980101	<b>24752</b>	497, 502, 503
MN980104	<b>21708</b>	497, 502, 503
MN980107	<b>24754</b>	497, 502, 503
MN982125	<b>36069</b>	503
MN982126	<b>36020</b>	503
MN982127	<b>26816</b>	503
MN982128	<b>36230</b>	503
MN982129	<b>33691</b>	503
MN982129 S1	<b>37620</b>	503
MN982130	<b>37221</b>	503
MR984778	<b>27395</b>	502
MW30620661	<b>32581</b>	495, 505
MW30621284	<b>22329</b>	495, 505
MW30638574	<b>22329</b>	495, 505
MW30638633	<b>22329</b>	495, 505
MW31251096	<b>22329</b>	495, 505
XD134377	<b>17487</b>	498
XD300470	<b>11145</b>	498, 500
1145A031	<b>34644</b>	499

**NISSAN**
**Ref. - No.**


-	<b>38185</b>	514
-	<b>30465</b>	514, 517, 519, 525
-	<b>38184</b>	514
-	<b>30499</b>	517, 519, 525
-	<b>30464</b>	517, 519, 525
-	<b>36831</b>	514
-	<b>25470</b>	514, 517, 519, 525
-	<b>25469</b>	514, 517, 519, 525
11750-00QAA	<b>32581</b>	510, 516
11750-00QAB	<b>22329</b>	510, 516, 518
11750-00QAC	<b>22329</b>	510, 516, 518
11750-00QAD	<b>22329</b>	510, 516, 518
11750-00QAE	<b>32581</b>	510, 516
11750-00Q0A	<b>32581</b>	510, 516
11750-00Q0K	<b>32581</b>	510, 516
11750-00Q1B	<b>32581</b>	510, 516
11923-BN700	<b>28287</b>	513
11925-AW300	<b>22119</b>	516
11925-00QAE	<b>22119</b>	516
11925-00QAP	<b>22119</b>	516
11927-00Q0E	<b>22119</b>	516
11955-AW300	<b>22329</b>	510, 516, 518
11955-BN701	<b>27835</b>	507, 513
11955-BN702	<b>22281</b>	507, 513
11955-BN703	<b>27835</b>	507, 513
130C-12127R SK	<b>30639</b>	517, 519, 525
13028-AW300	<b>26900</b>	518
13028-AW301	<b>26900</b>	518
13028-AW301 S1	<b>26901</b>	518
13028-BN700	<b>19853</b>	507, 513
13028-00Q0A SK	<b>30639</b>	517, 519, 525
13028-00Q0D	<b>37999</b>	514
13028-00Q0D SK	<b>37999</b>	514
13028-00Q0E SK	<b>30639</b>	517, 519, 525
13028-2J685	<b>15779</b>	507, 518, 521
13028-2J685 S1	<b>24823</b>	507, 518, 521
13028-57J01	<b>15779</b>	507, 518, 521
13028-57J25	<b>15779</b>	507, 518, 521
13028-6F900	<b>11000</b>	512
13028-81T00	<b>17988</b>	515
13028-81T25	<b>17988</b>	515
13070-AW300	<b>24529</b>	518
13070-BN700	<b>21270</b>	507, 513

Ref. - No.

Car  
Division

Ref. - No.



Ref. - No.



13070-BN700SK	<b>21269</b>	507, 513
13070-V7201	<b>15461</b>	515
13070-V7203	<b>15461</b>	515
13070-00QAC	<b>22055</b>	510, 516
13070-00QAD	<b>21029</b>	510, 516
13070-00QAE	<b>21029</b>	510, 516
13070-00Q0G	<b>30511</b>	514, 517, 519, 525
13070-05E00	<b>17606</b>	508, 520, 524
13070-05E10	<b>17606</b>	508, 520, 524
13070-16A01	<b>17604</b>	509, 522, 523
13070-16A02	<b>17604</b>	509, 522, 523
13070-16A03	<b>17604</b>	509, 522, 523
13070-16A10	<b>30291</b>	507, 518, 521, 522
13070-16A11	<b>30291</b>	507, 518, 521, 522
13070-2J600	<b>10614</b>	507, 518, 521
13070-57J00	<b>10614</b>	507, 518, 521
13070-57J01	<b>10614</b>	507, 518, 521
13070-57J10	<b>10614</b>	507, 518, 521
13070-6F901	<b>04856</b>	512
13074-05E00	<b>14369</b>	508, 520, 524
13077-V7200	<b>15463</b>	515
13077-V7202	<b>15463</b>	515
13077-00QAA	<b>21025</b>	510, 516
13077-54A00	<b>10613</b>	507, 509, 518, 521, 522, 523
13077-54A01	<b>10613</b>	507, 509, 518, 521, 522, 523
13077-54A02	<b>10613</b>	507, 509, 518, 521, 522, 523
13077-6F901	<b>06982</b>	512
16806-00QAC	<b>21910</b>	510, 516
16806-00QAD	<b>23043</b>	510, 516
16806-00QAF	<b>22056</b>	510, 516
16806-00QAG	<b>23045</b>	510, 516
16806-00QAH	<b>23043</b>	510, 516
16806-00QAJ	<b>22056</b>	510, 516

**OPEL**

-	<b>30499</b>	575
-	<b>27329</b>	555
-	<b>25469</b>	558, 575
-	<b>30464</b>	575
-	<b>30465</b>	558, 575

-	<b>27319</b>	555
-	<b>36826</b>	558
-	<b>36831</b>	558
-	<b>25470</b>	558, 575
--	<b>38185</b>	558
--	<b>38184</b>	558
--	<b>25363</b>	546, 559
0615 001	<b>25383</b>	532, 547, 560, 564, 566, 570, 572, 577
0615 006	<b>40040</b>	532, 547, 560, 564, 566, 570, 572, 577
0615 010	<b>25383</b>	532, 547, 560, 564, 566, 570, 572, 577
0636 166	<b>27365</b>	526, 533, 536, 542, 544, 551, 553, 567
0636 227	<b>23411</b>	531, 534, 537, 543, 545, 552, 553, 554, 576, 578
0636 227 S1	<b>23413</b>	531, 543, 552
0636 227 S2	<b>23415</b>	531, 543, 552
0636 317	<b>10298</b>	535, 538, 539, 540, 548, 563, 571, 579, 580
0636 352	<b>11032</b>	529, 541, 542, 549, 569
0636 352 S2	<b>26084</b>	529, 542, 569
0636 362	<b>09361</b>	546, 559
0636 364	<b>11101</b>	528, 548, 550, 568
0636 366	<b>11032</b>	529, 541, 542, 549, 569
0636 366 S1	<b>11036</b>	541, 549
0636 366 S2	<b>26084</b>	529, 542, 569
0636 377	<b>02879</b>	546, 559
0636 386	<b>09222</b>	561
0636 387	<b>15549</b>	561
0636 388	<b>15550</b>	561
0636 392	<b>12980</b>	532, 547, 560, 564, 566, 570, 572, 577
0636 393	<b>12979</b>	532, 547, 560, 564, 566, 570, 572, 577
0636 418	<b>03872</b>	528, 530, 550, 568
0636 421	<b>02878</b>	548
0636 422	<b>05226</b>	528, 548, 550, 568


**Ref. - No.**


0636 431	<b>12979</b>	532, 547, 560, 564, 566, 570, 572, 577
0636 432	<b>12980</b>	532, 547, 560, 564, 566, 570, 572, 577
0636 441	<b>28458</b>	526, 533, 536, 540, 542, 544, 551, 553, 567
0636 563	<b>11101</b>	528, 548, 550, 568
0636 569	<b>14108</b>	528, 530, 550, 568
0636 576	<b>14108</b>	528, 530, 550, 568
0636 685	<b>10298</b>	535, 538, 539, 540, 548, 563, 571, 579, 580
0636 726	<b>10297</b>	528, 530, 550, 568
0636 730	<b>10244</b>	529, 541, 542, 549, 569
0636 731	<b>10243</b>	541, 549
0636 735	<b>11250</b>	529, 542, 569
0636 737	<b>10297</b>	528, 530, 550, 568
0636 741	<b>12432</b>	529, 531, 542, 543, 552, 569
0636 742	<b>10243</b>	541, 549
0636 745	<b>12432</b>	529, 531, 542, 543, 552, 569
0636 746	<b>10297</b>	528, 530, 550, 568
0636 747	<b>28450</b>	529, 531, 534, 537, 541, 542, 543, 545, 552, 553, 554, 569, 578
0636 928	<b>28450</b>	529, 531, 534, 537, 541, 542, 543, 545, 552, 553, 554, 569, 578
0636 931	<b>10298</b>	535, 538, 539, 540, 548, 563, 571, 579, 580
0637 248	<b>23778</b>	526, 533, 536, 540, 542, 544, 551, 553, 567
1204 177	<b>34599</b>	544
1204 392	<b>30029</b>	526, 533, 542, 551, 567

**Ref. - No.**


1204 517	<b>30029</b>	526, 533, 542, 551, 567
1204 641	<b>27729</b>	531, 534, 543, 552
1204 853	<b>27729</b>	531, 534, 543, 552
1340 258	<b>40898</b>	535, 563, 571, 579
1340 269	<b>34472</b>	538, 539, 548, 580
1340 530	<b>14373</b>	532, 547, 560, 564, 566, 570, 572, 577
1340 538	<b>01579</b>	561
1340 539	<b>10760</b>	561
1340 540	<b>01790</b>	561
1340 543	<b>10760</b>	561
1340 545	<b>14373</b>	532, 547, 560, 564, 566, 570, 572, 577
1340 548	<b>14373</b>	532, 547, 560, 564, 566, 570, 572, 577
1340 549	<b>14373</b>	532, 547, 560, 564, 566, 570, 572, 577
1340 552	<b>01579</b>	561
1340 653	<b>01579</b>	561
1340 827	<b>14375</b>	532, 560, 564, 566, 570, 572, 577
1606 360 SK	<b>23437</b>	531, 534
1606 384 SK	<b>28451</b>	534, 537, 545, 552, 553, 554, 578
1606 388 SK	<b>23413</b>	531, 543, 552
1606 389 SK	<b>23415</b>	531, 543, 552
1606 390 SK	<b>23415</b>	531, 543, 552
1606 434 SK	<b>28305</b>	535, 538, 539, 540, 563, 571, 579, 580
1854 352	<b>27375</b>	562
1854 421	<b>26937</b>	531, 534, 543, 545, 552, 578
1854 740	<b>37517</b>	538, 539, 548, 580
4400 204	<b>08689</b>	527
4401 416	<b>19940</b>	555, 556
4401 428	<b>23045</b>	557, 576
4401 429	<b>23043</b>	557, 576
4401 430	<b>21029</b>	557, 558, 576
4401 489	<b>19931</b>	527, 555
4401 566	<b>22329</b>	556, 574
4401 567	<b>32581</b>	556, 574
4401 609	<b>04199</b>	527

Ref. - No.

Car  
Division 

Ref. - No.



Ref. - No.



4402 631	<b>19940</b>	555, 556
4402 632	<b>21031</b>	555
4402 638	<b>27353</b>	555
4402 639	<b>19931</b>	527, 555
4402 690	<b>04195</b>	527
4403 144	<b>11904</b>	527
4404 309	<b>27353</b>	555
4404 309 S1	<b>27353</b>	555
4404 476	<b>37154</b>	557, 558, 576
4405 276	<b>37154</b>	557, 558, 576
4405 281	<b>32018</b>	557, 558, 575, 576
4408 351	<b>22329</b>	556, 574
4408 922	<b>22055</b>	556, 574
4409 473	<b>21910</b>	556, 574
4409 485	<b>22056</b>	556, 574
4409 587	<b>32581</b>	556, 574
4410 513	<b>22055</b>	556, 574
4410 595	<b>21033</b>	556
4411 707	<b>22329</b>	556, 574
4413 416	<b>32018</b>	557, 558, 575, 576
4413 791	<b>23397</b>	556, 574
4414 654	<b>22119</b>	557, 575, 576
4415 859	<b>37154</b>	557, 558, 576
4420 455 SK	<b>37999</b>	558
4430 891	<b>22056</b>	556, 574
4430 892	<b>21910</b>	556, 574
4431 205 SK	<b>30639</b>	575
4431 206	<b>30511</b>	558, 575
4431 739	<b>32018</b>	557, 558, 575, 576
4432 089	<b>37154</b>	557, 558, 576
4433 452	<b>32581</b>	556, 574
4433 874	<b>32018</b>	557, 558, 575, 576
4449 126	<b>30511</b>	558, 575
4449 454	<b>23397</b>	556, 574
4449 671	<b>32581</b>	556, 574
4500 955	<b>30664</b>	557
4506 085	<b>23045</b>	557, 576
4506 086	<b>23043</b>	557, 576
4506 092	<b>21025</b>	557, 558, 576
4506 190	<b>32018</b>	557, 558, 575, 576
4506 192	<b>37154</b>	557, 558, 576
4506 194	<b>22119</b>	557, 575, 576

4708 770	<b>27365</b>	526, 533, 536, 542, 544, 551, 553, 567
4805 177	<b>38275</b>	526
4805 183	<b>38260</b>	526
4815 241	<b>38275</b>	526
5636 086	<b>23411</b>	531, 534, 537, 543, 545, 552, 553, 554, 576, 578
5636 086 S1	<b>28451</b>	534, 537, 545, 552, 553, 554, 578
5636 089	<b>28458</b>	526, 533, 536, 540, 542, 544, 551, 553, 567
5636 104	<b>11032</b>	529, 541, 542, 549, 569
5636 105	<b>23411</b>	531, 534, 537, 543, 545, 552, 553, 554, 576, 578
5636 106	<b>23435</b>	531, 534
5636 322	<b>18324</b>	562
5636 322 S1	<b>30343</b>	562
5636 343	<b>10984</b>	535, 563, 571, 579
5636 344	<b>28306</b>	535, 538, 539, 540, 548, 563, 571, 579, 580
5636 352	<b>17615</b>	532, 547, 560, 564, 566, 570, 572, 577
5636 352 S1	<b>30444</b>	532, 560, 564, 566, 570, 577
5636 353	<b>17616</b>	532, 547, 560, 564, 566, 570, 572, 577
5636 353 S1	<b>30449</b>	532, 547, 560, 564, 566, 570, 572, 577
5636 355	<b>14108</b>	528, 530, 550, 568
5636 355 S2	<b>14111</b>	528, 530, 550, 568
5636 365	<b>15550</b>	561
5636 365 S1	<b>30384</b>	561
5636 366	<b>15549</b>	561
5636 366 S1	<b>30384</b>	561
5636 386	<b>12979</b>	532, 547, 560, 564, 566, 570, 572, 577
5636 387	<b>12980</b>	532, 547, 560, 564, 566, 570, 572, 577




**Ref. - No.**


5636 389	<b>21271</b>	562
5636 390	<b>25380</b>	562
5636 390 S1	<b>30344</b>	562
5636 395	<b>28450</b>	529, 531, 534, 537, 541, 542, 543, 545, 552, 553, 554, 569, 578
5636 395	<b>21653</b>	531, 543
5636 402	<b>23435</b>	531, 534
5636 402 S1	<b>23437</b>	531, 534
5636 403	<b>21652</b>	531, 534, 537, 545, 552, 553, 554, 578
5636 404	<b>38694</b>	565, 573
5636 404 S1	<b>38695</b>	565, 573
5636 405	<b>38693</b>	565, 573
5636 411	<b>27541</b>	565, 573
5636 412	<b>34619</b>	538, 548, 565, 573, 580
5636 424	<b>03872</b>	528, 530, 550, 568
5636 434	<b>24501</b>	565, 573
5636 435	<b>24503</b>	565, 573
5636 437	<b>27507</b>	565, 573
5636 443	<b>28458</b>	526, 533, 536, 540, 542, 544, 551, 553, 567
5636 444	<b>23778</b>	526, 533, 536, 540, 542, 544, 551, 553, 567
5636 456	<b>10298</b>	535, 538, 539, 540, 548, 563, 571, 579, 580
5636 463	<b>10984</b>	535, 563, 571, 579
5636 463 S1	<b>23655</b>	535, 563, 571, 579
5636 475	<b>10298</b>	535, 538, 539, 540, 548, 563, 571, 579, 580
5636 724	<b>12432</b>	529, 531, 542, 543, 552, 569
5636 738	<b>10297</b>	528, 530, 550, 568
5636 739	<b>21099</b>	531, 543, 552
5636 743	<b>23654</b>	535, 538, 539, 540, 548, 563, 571, 579, 580

**Ref. - No.**


5636 745	<b>10298</b>	535, 538, 539, 540, 548, 563, 571, 579, 580
5636 755	<b>24501</b>	565, 573
5636 756	<b>24503</b>	565, 573
5636 757	<b>38694</b>	565, 573
5636 757 S1	<b>38695</b>	565, 573
6204 661	<b>27729</b>	531, 534, 543, 552
6204 663	<b>31973</b>	534, 543, 545, 552, 578
6340 539	<b>21300</b>	562
6340 543	<b>30114</b>	562
6340 551	<b>14375</b>	532, 560, 564, 566, 570, 572, 577
6340 554	<b>27365</b>	526, 533, 536, 542, 544, 551, 553, 567
6340 555	<b>29396</b>	535, 563, 571, 579
6340 556	<b>31089</b>	535, 563, 571, 579
6340 557	<b>30733</b>	535, 563, 571, 579
6340 572	<b>29396</b>	535, 563, 571, 579
6340 676	<b>27365</b>	526, 533, 536, 542, 544, 551, 553, 567
6606 024 SK	<b>31622</b>	526, 533, 536, 540, 542, 544, 551, 553, 567
6606 025 SK	<b>30444</b>	532, 560, 564, 566, 570, 577
6606 026 SK	<b>30449</b>	532, 547, 560, 564, 566, 570, 572, 577
6606 028 SK	<b>23655</b>	535, 563, 571, 579
6606 029 SK	<b>28305</b>	535, 538, 539, 540, 563, 571, 579, 580
6854 427	<b>26937</b>	531, 534, 543, 545, 552, 578

**PEUGEOT**

0805.E5	<b>39099</b>	582, 585, 590, 593, 600, 603, 611, 614, 630, 633, 637, 647, 654, 656, 658
0816.A4	<b>17809</b>	641
0816.A4 S1	<b>29393</b>	641
0816.A6	<b>17764</b>	609, 621, 627



Ref. - No.

Car  
Division

Ref. - No.



0816.A6 S1	<b>19621</b>	609, 621, 627
0816.A9	<b>17765</b>	588, 598, 601, 609, 620, 625, 627, 642, 646, 653
0816.C1	<b>19641</b>	640
0816.E2	<b>24367</b>	585, 593, 600, 603, 611, 630, 633, 654, 656
0816.E4	<b>21865</b>	582, 585, 590, 593, 599, 625, 627, 630, 637, 646
0816.E5	<b>11008</b>	641
0816.E5 S1	<b>29391</b>	641
0816.E7	<b>21865</b>	582, 585, 590, 593, 599, 625, 627, 630, 637, 646
0816.F6	<b>33691</b>	585, 593, 600, 602, 603, 604, 605, 609, 611, 612, 613, 615, 619, 621, 622, 625, 627, 628, 630, 633, 634, 635, 646, 647, 648, 654, 656, 658, 659
0816.F6 S1	<b>37620</b>	605, 613, 615, 622, 628
0816.F8	<b>33691</b>	585, 593, 600, 602, 603, 604, 605, 609, 611, 612, 613, 615, 619, 621, 622, 625, 627, 628, 630, 633, 634, 635, 646, 647, 648, 654, 656, 658, 659
0816.G1	<b>29270</b>	642
0816.G3	<b>24197</b>	602, 612, 613, 619, 628, 648
0816.G7	<b>24367</b>	585, 593, 600, 603, 611, 630, 633, 654, 656
0816.G7 S1	<b>24369</b>	585, 593, 600, 603, 611, 630, 633, 647, 654, 656, 658
0816.H4	<b>40429</b>	643
0816.J0	<b>33692</b>	585, 593, 600, 603, 611, 630, 633, 647, 654, 656, 658

Ref. - No.



0816.J0 SK	<b>32449</b>	585, 593, 600, 603, 611, 630, 633, 647, 654, 656, 658
0816.J1	<b>33692</b>	585, 593, 600, 603, 611, 630, 633, 647, 654, 656, 658
0816.J1 SK	<b>32449</b>	585, 593, 600, 603, 611, 630, 633, 647, 654, 656, 658
0816.J1 SK2	<b>33691</b>	585, 593, 600, 602, 603, 604, 605, 609, 611, 612, 613, 615, 619, 621, 622, 625, 627, 628, 630, 633, 634, 635, 646, 647, 648, 654, 656, 658, 659
0816.J5	<b>36069</b>	613, 615, 622, 628, 635
0816.K1	<b>37285</b>	593, 594, 595, 603, 606, 614, 632, 633, 636, 647, 654, 656, 658
0816.K4	<b>39100</b>	590, 593, 594, 632
0816.K5	<b>37290</b>	604, 612, 615, 628, 634, 659
0816.K8	<b>37290</b>	604, 612, 615, 628, 634, 659
0816.K9	<b>23778</b>	637
0816.K9 S1	<b>31622</b>	637
0816.L0	<b>37285</b>	593, 594, 595, 603, 606, 614, 632, 633, 636, 647, 654, 656, 658
0816.L1	<b>39100</b>	590, 593, 594, 632
0816.33	<b>10998</b>	649
0816.54	<b>11166</b>	610, 617, 626
0816.54 S	<b>11106</b>	610, 617, 626
0816.54 S1	<b>11106</b>	610, 617, 626
0816.58	<b>11000</b>	581, 583, 584, 596, 606, 607, 608, 624, 638, 644, 649, 650
0816.64	<b>11173</b>	581
0816.64 S	<b>11174</b>	581
0816.68	<b>11207</b>	618, 639


**Ref. - No.**


0816.68 S	<b>11208</b>	618, 639
0816.72	<b>11000</b>	581, 583, 584, 596, 606, 607, 608, 624, 638, 644, 649, 650
0816.72 S	<b>11214</b>	581
0816.73	<b>11000</b>	581, 583, 584, 596, 606, 607, 608, 624, 638, 644, 649, 650
0816.88	<b>19641</b>	640
0816.93	<b>17761</b>	587, 597, 645, 651
0816.98	<b>11000</b>	581, 583, 584, 596, 606, 607, 608, 624, 638, 644, 649, 650
0818.17	<b>05341</b>	649
0818.19	<b>06980</b>	610, 617, 626
0818.20	<b>04927</b>	618, 639
0818.22	<b>05341</b>	649
0818.32	<b>11904</b>	641
0829.A4	<b>26027</b>	602, 612, 613, 619, 622, 628, 648
0829.C3	<b>27376</b>	609, 621, 627, 642, 646
0829.C4	<b>27377</b>	609, 621, 627, 642, 646
0829.E8	<b>36020</b>	613, 615, 622, 628, 635
0829.F5	<b>36020</b>	613, 615, 622, 628, 635
0829.F7	<b>37353</b>	604, 612, 615, 628, 634, 648, 659
0829.F8	<b>39101</b>	590, 593, 594, 595, 603, 606, 614, 632, 633, 636, 647, 654, 656, 658
0829.G6	<b>37353</b>	604, 612, 615, 628, 634, 648, 659
0829.11	<b>04926</b>	583, 596, 606, 607, 649
0829.17	<b>05338</b>	649
0829.21	<b>04926</b>	583, 596, 606, 607, 649
0829.30	<b>04856</b>	581

**Ref. - No.**


0829.33	<b>04751</b>	584, 596, 607, 608, 624, 638, 644, 650
0829.52	<b>11347</b>	640
0829.59	<b>17063</b>	587, 588, 597, 598, 601, 609, 620, 621, 625, 627, 642, 645, 646, 651, 653
0829.62	<b>17063</b>	587, 588, 597, 598, 601, 609, 620, 621, 625, 627, 642, 645, 646, 651, 653
0829.74	<b>11347</b>	640
0829.88	<b>19511</b>	582, 585, 590, 593, 599, 600, 603, 611, 630, 633, 637, 647, 654, 656, 658
0829.94	<b>37224</b>	619, 621
0830.02	<b>04750</b>	583, 596, 606, 607, 649
0830.11	<b>06982</b>	581, 610, 617, 626
0830.12	<b>04749</b>	618, 639
0830.13	<b>06983</b>	584, 596, 607, 608, 624, 638, 644, 650
0830.14	<b>06982</b>	581, 610, 617, 626
0830.23	<b>11346</b>	640
0830.28	<b>17064</b>	587, 588, 597, 598, 601, 609, 620, 621, 625, 627, 642, 645, 646, 651, 653
0830.31	<b>17064</b>	587, 588, 597, 598, 601, 609, 620, 621, 625, 627, 642, 645, 646, 651, 653
0830.32	<b>29389</b>	641
0830.37	<b>06982</b>	581, 610, 617, 626
0830.44	<b>11346</b>	640
0830.48	<b>19513</b>	582, 585, 590, 593, 599, 600, 603, 611, 630, 633, 637, 647, 654, 656, 658

Ref. - No.

Car  
Division

Ref. - No.



0830.51	<b>26816</b>	602, 604, 605, 612, 613, 615, 619, 622, 628, 634, 635, 648, 659
0830.63	<b>17064</b>	587, 588, 597, 598, 601, 609, 620, 621, 625, 627, 642, 645, 646, 651, 653
0830.74	<b>26816</b>	602, 604, 605, 612, 613, 615, 619, 622, 628, 634, 635, 648, 659
0830.75	<b>37275</b>	590, 593, 594, 595, 603, 606, 614, 632, 633, 636, 647, 654, 656
0831.K4	<b>27394</b>	646
0831.K6	<b>27391</b>	609, 627
0831.K8	<b>29271</b>	642
0831.K8 S1	<b>30976</b>	642
0831.N2	<b>19615</b>	587, 597, 645, 651
0831.P1	<b>24369</b>	585, 593, 600, 603, 611, 630, 633, 647, 654, 656, 658
0831.P5	<b>36230</b>	613, 615, 622, 628, 635
0831.Q0	<b>37460</b>	604, 612, 615, 628, 634, 648, 659
0831.Q1	<b>39203</b>	593, 594, 595, 603, 606, 614, 632, 633, 636, 647, 654, 656, 658
0831.Q6	<b>11174</b>	581
0831.Q8	<b>11221</b>	583, 596, 606, 607, 649
0831.R0	<b>11106</b>	610, 617, 626
0831.R3	<b>11214</b>	581
0831.R4	<b>11222</b>	584, 596, 607, 608, 624, 638, 644, 650
0831.R6	<b>11208</b>	618, 639
0831.R7	<b>19615</b>	587, 597, 645, 651

Ref. - No.



0831.R8	<b>19623</b>	588, 598, 601, 609, 620, 625, 627, 642, 646, 653
0831.S2	<b>27390</b>	625, 627, 646
0831.S3	<b>27391</b>	609, 627
0831.S8	<b>26145</b>	640
0831.T3	<b>21867</b>	582, 585, 590, 593, 599, 630
0831.T5	<b>26818</b>	602, 612, 613, 619, 622, 628, 648
0831.T7	<b>27394</b>	646
0831.T8	<b>29271</b>	642
0831.V3	<b>19623</b>	588, 598, 601, 609, 620, 625, 627, 642, 646, 653
0831.V4	<b>24369</b>	585, 593, 600, 603, 611, 630, 633, 647, 654, 656, 658
0831.V5	<b>36230</b>	613, 615, 622, 628, 635
0831.V7	<b>39202</b>	590, 593
0831.V7	<b>39200</b>	590, 593, 594, 632
0831.V7	<b>39201</b>	590, 593, 594, 632
0831.V7 S1	<b>39201</b>	590, 593, 594, 632
0831.V7 S2	<b>39202</b>	590, 593
0831.W1	<b>37460</b>	604, 612, 615, 628, 634, 648, 659
0831.W2	<b>39205</b>	593, 603, 614, 633, 647, 656, 658
0831.W2	<b>39203</b>	593, 594, 595, 603, 606, 614, 632, 633, 636, 647, 654, 656, 658
0831.W2	<b>39204</b>	593, 594, 595, 603, 606, 614, 632, 633, 636, 647, 654, 656, 658
0831.W2 S1	<b>39204</b>	593, 594, 595, 603, 606, 614, 632, 633, 636, 647, 654, 656, 658
0831.W2 S2	<b>39205</b>	593, 603, 614, 633, 647, 656, 658


**Ref. - No.**


0831.W3	<b>39200</b>	590, 593, 594, 632
0831.W3	<b>39202</b>	590, 593
0831.W3	<b>39201</b>	590, 593, 594, 632
0831.W3 S1	<b>39201</b>	590, 593, 594, 632
0831.W3 S2	<b>39202</b>	590, 593
0831.09	<b>11221</b>	583, 596, 606, 607, 649
0831.27	<b>11222</b>	584, 596, 607, 608, 624, 638, 644, 650
0831.36	<b>11208</b>	618, 639
0831.40	<b>19623</b>	588, 598, 601, 609, 620, 625, 627, 642, 646, 653
0831.44	<b>11174</b>	581
0831.46	<b>11214</b>	581
0831.52	<b>11106</b>	610, 617, 626
0831.58	<b>19615</b>	587, 597, 645, 651
0831.60	<b>19621</b>	609, 621, 627
0831.62	<b>19623</b>	588, 598, 601, 609, 620, 625, 627, 642, 646, 653
0831.63	<b>26145</b>	640
0831.73	<b>27390</b>	625, 627, 646
0831.78	<b>19623</b>	588, 598, 601, 609, 620, 625, 627, 642, 646, 653
0831.80	<b>21867</b>	582, 585, 590, 593, 599, 630
0831.82	<b>19623</b>	588, 598, 601, 609, 620, 625, 627, 642, 646, 653
0831.90	<b>30976</b>	642
0831.91	<b>30976</b>	642
0831.92	<b>26818</b>	602, 612, 613, 619, 622, 628, 648
0849.22	<b>37211</b>	602, 604, 609, 612, 615, 619, 621, 625, 627, 628, 634, 646, 648, 659
0849.23	<b>37230</b>	602, 604, 609, 612, 615, 619, 625, 627, 628, 634, 635, 646, 648, 659

**Ref. - No.**


0849.26	<b>32449</b>	585, 593, 600, 603, 611, 630, 633, 647, 654, 656, 658
0849.30	<b>37221</b>	605, 613, 615, 622, 628, 635
1281.34	<b>05069</b>	639
1281.38	<b>11641</b>	640
16 069 481 80	<b>39101</b>	590, 593, 594, 595, 603, 606, 614, 632, 633, 636, 647, 654, 656, 658
16 069 489 80	<b>39101</b>	590, 593, 594, 595, 603, 606, 614, 632, 633, 636, 647, 654, 656, 658
16 087 459 80	<b>37285</b>	593, 594, 595, 603, 606, 614, 632, 633, 636, 647, 654, 656, 658
16 087 461 80	<b>39100</b>	590, 593, 594, 632
16 087 474 80	<b>39203</b>	593, 594, 595, 603, 606, 614, 632, 633, 636, 647, 654, 656, 658
16 087 474 80	<b>39204</b>	593, 594, 595, 603, 606, 614, 632, 633, 636, 647, 654, 656, 658
16 087 474 80	<b>39205</b>	593, 603, 614, 633, 647, 656, 658
16 087 474 80 S1	<b>39204</b>	593, 594, 595, 603, 606, 614, 632, 633, 636, 647, 654, 656, 658
16 087 474 80 S2	<b>39205</b>	593, 603, 614, 633, 647, 656, 658
16 087 476 80	<b>39201</b>	590, 593, 594, 632
16 087 476 80	<b>39202</b>	590, 593
16 087 476 80	<b>39200</b>	590, 593, 594, 632
16 087 476 80 S1	<b>39201</b>	590, 593, 594, 632
16 087 476 80 S2	<b>39202</b>	590, 593
4007.E4	<b>05077</b>	639, 640

Ref. - No.

Car  
Division

Ref. - No.



Ref. - No.



5751.A7	<b>37266</b>	602, 605, 612, 616, 619, 629, 648
5751.E5	<b>37268</b>	586, 594, 601, 631
5751.E6	<b>32820</b>	586, 589, 591, 594, 601, 611, 631, 637, 647, 655, 657, 659
5751.F3	<b>34805</b>	586, 591
5751.F4	<b>32820</b>	586, 589, 591, 594, 601, 611, 631, 637, 647, 655, 657, 659
5751.F5	<b>36859</b>	613, 616, 623, 629, 636
5751.F6	<b>37266</b>	602, 605, 612, 616, 619, 629, 648
5751.F7	<b>36867</b>	588, 636
5751.F9	<b>22369</b>	582, 586, 591, 594, 595, 601, 604, 611, 614, 631, 632, 633, 636, 657, 659
5751.G0	<b>36859</b>	613, 616, 623, 629, 636
5751.G1	<b>36867</b>	588, 636
5751.H3	<b>39390</b>	605, 612, 616, 634, 648, 660
5751.H6	<b>22369</b>	582, 586, 591, 594, 595, 601, 604, 611, 614, 631, 632, 633, 636, 657, 659
5751.H8	<b>39390</b>	605, 612, 616, 634, 648, 660
5751.J5	<b>39400</b>	595, 604, 606, 614, 632, 633, 657, 659
5751.J6	<b>39410</b>	595, 604, 606, 614, 632, 633, 657, 659
5751.K4	<b>39400</b>	595, 604, 606, 614, 632, 633, 657, 659
5751.K5	<b>39410</b>	595, 604, 606, 614, 632, 633, 657, 659
5751.15	<b>04733</b>	596, 608, 610, 617, 624, 626, 638, 644, 650
5751.24	<b>05082</b>	596
5751.26	<b>04725</b>	581

5751.27	<b>04724</b>	581
5751.29	<b>05801</b>	587, 588, 596, 597, 598, 601, 608, 609, 610, 617, 624, 625, 626, 629, 644, 645, 646, 650, 652, 653, 655
5751.30	<b>09791</b>	587, 596, 597, 608, 610, 617, 624, 626, 644, 645, 646, 650, 652, 653, 655
5751.38	<b>04733</b>	596, 608, 610, 617, 624, 626, 638, 644, 650
5751.44	<b>19072</b>	587, 596, 597, 608, 610, 617, 624, 626, 644, 645, 646, 650, 652, 653, 655
5751.45	<b>11348</b>	587, 597, 645, 651
5751.46	<b>19214</b>	587, 597, 645, 652
5751.47	<b>22353</b>	597, 645, 652
5751.50	<b>17065</b>	587
5751.55	<b>19119</b>	588, 598, 609, 623, 625, 629, 642, 646, 653, 655
5751.56	<b>15002</b>	588, 598, 601, 609, 623, 625, 642, 645, 646, 652, 653, 655
5751.57	<b>07089</b>	588, 598, 601, 609, 623, 625, 642, 645, 646, 652, 653, 655
5751.59	<b>19214</b>	587, 597, 645, 652
5751.62	<b>19214</b>	587, 597, 645, 652
5751.63	<b>19214</b>	587, 597, 645, 652
5751.67	<b>19214</b>	587, 597, 645, 652
5751.72	<b>19214</b>	587, 597, 645, 652
5751.73	<b>21248</b>	587, 597, 645, 651
5751.74	<b>19482</b>	587, 597, 601, 642, 645, 651
5751.81	<b>19072</b>	587, 596, 597, 608, 610, 617, 624, 626, 644, 645, 646, 650, 652, 653, 655


**Ref. - No.**


5751.86	<b>22369</b>	582, 586, 591, 594, 595, 601, 604, 611, 614, 631, 632, 633, 636, 657, 659
5751.87	<b>19749</b>	586, 601
5751.89	<b>22779</b>	586, 611, 655
5751.90	<b>22349</b>	586, 655
5751.91	<b>22353</b>	597, 645, 652
5751.92	<b>19391</b>	642
5751.94	<b>37270</b>	587, 645, 651, 652
5751.96	<b>07089</b>	588, 598, 601, 609, 623, 625, 642, 645, 646, 652, 653, 655
6453.AN	<b>11640</b>	640
6453.CE	<b>19483</b>	641
6453.FL	<b>19483</b>	641
6453.KH	<b>28276</b>	641
6453.R8	<b>05100</b>	618, 639
6453.SQ	<b>28276</b>	641
6453.76	<b>04723</b>	583, 584, 596, 606, 608, 650
96 379 145 80	<b>24367</b>	585, 593, 600, 603, 611, 630, 633, 654, 656
96 442 584 80	<b>26816</b>	602, 604, 605, 612, 613, 615, 619, 622, 628, 634, 635, 648, 659
9648507780D	<b>32449</b>	585, 593, 600, 603, 611, 630, 633, 647, 654, 656, 658
96 541 138 80	<b>37221</b>	605, 613, 615, 622, 628, 635
96 565 845 80	<b>39099</b>	582, 585, 590, 593, 600, 603, 611, 614, 630, 633, 637, 647, 654, 656, 658
96 716 091 80	<b>39390</b>	605, 612, 616, 634, 648, 660
96 725 750 80	<b>39101</b>	590, 593, 594, 595, 603, 606, 614, 632, 633, 636, 647, 654, 656, 658

**Ref. - No.**


96 735 280 80	<b>37275</b>	590, 593, 594, 595, 603, 606, 614, 632, 633, 636, 647, 654, 656
96 742 478 80	<b>37290</b>	604, 612, 615, 628, 634, 659
96 759 966 80	<b>39100</b>	590, 593, 594, 632
96 760 188 80	<b>37285</b>	593, 594, 595, 603, 606, 614, 632, 633, 636, 647, 654, 656, 658
96 768 548 80	<b>39400</b>	595, 604, 606, 614, 632, 633, 657, 659
96 772 672 80	<b>39109</b>	590, 593, 594, 595, 603, 606, 614, 632, 633, 636, 654, 656, 658
96 772 795 80	<b>39410</b>	595, 604, 606, 614, 632, 633, 657, 659
96 774 277 80	<b>40429</b>	643
96 776 558 80	<b>39101</b>	590, 593, 594, 595, 603, 606, 614, 632, 633, 636, 647, 654, 656, 658
96 776 561 80	<b>39101</b>	590, 593, 594, 595, 603, 606, 614, 632, 633, 636, 647, 654, 656, 658
98 018 752 80	<b>39410</b>	595, 604, 606, 614, 632, 633, 657, 659
98 025 712 80	<b>39100</b>	590, 593, 594, 632
98 025 714 80	<b>37285</b>	593, 594, 595, 603, 606, 614, 632, 633, 636, 647, 654, 656, 658
<b>RENAULT</b>		
11 75 009 69R	<b>36831</b>	669, 674, 679, 681, 687, 691, 693, 701, 704, 707, 709
11 75 036 62R	<b>30159</b>	662, 663, 671, 673, 679, 683, 690, 692, 694, 698, 702, 708

Ref. - No.

Car  
Division

Ref. - No.



11 75 072 71R	<b>22329</b>	668, 675, 678, 685, 706
11 75 075 68R	<b>36831</b>	669, 674, 679, 681, 687, 691, 693, 701, 704, 707, 709
11 75 096 54R	<b>30159</b>	662, 663, 671, 673, 679, 683, 690, 692, 694, 698, 702, 708
13 0C 118 63R	<b>37999</b>	687
13 0C 121 27R	<b>30639</b>	669, 674, 679, 680, 681, 691, 693, 701, 704, 707, 709, 710
50 00 293 612	<b>11009</b>	705
50 00 293 612 S1	<b>11127</b>	705
50 00 814 593	<b>10979</b>	705
50 00 814 593 S	<b>11066</b>	705
50 01 001 259	<b>08685</b>	705
50 01 001 267	<b>10979</b>	705
50 01 001 272	<b>08689</b>	705
50 01 847 819	<b>11009</b>	705
77 00 100 460	<b>11128</b>	676
77 00 100 671	<b>19471</b>	675, 689
77 00 102 395	<b>21307</b>	667, 675, 688, 689
77 00 102 931	<b>21033</b>	661, 678, 685, 706, 709
77 00 104 092	<b>21033</b>	661, 678, 685, 706, 709
77 00 106 708	<b>24541</b>	667, 676, 697
77 00 107 249	<b>19931</b>	662, 672, 675, 686, 689
77 00 107 261	<b>19498</b>	689
77 00 107 305	<b>19498</b>	689
77 00 107 401	<b>36434</b>	661, 662, 672, 688
77 00 109 450	<b>22329</b>	668, 675, 678, 685, 706
77 00 109 601	<b>21910</b>	668, 675, 678, 685, 688, 706
77 00 109 632	<b>21910</b>	668, 675, 678, 685, 688, 706
77 00 110 203	<b>23043</b>	661, 668, 678, 685, 706, 707, 709
77 00 110 947	<b>32581</b>	678, 685, 706
77 00 111 761	<b>19498</b>	689

Ref. - No.



77 00 111 822	<b>22055</b>	668, 675, 678, 685, 688, 706
77 00 111 984	<b>11146</b>	661, 662, 672
77 00 114 127	<b>11146</b>	661, 662, 672
77 00 114 128	<b>11146</b>	661, 662, 672
77 00 115 070	<b>04199</b>	661, 662, 672, 688, 689, 694, 695, 696
77 00 115 075	<b>19471</b>	675, 689
77 00 115 862	<b>19940</b>	662, 667, 672, 675, 686
77 00 116 047	<b>27329</b>	662, 672, 675, 686, 689
77 00 116 049	<b>04195</b>	688, 694, 695
77 00 116 050	<b>05892</b>	661, 662, 672
77 00 116 054	<b>21031</b>	662, 667, 672, 675, 686, 689
77 00 116 058	<b>27329</b>	662, 672, 675, 686, 689
77 00 116 192	<b>19471</b>	675, 689
77 00 663 544	<b>11134</b>	666
77 00 663 544 S	<b>11135</b>	666
77 00 663 544 S1	<b>11135</b>	666
77 00 665 224	<b>05889</b>	666, 697
77 00 696 987	<b>05859</b>	694, 696
77 00 708 337	<b>05859</b>	694, 696
77 00 716 768	<b>05859</b>	694, 696
77 00 722 452	<b>05889</b>	666, 697
77 00 726 440	<b>04199</b>	661, 662, 672, 688, 689, 694, 695, 696
77 00 727 166	<b>11148</b>	688, 694, 695
77 00 727 166 S	<b>11149</b>	694, 695
77 00 733 489	<b>05892</b>	661, 662, 672
77 00 735 486	<b>04195</b>	688, 694, 695
77 00 749 225	<b>11146</b>	661, 662, 672
77 00 749 225 S	<b>11147</b>	661, 662, 672
77 00 852 114	<b>05889</b>	666, 697
77 00 853 862	<b>11161</b>	697
77 00 857 492	<b>07008</b>	676
77 00 860 795	<b>11128</b>	676
77 00 862 615	<b>09788</b>	667, 677, 697
77 00 862 743	<b>09785</b>	677
77 00 862 744	<b>09786</b>	677
77 00 863 011	<b>11145</b>	667, 677, 697




**Ref. - No.**


77 00 863 111	<b>05892</b>	661, 662, 672
77 00 863 112	<b>04195</b>	688, 694, 695
77 00 863 113	<b>04199</b>	661, 662, 672, 688, 689, 694, 695, 696
77 00 864 572	<b>07007</b>	676
77 00 866 043	<b>22055</b>	668, 675, 678, 685, 688, 706
77 00 866 844	<b>36434</b>	661, 662, 672, 688
77 00 867 985	<b>22146</b>	667, 675, 689
77 00 870 937	<b>22146</b>	667, 675, 689
77 00 871 169	<b>05889</b>	666, 697
77 00 872 023	<b>11146</b>	661, 662, 672
77 00 872 531	<b>11604</b>	667, 676, 677
77 00 872 550	<b>24541</b>	667, 676, 697
77 00 872 579	<b>11146</b>	661, 662, 672
77 00 873 731	<b>11604</b>	667, 676, 677
77 00 875 307	<b>19931</b>	662, 672, 675, 686, 689
77 00 875 412	<b>11145</b>	667, 677, 697
77 00 875 439	<b>11148</b>	688, 694, 695
77 01 040 204	<b>08685</b>	705
77 01 047 898	<b>22055</b>	668, 675, 678, 685, 688, 706
77 01 050 368	<b>38693</b>	669, 710
77 01 050 377	<b>24501</b>	669, 710
77 01 050 387	<b>24503</b>	669, 710
77 01 052 673	<b>27541</b>	669, 710
77 01 052 775	<b>27507</b>	669, 710
77 01 053 088	<b>38694</b>	669, 710
77 01 055 871	<b>24179</b>	672
77 01 063 971	<b>24503</b>	669, 710
77 01 063 978	<b>11146</b>	661, 662, 672
77 01 063 979	<b>11146</b>	661, 662, 672
77 01 064 326	<b>27329</b>	662, 672, 675, 686, 689
77 01 064 510	<b>38694</b>	669, 710
77 01 207 807	<b>24179</b>	672
77 01 349 658	<b>05859</b>	694, 696
77 01 468 162	<b>11135</b>	666
77 01 468 168	<b>11149</b>	694, 695
77 01 469 774	<b>11147</b>	661, 662, 672
77 01 469 821	<b>21549</b>	667, 677
77 01 471 769	<b>11066</b>	705

**Ref. - No.**


77 01 471 864	<b>11149</b>	694, 695
77 01 471 865	<b>19500</b>	689
77 01 471 866	<b>11147</b>	661, 662, 672
77 01 472 185	<b>22056</b>	668, 675, 678, 685, 688, 706
77 01 472 329	<b>23045</b>	661, 668, 678, 685, 706, 707, 709
77 01 473 120	<b>21270</b>	662, 663, 664, 665, 670, 671, 673, 679, 681, 682, 683, 690, 692, 694, 695, 698, 700, 702, 708
77 01 473 179	<b>36438</b>	663, 664, 665, 670, 671, 673, 679, 682, 683, 684, 690, 692, 694, 698, 700, 702, 708
77 01 473 224	<b>27353</b>	662, 672, 675, 686, 689
77 01 473 312	<b>22056</b>	668, 675, 678, 685, 688, 706
77 01 473 672	<b>29388</b>	662, 672, 675, 686, 689
77 01 473 837	<b>29388</b>	662, 672, 675, 686, 689
77 01 473 849	<b>23045</b>	661, 668, 678, 685, 706, 707, 709
77 01 474 198	<b>38695</b>	669, 710
77 01 474 443	<b>26901</b>	678, 691, 700, 703
77 01 474 446	<b>19500</b>	689
77 01 475 115	<b>21270</b>	662, 663, 664, 665, 670, 671, 673, 679, 681, 682, 683, 690, 692, 694, 695, 698, 700, 702, 708
77 01 476 570	<b>36438</b>	663, 664, 665, 670, 671, 673, 679, 682, 683, 684, 690, 692, 694, 698, 700, 702, 708
77 01 476 571	<b>21270</b>	662, 663, 664, 665, 670, 671, 673, 679, 681, 682, 683, 690, 692, 694, 695, 698, 700, 702, 708
77 01 476 597	<b>30639</b>	669, 674, 679, 680, 681, 691, 693, 701, 704, 707, 709, 710



Ref. - No.

Car  
Division

Ref. - No.



Ref. - No.



77 01 477 012	<b>21270</b>	662, 663, 664, 665, 670, 671, 673, 679, 681, 682, 683, 690, 692, 694, 695, 698, 700, 702, 708
77 01 477 026	<b>27353</b>	662, 672, 675, 686, 689
77 01 477 026 S1	<b>27353</b>	662, 672, 675, 686, 689
77 01 477 028	<b>21270</b>	662, 663, 664, 665, 670, 671, 673, 679, 681, 682, 683, 690, 692, 694, 695, 698, 700, 702, 708
77 01 477 046	<b>19500</b>	689
77 01 477 048	<b>22056</b>	668, 675, 678, 685, 688, 706
77 01 477 049	<b>29388</b>	662, 672, 675, 686, 689
77 01 477 050	<b>26901</b>	678, 691, 700, 703
77 01 477 502	<b>24179</b>	672
77 01 478 037	<b>36438</b>	663, 664, 665, 670, 671, 673, 679, 682, 683, 684, 690, 692, 694, 698, 700, 702, 708
77 01 478 874	<b>43669</b>	693, 704
77 01 639 970	<b>24501</b>	669, 710
82 00 004 341	<b>32018</b>	661, 668, 678, 685, 706, 707
82 00 004 593	<b>21025</b>	661, 667, 668, 678, 685, 706, 707, 709
82 00 007 980	<b>21029</b>	661, 667, 668, 678, 685, 706, 707, 709
82 00 009 194	<b>21029</b>	661, 667, 668, 678, 685, 706, 707, 709
82 00 025 570	<b>37154</b>	685, 706
82 00 036 780	<b>27329</b>	662, 672, 675, 686, 689
82 00 039 519	<b>19853</b>	662, 663, 664, 665, 670, 671, 673, 679, 681, 682, 683, 690, 692, 694, 695, 698, 700, 702, 708
82 00 043 325	<b>27319</b>	662, 672, 675, 686, 689
82 00 045 735	<b>19471</b>	675, 689

82 00 051 091	<b>04195</b>	688, 694, 695
82 00 051 092	<b>05892</b>	661, 662, 672
82 00 053 294	<b>22281</b>	662, 671, 683, 690, 700
82 00 065 479	<b>22146</b>	667, 675, 689
82 00 065 970	<b>22855</b>	689
82 00 071 267	<b>24529</b>	678, 691, 700, 703
82 00 071 402	<b>22329</b>	668, 675, 678, 685, 706
82 00 071 404	<b>22119</b>	668, 688, 706
82 00 072 120	<b>27445</b>	691, 703
82 00 079 341	<b>19940</b>	662, 667, 672, 675, 686
82 00 087 378	<b>26900</b>	678, 691, 693, 700, 703, 704
82 00 102 941	<b>21269</b>	662, 663, 664, 665, 670, 671, 673, 679, 681, 682, 683, 690, 692, 694, 695, 698, 700, 702, 708
82 00 104 754	<b>21033</b>	661, 678, 685, 706, 709
82 00 111 869	<b>37154</b>	685, 706
82 00 113 636	<b>26458</b>	662, 663, 671, 683, 690, 700
82 00 125 710	<b>27319</b>	662, 672, 675, 686, 689
82 00 127 467	<b>21029</b>	661, 667, 668, 678, 685, 706, 707, 709
82 00 127 627	<b>23043</b>	661, 668, 678, 685, 706, 707, 709
82 00 170 009	<b>28287</b>	663, 671, 683, 690
82 00 171 807	<b>28287</b>	663, 671, 683, 690
82 00 190 571	<b>32581</b>	678, 685, 706
82 00 190 572	<b>22329</b>	668, 675, 678, 685, 706
82 00 200 587	<b>37154</b>	685, 706
82 00 206 872	<b>32018</b>	661, 668, 678, 685, 706, 707
82 00 230 958	<b>22855</b>	689
82 00 248 497	<b>26900</b>	678, 691, 693, 700, 703, 704
82 00 251 983	<b>26900</b>	678, 691, 693, 700, 703, 704



<b>Ref. - No.</b>		
82 00 262 773	<b>22281</b>	662, 671, 683, 690, 700
82 00 285 009	<b>23397</b>	678, 706
82 00 292 784	<b>22281</b>	662, 671, 683, 690, 700
82 00 328 372	<b>22281</b>	662, 671, 683, 690, 700
82 00 334 315	<b>30511</b>	669, 674, 679, 680, 681, 687, 691, 693, 701, 704, 707, 709, 710
82 00 337 106	<b>30464</b>	669, 674, 679, 680, 681, 691, 693, 701, 704, 707, 709, 710
82 00 337 109	<b>30465</b>	669, 674, 679, 680, 681, 687, 691, 693, 701, 704, 707, 709, 710
82 00 343 394	<b>30499</b>	669, 674, 679, 680, 681, 691, 693, 701, 704, 707, 709, 710
82 00 347 161	<b>32018</b>	661, 668, 678, 685, 706, 707
82 00 354 507	<b>37154</b>	685, 706
82 00 357 341	<b>36826</b>	669, 674, 679, 681, 687, 691, 693, 701, 704, 707, 709
82 00 357 406	<b>36831</b>	669, 674, 679, 681, 687, 691, 693, 701, 704, 707, 709
82 00 360 524	<b>30159</b>	662, 663, 671, 673, 679, 683, 690, 692, 694, 698, 702, 708
82 00 366 318	<b>19853</b>	662, 663, 664, 665, 670, 671, 673, 679, 681, 682, 683, 690, 692, 694, 695, 698, 700, 702, 708
82 00 420 964	<b>19931</b>	662, 672, 675, 686, 689
82 00 460 446	<b>30159</b>	662, 663, 671, 673, 679, 683, 690, 692, 694, 698, 702, 708

<b>Ref. - No.</b>		
82 00 461 911	<b>23043</b>	661, 668, 678, 685, 706, 707, 709
82 00 469 376	<b>05892</b>	661, 662, 672
82 00 472 180	<b>27445</b>	691, 703
82 00 508 612	<b>19853</b>	662, 663, 664, 665, 670, 671, 673, 679, 681, 682, 683, 690, 692, 694, 695, 698, 700, 702, 708
82 00 537 033	<b>19853</b>	662, 663, 664, 665, 670, 671, 673, 679, 681, 682, 683, 690, 692, 694, 695, 698, 700, 702, 708
82 00 542 740	<b>21910</b>	668, 675, 678, 685, 688, 706
82 00 542 741	<b>19498</b>	689
82 00 542 743	<b>26900</b>	678, 691, 693, 700, 703, 704
82 00 542 746	<b>27329</b>	662, 672, 675, 686, 689
82 00 548 109	<b>32018</b>	661, 668, 678, 685, 706, 707
82 00 548 227	<b>27319</b>	662, 672, 675, 686, 689
82 00 608 550	<b>30159</b>	662, 663, 671, 673, 679, 683, 690, 692, 694, 698, 702, 708
82 00 612 619	<b>30159</b>	662, 663, 671, 673, 679, 683, 690, 692, 694, 698, 702, 708
82 00 641 468	<b>28287</b>	663, 671, 683, 690
82 00 645 498	<b>37154</b>	685, 706
82 00 673 090	<b>27445</b>	691, 703
82 00 673 091	<b>22329</b>	668, 675, 678, 685, 706
82 00 673 092	<b>32581</b>	678, 685, 706
82 00 709 717	<b>22055</b>	668, 675, 678, 685, 688, 706
82 00 709 719	<b>24529</b>	678, 691, 700, 703
82 00 714 513	<b>32018</b>	661, 668, 678, 685, 706, 707
82 00 714 514	<b>37154</b>	685, 706

Ref. - No.

Car  
Division 

Ref. - No.



82 00 725 951	<b>36826</b>	669, 674, 679, 681, 687, 691, 693, 701, 704, 707, 709
82 00 761 529	<b>32018</b>	661, 668, 678, 685, 706, 707
82 00 761 531	<b>37154</b>	685, 706
82 00 767 775	<b>43668</b>	693, 704
82 00 805 645	<b>38184</b>	687
82 00 834 830	<b>26900</b>	678, 691, 693, 700, 703, 704
82 00 839 580	<b>21029</b>	661, 667, 668, 678, 685, 706, 707, 709
82 00 840 823	<b>22329</b>	668, 675, 678, 685, 706
82 00 840 824	<b>32581</b>	678, 685, 706
82 00 905 328	<b>27445</b>	691, 703
82 00 918 794	<b>25469</b>	669, 674, 679, 680, 681, 687, 691, 693, 701, 704, 707, 709, 710
82 00 918 795	<b>25470</b>	674, 679, 680, 681, 687, 691, 693, 701, 704, 707, 709, 710
82 00 918 797	<b>30511</b>	669, 674, 679, 680, 681, 687, 691, 693, 701, 704, 707, 709, 710
82 00 941 079	<b>36831</b>	669, 674, 679, 681, 687, 691, 693, 701, 704, 707, 709
82 00 947 837	<b>23397</b>	678, 706
82 00 955 639	<b>30464</b>	669, 674, 679, 680, 681, 691, 693, 701, 704, 707, 709, 710
82 00 981 266	<b>22119</b>	668, 688, 706
82 01 012 338	<b>38185</b>	687
82 01 033 287	<b>43668</b>	693, 704
82 01 038 625	<b>43669</b>	693, 704

**ROVER**

GTB 2003	<b>11309</b>	714
GTB 2003 S1	<b>11312</b>	714
LGJ 100980	<b>24897</b>	711, 715

Ref. - No.



LGJ 100990	<b>24895</b>	711, 715
LGJ 101000	<b>24896</b>	711, 715
LHP 10009	<b>04750</b>	713
LHP 10013	<b>04856</b>	712
LHP 100390	<b>11310</b>	714
LHP 100550	<b>11314</b>	714
LHP 100590	<b>04751</b>	713
LHV 100080	<b>06982</b>	712
LHV 100120	<b>11311</b>	714
MVF 100070	<b>25380</b>	711, 715
PRF 100040	<b>24943</b>	711, 715
PRF 100050	<b>24894</b>	711, 715

**SAAB**

24 418 171	<b>12979</b>	716, 717, 719
24 418 172	<b>12980</b>	716, 717, 719
45 75 478	<b>14373</b>	716, 717, 719
47 72 877	<b>12980</b>	716, 717, 719
47 72 885	<b>12979</b>	716, 717, 719
53 40 617	<b>09781</b>	721
55 190 811	<b>29396</b>	718, 720
55 190 812	<b>31089</b>	718
55 212 159	<b>10298</b>	718, 720
55 561 330	<b>40898</b>	718
55 562 251	<b>29396</b>	718, 720
55 562 864	<b>34472</b>	720
55 562 865	<b>37517</b>	720
55 566 028	<b>10298</b>	718, 720
59 545 08	<b>38694</b>	721
59 54 516	<b>24501</b>	721
59 54 524	<b>24503</b>	721
59 545 57	<b>38693</b>	721
59 54 557 S1	<b>38695</b>	721
59 54 763	<b>27507</b>	721
59 54 805	<b>27541</b>	721
90 529 247	<b>17615</b>	716, 717, 719
90 529 247 S1	<b>30444</b>	716, 717, 719
90 529 248	<b>17616</b>	716, 717, 719
90 529 248 S1	<b>30449</b>	716, 717, 719
91 28 999	<b>25383</b>	717
91 80 809	<b>14373</b>	716, 717, 719
93 178 807	<b>23654</b>	718, 720
93 178 811	<b>10984</b>	718


**Ref. - No.**


93 178 811 S1	<b>23655</b>	718
93 178 812	<b>28306</b>	718, 720
93 178 812 S1	<b>28305</b>	718, 720
93 178 816	<b>10298</b>	718, 720
93 185 336	<b>10984</b>	718
93 185 336 S1	<b>23655</b>	718
93 186 866	<b>10298</b>	718, 720
93 191 278 SK	<b>28305</b>	718, 720
95 44 321	<b>17615</b>	716, 717, 719
95 44 339	<b>17616</b>	716, 717, 719
95 44 404	<b>12980</b>	716, 717, 719
95 44 412	<b>12979</b>	716, 717, 719
97 381 209	<b>38694</b>	721

**SEAT**

045 103 319 A	<b>25453</b>	729
028 105 263 A	<b>25170</b>	722, 732, 733, 741, 742
028 105 263 D	<b>25170</b>	722, 732, 733, 741, 742
028 109 119 AC S1	<b>21236</b>	728
028 109 119 AC	<b>19360</b>	728
028 109 119 D	<b>11039</b>	732, 741, 742
028 109 119 K	<b>11039</b>	732, 741, 742
028 109 119 M	<b>11039</b>	732, 741, 742
028 109 119 N	<b>19360</b>	728
028 109 119 P	<b>11039</b>	732, 741, 742
028 109 119 P S4	<b>14630</b>	732
03G 109 119	<b>23554</b>	727, 740, 745
03L 109 119 C	<b>34126</b>	724, 726, 736, 739
03L 109 119 D	<b>34127</b>	726, 730, 739, 745
03L 109 119 F	<b>34127</b>	726, 730, 739, 745
03L 109 119 G	<b>34126</b>	724, 726, 736, 739
03L 109 119 J	<b>34126</b>	724, 726, 736, 739
038 109 119	<b>21718</b>	731, 734, 735, 736, 738, 743
038 109 119 B	<b>21718</b>	731, 734, 735, 736, 738, 743
038 109 119 B S1	<b>21720</b>	734, 735, 736, 738, 743
038 109 119 D	<b>21718</b>	731, 734, 735, 736, 738, 743

**Ref. - No.**


038 109 119 D S1	<b>21720</b>	734, 735, 736, 738, 743
038 109 119 L	<b>19540</b>	723, 727, 729, 731, 735, 737, 744
038 109 119 M	<b>21718</b>	731, 734, 735, 736, 738, 743
038 109 119 M S1	<b>21720</b>	734, 735, 736, 738, 743
038 109 119 M S2	<b>32556</b>	735
038 109 119 N	<b>19540</b>	723, 727, 729, 731, 735, 737, 744
038 109 119 P	<b>19540</b>	723, 727, 729, 731, 735, 737, 744
038 109 119 R	<b>21718</b>	731, 734, 735, 736, 738, 743
038 109 119 S1	<b>21726</b>	723, 729, 737, 744
028 109 243	<b>10293</b>	742
028 109 243 B	<b>10293</b>	742
028 109 243 D	<b>11556</b>	728
028 109 243 E	<b>10294</b>	722, 732, 733, 741, 742
028 109 243 F	<b>10294</b>	722, 732, 733, 741, 742
028 109 243 G	<b>11556</b>	728
03G 109 243	<b>24752</b>	727, 740, 745
03L 109 243 E	<b>30215</b>	726, 730, 739, 745
038 109 243 D	<b>18956</b>	734, 735, 736, 738, 743
038 109 243 F	<b>18956</b>	734, 735, 736, 738, 743
038 109 243 G	<b>18956</b>	734, 735, 736, 738, 743
038 109 243 H	<b>18956</b>	734, 735, 736, 738, 743
038 109 243 M	<b>21706</b>	723, 727, 729, 731, 735, 737, 744
038 109 243 N	<b>18956</b>	734, 735, 736, 738, 743
045 109 243 A	<b>17944</b>	723, 729, 737, 744
045 109 243 B	<b>17950</b>	729
045 109 243 C	<b>17944</b>	723, 729, 737, 744
045 109 243 F	<b>21706</b>	723, 727, 729, 731, 735, 737, 744

Ref. - No.

Car  
Division

Ref. - No.



Ref. - No.



068 109 243	<b>06687</b>	732, 742
068 109 243 C	<b>06687</b>	732, 742
068 109 243 F	<b>06687</b>	732, 742
028 109 244	<b>07078</b>	722, 728, 733, 741, 742
03G 109 244	<b>24754</b>	724, 726, 727, 730, 739, 740, 745
03G 109 244 A	<b>29345</b>	727, 740, 745
03G 109 244 B	<b>24754</b>	724, 726, 727, 730, 739, 740, 745
03G 109 244 C	<b>29345</b>	727, 740, 745
03L 109 244	<b>34783</b>	726, 736, 739
03L 109 244 B	<b>34783</b>	726, 736, 739
03L 109 244 C	<b>17712</b>	723, 726, 729, 730, 737, 739, 744, 745
03L 109 244 D	<b>07022</b>	724, 726, 734, 735, 736, 738, 743
03L 109 244 E	<b>34783</b>	726, 736, 739
03L 109 244 J	<b>34783</b>	726, 736, 739
038 109 244 B	<b>10045</b>	734, 735, 736, 738, 743
038 109 244 C	<b>10045</b>	734, 735, 736, 738, 743
038 109 244 E	<b>11340</b>	734, 735, 736, 738, 743
038 109 244 H	<b>10045</b>	734, 735, 736, 738, 743
038 109 244 J	<b>21708</b>	723, 724, 726, 727, 729, 730, 731, 735, 737, 739, 740, 744, 745
038 109 244 M	<b>10045</b>	734, 735, 736, 738, 743
038 109 244 N	<b>21708</b>	723, 724, 726, 727, 729, 730, 731, 735, 737, 739, 740, 744, 745
038 109 244 Q	<b>11340</b>	734, 735, 736, 738, 743
038 109 244 R	<b>10045</b>	734, 735, 736, 738, 743
045 109 244 A	<b>17712</b>	723, 726, 729, 730, 737, 739, 744, 745

058 109 244	<b>07022</b>	724, 726, 734, 735, 736, 738, 743
045 109 479 B	<b>21722</b>	723, 725, 729, 737, 744
045 109 479 C	<b>26033</b>	729
03G 145 276	<b>30621</b>	730
028 145 278	<b>01231</b>	722, 732, 733, 741
028 145 278 A	<b>01231</b>	722, 732, 733, 741
028 145 278 E	<b>01231</b>	722, 732, 733, 741
028 198 119 A	<b>14630</b>	732
028 198 119 F	<b>21236</b>	728
03G 198 119	<b>24756</b>	727, 740, 745
03G 198 119 A	<b>30580</b>	727, 740, 745
03G 198 119 B	<b>24756</b>	727, 740, 745
03G 198 119 C	<b>30580</b>	727, 740, 745
03L 198 119	<b>34128</b>	726, 730, 739, 745
038 198 119 A	<b>21724</b>	723, 727, 729, 731, 735, 737, 744
038 198 119 C	<b>21724</b>	723, 727, 729, 731, 735, 737, 744
038 198 119 E	<b>21720</b>	734, 735, 736, 738, 743
021 903 119 G	<b>15262</b>	729
022 903 119 A	<b>15262</b>	729
022 903 119 C	<b>15262</b>	729
038 903 119 A	<b>15262</b>	729
038 903 119 T	<b>15262</b>	729
028 903 315	<b>26925</b>	722, 732, 733, 741, 742
028 903 315 B	<b>26925</b>	722, 732, 733, 741, 742
028 903 315 G	<b>26925</b>	722, 732, 733, 741, 742
028 903 315 H	<b>26925</b>	722, 732, 733, 741, 742
028 903 315 J	<b>26925</b>	722, 732, 733, 741, 742
028 903 315 K	<b>26925</b>	722, 732, 733, 741, 742
028 903 315 N	<b>26925</b>	722, 732, 733, 741, 742
028 903 315 R	<b>26925</b>	722, 732, 733, 741, 742


**Ref. - No.**


03G 903 315	<b>27806</b>	727, 740
03G 903 315 A	<b>27806</b>	727, 740
03G 903 315 C	<b>28025</b>	723, 727, 740, 745
03G 903 315 D	<b>28025</b>	723, 727, 740, 745
03G 903 315 G	<b>28025</b>	723, 727, 740, 745
038 903 315 A	<b>24653</b>	734, 738, 743
038 903 315 AA	<b>30620</b>	731
038 903 315 AB	<b>30620</b>	731
038 903 315 AD	<b>27618</b>	724, 726, 730, 735, 736, 739, 745
038 903 315 AE	<b>21746</b>	723, 737, 744
038 903 315 AG	<b>27618</b>	724, 726, 730, 735, 736, 739, 745
038 903 315 AH	<b>27618</b>	724, 726, 730, 735, 736, 739, 745
038 903 315 AJ	<b>27618</b>	724, 726, 730, 735, 736, 739, 745
038 903 315 C	<b>21690</b>	743
038 903 315 E	<b>24653</b>	734, 738, 743
038 903 315 F	<b>21746</b>	723, 737, 744
038 903 315 K	<b>24653</b>	734, 738, 743
038 903 315 T	<b>27618</b>	724, 726, 730, 735, 736, 739, 745
045 903 315 A	<b>29945</b>	731
06A 903 315 D	<b>14714</b>	729
06A 903 315 E	<b>14714</b>	729

**ŠKODA**

028 109 119 AC S2	<b>21238</b>	749
028 109 119 AC	<b>19360</b>	749
028 109 119 N	<b>19360</b>	749
03G 109 119	<b>23554</b>	752
03L 109 119 C	<b>34126</b>	748, 753, 754, 757
03L 109 119 D	<b>34127</b>	753, 757
03L 109 119 F	<b>34127</b>	753, 757
03L 109 119 G	<b>34126</b>	748, 753, 754, 757
03L 109 119 J	<b>34126</b>	748, 753, 754, 757
038 109 119	<b>21718</b>	746, 750
038 109 119 B	<b>21718</b>	746, 750
038 109 119 B S1	<b>21720</b>	746, 750
038 109 119 D	<b>21718</b>	746, 750
038 109 119 D S1	<b>21720</b>	746, 750

**Ref. - No.**


038 109 119 L	<b>19540</b>	746, 747, 751, 752, 755
038 109 119 M	<b>21718</b>	746, 750
038 109 119 M S1	<b>21720</b>	746, 750
038 109 119 M S2	<b>32556</b>	746
038 109 119 N	<b>19540</b>	746, 747, 751, 752, 755
038 109 119 P	<b>19540</b>	746, 747, 751, 752, 755
038 109 119 R	<b>21718</b>	746, 750
038 109 119 S1	<b>21726</b>	747, 751, 755
059 109 119 B	<b>21780</b>	756
059 109 119 B S4	<b>27302</b>	756
028 109 243 D	<b>11556</b>	749
028 109 243 G	<b>11556</b>	749
03G 109 243	<b>24752</b>	752
03L 109 243 E	<b>30215</b>	753, 757
038 109 243 D	<b>18956</b>	746, 750
038 109 243 F	<b>18956</b>	746, 750
038 109 243 G	<b>18956</b>	746, 750
038 109 243 H	<b>18956</b>	746, 750
038 109 243 M	<b>21706</b>	746, 747, 751, 752, 755
038 109 243 N	<b>18956</b>	746, 750
045 109 243 A	<b>17944</b>	747, 751, 755
045 109 243 C	<b>17944</b>	747, 751, 755
045 109 243 F	<b>21706</b>	746, 747, 751, 752, 755
059 109 243 D	<b>17942</b>	756
059 109 243 F	<b>17946</b>	756
059 109 243 G	<b>17946</b>	756
059 109 243 J	<b>17942</b>	756
059 109 243 L	<b>17946</b>	756
03G 109 244	<b>24754</b>	752, 753, 757
03G 109 244 A	<b>29345</b>	752
03G 109 244 B	<b>24754</b>	752, 753, 757
03G 109 244 C	<b>29345</b>	752
03L 109 244	<b>34783</b>	748, 753, 754, 757
03L 109 244 B	<b>34783</b>	748, 753, 754, 757
03L 109 244 C	<b>17712</b>	747, 751, 753, 755, 757
03L 109 244 D	<b>07022</b>	746, 748, 750, 753, 754, 757

Ref. - No.

Car  
Division

Ref. - No.



Ref. - No.



03L 109 244 E	<b>34783</b>	748, 753, 754, 757
03L 109 244 J	<b>34783</b>	748, 753, 754, 757
038 109 244 B	<b>10045</b>	746, 750
038 109 244 C	<b>10045</b>	746, 750
038 109 244 E	<b>11340</b>	746, 750
038 109 244 H	<b>10045</b>	746, 750
038 109 244 J	<b>21708</b>	746, 747, 751, 752, 753, 755, 757
038 109 244 M	<b>10045</b>	746, 750
038 109 244 N	<b>21708</b>	746, 747, 751, 752, 753, 755, 757
038 109 244 Q	<b>11340</b>	746, 750
038 109 244 R	<b>10045</b>	746, 750
045 109 244 A	<b>17712</b>	747, 751, 753, 755, 757
058 109 244	<b>07022</b>	746, 748, 750, 753, 754, 757
059 109 244	<b>18664</b>	756
059 109 244 A	<b>18664</b>	756
059 109 244 B	<b>18664</b>	756
045 109 479 B	<b>21722</b>	747, 751, 755
059 109 479 B	<b>22340</b>	756
059 109 487 A	<b>22339</b>	756
059 109 487 B	<b>22339</b>	756
059 109 487 C	<b>22339</b>	756
059 130 113	<b>19365</b>	756
059 130 113 A	<b>19365</b>	756
038 145 276	<b>17726</b>	750
038 145 299 A	<b>31090</b>	755
03G 198 119	<b>24756</b>	752
03G 198 119 A	<b>30580</b>	752
03G 198 119 B	<b>24756</b>	752
03G 198 119 C	<b>30580</b>	752
03L 198 119	<b>34128</b>	753, 757
038 198 119 A	<b>21724</b>	746, 747, 751, 752, 755
038 198 119 C	<b>21724</b>	746, 747, 751, 752, 755
038 198 119 E	<b>21720</b>	746, 750
03G 903 315	<b>27806</b>	752
03G 903 315 A	<b>27806</b>	752
03G 903 315 C	<b>28025</b>	752, 757
03G 903 315 D	<b>28025</b>	752, 757

03G 903 315 G	<b>28025</b>	752, 757
038 903 315 A	<b>24653</b>	750
038 903 315 AA	<b>30620</b>	746, 748, 754
038 903 315 AB	<b>30620</b>	746, 748, 754
038 903 315 AD	<b>27618</b>	746, 747, 748, 753, 754, 757
038 903 315 AE	<b>21746</b>	751
038 903 315 AG	<b>27618</b>	746, 747, 748, 753, 754, 757
038 903 315 AH	<b>27618</b>	746, 747, 748, 753, 754, 757
038 903 315 AJ	<b>27618</b>	746, 747, 748, 753, 754, 757
038 903 315 D	<b>18660</b>	755
038 903 315 E	<b>24653</b>	750
038 903 315 F	<b>21746</b>	751
038 903 315 K	<b>24653</b>	750
038 903 315 P	<b>18660</b>	755
038 903 315 T	<b>27618</b>	746, 747, 748, 753, 754, 757
045 903 315 A	<b>29945</b>	746, 754
059 903 341 A	<b>11276</b>	756
059 903 341 E	<b>11276</b>	756

**SMART**

0003051V003000000 S2	<b>30539</b>	759
0003953V00100000	<b>30390</b>	759
0003953V00100000 S1	<b>33904</b>	759
0003954V001000000	<b>30392</b>	759
0003955V001000000	<b>30391</b>	759
0003956V001000000	<b>25407</b>	759
000 993 68 76 S1	<b>33899</b>	758
000 993 68 76 S1	<b>36915</b>	758
000 997 31 98	<b>28140</b>	758
640 050 00 11	<b>36915</b>	758
640 050 01 11	<b>17773</b>	758
640 050 01 11 S2	<b>36915</b>	758
640 050 03 16	<b>36915</b>	758
640 050 04 16	<b>36915</b>	758
660 050 01 11	<b>25407</b>	759
660 050 01 11 S2	<b>30539</b>	759
660 052 00 16	<b>30392</b>	759
660 052 01 01	<b>25438</b>	759




**Ref. - No.**


660 052 01 03	<b>25439</b>	759
660 052 01 16	<b>30391</b>	759
660 997 00 94	<b>30390</b>	759
660 997 00 94 S1	<b>33904</b>	759
668 997 05 94	<b>26011</b>	758
668 997 05 94 S1	<b>33899</b>	758
668 997 05 94 S1	<b>36915</b>	758

**SUZUKI**

12761-79J50-000	<b>10984</b>	762
12761-79J50-000S1	<b>23655</b>	762
12761-85E00	<b>23778</b>	760, 761, 763
12761-85E00-000	<b>23778</b>	760, 761, 763
12781-79J50-000	<b>23654</b>	762
12781-79J51-000	<b>23654</b>	762
12810-79J50-000	<b>10298</b>	762
12810-79J51-000	<b>10298</b>	762
12810-79J52-000	<b>10298</b>	762

**TOYOTA**

SU001-00542	<b>19511</b>	767
SU001-00543	<b>19513</b>	767
SU001-00544	<b>21865</b>	767
13503-27010	<b>23283</b>	766, 769, 778
13503-54010	<b>14273</b>	764, 770, 774, 775, 776
13503-54020	<b>14273</b>	764, 770, 774, 775, 776
13503-54030	<b>10623</b>	764, 771, 773, 774, 775, 776
13503-64011	<b>24792</b>	765, 767, 768, 770, 777, 778
13503-64020	<b>24792</b>	765, 767, 768, 770, 777, 778
13503-64021	<b>24792</b>	765, 767, 768, 770, 777, 778
13505-17010	<b>18573</b>	776
13505-17011	<b>18573</b>	776
13505-17020	<b>24715</b>	776
13505-27010	<b>23285</b>	766, 769, 778
13505-54010	<b>14267</b>	764, 770, 774, 775, 776

**Ref. - No.**


13505-54020	<b>23255</b>	764, 771, 773, 774, 775, 776
13505-54021	<b>23255</b>	764, 771, 773, 774, 775, 776
13505-55020	<b>26851</b>	779
13505-64011	<b>14271</b>	765, 767, 768, 770, 777, 778
13505-64012	<b>14271</b>	765, 767, 768, 770, 777, 778
13505-64020	<b>14271</b>	765, 767, 768, 770, 777, 778
13505-64021	<b>14271</b>	765, 767, 768, 770, 777, 778
13505-67040	<b>18574</b>	771, 774, 775, 776
13505-67041	<b>18574</b>	771, 774, 775, 776
13505-67050	<b>24630</b>	764, 775, 776
13506-0N010	<b>30668</b>	765, 769, 772, 780
13506-26010	<b>30669</b>	765, 766, 769, 779
13506-33020	<b>30668</b>	765, 769, 772, 780
13540-27011	<b>30013</b>	766, 769, 778
13540-67020	<b>32577</b>	771, 774, 775, 776
13568-YZZ02	<b>26810</b>	766, 769, 778
13568-19175	<b>24449</b>	776
13568-29035	<b>26810</b>	766, 769, 778
13568-29035 S1	<b>26811</b>	766, 769, 778
13568-39015	<b>26847</b>	771, 773, 774, 775, 776
13568-59066	<b>26812</b>	764, 771, 773, 774, 775, 776
13568-59066 S1	<b>26813</b>	764, 771, 773, 774, 775, 776
13568-59067	<b>26812</b>	764, 771, 773, 774, 775, 776
13568-59067 S1	<b>26813</b>	764, 771, 773, 774, 775, 776
13568-59106	<b>26812</b>	764, 771, 773, 774, 775, 776
13568-59106 S1	<b>26813</b>	764, 771, 773, 774, 775, 776
13568-64010	<b>24365</b>	765, 767, 768, 770, 777, 778



Ref. - No.

Car  
Division 

Ref. - No.



13568-64011	<b>24365</b>	765, 767, 768, 770, 777, 778
13568-67010	<b>24451</b>	764, 775, 776
13568-69065	<b>24365</b>	765, 767, 768, 770, 777, 778
13568-69066	<b>24365</b>	765, 767, 768, 770, 777, 778
13568-69066 S1	<b>24833</b>	765, 767, 768, 770, 777, 778
13568-69067	<b>24365</b>	765, 767, 768, 770, 777, 778
13568-69085	<b>24451</b>	764, 775, 776
16620-0R010	<b>29983</b>	765, 766, 769, 779

**VAUXHALL**

-	<b>25469</b>	817, 832
-	<b>36831</b>	832
-	<b>30499</b>	832
-	<b>25363</b>	799, 807
-	<b>30465</b>	817, 832
-	<b>30464</b>	832
-	<b>25470</b>	817, 832
-	<b>36826</b>	832
02898847	<b>02879</b>	799, 807
09108204	<b>08689</b>	783
09109416	<b>19940</b>	814, 815
09109428	<b>23045</b>	816, 833
09109429	<b>23043</b>	816, 833
09109430	<b>21029</b>	816, 833
09109489	<b>19931</b>	783, 814
09109566	<b>22329</b>	815, 831
09109567	<b>32581</b>	815, 831
09109609	<b>04199</b>	783
09110631	<b>19940</b>	814, 815
09110632	<b>21031</b>	814
09110638	<b>27353</b>	814
09110639	<b>19931</b>	783, 814
09110690	<b>04195</b>	783
09111144	<b>11904</b>	783
09112309	<b>27353</b>	814
09112309 S1	<b>27353</b>	814
09112476	<b>37154</b>	816, 833
09118848	<b>01579</b>	819

Ref. - No.



09121109	<b>37154</b>	816, 833
09121114	<b>32018</b>	816, 832, 833
09128106	<b>25383</b>	791, 808, 818, 822, 824, 827
09128741	<b>03872</b>	786, 787, 789, 800
09128999	<b>25383</b>	791, 808, 818, 822, 824, 827
09158004	<b>10297</b>	786, 787, 789, 800
09161255	<b>30664</b>	816
09180809	<b>14373</b>	791, 808, 818, 822, 824, 827, 829, 834
09198523	<b>32018</b>	816, 832, 833
09198524	<b>37154</b>	816, 833
09198527	<b>22119</b>	816, 832, 833
09201527	<b>23045</b>	816, 833
09201528	<b>23043</b>	816, 833
09201540	<b>21025</b>	816, 833
09266523	<b>21300</b>	820
13258483	<b>34599</b>	805
24418171	<b>12979</b>	791, 808, 818, 822, 824, 827, 829, 834
24418172	<b>12980</b>	791, 808, 818, 822, 824, 827, 829, 834
55185074	<b>27365</b>	781, 792, 795, 803, 805, 810, 812, 825
55190811	<b>29396</b>	794, 821, 828, 836
55190812	<b>31089</b>	794, 821, 828, 836
55190813	<b>30733</b>	794, 821, 828, 836
55197785	<b>28458</b>	781, 792, 795, 801, 803, 805, 810, 812, 825
55212159	<b>10298</b>	794, 797, 798, 801, 809, 821, 828, 836, 837
55238027	<b>10298</b>	794, 797, 798, 801, 809, 821, 828, 836, 837
55350960	<b>14375</b>	791, 818, 822, 824, 827, 829, 834
55561330	<b>40898</b>	794, 821, 828, 836
55562245	<b>27365</b>	781, 792, 795, 803, 805, 810, 812, 825
55562251	<b>29396</b>	794, 821, 828, 836


**Ref. - No.**


55562864	<b>34472</b>	797, 798, 809, 837
55562865	<b>37517</b>	797, 798, 809, 837
55566028	<b>10298</b>	794, 797, 798, 801, 809, 821, 828, 836, 837
55574238	<b>27365</b>	781, 792, 795, 803, 805, 810, 812, 825
90180131	<b>02878</b>	784
90190996	<b>09361</b>	799, 807
90264022	<b>05226</b>	784, 786, 787, 800
90281312	<b>11101</b>	784, 786, 787, 800
90410784	<b>11101</b>	784, 786, 787, 800
90411744	<b>10297</b>	786, 787, 789, 800
90411775	<b>14108</b>	786, 787, 789, 800
90411787	<b>03872</b>	786, 787, 789, 800
90469987	<b>14108</b>	786, 787, 789, 800
90500770	<b>12980</b>	791, 808, 818, 822, 824, 827, 829, 834
90500774	<b>12979</b>	791, 808, 818, 822, 824, 827, 829, 834
90502421	<b>14373</b>	791, 808, 818, 822, 824, 827, 829, 834
90509021	<b>15549</b>	819
90509022	<b>15550</b>	819
90509025	<b>09222</b>	819
90509168	<b>01579</b>	819
90509273	<b>10760</b>	819
90509282	<b>01790</b>	819
90511627	<b>10760</b>	819
90529247	<b>17615</b>	791, 808, 818, 822, 824, 827, 829, 834
90529247 S1	<b>30444</b>	791, 818, 820, 822, 824, 827, 829, 834
90529248	<b>17616</b>	791, 808, 818, 822, 824, 827, 829, 834
90529248 S1	<b>30449</b>	791, 808, 818, 822, 824, 827, 829, 834
90529913	<b>14375</b>	791, 818, 822, 824, 827, 829, 834
90530125	<b>10297</b>	786, 787, 789, 800
90530598	<b>14108</b>	786, 787, 789, 800
90530598 S2	<b>14111</b>	786, 787, 789, 800

**Ref. - No.**


90542637	<b>14373</b>	791, 808, 818, 822, 824, 827, 829, 834
90542638	<b>14373</b>	791, 808, 818, 822, 824, 827, 829, 834
90542724	<b>15550</b>	819
90542725	<b>15549</b>	819
90543873	<b>01579</b>	819
90572505	<b>12979</b>	791, 808, 818, 822, 824, 827, 829, 834
90572506	<b>12980</b>	791, 808, 818, 822, 824, 827, 829, 834
90573822	<b>40040</b>	791, 808, 818, 822, 827, 829, 834
91158702	<b>21910</b>	815, 831
91158706	<b>22056</b>	815, 831
91159961	<b>22329</b>	815, 831
91160164	<b>22055</b>	815, 831
93160004	<b>32581</b>	815, 831
93160237	<b>22055</b>	815, 831
93160256	<b>21033</b>	815
93160746	<b>22329</b>	815, 831
93160779	<b>22119</b>	816, 832, 833
93161221	<b>32018</b>	816, 832, 833
93161273	<b>23397</b>	815, 831
93161478	<b>22056</b>	815, 831
93161479	<b>21910</b>	815, 831
93161656 SK	<b>30639</b>	832
93161657	<b>30511</b>	817, 832
93161842	<b>32018</b>	816, 832, 833
93161922	<b>37154</b>	816, 833
93171384	<b>30114</b>	820
93171410	<b>25380</b>	820
93171416	<b>21271</b>	820
93171417	<b>18324</b>	820
93171417 S1	<b>30343</b>	820
93172026	<b>27375</b>	820
93177405	<b>28458</b>	781, 792, 795, 801, 803, 805, 810, 812, 825
93177407	<b>23778</b>	781, 792, 795, 801, 803, 805, 810, 812, 825

Ref. - No.

Car  
Division

Ref. - No.



93178273	<b>30029</b>	781, 792, 803, 810, 825
93178807	<b>23654</b>	794, 797, 798, 801, 809, 821, 828, 836, 837
93178811	<b>10984</b>	794, 821, 828, 836
93178812	<b>28306</b>	794, 797, 798, 801, 809, 821, 828, 836, 837
93178816	<b>10298</b>	794, 797, 798, 801, 809, 821, 828, 836, 837
93181966	<b>10298</b>	794, 797, 798, 801, 809, 821, 828, 836, 837
93183558	<b>37154</b>	816, 833
93185336	<b>10984</b>	794, 821, 828, 836
93185336 S1	<b>23655</b>	794, 821, 828, 836
93186866	<b>10298</b>	794, 797, 798, 801, 809, 821, 828, 836, 837
93188136 SK	<b>23413</b>	790, 804, 811
93188137 SK	<b>23415</b>	790, 804, 811
93188138 SK	<b>23415</b>	790, 804, 811
93190427	<b>28458</b>	781, 792, 795, 801, 803, 805, 810, 812, 825
93191273 SK	<b>31622</b>	781, 792, 795, 801, 803, 805, 810, 812, 825
93191274 SK	<b>30444</b>	791, 818, 820, 822, 824, 827, 829, 834
93191275 SK	<b>30449</b>	791, 808, 818, 822, 824, 827, 829, 834
93191278 SK	<b>28305</b>	794, 798, 801, 821, 828, 836, 837
93192631	<b>30029</b>	781, 792, 803, 810, 825
93192780	<b>11032</b>	785, 788, 802, 803, 826
93192782	<b>23411</b>	790, 793, 795, 796, 804, 806, 811, 812, 813, 833, 835

Ref. - No.



93192783	<b>23435</b>	790, 793
93193594	<b>27365</b>	781, 792, 795, 803, 805, 810, 812, 825
93196788 SK	<b>23437</b>	790, 793
93196791 SK	<b>28451</b>	793, 795, 796, 806, 811, 812, 813, 835
93196893	<b>23778</b>	781, 792, 795, 801, 803, 805, 810, 812, 825
93198089	<b>32581</b>	815, 831
93198194	<b>32018</b>	816, 832, 833
93198575	<b>30511</b>	817, 832
93198632	<b>23397</b>	815, 831
93198659	<b>32581</b>	815, 831
94106001	<b>10244</b>	785, 788, 802, 803, 826
94149432	<b>10243</b>	785, 802
94385561	<b>11032</b>	785, 788, 802, 803, 826
94385561 S2	<b>26084</b>	788, 803, 826
94449307	<b>11032</b>	785, 788, 802, 803, 826
94449307 S1	<b>11036</b>	785, 802
94449307 S2	<b>26084</b>	788, 803, 826
95507810 SK	<b>28305</b>	794, 798, 801, 821, 828, 836, 837
97010530	<b>11250</b>	788, 803, 826
97112438	<b>12432</b>	788, 790, 803, 804, 811, 826
97112439	<b>10243</b>	785, 802
97114552	<b>12432</b>	788, 790, 803, 804, 811, 826
97129939	<b>17483</b>	788, 803, 826
97129939	<b>28450</b>	790, 793, 795, 796, 802, 803, 804, 806, 811, 812, 813, 835
97184929	<b>27729</b>	790, 793, 804, 811
97184930	<b>26937</b>	790, 793, 804, 806, 811, 835
97210154	<b>12432</b>	788, 790, 803, 804, 811, 826


**Ref. - No.**


97212727	<b>23411</b>	790, 793, 795, 796, 804, 806, 811, 812, 813, 833, 835
97212727 S1	<b>23413</b>	790, 804, 811
97212727 S2	<b>23415</b>	790, 804, 811
97222553	<b>27729</b>	790, 793, 804, 811
97227192	<b>23435</b>	790, 793
97227192 S1	<b>23437</b>	790, 793
97229131	<b>24501</b>	823, 830
97229132	<b>24503</b>	823, 830
97229145	<b>38694</b>	823, 830
97229277	<b>38693</b>	823, 830
97241065	<b>27541</b>	823, 830
97249944	<b>21099</b>	790, 804, 811
97249945	<b>21652</b>	790, 793, 795, 796, 806, 811, 812, 813, 835
97250750	<b>34619</b>	797, 809, 823, 829, 830, 837
97309459	<b>21653</b>	804
97309459	<b>28450</b>	790, 793, 795, 796, 802, 803, 804, 806, 811, 812, 813, 835
97312464	<b>27507</b>	823, 830
97364344	<b>27729</b>	790, 793, 804, 811
97376296	<b>28450</b>	790, 793, 795, 796, 802, 803, 804, 806, 811, 812, 813, 835
97381207	<b>24501</b>	823, 830
97381208	<b>24503</b>	823, 830
97381209	<b>38694</b>	823, 830
98005564	<b>31973</b>	793, 804, 806, 811, 835
98012238	<b>26937</b>	790, 793, 804, 806, 811, 835
98014186	<b>23411</b>	790, 793, 795, 796, 804, 806, 811, 812, 813, 833, 835
98014186 S1	<b>28451</b>	793, 795, 796, 806, 811, 812, 813, 835

**Ref. - No.**

**VOLKSWAGEN**

028 105 263	<b>25166</b>	838, 839, 886, 887, 890
028 105 263 A	<b>25170</b>	839, 847, 848, 875, 880
028 105 263 D	<b>25170</b>	839, 847, 848, 875, 880
028 105 263 E	<b>25166</b>	838, 839, 886, 887, 890
068 105 263 C	<b>25166</b>	838, 839, 886, 887, 890
069 105 263	<b>25172</b>	856, 857, 888, 889
028 109 119 AA	<b>19534</b>	866, 875, 880
028 109 119 AC	<b>19360</b>	840, 859, 874
028 109 119 AC S1	<b>21236</b>	859, 874
028 109 119 D	<b>11039</b>	839, 846, 847, 848, 864, 865, 866, 875, 887, 890
028 109 119 K	<b>11039</b>	839, 846, 847, 848, 864, 865, 866, 875, 887, 890
028 109 119 K S2	<b>14620</b>	847, 865
028 109 119 K S3	<b>14626</b>	839, 847, 848, 865, 866, 875, 887, 890
028 109 119 M	<b>11039</b>	839, 846, 847, 848, 864, 865, 866, 875, 887, 890
028 109 119 M S3	<b>14626</b>	839, 847, 848, 865, 866, 875, 887, 890
028 109 119 M S2	<b>14620</b>	847, 865
028 109 119 N	<b>19360</b>	840, 859, 874
028 109 119 P	<b>11039</b>	839, 846, 847, 848, 864, 865, 866, 875, 887, 890
028 109 119 P S3	<b>14626</b>	839, 847, 848, 865, 866, 875, 887, 890
028 109 119 P S4	<b>14630</b>	846
028 109 119 P S2	<b>14620</b>	847, 865
028 109 119 P S1	<b>14602</b>	846, 864, 887
028 109 119 S	<b>19534</b>	866, 875, 880
03G 109 119	<b>23554</b>	853, 870, 884

Ref. - No.

Car  
Division 

Ref. - No.



Ref. - No.



03L 109 119 C	<b>34126</b>	838, 841, 855, 878, 879, 882, 883, 885, 890
03L 109 119 D	<b>34127</b>	843, 854, 855, 871, 880, 883
03L 109 119 E	<b>34126</b>	838, 841, 855, 878, 879, 882, 883, 885, 890
03L 109 119 F	<b>34127</b>	843, 854, 855, 871, 880, 883
03L 109 119 G	<b>34126</b>	838, 841, 855, 878, 879, 882, 883, 885, 890
03L 109 119 J	<b>34126</b>	838, 841, 855, 878, 879, 882, 883, 885, 890
031 109 119 D	<b>14374</b>	874
038 109 119	<b>21718</b>	839, 844, 849, 861, 877
038 109 119 B	<b>21718</b>	839, 844, 849, 861, 877
038 109 119 B S1	<b>21720</b>	849, 861, 877
038 109 119 D	<b>21718</b>	839, 844, 849, 861, 877
038 109 119 D S1	<b>21720</b>	849, 861, 877
038 109 119 L	<b>19540</b>	850, 851, 852, 858, 860, 867, 869, 875, 876, 877, 881, 884, 890
038 109 119 M	<b>21718</b>	839, 844, 849, 861, 877
038 109 119 M S2	<b>32556</b>	877
038 109 119 M S1	<b>21720</b>	849, 861, 877
038 109 119 N	<b>19540</b>	850, 851, 852, 858, 860, 867, 869, 875, 876, 877, 881, 884, 890
038 109 119 P	<b>19540</b>	850, 851, 852, 858, 860, 867, 869, 875, 876, 877, 881, 884, 890
038 109 119 R	<b>21718</b>	839, 844, 849, 861, 877

038 109 119 S1	<b>21726</b>	850, 851, 858, 860, 867, 869, 875, 876, 881
045 109 119 D	<b>19542</b>	858
045 109 119 D S1	<b>19544</b>	858
045 109 119 E	<b>19542</b>	858
045 109 119 E S1	<b>19544</b>	858
045 109 119 L	<b>19542</b>	858
045 109 119 L S1	<b>19544</b>	858
046 109 119 E	<b>14370</b>	857, 888, 889
046 109 119 E S2	<b>14636</b>	888
046 109 119 E S3	<b>14660</b>	888
059 109 119 A	<b>19367</b>	868
059 109 119 A S3	<b>27296</b>	868
059 109 119 A S1	<b>26122</b>	868
059 109 119 A S2	<b>27292</b>	868
059 109 119 B	<b>21780</b>	868
059 109 119 B S4	<b>27302</b>	868
068 109 119 A	<b>12663</b>	838, 845, 863, 864, 886
068 109 119 A S1	<b>14600</b>	845, 863, 864, 886
068 109 119 E	<b>12663</b>	838, 845, 863, 864, 886
068 109 119 E S1	<b>14600</b>	845, 863, 864, 886
068 109 119 F	<b>12663</b>	838, 845, 863, 864, 886
069 109 119 A	<b>14529</b>	856
069 109 119 A S2	<b>14528</b>	856
074 109 119 E	<b>14370</b>	857, 888, 889
074 109 119 E S2	<b>14636</b>	888
074 109 119 E S3	<b>14660</b>	888
074 109 119 R	<b>14370</b>	857, 888, 889
074 109 119 R S3	<b>14660</b>	888
074 109 119 R S2	<b>14636</b>	888
075 109 119 B	<b>14529</b>	856
075 109 119 B S2	<b>14528</b>	856
075 109 119 C	<b>12670</b>	856
076 109 119 A	<b>34122</b>	842
059 109 217 C	<b>25415</b>	873, 885
059 109 217 G	<b>25415</b>	873, 885
057 109 218 F	<b>25411</b>	873, 885
057 109 218 G	<b>25411</b>	873, 885
057 109 218 J	<b>25411</b>	873, 885


**Ref. - No.**


057 109 218 K	<b>25411</b>	873, 885
028 109 243	<b>10293</b>	847, 865
028 109 243 B	<b>10293</b>	847, 865
028 109 243 D	<b>11556</b>	840, 859, 874
028 109 243 E	<b>10294</b>	839, 846, 847, 848, 865, 866, 875, 880, 887, 890
028 109 243 F	<b>10294</b>	839, 846, 847, 848, 865, 866, 875, 880, 887, 890
028 109 243 G	<b>11556</b>	840, 859, 874
028 109 243 H	<b>19570</b>	866
028 109 243 J	<b>19570</b>	866
028 109 243 K	<b>19570</b>	866
03G 109 243	<b>24752</b>	853, 870, 884
03L 109 243 E	<b>30215</b>	843, 854, 855, 871, 880, 883
038 109 243 D	<b>18956</b>	839, 844, 849, 861, 877
038 109 243 F	<b>18956</b>	839, 844, 849, 861, 877
038 109 243 G	<b>18956</b>	839, 844, 849, 861, 877
038 109 243 H	<b>18956</b>	839, 844, 849, 861, 877
038 109 243 M	<b>21706</b>	850, 851, 852, 860, 869, 877, 881, 884, 890
038 109 243 N	<b>18956</b>	839, 844, 849, 861, 877
045 109 243 A	<b>17944</b>	850, 851, 858, 860, 867, 869, 875, 876, 881
045 109 243 B	<b>17950</b>	850, 858, 867, 875
045 109 243 C	<b>17944</b>	850, 851, 858, 860, 867, 869, 875, 876, 881
045 109 243 F	<b>21706</b>	850, 851, 852, 860, 869, 877, 881, 884, 890
059 109 243 D	<b>17942</b>	868
059 109 243 F	<b>17946</b>	868
059 109 243 G	<b>17946</b>	868

**Ref. - No.**


059 109 243 J	<b>17942</b>	868
059 109 243 L	<b>17946</b>	868
068 109 243	<b>06687</b>	838, 845, 846, 863, 864, 865, 886, 887
068 109 243 C	<b>06687</b>	838, 845, 846, 863, 864, 865, 886, 887
068 109 243 F	<b>06687</b>	838, 845, 846, 863, 864, 865, 886, 887
069 109 243 B	<b>02558</b>	856, 888
074 109 243 E	<b>14732</b>	842, 857, 889
074 109 243 F	<b>11559</b>	857, 888, 889
074 109 243 G	<b>11559</b>	857, 888, 889
074 109 243 J	<b>11559</b>	857, 888, 889
074 109 243 K	<b>14732</b>	842, 857, 889
074 109 243 M	<b>14732</b>	842, 857, 889
074 109 243 R	<b>11559</b>	857, 888, 889
075 109 243 B	<b>03906</b>	856
075 109 243 D	<b>03906</b>	856
028 109 244	<b>07078</b>	839, 847, 848, 859, 865, 866, 874, 875, 880, 887, 890
03G 109 244	<b>24754</b>	843, 853, 854, 855, 870, 871, 880, 883
03G 109 244 A	<b>29345</b>	853, 870, 884
03G 109 244 B	<b>24754</b>	843, 853, 854, 855, 870, 871, 880, 883
03G 109 244 C	<b>29345</b>	853, 870, 884
03L 109 244	<b>34783</b>	838, 841, 842, 843, 855, 871, 872, 878, 879, 882, 883, 885, 891
03L 109 244 B	<b>34783</b>	838, 841, 842, 843, 855, 871, 872, 878, 879, 882, 883, 885, 891
03L 109 244 C	<b>17712</b>	843, 850, 851, 854, 855, 858, 860, 867, 869, 871, 875, 876, 880, 881, 883
03L 109 244 D	<b>07022</b>	838, 841, 842, 849, 855, 861, 871, 877, 878, 879, 882, 883



Ref. - No.

Car  
Division

Ref. - No.



Ref. - No.



03L 109 244 E	<b>34783</b>	838, 841, 842, 843, 855, 871, 872, 878, 879, 882, 883, 885, 891
03L 109 244 G	<b>37019</b>	841, 878, 882
03L 109 244 J	<b>34783</b>	838, 841, 842, 843, 855, 871, 872, 878, 879, 882, 883, 885, 891
038 109 244 B	<b>10045</b>	842, 849, 861, 877
038 109 244 C	<b>10045</b>	842, 849, 861, 877
038 109 244 E	<b>11340</b>	849, 861, 877
038 109 244 H	<b>10045</b>	842, 849, 861, 877
038 109 244 J	<b>21708</b>	838, 841, 843, 850, 851, 852, 853, 854, 855, 860, 869, 870, 871, 876, 877, 879, 880, 881, 883, 884, 890
038 109 244 M	<b>10045</b>	842, 849, 861, 877
038 109 244 N	<b>21708</b>	838, 841, 843, 850, 851, 852, 853, 854, 855, 860, 869, 870, 871, 876, 877, 879, 880, 881, 883, 884, 890
038 109 244 Q	<b>11340</b>	849, 861, 877
038 109 244 R	<b>10045</b>	842, 849, 861, 877
045 109 244 A	<b>17712</b>	843, 850, 851, 854, 855, 858, 860, 867, 869, 871, 875, 876, 880, 881, 883
058 109 244	<b>07022</b>	838, 841, 842, 849, 855, 861, 871, 877, 878, 879, 882, 883
059 109 244	<b>18664</b>	868
059 109 244 A	<b>18664</b>	868
059 109 244 B	<b>18664</b>	868
045 109 479	<b>22341</b>	858
045 109 479 B	<b>21722</b>	850, 851, 858, 860, 862, 867, 869, 875, 876, 881, 890
045 109 479 C	<b>26033</b>	850, 858, 867, 875, 881
045 109 479 D	<b>22341</b>	858

059 109 479 B	<b>22340</b>	868
059 109 487 A	<b>22339</b>	868
059 109 487 B	<b>22339</b>	868
059 109 487 C	<b>22339</b>	868
059 130 113	<b>19365</b>	868
059 130 113 A	<b>19365</b>	868
069 130 113 A	<b>12659</b>	856
074 130 113	<b>12667</b>	888
074 130 113 J	<b>22738</b>	857, 889
074 130 195	<b>11561</b>	857, 889
074 130 195 B	<b>11561</b>	857, 889
074 130 245	<b>14734</b>	857, 889
059 145 201 D	<b>33153</b>	873, 885
059 145 201 F	<b>33153</b>	873, 885
059 145 201 H	<b>33153</b>	873, 885
03G 145 276	<b>30621</b>	838, 842, 890
037 145 276	<b>04127</b>	857
037 145 276 A	<b>04127</b>	857
038 145 276	<b>17726</b>	849, 861
028 145 278	<b>01231</b>	839, 846, 847, 848, 864, 865, 875, 880, 887, 888, 890
028 145 278 A	<b>01231</b>	839, 846, 847, 848, 864, 865, 875, 880, 887, 888, 890
028 145 278 E	<b>01231</b>	839, 846, 847, 848, 864, 865, 875, 880, 887, 888, 890
037 145 278 A	<b>04127</b>	857
044 145 278 A	<b>04134</b>	857, 888, 889
074 145 278 A	<b>04127</b>	857
074 145 278 D	<b>11273</b>	857
074 145 278 E	<b>04127</b>	857
074 145 278 F	<b>04134</b>	857, 888, 889
076 145 278	<b>32791</b>	842, 889
038 145 299 A	<b>31090</b>	851, 860, 867, 869
074 145 299 A	<b>11270</b>	857
076 145 299	<b>32810</b>	842
074 190 113 E	<b>22738</b>	857, 889
028 198 119	<b>14602</b>	846, 864, 887
028 198 119 A	<b>14630</b>	846
028 198 119 B	<b>14620</b>	847, 865


**Ref. - No.**


028 198 119 C	<b>14626</b>	839, 847, 848, 865, 866, 875, 887, 890
028 198 119 D	<b>24684</b>	866
028 198 119 F	<b>21236</b>	859, 874
03G 198 119	<b>24756</b>	853, 870, 884
03G 198 119 A	<b>30580</b>	853, 870, 884
03G 198 119 B	<b>24756</b>	853, 870, 884
03G 198 119 C	<b>30580</b>	853, 870, 884
03L 198 119	<b>34128</b>	843, 854, 855, 871, 880, 883
038 198 119 A	<b>21724</b>	850, 851, 852, 860, 877, 881, 884, 890
038 198 119 B	<b>24708</b>	850, 858, 867, 875
038 198 119 C	<b>21724</b>	850, 851, 852, 860, 877, 881, 884, 890
038 198 119 E	<b>21720</b>	849, 861, 877
074 198 119	<b>30779</b>	857, 889
074 198 119 H	<b>30779</b>	857, 889
074 198 119 Q	<b>30779</b>	857, 889
076 198 119	<b>34123</b>	842
076 198 119 S1	<b>34124</b>	842
058 260 511	<b>11341</b>	867, 869
059 260 523 A	<b>11323</b>	868
059 260 523 B	<b>11323</b>	868
068 260 940	<b>04008</b>	845, 864
J13 503 540 30	<b>10623</b>	883
J13 505 540 20	<b>23255</b>	883
J13 505 540 21	<b>23255</b>	883
J13 568 590 66	<b>26812</b>	883
J13 568 590 66	<b>26813</b>	883
J13 568 591 06 S1	<b>26813</b>	883
J13 568 591 06	<b>26812</b>	883
021 903 119 G	<b>15262</b>	849, 850, 851, 852, 858, 860, 861, 875
022 903 119 A	<b>15262</b>	849, 850, 851, 852, 858, 860, 861, 875
022 903 119 B	<b>15254</b>	866, 867, 869
022 903 119 C	<b>15262</b>	849, 850, 851, 852, 858, 860, 861, 875
022 903 119 D	<b>15254</b>	866, 867, 869
028 903 119 AA	<b>11701</b>	839, 840, 846, 847, 848, 865, 875, 880
028 903 119 AC	<b>15254</b>	866, 867, 869

**Ref. - No.**


028 903 119 AD	<b>15254</b>	866, 867, 869
028 903 119 AQ	<b>11701</b>	839, 840, 846, 847, 848, 865, 875, 880
028 903 119 P	<b>11701</b>	839, 840, 846, 847, 848, 865, 875, 880
028 903 119 Q	<b>15254</b>	866, 867, 869
028 903 119 T	<b>15252</b>	866
038 903 119 A	<b>15262</b>	849, 850, 851, 852, 858, 860, 861, 875
038 903 119 M	<b>15254</b>	866, 867, 869
038 903 119 Q	<b>15264</b>	859, 874
038 903 119 S	<b>15262</b>	849, 850, 851, 852, 858, 860, 861, 875
038 903 119 T	<b>15262</b>	849, 850, 851, 852, 858, 860, 861, 875
028 903 315	<b>26925</b>	839, 846, 847, 848, 864, 875, 880, 887, 888, 890
028 903 315 B	<b>26925</b>	839, 846, 847, 848, 864, 875, 880, 887, 888, 890
028 903 315 G	<b>26925</b>	839, 846, 847, 848, 864, 875, 880, 887, 888, 890
028 903 315 H	<b>26925</b>	839, 846, 847, 848, 864, 875, 880, 887, 888, 890
028 903 315 J	<b>26925</b>	839, 846, 847, 848, 864, 875, 880, 887, 888, 890
028 903 315 K	<b>26925</b>	839, 846, 847, 848, 864, 875, 880, 887, 888, 890
028 903 315 M	<b>23758</b>	866
028 903 315 N	<b>26925</b>	839, 846, 847, 848, 864, 875, 880, 887, 888, 890
028 903 315 R	<b>26925</b>	839, 846, 847, 848, 864, 875, 880, 887, 888, 890
03G 903 315	<b>27806</b>	840, 852, 853, 870, 884



Ref. - No.

Car  
Division

Ref. - No.



Ref. - No.



03G 903 315 A	<b>27806</b>	840, 852, 853, 870, 884
03G 903 315 C	<b>28025</b>	840, 843, 853, 870, 881, 884, 890
03G 903 315 D	<b>28025</b>	840, 843, 853, 870, 881, 884, 890
03G 903 315 G	<b>28025</b>	840, 843, 853, 870, 881, 884, 890
038 903 315 A	<b>24653</b>	839, 849, 875
038 903 315 AA	<b>30620</b>	877
038 903 315 AB	<b>30620</b>	877
038 903 315 AD	<b>27618</b>	838, 841, 842, 843, 854, 855, 861, 870, 871, 872, 876, 877, 878, 880, 882, 883, 885, 890
038 903 315 AE	<b>21746</b>	850, 851, 852, 881
038 903 315 AG	<b>27618</b>	838, 841, 842, 843, 854, 855, 861, 870, 871, 872, 876, 877, 878, 880, 882, 883, 885, 890
038 903 315 AH	<b>27618</b>	838, 841, 842, 843, 854, 855, 861, 870, 871, 872, 876, 877, 878, 880, 882, 883, 885, 890
038 903 315 AJ	<b>27618</b>	838, 841, 842, 843, 854, 855, 861, 870, 871, 872, 876, 877, 878, 880, 882, 883, 885, 890
038 903 315 C	<b>21690</b>	861
038 903 315 D	<b>18660</b>	851, 860, 867, 869
038 903 315 E	<b>24653</b>	839, 849, 875
038 903 315 F	<b>21746</b>	850, 851, 852, 881
038 903 315 K	<b>24653</b>	839, 849, 875
038 903 315 P	<b>18660</b>	851, 860, 867, 869
038 903 315 T	<b>27618</b>	838, 841, 842, 843, 854, 855, 861, 870, 871, 872, 876, 877, 878, 880, 882, 883, 885, 890
045 903 315 A	<b>29945</b>	844, 858, 876
059 903 341	<b>11324</b>	868
059 903 341 A	<b>11276</b>	868
059 903 341 E	<b>11276</b>	868
059 903 341 J	<b>11276</b>	868

## VOLVO

1257120	<b>02558</b>	892, 895, 897
1257223	<b>14529</b>	895, 897
1257237	<b>12659</b>	892, 895, 897
1275409	<b>15492</b>	901, 908, 910, 911, 913, 915, 919, 921, 925, 926, 927
272462	<b>14370</b>	896, 914, 920
272462 S1	<b>23207</b>	896, 914, 920
274247	<b>28588</b>	901, 908, 910, 911, 913, 915, 919, 921, 925, 926, 927
274247 S1	<b>28589</b>	901, 908, 910, 911, 913, 915, 919, 921, 925, 926, 927
30620661	<b>32581</b>	903, 904
30621261	<b>04195</b>	893, 894, 902
30621270	<b>22146</b>	902, 903
30621284	<b>22329</b>	904
30621589	<b>22056</b>	904
30623983	<b>22119</b>	904
30637070	<b>26949</b>	911, 915, 921, 927
30637071	<b>19871</b>	911, 915, 921
30637505	<b>19749</b>	899, 906, 917, 923
30637961	<b>26949</b>	911, 915, 921, 927
30637962	<b>19871</b>	911, 915, 921
30638278	<b>21627</b>	901, 908, 910, 911, 913, 915, 919, 921, 925, 926, 927
30638573	<b>32581</b>	903, 904
30638574	<b>22329</b>	904
30638631	<b>22119</b>	904
30638633	<b>22329</b>	904
30650927	<b>37266</b>	900, 907
30650957	<b>27567</b>	901, 908
30652243	<b>23397</b>	904
30667878	<b>14997</b>	911, 915, 921, 927
30677134	<b>21627</b>	901, 908, 910, 911, 913, 915, 919, 921, 925, 926, 927
30684427	<b>37266</b>	900, 907
30711066	<b>24369</b>	899, 906, 917, 923



Ref. - No.



30711068	<b>19511</b>	899, 906, 917, 923
30711069	<b>19513</b>	899, 906, 917, 923
30711320	<b>27566</b>	901, 908
30711508	<b>39099</b>	898, 899, 905, 906, 912, 916, 917, 922
30725030	<b>37211</b>	900, 907, 918, 924
30725665	<b>26816</b>	900, 907, 918, 924
30729939	<b>19871</b>	911, 915, 921
30731765	<b>22369</b>	899, 906, 917, 923
30731772	<b>28588</b>	901, 908, 910, 911, 913, 915, 919, 921, 925, 926, 927
30731772 S1	<b>28589</b>	901, 908, 910, 911, 913, 915, 919, 921, 925, 926, 927
30731774	<b>21627</b>	901, 908, 910, 911, 913, 915, 919, 921, 925, 926, 927
30735877	<b>39099</b>	898, 899, 905, 906, 912, 916, 917, 922
30737517	<b>14997</b>	911, 915, 921, 927
30751981	<b>19511</b>	899, 906, 917, 923
30757056	<b>26949</b>	911, 915, 921, 927
30757154	<b>24805</b>	903
30757282	<b>31359</b>	921, 927
30757330	<b>30146</b>	913, 919, 925, 926
30758108	<b>19749</b>	899, 906, 917, 923
30759041	<b>39099</b>	898, 899, 905, 906, 912, 916, 917, 922
30777250	<b>22056</b>	904
30777408	<b>22056</b>	904
30777409	<b>24805</b>	903
30777726	<b>30146</b>	913, 919, 925, 926
30777770	<b>24367</b>	899, 906, 917, 923
30777779	<b>28588</b>	901, 908, 910, 911, 913, 915, 919, 921, 925, 926, 927
30777865	<b>24369</b>	899, 906, 917, 923
30812354	<b>21309</b>	902
30813134	<b>22146</b>	902, 903
30852898	<b>21307</b>	902, 903
30855992	<b>04195</b>	893, 894, 902
30855993	<b>04199</b>	893, 894, 902, 903

Ref. - No.



30864046	<b>23202</b>	902
30864046 S1	<b>23203</b>	902
30864050	<b>19931</b>	902, 903
30865077	<b>19498</b>	903
30865077 S1	<b>19500</b>	903
30865077 S2	<b>24805</b>	903
30865078	<b>19931</b>	902, 903
30883810	<b>21910</b>	904
30883811	<b>22055</b>	904
30883834	<b>21033</b>	904
30889400	<b>19471</b>	903
31216269	<b>32581</b>	903, 904
31216514	<b>30128</b>	918, 924
31251096	<b>22329</b>	904
31251129	<b>22369</b>	899, 906, 917, 923
31251251	<b>31359</b>	921, 927
31251252	<b>26949</b>	911, 915, 921, 927
31251337	<b>30146</b>	913, 919, 925, 926
31251356	<b>39099</b>	898, 899, 905, 906, 912, 916, 917, 922
31251429	<b>30146</b>	913, 919, 925, 926
31251653	<b>30082</b>	901, 908, 910
31251654	<b>30083</b>	901, 908, 910
31258153	<b>30146</b>	913, 919, 925, 926
31258305	<b>28589</b>	901, 908, 910, 911, 913, 915, 919, 921, 925, 926, 927
31258306	<b>28588</b>	901, 908, 910, 911, 913, 915, 919, 921, 925, 926, 927
31259232	<b>33692</b>	899, 906, 917, 923
31259232 SK1	<b>32449</b>	899, 906, 917, 923
31259239	<b>19511</b>	899, 906, 917, 923
31310434	<b>32581</b>	903, 904
31316699	<b>21627</b>	901, 908, 910, 911, 913, 915, 919, 921, 925, 926, 927
31316844	<b>19511</b>	899, 906, 917, 923
31330188	<b>28589</b>	901, 908, 910, 911, 913, 915, 919, 921, 925, 926, 927
31330198	<b>39101</b>	898, 905, 909, 912, 916, 922

Ref. - No.



Car Division 



Ref. - No.



Ref. - No.



31330200	<b>37275</b>	898, 905, 909, 912, 916, 922
31330202	<b>39203</b>	898, 905, 909, 912, 916, 922
31330379	<b>30146</b>	913, 919, 925, 926
31339542	<b>21627</b>	901, 908, 910, 911, 913, 915, 919, 921, 925, 926, 927
31339705	<b>39109</b>	898, 905, 909, 912, 916, 922
31339887	<b>37275</b>	898, 905, 909, 912, 916, 922
31339888	<b>39203</b>	898, 905, 909, 912, 916, 922
31359568	<b>28589</b>	901, 908, 910, 911, 913, 915, 919, 921, 925, 926, 927
31370046	<b>39203</b>	898, 905, 909, 912, 916, 922
31370046 SK	<b>37285</b>	898, 905, 909, 912, 916, 922
31370046 S1	<b>39204</b>	898, 905, 909, 912, 916, 922
31370046 S2	<b>39205</b>	898, 905, 912, 916, 922
31370047	<b>39101</b>	898, 905, 909, 912, 916, 922
31370048	<b>39109</b>	898, 905, 909, 912, 916, 922
31370439	<b>19511</b>	899, 906, 917, 923
31370440	<b>24369</b>	899, 906, 917, 923
31375338	<b>19511</b>	899, 906, 917, 923
31375382	<b>24369</b>	899, 906, 917, 923
3287776	<b>05859</b>	893
3343740	<b>04195</b>	893, 894, 902
3343741	<b>04199</b>	893, 894, 902, 903
3343893	<b>11148</b>	893, 894
3343893 S1	<b>11149</b>	893, 894
3507227	<b>14529</b>	895, 897
8627994	<b>19871</b>	911, 915, 921
8641982	<b>24179</b>	902, 903
8642248	<b>19471</b>	903
8653137	<b>26949</b>	911, 915, 921, 927

8653649	<b>26818</b>	900, 907, 918, 924
8653650	<b>24197</b>	900, 907, 918, 924
8653651	<b>26027</b>	900, 907, 918, 924
8653652	<b>26816</b>	900, 907, 918, 924
8653755	<b>33691</b>	899, 900, 906, 907, 917, 918, 923, 924
8653755 S1	<b>37230</b>	900, 907, 918, 924
8653756	<b>37224</b>	900, 907, 918, 924
8653757	<b>37211</b>	900, 907, 918, 924
8658339	<b>21627</b>	901, 908, 910, 911, 913, 915, 919, 921, 925, 926, 927
8676497	<b>14997</b>	911, 915, 921, 927
8677053	<b>14732</b>	896, 914, 920
8692561	<b>15492</b>	901, 908, 910, 911, 913, 915, 919, 921, 925, 926, 927
9135933	<b>12670</b>	897
9135937	<b>19732</b>	897
9135946	<b>03906</b>	897
9179314	<b>24328</b>	896, 914, 920
9179393	<b>22738</b>	896, 914, 920
9180593	<b>14370</b>	896, 914, 920
9180594	<b>14734</b>	896, 914, 920
9186258	<b>14732</b>	896, 914, 920
9202398	<b>22738</b>	896, 914, 920
9202398 S1	<b>22739</b>	896, 914, 920
9207905	<b>26871</b>	896, 914
9207927	<b>11561</b>	896, 914, 920
9458470	<b>14379</b>	911, 915, 921
9459747	<b>14997</b>	911, 915, 921, 927
9464101	<b>14732</b>	896, 914, 920


**Ref. - No.**


<b>01048</b>	615 050 00 11	396, 397, 398, 399, 409, 410, 411, 414, 450, 453, 465
<b>01048</b>	615 050 04 11	396, 397, 398, 399, 409, 410, 411, 414, 450, 453, 465
<b>01048</b>	615 050 05 11	396, 397, 398, 399, 409, 410, 411, 414, 450, 453, 465
<b>01048</b>	615 050 06 11	396, 397, 398, 399, 409, 410, 411, 414, 450, 453, 465
<b>01048</b>	615 050 08 11	396, 397, 398, 399, 409, 410, 411, 414, 450, 453, 465
<b>01231</b>	028 145 278	19, 20, 45, 55
<b>01231</b>	028 145 278 A	19, 20, 45, 55
<b>01231</b>	028 145 278 E	19, 20, 45, 55
<b>01231</b>	028 145 278	722, 732, 733, 741
<b>01231</b>	028 145 278 A	722, 732, 733, 741
<b>01231</b>	028 145 278 E	722, 732, 733, 741
<b>01231</b>	028 145 278	839, 846, 847, 848, 864, 865, 875, 880, 887, 888, 890
<b>01231</b>	028 145 278 A	839, 846, 847, 848, 864, 865, 875, 880, 887, 888, 890
<b>01231</b>	028 145 278 E	839, 846, 847, 848, 864, 865, 875, 880, 887, 888, 890
<b>01310</b>	606 200 00 73	400, 402, 403, 405, 406, 415, 421, 422, 425, 439, 440, 442, 443, 457, 458, 459, 469, 470, 477, 478, 490
<b>01310</b>	606 200 01 73	400, 402, 403, 405, 406, 415, 421, 422, 425, 439, 440, 442, 443, 457, 458, 459, 469, 470, 477, 478, 490
<b>01383</b>	606 050 01 11	402, 405, 422, 425, 439, 440, 443, 458, 470


**Ref. - No.**


<b>01383</b>	606 050 02 11	402, 405, 422, 425, 439, 440, 443, 458, 470
<b>01389</b>	1 005 823	265, 266, 268, 269, 303, 304, 310, 312
<b>01389</b>	6 177 884	265, 266, 268, 269, 303, 304, 310, 312
<b>01389</b>	6 492 482	265, 266, 268, 269, 303, 304, 310, 312
<b>01389</b>	7 053 802	265, 266, 268, 269, 303, 304, 310, 312
<b>01390</b>	6 178 656	265, 268, 303, 310, 312
<b>01390</b>	6 497 120	265, 268, 303, 310, 312
<b>01390</b>	7 330 712	265, 268, 303, 310, 312
<b>01579</b>	11 28 2 243 510	64, 79, 80, 94
<b>01579</b>	11 28 2 244 424	64, 79, 80, 94
<b>01579</b>	11 28 2 246 769	64, 79, 80, 94
<b>01579</b>	11 28 2 248 168	64, 79, 80, 94
<b>01579</b>	1340 538	561
<b>01579</b>	1340 552	561
<b>01579</b>	1340 653	561
<b>01579</b>	09118848	819
<b>01579</b>	90509168	819
<b>01579</b>	90543873	819
<b>01588</b>	11 31 1 287 463	64, 78
<b>01790</b>	11 28 2 243 702	64, 79, 80, 94
<b>01790</b>	11 28 2 245 166	64, 79, 80, 94
<b>01790</b>	1340 540	561
<b>01790</b>	90509282	819
<b>02248</b>	601 200 07 70	407, 415, 442, 477, 478
<b>02249</b>	601 200 09 70	400, 401, 402, 403, 404, 405, 406, 407, 408, 413, 415, 421, 422, 425, 439, 440, 442, 443, 451, 454, 457, 458, 459, 469, 470, 477, 478, 490



Ref. - No.

Car  
Division

Ref. - No.



Ref. - No.



<b>02481</b>	601 050 01 11	400, 401, 403, 404, 406, 407, 408, 409, 412, 413, 415, 421, 442, 451, 452, 454, 457, 459, 469, 477, 478, 488, 490
<b>02481</b>	601 050 03 11	400, 401, 403, 404, 406, 407, 408, 409, 412, 413, 415, 421, 442, 451, 452, 454, 457, 459, 469, 477, 478, 488, 490
<b>02481</b>	601 050 06 11	400, 401, 403, 404, 406, 407, 408, 409, 412, 413, 415, 421, 442, 451, 452, 454, 457, 459, 469, 477, 478, 488, 490
<b>02481</b>	601 050 07 11	400, 401, 403, 404, 406, 407, 408, 409, 412, 413, 415, 421, 442, 451, 452, 454, 457, 459, 469, 477, 478, 488, 490
<b>02558</b>	069 109 243 B	21, 22, 24
<b>02558</b>	1257120	892, 895, 897
<b>02558</b>	069 109 243 B	856, 888
<b>02878</b>	0636 421	548
<b>02878</b>	90180131	784
<b>02879</b>	0636 377	546, 559
<b>02879</b>	02898847	799, 807
<b>03872</b>	0636 418	528, 530, 550, 568
<b>03872</b>	5636 424	528, 530, 550, 568
<b>03872</b>	09128741	786, 787, 789, 800
<b>03872</b>	90411787	786, 787, 789, 800
<b>03906</b>	9135946	897
<b>03906</b>	075 109 243 B	856
<b>03906</b>	075 109 243 D	856
<b>03923</b>	046 130 195 C	22, 23, 24, 25, 46
<b>03923</b>	046 130 195 D	22, 23, 24, 25, 46
<b>03987</b>	046 130 195 B	23, 25, 46
<b>04008</b>	068 260 940	18
<b>04008</b>	068 260 940	845, 864
<b>04127</b>	037 145 276	857
<b>04127</b>	037 145 276 A	857
<b>04127</b>	037 145 278 A	857
<b>04127</b>	074 145 278 A	857

<b>04127</b>	074 145 278 E	857
<b>04134</b>	044 145 278 A	857, 888, 889
<b>04134</b>	074 145 278 F	857, 888, 889
<b>04195</b>	4402 690	527
<b>04195</b>	77 00 116 049	688, 694, 695
<b>04195</b>	77 00 735 486	688, 694, 695
<b>04195</b>	77 00 863 112	688, 694, 695
<b>04195</b>	82 00 051 091	688, 694, 695
<b>04195</b>	09110690	783
<b>04195</b>	30621261	893, 894, 902
<b>04195</b>	30855992	893, 894, 902
<b>04195</b>	3343740	893, 894, 902
<b>04199</b>	4401 609	527
<b>04199</b>	77 00 115 070	661, 662, 672, 688, 689, 694, 695, 696
<b>04199</b>	77 00 726 440	661, 662, 672, 688, 689, 694, 695, 696
<b>04199</b>	77 00 863 113	661, 662, 672, 688, 689, 694, 695, 696
<b>04199</b>	09109609	783
<b>04199</b>	30855993	893, 894, 902, 903
<b>04199</b>	3343741	893, 894, 902, 903
<b>04723</b>	6453.76	122, 192
<b>04723</b>	91 516 222	122, 192
<b>04723</b>	6453.76	583, 584, 596, 606, 608, 650
<b>04724</b>	5751.27	118, 182
<b>04724</b>	96 165 457	118, 182
<b>04724</b>	5751.27	581
<b>04725</b>	5751.26	118, 182
<b>04725</b>	96 156 400	118, 182
<b>04725</b>	5751.26	581
<b>04733</b>	5751.15	122, 164, 166, 167, 173, 183, 185, 186, 192
<b>04733</b>	5751.38	122, 164, 166, 167, 173, 183, 185, 186, 192
<b>04733</b>	96 074 514	122, 164, 166, 167, 173, 183, 185, 186, 192
<b>04733</b>	9607451480	212, 240, 256, 258
<b>04733</b>	9627860780	212, 240, 256, 258


**Ref. - No.**


<b>04733</b>	9607451480	375
<b>04733</b>	9627860780	375
<b>04733</b>	5751.15	596, 608, 610, 617, 624, 626, 638, 644, 650
<b>04733</b>	5751.38	596, 608, 610, 617, 624, 626, 638, 644, 650
<b>04749</b>	0830.12	169, 187
<b>04749</b>	96 094 102	169, 187
<b>04749</b>	0830.12	618, 639
<b>04750</b>	0830.02	159, 160, 192
<b>04750</b>	0830.02	583, 596, 606, 607, 649
<b>04750</b>	LHP 10009	713
<b>04751</b>	0829.33	122, 159, 164, 167, 173, 183, 192
<b>04751</b>	96 171 886	122, 159, 164, 167, 173, 183, 192
<b>04751</b>	9617188680	212, 240, 256
<b>04751</b>	0829.33	584, 596, 607, 608, 624, 638, 644, 650
<b>04751</b>	LHP 100590	713
<b>04856</b>	0829.30	117, 118, 182
<b>04856</b>	95 640 195	117, 118, 182
<b>04856</b>	13070-6F901	512
<b>04856</b>	0829.30	581
<b>04856</b>	LHP 10013	712
<b>04926</b>	0829.11	159, 160, 192
<b>04926</b>	0829.21	159, 160, 192
<b>04926</b>	93 501 404	159, 160, 192
<b>04926</b>	0829.11	583, 596, 606, 607, 649
<b>04926</b>	0829.21	583, 596, 606, 607, 649
<b>04927</b>	0818.20	169, 187
<b>04927</b>	96 098 279	169, 187
<b>04927</b>	0818.20	618, 639
<b>04989</b>	1726502	378
<b>04989</b>	1738700	378
<b>05069</b>	1281.34	169
<b>05069</b>	1281.34	639


**Ref. - No.**


<b>05072</b>	601 200 13 73	400, 401, 403, 404, 406, 407, 408, 413, 421, 451, 452, 454, 457, 459, 469
<b>05072</b>	601 200 17 73	400, 401, 403, 404, 406, 407, 408, 413, 421, 451, 452, 454, 457, 459, 469
<b>05077</b>	4007.E4	169, 170
<b>05077</b>	4007.E4	639, 640
<b>05082</b>	5751.24	192
<b>05082</b>	96 201 545	192
<b>05082</b>	5751.24	596
<b>05100</b>	6453.R8	169, 187
<b>05100</b>	96 133 311	169, 187
<b>05100</b>	6453.R8	618, 639
<b>05226</b>	0636 422	528, 548, 550, 568
<b>05226</b>	90264022	784, 786, 787, 800
<b>05338</b>	26 207 509	160
<b>05338</b>	95 619 217	160
<b>05338</b>	5972277	210
<b>05338</b>	60805593	210
<b>05338</b>	71740977	210
<b>05338</b>	0829.17	649
<b>05341</b>	0818.22	160
<b>05341</b>	95 495 830	160
<b>05341</b>	5495830	210
<b>05341</b>	0818.17	649
<b>05341</b>	0818.22	649
<b>05478</b>	601 200 10 70	413, 451, 452, 454, 457, 490
<b>05801</b>	5751.29	120, 122, 123, 124, 144, 156, 164, 165, 166, 173, 174, 176, 183, 184, 185, 186, 188, 189, 191, 192
<b>05801</b>	96 188 885	120, 122, 123, 124, 144, 156, 164, 165, 166, 173, 174, 176, 183, 184, 185, 186, 188, 189, 191, 192
<b>05801</b>	9618888580	240, 241, 243, 256, 258
<b>05801</b>	9618888580	369, 374, 375





Ref. - No.

Car  
Division

Ref. - No.



Ref. - No.



<b>05801</b>	5751.29	587, 588, 596, 597, 598, 601, 608, 609, 610, 617, 624, 625, 626, 629, 644, 645, 646, 650, 652, 653, 655
<b>05859</b>	77 00 696 987	694, 696
<b>05859</b>	77 00 708 337	694, 696
<b>05859</b>	77 00 716 768	694, 696
<b>05859</b>	77 01 349 658	694, 696
<b>05859</b>	3287776	893
<b>05889</b>	77 00 665 224	666, 697
<b>05889</b>	77 00 722 452	666, 697
<b>05889</b>	77 00 852 114	666, 697
<b>05889</b>	77 00 871 169	666, 697
<b>05892</b>	77 00 116 050	661, 662, 672
<b>05892</b>	77 00 733 489	661, 662, 672
<b>05892</b>	77 00 863 111	661, 662, 672
<b>05892</b>	82 00 051 092	661, 662, 672
<b>05892</b>	82 00 469 376	661, 662, 672
<b>06070</b>	1 682 935	316, 317
<b>06070</b>	6 121 753	316, 317
<b>06070</b>	6 121 754	316, 317
<b>06139</b>	6 177 883	265, 268, 303, 310, 312
<b>06305</b>	6 121 780	267
<b>06569</b>	601 200 03 14	401, 404, 407, 408, 413, 452, 454, 457, 459
<b>06569</b>	601 200 05 14	401, 404, 407, 408, 413, 452, 454, 457, 459
<b>06569</b>	603 200 01 14	401, 404, 407, 408, 413, 452, 454, 457, 459
<b>06569</b>	603 200 03 14	401, 404, 407, 408, 413, 452, 454, 457, 459
<b>06569</b>	604 200 01 14	401, 404, 407, 408, 413, 452, 454, 457, 459
<b>06569</b>	604 200 03 14	401, 404, 407, 408, 413, 452, 454, 457, 459

<b>06687</b>	068 109 243	17, 18, 19
<b>06687</b>	068 109 243 C	17, 18, 19
<b>06687</b>	068 109 243 F	17, 18, 19
<b>06687</b>	068 109 243	732, 742
<b>06687</b>	068 109 243 C	732, 742
<b>06687</b>	068 109 243 F	732, 742
<b>06687</b>	068 109 243	838, 845, 846, 863, 864, 865, 886, 887
<b>06687</b>	068 109 243 C	838, 845, 846, 863, 864, 865, 886, 887
<b>06687</b>	068 109 243 F	838, 845, 846, 863, 864, 865, 886, 887
<b>06980</b>	0818.19	166, 185, 186
<b>06980</b>	96 056 183	166, 185, 186
<b>06980</b>	9400818199	258
<b>06980</b>	9400818199	375
<b>06980</b>	0818.19	610, 617, 626
<b>06982</b>	0830.11	117, 118, 166, 182, 185, 186
<b>06982</b>	0830.14	117, 118, 166, 182, 185, 186
<b>06982</b>	0830.37	117, 118, 166, 182, 185, 186
<b>06982</b>	9400830149	258
<b>06982</b>	9400830379	258
<b>06982</b>	9400830149	375
<b>06982</b>	9400830379	375
<b>06982</b>	13077-6F901	512
<b>06982</b>	0830.11	581, 610, 617, 626
<b>06982</b>	0830.14	581, 610, 617, 626
<b>06982</b>	0830.37	581, 610, 617, 626
<b>06982</b>	LHV 100080	712
<b>06983</b>	0830.13	122, 159, 164, 167, 173, 183, 192
<b>06983</b>	96 159 233	122, 159, 164, 167, 173, 183, 192
<b>06983</b>	9615923380	212, 240, 256
<b>06983</b>	0830.13	584, 596, 607, 608, 624, 638, 644, 650
<b>07007</b>	77 00 864 572	676
<b>07008</b>	77 00 857 492	676


**Ref. - No.**


<b>07022</b>	03L 109 244 D	26, 28, 31, 33, 41, 42, 43, 46, 52, 56, 57, 59
<b>07022</b>	058 109 244	26, 28, 31, 33, 41, 42, 43, 46, 52, 56, 57, 59
<b>07022</b>	03L 109 244 D	724, 726, 734, 735, 736, 738, 743
<b>07022</b>	058 109 244	724, 726, 734, 735, 736, 738, 743
<b>07022</b>	03L 109 244 D	746, 748, 750, 753, 754, 757
<b>07022</b>	058 109 244	746, 748, 750, 753, 754, 757
<b>07022</b>	03L 109 244 D	838, 841, 842, 849, 855, 861, 871, 877, 878, 879, 882, 883
<b>07022</b>	058 109 244	838, 841, 842, 849, 855, 861, 871, 877, 878, 879, 882, 883
<b>07047</b>	6 190 857	265, 303, 304, 310, 312
<b>07047</b>	6 616 951	265, 303, 304, 310, 312
<b>07057</b>	6 616 952	265, 303, 304, 310, 312
<b>07078</b>	028 109 244	19, 20, 34, 45, 47, 55
<b>07078</b>	VX028109244VX2	294
<b>07078</b>	1 005 120	294
<b>07078</b>	7 400 530	294
<b>07078</b>	028 109 244	722, 728, 733, 741, 742
<b>07078</b>	028 109 244	839, 847, 848, 859, 865, 866, 874, 875, 880, 887, 890
<b>07089</b>	5751.57	120, 123, 124, 144, 165, 168, 174, 176, 184, 189, 191
<b>07089</b>	5751.96	120, 123, 124, 144, 165, 168, 174, 176, 184, 189, 191
<b>07089</b>	9633315280	241, 243, 261


**Ref. - No.**


<b>07089</b>	9642965780	241, 243, 261
<b>07089</b>	5751.57	588, 598, 601, 609, 623, 625, 642, 645, 646, 652, 653, 655
<b>07089</b>	5751.96	588, 598, 601, 609, 623, 625, 642, 645, 646, 652, 653, 655
<b>07708</b>	074 109 243 B	22, 24, 25
<b>07709</b>	074 109 243 A	23, 25
<b>07968</b>	1 005 516	266, 269, 304
<b>08486</b>	601 200 13 73 S	404, 407, 408, 413, 451, 452, 454, 457
<b>08486</b>	601 200 17 73 S1	404, 407, 408, 413, 451, 452, 454, 457
<b>08486</b>	601 200 17 73 S	404, 407, 408, 413, 451, 452, 454, 457
<b>08502</b>	ERR 2530	376, 379
<b>08502</b>	ETC 8552	376, 379
<b>08525</b>	ERC 8861	376
<b>08579</b>	LHV 100150	377, 379
<b>08685</b>	4740846	211, 213, 215
<b>08685</b>	500328902	211, 213, 215
<b>08685</b>	99432547	211, 213, 215
<b>08685</b>	99461357	211, 213, 215
<b>08685</b>	50 01 001 259	705
<b>08685</b>	77 01 040 204	705
<b>08689</b>	4740847 S1	210, 211, 213, 215
<b>08689</b>	99461358	210, 211, 213, 215
<b>08689</b>	99461358 S1	210, 211, 213, 215
<b>08689</b>	4400 204	527
<b>08689</b>	50 01 001 272	705
<b>08689</b>	09108204	783
<b>08778</b>	103 200 01 14	403
<b>08779</b>	604 200 02 14	400, 402, 405, 406, 415, 421, 422, 425, 439, 440, 442, 443, 451, 458, 469, 470, 477, 478, 490
<b>09165</b>	615 050 13 16	396, 397, 398, 399, 409, 410, 411, 414, 450, 453, 465
<b>09165</b>	615 050 14 16	396, 397, 398, 399, 409, 410, 411, 414, 450, 453, 465





Ref. - No.

Car  
Division



Ref. - No.



Ref. - No.



<b>09165</b>	621 050 04 16	396, 397, 398, 399, 409, 410, 411, 414, 450, 453, 465
<b>09165</b>	621 050 05 16	396, 397, 398, 399, 409, 410, 411, 414, 450, 453, 465
<b>09165</b>	615 052 08 16	396, 397, 398, 399, 409, 410, 411, 414, 450, 453, 465
<b>09166</b>	615 052 07 16	396, 397, 398, 399, 409, 410, 411, 414, 450, 453, 465
<b>09166</b>	615 052 10 16	396, 397, 398, 399, 409, 410, 411, 414, 450, 453, 465
<b>09167</b>	615 052 07 16	396, 397, 398, 399, 409, 410, 411, 414, 450, 453, 465
<b>09167</b>	615 052 09 16	396, 397, 398, 399, 409, 410, 411, 414, 450, 453, 465
<b>09167</b>	615 052 11 16	396, 397, 398, 399, 409, 410, 411, 414, 450, 453, 465
<b>09222</b>	13 52 2 243 950	64, 79, 80, 94
<b>09222</b>	STC 2282	382
<b>09222</b>	0636 386	561
<b>09222</b>	90509025	819
<b>09236</b>	001 997 29 94 S1	400, 401, 403, 404, 406, 407, 408, 409, 412, 413, 415, 421, 442, 451, 452, 454, 457, 459, 469, 477, 478, 488, 490
<b>09236</b>	002 997 33 94 S1	400, 401, 403, 404, 406, 407, 408, 409, 412, 413, 415, 421, 442, 451, 452, 454, 457, 459, 469, 477, 478, 488, 490
<b>09236</b>	003 997 20 94 S1	400, 401, 403, 404, 406, 407, 408, 409, 412, 413, 415, 421, 442, 451, 452, 454, 457, 459, 469, 477, 478, 488, 490

<b>09236</b>	003 997 27 94 S1	400, 401, 403, 404, 406, 407, 408, 409, 412, 413, 415, 421, 442, 451, 452, 454, 457, 459, 469, 477, 478, 488, 490
<b>09236</b>	003 997 32 94 S1	400, 401, 403, 404, 406, 407, 408, 409, 412, 413, 415, 421, 442, 451, 452, 454, 457, 459, 469, 477, 478, 488, 490
<b>09236</b>	003 997 42 94 S1	400, 401, 403, 404, 406, 407, 408, 409, 412, 413, 415, 421, 442, 451, 452, 454, 457, 459, 469, 477, 478, 488, 490
<b>09236</b>	003 997 48 94 S1	400, 401, 403, 404, 406, 407, 408, 409, 412, 413, 415, 421, 442, 451, 452, 454, 457, 459, 469, 477, 478, 488, 490
<b>09236</b>	003 997 55 94	400, 401, 403, 404, 406, 407, 408, 409, 412, 413, 415, 421, 442, 451, 452, 454, 457, 459, 469, 477, 478, 488, 490
<b>09238</b>	003 997 21 94	402, 405, 422, 425, 439, 440, 443, 458, 470
<b>09238</b>	003 997 33 94	402, 405, 422, 425, 439, 440, 443, 458, 470
<b>09238</b>	003 997 49 94	402, 405, 422, 425, 439, 440, 443, 458, 470
<b>09238</b>	003 997 54 94	402, 405, 422, 425, 439, 440, 443, 458, 470
<b>09238</b>	003 997 56 94	402, 405, 422, 425, 439, 440, 443, 458, 470
<b>09249</b>	000 997 35 94	396, 397, 398, 399, 409, 410, 411, 450, 453


**Ref. - No.**


<b>09249</b>	000 997 43 94	396, 397, 398, 399, 409, 410, 411, 450, 453
<b>09249</b>	000 997 66 94	396, 397, 398, 399, 409, 410, 411, 450, 453
<b>09249</b>	001 997 17 94	396, 397, 398, 399, 409, 410, 411, 450, 453
<b>09249</b>	001 997 30 94	396, 397, 398, 399, 409, 410, 411, 450, 453
<b>09249</b>	002 997 34 94	396, 397, 398, 399, 409, 410, 411, 450, 453
<b>09249</b>	003 997 25 94	396, 397, 398, 399, 409, 410, 411, 450, 453
<b>09249</b>	003 997 34 94	396, 397, 398, 399, 409, 410, 411, 450, 453
<b>09249</b>	003 997 58 94	396, 397, 398, 399, 409, 410, 411, 450, 453
<b>09249</b>	003 997 62 94	396, 397, 398, 399, 409, 410, 411, 450, 453
<b>09361</b>	0636 362	546, 559
<b>09361</b>	90190996	799, 807
<b>09780</b>	LHP 100680	377, 379, 380
<b>09780</b>	LHP 100860	377, 379, 380
<b>09781</b>	53 40 617	721
<b>09785</b>	77 00 862 743	677
<b>09786</b>	77 00 862 744	677
<b>09788</b>	77 00 862 615	667, 677, 697
<b>09791</b>	5751.30	120, 122, 123, 124, 164, 166, 173, 174, 176, 183, 185, 186, 188, 192
<b>09791</b>	9618888480	240, 241, 243, 256, 258
<b>09791</b>	9623001280	240, 241, 243, 256, 258


**Ref. - No.**


<b>09791</b>	9618888480	375
<b>09791</b>	9623001280	375
<b>09791</b>	5751.30	587, 596, 597, 608, 610, 617, 624, 626, 644, 645, 646, 650, 652, 653, 655
<b>10045</b>	038 109 244 B	28, 31
<b>10045</b>	038 109 244 C	28, 31
<b>10045</b>	038 109 244 H	28, 31
<b>10045</b>	038 109 244 M	28, 31
<b>10045</b>	038 109 244 R	28, 31
<b>10045</b>	038 109 244 B	734, 735, 736, 738, 743
<b>10045</b>	038 109 244 C	734, 735, 736, 738, 743
<b>10045</b>	038 109 244 H	734, 735, 736, 738, 743
<b>10045</b>	038 109 244 M	734, 735, 736, 738, 743
<b>10045</b>	038 109 244 R	734, 735, 736, 738, 743
<b>10045</b>	038 109 244 B	746, 750
<b>10045</b>	038 109 244 C	746, 750
<b>10045</b>	038 109 244 H	746, 750
<b>10045</b>	038 109 244 M	746, 750
<b>10045</b>	038 109 244 R	746, 750
<b>10045</b>	038 109 244 B	842, 849, 861, 877
<b>10045</b>	038 109 244 C	842, 849, 861, 877
<b>10045</b>	038 109 244 H	842, 849, 861, 877
<b>10045</b>	038 109 244 M	842, 849, 861, 877
<b>10045</b>	038 109 244 R	842, 849, 861, 877
<b>10132</b>	1 005 822	265, 266, 267, 268, 269, 270, 303, 304, 305, 310, 312
<b>10132</b>	6 177 882	265, 266, 267, 268, 269, 270, 303, 304, 305, 310, 312
<b>10132</b>	6 988 203	265, 266, 267, 268, 269, 270, 303, 304, 305, 310, 312
<b>10243</b>	0636 731	541, 549
<b>10243</b>	0636 742	541, 549
<b>10243</b>	94149432	785, 802



Ref. - No.

Car  
Division



Ref. - No.



Ref. - No.



<b>10243</b>	97112439	785, 802
<b>10244</b>	0636 730	529, 541, 542, 549, 569
<b>10244</b>	94106001	785, 788, 802, 803, 826
<b>10293</b>	028 109 243	19
<b>10293</b>	028 109 243 B	19
<b>10293</b>	028 109 243	742
<b>10293</b>	028 109 243 B	742
<b>10293</b>	028 109 243	847, 865
<b>10293</b>	028 109 243 B	847, 865
<b>10294</b>	028 109 243 E	20, 34, 45, 47, 55
<b>10294</b>	028 109 243 F	20, 34, 45, 47, 55
<b>10294</b>	1 058 458	294
<b>10294</b>	1 669 904	294
<b>10294</b>	028 109 243 E	722, 732, 733, 741, 742
<b>10294</b>	028 109 243 F	722, 732, 733, 741, 742
<b>10294</b>	028 109 243 E	839, 846, 847, 848, 865, 866, 875, 880, 887, 890
<b>10294</b>	028 109 243 F	839, 846, 847, 848, 865, 866, 875, 880, 887, 890
<b>10297</b>	0636 726	528, 530, 550, 568
<b>10297</b>	0636 737	528, 530, 550, 568
<b>10297</b>	0636 746	528, 530, 550, 568
<b>10297</b>	5636 738	528, 530, 550, 568
<b>10297</b>	09158004	786, 787, 789, 800
<b>10297</b>	90411744	786, 787, 789, 800
<b>10297</b>	90530125	786, 787, 789, 800
<b>10298</b>	55208381	3, 4, 5, 7, 8, 9, 10, 11, 12, 13, 14, 15, 16
<b>10298</b>	55212159	3, 4, 5, 7, 8, 9, 10, 11, 12, 13, 14, 15, 16
<b>10298</b>	55215666	3, 4, 5, 7, 8, 9, 10, 11, 12, 13, 14, 15, 16

<b>10298</b>	55238027	3, 4, 5, 7, 8, 9, 10, 11, 12, 13, 14, 15, 16
<b>10298</b>	60813592	3, 4, 5, 7, 8, 9, 10, 11, 12, 13, 14, 15, 16
<b>10298</b>	71747799	3, 4, 5, 7, 8, 9, 10, 11, 12, 13, 14, 15, 16
<b>10298</b>	55191315	200, 201, 202, 203, 204, 206, 207, 208, 209, 215, 217, 220, 222, 223, 225, 226, 229, 230, 234, 236, 237, 247, 248, 249, 252, 253
<b>10298</b>	55192323	200, 201, 202, 203, 204, 206, 207, 208, 209, 215, 217, 220, 222, 223, 225, 226, 229, 230, 234, 236, 237, 247, 248, 249, 252, 253
<b>10298</b>	55208381	200, 201, 202, 203, 204, 206, 207, 208, 209, 215, 217, 220, 222, 223, 225, 226, 229, 230, 234, 236, 237, 247, 248, 249, 252, 253
<b>10298</b>	55212159	200, 201, 202, 203, 204, 206, 207, 208, 209, 215, 217, 220, 222, 223, 225, 226, 229, 230, 234, 236, 237, 247, 248, 249, 252, 253
<b>10298</b>	55215666	200, 201, 202, 203, 204, 206, 207, 208, 209, 215, 217, 220, 222, 223, 225, 226, 229, 230, 234, 236, 237, 247, 248, 249, 252, 253


**Ref. - No.**


<b>10298</b>	55238027	200, 201, 202, 203, 204, 206, 207, 208, 209, 215, 217, 220, 222, 223, 225, 226, 229, 230, 234, 236, 237, 247, 248, 249, 252, 253
<b>10298</b>	60813592	200, 201, 202, 203, 204, 206, 207, 208, 209, 215, 217, 220, 222, 223, 225, 226, 229, 230, 234, 236, 237, 247, 248, 249, 252, 253
<b>10298</b>	71747799	200, 201, 202, 203, 204, 206, 207, 208, 209, 215, 217, 220, 222, 223, 225, 226, 229, 230, 234, 236, 237, 247, 248, 249, 252, 253
<b>10298</b>	7778565	200, 201, 202, 203, 204, 206, 207, 208, 209, 215, 217, 220, 222, 223, 225, 226, 229, 230, 234, 236, 237, 247, 248, 249, 252, 253
<b>10298</b>	55191315	362, 363, 364, 365, 367, 371
<b>10298</b>	55192323	362, 363, 364, 365, 367, 371
<b>10298</b>	55208381	362, 363, 364, 365, 367, 371
<b>10298</b>	55212159	362, 363, 364, 365, 367, 371
<b>10298</b>	55215666	362, 363, 364, 365, 367, 371
<b>10298</b>	55238027	362, 363, 364, 365, 367, 371
<b>10298</b>	60813592	362, 363, 364, 365, 367, 371
<b>10298</b>	71747799	362, 363, 364, 365, 367, 371
<b>10298</b>	7778565	362, 363, 364, 365, 367, 371


**Ref. - No.**


<b>10298</b>	0636 317	535, 538, 539, 540, 548, 563, 571, 579, 580
<b>10298</b>	0636 685	535, 538, 539, 540, 548, 563, 571, 579, 580
<b>10298</b>	0636 931	535, 538, 539, 540, 548, 563, 571, 579, 580
<b>10298</b>	5636 456	535, 538, 539, 540, 548, 563, 571, 579, 580
<b>10298</b>	5636 475	535, 538, 539, 540, 548, 563, 571, 579, 580
<b>10298</b>	5636 745	535, 538, 539, 540, 548, 563, 571, 579, 580
<b>10298</b>	55 212 159	718, 720
<b>10298</b>	55 566 028	718, 720
<b>10298</b>	93 178 816	718, 720
<b>10298</b>	93 186 866	718, 720
<b>10298</b>	12810-79J50-000	762
<b>10298</b>	12810-79J51-000	762
<b>10298</b>	12810-79J52-000	762
<b>10298</b>	55212159	794, 797, 798, 801, 809, 821, 828, 836, 837
<b>10298</b>	55238027	794, 797, 798, 801, 809, 821, 828, 836, 837
<b>10298</b>	55566028	794, 797, 798, 801, 809, 821, 828, 836, 837
<b>10298</b>	93178816	794, 797, 798, 801, 809, 821, 828, 836, 837
<b>10298</b>	93181966	794, 797, 798, 801, 809, 821, 828, 836, 837
<b>10298</b>	93186866	794, 797, 798, 801, 809, 821, 828, 836, 837



Ref. - No.

Car  
Division



Ref. - No.



Ref. - No.



<b>10407</b>	601 052 02 16	400, 401, 402, 403, 404, 405, 406, 407, 408, 409, 412, 413, 415, 421, 422, 425, 439, 440, 442, 443, 451, 452, 454, 457, 458, 459, 469, 470, 477, 478, 488, 490
<b>10407</b>	601 052 05 16	400, 401, 402, 403, 404, 405, 406, 407, 408, 409, 412, 413, 415, 421, 422, 425, 439, 440, 442, 443, 451, 452, 454, 457, 458, 459, 469, 470, 477, 478, 488, 490
<b>10408</b>	601 052 03 16	400, 401, 403, 404, 406, 408, 409, 412, 413, 415, 421, 442, 451, 452, 454, 457, 469, 477, 478, 488, 490
<b>10496</b>	000 997 43 94	396, 398, 399
<b>10496</b>	000 997 66 94	396, 398, 399
<b>10496</b>	001 997 17 94	396, 398, 399
<b>10496</b>	001 997 30 94	396, 398, 399
<b>10496</b>	002 997 34 94	396, 398, 399
<b>10496</b>	003 997 25 94	396, 398, 399
<b>10496</b>	003 997 58 94	396, 398, 399
<b>10613</b>	13077-54A00	507, 509, 518, 521, 522, 523
<b>10613</b>	13077-54A01	507, 509, 518, 521, 522, 523
<b>10613</b>	13077-54A02	507, 509, 518, 521, 522, 523
<b>10614</b>	13070-2J600	507, 518, 521
<b>10614</b>	13070-57J00	507, 518, 521
<b>10614</b>	13070-57J01	507, 518, 521
<b>10614</b>	13070-57J10	507, 518, 521
<b>10620</b>	23357-42020	329, 333, 334, 335, 336, 338, 342
<b>10620</b>	23357-42030	329, 333, 334, 335, 336, 338, 342
<b>10620</b>	23357-42030	346, 351, 354
<b>10620</b>	24317-42000	346, 351, 354
<b>10620</b>	MD050125	498
<b>10623</b>	13503-54030	764, 771, 773, 774, 775, 776

<b>10623</b>	J13 503 540 30	883
<b>10648</b>	60813590	3, 4, 5, 7, 8, 9, 15, 16
<b>10648</b>	71736493	3, 4, 5, 7, 8, 9, 15, 16
<b>10648</b>	7763644	3, 4, 5, 7, 8, 9, 15, 16
<b>10648</b>	60813590	201, 204, 206, 226, 230, 234, 249, 252, 253
<b>10648</b>	71736493	201, 204, 206, 226, 230, 234, 249, 252, 253
<b>10648</b>	7763644	201, 204, 206, 226, 230, 234, 249, 252, 253
<b>10648</b>	60813590	364, 365, 371
<b>10648</b>	71736493	364, 365, 371
<b>10648</b>	7763644	364, 365, 371
<b>10760</b>	11 28 2 243 592	64, 65, 79, 80, 81, 94
<b>10760</b>	11 28 2 244 754	64, 65, 79, 80, 81, 94
<b>10760</b>	1340 539	561
<b>10760</b>	1340 543	561
<b>10760</b>	90509273	819
<b>10760</b>	90511627	819
<b>10933</b>	615 050 08 16	396, 397, 398, 399, 409, 410, 411, 414, 450, 453, 465
<b>10933</b>	615 050 09 16	396, 397, 398, 399, 409, 410, 411, 414, 450, 453, 465
<b>10934</b>	615 050 09 16 S	396, 397, 398, 399, 409, 410, 411, 414, 450, 453, 465
<b>10934</b>	615 050 09 16 S1	396, 397, 398, 399, 409, 410, 411, 414, 450, 453, 465
<b>10937</b>	1 005 828	266, 267, 269, 270, 304, 305
<b>10937</b>	1 113 169	266, 267, 269, 270, 304, 305


**Ref. - No.**


<b>10938</b>	1 657 013	265, 268, 303, 310, 312
<b>10938</b>	6 187 610	265, 268, 303, 310, 312
<b>10943</b>	6 177 887	265, 268, 303, 310, 312
<b>10943</b>	7 174 114	265, 268, 303, 310, 312
<b>10944</b>	1 005 824	266, 267, 269, 304, 305
<b>10944</b>	1 113 179	266, 267, 269, 304, 305
<b>10951</b>	6 138 677	316
<b>10953</b>	ERR 1092	377, 379
<b>10967</b>	ERR 1092 S1	377, 379
<b>10979</b>	4720777	210
<b>10979</b>	71739901	210
<b>10979</b>	7303414	210
<b>10979</b>	50 00 814 593	705
<b>10979</b>	50 01 001 267	705
<b>10984</b>	46426983	3, 4, 5, 8
<b>10984</b>	71719651	3, 4, 5, 8
<b>10984</b>	71731639	3, 4, 5, 8
<b>10984</b>	60814603	201, 202, 203, 204, 206, 207, 222, 223, 225, 226, 229, 230, 234, 236, 237, 252, 253
<b>10984</b>	71719651	201, 202, 203, 204, 206, 207, 222, 223, 225, 226, 229, 230, 234, 236, 237, 252, 253
<b>10984</b>	71731639	201, 202, 203, 204, 206, 207, 222, 223, 225, 226, 229, 230, 234, 236, 237, 252, 253
<b>10984</b>	60814603	364, 365, 367, 371
<b>10984</b>	71719651	364, 365, 367, 371
<b>10984</b>	71731639	364, 365, 367, 371
<b>10984</b>	5636 343	535, 563, 571, 579
<b>10984</b>	5636 463	535, 563, 571, 579
<b>10984</b>	93 178 811	718
<b>10984</b>	93 185 336	718
<b>10984</b>	12761-79J50-000	762


**Ref. - No.**


<b>10984</b>	93178811	794, 821, 828, 836
<b>10984</b>	93185336	794, 821, 828, 836
<b>10998</b>	0816.33	160
<b>10998</b>	0816.33	649
<b>11000</b>	0816.58	118, 122, 159, 160, 164, 167, 173, 182, 183, 192
<b>11000</b>	0816.72	118, 122, 159, 160, 164, 167, 173, 182, 183, 192
<b>11000</b>	0816.73	118, 122, 159, 160, 164, 167, 173, 182, 183, 192
<b>11000</b>	0816.98	118, 122, 159, 160, 164, 167, 173, 182, 183, 192
<b>11000</b>	71739919	212, 240, 256
<b>11000</b>	9400816589	212, 240, 256
<b>11000</b>	13028-6F900	512
<b>11000</b>	0816.58	581, 583, 584, 596, 606, 607, 608, 624, 638, 644, 649, 650
<b>11000</b>	0816.72	581, 583, 584, 596, 606, 607, 608, 624, 638, 644, 649, 650
<b>11000</b>	0816.73	581, 583, 584, 596, 606, 607, 608, 624, 638, 644, 649, 650
<b>11000</b>	0816.98	581, 583, 584, 596, 606, 607, 608, 624, 638, 644, 649, 650
<b>11008</b>	0816.E5	171
<b>11008</b>	98419390	210, 213, 215
<b>11008</b>	99456476	210, 213, 215
<b>11008</b>	0816.E5	641
<b>11009</b>	50 00 293 612	705
<b>11009</b>	50 01 847 819	705
<b>11015</b>	5889260	218, 228, 233, 251, 262
<b>11015</b>	7565617	218, 228, 233, 251, 262
<b>11020</b>	7613823	209
<b>11021</b>	46791187	201, 225





Ref. - No.

Car Division



Ref. - No.



Ref. - No.



<b>11021</b>	7764914	201, 225
<b>11021</b>	7764914	364
<b>11029</b>	11 31 1 279 125	64, 78
<b>11032</b>	0636 352	529, 541, 542, 549, 569
<b>11032</b>	0636 366	529, 541, 542, 549, 569
<b>11032</b>	5636 104	529, 541, 542, 549, 569
<b>11032</b>	93192780	785, 788, 802, 803, 826
<b>11032</b>	94385561	785, 788, 802, 803, 826
<b>11032</b>	94449307	785, 788, 802, 803, 826
<b>11036</b>	0636 366 S1	541, 549
<b>11036</b>	94449307 S1	785, 802
<b>11039</b>	028 109 119 K	18, 19, 20, 34, 45, 47, 55
<b>11039</b>	028 109 119 M	18, 19, 20, 34, 45, 47, 55
<b>11039</b>	028 109 119 P	18, 19, 20, 34, 45, 47, 55
<b>11039</b>	028 109 119 D	732, 741, 742
<b>11039</b>	028 109 119 K	732, 741, 742
<b>11039</b>	028 109 119 M	732, 741, 742
<b>11039</b>	028 109 119 P	732, 741, 742
<b>11039</b>	028 109 119 D	839, 846, 847, 848, 864, 865, 866, 875, 887, 890
<b>11039</b>	028 109 119 K	839, 846, 847, 848, 864, 865, 866, 875, 887, 890
<b>11039</b>	028 109 119 M	839, 846, 847, 848, 864, 865, 866, 875, 887, 890
<b>11039</b>	028 109 119 P	839, 846, 847, 848, 864, 865, 866, 875, 887, 890
<b>11043</b>	1 113 169 S1	266, 267, 269, 270, 304, 305
<b>11044</b>	7 174 114 S2	265, 268, 303, 310, 312

<b>11045</b>	1 657 013 S1	265, 268, 303, 310, 312
<b>11051</b>	1 005 824 S1	266, 269, 304
<b>11052</b>	7 174 114 S1	265, 268, 303, 310, 312
<b>11059</b>	6 195 101 S1	317
<b>11066</b>	71739901 S1	210
<b>11066</b>	7303414 S1	210
<b>11066</b>	50 00 814 593 S	705
<b>11066</b>	77 01 471 769	705
<b>11101</b>	0636 364	528, 548, 550, 568
<b>11101</b>	0636 563	528, 548, 550, 568
<b>11101</b>	90281312	784, 786, 787, 800
<b>11101</b>	90410784	784, 786, 787, 800
<b>11106</b>	0816.54 S	166, 185, 186
<b>11106</b>	0816.54 S1	166, 185, 186
<b>11106</b>	0831.R0	166, 185, 186
<b>11106</b>	71773300	258
<b>11106</b>	9400816549 S	258
<b>11106</b>	9400831119	258
<b>11106</b>	9400831529	258
<b>11106</b>	9467625680	258
<b>11106</b>	0816.54 S	610, 617, 626
<b>11106</b>	0816.54 S1	610, 617, 626
<b>11106</b>	0831.R0	610, 617, 626
<b>11106</b>	0831.52	610, 617, 626
<b>11127</b>	50 00 293 612 S1	705
<b>11128</b>	77 00 100 460	676
<b>11128</b>	77 00 860 795	676
<b>11134</b>	77 00 663 544	666
<b>11135</b>	77 00 663 544 S	666
<b>11135</b>	77 00 663 544 S1	666
<b>11135</b>	77 01 468 162	666
<b>11145</b>	24315-42200	329, 332, 333, 336, 338, 342
<b>11145</b>	24315-42200	346, 351, 354
<b>11145</b>	MD300470	498, 500
<b>11145</b>	XD300470	498, 500
<b>11145</b>	77 00 863 011	667, 677, 697
<b>11145</b>	77 00 875 412	667, 677, 697
<b>11146</b>	77 00 111 984	661, 662, 672
<b>11146</b>	77 00 114 127	661, 662, 672
<b>11146</b>	77 00 114 128	661, 662, 672


**Ref. - No.**


<b>11146</b>	77 00 749 225	661, 662, 672
<b>11146</b>	77 00 872 023	661, 662, 672
<b>11146</b>	77 00 872 579	661, 662, 672
<b>11146</b>	77 01 063 978	661, 662, 672
<b>11146</b>	77 01 063 979	661, 662, 672
<b>11147</b>	77 00 749 225 S	661, 662, 672
<b>11147</b>	77 01 469 774	661, 662, 672
<b>11147</b>	77 01 471 866	661, 662, 672
<b>11148</b>	77 00 727 166	688, 694, 695
<b>11148</b>	77 00 875 439	688, 694, 695
<b>11148</b>	3343893	893, 894
<b>11149</b>	77 00 727 166 S	694, 695
<b>11149</b>	77 01 468 168	694, 695
<b>11149</b>	77 01 471 864	694, 695
<b>11149</b>	3343893 S1	893, 894
<b>11161</b>	77 00 853 862	697
<b>11166</b>	0816.54	166, 185, 186
<b>11166</b>	71739918	258
<b>11166</b>	9400816549	258
<b>11166</b>	71739918	375
<b>11166</b>	9400816549	375
<b>11166</b>	0816.54	610, 617, 626
<b>11173</b>	0816.64	117
<b>11173</b>	95 640 269	117
<b>11173</b>	0816.64	581
<b>11174</b>	0816.64 S	117
<b>11174</b>	0831.Q6	117
<b>11174</b>	0831.45	117
<b>11174</b>	0816.64 S	581
<b>11174</b>	0831.Q6	581
<b>11174</b>	0831.44	581
<b>11207</b>	0816.68	169, 187
<b>11207</b>	0816.68	618, 639
<b>11208</b>	0816.68 S	169, 187
<b>11208</b>	0831.R6	169, 187
<b>11208</b>	0831.37	169, 187
<b>11208</b>	0816.68 S	618, 639
<b>11208</b>	0831.R6	618, 639
<b>11208</b>	0831.36	618, 639
<b>11214</b>	0816.72 S	118, 182
<b>11214</b>	0831.R3	118, 182
<b>11214</b>	0816.72 S	581
<b>11214</b>	0831.R3	581


**Ref. - No.**


<b>11214</b>	0831.46	581
<b>11221</b>	0831.Q8	159, 160, 192
<b>11221</b>	0831.09	159, 160, 192
<b>11221</b>	0831.Q8	583, 596, 606, 607, 649
<b>11221</b>	0831.09	583, 596, 606, 607, 649
<b>11222</b>	0831.R4	122, 159, 164, 167, 173, 183, 192
<b>11222</b>	0831.27	122, 159, 164, 167, 173, 183, 192
<b>11222</b>	9400816589 S	212, 240, 256
<b>11222</b>	9400831279	212, 240, 256
<b>11222</b>	9467266080	212, 240, 256
<b>11222</b>	0831.R4	584, 596, 607, 608, 624, 638, 644, 650
<b>11222</b>	0831.27	584, 596, 607, 608, 624, 638, 644, 650
<b>11250</b>	0636 735	529, 542, 569
<b>11250</b>	97010530	788, 803, 826
<b>11270</b>	074 145 299 A	857
<b>11273</b>	074 145 278 D	857
<b>11276</b>	059 903 341 A	36, 49, 53
<b>11276</b>	059 903 341 E	36, 49, 53
<b>11276</b>	059 903 341 J	36, 49, 53
<b>11276</b>	000 202 00 19	424, 426, 427, 430, 432, 441, 444, 445, 455, 462, 471, 479, 482, 486
<b>11276</b>	000 202 09 19	424, 426, 427, 430, 432, 441, 444, 445, 455, 462, 471, 479, 482, 486
<b>11276</b>	272 202 08 19 S1	424, 426, 427, 430, 432, 441, 444, 445, 455, 462, 471, 479, 482, 486
<b>11276</b>	272 202 10 19 S1	424, 426, 427, 430, 432, 441, 444, 445, 455, 462, 471, 479, 482, 486





Ref. - No.

Car Division 



Ref. - No.



Ref. - No.



<b>11276</b>	272 202 12 19 S1	424, 426, 427, 430, 432, 441, 444, 445, 455, 462, 471, 479, 482, 486
<b>11276</b>	059 903 341 A	756
<b>11276</b>	059 903 341 E	756
<b>11276</b>	059 903 341 A	868
<b>11276</b>	059 903 341 E	868
<b>11276</b>	059 903 341 J	868
<b>11285</b>	6 094 168	316
<b>11290</b>	1 005 824 S2	267, 270, 305
<b>11292</b>	1 021 707	267, 270, 305
<b>11292</b>	1 040 677	267, 270, 305
<b>11292</b>	1 056 697	267, 270, 305
<b>11292</b>	1 099 552	267, 270, 305
<b>11294</b>	46424716	228, 233, 251
<b>11294</b>	7635678	228, 233, 251
<b>11294</b>	7796283	228, 233, 251
<b>11294</b>	7797142	228, 233, 251
<b>11295</b>	46547564	218
<b>11296</b>	46740727	218, 228, 233, 251, 262
<b>11296</b>	7553564	218, 228, 233, 251, 262
<b>11297</b>	46740726	218, 228, 233, 251, 262
<b>11297</b>	7553565	218, 228, 233, 251, 262
<b>11298</b>	60808692	1, 2
<b>11298</b>	60811487	1, 2
<b>11298</b>	7596876	1, 2
<b>11298</b>	7596727	201, 209, 254, 255
<b>11298</b>	7596876	201, 209, 254, 255
<b>11298</b>	7596727	361
<b>11298</b>	7596876	361
<b>11299</b>	60808693	1, 2
<b>11299</b>	60811488	1, 2
<b>11299</b>	7596877	1, 2
<b>11299</b>	7596728	201, 209, 254, 255
<b>11299</b>	7596877	201, 209, 254, 255
<b>11299</b>	7609213	201, 209, 254, 255
<b>11299</b>	7596728	361
<b>11299</b>	7596877	361

<b>11309</b>	GTB 2003	714
<b>11310</b>	LHP 100390	714
<b>11311</b>	LHV 100120	714
<b>11312</b>	GTB 2003 S1	714
<b>11314</b>	LHP 100550	714
<b>11323</b>	059 260 523 A	36, 49, 53
<b>11323</b>	059 260 523 B	36, 49, 53
<b>11323</b>	059 260 523 A	868
<b>11323</b>	059 260 523 B	868
<b>11324</b>	059 903 341	36, 49, 53
<b>11324</b>	059 903 341	868
<b>11333</b>	64 55 2 245 584	64, 80, 94
<b>11340</b>	038 109 244 E	28, 31
<b>11340</b>	038 109 244 Q	28, 31
<b>11340</b>	038 109 244 E	734, 735, 736, 738, 743
<b>11340</b>	038 109 244 Q	734, 735, 736, 738, 743
<b>11340</b>	038 109 244 E	746, 750
<b>11340</b>	038 109 244 Q	746, 750
<b>11340</b>	038 109 244 E	849, 861, 877
<b>11340</b>	038 109 244 Q	849, 861, 877
<b>11341</b>	058 260 511	34, 37, 47
<b>11341</b>	058 260 511	867, 869
<b>11346</b>	0830.23	170
<b>11346</b>	0830.44	170
<b>11346</b>	0830.23	640
<b>11346</b>	0830.44	640
<b>11347</b>	0829.52	170
<b>11347</b>	0829.74	170
<b>11347</b>	0829.52	640
<b>11347</b>	0829.74	640
<b>11348</b>	5751.45	123, 174
<b>11348</b>	9629471780	241
<b>11348</b>	5751.45	587, 597, 645, 651
<b>11551</b>	1 021 706	267, 270, 305
<b>11551</b>	1 040 678	267, 270, 305
<b>11551</b>	1 099 553	267, 270, 305
<b>11556</b>	028 109 243 D	728
<b>11556</b>	028 109 243 G	728
<b>11556</b>	028 109 243 D	749
<b>11556</b>	028 109 243 G	749
<b>11556</b>	028 109 243 D	840, 859, 874


**Ref. - No.**


<b>11556</b>	028 109 243 G	840, 859, 874
<b>11559</b>	074 109 243 F	46
<b>11559</b>	074 109 243 G	46
<b>11559</b>	074 109 243 J	46
<b>11559</b>	074 109 243 R	46
<b>11559</b>	074 109 243 F	857, 888, 889
<b>11559</b>	074 109 243 G	857, 888, 889
<b>11559</b>	074 109 243 J	857, 888, 889
<b>11559</b>	074 109 243 R	857, 888, 889
<b>11561</b>	9207927	896, 914, 920
<b>11561</b>	074 130 195	857, 889
<b>11561</b>	074 130 195 B	857, 889
<b>11604</b>	77 00 872 531	667, 676, 677
<b>11604</b>	77 00 873 731	667, 676, 677
<b>11640</b>	6453.AN	170
<b>11640</b>	6453.AN	640
<b>11641</b>	1281.38	170
<b>11641</b>	1281.38	640
<b>11700</b>	606 200 00 73 S1	402, 403, 405, 406, 421, 457, 459, 469, 470
<b>11700</b>	606 200 01 73 S1	402, 403, 405, 406, 421, 457, 459, 469, 470
<b>11701</b>	028 903 119 AA	839, 840, 846, 847, 848, 865, 875, 880
<b>11701</b>	028 903 119 AQ	839, 840, 846, 847, 848, 865, 875, 880
<b>11701</b>	028 903 119 P	839, 840, 846, 847, 848, 865, 875, 880
<b>11728</b>	1703717	378
<b>11904</b>	0818.32	171
<b>11904</b>	4740846 SK	210, 211, 213
<b>11904</b>	500328902 SK	210, 211, 213
<b>11904</b>	99432547 SK	210, 211, 213
<b>11904</b>	99461357	210, 211, 213
<b>11904</b>	99461357 SK	210, 211, 213
<b>11904</b>	4403 144	527
<b>11904</b>	0818.32	641
<b>11904</b>	09111144	783
<b>12086</b>	001 997 16 94	406, 407, 408, 459, 469


**Ref. - No.**


<b>12086</b>	001 997 29 94	406, 407, 408, 459, 469
<b>12086</b>	002 997 33 94	406, 407, 408, 459, 469
<b>12086</b>	003 997 10 94	406, 407, 408, 459, 469
<b>12086</b>	003 997 20 94	406, 407, 408, 459, 469
<b>12086</b>	003 997 32 94	406, 407, 408, 459, 469
<b>12086</b>	003 997 37 94	406, 407, 408, 459, 469
<b>12086</b>	003 997 48 94	406, 407, 408, 459, 469
<b>12432</b>	0636 741	529, 531, 542, 543, 552, 569
<b>12432</b>	0636 745	529, 531, 542, 543, 552, 569
<b>12432</b>	5636 724	529, 531, 542, 543, 552, 569
<b>12432</b>	97112438	788, 790, 803, 804, 811, 826
<b>12432</b>	97114552	788, 790, 803, 804, 811, 826
<b>12432</b>	97210154	788, 790, 803, 804, 811, 826
<b>12659</b>	069 130 113 A	21
<b>12659</b>	1257237	892, 895, 897
<b>12659</b>	069 130 113 A	856
<b>12663</b>	068 109 119 A	17, 18
<b>12663</b>	068 109 119 E	17, 18
<b>12663</b>	068 109 119 F	17, 18
<b>12663</b>	068 109 119 A	838, 845, 863, 864, 886
<b>12663</b>	068 109 119 E	838, 845, 863, 864, 886
<b>12663</b>	068 109 119 F	838, 845, 863, 864, 886
<b>12667</b>	074 130 113	22, 24
<b>12667</b>	074 130 113	888
<b>12668</b>	074 109 119 H	25
<b>12670</b>	9135933	897
<b>12670</b>	075 109 119 C	856



Ref. - No.

Car Division 



Ref. - No.



Ref. - No.



12979	0636 393	532, 547, 560, 564, 566, 570, 572, 577
12979	0636 431	532, 547, 560, 564, 566, 570, 572, 577
12979	5636 386	532, 547, 560, 564, 566, 570, 572, 577
12979	24 418 171	716, 717, 719
12979	47 72 885	716, 717, 719
12979	95 44 412	716, 717, 719
12979	24418171	791, 808, 818, 822, 824, 827, 829, 834
12979	90500774	791, 808, 818, 822, 824, 827, 829, 834
12979	90572505	791, 808, 818, 822, 824, 827, 829, 834
12980	0636 392	532, 547, 560, 564, 566, 570, 572, 577
12980	0636 432	532, 547, 560, 564, 566, 570, 572, 577
12980	5636 387	532, 547, 560, 564, 566, 570, 572, 577
12980	24 418 172	716, 717, 719
12980	47 72 877	716, 717, 719
12980	95 44 404	716, 717, 719
12980	24418172	791, 808, 818, 822, 824, 827, 829, 834
12980	90500770	791, 808, 818, 822, 824, 827, 829, 834
12980	90572506	791, 808, 818, 822, 824, 827, 829, 834
14043	604 150 01 60	422, 490
14043	604 150 05 60	422, 490
14064	038 903 119	28
14108	0636 569	528, 530, 550, 568
14108	0636 576	528, 530, 550, 568
14108	5636 355	528, 530, 550, 568
14108	90411775	786, 787, 789, 800
14108	90469987	786, 787, 789, 800
14108	90530598	786, 787, 789, 800
14111	5636 355 S2	528, 530, 550, 568
14111	90530598 S2	786, 787, 789, 800
14267	13505-54010	764, 770, 774, 775, 776

14271	13505-64011	765, 767, 768, 770, 777, 778
14271	13505-64012	765, 767, 768, 770, 777, 778
14271	13505-64020	765, 767, 768, 770, 777, 778
14271	13505-64021	765, 767, 768, 770, 777, 778
14273	13503-54010	764, 770, 774, 775, 776
14273	13503-54020	764, 770, 774, 775, 776
14278	46426983 S1	3
14278	60814603 S1	3
14278	71719651	3
14278	71731639	3
14278	71731639 S1	3
14278	46426983 S1	201, 204, 225
14278	60814603 S1	201, 204, 225
14278	71719651	201, 204, 225
14278	71731639	201, 204, 225
14278	71731639 S1	201, 204, 225
14278	46426983 S1	364, 365, 371
14278	60814603 S1	364, 365, 371
14278	71719651	364, 365, 371
14278	71731639	364, 365, 371
14278	71731639 S1	364, 365, 371
14369	13074-05E00	508, 520, 524
14370	046 109 119 E	46
14370	074 109 119 E	46
14370	074 109 119 R	46
14370	272462	896, 914, 920
14370	9180593	896, 914, 920
14370	046 109 119 E	857, 888, 889
14370	074 109 119 E	857, 888, 889
14370	074 109 119 R	857, 888, 889
14373	1340 530	532, 547, 560, 564, 566, 570, 572, 577
14373	1340 545	532, 547, 560, 564, 566, 570, 572, 577
14373	1340 548	532, 547, 560, 564, 566, 570, 572, 577


**Ref. - No.**


<b>14373</b>	1340 549	532, 547, 560, 564, 566, 570, 572, 577
<b>14373</b>	45 75 478	716, 717, 719
<b>14373</b>	91 80 809	716, 717, 719
<b>14373</b>	09180809	791, 808, 818, 822, 824, 827, 829, 834
<b>14373</b>	90502421	791, 808, 818, 822, 824, 827, 829, 834
<b>14373</b>	90542637	791, 808, 818, 822, 824, 827, 829, 834
<b>14373</b>	90542638	791, 808, 818, 822, 824, 827, 829, 834
<b>14374</b>	031 109 119 D	874
<b>14375</b>	611 234 01 93	427, 429, 435, 437, 455, 479, 482, 483, 486
<b>14375</b>	611 234 02 93	427, 429, 435, 437, 455, 479, 482, 483, 486
<b>14375</b>	1340 827	532, 560, 564, 566, 570, 572, 577
<b>14375</b>	6340 551	532, 560, 564, 566, 570, 572, 577
<b>14375</b>	55350960	791, 818, 822, 824, 827, 829, 834
<b>14375</b>	90529913	791, 818, 822, 824, 827, 829, 834
<b>14379</b>	9458470	911, 915, 921
<b>14406</b>	000 997 28 98	399, 400, 401, 402, 403, 404, 405, 406, 407, 408, 410, 413, 415, 421, 422, 425, 439, 440, 442, 443, 451, 452, 454, 457, 458, 459, 469, 470, 477, 478, 490
<b>14528</b>	069 109 119 A S2	21
<b>14528</b>	075 109 119 B S2	21
<b>14528</b>	069 109 119 A S2	856
<b>14528</b>	075 109 119 B S2	856
<b>14529</b>	069 109 119 A	21
<b>14529</b>	075 109 119 B	21
<b>14529</b>	1257223	895, 897
<b>14529</b>	3507227	895, 897
<b>14529</b>	069 109 119 A	856


**Ref. - No.**


<b>14529</b>	075 109 119 B	856
<b>14592</b>	046 130 113 C	23, 25, 46
<b>14592</b>	046 198 113	23, 25, 46
<b>14594</b>	074 109 119 H S2	25
<b>14600</b>	068 109 119 A S1	17, 18
<b>14600</b>	068 109 119 E S1	17, 18
<b>14600</b>	068 109 119 A S1	845, 863, 864, 886
<b>14600</b>	068 109 119 E S1	845, 863, 864, 886
<b>14602</b>	028 109 119 P S1	18, 19
<b>14602</b>	028 198 119	18, 19
<b>14602</b>	028 109 119 P S1	846, 864, 887
<b>14602</b>	028 198 119	846, 864, 887
<b>14620</b>	028 109 119 K S2	19
<b>14620</b>	028 109 119 M S2	19
<b>14620</b>	028 109 119 P S2	19
<b>14620</b>	028 198 119 B	19
<b>14620</b>	028 109 119 K S2	847, 865
<b>14620</b>	028 109 119 M S2	847, 865
<b>14620</b>	028 109 119 P S2	847, 865
<b>14620</b>	028 198 119 B	847, 865
<b>14626</b>	028 109 119 K S3	20, 34, 45, 47, 55
<b>14626</b>	028 109 119 M S3	20, 34, 45, 47, 55
<b>14626</b>	028 109 119 P S3	20, 34, 45, 47, 55
<b>14626</b>	028 198 119 C	20, 34, 45, 47, 55
<b>14626</b>	028 109 119 K S3	839, 847, 848, 865, 866, 875, 887, 890
<b>14626</b>	028 109 119 M S3	839, 847, 848, 865, 866, 875, 887, 890
<b>14626</b>	028 109 119 P S3	839, 847, 848, 865, 866, 875, 887, 890
<b>14626</b>	028 198 119 C	839, 847, 848, 865, 866, 875, 887, 890
<b>14630</b>	028 109 119 P S4	732
<b>14630</b>	028 198 119 A	732
<b>14630</b>	028 109 119 P S4	846
<b>14630</b>	028 198 119 A	846
<b>14636</b>	046 109 119 E S2	888
<b>14636</b>	074 109 119 E S2	888
<b>14636</b>	074 109 119 R S2	888
<b>14660</b>	046 109 119 E S3	888
<b>14660</b>	074 109 119 E S3	888
<b>14660</b>	074 109 119 R S3	888
<b>14714</b>	06A 903 315 D	729



Ref. - No.

Car  
Division

Ref. - No.



Ref. - No.



14714	06A 903 315 E	729
14732	8677053	896, 914, 920
14732	9186258	896, 914, 920
14732	9464101	896, 914, 920
14732	074 109 243 E	842, 857, 889
14732	074 109 243 K	842, 857, 889
14732	074 109 243 M	842, 857, 889
14734	9180594	896, 914, 920
14734	074 130 245	857, 889
14996	11 28 2 247 226	65, 81
14996	11 28 2 248 169	65, 81
14997	30667878	911, 915, 921, 927
14997	30737517	911, 915, 921, 927
14997	8676497	911, 915, 921, 927
14997	9459747	911, 915, 921, 927
15002	5751.56	120, 123, 124, 144, 165, 168, 174, 176, 184, 189, 191
15002	9633315180	241, 243, 257, 261
15002	9633315180	374
15002	5751.56	588, 598, 601, 609, 623, 625, 642, 645, 646, 652, 653, 655
15090	9948225	201, 225, 226, 234, 236
15090	9951162	201, 225, 226, 234, 236
15090	9948225	364, 365
15090	9951162	364, 365
15153	668 155 00 15	417
15153	668 155 07 15	417
15154	611 150 02 15	479
15154	611 150 01 60	479
15154	611 155 02 15	479
15155	611 150 03 60	424, 426, 432, 441, 444, 455, 462, 471, 486
15155	611 155 04 15	424, 426, 432, 441, 444, 455, 462, 471, 486
15179	642 200 09 70	428, 433, 434, 436, 438, 461, 463, 464, 467, 468, 473, 475

15179	642 200 10 70	428, 433, 434, 436, 438, 461, 463, 464, 467, 468, 473, 475
15179	642 200 23 70	428, 433, 434, 436, 438, 461, 463, 464, 467, 468, 473, 475
15179	642 200 25 70	428, 433, 434, 436, 438, 461, 463, 464, 467, 468, 473, 475
15179	137 202 01 19	428, 433, 434, 436, 438, 461, 463, 464, 467, 468, 473, 475
15252	028 903 119 T	34, 47
15252	028 903 119 T	866
15254	022 903 119 B	34, 47
15254	022 903 119 D	34, 47
15254	028 903 119 AC	34, 47
15254	028 903 119 AD	34, 47
15254	028 903 119 Q	34, 47
15254	038 903 119 M	34, 47
15254	022 903 119 B	866, 867, 869
15254	022 903 119 D	866, 867, 869
15254	028 903 119 AC	866, 867, 869
15254	028 903 119 AD	866, 867, 869
15254	028 903 119 Q	866, 867, 869
15254	038 903 119 M	866, 867, 869
15262	021 903 119 G	27, 28
15262	022 903 119 A	27, 28
15262	022 903 119 C	27, 28
15262	028 903 119 AM	27, 28
15262	038 903 119 A	27, 28
15262	038 903 119 T	27, 28
15262	021 903 119 G	729
15262	022 903 119 A	729
15262	022 903 119 C	729
15262	038 903 119 A	729
15262	038 903 119 T	729
15262	021 903 119 G	849, 850, 851, 852, 858, 860, 861, 875
15262	022 903 119 A	849, 850, 851, 852, 858, 860, 861, 875
15262	022 903 119 C	849, 850, 851, 852, 858, 860, 861, 875


**Ref. - No.**


<b>15262</b>	038 903 119 A	849, 850, 851, 852, 858, 860, 861, 875
<b>15262</b>	038 903 119 S	849, 850, 851, 852, 858, 860, 861, 875
<b>15262</b>	038 903 119 T	849, 850, 851, 852, 858, 860, 861, 875
<b>15264</b>	038 903 119 Q	859, 874
<b>15279</b>	24317-42010	329, 332, 333, 336, 338, 342
<b>15279</b>	24317-42020	329, 332, 333, 336, 338, 342
<b>15279</b>	24317-42020	346, 351, 354
<b>15279</b>	MD050135	498, 500
<b>15461</b>	13070-V7201	515
<b>15461</b>	13070-V7203	515
<b>15463</b>	13077-V7200	515
<b>15463</b>	13077-V7202	515
<b>15492</b>	1275409	901, 908, 910, 911, 913, 915, 919, 921, 925, 926, 927
<b>15492</b>	8692561	901, 908, 910, 911, 913, 915, 919, 921, 925, 926, 927
<b>15493</b>	601 050 08 16	400, 401, 403, 404, 406, 407, 408, 409, 412, 413, 415, 421, 442, 451, 452, 454, 457, 459, 469, 477, 478, 488, 490
<b>15547</b>	1432176	378
<b>15548</b>	1432177	378
<b>15549</b>	13 52 2 243 775	64, 79, 80, 94
<b>15549</b>	13 52 2 245 172	64, 79, 80, 94
<b>15549</b>	13 52 2 246 583	64, 79, 80, 94
<b>15549</b>	0636 387	561
<b>15549</b>	5636 366	561
<b>15549</b>	90509021	819
<b>15549</b>	90542725	819
<b>15550</b>	11 31 2 243 776	64, 79, 80, 94
<b>15550</b>	11 31 2 245 171	64, 79, 80, 94
<b>15550</b>	11 31 2 246 582	64, 79, 80, 94
<b>15550</b>	STC 2142	382
<b>15550</b>	STC 3358	382
<b>15550</b>	0636 388	561


**Ref. - No.**


<b>15550</b>	5636 365	561
<b>15550</b>	90509022	819
<b>15550</b>	90542724	819
<b>15779</b>	13028-2J685	507, 518, 521
<b>15779</b>	13028-57J01	507, 518, 521
<b>15779</b>	13028-57J25	507, 518, 521
<b>17063</b>	0829.59	123, 124, 144, 145, 155, 157, 158, 165, 168, 174, 175, 184, 188, 189, 191
<b>17063</b>	0829.62	123, 124, 144, 145, 155, 157, 158, 165, 168, 174, 175, 184, 188, 189, 191
<b>17063</b>	9400829629	241, 242, 257, 260
<b>17063</b>	9400829629	369, 374
<b>17063</b>	0829.59	587, 588, 597, 598, 601, 609, 620, 621, 625, 627, 642, 645, 646, 651, 653
<b>17063</b>	0829.62	587, 588, 597, 598, 601, 609, 620, 621, 625, 627, 642, 645, 646, 651, 653
<b>17064</b>	0830.28	123, 124, 144, 145, 155, 157, 158, 165, 168, 174, 175, 184, 188, 189, 191
<b>17064</b>	0830.31	123, 124, 144, 145, 155, 157, 158, 165, 168, 174, 175, 184, 188, 189, 191
<b>17064</b>	0830.63	123, 124, 144, 145, 155, 157, 158, 165, 168, 174, 175, 184, 188, 189, 191
<b>17064</b>	9400830319	241, 242, 257, 260
<b>17064</b>	9400830319	369, 374
<b>17064</b>	0830.28	587, 588, 597, 598, 601, 609, 620, 621, 625, 627, 642, 645, 646, 651, 653





Ref. - No.

Car  
Division 

Ref. - No.



Ref. - No.



<b>17064</b>	0830.31	587, 588, 597, 598, 601, 609, 620, 621, 625, 627, 642, 645, 646, 651, 653
<b>17064</b>	0830.63	587, 588, 597, 598, 601, 609, 620, 621, 625, 627, 642, 645, 646, 651, 653
<b>17065</b>	5751.50	587
<b>17074</b>	028 145 278 J	34, 47
<b>17483</b>	97129939	788, 803, 826
<b>17487</b>	MD050130	498
<b>17487</b>	MD060461	498
<b>17487</b>	MD099707	498
<b>17487</b>	MD134377	498
<b>17487</b>	MD197153	498
<b>17487</b>	XD134377	498
<b>17541</b>	46524692	200, 225
<b>17604</b>	13070-16A01	509, 522, 523
<b>17604</b>	13070-16A02	509, 522, 523
<b>17604</b>	13070-16A03	509, 522, 523
<b>17606</b>	13070-05E00	508, 520, 524
<b>17606</b>	13070-05E10	508, 520, 524
<b>17615</b>	5636 352	532, 547, 560, 564, 566, 570, 572, 577
<b>17615</b>	90 529 247	716, 717, 719
<b>17615</b>	95 44 321	716, 717, 719
<b>17615</b>	90529247	791, 808, 818, 822, 824, 827, 829, 834
<b>17616</b>	5636 353	532, 547, 560, 564, 566, 570, 572, 577
<b>17616</b>	90 529 248	716, 717, 719
<b>17616</b>	95 44 339	716, 717, 719
<b>17616</b>	90529248	791, 808, 818, 822, 824, 827, 829, 834
<b>17651</b>	003 997 57 94	410
<b>17651</b>	003 997 60 94	410
<b>17677</b>	601 200 12 70	452
<b>17712</b>	03L 109 244 C	27, 29, 32, 35, 37, 40, 42, 43, 48, 50, 57

<b>17712</b>	045 109 244 A	27, 29, 32, 35, 37, 40, 42, 43, 48, 50, 57
<b>17712</b>	1 100 585	295, 296
<b>17712</b>	03L 109 244 C	723, 726, 729, 730, 737, 739, 744, 745
<b>17712</b>	045 109 244 A	723, 726, 729, 730, 737, 739, 744, 745
<b>17712</b>	03L 109 244 C	747, 751, 753, 755, 757
<b>17712</b>	045 109 244 A	747, 751, 753, 755, 757
<b>17712</b>	03L 109 244 C	843, 850, 851, 854, 855, 858, 860, 867, 869, 871, 875, 876, 880, 881, 883
<b>17712</b>	045 109 244 A	843, 850, 851, 854, 855, 858, 860, 867, 869, 871, 875, 876, 880, 881, 883
<b>17726</b>	038 145 276	750
<b>17726</b>	038 145 276	849, 861
<b>17761</b>	0816.93	123, 174, 188
<b>17761</b>	9400816939	241
<b>17761</b>	0816.93	587, 597, 645, 651
<b>17764</b>	0816.A6	144, 145, 157, 158, 165, 172
<b>17764</b>	9463380180	260
<b>17764</b>	9463380180	369
<b>17764</b>	0816.A6	609, 621, 627
<b>17765</b>	0816.A9	124, 165, 168, 175, 184, 189, 191
<b>17765</b>	9400816969	242, 257, 260
<b>17765</b>	9463380680	242, 257, 260
<b>17765</b>	9400816969	374
<b>17765</b>	9463380680	374
<b>17765</b>	0816.A9	588, 598, 601, 609, 620, 625, 627, 642, 646, 653
<b>17773</b>	611 050 00 11	424, 426, 432, 441, 444, 445, 455, 462, 471, 479, 481, 482, 484, 486


**Ref. - No.**


<b>17773</b>	611 050 02 11	424, 426, 432, 441, 444, 445, 455, 462, 471, 479, 481, 482, 484, 486
<b>17773</b>	640 050 00 11	424, 426, 432, 441, 444, 445, 455, 462, 471, 479, 481, 482, 484, 486
<b>17773</b>	640 050 01 11	424, 426, 432, 441, 444, 445, 455, 462, 471, 479, 481, 482, 484, 486
<b>17773</b>	640 050 01 11	758
<b>17809</b>	0816.A4	171
<b>17809</b>	99430032	213
<b>17809</b>	99456477	213
<b>17809</b>	0816.A4	641
<b>17811</b>	500323627	211, 213
<b>17811</b>	98415921	211, 213
<b>17942</b>	059 109 243 D	36, 38, 49, 53
<b>17942</b>	059 109 243 J	36, 38, 49, 53
<b>17942</b>	059 109 243 D	756
<b>17942</b>	059 109 243 J	756
<b>17942</b>	059 109 243 D	868
<b>17942</b>	059 109 243 J	868
<b>17944</b>	045 109 243 A	27, 29, 35, 37, 48
<b>17944</b>	045 109 243 C	27, 29, 35, 37, 48
<b>17944</b>	1 100 583	295, 296
<b>17944</b>	1 119 021	295, 296
<b>17944</b>	045 109 243 A	723, 729, 737, 744
<b>17944</b>	045 109 243 C	723, 729, 737, 744
<b>17944</b>	045 109 243 A	747, 751, 755
<b>17944</b>	045 109 243 C	747, 751, 755
<b>17944</b>	045 109 243 A	850, 851, 858, 860, 867, 869, 875, 876, 881
<b>17944</b>	045 109 243 C	850, 851, 858, 860, 867, 869, 875, 876, 881
<b>17946</b>	059 109 243 F	36, 38, 49, 53
<b>17946</b>	059 109 243 G	36, 38, 49, 53
<b>17946</b>	059 109 243 L	36, 38, 49, 53
<b>17946</b>	059 109 243 F	756


**Ref. - No.**


<b>17946</b>	059 109 243 G	756
<b>17946</b>	059 109 243 L	756
<b>17946</b>	059 109 243 F	868
<b>17946</b>	059 109 243 G	868
<b>17946</b>	059 109 243 L	868
<b>17950</b>	045 109 243 B	729
<b>17950</b>	045 109 243 B	850, 858, 867, 875
<b>17955</b>	ERR 1972	377, 379
<b>17956</b>	ETC 8560	377, 379
<b>17974</b>	ERR 4708	376, 379
<b>17988</b>	13028-81T00	515
<b>17988</b>	13028-81T25	515
<b>18323</b>	13 52 2 247 193	65, 81
<b>18324</b>	11 31 2 247 192	65, 67, 81, 82, 95, 106
<b>18324</b>	11 31 2 248 728	65, 67, 81, 82, 95, 106
<b>18324</b>	LHN 100840L	383
<b>18324</b>	5636 322	562
<b>18324</b>	93171417	820
<b>18573</b>	13505-17010	776
<b>18573</b>	13505-17011	776
<b>18574</b>	13505-67040	771, 774, 775, 776
<b>18574</b>	13505-67041	771, 774, 775, 776
<b>18660</b>	038 903 315 D	35, 37, 48
<b>18660</b>	038 903 315 P	35, 37, 48
<b>18660</b>	038 903 315 D	755
<b>18660</b>	038 903 315 P	755
<b>18660</b>	038 903 315 D	851, 860, 867, 869
<b>18660</b>	038 903 315 P	851, 860, 867, 869
<b>18662</b>	057 109 243 A	54
<b>18664</b>	059 109 244	36, 38, 49, 53
<b>18664</b>	059 109 244 A	36, 38, 49, 53
<b>18664</b>	059 109 244 B	36, 38, 49, 53
<b>18664</b>	059 109 244	756
<b>18664</b>	059 109 244 A	756
<b>18664</b>	059 109 244 B	756
<b>18664</b>	059 109 244	868
<b>18664</b>	059 109 244 A	868
<b>18664</b>	059 109 244 B	868
<b>18956</b>	038 109 243 D	28, 31
<b>18956</b>	038 109 243 F	28, 31
<b>18956</b>	038 109 243 G	28, 31





Ref. - No.

Car  
Division



Ref. - No.



Ref. - No.



<b>18956</b>	038 109 243 H	28, 31
<b>18956</b>	038 109 243 N	28, 31
<b>18956</b>	038 109 243 D	734, 735, 736, 738, 743
<b>18956</b>	038 109 243 F	734, 735, 736, 738, 743
<b>18956</b>	038 109 243 G	734, 735, 736, 738, 743
<b>18956</b>	038 109 243 H	734, 735, 736, 738, 743
<b>18956</b>	038 109 243 N	734, 735, 736, 738, 743
<b>18956</b>	038 109 243 D	746, 750
<b>18956</b>	038 109 243 F	746, 750
<b>18956</b>	038 109 243 G	746, 750
<b>18956</b>	038 109 243 H	746, 750
<b>18956</b>	038 109 243 N	746, 750
<b>18956</b>	038 109 243 D	839, 844, 849, 861, 877
<b>18956</b>	038 109 243 F	839, 844, 849, 861, 877
<b>18956</b>	038 109 243 G	839, 844, 849, 861, 877
<b>18956</b>	038 109 243 H	839, 844, 849, 861, 877
<b>18956</b>	038 109 243 N	839, 844, 849, 861, 877
<b>18976</b>	1 079 390	271, 276, 278, 281, 287, 289, 298, 307, 313, 322
<b>18976</b>	1 113 180	271, 276, 278, 281, 287, 289, 298, 307, 313, 322
<b>18976</b>	1 215 977	271, 276, 278, 281, 287, 289, 298, 307, 313, 322
<b>19072</b>	5751.44	120, 122, 123, 124, 164, 166, 173, 174, 176, 183, 185, 186, 188, 192

<b>19072</b>	5751.81	120, 122, 123, 124, 164, 166, 173, 174, 176, 183, 185, 186, 188, 192
<b>19072</b>	9405751819	240, 241, 243, 256, 258
<b>19072</b>	9623659880	240, 241, 243, 256, 258
<b>19072</b>	9632155180	240, 241, 243, 256, 258
<b>19072</b>	9633056680	240, 241, 243, 256, 258
<b>19072</b>	5751.44	587, 596, 597, 608, 610, 617, 624, 626, 644, 645, 646, 650, 652, 653, 655
<b>19072</b>	5751.81	587, 596, 597, 608, 610, 617, 624, 626, 644, 645, 646, 650, 652, 653, 655
<b>19077</b>	611 052 04 16	424, 426, 430, 432, 441, 444, 445, 455, 462, 471, 479, 481, 486
<b>19078</b>	611 052 02 16	424, 426, 430, 432, 441, 444, 445, 446, 455, 460, 462, 463, 471, 472, 479, 481, 486
<b>19078</b>	611 052 03 16	424, 426, 430, 432, 441, 444, 445, 446, 455, 460, 462, 463, 471, 472, 479, 481, 486
<b>19079</b>	611 052 00 16	424, 426, 430, 432, 441, 444, 445, 455, 462, 471, 479, 481, 486
<b>19119</b>	5751.55	120, 124, 144, 156, 165, 168, 176, 184, 189, 191
<b>19119</b>	9634465780	212, 214, 243, 246, 257, 261
<b>19119</b>	9653522380	212, 214, 243, 246, 257, 261


**Ref. - No.**


<b>19119</b>	9660484680	212, 214, 243, 246, 257, 261
<b>19119</b>	9634465780	369, 374
<b>19119</b>	9653522380	369, 374
<b>19119</b>	9660484680	369, 374
<b>19119</b>	5751.55	588, 598, 609, 623, 625, 629, 642, 646, 653, 655
<b>19214</b>	5751.46	123, 174, 188
<b>19214</b>	5751.59	123, 174, 188
<b>19214</b>	5751.62	123, 174, 188
<b>19214</b>	5751.63	123, 174, 188
<b>19214</b>	5751.67	123, 174, 188
<b>19214</b>	5751.72	123, 174, 188
<b>19214</b>	9405751679	241
<b>19214</b>	9631962880	241
<b>19214</b>	5751.46	587, 597, 645, 652
<b>19214</b>	5751.59	587, 597, 645, 652
<b>19214</b>	5751.62	587, 597, 645, 652
<b>19214</b>	5751.63	587, 597, 645, 652
<b>19214</b>	5751.67	587, 597, 645, 652
<b>19214</b>	5751.72	587, 597, 645, 652
<b>19360</b>	028 109 119 AC	728
<b>19360</b>	028 109 119 N	728
<b>19360</b>	028 109 119 AC	749
<b>19360</b>	028 109 119 N	749
<b>19360</b>	028 109 119 AC	840, 859, 874
<b>19360</b>	028 109 119 N	840, 859, 874
<b>19362</b>	038 109 119	28
<b>19362</b>	038 109 119 B	28
<b>19362</b>	038 109 119 D	28
<b>19365</b>	059 130 113	36, 38, 49, 53
<b>19365</b>	059 130 113 A	36, 38, 49, 53
<b>19365</b>	059 130 113	756
<b>19365</b>	059 130 113 A	756
<b>19365</b>	059 130 113	868
<b>19365</b>	059 130 113 A	868
<b>19367</b>	059 109 119 A	49, 53
<b>19367</b>	059 109 119 A	868
<b>19391</b>	5751.92	168
<b>19391</b>	5751.92	642
<b>19471</b>	77 00 100 671	675, 689
<b>19471</b>	77 00 115 075	675, 689


**Ref. - No.**


<b>19471</b>	77 00 116 192	675, 689
<b>19471</b>	82 00 045 735	675, 689
<b>19471</b>	30889400	903
<b>19471</b>	8642248	903
<b>19482</b>	5751.74	123, 168, 174, 184, 188
<b>19482</b>	9636782780	241
<b>19482</b>	9653522780	241
<b>19482</b>	5751.74	587, 597, 601, 642, 645, 651
<b>19483</b>	6453.CE	171
<b>19483</b>	6453.FL	171
<b>19483</b>	6453.CE	641
<b>19483</b>	6453.FL	641
<b>19488</b>	55190052	368
<b>19498</b>	77 00 107 261	689
<b>19498</b>	77 00 107 305	689
<b>19498</b>	77 00 111 761	689
<b>19498</b>	82 00 542 741	689
<b>19498</b>	30865077	903
<b>19500</b>	77 01 471 865	689
<b>19500</b>	77 01 474 446	689
<b>19500</b>	77 01 477 046	689
<b>19500</b>	30865077 S1	903
<b>19511</b>	0829.88	119, 125, 127, 130, 132, 133, 134, 136, 140, 145, 146, 149, 177, 181, 187, 190
<b>19511</b>	9400829889	244
<b>19511</b>	1 145 947	272, 274, 277, 280, 286, 289, 293
<b>19511</b>	1 562 503	272, 274, 277, 280, 286, 289, 293
<b>19511</b>	Y401-12-770	386, 387
<b>19511</b>	Y401-12-770A	386, 387
<b>19511</b>	Y401-12-770B	386, 387
<b>19511</b>	Y401-12-770C	386, 387
<b>19511</b>	Y401-12-770D	386, 387
<b>19511</b>	11 31 7 805 960	492
<b>19511</b>	0829.88	582, 585, 590, 593, 599, 600, 603, 611, 630, 633, 637, 647, 654, 656, 658



Ref. - No.

Car Division



Ref. - No.



Ref. - No.



19511	SU001-00542	767
19511	30711068	899, 906, 917, 923
19511	30751981	899, 906, 917, 923
19511	31259239	899, 906, 917, 923
19511	31316844	899, 906, 917, 923
19511	31370439	899, 906, 917, 923
19511	31375338	899, 906, 917, 923
19513	0830.48	119, 125, 127, 130, 132, 133, 134, 136, 140, 145, 146, 149, 177, 181, 187, 190
19513	9400830489	244
19513	1 145 955	272, 274, 277, 280, 286, 289, 293
19513	Y401-12-730	386, 387
19513	11 31 7 805 961	492
19513	0830.48	582, 585, 590, 593, 599, 600, 603, 611, 630, 633, 637, 647, 654, 656, 658
19513	SU001-00543	767
19513	30711069	899, 906, 917, 923
19534	028 109 119 AA	34
19534	028 109 119 S	34
19534	1 037 149	294
19534	1 145 904	294
19534	028 109 119 AA	866, 875, 880
19534	028 109 119 S	866, 875, 880
19540	038 109 119 L	27, 29, 35, 37, 48
19540	038 109 119 N	27, 29, 35, 37, 48
19540	038 109 119 P	27, 29, 35, 37, 48
19540	1 100 672	295, 296
19540	1 131 812	295, 296
19540	1 250 636	295, 296
19540	038 109 119 L	723, 727, 729, 731, 735, 737, 744
19540	038 109 119 N	723, 727, 729, 731, 735, 737, 744
19540	038 109 119 P	723, 727, 729, 731, 735, 737, 744
19540	038 109 119 L	746, 747, 751, 752, 755

19540	038 109 119 N	746, 747, 751, 752, 755
19540	038 109 119 P	746, 747, 751, 752, 755
19540	038 109 119 L	850, 851, 852, 858, 860, 867, 869, 875, 876, 877, 881, 884, 890
19540	038 109 119 N	850, 851, 852, 858, 860, 867, 869, 875, 876, 877, 881, 884, 890
19540	038 109 119 P	850, 851, 852, 858, 860, 867, 869, 875, 876, 877, 881, 884, 890
19542	045 109 119 D	858
19542	045 109 119 E	858
19542	045 109 119 L	858
19544	045 109 119 D S1	858
19544	045 109 119 E S1	858
19544	045 109 119 L S1	858
19554	1 145 904 S1	294
19570	028 109 243 H	34
19570	028 109 243 J	34
19570	028 109 243 K	34
19570	028 109 243 H	866
19570	028 109 243 J	866
19570	028 109 243 K	866
19615	0831.N2	123, 174, 188
19615	0831.R7	123, 174, 188
19615	0831.58	123, 174, 188
19615	9400831589	241
19615	0831.N2	587, 597, 645, 651
19615	0831.R7	587, 597, 645, 651
19615	0831.58	587, 597, 645, 651
19621	0816.A6 S1	145, 157, 158
19621	0831.60	145, 157, 158
19621	9400831609	260
19621	9467626980	260
19621	9400831609	369
19621	9467626980	369
19621	0816.A6 S1	609, 621, 627


**Ref. - No.**


<b>19621</b>	0831.60	609, 621, 627
<b>19623</b>	0831.R8	124, 144, 165, 168, 175, 184, 189, 191
<b>19623</b>	0831.V3	124, 144, 165, 168, 175, 184, 189, 191
<b>19623</b>	0831.83	124, 144, 165, 168, 175, 184, 189, 191
<b>19623</b>	9400831409	242, 257, 260
<b>19623</b>	9400831789	242, 257, 260
<b>19623</b>	9467538580	242, 257, 260
<b>19623</b>	9467628980	242, 257, 260
<b>19623</b>	9400831409	374
<b>19623</b>	9400831789	374
<b>19623</b>	9467538580	374
<b>19623</b>	9467628980	374
<b>19623</b>	0831.R8	588, 598, 601, 609, 620, 625, 627, 642, 646, 653
<b>19623</b>	0831.V3	588, 598, 601, 609, 620, 625, 627, 642, 646, 653
<b>19623</b>	0831.40	588, 598, 601, 609, 620, 625, 627, 642, 646, 653
<b>19623</b>	0831.62	588, 598, 601, 609, 620, 625, 627, 642, 646, 653
<b>19623</b>	0831.78	588, 598, 601, 609, 620, 625, 627, 642, 646, 653
<b>19623</b>	0831.82	588, 598, 601, 609, 620, 625, 627, 642, 646, 653
<b>19641</b>	0816.C1	170
<b>19641</b>	0816.88	170
<b>19641</b>	0816.C1	640
<b>19641</b>	0816.88	640
<b>19732</b>	9135937	897
<b>19734</b>	059 145 276	36
<b>19749</b>	1 142 000	272, 277, 286, 293
<b>19749</b>	1 152 359	272, 277, 286, 293
<b>19749</b>	1 222 856	272, 277, 286, 293
<b>19749</b>	5751.87	586, 601


**Ref. - No.**


<b>19749</b>	30637505	899, 906, 917, 923
<b>19749</b>	30758108	899, 906, 917, 923
<b>19853</b>	82 00 039 519	193, 194, 195, 197
<b>19853</b>	82 00 508 612	193, 194, 195, 197
<b>19853</b>	82 00 537 033	193, 194, 195, 197
<b>19853</b>	13028-BN700	507, 513
<b>19853</b>	82 00 039 519	662, 663, 664, 665, 670, 671, 673, 679, 681, 682, 683, 690, 692, 694, 695, 698, 700, 702, 708
<b>19853</b>	82 00 366 318	662, 663, 664, 665, 670, 671, 673, 679, 681, 682, 683, 690, 692, 694, 695, 698, 700, 702, 708
<b>19853</b>	82 00 508 612	662, 663, 664, 665, 670, 671, 673, 679, 681, 682, 683, 690, 692, 694, 695, 698, 700, 702, 708
<b>19853</b>	82 00 537 033	662, 663, 664, 665, 670, 671, 673, 679, 681, 682, 683, 690, 692, 694, 695, 698, 700, 702, 708
<b>19871</b>	30637071	911, 915, 921
<b>19871</b>	30637962	911, 915, 921
<b>19871</b>	30729939	911, 915, 921
<b>19871</b>	8627994	911, 915, 921
<b>19931</b>	4401 489	527, 555
<b>19931</b>	4402 639	527, 555
<b>19931</b>	77 00 107 249	662, 672, 675, 686, 689
<b>19931</b>	77 00 875 307	662, 672, 675, 686, 689
<b>19931</b>	82 00 420 964	662, 672, 675, 686, 689
<b>19931</b>	09109489	783, 814
<b>19931</b>	09110639	783, 814
<b>19931</b>	30864050	902, 903
<b>19931</b>	30865078	902, 903
<b>19940</b>	4401 416	555, 556
<b>19940</b>	4402 631	555, 556
<b>19940</b>	77 00 115 862	662, 667, 672, 675, 686



Ref. - No.

Car  
Division



Ref. - No.



Ref. - No.



<b>19940</b>	82 00 079 341	662, 667, 672, 675, 686
<b>19940</b>	09109416	814, 815
<b>19940</b>	09110631	814, 815
<b>21025</b>	13077-00QAA	510, 516
<b>21025</b>	4506 092	557, 558, 576
<b>21025</b>	82 00 004 593	661, 667, 668, 678, 685, 706, 707, 709
<b>21025</b>	09201540	816, 833
<b>21029</b>	13070-00QAD	510, 516
<b>21029</b>	13070-00QAE	510, 516
<b>21029</b>	4401 430	557, 558, 576
<b>21029</b>	82 00 007 980	661, 667, 668, 678, 685, 706, 707, 709
<b>21029</b>	82 00 009 194	661, 667, 668, 678, 685, 706, 707, 709
<b>21029</b>	82 00 127 467	661, 667, 668, 678, 685, 706, 707, 709
<b>21029</b>	82 00 839 580	661, 667, 668, 678, 685, 706, 707, 709
<b>21029</b>	09109430	816, 833
<b>21031</b>	4402 632	555
<b>21031</b>	77 00 116 054	662, 667, 672, 675, 686, 689
<b>21031</b>	09110632	814
<b>21033</b>	4410 595	556
<b>21033</b>	77 00 102 931	661, 678, 685, 706, 709
<b>21033</b>	77 00 104 092	661, 678, 685, 706, 709
<b>21033</b>	82 00 104 754	661, 678, 685, 706, 709
<b>21033</b>	93160256	815
<b>21033</b>	30883834	904
<b>21099</b>	5636 739	531, 543, 552
<b>21099</b>	97249944	790, 804, 811
<b>21135</b>	615 052 01 03	396, 397, 398, 399, 409, 410, 411, 414, 450, 453, 465
<b>21135</b>	615 052 02 03	396, 397, 398, 399, 409, 410, 411, 414, 450, 453, 465
<b>21236</b>	028 109 119 AC S1	728

<b>21236</b>	028 198 119 F	728
<b>21236</b>	028 109 119 AC S1	859, 874
<b>21236</b>	028 198 119 F	859, 874
<b>21238</b>	028 109 119 AC S2	749
<b>21248</b>	5751.73	123, 174, 188
<b>21248</b>	9637024080	241
<b>21248</b>	5751.73	587, 597, 645, 651
<b>21267</b>	11 31 2 249 851	60, 66, 68, 69, 73, 83, 85, 91, 97, 101, 103, 107, 108
<b>21267</b>	11 31 8 506 869	60, 66, 68, 69, 73, 83, 85, 91, 97, 101, 103, 107, 108
<b>21269</b>	82 00 102 941	193, 194, 195, 197
<b>21269</b>	13070-BN700SK	507, 513
<b>21269</b>	82 00 102 941	662, 663, 664, 665, 670, 671, 673, 679, 681, 682, 683, 690, 692, 694, 695, 698, 700, 702, 708
<b>21270</b>	77 01 473 120	193, 194, 195, 197
<b>21270</b>	77 01 475 115	193, 194, 195, 197
<b>21270</b>	77 01 476 571	193, 194, 195, 197
<b>21270</b>	77 01 477 012	193, 194, 195, 197
<b>21270</b>	77 01 477 028	193, 194, 195, 197
<b>21270</b>	13070-BN700	507, 513
<b>21270</b>	77 01 473 120	662, 663, 664, 665, 670, 671, 673, 679, 681, 682, 683, 690, 692, 694, 695, 698, 700, 702, 708
<b>21270</b>	77 01 475 115	662, 663, 664, 665, 670, 671, 673, 679, 681, 682, 683, 690, 692, 694, 695, 698, 700, 702, 708
<b>21270</b>	77 01 476 571	662, 663, 664, 665, 670, 671, 673, 679, 681, 682, 683, 690, 692, 694, 695, 698, 700, 702, 708
<b>21270</b>	77 01 477 012	662, 663, 664, 665, 670, 671, 673, 679, 681, 682, 683, 690, 692, 694, 695, 698, 700, 702, 708


**Ref. - No.**


<b>21270</b>	77 01 477 028	662, 663, 664, 665, 670, 671, 673, 679, 681, 682, 683, 690, 692, 694, 695, 698, 700, 702, 708
<b>21271</b>	13 52 2 247 644	67, 82, 95, 106
<b>21271</b>	PQG100320L	383
<b>21271</b>	5636 389	562
<b>21271</b>	93171416	820
<b>21279</b>	121 052 02 01	396, 397, 398, 399, 409, 410, 411, 414, 450, 453, 465
<b>21279</b>	121 052 03 01	396, 397, 398, 399, 409, 410, 411, 414, 450, 453, 465
<b>21290</b>	13 52 2 246 808	65, 81
<b>21291</b>	13 52 7 787 299	60, 66, 68, 69, 73, 83, 85, 91, 97, 101, 103, 107, 108
<b>21300</b>	11 28 2 247 435	65, 67, 81, 82, 95, 106
<b>21300</b>	6340 539	562
<b>21300</b>	09266523	820
<b>21307</b>	77 00 102 395	667, 675, 688, 689
<b>21307</b>	30852898	902, 903
<b>21309</b>	30812354	902
<b>21549</b>	77 01 469 821	667, 677
<b>21627</b>	30638278	901, 908, 910, 911, 913, 915, 919, 921, 925, 926, 927
<b>21627</b>	30677134	901, 908, 910, 911, 913, 915, 919, 921, 925, 926, 927
<b>21627</b>	30731774	901, 908, 910, 911, 913, 915, 919, 921, 925, 926, 927
<b>21627</b>	31316699	901, 908, 910, 911, 913, 915, 919, 921, 925, 926, 927
<b>21627</b>	31339542	901, 908, 910, 911, 913, 915, 919, 921, 925, 926, 927


**Ref. - No.**


<b>21627</b>	8658339	901, 908, 910, 911, 913, 915, 919, 921, 925, 926, 927
<b>21652</b>	5636 403	531, 534, 537, 545, 552, 553, 554, 578
<b>21652</b>	97249945	790, 793, 795, 796, 806, 811, 812, 813, 835
<b>21653</b>	5636 395	531, 543
<b>21653</b>	97309459	804
<b>21690</b>	038 903 315 C	743
<b>21690</b>	038 903 315 C	861
<b>21706</b>	038 109 243 M	27, 29, 37, 48
<b>21706</b>	045 109 243 F	27, 29, 37, 48
<b>21706</b>	1 221 490	296
<b>21706</b>	038 109 243 M	723, 727, 729, 731, 735, 737, 744
<b>21706</b>	045 109 243 F	723, 727, 729, 731, 735, 737, 744
<b>21706</b>	038 109 243 M	746, 747, 751, 752, 755
<b>21706</b>	045 109 243 F	746, 747, 751, 752, 755
<b>21706</b>	038 109 243 M	850, 851, 852, 860, 869, 877, 881, 884, 890
<b>21706</b>	045 109 243 F	850, 851, 852, 860, 869, 877, 881, 884, 890
<b>21708</b>	038 109 244 J	27, 29, 30, 32, 37, 38, 40, 42, 43, 48, 50, 57, 59
<b>21708</b>	038 109 244 N	27, 29, 30, 32, 37, 38, 40, 42, 43, 48, 50, 57, 59
<b>21708</b>	1 221 491	296
<b>21708</b>	MN980104	497, 502, 503
<b>21708</b>	038 109 244 J	723, 724, 726, 727, 729, 730, 731, 735, 737, 739, 740, 744, 745





Ref. - No.

Car  
Division

Ref. - No.



Ref. - No.



<b>21708</b>	038 109 244 N	723, 724, 726, 727, 729, 730, 731, 735, 737, 739, 740, 744, 745
<b>21708</b>	038 109 244 J	746, 747, 751, 752, 753, 755, 757
<b>21708</b>	038 109 244 N	746, 747, 751, 752, 753, 755, 757
<b>21708</b>	038 109 244 J	838, 841, 843, 850, 851, 852, 853, 854, 855, 860, 869, 870, 871, 876, 877, 879, 880, 881, 883, 884, 890
<b>21708</b>	038 109 244 N	838, 841, 843, 850, 851, 852, 853, 854, 855, 860, 869, 870, 871, 876, 877, 879, 880, 881, 883, 884, 890
<b>21718</b>	038 109 119	28, 31
<b>21718</b>	038 109 119 B	28, 31
<b>21718</b>	038 109 119 D	28, 31
<b>21718</b>	038 109 119 M	28, 31
<b>21718</b>	038 109 119 R	28, 31
<b>21718</b>	038 109 119	731, 734, 735, 736, 738, 743
<b>21718</b>	038 109 119 B	731, 734, 735, 736, 738, 743
<b>21718</b>	038 109 119 D	731, 734, 735, 736, 738, 743
<b>21718</b>	038 109 119 M	731, 734, 735, 736, 738, 743
<b>21718</b>	038 109 119 R	731, 734, 735, 736, 738, 743
<b>21718</b>	038 109 119	746, 750
<b>21718</b>	038 109 119 B	746, 750
<b>21718</b>	038 109 119 D	746, 750
<b>21718</b>	038 109 119 M	746, 750
<b>21718</b>	038 109 119 R	746, 750
<b>21718</b>	038 109 119	839, 844, 849, 861, 877
<b>21718</b>	038 109 119 B	839, 844, 849, 861, 877

<b>21718</b>	038 109 119 D	839, 844, 849, 861, 877
<b>21718</b>	038 109 119 M	839, 844, 849, 861, 877
<b>21718</b>	038 109 119 R	839, 844, 849, 861, 877
<b>21720</b>	038 109 119 B S1	28, 31
<b>21720</b>	038 109 119 D S1	28, 31
<b>21720</b>	038 109 119 M S1	28, 31
<b>21720</b>	038 198 119 E	28, 31
<b>21720</b>	038 109 119 B S1	734, 735, 736, 738, 743
<b>21720</b>	038 109 119 D S1	734, 735, 736, 738, 743
<b>21720</b>	038 109 119 M S1	734, 735, 736, 738, 743
<b>21720</b>	038 198 119 E	734, 735, 736, 738, 743
<b>21720</b>	038 109 119 B S1	746, 750
<b>21720</b>	038 109 119 D S1	746, 750
<b>21720</b>	038 109 119 M S1	746, 750
<b>21720</b>	038 198 119 E	746, 750
<b>21720</b>	038 109 119 B S1	849, 861, 877
<b>21720</b>	038 109 119 D S1	849, 861, 877
<b>21720</b>	038 109 119 M S1	849, 861, 877
<b>21720</b>	038 198 119 E	849, 861, 877
<b>21722</b>	045 109 479 B	27, 29, 35, 37, 48
<b>21722</b>	1 119 023	295, 296
<b>21722</b>	045 109 479 B	723, 725, 729, 737, 744
<b>21722</b>	045 109 479 B	747, 751, 755
<b>21722</b>	045 109 479 B	850, 851, 858, 860, 862, 867, 869, 875, 876, 881, 890
<b>21724</b>	038 198 119 A	27, 29, 37, 48
<b>21724</b>	038 198 119 C	27, 29, 37, 48
<b>21724</b>	1 131 812 S1	296
<b>21724</b>	038 198 119 A	723, 727, 729, 731, 735, 737, 744
<b>21724</b>	038 198 119 C	723, 727, 729, 731, 735, 737, 744
<b>21724</b>	038 198 119 A	746, 747, 751, 752, 755


**Ref. - No.**


<b>21724</b>	038 198 119 C	746, 747, 751, 752, 755
<b>21724</b>	038 198 119 A	850, 851, 852, 860, 877, 881, 884, 890
<b>21724</b>	038 198 119 C	850, 851, 852, 860, 877, 881, 884, 890
<b>21726</b>	038 109 119 S1	27, 29, 35, 37, 48
<b>21726</b>	1 131 812 S2	295, 296
<b>21726</b>	038 109 119 S1	723, 729, 737, 744
<b>21726</b>	038 109 119 S1	747, 751, 755
<b>21726</b>	038 109 119 S1	850, 851, 858, 860, 867, 869, 875, 876, 881
<b>21746</b>	1 122 523	296
<b>21746</b>	1 376 631	296
<b>21746</b>	038 903 315 AE	723, 737, 744
<b>21746</b>	038 903 315 F	723, 737, 744
<b>21746</b>	038 903 315 AE	751
<b>21746</b>	038 903 315 F	751
<b>21746</b>	038 903 315 AE	850, 851, 852, 881
<b>21746</b>	038 903 315 F	850, 851, 852, 881
<b>21780</b>	059 109 119 B	36, 38, 49, 53
<b>21780</b>	059 109 119 B	756
<b>21780</b>	059 109 119 B	868
<b>21865</b>	0816.E4	130, 132, 133, 155, 165, 175
<b>21865</b>	0816.E7	130, 132, 133, 155, 165, 175
<b>21865</b>	9464034380	242, 257, 260
<b>21865</b>	1 145 950	272, 293
<b>21865</b>	1 346 473	272, 293
<b>21865</b>	1 489 119	272, 293
<b>21865</b>	9464034380	369, 374
<b>21865</b>	Y401-12-205	386
<b>21865</b>	Y401-12-205A	386
<b>21865</b>	Y401-12-205B	386
<b>21865</b>	0816.E4	582, 585, 590, 593, 599, 625, 627, 630, 637, 646
<b>21865</b>	0816.E7	582, 585, 590, 593, 599, 625, 627, 630, 637, 646
<b>21865</b>	SU001-00544	767


**Ref. - No.**


<b>21867</b>	0831.T3	130, 132, 133, 181, 187
<b>21867</b>	0831.81	130, 132, 133, 181, 187
<b>21867</b>	1 211 185	272, 293
<b>21867</b>	1 348 648	272, 293
<b>21867</b>	Y401-12-205A S1	386
<b>21867</b>	Y401-12-205B S1	386
<b>21867</b>	0831.T3	582, 585, 590, 593, 599, 630
<b>21867</b>	0831.80	582, 585, 590, 593, 599, 630
<b>21868</b>	1 135 355	317
<b>21869</b>	1 135 354	317
<b>21878</b>	504010846	214
<b>21878</b>	504183759	214
<b>21900</b>	1 135 356	317
<b>21901</b>	1 135 358	317
<b>21902</b>	1 136 426	317
<b>21910</b>	16806-00QAC	510, 516
<b>21910</b>	4409 473	556, 574
<b>21910</b>	4430 892	556, 574
<b>21910</b>	77 00 109 601	668, 675, 678, 685, 688, 706
<b>21910</b>	77 00 109 632	668, 675, 678, 685, 688, 706
<b>21910</b>	82 00 542 740	668, 675, 678, 685, 688, 706
<b>21910</b>	91158702	815, 831
<b>21910</b>	93161479	815, 831
<b>21910</b>	30883810	904
<b>21972</b>	1 113 174	271, 276, 278, 281, 287, 289, 298, 307, 313, 322
<b>21972</b>	1 215 978	271, 276, 278, 281, 287, 289, 298, 307, 313, 322
<b>21972</b>	1 479 084	271, 276, 278, 281, 287, 289, 298, 307, 313, 322
<b>22055</b>	13070-00QAC	510, 516
<b>22055</b>	4408 922	556, 574
<b>22055</b>	4410 513	556, 574





Ref. - No.

Car Division 



Ref. - No.



Ref. - No.



<b>22055</b>	77 00 111 822	668, 675, 678, 685, 688, 706
<b>22055</b>	77 00 866 043	668, 675, 678, 685, 688, 706
<b>22055</b>	77 01 047 898	668, 675, 678, 685, 688, 706
<b>22055</b>	82 00 709 717	668, 675, 678, 685, 688, 706
<b>22055</b>	91160164	815, 831
<b>22055</b>	93160237	815, 831
<b>22055</b>	30883811	904
<b>22056</b>	16806-00QAF	510, 516
<b>22056</b>	16806-00QAJ	510, 516
<b>22056</b>	4409 485	556, 574
<b>22056</b>	4430 891	556, 574
<b>22056</b>	77 01 472 185	668, 675, 678, 685, 688, 706
<b>22056</b>	77 01 473 312	668, 675, 678, 685, 688, 706
<b>22056</b>	77 01 477 048	668, 675, 678, 685, 688, 706
<b>22056</b>	91158706	815, 831
<b>22056</b>	93161478	815, 831
<b>22056</b>	30621589	904
<b>22056</b>	30777250	904
<b>22056</b>	30777408	904
<b>22119</b>	11925-AW300	516
<b>22119</b>	11925-00QAE	516
<b>22119</b>	11925-00QAP	516
<b>22119</b>	11927-00QOE	516
<b>22119</b>	4414 654	557, 575, 576
<b>22119</b>	4506 194	557, 575, 576
<b>22119</b>	82 00 071 404	668, 688, 706
<b>22119</b>	82 00 981 266	668, 688, 706
<b>22119</b>	09198527	816, 832, 833
<b>22119</b>	93160779	816, 832, 833
<b>22119</b>	30623983	904
<b>22119</b>	30638631	904
<b>22146</b>	77 00 867 985	667, 675, 689
<b>22146</b>	77 00 870 937	667, 675, 689
<b>22146</b>	82 00 065 479	667, 675, 689
<b>22146</b>	30621270	902, 903
<b>22146</b>	30813134	902, 903

<b>22281</b>	11955-BN702	507, 513
<b>22281</b>	82 00 053 294	662, 671, 683, 690, 700
<b>22281</b>	82 00 262 773	662, 671, 683, 690, 700
<b>22281</b>	82 00 292 784	662, 671, 683, 690, 700
<b>22281</b>	82 00 328 372	662, 671, 683, 690, 700
<b>22303</b>	1 004 961	267, 270
<b>22303</b>	1 004 967	267, 270
<b>22303</b>	1 053 684	267, 270
<b>22303</b>	1 053 687	267, 270
<b>22303</b>	1 089 679	267, 270
<b>22329</b>	MW30621284	495, 505
<b>22329</b>	MW30638574	495, 505
<b>22329</b>	MW30638633	495, 505
<b>22329</b>	MW31251096	495, 505
<b>22329</b>	11750-00QAB	510, 516, 518
<b>22329</b>	11750-00QAC	510, 516, 518
<b>22329</b>	11750-00QAD	510, 516, 518
<b>22329</b>	11955-AW300	510, 516, 518
<b>22329</b>	4401 566	556, 574
<b>22329</b>	4408 351	556, 574
<b>22329</b>	4411 707	556, 574
<b>22329</b>	11 75 072 71R	668, 675, 678, 685, 706
<b>22329</b>	77 00 109 450	668, 675, 678, 685, 706
<b>22329</b>	82 00 071 402	668, 675, 678, 685, 706
<b>22329</b>	82 00 190 572	668, 675, 678, 685, 706
<b>22329</b>	82 00 673 091	668, 675, 678, 685, 706
<b>22329</b>	82 00 840 823	668, 675, 678, 685, 706
<b>22329</b>	09109566	815, 831
<b>22329</b>	91159961	815, 831
<b>22329</b>	93160746	815, 831
<b>22329</b>	30621284	904
<b>22329</b>	30638574	904
<b>22329</b>	30638633	904


**Ref. - No.**


<b>22329</b>	31251096	904
<b>22339</b>	059 109 487 A	36, 38, 49, 53
<b>22339</b>	059 109 487 B	36, 38, 49, 53
<b>22339</b>	059 109 487 C	36, 38, 49, 53
<b>22339</b>	059 109 487 A	756
<b>22339</b>	059 109 487 B	756
<b>22339</b>	059 109 487 C	756
<b>22339</b>	059 109 487 A	868
<b>22339</b>	059 109 487 B	868
<b>22339</b>	059 109 487 C	868
<b>22340</b>	059 109 479 B	36, 38, 49, 53
<b>22340</b>	059 109 479 B	756
<b>22340</b>	059 109 479 B	868
<b>22341</b>	045 109 479	27
<b>22341</b>	045 109 479 D	27
<b>22341</b>	045 109 479	858
<b>22341</b>	045 109 479 D	858
<b>22343</b>	057 109 487	54
<b>22349</b>	5751.90	131
<b>22349</b>	1 141 999	272, 293
<b>22349</b>	1 152 360	272, 293
<b>22349</b>	1 222 855	272, 293
<b>22349</b>	Y401-15-930	386
<b>22349</b>	5751.90	586, 655
<b>22351</b>	5751.76	144
<b>22351</b>	9631847480	369
<b>22353</b>	5751.47	123
<b>22353</b>	5751.91	123
<b>22353</b>	5751.47	597, 645, 652
<b>22353</b>	5751.91	597, 645, 652
<b>22369</b>	5751.F9	126, 127, 129, 131, 132, 135, 137, 138, 141, 144, 150, 161, 162
<b>22369</b>	5751.G2	126, 127, 129, 131, 132, 135, 137, 138, 141, 144, 150, 161, 162
<b>22369</b>	5751.H6	126, 127, 129, 131, 132, 135, 137, 138, 141, 144, 150, 161, 162


**Ref. - No.**


<b>22369</b>	5751.86	126, 127, 129, 131, 132, 135, 137, 138, 141, 144, 150, 161, 162
<b>22369</b>	1 229 540	264, 272, 274, 275, 277, 280, 283, 286, 289, 291, 293, 297, 307
<b>22369</b>	1 355 389	264, 272, 274, 275, 277, 280, 283, 286, 289, 291, 293, 297, 307
<b>22369</b>	1 469 717	264, 272, 274, 275, 277, 280, 283, 286, 289, 291, 293, 297, 307
<b>22369</b>	1 690 293	264, 272, 274, 275, 277, 280, 283, 286, 289, 291, 293, 297, 307
<b>22369</b>	Y601-15-980	387
<b>22369</b>	11 28 7 795 037	492
<b>22369</b>	5751.F9	582, 586, 591, 594, 595, 601, 604, 611, 614, 631, 632, 633, 636, 657, 659
<b>22369</b>	5751.H6	582, 586, 591, 594, 595, 601, 604, 611, 614, 631, 632, 633, 636, 657, 659
<b>22369</b>	5751.86	582, 586, 591, 594, 595, 601, 604, 611, 614, 631, 632, 633, 636, 657, 659
<b>22369</b>	30731765	899, 906, 917, 923
<b>22369</b>	31251129	899, 906, 917, 923
<b>22375</b>	0816.F7	130
<b>22392</b>	46546374	3, 6, 10
<b>22392</b>	55180011	3, 6, 10
<b>22392</b>	60815188	3, 6, 10
<b>22392</b>	71747798	3, 6, 10
<b>22392</b>	46546374	365
<b>22392</b>	55180011	365



Ref. - No.

Car  
Division

Ref. - No.



Ref. - No.



<b>22392</b>	60815188	365
<b>22392</b>	71747798	365
<b>22404</b>	46547566	364, 365
<b>22404</b>	7763647	364, 365
<b>22738</b>	9179393	896, 914, 920
<b>22738</b>	9202398	896, 914, 920
<b>22738</b>	074 130 113 J	857, 889
<b>22738</b>	074 190 113 E	857, 889
<b>22739</b>	9202398 S1	896, 914, 920
<b>22779</b>	5751.89	121, 131, 132, 145, 146, 187, 190
<b>22779</b>	5751.89	586, 611, 655
<b>22843</b>	0K88R-12700	342
<b>22843</b>	24322-4X000	342
<b>22843</b>	0K88R-12-700	347
<b>22844</b>	0K551-12740A	342
<b>22844</b>	0K88R-12740	342
<b>22844</b>	0K88R-12-740	347
<b>22845</b>	0K88R-12750	342
<b>22845</b>	0K88R-12-750	347
<b>22855</b>	82 00 065 970	689
<b>22855</b>	82 00 230 958	689
<b>22887</b>	1 088 100	266
<b>22887</b>	7 044 044	266
<b>23043</b>	16806-00QAD	510, 516
<b>23043</b>	16806-00QAH	510, 516
<b>23043</b>	4401 429	557, 576
<b>23043</b>	4506 086	557, 576
<b>23043</b>	77 00 110 203	661, 668, 678, 685, 706, 707, 709
<b>23043</b>	82 00 127 627	661, 668, 678, 685, 706, 707, 709
<b>23043</b>	82 00 461 911	661, 668, 678, 685, 706, 707, 709
<b>23043</b>	09109429	816, 833
<b>23043</b>	09201528	816, 833
<b>23045</b>	16806-00QAG	510, 516
<b>23045</b>	4401 428	557, 576
<b>23045</b>	4506 085	557, 576
<b>23045</b>	77 01 472 329	661, 668, 678, 685, 706, 707, 709
<b>23045</b>	77 01 473 849	661, 668, 678, 685, 706, 707, 709

<b>23045</b>	09109428	816, 833
<b>23045</b>	09201527	816, 833
<b>23202</b>	30864046	902
<b>23203</b>	30864046 S1	902
<b>23207</b>	272462 S1	896, 914, 920
<b>23255</b>	13505-54020	764, 771, 773, 774, 775, 776
<b>23255</b>	13505-54021	764, 771, 773, 774, 775, 776
<b>23255</b>	J13 505 540 20	883
<b>23255</b>	J13 505 540 21	883
<b>23283</b>	13503-27010	766, 769, 778
<b>23285</b>	13505-27010	766, 769, 778
<b>23397</b>	4413 791	556, 574
<b>23397</b>	4449 454	556, 574
<b>23397</b>	82 00 285 009	678, 706
<b>23397</b>	82 00 947 837	678, 706
<b>23397</b>	93161273	815, 831
<b>23397</b>	93198632	815, 831
<b>23397</b>	30652243	904
<b>23411</b>	0636 227	531, 534, 537, 543, 545, 552, 553, 554, 576, 578
<b>23411</b>	5636 086	531, 534, 537, 543, 545, 552, 553, 554, 576, 578
<b>23411</b>	5636 105	531, 534, 537, 543, 545, 552, 553, 554, 576, 578
<b>23411</b>	93192782	790, 793, 795, 796, 804, 806, 811, 812, 813, 833, 835
<b>23411</b>	97212727	790, 793, 795, 796, 804, 806, 811, 812, 813, 833, 835
<b>23411</b>	98014186	790, 793, 795, 796, 804, 806, 811, 812, 813, 833, 835
<b>23413</b>	0636 227 S1	531, 543, 552
<b>23413</b>	1606 388 SK	531, 543, 552
<b>23413</b>	93188136 SK	790, 804, 811
<b>23413</b>	97212727 S1	790, 804, 811
<b>23415</b>	0636 227 S2	531, 543, 552


**Ref. - No.**


<b>23415</b>	1606 389 SK	531, 543, 552
<b>23415</b>	1606 390 SK	531, 543, 552
<b>23415</b>	93188137 SK	790, 804, 811
<b>23415</b>	93188138 SK	790, 804, 811
<b>23415</b>	97212727 S2	790, 804, 811
<b>23435</b>	5636 106	531, 534
<b>23435</b>	5636 402	531, 534
<b>23435</b>	93192783	790, 793
<b>23435</b>	97227192	790, 793
<b>23437</b>	1606 360 SK	531, 534
<b>23437</b>	5636 402 S1	531, 534
<b>23437</b>	93196788 SK	790, 793
<b>23437</b>	97227192 S1	790, 793
<b>23501</b>	611 200 06 70	445
<b>23501</b>	646 200 00 70	445
<b>23554</b>	03G 109 119	30, 38, 50
<b>23554</b>	MN980100	497, 502, 503
<b>23554</b>	03G 109 119	727, 740, 745
<b>23554</b>	03G 109 119	752
<b>23554</b>	03G 109 119	853, 870, 884
<b>23651</b>	46791189 S1	4, 5, 10
<b>23651</b>	71754557	4, 5, 10
<b>23651</b>	46791189 S1	253
<b>23651</b>	71754557	253
<b>23651</b>	46791189 S1	371
<b>23651</b>	71754557	371
<b>23653</b>	46791189	4, 5, 10
<b>23653</b>	46791189	253
<b>23653</b>	46791189	371
<b>23654</b>	55187100	3, 4, 5, 7, 9, 10, 11, 13, 16
<b>23654</b>	55187100	200, 201, 202, 204, 206, 207, 208, 209, 215, 217, 220, 222, 223, 225, 226, 229, 230, 234, 236, 237, 247, 248, 249, 252, 253
<b>23654</b>	71771498	200, 201, 202, 204, 206, 207, 208, 209, 215, 217, 220, 222, 223, 225, 226, 229, 230, 234, 236, 237, 247, 248, 249, 252, 253


**Ref. - No.**


<b>23654</b>	55187100	362, 363, 364, 365, 367
<b>23654</b>	5636 743	535, 538, 539, 540, 548, 563, 571, 579, 580
<b>23654</b>	93 178 807	718, 720
<b>23654</b>	12781-79J50-000	762
<b>23654</b>	12781-79J51-000	762
<b>23654</b>	93178807	794, 797, 798, 801, 809, 821, 828, 836, 837
<b>23655</b>	71719651 S1	3, 4, 5
<b>23655</b>	71731639 S2	3, 4, 5
<b>23655</b>	71736726	3, 4, 5
<b>23655</b>	71773290	3, 4, 5
<b>23655</b>	71719651 S1	201, 202, 203, 206, 207, 222, 225, 226, 230, 234, 236, 253
<b>23655</b>	71731639 S2	201, 202, 203, 206, 207, 222, 225, 226, 230, 234, 236, 253
<b>23655</b>	71736726	201, 202, 203, 206, 207, 222, 225, 226, 230, 234, 236, 253
<b>23655</b>	71773290	201, 202, 203, 206, 207, 222, 225, 226, 230, 234, 236, 253
<b>23655</b>	71719651 S1	365, 367, 371
<b>23655</b>	71731639 S2	365, 367, 371
<b>23655</b>	71736726	365, 367, 371
<b>23655</b>	71773290	365, 367, 371
<b>23655</b>	5636 463 S1	535, 563, 571, 579
<b>23655</b>	6606 028 SK	535, 563, 571, 579
<b>23655</b>	93 178 811 S1	718
<b>23655</b>	93 185 336 S1	718
<b>23655</b>	12761-79J50-000S1	762
<b>23655</b>	93185336 S1	794, 821, 828, 836
<b>23758</b>	028 145 278 J	34, 47
<b>23758</b>	028 903 315 M	34, 47
<b>23758</b>	028 903 315 M	866
<b>23772</b>	05080312AA	116
<b>23772</b>	05080312AB	116
<b>23772</b>	05080312AC	116



Ref. - No.

Car Division



Ref. - No.



Ref. - No.



<b>23773</b>	05080319AA	116
<b>23773</b>	000 202 04 19	479, 482
<b>23778</b>	0816.K9	180
<b>23778</b>	46804589	199, 205, 206, 207, 208, 219, 221, 223, 227, 230, 231, 232, 233, 235, 237, 238, 239, 250, 252
<b>23778</b>	55221385	199, 205, 206, 207, 208, 219, 221, 223, 227, 230, 231, 232, 233, 235, 237, 238, 239, 250, 252
<b>23778</b>	46804589	366, 372, 373
<b>23778</b>	55221385	366, 372, 373
<b>23778</b>	0637 248	526, 533, 536, 540, 542, 544, 551, 553, 567
<b>23778</b>	5636 444	526, 533, 536, 540, 542, 544, 551, 553, 567
<b>23778</b>	0816.K9	637
<b>23778</b>	12761-85E00	760, 761, 763
<b>23778</b>	12761-85E00-000	760, 761, 763
<b>23778</b>	93177407	781, 792, 795, 801, 803, 805, 810, 812, 825
<b>23778</b>	93196893	781, 792, 795, 801, 803, 805, 810, 812, 825
<b>23779</b>	640 202 04 19	417, 418, 419, 423, 485
<b>23779</b>	668 202 01 19	417, 418, 419, 423, 485
<b>23779</b>	668 202 04 19	417, 418, 419, 423, 485
<b>23780</b>	166 202 00 19	417, 418, 419, 423
<b>23780</b>	166 202 03 19	417, 418, 419, 423
<b>23780</b>	166 202 07 19	417, 418, 419, 423
<b>23780</b>	640 202 03 19	417, 418, 419, 423
<b>23780</b>	668 202 00 19	417, 418, 419, 423
<b>23780</b>	668 202 03 19	417, 418, 419, 423
<b>23781</b>	166 202 02 19	417, 418, 419, 485
<b>23781</b>	166 202 05 19	417, 418, 419, 485
<b>23781</b>	166 202 06 19	417, 418, 419, 485

<b>23781</b>	668 202 02 19	417, 418, 419, 485
<b>24178</b>	166 202 01 19	417, 418, 419, 485
<b>24178</b>	166 202 04 19	417, 418, 419, 485
<b>24178</b>	166 202 08 19	417, 418, 419, 485
<b>24178</b>	266 202 00 19	417, 418, 419, 485
<b>24178</b>	668 202 05 19	417, 418, 419, 485
<b>24179</b>	77 01 055 871	672
<b>24179</b>	77 01 207 807	672
<b>24179</b>	77 01 477 502	672
<b>24179</b>	8641982	902, 903
<b>24197</b>	0816.G3	137, 142, 147, 148, 151, 155, 179
<b>24197</b>	1 231 976	279, 282, 285, 288, 290, 299, 301, 308, 314
<b>24197</b>	0816.G3	602, 612, 613, 619, 628, 648
<b>24197</b>	8653650	900, 907, 918, 924
<b>24272</b>	668 052 02 16	416, 485
<b>24273</b>	629 050 01 16	447, 464, 475
<b>24274</b>	629 050 02 16	447, 464, 475
<b>24275</b>	629 050 03 16	447, 464, 475
<b>24276</b>	629 050 04 16	447, 464, 475
<b>24277</b>	628 052 01 16	446, 460, 463, 472
<b>24278</b>	628 052 00 16	446, 460, 463, 472
<b>24279</b>	628 052 03 16	446, 460, 463, 472
<b>24280</b>	628 052 05 16	446, 460, 463, 472
<b>24328</b>	9179314	896, 914, 920
<b>24365</b>	13568-64010	765, 767, 768, 770, 777, 778
<b>24365</b>	13568-64011	765, 767, 768, 770, 777, 778
<b>24365</b>	13568-69065	765, 767, 768, 770, 777, 778
<b>24365</b>	13568-69066	765, 767, 768, 770, 777, 778
<b>24365</b>	13568-69067	765, 767, 768, 770, 777, 778
<b>24367</b>	0816.E2	119, 125, 127, 130, 132, 133, 134, 136, 140, 146, 149, 177, 190


**Ref. - No.**


<b>24367</b>	0816.G7	119, 125, 127, 130, 132, 133, 134, 136, 140, 146, 149, 177, 190
<b>24367</b>	96 379 145 80	119, 125, 127, 130, 132, 133, 134, 136, 140, 146, 149, 177, 190
<b>24367</b>	9467565880	244
<b>24367</b>	9467615780	244
<b>24367</b>	1 229 723	272, 274, 277, 280, 286, 289, 293
<b>24367</b>	1 373 250	272, 274, 277, 280, 286, 289, 293
<b>24367</b>	1 446 647	272, 274, 277, 280, 286, 289, 293
<b>24367</b>	Y6Y1-12-205	387
<b>24367</b>	Y601-12-205	387
<b>24367</b>	Y601-12-205A	387
<b>24367</b>	11 31 7 805 957	492
<b>24367</b>	11 31 8 509 744	492
<b>24367</b>	0816.E2	585, 593, 600, 603, 611, 630, 633, 654, 656
<b>24367</b>	0816.G7	585, 593, 600, 603, 611, 630, 633, 654, 656
<b>24367</b>	96 379 145 80	585, 593, 600, 603, 611, 630, 633, 654, 656
<b>24367</b>	30777770	899, 906, 917, 923
<b>24369</b>	0816.G7 S1	119, 125, 127, 130, 132, 134, 136, 140, 146, 149, 177, 190
<b>24369</b>	0831.P2	119, 125, 127, 130, 132, 134, 136, 140, 146, 149, 177, 190
<b>24369</b>	0831.V4	119, 125, 127, 130, 132, 134, 136, 140, 146, 149, 177, 190
<b>24369</b>	9467577389	244
<b>24369</b>	9467615880	244
<b>24369</b>	9467629080	244


**Ref. - No.**


<b>24369</b>	1 229 768	272, 274, 277, 280, 286, 289, 293
<b>24369</b>	1 373 306	272, 274, 277, 280, 286, 289, 293
<b>24369</b>	1 446 648	272, 274, 277, 280, 286, 289, 293
<b>24369</b>	1 690 273	272, 274, 277, 280, 286, 289, 293
<b>24369</b>	11 31 7 805 957 S1	492
<b>24369</b>	11 31 8 509 744 S1	492
<b>24369</b>	0816.G7 S1	585, 593, 600, 603, 611, 630, 633, 647, 654, 656, 658
<b>24369</b>	0831.P1	585, 593, 600, 603, 611, 630, 633, 647, 654, 656, 658
<b>24369</b>	0831.V4	585, 593, 600, 603, 611, 630, 633, 647, 654, 656, 658
<b>24369</b>	30711066	899, 906, 917, 923
<b>24369</b>	30777865	899, 906, 917, 923
<b>24369</b>	31370440	899, 906, 917, 923
<b>24369</b>	31375382	899, 906, 917, 923
<b>24407</b>	9658142680	216
<b>24407</b>	9678770180	216
<b>24407</b>	1 117 008	306, 318, 320
<b>24407</b>	1 201 178	306, 318, 320
<b>24407</b>	1 731 709	306, 318, 320
<b>24409</b>	1 128 896	306, 318
<b>24413</b>	5705.4F S1	156
<b>24429</b>	1 125 419	306, 318
<b>24429</b>	1 201 181	306, 318
<b>24449</b>	13568-19175	776
<b>24451</b>	13568-67010	764, 775, 776
<b>24451</b>	13568-69085	764, 775, 776
<b>24465</b>	24312-27000	327, 328, 330, 339, 340, 343, 344
<b>24465</b>	24312-27000	348, 350
<b>24501</b>	5636 434	565, 573
<b>24501</b>	5636 755	565, 573
<b>24501</b>	77 01 050 377	669, 710
<b>24501</b>	77 01 639 970	669, 710
<b>24501</b>	59 54 516	721





Ref. - No.

Car Division



Ref. - No.



Ref. - No.



24501	97229131	823, 830
24501	97381207	823, 830
24503	5636 435	565, 573
24503	5636 756	565, 573
24503	77 01 050 387	669, 710
24503	77 01 063 971	669, 710
24503	59 54 524	721
24503	97229132	823, 830
24503	97381208	823, 830
24529	13070-AW300	518
24529	82 00 071 267	678, 691, 700, 703
24529	82 00 709 719	678, 691, 700, 703
24541	77 00 106 708	667, 676, 697
24541	77 00 872 550	667, 676, 697
24618	1 079 393	276, 322
24618	1 118 677	276, 322
24618	1 145 493	276, 322
24630	13505-67050	764, 775, 776
24639	11 28 7 780 124	66, 68, 83, 85, 91, 97, 101, 103, 107
24639	11 28 7 799 464	66, 68, 83, 85, 91, 97, 101, 103, 107
24653	038 903 315 A	734, 738, 743
24653	038 903 315 E	734, 738, 743
24653	038 903 315 K	734, 738, 743
24653	038 903 315 A	750
24653	038 903 315 E	750
24653	038 903 315 K	750
24653	038 903 315 A	839, 849, 875
24653	038 903 315 E	839, 849, 875
24653	038 903 315 K	839, 849, 875
24684	028 198 119 D	34
24684	028 198 119 D	866
24708	038 198 119 B	48
24708	038 198 119 B	850, 858, 867, 875
24715	13505-17020	776
24752	03G 109 243	30, 38, 50
24752	MN980101	497, 502, 503
24752	03G 109 243	727, 740, 745
24752	03G 109 243	752
24752	03G 109 243	853, 870, 884
24754	03G 109 244	30, 32, 40, 42, 43, 50, 57, 59

24754	03G 109 244 B	30, 32, 40, 42, 43, 50, 57, 59
24754	MN980107	497, 502, 503
24754	03G 109 244	724, 726, 727, 730, 739, 740, 745
24754	03G 109 244 B	724, 726, 727, 730, 739, 740, 745
24754	03G 109 244	752, 753, 757
24754	03G 109 244 B	752, 753, 757
24754	03G 109 244	843, 853, 854, 855, 870, 871, 880, 883
24754	03G 109 244 B	843, 853, 854, 855, 870, 871, 880, 883
24756	03G 198 119	30, 38, 50
24756	03G 198 119 B	30, 38, 50
24756	MN980100 S1	497, 502, 503
24756	03G 198 119	727, 740, 745
24756	03G 198 119 B	727, 740, 745
24756	03G 198 119	752
24756	03G 198 119 B	752
24756	03G 198 119	853, 870, 884
24756	03G 198 119 B	853, 870, 884
24765	1 112 807	271
24765	1 139 951	271
24765	7 109 163	271
24792	13503-64011	765, 767, 768, 770, 777, 778
24792	13503-64020	765, 767, 768, 770, 777, 778
24792	13503-64021	765, 767, 768, 770, 777, 778
24805	30757154	903
24805	30777409	903
24805	30865077 S2	903
24823	13028-2J685 S1	507, 518, 521
24833	13568-69066 S1	765, 767, 768, 770, 777, 778
24836	RF2A-12-700	391, 392, 394
24837	RF2A-12-730	391, 392, 394
24854	RF1G-12-700	391
24854	RF1G-12-700A	391
24855	RF1G-12-730	391
24894	PRF100050L	383


**Ref. - No.**


<b>24894</b>	PRF 100050	711, 715
<b>24895</b>	LGJ100990L	383
<b>24895</b>	LGJ 100990	711, 715
<b>24896</b>	LGJ101000L	383
<b>24896</b>	LGJ 101000	711, 715
<b>24897</b>	LGJ100980L	383
<b>24897</b>	LGJ 100980	711, 715
<b>24943</b>	PRF100040L	383
<b>24943</b>	PRF 100040	711, 715
<b>25022</b>	601 052 00 01	400, 401, 403, 404, 406, 407, 408, 413, 415, 421, 442, 451, 452, 454, 457, 459, 469, 477, 478, 490
<b>25033</b>	606 052 00 03	400, 401, 402, 403, 404, 405, 406, 407, 408, 413, 415, 421, 422, 425, 439, 440, 442, 443, 451, 452, 454, 457, 458, 459, 469, 470, 477, 478, 488, 490
<b>25166</b>	028 105 263	838, 839, 886, 887, 890
<b>25166</b>	028 105 263 E	838, 839, 886, 887, 890
<b>25166</b>	068 105 263 C	838, 839, 886, 887, 890
<b>25170</b>	028 105 263 A	19, 20, 45, 55
<b>25170</b>	028 105 263 D	19, 20, 45, 55
<b>25170</b>	028 105 263 A	722, 732, 733, 741, 742
<b>25170</b>	028 105 263 D	722, 732, 733, 741, 742
<b>25170</b>	028 105 263 A	839, 847, 848, 875, 880
<b>25170</b>	028 105 263 D	839, 847, 848, 875, 880
<b>25172</b>	069 105 263	21, 22, 23, 24, 46
<b>25172</b>	069 105 263	856, 857, 888, 889
<b>25209</b>	003 997 71 94	416
<b>25211</b>	003 997 75 94	424, 426, 430, 432, 441, 444, 445, 455, 462, 471, 479, 486
<b>25249</b>	621 050 01 09	450, 465
<b>25249</b>	621 050 04 09	450, 465


**Ref. - No.**


<b>25304</b>	606 050 02 16	402, 405, 422, 425, 440, 443, 458, 470
<b>25304</b>	606 050 06 16	402, 405, 422, 425, 440, 443, 458, 470
<b>25306</b>	606 052 01 16	402, 405, 422, 425, 439, 440, 443, 458, 470
<b>25324</b>	1722841	378
<b>25326</b>	1726471	378
<b>25326</b>	1726480	378
<b>25327</b>	1722651	378
<b>25354</b>	000 993 35 76	479
<b>25354</b>	003 997 70 94	479
<b>25354</b>	003 997 75 94	479
<b>25356</b>	003 997 76 94	416, 485
<b>25363</b>	--	546, 559
<b>25363</b>	-	799, 807
<b>25377</b>	11 31 2 248 503	96
<b>25377</b>	11 31 7 789 691	96
<b>25380</b>	13 52 2 248 729	67, 82, 95, 106
<b>25380</b>	MVF100070L	383
<b>25380</b>	5636 390	562
<b>25380</b>	MVF 100070	711, 715
<b>25380</b>	93171410	820
<b>25383</b>	0615 001	532, 547, 560, 564, 566, 570, 572, 577
<b>25383</b>	0615 010	532, 547, 560, 564, 566, 570, 572, 577
<b>25383</b>	91 28 999	717
<b>25383</b>	09128106	791, 808, 818, 822, 824, 827
<b>25383</b>	09128999	791, 808, 818, 822, 824, 827
<b>25407</b>	0003956V001000000	759
<b>25407</b>	660 050 01 11	759
<b>25408</b>	651 050 00 00	420, 429, 431, 435, 437, 448, 466, 474, 476, 482, 483, 489
<b>25408</b>	651 050 01 00	420, 429, 431, 435, 437, 448, 466, 474, 476, 482, 483, 489





Ref. - No.

Car  
Division



Ref. - No.



Ref. - No.



<b>25408</b>	651 050 07 00	420, 429, 431, 435, 437, 448, 466, 474, 476, 482, 483, 489
<b>25408</b>	651 050 00 11	420, 429, 431, 435, 437, 448, 466, 474, 476, 482, 483, 489
<b>25409</b>	668 050 00 11	416, 485
<b>25409</b>	668 050 01 11	416, 485
<b>25411</b>	057 109 218 F	39, 42, 44, 51, 54, 58
<b>25411</b>	057 109 218 G	39, 42, 44, 51, 54, 58
<b>25411</b>	057 109 218 J	39, 42, 44, 51, 54, 58
<b>25411</b>	057 109 218 K	39, 42, 44, 51, 54, 58
<b>25411</b>	057 109 218 F	873, 885
<b>25411</b>	057 109 218 G	873, 885
<b>25411</b>	057 109 218 J	873, 885
<b>25411</b>	057 109 218 K	873, 885
<b>25415</b>	059 109 217 C	39, 42, 51, 54, 58
<b>25415</b>	059 109 217 G	39, 42, 51, 54, 58
<b>25415</b>	059 109 217 C	873, 885
<b>25415</b>	059 109 217 G	873, 885
<b>25438</b>	660 052 01 01	759
<b>25439</b>	660 052 01 03	759
<b>25440</b>	651 052 00 00	431, 437, 448, 466, 474, 476, 483, 489
<b>25440</b>	651 052 00 01	431, 437, 448, 466, 474, 476, 483, 489
<b>25444</b>	000 993 46 76	420, 429, 431, 435, 437, 448, 466, 474, 476, 483, 489
<b>25444</b>	000 993 62 76	420, 429, 431, 435, 437, 448, 466, 474, 476, 483, 489
<b>25445</b>	000 993 10 76	428, 433, 453, 487
<b>25445</b>	000 993 17 76	428, 433, 453, 487
<b>25453</b>	045 103 319 A	729
<b>25459</b>	057 109 510 A	58
<b>25459</b>	057 109 510 B	58
<b>25469</b>	-	514, 517, 519, 525
<b>25469</b>	-	558, 575

<b>25469</b>	82 00 918 794	669, 674, 679, 680, 681, 687, 691, 693, 701, 704, 707, 709, 710
<b>25469</b>	-	817, 832
<b>25470</b>	-	514, 517, 519, 525
<b>25470</b>	-	558, 575
<b>25470</b>	82 00 918 795	674, 679, 680, 681, 687, 691, 693, 701, 704, 707, 709, 710
<b>25470</b>	-	817, 832
<b>26011</b>	000 993 68 76	416, 418, 423, 485
<b>26011</b>	668 997 05 94	416, 418, 423, 485
<b>26011</b>	668 997 05 94	758
<b>26012</b>	000 993 21 76	484
<b>26012</b>	003 997 97 94 S1	484
<b>26012</b>	004 997 24 94	484
<b>26027</b>	0829.A4	137, 142, 147, 148, 151, 152, 153, 155, 179
<b>26027</b>	9464640480	245, 261
<b>26027</b>	1 231 975	279, 282, 285, 288, 290, 299, 301, 308, 314
<b>26027</b>	9464640480	370
<b>26027</b>	0829.A4	602, 612, 613, 619, 622, 628, 648
<b>26027</b>	8653651	900, 907, 918, 924
<b>26033</b>	045 109 479 C	48
<b>26033</b>	045 109 479 C	729
<b>26033</b>	045 109 479 C	850, 858, 867, 875, 881
<b>26070</b>	606 200 00 73 S2	400, 403, 406, 415, 421, 422, 425, 439, 440, 442, 443, 457, 458, 459, 469, 477, 478, 490
<b>26070</b>	606 200 01 73 S2	400, 403, 406, 415, 421, 422, 425, 439, 440, 442, 443, 457, 458, 459, 469, 477, 478, 490
<b>26084</b>	0636 352 S2	529, 542, 569
<b>26084</b>	0636 366 S2	529, 542, 569
<b>26084</b>	94385561 S2	788, 803, 826


**Ref. - No.**


<b>26084</b>	94449307 S2	788, 803, 826
<b>26113</b>	23356-42500	329, 333, 334, 335, 336, 338, 342
<b>26113</b>	23356-42500	346, 351, 354
<b>26113</b>	MD300473	498
<b>26113</b>	MD310484	498
<b>26114</b>	23356-42500 S1	329, 333, 334, 335, 336, 338, 342
<b>26114</b>	23356-42500 S1	346, 351, 354
<b>26114</b>	MD300473 S1	498
<b>26114</b>	MD310484 S1	498
<b>26117</b>	1 124 040	271, 276, 278, 281, 287, 289, 298, 307, 313, 322
<b>26117</b>	1 201 255	271, 276, 278, 281, 287, 289, 298, 307, 313, 322
<b>26122</b>	059 109 119 A S1	868
<b>26123</b>	059 109 119 B S1	36, 38, 49, 53
<b>26124</b>	059 109 119 B S2	36, 38, 49, 53
<b>26145</b>	0831.S8	170
<b>26145</b>	0831.64	170
<b>26145</b>	0831.S8	640
<b>26145</b>	0831.63	640
<b>26184</b>	24315-42200 S1	329, 332, 333, 336, 338, 342
<b>26184</b>	24315-42200 S1	346, 351, 354
<b>26184</b>	MD300470 S1	498, 500
<b>26197</b>	0K551-12730A	342
<b>26197</b>	24317-4X000	342
<b>26197</b>	24317-4X001	342
<b>26197</b>	0K551-12-730A	347
<b>26198</b>	0K88R-12205	342
<b>26198</b>	0K551-12-205B	346, 347, 351
<b>26198</b>	0K88R-12-205	346, 347, 351
<b>26458</b>	82 00 113 636	195
<b>26458</b>	82 00 113 636	662, 663, 671, 683, 690, 700
<b>26599</b>	0K551-12-700B	347
<b>26694</b>	0K016-12-205	345, 356
<b>26694</b>	R201-12-205	385
<b>26694</b>	R201-12-205A	385
<b>26732</b>	OR019-12-700	345


**Ref. - No.**


<b>26732</b>	0K016-12-700A	345
<b>26732</b>	OR019-12-700	345
<b>26732</b>	OR201-12-700A	345
<b>26732</b>	OR201-12-700A	385
<b>26732</b>	R201-12-700A	385
<b>26734</b>	0K054-12-700	355, 356
<b>26734</b>	0K054-12-700A	355, 356
<b>26750</b>	628 050 00 11	427, 428, 433, 434, 435, 436, 438, 446, 447, 448, 453, 456, 460, 463, 464, 467, 468, 472, 473, 475, 480, 487
<b>26750</b>	628 050 03 11	427, 428, 433, 434, 435, 436, 438, 446, 447, 448, 453, 456, 460, 463, 464, 467, 468, 472, 473, 475, 480, 487
<b>26750</b>	642 050 02 11	427, 428, 433, 434, 435, 436, 438, 446, 447, 448, 453, 456, 460, 463, 464, 467, 468, 472, 473, 475, 480, 487
<b>26750</b>	642 050 03 11	427, 428, 433, 434, 435, 436, 438, 446, 447, 448, 453, 456, 460, 463, 464, 467, 468, 472, 473, 475, 480, 487
<b>26775</b>	611 200 04 70	424, 426, 427, 430, 432, 441, 444, 445, 455, 462, 471, 479, 486
<b>26775</b>	646 200 02 70	424, 426, 427, 430, 432, 441, 444, 445, 455, 462, 471, 479, 486
<b>26775</b>	646 200 03 70	424, 426, 427, 430, 432, 441, 444, 445, 455, 462, 471, 479, 486
<b>26775</b>	646 200 05 70	424, 426, 427, 430, 432, 441, 444, 445, 455, 462, 471, 479, 486



Ref. - No.

Car Division



Ref. - No.



Ref. - No.



<b>26810</b>	13568-YZZ02	766, 769, 778
<b>26810</b>	13568-29035	766, 769, 778
<b>26811</b>	13568-29035 S1	766, 769, 778
<b>26812</b>	13568-59066	764, 771, 773, 774, 775, 776
<b>26812</b>	13568-59067	764, 771, 773, 774, 775, 776
<b>26812</b>	13568-59106	764, 771, 773, 774, 775, 776
<b>26812</b>	J13 568 590 66	883
<b>26812</b>	J13 568 591 06	883
<b>26813</b>	13568-59066 S1	764, 771, 773, 774, 775, 776
<b>26813</b>	13568-59067 S1	764, 771, 773, 774, 775, 776
<b>26813</b>	13568-59106 S1	764, 771, 773, 774, 775, 776
<b>26813</b>	J13 568 590 66	883
<b>26813</b>	J13 568 591 06 S1	883
<b>26816</b>	0830.51	128, 137, 142, 147, 148, 151, 152, 153, 155, 158, 163, 179
<b>26816</b>	0830.74	128, 137, 142, 147, 148, 151, 152, 153, 155, 158, 163, 179
<b>26816</b>	96 442 584 80	128, 137, 142, 147, 148, 151, 152, 153, 155, 158, 163, 179
<b>26816</b>	9400830509	245, 259, 261
<b>26816</b>	1 231 978	279, 282, 284, 285, 288, 290, 292, 299, 300, 301, 302, 308, 309, 314, 315
<b>26816</b>	1 707 035	279, 282, 284, 285, 288, 290, 292, 299, 300, 301, 302, 308, 309, 314, 315
<b>26816</b>	9400830509	370
<b>26816</b>	LR 000660	381
<b>26816</b>	MN982127	503

<b>26816</b>	0830.51	602, 604, 605, 612, 613, 615, 619, 622, 628, 634, 635, 648, 659
<b>26816</b>	0830.74	602, 604, 605, 612, 613, 615, 619, 622, 628, 634, 635, 648, 659
<b>26816</b>	96 442 584 80	602, 604, 605, 612, 613, 615, 619, 622, 628, 634, 635, 648, 659
<b>26816</b>	30725665	900, 907, 918, 924
<b>26816</b>	8653652	900, 907, 918, 924
<b>26818</b>	0831.K0	137, 142, 147, 151, 155, 179
<b>26818</b>	0831.T5	137, 142, 147, 151, 155, 179
<b>26818</b>	1 231 979	279, 282, 285, 288, 290, 299, 301, 308, 314
<b>26818</b>	0831.T5	602, 612, 613, 619, 622, 628, 648
<b>26818</b>	0831.92	602, 612, 613, 619, 622, 628, 648
<b>26818</b>	8653649	900, 907, 918, 924
<b>26847</b>	13568-39015	771, 773, 774, 775, 776
<b>26851</b>	13505-55020	779
<b>26871</b>	9207905	896, 914
<b>26900</b>	13028-AW300	518
<b>26900</b>	13028-AW301	518
<b>26900</b>	82 00 087 378	678, 691, 693, 700, 703, 704
<b>26900</b>	82 00 248 497	678, 691, 693, 700, 703, 704
<b>26900</b>	82 00 251 983	678, 691, 693, 700, 703, 704
<b>26900</b>	82 00 542 743	678, 691, 693, 700, 703, 704
<b>26900</b>	82 00 834 830	678, 691, 693, 700, 703, 704


**Ref. - No.**


<b>26901</b>	13028-AW301 S1	518
<b>26901</b>	77 01 474 443	678, 691, 700, 703
<b>26901</b>	77 01 477 050	678, 691, 700, 703
<b>26925</b>	028 903 315	19, 20, 45, 55
<b>26925</b>	028 903 315 B	19, 20, 45, 55
<b>26925</b>	028 903 315 G	19, 20, 45, 55
<b>26925</b>	028 903 315 H	19, 20, 45, 55
<b>26925</b>	028 903 315 J	19, 20, 45, 55
<b>26925</b>	028 903 315 K	19, 20, 45, 55
<b>26925</b>	028 903 315 N	19, 20, 45, 55
<b>26925</b>	028 903 315 R	19, 20, 45, 55
<b>26925</b>	1 039 808	294, 295
<b>26925</b>	028 903 315	722, 732, 733, 741, 742
<b>26925</b>	028 903 315 B	722, 732, 733, 741, 742
<b>26925</b>	028 903 315 G	722, 732, 733, 741, 742
<b>26925</b>	028 903 315 H	722, 732, 733, 741, 742
<b>26925</b>	028 903 315 J	722, 732, 733, 741, 742
<b>26925</b>	028 903 315 K	722, 732, 733, 741, 742
<b>26925</b>	028 903 315 N	722, 732, 733, 741, 742
<b>26925</b>	028 903 315 R	722, 732, 733, 741, 742
<b>26925</b>	028 903 315	839, 846, 847, 848, 864, 875, 880, 887, 888, 890
<b>26925</b>	028 903 315 B	839, 846, 847, 848, 864, 875, 880, 887, 888, 890
<b>26925</b>	028 903 315 G	839, 846, 847, 848, 864, 875, 880, 887, 888, 890
<b>26925</b>	028 903 315 H	839, 846, 847, 848, 864, 875, 880, 887, 888, 890
<b>26925</b>	028 903 315 J	839, 846, 847, 848, 864, 875, 880, 887, 888, 890


**Ref. - No.**


<b>26925</b>	028 903 315 K	839, 846, 847, 848, 864, 875, 880, 887, 888, 890
<b>26925</b>	028 903 315 N	839, 846, 847, 848, 864, 875, 880, 887, 888, 890
<b>26925</b>	028 903 315 R	839, 846, 847, 848, 864, 875, 880, 887, 888, 890
<b>26937</b>	1854 421	531, 534, 543, 545, 552, 578
<b>26937</b>	6854 427	531, 534, 543, 545, 552, 578
<b>26937</b>	97184930	790, 793, 804, 806, 811, 835
<b>26937</b>	98012238	790, 793, 804, 806, 811, 835
<b>26949</b>	30637070	911, 915, 921, 927
<b>26949</b>	30637961	911, 915, 921, 927
<b>26949</b>	30757056	911, 915, 921, 927
<b>26949</b>	31251252	911, 915, 921, 927
<b>26949</b>	8653137	911, 915, 921, 927
<b>26955</b>	11 28 7 789 020	97
<b>26955</b>	11 28 7 806 252	97
<b>26982</b>	RF5C-12-730	387, 389, 390, 393
<b>27004</b>	RF5C-12-700	387, 389, 390, 393
<b>27081</b>	1 005 824 S3	267, 270, 305
<b>27120</b>	MD012587	496, 497, 501, 502, 504, 506
<b>27121</b>	MD064641	496, 497, 501, 506
<b>27247</b>	46454419	3, 6, 10
<b>27247</b>	46514222	3, 6, 10
<b>27247</b>	46794035	3, 6, 10
<b>27247</b>	60814033	3, 6, 10
<b>27247</b>	71771437	3, 6, 10
<b>27247</b>	46454419	201, 222, 225, 226, 234, 236, 253
<b>27247</b>	46514222	201, 222, 225, 226, 234, 236, 253
<b>27247</b>	46794035	201, 222, 225, 226, 234, 236, 253



Ref. - No.

Car  
Division

Ref. - No.



Ref. - No.



<b>27247</b>	51791594	201, 222, 225, 226, 234, 236, 253
<b>27247</b>	60814033	201, 222, 225, 226, 234, 236, 253
<b>27247</b>	71771437	201, 222, 225, 226, 234, 236, 253
<b>27247</b>	46454419	368
<b>27247</b>	46514222	368
<b>27247</b>	46794035	368
<b>27247</b>	60814033	368
<b>27247</b>	71771437	368
<b>27263</b>	RF5C-12-205	390, 393
<b>27263</b>	RF5C-12-205A	390, 393
<b>27263</b>	RF5C-12-205A-9A	390, 393
<b>27266</b>	RF5C-12-205A S1	390, 393
<b>27266</b>	RF5C-12-205A-9A S1	390, 393
<b>27266</b>	RF5C-12-205 S1	390, 393
<b>27278</b>	RF2A-12-205	391, 392, 394
<b>27278</b>	RF2A-12-205A	391, 392, 394
<b>27278</b>	RF2A-12-205B	391, 392, 394
<b>27279</b>	RF2A-12-205B S1	391, 392, 394
<b>27292</b>	059 109 119 A S2	49, 53
<b>27292</b>	059 109 119 A S2	868
<b>27296</b>	059 109 119 A S3	49, 53
<b>27296</b>	059 109 119 A S3	868
<b>27302</b>	059 109 119 B S4	36, 38, 49, 53
<b>27302</b>	059 109 119 B S4	756
<b>27302</b>	059 109 119 B S4	868
<b>27319</b>	-	555
<b>27319</b>	82 00 043 325	662, 672, 675, 686, 689
<b>27319</b>	82 00 125 710	662, 672, 675, 686, 689
<b>27319</b>	82 00 548 227	662, 672, 675, 686, 689
<b>27329</b>	-	555
<b>27329</b>	77 00 116 047	662, 672, 675, 686, 689
<b>27329</b>	77 00 116 058	662, 672, 675, 686, 689
<b>27329</b>	77 01 064 326	662, 672, 675, 686, 689

<b>27329</b>	82 00 036 780	662, 672, 675, 686, 689
<b>27329</b>	82 00 542 746	662, 672, 675, 686, 689
<b>27353</b>	4402 638	555
<b>27353</b>	4404 309	555
<b>27353</b>	4404 309 S1	555
<b>27353</b>	77 01 473 224	662, 672, 675, 686, 689
<b>27353</b>	77 01 477 026	662, 672, 675, 686, 689
<b>27353</b>	77 01 477 026 S1	662, 672, 675, 686, 689
<b>27353</b>	09110638	814
<b>27353</b>	09112309	814
<b>27353</b>	09112309 S1	814
<b>27354</b>	1 119 954	319
<b>27354</b>	1 333 203	319
<b>27365</b>	51821653	13
<b>27365</b>	55185074	13
<b>27365</b>	55574238	112
<b>27365</b>	51821653	223, 235, 237, 239
<b>27365</b>	55185074	223, 235, 237, 239
<b>27365</b>	0636 166	526, 533, 536, 542, 544, 551, 553, 567
<b>27365</b>	4708 770	526, 533, 536, 542, 544, 551, 553, 567
<b>27365</b>	6340 554	526, 533, 536, 542, 544, 551, 553, 567
<b>27365</b>	6340 676	526, 533, 536, 542, 544, 551, 553, 567
<b>27365</b>	55185074	781, 792, 795, 803, 805, 810, 812, 825
<b>27365</b>	55562245	781, 792, 795, 803, 805, 810, 812, 825
<b>27365</b>	55574238	781, 792, 795, 803, 805, 810, 812, 825
<b>27365</b>	93193594	781, 792, 795, 803, 805, 810, 812, 825
<b>27367</b>	64 55 2 248 562	65, 81
<b>27367</b>	64 55 2 354 036	65, 81
<b>27371</b>	64 55 7 786 545	66


**Ref. - No.**


<b>27372</b>	11 28 7 786 881	66, 68, 69, 73, 83, 85, 91, 97, 101, 103, 107
<b>27372</b>	11 28 7 807 021	66, 68, 69, 73, 83, 85, 91, 97, 101, 103, 107
<b>27373</b>	11 28 7 786 880	66, 68, 69, 73, 83, 85, 91, 97, 101, 103, 107
<b>27375</b>	11 28 2 248 484	67, 82, 95, 106
<b>27375</b>	11 28 2 354 130	67, 82, 95, 106
<b>27375</b>	1854 352	562
<b>27375</b>	93172026	820
<b>27376</b>	0829.C3	145, 148, 157, 168, 175
<b>27376</b>	9467521380	242, 260
<b>27376</b>	9467521380	369
<b>27376</b>	0829.C3	609, 621, 627, 642, 646
<b>27377</b>	0829.C4	145, 157, 168, 175
<b>27377</b>	9467521480	260
<b>27377</b>	9467521480	369
<b>27377</b>	0829.C4	609, 621, 627, 642, 646
<b>27381</b>	64 55 7 787 371	66
<b>27390</b>	0831.S2	155, 165, 175
<b>27390</b>	0831.74	155, 165, 175
<b>27390</b>	71773302	242, 257, 260
<b>27390</b>	9400831739	242, 257, 260
<b>27390</b>	9467626880	242, 257, 260
<b>27390</b>	71773302	369, 374
<b>27390</b>	9400831739	369, 374
<b>27390</b>	9467626880	369, 374
<b>27390</b>	0831.S2	625, 627, 646
<b>27390</b>	0831.73	625, 627, 646
<b>27391</b>	0831.K7	145, 148, 157
<b>27391</b>	0831.S3	145, 148, 157
<b>27391</b>	9467544580	260
<b>27391</b>	9467544580	369
<b>27391</b>	0831.K6	609, 627
<b>27391</b>	0831.S3	609, 627
<b>27394</b>	0831.K5	175
<b>27394</b>	0831.T7	175


**Ref. - No.**


<b>27394</b>	9467521280	242
<b>27394</b>	9467628380	242
<b>27394</b>	0831.K4	646
<b>27394</b>	0831.T7	646
<b>27395</b>	MD182295	502
<b>27395</b>	MR984778	502
<b>27445</b>	82 00 072 120	691, 703
<b>27445</b>	82 00 472 180	691, 703
<b>27445</b>	82 00 673 090	691, 703
<b>27445</b>	82 00 905 328	691, 703
<b>27480</b>	46819146	221, 231, 234, 235
<b>27480</b>	51821652	221, 231, 234, 235
<b>27480</b>	55216455	221, 231, 234, 235
<b>27480</b>	46819146	366, 372
<b>27480</b>	51821652	366, 372
<b>27480</b>	55216455	366, 372
<b>27507</b>	5636 437	565, 573
<b>27507</b>	77 01 052 775	669, 710
<b>27507</b>	59 54 763	721
<b>27507</b>	97312464	823, 830
<b>27517</b>	1 097 574	319
<b>27527</b>	642 200 00 70	427, 428, 430, 432, 433, 434, 436, 438, 445, 456, 461, 463, 464, 467, 468, 473, 475, 480, 486, 487
<b>27527</b>	642 200 13 70	427, 428, 430, 432, 433, 434, 436, 438, 445, 456, 461, 463, 464, 467, 468, 473, 475, 480, 486, 487
<b>27541</b>	5636 411	565, 573
<b>27541</b>	77 01 052 673	669, 710
<b>27541</b>	59 54 805	721
<b>27541</b>	97241065	823, 830
<b>27554</b>	0K88R-15983	342
<b>27554</b>	25286-4X000	342
<b>27554</b>	0K552-15-983C	347
<b>27554</b>	0K88R-15-983	347
<b>27554</b>	25286-4X000	347
<b>27555</b>	0K88R-15981	342
<b>27555</b>	25281-4X000	342
<b>27555</b>	0K88R-15-981	347





Ref. - No.

Car  
Division

Ref. - No.



Ref. - No.



<b>27555</b>	25281-4X000	347
<b>27566</b>	30711320	901, 908
<b>27567</b>	30650957	901, 908
<b>27618</b>	038 903 315 AD	26, 31, 32, 37, 38, 40, 42, 50, 52, 56, 57, 59
<b>27618</b>	038 903 315 AG	26, 31, 32, 37, 38, 40, 42, 50, 52, 56, 57, 59
<b>27618</b>	038 903 315 AH	26, 31, 32, 37, 38, 40, 42, 50, 52, 56, 57, 59
<b>27618</b>	038 903 315 AJ	26, 31, 32, 37, 38, 40, 42, 50, 52, 56, 57, 59
<b>27618</b>	038 903 315 T	26, 31, 32, 37, 38, 40, 42, 50, 52, 56, 57, 59
<b>27618</b>	038 903 315 AD	724, 726, 730, 735, 736, 739, 745
<b>27618</b>	038 903 315 AG	724, 726, 730, 735, 736, 739, 745
<b>27618</b>	038 903 315 AH	724, 726, 730, 735, 736, 739, 745
<b>27618</b>	038 903 315 AJ	724, 726, 730, 735, 736, 739, 745
<b>27618</b>	038 903 315 T	724, 726, 730, 735, 736, 739, 745
<b>27618</b>	038 903 315 AD	746, 747, 748, 753, 754, 757
<b>27618</b>	038 903 315 AG	746, 747, 748, 753, 754, 757
<b>27618</b>	038 903 315 AH	746, 747, 748, 753, 754, 757
<b>27618</b>	038 903 315 AJ	746, 747, 748, 753, 754, 757
<b>27618</b>	038 903 315 T	746, 747, 748, 753, 754, 757
<b>27618</b>	038 903 315 AD	838, 841, 842, 843, 854, 855, 861, 870, 871, 872, 876, 877, 878, 880, 882, 883, 885, 890

<b>27618</b>	038 903 315 AG	838, 841, 842, 843, 854, 855, 861, 870, 871, 872, 876, 877, 878, 880, 882, 883, 885, 890
<b>27618</b>	038 903 315 AH	838, 841, 842, 843, 854, 855, 861, 870, 871, 872, 876, 877, 878, 880, 882, 883, 885, 890
<b>27618</b>	038 903 315 AJ	838, 841, 842, 843, 854, 855, 861, 870, 871, 872, 876, 877, 878, 880, 882, 883, 885, 890
<b>27618</b>	038 903 315 T	838, 841, 842, 843, 854, 855, 861, 870, 871, 872, 876, 877, 878, 880, 882, 883, 885, 890
<b>27729</b>	1204 641	531, 534, 543, 552
<b>27729</b>	1204 853	531, 534, 543, 552
<b>27729</b>	6204 661	531, 534, 543, 552
<b>27729</b>	97184929	790, 793, 804, 811
<b>27729</b>	97222553	790, 793, 804, 811
<b>27729</b>	97364344	790, 793, 804, 811
<b>27806</b>	03G 903 315	30
<b>27806</b>	03G 903 315 A	30
<b>27806</b>	03G 903 315	727, 740
<b>27806</b>	03G 903 315 A	727, 740
<b>27806</b>	03G 903 315	752
<b>27806</b>	03G 903 315 A	752
<b>27806</b>	03G 903 315	840, 852, 853, 870, 884
<b>27806</b>	03G 903 315 A	840, 852, 853, 870, 884
<b>27835</b>	11955-BN701	507, 513
<b>27835</b>	11955-BN703	507, 513
<b>27837</b>	640 150 03 60	418
<b>27837</b>	640 150 05 60	418
<b>27837</b>	640 150 07 60	418
<b>27837</b>	640 150 09 60	418
<b>27837</b>	668 155 02 15	418
<b>27837</b>	668 155 06 15	418
<b>27837</b>	MN960267	496
<b>27839</b>	642 150 07 60	461, 463, 468
<b>27840</b>	629 150 00 60	463, 468, 473


**Ref. - No.**


<b>28025</b>	03G 903 315 C	30, 32
<b>28025</b>	03G 903 315 D	30, 32
<b>28025</b>	03G 903 315 G	30, 32
<b>28025</b>	03G 903 315 C	723, 727, 740, 745
<b>28025</b>	03G 903 315 D	723, 727, 740, 745
<b>28025</b>	03G 903 315 G	723, 727, 740, 745
<b>28025</b>	03G 903 315 C	752, 757
<b>28025</b>	03G 903 315 D	752, 757
<b>28025</b>	03G 903 315 G	752, 757
<b>28025</b>	03G 903 315 C	840, 843, 853, 870, 881, 884, 890
<b>28025</b>	03G 903 315 D	840, 843, 853, 870, 881, 884, 890
<b>28025</b>	03G 903 315 G	840, 843, 853, 870, 881, 884, 890
<b>28094</b>	1 069 359	276, 322
<b>28094</b>	1 073 485	276, 322
<b>28094</b>	1 079 155	276, 322
<b>28094</b>	1 113 611	276, 322
<b>28094</b>	1 133 988	276, 322
<b>28094</b>	1 351 134	276, 322
<b>28094</b>	1 473 384	276, 322
<b>28140</b>	000 997 31 98	758
<b>28225</b>	611 230 02 42	455, 479
<b>28225</b>	611 234 00 93	455, 479
<b>28225</b>	611 234 03 93	455, 479
<b>28225</b>	611 234 04 93	455, 479
<b>28276</b>	6453.KH	171
<b>28276</b>	6453.SQ	171
<b>28276</b>	6453.KH	641
<b>28276</b>	6453.SQ	641
<b>28287</b>	82 00 170 009	195
<b>28287</b>	82 00 171 807	195
<b>28287</b>	82 00 641 468	195
<b>28287</b>	11923-BN700	513
<b>28287</b>	82 00 170 009	663, 671, 683, 690
<b>28287</b>	82 00 171 807	663, 671, 683, 690
<b>28287</b>	82 00 641 468	663, 671, 683, 690
<b>28305</b>	55183528 S1	4, 5, 7, 9, 10, 16
<b>28305</b>	71754559	4, 5, 7, 9, 10, 16
<b>28305</b>	71754560	4, 5, 7, 9, 10, 16
<b>28305</b>	71773315	4, 5, 7, 9, 10, 16


**Ref. - No.**


<b>28305</b>	55183528 S1	202, 204, 208, 217, 220, 247, 253
<b>28305</b>	71754559	202, 204, 208, 217, 220, 247, 253
<b>28305</b>	71773315	202, 204, 208, 217, 220, 247, 253
<b>28305</b>	55183528 S1	362, 363
<b>28305</b>	71754559	362, 363
<b>28305</b>	71754560	362, 363
<b>28305</b>	71773315	362, 363
<b>28305</b>	1606 434 SK	535, 538, 539, 540, 563, 571, 579, 580
<b>28305</b>	6606 029 SK	535, 538, 539, 540, 563, 571, 579, 580
<b>28305</b>	93 178 812 S1	718, 720
<b>28305</b>	93 191 278 SK	718, 720
<b>28305</b>	93191278 SK	794, 798, 801, 821, 828, 836, 837
<b>28305</b>	95507810 SK	794, 798, 801, 821, 828, 836, 837
<b>28306</b>	55183528	4, 5, 7, 8, 9, 10, 11, 12, 15, 16
<b>28306</b>	55183528	202, 203, 204, 208, 209, 215, 217, 220, 247, 248, 253
<b>28306</b>	55183528	362, 363, 371
<b>28306</b>	5636 344	535, 538, 539, 540, 548, 563, 571, 579, 580
<b>28306</b>	93 178 812	718, 720
<b>28306</b>	93178812	794, 797, 798, 801, 809, 821, 828, 836, 837
<b>28321</b>	55183528 S2	4, 5, 7, 8, 9, 15, 16
<b>28321</b>	55183528 S2	204
<b>28321</b>	55183528 S2	371
<b>28364</b>	1 120 687	306, 318
<b>28364</b>	1 131 255	306, 318
<b>28364</b>	1 132 644	306, 318
<b>28450</b>	0636 747	529, 531, 534, 537, 541, 542, 543, 545, 552, 553, 554, 569, 578





Ref. - No.

Car Division



Ref. - No.



Ref. - No.



<b>28450</b>	0636 928	529, 531, 534, 537, 541, 542, 543, 545, 552, 553, 554, 569, 578
<b>28450</b>	5636 395	529, 531, 534, 537, 541, 542, 543, 545, 552, 553, 554, 569, 578
<b>28450</b>	97129939	790, 793, 795, 796, 802, 803, 804, 806, 811, 812, 813, 835
<b>28450</b>	97309459	790, 793, 795, 796, 802, 803, 804, 806, 811, 812, 813, 835
<b>28450</b>	97376296	790, 793, 795, 796, 802, 803, 804, 806, 811, 812, 813, 835
<b>28451</b>	1606 384 SK	534, 537, 545, 552, 553, 554, 578
<b>28451</b>	5636 086 S1	534, 537, 545, 552, 553, 554, 578
<b>28451</b>	93196791 SK	793, 795, 796, 806, 811, 812, 813, 835
<b>28451</b>	98014186 S1	793, 795, 796, 806, 811, 812, 813, 835
<b>28458</b>	0818.44	180
<b>28458</b>	46788786	199, 205, 206, 207, 208, 219, 221, 223, 227, 230, 231, 232, 233, 235, 237, 238, 239, 250, 252
<b>28458</b>	55197785	199, 205, 206, 207, 208, 219, 221, 223, 227, 230, 231, 232, 233, 235, 237, 238, 239, 250, 252
<b>28458</b>	46788786	366, 372, 373
<b>28458</b>	55197785	366, 372, 373
<b>28458</b>	0636 441	526, 533, 536, 540, 542, 544, 551, 553, 567

<b>28458</b>	5636 089	526, 533, 536, 540, 542, 544, 551, 553, 567
<b>28458</b>	5636 443	526, 533, 536, 540, 542, 544, 551, 553, 567
<b>28458</b>	55197785	781, 792, 795, 801, 803, 805, 810, 812, 825
<b>28458</b>	93177405	781, 792, 795, 801, 803, 805, 810, 812, 825
<b>28458</b>	93190427	781, 792, 795, 801, 803, 805, 810, 812, 825
<b>28588</b>	274247	901, 908, 910, 911, 913, 915, 919, 921, 925, 926, 927
<b>28588</b>	30731772	901, 908, 910, 911, 913, 915, 919, 921, 925, 926, 927
<b>28588</b>	30777779	901, 908, 910, 911, 913, 915, 919, 921, 925, 926, 927
<b>28588</b>	31258306	901, 908, 910, 911, 913, 915, 919, 921, 925, 926, 927
<b>28589</b>	274247 S1	901, 908, 910, 911, 913, 915, 919, 921, 925, 926, 927
<b>28589</b>	30731772 S1	901, 908, 910, 911, 913, 915, 919, 921, 925, 926, 927
<b>28589</b>	31258305	901, 908, 910, 911, 913, 915, 919, 921, 925, 926, 927
<b>28589</b>	31330188	901, 908, 910, 911, 913, 915, 919, 921, 925, 926, 927
<b>28589</b>	31359568	901, 908, 910, 911, 913, 915, 919, 921, 925, 926, 927
<b>28709</b>	11 28 7 556 251	61, 70, 72, 89


**Ref. - No.**


<b>28717</b>	13 52 7 797 905	61, 62, 70, 71, 72, 75, 77, 84, 86, 87, 88, 89, 90, 93, 98, 99, 100, 102, 104, 105, 109, 110, 111
<b>28717</b>	13 52 7 797 905	493, 494
<b>28718</b>	11 31 7 797 901	61, 62, 63, 70, 71, 72, 74, 75, 76, 77, 84, 86, 87, 88, 89, 90, 92, 93, 98, 99, 100, 102, 104, 105, 109, 110, 111
<b>28718</b>	11 31 8 576 201	61, 62, 63, 70, 71, 72, 74, 75, 76, 77, 84, 86, 87, 88, 89, 90, 92, 93, 98, 99, 100, 102, 104, 105, 109, 110, 111
<b>28718</b>	11 31 7 797 901	493
<b>28718</b>	11 31 8 576 201	493
<b>28720</b>	11 31 7 797 897	61, 62, 63, 70, 71, 72, 74, 75, 76, 77, 84, 86, 87, 88, 89, 90, 92, 93, 98, 99, 100, 102, 105, 109, 110, 111
<b>28720</b>	11 31 8 506 650	61, 62, 63, 70, 71, 72, 74, 75, 76, 77, 84, 86, 87, 88, 89, 90, 92, 93, 98, 99, 100, 102, 105, 109, 110, 111
<b>28720</b>	11 31 8 510 014	61, 62, 63, 70, 71, 72, 74, 75, 76, 77, 84, 86, 87, 88, 89, 90, 92, 93, 98, 99, 100, 102, 105, 109, 110, 111
<b>28720</b>	11 31 8 572 503	61, 62, 63, 70, 71, 72, 74, 75, 76, 77, 84, 86, 87, 88, 89, 90, 92, 93, 98, 99, 100, 102, 105, 109, 110, 111
<b>28720</b>	11 31 7 797 897	493
<b>28720</b>	11 31 8 506 650	493
<b>28720</b>	11 31 8 510 014	493
<b>28720</b>	11 31 8 572 503	493
<b>29270</b>	0816.G1	168


**Ref. - No.**


<b>29270</b>	0816.G1	642
<b>29271</b>	0831.K9	168
<b>29271</b>	0831.T8	168
<b>29271</b>	0831.K8	642
<b>29271</b>	0831.T8	642
<b>29301</b>	0829.F9	154
<b>29301</b>	1926.67	154
<b>29345</b>	03G 109 244 A	30, 38, 50
<b>29345</b>	03G 109 244 C	30, 38, 50
<b>29345</b>	03G 109 244 A	727, 740, 745
<b>29345</b>	03G 109 244 C	727, 740, 745
<b>29345</b>	03G 109 244 A	752
<b>29345</b>	03G 109 244 C	752
<b>29345</b>	03G 109 244 A	853, 870, 884
<b>29345</b>	03G 109 244 C	853, 870, 884
<b>29388</b>	77 01 473 672	662, 672, 675, 686, 689
<b>29388</b>	77 01 473 837	662, 672, 675, 686, 689
<b>29388</b>	77 01 477 049	662, 672, 675, 686, 689
<b>29389</b>	0830.32	171
<b>29389</b>	4740847	210, 213
<b>29389</b>	99461358	210, 213
<b>29389</b>	0830.32	641
<b>29391</b>	0816.E5 S1	171
<b>29391</b>	98419390 S1	210, 213
<b>29391</b>	99456476 S1	210, 213
<b>29391</b>	0816.E5 S1	641
<b>29392</b>	500323627 S1	211
<b>29392</b>	71754847	211
<b>29392</b>	71773326	211
<b>29393</b>	0816.A4 S1	171
<b>29393</b>	99456477 S1	213
<b>29393</b>	0816.A4 S1	641
<b>29396</b>	51758383	7, 9, 11, 12, 13, 14, 15
<b>29396</b>	51776566	7, 9, 11, 12, 13, 14, 15
<b>29396</b>	55193358	7, 9, 11, 12, 13, 14, 15



Ref. - No.

Car Division 



Ref. - No.



Ref. - No.



<b>29396</b>	71743963	7, 9, 11, 12, 13, 14, 15
<b>29396</b>	51758383	200, 202, 203, 204, 208, 217, 220, 222, 224, 236, 237, 247, 248
<b>29396</b>	55193358	200, 202, 203, 204, 208, 217, 220, 222, 224, 236, 237, 247, 248
<b>29396</b>	71743963	200, 202, 203, 204, 208, 217, 220, 222, 224, 236, 237, 247, 248
<b>29396</b>	51758383	362, 363, 367
<b>29396</b>	55193358	362, 363, 367
<b>29396</b>	71743963	362, 363, 367
<b>29396</b>	6340 555	535, 563, 571, 579
<b>29396</b>	6340 572	535, 563, 571, 579
<b>29396</b>	55 190 811	718, 720
<b>29396</b>	55 562 251	718, 720
<b>29396</b>	55190811	794, 821, 828, 836
<b>29396</b>	55562251	794, 821, 828, 836
<b>29709</b>	642 150 06 60	456
<b>29770</b>	642 200 07 70	480
<b>29770</b>	642 200 11 70	480
<b>29770</b>	642 200 16 70	480
<b>29858</b>	13 52 2 249 852	60, 66, 68, 69, 73, 83, 85, 91, 97, 101, 103, 107, 108
<b>29858</b>	13 52 7 789 690	60, 66, 68, 69, 73, 83, 85, 91, 97, 101, 103, 107, 108
<b>29858</b>	13 52 8 506 969	60, 66, 68, 69, 73, 83, 85, 91, 97, 101, 103, 107, 108
<b>29945</b>	045 903 315 A	26, 27
<b>29945</b>	045 903 315 A	731
<b>29945</b>	045 903 315 A	746, 754
<b>29945</b>	045 903 315 A	844, 858, 876
<b>29983</b>	16620-0R010	384
<b>29983</b>	16620-0R010	765, 766, 769, 779
<b>30013</b>	13540-27011	766, 769, 778

<b>30027</b>	31170-RBD-E01	324, 325, 326
<b>30027</b>	31170-RBD-E02	324, 325, 326
<b>30027</b>	31170-RBD-E022	324, 325, 326
<b>30029</b>	77362721	199, 205, 219, 221, 223, 227, 231, 234, 235, 249, 250
<b>30029</b>	77362721	366, 372
<b>30029</b>	1204 392	526, 533, 542, 551, 567
<b>30029</b>	1204 517	526, 533, 542, 551, 567
<b>30029</b>	93178273	781, 792, 803, 810, 825
<b>30029</b>	93192631	781, 792, 803, 810, 825
<b>30082</b>	31251653	901, 908, 910
<b>30083</b>	31251654	901, 908, 910
<b>30114</b>	11 28 2 248 483	67, 82, 95, 106
<b>30114</b>	11 28 2 354 131	67, 82, 95, 106
<b>30114</b>	6340 543	562
<b>30114</b>	93171384	820
<b>30116</b>	64 55 7 786 287	67, 82, 95, 106
<b>30116</b>	64 55 7 788 684	67, 82, 95, 106
<b>30117</b>	64 55 2 247 184	65, 67, 81, 82, 95, 106
<b>30117</b>	64 55 2 354 037	65, 67, 81, 82, 95, 106
<b>30117</b>	64 55 7 786 076	65, 67, 81, 82, 95, 106
<b>30118</b>	64 55 2 248 563	67, 82, 95
<b>30118</b>	64 55 2 354 034	67, 82, 95
<b>30128</b>	9653197280	259
<b>30128</b>	1 318 336	279, 282, 285, 288, 290, 299, 301, 314
<b>30128</b>	9653197280	370
<b>30128</b>	31216514	918, 924
<b>30146</b>	30757330	913, 919, 925, 926
<b>30146</b>	30777726	913, 919, 925, 926
<b>30146</b>	31251337	913, 919, 925, 926
<b>30146</b>	31251429	913, 919, 925, 926
<b>30146</b>	31258153	913, 919, 925, 926
<b>30146</b>	31330379	913, 919, 925, 926


**Ref. - No.**


<b>30159</b>	11 75 036 62R	195, 197
<b>30159</b>	11 75 096 54R	195, 197
<b>30159</b>	82 00 360 524	195, 197
<b>30159</b>	82 00 460 446	195, 197
<b>30159</b>	82 00 608 550	195, 197
<b>30159</b>	82 00 612 619	195, 197
<b>30159</b>	11 75 036 62R	662, 663, 671, 673, 679, 683, 690, 692, 694, 698, 702, 708
<b>30159</b>	11 75 096 54R	662, 663, 671, 673, 679, 683, 690, 692, 694, 698, 702, 708
<b>30159</b>	82 00 360 524	662, 663, 671, 673, 679, 683, 690, 692, 694, 698, 702, 708
<b>30159</b>	82 00 460 446	662, 663, 671, 673, 679, 683, 690, 692, 694, 698, 702, 708
<b>30159</b>	82 00 608 550	662, 663, 671, 673, 679, 683, 690, 692, 694, 698, 702, 708
<b>30159</b>	82 00 612 619	662, 663, 671, 673, 679, 683, 690, 692, 694, 698, 702, 708
<b>30167</b>	500393575	214
<b>30168</b>	504000412	214
<b>30170</b>	504086948	213
<b>30178</b>	2994029	214
<b>30178</b>	504000410	214
<b>30178</b>	504086751	214
<b>30179</b>	504088796	213
<b>30215</b>	03L 109 243 E	32, 40, 42, 43, 50, 57, 59
<b>30215</b>	03L 109 243 E	726, 730, 739, 745
<b>30215</b>	03L 109 243 E	753, 757
<b>30215</b>	03L 109 243 E	843, 854, 855, 871, 880, 883
<b>30257</b>	651 050 00 16	420, 429, 435, 437, 448, 466, 474, 476, 483, 489


**Ref. - No.**


<b>30258</b>	651 052 00 16	420, 429, 435, 437, 448, 466, 474, 476, 483, 489
<b>30279</b>	642 050 07 16	427, 428, 433, 434, 436, 438, 447, 456, 464, 467, 468, 473, 475, 480, 487
<b>30279</b>	642 050 09 16	427, 428, 433, 434, 436, 438, 447, 456, 464, 467, 468, 473, 475, 480, 487
<b>30291</b>	13070-16A10	507, 518, 521, 522
<b>30291</b>	13070-16A11	507, 518, 521, 522
<b>30300</b>	640 050 01 11 S1	424, 426, 430, 432, 441, 444, 445, 455, 462, 471, 479, 481, 482, 484, 486
<b>30301</b>	606 050 02 11 S1	402, 405, 422, 425, 439, 440, 443, 458, 470
<b>30302</b>	601 050 07 11 S1	400, 401, 403, 404, 406, 407, 408, 409, 412, 413, 415, 421, 442, 451, 452, 454, 457, 459, 469, 477, 478, 488, 490
<b>30319</b>	642 050 03 11 S1	446, 460, 463, 472
<b>30320</b>	642 050 03 11 S2	447, 464, 475
<b>30321</b>	642 050 03 11 S3	427, 428, 433, 434, 436, 438, 447, 453, 456, 464, 467, 468, 473, 475, 480, 487
<b>30322</b>	640 050 02 11 S1	418, 423
<b>30323</b>	651 050 00 00 S1	420, 429, 431, 435, 437, 448, 466, 474, 476, 483, 489
<b>30323</b>	651 050 01 00 S1	420, 429, 431, 435, 437, 448, 466, 474, 476, 483, 489
<b>30323</b>	651 050 00 11 S1	420, 429, 431, 435, 437, 448, 466, 474, 476, 483, 489



Ref. - No.

Car Division 



Ref. - No.



Ref. - No.



<b>30324</b>	615 050 08 11 S1	397, 398, 399, 409, 410, 411, 414, 450, 453
<b>30326</b>	668 050 01 11 S1	416, 485
<b>30327</b>	668 050 01 11 S2	416, 485
<b>30341</b>	11 31 2 248 728 S1	65, 81
<b>30342</b>	13 52 2 247 193 S1	65, 81
<b>30343</b>	11 31 2 248 728 S2	67, 82, 95, 106
<b>30343</b>	LHN 100840L S2	383
<b>30343</b>	5636 322 S1	562
<b>30343</b>	93171417 S1	820
<b>30344</b>	13 52 2 248 729 S1	67, 82, 95, 106
<b>30344</b>	5636 390 S1	562
<b>30347</b>	11 31 2 249 851 S1	60, 66, 68, 69, 73, 83, 85, 91, 97, 101, 103, 107, 108
<b>30347</b>	11 31 8 506 869 S1	60, 66, 68, 69, 73, 83, 85, 91, 97, 101, 103, 107, 108
<b>30348</b>	13 52 7 789 690 S1	60, 66, 68, 69, 73, 83, 85, 91, 97, 101, 103, 107, 108
<b>30348</b>	13 52 8 506 969 S1	60, 66, 68, 69, 73, 83, 85, 91, 97, 101, 103, 107, 108
<b>30349</b>	11 31 7 797 897 S1	61, 62, 63, 70, 71, 72, 74, 75, 76, 77, 84, 86, 87, 88, 89, 90, 92, 93, 98, 99, 100, 102, 105, 109, 110, 111
<b>30349</b>	11 31 8 506 650 S1	61, 62, 63, 70, 71, 72, 74, 75, 76, 77, 84, 86, 87, 88, 89, 90, 92, 93, 98, 99, 100, 102, 105, 109, 110, 111
<b>30349</b>	11 31 8 510 014 S1	61, 62, 63, 70, 71, 72, 74, 75, 76, 77, 84, 86, 87, 88, 89, 90, 92, 93, 98, 99, 100, 102, 105, 109, 110, 111

<b>30349</b>	11 31 8 572 503 S1	61, 62, 63, 70, 71, 72, 74, 75, 76, 77, 84, 86, 87, 88, 89, 90, 92, 93, 98, 99, 100, 102, 105, 109, 110, 111
<b>30349</b>	11 31 7 797 897 S1	493
<b>30349</b>	11 31 8 506 650 S1	493
<b>30349</b>	11 31 8 510 014 S1	493
<b>30349</b>	11 31 8 572 503 S1	493
<b>30384</b>	11 31 2 246 582 S1	64, 79, 80, 94
<b>30384</b>	13 52 2 246 583 S1	64, 79, 80, 94
<b>30384</b>	5636 365 S1	561
<b>30384</b>	5636 366 S1	561
<b>30390</b>	0003953V00100000	759
<b>30390</b>	660 997 00 94	759
<b>30391</b>	0003955V001000000	759
<b>30391</b>	660 052 01 16	759
<b>30392</b>	0003954V001000000	759
<b>30392</b>	660 052 00 16	759
<b>30395</b>	004 997 09 94	460, 463, 472
<b>30440</b>	11 28 7 800 333	61, 70, 72, 86, 89, 98, 100
<b>30441</b>	11 28 7 800 562	61, 70, 72, 84, 86, 89, 98, 100, 102, 109
<b>30444</b>	5636 352 S1	532, 560, 564, 566, 570, 577
<b>30444</b>	6606 025 SK	532, 560, 564, 566, 570, 577
<b>30444</b>	90 529 247 S1	716, 717, 719
<b>30444</b>	90529247 S1	791, 818, 820, 822, 824, 827, 829, 834
<b>30444</b>	93191274 SK	791, 818, 820, 822, 824, 827, 829, 834
<b>30449</b>	5636 353 S1	532, 547, 560, 564, 566, 570, 572, 577
<b>30449</b>	6606 026 SK	532, 547, 560, 564, 566, 570, 572, 577
<b>30449</b>	90 529 248 S1	716, 717, 719
<b>30449</b>	90529248 S1	791, 808, 818, 822, 824, 827, 829, 834
<b>30449</b>	93191275 SK	791, 808, 818, 822, 824, 827, 829, 834


**Ref. - No.**


<b>30464</b>	-	517, 519, 525
<b>30464</b>	-	575
<b>30464</b>	82 00 337 106	669, 674, 679, 680, 681, 691, 693, 701, 704, 707, 709, 710
<b>30464</b>	82 00 955 639	669, 674, 679, 680, 681, 691, 693, 701, 704, 707, 709, 710
<b>30464</b>	-	832
<b>30465</b>	-	514, 517, 519, 525
<b>30465</b>	-	558, 575
<b>30465</b>	82 00 337 109	669, 674, 679, 680, 681, 687, 691, 693, 701, 704, 707, 709, 710
<b>30465</b>	-	817, 832
<b>30496</b>	640 050 02 11	423, 424, 426, 430, 441, 444, 445, 455, 462, 471, 479, 486
<b>30496</b>	640 050 03 11	423, 424, 426, 430, 441, 444, 445, 455, 462, 471, 479, 486
<b>30498</b>	000 993 30 76	446, 447, 464, 475
<b>30499</b>	-	517, 519, 525
<b>30499</b>	-	575
<b>30499</b>	82 00 343 394	669, 674, 679, 680, 681, 691, 693, 701, 704, 707, 709, 710
<b>30499</b>	-	832
<b>30511</b>	13070-00Q0G	514, 517, 519, 525
<b>30511</b>	4431 206	558, 575
<b>30511</b>	4449 126	558, 575
<b>30511</b>	82 00 334 315	669, 674, 679, 680, 681, 687, 691, 693, 701, 704, 707, 709, 710
<b>30511</b>	82 00 918 797	669, 674, 679, 680, 681, 687, 691, 693, 701, 704, 707, 709, 710
<b>30511</b>	93161657	817, 832
<b>30511</b>	93198575	817, 832


**Ref. - No.**


<b>30539</b>	0003051V003000000 S2	759
<b>30539</b>	660 050 01 11 S2	759
<b>30580</b>	03G 198 119 A	30, 50
<b>30580</b>	03G 198 119 C	30, 50
<b>30580</b>	03G 198 119 A	727, 740, 745
<b>30580</b>	03G 198 119 C	727, 740, 745
<b>30580</b>	03G 198 119 A	752
<b>30580</b>	03G 198 119 C	752
<b>30580</b>	03G 198 119 A	853, 870, 884
<b>30580</b>	03G 198 119 C	853, 870, 884
<b>30620</b>	038 903 315 AA	731
<b>30620</b>	038 903 315 AB	731
<b>30620</b>	038 903 315 AA	746, 748, 754
<b>30620</b>	038 903 315 AB	746, 748, 754
<b>30620</b>	038 903 315 AA	877
<b>30620</b>	038 903 315 AB	877
<b>30621</b>	03G 145 276	37, 38, 40, 42, 50
<b>30621</b>	03G 145 276	730
<b>30621</b>	03G 145 276	838, 842, 890
<b>30639</b>	130C-12127R SK	517, 519, 525
<b>30639</b>	13028-00Q0A SK	517, 519, 525
<b>30639</b>	13028-00Q0E SK	517, 519, 525
<b>30639</b>	4431 205 SK	575
<b>30639</b>	13 0C 121 27R	669, 674, 679, 680, 681, 691, 693, 701, 704, 707, 709, 710
<b>30639</b>	77 01 476 597	669, 674, 679, 680, 681, 691, 693, 701, 704, 707, 709, 710
<b>30639</b>	93161656 SK	832
<b>30664</b>	4500 955	557
<b>30664</b>	09161255	816
<b>30668</b>	11 31 7 790 950	491
<b>30668</b>	13506-0N010	765, 769, 772, 780
<b>30668</b>	13506-33020	765, 769, 772, 780
<b>30669</b>	13506-26010	384
<b>30669</b>	13506-26010	765, 766, 769, 779
<b>30699</b>	14401-RBD-E01	324, 325, 326
<b>30733</b>	51758385	7, 9, 13
<b>30733</b>	51773551	7, 9, 13
<b>30733</b>	55190813	7, 9, 13
<b>30733</b>	51758385	202, 204, 224, 236
<b>30733</b>	51773551	202, 204, 224, 236





Ref. - No.

Car Division



Ref. - No.



Ref. - No.



<b>30733</b>	55190813	202, 204, 224, 236
<b>30733</b>	51758385	362, 367
<b>30733</b>	51773551	362, 367
<b>30733</b>	55190813	362, 367
<b>30733</b>	6340 557	535, 563, 571, 579
<b>30733</b>	55190813	794, 821, 828, 836
<b>30779</b>	074 198 119	857, 889
<b>30779</b>	074 198 119 H	857, 889
<b>30779</b>	074 198 119 Q	857, 889
<b>30788</b>	6 992 642	317
<b>30797</b>	1 136 183	271, 278, 281, 287, 289, 298, 307, 313
<b>30797</b>	1 149 503	271, 278, 281, 287, 289, 298, 307, 313
<b>30873</b>	1 308 227	322
<b>30873</b>	1 361 545	322
<b>30873</b>	1 473 383	322
<b>30976</b>	0831.K8 S1	168
<b>30976</b>	0831.90	168
<b>30976</b>	0831.91	168
<b>30976</b>	0831.K8 S1	642
<b>30976</b>	0831.90	642
<b>30976</b>	0831.91	642
<b>30978</b>	500371975	214
<b>30978</b>	504076915	214
<b>30980</b>	500388688	214
<b>30980</b>	500390458	214
<b>31002</b>	24351-2A000	327, 328, 330, 344
<b>31002</b>	24351-2A001	327, 328, 330, 344
<b>31002</b>	24351-2A000	349, 350, 354, 355, 359, 360
<b>31002</b>	24351-2A001	349, 350, 354, 355, 359, 360
<b>31003</b>	24361-2A000	327, 328, 330, 344
<b>31003</b>	24361-2A001	327, 328, 330, 344
<b>31003</b>	24361-2A000	349, 350, 354, 355, 359, 360
<b>31003</b>	24361-2A001	349, 350, 354, 355, 359, 360
<b>31053</b>	71736716	214
<b>31072</b>	24351-4A020	358
<b>31073</b>	24361-4A020	358

<b>31074</b>	23351-4A020	358
<b>31089</b>	51758384	204, 236, 247
<b>31089</b>	71743962	204, 236, 247
<b>31089</b>	6340 556	535, 563, 571, 579
<b>31089</b>	55 190 812	718
<b>31089</b>	55190812	794, 821, 828, 836
<b>31090</b>	038 145 299 A	48
<b>31090</b>	038 145 299 A	755
<b>31090</b>	038 145 299 A	851, 860, 867, 869
<b>31142</b>	1 361 876	278, 287
<b>31195</b>	24810-27000	327, 328, 330, 339, 340, 343, 344
<b>31195</b>	24810-27250	327, 328, 330, 339, 340, 343, 344
<b>31195</b>	24810-27000	348, 349, 350, 352, 353, 357
<b>31195</b>	24810-27250	348, 349, 350, 352, 353, 357
<b>31213</b>	24312-27000 S1	327, 328, 330, 339, 340, 343, 344
<b>31213</b>	24312-27000 S1	348, 350
<b>31236</b>	11 28 7 790 448	60, 69, 73
<b>31351</b>	668 050 00 03	416, 485
<b>31359</b>	30757282	921, 927
<b>31359</b>	31251251	921, 927
<b>31382</b>	668 202 07 19 S1	417, 485
<b>31382</b>	668 202 09 19 S1	417, 485
<b>31382</b>	668 202 10 19 S1	417, 485
<b>31382</b>	668 202 11 19 S1	417, 485
<b>31383</b>	668 200 07 70 S1	417, 485
<b>31383</b>	668 200 11 70 S1	417, 485
<b>31383</b>	668 200 15 70 S1	417, 485
<b>31383</b>	668 200 21 70 S1	417, 485
<b>31383</b>	668 202 99 19	417, 485
<b>31622</b>	46788783	13, 14
<b>31622</b>	46804589 S1	13, 14
<b>31622</b>	55221385 S1	13, 14
<b>31622</b>	0816.K9 S1	180
<b>31622</b>	46788783	199, 205, 206, 207, 208, 219, 221, 223, 227, 230, 231, 232, 233, 235, 237, 238, 239, 250, 252


**Ref. - No.**


<b>31622</b>	46804589 S1	199, 205, 206, 207, 208, 219, 221, 223, 227, 230, 231, 232, 233, 235, 237, 238, 239, 250, 252
<b>31622</b>	55221385 S1	199, 205, 206, 207, 208, 219, 221, 223, 227, 230, 231, 232, 233, 235, 237, 238, 239, 250, 252
<b>31622</b>	46788783	366, 372, 373
<b>31622</b>	46804589 S1	366, 372, 373
<b>31622</b>	55221385 S1	366, 372, 373
<b>31622</b>	6606 024 SK	526, 533, 536, 540, 542, 544, 551, 553, 567
<b>31622</b>	0816.K9 S1	637
<b>31622</b>	93191273 SK	781, 792, 795, 801, 803, 805, 810, 812, 825
<b>31725</b>	RF7J-12-205	387, 389, 390
<b>31726</b>	RF7J-12-205 S1	387, 389, 390
<b>31973</b>	6204 663	534, 543, 545, 552, 578
<b>31973</b>	98005564	793, 804, 806, 811, 835
<b>31975</b>	611 200 05 70 S1	424, 426, 427, 430, 432, 441, 444, 445, 455, 462, 471, 479, 482, 486
<b>31975</b>	646 200 02 70 S1	424, 426, 427, 430, 432, 441, 444, 445, 455, 462, 471, 479, 482, 486
<b>31975</b>	611 202 00 19	424, 426, 427, 430, 432, 441, 444, 445, 455, 462, 471, 479, 482, 486
<b>32018</b>	4405 281	557, 558, 575, 576
<b>32018</b>	4413 416	557, 558, 575, 576
<b>32018</b>	4431 739	557, 558, 575, 576
<b>32018</b>	4433 874	557, 558, 575, 576
<b>32018</b>	4506 190	557, 558, 575, 576


**Ref. - No.**


<b>32018</b>	82 00 004 341	661, 668, 678, 685, 706, 707
<b>32018</b>	82 00 206 872	661, 668, 678, 685, 706, 707
<b>32018</b>	82 00 347 161	661, 668, 678, 685, 706, 707
<b>32018</b>	82 00 548 109	661, 668, 678, 685, 706, 707
<b>32018</b>	82 00 714 513	661, 668, 678, 685, 706, 707
<b>32018</b>	82 00 761 529	661, 668, 678, 685, 706, 707
<b>32018</b>	09121114	816, 832, 833
<b>32018</b>	09198523	816, 832, 833
<b>32018</b>	93161221	816, 832, 833
<b>32018</b>	93161842	816, 832, 833
<b>32018</b>	93198194	816, 832, 833
<b>32079</b>	668 200 08 70	417, 485
<b>32079</b>	668 200 12 70	417, 485
<b>32079</b>	668 200 16 70	417, 485
<b>32079</b>	668 200 22 70	417, 485
<b>32248</b>	11 28 7 790 447	60, 69
<b>32337</b>	RF01-12-700B	385
<b>32449</b>	0816.J0 SK	119, 125, 127, 130, 132, 134, 136, 140, 146, 149, 177, 190
<b>32449</b>	0816.J1 SK	119, 125, 127, 130, 132, 134, 136, 140, 146, 149, 177, 190
<b>32449</b>	0849.26	119, 125, 127, 130, 132, 134, 136, 140, 146, 149, 177, 190
<b>32449</b>	1 231 280	272, 274, 277, 280, 286, 289, 293
<b>32449</b>	11 31 7 805 967 SK1	492
<b>32449</b>	0816.J0 SK	585, 593, 600, 603, 611, 630, 633, 647, 654, 656, 658
<b>32449</b>	0816.J1 SK	585, 593, 600, 603, 611, 630, 633, 647, 654, 656, 658





Ref. - No.

Car  
Division

Ref. - No.



Ref. - No.



<b>32449</b>	0849.26	585, 593, 600, 603, 611, 630, 633, 647, 654, 656, 658
<b>32449</b>	9648507780D	585, 593, 600, 603, 611, 630, 633, 647, 654, 656, 658
<b>32449</b>	31259232 SK1	899, 906, 917, 923
<b>32505</b>	RF5C-18-W11	387, 389, 390, 393, 395
<b>32505</b>	RF5C-18-330	387, 389, 390, 393, 395
<b>32505</b>	RF5C-18-330A	387, 389, 390, 393, 395
<b>32556</b>	038 109 119 M S2	735
<b>32556</b>	038 109 119 M S2	746
<b>32556</b>	038 109 119 M S2	877
<b>32577</b>	13540-67020	771, 774, 775, 776
<b>32581</b>	MW30620661	495, 505
<b>32581</b>	11750-00QAA	510, 516
<b>32581</b>	11750-00QAE	510, 516
<b>32581</b>	11750-00QQA	510, 516
<b>32581</b>	11750-00QOK	510, 516
<b>32581</b>	11750-00Q1B	510, 516
<b>32581</b>	4401 567	556, 574
<b>32581</b>	4409 587	556, 574
<b>32581</b>	4433 452	556, 574
<b>32581</b>	4449 671	556, 574
<b>32581</b>	77 00 110 947	678, 685, 706
<b>32581</b>	82 00 190 571	678, 685, 706
<b>32581</b>	82 00 673 092	678, 685, 706
<b>32581</b>	82 00 840 824	678, 685, 706
<b>32581</b>	09109567	815, 831
<b>32581</b>	93160004	815, 831
<b>32581</b>	93198089	815, 831
<b>32581</b>	93198659	815, 831
<b>32581</b>	30620661	903, 904
<b>32581</b>	30638573	903, 904
<b>32581</b>	31216269	903, 904
<b>32581</b>	31310434	903, 904
<b>32647</b>	074 109 119 R S5	46
<b>32791</b>	076 145 278	842, 889
<b>32810</b>	076 145 299	842

<b>32820</b>	5751.E6	121, 126, 131, 132, 137, 141, 150, 178, 190
<b>32820</b>	5751.F4	121, 126, 131, 132, 137, 141, 150, 178, 190
<b>32820</b>	5751.E6	586, 589, 591, 594, 601, 611, 631, 637, 647, 655, 657, 659
<b>32820</b>	5751.F4	586, 589, 591, 594, 601, 611, 631, 637, 647, 655, 657, 659
<b>33152</b>	059 145 201 E	39, 51, 54, 58, 59
<b>33153</b>	059 145 201 F	39, 42
<b>33153</b>	059 145 201 H	39, 42
<b>33153</b>	059 145 201 D	873, 885
<b>33153</b>	059 145 201 F	873, 885
<b>33153</b>	059 145 201 H	873, 885
<b>33179</b>	25281-27000	327, 328, 330, 331, 337, 339, 340, 341, 343, 344
<b>33179</b>	25281-27001	327, 328, 330, 331, 337, 339, 340, 341, 343, 344
<b>33179</b>	25281-27010	327, 328, 330, 331, 337, 339, 340, 341, 343, 344
<b>33179</b>	25281-27060	327, 328, 330, 331, 337, 339, 340, 341, 343, 344
<b>33179</b>	25281-27000	348, 349, 350, 352, 353, 357
<b>33179</b>	25281-27001	348, 349, 350, 352, 353, 357
<b>33179</b>	25281-27010	348, 349, 350, 352, 353, 357
<b>33179</b>	25281-27060	348, 349, 350, 352, 353, 357
<b>33180</b>	25287-27000	327, 328, 330, 331, 339, 340, 341, 343, 344


**Ref. - No.**


<b>33180</b>	25287-27001	327, 328, 330, 331, 339, 340, 341, 343, 344
<b>33180</b>	25287-27000	348, 350, 352, 353, 357
<b>33180</b>	25287-27001	348, 350, 352, 353, 357
<b>33184</b>	0K551-15-981B	347
<b>33463</b>	642 200 05 70	461, 473
<b>33691</b>	0816.F6	119, 125, 127, 128, 130, 132, 134, 136, 137, 139, 140, 142, 145, 146, 147, 148, 149, 151, 152, 153, 155, 157, 158, 163, 165, 175, 177, 179, 190
<b>33691</b>	0816.F8	119, 125, 127, 128, 130, 132, 134, 136, 137, 139, 140, 142, 145, 146, 147, 148, 149, 151, 152, 153, 155, 157, 158, 163, 165, 175, 177, 179, 190
<b>33691</b>	0816.J1 SK2	119, 125, 127, 128, 130, 132, 134, 136, 137, 139, 140, 142, 145, 146, 147, 148, 149, 151, 152, 153, 155, 157, 158, 163, 165, 175, 177, 179, 190
<b>33691</b>	9464474289	242, 245, 257, 259, 260
<b>33691</b>	1 231 282	272, 274, 277, 279, 280, 282, 284, 285, 286, 288, 289, 290, 292, 293, 299, 300, 301, 308, 309, 314, 315
<b>33691</b>	9464474289	369, 370, 374
<b>33691</b>	LR 000663	381
<b>33691</b>	11 31 7 805 967 SK2	492
<b>33691</b>	MN982129	503


**Ref. - No.**


<b>33691</b>	0816.F6	585, 593, 600, 602, 603, 604, 605, 609, 611, 612, 613, 615, 619, 621, 622, 625, 627, 628, 630, 633, 634, 635, 646, 647, 648, 654, 656, 658, 659
<b>33691</b>	0816.F8	585, 593, 600, 602, 603, 604, 605, 609, 611, 612, 613, 615, 619, 621, 622, 625, 627, 628, 630, 633, 634, 635, 646, 647, 648, 654, 656, 658, 659
<b>33691</b>	0816.J1 SK2	585, 593, 600, 602, 603, 604, 605, 609, 611, 612, 613, 615, 619, 621, 622, 625, 627, 628, 630, 633, 634, 635, 646, 647, 648, 654, 656, 658, 659
<b>33691</b>	8653755	899, 900, 906, 907, 917, 918, 923, 924
<b>33692</b>	0816.J0	119, 125, 127, 130, 132, 134, 136, 140, 146, 149, 177, 190
<b>33692</b>	0816.J1	119, 125, 127, 130, 132, 134, 136, 140, 146, 149, 177, 190
<b>33692</b>	1 448 169	272, 274, 277, 280, 286, 289, 293
<b>33692</b>	11 31 7 805 967	492
<b>33692</b>	0816.J0	585, 593, 600, 603, 611, 630, 633, 647, 654, 656, 658
<b>33692</b>	0816.J1	585, 593, 600, 603, 611, 630, 633, 647, 654, 656, 658
<b>33692</b>	31259232	899, 906, 917, 923
<b>33826</b>	668 052 01 01	416, 420, 429, 435, 437, 448, 466, 474, 476, 483, 485, 489
<b>33834</b>	668 050 01 11 S3	416
<b>33880</b>	LR 004877	381



Ref. - No.

Car  
Division

Ref. - No.



Ref. - No.



<b>33899</b>	000 993 68 76 S1	416, 418, 420, 423, 429, 435, 437, 448, 466, 474, 476, 483, 485, 489
<b>33899</b>	668 997 05 94 S1	416, 418, 420, 423, 429, 435, 437, 448, 466, 474, 476, 483, 485, 489
<b>33899</b>	000 993 68 76 S1	758
<b>33899</b>	668 997 05 94 S1	758
<b>33901</b>	000 993 46 76 S1	420, 429, 431, 435, 437, 448, 466, 474, 476, 483, 489
<b>33901</b>	000 993 62 76 S1	420, 429, 431, 435, 437, 448, 466, 474, 476, 483, 489
<b>33902</b>	000 993 10 76 S1	427, 428, 433, 434, 436, 438, 447, 456, 464, 467, 468, 473, 475, 480, 487
<b>33902</b>	000 993 17 76 S1	427, 428, 433, 434, 436, 438, 447, 456, 464, 467, 468, 473, 475, 480, 487
<b>33902</b>	000 993 63 76 S1	427, 428, 433, 434, 436, 438, 447, 456, 464, 467, 468, 473, 475, 480, 487
<b>33904</b>	0003953V00100000 S1	759
<b>33904</b>	660 997 00 94 S1	759
<b>33941</b>	1609010680	216
<b>33941</b>	9658142480	216
<b>33941</b>	1 372 398	320
<b>33941</b>	1 496 244	320
<b>33941</b>	1 731 729	320
<b>33947</b>	1 376 316	298, 313
<b>33947</b>	1 387 199	298, 313
<b>33947</b>	1 425 510	298, 313
<b>33977</b>	1 387 066	308
<b>34122</b>	076 109 119 A	842
<b>34123</b>	076 198 119	842
<b>34124</b>	076 198 119 S1	842
<b>34126</b>	03L 109 119 C	26, 31, 57

<b>34126</b>	03L 109 119 G	26, 31, 57
<b>34126</b>	03L 109 119 J	26, 31, 57
<b>34126</b>	03L 109 119 C	724, 726, 736, 739
<b>34126</b>	03L 109 119 G	724, 726, 736, 739
<b>34126</b>	03L 109 119 J	724, 726, 736, 739
<b>34126</b>	03L 109 119 C	748, 753, 754, 757
<b>34126</b>	03L 109 119 G	748, 753, 754, 757
<b>34126</b>	03L 109 119 J	748, 753, 754, 757
<b>34126</b>	03L 109 119 C	838, 841, 855, 878, 879, 882, 883, 885, 890
<b>34126</b>	03L 109 119 E	838, 841, 855, 878, 879, 882, 883, 885, 890
<b>34126</b>	03L 109 119 G	838, 841, 855, 878, 879, 882, 883, 885, 890
<b>34126</b>	03L 109 119 J	838, 841, 855, 878, 879, 882, 883, 885, 890
<b>34127</b>	03L 109 119 D	32, 40, 42, 43, 50, 57, 59
<b>34127</b>	03L 109 119 F	32, 40, 42, 43, 50, 57, 59
<b>34127</b>	03L 109 119 D	726, 730, 739, 745
<b>34127</b>	03L 109 119 F	726, 730, 739, 745
<b>34127</b>	03L 109 119 D	753, 757
<b>34127</b>	03L 109 119 F	753, 757
<b>34127</b>	03L 109 119 D	843, 854, 855, 871, 880, 883
<b>34127</b>	03L 109 119 F	843, 854, 855, 871, 880, 883
<b>34128</b>	03L 198 119	32, 40, 42, 43, 50, 57, 59
<b>34128</b>	03L 198 119	726, 730, 739, 745
<b>34128</b>	03L 198 119	753, 757
<b>34128</b>	03L 198 119	843, 854, 855, 871, 880, 883
<b>34172</b>	11 28 7 799 859	108
<b>34312</b>	24410-27000	327, 328, 330, 339, 340, 343, 344
<b>34312</b>	24410-27250	327, 328, 330, 339, 340, 343, 344


**Ref. - No.**


<b>34312</b>	24410-27000	348, 349, 350, 352, 353, 357
<b>34312</b>	24410-27250	348, 349, 350, 352, 353, 357
<b>34469</b>	64 55 7 786 711	68, 85, 97, 101, 103, 107, 108
<b>34472</b>	1340 269	538, 539, 548, 580
<b>34472</b>	55 562 864	720
<b>34472</b>	55562864	797, 798, 809, 837
<b>34599</b>	1204 177	544
<b>34599</b>	13258483	805
<b>34606</b>	RF7J-15-980	387, 389, 390
<b>34606</b>	RF8D-15-980	387, 389, 390
<b>34610</b>	RF2A-12-770A	387, 389, 390, 391, 392, 393, 394
<b>34610</b>	RF2A-12-770B	387, 389, 390, 391, 392, 393, 394
<b>34619</b>	5636 412	538, 548, 565, 573, 580
<b>34619</b>	97250750	797, 809, 823, 829, 830, 837
<b>34644</b>	1145A031	499
<b>34783</b>	03L 109 244	26, 31, 40, 52, 57, 59
<b>34783</b>	03L 109 244 B	26, 31, 40, 52, 57, 59
<b>34783</b>	03L 109 244 E	26, 31, 40, 52, 57, 59
<b>34783</b>	03L 109 244 J	26, 31, 40, 52, 57, 59
<b>34783</b>	03L 109 244	726, 736, 739
<b>34783</b>	03L 109 244 B	726, 736, 739
<b>34783</b>	03L 109 244 E	726, 736, 739
<b>34783</b>	03L 109 244 J	726, 736, 739
<b>34783</b>	03L 109 244	748, 753, 754, 757
<b>34783</b>	03L 109 244 B	748, 753, 754, 757
<b>34783</b>	03L 109 244 E	748, 753, 754, 757
<b>34783</b>	03L 109 244 J	748, 753, 754, 757
<b>34783</b>	03L 109 244	838, 841, 842, 843, 855, 871, 872, 878, 879, 882, 883, 885, 891


**Ref. - No.**


<b>34783</b>	03L 109 244 B	838, 841, 842, 843, 855, 871, 872, 878, 879, 882, 883, 885, 891
<b>34783</b>	03L 109 244 E	838, 841, 842, 843, 855, 871, 872, 878, 879, 882, 883, 885, 891
<b>34783</b>	03L 109 244 J	838, 841, 842, 843, 855, 871, 872, 878, 879, 882, 883, 885, 891
<b>34805</b>	5751.F3	121, 126, 150, 178, 181, 190
<b>34805</b>	9654127380	244, 246
<b>34805</b>	5751.F3	586, 591
<b>36020</b>	0829.E8	128, 148, 152, 153, 158
<b>36020</b>	0829.F5	128, 148, 152, 153, 158
<b>36020</b>	9683273480	259
<b>36020</b>	1 451 630	300, 309, 315
<b>36020</b>	1 466 113	300, 309, 315
<b>36020</b>	1 492 247	300, 309, 315
<b>36020</b>	1 538 439	300, 309, 315
<b>36020</b>	9683273480	370
<b>36020</b>	LR 005362	381
<b>36020</b>	LR 006671	381
<b>36020</b>	LR 009395	381
<b>36020</b>	MN982126	503
<b>36020</b>	0829.E8	613, 615, 622, 628, 635
<b>36020</b>	0829.F5	613, 615, 622, 628, 635
<b>36069</b>	0816.J5	128, 148, 152, 153, 158
<b>36069</b>	1 427 861	300, 309, 315
<b>36069</b>	1 451 510	300, 309, 315
<b>36069</b>	LR 001269	381
<b>36069</b>	LR 004257	381
<b>36069</b>	MN982125	503
<b>36069</b>	0816.J5	613, 615, 622, 628, 635



Ref. - No.

Car Division



Ref. - No.



Ref. - No.



<b>36075</b>	11 31 8 506 654	72, 75, 77, 86, 87, 89, 90, 92, 93, 98, 99, 104, 105, 109, 111
<b>36075</b>	13 52 7 800 024	72, 75, 77, 86, 87, 89, 90, 92, 93, 98, 99, 104, 105, 109, 111
<b>36076</b>	11 31 8 506 654 S1	72, 75, 77, 86, 87, 89, 90, 92, 93, 98, 99, 104, 105, 109, 111
<b>36076</b>	13 52 7 800 024 S1	72, 75, 77, 86, 87, 89, 90, 92, 93, 98, 99, 104, 105, 109, 111
<b>36230</b>	0831.P6	128, 148, 152, 153, 158
<b>36230</b>	0831.V5	128, 148, 152, 153, 158
<b>36230</b>	1 451 510 S1	300, 309, 315
<b>36230</b>	1 750 527	300, 309, 315
<b>36230</b>	MN982128	503
<b>36230</b>	0831.P5	613, 615, 622, 628, 635
<b>36230</b>	0831.V5	613, 615, 622, 628, 635
<b>36291</b>	1 099 794	306, 318, 319
<b>36291</b>	1 141 681	306, 318, 319
<b>36292</b>	1 253 974	319, 321
<b>36294</b>	1 102 609	319, 321
<b>36295</b>	1 099 874	306, 318, 319
<b>36296</b>	1 102 690	306
<b>36296</b>	1 113 261	306
<b>36296</b>	1 138 760	306
<b>36297</b>	1 406 306	306, 318, 319, 321
<b>36365</b>	46439471	200, 212
<b>36399</b>	642 200 06 70	480
<b>36419</b>	642 050 09 16 S1	427, 428, 433, 434, 436, 438, 447, 456, 464, 467, 468, 473, 480, 487

<b>36419</b>	000 993 10 76	427, 428, 433, 434, 436, 438, 447, 456, 464, 467, 468, 473, 480, 487
<b>36419</b>	000 993 17 76	427, 428, 433, 434, 436, 438, 447, 456, 464, 467, 468, 473, 480, 487
<b>36434</b>	77 00 107 401	661, 662, 672, 688
<b>36434</b>	77 00 866 844	661, 662, 672, 688
<b>36438</b>	77 01 473 179	193, 194, 195, 196, 198
<b>36438</b>	77 01 476 570	193, 194, 195, 196, 198
<b>36438</b>	77 01 478 037	193, 194, 195, 196, 198
<b>36438</b>	607 050 01 00	419, 431
<b>36438</b>	77 01 473 179	663, 664, 665, 670, 671, 673, 679, 682, 683, 684, 690, 692, 694, 698, 700, 702, 708
<b>36438</b>	77 01 476 570	663, 664, 665, 670, 671, 673, 679, 682, 683, 684, 690, 692, 694, 698, 700, 702, 708
<b>36438</b>	77 01 478 037	663, 664, 665, 670, 671, 673, 679, 682, 683, 684, 690, 692, 694, 698, 700, 702, 708
<b>36441</b>	46439454	228, 233, 249, 251, 263
<b>36441</b>	7721595	228, 233, 249, 251, 263
<b>36441</b>	7749452	228, 233, 249, 251, 263
<b>36441</b>	7784613	228, 233, 249, 251, 263
<b>36442</b>	60671789	254
<b>36488</b>	11 28 7 799 851	108
<b>36592</b>	601 050 07 11 S1	403, 404, 406, 407, 408


**Ref. - No.**


<b>36592</b>	601 050 08 16 S1	403, 404, 406, 407, 408
<b>36592</b>	601 052 00 01 S1	403, 404, 406, 407, 408
<b>36592</b>	606 052 00 03 S1	403, 404, 406, 407, 408
<b>36592</b>	601 052 03 16 S1	403, 404, 406, 407, 408
<b>36592</b>	601 052 05 16 S1	403, 404, 406, 407, 408
<b>36592</b>	003 997 55 94 S1	403, 404, 406, 407, 408
<b>36593</b>	651 050 01 00 S2	420, 429, 431, 435, 437, 448, 466, 474, 476, 483, 489
<b>36593</b>	651 050 00 11 S2	420, 429, 431, 435, 437, 448, 466, 474, 476, 483, 489
<b>36593</b>	651 050 00 16 S1	420, 429, 431, 435, 437, 448, 466, 474, 476, 483, 489
<b>36593</b>	651 052 00 01 S1	420, 429, 431, 435, 437, 448, 466, 474, 476, 483, 489
<b>36593</b>	651 052 00 16 S1	420, 429, 431, 435, 437, 448, 466, 474, 476, 483, 489
<b>36593</b>	000 993 68 76 S2	420, 429, 431, 435, 437, 448, 466, 474, 476, 483, 489
<b>36594</b>	668 050 01 11 S4	416
<b>36594</b>	668 052 01 01 S1	416
<b>36594</b>	668 052 02 16 S1	416
<b>36594</b>	668 052 03 16 S1	416
<b>36594</b>	166 181 01 59 S1	416
<b>36594</b>	000 993 68 76 S3	416
<b>36636</b>	11 28 7 800 334	84, 89, 98, 102, 109
<b>36826</b>	-	558
<b>36826</b>	82 00 357 341	669, 674, 679, 681, 687, 691, 693, 701, 704, 707, 709


**Ref. - No.**


<b>36826</b>	82 00 725 951	669, 674, 679, 681, 687, 691, 693, 701, 704, 707, 709
<b>36826</b>	-	832
<b>36831</b>	-	514
<b>36831</b>	-	558
<b>36831</b>	11 75 009 69R	669, 674, 679, 681, 687, 691, 693, 701, 704, 707, 709
<b>36831</b>	11 75 075 68R	669, 674, 679, 681, 687, 691, 693, 701, 704, 707, 709
<b>36831</b>	82 00 357 406	669, 674, 679, 681, 687, 691, 693, 701, 704, 707, 709
<b>36831</b>	82 00 941 079	669, 674, 679, 681, 687, 691, 693, 701, 704, 707, 709
<b>36831</b>	-	832
<b>36859</b>	5751.F5	128, 148, 152, 153, 158, 187
<b>36859</b>	5751.G0	128, 148, 152, 153, 158, 187
<b>36859</b>	1 440 933	300, 309, 315
<b>36859</b>	1 477 061	300, 309, 315
<b>36859</b>	1 696 474	300, 309, 315
<b>36859</b>	5751.F5	613, 616, 623, 629, 636
<b>36859</b>	5751.G0	613, 616, 623, 629, 636
<b>36867</b>	5751.F7	128, 191
<b>36867</b>	5751.G1	128, 191
<b>36867</b>	5751.F7	588, 636
<b>36867</b>	5751.G1	588, 636
<b>36915</b>	000 993 68 76 S1	758
<b>36915</b>	640 050 00 11	758
<b>36915</b>	640 050 01 11 S2	758
<b>36915</b>	640 050 03 16	758
<b>36915</b>	640 050 04 16	758
<b>36915</b>	668 997 05 94 S1	758





Ref. - No.

Car Division



Ref. - No.



Ref. - No.



<b>36934</b>	640 200 18 70	418, 419, 423
<b>36934</b>	640 200 23 70	418, 419, 423
<b>36934</b>	640 200 26 70	418, 419, 423
<b>36934</b>	640 200 27 70	418, 419, 423
<b>36934</b>	640 200 33 70	418, 419, 423
<b>37019</b>	03L 109 244 G	841, 878, 882
<b>37154</b>	4404 476	557, 558, 576
<b>37154</b>	4405 276	557, 558, 576
<b>37154</b>	4415 859	557, 558, 576
<b>37154</b>	4432 089	557, 558, 576
<b>37154</b>	4506 192	557, 558, 576
<b>37154</b>	82 00 025 570	685, 706
<b>37154</b>	82 00 111 869	685, 706
<b>37154</b>	82 00 200 587	685, 706
<b>37154</b>	82 00 354 507	685, 706
<b>37154</b>	82 00 645 498	685, 706
<b>37154</b>	82 00 714 514	685, 706
<b>37154</b>	82 00 761 531	685, 706
<b>37154</b>	09112476	816, 833
<b>37154</b>	09121109	816, 833
<b>37154</b>	09198524	816, 833
<b>37154</b>	93161922	816, 833
<b>37154</b>	93183558	816, 833
<b>37211</b>	0849.22	137, 139, 142, 145, 147, 148, 151, 155, 157, 163, 165, 175, 179
<b>37211</b>	9400849229	242, 245, 257, 260
<b>37211</b>	1 231 971	279, 282, 284, 285, 288, 290, 292, 299, 301, 308, 314
<b>37211</b>	9400849229	369, 374
<b>37211</b>	0849.22	602, 604, 609, 612, 615, 619, 621, 625, 627, 628, 634, 646, 648, 659
<b>37211</b>	30725030	900, 907, 918, 924
<b>37211</b>	8653757	900, 907, 918, 924
<b>37221</b>	0849.30	128, 148, 152, 153, 158
<b>37221</b>	96 541 138 80	128, 148, 152, 153, 158
<b>37221</b>	9654113880	259

<b>37221</b>	1 427 902	300, 309, 315
<b>37221</b>	9654113880	370
<b>37221</b>	LR 001300	381
<b>37221</b>	MN982130	503
<b>37221</b>	0849.30	605, 613, 615, 622, 628, 635
<b>37221</b>	96 541 138 80	605, 613, 615, 622, 628, 635
<b>37224</b>	0829.94	137, 139, 142, 145, 147, 148, 163, 165
<b>37224</b>	9400829949	242, 245, 257, 260
<b>37224</b>	1 231 977	279, 282, 284, 285, 288, 290, 292, 299, 301, 308, 314
<b>37224</b>	9400829949	369, 374
<b>37224</b>	0829.94	619, 621
<b>37224</b>	8653756	900, 907, 918, 924
<b>37230</b>	0849.23	137, 139, 142, 145, 147, 148, 151, 155, 163, 165, 175, 179
<b>37230</b>	9400849239	242, 245, 257, 260
<b>37230</b>	9636791280	242, 245, 257, 260
<b>37230</b>	1 231 971 S1	279, 282, 284, 285, 288, 290, 292, 299, 301, 308, 314
<b>37230</b>	9400849239	369, 374
<b>37230</b>	9636791280	369, 374
<b>37230</b>	0849.23	602, 604, 609, 612, 615, 619, 625, 627, 628, 634, 635, 646, 648, 659
<b>37230</b>	8653755 S1	900, 907, 918, 924
<b>37254</b>	9658142780	216
<b>37254</b>	1 420 513	320
<b>37255</b>	1 445 915	321
<b>37255</b>	6C1Q6A228BC	321
<b>37266</b>	5751.A7	137, 142, 147, 151, 156, 180
<b>37266</b>	5751.F6	137, 142, 147, 151, 156, 180
<b>37266</b>	1611424380	246, 261
<b>37266</b>	9650542480	246, 261


**Ref. - No.**


<b>37266</b>	1 231 958	288
<b>37266</b>	1 253 954	288
<b>37266</b>	1 305 339	288
<b>37266</b>	1 310 771	288
<b>37266</b>	1611424380	370
<b>37266</b>	9650542480	370
<b>37266</b>	5751.A7	602, 605, 612, 616, 619, 629, 648
<b>37266</b>	5751.F6	602, 605, 612, 616, 619, 629, 648
<b>37266</b>	30650927	900, 907
<b>37266</b>	30684427	900, 907
<b>37268</b>	5751.E5	131, 132, 137, 141
<b>37268</b>	5751.E5	586, 594, 601, 631
<b>37270</b>	5751.94	123, 174, 188
<b>37270</b>	5751.94	587, 645, 651, 652
<b>37275</b>	0830.75	119, 125, 129, 133, 134, 136, 138, 140, 143, 144, 149, 161, 162, 177
<b>37275</b>	96 735 280 80	119, 125, 129, 133, 134, 136, 138, 140, 143, 144, 149, 161, 162, 177
<b>37275</b>	9467644089	245
<b>37275</b>	1 725 441	264, 273, 274, 275, 283, 291, 297, 307
<b>37275</b>	Y650-12-730	386, 387, 388
<b>37275</b>	Y650-12-730A	386, 387, 388
<b>37275</b>	0830.75	590, 593, 594, 595, 603, 606, 614, 632, 633, 636, 647, 654, 656
<b>37275</b>	96 735 280 80	590, 593, 594, 595, 603, 606, 614, 632, 633, 636, 647, 654, 656
<b>37275</b>	31330200	898, 905, 909, 912, 916, 922


**Ref. - No.**


<b>37275</b>	31339887	898, 905, 909, 912, 916, 922
<b>37285</b>	0816.K1	119, 125, 129, 133, 134, 136, 138, 140, 143, 144, 149, 161, 162, 177
<b>37285</b>	0816.L0	119, 125, 129, 133, 134, 136, 138, 140, 143, 144, 149, 161, 162, 177
<b>37285</b>	16 087 459 80	119, 125, 129, 133, 134, 136, 138, 140, 143, 144, 149, 161, 162, 177
<b>37285</b>	96 760 188 80	119, 125, 129, 133, 134, 136, 138, 140, 143, 144, 149, 161, 162, 177
<b>37285</b>	98 025 714 80	119, 125, 129, 133, 134, 136, 138, 140, 143, 144, 149, 161, 162, 177
<b>37285</b>	9467643789	245
<b>37285</b>	1 685 739	264, 274, 275, 283, 291, 297, 307
<b>37285</b>	1 700 248	264, 274, 275, 283, 291, 297, 307
<b>37285</b>	1 738 632	264, 274, 275, 283, 291, 297, 307
<b>37285</b>	0816.K1	593, 594, 595, 603, 606, 614, 632, 633, 636, 647, 654, 656, 658
<b>37285</b>	0816.L0	593, 594, 595, 603, 606, 614, 632, 633, 636, 647, 654, 656, 658
<b>37285</b>	16 087 459 80	593, 594, 595, 603, 606, 614, 632, 633, 636, 647, 654, 656, 658





Ref. - No.

Car  
Division

Ref. - No.



Ref. - No.



<b>37285</b>	96 760 188 80	593, 594, 595, 603, 606, 614, 632, 633, 636, 647, 654, 656, 658
<b>37285</b>	98 025 714 80	593, 594, 595, 603, 606, 614, 632, 633, 636, 647, 654, 656, 658
<b>37285</b>	31370046 SK	898, 905, 909, 912, 916, 922
<b>37290</b>	0816.K5	139, 142, 151, 155, 163, 179
<b>37290</b>	0816.K8	139, 142, 151, 155, 163, 179
<b>37290</b>	96 742 478 80	139, 142, 151, 155, 163, 179
<b>37290</b>	9464640380	245, 259, 261
<b>37290</b>	1 707 030	284, 292, 299, 301, 302, 308, 314
<b>37290</b>	9464640380	370
<b>37290</b>	0816.K5	604, 612, 615, 628, 634, 659
<b>37290</b>	0816.K8	604, 612, 615, 628, 634, 659
<b>37290</b>	96 742 478 80	604, 612, 615, 628, 634, 659
<b>37353</b>	0829.F7	142, 151, 155, 163, 179
<b>37353</b>	0829.G6	142, 151, 155, 163, 179
<b>37353</b>	1 683 723	284, 292, 299, 301, 302, 308, 314
<b>37353</b>	1 707 028	284, 292, 299, 301, 302, 308, 314
<b>37353</b>	0829.F7	604, 612, 615, 628, 634, 648, 659
<b>37353</b>	0829.G6	604, 612, 615, 628, 634, 648, 659
<b>37460</b>	0831.Q0	142, 151, 155, 163, 179
<b>37460</b>	0831.W1	142, 151, 155, 163, 179

<b>37460</b>	1 683 833	284, 292, 299, 301, 302, 308, 314
<b>37460</b>	0831.Q0	604, 612, 615, 628, 634, 648, 659
<b>37460</b>	0831.W1	604, 612, 615, 628, 634, 648, 659
<b>37517</b>	1854 740	538, 539, 548, 580
<b>37517</b>	55 562 865	720
<b>37517</b>	55562865	797, 798, 809, 837
<b>37552</b>	11 28 7 810 807	62, 63, 71, 74, 75, 76, 77, 87, 88, 90, 92, 93, 99, 100, 104, 105, 110, 111
<b>37620</b>	0816.F6 S1	128, 152, 153, 158
<b>37620</b>	9464474289 S1	259
<b>37620</b>	1 427 902 S1	300, 309, 315
<b>37620</b>	9464474289 S1	370
<b>37620</b>	LR000663 S1	381
<b>37620</b>	MN982129 S1	503
<b>37620</b>	0816.F6 S1	605, 613, 615, 622, 628
<b>37696</b>	642 200 04 70	461, 464, 468, 473
<b>37696</b>	642 200 14 70	461, 464, 468, 473
<b>37698</b>	628 200 01 70	446, 460, 462, 472
<b>37699</b>	628 202 00 19	446, 460, 462, 472
<b>37966</b>	668 050 00 03 S1	416, 485
<b>37966</b>	668 050 01 11 S5	416, 485
<b>37966</b>	668 052 01 01 S2	416, 485
<b>37966</b>	668 052 02 16 S2	416, 485
<b>37966</b>	668 052 03 16 S2	416, 485
<b>37966</b>	166 181 01 59 S2	416, 485
<b>37966</b>	000 993 68 76 S4	416, 485
<b>37999</b>	13028-00Q0D	514
<b>37999</b>	13028-00Q0D SK	514
<b>37999</b>	4420 455 SK	558
<b>37999</b>	13 0C 118 63R	687
<b>38182</b>	1 352 451	278, 281, 287, 289
<b>38182</b>	1 367 254	278, 281, 287, 289
<b>38184</b>	-	514
<b>38184</b>	--	558
<b>38184</b>	82 00 805 645	687
<b>38185</b>	-	514
<b>38185</b>	--	558


**Ref. - No.**


<b>38185</b>	82 01 012 338	687
<b>38260</b>	96440417	112, 113, 114, 115
<b>38260</b>	4805 183	526
<b>38275</b>	96440336	112, 113, 114, 115
<b>38275</b>	96837555	112, 113, 114, 115
<b>38275</b>	96941103	112, 113, 114, 115
<b>38275</b>	4805 177	526
<b>38275</b>	4815 241	526
<b>38466</b>	651 200 12 70	483, 487, 489
<b>38467</b>	651 200 13 70	427, 435, 437, 448, 474, 476
<b>38468</b>	651 200 00 70	429, 435, 437, 448, 466, 474, 476
<b>38468</b>	651 200 16 70	429, 435, 437, 448, 466, 474, 476
<b>38468</b>	651 200 17 70	429, 435, 437, 448, 466, 474, 476
<b>38469</b>	651 200 04 70	483, 489
<b>38469</b>	651 200 18 70	483, 489
<b>38620</b>	651 200 03 70	427, 429, 435, 437, 448, 466, 474, 476
<b>38693</b>	5636 405	565, 573
<b>38693</b>	77 01 050 368	669, 710
<b>38693</b>	59 545 57	721
<b>38693</b>	97229277	823, 830
<b>38694</b>	5636 404	565, 573
<b>38694</b>	5636 757	565, 573
<b>38694</b>	77 01 053 088	669, 710
<b>38694</b>	77 01 064 510	669, 710
<b>38694</b>	59 545 08	721
<b>38694</b>	97 381 209	721
<b>38694</b>	97229145	823, 830
<b>38694</b>	97381209	823, 830
<b>38695</b>	5636 404 S1	565, 573
<b>38695</b>	5636 757 S1	565, 573
<b>38695</b>	77 01 474 198	669, 710
<b>38695</b>	59 54 557 S1	721
<b>39099</b>	0805.E5	125, 133, 134, 136, 138, 140, 149, 161, 162, 177
<b>39099</b>	96 565 845 80	125, 133, 134, 136, 138, 140, 149, 161, 162, 177


**Ref. - No.**


<b>39099</b>	11 21 7 805 949	492
<b>39099</b>	0805.E5	582, 585, 590, 593, 600, 603, 611, 614, 630, 633, 637, 647, 654, 656, 658
<b>39099</b>	96 565 845 80	582, 585, 590, 593, 600, 603, 611, 614, 630, 633, 637, 647, 654, 656, 658
<b>39099</b>	30711508	898, 899, 905, 906, 912, 916, 917, 922
<b>39099</b>	30735877	898, 899, 905, 906, 912, 916, 917, 922
<b>39099</b>	30759041	898, 899, 905, 906, 912, 916, 917, 922
<b>39099</b>	31251356	898, 899, 905, 906, 912, 916, 917, 922
<b>39100</b>	0816.K4	133, 161
<b>39100</b>	0816.L1	133, 161
<b>39100</b>	16 087 461 80	133, 161
<b>39100</b>	96 759 966 80	133, 161
<b>39100</b>	98 025 712 80	133, 161
<b>39100</b>	1 703 246	273
<b>39100</b>	1 738 649	273
<b>39100</b>	0816.K4	590, 593, 594, 632
<b>39100</b>	0816.L1	590, 593, 594, 632
<b>39100</b>	16 087 461 80	590, 593, 594, 632
<b>39100</b>	96 759 966 80	590, 593, 594, 632
<b>39100</b>	98 025 712 80	590, 593, 594, 632
<b>39101</b>	0829.F8	119, 125, 129, 133, 136, 138, 140, 144, 149, 161, 162, 177
<b>39101</b>	16 069 481 80	119, 125, 129, 133, 136, 138, 140, 144, 149, 161, 162, 177
<b>39101</b>	16 069 489 80	119, 125, 129, 133, 136, 138, 140, 144, 149, 161, 162, 177
<b>39101</b>	96 725 750 80	119, 125, 129, 133, 136, 138, 140, 144, 149, 161, 162, 177



Ref. - No.

Car Division



Ref. - No.



Ref. - No.



<b>39101</b>	96 776 558 80	119, 125, 129, 133, 136, 138, 140, 144, 149, 161, 162, 177
<b>39101</b>	96 776 561 80	119, 125, 129, 133, 136, 138, 140, 144, 149, 161, 162, 177
<b>39101</b>	1606948980	245
<b>39101</b>	1 685 777	264, 273, 274, 275, 283, 291, 297, 307
<b>39101</b>	1 739 145	264, 273, 274, 275, 283, 291, 297, 307
<b>39101</b>	1 759 714	264, 273, 274, 275, 283, 291, 297, 307
<b>39101</b>	1 782 087	264, 273, 274, 275, 283, 291, 297, 307
<b>39101</b>	0829.F8	590, 593, 594, 595, 603, 606, 614, 632, 633, 636, 647, 654, 656, 658
<b>39101</b>	16 069 481 80	590, 593, 594, 595, 603, 606, 614, 632, 633, 636, 647, 654, 656, 658
<b>39101</b>	16 069 489 80	590, 593, 594, 595, 603, 606, 614, 632, 633, 636, 647, 654, 656, 658
<b>39101</b>	96 725 750 80	590, 593, 594, 595, 603, 606, 614, 632, 633, 636, 647, 654, 656, 658
<b>39101</b>	96 776 558 80	590, 593, 594, 595, 603, 606, 614, 632, 633, 636, 647, 654, 656, 658
<b>39101</b>	96 776 561 80	590, 593, 594, 595, 603, 606, 614, 632, 633, 636, 647, 654, 656, 658
<b>39101</b>	31330198	898, 905, 909, 912, 916, 922
<b>39101</b>	31370047	898, 905, 909, 912, 916, 922

<b>39109</b>	96 772 672 80	119, 125, 129, 133, 134, 136, 138, 140, 143, 144, 149, 161, 162, 177
<b>39109</b>	9677267280	245
<b>39109</b>	96 772 672 80	590, 593, 594, 595, 603, 606, 614, 632, 633, 636, 654, 656, 658
<b>39109</b>	31339705	898, 905, 909, 912, 916, 922
<b>39109</b>	31370048	898, 905, 909, 912, 916, 922
<b>39200</b>	0831.V7	133, 161
<b>39200</b>	0831.W3	133, 161
<b>39200</b>	16 087 476 80	133, 161
<b>39200</b>	1 703 348	273
<b>39200</b>	1 754 317	273
<b>39200</b>	0831.V7	590, 593, 594, 632
<b>39200</b>	0831.W3	590, 593, 594, 632
<b>39200</b>	16 087 476 80	590, 593, 594, 632
<b>39201</b>	0831.V7	590, 593, 594, 632
<b>39201</b>	0831.V7 S1	590, 593, 594, 632
<b>39201</b>	0831.W3	590, 593, 594, 632
<b>39201</b>	0831.W3 S1	590, 593, 594, 632
<b>39201</b>	16 087 476 80	590, 593, 594, 632
<b>39201</b>	16 087 476 80 S1	590, 593, 594, 632
<b>39202</b>	0831.V7	590, 593
<b>39202</b>	0831.V7 S2	590, 593
<b>39202</b>	0831.W3	590, 593
<b>39202</b>	0831.W3 S2	590, 593
<b>39202</b>	16 087 476 80	590, 593
<b>39202</b>	16 087 476 80 S2	590, 593
<b>39203</b>	0831.Q1	119, 125, 129, 133, 134, 136, 138, 140, 143, 144, 149, 161, 162, 177
<b>39203</b>	0831.W2	119, 125, 129, 133, 134, 136, 138, 140, 143, 144, 149, 161, 162, 177


**Ref. - No.**


<b>39203</b>	16 087 474 80	119, 125, 129, 133, 134, 136, 138, 140, 143, 144, 149, 161, 162, 177
<b>39203</b>	1608747480	245
<b>39203</b>	9467644189	245
<b>39203</b>	1 787 857	264, 274, 275, 283, 291, 297, 307
<b>39203</b>	0831.Q1	593, 594, 595, 603, 606, 614, 632, 633, 636, 647, 654, 656, 658
<b>39203</b>	0831.W2	593, 594, 595, 603, 606, 614, 632, 633, 636, 647, 654, 656, 658
<b>39203</b>	16 087 474 80	593, 594, 595, 603, 606, 614, 632, 633, 636, 647, 654, 656, 658
<b>39203</b>	31330202	898, 905, 909, 912, 916, 922
<b>39203</b>	31339888	898, 905, 909, 912, 916, 922
<b>39203</b>	31370046	898, 905, 909, 912, 916, 922
<b>39204</b>	0831.W2	119, 125, 129, 133, 134, 136, 138, 140, 143, 144, 149, 161, 162, 177
<b>39204</b>	0831.W2 S1	119, 125, 129, 133, 134, 136, 138, 140, 143, 144, 149, 161, 162, 177
<b>39204</b>	16 087 474 80	119, 125, 129, 133, 134, 136, 138, 140, 143, 144, 149, 161, 162, 177


**Ref. - No.**


<b>39204</b>	16 087 474 80 S1	119, 125, 129, 133, 134, 136, 138, 140, 143, 144, 149, 161, 162, 177
<b>39204</b>	1608747480 S1	245
<b>39204</b>	9467643789	245
<b>39204</b>	9467643789 S1	245
<b>39204</b>	0831.W2	593, 594, 595, 603, 606, 614, 632, 633, 636, 647, 654, 656, 658
<b>39204</b>	0831.W2 S1	593, 594, 595, 603, 606, 614, 632, 633, 636, 647, 654, 656, 658
<b>39204</b>	16 087 474 80	593, 594, 595, 603, 606, 614, 632, 633, 636, 647, 654, 656, 658
<b>39204</b>	16 087 474 80 S1	593, 594, 595, 603, 606, 614, 632, 633, 636, 647, 654, 656, 658
<b>39204</b>	31370046 S1	898, 905, 909, 912, 916, 922
<b>39205</b>	0831.W2	125, 133, 134, 136, 138, 140, 149, 161, 162, 177
<b>39205</b>	0831.W2 S2	125, 133, 134, 136, 138, 140, 149, 161, 162, 177
<b>39205</b>	16 087 474 80	125, 133, 134, 136, 138, 140, 149, 161, 162, 177
<b>39205</b>	16 087 474 80 S2	125, 133, 134, 136, 138, 140, 149, 161, 162, 177
<b>39205</b>	0831.W2	593, 603, 614, 633, 647, 656, 658
<b>39205</b>	0831.W2 S2	593, 603, 614, 633, 647, 656, 658
<b>39205</b>	16 087 474 80	593, 603, 614, 633, 647, 656, 658



Ref. - No.

Car Division 



Ref. - No.



Ref. - No.



<b>39205</b>	16 087 474 80 S2	593, 603, 614, 633, 647, 656, 658
<b>39205</b>	31370046 S2	898, 905, 912, 916, 922
<b>39390</b>	5751.H3	139, 142, 151, 156, 163, 180
<b>39390</b>	5751.H8	139, 142, 151, 156, 163, 180
<b>39390</b>	96 716 091 80	139, 142, 151, 156, 163, 180
<b>39390</b>	9671609180	246
<b>39390</b>	1 768 088	284, 292, 299, 301, 302, 308, 314
<b>39390</b>	5751.H3	605, 612, 616, 634, 648, 660
<b>39390</b>	5751.H8	605, 612, 616, 634, 648, 660
<b>39390</b>	96 716 091 80	605, 612, 616, 634, 648, 660
<b>39400</b>	5751.J5	126, 135, 138, 141, 143, 150, 161, 162
<b>39400</b>	5751.K4	126, 135, 138, 141, 143, 150, 161, 162
<b>39400</b>	96 768 548 80	126, 135, 138, 141, 143, 150, 161, 162
<b>39400</b>	5751.J5	595, 604, 606, 614, 632, 633, 657, 659
<b>39400</b>	5751.K4	595, 604, 606, 614, 632, 633, 657, 659
<b>39400</b>	96 768 548 80	595, 604, 606, 614, 632, 633, 657, 659
<b>39410</b>	5751.J6	126, 135, 138, 141, 143, 150, 161, 162
<b>39410</b>	5751.K5	126, 135, 138, 141, 143, 150, 161, 162
<b>39410</b>	96 772 795 80	126, 135, 138, 141, 143, 150, 161, 162
<b>39410</b>	98 018 752 80	126, 135, 138, 141, 143, 150, 161, 162
<b>39410</b>	5751.J6	595, 604, 606, 614, 632, 633, 657, 659
<b>39410</b>	5751.K5	595, 604, 606, 614, 632, 633, 657, 659

<b>39410</b>	96 772 795 80	595, 604, 606, 614, 632, 633, 657, 659
<b>39410</b>	98 018 752 80	595, 604, 606, 614, 632, 633, 657, 659
<b>39474</b>	11 31 8 506 652	61, 62, 70, 71, 74, 84, 86, 88, 100, 102, 104
<b>39474</b>	13 52 7 797 902	61, 62, 70, 71, 74, 84, 86, 88, 100, 102, 104
<b>39474</b>	13 52 8 572 504	61, 62, 70, 71, 74, 84, 86, 88, 100, 102, 104
<b>39474</b>	11 31 8 506 652	493
<b>39474</b>	13 52 7 797 902	493
<b>39474</b>	13 52 8 572 504	493
<b>39475</b>	11 31 8 506 652 S1	61, 62, 70, 71, 74, 84, 86, 88, 100, 102, 104
<b>39475</b>	13 52 7 797 902 S1	61, 62, 70, 71, 74, 84, 86, 88, 100, 102, 104
<b>39475</b>	13 52 8 572 504 S1	61, 62, 70, 71, 74, 84, 86, 88, 100, 102, 104
<b>39475</b>	11 31 8 506 652 S1	493
<b>39475</b>	13 52 7 797 902 S1	493
<b>39475</b>	13 52 8 572 504 S1	493
<b>39593</b>	651 050 00 00 S3	420
<b>39593</b>	651 050 01 00 S3	420
<b>39593</b>	651 050 00 11 S3	420
<b>39593</b>	651 050 00 16 S3	420
<b>39593</b>	651 052 00 00 S1	420
<b>39593</b>	651 052 01 00 S1	420
<b>39593</b>	000 993 62 76 S3	420
<b>40040</b>	0615 006	532, 547, 560, 564, 566, 570, 572, 577
<b>40040</b>	90573822	791, 808, 818, 822, 827, 829, 834
<b>40146</b>	1 334 537	319
<b>40147</b>	1 112 290	319
<b>40150</b>	1 096 496	306, 318, 319
<b>40151</b>	1 334 536	306, 318, 319

