



Installation Instructions

Jeep JK Rear Base Bumper

Product Number: Y1251

Application: '07-Current Jeep JK

SAFETY

Your safety and the safety of others is very important.

- In order to help you make informed decisions about safety, we have provided installation instructions and other information.
- These instructions alert you to potential hazards that could hurt you or others.
- Please do a job safety analysis (JSA) before each task to identify potential hazards for your situation and remove/protect against them.
- You must use your own good judgment, and take your time.

Read and understand all safety precautions and instructions before installing this product.

THIS PRODUCT IS FOR OFFROAD USE ONLY. ALL LIABILITY FOR INSTALLATION AND USE RESTS WITH THE OWNER.

CARELESS INSTALLATION AND OPERATION CAN RESULT IN SERIOUS INJURY OR EQUIPMENT DAMAGE.

Injury hazard

Failure to observe these instructions could lead to severe injury or death.

- Always** remove jewelry and wear eye protection.
- Always** use extreme caution when jacking up a vehicle for work. Set emergency brake and use tire blocks. Locate and use the vehicle manufacturers designated lifting points. Use jack stands.
- Always** use appropriate and adequate care in lifting components into place.
- Always** insure components will remain secure during installation and operation.
- Always** wear safety glasses when installing this kit. A drilling operation will cause flying metal chips. Flying chips can cause serious eye injury.
- Always** use extreme caution when drilling on a vehicle. Thoroughly inspect the area to be drilled (on both sides of material) prior to drilling, and relocate any objects that may be damaged.
- Always** use extreme caution when cutting and trimming during fitting.
- Always** tighten all nuts and bolts securely per installation instructions.
- Always** route electrical cables carefully. Avoid moving parts, components that become hot and rough or sharp edges.
- Always** insulate and protect all exposed wiring and electrical terminals.
- Always** perform regular inspections and maintenance on mounts and related hardware.



Installation Instructions

Jeep JK Rear Base Bumper

Product Number: Y1251

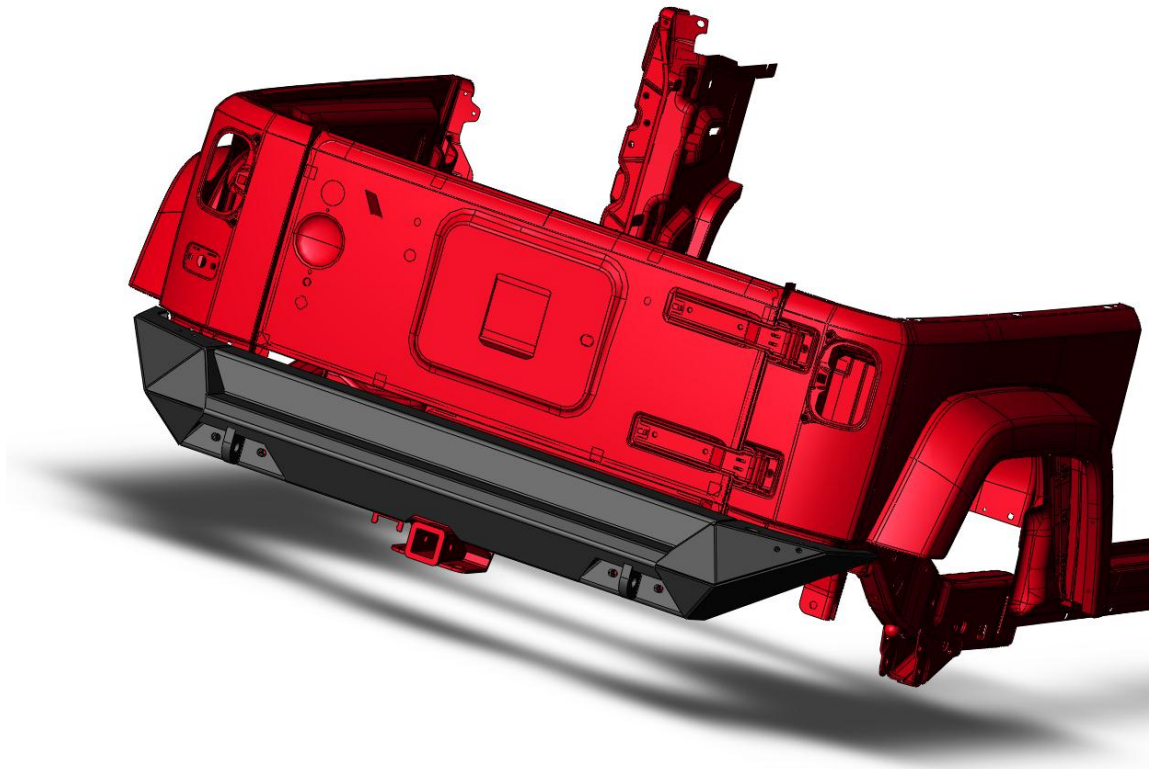
Application: '07-Current Jeep JK

I. Overview

Congratulations on your new purchase of the industries' best and most stylish Rear Base Bumper available for the '07+ Jeep JK! This Bumper has been **engineered** for strength.

Your bumper was designed in 3-D from digitized data, CNC laser cut, fabricated, and powder coated... all in the U.S.A.

Enjoy the fit and finish of a quality Jeep Bumper from Fab Fours Inc.





Installation Instructions

Jeep JK Rear Base Bumper









Product Number: Y1251

Application: '07-Current Jeep JK

II. Tools Required

- 18mm, 3/4", 11/16", 5/8" Wrenches
- 19mm, 18mm, 3/4" Socket
- 5/8" Deep Socket
- Socket Wrench and short extension
- Pry Bar or large Screw Driver
- Center Punch
- 1/4", 1/2", and 5/8" Drills

III. Kit Contents

	QTY	DESCRIPTION	FAB FOURS PART NUMBER
	x 1	'07+ Jeep JK Rear Bumper	Y1251
	x 1	Y1251 LH Bumper Mount	20236
	x 1	Y1251 RH Bumper Mount	20238
	x 1	Y1251 DRV Outer Frame Bracket	20237
	x 1	Y1251 PGR Outer Frame Mount	20239
	x 1	RH Bumper Mount Template	20238-Template
	x 1	Y1251 Hardware Kit	Y1251-HW
	x 1	Y1251 Instruction Manual	Y1251-IM



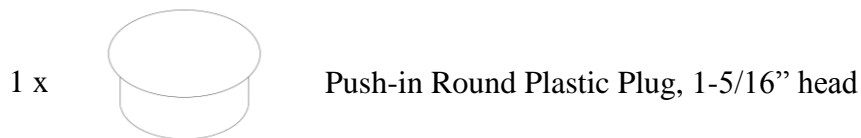
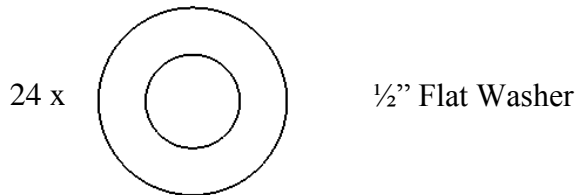
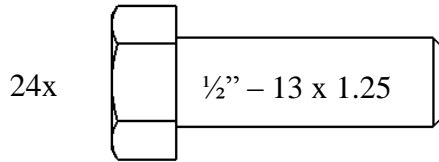
Installation Instructions

Jeep JK Rear Base Bumper

Product Number: Y1251

Application: '07-Current Jeep JK

IV. Included Hardware





Installation Instructions

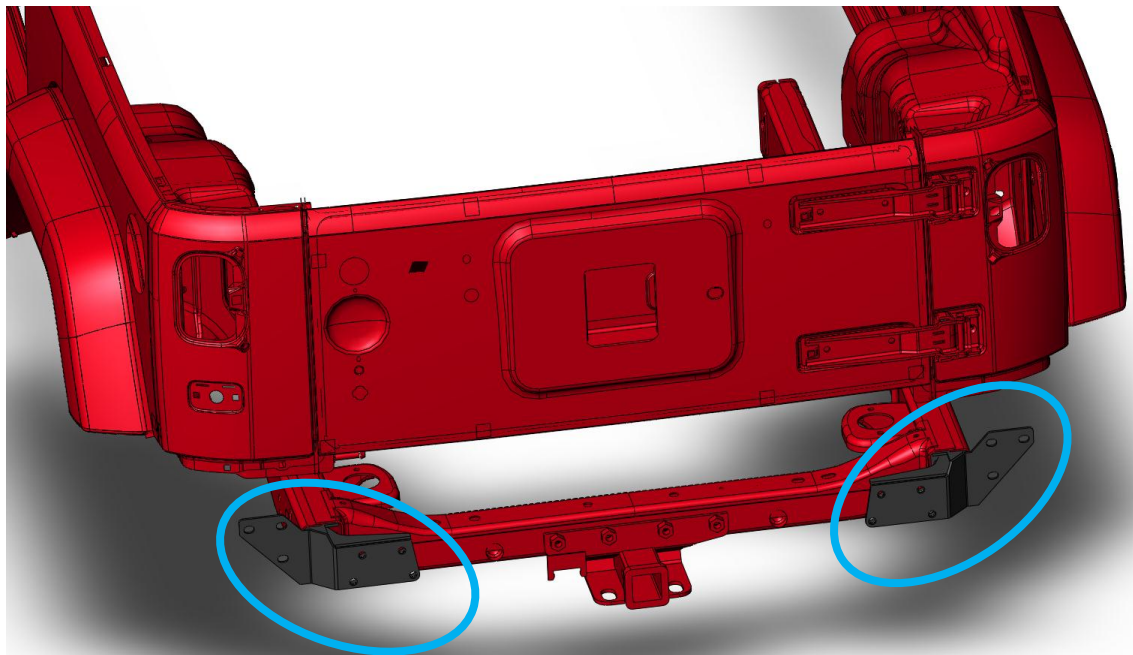
Jeep JK Rear Base Bumper

Product Number: Y1251

Application: '07-Current Jeep JK

V. Bumper Installation

A. Slide the supplied Driver Side (20236) and Passenger Side (20238) internal Frame mounts into the ends of the frame, aligning the holes in the sides of the frame with the welded nuts on the mounts as shown in the image below.





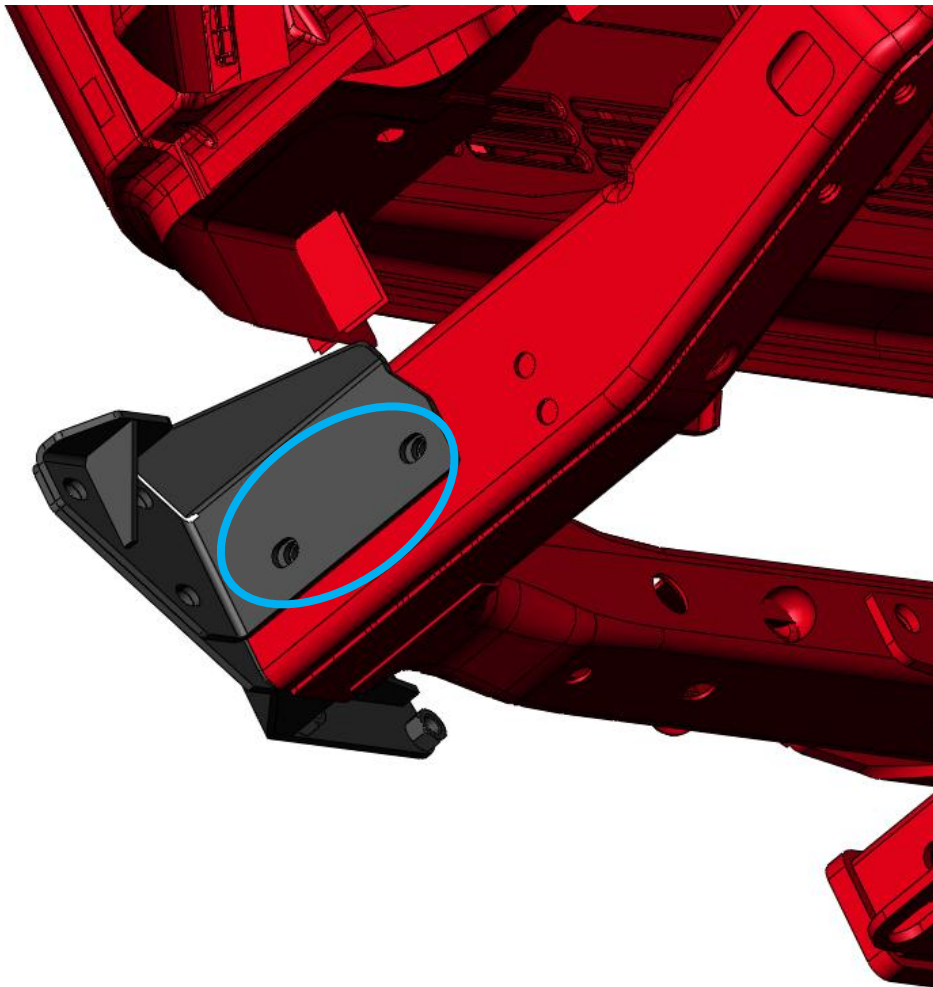
Installation Instructions

Jeep JK Rear Base Bumper

Product Number: Y1251

Application: '07-Current Jeep JK

B. Install the Driver and Passenger side outer frame mounts (Passenger Mount Shown in Image Below) using 1/2" bolts and washers through the mount and frame into the supplied internal frame mount. Do Not Fully Tighten.





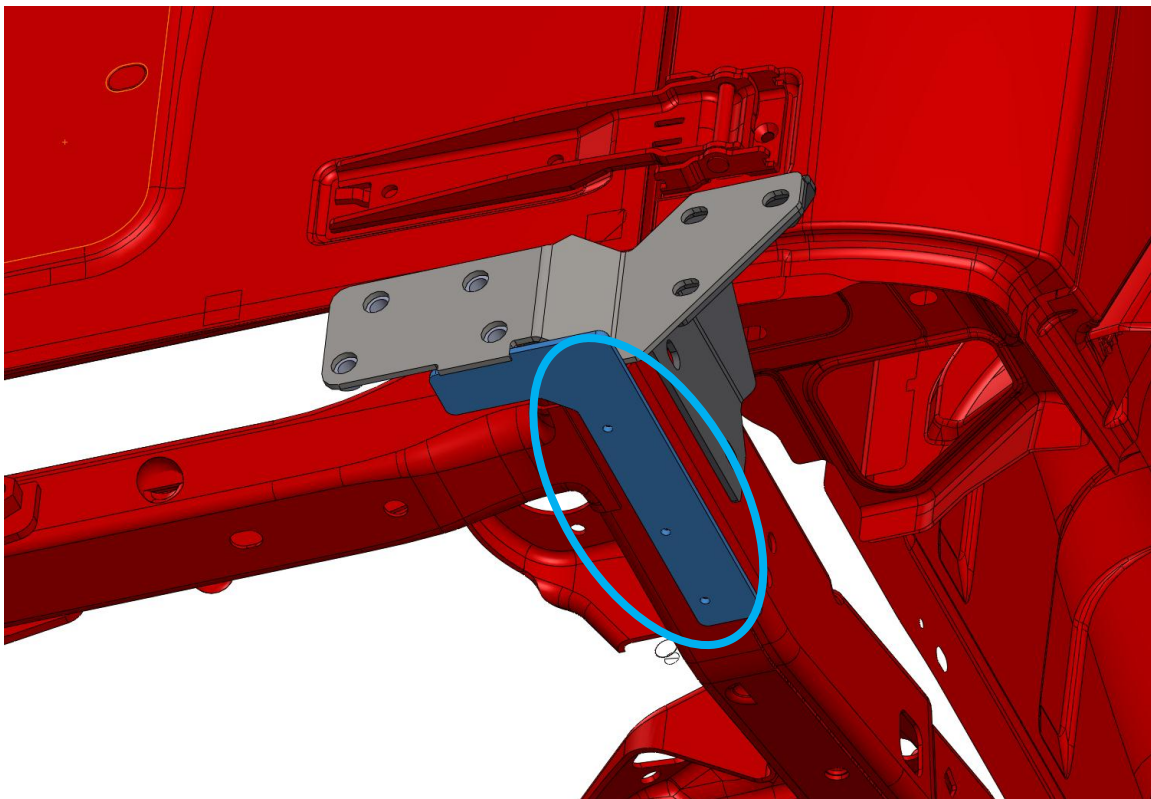
Installation Instructions

Jeep JK Rear Base Bumper

Product Number: Y1251

Application: '07-Current Jeep JK

C. Position the supplied template plate under the passenger side chassis rail as shown in the image below. The cutout in the template is to be located hard up against the tab on the bottom edge of the passenger side internal frame mount. Once properly positioned, use the template and a center punch to mark the three holes to be drilled in the passenger side frame rail.



D. After marking the hole locations, remove the passenger side internal and outer frame mounts. With the mounts set aside, drill out the punched locations starting with a 1/4" drill bit, all the way through 5/8".



Installation Instructions

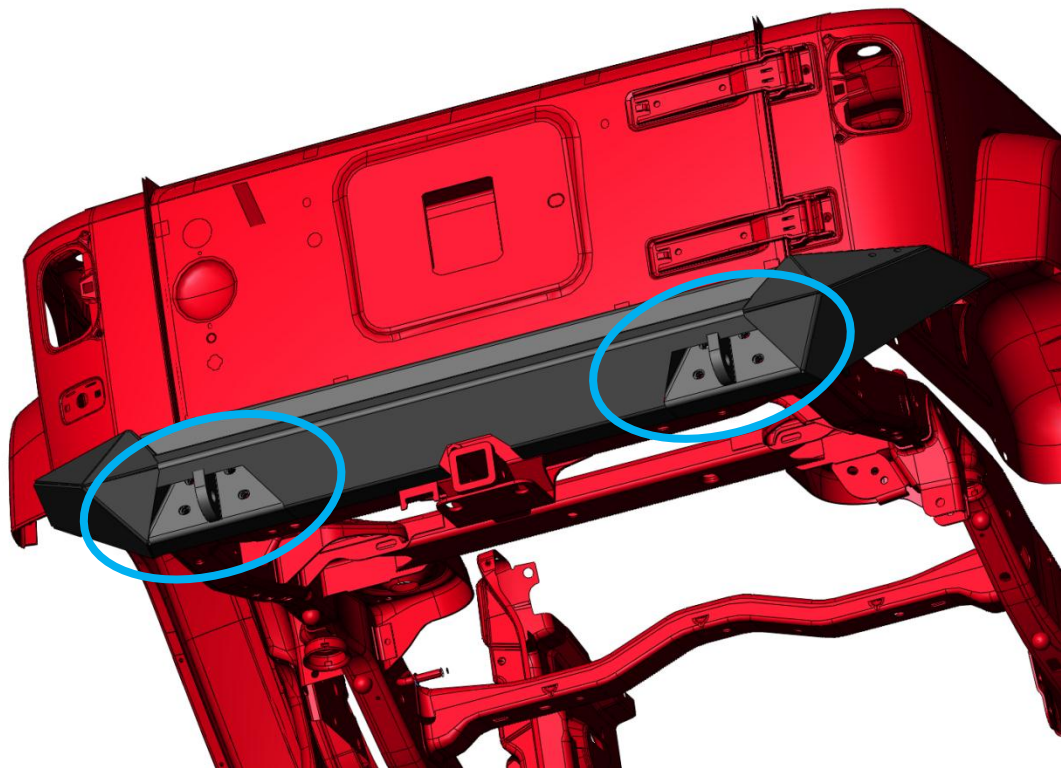
Jeep JK Rear Base Bumper

Product Number: Y1251

Application: '07-Current Jeep JK

E. Reinstall passenger side internal and outer frame mounts without fully tightening fasteners. Insert ½” bolts and washers into the 3 holes passing through the bottom of the frame into each mount. Do not fully tighten.

F. With the help of a friend, lift the bumper assembly into place aligning it over the mounts. From the exterior of the bumper, install ½” Bolts and washers through the bumper and into the mounting structure. Four (4) ½” bolts and washers are used per side to hold the bumper on from the backside. See Image Below. Hint: A floor jack and a block of wood can be handy here to help align, just protect the powder coat! Do Not Fully Tighten the Bolts.





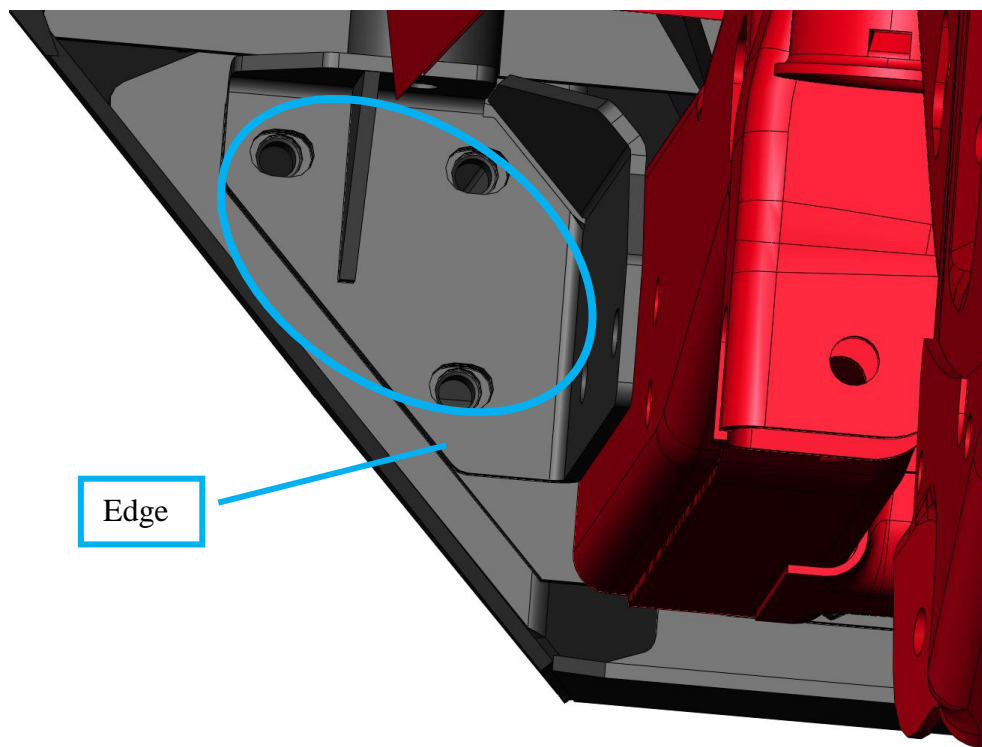
Installation Instructions

Jeep JK Rear Base Bumper

Product Number: Y1251

Application: '07-Current Jeep JK

G. Now with the bumper being held in place from the outside, insert the $\frac{1}{2}$ " bolts and washers (3 per side) through the two frame mounts and into threads on the bumper. See Image Below. Hint: A pry bar used between the edge of the mounts and the inside face of the bumper will help align the holes. Do Not Fully Tighten the Bolts.



H. With all of the Hardware installed into the Mounts, Frame, and Bumper fully tighten all fasteners using a $\frac{3}{4}$ " Socket or Wrench.

I. Install the supplied plastic plugs into the fastener holes on the exterior of the bumper.

J. Your new Fab Fours Rear Base Bumper is now installed on your Jeep JK! Enjoy!



Installation Instructions

Jeep JK Rear Base Bumper

Product Number: Y1251

Application: '07-Current Jeep JK

VI. Maintenance/Care

- Periodically check and tighten all nuts.
- Stripped, fractured, or bent bolts or nuts need to be replaced.
- Periodically grease the tire carrier pivot, if installed.
- Periodically check the tension of the latch hook, if Tire Carrier is Installed.



More than expected... Better than expected