

TOOL BOX TONNO

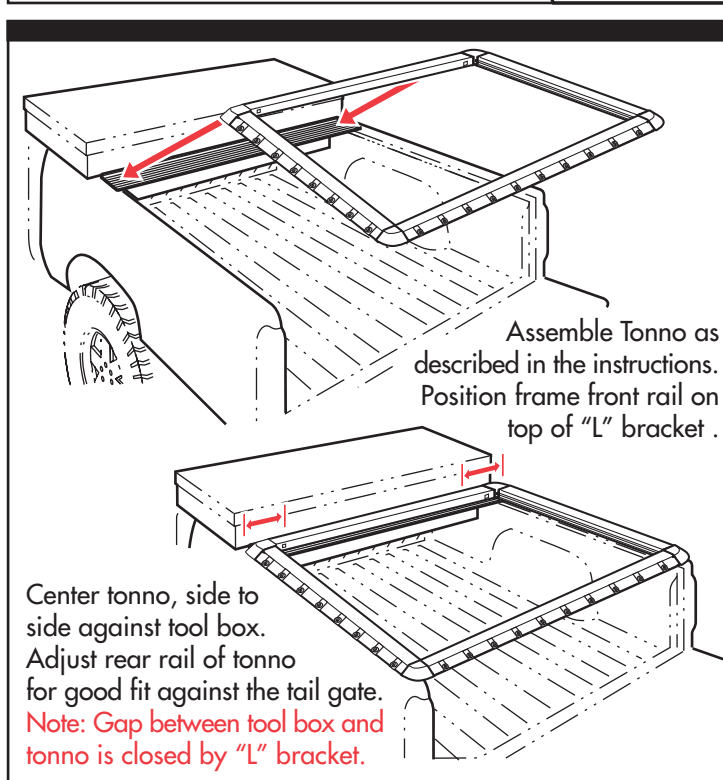
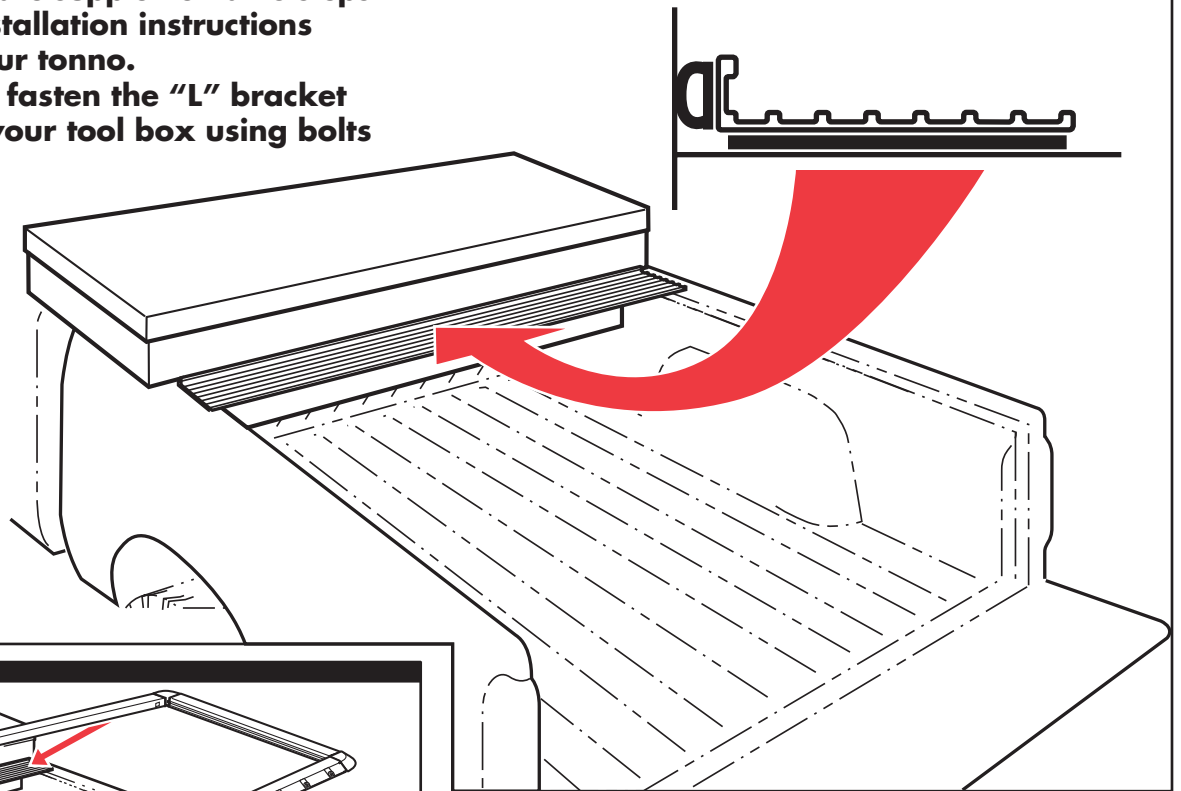
SPECIAL ORDER

SUPPLEMENT to INSTALLATION INSTRUCTIONS

extang
AMERICA'S BEST
SELLING TONNEAUS

NOTE: These instructions are for adding a tonno to an existing truck tool box installation. They are supplemental to steps in the regular installation instructions included with your tonno. You may wish to fasten the "L" bracket permanently to your tool box using bolts and screws.

Place L bracket against tool box with foam seal between the bottom of the L and truck bed.



Assemble Tonno as described in the instructions. Position frame front rail on top of "L" bracket.

Place clamps 12" from each end. Center the middle clamp between the other two. Tighten clamps and install bows and tonno per the install sheet.

