



## **Edelbrock E-Force RPM Carburetor Supercharger**

### **302-400 C.I.D. Small-Block Chevy**

**1986 and Earlier Style Heads: 1513, 1514, 15131, 15133, 15141, 15143**

**E-Tec and Vortec Style Heads: 1515, 1516, 15151, 15153, 15161, 15163**



## Edelbrock E-Force Supercharger System 302-400 C.I.D. Small-Block Chevrolet

### Installation Instructions

## INTRODUCTION

Thank you for purchasing the Edelbrock Dual-Quad E-Force Supercharger for the 302-400 C.I.D. small-block Chevrolet engines. The Edelbrock E-Force Supercharger utilizes Eaton's TVS2300 Supercharger rotors, which features a four lobe design with a full 160° of twist. This design offers quiet operation, maximum air flow, minimal temperature rise and the reliability for which Eaton is known. These rotors however, are merely the foundation of the system. The Edelbrock Supercharger is a complete system that maximizes efficiency and performance by minimizing air restriction into and out of the supercharger. As a result, the E-Force supercharger maximizes airflow with minimum temperature increases and minimum power consumption. This Dual-Quad E-Force Supercharger will accept standard flange 4-bbl carburetors. Dual Edelbrock Performer 600 CFM carburetors are included in the following supercharger kits #1514, 15141, 15143, 1516, 15161 and 15163.

PART NUMBER	FINISH	APPLICATION	DESCRIPTION
1513	Satin	Small-Block Chevy 1986 and Earlier	E-Force TVS2300 Supercharger, Non-Intercooled, Dual Carbureted, Without Carburetors
1514	Satin		E-Force TVS2300 Supercharger, Non-Intercooled, Dual Carbureted, Includes Carburetors
15131	Polished		E-Force TVS2300 Supercharger, Non-Intercooled, Dual Carbureted, Without Carburetors
15141	Polished		E-Force TVS2300 Supercharger, Non-Intercooled, Dual Carbureted, Includes Carburetors
15133	Black		E-Force TVS2300 Supercharger, Non-Intercooled, Dual Carbureted, Without Carburetors
15143	Black		E-Force TVS2300 Supercharger, Non-Intercooled, Dual Carbureted, Includes Carburetors
1515	Satin	E-Tec/Vortec Style Cylinder Heads	E-Force TVS2300 Supercharger, Non-Intercooled, Dual Carbureted, Without Carburetors
1516	Satin		E-Force TVS2300 Supercharger, Non-Intercooled, Dual Carbureted, Includes Carburetors
15151	Polished		E-Force TVS2300 Supercharger, Non-Intercooled, Dual Carbureted, Without Carburetors
15161	Polished		E-Force TVS2300 Supercharger, Non-Intercooled, Dual Carbureted, Includes Carburetors
15153	Black		E-Force TVS2300 Supercharger, Non-Intercooled, Dual Carbureted, Without Carburetors
15163	Black		E-Force TVS2300 Supercharger, Non-Intercooled, Dual Carbureted, Includes Carburetors

The Edelbrock E-Force supercharger is intended for 302-400 c.i.d. small block Chevrolets equipped with long water pumps and stock style bracketry. It's designed to utilize the factory accessory drive belts, in conjunction with, the secondary 10 rib supercharger pulley drive system.

As with any universal power add-ons, actual power outputs will vary depending on the application. Below is a general baseline with actual power numbers from testing. Please note that this is just a guideline used for reference only. Actual power and boost output will vary depending on your application.

SPECIFICATIONS			
<b>Displacement</b>	350 C.I.D	<b>Compression</b>	9.5 : 1
<b>Block</b>	GM 4 Bolt Main w/ 1-Piece Rear Seal	<b>Pulley Size</b>	4.125"
<b>Cylinder Heads</b>	Edelbrock E-Tec 200 #60985	<b>Boost PSI</b>	*5 PSI (+1-1.5 in upper RPM)
<b>Camshaft</b>	Edelbrock Rollin' Thunder #2205	<b>Horsepower</b>	*518 hp
<b>Carburetors</b>	Edelbrock Performer 600 CFM #14055	<b>Torque</b>	*500 ft-lbs
<i>*Actual horsepower, torque and boost numbers will vary depending on application.</i>			



## Edelbrock E-Force Supercharger System 302-400 C.I.D. Small-Block Chevrolet

### Installation Instructions

#### TOOLS AND EQUIPMENT:

- Box and Open End Wrenches
- Socket Set
- Distributor Wrench
- Pliers
- Screw Drivers (Regular and Phillips)
- Torque Wrench
- Gasket Scraper
- Timing Light
- Vacuum Gauge
- Rags
- Water Bucket
- Paper and Pencil
- Masking Tape

#### ADDITIONAL MATERIALS REQUIRED:

- Dual-Quad Fuel Hose Kit
- Dual-Quad Air Cleaner
- One-to-one Throttle Linkage or Progressive Linkage #7094
- Edelbrock Gasgacinch (#9300)
- Silicone
- Thread Sealer
- Loctite™ - Red, Blue, or Equivalent
- Radiator Coolant
- Spark Plugs *2-3 heat ranges colder than plugs currently using in your naturally aspirated engine*
- High Volume Fuel Pump:
  - Edelbrock #1711 (130 gal/hr)
  - Edelbrock #1721 (110 gal/hr)
  - Edelbrock #1791 (120 gal/hr, electric)
  - Edelbrock #1792 (160 gal/hr, electric)

*NOTE: #1711 fuel pumps require the use of a fuel pressure regulator such as an Edelbrock #8190.*

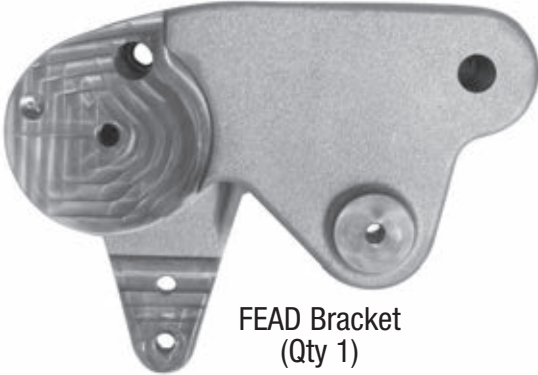
*#1792 fuel pumps require the use of a fuel pressure regulator such as an Edelbrock #1727.*

### **Edelbrock Authorized Installer Disclaimer**

Authorized installers of Edelbrock products are independent companies over which Edelbrock has no right of control. Edelbrock LLC makes no claims regarding the abilities, expertise or competency of individual employees of any authorized installer. Each authorized installer is an independent company and makes its own independent judgments. Edelbrock LLC specifically disclaims any responsibility to any party including third parties for the actions, or the failure to act, of individuals, agents or a company authorized in the installation of Edelbrock LLC products.

### **KIT CONTENTS** *(parts not to scale)*

---



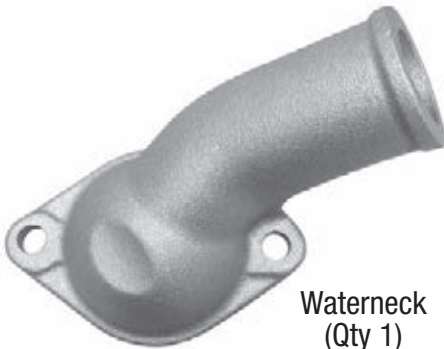
**FEAD Bracket**  
(Qty 1)



**Waterneck Gasket**  
(Qty 1)



**Idler Pulley**  
(Qty 1)



**Waterneck**  
(Qty 1)



**Tensioner**  
(Qty 1)



**FEAD Spacer**  
(Qty 1)



**Alternator Bracket**  
(Qty 1)

# HARDWARE BAG

(parts not to scale)



Hex Head 3/8-24 x 3.75"  
(Qty 3)



Hex Head 7/16-20 x 2.75"  
(Qty 1)



Hex Flange 3/8-16 x 3.00"  
(Qty 1)



Hex Flange 5/16-18 x 2.00"  
(Qty 1)



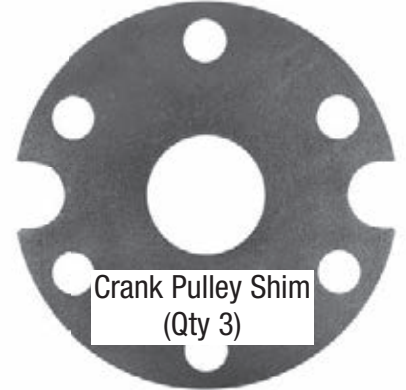
Hex Flange 5/16-18 x 1.25"  
(Qty 1)



Socket Head 5/16-18 x 3.5"  
(Qty 2)



Set Screw 5/16-18  
(Qty 1)



Crank Pulley Shim  
(Qty 3)



Washer 7/16"  
(Qty 1)



Washer 3/8"  
(Qty 3)



Washer 5/16"  
(Qty 2)



45° Fitting  
(Qty 1)



Compact Hex 3/8-16 x 1"  
(Qty 12)

1513, 1514, 15131, and 15141 Kits Only



Washer 3/8"  
(Qty 12)



12 Pt Head 5/16-18 x 1.75"  
(Qty 8)

1515, 1516, 15151 and 15161 Kits Only



Washer 5/16"  
(Qty 8)



Pulley Adapter  
(Qty 1)

## **PARTS REMOVAL AND PREPARATION**

*These are general installation instructions for the Edelbrock Small Block Chevy E-Force Supercharger. Removal and installation of factory components will differ from vehicle to vehicle. Please refer to your service manual for specific details on removal and installation of factory components if necessary.*

1. Disconnect the negative battery terminal.
2. Drain the radiator coolant (drain plug will normally be located on lower right of radiator, facing the engine).
3. Loosen the tension on the accessory belt(s) and remove belt(s). Remove the upper alternator tensioning bracket from the water pump.
4. Remove the crankshaft pulley bolts and remove the accessory pulley. Remove the crankshaft balancer bolt, but do not remove the balancer itself.
5. Remove the upper radiator hose, thermostat housing and thermostat, if mounted on the intake manifold.
6. Remove the gas cap to relieve fuel pressure. Disconnect the fuel line from carburetor and plug the fuel line to avoid excessive fuel drainage. Replace the gas cap.

**NOTE:** Take note of all factory linkage locations. This will simplify the installation process.

7. Disconnect all linkages from carburetor such as throttle, throttle springs, transmission, cruise control and automatic choke.
8. Tag and remove all coil wires, sensor wires, and vacuum lines. This will simplify the installation process.
9. Remove any brackets installed on the intake manifold.
10. Depending on application, removal of valve cover bolts and/or valve covers may be required. Replace any worn out valve cover gaskets to prevent oil leaks.

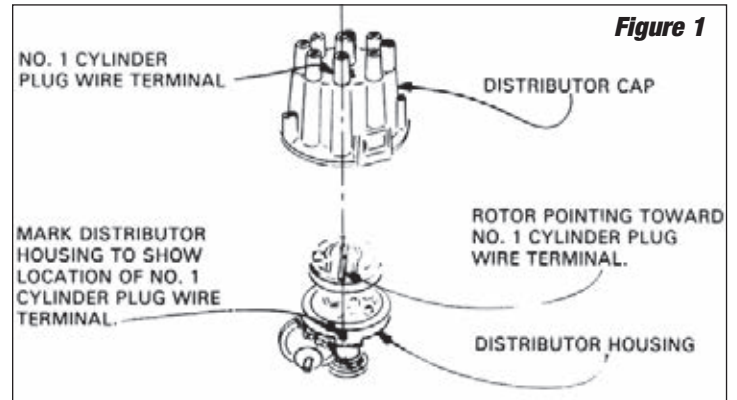
**CAUTION:** The following procedure must be followed carefully as serious damage to the engine can occur if the distributor is not removed and reinstalled correctly.

**NOTE:** This Edelbrock E-Force Supercharger will not work with High Energy Ignition (HEI) Distributors.

11. Remove distributor cap. Note position of rotor and make a mark on the distributor case that lines up with the rotor point.

12. Note the position of distributor vacuum canister and place a mark on the valve cover (if applicable) or firewall that lines up with the vacuum outlet. **These marks will be used as a reference points when reinstalling the distributor.** However, re-alignment of the distributor may be required to clear the supercharger after installation.

13. Note the position of points (or magnetic trigger wheel). If open, how much; if closed, note the distance from point block to cam lobe (**See Figure 1**).



14. Remove the distributor from the engine. Once the distributor has been removed, DO NOT rotate the engine as this will throw off the engine's timing.

15. Remove the intake manifold bolts and remove the intake manifold.

16. THOROUGHLY clean the intake manifold bolt holes, cylinder head flanges, and end seal surfaces to remove all remaining gasket material and sealer.

**NOTE:** To prevent gasket material from falling into the ports and combustion chambers lay rags in lifter valley and stuff paper towels or rags into the ports.

17. Using a shop vac, vacuum all the debris from the lifter valley, mating surfaces, bolt holes, etc.

**NOTE:** Avoid using vacuums with metal tips as it can scratch the cylinder head surface. Also avoid using compressed air to blow the debris off as it can make its way into the block.

18. Once surfaces are clean, carefully remove all protective material from the ports and lifter valley. Using a rag and lacquer thinner, wipe down the gasket surfaces to remove any oil, grease or gasket residue.

## E-FORCE INSTALLATION PROCEDURE

1. Install the supercharger drive pulley in front of the factory crank pulley using the supplied 3/8-24 x 3.75" long hex head bolts and 3/8" washers (See Figure 2). Then install the supplied 7/16-20 x 2.75" balancer bolt with a 7/16" washer and snug the bolt down until the pulley is flush. **Do not torque down the bolts at this time.**

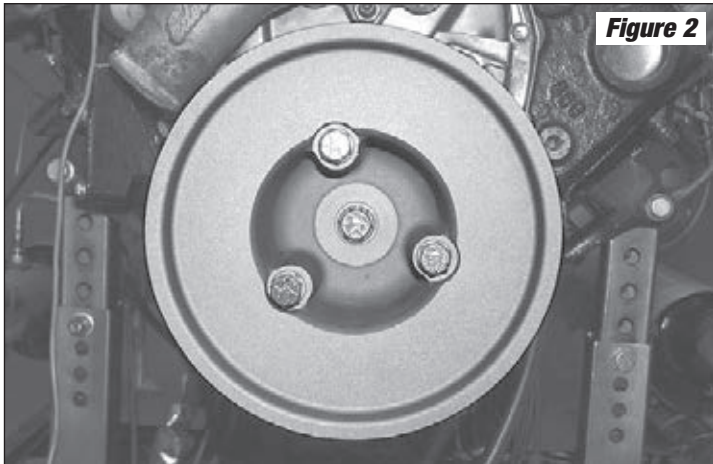


Figure 2

**NOTE:** Check replacement intake manifold gaskets (included) on the cylinder head surface and supercharger manifold to make sure they are correct. Beaded side of gasket faces up.

2. Apply two (2) thin layers of Gasegacinch (#9300) to the cylinder head's mating surfaces and on the bottom side of both manifold gaskets. Let the Gasegacinch tack up for about ten (10) minutes (See Figure 3).

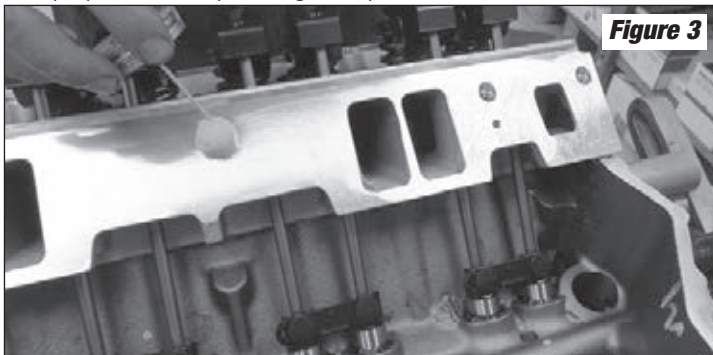


Figure 3

3. Within a few minutes, the Gasegacinch will become tacky to the touch. Carefully place the supplied gaskets onto the head surface, aligning the ports and bolt holes (See Figure 4).

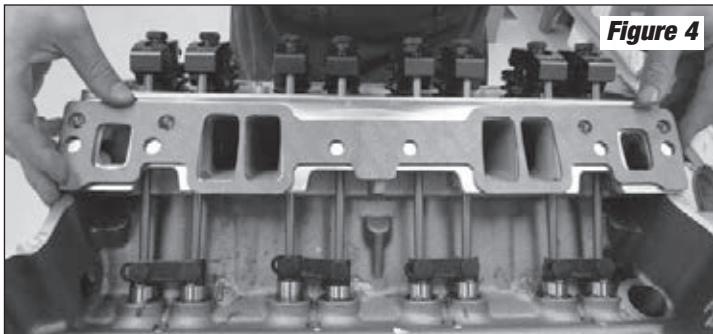


Figure 4

4. With the intake gaskets in place, apply a thin layer of silicone, with your finger, around the water passages on the intake manifold (See Figure 5).

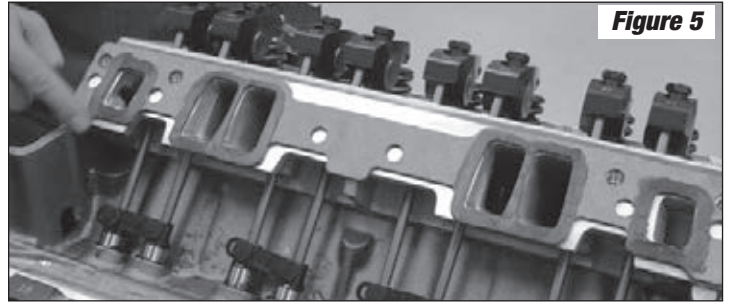


Figure 5

5. Apply a 1/4" thick bead of silicone across each end seal surface (See Figure 6).



Figure 6

6. Carefully install the supercharger manifold onto the engine, making sure the bolt holes line up with the gaskets.

7. Loosely install the supplied manifold bolts and washers. Carefully move the supercharger to align the supercharger pulley to the crank pulley as best as possible. Torque all manifold bolts using the appropriate torquing sequence below.

**NOTE:** Crank pulley shims are provided for additional pulley adjustments. Crank pulley adjustments should be performed once the supercharger is securely torqued down.

**Edelbrock E-Tec/Vortec Applications** will be secured with eight (8) 12 point 5/16 x 1.75" bolts and 5/16" washers. Torque to 11 ft.-lbs (See Figure 7).

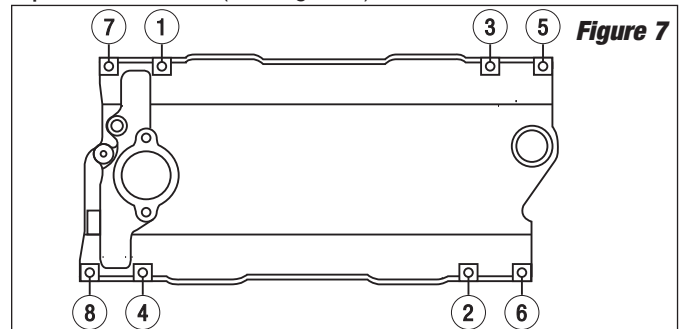
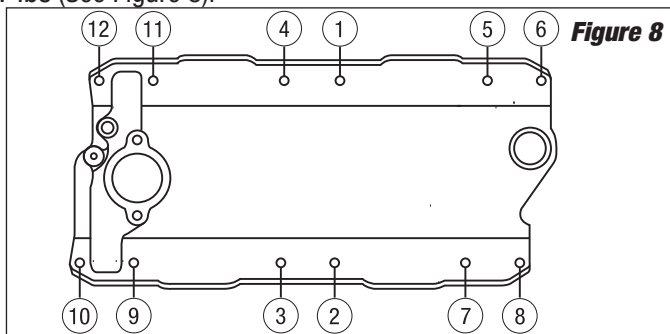


Figure 7

**1986 - Earlier Applications** will be secured with twelve (12) 3/8 x 1" Compact Hex bolts and 3/8" washers. Torque to 25 ft.-lbs (See Figure 8).



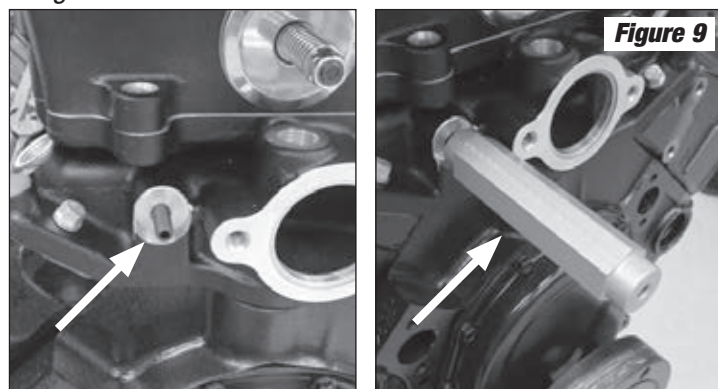
8. Using a straight edge, check to see if the supercharger pulley and the crank pulley have the proper offsets. If adjustments to the crank pulley is required, use the provided shims to adjust the offset of the crank pulley as needed. Once the crank pulley is properly aligned with the supercharger pulley, torque the balancer bolt to 60 ft./lbs and torque the pulley bolts to 32-35 ft./lbs.

9. Vehicles running the factory heater must remove the fitting on the water pump and replace it with the supplied 45° fitting. The factory fitting will not clear the supplied thermostat housing. To avoid water leaks, make sure to apply thread sealant onto the threads of the fitting prior to installation.

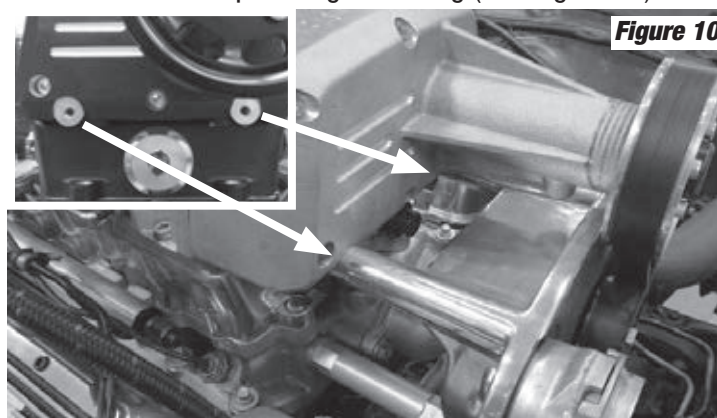
10. Using silicone and the factory bolts, install the thermostat, supplied thermostat housing and supplied thermostat housing gasket onto the supercharger manifold.

**NOTE:** The supplied thermostat housing will point towards the driver side. The thermostat housing was designed for radiators with upper driver side coolant returns. If you are using a radiator without an upper driver side coolant return, a different thermostat housing and/or upper radiator hose may be required to properly clear the supercharger.

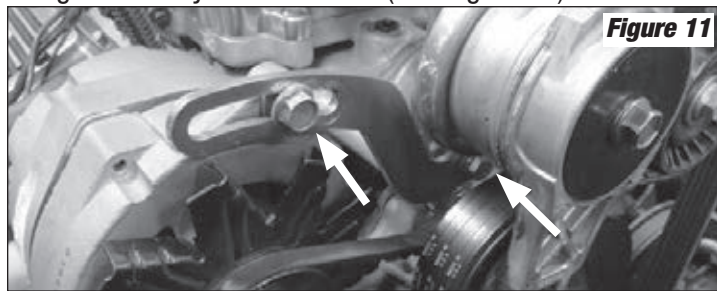
11. Thread the 5/16-18 x 1" set screw into the provision on the front of the manifold next to the thermostat housing. Then install the Hex Spacer onto the set screw (See Figure 9). **NOTE:** Supplied Hex Spacer may differ from the one in the image.



12. Using two (2) 5/16-18 x 3.5" SHCS bolts, install the FEAD bracket onto the supercharger housing (See Figure 10).

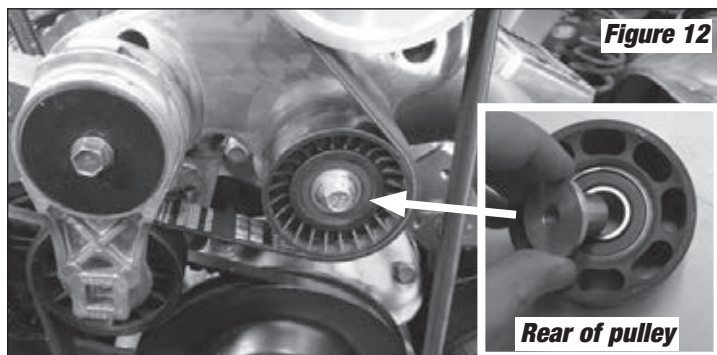


13. Place the supplied alternator bracket onto the lower provision of the FEAD bracket (where Hex Spacer is). Using one (1) 5/16-18 x 1.25" bolt and one (1) 5/16" washer, secure the alternator bracket and the FEAD bracket to the Hex Spacer. Then secure the alternator bracket to the alternator using the factory alternator bolt (See Figure 11).



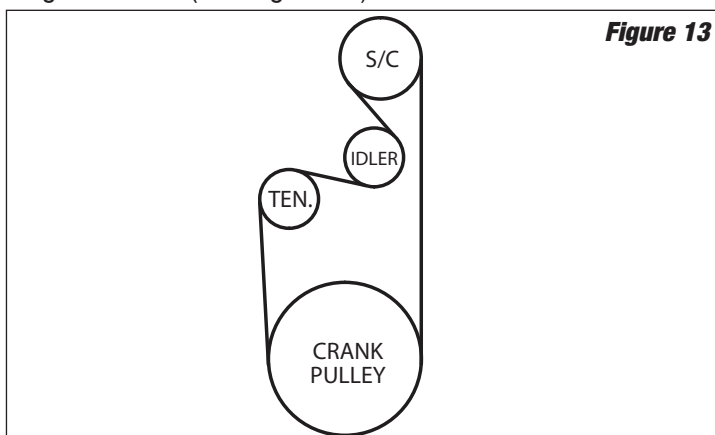
14. Install the accessory drive belt(s) and adjust the tension on the accessory belt(s) as needed. Reinstall any brackets that were attached to the intake manifold. Tighten all accessory bolts.

15. Using the one (1) 3/8-16 x 3" bolt, install the supplied belt tensioner to the left provision of the FEAD bracket and torque to 37 ft.-lbs. Place the Pulley Adapter onto the supplied idler pulley and install it onto the right provision of the FEAD bracket using one (1) 5/16-18 x 2" bolt and one (1) 5/16" washer; torque to 18 ft.-lbs (See Figure 12). **NOTE:** The larger side of the Pulley Adapter must mount towards the FEAD bracket.



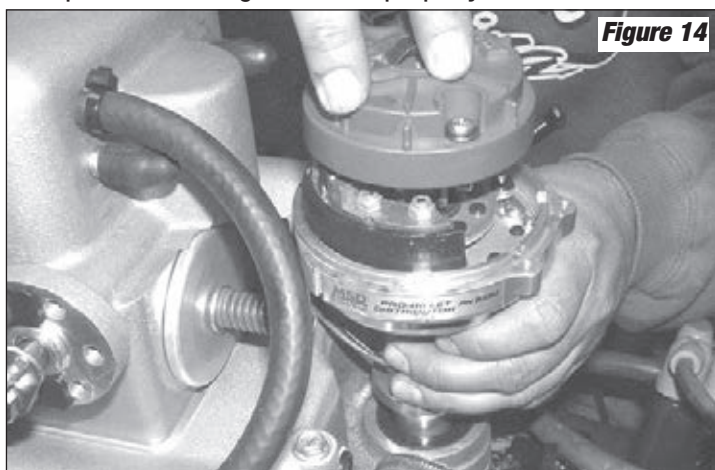


16. Install the supercharger drive belt using the belt routing diagram below (See Figure 13).



17. Reinstall the valve cover gaskets, valve covers and valve cover bolts if applicable.

18. Reinstall the distributor (See Figure 14). Make sure the distributor is aligned in the same position, with the rotor pointing to the same terminal as it was when the distributor was removed. You may need to lift and reinsert the distributor multiple times to align the rotor properly.



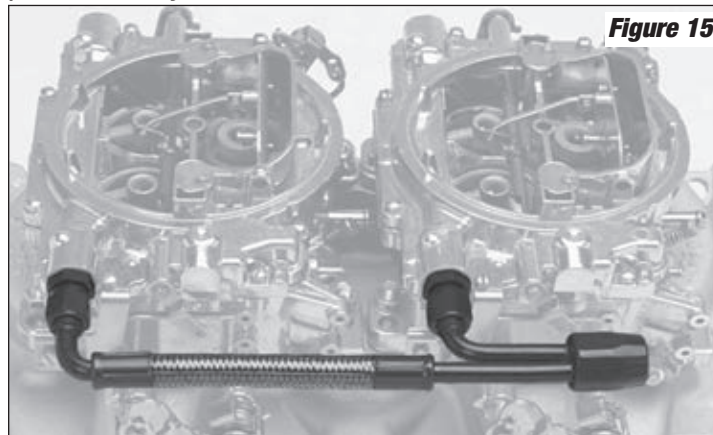
19. Remove the protective plastic covering the supercharger inlet, and install the carburetors using the installation instructions provided with the carburetors.

**NOTE:** Systems that include Edelbrock carburetors (#1514, #1516, #15141, #15143, #15161 and #15163), use the gaskets, carburetor studs, nuts and washers provided in the carburetor kit.

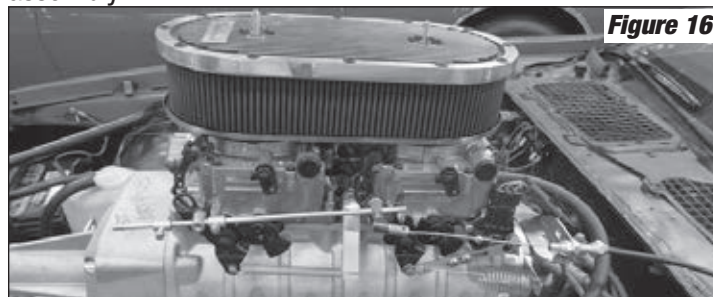
**Edelbrock Carburetors included with #1514, #1516, #15141, 15143, 15161 & 15163 have specific front (#14055, 140535 & 140545) and rear (#14056, 140536 140546) carbs. Make sure to identify the carburetors prior to installing.**

See Carburetor Recommendation section for recommend carburetors.

20. Connect the fuel feed line to the carburetors at this time. The use of a dual-quad fuel kit (#8088, #8091, #80913) is highly recommended (See Figure 15). These can be purchased at your local Edelbrock retailer.



21. Connect your throttle linkage (See Figure 16). We highly recommend the use of a one-to-one type throttle linkage. However, a progressive type linkage, like the Edelbrock #7094, can also be used if preferred. Install your air cleaner assembly.



22. Move any sensors from the stock intake manifold to the Edelbrock intake manifold, and connect any wires. Connect vacuum lines, replacing with longer or shorter vacuum hoses as required.

23. Reinstall the upper radiator hose. A new upper radiator hose may be required as the factory one may run into the supercharger.

24. Replace the spark plugs with the recommended colder spark plugs (2-3 heat ranges) and reconnect all ignition and spark plug wires. Make sure the spark plug wires are installed in the proper order.

25. Verify that the rotor in the distributor is pointing to the same location on the distributor housing as it was when removed. This should have been noted as described in the "Parts Removal and Preparation" section.

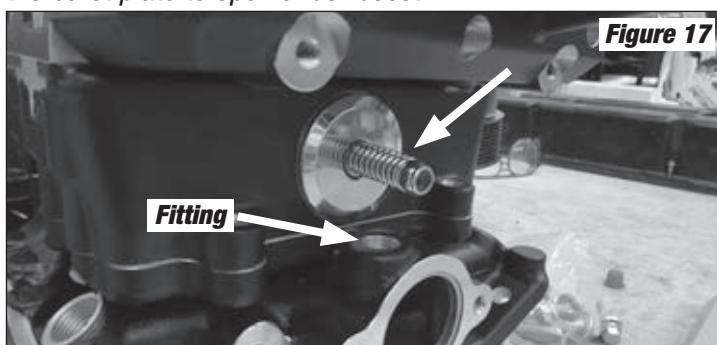
26. Top off all fluids to the appropriate factory recommended levels and reconnect the battery.

27. Start the engine and check for any leaks that may be present. If leaks are found, shut the engine off immediately and fix any leaks before continuing engine operation. If no leaks are found, allow engine to come up to operating temperature without revving the engine. Once engine is at operating temperature, it is highly recommended to set the ignition timing as described in the “**Boost and Ignition Timing**” section.

### **BURST PLATE SPRING REMOVAL**

Applications that need access to the fitting on the thermostat housing will have to remove the burst plate nut and spring on the manifold. When reinstalling the burst plate nut and spring, the spring must be reinstalled to a length of 1.03”. See Figure 17.

**NOTE:** Please note that a loose spring installation may cause the burst plate to open under boost.



### **AFTER INSTALLATION (TUNING)**

**CARBURETOR TUNING:** If using a supercharger system that was supplied with Edelbrock carburetors, the carburetors are pre-tuned for use with this supercharger. Minimal adjustment, if any, is required. If any adjustments are needed, such as idle speed or idle mixture settings, see the carburetor’s owner’s manual for proper tuning procedures.

If using non-Edelbrock carburetor(s), proper tuning will be required. See your carburetor’s owner’s manual for proper tuning procedures. If you are not experienced, or not comfortable with carburetor tuning, please see a qualified carburetor tuner.

**BOOST AND IGNITION TIMING:** You **MUST** recalibrate your ignition timing **BEFORE** driving the vehicle. Supercharged engines require the total timing to be reduced as compared to a stock engine. The general rule of thumb is to retard timing by two degrees (2°) per pound of boost. The E-Force Supercharger will generally produce approximately 5-6 lbs. of boost on a street/strip 350 C.I.D. small-block Chevrolet engine. This would indicate that you retard total timing by 10-12°. **NOTE: Actual boost and retard timing will vary depending on application.**

Doing so however, can cause hard starting problems unless your advance curve is adjusted in order to allow you to run a normal initial timing setting. Initial timing should be set typically between 10-14° before TDC. Edelbrock recommends the use of a boost dependent timing retard device with the E-Force Supercharger Kit. This will allow you to run a typical advance curve for optimal performance under all conditions, in or out of boost. We recommend a timing controller such as the MSD Boost Timing Master (MSD Part #8762).

### **CARBURETOR RECOMMENDATIONS**

The following Edelbrock Performer Carburetors are specifically tuned for use with the Edelbrock E-Force RPM Superchargers. These are included in #1514, #1516, #15141, #15143, #15161 and #15163 systems and are also available separately.

**Please note that these carburetors have specific front and rear carbs. Make sure to identify the carburetors prior to installing.**

Carburetor	CFM	Description
P/N 14055*	600	Performer w/ Mechanical Choke, Front Carb, Satin Finish
P/N 140535*	600	Performer w/ Mechanical Choke, Front Carb, Black Finish
P/N 140545*	600	Performer w/ Mechanical Choke, Front Carb, EnduraShine Finish
P/N 14056*	600	Performer w/ Mechanical Choke, Rear Carb, Satin Finish
P/N 140536*	600	Performer w/ Mechanical Choke, Rear Carb, Black Finish
P/N 140546*	600	Performer w/ Mechanical Choke, Rear Carb, EnduraShine Finish

\*These carburetors are tuned for 500hp at 6lbs of boost using a 4.125” supercharger pulley. If making more horsepower and/or running a smaller supercharger pulley, retuning of the carburetors will be required.

### **SUPERCHARGER PULLEY UPGRADE**

**10 RIB SUPERCHARGER PULLEY:** Additional supercharger pulleys are available for fine tuning airflow for your specific needs. These 10 rib supercharger pulleys are available in black and polished.

Polished P/N	Pulley Size	Black P/N	Pulley Size
15842	4.125”	15845	4.125”
15843	4.00”	15846	4.00”
15844	3.75”	15848	3.75”
15829	3.50”	15849	3.50”
15851	3.25”	15850	3.25”
15853	3.00”	15852	3.00”
15855	2.75”	15854	2.75”