

Dynacorn

International LLC
The muscle car people



2019
NOVA™

Index

A

Accelerator Pedal Pad & Trim: 42
Antennas: 39

B

Battery Trays & Hold Downs: 4
Back Up Lamps: 39
Body / Extension Moldings: 36
Body Bushing Kit: 53
Body Shims & Washers: 5
Brake Backing Plates (Front Disc): 53
Brake Pedal Pads & Trim: 42
Bumpers, Brackets & Bolts: 1
Bumper Fillers: 2

C

Carpet: 49
Cigarette Lighter: 52
Clothes Hanger Hooks: 49
Clutch Pedal Pad & Trim: 42
Control Arm Bumpers: 5
Control Arms: 4
Cowl Panels: 13
Cross Brace, Rear: 18
Cross Rail, Rear: 18

D

Dash & Glovebox: 13, 14
Deck Filler Panels: 27
Doghouse Assy. (Engine Compartment): 7
Dome Light Bases & Lenses: 52
Doors & Skins: 22, 23
Door Glass: 41
Door Handles & Cranks: 23, 24
Door Hinges & Rollers: 23
Door Latches: 22, 23
Door Latch Relay: 22
Door Lock Knobs: 45
Door Sill Decal: 53
Door Trims & Arm Rests: 45
Door Window Track, Lower: 22
Drip Rail Moldings: 35

E

Electrical, Exterior: 39, 40
Electrical, Interior: 52, 53
Emblems: 38
Engine Mounts: 4

F

Fan: 4
Fenders, Front: 6
Fenders, Front Inner: 7
Fender to Valance Brackets: 2
Firewall: 12
Floor Cover (For Man. Trans.): 16
Floor Pans & Pan Plugs: 14, 15, 16, 17, 18
Floor Pan Shifter Pod: 16
Frame Rails & Braces: 20
Fuel Caps: 31
Fuel Senders: 30
Fuel Tanks: 29
Fuel Tank Straps & Braces: 31

G

Glass: 41
Grilles: 31, 32

H

Headlamp Bezels & Retainers: 31, 32
Headlamp Buckets: 31, 32
Headlamp Switches: 52
Heater Blower Motor: 40
Heater Boxes & Core: 40
Hoods & Hinges: 9, 10, 11, 12
Hood & Valance Molding: 33
Hood Latch Assemblies & Supports: 10, 11
Hood Louvers, Bezels & Brackets: 11
Horns: 52
Horn Buttons & Contacts: 43

L

License Plate Bracket: 28
License Plate Lamp: 39
Locks: 58

M

Magnum Alloy Wheels: 54, 55, 56, 57
Mirrors, Exterior: 33, 34
Mirrors, Interior: 44

P

Parking Brake Release Handle: 42
Parking Lamp Assy., Bezels & Lenses: 39, 40
Pedals (Accelerator, Brake & Clutch): 42
Pillar Panels: 21
Pitman Arm: 4

Q

Quarter Inner Trim: 49
Quarter Panels: 25, 26

R

Radiator Supports: 2, 3
Radio Bezel: 13
Radios & Components: 50, 51
Rear Seat Floor Pan: 18
Rocker Panels: 20
Rocker Panel Moldings: 35
Roof Panel & Braces: 21

S

Seats Frames & Springs: 46
Seat Belts: 48
Seat Belt Buckle Cover: 47
Seat Frame Supports: 46
Seat Track Assembly & Knobs: 46
Shifter Assembly: 42
Shock Tower & Apron Assy.: 7, 8
Shock Tower Cap, Upper Seat & Saddle: 8
Shoulder Harness Hooks: 49
Side Markers & Bezels: 39, 40
Spindle Kit: 5
Stabilizer Rod & Bushing: 5
Steering Wheels & Hubs: 43, 44
Subframe Assembly: 5
Sun Visor Supports: 44

T

Tail Lamps: 39
Tail Lamp Panels: 28
Transmission Mount Crossmember: 16
Trunk Divider / Package Shelf: 18
Trunk Floor Pans, Extensions & Braces: 19
Trunk Lids, Latches & Hinges: 27
Trunk Lid Torsion Rod & Seal: 27
Trunk Molding: 37

V

Valve Covers: 3
Vinyl Top Molding: 37

W

Wheelhouses: 26
Wheel Opening Moldings: 36
Window Moldings, Rear & Qtr.: 37
Windshield Moldings: 34
Windshield Washer Bottle Bracket: 4
Windshield Wiper Switch: 52
Wiper Motor Trans. Arms: 33



General Motors Trademarks are used under License to Dynacorn International Inc.

Muscle Car Parts & Molding • Muscle Car Parts & Molding • Muscle Car Parts & Molding



1608	1962-64	Front Bumper
1608A	1965	Front Bumper
1609	1962-65	Rear Bumper
1610A	1964-72	Bumper Bolt Kit



1610	1966-67	Front Bumper, Chrome
1611	1966-67	Rear Bumper, Chrome
1611A	1966-67	Rear Bumper Bracket, RH
1611B	1966-67	Rear Bumper Bracket, LH
1610A	1964-72	Bumper Bolt Kit



1612	1968-69	Front Bumper, Chrome
1613	1970-72	Front Bumper, Chrome
1614A	1968-72	Front Bumper Brackets, RH 2 pcs.
1614B	1968-72	Front Bumper Brackets, LH 2 pcs.
1614	1968-72	Rear Bumper, Chrome
1614C	1968-72	Rear Bumper Bracket, RH
1614D	1968-72	Rear Bumper Bracket, LH
1610A	1964-72	Bumper Bolt Kit



Bumper Fillers



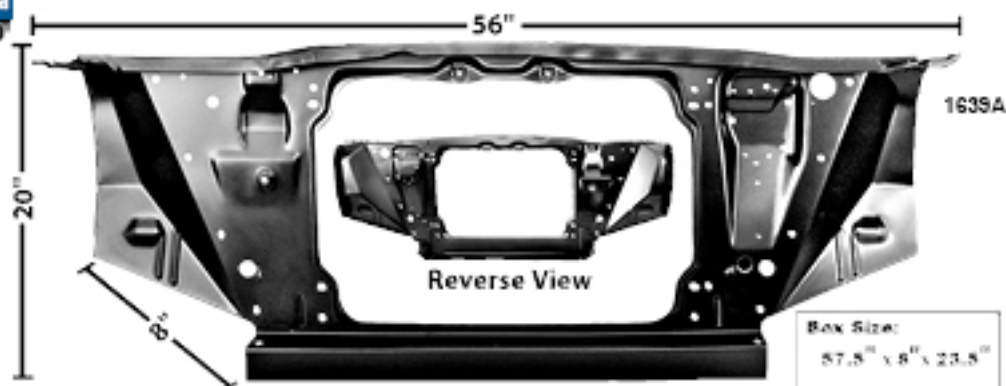
1615A	1962-65	Front Bumper Filler
1615B	1966-67	Front Bumper Filler
1615C	1968-72	Front Bumper Filler, Metal
1615D	1968-72	Front Bumper Filler, Fiberglass

Fender to Valance Brackets

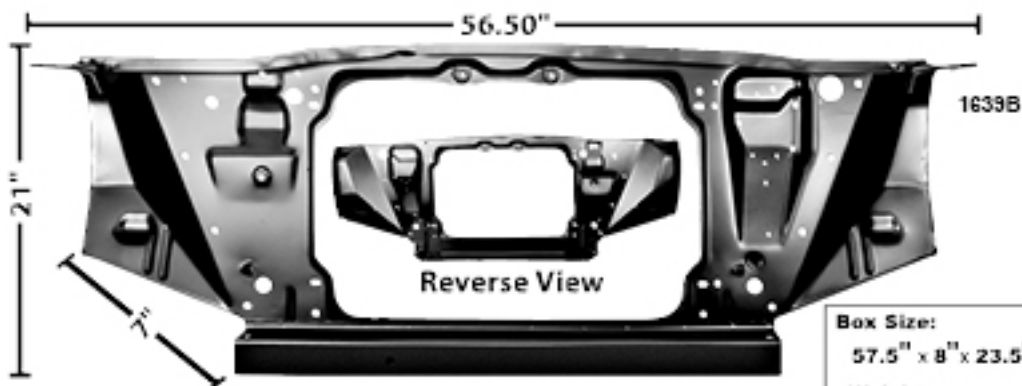


1616A	1962-65	Fender to Valance Brackets
1616B	1966-67	Fender to Valance Brackets
1616C	1968-72	Fender to Valance Brackets

Radiator Supports

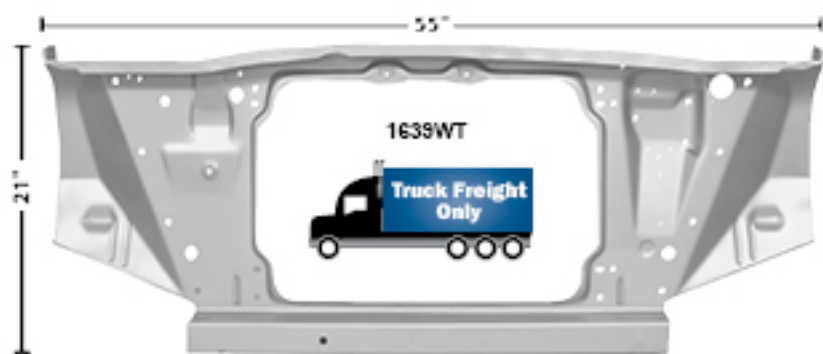


Box Size:
57.5" x 8" x 23.5"
Weight:
21 lbs.

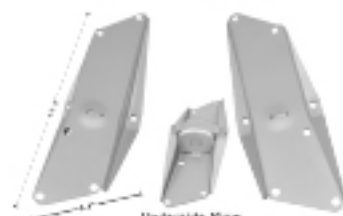


Box Size:
57.5" x 8" x 23.5"
Weight:
22 lbs.

1639A	1962-64	Radiator Support
1639B	1965	Radiator Support



Box Size:
16" x 7" x 6.5"
Weight:
8 lbs.



Underneath View
1639CWT

1639WT	1966-67	Radiator Support, Weld Through Primer
1639CWT	1966-67	Radiator Support-To-Frame-Rail Braces, pr., Weld Through Primer



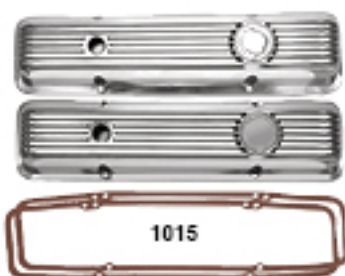
Box Size:
61.5" x 5.5" x 20.25"
Weight:
20 lbs.

Reverse View

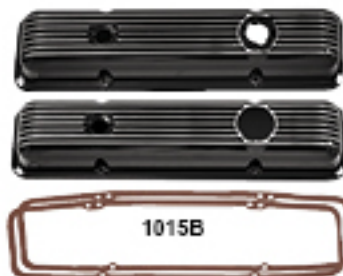


1640	1968-74	Radiator Support, For 6 cylinder
1641	1968-74	Radiator Support, For 23" Radiator, all engines

Box Size:
20.25" x 11" x 3.25"
Weight:
7 lbs.



1015



1015B

Box Size:
20.25" x 11" x 3.25"
Weight:
7 lbs.

Engine Compartment Components cont'd. next page...

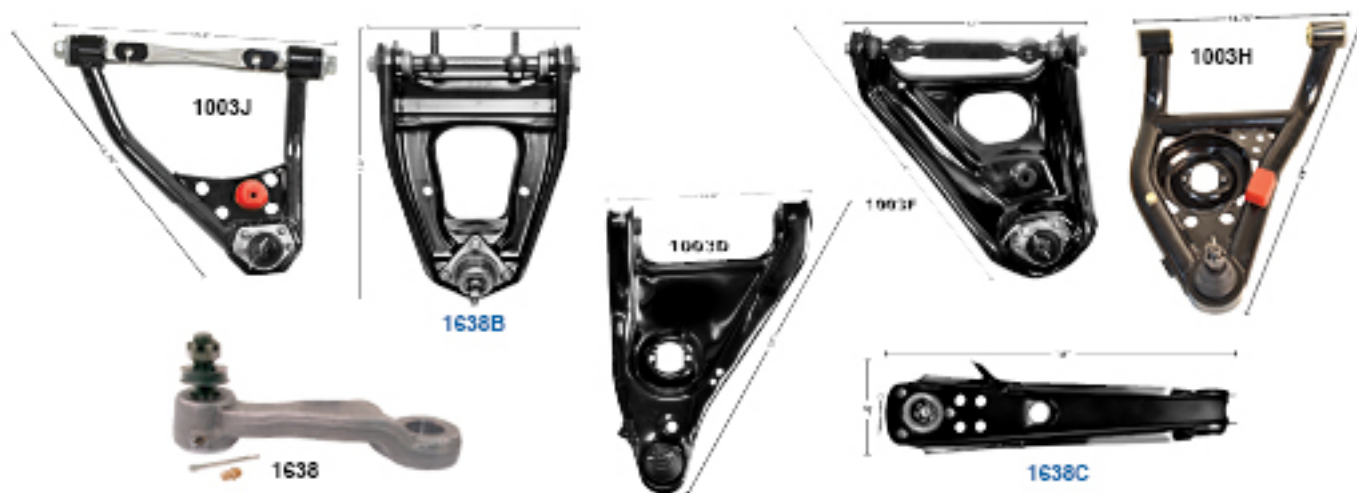
1015	1962-74	Valve Covers, Polished Aluminum w/Gaskets, Small Block, LT1 Style
1015B	1962-74	Valve Covers, Painted Aluminum w/Gaskets, Small Block, LT1 Style

Engine Compartment



1620	1962-67	Battery Tray With Bracket
1047E	1952-79	Battery Tray Clamp
1047EC	1962-79	Battery Tray Clamp, Stainless
1425	1964-69	Windshield Washer Bottle Bracket
1625R	1966-67	Engine Mounts for 6 Cylinder
1632X	1966-67	Engine Mounts for V-8
1621	1968-74	Battery Tray
1048F	1968-72	Engine Mount, RH <small>Small Block V8</small>
1048G	1968-72	Engine Mount, L H <small>Small Block V8</small>
M1017	1968-72	Fan, 7 blade

Suspension



1638	1953-67	Pitman Arm, <small>Manual Steering</small>
1638A	New	Upper Control Arm, RH
1638B	New	Upper Control Arm, LH
1638C	New	Lower Control Arm, RH,
1638D	New	Lower Control Arm, LH,
1003H	1968-74	Lower Control Arm, RH (tubular)
1003I	1968-74	Lower Control Arm, LH (tubular)
1003J	1968-74	Upper Control Arm, RH (tubular)
1003K	1968-74	Upper Control Arm, LH (tubular)
1003D	1968-74	Lower Control Arm, RH, OE Design
1003E	1968-74	Lower Control Arm, LH, OE Design
1003F	1968-74	Upper Control Arm, RH, OE Design
1003G	1968-74	Upper Control Arm, LH, OE Design

Muscle Car Parts & Molding • Muscle Car Parts & Molding • Muscle Car Parts & Molding



1007A



1007



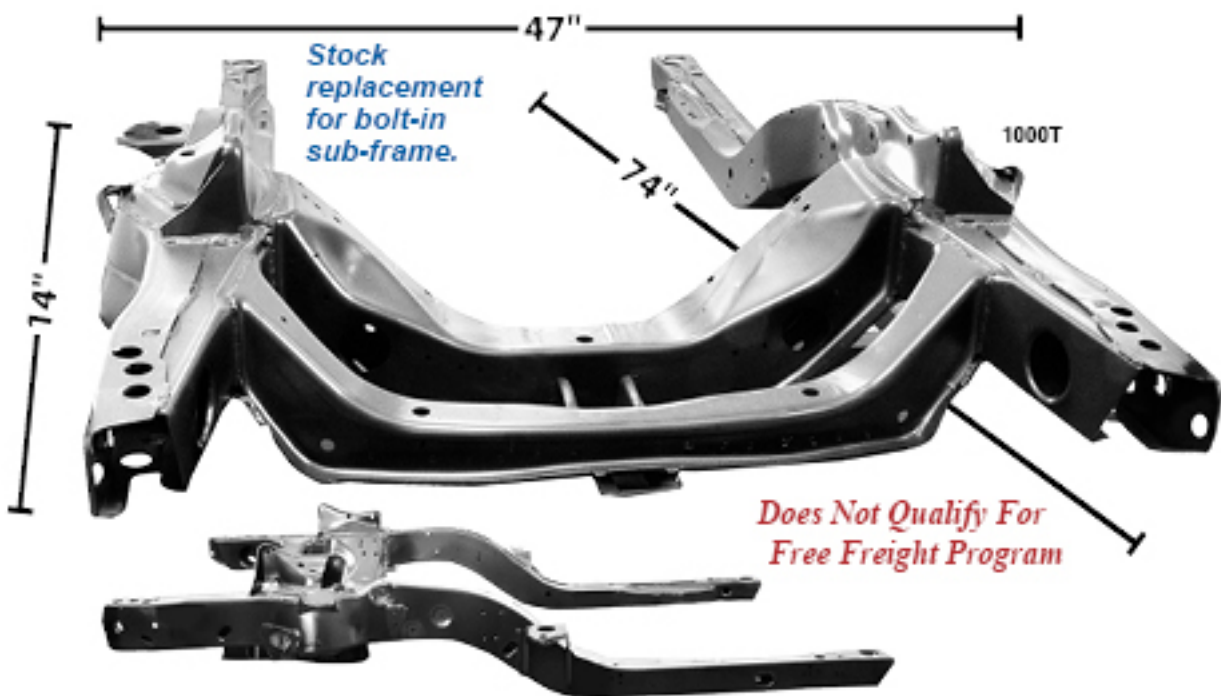
1621T

Box Size:
14.75" x 10.75" x 13"
Weight:
25 lbs.



1003C

1621T	1968-72	Stabilizer Rod & Bushing
1007	1968-74	Upper Control Arm Bumper
1007A	1968-74	Lower Control Arm Bumper
1003C	1968-74	Spindle Kit w/Disc Brake Hardware



1000T	1968-74	Sub-frame Assy
-------	---------	----------------



1000F



1000D



1000E



GM03

1000F	1964-72	Body Shims, 6 mm., 10 pc. set
1000D	1964-72	Body Shims, 3 mm., 10 pc. set
1000E	1964-72	Body Shims, 1.6 mm., 10 pc. set
GM03	1964-73	Body Washers, 20 pc. set

Sub-frame Assembly

Body Shims



1618



1619A



New Tooling!

1619C



1616



1617A

1618	1962-65	Front Fender RH
1619	1962-65	Front Fender LH
1619A	1966	Front Fender RH
1619B	1966	Front Fender LH
1619C	1967	Front Fender RH
1619D	1967	Front Fender LH
1616	1968-69	Front Fender RH
1617	1968-69	Front Fender LH
1617A	1970-74	Front Fender RH
1617B	1970-74	Front Fender LH

New Tooling!

Muscle Car Parts & Molding • Muscle Car Parts & Molding • Muscle Car Parts & Molding



1626

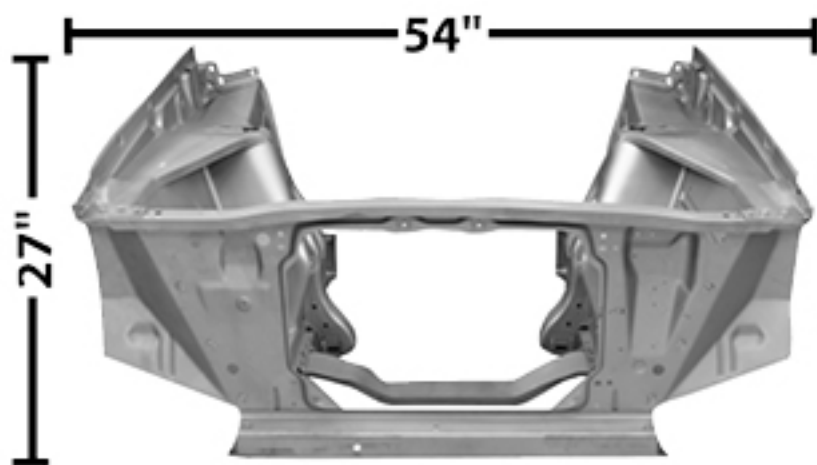


1627

1626	1968-74	Front Inner Fender, RH
1627	1968-74	Front Inner Fender, LH

1966-67

*Does Not Qualify
For Free Freight
Program*



1625SWT

Box Size:
56.5" x 39.5" x 32.25"
Weight: 145 lbs.



Shock Tower Closeup

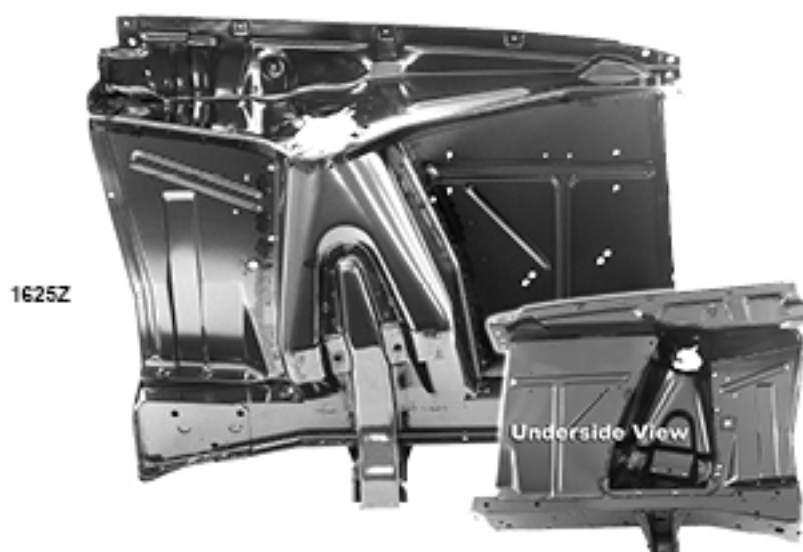
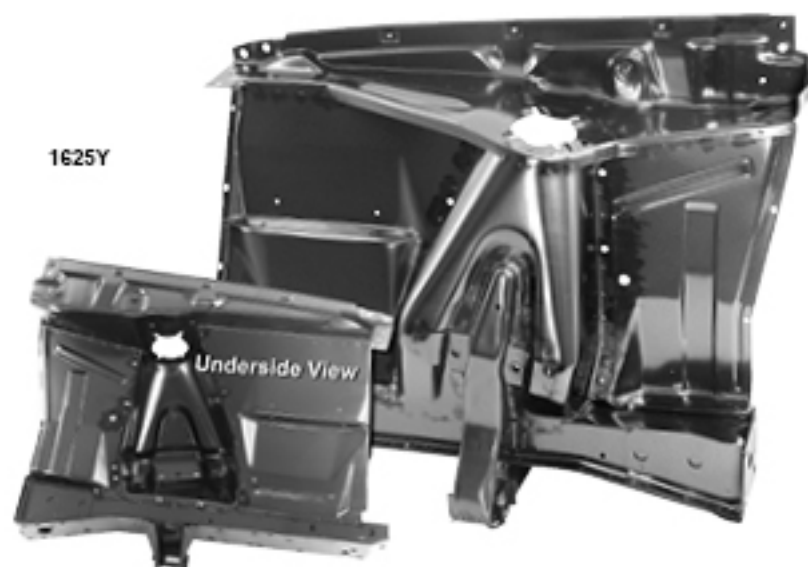


Shock Tower Reverse View



**Reverse
View**

1966-67



1625W



1625X



1625U

1625Y	1966-67	Shock Tower & Apron Assembly, RH
1625Z	1966-67	Shock Tower & Apron Assembly, LH
1625X	1966-67	Shock Tower Cap
1625W	1966-67	Spring Upper Seat
1625U	1966-67	Spring Saddle

1962-65



1602



1701A



Mid-Duty Struts

Heavy-Duty Struts

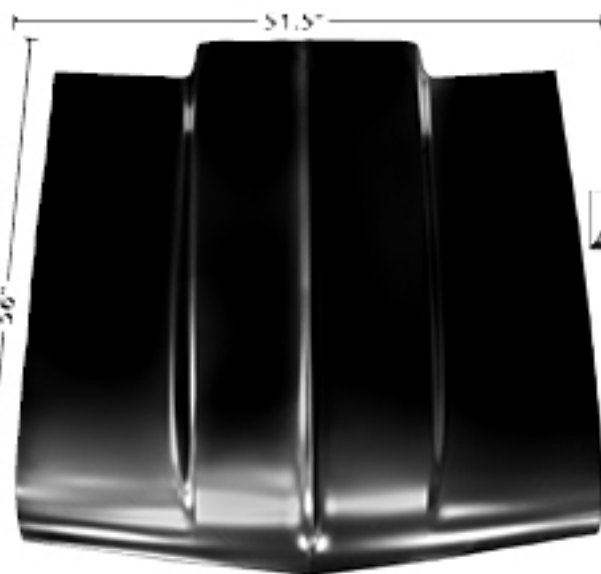
BH30

Box Size:
17.5" x 7" x 7.5"
Weight:
11 lbs.



1701B

1069AY



2" Cowl

Box Size:
56" x 59" x 8.75"
Weight:
79.6 lbs.

1602A

Muscle Car Parts & Molding • Muscle Car Parts & Molding • Muscle Car Parts & Molding

1602		1962-65	Hood
1602A		1962-65	Hood with 2" Cowl Induction
1069AY		1963-64	Hood Hinge Spring
BH30	New	1963-65	Billet Hood Hinge, Pair
1701A		1963-65	Hood Hinge, RH
1701B		1963-65	Hood Hinge, LH

1966-67



1600



Reverse View



Mid-Duty Struts

Heavy-Duty Struts

BH01

Box Size:
17.5" x 7" x 7.5"
Weight:
12 lbs.



1068G



1069AZ



1068H



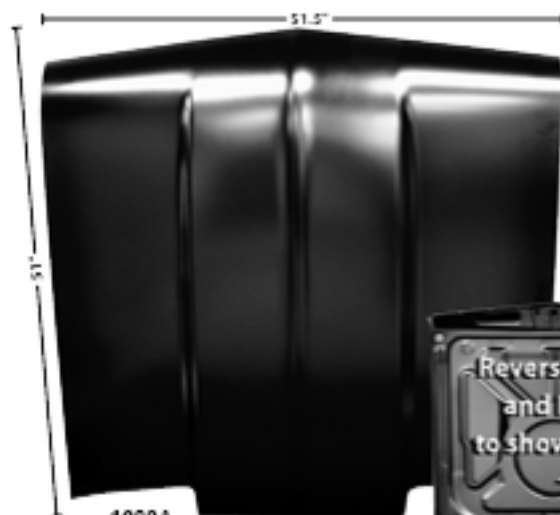
1643B



1643



1643D



1600A

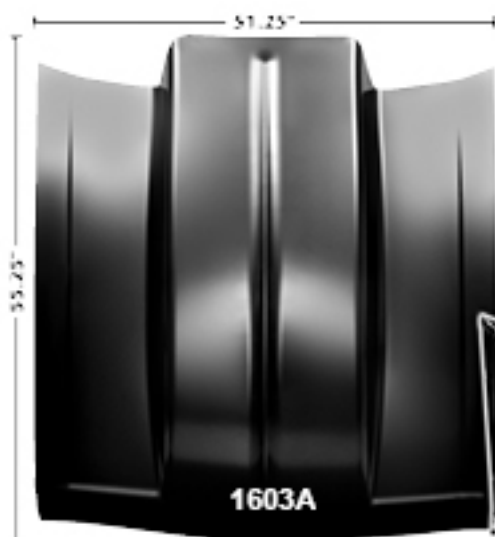
Box Size:
55" x 54" x 9"
Weight:
71 lbs.



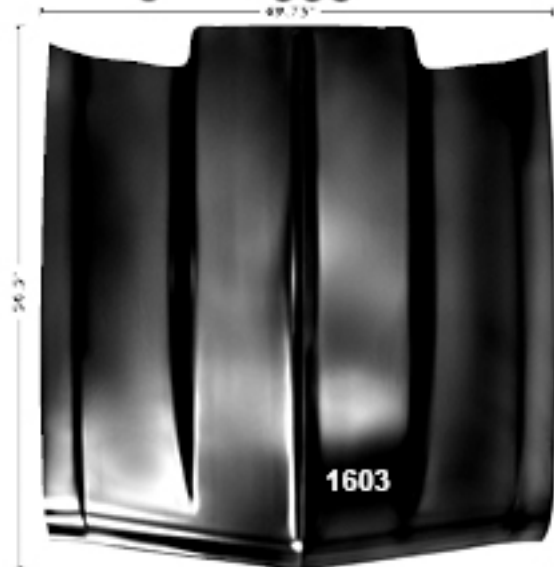
Reverse View
and Inset
to show depth

BH01	New	1966-67	Billet Hood Hinge, Pair
1600		1966-67	Hood
1600A		1966-67	Hood With 2" Cowl
1068G		1966-67	Hood Hinge, RH
1068H		1966-67	Hood Hinge, LH
1069AZ		1967-79	Hood Hinge Spring
1643B		1966	Hood Latch Assembly
1643		1966	Hood Latch Support
1643D		1967	Hood Latch Support

1968-79



Box Size:
58.75" x 54.75" x 12"
Weight:
81.1 lbs.



Box Size:
58.5" x 54" x 10.25"
Weight:
74.5 lbs.

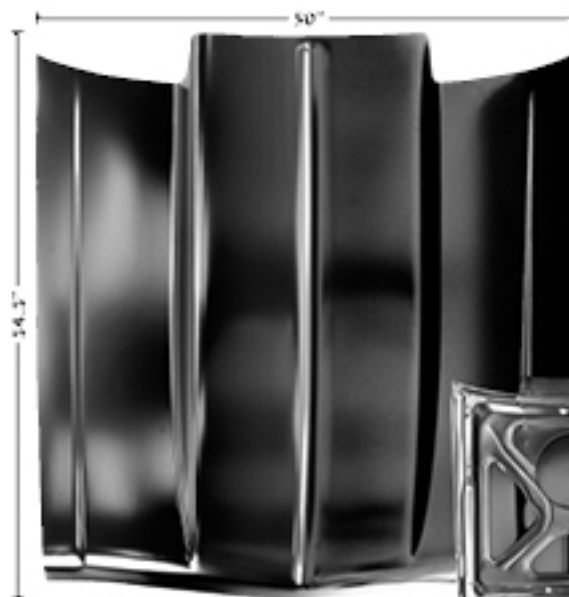


For "SS" Models



1601	1968-72	Hood
1603	1968-72	Hood With 2 Inch Cowl
1603A	1968-72	Hood With 4 Inch Cowl
1464Y	1968-79	Hood Hinge, RH
1464Z	1968-79	Hood Hinge, LH
1643C	1968-72	Hood Latch Assembly
1643A	1968-72	Hood Latch Support
1069F	1968-72	Hood Louvers, "ss"
1069H	1968-72	Hood Louver Bezel, "ss"
1601A	1968-72	Hood Louver Brackets, "ss"

1968-79



1603B

Box Size:
59.5" x 54.75" x 10.75"
Weight:
83 lbs.



1464Y



1464Z



BH12 Heavy-Duty Struts

Box Size:
19.5" x 7" x 7.5"
Weight:
13.5 lbs.

1603B		1973-74	Hood With 2" Cowl
1464Y		1968-79	Hood Hinge, RH
1464Z		1968-79	Hood Hinge, LH
BH12	New	1968-79	Billet Hood Hinge, Pair

1645WT



1645AWT

1645WT		1966-67	Firewall, Weld Through Primer
1645AWT		1966-67	Firewall to Floor Braces, Weld Through Primer



1644WT	1966-67	Cowl Vent Grille, Weld Through Primer
1642DWT	1966-67	Lower Cowl Grille, Weld Through Primer

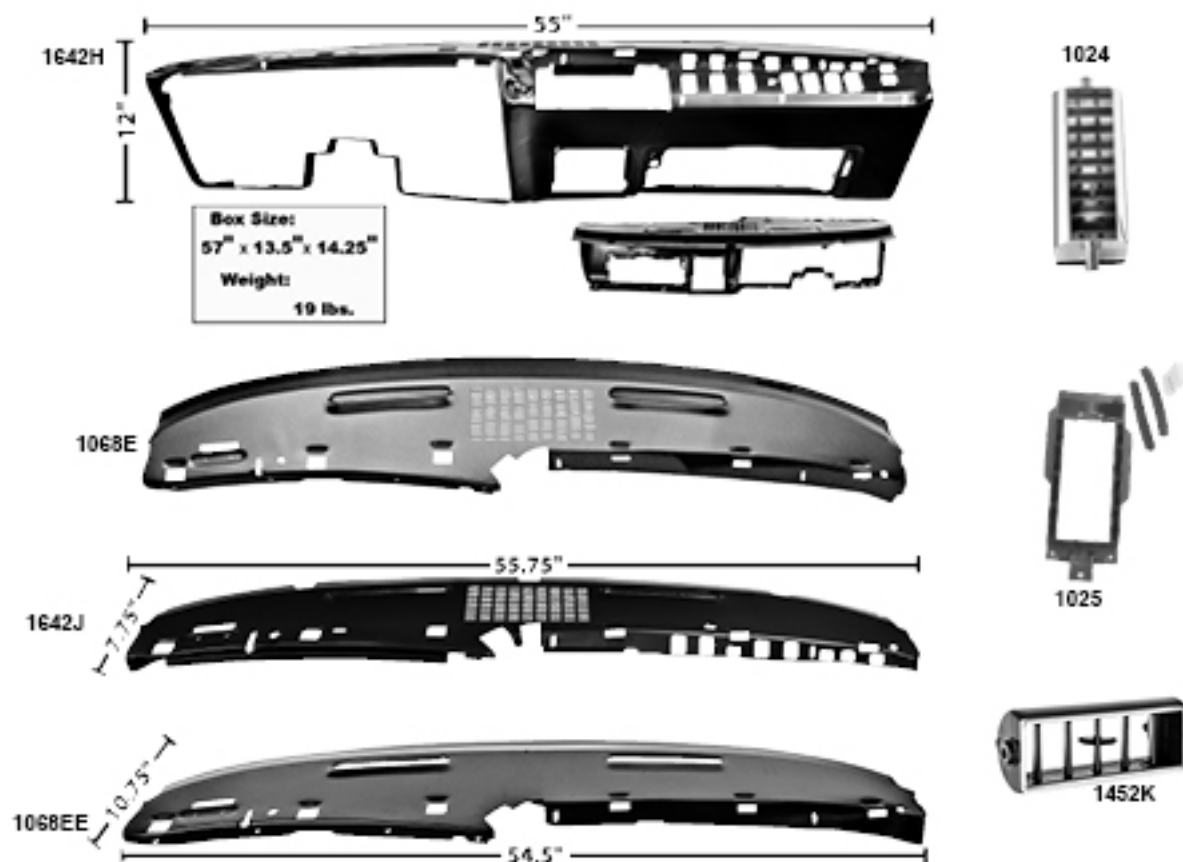


1642WT	1966-67	Outer Cowl Panel, Weld Through Primer, RH
1642AWT	1966-67	Outer Cowl Panel, Weld Through Primer, LH
1642BWT	1966-67	Cowl Shoulder, Weld Through Primer, RH
1642CWT	1966-67	Cowl Shoulder, Weld Through Primer, LH
1642K	1968-72	Lower Cowl Panel



1642E	1966-67	Steel Dash Panel
1647	1966-67	Glove Box Door with Hinge
M1617	1966-67	Radio Bezel

See page N48 & N49 for radios...



See page N50 & N51 for radios...

1642H	1968-72	Steel Dash Panel Assembly
1068E	1968-74	Steel Dash Panel (Will fit with modifications)
1642J	1968-74	Steel Upper Dash Panel, OE Style
1068EE	1968-74	Steel Upper Dash Panel, Custom (no holes)
1024	1969-72	Dash A/C Vent
1025	1969-72	Dash A/C Vent Bezel
1452K	1968-74	A/C Center Vent, Black with trim

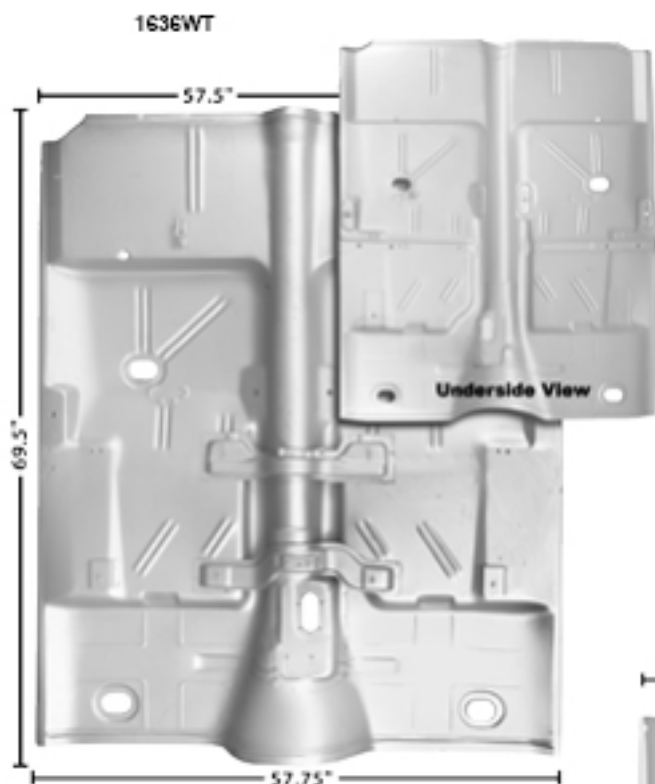


1630	1962-67	Full Floor Pan, EDP Coating, RH
1631	1962-67	Full Floor Pan, EDP Coating, LH

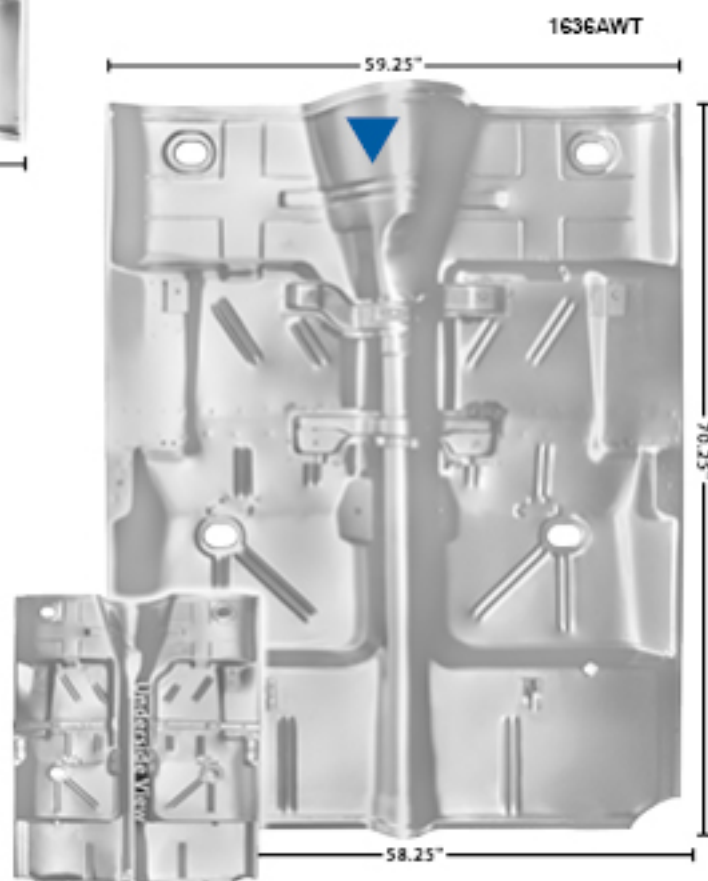
1962-67

Floor Pans & Components

Muscle Car Parts & Molding • Muscle Car Parts & Molding • Muscle Car Parts & Molding



For column shifter; cut out for manual transmissions.



Floor Pans & Components continued on next page...

1636WT	1962-67	Complete Floor Pan, Weld-Through Primer, (2 door) Auto. Trans.
1636AWT	1962-67	Complete Floor Pan, Weld-Through Primer, (2 door; no hole)

1636B



1047F

Box Size:
15.25" x 9.75" x 5.5"
Weight:
1.6 lbs.

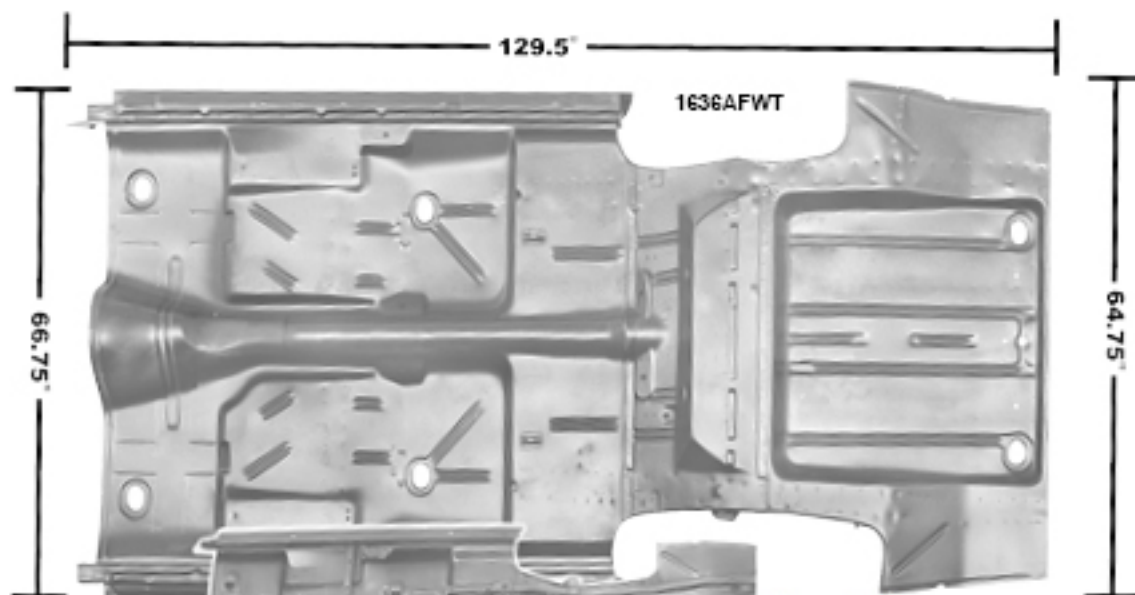
1636G



1625P

1625P	1966-67	Transmission Mount Crossmember, V8 (Between Sub-frame)
1636B	1962-67	Floor Cover, For Manual Transmission
1636G	1962-67	Floor Pan Shifter Pod, For Automatic Transmission
1047F	1962-72	Floor Pan Plug

1966-74

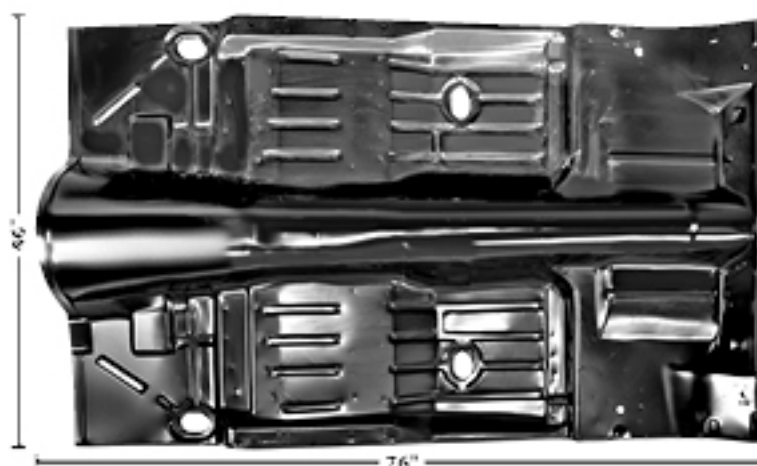
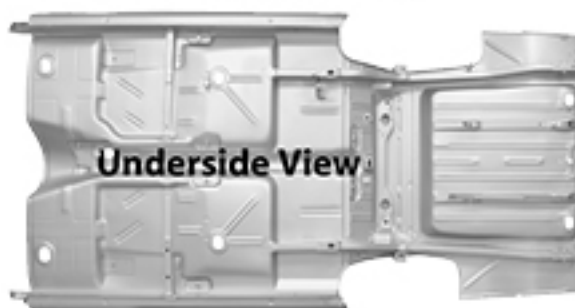
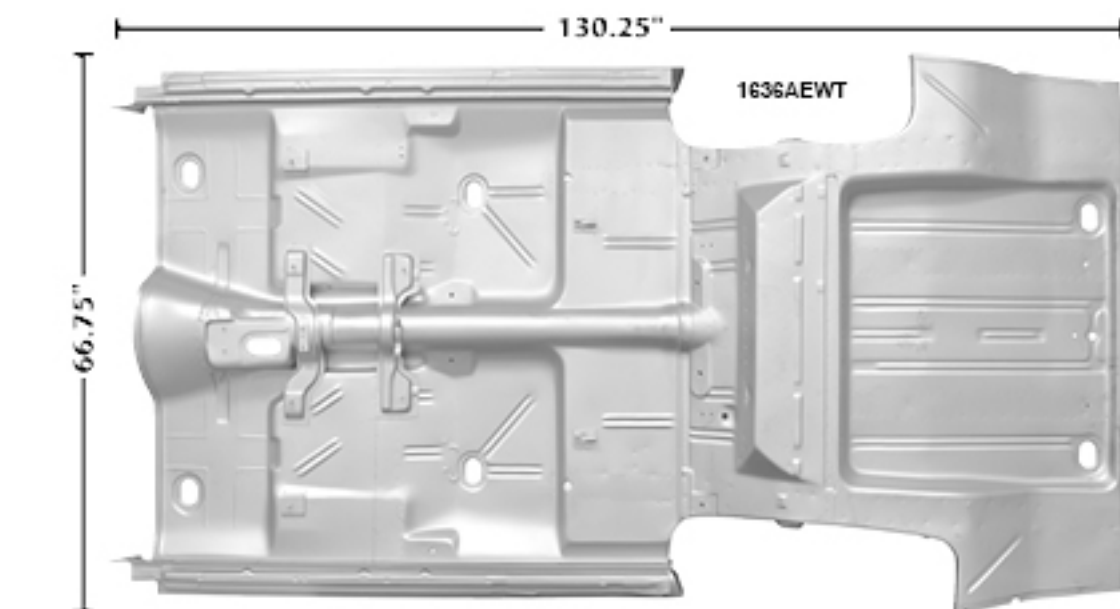


Underside View

*Does Not
Qualify For
Free Freight
Program*



Muscle Car Parts & Molding • Muscle Car Parts & Molding • Muscle Car Parts & Molding



1636AEWT	1966-67	Complete Floor & Trunk Pan w/Rocker Panels, Weld Through Primer
1635A	1968-74	Complete Floor Pan
1047F	1962-72	Floor Pan Plug

1968-74



Box Size:
63.5" x 8.25" x 3"
Weight:
7 lbs.



1635

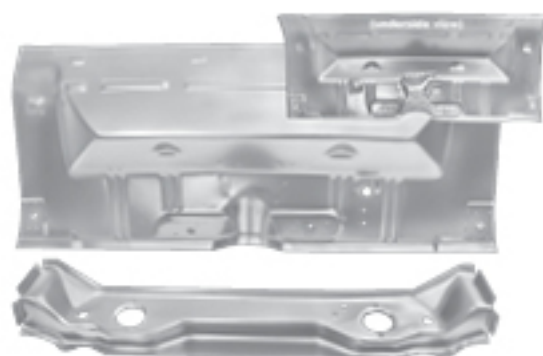


1047F

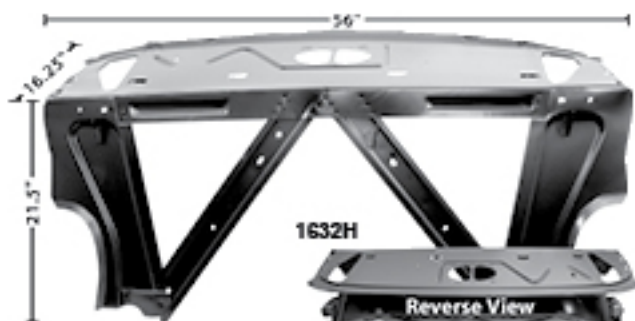


1634

1634	1968-74	Full Floor Pan, RH
1635	1968-74	Full Floor Pan, LH
1633G	1968-72	Rear Cross Roll
1633H	1968-72	Rear Cross Brace
1047F	1962-72	Floor Pan Plug



1632BWT	1962-67	Rear Seat Floor Pan w/braces
---------	---------	------------------------------



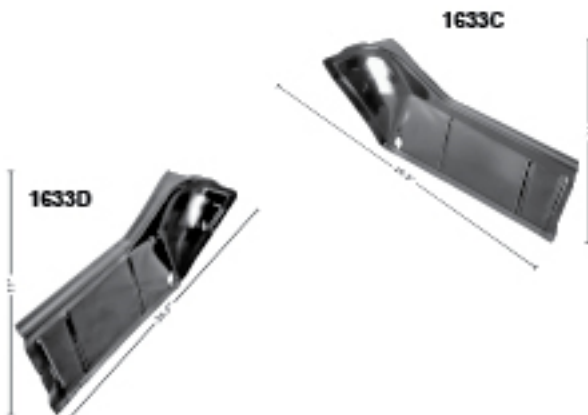
Box Size:
8.5" x 7.25" x 5.75"
Weight:
1 lb.

Includes:
Deck Lid
Hinges &
Torsion
Rods.

(1606 torsion rods also sold separately, pg. N27)

1632H	1966-67	Trunk Divider/Package Shelf
1632K	1966-67	Trunk Divider/Package Shelf Supports

Muscle Car Parts & Molding • Muscle Car Parts & Molding • Muscle Car Parts & Molding



1632AWT	1962-67	Complete Trunk Floor Pan W/Straps, Weld Through Primer
1632WT	1962-67	Trunk Floor Pan, Weld Through Primer
1633AWT	1966-67	Trunk Floor Drop Off, Weld Through Primer, RH
1633BWT	1966-67	Trunk Floor Drop Off, Weld Through Primer, LH
1633	1968-74	Trunk Floor Pan
1633C	1968-72	Trunk Floor Extension, RH
1633D	1968-72	Trunk Floor Extension, LH

Rocker Panels



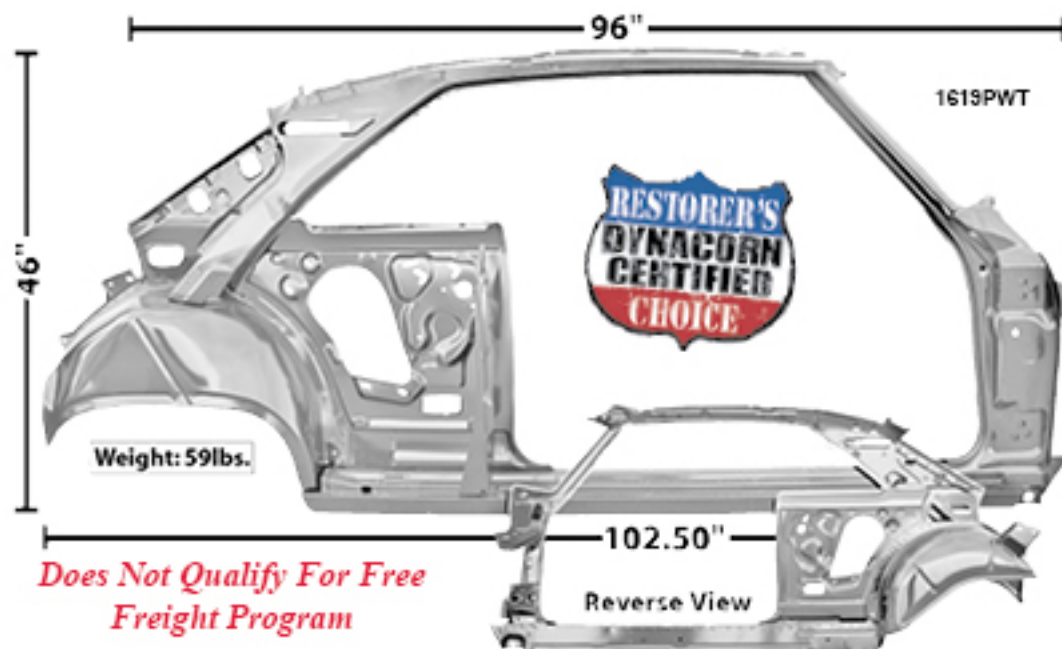
1660	1966-67	Complete Rocker Panel, RH
1661	1966-67	Complete Rocker Panel, LH

Frame Rails & Braces



1632YWT	1966-67	Frame Rail, Weld Through Primer, RH
1632ZWT	1966-67	Frame Rail, Weld Through Primer, LH
1632EWT	1966-67	Front Frame Rail Brace, Weld Through Primer, RH
1632FWT	1966-67	Front Frame Rail Brace, Weld Through Primer, LH
1632CWT	1966-67	Rear Frame Rail Brace, Weld Through Primer, RH
1632DWT	1966-67	Rear Frame Rail Brace, Weld Through Primer, LH

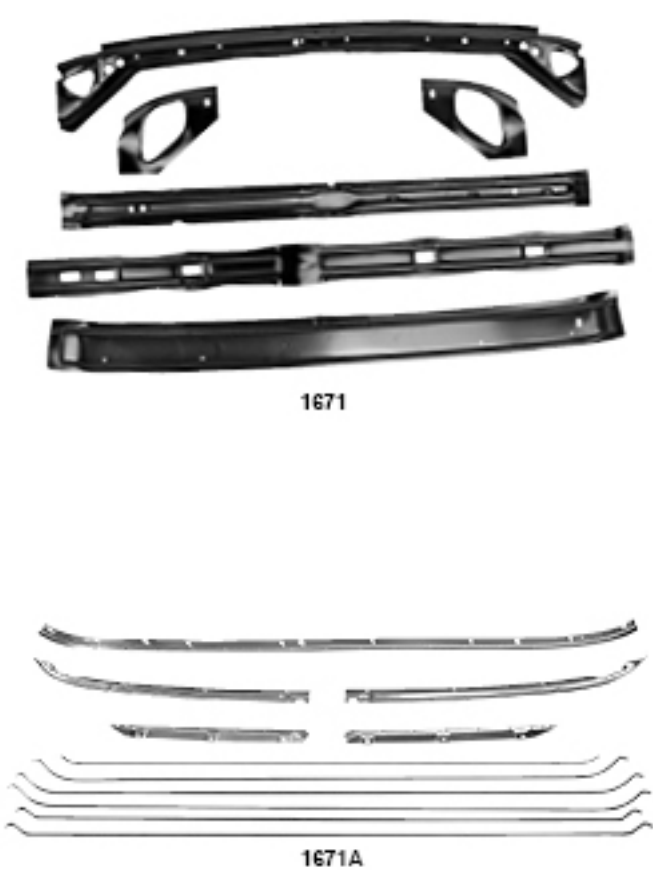
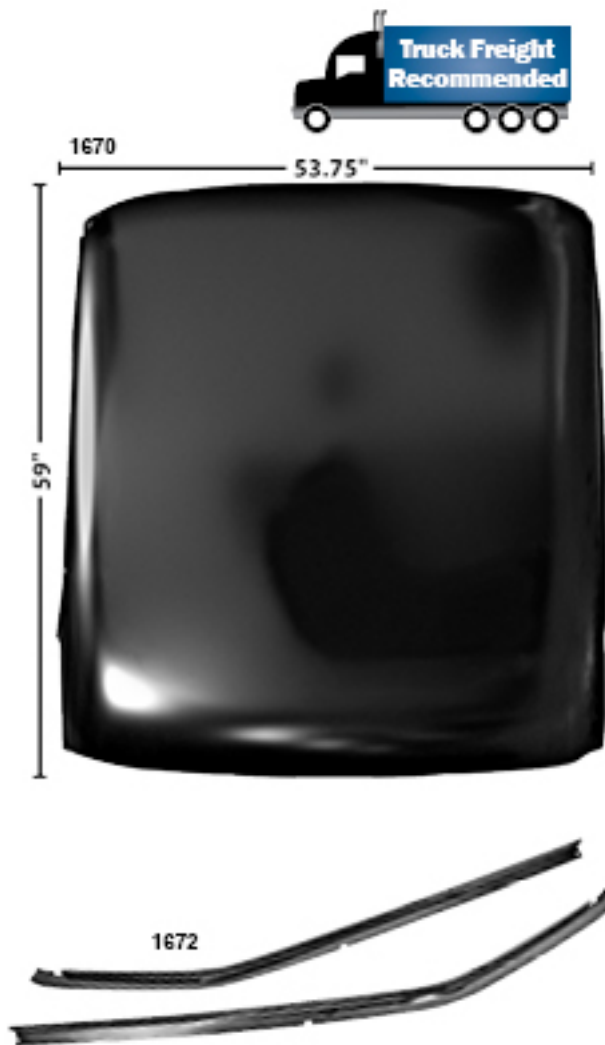
Quarter/Door Frame Assembly



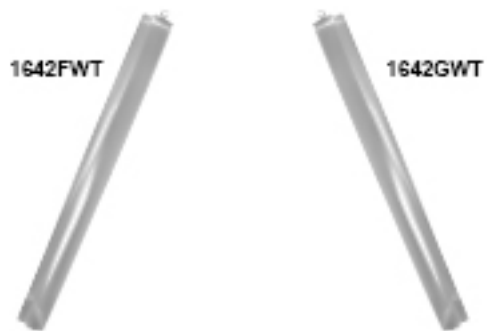
1619PWT	1966-67	Quarter/Door Frame Assembly, Weld Through Primer, RH
1619QWT	1966-67	Quarter/Door Frame Assembly, Weld Through Primer, LH

Muscle Car Parts & Molding • Muscle Car Parts & Molding • Muscle Car Parts & Molding

Muscle Car Parts & Molding • Muscle Car Parts & Molding • Muscle Car Parts & Molding



1670	1966-67	Roof Panel
1671	1966-67	Inner Roof Panel Brace
1671A	1966-67	Roof Headliner Retainer
1672	1966-67	Roof Drp Rails



1642FWT	1966-67	Windshield Pillar Panel, Weld Through Primer, RH
1642GWT	1966-67	Windshield Pillar Panel, Weld Through Primer, LH

1962-65



1621N



M1608



1621N	1962-65	Door Skin, RH
1621M	1962-65	Door Skin, LH
M1608	1962-65	Lower Window Track, RH
M1608A	1962-65	Lower Window Track, LH

1966-67



1619J



1619L



1621JWT



1621R



1621P

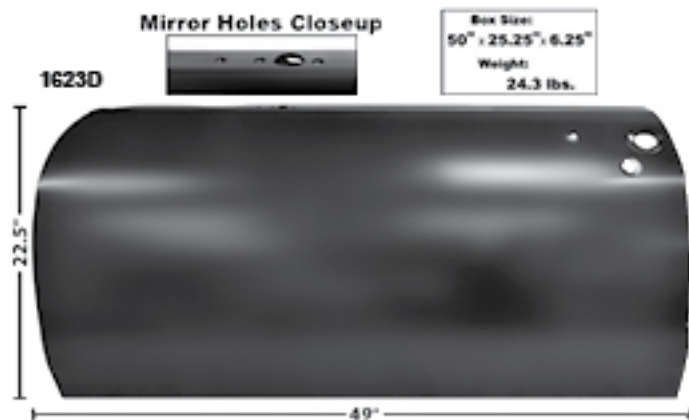


1621Z

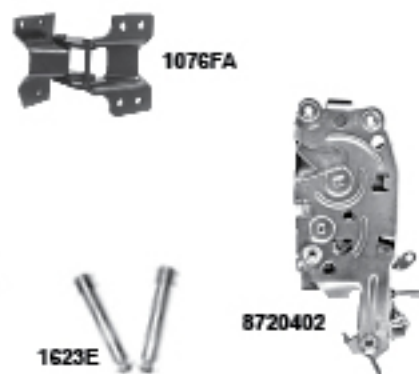
Door Glass on pg. N41...

1619J	1966	Door Shell, RH
1619K	1966	Door Shell, LH
1619L	1967	Door Shell, RH
1619M	1967	Door Shell, LH
1621JWT	1966-67	Door Skin, Weld Through Primer, RH
1621KWT	1966-67	Door Skin, Weld Through Primer, LH
1621R	1966-67	Door Latch, RH (1963-65 With modification)
1621S	1966-67	Door Latch, LH (1963-65 With modification)
1621P	1966	Door Latch Relay, RH (1962-65 w/ modification)
1621Q	1966	Door Latch Relay, LH (1962-65 w/ modification)
1621Y	1967	Door Latch Relay, RH
1621Z	1967	Door Latch Relay, LH

1968-72



Door Glass on pg. N41...



1623C	1968-72	Door Skin, RH
1623D	1968-72	Door Skin, LH
1076FA	1969-79	Upper Door Hinge, RH
1076FB	1969-79	Upper Door Hinge, LH
1076FC	1969-79	Lower Door Hinge, RH
1076FD	1969-79	Lower Door Hinge, LH
1623E	1968-72	Door Hinge Rollers
8720401	1969-70	Door Latch, RH
8720402	1969-70	Door Latch, LH

1962-65



Door Accessories continued on next page...

M1600	1962-65	Exterior Door Handles
M1601A	1962-65	Exterior Door Handle Push Button Kit
M1604	1962-64	Interior Door Handle, Double Arm
M1037F	1965-67	Interior Door Handle, Std., Single Arm
M1392A	1962-64	Window Crank, Double Arm, Black Knob (Chevy II/Novo SS) (Also 1967 Nova)
M1392B	1964	Window Crank, Double Arm, Chrome Knob
M1392C	1964	Window Crank, Single Arm, Black Knob
M1392D	1964	Window Crank, Single Arm, Black Knob w/Chrome Button
M1776	1965-66	Window Crank, Black Knob

1966-67



M1600A	1966-67	Exterior Door Handles
M1602B	1966-67	Exterior Door Handle Push Button Kit
M1037F	1965-67	Interior Door Handle, Std., Single Arm



M1382A	1967	Window Crank, Black Knob
M1392N	1967	Vent Window Crank

1968-79

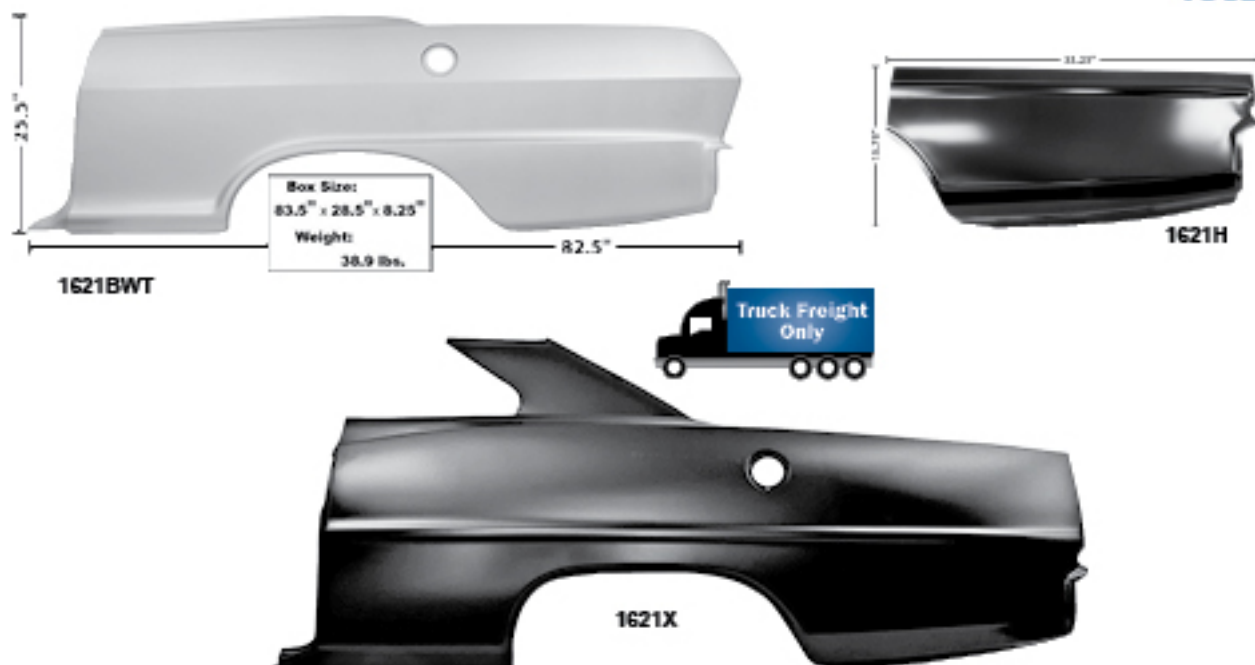


M1601	1968-79	Exterior Door Handles
M1037C	1968-79	Exterior Door Handle Push Button Kit
M1037D	1968-74	Interior Door Handle, RH Standard
M1037E	1968-74	Interior Door Handle, LH Standard



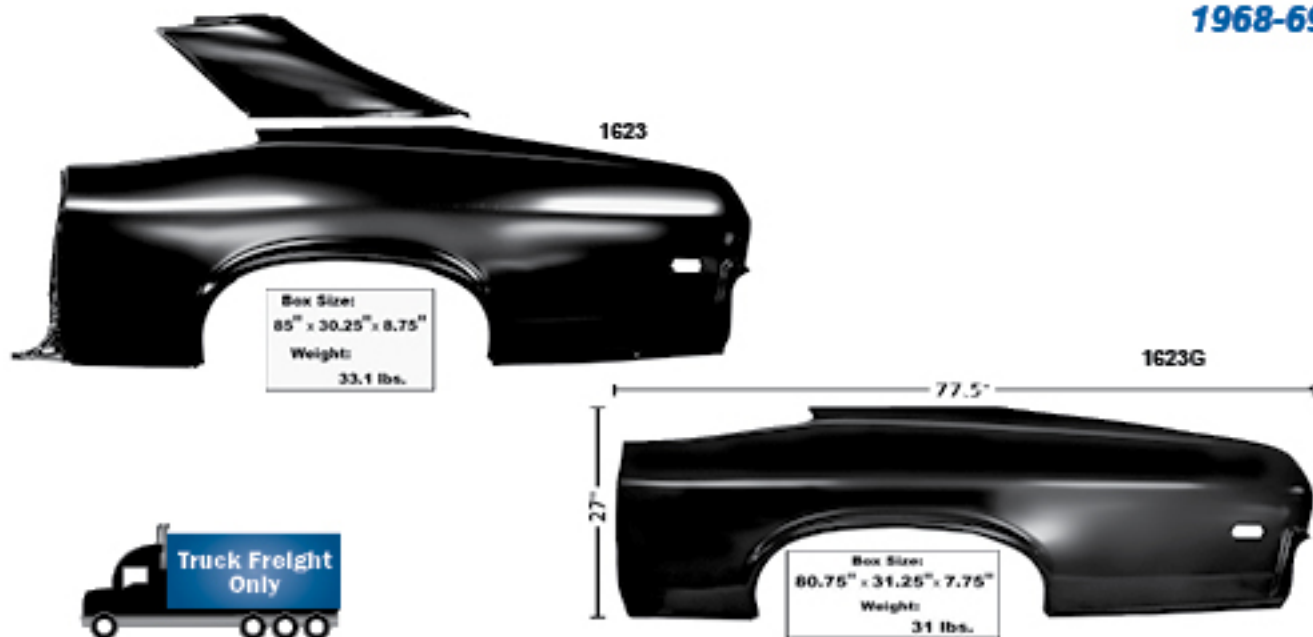
M1037A	1968	Window Crank, Black Knob
M1037B	1969-70	Window Crank, Clear Knob

1962-67



1621AWT	1962-65	Full Quarter Panel, Weld Through Primer, RH
1621BWT	1962-65	Full Quarter Panel, Weld Through Primer, LH
1621W	1966-67	Full Quarter Panel With Sill, RH
1621X	1966-67	Full Quarter Panel With Sill, LH
1621G	1966-67	Quarter Patch Panel, Lower Rear RH
1621H	1966-67	Quarter Patch Panel, Lower Rear LH

1968-69



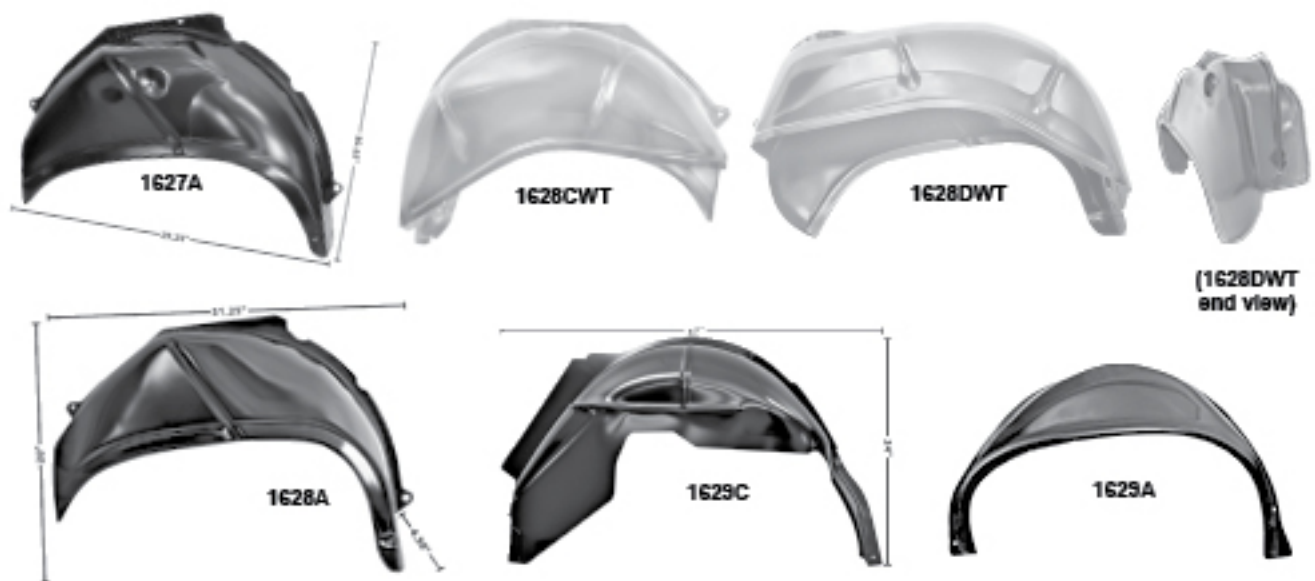
Quarter Panels continued on next page...

1622	1968-69	Full Quarter Panel With Sill, RH
1623	1968-69	Full Quarter Panel With Sill, LH
1623F	1968-69	Quarter Panel Skin, RH
1623G	1968-69	Quarter Panel Skin, LH

1970-72



1623A	1970-72	Full Quarter Panel With Sail, RH
1623B	1970-72	Full Quarter Panel With Sail, LH
1623H	1970-72	Quarter Panel Skin, RH
1623J	1970-72	Quarter Panel Skin, LH

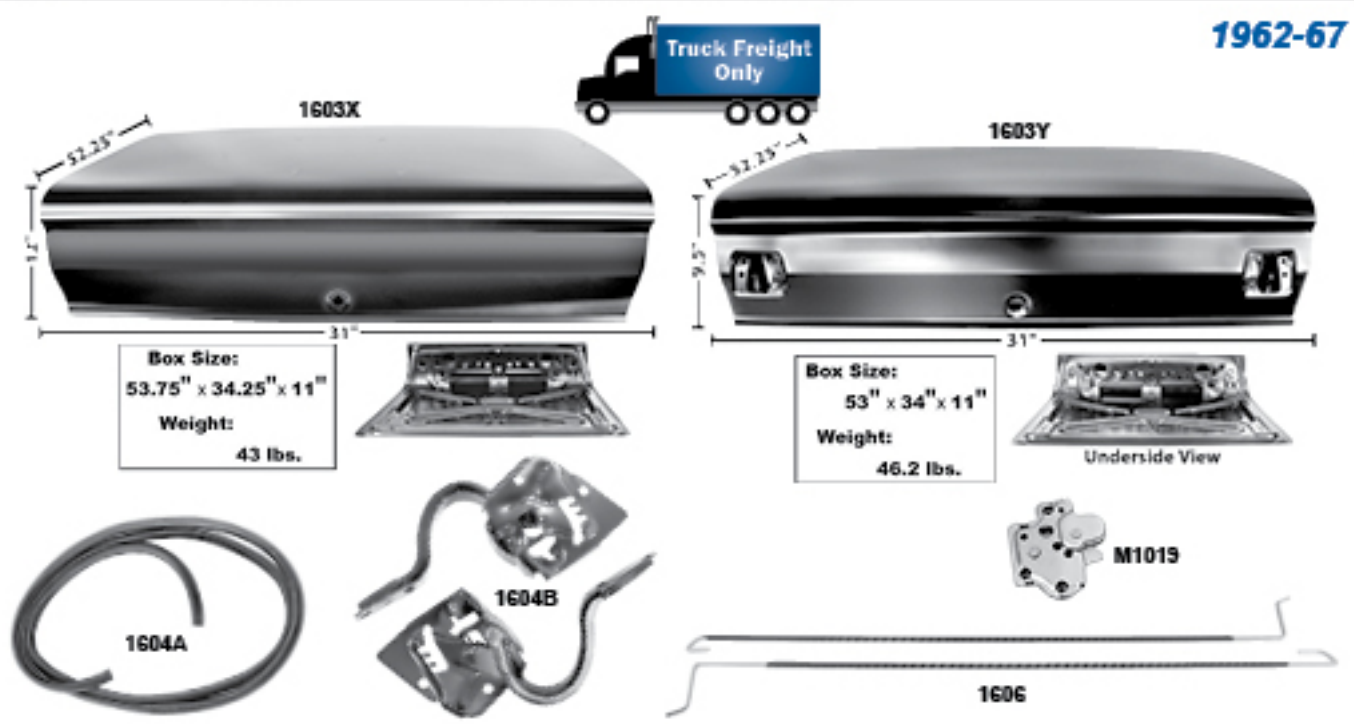


1627A	1962-65	Outer Wheelhouse, RH
1627B	1962-65	Outer Wheelhouse, LH
1628CWT	1966-67	Complete Wheelhouse (Inner & Outer), Weld Through Primer, RH
1628DWT	1966-67	Complete Wheelhouse (Inner & Outer), Weld Through Primer, LH
1628A	1966-67	Outer Wheelhouse, RH
1628B	1966-67	Outer Wheelhouse, LH
1629C	1968-72	Inner Wheelhouse, RH
1629D	1968-72	Inner Wheelhouse, LH
1629A	1968-74	Outer Wheelhouse, RH
1629B	1968-74	Outer Wheelhouse, LH

Muscle Car Parts & Molding • Muscle Car Parts & Molding • Muscle Car Parts & Molding



1623ZWT	1966-67	Rear Body Panel, Weld Through Primer
1615WT	1966-67	Deck Lid Filler Panel, Weld Through Primer
1615EWT	1968-72	Deck Lid Filler Panel, Weld Through Primer



1603X	1962-64	Trunk Lid
1603Y	1965	Trunk Lid
1604	1966-67	Trunk Lid
1604B	1966-67	Trunk Lid Hinges
1606	1966-67	Trunk Lid Torsion Rod
1604A	1966-67	Trunk Lid Rubber Seal
M1019	1962-70	Trunk Latch



1605	1968-74	Trunk Lid (Except Hatchback)
M1019A	1971-74	Trunk Latch

1962-64

1621D



1621C



1621C	1962-64 1965	Tail Lamp Mounting Panel, RH 2 door (With Modifications)
1621D	1962-64 1965	Tail Lamp Mounting Panel, LH 2 door (With Modifications)

1966-67



1621V



1623YWT



1621U

1623YWT	1966-67	Complete Tail Lamp Panel, Weld Through Primer
1621U	1966-67	Tail Lamp Mounting Panel, RH
1621V	1966-67	Tail Lamp Mounting Panel, LH

1968-72



1624

Box Size:
63" x 14" x 4.5"
Weight:
11 lbs.



1625

Box Size:
63" x 12.25" x 4.25"
Weight:
16.1 lbs.



1649

1624	1968-69	Tail Lamp Panel
1625	1970-72	Tail Lamp Panel
1649	1968-72	Trunk Latch Anchor Plate



Back View

1078A	1970-74	License Plate Bracket
-------	---------	-----------------------



T27



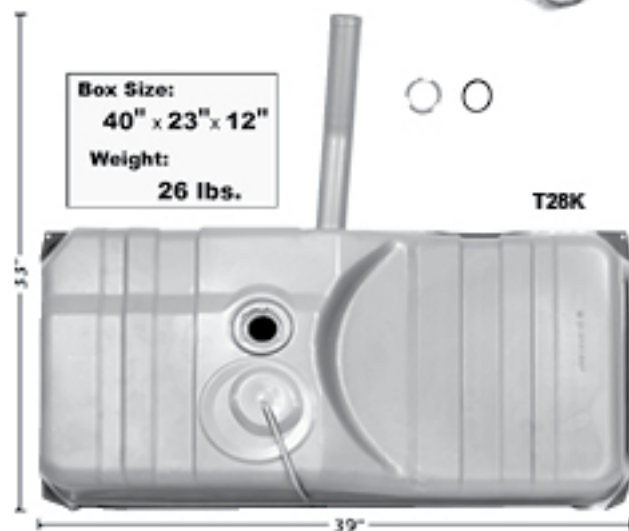
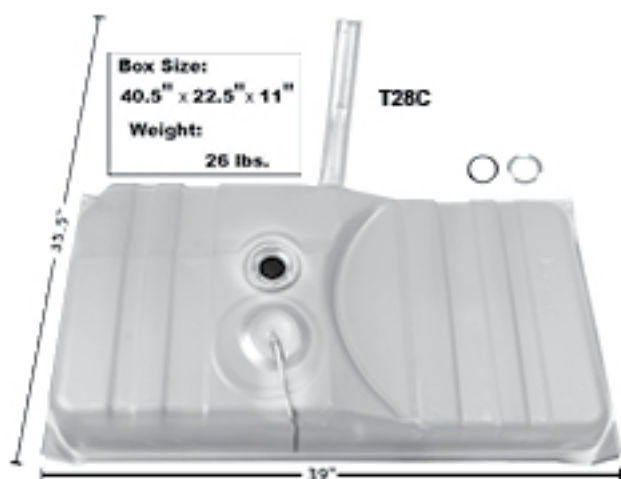
T27A



T28

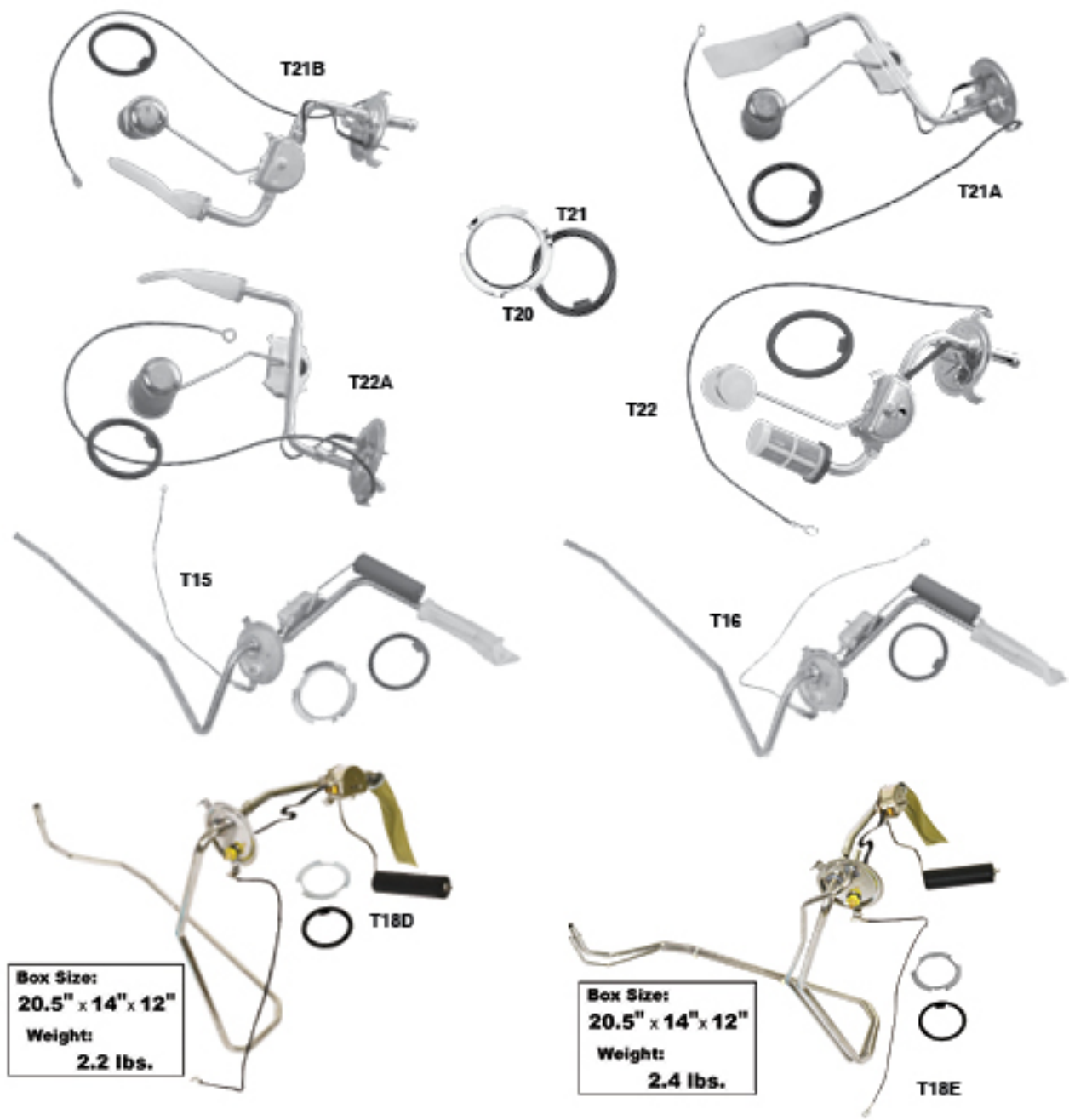


T28A

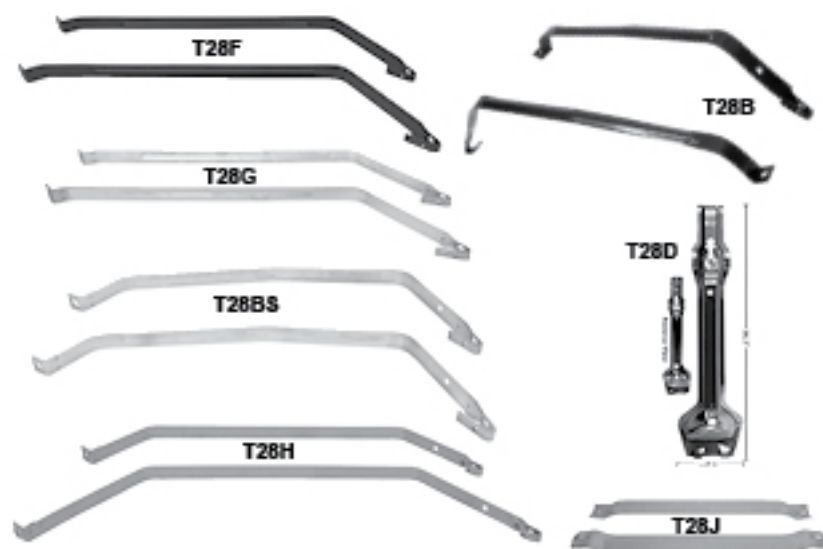


Muscle Car Parts & Molding • Muscle Car Parts & Molding • Muscle Car Parts & Molding

T27	1962-67	Fuel Tank
T27A	1968-69	Fuel Tank
T28	1970-72	Fuel Tank with E.E.C.
T28A	1971-72	Fuel Tank without E.E.C.
T28K	1973-74	Fuel Tank
T28C	1975-79	Fuel Tank without Neck



T20	1962-74	Fuel Sending Unit Locking Ring
T21	1962-74	Fuel Sending Unit Gasket
T21A	1962-65	Fuel Sending Unit, 5/16" (Except 4 BBL)
T21B	1964-65	Fuel Sending Unit, 3/8"
T22A	1966-67	Fuel Sending Unit, 5/16"
T22	1966-67	Fuel Sending Unit, 4 BBL (M04)
T15	1968-69	Fuel Sending Unit, 5/16", 6 cylinder (Locking ring included)
T16	1968	Fuel Sending Unit, 3/8", V8
	1969	3/8", V8 & 2 BBL, 396
T17	1969-72	Fuel Sending Unit, For 350, 4 BBL, 3/8" & 1/4" (M24)
T18D	1974-79	Fuel Sending Unit, 3/8" Stainless
T18E	1974-79	Fuel Sending Unit, 3/8" & 1/4" Stainless



Fuel Tank Straps & Braces

T28F	1962-67	Fuel Tank Straps, Painted
T28G	1962-67	Fuel Tank Straps, Stainless
T28B	1968-72	Fuel Tank Straps, Painted
T28BS	1968-72	Fuel Tank Straps, Stainless
T28D	1968-72	Fuel Tank Brace, RH
T28E	1968-72	Fuel Tank Brace, LH
T28H	1973-75	Fuel Tank Straps, Painted
T28J	1973-75	Fuel Tank Straps, Zinc Plated



1623K



1623M



1623L



1623N

1623K	1962-64	Fuel Cap, Chrome
1623L	1962-64	Fuel Cap, Black
1623M	1965-67	Fuel Cap, Chrome
1623N	1965-67	Fuel Cap, Black

3790349



M1016



3790350



1962-65

M1016	1962-75	Headlamp Retaining Ring
3790350	1962-64	Headlamp Bezel, RH
3790349	1962-64	Headlamp Bezel, LH



3866885

M1610



3866885

1966

L1600



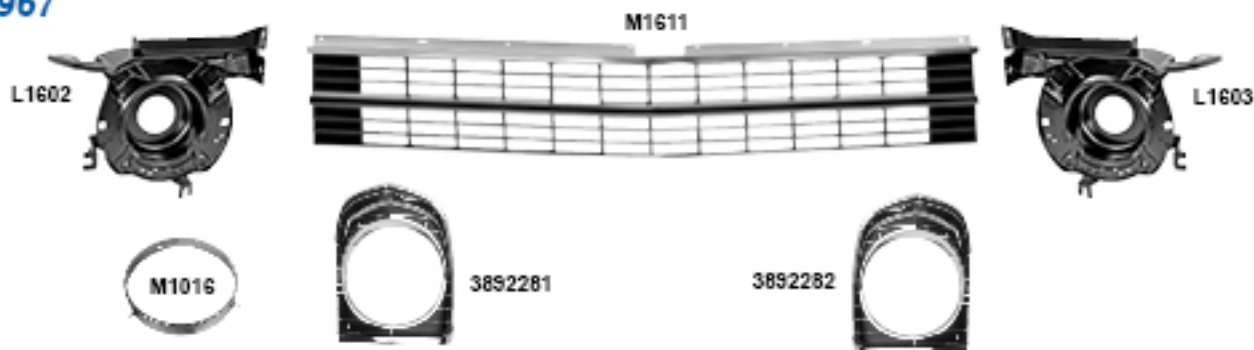
M1016



L1601

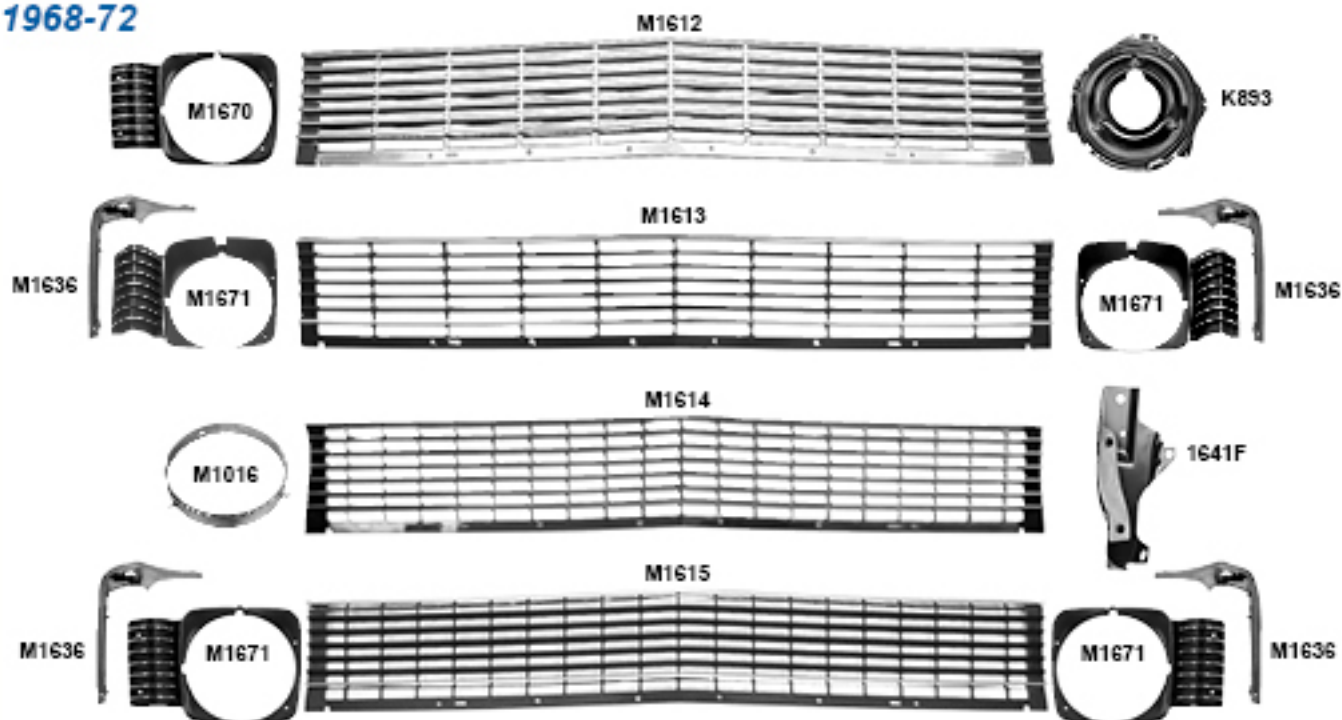
M1610	1966	Grille, Standard
L1600	1966	Headlamp Bucket, RH
L1601	1966	Headlamp Bucket, LH
M1016	1962-75	Headlamp Retaining Ring
3866885	1966	Headlamp Bezel

1967



M1611	1967	Grille, standard
L1602	1967	Headlamp Bucket, RH
L1603	1967	Headlamp Bucket, LH
M1016	1962-75	Headlamp Retaining Ring
3892282	1967	Headlamp Bezel, RH
3892281	1967	Headlamp Bezel, LH

1968-72



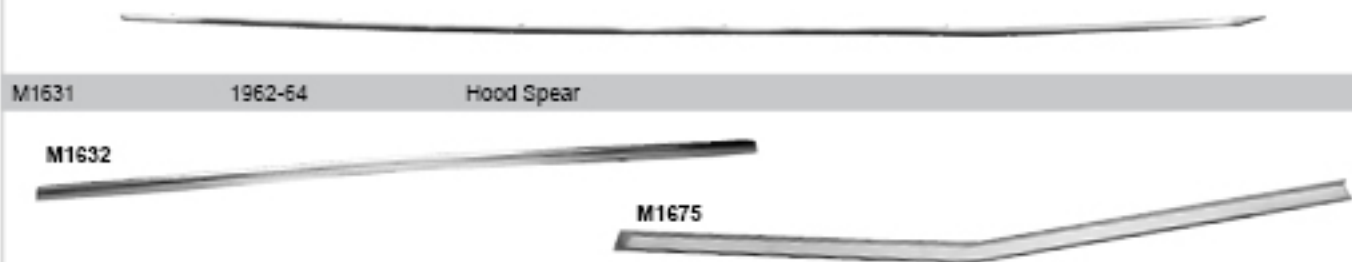
M1612	1968-69	Grille, standard
M1613	1968-69	Grille, "SS"
M1614	1970-72	Grille, standard
M1615	1970-72	Grille, "SS"
K892	1968-73	Headlamp Bucket, RH
K893	1968-73	Headlamp Bucket, LH
M1016	1962-75	Headlamp Retaining Ring
M1670	1968	Headlamp Bezels
M1671	1969-72	Headlamp Bezels
M1636	1968-72	Eyebrow Moldings
1641E	1968-72	Grille Support, RH
1641F	1968-72	Grille Support, LH



1702T
Box Size:
30.5" x 3.75" x 2.25"
Weight:
1.85 lbs.

1702U
Box Size:
30.5" x 3.75" x 2.25"
Weight:
1.85 lbs.

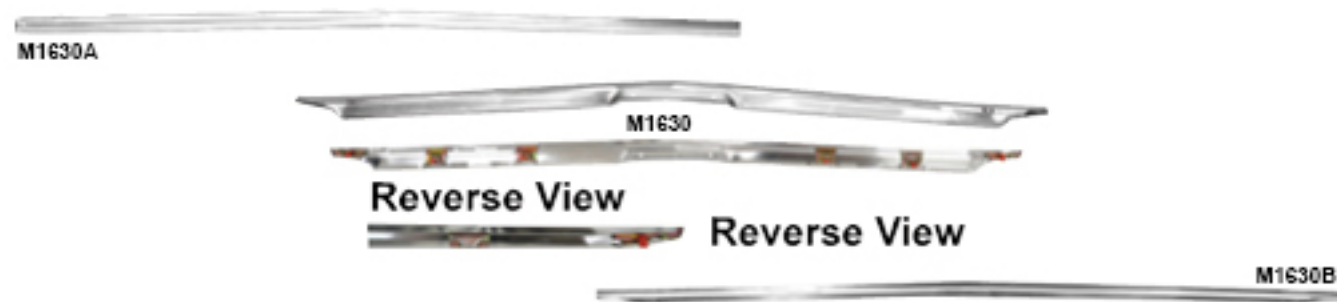
1702T	1963	Wiper Motor Transmission Arm
1702U	1964	Wiper Motor Transmission Arm



M1631	1962-64	Hood Spear
-------	---------	------------



M1632	1966	Hood Molding
M1675	1966	Valance Panel Molding



M1630A	1967	Hood Molding
M1630	1968-72	Hood Molding
M1630B	1973-74	Hood Molding



M1036B	1962	Exterior Mirror
M1035	1963-65	Exterior Mirror, Round with "Bow-tie"
3899857	1966-67	Exterior Remote Mirror

Exterior Mirrors continued on next page...

Exterior Mirrors



M1032
Restoration Parts



M1032A

M1032	1966-68	Exterior Mirror, Round with "Bow-tie"
M1032A	1966-68	Exterior Mirror, Round without "Bow-tie"



M1030A



3921816



M1031

M1030A	1967-69	Exterior Mirror Mounting Kit
3921816	1968	Exterior Remote Mirror, LH
M1030	1969-72	Exterior Mirror, RH Rectangular
M1031	1969-72	Exterior Mirror, LH Rectangular

Windshield Moldings



M1650A



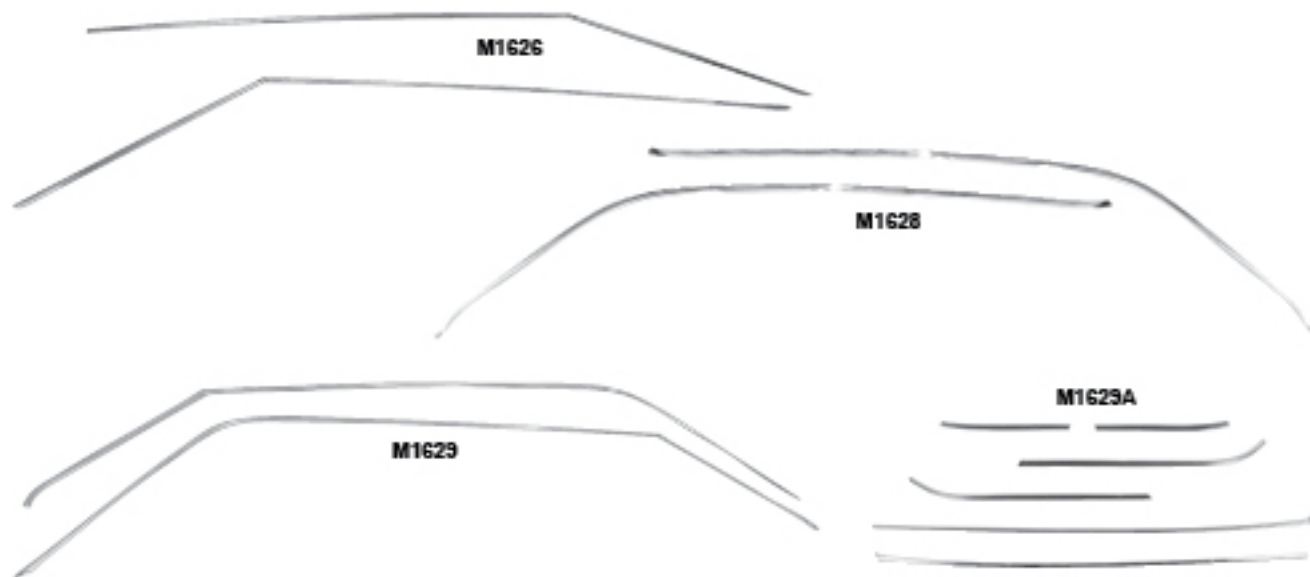
M1650B



M1650

M1650A	1962-67	Windshield Moldings, Hard Top, 4 pcs.
M1650B	1962-67	Windshield Moldings, Sedan, 4 pcs.
M1650	1968-72	Windshield Moldings, 4 pcs.

Muscle Car Parts & Molding • Muscle Car Parts & Molding • Muscle Car Parts & Molding • Muscle Car Parts & Molding



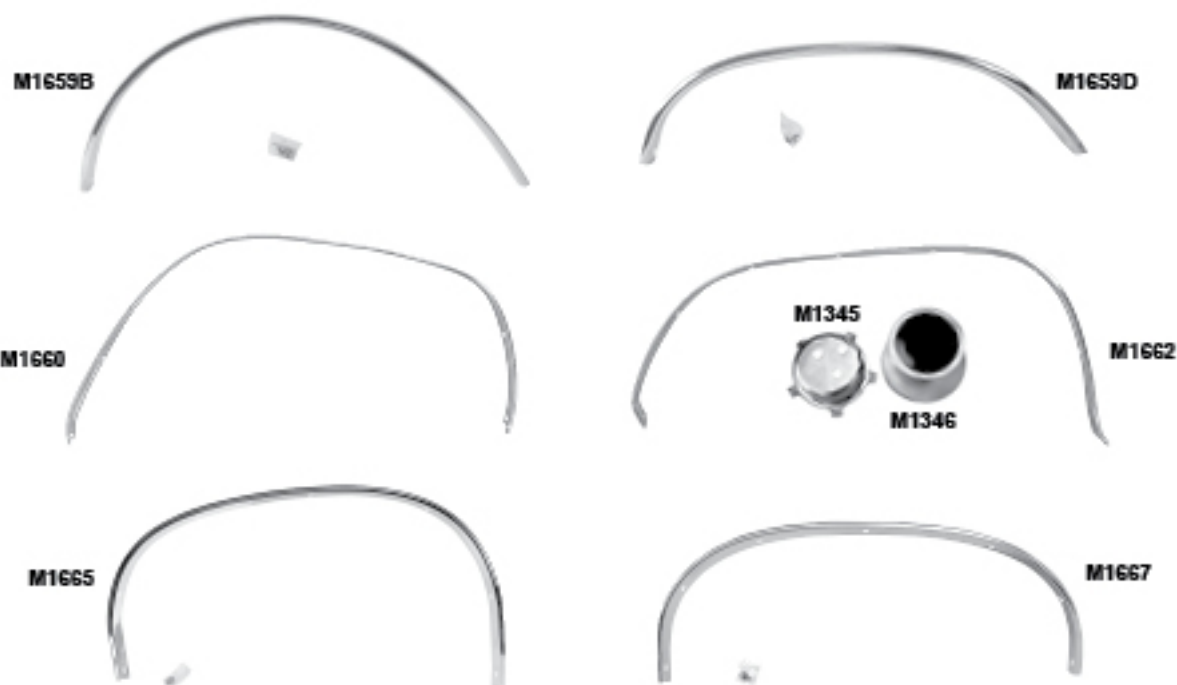
M1626	1962-65	Drip Rail Moldings, 4 pcs.
M1628	1966-67	Drip Rail Moldings, 2 pcs.
M1629	1968-72	Drip Rail Moldings, 6 pcs.
M1629A	1973-74	Drip Rail Moldings, 6 pcs.



M1606	1968-72	Door Frame Moldings, 8 pcs.
-------	---------	-----------------------------



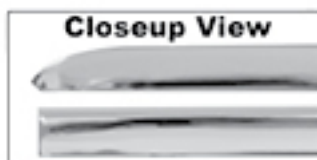
M1672	1966-67	Rocker Panel Moldings
M1673	1968-74	Rocker Panel Moldings
M1674	1968-74	Rocker Panel Extension Moldings
M1430CLP	1962-72	Rocker Panel Clips (Except SS), 6 clips



M1659A	1962-65	Front Wheel Opening Molding, RH
M1659B	1962-65	Front Wheel Opening Molding, LH
M1659C	1962-65	Rear Wheel Opening Molding, RH
M1659D	1962-65	Rear Wheel Opening Molding, LH
M1660	1966-67	Front Wheel Opening Molding, RH
M1661	1966-67	Front Wheel Opening Molding, LH
M1662	1966-67	Rear Wheel Opening Molding, RH
M1663	1966-67	Rear Wheel Opening Molding, LH
M1664	1968-72	Front Wheel Opening Molding, RH
M1665	1968-72	Front Wheel Opening Molding, LH
M1666	1968-72	Rear Wheel Opening Molding, RH
M1667	1968-72	Rear Wheel Opening Molding, LH
M1346	1969-70	Wheel Center
M1345	1969-70	Wheel Cap Retainer

M1625
8 pcs
(4 per side)

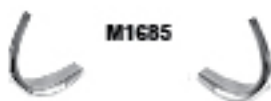
Closeup View



M1637



M1637	1962-64	Parking Lamp Extension Moldings
M1625	1968-72	Body Side Moldings for "SS"



M1650C	1962-65	Rear Window Moldings, 8 pcs. Hard Top
M1652	1966-67	Rear Window Moldings, 5 pcs.
M1685	1966-67	Quarter Window Moldings



M1651	1968-72	Rear Window Molding Set, 4 pcs.
-------	---------	---------------------------------



Vinyl Top Molding

M1680	1968-72	Vinyl Top Molding Set 4 pcs.
-------	---------	------------------------------



M1668	1962-65	Quarter Moldings
M1669	1962-65	Trunk Cove Molding



4883156



3793606

EM3031



EM3032



EM3042

3874540



4539568



4226981



EM3047



3918871

4883156	1963-64	"Nova SS" Quarter Panel Emblem
3793606	1963-64	"Nova SS" Trunk Lid Emblem
EM3031	1965	"Nova SS" Quarter Panel Emblems
EM3032	1965	"Nova SS" Trunk Lid Emblem
EM3042	1966	"SS" Grille Emblem with Retainer
3874540	1966	"Chevy II" Grille Emblem
4539568	1966-67	"Chevy II" Door Panel Emblems
EM3047	1966-67	"Super Sport" Script Quarter Panel Emblems
4226981	1966-67	"Nova Chevy II" Quarter Panel Emblem <small>Standard</small>
3918871	1968-69	"SS" Grille Emblem
EM3075	1968-69	"SS" Quarter Panel Emblem



3953676



M1635
Restorative
Pack



8728940



3953840



7790751



3940538



EM3091

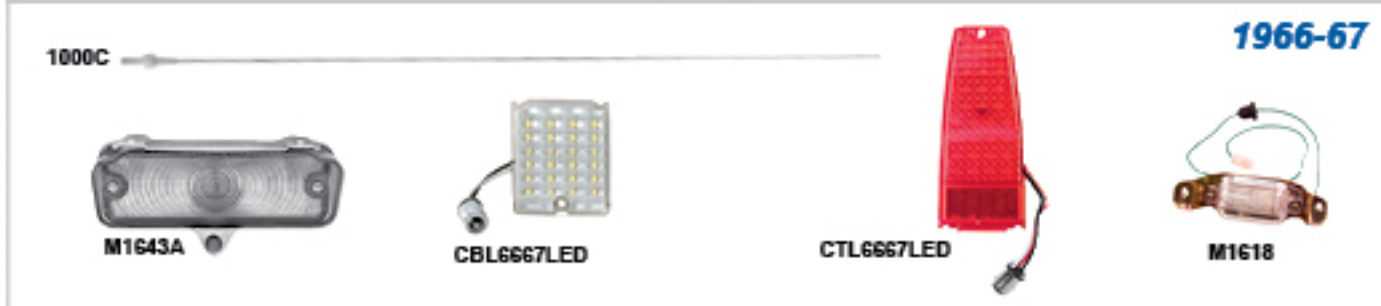


EM3100

3953676	1968-72	"Nova" Front Fender Emblem
M1635	1968-72	"SS" Rear Trim Emblem
8728940	1968-72	"Nova by Chevrolet" Trunk Lid Emblem
3953840	1969-72	Hood Lip Emblem
7790751	1969-72	"Nova" Door Panel Emblems
3940538	1970-72	"SS" Grille Emblem
EM3091	1970-72	"SS" Rear Panel with Emblem
EM3092	1970-72	Custom Rear Panel
EM3100	1973-74	"SS" Fender and Trunk Emblem



1702W	1962-66	Telescoping Antenna (no cable)
M1640	1962-64	Parking Lamp Assembly, RH
M1641	1962-64	Parking Lamp Assembly, LH
M1642	1963-64	Parking Lamp Lenses, Amber
M1643	1962-64	Parking Lamp Lens Bezels
C626451	1962-64	Back-up Lens, clear
C626402	1962-64	Tail Lamp Lens, Red
899439	1962-64	Tail Lamp Assembly
CTL6264LED	1962-64	LED Tail Lamp Assembly
CBL6264LED	1962-64	LED Back Up Lamp Assembly

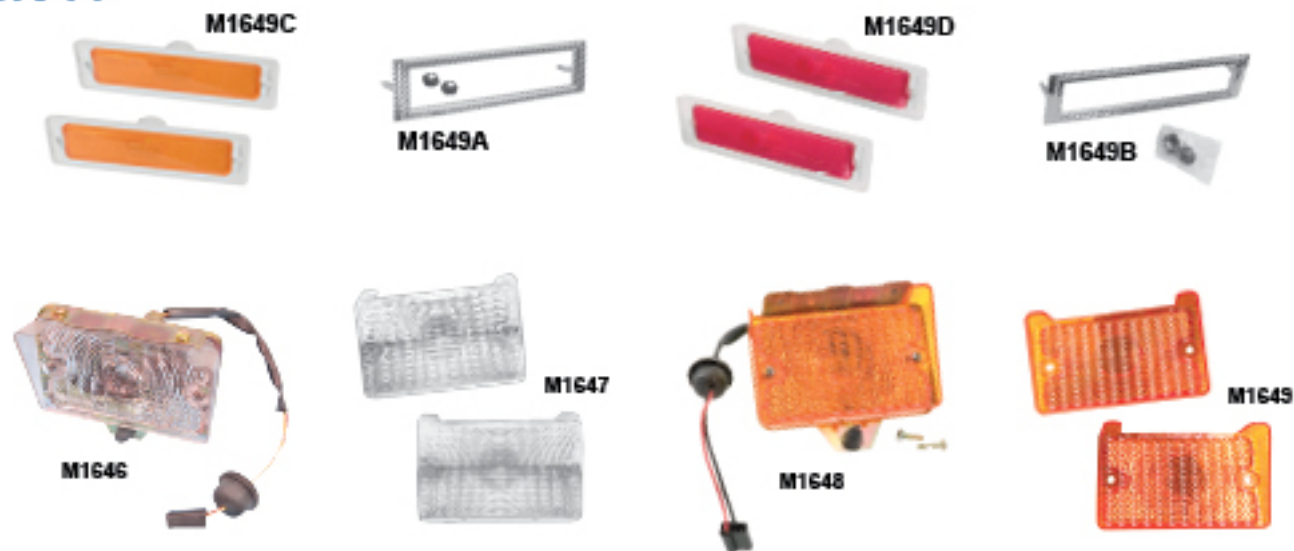


1000C	1967-69	Antenna (no cable)
CTL6667LED	1966-67	LED Tail Lamp Assembly
CBL6667LED	1966-67	LED Back Up Lamp Assembly
M1618	1966-72	License Plate Lamp



1000C	1967-69	Antenna (no cable)
K70	1968	Front Side Marker, Clear, also fits Camaro
K71	1968-69	Rear Side Marker, Red, also fits Camaro
K72	1968-69	Side Marker Bezel, also fits Camaro
M1644	1968-69	Parking Lamp Assembly, Fits both sides, Amber
M1645	1968-69	Parking Lamp Lenses, Amber
LTL6826LED	New 1964-65	LED Tail Lamp Lens, Fits both sides

1970-74



M1649C	1970-74	Front Side Marker Lens Assembly
M1649A	1970-74	Front Side Marker Lamp Bezel
M1649D	1970-74	Rear Side Marker Lens Assembly
M1649B	1970-74	Rear Side Marker Lamp Bezel
M1646	1970	Parking Lamp Assembly, Fits both sides, Clear
M1647	1970	Parking Lamp Lenses, Clear
M1648	1971-72	Parking Lamp Assembly, Fits both sides, Amber
M1649	1971-72	Parking Lamp Lenses, Amber



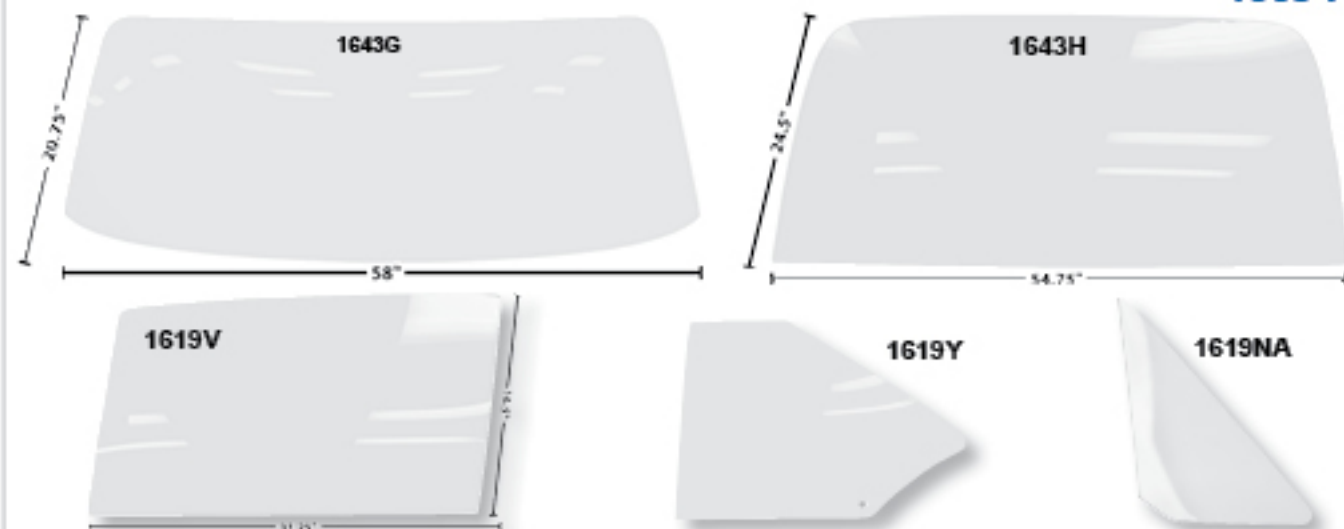
1041K	1967-75	Heater Box w/o A/C, Small Block
1041L	1968-70	Heater Box, Big Block
1041R	1969-72	Heater Case (Core Section) w/o A/C
1041W	1968-74	Heater Blower Motor w/o A/C
1041X	1970-72	Heater Blower Motor Resistor

1966-67



1643F		1962-67	Windshield Glass, Clear with blue top shade
1643FA	New	1962-67	Windshield Glass, Green Tinted
1619R		1966-67	Door Glass Assembly, RH
1619S		1966-67	Door Glass Assembly, LH
1619T		1966-67	Door Glass, Fits both sides, Clear
1619W		1966-67	Quarter Glass, Fits both sides, Clear

1968-72



1643G		1968-72	Windshield Glass, Clear
1643GA	New	1968-72	Windshield Glass, Green Tinted
1643H		1968-72	Rear Window Glass, Clear
1619U		1968-72	Door Glass, RH, Clear
1619V		1968-72	Door Glass, LH, Clear
1619N		1968-72	Vent Window Glass, RH, Clear
1619NA		1968-72	Vent Window Glass, LH, Clear
1619X		1968-72	Quarter Glass, RH, Clear
1619Y		1968-72	Quarter Glass, LH, Clear

M1619



3893179



3893182



3945593

M1619	1962-67	Parking Brake Release Handle
3893179	1968-79	Parking Brake Release Handle
3893181	1968	Parking Brake Pad
3893182	1968	Parking Brake Pad Trim
3945593	1969-74	Parking Brake Pad
3954594	1969-74	Parking Brake Pad Trim



M1726N



M1726P



3935721



K920

K982

M1726N	1962-67	Brake Pedal Pad (w/o Power Brakes)
M1726P	1962-67	Brake Pedal Pad (Power Brakes)
3935721	1966	Disc Brake Pedal Pad, 4-speed Transmission
K982	1968-77	Drum Brake Pedal Pad, Automatic Transmission
K920	1968-77	Drum Brake Pedal Pad Trim, Automatic Transmission



K911

K981

K919

K912



1650

K981	1968-77	Clutch Pedal Pad
K911	1968-77	Clutch Pedal Pad Trim
K919	1968-79	Accelerator Pedal Pad
K912	1968-79	Accelerator Pedal Pad Trim
1650	1968-72	Shifter Assembly, 4-speed w/o console bench seat



More Steering Wheels on next page...

9745764	1967	Steering Wheel for "SS", Deluxe
9747536	1968	Steering Wheel, Deluxe
M1336	1968	Steering Wheel Hub, 3 1/16" diameter x 1 1/8" tall (Also fits Comfort Grip Wheel SW12)
3939731	1969-70	Steering Wheel, Black
SW12	1969-70	Steering Wheel, Three Spoke Comfort Grip
M1337	1969-70	Steering Wheel Hub, 4 1/8" diameter x 1 1/8" tall (Also fits Comfort Grip Wheel SW12)
K213	1969-70	Horn Buttons
K292	1969-70	Horn Contacts



9746195	1969-70	Steering Wheel, Walnut
3960722	1969-70	Steering Wheel, Rosewood
M1337	1969-70	Steering Wheel Hub, 4 1/2" diameter x 1 1/2" tall (Also Fits Comfort Grip Wheel SW12)



Now includes bushing and screws!

M1035C	1962-67	Rear View Mirror, Standard
916177	1962-68	Rear View Mirror, 8 inch
M1035D	1962-65	Rear View Mirror Bracket
911366	1968-72	Rear View Mirror, 10 inch
8752692	1968-72	Rear View Mirror Bracket
1154F	1973-81	Rear View Mirror, Day/Night, 10 inch
M1338	1965-73	Sun Visor Support Bracket



M1602	1962-64	Arm Rest Bases, Front, Chrome
M1040L	1962-64	Arm Rest Bases, Rear, (Also fits '64-'67 Nova Wagon)
M1770	1962-66	Door Lock Knobs, Black
M1771	1962-66	Door Lock Knobs, Chrome
M1607B	1962-65	Door Inner Molding, RH
M1607C	1962-65	Door Inner Molding, LH



M1603	1966-67	Arm Rest Bases, Front, Chrome
M1772	1967	Door Lock Knobs, Black
M1773	1967	Door Lock Knobs, Chrome
M1607	1966-67	Door Inner Molding, RH
M1607A	1966-67	Door Inner Molding, LH



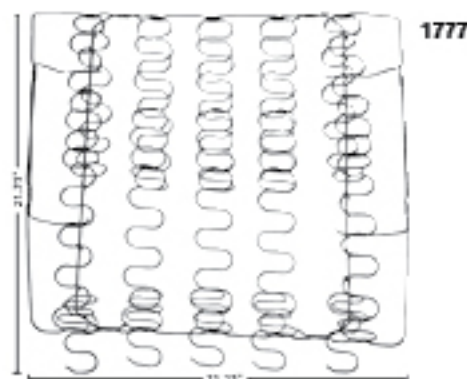
M1040	1968-72	Arm Rest Base, Black RH
M1040A	1968-72	Arm Rest Base, Black LH
M1040B	1968-72	Arm Rest Bases, Red
M1040C	1968-72	Arm Rest Bases, Medium Blue
M1040D	1968-72	Arm Rest Bases, Ivy Gold
M1040E	1968-72	Arm Rest Bases, White
M1040F	1968-72	Arm Rest Bases, Dark Blue
M1040G	1968-72	Arm Rest Bases, Dark Green
M1777	1968	Door Lock Knobs, Grooved Black
M1774	1969-70	Door Lock Knobs, Grooved Chrome
M1775	1970-76	Door Lock Knobs, Chrome

Scuff Plates

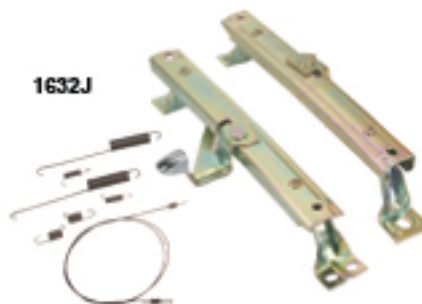
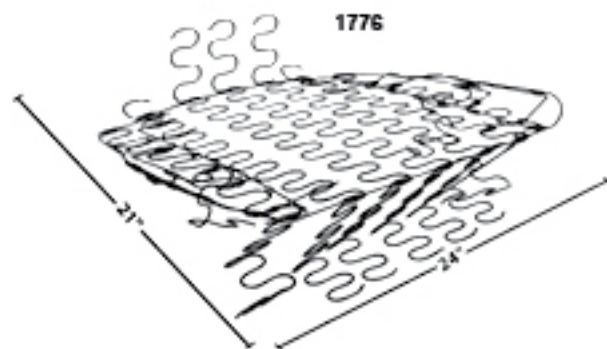


M1620	1962-67	Door Sill Scuff Plate, RH
M1621	1962-67	Door Sill Scuff Plate, LH
M1622	1968-79	Door Sill Scuff Plate, RH
M1623	1968-79	Door Sill Scuff Plate, LH

Seats & Components

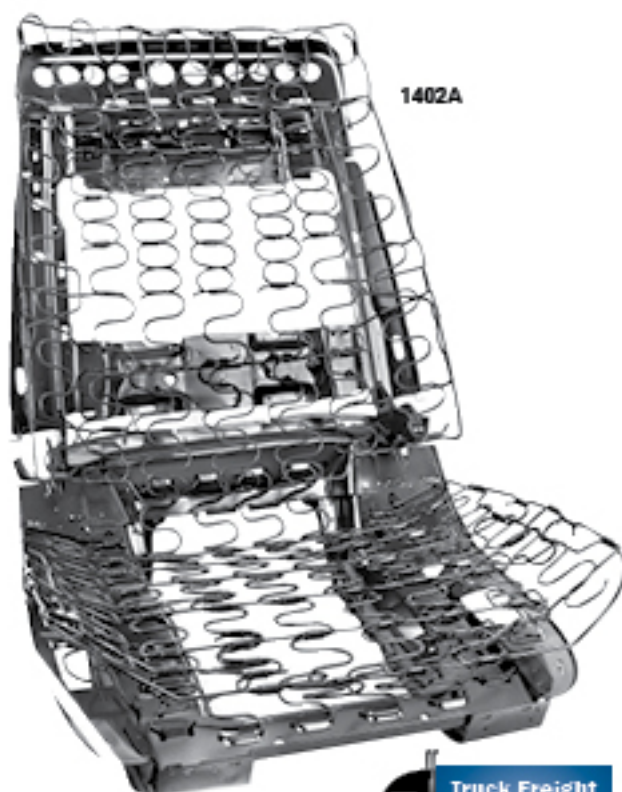


Box Size:
16.25" x 6" x 3.75"
Weight:
5.8 lbs.



1776	1962-65	Seat Bottom Spring, Fits both sides
1777	1962-65	Seat Back Spring, Fits both sides
1636C	1962-67	Seat Frame Supports, 4 pcs.
1632JB	1965	Bucket Seat Track Assembly, RH
1632JC	1965	Bucket Seat Track Assembly, LH
1632J	1966-67	Bench Seat Track Assembly

Muscle Car Parts & Molding • Muscle Car Parts & Molding • Muscle Car Parts & Molding



1402A



K15



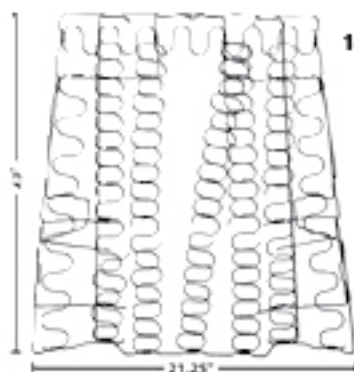
1636F



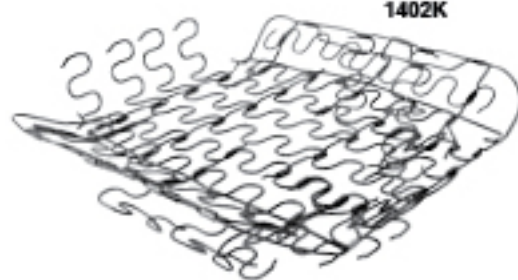
K75



K883G



1402L



1402K

1402L	1968-72	Front Seat Back Spring, Fits both sides
1402K	1966-72	Front Seat Bottom Spring, Fits both sides
1636F	1966-67	Seat Track Adjusting Knob
K15	1967-72	Seat Track Adjusting Knob, Chrome
K75	1968-72	Seat Back Locking Knob, Chrome
K883G	1968-72	Seat Belt Buckle Cover, With "GM" Insert
1402A	1969-72	Seat Frame Assembly



Seat Belts with Push Button:
6 colors to choose from

60 Inch Belts

SBP-BK60	Seat Belt with Push Button	Black
SBP-GR60	Seat Belt with Push Button	Grey
SBP-TAN60	Seat Belt with Push Button	Tan
SBP-NB60	Seat Belt with Push Button	Navy Blue
SBP-RED60	Seat Belt with Push Button	Red
SBP-MAR60	Seat Belt with Push Button	Maroon



74 Inch Belts

SBP-BK74	Seat Belt with Push Button	Black
SBP-GR74	Seat Belt with Push Button	Grey
SBP-TAN74	Seat Belt with Push Button	Tan
SBP-NB74	Seat Belt with Push Button	Navy Blue
SBP-RED74	Seat Belt with Push Button	Red
SBP-MAR74	Seat Belt with Push Button	Maroon



SBR-BK	Retractable 3 Point Seat Belt with Push Button	Black
SBEXT-BK	Seat Belt Extension, 12 in.	Black

See also Accessory Section for more details...



Seat Belts with Lift Latch:
10 colors to choose from

60 Inch Belts

SBL-BK60	Seat Belt with Lift Latch	Black
SBL-WT60	Seat Belt with Lift Latch	White
SBL-LG60	Seat Belt with Lift Latch	Light Grey
SBL-DG60	Seat Belt with Lift Latch	Dark Grey
SBL-LT60	Seat Belt with Lift Latch	Light Tan
SBL-DT60	Seat Belt with Lift Latch	Dark Tan
SBL-LB60	Seat Belt with Lift Latch	Light Blue
SBL-DB60	Seat Belt with Lift Latch	Dark Blue
SBL-BR60	Seat Belt with Lift Latch	Bright Red
SBL-DR60	Seat Belt with Lift Latch	Dark Red



74 Inch Belts

SBL-BK74	Seat Belt with Lift Latch	Black
SBL-WT74	Seat Belt with Lift Latch	White
SBL-LG74	Seat Belt with Lift Latch	Light Grey
SBL-DG74	Seat Belt with Lift Latch	Dark Grey
SBL-LT74	Seat Belt with Lift Latch	Light Tan
SBL-DT74	Seat Belt with Lift Latch	Dark Tan
SBL-LB74	Seat Belt with Lift Latch	Light Blue
SBL-DB74	Seat Belt with Lift Latch	Dark Blue
SBL-BR74	Seat Belt with Lift Latch	Bright Red
SBL-DR74	Seat Belt with Lift Latch	Dark Red

SBL-BK60BLK

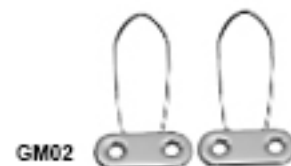


SBL-BK60BLK	Seat Belt w/Black Wrinkle-Finish Latch	Black
SBL-BK74BLK	Seat Belt w/Black Wrinkle-Finish Latch	Black



Quarter Inner Trim

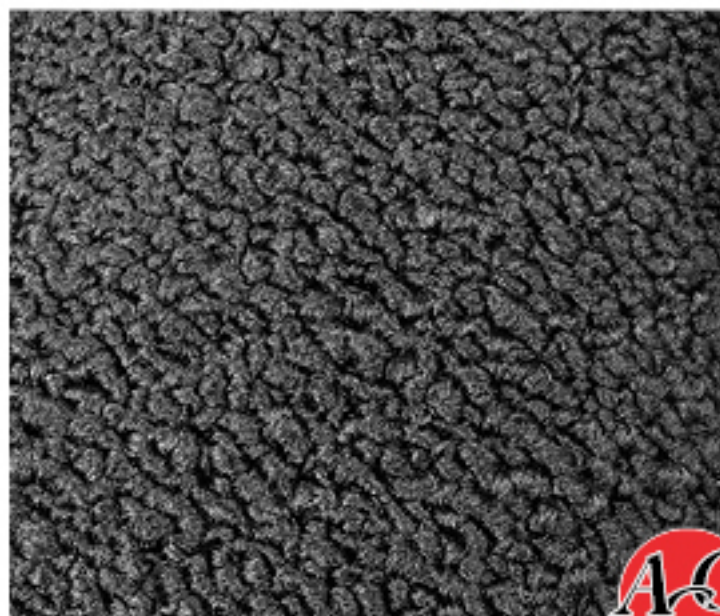
1621XC	1962-65	Quarter Inner Trim, RH
1621XD	1962-65	Quarter Inner Trim, LH
1621XA	1966-67	Quarter Inner Trim, RH
1621XB	1966-67	Quarter Inner Trim, LH



GM01	1966-72	Clothes Hanger Hooks
GM02	1966-72	Shoulder Harness Hooks

1962-79

Black 80/20 Loop Carpet



16B53148	1962-67	Carpet, Black, 80/20 Loop, 2 Door without Factory 4-Speed Transmission
16B53215	1962-67	Carpet, Black, 80/20 Loop, Factory 4-Speed Transmission
16B53146	1966-79	Carpet, Black, 80/20 Loop, Factory Console w/4-Spd. or Auto. Transmission
16B53149	1966-79	Carpet, Black, 80/20 Loop, Column Shift or Non-Console

RetroSound®

AM-RC900



Box Size:
11" x 9" x 3.5"
Weight:
2 lbs.



AM-HERMOSA-B



Box Size:
11.5" x 9" x 3.5"
Weight:
3 lbs.



Box Size:
11.5" x 9" x 3.5"
Weight:
3 lbs.

AM-HERMOSA-C



AM-RC900	1967-73	Radio, Model RC900C, Basic Unit, no remote (Use make-specific faceplate & knob kit)
AM-HERMOSA-B	1962-72	Radio, "Hermosa B" w/Black Face & Buttons (Use make-specific faceplate & knob kit)
AM-HERMOSA-C	1962-72	Radio, "Hermosa C" w/Chrome Face & Buttons (Use make-specific faceplate & knob kit)

RetroSound®

AM-ZUMA-B



**Zuma Models
~ DISCONTINUED ~
Available while
supplies last.
(Replaced by
Hermosa)**



Box Size:
11.5" x 8.75" x 3.25"
Weight:
2.66 lbs.



AM-ZUMA-V



Box Size:
11.5" x 8.75" x 3.25"
Weight:
2.66 lbs.



AM-ZUMA-B	1967-81	Radio, "Zuma B" w/Black Face & Black Buttons (Use make-specific faceplate & knob kit)
AM-ZUMA-V	1967-81	Radio, "Zuma V" w/Chrome Face, Ivory Knobs (Use make-specific faceplate & knob kit)

Model 2 Radios
~ DISCONTINUED ~
Available while supplies
last.
(Replaced by Hermosa)



AM-MOD2B
Box Size:
11.75" x 8.75" x 3.5"
Weight:
3 lbs.

RetroSound™

AM-MOD2V
Box Size:
11.5" x 8.75" x 13.25"
Weight:
2.98 lbs.



AM-MOD2C
Box Size:
11.5" x 8.75" x 3.25"
Weight:
2.94 lbs.

AM-MOD2B	1967-81	Radio, "Model 2B" with Black Face (Use make-specific faceplate & knob kit)
AM-MOD2C	1967-81	Radio, "Model 2C" with Chrome Face (Use make-specific faceplate & knob kit)
AM-MOD2V	1967-81	Radio, "Model 2V" with Ivory Knobs (Use make-specific faceplate & knob kit)



AMR-57UK
Box Size:
9.5" x 6.25" x 2.5"
Weight:
1.6 lbs.

Fits:
1966-76 Factory A/C



AMR-410UK
Box Size:
11.5" x 4.75" x 2.5"
Weight:
1.52 lbs.

Fits:
1962-65
1966-76 Non-A/C

Box Size:
20" x 10" x 4"
Weight:
11 lbs.

AM-SUB8100



AMR-57UK	1966-76	Dash Speaker with Bracket, 5 x 7 Dual Voice Coil, 2-way, 100 watt
AMR-410UK	1962-76	Dash Speaker with Bracket, 4 x 10 Dual Voice Coil, 2-way, 180 watt
AM-SUB8100		Amplified Sub-Woofer, 8", 100 watt



4866918	1962-69	Dome Light Base, Nova/Chevy II
K35	1962-69	Dome Light Lens
LH40	1962-64	Windshield Wiper Switch, Single Speed w/washer
M1013C	1962-63	Headlamp Switch
LH41	1963-64	Windshield Wiper Switch, 2-Speed w/washer
1010U	1962-79	Horn Set with Universal Brackets, 6 pcs.
1010HC	New	Horn High + Low Nole Chrome Plate w/ Mounting Bracket and Hardware
1010H	1964-72	Horn, High
1010L	1964-72	Horn, Low
M1013	1964-73	Headlamp Switch
LH01	1964-72	Headlamp Dimmer Switch
7031884	1967-68	Cigarette Lighter



LH47	1967-68	Windshield Wiper Switch, 2-Speed
LH52	1969-71	Windshield Wiper Switch
8732777	1971-79	Dome Light Lens
20030351	1971-79	Dome Light Base
M1013B	1974-84	Headlamp Switch



AM-BT1

Digital LCD Battery Monitor, 12 Volt Cigarette Lighter Plug

AM-EX1

Battery Charger/Maintainer

AM-EX1-PKG

Battery Charger/Maintainer w/LED, Includes Battery Status Indicator



1006G



1006H

1006G

1969-74

Front Disc Brake Backing Plate

1006H

1975-79

Front Disc Brake Backing Plate



Door Sill Decal

FL01

1962-74

"Body by Fisher" decal



M1609

1968-74

Body Bushing Kit

5" x 4 3/4" Bolt Pattern



GW157

Box Size:
17" x 17" x 10.25"
Weight:
19 lbs.



GW157C

Box Size:
17" x 17" x 9"
Weight:
20 lbs.



Improved Tooling & Finish



GW157P

Box Size:
17" x 17" x 9"
Weight:
20 lbs.



GW157

Magnum Alloy Wheel 15"x7" w/Center Cap, no offset, 4" Backspace

GW157C

Magnum Alloy Wheel 15"x7", Coated, w/Center Cap, no offset, 4" Backspace

GW157P

New GM

Magnum Alloy Wheel 15"x7" w/Center Cap, 4" Backspace

5" x 4 3/4" Bolt Pattern

Muscle Car Parts & Molding • Muscle Car Parts & Molding • Muscle Car Parts & Molding • Muscle Car Parts & Molding



GW158

Box Size:
17" x 17" x 10.25"
Weight:
20 lbs.



GW150

Box Size:
17" x 17" x 10.25"
Weight:
22 lbs.



GW150C

Box Size:
17" x 17" x 12"
Weight:
23 lbs.



GW158	Magnum Alloy Wheel 15"x8" w/Center Cap, 10mm negative offset (-.4"), 4.07" Backspace
GW150	Magnum Alloy Wheel 15"x10" w/Center Cap, 21mm negative offset (-.8"), 4.65" Backspace
GW150C	Magnum Alloy Wheel 15"x10", Coated, w/Center Cap, 21mm negative offset (-.8"), 4.65" Backspace

5" x 4 3/4" Bolt Pattern



GW177

Box Size:
19" x 19" x 9"
Weight:
23 lbs.



GW177C

Box Size:
19" x 19" x 9"
Weight:
23 lbs.



GW177

Magnum Alloy Wheel 17"x7" w/Center Cap and decal, no offset

GW177C

Magnum Alloy Wheel 17"x7" w/Center Cap and decal, no offset, Chrome

5" x 4 3/4" Bolt Pattern



GW178

Box Size:
19.5" x 19.5" x 10"
Weight:
24 lbs.



FW-CAP



GW178C

Box Size:
19.25" x 19.25" x 10.25"
Weight:
24 lbs.



GW178

Magnum Alloy Wheel 17"x8" w/Center Cap and decal, 10mm negative offset

GW178C

Magnum Alloy Wheel 17"x8" w/Center Cap and decal, 10mm negative offset, Chrome

FW-CAP

Magnum Wheel Cap with decal, 3/4" tall, Chrome (for 17" rims)

Glove Box Locks Ign., Door, Glove, Trunk Ignition & Door Lock Kits Ign., Door & Trunk



266	1962-64	Original
267	1965	Original
268	1966-67	Original



142	1962-64	Rectangular
142A	1962-64	Octagonal
143A	1965	Original
104	1966-67	Later
104A	1966-67	Original
105	1968	Later
105A	1968	Original
106	1969-78	Later



* Cylinder & Keys ONLY. Case not included.

295	1962-64	Original
296	1965	Original
288	1966-67	Original
336	1968	Original
337	1969-78	Original



* Cylinder & Keys ONLY. Case not included.

163	1962-65	Later
163A	1962-65	Original
118	1966-67	Later
118A	1966-67	Original
119	1968-79	Later
119A	1968	Original

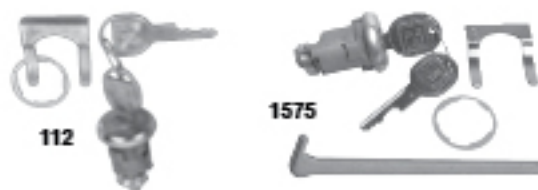
Ignition Locks



157	1962-64	Octagonal
161	1962-64	Original
158	1965	Octagonal
158A	1965	Original
100	1966-67	Later
100A	1966-67	Original
101	1968	Later
101A	1968	Original
102	1969-78	Later

See also our Locks Catalog for more details...

Trunk Locks & Kit



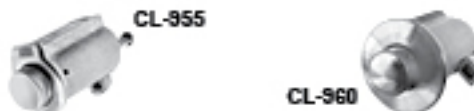
112	1962-79	Later
1575	1962-79	Later
112A	1962-67, 69-79	Original
112B	1968	Original

Glove Box & Trunk Kits



* Cylinder & Keys ONLY. Case not included.

164	1962-65	Later
164A	1962-65	Original
121	1966-67	Later
121A	1966-67	Original
150A	1968	Original
150	1968-79	Later



CL-955	1962-72	Key-less, Original
CL-960	1962-72	Key-less (Non-Original, Brushed Stainless)

Muscle Car Parts & Molding • Muscle Car Parts & Molding • Muscle Car Parts & Molding