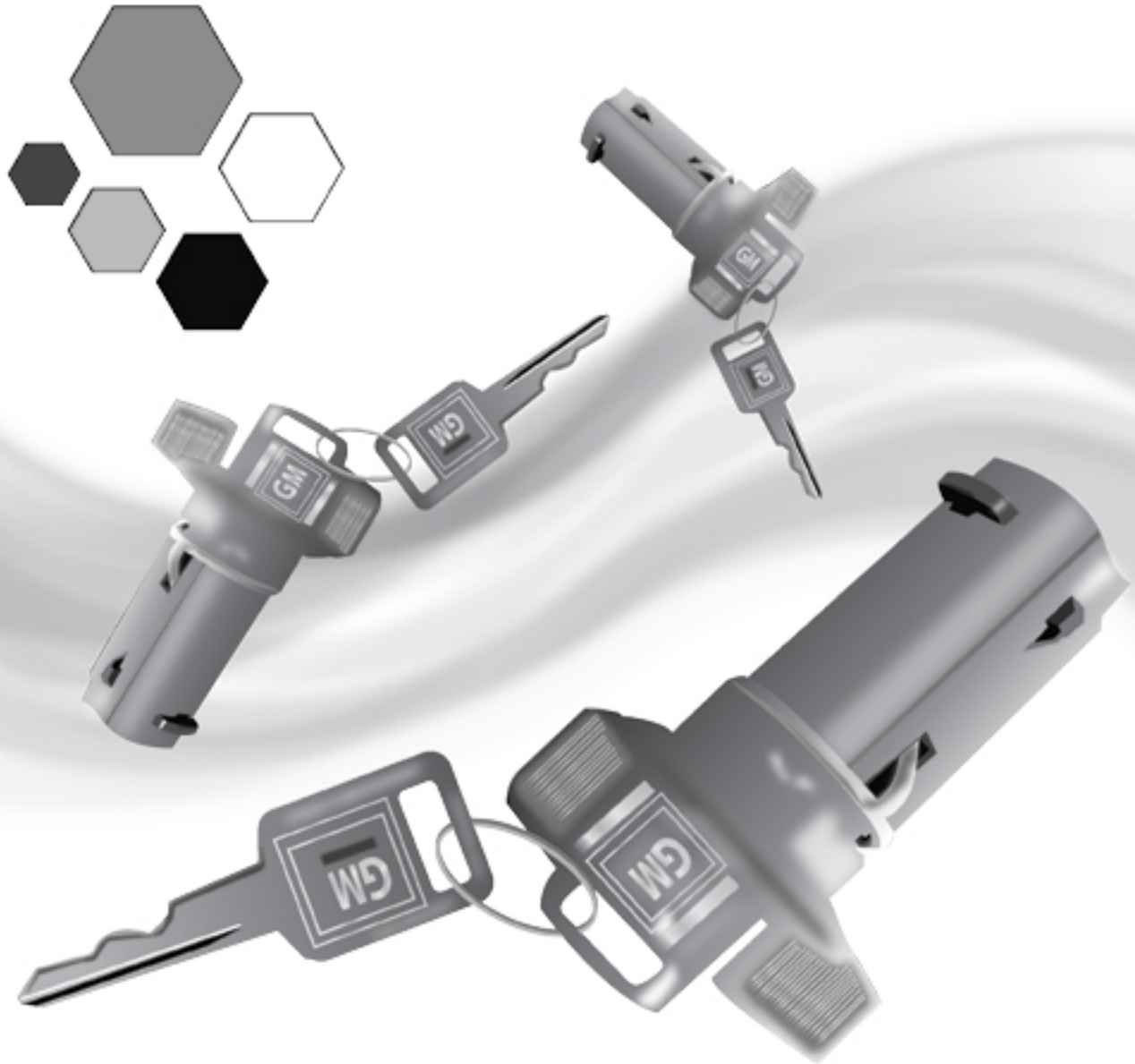


# Dynacorn International LLC

The muscle car people



**2019  
LOCKS**



# Lock and Key Sets

## D

Door: 12

## G

Glove Box: 13, 14, 15

Glove Box & Trunk: 16 - 20

## I

Ignition: 1, 2

Ignition, Door, Trunk & Glove Box: 8 - 12

Ignition, Door & Glove Box: 6, 7

Ignition, Door & Trunk: 8

Ignition & Door: 3 - 6

## T

Trunk: 20, 21

Trunk Kits w/Hardware: 21, 22

*Lock and Key Sets listed in order by part number*

<b>100</b>	Later, Square Head Key	<b>Years:</b> 1967 1966-67 1967-72	<b>Makes:</b> Camaro, Firebird Chevelle, El Camino, GTO, Cutlass, Impala, Full Size Chevy & Nova Chevy/GMC truck
------------	---------------------------	---	---



<b>100A</b>	Original, Octagonal Head Key	<b>Years:</b> 1967 1966-67 1967-68	<b>Makes:</b> Camaro, Firebird Chevelle, El Camino, GTO, Cutlass, Impala, Full Size Chevy & Nova Chevy/GMC truck
-------------	---------------------------------	---	---



<b>101</b>	Later, Square Head Key	<b>Years:</b> 1968	<b>Makes:</b> Camaro, Firebird, Chevelle, El Camino, GTO, Cutlass & Nova
------------	---------------------------	-----------------------	--



<b>101A</b>	Original, Octagonal Head Key	<b>Years:</b> 1968	<b>Makes:</b> Camaro, Firebird, Chevelle, El Camino, GTO, Cutlass & Nova
-------------	---------------------------------	-----------------------	--



<b>102</b>	Later, Square Head Key	<b>Years:</b> 1969-78 1970-72 1973-78	<b>Makes:</b> Camaro, Firebird Chevelle, El Camino, GTO, Cutlass & Nova Monte Carlo Chevy/GMC truck
------------	---------------------------	--	---

<b>157</b>	Non-GM, Octagonal Head Key	<b>Years:</b> 1964 1958-64 1962-64	<b>Makes:</b> Chevelle, El Camino Impala, Full Size Chevy Nova
------------	-------------------------------	---	---

<b>158</b>	Non-GM, Octagonal Head Key	<b>Years:</b> 1965 1962-65 1961-65	<b>Makes:</b> Chevelle, El Camino, Impala, Full Size Chevy, Nova, Chevy/GMC truck GTO Cutlass
------------	-------------------------------	---	--



158A



161

158A	Original, Octagonal Head Key	Years: 1965	Makes: Chevelle, El Camino, Impala, Full Size Chevy, Nova
		1964-65	GTO
		1961-65	Cutlass
		1953-66	Chevy Pickup

161	Original, Octagonal Head Key	Years: 1964	Makes: Chevelle, El Camino
		1949-64	Impala, Full Size Chevy
		1962-64	Nova

CL-367	Original, Ford Keys & Flip-cap door locks	Years: 1960-63	Makes: Falcon
--------	---	-------------------	------------------

CL-1401	Original, Small Head Key	Years: 1965-66 1966-77	Makes: Mustang Bronco
---------	-----------------------------	------------------------------	-----------------------------

CL-1402	Original, Large Head Key	Years: 1967-69 1978-79	Makes: Mustang Bronco
---------	-----------------------------	------------------------------	-----------------------------

CL-1404	Original, (Before 05/13/73)	Years: 1970-73	Makes: Mustang
---------	--------------------------------	-------------------	-------------------

CL-1405	Original, (After 05/13/73)	Years: 1973-76	Makes: Mustang
---------	-------------------------------	-------------------	-------------------



CL-1444



CL-1445



CL-1446

CL-1444	Original, (Without tilt & tele)	Years: 1970-71	Makes: Challenger
---------	------------------------------------	-------------------	----------------------

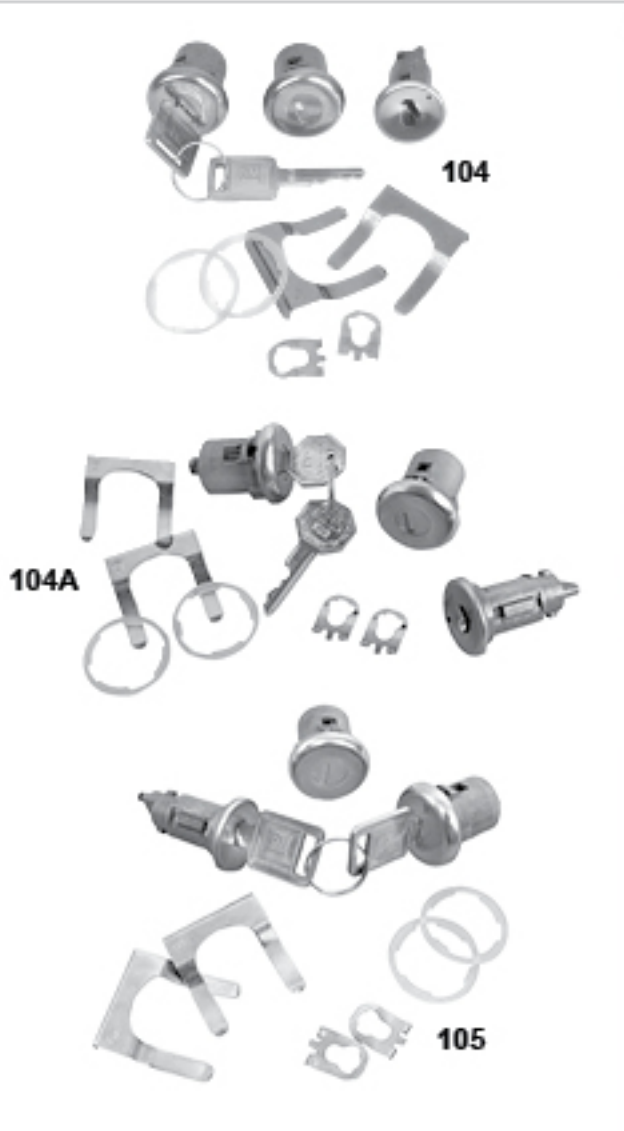
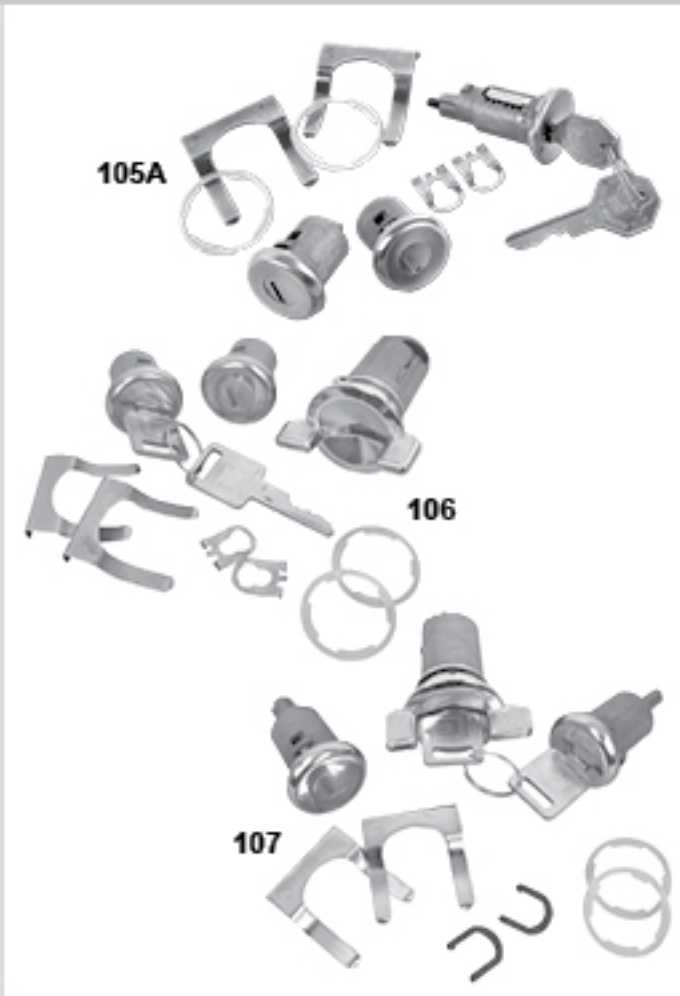
CL-1445	Original, (With tilt & tele)	Years: 1972-74	Makes: Challenger
---------	---------------------------------	-------------------	----------------------

CL-1446	Original, (Without tilt & tele)	Years: 1972-74	Makes: Challenger
---------	------------------------------------	-------------------	----------------------

<b>104</b>	Later, Square Head Key	<b>Years:</b> 1967 1966-67  1967-72	<b>Makes:</b> Camaro, Firebird Chevelle, El Camino, GTO, Cutlass, & Nova  Impala, Full Size Chevy, Chevy & GMC truck
------------	---------------------------	---	--

<b>104A</b>	Original, Octagonal Head Key	<b>Years:</b> 1967 1966-67  1967-68	<b>Makes:</b> Camaro, Firebird Chevelle, El Camino, GTO, Cutlass, Impala, Full Size Chevy & Nova  Chevy/GMC truck
-------------	---------------------------------	---	---

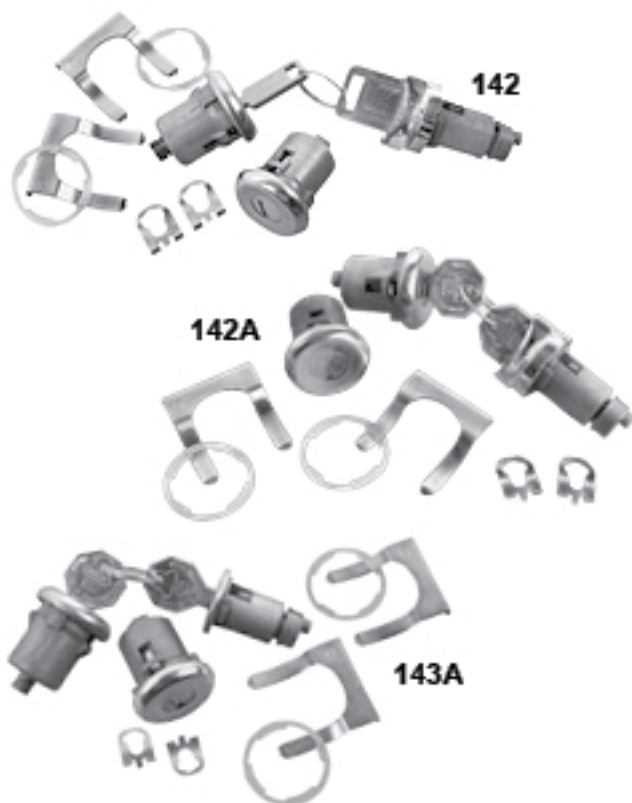
<b>105</b>	Later, Square Head Key	<b>Years:</b> 1968	<b>Makes:</b> Camaro, Firebird, Chevelle, El Camino, GTO, Cutlass & Nova
------------	---------------------------	-----------------------	--



<b>105A</b>	Original, Octagonal Head Key	<b>Years:</b> 1968	<b>Makes:</b> Camaro, Firebird, Chevelle, El Camino, GTO, Cutlass & Nova
-------------	---------------------------------	-----------------------	--

<b>106</b>	Later, Square Head Key	<b>Years:</b> 1969 1970 1970-72  1969-78  1973-78	<b>Makes:</b> Camaro, Firebird Camaro (short cyl.) Monte Carlo  Chevelle, El Camino, GTO, Cutlass, Impala, Full Size Chevy, Nova,  Chevy/GMC truck
------------	---------------------------	--	---

<b>107</b>	Later, Square Head Key	<b>Years:</b> 1970-78	<b>Makes:</b> Camaro, Firebird
------------	---------------------------	--------------------------	-----------------------------------



142	Later, Square Head Key	Years: 1964 1962-64	Makes: Chevelle, El Camino Nova
142A	Original, Octagonal Head Key	Years: 1964 1962-64	Makes: Chevelle, El Camino Nova
143A	Original, Octagonal Head Key	Years: 1965 1964-65	Makes: Chevelle, El Camino, Impala, Full Size Chevy & Nova GTO & Cutlass



160A	Original, Octagonal Head Key (long cylinder)	Years: 1958, 1961-64	Makes: Impala & Full Size Chevy
219	Later, Square Head Key	Years: 1971-76	Makes: Impala & Full Size Chevy



250	Original, Octagonal Head Key (flat pawl)	Years: 1961-64	Makes: Impala & Full Size Chevy
457	Original, Octagonal Head Key (long cylinder)	Years: 1959-60	Makes: Impala & Full Size Chevy

CL-1511	Blank, (With tilt & tele)	Years: 1972-74	Makes: Challenger
CL-1511C	Original, (With tilt & tele)	Years: 1972-74	Makes: Challenger
CL-1513	Blank, (Without tilt & tele)	Years: 1972-74	Makes: Challenger
CL-1513C	Original, (Without tilt & tele)	Years: 1972-74	Makes: Challenger



CL-1555



CL-1556



CL-1557



CL-1511



CL-1511C



CL-1513



CL-1513C

CL-1555	Original, Large Head Key	Years: 1967-69 1966-77	Makes: Mustang Bronco
CL-1556	Original, (Before 05/14/73)	Years: 1970-73	Makes: Mustang
CL-1557	Original, (After 05/14/73)	Years: 1973-76	Makes: Mustang

CL-4877	Original,	Years:	Makes:
	Small Head Key (Standard Ford)	1965-66 1960-64 1966-77	Mustang Falcon Bronco

CL-4877P	Original,	Years:	Makes:
	Pony	1965-66	Mustang

CL-4877



CL-4877P



CL-4882



CL-4882C

CL-4882	Blank,	Years:	Makes:
	Non-Aluminated	1970-71	Challenger

CL-4882C	Original,	Years:	Makes:
	Non-Aluminated	1970-71	Challenger

284	Later,	Years:	Makes:
	Square Head Key	1967-72	Chevy/GMC Truck



285



284

285	Original,	Years:	Makes:
	Octagonal Head Key	1967-68	Chevy/GMC Truck



CL-382	All Keyed Alike, Octagonal Head Key	Years: 1964	Makes: El Camino
CL-383	All Keyed Alike, Octagonal Head Key	Years: 1965	Makes: El Camino
CL-384	All Keyed Alike, Octagonal Head Key	Years: 1966-67	Makes: El Camino
CL-385	All Keyed Alike, Octagonal Head Key	Years: 1968	Makes: El Camino



CL-382



CL-383



CL-384



CL-386



CL-387



CL-385



CL-388

CL-386	All Keyed Alike, Square Head Key	Years: 1969	Makes: El Camino
CL-387	All Keyed Alike, Square Head Key	Years: 1970-76	Makes: El Camino
CL-388	All Keyed Alike, Square Head Key	Years: 1977	Makes: El Camino

266	Original, Octagonal Head Key	Years: 1962-64	Makes: Nova
267	Original, Octagonal Head Key	Years: 1963-65 1965	Makes: GTO, Cutlass Nova
268	Original, Octagonal Head Key	Years: 1966-67	Makes: Nova



269



276

288	Original, Octagonal Head Key	Years: 1967 1966-67	Makes: Camaro, Firebird Nova
-----	---------------------------------	---------------------------	------------------------------------



289



266



267



268

269	Original, Octagonal Head Key	Years: 1962	Makes: Tempest, Cutlass
276	Original, Octagonal Head Key	Years: 1966-67	Makes: GTO, Cutlass

288



289	Original, Octagonal Head Key	Years: 1968	Makes: Camaro, Firebird
-----	---------------------------------	----------------	----------------------------



290



291



292



293

290	Later, Square Head Key	Years: 1969	Makes: Camaro, Firebird
-----	---------------------------	----------------	----------------------------

291	Original, Octagonal Head Key	Years: 1964	Makes: Chevelle
-----	---------------------------------	----------------	--------------------

292	Original, Octagonal Head Key	Years: 1965	Makes: Chevelle
-----	---------------------------------	----------------	--------------------

293	Original, Octagonal Head Key	Years: 1966	Makes: Chevelle
-----	---------------------------------	----------------	--------------------



294



295



296

294	Original, Octagonal Head Key	Years: 1967	Makes: Chevelle
-----	---------------------------------	----------------	--------------------

295	Original, Octagonal Head Key	Years: 1962-64	Makes: Nova
-----	---------------------------------	-------------------	----------------

296	Original, Octagonal Head Key	Years: 1965	Makes: Nova
-----	---------------------------------	----------------	----------------

332	Original, Octagonal Head Key	Years: 1967	Makes: Impala, Full Size
-----	---------------------------------	----------------	-----------------------------

335	Later, Round Head Key	Years: 1971-76	Makes: Impala, Full Size
-----	--------------------------	-------------------	-----------------------------



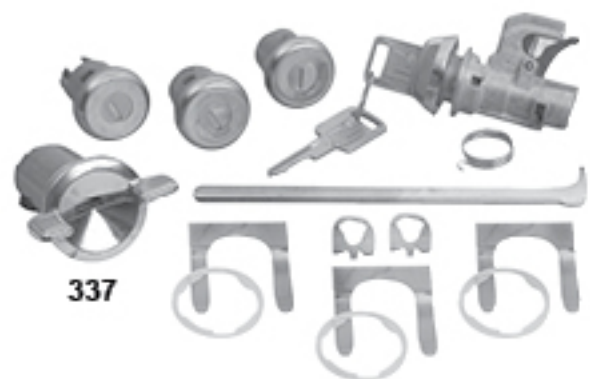
332



336



335



337



338

336	Original, Square Head Key	Years: 1968	Makes: Nova, Chevelle,
-----	------------------------------	----------------	---------------------------

337	Later, Square Head Key	Years: 1969 1969-70 1969-78	Makes: Chevelle Impala Nova
-----	---------------------------	--------------------------------------	--------------------------------------

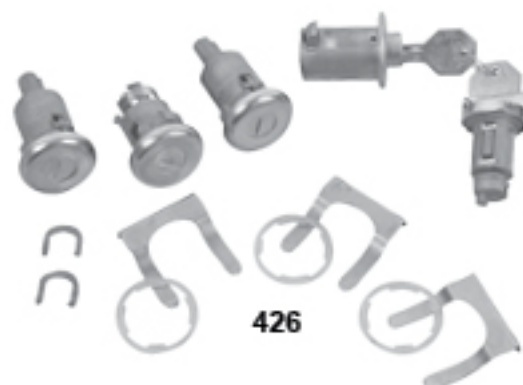
338	Later, Square Head Key	Years: 1970-77	Makes: Chevelle, Monte Carlo
-----	---------------------------	-------------------	---------------------------------



**422** Original, Years: 1958 Makes: Impala, Full Size  
Octagonal Head Key (Long Cylinder)

**423** Original, Years: 1958 Makes: Impala, Full Size  
Octagonal Head Key (Short Cylinder)

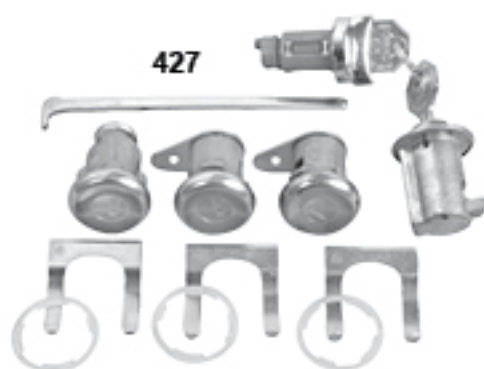
**424** Original, Years: 1961-62 Makes: Impala, Full Size  
Octagonal Head Key (Long Cylinder)



**425** Original, Years: 1961-62 Makes: Impala, Full Size  
Octagonal Head Key (Short Cylinder, Pawl)

**426** Original, Years: 1963 Makes: Impala, Full Size  
Octagonal Head Key (Long Cylinder)

**427** Original, Years: 1963 Makes: Impala, Full Size  
Octagonal Head Key (Short Cylinder, Pawl)



428	Original, Octagonal Head Key (Long Cylinder)	Years: 1964	Makes: Impala, Full Size
-----	--	----------------	-----------------------------

429	Original, Octagonal Head Key (Short Cylinder, Pawl)	Years: 1964	Makes: Impala, Full Size
-----	---	----------------	-----------------------------



430



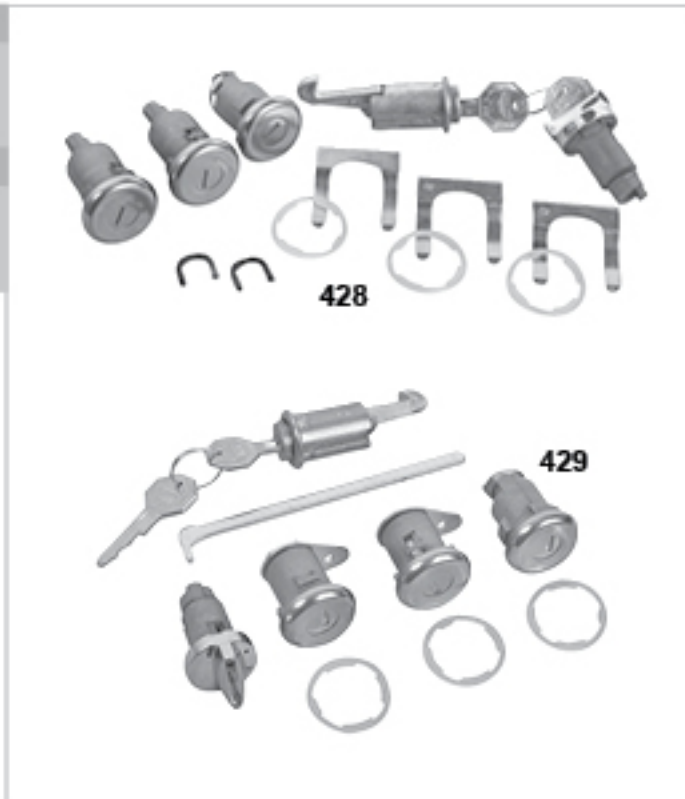
431

CL-300	Original, Small (Logo) Head Key	Years: 1965-66 1966-77	Makes: Mustang Bronco
--------	------------------------------------	------------------------------	-----------------------------

CL-1502	Original, (Without Illumination)	Years: 1970-74	Makes: Challenger
---------	-------------------------------------	-------------------	----------------------



CL-1550

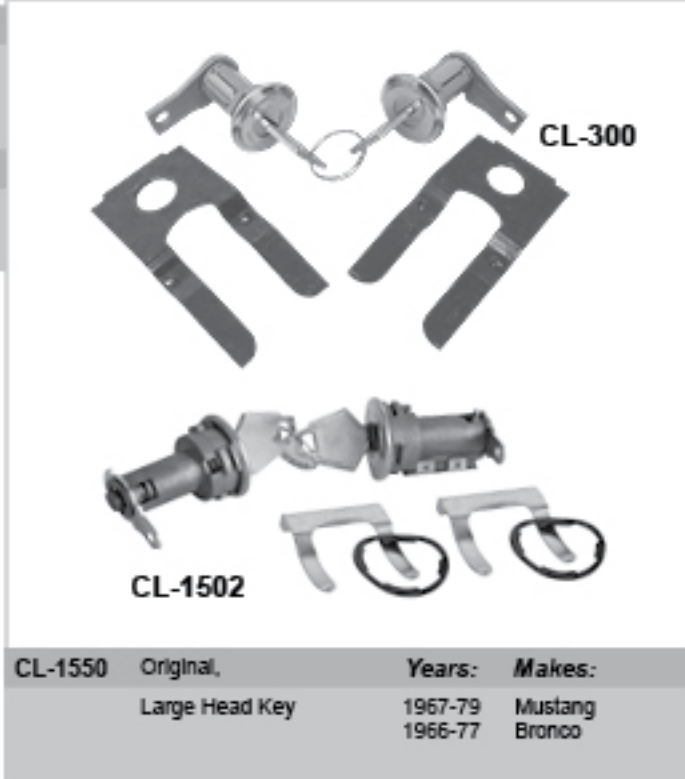


428

429

430	Original, Octagonal Head Key	Years: 1966	Makes: Impala, Full Size
-----	---------------------------------	----------------	-----------------------------

431	Original, Octagonal Head Key	Years: 1966	Makes: Impala, Full Size
-----	---------------------------------	----------------	-----------------------------



CL-300

CL-1502

CL-1550	Original, Large Head Key	Years: 1967-79 1966-77	Makes: Mustang Bronco
---------	-----------------------------	------------------------------	-----------------------------

Muscle Car Parts & Molding • Muscle Car Parts & Molding • Muscle Car Parts & Molding

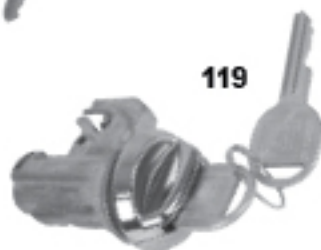


118

118A



118B



119

<b>119A</b>	Original, Pear Head Key	<b>Years:</b> 1968	<b>Makes:</b> Chevelle El Camino Impala, Full Size Nova
-------------	----------------------------	-----------------------	---

<b>120</b>	Later, Round Head Key	<b>Years:</b> 1970-77 1970-81 1972-81	<b>Makes:</b> Chevelle, Monte Carlo, El Camino Camaro Firebird
------------	--------------------------	--	--

<b>145</b>	Later, Round Head Key	<b>Years:</b> 1964-65	<b>Makes:</b> Chevelle El Camino
------------	--------------------------	--------------------------	--

<b>145A</b>	Original, Pear Head Key	<b>Years:</b> 1964-65	<b>Makes:</b> Chevelle El Camino
-------------	----------------------------	--------------------------	--

<b>118</b>	Later, Round Head Key	<b>Years:</b> 1967-68 1964 1966-67	<b>Makes:</b> Camaro, Firebird Impala, Full Size Nova
------------	--------------------------	---	--

<b>118A</b>	Original, Pear Head Key	<b>Years:</b> 1967 1967-68 1964 1966-67	<b>Makes:</b> Camaro Firebird Impala, Full Size Nova
-------------	----------------------------	---	--

<b>118B</b>	Original, Pear Head Key	<b>Years:</b> 1968	<b>Makes:</b> Camaro, Firebird
-------------	----------------------------	-----------------------	-----------------------------------

<b>119</b>	Later, Round Head Key	<b>Years:</b> 1969 1968-69 1968-76 1968-79	<b>Makes:</b> Camaro, Firebird Chevelle El Camino Impala, Full Size Nova
------------	--------------------------	--	---



119A



120



145



145A

146*	Later, Round Head Key	Years: 1966-67 1968-69	Makes: Chevelle, El Camino GTO, Cutlass
146A*	Original, Pear Head Key	Years: 1966-67	Makes: Chevelle, El Camino
163	Later, Round Head Key	Years: 1962-65	Makes: Nova
163A	Original, Pear Head Key	Years: 1962-65	Makes: Nova



165



165A



166



166A



146\*

\*Cylinder & Keys ONLY - Case not included



146A\*



163



163A

165	Later, Round Head Key	Years: 1965-66	Makes: Impala, Full Size
165A	Original, Pear Head Key	Years: 1965-66	Makes: Impala, Full Size
166	Later, Round Head Key	Years: 1967	Makes: Impala, Full Size
166A	Original, Pear Head Key	Years: 1967	Makes: Impala, Full Size



<b>168</b>	Later, Round Head Key	<b>Years:</b> 1958-60 & 1963	<b>Makes:</b> Impala, Full Size
<b>168A</b>	Original, Pear Head Key	<b>Years:</b> 1958-60 & 1963	<b>Makes:</b> Impala, Full Size
<b>169</b>	Later, Round Head Key	<b>Years:</b> 1964-67 1961-62 1954-72	<b>Makes:</b> GTO, Cutlass Impala, Full Size Chevy/GMC truck
<b>169A</b>	Original, Pear Head Key	<b>Years:</b> 1964-67 1961-62 1954-72 1953-57	<b>Makes:</b> GTO, Cutlass Impala, Full Size Chevy/GMC truck Bel Air



**168**



**168A**



**169**



**169A**



**183**



**CL-955**



**CL-960**

<b>183</b>	Later, Round Head Key	<b>Years:</b> 1970-75	<b>Makes:</b> GTO, Cutlass
<b>CL-955</b>	Original, Key-less Push Button	<b>Years:</b> 1947-72 1958-72 1962-72 1964-72 1967-74 1970-72	<b>Makes:</b> Chevy Pickup Impala Nova Chevelle, GTO El Camino Camaro & Firebird Monte Carlo
<b>CL-960</b>	Non-Original, Key-less Push Button (Brushed Stainless Cap)	<b>Years:</b> 1947-72 1958-72 1962-72 1964-72 1967-74 1970-72	<b>Makes:</b> Chevy Pickup Impala Nova Chevelle, GTO El Camino Camaro & Firebird Monte Carlo

121



121A



122



121	Later, Round Head Key	Years: 1967 1964 1966-67	Makes: Camaro, Firebird Impala, Full Size Nova
-----	--------------------------	-----------------------------------	---

121A	Original, Pear Head Key	Years: 1967 1964 1966-67	Makes: Camaro, Firebird Impala, Full Size Nova
------	----------------------------	-----------------------------------	---

122	Later, Round Head Key	Years: 1967-68 1968	Makes: Firebird Camaro
-----	--------------------------	---------------------------	------------------------------

122A	Original, Pear Head Key	Years: 1967-68 1968	Makes: Firebird Camaro
------	----------------------------	---------------------------	------------------------------

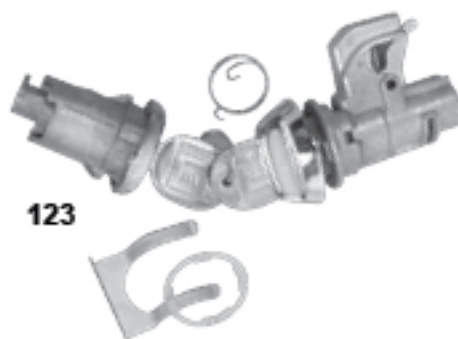
123	Later, Round Head Key	Years: 1969	Makes: Camaro, Firebird
-----	--------------------------	----------------	----------------------------

124	Later, Round Head Key	Years: 1970-73	Makes: Camaro, Firebird
-----	--------------------------	-------------------	----------------------------

122A



123



124



148*	Later, Round Head Key	Years: 1966	Makes: Chevelle
------	--------------------------	----------------	--------------------

148A*	Original, Pear Head Key	Years: 1966	Makes: Chevelle
-------	----------------------------	----------------	--------------------

148\*



148A\*



\*Cylinder & Keys ONLY - Case not included

149*	Later, Round Head Key	Years: 1967	Makes: Chevelle
------	--------------------------	----------------	--------------------

149A*	Original, Pear Head Key	Years: 1967	Makes: Chevelle
-------	----------------------------	----------------	--------------------



162	Later, Round Head Key	Years: 1964-65	Makes: Chevelle
-----	--------------------------	-------------------	--------------------

162A	Original, Pear Head Key	Years: 1964-65	Makes: Chevelle
------	----------------------------	-------------------	--------------------

\*Cylinder & Keys ONLY - Case not included



150	Later, Round Head Key	Years: 1968 1968-76 1968-79	Makes: Chevelle Impala, Full Size Nova
-----	--------------------------	--------------------------------------	---

150A	Original, Pear Head Key	Years: 1968	Makes: Chevelle, Impala, Full Size Chevy, Nova
------	----------------------------	----------------	---

151	Later, Round Head Key	Years: 1970-77	Makes: Chevelle, Monte Carlo
-----	--------------------------	-------------------	------------------------------------





164



164A



171

171A Original, Pear Head Key Years: 1961-62 Makes: Impala, Full Size

172 Later, Round Head Key Years: 1958-60, 1963-65, 1963 Makes: Impala, GTO, Cutlass, Impala, Full Size

172A Original, Pear Head Key Years: 1958-60, 1963-65, 1963 Makes: Impala, GTO, Cutlass, Impala, Full Size



174



174A

164 Later, Round Head Key Years: 1962-65 Makes: Nova

164A Original, Pear Head Key Years: 1962-65 Makes: Nova

171 Later, Round Head Key Years: 1955-57 Makes: Full Size



171A



172

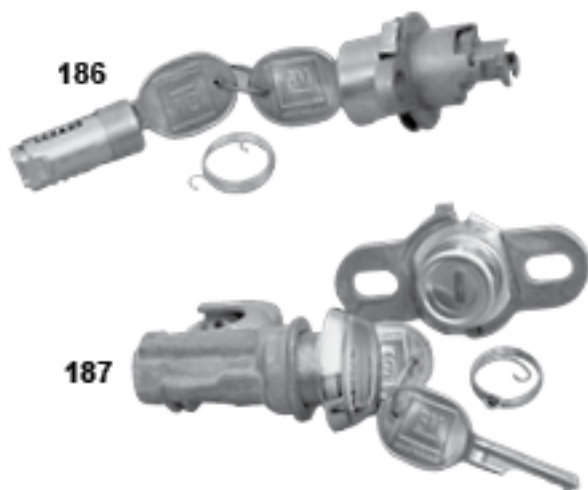


172A

174 Later, Round Head Key Years: 1965 Makes: Impala, Full Size

174A Original, Pear Head Key Years: 1965-66 Makes: Impala, Full Size

175	Later, Round Head Key	Years: 1967	Makes: Impala, Full Size
175A	Original, Pear Head Key	Years: 1967	Makes: Impala, Full Size



186	Later, Round Head Key	Years: 1969	Makes: Firebird
-----	--------------------------	----------------	--------------------

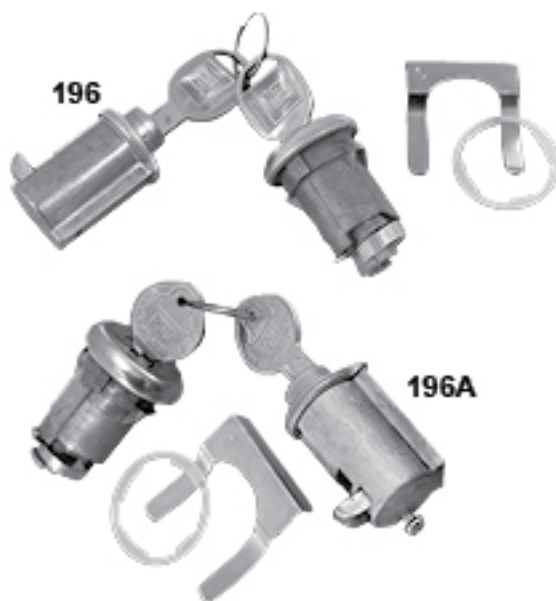
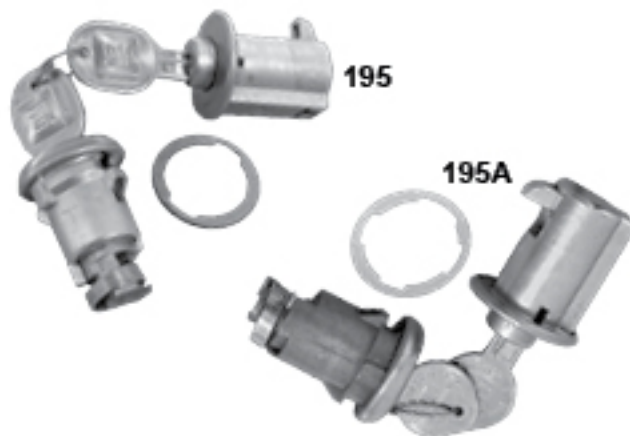
187	Later, Round Head Key	Years: 1970-71	Makes: Firebird
-----	--------------------------	-------------------	--------------------



188	Later, Round Head Key	Years: 1972-73	Makes: Firebird
-----	--------------------------	-------------------	--------------------

195	Later, Round Head Key	Years: 1962	Makes: Tempest, Cutlass
-----	--------------------------	----------------	----------------------------

195A	Original, Pear Head Key	Years: 1962	Makes: Tempest, Cutlass
------	----------------------------	----------------	----------------------------



196	Later, Round Head Key	Years: 1966-67	Makes: GTO, Cutlass
-----	--------------------------	-------------------	------------------------

196A	Original, Pear Head Key	Years: 1966-67	Makes: GTO, Cutlass
------	----------------------------	-------------------	------------------------

Glove Box & Trunk

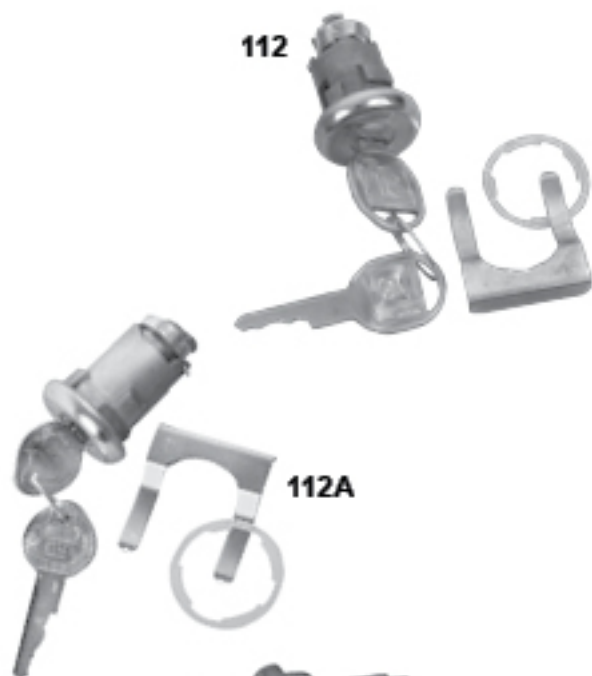


198	Later, Round Head Key	Years: 1970-75	Makes: GTO, Cutlass
-----	--------------------------	-------------------	------------------------



460	Original, Pear Head Key	Years: 1959	Makes: Impala, Full Size
-----	----------------------------	----------------	-----------------------------

112	Later, Round Head Key	Years: 1967 1964-66 & 1968-72 1963-65 1958 1960-94 1962-79	Makes: Camaro, Firebird Chevelle, Monte Carlo GTO, Cutlass Impala, Full Size Impala, Full Size Nova
-----	--------------------------	---	--



112A	Original, Pear Head Key	Years: 1967 1964-66 1963-65 1960-68 1962-67 1969-79	Makes: Camaro, Firebird Chevelle, Monte Carlo GTO, Cutlass Impala, Full Size Nova Nova
------	----------------------------	---	---

112AR	Original, Pear Head Key (Ribbed Cap)	Years: 1953-58	Makes: Impala, Full Size
-------	--	-------------------	-----------------------------



112B	Original, Pear Head Key	Years: 1968	Makes: Chevelle, Nova
------	----------------------------	----------------	--------------------------

113	Later, Round Head Key	Years: 1968-69 1967 1966-67	Makes: Camaro, Firebird Chevelle, GTO, Cutlass
-----	--------------------------	--------------------------------------	---



Muscle Car Parts & Molding • Muscle Car Parts & Molding • Muscle Car Parts & Molding



113A	Original,	Years:	Makes:
	Pear Head Key	1967-68 1968 1967 1966-67	Firebird Camaro Chevelle GTO, Cutlass

114	Later,	Years:	Makes:
	Round Head Key	1970-73	Camaro, Firebird



115	Original,	Years:	Makes:
	Pear Head Key	1974-77	Camaro, Firebird



461	Original,	Years:	Makes:
	Pear Head Key	1959	Impala, Full Size

473	Later,	Years:	Makes:
	Round Head Key	1969	Firebird

1575	Non-GM,	Years:	Makes:
	Round Head Key	1967 1979-81 1964-66 & 1968-72 1970-72 1963-65 1953-58 1960-94 1962-79	Camaro Firebird Chevelle Chevelle Monte Carlo GTO, Cutlass Impala, Full Size Impala, Full Size Nova

**Kits Include:**  
Lock and keys, spring, shaft, universal bracket and gasket.



1576	Non-GM,	Years:	Makes:
	Round Head Key	1968-69 1967-68 1974-78 1967 1966-67	Camaro Firebird Firebird Chevelle GTO, Cutlass

CL-1500	Original, Round "Logo" Head Key (Universal Kit)	Years: 1970-72	Makes: Challenger
---------	---	-------------------	----------------------

Universal Kits Include:  
Coded lock, assortment of lock shafts,  
bracket and mounting gasket.



CL-1500C

CL-1501	Original, Round Head Key "Logo" and "Chrysler" (Universal Kit)	Years: 1973-74	Makes: Challenger
---------	---	-------------------	----------------------



CL-1501C

CL-1552	Original, Round Head Key (After 10/24/66)	Years: 1967-73	Makes: Mustang
---------	---	-------------------	-------------------



CL-1500

CL-1500C	Original, Round Head Key "Logo" and "Chrysler" (Universal Kit)	Years: 1970-72	Makes: Challenger
----------	---	-------------------	----------------------



CL-1501

CL-1501C	Original, Round Head Key "Logo" and "Chrysler" (Universal Kit)	Years: 1973-74	Makes: Challenger
----------	---	-------------------	----------------------



CL-1552