

Dynacorn International LLC

The muscle car people



2019
GTO® & CUTLASS™

GTO® / Cutlass™ Index

Index

A

Accelerator Pedal Assembly: 30

B

Battery Trays & Clamp: 4
Body Shims & Washers: 3
Brake Backing Plate, Disc: 39
Bucket Seat Release Button: 33
Bumpers: 1
Bumper Brackets: 2
Bumper Filler: 2
Bushings: 39

C

Carpet: 35
Cigarette Lighter: 38
Clothes Hanger Hooks: 31
Control Arm: 5
Convertible Top Components: 17
Convertible Top Well Moldings: 27
Cowl Panels: 9
Crossrail, Rear: 22, 23

D

Door Bumpers: 32
Door Jamb Vent Grille: 32
Doors & Skins: 17, 18, 19
Door Arm Rests & Lock Knobs: 31, 32
Door Handles & Cranks: 20
Door Hinges & Latches: 17, 18, 19
Door Lock Striker: 17, 18, 19
Door Sill Decal: 38
Door Sill Scuff Plates: 32
Drip Rail Molding: 26

E

Electrical, Interior: 37, 38

F

Fenders, Front: 2, 3
Fenders, Inner Front: 3
Filler Panel: 22, 23
Firewalls & Brackets: 8
Floor Pans: 9, 10, 11, 12, 13

Floor Pan Plug: 9, 10, 12, 13
Floor Pan Support: 10, 12, 13
Fuel Senders, Locking Ring & Gasket: 24
Fuel Tanks: 23, 24
Fuel Tank Braces: 25
Fuel Tank Straps: 25

G

Glass: 28, 29
Grille & Support: 25

H

Header Panel: 2
Headlamp Bucket & Retainer Rings: 25
Headlamp Dimmer Switch: 38
Heater & Evaporator Boxes: 50
Hood Latch Assemblies: 7, 8
Hoods & Components: 6, 7
Hoods & Hinges: 6, 7, 8
Hood Bumpers: 6, 7
Hood Scoop Inserts: 6, 8
Horns: 38

I

Ignition Switch Bracket: 9

L

License Plate Bracket: 23
License Plate Lamps: 28
Locks: 44

M

Magnum Alloy Wheels: 40, 41, 42, 43
Mirrors, Exterior: 25
Mirrors, Interior: 31

N

Nose Panel: 2

P

Parking Brake Assembly: 30

Q

Quarter / Door Frame Assemblies: 16
Quarter Panels: 21
Quarter Window Assembly: 29

R

Radiator Bridge Plates: 4
Radiator Supports: 4
Radios & Components: 35, 36, 37
Rear Deck Panels & Crossrails: 22, 23
Rear Seat Floor Pan: 14
Reveal Moldings: 26
Rocker Panel Molding: 27
Rocker Panels: 15
Roof Panel & Brackets: 16

S

Scuff Plates: 32, 33
Seat Belts: 34
Seat Frames & Springs: 33
Seat Track Assemblies: 33
Shoulder Harness Hooks: 31
Sun Visor Support Bracket: 31
Suspension: 5

T

Tail Lamp Lenses: 28
Trunk Lid & Latch: 23
Trunk Lid Molding: 28
Trunk Pans, Drop Offs & Braces: 14, 15

V

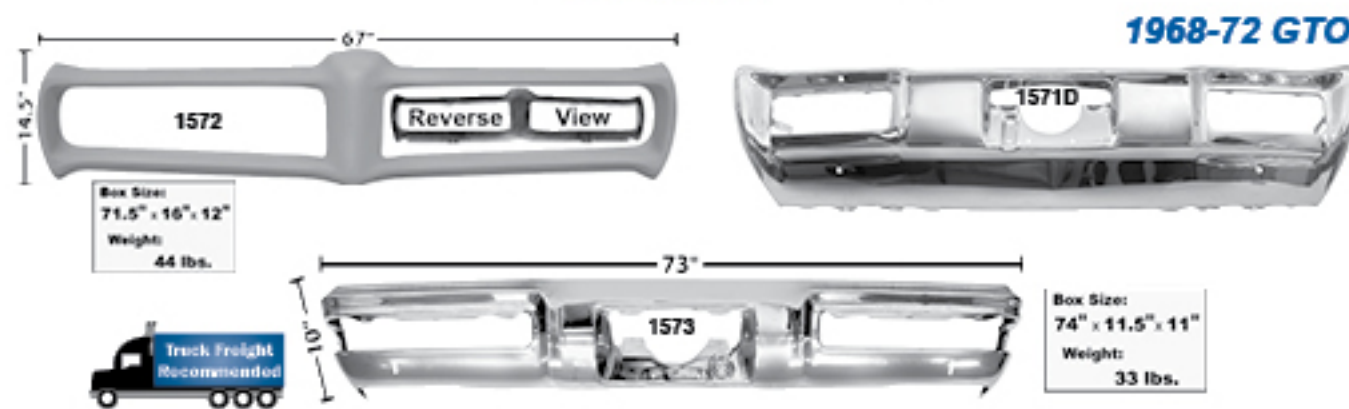
Valance, Front: 2
Vent Window Assembly: 28

W

Wheelhouses: 21, 22
Wheel Opening Moldings: 27
Window Moldings, Rear: 27
Window Regulator: 18, 19
Windshield Channels: 5
Windshield Moldings: 26
Windshield Wiper Switch: 38
Wiper Motor Transmission Arm: 25



1570	1966-67	Front Bumper, Premium Quality
1571A	1967	Rear Bumper, Premium Quality
1571	1967	Rear Bumper, Tempest™ , Le Mans™ , Premium Quality



1572	1968-69	Front Bumper, "Endura"
1571D	1968	Rear Bumper, Premium Quality
1573	1970-72	Rear Bumper, Premium Quality



1860	1970	Front Bumper, Cutless™ Premium Quality
1862	1970	Rear Bumper, Cutless™ Premium Quality
1861	1971-72	Rear Bumper, Cutless™ Premium Quality

Bumper Filler



1529A 1967 Front Bumper Filler Panels, 7 Pcs.

Fr. Valance



1529 1969* Front Valance

Nose Panel



1527 1967 Nose Panel

Front Fenders

1966-67



1501C



1501A

1501C	1966	Front Fender RH
1501D	1966	Front Fender LH
1501A	1967	Front Fender RH
1501B	1967	Front Fender LH

Header Panel



1527A 1966 Header Panel, 4 Pcs

Bumper Brackets



1570A 1966-67 Front Bumper Brackets, 4 Pcs



1571E 1966 Rear Bumper Brackets, 3 Pcs



1968-70

Front Fenders, continued



1500	1968-69	Front Fender RH
1501	1968-69	Front Fender LH
1500E	1970	Front Fender RH
1500F	1970	Front Fender LH

Front Inner Fenders

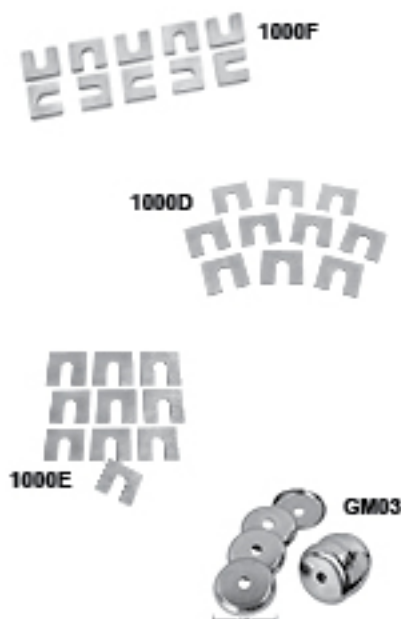


1504R	1966-67	Front Inner Fender RH
1504L	1966-67	Front Inner Fender LH



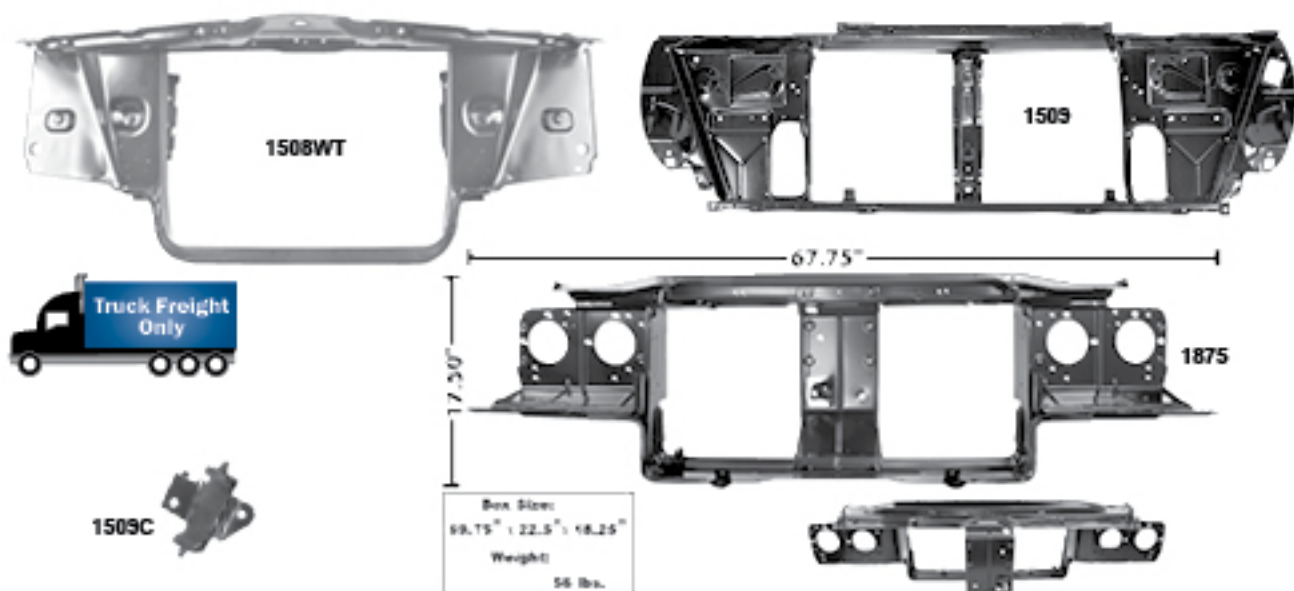
1502	1968-69	Front Inner Fender RH
1503	1968-69	Front Inner Fender LH

Body Shims



1000F	1967-72	Body Shims, 6 mm, 10 pcs.
1000D	1967-72	Body Shims, 3 mm, 10 pcs.
1000E	1965-72	Body Shims, 1.6 mm, 10 pcs.
GM03		Body Washers, 20 pcs.

Radiator Supports



1508WT	1966-67	Radiator Support, Weld-Through Primer, <i>CRS 3 Only, with or without A/C</i>
1509	1968-70	Radiator Support
1509C	1968-72	Lower Radiator Saddle (With Insulator)
1875	1970-72	Radiator Support, <i>Cutlass™ Only</i>

Bridge Plates



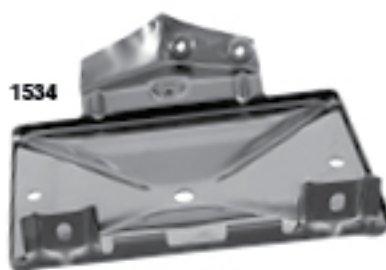
1509A



1509B

1509A	1968-69	Bridge Plate, <i>Black</i>
1509B	1968-69	Bridge Plate, <i>Chrome</i>

Battery Clamp & Trays



1534



1535



1047E



1047EC

1534	1964-67	Battery Tray
1535	1968-72	Battery Tray
1047E	1968-72	Battery Tray Clamp
1047EC	1968-72	Battery Tray Clamp, <i>Stainless</i>



1490DWT	1964-67	Windshield Channel, Weld-Through Primer
M1424BWT	1968-72	Windshield Channel, Weld-Through Primer

Box Size:
22.5" x 16" x 8.5"
Weight:
20 lbs.



Box Size:
17.5" x 16.5" x 6.5"
Weight:
12 lbs.



Use 1495PD with 1495MD

Box Size:
17.5" x 16.5" x 6.5"
Weight:
12 lbs.



Box Size:
22.5" x 16" x 8.5"
Weight:
20 lbs.



Use 1495ND with 1495QD



1495D

Box Size:
12.75" x 3" x 2.5"
Weight:
5 lbs.

1495MD		1964-72	Upper Control Arm, (Tubular Style) RH W/ Drop
1495ND		1964-72	Upper Control Arm, (Tubular Style) LH W/ Drop
1495PD		1964-72	Lower Control Arm, (Tubular Style) RH W/ Drop
1495QD		1964-72	Lower Control Arm, (Tubular Style) LH W/ Drop
1495D	New	1964-72	Upper Rear Control Arm, (A body) Pair

1964-67

1509X

1509Y



Reverse View

Scoop Hole Closeup



Hood Shown With 1509Y (Not Included)

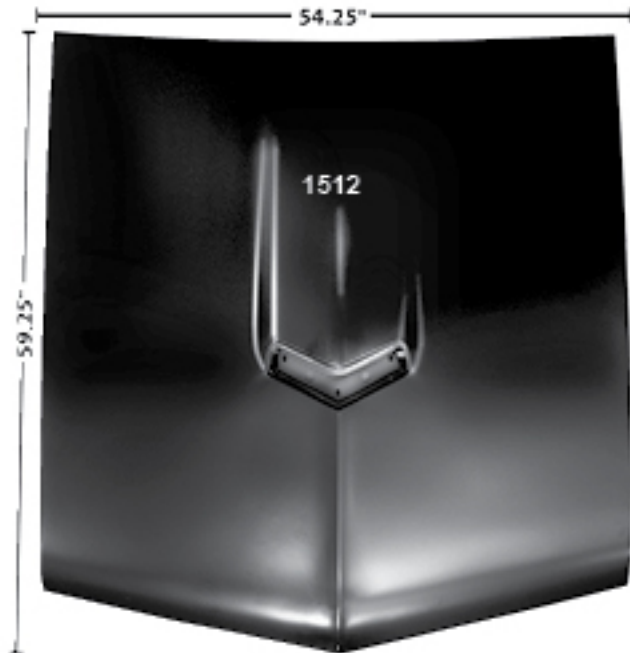
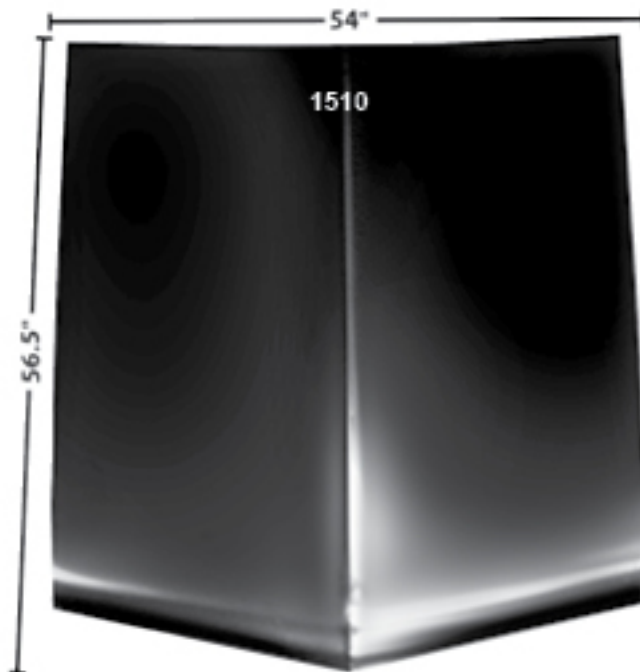
1530



54.25"

1510

1512



1509X	1964	"Scoop Style" Hood
1509Y	1964	Hood Scoop, Chrome, Pair
1530	1965-67	Hood Scoop Insert
1512	1965-67	Hood w/Scoop
1510	1965-67	Hood (Also fits Tempest™ & Le Mans™)





BH30	New	1964-67	Billet Hood Hinge, Pair
1701A		1964-67	Hood Hinge RH (Fits GTO® & Cutlass™)
1701B		1964-67	Hood Hinge LH (Fits GTO® & Cutlass™)
1069AY		1964-67	Hood Hinge Spring
1518		1965-67	Hood Latch Assembly
1468F		1964-66	Hood Bumpers



Dii Exclusive



Box Size:
64.5" x 56.5" x 6.25"
Weight:
61 lbs.

1511	1968-70	Hood (Except Ram Air)
1511NV	1968-70	Hood With Scoop, no rear vents



1521



1519



1531

1531	1968-70	Hood Scoop Inserts
1520	1968-72	Hood Hinge RH
1521	1968-72	Hood Hinge LH
1519	1968-70	Hood Latch Assembly



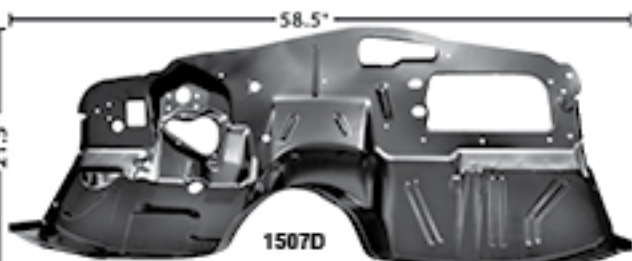
1507A



1507B



1507C



1507D

Reverse View



1507E

Reverse View



1509F

1507D		1964-67	Firewall
1507E	New	1964-67	Firewall, Heater Delete
1507A		1968-69	Firewall, Heater Delete
1507B		1968-69	Firewall, with A/C
1507C		1968-69	Firewall, with Heater
1509F		1968-69	Firewall Brackets, EDP Coating





1419A 1968-69 Lower Cowl Panel, EDP Coating (Fits GTO®, Cutlass™, Skylark®)

Cowl Panel



1403C	1964-72	Speedometer Cable Grommet
1516	1968	Ignition Switch Bracket



1964-67



Back View

1462WWT



1462WA



Underside View

Floor Pans & Components continued on next page...

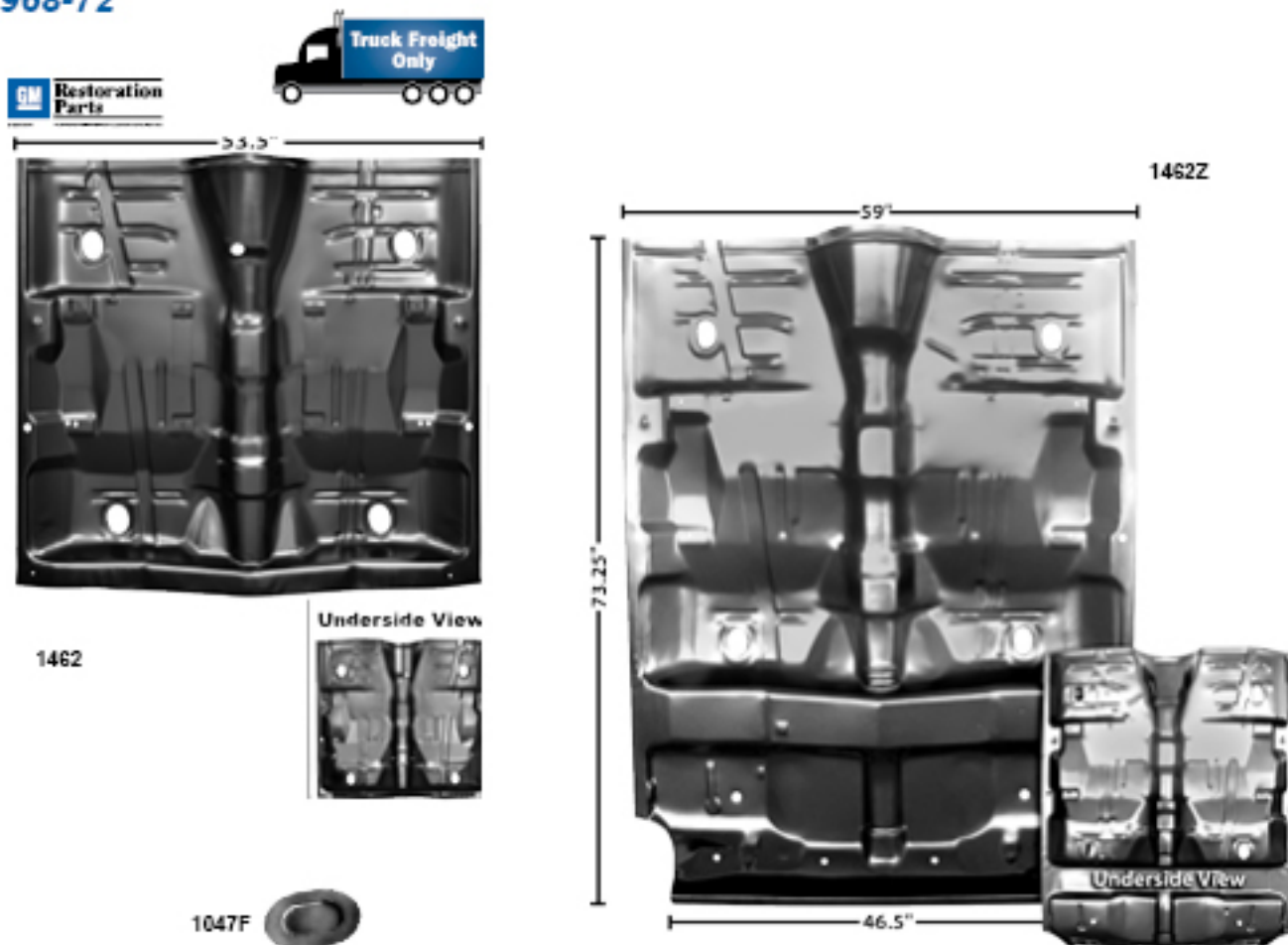
1462J	1964-67	Floor Pan - Full RH
1462K	1964-67	Floor Pan - Full LH
1462WWT	1964-67*	*A* Body Full Floor Pan w/Rear Seat Pan, Weld-Through Primer
1462WA	1964-67*	*A* Body Full Floor Pan W/R. Seat Pan, Braces & Inner Rockers
1047F	1964-72*	Galvanized Floor Pan Plug

1964-67



1461Y	1964-69*	Under Floor Pan Support - Front
1461Z	1964-69*	Under Floor Pan Support - Center
1461ZA	1964-67*	Under Floor Pan Support - Rear

1968-72



1462	1968-72*	"A" Body Full Floor Pan
1462Z	1968-72*	"A" Body Full Floor Pan With Rear Seat Pan
1047F	1964-72*	Galvanized Floor Pan Plug

1968-69

Floor Pans & Components

dii Exclusive

Muscle Car Parts & Molding • Muscle Car Parts & Molding • Muscle Car Parts & Molding



Floor Pans & Components continued on next page...

1462X	1968-69	"A" Body Complete Floor Pan (No rocker panels) Includes Front, Center & Rear Under Floor Pan Supports, and Rear Seat Floor Pan.
1462Y	1968-69*	"A" Body Complete Floor Pan With Rocker Panels Includes Front, Center & Rear Under Floor Pan Supports, Rear Seat Floor Pan And Rocker Panels.
1461Y	1964-69*	Under Floor Pan Support - Front
1461Z	1964-69*	Under Floor Pan Support - Center
1461X	1968-72*	Under Floor Pan Support - Rear

1970-72

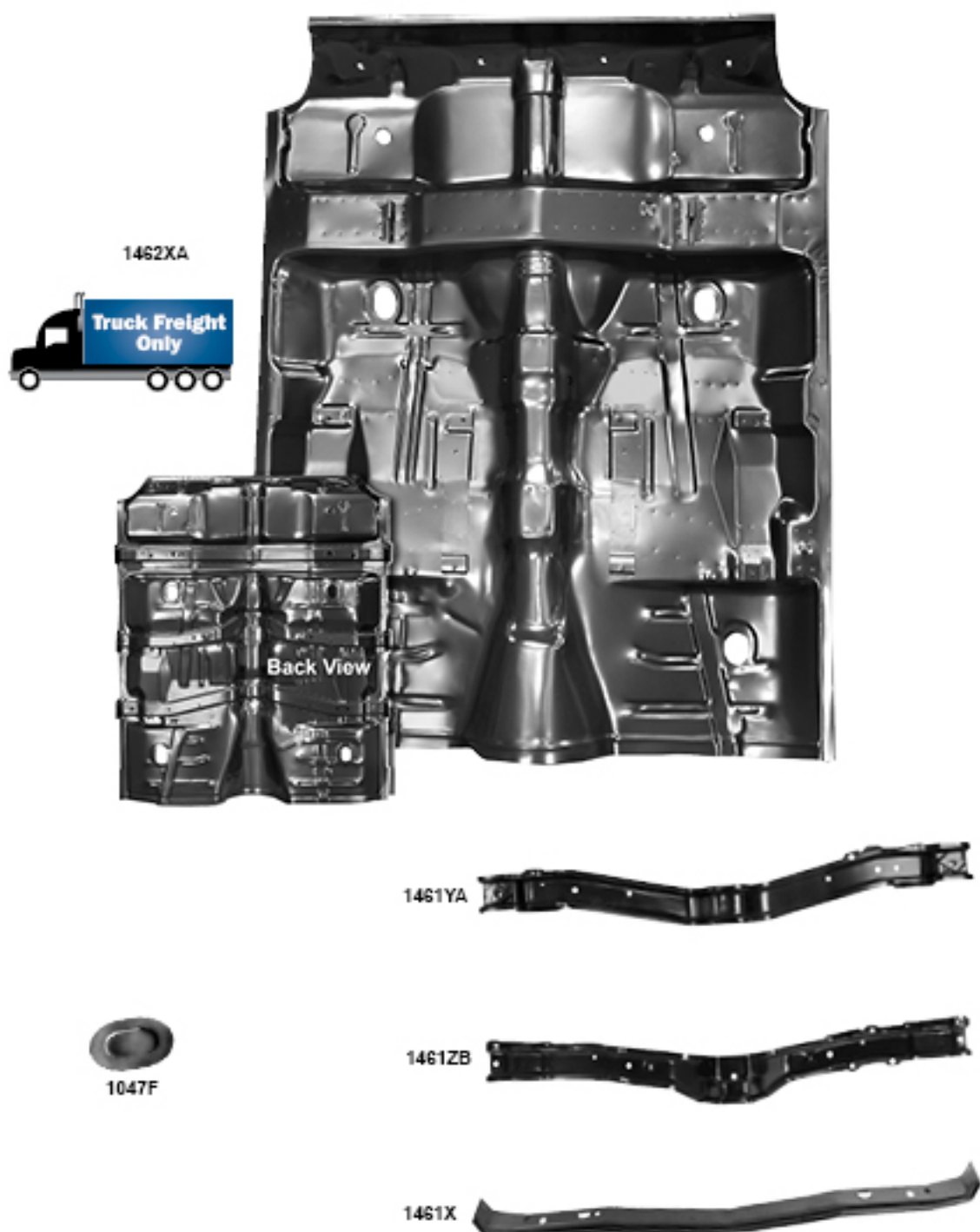


1462YA	1970-72	"A" Body Complete Floor Pan With Rocker Panels Includes Front, Center & Rear Under Floor Pan Supports, Rear Seat Floor Pan And Rocker Panels.
1047F	1964-72*	Galvanized Floor Pan Plug
1461YA	1970-72	Under Floor Pan Support - Ft. (Fits GTO® & Cutlass™)
1461ZB	1970-72	Under Floor Pan Support - Center (Fits GTO® & Cutlass™)
1461X	1968-72*	Under Floor Pan Support - Rear (Fits GTO® & Cutlass™)

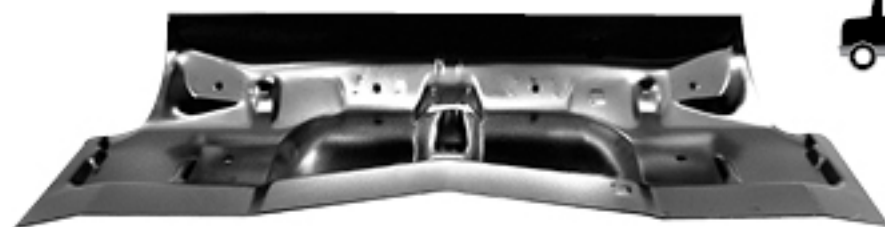
1970-72

Floor Pans & Components

Muscle Car Parts & Molding • Muscle Car Parts & Molding • Muscle Car Parts & Molding

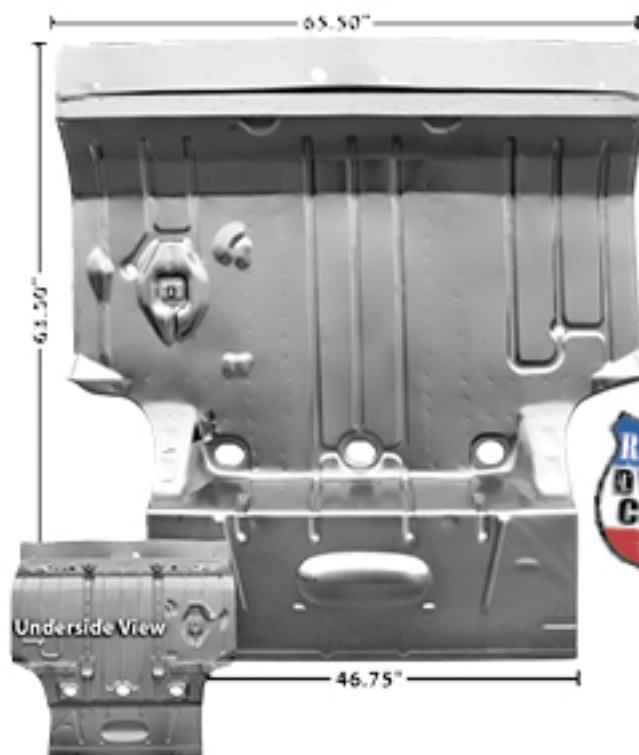


1462XA	1970-72	"A" Body Complete Floor Pan (No rocker panels) Includes Front, Center & Rear Under Floor Pan Supports, and Rear Seat Floor Pan.
1047F	1964-72*	Galvanized Floor Pan Plug
1461YA	1970-72	Under Floor Pan Support - Fr. (Fits GTO® & Cutlass™)
1461ZB	1970-72	Under Floor Pan Support - Center (Fits GTO® & Cutlass™)
1461X	1968-72*	Under Floor Pan Support - Rear (Fits GTO® & Cutlass™)



1462L 1968-72 Seat Floor Pan - Rear

1966-67



1584AWT



1489HWT

1584BWT



1489JWT

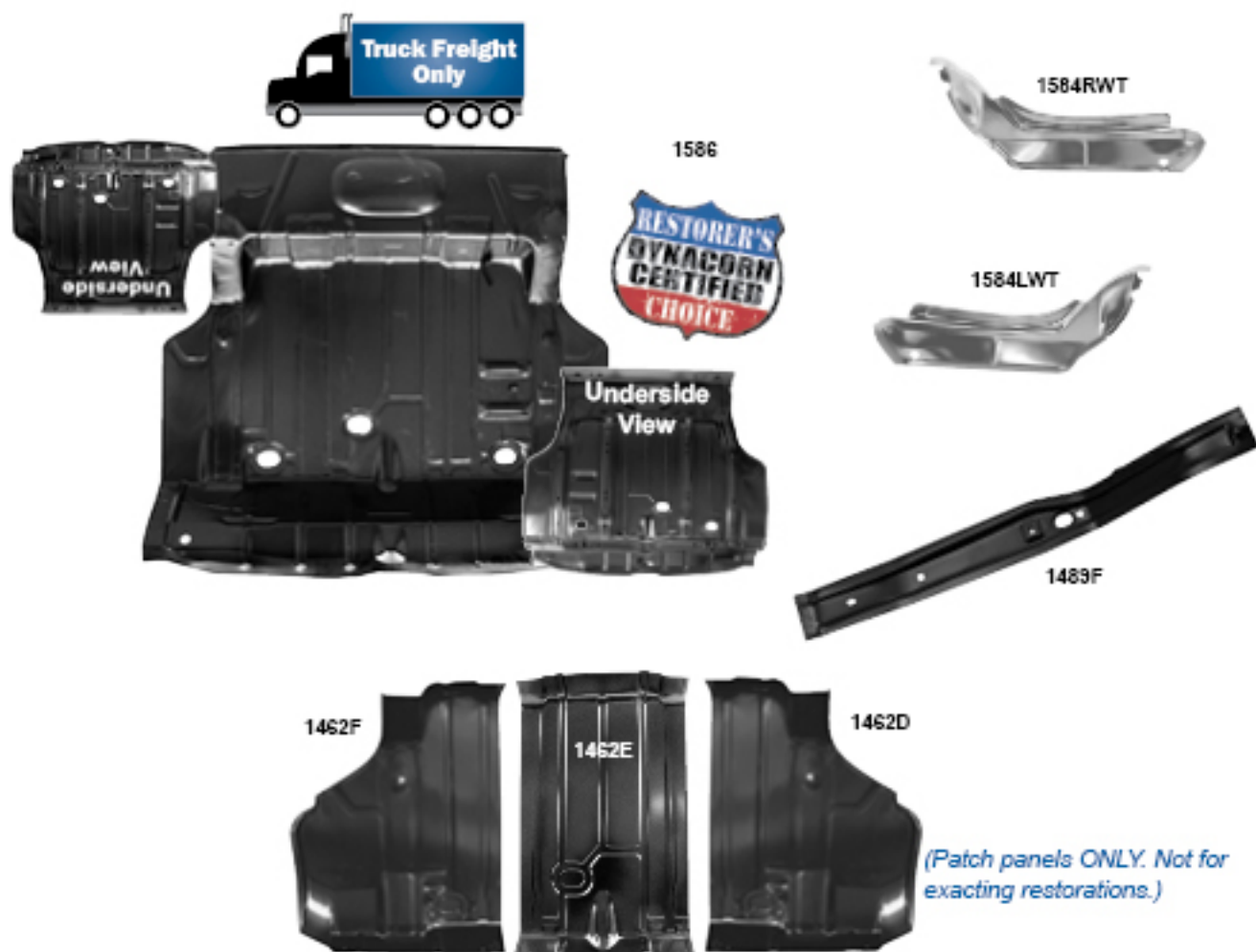


1584WT	1964-67	Complete Trunk Floor Pan, Weld-Through Primer	GTO® / Buick® / Old®
1584AWT	1966-67	Trunk Floor Drop Off, Weld-Through Primer, RH	GTO® Only
1584BWT	1966-67	Trunk Floor Drop Off, Weld-Through Primer, LH	GTO® Only
1489HWT	1964-67	Body Mount Trunk Brace, Weld-Through Primer, RH	
1489JWT	1964-67	Body Mount Trunk Brace, Weld-Through Primer, LH	

1968-72

Trunk Pans & Components

Muscle Car Parts & Molding • Muscle Car Parts & Molding • Muscle Car Parts & Molding



(Patch panels ONLY. Not for exacting restorations.)

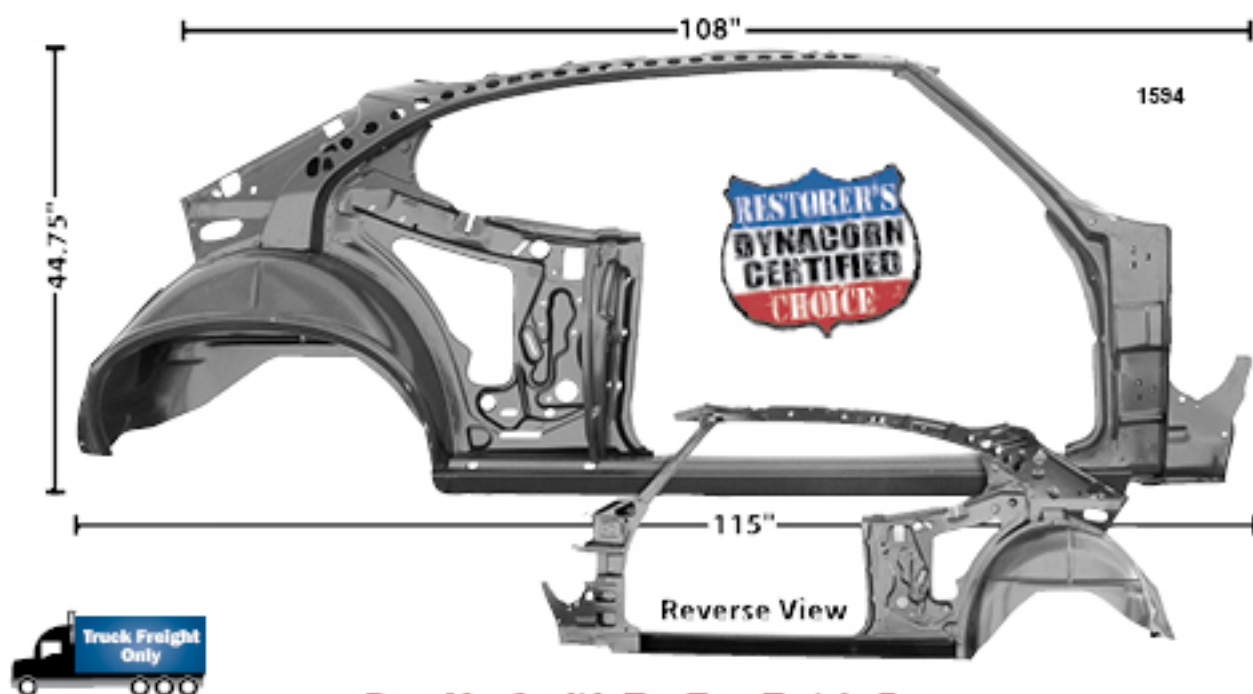
1586	1968-70	Complete Trunk Floor Pan (trim to fit 1970 at tail lamp)	GTO® Only
1584RWT	1968-69	Trunk Floor Drop Off, Weld-Through Primer, RH	GTO® Only
1584LWT	1968-69	Trunk Floor Drop Off, Weld-Through Primer, LH	GTO® Only
1489F	1968-72	Trunk Floor Brace RH	
1489G	1968-72	Trunk Floor Brace, LH	
1462D	1968-72	Trunk Floor Patch Panel for "A" Body, RH	
1462E	1968-72	Trunk Floor Patch Panel for "A" Body, Center	
1462F	1968-72	Trunk Floor Patch Panel for "A" Body, LH	



1489

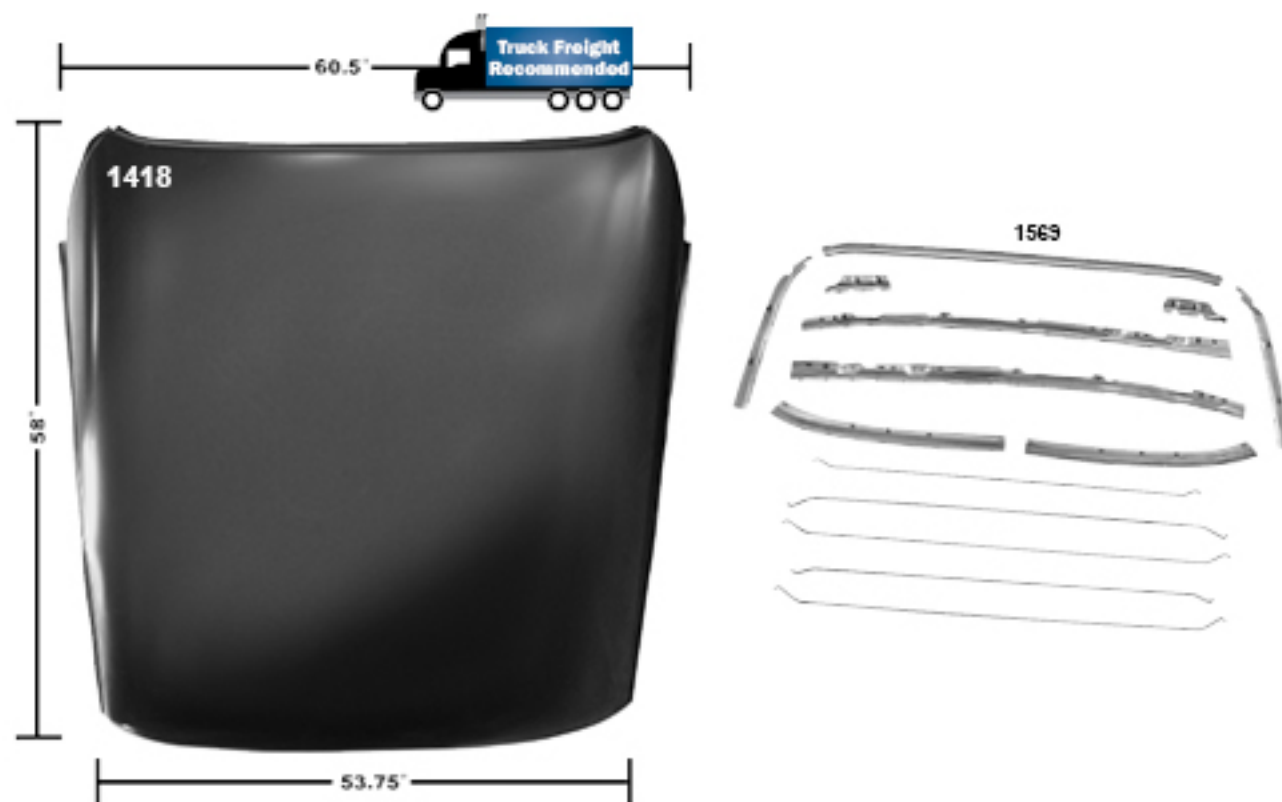
1489	1968-72*	Outer Rocker Panel, RH	
1489A	1968-72*	Outer Rocker Panel, LH	

Rocker Panels



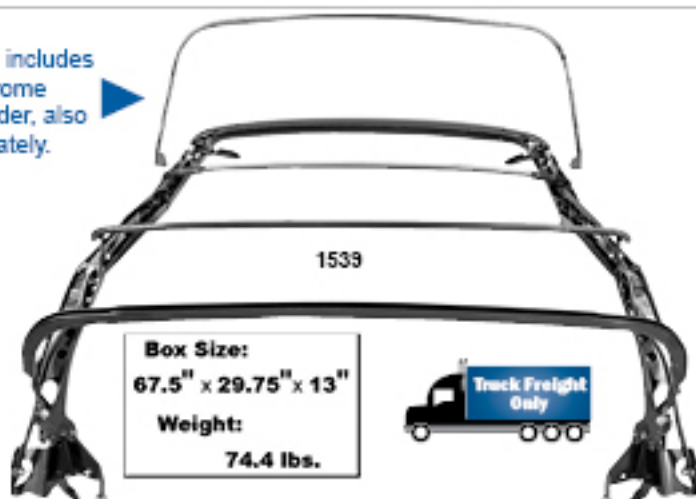
Does Not Qualify For Free Freight Program

1594	1968-69	Quarter/Door Assembly, RH
1595	1968-69	Quarter/Door Assembly, LH



1418	1968-72*	Roof Panel, Also fits '68-'72 GTO® & Cutlass™ (Excluding Cutlass™ Supreme)
1569	1968-69	Inner Roof Bracket Kit

1539 assy. includes
1539A Chrome
Frame Holder, also
sold separately.



Box Size:
12.75" x 4" x 2.25"

Weight:
1 lbs.



1539	1966-72	Convertible Top Frame Assembly
1539A	1966-72	Convertible Top Frame Holder, Chrome
1538	1966-72	Convertible Top Latch Assembly
1003	1966-72	Convertible Top Latch Hooks & Knuckles



Box Size:
51.5" x 6.5" x 27"

Weight:
22 lbs.



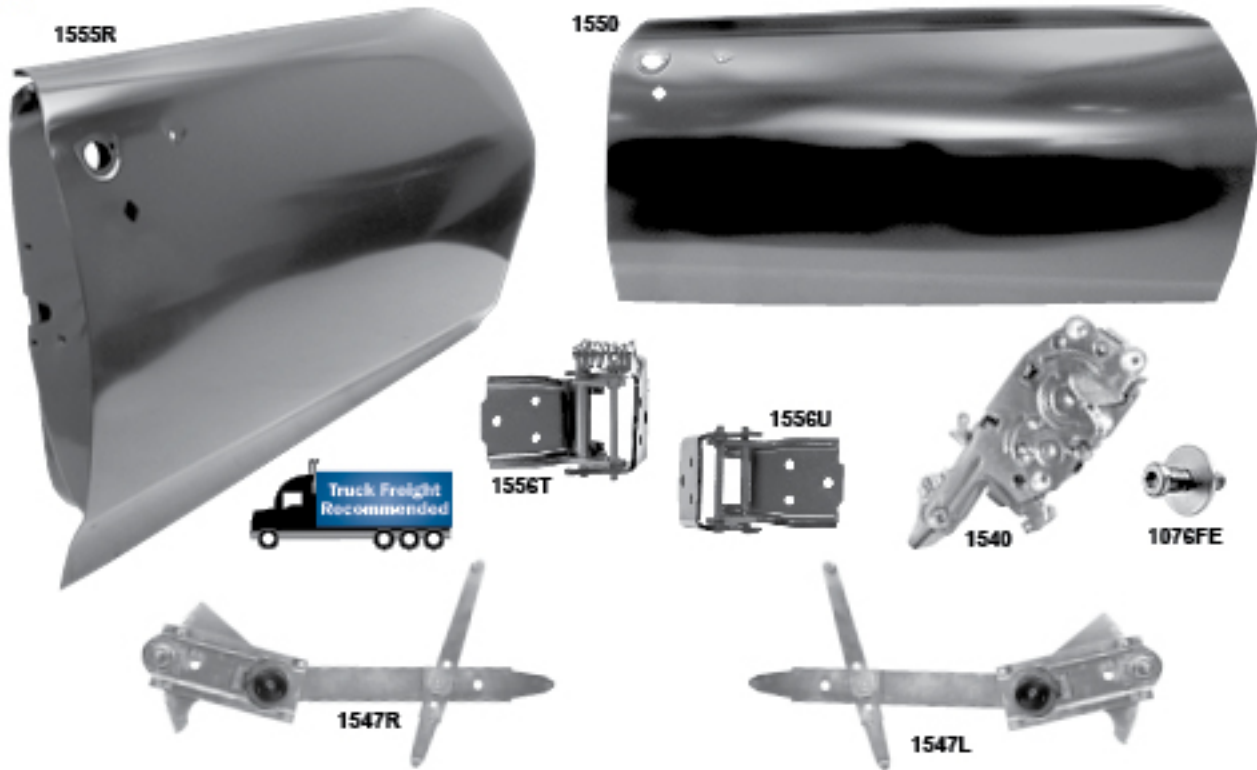
Box Size:
51.5" x 6.5" x 27"

Weight:
22 lbs.

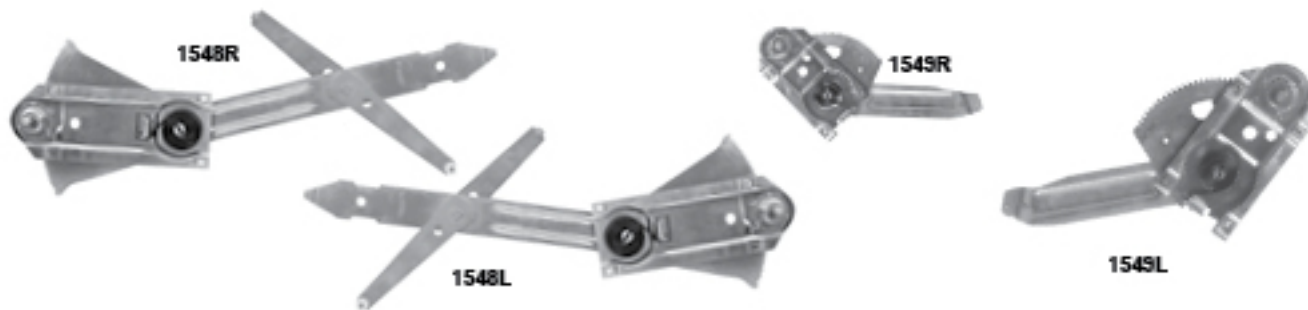


1554R	1966-67	Door Shell RH	Truck Freight Recommended
1554L	1966-67	Door Shell LH	Truck Freight Recommended
1554RS	1966-67	Door Skin RH	Truck Freight Recommended
1554LS	1966-67	Door Skin LH	Truck Freight Recommended
1556W	1966-67*	Door Hinge, Lower RH	
1556X	1966-67*	Door Hinge, Lower LH	
1556Y	1966-67*	Door Hinge, Upper RH	
1556Z	1966-67*	Door Hinge, Upper LH	
1542	1966-67	Door Latch RH	
1543	1966-67	Door Latch LH	
1076FE	1965-72	Door Lock Striker	

1968



1547R	1966-67	Window Regulator - Manual RH
1547L	1966-67	Window Regulator - Manual LH
1555R	1968	Door Shell RH
1555L	1968	Door Shell LH
1550	1968	Door Skin RH
1551	1968	Door Skin LH
1556S	1968-72*	Door Hinge, Lower RH
1556T	1968-72*	Door Hinge, Lower LH
1556U	1968-72*	Door Hinge, Upper <i>(fits both sides)</i>
1540	1968-69	Door Latch RH
1541	1968-69	Door Latch LH
1076FE	1965-72	Door Lock Striker



1548R	1968	Window Regulator - Manual RH
1548L	1968	Window Regulator - Manual LH
1549R	1968	Quarter Window Regulator - Manual RH
1549L	1968	Quarter Window Regulator - Manual LH



1552



1969-70
GTO®



1556T



1556U



1540



1076FE

1556R	1969	Door Shell RH
1556L	1969	Door Shell LH
1552	1969	Door Skin RH
1553	1969	Door Skin LH
1556S	1968-72*	Door Hinge, Lower RH
1556T	1968-72*	Door Hinge, Lower LH
1556U	1968-72*	Door Hinge, Upper, Fits both sides
1540	1968-69	Door Latch RH, GTO®
1541	1968-69	Door Latch LH, GTO®
1076FE	1965-72	Door Lock Striker



1463



1463E

1463	1969	Window Regulator - Manual RH
1463A	1969	Window Regulator - Manual LH
1463D	1970-72	Window Regulator - Manual RH
1463E	1970-72	Window Regulator - Manual LH



CH128



CH127

1970 Cutlass™

Door Accessories
next page...

CH128	1970	Door Latch RH, Cutlass™
CH127	1970	Door Latch LH, Cutlass™

1964-67



Box Size:
9.75" x 4.25" x 1.75"
Weight:
1 lbs.

M1390WB	1964-67	Exterior Door Handles with Buttons
M1390	1964-67	Exterior Door Handles without Buttons
M1037C	1966-67	Door Handle Push Button Kit
M1604	1964	Double Arm Interior Door Handle
M1605	1964	Single Arm Interior Door Handle
M1037F	1965-67	Interior Door Handle, Standard
M1382	1965-66	Window Crank, Chrome Knob
M1382A	1967	Window Crank, Black Knob
M1392I	1966-67	Vent Window Handle, Chrome

1968-72



M1392	1968-69	Exterior Door Handles without Buttons, Pair
M1037D	1968-72	Interior Door Handle, RH Standard
M1037E	1968-72	Interior Door Handle, LH Standard
1076FG	1968-69	Door Handle Relay, RH
1076FH	1968-69	Door Handle Relay, LH
M1037A	1969-72	Window Crank, Black Knob
M1037B	1969-72	Window Crank, Clear Knob
M1392J	1968-72	Vent Window Crank, Clear Knob
M1392K	1968-72	Vent Window Crank, Black Knob

1966-69



1593LWT

(Cut your own side marker holes)

1590R	New	1966	Full Quarter Panel RH
1590L	New	1966	Full Quarter Panel LH
1591R		1967	Full Quarter Panel RH
1591L		1967	Full Quarter Panel LH
1593RWT		1968-69	Full Quarter Panel, Weld-Through Primer, RH
1593LWT		1968-69	Full Quarter Panel, Weld-Through Primer, LH

1964-67



1506CWT



1506RWT



1506LWT



1506AWT

Box Size:
40.75" x 25.25" x 14.25"
Weight:
18.5 lbs.

Wheelhouses continued next page...

1506CWT	1964-67	Inner Wheelhouse, Weld-Through Primer, RH	GTO® Only
1506DWT	1964-67	Inner Wheelhouse, Weld-Through Primer, LH	GTO® Only
1506RWT	1964-67	Outer Wheelhouse, Weld-Through Primer, RH	GTO® Only
1506LWT	1964-67	Outer Wheelhouse, Weld-Through Primer, LH	GTO® Only
1506AWT	1964-67	Complete Wheelhouse (Inner & Outer), Weld-Through Primer, RH	GTO® Only
1506BWT	1964-67	Complete Wheelhouse (Inner & Outer), Weld-Through Primer, LH	GTO® Only

Wheelhouses

1968-69



1472X



1472W

1472W	1968-72	Inner Wheelhouse RH
1472X	1968-72	Inner Wheelhouse LH



1506W



1506X

1506W	1968-69	Outer Wheelhouse RH	GTO® Only
1506X	1968-69	Outer Wheelhouse LH	GTO® Only



1506S



1506T

1506S	1968-69	Complete Wheelhouse (Inner & Outer), RH	GTO® Only
1506T	1968-69	Complete Wheelhouse (Inner & Outer), LH	GTO® Only

1965-67



1544



1545

1544	1965	Rear Crossrail
1545	1966-67	Rear Filler Panel

Rear Deck Panels

Muscle Car Parts & Molding • Muscle Car Parts & Molding • Muscle Car Parts & Molding

Continued on next page...

1968-69



1544B



1546



1583AWT

1544B	1968-69	Rear Crossrail / Under Rear Deck Filler
1546	1968-69	Rear Filler Panel
1583AWT	1968	Rear Body Panel, Weld-Through Primer



1424B	1964-72*	License Plate Holder Bracket
-------	----------	------------------------------

Lic. Plate Bracket



1870

Box Size:
64.5" x 33.75" x 5"
Weight:
53 lbs.

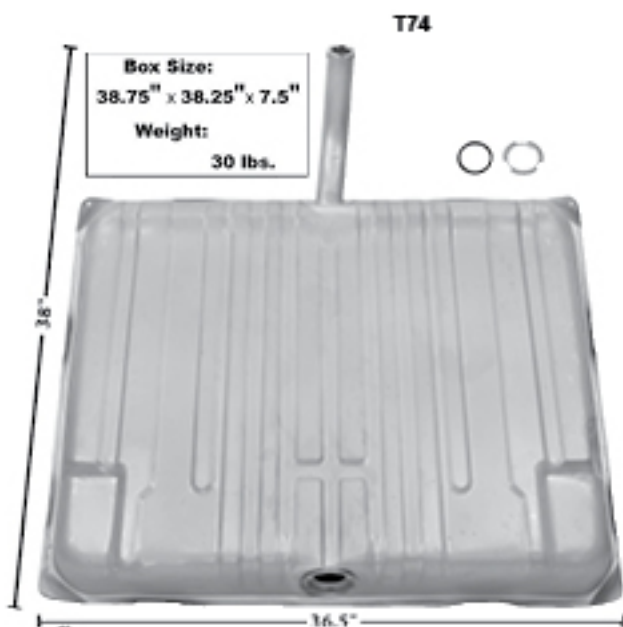


M1019A



1870	1970	Trunk Lid Cutlass™
M1019A	1973-77	Trunk Lid Latch

1964-70



T74

Box Size:
38.75" x 38.25" x 7.5"
Weight:
30 lbs.



T75

Box Size:
39" x 38.5" x 7.5"
Weight:
30 lbs.

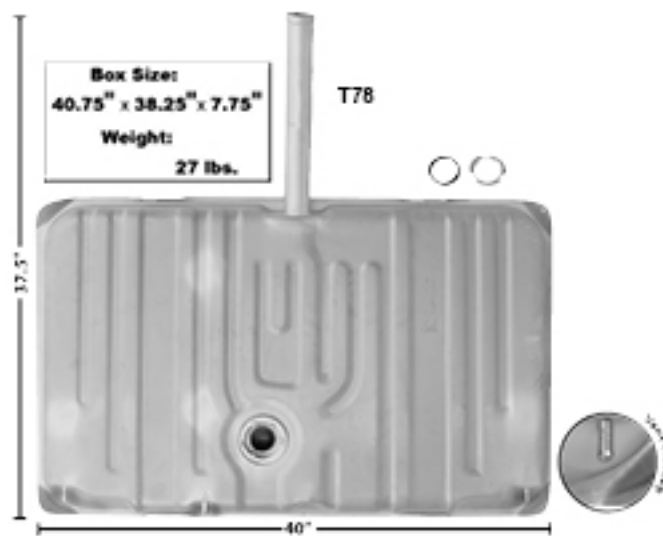
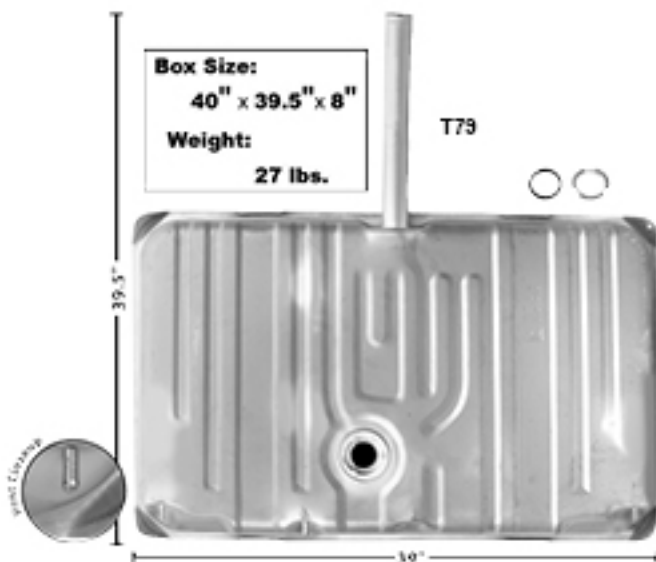
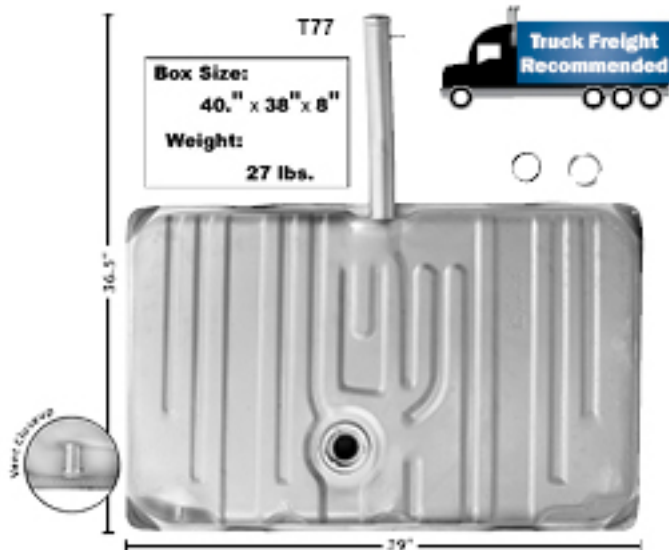
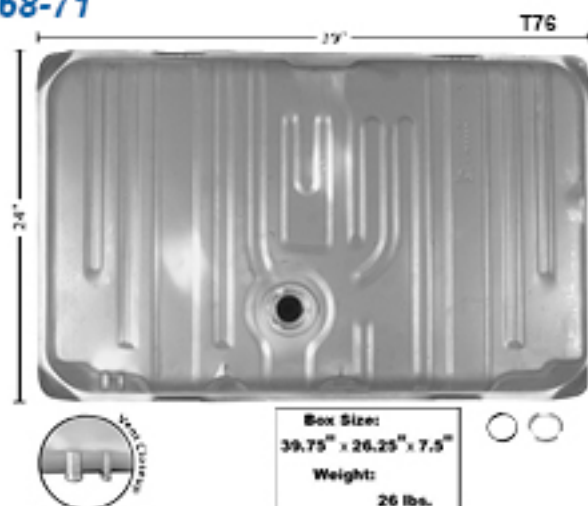


Fuel Tanks continued on next page...

T74	1964	Fuel Tank with Neck (no vent)
T75	1965-67	Fuel Tank with Neck (no vent)

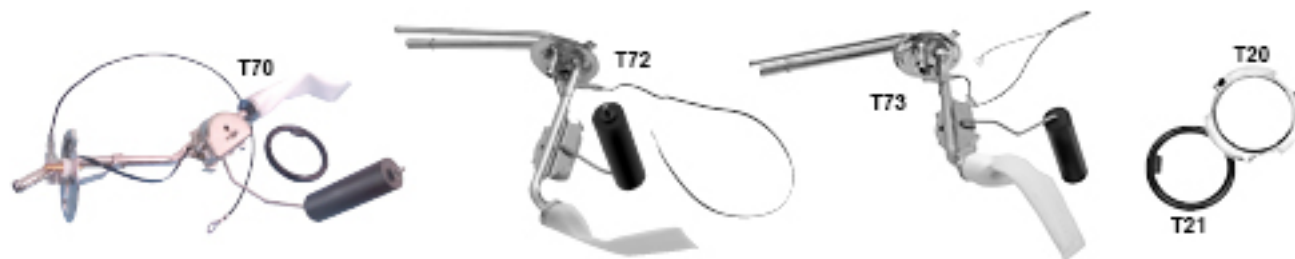
Fuel Tanks

1968-71

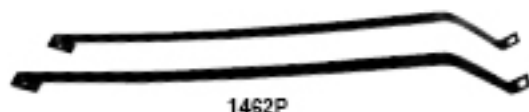


T76	1968-70	Fuel Tank with 2 Vent Pipes (no neck)
T77	1969-70	Fuel Tank with 14" Neck & Vent Pipe
T78	1970	Fuel Tank with 14" Neck & 3 Vent Pipes
T79	1971	Fuel Tank with 15" Neck & 3 Vent Pipes

Fuel Senders



T70	1964	Fuel Sender, Fits all motors
T72	1968-70	Fuel Sender, For V-8 350, 400, 454, 396 4bbl w/A/C
T73	1970	Fuel Sender, For V-8 350 4bbl w/A/C, 400 2bbl, 454 4bbl
T20	1964-72	Fuel Sending Unit Locking Ring
T21	1964-72	Fuel Sending Unit Gasket



1587	1966-67	Fuel Tank Mount Brace
1489K	1968-72*	Fuel Tank Mount Brace
1462P	1971-72*	Fuel Tank Straps, Pair



Grille & Components



M1527	1969	Grille Ornament
LH30	1966-70	Headlamp Mount Buckets w/Rings, 8 pcs.
LH31	1967-70	Headlamp Retaining Rings, 4 pcs.
1509E	1968	Grille Support
LH60	1970	Headlamp Bucket, RH, Cutlass™
LH61	1970	Headlamp Bucket, LH, Cutlass™

1580	1964-66	Exterior Mirror
1581	1967-68	Exterior Mirror
1582	1969-72	Exterior Mirror



1507G	1968-69	Wiper Motor Transmission Arm
-------	---------	------------------------------

Windshield Moldings



M1422	1964-65	Windshield Moldings, 5 pcs
M1423	1966-67	Windshield Moldings, 5 pcs
M1424	1968-72	Windshield Moldings, 3 pcs
M1424A	1968-72	Windshield Molding, Lower

Drip Rail Molding

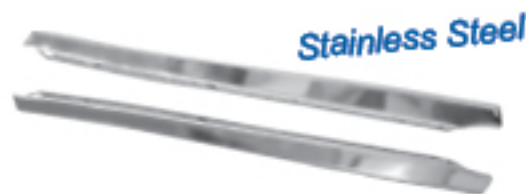


M1500	1964-65	Drip Rail Moldings, 6 pcs.
M1348	1966-67*	Drip Rail Moldings, 2 pcs.
M1501	1968-72	Drip Rail Moldings, 6 pcs.

Reveal Moldings



M1540 1966-67 Front Door Ledge Reveal Moldings, Convertible



M1541 1966-67 Quarter Ledge Reveal Moldings, Convertible



M1510	1964-65	Rocker Molding RH
M1511	1964-65	Rocker Molding LH
M1514	1966	Rocker Molding RH (Also fits 1967 Le Mans)
M1515	1966	Rocker Molding LH (Also fits 1967 Le Mans)
M1512	1970-72	Rocker Molding RH
M1513	1970-72	Rocker Molding LH

Rocker Panel Molding



M1424Y	1964-65	Rear Window Moldings, 5 pcs. (Buick™, Olds™ & Pontiac™ Hard Tops)
--------	---------	--



M1425	1966-67	Rear Window Moldings, 4 pcs.
-------	---------	------------------------------

Rear Window Moldings



M1560	1964-65	Wheel Opening Moldings, 4 pcs.
M1561	1966-67	Wheel Opening Moldings, 4 pcs.



M1562	1968-69	Wheel Opening Moldings, 4 pcs.
M1563	1970-72	Wheel Opening Moldings, 4 pcs.



M1550	1966-67	Convertible Top Well Moldings, Tempest™
-------	---------	---



M1551	1966-67	Convertible Top Well Moldings, GTO®/Le Mans™
-------	---------	--

Wheel Opening Moldings

Convertible Top Well Moldings

Trunk Lid Mldg.



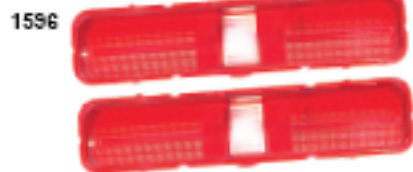
M1530



M1531

M1530	1967	Trunk Lid Molding
M1531	1967	Trunk Lid Extension Moldings

Exterior Electrical



1596



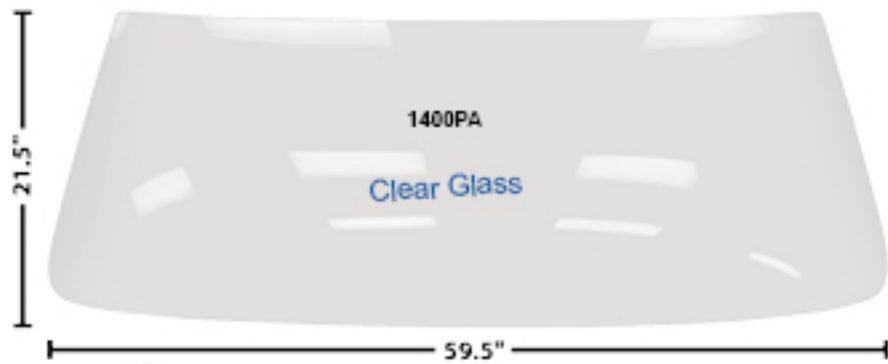
M1618



L1009A

1596	1969	Tail Lamp Lenses, GTO® & Le Mans™
M1618	1966-72	License Plate Lamp, GTO®
L1009A	1970	License Plate Lamp, Cutlass™

1966-67



1400PA

Clear Glass



1556

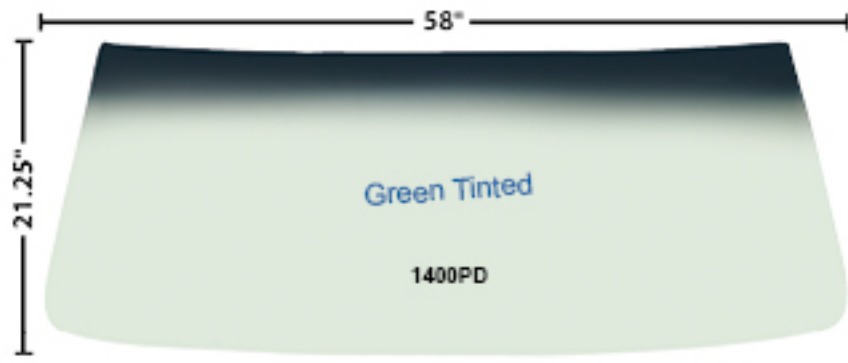


1485KE

1485J

Clear Glass

1485JA



Green Tinted

1400PD

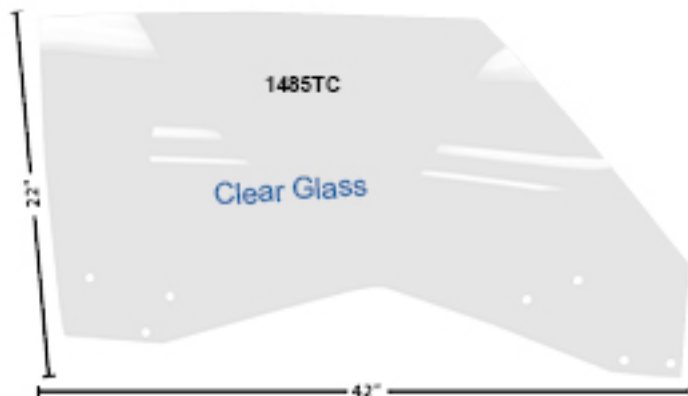
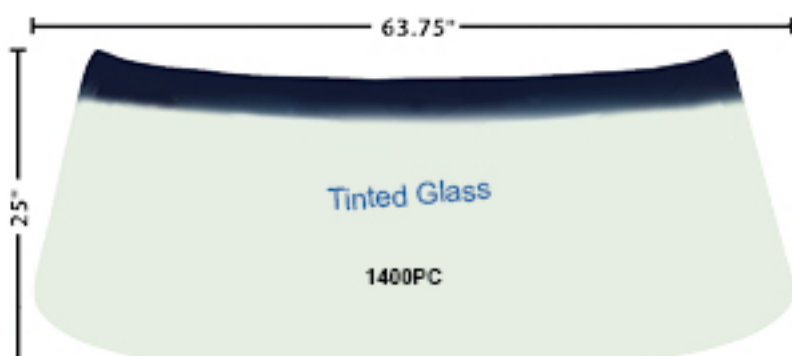
1400PA	1966-67	Windshield Glass, Clear
1400PD	1966-67	Windshield Glass, Green Tinted
1555	1966-67	Door Glass Assembly, RH, Clear
1556	1966-67	Door Glass Assembly, LH, Clear
1485J	1966-67	Vent Window Assembly, RH, Clear
1485K	1966-67	Vent Window Assembly, LH, Clear
1485JA	1966-67	Vent Window Glass RH, Clear <small>Hard top/Convertible</small>
1485JB	1966-67	Vent Window Glass LH, Clear <small>Hard top/Convertible</small>
1485KE	1966-67	Quarter Window Glass RH, Clear
1485KF	1966-67	Quarter Window Glass LH, Clear

Muscle Car Parts & Molding • Muscle Car Parts & Molding • Muscle Car Parts & Molding

1968-72

Glass

Muscle Car Parts & Molding • Muscle Car Parts & Molding • Muscle Car Parts & Molding



1400PC	1968-72	Windshield Glass, Green Tinted
1485TB	1968	Door Glass Assembly, RH, Clear Coupe/Hard top/Convertible
1485UB	1968	Door Glass Assembly, LH, Clear Coupe/Hard top/Convertible
1485TC	1969	Door Glass Assembly, RH, Clear Coupe/Hard top/Convertible
1485UC	1969	Door Glass Assembly, LH, Clear Coupe/Hard top/Convertible
1485MA	1970-72	Door Glass Assembly, RH, Clear Hard top/Convertible
1485MB	1970-72	Door Glass Assembly, LH, Clear Hard top/Convertible
1558	1968-69	Quarter Window Assembly with track, RH, Clear
1559	1968-69	Quarter Window Assembly with track, LH, Clear
1597	1968-72	Quarter Window Glass RH, Clear
1597A	1968-72	Quarter Window Glass LH, Clear

Heating/Cooling



1536	1966-67	Heater Box - Standard Non-Air
1400	1968-72	Evaporator Box

Pedal & Shifter Components



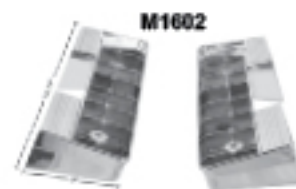
1525	1965-67	Parking Brake Assembly
1526	1968-72	Parking Brake Assembly
1499	1968-69	Accelerator Pedal Assembly
1499A	1970-72	Accelerator Pedal Assembly



911366	1968	Rear View Mirror 10"
M1035A	1969-71	Rear View Mirror 12"
M1338	1964-72	Sun Visor Support Bracket



GM01	1966-70	Clothes Hanger Hooks
GM02	1966-70	Shoulder Harness Hooks



M1770	1964-66	Door Lock Knob, Black
M1771	1964-66	Door Lock Knob, Chrome
M1772	1967	Door Lock Knob, Black
M1773	1967	Door Lock Knob, Chrome
M1777	1968-69	Door Lock Knob, Black
M1774	1968-69	Door Lock Knob, Chrome
M1775	1970-72	Door Lock Knob, Chrome
M1602	1964-67	Arm Rest Bases, Chrome
M1715	1965-67	Arm Rest Bases, Chrome Cutlass™
M1040L	1966-67	Rear Arm Rest Ash Tray & Pad

1968-72



1485G

1485H



M1040B



M1040F



M1040



M1040A



M1040D



M1040G

dii Exclusive

M1040J



M1040K



M1040	1968-72	Arm Rest Base, Black, RH
M1040A	1968-72	Arm Rest Base, Black LH
M1040B	1968-72	Arm Rest Base, Red
M1040C	1968-72	Arm Rest Base, Medium Blue
M1040D	1968-72	Arm Rest Base, Ivy Gold
M1040E	1968-72	Arm Rest Base, White
M1040F	1968-72	Arm Rest Base, Dark Blue
M1040G	1968-72	Arm Rest Base, Dark Green
M1040J	1968-72	Rear Arm Rest (no trim), (Ash Tray & Pad)
M1040K	1968-72	Rear Arm Rest, with Chrome Trim, (Ash Tray & Pad)
1485G	1968-72	Door Bumpers
1485H	1970-72	Door Jamb Vent Grille



M1340



M1341



M1340A



M1341A



M1340	1964-67	Scuff Plate without Ribs
M1340A	1964-67	Scuff Plates, Stainless without Ribs, pr.
M1341	1964-67	Scuff Plate w/ Ribs
M1341A	1964-67	Scuff Plates, Stainless with Ribs, pr.
M1342	1968-72	Scuff Plate RH



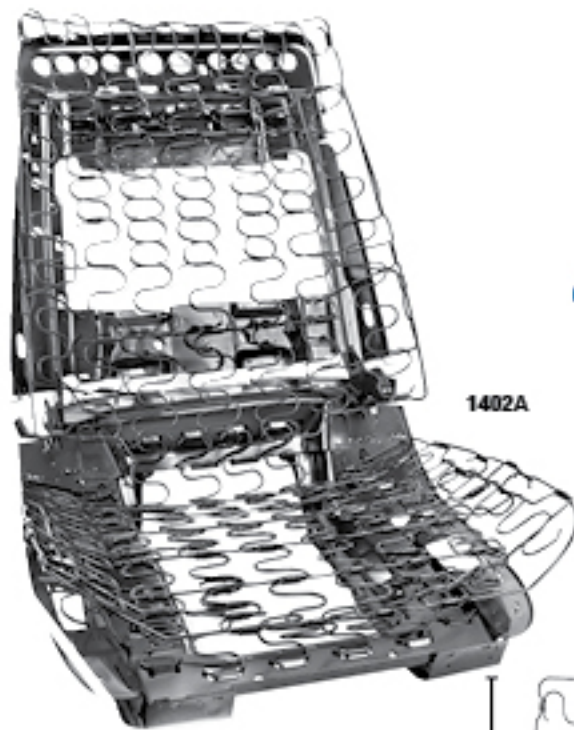
M1343



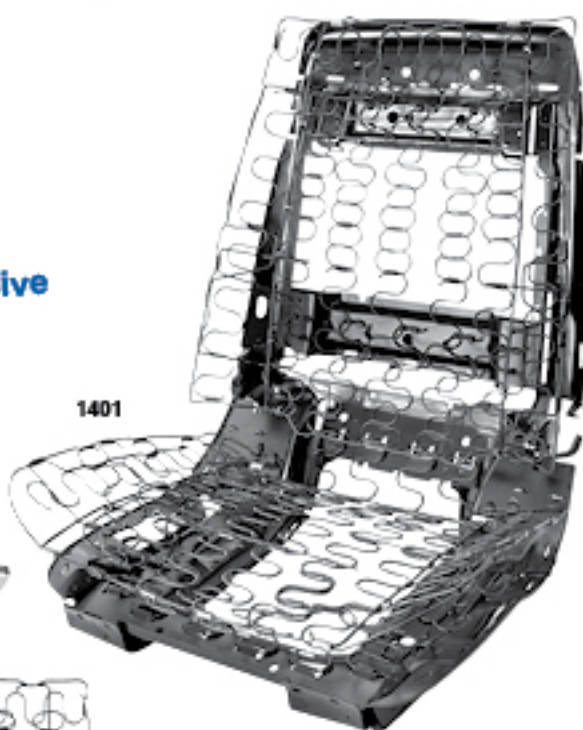
M1342A



M1343	1968-72	Scuff Plate LH	\$12.50 ea
M1342A	1968-72	Scuff Plates, Stainless	
M1342B	1968-72	Scuff Plates, Stainless, 4 pcs. (For 4 door)	



1402A

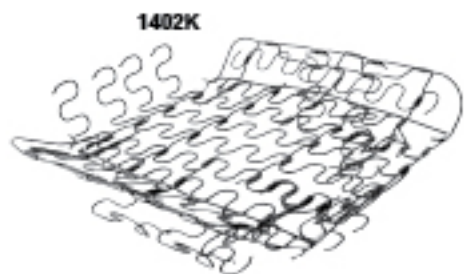


1401

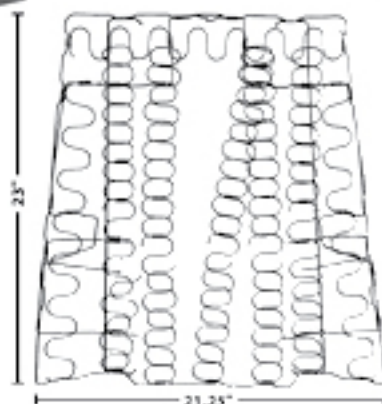
dii Exclusive



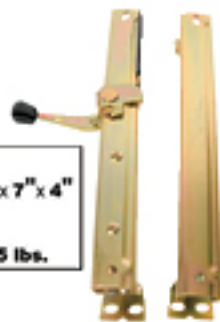
M1392P



1402K



1402L



1561

Box Size:
17" x 7" x 4"
Weight:
6.25 lbs.

1401	1966-68*	Seat Assembly RH
1402	1966-68*	Seat Assembly LH
1402A	1969-72*	Seat Assembly, Fits both sides
1402L	1966-72*	Front Seat Back Spring, Fits both sides
1402K	1966-72*	Front Seat Bottom Spring
M1392P	1967-68*	Bucket Seat Release Button
1560	1968-72*	Seat Track Assembly, RH, 2 Pcs.
1561	1968-72*	Seat Track Assembly, LH, 2 Pcs.



Seat Belts with Push Button:
6 colors to choose from

60 Inch Belts

SBP-BK60	Seat Belt with Push Button	Black
SBP-GR60	Seat Belt with Push Button	Grey
SBP-TAN60	Seat Belt with Push Button	Tan
SBP-NB60	Seat Belt with Push Button	Navy Blue
SBP-RED60	Seat Belt with Push Button	Red
SBP-MAR60	Seat Belt with Push Button	Maroon



74 Inch Belts

SBP-BK74	Seat Belt with Push Button	Black
SBP-GR74	Seat Belt with Push Button	Grey
SBP-TAN74	Seat Belt with Push Button	Tan
SBP-NB74	Seat Belt with Push Button	Navy Blue
SBP-RED74	Seat Belt with Push Button	Red
SBP-MAR74	Seat Belt with Push Button	Maroon



SBR-BK	Retractable 3 Point Seat Belt with Push Button	Black
SBEXT-BK	Seat Belt Extension, 12 In.	Black

See also Accessory Section for more details...



Seat Belts with Lift Latch:
10 colors to choose from

60 Inch Belts

SBL-BK60	Seat Belt with Lift Latch	Black
SBL-WT60	Seat Belt with Lift Latch	White
SBL-LG60	Seat Belt with Lift Latch	Light Grey
SBL-DG60	Seat Belt with Lift Latch	Dark Grey
SBL-LT60	Seat Belt with Lift Latch	Light Tan
SBL-DT60	Seat Belt with Lift Latch	Dark Tan
SBL-LB60	Seat Belt with Lift Latch	Light Blue
SBL-DB60	Seat Belt with Lift Latch	Dark Blue
SBL-BR60	Seat Belt with Lift Latch	Bright Red
SBL-DR60	Seat Belt with Lift Latch	Dark Red



74 Inch Belts

SBL-BK74	Seat Belt with Lift Latch	Black
SBL-WT74	Seat Belt with Lift Latch	White
SBL-LG74	Seat Belt with Lift Latch	Light Grey
SBL-DG74	Seat Belt with Lift Latch	Dark Grey
SBL-LT74	Seat Belt with Lift Latch	Light Tan
SBL-DT74	Seat Belt with Lift Latch	Dark Tan
SBL-LB74	Seat Belt with Lift Latch	Light Blue
SBL-DB74	Seat Belt with Lift Latch	Dark Blue
SBL-BR74	Seat Belt with Lift Latch	Bright Red
SBL-DR74	Seat Belt with Lift Latch	Dark Red

SBL-BK60BLK



SBL-BK60BLK	Seat Belt w/Black Wrinkle-Finish Latch	Black
SBL-BK74BLK	Seat Belt w/Black Wrinkle-Finish Latch	Black



Black 80/20 Loop Carpet



14B53130	1964-67	Carpet, Black, 80/20 Loop	Chevelle®, Cutlass™, Tempest™
14B53134	1964-67	Carpet, Black, 80/20 Loop, 4-Speed without console	Chevelle®, Cutlass™
15B53219	1964-65	Carpet, Black, 80/20 Loop, Factory 4-Speed w/o console	GTO®
15B53220	1964-65	Carpet, Black, 80/20 Loop, Automatic or all with console	GTO®
15B53221	1966-67	Carpet, Black, 80/20 Loop, Factory 4-Speed w/o console	GTO®
14B53131	1968-72	Carpet, Black, 80/20 Loop	Chevelle®, Cutlass™, GTO®, Tempest™
14B53164	1968-72	Carpet, Black, 80/20 Loop, 4-Speed without console	Chevelle®, Cutlass™, GTO®



AM-HERMOSA-B

Box Size:
11.5" x 9" x 3.5"
Weight:
3 lbs.



AM-HERMOSA-C

Box Size:
11.5" x 9" x 3.5"
Weight:
3 lbs.



AM-HERMOSA-B	1967-81	Radio, "Hermosa B" w/Black Face & Buttons	(Use make-specific faceplate & knob kit)
AM-HERMOSA-C	1967-81	Radio, "Hermosa C" w/Chrome Face & Buttons	(Use make-specific faceplate & knob kit)

RetroSound®

Model 2 Radios
~ DISCONTINUED ~
Available while
supplies last.
(Replaced by Hermosa)



AM-MOD2B	1967-81	Radio, "Model 2B" with Black Face (Use make-specific faceplate & knob kit)
AM-MOD2C	1967-81	Radio, "Model 2C" with Chrome Face (Use make-specific faceplate & knob kit)
AM-MOD2V	1967-81	Radio, "Model 2V" with Ivory Knobs (Use make-specific faceplate & knob kit)



~ DISCONTINUED ~
Available while
supplies last.
(Replaced by
Hermosa)



AM-ZUMA-B	1967-81	Radio, "Zuma B" w/Black Face & Black Buttons (Use make-specific faceplate & knob kit)
AM-ZUMA-V	1967-81	Radio, "Zuma V" w/Chrome Face, Ivory Knobs (Use make-specific faceplate & knob kit)

RetroSound®



AMR-57UK
Box Size:
9.5" x 6.25" x 2.5"
Weight:
1.6 lbs.

Fits:
GTO, LeMans, Tempest;
1964-67



AMR-410UK
Box Size:
11.5" x 4.75" x 2.5"
Weight:
1.52 lbs.

Fits:
GTO; 1968-72
LeMans; 1961-63, 1968-72
Tempest; 1961-63, 1968-70
Cutlass; 1961-67, 1968-72 Mono Radio



AMR-57UK	1964-67	Dash Speaker with Bracket, 6 x 7 Dual Voice Coil, 2-way, 100 watt
AMR-410UK	1968-72	Dash Speaker with Bracket, 4 x 10 Dual Voice Coil, 2-way, 160 watt

RetroSound®



AM-EX1
Box Size:
10.5" x 7.5" x 2.5"
Weight:
2 lbs.



AM-BT1



AM-EX1-PKG
AM-EX1 Box Size:
10.5" x 7.5" x 2.5"
Weight:
2 lbs.

Includes Battery Status Indicator
Battery Status Indicator
Box Size:
5" x 1.75" x 1.75"
Weight:
.5 lbs.

AM-BT1	Digital LCD Battery Monitor, 12 Volt Cigarette Lighter Plug
AM-EX1	Battery Charger/Maintainer
AM-EX1-PKG	Battery Charger/Maintainer w/LED, Includes Battery Status Indicator

1010H



1010L



Box Size:
9.5" x 7" x 4.5"
Weight:
3.1 lbs.



1010HC



LH40



LH41

LH40	1964-65	Windshield Wiper Switch, (Single Speed with washer)
LH41	1964-66	Windshield Wiper Switch, (2 speed with washer)
1010HC	New 1964-72	Horn High + Low Note Chrome Plate w/ Mounting Bracket and Hardware
1010H	1964-72	Horn - High
1010L	1964-72	Horn - Low
1010U	1964-74	Horn Set with Universal Brackets, 6 pcs.



1463JM



LH01



LH48



7033244

Detail

1463JM	1965-68	Power Window Motor, RH Cutlass™
1463KM	1965-68	Power Window Motor, LH Cutlass™
LH01	1966-70	Headlamp Dimmer Switch
LH48	1967	Windshield Wiper Switch, (2 speed with washer)
7033244	1967-72	Cigarette Lighter





M1450



M1451

M1452



M1453



M1450	1965-67	Radiator Support Bushings
M1451	1968-72	Radiator Support Bushings
M1452	1964-67	Coupe Body Bushings
M1453	1968-72	Coupe Body Bushings

M1452A



M1454



M1452A	1964-67	Convertible Body Bushings
M1454	1968-72	Convertible Body Bushings



1006G	1968-72	Front Disc Brake Backing Plate
-------	---------	--------------------------------



GW157

Box Size:
17" x 17" x 10.25"
Weight:
19 lbs.

5" x 4 3/4" Bolt Pattern



GW157C

Box Size:
17" x 17" x 9"
Weight:
20 lbs.



GW158

Box Size:
17" x 17" x 10.25"
Weight:
20 lbs.



GW157		Magnum Alloy Wheel 15"x7" w/Center Cap, no offset, 4" Backspace
GW157C		Magnum Alloy Wheel 15"x7", Coated, w/Center Cap, no offset, 4" Backspace
GW157P	New GM	Magnum Alloy Wheel 15"x7" w/Center Cap, 4" Backspace, Photo on pg A24
GW158		Magnum Alloy Wheel 15"x8" w/Center Cap, 10mm negative offset (-.4"), 4.07" Backspace



GW150

Box Size:
17" x 17" x 10.25"
Weight:
22 lbs.



GW150C

Box Size:
17" x 17" x 12"
Weight:
23 lbs.



GW150

Magnum Alloy Wheel 15"x10" w/Center Cap, 21mm negative offset (-.8"), 4.65" Backspace

GW150C

Magnum Alloy Wheel 15"x10", Coated, w/Center Cap, 21mm negative offset (-.8"), 4.65" Backspace



GW177

Box Size:
19" x 19" x 9"
Weight:
23 lbs.



GW177C

Box Size:
19" x 19" x 9"
Weight:
23 lbs.



GW177

Magnum Alloy Wheel 17"x7" w/Center Cap and decal, no offset

GW177C

Magnum Alloy Wheel 17"x7" w/Center Cap and decal, no offset, Chrome



GW178

Box Size:
19.5" x 19.5" x 10"
Weight:
24 lbs.



5" x 4 3/4" Bolt Pattern



GW178C

Box Size:
19.25" x 19.25" x 10.25"
Weight:
24 lbs.



FW-CAP

Magnum Wheel Cap with decal, 3/4" tall, Chrome (for 17" rims)

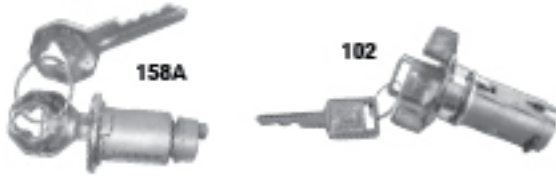
GW178

Magnum Alloy Wheel 17"x8" w/Center Cap and decal, 10mm negative offset

GW178C

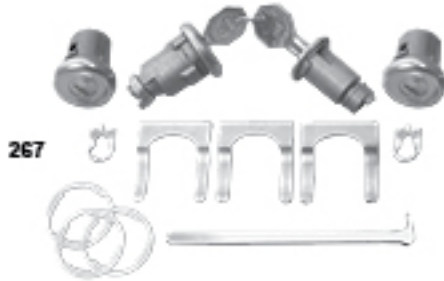
Magnum Alloy Wheel 17"x8" w/Center Cap and decal, 10mm negative offset, Chrome

Ignition Locks



158	1962-65	Octagon
158A	1962-65	Original
100	1966-67	Later
100A	1966-67	Original
101	1968	Later
101A	1968	Original
102	1969-78	Later

Ign., Door & Trunk Kits



269	1962	Original
267	1964-65	Original
276	1966-67	Original

See our Locks Section for more details...

Trunk & Glove Box Kits



195	1962	Later
195A	1962	Original
172	1963-65	Later
172A	1963-65	Original
196	1966-67	Later
196A	1966-67	Original
198	1970-75	Later

+Cylinder and keys ONLY. Case not included.

Ign. & Door Lock Kits



143A	1962-65	Original
104	1966-67	Later
104A	1966-67	Original
105	1968	Later
105A	1968	Original
106	1969-78	Later

Glove Box



CL-955	1964-72	Key-less
CL-960	1964-72	Key-less, Brushed Stainless
169+	1964-67	Later
169A+	1964-67	Original
146+	1968-69	Later
183+	1970-75	Later

+Cylinder and keys ONLY. Case not included.

Trunk Locks



112	1963-65	Later
112A	1963-65	Original
113	1966-67	Later
113A	1966-67	Original

Trunk Kits



Kits come complete with lock, keys, spring, shaft, bracket, & gasket. (non-GM keys)

1575	1964-65	Later
1576	1966-67	Original