



TOWING AND TRAILERING

 **DRAW·TITE**®



PRODUCT CATALOG

2019

DRIVEN TO DELIVER





Established in 1946, Draw-Tite® was born out of a passion for outstanding performance and has come to represent one of the best custom fit vehicle products available today.

RECEIVER HITCHES





CLASS I SPORTFRAME™ HITCH

- 1-1/4-in square receiver tube opening
- Economical Class I receiver style hitch
- Removable drawbar, pin and clip sold separately
- Attaches to vehicle frame and/or bumper
- Black powder coat finish over E-coat

Part Number	Description	Gross Trailer Weight	Tongue Weight
Series 24xxx	Weight Carrying	Up to 2,000 lb.	Up to 200 lb.

CLASS II FRAME HITCH

- 1-1/4-in square receiver tube opening
- Receiver style hitch and receiver tube opening
- Removable drawbar, pin and clip sold separately
- Neat appearance and all frame attachments
- Black powder coat finish over E-coat

Part Number	Description	Gross Trailer Weight	Tongue Weight
Series 36xxx	Weight Carrying	Up to 3,500 lb.	Up to 350 lb.

CLASS I/II INVISI-HITCH™

- 1-1/4-in square receiver tube opening
- One piece construction for a stronger hitch and easier installation
- Attachment allows hitch to be affixed well under vehicle for minimum visibility when drawbar is removed
- Includes mounting hardware
- Removable drawbar, pin and clip sold separately
- Black powder coat finish over E-coat

Part Number	Description	Gross Trailer Weight	Tongue Weight
Series 285xx	Weight Carrying	Up to 3,500 lb.	Up to 350 lb.

DRAWBAR PROGRAM FROM DRAW-TITE®



- Draw-Tite® is proud to present the **Drawbar Program**. Over the years, customers have requested the option of purchasing the Class I and Class II hitch and drawbar separately. Now you can. Like the Receiver Plus Program, the **Drawbar Program offers specially priced drawbars with each Class I or Class II hitch sold.**

Please note: Discounted pricing is only available on one drawbar kit per hitch, and only when the two are purchased together.

- How to take part:
 1. Choose the correct Class I or Class II hitch part number for the vehicle application.
 2. Determine if you need a drawbar (Yes/No) **IF YES**, order as follows:
 Hitch (24824) + Drawbar (3594) = 248240 part number. Adding a "zero" to the end of the number will show that the two parts are being ordered together.
 If no drawbar is need, order the standard part number (24824).



Series 75xxx
2-in Square Receiver Tube Opening

CLASS III/IV SQUARE & ROUND TUBE MAX-FRAME™ HITCHES

- 2-in square receiver tube opening
- Max-Frame receivers are designed for customers with trucks, vans and sport utility vehicles
- All frame attachments
- Black powder coat finish over E-coat
- J-Pin ready
- 75xxx ball mounts #23 and #53 are available (Max-Frame Program)

Part Number	Description	Gross Trailer Weight	Tongue Weight
Series 75xxx	Weight Carrying	Up to 8,000 lb.	Up to 1,200 lb.
Series 75xxx	Weight Carrying	Up to 12,000 lb.	Up to 1,200 lb.



Series 41xxx
2-in Square Receiver Tube Opening

CLASS III/IV MAX-E-LOADER™ HITCH

- 2-in square receiver tube opening
- Max-E-Loader's long side bracket distributes the towing load over a greater portion of the vehicle frame
- All frame attachments
- J-Pin ready
- Black powder coat finish over E-coat

Part Number	Description	Gross Trailer Weight	Tongue Weight
Series 41xxx	Weight Carrying	Up to 6,000 lb.	Up to 600 lb.
Series 41xxx	Weight Carrying	Up to 12,000 lb.	Up to 1,200 lb.



Series 419xxx
2-in Square Receiver Tube Opening

CLASS V ULTRA FRAME™ HITCH

- 2-in square receiver tube opening
- Designed for Full-size trucks, vans and utility vehicles with full frames and heavy-duty suspensions
- Ideal for high tongue weight applications (Example: Toy Hauler)
- Strong, secure heavy-duty side bracket design
- All frame attachments
- J-Pin ready
- Black powder coat finish over E-coat
- Redesign of Ultra Frame receivers to include Cast Center Section
 - Rugged appearance
 - Cast steel material
 - Bigger chain loops
 - Tighter ball mount fit
 - Reinforced pin hole

Part Number	Description	Gross Trailer Weight	Tongue Weight
Series 419xx	Weight Carrying	Up to 15,000 lbs.	Up to 1,500 lbs.
Series 419xx	Weight Dist.	Up to 16,000 lbs.	Up to 1,600 lbs.
Series 419xx	Weight Carrying (w/cast center)	Up to 16,000 lbs.	Up to 2,400 lbs.
Series 419xx	Weight Dist. (w/cast center)	Up to 16,000 lbs.	Up to 1,600 lbs.



NOTE: Contact Customer Service for availability of new Cast Center Section part numbers



41990 - 44-in Cast Center Section

CLASS V (SERIES 419XX) WORK TRUCK HITCH

- Manufactured for service body & flat bed stake trucks
- Mix & match center section and side brackets
- Versatile for various makes and models
- Fabrication kit requires welding
- 41991 satisfies DOT SEC. 393 .86 (b) (1)t

Part Number	Description	Gross Trailer Weight	Tongue Weight
4916	Ultra Frame Receiver, Weld Together for Service Body Trucks, Long 16" Side Bracket	—	—
4907	Ultra Frame Receiver, Weld Together for Service Body Trucks, Short 7" Side Bracket Kit Only	—	—
41990	Ultra Frame Receiver, Weld Together for Service Body Trucks, 44" Crosstube Only	16,000 lbs.	1,600 lbs.
41990-07	Includes 41990 (44") and 4907	16,000 lbs.	1,600 lbs.
41990-16	Includes 41990 (44") and 4916	16,000 lbs.	1,600 lbs.
41991	Ultra Frame Receiver, Weld Together for Service Body Trucks, 62" Crosstube Only	16,000 lbs.	1,600 lbs.
41991-07	Includes 41991 (62") and 4907	16,000 lbs.	1,600 lbs.
41991-16	Includes 41991 (62") and 4916	16,000 lbs.	1,600 lbs.
58374	Ultra Frame Receiver End Caps	—	—

CLASS V (SERIES 455XX) HEAVY DUTY HITCH

- **2-1/2-in** square receiver tube opening
- Designed for full-size long wheelbase trucks, vans and utility vehicles with full frames and heavy-duty suspensions
- Ideal for high tongue weight applications (Toy Hauler & Commercial)
- Strong, secure heavy-duty side bracket design
- Pin, clip and receiver tube cover included
- Black powder coat finish over E-coat
- Welded electrical bracket included

Part Number	Description	Gross Trailer Weight	Tongue Weight
Series 455xx	Weight Carrying	Up to 18,000 lbs.	Up to 2,000 lbs.
Series 455xx	Weight Dist.	Up to 18,000 lbs.	Up to 2,500 lbs.



Series 455xx
2-1/2-in Square Receiver Tube Opening

38023 - Class V Heavy Duty 3000
3-in Square Receiver Tube Opening



**CLASS V (SERIES 38XXX)
HEAVY DUTY 3000 - 20K HITCHES**

- Large 3-in square receiver opening
- 20,000 lbs. wt. carry capacity; 3,000 lbs. tongue wt.
- Adjustable cross tube for proper height
- Two electrical plug and air brake hook up mounting locations for easy trailer attachments
- Air brake hook up locations
- Dual ball mount w/2" & 2-5/16" balls included
- Pin & clip included
- For frame widths from 33-1/2" to 34-1/2"
- Welds to frame of vehicle

Note: 38023 is 10" from bottom of frame to bottom of receiver tube

Note: 38211 is 14-1/2" from bottom of frame to bottom of receiver tube

Part Number	Description	Gross Trailer Weight	Tongue Weight
38023	Weight Carrying, Dual Ball Mount	Up to 20,000 lbs.	Up to 3,000 lbs.
38211	Weight Carrying, Dual Ball Mount	Up to 20,000 lbs.	Up to 3,000 lbs.



3-in Square Receiver Tube Opening

**CLASS V (SERIES 38XXX)
HEAVY DUTY 4000 - 25K HITCHES**

- Large 3-in square receiver opening
- Rated for 25,000 lb weight carry capacity; 4,000 lb tongue weight
- Dual stacked receivers for proper height adjustment
- Two electrical plug and air brake hook up mounting locations for easy trailer attachments
- For frame widths from 34-in to 34-1/2-in
- Air brake fittings for easy trailer hookups
- Dual ball mount w/2-in & 2-5/16-in balls included
- Pin & clip included

Note: 38124 is 14-1/2" from bottom of frame to bottom of dual stacked receiver tube

Note: 38208 is 10-1/2" from bottom of frame to bottom of dual stacked receiver tube

Part Number	Description	Gross Trailer Weight	Tongue Weight
38124	Weight Carrying, Dual Ball Mount	Up to 25,000 lbs.	Up to 4,000 lbs.
38208	Weight Carrying, Dual Ball Mount	Up to 25,000 lbs.	Up to 4,000 lbs.



38208 - Class V Heavy Duty 4000
3-in Square Receiver Tube Opening



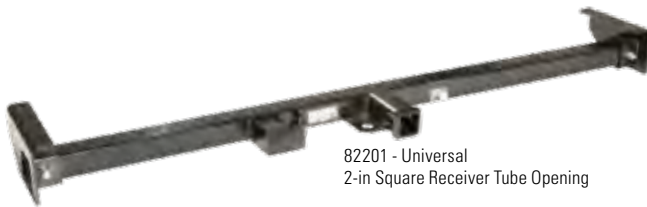


5350 - Multi-Fit
2-in Square Receiver Tube Opening

MULTI-FIT MOTORHOME HITCH

- 2-in receiver tube accepts all standard utility ball mounts, providing ball height adjustment for level towing
- Simple three-piece construction makes assembly and installation fast and easy
- Attachment hardware included
- Black powder coat finish over E-coat

Part Number	Description	Gross Trailer Weight	Tongue Weight
5350	Motorhome Hitch, Adjusts 24" - 46" Wide	5,000-6,000 lbs.	500-750 lbs.



82201 - Universal
2-in Square Receiver Tube Opening

UNIVERSAL MOTORHOME HITCH

- Frame brackets are adjustable

Part Number	Description	Gross Trailer Weight	Tongue Weight
82201	Motorhome Hitch, Adjusts 47" - 71" Wide	3,500 lbs.	300 lbs.



36010
2-in Square Receiver Tube Opening

MOTORHOME CLASS III HITCH

- Frame brackets are adjustable
- Ideal for Class A and Class C motorhomes

Part Number	Description	Gross Trailer Weight	Tongue Weight
36010	Motorhome Hitch, Adjusts up to 46" Wide	5,000 lbs.	500 lbs.



81378
Hardware
Included

STEP BUMPER HITCHES

- Do not exceed maximum GTW of bumper or hitch
- Not to be used with weight distributing systems
- May require modification or additional spacers for installation on late model pick-up

Part Number	Description
81378	Class II Step Bumper and Receiver Hitch, Not for use with Weight Distributing Equipment



3006
1-1/4-in x 1-1/4-in

5692
2-in x 2-in

11029
2-1/2-in x 2-1/2-in

80812
2-in x 2-in



40109 / 40110 / 6810 / 6811



01932-003 / 1935 / 1937

COMBO BARS - UNPAINTED

- Designed for use in fabricating undercar receiver hitches
- Made of cold formed structural tubing
- Sized and punched to fit all common weight distributing hitch ball mounts or utility ball mounts

Part Number	Length	Diameter	Ring
2850	6"	2" X 2"	Standard
11081	8"	2" X 2"	Standard
2851	12"	2" X 2"	Standard
2898	18"	2" X 2"	Standard
2852	24"	2" X 2"	Standard
2853	36"	2" X 2"	Standard
2854	48"	2" X 2"	Standard
3006	6"	1-1/4" X 1-1/4"	Standard
5691	12"	2" X 2"	Cast
5692	18"	2" X 2"	Cast
11029	18"	2-1/2" X 2-1/2"	Cast

COMBO BARS - PAINTED

Part Number	Length	Diameter	Ring
80806	6"	2" x 2"	Standard
80812	12"	2" x 2"	Standard
80818	18"	2" x 2"	Standard

DRILL BITS AND HOLE SAWS

- Drill bits and hole saws are especially selected to best suit trailer hitch installations where drilling is required
- With 135° "split points" for easy starts on flat surfaces
- Made of high carbon, M-2 steel for maximum durability and minimum brittleness
- Bulk packaged

Part Number	Description	Overall Length	Flut Length
01932-003	3/8" Drill Bits (3 per poly bag)	5"	3-5/8"
01933-003	7/16" Drill Bits (3 per poly bag)	5-1/2"	4-1/16"
01934-003	1/2" Drill Bits (3 per poly bag)	6"	4-1/2"
1935	3/8", 7/16", 1/2" Drill Bits (1 set per poly bag)	—	—
1937	Hole Saw Arbor with pilot drill (1936) (1 per poly bag)	—	—
58381	3-1/2" Hole Saw (1 per poly bag)	—	—
1124	Hole Saw Arbor with pilot drill (58381) (1 per poly bag)	—	—
01938-003	1/4" Pilot Drill Bit (3 per poly bag)	—	—
4655	9/16" Drill Bit with 1/2" shank (1 per poly bag)	6-1/8"	3"
40109	3/8" Rotabroach hole cutting tool with pilot (1 per plastic tube)	—	—
40110	7/16" Rotabroach hole cutting tool with pilot (1 per plastic tube)	—	—
6810	1/2" Rotabroach hole cutting tool with pilot (1 per plastic tube)	—	—
6811	9/16" Rotabroach hole cutting tool with pilot (1 per plastic tube)	—	—



5481 / 5482 / 55392 / 55393

INSTALLATION TOOLS AND REPLACEMENT PARTS

Part Number	Description
5481	7/16" Wire Forms (20 pack)
5482	1/2" Wire Forms (20 pack)
55392	1/2" Wire Forms for Fishwiring Bolts in Frames (1 piece)
55393	3/8" Wire Forms (1 pack)
74342	Hitch Ball Wrench, Boxed End 1-1/8" and 1-1/2"
49803	Fastener Assortment (Carriage Bolts, Blocks, Etc.)
58530	Replacement Part, Rubber Bolt Cap for #75662, 87530 and 44603

LICENSE PLATE ADAPTER AND HOLDER

Part Number	Description
5443	License Plate Adapter
49802	Fold Down License Plate Holder



6715

5443

6758

SPARE TIRE CARRIER

Part Number	Description
6715	Spare Tire Carrier, Universal Bolt Pattern

WORK STEP

Part Number	Description
6758	Work Step (For Rear Class III and IV Receivers)

RECEIVER TUBE SKID PLATE

Part Number	Description
6771	Receiver Tube Skid Plate



6771

WINCH MOUNTING PLATE

Part Number	Description
6495	Winch Mounting Plate, Our front mounted receivers are rated for 9,000 lbs. line pull. This makes them ideal for use with BULLDOG® winches. We offer a winch adapter that connects the winch to the receiver. They accept most models of Superwinch, Ramsey and Warn. Will not fit with S-4500 Superwinch



6495



Series 65xxx

FRONT MOUNTED (SERIES 65XXX) RECEIVERS

- 2-in square receiver tube opening
- Front mounted receivers offer a secure and useful attachment point
- All frame attachments
- J-Pin ready
- Ideal for use with winches and snow plows
- Black powder coat finish over E-coat

Part Number	Description	Line Pull	Tongue Weight
Series 65xxx	Weight Carrying	Up to 9,000 lbs.	Up to 500 lbs.

FRONT MOUNT RECEIVER APPLICATION GUIDE

MODEL / STYLE	YEAR	PC	PART NO.	FOOTNOTES	VERT LOAD	LINE PULL	IN
CHEVROLET							
Avalanche Except Z71	07-13	30	65052	0.GP.X	500	9,000	25
Blazer Full Size	92-94	21	65005	JU,JV	500	9,000	40
Blazer Downsize	95-05	24	65004	JW,JX,X	300	9,000	30
Blazer Trailblazer	99-01	24	65004	JW,JX,X	300	9,000	30
C1500 2 Dr. Regular & Extended Cabs	88-99	21	65005	JU,JV,KC	500	9,000	40
		46	65021	JV,KD,KE	500	9,000	30
C1500 4 Dr. Crew Cab	92-99	46	65021	JV,KD,KE	500	9,000	30
C2500 2 Dr. Regular & Extended Cabs	88-99	21	65005	JU,JV,KC	500	9,000	40
		46	65021	JV,KD,KE	500	9,000	30
C2500 4 Dr. Crew Cab	92-00	46	65021	JV,KD,KE	500	9,000	30
C3500 2 Dr. Regular & Extended Cabs	88-00	21	65005	JU,JV,KC	500	9,000	40
		46	65021	JV,KD,KE	500	9,000	30
C3500 4 Dr. Crew Cab	92-00	46	65021	JV,KD,KE	500	9,000	30
Colorado	15-16	23	65071	0.X	500	9,000	30
Express 1500 Inc. RV Cutaway	96-03	24	65016	X	500	9,000	35
Express 2500 Inc. RV Cutaway	96-03	24	65016	X	500	9,000	35
Express 3500 Inc. RV Cutaway	96-03	24	65016	X	500	9,000	35
K1500 2 Dr. Regular & Extended Cabs	88-99	21	65005	JU,JV,KC	500	9,000	40
K2500 2 Dr. Regular & Extended Cabs	88-99	21	65005	JU,JV,KC	500	9,000	40
K2500 4 Dr. Crew Cab	92-00	21	65005	JU,JV,KC	500	9,000	40
K3500 2 Dr. Regular & Extended Cabs	88-00	21	65005	JU,JV,KC	500	9,000	40
K3500 4 Dr. Crew Cab	92-00	21	65005	JU,JV,KC	500	9,000	40
S10	94-04	24	65004	JW,JX,X	300	9,000	30
Silverado 1500	99-07	47	65023		500	9,000	20
Silverado 1500	07-13	30	65052	0.GP.X	500	9,000	25
Silverado 1500	14-18	30	65064	0.GP.X,FE	500	9,000	25
Silverado 1500 HD	01-03	24	65028	HB	500	9,000	20
Silverado 1500 HD	05-07	24	65028	HB	500	9,000	20
Silverado 2500	99-04	24	65028	HB	500	9,000	20

MODEL / STYLE	YEAR	PC	PART NO.	FOOTNOTES	VERT LOAD	LINE PULL	IN
CHEVROLET							
Silverado 2500 HD	01-07	24	65028	HB	500	9,000	20
Silverado 2500 HD	07-10	22	65050	0.EP,GP,RZ	500	9,000	40
Silverado 2500 HD	11-14	20	65056†	0.EP,GP,RZ	500	9,000	45
		26	65068†	0.GP,EP	500	9,000	45
		24	65078	0.GP,EP	500	9,000	45
Silverado 2500 HD	15-16	26	65068†	0.GP,EP	500	9,000	35
Silverado 2500 HD	15-18	24	65078	0.GP,EP	500	9,000	35
Silverado 3500	01-07	24	65028	HB	500	9,000	20
Silverado 3500 HD	07-10	22	65050	0.EP,GP,RZ	500	9,000	40
Silverado 3500 HD	11-14	20	65056†	0.EP,GP,RZ	500	9,000	45
		26	65068†	0.GP,EP	500	9,000	45
		24	65078	0.GP,EP	500	9,000	45
Silverado 3500 HD	15-16	26	65068†	0.GP,EP	500	9,000	35
Silverado 3500 HD	15-17	24	65078	0.GP,EP	500	9,000	35
Suburban	15-18	30	65064	0.GP,X	500	9,000	25
Suburban 1500	00-06	47	65023		500	9,000	20
Suburban 1500 Except Z71	07-14	30	65052	0.GP,X	500	9,000	25
Suburban 2500	00-06	24	65028	HB	500	9,000	20
Suburban C1500	92-99	21	65005	JU,JV,KC	500	9,000	40
		46	65021	JV,KD	500	9,000	30
Suburban C2500	92-99	21	65005	JU,JV,KC	500	9,000	40
		46	65021	JV,KD	500	9,000	30
Suburban K1500	92-99	21	65005	JU,JV,KC	500	9,000	40
		46	65021	JV,KD	500	9,000	30
Suburban K2500	92-99	21	65005	JU,JV,KC	500	9,000	40
		46	65021	JV,KD	500	9,000	30
Tahoe	95-00	21	65005	JU,JV	500	9,000	40
Tahoe 1500 Series	00-06	47	65023		500	9,000	20
Tahoe Except Z71	07-14	30	65052	0.GP,X	500	9,000	25
Tahoe	15-18	30	65064	0.GP,X	500	9,000	25

FRONT MOUNT RECEIVER APPLICATION GUIDE

MODEL / STYLE	YEAR	PC	PART NO.	FOOTNOTES	VERT LOAD	LINE PULL	IN
JEEP							
Cherokee Downsize	84-01	23	65009	JV	300	9,000	30
Comanche	86-92	23	65009	JV	300	9,000	30
Grand Cherokee	93-98	53	65008	JV	300	9,000	25
Grand Wagoneer	93	53	65008	Ø,JV	300	9,000	25
TJ (Canada Only)	97-06	23	65048	Ø,X	300	9,000	25
Wagoneer	84-90	23	65009	JV	300	9,000	30
Wrangler	87-95	23	65048	Ø,X	300	9,000	25
Wrangler	97-06	23	65048	Ø,X	300	9,000	25
Wrangler Except Models with Adaptable Bumper Design	07-17	19	65069	Ø,EP,GP	500	9,000	40
YJ (Canada Only)	87-95	23	65048	Ø,X	300	9,000	25
LINCOLN							
Mark LT	06-08	22	65043	Ø	500	9,000	20
Mark LT (Mexico Only)	10-13	34	65061	Ø,GP,JV	500	9,000	30
Navigator	98-02	35	65025	Ø	500	9,000	20
MAZDA							
B2300	94-97	52	65017	Ø,JY	300	9,000	35
B2300	02-05	31	65024		500	9,000	35
B2500	01	31	65024		500	9,000	35
B3000	94-97	52	65017	Ø,JY	300	9,000	35
B3000	01-05	31	65024		500	9,000	35
B4000	94-97	52	65017	Ø,JY	300	9,000	35
B4000	01-05	31	65024		500	9,000	35
Navajo	91-94	52	65017	Ø,JY	300	9,000	35
MERCURY							
Mountaineer	02-05	32	65032		500	9,000	30
NISSAN							
Frontier	05-17	24	65075	Ø	500	9,000	35
Pathfinder	05-12	24	65075	Ø	500	9,000	35
Titan 4 WD Only	09-15	44	65065	RB,HM,KG,JW,AL	500	9,000	45
Titan Except Titan XD & 4 WD Models	17	30	65077	Ø,SV,GP,X	500	9,000	60
Titan XD	16	30	65072	Ø,EP	500	9,000	25
OLDSMOBILE							
Bravada	96-01	24	65004	JW,JX,X	300	9,000	30
RAM							
1500	11-17	32	65062	EP,GP	500	9,000	35
2500	11-17	33	65063	Ø,GP,TY	500	9,000	30
2500 4 WD	11-12	35	65057	EP,GP,JW	500	9,000	40
3500	11-12	38	65060	EP,GP	500	9,000	30
3500	11-17	33	65063	Ø,GP,TY	500	9,000	30
SUZUKI							
Equator Sport & RMZ-4 Models	09-12	24	65075	Ø	500	9,000	35
TOYOTA							
4Runner Except Limited	14-17	34	65074	Ø,HM	500	9,000	20
Sequoia	01-07	30	65031		500	9,000	40
Tacoma	01-04	31	65041		500	9,000	30
Tacoma	05-17	52	65070	Ø,HM,KG	500	9,000	35
Tundra	00-06	30	65031		500	9,000	40

FOOTNOTES

†	Available while supplies last.
AA	Requires temporary removal of bumper during installation.
AI	Additional installation time may be required.
AL	Additional installation time required for vehicles equipped with load leveling compressor.
EP	Fascia trimming may be required.
FE	Fascia trimming may be required. Allow additional installation time.
GP	Hitch crosstube concealed behind bumper.
HB	Slight fascia deformation may occur on some models.
HM	Hitch crosstube is visible beneath bumper.
JT	2WD models only.
JU	License plate relocation required to install hitch see 5443. (Sold separately)
JV	Rubber air deflector/fascia must be removed or trimmed to install hitch.
JW	4WD models only.
JX	Requires factory tow hooks for installation on 2WD models.
JY	Extensive fascia cutting required on models w/fog lamp option.
KB	Diesel engine models only.
KC	Does not fit 2500/3500 2WD (C-Series) models w/8 lug wheels.
KD	Fits 2500/3500 2WD (C-Series) models w/8 lug wheels only.
KE	Does not fit 1988-91 4 Dr. Crew Cab models.
KG	Skid shield must be removed or modified if present.
KI	Optional OEM Fog Lights must be removed for receiver installation.
Ø	Uses all existing holes. No drilling required.
RB	Hitch installation can be made easier with a "cutter" type drill bit.
RZ	License plate holder relocation and/or modification required to install hitch (see #49802 or #5443 Sold separately).
SV	Trimming or removal of under body appearance panel may be required.
TY	Requires factory tow hooks for installation.
X	Minor fascia trimming required.

RECEIVER HITCH APPLICATION GUIDE

- Draw-Tite hitch application look-up enables you to find the right towing system components each and every time. These pages have been developed to simplify the look-up of the proper hitch, drawbar, electrical connectors and wiring locations for your customer's vehicle by make, model and year

VEHICLE HITCH LOOK UP

ACURA	MODEL / STYLE	YEAR	PC	REC TYPE	REC SIZE	PART #	NO DRILL	TRAILER HITCHES FOOTNOTES	OPTIONAL DRAWBAR	WC (LBS.)	WD (LBS.)	IN
	CL 3.2	01-03	18	SQ1	1-1/4	24791	0	JR, HM	3592	200/2,000		15
	CSX (Canada Only)	06-11	27	SQ1	1-1/4	24861	0	HM, JR, KH, SV	3593	200/2,000		30
	EL (Canada Only)	97-01	29	SQ1	1-1/4	24677	0	HM	3593	200/2,000		15
	ILX Except Hybrid	13-17	27	SQ1	1-1/4	24861	0	HM, JR, KH, SV	3593	200/2,000		35
	Integra	94-01	22	SQ1	1-1/4	24589	0	HM	3593	200/2,000		40
	MDX Except w/Full Size Spare Tire	01-06	31	SQ3	2	75599	0	GP, JR		350/3,500	500/5,000	30
	MDX Except w/Full Size Spare Tire or w/Rear Sport Bumper Option	07-13	47	RT3	2	75614	0	CR, JR		400/4,000	500/5,000	35
	MDX Except w/Full Size Spare Tire	14-17	37	SQ4	2	75225	0	TA, GP		900/6,000	900/8,000	20
	RDX	07-09	22	SQ2	1-1/4	36427	0	GP	36061	300/3,500		15
			33	SQ3	2	75563	0	GP		400/4,000		30
	RDX	10-12	19	SQ3	2	75784	0	GP		400/4,000		30
	RDX	13-18	19	SQ3	2	75784	0	GP		400/4,000		30
	RL 3.5	96-01	41	SQ2	1-1/4	36226	0	GP	36061	300/3,500		30
	RL 3.5	02-04	41	SQ2	1-1/4	36226	0	GP	36061	300/3,500		30
	RLX	14-17	46	SQ2	1-1/4	36541	0	DJ, EP, GP, SV, TA	36071	300/3,500		60
	RSX	02-06	20	SQ1	1-1/4	24719	0	TA, GP	3593	200/2,000		30
	SLX	96-99	41	SQ3	2	75043	0	HM		500/5,000	750/7,500	40
	TL 3.2	99-03	18	SQ1	1-1/4	24791	0	JR, HM	3592	200/2,000		15
								TA, GP	3594	200/2,000		15

1). VEHICLE MODEL/STYLE & YEAR RANGE

Applications are separated first by make, and subsequently by model and yearly divisions.

2). HITCH FOOTNOTES

Footnotes reference additional information pertinent to the installation and availability of a particular hitch. Common footnotes such as "GP" (hitch crosstube concealed behind bumper) are listed at the bottom of each left hand page.

3). DRAW-TITE HITCH PART NUMBERS

Class I, II, III, IV and V receiver hitches are specific for each individual vehicle. This listing indicates the correct hitch by application.

4). DRAWBAR PART NUMBERS

Class I and Class II drawbars are specific for each individual vehicle. This listing indicates the correct drawbar (sold separately) by application.

5). PRICE CODES

Price codes reference specific prices found on Hitch and Accessory Price List.

6). RECEIVER TYPE

Receiver "Type" codes are referenced in a "Receiver Type" footnote box at the bottom of each right hand page.

7). NO DRILL

"0" - No drilling requires.

8). RECEIVER WEIGHT RATINGS

WC or Weight Carrying, refers to the total load the hitch is capable of pulling, without the use of a weight distributing system. WD or Weight Distributing, is the total load capacity of the hitch when a weight distribution system is properly utilized.

9). RECEIVER SIZE

Receiver sizes range from 1-1/4" to 3".

10). INSTALLATION TIME

Average installation times (IN) are listed in minutes and are published for all hitches and T-One® wiring connectors. Times are based on common mechanical practices and should be used as an estimate as actual installation times may vary in each individual situation.

11). ELECTRICAL TYPE

Referenced in the footnotes at the bottom of each right hand page, electrical type codes assist in determining the proper electrical wiring products for the towing vehicle.

12). ELECTRICAL POSITIONS

Determining the location of tow vehicle's wiring is becoming increasingly difficult on today's modern vehicles. Note: See Electrical Reference Guide.

VEHICLE ELECTRICAL LOOK UP

- Options 1 through 4 offers users several different installation methods when utilizing 4-Flat wiring connectors

PC	T-ONE					TOW HARNESS					4-FLAT WIRING				REQ. 4 FLAT WIRING			BRAKE CONTROL HARNESS		
	T-ONE	FN	IN	AMP	CP	TOW HARN	FN	IN	AMP	CP	TYPE	ELEC	POS	CHOICE 1	CHOICE 2	6-WAY ADAPTER	7-WAY ADAPTER	7-WAY HARDWIRE	CONTROL HARNESS	IN
ACURA																				
E5	118336	HG	5	2.1,5								B	PC3	119130	119178					
												B,E	PC3,4	119191	119148					
												B	PC3	119130	119178					
E18	118627	CH	45	2.1,5,6	X							B,E	PC1,2	119191	119148					
E5	118336	HG	5	2.1,5								B	PC3	119130	119178					
E5	118336	HG	5	2.1,5								B	SUV3	119130	119178	20320	20321	20224		
E11	118424	CH	20	2.1,4,2	X							B,E	SUV1,2	119191	119148	20320	20321	20224		
E11	118628	BN,CH	20	4,2,7,5	X							B,E	SUV3,4	119191	119148	20320	20321	20224		
E11	118500	CH	15	2.1,5,6	X							B,E	SUV1,2	119191	119148	20320	20321	20224		
E11	118500	CH	15	2.1,5,6	X							B,E	SUV1,2	119191	119148	20320	20321	20224		
E14	118569	CH	15	4,2,7,5	X							B,E	SUV1,2	119191	119148	20320	20321	20224		
E5	118336	HG	5	2.1,5								B	PC3	119130	119178					
												B	PC3	119130	119178					
E16	118626	CH	45	2.1,5,6	X							B,E	PC3,4	119191	119148	20320	20321	20224		
												B	PC3	119130	119178					
E5	118339	BN,HG	5	2.1,5								B	SUV5	119130	119178	20320	20321	20224		
E5	118336	HG	5	2.1,5								B	PC3	119130	119178					
												B	PC3	119130	119148					

13). T-ONE® PART NUMBERS

T-One® part numbers are for vehicle specific applications.

14). TOW HARNESS PART NUMBERS

OEM replacement harness part numbers are for vehicle specific applications with factory tow packages.

15). ELECTRICAL FOOTNOTES

Footnotes reference additional information pertinent to the installation and availability of a particular electrical harness. Footnotes are listed at the bottom of each right hand page.

16). AMPERAGE RATING

Amp Rating references the maximum number of amps the Electrical Product will hold for the tow vehicle.

Stop-Turn Lights - 2 Amps Each

Taillights - 1 Amp Each

Clearance and Marker Lights - 1/4 to 1/2 Amp Each

17). CIRCUIT PROTECTION

Tekonsha recommends circuit protection on vehicles with 3 wire systems for extra safety.

18). OEM CONNECTOR TYPE

Tow Harness Connector type references the type of connector. Example: 4-Flat.

19). HARDWIRE CHOICE 1

The ModuLite® with short circuit protector, adds integrated short circuit protection that safeguards itself and the tow vehicle against harmful electrical shorts and mis-wire situations.

20). HARDWIRE CHOICE 2

Easy do-it-yourself tow vehicle wiring kits.

21). 6-WAY ADAPTERS

Used to convert any trailer wiring component, T-One® or taillight converter with a 4-Flat car end connector to a 6-Way round connector.

22). 7-WAY ADAPTERS

Used to convert any trailer wiring component, T-One® or taillight converter with a 4-Flat car end connector to a 7-Way round connector.

23). 7-WAY HARDWIRE

Easy do-it-yourself tow vehicle 7-Way connector wiring kit.

24). BRAKE CONTROL HARNESSES

Brake control harnesses are vehicle specific and designed for quick, easy installation.

MODEL / STYLE	YEAR	TRAILER HITCHES									
		PC	REC TYPE	REC SIZE	PART #	NO DRILL	FOOTNOTES	OPTIONAL DRAWBAR	WC (LBS.)	WD (LBS.)	IN
ACURA											
CL 3.2	01-03	18	SQ1	1-1/4	24791	0	JR,HM	3592	200/2,000		15
GSX (Canada Only)	06-11	27	SQ1	1-1/4	24861	0	HM,JR,KH,SV	3593	200/2,000		30
EL (Canada Only)	97-01	29	SQ1	1-1/4	24677	0	HM	3593	200/2,000		15
ILX Except Hybrid	13-18	27	SQ1	1-1/4	24861	0	HM,JR,KH,SV	3593	200/2,000		35
Integra	94-01	22	SQ1	1-1/4	24589	0	HM	3593	200/2,000		40
MDX Except w/Full Size Spare Tire	01-06	31	SQ3	2	75599	0	GP,JR		350/3,500	500/5,000	30
MDX Except w/Full Size Spare Tire or w/Rear Sport Bumper Option	07-12	47	RT3	2	75614	0	CR,JR		400/4,000	500/5,000	35
MDX Except w/Full Size Spare Tire or w/Rear Sport Bumper Option	13-13	47	RT3	2	75614	0	CR,JR		400/4,000	500/5,000	35
MDX Except w/Full Size Spare Tire	14-18	37	SQ4	2	75225	0	TA,GP		900/6,000	900/8,000	20
RDX	07-09	22	SQ2	1-1/4	36427	0	GP	36061	300/3,500		15
		33	SQ3	2	75563	0	GP		400/4,000		30
RDX	10-12	19	SQ3	2	75784	0	GP		400/4,000		30
RDX	13-18	19	SQ3	2	75784	0	GP		400/4,000		30
RL 3.5	96-01	41	SQ2	1-1/4	36226		GP	36061	300/3,500		30
RL 3.5	02-04	41	SQ2	1-1/4	36226		GP	36061	300/3,500		30
RLX	14-17	46	SQ2	1-1/4	36541	0	DU,EP,GP,SV,TA	36071	300/3,500		60
RLX	18-18	46	SQ2	1-1/4	36541	0	DU,EP,GP,SV,TA	36071	300/3,500		60
RSX	02-06	20	SQ1	1-1/4	24719		TA,GP	3593	200/2,000		30
SLX	96-99	41	SQ3	2	75043		HM		500/5,000	750/7,500	40
TL 3.2	99-03	18	SQ1	1-1/4	24791	0	JR,HM	3592	200/2,000		15
TL	04-08	18	SQ1	1-1/4	24755		TA,GP	3594	200/2,000		35
TL	09-14	19	SQ1	1-1/4	24899	0	HM,JR,KH,SV	3593	200/2,000		45
TLX	15-18	29	SQ1	1-1/4	24942	0	DU,EP,GP,TA	3593	200/2,000		60
TSX 4 Dr. Sedan	06-08	25	SQ1	1-1/4	24768	0	HM,JR	3593	200/2,000		40
TSX 4 Dr. Sedan	09-14	19	SQ1	1-1/4	24899	0	HM,JR,KH,SV	3593	200/2,000		45
ZDX	10-13	27	SQ1	1-1/4	24854	0	GP,I	3590	200/2,000		25
ALFA ROMEO											
Stelvio Except Quadrifoglio	18-18	47	SQ3	2	76199	0	GP,DU,X,TA,TZ,TW		600/4,000		80
AUDI											
A3 Except Sportback e-tron	15-18	27	SQ1	1-1/4	24930	0	GP	3594	200/2,000		20
A4 4 Dr. Sedan	09-16	29	SQ1	1-1/4	24830†	0	EP,GP	3593	200/2,000		25
A4 4 Dr. Sedan	09-18	24	SQ1	1-1/4	24950	0	X,GP,SV	3593	200/2,000		25
A6 4 Dr. Sedan	05-11	25	SQ1	1-1/4	24836	0	HM,JR	3593	200/2,000		25
A6 Quattro Avant Wagon	06-10	25	SQ1	1-1/4	24836	0	HM,JR	3593	200/2,000		25
Q3	13-18	43	SQ3	2	75218	0	DU,EP,GP		450/4,500		50
Q5	11-12	37	SQ3	2	75940	0	DU,EP,GP,TA		750/5,000		60
Q5	13-17	37	SQ3	2	75940	0	DU,EP,GP,TA		750/5,000		60
Q5	18-18	34	SQ3	2	76183	0	GP,DU,X,TA,TZ,TW		750/5,000		90
Q7	07-16	45	SQ4	2	75950	0	AI,GP,X		750/7,500		70
Q7	17-18	34	SQ4	2	76076	0	X,DU,GP		770/7,700		60
SQ5	18-18	34	SQ3	2	76183	0	GP,DU,X,TA,TZ,TW		750/5,000		90
BMW											
320i	12-14	24	SQ1	1-1/4	24945	0	DU,GP,SV,KH	3593	200/2,000		50
320i	15-15	24	SQ1	1-1/4	24945	0	DU,GP,SV,KH	3593	200/2,000		50
320i	16-17	24	SQ1	1-1/4	24945	0	DU,GP,SV,KH	3593	200/2,000		50
320i	18-18										
320i xDrive	12-14	24	SQ1	1-1/4	24945	0	DU,GP,SV,KH	3593	200/2,000		50
320i xDrive	15-15	24	SQ1	1-1/4	24945	0	DU,GP,SV,KH	3593	200/2,000		50
320i xDrive	16-17	24	SQ1	1-1/4	24945	0	DU,GP,SV,KH	3593	200/2,000		50
328d	12-14	24	SQ1	1-1/4	24945	0	DU,GP,SV,KH	3593	200/2,000		50
328d	15-15	24	SQ1	1-1/4	24945	0	DU,GP,SV,KH	3593	200/2,000		50

- AI** Additional installation time may be required.
- CR** Fits with mini spare tire stowed under vehicle. Will not fit with full size spare.
- DU** Fascia removal required.
- EP** Fascia trimming may be required.
- GP** Hitch crosstube concealed behind bumper.
- HM** Hitch crosstube is visible beneath bumper.
- I** Hitch is positioned further rearward to accommodate spare tire.

- JR** Exhaust must be temporarily lowered for installation.
- KH** Minor heat shield modification may be required.
- SV** Trimming or removal of under body appearance panel may be required.
- TA** Trunk access required for hitch installation.
- TW** Receiver hitch may limit hands-free liftgate sensor range
- TZ** Requires replacement of the impact structure with hitch.
- X** Minor fascia trimming required.

T-ONE					TOW HARNESS					4-FLAT WIRING				REQ. 4 FLAT WIRING		7-WAY HARDWIRE	BRAKE CONTROL HARNESS	IN		
PC	T-ONE	FN	IN	AMP	CP	TOW HARN	FN	IN	AMP	CP	TYPE	ELEC	POS	CHOICE 1	CHOICE 2				6-WAY ADAPTER	7-WAY ADAPTER
ACURA																				
E5	118336	HG	5	2.1,5								B	PC3	119130	119178					
												B,E	PC3.4	119191	119148					
												B	PC3	119130	119178					
E18	118627	CH	45	2.1,5,6	X							B,E	PC1.2	119191	119148					
E5	118336	HG	5	2.1,5								B	PC3	119130	119178					
E5	118336	HG	5	2.1,5								B	SUV3	119130	119178	20320	20321	20224		
E11	118424	CH	20	2.1,4,2	X							B,E	SUV1.2	119191	119148	20320	20321	20224		
E11	118424	CH	20	2.1,4,2	X							B,E	SUV1.2	119191	119148	20320	20321	20224	3028-P	5
E11	118628	BN,CH	20	4,2,7,5	X							B,E	SUV3,4	119191	119148	20320	20321	20224	3028-P	5
E11	118500	CH	15	2.1,5,6	X							B,E	SUV1.2	119191	119148	20320	20321	20224		
E11	118500	CH	15	2.1,5,6	X							B,E	SUV1.2	119191	119148	20320	20321	20224		
E14	118569	CH	15	4,2,7,5	X							B,E	SUV1.2	119191	119148	20320	20321	20224		
E5	118336	HG	5	2.1,5								B	PC3	119130	119178					
												B	PC3	119130	119178					
E16	118626	CH	45	2.1,5,6	X							B,E	PC3.4	119191	119148	20320	20321	20224		
												B	PC3	119130	119178					
E5	118339	BN,HG	5	2.1,5								B	SUV5	119130	119178	20320	20321	20224		
E5	118336	HG	5	2.1,5								B	PC3	119130	119178					
E10	118489	HG	10	2.1,7,5								B,E	PC3.4	119191	119148					
E19	118537	CH	45	2.1,5,6	X							B,E	PC3.4	119191	119148					
E18	118697	CH	45	5,7,5	X							B,E	PC1.2	119191	119148					
E11	118302	HG	10	2.1,4,2								B	PC3	119130	119178					
E14	118420	CG	15	2.1,5	X							B,E	PC3.4	119191	119148					
E13	118503	CH	30	2.1,5,6	X							B,E	SUV9	119191	119148					
ALFA ROMEO																				
												A,E	SUV1.2							
AUDI																				
												C,E	PC3.4	119191	119148					
												BTT	PC1.2	119251	119191					
												BTT	PC1.2	119192	119191					
												BT	PC1.2	119251	119191					
												BM	PC1.2	119251	119191					
												BT	SUV9	119251	119191					
												BT	SUV1.2	119251	119191	20320	20321	20224		
												A,E	SUV1.2	119191	119148	20320	20321	20224		
												A,E	SUV3	119191	119148	20320	20321	20224		
												B,E	SUV1.2	119191	119148	20320	20321	20224		
												B,E	SUV1.2	119191	119148					
												A,E	SUV3	119191	119148	20320	20321	20224		
BMW																				
												B,M	PC3.4	119251	119191					
												B,E	PC3.4	119191	119148					
E23	118713	CH,BN	45	4,2,7,5	X							B,E	PC3.4	119191	119148					
E23	118713	CH,BN	45	4,2,7,5	X							B,E	PC3.4							
												BM	PC3.4	119251	119191					
												B,E	PC3.4	119191	119148					
E23	118713	CH,BN	45	4,2,7,5	X							B,E	PC3.4	119191	119148					
												BM	PC3.4	119251	119191					
												B,E	PC3.4	119191	119148					

- A** 2 wire system.
- B** 3 wire system. Converter required.
- BM** Multiplexed wiring system. ModuLite® HD Plus or Ultra required.
- BN** Exterior mounted plug on some or all models. May require an aftermarket electrical mounting box or bracket. (Sold separately)
- BT** Shared Brake/Tail multiplexed wiring system. ModuLite® HD Plus or Ultra required.
- BTT** Shared Brake/Tail/Turn multiplexed wiring system. ModuLite® HD Plus or Ultra required.

- C** 2 or 3 wire system determine at installation.
- CG** T-One incorporates circuit protected taillight converter.
- CH** T-One is equipped with circuit protected ModuLite® module.
- E** ModuLite® required.
- HG** T-One incorporates taillight converter.
- M** Will fit with heavy-duty suspension.

- RT3** Round Tube Class III 2"
- SQ1** Square Tube Class I
- SQ2** Square Tube Class II
- SQ3** Square Tube Class III
- SQ4** Square Tube Class IV

RECEIVER HITCHES

MODEL / STYLE	YEAR	TRAILER HITCHES									
		PC	REC TYPE	REC SIZE	PART #	NO DRILL	FOOTNOTES	OPTIONAL DRAWBAR	WC (LBS.)	WD (LBS.)	IN
BMW (Continued)											
328d	16-16	24	SQ1	1-1/4	24945	0	DU,GP,SV,KH	3593	200/2,000		50
328d xDrive Sedan	12-14	24	SQ1	1-1/4	24945	0	DU,GP,SV,KH	3593	200/2,000		50
328d xDrive Sports Wagon	12-16	24	SQ1	1-1/4	24945	0	DU,GP,SV,KH	3593	200/2,000		50
328d xDrive Sedan	15-15	24	SQ1	1-1/4	24945	0	DU,GP,SV,KH	3593	200/2,000		50
328d xDrive Sedan	16-16	24	SQ1	1-1/4	24945	0	DU,GP,SV,KH	3593	200/2,000		50
328i Sedan	07-11	43	SQ1	1-1/4	24857	0	GP,SV	3593	200/2,000		45
328i Sedan	12-14	24	SQ1	1-1/4	24945	0	DU,GP,SV,KH	3593	200/2,000		50
328i Sedan	15-15	24	SQ1	1-1/4	24945	0	DU,GP,SV,KH	3593	200/2,000		50
328i Sedan	16-16	24	SQ1	1-1/4	24945	0	DU,GP,SV,KH	3593	200/2,000		50
328i GT xDrive	16-16										
328i xDrive Sedan	07-11	43	SQ1	1-1/4	24857	0	GP,SV	3593	200/2,000		45
328i xDrive	16-16										
328xi Sedan	07-08	43	SQ1	1-1/4	24857	0	GP,SV	3593	200/2,000		45
330e	16-16										
330i	16-16										
335i xDrive Sedan	12-14	24	SQ1	1-1/4	24945	0	DU,GP,SV,KH	3593	200/2,000		50
340i	16-16										
340i xDrive	16-16										
528i	15-16	32	SQ1	1-1/4	24936	0	GP,SV,TA,AA	3593	200/2,000		50
528i xDrive	15-16	32	SQ1	1-1/4	24936	0	GP,SV,TA,AA	3593	200/2,000		50
535d	15-16	32	SQ1	1-1/4	24936	0	GP,SV,TA,AA	3593	200/2,000		50
535d xDrive	15-16	32	SQ1	1-1/4	24936	0	GP,SV,TA,AA	3593	200/2,000		50
535i	15-16	32	SQ1	1-1/4	24936	0	GP,SV,TA,AA	3593	200/2,000		50
535i GT	15-17	32	SQ1	1-1/4	24936	0	GP,SV,TA,AA	3593	200/2,000		50
535i GT xDrive	15-17	32	SQ1	1-1/4	24936	0	GP,SV,TA,AA	3593	200/2,000		50
535i xDrive	15-16	32	SQ1	1-1/4	24936	0	GP,SV,TA,AA	3593	200/2,000		50
550i	15-16	32	SQ1	1-1/4	24936	0	GP,SV,TA,AA	3593	200/2,000		50
550i GT	15-15	32	SQ1	1-1/4	24936	0	GP,SV,TA,AA	3593	200/2,000		50
550i GT xDrive	15-16	32	SQ1	1-1/4	24936	0	GP,SV,TA,AA	3593	200/2,000		50
550i xDrive	15-16	32	SQ1	1-1/4	24936	0	GP,SV,TA,AA	3593	200/2,000		50
X1 w/Panoramic Moonroof	13-14	33	SQ3	2	75761	0	GP,JR		400/3,500	400/4,000	60
X1 w/Panoramic Moonroof	15-15	33	SQ3	2	75761	0	GP,JR		400/3,500	400/4,000	60
X1	16-17	25	SQ3	2	76018		GP,JR,DU,KH		675/4,500	675/4,500	40
X1	18-18	25	SQ3	2	76018		GP,JR,DU,KH		675/4,500	675/4,500	40
X2	18-18	35	SQ3	2	76200	0	GP,AA,TA		525/3,500		80
X3	04-10	25	SQ3	2	75371		AA,EP		350/3,500	400/4,000	100
X3	11-17	36	SQ3	2	75768	0	GP,SV		400/3,500	400/4,000	90
X3	11-18	36	SQ3	2	76226	0	DU,AA,GP,SV,TA		750/5,000		75
X5	00-06	28	SQ4	2	75492		AA,EP		600/6,000	600/6,000	60
X5 Except M Sport Package	07-17	51	SQ4	2	75600	0	AA,EP,GP		600/6,000	600/6,000	75
X5 Except M Sport Package	18-18										
BUICK											
Allure (Canada Only)	05-09	37	SQ2	1-1/4	36374		GP,JR	36061	300/3,500		30
Cascada	16-17	28	SQ1	1-1/4	24955	0	HM	3593	200/2,000		15
Century Sedan	97-05	24	SQ1	1-1/4	24659		TA,GP	3592	200/2,000		30
		37	SQ2	1-1/4	36374		GP,JR	36061	300/3,500		30
Enclave	08-12	19	RT3	2	75528	0	GP,JR,TN		750/5,000	750/7,500	25
Enclave w/Factory 7-Way	08-12										
Enclave	13-17	19	RT3	2	75528	0	GP,JR,TN		750/5,000	750/7,500	25
Enclave	18-19	30	SQ3	2	76184	0	DU,JR		750/5,000	750/5,000	75
Encore	13-16	25	RT2	1-1/4	36554	0	HM,JR	36061	300/3,500		40

AA Requires temporary removal of bumper during installation.
 DU Fascia removal required.
 EP Fascia trimming may be required.
 GP Hitch crosstube concealed behind bumper.
 HM Hitch crosstube is visible beneath bumper.

JR Exhaust must be temporarily lowered for installation.
 KH Minor heat shield modification may be required.
 SV Trimming or removal of under body appearance panel may be required.
 TA Trunk access required for hitch installation.
 TN Hitches produced before 07/09/12 are rated at 500/5000 WC & 500/5000 WD.

T-ONE					TOW HARNESS					4-FLAT WIRING				REQ. 4 FLAT WIRING		7-WAY HARDWIRE	BRAKE CONTROL HARNESS	IN			
PC	T-ONE	FN	IN	AMP	CP	TOW HARN	FN	IN	AMP	CP	TYPE	ELEC	POS	CHOICE 1	CHOICE 2				6-WAY ADAPTER	7-WAY ADAPTER	
BMW (Continued)																					
E23	118713	CH,BN	45	4.2,7.5	X							B,E	PC3,4	119191	119148						
												BM	PC3,4	119251	119191						
												BM	PC3,4	119251	119191						
												B,E	PC3,4	119191	119148						
E23	118713	CH,BN	45	4.2,7.5	X							B,E	PC3,4	119191	119148						
												BM	PC3,4	119251	119191						
												BM	PC3,4	119251	119191						
												B,E	PC3,4	119191	119148						
E23	118713	CH,BN	45	4.2,7.5	X							B,E	PC3,4	119191	119148						
E23	118713	CH,BN	45	4.2,7.5	X							B,E	PC3,4	119191	119148						
												BM	PC3,4	119251	119191						
E23	118713	CH,BN	45	4.2,7.5	X							B,E	PC3,4	119191	119148						
E23	118713	CH,BN	45	4.2,7.5	X							B,E	PC3,4	119191	119148						
												BM	PC3,4	119251	119191						
												B,E	PC3,4	119191	119148						
												B,E	PC3,4	119191	119148						
												BTT	PC1,2	119251	119191						
												BTT	PC1,2	119251	119191						
												BTT	PC1,2	119251	119191						
												BTT	PC1,2	119251	119191						
												BTT	PC1,2	119251	119191						
												BTT	PC1,2	119251	119191						
												BTT	PC1,2	119251	119191						
												BTT	PC1,2	119251	119191						
												BTT	PC1,2	119251	119191						
												BTT	PC1,2	119251	119191						
												BTT	PC1,2	119251	119191						
E23	118717	BN	45		X							B,E	SUV1,2	119251	119191	20320	20321	20224			
E23	118717	BN	45		X							B,E	SUV1,2	119251	119191	20320	20321	20224			
												B,E	SUV1,2	119251	119191	20320	20321	20224			
E21	118789	BN,CH	45	5.7,5	X							B,E	SUV1,2								
												BM	SUV3,4	119251	119191	20320	20321				
												BM	SUV1,2	119251	119191	20320	20321	20224			
												BM	SUV1,2	119251	119191	20320	20321	20224			
												BT	SUV3,4	119251	119191	20320	20321				
												E	SUV3,4	119191	119148	20320	20321	20224			
												E	SUV3,4	119191	119148	20320	20321	20224			
BUICK																					
												A	PC3,4	119148	20252						
												B,E	PC1,2								
												A	PC3,4	119148	20252						
E7	118450	BN	10	7.5		E8	118384	BN,RD	5	7.5	4-Flat	N	SUV1,2		119251	20320	20321		3026-P	5	
							851511	RD			7-Way	A	SUV6							3026-P	5
							85219	RD	5		7-Way										
						E12	22111	BN	25		7-Way										
E10	118270	BN	20	7.5		E16	118271	BN	20		7-Way	B,E	SUV1,2	119191	119148	20320	20321	20224	3026-P	5	
E4	118761	BN,CH	15	7.5	X	E9	118287	BN	15		7-Way	A	SUV5								
E16	118588	CH	45	4.2,7.5	X							B,E	SUV3,4	119191	119148	20320	20321				

A 2 wire system.
B 3 wire system. Converter required.
BM Multiplexed wiring system. ModuLite® HD Plus or Ultra required.
BN Exterior mounted plug on some or all models. May require an aftermarket electrical mounting box or bracket. (Sold separately)
BT Shared Brake/Tail multiplexed wiring system. ModuLite® HD Plus or Ultra required.
BTT Shared Brake/Tail/Turn multiplexed wiring system. ModuLite® HD Plus or Ultra required.
CH T-One is equipped with circuit protected ModuLite® module.
E ModuLite® required.
N DO NOT cut or splice vehicle wiring. Only use approved T-One or see auto dealer for trailer tow wiring kit.
RD For vehicles equipped with factory tow package may require additional components or may be used as a replacement harness.

RT2 Round Tube Class II 1-1/4"
RT3 Round Tube Class III 2"
SQ1 Square Tube Class I
SQ2 Square Tube Class II
SQ3 Square Tube Class III
SQ4 Square Tube Class IV

MODEL / STYLE	YEAR	TRAILER HITCHES									
		PC	REC TYPE	REC SIZE	PART #	NO DRILL	FOOTNOTES	OPTIONAL DRAWBAR	WC (LBS.)	WD (LBS.)	IN
BUICK (Continued)											
Encore	17-19	25	RT2	1-1/4	36554	0	HM, JR	36061	300/3,500		40
Envision	16-16	24	SQ3	2	76080	0	AA, DU, GP, TA		675/4,500		45
Envision	17-18	24	SQ3	2	76080	0	AA, DU, GP, TA		675/4,500		45
LaCrosse Except Super	05-09	37	SQ2	1-1/4	36374		GP, JR	36061	300/3,500		30
LaCrosse	10-13	49	SQ2	1-1/4	36522		HM	36061	300/3,500		25
LaCrosse	10-16	42	SQ2	1-1/4	36538	0	HM	36061	300/3,500		35
LaCrosse AWD	10-12	58	SQ2	1-1/4	36519†		†, HM	36061	300/3,500		25
LaCrosse FWD	10-12	58	SQ2	1-1/4	36519†	0	†, HM	36061	300/3,500		20
LaCrosse	14-14	47	SQ2	1-1/4	36546	0	HM	36061	300/3,500		30
LaCrosse	17-19	23	SQ2	1-1/4	36594†	0	GP, JR, AA, DU, X, TA	36071	300/3,500		80
		23	SQ2	1-1/4	36652	0	GP, JR, AA, DU, X, TA	36071	350/3,500		80
LeSabre FWD	97-99	43	SQ2	1-1/4	36216		GP, JR	36061	300/3,500		40
LeSabre	00-05	39	SQ2	1-1/4	36309		HM, JR	36063	300/3,500		30
Lucerne Except Super & Special Edition	06-09	39	SQ2	1-1/4	36309		HM, JR, KH	36063	300/3,500		30
Lucerne Super & Special Edition	08-09	25	SQ2	1-1/4	36502	0	HM, JR	36063	300/3,500		25
Lucerne	10-11	25	SQ2	1-1/4	36502	0	HM, JR	36063	300/3,500		25
Park Avenue	97-04	47	SQ2	1-1/4	36245		JR, GP	36061	300/3,500		40
Rainier w/Factory 7-Way	04-07										
Regal (App. starts with 97-1/2)	97-04	27	SQ1	1-1/4	24660	0	TA, GP	3594	200/2,000		20
		51	SQ2	1-1/4	36241		JR, GP	36065	300/3,500		35
Regal	11-13	42	SQ2	1-1/4	36538	0	HM	36061	300/3,500		35
Regal Except GS	11-13	58	SQ2	1-1/4	36519†	0	†, HM	36061	300/3,500		20
		49	SQ2	1-1/4	36522	0	HM	36061	300/3,500		20
Regal	14-17	42	SQ2	1-1/4	36538	0	HM	36061	300/3,500		35
Regal Sportback	18-19	23	SQ2	1-1/4	36652	0	GP, JR, AA, DU, X, TA	36071	350/3,500		80
Regal TourX	18-19	41	SQ2	1-1/4	36661	0	EP, GP, JR, KH	36071	350/3,500		30
Rendezvous	02-07	34	SQ2	1-1/4	36425		HM	36071	300/3,500		40
		33	SQ3	2	75138	0			350/3,500		55
		28	SQ3	2	75430		HM		350/3,500		40
Terraza	05-07	27	SQ2	1-1/4	36361		AL, GP, JR	36061	300/3,500		40
		22	SQ3	2	75278		AL, GP, JR		350/3,500	500/5,000	40
Verano Except Turbo or w/Dual Exhaust	12-17	18	SQ1	1-1/4	24882	0	AW, GP, JR, KH, QW	3593	200/2,000		40
CADILLAC											
ATS Except ATS-V	13-19	29	SQ1	1-1/4	24924	0	GP	3594	200/2,000		30
CTS	03-07	33	SQ1	1-1/4	24767		JR, TA, HM	3594	200/2,000		45
CTS 4 Dr. Sedan	08-13	33	SQ1	1-1/4	24767		JR, TA, HM	3594	200/2,000		45
CTS 4 Dr. Sedan	14-15	30	SQ1	1-1/4	24927		GP, JR, KH, TA	3593	200/2,000		60
CTS 4 Dr. Sedan, Except CTS-V	16-19	30	SQ1	1-1/4	24927		GP, JR, KH, TA	3593	200/2,000		60
CTS V	04-07	33	SQ1	1-1/4	24767		JR, TA, HM	3594	200/2,000		45
CTS V 4 Dr. Sedan	09-13	33	SQ1	1-1/4	24767		JR, TA, HM	3594	200/2,000		45
DeVille	97-99	50	SQ2	1-1/4	36267		JR, GP	36063	300/3,500		20
DeVille	00-05	33	SQ2	1-1/4	36287	0	GP	36071	300/3,500		20
DTS	06-11	33	SQ2	1-1/4	36287	0	GP	36071	300/3,500		20
Escalade	99-00	37	SQ3	2	75037		HM		500/5,000	750/7,500	30
		41	SQ4	2	41511		HM		600/6,000	1,000/10,000	30
Escalade	02-02	29	RT4	2	75725	0	CN, HM		900/6,000	1,000/10,000	15
Escalade w/Factory 7-Way	02-11										

† Available while supply lasts.

AA Requires temporary removal of bumper during installation.

AL Additional installation time required for vehicles equipped with load leveling compressor.

AW Will not fit Turbo models.

CN Requires OEM factory bumper for hitch installation.

DU Fascia removal required.

EP Fascia trimming may be required.

GP Hitch crosstube concealed behind bumper.

HM Hitch crosstube is visible beneath bumper.

JR Exhaust must be temporarily lowered for installation.

KH Minor heat shield modification may be required.

QW Will not fit vehicles with dual exhaust.

TA Trunk access required for hitch installation.

X Minor fascia trimming required.

T-ONE						TOW HARNESS						4-FLAT WIRING				REQ. 4 FLAT WIRING		7-WAY	BRAKE CONTROL HARNESS	IN		
PC	T-ONE	FN	IN	AMP	CP	PC	TOW HARN	FN	IN	AMP	CP	TYPE	ELEC	POS	CHOICE 1	CHOICE 2	6-WAY ADAPTER	7-WAY ADAPTER	7-WAY HARDWIRE	BRAKE CONTROL HARNESS	IN	
BUICK (Continued)																						
E16	118745	CH	45	4.2,7.5	X								B,E	SUV3,4								
E5	118725	BN	15	7.5	X								A	SUV5	119148	20252						
E7	118479		10	7.5									A	SUV5	119148	20252						
E18	118497	CH	45	2.1,5.6	X								A	PC3,4	119148	20252						
E18	118497	CH	45	2.1,5.6	X								B,E	PC1,2	119191	119148						
E18	118497	C,H	45	2.1,5.6	X								B,E	PC3,4	119191	119148						
E18	118497	CH	45	2.1,5.6	X								B,E	PC1,2	119191	119148						
E18	118497	CH	45	2.1,5.6	X								B,E	PC1,2	119191	119148						
E18	118497	CH	45	2.1,5.6	X								B,E	PC1,2	119191	119148						
E15	118733	CH	45	5,7.5	X								A,E	PC3,4	119191	119148						
													A	PC3,4	119148	20252						
													A,E	PC3,4	119191	119148						
E5	118419		10	7.5									A	PC3,4	119148	20252						
E5	118419		10	7.5									A	PC3,4	119148	20252						
E5	118419		10	7.5									A	PC3,4	119148	20252						
													B	PC3,4	119130	119178						
						E8	118384 74682 8551511 85219	BN,RD RD RD RD	5 10 5	7.5		4-Flat Both 7-Way 7-Way	H	SUV6	119148	20252						
													A	PC3,4	119148	20252						
E18	118504	CH	45	2.1,5.6	X								A,E	PC3,4	119191	119148						
E18	118504	CH	45	2.1,5.6	X								A,E	PC1,2	119191	119148						
E18	118639	CH	45	2.1,5.6	X								B,E	PC3,4	119191	119148						
E16	118783	CH,BN	45	5,7.5	X								A,E	PC3,4								
E16	118783	CH,BN	45	5,7.5	X								A,E	PC3,4								
E10	118383	BN	20	7.5									A	SUV1,2	119148	20252	20320	20321	20224			
E10	118396	BN	15	7.5									A	SUV1,2	119148	20252	20320	20321	20224			
E17	118564	CH	45	2.1,5.6	X								B,E	PC3,4	119191	119148						
CADILLAC																						
E15	118580	CH	25	2.1,5.6	X								B,E	PC3,4	119191	119148						
E15	118440	CH	45	2.1,4.2	X								B,E	PC3,4	119191	119148						
E15	118466	CH	15	2.1,5.6	X								A,E	PC3,4	119191	119148						
E15	118645	CH	45	2.1,5.6	X								A,E	PC3,4	119191	119148						
E15	118645	CH	45	2.1,5.6	X								A,E	PC3,4	119191	119148						
E15	118440	CH	45	2.1,4.2	X								B,E	PC3,4	119191	119148						
													A,E	PC3,4	119191	119148						
													E	PC3,4	119191	119148						
													E	PC3,4	119191	119148						
E16	118535	CH	45	2.1,5.6	X								B,E	PC3,4	119191	119148						
E3	118319	BN	5	7.5									A	SUV7	119148	20252	20320	20321	20224			
						E8	118384 74682 8551511 85219	BN,RD RD RD RD	5 10 5	7.5		4-Flat Both 7-Way 7-Way	A	SUV6	119148	20252	20320	20321	20224	3025-P	5	

- A** 2 wire system.
- B** 3 wire system. Converter required.
- BN** Exterior mounted plug on some or all models. May require an aftermarket electrical mounting box or bracket. (Sold separately)
- C** 2 or 3 wire system determine at installation.
- CH** T-One is equipped with circuit protected ModuLite® module.
- E** ModuLite® required.
- H** 3 wire system with OEM standard 2 wire harness.
- RD** For vehicles equipped with factory tow package may require additional components or may be used as a replacement harness.

- RT2** Round Tube Class II 1-1/4"
- RT4** Round Tube Class IV 2"
- SQ1** Square Tube Class I
- SQ2** Square Tube Class II
- SQ3** Square Tube Class III
- SQ4** Square Tube Class IV

MODEL / STYLE	YEAR	TRAILER HITCHES									
		PC	REC TYPE	REC SIZE	PART #	NO DRILL	FOOTNOTES	OPTIONAL DRAWBAR	WC (LBS.)	WD (LBS.)	IN
CADILLAC (Continued)											
Escalade	03-06	35	SQ4	2	75172	0	CN		600/6,000	750/7,500	30
Escalade	07-14										
Escalade	15-16										
Escalade	17-18										
Escalade ESV	03-06	35	SQ4	2	75172	0	CN		600/6,000	750/7,500	30
Escalade ESV w/Factory 7-Way	03-11										
Escalade ESV w/Factory 7-Way	07-11										
Escalade EXT	02-02	29	RT4	2	75725	0	CN,HM		900/6,000	1,000/10,000	15
Escalade EXT w/Factory 7-Way	02-11										
Escalade EXT	03-06	35	SQ4	2	75172	0	CN		600/6,000	750/7,500	30
Seville	98-04	40	SQ2	1-1/4	36243	0	EP,GP,JR	36051	300/3,500		35
SRX Except w/Sport Package Fascia	04-09	58	RT3	2	75174	0	JR,KH		350/3,500	500/5,000	60
SRX	10-16	28	RT3	2	75682	0			400/4,000	500/5,000	15
STS	05-11	33	SQ1	1-1/4	24767		JR,TA,HM	3594	200/2,000		45
XT4	19-19										
XT5 Except Platinum	17-19	22	SQ3	2	76266	0	GP,JR,DU		675/4,500		80
XTS	13-19	23	SQ3	2	76022	0	GP		675/4,500	675/4,500	20
		42	SQ2	1-1/4	36538		HM	36061	300/3,500		35
		46	SQ2	1-1/4	36762†		HM	36061	300/3,500		30
CHEVROLET											
Astro Extended Body	90-05	33	SQ2	1-1/4	36197	0	CS,HM	36051	300/3,500		30
		34	SQ2	1-1/4	36198	0	CS,GP	36053	300/3,500		30
		33	SQ3	2	75122	0	CS,GP		300/3,500	600/6,000	30
		50	SQ3	2	37136		AF		500/5,000	600/6,000	65
Avalanche 1500	02-06	29	RT4	2	75725	0	CN,HM		900/6,000	1,000/10,000	15
Avalanche 1500 w/Factory 7-Way	02-11										
Avalanche 1500 w/Factory 7-Way	07-11										
Avalanche 2500	02-06	29	RT4	2	75725	0	CN,HM		900/6,000	1,000/10,000	15
Avalanche 2500 w/Factory 7-Way	02-11										
Avalanche 2500 w/Factory 7-Way	07-11										
Aveo 4 Dr. Sedan	04-05										
Aveo 5 Dr. Hatchback	04-11	20	SQ1	1-1/4	24741		GP	3593	200/2,000		30
Aveo 4 Dr. Sedan	06-06	23	SQ1	1-1/4	24810	0	HM,TA	3593	200/2,000		20
Aveo 4 Dr. Sedan	07-11	23	SQ1	1-1/4	24810	0	HM,TA	3593	200/2,000		20
Blazer Downsize	95-98	32	SQ2	1-1/4	36244	0	FP,GP,KK	36051	300/3,500		15
		21	RT3	2	75079	0	FP,KK,SD		400/4,000	600/6,000	15
Blazer Downsize	99-01	32	SQ2	1-1/4	36244	0	FP,GP,KK	36051	300/3,500		15
		21	RT3	2	75079	0	FP,KK,SD		400/4,000	600/6,000	15
Blazer Downsize, w/Factory 7-Way	99-01										
Blazer Downsize	02-05	32	SQ2	1-1/4	36244	0	FP,GP,KK	36051	300/3,500		15
		21	RT3	2	75079	0	FP,KK,SD		400/4,000	600/6,000	15
Blazer Trailblazer	99-01	32	SQ2	1-1/4	36244	0	FP,GP,KK	36051	300/3,500		15
		21	RT3	2	75079	0	FP,KK,SD		400/4,000	600/6,000	15

AF Hitch is ONLY rated for Weight Carrying at 3500 lbs. GTW / 350 lbs. TW and DO NOT use Weight Distribution Spring Bars for this Specific Vehicle. Except for long bed pickups.

CN Requires OEM factory bumper for hitch installation.

CS Will fit with full-size spare tire stowed under vehicle.

DU Fascia removal required.

EP Fascia trimming may be required.

FP Spare tire repositioning and/or modification of spare tire carrier may be required.

GP Hitch crosstube concealed behind bumper.

HM Hitch crosstube is visible beneath bumper.

JR Exhaust must be temporarily lowered for installation.

KH Minor heat shield modification may be required.

KK When installing on a vehicle originally equipped with an OEM hitch, OEM bumper brackets must be purchased and installed prior to new hitch installation.

SD Hitches produced before 07/21/06 are rated at 350/3500 WC.

TA Trunk access required for hitch installation.

T-ONE					TOW HARNESS					4-FLAT WIRING				REQ. 4 FLAT WIRING		7-WAY HARDWIRE	BRAKE CONTROL HARNESS	IN				
PC	T-ONE	FN	IN	AMP	CP	PC	TOW HARN	FN	IN	AMP	CP	TYPE	ELEC	POS	CHOICE 1				CHOICE 2	6-WAY ADAPTER	7-WAY ADAPTER	
CADILLAC (Continued)																						
						E8	118384	BN,RD	5	7.5		4-Flat	A	SUV6	119148	20252	20320	20321	20224	3015-P	5	
						E8	118384	BN,RD	5	7.5		4-Flat	H	SUV6	119148	20252						
						E8	118384	BN,RD	5	7.5		4-Flat	H	SUV6	119148	20252					3016-P	5
																					3016-P	5
						E8	118384	BN,RD	5	7.5		4-Flat	A	SUV6	119148	20252	20320	20321	20224	3015-P	5	
							74682	RD	10			Both	H	SUV6	119148	20252						
							8551511	RD				7-Way										
							85219	RD	5			7-Way										
						E8	118384	BN,RD	5	7.5		4-Flat	H	SUV6	119148	20252						
						E8	118384	BN,RD	5	7.5		4-Flat	A	SUV6	119148	20252	20320	20321	20224	3025-P	5	
							74682	RD	10			Both	H	SUV6	119148	20252						
							8551511	RD				7-Way										
							85219	RD	5			7-Way										
						E8	118384	BN,RD	5	7.5		4-Flat	A	SUV6	119148	20252	20320	20321	20224	3015-P	5	
													B,E	PC3,4	119191	119148						
													E	SUV3,4	119191	119148	20320	20321	20224			
						E3	118259	BN	5	7.5		4-Flat	E	SUV3,4	119191	119148	20320	20321	20224			
													E	PC3,4	119191	119148						
E3	118795	BN	15	5,7.5	X								A	SUV6								
E3	118720	BN	10			E9	118276	BN	10			7-Way	A	SUV6	119148	20252						
													A,E	PC3,4	119191	119148						
CHEVROLET																						
													A	SUV4	119148	20252	20320	20321	20224			
						E8	118384	BN,RD	5	7.5		4-Flat	A	SUV6	119148	20252	20320	20321	20224	3015-P	5	
							74682	RD	10			Both	H	SUV6	119148	20252						
							8551511	RD				7-Way										
							85219	RD	5			7-Way										
						E8	118384	BN,RD	5	7.5		4-Flat	H	SUV6	119148	20252						
						E8	118384	BN,RD	5	7.5		4-Flat	A	SUV6	119148	20252	20320	20321	20224	3015-P	5	
							74682	RD	10			Both	H	SUV6	119148	20252						
							8551511	RD				7-Way										
							85219	RD	5			7-Way										
						E8	118384	BN,RD	5	7.5		4-Flat	H	SUV6	119148	20252						
E13	118485	CG	15	2,1,7.5	X								B	PC3,4	119130	119178						
E13	118485	CG	15	2,1,7.5	X								B	PC3,4	119130	119178						
E13	118485	CG	15	2,1,7.5	X								B	PC3,4	119130	119178						
E12	118514		25	2,1,5	X								B	PC3,4	119130	119178						
													A	SUV7	119148	20252	20320	20321	20224			
						E8	118384	BN,RD	5	7.5		4-Flat	A	SUV7	119148	20252	20320	20321	20224			
							74682	RD	10			Both	A	SUV7	119148	20252						
							85219	RD	5			7-Way										
							8551511	RD				7-Way										
													A	SUV7	119148	20252	20320	20321	20224			
						E8	118384	BN,RD	5	7.5		4-Flat	A	SUV7	119148	20252	20320	20321	20224			

- A** 2 wire system.
- B** 3 wire system. Converter required.
- BN** Exterior mounted plug on some or all models. May require an aftermarket electrical mounting box or bracket. (Sold separately)
- CG** T-One incorporates circuit protected taillight converter.
- E** ModuLite® required.
- H** 3 wire system with OEM standard 2 wire harness.
- RD** For vehicles equipped with factory tow package may require additional components or may be used as a replacement harness.

- RT3** Round Tube Class III 2"
- RT4** Round Tube Class IV 2"
- SQ1** Square Tube Class I
- SQ2** Square Tube Class II
- SQ3** Square Tube Class III
- SQ4** Square Tube Class IV

MODEL / STYLE	YEAR	TRAILER HITCHES									
		PC	REC TYPE	REC SIZE	PART #	NO DRILL	FOOTNOTES	OPTIONAL DRAWBAR	WC (LBS.)	WD (LBS.)	IN
CHEVROLET (Continued)											
Blazer Trailblazer w/Factory 7-Way	99-01										
Bolt EV	17-19	20	SQ1	1-1/4	24956	Ø	GP,X	3593	200/2,000		20
C1500	88-99	49	RT3	2	37133				500/5,000	750/7,500	40
		35	SQ3	2	75033	Ø	HM,J		500/5,000	800/8,000	20
		25	SQ3	2	75099	Ø	GP		500/5,000	800/8,000	20
		30	SQ4	2	40050		HC		600/6,000	1,000/10,000	40
		44	SQ4	2	41524	Ø	GP		600/6,000	1,000/10,000	20
		38	SQ4	2	41525†	Ø	HM,J		600/6,000	1,000/10,000	20
		54	RT4	2	37130				700/7,000	1,200/12,000	40
		45	SQ5	2	41901		@,DB,GP,SN		1,000/10,000	1,300/13,000	30
C1500 w/10" Deep Drop Bumper	88-99	53	SQ4	2	41528	Ø	FS,J		600/6,000	1,000/10,000	20
C1500 w/Aftermarket Roll Pan	88-99	38	SQ3	2	41522		CO,HK		500/5,000	550/5,500	40
C2500 Regular & Extended Cabs	88-99	49	RT3	2	37133				500/5,000	750/7,500	40
		35	SQ3	2	75033	Ø	HM,J		500/5,000	800/8,000	20
		25	SQ3	2	75099	Ø	GP		500/5,000	800/8,000	20
		30	SQ4	2	40050		HC		600/6,000	1,000/10,000	40
		44	SQ4	2	41524	Ø	GP		600/6,000	1,000/10,000	20
		38	SQ4	2	41525†	Ø	HM,J		600/6,000	1,000/10,000	20
		54	RT4	2	37130				700/7,000	1,200/12,000	40
		59	SQ5	2-1/2	45506		#		1,200/12,000	1,700/14,000	45
C2500 Regular & Extended Cabs	88-00	45	SQ5	2	41901		@,DB,GP,SN		1,000/10,000	1,300/13,000	30
C2500 Regular & Extended Cabs, w/10" Deep Drop Bumper	88-99	53	SQ4	2	41528	Ø	FS,J		600/6,000	1,000/10,000	20
C2500 w/Aftermarket Roll Pan	88-99	38	SQ3	2	41522		CO,HK		500/5,000	550/5,500	40
C2500 Crew Cab	92-00	49	RT3	2	37133	Ø			500/5,000	750/7,500	40
		35	SQ3	2	75033	Ø	HM,J		500/5,000	800/8,000	20
		25	SQ3	2	75099	Ø	GP		500/5,000	800/8,000	20
		30	SQ4	2	40050		FS		600/6,000	1,000/10,000	40
		44	SQ4	2	41524	Ø	GP		600/6,000	1,000/10,000	20
		38	SQ4	2	41525†	Ø	HM,J		600/6,000	1,000/10,000	20
		54	RT4	2	37130				700/7,000	1,200/12,000	40
		45	SQ5	2	41901		@,DB,GP,SN		1,000/10,000	1,300/13,000	30
		59	SQ5	2-1/2	45506		#		1,200/12,000	1,700/14,000	45
C2500 Crew Cab w/10" Deep Drop Bumper	92-00	53	SQ4	2	41528	Ø	FS,J		600/6,000	1,000/10,000	20
C3500 Regular & Extended Cabs	88-00	49	RT3	2	37133				500/5,000	750/7,500	40
		35	SQ3	2	75033	Ø	HM,J		500/5,000	800/8,000	20
		25	SQ3	2	75099	Ø	GP		500/5,000	800/8,000	20
		30	SQ4	2	40050		HC		600/6,000	1,000/10,000	40
		44	SQ4	2	41524	Ø	GP		600/6,000	1,000/10,000	20
		38	SQ4	2	41525†	Ø	HM,J		600/6,000	1,000/10,000	20
		54	RT4	2	37130				700/7,000	1,200/12,000	40
		45	SQ5	2	41901		@,DB,GP,SN		1,000/10,000	1,300/13,000	30
		59	SQ5	2-1/2	45506		#		1,200/12,000	1,700/14,000	45
C3500 Regular & Extended Cabs, w/10" Deep Drop Bumper	88-00	53	SQ4	2	41528	Ø	FS,J		600/6,000	1,000/10,000	20
C3500 w/Aftermarket Roll Pan	88-00	38	SQ3	2	41522		CO,HK		500/5,000	550/5,500	40

Titan hitches require use of a 2-1/2" shank Titan ball mount.

@ Ultra Frame ball mount must be used to achieve maximum weight carrying rating.

CO Will not fit 8 ft. 2500/3500 Series with heavy-duty suspension or four door Crew Cab.

DB Will not fit 6 ft. bed pickups.

FS Includes 2 & 4 WD models with heavy duty suspension.

GP Hitch crosstube concealed behind bumper.

HC Will not fit with mini or full size tire stowed under vehicle.

HK Under vehicle spare tire stowage may be retained with installation of an aftermarket spare tire repositioner. Cutting of rollpan in license plate area required for receiver tube access. Does not fit with bumper.

HM Hitch crosstube is visible beneath bumper.

J Under vehicle spare tire stowage is retained.

SN Hitches produced before 04/28/08 are rated at 1000/10000 WC & 1200/12000 WD.

X Minor fascia trimming required.

T-ONE					TOW HARNESS					4-FLAT WIRING				REQ. 4 FLAT WIRING		7-WAY HARDWIRE	BRAKE CONTROL HARNESS	IN	
PC	T-ONE	FN	IN	AMP	CP	PC	TOW HARN	FN	IN	AMP	CP	TYPE	ELEC	POS	CHOICE 1				CHOICE 2
CHEVROLET (Continued)																			
							74682 85219 8551511	RD RD RD	10 5			Both 7-Way 7-Way	A	SUV7	119148	20252			
E3	118315	BN	5	7.5									B,E A	PU3	119191 119148	119148 20252	20320	20321	20224
E3	118315	BN	5	7.5									A	PU3	119148	20252	20320	20321	20224
E3	118315	BN	5	7.5									A	PU3	119148	20252	20320	20321	20224
E3	118315	BN	5	7.5									A	PU3	119148	20252	20320	20321	20224
E3	118315	BN	5	7.5									A	PU3	119148	20252	20320	20321	20224
E3	118315	BN	5	7.5									A	PU3	119148	20252	20320	20321	20224
E3	118315	BN	5	7.5									A	PU3	119148	20252	20320	20321	20224
E3	118315	BN	5	7.5									A	PU3	119148	20252	20320	20321	20224
E3	118315	BN	5	7.5									A	PU3	119148	20252	20320	20321	20224
E3	118315	BN	5	7.5									A	PU3	119148	20252	20320	20321	20224

A 2 wire system.
B 3 wire system. Converter required.
BN Exterior mounted plug on some or all models. May require an aftermarket electrical mounting box or bracket. (Sold separately)

E ModuLite® required.
RD For vehicles equipped with factory tow package may require additional components or may be used as a replacement harness.

RT3 Round Tube Class III 2"
RT4 Round Tube Class IV 2"
SQ1 Square Tube Class I
SQ3 Square Tube Class III
SQ4 Square Tube Class IV
SQ5 Square Tube Class V

RECEIVER HITCHES

MODEL / STYLE	YEAR	TRAILER HITCHES									
		PC	REC TYPE	REC SIZE	PART #	NO DRILL	FOOTNOTES	OPTIONAL DRAWBAR	WC (LBS.)	WD (LBS.)	IN
CHEVROLET (Continued)											
C3500 Crew Cab	92-00	49	RT3	2	37133	0			500/5,000	750/7,500	40
		35	SQ3	2	75033	0	HM,J		500/5,000	800/8,000	20
		25	SQ3	2	75099	0	GP		500/5,000	800/8,000	20
		44	SQ4	2	41524	0	GP		600/6,000	1,000/10,000	20
		38	SQ4	2	41525†	0	HM,J		600/6,000	1,000/10,000	20
		54	RT4	2	37130				700/7,000	1,200/12,000	40
		45	SQ5	2	41901		@,DB,GP,SN		1,000/10,000	1,300/13,000	30
		59	SQ5	2-1/2	45506		#	1,200/12,000	1,700/14,000	45	
C3500 Crew Cab w/10" Deep Drop Bumper	92-00	53	SQ4	2	41528	0	FS,J		600/6,000	1,000/10,000	20
Camaro Except Convertible & w/Dealer Installed Ground Effects	10-11	31	SQ1	1-1/4	24850	0	GP	3594	200/2,000		15
Camaro Except Convertible & w/Dealer Installed Ground Effects	12-15	31	SQ1	1-1/4	24850	0	GP	3594	200/2,000		15
Camaro	16-18	23	SQ1	1-1/4	24938	0	GP	3593	200/2,000		50
Captiva Sport	12-15	30	SQ3	2	75556	0	GP		400/4,000	400/4,000	15
Cavalier Except Z-24	95-99	31	SQ1	1-1/4	24733		GP,JR	3592	200/2,000		40
Cavalier	00-01	31	SQ1	1-1/4	24733		GP,JR	3592	200/2,000		40
Cavalier Except Z-24	02-02	31	SQ1	1-1/4	24733		GP,JR	3592	200/2,000		40
Cavalier Except LS Sport	03-05	31	SQ1	1-1/4	24733		GP,JR	3592	200/2,000		40
Cavalier LS Sport	03-05	39	SQ1	1-1/4	24613		JR,KH,GP	3592	200/2,000		40
Cavalier Z-24	95-99	39	SQ1	1-1/4	24613		JR,KH,GP	3592	200/2,000		40
Cavalier Z-24	02-02	39	SQ1	1-1/4	24613		JR,KH,GP	3592	200/2,000		40
Cavalier Z-24 (Canada Only)	03-05	39	SQ1	1-1/4	24613		JR,KH,GP	3592	200/2,000		40
City Express	15-17	31	RT3	2	75898	0	HM,JR,X		525/3,500		30
Cobalt 2 Dr., Except SS	05-10	20	SQ1	1-1/4	24745		JR,HM	3593	200/2,000		40
Cobalt 4 Dr., Except SS	05-10	20	SQ1	1-1/4	24745		JR,HM	3593	200/2,000		40
Cobalt Sport 2 Dr.	08-08	30	SQ1	1-1/4	24756		HM,JR	3594	200/2,000		25
Cobalt Sport 4 Dr.	08-08	30	SQ1	1-1/4	24756		HM,JR	3594	200/2,000		25
Cobalt SS 2 Dr.	05-10	30	SQ1	1-1/4	24756		HM,JR	3594	200/2,000		25
Cobalt SS 4 Dr.	05-10	30	SQ1	1-1/4	24756		HM,JR	3594	200/2,000		25
Colorado	04-12	23	SQ4	2	75607	0	CP,GP		600/6,000	750/7,500	25
Colorado w/Factory 7-Way	04-12										
Colorado	15-19	34	RT4	2	75948	0	HM,AA,V,SO,TZ		800/6,000	800/8,000	35
		30	SQ4	2	76004	0	HM,AA,V,SO,TZ		800/8,000	1,000/10,000	35
Cruze	11-15	18	SQ1	1-1/4	24882	0	GP	3593	200/2,000		15
Cruze (New Body Style)	16-19	18	SQ1	1-1/4	24943	0	GP,X,DU,TA	3593	200/2,000		80
Cruze Limited Only (Old Body Style)	16-16	18	SQ1	1-1/4	24882	0	GP	3593	200/2,000		15
Cruze Hatchback	17-19	18	SQ1	1-1/4	24951	0	GP,X,DU	3594	200/2,000		60
Equinox	05-06	18	SQ2	1-1/4	36408	0	HM	36051	300/3,500		25
		14	RT3	2	76028	0	HM		675/4,500	675/4,500	30
Equinox	07-09	18	SQ2	1-1/4	36408	0	HM	36051	300/3,500		25
		14	RT3	2	76028	0	HM		675/4,500	675/4,500	30
Equinox	10-17	18	SQ2	1-1/4	36408	0	HM	36051	300/3,500		25
		14	RT3	2	76028	0	HM		675/4,500	675/4,500	30
Equinox Diesel	18-19	30	SQ3	2	76217	0	AI,DU,JR,TZ,X		675/4,500	675/4,500	70
Equinox Except Premier or Models w/1.6L Diesel	18-19	22	SQ2	1-1/4	36642	0	JR,GP	36051	350/3,500		35
		23	SQ3	2	76419	0	JR		675/4,500	675/4,500	35
Equinox Premier, Except Models w/1.6L Diesel	18-19	22	SQ2	1-1/4	36642	0	JR,GP	36051	350/3,500		35
		23	SQ3	2	76419	0	JR		675/4,500	675/4,500	35
Equinox w/ Tow Prep Package	18-19										

- # Titan hitches require use of a 2-1/2" shank Titan ball mount.
- @ Ultra Frame ball mount must be used to achieve maximum weight carrying rating.
- AA Requires temporary removal of bumper during installation.
- AI Additional installation time may be required.
- CP Fits all models without factory installed receiver.
- DB Will not fit 6 ft. bed pickups.
- DU Fascia removal required.
- FS Includes 2 & 4 WD models with heavy duty suspension.
- GP Hitch crosstube concealed behind bumper.
- HM Hitch crosstube is visible beneath bumper.

- J Under vehicle spare tire storage is retained.
- JR Exhaust must be temporarily lowered for installation.
- KH Minor heat shield modification may be required.
- SN Hitches produced before 04/28/08 are rated at 1000/10000 WC & 1200/12000 WD.
- SO With this hitch installed the step bumper is no longer able to be used as a towing point.
- TA Trunk access required for hitch installation.
- TZ Requires replacement of the impact structure with hitch.
- V For vehicles with factory installed step bumpers only.
- X Minor fascia trimming required.

T-ONE					TOW HARNESS						4-FLAT WIRING				REQ. 4 FLAT WIRING		7-WAY HARDWIRE	BRAKE CONTROL HARNESS	IN
PC	T-ONE	FN	IN	AMP	CP	PC	TOW HARN	FN	IN	AMP	CP	TYPE	ELEC	POS	CHOICE 1	CHOICE 2			
CHEVROLET (Continued)																			
E3	118315	BN	5	7.5									A	PU3	119148	20252	20320	20321	20224
E3	118315	BN	5	7.5									A	PU3	119148	20252	20320	20321	20224
E17	118486	CH	15	2.1,5.6	X								A,E	PC1,2	119191	119148			
E16	118556	CH	25	2.1,5.6	X								A,E	PC1,2	119191	119148			
E17	118690	CH	45	4.2,7.5	X								A,E	PC1,2	119191	119148			
E19	118443	CH	45	2.1,4.2	X								B,E	SUV3,4	119191	119148	20320	20321	20224
													A	PC3,4	119148	20252			
													A	PC3,4	119148	20252			
													A	PC3,4	119148	20252			
													A	PC3,4	119148	20252			
													A	PC3,4	119148	20252			
													A	PC3,4	119148	20252			
													A	PC3,4	119148	20252			
													A	PC3,4	119148	20252			
E17	118597	CH	45	4.2,7.5	X								B,E	SUV3,4	119191	119148	20320	20321	
E5	118407	BN	15	7.5									A	PC1,2	119148	20252			
E8	118398	BN	10	7.5									A	PC1,2	119148	20252			
E5	118407	BN	15	7.5									A	PC1,2	119148	20252			
E8	118398	BN	10	7.5									A	PC1,2	119148	20252			
E5	118407	BN	15	7.5									A	PC1,2	119148	20252			
E8	118398	BN	10	7.5									A	PC1,2	119148	20252			
E10	118301	BN,CG	10	2.1,5	X	E8	118384	BN,RD	5	7.5		4-Flat	B	PU3	119130	119178	20320	20321	20224
							74682	RD	10			Both	H	PU3	119148	20252			
							851511	RD				7-Way							
							85219	RD	5			7-Way							
													A	PU3	119148	20252	20320	20321	20224
E19	118508	CH	45	2.1,5.6	X								B,E	PC3,4	119191	119148			
E14	118696	CH	45		X								A,E	PC3,4	119191	119148			
E19	118508	CH	45	2.1,5.6	X								B,E	PC3,4	119191	119148			
E23	118734	CH	45	5.7,5	X														
E8	118391	CG	10	2.1,5	X								B	SUV3	119130	119178	20320	20321	20224
E7	118432	CE	10	7.5									B	SUV1,2	119130	119178	20320	20321	20224
E16	118494	CH	45	2.1,5.6	X	E1	118264	RD	15	7.5		4-Flat	N	SUV1,2		119251	20320	20321	
E17	118750	CH,BN	45	4.2,7.5	X								BTT	SUV1,2					
E17	118750	CH,BN	45	4.2,7.5	X								BTT	SUV1,2					
E15	118759	CH,BN	45	5.7,5	X								A,E	SUV1,2					
						E6	118285	BN,CH	15	7.5		4-Flat	A	SUV5					

- A** 2 wire system.
- B** 3 wire system. Converter required.
- BN** Exterior mounted plug on some or all models. May require an aftermarket electrical mounting box or bracket. (Sold separately)
- BTT** Shared Brake/Tail/Turn multiplexed wiring system. ModuLite® HD Plus or Ultra required.
- CE** T-One includes fuse(s) & relay(s). Converter not required. Standard 2 wire system at factory tow plug.
- CG** T-One incorporates circuit protected taillight converter.
- CH** T-One is equipped with circuit protected ModuLite® module.
- E** ModuLite® required.
- H** 3 wire system with OEM standard 2 wire harness.
- N** DO NOT cut or splice vehicle wiring. Only use approved T-One or see auto dealer for trailer tow wiring kit.
- RD** For vehicles equipped with factory tow package may require additional components or may be used as a replacement harness.

- RT3** Round Tube Class III 2"
- RT4** Round Tube Class IV 2"
- SQ1** Square Tube Class I
- SQ2** Square Tube Class II
- SQ3** Square Tube Class III
- SQ4** Square Tube Class IV
- SQ5** Square Tube Class V

RECEIVER HITCHES

MODEL / STYLE	YEAR	TRAILER HITCHES									
		PC	REC TYPE	REC SIZE	PART #	NO DRILL	FOOTNOTES	OPTIONAL DRAWBAR	WC (LBS.)	WD (LBS.)	IN
CHEVROLET (Continued)											
Express 1500	96-99	34	SQ2	1-1/4	36206	0	HM	36053	300/3,500		15
		50	SQ3	2	37136		HM		500/5,000	600/6,000	30
		20	SQ3	2	75189	0	HM		500/5,000	750/7,500	15
		33	SQ4	2	41521	0	HM		600/6,000	1,000/10,000	15
		42	SQ5	2	41946		@,HM		1,500/10,000	1,300/13,000	35
Express 1500	00-02	34	SQ2	1-1/4	36206	0	HM	36053	300/3,500		15
		50	SQ3	2	37136		HM		500/5,000	600/6,000	30
		20	SQ3	2	75189	0	HM		500/5,000	750/7,500	15
		33	SQ4	2	41521	0	HM		600/6,000	1,000/10,000	15
		42	SQ5	2	41946		@,HM		1,500/10,000	1,300/13,000	35
Express 1500	03-03	34	SQ2	1-1/4	36206	0	HM	36053	300/3,500		15
		50	SQ3	2	37136		HM		500/5,000	600/6,000	30
		20	SQ3	2	75189	0	HM		500/5,000	750/7,500	15
		33	SQ4	2	41521	0	HM		600/6,000	1,000/10,000	15
		42	SQ5	2	41946		@,HM		1,500/10,000	1,300/13,000	35
Express 1500	04-14	34	SQ2	1-1/4	36206	0	HM	36053	300/3,500		15
		50	SQ3	2	37136		HM		500/5,000	600/6,000	30
		20	SQ3	2	75189	0	HM		500/5,000	750/7,500	15
		33	SQ4	2	41521	0	HM		600/6,000	1,000/10,000	15
		42	SQ5	2	41946		@,HM		1,500/10,000	1,300/13,000	35
Express 2500	96-99	34	SQ2	1-1/4	36206	0	HM	36053	300/3,500		15
		50	SQ3	2	37136		HM		500/5,000	600/6,000	30
		20	SQ3	2	75189	0	HM		500/5,000	750/7,500	15
		33	SQ4	2	41521	0	HM		600/6,000	1,000/10,000	15
		42	SQ5	2	41946		@,HM		1,500/10,000	1,300/13,000	35
		52	SQ5	2-1/2	45507	0	#,HM		1,200/12,000	1,700/14,000	45
Express 2500	00-02	34	SQ2	1-1/4	36206	0	HM	36053	300/3,500		15
		50	SQ3	2	37136		HM		500/5,000	600/6,000	30
		20	SQ3	2	75189	0	HM		500/5,000	750/7,500	15
		33	SQ4	2	41521	0	HM		600/6,000	1,000/10,000	15
		42	SQ5	2	41946		@,HM		1,500/10,000	1,300/13,000	35
		52	SQ5	2-1/2	45507	0	#,HM		1,200/12,000	1,700/14,000	45
Express 2500	03-03	34	SQ2	1-1/4	36206	0	HM	36053	300/3,500		15
		50	SQ3	2	37136		HM		500/5,000	600/6,000	30
		20	SQ3	2	75189	0	HM		500/5,000	750/7,500	15
		33	SQ4	2	41521	0	HM		600/6,000	1,000/10,000	15
		42	SQ5	2	41946		@,HM		1,500/10,000	1,300/13,000	35
		52	SQ5	2-1/2	45507	0	#,HM		1,200/12,000	1,700/14,000	45
Express 2500	04-17	34	SQ2	1-1/4	36206	0	HM	36053	300/3,500		15
		50	SQ3	2	37136		HM		500/5,000	600/6,000	30
		20	SQ3	2	75189	0	HM		500/5,000	750/7,500	15
		33	SQ4	2	41521	0	HM		600/6,000	1,000/10,000	15
		42	SQ5	2	41946		@,HM		1,500/10,000	1,300/13,000	35
52	SQ5	2-1/2	45507	0	#,HM	1,200/12,000	1,700/14,000	45			
Express 2500	18-18										
Express 3500	96-99	34	SQ2	1-1/4	36206	0	HM	36053	300/3,500		15
		50	SQ3	2	37136		HM		500/5,000	600/6,000	30
		20	SQ3	2	75189	0	HM		500/5,000	750/7,500	15
		33	SQ4	2	41521	0	HM		600/6,000	1,000/10,000	15
		42	SQ5	2	41946		@,HM		1,500/10,000	1,300/13,000	35
		52	SQ5	2-1/2	45507	0	#,HM		1,200/12,000	1,700/14,000	45

Titan hitches require use of a 2-1/2" shank Titan ball mount.
 @ Ultra Frame ball mount must be used to achieve maximum weight carrying rating.

HM Hitch cross tube is visible beneath bumper.

T-ONE					TOW HARNESS						4-FLAT WIRING				REQ. 4 FLAT WIRING		7-WAY HARDWIRE	BRAKE CONTROL HARNESS	IN
PC	T-ONE	FN	IN	AMP	CP	PC	TOW HARN	FN	IN	AMP	CP	TYPE	ELEC	POS	CHOICE 1	CHOICE 2			
CHEVROLET (Continued)																			
E8	118335	HG	10	2.1,5		E1	118240	RD	5	7.5		4-Flat	B	SUV3,4	119130	119178	20320	20321	20224
E8	118377	HG	10	2.1,5		E1	118240	RD	5	7.5		4-Flat	B	SUV3,4	119130	119178	20320	20321	20224
E5	118392		20	7.5		E1	118240	RD	5	7.5		4-Flat	A	SUV3,4	119148	20252	20320	20321	20224
E5	118392		20	7.5									A	SUV3,4	119148	20252	20320	20321	20224
E8	118335	HG	10	2.1,5		E1	118240	RD	5	7.5		4-Flat	B	SUV3,4	119130	119178	20320	20321	20224
E8	118377	HG	10	2.1,5		E1	118240	RD	5	7.5		4-Flat	B	SUV3,4	119130	119178	20320	20321	20224
E5	118392		20	7.5		E1	118240	RD	5	7.5		4-Flat	A	SUV3,4	119148	20252	20320	20321	20224
E5	118392		20	7.5									A	SUV3,4	119148	20252	20320	20321	20224
E5	118392		20	7.5									A	SUV3,4	119148	20252	20320	20321	20224
E8	118335	HG	10	2.1,5		E1	118240	RD	5	7.5		4-Flat	B	SUV3,4	119130	119178	20320	20321	20224

A 2 wire system.
B 3 wire system. Converter required.

HG T-One incorporates taillight converter.
RD For vehicles equipped with factory tow package may require additional components or may be used as a replacement harness.

SQ2 Square Tube Class II
SQ3 Square Tube Class III
SQ4 Square Tube Class IV
SQ5 Square Tube Class V

RECEIVER HITCHES

MODEL / STYLE	YEAR	TRAILER HITCHES									
		PC	REC TYPE	REC SIZE	PART #	NO DRILL	FOOTNOTES	OPTIONAL DRAWBAR	WC (LBS.)	WD (LBS.)	IN
CHEVROLET (Continued)											
Express 3500	00-02	34	SQ2	1-1/4	36206	0	HM	36053	300/3,500		15
		50	SQ3	2	37136		HM		500/5,000	600/6,000	30
		20	SQ3	2	75189	0	HM		500/5,000	750/7,500	15
		33	SQ4	2	41521	0	HM		600/6,000	1,000/10,000	15
		42	SQ5	2	41946		@,HM		1,500/10,000	1,300/13,000	35
		52	SQ5	2-1/2	45507	0	#,HM		1,200/12,000	1,700/14,000	45
Express 3500	03-03	34	SQ2	1-1/4	36206	0	HM	36053	300/3,500		15
		50	SQ3	2	37136		HM		500/5,000	600/6,000	30
		20	SQ3	2	75189	0	HM		500/5,000	750/7,500	15
		33	SQ4	2	41521	0	HM		600/6,000	1,000/10,000	15
		42	SQ5	2	41946		@,HM		1,500/10,000	1,300/13,000	35
		52	SQ5	2-1/2	45507	0	#,HM		1,200/12,000	1,700/14,000	45
Express 3500	04-17	34	SQ2	1-1/4	36206	0	HM	36053	300/3,500		15
		50	SQ3	2	37136		HM		500/5,000	600/6,000	30
		20	SQ3	2	75189	0	HM		500/5,000	750/7,500	15
		33	SQ4	2	41521	0	HM		600/6,000	1,000/10,000	15
		42	SQ5	2	41946		@,HM		1,500/10,000	1,300/13,000	35
		52	SQ5	2-1/2	45507	0	#,HM		1,200/12,000	1,700/14,000	45
Express 3500	18-18										
HHR	06-11	30	SQ1	1-1/4	24756		HM,JR	3594	200/2,000		25
HHR SS	08-10	30	SQ1	1-1/4	24756		EP,HM,JR	3594	200/2,000		35
Impala	00-05	25	SQ1	1-1/4	24681		GP	3590	200/2,000		20
		35	SQ2	1-1/4	36407	0	GP,JR	36061	300/3,500		30
Impala	06-13	35	SQ2	1-1/4	36407	0	GP,JR	36061	300/3,500		30
Impala Eco, Except Impala Limited	14-14	48	SQ2	1-1/4	36543	0	HM,X	36061	300/3,500		30
Impala Except Impala Limited	14-19	42	SQ2	1-1/4	36538		HM,FE	36061	300/3,500		35
Impala LS Except Impala Limited	14-14	48	SQ2	1-1/4	36543	0	HM,X	36061	300/3,500		30
Impala LT Except Impala Limited	14-14	48	SQ2	1-1/4	36543	0	HM,X	36061	300/3,500		30
		46	SQ2	1-1/4	36762†		HM,X	36061	300/3,500		40
Impala LTZ Except Impala Limited	14-14	48	SQ2	1-1/4	36543	0	HM,X	36061	300/3,500		30
		46	SQ2	1-1/4	36762†		HM,X	36061	300/3,500		40
K1500	88-99	49	RT3	2	37133				500/5,000	750/7,500	40
		35	SQ3	2	75033	0	HM,J		500/5,000	800/8,000	20
		25	SQ3	2	75099	0	GP		500/5,000	800/8,000	20
		44	SQ4	2	41524	0	GP		600/6,000	1,000/10,000	20
		38	SQ4	2	41525†	0	HM,J		600/6,000	1,000/10,000	20
		54	RT4	2	37130				700/7,000	1,200/12,000	40
		45	SQ5	2	41901		@,DB,GP,SN		1,000/10,000	1,300/13,000	30
K1500 w/10" Deep Drop Bumper	88-99	53	SQ4	2	41528	0	FS,J		600/6,000	1,000/10,000	20
K1500 w/Aftermarket Roll Pan	88-99	38	SQ3	2	41522		CO,HK		500/5,000	550/5,500	40
K2500 Regular & Extended Cabs	88-99	49	RT3	2	37133				500/5,000	750/7,500	40
		35	SQ3	2	75033	0	HM,J		500/5,000	800/8,000	20
		25	SQ3	2	75099	0	GP		500/5,000	800/8,000	20
		44	SQ4	2	41524	0	GP		600/6,000	1,000/10,000	20
		38	SQ4	2	41525†	0	HM,J		600/6,000	1,000/10,000	20
		54	RT4	2	37130				700/7,000	1,200/12,000	40
		59	SQ5	2-1/2	45506		#		1,200/12,000	1,700/14,000	45
K2500 Regular & Extended Cabs	88-00	45	SQ5	2	41901		@,DB,GP,SN		1,000/10,000	1,300/13,000	30
K2500 Regular & Extended Cabs, w/10" Deep Drop Bumper	88-99	53	SQ4	2	41528	0	FS,J		600/6,000	1,000/10,000	20
K2500 w/Aftermarket Roll Pan	88-99	38	SQ3	2	41522		CO,HK		500/5,000	550/5,500	40

- | | | | |
|----|---|----|---|
| # | Titan hitches require use of a 2-1/2" shank Titan ball mount. | GP | Hitch crosstube concealed behind bumper. |
| @ | Ultra Frame ball mount must be used to achieve maximum weight carrying rating. | HK | Under vehicle spare tire storage may be retained with installation of an aftermarket spare tire repositioner. Cutting of rollpan in license plate area required for receiver tube access. Does not fit with bumper. |
| CO | Will not fit 8 ft. 2500/3500 Series with heavy-duty suspension or four door Crew Cab. | HM | Hitch crosstube is visible beneath bumper. |
| DB | Will not fit 6 ft. bed pickups. | J | Under vehicle spare tire storage is retained. |
| EP | Fascia trimming may be required. | JR | Exhaust must be temporarily lowered for installation. |
| FE | Fascia trimming may be required. Allow additional installation time. | SN | Hitches produced before 04/28/08 are rated at 1000/10000 WC & 1200/12000 WD. |
| FS | Includes 2 & 4 WD models with heavy duty suspension. | X | Minor fascia trimming required. |

T-ONE					TOW HARNESS					4-FLAT WIRING				REQ. 4 FLAT WIRING		7-WAY HARDWIRE	BRAKE CONTROL HARNESS	IN	
PC	T-ONE	FN	IN	AMP	CP	PC	TOW HARN	FN	IN	AMP	CP	TYPE	ELEC	POS	CHOICE 1				CHOICE 2
CHEVROLET (Continued)																			
E8	118377	HG	10	2.1,5		E1	118240	RD	5	7.5		4-Flat	B	SUV3,4	119130	119178	20320	20321	20224
E5	118392		20	7.5		E1	118240	RD	5	7.5		4-Flat	A	SUV3,4	119148	20252	20320	20321	20224
E5	118392		20	7.5									A	SUV3,4	119148	20252	20320	20321	20224
E5	118392		20	7.5									A	SUV3,4	119148	20252	20320	20321	20224
E5	118407	BN	15	7.5									A	SUV3,4	119148	20252	20320	20321	
E5	118407	BN	15	7.5									A	SUV3,4	119148	20252	20320	20321	
E5	118512		25	7.5									A	PC3,4	119148	20252			
E5	118417	BN	10	7.5									A	PC2	119148	20252			
E14	118590		45	2.1,5,6	X								A,E	PC3,4	119191	119148			
E14	118590		45	2.1,5,6	X								A,E	PC3,4	119191	119148			
E14	118590		45	2.1,5,6	X								A,E	PC3,4	119191	119148			
E14	118590		45	2.1,5,6	X								A,E	PC3,4	119191	119148			
E14	118590		45	2.1,5,6	X								A,E	PC3,4	119191	119148			
E3	118315	BN	5	7.5									A	PU3	119148	20252	20320	20321	20224
E3	118315	BN	5	7.5									A	PU3	119148	20252	20320	20321	20224
E3	118315	BN	5	7.5									A	PU3	119148	20252	20320	20321	20224
E3	118315	BN	5	7.5									A	PU3	119148	20252	20320	20321	20224
E3	118315	BN	5	7.5									A	PU3	119148	20252	20320	20321	20224
E3	118315	BN	5	7.5									A	PU3	119148	20252	20320	20321	20224
E3	118315	BN	5	7.5									A	PU3	119148	20252	20320	20321	20224

A 2 wire system.
B 3 wire system. Converter required.
BN Exterior mounted plug on some or all models. May require an aftermarket electrical mounting box or bracket. (Sold separately)

E ModuLite® required.
HG T-One incorporates taillight converter.
RD For vehicles equipped with factory tow package may require additional components or may be used as a replacement harness.

RT3 Round Tube Class III 2"
RT4 Round Tube Class IV 2"
SQ1 Square Tube Class I
SQ2 Square Tube Class II
SQ3 Square Tube Class III
SQ4 Square Tube Class IV
SQ5 Square Tube Class V

RECEIVER HITCHES

MODEL / STYLE	YEAR	TRAILER HITCHES									
		PC	REC TYPE	REC SIZE	PART #	NO DRILL	FOOTNOTES	OPTIONAL DRAWBAR	WC (LBS.)	WD (LBS.)	IN
CHEVROLET (Continued)											
K2500 Crew Cab	92-00	49	RT3	2	37133	0			500/5,000	750/7,500	40
		35	SQ3	2	75033	0	HM,J		500/5,000	800/8,000	20
		25	SQ3	2	75099	0	GP		500/5,000	800/8,000	20
		44	SQ4	2	41524	0	GP		600/6,000	1,000/10,000	20
		38	SQ4	2	41525†	0	HM,J		600/6,000	1,000/10,000	20
		54	RT4	2	37130				700/7,000	1,200/12,000	40
		45	SQ5	2	41901		@,DB,GP,SN		1,000/10,000	1,300/13,000	30
		59	SQ5	2-1/2	45506		#		1,200/12,000	1,700/14,000	45
K2500 Crew Cab w/10" Deep Drop Bumper	92-00	53	SQ4	2	41528	0	FS,J		600/6,000	1,000/10,000	20
K3500 Regular & Extended Cabs	88-00	49	RT3	2	37133				500/5,000	750/7,500	40
		35	SQ3	2	75033	0	HM,J		500/5,000	800/8,000	20
		44	SQ4	2	41524	0	GP		600/6,000	1,000/10,000	20
		38	SQ4	2	41525†	0	HM,J		600/6,000	1,000/10,000	20
		54	RT4	2	37130				700/7,000	1,200/12,000	40
		45	SQ5	2	41901		@,DB,GP,SN		1,000/10,000	1,300/13,000	30
		59	SQ5	2-1/2	45506		#		1,200/12,000	1,700/14,000	45
K3500 Regular & Extended Cabs, w/10" Deep Drop Bumper	88-00	53	SQ4	2	41528	0	FS,J		600/6,000	1,000/10,000	20
K3500 w/Aftermarket Roll Pan	88-00	38	SQ3	2	41522		CO,HK		500/5,000	550/5,500	40
K3500 Crew Cab	92-00	49	RT3	2	37133	0			500/5,000	750/7,500	40
		35	SQ3	2	75033	0	HM,J		500/5,000	800/8,000	20
		25	SQ3	2	75099	0	GP		500/5,000	800/8,000	20
		44	SQ4	2	41524	0	GP		600/6,000	1,000/10,000	20
		38	SQ4	2	41525†	0	HM,J		600/6,000	1,000/10,000	20
		54	RT4	2	37130				700/7,000	1,200/12,000	40
		45	SQ5	2	41901		@,DB,GP,SN		1,000/10,000	1,300/13,000	30
		59	SQ5	2-1/2	45506		#		1,200/12,000	1,700/14,000	45
K3500 Crew Cab w/10" Deep Drop Bumper	92-00	53	SQ4	2	41528	0	FS,J		600/6,000	1,000/10,000	20
Kodiak C4500 Cab & Chassis, w/34" Wide Frames	03-09	50	SQ5	2	41947		@		1,600/15,000	1,600/16,000	35
Kodiak C5500 Cab & Chassis, w/34" Wide Frames	03-09	50	SQ5	2	41947		@		1,600/15,000	1,600/16,000	35
Kodiak C6500 Cab & Chassis, w/34" Wide Frames	99-09	50	SQ5	2	41947		@		1,600/15,000	1,600/16,000	35
Kodiak C7500 Cab & Chassis, w/34" Wide Frames	99-09	50	SQ5	2	41947		@		1,600/15,000	1,600/16,000	35
Kodiak C8500 Cab & Chassis, w/34" Wide Frames	99-09	50	SQ5	2	41947		@		1,600/15,000	1,600/16,000	35
Lumina	95-00	23	SQ1	1-1/4	24628		AI,GP	3592	200/2,000		30
		48	SQ2	1-1/4	36193	0	JR,GP	36061	300/3,500		60
Malibu 4 Dr.	97-05	34	SQ1	1-1/4	24656	0	GP	3592	200/2,000		15
		41	SQ2	1-1/4	36233		GP	36061	300/3,500		20
Malibu 4 Dr.	04-07	43	SQ2	1-1/4	36317		JR,HM	36071	300/3,500		40
Malibu Except LTZ	08-12	24	SQ2	1-1/4	36479		GP,JR,RB	36065	300/3,500		45
Malibu (Canada Only)	13-13	49	SQ2	1-1/4	36522	0	HM	36061	300/3,500		20
Malibu Except LTZ & Canada Models	13-13	49	SQ2	1-1/4	36522	0	HM	36061	300/3,500		20
Malibu Except LTZ & Canada Models	13-15	42	SQ2	1-1/4	36538	0	HM	36061	300/3,500		35
Malibu Except Premier (New Body Style)	16-19	23	SQ2	1-1/4	36592†	0	GP,JR,EP,TA	36071	300/3,500		80
		23	SQ2	1-1/4	36652	0	GP,JR,AA,DU,X,TA	36071	350/3,500		80
Malibu Limited LTZ, Except Canada Models (Old Body Style)	16-16	42	SQ2	1-1/4	36538	0	HM	36061	300/3,500		35
Malibu Limited, Except LTZ & Canada Models (Old Body Style)	16-16	42	SQ2	1-1/4	36538	0	HM	36061	300/3,500		35
Malibu Premier (New Body Style)	16-19	23	SQ2	1-1/4	36592†	0	GP,JR,EP,TA	36071	300/3,500		80
		23	SQ2	1-1/4	36652	0	GP,JR,AA,DU,X,TA	36071	350/3,500		80
Malibu Classic LS	08-08	43	SQ2	1-1/4	36317		JR,HM	36071	300/3,500		40
Malibu Classic LT	08-08	43	SQ2	1-1/4	36317		JR,HM	36071	300/3,500		40
Malibu LTZ	08-12	24	SQ2	1-1/4	36479		GP,JR,RB	36065	300/3,500		45
Malibu LTZ Except Canada Models	13-13	49	SQ2	1-1/4	36522	0	HM	36061	300/3,500		20
Malibu LTZ Except Canada Models	14-15	42	SQ2	1-1/4	36538	0	HM	36061	300/3,500		35
Malibu Maxx LS	04-07	37	SQ2	1-1/4	36379		HM	36071	300/3,500		25

- # Titan hitches require use of a 2-1/2" shank Titan ball mount.
- @ Ultra Frame ball mount must be used to achieve maximum weight carrying rating.
- AA Requires temporary removal of bumper during installation.
- AI Additional installation time may be required.
- CO Will not fit 8 ft. 2500/3500 Series with heavy-duty suspension or four door Crew Cab.
- DB Will not fit 6 ft. bed pickups.
- DU Fascia removal required.
- EP Fascia trimming may be required.
- FS Includes 2 & 4 WD models with heavy duty suspension.

- GP Hitch cross-tube concealed behind bumper.
- HK Under vehicle spare tire storage may be retained with installation of an aftermarket spare tire repositioner. Cutting of rollpan in license plate area required for receiver tube access. Does not fit with bumper.
- HM Hitch cross-tube is visible beneath bumper.
- J Under vehicle spare tire storage is retained.
- JR Exhaust must be temporarily lowered for installation.
- RB Hitch installation can be made easier with a "cutter" type drill bit.
- SN Hitches produced before 04/28/08 are rated at 1000/10000 WC & 1200/12000 WD.
- TA Trunk access required for hitch installation.
- X Minor fascia trimming required.

T-ONE					TOW HARNESS					4-FLAT WIRING				REQ. 4 FLAT WIRING		7-WAY HARDWIRE	BRAKE CONTROL HARNESS	IN	
PC	T-ONE	FN	IN	AMP	CP	TOW HARN	FN	IN	AMP	CP	TYPE	ELEC	POS	CHOICE 1	CHOICE 2				6-WAY ADAPTER
CHEVROLET (Continued)																			
E3	118315	BN	5	7.5								A	PU3	119148	20252	20320	20321	20224	
E3	118315	BN	5	7.5								A	PU3	119148	20252	20320	20321	20224	
E3	118315	BN	5	7.5								A	PU3	119148	20252	20320	20321	20224	
E3	118315	BN	5	7.5								A	PU3	119148	20252	20320	20321	20224	
E3	118315	BN	5	7.5								A	PU3	119148	20252	20320	20321	20224	
E3	118315	BN	5	7.5								A	PU3	119148	20252	20320	20321	20224	
												A		119148	20252				
												A		119148	20252				
												A		119148	20252				
												A		119148	20252				
												A		119148	20252				
												A	PC3,4	119148	20252				
												B	PC3,4	119130	119178				
E7	118439	BN	15	7.5								A	PC3,4	119148	20252				
E7	118450	BN	10	7.5								A	PC1,2	119148	20252				
E18	118604	CH	45	4.2,7.5	X							BM	PC3,4	119251	119191				
E16	118576	CH	45	2.1,5.6	X							B,E	PC3,4	119191	119148				
E18	118604	CH	45	4.2,7.5	X							B,E	PC3,4	119191	119148				
E17	118689	CH	45	4.2,7.5	X							BTT	PC3,4	119251	119191				
E17	118602	CH	45	2.1,5.6	X							B,E	PC3,4	119191	119148				
E18	118604	CH	45	4.2,7.5	X							B,E	PC3,4	119191	119148				
E15	118740	CH	45	5.7.5	X							A,E	PC3,4	119251	119191				
E7	118439	BN	15	7.5								A	PC3,4	119148	20252				
E7	118439	BN	15	7.5								A	PC3,4	119148	20252				
												A,E	PC1,2	119191	119148				
E17	118602	CH	45	2.1,5.6	X							B,E	PC3,4	119191	119148				
E17	118602	CH	45	2.1,5.6	X							B,E	PC3,4	119191	119148				
E7	118439	BN	15	7.5								A	PC3,4	119148	20252				

A 2 wire system.
B 3 wire system. Converter required.
BM Multiplexed wiring system. ModuLite® HD Plus or Ultra required.
BN Exterior mounted plug on some or all models. May require an aftermarket electrical mounting box or bracket. (Sold separately)

BTT Shared Brake/Tail/Turn multiplexed wiring system. ModuLite® HD Plus or Ultra required.
CH T-One is equipped with circuit protected ModuLite® module.
E ModuLite® required.

RT3 Round Tube Class III 2"
RT4 Round Tube Class IV 2"
SQ1 Square Tube Class I
SQ2 Square Tube Class II
SQ3 Square Tube Class III
SQ4 Square Tube Class IV
SQ5 Square Tube Class V

RECEIVER HITCHES

MODEL / STYLE	YEAR	TRAILER HITCHES									
		PC	REC TYPE	REC SIZE	PART #	NO DRILL	FOOTNOTES	OPTIONAL DRAWBAR	WC (LBS.)	WD (LBS.)	IN
CHEVROLET (Continued)											
Malibu Maxx LT	04-07	37	SQ2	1-1/4	36379		HM	36071	300/3,500		25
Malibu SS 4 Dr.	06-07	43	SQ2	1-1/4	36317		JR,X,HM	36071	300/3,500		50
Monte Carlo	95-99	23	SQ1	1-1/4	24628		AI,GP	3592	200/2,000		30
		48	SQ2	1-1/4	36193	0	JR,GP	36061	300/3,500		60
Monte Carlo Except SS Sport Appearance Pkg.	00-05	45	SQ2	1-1/4	36292	0	JR,GP	36061	300/3,500		30
Monte Carlo Except SS Sport Appearance Pkg.	06-07	45	SQ2	1-1/4	36292	0	JR,GP	36061	300/3,500		30
Orlando (Canada Only)	12-13	27	SQ1	1-1/4	24881	0	HM,JR,KH	3593	200/2,000		35
Prizm	98-02	25	SQ1	1-1/4	24579		GP	3593	200/2,000		30
S10 w/Standard Bed & Step Bumper	85-97	34	SQ2	1-1/4	36248	0	GU,HM,RH	36071	300/3,500		35
		34	SQ3	2	75051	0	GP,GP		350/3,500	750/6,000	40
		50	SQ3	2	37136		CN,GU,SB		500/5,000	600/6,000	30
S10 w/Sportside Bed & Non-Towing Bumper	96-97	30	SQ3	2	75085	0	GP		350/3,500	750/6,000	40
S10	98-04	34	SQ2	1-1/4	36248	0	GU,RH,GP	36071	300/3,500		35
		30	SQ3	2	75085	0	GP		350/3,500	750/6,000	40
		50	SQ3	2	37136		AF,CN,GU,ST		500/5,000	600/6,000	30
S10	13-13	53	SQ3	2	75810	0	GP		600/4,000	771/7,710	30
Silverado 1500	99-02	49	RT3	2	37133	0	RO		500/5,000	750/7,500	25
		39	SQ4	2	41534	0	RO		600/6,000	1,200/12,000	20
		54	RT4	2	37130	0	RO		700/7,000	1,200/12,000	25
		30	RT4	2	75362	0	JL,RO		900/6,000	900/8,000	15
		22	RT4	2	75521	0	JL,RO,SZ		900/6,000	1,050/10,500	15
		50	SQ5	2	41932	0	@,HM,JL,RO		1,200/12,000	1,400/14,000	20
Silverado 1500 w/Factory 7-Way	99-13										
Silverado 1500 (Classic)	03-07	49	RT3	2	37133	0			500/5,000	750/7,500	25
		39	SQ4	2	41534	0			600/6,000	1,200/12,000	20
		54	RT4	2	37130	0			700/7,000	1,200/12,000	25
		30	RT4	2	75362	0	JL		900/6,000	900/8,000	15
		22	RT4	2	75521	0	JL,SZ		900/6,000	1,050/10,500	15
		50	SQ5	2	41932	0	@,HM,JL		1,200/12,000	1,400/14,000	20
Silverado 1500	07-13	30	RT4	2	75362	0	JL		900/6,000	900/8,000	15
		22	RT4	2	75521	0	JL,SZ		900/6,000	1,050/10,500	15
Silverado 1500	14-18	33	RT4	2	75866	0	HM,JL		900/6,000	1,200/12,000	20
		25	SQ4	2	76016	0	GP,JL		900/6,000	1,000/10,000	25
Silverado 1500 HD	01-02	39	SQ4	2	41534	0			600/6,000	1,200/12,000	20
Silverado 1500 HD	01-03	49	RT3	2	37133	0			500/5,000	750/7,500	25
		54	RT4	2	37130	0			700/7,000	1,200/12,000	25
		30	RT4	2	75362	0	JL		900/6,000	900/8,000	15
		22	RT4	2	75521	0	JL,SZ		900/6,000	1,050/10,500	15
		50	SQ5	2	41932	0	@,HM,JL		1,200/12,000	1,400/14,000	20
Silverado 1500 HD w/Factory 7-Way	01-07										
Silverado 1500 HD (Classic)	03-03	39	SQ4	2	41534	0			600/6,000	1,200/12,000	20
Silverado 1500 HD (Classic)	05-07	49	RT3	2	37133	0			500/5,000	750/7,500	25
		39	SQ4	2	41534	0			600/6,000	1,200/12,000	20
		54	RT4	2	37130	0			700/7,000	1,200/12,000	25
		30	RT4	2	75362	0	JL		900/6,000	900/8,000	15
		22	RT4	2	75521	0	JL,SZ		900/6,000	1,050/10,500	15
		50	SQ5	2	41932	0	@,HM,JL		1,200/12,000	1,400/14,000	20

@ Ultra Frame ball mount must be used to achieve maximum weight carrying rating.
AF Hitch is ONLY rated for Weight Carrying at 3500 lbs. GTW / 350 lbs. TW and DO NOT use Weight Distribution Spring Bars for this Specific Vehicle. Except for long bed pickups.
AI Additional installation time may be required.
CN Requires OEM factory bumper for hitch installation.
GP Hitch crosstube concealed behind bumper.
GU Will not fit vehicles with factory or aftermarket lower Fascia/Rollpan or Tube Bumper.
HM Hitch crosstube is visible beneath bumper.
JL Installation requires OEM bumper and brackets.

JR Exhaust must be temporarily lowered for installation.
KH Minor heat shield modification may be required.
RH Optional drawbar #36051 required (Sold separately) except for models with ZR2 & Highrider package.
RO Will not fit Silverado SS.
SB Will not fit models with short bed.
ST Will not fit 2WD models with short bed.
SZ Hitches produced before 03/10/11 are rated at 600/6000 WC.
X Minor fascia trimming required.

T-ONE					TOW HARNESS					4-FLAT WIRING				REQ. 4 FLAT WIRING		7-WAY HARDWIRE	BRAKE CONTROL HARNESS	IN			
PC	T-ONE	FN	IN	AMP	CP	PC	TOW HARN	FN	IN	AMP	CP	TYPE	ELEC	POS	CHOICE 1				CHOICE 2	6-WAY ADAPTER	7-WAY ADAPTER
CHEVROLET (Continued)																					
E7	118439	BN	15	7.5									A	PC3,4	119148	20252					
E7	118439	BN	15	7.5									A	PC3,4	119148	20252					
													A	PC3,4	119148	20252					
													B	PC4	119130	119178					
													A	PC3,4	119148	20252					
E16	118565	CH	45	2,1,5,6	X								B,E	SUV3,4	119191	119148	20320	20321			
													B	PC3,4	119130	119178					
E3	118312	BN	5	7.5									A	PU3	119148	20252	20320	20321	20224		
E3	118312	BN	5	7.5									A	PU3	119148	20252	20320	20321	20224		
E4	118359	BN	5	7.5									A	PU3	119148	20252	20320	20321	20224		
													B,E	PU1,2	119191	119148	20320	20321			
						E8	118384	BN,RD	5	7.5		4-Flat	A	PU3	119148	20252	20320	20321	20224	3025-P	5
							74682	RD	10			Both	H	PU3	119148	20252					
							8551511	RD				7-Way									
							85219	RD	5			7-Way									
						E8	118384	BN,RD	5	7.5		4-Flat	A	PU3	119148	20252	20320	20321	20224	3015-P	5
E8	118384	BN	5	7.5									A	PU3	119148	20252	20320	20321	20224		
E8	118384		5	7.5									A	PU3	119148	20252	20320	20321	20224	3016-P	5
						E8	118384	BN,RD	5	7.5		4-Flat	A	PU3	119148	20252	20320	20321	20224	3025-P	5
						E8	118384	BN,RD	5	7.5		4-Flat	A	PU3	119148	20252	20320	20321	20224	3025-P	5
							85219	RD	5			7-Way	H	PU3	119148	20252					
							8551511	RD				7-Way									
							74682	RD	10			Both									
						E8	118384	BN,RD	5	7.5		4-Flat	A	PU3	119148	20252	20320	20321	20224	3015-P	5
						E8	118384	BN,RD	5	7.5		4-Flat	A	PU3	119148	20252	20320	20321	20224	3015-P	5

A 2 wire system.
B 3 wire system. Converter required.
BN Exterior mounted plug on some or all models. May require an aftermarket electrical mounting box or bracket. (Sold separately)
CH T-One is equipped with circuit protected ModuLite® module.

E ModuLite® required.
H 3 wire system with OEM standard 2 wire harness.
RD For vehicles equipped with factory tow package may require additional components or may be used as a replacement harness.

RT3 Round Tube Class III 2"
RT4 Round Tube Class IV 2"
SQ1 Square Tube Class I
SQ2 Square Tube Class II
SQ3 Square Tube Class III
SQ4 Square Tube Class IV
SQ5 Square Tube Class V

RECEIVER HITCHES

MODEL / STYLE	YEAR	TRAILER HITCHES									
		PC	REC TYPE	REC SIZE	PART #	NO DRILL	FOOTNOTES	OPTIONAL DRAWBAR	WC (LBS.)	WD (LBS.)	IN
CHEVROLET (Continued)											
Silverado 2500	99-02	49	RT3	2	37133	0			500/5,000	750/7,500	25
		39	SQ4	2	41534	0			600/6,000	1,200/12,000	20
		54	RT4	2	37130	0			700/7,000	1,200/12,000	25
		30	RT4	2	75362	0	JL		900/6,000	900/8,000	15
		22	RT4	2	75521	0	JL,SZ		900/6,000	1,050/10,500	15
		50	SQ5	2	41932	0	@,HM,JL		1,200/12,000	1,400/14,000	20
		59	SQ5	2-1/2	45512	0	#		1,200/12,000	1,700/14,000	20
Silverado 2500 w/Factory 7-Way	99-04										
Silverado 2500	03-04	49	RT3	2	37133	0			500/5,000	750/7,500	25
		39	SQ4	2	41534	0			600/6,000	1,200/12,000	20
		54	RT4	2	37130	0			700/7,000	1,200/12,000	25
		30	RT4	2	75362	0	JL		900/6,000	900/8,000	15
		22	RT4	2	75521	0	JL,SZ		900/6,000	1,050/10,500	15
		50	SQ5	2	41932	0	@,HM,JL		1,200/12,000	1,400/14,000	20
		59	SQ5	2-1/2	45512	0	#		1,200/12,000	1,700/14,000	20
Silverado 2500 HD	01-02	46	SQ4	2	41544	0	HM,SA		600/6,000	1,200/12,000	20
		34	RT4	2	75550	0	CS,FS,JL,LT		600/6,000	1,100/11,000	20
		35	SQ5	2	41944	0	@,CS,FS,HM,LT		1,950/13,000	1,600/16,000	25
		58	SQ5	2-1/2	45517	0	#,CS,FS,LT		1,300/13,000	1,700/17,000	25
Silverado 2500 HD 8 ft. Bed	01-02	60	SQ5	2-1/2	45519	0	#,CS,FS,LT		2,000/18,000	2,500/18,000	25
Silverado 2500 HD w/Factory 7-Way	01-18										
Silverado 2500 HD (Classic)	03-07	46	SQ4	2	41544	0	HM,SA		600/6,000	1,200/12,000	20
		34	RT4	2	75550	0	CS,FS,JL,LT		600/6,000	1,100/11,000	20
		35	SQ5	2	41944	0	@,CS,FS,HM,LT		1,950/13,000	1,600/16,000	25
		58	SQ5	2-1/2	45517	0	#,CS,FS,LT		1,300/13,000	1,700/17,000	25
Silverado 2500 HD 8 ft. Bed (Classic)	03-07	60	SQ5	2-1/2	45519	0	#,CS,FS,LT		2,000/18,000	2,500/18,000	25
Silverado 2500 HD	07-10	34	RT4	2	75550	0	CS,FS,JL,LT		600/6,000	1,100/11,000	20
		35	SQ5	2	41944	0	@,CS,FS,HM,LT		1,950/13,000	1,600/16,000	25
		58	SQ5	2-1/2	45517	0	#,CS,FS,LT		1,300/13,000	1,700/17,000	25
Silverado 2500 HD 8 ft. Bed	07-10	60	SQ5	2-1/2	45519	0	#,CS,FS,LT		2,000/18,000	2,500/18,000	25
Silverado 2500 HD	11-14	43	SQ4	2	75707	0	CS,FS,GP,JL,LT		800/8,000	1,200/12,000	20
		50	SQ5	2	41942	0	@,CS,FS,GP,JL,KH,LT		1,500/15,000	1,600/16,000	20
		67	SQ5	2-1/2	45510	0	#,CS,FS,HM,JL,KH,LT		2,000/18,000	2,500/18,000	60
Silverado 2500 HD	15-19	42	SQ4	2	75906	0	HM,JL		1,200/8,000	1,200/12,000	30
		48	SQ5	2	41950	0	@,CS,FS,GP,JL,KH,LT		1,700/15,000	1,700/17,000	60
		57	SQ5	2-1/2	45511	0	#,HM		2,700/20,000	2,700/20,000	60
Silverado 3500	01-02	46	SQ4	2	41544	0	HM,SA		600/6,000	1,200/12,000	20
		34	RT4	2	75550	0	CS,FS,JL,LT		600/6,000	1,100/11,000	20
		35	SQ5	2	41944	0	@,CS,FS,HM,LT		1,950/13,000	1,600/16,000	25
		58	SQ5	2-1/2	45517	0	#,CS,FS,LT		1,300/13,000	1,700/17,000	25
		60	SQ5	2-1/2	45519	0	#,CS,FS,LT		2,000/18,000	2,500/18,000	25
Silverado 3500 Cab & Chassis, w/34" Wide Frames (Classic)	01-07	29	SQ5	2	41936		@		1,200/12,000		30
		50	SQ5	2	41938		@,CC		1,200/12,000	1,500/15,000	40
		50	SQ5	2	41947		@		1,600/15,000	1,600/16,000	35
Silverado 3500 w/Factory 7-Way	01-07										

- | | |
|--|---|
| # Titan hitches require use of a 2-1/2" shank Titan ball mount. | HM Hitch crosstube is visible beneath bumper. |
| @ Ultra Frame ball mount must be used to achieve maximum weight carrying rating. | JL Installation requires OEM bumper and brackets. |
| CC Requires minimum of 19" from end of frame rail to spring shackle bracket. | KH Minor heat shield modification may be required. |
| CS Will fit with full-size spare tire stowed under vehicle. | LT Requires removal of factory hitch if equipped. |
| FS Includes 2 & 4 WD models with heavy duty suspension. | SA Requires drilling on 6 ft. bed models. |
| GP Hitch crosstube concealed behind bumper. | SZ Hitches produced before 03/10/11 are rated at 600/6000 WC. |

T-ONE					TOW HARNESS						4-FLAT WIRING				REQ. 4 FLAT WIRING		7-WAY HARDWIRE	BRAKE CONTROL HARNESS	IN		
PC	T-ONE	FN	IN	AMP	CP	PC	TOW HARN	FN	IN	AMP	CP	TYPE	ELEC	POS	CHOICE 1	CHOICE 2				6-WAY ADAPTER	7-WAY ADAPTER
CHEVROLET (Continued)																					
						E8	118384	BN,RD	5	7.5		4-Flat	A	PU3	119148	20252	20320	20321	20224	3025-P	5
							8551511 74682 85219	RD RD RD		10 5		7-Way Both 7-Way	H	PU3	119148	20252					
						E8	118384	BN,RD	5	7.5		4-Flat	A	PU3	119148	20252	20320	20321	20224	3015-P	5
						E8	118384	BN,RD	5	7.5		4-Flat	A	PU3	119148	20252	20320	20321	20224	3025-P	5
						E8	118384	BN,RD	5	7.5		4-Flat	A	PU3	119148	20252	20320	20321	20224	3025-P	5
							85219 8551511 74682	RD RD RD		5 10		7-Way 7-Way Both	H	PU3	119148	20252					
						E8	118384	BN,RD	5	7.5		4-Flat	A	PU3	119148	20252	20320	20321	20224	3015-P	5
E8	118384	BN	5	7.5		E8	118384	BN,RD	5	7.5		4-Flat	A	PU3	119148	20252	20320	20321	20224	3015-P	5
E8	118384	BN	5	7.5									A	PU3	119148	20252	20320	20321	20224		
E8	118384	BN	5	7.5									A	PU3	119148	20252	20320	20321	20224		
E8	118384	BN	5	7.5									A	PU3	119148	20252	20320	20321	20224	3016-P	5
						E8	118384	BN,RD	5	7.5		4-Flat	A	PU3	119148	20252	20320	20321	20224	3025-P	5
													C	PU1,2	119191	119148	20320	20321	20224		
							74682 8551511 85219	RD RD RD		10 5		Both 7-Way 7-Way	H	PU3	119148	20252					

A 2 wire system.

BN Exterior mounted plug on some or all models. May require an aftermarket electrical mounting box or bracket. (Sold separately)

C 2 or 3 wire system determine at installation.

H 3 wire system with OEM standard 2 wire harness.

RD For vehicles equipped with factory tow package may require additional components or may be used as a replacement harness.

RT3 Round Tube Class III 2"

RT4 Round Tube Class IV 2"

SQ4 Square Tube Class IV

SQ5 Square Tube Class V

RECEIVER HITCHES

MODEL / STYLE	YEAR	TRAILER HITCHES									
		PC	REC TYPE	REC SIZE	PART #	NO DRILL	FOOTNOTES	OPTIONAL DRAWBAR	WC (LBS.)	WD (LBS.)	IN
CHEVROLET (Continued)											
Silverado 3500 (Classic)	03-07	46	SQ4	2	41544	0	HM,SA		600/6,000	1,200/12,000	20
		34	RT4	2	75550	0	CS,FS,JL,LT		600/6,000	1,100/11,000	20
		35	SQ5	2	41944	0	@,CS,FS,HM,LT		1,950/13,000	1,600/16,000	25
		58	SQ5	2-1/2	45517	0	#,CS,FS,LT		1,300/13,000	1,700/17,000	25
Silverado 3500 HD	07-10	60	SQ5	2-1/2	45519	0	#,CS,FS,LT		2,000/18,000	2,500/18,000	25
		34	RT4	2	75550	0	CS,FS,JL,LT		600/6,000	1,100/11,000	20
		35	SQ5	2	41944	0	@,CS,FS,HM,LT		1,950/13,000	1,600/16,000	25
		58	SQ5	2-1/2	45517	0	#,CS,FS,LT		1,300/13,000	1,700/17,000	25
Silverado 3500 HD Cab & Chassis, w/34" Wide Frames	07-17	60	SQ5	2-1/2	45519	0	#,CS,FS,LT		2,000/18,000	2,500/18,000	25
		29	SQ5	2	41936		@		1,200/12,000		30
		50	SQ5	2	41938		@,CC		1,200/12,000	1,500/15,000	40
Silverado 3500 HD w/Factory 7-Way	07-18	50	SQ5	2	41947		@		1,600/15,000	1,600/16,000	35
Silverado 3500 HD	11-14										
		43	SQ4	2	75707	0	CS,FS,GP,JL,LT		800/8,000	1,200/12,000	20
		50	SQ5	2	41942	0	@,CS,FS,GP,JL,KH,LT		1,500/15,000	1,600/16,000	20
Silverado 3500 HD	15-17	67	SQ5	2-1/2	45510		#,CS,FS,HM,JL,KH,LT		2,000/18,000	2,500/18,000	60
		42	SQ4	2	75906	0	HM,JL		1,200/8,000	1,200/12,000	30
		48	SQ5	2	41950	0	@,CS,FS,GP,JL,KH,LT		1,700/15,000	1,700/17,000	60
Sonic 4 Dr. Sedan	12-16	57	SQ5	2-1/2	45511		#,HM		2,700/20,000	2,700/20,000	60
		20	SQ1	1-1/4	24876	0	GP	3590	200/2,000		20
Sonic 5 Dr. Hatchback	12-16	25	SQ1	1-1/4	24878	0	HB,HM,JR	3590	200/2,000		20
Sonic 4 Dr. Sedan	17-17	20	SQ1	1-1/4	24876	0	GP	3590	200/2,000		20
Sonic 5 Dr. Hatchback	17-19	25	SQ1	1-1/4	24878	0	HB,HM,JR	3590	200/2,000		20
Spark Except w/Ground Effects	13-15	24	SQ1	1-1/4	24893		GP,JR	3594	200/2,000		25
Spark	16-16	18	SQ1	1-1/4	24941	0	DU,GP,X	3593	200/2,000		45
Spark	17-19	18	SQ1	1-1/4	24941	0	DU,GP,X	3593	200/2,000		45
Spark LT w/Ground Effects	13-15	24	SQ1	1-1/4	24894		GP,JR	3594	200/2,000		25
Suburban w/Factory 7-Way	00-11										
Suburban	07-11										
Suburban	15-17										
Suburban 1500 w/Amber Turn Signals	00-02	50	SQ3	2	37136				500/5,000	600/6,000	30
		29	RT4	2	75725	0	CN,HM		900/6,000	1,000/10,000	15
		30	SQ5	2	41930		@,CN,HM		1,000/10,000	1,200/12,000	35
Suburban 1500 w/Amber Turn Signals	03-06	50	SQ3	2	37136				500/5,000	600/6,000	30
		29	RT4	2	75725	0	CN,HM		900/6,000	1,000/10,000	15
		30	SQ5	2	41930		@,CN,HM		1,000/10,000	1,200/12,000	35
Suburban 2500 w/Amber Turn Signals	00-02	50	SQ3	2	37136				500/5,000	600/6,000	30
		29	RT4	2	75725	0	CN,HM		900/6,000	1,000/10,000	15
		30	SQ5	2	41930		@,CN,HM		1,000/10,000	1,200/12,000	35
		53	SQ5	2-1/2	45515		#		1,200/12,000	1,700/14,000	50
Suburban 2500 w/Amber Turn Signals	03-06	50	SQ3	2	37136				500/5,000	600/6,000	30
		29	RT4	2	75725	0	CN,HM		900/6,000	1,000/10,000	15
		30	SQ5	2	41930		@,CN,HM		1,000/10,000	1,200/12,000	35
Suburban C1500	92-99	30	SQ5	2	41930		@,CN,HM		1,000/10,000	1,200/12,000	35
		50	SQ3	2	37136				500/5,000	600/6,000	30
		37	SQ3	2	75037		HM		500/5,000	750/7,500	30
Suburban C2500	92-99	41	SQ4	2	41511		HM		600/6,000	1,000/10,000	30
		50	SQ3	2	37136				500/5,000	600/6,000	30
		37	SQ3	2	75037		HM		500/5,000	750/7,500	30
		41	SQ4	2	41511		HM		600/6,000	1,000/10,000	30

- # Titan hitches require use of a 2-1/2" shank Titan ball mount.
- @ Ultra Frame ball mount must be used to achieve maximum weight carrying rating.
- CC Requires minimum of 19" from end of frame rail to spring shackle bracket.
- CN Requires OEM factory bumper for hitch installation.
- CS Will fit with full-size spare tire stowed under vehicle.
- DU Fascia removal required.
- FS Includes 2 & 4 WD models with heavy duty suspension.
- GP Hitch crosstube concealed behind bumper.

- HB Slight fascia deformation may occur on some models.
- HM Hitch crosstube is visible beneath bumper.
- JL Installation requires OEM bumper and brackets.
- JR Exhaust must be temporarily lowered for installation.
- KH Minor heat shield modification may be required.
- LT Requires removal of factory hitch if equipped.
- SA Requires drilling on 6 ft. bed models.
- X Minor fascia trimming required.

T-ONE					TOW HARNESS					4-FLAT WIRING				REQ. 4 FLAT WIRING		7-WAY HARDWIRE	BRAKE CONTROL HARNESS	IN				
PC	T-ONE	FN	IN	AMP	CP	PC	TOW HARN	FN	IN	AMP	CP	TYPE	ELEC	POS	CHOICE 1				CHOICE 2	6-WAY ADAPTER	7-WAY ADAPTER	
CHEVROLET (Continued)																						
						E8	118384	BN,RD	5	7.5		4-Flat	A	PU3	119148	20252	20320	20321	20224	3015-P	5	
E8	118384	BN	5	7.5									A	PU3	119148	20252	20320	20321	20224			
													C	PU1,2	119191	119148	20320	20321	20224			
							85219 8551511 74682	RD RD RD	5 10			7-Way 7-Way Both	A	PU3	119148	20252						
E8	118384	BN	5	7.5									A	PU3	119148	20252	20320	20321	20224			
E8	118384	BN	5	7.5									A	PU3	119148	20252	20320	20321	20224	3016-P	5	
E19	118640	CH	45	4.2,7.5	X								BT	PC3,4	119251	119191						
E19	118640	CH	45	4.2,7.5	X								BT	PC3,4	119251	119191						
E17	118755	CH	45	5.7,5	X								BT	PC3,4	119251	119191						
E17	118755	CH	45	5.7,5	X								BT	PC3,4	119251	119191						
E19	118575	CH	45	2.1,5.6	X								BM	PC3,4	119251	119191						
E18	118694	CH	45	4.2,7.5	X								BT	PC3,4	119251	119191						
													BT	PC3,4	119251	119191						
E19	118575	CH	45	2.1,5.6	X								BM	PC3,4	119251	119191						
							74682 8551511 85219	RD RD RD	10 5			Both 7-Way 7-Way	H	SUV6	119148	20252						
						E8	118384	BN,RD	5	7.5		4-Flat	H	SUV6	119148	20252						
																					3016-P	5
E8	118384	BN	5	7.5									A	SUV6	119148	20252	20320	20321	20224	3025-P	5	
E8	118384	BN	5	7.5									A	SUV6	119148	20252	20320	20321	20224	3015-P	5	
E8	118384	BN	5	7.5									A	SUV6	119148	20252	20320	20321	20224	3025-P	5	
E8	118384	BN	5	7.5									A	SUV6	119148	20252	20320	20321	20224	3015-P	5	
E3	118319	BN	5	7.5									A	SUV6	119148	20252	20320	20321	20224			
E3	118319	BN	5	7.5									A	SUV6	119148	20252	20320	20321	20224			

A 2 wire system.

BM Multiplexed wiring system. ModuLite® HD Plus or Ultra required.

BN Exterior mounted plug on some or all models. May require an aftermarket electrical mounting box or bracket. (Sold separately)

BT Shared Brake/Tail multiplexed wiring system. ModuLite® HD Plus or Ultra required.

C 2 or 3 wire system determine at installation.

CH T-One is equipped with circuit protected ModuLite® module.

H 3 wire system with OEM standard 2 wire harness.

RD For vehicles equipped with factory tow package may require additional components or may be used as a replacement harness.

RT4 Round Tube Class IV 2"

SQ1 Square Tube Class I

SQ3 Square Tube Class III

SQ4 Square Tube Class IV

SQ5 Square Tube Class V

RECEIVER HITCHES

MODEL / STYLE	YEAR	TRAILER HITCHES									
		PC	REC TYPE	REC SIZE	PART #	NO DRILL	FOOTNOTES	OPTIONAL DRAWBAR	WC (LBS.)	WD (LBS.)	IN
CHEVROLET (Continued)											
Suburban K1500	92-99	50	SQ3	2	37136				500/5,000	600/6,000	30
		37	SQ3	2	75037		HM		500/5,000	750/7,500	30
		41	SQ4	2	41511		HM		600/6,000	1,000/10,000	30
Suburban K2500	92-99	50	SQ3	2	37136				500/5,000	600/6,000	30
		37	SQ3	2	75037		HM		500/5,000	750/7,500	30
		41	SQ4	2	41511		HM		600/6,000	1,000/10,000	30
Tahoe	95-00	50	SQ3	2	37136				500/5,000	600/6,000	30
		37	SQ3	2	75037		HM		500/5,000	750/7,500	30
		41	SQ4	2	41511		HM		600/6,000	1,000/10,000	30
Tahoe w/Amber Turn Signals	00-02	50	SQ3	2	37136				500/5,000	600/6,000	30
		29	RT4	2	75725	0	CN,HM		900/6,000	1,000/10,000	15
Tahoe w/Factory 7-Way	00-11										
Tahoe w/Amber Turn Signals	03-06	50	SQ3	2	37136				500/5,000	600/6,000	30
		29	RT4	2	75725	0	CN,HM		900/6,000	1,000/10,000	15
Tahoe	07-11										
Tahoe	15-16										
Tracker	98-98	25	SQ1	1-1/4	24622	0	HM	3593	200/2,000		20
Tracker	99-04	29	SQ1	1-1/4	24673	0	HM	3591	200/2,000		15
		29	SQ3	2	41537	0	HM		350/3,500		15
TrailBlazer w/Factory 7-Way	02-09										
Traverse	09-12	19	RT3	2	75528	0	GP,JR,TN		750/5,000	750/7,500	25
Traverse w/Factory 7-Way	09-12										
Traverse	13-17	19	RT3	2	75528	0	GP,JR,TN		750/5,000	750/7,500	25
Traverse	18-19	30	SQ3	2	76184	0	DU,JR		750/5,000	750/5,000	75
Trax	13-16	25	RT2	1-1/4	36554	0	HM,JR	36061	300/3,500		40
Trax Except LS	17-19	25	RT2	1-1/4	36554	0	HM,JR	36061	300/3,500		40
Trax LS	17-19	25	RT2	1-1/4	36554	0	HM,JR	36061	300/3,500		40
Uplander	05-08	27	SQ2	1-1/4	36361		AL,GP,JR	36061	300/3,500		40
		22	SQ3	2	75278		AL,GP,JR		350/3,500	500/5,000	40
Uplander (Canada Only)	09-09	27	SQ2	1-1/4	36361		AL,GP,JR	36061	300/3,500		40
		22	SQ3	2	75278		AL,GP,JR		350/3,500	500/5,000	40
Venture	97-05	27	SQ1	1-1/4	24721		AL,GP,JR	3592	200/2,000		30
		27	SQ2	1-1/4	36361		AL,GP,JR	36061	300/3,500		40
		22	SQ3	2	75278		AL,GP,JR		350/3,500	500/5,000	40
Volt	16-19	18	SQ1		24947	0	GP,DU,SV,JR	3593	200/2,000		60
CHRYSLER											
200 4 Dr. Sedan	11-11	28	SQ1	1-1/4	24871	0	GP,JR	3594	200/2,000		15
200 Convertible	11-11	28	SQ1	1-1/4	24871	0	GP,JR	3594	200/2,000		15
200 4 Dr. Sedan	12-14	28	SQ1	1-1/4	24871	0	GP,JR	3594	200/2,000		15
200 Convertible	12-14	28	SQ1	1-1/4	24871	0	GP,JR	3594	200/2,000		15
200 4 Dr. Sedan	15-17	27	SQ1	1-1/4	24919	0	GP,SV	3593	200/2,000		20
300	05-07	27	SQ2	1-1/4	36548	0	HM	36061	300/3,500		30
		23	SQ3	2	76145	0	HM		675/4,500		30
300	08-10	27	SQ2	1-1/4	36548	0	HM	36061	300/3,500		30
		23	SQ3	2	76145	0	HM		675/4,500		30

AL Additional installation time required for vehicles equipped with load leveling compressor.
CN Requires OEM factory bumper for hitch installation.
DU Fascia removal required.
GP Hitch crosstube concealed behind bumper.

HM Hitch crosstube is visible beneath bumper.
JR Exhaust must be temporarily lowered for installation.
SV Trimming or removal of under body appearance panel may be required.
TN Hitches produced before 07/09/12 are rated at 500/5000 WC & 500/5000 WD.

T-ONE					TOW HARNESS					4-FLAT WIRING				REQ. 4 FLAT WIRING		7-WAY HARDWIRE	BRAKE CONTROL HARNESS	IN			
PC	T-ONE	FN	IN	AMP	CP	TOW HARN	FN	IN	AMP	CP	TYPE	ELEC	POS	CHOICE 1	CHOICE 2				6-WAY ADAPTER	7-WAY ADAPTER	
CHEVROLET (Continued)																					
E3	118319	BN	5	7.5								A	SUV6	119148	20252	20320	20321	20224			
E3	118319	BN	5	7.5								A	SUV6	119148	20252	20320	20321	20224			
E3	118319	BN	5	7.5								A	SUV6	119148	20252	20320	20321	20224			
E8	118384	BN	5	7.5								A	SUV6	119148	20252	20320	20321	20224	3025-P	5	
						74682	RD	10			Both	H	SUV6	119148	20252						
						8551511	RD				7-Way										
						85219	RD	5			7-Way										
E8	118384	BN	5	7.5								A	SUV6	119148	20252	20320	20321	20224	3015-P	5	
						E8	118384	BN,RD	5	7.5	4-Flat	H	SUV6	119148	20252						
																				3016-P	5
E5	118372	HG	5	2.1,5								B	SUV1,2	119130	119178						
E5	118372	HG	5	2.1,5								B	SUV3	119130	119178	20320	20321	20224			
						E8	118384	BN,RD	5	7.5	4-Flat	H	SUV6	119148	20252						
						74682	RD	10			Both										
						8551511	RD				7-Way										
						85219	RD	5			7-Way										
E7	118450	BN	10	7.5		E8	118384	BN,RD	5	7.5	4-Flat	N	SUV1,2		119251	20320	20321			3026-P	5
						8551511	RD				7-Way	N	SUV6		119251						
						85219	RD	5			7-Way										
						74682	RD	10			Both										
E10	118270	BN	20	7.5		E16	118271	BN	20		7-Way	B,E	SUV1,2	119191	119148	20320	20321	20224	3026-P	5	
E4	118761	BN,CH	15	7.5	X	E9	118287	BN	15		7-Way	A	SUV5								
E16	118659	CH	45	4.2,7.5	X							B,E	SUV3,4	119191	119148	20320	20321				
E16	118751	CH	45	4.2,7.5	X							B,E	SUV3,4	119191	119148	20320	20321				
E16	118659	CH	45	4.2,7.5	X							B,E	SUV3,4	119191	119148	20320	20321				
E10	118396	BN	15	7.5								A	SUV1,2	119148	20252	20320	20321	20224			
E10	118396	BN	15	7.5								A	SUV1,2	119148	20252	20320	20321	20224			
E8	118355	HG	10	2.1,5								B	SUV3	119130	119178	20320	20321	20224			
E17	118726	CH,BN	45	5.7,5	X							B,E	PC1,2	119191	119148						
CHRYSLER																					
E18	118550	BN,CH	45	2.1,5.6	X							B,E	PC1,2	119191	119148						
E18	118550	BN,CH	45	2.1,5.6	X							B,E	PC1,2	119191	119148						
E17	118577	CH	45	2.1,5.6	X							N	PC1,2		119251						
E17	118577	CH	45	2.1,5.6	X							N	PC1,2		119251						
E15	118638	CH	45	2.1,5.6	X							A,E	PC3,4	119191	119148						
E7	118404		10	7.5								A	PC3,4	119148	20252						
E14	118406	CH	15	2.1,5.6	X							B,E	PC3,4	119191	119148						

- A** 2 wire system.
- B** 3 wire system. Converter required.
- BN** Exterior mounted plug on some or all models. May require an aftermarket electrical mounting box or bracket. (Sold separately)
- CH** T-One is equipped with circuit protected ModuLite® module.
- E** ModuLite® required.
- H** 3 wire system with OEM standard 2 wire harness.
- HG** T-One incorporates taillight converter.
- N** DO NOT cut or splice vehicle wiring. Only use approved T-One or see auto dealer for trailer tow wiring kit.
- RD** For vehicles equipped with factory tow package may require additional components or may be used as a replacement harness.

- RT2** Round Tube Class II 1-1/4"
- RT3** Round Tube Class III 2"
- RT4** Round Tube Class IV 2"
- SQ1** Square Tube Class I
- SQ2** Square Tube Class II
- SQ3** Square Tube Class III
- SQ4** Square Tube Class IV

RECEIVER HITCHES

MODEL / STYLE	YEAR	TRAILER HITCHES									
		PC	REC TYPE	REC SIZE	PART #	NO DRILL	FOOTNOTES	OPTIONAL DRAWBAR	WC (LBS.)	WD (LBS.)	IN
CHRYSLER (Continued)											
300	11-14	27	SQ2	1-1/4	36548	0	HM	36061	300/3,500		40
		23	SQ3	2	76145	0	HM				
300	15-19	27	SQ2	1-1/4	36548	0	HM	36061	300/3,500		30
		23	SQ3	2	76145	0	HM				
300 C	05-07										
300 C	11-14										
300M	99-01	37	SQ2	1-1/4	36275		HM,JR	36071	300/3,500		30
300M Except Special	02-04	37	SQ2	1-1/4	36275		HM,JR	36071	300/3,500		30
Aspen	07-08	18	SQ4	2	75162		AI		600/6,000	900/9,000	50
Aspen w/Factory 7-Way	07-08										
Aspen	09-09	18	SQ4	2	75162		AI		600/6,000	900/9,000	50
Aspen w/Factory 7-Way	09-09										
Cirrus	95-00	40	SQ2	1-1/4	36301		JR,HM	36061	300/3,500		60
Concorde	93-97	43	SQ2	1-1/4	36170		JR,TA,HM	36061	300/3,500		40
Concorde	98-01	42	SQ2	1-1/4	36270†		†,HM	36071	300/3,500		35
Concorde	02-02	36	SQ2	1-1/4	36274		JR,GP	36061	300/3,500		30
Concorde	03-04	36	SQ2	1-1/4	36274		JR,GP	36061	300/3,500		30
Intrepid (Canada Only)	93-97	43	SQ2	1-1/4	36170		JR,TA,HM	36061	300/3,500		40
Intrepid (Canada Only)	98-04	37	SQ2	1-1/4	36268		JR,HM	36053	300/3,500		30
LHS	94-97	43	SQ2	1-1/4	36170		JR,TA,HM	36063	300/3,500		40
LHS	99-99	36	SQ2	1-1/4	36274		JR,GP	36061	300/3,500		30
LHS	00-01	36	SQ2	1-1/4	36274		JR,GP	36061	300/3,500		30
Pacifica	04-08	37	RT3	2	75522	0	JR		350/3,500	500/5,000	45
Pacifica w/Factory 7-Way	04-08										
Pacifica Hybrid (Needs Conversion Kit: 76046SK)	17-19	26	RT2	1-1/4	36798	0	GP,JR,SV,KH,TW	36071	300/3,500		45
		28	RT3	2	76046	0	GP,JR,SV,KH,TW				
Pacifica Limited	17-19	26	RT2	1-1/4	36798	0	GP,JR,SV,KH,TW	36071	300/3,500		45
		28	RT3	2	76046	0	GP,JR,SV,KH,TW				
Pacifica LX	17-19	26	RT2	1-1/4	36798	0	GP,JR,SV,KH,TW	36071	300/3,500		45
		28	RT3	2	76046	0	GP,JR,SV,KH,TW				
Pacifica Touring	17-18	26	RT2	1-1/4	36798	0	GP,JR,SV,KH,TW	36071	300/3,500		45
		28	RT3	2	76046	0	GP,JR,SV,KH,TW				
Pacifica Touring L	17-19	26	RT2	1-1/4	36798	0	GP,JR,SV,KH,TW	36071	300/3,500		45
		28	RT3	2	76046	0	GP,JR,SV,KH,TW				
Pacifica Touring L Plus	17-19	26	RT2	1-1/4	36798	0	GP,JR,SV,KH,TW	36071	300/3,500		45
		28	RT3	2	76046	0	GP,JR,SV,KH,TW				
Pacifica Touring Plus	17-19	26	RT2	1-1/4	36798	0	GP,JR,SV,KH,TW	36071	300/3,500		45
		28	RT3	2	76046	0	GP,JR,SV,KH,TW				
PT Cruiser	01-04	31	SQ1	1-1/4	24759		JR,GP	3593	200/2,000		30
PT Cruiser	05-10	31	SQ1	1-1/4	24759		JR,GP	3593	200/2,000		30
PT Cruiser Convertible	05-09	31	SQ1	1-1/4	24759		JR,GP	3593	200/2,000		30
Sebring 4 Dr.	01-06	40	SQ2	1-1/4	36301		JR,HM	36061	300/3,500		60
Sebring Convertible	01-06	29	SQ1	1-1/4	24711		GP	3592	200/2,000		15
Sebring Convertible	07-10	28	SQ1	1-1/4	24871	0	GP,JR	3594	200/2,000		15
Sebring Except Convertible	07-10	28	SQ1	1-1/4	24871	0	GP,JR	3594	200/2,000		15
		31	SQ2	1-1/4	36448		GP,JR	36065	300/3,500		30
Town & Country	96-00	25	SQ1	1-1/4	24702†	0	HM	3593	200/2,000		30
		23	SQ2	1-1/4	36296	0	GP				
		30	RT3	2	75119						
		50	SQ3	2	37136						

† Available while supply lasts.
 AI Additional installation time may be required.
 GP Hitch crosstube concealed behind bumper.
 HM Hitch crosstube is visible beneath bumper.
 JR Exhaust must be temporarily lowered for installation.

KH Minor heat shield modification may be required.
 SV Trimming or removal of under body appearance panel may be required.
 TA Trunk access required for hitch installation.
 TW Receiver hitch may limit hands-free liftgate sensor range

T-ONE						TOW HARNESS						4-FLAT WIRING				REQ. 4 FLAT WIRING		7-WAY HARDWIRE	BRAKE CONTROL HARNESS	IN
PC	T-ONE	FN	IN	AMP	CP	PC	TOW HARN	FN	IN	AMP	CP	TYPE	ELEC	POS	CHOICE 1	CHOICE 2	6-WAY ADAPTER			
CHRYSLER (Continued)																				
E16	118600	CH	25	2,1,5,6	X								N	PC3,4		119251				
E15	118658	CH	45	4,2,7,5	X								A,E	PC3,4	119191	119148				
E14	118406	CH	15	2,1,5,6	X								B,E	PC3,4	119191	119148				
E16	118600	CH	25	2,1,5,6	X								N	PC3,4						
E12	118364	BN,HG	15	2,1,5									B	PC1,2	119130	119178				
E12	118364	BN,HG	15	2,1,5									B	PC1,2	119130	119178				
E15	118390	BN,CH	45	2,1,5,6	X	E3	118381	BN,RD	5	7.5		4-Flat	B,E	SUV1,2	119191	119148	20320	20321	20224	3020-P
							20135	RD	10			Both	H	SUV6	119148	20252				
E15	118390	BN,CH	45	2,1,5,6	X	E8	118384	BN,RD	5	7.5		4-Flat	B,E	SUV1,2	119191	119148	20320	20321	20224	3020-P
							74682	RD	10			Both	H	SUV6	119148	20252				
							85219	RD	5			7-Way								
													B	PC3,4	119130	119178				
													B	PC3,4	119130	119178				
E12	118364	BN,HG	15	2,1,5									B	PC1,2	119130	119178				
E12	118364	BN,HG	15	2,1,5									B	PC1,2	119130	119178				
													B	PC1,2	119130	119178				
													B	PC3,4	119130	119178				
E12	118364	BN,HG	15	2,1,5									B	PC1,2	119130	119178				
													B	PC3,4	119130	119178				
E12	118364	BN,HG	15	2,1,5									B	PC3,4	119130	119178				
													B	PC3,4	119130	119178				
E17	118303	BN,CH	25	2,1,5,6	X	E3	118381	BN,RD	5	7.5		4-Flat	B,E	SUV1,2	119191	119148	20320	20321	20224	
							20135	RD	10			Both	H	SUV6	119148	20252				
E15	118712	CH,BN	45	4,2,7,5	X								A,E	SUV1,2	119191	119148				
E18	118723	CH,BN	45		X								A,E	SUV1,2	119191	119148				
E18	118723	CH,BN	45		X								A,E	SUV1,2	119191	119148				
E15	118712	CH,BN	45	4,2,7,5	X								A,E	SUV1,2	119191	119148				
E15	118712	CH,BN	45	4,2,7,5	X								A,E	SUV1,2	119191	119148				
E15	118712	CH,BN	45	4,2,7,5	X								A,E	SUV1,2	119191	119148				
E19	118462	BN,CH	45	2,1,4,2	X								B	SUV1,2	119130	119178				
E19	118462	BN,CH	45	2,1,4,2	X								B,E	SUV1,2	119191	119148	20320	20321		
													B,E	SUV1,2	119191	119148				
													B	PC3,4	119130	119178				
													B	PC3,4	119130	119178				
E19	118444	BN,CH	45	2,1,4,2	X								B,E	PC3,4	119191	119148				
E19	118444	BN,CH	45	2,1,4,2	X								B,E	PC3,4	119191	119148				
E10	118334	HG	20	2,1,5									B	SUV1,2	119130	119178	20320	20321	20224	

- A** 2 wire system.
- B** 3 wire system. Converter required.
- BN** Exterior mounted plug on some or all models. May require an aftermarket electrical mounting box or bracket. (Sold separately)
- CH** T-One is equipped with circuit protected ModuLite® module.
- E** ModuLite® required.
- H** 3 wire system with OEM standard 2 wire harness.
- HG** T-One incorporates taillight converter.
- N** DO NOT cut or splice vehicle wiring. Only use approved T-One or see auto dealer for trailer tow wiring kit.
- RD** For vehicles equipped with factory tow package may require additional components or may be used as a replacement harness.

- RT2** Round Tube Class II 1-1/4"
- RT3** Round Tube Class III 2"
- SQ1** Square Tube Class I
- SQ2** Square Tube Class II
- SQ3** Square Tube Class III
- SQ4** Square Tube Class IV

RECEIVER HITCHES

MODEL / STYLE	YEAR	TRAILER HITCHES									
		PC	REC TYPE	REC SIZE	PART #	NO DRILL	FOOTNOTES	OPTIONAL DRAWBAR	WC (LBS.)	WD (LBS.)	IN
CHRYSLER (Continued)											
Town & Country	01-03	25	SQ1	1-1/4	247021	0	HM	3593	200/2,000		30
		23	SQ2	1-1/4	36296	0	GP	36071	300/3,500		30
		30	RT3	2	75119	0			350/3,500	500/5,000	30
		50	SQ3	2	37136				500/5,000	600/6,000	40
Town & Country Except w/Stow & Go Seats	04-07	25	SQ1	1-1/4	247021	0	HM	3593	200/2,000		30
		23	SQ2	1-1/4	36296	0	GP	36071	300/3,500		30
		30	RT3	2	75119	0			350/3,500	500/5,000	30
		50	SQ3	2	37136				500/5,000	600/6,000	40
Town & Country w/Stow & Go Seats	05-07	45	SQ2	1-1/4	36320	0	HM	36071	300/3,500		25
		54	SQ3	2	75305	0			350/3,500	400/4,000	25
Town & Country	08-10	24	SQ2	1-1/4	36455	0	GP, JR	36061	300/3,500		20
		19	SQ3	2	75579	0	GP, JR		400/4,000	500/5,000	20
Town & Country	11-16	24	SQ2	1-1/4	36455	0	GP, JR	36061	300/3,500		20
		19	SQ3	2	75579	0	GP, JR		400/4,000	500/5,000	20
Voyager	01-03	25	SQ1	1-1/4	247021	0	HM	3593	200/2,000		30
		23	SQ2	1-1/4	36296	0	GP	36071	300/3,500		30
		30	RT3	2	75119	0			350/3,500	500/5,000	30
		50	SQ3	2	37136				500/5,000	600/6,000	40
DODGE											
Avenger	08-10	28	SQ1	1-1/4	24871	0	GP, JR	3594	200/2,000		15
		31	SQ2	1-1/4	36448		GP, JR	36065	300/3,500		30
Avenger	11-11	28	SQ1	1-1/4	24871	0	GP, JR	3594	200/2,000		15
Avenger	12-14	28	SQ1	1-1/4	24871	0	GP, JR	3594	200/2,000		15
Caliber	07-07	23	SQ1	1-1/4	24769	0	GP	3591	200/2,000		15
Caliber Except SRT-4	08-12	23	SQ1	1-1/4	24769	0	GP	3591	200/2,000		15
Caravan	96-00	25	SQ1	1-1/4	247021	0	HM	3593	200/2,000		30
		23	SQ2	1-1/4	36296	0	GP	36071	300/3,500		30
		30	RT3	2	75119				350/3,500	500/5,000	30
		50	SQ3	2	37136				500/5,000	600/6,000	40
Caravan	01-03	25	SQ1	1-1/4	247021	0	HM	3593	200/2,000		30
		23	SQ2	1-1/4	36296	0	GP	36071	300/3,500		30
		30	RT3	2	75119	0			350/3,500	500/5,000	30
		50	SQ3	2	37136				500/5,000	600/6,000	40
Caravan Except w/Stow & Go Seats	04-07	25	SQ1	1-1/4	247021	0	HM	3593	200/2,000		30
		23	SQ2	1-1/4	36296	0	GP	36071	300/3,500		30
		30	RT3	2	75119	0			350/3,500	500/5,000	30
		50	SQ3	2	37136				500/5,000	600/6,000	40
Challenger Except Models w/Quad Tip Exhaust	08-14	27	SQ2	1-1/4	36548	0	HM	36061	300/3,500		30
		23	SQ3	2	76145	0	HM		675/4,500		30
Challenger Except Models w/Quad Tip Exhaust	15-19	27	SQ2	1-1/4	36548	0	HM	36061	300/3,500		30
		23	SQ3	2	76145	0	HM		675/4,500		30
		23	SQ2	1-1/4	36548	0	HM	36061	300/3,500		30
Charger	06-10	27	SQ2	1-1/4	36548	0	HM	36061	300/3,500		30
		23	SQ3	2	76145	0	HM		675/4,500		30
Charger	11-14	27	SQ2	1-1/4	36548	0	HM	36061	300/3,500		30
		23	SQ3	2	76145	0	HM		675/4,500		30
Charger	15-19	27	SQ2	1-1/4	36548	0	HM	36061	300/3,500		30
		23	SQ3	2	76145	0	HM		675/4,500		30
Dakota	97-99	50	SQ3	2	37136		CT, GU		500/5,000	600/6,000	35
		34	SQ3	2	75038		GU, GP		500/5,000	800/8,000	30
		31	SQ3	2	75073	0	GU, GP		500/5,000	750/7,500	15
Dakota	00-01	50	SQ3	2	37136		CT, GU		500/5,000	600/6,000	35
		34	SQ3	2	75038		GU, GP		500/5,000	800/8,000	30
		31	SQ3	2	75073	0	GU, GP		500/5,000	750/7,500	15

CT Will not fit long bed models after 1999.
 GP Hitch crosstube concealed behind bumper.
 GU Will not fit vehicles with factory or aftermarket lower Fascia/Rollpan or Tube Bumper.

HM Hitch crosstube is visible beneath bumper.
 JR Exhaust must be temporarily lowered for installation.

T-ONE					TOW HARNESS					4-FLAT WIRING				REQ. 4 FLAT WIRING		7-WAY HARDWARE	BRAKE CONTROL HARNESS	IN		
PC	T-ONE	FN	IN	AMP	CP	TOW HARN	FN	IN	AMP	CP	TYPE	ELEC	POS	CHOICE 1	CHOICE 2				6-WAY ADAPTER	7-WAY ADAPTER
CHRYSLER (Continued)																				
E7	118376	HG	15	2.1,5								B	SUV1,2	119130	119178	20320	20321	20224		
E7	118300		20	7.5								A	SUV1,2	119148	20252	20320	20321	20224		
E7	118300		20	7.5								A	SUV1,2	119148	20252	20320	20321	20224		
E18	118552	CH	45	4.2,7.5	X							A,E	SUV1,2	119191	119148	20320	20321	20224		
E18	118534	BN,CH	45	4.2,7.5	X							C,E	SUV1,2	119191	119148	20320	20321	20224		
E7	118376	HG	15	2.1,5								B	SUV1,2	119130	119178	20320	20321	20224		
DODGE																				
E19	118445	BN,CH	45	2.1,4.2	X							A,E	PC1,2	119191	119148					
E18	118550	BN,CH	45	2.1,5.6	X							B,E	PC1,2	119191	119148					
E17	118577	CH	45	2.1,5.6	X							N	PC1,2		119251					
E18	118428	BN,CH	45	2.1,4.2	X							B,E	PC1,2	119191	119148					
E18	118552	CH	45	4.2,7.5	X							A,E	PC1,2	119191	119148	20320	20321	20224		
E10	118334	HG	20	2.1,5								B	SUV1,2	119130	119178	20320	20321	20224		
E7	118376	HG	15	2.1,5								B	SUV1,2	119130	119178	20320	20321	20224		
E7	118300		20	7.5								A	SUV1,2	119148	20252	20320	20321	20224		
E7	118404		10	7.5								A	PC3,4	119148	20252					
E16	118656	CH	45	4.2,7.5	X							A,E	PC3,4	119191	119148					
E7	118404		10	7.5								A	PC3,4	119148	20252					
E19	118560	CH	25	4.2,7.5	X							N	PC3,4		119251					
E15	118655	CH	45	4.2,7.5	X							A,E	PC3,4	119191	119148					
E7	118329	BN,HJ	5	7.5								A	PU3,4	119148	20252	20320	20321	20224	3020-P	5
E7	118329	BN,HJ	5	7.5		E3	118381	BN,RD	5	7.5	4-Flat	A	PU3,4	119148	20252	20320	20321	20224	3020-P	5

- A** 2 wire system.
- B** 3 wire system. Converter required.
- BN** Exterior mounted plug on some or all models. May require an aftermarket electrical mounting box or bracket. (Sold separately)
- C** 2 or 3 wire system determine at installation.
- CH** T-One is equipped with circuit protected ModuLite® module.
- E** ModuLite® required.
- HG** T-One incorporates taillight converter.
- HJ** Per Dodge owner's manual: If trailer is equipped with more than standard lighting (1 taillight per side) use of ModuLite® or dealer supplied harness is required.
- N** DO NOT cut or splice vehicle wiring. Only use approved T-One or see auto dealer for trailer tow wiring kit.
- RD** For vehicles equipped with factory tow package may require additional components or may be used as a replacement harness.

- RT3** Round Tube Class III 2"
- SQ1** Square Tube Class I
- SQ2** Square Tube Class II
- SQ3** Square Tube Class III

RECEIVER HITCHES

MODEL / STYLE	YEAR	TRAILER HITCHES									
		PC	REC TYPE	REC SIZE	PART #	NO DRILL	FOOTNOTES	OPTIONAL DRAWBAR	WC (LBS.)	WD (LBS.)	IN
DODGE (Continued)											
Dakota w/Factory 7-Way	00-09										
Dakota	02-03	34	SQ3	2	75038		GU,GP		500/5,000	800/8,000	30
		31	SQ3	2	75073	0	GU,GP		500/5,000	750/7,500	15
Dakota Except Quad Cab	02-03	50	SQ3	2	37136		CT,GU		500/5,000	600/6,000	35
Dakota	04-04	34	SQ3	2	75038		GU,GP		500/5,000	800/8,000	30
		31	SQ3	2	75073	0	GU,GP		500/5,000	750/7,500	15
Dakota Except Quad Cab	04-04	50	SQ3	2	37136		CT,GU		500/5,000	600/6,000	35
Dakota	05-09	27	SQ3	2	75251	0	HM		500/5,000	800/8,000	20
Dakota	10-10	27	SQ3	2	75251	0	HM		500/5,000	800/8,000	20
Dart	13-16	30	SQ1	1-1/4	24890	0	HM	3592	200/2,000		20
Durango	98-99	34	SQ3	2	75081	0	GP		500/5,000	750/7,500	15
Durango	00-03	34	SQ3	2	75081	0	GP		500/5,000	750/7,500	15
Durango w/Factory 7-Way	00-08										
Durango	04-06	18	SQ4	2	75162		AI		600/6,000	900/9,000	50
		39	RT4	2	75292	0			600/6,000	900/9,000	20
Durango	07-08	18	SQ4	2	75162		AI		600/6,000	900/9,000	50
Durango	09-09	18	SQ4	2	75162		AI		600/6,000	900/9,000	50
Durango w/Factory 7-Way	09-09										
Durango	11-13	25	RT4	2	75113	0	CS,HM		900/6,000	900/7,500	20
		31	SQ4	2	76196	0	DU,GP,JR,TZ		900/6,000	900/7,500	90
Durango	14-19	25	RT4	2	75113	0	CS,HM		900/6,000	900/7,500	20
		31	SQ4	2	76196	0	DU,GP,JR,TZ		900/6,000	900/7,500	90
Grand Caravan	96-00	25	SQ1	1-1/4	24702†	0	HM	3593	200/2,000		30
		23	SQ2	1-1/4	36296	0	GP	36071	300/3,500		30
		30	RT3	2	75119				350/3,500	500/5,000	30
		50	SQ3	2	37136				500/5,000	600/6,000	40
Grand Caravan	01-03	25	SQ1	1-1/4	24702†	0	HM	3593	200/2,000		30
		23	SQ2	1-1/4	36296	0	GP	36071	300/3,500		30
		30	RT3	2	75119	0			350/3,500	500/5,000	30
		50	SQ3	2	37136				500/5,000	600/6,000	40
Grand Caravan Except w/Stow & Go Seats	04-07	25	SQ1	1-1/4	24702†	0	HM	3593	200/2,000		30
		23	SQ2	1-1/4	36296	0	GP	36071	300/3,500		30
		30	RT3	2	75119	0			350/3,500	500/5,000	30
		50	SQ3	2	37136				500/5,000	600/6,000	40
Grand Caravan w/Stow & Go Seats	05-07	45	SQ2	1-1/4	36320	0	HM	36071	300/3,500		25
		54	SQ3	2	75305	0			350/3,500	400/4,000	25
Grand Caravan	08-10	24	SQ2	1-1/4	36455	0	GP,JR	36061	300/3,500		20
		19	SQ3	2	75579	0	GP,JR		400/4,000	500/5,000	20
Grand Caravan	11-18	24	SQ2	1-1/4	36455	0	GP,JR	36061	300/3,500		20
		19	SQ3	2	75579	0	GP,JR		400/4,000	500/5,000	20
Intrepid	93-97	43	SQ2	1-1/4	36170		JR,TA,HM	36061	300/3,500		40
Intrepid	98-04	37	SQ2	1-1/4	36268		JR,HM	36053	300/3,500		30
Journey	09-09	29	RT3	2	75648	0	HM,JR		400/4,000	400/4,000	25
		33	SQ3	2	76225	0	DU,FE,GP,JR,TZ		525/3,500		90
Journey	10-10	29	RT3	2	75648	0	HM,JR		400/4,000	400/4,000	25
		33	SQ3	2	76225	0	DU,FE,GP,JR,TZ		525/3,500		90
Journey w/LED Taillights	11-18	29	RT3	2	75648	0	HM,JR		400/4,000	400/4,000	25
		33	SQ3	2	76225	0	DU,FE,GP,JR,TZ		525/3,500		90
Journey Except w/LED Taillights	12-18	29	RT3	2	75648	0	HM,JR		400/4,000	400/4,000	25
		33	SQ3	2	76225	0	DU,FE,GP,JR,TZ		525/3,500		90
Magnum	05-08	27	SQ2	1-1/4	36548	0	HM	36061	300/3,500		30
		23	SQ3	2	76145	0	HM		675/4,500		30
Neon	00-05	42	SQ1	1-1/4	24701		GP,JR	3593	200/2,000		20

- | | |
|--|--|
| AI Additional installation time may be required. | GU Will not fit vehicles with factory or aftermarket lower Fascia/Rollpan or Tube Bumper. |
| CS Will fit with full-size spare tire stowed under vehicle. | HM Hitch crosstube is visible beneath bumper. |
| CT Will not fit long bed models after 1999. | JR Exhaust must be temporarily lowered for installation. |
| DU Fascia removal required. | TA Trunk access required for hitch installation. |
| FE Fascia trimming may be required. Allow additional installation time. | TZ Requires replacement of the impact structure with hitch. |
| GP Hitch crosstube concealed behind bumper. | |

T-ONE					TOW HARNESS					4-FLAT WIRING				REQ. 4 FLAT WIRING		7-WAY HARDWIRE	BRAKE CONTROL HARNESS	IN		
PC	T-ONE	FN	IN	AMP	CP	TOW HARN	FN	IN	AMP	CP	TYPE	ELEC	POS	CHOICE 1	CHOICE 2				6-WAY ADAPTER	7-WAY ADAPTER
DODGE (Continued)																				
E7	118329	BN,HJ	5	7.5		20135	RD	10			Both	A	PU3	119148	20252					
					E3	118381	BN,RD	5	7.5		4-Flat	A	PU3,4	119148	20252	20320	20321	20224	3020-P	5
E7	118329	BN,HJ	5	7.5		118381	BN,RD	5	7.5		4-Flat	A	PU3,4	119148	20252	20320	20321	20224	3020-P	5
E6	118323	BN,HJ	10	7.5		118381	BN,RD	5	7.5		4-Flat	A	PU1,2	119148	20252	20320	20321	20224	3020-P	5
E6	118323	BN,HJ	10	7.5		118381	BN,RD	5	7.5		4-Flat	A	PU1,2	119148	20252	20320	20321	20224	3020-P	5
E6	118323	BN,HJ	10	7.5								A	PU1,2	119148	20252	20320	20321	20224	3020-P	5
E16	118568		25	4.2,7.5	X							A,E	PC3,4	119191	119148					
E10	118334	BN,HG	20	2.1,5								B	SUV1,2	119130	119178	20320	20321	20224	3020-P	5
E10	118334	BN,HG	20	2.1,5		E3	118381	BN,RD	5	7.5	4-Flat	B	SUV1,2	119130	119178	20320	20321	20224	3020-P	5
E15	118390	BN,CH	45	2.1,5.6	X	20135	RD	10			Both	H	SUV6	119148	20252					
					E3	118381	BN,RD	5	7.5		4-Flat	B,E	SUV1,2	119191	119148	20320	20321	20224	3020-P	5
E15	118390	BN,CH	45	2.1,5.6	X	E3	118381	BN,RD	5	7.5	4-Flat	B,E	SUV1,2	119191	119148	20320	20321	20224	3020-P	5
E15	118390	BN,CH	45	2.1,5.6	X	E8	118384	BN,RD	5	7.5	4-Flat	B,E	SUV1,2	119191	119148	20320	20321	20224	3020-P	5
E18	118552	CH	45	4.2,7.5	X	74682	RD	10			Both	H	SUV6	119148	20252					
												A,E	SUV1,2	119191	119148	20320	20321	20224	3045-P	5
E16	118617	CH,BN	45	4.2,7.5	X							A,E	SUV1,2	119191	119148	20320	20321	20224	3045-P	5
E10	118334	HG	20	2.1,5								B	SUV1,2	119130	119178	20320	20321	20224		
E7	118376	HG	15	2.1,5								B	SUV1,2	119130	119178	20320	20321	20224		
E7	118300		20	7.5								A	SUV1,2	119148	20252	20320	20321	20224		
E7	118300		20	7.5								A	SUV1,2	119148	20252	20320	20321	20224		
E18	118552	CH	45	4.2,7.5	X							A,E	SUV1,2	119191	119148	20320	20321	20224		
E18	118534	BN,CH	45	4.2,7.5	X							C,E	SUV1,2	119191	119148	20320	20321	20224		
E12	118364	BN,HG	15	2.1,5								B	PC3,4	119130	119178					
E18	118474	CH	45	2.1,5.6	X							B	PC1,2	119130	119178					
E18	118474	CH	45	2.1,5.6	X							B,E	SUV1,2	119191	119148	20320	20321	20224		
E8	118495		10	7.5								A	SUV1,2	119148	20252	20320	20321	20224		
E17	118536	CH	45	4.2,7.5	X							BM	SUV1,2	119251	119191	20320	20321	20224		
E14	118567	CH	45	2.1,5.6	X							A,E	SUV1,2	119191	119148	20320	20321	20224		
E19	118402	BN,CH	45	2.1,5.6	X							B,E	PC1,2	119191	119148					
												A	PC3,4	119148	20252					

- A** 2 wire system.
- B** 3 wire system. Converter required.
- BM** Multiplexed wiring system. ModuLite® HD Plus or Ultra required.
- BN** Exterior mounted plug on some or all models. May require an aftermarket electrical mounting box or bracket. (Sold separately)
- C** 2 or 3 wire system determine at installation.
- CH** T-One is equipped with circuit protected ModuLite® module.

- E** ModuLite® required.
- H** 3 wire system with OEM standard 2 wire harness.
- HG** T-One incorporates taillight converter.
- HJ** Per Dodge owner's manual: If trailer is equipped with more than standard lighting (1 taillight per side) use of ModuLite® or dealer supplied harness is required.
- RD** For vehicles equipped with factory tow package may require additional components or may be used as a replacement harness.

- RT3** Round Tube Class III 2"
- RT4** Round Tube Class IV 2"
- SQ1** Square Tube Class I
- SQ2** Square Tube Class II
- SQ3** Square Tube Class III
- SQ4** Square Tube Class IV

RECEIVER HITCHES

MODEL / STYLE	YEAR	TRAILER HITCHES									
		PC	REC TYPE	REC SIZE	PART #	NO DRILL	FOOTNOTES	OPTIONAL DRAWBAR	WC (LBS.)	WD (LBS.)	IN
DODGE (Continued)											
Nitro	07-07	29	SQ3	2	75517	0	GP		500/5,000	600/6,000	20
Nitro	08-11	29	SQ3	2	75517	0	GP		500/5,000	600/6,000	20
Ram w/Factory 7-Way	00-01										
Ram 1500	95-01	49	RT3	2	37133		GU		500/5,000	750/7,500	40
		25	SQ3	2	75101	0			500/5,000	800/8,000	15
		30	SQ4	2	40050		CQ,G0,GX		600/6,000	1,000/10,000	40
		56	SQ4	2	41536	0			600/6,000	1,000/10,000	15
		54	RT4	2	37130		GU		700/7,000	1,200/12,000	40
		45	SQ5	2	41923	0	@,GP		1,200/12,000	1,400/14,000	35
Ram 1500 w/Deep Drop Bumper	95-01	29	SQ3	2	41504		CQ		500/5,000	1,000/10,000	40
Ram 1500 (Built Before 11/2002)	02-03	14	SQ3	2	75135	0	CP,DS,GU		500/5,000	1,000/10,000	15
Ram 1500 (Built Before 11/2002), w/Factory 7-Way	02-03										
Ram 1500 (Built After 11/2002)	03-03	11	SQ3	2	75151	0	CP,DS,GU		500/5,000	800/8,000	20
		46	SQ4	2	75420	0	CP,DY		600/6,000	1,000/10,000	25
		11	SQ4	2	75662	0	CP,DS		600/6,000	1,000/10,000	20
		37	SQ5	2	41929		@,DY,GP,KL,SG		1,200/12,000	1,500/15,000	35
		64	SQ5	2-1/2	45518		#,DY,KL,SB		1,200/12,000	1,700/14,000	35
Ram 1500 (Built After 11/2002) w/Factory 7-Way	03-03										
Ram 1500 Except Daytona/Hemi Sport Quad Cab/Ram Rumble Bee/SRT-10	04-05	11	SQ3	2	75151	0	CP,GU		500/5,000	800/8,000	20
		46	SQ4	2	75420	0	CP		600/6,000	1,000/10,000	25
		11	SQ4	2	75662	0	CP		600/6,000	1,000/10,000	20
		37	SQ5	2	41929		@,GP,KL,SG		1,200/12,000	1,500/15,000	35
		64	SQ5	2-1/2	45518		#,KL,SB		1,200/12,000	1,700/14,000	35
Ram 1500 Except Daytona/Hemi Sport Quad Cab/Ram Rumble Bee/SRT-10, w/Factory 7-Way	04-05										
Ram 1500	06-08	11	SQ3	2	75151	0	CP,GU		500/5,000	800/8,000	20
		46	SQ4	2	75420	0	CP		600/6,000	1,000/10,000	25
		11	SQ4	2	75662	0	CP		600/6,000	1,000/10,000	20
		37	SQ5	2	41929		@,GP,KL,SG		1,200/12,000	1,500/15,000	35
		64	SQ5	2-1/2	45518		#,KL,SB		1,200/12,000	1,700/14,000	35
Ram 1500 Except Mega Cab/SRT-10, w/Factory 7-Way	06-08										
Ram 1500	09-09	11	SQ4	2	75662	0	CP		600/6,000	1,000/10,000	20
Ram 1500 w/Factory 7-Way	09-10										
Ram 1500	10-10	11	SQ4	2	75662	0	CP		600/6,000	1,000/10,000	20
Ram 2500	95-98	50	SQ5	2-1/2	45505		#,HX		1,200/12,000	1,700/14,000	45
Ram 2500	95-02	49	RT3	2	37133		GU		500/5,000	750/7,500	40
		25	SQ3	2	75101	0			500/5,000	800/8,000	15
		30	SQ4	2	40050		CQ,G0,GX		600/6,000	1,000/10,000	40
		56	SQ4	2	41536	0			600/6,000	1,000/10,000	15
		54	RT4	2	37130		GU		700/7,000	1,200/12,000	40
		45	SQ5	2	41923	0	@,GP		1,200/12,000	1,400/14,000	35
Ram 2500 w/Deep Drop Bumper	95-02	29	SQ3	2	41504		CQ		500/5,000	1,000/10,000	40
Ram 2500	99-02	54	SQ5	2-1/2	45513		#		1,200/12,000	1,700/14,000	30
Ram 2500 w/Factory 7-Way	02-09										
Ram 2500	03-05	11	SQ3	2	75151	0	CP,GU		500/5,000	800/8,000	20
		46	SQ4	2	75420	0	CP,DY		600/6,000	1,000/10,000	25
		11	SQ4	2	75662	0	CP		600/6,000	1,000/10,000	20
		37	SQ5	2	41929		@,GP,KL,SG		1,200/12,000	1,500/15,000	35
		64	SQ5	2-1/2	45518		#,KL,SB		1,200/12,000	1,700/14,000	35
		66	SQ5	2-1/2	45509		#,AA,GH,HM,LT,SO,TO		2,000/18,000	2,500/18,000	95

- # Titan hitches require use of a 2-1/2" shank Titan ball mount.
- @ Ultra Frame ball mount must be used to achieve maximum weight carrying rating.
- AA Requires temporary removal of bumper during installation.
- CP Fits all models without factory installed receiver.
- CQ Will not fit with heavy duty suspension.
- DS Use DT #75151 On 1500 Models Built After 11/1/02. Use DT #75135 On 1500 Models Built Before 11/1/02.
- DY Use On 1500 Models Built After 11/1/02.
- GH Will not fit models with 34" wide frames.
- GO Requires hitch with packaging date code 2/15/94 or later.
- GP Hitch crosstube concealed behind bumper.
- GU Will not fit vehicles with factory or aftermarket lower Fascia/Rollpan or Tube Bumper.
- GX Requires fabrication of "L" bracket to reposition exhaust on '95 and later 6 ft. box models.
- HM Hitch crosstube is visible beneath bumper.
- HX Minor exhaust modification may be required.
- KL Hitch is designed to attach beneath the OEM hitch.
- LT Requires removal of factory hitch if equipped.
- SB Will not fit models with short bed.
- SG Hitches produced before 09/10/07 are rated at 1000/10000 WC & 1200/12000 WD.
- SO With this hitch installed the step bumper is no longer able to be used as a towing point.
- TO Will not fit models equipped Chassis Cab spring mount.

T-ONE						TOW HARNESS						4-FLAT WIRING				REQ. 4 FLAT WIRING		7-WAY HARDWIRE	BRAKE CONTROL HARNESS	IN
PC	T-ONE	FN	IN	AMP	CP	TOW HARN	FN	IN	AMP	CP	TYPE	ELEC	POS	CHOICE 1	CHOICE 2	6-WAY ADAPTER	7-WAY ADAPTER			
DODGE (Continued)																				
E19	118554	BN,CH	45	4.2,7.5	X							B	SUV1,2	119130	119178	20320	20321	20224		
E19	118554	BN,CH	45	4.2,7.5	X							B,E	SUV1,2	119191	119148	20320	20321	20224		
						20135	RD	10			Both	H	PU3	119148	20252					
E7	118329	BN,HJ	5	7.5								A	PU3,4	119148	20252	20320	20321	20224	3020-P	5
E7	118329	BN,HJ	5	7.5								A	PU3,4	119148	20252	20320	20321	20224	3020-P	5
						E3	118381	BN,RD	5	7.5	4-Flat	A	PU3	119148	20252	20320	20321	20224	3020-P	5
							20135	RD	10		Both	H	PU3	119148	20252					
						E3	118381	BN,RD	5	7.5	4-Flat	A	PU3	119148	20252	20320	20321	20224	3020-P	5
							20135	RD	10		Both	H	PU3	119148	20252					
						E3	118381	BN,RD	5	7.5	4-Flat	A	PU3	119148	20252	20320	20321	20224	3020-P	5
							20135	RD	10		Both	H	PU3	119148	20252					
						E8	118384	BN,RD	5	7.5	4-Flat	A	PU3	119148	20252	20320	20321	20224	3020-P	5
							74682	RD	10		Both	A	PU3	119148	20252					
							85219	RD	5		7-Way									
						E8	118384	BN,RD	5	7.5	4-Flat	A	PU3	119148	20252	20320	20321	20224	3021-P	5
E7	118329	BN,HJ	5	7.5								A	PU3,4	119148	20252	20320	20321	20224	3020-P	5
E7	118329	BN,HJ	5	7.5								A	PU3,4	119148	20252	20320	20321	20224	3020-P	5
												A	PU3,4	119148	20252	20320	20321	20224	3020-P	5
E7	118329	BN,HJ	5	7.5								A	PU3,4	119148	20252	20320	20321	20224	3020-P	5
E7	118329	BN,HJ	5	7.5								A	PU3,4	119148	20252	20320	20321	20224	3020-P	5
							20135	RD	10		Both	H	PU3	119148	20252					
						E3	118381	BN,RD	5	7.5	4-Flat	A	PU3	119148	20252	20320	20321	20224	3020-P	5

- A** 2 wire system.
- B** 3 wire system. Converter required.
- BN** Exterior mounted plug on some or all models. May require an aftermarket electrical mounting box or bracket. (Sold separately)
- CH** T-One is equipped with circuit protected ModuLite® module.

- E** ModuLite® required.
- H** 3 wire system with OEM standard 2 wire harness.
- HJ** Per Dodge owner's manual: If trailer is equipped with more than standard lighting (1 taillight per side) use of ModuLite® or dealer supplied harness is required.
- RD** For vehicles equipped with factory tow package may require additional components or may be used as a replacement harness.

- RT3** Round Tube Class III 2"
- RT4** Round Tube Class IV 2"
- SQ3** Square Tube Class III
- SQ4** Square Tube Class IV
- SQ5** Square Tube Class V

RECEIVER HITCHES

MODEL / STYLE	YEAR	TRAILER HITCHES									
		PC	REC TYPE	REC SIZE	PART #	NO DRILL	FOOTNOTES	OPTIONAL DRAWBAR	WC (LBS.)	WD (LBS.)	IN
DODGE (Continued)											
Ram 2500	06-09	11	SQ3	2	75151	0	CP, GU		500/5,000	800/8,000	20
		46	SQ4	2	75420	0	CP		600/6,000	1,000/10,000	25
		11	SQ4	2	75662	0	CP		600/6,000	1,000/10,000	20
		37	SQ5	2	41929		@, GP, KL, SG		1,200/12,000	1,500/15,000	35
		66	SQ5	2-1/2	45509		#, AA, GH, HM, LT, SO, TO		2,000/18,000	2,500/18,000	95
Ram 2500 Except Mega Cab	06-09	64	SQ5	2-1/2	45518		#, KL, SB		1,200/12,000	1,700/14,000	35
Ram 2500	10-10	37	SQ5	2	41929		@, GP, KL, SG		1,200/12,000	1,500/15,000	35
		66	SQ5	2-1/2	45509		#, AA, GH, HM, LT, SO, TO		2,000/18,000	2,500/18,000	95
Ram 2500 Except Mega Cab	10-10	64	SQ5	2-1/2	45518		#, KL, SB		1,200/12,000	1,700/14,000	35
Ram 2500 w/Factory 7-Way	10-10										
Ram 3500	95-98	50	SQ5	2-1/2	45505		#, HX		1,200/12,000	1,700/14,000	45
Ram 3500	95-02	49	RT3	2	37133		GU		500/5,000	750/7,500	40
		25	SQ3	2	75101	0			500/5,000	800/8,000	15
		30	SQ4	2	40050		CQ, GO, GX		600/6,000	1,000/10,000	40
		56	SQ4	2	41536	0			600/6,000	1,000/10,000	15
		54	RT4	2	37130		GU		700/7,000	1,200/12,000	40
		45	SQ5	2	41923	0	@, GP		1,200/12,000	1,400/14,000	35
Ram 3500 w/Deep Drop Bumper	95-02	29	SQ3	2	41504		CQ		500/5,000	1,000/10,000	40
Ram 3500	99-02	54	SQ5	2-1/2	45513		#		1,200/12,000	1,700/14,000	30
Ram 3500 w/Factory 7-Way	02-09										
Ram 3500	03-05	11	SQ3	2	75151	0	CP, GU		500/5,000	800/8,000	20
		46	SQ4	2	75420	0	CP, DY		600/6,000	1,000/10,000	25
		11	SQ4	2	75662	0	CP		600/6,000	1,000/10,000	20
		37	SQ5	2	41929		@, GP, KL, SG		1,200/12,000	1,500/15,000	35
		64	SQ5	2-1/2	45518		#, KL, SB		1,200/12,000	1,700/14,000	35
		66	SQ5	2-1/2	45509		#, AA, GH, HM, LT, SO, TO		2,000/18,000	2,500/18,000	95
Ram 3500	06-09	11	SQ3	2	75151	0	CP, GU		500/5,000	800/8,000	20
		46	SQ4	2	75420	0	CP		600/6,000	1,000/10,000	25
		11	SQ4	2	75662	0	CP		600/6,000	1,000/10,000	20
		37	SQ5	2	41929		@, GP, KL, SG		1,200/12,000	1,500/15,000	35
		66	SQ5	2-1/2	45509		#, AA, GH, HM, LT, SO, TO		2,000/18,000	2,500/18,000	95
Ram 3500 Except Mega Cab	06-09	64	SQ5	2-1/2	45518		#, KL, SB		1,200/12,000	1,700/14,000	35
Ram 3500 Cab & Chassis, w/34" Wide Frames	07-10	29	SQ5	2	41936		@		1,200/12,000		30
		50	SQ5	2	41947		@		1,600/15,000	1,600/16,000	35
Ram 3500	10-10	37	SQ5	2	41929		@, GP, KL, SG		1,200/12,000	1,500/15,000	35
		66	SQ5	2-1/2	45509		#, AA, GH, HM, LT, SO, TO		2,000/18,000	2,500/18,000	95
Ram 3500 Except Mega Cab	10-10	64	SQ5	2-1/2	45518		#, KL, SB		1,200/12,000	1,700/14,000	35
Ram 3500 w/Factory 7-Way	10-10										
Ram 4500 Cab & Chassis, w/34" Wide Frames	08-10	29	SQ5	2	41936		@		1,200/12,000		30
		50	SQ5	2	41947		@		1,600/15,000	1,600/16,000	35
Ram 5500 Cab & Chassis, w/34" Wide Frames	08-10	29	SQ5	2	41936		@		1,200/12,000		30
		50	SQ5	2	41947		@		1,600/15,000	1,600/16,000	35
Sprinter 2500 w/41" Wide Frames, Except 118" Wheelbase & Factory Metal Step Platform	03-06	48	SQ3	2	75210	0	HM		500/5,000	750/7,500	20
Sprinter 2500 w/41" Wide Frames, Except 118" Wheelbase & Factory Metal Step Platform, w/Factory 7-Way	03-06										
Sprinter 2500 144" & 170" Wheelbase, Except w/Factory Step Bumper	07-09	53	SQ4	2	75549	0	HM, UL		600/6,000	750/7,500	20
Sprinter 2500 144" & 170" Wheelbase, Except w/Factory Step Bumper, w/Factory 7-Way	07-09										

- | | |
|---|---|
| <p># Titan hitches require use of a 2-1/2" shank Titan ball mount.</p> <p>@ Ultra Frame ball mount must be used to achieve maximum weight carrying rating.</p> <p>AA Requires temporary removal of bumper during installation.</p> <p>CP Fits all models without factory installed receiver.</p> <p>CQ Will not fit with heavy duty suspension.</p> <p>DY Use On 1500 Models Built After 11/1/02.</p> <p>GH Will not fit models with 34" wide frames.</p> <p>GO Requires hitch with packaging date code 2/15/94 or later.</p> <p>GP Hitch crosstube concealed behind bumper.</p> <p>GU Will not fit vehicles with factory or aftermarket lower Fascia/Rollpan or Tube Bumper.</p> | <p>GX Requires fabrication of "L" bracket to reposition exhaust on '95 and later 6 ft. box models.</p> <p>HM Hitch crosstube is visible beneath bumper.</p> <p>HX Minor exhaust modification may be required.</p> <p>KL Hitch is designed to attach beneath the OEM hitch.</p> <p>LT Requires removal of factory hitch if equipped.</p> <p>SB Will not fit models with short bed.</p> <p>SG Hitches produced before 09/10/07 are rated at 1000/10000 WC & 1200/12000 WD.</p> <p>SO With this hitch installed the step bumper is no longer able to be used as a towing point.</p> <p>TD Will not fit models equipped Chassis Cab spring mount.</p> <p>UL This hitch will not fit a Sprinter single or dual rear-wheel vehicle with a 30-3/8" wide frame measured outside of frame to outside of frame.</p> |
|---|---|

T-ONE					TOW HARNESS					4-FLAT WIRING				REQ. 4 FLAT WIRING		7-WAY HARDWIRE	BRAKE CONTROL HARNESS	IN			
PC	T-ONE	FN	IN	AMP	CP	PC	TOW HARN	FN	IN	AMP	CP	TYPE	ELEC	POS	CHOICE 1				CHOICE 2	6-WAY ADAPTER	7-WAY ADAPTER
DODGE (Continued)																					
						E3	118381	BN,RD	5	7.5		4-Flat	A	PU3	119148	20252	20320	20321	20224	3020-P	5
						E3	118381	BN,RD	5	7.5		4-Flat	A	PU3	119148	20252	20320	20321	20224	3020-P	5
						E8	118384	BN,RD	5	7.5		4-Flat	A	PU3	119148	20252	20320	20321	20224	3021-P	5
						E8	118384	BN,RD	5	7.5		4-Flat	A	PU3	119148	20252	20320	20321	20224	3021-P	5
							74682 85219	RD RD	10 5			Both 7-Way	A	PU3	119148	20252					
E7	118329	BN,HJ	5	7.5									A	PU3,4	119148	20252	20320	20321	20224	3020-P	5
E7	118329	BN,HJ	5	7.5									A	PU3,4	119148	20252	20320	20321	20224	3020-P	5
E7	118329	BN,HJ	5	7.5									A	PU3,4	119148	20252	20320	20321	20224	3020-P	5
E7	118329	BN,HJ	5	7.5									A	PU3,4	119148	20252	20320	20321	20224	3020-P	5
							20135	RD	10			Both	H	PU3	119148	20252					
						E3	118381	BN,RD	5	7.5		4-Flat	A	PU3	119148	20252	20320	20321	20224	3020-P	5
						E3	118381	BN,RD	5	7.5		4-Flat	A	PU3	119148	20252	20320	20321	20224	3020-P	5
						E3	118381	BN,RD	5	7.5		4-Flat	A	PU3	119148	20252	20320	20321	20224	3020-P	5
													C	PU1,2	119191	119148	20320	20321	20224	3020-P	5
						E8	118384	BN,RD	5	7.5		4-Flat	A	PU3	119148	20252	20320	20321	20224	3021-P	5
						E8	118384	BN,RD	5	7.5		4-Flat	A	PU3	119148	20252	20320	20321	20224	3021-P	5
							74682 85219	RD RD	10 5			Both 7-Way	A	PU3	119148	20252					
													C	PU1,2	119191	119148	20320	20321	20224	3020-P	5
													C	PU1,2	119191	119148	20320	20321	20224	3020-P	5
						E3	118381	BN,RD	5	7.5		4-Flat	B,E	SUV3,4	119191	119148	20320	20321	20224		
							20135	RD	10			Both	H	SUV6							
E17	118650	CH	45	5,7.5	X	E3	118381	BN,RD	5	7.5		4-Flat	B,E	SUV1,2	119191	119148	20320	20321	20224		
							20135	RD	10			Both	H	SUV6	119148	20252					

- A** 2 wire system.
- B** 3 wire system. Converter required.
- BN** Exterior mounted plug on some or all models. May require an aftermarket electrical mounting box or bracket. (Sold separately)
- C** 2 or 3 wire system determine at installation.
- CH** T-One is equipped with circuit protected ModuLite® module.
- E** ModuLite® required.
- H** 3 wire system with OEM standard 2 wire harness.
- HJ** Per Dodge owner's manual: If trailer is equipped with more than standard lighting (1 taillight per side) use of ModuLite® or dealer supplied harness is required.
- RD** For vehicles equipped with factory tow package may require additional components or may be used as a replacement harness.

- RT3** Round Tube Class III 2"
- RT4** Round Tube Class IV 2"
- SQ3** Square Tube Class III
- SQ4** Square Tube Class IV
- SQ5** Square Tube Class V

RECEIVER HITCHES

MODEL / STYLE	YEAR	TRAILER HITCHES									
		PC	REC TYPE	REC SIZE	PART #	NO DRILL	FOOTNOTES	OPTIONAL DRAWBAR	WC (LBS.)	WD (LBS.)	IN
DODGE (Continued)											
Sprinter 2500 w/Factory Step Bumper Excluding Models w/30-3/8" Frame Width	07-09	52	SQ3	2	75601	0	HM		500/5,000	750/7,500	30
Sprinter 2500 w/Factory Step Bumper, w/Factory 7-Way	07-09										
Sprinter 3500 w/41" Wide Frames, Except 118" Wheelbase & Factory Metal Step Platform	03-06	48	SQ3	2	75210	0	HM		500/5,000	750/7,500	20
Sprinter 3500 w/41" Wide Frames, Except 118" Wheelbase & Factory Metal Step Platform, w/Factory 7-Way	03-06										
Sprinter 3500 144" & 170" Wheelbase, Except w/Factory Step Bumper	07-09	53	SQ4	2	75549	0	HM,UL		600/6,000	750/7,500	20
Sprinter 3500 144" & 170" Wheelbase, Except w/Factory Step Bumper, w/Factory 7-Way	07-09										
Sprinter 3500 w/Factory Step Bumper Excluding Models w/30-3/8" Frame Width	07-09	52	SQ3	2	75601	0	HM		500/5,000	750/7,500	30
Sprinter 3500 w/Factory Step Bumper, w/Factory 7-Way	07-09										
Stratus 4 Dr.	95-06	40	SQ2	1-1/4	36301		JR,HM	36061	300/3,500		60
Van, B1500	95-97	30	SQ3	2	75140	0	DH		500/5,000	1,000/10,000	30
Van, B1500 Except w/Factory Step Bumper	95-97	41	SQ3	2	75090	0	DH		500/5,000	750/7,500	20
		37	SQ4	2	41533	0	DH		600/6,000	1,000/10,000	20
Van, B1500	98-98	30	SQ3	2	75140	0			500/5,000	1,000/10,000	30
Van, B1500 Except w/Factory Step Bumper	98-98	41	SQ3	2	75090	0	BF		500/5,000	750/7,500	20
		37	SQ4	2	41533	0	BF		600/6,000	1,000/10,000	20
Van, B2500	95-97	30	SQ3	2	75140	0	DH		500/5,000	1,000/10,000	30
Van, B2500 Except w/Factory Step Bumper	95-97	41	SQ3	2	75090	0	DH		500/5,000	750/7,500	20
		37	SQ4	2	41533	0	DH		600/6,000	1,000/10,000	20
Van, B2500	98-98	30	SQ3	2	75140	0			500/5,000	1,000/10,000	30
Van, B2500 Except w/Factory Step Bumper	98-98	41	SQ3	2	75090	0	BF		500/5,000	750/7,500	20
		37	SQ4	2	41533	0	BF		600/6,000	1,000/10,000	20
Van, B3500	95-97	30	SQ3	2	75140	0	DH		500/5,000	1,000/10,000	30
Van, B3500 Except w/Factory Step Bumper	95-97	41	SQ3	2	75090	0	DH		500/5,000	750/7,500	20
		37	SQ4	2	41533	0	DH		600/6,000	1,000/10,000	20
Van, B3500	98-98	30	SQ3	2	75140	0			500/5,000	1,000/10,000	30
Van, B3500 Except w/Factory Step Bumper	98-98	41	SQ3	2	75090	0	BF		500/5,000	750/7,500	20
		37	SQ4	2	41533	0	BF		600/6,000	1,000/10,000	20
Van, Ram 1500	99-00	30	SQ3	2	75140	0			500/5,000	1,000/10,000	30
Van, Ram 1500 Except w/Factory Step Bumper	99-00	41	SQ3	2	75090	0	BF		500/5,000	750/7,500	20
		37	SQ4	2	41533	0	BF		600/6,000	1,000/10,000	20
Van, Ram 1500	01-03	30	SQ3	2	75140	0			500/5,000	1,000/10,000	30
Van, Ram 1500 Except w/Factory Step Bumper	01-03	41	SQ3	2	75090	0	BF		500/5,000	750/7,500	20
		37	SQ4	2	41533	0	BF		600/6,000	1,000/10,000	20
Van, Ram 1500 w/Factory 7-Way	01-03										
Van, Ram 2500	99-00	30	SQ3	2	75140	0			500/5,000	1,000/10,000	30
Van, Ram 2500 Except w/Factory Step Bumper	99-00	41	SQ3	2	75090	0	BF		500/5,000	750/7,500	20
		37	SQ4	2	41533	0	BF		600/6,000	1,000/10,000	20
Van, Ram 2500	01-03	30	SQ3	2	75140	0			500/5,000	1,000/10,000	30
Van, Ram 2500 Except w/Factory Step Bumper	01-03	41	SQ3	2	75090	0	BF		500/5,000	750/7,500	20
		37	SQ4	2	41533	0	BF		600/6,000	1,000/10,000	20
Van, Ram 2500 w/Factory 7-Way	01-03										
Van, Ram 3500	99-00	30	SQ3	2	75140	0			500/5,000	1,000/10,000	30
Van, Ram 3500 Except w/Factory Step Bumper	99-00	41	SQ3	2	75090	0	BF		500/5,000	750/7,500	20
		37	SQ4	2	41533	0	BF		600/6,000	1,000/10,000	20
Van, Ram 3500	01-03	30	SQ3	2	75140	0			500/5,000	1,000/10,000	30
Van, Ram 3500 Except w/Factory Step Bumper	01-03	41	SQ3	2	75090	0	BF		500/5,000	750/7,500	20
		37	SQ4	2	41533	0	BF		600/6,000	1,000/10,000	20

BF Requires standard bumper. Will not fit with step bumper.
DH Cannot be installed on 1987-97 vehicles with factory step bumpers unless step bumper and its mounting brackets are permanently removed and standard factory bumper is installed.
HM Hitch cross-tube is visible beneath bumper.

JR Exhaust must be temporarily lowered for installation.
UL This hitch will not fit a Sprinter single or dual rear-wheel vehicle with a 30-3/8" wide frame measured outside of frame to outside of frame.

T-ONE						TOW HARNESS						4-FLAT WIRING				REQ. 4 FLAT WIRING		7-WAY HARDWIRE	BRAKE CONTROL HARNESS	IN
PC	T-ONE	FN	IN	AMP	CP	PC	TOW HARN	FN	IN	AMP	CP	TYPE	ELEC	POS	CHOICE 1	CHOICE 2	6-WAY ADAPTER			
DODGE (Continued)																				
E17	118650	CH	45	5,7.5	X	E3	118381	BN,RD	5	7.5		4-Flat	B,E	SUV1,2	119191	119148	20320	20321	20224	
							20135	RD	10			Both	H	SUV6	119148	20252				
						E3	118381	BN,RD	5	7.5		4-Flat	B,E	SUV3,4	119191	119148	20320	20321	20224	
							20135	RD	10			Both	H	SUV6	119148	20252				
E17	118650	CH	45	5,7.5	X	E3	118381	BN,RD	5	7.5		4-Flat	B,E	SUV1,2	119191	119148	20320	20321	20224	
							20135	RD	10			Both	H	SUV6	119148	20252				
E17	118650	CH	45	5,7.5	X	E3	118381	BN,RD	5	7.5		4-Flat	B,E	SUV1,2	119191	119148	20320	20321	20224	
							20135	RD	10			Both	H	SUV6	119148	20252				
												B	PC3,4	119130	119178					
E1	118328	BN	5	7.5									A	SUV7	119148	20252	20320	20321	20224	
E1	118328	BN	5	7.5									A	SUV7	119148	20252	20320	20321	20224	
E1	118328	BN	5	7.5									A	SUV7	119148	20252	20320	20321	20224	
E1	118328	BN	5	7.5									A	SUV7	119148	20252	20320	20321	20224	
E1	118328	BN	5	7.5									A	SUV7	119148	20252	20320	20321	20224	
E1	118328	BN	5	7.5									A	SUV7	119148	20252	20320	20321	20224	
E1	118328	BN	5	7.5									A	SUV7	119148	20252	20320	20321	20224	
E1	118328	BN	5	7.5									A	SUV7	119148	20252	20320	20321	20224	
E1	118328	BN	5	7.5									A	SUV7	119148	20252	20320	20321	20224	
E1	118328	BN	5	7.5									A	SUV7	119148	20252	20320	20321	20224	
E1	118328	BN	5	7.5									A	SUV7	119148	20252	20320	20321	20224	
E1	118328	BN	5	7.5									A	SUV7	119148	20252	20320	20321	20224	
E1	118328	BN	5	7.5									A	SUV7	119148	20252	20320	20321	20224	
E1	118328	BN	5	7.5									A	SUV7	119148	20252	20320	20321	20224	
E1	118368	BN	5	7.5									A	SUV5	119148	20252	20320	20321	20224	
E1	118368	BN	5	7.5									A	SUV5	119148	20252	20320	20321	20224	
E3	118381	BN	5	7.5									A	SUV5	119148	20252	20320	20321	20224	
E3	118381	BN	5	7.5									A	SUV5	119148	20252	20320	20321	20224	
							20135	RD	10			Both	A	SUV5	119148	20252				
E1	118368	BN	5	7.5									A	SUV5	119148	20252	20320	20321	20224	
E1	118368	BN	5	7.5									A	SUV5	119148	20252	20320	20321	20224	
E3	118381	BN	5	7.5									A	SUV5	119148	20252	20320	20321	20224	
E3	118381	BN	5	7.5									A	SUV5	119148	20252	20320	20321	20224	
							20135	RD	10			Both	A	SUV5	119148	20252				
E1	118368	BN	5	7.5									A	SUV5	119148	20252	20320	20321	20224	
E1	118368	BN	5	7.5									A	SUV5	119148	20252	20320	20321	20224	
E3	118381	BN	5	7.5									A	SUV5	119148	20252	20320	20321	20224	
E3	118381	BN	5	7.5									A	SUV5	119148	20252	20320	20321	20224	

- A** 2 wire system.
- B** 3 wire system. Converter required.
- BN** Exterior mounted plug on some or all models. May require an aftermarket electrical mounting box or bracket. (Sold separately)
- CH** T-One is equipped with circuit protected ModuLite® module.
- E** ModuLite® required.
- H** 3 wire system with OEM standard 2 wire harness.
- RD** For vehicles equipped with factory tow package may require additional components or may be used as a replacement harness.

- SQ2** Square Tube Class II
- SQ3** Square Tube Class III
- SQ4** Square Tube Class IV

RECEIVER HITCHES

MODEL / STYLE	YEAR	TRAILER HITCHES									
		PC	REC TYPE	REC SIZE	PART #	NO DRILL	FOOTNOTES	OPTIONAL DRAWBAR	WC (LBS.)	WD (LBS.)	IN
DODGE (Continued)											
Van, Ram 3500 w/Factory 7-Way	01-03										
EAGLE											
Vision	93-97	43	SQ2	1-1/4	36170		JR,TA,HM	36061	300/3,500		40
FIAT											
500 Except Abarth	12-18	28	SQ1	1-1/4	24873	Ø	GP, JR	3593	200/2,000		30
500L	14-17	28	SQ1	1-1/4	24969		EP, SV	3593	200/2,000		45
500L	18-18	28	SQ1	1-1/4	24969		EP, SV	3593	200/2,000		45
500X	16-18	26	RT3	2	76019		HM		675/4,500		30
FORD											
Aerostar Extended Body	97-97	50	SQ3	2	37136				500/5,000	600/6,000	40
Aerostar Standard Body	97-97										40
C-MAX	13-18	29	SQ1	1-1/4	24896		GP, JR, KH	3593	200/2,000		25
Crown Victoria	92-97	36	SQ1	1-1/4	24526		CA, GP	3592	200/2,000		25
		39	SQ2	1-1/4	36116		CA, GP	36063	300/3,500		30
		38	SQ3	2	41116		CA, GP		350/3,500	750/6,000	30
Crown Victoria	98-09	36	SQ1	1-1/4	24526		CA, GP	3592	200/2,000		25
		39	SQ2	1-1/4	36116		CA, GP	36063	300/3,500		30
		38	SQ3	2	41116		CA, GP		350/3,500	750/6,000	30
E-150 Econoline	95-02	19	RT4	2	75703		CS, HM		600/6,000	1,000/10,000	20
		37	SQ5	2	41906		@, HM, HY		1,000/10,000	1,200/12,000	30
E-150 Econoline w/Factory 7-Way	97-02										
E-150 Econoline	00-02	35	SQ5	2	41926	Ø	@, HM		1,000/10,000	1,200/12,000	30
		41	SQ5	2	41945	Ø	@, HM		1,500/10,000	1,200/12,000	30
E-150 Econoline	03-07	19	RT4	2	75703		CS, HM		600/6,000	1,000/10,000	20
		37	SQ5	2	41906		@, HM, HY		1,000/10,000	1,200/12,000	30
		35	SQ5	2	41926	Ø	@, HM		1,000/10,000	1,200/12,000	30
		41	SQ5	2	41945	Ø	@, HM		1,500/10,000	1,200/12,000	30
E-150 Econoline w/Factory 7-Way	04-09										
E-150 Econoline	08-08	19	RT4	2	75703		CS, HM		600/6,000	1,000/10,000	20
		37	SQ5	2	41906		@, HM, HY		1,000/10,000	1,200/12,000	30
		35	SQ5	2	41926	Ø	@, HM		1,000/10,000	1,200/12,000	30
		41	SQ5	2	41945	Ø	@, HM		1,500/10,000	1,200/12,000	30
E-150 Econoline	09-14	19	RT4	2	75703	Ø	CS, HM		600/6,000	1,000/10,000	20
		37	SQ5	2	41906		@, HM, HY		1,000/10,000	1,200/12,000	30
		35	SQ5	2	41926	Ø	@, HM		1,000/10,000	1,200/12,000	30
		41	SQ5	2	41945	Ø	@, HM		1,500/10,000	1,200/12,000	30
E-150 Econoline w/Factory 4-Flat (Prepped Class I Towing Package)	09-12										
E-150 Econoline w/Factory 7-Way (Prepped Class II Towing Package)	09-12										
E-250 Econoline	95-02	19	RT4	2	75703		CS, HM		600/6,000	1,000/10,000	20
		37	SQ5	2	41906		@, HM, HY		1,000/10,000	1,200/12,000	30
E-250 Econoline w/Factory 7-Way	97-09										
E-250 Econoline	00-02	35	SQ5	2	41926	Ø	@, HM		1,000/10,000	1,200/12,000	30
		41	SQ5	2	41945	Ø	@, HM		1,500/10,000	1,200/12,000	30
E-250 Econoline	03-07	19	RT4	2	75703		CS, HM		600/6,000	1,000/10,000	20
		37	SQ5	2	41906		@, HM, HY		1,000/10,000	1,200/12,000	30
		35	SQ5	2	41926	Ø	@, HM		1,000/10,000	1,200/12,000	30
		41	SQ5	2	41945	Ø	@, HM		1,500/10,000	1,200/12,000	30

@ Ultra Frame ball mount must be used to achieve maximum weight carrying rating.

CA Models with dual exhaust require exhaust modification.

CS Will fit with full-size spare tire stowed under vehicle.

EP Fascia trimming may be required.

GP Hitch cross-tube concealed behind bumper.

HM Hitch cross-tube is visible beneath bumper.

HY Ultra Frame ball mount DT #4283/HH #80125 cannot be used in rise position on vehicles with step bumpers.

JR Exhaust must be temporarily lowered for installation.

KH Minor heat shield modification may be required.

SV Trimming or removal of under body appearance panel may be required.

TA Trunk access required for hitch installation.

T-ONE					TOW HARNESS					4-FLAT WIRING				REQ. 4 FLAT WIRING		7-WAY HARDWIRE	BRAKE CONTROL HARNESS	IN		
PC	T-ONE	FN	IN	AMP	CP	PC	TOW HARN	FN	IN	AMP	CP	TYPE	ELEC	POS	CHOICE 1				CHOICE 2	6-WAY ADAPTER
DODGE (Continued)																				
							20135	RD	10				Both	A	SUV5	119148	20252			
EAGLE																				
													B	PC3,4	119130	119178				
FIAT																				
E20	118546	CH	45	4.2,7.5	X								B,E	PC1,2	119191	119148				
E17	118772	CH	45	5,7.5	X								B,E	PC3,4	119191	119148				
E24	118693	CH	45	4.2,7.5	X								B,E	PC3,4	119191	119148				
													BT	SUV1,2	119251	119191				
FORD																				
E5	118344	BN	10	7.5									A	SUV1,2	119148	20252	20320	20321	20224	
E5	118344	BN	10	7.5									A	SUV1,2	119148	20252	20320	20321	20224	
													BM	PC1,2	119251	119191				
E9	118326		20	7.5									A,E	PC3,4	119191	119148	20320	20321	20224	
													B,E	PC3,4	119191	119148	20320	20321	20224	
E5	118344	BN	10	7.5									A	SUV1,2	119148	20252	20320	20321	20224	3035-P
							74682	RD	10				Both	A	SUV6	119148	20252			
							85219	RD	5				7-Way							
E5	118344	BN	10	7.5									A	SUV1,2	119148	20252	20320	20321	20224	3035-P
													A	SUV1,2	119148	20252	20320	20321	20224	3035-P
							85219	RD	5				7-Way	A	SUV6	119148	20252			
							74682	RD	10				Both							
E17	118551	CH	45	4.2,7.5	X								A,E	SUV1,2	119191	119148	20320	20321	20224	3035-P
E17	118551	CH	45	4.2,7.5	X								A,E	SUV1,2	119191	119148	20320	20321	20224	3034-P
						E3	118260	BN	10	7.5			4-Flat	A	SUV6	119148	20252			
						E14	118261	BN	10				7-Way	A	SUV6	119148	20252			
E5	118344	BN	10	7.5									A	SUV1,2	119148	20252	20320	20321	20224	3035-P
							74682	RD	10				Both	A	SUV6	119148	20252			
							85219	RD	5				7-Way							
E5	118344	BN	10	7.5									A	SUV1,2	119148	20252	20320	20321	20224	3035-P
													A	SUV1,2	119148	20252	20320	20321	20224	3035-P

A 2 wire system.
B 3 wire system. Converter required.
BM Multiplexed wiring system. ModuLite® HD Plus or Ultra required.
BN Exterior mounted plug on some or all models. May require an aftermarket electrical mounting box or bracket. (Sold separately)

BT Shared Brake/Tail multiplexed wiring system. ModuLite® HD Plus or Ultra required.
CH T-One is equipped with circuit protected ModuLite® module.
E ModuLite® required.
RD For vehicles equipped with factory tow package may require additional components or may be used as a replacement harness.

RT3 Round Tube Class III 2"
RT4 Round Tube Class IV 2"
SQ1 Square Tube Class I
SQ2 Square Tube Class II
SQ3 Square Tube Class III
SQ5 Square Tube Class V

RECEIVER HITCHES

MODEL / STYLE	YEAR	TRAILER HITCHES									
		PC	REC TYPE	REC SIZE	PART #	NO DRILL	FOOTNOTES	OPTIONAL DRAWBAR	WC (LBS.)	WD (LBS.)	IN
FORD (Continued)											
E-250 Econoline	08-08	19	RT4	2	75703		CS,HM		600/6,000	1,000/10,000	20
		37	SQ5	2	41906		@,HM,HY		1,000/10,000	1,200/12,000	30
		35	SQ5	2	41926	0	@,HM		1,000/10,000	1,200/12,000	30
		41	SQ5	2	41945	0	@,HM		1,500/10,000	1,200/12,000	30
E-250 Econoline	09-14	19	RT4	2	75703		CS,HM		600/6,000	1,000/10,000	20
		37	SQ5	2	41906		@,HM,HY		1,000/10,000	1,200/12,000	30
		35	SQ5	2	41926	0	@,HM		1,000/10,000	1,200/12,000	30
		41	SQ5	2	41945	0	@,HM		1,500/10,000	1,200/12,000	30
E-250 Econoline w/Factory 4-Flat (Prepped Class I Towing Package)											
E-250 Econoline w/Factory 7-Way (Prepped Class II Towing Package)											
E-350 Econoline	95-02	19	RT4	2	75703		CS,HM		600/6,000	1,000/10,000	20
		37	SQ5	2	41906		@,HM,HY		1,000/10,000	1,200/12,000	30
E-350 Econoline w/Factory 7-Way											
E-350 Econoline	00-02	35	SQ5	2	41926	0	@,HM		1,000/10,000	1,200/12,000	30
		41	SQ5	2	41945	0	@,HM		1,500/10,000	1,200/12,000	30
E-350 Econoline Super Duty	03-07	19	RT4	2	75703		CS,HM		600/6,000	1,000/10,000	20
		37	SQ5	2	41906		@,HM,HY		1,000/10,000	1,200/12,000	30
		35	SQ5	2	41926	0	@,HM		1,000/10,000	1,200/12,000	30
		41	SQ5	2	41945	0	@,HM		1,500/10,000	1,200/12,000	30
E-350 Econoline Super Duty w/Factory 7-Way											
E-350 Econoline Super Duty	08-08	19	RT4	2	75703		CS,HM		600/6,000	1,000/10,000	20
		37	SQ5	2	41906		@,HM,HY		1,000/10,000	1,200/12,000	30
		35	SQ5	2	41926	0	@,HM		1,000/10,000	1,200/12,000	30
		41	SQ5	2	41945	0	@,HM		1,500/10,000	1,200/12,000	30
E-350 Econoline Super Duty	09-14	19	RT4	2	75703		CS,HM		600/6,000	1,000/10,000	20
		37	SQ5	2	41906		@,HM,HY		1,000/10,000	1,200/12,000	30
		35	SQ5	2	41926	0	@,HM		1,000/10,000	1,200/12,000	30
		41	SQ5	2	41945	0	@,HM		1,500/10,000	1,200/12,000	30
E-350 Econoline Super Duty w/Factory 7-Way (Prepped Class II Towing Package)											
EcoSport	18-18	27	SQ2	1-1/4	36660	0	JR,GP,SV	36071	350/3,500		45
Edge Except Sport	07-10	33	SQ2	1-1/4	36447	0	GP,JR,KH	36051	300/3,500		45
		20	SQ3	2	75992		GP,KH,JR		400/4,000	400/4,000	55
Edge Sport	09-10	37	SQ3	2	75686	0	GP,JR,KH		350/3,500		45
Edge Except Sport	11-14	20	SQ3	2	75992		GP,KH,JR		400/4,000	400/4,000	55
Edge Sport	11-14	38	SQ3	2	75728	0	GP,JR,KH		525/3,500	525/4,000	45
Edge Except Sport & Titanium Models	15-19	28	RT3	2	75214	0	JR,HM,SV,TW		600/4,000	600/4,000	30
		35	SQ3	2	75234	0	GP,TA,SV,JR,TW		675/4,500	675/4,500	45
Edge Titanium and Sport Models Only	15-19	35	SQ3	2	75234	0	GP,TA,SV,JR,TW		675/4,500	675/4,500	45
Edge Titanium Model Only	15-15	28	RT3	2	75214	0	JR,HM,SV,TW		600/4,000	600/4,000	30
Escape	01-03	38	RT3	2	75118	0	HM,KH		350/3,500	500/5,000	35
		50	SQ3	2	37136		KH		500/5,000	600/6,000	60
Escape	04-04	38	RT3	2	75118	0	HM		350/3,500	500/5,000	35
		50	SQ3	2	37136				500/5,000	600/6,000	60
Escape	05-07	22	SQ2	1-1/4	36501		HM	36051	300/3,500		20
		34	RT3	2	75751	0	HM		675/4,500	675/5,250	25
Escape	08-12	22	SQ2	1-1/4	36501		HM	36051	300/3,500		20
		34	RT3	2	75751	0	HM		675/4,500	675/5,250	25

<p>@ Ultra Frame ball mount must be used to achieve maximum weight carrying rating.</p> <p>CS Will fit with full-size spare tire stowed under vehicle.</p> <p>GP Hitch crosstube concealed behind bumper.</p> <p>HM Hitch crosstube is visible beneath bumper.</p> <p>HY Ultra Frame ball mount DT #4283/HH #80125 cannot be used in rise position on vehicles with step bumpers.</p>	<p>JR Exhaust must be temporarily lowered for installation.</p> <p>KH Minor heat shield modification may be required.</p> <p>SV Trimming or removal of under body appearance panel may be required.</p> <p>TA Trunk access required for hitch installation.</p> <p>TW Receiver hitch may limit hands-free liftgate sensor range</p>
--	--

T-ONE						TOW HARNESS						4-FLAT WIRING				REQ. 4 FLAT WIRING		7-WAY HARDWARE	BRAKE CONTROL HARNESS	IN	
PC	T-ONE	FN	IN	AMP	CP	PC	TOW HARN	FN	IN	AMP	CP	TYPE	ELEC	POS	CHOICE 1	CHOICE 2	6-WAY ADAPTER				7-WAY ADAPTER
FORD (Continued)																					
E17	118551	CH	45	4,2,7,5	X								A,E	SUV1,2	119191	119148	20320	20321	20224	3035-P	5
E17	118551	CH	45	4,2,7,5	X								A,E	SUV1,2	119191	119148	20320	20321	20224	3034-P	20
						E3	118260	BN	10	7.5		4-Flat	A	SUV6	119148	20252					
						E14	118261	BN	10			7-Way	A	SUV6	119148	20252					
E5	118344	BN	10	7.5									A	SUV1,2	119148	20252	20320	20321	20224	3035-P	5
							74682 85219	RD RD	10 5			Both 7-Way	A	SUV6	119148	20252					
E5	118344	BN	10	7.5									A	SUV1,2	119148	20252	20320	20321	20224	3035-P	5
													A	SUV1,2	119148	20252	20320	20321	20224	3035-P	5
							74682 85219	RD RD	10 5			Both 7-Way	A	SUV6	119148	20252					
E17	118551	CH	45	4,2,7,5	X								A,E	SUV1,2	119191	119148	20320	20321	20224	3035-P	5
E17	118551	CH	45	4,2,7,5	X								A,E	SUV1,2	119191	119148	20320	20321	20224	3034-P	20
						E3	118260	BN	10	7.5		4-Flat	A	SUV6	119148	20252					
						E14	118261	BN	10			7-Way									
E17	118551	CH	45	4,2,7,5	X								N	SUV1,2		119251	20320	20321			
E17	118551	CH	45	4,2,7,5	X								N	SUV1,2		119251	20320	20321			
E21	118515	CH	45	4,2,7,5	X								N	SUV1,2		119251	20320	20321			
E21	118515	CH	45	4,2,7,5	X								N	SUV1,2		119251	20320	20321			
E16	118669	CH,BN	45	4,2,7,5	X								A,E	PC1,2	119191	119148					
E13	118677	CH,BN	45	4,2,7,5	X								B,E	SUV1,2	119191	119148					
E13	118677	CH,BN	45	4,2,7,5	X								B,E	SUV1,2	119191	119148					
E9	118343	HG,RW	10	2,1,5									B	SUV1,2	119130	119178	20320	20321	20224		
													B,E	SUV1,2	119191	119148	20320	20321	20224		
E17	118426	BN,CH	45	2,1,4,2	X								B,E	SUV1,2	119191	119148	20320	20321	20224		
E17	118551	CH	45	4,2,7,5	X	E1	118251	BN,QP,RD	5	7.5		4-Flat	A	SUV1,2	119148	20252	20320	20321	20224		

- A** 2 wire system.
- B** 3 wire system. Converter required.
- BN** Exterior mounted plug on some or all models. May require an aftermarket electrical mounting box or bracket. (Sold separately)
- CH** T-One is equipped with circuit protected Modulite® module.
- E** Modulite® required.

- HG** T-One incorporates taillight converter.
- N** DO NOT cut or splice vehicle wiring. Only use approved T-One or see auto dealer for trailer tow wiring kit.
- QN** Will not fit vehicles with backup sensors built into rear bumper.
- RD** For vehicles equipped with factory tow package may require additional components or may be used as a replacement harness.
- RW** On some models it may require an upgraded flasher or Modulite®.

- RT3** Round Tube Class III 2"
- RT4** Round Tube Class IV 2"
- SQ2** Square Tube Class II
- SQ3** Square Tube Class III
- SQ5** Square Tube Class V

RECEIVER HITCHES

MODEL / STYLE	YEAR	TRAILER HITCHES									
		PC	REC TYPE	REC SIZE	PART #	NO DRILL	FOOTNOTES	OPTIONAL DRAWBAR	WC (LBS.)	WD (LBS.)	IN
FORD (Continued)											
Escape	13-16	38	SQ2	1-1/4	36524	0	HM	36071	300/3,500		15
		38	SQ2	1-1/4	36529	0	GP,JR,KH	36071	300/3,500		20
		43	SQ3	2	75782	0	GP,JR,KH		525/3,500	525/5,000	60
		40	RT3	2	75758	0	HM		675/4,500	675/5,000	15
Escape	17-19	38	SQ2	1-1/4	36524	0	HM	36071	300/3,500		15
		38	SQ2	1-1/4	36529	0	GP,JR,KH	36071	300/3,500		60
		43	SQ3	2	75782	0	GP,JR,KH		525/3,500	525/5,000	60
		40	RT3	2	75758	0	HM		675/4,500	675/5,000	15
Excursion	00-03										
Excursion w/Factory 7-Way	00-05										
Expedition	97-02	42	SQ3	2	75071	0	GP		500/5,000	800/8,000	15
		41	SQ4	2	41527	0	GP		600/6,000	1,000/10,000	15
Expedition w/Factory 7-Way	97-11										
Expedition	03-03										
Expedition	13-13										
Expedition	15-17										
Explorer	95-00	32	SQ2	1-1/4	36246	0	HM	36051	300/3,500		15
		34	RT3	2	75083	0	JF,HM		500/5,000	600/6,000	15
		31	SQ3	2	75096	0	HM		500/5,000	750/7,500	15
Explorer w/Factory 7-Way	00-05										
Explorer 2 Dr. Sport	01-03	32	SQ2	1-1/4	36246	0	HM	36051	300/3,500		15
		34	RT3	2	75083	0	JF,HM		500/5,000	600/6,000	15
		31	SQ3	2	75096	0	HM		500/5,000	750/7,500	15
Explorer 4 Dr.	01-01	32	SQ2	1-1/4	36246	0	HM	36051	300/3,500		15
		34	RT3	2	75083	0	JF,HM		500/5,000	600/6,000	15
		31	SQ3	2	75096	0	HM		500/5,000	750/7,500	15
Explorer 4 Dr.	02-03	51	RT3	2	75132	0	HM,KL		500/5,000	800/8,000	20
Explorer 4 Dr.	04-05	51	RT3	2	75132	0	HM,KL		500/5,000	800/8,000	20
Explorer w/1-1/4" Receivers	06-10	39	RT3	2	75437	0	HM,KL		500/5,000	800/8,000	25
Explorer w/Factory 7-Way	06-14										
Explorer	11-18	19	SQ3	2	76034	0	HM,JR,L,TW		675/4,500	500/5,000	45
Explorer Sport Trac	01-01	32	RT3	2	75112	0	CS		500/5,000	600/6,000	15
Explorer Sport Trac	02-03	32	RT3	2	75112	0	CS		500/5,000	600/6,000	15
Explorer Sport Trac	04-05	32	RT3	2	75112	0	CS		500/5,000	600/6,000	15
Explorer Sport Trac w/Factory 7-Way	07-10										
F Super Duty Cab & Chassis, w/34" Wide Frames & 161" Wheelbase	89-97	30	SQ4	2	40050				600/6,000	1,000/10,000	40
F Super Duty Cab & Chassis, w/34" Wide Frames & 161" Wheelbase & w/Deep Drop Bumper	89-97	29	SQ3	2	41504		FP,KM		500/5,000	1,000/10,000	40
F-150 Flareside	97-03	49	RT3	2	37133	0			500/5,000	750/7,500	25
		28	SQ3	2	75065	0	GP		500/5,000	800/8,000	30
		54	RT4	2	37130	0			700/7,000	1,200/12,000	25
		27	RT4	2	75740	0	FP,HM		900/6,000	1,000/10,000	20
		48	SQ5	2	41920		@,GP,SU		1,000/10,000	1,300/13,000	30

- @ Ultra Frame ball mount must be used to achieve maximum weight carrying rating.
- CS Will fit with full-size spare tire stowed under vehicle.
- FP Spare tire repositioning and/or modification of spare tire carrier may be required.
- GP Hitch cross-tube concealed behind bumper.
- HM Hitch cross-tube is visible beneath bumper.
- JF Will not fit with 16" spare tire.
- JR Exhaust must be temporarily lowered for installation.

- K Adapter kit (#1685) required with DT #41504/HH #87480/RS #37081 & RS #44143 for 1980 and later F-Series pickups.
- KH Minor heat shield modification may be required.
- KL Hitch is designed to attach beneath the OEM hitch.
- L Exhaust repositioning required.
- M Will fit with heavy-duty suspension.
- SU Hitches produced before 03/11/08 are rated at 1000/10000 WC & 1200/12000 WD.
- TW Receiver hitch may limit hands-free liftgate sensor range.

T-ONE						TOW HARNESS						4-FLAT WIRING				REQ. 4 FLAT WIRING		7-WAY	BRAKE CONTROL			
PC	T-ONE	FN	IN	AMP	CP	PC	TOW HARN	FN	IN	AMP	CP	TYPE	ELEC	POS	CHOICE 1	CHOICE 2	6-WAY ADAPTER	7-WAY ADAPTER	7-WAY HARDWARE	BRAKE CONTROL HARNESS	IN	
FORD (Continued)																						
E18	118566	BN,CH	45	4.2,7.5	X								B,E	SUV1,2	119191	119148	20320	20321	20224			
E17	118715	CH	45	4.2,7.5	X								B,E	SUV1,2	119191	119148						
E5	118344	BN	10	7.5									A	SUV1,2	119148	20252						
							85219 74682	RD RD	5 10			7-Way Both	A	SUV6	119148	20252					3035-P	5
E5	118344	BN	10	7.5									A	SUV1,2	119148	20252	20320	20321	20224	3035-P	5	
							74682 85219	RD RD	10 5			Both 7-Way	A	SUV6	119148	20252						
						E5	118344	BN	10	7.5		4-Flat	A	SUV1,2	119148	20252						
													A	PU5					20224	3034-P	20	
													A	PU5						3036-P	20	
E16	118345	BN,CH	45	2.1,4.2		E2	118241	BN,RD	5	7.5		4-Flat	B,E	SUV1,2	119191	119148	20320	20321	20224			
							74682 85219	RD RD	10 5			Both 7-Way	A	SUV6	119148	20252						
E5	118344	BN	10	7.5									A	SUV1,2	119148	20252	20320	20321	20224			
E16	118345	BN,CH	45	2.1,4.2		E2	118241	BN,RD	5	7.5		4-Flat	B,E	SUV1,2	119191	119148	20320	20321	20224			
E5	118344	BN	10	7.5									A	SUV1,2	119148	20252	20320	20321	20224	3035-P	5	
													A	SUV1,2	119148	20252	20320	20321	20224	3035-P	5	
													B	SUV1,2	119130	119178	20320	20321	20224	3035-P	5	
							74682 85219	RD RD	10 5			Both 7-Way	A	SUV6	119148	20252						
E11	118540	BN	5	7.5		E15	118272		20			7-Way	B,E	SUV3,4	119191	119148	20320	20321	20224	3035-P	5	
													A	SUV1,2	119148	20252	20320	20321	20224			
E5	118344	BN	10	7.5									A	SUV1,2	119148	20252	20320	20321	20224			
													A	SUV1,2	119148	20252	20320	20321	20224			
							74682 85219	RD RD	10 5			Both 7-Way	A	SUV6	119148	20252					3035-P	5
													A	PU1,2	119148	20252	20320	20321	20224			
													A	PU1,2	119148	20252	20320	20321	20224			
E5	118344	BN	10	7.5		E19	118242	BN,RD	5			7-Way	A	PU1,2	119148	20252	20320	20321	20224	3035-P	5	

A 2 wire system.
B 3 wire system. Converter required.
BN Exterior mounted plug on some or all models. May require an aftermarket electrical mounting box or bracket. (Sold separately)

CH T-One is equipped with circuit protected ModuLite® module.
E ModuLite® required.
RD For vehicles equipped with factory tow package may require additional components or may be used as a replacement harness.

RT3 Round Tube Class III 2"
RT4 Round Tube Class IV 2"
SQ2 Square Tube Class II
SQ3 Square Tube Class III
SQ4 Square Tube Class IV
SQ5 Square Tube Class V

RECEIVER HITCHES

MODEL / STYLE	YEAR	TRAILER HITCHES									
		PC	REC TYPE	REC SIZE	PART #	NO DRILL	FOOTNOTES	OPTIONAL DRAWBAR	WC (LBS.)	WD (LBS.)	IN
FORD (Continued)											
F-150 Styleside	97-03	49	RT3	2	37133	0			500/5,000	750/7,500	25
		28	SQ3	2	75065	0	GP		500/5,000	800/8,000	30
		54	RT4	2	37130	0			700/7,000	1,200/12,000	25
		27	RT4	2	75740	0	FP, HM		900/6,000	1,000/10,000	20
		48	SQ5	2	41920	0	@, GP, SU		1,000/10,000	1,300/13,000	30
F-150 w/Factory 7-Way	97-18										
F-150 SuperCrew	00-03	49	RT3	2	37133	0			500/5,000	750/7,500	25
		28	SQ3	2	75065	0	GP		500/5,000	800/8,000	30
		54	RT4	2	37130	0			700/7,000	1,200/12,000	25
		27	RT4	2	75740	0	FP, HM		900/6,000	1,000/10,000	20
		48	SQ5	2	41920	0	@, GP, SU		1,000/10,000	1,300/13,000	30
F-150 SuperCrew, w/Factory 7-Way	00-03										
F-150	04-04	49	RT3	2	37133	0	VB		500/5,000	750/7,500	45
		56	RT4	2	41549	0	HM, VB, KM		600/6,000	1,000/10,000	30
		50	RT4	2	75156	0	HM, VB, KM		600/6,000	800/8,000	30
F-150 SuperCrew, 5.5 ft. Bed, w/Factory 7-Way	04-05										
F-150	05-05	49	RT3	2	37133	0	VB		500/5,000	750/7,500	45
		56	RT4	2	41549	0	HM, VB, KM		600/6,000	1,000/10,000	30
		50	RT4	2	75156	0	HM, VB, KM		600/6,000	800/8,000	30
F-150	06-08	25	SQ4	2	75506	0	CP, HM		600/6,000	1,000/10,000	20
		37	SQ5	2	41933	0	@, CP, HM		1,200/12,000	1,400/14,000	20
F-150 SuperCrew, 5.5 & 6.5 ft. Beds, w/Factory 7-Way	06-18										
F-150	09-14	19	SQ4	2	75691	0	CP, GP		600/6,000	1,200/12,000	20
F-150	15-19	45	RT4	2	75216	0	HM, JL		900/6,000	1,200/12,000	30
		27	RT4	2	75938	0	HM, JL		900/6,000	800/8,000	30
		29	SQ4	2	76136	0	GP, FP		900/6,000	1,000/10,000	30
F-150 Heritage Flareside	04-04	49	RT3	2	37133	0			500/5,000	750/7,500	25
		28	SQ3	2	75065	0	GP		500/5,000	800/8,000	30
		54	RT4	2	37130	0			700/7,000	1,200/12,000	25
		27	RT4	2	75740	0	FP, HM		900/6,000	1,000/10,000	20
		48	SQ5	2	41920	0	@, GP, SU		1,000/10,000	1,300/13,000	30
F-150 Heritage Styleside	04-04	49	RT3	2	37133	0			500/5,000	750/7,500	25
		28	SQ3	2	75065	0	GP		500/5,000	800/8,000	30
		54	RT4	2	37130	0			700/7,000	1,200/12,000	25
		27	RT4	2	75740	0	FP, HM		900/6,000	1,000/10,000	20
		48	SQ5	2	41920	0	@, GP, SU		1,000/10,000	1,300/13,000	30
F-150 Heritage w/Factory 7-Way	04-04										
F-250 Heavy Duty	97-97	49	RT3	2	37133		GU		500/5,000	750/7,500	35
		34	SQ3	2	75038		GP		500/5,000	800/8,000	30
		30	SQ4	2	40050				600/6,000	1,000/10,000	40
		25	SQ4	2	41004		GP		600/6,000	1,000/10,000	30
		54	RT4	2	37130		GU		700/7,000	1,200/12,000	35
		45	SQ5	2	41904		@, GP, HD		1,000/10,000	1,200/12,000	30
		54	SQ5	2-1/2	45502		#, GU		1,200/12,000	1,700/14,000	45
F-250 Heavy Duty, w/Deep Drop Bumper	97-97	29	SQ3	2	41504		FP, KM		500/5,000	1,000/10,000	40

Titan hitches require use of a 2-1/2" shank Titan ball mount.

@ Ultra Frame ball mount must be used to achieve maximum weight carrying rating.

CP Fits all models without factory installed receiver.

FP Spare tire repositioning and/or modification of spare tire carrier may be required.

GP Hitch cross tube concealed behind bumper.

GU Will not fit vehicles with factory or aftermarket lower Fascia/Rollpan or Tube Bumper.

HD Will not fit 6 ft. bed pickups except 6 ft. Super Cab.

HM Hitch cross tube is visible beneath bumper.

JL Installation requires OEM bumper and brackets.

K Adapter kit (#1685) required with DT #41504/HH #87480/RS #37081 & RS #44143 for 1980 and later F-Series pickups.

KM Does not work with models originally equipped with OEM hitch.

M Will fit with heavy-duty suspension.

SU Hitches produced before 03/11/08 are rated at 1000/10000 WC & 1200/12000 WD.

VB Will not fit vehicles with vibration damper installed at rear of frame on drivers side.

T-ONE					TOW HARNESS					4-FLAT WIRING				REQ. 4 FLAT WIRING		7-WAY HARDWIRE	BRAKE CONTROL HARNESS	IN			
PC	T-ONE	FN	IN	AMP	CP	PC	TOW HARN	FN	IN	AMP	CP	TYPE	ELEC	POS	CHOICE 1				CHOICE 2	6-WAY ADAPTER	7-WAY ADAPTER
FORD (Continued)																					
						E19	118242	BN,RD	5			7-Way	A	PU1,2	119148	20252	20320	20321	20224	3035-P	5
							74682 85219	RD RD	10 5			Both 7-Way	A	PU3	119148	20252					
E5	118344	BN	10	7.5		E19	118242	BN,RD	5			7-Way	A	PU1,2	119148	20252	20320	20321	20224	3035-P	5
							74682 85219	RD RD	10 5			Both 7-Way	A	PU3	119148	20252					
						E19	118247	BN,RD	5			7-Way	A	PU3	119148	20252	20320	20321	20224	3035-P	5
							74682 85219	RD RD	10 5			Both 7-Way	A	PU3	119148	20252					
													A	PU3	119148	20252	20320	20321	20224	3035-P	5
													A	PU3	119148	20252	20320	20321	20224	3035-P	5
							85219 74682	RD RD	5 10			7-Way Both	A	PU3	119148	20252					
													A	PU3	119148	20252	20320	20321	20224	3036-P	20
						E15	118283	BN	5			7-Way	A	PU3	119148	20252	20320	20321	20224	3036-P	20
E5	118344	BN	10	7.5		E19	118242	BN,RD	5			7-Way	A	PU1,2	119148	20252	20320	20321	20224	3035-P	5
						E19	118242	BN,RD	5			7-Way	A	PU1,2	119148	20252	20320	20321	20224	3035-P	5
							74682 85219	RD RD	10 5			Both 7-Way	A	PU3	119148	20252					
E4	118316	BN	5	7.5									A	PU3	119148	20252	20320	20321	20224	3035-P	5
E4	118316	BN	5	7.5									A	PU3	119148	20252	20320	20321	20224	3035-P	5

A 2 wire system.
BN Exterior mounted plug on some or all models. May require an aftermarket electrical mounting box or bracket. (Sold separately)

RD For vehicles equipped with factory tow package may require additional components or may be used as a replacement harness.

RT3 Round Tube Class III 2"
RT4 Round Tube Class IV 2"
SQ3 Square Tube Class III
SQ4 Square Tube Class IV
SQ5 Square Tube Class V

RECEIVER HITCHES

MODEL / STYLE	YEAR	TRAILER HITCHES									
		PC	REC TYPE	REC SIZE	PART #	NO DRILL	FOOTNOTES	OPTIONAL DRAWBAR	WC (LBS.)	WD (LBS.)	IN
FORD (Continued)											
F-250 Styleside	97-99	49	RT3	2	37133	0			500/5,000	750/7,500	25
		28	SQ3	2	75065	0	GP		500/5,000	800/8,000	30
		54	RT4	2	37130	0			700/7,000	1,200/12,000	25
		27	RT4	2	75740	0	FP, HM		900/6,000	1,000/10,000	20
		48	SQ5	2	41920	0	@, GP, SU		1,000/10,000	1,300/13,000	30
F-250 Styleside, w/Factory 7-Way	97-99										
F-250 Super Duty Except Cab & Chassis	99-01	49	RT3	2	37133				500/5,000	750/7,500	30
		54	RT4	2	37130				700/7,000	1,200/12,000	30
		27	RT4	2	75740	0	FP, HM		900/6,000	1,000/10,000	20
		51	SQ5	2	41922	0	@, GP		1,000/10,000	1,200/12,000	15
		55	SQ5	2	41931	0	@, HM, SH		1,200/12,000	1,500/15,000	30
		60	SQ5	2-1/2	45508	0	#, CS, EF, HM, LT, M		2,000/18,000	2,500/18,000	50
F-250 Super Duty Except Cab & Chassis, w/Factory 7-Way	99-16										
F-250 Super Duty w/Deep Drop Bumper	99-01	72	SQ5	2-1/2	45514	0	#		1,200/12,000	1,700/14,000	20
F-250 Super Duty w/Deep Drop Bumper, w/Factory 7-Way	99-04										
F-250 Super Duty Except Cab & Chassis	02-04	49	RT3	2	37133				500/5,000	750/7,500	30
		54	RT4	2	37130				700/7,000	1,200/12,000	30
		27	RT4	2	75740	0	FP, HM		900/6,000	1,000/10,000	20
		51	SQ5	2	41922	0	@, GP		1,000/10,000	1,200/12,000	15
		55	SQ5	2	41931	0	@, HM, SH		1,200/12,000	1,500/15,000	30
		60	SQ5	2-1/2	45508	0	#, CS, EF, HM, LT, M		2,000/18,000	2,500/18,000	50
F-250 Super Duty w/Deep Drop Bumper	02-04	72	SQ5	2-1/2	45514	0	#		1,200/12,000	1,700/14,000	20
F-250 Super Duty Except Cab & Chassis	05-07	27	RT4	2	75740	0	FP, HM		900/6,000	1,000/10,000	20
		55	SQ5	2	41931	0	@, EB, HM, SH		1,200/12,000	1,500/15,000	30
		60	SQ5	2-1/2	45508	0	#, CS, EF, HM, LT, M		2,000/18,000	2,500/18,000	50
F-250 Super Duty Except Cab & Chassis	08-16	55	SQ5	2	41931	0	@, EB, HM, SH		1,200/12,000	1,500/15,000	30
		60	SQ5	2-1/2	45508	0	#, CS, EF, HM, LT, M		2,000/18,000	2,500/18,000	50
F-250 Super Duty Except Cab & Chassis, w/Factory 7-Way	17-18										
F-350 Heavy Duty	97-97	49	RT3	2	37133		GU		500/5,000	750/7,500	35
		34	SQ3	2	75038		GP		500/5,000	800/8,000	30
		30	SQ4	2	40050				600/6,000	1,000/10,000	40
		25	SQ4	2	41004		GP		600/6,000	1,000/10,000	30
		54	RT4	2	37130		GU		700/7,000	1,200/12,000	35
		45	SQ5	2	41904		@, GP, HD		1,000/10,000	1,200/12,000	30
		54	SQ5	2-1/2	45502		#, GU		1,200/12,000	1,700/14,000	45
		29	SQ3	2	41504		FP, K, M		500/5,000	1,000/10,000	40
F-350 Heavy Duty, w/Deep Drop Bumper	97-97	29	SQ3	2	41504		FP, K, M		500/5,000	1,000/10,000	40
F-350 Super Duty Cab & Chassis, w/34" Wide Frames	99-00	30	SQ4	2	40050				600/6,000	1,000/10,000	40
		34	SQ4	2	41001		FP		600/6,000	1,000/10,000	40
		30	SQ4	2	41547				750/7,500	1,200/12,000	60
		50	SQ5	2	41938		@, CC		1,200/12,000	1,500/15,000	40
		50	SQ5	2	41947		@		1,600/15,000	1,600/16,000	35
		70	SQ5	2	41943		@		2,400/16,000	1,600/16,000	40
		65	SQ5	2-1/2	45516		#		1,200/12,000	1,700/14,000	60
F-350 Super Duty Cab & Chassis, w/34" Wide Frames & w/Deep Drop Bumper	99-00	29	SQ3	2	41504		FP, M		500/5,000	1,000/10,000	40

- | | |
|---|--|
| <p># Titan hitches require use of a 2-1/2" shank Titan ball mount.</p> <p>@ Ultra Frame ball mount must be used to achieve maximum weight carrying rating.</p> <p>CC Requires minimum of 19" from end of frame rail to spring shackle bracket.</p> <p>CS Will fit with full-size spare tire stowed under vehicle.</p> <p>EB Factory electrical bracket will NOT fit with this hitch. Must use aftermarket electrical box or bracket.</p> <p>EF Fits all models with standard bumpers.</p> <p>FP Spare tire repositioning and/or modification of spare tire carrier may be required.</p> <p>GP Hitch cross-tube concealed behind bumper.</p> | <p>GU Will not fit vehicles with factory or aftermarket lower Fascia/Rollpan or Tube Bumper.</p> <p>HD Will not fit 6 ft. bed pickups except 6 ft. Super Cab.</p> <p>HM Hitch cross-tube is visible beneath bumper.</p> <p>K Adapter kit (#1685) required with DT #41504/HH #87480/RS #37081 & RS #44143 for 1980 and later F-Series pickups.</p> <p>LT Requires removal of factory hitch if equipped.</p> <p>M Will fit with heavy-duty suspension.</p> <p>SH Hitches produced before 09/27/07 are rated at 1200/12000 WC & 1400/14000 WD.</p> <p>SU Hitches produced before 03/11/08 are rated at 1000/10000 WC & 1200/12000 WD.</p> |
|---|--|

T-ONE					TOW HARNESS					4-FLAT WIRING				REQ. 4 FLAT WIRING		7-WAY HARDWIRE	BRAKE CONTROL HARNESS	IN			
PC	T-ONE	FN	IN	AMP	CP	PC	TOW HARN	FN	IN	AMP	CP	TYPE	ELEC	POS	CHOICE 1				CHOICE 2	6-WAY ADAPTER	7-WAY ADAPTER
FORD (Continued)																					
						E19	118242	BN,RD	5			7-Way	A	PU1,2	119148	20252	20320	20321	20224	3035-P	5
							74682 85219	RD RD	10 5			Both 7-Way	A	PU3	119148	20252					
						E15	118243	BN,RD	5			7-Way	A	PU1,2	119148	20252	20320	20321	20224	3035-P	5
							74682 85219	RD RD	10 5			Both 7-Way	A	PU3	119148	20252					
						E15	118243	BN,RD	5			7-Way	A	PU1,2	119148	20252	20320	20321	20224	3035-P	5
							74682 85219	RD RD	10 5			Both 7-Way	A	PU3	119148	20252					
													A	PU1,2	119148	20252	20320	20321	20224	3035-P	5
													A	PU1,2	119148	20252	20320	20321	20224	3035-P	5
													A	PU1,2	119148	20252	20320	20321	20224	3065-P	5
													A	PU1,2	119148	20252	20320	20321	20224	3034-P	20
							74682	RD	10			Both	A	PU3	119148	20252				3036-P	20
E4	118316	BN	5	7.5									A	PU3	119148	20252	20320	20321	20224	3035-P	5
													A	PU1,2	119148	20252	20320	20321	20224	3035-P	5
													A	PU1,2	119148	20252	20320	20321	20224	3035-P	5
													A	PU1,2	119148	20252	20320	20321	20224	3035-P	5

A 2 wire system.

BN Exterior mounted plug on some or all models. May require an aftermarket electrical mounting box or bracket. (Sold separately)

RD For vehicles equipped with factory tow package may require additional components or may be used as a replacement harness.

RT3 Round Tube Class III 2"

RT4 Round Tube Class IV 2"

SQ3 Square Tube Class III

SQ4 Square Tube Class IV

SQ5 Square Tube Class V

RECEIVER HITCHES

MODEL / STYLE	YEAR	TRAILER HITCHES									
		PC	REC TYPE	REC SIZE	PART #	NO DRILL	FOOTNOTES	OPTIONAL DRAWBAR	WC (LBS.)	WD (LBS.)	IN
FORD (Continued)											
F-350 Super Duty Except Cab & Chassis	99-01	49	RT3	2	37133				500/5,000	750/7,500	30
		54	RT4	2	37130				700/7,000	1,200/12,000	30
		27	RT4	2	75740	0	FP, HM		900/6,000	1,000/10,000	20
		51	SQ5	2	41922	0	@, GP		1,000/10,000	1,200/12,000	15
		55	SQ5	2	41931	0	@, HM, SH		1,200/12,000	1,500/15,000	30
		60	SQ5	2-1/2	45508	0	#, CS, EF, HM, LT, M		2,000/18,000	2,500/18,000	50
F-350 Super Duty Except Cab & Chassis, w/Factory 7-Way	99-16										
F-350 Super Duty w/Deep Drop Bumper	99-01	72	SQ5	2-1/2	45514	0	#		1,200/12,000	1,700/14,000	20
F-350 Super Duty w/Deep Drop Bumper, w/Factory 7-Way	99-04										
F-350 Super Duty Cab & Chassis, w/34" Wide Frames	01-04	50	SQ5	2	41947		@		1,600/15,000	1,600/16,000	35
		70	SQ5	2	41943		@		2,400/16,000	1,600/16,000	40
F-350 Super Duty Except Cab & Chassis	02-04	49	RT3	2	37133				500/5,000	750/7,500	30
		54	RT4	2	37130				700/7,000	1,200/12,000	30
		27	RT4	2	75740	0	FP, HM		900/6,000	1,000/10,000	20
		51	SQ5	2	41922	0	@, GP		1,000/10,000	1,200/12,000	15
		55	SQ5	2	41931	0	@, HM, SH		1,200/12,000	1,500/15,000	30
		60	SQ5	2-1/2	45508	0	#, CS, EF, HM, LT, M		2,000/18,000	2,500/18,000	50
F-350 Super Duty w/Deep Drop Bumper	02-04	72	SQ5	2-1/2	45514	0	#		1,200/12,000	1,700/14,000	20
F-350 Super Duty Cab & Chassis, w/34" Wide Frames	05-07	50	SQ5	2	41947		@		1,600/15,000	1,600/16,000	35
		70	SQ5	2	41943		@		2,400/16,000	1,600/16,000	40
F-350 Super Duty Except Cab & Chassis	05-07	27	RT4	2	75740	0	FP, HM		900/6,000	1,000/10,000	20
		55	SQ5	2	41931	0	@, EB, HM, SH		1,200/12,000	1,500/15,000	30
		60	SQ5	2-1/2	45508	0	#, CS, EF, HM, LT, M		2,000/18,000	2,500/18,000	50
F-350 Super Duty Cab & Chassis, w/34" Wide Frames	08-16	50	SQ5	2	41947		@		1,600/15,000	1,600/16,000	35
		70	SQ5	2	41943		@		2,400/16,000	1,600/16,000	40
F-350 Super Duty Except Cab & Chassis	08-16	55	SQ5	2	41931	0	@, EB, HM, SH		1,200/12,000	1,500/15,000	30
		60	SQ5	2-1/2	45508	0	#, CS, EF, HM, LT, M		2,000/18,000	2,500/18,000	50
F-350 Super Duty Cab & Chassis, w/34" Wide Frames	17-18	50	SQ5	2	41947		@		1,600/15,000	1,600/16,000	35
		70	SQ5	2	41943		@		2,400/16,000	1,600/16,000	40
F-350 Super Duty Except Cab & Chassis, w/Factory 7-Way	17-18										
F-450 Super Duty Cab & Chassis, w/34" Wide Frames	99-04	30	SQ4	2	41547				750/7,500	1,200/12,000	60
		50	SQ5	2	41947		@		1,600/15,000	1,600/16,000	35
		70	SQ5	2	41943		@		2,400/16,000	1,600/16,000	40
		65	SQ5	2-1/2	45516		#		1,200/12,000	1,700/14,000	60
F-450 Super Duty Cab & Chassis, w/34" Wide Frames	05-07	30	SQ4	2	41547				750/7,500	1,200/12,000	60
		50	SQ5	2	41947		@		1,600/15,000	1,600/16,000	35
		70	SQ5	2	41943		@		2,400/16,000	1,600/16,000	40
		65	SQ5	2-1/2	45516		#		1,200/12,000	1,700/14,000	60
F-450 Super Duty Cab & Chassis, w/34" Wide Frames	08-16	30	SQ4	2	41547				750/7,500	1,200/12,000	60
		50	SQ5	2	41947		@		1,600/15,000	1,600/16,000	35
		70	SQ5	2	41943		@		2,400/16,000	1,600/16,000	40
		65	SQ5	2-1/2	45516		#		1,200/12,000	1,700/14,000	60
F-450 Super Duty Except Cab & Chassis	08-10	60	SQ5	2-1/2	45508	0	#, CS, EF, HM, LT, M		2,000/18,000	2,500/18,000	50
F-450 Super Duty Except Cab & Chassis, w/Factory 7-Way	08-16										
F-450 Super Duty Except Cab & Chassis	11-15	60	SQ5	2-1/2	45508	0	#, CS, EF, HM, LT, M		2,000/18,000	2,500/18,000	50
F-450 Super Duty Cab & Chassis, w/34" Wide Frames	17-17	30	SQ4	2	41547				750/7,500	1,200/12,000	60
		65	SQ5	2-1/2	45516		#		1,200/12,000	1,700/14,000	60
F-450 Super Duty Cab & Chassis, w/34" Wide Frames	17-18	50	SQ5	2	41947		@		1,600/15,000	1,600/16,000	35
		70	SQ5	2	41943		@		2,400/16,000	1,600/16,000	40

- | | |
|---|---|
| # Titan hitches require use of a 2-1/2" shank Titan ball mount. | GP Hitch cross tube concealed behind bumper. |
| @ Ultra Frame ball mount must be used to achieve maximum weight carrying rating. | HM Hitch cross tube is visible beneath bumper. |
| CS Will fit with full-size spare tire stowed under vehicle. | LT Requires removal of factory hitch if equipped. |
| EB Factory electrical bracket will NOT fit with this hitch. Must use aftermarket electrical box or bracket. | M Will fit with heavy-duty suspension. |
| EF Fits all models with standard bumpers. | SH Hitches produced before 09/27/07 are rated at 1200/12000 WC & 1400/14000 WD. |
| FP Spare tire repositioning and/or modification of spare tire carrier may be required. | |

T-ONE					TOW HARNESS					4-FLAT WIRING				REQ. 4 FLAT WIRING		7-WAY HARDWIRE	BRAKE CONTROL HARNESS	IN				
PC	T-ONE	FN	IN	AMP	CP	PC	TOW HARN	FN	IN	AMP	CP	TYPE	ELEC	POS	CHOICE 1				CHOICE 2	6-WAY ADAPTER	7-WAY ADAPTER	
FORD (Continued)																						
						E15	118243	BN,RD	5			7-Way	A	PU1,2	119148	20252	20320	20321	20224	3035-P	5	
							74682 85219	RD RD	10 5			Both 7-Way	A	PU3	119148	20252						
						E15	118243	BN,RD	5			7-Way	A	PU1,2	119148	20252	20320	20321	20224	3035-P	5	
							74682 85219	RD RD	10 5			Both 7-Way	A	PU3	119148	20252						
													A	PU1,2	119148	20252	20320	20321	20224	3035-P	5	
													A	PU1,2	119148	20252	20320	20321	20224	3035-P	5	
													A	PU1,2	119148	20252	20320	20321	20224	3065-P	5	
													A	PU1,2	119148	20252	20320	20321	20224	3065-P	5	
													A	PU1,2	119148	20252	20320	20321	20224	3034-P	20	
													A	PU1,2	119148	20252	20320	20321	20224	3034-P	20	
													A	PU1,2	119148	20252	20320	20321	20224	3036-P	20	
							74682 85219	RD RD	10 5			Both 7-Way	A	PU3	119148	20252					3036-P	20
													A	PU1,2	119148	20252	20320	20321	20224	3035-P	5	
													A	PU1,2	119148	20252	20320	20321	20224	3065-P	5	
													A	PU1,2	119148	20252	20320	20321	20224	3034-P	20	
													A	PU1,2	119148	20252	20320	20321	20224	3034-P	20	
							74682 85219	RD RD	10 5			Both 7-Way	A	PU3	119148	20252						
													A	PU1,2	119148	20252	20320	20321	20224	3034-P	20	
													A	PU1,2	119148	20252	20320	20321	20224	3036-P	20	
													A	PU1,2	119148	20252	20320	20321	20224	3036-P	20	

A 2 wire system.

BN Exterior mounted plug on some or all models. May require an aftermarket electrical mounting box or bracket. (Sold separately)

RD For vehicles equipped with factory tow package may require additional components or may be used as a replacement harness.

RT3 Round Tube Class III 2"

RT4 Round Tube Class IV 2"

SQ4 Square Tube Class IV

SQ5 Square Tube Class V

RECEIVER HITCHES

MODEL / STYLE	YEAR	TRAILER HITCHES									
		PC	REC TYPE	REC SIZE	PART #	NO DRILL	FOOTNOTES	OPTIONAL DRAWBAR	WC (LBS.)	WD (LBS.)	IN
FORD (Continued)											
F-450 Super Duty Except Cab & Chassis, w/Factory 7-Way	17-18										
F-550 Super Duty Cab & Chassis, w/34" Wide Frames	99-04	30	SQ4	2	41547				750/7,500	1,200/12,000	60
		50	SQ5	2	41947		@		1,600/15,000	1,600/16,000	35
		70	SQ5	2	41943		@		2,400/16,000	1,600/16,000	40
		65	SQ5	2-1/2	45516		#		1,200/12,000	1,700/14,000	60
F-550 Super Duty Cab & Chassis, w/34" Wide Frames	05-07	30	SQ4	2	41547				750/7,500	1,200/12,000	60
		50	SQ5	2	41947		@		1,600/15,000	1,600/16,000	35
		70	SQ5	2	41943		@		2,400/16,000	1,600/16,000	40
		65	SQ5	2-1/2	45516		#		1,200/12,000	1,700/14,000	60
F-550 Super Duty Cab & Chassis, w/34" Wide Frames	08-16	30	SQ4	2	41547				750/7,500	1,200/12,000	60
		50	SQ5	2	41947		@		1,600/15,000	1,600/16,000	35
		70	SQ5	2	41943		@		2,400/16,000	1,600/16,000	40
		65	SQ5	2-1/2	45516		#		1,200/12,000	1,700/14,000	60
F-550 Super Duty Cab & Chassis, w/34" Wide Frames	17-17	30	SQ4	2	41547				750/7,500	1,200/12,000	60
		65	SQ5	2-1/2	45516		#		1,200/12,000	1,700/14,000	60
F-550 Super Duty Cab & Chassis, w/34" Wide Frames	17-18	50	SQ5	2	41947		@		1,600/15,000	1,600/16,000	35
		70	SQ5	2	41943		@		2,400/16,000	1,600/16,000	40
Fiesta 4 Dr. Sedan	11-13	37	SQ1	1-1/4	24856	0	HM	3593	200/2,000		15
Fiesta 5 Dr. Hatchback	11-13	25	SQ1	1-1/4	24855	0	HM, JR, KH	3593	200/2,000		30
		19	SQ1	1-1/4	24961	0	HM, JR, KH	3594	200/2,000		30
Fiesta 4 Dr. Sedan	14-17	31	SQ1	1-1/4	24910	0	HM	3593	200/2,000		15
Fiesta 5 Dr. Hatchback	14-19	25	SQ1	1-1/4	24855	0	HM, JR, KH	3593	200/2,000		30
		19	SQ1	1-1/4	24961	0	HM, JR, KH	3594	200/2,000		30
Five Hundred	05-07	33	SQ2	1-1/4	36360	0	GP, JR	36071	300/3,500		30
		42	RT3	2	75299	0	JR		350/3,500	400/4,000	30
Flex	09-11	45	RT3	2	75679	0	HM, JR		400/4,000		30
Flex w/Factory 7-Way	09-12										
Flex	12-19	45	RT3	2	75679	0	HM, JR		400/4,000	400/4,000	30
Focus Sedan	00-00	24	SQ1	1-1/4	24692	0	HM	3593	200/2,000		20
Focus Wagon (Built Before 11/2002)	00-02	33	SQ1	1-1/4	24682	0	JR, GP	3592	200/2,000		20
Focus Sedan	01-04	24	SQ1	1-1/4	24692	0	HM	3593	200/2,000		20
Focus Wagon (Built After 11/2002)	03-07	33	SQ1	1-1/4	24682	0	JR, GP	3592	200/2,000		20
Focus Sedan, Except w/Street Appearance Pkg.	05-07	24	SQ1	1-1/4	24692	0	HM	3593	200/2,000		20
Focus	08-11	33	SQ1	1-1/4	24805	0	HM, JR, KH	3593	200/2,000		30
Focus 5 Dr. Hatchback, Except ST w/Center Exhaust	12-14	18	SQ1	1-1/4	24872	0	GP, JR, KH	3593	200/2,000		25
Focus 5 Dr. Hatchback, Except ST w/Center Exhaust Models & RS	15-18	18	SQ1	1-1/4	24872	0	GP, JR, KH	3593	200/2,000		25
Focus 5 Dr. Hatchback, RS Models	15-18										
Focus RS	16-18	37	SQ1	1-1/4	24977	0	DU, GP, TA, X	3593	200/2,000		60
Focus ZX3 3 Dr. Hatchback, Except SVT & w/Street Appearance Pkg.	00-06	24	SQ1	1-1/4	24692		HM	3593	200/2,000		20
Focus ZX5 5 Dr. Hatchback, Except SVT & w/Street Appearance Pkg.	02-06	24	SQ1	1-1/4	24692		HM	3593	200/2,000		20
Freestar	04-07	41	SQ2	1-1/4	36318	0	GP, JR	36071	300/3,500		25
		45	SQ3	2	75158		GP, JR		350/3,500	500/5,000	30
Freestyle	05-07	33	SQ2	1-1/4	36360	0	GP, JR	36071	300/3,500		30
		42	SQ3	2	75299	0	JR		350/3,500	400/4,000	30
Fusion	06-09	39	SQ1	1-1/4	24775		GP, JR, TA	3592	200/2,000		45
Fusion	10-12	25	SQ1	1-1/4	24865	0	GP, JR	3594	200/2,000		20
Fusion Except Sport	13-18	19	SQ1	1-1/4	24897	0	HM, SV	3594	200/2,000		20
Mustang	94-98	29	SQ1	1-1/4	24687		RB, GP	3592	200/2,000		20

- # Titan hitches require use of a 2-1/2" shank Titan ball mount.
- @ Ultra Frame ball mount must be used to achieve maximum weight carrying rating.
- DU Fascia removal required.
- GP Hitch crosstube concealed behind bumper.
- HM Hitch crosstube is visible beneath bumper.
- JR Exhaust must be temporarily lowered for installation.

- KH Minor heat shield modification may be required.
- RB Hitch installation can be made easier with a "cutter" type drill bit.
- SV Trimming or removal of under body appearance panel may be required.
- TA Trunk access required for hitch installation.
- X Minor fascia trimming required.

T-ONE						TOW HARNESS						4-FLAT WIRING				REQ. 4 FLAT WIRING		7-WAY HARDWIRE	BRAKE CONTROL HARNESS	IN	
PC	T-ONE	FN	IN	AMP	CP	PC	TOW HARN	FN	IN	AMP	CP	TYPE	ELEC	POS	CHOICE 1	CHOICE 2	6-WAY ADAPTER				7-WAY ADAPTER
FORD (Continued)																					
							74682 85219	RD RD	10 5			Both 7-Way	A	PU3	119148	20252				3036-P	20
													A	PU1,2	119148	20252	20320	20321	20224	3035-P	5
													A	PU1,2	119148	20252	20320	20321	20224	3065-P	5
													A	PU1,2	119148	20252	20320	20321	20224	3034-P	20
													A	PU1,2	119148	20252	20320	20321	20224	3036-P	20
													A	PU1,2	119148	20252	20320	20321	20224	3036-P	20
E14	118422	CH	30	2.1,4.2	X								A,E	PC3,4	119191	119148					
E18	118471	CH	45	2.1,5.6	X								B,E	PC3,4	119191	119148					
E14	118766	CH	45	4.2,7.5	X								A,E	PC3,4	119191	119148					
E15	118641	CH	45	2.1,5.6	X								B,E	PC3,4	119191	119148					
E5	118395		10	7.5									A	PC3,4	119148	20252	20320	20321	20224		
E8	118472		15	7.5									A	SUV1,2	119148	20252	20320	20321	20224	3035-P	5
							74682 85219	RD RD	10 5			Both 7-Way	A	SUV6	119148	20252					
E8	118472		15	7.5									A	SUV1,2	119148	20252	20320	20321	20224	3036-P	20
													B	PC3,4	119130	119178					
E5	118344	FW	10	7.5									A	PC1,2	119148	20252					
													C	PC3,4	119191	119148					
													A	PC1,2	119148	20252					
													A	PC3,4	119148	20252					
E5	118457	BN	15	7.5									A	PC1,2	119148	20252					
E18	118549	CH	45	2.1,5.6	X								B,E	PC1,2	119191	119148					
E18	118674	CH	45	4.2,7.5	X								B,E	PC1,2	119191	119148					
E18	118674	CH	45	4.2,7.5	X								B,E	PC1,2	119191	119148					
E16	118548	CH	45	2.1,5.6	X								B,E	PC3,4	119191	119148					
													A	PC1,2	119148	20252					
													A	PC1,2	119148	20252					
E17	118385	CH	45	2.1,5.6	X								N	SUV1,2		119251	20320	20321			
E5	118395		10	7.5									A	SUV3,4	119148	20252	20320	20321	20224		
E14	118422	CH	30	2.1,4.2	X								A,E	PC3,4	119191	119148					
E14	118422	CH	30	2.1,4.2	X								A,E	PC3,4	119191	119148					
E16	118574	CH	45	2.1,5.6	X								A,E	PC1,2	119191	119148					
E9	118326		20	7.5									A	PC3,4	119148	20252					

- A** 2 wire system.
- B** 3 wire system. Converter required.
- BN** Exterior mounted plug on some or all models. May require an aftermarket electrical mounting box or bracket. (Sold separately)
- C** 2 or 3 wire system determine at installation.
- CH** T-One is equipped with circuit protected Modulite® module.

- E** Modulite® required.
- FW** 2003 Models w/Build date before 11/1/02.
- N** DO NOT cut or splice vehicle wiring. Only use approved T-One or see auto dealer for trailer tow wiring kit.
- RD** For vehicles equipped with factory tow package may require additional components or may be used as a replacement harness.

- RT3** Round Tube Class III 2"
- SQ1** Square Tube Class I
- SQ2** Square Tube Class II
- SQ3** Square Tube Class III
- SQ4** Square Tube Class IV
- SQ5** Square Tube Class V

RECEIVER HITCHES

MODEL / STYLE	YEAR	TRAILER HITCHES									
		PC	REC TYPE	REC SIZE	PART #	NO DRILL	FOOTNOTES	OPTIONAL DRAWBAR	WC (LBS.)	WD (LBS.)	IN
FORD (Continued)											
Mustang Except Cobra SVT	99-04	29	SQ1	1-1/4	24687		RB,GP	3592	200/2,000		20
Mustang Except GT/CS (California Special)/Shelby GT/GT500	05-09	22	SQ1	1-1/4	24747		GP,JR	3592	200/2,000		45
Mustang Except GT/CS (California Special)/Shelby GT/GT500	10-10	23	SQ1	1-1/4	24840†		†,GP,JR,X	3592	200/2,000		45
Mustang V6 Models	11-14	24	SQ1	1-1/4	24863	0	HM,JR	3594	200/2,000		40
Mustang V8 Models	11-14	24	SQ1	1-1/4	24863	0	GP,HB,JR	3594	200/2,000		40
Mustang	15-17	43	SQ1	1-1/4	24928	0	HM,JR,AI	3594	200/2,000		30
Mustang	18-19	43	SQ1	1-1/4	24928	0	HM,JR,AI	3594	200/2,000		30
Ranger	93-97	24	SQ3	2	75082		EG,SD,V,GP		400/4,000	750/6,000	20
Ranger Except w/Rear Fascia	93-97	50	SQ3	2	37136	0			500/5,000	600/6,000	40
Ranger	98-98	24	SQ3	2	75082		SD,V,GP		400/4,000	750/6,000	20
Ranger Except Flareside or w/Rear Fascia	98-99	50	SQ3	2	37136	0			500/5,000	600/6,000	40
Ranger	99-99	24	SQ3	2	75082		SD,V,GP		400/4,000	750/6,000	20
Ranger	00-03	24	SQ3	2	75082		SD,V,GP		400/4,000	750/6,000	20
Ranger Except Flareside or w/Rear Fascia	00-03	50	SQ3	2	37136	0			500/5,000	600/6,000	40
Ranger w/Factory 7-Way	00-11										
Ranger	04-11	24	SQ3	2	75082		SD,V,GP		400/4,000	750/6,000	20
Ranger Except Flareside or w/Rear Fascia	04-11	50	SQ3	2	37136	0			500/5,000	600/6,000	40
Ranger	13-16	54	RT3	2	75790	0	HM,CS		600/4,000	600/6,000	30
Taurus 4 Dr. Sedan, Except SHO	96-99	35	SQ1	1-1/4	24699	0	GP,JR	3593	200/2,000		20
		35	SQ2	1-1/4	36252	0	GP,JR	36063	300/3,500		20
Taurus SHO	96-99	35	SQ2	1-1/4	36252	0	GP,JR	36063	300/3,500		20
Taurus Wagon	96-99	35	SQ1	1-1/4	24699	0	GP,JR	3593	200/2,000		20
		35	SQ2	1-1/4	36252	0	GP,JR	36063	300/3,500		20
Taurus 4 Dr. Sedan	00-03	35	SQ1	1-1/4	24699	0	GP,JR	3592	200/2,000		20
		35	SQ2	1-1/4	36252	0	GP,JR	36063	300/3,500		20
		47	SQ2	1-1/4	36313	0	GP,JR	36061	300/3,500		40
Taurus Wagon	00-03	35	SQ1	1-1/4	24699	0	GP,JR	3592	200/2,000		20
		35	SQ2	1-1/4	36252	0	GP,JR	36063	300/3,500		20
		47	SQ2	1-1/4	36313	0	GP,JR	36061	300/3,500		40
Taurus 4 Dr. Sedan	04-06	47	SQ2	1-1/4	36313	0	GP,JR	36061	300/3,500		40
Taurus Wagon	04-06	47	SQ2	1-1/4	36313	0	GP,JR	36061	300/3,500		40
Taurus 4 Dr. Sedan	08-09	33	SQ2	1-1/4	36360	0	GP,JR	36071	300/3,500		30
		42	SQ3	2	75299	0	JR		350/3,500	400/4,000	30
Taurus 4 Dr. Sedan	10-19	36	SQ2	1-1/4	36492		GP,JR	36071	300/3,500		30
		45	SQ3	2	75670		GP,JR		400/4,000	400/4,000	30
Taurus X	08-09	33	SQ2	1-1/4	36360	0	GP,JR	36071	300/3,500		30
		42	SQ3	2	75299	0	JR		350/3,500	400/4,000	30
Thunderbird	96-97	41	SQ2	1-1/4	36179	0	GP	36063	300/3,500		40
Transit Connect	10-13	33	RT3	2	75678	0			350/3,500	400/4,000	20
Transit Connect	14-19	32	RT3	2	75852	0	HM		400/3,500	400/4,000	15
Transit-150 Except Cab & Chassis and the Cutaway	15-19	27	RT3	2	75912	0	HM		750/5,000	800/8,000	25
Transit-250 Except Cab & Chassis and the Cutaway	15-18	27	RT3	2	75912	0	HM		750/5,000	800/8,000	25
Transit-350 Except Single Rear Wheel w/148" Wheelbase or Cab & Chassis and the Cutaway	15-18	27	RT3	2	75912	0	HM		750/5,000	800/8,000	25
Transit-350 Single Rear Wheel w/148" Wheelbase, Except Cab & Chassis and the Cutaway	15-18	27	RT3	2	75912	0	HM		750/5,000	800/8,000	25
Windstar	95-98	30	SQ2	1-1/4	36189		GP	36061	300/3,500		30
		43	SQ3	2	75055		GP		350/3,500	500/5,000	40
Windstar (Built Before 11/2002)	99-03	30	SQ2	1-1/4	36189		GP	36061	300/3,500		30
		43	SQ3	2	75055		GP		350/3,500	500/5,000	40
		50	SQ3	2	37136	0	AF		500/5,000	600/6,000	40

† Available while supply lasts.
AF Hitch is ONLY rated for Weight Carrying at 3500 lbs. GTW / 350 lbs. TW and DO NOT use Weight Distribution Spring Bars for this Specific Vehicle. Except for long bed pickups.
AI Additional installation time may be required.
CS Will fit with full-size spare tire stowed under vehicle.
EG Relocation of spare tire bracket is not required. NOTE: 19mm open end style wrench must be purchased to allow removal of spare tire after hitch installation.
GP Hitch crosstube concealed behind bumper.
HB Slight fascia deformation may occur on some models.

HM Hitch crosstube is visible beneath bumper.
JR Exhaust must be temporarily lowered for installation.
RB Hitch installation can be made easier with a "cutter" type drill bit.
SD Hitches produced before 07/21/06 are rated at 350/3500 WC.
V For vehicles with factory installed step bumpers only.
X Minor fascia trimming required.

T-ONE					TOW HARNESS					4-FLAT WIRING				REQ. 4 FLAT WIRING		7-WAY HARDWIRE	BRAKE CONTROL HARNESS	IN
PC	T-ONE	FN	IN	AMP	CP	TOW HARN	FN	IN	AMP	CP	TYPE	ELEC	POS	CHOICE 1	CHOICE 2			
FORD (Continued)																		
E9	118326		20	7.5								A	PC3,4	119148	20252			
												A	PC3,4	119148	20252			
E16	118487	CH	45	2.1,5.6	X							A,E	PC3,4	119191	119148			
E16	118487	CH	45	2.1,5.6	X							A,E	PC3,4	119191	119148			
E16	118487	CH	45	2.1,5.6	X							A,E	PC3,4	119191	119148			
E16	118487	CH	45	2.1,5.6	X							A,E	PC3,4	119191	119148			
E9	118325	BN,HG	5	2.1,5								B	PU3	119130	119178	20320	20321	20224
E9	118325	BN,HG	5	2.1,5								B	PU3	119130	119178	20320	20321	20224
E9	118325	BN,HG	5	2.1,5		E2	118241	BN,RD	5	7.5	4-Flat	B	PU3	119130	119178	20320	20321	20224
E9	118325	BN,HG	5	2.1,5		E2	118241	BN,RD	5	7.5	4-Flat	B	PU3	119130	119178	20320	20321	20224
E9	118325	BN,HG	5	2.1,5		E2	118241	BN,RD	5	7.5	4-Flat	B	PU3	119130	119178	20320	20321	20224
E5	118344	BN	10	7.5								A	PU1,2	119148	20252	20320	20321	20224
E5	118344	BN	10	7.5								A	PU1,2	119148	20252	20320	20321	20224
							74682 85219	RD RD	10 5		Both 7-Way	A	PU5	119148	20252			20224
												A	PU1,2	119148	20252	20320	20321	20224
												A	PU1,2	119148	20252	20320	20321	20224
E16	118654	CH,BN	45	4.2,7.5	X							B,E	PU3,4	119191	119148	20320	20321	
E9	118333	HG	10	2.1,5								B	PC3,4	119130	119178			
E9	118333	HG	10	2.1,5								B	PC3,4	119130	119178			
												B	PC3,4	119130	119178			
E4	118375		10	7.5								A	PC3,4	119148	20252			
												C	PC3,4	119191	119148			
												A	PC3,4	119148	20252			
												A	PC3,4	119148	20252			
E7	118447		10	7.5								A	PC3,4	119148	20252	20320	20321	20224
E15	118599	CH	45	2.1,5.6	X							B,E	PC3,4	119191	119148	20320	20321	20224
E7	118448		15	7.5								A	SUV3,4	119148	20252	20320	20321	20224
												A,E	PC3,4	119191	119148			
E26	118585	BN,CH	45	4.2,7.5	X							B,E	SUV1,2	119191	119148	20320	20321	20224
E14	118613	BN,CH	45	4.2,7.5	X							B,E	SUV3,4	119191	119148	20320	20321	20224
E16	118643	CH	45	4.2,7.5	X		22114		60		7-Way	A,E	SUV1,2	119191	119148	20320	20321	20224
E16	118643	CH	45	4.2,7.5	X		22114		60		7-Way	A,E	SUV1,2	119191	119148	20320	20321	20224
E18	118722	BN,CH	45	5.7,5	X		22116		90		7-Way	A,E	SUV1,2	119191	119148	20320	20321	20224
E16	118643	BN,CH	45	4.2,7.5	X		22114		60		7-Way	A,E	SUV1,2	119191	119148	20320	20321	20224
		HG										B	SUV1,2	119130	119178	20320	20321	20224
E19	118366	FW,LS	45	2.1,4.2								G	SUV1,2		119251	20320	20321	

- A** 2 wire system.
- B** 3 wire system. Converter required.
- BN** Exterior mounted plug on some or all models. May require an aftermarket electrical mounting box or bracket. (Sold separately)
- C** 2 or 3 wire system determine at installation.
- CH** T-One is equipped with circuit protected Modulite® module.
- E** Modulite® required.
- FW** 2003 Models w/Build date before 11/1/02.
- G** Low-side switching system.
- HG** T-One incorporates taillight converter.
- LS** T-One incorporates low-side switching taillight converter. Additional installation time required.
- RD** For vehicles equipped with factory tow package may require additional components or may be used as a replacement harness.

- RT3** Round Tube Class III 2"
- SQ1** Square Tube Class I
- SQ2** Square Tube Class II
- SQ3** Square Tube Class III

RECEIVER HITCHES

MODEL / STYLE	YEAR	TRAILER HITCHES									
		PC	REC TYPE	REC SIZE	PART #	NO DRILL	FOOTNOTES	OPTIONAL DRAWBAR	WC (LBS.)	WD (LBS.)	IN
FORD (Continued)											
Windstar (Built After 11/2002)	03-03	30	SQ2	1-1/4	36189		GP	36061	300/3,500		30
		43	SQ3	2	75055		GP		350/3,500	500/5,000	40
		50	SQ3	2	37136	0	AF		500/5,000	600/6,000	40
FREIGHTLINER											
SL	04-16										
Sprinter 2500 w/41" Wide Frames, Except 118" Wheelbase & Factory Metal Step Platform	03-06	48	SQ3	2	75210	0	HM		500/5,000	750/7,500	20
Sprinter 2500 w/41" Wide Frames, Except 118" Wheelbase & Factory Metal Step Platform, w/Factory 7-Way	03-06										
Sprinter 2500 144" & 170" Wheelbase, Except w/Factory Step Bumper	07-09	53	SQ4	2	75549	0	HM,UL		600/6,000	750/7,500	20
Sprinter 2500 144" & 170" Wheelbase, Except w/Factory Step Bumper, w/Factory 7-Way	07-09										
Sprinter 2500 w/Factory Step Bumper Excluding Models w/30-3/8" Frame Width	07-09	52	SQ3	2	75601	0	HM		500/5,000	750/7,500	30
Sprinter 2500 w/Factory Step Bumper, w/Factory 7-Way	07-09										
Sprinter 2500 144" & 170" Wheelbase, Except w/Factory Step Bumper	10-12	53	SQ4	2	75549	0	HM,UL		600/6,000	750/7,500	20
Sprinter 2500 w/Factory Step Bumper Excluding Models w/30-3/8" Frame Width	10-12	52	SQ3	2	75601	0	HM		500/5,000	750/7,500	30
Sprinter 2500 144" & 170" Wheelbase, Except w/Factory Step Bumper	13-13	53	SQ4	2	75549	0	HM,UL		600/6,000	750/7,500	20
Sprinter 2500 w/Factory Step Bumper Excluding Models w/30-3/8" Frame Width	13-13	52	SQ3	2	75601	0	HM		500/5,000	750/7,500	30
Sprinter 3500 w/41" Wide Frames, Except 118" Wheelbase & Factory Metal Step Platform	03-06	48	SQ3	2	75210	0	HM		500/5,000	750/7,500	20
Sprinter 3500 w/41" Wide Frames, Except 118" Wheelbase & Factory Metal Step Platform, w/Factory 7-Way	03-06										
Sprinter 3500 144" & 170" Wheelbase, Except w/Factory Step Bumper	07-09	53	SQ4	2	75549	0	HM,UL		600/6,000	750/7,500	20
Sprinter 3500 144" & 170" Wheelbase, Except w/Factory Step Bumper, w/Factory 7-Way	07-09										
Sprinter 3500 w/Factory Step Bumper Excluding Models w/30-3/8" Frame Width	07-09	52	SQ3	2	75601	0	HM		500/5,000	750/7,500	30
Sprinter 3500 w/Factory Step Bumper, w/Factory 7-Way	07-09										
Sprinter 3500 144" & 170" Wheelbase, Except w/Factory Step Bumper	10-12	53	SQ4	2	75549	0	HM,UL		600/6,000	750/7,500	20
Sprinter 3500 w/Factory Step Bumper Excluding Models w/30-3/8" Frame Width	10-12	52	SQ3	2	75601	0	HM		500/5,000	750/7,500	30
Sprinter 3500 144" & 170" Wheelbase, Except w/Factory Step Bumper	13-13	53	SQ4	2	75549	0	HM,UL		600/6,000	750/7,500	20
Sprinter 3500 w/Factory Step Bumper Excluding Models w/30-3/8" Frame Width	13-13	52	SQ3	2	75601	0	HM		500/5,000	750/7,500	30
XC	04-16										
GENESIS											
G80	17-18										
GEO											
Prizm	93-97	25	SQ1	1-1/4	24579		GP	3593	200/2,000		30
Tracker	96-97	25	SQ1	1-1/4	24622	0	HM	3593	200/2,000		20
GMC											
Acadia	07-12	19	RT3	2	75528	0	GP,JR,TN		750/5,000	750/7,500	25

AF Hitch is ONLY rated for Weight Carrying at 3500 lbs. GTW / 350 lbs. TW and DO NOT use Weight Distribution Spring Bars for this Specific Vehicle. Except for long bed pickups.

GP Hitch crossstube concealed behind bumper.

HM Hitch crossstube is visible beneath bumper.

JR Exhaust must be temporarily lowered for installation.

TN Hitches produced before 07/09/12 are rated at 500/5000 WC & 500/5000 WD.

UL This hitch will not fit a Sprinter single or dual rear-wheel vehicle with a 30-3/8" wide frame measured outside of frame to outside of frame.

T-ONE					TOW HARNESS					4-FLAT WIRING				REQ. 4 FLAT WIRING		7-WAY HARDWARE	BRAKE CONTROL HARNESS	IN		
PC	T-ONE	FN	IN	AMP	CP	TOW HARN	FN	IN	AMP	CP	TYPE	ELEC	POS	CHOICE 1	CHOICE 2				6-WAY ADAPTER	7-WAY ADAPTER
FORD (Continued)																				
E19	118305	FV,LS	45	2,1,4,2								G	SUV,1,2		119251	20320	20321		3035-P	5
FREIGHTLINER																				
						E3	118381	BN,RD	5	7.5	4-Flat	B,E	SUV,3,4	119148	20252	20320	20321	20224	3027-P	5
							20135	RD	10		Both	H	SUV6	119148	20252					
E17	118650	CH	45	5,7,5	X	E3	118381	BN,RD	5	7.5	4-Flat	B,E	SUV,1,2	119191	119148	20320	20321	20224		
							20135	RD	10		Both	H	SUV6	119148	20252					
E17	118650	CH	45	5,7,5	X	E3	118381	BN,RD	5	7.5	4-Flat	B,E	SUV,1,2	119191	119148	20320	20321	20224		
							20135	RD	10		Both	H	SUV6	119148	20252					
E17	118650	CH	45	5,7,5	X							B,E	SUV,1,2	119191	119148	20320	20321	20224		
E17	118650	CH	45	5,7,5	X							B,E	SUV,3,4	119192	119191	20320	20321	20224		
E17	118650	CH	45	5,7,5	X							B,E	SUV,3,4	119192	119191	20320	20321	20224		
						E3	118381	BN,RD	5	7.5	4-Flat	B,E	SUV,3,4	119191	119148	20320	20321	20224		
							20135	RD	10		Both	H	SUV6	119148	20252					
E17	118650	CH	45	5,7,5	X	E3	118381	BN,RD	5	7.5	4-Flat	B,E	SUV,1,2	119191	119148	20320	20321	20224		
							20135	RD	10		Both	H	SUV6	119148	20252					
E17	118650	CH	45	5,7,5	X	E3	118381	BN,RD	5	7.5	4-Flat	B,E	SUV,1,2	119191	119148	20320	20321	20224		
							20135	RD	10		Both	H	SUV6	119148	20252					
E17	118650	CH	45	5,7,5	X							B,E	SUV,1,2	119191	119148	20320	20321	20224		
E17	118650	CH	45	5,7,5	X							B,E	SUV,3,4	119251	119191	20320	20321	20224		
E17	118650	CH	45	5,7,5	X							B,E	SUV,3,4	119251	119191	20320	20321	20224		
																			3027-P	5
GENESIS																				
E13	118738	CH	45	5,7,5	X							B,E	PC,3,4	119191	119148					
GEO																				
												B	PC,3,4	119130	119178					
E5	118372	HG	5	2,1,5								B	SUV,1,2	119130	119178					
GMC																				
E11	118451	BN	15	7.5		E8	118384	BN,RD	5	7.5	4-Flat	N	SUV,1,2		119251	20320	20321		3026-P	5

B 3 wire system. Converter required.

BN Exterior mounted plug on some or all models. May require an aftermarket electrical mounting box or bracket. (Sold separately)

CH T-One is equipped with circuit protected ModuLite® module.

E ModuLite® required.

FV 2003 Models w/Build date after 11/1/02.

G Low-side switching system.

H 3 wire system with OEM standard 2 wire harness.

HG T-One incorporates taillight converter.

LS T-One incorporates low-side switching taillight converter. Additional installation time required.

N DO NOT cut or splice vehicle wiring. Only use approved T-One or see auto dealer for trailer tow wiring kit.

RD For vehicles equipped with factory tow package may require additional components or may be used as a replacement harness.

RT3 Round Tube Class III 2"

SQ1 Square Tube Class I

SQ2 Square Tube Class II

SQ3 Square Tube Class III

SQ4 Square Tube Class IV

RECEIVER HITCHES

MODEL / STYLE	YEAR	TRAILER HITCHES									
		PC	REC TYPE	REC SIZE	PART #	NO DRILL	FOOTNOTES	OPTIONAL DRAWBAR	WC (LBS.)	WD (LBS.)	IN
GMC (Continued)											
Acadia w/Factory 7-Way	07-12										
Acadia	13-16	19	RT3	2	75528	0	GP, JR, TN		750/5,000	750/7,500	25
Acadia	17-17	24	SQ3	2	76023	0	GP, JR, AA, DU, SV, TA		675/4,500	675/4,500	90
Acadia	18-19	24	SQ3	2	76023	0	GP, JR, AA, DU, SV, TA		675/4,500	675/4,500	90
Acadia Limited	17-17	19	RT3	2	75528	0	GP, JR, TN		750/5,000	750/7,500	25
C1500 w/34" Wide Frames	85-99	50	SQ5	2	41938		@, CC		1,200/12,000	1,500/15,000	40
		50	SQ5	2	41947		@		1,600/15,000	1,600/16,000	35
C1500	88-99	49	RT3	2	37133				500/5,000	750/7,500	40
		35	SQ3	2	75033	0	HM, J		500/5,000	800/8,000	20
		25	SQ3	2	75099	0	GP		500/5,000	800/8,000	20
		30	SQ4	2	40050		HC		600/6,000	1,000/10,000	40
		44	SQ4	2	41524	0	GP		600/6,000	1,000/10,000	20
		38	SQ4	2	41525†	0	HM, J		600/6,000	1,000/10,000	20
		54	RT4	2	37130				700/7,000	1,200/12,000	40
		45	SQ5	2	41901		@, DB, GP, SN		1,000/10,000	1,300/13,000	30
C1500 w/10" Deep Drop Bumper	88-99	53	SQ4	2	41528	0	FS, J		600/6,000	1,000/10,000	20
C1500 w/Aftermarket Roll Pan	88-99	38	SQ3	2	41522		CO, HK		500/5,000	550/5,500	40
C2500 w/34" Wide Frames	85-00	50	SQ5	2	41938		@, CC		1,200/12,000	1,500/15,000	40
		50	SQ5	2	41947		@		1,600/15,000	1,600/16,000	35
C2500	88-00	49	RT3	2	37133				500/5,000	750/7,500	40
		35	SQ3	2	75033	0	HM, J		500/5,000	800/8,000	20
		25	SQ3	2	75099	0	GP		500/5,000	800/8,000	20
		30	SQ4	2	40050		HC		600/6,000	1,000/10,000	40
		44	SQ4	2	41524	0	GP		600/6,000	1,000/10,000	20
		38	SQ4	2	41525†	0	HM, J		600/6,000	1,000/10,000	20
		54	RT4	2	37130				700/7,000	1,200/12,000	40
		45	SQ5	2	41901		@, DB, GP, SN		1,000/10,000	1,300/13,000	30
		59	SQ5	2-1/2	45506		#		1,200/12,000	1,700/14,000	45
C2500 w/10" Deep Drop Bumper	88-00	53	SQ4	2	41528	0	FS, J		600/6,000	1,000/10,000	20
C2500 w/Aftermarket Roll Pan	88-00	38	SQ3	2	41522		CO, HK		500/5,000	550/5,500	40
C3500 w/34" Wide Frames	85-00	50	SQ5	2	41938		@, CC		1,200/12,000	1,500/15,000	40
		50	SQ5	2	41947		@		1,600/15,000	1,600/16,000	35
C3500	88-00	49	RT3	2	37133				500/5,000	750/7,500	40
		35	SQ3	2	75033	0	HM, J		500/5,000	800/8,000	20
		25	SQ3	2	75099	0	GP		500/5,000	800/8,000	20
		30	SQ4	2	40050		HC		600/6,000	1,000/10,000	40
		44	SQ4	2	41524	0	GP		600/6,000	1,000/10,000	20
		38	SQ4	2	41525†	0	HM, J		600/6,000	1,000/10,000	20
		54	RT4	2	37130				700/7,000	1,200/12,000	40
		45	SQ5	2	41901		@, DB, GP, SN		1,000/10,000	1,300/13,000	30
		59	SQ5	2-1/2	45506		#		1,200/12,000	1,700/14,000	45
C3500 w/10" Deep Drop Bumper	88-00	53	SQ4	2	41528	0	FS, J		600/6,000	1,000/10,000	20
C3500 w/Aftermarket Roll Pan	88-00	38	SQ3	2	41522		CO, HK		500/5,000	550/5,500	40
C4500 Topkick Cab & Chassis, w/34" Wide Frames	03-09	50	SQ5	2	41947		@		1,600/15,000	1,600/16,000	35
C5500 Topkick Cab & Chassis, w/34" Wide Frames	03-09	50	SQ5	2	41947		@		1,600/15,000	1,600/16,000	35
C6500 Topkick Cab & Chassis, w/34" Wide Frames	99-09	50	SQ5	2	41947		@		1,600/15,000	1,600/16,000	35
C7500 Topkick Cab & Chassis, w/34" Wide Frames	99-09	50	SQ5	2	41947		@		1,600/15,000	1,600/16,000	35
Canyon	04-12	23	SQ4	2	75607	0	CP, GP		600/6,000	750/7,500	25
Canyon w/Factory 7-Way	04-12										

- | | |
|--|---|
| <p># Titan hitches require use of a 2-1/2" shank Titan ball mount.</p> <p>@ Ultra Frame ball mount must be used to achieve maximum weight carrying rating.</p> <p>AA Requires temporary removal of bumper during installation.</p> <p>CC Requires minimum of 19" from end of frame rail to spring shackle bracket.</p> <p>CD Will not fit 8 ft. 2500/3500 Series with heavy-duty suspension or four door Crew Cab.</p> <p>CP Fits all models without factory installed receiver.</p> <p>DB Will not fit 6 ft. bed pickups.</p> <p>DU Fascia removal required.</p> <p>FS Includes 2 & 4 WD models with heavy duty suspension.</p> <p>GP Hitch cross-tube concealed behind bumper.</p> | <p>HC Will not fit with mini or full size tire stowed under vehicle.</p> <p>HK Under vehicle spare tire stowage may be retained with installation of an aftermarket spare tire repositioner. Cutting of rollpan in license plate area required for receiver tube access. Does not fit with bumper.</p> <p>HM Hitch cross-tube is visible beneath bumper.</p> <p>J Under vehicle spare tire stowage is retained.</p> <p>JR Exhaust must be temporarily lowered for installation.</p> <p>SN Hitches produced before 04/28/08 are rated at 1000/10000 WC & 1200/12000 WD.</p> <p>SV Trimming or removal of under body appearance panel may be required.</p> <p>TA Trunk access required for hitch installation.</p> <p>TN Hitches produced before 07/09/12 are rated at 500/5000 WC & 500/5000 WD.</p> |
|--|---|

T-ONE					TOW HARNESS							4-FLAT WIRING				REQ. 4 FLAT WIRING		7-WAY	BRAKE CONTROL HARNESS	IN	
PC	T-ONE	FN	IN	AMP	CP	PC	TOW HARN	FN	IN	AMP	CP	TYPE	ELEC	POS	CHOICE 1	CHOICE 2	6-WAY ADAPTER	7-WAY ADAPTER	7-WAY HARDWARE	BRAKE CONTROL HARNESS	IN
GMC (Continued)																					
							8551511	RD				7-Way Both	N	SUV6		119251					
							74682	RD	10			7-Way									
							85219	RD	5			7-Way									
E10	118270	BN	20	7.5		E16	118271	BN	20			7-Way	A,E	SUV1,2	119191	119148	20320	20321	20224	3026-P	5
E3	118720	BN	10			E9	118276	BN	10			7-Way	A	SUV6	119148	20252				3026-P	5
E3	118720	BN	10			E9	118276	BN	10			7-Way	A	SUV6	119148	20252					
E10	118270	BN	20	7.5		E16	118271	BN	20			7-Way	A,E	SUV1,2	119191	119148	20320	20321	20224	3026-P	5
													A	PU1,2	119148	20252	20320	20321	20224		
E3	118315	BN	5	7.5									A	PU3	119148	20252	20320	20321	20224		
													A	PU3	119148	20252	20320	20321	20224		
E3	118315	BN	5	7.5									A	PU3	119148	20252	20320	20321	20224		
E3	118315	BN	5	7.5									A	PU3	119148	20252	20320	20321	20224		
													A	PU1,2	119148	20252	20320	20321	20224		
E3	118315	BN	5	7.5									A	PU3	119148	20252	20320	20321	20224		
E3	118315	BN	5	7.5									A	PU3	119148	20252	20320	20321	20224		
													A	PU1,2	119148	20252	20320	20321	20224		
E3	118315	BN	5	7.5									A	PU3	119148	20252	20320	20321	20224		
E3	118315	BN	5	7.5									A	PU3	119148	20252	20320	20321	20224		
													A	PU1,2	119148	20252	20320	20321	20224		
E3	118315	BN	5	7.5									A	PU3	119148	20252	20320	20321	20224		
E3	118315	BN	5	7.5									A	PU3	119148	20252	20320	20321	20224		
													A	PU1,2	119148	20252	20320	20321	20224		
E3	118315	BN	5	7.5									A	PU3	119148	20252	20320	20321	20224		
E3	118315	BN	5	7.5									A	PU3	119148	20252	20320	20321	20224		
													A	PU1,2	119148	20252	20320	20321	20224		
E3	118315	BN	5	7.5									A	PU3	119148	20252	20320	20321	20224		
													A	PU3	119148	20252	20320	20321	20224		
													A	PU1,2	119148	20252	20320	20321	20224		
													A	PU3	119148	20252	20320	20321	20224		
E3	118315	BN	5	7.5									A	PU3	119148	20252	20320	20321	20224		
E3	118315	BN	5	7.5									A	PU3	119148	20252	20320	20321	20224		
													A	PU1,2	119148	20252	20320	20321	20224		
E3	118315	BN	5	7.5									A	PU3	119148	20252	20320	20321	20224		
E10	118301	BN,CG	10	2.1,5	X	E8	118384	BN,RD	5	7.5		4-Flat	B	PU3	119130	119178	20320	20321	20224		
							74682	RD	10			Both	H	PU3	119148	20252					
							8551511	RD				7-Way									
							85219	RD	5			7-Way									

A 2 wire system.
B 3 wire system. Converter required.
BN Exterior mounted plug on some or all models. May require an aftermarket electrical mounting box or bracket. (Sold separately)
CG T-One incorporates circuit protected taillight converter.
E ModuLite® required.
H 3 wire system with OEM standard 2 wire harness.
N DO NOT cut or splice vehicle wiring. Only use approved T-One or see auto dealer for trailer tow wiring kit.
RD For vehicles equipped with factory tow package may require additional components or may be used as a replacement harness.

RT3 Round Tube Class III 2"
RT4 Round Tube Class IV 2"
SQ3 Square Tube Class III
SQ4 Square Tube Class IV
SQ5 Square Tube Class V

RECEIVER HITCHES

MODEL / STYLE	YEAR	TRAILER HITCHES									
		PC	REC TYPE	REC SIZE	PART #	NO DRILL	FOOTNOTES	OPTIONAL DRAWBAR	WC (LBS.)	WD (LBS.)	IN
GMC (Continued)											
Canyon	15-19	34 30	RT4 SQ4	2 2	75948 76004	0 0	HM,AA,V,SO,TZ HM,AA,V,SO,TZ		800/6,000 800/8,000	800/8,000 1,000/10,000	35 35
Envoy w/Factory 7-Way	02-09										
Jimmy Downsize	95-98	32 21	SQ2 RT3	1-1/4 2	36244 75079	0 0	FP,GP,KK FP,KK,SD	36051	300/3,500 400/4,000	600/6,000	15 15
Jimmy Downsize	99-01	32 21	SQ2 RT3	1-1/4 2	36244 75079	0 0	FP,GP,KK FP,KK,SD	36051	300/3,500 400/4,000	600/6,000	15 15
Jimmy Downsize, w/Factory 7-Way	99-01										
Jimmy Downsize	02-05	32 21	SQ2 RT3	1-1/4 2	36244 75079	0 0	FP,GP,KK FP,KK,SD	36051	300/3,500 400/4,000	600/6,000	15 15
K1500	88-99	49 35 25 44 38 54 45	RT3 SQ3 SQ3 SQ4 SQ4 RT4 SQ5	2 2 2 2 2 2 2	37133 75033 75099 41524 41525† 37130 41901	0 0 0 0 0	HM,J GP GP HM,J @,DB,GP,SN		500/5,000 500/5,000 500/5,000 600/6,000 600/6,000 700/7,000 1,000/10,000	750/7,500 800/8,000 800/8,000 1,000/10,000 1,000/10,000 1,200/12,000 1,300/13,000	40 20 20 20 20 40 30
K1500 w/10" Deep Drop Bumper	88-99	53	SQ4	2	41528	0	FS,J		600/6,000	1,000/10,000	20
K1500 w/34" Wide Frames	88-99	50 50	SQ5 SQ5	2 2	41938 41947		@,CC @		1,200/12,000 1,600/15,000	1,500/15,000 1,600/16,000	40 35
K1500 w/Aftermarket Roll Pan	88-99	38	SQ3	2	41522		CO,HK		500/5,000	550/5,500	40
K2500	88-00	49 35 25 44 38 54 45 59	RT3 SQ3 SQ3 SQ4 SQ4 RT4 SQ5 SQ5	2 2 2 2 2 2 2 2-1/2	37133 75033 75099 41524 41525† 37130 41901 45506	0 0 0 0	HM,J GP GP HM,J @,DB,GP,SN #		500/5,000 500/5,000 500/5,000 600/6,000 600/6,000 700/7,000 1,000/10,000 1,200/12,000	750/7,500 800/8,000 800/8,000 1,000/10,000 1,000/10,000 1,200/12,000 1,300/13,000 1,700/14,000	40 20 20 20 20 40 30 45
K2500 w/10" Deep Drop Bumper	88-00	53	SQ4	2	41528	0	FS,J		600/6,000	1,000/10,000	20
K2500 w/34" Wide Frames	88-00	50 50	SQ5 SQ5	2 2	41938 41947		@,CC @		1,200/12,000 1,600/15,000	1,500/15,000 1,600/16,000	40 35
K2500 w/Aftermarket Roll Pan	88-00	38	SQ3	2	41522		CO,HK		500/5,000	550/5,500	40
K3500	88-00	49 35 25 44 38 54 45 59	RT3 SQ3 SQ3 SQ4 SQ4 RT4 SQ5 SQ5	2 2 2 2 2 2 2 2-1/2	37133 75033 75099 41524 41525† 37130 41901 45506	0 0 0 0	HM,J GP GP HM,J @,DB,GP,SN #		500/5,000 500/5,000 500/5,000 600/6,000 600/6,000 700/7,000 1,000/10,000 1,200/12,000	750/7,500 800/8,000 800/8,000 1,000/10,000 1,000/10,000 1,200/12,000 1,300/13,000 1,700/14,000	40 20 20 20 20 40 30 45
K3500 w/10" Deep Drop Bumper	88-00	53	SQ4	2	41528	0	FS,J		600/6,000	1,000/10,000	20
K3500 w/34" Wide Frames	88-00	50 50	SQ5 SQ5	2 2	41938 41947		@,CC @		1,200/12,000 1,600/15,000	1,500/15,000 1,600/16,000	40 35
K3500 w/Aftermarket Roll Pan	88-00	38	SQ3	2	41522		CO,HK		500/5,000	550/5,500	40

- # Titan hitches require use of a 2-1/2" shank Titan ball mount.
- @ Ultra Frame ball mount must be used to achieve maximum weight carrying rating.
- AA Requires temporary removal of bumper during installation.
- CC Requires minimum of 19" from end of frame rail to spring shackle bracket.
- CB Will not fit 8 ft. 2500/3500 Series with heavy-duty suspension or four door Crew Cab.
- CD Will not fit 6 ft. bed pickups.
- FP Spare tire repositioning and/or modification of spare tire carrier may be required.
- FS Includes 2 & 4 WD models with heavy duty suspension.
- GP Hitch cross-tube concealed behind bumper.

- HK Under vehicle spare tire storage may be retained with installation of an aftermarket spare tire repositioner. Cutting of rollpan in license plate area required for receiver tube access. Does not fit with bumper.
- HM Hitch cross-tube is visible beneath bumper.
- J Under vehicle spare tire storage is retained.
- KK When installing on a vehicle originally equipped with an OEM hitch. OEM bumper brackets must be purchased and installed prior to new hitch installation.
- SD Hitches produced before 07/21/06 are rated at 350/3500 WC.
- SN Hitches produced before 04/28/08 are rated at 1000/10000 WC & 1200/12000 WD.
- SO With this hitch installed the step bumper is no longer able to be used as a towing point.
- TZ Requires replacement of the impact structure with hitch.
- V For vehicles with factory installed step bumpers only.

T-ONE					TOW HARNESS					4-FLAT WIRING				REQ. 4 FLAT WIRING		7-WAY HARDWIRE	BRAKE CONTROL HARNESS	IN		
PC	T-ONE	FN	IN	AMP	CP	PC	TOW HARN	FN	IN	AMP	CP	TYPE	ELEC	POS	CHOICE 1				CHOICE 2	6-WAY ADAPTER
GMC (Continued)																				
													A	PU3	119148	20252	20320	20321	20224	
						E8	118384 74682 8551511 85219	BN,RD RD RD RD	5 10 5	7.5		4-Flat Both 7-Way 7-Way	H	SUV6	119148	20252				
													A	SUV7	119148	20252	20320	20321	20224	
						E8	118384	BN,RD	5	7.5		4-Flat	A	SUV7	119148	20252	20320	20321	20224	
							74682 85219 8551511	RD RD RD	10 5		Both 7-Way 7-Way	A	SUV6	119148	20252					
													A	SUV7	119148	20252	20320	20321	20224	
E3	118315	BN	5	7.5									A	PU3	119148	20252	20320	20321	20224	
E3	118315	BN	5	7.5									A	PU3	119148	20252	20320	20321	20224	
													A	PU1,2	119148	20252	20320	20321	20224	
E3	118315	BN	5	7.5									A	PU3	119148	20252	20320	20321	20224	
E3	118315	BN	5	7.5									A	PU3	119148	20252	20320	20321	20224	
E3	118315	BN	5	7.5									A	PU3	119148	20252	20320	20321	20224	
													A	PU1,2	119148	20252	20320	20321	20224	
E3	118315	BN	5	7.5									A	PU3	119148	20252	20320	20321	20224	
E3	118315	BN	5	7.5									A	PU3	119148	20252	20320	20321	20224	
E3	118315	BN	5	7.5									A	PU3	119148	20252	20320	20321	20224	
													A	PU1,2	119148	20252	20320	20321	20224	
E3	118315	BN	5	7.5									A	PU3	119148	20252	20320	20321	20224	

A 2 wire system.

BN Exterior mounted plug on some or all models. May require an aftermarket electrical mounting box or bracket. (Sold separately)

H 3 wire system with OEM standard 2 wire harness.

RD For vehicles equipped with factory tow package may require additional components or may be used as a replacement harness.

RT3 Round Tube Class III 2"

RT4 Round Tube Class IV 2"

SQ2 Square Tube Class II

SQ3 Square Tube Class III

SQ4 Square Tube Class IV

SQ5 Square Tube Class V

RECEIVER HITCHES

MODEL / STYLE	YEAR	TRAILER HITCHES									
		PC	REC TYPE	REC SIZE	PART #	NO DRILL	FOOTNOTES	OPTIONAL DRAWBAR	WC (LBS.)	WD (LBS.)	IN
GMC (Continued)											
Safari Extended Body	90-95	33	SQ2	1-1/4	36197	0	CS, HM	36051	300/3,500		30
		34	SQ2	1-1/4	36198	0	CS, GP	36053	300/3,500		30
		33	SQ3	2	75122	0	CS, GP		300/3,500	600/6,000	30
		50	SQ3	2	37136		AF		500/5,000	600/6,000	65
Savana 1500	96-99	34	SQ2	1-1/4	36206	0	HM	36053	300/3,500		15
		50	SQ3	2	37136		HM		500/5,000	600/6,000	30
		20	SQ3	2	75189	0	HM		500/5,000	750/7,500	15
		33	SQ4	2	41521	0	HM		600/6,000	1,000/10,000	15
		42	SQ5	2	41946		@, HM		1,500/10,000	1,300/13,000	35
Savana 1500	00-02	34	SQ2	1-1/4	36206	0	HM	36053	300/3,500		15
		50	SQ3	2	37136		HM		500/5,000	600/6,000	30
		20	SQ3	2	75189	0	HM		500/5,000	750/7,500	15
		33	SQ4	2	41521	0	HM		600/6,000	1,000/10,000	15
		42	SQ5	2	41946		@, HM		1,500/10,000	1,300/13,000	35
Savana 1500	03-03	34	SQ2	1-1/4	36206	0	HM	36053	300/3,500		15
		50	SQ3	2	37136		HM		500/5,000	600/6,000	30
		20	SQ3	2	75189	0	HM		500/5,000	750/7,500	15
		33	SQ4	2	41521	0	HM		600/6,000	1,000/10,000	15
		42	SQ5	2	41946		@, HM		1,500/10,000	1,300/13,000	35
Savana 1500	04-14	34	SQ2	1-1/4	36206	0	HM	36053	300/3,500		15
		50	SQ3	2	37136		HM		500/5,000	600/6,000	30
		20	SQ3	2	75189	0	HM		500/5,000	750/7,500	15
		33	SQ4	2	41521	0	HM		600/6,000	1,000/10,000	15
		42	SQ5	2	41946		@, HM		1,500/10,000	1,300/13,000	35
Savana 2500	96-99	34	SQ2	1-1/4	36206	0	HM	36053	300/3,500		15
		50	SQ3	2	37136		HM		500/5,000	600/6,000	30
		20	SQ3	2	75189	0	HM		500/5,000	750/7,500	15
		33	SQ4	2	41521	0	HM		600/6,000	1,000/10,000	15
		42	SQ5	2	41946		@, HM		1,500/10,000	1,300/13,000	35
		52	SQ5	2-1/2	45507	0	#, HM		1,200/12,000	1,700/14,000	45
Savana 2500	00-02	34	SQ2	1-1/4	36206	0	HM	36053	300/3,500		15
		50	SQ3	2	37136		HM		500/5,000	600/6,000	30
		20	SQ3	2	75189	0	HM		500/5,000	750/7,500	15
		33	SQ4	2	41521	0	HM		600/6,000	1,000/10,000	15
		42	SQ5	2	41946		@, HM		1,500/10,000	1,300/13,000	35
		52	SQ5	2-1/2	45507	0	#, HM		1,200/12,000	1,700/14,000	45
Savana 2500	03-03	34	SQ2	1-1/4	36206	0	HM	36053	300/3,500		15
		50	SQ3	2	37136		HM		500/5,000	600/6,000	30
		20	SQ3	2	75189	0	HM		500/5,000	750/7,500	15
		33	SQ4	2	41521	0	HM		600/6,000	1,000/10,000	15
		42	SQ5	2	41946		@, HM		1,500/10,000	1,300/13,000	35
		52	SQ5	2-1/2	45507	0	#, HM		1,200/12,000	1,700/14,000	45
Savana 2500	04-17	34	SQ2	1-1/4	36206	0	HM	36053	300/3,500		15
		50	SQ3	2	37136		HM		500/5,000	600/6,000	30
		20	SQ3	2	75189	0	HM		500/5,000	750/7,500	15
		33	SQ4	2	41521	0	HM		600/6,000	1,000/10,000	15
		42	SQ5	2	41946		@, HM		1,500/10,000	1,300/13,000	35
		52	SQ5	2-1/2	45507	0	#, HM		1,200/12,000	1,700/14,000	45
Savana 2500	18-18										

Titan hitches require use of a 2-1/2" shank Titan ball mount.

@ Ultra Frame ball mount must be used to achieve maximum weight carrying rating.

AF Hitch is ONLY rated for Weight Carrying at 3500 lbs. GTW / 350 lbs. TW and DO NOT use Weight Distribution Spring Bars for this Specific Vehicle. Except for long bed pickups.

CS Will fit with full-size spare tire stowed under vehicle.

GP Hitch crosstube concealed behind bumper.

HM Hitch crosstube is visible beneath bumper.

T-ONE					TOW HARNESS					4-FLAT WIRING				REQ. 4 FLAT WIRING		7-WAY HARDWARE	BRAKE CONTROL HARNESS	IN	
PC	T-ONE	FN	IN	AMP	CP	PC	TOW HARN	FN	IN	AMP	CP	TYPE	ELEC	POS	CHOICE 1				CHOICE 2
GMC (Continued)																			
													A	SUV4	119148	20252	20320	20321	20224
E8	118335	HG	10	2.1.5		E1	118240	RD	5	7.5		4-Flat	B	SUV3,4	119130	119178	20320	20321	20224
E8	118377	HG	10	2.1.5		E1	118240	RD	5	7.5		4-Flat	B	SUV3,4	119130	119178	20320	20321	20224
E5	118392		20	7.5		E1	118240	RD	5	7.5		4-Flat	A	SUV3,4	119148	20252	20320	20321	20224
E5	118392		20	7.5									A	SUV3,4	119148	20252	20320	20321	20224
E8	118335	HG	10	2.1.5		E1	118240	RD	5	7.5		4-Flat	B	SUV3,4	119130	119178	20320	20321	20224
E8	118377	HG	10	2.1.5		E1	118240	RD	5	7.5		4-Flat	B	SUV3,4	119130	119178	20320	20321	20224
E5	118392		20	7.5		E1	118240	RD	5	7.5		4-Flat	A	SUV3,4	119148	20252	20320	20321	20224
E5	118392		20	7.5									A	SUV3,4	119148	20252	20320	20321	20224
E5	118392		20	7.5									A	SUV3,4	119148	20252	20320	20321	20224

A 2 wire system.
B 3 wire system. Converter required.

HG T-One incorporates taillight converter.
RD For vehicles equipped with factory tow package may require additional components or may be used as a replacement harness.

SQ2 Square Tube Class II
SQ3 Square Tube Class III
SQ4 Square Tube Class IV
SQ5 Square Tube Class V

RECEIVER HITCHES

MODEL / STYLE	YEAR	TRAILER HITCHES									
		PC	REC TYPE	REC SIZE	PART #	NO DRILL	FOOTNOTES	OPTIONAL DRAWBAR	WC (LBS.)	WD (LBS.)	IN
GMC (Continued)											
Savana 3500	96-99	34	SQ2	1-1/4	36206	0	HM	36053	300/3,500		15
		50	SQ3	2	37136		HM		500/5,000	600/6,000	30
		20	SQ3	2	75189	0	HM		500/5,000	750/7,500	15
		33	SQ4	2	41521	0	HM		600/6,000	1,000/10,000	15
		42	SQ5	2	41946		@,HM		1,500/10,000	1,300/13,000	35
		52	SQ5	2-1/2	45507	0	#,HM		1,200/12,000	1,700/14,000	45
Savana 3500	00-02	34	SQ2	1-1/4	36206	0	HM	36053	300/3,500		15
		50	SQ3	2	37136		HM		500/5,000	600/6,000	30
		20	SQ3	2	75189	0	HM		500/5,000	750/7,500	15
		33	SQ4	2	41521	0	HM		600/6,000	1,000/10,000	15
		42	SQ5	2	41946		@,HM		1,500/10,000	1,300/13,000	35
		52	SQ5	2-1/2	45507	0	#,HM		1,200/12,000	1,700/14,000	45
Savana 3500	03-03	34	SQ2	1-1/4	36206	0	HM	36053	300/3,500		15
		50	SQ3	2	37136		HM		500/5,000	600/6,000	30
		20	SQ3	2	75189	0	HM		500/5,000	750/7,500	15
		33	SQ4	2	41521	0	HM		600/6,000	1,000/10,000	15
		42	SQ5	2	41946		@,HM		1,500/10,000	1,300/13,000	35
		52	SQ5	2-1/2	45507	0	#,HM		1,200/12,000	1,700/14,000	45
Savana 3500	04-17	34	SQ2	1-1/4	36206	0	HM	36053	300/3,500		15
		50	SQ3	2	37136		HM		500/5,000	600/6,000	30
		20	SQ3	2	75189	0	HM		500/5,000	750/7,500	15
		33	SQ4	2	41521	0	HM		600/6,000	1,000/10,000	15
		42	SQ5	2	41946		@,HM		1,500/10,000	1,300/13,000	35
		52	SQ5	2-1/2	45507	0	#,HM		1,200/12,000	1,700/14,000	45
Savana 3500	18-18					HM					
Sierra Denali HD 6.6 ft. Bed, w/Factory 7-Way	11-13										
Sierra 1500	99-02	49	RT3	2	37133	0			500/5,000	750/7,500	25
		39	SQ4	2	41534	0			600/6,000	1,200/12,000	20
		54	RT4	2	37130	0			700/7,000	1,200/12,000	25
		30	RT4	2	75362	0	JL		900/6,000	900/8,000	15
		22	RT4	2	75521	0	JL,SZ		900/6,000	1,050/10,500	15
		50	SQ5	2	41932	0	@,HM,JL		1,200/12,000	1,400/14,000	20
Sierra 1500 w/Factory 7-Way	99-12										
Sierra 1500 (Classic)	03-07	49	RT3	2	37133	0			500/5,000	750/7,500	25
		39	SQ4	2	41534	0			600/6,000	1,200/12,000	20
		54	RT4	2	37130	0			700/7,000	1,200/12,000	25
		30	RT4	2	75362	0	JL		900/6,000	900/8,000	15
		22	RT4	2	75521	0	JL,SZ		900/6,000	1,050/10,500	15
		50	SQ5	2	41932	0	@,HM,JL		1,200/12,000	1,400/14,000	20
Sierra 1500	07-13	30	RT4	2	75362	0	JL		900/6,000	900/8,000	15
		22	RT4	2	75521	0	JL,SZ		900/6,000	1,050/10,500	15
Sierra 1500	14-18	33	RT4	2	75866	0	HM,JL		900/6,000	1,200/12,000	20
		25	SQ4	2	76016	0	GP,JL		900/6,000	1,000/10,000	25
Sierra 1500 HD	01-02	49	RT3	2	37133	0			500/5,000	750/7,500	25
		39	SQ4	2	41534	0			600/6,000	1,200/12,000	20
		54	RT4	2	37130	0			700/7,000	1,200/12,000	25
		30	RT4	2	75362	0	JL		900/6,000	900/8,000	15
		22	RT4	2	75521	0	JL,SZ		900/6,000	1,050/10,500	15
		50	SQ5	2	41932	0	@,HM,JL		1,200/12,000	1,400/14,000	20

Titan hitches require use of a 2-1/2" shank Titan ball mount.
 @ Ultra Frame ball mount must be used to achieve maximum weight carrying rating.
 GP Hitch crosstube concealed behind bumper.

HM Hitch crosstube is visible beneath bumper.
 JL Installation requires OEM bumper and brackets.
 SZ Hitches produced before 03/10/11 are rated at 600/6000 WC.

T-ONE					TOW HARNESS					4-FLAT WIRING				REQ. 4 FLAT WIRING		7-WAY HARDWIRE	BRAKE CONTROL HARNESS	IN			
PC	T-ONE	FN	IN	AMP	CP	TOW HARN	FN	IN	AMP	CP	TYPE	ELEC	POS	CHOICE 1	CHOICE 2				6-WAY ADAPTER	7-WAY ADAPTER	
GMC (Continued)																					
E8	118335	HG	10	2.1,5		E1	118240	RD	5	7.5		4-Flat	B	SUV3,4	119130	119178	20320	20321	20224		
E8	118377	HG	10	2.1,5		E1	118240	RD	5	7.5		4-Flat	B	SUV3,4	119130	119178	20320	20321	20224		
E5	118392		20	7.5		E1	118240	RD	5	7.5		4-Flat	A	SUV3,4	119148	20252	20320	20321	20224		
E5	118392		20	7.5									A	SUV3,4	119148	20252	20320	20321	20224		
E5	118392		20	7.5									A	SUV3,4	119148	20252	20320	20321	20224		
							74682	RD	10			Both	A	PU3	119148	20252					
							8551511	RD				7-Way									
							85219	RD	5			7-Way									
						E8	118384	BN,RD	5	7.5		4-Flat	A	PU3	119148	20252	20320	20321	20224	3025-P	5
							74682	RD	10			Both	H	PU3	119148	20252					
							8551511	RD				7-Way									
							85219	RD	5			7-Way									
						E8	118384	BN,RD	5	7.5		4-Flat	A	PU3	119148	20252	20320	20321	20224	3015-P	5
E8	118384	BN	5	7.5									A	PU3	119148	20252	20320	20321	20224		
E8	118384		5	7.5									A	PU3	119148	20252	20320	20321	20224	3016-P	5
						E8	118384	BN,RD	5	7.5		4-Flat	A	PU3	119148	20252	20320	20321	20224	3025-P	5

A 2 wire system.
B 3 wire system. Converter required.
BN Exterior mounted plug on some or all models. May require an aftermarket electrical mounting box or bracket. (Sold separately)

H 3 wire system with OEM standard 2 wire harness.
HG T-One incorporates taillight converter.
RD For vehicles equipped with factory tow package may require additional components or may be used as a replacement harness.

RT3 Round Tube Class III 2"
RT4 Round Tube Class IV 2"
SQ2 Square Tube Class II
SQ3 Square Tube Class III
SQ4 Square Tube Class IV
SQ5 Square Tube Class V

RECEIVER HITCHES

MODEL / STYLE	YEAR	TRAILER HITCHES									
		PC	REC TYPE	REC SIZE	PART #	NO DRILL	FOOTNOTES	OPTIONAL DRAWBAR	WC (LBS.)	WD (LBS.)	IN
GMC (Continued)											
Sierra 1500 HD w/Factory 7-Way	01-07										
Sierra 1500 HD	03-03	49	RT3	2	37133	0			500/5,000	750/7,500	25
		39	SQ4	2	41534	0			600/6,000	1,200/12,000	20
		54	RT4	2	37130	0			700/7,000	1,200/12,000	25
		30	RT4	2	75362	0	JL		900/6,000	900/8,000	15
		22	RT4	2	75521	0	JL,SZ		900/6,000	1,050/10,500	15
		50	SQ5	2	41932	0	@,HM,JL		1,200/12,000	1,400/14,000	20
Sierra 1500 HD (Classic)	05-07	49	RT3	2	37133	0			500/5,000	750/7,500	25
		39	SQ4	2	41534	0			600/6,000	1,200/12,000	20
		54	RT4	2	37130	0			700/7,000	1,200/12,000	25
		30	RT4	2	75362	0	JL		900/6,000	900/8,000	15
		22	RT4	2	75521	0	JL,SZ		900/6,000	1,050/10,500	15
		50	SQ5	2	41932	0	@,HM,JL		1,200/12,000	1,400/14,000	20
Sierra 2500	99-02	49	RT3	2	37133	0			500/5,000	750/7,500	25
		39	SQ4	2	41534	0			600/6,000	1,200/12,000	20
		54	RT4	2	37130	0			700/7,000	1,200/12,000	25
		30	RT4	2	75362	0	JL		900/6,000	900/8,000	15
		22	RT4	2	75521	0	JL,SZ		900/6,000	1,050/10,500	15
		50	SQ5	2	41932	0	@,HM,JL		1,200/12,000	1,400/14,000	20
		59	SQ5	2-1/2	45512	0	#		1,200/12,000	1,700/14,000	20
Sierra 2500 w/Factory 7-Way	99-04										
Sierra 2500	03-04	49	RT3	2	37133	0			500/5,000	750/7,500	25
		39	SQ4	2	41534	0			600/6,000	1,200/12,000	20
		54	RT4	2	37130	0			700/7,000	1,200/12,000	25
		30	RT4	2	75362	0	JL		900/6,000	900/8,000	15
		22	RT4	2	75521	0	JL,SZ		900/6,000	1,050/10,500	15
		50	SQ5	2	41932	0	@,HM,JL		1,200/12,000	1,400/14,000	20
		59	SQ5	2-1/2	45512	0	#		1,200/12,000	1,700/14,000	20
Sierra 2500 HD	01-02	46	SQ4	2	41544	0	HM,SA		600/6,000	1,200/12,000	20
		34	RT4	2	75550	0	CS,FS,JL,LT		600/6,000	1,100/11,000	20
		35	SQ5	2	41944	0	@,CS,FS,HM,LT		1,950/13,000	1,600/16,000	25
		58	SQ5	2-1/2	45517	0	#,CS,FS,LT		1,300/13,000	1,700/17,000	25
Sierra 2500 HD 8 ft. Bed	01-02	60	SQ5	2-1/2	45519	0	#,CS,FS,LT		2,000/18,000	2,500/18,000	25
Sierra 2500 HD w/Factory 7-Way	01-18										
Sierra 2500 HD (Classic)	03-07	46	SQ4	2	41544	0	HM,SA		600/6,000	1,200/12,000	20
		34	RT4	2	75550	0	CS,FS,JL,LT		600/6,000	1,100/11,000	20
		35	SQ5	2	41944	0	@,CS,FS,HM,LT		1,950/13,000	1,600/16,000	25
		58	SQ5	2-1/2	45517	0	#,CS,FS,LT		1,300/13,000	1,700/17,000	25
Sierra 2500 HD 8 ft. Bed	03-06	60	SQ5	2-1/2	45519	0	#,CS,FS,LT		2,000/18,000	2,500/18,000	25
Sierra 2500 HD	07-10	34	RT4	2	75550	0	CS,FS,JL,LT		600/6,000	1,100/11,000	20
		35	SQ5	2	41944	0	@,CS,FS,HM,LT		1,950/13,000	1,600/16,000	25
		58	SQ5	2-1/2	45517	0	#,CS,FS,LT		1,300/13,000	1,700/17,000	25
Sierra 2500 HD 8 ft. Bed	07-10	60	SQ5	2-1/2	45519	0	#,CS,FS,LT		2,000/18,000	2,500/18,000	25
Sierra 2500 HD 8 ft. Bed (Classic)	07-07	60	SQ5	2-1/2	45519	0	#,CS,FS,LT		2,000/18,000	2,500/18,000	25
Sierra 2500 HD	11-14	43	SQ4	2	75707	0	CS,FS,GP,JL,LT		800/8,000	1,200/12,000	20
		50	SQ5	2	41942	0	@,CS,FS,GP,JL,KH,LT		1,500/15,000	1,600/16,000	20
		67	SQ5	2-1/2	45510	0	#,CS,FS,HM,JL,KH,LT		2,000/18,000	2,500/18,000	60

Titan hitches require use of a 2-1/2" shank Titan ball mount.
 @ Ultra Frame ball mount must be used to achieve maximum weight carrying rating.
 CS Will fit with full-size spare tire stowed under vehicle.
 FS Includes 2 & 4 WD models with heavy duty suspension.
 GP Hitch crosstube concealed behind bumper.
 HM Hitch crosstube is visible beneath bumper.

JL Installation requires OEM bumper and brackets.
 KH Minor heat shield modification may be required.
 LT Requires removal of factory hitch if equipped.
 SA Requires drilling on 6 ft. bed models.
 SZ Hitches produced before 03/10/11 are rated at 600/6000 WC.

T-ONE					TOW HARNESS					4-FLAT WIRING				REQ. 4 FLAT WIRING		7-WAY HARDWIRE	BRAKE CONTROL HARNESS	IN				
PC	T-ONE	FN	IN	AMP	CP	PC	TOW HARN	FN	IN	AMP	CP	TYPE	ELEC	POS	CHOICE 1				CHOICE 2	6-WAY ADAPTER	7-WAY ADAPTER	
GMC (Continued)																						
							8551511 74682 85219	RD RD RD		10 5			7-Way Both 7-Way	H	PU3	119148	20252					
						E8	118384	BN,RD	5	7.5			4-Flat	A	PU3	119148	20252	20320	20321	20224	3015-P	5
						E8	118384	BN,RD	5	7.5			4-Flat	A	PU3	119148	20252	20320	20321	20224	3015-P	5
						E8	118384	BN,RD	5	7.5			4-Flat	A	PU3	119148	20252	20320	20321	20224	3025-P	5
							85219 74682 8551511	RD RD RD		5 10			7-Way Both 7-Way	H	PU3	119148	20252					
						E8	118384	BN,RD	5	7.5			4-Flat	A	PU3	119148	20252	20320	20321	20224	3015-P	5
						E8	118384	BN,RD	5	7.5			4-Flat	A	PU3	119148	20252	20320	20321	20224	3025-P	5
						E8	118384	BN,RD	5	7.5			4-Flat	A	PU3	119148	20252	20320	20321	20224	3025-P	5
							85219 8551511 74682	RD RD RD		5 10			7-Way 7-Way Both	H	PU3	119148	20252					
						E8	118384	BN,RD	5	7.5			4-Flat	A	PU3	119148	20252	20320	20321	20224	3015-P	5
						E8	118384	BN,RD	5	7.5			4-Flat	A	PU3	119148	20252	20320	20321	20224	3015-P	5
E8	118384	BN	5	7.5									A	PU3	119148	20252	20320	20321	20224			
E8	118384	BN	5	7.5									A	PU3	119148	20252	20320	20321	20224			
E8	118384	BN	5	7.5		E8	118384	BN,RD	5	7.5			4-Flat	A	PU3	119148	20252	20320	20321	20224	3015-P	5
E8	118384	BN	5	7.5									A	PU3	119148	20252	20320	20321	20224			

A 2 wire system.
BN Exterior mounted plug on some or all models. May require an aftermarket electrical mounting box or bracket. (Sold separately)

H 3 wire system with OEM standard 2 wire harness.
RD For vehicles equipped with factory tow package may require additional components or may be used as a replacement harness.

RT3 Round Tube Class III 2"
RT4 Round Tube Class IV 2"
SQ4 Square Tube Class IV
SQ5 Square Tube Class V

RECEIVER HITCHES

MODEL / STYLE	YEAR	TRAILER HITCHES									
		PC	REC TYPE	REC SIZE	PART #	NO DRILL	FOOTNOTES	OPTIONAL DRAWBAR	WC (LBS.)	WD (LBS.)	IN
GMC (Continued)											
Sierra 2500 HD	15-19	42	SQ4	2	75906	0	HM,JL		1,200/8,000	1,200/12,000	30
		48	SQ5	2	41950	0	@,CS,FS,GP,JL,KH,LT		1,700/15,000	1,700/17,000	60
		57	SQ5	2-1/2	45511		#,HM		2,700/20,000	2,700/20,000	60
Sierra 3500	01-02	46	SQ4	2	41544	0	HM,SA		600/6,000	1,200/12,000	20
		34	RT4	2	75550	0	CS,FS,JL,LT		600/6,000	1,100/11,000	20
		35	SQ5	2	41944	0	@,CS,FS,HM,LT		1,950/13,000	1,600/16,000	25
		58	SQ5	2-1/2	45517	0	#,CS,FS,LT		1,300/13,000	1,700/17,000	25
		60	SQ5	2-1/2	45519	0	#,CS,FS,LT		2,000/18,000	2,500/18,000	25
Sierra 3500 Cab & Chassis, w/34" Wide Frames (Classic)	01-07	29	SQ5	2	41936		@		1,200/12,000		30
		50	SQ5	2	41938		@,CC		1,200/12,000	1,500/15,000	40
		50	SQ5	2	41947		@		1,600/15,000	1,600/16,000	35
Sierra 3500 w/Factory 7-Way	01-07										
Sierra 3500 (Classic)	03-07	34	RT4	2	75550	0	CS,FS,JL,LT		600/6,000	1,100/11,000	20
Sierra 3500 (Classic)	03-07	46	SQ4	2	41544	0	HM,SA		600/6,000	1,200/12,000	20
		35	SQ5	2	41944	0	@,CS,FS,HM,LT		1,950/13,000	1,600/16,000	25
		58	SQ5	2-1/2	45517	0	#,CS,FS,LT		1,300/13,000	1,700/17,000	25
		60	SQ5	2-1/2	45519	0	#,CS,FS,LT		2,000/18,000	2,500/18,000	25
Sierra 3500 HD	07-10	34	RT4	2	75550	0	CS,FS,JL,LT		600/6,000	1,100/11,000	20
		35	SQ5	2	41944	0	@,CS,FS,HM,LT		1,950/13,000	1,600/16,000	25
		58	SQ5	2-1/2	45517	0	#,CS,FS,LT		1,300/13,000	1,700/17,000	25
		60	SQ5	2-1/2	45519	0	#,CS,FS,LT		2,000/18,000	2,500/18,000	25
Sierra 3500 HD	07-18										
Sierra 3500 HD Cab & Chassis, w/34" Wide Frames	07-19	29	SQ5	2	41936		@		1,200/12,000		30
		50	SQ5	2	41938		@,CC		1,200/12,000	1,500/15,000	40
		50	SQ5	2	41947		@		1,600/15,000	1,600/16,000	35
Sierra 3500 HD	11-14	43	SQ4	2	75707	0	CS,FS,GP,JL,LT		800/8,000	1,200/12,000	20
		50	SQ5	2	41942	0	@,CS,FS,GP,JL,KH,LT		1,500/15,000	1,600/16,000	20
		67	SQ5	2-1/2	45510		#,CS,FS,HM,JL,KH,LT		2,000/18,000	2,500/18,000	60
Sierra 3500 HD	15-17	42	SQ4	2	75906	0	HM,JL		1,200/8,000	1,200/12,000	30
		48	SQ5	2	41950	0	@,CS,FS,GP,JL,KH,LT		1,700/15,000	1,700/17,000	60
		57	SQ5	2-1/2	45511		#,HM		2,700/20,000	2,700/20,000	60
Sonoma w/Sportside Bed & Non-Towing Bumper	96-97	30	SQ3	2	75085	0	GP		350/3,500	750/6,000	40
Sonoma	98-04	34	SQ2	1-1/4	36248	0	GU,RH,GP	36071	300/3,500		35
		30	SQ3	2	75085	0	GP		350/3,500	750/6,000	40
		50	SQ3	2	37136		AF,CN,GU,ST		500/5,000	600/6,000	40
Suburban C1500	92-99	50	SQ3	2	37136				500/5,000	600/6,000	30
		37	SQ3	2	75037		HM		500/5,000	750/7,500	30
		41	SQ4	2	41511		HM		600/6,000	1,000/10,000	30
Suburban C2500	92-99	50	SQ3	2	37136				500/5,000	600/6,000	30
		37	SQ3	2	75037		HM		500/5,000	750/7,500	30
		41	SQ4	2	41511		HM		600/6,000	1,000/10,000	30
Suburban K1500	92-99	50	SQ3	2	37136				500/5,000	600/6,000	30
		37	SQ3	2	75037		HM		500/5,000	750/7,500	30
		41	SQ4	2	41511		HM		600/6,000	1,000/10,000	30
Suburban K2500	92-99	50	SQ3	2	37136				500/5,000	600/6,000	30
		37	SQ3	2	75037		HM		500/5,000	750/7,500	30
		41	SQ4	2	41511		HM		600/6,000	1,000/10,000	30
Terrain	10-17	18	SQ2	1-1/4	36408	0	HM	36051	300/3,500		25
		14	RT3	2	76028	0	HM		675/4,500	675/4,500	30

- | | |
|--|---|
| # Titan hitches require use of a 2-1/2" shank Titan ball mount. | GU Will not fit vehicles with factory or aftermarket lower Fascia/Rollpan or Tube Bumper. |
| @ Ultra Frame ball mount must be used to achieve maximum weight carrying rating. | HM Hitch crosstube is visible beneath bumper. |
| AF Hitch is ONLY rated for Weight Carrying at 3500 lbs. GTW / 350 lbs. TW and DO NOT use Weight Distribution Spring Bars for this Specific Vehicle. Except for long bed pickups. | JL Installation requires OEM bumper and brackets. |
| CC Requires minimum of 19" from end of frame rail to spring shackle bracket. | KH Minor heat shield modification may be required. |
| CN Requires OEM factory bumper for hitch installation. | LT Requires removal of factory hitch if equipped. |
| CS Will fit with full-size spare tire stowed under vehicle. | RH Optional drawbar #36051 required (Sold separately) except for models with ZR2 & Highrider package. |
| FS Includes 2 & 4 WD models with heavy duty suspension. | SA Requires drilling on 6 ft. bed models. |
| GP Hitch crosstube concealed behind bumper. | ST Will not fit 2WD models with short bed. |

T-ONE					TOW HARNESS					4-FLAT WIRING				REQ. 4 FLAT WIRING		7-WAY HARDWIRE	BRAKE CONTROL HARNESS	IN			
PC	T-ONE	FN	IN	AMP	CP	PC	TOW HARN	FN	IN	AMP	CP	TYPE	ELEC	POS	CHOICE 1				CHOICE 2	6-WAY ADAPTER	7-WAY ADAPTER
GMC (Continued)																					
													A	PU3	119148	20252	20320	20321	20224	3016-P	5
						E8	118384	BN,RD	5	7.5		4-Flat	A	PU3	119148	20252	20320	20321	20224	3025-P	5
													C	PU1,2	119191	119148	20320	20321	20224		
							85219 74682 8551511	RD RD RD	5	10		7-Way Both 7-Way	H	PU3	119148	20252					
						E8	118384	BN,RD	5	7.5		4-Flat	A	PU3	119148	20252	20320	20321	20224	3015-P	5
						E8	118384	BN,RD	5	7.5		4-Flat	A	PU3	119148	20252	20320	20321	20224	3015-P	5
E8	118384	BN	5	7.5									A	PU3	119148	20252	20320	20321	20224		
E8	118384	BN,RD	5	7.5			74682 85219 8551511	RD RD RD	10 5		Both 7-Way 7-Way	A	PU3	119148	20252						
													C	PU1,2	20250	119148	20320	20321	20224		
E8	118384	BN	5	7.5									A	PU3	119148	20252	20320	20321	20224		
E8	118384	BN	5	7.5									A	PU3	119148	20252	20320	20321	20224	3016-P	5
E3	118312	BN	5	7.5									A	PU3	119148	20252	20320	20321	20224		
E4	118359	BN	5	7.5									A	PU3	119148	20252	20320	20321	20224		
E3	118319	BN	5	7.5									A	SUV6	119148	20252	20320	20321	20224		
E3	118319	BN	5	7.5									A	SUV6	119148	20252	20320	20321	20224		
E3	118319	BN	5	7.5									A	SUV6	119148	20252	20320	20321	20224		
E3	118319	BN	5	7.5									A	SUV6	119148	20252	20320	20321	20224		
E16	118494	CH	45	2.1,5.6	X	E1	118264	RD	15	7.5		4-Flat	N	SUV1,2		119251	20320	20321			

A 2 wire system.

BN Exterior mounted plug on some or all models. May require an aftermarket electrical mounting box or bracket. (Sold separately)

C 2 or 3 wire system determine at installation.

CH T-One is equipped with circuit protected ModuLite® module.

H 3 wire system with OEM standard 2 wire harness.

N DO NOT cut or splice vehicle wiring. Only use approved T-One or see auto dealer for trailer tow wiring kit.

RD For vehicles equipped with factory tow package may require additional components or may be used as a replacement harness.

RT3 Round Tube Class III 2"

RT4 Round Tube Class IV 2"

SQ2 Square Tube Class II

SQ3 Square Tube Class III

SQ4 Square Tube Class IV

SQ5 Square Tube Class V

RECEIVER HITCHES

MODEL / STYLE	YEAR	TRAILER HITCHES									
		PC	REC TYPE	REC SIZE	PART #	NO DRILL	FOOTNOTES	OPTIONAL DRAWBAR	WC (LBS.)	WD (LBS.)	IN
GMC (Continued)											
Terrain Diesel	18-19	30	SQ3	2	76217	0	AI,DU,JR,TZ,X		675/4,500	675/4,500	70
Terrain Except Diesel	18-19	22	SQ2	1-1/4	36642	0	JR,GP	36051	350/3,500		35
		23	SQ3	2	76419	0	JR		675/4,500	675/4,500	35
Yukon	92-00	50	SQ3	2	37136				500/5,000	600/6,000	30
		37	SQ3	2	75037		HM		500/5,000	750/7,500	30
		41	SQ4	2	41511		HM		600/6,000	1,000/10,000	30
Yukon w/Amber Turn Signals	00-02	50	SQ3	2	37136				500/5,000	600/6,000	30
		29	RT4	2	75725	0	CN,HM		900/6,000	1,000/10,000	15
Yukon w/Factory 7-Way	00-11										
Yukon w/Amber Turn Signals	03-06	50	SQ3	2	37136				500/5,000	600/6,000	30
		29	RT4	2	75725	0	CN,HM		900/6,000	1,000/10,000	15
Yukon	07-11										
Yukon	15-16										
Yukon Denali	99-00	50	SQ3	2	37136				500/5,000	600/6,000	30
		37	SQ3	2	75037		HM		500/5,000	750/7,500	30
		41	SQ4	2	41511		HM		600/6,000	1,000/10,000	30
Yukon Denali w/Amber Turn Signals	01-02	50	SQ3	2	37136				500/5,000	600/6,000	30
		29	RT4	2	75725	0	CN,HM		900/6,000	1,000/10,000	15
Yukon Denali w/Factory 7-Way	01-11										
Yukon Denali	03-06										
Yukon XL w/Factory 7-Way	00-11										
Yukon XL	07-11										
Yukon XL 1500	00-02	50	SQ3	2	37136				500/5,000	600/6,000	30
		29	RT4	2	75725	0	CN,HM		900/6,000	1,000/10,000	15
		30	SQ5	2	41930		@,CN,HM		1,000/10,000	1,200/12,000	35
Yukon XL 1500	03-06	50	SQ3	2	37136				500/5,000	600/6,000	30
		29	RT4	2	75725	0	CN,HM		900/6,000	1,000/10,000	15
		30	SQ5	2	41930		@,CN,HM		1,000/10,000	1,200/12,000	35
Yukon XL 1500 Denali	01-02	50	SQ3	2	37136				500/5,000	600/6,000	30
		29	RT4	2	75725	0	CN,HM		900/6,000	1,000/10,000	15
		30	SQ5	2	41930		@,CN,HM		1,000/10,000	1,200/12,000	35
Yukon XL 1500 Denali w/Factory 7-Way	01-11										
Yukon XL 1500 Denali	07-11										
Yukon XL 2500	00-02	50	SQ3	2	37136				500/5,000	600/6,000	30
Yukon XL 2500		29	RT4	2	75725	0	CN,HM		900/6,000	1,000/10,000	15
		30	SQ5	2	41930		@,CN,HM		1,000/10,000	1,200/12,000	35
		53	SQ5	2-1/2	45515		#		1,200/12,000	1,700/14,000	50
Yukon XL 2500	03-06	50	SQ3	2	37136				500/5,000	600/6,000	30
		29	RT4	2	75725	0	CN,HM		900/6,000	1,000/10,000	15
		30	SQ5	2	41930		@,CN,HM		1,000/10,000	1,200/12,000	35
		53	SQ5	2-1/2	45515		#		1,200/12,000	1,700/14,000	50
HONDA											
Accord	94-97	45	SQ1	1-1/4	24616	0	HM	3593	200/2,000		30
Accord Sedan	98-02	18	SQ1	1-1/4	24791	0	JR,HM	3592	200/2,000		15
Accord Coupe	03-05	31	SQ1	1-1/4	24787	0	HR,JR,HM	3592	200/2,000		25

Titan hitches require use of a 2-1/2" shank Titan ball mount.
 @ Ultra Frame ball mount must be used to achieve maximum weight carrying rating.
 AI Additional installation time may be required.
 CN Requires OEM factory bumper for hitch installation.
 DU Fascia removal required.
 GP Hitch crosstube concealed behind bumper.

HM Hitch crosstube is visible beneath bumper.
 HR Requires drilling of heat shields on V6 models.
 JR Exhaust must be temporarily lowered for installation.
 TZ Requires replacement of the impact structure with hitch.
 X Minor fascia trimming required.

T-ONE						TOW HARNESS						4-FLAT WIRING				REQ. 4 FLAT WIRING		7-WAY HARDWIRE	BRAKE CONTROL HARNESS	IN	
PC	T-ONE	FN	IN	AMP	CP	PC	TOW HARN	FN	IN	AMP	CP	TYPE	ELEC	POS	CHOICE 1	CHOICE 2	6-WAY ADAPTER				7-WAY ADAPTER
GMC (Continued)																					
E17	118764	BN,CH	45	5,7.5	X	E6	118285	BN,CH	15	7.5		4-Flat	BIT	SUV1,2							
E17	118764	BN,CH	45	5,7.5	X	E6	118285	BN,CH	15	7.5		4-Flat	BIT	SUV1,2							
E3	118319	BN	5	7.5									A	SUV6	119148	20252	20320	20321	20224		
E8	118384	BN	5	7.5									A	SUV6	119148	20252	20320	20321	20224	3025-P	5
							74682	RD	10			Both	H	SUV6	119148	20252					
							8551511	RD				7-Way									
							85219	RD	5			7-Way									
E8	118384	BN	5	7.5									A	SUV6	119148	20252	20320	20321	20224	3015-P	5
						E8	118384	BN,RD	5	7.5		4-Flat	H	SUV6	119148	20252					
E8	118384	BN	5	7.5									A	SUV6	119148	20252	20320	20321	20224		
E3	118319	BN	5	7.5									A	SUV6	119148	20252	20320	20321	20224		
E8	118384	BN	5	7.5									A	SUV6	119148	20252	20320	20321	20224	3025-P	5
							74682	RD	10			Both	H	SUV6	119148	20252					
							8551511	RD				7-Way									
							85219	RD	5			7-Way									
						E8	118384	BN,RD	5	7.5		4-Flat	H	SUV6	119148	20252				3015-P	5
							74682	RD	10			Both	H	SUV6	119148	20252					
							8551511	RD				7-Way									
							85219	RD	5			7-Way									
						E8	118384	BN,RD	5	7.5		4-Flat	H	SUV6	119148	20252					
E8	118384	BN	5	7.5									A	SUV6	119148	20252	20320	20321	20224	3025-P	5
E8	118384	BN	5	7.5									A	SUV6	119148	20252	20320	20321	20224	3015-P	5
E8	118384	BN	5	7.5									A	SUV6	119148	20252	20320	20321	20224	3025-P	5
							74682	RD	10			Both	H	SUV6	119148	20252					
							8551511	RD				7-Way									
							85219	RD	5			7-Way									
						E8	118384	BN,RD	5	7.5		4-Flat	H	SUV6	119148	20252					
E8	118384	BN	5	7.5									A	SUV6	119148	20252	20320	20321	20224	3025-P	5
E8	118384	BN	5	7.5									A	SUV6	119148	20252	20320	20321	20224	3015-P	5
HONDA																					
E5	118336	HG	5	2.1,5									B,E	PC3	119191	119148					
E5	118336	HG	5	2.1,5									B	PC3	119130	119178					
E11	118441	CG	10	2.1,5	X								B	PC3	119130	119178					

A 2 wire system.
B 3 wire system. Converter required.
BN Exterior mounted plug on some or all models. May require an aftermarket electrical mounting box or bracket. (Sold separately)
BIT Shared Brake/Tail/Turn multiplexed wiring system. ModuLite® HD Plus or Ultra required.
CG T-One incorporates circuit protected taillight converter.

CH T-One is equipped with circuit protected ModuLite® module.
E ModuLite® required.
H 3 wire system with OEM standard 2 wire harness.
HG T-One incorporates taillight converter.
RD For vehicles equipped with factory tow package may require additional components or may be used as a replacement harness.

RT4 Round Tube Class IV 2"
SQ1 Square Tube Class I
SQ2 Square Tube Class II
SQ3 Square Tube Class III
SQ4 Square Tube Class IV
SQ5 Square Tube Class V

RECEIVER HITCHES

MODEL / STYLE	YEAR	TRAILER HITCHES									
		PC	REC TYPE	REC SIZE	PART #	NO DRILL	FOOTNOTES	OPTIONAL DRAWBAR	WC (LBS.)	WD (LBS.)	IN
HONDA (Continued)											
Accord Sedan	03-05	31	SQ1	1-1/4	24787	0	HR, JR, HM	3592	200/2,000		25
Accord Coupe	06-07	31	SQ1	1-1/4	24787	0	HR, JR, HM	3592	200/2,000		25
Accord Sedan	06-07	31	SQ1	1-1/4	24787	0	HR, JR, HM	3592	200/2,000		25
Accord Coupe	08-12	19	SQ1	1-1/4	24899	0	HM, JR, KH	3593	200/2,000		30
Accord Sedan	08-12	19	SQ1	1-1/4	24899	0	HM, JR, KH	3593	200/2,000		30
Accord Coupe, Except w/LED Taillights	13-15	19	SQ1	1-1/4	24899	0	HM, JR, KH	3593	200/2,000		30
Accord Coupe, w/LED Taillights	13-15	19	SQ1	1-1/4	24899	0	HM, JR, KH, SV	3593	200/2,000		45
Accord Sedan, Except w/LED Taillights	13-15	19	SQ1	1-1/4	24899	0	HM, JR, KH, SV	3593	200/2,000		45
Accord Sedan, w/LED Taillights	13-15	19	SQ1	1-1/4	24899	0	HM, JR, KH, SV	3593	200/2,000		45
Accord Coupe	16-16	19	SQ1	1-1/4	24899	0	HM, JR, KH	3593	200/2,000		45
Accord Sedan	16-17	19	SQ1	1-1/4	24899	0	HM, JR, KH, SV	3593	200/2,000		30
Accord	18-19	19	SQ1	1-1/4	24972	0	GP, AA, DU, TA	3593	200/2,000		60
Accord Crosstour	10-11	31	SQ1	1-1/4	24852	0	HM, JR, KH	3590	200/2,000		40
Civic	92-98	29	SQ1	1-1/4	24677	0	EP, HM	3593	200/2,000		15
Civic 3 Dr. Hatchback	96-00	11	SQ1	1-1/4	24822		X, GP	3590	200/2,000		20
Civic	99-00	29	SQ1	1-1/4	24677	0	HM	3593	200/2,000		15
Civic	01-05	31	SQ1	1-1/4	24706		HM	3593	200/2,000		15
Civic Si	02-05	20	SQ1	1-1/4	24719		TA, GP	3593	200/2,000		30
Civic 2 Dr. Coupe, Except Si	06-15	27	SQ1	1-1/4	24763	0	HM, JR	3593	200/2,000		30
Civic 4 Dr. Sedan, Except Hybrid & Si	06-15	27	SQ1	1-1/4	24763	0	HM, JR	3593	200/2,000		30
Civic Hybrid	06-11	27	SQ1	1-1/4	24763	0	HM, JR	3593	200/2,000		30
Civic Si, 2 Dr. Coupe	06-11	27	SQ1	1-1/4	24763	0	HM, JR	3593	200/2,000		30
Civic Si, 4 Dr. Sedan	06-11	27	SQ1	1-1/4	24763	0	HM, JR	3593	200/2,000		30
Civic Hybrid	12-15	27	SQ1	1-1/4	24763		HM, JR, KH, SV	3593	200/2,000		35
Civic Coupe	16-16	24	SQ1		24946†		EP, GP, AA, DU	3593	200/2,000		65
Civic Coupe, Except Models w/Center Exhaust	16-16	24	SQ1	1-1/4	24954		DU, X, GP, TA	3593	200/2,000		65
Civic Hatchback, Except Models w/Center Exhaust	16-19	24	SQ1	1-1/4	24954		DU, X, GP, TA	3593	200/2,000		65
Civic Sedan	16-16	24	SQ1		24946†		EP, GP, AA, DU	3593	200/2,000		65
		24	SQ1	1-1/4	24937†	0	EP, GP, AA, DU	3593	200/2,000		65
Civic Sedan, Except Models w/Center Exhaust	16-19	24	SQ1	1-1/4	24954		DU, X, GP, TA	3593	200/2,000		65
Civic Coupe, Except Models w/Center Exhaust	17-19	24	SQ1	1-1/4	24954		DU, X, GP, TA	3593	200/2,000		65
Crosstour	12-12	31	SQ1	1-1/4	24852	0	HM, JR, KH	3590	200/2,000		40
Crosstour	13-15	31	SQ1	1-1/4	24852	0	HM, JR, KH	3590	200/2,000		40
CR-V	97-01	18	SQ1	1-1/4	24790	0	RC, GP	3591	200/2,000		20
CR-V	02-06	27	SQ1	1-1/4	24772	0	BY, JR, HM	3593	200/2,000		20
		33	SQ3	2	75690	0	BY, HM, JR		350/3,500		30
CR-V	07-11	12	SQ1	1-1/4	24792	0	JR, HM	3592	200/2,000		20
		34	RT3	2	75547	0	HM, JR, TJ		675/4,500		25
CR-V	12-16	16	RT2	1-1/4	36520	0	HM, JR, SV	36051	300/3,500		40
		16	RT3	2	75742	0	HM, JR, SV		675/4,500		40
CR-V	17-19	16	RT2	1-1/4	36597	0	HM, JR, TW	36051	350/3,500		20
		16	RT3	2	76128	0	HM, JR, TW		675/4,500		20
CR-Z	11-12										
Element	03-04	19	SQ1	1-1/4	24720		GP	3592	200/2,000		25
		40	RT3	2	75659	0			350/3,500		30
Element Except SC	05-06	19	SQ1	1-1/4	24720		GP	3592	200/2,000		25
		40	RT3	2	75659	0			350/3,500		30
Element SC	05-06	40	RT3	2	75659	0	EP		350/3,500		35
Element Except SC	07-08	19	SQ1	1-1/4	24720		GP	3592	200/2,000		25
		40	RT3	2	75659	0			350/3,500		30
Element SC	07-10	40	RT3	2	75659	0	EP		350/3,500		35
Element Except SC	09-11	19	SQ1	1-1/4	24720		GP	3592	200/2,000		25
		40	RT3	2	75659	0			350/3,500		30

AA Requires temporary removal of bumper during installation.
BY Minor repositioning of muffler required.
DU Fascia removal required.
EP Fascia trimming may be required.
GP Hitch crosstube concealed behind bumper.
HM Hitch crosstube is visible beneath bumper.
HR Requires drilling of heat shields on V6 models.
JR Exhaust must be temporarily lowered for installation.

KH Minor heat shield modification may be required.
RC Will not fit with rear sport bars.
SV Trimming or removal of under body appearance panel may be required.
TA Trunk access required for hitch installation.
TJ Hitches produced before 07/13/11 are rated at 350/3500 WC.
TW Receiver hitch may limit hands-free liftgate sensor range
X Minor fascia trimming required.

T-ONE						TOW HARNESS					4-FLAT WIRING				REQ. 4 FLAT WIRING		7-WAY HARDWIRE	BRAKE CONTROL HARNESS	IN	
PC	T-ONE	FN	IN	AMP	CP	PC	TOW HARN	FN	IN	AMP	CP	TYPE	ELEC	POS	CHOICE 1	CHOICE 2				6-WAY ADAPTER
HONDA (Continued)																				
E11	118302	HG	10	2,1.4,2									B	PC3	119130	119178				
E8	118436	HG	10	2,1.4,2									N	PC3		119251				
E11	118302	HG	10	2,1.4,2									B,E	PC3	119191	119148				
E14	118420	CG	15	2,1.5	X								B	PC3,4	119130	119178				
E14	118420	CG	15	2,1.5	X								B,E	PC3,4	119191	119148				
E16	118596	CH	45	2,1.5,6	X								B,E	PC3,4	119191	119148				
E15	118586	CH	45	2,1.5,6	X								B,E	PC3,4	119191	119148				
E16	118596	CH	45	2,1.5,6	X								B,E	PC3,4	119191	119148				
E15	118586	CH	45	2,1.5,6	X								B,E	PC3,4	119191	119148				
E17	118695	CH	45	4,2,7,5	X								B,E	PC3,4	119191	119148				
E16	118684	CH	45	4,2,7,5	X								B,E	PC3,4	119191	119148				
E15	118776	CH	45	5,7,5	X								B,E	PC1,2	119191	119148				
E11	118500	CH	15	2,1.5,6	X								B,E	SUV3	119191	119148	20320	20321		
													B,E	PC3,4	119191	119148				
													B	PC3,4	119130	119178				
													B,E	PC3,4	119191	119148				
													B,E	PC3,4	119191	119148				
													B	PC3,4	119130	119178				
E12	118437	CG	10	2,1.5	X								B	PC3,4	119130	119178				
E14	118420	CG	15	2,1.5	X								B	PC3,4	119130	119178				
													B	PC3,4	119130	119178				
													B	PC3,4	119130	119178				
													B,E	PC3,4	119191	119148				
E19	118724	CH	45	5,7,5	X								B,E	PC3,4	119191	119148				
E19	118724	CH	45	5,7,5	X								B,E	PC3,4	119191	119148				
E19	118686	CH	45	5,7,5	X								B,E	PC1,2	119191	119148				
E19	118686	CH	45	5,7,5	X								B,E	PC3,4	119191	119148				
E11	118500	CH	15	2,1.5,6	X								B,E	SUV3	119191	119148	20320	20321		
E11	118642	CH	15	2,1.5,6	X								B,E	SUV3	119191	119148	20320	20321		
E5	118336	HG	5	2,1.5									B	SUV3	119130	119178				
E5	118336	HG	5	2,1.5									B	SUV3	119130	119178	20320	20321	20224	
E8	118427	CG	45	2,1.5	X								B	SUV3	119130	119178	20320	20321	20224	
E17	118561	CH	45	2,1.5	X								B,E	SUV1,2	119191	119148	20320	20321	20224	
E11	118741	CH	30	5,7,5	X								B,E	SUV3	119191	119148	20320	20321	20224	
E17	118533	CH	45	2,1.5,6	X								B,E	PC3,4	119191	119148				
E5	118336	HG	5	2,1.5									B	SUV2	119130	119178	20320	20321	20224	
													B,E	SUV3,4	119191	119148	20320	20321	20224	
													B,E	SUV3,4	119191	119148	20320	20321	20224	
E14	118465	CH	45	2,1.5,6	X								B,E	SUV3,4	119191	119148	20320	20321	20224	
E14	118465	CH	45	2,1.5,6	X								B,E	SUV3,4	119191	119148	20320	20321	20224	
E14	118465	CH	45	2,1.5,6	X								B,E	SUV3,4	119191	119148	20320	20321	20224	

B 3 wire system. Converter required.
CG T-One incorporates circuit protected taillight converter.
CH T-One is equipped with circuit protected ModuLite® module.
E ModuLite® required.
HG T-One incorporates taillight converter.
N DO NOT cut or splice vehicle wiring. Only use approved T-One or see auto dealer for trailer tow wiring kit.

RT2 Round Tube Class II 1-1/4"
RT3 Round Tube Class III 2"
SQ1 Square Tube Class I
SQ3 Square Tube Class III

MODEL / STYLE	YEAR	TRAILER HITCHES									
		PC	REC TYPE	REC SIZE	PART #	NO DRILL	FOOTNOTES	OPTIONAL DRAWBAR	WC (LBS.)	WD (LBS.)	IN
HONDA (Continued)											
Fit	07-08	18	SQ1	1-1/4	24776	0	HM	3593	200/2,000		25
Fit	09-13	21	SQ1	1-1/4	24826	0	HM	3593	200/2,000		25
Fit	14-14						CH,BN				
Fit	15-19	16	RT1	1-1/4	24920	0	HM,JR	3593	200/2,000		25
HR-V	16-19	18	RT1	1-1/4	24932	0	GP,JR,SV	3593	200/2,000		35
Odyssey	95-98	35	SQ2	1-1/4	36204		HM,JR	36051	300/3,500		30
Odyssey	99-04	32	SQ2	1-1/4	36417	0	HM,JR	36071	300/3,500		20
		21	RT3	2	75270	0	HM,JR		675/4,500	675/5,000	15
Odyssey	05-10	32	SQ2	1-1/4	36417	0	HM,JR	36071	300/3,500		20
		21	RT3	2	75270	0	HM,JR		675/4,500	675/5,000	15
Odyssey	11-17	32	SQ2	1-1/4	36417	0	HM,JR	36071	300/3,500		20
		32	SQ3	2	76025	0	GP,X,DU		525/3,500		80
		21	RT3	2	75270	0	HM,JR		675/4,500	675/5,000	15
Odyssey With Fuse Provisions	18-19	26	RT2	1-1/4	36633	0	GP,DU,X,TA,TW		350/3,500		80
		32	SQ4	2	76170	0	GP,DU,X,TA,TW		525/3,500		80
		27	RT3	2	76171	0	GP,DU,X,TA,TW		675/4,500	675/5,000	80
Odyssey Without Fuse Provisions	18-19	26	RT2	1-1/4	36633	0	HM,JR,SV,TW	36071	350/3,500		25
		32	SQ4	2	76170	0	GP,DU,X,TA,TW		525/3,500		80
		27	RT3	2	76171	0	HM,JR,SV,TW		675/4,500	675/5,000	25
Passport	94-97	39	SQ3	2	75049	0	GP		500/5,000		40
Passport w/Door Mounted Spare	98-01	29	SQ2	1-1/4	36247	0	GP	36053	300/3,500		15
		34	SQ3	2	75092	0			350/3,500	500/5,000	15
Passport w/Under Vehicle Spare	98-02	30	RT3	2	75093	0			350/3,500	500/5,000	15
Pilot	03-08	31	SQ3	2	75599	0	CS,GP,JR		350/3,500	500/5,000	30
Pilot	09-11										
Pilot	12-15										
Pilot	16-17	37	SQ4	2	75225	0	TA,GP		900/6,000	900/8,000	20
Pilot	18-19	37	SQ4	2	75225	0	TA,GP		900/6,000	900/8,000	20
Ridgeline	06-14	40	RT3	2	75280	0	HM,JR,TK		750/5,000	750/7,500	20
Ridgeline	17-17										
HUMMER											
H2 w/Factory 7-Way	03-09										
H3	06-10	43	SQ3	2	75382	0			500/5,000	500/5,000	25
H3 w/Factory 7-Way	06-10										
H3T w/Factory 7-Way	09-10										
HYUNDAI											
Accent	00-05	36	SQ1	1-1/4	24736	0	GP	3593	200/2,000		20
Accent 4 Dr. Sedan	06-11	32	SQ1	1-1/4	24760	0	GP	3590	200/2,000		20
Accent 3 Dr. Hatchback	07-11	28	SQ1	1-1/4	24795	0	JR,GP	3594	200/2,000		25
Accent 4 Dr. Sedan	12-17	30	SQ1	1-1/4	24884	0	HM	3592	200/2,000		15
Accent 5 Dr. Hatchback	12-12	30	SQ1	1-1/4	24884	0	HM	3592	200/2,000		15
Accent 5 Dr. Hatchback	13-17	30	SQ1	1-1/4	24884	0	HM	3592	200/2,000		15
Azera	06-11	32	SQ1	1-1/4	24771	0	JR,HM	3593	200/2,000		20
Azera	12-17	28	RT2	1-1/4	36544		HM,JR	36061	300/3,500		20
Elantra	96-00	27	SQ1	1-1/4	24646		TA,GP	3593	200/2,000		30

BN Exterior mounted plug on some or all models. May require an aftermarket electrical mounting box or bracket. (Sold separately)

CH T-One is equipped with circuit protected ModuLite® module.

CS Will fit with full-size spare tire stowed under vehicle.

DU Fascia removal required.

GP Hitch crosstube concealed behind bumper.

HM Hitch crosstube is visible beneath bumper.

JR Exhaust must be temporarily lowered for installation.

SV Trimming or removal of under body appearance panel may be required.

TA Trunk access required for hitch installation.

TK Hitches produced before 09/09/11 are rated at 500/5000 WC & 600/6000 WD.

TW Receiver hitch may limit hands-free liftgate sensor range

X Minor fascia trimming required.

T-ONE						TOW HARNESS						4-FLAT WIRING				REQ. 4 FLAT WIRING		7-WAY HARDWARE	BRAKE CONTROL HARNESS	IN		
PC	T-ONE	FN	IN	AMP	CP	PC	TOW HARN	FN	IN	AMP	CP	TYPE	ELEC	POS	CHOICE 1	CHOICE 2	6-WAY ADAPTER				7-WAY ADAPTER	
HONDA (Continued)																						
E14	118420	CG	15	2.1,5	X								B	PC3,4	119130	119178						
E14	118420	CG	15	2.1,5	X								B	PC3,4	119130	119178						
E23	118767		45	5,7,5	X								B,E	PC3,4	119130	119178						
E23	118767	CH,BN	45	5,7,5	X								B,E	PC3,4	119130	119178						
E14	118673	CH	45	4,2,7,5	X								B,E	SUV3,4	119191	119148						
E5	118336	HG	5	2.1,5									B	SUV3	119130	119178						
E5	118336	HG	5	2.1,5									B	SUV3	119130	119178	20320	20321	20224			
E12	118438	CH	20	2,1,4,2	X								B	SUV3,4	119130	119178	20320	20321	20224			
E17	118521	CH	30	4,2,7,5	X								B,E	SUV1,2	119191	119148	20320	20321	20224			
E11	118781	CH	45	5,7,5	X								B,E	SUV3	119191	119148	20320	20321	20224			
E13	118753	CH	45	5,7,5	X								B,E	SUV3	119191	119148	20320	20321	20224			
E5	118331	BN,HG	5	2.1,5									B	SUV1,2	119130	119178	20320	20321	20224			
E17	118360	BN,HG	15	2.1,5									B	SUV1,2	119130	119178	20320	20321	20224			
E17	118360	BN,HG	15	2.1,5									B	SUV1,2	119130	119178	20320	20321	20224			
E5	118336	HG	5	2.1,5									B	SUV3	119130	119178	20320	20321	20224			
E15	118491	BN,CH	20	4,2,7,5	X	E22	118253	BN,CH	20	4,2,7,5	X	7-Way	B	SUV3,6	119130	119178				3070-P	5	
E25	118558	BN,CH	30	4,2,7,5	X	E30	118265	BN,CH	30	4,2,7,5	X	7-Way	B,E	SUV3,5	119191	119148				3070-P	5	
E18	118679	BN,CH	45	4,2,7,5	X	E19	118274	BN,CH	30	4,2,7,5	X	7-Way	B	SUV3	119130	119178	20320	20321	20224	3070-P	5	
E17	118760	BN,CH	45	5,7,5	X	E21	118286	BN,CH	30	4,2,12		7-Way	B	SUV3	119130	119178	20320	20321	20224			
E15	118400	BN,CG	10	2.1,5	X								B	PU1,2	119130	119178	20320	20321	20224	3070-P	5	
E10	118778	BN,CH	20	4,2,7,5	X	E14	118288	BN,CH	20	4,2,7,5	X	7-Way	B,E	PU1,2						3070-P	5	
HUMMER																						
						E8	118384 74682 8551511 85219	BN,RD RD RD RD	5 10 5	7.5		4-Flat Both 7-Way 7-Way	H	SUV6	119148	20252					3015-P	5
						E8	118384	BN,RD	5	7.5		4-Flat	A	SUV6	119148	20252	20320	20321	20224			
E8	118384	BN,RD	5	7.5			74682 8551511 85219	RD RD RD	10 5			Both 7-Way 7-Way	A	SUV6	119148	20252						
E8	118384	BN,RD	5	7.5		E8	118384 74682 8551511 85219	BN,RD RD RD RD	5 10 5	7.5		4-Flat Both 7-Way 7-Way	A	SUV6	119148	20252						
HYUNDAI																						
													B	PC3,4	119130	119178						
													B	PC1,2	119130	119178						
													B	PC1,2	119130	119178						
E16	118559	CH	45	2,1,5,6	X								B,E	PC3,4	119191	119148						
													B,E	PC3,4	119191	119148						
E15	118771	CH	45	5,7,5	X								B,E	PC3,4	119191	119148						
E10	118413	HG	20	2,1,4,2									B,E	PC3,4	119191	119148						
E15	118595	CH	45	2,1,5,6	X								B,E	PC3,4	119191	119148						
													B	PC3,4	119130	119178						

A 2 wire system.
B 3 wire system. Converter required.
BN Exterior mounted plug on some or all models. May require an aftermarket electrical mounting box or bracket. (Sold separately)
CG T-One incorporates circuit protected taillight converter.
CH T-One is equipped with circuit protected Modulite® module.

E Modulite® required.
H 3 wire system with OEM standard 2 wire harness.
HG T-One incorporates taillight converter.
RD For vehicles equipped with factory tow package may require additional components or may be used as a replacement harness.

RT1 Round Tube Class I 1-1/4"
RT2 Round Tube Class II 1-1/4"
RT3 Round Tube Class III 2"
SQ1 Square Tube Class I
SQ2 Square Tube Class II
SQ3 Square Tube Class III
SQ4 Square Tube Class IV

MODEL / STYLE	YEAR	TRAILER HITCHES									
		PC	REC TYPE	REC SIZE	PART #	NO DRILL	FOOTNOTES	OPTIONAL DRAWBAR	WC (LBS.)	WD (LBS.)	IN
HYUNDAI (Continued)											
Elantra	01-06	33	SQ1	1-1/4	24703	0	HM	3593	200/2,000		15
Elantra 4 Dr. Sedan	07-10	28	SQ1	1-1/4	24795	0	JR,X,GP	3594	200/2,000		25
Elantra Touring, 5 Dr.	09-12	14	SQ1	1-1/4	24844	0	GP,JR	3594	200/2,000		25
Elantra 4 Dr. Sedan	11-12	17	SQ1	1-1/4	24902		HM	3594	200/2,000		25
Elantra 2 Dr. Coupe	13-14	17	SQ1	1-1/4	24902		HM,SV	3594	200/2,000		25
Elantra 4 Dr. Sedan	13-16	17	SQ1	1-1/4	24902		HM,SV	3594	200/2,000		25
Elantra 4 Dr. Except Limited & Sport Models	17-17	15	SQ1	1-1/4	24939		EP,JR,GP,KH	3593	200/2,000		50
Elantra 4 Dr. Limited Models Except Sport	17-17	15	SQ1	1-1/4	24939		EP,JR,GP,KH	3593	200/2,000		50
Elantra Except GT	18-18	23	SQ1	1-1/4	24964	0	EP,JR,GP,KH	3593	200/2,000		40
Elantra GT Except for Korean Manufactured Vehicles	13-17	25	SQ1	1-1/4	24905	0	HM	3594	200/2,000		25
Elantra GT Except Sport	18-18	25	SQ1	1-1/4	24970	0	DU,GP,X,SV,JR	3594	200/2,000		45
Entourage	07-09	45	RT3	2	75421	0	HM,JR		350/3,500	400/4,000	20
Genesis 4 Dr. Sedan	09-11	30	SQ2	1-1/4	36486		HM,JR,KH	36065	300/3,500		60
Genesis 2 Dr. Coupe	10-12										
Genesis 4 Dr. Sedan	12-14	30	SQ2	1-1/4	36486		HM,JR,KH	36065	300/3,500		60
Genesis Sedan	15-16										
Ioniq Hybrid	17-17	23	SQ1	1-1/4	24963	0	JR,GP,SV	3593	200/2,000		30
Kona	18-18	41	SQ1	1-1/4	24976	0	GP,JR	3593	200/2,000		35
Santa Fe	01-06	25	RT3	2	41543	0	GP,JR		315/3,500		35
Santa Fe	07-09	37	SQ3	2	75471	0	TG		525/3,500		20
Santa Fe	10-12	30	SQ2	1-1/4	36511	0	HM	36051	300/3,500		15
Santa Fe		25	SQ3	2	75684	0	HM		350/3,500	500/5,000	15
Santa Fe (6/7 Passenger)	13-18	33	RT3	2	75776	0	FP,GP,J		750/5,000	750/7,500	30
Santa Fe Sport (5 Passenger)	13-18	29	RT2	1-1/4	36536	0	HM,J,JR,SV	36051	300/3,500		30
Santa Fe Sport (5 Passenger)		28	RT3	2	75772	0	HM,J,JR,SV		525/3,500	525/5,250	30
Santa Fe Sport (5 Passenger), w/Factory Tow Package	13-18										
Santa Fe	19-19										
		36	RT3	2	75908	0	HM,TA,JR		500/5,000		40
Sonata	02-05	31	SQ1	1-1/4	24713	0	HM	3593	200/2,000		15
Sonata	06-09	24	SQ1	1-1/4	24757	0	HM	3592	200/2,000		20
Sonata	10-10	24	SQ1	1-1/4	24757	0	HM	3592	200/2,000		20
Sonata Except Hybrid	11-14	19	SQ1	1-1/4	24940†	0	†,HM,JR,KH,SV	3593	200/2,000		40
		22	SQ1	1-1/4	24965	0	HM,JR,KH,SV	3593	200/2,000		40
Sonata Hybrid	11-14	19	SQ1	1-1/4	24940†	0	†,HM,JR,KH,SV	3593	200/2,000		40
		22	SQ1	1-1/4	24965	0	HM,JR,KH,SV	3593	200/2,000		40
Sonata Except Hybrid	15-17	19	SQ1	1-1/4	24940†	0	†,HM,JR,KH,SV	3593	200/2,000		40
		22	SQ1	1-1/4	24965	0	HM,JR,KH,SV	3593	200/2,000		40
Sonata Hybrid	15-16	19	SQ1	1-1/4	24940†	0	†,HM,JR,KH,SV	3593	200/2,000		40
		22	SQ1	1-1/4	24965	0	HM,JR,KH,SV	3593	200/2,000		40
Sonata Except Hybrid	18-18	22	SQ1	1-1/4	24965	0	HM,JR,KH,SV	3593	200/2,000		40
Tiburon	03-08	25	SQ1	1-1/4	24726		TA,HM	3592	200/2,000		45
Tucson	05-09	32	SQ2	1-1/4	36363	0	GP,JR	36051	300/3,500		25
		30	SQ3	2	75561	0	GP,JR		350/3,500		25
Tucson	10-15	21	SQ2	1-1/4	36510	0	GP,JR	36051	300/3,500		20
		23	SQ3	2	75717	0	GP,JR		525/3,500	525/5,250	20
Tucson	16-18	26	RT2	1-1/4	36572	0	GP,JR	36051	300/3,500		30
		28	SQ3	2	75836	0	GP,JR		525/3,500		30
Veracruz	07-12	53	SQ3	2	75532	0	HM,JR		500/5,000	500/5,000	30
INFINITI											
FX35	09-12	38	RT3	2	75778	0			400/4,000		40
FX37	13-13	38	RT3	2	75778		HM		400/4,000		40
FX50	09-13	38	RT3	2	75778		HM		400/4,000		40
G35 4 Dr. Sedan	07-08	11	SQ1	1-1/4	24831		EP,GP	3593	200/2,000		45

† Available while supply lasts.
DU Fascia removal required.
EP Fascia trimming may be required.
FP Spare tire repositioning and/or modification of spare tire carrier may be required.
GP Hitch crosstube concealed behind bumper.
HM Hitch crosstube is visible beneath bumper.
J Under vehicle spare tire stowage is retained.

JR Exhaust must be temporarily lowered for installation.
KH Minor heat shield modification may be required.
SV Trimming or removal of under body appearance panel may be required.
TA Trunk access required for hitch installation.
TG Hitches produced before 05/13/11 are rated at 350/3500 WC.
X Minor fascia trimming required.

T-ONE						TOW HARNESS						4-FLAT WIRING				REQ. 4 FLAT WIRING		7-WAY HARDWIRE	BRAKE CONTROL HARNESS	IN
PC	T-ONE	FN	IN	AMP	CP	PC	TOW HARN	FN	IN	AMP	CP	TYPE	ELEC	POS	CHOICE 1	CHOICE 2	6-WAY ADAPTER			
HYUNDAI (Continued)																				
E12	118433	CG	10	2.1,5	X								B	PC3,4	119130	119178				
E11	118473	CG	15	2.1,7.5	X								B	PC3,4	119130	119178				
E16	118532	CH	45	2.1,5,6	X								B,E	PC3,4	119191	119148				
E16	118532	CH	45	2.1,5,6	X								B,E	PC3,4	119191	119148				
E16	118532	CH	45	2.1,5,6	X								B,E	PC3,4	119191	119148				
E15	118692	CH	45	4.2,7.5	X								B,E	PC3,4	119191	119148				
E15	118711	CH	45	4.2,7.5	X								B,E	PC3,4	119191	119148				
E15	118692	CH	45	4.2,7.5	X								B,E	PC3,4	119191	119148				
E15	118692	CH	45	4.2,7.5	X								B,E	PC3,4	119191	119148				
E19	118410	BN,CH	45	2.1,5,6	X								B,E	SUV1,2	119191	119148	20320	20321	20224	
E15	118476	CH	15	2.1,5,6	X								B,E	PC3,4	119191	119148				
E16	118522	CH	45	2.1,5,6	X								B,E	PC3,4	119191	119148				
													B,E	PC3,4	119191	119148				
E13	118738	CH	45	5,7.5	X								B,E	PC3,4	119191	119148				
E14	118758	CH	45	5,7.5	X								A,E	PC3,4						
													B,E	SUV5,7						
E11	118473	CG	15	2.1,7.5	X								B	SUV3,4	119130	119178	20320	20321	20224	
E12	118415	CG	20	2.1,5	X	E14	118258	CH	25	2.1,5,6	X	4-Flat	B	SUV3,4	119130	119178	20320	20321	20224	
E12	118415	CG	20	2.1,5	X	E14	118258	CH	25	2.1,5,6	X	4-Flat	B,E	SUV5	119191	119148	20320	20321	20224	
E13	118269		20	4.2,7.5	X								B,E	SUV1,2	119191	119148	20320	20321	20224	
E18	118571	BN,CH	45	4.2,7.5	X	E13	118269	BN,CH	20	4.2,7.5	X	4-Flat	B,E	SUV1,2	119191	119148	20320	20321	20224	
E13	118269	BN,CH	20	4.2,7.5	X								B,E	SUV5	119191	119148				
E11	118784	BN,CH	15	5,7.5	X								B,E	SUV5	119191	119148				
													B	PC3,4	119130	119178				
E12	118433	CG	10	2.1,5	X								B	PC3,4	119130	119178				
E16	118557	CH	45	4.2,7.5	X								B,E	PC3,4	119191	119148				
E16	118557	CH	45	4.2,7.5	X								B,E	PC3,4	119191	119148				
E14	118663		45	4.2,7.5	X								B,E	PC3,4	119191	119148				
E15	118644	CH	45	2.1,5,6	X								B,E	PC3,4	119191	119148				
E14	118663		45	4.2,7.5	X								B,E	PC3,4	119191	119148				
E15	118762	CH	45	5,7.5	X								B,E	PC3,4	119191	119148				
													B	PC3,4	119130	119178				
E16	118397	CG	30	2.1,5	X								B	SUV1,2	119130	119178	20320	20321	20224	
E18	118501	CH	30	2.1,5,6	X								B,E	SUV1,2	119191	119148	20320	20321	20224	
E18	118501	CH	30	2.1,5,6	X								B,E	SUV1,2	119191	119148				
E13	118269	BN,CH	20	4.2,7.5	X								B,E	SUV7	119191	119148	20320	20321	20224	
INFINITI																				
E16	118593	CH	45	4.2,7.5	X								B,E	SUV3,4	119191	119148	20320	20321	20224	
E16	118593	CH	45	4.2,7.5	X								B,E	SUV3,4	119191	119148	20320	20321	20224	
E16	118593	CH	45	4.2,7.5	X								B,E	SUV3,4	119191	119148	20320	20321	20224	
E15	118480	CH	45	2.1,5,6	X								B,E	PC3,4	119191	119148				

A 2 wire system.
B 3 wire system. Converter required.
BN Exterior mounted plug on some or all models. May require an aftermarket electrical mounting box or bracket. (Sold separately)

CG T-One incorporates circuit protected taillight converter.
CH T-One is equipped with circuit protected ModuLite® module.
E ModuLite® required.

RT2 Round Tube Class II 1-1/4"
RT3 Round Tube Class III 2"
SQ1 Square Tube Class I
SQ2 Square Tube Class II
SQ3 Square Tube Class III

MODEL / STYLE	YEAR	TRAILER HITCHES									
		PC	REC TYPE	REC SIZE	PART #	NO DRILL	FOOTNOTES	OPTIONAL DRAWBAR	WC (LBS.)	WD (LBS.)	IN
INFINITI (Continued)											
G37 4 Dr. Sedan	09-13	11	SQ1	1-1/4	24831		EP,GP	3593	200/2,000		45
I30	96-99	34	SQ1	1-1/4	24686		TA,GP	3593	200/2,000		30
I30	00-01	34	SQ1	1-1/4	24686		TA,GP	3592	200/2,000		30
I35	02-04	34	SQ1	1-1/4	24686		TA,GP	3592	200/2,000		30
JX35	13-13	21	SQ4	2	76031	0	HM		900/6,000	900/6,000	25
Q50	14-17	27	SQ1	1-1/4	24931		GP,JR	3592	200/2,000		40
Q50	18-18										
QX30 Except Sport Model	17-17	36	SQ3	2	75223	0	GP,JR,TA,KH		350/3,500		90
QX4	97-03	39	SQ2	1-1/4	36222	0	HM	36071	300/3,500		20
		34	RT3	2	75077	0			500/5,000	550/5,500	20
QX56	04-10	38	RT4	2	75741	0	HM		600/6,000	1,000/10,000	15
QX56 w/Factory 7-Way	04-12										
QX60	14-15	21	SQ4	2	76031	0	HM		900/6,000	900/6,000	25
QX60	16-17	21	SQ4	2	76031	0	HM		900/6,000	900/6,000	25
QX60	18-18	21	SQ4	2	76031	0	HM		900/6,000	900/6,000	25
QX70	14-17	38	RT3	2	75778		HM		400/4,000		40
ISUZU											
Amigo w/Door Mounted Spare	98-00	29	SQ2	1-1/4	36247	0	GP	36053	300/3,500		15
Ascender w/Factory 7-Way	03-08										
Axiom w/Under Vehicle Spare	02-03	30	RT3	2	75093				350/3,500	500/5,000	20
D-Max	13-13	51	SQ3	2	75792	0	GP		600/4,000	600/6,000	20
Hombre w/Step Bumper	96-97	34	SQ2	1-1/4	36248	0	GU,HM,RH	36071	300/3,500		35
		34	SQ3	2	75051	0	GP,GU		350/3,500	750/6,000	40
Hombre w/Step Bumper	98-00	34	SQ2	1-1/4	36248	0	GU,RH,GP	36071	300/3,500		35
		30	SQ3	2	75085	0	GP		350/3,500	750/6,000	40
		50	SQ3	2	37136		AF,CN,GU,ST		500/5,000	600/6,000	40
i-280	06-06	23	SQ4	2	75607	0	GP		600/6,000	750/7,500	25
i-290	07-08	23	SQ4	2	75607	0	GP		600/6,000	750/7,500	25
i-350	06-06	23	SQ4	2	75607	0	GP		600/6,000	750/7,500	25
i-370	07-08	23	SQ4	2	75607	0	GP		600/6,000	750/7,500	25
MU-X	13-15	35	SQ4	2	75220	0	DJ,EP		600/6,000	600/6,000	45
Oasis	96-99	35	SQ2	1-1/4	36204		HM,JR	36051	300/3,500		30
Rodeo	92-97	39	SQ3	2	75049	0	GP		500/5,000		40
Rodeo w/Door Mounted Spare	98-01	29	SQ2	1-1/4	36247	0	GP	36053	300/3,500		15
		34	SQ3	2	75092	0			350/3,500	500/5,000	15
Rodeo w/Under Vehicle Spare, Except w/3.5L	98-04	30	RT3	2	75093	0			350/3,500	500/5,000	15
Rodeo Sport 2 Dr., w/Door Mounted Spare	01-03	29	SQ2	1-1/4	36247	0	GP	36053	300/3,500		15
Trooper	92-02	41	SQ3	2	75043		HM		500/5,000	750/7,500	40
JAGUAR											
E-Pace	18-18										
F-Pace	17-18	37	SQ4	2	76026	0	GP,AA,DU,SV,TA,TZ		900/6,000		90
JEEP											
Cherokee	97-01	34	SQ2	1-1/4	36260	0	GP	36071	300/3,500		30
		30	SQ3	2	75054		GP		350/3,500	550/5,500	40
		50	SQ3	2	37136				500/5,000	600/6,000	45
Cherokee	14-18	30	SQ3	2	75998	0	EP,GP		500/5,000	500/5,000	60
Cherokee Trailhawk	14-15	35	RT3	2	75838	0	HM		600/5,000	600/6,000	30
Cherokee	19-19	30	SQ3	2	75998	0	EP,GP		500/5,000	500/5,000	20

AA Requires temporary removal of bumper during installation.
AF Hitch is ONLY rated for Weight Carrying at 3500 lbs. GTW / 350 lbs. TW and DO NOT use Weight Distribution Spring Bars for this Specific Vehicle. Except for long bed pickups.
CN Requires OEM factory bumper for hitch installation.
DU Fascia removal required.
EP Fascia trimming may be required.
GP Hitch crosstube concealed behind bumper.
GU Will not fit vehicles with factory or aftermarket lower Fascia/Rollpan or Tube Bumper.
HM Hitch crosstube is visible beneath bumper.

JR Exhaust must be temporarily lowered for installation.
KH Minor heat shield modification may be required.
RH Optional drawbar #36051 required (Sold separately) except for models with ZR2 & Highrider package.
ST Will not fit 2WD models with short bed.
SV Trimming or removal of under body appearance panel may be required.
TA Trunk access required for hitch installation.
TZ Requires replacement of the impact structure with hitch.

T-ONE						TOW HARNESS						4-FLAT WIRING				REQ. 4 FLAT WIRING		7-WAY	BRAKE CONTROL HARNESS	IN	
PC	T-ONE	FN	IN	AMP	CP	PC	TOW HARN	FN	IN	AMP	CP	TYPE	ELEC	POS	CHOICE 1	CHOICE 2	6-WAY ADAPTER	7-WAY ADAPTER	7-WAY HARDWIRE	BRAKE CONTROL HARNESS	IN
INFINITI (Continued)																					
E15	118480	CH	45	2,1,5,6	X								B,E	PC3,4	119191	119148					
													E	PC3,4	119191	119148					
													B	PC3,4	119130	119178					
													B	PC3,4	119130	119178					
													B,E	SUV1,2	119191	119148					
E15	118672	CH	45	4,2,7,5	X								B,E	PC3,4	119191	119148					
E15	118672	CH	45	4,2,7,5	X								B,E	PC3,4	119191	119148					
E15	118736	CH	45	4,2,7,5	X								A,E	SUV3,4	119191	119148					
E8	118361	HG	20	2,1,5									B	SUV1,2	119130	119178	20320	20321	20224		
						E8	118384	BN,RD	5	7.5		4-Flat	A	SUV6	119148	20320	20321	20224	3050-P	5	
							74682	RD	10			Both	H	SUV6	119148	20320					
							85219	RD	5			7-Way									
E20	118670	BN	30	7.5		E23	118273	BN,RD	20	10		7-Way	B,E	SUV1,2	119191	119148	20320	20321	20224		
E20	118670	BN	30	7.5									B,E	SUV1,2	119191	119148	20320	20321	20224	3050-P	5
E20	118670	BN	30	7.5									B,E	SUV1,2	119191	119148	20320	20321	20224		
													B,E	SUV3,4	119191	119148	20320	20321	20224		
ISUZU																					
E17	118360	BN,HG	15	2,1,5									B	SUV1,2	119130	119178					
						E8	118384	BN,RD	5	7.5		4-Flat	H	SUV6	119148	20320					
							74682	RD	10			Both									
							8551511	RD				7-Way									
							85219	RD	5			7-Way									
													B	SUV1,2	119130	119178	20320	20321	20224		
													B,E	PU1,2	119191	119148	20320	20321			
E3	118312	BN	5	7.5									A	PU3	119148	20320	20321	20224			
E4	118359	BN	5	7.5									A	PU3	119148	20320	20321	20224			
E10	118301	BN,CG	10	2,1,5	X								B	PU3	119130	119178	20320	20321	20224		
E10	118301	BN,CG	10	2,1,5	X								B	PU3	119130	119178	20320	20321	20224		
E10	118301	BN,CG	10	2,1,5	X								B	PU3	119130	119178	20320	20321	20224		
E10	118301	BN,CG	10	2,1,5	X								B	PU3	119130	119178	20320	20321	20224		
													B,E	SUV1,2	119191	119148					
E5	118336	HG	5	2,1,5									B	SUV3	119130	119178					
E5	118331	BN,HG	5	2,1,5									B	SUV1,2	119130	119178	20320	20321	20224		
E17	118360	BN,HG	15	2,1,5									B	SUV1,2	119130	119178	20320	20321	20224		
E17	118360	BN,HG	15	2,1,5									B	SUV1,2	119130	119178	20320	20321	20224		
E17	118360	BN,HG	15	2,1,5									B	SUV1,2	119130	119178	20320	20321	20224		
E5	118339	BN,HG	5	2,1,5									B	SUV5	119130	119178	20320	20321	20224		
JAGUAR																					
E17	118788	BN,CH	45	5,7,5	X								A,E	SUV1,2	119191	119148					
E16	118785	CH,BN	45	5,7,5	X								A,E	SUV1,2	119191	119148					
JEEP																					
E7	118354	HG	20	2,1,5									B	SUV3	119130	119178	20320	20321	20224		
E18	118605	CH,BN	45	4,2,7,5	X								A,E	SUV1,2	119191	119148	20320	20321	20224	3014-P	5
E18	118605	CH,BN	45	4,2,7,5	X								A,E	SUV1,2	119191	119148	20320	20321	20224	3014-P	5
E17	118779	CH,BN	45	5,7,5	X								N	SUV1,2						3014-P	5

A 2 wire system.
B 3 wire system. Converter required.
BN Exterior mounted plug on some or all models. May require an aftermarket electrical mounting box or bracket. (Sold separately)
CG T-One incorporates circuit protected taillight converter.
CH T-One is equipped with circuit protected Modulite® module.

E Modulite® required.
H 3 wire system with OEM standard 2 wire harness.
HG T-One incorporates taillight converter.
N DO NOT cut or splice vehicle wiring. Only use approved T-One or see auto dealer for trailer tow wiring kit.
RD For vehicles equipped with factory tow package may require additional components or may be used as a replacement harness.

RT3 Round Tube Class III 2"
RT4 Round Tube Class IV 2"
SQ1 Square Tube Class I
SQ2 Square Tube Class II
SQ3 Square Tube Class III
SQ4 Square Tube Class IV

RECEIVER HITCHES

MODEL / STYLE	YEAR	TRAILER HITCHES									
		PC	REC TYPE	REC SIZE	PART #	NO DRILL	FOOTNOTES	OPTIONAL DRAWBAR	WC (LBS.)	WD (LBS.)	IN
JEEP (Continued)											
Commander	06-10	18	SQ2	1-1/4	36362	0	GP	36051	300/3,500	750/7,500	20
		19	SQ3	2	75338	0	TL		750/5,000		20
Commander w/Factory 7-Way	06-10										
Compass	07-10	22	SQ2	1-1/4	36423	0	GP	36061	300/3,500	525/3,500	15
		23	SQ3	2	75112	0	GP,TU		15		
Compass Rallye Edition	07-10	22	SQ2	1-1/4	36423	0	EP,GP	36061	300/3,500	525/3,500	30
		23	SQ3	2	75112	0	EP,GP,TU		30		
Compass (Old Body Style)	11-17	22	SQ2	1-1/4	36423	0	EP,GP	36061	300/3,500	525/3,500	30
		23	SQ3	2	75112	0	EP,GP,TU		30		
Compass (New Body Style)	17-19	25	RT2	1-1/4	36598	0	HM,JR,KH	36061	350/3,500	675/4,500	40
		26	RT3	2	76144	0	HM,JR,KH		40		
Grand Cherokee	94-98	50	SQ3	2	37136				500/5,000	600/6,000	35
		30	SQ3	2	75041	0	GP		500/5,000	750/7,500	40
Grand Cherokee	99-99	37	SQ2	1-1/4	36276	0	HM	36051	300/3,500	500/5,000	15
		31	SQ3	2	75139	0			750/7,500		15
Grand Cherokee	00-04	37	SQ2	1-1/4	36276	0	HM	36051	300/3,500	500/5,000	15
		31	SQ3	2	75139	0			750/7,500		15
Grand Cherokee w/Factory 7-Way	00-04										
Grand Cherokee Except SRT-8	05-06	18	SQ2	1-1/4	36362	0	AI,GP	36051	300/3,500	750/7,500	90
		19	SQ3	2	75338	0	AI,TL		90		
Grand Cherokee Except SRT-8 & w/OEM Tow Hook, w/Factory 7-Way	05-10										
Grand Cherokee w/OEM Tow Hook, w/Factory 7-Way	05-10										
Grand Cherokee Except SRT-8	07-10	18	SQ2	1-1/4	36362	0	AI,GP	36051	300/3,500	750/7,500	90
		19	SQ3	2	75338	0	AI,TL		90		
Grand Cherokee Except w/OEM Tow Hook	11-13	21	SQ3	2	75699	0	GP		500/5,000	750/7,500	20
Grand Cherokee w/Factory 7-Way	11-12										
Grand Cherokee w/OEM Tow Hook	11-13	21	SQ3	2	75699	0	AI,GP		500/5,000	750/7,500	40
Grand Cherokee EcoDiesel	14-19	25	RT4	2	75713	0	CS,HM		900/6,000	900/7,500	20
Grand Cherokee Except w/OEM Tow Hook or ECODiesel Engine	14-19	21	SQ3	2	75699	0	GP		500/5,000	750/7,500	20
Grand Cherokee w/OEM Tow Hook, Except w/ECODiesel Engine	14-19	21	SQ3	2	75699	0	AI,GP		500/5,000	750/7,500	40
Liberty	02-04	37	SQ2	1-1/4	36303	0	GP	36071	300/3,500	500/5,000	15
		50	SQ3	2	37136				600/6,000		35
		23	SQ3	2	75128	0	GP,TM		750/5,000		750/7,500
Liberty	05-07	37	SQ2	1-1/4	36303	0	GP	36071	300/3,500	500/5,000	15
		50	SQ3	2	37136				600/6,000		35
		23	SQ3	2	75128	0	GP,TM		750/5,000		750/7,500
Liberty w/Factory 7-Way	05-08										
Liberty	08-08	31	SQ2	1-1/4	36451	0	HM	36071	300/3,500	500/5,000	15
		36	RT3	2	75578	0	HM		750/7,500		20
Liberty	09-12	31	SQ2	1-1/4	36451	0	HM	36071	300/3,500	500/5,000	15
		36	RT3	2	75578	0	HM		750/7,500		20
Liberty w/Factory 7-Way	09-12										
Patriot	07-07	22	SQ2	1-1/4	36423	0	GP	36061	300/3,500	525/3,500	15
		23	SQ3	2	75112	0	GP,TU		15		
Patriot	08-17	22	SQ2	1-1/4	36423	0	EP,GP	36061	300/3,500	525/3,500	30
		23	SQ3	2	75112	0	EP,GP,TU		30		
Renegade	15-18	27	RT2	1-1/4	36587		HM	36071	300/3,500	675/4,500	30
		26	RT3	2	76021		HM,JR		40		

<p>AI Additional installation time may be required.</p> <p>CS Will fit with full-size spare tire stowed under vehicle.</p> <p>EP Fascia trimming may be required.</p> <p>GP Hitch crosstube concealed behind bumper.</p> <p>HM Hitch crosstube is visible beneath bumper.</p>	<p>JR Exhaust must be temporarily lowered for installation.</p> <p>KH Minor heat shield modification may be required.</p> <p>TL Hitches produced before 10/31/11 are rated at 500/5000 WC & 750/7500 WD.</p> <p>TM Hitches produced before 01/04/12 are rated at 500/5000 WC & 750/7500 WD.</p> <p>TU Hitches produced before 07/24/12 are rated at 350/3500 WC.</p>
--	---

T-ONE						TOW HARNESS					4-FLAT WIRING				REQ. 4 FLAT WIRING		7-WAY HARDWIRE	BRAKE CONTROL HARNESS	IN	
PC	T-ONE	FN	IN	AMP	CP	TOW HARN	FN	IN	AMP	CP	TYPE	ELEC	POS	CHOICE 1	CHOICE 2	6-WAY ADAPTER				7-WAY ADAPTER
JEEP (Continued)																				
E16	118408	BN,CG	15	2.1,5	X	E3	118381	BN,RD	5	7.5	4-Flat	B	SUV1,2	119130	119178	20320	20321	20224		
							20135	RD	10		Both	H	SUV6	119148	20252					
E18	118428	BN,CH	45	2.1,4.2	X							B,E	SUV1,2	119191	119148	20320	20321	20224		
E18	118428	BN,CH	45	2.1,4.2	X							B,E	SUV1,2	119191	119148	20320	20321	20224		
E20	118539	BN,CH	45	4.2,7.5	X							B,E	SUV1,2	119191	119148	20320	20321	20224		
E20	118752	BN,CH	45	5.7,5	X							A,E	SUV1,2							
E16	118349	CH,JM	45	2.1,4.2								B,E	SUV3,4	119191	119148	20320	20321	20224		
E10	118369	CH	10	2.1,4.2								B,E	SUV3,4	119191	119148	20320	20321	20224		
E10	118369	CH	10	2.1,4.2		E3	118381	BN,RD	5	7.5	4-Flat	B,E	SUV3,4	119191	119148	20320	20321	20224		
							20135	RD	10		Both	H	SUV6	119148	20252					
E17	118394	BN,CG	20	2.1,5	X	E3	118381	BN,RD	5	7.5	4-Flat	B	SUV1,2	119130	119178	20320	20321	20224		
							20135	RD	10		Both	H	SUV6	119148	20252					
							20135	RD	10		Both	H	SUV6	119148	20252					
E7	118425	BN	20	7.5		E3	118381	BN,RD	5	7.5	4-Flat	A	SUV1,2	119148	20252	20320	20321	20224		
E7	118425	BN	20	7.5		E8	118384	BN,RD	5	7.5	4-Flat	A	SUV1,2	119148	20252	20320	20321	20224	3045-P	5
							74682	RD	10		Both	H	SUV6	119148	20252					
							85219	RD	5		7-Way									
E7	118425	BN	20	7.5		E8	118384	BN,RD	5	7.5	4-Flat	A	SUV1,2	119148	20252	20320	20321	20224	3045-P	5
E18	118727	BN,CH	45	5.7,5	X							A,E	SUV1,2	119191	119148	20320	20321	20224	3045-P	5
E18	118727	BN,CH	45	5.7,5	X							A,E	SUV3,4	119191	119148	20320	20321	20224	3045-P	5
E18	118727	BN,CH	45	5.7,5	X							A,E	SUV3,4	119191	119148	20320	20321	20224	3045-P	5
E20	118524	HG	45	4.2,7.5	X							B	SUV1,2	119130	119178	20320	20321	20224		
E20	118524	HG	45	4.2,7.5	X	E3	118381	BN,RD	5	7.5	4-Flat	B	SUV1,2	119130	119178	20320	20321	20224		
							20135	RD	10		Both	H	SUV6	119148	20252					
E19	118554	BN,CH	45	4.2,7.5	X	E3	118381	BN,RD	5	7.5	4-Flat	B,E	SUV1,2	119191	119148	20320	20321	20224		
E19	118554	BN,CH	45	4.2,7.5	X	E8	118384	BN,RD	5	7.5	4-Flat	B,E	SUV1,2	119191	119148	20320	20321	20224		
							74682	RD	10		Both	H	SUV6	119148	20252					
							85219	RD	5		7-Way									
E18	118428	BN,CH	45	2.1,4.2	X							B,E	SUV1,2	119191	119148	20320	20321	20224		
E18	118552	CH	45	4.2,7.5	X							A,E	SUV1,2	119191	119148	20320	20321	20224		
E26	118651	CH	45	4.2,7.5	X							BIT	SUV3,4	119251	119191	20320	20321			

- A** 2 wire system.
- B** 3 wire system. Converter required.
- BN** Exterior mounted plug on some or all models. May require an aftermarket electrical mounting box or bracket. (Sold separately)
- BIT** Shared Brake/Tail/Turn multiplexed wiring system. ModuLite® HD Plus or Ultra required.
- CG** T-One incorporates circuit protected taillight converter.
- CH** T-One is equipped with circuit protected ModuLite® module.

- E** ModuLite® required.
- H** 3 wire system with OEM standard 2 wire harness.
- HG** T-One incorporates taillight converter.
- JM** Some early production 1994 models may require #118348.
- RD** For vehicles equipped with factory tow package may require additional components or may be used as a replacement harness.

- RT2** Round Tube Class II 1-1/4"
- RT3** Round Tube Class III 2"
- RT4** Round Tube Class IV 2"
- SQ2** Square Tube Class II
- SQ3** Square Tube Class III

RECEIVER HITCHES

MODEL / STYLE	YEAR	TRAILER HITCHES									
		PC	REC TYPE	REC SIZE	PART #	NO DRILL	FOOTNOTES	OPTIONAL DRAWBAR	WC (LBS.)	WD (LBS.)	IN
JEEP (Continued)											
TJ (Canada Only)	97-97	27	SQ1	1-1/4	24631	0	DA,HM	3590	200/2,000		15
		29	SQ2	1-1/4	36238	0	HM	36071	300/3,500		15
		31	SQ3	2	41531	0	HM		300/3,500		15
		28	RT3	2	75193	0	HM,TD		400/4,000		15
TJ (Canada Only)	98-06	27	SQ1	1-1/4	24631	0	DA,HM	3590	200/2,000		15
		29	SQ2	1-1/4	36238	0	HM	36071	300/3,500		15
		31	SQ3	2	41531	0	HM		300/3,500		15
		28	RT3	2	75193	0	HM,TD		400/4,000		15
Wrangler	97-97	27	SQ1	1-1/4	24631	0	DA,HM	3590	200/2,000		15
		29	SQ2	1-1/4	36238	0	HM	36071	300/3,500		15
		31	SQ3	2	41531	0	HM		300/3,500		15
		28	RT3	2	75193	0	HM,TD		400/4,000		15
Wrangler	98-06	27	SQ1	1-1/4	24631	0	DA,HM	3590	200/2,000		15
		29	SQ2	1-1/4	36238	0	HM	36071	300/3,500		15
		31	SQ3	2	41531	0	HM		300/3,500		15
		28	RT3	2	75193	0	HM,TD		400/4,000		15
Wrangler Except w/Right Hand Drive	07-17	11	SQ3	2	76104	0			675/4,500	675/4,500	20
Wrangler Except w/Right Hand Drive, Hard Rock Edition, 75th Anniversary Edition & vehicles with Mopar Off Road Bumper #82213654	07-17	27	SQ2	1-1/4	36424	0	GP	36071	300/3,500		20
		10	SQ3	2	75515t	0			675/4,500	675/4,500	20
Wrangler Right Hand Drive	07-17	11	SQ3	2	76104	0			675/4,500	675/4,500	20
Wrangler Right Hand Drive, Except Hard Rock Edition, 75th Anniversary Edition & vehicles with Mopar Off Road Bumper #82213654	07-17	27	SQ2	1-1/4	36424	0	GP	36071	300/3,500		20
		10	SQ3	2	75515t	0			675/4,500	675/4,500	20
Wrangler JL (New Body Style), Except Sahara and Rubicon	18-18	27	SQ2	1-1/4	36424	0	GP	36071	300/3,500		20
		10	SQ3	2	75515t	0			675/4,500	675/4,500	20
		11	SQ3	2	76104	0			675/4,500	675/4,500	20
Wrangler Sahara and Rubicon Only, JL (New Body Style)	18-18	27	SQ2	1-1/4	36424	0	GP	36071	300/3,500		20
		10	SQ3	2	75515t	0			675/4,500	675/4,500	20
		11	SQ3	2	76104	0			675/4,500	675/4,500	20
Wrangler JK Except w/Right Hand Drive	18-18	11	SQ3	2	76104	0			675/4,500	675/4,500	20
Wrangler JK Except w/Right Hand Drive, Hard Rock Edition, 75th Anniversary Edition & vehicles with Mopar Off Road Bumper #82213654	18-18	27	SQ2	1-1/4	36424	0	GP	36071	300/3,500		20
		10	SQ3	2	75515t	0			675/4,500	675/4,500	20
Wrangler JK Right Hand Drive	18-18	11	SQ3	2	76104	0			675/4,500	675/4,500	20
Wrangler JK Right Hand Drive, Except Hard Rock Edition, 75th Anniversary Edition & vehicles with Mopar Off Road Bumper #82213654	18-18	27	SQ2	1-1/4	36424	0	GP	36071	300/3,500		20
		10	SQ3	2	75515t	0			675/4,500	675/4,500	20
KIA											
Amanti	07-09										
Borrego w/Factory 7-Way	09-11										
Cadenza	14-14	28	RT2	1-1/4	36544		HM,JR	36061	300/3,500		20
Forte 4 Dr. Sedan	10-13	27	SQ1	1-1/4	24846	0	HM,JR	3594	200/2,000		20
Forte 4 Dr. Sedan	14-18	24	SQ1	1-1/4	24903	0	HM	3594	200/2,000		20
Magentis (Canada Only)	01-04	44	SQ1	1-1/4	24709	0	GP	3593	200/2,000		15
Magentis (Canada Only)	06-10	29	SQ1	1-1/4	24778	0	HM,JR	3594	200/2,000		20
Niro Except Plug-In-Hybrid	17-18	29	SQ2	1-1/4	36600	0	GP,JR,EP,SV	36071	350/3,500		40
Optima	01-06	44	SQ1	1-1/4	24709	0	GP	3593	200/2,000		15
Optima (App. starts with 2006-1/2)	06-08	29	SQ1	1-1/4	24778	0	HM,JR	3594	200/2,000		20
Optima	09-10	29	SQ1	1-1/4	24778	0	HM,JR	3594	200/2,000		20

DA Will not fit with tube style bumper.
EP Fascia trimming may be required.
GP Hitch crosstube concealed behind bumper.
HM Hitch crosstube is visible beneath bumper.

JR Exhaust must be temporarily lowered for installation.
SV Trimming or removal of under body appearance panel may be required.
TD Hitches without electrical bracket are rated at 350/3500 WC & No WD. Hitch with electrical bracket rated at 400/4000 WC & No WD.

T-ONE					TOW HARNESS					4-FLAT WIRING				REQ. 4 FLAT WIRING		7-WAY HARDWARE	BRAKE CONTROL HARNESS	IN		
PC	T-ONE	FN	IN	AMP	CP	PC	TOW HARN	FN	IN	AMP	CP	TYPE	ELEC	POS	CHOICE 1				CHOICE 2	6-WAY ADAPTER
JEEP (Continued)																				
E5	118356	BN	10	7.5									A	SUV5,7	119148	20252	20320	20321	20224	
E7	118409	BN	15	7.5									A	SUV5,7	119148	20252	20320	20321	20224	
E5	118356	BN	10	7.5									A	SUV5,7	119148	20252	20320	20321	20224	
E7	118409	BN	15	7.5									A	SUV5,7	119148	20252	20320	20321	20224	
E5	118416	BN	10	7.5									A	SUV1	119148	20252	20320	20321	20224	
E5	118416	BN	10	7.5									A	SUV1	119148	20252	20320	20321	20224	
													A	SUV1	119148	20252	20320	20321	20224	
													A	SUV1,2	119148	20252	20320	20321	20224	
E21	118782	BN,CH	45	5,7.5	X								A,E	SUV1,2						
													A,E	SUV1,2						
E5	118416	BN	10	7.5									A	SUV1	119148	20252	20320	20321	20224	
E5	118416	BN	10	7.5									A	SUV1	119148	20252	20320	20321	20224	
													A	SUV1	119148	20252	20320	20321	20224	
													A	SUV1,2	119148	20252	20320	20321	20224	
KIA																				
E10	118453	HG	10	2,1,7.5									B	PC3,4	119178	119130				
						E8	118384 74682 85219	BN,RD RD RD	5 10 5	7.5			4-Flat Both 7-Way	H	SUV6	119148	20252			
E15	118616	CH	45	2,1,5,6	X								B,E	PC3,4	119191	119148				
E12	118415	CG	20	2,1,5	X								B	PC3,4	119130	119178				
E15	118594	CH	45	2,1,5,6	X								B,E	PC3,4	119191	119148	20320	20321	20224	
													B	PC3,4	119130	119178				
E15	118749	CH	45	4,2,7,5	X								B,E	PC3,4						
													B	PC3,4	119130	119178				
E7	118452		10	7.5									A	PC3,4	119148	20252				
E12	118433	CG	10	2,1,5	X								B	PC3,4	119130	119178				

A 2 wire system.
B 3 wire system. Converter required.
BN Exterior mounted plug on some or all models. May require an aftermarket electrical mounting box or bracket. (Sold separately)
CG T-One incorporates circuit protected taillight converter.
CH T-One is equipped with circuit protected Modulite® module.
E Modulite® required.
H 3 wire system with OEM standard 2 wire harness.
HG T-One incorporates taillight converter.
RD For vehicles equipped with factory tow package may require additional components or may be used as a replacement harness.

RT2 Round Tube Class II 1-1/4"
RT3 Round Tube Class III 2"
SQ1 Square Tube Class I
SQ2 Square Tube Class II
SQ3 Square Tube Class III

RECEIVER HITCHES

MODEL / STYLE	YEAR	TRAILER HITCHES									
		PC	REC TYPE	REC SIZE	PART #	NO DRILL	FOOTNOTES	OPTIONAL DRAWBAR	WC (LBS.)	WD (LBS.)	IN
KIA (Continued)											
Optima	11-18	19	SQ1	1-1/4	24940†	0	†,HM,JR,KH,SV	3593	200/2,000		40
		22	SQ1	1-1/4	24965	0	HM,JR,KH,SV	3593	200/2,000		40
Rio	02-05	33	SQ1	1-1/4	24727		TA,GP	3594	200/2,000		20
Rio 4 Dr. Sedan	06-11	32	SQ1	1-1/4	24760	0	GP	3590	200/2,000		20
Rio 4 Dr. Sedan	12-17	30	SQ1	1-1/4	24884	0	HM	3592	200/2,000		15
Rio 5 Dr. Hatchback	12-16	28	SQ1	1-1/4	24883	0	GP,JR,SV	3593	200/2,000		30
Rio5 5 Dr. Hatchback	06-11	28	SQ1	1-1/4	24795	0	JR,X,GP	3594	200/2,000		25
Rondo	07-10	27	SQ1	1-1/4	24797	0	GP,JR	3594	200/2,000		30
Rondo (Canada Only)	11-12	27	SQ1	1-1/4	24797	0	GP,JR	3594	200/2,000		30
Rondo (Canada Only)	14-17	28	SQ2	1-1/4	36525	0	GP,JR,SV	36061	300/3,500		25
Sedona	02-05	45	SQ2	1-1/4	36305		HM	36071	300/3,500		20
		42	RT3	2	75131		HM		500/5,000	550/5,500	30
Sedona 118.9" Long Wheelbase	06-12	45	RT3	2	75421	0	HM,JR		350/3,500	400/4,000	20
Sedona 113.8" Short Wheelbase	07-10	45	RT3	2	75551		HM,JR		350/3,500	400/4,000	25
Sedona 118.9" Long Wheelbase	14-14	45	RT3	2	75421	0	HM,JR		350/3,500	400/4,000	20
Sedona	15-17	40	RT3	2	75894	0	HM,JR,SV		400/4,000	400/4,000	20
Sedona	18-18										
Sorento	03-06	29	RT3	2	75516	0	HM		500/5,000	500/5,000	15
Sorento	07-09	29	RT3	2	75516	0	HM		500/5,000	500/5,000	15
Sorento Base I4	11-13	25	SQ3	2	75684	0	HM		350/3,500	500/5,000	15
Sorento EX I4	11-13	25	SQ3	2	75684	0	HM		350/3,500	500/5,000	15
Sorento EX V6, Except w/Factory Tow Package	11-13	25	SQ3	2	75684	0	HM		350/3,500	500/5,000	15
Sorento EX V6, w/Factory Tow Package	11-13	30	SQ2	1-1/4	36511	0	HM	36051	300/3,500		15
		25	SQ3	2	75684	0	HM		350/3,500	500/5,000	15
Sorento Except SX V6 & EX V6 w/Factory Tow Package	11-13	30	SQ2	1-1/4	36511	0	HM	36051	300/3,500		15
Sorento LX I4	11-13	25	SQ3	2	75684	0	HM		350/3,500	500/5,000	15
Sorento LX V6	11-13	25	SQ3	2	75684	0	HM		350/3,500	500/5,000	15
Sorento SX V6	11-13	30	SQ2	1-1/4	36511	0	HM	36051	300/3,500		15
		25	SQ3	2	75684	0	HM		350/3,500	500/5,000	15
Sorento w/ I4 Engine	14-15	29	RT2	1-1/4	36536	0	HM,J,JR,SV	36051	300/3,500		30
		28	RT3	2	75772	0	HM,J,JR,SV		525/3,500	525/5,250	30
Sorento w/ V6 Engine	14-15	29	RT2	1-1/4	36536	0	HM,J,JR,SV	36051	300/3,500		30
		28	RT3	2	75772	0	HM,J,JR,SV		525/3,500	525/5,250	30
Sorento w/ I4 Engine	16-19	36	RT3	2	75908	0	HM,TA,JR		500/5,000		40
Sorento w/ V6 Engine	16-19	36	RT3	2	75908	0	HM,TA,JR		500/5,000		40
Soul Except w/LED Taillights	10-13	13	SQ1	1-1/4	24839	0	GP,JR	3593	200/2,000		40
Soul w/LED Taillights	10-13	13	SQ1	1-1/4	24839	0	GP,JR	3593	200/2,000		40
Soul Except w/LED Taillights	14-18	19	SQ1	1-1/4	24915	0	GP,JR	3593	200/2,000		40
Soul w/LED Taillights	14-18	19	SQ1	1-1/4	24915	0	GP,JR	3593	200/2,000		40
Spectra Except Spectra5	05-09	31	SQ1	1-1/4	24743	0	JR,HM	3593	200/2,000		20
Sportage	95-97	33	SQ2	1-1/4	36266		HM	36051	300/3,500		20
Sportage	98-02	33	SQ2	1-1/4	36266		HM	36051	300/3,500		20
Sportage 4 Cyl.	05-10	32	SQ2	1-1/4	36363	0	GP,JR	36051	300/3,500		25
		30	SQ3	2	75561	0	GP,JR		350/3,500		25
Sportage 6 Cyl.	05-10	32	SQ2	1-1/4	36363	0	GP,JR	36051	300/3,500		25
		30	SQ3	2	75561	0	GP,JR		350/3,500		25
Sportage	11-16	21	SQ2	1-1/4	36510	0	GP,JR	36051	300/3,500		20
		23	SQ3	2	75717	0	GP,JR		525/3,500	525/5,250	20
Sportage Except SX & SX Turbo	17-18	29	RT2	1-1/4	36593	0	GP,SV,JR,X	36071	300/3,500		30
		29	SQ3	2	76074	0	GP,SV,JR		675/4,500	675/4,500	25
Stinger	18-18	41	SQ1	1-1/4	24974	0	DU,FE,JR,KH	3593	200/2,000		90

† Available while supply lasts.

DU Fascia removal required.

FE Fascia trimming may be required. Allow additional installation time.

GP Hitch crosstube concealed behind bumper.

HM Hitch crosstube is visible beneath bumper.

J Under vehicle spare tire stowage is retained.

JR Exhaust must be temporarily lowered for installation.

KH Minor heat shield modification may be required.

SV Trimming or removal of under body appearance panel may be required.

TA Trunk access required for hitch installation.

X Minor fascia trimming required.

T-ONE					TOW HARNESS					4-FLAT WIRING				REQ. 4 FLAT WIRING		7-WAY HARDWIRE	BRAKE CONTROL HARNESS	IN	
PC	T-ONE	FN	IN	AMP	CP	TOW HARN	FN	IN	AMP	CP	TYPE	ELEC	POS	CHOICE 1	CHOICE 2				6-WAY ADAPTER
KIA (Continued)																			
E10	118453	HG	10	2.1,7.5								B	PC3,4	119130	119178				
												B	PC3,4	119130	119178				
												B	PC1,2	119130	119178				
E16	118570	CH	45	2.1,5.6	X							B,E	PC3,4	119191	119148				
E16	118570	CH	45	2.1,5.6	X							B,E	PC3,4	119191	119148				
												B	PC3,4	119130	119178				
E14	118431	BN,CG	15	2.1,5	X							B	SUV1,2	119130	119178	20320	20321		
E14	118431	BN,CG	15	2.1,5	X							B	SUV1,2	119130	119178	20320	20321		
												B,E	SUV1,2	119191	119148	20320	20321		
E8	118309	HG	25	2.1,5								B	SUV1,2	119130	119178	20320	20321	20224	
E19	118410	BN,CH	45	2.1,5.6	X							B,E	SUV1,2	119191	119148	20320	20321	20224	
E19	118410	BN,CH	45	2.1,5.6	X							B,E	SUV1,2	119191	119148	20320	20321	20224	
E19	118410	BN,CH	45	2.1,5.6	X							B,E	SUV1,2	119191	119148	20320	20321	20224	
E13	118269	BN,CH	20	4.2,7.5	X							B,E	SUV5	119191	119148	20320	20321	20224	
E13	118269	BN,CH	20	4.2,7.5	X							B,E	SUV5	119191	119148	20320	20321	20224	
E7	118307	BN,HG	5	2.1,5								B	SUV7	119130	119178	20320	20321	20224	
						E13	118269	CH,RD	20	4.2,7.5	X	4-Flat	B,E	SUV7	119191	119148	20320	20321	20224
E23	118506	CH	45	4.2,7.5	X							B,E	SUV1,2	119191	119148	20320	20321	20224	
E23	118506	CH	45	4.2,7.5	X							B,E	SUV1,2	119191	119148	20320	20321	20224	
E23	118506	CH	45	4.2,7.5	X							B,E	SUV1,2	119191	119148	20320	20321	20224	
						E13	118269	BN,CH	20	4.2,7.5	X	4-Flat	B,E	SUV1,2	119191	119148	20320	20321	20224
E23	118506	CH	45	4.2,7.5	X							B,E	SUV1,2	119191	119148	20320	20321	20224	
E23	118506	CH	45	4.2,7.5	X							B,E	SUV1,2	119191	119148	20320	20321	20224	
E23	118506	CH	45	4.2,7.5	X	E13	118269	BN,CH	20	4.2,7.5	X	4-Flat	B,E	SUV1,2	119191	119148	20320	20321	20224
E13	118269	BN,CH	20	4.2,7.5	X	E13	118269	BN,CH	20	4.2,7.5	X	4-Flat	B,E	SUV1,2	119191	119148	20320	20321	20224
E16	118583	BN,CH	45	4.2,7.5	X							B,E	SUV1,2	119191	119148	20320	20321	20224	
E13	118269	BN,CH	20	4.2,7.5	X	E13	118269	BN,CH	20	4.2,7.5	X	4-Flat	B,E	SUV1,2	119191	119148	20320	20321	20224
E16	118583	BN,CH	45	4.2,7.5	X							B,E	SUV5	119191	119148	20320	20321		
E13	118269	BN,CH	20	4.2,7.5	X							B,E	SUV5	119191	119148	20320	20321		
E14	118431	BN,CG	15	2.1,5	X							B	SUV1,2	119130	119178	20320	20321		
E17	118637	CH	45	2.1,5.6	X							B,E	SUV1,2	119191	119148	20320	20321		
E14	118431	BN,CG	15	2.1,5	X							B	SUV1,2	119130	119178	20320	20321		
E17	118637	CH	45	2.1,5.6	X							B,E	SUV1,2	119191	119148	20320	20321		
												B	PC3,4	119130	119178				
												B,E	SUV3,4	119191	119148				
		HG										B,E	SUV3,4	119191	119148				
												B	SUV1,2	119130	119178	20320	20321	20224	
E8	118401	BN,CG	5	2.1,5	X							B	SUV5	119130	119178	20320	20321	20224	
E25	118526	CH	45	4.2,7.5	X							B,E	SUV1,5	119191	119148	20320	20321	20224	
E17	118698	CH,BN	45	4.2,7.5	X							B,E	SUV1,5	119191	119148				
E18	118780	CH	45	5.7,5	X							B,E	PC3,4	119191	119148				

B 3 wire system. Converter required.
BN Exterior mounted plug on some or all models. May require an aftermarket electrical mounting box or bracket. (Sold separately)
CG T-One incorporates circuit protected taillight converter.
CH T-One is equipped with circuit protected ModuLite® module.
E ModuLite® required.
HG T-One incorporates taillight converter.
RD For vehicles equipped with factory tow package may require additional components or may be used as a replacement harness.

RT2 Round Tube Class II 1-1/4"
RT3 Round Tube Class III 2"
SQ1 Square Tube Class I
SQ2 Square Tube Class II
SQ3 Square Tube Class III

MODEL / STYLE	YEAR	TRAILER HITCHES									
		PC	REC TYPE	REC SIZE	PART #	NO DRILL	FOOTNOTES	OPTIONAL DRAWBAR	WC (LBS.)	WD (LBS.)	IN
LAND ROVER											
LR2	08-14	24	RT3	2	75688	0	HM		400/4,000	400/4,000	20
Range Rover	05-14										
Range Rover	15-15										
Range Rover Evoque Excluding Autobiography	12-14	25	SQ3	2	75227	0	EP,GP,X,KH		675/4,500		45
Range Rover Evoque Excluding Autobiography	15-18	25	SQ3	2	75227	0	EP,GP,X,KH		675/4,500		45
Range Rover Sport	14-14										
Range Rover Sport	15-17	41	SQ4	2	75229	0	GP,SV		800/8,000		45
Range Rover Velar	18-18										
Range Rover Velar	19-19	42	SQ3	2	76260	0	JR,TZ		900/6,000		80
LEXUS											
ES300 4 Dr.	97-01	36	SQ1	1-1/4	24563	0	JR,HM	3593	200/2,000		30
		23	SQ2	1-1/4	36336		HM	36061	300/3,500		15
ES300 4 Dr.	02-03	23	SQ2	1-1/4	36336		HM	36061	300/3,500		15
ES330 4 Dr.	04-06	23	SQ2	1-1/4	36336		HM	36061	300/3,500		15
ES350	07-12	20	SQ2	1-1/4	36416		GP,JR,TA	36071	300/3,500		45
ES350 Except Hybrid	13-18	29	SQ2	1-1/4	36530		HM,JR	36071	300/3,500		40
GS350	13-13	32	SQ2	1-1/4	36535	0	GP,EP,FE	36071	300/3,500		60
GS450h	13-13										
GX460	10-14	21	SQ3	2	75685	0			500/5,000	500/5,000	15
GX460 w/Factory 7-Way	10-11										
GX460	15-15	21	SQ3	2	75685	0			500/5,000	500/5,000	15
GX460	16-18	21	SQ3	2	75685	0			500/5,000	500/5,000	15
GX470	03-06	47	RT4	2	75155	0	LT,SI		600/6,000	730/7,300	35
GX470 w/Factory 7-Way	03-06										
GX470	07-09	47	RT4	2	75155	0	LT,SI		600/6,000	730/7,300	35
HS250h Hybrid	10-12	23	SQ1	1-1/4	24860†	0	HM,JR,KH	3594	200/2,000		25
IS250	09-13										
IS250 Except Convertible	14-15	25	RT1	1-1/4	24923	0	KH,AE,HM	3594	200/2,000		35
IS350	09-13										
IS350	14-14	25	RT1	1-1/4	24923	0	KH,AE,HM	3594	200/2,000		35
IS350	15-18	25	RT1	1-1/4	24923	0	KH,AE,HM	3594	200/2,000		35
LX450	96-97	54	SQ3	2	41015	0	HM		500/5,000	750/6,000	30
LX470	98-99	45	SQ3	2	75095	0	GP		500/5,000	750/6,000	20
LX470	00-00	45	SQ3	2	75095	0	GP		500/5,000	750/6,000	20
LX470	01-02	45	SQ3	2	75095	0	GP		500/5,000	750/6,000	20
LX470	03-07	45	SQ3	2	75095	0	GP		500/5,000	750/6,000	20
NX200t	15-17	29	RT3	2	75956	0	JR,HM		350/3,500	400/4,000	35
NX300h	15-15										
RX300	99-00	39	SQ2	1-1/4	36271	0	HM	36051	300/3,500		15
		35	SQ3	2	41541	0	HM		300/3,500		15
RX300	01-03	39	SQ2	1-1/4	36271	0	HM	36051	300/3,500		15
		35	SQ3	2	41541	0	HM		300/3,500		15
RX330	04-06	32	RT3	2	75153	0	HM		350/3,500		20
RX350	07-09	32	RT3	2	75153	0	HM		350/3,500		20
RX350 Except F Sport	10-12	29	SQ3	2	75676	0	GP,JR,JV		400/4,000	500/5,000	30
RX350 Except F Sport	13-15	29	SQ3	2	75676	0	GP,JR,JV		400/4,000	500/5,000	30
RX350	16-18	26	SQ3	2	75540	0	GP,SV		675/4,500	675/4,500	20
RX350L	18-18	42	SQ3	2	76156	0	HM,SV		500/5,000		30
		36	RT4	2	75896	0	HM,SV		900/6,000	900/8,000	30
RX400h Hybrid	06-08	32	RT3	2	75153	0	HM		350/3,500		20
RX450h Hybrid	10-15	29	SQ3	2	75676	0	GP,JR,JV		400/4,000	500/5,000	30

AE Requires temporary removal of muffler during installation.
 EP Fascia trimming may be required.
 FE Fascia trimming may be required. Allow additional installation time.
 GP Hitch crosstube concealed behind bumper.
 HM Hitch crosstube is visible beneath bumper.
 JR Exhaust must be temporarily lowered for installation.
 JV Rubber air deflector/fascia must be removed or trimmed to install hitch.

KH Minor heat shield modification may be required.
 LT Requires removal of factory hitch if equipped.
 SI Hitches produced before 07/31/07 are rated at 350/3500 WC & 500/5000 WD.
 SV Trimming or removal of under body appearance panel may be required.
 TA Trunk access required for hitch installation.
 TZ Requires replacement of the impact structure with hitch.
 X Minor fascia trimming required.

T-ONE					TOW HARNESS					4-FLAT WIRING				REQ. 4 FLAT WIRING		7-WAY HARDWIRE	BRAKE CONTROL HARNESS	IN					
PC	T-ONE	FN	IN	AMP	CP	PC	TOW HARN	FN	IN	AMP	CP	TYPE	ELEC	POS	CHOICE 1				CHOICE 2	6-WAY ADAPTER	7-WAY ADAPTER		
LAND ROVER																							
													B,E	SUV1,2	119191	119148	20320	20321	20224				
													A	SUV6	119148	20252					3035-P	5	
E1	118681	BN	10	4,2,7,5	X	E8	118275	BN	20			7-Way	A	SUV6	119148	20252					3035-P	5	
E1	118624	BN	10	7.5									A	SUV5	119148	20252					3035-P	5	
													A	SUV5	119148	20252					3035-P	5	
E1	118681		10	4,2,7,5	X								A	SUV6	119148	20252							
E1	118681		10	4,2,7,5	X	E8	118275	BN	20			7-Way	A	SUV6	119148	20252							
E16	118785	CH,BN	45	5,7,5	X								A,E	SUV1,2	119191	119148							
													A,E	SUV1,2									
LEXUS																							
													E	PC3,4	119191	119148							
													E	PC3,4	119191	119148							
													E	PC3,4	119191	119148							
E16	118488	CH	45	2,1,5,6	X								B,E	PC3,4	119191	119148							
E17	118592	CH	45	2,1,5,6	X								B,E	PC3,4	119191	119148							
E17	118598	CH	45	2,1,5,6	X								B,E	PC3,4	119191	119148							
E17	118598	CH	45	2,1,5,6	X								B,E	PC3,4	119191	119148							
						E12	118262	BN,RD	10			Both	A	SUV5	119148	20252	20320					3040-P	5
E8	118384	BN,RD	5	7.5			74682 85219	RD RD	10 5			Both 7-Way	A	SUV5	119148	20252						3040-P	5
													A	SUV5	119148	20252	20320					3040-P	5
													A	SUV5	119148	20252	20320					3040-P	5
													E	SUV1,2	119191	119148	20320	20321	20224			3040-P	5
								RD					E	SUV1,2	119148	20252							
													E	SUV1,2	119191	119148	20320	20321	20224			3040-P	5
E17	118510	CH	20	2,1,5,6	X								B,E	PC3,4	119191	119148							
E16	118609	CH	45	2,1,5,6	X								B,E	PC3,4	119191	119148							
													B,E	PC3,4	119191	119148							
E16	118609	CH	45	2,1,5,6	X								B,E	PC3,4	119191	119148							
E16	118609	CH	45	2,1,5,6	X								B,E	PC3,4	119191	119148							
E5	118357	BN,HG	5	2,1,5									B	SUV5	119130	119178	20320	20321	20224				
E5	118365	BN,HG	5	2,1,5									B	SUV6	119130	119178	20320	20321	20224				
													B	SUV6	119130	119178	20320	20321	20224				
						E3	118245	BN,RD	10	7.5		4-Flat	B	SUV6	119130	119178	20320	20321	20224				
						E3	118245	BN,RD	10	7.5		4-Flat	B	SUV6	119130	119178	20320	20321	20224			3040-P	5
E17	118652	CH	45	4,2,7,5	X								B,E	SUV3,4	119191	119148							
E17	118652	CH	45	4,2,7,5	X								B,E	SUV3,4	119191	119148							
													E,Z	SUV1,2	119191	119148	20320	20321	20224				
						E3	118245	BN,RD	10	7.5		4-Flat	E,Z	SUV1,2	119191	119148	20320	20321	20224				
E17	118478	CH	45	2,1,5,6	X								B,E	SUV1,2	119191	119148	20320	20321	20224				
E17	118478	CH	45	2,1,5,6	X								B,E	SUV1,2	119191	119148	20320	20321	20224				
E17	118478	CH	45	2,1,5,6	X	E3	118252	BN,RD	5	7.5		4-Flat	B,E	SUV3,4	119191	119148	20320	20321	20224				
E13	118255	CH,BN	20	2,1,5,6	X	E3	118252	BN,RD	5	7.5		4-Flat	B,E	SUV3,4	119191	119148	20320	20321	20224				
E13	118255	CH,BN	20	2,1,5,6	X	E3	118252	BN,RD	5	7.5		4-Flat	B,E	SUV3,4	119191	119148							
E13	118255	BN,CH	20	2,1,5,6	X	E3	118252	BN,RD	5	7.5		4-Flat											
													B,E	SUV1,2	119191	119148	20320	20321	20224				
E13	118255	BN,CH	20	2,1,5,6	X	E3	118252	BN,RD	5	7.5		4-Flat	B,E	SUV3,4	119191	119148	20320	20321	20224				

A 2 wire system.
B 3 wire system. Converter required.
BN Exterior mounted plug on some or all models. May require an aftermarket electrical mounting box or bracket. (Sold separately)
CH T-One is equipped with circuit protected ModuLite® module.

E ModuLite® required.
HG T-One incorporates taillight converter.
RD For vehicles equipped with factory tow package may require additional components or may be used as a replacement harness.
Z May be equipped with Factory Tow Prep Plug. Determine at time of installation.

RT1 Round Tube Class I 1-1/4"
RT3 Round Tube Class III 2"
RT4 Round Tube Class IV 2"
SQ1 Square Tube Class I
SQ2 Square Tube Class II
SQ3 Square Tube Class III
SQ4 Square Tube Class IV

MODEL / STYLE	YEAR	TRAILER HITCHES									
		PC	REC TYPE	REC SIZE	PART #	NO DRILL	FOOTNOTES	OPTIONAL DRAWBAR	WC (LBS.)	WD (LBS.)	IN
LEXUS (Continued)											
RX450h	16-18	26	SQ3	2	75540	0	GP,SV		675/4,500	675/4,500	40
LINCOLN											
Aviator	03-04	51	RT3	2	75132	0	HM,KL		500/5,000	800/8,000	20
Aviator w/Factory 7-Way	03-05										
Aviator	05-05	51	RT3	2	75132	0	HM,KL		500/5,000	800/8,000	20
Continental	88-02	35	SQ1	1-1/4	24699	0	GP,JR	3592	200/2,000		20
		35	SQ2	1-1/4	36252	0	GP,JR	36063	300/3,500		20
Continental	17-19	27	SQ2	1-1/4	36596	0	GP,JR,KH,SV	36071	300/3,500		50
LS	00-06	35	SQ2	1-1/4	36282		FE,GP	36071	300/3,500		30
Mark LT (Built After 8/2005)	06-08	25	SQ4	2	75506	0	CP,HM		600/6,000	1,000/10,000	20
		37	SQ5	2	41933	0	@,CP,HM		1,200/12,000	1,400/14,000	20
Mark LT (Built Before 8/2005)	06-06	56	RT4	2	41549	0	HM,KM		600/6,000	1,000/10,000	30
		50	RT4	2	75156	0	HM,KM		600/6,000	800/8,000	30
Mark LT w/Factory 7-Way	06-08										
Mark VIII	93-98	41	SQ2	1-1/4	36179	0	GP,JR	36061	300/3,500		40
MKC	15-17	37	SQ2	1-1/4	36586	0	GP,JR	36061	300/3,500		45
		34	SQ3	2	75943	0	GP,JR		525/3,500		45
MKC	18-19	37	SQ2	1-1/4	36586	0	GP,JR	36061	300/3,500		45
		34	SQ3	2	75943	0	GP,JR		525/3,500		45
MKS	09-12	30	SQ2	1-1/4	36477	0	GP,JR	36051	300/3,500		30
MKS	13-16	30	SQ2	1-1/4	36477	0	GP,JR	36051	300/3,500		30
MKT	10-11	45	RT3	2	75679	0	HM,JR		400/4,000	400/4,000	30
MKT w/Factory 7-Way	10-12										
MKT	12-14	45	RT3	2	75679	0	HM,JR		400/4,000	400/4,000	30
MKT	15-17	45	RT3	2	75679	0	HM,JR		400/4,000	400/4,000	30
MKX	07-10	33	SQ2	1-1/4	36447	0	GP,JR,KH	36051	300/3,500		45
		20	SQ3	2	75992		GP,KH,JR		400/4,000	400/4,000	55
MKX	11-15	20	SQ3	2	75992		GP,KH,JR		400/4,000	400/4,000	55
MKX	16-18	35	SQ3	2	75234	0	GP,TA,SV,JR,TW		675/4,500	675/4,500	45
MKZ	07-09	39	SQ1	1-1/4	24775		GP,JR,TA	3592	200/2,000		45
MKZ	10-12	25	SQ1	1-1/4	24865	0	GP,JR	3594	200/2,000		20
MKZ Except 3.0 Liter Engine	13-19	19	SQ1	1-1/4	24897	0	HM,SV	3594	200/2,000		20
Navigator	98-02	42	SQ3	2	75071	0	GP		500/5,000	800/8,000	15
		41	SQ4	2	41527	0	GP		600/6,000	1,000/10,000	15
Navigator w/Factory 7-Way	98-12										
Navigator	03-03										
Navigator w/Factory 7-Way	13-14										
Navigator w/Factory 7-Way	15-17										
Town Car	81-02	36	SQ1	1-1/4	24526		CA,GP,HA	3592	200/2,000		25
Town Car	81-11	39	SQ2	1-1/4	36116		CA,GP,HA	36063	300/3,500		30
Town Car	90-11	38	SQ3	2	41116		AB,CA,EO,GP,HA		350/3,500	750/6,000	30
Zephyr	06-06	39	SQ1	1-1/4	24775		GP,JR,TA	3592	200/2,000		45
MAZDA											
2	11-14	28	SQ1	1-1/4	24869	0	GP,JR	3593	200/2,000		30
3 4 Dr. Sedan, Except w/Grand Touring LED Taillights	04-09	27	SQ1	1-1/4	24816		GP	3592	200/2,000		35
3 5 Dr. Hatchback, Except w/Grand Touring LED Taillights	04-09	27	SQ1	1-1/4	24816		GP	3592	200/2,000		35
3 4 Dr. Sedan, w/Grand Touring LED Taillights	06-09	27	SQ1	1-1/4	24816		GP	3592	200/2,000		35

@ Ultra Frame ball mount must be used to achieve maximum weight carrying rating.
AB Requires four (4) 3/8" spacer blocks (#01077011) for installation. (Sold separately)
CA Models with dual exhaust require exhaust modification.
CP Fits all models without factory installed receiver.
EO Requires longer ball mount.
FE Fascia trimming may be required. Allow additional installation time.
GP Hitch cross tube concealed behind bumper.
HA External dress panel beneath 95-97 and 03-05 vehicles must be removed for hitch installation.

HM Hitch cross tube is visible beneath bumper.
JR Exhaust must be temporarily lowered for installation.
KH Minor heat shield modification may be required.
KL Hitch is designed to attach beneath the OEM hitch.
KM Does not work with models originally equipped with OEM hitch.
SV Trimming or removal of under body appearance panel may be required.
TA Trunk access required for hitch installation.
TW Receiver hitch may limit hands-free liftgate sensor range

T-ONE					TOW HARNESS					4-FLAT WIRING				REQ. 4 FLAT WIRING		7-WAY HARDWIRE	BRAKE CONTROL HARNESS	IN		
PC	T-ONE	FN	IN	AMP	CP	PC	TOW HARN	FN	IN	AMP	CP	TYPE	ELEC	POS	CHOICE 1				CHOICE 2	6-WAY ADAPTER
LEXUS (Continued)																				
E13	118255	BN,CH	20	2,1,5,6	X	E3	118252	BN,RD	5	7.5			B,E	SUV3,4	119191	119148				
LINCOLN																				
E5	118344	BN	10	7.5									A	SUV1,2	119148	20252	20320	20321	20224	
							74682 85219	RD RD	10 5				Both 7-Way	A SUV6	119148	20252				
													A	SUV1,2	119148	20252	20320	20321	20224	
													A,E	PC3,4	119191	119148				
E18	118682	CH	45	4,2,7,5	X								A,E	PC3,4						
E17	118373		20	2,1,4,2									G	PC3,4		119251				
													A	PU3	119148	20252	20320	20321	20224	3035-P 5
													A	PU3	119148	20252	20320	20321	20224	3035-P 5
							74682 85219	RD RD	10 5				Both 7-Way	A PU3	119148	20252				
													E	PC3,4	119191	119148				
E14	118284	CH	45	5,7,5									B,E	SUV1,2	119191	119148	20320	20321	20224	
													B,E	SUV1,2	119191	119148	20320	20321	20224	
E18	118471	CH	45	2,1,5,6	X								B,E	PC3,4	119191	119148				
E15	118599	CH	45	2,1,5,6	X								B,E	PC3,4	119191	119148				
E18	118507	CH	45	2,1,5,6	X								A,E	SUV3,4	119191	119148	20320	20321	20224	3035-P 5
							74682 85219	RD RD	10 5				Both 7-Way	A SUV6	119148	20252				
E18	118507	CH	45	2,1,5,6	X								A,E	SUV3,4	119191	119148	20320	20321	20224	3036-P 20
													A,E	SUV3,4	119191	119148	20320	20321	20224	3036-P 20
E17	118551	CH	45	4,2,7,5	X								N	SUV1,2		119251	20320	20321		
E23	118519	CH	45	4,2,7,5	X								N	SUV1,2		119251	20320	20321		
E18	118682	CH	45	4,2,7,5	X								A,E	SUV1,2	119191	119148				
E17	118502	CH	45	2,1,5,6	X								B,E	PC3,4	119191	119148				
E21	118543	CH,TR	45	2,1,5,6	X								B,E	PC3,4	119191	119148				
E17	118591	CH	45	2,1,5,6	X								A,E	PC1,2	119191	119148				
E5	118344	BN	10	7.5									A	SUV1,2	119148	20252	20320	20321	20224	3035-P 5
							74682 85219	RD RD	10 5				Both 7-Way	A SUV6	119148	20252				
						E5	118344	BN	10	7.5			4-Flat	A	SUV1,2	119148	20252			
							74682 85219	RD RD	10 5				Both 7-Way	A SUV6	119148	20252				
							74682 85219	RD RD	10 5				Both 7-Way	A SUV6	119148	20252				
													A,E	PC3,4	119191	119148	20320	20321	20224	
													A,E	PC3,4	119191	119148	20320	20321	20224	
													A,E	PC3,4	119191	119148	20320	20321	20224	
E17	118502	CH	45	2,1,5,6	X								B,E	PC3,4	119191	119148				
MAZDA																				
E17	118520	CH	45	2,1,5,6	X								B,E	PC3,4	119191	119148				
E14	118420	CG	15	2,1,5	X								B	PC3,4	119130	119178				
E14	118420	CG	15	2,1,5	X								B	PC3,4	119130	119178				
													B,E	PC3,4	119191	119148				

- A** 2 wire system.
- B** 3 wire system. Converter required.
- BN** Exterior mounted plug on some or all models. May require an aftermarket electrical mounting box or bracket. (Sold separately)
- CG** T-One incorporates circuit protected taillight converter.
- CH** T-One is equipped with circuit protected Modulite® module.

- E** Modulite® required.
- G** Low-side switching system.
- N** DO NOT cut or splice vehicle wiring. Only use approved T-One or see auto dealer for trailer tow wiring kit.
- RD** For vehicles equipped with factory tow package may require additional components or may be used as a replacement harness.
- TR** Trimming or Modification of the vehicle connector may be required.

- RT3** Round Tube Class III 2"
- RT4** Round Tube Class IV 2"
- SQ1** Square Tube Class I
- SQ2** Square Tube Class II
- SQ3** Square Tube Class III
- SQ4** Square Tube Class IV
- SQ5** Square Tube Class V

RECEIVER HITCHES

MODEL / STYLE	YEAR	TRAILER HITCHES									
		PC	REC TYPE	REC SIZE	PART #	NO DRILL	FOOTNOTES	OPTIONAL DRAWBAR	WC (LBS.)	WD (LBS.)	IN
MAZDA (Continued)											
3 5 Dr. Hatchback, w/Grand Touring LED Taillights	06-09	27	SQ1	1-1/4	24816		GP	3592	200/2,000		35
3 4 Dr. Sedan, Except w/Grand Touring LED Taillights	10-13	25	SQ1	1-1/4	24842	0	GP	3594	200/2,000		20
3 4 Dr. Sedan, w/Grand Touring LED Taillights	10-13	25	SQ1	1-1/4	24842	0	GP	3594	200/2,000		20
3 5 Dr. Hatchback, Except w/Grand Touring LED Taillights	10-13	20	SQ1	1-1/4	24843	0	GP	3594	200/2,000		15
3 5 Dr. Hatchback, w/Grand Touring LED Taillights	10-13	20	SQ1	1-1/4	24843	0	GP	3594	200/2,000		15
3 4 Dr. Sedan	14-17	25	RT1	1-1/4	24912	0	HM, JR	3593	200/2,000		15
3 5 Dr. Hatchback	14-18	25	SQ1	1-1/4	24914	0	HM, JR	3593	200/2,000		30
5	06-10	20	SQ1	1-1/4	24773		GP	3593	200/2,000		25
5	12-17	24	SQ1	1-1/4	24874		GP	3592	200/2,000		25
6 4 Dr. Sedan	03-08	39	SQ1	1-1/4	24775		GP, JR, TA	3594	200/2,000		45
6 5 Dr. Hatchback	04-08	39	SQ1	1-1/4	24775		GP, JR, TA	3594	200/2,000		45
6 Sport Wagon	04-07	16	SQ1	1-1/4	24785	0	TA, GP	3593	200/2,000		25
6 4 Dr. Sedan	09-13	25	SQ1	1-1/4	24832		GP, JR	3592	200/2,000		30
6 4 Dr. Sedan	14-17	25	SQ1	1-1/4	24908	0	HM	3594	200/2,000		30
B2300	94-97	24	SQ3	2	75082		EG, SD, GP		400/4,000	750/6,000	20
		50	SQ3	2	37136	0			500/5,000	600/6,000	40
B2300	02-09	24	SQ3	2	75082		SD, V, GP		400/4,000	750/6,000	20
		50	SQ3	2	37136	0			500/5,000	600/6,000	40
B2500	98-01	24	SQ3	2	75082		SD, V, GP		400/4,000	750/6,000	20
		50	SQ3	2	37136	0			500/5,000	600/6,000	40
B3000	94-97	24	SQ3	2	75082		EG, SD, GP		400/4,000	750/6,000	20
		50	SQ3	2	37136	0			500/5,000	600/6,000	40
B3000	98-01	24	SQ3	2	75082		SD, V, GP		400/4,000	750/6,000	20
		50	SQ3	2	37136	0			500/5,000	600/6,000	40
B3000	02-08	24	SQ3	2	75082		SD, V, GP		400/4,000	750/6,000	20
		50	SQ3	2	37136	0			500/5,000	600/6,000	40
B4000	94-97	24	SQ3	2	75082		EG, SD, GP		400/4,000	750/6,000	20
		50	SQ3	2	37136	0			500/5,000	600/6,000	40
B4000	98-01	24	SQ3	2	75082		SD, V, GP		400/4,000	750/6,000	20
		50	SQ3	2	37136	0			500/5,000	600/6,000	40
B4000	02-09	24	SQ3	2	75082		SD, V, GP		400/4,000	750/6,000	20
		50	SQ3	2	37136	0			500/5,000	600/6,000	40
CX-3	16-18	35	SQ1	1-1/4	24933	0	JR, GP	3593	200/2,000		25
CX-5	13-15	35	SQ3	2	75748	0	GP, JR		525/3,500		40
CX-5	13-16	23	SQ2	1-1/4	36602	0	GP, JR	36061	300/3,500		30
		23	SQ2	1-1/4	36601	0	GP, JR	36051	350/3,500		30
		24	SQ3	2	76138	0	GP, JR		675/4,500		20
CX-5	17-18	23	SQ2	1-1/4	36601	0	GP, JR	36051	350/3,500		20
		24	SQ3	2	76138	0	GP, JR		675/4,500		20
CX-7	07-12	34	SQ2	1-1/4	36419	0	GP, JR	36061	300/3,500		40
		29	SQ3	2	75512	0	GP, JR		350/3,500		40
CX-9	07-15	37	RT3	2	75531	0	HM		400/4,000	400/4,000	15
CX-9	16-17	24	SQ2	1-1/4	36772	0	SV, JR, GP	36071	300/3,500		30
		24	SQ3	2	76020	0	SV, JR, GP		675/4,500	675/4,500	30
CX-9	18-18	24	SQ2	1-1/4	36772	0	SV, JR, GP	36071	300/3,500		30
		24	SQ3	2	76020	0	SV, JR, GP		675/4,500	675/4,500	30
MPV Except w/Ground Effects	00-03	46	SQ3	2	75108	0			350/3,500	500/5,000	15
MPV w/Ground Effects	00-03	52	RT3	2	75507	0	HM, JR		350/3,500	500/5,000	20
MPV	04-06	52	RT3	2	75507	0	HM, JR		350/3,500	500/5,000	20
Protege	99-03	25	SQ1	1-1/4	24675	0	HM	3593	200/2,000		20
Protege5	02-03	36	SQ1	1-1/4	24714	0	JR, GP	3593	200/2,000		15
Tribute	01-03	38	RT3	2	75118	0	HM, KH		350/3,500	500/5,000	35
		50	SQ3	2	37136		KH		500/5,000	600/6,000	60

EG Relocation of spare tire bracket is not required. NOTE: 19mm open end style wrench must be purchased to allow removal of spare tire after hitch installation.

GP Hitch cross-tube concealed behind bumper.

HM Hitch cross-tube is visible beneath bumper.

JR Exhaust must be temporarily lowered for installation.

KH Minor heat shield modification may be required.

SD Hitches produced before 07/21/06 are rated at 350/3500 WC.

SV Trimming or removal of under body appearance panel may be required.

TA Trunk access required for hitch installation.

V For vehicles with factory installed step bumpers only.

T-ONE					TOW HARNESS					4-FLAT WIRING				REQ. 4 FLAT WIRING		7-WAY HARDWIRE	BRAKE CONTROL HARNESS	IN	
PC	T-ONE	FN	IN	AMP	CP	TOW HARN	FN	IN	AMP	CP	TYPE	ELEC	POS	CHOICE 1	CHOICE 2				6-WAY ADAPTER
MAZDA (Continued)																			
E14	118420	CG	15	2.1,5	X							B,E	PC3,4	119191	119148				
												B	PC3,4	119130	119178				
												B,E	PC3,4	119191	119148				
E14	118420	CG	15	2.1,5	X							B	PC3,4	119130	119178				
												B,E	PC3,4	119191	119148				
E16	118405	CH	45	2.1,5,6	X							B,E	PC3,4	119191	119148				
E16	118405	CH	45	2.1,5,6	X							B,E	PC3,4	119191	119148				
E17	118520	CH	45	2.1,5,6	X							B,E	PC3,4	119191	119148		20321		
E17	118520	CH	45	2.1,5,6	X							B,E	PC3,4	119191	119148		20321		
E16	118405	CH	45	2.1,5,6	X							B,E	PC3,4	119191	119148				
E16	118405	CH	45	2.1,5,6	X							B,E	PC3,4	119191	119148				
												B,E	PC3,4	119191	119148				
E19	118483	CH	45	2.1,5,6	X							B,E	PC3,4	119191	119148				
E17	118587	CH	45	2.1,5,6	X							B,E	PC3,4	119191	119148				
E9	118325	BN,HG	5	2.1,5								B	PU3	119130	119178	20320	20321	20224	
E9	118325	BN,HG	5	2.1,5								B	PU3	119130	119178	20320	20321	20224	
E9	118325	BN,HG	5	2.1,5		E2	118241	BN,RD	5	7.5	4-Flat	B	PU3	119130	119178	20320	20321	20224	
E9	118325	BN,HG	5	2.1,5								B	PU3	119130	119178	20320	20321	20224	
E9	118325	BN,HG	5	2.1,5		E2	118241	BN,RD	5	7.5	4-Flat	B	PU3	119130	119178	20320	20321	20224	
E9	118325	BN,HG	5	2.1,5								B	PU3	119130	119178	20320	20321	20224	
E9	118325	BN,HG	5	2.1,5								B	PU3	119130	119178	20320	20321	20224	
E9	118325	BN,HG	5	2.1,5		E2	118241	BN,RD	5	7.5	4-Flat	B	PU3	119130	119178	20320	20321	20224	
E9	118325	BN,HG	5	2.1,5								B	PU3	119130	119178	20320	20321	20224	
E14	118718	CH	45	5,7,5	X							B,E	SUV3,4	119191	119148				
E19	118563	CH	45	4,2,7,5	X							B,E	SUV3,4	119191	119148	20320	20321	20224	
E19	118563	CH	45	4,2,7,5	X							B,E	SUV3,4	119191	119148				
E15	118746	CH	45	5,7,5	X									119191	119148				
E16	118405	CH	45	2.1,5,6	X	E12	118249	RD	5	2.1,4,2	X	4-Flat	B,E	SUV3,4	119191	119148	20320	20321	20224
E17	118520	CH	45	2.1,5,6	X								B,E	SUV3,4	119191	119148	20320	20321	20224
						E9	118278	CH	25		X	4-Flat	B,E	SUV3,4	119191	119148			
													B	SUV1,2	119130	119178	20320	20321	20224
													B	SUV1,2	119130	119178	20320	20321	20224
													B	SUV1,2	119130	119178	20320	20321	20224
													B	PC3,4	119130	119178			
													B	PC1,2	119130	119178			
E9	118343	HG,RW	10	2.1,5								B	SUV1,2	119130	119178	20320	20321	20224	

B 3 wire system. Converter required.
BN Exterior mounted plug on some or all models. May require an aftermarket electrical mounting box or bracket. (Sold separately)
CG T-One incorporates circuit protected taillight converter.
CH T-One is equipped with circuit protected ModuLite® module.

E ModuLite® required.
HG T-One incorporates taillight converter.
RD For vehicles equipped with factory tow package may require additional components or may be used as a replacement harness.
RW On some models it may require an upgraded flasher or ModuLite®.

RT1 Round Tube Class I 1-1/4"
RT3 Round Tube Class III 2"
SQ1 Square Tube Class I
SQ2 Square Tube Class II
SQ3 Square Tube Class III

MODEL / STYLE	YEAR	TRAILER HITCHES									
		PC	REC TYPE	REC SIZE	PART #	NO DRILL	FOOTNOTES	OPTIONAL DRAWBAR	WC (LBS.)	WD (LBS.)	IN
MAZDA (Continued)											
Tribute	04-04	38	RT3	2	75118	0	HM		350/3,500	500/5,000	35
		50	SQ3	2	37136				500/5,000	600/6,000	60
Tribute	05-06	22	SQ2	1-1/4	36501		HM	36051	300/3,500		20
		34	RT3	2	75751	0	HM		675/4,500	675/5,250	25
Tribute	08-11	22	SQ2	1-1/4	36501		HM	36051	300/3,500		20
		34	RT3	2	75751	0	HM		675/4,500	675/5,250	25
MERCEDES-BENZ											
C300 Sedan, Except Models w/Sport Package	15-18	27	SQ1	1-1/4	24953	0	DU,GP,SV	3593	200/2,000		75
GLA250	15-18	36	SQ3	2	75223	0	GP,JR,TA,KH,FE		350/3,500		90
GLC250	17-18										
GLC300	16-18	27	SQ3	2	76082	0	JR,GP,KH,TA,AA,DU,TW		675/4,500		65
GLC350e	18-18										
GLC43 AMG	17-18										
GLC63 AMG	18-18										
GLC63 AMG S	18-18										
GLE350 Except w/Active Curve System	16-18	52	SQ4	2	76141	0	GP,JR,SV,KH		700/7,000	700/7,000	40
GLK350	10-12	56	RT3	2	75774	0	HM		600/4,000		20
GLK350	13-15	56	RT3	2	75774	0	HM		600/4,000		20
Metris	16-17	32	RT3	2	76015	0	HM		750/5,000	750/6,000	20
ML320	98-02	34	SQ3	2	75087	0			500/5,000	500/5,000	30
ML320 CDI Except w/Adaptive Variable Suspension	07-08	50	SQ3	2	75376		MB,TA		350/3,500	400/4,000	50
ML350	03-05	34	SQ3	2	75087	0			500/5,000	500/5,000	30
ML350 Except w/Adaptive Variable Suspension	06-09	50	SQ3	2	75376		MB,TA		350/3,500	400/4,000	50
ML350 Except BlueTEC or w/Adaptive Variable Suspension	10-11	50	SQ3	2	75376		MB,TA		350/3,500	400/4,000	50
ML350 Except BlueTEC & w/Active Curve System	12-15	54	SQ3	2	75874†	0	GP,JR,KA,MB		525/3,500	525/4,000	30
ML350 Except w/Active Curve System	12-15	52	SQ4	2	76141	0	GP,JR,SV,KH		700/7,000	700/7,000	40
ML430	99-01	34	SQ3	2	75087	0			500/5,000	500/5,000	30
ML450 Hybrid, Except w/Adaptive Variable Suspension	10-11	50	SQ3	2	75376		MB,TA		350/3,500	400/4,000	50
ML500	02-05	34	SQ3	2	75087	0			500/5,000	500/5,000	30
ML500 Except w/Adaptive Variable Suspension	06-07	50	SQ3	2	75376		MB,TA		350/3,500	400/4,000	50
ML550 Except w/Adaptive Variable Suspension	08-11	50	SQ3	2	75376		MB,TA		350/3,500	400/4,000	50
R320 BlueTEC	09-09	43	SQ3	2	75470	0	SC		350/3,500		25
R320 BlueTEC w/Panoramic Roof Package	09-09	43	SQ3	2	75470		SC		350/3,500		50
R320 CDI	07-08	43	SQ3	2	75470	0	SC		350/3,500		25
R320 CDI w/Panoramic Roof Package	07-08	43	SQ3	2	75470		SC		350/3,500		50
R350	06-12	43	SQ3	2	75470	0	SC		350/3,500		25
R350 w/Panoramic Roof Package	06-12	43	SQ3	2	75470		SC		350/3,500		50
R500	06-07	43	SQ3	2	75470	0	SC		350/3,500		25
R500 w/Panoramic Roof Package	06-07	43	SQ3	2	75470		SC		350/3,500		50
Sprinter 144" & 170" Wheelbase, Except w/Factory Step Bumper	07-11	53	SQ4	2	75549	0	HM,UL		600/6,000	750/7,500	20
Sprinter w/Factory Step Bumper Excluding Models w/30-3/8" Frame Width	07-11	52	SQ3	2	75601	0	HM		500/5,000	750/7,500	30
Sprinter 144" & 170" Wheelbase, Except w/Factory Step Bumper	12-13	53	SQ4	2	75549	0	HM,UL		600/6,000	750/7,500	20
Sprinter w/Factory Step Bumper Excluding Models w/30-3/8" Frame Width	12-13	52	SQ3	2	75601	0	HM		500/5,000	750/7,500	30
Sprinter 144" & 170" Wheelbase, Except w/Factory Step Bumper	14-17	53	SQ4	2	75549	0	HM,UL		600/6,000	750/7,500	20
Sprinter w/Factory Step Bumper Excluding Models w/30-3/8" Frame Width	14-17	52	SQ3	2	75601	0	HM		500/5,000	750/7,500	30
Sprinter	18-18										
Sprinter 2500	07-09										
Sprinter 2500 144" & 170" Wheelbase, Except w/Factory Step Bumper	10-11	53	SQ4	2	75549	0	HM,UL		600/6,000	750/7,500	20

AA Requires temporary removal of bumper during installation.

DU Fascia removal required.

FE Fascia trimming may be required. Allow additional installation time.

GP Hitch cross-tube concealed behind bumper.

HM Hitch cross-tube is visible beneath bumper.

JR Exhaust must be temporarily lowered for installation.

KA Gasoline engine models only.

KH Minor heat shield modification may be required.

MB Will not fit models equipped with air suspension package.

SC Minor trimming of plastic trunk pan required.

SV Trimming or removal of under body appearance panel may be required.

TA Trunk access required for hitch installation.

TW Receiver hitch may limit hands-free liftgate sensor range

UL This hitch will not fit a Sprinter single or dual rear-wheel vehicle with a 30-3/8" wide frame measured outside of frame to outside of frame.

T-ONE					TOW HARNESS					4-FLAT WIRING				REQ. 4 FLAT WIRING		7-WAY HARDWIRE	BRAKE CONTROL HARNESS	IN				
PC	T-ONE	FN	IN	AMP	CP	PC	TOW HARN	FN	IN	AMP	CP	TYPE	ELEC	POS	CHOICE 1				CHOICE 2	6-WAY ADAPTER	7-WAY ADAPTER	
MAZDA (Continued)																						
													B,E	SUV1,2	119191	119148	20320	20321	20224			
E17	118426	BN,CH	45	2,1,4,2	X								B,E	SUV1,2	119191	119148	20320	20321	20224			
E17	118551	CH	45	4,2,7,5	X	E1	118251	BN,QP,RD	5	7.5		4-Flat	A	SUV1,2	119148	20252	20320	20321	20224			
MERCEDES-BENZ																						
													A,E	PC3,4								
													B,E	SUV1,2	119191	119148						
E16	118747	CH	45	5,7,5	X								B,E	SUV1,2	119191	119148						
E16	118747	CH	45	5,7,5	X								B,E	SUV1,2	119191	119148						
E16	118747	CH	45	5,7,5	X								B,E	SUV1,2	119191	119148						
E16	118747	CH	45	5,7,5	X								B,E	SUV1,2	119191	119148						
E16	118747	CH	45	5,7,5	X								B,E	SUV1,2	119191	119148						
E16	118747	CH	45	5,7,5	X								B,E	SUV1,2	119191	119148						
													B,E	SUV3,4	119191	119148	20320	20321	20224			
													BT	SUV3,4	119251	119191	20320	20321	20224			
													BM	SUV3,4	119251	119191	20320	20321	20224			
													BTT	SUV1,2	119251	119191						
													E	SUV3	119191	119148	20320	20321	20224			
													BM	SUV3,4	119251	119191	20320	20321				
													E	SUV3	119191	119148	20320	20321	20224			
													BM	SUV3,4	119251	119191	20320	20321				
													BM	SUV3,4	119251	119191	20320	20321	20224			
													A,E	SUV3,4	119191	119148	20320	20321	20224			
													A,E	SUV3,4	119191	119148	20320	20321	20224			
													E	SUV3	119191	119148	20320	20321	20224			
													BM	SUV3,4	119251	119191	20320	20321	20224			
													E	SUV3	119191	119148	20320	20321	20224			
													BT	SUV3,4	119251	119191	20320	20321				
													BM	SUV3,4	119251	119191	20320	20321				
													BM	SUV3,4	119251	119191	20320	20321				
													BM	SUV3,4	119251	119191	20320	20321				
													BM	SUV3,4	119251	119191	20320	20321				
													BM	SUV3,4	119251	119191	20320	20321				
													BT	SUV3,4	119251	119191	20320	20321				
													BT	SUV3,4	119251	119191	20320	20321				
E17	118650	CH	45	5,7,5	X								BT	SUV3,4	119251	119191	20320	20321				
E17	118650	CH	45	5,7,5	X								B,E	SUV1,2	119191	119148	20320	20321	20224	3063-P	10	
E17	118650	CH	45	5,7,5	X								B,E	SUV1,2	119191	119148	20320	20321	20224	3063-P	10	
E17	118650	CH	45	5,7,5	X								B,E	SUV1,2	119191	119148	20320	20321	20224	3030-P	10	
E17	118650	CH	45	5,7,5	X								B,E	SUV1,2	119191	119148	20320	20321	20224	3030-P	10	
E19	118649	CH	45	5,7,5	X		22115		90			7-Way	BT	SUV3,4	119251	119191	20320	20321	20224	3030-P	10	
E19	118649	CH	45	5,7,5	X		22115		90			7-Way	BT	SUV3,4	119251	119191	20320	20321	20224	3030-P	10	
																					3030-P	10
																					3063-P	10
E17	118650	CH	45	5,7,5	X								B,E	SUV3,4	119192	119191	20320	20321	20224		3063-P	10

- A** 2 wire system.
- B** 3 wire system. Converter required.
- BM** Multiplexed wiring system. ModuLite® HD Plus or Ultra required.
- BN** Exterior mounted plug on some or all models. May require an aftermarket electrical mounting box or bracket. (Sold separately)
- BT** Shared Brake/Tail multiplexed wiring system. ModuLite® HD Plus or Ultra required.
- BTT** Shared Brake/Tail/Turn multiplexed wiring system. ModuLite® HD Plus or Ultra required.
- CH** T-One is equipped with circuit protected ModuLite® module.
- E** ModuLite® required.
- QP** Will not fit vehicles with backup sensors built into rear bumper.
- RD** For vehicles equipped with factory tow package may require additional components or may be used as a replacement harness.

- RT3** Round Tube Class III 2"
- SQ1** Square Tube Class I
- SQ2** Square Tube Class II
- SQ3** Square Tube Class III
- SQ4** Square Tube Class IV

MODEL / STYLE	YEAR	TRAILER HITCHES										
		PC	REC TYPE	REC SIZE	PART #	NO DRILL	FOOTNOTES	OPTIONAL DRAWBAR	WC (LBS.)	WD (LBS.)	IN	
MERCEDES-BENZ (Continued)												
Sprinter 2500 w/Factory Step Bumper Excluding Models w/30-3/8" Frame Width	10-11	52	SQ3	2	75601	0	HM		500/5,000	750/7,500	30	
Sprinter 2500 144" & 170" Wheelbase, Except w/Factory Step Bumper	12-13	53	SQ4	2	75549	0	HM,UL		600/6,000	750/7,500	20	
Sprinter 2500 w/Factory Step Bumper Excluding Models w/30-3/8" Frame Width	12-13	52	SQ3	2	75601	0	HM		500/5,000	750/7,500	30	
Sprinter 2500 144" & 170" Wheelbase, Except w/Factory Step Bumper	14-17	53	SQ4	2	75549	0	HM,UL		600/6,000	750/7,500	20	
Sprinter 2500 w/Factory Step Bumper Excluding Models w/30-3/8" Frame Width	14-17	52	SQ3	2	75601	0	HM		500/5,000	750/7,500	30	
Sprinter 2500	18-18											
Sprinter 3500	07-09											
Sprinter 3500 144" & 170" Wheelbase, Except w/Factory Step Bumper	10-11	53	SQ4	2	75549	0	HM,UL		600/6,000	750/7,500	20	
Sprinter 3500 w/Factory Step Bumper Excluding Models w/30-3/8" Frame Width	10-11	52	SQ3	2	75601	0	HM		500/5,000	750/7,500	30	
Sprinter 3500 144" & 170" Wheelbase, Except w/Factory Step Bumper	12-13	53	SQ4	2	75549	0	HM,UL		600/6,000	750/7,500	20	
Sprinter 3500 w/Factory Step Bumper Excluding Models w/30-3/8" Frame Width	12-13	52	SQ3	2	75601	0	HM		500/5,000	750/7,500	30	
Sprinter 3500 144" & 170" Wheelbase, Except w/Factory Step Bumper	14-17	53	SQ4	2	75549	0	HM,UL		600/6,000	750/7,500	20	
Sprinter 3500 w/Factory Step Bumper Excluding Models w/30-3/8" Frame Width	14-17	52	SQ3	2	75601	0	HM		500/5,000	750/7,500	30	
Sprinter 3500	18-18											
MERCURY												
Cougar	96-97	41	SQ2	1-1/4	36179	0	GP		36063	300/3,500	40	
Grand Marquis	92-97	36	SQ1	1-1/4	24526		CA,GP		3592	200/2,000	25	
		39	SQ2	1-1/4	36116		CA,GP		36063	300/3,500	30	
		38	SQ3	2	41116		CA,GP			350/3,500	750/6,000	30
Grand Marquis	98-11	36	SQ1	1-1/4	24526		CA,GP		3592	200/2,000	25	
		39	SQ2	1-1/4	36116		CA,GP		36063	300/3,500	30	
		38	SQ3	2	41116		CA,GP			350/3,500	750/6,000	30
Marauder	03-04	36	SQ1	1-1/4	24526		CA,GP		3592	200/2,000	25	
		39	SQ2	1-1/4	36116		CA,GP		36063	300/3,500	30	
		38	SQ3	2	41116		CA,GP			350/3,500	750/6,000	30
Mariner	05-07	22	SQ2	1-1/4	36501		HM		36051	300/3,500	20	
		34	RT3	2	75751	0	HM			675/4,500	675/5,250	25
Mariner	08-11	22	SQ2	1-1/4	36501		HM		36051	300/3,500	20	
		34	RT3	2	75751	0	HM			675/4,500	675/5,250	25
Milan	06-09	39	SQ1	1-1/4	24775		GP,JR,TA		3592	200/2,000	45	
Milan	10-11	25	SQ1	1-1/4	24865	0	GP,JR		3594	200/2,000	20	
Montego	05-07	33	SQ2	1-1/4	36360	0	GP,JR		36071	300/3,500	30	
		42	SQ3	2	75299	0	JR			350/3,500	400/4,000	30
Monterey	04-07	41	SQ2	1-1/4	36318	0	GP,JR		36071	300/3,500	25	
		45	SQ3	2	75158		GP,JR			350/3,500	500/5,000	30
Mountaineer	97-01	32	SQ2	1-1/4	36246	0	HM		36051	300/3,500	15	
		34	RT3	2	75083	0	JF,HM			500/5,000	600/6,000	15
		31	SQ3	2	75096	0	HM			500/5,000	750/7,500	15
Mountaineer w/Factory 7-Way	00-10											
Mountaineer	02-03	51	RT3	2	75132	0	HM,KL			500/5,000	800/8,000	20

CA Models with dual exhaust require exhaust modification.
GP Hitch crosstube concealed behind bumper.
HM Hitch crosstube is visible beneath bumper.
JF Will not fit with 16" spare tire.

JR Exhaust must be temporarily lowered for installation.
KL Hitch is designed to attach beneath the OEM hitch.
TA Trunk access required for hitch installation.
UL This hitch will not fit a Sprinter single or dual rear-wheel vehicle with a 30-3/8" wide frame measured outside of frame to outside of frame.

T-ONE						TOW HARNESS						4-FLAT WIRING				REQ. 4 FLAT WIRING		7-WAY HARDWARE	BRAKE CONTROL HARNESS	IN	
PC	T-ONE	FN	IN	AMP	CP	PC	TOW HARN	FN	IN	AMP	CP	TYPE	ELEC	POS	CHOICE 1	CHOICE 2	6-WAY ADAPTER				7-WAY ADAPTER
MERCEDES-BENZ (Continued)																					
E17	118650	CH	45	5,7.5	X								B,E	SUV3,4	119192	119191	20320	20321	20224	3063-P	10
E17	118650	CH	45	5,7.5	X								B,E	SUV3,4	119192	119191	20320	20321	20224	3030-P	10
E17	118650	CH	45	5,7.5	X								B,E	SUV3,4	119192	119191	20320	20321	20224	3030-P	10
E19	118649	CH	45	5,7.5	X		22115		90			7-Way	BT	SUV3,4	119251	119191	20320	20321	20224	3030-P	10
E19	118649	CH	45	5,7.5	X		22115		90			7-Way	BT	SUV3,4	119251	119191	20320	20321	20224	3030-P	10
																				3030-P	10
																				3063-P	10
E17	118650	CH	45	5,7.5	X								B,E	SUV3,4	119192	119191	20320	20321	20224	3063-P	10
E17	118650	CH	45	5,7.5	X								B,E	SUV3,4	119192	119191	20320	20321	20224	3063-P	10
E17	118650	CH	45	5,7.5	X								B,E	SUV3,4	119192	119191	20320	20321	20224	3030-P	10
E17	118650	CH	45	5,7.5	X								B,E	SUV3,4	119192	119191	20320	20321	20224	3030-P	10
E19	118649	CH	45	5,7.5	X		22115		90			7-Way	BT	SUV3,4	119251	119191	20320	20321	20224	3030-P	10
E19	118649	CH	45	5,7.5	X		22115		90			7-Way	BT	SUV3,4	119251	119191	20320	20321	20224	3030-P	10
																				3030-P	10
MERCURY																					
													A,E	PC3,4	119191	119148					
E9	118326		20	7.5									A,E	PC3,4	119191	119148	20320	20321	20224		
													A,E	PC3,4	119191	119148	20320	20321	20224		
													A,E	PC3,4	119191	119148	20320	20321	20224		
E17	118551	CH	45	4,2,7.5	X								A,E	SUV1,2	119191	119148	20320	20321	20224		
E17	118551	CH	45	4,2,7.5	X	E1	118251	BN,QP,RD	5	7.5		4-Flat	A	SUV1,2	119148	20252	20320	20321	20224		
E17	118502	CH	45	2,1,5,6	X								B,E	PC3,4	119191	119148					
E17	118502	CH	45	2,1,5,6	X								B,E	PC3,4	119191	119148					
													B,E	PC3,4	119191	119148	20320	20321	20224		
E17	118385	CH	45	2,1,5,6	X								N	SUV1,2		119251	20320	20321			
E16	118345	BN,CH	45	2,1,4,2		E2	118241	BN,RD	5	7.5		4-Flat	B,E	SUV1,2	119191	119148	20320	20321	20224		
							74682	RD	10			Both	A	SUV6	119148	20252					
							85219	RD	5			7-Way									
E5	118344	BN	10	7.5									A	SUV1,2	119148	20252	20320	20321	20224	3035-P	5

- A** 2 wire system.
- B** 3 wire system. Converter required.
- BN** Exterior mounted plug on some or all models. May require an aftermarket electrical mounting box or bracket. (Sold separately)
- BT** Shared Brake/Tail multiplexed wiring system. ModuLite® HD Plus or Ultra required.
- CH** T-One is equipped with circuit protected ModuLite® module.

- E** ModuLite® required.
- N** DO NOT cut or splice vehicle wiring. Only use approved T-One or see auto dealer for trailer tow wiring kit.
- QP** Will not fit vehicles with backup sensors built into rear bumper.
- RD** For vehicles equipped with factory tow package may require additional components or may be used as a replacement harness.

- RT3** Round Tube Class III 2"
- SQ1** Square Tube Class I
- SQ2** Square Tube Class II
- SQ3** Square Tube Class III
- SQ4** Square Tube Class IV

MODEL / STYLE	YEAR	TRAILER HITCHES									
		PC	REC TYPE	REC SIZE	PART #	NO DRILL	FOOTNOTES	OPTIONAL DRAWBAR	WC (LBS.)	WD (LBS.)	IN
MERCURY (Continued)											
Mountaineer	04-05	51	RT3	2	75132	0	HM,KL		500/5,000	800/8,000	20
Mountaineer w/1-1/4" Receivers	06-07	39	RT3	2	75437	0	HM,KL		500/5,000	800/8,000	25
Mountaineer w/1-1/4" Receivers	08-10	39	RT3	2	75437	0	HM,KL		500/5,000	800/8,000	25
Sable Sedan	96-99	35	SQ1	1-1/4	24699	0	GP,JR	3593	200/2,000		20
		35	SQ2	1-1/4	36252	0	GP,JR	36063	300/3,500		20
Sable Wagon	96-99	35	SQ1	1-1/4	24699	0	GP,JR	3593	200/2,000		20
		35	SQ2	1-1/4	36252	0	GP,JR	36063	300/3,500		20
Sable Sedan	00-03	35	SQ1	1-1/4	24699	0	GP,JR	3592	200/2,000		20
		35	SQ2	1-1/4	36252	0	GP,JR	36063	300/3,500		20
		47	SQ2	1-1/4	36313	0	GP,JR	36061	300/3,500		40
Sable Wagon	00-03	35	SQ1	1-1/4	24699	0	GP,JR	3592	200/2,000		20
		35	SQ2	1-1/4	36252	0	GP,JR	36063	300/3,500		20
		47	SQ2	1-1/4	36313	0	GP,JR	36061	300/3,500		40
Sable Sedan	04-05	47	SQ2	1-1/4	36313	0	GP,JR	36061	300/3,500		40
Sable Wagon	04-05	47	SQ2	1-1/4	36313	0	GP,JR	36061	300/3,500		40
Sable Sedan	08-09	33	SQ2	1-1/4	36360	0	GP,JR	36071	300/3,500		30
		42	SQ3	2	75299	0	JR		350/3,500	400/4,000	30
Villager	93-97	41	SQ2	1-1/4	36261	0	JR,GP	36061	300/3,500		15
		47	SQ3	2	75089	0	JR		350/3,500	500/5,000	15
Villager	98-98	41	SQ2	1-1/4	36261	0	JR,GP	36061	300/3,500		15
		47	SQ3	2	75089	0	JR		350/3,500	500/5,000	15
Villager	99-02	39	SQ2	1-1/4	36277	0	JR,GP	36061	300/3,500		15
		44	SQ3	2	75102	0	JR		350/3,500	500/5,000	15
MINI											
Cooper Countryman Except John Cooper Works Model	11-16	37	SQ1	1-1/4	24934	0	DU,GP,X	3593	200/2,000		70
MINI											
MINI											
MITSUBISHI											
Eclipse	06-12	24	SQ1	1-1/4	24754		TA,GP	3592	200/2,000		30
Eclipse Cross	18-18	40	RT3	2	76244	0			675/4,500		20
Endeavor	04-05	41	RT3	2	75163	0	JR		350/3,500	500/5,000	20
Endeavor	06-08	41	SQ3	2	75519	0	JR		350/3,500		25
Endeavor	10-11										
Galant	07-12	19	SQ1	1-1/4	24835	0	JR,KH,HM	3593	200/2,000		30
L200 w/Factory Step Bumper	15-16	33	SQ4	2	76114	0	AA		750/7,500	750/7,500	45
Lancer 4 Dr. Sedan, Except Evolution, Ralliart & w/Dual Exhaust	08-11	27	SQ1	1-1/4	24885	0	GP,JR	3593	200/2,000		25
Lancer 5 Dr. Hatchback, Except Ralliart & w/Dual Exhaust	10-14	27	SQ1	1-1/4	24885	0	GP,JR	3593	200/2,000		25
Lancer 4 Dr. Sedan, Except Evolution, Ralliart & w/Dual Exhaust	12-17	27	SQ1	1-1/4	24885	0	GP,JR	3593	200/2,000		25
Lancer 4 Dr. Sedan, Except Evolution, Ralliart & w/Dual Exhaust	17-17										
Mirage	14-15	27	SQ1	1-1/4	24916	0	HM,JR	3593	200/2,000		20
Mirage Except Mirage G4	17-17	27	SQ1	1-1/4	24916	0	HM,JR	3593	200/2,000		20
Mirage Except Mirage G4	18-18										
Mirage G4	17-17										
Montero Except Montero Sport	01-06	50	SQ3	2	75116	0	KH		500/5,000	550/5,500	20
Montero Sport	97-04	40	SQ3	2	75075	0	GP		500/5,000	550/5,500	20
Outlander	03-06	30	SQ1	1-1/4	24732	0	KH,GP	3591	200/2,000		40
Outlander	07-10	44	SQ3	2	75555	0	HM,JR		400/4,000	400/4,000	25
Outlander Except Outlander Sport	11-13	44	SQ3	2	75555	0	HM,JR		400/4,000	400/4,000	25
Outlander Except Outlander Sport	14-15	36	RT3	2	75888	0	HM,JR		600/4,000	600/4,000	30
Outlander Except Outlander Sport Except Outlander Sport or PHEV	16-18	36	RT3	2	75888	0	HM,JR		600/4,000	600/4,000	30

AA Requires temporary removal of bumper during installation.
DU Fascia removal required.
GP Hitch crosstube concealed behind bumper.
HM Hitch crosstube is visible beneath bumper.
JR Exhaust must be temporarily lowered for installation.

KH Minor heat shield modification may be required.
KL Hitch is designed to attach beneath the OEM hitch.
TA Trunk access required for hitch installation.
X Minor fascia trimming required.

T-ONE					TOW HARNESS					4-FLAT WIRING				REQ. 4 FLAT WIRING		7-WAY HARDWIRE	BRAKE CONTROL HARNESS	IN		
PC	T-ONE	FN	IN	AMP	CP	TOW HARN	FN	IN	AMP	CP	TYPE	ELEC	POS	CHOICE 1	CHOICE 2				6-WAY ADAPTER	7-WAY ADAPTER
MERCURY (Continued)																				
												A	SUV1,2	119148	20252	20320	20321	20224	3035-P	5
												A	SUV1,2	119148	20252	20320	20321	20224	3035-P	5
												B	SUV1,2	119130	119178	20320	20321	20224	3035-P	5
E9	118333	HG	10	2.1,5								B	PC3,4	119130	119178					
												B	PC3,4	119130	119178					
E4	118375		10	7.5								A	PC3,4	119148	20252					
												A	PC3,4	119148	20252					
												B	PC3,4	119130	119178					
												A	PC3,4	119148	20252					
E7	118447		10	7.5								A	PC3,4	119148	20252	20320	20321	20224		
												B	SUV1,2	119130	119178	20320	20321	20224		
E10	118362	BN,HG	5	2.1,5								B	SUV1,2	119130	119178	20320	20321	20224		
												B	SUV1,2	119130	119178	20320	20321	20224		
MINI																				
												B,E	SUV3,4	119191	119148					
MITSUBISHI																				
												E	PC3,4	119191	119148					
												B,E	SUV3							
E12	118516		30	2.1,5,6	X							B,E	SUV1,2	119191	119148	20320	20321	20224		
E12	118516		30	2.1,5,6	X							B,E	SUV1,2	119191	119148	20320	20321	20224		
E12	118516	CH	30	2.1,5,6	X							B,E	SUV3	119191	119148					
E14	118420	CG	15	2.1,5	X							B	PC3,4	119130	119178					
													PU3							
												B,E	PC3,4	119191	119148					
E16	118538		45	2.1,5,6	X							B,E	PC1,2	119191	119148					
E16	118538		45	2.1,5,6	X							B,E	PC3,4	119191	119148					
E16	118538		45	2.1,5,6	X							B,E	PC3,4	119191	119148					
E15	118769	CH	45	5,7,5	X							B,E	PC3,4	119191	119148					
E15	118769	CH	45	5,7,5	X							B,E	PC3,4	119191	119148					
E15	118769	CH	45	5,7,5	X							B,E	PC3,4	119191	119148					
E15	118769	CH	45	5,7,5	X							B,E	PC3,4	119191	119148					
E12	118380	BN,HG	20	2.1,5								B	SUV1,2	119130	119178	20320	20321	20224		
												B	SUV1,2	119130	119178	20320	20321	20224		
E8	118306		25	2.1,5								B,E	SUV3,4	119191	119148					
E18	118518	CH	45	4,2,7,5	X							B,E	SUV3,4	119191	119148	20320	20321	20224		
E18	118518	CH	45	4,2,7,5	X							B,E	SUV3,4	119191	119148	20320	20321	20224		
E17	118482	CH	45	2.1,5,6	X							B,E	SUV3,4	119191	119148	20320	20321	20224		
E17	118482	CH	45	2.1,5,6	X	E12	118277	CH,BN	45	4,2,7,5	X	4-Flat	B,E	SUV3,4	119191	119148	20320	20321	20224	

A 2 wire system.
B 3 wire system. Converter required.
BN Exterior mounted plug on some or all models. May require an aftermarket electrical mounting box or bracket. (Sold separately)
CG T-One incorporates circuit protected taillight converter.
CH T-One is equipped with circuit protected ModuLite® module.
E ModuLite® required.
HG T-One incorporates taillight converter.

RT3 Round Tube Class III 2"
SQ1 Square Tube Class I
SQ2 Square Tube Class II
SQ3 Square Tube Class III
SQ4 Square Tube Class IV

MODEL / STYLE	YEAR	TRAILER HITCHES									
		PC	REC TYPE	REC SIZE	PART #	NO DRILL	FOOTNOTES	OPTIONAL DRAWBAR	WC (LBS.)	WD (LBS.)	IN
MITSUBISHI (Continued)											
Outlander Sport Except PHEV	11-18	25	RT2	1-1/4	36509	0	HM	36051	300/3,500		30
		25	RT3	2	76098	0			675/4,500		20
Raider	06-09	27	SQ3	2	75251	0	HM		500/5,000	800/8,000	20
Raider w/Factory 7-Way	06-09										
RVR (Canada Only)	11-14	25	RT2	1-1/4	36509	0	HM	36051	300/3,500		30
RVR (Canada Only)	11-17	25	SQ3	2	76098	0			675/4,500		30
Triton w/Factory Step Bumper	15-16	33	SQ4	2	76114	0	AA		750/7,500	750/7,500	45
NISSAN											
Altima	93-97	39	SQ1	1-1/4	24690	0	HM, JR	3593	200/2,000		20
Altima	98-01	39	SQ1	1-1/4	24690	0	HM, JR	3593	200/2,000		20
Altima	02-06	31	SQ1	1-1/4	24788	0	JR, TA, GP	3592	200/2,000		30
Altima Sedan	07-15	15	SQ1	1-1/4	24796	0	AE, HM, TA	3594	200/2,000		45
Altima Coupe, Except SR Models	08-13	28	SQ1	1-1/4	24801	0	HM	3594	200/2,000		30
Altima Sedan	16-19	15	SQ1	1-1/4	24796	0	AE, HM, TA	3594	200/2,000		45
Armada	05-07	38	RT4	2	75741	0	HM		600/6,000	1,000/10,000	15
Armada w/Factory 7-Way	05-14										
Armada	08-14	35	RT4	2	75644	0	HM		600/6,000	1,000/10,000	15
Cube	09-13	20	SQ1	1-1/4	24845		HM, JR	3593	200/2,000		45
Frontier	98-04	41	SQ3	2	75186		GP		400/4,000	550/5,500	30
		50	SQ3	2	37136				500/5,000	600/6,000	35
Frontier	05-17										
		20	SQ3	2	75282	0	GP, TE		750/5,000	800/8,000	30
Frontier w/Factory Tow Package	05-17										
JUKE AWD, Except Nismo & Nismo RS	11-17	27	SQ1	1-1/4	24867	0	HM, JR	3593	200/2,000		40
JUKE FWD, Except Nismo & Nismo RS	11-17	30	SQ1	1-1/4	24892		HM, JR	3593	200/2,000		25
Kicks	18-18										
Leaf	11-14										
Maxima Sedan	95-99	34	SQ1	1-1/4	24686		TA, GP	3593	200/2,000		30
Maxima Sedan	00-02	34	SQ1	1-1/4	24686		TA, GP	3592	200/2,000		30
Maxima Sedan	03-03	34	SQ1	1-1/4	24686		TA, GP	3592	200/2,000		30
Maxima	04-08	31	SQ1	1-1/4	24788	0	JR, TA, GP	3592	200/2,000		30
Maxima	09-14	15	SQ1	1-1/4	24796		AE, HM, TA	3594	200/2,000		45
Maxima	16-19	15	SQ1	1-1/4	24796		AE, HM, TA	3594	200/2,000		45
Murano	03-05	37	SQ3	2	75148	0	JR		350/3,500		30
Murano	06-07	37	SQ3	2	75148	0	JR		350/3,500		30
Murano Except w/Aero Kit & CrossCabriolet	09-14	30	SQ3	2	75647	0	GP, JR		400/4,000		35
Murano	15-19	28	RT3	2	75952	0	HM		600/4,000	600/4,000	15
NP300 Navara International Only	16-17	38	SQ4	2	76078	0	HM		800/8,000	800/8,000	30
NV1500	12-17	28	SQ4	2	75715	0	HM		1,125/7,500	1,000/10,000	20
NV200	13-17	31	RT3	2	75898	0	HM, JR, X		525/3,500		30
NV2500	12-17	28	SQ4	2	75715	0	HM		1,125/7,500	1,000/10,000	20
NV3500	12-17	28	SQ4	2	75715	0	HM		1,125/7,500	1,000/10,000	20
Pathfinder	96-04	39	SQ2	1-1/4	36222	0	HM	36071	300/3,500		20
		34	RT3	2	75077	0			500/5,000	550/5,500	20
Pathfinder	05-12										
Pathfinder	13-17	21	SQ4	2	76031	0	HM		900/6,000	900/6,000	25
Pathfinder	18-19	21	SQ4	2	76031	0	HM		900/6,000	900/6,000	25
Pathfinder Armada	04-04	38	RT4	2	75741	0	HM		600/6,000	1,000/10,000	15
Pathfinder Armada w/Factory 7-Way	04-04										
Pickup	95-97	41	SQ3	2	75186		GP		400/4,000	550/5,500	30
		50	SQ3	2	37136				500/5,000	600/6,000	30

AA Requires temporary removal of bumper during installation.
AE Requires temporary removal of muffler during installation.
GP Hitch crosstube concealed behind bumper.
HM Hitch crosstube is visible beneath bumper.

JR Exhaust must be temporarily lowered for installation.
TA Trunk access required for hitch installation.
TE Hitches produced before 04/20/11 are rated at 500/5000 WC.
X Minor fascia trimming required.

MODEL / STYLE	YEAR	TRAILER HITCHES									
		PC	REC TYPE	REC SIZE	PART #	NO DRILL	FOOTNOTES	OPTIONAL DRAWBAR	WC (LBS.)	WD (LBS.)	IN
NISSAN (Continued)											
Qashqai	17-17	26	SQ3	2	76177	0	GP, JR		525/3,500		45
Quest	93-97	41	SQ2	1-1/4	36261	0	JR, GP	36061	300/3,500		15
		47	SQ3	2	75089	0	JR		350/3,500	500/5,000	15
Quest	98-98	41	SQ2	1-1/4	36261	0	JR, GP	36061	300/3,500		15
		47	SQ3	2	75089	0	JR		350/3,500	500/5,000	15
Quest	99-02	39	SQ2	1-1/4	36277	0	JR, GP	36061	300/3,500		15
		44	SQ3	2	75102	0	JR		350/3,500	500/5,000	15
Quest	04-09	50	SQ3	2	75159	0	JR		350/3,500	500/5,000	20
Quest	11-16	51	RT3	2	75714	0	HM, JR		525/3,500		35
Quest	17-17										
Rogue Except Krom	08-13	18	SQ2	1-1/4	36542	0	GP, TW	36053	300/3,500		15
		23	SQ3	2	75902	0	GP, TW		350/3,500		15
Rogue Except Sport	14-19	18	SQ2	1-1/4	36542	0	GP, TW	36053	300/3,500		15
		23	SQ3	2	75902	0	GP, TW		350/3,500		15
Rogue Select	14-14	18	SQ2	1-1/4	36542	0	GP, TW	36053	300/3,500		15
		23	SQ3	2	75902	0	GP, TW		350/3,500		15
Rogue Sport	17-19	26	SQ3	2	76177	0	GP, JR		525/3,500		45
Sentra	00-02	31	SQ1	1-1/4	24750	0	TA, HM	3593	200/2,000		20
Sentra	03-06	31	SQ1	1-1/4	24750	0	TA, HM	3593	200/2,000		20
Sentra	07-12	22	SQ1	1-1/4	24794		TA, GP	3594	200/2,000		30
Sentra Except SR	13-19	28	SQ1	1-1/4	24907		HM	3593	200/2,000		35
Titan	04-15	38	RT4	2	41551	0			600/6,000	1,000/10,000	15
Titan w/Factory 7-Way	04-16										
Titan Except Titan XD or Models w/ Factory 7-Way Wiring	17-17	40	RT4	2	76154	0	HM		800/8,000	1,200/12,000	30
Titan w/ Factory 7-Way Wiring Except Titan XD	17-17	40	RT4	2	76154	0	HM		800/8,000	1,200/12,000	30
Versa 4 Dr. Sedan	07-11	35	SQ1	1-1/4	24798		HM	3593	200/2,000		25
Versa 5 Dr. Hatchback	07-12	35	SQ1	1-1/4	24798		HM	3593	200/2,000		25
Versa 4 Dr. Sedan	12-17	29	SQ1	1-1/4	24887		HM, JR, KH	3592	200/2,000		30
Versa 4 Dr. Sedan	18-18										
Versa Note	14-17	16	SQ1	1-1/4	24909		HM, JR, KH	3592	200/2,000		30
Versa Note	18-18										
Xterra	00-04	41	RT3	2	75107	0			350/3,500	550/5,500	15
Xterra	05-15										
Xterra w/Factory Tow Package	05-15	37	RT3	2	75291	0			350/3,500	550/5,500	30
X-Trail (Canada Only)	05-06	35	SQ1	1-1/4	24740	0	EP, GP	3593	200/2,000		45
OLDSMOBILE											
88	96-99	50	SQ2	1-1/4	36211		GP, KH	36061	300/3,500		30
Alero	99-04	42	SQ2	1-1/4	36288		GP	36071	300/3,500		20
Aurora	01-03	39	SQ2	1-1/4	36309		HM, JR	36063	300/3,500		30
Bravada	96-97	32	SQ2	1-1/4	36244	0	GP	36051	300/3,500		15
		21	RT3	2	75079	0	SD		400/4,000	600/6,000	15
Bravada	98-01	32	SQ2	1-1/4	36244	0	FP, GP, KK	36051	300/3,500		15
		21	RT3	2	75079	0	FP, KK, SD		400/4,000	600/6,000	15
Bravada w/Factory 7-Way	99-04										
Bravada w/Factory 7-Way	02-04										
Cutlass 4 Dr., FWD	97-99	34	SQ1	1-1/4	24656	0	GP	3592	200/2,000		15
		41	SQ2	1-1/4	36233		GP	36061	300/3,500		20
Cutlass Supreme 4 Dr. FWD	92-97	45	SQ2	1-1/4	36124		AI, JR, TA, HM	36053	300/3,500		60

- | | |
|--|--|
| <p>AI Additional installation time may be required.</p> <p>EP Fascia trimming may be required.</p> <p>FP Spare tire repositioning and/or modification of spare tire carrier may be required.</p> <p>GP Hitch crosstube concealed behind bumper.</p> <p>HM Hitch crosstube is visible beneath bumper.</p> <p>JR Exhaust must be temporarily lowered for installation.</p> | <p>KH Minor heat shield modification may be required.</p> <p>KK When installing on a vehicle originally equipped with an OEM hitch, OEM bumper brackets must be purchased and installed prior to new hitch installation.</p> <p>SD Hitches produced before 07/21/06 are rated at 350/3500 WC.</p> <p>TA Trunk access required for hitch installation.</p> <p>TW Receiver hitch may limit hands-free liftgate sensor range</p> |
|--|--|

T-ONE					TOW HARNESS					4-FLAT WIRING				REQ. 4 FLAT WIRING		7-WAY HARDWIRE	BRAKE CONTROL HARNESS	IN			
PC	T-ONE	FN	IN	AMP	CP	TOW HARN	FN	IN	AMP	CP	TYPE	ELEC	POS	CHOICE 1	CHOICE 2				6-WAY ADAPTER	7-WAY ADAPTER	
NISSAN (Continued)																					
												B	SUV1,2	119130	119178	20320	20321	20224			
E10	118362	BN,HG	5	2.1,5								B	SUV1,2	119130	119178	20320	20321	20224			
												B	SUV1,2	119130	119178	20320	20321	20224			
E16	118469	CH	45	2.1,5,6	X							B,E	SUV1,2	119191	119148	20320	20321	20224			
E19	118547	BN,CH	45	4.2,7,5	X							B,E	SUV1,2	119191	119148	20320	20321	20224			
E19	118547	BN,CH	45	4.2,7,5	X							B,E	SUV1,2	119191	119148	20320	20321	20224			
E15	118480	CH	45	2.1,5,6	X							B,E	SUV3,4	119191	119148	20320	20321	20224			
E15	118480	CH	45	2.1,5,6	X							B,E	SUV3,4	119191	119148	20320	20321	20224			
E15	118480	CH	45	2.1,5,6	X							B,E	SUV3,4	119191	119148	20320	20321	20224			
E15	118757	CH	45	5,7,5	X							B,E	SUV1,2	119191	119148	20320	20321	20224			
												B	PC3,4	119130	119178						
												B,E	PC3,4	119191	119148						
E17	118470	CH	45	2.1,5,6	X							B,E	PC3,4	119191	119148						
E16	118582	CH	45	2.1,5,6	X							B,E	PC3,4	119191	119148						
						E8	118384	BN,RD	5	7.5		4-Flat	A	PU3	119148	20252	20320	20321	20224	3050-P	5
							74682	RD	10			Both	H	PU3	119148	20252				3050-P	5
							85219	RD	5			7-Way									
													A	PU3	119148	20252	20320	20321	20224	3050-P	5
													H	PU3						3050-P	5
													B,E	PC3,4	119191	119148					
E17	118545	CH	45	2.1,5,6	X							B,E	PC3,4	119191	119148						
												B,E	PC3,4	119191	119148						
												B,E	PC3,4	119191	119148						
E16	118582	CH	45	2.1,5,6	X							B,E	PC3,4	119191	119148						
E16	118582	CH	45	2.1,5,6	X							B,E	PC3,4	119191	119148						
						E1	118244	BN,RD	5	7.5		4-Flat	B	SUV7	119130	119178	20320	20321	20224		
						E21	118266	BN,RD	30			7-Way	H	SUV5	119148	20252					
						E9	118267	BN,RD,Z	30			7-Way	B,E	SUV5	119191	119148					
													B	SUV1,2	119130	119178					
OLDSMOBILE																					
													A	PC3,4	119148	20252					
													B	PC3,4	119130	119178					
													B,E	PC3,4	119191	119148					
													A	SUV7	119148	20252	20320	20321	20224		
						E8	118384	BN,RD	5	7.5		4-Flat	A	SUV7	119148	20252	20320	20321	20224		
E8	118384	BN,RD	5	7.5			74682	RD	10			Both	A	SUV6	119148	20252					
							85219	RD	5			7-Way									
							851511	RD				7-Way									
						E8	118384	BN,RD	5	7.5		4-Flat	H	SUV6	119148	20252					
													B	PC3,4	119130	119178					
													A	PC3,4	119148	20252					

- A** 2 wire system.
- B** 3 wire system. Converter required.
- BN** Exterior mounted plug on some or all models. May require an aftermarket electrical mounting box or bracket. (Sold separately)
- CH** T-One is equipped with circuit protected ModuLite® module.
- E** ModuLite® required.
- H** 3 wire system with OEM standard 2 wire harness.
- HG** T-One incorporates taillight converter.
- RD** For vehicles equipped with factory tow package may require additional components or may be used as a replacement harness.
- Z** May be equipped with Factory Tow Prep Plug. Determine at time of installation.

- RT3** Round Tube Class III 2"
- RT4** Round Tube Class IV 2"
- SQ1** Square Tube Class I
- SQ2** Square Tube Class II
- SQ3** Square Tube Class III

MODEL / STYLE	YEAR	TRAILER HITCHES									
		PC	REC TYPE	REC SIZE	PART #	NO DRILL	FOOTNOTES	OPTIONAL DRAWBAR	WC (LBS.)	WD (LBS.)	IN
OLDSMOBILE (Continued)											
Intrigue	98-02	24	SQ1	1-1/4	24659		TA,GP	3592	200/2,000		30
		37	SQ2	1-1/4	36374		GP,JP	36061	300/3,500		30
LSS	96-99	50	SQ2	1-1/4	36211		GP,KH	36061	300/3,500		30
Regency	97-98	50	SQ2	1-1/4	36211		GP,KH	36061	300/3,500		30
Silhouette	97-04	27	SQ1	1-1/4	24721		AL,GP,JP	3592	200/2,000		30
		27	SQ2	1-1/4	36361		AL,GP,JP	36061	300/3,500		40
		22	SQ3	2	75278		AL,GP,JP		350/3,500	500/5,000	40
PLYMOUTH											
Breeze	96-00	40	SQ2	1-1/4	36301		JR,HM	36061	300/3,500		60
Grand Voyager	96-00	25	SQ1	1-1/4	24702t	0	HM	3593	200/2,000		30
		23	SQ2	1-1/4	36296	0	GP	36071	300/3,500		30
		30	RT3	2	75119				350/3,500	500/5,000	30
		50	SQ3	2	37136				500/5,000	600/6,000	40
Neon	00-01	42	SQ1	1-1/4	24701		GP,JP	3593	200/2,000		20
Voyager	96-00	25	SQ1	1-1/4	24702t	0	HM	3593	200/2,000		30
		23	SQ2	1-1/4	36296	0	GP	36071	300/3,500		30
		30	RT3	2	75119				350/3,500	500/5,000	30
		50	SQ3	2	37136				500/5,000	600/6,000	40
PONTIAC											
Aztek	01-05	34	SQ2	1-1/4	36425	0	HM	36071	300/3,500		40
		33	SQ3	2	75138				350/3,500		55
		28	SQ3	2	75430				350/3,500		40
Bonneville Except SLE/SSE/SSEi	96-99	50	SQ2	1-1/4	36211		GP,KH	36063	300/3,500		30
Bonneville	00-05	39	SQ2	1-1/4	36309		HM,JP	36063	300/3,500		30
G3 5 Dr.	09-09	20	SQ1	1-1/4	24741		GP	3593	200/2,000		30
G3 Wave 5 Dr. (Canada Only)	09-09	20	SQ1	1-1/4	24741		GP	3593	200/2,000		30
G5 Except GT	07-09	20	SQ1	1-1/4	24745		JR,HM	3593	200/2,000		40
G5 GT	07-09	30	SQ1	1-1/4	24756		HM,JP	3594	200/2,000		25
G6	05-09	36	SQ2	1-1/4	36426		GP	36065	300/3,500		30
G8	08-09	31	SQ1	1-1/4	24821	0	JR,KH,HM	3594	200/2,000		45
Grand Am	99-05	42	SQ2	1-1/4	36288		GP	36071	300/3,500		20
Grand Prix	97-08	27	SQ1	1-1/4	24660	0	TA,GP	3594	200/2,000		20
		51	SQ2	1-1/4	36241		JR,GP	36065	300/3,500		35
Grand Prix SE Sedan	97-03	24	SQ1	1-1/4	24659		TA,GP	3592	200/2,000		30
Montana	99-05	27	SQ1	1-1/4	24721		AL,GP,JP	3592	200/2,000		30
		27	SQ2	1-1/4	36361		AL,GP,JP	36061	300/3,500		40
		22	SQ3	2	75278		AL,GP,JP		350/3,500	500/5,000	40
Montana SV6	05-06	27	SQ2	1-1/4	36361		AL,GP,JP	36061	300/3,500		40
		22	SQ3	2	75278		AL,GP,JP		350/3,500	500/5,000	40
Montana SV6 (Canada Only)	07-09	27	SQ2	1-1/4	36361		AL,GP,JP	36061	300/3,500		40
		22	SQ3	2	75278		AL,GP,JP		350/3,500	500/5,000	40
Pursuit 2 Dr. (Canada Only)	05-06	20	SQ1	1-1/4	24745		JR,HM	3593	200/2,000		40
Pursuit 4 Dr. (Canada Only)	05-06	20	SQ1	1-1/4	24745		JR,HM	3593	200/2,000		40
Solstice	06-08	21	SQ1	1-1/4	24833	0	HM,JP	3594	200/2,000		35
Solstice GXP	07-08	21	SQ1	1-1/4	24833	0	HM,JP,X	3594	200/2,000		35
Solstice	09-09	21	SQ1	1-1/4	24833		HM,JP	3594	200/2,000		40
Solstice GXP	09-09	21	SQ1	1-1/4	24833		HM,JP,X	3594	200/2,000		40
Sunfire Except GT	95-99	31	SQ1	1-1/4	24733		GP,JP	3592	200/2,000		40
Sunfire	00-02	39	SQ1	1-1/4	24613		JR,KH,GP	3592	200/2,000		40
Sunfire	03-05	31	SQ1	1-1/4	24733		GP,JP	3592	200/2,000		40
Sunfire GT	95-99	39	SQ1	1-1/4	24613		JR,KH,GP	3592	200/2,000		40
Torrent	06-06	18	SQ2	1-1/4	36408	0	HM	36051	300/3,500		25
		14	RT3	2	76028		HM		675/4,500	675/4,500	30

AL Additional installation time required for vehicles equipped with load leveling compressor.
 GP Hitch crosstube concealed behind bumper.
 HM Hitch crosstube is visible beneath bumper.
 JR Exhaust must be temporarily lowered for installation.

KH Minor heat shield modification may be required.
 TA Trunk access required for hitch installation.
 X Minor fascia trimming required.

T-ONE					TOW HARNESS					4-FLAT WIRING				REQ. 4 FLAT WIRING		7-WAY HARDWIRE	BRAKE CONTROL HARNESS	IN	
PC	T-ONE	FN	IN	AMP	CP	TOW HARN	FN	IN	AMP	CP	TYPE	ELEC	POS	CHOICE 1	CHOICE 2				6-WAY ADAPTER
OLDSMOBILE (Continued)																			
												B	PC3,4	119130	119178				
												A	PC3,4	119148	20252				
												A	PC3,4	119148	20252				
E8	118355	HG	10	2.1.5								B	SUV3	119130	119178	20320	20321	20224	
PLYMOUTH																			
E10	118334	HG	20	2.1.5								B	PC3,4	119130	119178				
												B	SUV1,2	119130	119178	20320	20321	20224	
												A	PC3,4	119148	20252				
E10	118334	HG	20	2.1.5								B	SUV1,2	119130	119178	20320	20321	20224	
PONTIAC																			
E10	118383	BN	20	7.5								A	SUV1,2	119148	20252	20320	20321	20224	
												E	PC3,4	119191	119148				
												B,E	PC3,4	119191	119148				
E13	118485	CG	15	2.1,7.5	X							B	PC3,4	119130	119178				
												B	PC3,4	119130	119178				
E5	118407	BN	15	7.5								A	PC1,2	119148	20252				
E5	118407	BN	15	7.5								A	PC1,2	119148	20252				
E7	118439	BN	15	7.5								A	PC3,4	119148	20252				
												B	PC3,4	119130	119178				
												B	PC3,4	119130	119178				
												A	PC3,4	119148	20252				
												A	PC3,4	119148	20252				
E8	118355	HG	10	2.1.5								B	SUV3	119130	119178	20320	20321	20224	
E10	118396	BN	15	7.5								A	SUV1,2	119148	20252	20320	20321	20224	
E10	118396	BN	15	7.5								A	SUV1,2	119148	20252	20320	20321	20224	
E5	118407	BN	15	7.5								A	PC1,2	119148	20252				
E8	118398	BN	10	7.5								A	PC1,2	119148	20252				
												A	PC1,2	119148	20252				
												A	PC1,2	119148	20252				
												A	PC1,2	119148	20252				
												A	PC1,2	119148	20252				
												A	PC1,2	119148	20252				
												A	PC1,2	119148	20252				
												A	PC3,4	119148	20252				
												A	PC3,4	119148	20252				
												A	PC3,4	119148	20252				
E8	118391	CG	10	2.1.5	X							B	SUV3	119130	119178	20320	20321	20224	

A 2 wire system.
B 3 wire system. Converter required.
BN Exterior mounted plug on some or all models. May require an aftermarket electrical mounting box or bracket. (Sold separately)

CG T-One incorporates circuit protected taillight converter.
E ModuLite® required.
HG T-One incorporates taillight converter.

RT3 Round Tube Class III 2"
SQ1 Square Tube Class I
SQ2 Square Tube Class II
SQ3 Square Tube Class III

MODEL / STYLE	YEAR	TRAILER HITCHES									
		PC	REC TYPE	REC SIZE	PART #	NO DRILL	FOOTNOTES	OPTIONAL DRAWBAR	WC (LBS.)	WD (LBS.)	IN
PONTIAC (Continued)											
Torrent	07-09	18	SQ2	1-1/4	36408	0	HM	36051	300/3,500	675/4,500	25
		14	RT3	2	76028	0	HM		30		
Trans Sport	97-98	27	SQ1	1-1/4	24721		AL,GP,JR	3592 36061	200/2,000	500/5,000	30
		27	SQ2	1-1/4	36361		AL,GP,JR		300/3,500		40
		22	SQ3	2	75278		AL,GP,JR		350/3,500		40
Vibe	03-08	15	SQ1	1-1/4	24812	0	HM	3593	200/2,000		15
Vibe Except GT	09-10	15	SQ1	1-1/4	24812	0	HM	3593	200/2,000		15
Wave 5 Dr. (Canada Only)	05-07	20	SQ1	1-1/4	24741		GP	3593	200/2,000		30
Wave5 (Canada Only)	05-07	20	SQ1	1-1/4	24741		GP	3593	200/2,000		30
PORSCHE											
Cayenne	11-17	45	SQ4	2	75950	0	GP,EP,TA		750/7,500		70
Macan	15-17	37	SQ3	2	75940	0	DU,EP,GP,TA		750/5,000		60
RAM											
1500	11-12	11	SQ4	2	75662		CP		600/6,000	1,000/10,000	20
		39	RT5	2	75232	0	CP		1,000/10,000	1,200/12,000	40
		39	SQ5	2	41948	0	@,HM,CP		1,500/12,000	1,500/15,000	30
1500 w/Factory 7-Way	11-17										
1500	13-14	11	SQ4	2	75662		CP		600/6,000	1,000/10,000	20
		39	RT5	2	75232	0	CP		1,000/10,000	1,200/12,000	40
		39	SQ5	2	41948	0	@,HM,CP		1,500/12,000	1,500/15,000	30
1500	15-18	11	SQ4	2	75662		CP		600/6,000	1,000/10,000	20
		39	RT5	2	75232	0	CP		1,000/10,000	1,200/12,000	40
		39	SQ5	2	41948	0	@,HM,CP		1,500/12,000	1,500/15,000	30
1500	19-19	59	SQ5	2	41913	0	@,AA,EF,J,LT		1,700/15,000	1,700/17,000	60
2500	11-12	37	SQ5	2	41929		@,GP,KL,SG		1,200/12,000	1,500/15,000	35
		66	SQ5	2-1/2	45509		#,AA,GH,HM,LT,SO,TO		2,000/18,000	2,500/18,000	95
2500 Except Mega Cab	11-12	64	SQ5	2-1/2	45518		#,KL,SB		1,200/12,000	1,700/14,000	35
2500 w/Factory 7-Way	11-17										
2500	13-14	37	SQ5	2	41929		@,GP,KL,SG		1,200/12,000	1,500/15,000	35
		66	SQ5	2-1/2	45509		#,AA,GH,HM,LT,SO,TO		2,000/18,000	2,500/18,000	95
2500 Except Mega Cab	13-14	64	SQ5	2-1/2	45518		#,KL,SB		1,200/12,000	1,700/14,000	35
2500	15-19	37	SQ5	2	41929		@,GP,KL,SG		1,200/12,000	1,500/15,000	35
		66	SQ5	2-1/2	45509		#,AA,GH,HM,LT,SO,TO		2,000/18,000	2,500/18,000	95
2500 Except Mega Cab	15-19	64	SQ5	2-1/2	45518		#,KL,SB		1,200/12,000	1,700/14,000	35
2500	19-19										
3500	11-12	37	SQ5	2	41929		@,GP,KL,SG		1,200/12,000	1,500/15,000	35
		66	SQ5	2-1/2	45509		#,AA,GH,HM,LT,SO,TO		2,000/18,000	2,500/18,000	95
3500 Cab & Chassis, w/34" Wide Frames	11-12	29	SQ5	2	41936		@		1,200/12,000		30
3500 Except Mega Cab	11-12	50	SQ5	2	41947		@		1,600/15,000	1,600/16,000	35
		64	SQ5	2-1/2	45518		#,KL,SB		1,200/12,000	1,700/14,000	35
3500 w/Factory 7-Way	11-17										
3500	13-14	37	SQ5	2	41929		@,GP,KL,SG		1,200/12,000	1,500/15,000	35
		66	SQ5	2-1/2	45509		#,AA,GH,HM,LT,SO,TO		2,000/18,000	2,500/18,000	95
3500 Except Mega Cab	13-14	64	SQ5	2-1/2	45518		#,KL,SB		1,200/12,000	1,700/14,000	35
3500	15-18	37	SQ5	2	41929		@,GP,KL,SG		1,200/12,000	1,500/15,000	35
		66	SQ5	2-1/2	45509		#,AA,GH,HM,LT,SO,TO		2,000/18,000	2,500/18,000	95
3500 Except Mega Cab	15-18	64	SQ5	2-1/2	45518		#,KL,SB		1,200/12,000	1,700/14,000	35
3500	19-19										
4500 Cab & Chassis, w/34" Wide Frames	11-12	29	SQ5	2	41936		@		1,200/12,000		30
		50	SQ5	2	41947		@		1,600/15,000	1,600/16,000	35

Titan hitches require use of a 2-1/2" shank Titan ball mount.

@ Ultra Frame ball mount must be used to achieve maximum weight carrying rating.

AA Requires temporary removal of bumper during installation.

AL Additional installation time required for vehicles equipped with load leveling compressor.

CP Fits all models without factory installed receiver.

DU Fascia removal required.

EF Fits all models with standard bumpers.

EP Fascia trimming may be required.

GH Will not fit models with 34" wide frames.

GP Hitch crosstube concealed behind bumper.

HM Hitch crosstube is visible beneath bumper.

J Under vehicle spare tire storage is retained.

JR Exhaust must be temporarily lowered for installation.

KL Hitch is designed to attach beneath the OEM hitch.

LT Requires removal of factory hitch if equipped.

SB Will not fit models with short bed.

SG Hitches produced before 09/10/07 are rated at 1000/10000 WC & 1200/12000 WD.

SO With this hitch installed the step bumper is no longer able to be used as a towing point.

TA Trunk access required for hitch installation.

TO Will not fit models equipped Chassis Cab spring mount.

T-ONE					TOW HARNESS					4-FLAT WIRING				REQ. 4 FLAT WIRING		7-WAY HARDWIRE	BRAKE CONTROL HARNESS	IN			
PC	T-ONE	FN	IN	AMP	CP	TOW HARN	FN	IN	AMP	CP	TYPE	ELEC	POS	CHOICE 1	CHOICE 2				6-WAY ADAPTER	7-WAY ADAPTER	
PONTIAC (Continued)																					
E7	118432	CE	10	7.5								B	SUV1,2	119130	119178	20320	20321	20224			
E8	118355	HG	10	2.1,5								B	SUV3	119130	119178	20320	20321	20224			
E11	118458	CG	15	2.1,5	X							B	SUV3,4	119130	119178						
E16	118460	CH	45	2.1,4,2	X							B,E	SUV3,4	119191	119148	20320	20321				
												B	PC3,4	119130	119178						
												B	PC3,4	119130	119178						
PORSCHE																					
												B,E	SUV1,2	119191	119148	20320	20321	20224			
												BT	SUV1,2	119251	119191	20320	20321	20224			
RAM																					
						E8	118384	BN,RD	5	7.5		4-Flat	A	PU3	119148	20252	20320	20321	20224	3021-P	5
E8	118384	BN,RD	5	7.5			74682 85219	RD RD	10 5			Both 7-Way	A	PU3	119148	20252					
						E8	118384	BN,RD	5	7.5		4-Flat	A	PU3	119148	20252	20320	20321	20224	3023-P	10
						E8	118384	BN,RD	5	7.5		4-Flat	A	PU3	119148	20252	20320	20321	20224	3024-P	5
													A	PU3						3024-P	5
						E8	118384	BN,RD	5	7.5		4-Flat	A	PU3	119148	20252	20320	20321	20224	3021-P	5
E8	118384	BN,RD	5	7.5			74682 85219	RD RD	10 5			Both 7-Way	A	PU3	119148	20252					
						E8	118384	BN,RD	5	7.5		4-Flat	A	PU3	119148	20252	20320	20321	20224	3023-P	10
						E8	118384	BN,RD	5	7.5		4-Flat	A	PU3	119148	20252	20320	20321	20224	3023-P	10
						E8	118384	BN,RD	5	7.5		4-Flat	A	PU3	119148	20252	20320	20321	20224	3024-P	5
													A	PU3						3024-P	5
						E8	118384	BN,RD	5	7.5		4-Flat	A	PU3	119148	20252	20320	20321	20224	3021-P	5
E8	118384	BN,RD	5	7.5			74682 85219	RD RD	10 5			Both 7-Way	A	PU3	119148	20252					
						E8	118384	BN,RD	5	7.5		4-Flat	A	PU3	119148	20252	20320	20321	20224	3023-P	10
						E8	118384	BN,RD	5	7.5		4-Flat	A	PU3	119148	20252	20320	20321	20224	3023-P	10
						E8	118384	BN,RD	5	7.5		4-Flat	A	PU3	119148	20252	20320	20321	20224	3024-P	5
													A	PU3	119191	119148	20320	20321	20224	3024-P	5

- A** 2 wire system.
- B** 3 wire system. Converter required.
- BN** Exterior mounted plug on some or all models. May require an aftermarket electrical mounting box or bracket. (Sold separately)
- BT** Shared Brake/Tail multiplexed wiring system. ModuLite® HD Plus or Ultra required.
- C** 2 or 3 wire system determine at installation.
- CE** T-One includes fuse(s) & relay(s). Converter not required. Standard 2 wire system at factory tow plug.

- CG** T-One incorporates circuit protected taillight converter.
- CH** T-One is equipped with circuit protected ModuLite® module.
- E** ModuLite® required.
- HG** T-One incorporates taillight converter.
- RD** For vehicles equipped with factory tow package may require additional components or may be used as a replacement harness.

- RT3** Round Tube Class III 2"
- RT5** Round Tube Class V 2"
- SQ1** Square Tube Class I
- SQ2** Square Tube Class II
- SQ3** Square Tube Class III
- SQ4** Square Tube Class IV
- SQ5** Square Tube Class V

MODEL / STYLE	YEAR	TRAILER HITCHES									
		PC	REC TYPE	REC SIZE	PART #	NO DRILL	FOOTNOTES	OPTIONAL DRAWBAR	WC (LBS.)	WD (LBS.)	IN
RAM (Continued)											
4500 Cab & Chassis, w/34" Wide Frames	13-17	38	SQ5	2	41952		@		1,500/15,000	1,600/16,000	45
5500 Cab & Chassis, w/34" Wide Frames	11-12	29	SQ5	2	41936		@		1,200/12,000		30
		50	SQ5	2	41947		@		1,600/15,000	1,600/16,000	35
5500 Cab & Chassis, w/34" Wide Frames	13-17	38	SQ5	2	41952		@		1,500/15,000	1,600/16,000	45
C/V Tradesman	12-15	24	SQ2	1-1/4	36455	0	GP, JR	36061	300/3,500		20
		19	SQ3	2	75579	0	GP, JR		400/4,000	500/5,000	20
Dakota	11-11	27	SQ3	2	75251		HM		500/5,000	800/8,000	20
ProMaster 1500 All Models	14-18	25	SQ3	2	76050	0	AA, DU, GP		500/5,000		45
ProMaster 1500 Except w/Extended Body	14-18	58	RT4	2	75882		HM		750/6,000	750/7,500	45
ProMaster 2500 All Models	14-18	25	SQ3	2	76050	0	AA, DU, GP		500/5,000		45
ProMaster 2500 Except w/Extended Body	14-18	58	RT4	2	75882		HM		750/6,000	750/7,500	45
ProMaster 3500 All Models	14-18	25	SQ3	2	76050	0	AA, DU, GP		500/5,000		45
ProMaster 3500 Except w/Extended Body	14-18	58	RT4	2	75882		HM		750/6,000	750/7,500	45
ProMaster City	15-17	37	SQ3	2	75219	0	GP		350/3,500		60
ProMaster City	18-18										
SAAB											
9-3	99-02	34	SQ2	1-1/4	36280		JR, GP	36053	300/3,500		30
9-3 Convertible	03-03	34	SQ2	1-1/4	36280		JR, GP	36053	300/3,500		30
9-5	99-05	41	SQ2	1-1/4	36286	0	TA, HM	36051	300/3,500		30
9-7X w/Factory 7-Way	05-09										
SATURN											
Astra Hatchback	08-09	34	SQ1	1-1/4	24809	0	GP, JR	3594	200/2,000		25
Aura	07-09	24	SQ2	1-1/4	36479		GP, JR, RB	36065	300/3,500		45
Ion Except Redline & w/2.4 Liter Engine	03-07	31	SQ1	1-1/4	24734		JR, GP	3593	200/2,000		35
Ion 3 w/2.4 Liter Engine	05-07	30	SQ1	1-1/4	24756		HM, JR	3594	200/2,000		25
Ion Red Line	04-06	30	SQ1	1-1/4	24756		HM, JR	3594	200/2,000		25
L100	01-02	14	SQ1	1-1/4	24685		TA, GP	3590	200/2,000		35
L200	01-02	14	SQ1	1-1/4	24685		TA, GP	3590	200/2,000		35
L300	01-02	14	SQ1	1-1/4	24685		TA, GP	3590	200/2,000		35
LS	00-00	14	SQ1	1-1/4	24685		TA, GP	3590	200/2,000		35
LS1	00-00	14	SQ1	1-1/4	24685		TA, GP	3590	200/2,000		35
LS2	00-00	14	SQ1	1-1/4	24685		TA, GP	3590	200/2,000		35
LW200 Wagon	03-03	14	SQ1	1-1/4	24685		TA, GP	3590	200/2,000		35
LW300 Wagon	03-03	14	SQ1	1-1/4	24685		TA, GP	3590	200/2,000		35
Outlook	07-09	19	RT3	2	75528	0	GP, JR, TN		750/5,000	750/7,500	25
Outlook w/Factory 7-Way	07-09										
Relay	05-07	27	SQ2	1-1/4	36361		AL, GP, JR	36061	300/3,500		40
		22	SQ3	2	75278		AL, GP, JR		350/3,500	500/5,000	40
SC1 2 Dr. Coupe	96-02	33	SQ1	1-1/4	24620		HM, JR, KH, TA	3592	200/2,000		40
SC2 2 Dr. Coupe	96-02	33	SQ1	1-1/4	24620		HM, JR, KH, TA	3592	200/2,000		40
Sky	07-09	21	SQ1	1-1/4	24833	0	HM, JR	3594	200/2,000		35
SL 4 Dr. Sedan	91-02	33	SQ1	1-1/4	24620		HM, JR, KH, TA	3592	200/2,000		40
SL1 4 Dr. Sedan	91-02	33	SQ1	1-1/4	24620		HM, JR, KH, TA	3592	200/2,000		40
SL2 4 Dr. Sedan	91-02	33	SQ1	1-1/4	24620		HM, JR, KH, TA	3592	200/2,000		40
SW1 Wagon	93-99	33	SQ1	1-1/4	24620		HM, JR, KH, TA	3592	200/2,000		40
SW2 Wagon	93-01	33	SQ1	1-1/4	24620		HM, JR, KH, TA	3592	200/2,000		40
Vue Except Redline	02-07	18	SQ2	1-1/4	36408	0	HM	36051	300/3,500		25
		14	RT3	2	76028	0	HM		675/4,500	675/4,500	30

- | | |
|---|---|
| <p>@ Ultra Frame ball mount must be used to achieve maximum weight carrying rating.</p> <p>AA Requires temporary removal of bumper during installation.</p> <p>AL Additional installation time required for vehicles equipped with load leveling compressor.</p> <p>DU Fascia removal required.</p> <p>GP Hitch crosstube concealed behind bumper.</p> <p>HM Hitch crosstube is visible beneath bumper.</p> | <p>JR Exhaust must be temporarily lowered for installation.</p> <p>KH Minor heat shield modification may be required.</p> <p>RB Hitch installation can be made easier with a "cutter" type drill bit.</p> <p>TA Trunk access required for hitch installation.</p> <p>TN Hitches produced before 07/09/12 are rated at 500/5000 WC & 500/5000 WD.</p> |
|---|---|

T-ONE						TOW HARNESS					4-FLAT WIRING				REQ. 4 FLAT WIRING		7-WAY HARDWIRE	BRAKE CONTROL HARNESS	IN	
PC	T-ONE	FN	IN	AMP	CP	PC	TOW HARN	FN	IN	AMP	CP	TYPE	ELEC	POS	CHOICE 1	CHOICE 2				6-WAY ADAPTER
RAM (Continued)																				
													A	PU3	119191	119148	20320	20321	20224	
													A	PU3	119191	119148	20320	20321	20224	
													A	PU3	119191	119148	20320	20321	20224	
E18	118534	BN,CH	45	4.2,7.5	X		22121		90			7-Way	C,E	SUV1,2	119191	119148	20320	20321	20224	
E6	118323	BN,HJ	10	7.5									A	PU1,2	119148	20252	20320	20321	20224	3020-P 5
E18	118618	CH	45	4.2,7.5	X		22112	BN	60			7-Way	B,E	SUV3,4	119191	119148	20320	20321	20224	
E18	118618	CH	45	4.2,7.5	X		22112	BN	60			7-Way	B,E	SUV3,4	119191	119148	20320	20321	20224	
E18	118618	CH	45	4.2,7.5	X		22112	BN	60			7-Way	B,E	SUV3,4	119191	119148	20320	20321	20224	
E18	118618	CH	45	4.2,7.5	X		22112	BN	60			7-Way	B,E	SUV3,4	119191	119148	20320	20321	20224	
E18	118618	CH	45	4.2,7.5	X		22112	BN	60			7-Way	B,E	SUV3,4	119191	119148	20320	20321	20224	
E18	118719	CH,BN	45	4.2,7.5	X								BT	SUV1,2	119192	119191				
E18	118719	CH,BN	45	4.2,7.5	X								BT	SUV1,2	119192	119191				
SAAB																				
													B,E	PC1,2	119191	119148				
													B,E	PC1,2	119191	119148				
													B,E	PC1,2	119191	119148				
						E8	118384 74682 8551511 85219	BN,RD RD RD RD	5 10 5	7.5		4-Flat Both 7-Way 7-Way	H	SUV6	119148	20252				
SATURN																				
													A,E	PC1,2	119191	119148				
E11	118423	BN,HG	15	2.1,4.2									B,E	PC1,2	119191	119148				
													B	PC3,4	119130	119178				
													B	PC3,4	119130	119178				
													B	PC3,4	119130	119178				
													B	PC3,4	119130	119178				
													B	PC3,4	119130	119178				
													B	PC3,4	119130	119178				
													B	PC3,4	119130	119178				
													B	PC3,4	119130	119178				
													B	PC3,4	119130	119178				
													B	PC3,4	119130	119178				
													B	PC3,4	119130	119178				
													B	PC3,4	119130	119178				
E10	118434	BN	15	7.5		E8	118384 74682 8551511 85219	BN,RD RD RD RD	5 10 5	7.5		4-Flat Both 7-Way 7-Way	N	SUV1,2 SUV6	119251	119251	20320	20321		3026-P 5
E10	118396	BN	15	7.5									A	SUV1,2	119148	20252	20320	20321	20224	
													B	PC3,4	119130	119178				
													B	PC3,4	119130	119178				
													A	PC1,2	119148	20252				
													B	PC3,4	119130	119178				
													B	PC3,4	119130	119178				
													B	PC3,4	119130	119178				
													B	PC3,4	119130	119178				
													B	PC3,4	119130	119178				
E16	118418	BN,CG	20	2.1,5	X								B	SUV1,2	119130	119178	20320	20321	20224	

- A** 2 wire system.
- B** 3 wire system. Converter required.
- BN** Exterior mounted plug on some or all models. May require an aftermarket electrical mounting box or bracket. (Sold separately)
- BT** Shared Brake/Tail multiplexed wiring system. ModuLite® HD Plus or Ultra required.
- C** 2 or 3 wire system determine at installation.
- CG** T-One incorporates circuit protected taillight converter.
- CH** T-One is equipped with circuit protected ModuLite® module.
- E** ModuLite® required.
- H** 3 wire system with OEM standard 2 wire harness.
- HG** T-One incorporates taillight converter.
- HJ** Per Dodge owner's manual: If trailer is equipped with more than standard lighting (1 taillight per side) use of ModuLite® or dealer supplied harness is required.
- N** DO NOT cut or splice vehicle wiring. Only use approved T-One or see auto dealer for trailer tow wiring kit.
- RD** For vehicles equipped with factory tow package may require additional components or may be used as a replacement harness.

- RT3** Round Tube Class III 2"
- RT4** Round Tube Class IV 2"
- SQ1** Square Tube Class I
- SQ2** Square Tube Class II
- SQ3** Square Tube Class III
- SQ5** Square Tube Class V

MODEL / STYLE	YEAR	TRAILER HITCHES									
		PC	REC TYPE	REC SIZE	PART #	NO DRILL	FOOTNOTES	OPTIONAL DRAWBAR	WC (LBS.)	WD (LBS.)	IN
SATURN (Continued)											
Vue	08-09	25	SQ2	1-1/4	36450	0	GP	36061	300/3,500		15
		30	SQ3	2	75556	0	GP		400/4,000	400/4,000	15
SCION											
FR-S	13-16	30	SQ1	1-1/4	24935	0	GP	3593	200/2,000		75
iA	16-16	32	RT1	1-1/4	24948	0	HM	3593	200/2,000		30
iM	16-16	20	SQ1	1-1/4	24952	0	GP, JR, SV	3593	200/2,000		40
tC	05-06	11	SQ1	1-1/4	24827		GP	3593	200/2,000		30
tC	07-10	11	SQ1	1-1/4	24827		GP	3593	200/2,000		30
tC	11-13	13	SQ1	1-1/4	24815	0	GP	3593	200/2,000		15
tC Except Dual Exhaust	14-16	13	SQ1	1-1/4	24921	0	GP	3592	200/2,000		15
xB	04-06	22	SQ1	1-1/4	28501	0	JR, GP	28451	200/2,000		25
xB Except Release Series	08-10	13	SQ1	1-1/4	24815	0	GP	3593	200/2,000		15
xB Except Release Series	11-13	13	SQ1	1-1/4	24815	0	GP	3593	200/2,000		15
xD	08-10	14	SQ1	1-1/4	24828	0	GP, JR	3593	200/2,000		20
STERLING TRUCK											
Bullet 45 w/34" Wide Frames	08-09	29	SQ5	2	41936		@		1,200/12,000		30
		50	SQ5	2	41947		@		1,600/15,000	1,600/16,000	35
Bullet 55 w/34" Wide Frames	08-09	29	SQ5	2	41936		@		1,200/12,000		30
		50	SQ5	2	41947		@		1,600/15,000	1,600/16,000	35
SUBARU											
Ascent	19-19	38	SQ3	2	76253	0	DU, J, TZ		750/5,000	750/5,000	60
B9 Tribeca	06-07	33	SQ3	2	75401	0	GP, JR		350/3,500	400/4,000	35
Baja	03-06	39	SQ1	1-1/4	24735	0	HM	3590	200/2,000		20
BRZ	13-17	30	SQ1	1-1/4	24935	0	GP	3593	200/2,000		75
Crosstrek Except Hybrid	16-17	24	RT3	2	76084	0	HM, JR, KH		525/3,500		20
Crosstrek Hybrid	16-17	24	RT3	2	76084	0	HM, JR, KH		525/3,500		20
Crosstrek Except Hybrid	18-19	22	RT2	1-1/4	36644	0	JR, HM		350/3,500		60
		26	RT3	2	76209	0	JR, HM		675/4,500		60
Crosstrek Hybrid	18-19	22	RT2	1-1/4	36644	0	JR, HM		350/3,500		60
		26	RT3	2	76209	0	JR, HM		675/4,500		60
Crosstrek Except Hybrid	19-19					0	JR, HM				60
Forester	98-08	20	SQ2	1-1/4	36311	0	GP, JR	36051	300/3,500		30
Forester	09-13	28	SQ1	1-1/4	24807		HM, JR	3594	200/2,000		35
		27	RT2	1-1/4	36521		HM, JR	36061	300/3,500		35
		27	SQ3	2	75650		HM, JR, TQ		600/4,000		35
Forester	14-18	21	SQ2	1-1/4	36523		HM, JR, KH	36053	300/3,500		30
		21	RT3	2	75876	0	HM, JR, KH		525/3,500	525/4,000	25
		35	SQ3	2	76182	0	DU, FE, GP, JR		525/3,500		60
Impreza	93-01	25	SQ1	1-1/4	24710	0	JR, GP	3593	200/2,000		30
Impreza Except WRX STi	02-07	25	SQ1	1-1/4	24710	0	JR, GP	3593	200/2,000		30
Impreza 4 Dr. Sedan	08-11	28	SQ1	1-1/4	24807		HM, JR	3594	200/2,000		35
Impreza 5 Dr. Wagon, Except WRX STi & w/Quad Exhaust Outlets	08-11	19	SQ1	1-1/4	24886†		HM, JR	3593	200/2,000		45
		19	SQ1	1-1/4	24959		HM, JR	3593	200/2,000		45
Impreza 4 Dr. Sedan, Except WRX & WRX STi	12-16	25	SQ1	1-1/4	24888†		HM, JR	3594	200/2,000		30
		25	SQ1	1-1/4	24960	0	HM, JR, KH	3594	200/2,000		40
Impreza 5 Dr. Wagon, Except WRX STi & w/Quad Exhaust Outlets	12-16	19	SQ1	1-1/4	24886†		HM, JR	3593	200/2,000		45
		19	SQ1	1-1/4	24959		HM, JR	3593	200/2,000		20
Impreza 4 Dr. Sedan, Except WRX & WRX STi	17-19	25	SQ1	1-1/4	24960	0	HM, JR, KH	3594	200/2,000		40
Impreza 5 Dr. Wagon, Except WRX STi & w/Quad Exhaust Outlets	17-19	19	SQ1	1-1/4	24959		HM, JR	3593	200/2,000		20
Impreza 5 Dr. Wagon, Except WRX STi & w/Quad Exhaust Outlets	18-19	22	RT2	1-1/4	36644		HM, JR		350/3,500		60
		26	RT3	2	76209	0	HM, JR		675/4,500		60
Legacy Coupe & Sedan	90-99	48	SQ2	1-1/4	36234		KH, HM	36071	300/3,500		25
Legacy Wagon, Except Outback	96-99	48	SQ2	1-1/4	36234		KH, HM	36061	300/3,500		20

@ Ultra Frame ball mount must be used to achieve maximum weight carrying rating.
 DU Fascia removal required.
 FE Fascia trimming may be required. Allow additional installation time.
 GP Hitch crosstube concealed behind bumper.
 HM Hitch crosstube is visible beneath bumper.
 J Under vehicle spare tire stowage is retained.

JR Exhaust must be temporarily lowered for installation.
 KH Minor heat shield modification may be required.
 SV Trimming or removal of under body appearance panel may be required.
 TQ Hitches produced before 07/30/12 are rated at 350/3500 WC.
 TZ Requires replacement of the impact structure with hitch.

T-ONE						TOW HARNESS						4-FLAT WIRING				REQ. 4 FLAT WIRING		7-WAY HARDWARE	BRAKE CONTROL HARNESS	IN
PC	T-ONE	FN	IN	AMP	CP	PC	TOW HARN	FN	IN	AMP	CP	TYPE	ELEC	POS	CHOICE 1	CHOICE 2	6-WAY ADAPTER			
SATURN (Continued)																				
E19	118443	CH	45	2.1,4.2	X								B,E	SUV3,4	119191	119148	20320	20321	20224	
SCION																				
E16	118629	CH	45	2.1,5.6	X								B,E	PC3,4	119191	119148				
E15	118728	CH,BN	45	5.7,5	X								B,E	PC1,2	119191	119148				
E16	118729	BN,CH	45	5.7,5	X								B,E	PC3,4						
													B	PC1,2	119130	119178				
E13	118484	CG	15	2.1,5	X								B	PC1,2	119130	119178				
													B	PC1,2	119130	119178				
E18	118615	CH	45	2.1,5.6	X								B,E	PC3,4	119191	119148				
E12	118414	CG	20	2.1,5	X								B	SUV3,4	119130	119178				
E18	118468	CH	45	2.1,5.6	X								B,E	SUV3,4	119191	119148	20320	20321		
E16	118460	CH	45	2.1,4.2	X								B,E	SUV3,4	119191	119148	20320	20321		
													B	PC3,4	119130	119178				
STERLING TRUCK																				
													C	PU1,2	119191	119148	20320	20321	20224	
													C	PU1,2	119191	119148	20320	20321	20224	
SUBARU																				
E10	118790	CH		5.7,5									B,E	SUV3						3062-P
E12	118461	CH	10	2.1,4.2	X								B,E	SUV8	119191	119148	20320	20321	20224	
													B,E	SUV1,2	119191	119148				
E16	118629	CH	45	2.1,5.6	X								B,E	PC3,4	119191	119148				
E11	118467	CH	15	2.1,5.6	X								B,E	SUV1,2	119191	119148	20320	20321		
													B,E	SUV1,2	119191	119148	20320	20321		
													B,E	SUV1,2	119191	119148	20320	20321		
E11	118467	CH	15	2.1,5.6	X								B,E	SUV1,2	119191	119148	20320	20321		
E12	118461	CH	10	2.1,4.2	X								B,E	SUV4	119191	119148				
E11	118467	CH	15	2.1,5.6	X								B,E	SUV8	119191	119148	20320	20321	20224	
E11	118467	CH	15	2.1,5.6	X								B,E	SUV8	119191	119148	20320	20321	20224	
													B,E	PC1,2	119191	119148				
													B,E	PC1,2	119191	119148				
E17	118464	CH	45	2.1,5.6	X								B,E	PC3,4	119191	119148				
													B,E	PC3,4	119191	119148				
E15	118581	CH	45	2.1,5.6	X								B,E	PC3,4	119191	119148				
E19	118573	CH	45	2.1,5.6	X								B,E	PC3,4	119191	119148				
E16	118629	CH	45	2.1,5.6	X								B,E	PC3,4	119191	119148				
E17	118744	CH,BN	45	5.7,5	X								B,E	PC3,4	119191	119148				
E17	118744	CH,BN	45	5.7,5	X								B,E	PC1,2	119191	119148				
													B,E	PC3,4	119191	119148				
													B,E	PC3,4	119191	119148				

B 3 wire system. Converter required.
BN Exterior mounted plug on some or all models. May require an aftermarket electrical mounting box or bracket. (Sold separately)
C 2 or 3 wire system determine at installation.

CG T-One incorporates circuit protected taillight converter.
CH T-One is equipped with circuit protected ModuLite® module.
E ModuLite® required.

RT1 Round Tube Class I 1-1/4"
RT2 Round Tube Class II 1-1/4"
RT3 Round Tube Class III 2"
SQ1 Square Tube Class I
SQ2 Square Tube Class II
SQ3 Square Tube Class III
SQ5 Square Tube Class V

MODEL / STYLE	YEAR	TRAILER HITCHES									
		PC	REC TYPE	REC SIZE	PART #	NO DRILL	FOOTNOTES	OPTIONAL DRAWBAR	WC (LBS.)	WD (LBS.)	IN
SUBARU (Continued)											
Legacy Wagon, Outback	96-99	48	SQ2	1-1/4	36234		KH, HM	36061	300/3,500		20
Legacy Sedan, Except Outback	00-04	46	SQ2	1-1/4	36284	0	HM	36061	300/3,500		20
Legacy Wagon, Except Outback	00-04	46	SQ2	1-1/4	36284	0	HM	36061	300/3,500		20
Legacy Sedan, Except Outback	05-07	35	SQ2	1-1/4	36334	0	JR, HM	36071	300/3,500		25
		44	SQ3	2	75560	0	JR		400/4,000		25
Legacy Wagon, Except Outback	05-07	35	SQ2	1-1/4	36334	0	JR, HM	36053	300/3,500		25
		44	SQ3	2	75560	0	JR		400/4,000		25
Legacy Sedan	08-09	35	SQ2	1-1/4	36334	0	JR, HM	36071	300/3,500		25
		44	SQ3	2	75560	0	JR		400/4,000		25
Legacy Sedan	10-14	25	SQ2	1-1/4	36493		HM, JR, KH	36071	300/3,500		45
		30	SQ3	2	75673		HM, JR, KH, TI		600/4,000		45
Legacy Sedan	15-19	25	SQ2	1-1/4	36493		HM, JR, KH	36071	300/3,500		45
		30	SQ3	2	75673		HM, JR, KH, TI		600/4,000		45
Outback Sedan, Except Sport	00-04	46	SQ2	1-1/4	36284	0	HM	36053	300/3,500		20
Outback Wagon, Except Sport	00-04	46	SQ2	1-1/4	36284	0	HM	36053	300/3,500		20
Outback Sedan, Except Sport	05-07	35	SQ2	1-1/4	36334	0	JR, HM	36071	300/3,500		25
		44	SQ3	2	75560	0	JR		400/4,000		25
Outback Wagon, Except Sport	05-09	35	SQ2	1-1/4	36334	0	JR, HM	36053	300/3,500		25
		44	SQ3	2	75560	0	JR		400/4,000		25
Outback Wagon, Except Sport	10-19	25	SQ2	1-1/4	36493		HM, JR, KH	36051	300/3,500		45
		30	SQ3	2	75673		HM, JR, KH, TI		600/4,000		45
		35	SQ3	2	76227	0	AA, AI, DU, FE, X		600/4,000		45
Tribeca	08-10	33	SQ3	2	75401	0	GP, JR		350/3,500	400/4,000	35
Tribeca	11-14	36	SQ3	2	75716	0	GP		525/3,500	525/5,250	30
WRX	18-18										
WRX STI	15-18	20	SQ1	1-1/4	24968	0	JR, KH	3593	200/2,000		60
XV Crosstrek Except Hybrid	13-15	19	SQ1	1-1/4	24886†		HM, JR	3593	200/2,000		45
		19	SQ1	1-1/4	24959		HM, JR	3593	200/2,000		30
		24	RT3	2	76084	0	HM, JR, KH, SY		525/3,500		20
XV Crosstrek Hybrid	13-15	19	SQ1	1-1/4	24886†		HM, JR	3593	200/2,000		45
		19	SQ1	1-1/4	24959		HM, JR	3593	200/2,000		30
SUZUKI											
Equator	09-12	20	SQ3	2	75282	0	GP, TE		750/5,000	800/8,000	30
Equator w/Factory Tow Package	09-12										
Grand Vitara	99-05	29	SQ1	1-1/4	24673	0	HM	3591	200/2,000		15
		29	SQ3	2	41537	0	HM		350/3,500		15
Grand Vitara Except 3 Dr Hatchback	06-13	24	SQ1	1-1/4	24764	0	EP, HM	3591	200/2,000		20
		30	SQ3	2	75448	0	EP		350/3,500	400/4,000	20
Sidekick Except Sport Model	96-98	25	SQ1	1-1/4	24622	0	HM	3593	200/2,000		20
Swift+ 5 Dr. (Canada Only)	04-09	20	SQ1	1-1/4	24741		GP	3593	200/2,000		30
SX4 Crossover	07-11	18	SQ1	1-1/4	24817		HM, JR	3594	200/2,000		40
Vitara	99-04	29	SQ1	1-1/4	24673	0	HM	3591	200/2,000		15
		29	SQ3	2	41537	0	HM		350/3,500		15
X-90	96-98	25	SQ1	1-1/4	24622	0	HM, HP	3593	200/2,000		20
XL-7	02-06	29	SQ1	1-1/4	24673	0	HM	3591	200/2,000		15
		29	SQ3	2	41537	0	HM		350/3,500		15
XL-7	07-09	29	SQ3	2	75529	0	HM		400/4,000	400/4,000	30
TESLA											
S	12-16	37	SQ1	1-1/4	24958	0	GP, AA, EP, DU, SV, TA	3593	200/2,000		150
X	16-17	40	SQ3	2	76143	0	GP, DU, SV, TZ, X		500/5,000		75

AA Requires temporary removal of bumper during installation.

AI Additional installation time may be required.

DU Fascia removal required.

EP Fascia trimming may be required.

FE Fascia trimming may be required. Allow additional installation time.

GP Hitch crosstube concealed behind bumper.

HM Hitch crosstube is visible beneath bumper.

HP Requires four (4) 7/16" x 1" x 2" spacer blocks (#10180012) for installation. (Sold separately)

JR Exhaust must be temporarily lowered for installation.

KH Minor heat shield modification may be required.

SV Trimming or removal of under body appearance panel may be required.

SY Hitch crosstube is visible beneath bumper with a more than normal gap between fascia and crosstube.

TA Trunk access required for hitch installation.

TE Hitches produced before 04/20/11 are rated at 500/5000 WC.

TI Hitches produced before 06/06/11 are rated at 400/4000 WC.

TZ Requires replacement of the impact structure with hitch.

X Minor fascia trimming required.

T-ONE					TOW HARNESS					4-FLAT WIRING				REQ. 4 FLAT WIRING		7-WAY HARDWIRE	BRAKE CONTROL HARNESS	IN		
PC	T-ONE	FN	IN	AMP	CP	TOW HARN	FN	IN	AMP	CP	TYPE	ELEC	POS	CHOICE 1	CHOICE 2				6-WAY ADAPTER	7-WAY ADAPTER
SUBARU (Continued)																				
E12	118461	CH	10	2.1,4.2	X							B,E	PC3,4	119191	119148					
												B,E	PC3,4	119191	119148					
												B,E	PC3,4	119191	119148	20320	20321	20224		
E12	118461	CH	10	2.1,4.2	X							B,E	PC3,4	119191	119148	20320	20321	20224		
												B,E	PC3,4	119191	119148	20320	20321	20224		
E14	118511	CH	45	2.1,5.6	X							B,E	PC3,4	119191	119148	20320	20321	20224		
E15	118671	CH	45	4.2,7.5	X							B,E	PC3,4	119191	119148	20320	20321	20224		
												B,E	PC3,4	119191	119148					
E12	118461	CH	10	2.1,4.2	X							B,E	PC3,4	119191	119148					
												B,E	PC3,4	119191	119148	20320	20321	20224		
E12	118461	CH	10	2.1,4.2	X							B,E	PC3,4	119191	119148	20320	20321	20224		
E11	118467	CH	15	2.1,5.6	X							B,E	PC3	119191	119148	20320	20321	20224		
E12	118461	CH	10	2.1,4.2	X							B,E	SUV8	119191	119148	20320	20321	20224		
E12	118461	CH	10	2.1,4.2	X							B,E	SUV8	119191	119148	20320	20321	20224		
E15	118768	CH	45	4.2,7.5	X							B,E	PC3,4							
												B,E	PC3,4	119191	119148					
E11	118467	CH	15	2.1,5.6	X							B,E	SUV1,2	119191	119148	20320	20321			
												B,E	SUV1,2	119191	119148	20320	20321			
SUZUKI																				
E14	118525		30	7.5		E21	118266	BN,RD	30		7-Way	H	PU3	119148	20252				3050-P	5
						E9	118267	BN,RD,Z	30		7-Way	B,E	PU3	119191	119148					
E5	118372	HG	5	2.1,5								B	SUV3	119130	119178	20320	20321	20224		
E12	118456	CG	20	2.1,5	X							B	SUV3,4	119130	119178	20320	20321	20224		
E5	118372	HG	5	2.1,5								B	SUV1,2	119130	119178					
												B	PC3,4	119130	119178					
E12	118456	CG	20	2.1,5	X							B	SUV1,2	119130	119178	20320	20321			
E5	118372	HG	5	2.1,5								B	SUV3	119130	119178	20320	20321	20224		
												B	SUV1,2	119130	119178					
E5	118372	HG	5	2.1,5								B	SUV3	119130	119178	20320	20321	20224		
						E7	118432	CE,RD	10	7.5	4-Flat	B	SUV1,2	119130	119178	20320	20321	20224		
TESLA																				
												BTT	PC3,4	119192	119191					
												B,E	SUV3,4							

B 3 wire system. Converter required.

BN Exterior mounted plug on some or all models. May require an aftermarket electrical mounting box or bracket. (Sold separately)

BTT Shared Brake/Tail/Turn multiplexed wiring system. ModuLite® HD Plus or Ultra required.

CE T-One includes fuse(s) & relay(s). Converter not required. Standard 2 wire system at factory tow plug.

CG T-One incorporates circuit protected taillight converter.

CH T-One is equipped with circuit protected ModuLite® module.

E ModuLite® required.

H 3 wire system with OEM standard 2 wire harness.

HG T-One incorporates taillight converter.

RD For vehicles equipped with factory tow package may require additional components or may be used as a replacement harness.

Z May be equipped with Factory Tow Prep Plug. Determine at time of installation.

RT3 Round Tube Class III 2"

SQ1 Square Tube Class I

SQ2 Square Tube Class II

SQ3 Square Tube Class III

RECEIVER HITCHES

MODEL / STYLE	YEAR	TRAILER HITCHES									
		PC	REC TYPE	REC SIZE	PART #	NO DRILL	FOOTNOTES	OPTIONAL DRAWBAR	WC (LBS.)	WD (LBS.)	IN
TOYOTA											
4Runner	96-00	46 42	SQ2 RT3	1-1/4 2	36223† 75091	0	†,HM	36071	300/3,500 500/5,000	550/5,500	30
4Runner	01-02	46 42	SQ2 RT3	1-1/4 2	36223† 75091	0	†,HM	36071	300/3,500 500/5,000	550/5,500	30
4Runner	03-06	47	RT4	2	75155	0	FE,LT,SI		600/6,000	730/7,300	35
4Runner w/Factory 7-Way	03-06										
4Runner	07-09	47	RT4	2	75155	0	FE,LT,SI		600/6,000	730/7,300	35
4Runner	10-11										
4Runner w/Factory 7-Way	10-11										
4Runner	14-16										
86	17-17	30	SQ1	1-1/4	24935	0	GP	3593	200/2,000		75
Avalon	95-99	23	SQ2	1-1/4	36336		HM	36061	300/3,500		15
Avalon	00-04	43	SQ2	1-1/4	36293		GP	36051	300/3,500		20
Avalon	05-10	52	SQ1	1-1/4	24870	0	HM,JR	3593	200/2,000		40
Avalon	11-12	52	SQ1	1-1/4	24870	0	HM,JR	3593	200/2,000		40
Avalon	13-18	23	SQ2	1-1/4	36540		HM,JR,KH,SV	36071	300/3,500		40
Camry 4 Dr. Sedan	97-01	35 23	SQ1 SQ2	1-1/4 1-1/4	24715 36336	0	HM,JR HM	3593 36061	200/2,000 300/3,500		15 15
Camry 4 Dr. Sedan	02-04	35 23	SQ1 SQ2	1-1/4 1-1/4	24715 36336	0	HM,JR HM	3593 36061	200/2,000 300/3,500		15 15
Camry 4 Dr. Sedan	05-06	23	SQ2	1-1/4	36336		HM	36061	300/3,500		15
Camry 4 Dr. Sedan, Except Hybrid	07-09	20	SQ2	1-1/4	36416		GP,JR,TA	36071	300/3,500		45
Camry 4 Dr. Sedan, Except Hybrid	10-11	20	SQ2	1-1/4	36416		GP,JR,TA	36071	300/3,500		45
Camry Including Hybrid	12-17	23	SQ2	1-1/4	36540		HM,JR,KH,SV	36071	300/3,500		40
Camry Except Hybrid	18-19	22	SQ2	1-1/4	36643		HM,JR,KH,SV	36071	350/3,500		40
Camry Hybrid 4 Dr. Sedan	07-11	20	SQ2	1-1/4	36416		GP,JR,TA	36071	300/3,500		45
C-HR	18-18	20	SQ1	1-1/4	24962	0	DU,GP,SV	3593	200/2,000		60
Corolla Sedan	93-02	25	SQ1	1-1/4	24579		GP	3592	200/2,000		30
Corolla	03-03	22 24	SQ1 RT1	1-1/4 1-1/4	24814† 24913	0	HM HM	3593 3593	200/2,000 200/2,000		20 20
Corolla	04-07	22 24	SQ1 RT1	1-1/4 1-1/4	24814† 24913	0	HM HM	3593 3593	200/2,000 200/2,000		20 20
Corolla	08-08	22 24	SQ1 RT1	1-1/4 1-1/4	24814† 24913	0	HM HM	3593 3593	200/2,000 200/2,000		20 20
Corolla	09-13	22 24	SQ1 RT1	1-1/4 1-1/4	24814† 24913	0	HM HM	3593 3593	200/2,000 200/2,000		20 20
Corolla	14-19	24	RT1	1-1/4	24913	0	HM	3593	200/2,000		20
Corolla iM	17-17	20	SQ1	1-1/4	24952	0	GP,JR,SV	3593	200/2,000		40
Corolla iM	18-18										
Echo Except Hatchback	00-02	33	SQ1	1-1/4	24813	0	X,GP	3590	200/2,000		15
Echo Except Hatchback	03-05	33	SQ1	1-1/4	24813	0	X,GP	3590	200/2,000		15
FJ Cruiser	07-14	34	SQ3	2	75461	0	GP		500/5,000	600/6,000	30
Highlander	01-03	39 35	SQ2 SQ3	1-1/4 2	36271 41541	0	HM HM	36051	300/3,500 300/3,500		15 15
Highlander	04-07	32	RT3	2	75153	0	HM		350/3,500		20
Highlander Except Hybrid	04-07										
Highlander	08-13	45	RT3	2	75726	0	HM,SV		750/5,000	750/5,000	40
Highlander Except w/Full Size 19" Spare Tire	08-13	35	SQ3	2	75586	0	HM		500/5,000	500/5,000	25
Highlander	14-19	42 36	SQ3 RT4	2 2	76156 75896	0	GP,SV HM,SV		500/5,000 900/6,000	500/5,000 900/8,000	45 30
Hilux	08-12	53	SQ4	2	75730	0	AA,GP		900/6,000	900/9,000	60

† Available while supply lasts.	KH Minor heat shield modification may be required.
AA Requires temporary removal of bumper during installation.	LT Requires removal of factory hitch if equipped.
DU Fascia removal required.	SI Hitches produced before 07/31/07 are rated at 350/3500 WC & 500/5000 WD.
FE Fascia trimming may be required. Allow additional installation time.	SV Trimming or removal of under body appearance panel may be required.
GP Hitch crosstube concealed behind bumper.	TA Trunk access required for hitch installation.
HM Hitch crosstube is visible beneath bumper.	X Minor fascia trimming required.
JR Exhaust must be temporarily lowered for installation.	

T-ONE						TOW HARNESS					4-FLAT WIRING				REQ. 4 FLAT WIRING		7-WAY HARDWIRE	BRAKE CONTROL HARNESS	IN	
PC	T-ONE	FN	IN	AMP	CP	PC	TOW HARN	FN	IN	AMP	CP	TYPE	ELEC	POS	CHOICE 1	CHOICE 2				6-WAY ADAPTER
TOYOTA																				
E11	118341	HG	20	2.1,5									B,E	SUV3,4	119191	119148	20320	20321	20224	
E11	118341	HG	20	2.1,5		E3	118245	BN,RD	10	7.5		4-Flat	B,E	SUV3,4	119191	119148	20320	20321	20224	
								RD					B	SUV1,2	119130	119178	20320	20321	20224	3040-P
													B	SUV1,2	118180	20252				
													B,E	SUV1,2	119191	119148	20320	20321	20224	3040-P
E8	118384	BN,RD	5	7.5		E12	118262	BN,RD	10			Both	A	SUV5	119148	20252				3040-P
E8	118384	BN,RD	5	7.5		E8	118384 74682 85219	BN,RD RD RD	5 10 5	7.5		4-Flat Both 7-Way	A	SUV5	119148	20252				3040-P
																				3041-P
													B,E	PC3,4	119191	119148				
													B	PC3,4	119130	119178				
													B,E	PC3,4	119191	119148				
													B	PC3,4	119130	119178				
E17	118482	CH	45	2.1,5,6	X								B,E	PC3,4	119191	119148				
E16	118578	CH	45	4,2,7,5	X								B,E	PC3,4	119191	119148				
E8	118358	HG	5	2.1,5									B	PC3,4	119130	119178				
E10	118308		5	2.1,5									B	PC3,4	119130	119178				
E10	118308		5	2.1,5									B	PC3,4	119130	119178				
E16	118405	CH	45	2.1,5,6	X								B,E	PC3,4	119191	119148				
E17	118482	CH	45	2.1,5,6	X								B,E	PC3,4	119191	119148				
E16	118405	CH	45	2.1,5,6	X								B,E	PC3,4	119191	119148				
E15	118763	CH	45	5,7,5	X								B,E	PC3,4	119191	119148				
E17	118482	CH	45	2.1,5,6	X								B,E	PC3,4	119191	119148				
E17	118756	CH,BN	45	5,7,5	X								B,E	SUV1,2						
													B	PC3,4	119130	119178				
E13	118387	CG	15	2.1,5	X								B	PC3,4	119130	119178				
													B	PC3,4	119130	119178				
													B,E	PC3,4	119191	119148				
E16	118459	CH	45	2.1,4,2	X								B,E	PC3,4	119191	119148				
E16	118405	CH	45	2.1,5,6	X								B,E	PC3,4	119191	119148				
E16	118729	BN,CH	45	5,7,5	X								B,E	PC3,4						
E16	118729	BN,CH	45	5,7,5	X								B,E	PC3,4						
E12	118386	CG	20	2.1,5	X								B	PC3,4	119130	119178				
													B	PC3,4	119130	119178				
E16	118405	CH	45	2.1,5,6	X								B	SUV3,4	119130	119178	20320	20321	20224	
E10	118413	HG	20	2.1,4,2		E3	118245	BN,RD	10	7.5		4-Flat	B,Z	SUV3,4	119178	119130	20320	20321	20224	
E10	118248	CH	20	2.1,4,2	X	E10	118248	RD	20	2.1,4,2	X	4-Flat	B	SUV3	119130	119178	20320	20321	20224	
E10	118413	HG	20	2.1,4,2									B	SUV3,4	119130	118178				
E13	118449	CH	20	2.1,4,2	X								B,E	SUV3,4	119191	119148	20320	20321	20224	
E13	118449	CH	20	2.1,4,2	X								B,E	SUV3,4	119191	119148	20320	20321	20224	
E13	118449	CH	20	2.1,4,2	X		22119	BN	60			7-Way	B,E	SUV3,4	119191	119148	20320	20321	20224	
E13	118496	HG	10	2.1,7,5									B	PU3,4	119130	119178	20320	20321	20224	

- A** 2 wire system.
- B** 3 wire system. Converter required.
- BN** Exterior mounted plug on some or all models. May require an aftermarket electrical mounting box or bracket. (Sold separately)
- CG** T-One incorporates circuit protected taillight converter.
- CH** T-One is equipped with circuit protected Modulite® module.

- E** Modulite® required.
- HG** T-One incorporates taillight converter.
- RD** For vehicles equipped with factory tow package may require additional components or may be used as a replacement harness.
- Z** May be equipped with Factory Tow Prep Plug. Determine at time of installation.

- RT1** Round Tube Class I 1-1/4"
- RT3** Round Tube Class III 2"
- RT4** Round Tube Class IV 2"
- SQ1** Square Tube Class I
- SQ2** Square Tube Class II
- SQ3** Square Tube Class III
- SQ4** Square Tube Class IV

RECEIVER HITCHES

MODEL / STYLE	YEAR	TRAILER HITCHES									
		PC	REC TYPE	REC SIZE	PART #	NO DRILL	FOOTNOTES	OPTIONAL DRAWBAR	WC (LBS.)	WD (LBS.)	IN
TOYOTA (Continued)											
Hilux	13-14	53	SQ4	2	75730	0	AA,GP		900/6,000	900/9,000	60
Hilux	16-17	38	SQ4	2	75791	0	HM		800/8,000	800/8,000	45
Hilux SW4	14-14	38	SQ3	2	75914	0	HM		525/3,500		15
Land Cruiser	96-97	54	SQ3	2	41015	0	HM		500/5,000	750/6,000	30
Land Cruiser	98-99	45	SQ3	2	75095	0	GP		500/5,000	750/6,000	20
Land Cruiser	00-00	45	SQ3	2	75095	0	GP		500/5,000	750/6,000	20
Land Cruiser	01-02	45	SQ3	2	75095	0	GP		500/5,000	750/6,000	20
Land Cruiser	03-07	45	SQ3	2	75095	0	GP		500/5,000	750/6,000	20
Matrix	03-08	15	SQ1	1-1/4	24812	0	HM,UD	3593	200/2,000		15
Matrix	09-13	15	SQ1	1-1/4	24812	0	HM	3593	200/2,000		15
Matrix (Canada Only)	14-14	15	SQ1	1-1/4	24812	0	HM	3593	200/2,000		15
Prado	14-14	38	SQ4	2	75904	0	GP		825/5,500	825/5,500	15
Prius	04-09	24	SQ1	1-1/4	24808	0	HM,SC	3593	200/2,000		30
Prius Except w/Plug-In Model	10-15	18	SQ1	1-1/4	24847	0	HM,JR	3593	200/2,000		25
		25	SQ1	1-1/4	24967	0	GP,SV	3593	200/2,000		40
Prius	16-17	16	SQ1	1-1/4	24944†	0	DU,GP,SV	3593	200/2,000		45
Prius Hybrid	16-17	16	SQ1	1-1/4	24966	0	DU,GP,SV	3592	200/2,000		45
Prius C	12-17	23	SQ1	1-1/4	24889	0	GP	3593	200/2,000		20
Prius C	12-18	24	SQ1	1-1/4	24971	0	GP	3593	200/2,000		20
Prius Plug-In	12-15	25	SQ1	1-1/4	24967	0	GP,SV	3593	200/2,000		40
Prius Prime	17-18	16	SQ1	1-1/4	24966	0	DU,GP,SV	3592	200/2,000		45
Prius V	12-17	18	SQ1	1-1/4	24847	0	HM,JR	3593	200/2,000		25
		25	SQ1	1-1/4	24967	0	GP,SV	3593	200/2,000		40
RAV4	96-00	31	SQ1	1-1/4	24704	0	HM	3593	200/2,000		15
		31	SQ3	2	75125	0	RA		350/3,500		15
RAV4	01-05	31	SQ1	1-1/4	24704	0	HM	3593	200/2,000		15
		31	SQ3	2	75125	0			350/3,500		15
RAV4	06-12	24	RT2	1-1/4	36588	0	HM,JR,SV	36051	300/3,500		20
		20	RT3	2	75235	0	HM,JR,SV		675/4,500	675/4,500	20
RAV4	13-15	24	RT2	1-1/4	36588	0	HM,JR,SV	36051	300/3,500		20
		26	RT3	2	76134	0	JR,EP,GP,TA,HX,DU,SV		350/3,500		20
		20	RT3	2	75235	0	HM,JR,SV		675/4,500	675/4,500	20
RAV4	16-18	24	RT2	1-1/4	36588	0	HM,JR,SV,TW	36051	300/3,500		20
		26	RT3	2	76134	0	JR,EP,GP,TA,HX,DU,SV,TW		350/3,500		45
		20	RT3	2	75235	0	HM,JR,SV,TW		675/4,500	675/4,500	20
Sequoia Except Models w/OEM Hitch	01-02	57	SQ3	2	75126	0	CP		500/5,000	650/6,500	20
Sequoia Except Models w/OEM Hitch	03-07	57	SQ3	2	75126	0	CP		500/5,000	650/6,500	20
Sequoia w/Factory 7-Way	03-04										
Sequoia	08-10	19	SQ4	2	75649	0	AI		600/6,000	1,000/10,000	40
Sequoia	11-19	19	SQ4	2	75649	0	AI		600/6,000	1,000/10,000	40
Sienna	98-03	34	SQ2	1-1/4	36298	0	GP	36053	300/3,500		15
		34	SQ3	2	75120				350/3,500	500/5,000	30
Sienna	04-10	27	RT2	1-1/4	36513	0	HM,JR	36051	300/3,500		20
		23	RT3	2	75237	0	HM,SV,JR,SY		675/4,500	675/5,000	30
Sienna	11-14	27	RT2	1-1/4	36513	0	HM,JR,SV,SY	36051	300/3,500		20
		32	SQ4	2	76112	0	SV,JR,GP,TA,DU		525/3,500	525/3,500	60
		23	RT3	2	75237	0	HM,SV,JR,SY		675/4,500	675/5,000	30
Sienna Except SE	15-18	27	RT2	1-1/4	36513	0	HM,JR,SV,SY	36051	300/3,500		20
		32	SQ4	2	76112	0	SV,JR,GP,TA,DU		525/3,500	525/3,500	60
		23	RT3	2	75237	0	HM,SV,JR,SY		675/4,500	675/5,000	30
Sienna SE	15-18	27	RT2	1-1/4	36513	0	HM,JR,SV,SY	36051	300/3,500		20

AA Requires temporary removal of bumper during installation.
AI Additional installation time may be required.
CP Fits all models without factory installed receiver.
DU Fascia removal required.
EP Fascia trimming may be required.
GP Hitch cross-tube concealed behind bumper.
HM Hitch cross-tube is visible beneath bumper.
HX Minor exhaust modification may be required.

JR Exhaust must be temporarily lowered for installation.
RA Do not install on early 1996 models equipped with M10 fasteners.
SC Minor trimming of plastic trunk pan required.
SV Trimming or removal of under body appearance panel may be required.
SY Hitch cross-tube is visible beneath bumper with a more than normal gap between fascia and cross-tube.
TA Trunk access required for hitch installation.
TW Receiver hitch may limit hands-free liftgate sensor range
UD Fascia removal required on XR & XRS models.

T-ONE					TOW HARNESS					4-FLAT WIRING				REQ. 4 FLAT WIRING		7-WAY HARDWIRE	BRAKE CONTROL HARNESS	IN	
PC	T-ONE	FN	IN	AMP	CP	TOW HARN	FN	IN	AMP	CP	TYPE	ELEC	POS	CHOICE 1	CHOICE 2				6-WAY ADAPTER
TOYOTA (Continued)																			
												B	PU3,4	119130	119178	20320	20321	20224	
												B,E	PU3,4	119191	119148				
												B,E	PU3,4	119191	119148	20320	20321		
E5	118357	BN,HG	5	2.1,5								B	SUV6	119130	119178	20320	20321	20224	
E5	118365	BN,HG	5	2.1,5								B	SUV6	119130	119178	20320	20321	20224	
												B	SUV6	119130	119178	20320	20321	20224	
						E3	118245	BN,RD	10	7.5	4-Flat	B	SUV6	119130	119178	20320	20321	20224	
												B	SUV6	119130	119178	20320	20321	20224	3040-P
E12	118386	CG	20	2.1,5	X							B	SUV3,4	119130	119178				
E16	118460	CH	45	2.1,4,2	X							B,E	SUV3,4	119191	119148	20320	20321		
												B,E	SUV3,4	119191	119148	20320	20321		
												B,E	SUV3,4	119191	119148	20320	20321		
E16	118505	CH	25	2.1,5,6	X							B,E	PC3,4	119191	119148				
E16	118505	CH	25	2.1,5,6	X							B,E	PC3,4	119191	119148				
E17	118701	CH	45	4.2,7,5	X							B,E	PC3,4	119191	119148				
E17	118701	CH	45	4.2,7,5	X							B,E	PC3,4	119191	119148				
E13	118680	CH	25	4.2,7,5	X							B,E	PC3,4	119191	119148				
E13	118680	CH	25	4.2,7,5	X							B,E	PC3,4	119191	119148				
E16	118505	CH	25	2.1,5,6	X							B,E	PC3,4	119191	119148				
														119191	119148				
E13	118610	CH	45	2.1,5,6	X							B,E	PC3,4	119191	119148				
E12	118388	CG	20	2.1,5	X							B	SUV3,4	119130	119178	20320	20321	20224	
E12	118389	CG	20	2.1,5	X							B	SUV3,4	119130	119178	20320	20321	20224	
E16	118412	CH	45	2.1,4,2	X							B,E	SUV3,4	119191	119148	20320	20321	20224	
E16	118578	CH	45	4.2,7,5	X							B,E	SUV3,4	119191	119148	20320	20321	20224	
E16	118578	CH	45	4.2,7,5	X							B,E	SUV3,4	119191	119148	20320	20321	20224	
						E1	118246	BN,RD	5	7.5	4-Flat	B	SUV7	119130	119178	20320	20321	20224	
												D			119251	20320	20321		3040-P
								RD				RD	SUV6		119251				
E16	118412	CH	45	2.1,4,2	X							N	SUV3,4		119251	20320	20321		3040-P
												D			119251	20320	20321		3040-P
												B	SUV3,4	119130	119178	20320	20321	20224	
E10	118304		20	2.1,4,2								B	SUV1,2	119130	119178	20320	20321	20224	
E18	118498	CH	45	2.1,5,6	X							B,E	SUV1,2	119191	119148	20320	20321	20224	
E16	118648	CH	45	4.2,7,5	X							B,E	SUV1,2	119191	119148	20320	20321	20224	
E18	118498	CH	45	2.1,5,6	X							B,E	SUV1,2	119191	119148	20320	20321	20224	

B 3 wire system. Converter required.
BN Exterior mounted plug on some or all models. May require an aftermarket electrical mounting box or bracket. (Sold separately)
CG T-One incorporates circuit protected taillight converter.
CH T-One is equipped with circuit protected ModuLite® module.
D See auto dealer for trailer tow wiring kit.

E ModuLite® required.
HG T-One incorporates taillight converter.
N DO NOT cut or splice vehicle wiring. Only use approved T-One or see auto dealer for trailer tow wiring kit.
RD For vehicles equipped with factory tow package may require additional components or may be used as a replacement harness.

RT2 Round Tube Class II 1-1/4"
RT3 Round Tube Class III 2"
SQ1 Square Tube Class I
SQ2 Square Tube Class II
SQ3 Square Tube Class III
SQ4 Square Tube Class IV

MODEL / STYLE	YEAR	TRAILER HITCHES									
		PC	REC TYPE	REC SIZE	PART #	NO DRILL	FOOTNOTES	OPTIONAL DRAWBAR	WC (LBS.)	WD (LBS.)	IN
TOYOTA (Continued)											
Solara	99-03	35	SQ1	1-1/4	24715	0	HM, JR	3593	200/2,000		15
		23	SQ2	1-1/4	36336		HM	36061	300/3,500		15
Solara	04-06	39	SQ2	1-1/4	36378	0	JR, HM	36061	300/3,500		15
Solara	07-08	39	SQ2	1-1/4	36378	0	JR, HM	36061	300/3,500		15
T100	93-98	59	SQ3	2	75144	0	CN		500/5,000	700/7,000	45
Tacoma (App. starts with 95-1/2)	95-04	32	SQ3	2	75078	0	GP		500/5,000	550/5,500	40
Tacoma Except X-Runner	05-08	15	SQ3	2	75236	0	GP		500/5,000	550/5,500	30
Tacoma Except X-Runner	09-15	15	SQ3	2	75236	0	GP		500/5,000	550/5,500	30
Tacoma w/Factory 7-Way	09-12										
Tacoma	16-19	20	SQ4	2	75238	0	GP		1,050/7,000	1,200/8,000	20
Tercel Sedan	91-98	31	SQ1	1-1/4	24606	0	HM	3593	200/2,000		30
Tundra	00-00	49	RT3	2	37133				500/5,000	750/7,500	35
		30	SQ3	2	75105	0	GP		500/5,000	750/7,500	15
		54	RT4	2	37130				700/7,000	1,200/12,000	30
Tundra	01-02	49	RT3	2	37133				500/5,000	750/7,500	35
		30	SQ3	2	75105	0	GP		500/5,000	750/7,500	15
		54	RT4	2	37130				700/7,000	1,200/12,000	30
Tundra	03-06	49	RT3	2	37133				500/5,000	750/7,500	35
		30	SQ3	2	75105	0	GP		500/5,000	750/7,500	15
		54	RT4	2	37130				700/7,000	1,200/12,000	30
Tundra w/Factory 7-Way	03-06										
Tundra (See Footnote CP)	07-09	25	RT4	2	75527	0	CP, HM		600/6,000	800/8,000	20
		70	SQ5	2	41935	0	@, CP, HM		1,200/12,000	1,400/14,000	30
Tundra (See Footnote CP)	10-14	25	RT4	2	75527	0	CP, HM		600/6,000	800/8,000	20
		70	SQ5	2	41935	0	@, CP, HM		1,200/12,000	1,400/14,000	30
Tundra w/Factory 7-Way	10-13										
Tundra (See Footnote CP)	15-17	25	RT4	2	75527	0	CP, HM		600/6,000	800/8,000	20
		70	SQ5	2	41935	0	@, CP, HM		1,200/12,000	1,400/14,000	30
Tundra (See Footnote CP)	18-19	25	RT4	2	75527	0	CP, HM		600/6,000	800/8,000	20
		70	SQ5	2	41935	0	@, CP, HM		1,200/12,000	1,400/14,000	30
Venza	09-16	29	RT2	1-1/4	36512	0	HM, JR	36061	300/3,500		20
		38	RT3	2	75663	0	HM, JR		350/3,500	400/4,000	20
Yaris 3 Dr. Liftback	07-11	11	SQ1	1-1/4	24819	0	GP	3593	200/2,000		20
Yaris 3 Dr. Liftback	07-14	14	SQ1	1-1/4	24911	0	GP	3593	200/2,000		20
Yaris 4 Dr. Sedan	07-11	11	SQ1	1-1/4	24819	0	GP	3593	200/2,000		20
Yaris 5 Dr. Liftback, Except SE	07-14	14	SQ1	1-1/4	24911	0	GP	3593	200/2,000		20
Yaris 5 Dr. Liftback	09-11	11	SQ1	1-1/4	24819	0	GP	3593	200/2,000		20
Yaris Except SE	15-19	16	SQ1	1-1/4	24929	0	GP, EP	3593	200/2,000		25
Yaris iA	17-18	32	RT1	1-1/4	24948	0	HM	3593	200/2,000		30
VOLKSWAGEN											
Amarok (International Only)	13-13	59	SQ3	2	75808	0	HM		600/4,000	800/8,000	30
Atlas	18-19	30	SQ2	1-1/4	36635	0	GP	36051	350/3,500		25
		31	SQ4	2	76176		GP		900/6,000	900/6,000	25
Beetle	98-01	39	SQ1	1-1/4	24679		TA, GP	3593	200/2,000		30
Beetle Except Turbo S	02-10	39	SQ1	1-1/4	24679		TA, GP	3593	200/2,000		30
Beetle Except Convertible & Gas Turbo	12-13	28	SQ1	1-1/4	24877	0	HM, JR	3594	200/2,000		20
Beetle Gas Turbo, Except Convertible	12-13	29	SQ1	1-1/4	24879		GP, JR	3594	200/2,000		30
Beetle Except R-Line & GSR	14-17	28	SQ1	1-1/4	24922	0	HM	3593	200/2,000		20
Beetle	18-18										
CC Except 4 Motion	09-12	22	SQ1	1-1/4	24848		HM, JR, X	3594	200/2,000		35
CC Except 4 Motion	13-17	22	SQ1	1-1/4	24848		HM, JR, X	3594	200/2,000		35

@ Ultra Frame ball mount must be used to achieve maximum weight carrying rating.
 CN Requires OEM factory bumper for hitch installation.
 CP Fits all models without factory installed receiver.
 EP Fascia trimming may be required.
 GP Hitch crosstube concealed behind bumper.

HM Hitch crosstube is visible beneath bumper.
 JR Exhaust must be temporarily lowered for installation.
 TA Trunk access required for hitch installation.
 X Minor fascia trimming required.

T-ONE					TOW HARNESS					4-FLAT WIRING				REQ. 4 FLAT WIRING		7-WAY HARDWIRE	BRAKE CONTROL HARNESS	IN	
PC	T-ONE	FN	IN	AMP	CP	TOW HARN	FN	IN	AMP	CP	TYPE	ELEC	POS	CHOICE 1	CHOICE 2				6-WAY ADAPTER
TOYOTA (Continued)																			
												B	PC3,4	119130	119178				
												B	PC3,4	119130	119178				
												B,E	PC3,4	119191	119148				
E13	118496	HG	10	2.1,7.5								B	PU3,4	119130	119178	20320	20321	20224	
E14	118379	BN,HG	10	2.1,5								B	PU1,2	119130	119178	20320	20321	20224	
E13	118496	HG	10	2.1,7.5								B	PU1,2	119130	119178	20320	20321	20224	3040-P
E13	118496	HG	10	2.1,7.5		E8	118384	BN,RD	5	7.5	4-Flat	B,E	PU1,2	119191	119148	20320	20321	20224	3040-P
							74682	RD	10		Both	H	PU3	119148	20252				
							85219	RD	5		7-Way								
E21	118685	BN,CH	45	5,7.5	X		22117		60		7-Way	B,E	PU1,2	119191	119148				3031-P
												B	PC3,4	119130	119178				
E15	118367	BN,CH	10	7.5								B,E	PU3	119191	119148	20320	20321	20224	
E17	118378	BN,CH	10	7.5								B,E	PU3	119191	119148	20320	20321	20224	
												B,E	PU3,4	119191	119148	20320	20321	20224	3040-P
							20137	RD	10		Both	B,E	PU3,4	119191	119148				
												A	PU3	119148	20252	20320	20321	20224	3040-P
						E8	118384	BN,RD	5	7.5	4-Flat	A	PU3	119148	20252	20320	20321	20224	3040-P
							74682	RD	10		Both	H	PU3	119148	20252				
							85219	RD	5		7-Way								
						E8	118384	BN,RD	5	7.5	4-Flat	A	PU3	119148	20252	20320	20321	20224	3031-P
												A	PU3						
E17	118482	CH	45	2.1,5,6	X							B,E	SUV3,4	119191	119148	20320	20321	20224	
												B	PC3,4	119130	119178				
												B	PC3,4	119130	119178				
E18	118517	CH	45	2.1,5,6	X							B	PC3,4	119130	119178				
												B	PC3,4	119130	119178				
												B	PC3,4	119130	119178				
E16	118661	CH	45	4.2,7.5	X							B,E	PC3,4	119191	119148				
E15	118728	CH,BN	45	5,7.5	X							B,E	PC1,2	119191	119148				
VOLKSWAGEN																			
E19	118754	CH	45	5,7.5	X	E8	118384	BN,RD	5	7.5	4-Flat	BM	PU3	119251	119191	20320	20321		
												BT	SUV3,4						
												B	PC1,2	119130	119178				
												B	PC1,2	119130	119178				
E17	118688	CH	45	4.2,7.5	X							B,E	PC3,4	119251	119191				
E17	118688	CH	45	4.2,7.5	X							B,E	PC3,4	119251	119191				
E17	118688	CH	45	4.2,7.5	X							B,E	PC3,4	119251	119191				
E17	118688	CH	45	4.2,7.5	X							B,E	PC3,4	119251	119191				
												BT	PC1,2	119251	119191				
E16	118714	CH	45	4.2,7.5	X							A,E	PC3,4	119251	119148				

- A** 2 wire system.
- B** 3 wire system. Converter required.
- BM** Multiplexed wiring system. ModuLite® HD Plus or Ultra required.
- BN** Exterior mounted plug on some or all models. May require an aftermarket electrical mounting box or bracket. (Sold separately)
- BT** Shared Brake/Tail multiplexed wiring system. ModuLite® HD Plus or Ultra required.
- CH** T-One is equipped with circuit protected ModuLite® module.
- E** ModuLite® required.
- H** 3 wire system with OEM standard 2 wire harness.
- HG** T-One incorporates taillight converter.
- RD** For vehicles equipped with factory tow package may require additional components or may be used as a replacement harness.

- RT1** Round Tube Class I 1-1/4"
- RT2** Round Tube Class II 1-1/4"
- RT3** Round Tube Class III 2"
- RT4** Round Tube Class IV 2"
- SQ1** Square Tube Class I
- SQ2** Square Tube Class II
- SQ3** Square Tube Class III
- SQ4** Square Tube Class IV
- SQ5** Square Tube Class V

RECEIVER HITCHES

MODEL / STYLE	YEAR	TRAILER HITCHES									
		PC	REC TYPE	REC SIZE	PART #	NO DRILL	FOOTNOTES	OPTIONAL DRAWBAR	WC (LBS.)	WD (LBS.)	IN
VOLKSWAGEN (Continued)											
Eos	07-13	25	SQ1	1-1/4	24824	0	GP, JR	3594	200/2,000		40
Golf	99-06	39	SQ1	1-1/4	24679		TA, GP	3594	200/2,000		30
Golf 2 Dr. Hatchback, Except R	10-13	19	SQ1	1-1/4	24825	0	HM	3594	200/2,000		15
Golf 4 Dr. Hatchback, Except R	10-14	19	SQ1	1-1/4	24825	0	HM	3594	200/2,000		15
Golf Hatchback (Canada Only), Except R	10-13	19	SQ1	1-1/4	24825	0	HM	3594	200/2,000		15
Golf Wagon (Canada Only)	10-14	23	SQ1	1-1/4	24866	0	HM, JR, TA	3594	200/2,000		40
Golf	15-17	25	SQ1	1-1/4	24925	0	TA, FE, GP	3593	200/2,000		60
Golf Except Sportwagen Models	18-18										
Golf Alltrack	17-17	19	SQ1	1-1/4	24949	0	EP, GP, DU, AA	3590	200/2,000		60
Golf Alltrack	18-18	19	SQ1	1-1/4	24949	0	EP, GP, DU, AA	3590	200/2,000		60
Golf City (Canada Only)	07-10	39	SQ1	1-1/4	24679		TA, GP	3594	200/2,000		30
Golf R	15-18	30	SQ1	1-1/4	24975	0	DU, GP, TA, X	3593	200/2,000		75
Golf SportWagen	15-15	19	SQ1	1-1/4	24949	0	EP, GP, DU, AA	3590	200/2,000		60
Golf SportWagen	16-17	19	SQ1	1-1/4	24949	0	EP, GP, DU, AA	3590	200/2,000		60
GTI 2 Dr. Hatchback	06-09	19	SQ1	1-1/4	24825	0	HM	3594	200/2,000		15
GTI 4 Dr. Hatchback	07-09	19	SQ1	1-1/4	24825	0	HM	3594	200/2,000		15
GTI Hatchback	10-14	28	SQ1	1-1/4	24904	0	JR, KH, GP	3594	200/2,000		40
GTI Hatchback (Canada Only)	10-12	28	SQ1	1-1/4	24904	0	JR, KH, GP	3594	200/2,000		40
GTI	16-17	25	SQ1	1-1/4	24925	0	TA, FE, GP	3593	200/2,000		60
Jetta Jetta III	94-98	35	SQ1	1-1/4	24594		GP	3592	200/2,000		30
Jetta Sedan, Except Gas Turbo & Wagon	99-04	29	SQ1	1-1/4	24748		TA, HM	3593	200/2,000		30
Jetta 4 Dr. Sedan	05-10	23	SQ1	1-1/4	24866	0	HM, JR, TA	3594	200/2,000		40
Jetta Sedan, Except Gas Turbo & Wagon	05-05	29	SQ1	1-1/4	24748		TA, HM	3593	200/2,000		30
Jetta SportWagon	09-14	23	SQ1	1-1/4	24866	0	HM, JR, TA	3594	200/2,000		40
Jetta 4 Dr. Sedan	11-14	23	SQ1	1-1/4	24866	0	HM, JR, TA	3594	200/2,000		40
Jetta 4 Dr. Sedan, Except Hybrid & TDI	15-18	33	RT1	1-1/4	24926	0	JR, HM, TA, SV	3593	200/2,000		40
Jetta	19-19	37	SQ1	1-1/4	24978	0	GP, AA, X, TA	3593	200/2,000		80
Jetta City Sedan (Canada Only)	07-09	29	SQ1	1-1/4	24748		TA, HM	3593	200/2,000		30
Passat 4 Dr. Sedan, Except 4 Motion & W8 Engine	99-05	20	SQ1	1-1/4	24698		RB, TA, HM	3593	200/2,000		40
Passat Wagon, Except 4 Motion & W8 Engine	99-05	20	SQ1	1-1/4	24698		RB, TA, HM	3593	200/2,000		40
Passat 4 Dr. Sedan, Except 4 Motion	06-10	22	SQ1	1-1/4	24848		HM, JR, X	3594	200/2,000		35
Passat Wagon, Except 4 Motion	07-10	22	SQ1	1-1/4	24848		HM, JR, X	3594	200/2,000		35
Passat 4 Dr. Sedan	12-15	34	SQ1	1-1/4	24880	0	EP, GP, JR, SV, TA	3590	200/2,000		30
Passat Except SE & SEL	16-16	34	SQ1	1-1/4	24880	0	EP, GP, JR, SV, TA, TW	3590	200/2,000		30
Passat SE & SEL Only	16-16	34	SQ1	1-1/4	24880	0	EP, GP, JR, SV, TA, TW	3590	200/2,000		30
Passat	17-17	34	SQ1	1-1/4	24880	0	EP, GP, JR, SV, TA, TW	3590	200/2,000		30
Rabbit	06-09	19	SQ1	1-1/4	24825	0	HM	3594	200/2,000		15
Routan	09-12	24	SQ2	1-1/4	36455	0	GP, JR	36061	300/3,500		20
		19	SQ3	2	75579	0	GP, JR		400/4,000	500/5,000	20
Routan (Canada Only)	13-14	24	SQ2	1-1/4	36455	0	GP, JR	36061	300/3,500		20
		19	SQ3	2	75579	0	GP, JR		400/4,000	500/5,000	20
Tiguan	09-11	10	SQ2	1-1/4	36474	0	EP, HM	36051	300/3,500		20
		10	SQ3	2	75658	0	EP		350/3,500		20
Tiguan	12-17	10	SQ2	1-1/4	36474	0	EP, HM	36051	300/3,500		20
		10	SQ3	2	75658	0	EP		350/3,500		20
Tiguan	18-18	25	SQ2	1-1/4	36650	0	GP, JR	36051	350/3,500		20
		26	SQ3	2	76192	0	EP, GP, JR		675/4,500	675/4,500	40
Tiguan Limited	18-18										
Touareg	04-10	47	SQ4	2	75363		AA, RB		600/6,000	600/6,000	90
Touareg	11-17	45	SQ4	2	75950	0	GP, EP, TA		750/7,500		70
Transporter	93-03										

AA Requires temporary removal of bumper during installation.
 DU Fascia removal required.
 EP Fascia trimming may be required.
 FE Fascia trimming may be required. Allow additional installation time.
 GP Hitch crosstube concealed behind bumper.
 HM Hitch crosstube is visible beneath bumper.
 JR Exhaust must be temporarily lowered for installation.

KH Minor heat shield modification may be required.
 RB Hitch installation can be made easier with a "cutter" type drill bit.
 SV Trimming or removal of under body appearance panel may be required.
 TA Trunk access required for hitch installation.
 TW Receiver hitch may limit hands-free liftgate sensor range
 X Minor fascia trimming required.

T-ONE						TOW HARNESS						4-FLAT WIRING				REQ. 4 FLAT WIRING		7-WAY HARDWIRE	BRAKE CONTROL HARNESS	IN
PC	T-ONE	FN	IN	AMP	CP	PC	TOW HARN	FN	IN	AMP	CP	TYPE	ELEC	POS	CHOICE 1	CHOICE 2	6-WAY ADAPTER			
VOLKSWAGEN (Continued)																				
													BM	PC3.4	119251	119191				
													B	PC1.2	119130	119178				
													BT	PC1.2	119251	119191				
													BT	PC1.2	119251	119191				
													BT	PC1.2	119251	119191				
													BM	PC3.4	119251	119191				
E20	118646	CH	45	4.2,7.5	X								BT	PC3.4	119251	119191				
E20	118646	CH	45	4.2,7.5	X								BTT	PC3.4	119251	119191				
E17	118730	CH	45	5.7.5	X								B,E	PC3.4						
													B,E	PC3.4						
													B	PC1.2	119130	119178				
E19	118787	CH	45	5.7.5	X															
													A,E	PC3.4	119191	119148				
E17	118730	CH	45	5.7.5	X								A,E	PC3.4	119191	119148				
													BT	PC1.2	119192	119191				
													BT	PC1.2	119251	119191				
													BM	PC3.4	119251	119191				
													BM	PC3.4	119251	119191				
													BT	PC3.4	119251	119191				
													B	PC3.4	119130	119178				
													B	PC3.4	119130	119178				
E22	118667	CH	45	4.2,7.5	X								BT	PC3.4	119251	119191				
													B	PC3.4	119130	119178				
													B,E	PC3.4	119191	119148				
E27	118572	CH	45	4.2,7.5	X								B,E	PC3.4	119191	119148				
E27	118572	CH	45	4.2,7.5	X								B,E	PC3.4	119191	119148				
													B,E	PC3.4	119191	119148				
													B	PC3.4	119130	119178				
													B	PC3.4	119130	119178				
E25	118562	CH	45	4.2,7.5	X								BM	PC1.2	119251	119191				
E22	118530	CH	45	4.2,7.5	X								BM	PC1.2	119251	119191				
E20	118646		45	4.2,7.5	X								BT	PC3.4	119251	119191				
E20	118721	CH	45		X								BT	PC3.4	119251	119191				
E20	118742	CH	45	5.7.5	X								A,E	PC3.4						
E20	118721	CH	45		X								BT	PC3.4	119251	119191				
													BT	PC1.2	119251	119191				
E7	118490		20	7.5									A	SUV1.2	119148	20252	20320	20321	20224	
													A	SUV1.2	119148	20252	20320	20321	20224	
													BT	SUV1.2	119251	119191	20320	20321		
E20	118675	CH,BN	45	4.2,7.5	X								BT	SUV1.2	119251	119191	20320	20321	20224	
E18	118765	CH	45	5.7.5	X								N	SUV1.2		119251				
E20	118675	CH,BN	45	4.2,7.5	X								BT	SUV1.2	119251	119191	20320	20321	20224	
E24	118509	CH	45	4.2,7.5	X								B,E	SUV3.4	119191	119148	20320	20321	20224	
E18	118668	CH	45	4.2,7.5	X								BT	SUV1.2	119192	119191	20320	20321	20224	

A 2 wire system.
B 3 wire system. Converter required.
BM Multiplexed wiring system. ModuLite® HD Plus or Ultra required.
BN Exterior mounted plug on some or all models. May require an aftermarket electrical mounting box or bracket. (Sold separately)
BT Shared Brake/Tail multiplexed wiring system. ModuLite® HD Plus or Ultra required.

BTT Shared Brake/Tail/Turn multiplexed wiring system. ModuLite® HD Plus or Ultra required.
CH T-One is equipped with circuit protected ModuLite® module.
E ModuLite® required.
N DO NOT cut or splice vehicle wiring. Only use approved T-One or see auto dealer for trailer tow wiring kit.

RT1 Round Tube Class I 1-1/4"
SQ1 Square Tube Class I
SQ2 Square Tube Class II
SQ3 Square Tube Class III
SQ4 Square Tube Class IV

RECEIVER HITCHES

MODEL / STYLE	YEAR	TRAILER HITCHES									
		PC	REC TYPE	REC SIZE	PART #	NO DRILL	FOOTNOTES	OPTIONAL DRAWBAR	WC (LBS.)	WD (LBS.)	IN
VOLVO											
850 Sedan	93-97	29	SQ2	1-1/4	36262		GP, JR	36061	300/3,500		20
850 Wagon	94-97	29	SQ2	1-1/4	36262	0	GP	36061	300/3,500		20
C30	08-10	28	SQ1	1-1/4	24811		HM, JR, KH	3593	200/2,000		45
C70 Convertible	98-04	29	SQ2	1-1/4	36262		GP, JR	36061	300/3,500		20
C70 Coupe	98-02	29	SQ2	1-1/4	36262		GP, JR	36061	300/3,500		20
S40 Sedan (App. starts with 2004-1/2)	04-11	27	SQ1	1-1/4	24781	0	GP, JR	3594	200/2,000		25
S60 Sedan	01-09	37	SQ2	1-1/4	36297	0	HM, JR	36061	300/3,500		15
S60 Sedan	11-13	27	SQ3	2	75916	0	DU, EP, GP		400/4,000		70
S60 Sedan	14-18	27	SQ3	2	75916	0	DU, EP, GP		400/4,000		70
S70 Sedan	98-00	29	SQ2	1-1/4	36262		GP, JR	36061	300/3,500		20
S80 Sedan	07-16	24	SQ2	1-1/4	36466	0	HM, JR, KH	36061	300/3,500		35
S90	17-18										
V50 Wagon, Except T5 R-Design	05-10	27	SQ1	1-1/4	24781	0	GP, JR	3594	200/2,000		25
V60 (App. starts with 2015-1/2)	15-17	27	SQ3	2	75916	0	DU, EP, GP		400/4,000		70
V70 Wagon	98-00	29	SQ2	1-1/4	36262	0	GP	36061	300/3,500		20
V70 Wagon	01-02	37	SQ2	1-1/4	36297	0	HM, JR	36061	300/3,500		15
V70 Wagon	03-07	37	SQ2	1-1/4	36297	0	HM, JR	36061	300/3,500		15
V70 Wagon	08-10	27	SQ3	2	75916	0	DU, EP, GP		400/4,000		70
XC40	19-19	28	SQ3	2	76245	0	DU, AA, GP, TA		600/4,000		70
XC60	10-17	33	SQ3	2	75671	0	GP, JR, KH, SR		400/4,000	450/4,500	45
XC60	14-14	25	SQ3	2	76116	0	JR, AG, KH		400/4,000	450/4,500	30
XC60	15-17	25	SQ3	2	76116	0	JR, AG, KH		400/4,000	450/4,500	30
XC60	18-19	30	SQ4	2	76194	0	AA, DU, EP, GP, KH		900/6,000		65
XC70 Wagon, AWD	03-07	37	SQ2	1-1/4	36297	0	HM, JR	36061	300/3,500		15
XC70	08-16	27	SQ3	2	75916	0	DU, EP, GP		400/4,000		70
XC90	03-04	36	SQ3	2	75152	0	JR		500/5,000	500/5,000	25
XC90	05-14	36	SQ3	2	75152	0	JR		500/5,000	500/5,000	25
XC90	16-19	34	SQ4	2	76014f	0	GP, JR, KH, X, TA		900/6,000		90
		30	SQ4	2	76190	0			900/6,000		45

AA	Requires temporary removal of bumper during installation.	JR	Exhaust must be temporarily lowered for installation.
AG	Drawbar Kit & Accessory Adapter sold separately.	KH	Minor heat shield modification may be required.
DU	Fascia removal required.	SR	Only use ball mounts with 8-1/2" length : 3/4" rise : 2" drop for this vehicle.
EP	Fascia trimming may be required.	TA	Trunk access required for hitch installation.
GP	Hitch crosstube concealed behind bumper.	X	Minor fascia trimming required.
HM	Hitch crosstube is visible beneath bumper.		

T-ONE					TOW HARNESS						4-FLAT WIRING				REQ. 4 FLAT WIRING		7-WAY HARDWIRE	BRAKE CONTROL HARNESS	IN	
PC	T-ONE	FN	IN	AMP	CP	PC	TOW HARN	FN	IN	AMP	CP	TYPE	ELEC	POS	CHOICE 1	CHOICE 2				6-WAY ADAPTER
VOLVO																				
													E	PC3,4	119191	119148				
													E	PC3,4	119191	119148				
													B,E	PC3,4	119191	119148				
													E	PC3,4	119191	119148				
													E	PC3,4	119191	119148				
													B,E	PC3,4	119191	119148				
													E	PC3,4	119191	119148				
													B,E	PC3,4	119191	119148	20320	20321		
E15	118770	CH	45	5,7.5	X								B,E	PC3,4	119191	119148	20320	20321		
E19	118454	CH	45	2,1,5,6	X								E	PC3,4	119191	119148				
E14	118683	CH	20	4,2,7,5	X								B,E	SUV3,4						
													E	PC3,4	119191	119148				
E16	118647	CH	45	4,2,7,5	X								B,E	PC3,4	119191	119148				
													E	PC1,2	119191	119148				
													E	PC1,2	119191	119148				
													B,E	PC1,2	119191	119148				
E15	118463	CH	45	2,1,5,6	X								B,E	SUV3,4	119191	119148	20320	20321	20224	
E15	118792	CH	45	5,7,5	X								B,E	SUV1,2	119191	119148				
E20	118523	CH	45	4,2,7,5	X								B,E	SUV3,4	119191	119148	20320	20321	20224	
E20	118523	CH	45	4,2,7,5	X								B,E	SUV3,4	119191	119148	20320	20321	20224	
													B,E	SUV3,4	119191	119148	20320	20321	20224	
E16	118773	CH	45	5,7,5	X								B,E	SUV3,4	119191	119148				
													B,E	PC1,2	119191	119148				
E17	118774	CH	45	5,7,5	X								B,E	SUV3,4	119191	119148	20320	20321	20224	
													B,E	SUV3,4	119191	119148	20320	20321	20224	
E18	118411	CH	20	2,1,5,6	X								B,E	SUV3,4	119191	119148	20320	20321	20224	
E14	118683	CH	20	4,2,7,5	X								B,E	SUV3,4	119191	119148	20320	20321	20224	

B 3 wire system. Converter required.
CH T-One is equipped with circuit protected ModuLite® module.

E ModuLite® required.

SQ1 Square Tube Class I
SQ2 Square Tube Class II
SQ3 Square Tube Class III
SQ4 Square Tube Class IV

ELECTRICAL APPLICATION FOOTNOTES

A	2 wire system.
B	3 wire system. Converter required.
BM	Multiplexed wiring system. ModuLite® HD Plus or Ultra required.
BN	Exterior mounted plug on some or all models. May require an aftermarket electrical mounting box or bracket. (Sold separately)
BT	Shared Brake/Tail multiplexed wiring system. ModuLite® HD Plus or Ultra required.
BTT	Shared Brake/Tail/Turn multiplexed wiring system. ModuLite® HD Plus or Ultra required.
C	2 or 3 wire system determine at installation.
CE	T-One includes fuse(s) & relay(s). Converter not required. Standard 2 wire system at factory tow plug.
CG	T-One incorporates circuit protected taillight converter.
CH	T-One is equipped with circuit protected ModuLite® module.
D	See auto dealer for trailer tow wiring kit.
E	ModuLite® required.
FV	2003 Models w/Build date after 11/1/02.
FW	2003 Models w/Build date before 11/1/02.
G	Low-side switching system.
H	3 wire system with OEM standard 2 wire harness.
HG	T-One incorporates taillight converter.
HJ	Per Dodge owner's manual: If trailer is equipped with more than standard lighting (1 taillight per side) use of ModuLite® or dealer supplied harness is required.
JM	Some early production 1994 models may require #118348.
LS	T-One incorporates low-side switching taillight converter. Additional installation time required.
M	Will fit with heavy-duty suspension.
N	DO NOT cut or splice vehicle wiring. Only use approved T-One or see auto dealer for trailer tow wiring kit.
QP	Will not fit vehicles with backup sensors built into rear bumper.
RD	For vehicles equipped with factory tow package may require additional components or may be used as a replacement harness.
RW	On some models it may require an upgraded flasher or ModuLite®.
TR	Trimming or Modification of the vehicle connector may be required.
Z	May be equipped with Factory Tow Prep Plug. Determine at time of installation.

HITCH APPLICATION FOOTNOTES

#	Titan hitches require use of a 2-1/2" shank Titan ball mount.
@	Ultra Frame ball mount must be used to achieve maximum weight carrying rating.
†	Available while supply lasts.
AA	Requires temporary removal of bumper during installation.
AB	Requires four (4) 3/8" spacer blocks (#01077011) for installation. (Sold separately)
AE	Requires temporary removal of muffler during installation.
AF	Hitch is ONLY rated for Weight Carrying at 3500 lbs. GTW / 350 lbs. TW and DO NOT use Weight Distribution Spring Bars for this Specific Vehicle. Except for long bed pickups.
AG	Drawbar Kit & Accessory Adapter sold separately.
AI	Additional installation time may be required.
AL	Additional installation time required for vehicles equipped with load leveling compressor.
AW	Will not fit Turbo models.
BF	Requires standard bumper. Will not fit with step bumper.
BN	Exterior mounted plug on some or all models. May require an aftermarket electrical mounting box or bracket. (Sold separately)
BY	Minor repositioning of muffler required.
CA	Models with dual exhaust require exhaust modification.
CC	Requires minimum of 19" from end of frame rail to spring shackle bracket.
CH	T-One is equipped with circuit protected ModuLite® module.
CN	Requires OEM factory bumper for hitch installation.
CO	Will not fit 8 ft. 2500/3500 Series with heavy-duty suspension or four door Crew Cab.
CP	Fits all models without factory installed receiver.
CQ	Will not fit with heavy duty suspension.
CR	Fits with mini spare tire stowed under vehicle. Will not fit with full size spare.
CS	Will fit with full-size spare tire stowed under vehicle.
GT	Will not fit long bed models after 1999.

ELECTRICAL POSITIONS

Passenger Cars (PC)

Passenger car wiring positions are referenced by the letters PC and a number. Use the illustration to identify the wiring location for all passenger cars.

- PC1** - Behind driver side taillight - externally
- PC2** - Behind passenger side taillight - externally
- PC3** - Inside trunk behind driver side taillight - internally
- PC4** - Inside trunk behind passenger side taillight - internally
- PC5** - Under vehicle, driver side
- PC6** - Under vehicle, center
- PC7** - Under vehicle, passenger side



Pickup Trucks, Full & Mid-Size (PU)

Pickup truck wiring positions are referenced by the letters PU and a number. Use the illustration to identify the wiring location for all trucks.

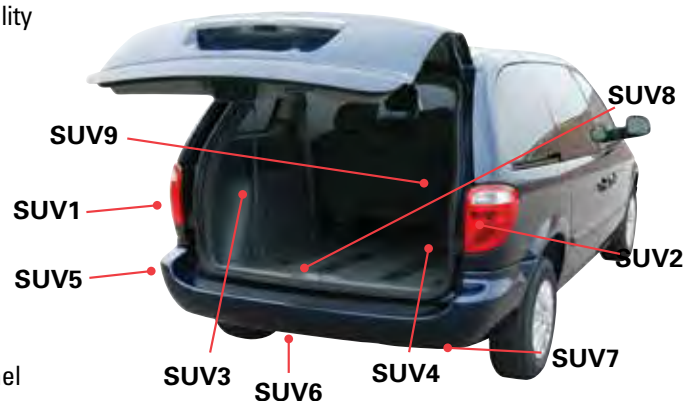
- PU1** - Behind driver side taillight
- PU2** - Behind passenger side taillight
- PU3** - Under vehicle, driver side
- PU4** - Under vehicle, passenger side
- PU5** - Under vehicle, center

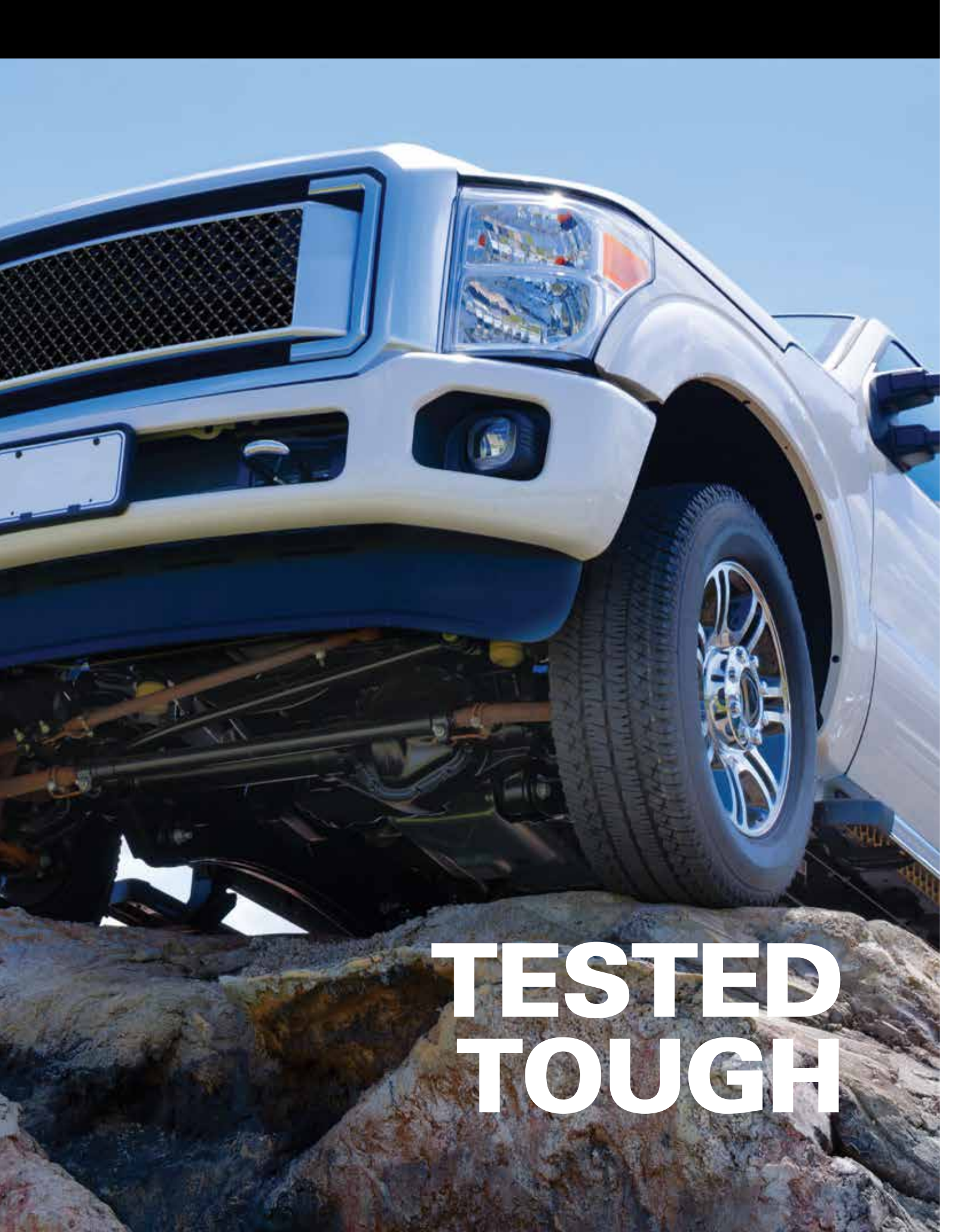


Sport Utility, Van & Mini-Vans (SUV)

Sport utility, vans & mini-van wiring positions are referenced by the letters SUV and a number. Use the illustration to identify the wiring location for all sport utility vehicles, vans and mini-vans.

- SUV1** - Behind driver side taillight
- SUV2** - Behind passenger side taillight
- SUV3** - Behind driver side trim panel
- SUV4** - Behind passenger side trim panel
- SUV5** - Under vehicle, driver side
- SUV6** - Under vehicle, center
- SUV7** - Under vehicle, passenger side
- SUV8** - Inside vehicle, center
- SUV9** - Inside vehicle, passenger side, behind panel near rear seat





**TESTED
TOUGH**



Draw-Tite® components are designed and manufactured to work best with other Draw-Tite® products, and all are engineered to the same exacting standards for years of worry-free performance.

HITCH ACCESSORIES

HITCH ACCESSORIES



3-IN HITCH ACCESSORIES

HEAVY-DUTY TOWING'S UNRIVALED LEADER

Draw-Tite®'s complete line of 3-in receiver accessories that once again sets the bar in total capacity and quality. Designed to meet the heavy-duty demands of trucks with 21,000 lb of towing capacity, this new line provides not only the strongest, but the deepest drop ball mounts available in the marketplace.

3-in RECEIVER BALL MOUNTS

Fits 3-in Square Receiver
Tube Opening

- Up-rated 21,000 lb towing capacity (2,100 lb TW)
- Metalshield™ finish

40700 – 4-in Drop

40701 – 6-in Drop

40702 – 8-in Drop

40703 – 10-in Drop



3-in to 2-1/2-in RECEIVER ADAPTER

Use 2.5-in Accessories in 3-in Receiver Hitch Box Openings.

- Reduced sleeve adapter integrates with all Class V accessories
- Reinforced welded collar for greater capacity
- Ideal conversion for emerging 3-in receivers on heavy-duty trucks

58550 – With Collar **58552** – Standard



4-in SPAN PIN & CLIP

Designed to fit 3-in Receiver Openings

- 5/8-in pin diameter, sleeved to 3/4-in

63258



4-in SPAN DOGBONE LOCK

Designed to fit 3-in Receiver Openings

- 5/8-in pin diameter, sleeved to 3/4-in

63259

4-in SPAN PROFESSIONAL LOCK

Designed to fit 3-in Receiver Openings

- 5/8-in pin diameter, sleeved to 3/4-in
- Ball bearing pick-proof design

63260

2-5/16-in HITCH BALL

Heavy-Duty Class V Chrome

- 1-1/4-in shank, 2-1/2-in long
- 25,000 lb capacity

63864

36-in SAFETY CHAIN

A Chain and Hook Heavy-Duty Enough for 3-in

- Safety chain, Class V 35 inch, 1/2-in proof coil, 3/8-in clevis slip hook w/latch, high test grade 70
- 26,400 lb GTW

63451



HITCH BALLS

HITCH ACCESSORIES



Chrome Individual packaging

HITCH BALLS

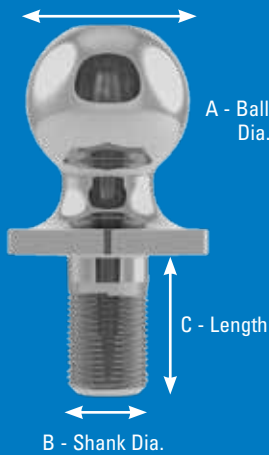
- Solid steel hitch balls engineered to meet all safety requirements of VESC regulation V-5
- Forged for superior strength
- When installing hitch balls, torque all 3/4-in shank dia. balls to 160-ft lb, all 1-in shank dia. balls to 250-ft lb, all 1-1/4-in shank dia. balls to 450-ft lb

Shank Dia. (B)	Shank Length (C)	Drawbar Thickness Range	GTW / GVWR Rating	Zinc Bulk	Zinc Ind. Packaged	Chrome Bulk	Chrome Ind. Packaged	Chrome 6 Pack Display	Stainless Ind. Packages	Precision Machined
1-7/8" Ball Diameter - A										
3/4"	1-1/2"	3/8"-5/8"	2,000	63811	63881	63810	63880	63810-006		
3/4"	2-3/8"	3/8"-1-3/8"	2,000	63813		63812	63882			
3/4"	3-3/8"	3/8"-2-1/8"	2,000			63814				
1"	2-1/8"	3/8"-3/4"	2,000	63817	63885	63816	63884	63816-006	63851	
1"	3-3/8"	3/8"-2-1/8"	2,000	63819		63818				
2" Ball Diameter - A										
3/4"	1-1/2"	3/8"-5/8"	3,500	63821	63888	63820	63887			
3/4"	2-1/8"	3/8"-3/4"	3,000							028375
3/4"	2-3/8"	3/8"-1-3/8"	3,500	63823		63822	63889			
3/4"	3-3/8"	3/8"-2-1/8"	3,500			63824				
1"	2-1/8"	3/8"-3/4"	5,000							028351
1"	2-1/8"	3/8"-3/4"	6,000						63852	
1"	2-1/8"	3/8"-3/4"	7,000							028352
1"	2-1/8"	3/8"-3/4"	7,500	63848	63910	63845	63909	63845-006		
1"	3-1/4"	3/8"-2-1/8"	7,500	63850		63849				
1-1/4"	2-3/4"	3/8"-1"	8,000	63831		63830	63899			
2-5/16" Ball Diameter - A										
1"	2-1/8"	3/8"-3/4"	6,000						63853	
1"	2-1/8"	3/8"-3/4"	7,500	63846	63907	63847	63908	63847-006		
1-1/4"	2-3/4"	3/8"-1"	12,000	63835	63897	63834	63896			
1-1/4"	2-3/4"	3/8"-1"	12,500							028400
1-1/4"	2-3/4"	3/8"-1"	14,000			63836#				
1-1/4"	2-3/4"	3/8"-1"	20,000			63840#				
1-1/4"	2-1/2"		25,000				63864			
50mm (1,600kg) Ball Diameter - A										
3/4"	1-1/2"	3/8"-5/8"	3,500			63912				

Hitch ball requires use with like rated receiver & ball mount. Consult tow vehicle owners manual for maximum towing capacities.

Chrome bulk packaging





Selecting The Right Hitch Ball

Always use the properly-rated hitch ball for your towing system.

- Your towing system's maximum weight rating is always equal to the lowest rated item in the system
 - Your hitching system cannot be upgraded to a rating higher than the maximum rating of your hitch
- For example, a 3500 lb ball on a 2000 lb max trailer weight-rated hitch does not increase your towing capacity to 3500 lb. Your hitching system is still rated at 2000 lb.

Conversely, a 2,000 lb ball on a 3500 lb max trailer weight-rated hitch decreases your maximum towing capacity to 2000 lb.

The hitch ball diameter (A) must be the same diameter as the trailer coupler (1-7/8-, 2- or 2-5/16-in).

The shank diameter (B) of the hitch ball should be the same as the hole diameter in the ball mount.

The shank length (C) should be long enough to allow at least two threads to be visible when the hitch ball is installed and the nut completely tightened.



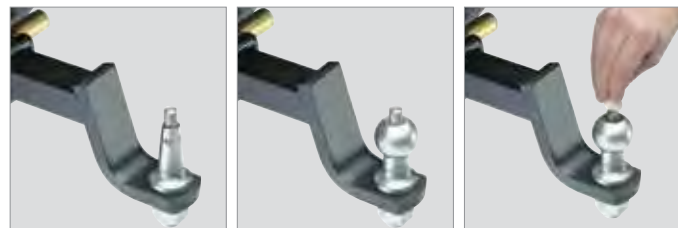
INTERCHANGEABLE HITCH BALL SYSTEMS

Tow multiple trailers with ease. Draw-Tite® Interchangeable Hitch Ball System allows you to change hitch ball sizes in seconds without any tools. Available in 2 and 3-ball sets. Available in 3/4-in and 1-in shank models.

- Innovative quick release changes balls in seconds
- Rated capacities up to 8,000 lb
- New positive latch design
- No special tools required

Part Number	Shank	Ball A	Ball B	Ball C	Max GTW
63801	3/4"	1-7/8"	2"	—	5,000 lbs.
63802	1"	1-7/8"	2"	—	8,000 lbs.
63804	1"	—	2"	2-5/16"	8,000 lbs.
63803	1"	1-7/8"	2"	2-5/16"	8,000 lbs.

Part Number	Description	Max GTW
63805	1-7/8" Interchangeable Hitch Ball Head	—
63806	2" Interchangeable Hitch Ball Head	—
63807*	2-5/16" Interchangeable Hitch Ball Head	—
63808	3/4" Interchangeable Hitch Ball Shank	5,000 lbs.
63809	1" Interchangeable Hitch Ball Shank	8,000 lbs.



Step 1: Attach shank

Step 2: Attach ball

Step 3: Tighten locking head

Selecting The Right Ball Mount

1. Measure from the ground to the top of the hitch.
2. Measure from the ground to the (inside) top of the trailer coupler (when level).

The difference in the two measurements is the amount of ball mount 'rise' or 'drop' required.

3. Subtract the height of the hitch ball (most are 2½ - 3-in high) from coupler measurement.

The difference in the two measurements is the amount of ball mount 'rise' or 'drop' required.

STYLE 1

STYLE 2

STYLE 3

DRAWBAR STYLES

We offer ball mounts and drawbars in three separate styles: straight cut, angle cut and drop cut. Refer to the styles above to select the mount that best suits your needs



CLASS I DRAWBAR KITS

- Boxed includes drawbar, pin and clip
- Black powder coat finish over E-coat
- Fits 1-1/4-in square receiver tube opening

Part Number	Rating GTW/TW (lbs.)	Ball Hole Size	Length A	Rise B	Drop C	Style
3590	2,000/200	3/4"	6-5/8"	5/8"	N/A	1
3591	2,000/200	3/4"	9-3/4"	5/8"	N/A	1
3592	2,000/200	3/4"	9-3/4"	2-1/8"	2-3/4"	3
3593	2,000/200	3/4"	6-5/8"	2-1/8"	2-3/4"	3
3594	2,000/200	3/4"	10"	4"	N/A	2

NOTE: Class I drawbar applications are specific. The correct replacement drawbar part number is listed on each Class I hitch installation instruction sheet.

36051



36071



28451



28351



83637



CLASS II DRAWBAR KITS

- Boxed includes drawbar, pin and clip
- Black powder coat finish over E-coat
- Fits 1-1/4-in square receiver tube opening

Part Number	Rating GTW/TW (lbs.)	Ball Hole Size	Length A	Rise B	Drop C	Style
36051	3,500/300	3/4"	7"	5/8"	1-1/4"	1
36053	3,500/300	3/4"	9-3/4"	5/8"	1-1/4"	1
36061	3,500/300	3/4"	9-3/4"	3-1/8"	N/A	2
36063	3,500/300	3/4"	11-3/4"	3-1/8"	N/A	2
36065	3,500/300	3/4"	10"	5"	N/A	2
36071	3,500/300	3/4"	7-3/16"	2-5/8"	3-1/4"	3
36078*	3,500/300	3/4"	7-3/8"	-	4-3/4"	3

* Fits 1-1/4-in OEM Ford Explorer, Lincoln Aviator & Mercury Mountaineer hitch

NOTE: Class II drawbar applications are specific. The correct replacement drawbar part number is listed on each Class II hitch installation instruction sheet.

36063



INVISI-HITCH™ ACCESSORIES

Part Number	Description
28451	Drawbar Kit, 2,000 lbs. (Includes Swivel pin)
28351	Accessory Adapter Kit (includes Swivel pin)
83637	Drawbar Kit for OEM Dodge Magnum Hitch, 2,000 lbs. (Includes Pin and Clip)

DRAWBAR OEM KIT

Part Number	Description
83637†	Drawbar Kit for OEM Dodge Magnum Hitch, 2,000 lbs. (Includes Pin and Clip)

† = Available while supplies last.

Selecting The Right Ball Mount

1. Measure from the ground to the top of the hitch.
2. Measure from the ground to the (inside) top of the trailer coupler (when level).

The difference in the two measurements is the amount of ball mount 'rise' or 'drop' required.

3. Subtract the height of the hitch ball (most are 2½ - 3-in high) from coupler measurement.

The difference in the two measurements is the amount of ball mount 'rise' or 'drop' required.

STYLE 2 ANGLE CUT **STYLE 3 DROP CUT**



CLASS III/IV MAX FRAME MOUNT KITS

- Fits 2-in square receiver tube opening
- Includes pin and clip
- Black powder coat finish over E-coat

Part Number	Rating GTW/TW (lbs.)	Ball Hole Size	Length A	Rise B	Drop C	Style
2923	7,500/750	1"	8-1/2"	3/4"	2"	2
2953	7,500/750	1"	9"	2-3/4"	4"	3



EASY LOAD BALL MOUNTS

- Featuring a revolutionary tapered shank design, easy-load ball mounts provide an easy connection to the receiver
- Angle cut design
- Fits 2-in square receiver tube opening
- Black powder coat finish over E-coat

Part Number	Rating GTW/TW (lbs.)	Ball Hole Size	Length A	Rise B	Drop C	Style
40342	7,500/750	1"	8-1/2"	3/4"	2"	2
40343	6,000/600	1"	10-1/2"	3/4"	2"	2
40344	7,500/750	1"	9"	2-3/4"	4"	2
40345	6,000/600	1"	11"	2-3/4"	4"	2
40346	7,500/750	1"	9-1/2"	4-3/4"	6"	2

Bulk Part Number	Rating GTW/TW (lbs.)	Ball Hole Size	Length A	Rise B	Drop C	Style
40342-006	7,500/750	1"	8-1/2"	3/4"	2"	2
40343-006	6,000/600	1"	10-1/2"	3/4"	2"	2
40344-006	7,500/750	1"	9"	2-3/4"	4"	2
40345-006	6,000/600	1"	11"	2-3/4"	4"	2
40346-002	7,500/750	1"	9-1/2"	4-3/4"	6"	2

NOTE: Pin and clip sold separately



UTILITY BALL MOUNTS

- Fits 2-in square receiver tube opening
- Bulk boxed
- Black powder coat finish over E-coat

Part Number	Rating GTW/TW (lbs.)	Ball Hole Size	Length A	Rise B	Drop C	Style
2736	5,000/500	1"	12"	3/4"	2"	1
2793	5,000/500	1"	10"	6-3/4"	8"	3
2706	5,000/500	1"	9"	-	11"	3
	3,500/350	1"	9"	9-3/4"	-	

Bulk Part Number	Rating GTW/TW (lbs.)	Ball Hole Size	Length A	Rise B	Drop C	Style
2736-006	5,000/500	1"	12"	3/4"	2"	1
2793-002	5,000/500	1"	10"	6-3/4"	8"	3

NOTE: Pin and clip sold separately



PACKAGED ANGLED CUT BALL MOUNTS

- Fits 2-in square receiver tube opening
- Includes pin and clip
- Black powder coat finish over E-coat

Part Number	Rating GTW/TW (lbs.)	Ball Hole Size	Length A	Rise B	Drop C	Style
40443	6,000/600	1"	10-1/2"	3/4"	2"	2
40446	6,000/600	1"	9-1/2"	4-3/4"	6"	2





CLASS III INTERLOCK® TOWING STARTER KIT

- Includes 2-in hitch ball
- Includes receiver lock
- Black powder coat finish over E-coat
- Fits 2-in square receiver tube opening

Part Number	Rating GTW/TW (lbs.)	Length A	Rise B	Drop C	Secure
40565	6,000/600	8-1/2"	3/4"	2"	Lock



CLASS III STANDARD TOWING STARTER KITS (2 PACK)

- Point of purchase retail display
- Fits 2-in square receiver tube opening
- Includes pin and clip
- Black powder coat finish over E-coat (except 40567-002 & 40584-002 w/Chrome Ball Mount)

Draw-Tite Part Number	Rating GTW/TW (lbs.)	Length A	Rise B	Drop C	Style
40058-002	7,500/750	8-1/2"	2"	2-5/16"	Pin/Clip
40238-002	7,500/750	9"	4"	2-5/16"	Pin/Clip
40583-002	7,500/750	8-1/2"	2"	2"	Pin/Clip
40584-002	7,500/750	8-1/2"	2"	2"	Pin/Clip
40644-002	7,500/750	9"	4"	2"	Pin/Clip



Hidden Hitch Part Number	Rating GTW/TW (lbs.)	Length A	Rise B	Drop C	Style
80058-002	7,500/750	8-1/2"	2"	2-5/16"	Pin/Clip
80472-002	7,500/750	9"	4"	2-5/16"	Pin/Clip
80583-002	7,500/750	8-1/2"	2"	2"	Pin/Clip
80644-002	7,500/750	9"	4"	2"	Pin/Clip



REESE Part Number	Rating GTW/TW (lbs.)	Length A	Rise B	Drop C	Style
83058-002	7,500/750	8-1/2"	2"	2-5/16"	Pin/Clip
83238-002	7,500/750	9"	4"	2-5/16"	Pin/Clip
83407-002	2,000/200	8-1/2"	2"	1-7/8"	Pin/Clip
83583-002	7,500/750	8-1/2"	2"	2"	Pin/Clip
83644-002	7,500/750	9"	4"	2"	Pin/Clip

40330



SOLID FORGED BALL MOUNTS

- Solid one-piece forged construction
- 1-in thick x 3-in wide ball platforms
- Angled, easy-load design
- Black powder coat finish over E-coat
- Fits 2-in square receiver tube opening

Part Number	Bulk Part Number	Rating GTW/TW (lbs.)	Ball Hole Size	Length A	Rise B	Drop C
40330	40330-002	16,000/2,400	1-1/4"	8-1/2"	1"	2"
40331	40331-002	16,000/2,400	1-1/4"	9-1/4"	3"	4"
40332	40332-002	16,000/2,400	1-1/4"	10-1/4"	5"	6"

40382



ALUMINUM SOLID FORGED BALL MOUNTS

- Solid one-piece forged construction
- 1-in thick x 3-in wide ball platforms
- Fits 2-in square receiver tube opening

Part Number	Rating GTW/TW (lbs.)	Ball Hole Size	Length A	Rise B	Drop C
40381	8,000/800	1"	9-7/8"	1"	2"
40382	8,000/800	1"	10-5/8"	3"	4"
40383	8,000/800	1"	11-7/8"	5"	6"
40384	6,000/600	1"	10-7/8"	7"	8"

40201



HOLLOW SHANK BALL MOUNTS

- Black powder coat finish over E-coat
- Fits 2-in square receiver tube opening

Part Number	Rating GTW/TW (lbs.)	Ball Hole Size	Length A	Rise B	Drop C	Style
40200	10,000/1,000	1-1/4"	8-1/2"	3/4"	2"	1
40201	10,000/1,000	1-1/4"	9"	2-3/4"	4"	3
40202	10,000/1,000	1-1/4"	11-1/4"	2-3/4"	4"	3
40205	10,000/1,000	1-1/4"	9"	-	6"	3
40206	10,000/1,000	1-1/4"	9"	-	8"	3

4285



SOLID SHANK BALL MOUNTS

- Durable zinc coated finish
- Fits 2-in square receiver tube opening

Part Number	Rating GTW/TW (lbs.)	Ball Hole Size	Length A	Rise B	Drop C	Style
4280	12,000/1,200	1-1/4"	8-1/2"	1"	2"	1
4284	12,000/1,200	1-1/4"	12"	1"	2"	1
4281	12,000/1,200	1-1/4"	8-1/2"	3"	4"	3
4285	12,000/1,200	1-1/4"	12"	3"	4"	3
4282	12,000/1,200	1-1/4"	9-1/2"	5"	6"	3
4283	12,000/1,200	1-1/4"	9-1/2"	7"	8"	3



CLASS V 2-1/2-in BALL MOUNTS

- Black powder coat finish over E-coat
- Fits 2-1/2-in square receiver tube opening

Part Number	Rating GTW/TW (lbs.)	Ball Hole Size	Length A	Rise B	Drop C	Style
45122	14,000/1,400	1-1/4"	9-3/4"	1-1/2"	3"	3
45123	13,000/1,300	1-1/4"	10"	3-1/2"	5"	3
45291	13,000/1,300	1-1/4"	10-1/2"	-	7-3/4"	3
45322	18,000/2,000	1-1/4"	10"	1-1/2"	3"	3
45323	18,000/2,000	1-1/4"	10"	3-1/2"	5"	3



CLASS V 3-in BALL MOUNTS

- Metalshield™ finish
- Fits 3-in square receiver tube opening

Part Number	Rating GTW/TW (lbs.)	Ball Hole Size	Rise B	Drop C	Style
40700 NEW	21,000/2,100	1-1/4"	2"	4"	3
40701 NEW	21,000/2,100	1-1/4"	4"	6"	3
40702 NEW	21,000/2,100	1-1/4"	6"	8"	3
40703 NEW	21,000/2,100	1-1/4"	8"	10"	3



CLASS V DUAL-BALL MOUNT

- Fits 3-in square receiver tube opening

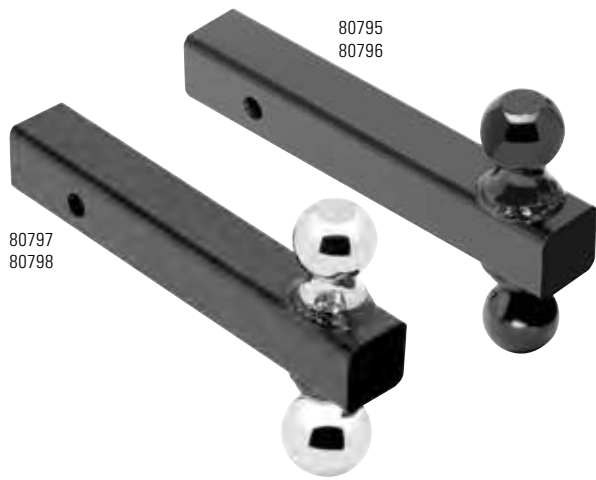
Part Number	Description	Rating GTW/TW (lbs.)	Length	Ball Size
38180	Dual-Ball Mount	17,000/1,700 25,000/2,500	9"	2" 2-5/16"



CLASS V TRI-BALL HOLLOW SHANK

- Fits 2-1/2-in square receiver tube opening

Part Number	Description	Rating GTW/TW (lbs.)	Length	Ball Size
45325	Tri-Ball Mount Hollow Shank	2,000/200 10,000/1,000 14,000/1,400	8-3/4" 8-3/4" 7-1/2"	1-7/8" 2" 2-5/16"



DUAL-BALL SOLID SHANKS

- Fits 2-in square receiver tube opening

Part Number	Description	Rating GTW/TW (lbs.)	Length	Ball Size
80795	Dual-Ball Mount, Black Balls, Black Solid Shank	2,000/200	8"	1-7/8"
		10,000/1,000	8"	2"
80796	Dual-Ball Mount, Black Balls, Black Solid Shank	10,000/1,000	8"	2"
		16,000/1,600	8"	2-5/16"
80797	Dual-Ball Mount, Chrome Balls, Black Solid Shank	2,000/200	8"	1-7/8"
		10,000/1,000	8"	2"
80798	Dual-Ball Mount, Chrome Balls, Black Solid Shank	10,000/1,000	8"	2"
		16,000/1,600	8"	2-5/16"



TRI-BALL SOLID SHANKS

- Fits 2-in square receiver tube opening

Part Number	Description	Rating GTW/TW (lbs.)	Length	Ball Size
80791	Tri-Ball Mount, Black Balls, Black Solid Shank	2,000/200	8"	1-7/8"
		10,000/1,000	8"	2"
		16,000/1,600	6-3/4"	2-5/16"
80799	Tri-Ball Mount, Chrome Balls, Black Solid Shank	2,000/200	8"	1-7/8"
		10,000/1,000	8"	2"
		16,000/1,600	6-3/4"	2-5/16"



DUAL-BALL HOLLOW SHANKS

- Fits 2-in square receiver tube opening

Part Number	Description	Rating GTW/TW (lbs.)	Ball Size	Position
80404	Dual-Ball Mount, Black Hollow Shank	2,000/200	1-7/8"	Rise
		6,000/600	2"	Drop
80406	Dual-Ball Mount, Black Hollow Shank	6,000/600	2"	Drop
		6,000/600	2-5/16"	Rise



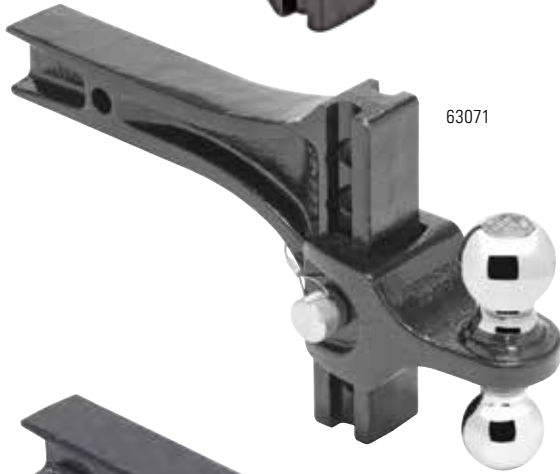
TRI-BALL HOLLOW SHANKS

- Fits 2-in square receiver tube opening

Part Number	Description	Rating GTW/TW (lbs.)	Length	Ball Size
80425	Tri-Ball Mount, Black Balls, Black Hollow Shank	2,000/200	8"	1-7/8"
		6,000/600	8"	2"
		10,000/1,000	6-3/4"	2-5/16"
80426	Dual-Ball Mount, Chrome Balls, Black Hollow Shank	2,000/200	8"	1-7/8"
		6,000/600	8"	2"
		10,000/1,000	6-3/4"	2-5/16"



63070



63071



63911



63075



63076

ADJUSTABLE BALL MOUNTS

The adjustable mount only takes a pull of the pin and a turn to get ready for towing with the most common hitch ball sizes. Just like you, it's always ready to get the job done.

- Height adjusts easily and securely with pins included
- Fits 2-in receivers, rated up to 14,000 lb GTW
- Adjust height up to 10.5-in
- Adjustable cast shank, knurled bolt pin with secure lanyard
- Black powder coat finish resists corrosion

Part Number	Description	Length	Max Rise	Max Drop
63070	Adjustable Tri-Ball Ball Mount System w/Step, 2" Sq. Shank, 1-7/8" Ball 2,000 lbs (GTW), 2" Ball 10,000 lbs. (GTW), 2-5/16" Ball 14,000 lbs. (GTW)	11-9/16"	5-11/16"	4-3/4"
63071	Adjustable Dual Ball Mount System, 2" Sq. Shank, 2" Ball 10,000 lbs. (GTW), 2-5/16" Ball 14,000 lbs. (GTW)	12"	4-5/8"	5-7/8"
Replacement Part				
63911	Replacement Cast Shank			

ADJUSTABLE BALL MOUNT HEAD UNITS

- Adjustable dual ball mount system head unit only
- Adjustable height - perfect for towing multiple trailers of varying heights and couplers
- Knurled bolt pins with secure lanyard included
- Black powder coat finish resists corrosion

Part Number	Description
63075	Adjustable Tri-Ball Mount System Head Unit Only - 1-7/8" (2K rating), 2" (10K GTW), and 2-5/16" (14K GTW) Hitch balls
63076	Adjustable Dual Ball Mount System Head Unit Only - 2" (10K GTW), and 2-5/16" (14K GTW) Hitch balls



ADJUSTABLE HOLLOW SHANK BALL MOUNT

- Black powder coat finish over E-coat
- Fits 2-in square receiver tube opening
- Quick release pin and clip for maximum adjustability

Part Number	Description	Rating GTW/TW (lbs.)	Length	Max Rise	Max Drop
6580	Complete Shank & Head Assembly with Quick Release Pin & Clip	6,000/600	12"	6-1/8"	7-3/8"
21141	Complete Shank & Head Assembly with Quick Release Pin & Clip	5,000/500	13-1/2"	6-1/4"	7-1/2"



HOLLOW SHANK BALL MOUNT WITH SWAY CONTROL TAB

- Platform mounts for left or right hand sway control

Part Number	Description	Rating GTW/TW (lbs.)	Length	Max Rise	Max Drop
7390	Complete Shank and Head Assembly	6,000/600	12"	3-3/4"	5-1/4"

NOTE: Hitch ball, pin (55010) and clip (55515) sold separately. Not interchangeable with weight distribution replacement parts.



ADJUSTABLE BALL MOUNT COMBO LOCK SET

- 5/8-in lock for 2-in square receivers
- 3/4-in lock for adjustable ball mount head unit
- Keyed alike

Part Number	Description
63069	Combo Lock Set, 5/8" for 2" Square Receivers and 3/4" for Accessory (Keyed Alike)

2-1/2-in TO 2-in REDUCER SLEEVES



Part Number	Description
58431	Reducer Sleeve with Collar, 2-1/2" Square Receiver Tube Opening to 2"
58102	Reducer Sleeve, 2-1/2" Square Receiver Tube Opening to 2"
38735	Reducer Sleeve, 3" Square Receiver Tube Opening to 2"



3-in TO 2-in REDUCER SLEEVES

Part Number	Description
38735	Reducer Sleeve, 3" Square Receiver Tube Opening to 2"

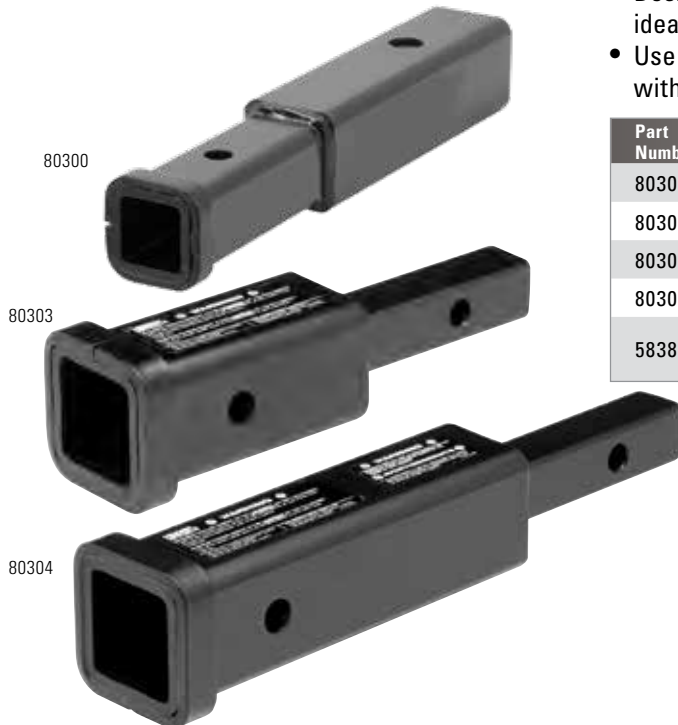


3-in TO 2-1/2-in REDUCER SLEEVES

Part Number	Description
58552 NEW	Reducer Sleeve, 3" Square Receiver Tube Opening to 2-1/2"
58550 NEW	Reducer Sleeve with Collar, 3" Square Receiver Tube Opening to 2-1/2"

RECEIVER ADAPTERS

- Designed to extend the receiver opening from 6-in to 18-in, ideal for cargo carriers & bike carriers
- Use of this adapter reduces hitches' tow rating by 50%, with a maximum rating of 3,500 lb towing capacity



Part Number	Description	Capacity	Length
80300	Adapts 2" to 1-1/4"	3,500 lbs.	7"
80301	Adapts 2" to 1-1/4"	3,500 lbs.	14"
80303	Adapts 1-1/4" to 2" (Class II Only)	3,500 lbs.	6"
80304	Adapts 1-1/4" to 2" (Class II Only)	3,500 lbs.	10"
58388	Class V Hitch Pin and Clip for 3" Square Receivers, 3/4"	-	-



RECEIVER EXTENTIONS

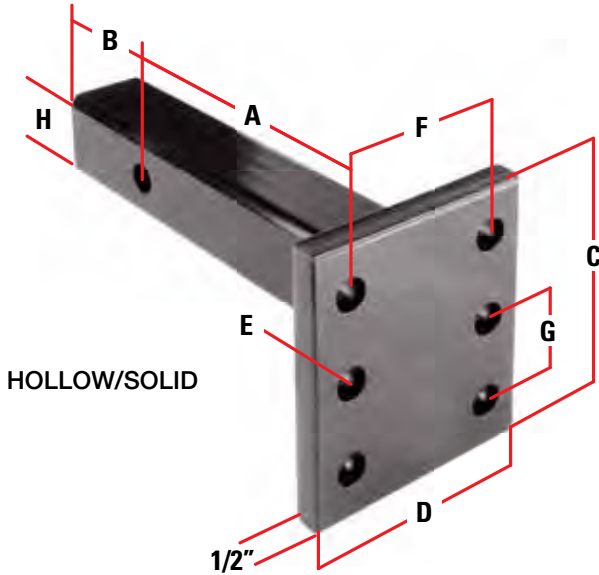
- Ideal for slide-out campers with extended overhangs
- Designed to extend the receiver opening 8-in, 14-in, 18-in, 24-in, 34-in, 41-in or 48-in
- 2-in square tube opening for use with ball mounts and hitch-mounted accessories
- Integrated electrical bracket attached (45292, 45018 only)



Part Number	Description	Weight Carrying	Weight Distribution	Length
80307	Receiver Extension	3,500 lbs.	-	8"
80305	Receiver Extension	3,500 lbs.	-	14"
80306	Receiver Extension	3,500 lbs.	-	18"
11003	Receiver Extension	4,000 lbs.	6,500 lbs.	14"
11004	Receiver Extension	4,000 lbs.	6,500 lbs.	18"
11006	Receiver Extension with Step	4,000 lbs.	6,500 lbs.	18"
45292	Receiver Extension For 2-1/2" Receivers	6,000 lbs. 4,500 lbs.	8,000 lbs. 6,000 lbs.	24" 34"
45018	Receiver Extension For 2-1/2" Receivers	5,000 lbs. 4,000 lbs.	7,500 lbs. 6,000 lbs.	41" 48"



PINTLE MOUNTS



HOLLOW/SOLID

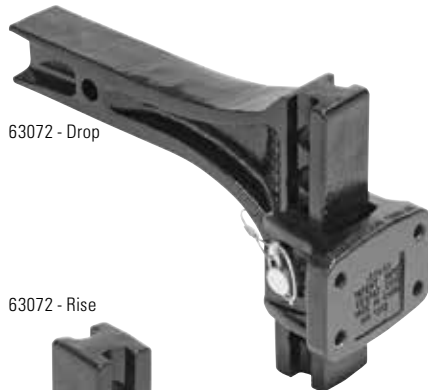


FORGED

PINTLE HOOK MOUNTS

- Converts receivers for use with pintle-type trailers, quickly and easily
- Provides mounting for both ball and pintle and rigid type pintle hooks
- Pin and clip must be ordered separately

Part Number	Shank	Rating GTW/TW (lbs.)	A Shank	B Length	H Shank Dia.	C Height	D Width	E Hole	F Width	G Height	Hole Sets
63056	Hollow	6,000/600	7-5/8"	3"	2"	5-1/2"	5"	17/32"	3-3/8"	1-3/4"	3
63057	Solid	12,000/1,200	7-5/8"	3-1/4"	2"	7-1/2"	5"	17/32"	3-3/8"	1-3/4"	4
63058	Solid	8,000/800	11-3/8"	3-1/4"	2"	12-1/2"	5"	17/32"	3-3/8"	1-3/4"	7
63059	Solid	12,000/1,200	11-3/8"	3-1/4"	2"	7-1/2"	5"	17/32"	3-3/8"	1-3/4"	4
45156	Hollow	12,000/1,200	7-3/4"	3-1/4"	2-1/2"	6"	5"	17/32"	3-3/8"	1-3/4"	3
45294	Forged	18,000/2,000	8-1/2"	4"	2-1/2"	7-1/4"	5"	17/32"	3-3/8"	1-3/4"	4
38186	Forged	25,000/4,000	9"	5"	3"	9"	5"	17/32"	3-3/8"	1-3/4"	5



63072 - Drop

63072 - Rise

ADJUSTABLE PINTLE MOUNT

Tackle rough terrain with the toughest mount in town. Set it right where you want it for trailers of various heights and couplers. It converts quickly for a day of hassle-free towing.

- Fits 2-in receivers, rated up to 14,000 lb GTW
- Adjust height up to 10.5-in
- Adjustable cast shank, knurled bolt pin
- Black powder coat finish resists corrosion

Part Number	Description	Length	Max Rise	Max Drop
63072	Adjustable Pintle Mount, 14,000 lbs. GTW	9-5/8"	4-1/4"	6-1/4"
Replacement Part				
63911	Replacement Cast Shank Only			

PINTLE HOOKS

Part Number	Description	GTW with Mounting Hardware	Max Vertical Load
63013	5 Ton Pintle Hook	10,000 lbs.	2,000 lbs.
63014	10 Ton Pintle Hook	20,000 lbs.	4,000 lbs.
63015	15 Ton Pintle Hook	30,000 lbs.	6,000 lbs.
63016	30 Ton Pintle Hook	60,000 lbs.	14,000 lbs.



63016

PINTLE HOOK COMBO HITCHES

Part Number	Ball Size	Ball Rating	GTW with Mounting Hardware	Max Vertical Load
63010	1-7/8"	6,000 lbs.	16,000 lbs.	3,000 lbs.
63011	2"	10,000 lbs.	16,000 lbs.	3,000 lbs.
63012	2-5/16"	14,000 lbs.	16,000 lbs.	3,000 lbs.

63011



PINTLE HOOK REPLACEMENT PARTS

Part Number	Description
63050	1-7/8" Replacement Ball, 6,000 lbs., 1-1/8" Diameter
63051	2" Replacement Ball, 10,000 lbs., 1-1/8" Diameter
63052	2-5/16" Replacement Ball, 14,000 lbs., 1-1/8" Diameter
63020	Replacement Snapper Pin, 1/4"
63032	Replacement Hardware Mounting Kit, Plate Mounted Pintle Hooks/Combination Hitches
63017	1-7/8" Replacement Ball, 6,000 lbs., 1-1/4" Diameter
63018	2" Replacement Ball, 10,000 lbs., 1-1/4" Diameter
63019	2-5/16" Replacement Ball, 14,000 lbs., 1-1/4" Diameter

LUNETTE RINGS

Part Number	Description	Diameter	Capacity	Max Vertical Load
63023	Lunette Ring, 4 Hole Base	2-1/2"	42,000 lbs.	8,400 lbs.
63033	Hardware Mounting Kit for 63023	-	-	-
63022	Lunette Ring, 1-1/2" Shank	2-1/2"	15,000 lbs.	2,400 lbs.
63036	Adjustable Lunette Ring with Channel	3"	24,000 lbs.	-
63060	Adjustable Lunette Ring with Hardware	3"	24,000 lbs.	-
1291020383	Adjustable Lunette Ring, Bulk	3"	14,000 lbs.	-
1291020340	Adjustable Lunette Ring, Clear Zinc, Bulk	3"	14,000 lbs.	-



63023



63022



63036



63060



1291020383



1291020340



ONE-PIECE PINTLE HOOKS

- Fits 2-in square receiver tube opening

Part Number	Description	Max GTW	Ball GTW	Max Vertical Load
63043	5 Ton Receiver Mount Pintle Hook	10,000 lbs.	-	2,000 lbs.
63040	1-7/8" Receiver Mount Pintle Combination	12,000 lbs.	2,000 lbs.	2,400 lbs.
63041	2" Receiver Mount Pintle Combination	12,000 lbs.	7,000 lbs.	2,400 lbs.
63042	2-5/16" Receiver Mount Pintle Combination	12,000 lbs.	12,000 lbs.	2,400 lbs.



RECEIVER MOUNT TOW EYELET

Part Number	Description	Max GTW	Length
63045	Tow Eyelet, Forged	10,000 lbs.	7-3/8"



RECEIVER MOUNT TOW HOOK

Part Number	Description	Max GTW	Length
63044	Tow Hook, Forged	10,000 lbs.	7-3/8"



RECEIVER MOUNT TOW HOOK

Part Number	Description	Max GTW	Length
63047†	Tow Hook	8,000 lbs.	7'

† = Available while supplies last.



RECEIVER MOUNT TOW RING

Part Number	Description	Max GTW	Length
63046	Tow Ring	8,000 lbs.	7-3/8"



CLEVIS MOUNTS

- For use with industrial and agricultural equipment

Part Number	Description	Ball Mount GTW/TW (lbs.)	Clevis Mount GTW/TW (lbs.)	Length
5762	Clevis Mount, 1" Hole	6,000/600	6,000/600	8-7/8"
80410*	Clevis Mount, 1" Hole	6,000/600	6,000/600	11"
6201	Clevis Mount, 1" Hole	6,000/600	10,000/1,000	8-7/8"
5764†	Clevis Pin, 1" Diameter	-	-	4-3/4"

*Ball mount has 1-1/4" drop, Clevis has 3" drop

† = Available while supplies last.

PINS AND CLIPS

- Pins and clips are included with all Class I and Class II hitches



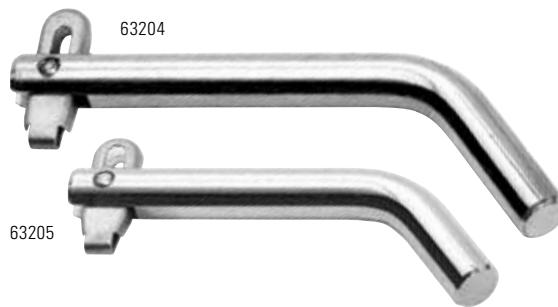
63240



55515



63258



63204

63205



63201

Part Number	Description	Packaging
63241	Packaged Class I/II Pin & Clip, 1/2", groove style	Plastic Shroud
63241-050	Class I/II Pin & Clip, 1/2", groove style (50 pack)	Bulk
63240	Packaged Class III/IV Pin & Clip, 5/8", groove style	Plastic Shroud
63240-050	Class III/IV Pin & Clip, 5/8", groove style (50 pack)	Bulk
63242	Packaged Class III/IV Pin & Clip, 5/8", hole style	Plastic Shroud
63242-050	Class III/IV Pin & Clip, 5/8", hole style (50 pack)	Bulk
63242-100	Class III/IV Pin & Clip, 5/8", hole style (100 pack)	Bulk
63242-500	Class III/IV Pin & Clip, 5/8", hole style (500 pack)	Bulk
63243	Packaged Class V Pin & Clip, 5/8", groove style	Plastic Shroud
06237	Class I/II Bulk Pin, 1/2", groove style	Bulk
55010	Class III/IV Bulk Pin, 5/8", groove style	Bulk
55010-050	Class III/IV Bulk Pin, 5/8", groove style (50 pack)	Bulk
55515	Bulk Clip	Bulk
55515-050	Bulk Clip (50 pack)	Bulk
58388	Class V Hitch Pin & Clip for 3" Square Receiver, 3/4"	Bagged
63258 NEW	Class V Hitch Pin & Clip for 3" Square Receiver, 5/8" Diameter, 4" Span	Bagged

SWIVEL PINS (PACKAGED)

Part Number	Description	Packaging
63202†	1/2" Integral Pin and Clip. Stainless	Clam
63203	5/8" Integral Pin and Clip. Stainless	Clam
63204	1/2" Integral Pin and Clip. Zinc	Clam
63205	5/8" Integral Pin and Clip. Zinc	Clam

† = Available while supplies last.

J-PIN® STABILIZING PIN WITH LOCK

- More than just a hitch pin, J-Pin quickly and confidently secures ball mounts and other hitch-mounted accessories, eliminating the sway and rattle caused by part clearance issues
- Ideal for bike racks and hitch-mounted cargo carriers
- Attachment wrench included
- Requires hitch with additional 17/32-in hole in receiver tube
- Convenient 1/4-in turn key for ease of use

Part Number	Description	Packaging
63201	J-Pin Anti-Rattle Pin with Barrel Lockset	Clam

63080



QSP™ HITCH SILENCING SYSTEM

- Designed to work with most Draw-Tite, Class III 2-in receivers (will not fit Ultra Frame models)
- Helps to tighten fit connection between receiver and accessory
- Reduces amount of sway in attached bike racks and cargo carriers
- High strength, aluminum construction collar and Cam arm
- Magnetic, poly cover helps protect receiver from weather and free of debris
- Easy to install

Part Number	Description
63080	QSP Hitch Silencing System for 2" Square Receivers, Draw-Tite
63082	QSP Hitch Silencing System for 2" Square Receivers, Hidden Hitch

63100



LOCK-TITE™ ANTI-RATTLE PIN

- Anti-Rattle device for cargo accessories, ball mounts, and more
- Handy insertion tool included
- Fits 2-in receivers
- Keyed lock and wrench included
- Clamshell packaging with instructions on back of card
- Patent Pending

Part Number	Description	Packaging
63100	Lock-Tite Anti-Rattle Pin with Lock and Wrench, 5/8" for 2" Square Receivers	Clam
63100-025	Lock-Tite Anti-Rattle Pin with Lock and Wrench, 5/8" for 2" Square Receivers (25 Pack)	Clam

63091



ANTI-RATTLE DEVICE

- Used to significantly reduce rattling noise and movement of accessories that are inserted into a receiver style hitch (e.g. Ball Mounts, Bike Racks, Ski Racks, Cargo Racks, etc.)
- Steel constructed
- E-coat base with black powder coat finish
- Hitch pin not included

Part Number	Description	Packaging
63090	Anti-Rattle Device for 1-1/4" Square Receivers (Class I and II Receivers)	Bagged
63091	Anti-Rattle Device for 2" Square Receivers (Class III and IV Receivers)	Bagged



BULLDOG® LIFELONG® LOCKS

- Delivers triple security
- Stronger break resistance
- Dual self-locking design
- High security square key design
- Includes dust cap

Part Number	Description
580400	Chrome Bent Shank Lock for Class III and IV, 5/8" Diameter
580401	Chrome Dogbone Lock for Class III and IV, 5/8" Diameter
580402	Stainless Steel Dogbone lock for Class III and IV, 5/8" Diameter
580403	Chrome Coupler Lock
580404	Chrome Combo Lock Set, 5/8" Dogbone Receiver and Coupler for Class III and IV



BULLDOG® LOCKS

- Includes dust cap
- Easy access models feature side key entry and sliding dust cap
- Lock housing rotates 360°

Part Number	Description
580405	Stainless Steel Dogbone Lock w/Sleeve for 1-1/4" & 2" Square Receivers
580406	Stainless Steel Combo Lock Set, 5/8" Dogbone Lock w/Sleeve for 1-1/4" & 2" Square Receivers and Coupler
580407	Easy Access Lock w/Sleeve for 1-1/4" & 2" Square Receivers
580408	Stainless Steel Coupler Lock
580409	Easy Access Long Coupler Lock
580410	Easy Access Adjustable Coupler Lock



HITCH LOCKS

Part Number	Description	Diameter
63248	Bent Pin Lock with Extra Pin for 1-1/4" and 2" Square Receivers	5/8" and 1/2"
63224	Bent Pin Lock for 1-1/4" Square Receivers	1/2"
63223	Bent Pin Lock for 2" and 2-1/2" Square Receivers	5/8"
63252	Dogbone Lock for 2-1/2" Square Receivers, 3-1/2" Span, Class V	5/8"
63253	Bent Pin Lock for 2-1/2" Square Receivers, 3-1/2" Span, Class V	5/8"



RECEIVER LOCKS

Part Number	Description
580412	Receiver Lock, Dogbone Style, 5/8" for 2-1/2" Square Receivers, Class V
63259	Receiver Lock, Dogbone Style, 5/8" for 3" Square Receivers, Sleeved to 3/4", Class V
63260	Receiver Lock, 5/8" for 3" Square Receivers, Sleeved to 3/4", Ball Bearing Pick Proof Design, Class V

CABLE LOCKS

Part Number	Description
CLK15 0100	Cable Lock with Key, 15' Length
63233	Cable Lock, 5/16" x 10' Length
63255	Cable Lock, 5/16" x 4' length

TRAILER COUPLER LOCKS

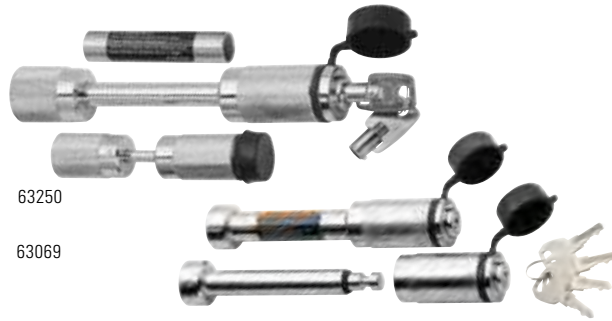
Part Number	Description
63225	Coupler Lock
63227	Coupler Lock for 2-5/16" Ball
63228	Coupler Lock for 2" Ball

KEYED ALIKE COUPLER AND HITCH LOCKS

- Avoid the complication of having to keep track of different keys for every lock
- Includes 2 keys
- Order in multiples of 3 / minimum order is 3 locks

Part Number	Description
63216KA†	KEYED ALIKE 1/2" Receiver Lock for Class II Receiver Hitches
63217KA	KEYED ALIKE 5/8" Receiver Lock for Class III & IV Receiver Hitches
63218KA†	KEYED ALIKE Class II 1/2" Receiver Lock and 1/2" Span Style Coupler Lock
63219KA†	KEYED ALIKE Class III & IV 5/8" Receiver Lock and 1/2" Span Style Coupler Lock
63220KA†	KEYED ALIKE 1/2" Span Style Coupler Lock
63221KA	KEYED ALIKE 2" Span Style Coupler Lock with 1/4" Pin
63222KA†	KEYED ALIKE 2-1/2" Span Style Coupler Lock with 1/4" Pin

† = Available while supplies last



63250

63069

COMBO LOCKS

Part Number	Description	Diameter
63250	Combo Lock Set, Dogbone Receiver and Coupler for 1-1/4" and 2" Square Receivers	5/8" and 1/2"
63069	Combo Lock Set, for 2" Square Receivers, Keyed Alike	5/8" and 3/4"



63256

TOW & STORE™ LOCK SET

- Guards against towed and parked trailer thefts
- Universal coupler lock fits 1 7/8-in, 2-in, 2 5/16-in
- Dual bent pin lock: 1/2-in, 5/8-in
- Adjustable coupler lock: 5/8-in, 1-in
- 3 interchangeable keys



Part Number	Description
63256	Tow & Store Lock Set, Universal Coupler Lock, Trailer Lock and Receiver Lock, Keyed Alike



58109

58184

HITCH ACCESSORIES

Part Number	Description	Brand
58109	Reducer Bushing, 1" Hitch Ball Shank Hole to 3/4"	Reese
58184	Reducer Bushing, 1-1/4" Hitch Ball Shank Hole to 1"	Reese
80100	Reducer Bushing, 1" Hitch Ball Shank Hole to 3/4"	Hidden Hitch
80106	Reducer Bushing, 1-1/4" Hitch Ball Shank Hole to 1"	Hidden Hitch
74342	Hitch Ball Wrench, Boxed End 1-1/8" and 1-1/2"	
58117	Hitch Ball Lube, 4 oz. Jar	
63300	Hitch and Trailer Alignment Tool	



58117



63300

5352



1944



1202



2211



5330



80980



42250



RECEIVER TUBE COVERS

Part Number	Description
60037	Class I/II, Rubber 1-1/4" Square w/Header Card, Hidden Hitch Logo
60037-024	Class I/II, Rubber 1-1/4" Square (24 Pack), Hidden Hitch Logo
80037	Class III, Rubber 2" Square w/Header Card, Hidden Hitch Logo
80037-012	Class III Cover, Rubber 2" Square (12 Pack), Hidden Hitch Logo
5351†	Receiver Tube Cover, 1-1/4" Square, Chrome, Metal
5352	Receiver Tube Cover, 2" Square, Chrome, Metal
1944	Receiver Tube Cover, 2" Square, Chrome, Plastic
58070	Receiver Tube Cover, 1-1/4" Square, Black, Nylon (24 Pack)
1202	Receiver Tube Cover, 2" Square, Black
01202-024	Receiver Tube Cover, 2" Square, Black (24 Pack)
5363	Receiver Tube Cover, 2" Square, Black, (1202 with Header Card)
5362	Rubber Receiver Tube Cover, 1-1/4" Square with "D" Draw-Tite Logo and Header Card
2211	Rubber, 1-1/4" Square with "D" Draw-Tite Logo (Bulk)
7050	Rubber, 2" Square with "D" Draw-Tite Logo and Header Card
7010	Rubber, 2" Square with "D" Draw-Tite Logo (Bulk)
07010-024	Rubber, 2" Square with "D" Draw-Tite Logo (24 Pack)
5330	"Hitch Ridder" Rubber Receiver Tube Cover, 2" Square with Built-In 4-Way Flat Electrical Cover
05330-010	"Hitch Ridder" Rubber Receiver Tube Cover, 2" Square with Built-In 4-Way Flat Electrical Cover (10 Pack)
80953†	Plastic Receiver Tube Cover, 2" Square
74099†	Receiver Tube Cover, 2" Square with Reese Logo
74547	Receiver Tube Cover, 2" Square with Reese Logo

† - Available while supplies last

BRAKE LIGHT COVER

- This handy cover doubles as an additional brake light
- It plugs into a 4-way flat connector and lights up with turn and brake functions

Part Number	Description
80980	Brake Light Cover, Fits all 2" Square Receivers

HITCH BALL COVERS

Part Number	Description
42250	Hitch Ball Cover, 1-7/8" to 2"
42250-012	Hitch Ball Cover, 1-7/8" to 2" (12 Pack)
42251	Hitch Ball Cover, 2-5/16"
42251-012	Hitch Ball Cover, 2-5/16" (12 Pack)

LIFE'S A JOURNEY STOP OFTEN



VOYAGER®



9030

Mounting Bracket and Hardware Included



VOYAGER®

The Voyager incorporates Tekonsha's patented braking sensor and is the best value you'll find for smooth and secure trailer braking.

- Broad control range makes setting quick and easy
- As braking power is applied, the LED changes color gradually from green (completed circuit) to red, to indicate relative braking power
- Advanced electronics minimize false braking for smoother ride
- Electric trailer brake control for up to 4 braking axles
- Plug & Play feature allows quick and easy connection

Part Number	Description	Packaging
9030	Voyager Proportional Electronic Trailer Brake Control	Display Box

NOTE: Plug & Play feature allows quick and easy connection. It adapts to all Tekonsha 2-Plug vehicle specific brake control wiring harnesses.

See application guide for vehicle specific applications.

I-Stop™ IQ



20191



Mounting Bracket, Hardware and 3ft. Pigtail Harness Kit Included

I-STOP™ IQ

A totally proportional electric trailer brake control, the Draw-Tite I-Stop IQ is self-leveling so no level adjustment is necessary.

- Integrated Plug & Play port for 2-plug adapters
- Self-diagnostics features will illuminate LED readout when issues occur
- Includes a "Boost" feature
- Works proportionally in reverse
- Snap-in dash mounting clip and hardware included
- Digital LED readout
- Electric trailer brake for 1-3 axles
- Snap-in mounting clip allows user to remove and store the control when not in use

Part Number	Description	Packaging
20191†	I-Stop IQ Proportional Electronic Trailer Brake Control	Display Box

† = Available While Supplies Last.

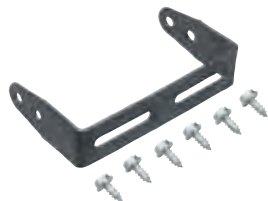
See application guide for vehicle specific applications.

NOTE: Plug & Play feature allows quick and easy connection. It adapts to all Tekonsha 2-Plug vehicle specific brake control wiring harnesses.



5535

Mounting Bracket and Hardware Included



I-COMMAND™ Exclusive to Draw-Tite

A compact, proportional brake control that requires no leveling with "up-front" buttons for easy access to Output and Boost diagnostic features incorporated in the LED display.

- 1-4 axle trailers
- Proportional brake control
- Boost feature gives the ability to apply more initial trailer braking
- Reverse battery protection
- No level adjustment necessary
- Diagnostics features incorporated in LED display
- Plug & Play feature allows for quick and easy connection

Part Number	Description	Packaging
5535	I-Command Proportional Electronic Trailer Brake Control	Clam

NOTE: Plug & Play feature allows quick and easy connection. It adapts to all Tekonsha 2-Plug vehicle specific brake control wiring harnesses.

See application guide for vehicle specific applications.

ACTIVATOR IV

5504

Mounting Bracket and Hardware Included



ACTIVATOR® IV

- 1 to 4 axle trailers
- Digital output indicator
- Small, compact design
- Up-front push buttons for sync and output
- Diagnostics for overload, open ground
- Short circuit protected
- Mounts in any direction
- No leveling required
- Mounting hardware included
- Smooth and simple installation
- Plug & Play feature allows quick and easy connection
- Attractive point-of-purchase display packaging

NOTE: Plug & Play feature allows quick and easy connection. It adapts to all Tekonsha 2-Plug vehicle specific brake control wiring harnesses. See application guide for vehicle specific applications.

Part Number	Description	Packaging
5504	Activator IV Electronic Brake Control	Clam

ACTIVATOR®

5100

Mounting Bracket and Hardware Included



ACTIVATOR®

- 1 & 2 axle trailers
- Illuminated LED output indicator
- Slide adjustment output control
- Plug & Play feature allows quick and easy connection
- Attractive point-of-purchase display packaging

Part Number	Description	Packaging
5100	Activator Electronic Brake Control	Clam

NOTE: Plug & Play feature allows quick and easy connection. It adapts to all Tekonsha 2-Plug vehicle specific brake control wiring harnesses. See application guide for vehicle specific applications.

83501

Mounting Bracket and Hardware Included



BRAKEMAN®

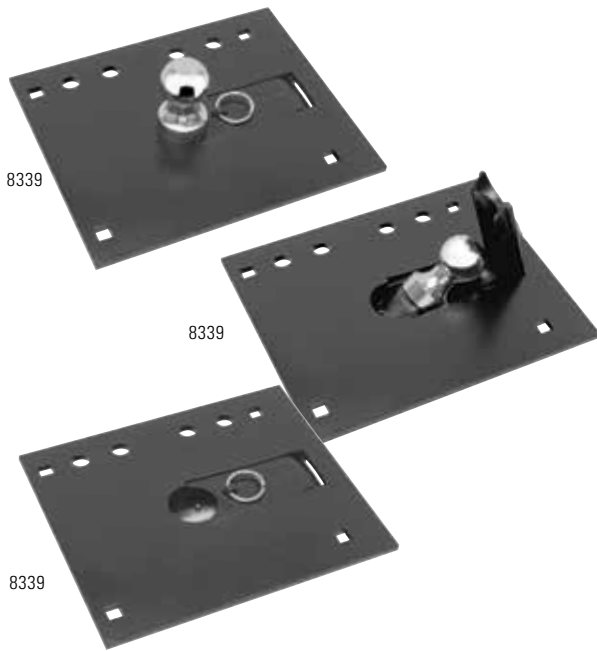
- 1 & 2 axle trailers
- Illuminated LED output indicator
- Slide adjustment output control
- Plug & Play feature allows quick and easy connection

Part Number	Description	Packaging
83501	Brakeman Compact Electronic Brake Control	Clam

NOTE: Plug & Play feature allows quick and easy connection. It adapts to all Tekonsha 2-Plug vehicle specific brake control wiring harnesses.
NOTE: Not recommended for use with BMW X5 Sport Utility Vehicles.
 See application guide for vehicle specific applications.

OVER 40 YEARS OF INNOVATION



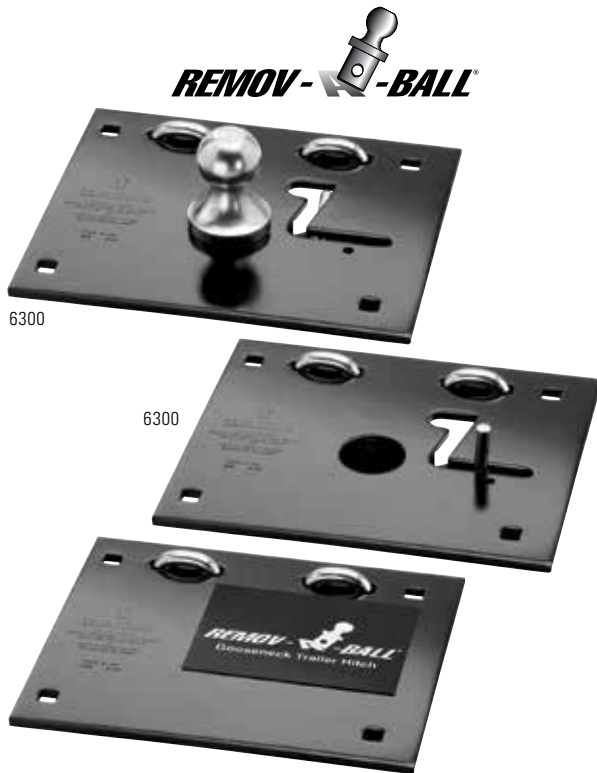


25K FOLD-DOWN GOOSENECK HITCH HEAD



- Access Fold-Down design allows unrestricted use of the truck bed when not towing
- Platform & ball rated for 25,000 lb gross vehicle towing weight and 6,250 lb vertical load
- Takes only seconds to raise or lower the ball into position
- 2-5/16-in high strength chrome plated ball standard
- Includes mounting hardware & integrated drop down spring loaded safety chain loops
- Oversize pull ring allows user to raise or lower the ball while wearing gloves
- Integrated grease fitting is visible & easily accessible
- Rail kits to match manufacturer's vehicle weight ratings
- No alteration of factory exhaust systems required
- Requires installation rail kit

Part Number	Description
8339	Fold-Down Gooseneck Hitch Head



30K REMOV-A-BALL® GOOSENECK HITCH HEAD

- Allows full use of pick-up bed area when hauling cargo
- In-truck platform is rated for 30,000 lb gross trailer weight and 7,500 lb vertical load and tested to V.E.S.C.-19 specs for 30,000 lb gross vehicle weight rating
- No alteration of OE exhaust systems required
- Accommodates all standard vehicle suspensions
- 2-5/16-in high strength zinc plated ball standard
- Spring loaded chrome sliding pin insures positive ball lock
- Lockable to prevent ball theft (lock not included)
- Magnetic cover protects ball hole and activating lever slot when not in use
- In-truck platform may be used with rail kits or installed directly to any vehicle with adequate securing structure
- Rail kits are rated to match manufacturer's vehicle weight ratings
- Spring loaded safety chain loops included
- Requires installation rail kit



Part Number	Description
6300	Remov-A-Ball Gooseneck Hitch Head



25K ABOVE-BED GOOSENECK HITCH

- In-truck platform rated for 25,000 lb gross vehicle towing weight and 6,250 lb vertical load
- Easy installation and removal allows for full access to truck bed
- Utilizes same base rails as our fifth wheel hitches
- 2-5/16-in high strength zinc ball
- Ball is offset 2-in to accommodate 6 & 8-ft truck beds



Part Number	Description	Capacity	Pin Capacity
49080	25K Gooseneck Hitch	25,000 lbs.	6,250 lbs.
58208	Chevrolet Composite Bed Kit for Gooseneck		

NOTE: Rails and installation kit must be ordered separately (#30035, 10-bolt or #30095, 4-bolt).



58079

THE GOOSE 25K ABOVE-BED GOOSENECK HITCH

- Easy installation and removal allows for full access to truck bed
- Utilizes same base rails as our fifth wheel hitches
- 2-5/16-in high strength zinc plated ball
- In-truck platform rated for 25,000 lb gross vehicle towing weight and 6,250 lb vertical load
- Black powder coat finish

Part Number	Description
58079	25K Gooseneck Hitch
58208	Chevrolet Composite Bed Kit for Gooseneck

NOTE: Rails and installation kit must be ordered separately (#30035).

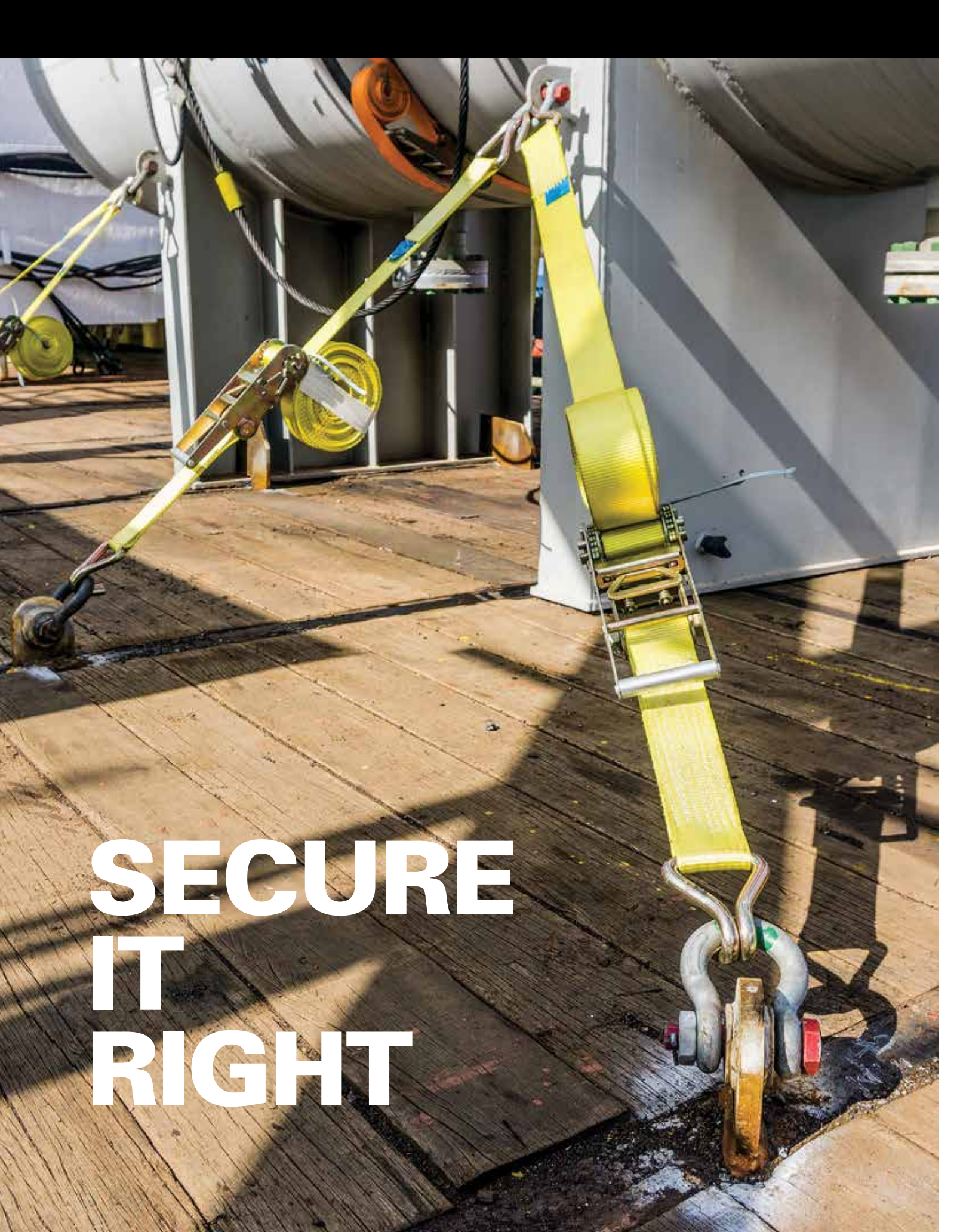
DRAW-TITE® GOOSENECK HITCH SYSTEM APPLICATION GUIDE

MAKE/MODEL	STYLE	YEARS	RAIL	FN	HEAD	COMBO KIT	FOLD DOWN	REMOVABALL
CHEVROLET/GMC								
C/K Series	Except Crew Cab	88-00	4440	KE	9465	9465-40	8339	6300
Silverado/Sierra 1500	Does Not Fit MagneRide Magnetic Ride Suspension	99-19 (LD)	4454	TV	9465	9465-54	8339	6300
Silverado/Sierra 1500 HD	(Classic)	01-07	4454		9465	9465-54	8339	6300
Silverado/Sierra 2500		99-04	4434		9465	9465-34	8339	6300
Silverado/Sierra 2500	6.6 ft. Bed	99-04	4454		9465	9465-54	8339	6300
Silverado/Sierra 2500 HD		01-10	4434		9465	9465-34	8339	6300
Silverado/Sierra 2500 HD	Except with OEM HD Towing Prep Package	11-19	4456	KH	9465	9465-56	8339	6300
Silverado/Sierra 3500	8 ft. Bed	01-07	4445		9465	9465-45	8339	6300
Silverado/Sierra 3500 HD		07-10	4434		9465	9465-34	8339	6300
Silverado/Sierra 3500 HD	Except with OEM HD Towing Prep Package	11-19	4456	KH	9465	9465-56	8339	6300
DODGE/RAM								
Ram 1500		94-01	4439		9460	9460-39	8339	6300
Ram 1500	Except Mega Cab	02-08	4438		9464	9464-38	8339	6300
Ram 1500	Mega Cab	06-08	4435	JR	9464	9464-35	8339	6300
Ram 1500		09-10	4446		9464	9464-46	8339	6300
Ram 1500	Except w/Air Suspension (also 2019 Classic)	11-18	4446		9464	9464-46	8339	6300
Ram 2500		94-02	4439		9460	9460-39	8339	6300
Ram 2500		03-12	4435	JR	9464	9464-35	8339	6300
Ram 2500		10-13	4457	JR, TX	9464	9464-57	8339	6300
Ram 2500	(Gooseneck Head Does Not Require Rail Kit)	14-19			9467			
Ram 3500		94-02	4439		9460	9460-39	8339	6300
Ram 3500		03-12	4435	JR	9464	9464-35	8339	6300
Ram 3500		10-12	4457	JR, TX	9464	9464-57	8339	6300
Ram 3500	(Gooseneck Head Does Not Require Rail Kit)	13-19			9466			
FORD								
F-150		04-14	4437		9465	9465-37	8339	6300
F-150	Except Raptor	15-19	4491		9465	9465-91	N/A	N/A
F-250/350 Super Duty	Except Cab & Chassis	99-16	4448†		9460	9460-48	8339	6300
F-250/350 Super Duty	Except Cab & Chassis	99-16	4449		9460	9460-49	8339	6300
F-250/350 Super Duty	Except Cab & Chassis	17-19*		JR	9468	9468-94		
F-450 Super Duty	Except Cab & Chassis	08-16	4449	JR	9460	9460-49	8339	6300
F-450 Super Duty	Except Cab & Chassis	17-19		JR		9468-94		
TOYOTA								
Tundra		07-19	4436	JR, TV	9465	9465-36		

FOOTNOTES

- JR** Exhaust must be temporarily lowered for installation.
- KE** Does not fit 1988-91 4 Dr. Crew Cab models.
- KH** Minor heat shield modification may be required.
- TV** May require Offset Extension Ball #19308 on trucks with less than a 6' long bed.
- TX** This product has a higher load capacity.

*Denotes Gooseneck Head Does Not Require Rail Kit
 JR = Exhaust must be temporarily lowered for installation
 KE = Does not fit 88-91 four door crew cab models
 † = Minor heat shield modification may be required
 ‡ = Will not fit vehicles equipped with dual exhaust exiting below the bumper
 TV = May require Offset Extension Ball #19308 on trucks with less than a 6' long bed
 TX = This product has a higher load capacity



**SECURE
IT
RIGHT**



Introducing a cargo securing line designed and engineered to the highest standards. Reliable performance every time – all the time.

CARGO SECURING



TIE DOWNS

Light-Duty Ratchets	4
Light-Duty Cambuckles	4
Standard-Duty Ratchets	4
Reese Tactical Ratchets	4
Marine Ratches	5
Heavy-Duty Ratchets	5
Super-Duty Ratchets	5

RECOVERY

Tow Straps	6
Tree Strap	6

STORAGE NETS

Deluxe Storage Nets	7
---------------------------	---

LOADING R AMPS

Aluminum Ramps	7
----------------------	---



Ratchet - Padded Handle



Cambuckle



Grip Handle



Retractable

LIGHT DUTY RATCHETS



- Secure light cargo up to 300 lb
- Super strong holding power with precise tension adjustment

Part Number	Description	Length	Capacity	Qty/ Pkg	Package
94815DT NEW	1" Webbing with Padded Handle and Secure Hooks	10'	300/900 lb	1	Bulk
95108DT NEW	1" Webbing with Padded Handle and Secure Hooks	10'	300/900 lb	4	Open

LIGHT DUTY CAMBUCKLE

Part Number	Description	Length	Capacity	Qty/ Pkg	Package
94816DT NEW	1" Webbing with Metal Handle and Secure Hooks	10'	300/900 lb	1	Bulk
94247DT NEW	1" Webbing with Metal Handle and Secure Hooks	10'	300/900 lb	4	Open

STANDARD DUTY RATCHETS



- Secure medium-weight cargo up to 500 lb
- Ideal for securing motorcycles, ATVs, generators, and more
- Vinyl coated steel hooks won't scratch or mar

Part Number	Description	Length	Capacity	Qty/ Pkg	Package
94828DT NEW	1" Webbing with Grip Handle and S Hooks	10'	500/1500 lb	4	Open
94853DT NEW	1" Webbing with Grip Handle and S Hooks	10'	500/1500 lb	1	Bulk
95463DT NEW	1" Webbing Endless with Padded Handle	12'	500/1500 lb	1	Bulk
94255DT NEW	1" Webbing Retractable with S Hooks	6'	500/1500 lb	1	Bulk
95111DT NEW	1" Webbing with Padded Handle and S Hooks	12'	400/1200 lb	4	Open
95473DT NEW	1" Webbing Retractable Truck Bed with S Hooks	9'	400/1200 lb	2	Box

TYPES OF MARINE RATCHET TIE DOWNS



Retractable Transom Ratchets

- Strap retracts for easy storage & no tangling
- Easy bolt on function (hardware included)
- Some models available with stainless steel housing



Gunwale Ratchets

- Vinyl coated J-hooks protect boats finish
- Provides super strong holding power
- Some models available with stainless steel housing



Gunwale Max Grip

MARINE RATCHET TIE DOWNS

Part No.	Description	Duty Rating	Capacity	Package
2060266	Retractable Tie Down - (Transom) 2" x 43", Stainless Steel	Standard	600 lb	Open (2-pack)
2061766	Retractable Tie Down - (Transom) 2" x 43", Zinc	Heavy	833 lb	Poly Bag (Single)
2060366	Retractable Tie Down - (Transom) 2" x 43", Zinc	Heavy	833 lb	Open (2-pack)
2060866	Max Grip Ratchet - (Gunwale) 2" x 10', Stainless Steel	Light	333 lb	Open (Single)
2060966	Max Grip Ratchet - (Gunwale) 2" x 13', 2" Stainless Steel	Standard	400 lb	Open (Single)
2061266	Max Grip Ratchet - (Gunwale) 2" x 10', Zinc	Heavy	833 lb	Open (Single)
2061366	Max Grip Ratchet - (Gunwale) 2" x 13', Zinc	Heavy	833 lb	Open (Single)
2061466	Max Grip Ratchet - (Gunwale) 2" x 16', Zinc	Heavy	833 lb	Open (Single)
2061566	Max Grip Ratchet - (Gunwale) 2" x 20', Zinc	Heavy	833 lb	Open (Single)

HEAVY DUTY RATCHETS



- Secure heavy loads up to 1000 lb
- Ideal for lawn tractors, UTVs, golf carts, lumber, & more
- High-capacity, coated steel hooks

Part Number	Description	Length	Capacity	Qty/ Pkg	Package
94260DT NEW	1" Webbing with Open Handle and Secure Hooks	14'	1000/3000 lb	2	Open
94262DT NEW	1" Webbing with Open Handle and Secure Hooks	14'	1000/3000 lb	4	Open
95142DT NEW	1" Webbing with Open Handle and Secure Hooks	14'	1000/3000 lb	1	Bulk
94273DT NEW	2" Webbing Retractable with S Hooks	10'	1000/3000 lb	1	Bulk
94252DT NEW	1" Webbing with Padded Handle and Secure Hooks	14'	1000/3000 lb	4	Open



Padded Handle

SUPER DUTY RATCHETS



- For the serious professional to secure heavy cargo up to 3300 lb
- Ideal for heavy equipment, large loads, building materials, UTVs, and more
- Super strong steel hooks

Part Number	Description	Length	Capacity	Qty/ Pkg	Package
95466DT NEW	2" Webbing w/ Padded Handle, Flat Hooks & Webbing Keeper	30'	3300/10,000 lb	1	Bulk
95120DT NEW	1.5" Webbing w/ Padded Handle & Flat Hooks	25'	1830/5500 lb	1	Bulk
94824DT NEW	2" Webbing w/ Padded Handle & J Hooks	30'	3300/10,000 lb	1	Bulk
95118DT NEW	2" Camo Webbing w/ Padded Handle & J Hooks	20'	3300/10,000 lb	1	Bulk



Double J Hook



TOW STRAPS WITH HOOK END



- Super-duty, reflective webbing
- Hook ends attach to recovery point locations
- Zinc-plated, forged hooks for easy attachment

Part Number	Description	Length	Capacity	Qty/Pkg	Package
94263DT	2" Reflective Tow Strap with Hook Ends & Storage Bag	20'	3300/ 10,000 lb	1	Bulk



TOW STRAPS WITH LOOP END



- Super-duty, reflective webbing
- Loop ends attach around vehicle frame or shackle

Part Number	Description	Length	Capacity	Qty/Pkg	Package
94264DT	2" Reflective Tow Strap with Loop Ends and Storage Bag	20'	5660/ 17,000 lb	1	Bulk
95451DT	3" Reflective Tow Strap with Loop Ends and Storage Bag	30'	10,000/ 30,000 lb	1	Bulk
9544600	Hay Bale Strap	40'	3300/ 10,000 lb	1	Bulk

HELPFUL HINTS WHEN USING RECOVERY STRAPS:

1. Never attach a recovery strap to vehicle's bumper, axles, suspension, steering rods, or trailer hitch ball.
2. Before using the strap, make sure it is in good condition (no cuts, frays, or broken stitching).
3. When freeing a stuck vehicle, drive very slowly. Sudden tugs may damage the vehicle or strap.
4. Choose reflective straps for improved safety in low-light emergency situations.



TREE SAVER

- Super-duty, reflective webbing
- Sleeve over loop end for added protection

Part Number	Description	Length	Capacity	Qty/Pkg	Package
95167DT	3" Tree Saver Strap with Loop Ends and Storage Bag	6'	10,000/ 30,000 lb	1	Bulk



Cargo Net



Truck Net

DELUXE STORAGE NETS

- Quickly secure complex loads
- Exclusive no-tangle hook design
- Rubber gear protectors throughout
- Heavy-duty storage bag included

Part Number	Description	Dimensions	Color	Qty/ Pkg	Package
13937DT	Bungee Cargo Net	36" x 48"	Black	1	Storage Bag
94241DT	Bungee Truck Net	60" x 78"	Black	1	Storage Bag
9424200	Adjustable Truck Net	55" x 78"	Black	1	Storage Bag

ALUMINUM RAMPS



- Patented self-adjusting top plate, hinged top plate creates smooth transitions on and off ramp
- Molded top caps protect tailgate and loading surfaces
- Adjustable attachment straps
- Welded aluminum construction
- Rust-resistant and corrosion resistant



Straight

Part Number	Description	Size	Qty/ Pkg	Capacity
95151DT	Straight	13" x 84"	Pair	1250 lb/pair
74527DT	Arched	12" x 90"	Pair	1500 lb/pair
95150DT	Arched Centerfold	12" x 90"	Pair	1500 lb/pair



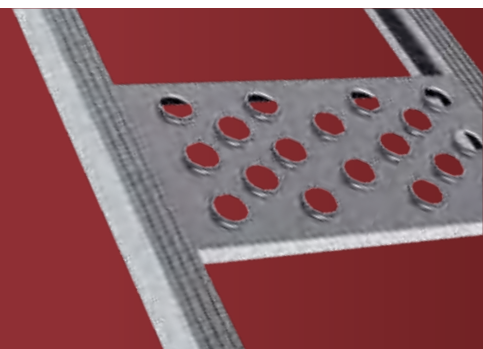
Arched



Arched Centerfold

SMOOTH ROLLING RUNG DESIGN

- Wide aluminum rungs provide a smooth transition into your truck or trailer
- Enhanced traction - 360° anti-slip ribs provide front-to-back and side-to-side traction
- Easier loading and unloading
- Close rung spacing supports wheels of all sizes



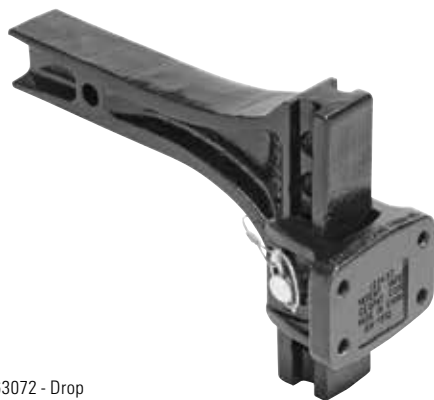
PINTLE HOOK MOUNTS



- Converts receivers for use with pintle-type trailers, quickly and easily
- Provides mounting for both ball and pintle and rigid type pintle hooks
- Pin and clip must be ordered separately



Part Number	Shank	Rating GTW/TW (lbs.)	A Shank	B Length	H Shank Dia.	C Height	D Width	E Hole	F Width	G Height	Hole Sets
63056	Hollow	6,000/600	7-5/8"	3"	2"	5-1/2"	5"	17/32"	3-3/8"	1-3/4"	3
63057	Solid	12,000/1,200	7-5/8"	3-1/4"	2"	7-1/2"	5"	17/32"	3-3/8"	1-3/4"	4
63058	Solid	8,000/800	11-3/8"	3-1/4"	2"	12-1/2"	5"	17/32"	3-3/8"	1-3/4"	7
63059	Solid	12,000/1,200	11-3/8"	3-1/4"	2"	7-1/2"	5"	17/32"	3-3/8"	1-3/4"	4
45156	Hollow	12,000/1,200	7-3/4"	3-1/4"	2-1/2"	6"	5"	17/32"	3-3/8"	1-3/4"	3
45294	Forged	18,000/2,000	8-1/2"	3-1/4"	2-1/2"	7-1/4"	5"	17/32"	3-3/8"	1-3/4"	4
38186	Forged	25,000/4,000	9"	3-1/4"	3"	9"	5"	17/32"	3-3/8"	1-3/4"	5



63072 - Drop

ADJUSTABLE PINTLE MOUNT

Tackle rough terrain with the toughest mount in town. Set it right where you want it for trailers of various heights and couplers. It converts quickly for a day of hassle-free towing.

- Fits 2-in receivers, rated up to 14,000 lb GTW
- Adjust height up to 10.5-in
- Adjustable cast shank, knurled bolt pin with secure lanyard
- Black powder coat finish resists corrosion

Part Number	Description	Length	Max Rise	Max Drop
63072	Adjustable Pintle Mount, 14,000 lbs. GTW	9-5/8"	4-1/4"	6-1/4"
Replacement Part				
63911	Replacement Cast Shank			



63016

PINTLE HOOKS

Part Number	Description	GTW with Mounting Hardware	Max Vertical Load
63013	5 Ton Pintle Hook	10,000 lbs.	2,000 lbs.
63014	10 Ton Pintle Hook	20,000 lbs.	4,000 lbs.
63015	15 Ton Pintle Hook	30,000 lbs.	6,000 lbs.
63016	30 Ton Pintle Hook	60,000 lbs.	14,000 lbs.
Replacement Parts			
63032	Replacement Mounting Hardware Kit		

PINTLE HOOK COMBINATION HITCHES

Part Number	Description	Ball Size	Ball Rating	GTW with Mounting Hardware	Max Vertical Load
63010	Pintle Hook Combo Hitch	1-7/8"	6,000 lbs.	16,000 lbs.	3,000 lbs.
63011	Pintle Hook Combo Hitch	2"	10,000 lbs.	16,000 lbs.	3,000 lbs.
63012	Pintle Hook Combo Hitch	2-5/16"	14,000 lbs.	16,000 lbs.	3,000 lbs.
Replacement Parts					
63032	Replacement Mounting Hardware Kit				

63010



ONE-PIECE PINTLE HOOKS

- Fits 2-in square receiver tube opening

Part Number	Description	Max GTW	Ball GTW	Max Vertical Load
63043	5 Ton Receiver Mount Pintle Hook	10,000 lbs.	-	2,000 lbs.
63040	1-7/8" Receiver Mount Pintle Combination	12,000 lbs.	2,000 lbs.	2,400 lbs.
63041	2" Receiver Mount Pintle Combination	12,000 lbs.	7,000 lbs.	2,400 lbs.
63042	2-5/16" Receiver Mount Pintle Combination	12,000 lbs.	12,000 lbs.	2,400 lbs.

63041



RECEIVER MOUNT TOW EYELET, HOOKS AND RINGS

Part Number	Description	Max GTW	Length
63045	Tow Eyelet, Forged	10,000 lbs.	7-3/8"
63044	Tow Hook, Forged	10,000 lbs.	7-3/8"
63047†	Tow Hook	8,000 lbs.	7"
63046	Tow Ring	8,000 lbs.	7-3/8"

63047



LUNETTE RINGS

Part Number	Description	Diameter	Capacity
63036	Adjustable Lunette Ring with Channel	3"	24,000 lbs.
63060	Adjustable Lunette Ring with Hardware	3"	24,000 lbs.
1291020383	Adjustable Lunette Ring, Bulk	3"	14,000 lbs.
1291020340	Adjustable Lunette Ring, Clear Zinc, Bulk	3"	14,000 lbs.

63036



PINTLE HOOK REPLACEMENT PARTS

Part Number	Description
63050	1-7/8" Replacement Ball, 6,000 lbs., 1-1/8" Diameter
63051	2" Replacement Ball, 10,000 lbs., 1-1/8" Diameter
63052	2-5/16" Replacement Ball, 14,000 lbs., 1-1/8" Diameter
63020	Replacement Snapper Pin, 1/4"
63032	Replacement Hardware Mounting Kit, Plate Mounted Pintle Hooks/Combination Hitches
63017	1-7/8" Replacement Ball, 6,000 lbs., 1-1/8" Diameter
63018	2" Replacement Ball, 10,000 lbs., 1-1/8" Diameter
63019	2-5/16" Replacement Ball, 14,000 lbs., 1-1/8" Diameter

† - Available while Supplies Last



MERCHANDISING

Promote the products you install. Displays help illustrate all the options available to your customer. Our celebrity sponsorships allow you the opportunity to use their fame to help share information and increase sales.



PRODUCT DISPLAYS

Receiver Hitch Display	4
Weight Distribution Display	4
Fifth Wheel Hitch Display	5
Pin Box Display	5
Electric Winch Display	6
Velocity Series Jack Display	6
RV Jacks Display	7
Brake Controller Display	8
Mini Light Display	8
Roof Rack Display	8
Bike / Cargo Carrier Display	8

MARKETING MATERIAL

Gondola Displays	9
Gondola Wallpaper	9
Header Cards	10
Showroom Signs	10
Counter Mats	10
Pennants	11
Banners	11
Window Clings	11
Outdoor Signs	11
Product Catalogs	12
Multi-Media	12
Celebrity Sponsorships	13
Social Media	13



37-0030 - Display Only



MKG0218



37-2109 - Display Only

RECEIVER HITCH DISPLAYS

- Hitch display racks promote the products you install
- Turn your hitch display into an add-on sales tool by attaching the accessory display kit
- It is designed to help promote the sale of hitch balls, tow vehicle wiring, and other towing accessories
- **PRODUCT MUST BE ORDERED SEPARATELY - CASTERS NOT INCLUDED***

Part Number	Description
37-0030	5-Hitch, 4-Ball Mount Display w/Flip Chart Attachment
37-5638†	4-Hitch Display
MKG0218	Draw-Tite® Logo Sign (41-1/2" x 10")

† = Available While Supplies Last.

Note: See HEADER CARDS / SIGNS for hitch display graphics.

SUGGESTED PRODUCTS

Part Number	Description	Parts to Order
37-0030	5-Hitch, 4-Ball Mount Display w/ Flip Chart Attachment	24899, 36423, 75193, 41946, 45519

WEIGHT DISTRIBUTING HITCH DISPLAYS

- Great for showroom display of weight distributing hitches
- **PRODUCT MUST BE ORDERED SEPARATELY - CASTERS NOT INCLUDED***

Part Number	Description
37-2109	Weight Distributing Stand (2-5/16" coupler) – 2" receiver tube built-in (2-5/16" ball not included)
MKG1281	REESE® Weight Distribution/Sway Control Display Signage for 37-2109 (includes sign attachment brackets, brochure pocket)

SUGGESTED PRODUCTS

Part Number	Description	Parts to Order
37-2109	REESE® Trunnion WD	66540 or 66541 or 66542, 63835
37-2109	REESE® Round Bar WD	65509 or 67509 or 61009, 63835
37-2109	REESE® Dual Cam	26002
37-2109	REESE® Friction Sway Control	83660
37-2109	REESE® Strait Line Trunnion	66082 or 66083 or 66084, 63835
37-2109	REESE® Strait Line Round Bar	66086 or 66087 or 66088, 63835

NOTE: Casters may not be included with these displays, but will accept 3-in, 4-in or 5-in casters, with coarse thread 1/2-in wide stem.

There may be charges for display items. Contact your sales representative for ordering information.