



THE LEADER IN PERFORMANCE COOLING

2019

A black and white photograph showing the front view of a classic car, likely a Ford Mustang, with a prominent hood scoop and dual round headlights. The car is positioned in the background, partially obscured by the text and lines.

PERFORMANCE COOLING

**FLUID COOLERS / FLUID FILTRATION / TRANSMISSION COOLING PANS
ELECTRIC FANS / ELECTRIC FAN CONTROLLERS / BELT DRIVEN FANS**



**THE LEADER IN
PERFORMANCE COOLING**



Derale Performance and Pacer Performance have joined the US Motor Works team as part of the newly developed Performance Division. US Motor Works, LLC and its employees are committed to providing an extensive line of consistent High Quality Products and the finest Customer Service and Satisfaction, through our Quality Management System based on ISO 9001:2015



Derale PERFORMANCE

Since 1975

While most cooling brands focus on one component of the vehicle, Derale aims to cool the drivetrain as a whole. Whether you drive a truck, race the tracks or crawl through the desert, your drivetrain is designed to function as a unit. The most powerful engine is only as strong as its ability to transfer that power to the wheels. Our approach to cooling is the same, cool as a unit. By controlling all major components of a vehicle, engine, transmission, power steering, fuel and differential you drastically increase efficiency and component life.

Manufactures of...

Direct Fit Cooling Kits	4-5	Fluid Filtration Kits	38-49
Remote Fluid Coolers	6-15	Engine Oil Filter Relocation Kits.....	38-39
Hi-flow Racing Remote Fluid Coolers.....	6-7	Remote Filter Mount Kits.....	40-41
Hyper-Cool Remote Fluid Coolers.....	8-9	Engine Oil Filter Adapter Kits.....	42-45
Atomic-Cool Remote Fluid Coolers.....	10-11	Filtration Kits.....	46
Electra-Cool Remote Fluid Coolers.....	12-13	Fittings and Accessories.....	47-49
Econo-Cool Remote Fluid Coolers.....	14	Transmission Cooling Pans	50-53
Dyno-Cool Remote Fluid Coolers.....	15	Electric Fans	54-67
Fluid Control Thermostats.....	16	Single Rad Fan Aluminum Powerpacks.....	54-55
Inline Fan Control.....	17	Dual Rad Fan Aluminum Powerpacks.....	56-57
Ram Air Fluid Coolers	18-37	Single/Dual Rad Fan Molded Powerpacks.....	58-59
Series 10000 Stack Plate Fluid Coolers.....	18-21	High Output Electric Fans.....	60-64
Series 9000 Plate & Fin Fluid Coolers.....	22-23	Electric Fan Accessories.....	65
Series 8000 Plate & Fin Fluid Coolers.....	24-25	Electric Fans - Quick Guide.....	66-67
Series 7000 Tube & Fin Fluid Coolers.....	26-30	Electric Fan Controllers	68-71
Series 6000 Dyno-Cool Tube & Fin Fluid Coolers...31		PWM Electric Fan Controllers.....	68-69
Heat Sink Fluid Coolers.....	32-34	High Amp Controllers.....	70
Fluid Coolers - Quick Guide.....	35-37	Adjustable Controllers.....	71
		Mechanical Controller.....	71
		Single Stage Controllers.....	71
		Belt Driven Fans and Fan Spacers	72-75
		Performance Fuel Pumps	76-77
		Index.....	78-79



Recommend for...

**Engine • Transmission • Power Steering
Fuel and Differential**



THE LEADER IN PERFORMANCE COOLING

DIRECT FIT COOLING KITS



Direct Fit Mustang GT 5.0 Engine Oil Cooler Kit

Application: 2011-2014 Ford Mustang GT 5.0

- Drastically reduce engine oil temperatures
- Cooler mounts in lower air dam

Features:

- Series 10000 16 row stack plate cooler
- Clear anodized aluminum brackets
- Black AN braided hose
- All necessary hardware included for a fast, easy, bolt-on installation

Part No.	BTU
20542	32000



Direct Fit Mustang GT 5.0 Transmission Cooler Kit

Application: 2011-2014 Ford Mustang GT 5.0

- Prevent heat-related component failure & fluid breakdown

Features:

- Series 10000 16 row stack plate cooler
- Clear anodized aluminum brackets
- Black AN braided hose
- All necessary hardware included for a fast, easy, bolt-on installation

Part No.	BTU
20541	32000

Application: 2007-2018 Jeep JK
All 2 & 4 Door Models



Direct Fit **JEEP** Power Steering Cooler Kit

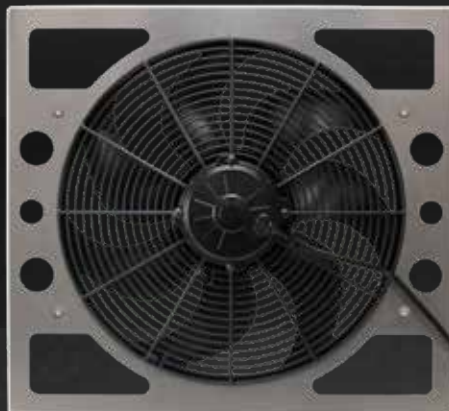
Features:

- Sturdy all aluminum heat Sink cooler design
- Black anodized finish
- Reduce fluid temperatures up to 25 degrees
- All necessary hardware included for a fast, easy, bolt-on installation

Part No.	BTU
20565	2300



1987-1996 Jeep Wrangler YJ
1997-2006 Jeep Wrangler TJ
All 4 & 6 cylinder engines



Direct Fit **JEEP** Performance Electric Fan

- High Output fan shroud assembly replaces factory fan clutch/shroud using factory mounting locations
- Radiator reservoir remount brackets included (use on some 4 & 6 cyl. applications)
- Power steering remount brackets included (use on some 4 cyl. applications)

Part No.	Repl. Fan Part No.	CFM	Amp Draw
20161	16136	2,400	23.5



1987-1996 Jeep Wrangler YJ
1997-2006 Jeep Wrangler TJ
All 4 & 6 cylinder engines



Direct Fit **JEEP** Automatic Transmission Cooler

- Mounts to frame rail with no drilling
- Powerful 8" electric fan
- Efficient 16 row Plate & Fin cooler
- Reduces fluid temperatures 30°F - 40°F

Part No.	Repl. Cooler Part No.	Frame Mount Bracket Set	BTU	CFM	Amp Draw
20561	13750	20500	22000	500	4.8





THE LEADER IN PERFORMANCE COOLING

Hi-Flow Racing Remote Fluid Coolers

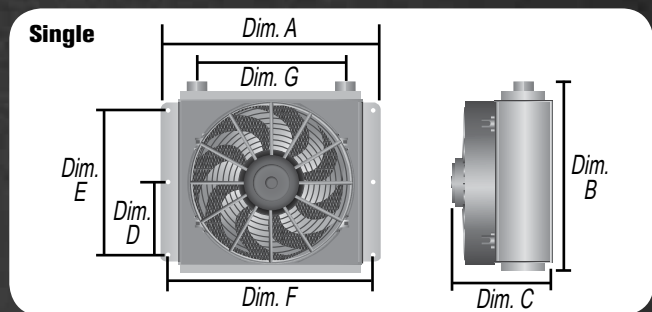
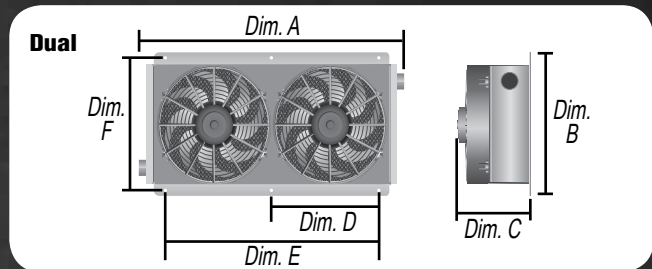


Feature...

Derale is proud to introduce our latest addition to the remote cooler lineup. These Hi-Flow Racing Coolers are precision TIG welded and feature the most efficient tube design in the aftermarket, which supports up to 350 PSI with minimal pressure drop. All electric fans are IP68 certified (Water/Dust Proof) and designed to do their best under the most strenuous conditions. These coolers are perfect for everything from Drag racing to Off-Road.

- Aircraft aluminum grade cooler design
- Extruded tube design with turbulators for maximum heat dissipation
- Precision TIG welding
- 20 GPM Flow rate
- Supports up to 350 P.S.I., with minimal pressure drop

Dimensions...



Hi-Flow 11 Row Racing Cooler



- Designed for Puller applications
- 630 CFM Combined, (2) 5" IP68 Electric Fans
- Black Anodized Shroud
- 7/8-14 UNF O-ring inlets

Recommended for:
 Engine
 Transmission
 Power Steering
 Fuel and Differential



Thermostat switches and aluminum fittings sold separately, see page 17, 47

NEW

Cooler Kit Part No.	Inlet Size	Repl. Core	Repl. Fan	Fan CFM	Fluid Capacity	BTU	Dim. A (Width)	Dim. B (Height)	Dim. C (Depth)	Dim. D (Mounting)	Dim. E (Mounting)	Dim. F (Mounting)
65840	7/8-14 O-ring	61178	16105	630	33 oz.	95000	15"	8 1/4"	7"	5 1/2"	11"	7 3/16"

Hi-Flow 18 Row Racing Cooler



- Designed for Puller applications
- 755 CFM, 8" IP68 Electric Fan
- Black Anodized Shroud
- 7/8-14 UNF O-ring inlets

Recommended for:
 Engine
 Transmission
 Power Steering
 Fuel and Differential



Thermostat switches and aluminum fittings sold separately, see page 17, 47

NEW

Cooler Kit Part No.	Inlet Size	Repl. Core	Repl. Fan	Fan CFM	Fluid Capacity	BTU	Dim. A (Width)	Dim. B (Height)	Dim. C (Depth)	Dim. D (Mounting)	Dim. E (Mounting)	Dim. F (Mounting)	Dim. G (Inlet)
65861	7/8-14 O-ring	61878	16119	755	47 oz.	125000	11 7/8"	12 3/8"	8 1/2"	3 3/8"	6 3/4"	11"	7"

Hi-Flow 18 Row Racing Cooler



- Designed for Puller applications
- 625 CFM, 8" IP68 Electric Fan
- Black Anodized Shroud
- 7/8-14 UNF O-ring inlets

Recommended for:
 Engine
 Transmission
 Power Steering
 Fuel and Differential



Thermostat switches and aluminum fittings sold separately, see page 17, 47

NEW

Cooler Kit Part No.	Inlet Size	Repl. Core	Repl. Fan	Fan CFM	Fluid Capacity	BTU	Dim. A (Width)	Dim. B (Height)	Dim. C (Depth)	Dim. D (Mounting)	Dim. E (Mounting)	Dim. F (Mounting)	Dim. G (Inlet)
65860	7/8-14 O-ring	61878	16109	625	47 oz.	125000	11 7/8"	12 3/8"	6 5/8"	3 3/8"	6 3/4"	11"	7"



THE LEADER IN PERFORMANCE COOLING

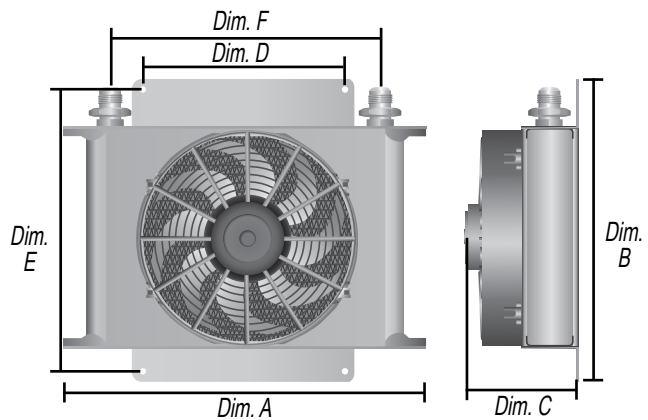
Hyper-Cool Remote Fluid Coolers



Feature...

- **Powerful high output electric fans**
- **Ultra efficient Series 10000 stack plate coolers**
- **Sturdy furnace-brazed aluminum construction tested to 250 PSI**
- **Aluminum shroud/mounting assembly**
- **Mounts anywhere space permits**
- **Clear anodized shrouds**
- **All coolers feature 7/8-14 UNF O-ring inlets**

Dimensions...





Recommended for:
Engine
Transmission



Hyper-Cool Extreme

- Series 10000 40-row stack plate cooler
- 800 CFM, 10" electric fan
- Designed for Puller applications
- Cooler kit includes oil cooler, and two aluminum AN fittings

Part No.	Inlet Size	Repl. Core	Repl. Fan	Fluid Capacity	BTU	Dim. A (Width)	Dim. B (Height)	Dim. C (Depth)	Dim. D (Mounting)	Dim. E (Mounting)	Dim. F (Inlets)
13870	-6 AN	54078	16110	26 oz	67000	13"	14 7/8"	5 5/8"	7 1/2"	13 9/16	10"
15870	-8 AN	54078	16110	26 oz	67000	13"	14 7/8"	5 5/8"	7 1/2"	13 9/16	10"
15875	-10 AN	54078	16110	26 oz	67000	13"	14 7/8"	5 5/8"	7 1/2"	13 9/16	10"
15876	-12 AN	54078	16110	26 oz	67000	13"	14 7/8"	5 5/8"	7 1/2"	13 9/16	10"



Recommended for:
Engine
Transmission
Power Steering
Fuel and Differential

Hyper-Cool

- Series 10000 25-row stack plate cooler
- 500 CFM, 8" electric fan
- Designed for Puller applications
- Cooler kit includes oil cooler, and two aluminum AN fittings, and two hose barb fittings

Available in
Transmission cooler kit



Available in
Engine oil cooler kit



Cooler Kit Part No.	Weatherproof IP68 Fan Part No.	Cooler Inlet Size	Trans Cooler Kit Part No.	Engine Oil Cooler Kit Part No.	Repl. Core	Repl. Fan	Fluid Capacity	BTU	Dim. A (Width)	Dim. B (Height)	Dim. C (Depth)	Dim. D (Mounting)	Dim. E (Mounting)	Dim. F (Inlets)
13760	----	-6 AN	13960	----	52578	16618	16 oz	46000	13"	10"	5 5/8"	7 1/2"	9"	10"
15860	----	-8 AN	15960	15660	52578	16618	16 oz	46000	13"	10"	5 5/8"	7 1/2"	9"	10"
15865	----	-10 AN	----	----	52578	16618	16 oz	46000	13"	10"	5 5/8"	7 1/2"	9"	10"
NEW 13764	13764	7/8-14 O-ring	----	----	52578	16108	16 oz	46000	13"	10"	6 3/4"	7 1/2"	9"	10"



Recommended for:
Engine
Transmission
Power Steering
Fuel and Differential



Hyper-Cool Dual

- Series 10000 Highly efficient 19-row stack plate cooler
- 630 CFM (combined), (2) 5" electric fans
- Designed for Puller applications
- Cooler kit includes oil cooler, and two aluminum AN fittings

Part No.	Inlet Size	Repl. Core	Repl. Fan	Fluid Capacity	BTU	Dim. A (Width)	Dim. B (Height)	Dim. C (Depth)	Dim. D (Mounting)	Dim. E (Mounting)	Dim. F (Inlets)
13740	-6 AN	51978	16105	12 oz	37000	13"	7 3/8"	4 7/8"	7 1/2"	7"	10"
15840	-8 AN	51978	16105	12 oz	37000	13"	7 7/16"	4 7/8"	7 1/2"	7"	10"
15845	-10 AN	51978	16105	12 oz	37000	13"	7 9/16"	4 7/8"	7 1/2"	7"	10"



THE LEADER IN PERFORMANCE COOLING

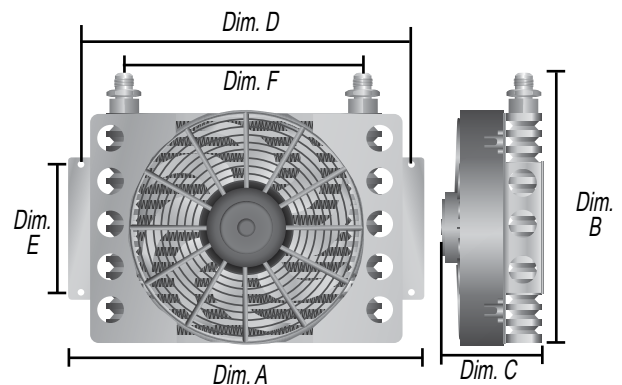
Atomic-Cool Remote Fluid Coolers



Feature...

- **Powerful high output electric fans**
- **Efficient Series 9000 16 row Plate & Fin coolers**
- **Sturdy furnace-brazed aluminum construction**
- **Mounts anywhere space permits**
- **Clear anodized shrouds**
- **All coolers feature 5/8-18 UNF O-ring fittings**

Dimensions...



Atomic-Cool Fluid Cooler



- Series 9000 16-row Plate & Fin cooler
- 500 CFM, 8" Electric fan
- Designed for Puller applications
- Cooler assembly includes oil cooler, two black anodized aluminum AN, and hose barb adapter fittings

Recommended for:
Engine **Power Steering**
Transmission **Fuel and Differential**

Cooler Kit Part No.	Weatherproof IP68 Fan Part No.	Inlet Size	Repl. Core	Repl. Fan	Fluid Capacity	BTU	Dim. A (Width)	Dim. B (Height)	Dim. C (Depth)	Dim. D (Mounting)	Dim. E (Mounting)	Dim. F (Inlets)
13750	-----	-6 AN	13751	16618	17 oz	22000	12 3/4"	9 3/8"	4 5/16"	11 5/8"	4"	8 9/16"
15850	-----	-8 AN	15851	16618	17 oz	22000	12 3/4"	9 3/8"	4 5/16"	11 5/8"	4"	8 9/16"
NEW	13754	-6 & -8 AN	15851	16108	17 oz	22000	12 3/4"	9 3/8"	3 15/16"	11 5/8"	4"	8 9/16"

Atomic-Cool Transmission Cooler Kits



- Extends transmission service life by preventing heat-related component failure & fluid breakdown
- Hardware kit includes in-line fan control, high-pressure/high temperature hose & mounting hardware



Part No.	Inlet Size	Repl. Core	Repl. Fan	Fluid Capacity	BTU	Dim. A (Width)	Dim. B (Height)	Dim. C (Depth)	Dim. D (Mounting)	Dim. E (Mounting)	Dim. F (Inlets)
13950	-6 AN	13751	16618	17 oz	22000	12 3/4"	9 3/8"	4 5/16"	11 5/8"	4"	8 9/16"
15950	-8 AN	15851	16618	17 oz	22000	12 3/4"	9 3/8"	4 5/16"	11 5/8"	4"	8 9/16"

Atomic-Cool Engine Oil Cooler Kit



- Helps reduce engine oil temperature
- Extends engine life
- Hardware kit includes in-line fan control, sandwich adapter, hose barb adapters, high-pressure/high temperature hose & mounting hardware



Part No.	Inlet Size	Repl. Core	Repl. Fan	Fluid Capacity	BTU	Dim. A (Width)	Dim. B (Height)	Dim. C (Depth)	Dim. D (Mounting)	Dim. E (Mounting)	Dim. F (Inlets)
15450	-8 AN	15851	16618	17 oz	22000	12 3/4"	9 3/8"	4 5/16"	11 5/8"	4"	8 9/16"



THE LEADER IN PERFORMANCE COOLING

Electra-Cool Remote Fluid Coolers



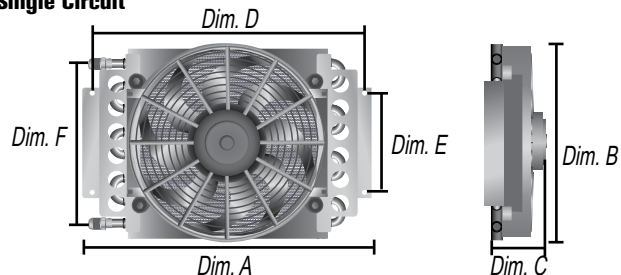
Feature...

- **Powerful high output electric fans**
- **Efficient Series 7000 Tube & Fin coolers**
- **Copper/Aluminum construction**
- **Mounts anywhere space permits**
- **Clear anodized mounting brackets**
- **All coolers feature AN inlets**

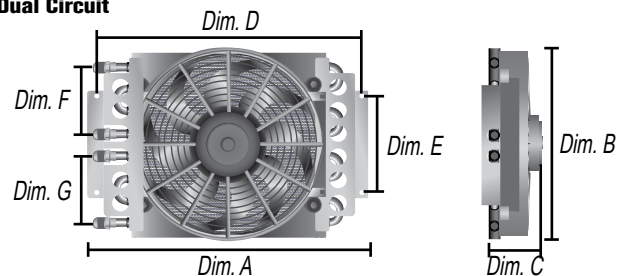
Thermostat switches and hardware available individually, see page 17

Dimensions...

Single Circuit



Dual Circuit





Electra-Cool Fluid Cooler Single & Dual Circuit

Recommended for:
Engine **Power Steering**
Transmission **Fuel and Differential**



- **Series 7000 Tube & Fin cooler**
- **650 cfm, Powerful 10" electric fan**
- **Designed for Puller applications**
- **Aluminum AN hose barb adapter fittings included**

Part No.	No. of Passes	Inlet Size	Repl. Core	Repl. Fan	Fluid Capacity	BTU	Dim. A (Width)	Dim. B (Height)	Dim. C (Depth)	Dim. D (Mounting)	Dim. E (Mounting)	Dim. F (Inlet to Inlet)	Dim. G (Inlet to Inlet)
13700	16	-6 AN	13300	16620	19 oz.	14000	15 3/4"	11 1/2"	5"	14 3/4"	5 1/4"	8 3/4"	--
15800	16	-8 AN	15300	16620	19 oz.	14000	15 3/4"	11 1/2"	5"	14 3/4"	5 1/4"	8 3/4"	--
13720	8	-6 AN	13320	16620	9 oz.	7000	15 3/4"	11 1/2"	4"	14 3/4"	5 1/4"	8 3/4"	--
15820	8	-8 AN	15320	16620	9 oz.	7000	15 3/4"	11 1/2"	4"	14 3/4"	5 1/4"	8 3/4"	--
Dual Circuit													
15200	8 & 8 pass	-8 AN	15301	16620	9 oz.	16000	15 3/4"	11 1/2"	5"	14 3/4"	5 1/4"	4 1/8"	4 1/8"
15220	4 & 4 pass	-8 AN	15321	16620	4.5 oz.	8000	15 3/4"	11 1/2"	4"	14 3/4"	5 1/4"	3 3/4"	3 3/4"



Electra-Cool Transmission Cooler Kits

- **Extends transmission service life by preventing heat related component failure & fluid breakdown**
- **Hardware kit includes in-line fan control, high-pressure/high temperature hose & mounting hardware**



Part No.	No. of Passes	Inlet Size	Repl. Core	Repl. Fan	Fluid Capacity	BTU	Dim. A (Width)	Dim. B (Height)	Dim. C (Depth)	Dim. D (Mounting)	Dim. E (Mounting)	Dim. F (Inlet to Inlet)	Dim. G (Inlet to Inlet)
13900	16	-6 AN	13300	16620	19 oz.	14000	15 3/4"	11 1/2"	5"	14 3/4"	5 1/4"	8 3/4"	--
15900	16	-8 AN	15300	16620	19 oz.	14000	15 3/4"	11 1/2"	5"	14 3/4"	5 1/4"	8 3/4"	--



Electra-Cool Engine Oil Cooler Kit

- **Helps reduce coolant temperature**
- **Extends engine life**
- **Hardware kit includes in-line fan control, sandwich adapter, hose barb adapters, high-pressure/high temperature hose & mounting hardware**



Part No.	No. of Passes	Inlet Size	Repl. Core	Repl. Fan	Fluid Capacity	BTU	Dim. A (Width)	Dim. B (Height)	Dim. C (Depth)	Dim. D (Mounting)	Dim. E (Mounting)	Dim. F (Inlet to Inlet)	Dim. G (Inlet to Inlet)
15500	16	-8 AN	15300	16620	19 oz.	14000	15 3/4"	11 1/2"	5"	14 3/4"	5 1/4"	8 3/4"	--



THE LEADER IN PERFORMANCE COOLING

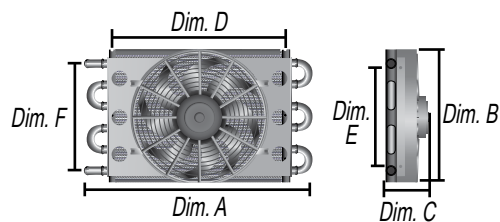
Econo-Cool Remote Fluid Coolers



Econo-Cool Single Circuit



- Efficient 6 pass copper/aluminum tube and fin cooler
- 400 CFM, reversible 7" electric fan
- Clear anodized aluminum bracket



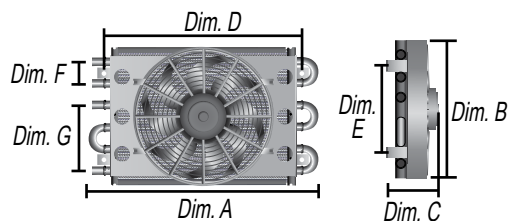
Recommended for:
Engine **Power Steering**
Transmission **Fuel and Differential**

Part No.	No. of Passes	Inlet Size	Repl. Core	Repl. Fan	Fluid Capacity	BTU	Dim. A (Width)	Dim. B (Height)	Dim. C (Depth)	Dim. D (Mounting)	Dim. E (Mounting)	Dim. F (Inlet to Inlet)
13730	6	11/32" Barb	13731	16617	4 oz.	6000	12 3/4"	7 5/8"	3 3/4"	10 7/8"	5"	6 1/4"
15830	6	1/2" Barb	15831	16617	4 oz.	6000	12 3/4"	7 5/8"	3 3/4"	10 7/8"	5"	6 1/4"

Econo-Cool Dual Circuit



- Efficient 4 pass & 2 pass copper/aluminum tube and fin cooler
- 400 CFM, reversible 7" electric fan
- -8 AN fittings with hose barb fittings included
- Clear anodized aluminum bracket



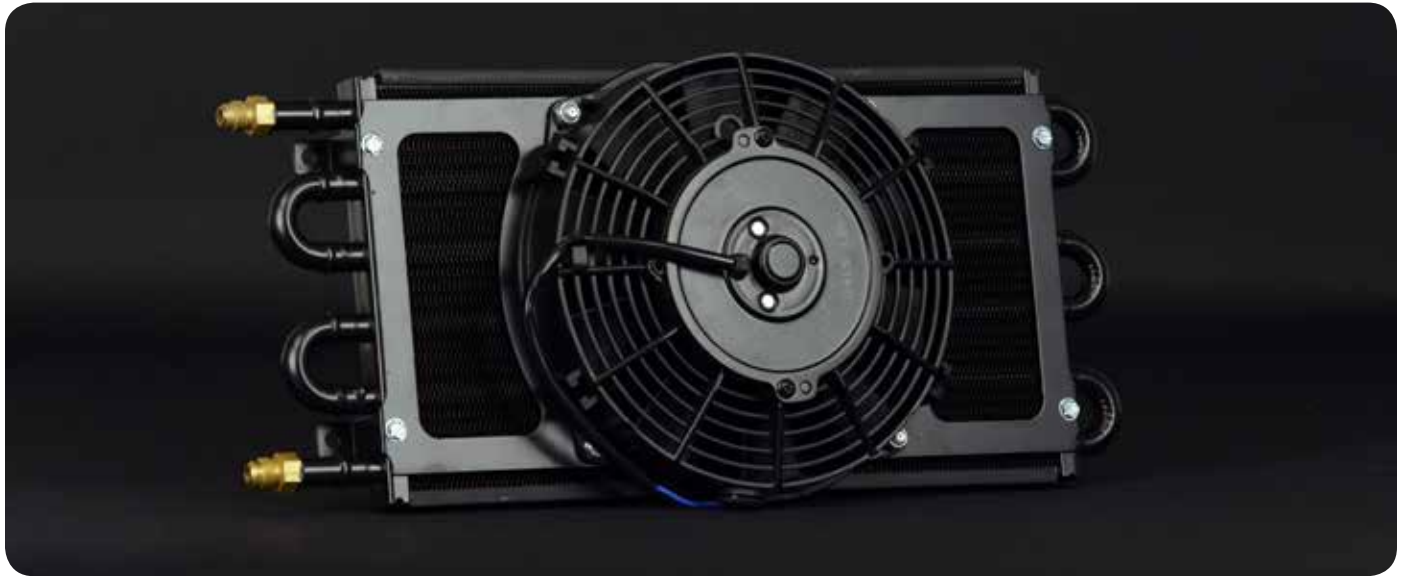
Recommended for:
Engine **Power Steering**
Transmission **Fuel and Differential**

Part No.	No. of Passes	Inlet Size	Repl. Core	Repl. Fan	Fluid Capacity	BTU	Dim. A (Width)	Dim. B (Height)	Dim. C (Depth)	Dim. D (Mounting)	Dim. E (Mounting)	Dim. F (Inlet to Inlet)	Dim. G (Inlet to Inlet)
15230	4 & 2	-8 AN	15331	16617	4 oz. & 2.25 oz	6000	13 15/16"	7 5/8"	3 3/4"	10 7/8"	5"	3 3/4"	1 1/4"

Dyno-Cool Remote Fluid Coolers

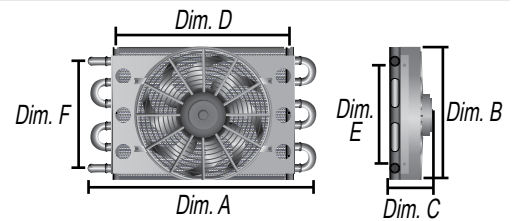


THE LEADER IN PERFORMANCE COOLING



Dyno-Cool - Barbed Inlets

- Efficient 6 or 8 pass copper/ aluminum tube and fin cooler with 11/32" Barb inlets
- 475 CFM, reversible 9" electric fan
- Designed for Puller applications
- Black powder coated steel bracket



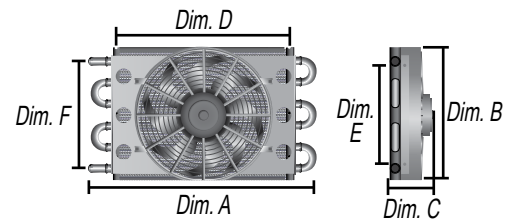
Recommended for:
Engine Power Steering
Transmission Fuel and Differential

Part No.	No. of Passes	Inlet Size	Repl Core	Repl. Fan	Fluid Capacity	BTU	Dim. A (Width)	Dim. B (Height)	Dim. C (Depth)	Dim. D (Mounting)	Dim. E (Mounting)	Dim. F (Inlet to Inlet)
12740	6	11/32" Barb	13101	16909	4 oz.	5000	12 3/4"	7 5/8"	3 5/8"	10 7/8"	5"	6 1/4"
12741	6	11/32" Barb	13103	16909	4.5 oz.	6000	16 5/8"	7 5/8"	3 3/4"	14 3/4"	5"	6 1/4"
12742	8	11/32" Barb	13107	16909	10 oz.	7500	12 3/4"	10 1/4"	3 5/8"	10 7/8"	5"	8 3/4"
12743	8	11/32" Barb	13104	16909	5 oz.	8000	16 5/8"	10 1/4"	3 3/4"	14 3/4"	5"	8 3/4"



Dyno-Cool - 6AN Inlets

- Efficient 6 or 8 pass copper/ aluminum tube and fin cooler with -6 AN or -8 AN " Barb inlets
- 475 CFM, reversible 9" electric fan
- Designed for Puller applications
- Black powder coated steel bracket



Recommended for:
Engine Power Steering
Transmission Fuel and Differential

Part No.	No. of Passes	Inlet Size	Repl. Core	Repl. Fan	Fluid Capacity	BTU	Dim. A (Width)	Dim. B (Height)	Dim. C (Depth)	Dim. D (Mounting)	Dim. E (Mounting)	Dim. F (Inlet to Inlet)
12730	6	-6 AN	13311	16909	4 oz.	5000	13 5/8"	7 5/8"	3 5/8"	10 7/8"	5"	6 1/4"
12731	6	-6 AN	13313	16909	4.5 oz.	6000	17 1/2"	7 5/8"	3 3/4"	14 3/4"	5"	6 1/4"
12732	8	-6 AN	13317	16909	10 oz.	7500	13 5/8"	10 1/4"	3 5/8"	10 7/8"	5"	8 3/4"
12733	8	-6 AN	13314	16909	5 oz.	8000	17 1/2"	10 1/4"	3 3/4"	14 3/4"	5"	8 3/4"



THE LEADER IN PERFORMANCE COOLING

Fluid Control Thermostats



Controlled Closed Circuit

Below 180°F the valve opens, with 90% of the fluid bypassing the cooler. The remaining 10% of the oil flows through the cooler, maintaining constant system pressure, preventing air pockets and eliminating cold oil shock.



20 GALLONS PER MINUTE



Maximum Flow

When temperatures exceed 180°F the thermostatic valve closes, allowing 100% flow through the oil cooler. This allows for ultimate control of oil temperatures under normal to extreme conditions.



Thermostat w/ Fittings

Inlets	Part No.
3/8" NPT	13011
1/2" NPT	15719



Thermostat Only

Inlets	Part No.
3/8" NPT	25011
1/2" NPT	25719



Thermostat w/ Bracket Kit

Inlets	Part No.
3/8" NPT	25791
1/2" NPT	25792



Installation Kit Only

Inlets	Part No.
3/8" NPT	13026
1/2" NPT	15726

In-line Fan Control



THE LEADER IN PERFORMANCE COOLING



Available in -6 AN, -8 AN, or -10 AN anodized aluminum housing

Premium Series In-line Fan Control

- 180°F Turn-On temperature
- Turn-Off temperature is preset 15° below turn-on temperature
- Anodized aluminum swivel housing allows T-stat to be clocked in the desired position

Inlets	Part No.
-6 AN x -6 AN	35020
-8 AN x -8 AN	35021
-10 AN x -10 AN	35022



Available in -6 AN, or -8 AN anodized aluminum housing

Standard Series In-line Fan Control

- 180°F Turn-On temperature
- Turn-Off temperature is preset 15° below turn-on temperature
- Aluminum AN hose barb adapter fittings included

Inlets	Part No.
-6 AN x -6 AN	13021
-8 AN x -8 AN	15721



THE LEADER IN PERFORMANCE COOLING

SERIES 10000

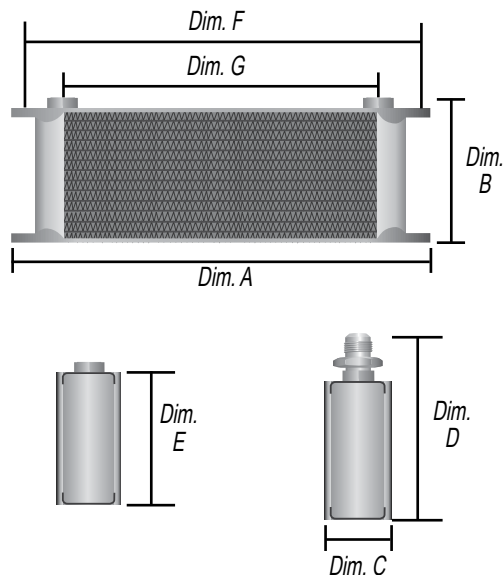
Stack Plate Fluid Coolers



Features and Benefits

- Ultra efficient heat-exchanger with built-in high-flow turbulators
- Sturdy furnace-brazed aluminum construction tested to 250 P.S.I.
- 7/8"-14 UNF O-ring cooler inlets & 4 integrated mounting points
- Available in 6 cooler core sizes: 10, 16, 19, 25, 34 & 40-rows
- Recommended for: Engine, Transmission, Power Steering, Differential and Fuel

Dimensions



SERIES 10000 Stack Plate Fluid Coolers



40 row



34 row



25 row



19 row



16 row



10 row

Part No.	No. of Rows	Capacity	BTU	Fitting Size	Dim. A (Width)	Dim. B (Height)	Dim. C (Depth)	Dim. D (Overall Height)	Dim. E (Mounting)	Dim. F (Mounting)	Dim. G (Inlet)
51078	10	6 oz.	20000	No fittings	13"	4"	2"	-	2 7/8"	12 1/4"	10"
51006	10	6 oz.	20000	-6 AN Male	13"	4"	2"	4 7/16"	2 7/8"	12 1/4"	10"
51008	10	6 oz.	20000	-8 AN Male	13"	4"	2"	4 9/16"	2 7/8"	12 1/4"	10"
51010	10	6 oz.	20000	-10 AN Male	13"	4"	2"	4 11/16"	2 7/8"	12 1/4"	10"
51678	16	10 oz.	32000	No fittings	13"	6"	2"	-	4 7/8"	12 1/4"	10"
51606	16	10 oz.	32000	-6 AN Male	13"	6"	2"	6 7/16"	4 7/8"	12 1/4"	10"
51608	16	10 oz.	32000	-8 AN Male	13"	6"	2"	6 9/16"	4 7/8"	12 1/4"	10"
51610	16	10 oz.	32000	-10 AN Male	13"	6"	2"	6 11/16"	4 7/8"	12 1/4"	10"
51978	19	12 oz.	37000	No fittings	13"	7"	2"	-	5 3/4"	12 1/4"	10"
51906	19	12 oz.	37000	-6 AN Male	13"	7"	2"	7 5/16"	5 3/4"	12 1/4"	10"
51908	19	12 oz.	37000	-8 AN Male	13"	7"	2"	7 7/16"	5 3/4"	12 1/4"	10"
51910	19	12 oz.	37000	-10 AN Male	13"	7"	2"	7 9/16"	5 3/4"	12 1/4"	10"
52578	25	16 oz.	46000	No fittings	13"	9"	2"	-	7 5/8"	12 1/4"	10"
52506	25	16 oz.	46000	-6 AN Male	13"	9"	2"	9 3/16"	7 5/8"	12 1/4"	10"
52508	25	16 oz.	46000	-8 AN Male	13"	9"	2"	9 5/16"	7 5/8"	12 1/4"	10"
52510	25	16 oz.	46000	-10 AN Male	13"	9"	2"	9 9/16"	7 5/8"	12 1/4"	10"
53478	34	20 oz.	59000	No fittings	13"	11"	2"	-	10 1/16"	12 1/4"	10"
53406	34	20 oz.	59000	-6 AN Male	13"	11"	2"	11 13/16"	10 1/16"	12 1/4"	10"
53408	34	20 oz.	59000	-8 AN Male	13"	11"	2"	11 7/8"	10 1/16"	12 1/4"	10"
53410	34	20 oz.	59000	-10 AN Male	13"	11"	2"	12 1/16"	10 1/16"	12 1/4"	10"
54078	40	26 oz.	60000	No fittings	13"	13"	2"	-	12"	12 1/4"	10"
54006	40	26 oz.	60000	-6 AN Male	13"	13"	2"	13 11/16"	12"	12 1/4"	10"
54008	40	26 oz.	60000	-8 AN Male	13"	13"	2"	13 3/4"	12"	12 1/4"	10"
54010	40	26 oz.	60000	-10 AN Male	13"	13"	2"	13 7/8"	12"	12 1/4"	10"



THE LEADER IN PERFORMANCE COOLING

SERIES 10000

Stack Plate Fluid Coolers



Transmission Cooler Kits

- Extends transmission service life by preventing heat-related component failure & fluid breakdown
- Improves transmission performance
- Hardware kit includes -6AN fittings, hose barb adapters, high-pressure/high temperature hose, Insta-Dapt radiator adapter & mounting hardware

Part No.	Repl. Cooler Part No.	No. of Rows	Capacity	BTU	Inlet Size	Dim. A (Width)	Dim. B (Height)	Dim. C (Depth)	Dim. D (Overall Height)	Dim. E (Mounting)	Dim. F (Mounting)	Dim. G (Inlet)
13401	51078	10	6 oz.	20000	-6 AN Male	13"	4"	2"	4 7/16"	2 7/8"	12 1/4"	10"
13402	51678	16	10 oz.	32000	-6 AN Male	13"	6"	2"	6 7/16"	4 7/8"	12 1/4"	10"
13403	51978	19	12 oz.	37000	-6 AN Male	13"	7"	2"	7 5/16"	5 3/4"	12 1/4"	10"

SANDWICH ADAPTER KIT



Engine Oil Cooler Kits - Sandwich

- Can reduce oil temperatures up to 50°F
- Helps reduce coolant temperature
- Extends engine life
- Hardware kit includes 180°F thermostatic sandwich adapter, hose barb adapters, high-pressure/high temperature hose & mounting hardware

Part No.	Repl. Cooler Part No.	No. of Rows	Capacity	BTU	Inlet Size	Dim. A (Width)	Dim. B (Height)	Dim. C (Depth)	Dim. D (Overall Height)	Dim. E (Mounting)	Dim. F (Mounting)	Dim. G (Inlet)
15602	51078	10	6 oz.	20000	-8 AN Male	13"	4"	2"	4 9/16"	2 7/8"	12 1/4"	10"
15603	51078	10	6 oz.	20000	-8 AN Male	13"	4"	2"	4 9/16"	2 7/8"	12 1/4"	10"
15604	51078	10	6 oz.	20000	-8 AN Male	13"	4"	2"	4 9/16"	2 7/8"	12 1/4"	10"
15605	51078	10	6 oz.	20000	-8 AN Male	13"	4"	2"	4 9/16"	2 7/8"	12 1/4"	10"

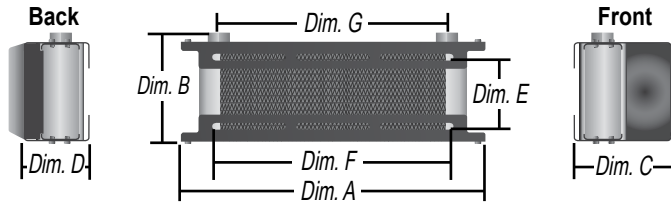
SPIN-ON ADAPTER KIT



Engine Oil Cooler Kits - Spin-On

- Can reduce oil temperatures up to 50°F
- Helps reduce coolant temperature
- Extends engine life
- Hardware kit includes spin-on adapter, ports-up filter mount, hose barb adapters, high-pressure/high temperature hose & mounting hardware

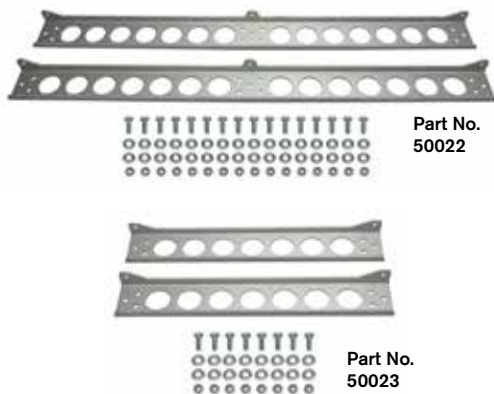
Part No.	Repl. Cooler Part No.	No. of Rows	Capacity	BTU	Inlet Size	Dim. A (Width)	Dim. B (Height)	Dim. C (Depth)	Dim. D (Overall Height)	Dim. E (Mounting)	Dim. F (Mounting)	Dim. G (Inlet)
15651	51078	10	6 oz.	20000	-8 AN Male	13"	4"	2"	4 9/16"	2 7/8"	12 1/4"	10"



Scoop Cooler Kit

- Aluminum mounting system, mounts to chassis rail
- Designed to capture & redirect airflow for max cooling
- Scoop shroud can be mounted to either side of cooler
- Highly efficient 10 Row, Series 10000 Cooler

Part No.	Repl. Cooler Part No.	No. of Rows	Capacity	BTU	Inlet Size	Dim. A (Width)	Dim. B (Height)	Dim. C (Depth)	Dim. D (Depth)	Dim. E (Mounting)	Dim. F (Mounting)	Dim. G (Inlet)
50100	51078	10	6 oz.	20000	-10AN / 7/8"-14	13"	4"	5" Front	3 1/4" Back	2 3/16"	10 1/4" Max	10"



Aluminum Mounting Brackets

- Heavy-Duty aluminum construction, clear anodized
- Symmetrical design makes multiple mounting configurations possible
- Brackets can be flipped for inside or outside mounting
- Available for Single or Dual Series 10000 cooler(s)

Part No.	Bracket Configuration	Width	Deep	Mounting Width
50022	Dual	27 7/8"	2 1/4"	13 1/2" / 13 1/2"
50023	Single	14 1/4"	2 1/4"	13 1/2"



Steel Mounting Brackets

- Multi-position brackets
- Black powder coated steel brackets

Part No.
50020



THE LEADER IN PERFORMANCE COOLING

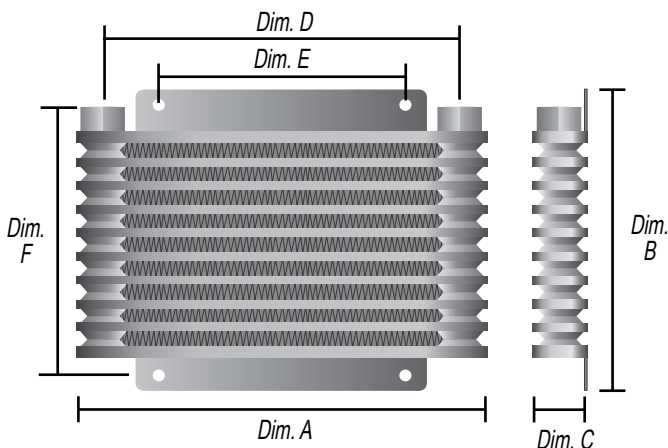
SERIES 9000 Plate & Fin Fluid Coolers



Features and Benefits

- Integrated, high-flow turbulators
- Sturdy furnace-brazed aluminum construction tested to 250 P.S.I.
- 1/2" NPT female cooler inlets & 4 integrated mounting points
- Available in 4 cooler core sizes: 5, 9, 13, & 17 rows
- Recommended for: Engine, Transmission, Power Steering, Differential and Fuel

Dimensions



SERIES 9000 Plate & Fin Fluid Coolers



17 row



13 row



9 row



5 row

Part No.	No. of Rows	Capacity	GVW	BTU	Inlet Size	Dim. A (Width)	Dim. B (Height)	Dim. C (Depth)	Dim. D (Overall Height)	Dim. E (Mounting)	Dim. F (Mounting)	Dim. G (Inlet)
33601	5	3 oz.	14000	4000	1/2" FPT	10 1/8"	3"	1 1/4"	3 7/8"	6 3/4"	3"	8 7/8"
33602	9	6 oz.	17500	8000	1/2" FPT	10 1/8"	5 1/2"	1 1/4"	6 3/8"	6 3/4"	5 1/2"	8 7/8"
33603	13	10 oz.	22000	12000	1/2" FPT	10 1/8"	8"	1 1/4"	8 7/8"	6 3/4"	8"	8 7/8"
33604	17	12 oz.	24000	16000	1/2" FPT	10 1/8"	10 1/2"	1 1/4"	11 7/8"	6 3/4"	10 1/2"	8 7/8"



Transmission Cooler Kits

- Extends transmission service life by preventing heat-related component failure & fluid breakdown
- Improves transmission performance
- Hardware kit includes 3/8" barb fittings, high-pressure/high temperature hose, Insta-Dapt radiator adapter & mounting hardware

Part No.	Repl. Cooler Part No.	No. of Rows	Capacity	GVW	BTU	Inlet Size	Dim. A (Width)	Dim. B (Height)	Dim. C (Depth)	Dim. D (Overall Height)	Dim. E (Mounting)	Dim. F (Mounting)	Dim. G (Inlet)
13611	33601	5	3 oz.	14000	4000	1/2" FPT	10 1/8"	3"	1 1/4"	3 7/8"	6 3/4"	3"	8 7/8"
13612	33602	9	6 oz.	17500	8000	1/2" FPT	10 1/8"	5 1/2"	1 1/4"	6 3/8"	6 3/4"	5 1/2"	8 7/8"
13613	33603	13	10 oz.	22000	12000	1/2" FPT	10 1/8"	8"	1 1/4"	8 7/8"	6 3/4"	8"	8 7/8"
13614	33604	17	12 oz.	24000	16000	1/2" FPT	10 1/8"	10 1/2"	1 1/4"	11 7/8"	6 3/4"	10 1/2"	8 7/8"



Engine Oil Cooler Kits - Spin-On



- Reduce oil temperatures up to 50°F
- Includes ports-up filter mount (Fram PH8A equivalent filters)
- Complete hardware kit included

Part No.	Repl. Cooler Part No.	No. of Rows	Capacity	GVW	BTU	Inlet Size	Dim. A (Width)	Dim. B (Height)	Dim. C (Depth)	Dim. D (Overall Height)	Dim. E (Mounting)	Dim. F (Mounting)	Dim. G (Inlet)
15451	33603	13	10 oz.	22000	12000	1/2" FPT	10 1/8"	8"	1 1/4"	8 7/8"	6 3/4"	8"	8 7/8"



Engine Oil Cooler Kits - Sandwich



- Reduce oil temperatures up to 50°F
- Extends engine life
- Complete hardware kit included

Part No.	Repl. Cooler Part No.	No. of Rows	Capacity	GVW	BTU	Inlet Size	Dim. A (Width)	Dim. B (Height)	Dim. C (Depth)	Dim. D (Overall Height)	Dim. E (Mounting)	Dim. F (Mounting)	Dim. G (Inlet)
15405	33603	13	10 oz.	22000	12000	1/2" FPT	10 1/8"	8"	1 1/4"	8 7/8"	6 3/4"	8"	8 7/8"



THE LEADER IN PERFORMANCE COOLING

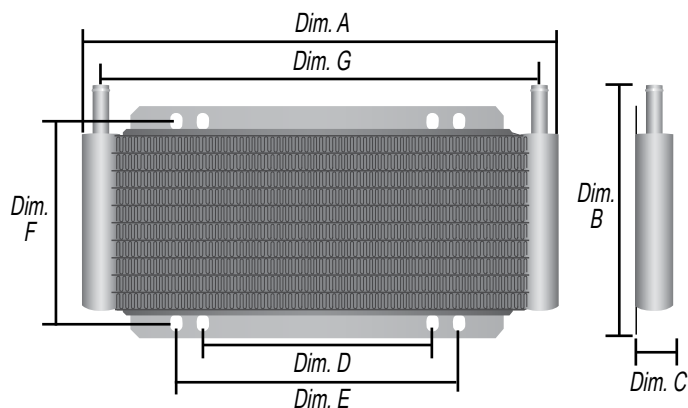
SERIES 8000 Plate & Fin Fluid Coolers



Features and Benefits

- **Integrated high-flow turbulators for maximum cooling efficiency**
- **Sturdy furnace-brazed aluminum construction tested to 250 p.s.i.**
- **11/32" hose barb inlets**
- **Available in 4 cooler core sizes: 9, 13, 19 & 24-rows**
- **Recommended for: Engine, Transmission, Power Steering, Differential and Fuel**

Dimensions



SERIES 8000 Plate & Fin Fluid Cooler



24 row



19 row



13 row



9 row

Part No.	No. of Rows	Fluid Capacity	GVW	BTU	Inlet Size	Dim. A (Width)	Dim. B (Height)	Dim. C (Depth)	Dim. D (Mounting)	Dim. E (Mounting)	Dim. F (Mounting Height)	Dim. G (Inlets)
33501	9	2.5 oz.	15500	10000	11/32" Barb	11"	5 3/4"	7/8"	5 1/4"	6 3/4"	4 1/2"	10 1/4"
33502	13	4 oz.	17500	14000	11/32" Barb	11"	7 1/4"	7/8"	5 1/4"	6 3/4"	6 1/8"	10 1/4"
33503	19	5.5 oz.	20500	20000	11/32" Barb	11"	9 1/4"	7/8"	5 1/4"	6 3/4"	8"	10 1/4"
33504	24	8 oz.	22500	27000	11/32" Barb	11"	12"	7/8"	5 1/4"	6 3/4"	10 1/2"	10 1/4"

Transmission Cooler Kits



- Extends transmission service life by preventing heat-related component failure & fluid breakdown
- Improves transmission performance
- Sturdy furnace-brazed aluminum construction
- Integrated, high-flow turbulators maximize cooling efficiency
- Hardware kit includes high pressure/high temperature hose, Insta-Dapt radiator adapter & mounting hardware

Part No.	Repl. Cooler Part No.	No. of Rows	Fluid Capacity	GVW	BTU	Inlet Size	Dim. A (Width)	Dim. B (Height)	Dim. C (Depth)	Dim. D (Mounting)	Dim. E (Mounting)	Dim. F (Mounting Height)	Dim. G (Inlets)
13501	33501	9	2.5 oz.	15500	10000	11/32" Barb	11"	5 3/4"	7/8"	5 1/4"	6 3/4"	4 1/2"	10 1/4"
13502	33502	13	4 oz.	17500	14000	11/32" Barb	11"	7 1/4"	7/8"	5 1/4"	6 3/4"	6 1/8"	10 1/4"
13503	33503	19	5.5 oz.	20500	20000	11/32" Barb	11"	9 1/4"	7/8"	5 1/4"	6 3/4"	8"	10 1/4"
13504	33504	24	8 oz.	22500	27000	11/32" Barb	11"	12"	7/8"	5 1/4"	6 3/4"	10 1/2"	10 1/4"

Power Steering Cooler Kits



- Extends pump & seal life
- Reduces heat-related pump failure
- 11/32" hose barb inlets
- Integrated, high-flow turbulators maximize cooling efficiency

Part No.	Repl. Cooler Part No.	No. of Rows	Fluid Capacity	GVW	BTU	Inlet Size	Dim. A (Width)	Dim. B (Height)	Dim. C (Depth)	Dim. D (Mounting)	Dim. E (Mounting)	Dim. F (Mounting Height)	Dim. G (Inlets)
13215	33501	9	2.5 oz.	15500	10000	11/32" Barb	11"	5 3/4"	7/8"	5 1/4"	6 3/4"	4 1/2"	10 1/4"



THE LEADER IN PERFORMANCE COOLING

SERIES 7000 Tube & Fin Fluid Coolers



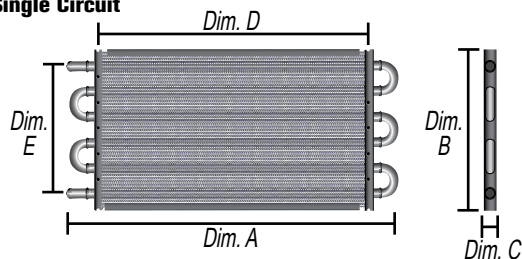
Features and Benefits

- Prevents heat-related component failure & fluid breakdown
- 1/2" copper tubing expanded into aluminum cooling fins
- Black powdercoated finish
- Extruded plastic fin guards
- Recommended for: Engine, Transmission, Power Steering, Differential and Fuel

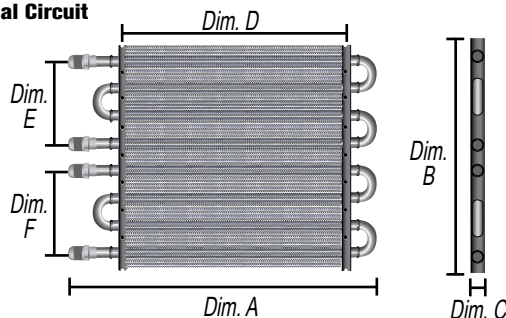


Dimensions

Single Circuit



Dual Circuit



SERIES 7000 Tube & Fin Fluid Coolers



Part No.	No. of Passes	Fluid Capacity	BTU	Inlet Size	Dim. A (Width)	Dim. B (Height)	Dim. C (Depth)	Dim. D (Mounting)	Dim. E (Inlet to Inlet)	Dim. F (Inlet to Inlet)
13309	4	2.5 oz.	3500	-6 AN	8 1/8"	5 1/8"	3/4"	4 7/8"	3 3/4"	--
13310	2	1.5 oz.	1500	-6 AN	8 1/8"	2 5/8"	1 3/4"	5 1/4"	1 1/4"	--
13311	4	4 oz.	3500	-6 AN	13 1/2"	5 1/8"	3/4"	9 5/8"	3 3/4"	--
13312	4	4.25 oz.	3500	-6 AN	17 1/2"	5 1/8"	3/4"	13 1/2"	3 3/4"	--
13313	6	7 oz.	5500	-6 AN	17 1/2"	7 5/8"	3/4"	13 1/2"	6 1/4"	--
13314	8	11.5 oz.	8000	-6 AN	17 1/2"	10 1/4"	3/4"	13 1/2"	8 3/4"	--
13315	10	13.5 oz.	10000	-6 AN	17 1/2"	12 5/8"	3/4"	13 1/2"	11 1/4"	--
13316	6	6 oz.	5500	-6 AN	13 1/2"	7 5/8"	3/4"	9 5/8"	6 1/4"	--
13317	8	6.25 oz.	7500	-6 AN	13 1/2"	10 1/4"	3/4"	9 5/8"	8 3/4"	--
13318	10	8 oz.	9500	-6 AN	13 1/2"	12 5/8"	3/4"	9 5/8"	11 1/4"	--
Dual Circuit										
13302	6 pass and 4 pass	5.5 oz.	10000	(2) 11/32" (2) 1/2" Barb	16 15/16"	12 5/8"	3/4"	13 1/2"	6 1/4"	3 3/4"
13322	4 pass and 4 pass	8 oz.	8000	(2) 11/32" (2) 1/2" Barb	12 15/16"	10 1/4"	3/4"	9 5/8"	3 3/4"	3 3/4"
15301	8 pass and 8 pass	2.5 oz.	16000	(4) -8AN	13 15/16"	10 1/2"	1 3/4"	9 5/8"	4 1/8"	4 1/8"
15321	4 pass and 4 pass	4 oz.	8000	(4) -8AN	13 15/16"	10 1/4"	3/4"	9 5/8"	3 3/4"	3 3/4"
15331	4 pass and 2 pass	5.5 oz.	6000	(4) -8AN	13 15/16"	7 5/8"	3/4"	9 5/8"	3 3/4"	1 1/4"



THE LEADER IN PERFORMANCE COOLING

SERIES 7000

Tube & Fin Fluid Coolers

6AN Inlets - Transmission Cooler Kits

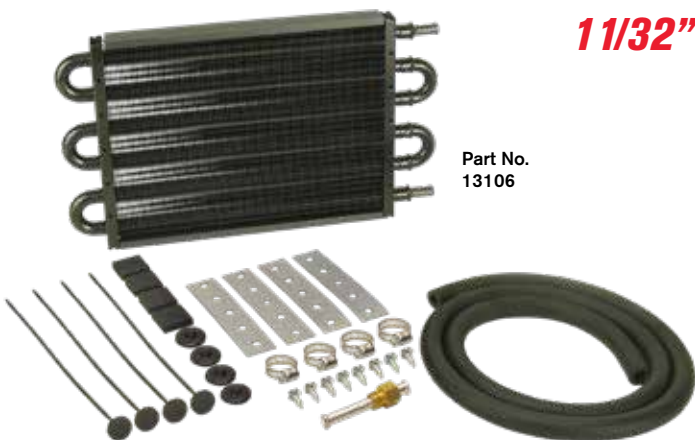


Part No.
13306

- Extends transmission service life by preventing heat-related component failure & fluid breakdown
- Improves transmission performance
- Hardware kit includes high-pressure/high temperature hose, Insta-Dapt radiator adapter & mounting hardware

Part No.	No. of Passes	Fluid Capacity	GVW	BTU	Inlet Size	Dim. A (Width)	Dim. B (Height)	Dim. C (Depth)	Dim. D (Mounting)	Dim. E (Inlet to Inlet)
13303	6	7 oz.	18500	5500	-6AN	17 1/2"	7 5/8"	3/4"	13 1/2"	6 1/4"
13304	8	11.5 oz.	20500	8000	-6AN	17 1/2"	10 1/4"	3/4"	13 1/2"	8 3/4"
13306	6	6 oz.	15500	5500	-6AN	13 1/2"	7 5/8"	3/4"	9 5/8"	6 1/4"

1 1/32" Barb Inlets - Transmission Cooler Kits



Part No.
13106

- Extends transmission service life by preventing heat-related component failure & fluid breakdown
- Improves transmission performance
- Hardware kit includes high-pressure/high temperature hose, Insta-Dapt radiator adapter & mounting hardware

Part No.	No. of Passes	Fluid Capacity	GVW	BTU	Inlet Size	Dim. A (Width)	Dim. B (Height)	Dim. C (Depth)	Dim. D (Mounting)	Dim. E (Inlet to Inlet)
13101	4	4 oz.	12000	3500	11/32" Barb	12 3/4"	5 1/8"	3/4"	9 5/8"	3 3/4"
13102	4	4.25 oz.	14000	3500	11/32" Barb	16 5/8"	5 1/8"	3/4"	13 1/2"	3 3/4"
13103	6	7 oz.	18500	6000	11/32" Barb	16 5/8"	7 5/8"	3/4"	13 1/2"	6 1/4"
13104	8	11.5 oz.	20500	8000	11/32" Barb	16 5/8"	10 1/4"	3/4"	13 1/2"	8 3/4"
13105	10	13.5 oz.	22500	10000	11/32" Barb	16 5/8"	12 5/8"	3/4"	13 1/2"	11 1/4"
13106	6	6 oz.	15500	6000	11/32" Barb	12 3/4"	7 5/8"	3/4"	9 5/8"	6 1/4"
13107	8	6.25 oz.	18200	7500	11/32" Barb	12 3/4"	10 1/4"	3/4"	9 5/8"	8 3/4"
13108	10	8 oz.	20500	9500	11/32" Barb	12 3/4"	12 5/8"	3/4"	9 5/8"	11 1/4"



Part No.
15505

Engine Oil Cooler Kits - Sandwich

- Can reduce oil temperatures up to 50°F
- Helps reduce coolant temperature
- Extends engine life
- Hardware kit includes 180°F thermostatic sandwich adapter, hose barb adapters, high-pressure/high temperature hose & mounting hardware

Part No.	Repl. Cooler Part No.	No. of Passes	Fluid Capacity	GVW	BTU	Inlet Size	Dim. A (Width)	Dim. B (Height)	Dim. C (Depth)	Dim. D (Mounting)	Dim. E (Inlet to Inlet)
15505	15302	6	7 oz.	18500	6000	11/32" Barb	16 5/8"	7 5/8"	3/4"	13 1/2"	6 1/4"
15502	15302	6	7 oz.	18500	6000	11/32" Barb	16 5/8"	7 5/8"	3/4"	13 1/2"	6 1/4"
15503	15302	6	7 oz.	15500	6000	11/32" Barb	16 5/8"	7 5/8"	3/4"	13 1/2"	6 1/4"



Engine Oil Cooler Kits - Spin-On

- Can reduce oil temperatures up to 50°F
- Helps reduce coolant temperature
- Extends engine life
- Hardware kit includes spin-on adapter, ports-up filter mount, hose barb adapters, high-pressure/high temperature hose & mounting hardware

Part No.	Repl. Cooler Part No.	No. of Passes	Fluid Capacity	GVW	BTU	Inlet Size	Dim. A (Width)	Dim. B (Height)	Dim. C (Depth)	Dim. D (Mounting)	Dim. E (Inlet to Inlet)
15551	15302	6	7 oz.	18500	6000	11/32" Barb	16 5/8"	7 5/8"	3/4"	13 1/2"	6 1/4"



Part No.
13200

Power Steering Cooler Kit

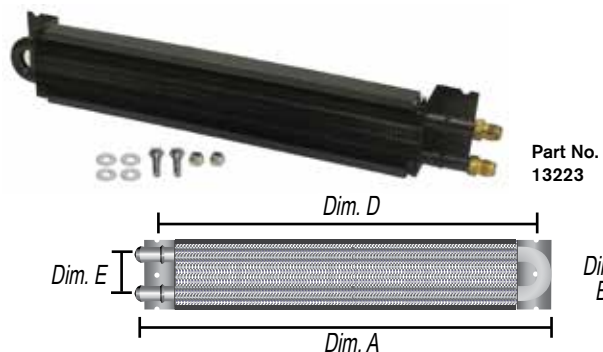
- Extends pump and seal life
- Reduces heat-related pump failure
- 1/2" copper tubing expanded into aluminum cooling fins
- Hardware kit includes high-pressure/high temperature hose, hose clamps & mounting hardware

Part No.	Repl. Cooler Part No.	No. of Passes	Fluid Capacity	BTU	Inlet Size	Dim. A (Width)	Dim. B (Height)	Dim. C (Depth)	Dim. D (Mounting)	Dim. E (Inlet to Inlet)
13200	----	2	2.25 oz.	1500	11/32" Barb	12 3/4"	2 5/8"	3/4"	9 5/8"	1 1/4"
13212	13309	4	2.5 oz.	3500	11/32" Barb	8 1/8"	5 1/8"	3/4"	4 7/8"	3 3/4"
13213	----	2	1 oz.	3500	11/32" Barb	8 1/8"	2 5/8"	3/4"	4 7/8"	1 1/4"



THE LEADER IN PERFORMANCE COOLING

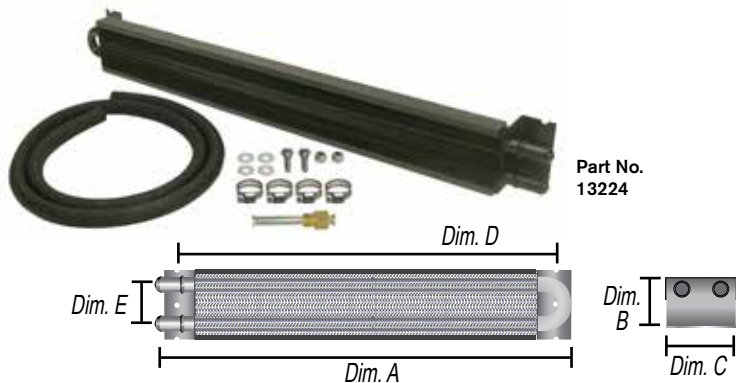
Series 7000 Frame Rail Fluid Coolers



Frame Rail Cooler Kit

- Prevents heat-related component failure & fluid breakdown
- 1/2" copper tubing expanded into aluminum cooling fins
- -6 AN hose barb inlets
- Extruded plastic cooling fin guards

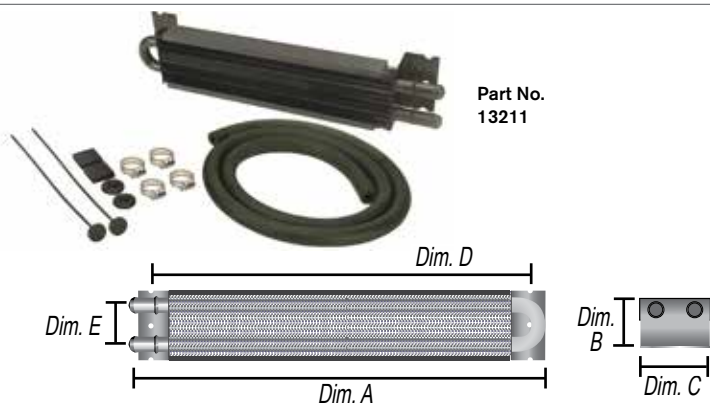
Part No.	No. of Passes	Fluid Capacity	BTU	Inlet Size	Dim. A (Width)	Dim. B (Height)	Dim. C (Depth)	Dim. D (Mounting)	Dim. E (Inlet to Inlet)
13223	2	2.5 oz.	2000	-6 AN	13 3/4"	2 3/4"	1 3/4"	11 3/4"	1 1/4"
13221	2	3.25 oz.	2200	-6 AN	17 3/4"	2 3/4"	1 3/4"	15 1/2"	1 1/4"
13225	2	4.5 oz.	2400	-6 AN	24 3/4"	2 3/4"	1 3/4"	22 3/4"	1 1/4"



Transmission Cooler Kits

- Prevents heat-related transmission failure & fluid breakdown
- 1/2" copper tubing expanded into aluminum cooling fins
- 11/32" hose barb inlets
- Extruded plastic cooling fin guards

Part No.	Repl. Core	No. of Passes	Fluid Capacity	BTU	Inlet Size	Dim. A (Width)	Dim. B (Height)	Dim. C (Depth)	Dim. D (Mounting)	Dim. E (Inlet to Inlet)
13222	13223	2	2.5 oz.	2000	11/32"	12 3/4"	2 3/4"	1 3/4"	11 3/4"	1 1/4"
13220	13321	2	3.25 oz.	2200	11/32"	16 3/4"	2 3/4"	1 3/4"	15 1/2"	1 1/4"
13224	13225	2	4.5 oz.	2400	11/32"	23 3/4"	2 3/4"	1 3/4"	22 3/4"	1 1/4"



Power Steering Cooler Kits

- Extends pump & seal life
- Reduces heat-related pump failure
- 1/2" copper tubing expanded into aluminum cooling fins
- 11/32" hose barb inlets

Part No.	No. of Passes	Fluid Capacity	BTU	Inlet Size	Dim. A (Width)	Dim. B (Height)	Dim. C (Depth)	Dim. D (Mounting)	Dim. E (Inlet to Inlet)
13210	2	1.5 oz.	1500	11/32" Barb	8 1/8"	2 3/4"	1 3/4"	5 1/4"	1 1/4"
13211	2	2.5 oz.	2000	11/32" Barb	13 3/4"	2 3/4"	1 3/4"	11 3/4"	1 1/4"

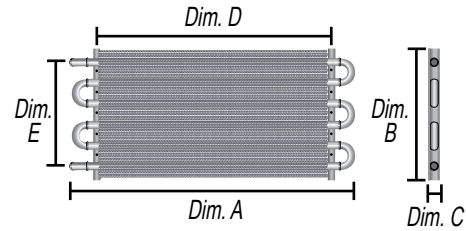
Series 6000 Dyno-Cool Tube & Fin Fluid Coolers



Transmission Cooler Kits



- Prevents heat-related component failure & fluid breakdown
- 1/2" aluminum tubing expanded into aluminum cooling fins
- Embossed turbulators in each tube agitate fluid for maximum heat transfer
- 1 1/32" hose barb inlets
- Hardware kit includes high pressure/high temperature hose, Insta-Dapt radiator adapter with plastic rod mounting

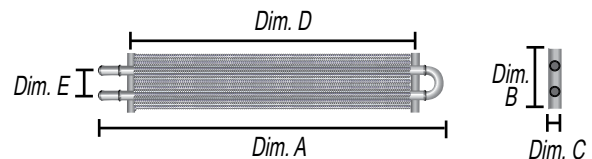


Part No.	No. of Passes	Fluid Capacity	GVW	BTU	Inlet Size	Dim. A (Width)	Dim. B (Height)	Dim. C (Depth)	Dim. D (Mounting)	Dim. E (Inlet to Inlet)
12901	4	3.25 oz.	12000	3300	11/32" Barb	12 3/4"	5"	3/4"	10 1/8"	3 3/4"
12902	4	4 oz.	14000	3300	11/32" Barb	15 1/4"	5"	3/4"	12 1/4"	3 3/4"
12903	6	7 oz.	18500	5000	11/32" Barb	15 1/4"	7 1/2"	3/4"	12 1/4"	6 1/4"
12904	8	11 oz.	20500	7000	11/32" Barb	15 1/4"	10"	3/4"	12 1/4"	8 3/4"
12906	6	6 oz.	15500	4700	11/32" Barb	12 3/4"	7 1/2"	3/4"	10 1/8"	6 1/4"
12907	8	6.5 oz.	18200	6600	11/32" Barb	12 3/4"	10"	3/4"	10 1/8"	8 3/4"

Power Steering Cooler Kits



- Extends pump & seal life
- Reduces heat-related pump failure
- All-aluminum cooler construction
- 1 1/32" hose barb inlets



Part No.	No. of Passes	Fluid Capacity	BTU	Inlet Size	Dim. A (Width)	Dim. B (Height)	Dim. C (Depth)	Dim. D (Mounting)	Dim. E (Inlet to Inlet)
12213	2	1.5 oz.	1300	11/32" Barb	9 1/8"	2 1/2"	3/4"	8 3/4"	1 1/4"
12200	2	2 oz.	1300	11/32" Barb	12 3/4"	2 1/2"	3/4"	5 7/8"	1 1/4"



THE LEADER IN PERFORMANCE COOLING

Premium Heat Sink Fluid Coolers

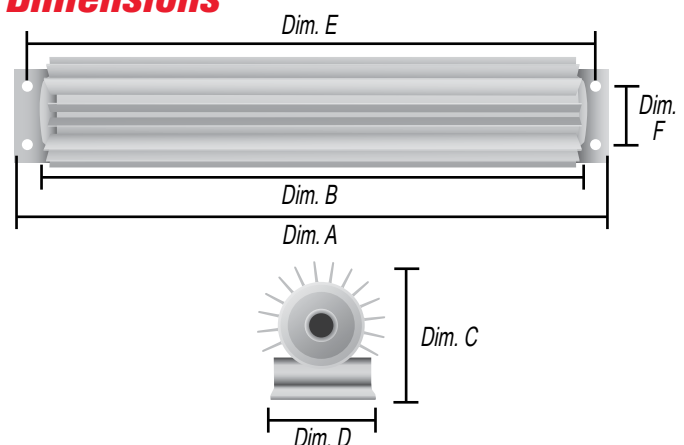
NEW



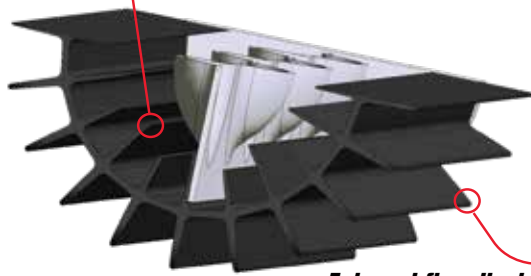
Features and Benefits

- Increased fluid capacity
- Features internal and external heat dissipating fins
- Stamped Turbulator has been added to Dual Pass for increased efficiency
- Removable brackets allow cooler to be clocked
- Compact 3" diameter fits most frame rails

Dimensions



Internal fins absorb heat



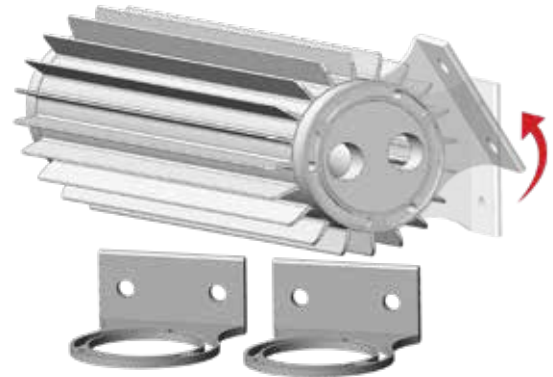
External fins dissipate heat

Increased Fluid Capacity

We have completely redesigned the extrusion to maximize efficiency, by increasing the cavity, we have increased the amount of fluid in the cooler.

Redesigned Heat Dissipating Fins

The redesigned fins allow for better heat dissipation, the internal fins are designed to pull the heat out of the passing fluid while transferring that heat out through the external fins.



Removable brackets allow cooler to be clocked

The removable brackets are a great addition to the heat sink lineup, they allow the cooler to be clocked in any mounting position desired.

Now offered in Black Anodized finish

New for 2018 to 2019 we are introducing a full line-up of coolers with a black anodized finish, the single pass coolers come with a 1/2" NPT female inlets, while the dual pass coolers will be offered with 3/8" NPT inlets



Single Pass Black Anodized Models

- Black anodized finish
- Adjustable bracket design
- Fittings not included

NEW

Single Pass Part No.	Inlet Size	Fluid Capacity	Dim A. (Overall Length)	Dim B. (Core Length)	Dim C. (Height)	Dim D. (Width)	Dim E. (Mounting)	Dim F. (Mounting)
13269	1/2" NPT	10 oz	10 1/4"	8 5/8"	3 1/4"	3"	9 5/8"	1 3/8"
13270	1/2" NPT	14 oz	14 1/4"	12 5/8"	3 1/4"	3"	13 5/8"	1 3/8"
13271	1/2" NPT	18 oz	17 1/4"	15 5/8"	3 1/4"	3"	16 5/8"	1 3/8"
13272	1/2" NPT	22 oz	20 1/4"	18 5/8"	3 1/4"	3"	19 5/8"	1 3/8"
13277	1/2" NPT	28 oz	25 1/4"	24 5/8"	3 1/4"	3"	24 5/8"	1 3/8"



Dual Pass Black Anodized Models

- Black anodized finish
- New Stamped Turbulator
- Adjustable bracket design
- Fittings not included

NEW

Dual Pass Part No.	Inlet Size	Fluid Capacity	Dim A. (Overall Length)	Dim B. (Core Length)	Dim C. (Height)	Dim D. (Width)	Dim E. (Mounting)	Dim F. (Mounting)
13279	3/8" NPT	10 oz	10 1/4"	8 5/8"	3 1/4"	3"	9 5/8"	1 3/8"
13280	3/8" NPT	14 oz	14 1/4"	12 5/8"	3 1/4"	3"	13 5/8"	1 3/8"
13281	3/8" NPT	18 oz	17 1/4"	15 5/8"	3 1/4"	3"	16 5/8"	1 3/8"
13282	3/8" NPT	22 oz	20 1/4"	18 5/8"	3 1/4"	3"	19 5/8"	1 3/8"
13287	3/8" NPT	28 oz	25 1/4"	24 5/8"	3 1/4"	3"	24 5/8"	1 3/8"



Part No.
13260

Clear Anodized Models

- Clear anodized finish
- Available in single pass or dual pass
- Single Pass – 1/2" NPT, Dual Pass – 3/8" NPT
- Hardware kit includes aluminum hose barbs fittings

NEW

Single Pass Part No.	Inlet Size	Dual Pass Part No.	Inlet Size	Fluid Capacity	Dim A. (Overall Length)	Dim B. (Core Length)	Dim C. (Height)	Dim D. (Width)	Dim E. (Mounting)	Dim F. (Mounting)
13249	1/2" NPT	13259	3/8" NPT	10 oz	10 1/4"	8 5/8"	3 1/4"	3"	9 5/8"	1 3/8"
13250	1/2" NPT	13260	3/8" NPT	14 oz	14 1/4"	12 5/8"	3 1/4"	3"	13 5/8"	1 3/8"
13251	1/2" NPT	13261	3/8" NPT	18 oz	17 1/4"	15 5/8"	3 1/4"	3"	16 5/8"	1 3/8"
13252	1/2" NPT	13262	3/8" NPT	22 oz	20 1/4"	18 5/8"	3 1/4"	3"	19 5/8"	1 3/8"
13257	1/2" NPT	13267	3/8" NPT	28 oz	25 1/4"	24 5/8"	3 1/4"	3"	24 5/8"	1 3/8"



Part No.
13253

Transmission Cooler Kits

- Clear anodized finish
- Extends transmission service life by preventing heat-related component failure & fluid breakdown
- Available in single pass or dual pass
- Transmission cooler kit includes high pressure/high temperature hose, Insta-Dapt radiator adapter, hose barbs fittings and mounting hardware

NEW

Single Pass Part No.	Inlet Size	Dual Pass Part No.	Inlet Size	Fluid Capacity	Dim A. (Overall Length)	Dim B. (Core Length)	Dim C. (Height)	Dim D. (Width)	Dim E. (Mounting)	Dim F. (Mounting)
13253	1/2" NPT	13263	3/8" NPT	14 oz	14 1/4"	12 5/8"	3 1/4"	3"	13 5/8"	1 3/8"
13254	1/2" NPT	13264	3/8" NPT	18 oz	17 1/4"	15 5/8"	3 1/4"	3"	16 5/8"	1 3/8"
13255	1/2" NPT	13265	3/8" NPT	22 oz	20 1/4"	18 5/8"	3 1/4"	3"	19 5/8"	1 3/8"
13256	1/2" NPT	13266	3/8" NPT	28 oz	25 1/4"	24 5/8"	3 1/4"	3"	24 5/8"	1 3/8"



Part No.
13350

Power Steering Cooler Kit

- Extends power steering service life by preventing heat-related component failure & fluid breakdown
- Improves power steering performance
- Power steering cooler kit includes high pressure / high temperature hose, hose barbs fittings and mounting hardware

NEW

Single Pass Part No.	Inlet Size	Fluid Capacity	Dim A. (Overall Length)	Dim B. (Core Length)	Dim C. (Height)	Dim D. (Width)	Dim E. (Mounting)	Dim F. (Mounting)
13349	1/2" NPT	10 oz	10 1/4"	8 5/8"	3 1/4"	3"	9 5/8"	1 3/8"
13350	1/2" NPT	14 oz	14 1/4"	12 5/8"	3 1/4"	3"	13 5/8"	1 3/8"

Fluid Coolers - Quick Guide

Ram Air Cooler Kits									
Size	Part No.	Series	Description	Width	Height	Depth	Page		
8" to 9" Width	13309	7000 Tube & Fin Cooler	-6 AN, 4 Pass	8 1/8"	5"	3/4"	27		
	13310	7000 Tube & Fin Cooler	-6 AN, 2 Pass	8 1/8"	2 5/8"	1 3/4"	27		
	33601	9000 Plate & Fin Cooler	1/2" NPT, 5 Row	10 1/8"	3 7/8"	1 1/4"	23		
	33602	9000 Plate & Fin Cooler	1/2" NPT, 9 Row	10 1/8"	6 3/8"	1 1/4"	23		
	33603	9000 Plate & Fin Cooler	1/2" NPT, 13 Row	10 1/8"	8 7/8"	1 1/4"	23		
	33604	9000 Plate & Fin Cooler	1/2" NPT, 17 Row	10 1/8"	11 7/8"	1 1/4"	23		
	33501	8000 Plate & Fin Cooler	11/32" Barb, 9 Row	11"	5 3/4"	7/8"	25		
	33502	8000 Plate & Fin Cooler	11/32" Barb, 13 Row	11"	7 1/4"	7/8"	25		
	33503	8000 Plate & Fin Cooler	11/32" Barb, 19 Row	11"	9 1/4"	7/8"	25		
	33504	8000 Plate & Fin Cooler	11/32" Barb, 24 Row	11"	12"	7/8"	25		
	13322	7000 Tube & Fin Cooler	(2) 11/32", (2) 1/2" Barb, 4 pass and 4 pass		12 13/16"	10 1/4"	3/4"	30	
	51006	10000 Stack Plate Cooler	-6 AN, 10 Row		13"	4 7/16"	2"	19	
Single Pass Part No.	Inlet Size	Fluid Capacity	Dim A. (Overall Width)	Dim B. (Core Width)	Dim C. (Height)	Dim D. (Depth)	Dim E. (Mounting)	Dim F. (Mounting)	
13269	1/2" NPT	10 oz	10 3/16"	8 5/8"	3 1/4"	2 3/16"	9 1/2"	1 3/8"	
13270	1/2" NPT	14 oz	14 3/16"	12 5/8"	3 1/4"	2 3/16"	13 1/2"	1 3/8"	
13271	1/2" NPT	18 oz	17 3/16"	15 5/8"	3 1/4"	2 3/16"	16 1/2"	1 3/8"	
13272	1/2" NPT	22 oz	20 3/16"	18 5/8"	3 1/4"	2 3/16"	19 1/2"	1 3/8"	
13277	1/2" NPT	28 oz	25 3/16"	24 5/8"	3 1/4"	2 3/16"	24 1/2"	1 3/8"	
10" to 15" Width	51900	10000 Stack Plate Cooler	-6 AN, 19 Row		13"	7 5/16"	2"	19	
	51908	10000 Stack Plate Cooler	-8 AN, 19 Row		13"	7 7/16"	2"	19	
	51910	10000 Stack Plate Cooler	-10 AN, 19 Row		13"	7 9/16"	2"	19	
	51978	10000 Stack Plate Cooler	No Fittings, 19 Row		13"	7"	2"	19	
	52506	10000 Stack Plate Cooler	-6 AN, 25 Row		13"	9 3/16"	2"	19	
	52508	10000 Stack Plate Cooler	-8 AN, 25 Row		13"	9 5/16"	2"	19	
	52510	10000 Stack Plate Cooler	-10 AN, 25 Row		13"	9 9/16"	2"	19	
	52578	10000 Stack Plate Cooler	No Fittings, 25 Row		13"	9"	2"	19	
	53406	10000 Stack Plate Cooler	-6 AN, 34 Row		13"	11 13/16"	2"	19	
	53408	10000 Stack Plate Cooler	-8 AN, 34 Row		13"	11 7/8"	2"	19	
53410	10000 Stack Plate Cooler	-10 AN, 34 Row		13"	12 1/16"	2"	19		
Dual Pass Part No.	Inlet Size	Fluid Capacity	Dim A. (Overall Width)	Dim B. (Core Width)	Dim C. (Height)	Dim D. (Depth)	Dim E. (Mounting)	Dim F. (Mounting)	
13279	3/8" NPT	10 oz	10 3/16"	8 5/8"	3 1/4"	2 3/16"	9 1/2"	1 3/8"	
13280	3/8" NPT	14 oz	14 3/16"	12 5/8"	3 1/4"	2 3/16"	13 1/2"	1 3/8"	
13281	3/8" NPT	18 oz	17 3/16"	15 5/8"	3 1/4"	2 3/16"	16 1/2"	1 3/8"	
13282	3/8" NPT	22 oz	20 3/16"	18 5/8"	3 1/4"	2 3/16"	19 1/2"	1 3/8"	
13287	3/8" NPT	28 oz	25 3/16"	24 5/8"	3 1/4"	2 3/16"	24 1/2"	1 3/8"	
	13317	7000 Tube & Fin Cooler	-6 AN, 6 Pass		13 1/2"	10 1/4"	3/4"	27	
	13318	7000 Tube & Fin Cooler	-6 AN, 10 Pass		13 1/2"	12 5/8"	3/4"	27	
	13223	7000 Tube & Fin Cooler	-6 AN, 2 Pass (Frame Rail Cooler)		13 3/4"	2 1/2"	1 3/4"	30	
	15301	7000 Tube & Fin Cooler	-8 AN, 8 pass and 8 pass		13 15/16"	10 1/2"	1 3/4"	27	
	15321	7000 Tube & Fin Cooler	-8 AN, 4 pass and 4 pass		13 15/16"	10 1/4"	3/4"	27	
	15331	7000 Tube & Fin Cooler	-8 AN, 4 pass and 2 pass		13 15/16"	7 5/8"	3/4"	27	
16" to 25" Width	13302	7000 Tube & Fin Cooler	(2) 11/32", (2) 1/2" Barb, 6 pass and 4 pass		16 15/16"	12 5/8"	3/4"	27	
	13312	7000 Tube & Fin Cooler	-6 AN, 4 Pass		17 1/2"	5 1/8"	3/4"	27	
	13313	7000 Tube & Fin Cooler	-6 AN, 6 Pass		17 1/2"	7 5/8"	3/4"	27	
	13314	7000 Tube & Fin Cooler	-6 AN, 8 Pass		17 1/2"	10 1/4"	3/4"	27	
	13315	7000 Tube & Fin Cooler	-6 AN, 10 Pass		17 1/2"	12 5/8"	3/4"	27	
	13221	7000 Tube & Fin Cooler	-6 AN, 2 Pass (Frame Rail Cooler)		17 3/4"	2 1/2"	1 3/4"	30	
13225	7000 Tube & Fin Cooler	-6 AN, 2 Pass (Frame Rail Cooler)		24 3/4"	2 1/2"	1 3/4"	30		

Ram Air Fluid Coolers - Quick Guide (continued)

Ram Air Coolers - Transmission Oil Cooler Kits

Size	Part No.	Series	Description	Width	Height	Depth	Page
10" to 15" Width	13611	9000 Tube & Fin Cooler	1/2" NPT, 5 Row	10 1/8"	3 7/8"	1 1/4"	23
	13612	9000 Tube & Fin Cooler	1/2" NPT, 9 Row	10 1/8"	6 3/8"	1 1/4"	23
	13613	9000 Tube & Fin Cooler	1/2" NPT, 13 Row	10 1/8"	8 7/8"	1 1/4"	23
	13614	9000 Tube & Fin Cooler	1/2" NPT, 17 Row	10 1/8"	11 7/8"	1 1/4"	23
	13501	8000 Tube & Fin Cooler	11/32" Barb, 9 Row	11"	5 3/4"	7/8"	25
	13502	8000 Tube & Fin Cooler	11/32" Barb, 13 Row	11"	7 1/4"	7/8"	25
	13503	8000 Tube & Fin Cooler	11/32" Barb, 19 Row	11"	9 1/4"	7/8"	25
	13504	8000 Tube & Fin Cooler	11/32" Barb, 24 Row	11"	12"	7/8"	25
	13401	10000 Stack Plate Cooler	-6 AN, 10 Row	13"	4 7/16"	2"	20
	12901	6000 Tube & Fin Cooler	11/32" Barb, 4 Pass	12 3/4"	5"	3/4"	31
	13402	10000 Stack Plate Cooler	-6 AN, 16 Row	13"	6 7/16"	2"	20
	13403	10000 Stack Plate Cooler	-6 AN, 19 Row	13"	7 5/16"	2"	20
	12906	6000 Tube & Fin Cooler	11/32" Barb, 6 Pass	12 3/4"	7 1/2"	3/4"	31
	12907	6000 Tube & Fin Cooler	11/32" Barb, 8 Pass	12 3/4"	10"	3/4"	31
	13101	7000 Tube & Fin Cooler	11/32" Barb, 4 Pass	13 1/2"	5 1/8"	3/4"	28
	13306	7000 Tube & Fin Cooler	-6 AN, 6 Pass	13 1/2"	7 5/8"	3/4"	28
	13106	7000 Tube & Fin Cooler	11/32" Barb, 6 Pass	13 1/2"	7 5/8"	3/4"	28
	13107	7000 Tube & Fin Cooler	11/32" Barb, 8 Pass	13 1/2"	10 1/4"	3/4"	28
	13108	7000 Tube & Fin Cooler	11/32" Barb, 10 Pass	13 1/2"	12 5/8"	3/4"	28
	13222	7000 Tube & Fin Cooler	11/32" Barb, 2 Pass (Frame Rail Cooler)	13 3/4"	2 1/2"	1 3/4"	30
12902	6000 Tube & Fin Cooler	11/32" Barb, 4 Pass	15 1/4"	5"	3/4"	31	
12903	6000 Tube & Fin Cooler	11/32" Barb, 6 Pass	15 1/4"	7 1/2"	3/4"	31	
12904	6000 Tube & Fin Cooler	11/32" Barb, 8 Pass	15 1/4"	10"	3/4"	31	
16" to 25" Width	13102	7000 Tube & Fin Cooler	11/32" Barb, 4 Pass	17 1/2"	5 1/8"	3/4"	28
	13103	7000 Tube & Fin Cooler	11/32" Barb, 6 Pass	17 1/2"	7 5/8"	3/4"	28
	13303	7000 Tube & Fin Cooler	-6 AN, 6 Pass	17 1/2"	7 5/8"	3/4"	28
	13104	7000 Tube & Fin Cooler	11/32" Barb, 8 Pass	17 1/2"	10 1/4"	3/4"	28
	13304	7000 Tube & Fin Cooler	-6 AN, 8 Pass	17 1/2"	10 1/4"	3/4"	28
	13105	7000 Tube & Fin Cooler	11/32" Barb, 10 Pass	17 1/2"	12 5/8"	3/4"	28
	13220	7000 Tube & Fin Cooler	11/32" Barb, 2 Pass (Frame Rail Cooler)	17 3/4"	2 1/2"	1 3/4"	30
	13224	7000 Tube & Fin Cooler	11/32" Barb, 2 Pass (Frame Rail Cooler)	24 3/4"	2 1/2"	1 3/4"	30

Ram Air Coolers - Engine Oil Cooler Kits

Size	Part No.	Series	Description	Width	Height	Depth	Page
10" to 15" Width	15405	9000 Tube & Fin Cooler	13 Row, Sandwich Adapter	10 1/8"	8 7/8"	1 1/4"	23
	15451	9000 Tube & Fin Cooler	13 Row, Spin-On Adapter	10 1/8"	8 7/8"	1 1/4"	23
	15602	10000 Stack Plate Cooler	10 Row, Sandwich Adapter	13"	4 9/16"	2"	20
	15603	10000 Stack Plate Cooler	10 Row, Sandwich Adapter	13"	4 9/16"	2"	20
	15604	10000 Stack Plate Cooler	10 Row, Sandwich Adapter	13"	4 9/16"	2"	20
	15605	10000 Stack Plate Cooler	10 Row, Sandwich Adapter	13"	4 9/16"	2"	20
	15651	10000 Stack Plate Cooler	10 Row, Spin-On Adapter	13"	4 9/16"	2"	20
16" to 25" Width	15502	7000 Tube & Fin Cooler	11/32" Barb, 6 Pass, Sandwich Adapter	16 5/8"	7 5/8"	3/4"	29
	15503	7000 Tube & Fin Cooler	11/32" Barb, 6 Pass, Sandwich Adapter	16 5/8"	7 5/8"	3/4"	29
	15505	7000 Tube & Fin Cooler	11/32" Barb, 6 Pass, Sandwich Adapter	16 5/8"	7 5/8"	3/4"	29
	15551	7000 Tube & Fin Cooler	11/32" Barb, 6 Pass, Spin-On Adapter	16 5/8"	7 5/8"	3/4"	29

Ram Air Coolers - Power Steering Kits

Size	Part No.	Series	Description	Width	Height	Depth	Page
8" to 9" Width	13210	7000 Tube & Fin Cooler	11/32" Barb, 2 Pass (Frame Rail Cooler)	8 1/8"	1 3/4"	1 3/4"	30
	13212	7000 Tube & Fin Cooler	11/32" Barb, 4 Pass	8 1/8"	5 1/8"	3/4"	29
	13213	7000 Tube & Fin Cooler	11/32" Barb, 2 Pass	8 1/8"	2 5/8"	3/4"	29
	12213	6000 Tube & Fin Cooler	11/32" Barb, 2 Pass	9 1/8"	2 1/2"	3/4"	31
10" to 15" Width	13215	8000 Plate & Fin Cooler	11/32" Barb, 9 Row	11"	5 3/4"	7/8"	25
	12200	6000 Tube & Fin Cooler	11/32" Barb, 2 Pass	12 3/4"	2 1/2"	3/4"	31
	13200	7000 Tube & Fin Cooler	11/32" Barb, 2 Pass	12 3/4"	2 5/8"	3/4"	29
	13211	7000 Tube & Fin Cooler	11/32" Barb, 2 Pass (Frame Rail Cooler)	13 3/4"	1 3/4"	1 3/4"	30

Remote Fluid Coolers - Quick Guide

Remote Fluid Cooler Kits							
Size	Part No.	Series	Description	Width	Height	Depth	Page
10" to 15" Width	65860	Hi-Flow Racing Cooler	18 Row	11 7/8"	12 3/8"	6 5/8"	7
	65861	Hi-Flow Racing Cooler	18 Row	11 7/8"	12 3/8"	8 1/2"	7
	12740	Dyno-Cool	11/32", 6 Pass Tube & Fin Cooler	12 3/4"	7 5/8"	3 5/8"	15
	13730	Econo-Cool	11/32" Barb, 6 Pass Tube & Fin Cooler	12 3/4"	7 5/8"	3 3/4"	14
	15830	Econo-Cool	1/2" Barb, 6 Pass Tube & Fin Cooler	12 3/4"	7 5/8"	3 3/4"	14
	13754	Atomic-Cool / Weatherproof	-6 & -8 AN, 16 Row Plate & Fin Cooler	12 3/4"	9 3/8"	3 15/16"	11
	13750	Atomic-Cool	-6 AN, 16 Row Plate & Fin Cooler	12 3/4"	9 3/8"	4 5/16"	11
	15850	Atomic-Cool	-8 AN, 16 Row Plate & Fin Cooler	12 3/4"	9 3/8"	4 5/16"	11
	12742	Dyno-Cool	11/32", 8 Pass Tube & Fin Cooler	12 3/4"	10 1/4"	3 5/8"	15
	12730	Dyno-Cool	-6 AN, 6 Pass Tube & Fin Cooler	13 5/8"	7 5/8"	3 5/8"	15
	12732	Dyno-Cool	-6 AN, 8 Pass Tube & Fin Cooler	13 5/8"	10 1/4"	3 5/8"	15
	15230	Econo-Cool Dual Circuit	-8 AN, 4 & 2 Pass Tube & Fin Cooler	13 15/16"	7 5/8"	3 3/4"	14
	13740	Hyper-Cool Dual	-6 AN, 19 Row Stack Plate Cooler	13"	7 3/8"	4 7/8"	9
	15840	Hyper-Cool Dual	-8 AN, 19 Row Stack Plate Cooler	13"	7 7/16"	4 7/8"	9
	15845	Hyper-Cool Dual	-10 AN, 19 Row Stack Plate Cooler	13"	7 9/16"	4 7/8"	9
	13760	Hyper-Cool	-6 AN, 25 Row Stack Plate Cooler	13"	10"	5 5/8"	9
	15860	Hyper-Cool	-8 AN, 25 Row Stack Plate Cooler	13"	10"	5 5/8"	9
	15865	Hyper-Cool	-10 AN, 25 Row Stack Plate Cooler	13"	10"	5 5/8"	9
	13764	Hyper-Cool / Weatherproof	7/8"-14 O-ring, 25 Row Stack Plate Cooler	13"	10"	6 3/4"	9
	13870	Hyper Cool Extreme	-6 AN, 40 Row Stack Plate Cooler	13"	14 7/8"	5 5/8"	9
	15870	Hyper Cool Extreme	-8 AN, 40 Row Stack Plate Cooler	13"	14 7/8"	5 5/8"	9
	15875	Hyper Cool Extreme	-10 AN, 40 Row Stack Plate Cooler	13"	14 7/8"	5 5/8"	9
	15876	Hyper Cool Extreme	-12 AN, 40 Row Stack Plate Cooler	13"	14 7/8"	5 5/8"	9
	65840	Hi-Flow Racing Cooler Dual	11 Row	15"	8 1/4"	7"	7
	13720	Electra-Cool	-6 AN, 8 Pass Tube & Fin Cooler	15 3/4"	11 1/2"	4"	13
	15220	Electra-Cool Dual Circuit	-8 AN, 4 & 4 Pass Tube & Fin Cooler	15 3/4"	11 1/2"	4"	13
	15820	Electra-Cool	-8 AN, 8 Pass Tube & Fin Cooler	15 3/4"	11 1/2"	4"	13
	13700	Electra-Cool	-6 AN, 16 Pass Tube & Fin Cooler	15 3/4"	11 1/2"	5"	13
	15200	Electra-Cool Dual Circuit	-8 AN, 8 & 8 Pass Tube & Fin Cooler	15 3/4"	11 1/2"	5"	13
	15800	Electra-Cool	-8 AN, 16 Pass Tube & Fin Cooler	15 3/4"	11 1/2"	5"	13
16" to 25" Width	12741	Dyno-Cool	11/32", 6 Pass Tube & Fin Cooler	16 5/8"	7 5/8"	3 3/4"	15
	12743	Dyno-Cool	11/32", 8 Pass Tube & Fin Cooler	16 5/8"	10 1/4"	3 3/4"	15
	12731	Dyno-Cool	-6 AN, 6 Pass Tube & Fin Cooler	17 1/2"	7 5/8"	3 3/4"	15
	12733	Dyno-Cool	-6 AN, 8 Pass Tube & Fin Cooler	17 1/2"	10 1/4"	3 3/4"	15

Remote Fluid Cooler - Transmission Oil Cooler Kits							
Size	Part No.	Series	Description	Width	Height	Depth	Page
10" to 15" Width	13950	Atomic-Cool	-6 AN, 16 Row Plate & Fin Cooler	12 3/4"	9 3/8"	4 5/16"	11
	15950	Atomic-Cool	-8 AN, 16 Row Plate & Fin Cooler	12 3/4"	9 3/8"	4 5/16"	11
	13960	Hyper-Cool	-6 AN, 25 Row Stack Plate Cooler	13"	10"	5 5/8"	9
	15960	Hyper-Cool	-8 AN, 25 Row Stack Plate Cooler	13"	10"	5 5/8"	9
	13900	Electra-Cool	-6 AN, 16 Pass Tube & Fin Cooler	15 3/4"	11 1/2"	5"	13
	15900	Electra-Cool	-8 AN, 16 Pass Tube & Fin Cooler	15 3/4"	11 1/2"	5"	13

Remote Fluid Cooler - Engine Oil Cooler Kits							
Size	Part No.	Series	Description	Width	Height	Depth	Page
10" to 15" Width	15660	Hyper-Cool	-8 AN, 25 Row Stack Plate Cooler	13"	10"	5 5/8"	9
	15450	Atomic-Cool	-8 AN, 16 Pass Plate & Fin Cooler	15 3/4"	11 1/2"	5"	11
	15500	Electra-Cool	-8 AN, 16 Pass Tube & Fin Cooler	15 3/4"	11 1/2"	5"	13



THE LEADER IN PERFORMANCE COOLING

Engine Oil Filter Relocation Kits



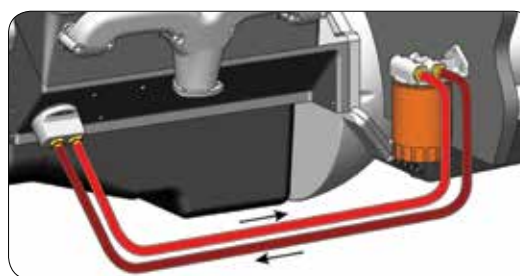
Features and Benefits

- Allows oil filter to be moved to a more convenient location
- Faster and easier filter changes
- Ideal for engine swaps
- Increases oil capacity
- Cast from high quality aluminum
- 10' length of 1/2" OEM-spec hose included
- Filter mount uses Fram PH8A or equivalent
- Complete hardware kit included

Filter Mount - Ports Up



Filter Mount - Side Ports



Filtration Kits

Spin-On Adapter - Ports Up Filter Mount - Ports Up



Part No.
15715

Spin-On Adapter - Ports Up (Universal) Filter Mount - Ports Up



Part No.
15748

Part No.	Engine Thread Size	Filter Thread Size	Filter Landing	Inlet/Outlet Ports
Single Mount - Ports Up				
15715	3/4"-16	3/4"-16	2 1/2", 2 3/4"	1/2" NPT
15716	13/16"-16	3/4"-16	2 1/2", 2 3/4"	1/2" NPT
15717	18 x 1.5mm	3/4"-16	2 1/2", 2 3/4"	1/2" NPT
15718	20 x 1.5mm	3/4"-16	2 1/2", 2 3/4"	1/2" NPT
15725	22 x 1.5mm	3/4"-16	2 1/2", 2 3/4"	1/2" NPT
15748	3/4"-16, 13/16"-16, 18 x 1.5mm, 20 x 1.5mm, 22 x 1.5mm	3/4"-16	2 1/2", 2 3/4"	1/2" NPT

Spin-On Adapter - Ports Up Filter Mount - Side Ports



Part No.
15781

Spin-On Adapter - Side Ports (Universal) Filter Mount - Side Ports



Part No.
15780

Part No.	Engine Thread Size	Filter Thread Size	Filter Landing	Inlet/Outlet Ports
Single Mount - Ports Up				
15781	3/4"-16	3/4"-16	2 1/2", 2 3/4"	1/2" NPT
Single Mount - Side Ports				
15780	3/4"-16, 13/16"-16, 18 x 1.5mm, 20 x 1.5mm, 22 x 1.5mm	3/4"-16	2 1/2", 2 3/4"	1/2" NPT

Spin-On Adapter - Ports Up (Universal) Dual Filter Mounts - Side Ports



Part No.
15749

Dual Mount - Side Ports				
Part No.	Engine Thread Size	Filter Thread Size	Filter Landing	Inlet/Outlet Ports
15749	3/4"-16, 13/16"-16, 18 x 1.5mm, 20 x 1.5mm, 22 x 1.5mm	3/4"-16	2 1/2", 2 3/4"	1/2" NPT



THE LEADER IN PERFORMANCE COOLING

Remote Filter Mount Kits



Premium Series Filter Mounts

- Cast aluminum Billet-look
- Can be rotated 180° F to reverse flow directions
- Designed to fit 2 1/2" to 3 1/2" oil filter
- Removable 3 hole mounting bracket
- Black powder coated finish
- -10 AN / 7/8"-14 O-ring ports



Part No.
35708

Premium Series Single Filter Mounts - Ports Up

Ports Up Part No.	Filter Thread Size	Filter Landing	Inlet/Outlet Ports
35708	3/4"-16	2 1/2", 2 3/4" or 3 1/2"	-10 AN / 7/8"-14 O-ring
35728	13/16"-16	2 1/2", 2 3/4" or 3 1/2"	-10 AN / 7/8"-14 O-ring



Part No.
35709

Premium Series Single Filter Mounts - Side Ports

Side Ports Part No.	Filter Thread Size	Filter Landing	Inlet/Outlet Ports
35709	3/4"-16	2 1/2", 2 3/4" or 3 1/2"	-10 AN / 7/8"-14 O-ring
35729	13/16"-16	2 1/2", 2 3/4" or 3 1/2"	-10 AN / 7/8"-14 O-ring



Standard Series Filter Mounts

- Cast aluminum
- 3 Bolt heavy duty flange
- Designed to fit 2 1/2" to 3 1/2" oil filter
- Perfect for engine, transmission and fluid filtration



Part No.
15709

Single - Side Ports

Kit Part No.	Mount Only Part No.	Filter Threads	Filter Landing	Inlet/Outlet Ports	Repl. Nipple
13049	25049	3/4"-16	2 1/2", 2 3/4"	3/8" NPT	98020
15709	25709	3/4"-16	2 1/2", 2 3/4"	1/2" NPT	98020
15729	25729	13/16"-16	2 1/2", 2 3/4", 3 1/2"	1/2" NPT	98021



Part No.
13005

Single - Ports Up

Kit Part No.	Mount Only Part No.	Filter Threads	Filter Landing	Inlet/Outlet Ports	Repl. Nipple
----	25044	3/4"-16	2 1/2", 2 3/4"	1/4" NPT	98020
13005	25005	3/4"-16	2 1/2", 2 3/4"	3/8" NPT	98020
15708	25708	3/4"-16	2 1/2", 2 3/4"	1/2" NPT	98020
15728	25728	13/16"-16	2 1/2", 2 3/4", 3 1/2"	1/2" NPT	98021



Part No.
25750

Part No.
25753

Single - Ports Left or Right

Port Direction	Mount Only Part No.	Filter Threads	Filter Landing	Inlet/Outlet Ports	Rep.. Nipple
Left	25750	3/4"-16	2 1/2", 2 3/4"	3/8" NPT	98020
Right	25751	3/4"-16	2 1/2", 2 3/4"	3/8" NPT	98020
Left	25752	3/4"-16	2 1/2", 2 3/4"	1/2" NPT	98020
Right	25753	3/4"-16	2 1/2", 2 3/4"	1/2" NPT	98020



Dual - Side Ports

Kit Part No.	Mount Only Part No.	Filter Threads	Filter Landing	Inlet/Outlet Ports	Repl. Nipple
15707	25707	3/4"-16	2 1/2", 2 3/4"	1/2" NPT	98020

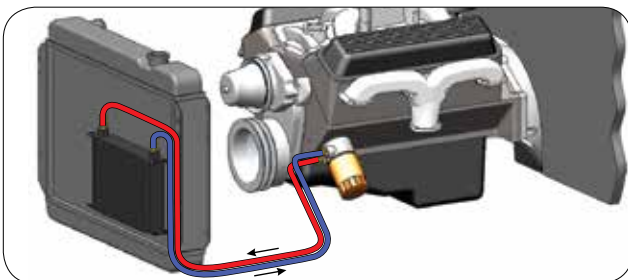
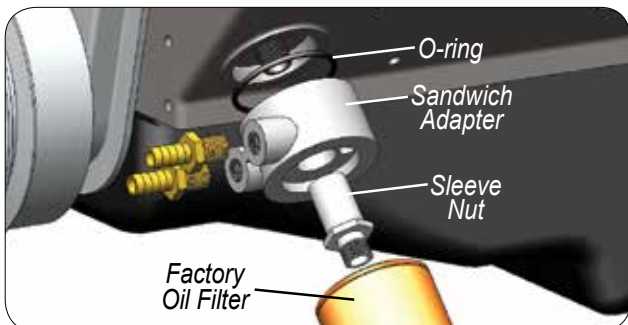


THE LEADER IN PERFORMANCE COOLING

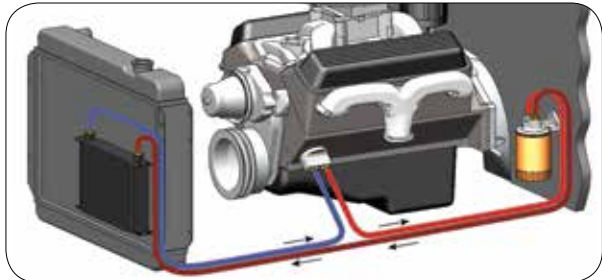
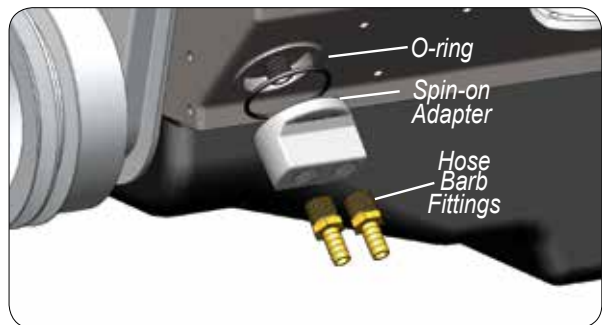
Engine Oil Filter Adapter Kits



Sandwich



Spin-On



Engine Sandwich Adapters

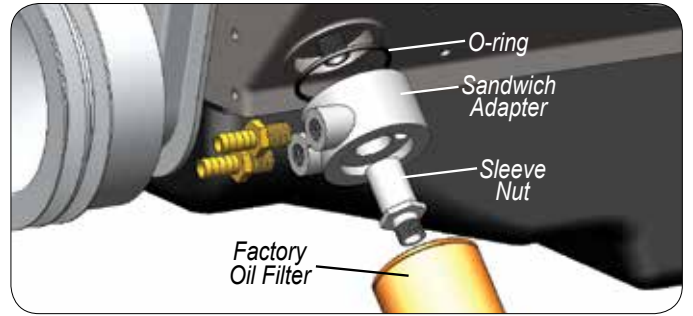


THE LEADER IN PERFORMANCE COOLING

A sandwich adapter provides external oil lines to allow the addition of an engine oil cooler. It installs between the stock engine oil filter landing and the oil filter. This allows for engine oil cooling power without relocating stock engine oil filter.



- Cast from high quality aluminum
- Four designs to fit most applications
- Maintains factory equivalent oil filter



Thermostatic

This universal kit is manufactured of high-quality die-cast aluminum and includes an 180°F thermostatic sandwich adapter with 3/8" NPT ports and an O-ring diameter of 2 3/4". Kit includes sleeve nuts and hose barb fittings.

Thermostatic (GM Applications)

High quality die-cast aluminum thermostatic sandwich adapter with 1/2" NPT ports and an O-ring diameter of 3 1/2". It installs between the stock engine oil filter landing and the oil filter. Stock filter is retained. Kit includes sleeve nut and hose barb fittings.



Low-Profile

At only 1" thick, this high quality aluminum low profile sandwich adapter features 3/8" NPT ports and pressure relief valve and provides external oil lines to run an engine oil cooler while dropping the factory oil filter only 1" lower than stock.

Non-Thermostatic

This sandwich adapter was designed to one give a non-thermostatic option to consumers with high performance engines with 2 3/4" filter landings, and two to fit import vehicles with 2 1/2" diameter filter landings. Stock filter is retained. Kit includes sleeve nuts and hose barb fittings.



Complete Kit Part No.	Kit Part No.	Engine Thread Sizes	O-Ring Dia.	Thickness	Ports
Thermostatic					
15702	25702	3/4"-16, 13/16"-16, 18x1.5mm, 20x1.5mm, 22x1.5mm	2 3/4"	1 3/4"	3/8" NPT
15782	25782		2 3/4", 3 1/2"	1 3/4" or 2 1/8"	3/8" NPT
15730	25730	3/4"-16	2 3/4"	1 3/4"	3/8" NPT
15731	25731	13/16"-16	2 3/4", 3 1/2"	1 3/4" or 2 1/8"	3/8" NPT
15732	25732	20 x 1.5mm	2 3/4"	1 3/4"	3/8" NPT
15733	25733	18 x 1.5mm	2 3/4"	1 3/4"	3/8" NPT
15734	25734	22 x 1.5mm	2 3/4"	1 3/4"	3/8" NPT
Thermostatic (GM Applications Only)					
15720	25720	13/16"-16	3 1/2"	2 1/4"	1/2" NPT
Non-Thermostatic					
15735		3/4"-16, 13/16"-16, 18x1.5mm, 20x1.5mm, 22x1.5mm	2 3/4", 3 1/2"	1 3/4"	1/2" NPT
Low Profile with pressure relief					
----	25770	3/4"-16	2 3/4", 3 1/2"	1"	3/8" NPT
----	25771	13/16"-16	2 3/4", 3 1/2"	1"	3/8" NPT
----	25772	20 x 1.5mm	2 3/4", 3 1/2"	1"	3/8" NPT
----	25773	18 x 1.5mm	2 3/4", 3 1/2"	1"	3/8" NPT
----	25774	22 x 1.5mm	2 3/4", 3 1/2"	1"	3/8" NPT
----	25783	3/4"-16, 13/16"-16, 18x1.5mm, 20x1.5mm, 22x1.5mm	2 3/4", 3 1/2"	1"	3/8" NPT

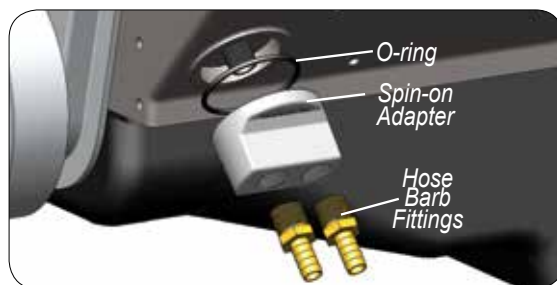


THE LEADER IN PERFORMANCE COOLING

Engine Spin-On Adapters

Spin-on adapters provide external oil lines to allow the addition of an engine oil cooler and/or remote filter mount, installing at the stock engine oil filter location. With an attractive, billet style look and ultra-bright, polished appearance it adds style and function.

- Quick and easy installation
- Relocate filter mounting for easier access
- Custom applications available



Ports-up Standard Series

- Ultra bright finish
- New Billet-style design
- Available in 6 numbers to fit all applications
- 1/2" NPT ports



Ports-up Premium Series

- Black powder coated finish
- New Billet-style design
- Available in 6 numbers to fit all applications
- -10 AN / 7/8"-14 O-ring ports



Ports Left / Right Series

- Ultra bright finish
- 1/2" NPT ports



Style	Std. Series Part No.	Ports	Premium Series Part No.	Ports	Engine Thread Sizes	O-ring Dia.
Ports-up	15747	1/2" NPT	35747	-10 AN O-ring	3/4"-16, 13/16"-16, 18x1.5mm, 20x1.5mm, 22x1.5mm	2 1/2", 2 3/4", 3 1/2"
Ports-up	15703	1/2" NPT	35703	-10 AN O-ring	3/4"-16	2 1/2", 2 3/4"
Ports-up	15704	1/2" NPT	35704	-10 AN O-ring	18 x 1.5mm	2 1/2", 2 3/4"
Ports-up	15705	1/2" NPT	35705	-10 AN O-ring	13/16"-16	2 1/2", 2 3/4", 3 1/2"
Ports-up	15706	1/2" NPT	35706	-10 AN O-ring	20 x 1.5mm	2 1/2", 2 3/4"
Ports-up	15724	1/2" NPT	35724	-10 AN O-ring	22 x 1.5mm	2 1/2", 2 3/4"
NEW Ports Left / Right	15746	1/2" NPT	----	----	3/4"-16	2 1/2", 2 3/4"
NEW Ports Left / Right	15756	1/2" NPT	----	----	20 x 1.5mm	2 1/2", 2 3/4"
NEW Ports Left / Right	15757	1/2" NPT	----	----	22 x 1.5mm	2 1/2", 2 3/4"



GM V-8 Spin-On Oil Filter Adapter

- Fits all 1956-1967 SB & BB V8's (except Chevy II) with canister style oil filter
- Converts factory canister style oil filter to a spin-on type oil filter
- Requires factory GM oil bypass
- Cast from high quality aluminum
- Uses Fram PH5, PH30 or equivalent oil filters

Mount Part No.	Inlet/Outlet Ports	Filter Landing
15761	13/16"-16	3 1/2"
98003	Replacement O-ring and gasket	



GM V-8 Bolt-On Oil Filter Adapter

- Fits all 1956-1967 SB & BB V8's with canister style oil filter
- Allows factory oil filter to be moved to a remote location
- Bolts directly to engine block replacing factory oil bypass
- Finned aluminum design with 1/2" NPT ports
- Cast from high quality aluminum

Mount Part No.	Inlet/Outlet Ports
15760	1/2" NPT
98004	Replacement O-ring and gasket

Engine Oil Adapter Reference Guide

This guide gives you a quick glance at basic applications Filter thread & O-ring sizes, for specific applications.

Year	Engine	Liters	Filter Thread Size	Filter O-Ring Size
DODGE / CHRYSLER				
1968-2003	L/4, L/6, V-6, V-8	1.6, 1.7, 2.0, 2.2, 2.4, 2.5, 2.8, 3.0, 3.2, 3.7, 3.8, 5.2, 5.6, 5.9, 6.3, 6.6, 7.0	3/4"-16	2 3/4"
1971-1990	L/4, V-6	1.5, 1.6, 1.8, 2.0, 2.2, 2.4, 2.5, 3.0	20 x 1.5mm	2 3/4"
1982-1989	L/4, V-6	1.5, 1.8, 3.0, 3.8	20 x 1.5mm	2 1/2"
FORD				
1965-2007	L/4, L/6, V-6, V-8	2.0, 2.3, 2.5, 2.8, 2.9, 3.8, 3.9, 4.0, 4.2, 4.9, 4.7, 5.0, 5.8, 5.9, 6.4, 6.6, 7.5	3/4"-16	2 3/4"
1979-2011	V-6, V-8, V-10	4.0, 4.6, 5.0, 5.4, 5.8, 6.8	22 x 1.5mm	2 3/4"
1984-1987	L/4	2.0	20 x 1.5mm	2 3/4"
1991-1996	L/4	1.8, 2.0, 2.2	20 x 1.5mm	2 1/2"
GM				
1963-2012	L/4, L/6, V-6, V-8	2.3, 3.8, 4.1, 4.3, 4.4, 5.0, 5.7, 6.5, 6.6, 7.4	13/16"-16	3 1/2"
1968-2008	L/4, L/6, V-6, V-8	2.4, 3.6, 3.8, 3.9, 4.2, 4.3, 4.6, 4.9, 5.0, 5.7, 6.6, 7.0, 7.5	13/16"-16	2 3/4"
1972-1985	L/4	1.8, 1.9	20 x 1.5mm	2 1/2"
1982-2007	L/4, V-6, V-8	2.2, 2.3, 2.5, 2.8, 3.1, 3.2, 3.3, 3.4, 3.5, 3.8, 4.1, 4.3	18 x 1.5mm	2 3/4"
2007-2011	V-8	5.3, 6.0, 6.2	22 x 1.5mm	2 3/4"
HONDA / ACURA				
1979-2011	L4, L/5, V-6	1.6, 1.7, 1.8, 2.0, 2.1, 2.3, 2.4, 2.5, 2.6, 2.7, 3.0, 3.2, 3.5	20 x 1.5mm	2 1/2"
ISUZU				
1981-1999	L/4, L/6, V-8	1.8, 1.9, 2.3	20 x 1.5mm	2 3/4"
1985-2004	L/4, V-6	1.5, 1.6, 1.8, 1.9, 2.3, 3.2, 3.5	20 x 1.5mm	2 1/2"
1996-2003	L/4, V-6	2.2, 2.8, 3.1, 4.3	18 x 1.5mm	2 3/4"
JEEP				
1965-2007	L/4, L/6, V-6, V-8	3.7, 4.0, 4.7, 5.2, 5.9	3/4"-16	2 3/4"
1987-1990	L/4, L/6, V-8	2.5, 4.0, 4.2, 5.9	20 x 1.5mm	2 3/4"
MAZDA				
1978-2006	L/4, V-6	1.3, 1.5, 1.6, 1.8, 2.0, 2.2, 2.3, 2.5, 2.6, 3.0	20 x 1.5mm	2 1/2"
1991-2010	L/4, V-6	2.2, 2.3, 2.5, 3.0, 4.0	3/4"-16	2 3/4"
MINI				
1985-2001	L/4	1.6, 1.8, 2.0, 2.4, 2.6	20 x 1.5mm	2 3/4"
1985-2011	L/4, V-6	1.5, 1.8, 2.0, 2.4,	20 x 1.5mm	2 1/2"
NISSAN				
1991-2011	L/4, V-6	1.8, 2.5, 3.0, 3.3, 3.5, 4.0, 5.6	20 x 1.5mm	2 1/2"
Subaru				
1987-2011	L/3, H/4, H/6	1.2, 1.8, 2.2, 2.5, 3.0, 3.3, 3.6	20 x 1.5mm	2 1/2"
TOYOTA				
1975-2012	L/4, L/6, V-6, V-8	1.2, 1.3, 1.6, 1.8, 1.9, 2.0, 2.2, 2.4, 2.6, 2.7, 2.8, 3.0, 3.3, 3.4, 4.0, 4.2, 4.5, 4.7	3/4"-16	2 3/4"
1980-2011	L/4	1.5, 1.6, 1.8, 2.0, 2.2, 2.4	3/4"-16	2 1/2"
VW				
1978-2007	L/4, V-6	1.5, 1.6, 1.7, 1.8, 2.0, 2.2, 2.5	3/4"-16	2 3/4"

Ports Up



Part No.
13072

Side Ports

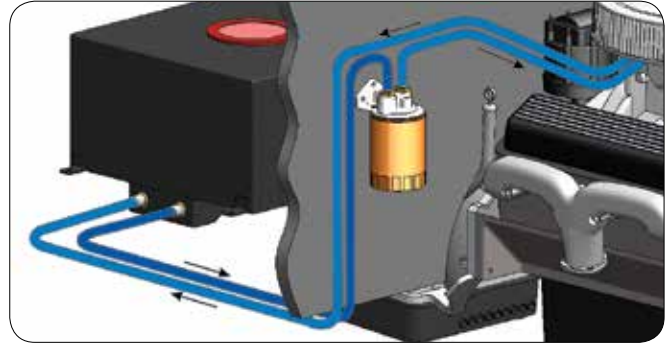


Part No.
13070

Fuel Filter / Water Separator

This fuel filter/water separator kit extends carburetor/injector life, improves engine performance and is designed to be used with all fuel types. Featuring a Made-in-USA high quality aluminum cast filter mount with 1/2" NPT side-ports and a 1"-14 filter thread, they feature a petcock located at the base of the filter to allow quick and easy water draining.

- Extends carburetor/fuel injector life
- Designed for all fuel types
- Improves engine performance
- Petcock allows for convenient draining of water



Filter Specs:

12 Micron	ID: 2.45" OD: 2.80"
1" - 14 Thread size	100 P.S.I. Element burst pressure
Filter Size: 3 1/2" OD x 7 5/8" tall	300 P.S.I. Hydrostatic burst pressure
Filter Seal	

Part No.	Description	Filter Thread Size	Filter Landing	Inlet/Outlet Ports	Filter Dimensions
13070	Single Mount - Side Ports	1"-14	2 1/2", 2 3/4"	1/2" NPT	3 1/2" O.D. x 7 5/8"
13072	Single Mount - Ports Up	1"-14	2 1/2", 2 3/4", 3 1/2"	1/2" NPT	3 1/2" O.D. x 7 5/8"
13075	Replacement Filter	1"-14	----	1/2" NPT	3 1/2" O.D. x 7 5/8"



Part No.
13090

Transmission Filter Kits

Our universal remote transmission filter kits enable quick and efficient filter changes and filter out contaminants that pass through OE-screen type filters. Another benefit is the increased fluid capacity which effectively cools fluid temperatures moderately and help extend the life of the transmission

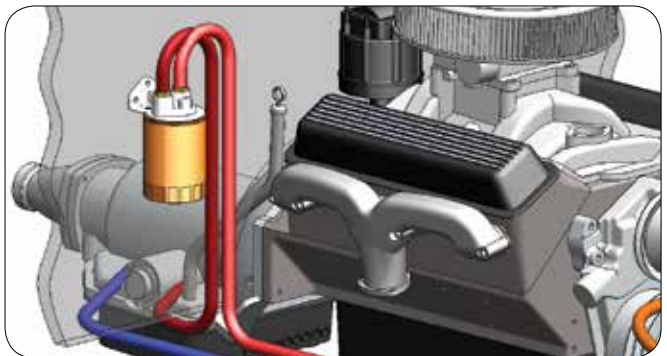
- Extends transmission life
- Increase fluid capacity for added cooling
- Higher efficiency than screen type filters
- Universal - Fits all automatic transmissions



Premium kits include
the Derale temperature
gauge kit

Filter Specs:

Thread Size: 3/4"-16	Burst pressure increases from 235 p.s.i. to 350 p.s.i.
Filter Size: 3 1/2" OD x 3 1/8" Tall	



Part No.	Description	Filter Thread Size	Filter Landing	Inlet/Outlet Ports	Filter Dimensions
13090	Standard Kit	3/4"-16	2 1/2", 2 3/4", 3 1/2"	3/8" NPT	3 1/2" O.D. x 3 1/8"
13091	Premium Kit	3/4"-16	2 1/2", 2 3/4", 3 1/2"	3/8" NPT	3 1/2" O.D. x 3 1/8"
13092	Replacement Filter	3/4"-16	----	----	3 1/2" O.D. x 3 1/8"

Black Anodized Aluminum Fittings



- 6061 aluminum
- Black anodized finish
- Sold individually

Male Adapter Fittings-AN x 7/8-14 O-ring



Part No.	Description	U/M
59006	-6 AN Male x 7/8"-14 UNF O-ring	Ea.
59008	-8 AN Male x 7/8"-14 UNF O-ring	Ea.
59010	-10 AN Male x 7/8"-14 UNF O-ring	Ea.
59012	-12 AN Male x 7/8"-14 UNF O-ring	Ea.

Female AN Swivel Hose Barb Fittings



Part No.	Description	U/M
98200	-6 AN Female x 3/8" Hose Barb	Ea.
98201	-8 AN Female x 3/8" Hose Barb	Ea.
98202	-8 AN Female x 1/2" Hose Barb	Ea.
98203	-10 AN Female x 1/2" Hose Barb	Ea.

Male Adapter Fittings-AN x NPT



Part No.	Description	U/M
59206	-6AN Male x 3/8" NPT Male	Ea.
59208	-8AN Male x 3/8" NPT Male	Ea.
59210	-10AN Male x 3/8" NPT Male	Ea.
59306	-6AN Male x 1/2" NPT Male	Ea.
59308	-8AN Male x 1/2" NPT Male	Ea.
59310	-10AN Male x 1/2" NPT Male	Ea.

Male AN Hose Barb Fittings



Part No.	Description	U/M
98204	-6 AN Male x 3/8" Hose Barb	Ea.
98205	-8 AN Male x 1/2" Hose Barb	Ea.

AN Swivel Fittings with 1/8" Port



Part No.	Description	U/M
35920	-6 AN Male x -6 AN Female Swivel	Ea.
35921	-8 AN Male x -8 AN Female Swivel	Ea.
35922	-10 AN Male x -10 AN Female Swivel	Ea.

7/8-14 O-ring to Hose Barb Fittings



Part No.	Description	U/M
98206	7/8-14 UNF Male O-ring x 3/8" Hose Barb	Ea.
98208	7/8-14 UNF Male O-ring x 1/2" Hose Barb	Ea.

Compression Fittings-Tube to AN



Part No.	Description	U/M
13044	Compression Fitting 5/16" Tube to -6AN Male	Ea.
13045	Compression Fitting 3/8" Tube to -6AN Male	Ea.
13046	Compression Fitting 1/2" Tube to -8AN Male	Ea.

Straight NPT Hose Barb Fittings



Part No.	Description	U/M
98100	1/4" NPT Male x 3/8" Hose Barb	Ea.
98101	3/8" NPT Male x 3/8" Hose Barb	Ea.
98102	3/8" NPT Male x 1/2" Hose Barb	Ea.
98103	1/2" NPT Male x 1/2" Hose Barb	Ea.

Compression Fittings-Tube to Hose Barb



Part No.	Description	U/M
13041	Compression Fitting 5/16" Tube to 3/8" Hose Barb	Ea.
13042	Compression Fitting 3/8" Tube to 3/8" Hose Barb	Ea.
13043	Compression Fitting 1/2" Tube to 1/2" Hose Barb	Ea.



THE LEADER IN PERFORMANCE COOLING

Fittings and Accessories



Straight NPT Hose Barb Fittings



Part No.	Description	U/M
98104	1/4" Female x 3/8" Barb	Ea.
98105	3/8" Female x 3/8" Barb	Ea.
98106	1/2" Female x 1/2" Barb	Ea.

NPT Reducer Bushings



Part No.	Description	U/M
98450	3/8" Male x 1/8" Female	Ea.
98451	1/2" Male x 1/8" Female	Ea.
98452	1/2" Make x 3/8" Female	Ea.

NPT Plugs



Part No.	Description	U/M
98400	1/2" NPT	Ea.
98410	1/8" NPT	Ea.



90° Hose Barb Fittings

Part No.	Description	U/M
98233	3/8" NPT Male x 3/8" Barb	Ea.
98234	3/8" NPT Male x 1/2" Barb	Ea.
98244	1/2" NPT Male x 1/2" Barb	Ea.



90° NPT Fittings

Part No.	Description	U/M
98333	3/8" NPT Female x 3/8" NPT Male	Ea.
98334	1/2" NPT Female x 1/2" NPT Male	Ea.



Barb to Barb Fittings

Part No.	Description	U/M
98028	3/8" Barb x 3/8" Barb	Ea.



Filter Nipples

Part No.	Description	U/M
98020	3/4"-16	Ea.
98021	13/16"-16	Ea.



Zinc Radiator Anode

Part No.	Description	U/M
98000	Fits radiator with 1/4" NPT drain petcock	Ea.



Thread Sealant Tape

Part No.	Description	U/M
15714	1/2" x 43'	Ea.

Radiator Cooling Fittings



Dodge / Jeep Radiator Adapter



Barbed Splicer Fittings

Fits 1960-1997 Dodge Trucks with rubber transmission lines
Fits 1983-2012 Jeep with 5.2L, 4.2L, 4.0L, 2.5L Engines with rubber transmission lines

Part No.	13028
----------	-------

Dodge Dakota Radiator Adapter



9/16"-18 37° JIC Fittings

Fits 1999-2005 Dodge Dakota

Part No.	13030
----------	-------

Dodge Radiator Adapter



9/16"-24 45° SAE Male & Female Fittings

Fits 1999-2003 Dodge Trucks, Vans with 5.9L, 5.2L, 3.9L Engines

Part No.	13034
----------	-------

Ford / Mercury Radiator Adapter



1/4" NPT M/F 3/8" NPT Male Fittings

Fits 1983-2012 Ford/Mercury Cars, Trucks, Bronco, Expedition, Ranger, Vans w/ 7.5L, 7.3L, 6.9L, 6.6L, 5.8L, 5.4L, 5.0L, 4.9L, 4.7L, 4.6L, 4.2L, 4.0L, 3.8L, 3.0L, 2.9L, 2.8L, 2.5L, 2.3L Engines

Fits 1983-2007 Mercury Cars w/ 5.8L, 5.0L, 4.6L, 3.8L, 3.0L, 2.5L, 2.3L Engines

Part No.	13014
----------	-------

Ford / Lincoln Trucks & SUV's Radiator Adapter



5/8" Inverted Flare Fittings

Fits 1998-2012 Ford/Lincoln Trucks & SUV's, Blackwood, Excursion, Expedition, Explorer, Navigator, Ranger with 7.3L, 6.9L, 6.8L, 5.4L, 5.0L, 4.6L, 4.0L, 3.0L, 2.5L Engines

Part No.	13025
----------	-------



1/2"-20 Inverted Flare Fittings

Ford / Lincoln / Mercury Radiator Adapter

Fits 1983-2007 Ford/Lincoln/Mercury Cars, Trucks, Blackwood, Bronco, Expedition, Navigator, Ranger, Vans with 7.3L, 6.9L, 5.8L, 5.0L, 4.9L, 4.6L, 4.2L, 2.9L, 2.8L, 2.3L Engines

Part No.	13024
----------	-------

GM Radiator Adapter

Fits 1981-2000 Buick w/ 5.7L, 3.8L, 3.3L, 3.1L, 2.5L, 2.4L, 2.3L, 2.2L Engines

Fits 1988-2007 Cadillac Cars, Trucks with 6.2L, 6.0L, 5.7L, 5.3L, 4.9L, 4.6L, 4.5L, 4.1L, 3.0L Engines

Fits 1987-2012 Chevrolet Cars, SUVs, Chevrolet, GM Trucks, Vans w/ 8.1L, 7.4L, 6.5L, 6.0L, 5.7L, 5.3L, 5.0L, 4.8L, 4.3L, 3.8L, 3.4L, 3.2L, 2.4L, 2.3L, 2.2L Engines

Fits 1996-2001 Oldsmobile Bravada with 4.3L Engine

Fits 1983-2005 Pontiac Cars, SUVs with 5.7L, 5.0L, 3.8L, 3.4L, 3.1L, 2.4L, 2.2L, 1.6L Engines



5/8" Inverted Flare Fittings

Part No.	13018
----------	-------

GM Radiator Adapter

Fits 1993-2012 Buick with 4.6L, 4.2L, 3.9L, 3.8L, 3.6L, 3.5L, 3.4L, 3.3L, 3.1L, 2.5L, 2.4L, 2.3L, 2.2L Engines

Fits 1993-2012 Cadillac 6.2L, 6.0L, 5.7L, 5.3L, 4.9L, 4.6L, 4.5L, 4.1L, 3.0L Engines

Fits 2000-2012 Chevrolet Cars, SUV's, Chevrolet, GM Trucks, Vans with 3.8L, 3.4L, 6.0L, 5.3L, 4.8L, 4.3L, 4.2L, 3.7L, 3.5L, 3.4L, 2.9L, 2.8L Engines

Fits 2003-2007 Isuzu SUV's with 4.2L, 5.3L Engines

Fits 2002-2004 Oldsmobile Bravada with 4.2L Engine

Fits 2001-2007 Pontiac with 3.9L, 3.8L, 3.5L, 3.4L, 3.1L Engines



Snap in Tube Fitting

Part No.	13035
----------	-------

Universal Transmission Line Fittings



5/16" Transmission Cooler Line to 3/8" NPT Hose Barb

Part No.	13031
----------	-------



3/8" Transmission Cooler Line to 3/8" NPT Hose Barb

Part No.	13032
----------	-------



1/2" Transmission Cooler Line to 1/2" NPT Hose Barb

Part No.	13033
----------	-------



Fits most vehicles with 5/16" transmission lines. Includes male and female threads.

Part No.	13004
----------	-------



THE LEADER IN PERFORMANCE COOLING

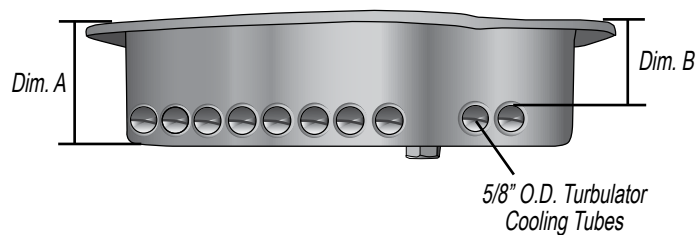
Transmission Cooling Pans



Features and Benefits

- Reduces fluid temperatures
- Increases fluid capacity
- Two stage heat-dissipating black finish
- 1/8" NPT temperature sender port
- Drain plug features increased magnet strength & reusable rubber/steel washer
- Applications to fit Ford, Dodge/Chrysler and GM vehicles
- Includes gasket

Dimensions





Chevy / GM Turbo 350

- Fits most GM Turbo 350 1968-1986 applications

Application	Part No.	Capacity	Dim. A Pan Depth	Dim. B Tube Depth	Rep. Gasket
GM Turbo 350	14200	2 qts	3 1/4"	2 3/8"	96900



Chevy / GM Turbo 400

- Standard: Fits most GM Turbo 400 1966-1990 applications
- Deep Pan: Fits most GM Turbo 400 1978-1990 applications

Application	Part No.	Capacity	Dim. A Pan Depth	Dim. B Tube Depth	Rep. Gasket
GM Turbo 400 Standard Pan	14201	1 qt 17 oz	2 7/8"	2"	96901
GM Turbo 400 Deep Pan	14202	Deep OE Pan to Deep Pan - 1 qt. 3 oz. Std. OE Pan to Deep Pan - 3 qts. 8 oz.	4"	3 1/16"	96901



Chevy / GM 4L80E

- Fits most GM 4L80E 1991-2008 applications

Application	Part No.	Capacity	Dim. A Pan Depth	Dim. B Tube Depth	Rep. Gasket
GM 4L80E	14207	4 qts. 16 oz.	4 1/16"	2 3/4"	96209



Chevy / GM 700R4 & 4L60E

- Fits most GM 700R4 & 4L60E 1992-1999 applications

Application	Part No.	Capacity	Dim. A Pan Depth	Dim. B Tube Depth	Rep. Gasket
GM 700R4, 4L60E	14204	2 qts. 4 oz.	3 5/8"	2 1/2"	96906



Ford E40D, 4R100, 5R110 & 5R110W

**Fits most E40D, 4R100, 5R110 & 5R110W
1989-2010 applications**

Application	Part No.	Capacity	Dim. A Pan Depth	Dim. B Tube Depth	Rep. Gasket
Ford E40D, 4R100, 5R110 & 5R110W	14208	4R100 - 7 qts. 30 oz. 5R110 - 7 qts. 10 oz.	6 1/8"	4 3/8"	96908



Dodge / Chrysler A727, A904, A518 & A618

**Fits most Dodge/Chrysler A727, A904, A518 & A618
1989-2010 applications**

Application	Part No.	Capacity	Dim. A Pan Depth	Dim. B Tube Depth	Rep. Gasket
Dodge A727, A904, A518 & A618	14210	Up to 5 qts. 16 oz.	4 1/2"	3 5/8"	96905

Transmission Cooling Pan Accessories



Filter Pickup Tube

Application:
GM TH400 Deep pan - Extends filter for use
on deep transmission pans.

Part No.	14002
----------	-------



Universal Drain Plug Kit

- 1/8" NPT Plug
- Perfect for temp sending units

Part No.	13010
----------	-------



Deep Pan Filter Extender

Application:
Dodge A727, A904, A518 & A618 - Extends
filter for use on deep transmission pans.

Part No.	14010
----------	-------



Magnetic Drain Plug Kit

- 1/2"-20 Threads
- Increased magnet strength
- Rubber/Steel washer

Part No.	14000
----------	-------



THE LEADER IN PERFORMANCE COOLING

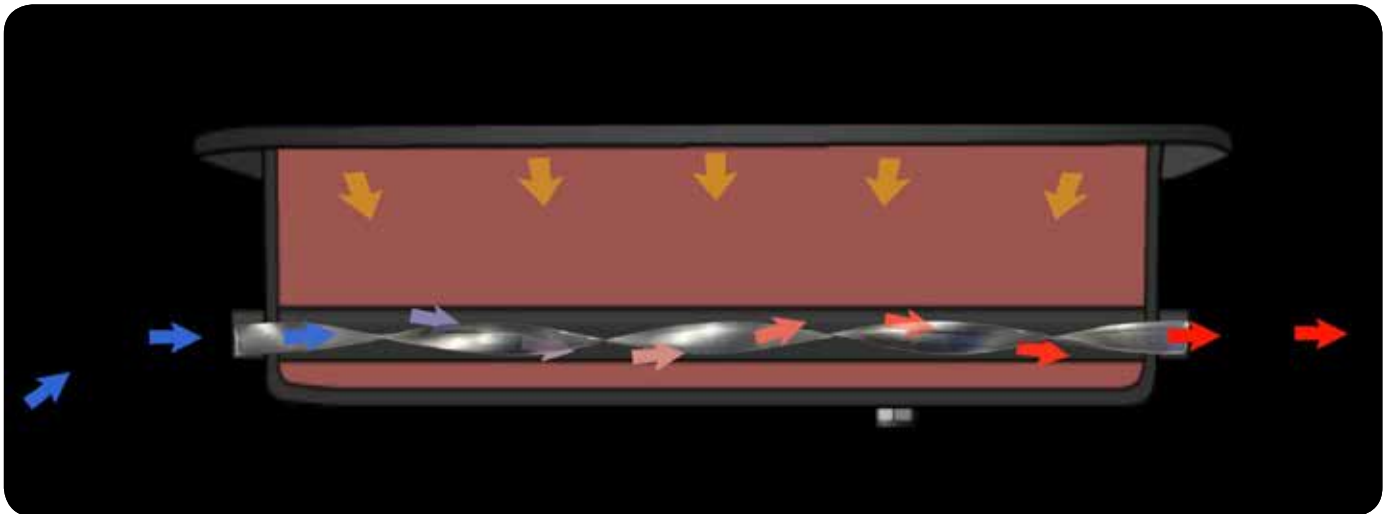
Built-in airflow cooling tubes make the Derale Transmission Cooling Pans the easiest way to combat excessive fluid temperatures. Cooling pans bolt right on with minimal or no modifications to stock chassis.



Ford • Dodge/Chrysler • GM

- ✓ 5/8" O.D. AIRFLOW COOLING TUBES
- ✓ EXTRA FLUID CAPACITY
- ✓ HEAT DISSIPATING BLACK FINISH
- ✓ RARE EARTH MAGNETIC DRAIN PLUG
- ✓ BUILT-IN 1/8" TEMP SENDER PORT

Airflow tubes feature built-in turbulators for maximum heat dissipation



Derale Performance Transmission Cooling Pans feature 5/8" integrated airflow tubes that utilize natural airflow passing under the vehicle to cool transmission fluid temperatures.

1/8" NPT Temp Port



1/8" NPT Temp port allows for easy installation of temperature sending unit.



Magnetic Drain Plug

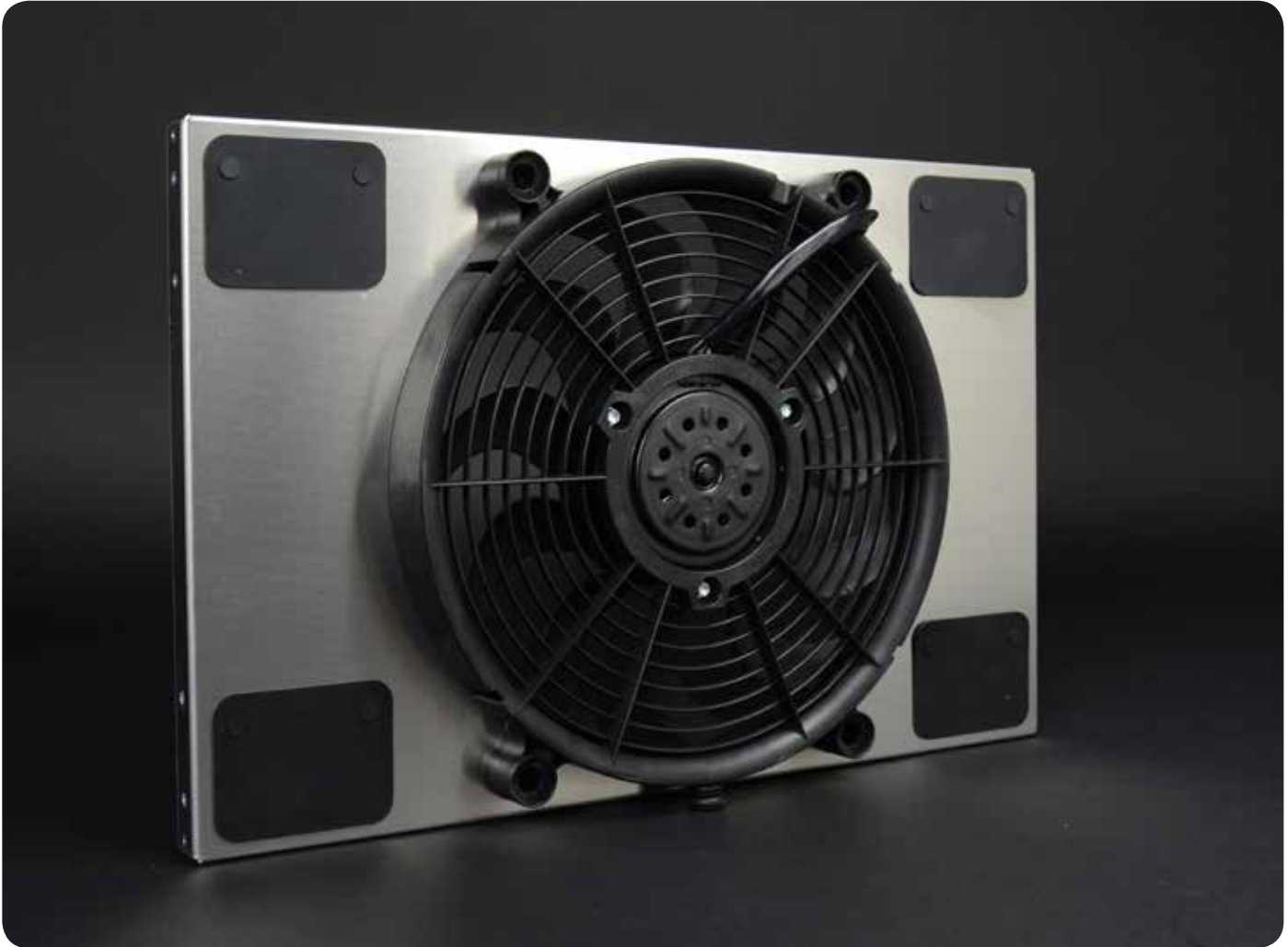


- 1/2"-20 Threads
- Increased magnet strength
- Rubber/Steel washer



THE LEADER IN PERFORMANCE COOLING

High Output Single Rad Fan Aluminum Powerpacks

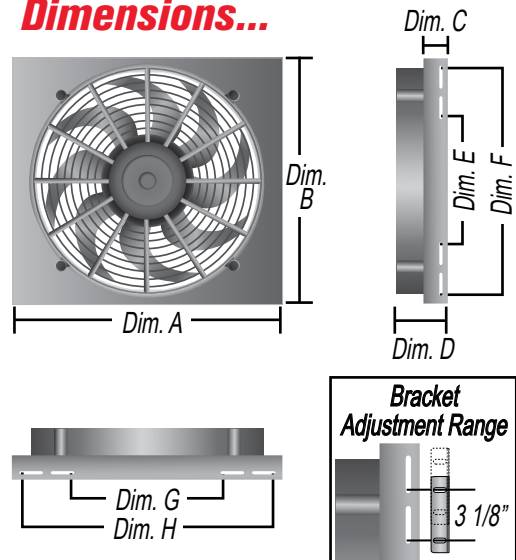


Feature...

- **Powerful, primary cooling fans eliminate fuel & horsepower-robbing belt driven fan**
- **Aircraft-quality natural satin aluminum finish can be polished, painted or anodized**
- **Increases fuel economy**
- **Multiple mounting options**
- **Includes illustrated instructions and mounting hardware**

Fan Controllers sold separately, see page 68-71

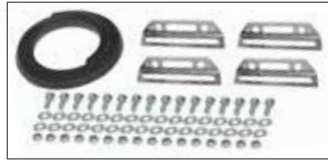
Dimensions...





Optional Integrated PWM Controller

Hardware kit



A17 Single Powerpack

- High output 265-watt two speed motor
- Puller (engine side) applications only

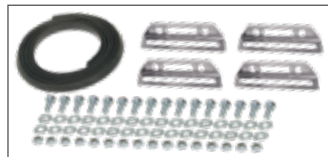


Part No.	With PWM Controller	Repl. Fan	CFM* High/Low	Amp draw High/Low	Dim A. (Width)	Dim B. (Height)	Dim C. (Depth)	Dim D. (Overall Depth)	Dim E.	Dim F.	Dim G.	Dim H.
16816	----	16917	2400 / 1800	23.5 / 17.4	16 3/4"	17 5/8"	1 1/8"	3"	8 1/4"	15 5/8"	7 3/8"	14 3/4"
16818	66818	16917	2400 / 1800	23.5 / 17.4	18"	18"	1 1/8"	3"	8 1/2"	16"	8 1/2"	16"
16819	66819	16917	2400 / 1800	23.5 / 17.4	18 3/4"	17 5/8"	1 1/8"	3"	8 1/8"	15 5/8"	9 1/4"	16 3/4"
16821	66821	16917	2400 / 1800	23.5 / 17.4	20 3/4"	17 5/8"	1 1/8"	3"	8 1/8"	15 5/8"	11 1/4"	18 3/4"
16822	66822	16917	2400 / 1800	23.5 / 17.4	22 1/4"	17 5/8"	1 1/8"	3"	8 1/8"	16 5/8"	12 3/4"	20 1/4"
16823	66823	16917	2400 / 1800	23.5 / 17.4	21"	16 3/4"	1 1/8"	3"	7 1/4"	14 3/4"	11 1/2"	19"
16828	66828	16917	2400 / 1800	23.5 / 17.4	24"	17"	1 1/8"	3"	7 1/2"	15"	14 1/2"	22"
Powdercoated Steel Shroud												
16919	----	16917	2400 / 1800	23.5 / 17.4	19 1/2"	18"	1 1/8"	3"	8 7/8"	---	15 3/4"	---



Optional Integrated PWM Controller

Hardware kit



A14 Single Powerpack

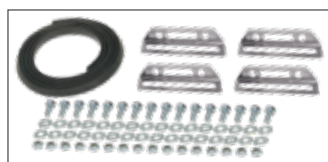
- High output 265-watt two speed motor
- Puller (engine side) applications only
- Air pressure relief vents (Excludes 16817)



Part No.	With PWM Controller	Repl. Fan	CFM* High/Low	Amp draw High/Low	Dim A. (Width)	Dim B. (Height)	Dim C. (Depth)	Dim D. (Overall Depth)	Dim E.	Dim F.	Dim G.	Dim H.
16817	----	16913	2100 / 1500	22 / 16.2	17"	16 3/8"	1 1/8"	2 3/4"	6 7/8"	14 3/8"	6 1/2"	16 7/8"
16820	66820	16913	2100 / 1500	22 / 16.2	20"	16 3/8"	1 1/8"	2 3/4"	6 7/8"	14 3/8"	9 3/8"	16 7/8"
16827	66827	16913	2100 / 1500	22 / 16.2	23 7/16"	15 7/16"	1 1/8"	2 3/4"	6"	13 1/2"	12 7/8"	20 3/8"



Hardware kit



A12 Single Powerpack

- High output 300-watt motor
- Puller (engine side) applications only
- Air pressure relief vents



Part No.	Repl. Fan	CFM*	Amp draw	Dim A. (Width)	Dim B. (Height)	Dim C. (Depth)	Dim D. (Overall Depth)	Dim E.	Dim F.	Dim G.	Dim H.
16814	16924	2000	24.8	18"	12 7/8"	2 3/4"	4"	5 1/8"	11 3/4"	9 3/8"	16"



THE LEADER IN PERFORMANCE COOLING

High Output Dual Rad Fan Aluminum Powerpacks

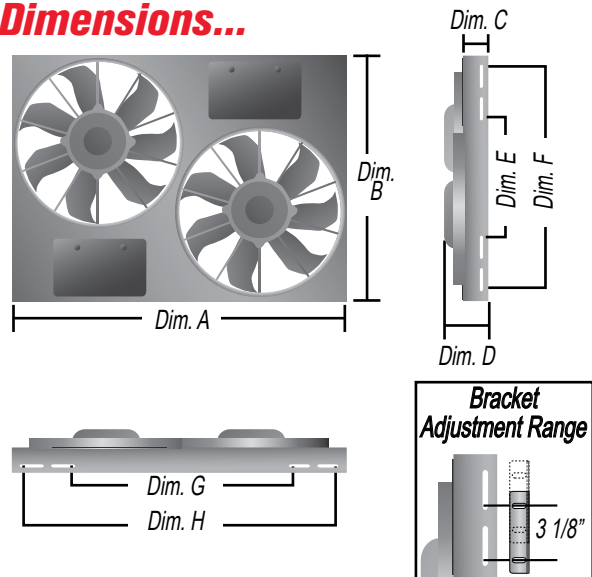


Feature...

- **Powerful, primary cooling fans eliminate fuel & horsepower-robbing belt driven fans**
- **Aircraft-quality natural satin aluminum finish can be polished, painted or anodized**
- **Increases fuel economy**
- **Multiple mounting options**
- **Includes illustrated instructions and mounting hardware**

Fan Controllers sold separately, see page 68-71

Dimensions...

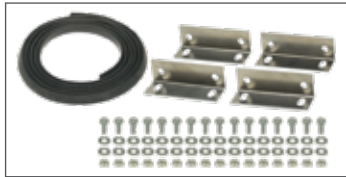




A12 Dual Powerpack

- High output 300-watt motors
- Puller (engine side) applications only
- Optional integrated PWM fan controller
- Sealed waterproof and dustproof, IP68 Certified
- Air pressure relief vents (Excludes 16825 & 66825)

Hardware kit



Optional Integrated PWM Controller



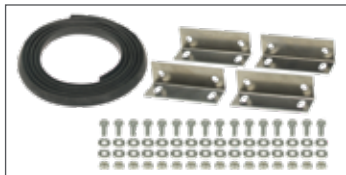
Part No.	With PWM Controller	Repl. Fan	CFM*	Amp draw	Dim A. (Width)	Dim B. (Height)	Dim C. (Depth)	Dim D. (Overall Depth)	Dim E.	Dim F.	Dim G.	Dim H.
16825	66825	16924	4000	49.6	25 5/8"	15 1/8"	2 3/4"	4"	7 5/8"	13 5/8"	17 3/8"	23 3/8"
16826	66826	16924	4000	49.6	25 5/8"	17 1/8"	2 3/4"	4"	9 5/8"	15 5/8"	17 3/8"	23 3/8"
16836	66836	16924	4000	49.6	26 3/8"	16"	2 3/4"	4"	8 1/2"	14 1/2"	18 1/8"	24 1/8"
16837	66837	16924	4000	49.6	27"	18"	2 3/4"	4"	10 1/2"	16 1/2"	18 3/4"	24 3/4"
16838	66838	16924	4000	49.6	28 1/4"	17"	2 3/4"	4"	9 1/2"	15 1/2"	20"	25 7/8"
16842	66842	16924	4000	49.6	26"	18"	2 3/4"	4"	10 1/2"	16 1/2"	17 3/4"	23 3/4"
Steel Shroud (Powdercoated Silver)												
16927	66927	16924	4000	49.6	26"	18"	2 3/4"	4"	10 1/2"	16 1/2"	17 3/4"	23 3/4"



A11 Dual Powerpack

- High output 225-watt motors
- Puller (engine side) applications only
- Optional integrated PWM fan controller
- Air pressure relief vents

Hardware kit



Optional Integrated PWM Controller



Part No.	With PWM Controller	Repl. Fan	CFM*	Amp draw	Dim A. (Width)	Dim B. (Height)	Dim C. (Depth)	Dim D. (Overall Depth)	Dim E.	Dim F.	Dim G.	Dim H.
16830	66830	16920	3750	37.4	22 1/2"	19"	2 3/4"	4 1/2"	11 1/2"	17 1/2"	14 1/4"	20 1/4"
16831	66831	16920	3750	37.4	24"	15 1/2"	2 3/4"	4 1/2"	7 15/16"	13 15/16"	15 3/4"	21 3/4"
16833	66833	16920	3750	37.4	24"	17"	2 3/4"	4 1/2"	9 1/2"	15 1/2"	15 3/4"	21 3/4"
16835	66835	16920	3750	37.4	23 3/4"	19 3/4"	2 3/4"	4 1/2"	12 1/4"	18 1/4"	15 1/2"	21 1/2"



THE LEADER IN PERFORMANCE COOLING

High Output Rad Fan Molded Powerpacks

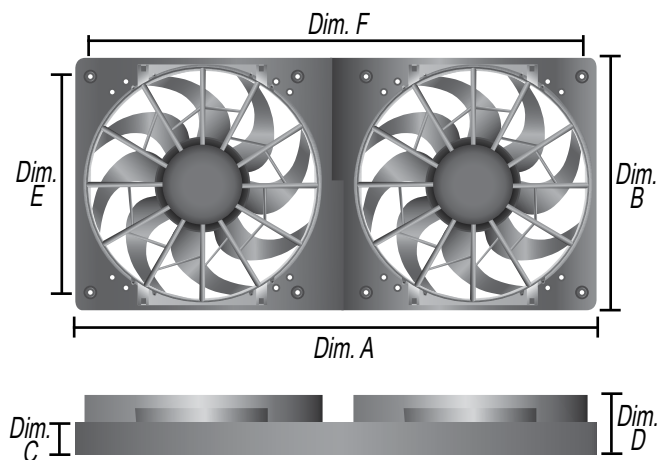


Feature...

- **Powerful, primary cooling fans eliminate fuel & horsepower-robbing belt driven fans**
- **Increases fuel economy**
- **Fan housing includes stator-flow directors**
- **Ultra-quiet patented skewed-blade design**
- **Includes illustrated instructions and mounting hardware**

Fan Controllers sold separately, see page 68-71

Dimensions...





Hardware kit



M12 Single Powerpack

- High output 265-watt two speed motor
- Puller (engine side) applications only
- Air pressure relief vents



Part No.	Repl. Fan	CFM*	Amp draw	Dim A. (Width)	Dim B. (Height)	Dim C. (Depth)	Dim D. (Overall Depth)	Dim E.	Dim F.
16926	16925	2000	23.4	15 3/4"	15 3/4"	1 7/8"	3 1/4"	12 7/8"	12 7/8"



Hardware kit



M12 Dual Powerpack

- High output 265-watt
- Puller (engine side) applications only
- Air pressure relief vents (Excludes 16928)



Part No.	Repl. Fan	CFM*	Amp draw	Dim A. (Width)	Dim B. (Height)	Dim C. (Depth)	Dim D. (Overall Depth)	Dim E.	Dim F.
16928	16925	4000	24.8	28 5/8"	13 7/8"	1 1/2"	3 1/4"	11 3/8"	25 5/8"
16934	16925	4000	46.8	31 3/8"	15 3/4"	1 3/8"	3 1/4"	12 7/8"	28 7/8"



Hardware kit



M12 Dual Powerpack

- High output 300-watt motor(s)
- Puller (engine side) applications only



Part No.	CFM*	Amp draw	Dim A. (Width)	Dim B. (Height)	Dim C. (Depth)	Dim D. (Overall Depth)	Dim E.	Dim F.
16812	2000	23.4	15 3/4"	15 3/4"	1 7/8"	3 1/4"	12 7/8"	12 7/8"



THE LEADER IN PERFORMANCE COOLING

High Output Electric Fans

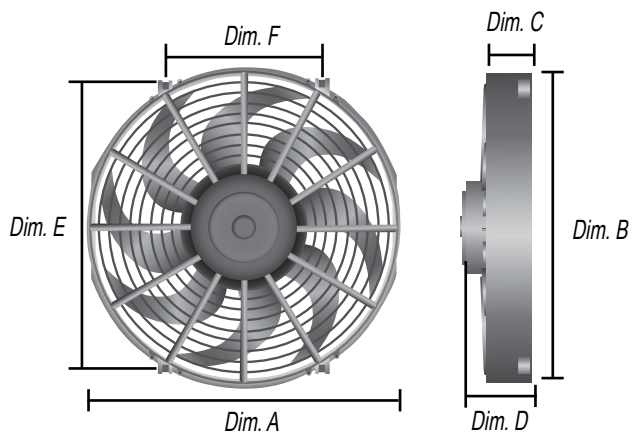


Feature...

- **Designed for maximum performance at high static-pressure loads for more effective cooling**
- **Powerful, reliable motors provide years of trouble-free service**
- **Increases engine horsepower and torque**
- **Mounting hardware included**

Fan Controllers sold separately, see page 68-71

Dimensions...



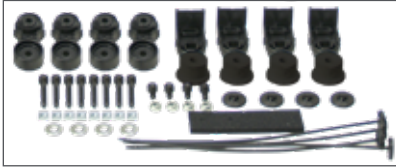


Part No.
16217/
18217

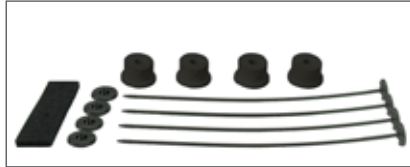
High Output Single Rad Fans

- High output 265-watt 2 speed motors
- State of the art symmetrical design can be used as a pusher or a puller without flipping blade or reversing polarity
- Ultra quiet patented blades
- Premium - patented ratchet mounting system
- Standard - push-through plastic rod mount system

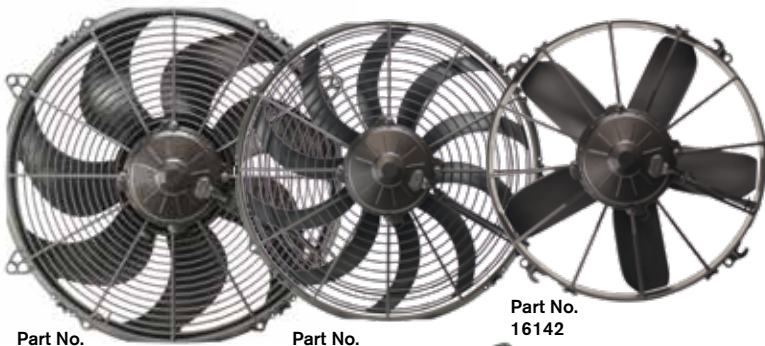
Premium kit



Standard kit



Premium Part No.	Standard Part No.	Fan Size	Airflow	CFM* High / Low	Amp draw High / Low	Dim A. (Width)	Dim B. (Height)	Dim C. (Depth)	Dim D. (Overall Depth)	Dim E. (Mounting)	Dim F. (Mounting)
16212	18212	12"	Reversible	1450 / 1000	21 / 15	12 3/4"	12 3/4"	N/A	2 3/4"	4 1/2"	11 1/2"
16214	18214	14"	Reversible	2100 / 1500	22 / 16.2	14 1/2"	14 1/2"	N/A	2 3/4"	4 1/2"	7 15/16"
16217	18217	17"	Reversible	2400 / 1800	23.5 / 17.4	16 7/8"	16 7/8"	N/A	2 3/4"	4 1/2"	9 1/2"



Part No.
16136

Part No.
16114

Part No.
16142



Part No.
16105

Part No.
16104

High Output Extreme Fans

- Sealed waterproof/dustproof designs (IP68 Certified) are perfect for off-road and all season environments
- Ultra-low profile designs (Part no.'s 16110 & 16112)
- Paddle blades pull large volumes of air for maximum heat-extraction capabilities in more compact package
- Puller (engine side) applications only

Hardware kit



Part No.	Fan Size	Airflow	Blade Style	CFM*	Amp draw	Dim A. (Width)	Dim B. (Height)	Dim C. (Depth)	Dim D. (Overall Depth)	Dim E. (Mounting)	Dim F. (Mounting)
16104	4"	Puller	Paddle	125	1.9	4 1/4"	4 1/4"	1 1/4"	2 3/8"	3 1/4"	3 1/4"
16105	5"	Puller	Paddle	315	3.6	5 5/8"	6 1/4"	1 1/4"	2 1/4"	4 1/4" - 3 hole mount	
NEW 16108	8"	Puller	Straight	366	5.5	8"	8 1/4"	1 1/4"	2"	5 15/16"	5 15/16"
NEW 16109	9"	Puller	Curved	625	7.2	9 11/16"	9 11/16"	1 1/8"	2"	5 1/2"	8 1/8"
NEW 16119	9"	Puller	Paddle	755	10	9 3/8"	9 3/4"	3 1/8"	3 3/4"	5 1/2"	8 1/8"
16110	10"	Puller	Curved	802	9.2	10 9/16"	11 1/8"	1 1/8"	2 1/16"	9 11/16"	5 13/16"
16920	11"	Puller	Paddle	1380	11	12"	12"	2 1/4"	4"	6 3/4"	11 1/2"
16112	12"	Puller	Curved	1328	14.2	12 9/16"	13 3/16"	1 1/8"	2 7/16"	11 7/16"	6 5/8"
16918	12"	Puller	Paddle	1350	16.0	12"	12"	1 5/8"	3 1/2"	10 5/8"	7 7/8"
16142	13"	Puller	Paddle	1640	21.8	13 1/16"	13 1/16"	2 1/4"	3 3/4"	9 5/16"	9 5/16"
16114	14"	Puller	Curved	1864	21.5	14 7/16"	15 1/16"	1 1/8"	3 7/16"	13 1/16"	7 9/16"
16116	16"	Puller	Curved	2024	21.0	15 11/16"	16 1/4"	1 1/8"	3 7/16"	14 1/16"	8 1/8"
16136	16"	Puller	Curved	1918	25.4	15 11/16"	15 11/16"	2 1/16"	3 3/4"	14 1/16"	8 1/8"



Part No.
16507/
16617



Part No.
16516/
16626/
16016

Tornado Single Fans

- 16" and 14" sizes designed as primary cooling fans eliminate fuel & horsepower-robbing belt driven fans
- Ultra-quiet patented skewed blade design
- Premium - Includes mounting kit, lighted toggle switch and wiring
- Standard - Includes mounting kit
- Fan and thermostat part no. includes mounting kit, 180°F thermostat, probes and relay harness



REVERSIBLE

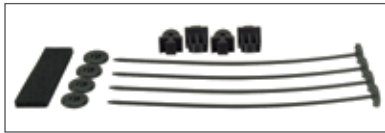
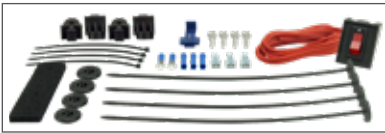
INCREASE FUEL ECONOMY

INCREASE HORSEPOWER & TORQUE

Fan w/ Thermostat kit

Premium kit

Standard kit



Premium Part No.	Standard Part No.	Fan w/ Thermostat Part No.	Fan Size	Airflow	CFM*	Amp draw	Dim A. (Width)	Dim B. (Height)	Dim C. (Depth)	Dim D. (Overall Depth)	Dim E. (Mounting)	Dim F. (Mounting)
16507	16617	----	7"	Reversible	400	4.8	7 1/4"	7 1/8"	1 3/8"	2 3/8"	5 3/8"	5 3/8"
16508	16618	----	8"	Reversible	500	4.8	8 1/4"	8"	1 3/8"	2 3/8"	6"	6"
16509	16619	----	9"	Reversible	570	5.4	9 5/8"	9 1/2"	1 1/4"	2 1/2"	8 7/8"	5"
16510	16620	16010	10"	Reversible	650	5.3	11 1/4"	10 5/8"	1 1/2"	2 1/2"	9 5/8"	6 7/8"
16512	16622	16012	12"	Reversible	880	8.8	12 1/2"	11 1/2"	1 1/2"	2 1/2"	11 1/8"	5 7/8"
16514	16624	16014	14"	Reversible	1350	10.5	14 1/2"	14"	1 3/4"	3 1/4"	12 1/4"	9"
16516	16626	16016	16"	Reversible	2175	18.4	16 3/4"	15 3/4"	1 3/4"	4 1/8"	13 3/4"	9 3/4"



Part No.
16834

Tornado Dual Fans w/ Brackets

- Available with dual 12" or 14" Tornado fans
- Sturdy metal bracket system
- Black powdercoated finish
- Can be used for pusher or puller applications



REVERSIBLE

INCREASE FUEL ECONOMY

INCREASE HORSEPOWER & TORQUE

Part No.	Fan Size	Airflow	CFM*	Amp draw (Fan 1 / 2)	Dim A. (Width)	Dim B. (Height)	Dim C. (Overall Depth)	Dim D. (Mounting)	Dim E. (Mounting)	Dim F. (Mounting)
16824	Dual 12"	Reversible	1760	8.8 / 8.8	27 3/4"	14"	2 1/2"	10 1/8"	13 5/8"	23 1/2"
16834	Dual 14"	Reversible	2700	10.5 / 10.5	31 3/4"	15 5/8"	3 1/4"	12 1/8"	14 5/8"	27 1/2"



Part No.
16700

Tornado Fan Mounting Brackets

- Fits 10", 12", 14" & 16" Tornado Fans
- Adjustable universal mounting
- Hardware included

Part No.	Description
16700	Single fan mounting brackets (Clear anodized aluminum finish)
16701	Dual fan mounting brackets (Black powdercoated finish) see brackets in above photo

* CFM tested at zero static pressure.

High Output Electric Fans



THE LEADER IN PERFORMANCE COOLING



Part No.
16913



Part No.
16925



Part No.
16924

Part No.	Fan Size	CFM* High / Low	Amp draw High / Low	Dim A. (Width)	Dim B. (Height)	Dim C. (Depth)	Dim C. (Overall Depth)	Dim E. (Mounting)	Dim F. (Mounting)
16913	14"	2100 / 1500	22 / 16.2	14 1/2"	14 1/2"	1 5/8"	2 5/8"	13 1/4"	8 3/4"
16917	17"	2400 / 1800	23.5 / 17.4	16 7/8"	16 7/8"	1 5/8"	2 5/8"	15 5/8"	8 7/8"
16924	12"	2000	24.8	13 1/8"	13 1/8"	2 3/8"	3 1/2"	9 3/8"	9 3/8"
16925	12"	2000	23.4	12 5/8"	12 5/8"	1 1/2"	3 1/8"	10 5/8"	7 7/8"

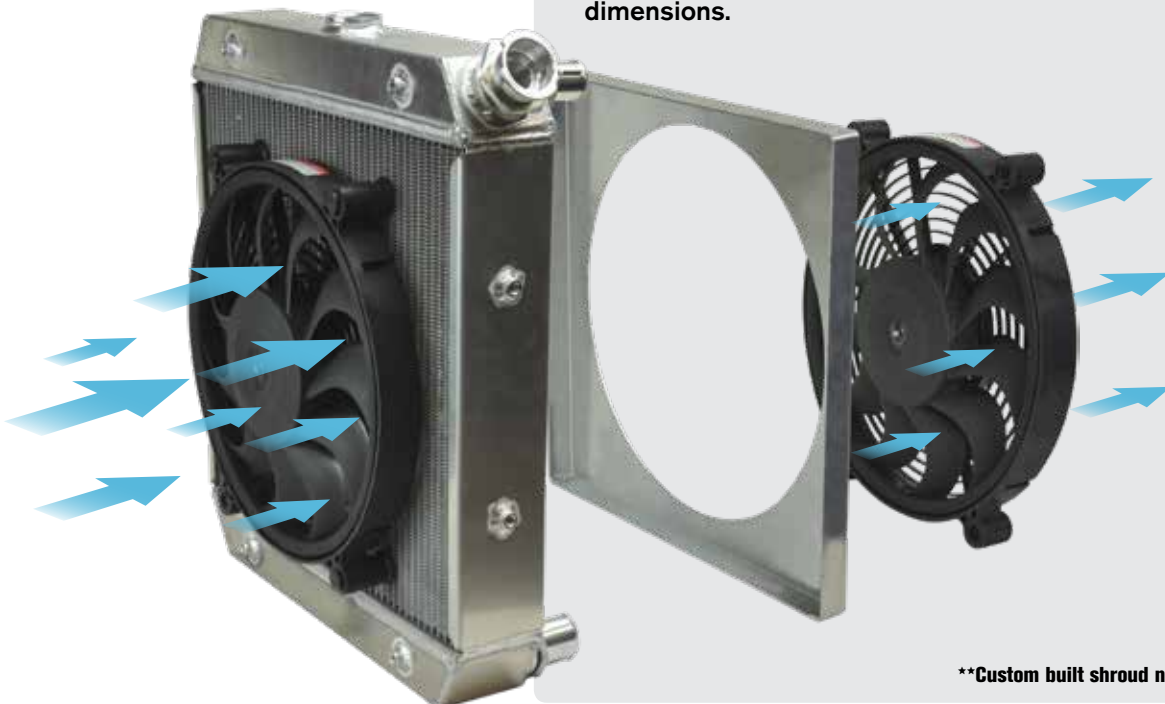
Do It Yourself - Drop-in Single RAD Fans For The D.I.Y. Pros at Home!

Installing as a Pusher

Mounting kit included for Pusher installation. No shroud necessary.

Installing as a Puller

Choose from 1 of 4 pusher style fans that can be pullers by using your custom built shroud**. All fans come complete with detailed drawing of all cut out and hole dimensions.



**Custom built shroud not included.



Part No.
18916



Part No.
18910

Dyno-Cool - Curved Blade Fans

- Powerful high-watt motors
- Low profile designs
- Quiet and efficient balanced curved blades
- Fully reversible for pusher or puller applications



REVERSIBLE



INCREASE FUEL
ECONOMY



INCREASE HORSEPOWER
& TORQUE

Hardware kit



Part No.	Fan Size	Airflow	CFM*	Amp draw	Dim A. (Width)	Dim B. (Height)	Dim C. (Depth)	Dim D. (Overall Depth)	Dim E. (Mounting)
18910	10"	Reversible	590	5.3	11 1/2"	10 3/4"	1 1/4"	2 3/8"	8 7/8"
18912	12"	Reversible	810	8.3	12 1/4"	12 1/4"	1 1/4"	2 3/8"	4 1/4"
18914	14"	Reversible	1230	9.7	14 7/8"	14 1/8"	1 1/4"	3 1/8"	6 3/4"
18916	16"	Reversible	1980	17.3	16 1/2"	15 3/4"	1 3/4"	3 7/8"	14 1/4"



Part No.
16314 /
16914



Part No.
16309 /
16909

Dyno-Cool - Straight Blade Fans

- Powerful high-watt motors
- Low profile designs
- Fully reversible for pusher or puller applications
- Premium kit includes adjustable thermostat



REVERSIBLE



INCREASE FUEL
ECONOMY

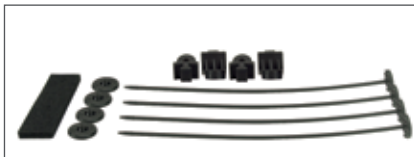


INCREASE HORSEPOWER
& TORQUE

Premium kit



Standard kit



Premium Part No.	Standard Part No.	Fan Size	Airflow	CFM*	Amp draw	Dim A. (Width)	Dim B. (Height)	Dim C. (Depth)	Dim D. (Overall Depth)	Dim E. (Mounting)
16308	16908	8"	Reversible	350	5.3	8 1/8"	8"	1 1/4"	2 1/4"	4 3/8"
16309	16909	9"	Reversible	475	5.5	9 9/16"	10 7/16"	1 1/4"	2 1/4"	8 7/16"
16310	16910	10"	Reversible	625	6.4	11"	11 1/4"	1 1/8"	2 3/8"	5 3/4"
16312	16912	12"	Reversible	725	9.0	11 3/8"	12 3/8"	1 1/8"	2 3/8"	4 3/4"
16314	16914	14"	Reversible	1225	12.4	14 1/8"	14 3/4"	1 1/4"	3 1/4"	7 1/8"
16316	16916	16"	Reversible	1680	15.5	16"	16 7/8"	1 1/4"	3 7/8"	8 1/8"

* CFM tested at zero static pressure.

Electric Fan Accessories



THE LEADER IN PERFORMANCE COOLING

Plastic ROD Mounting Kits

- Complete electric fan mounting kit



Part No.	Description
13001	Plastic rod mounting kit
16744	Plastic rod kit with mounting feet

Complete Plastic ROD Installation Kits

- Complete electric fan installation kit

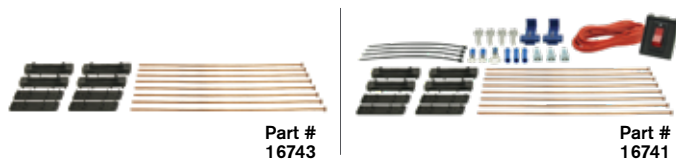


Part No.	Description
16745	Complete plastic rod installation kit
16742	Complete plastic rod kit with mounting feet

Metal Rod Mounting Kits

- Complete electric fan mounting kit

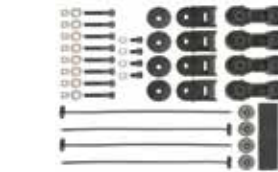
- Complete electric fan installation kit



Part No.	Description
16743	Metal rod mounting kit
16741	Complete metal rod installation kit

H.O. RAD Fan Premium Mounting Kit

- Patented adjustable mounting system for Derale part numbers 16212, 16214, 16217, 18212, 18214 & 18217



Part #
16746

Circuit Breakers

- Auto resetting design



Part No.	Description
16751	25 Amp circuit breaker
16754	50 Amp circuit breaker

Lighted Toggle Switch

- 3 pole, 12 volt switch
- Rocker type switch



Part No.
16740

Relay Wire Harness Kits



Part No.	Description
16763	40/60 Amp Single Relay Wire Harness
16765	40/60 Amp Dual Relay Wire Harness
16764	40/60 Amp Relay

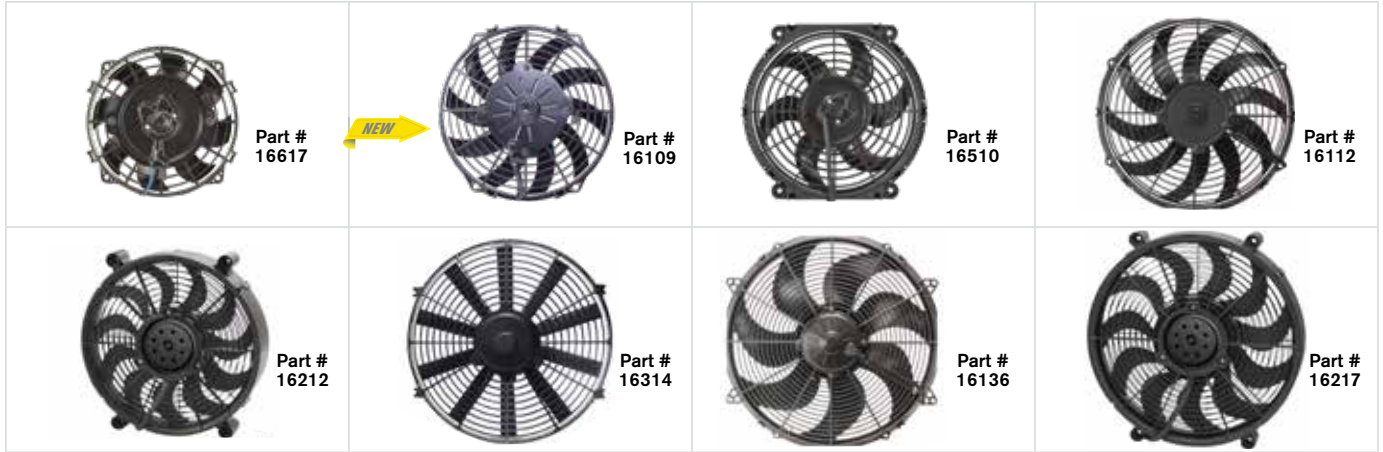
Shrouded Electric Fans - Quick Guide



Shroud Size	Width	Height	Overall Depth	Part No.	Part No w/ PWM Controller	Description	CFM*	Amp Draw	Page
15" - 19"	15 3/4"	15 3/4"	3 1/4"	16926	---	M12 Powerpack, Single Fan	2000	23.4	59
	16 3/4"	17 5/8"	3"	16816	---	A17 Powerpack, Single Fan	2400 / 1800	23.5 / 17.4	55
	17"	16 3/8"	2 3/4"	16817	---	A14 Powerpack, Single Fan	2100 / 1500	22 / 16.2	55
	18"	13"	4"	16814	---	A12 Powerpack, Single Fan	2000	24.8	55
	18"	18"	3"	16818	66818	A17 Powerpack, Single Fan	2400 / 1800	23.5 / 17.4	55
	18 3/4"	17 5/8"	3"	16819	66819	A17 Powerpack, Single Fan	2400 / 1800	23.5 / 17.4	55
19" - 24"	19 1/2"	18"	3 5/8"	16919	---	S17 Powerpack, Single Fan	2400 / 1800	23.5 / 17.4	55
	20"	16 3/8"	2 3/4"	16820	66820	A14 Powerpack, Single Fan	2100 / 1500	22 / 16.2	55
	20 3/4"	17 5/8"	3"	16821	66821	A17 Powerpack, Single Fan	2400 / 1800	23.5 / 17.4	55
	21"	16 3/4"	3"	16823	66823	A17 Powerpack, Single Fan	2400 / 1800	23.5 / 17.4	55
	22 1/4"	17 5/8"	3"	16822	66822	A17 Powerpack, Single Fan	2400 / 1800	23.5 / 17.4	55
	22 1/2"	19"	4 1/2"	16830	66830	A11 Powerpack, Dual Fan	3750	18.7 Per Fan	57
	23 7/16"	15 7/16"	2 3/4"	16827	66827	A14 Powerpack, Single Fan	2100 / 1500	22 / 16.2	55
	23 3/4"	19 3/4"	4 1/2"	16835	66835	A11 Powerpack, Dual Fan	3750	18.7 Per Fan	57
	24"	15 1/2"	4 1/2"	16831	66831	A11 Powerpack, Dual Fan	3750	18.7 Per Fan	57
	24"	17"	3"	16828	66828	A17 Powerpack, Single Fan	2400 / 1800	23.5 / 17.4	55
24"	17"	4 1/2"	16833	66833	A11 Powerpack, Dual Fan	3750	18.7 Per Fan	57	
24" - 31"	24 3/4"	11 1/2"	3"	16812	---	M10 Powerpack, Dual Fans	1360	4.8 Per Fan	59
	25 5/8"	15 1/8"	4"	16825	66825	A12 Powerpack, Dual Fans	4000	24.8 Per	57
	25 5/8"	17 1/8"	4"	16826	66826	A12 Powerpack, Dual Fans	4000	24.8 Per Fan	57
	26"	18"	4"	16842	66842	A12 Powerpack, Dual Fans	4000	24.8 Per Fan	57
	26"	18"	4"	16927	66927	S12 Powerpack, Dual Fans	4000	24.8 Per Fan	57
	26 3/8"	16"	4"	16836	66836	A12 Powerpack, Dual Fans	4000	24.8 Per Fan	57
	27"	18"	4"	16837	66837	A12 Powerpack, Dual Fans	4000	24.8 Per Fan	57
	28 1/4"	17"	4"	16838	66838	A12 Powerpack, Dual Fans	4000	24.8 Per Fan	57
	28 5/8"	13 7/8"	3 1/4"	16928	---	M12 Powerpack, Dual Fans	4000	23.4 Per Fan	59
	31 3/8"	15 3/4"	3 1/4"	16934	---	M12 Powerpack, Dual Fans	4000	23.4 Per Fan	59

* CFM tested at zero static pressure.

Single Electric Fans - Quick Guide



Fan Size	Overall Depth	Part No.	Airflow	CFM*	Amp Draw	Page
4"	2 3/8"	16104	Puller	125	1.9	61
5"	2 1/4"	16105	Puller	315	3.6	61
7"	2 3/8"	16507	Reversible	400	4.8	62
7"	2 3/8"	16617	Reversible	400	4.8	62
NEW 8"	2"	16108	Puller	366	5.5	61
8"	2 1/4"	16308	Puller	350	5.3	64
8"	2 1/4"	16908	Puller	350	5.3	64
8"	2 3/8"	16508	Reversible	500	4.8	62
8"	2 3/8"	16618	Reversible	500	4.8	62
NEW 9"	2"	16109	Puller	625	7.2	61
9"	2 1/4"	16309	Reversible	475	5.5	64
9"	2 1/4"	16909	Reversible	475	5.5	64
9"	2 1/2"	16509	Reversible	570	5.4	62
9"	2 1/2"	16619	Reversible	570	5.4	62
NEW 9"	3 3/4"	16119	Puller	755	10	61
10"	2 1/16"	16110	Puller	802	9.2	61
10"	2 1/2"	16010	Reversible	650	5.3	62
10"	2 3/8"	16310	Reversible	625	6.4	64
10"	2 3/8"	16910	Reversible	625	6.4	64
10"	2 3/8"	18910	Reversible	590	5.3	64
10"	2 1/2"	16510	Reversible	650	5.3	62
10"	2 1/2"	16620	Reversible	650	5.3	62
11"	4"	16920	Puller	1380	11	61
12"	2 3/8"	16912	Reversible	725	9	64
12"	2 3/8"	16312	Reversible	725	9	64
12"	2 3/8"	18912	Reversible	810	8.3	64
12"	2 1/2"	16622	Reversible	880	8.8	62
12"	2 1/2"	16512	Reversible	880	8.8	62
12"	2 1/2"	16012	Reversible	880	8.8	62

Fan Size	Overall Depth	Part No.	Airflow	CFM*	Amp Draw	Page
12"	2 5/8"	16212	Reversible	1450 / 1000	21 / 15	61
12"	2 5/8"	18212	Reversible	1450 / 1000	21 / 15	61
12"	2 7/16"	16112	Puller	1328	14.2	61
12"	3"	16925**	Reversible	2000	23.4	63
12"	3 1/2"	16918	Puller	1350	16	61
12"	3 1/2"	16924**	Reversible	2000	24.8	63
13"	3 3/4"	16142	Puller	1640	21.8	61
14"	2 5/8"	16214	Reversible	2100 / 1500	22 / 16.2	61
14"	2 5/8"	16913**	Reversible	2100 / 1500	22 / 16.2	63
14"	2 5/8"	18214	Reversible	2100 / 1500	22 / 16.2	61
14"	3 1/8"	18914	Reversible	1230	9.7	64
14"	3 1/4"	16014	Reversible	1350	10.5	62
14"	3 1/4"	16314	Reversible	1225	12.4	64
14"	3 1/4"	16514	Reversible	1350	10.5	62
14"	3 1/4"	16624	Reversible	1350	10.5	62
14"	3 1/4"	16914	Reversible	1225	12.4	64
14"	3 7/16"	16114	Puller	1864	21.5	61
16"	3 7/16"	16116	Puller	2024	21	61
16"	3 5/8"	18916	Reversible	1980	17.3	64
16"	3 3/4"	16136	Puller	1918	25.4	61
16"	3 7/8"	16916	Reversible	1680	15.5	64
16"	3 7/8"	16316	Reversible	1680	15.5	64
16"	4 1/8"	16016	Reversible	2175	18.4	62
16"	4 1/8"	16516	Reversible	2175	18.4	62
16"	4 1/8"	16626	Reversible	2175	18.4	62
17"	2 5/8"	16217	Reversible	2400 / 1800	23.5 / 17.4	61
17"	2 5/8"	16917**	Reversible	2400 / 1800	23.5 / 17.4	63
17"	2 5/8"	18217	Reversible	2400 / 1800	23.5 / 17.4	61



THE LEADER IN PERFORMANCE COOLING

PWM Electric Fan Controllers



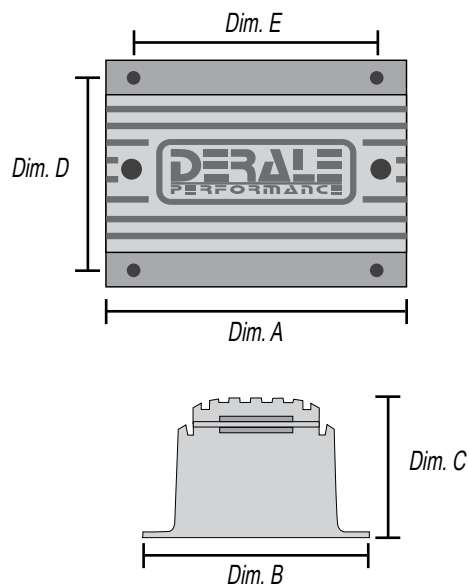
The new and improved PWM Fan Controller is better than ever with its NEW temp sensor and is now manufactured in our Santa Fe Springs, ISO 9001:2015 certified facility.



Features and Benefits

- **65 AMP capacity**
- **Multiple fan controller**
- **Pulse Width Modulation controls fan(s) speed from 0-100%**
- **Soft Start Technology**
- **Reduced fan noise**
- **Constantly adjusts fans speed to maintain the desired temperature**

Dimensions



Easy Installation Faster Reaction Accurate Temperature

New Temp Sensor



GET COMPLETE CONTROL OF YOUR ENGINE TEMPERATURES

Historically, cooling fans run at 100%, even when less airflow is needed, constantly turning on and off as the engine temperature changes. This REACTION based temperature control system causes constant amperage spikes, excessive noise and premature wear. The Derale PWM fan controller continuously monitors your engine's temperature, therefore CONTROLLING the temperature and increasing the vehicles cooling efficiency, while reducing the amps used to do so.

Here's how it works; The controller monitors your engine temperature via the cool side of the radiator, therefore providing a more accurate reading for your cooling system. Using Soft Start Technology, fans ramp up slowly which eliminates harmful AMP spikes. The unit will continuously monitor your engine's temperature and operate the fans at the optimum fan rate as needed between 1 to 100%. The net result; the electric fans often only run between 40-60% to keep your engine cool. Additional benefits include, reduced fan speeds which means reduced fan noise, which tends to compete with that sweet sound of your engine!



THE NEW TEMP SENSOR MAKES THE PWM MORE EFFICIENT THAN EVER

The all new temp sensor is changing the game for the PWM Electric Fan controller. After extensive research our product development team found a better way. The new temp sensor is designed for maximum efficiency. Its lean profile allow for an easy installation by using a Heavy Duty epoxy pad. Once in place, its light weight aluminum body reacts quickly to the radiator temperatures. This quick heat soaking action makes for an accurate temperature reading, crucial to keeping temperatures under control.



PWM Electric Fan Controller

- Can be easily mounted where space permits
- Comes with all necessary installation hardware

Part No.	New Sensor Repl.	Dim A. (Width)	Dim B. (Height)	Dim C. (Depth)	Dim E. (Mounting)	Dim F. (Mounting)
16795	16757	4 1/2"	3 1/2"	2"	3 1/4"	3"



Integrated PWM Electric Fan Controller

- Can be easily mounted to Derale aluminum fan shrouds, and other fan shrouds where space permits
- Comes with all necessary installation hardware

Part No.	New Sensor Repl.
16796	16757



THE LEADER IN PERFORMANCE COOLING

Electric Fan Controllers



High Amp Adjustable Single Fan Controllers



- 35 Amp Capacity
- Adjustable fan activation range from 150°F - 240°F
- Turn-off temperature preset at 15°F below activation setting
- Die Cast Aluminum housing with bright finish
- Automatic resetting circuit breaker
- Air conditioning override circuit built-in

Part No.	Application	Probe	Repl. Probe No.
16778	Single Fan	Push-In	16752
16779	Single Fan	3/8" NPT	16753

High Amp Adjustable Dual Fan Controllers



- 70 Amp Capacity (35 per fan)
- Adjustable fan activation range from 150°F - 240°F
- Activate Fan #1 at desired temp, activate fan #2 10°F warmer than fan #1
- Turn-off temperature preset at 10°F below activation setting
- Die Cast Aluminum housing with bright finish
- Automatic resetting circuit breaker
- Air conditioning override circuit built-in

Part No.	Application	Probe	Rep. Probe No.
16788	Dual Fan	Push-In	16752
16789	Dual Fan	3/8" NPT	16753



Adjustable Fan Controllers

- 25 Amp Capacity
- Adjustable fan activation range from 150°F - 240°F
- Turn-off temperature preset at 10°F below activation setting
- Interchangeable probe design, push-in radiator or 3/8" NPT thread-in probe
- Air conditioning override circuit built-in

Part No.	Application	Probe	Rep. Probe No.
16749	Single Fan	3/8" NPT Thread in	16750
16759	Single Fan	Radiator Push-in	16760



Mechanical Fan Controller

- 16 Amp Capacity
- Adjustable fan activation range from 32°F - 240°F
- Turn-off temperature preset at 10°F below activation setting
- Radiator hose probe design

Part No.	Application	Probe
16769	Single Fan	Radiator Push-In



Single Stage Fan Controllers

- Turn-off temperature preset at 15°F below activation setting
- Available in 180°F or 190°F Turn-on temperature
- Available in 15 or 25 amp capacity
- Available in push-in or thread-in probe
- 25 amp capacity kits include relay and harness



Part No. 18739

Part No. 16739

Part No.	Amp. Capacity	Probe	Temp Activation
16720	25 amp	Thread-In	180°F
16721	25 amp	Thread-In	190°F
16730	15 amp	Thread-In	180°F
16731	15 amp	Thread-In	190°F
16735	25 amp	Push-In / Thread-In	180°F
16738	25 amp	Push-In	180°F
16739	25 amp	Thread-In	180°F
18735	15 amp	Push-In / Thread-In	180°F
18738	15 amp	Push-In	180°F
18739	15 amp	Thread-In	180°F



THE LEADER IN PERFORMANCE COOLING

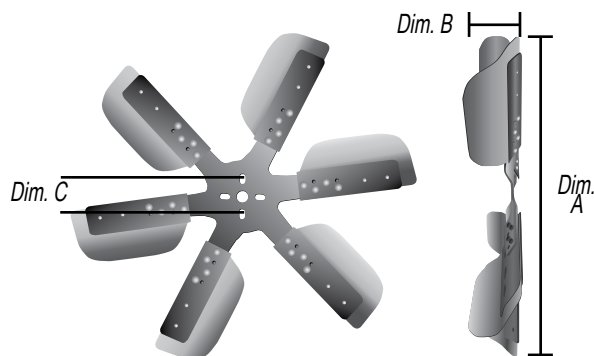
Belt Driven Fans



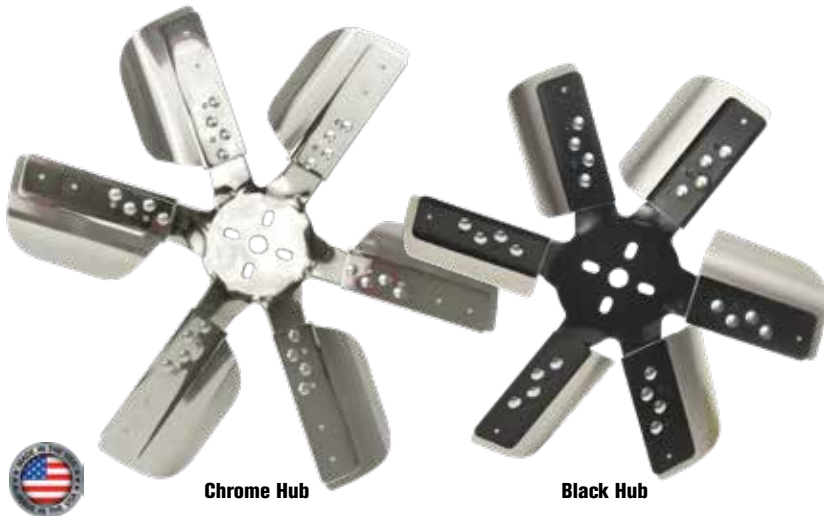
Feature...

- **Designed, engineered and manufactured in the USA**
- **Universal designs to fit most applications**
- **Model designs range from 13" to 20" diameters**
- **Most designs available in standard and reverse rotation**

Dimensions...



Heavy Duty Flex Fans



Chrome Hub

Black Hub

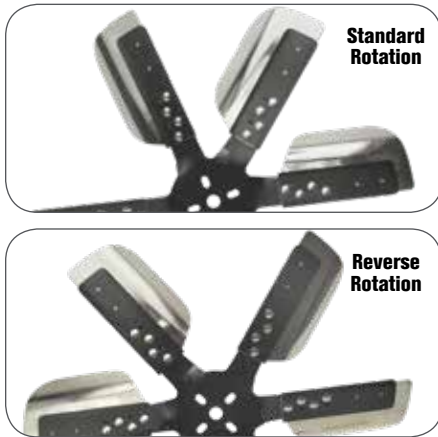


INCREASE FUEL ECONOMY



INCREASE HORSEPOWER & TORQUE

- Rated up to 10,000 RPM's
- Improves performance and mileage
- Large surface area pulls more air at low speeds
- Heavy duty steel hubs
- Durable stainless steel blades with built in Rebound Vipers
- Available in standard or reverse rotation



Standard Rotation

Reverse Rotation

Stainless Black Hub Part No.	Stainless Chrome Hub Part No.	Fan Size	Rotation	Dim. A (Diameter)	Dim. B (Depth)	Dia. C (Flange)
17013	17213	13"	Standard	13"	2"	1 3/4"-2 1/4"
17015	17215	15"	Standard	14 3/4"	2 7/8"	1 3/4"-2 1/4"
17017	17217	17"	Standard	17 1/4"	2 3/8"	1 3/4"-2 1/4"
17018	17218	18"	Standard	18 1/4"	2 7/16"	1 3/4"-2 1/4"
17019	17219	19"	Standard	19 1/4"	2 7/16"	1 3/4"-2 1/4"
17615	-----	15"	Reverse	14 3/4"	2 7/8"	1 3/4"-2 1/4"
17617	17817	17"	Reverse	17 1/4"	2 3/8"	1 3/4"-2 1/4"
17618	17818	18"	Reverse	18 1/4"	2 7/16"	1 3/4"-2 1/4"
17619	17819	19"	Reverse	19 1/4"	2 7/16"	1 3/4"-2 1/4"



Chrome Hub

Black Hub



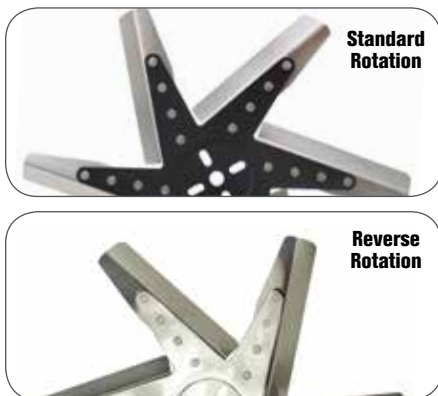
INCREASE FUEL ECONOMY



INCREASE HORSEPOWER & TORQUE

High Performance Stainless

- Rated up to 8,000 RPM's
- Stainless steel fan blades
- Chrome plated or black powdercoated hub
- Available in standard or reverse rotation

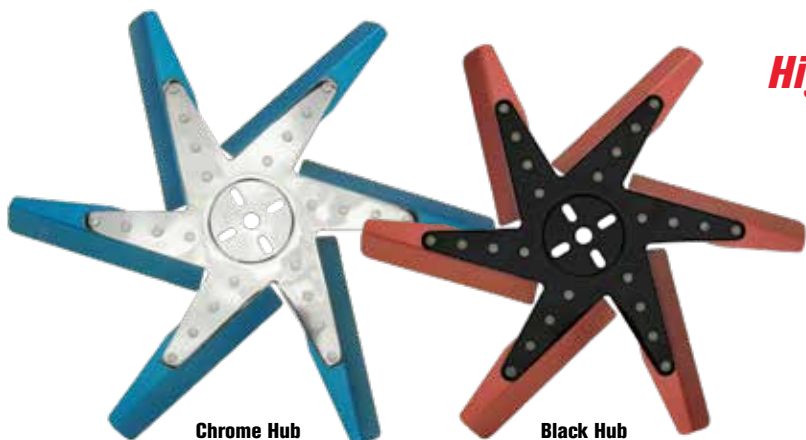


Standard Rotation

Reverse Rotation

Stainless Black Hub Part No.	Stainless Chrome Hub Part No.	Fan Size	Rotation	Dim. A (Diameter)	Dim. B (Depth)	Dia. C (Flange)
19113	19213	13"	Standard	13 3/8"	1 1/8"	1 3/4"-2 1/4"
19115	19215	15"	Standard	15 1/4"	1 1/8"	1 3/4"-2 1/4"
19117	19217	17"	Standard	17"	1 1/8"	1 3/4"-2 1/4"
19118	19218	18"	Standard	18 1/4"	1 1/8"	1 3/4"-2 1/4"
19313	19713	13"	Reverse	13 3/8"	1 1/8"	1 3/4"-2 1/4"
19315	19715	15"	Reverse	15 1/4"	1 1/8"	1 3/4"-2 1/4"
19317	19717	17"	Reverse	17"	1 1/8"	1 3/4"-2 1/4"
19318	19718	18"	Reverse	18 1/4"	1 1/8"	1 3/4"-2 1/4"

High Performance Aluminum



Chrome Hub

Black Hub

- Rated up to 8,000 RPM's
- Red or Blue anodized aluminum fan blades
- Chrome plated or black powdercoated hub
- Available in standard rotation



INCREASE FUEL ECONOMY



INCREASE HORSEPOWER & TORQUE

Black Hub Part No.	Chrome Hub Part No.	Fan Size	Rotation	Blade Color	Dim. A (Diameter)	Dim. B (Depth)	Dia. C (Flange)
19817	19417	17"	Standard	Red	17"	1 1/8"	1 3/4"-2 1/4"
19818	19418	18"	Standard	Red	18 1/4"	1 1/8"	1 3/4"-2 1/4"
19917	19517	17"	Standard	Blue	17"	1 1/8"	1 3/4"-2 1/4"
19918	19518	18"	Standard	Blue	18 1/4"	1 1/8"	1 3/4"-2 1/4"



Rigid Race Steel Blade Fans



- Rated up to 8,000 RPM's
- Steel fan blades
- Maximum full-time airflow
- Available in standard and reverse rotation

Standard Rotation Part No.	Reverse Rotation Part No.	Fan Size	Dim. A (Diameter)	Dim. B (Depth)	Dia. C (Flange)
17313	17413	13"	13"	2 1/4"	1 3/4"-2 1/4"
17315	17415	15"	15"	2 1/4"	1 3/4"-2 1/4"
17317	17417	17"	17"	2 1/4"	1 3/4"-2 1/4"
17318	17418	18"	18"	2 1/4"	1 3/4"-2 1/4"
17319	17419	19"	18 7/8"	2 1/4"	1 3/4"-2 1/4"
17320	17420	20"	19 7/8"	2 1/4"	1 3/4"-2 1/4"



Standard Rotation



Reverse Rotation

Rigid Race Aluminum Blade Fans



- Rated up to 8,000 RPM's
- Aluminum fan blades
- Maximum full-time airflow
- Available in standard rotation

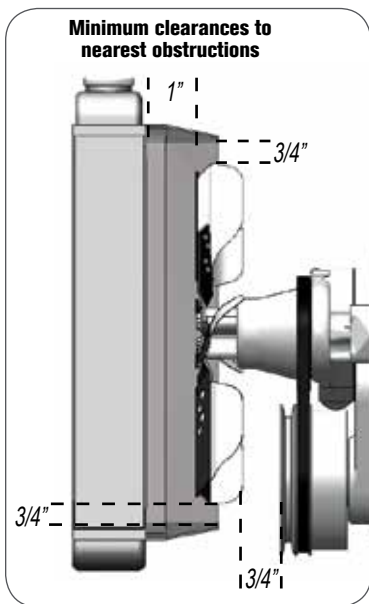
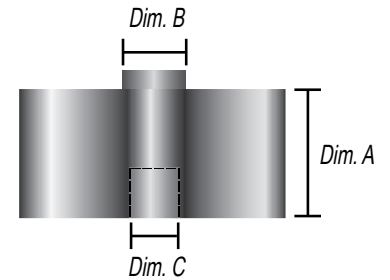
Part No.	Fan Size	Rotation	Dim. A (Diameter)	Dim. B (Depth)	Dia. C (Flange)
17513	13"	Standard	13"	2 1/4"	1 3/4"-2 1/4"
17515	15"	Standard	15"	2 1/4"	1 3/4"-2 1/4"
17517	17"	Standard	17"	2 1/4"	1 3/4"-2 1/4"
17518	18"	Standard	18"	2 1/4"	1 3/4"-2 1/4"



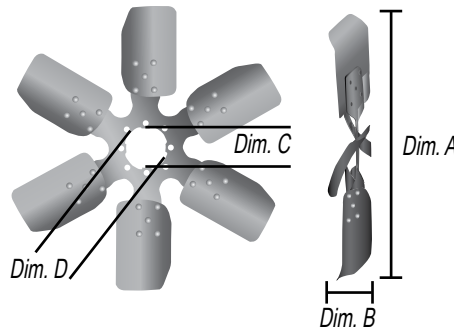


Belt Driven Fan Spacers

- Strong one-piece aluminum construction
- Closed loop design
- Designed to fit 5/8", 3/4" or 1.180 water pumps
- Standard 5/8" male pilot
- Clear anodized finish
- Includes mounting hardware



Part No.	Dim. A (Length)	Dim. B (Male Pilot Diameter)	Dim. C (Male Pilot Diameter)	Bolts (4 each)	Flange
31500	1/2"	5/8"	5/8"	5/16-18 / 5/16-24	1 3/4"-2 1/4"
31510	1"	5/8"	5/8" or 3/4"	5/16-18 / 5/16-24	1 3/4"-2 1/4"
31515	1 1/2"	5/8"	5/8" or 3/4"	5/16-18 / 5/16-24	1 3/4"-2 1/4"
31518	1 3/4"	5/8"	5/8" or 3/4"	5/16-18 / 5/16-24	1 3/4"-2 1/4"
31520	2"	5/8"	5/8" or 3/4"	5/16-18 / 5/16-24	1 3/4"-2 1/4"
31521	2"	5/8"	5/8" or 3/4"	8mm x 1.25	1 3/4"-2 1/4"
31540	2 1/4"	5/8"	5/8" or 3/4"	5/16-18 / 5/16-24	1 3/4"-2 1/4"
31541	2 1/4"	5/8"	1.180	8mm x 1.25	1 3/4"-2 1/4"
31547	2 1/4"	5/8"	5/8" or 3/4"	6mm x 1.00 / 8mm x 1.25	1 3/4"-2 1/4"
31550	2 1/2"	5/8"	5/8" or 3/4"	5/16-18 / 5/16-24	1 3/4"-2 1/4"
31551	3 1/2"	5/8"	1.180	8mm x 1.25	1 3/4"-2 1/4"



Fan Clutch Fans

- Rated up to 8,000 RPM's
- Steel fan blades
- Maximum full-time airflow
- Available in standard or reverse rotation
- Black powder coated finish

Flange bolt circle: 3" / 3 1/4"



Standard Rotation Part No.	Reverse Rotation Part No.	Fan Size	Dim. A (Diameter)	Dim. B (Depth)	Dia. C (Flange)	Dia. D (Flange)
17117	17917	17"	17 1/4"	1 15/16"	2 3/8"	2 5/8"
17118	17918	18"	18"	1 15/16"	2 3/8"	2 5/8"
17119	17919	19"	19 1/8"	2 1/8"	2 3/8"	2 5/8"
17120	17920	20"	20"	1 15/16"	2 3/8"	2 5/8"



THE LEADER IN PERFORMANCE COOLING

Performance Fuel Pumps



Universal Inline Fuel Pump Kits

- Compact design
- Constant high-flow rate
- Consistent pressure
- Rotary vane inline pump



Derale introduces its latest addition to its growing Performance Line-up. Our Universal Inline Fuel pumps are manufactured using only the highest quality materials, manufacturing methods and technology in order to insure maximum performance and reliability. These pumps cover a wide range of low pressure carbureted fuel system applications. They are also available for a variety of fuel types including Gasoline, Diesel, E85, E100, M100 and Racing Fuel. All Derale Universal Inline Fuel Pumps include the necessary hardware for installation as well as inline filters where applicable. Boost your fuel delivery system's efficiency and performance with our universal inline fuel pumps!

Part No.	Fuel Type	Flowrate	Max Pump Pressure
72000	Gasoline	130LPH	4-7 PSI
72001	Gasoline	100LPH	2-3.5 PSI
72003	Diesel	130LPH	4-7 PSI
72004	E85 / E100 / M100 / Racing Fuel	130LPH	4-7 PSI



In-Tank Fuel Pump Kits



- High Flow Pump
- 500HP+ rating
- 100 PSI pump pressure
- 100% performance tested
- Fits over 100 vehicle applications

Our 70000-70003 Fuel pumps are compatible with Gasoline as well as E85, E100 and M100 Ethanol and Methanol fuels. The internal components and materials were specially selected to perform and last in the special conditions created by exposure to Ethanol and Methanol fuels.

Additionally, Derale offers their 70004 and 71005-71007 Gasoline compatible high flow pumps. These can be used with Gasoline containing up to a 15% methanol blend. Each kit includes the necessary strainer, brackets and additional components for proper installation into the applicable vehicles listed in the application guide.



Part No.	Fuel Type	Flowrate @43PSI	Max-Pump Pressure	Dimensions
70000	Gasoline/E85/E100/M100	340LPH	100 PSI	82mm body length - 22mm center inlet
70001	Gasoline/E85/E100/M100	340LPH	100 PSI	82mm body length - 11mm offset inlet inline with outlet
70002	Gasoline/E85/E100/M100	340LPH	100 PSI	65mm body length - 11mm offset inlet inline with outlet
70003	Gasoline/E85/E100/M100	340LPH	100 PSI	82mm body length - 25mm center inlet
70004	Gasoline, with up to 15% Methanol Blend	320LPH	100 PSI	82mm body length - 11mm offset inlet inline with outlet
71005	Gasoline, with up to 15% Methanol Blend	255LPH	100 PSI	82mm body length - 19mm Center inlet
71006	Gasoline, with up to 15% Methanol Blend	255LPH	100 PSI	82mm body length - 11mm offset inlet 180 degree from outlet
71007	Gasoline, with up to 15% Methanol Blend	255LPH	100 PSI	82mm body length - 11mm offset inlet inline from outlet



PART NUMBER INDEX



Part No.	Page	Part No.	Page	Part No.	Page	Part No.	Page	Part No.	Page
12200	31	13212	29	13401	20	15705	44	16114	61
12213	31	13213	29	13402	20	15706	44	16116	61
12730	15	13215	25	13403	20	15707	41	16119	61
12731	15	13220	30	13501	25	15708	41	16119	7
12732	15	13221	30	13502	25	15709	41	16136	61
12733	15	13222	30	13503	25	15714	48	16142	61
12740	15	13223	30	13504	25	15715	39	16212	61
12741	15	13224	30	13611	23	15716	39	16214	61
12742	15	13225	30	13612	23	15717	39	16217	61
12743	15	13249	34	13613	23	15718	39	16308	64
12901	31	13250	34	13614	23	15719	16	16309	64
12902	31	13251	34	13700	13	15720	43	16310	64
12903	31	13252	34	13720	13	15721	17	16312	64
12904	31	13253	34	13730	14	15724	44	16314	64
12906	31	13254	34	13731	14	15725	39	16316	64
12907	31	13255	34	13740	9	15726	16	16507	62
13001	65	13256	34	13750	11	15728	41	16508	62
13004	49	13257	34	13751	11	15729	41	16509	62
13005	41	13259	34	13754	11	15730	43	16510	62
13010	52	13260	34	13760	9	15731	43	16512	62
13011	16	13261	34	13764	9	15732	43	16514	62
13014	49	13262	34	13870	9	15733	43	16516	62
13018	49	13263	34	13900	13	15734	43	16617	62
13021	17	13264	34	13950	11	15735	43	16617	14
13024	49	13265	34	14000	52	15746	44	16618	62
13025	49	13266	34	14002	52	15747	44	16618	9, 11
13026	16	13267	34	14010	52	15748	39	16619	62
13028	49	13269	33	14200	51	15749	39	16620	62
13030	49	13270	33	14201	51	15756	44	16620	13
13031	49	13271	33	14202	51	15757	44	16622	62
13032	49	13272	33	14204	51	15760	44	16624	62
13033	49	13277	33	14207	51	15761	44	16626	62
13034	49	13279	33	14208	52	15780	39	16700	62
13035	49	13280	33	14210	52	15781	39	16701	62
13041	47	13281	33	15200	13	15782	43	16720	71
13042	47	13282	33	15220	13	15800	13	16721	71
13043	47	13287	33	15230	14	15820	13	16730	71
13044	47	13300	13	15300	13	15830	14	16731	71
13045	47	13302	27	15301	27	15831	14	16735	71
13046	47	13303	28	15301	13	15840	9	16738	71
13049	41	13304	28	15302	29	15845	9	16739	71
13070	46	13306	28	15320	13	15850	11	16740	65
13072	46	13309	27	15321	27	15851	11	16741	65
13075	46	13309	29	15321	13	15860	9	16742	65
13090	46	13310	27	15331	27	15865	9	16743	65
13091	46	13310	30	15331	14	15870	9	16744	65
13092	46	13311	27	15405	23	15875	9	16745	65
13101	28	13311	15	15450	11	15876	9	16746	65
13101	15	13312	27	15451	23	15950	11	16749	71
13102	28	13313	27	15500	13	16010	62	16751	65
13103	28	13313	15	15502	29	16012	62	16754	65
13103	15	13314	27	15503	29	16014	62	16757	69
13104	28	13314	15	15505	29	16016	62	16759	71
13104	15	13315	27	15551	29	16104	61	16763	65
13105	28	13316	27	15602	20	16105	61	16764	65
13106	28	13317	27	15603	20	16105	7, 9	16765	65
13107	28	13317	15	15604	20	16108	61	16769	71
13107	15	13318	27	15605	20	16108	9, 11	16778	70
13108	28	13320	13	15651	20	16109	61	16779	70
13200	29	13322	27	15702	43	16110	61	16788	70
13210	30	13349	34	15703	44	16110	9	16789	70
13211	30	13350	34	15704	44	16112	61	16795	69



PART NUMBER INDEX

Part No.	Page	Part No.	Page	Part No.	Page	Part No.	Page	Part No.	Page
16796	69	17217	73	19917	74	35706	44	66831	57
16812	59	17218	73	19918	74	35708	40	66833	57
16814	55	17219	73	20161	5	35709	40	66835	57
16816	55	17313	74	20541	4	35724	44	68840	7
16817	55	17315	74	20542	4	35728	40	70000	77
16818	55	17317	74	20561	5	35729	40	70001	77
16819	55	17318	74	20565	5	35747	44	70002	77
16820	55	17319	74	25005	41	35920	47	70003	77
16821	55	17320	74	25011	16	35921	47	70004	77
16822	55	17413	74	25044	41	35922	47	71005	77
16823	55	17415	74	25049	41	50020	21	71006	77
16824	62	17417	74	25702	43	50022	21	71007	77
16825	57	17418	74	25707	41	50023	21	72000	76
16825	57	17419	74	25708	41	50100	21	72001	76
16826	57	17420	74	25709	41	51006	19	72003	76
16826	57	17513	74	25719	16	51008	19	72004	76
16827	55	17515	74	25720	43	51010	19	96209	51
16828	55	17517	74	25728	41	51078	19, 20, 21	96900	51
16834	62	17518	74	25729	41	51606	19	96901	51
16836	57	17615	73	25730	43	51608	19	96905	52
16836	57	17617	73	25731	43	51610	19	96906	51
16837	57	17618	73	25732	43	51678	19, 20	96908	52
16837	57	17619	73	25733	43	51906	19	98000	48
16838	57	17817	73	25734	43	51908	19	98003	44
16838	57	17818	73	25750	41	51910	19	98004	44
16842	57	17819	73	25751	41	51978	19, 20	98020	48
16842	57	17917	75	25752	41	51978	9	98021	48
16908	64	17918	75	25753	41	52506	19	98028	48
16909	64	17919	75	25770	43	52508	19	98100	47
16909	15	17920	75	25771	43	52510	19	98101	47
16910	64	18212	61	25772	43	52578	19	98102	47
16912	64	18214	61	25773	43	52578	9	98103	47
16913	55	18217	61	25774	43	53406	19	98104	48
16913	63	18735	71	25782	43	53408	19	98105	48
16914	64	18738	71	25783	43	53410	19	98106	48
16916	64	18739	71	25791	16	53478	19	98200	47
16917	55	18910	64	25792	16	54006	19	98201	47
16917	63	18912	64	31500	75	54008	19	98202	47
16918	61	18914	64	31510	75	54010	19	98203	47
16919	55	18916	64	31515	75	54078	19	98204	47
16920	57	19113	73	31518	75	54078	9	98205	47
16920	61	19115	73	31520	75	59006	47	98206	47
16924	55, 57	19117	73	31521	75	59008	47	98208	47
16924	63	19118	73	31540	75	59010	47	98233	48
16925	59	19213	73	31541	75	59012	47	98234	48
16925	63	19215	73	31547	75	59206	47	98244	48
16926	59	19217	73	31550	75	59208	47	98333	48
16927	57	19218	73	31551	75	59210	47	98334	48
16927	57	19313	73	33501	25	59306	47	98400	48
16928	59	19315	73	33502	25	59308	47	98410	48
16934	59	19317	73	33503	25	59310	47	98450	48
17013	73	19318	73	33504	25	65860	7	98451	48
17015	73	19417	74	33601	23	65861	7	98452	48
17017	73	19418	74	33602	23	66818	55		
17018	73	19517	74	33603	23	66819	55		
17019	73	19518	74	33604	23	66820	55		
17117	75	19713	73	35020	17	66821	55		
17118	75	19715	73	35021	17	66822	55		
17119	75	19717	73	35022	17	66823	55		
17120	75	19718	73	35703	44	66827	55		
17213	73	19817	74	35704	44	66828	55		
17215	73	19818	74	35705	44	66830	57		