



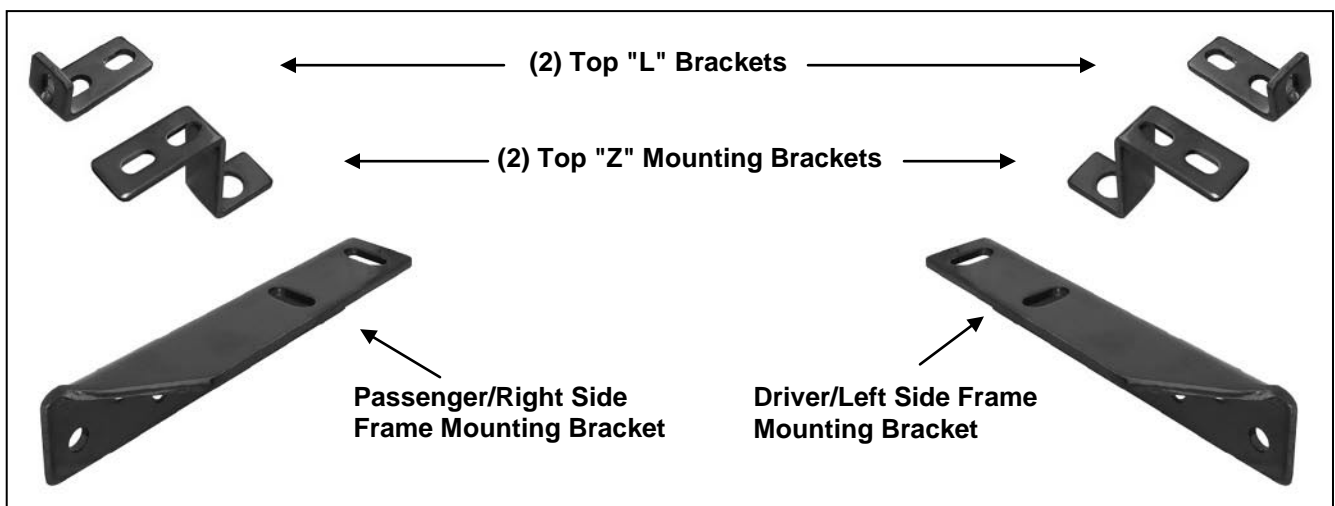
(W)
INSTALLATION INSTRUCTIONS

GRILLE GUARD

**88-98 GM C/K-SERIES 1500-2500LD
(2500HD/3500 88-02 OLD BODY STYLE)
92-99 SUBURBAN/88-91 JIMMY FULL SIZE
92-94 YUKON (EXCL. DENALI)
PART # 500114**

PARTS LIST:

1	Grille Guard	6	10-1.5mm x 30mm Hex Bolts
1	Driver/Left Frame Bracket	12	10mm x 20mm OD x 2mm Flat Washers
1	Passenger/Right Frame Bracket	6	10mm Nylon Lock Nuts
2	Top "L" Brackets	6	6-1.0mm x 25mm Hex Bolts
2	"Z" Top Mounting Brackets	10	6mm x 18mm OD x 1.6mm Flat Washers
4	12-1.75mm x 30mm Hex Bolts	2	6mm x 12mm OD x 1.6mm Flat Washers
8	12mm x 24mm OD x 2.5mm Flat Washers	6	6mm Nylon Lock Nuts
4	12mm Nylon Lock Nuts		



PROCEDURE:

1. REMOVE CONTENTS FROM BOX. VERIFY ALL PARTS ARE PRESENT. READ INSTRUCTIONS CAREFULLY BEFORE STARTING INSTALLATION. ASSISTANCE IS RECOMMENDED. CUTTING MAY BE REQUIRED
2. Starting on the driver side-front of the vehicle, locate the mounting area on the front bottom of the frame channel, **(Figure 1)**. Remove the factory tow hook if equipped. Select the driver side Frame Mounting Bracket. **NOTE:** This Grille Guard is not compatible with the factory tow hooks and they will not be reinstalled. Bolt the Bracket to the bottom of the frame with (2) 12mm x 30mm Hex Bolts, (2) 12mm Lock Washers and (2) 12mm Flat Washers, **(Figure 1)**. Do not tighten hardware at this time.
3. Repeat Step 2 for passenger side Frame Bracket installation.
IMPORTANT: On some vehicles, it may be necessary to cut the lower plastic portion of the bumper/air dam to clear the mounting Brackets. Cut as little as possible from the air dam to maintain strength.
4. Next, select (1) "L" Top Bracket and (1) "Z" Top Bracket. Bolt the two Brackets together with (2) 6mm x 25mm Hex Bolts, (4) 6mm Large Flat Washers and (2) 6mm Nylon Lock Nuts, **(Figure 2)**. Leave hardware loose at this time.
5. Open the hood on the vehicle and locate the bumper bracket behind the bumper and grille, **(Figure 3)**. **NOTE:** Remove the plastic grille if necessary to access the top of the bumper

bracket. Locate and remove the factory hex bolt on the top of the bumper bracket, **(Figure 3)**. Attach the driver side Top Bracket assembly to the bumper bracket with the factory hex bolt, **(Figure 1)**. Leave loose at this time.

6. Repeat **Steps 4 - 5** for passenger side Top Bracket installation.
7. With assistance, place the Grille Guard up to the outside of the Frame Mounting Brackets. Secure the Grille Guard to the Brackets with (6) 10mm x 30mm Hex Bolts, (12) 10mm Flat Washers and (6) 10mm Nylon Lock Nuts. Do not tighten hardware at this time.
8. Next, line up the driver side Top Bracket with the hole in the back of the light bar on the Grille Guard. Insert (1) 6mm Hex Bolt with (1) 6mm x 18mm Flat Washer through the Top "L" Bracket and grille guard. Secure with (1) 6mm x 12mm Small Flat Washer and (1) 6mm Nylon Lock Nut, **(Figure 2)**. Repeat this Step for passenger side Top Bracket installation. Do not tighten hardware at this time.
9. With the hood open, align, center and adjust the Grille Guard properly. Carefully close the hood and check for clearance. Adjust the Brackets for fit as necessary and tighten all Mounting Bracket and Top hardware. Reinstall the plastic grille removed in **Step 5**.
10. Do periodic inspections to the installation to make sure that all hardware is secure and tight.

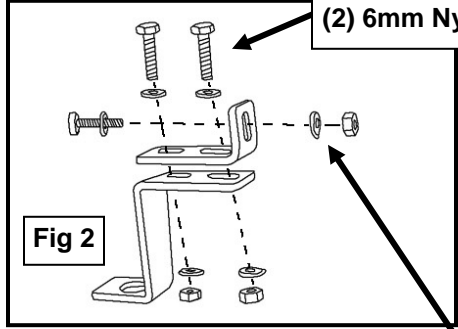
To protect your investment, wax this product after installing. Regular waxing is recommended to add a protective layer over the finish. Do not use any type of polish or wax that may contain abrasives that could damage the finish.

For stainless steel: Aluminum polish may be used to polish small scratches and scuffs on the finish. Mild soap may be used also to clean the Grille Guard.

For gloss black finishes: Mild soap may be used to clean the Grille Guard.

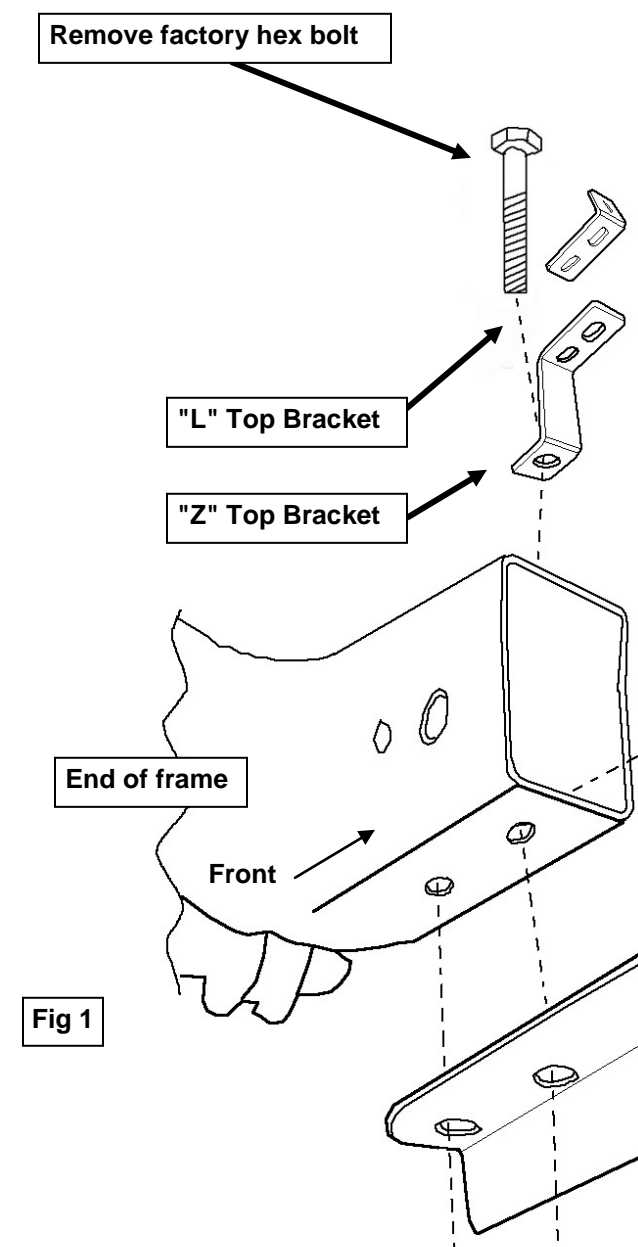
Driver Side Installation Illustrated

- (2) 6mm x 25mm Hex Bolts
- (4) 6mm x 18mm Large Flat Washers
- (2) 6mm Nylon Lock Nuts



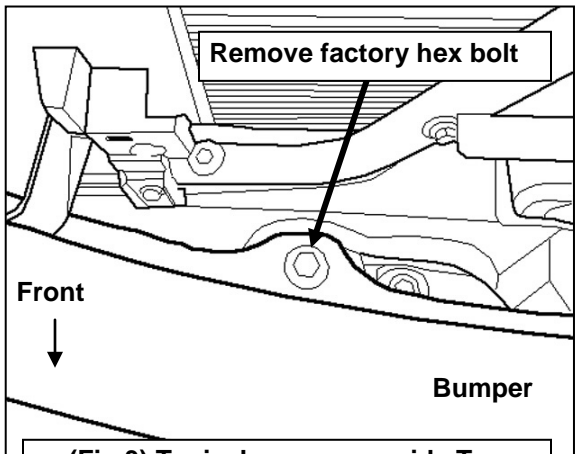
- Bracket to Grille Guard
- 6mm x 25mm Hex Bolt
- (1) 6mm x 18mm Large Flat Washer
- (1) 6mm x 12mm Small Flat Washer
- 6mm Nylon Lock Nut

- (2) 12mm Flat Washers
- (2) 12mm Nylon Lock Nuts



Driver/Left Frame Bracket

- (2) 12mm Hex Bolts
- (2) 12mm Flat Washers



(Fig 3) Typical passenger side Top Bracket mounting location illustrated