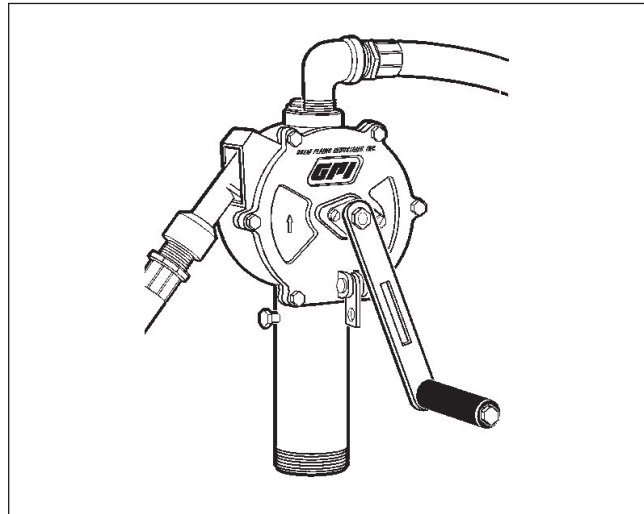


RP-10 Rotary Hand Pump for Fuel and Petroleum





WARNING

This product shall not be used for pumping fuel or other liquids into aircraft.

GENERAL INFORMATION

The RP-10 Rotary Hand pump is designed for use with gasoline (up to 15% alcohol blends such as E15), diesel fuel (up to 20% bio-diesel blends such as B20), kerosene and up to medium weight oils. These self-priming pumps deliver up to 10 gallons (38 litres) per 100 revolutions and are designed for use on a tank with a 2-inch bung. They are equipped with an anti-siphon vent to prevent possible tank siphoning. Do not use the RP-10 pump with chemicals.

Safety Instructions

Observe standard safety precautions when handling fuel.

- Keep away from open flame or spark.
- Do not refuel vehicles or equipment with engines running or while equipment engine is hot.
- Do not smoke while refueling.

INSTALLATION

Before installation, clean the tank interior of dirt and foreign material. Wrap all threads that are exposed to liquids with 3 to 4 turns of Teflon® tape or a thread-sealing compound approved for use with petroleum fuels. Remove protective covers and plugs.

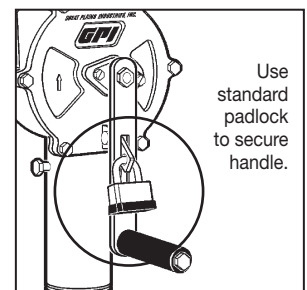
1. Hand-tighten the riser on to the tank bung.
2. Assemble the crank and handle. Then snugly tighten the crank on-to the shaft. Reference the Illustrated Parts Drawing for details.
3. Screw the suction pipe into the pump inlet.
4. Extend the suction pipe to its full length. Insert it through the riser and into the tank. Adjust the suction pipe to the length needed to rest on the tank bottom. If tank debris is a potential problem, raise the end of the suction pipe 2 to 3 inches.
5. Secure the pump onto the riser with the two set screws. Tighten until snug.

To install the hose and nozzle, thread the elbow fitting into the pump outlet and tighten until snug. Hand-tighten the hose into the elbow until snug. Tighten the nozzle onto the hose fitting. Insert the nozzle into the hanger.

OPERATIONS

To dispense fuel, remove the nozzle from its hanger and insert into a tank. Pump fuel by rotating the crank in the direction of the arrow on the housing. After dispensing fuel, drain the hose and replace the nozzle in the hanger.

During daily use, this pump is essentially maintenance free. However, the pump should be inspected periodically for signs of leakage. If leaks are present or other problems occur, refer to the Troubleshooting Section.



SPECIFICATIONS

The Rotary Hand Pump is compatible with gasoline (up to 15% alcohol blends such as E15), diesel fuel (up to 20% biodiesel blends such as B20), kerosene and up to medium weight oils.

Construction: Lightweight, die-cast aluminum housing. Stainless steel shaft. Fluorocarbon seals. Cast iron rotor and carbon vanes. Built-in anti-siphon vent.

Pumping Capacity: Up to 10 gallons (38 litres) per 100 revolutions

Inlet: 1-inch NPT female

Outlet: 3/4-inch NPT female

Shipping Weight: 17 lbs. (7.7 kg)

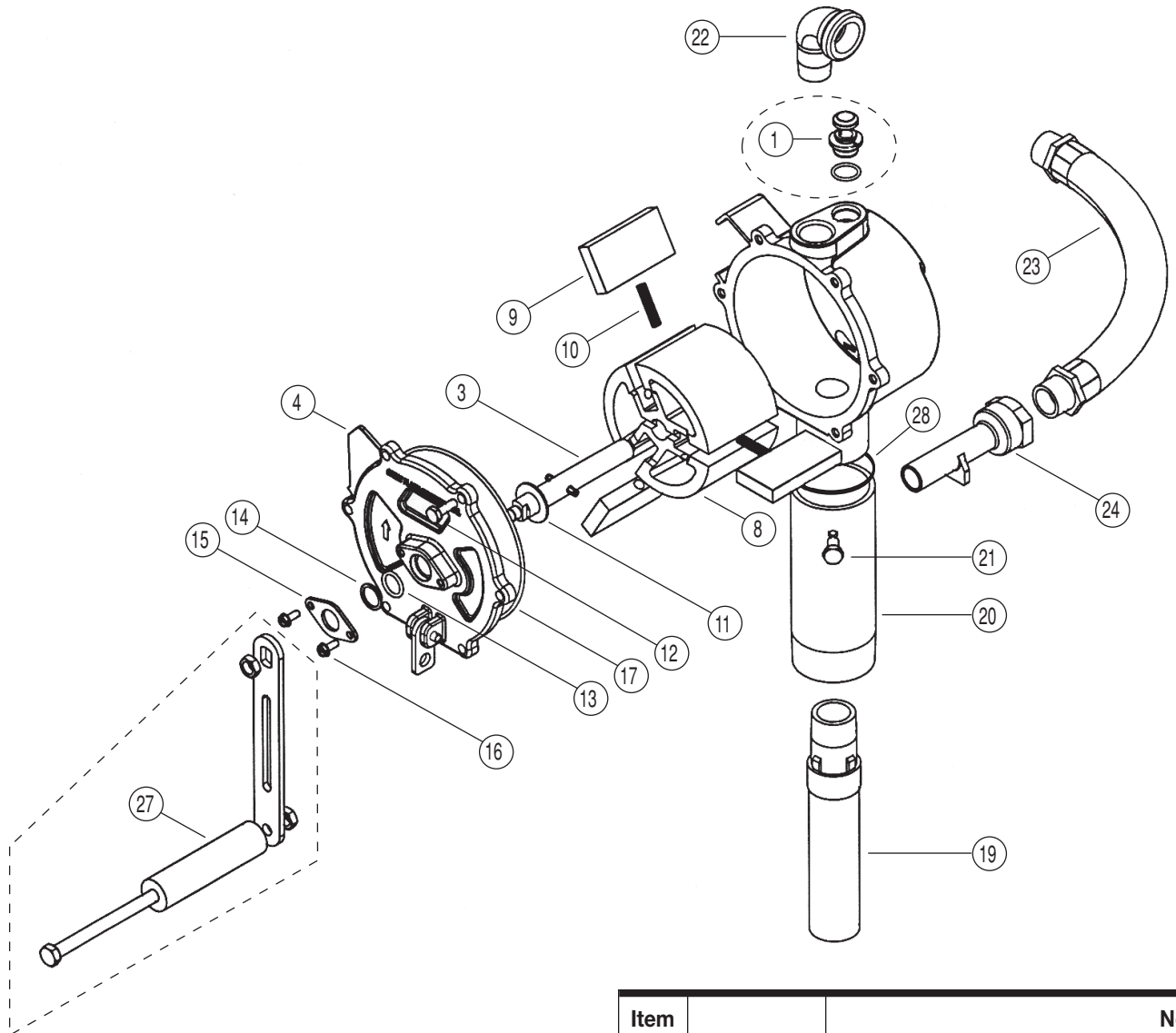
Hose and Nozzle: 3/4-inch x 8 foot (2.4m) Buna-N statically grounded hose. Aluminum Alloy unleaded nozzle

Suction Pipe: Plastic, adjustable from 22 to 40 inches (55 to 102cm)

TROUBLESHOOTING

SYMPTOM	PROBABLE CAUSE	CORRECTIVE ACTION
A. FLUID LEAKS AROUND SHAFT	<ol style="list-style-type: none"> 1. Retainer loose 2. O-ring worn 	<p>Tighten retainer screws.</p> <p>Check shaft O-ring for excessive wear. Replace Shaft Seal O-ring, if necessary.</p>
B. FLUID LEAKS AT ANTI-SIPHON VENT	<ol style="list-style-type: none"> 1. Anti-siphon vent or O-ring damaged 	<p>Remove vent cap. Loosen vent by turning counterclockwise. Remove vent and O-ring. Clean. To replace, seat O-ring on vent and screw vent into place until bottomed out. Replace vent cap.</p>
C. LOW FLOWRATE	<ol style="list-style-type: none"> 1. Internal parts worn or debris in vane cavity 2. Vanes cracked 	<p>Remove coverplate and inspect for wear on vanes, coverplate, and all inside housing surfaces. Replace any scored parts.</p> <p>Remove coverplate and inspect for chips or cracks on vanes. If necessary, replace vanes.</p>
D. PUMP FAILS TO PUMP	<ol style="list-style-type: none"> 1. Suction pipe leak 2. Internal parts worn or debris in vane cavity 3. Vanes cracked 	<p>Remove pump from tank and riser. Inspect the spacer and suction pipe for wear or damage. Replace, as necessary, and install pump on tank.</p> <p>Remove coverplate and inspect for wear on vanes, coverplate, and all inside housing surfaces. Replace any scored parts.</p> <p>Remove coverplate and inspect for chips or cracks on vanes. If necessary, install Overhaul Kit or replace vanes.</p>
E. HANDLE TURNS HARD OR PUMP SEIZED	<ol style="list-style-type: none"> 1. Debris in vane cavity 2. Internal parts worn 	<p>Remove pump from tank. Remove coverplate and inspect for debris in cavity. Clean cavity, vanes, and rotor. Flush contamination from tank. Assemble and install pump.</p> <p>Remove pump from tank. Remove coverplate and inspect for damaged necessary, install Overhaul Kit or replace vanes.</p>
F. VANES STICKING	<ol style="list-style-type: none"> 1. Debris in vane cavity 	<p>Remove coverplate. Use emery cloth to remove debris or corrosion in vane slots. Apply lubricant (WD-40®) if needed.</p>

ILLUSTRATED PARTS LIST



Kits and Accessories

- A** 123501-1 Shaft Seal Kit includes O-ring, back-up ring, and seal.
- B** 123503-1 Overhaul Kit includes vanes, springs, and Shaft Seal Kit.
- 123505-3 Hardware Kit
- 115527-2 Suction Pipe Extension, 15 inches or 38.1cm.

Item No.	Part No.	Description	No. Req'd.
1	123504-1	Anti-Siphon Vent Kit	1
3	123507-1	Shaft Assembly Kit	1
4	123008-1	Coverplate	1
8	123509-1	Rotor with Springs Kit	1
9	123011-1	Vane or (Kit B)	3
10	123012-1	Spring or (Kit B).....	3
11	904004-71	Washer.....	1
12	904004-16	Screw, 1/4-20 x 3/4".....	6
13	901003-63	O-Ring or (Kit A or B)	1
14	901002-58	Back-up Ring or (Kit A or B).....	1
15	123013-1	Retainer	1
16	904004-60	Retainer Screws	2
17	901003-64	O-Ring or (Kit A).....	1
19	110100-1	Suction Pipe Assembly.....	1
20	123015-1	Riser	1
21	904004-59	Set Screws	2
22	904004-73	Elbow Fitting.....	1
23	114045-1	Hose Assembly.....	1
24	114047-1	Metal Nozzle.....	1
	114036-1	Plastic Nozzle.....	1
27	123506-1	Crank Assembly Kit.....	1
28	901001-90	O-Ring	1