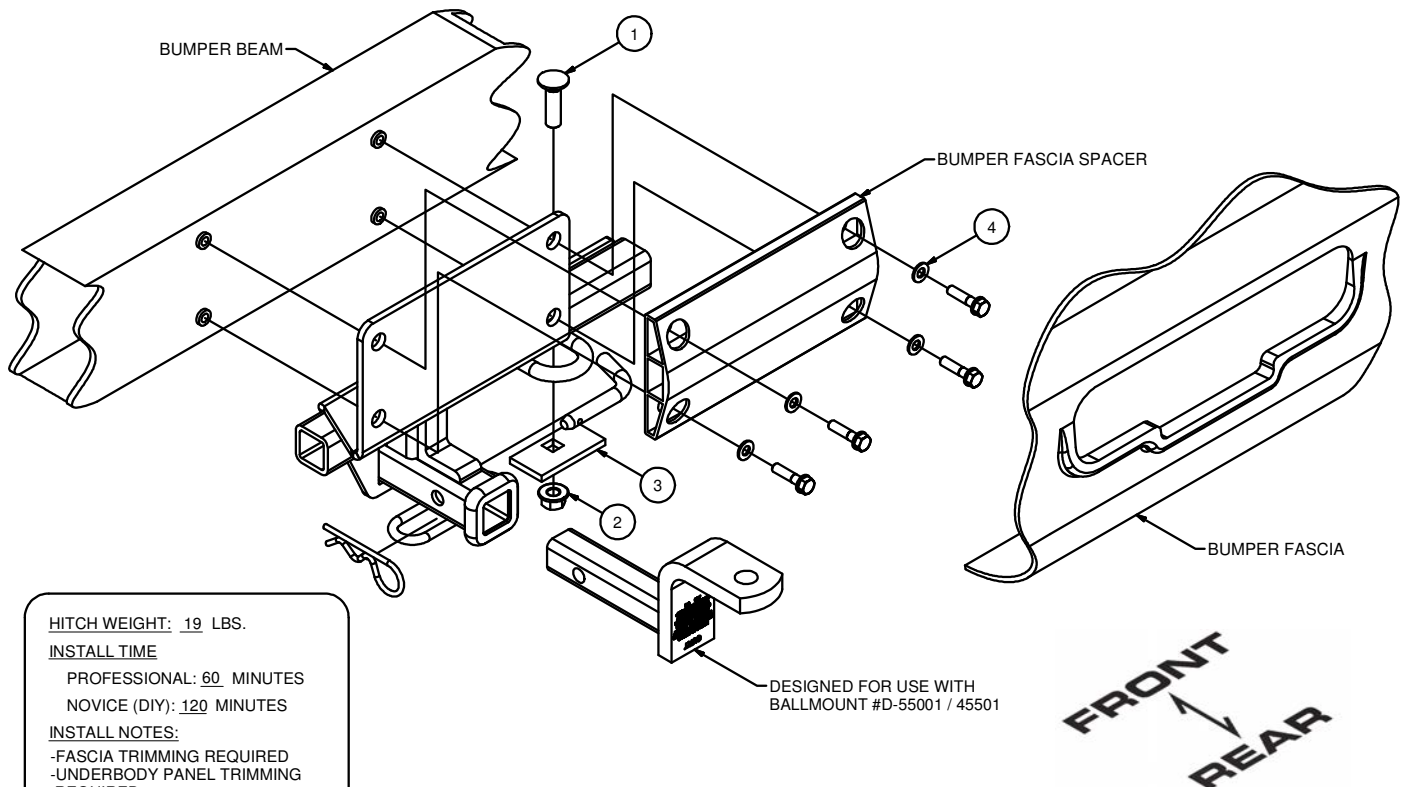


**11499****INFINITI G25/G35/G37 & G25x/G35x/G37x SEDAN****10/5/2012****GROSS LOAD CAPACITY WHEN USED AS A WEIGHT CARRYING HITCH: 2,000 LBS. TRAILER WEIGHT & 200 LBS. TONGUE WEIGHT.****\*\*\*DO NOT EXCEED VEHICLE MANUFACTURER'S RECOMMENDED TOWING CAPACITY.\*\*\*****WARNING: ALL NON-TRAILER LOADS APPLIED TO THIS PRODUCT MUST BE SUPPORTED BY AUXILIARY STABILIZING STRAPS.**

Parts List			
ITEM	QTY	PART NUMBER	DESCRIPTION
1	1	1/2-13 x 1 3/4	CARRIAGE BOLT
2	1	HFN 1213	HEX FLANGE NUT
3	1	CM-SP53	.250 x 1.50 x 3.00" SQUARE HOLE SPACER
4	4	5/16"	WASHER



HITCH WEIGHT: 19 LBS.

**INSTALL TIME**

PROFESSIONAL: 60 MINUTES

NOVICE (DIY): 120 MINUTES

**INSTALL NOTES:**

- FASCIA TRIMMING REQUIRED
- UNDERBODY PANEL TRIMMING REQUIRED

**INSTALLATION STEPS**

1. Remove the (2) lower fascia tabs, license plate, and the black underbody panel. (Save for reuse.)
2. Layout a 1 3/4" wide by 2" deep rectangle in the center of the lower bumper fascia. Remove the material in the marked rectangle by cutting with a rotary tool (or equivalent).
3. Remove the aluminum bumper fascia spacer on the backside of the bumper by removing the (4) existing M8 bolts. (Note: On some vehicles it may be necessary to fracture a tack weld to allow the removal of the aluminum spacer. A pry bar or screwdriver may be used for this purpose.)
4. Raise the hitch and bumper fascia spacer into position, and attach with existing M8 bolts and 5/16" supplied washers as shown in the above diagram making sure hitch sits flat against bumper beam.
5. Attach the hitch to the tow loop using the supplied 1/2-13 x 1 3/4" carriage bolt with CM-SP53 and 1/2" flange nut as shown above.
6. Torque all M8 hardware to 23 ft-lbs. and all 1/2" hardware to 110 ft-lbs.
7. Raise black underbody cover into position, mark width needed to cut around hitch. Lower and make cut-out 2 3/4" deep.
8. Reinstall the black underbody cover, the (2) lower fascia tabs, and the license plate.

**PERIODICALLY CHECK THIS RECEIVER HITCH TO ENSURE THAT ALL FASTENERS ARE TIGHT AND THAT ALL STRUCTURAL COMPONENTS ARE SOUND.**



The **FIRST** Name  
in Towing Products™

[Trailer Hitches](#)