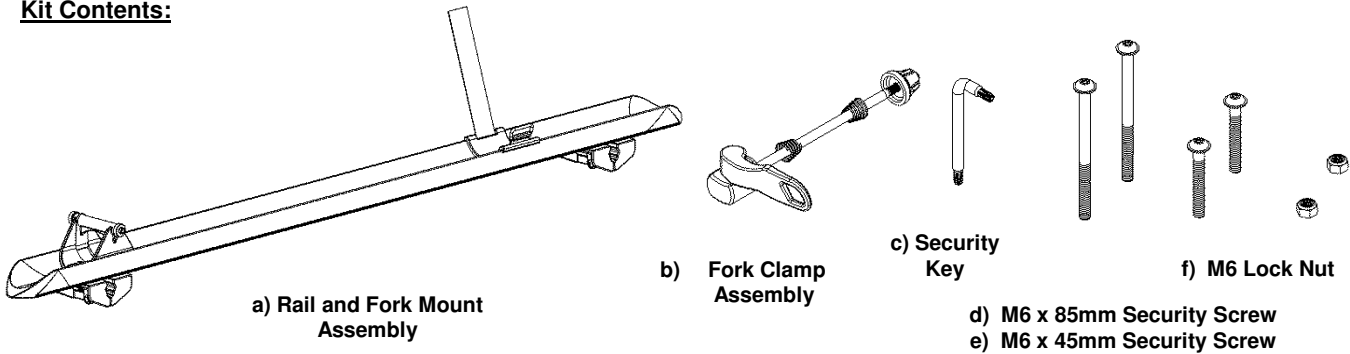


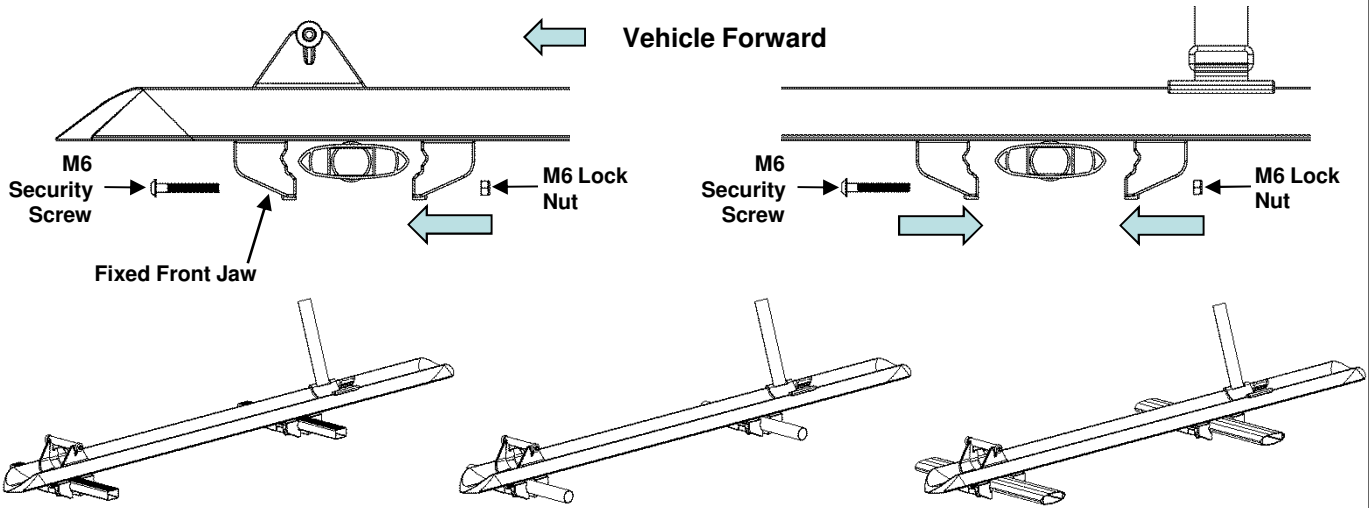
**Please read all instructions carefully before assembly, installation and/or use of this product.**

**Kit Contents:**

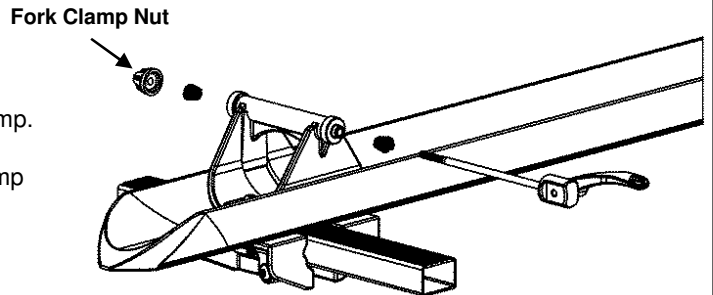


**Installation:**

1. Place Rail and Fork Mount Assembly on vehicle crossbars. Position rail clamp jaws as shown bellow. Slide rail against fixed front jaw.
2. Use a M6 x 45mm or 85mm Security Screw and M6 Lock Nut through clamp jaws to secure Fork Mount Assembly to vehicle crossbars. Note: The bolt length varies by vehicle. Aero bars, OEM crossbars may require use of the 85mm screw.
3. Use the supplied Security Key to tighten.



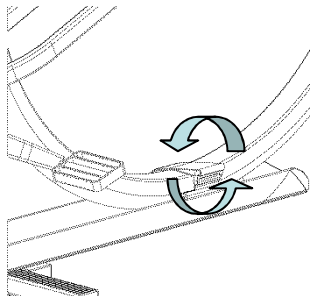
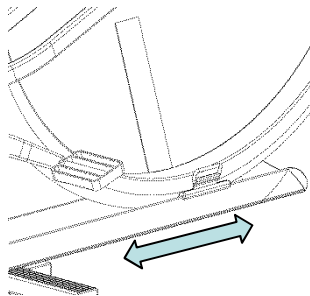
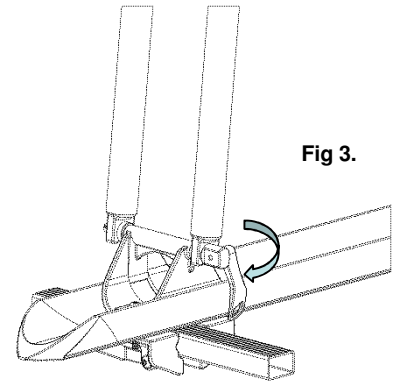
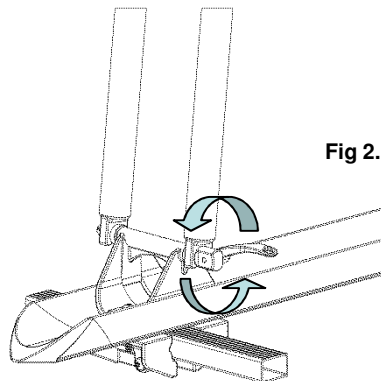
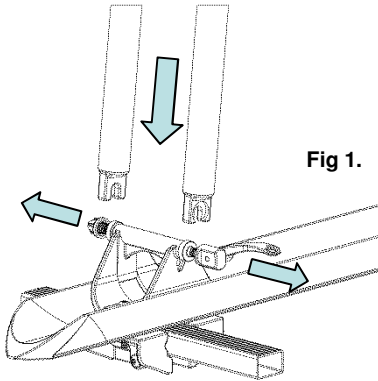
4. Unscrew Fork Clamp Nut and remove springs from clamp.
5. Re-assemble Fork Clamp in fork mount as shown. Clamp lever should face loading of vehicle.



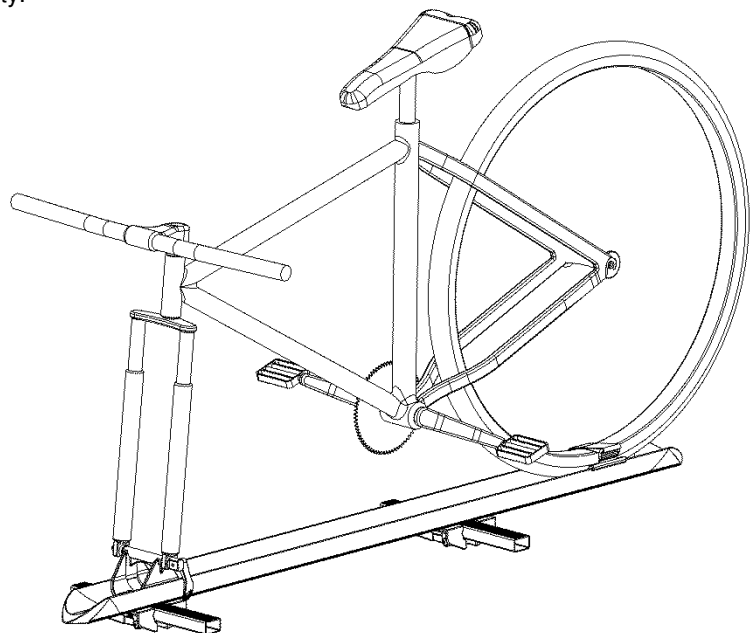
**Please read all instructions carefully before assembly, installation and/or use of this product.**

### Bike Loading:

1. Prior to loading bike, ensure Fork Clamp and nut have been unscrewed to the maximum width – See figure 1.
2. Remove the front wheel from the bike and place bike fork drop-outs down on fork mount as shown. Ensure bike is loaded straight down and not at an angle.
3. With Fork Clamp Lever open, tighten until Clamp Lever closes with some resistance and fully closes as shown in figure 3 below. Do not over tighten. Tug upward on fork to check security.



4. Slide rear tire strap and bracket under rear tire. Secure rear tire with nylon strap as shown
5. Check the Fork Clamp, Clamp Jaws, and rear tire straps prior to travel. Check security of all clamps & straps during trip at fuel and rest stops to ensure that they are still tight and secure. Failure to do so will void the warranty.





Product Name:

**Roof Rack Fork Mount Rack**

Product Code:

**59404**

**Please read all instructions carefully before assembly, installation and/or use of this product.**

**IMPORTANT NOTES:**

- This bicycle rack has been designed to carry one (1) bike, as long as the maximum weight on the rack does not exceed 18 kgs or 40 lb.
- This rack is designed for typical use and applications (on paved or smooth gravel roads). Do not use this rack on a vehicle that will be driven on rough roads or where the rack (and bikes) will be subjected to significant or constant jarring and/or shock, or any vehicle with very stiff springs that will transfer the load shocks directly to the rack and the bikes.
- Proper fitting and installation of this carrier to your specific vehicle is critical, and is the owner's sole responsibility.
- Check security of all clamps & straps during trip at fuel and rest stops to ensure that they are still tight and secure. Failure to do so will void the warranty.
- Improper use of this product may result in damage to your rack, your vehicle, your bicycles, or even other vehicles driving behind you (as a result of colliding with or trying to avoid fallen bicycles and/or the rack).
- ROLA™ racks are coated to help prevent rust. As with any metal equipment it is recommended that you keep the rack clean and remove road salt and debris.
- When leaving them outside for extended periods of time the finish will lose its luster. It is recommended that when not in use the rack is stored indoors.
- Take care to add padding on any area of the bikes that touches another bike or any part of the vehicle. Damage can and will happen (to your bikes and/or to the vehicle) if care is not taken during the loading and transporting of your bikes, and padding used where necessary.
- Bikes fitted with large accessories (such as child carrying seat) will greatly increase the wind resistance and therefore the pressure on the rack and all vehicle-mounting points. Reducing vehicle speed will reduce the chance of any problems occurring because of this situation.
- After reading this manual, should you have any additional questions regarding the compatibility, fitting and/or use of this rack, please call your nearest ROLA™ authorized retail dealer or Cequent Performance Products Customer Service.

**WARNING:**

- Improper mounting will void the rack warranty.
- Damage to bicycles or rack due to overhead clearance problems are not covered by warranty.