



Built for *Extremes*. Designed for Everyday Life

Product Name:

Adventure System

Product Code:

59109 / 59110

Please read all instructions carefully before assembly, installation and/or use of this product.

WARNING: DO NOT DRILL, WELD OR MODIFY TO THIS ASSEMBLY.

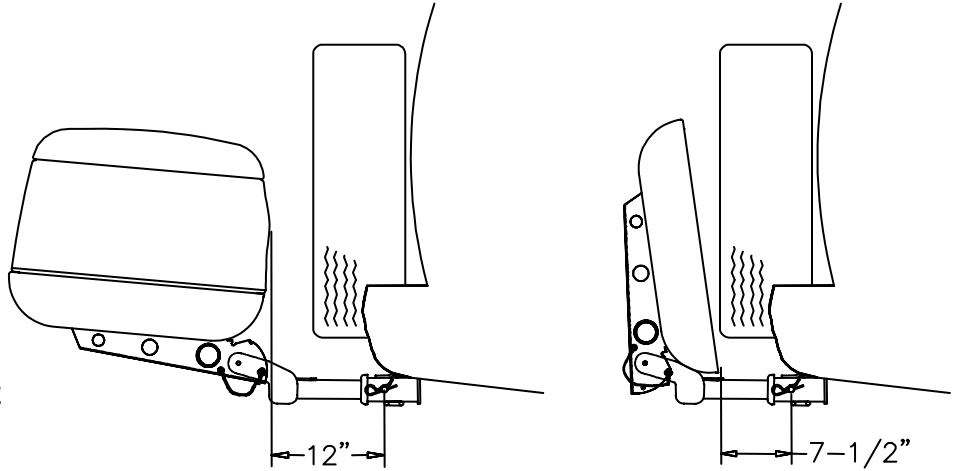
TOOLS REQUIRED

- 3/16" Allen Wrench
- 7/32" Allen Wrench
- 1/2" Wrench
- 9/16" Wrench

NOTE:
CARGO TRAY, BUMPER PACK, OR BIKE CARRIER MAY NOT CLEAR REAR MOUNTED SPARE TIRE ON SOME VEHICLES. SEE DIAGRAMS.

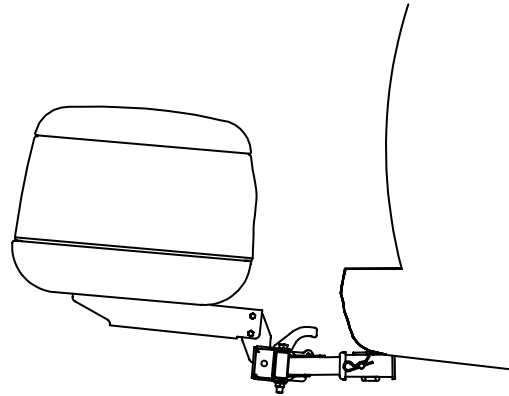
IMPORTANT NOTES

USE ONLY THE FASTENERS SUPPLIED OR APPROVED BOLTS, LOCKNUTS, AND WASHERS TO INSTALL THIS UNIT.



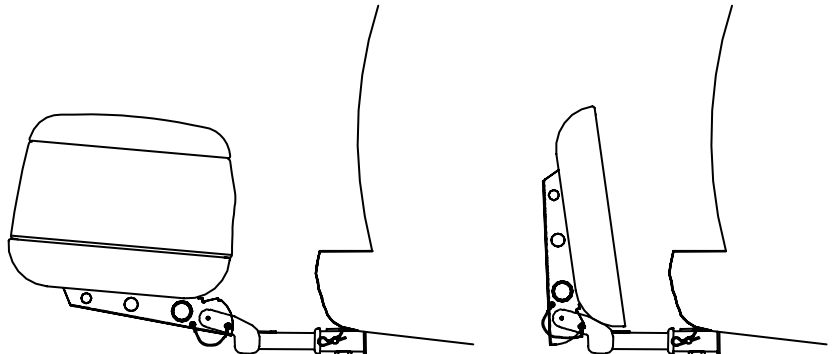
ADVENTURE SYSTEM
CARGO TRAY AND
BUMPER PACK WITH
Swing-Away ASSEMBLY

Part No. 59109



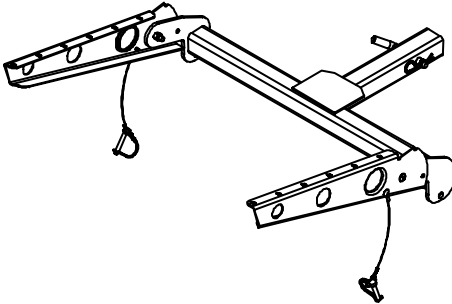
ADVENTURE SYSTEM
CARGO TRAY AND
BUMPER PACK WITH
TILT-UP ASSEMBLY

Part No. 59110

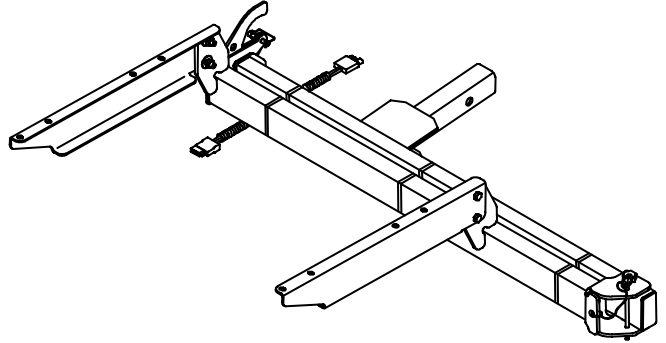


Please read all instructions carefully before assembly, installation and/or use of this product.

1



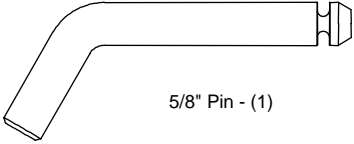
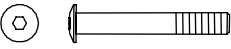
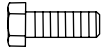
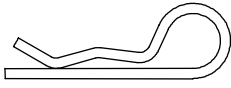


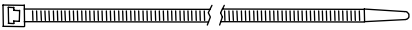




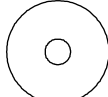

Tilt-Up Assembly



Swing-Away Assembly

- Check the contents of your Adventure System Cargo Carrier.

Parts List: (1) - Tilt-Up Assembly -or- (1) - Swing-Away Assembly; (1) - Cargo Tray and/or Bumper Pack
 (1) - Hardware Kit; (2) – Mounting Brackets; (1) - Warranty Information; (1) Wiring Harness (Swing-Away Models ONLY)

| ALL MODELS | FOR 59110 MODELS ONLY | FOR 59109 MODELS ONLY |
|---|---|---|
|  |  |  |
| 5/8" Pin - (1) | 5/16" x 2-1/4" Lg. Cap Screw - (4) (Black Zinc Finish) | 3/8" x 1-1/4" Lg. Hex Bolt - (4) |
|  |  |  |
| Spring Clip - (1) | 5/16" Flat Washer - (*) (Black Zinc Finish) | 3/8" Flat Washer - (4) |
|  |  |  |
| Cable Tie - (6) | 5/16" Flat Washer - (4) (Silver Zinc Finish) | 3/8" Lock Washer - (4) |
| |  |  |
| | 3/8" x 1.25 Lg. Cap Screw - (2) | 3/8" Hex Nut - (4) |
| |  | |
| | 3/8" Flat Washer - (2) | |
| |  | |
| | 3/8" Lock Nut - (2) | |

* Note: The Swing-Away Systems have eight black zinc flat washers.

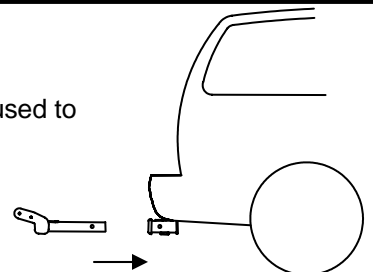
Hardware Kit

2

Slide the 2" square shank portion of the Main support assembly into your vehicle's hitch as shown. Install 5/8" pin and spring clip.

Note: For ease of assembly, it is recommended the the vehicle's hitch is used to hold main support.

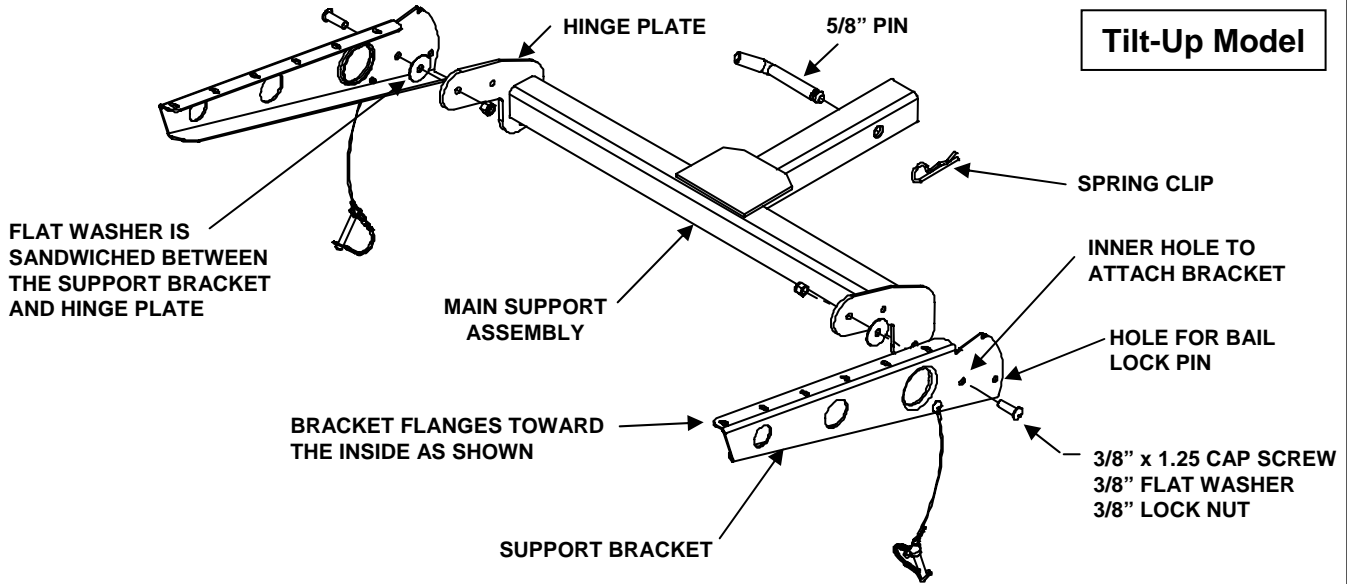
MAIN SUPPORT



Please read all instructions carefully before assembly, installation and/or use of this product.

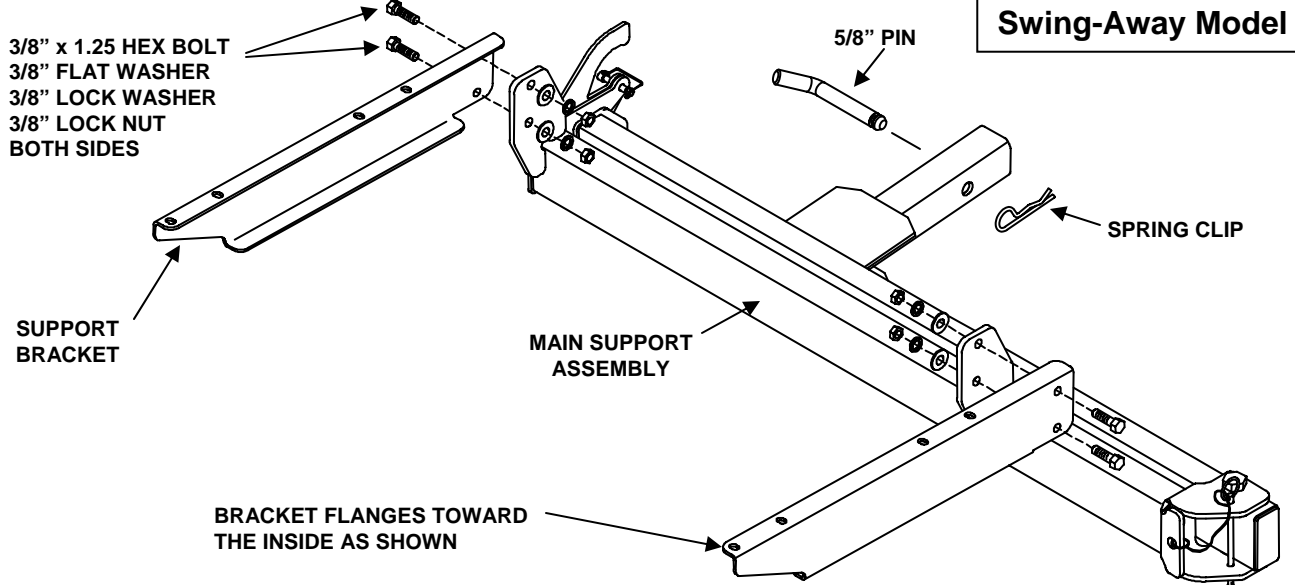
3A

Attach the support brackets to the Tilt-Up MAIN SUPPORT assembly. Install the 3/8" x 1.25" cap screw through the INNER hole in bracket with the flat washer placed between the bracket and the hinge plate on MAIN SUPPORT assembly. Install 3/8" lock nut on cap screw and tighten until snug. Repeat for other support bracket. NOTE: Attach support brackets with the flanges to the inside as shown.



3B

Attach the support brackets to the Swing-Away MAIN SUPPORT assembly. Install the 3/8" x 1.25" hex bolts, flat washers, lock washers and hex nuts through the holes in support bracket and into the holes in plates on the MAIN SUPPORT assembly. Repeat for other support bracket. NOTE: Attach support brackets with the flanges to the inside as shown. Tighten 3/8" hex bolts to 30 ft-lb.



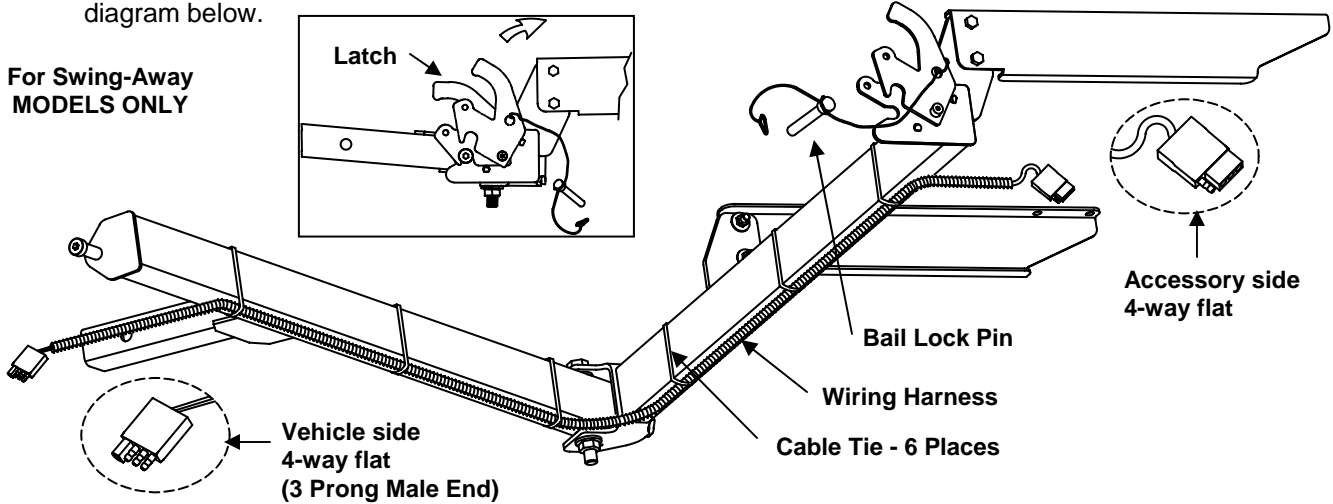
Please read all instructions carefully before assembly, installation and/or use of this product.

4

To secure the wiring harness to the Swing-Away frame, remove the Bail Lock Pin from and lift up on latch handle and open up the Swing-Away frame until it stops.

WARNING: Always keep hands and fingers away from latch mechanism and hinge while operating the Swing-Away. Starting from one end, place the wiring harness along the bottom surface of the main support and attach using the six cable ties supplied. For best results, the cable ties should be equally spaced as shown. Note: Be sure to locate the correct end of wiring harness as indicated in the diagram below.

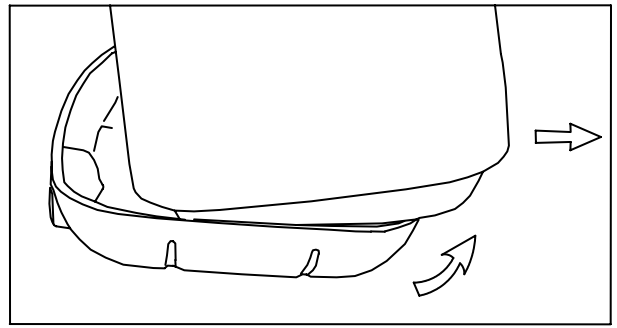
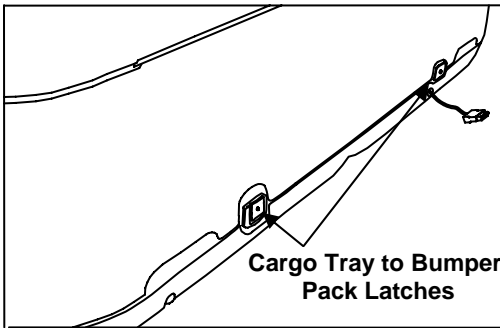
For Swing-Away
MODELS ONLY



5

Remove the Bumper Pack (some models) from the Cargo Tray by opening the two latches that secure the Cargo Tray to the Bumper Pack.

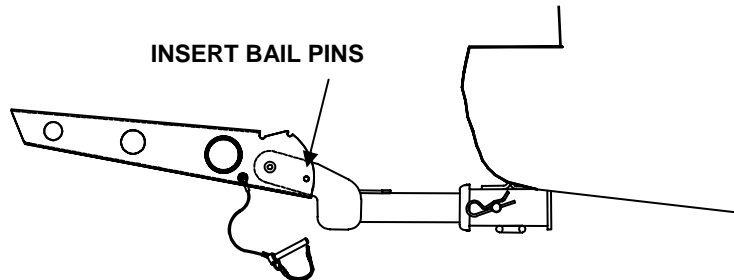
Rotate the Bumper Pack up as shown and pull it away from Cargo Tray.



6

Install the bail pins into the holes with the support brackets in the folded down position.

For Tilt-Up
MODELS ONLY

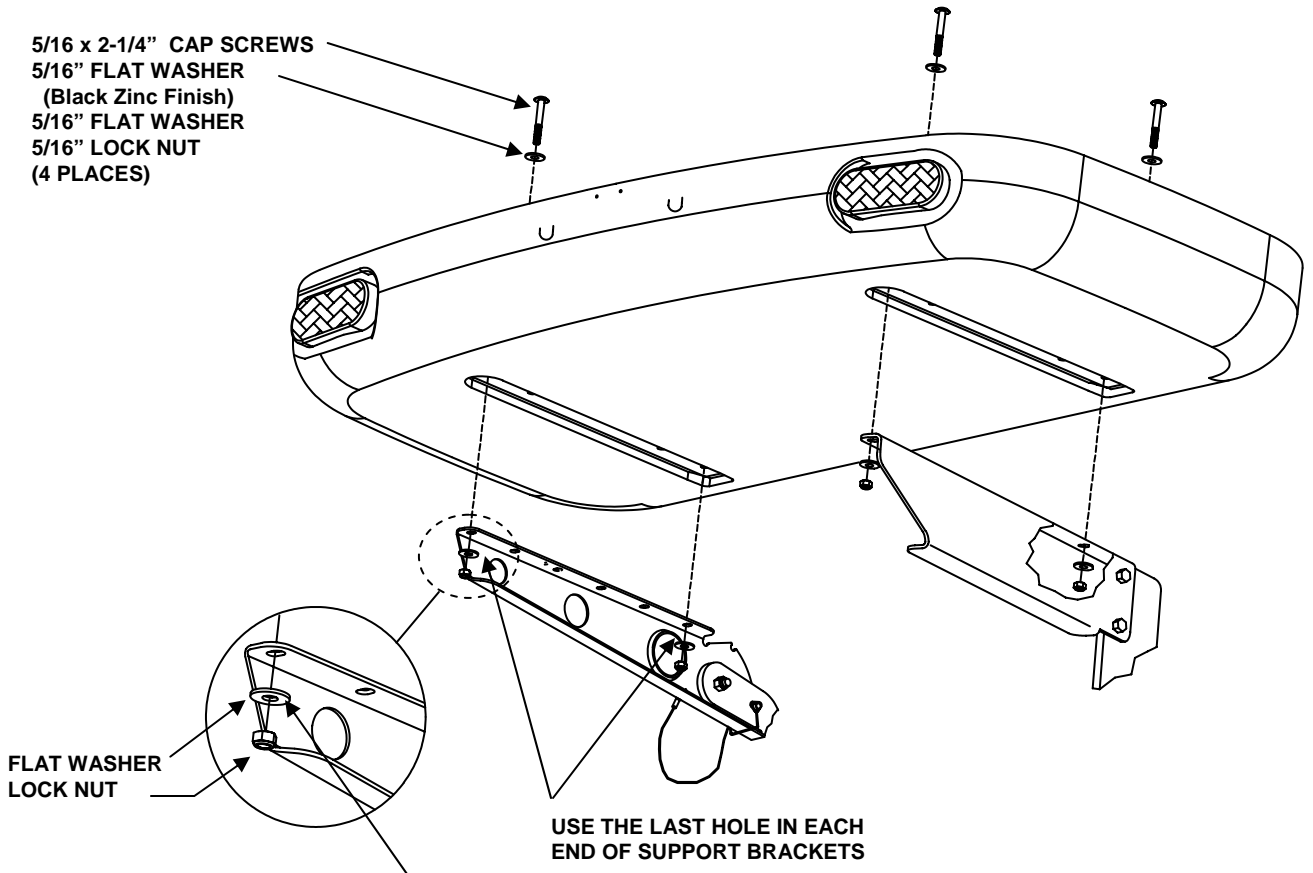


Please read all instructions carefully before assembly, installation and/or use of this product.

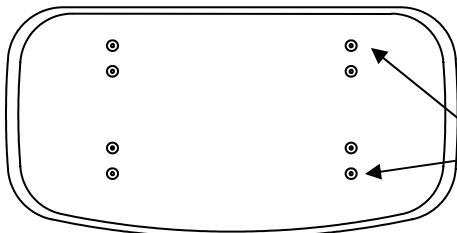
6

Place the empty Cargo Tray onto the support brackets with the lights or reflectors facing rearward. Line up the outer holes in Cargo Tray with the last hole in each end of the support brackets. Install the four (4) 5/16" x 2-1/4" long cap screws with 5/16" black zinc flat washers through the cargo tray and holes in support brackets. Loosely install the bright or black zinc 5/16" flat washers and lock nuts on cap screws. Tighten 5/16" cap screws to 12-24 ft-lb.

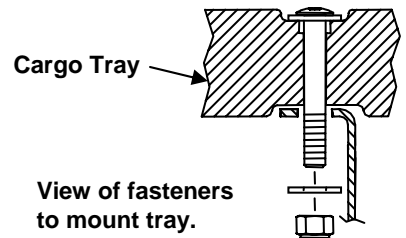
5/16 x 2-1/4" CAP SCREWS
5/16" FLAT WASHER
(Black Zinc Finish)
5/16" FLAT WASHER
5/16" LOCK NUT
(4 PLACES)



Bright Zinc flat washer – if equipped



Use outermost holes to
attach cargo tray to
support brackets.

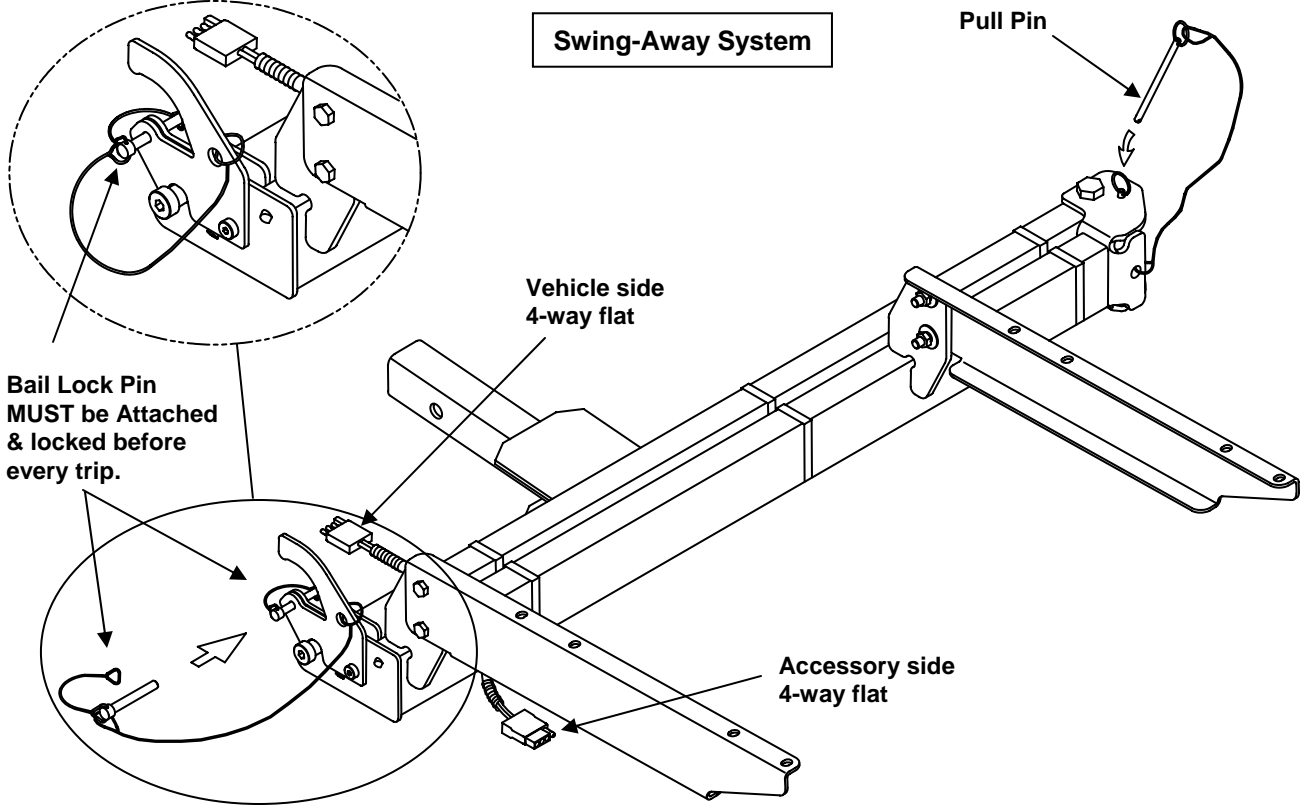


Please read all instructions carefully before assembly, installation and/or use of this product.

7a

For Swing-Away Models -plug the *vehicle* side 4-way flat on the system into the vehicle's 4-way flat wiring harness. Plug the Swing-Away Systems *accessory* side 4-way flat into the Cargo Tray 4-way flat wiring harness.

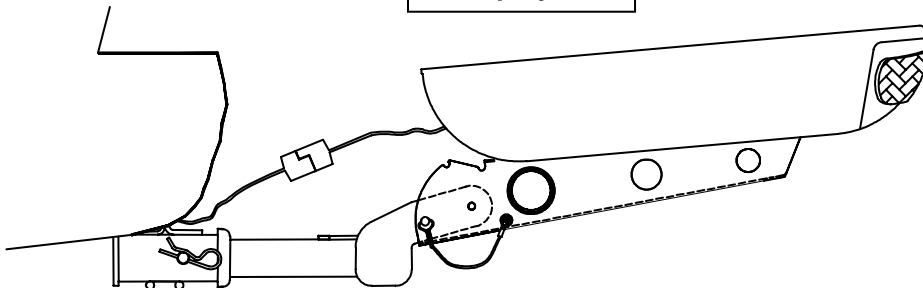
With latch fully engaged, insert "Bail Lock Pin" through holes in latch plates and lock pin in place by deflecting the bail wire loop over the end of the bail pin.



7b

For Tilt-Up models-plug the 4-way flat wiring harness from the Cargo Tray directly into the vehicle's 4-way flat wiring harness.

Tilt-Up System

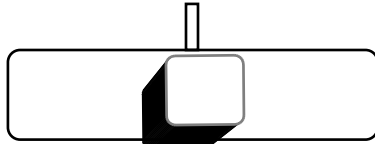


Please read all instructions carefully before assembly, installation and/or use of this product.

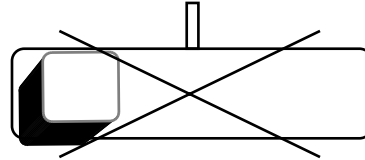
General Operating Instructions

Loading Cargo Tray of Bumper Pack

- Load the heaviest items first and in the center of the Tray or Bumper Pack.
- Make sure load is evenly distributed.
- Secure loads before moving vehicle.

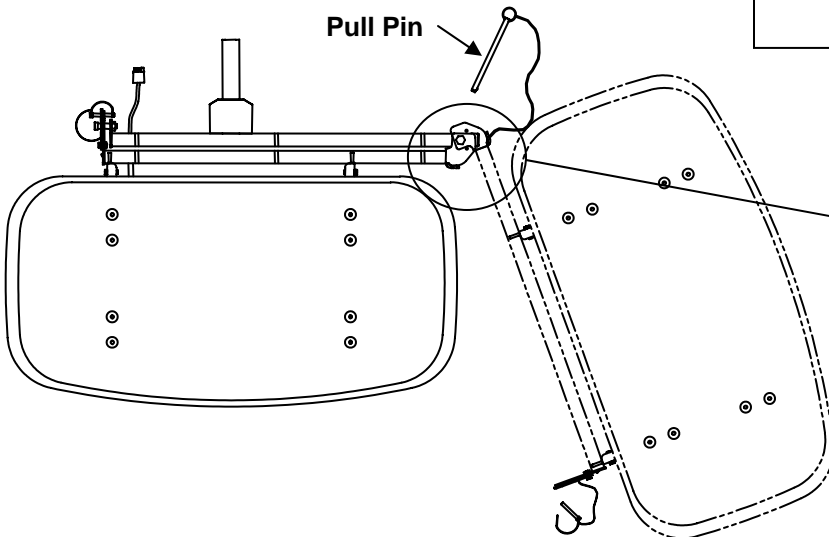
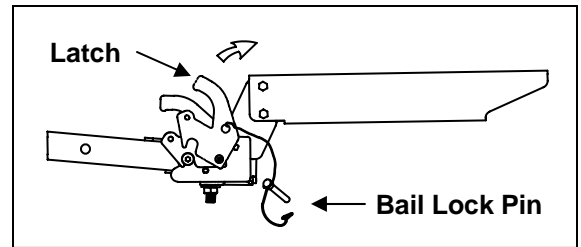


CORRECT



INCORRECT

- Check all functions of lights before moving vehicle. To check functions, turn car on, turn on lights, press on brakes, left turn signal on, and right turn signal on.
 - To open Swing-Away System, **first** remove the Pull Pin from the Hinge bracket, **then** remove the Bail Lock Pin from the latch, and **last** pull latch handle upwards and gently swing open the Cargo Tray/Bumper Pack until it stops. Re-Install the Pull Pin into the hinge bracket to hold the unit open while accessing your vehicle.
- CAUTION: while opening and closing keep children away from the cargo carrier.**



Insert Pull Pin into hole in hinge bracket to hold cargo carrier open to access vehicle.

To close, remove the pull from hinge bracket, push the Cargo Tray/Bumper Pack toward the rear of the vehicle. Give it a little push near the end to ensure latch is fully engaged. Insert Bail Lock Pin and Pull Pin.

WARNING: Always keep hands and fingers away from latch mechanism and hinge while operating the Swing-Away.

WARNING: Bail Lock Pin and Pull Pin MUST be attached & secured before every trip.

Please read all instructions carefully before assembly, installation and/or use of this product.

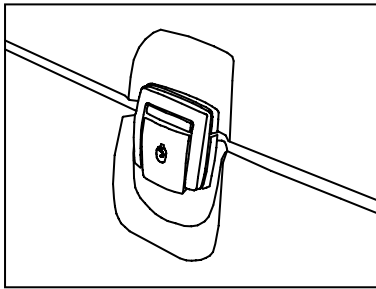
General Operating Instructions continued

- To use Tilt-Up feature, remove bail/lock pins and tilt Cargo Tray into the up position and install both bail/lock pins into the holes.

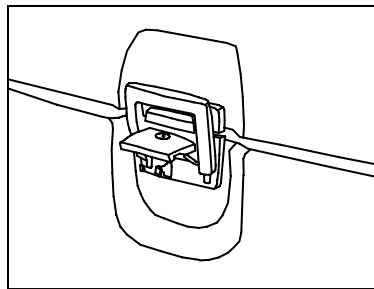
Note: Do not drive with the Cargo Tray in the tilted up position. This feature is to be used only when the vehicle is parked and the unit is not in use.

- Cargo tray and bike rack accessory may be tilted up when not in use. Make sure Bike Rack System is fully secure before tilting up toward your vehicle. (Clearance for tilting may not be available on all vehicles.)

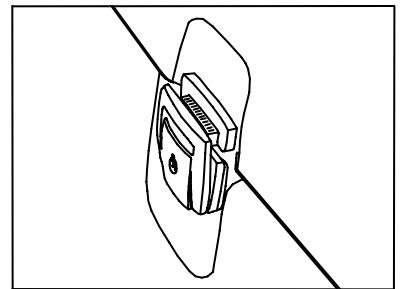
WARNING: Both bail/lock pins must be used to secure support brackets in tilted up or down positions.



Latch Closed



Latch Opened



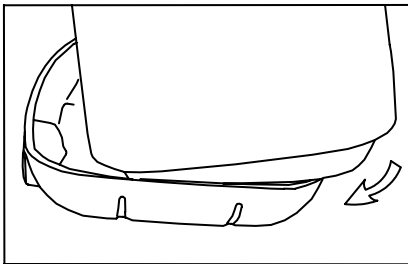
Latch Partially Closed - INCORRECT

- To install Bumper Pack to Cargo Tray, lift Bumper Pack up and over tray. Rotate the Bumper Pack down toward the lights so the two connector pins properly engage the tie-down slots in cargo tray as shown above.

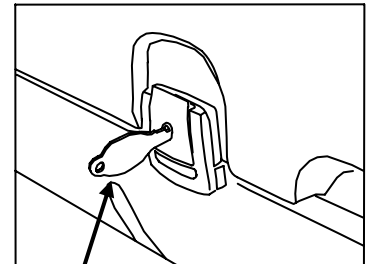
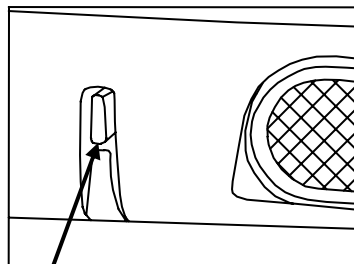
- Seat the Bumper Pack into the Cargo Tray.

- Latch and lock the Cargo Tray/Bumper Pack latches before every use.

Note: The latch keys are taped to the inside of the lid of Bumper Pack.



CONNECTOR PIN



LOCK LATCHES
BEFORE EVERY USE



Built for ~~Extremes~~, Designed for Everyday Life

Product Name:

Adventure System

Product Code:

59109 / 59110

WARNING!

- Maximum capacity is 250 pounds. **Do not exceed maximum capacity.**
- Not for transport of people, animals, or flammable liquids.
- Do not use as a seat or step.
- Use light kit if load or cargo carrier blocks the taillights or turn signals.
- Securely fasten load to cargo carrier.
- All Pins and Locks must be secured and locked before every use.
- Check security of load, fasteners, pin, and clip at fuel and rest stops.
- Severe bumps can damage your tow vehicle, hitch, and cargo carrier. Drive slowly on rough roads. Stop and make a thorough inspection if your cargo carrier strikes the road. Correct any problems before resuming travel.
- Do not carry any loads wider than your vehicle.
- Relocate license plate if blocked by load or cargo carrier. (Optional license plate light kit P/N: 59117)
- If the cargo carrier or the contents being transported is in line with the exhaust outlet, an exhaust tip must be used to redirect the exhaust flow away from the cargo carrier or contents.
- Do not drive with Cargo Tray in the tilted up position. This feature is to be used only when the vehicle is parked and the unit is not in use.

CAUTION:

- Cequent Consumer Products Swing-Away and Tilt-Up Systems are finished to help prevent rust. As with any metal equipment it is recommended that you keep the units clean and remove road salt and debris.
- Do not allow harsh chemicals, road salt, or mud to accumulate on the product for an extended period of time.
- Wash the product with mild soap and water only and a non-abrasive cloth.
- If Swing-Away or Tilt-up System is left outside for extended periods of time, the finish will lose its luster. It is recommended that the System is stored indoors when not in use.