

CARDONE ProTech

Supporting Today's Professional Technician



Grounding Wiper Motor Corrects Parking and Other Problems

Application: All vehicles with electric wiper motors

Problem: Motor will not park, will not shut off, parks in middle of windshield, or motor will not run.

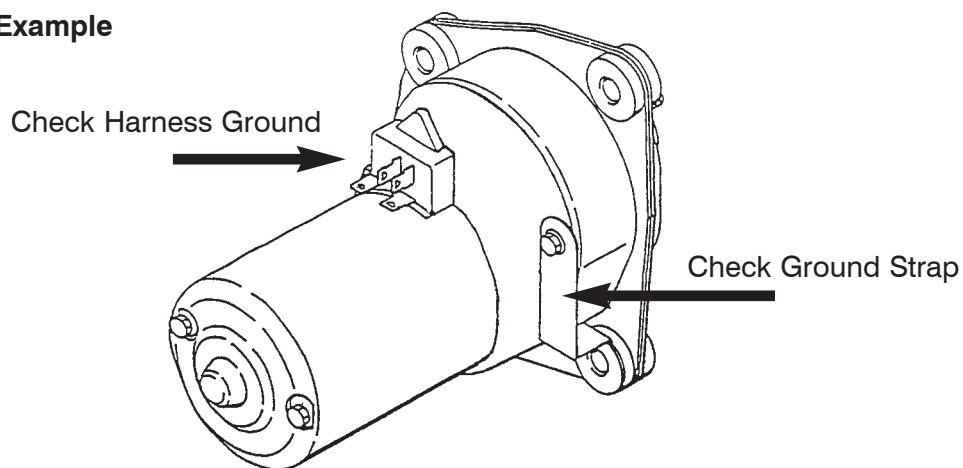
Cause: Resistance in ground path to motor.

Solution: Connect a ground strap from engine block to the motor case. If necessary scrape some paint off motor to insure a good connection.

If motor operates, check wiring harness ground, terminal ground lug or ground strap if equipped for good connection. Also check for paint on motor bosses where the mounting bracket is fastened.

If motor still fails to operate correctly, check switch and the circuit.

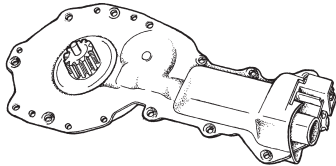
Example



Window Lift Motors

Re-engineered to perform better than new

CARDONE's Motors coverage includes:



- Window Lift Gear Kits
- Window Lift Motors
- Wiper Motors

O.E. Gaskets - CARDONE, through extensive engineering research, has found that O.E. gaskets are often weak and are the cause of motor failure. CARDONE remanufactures all of its Window Lift Motors with a top quality gasket as a replacement for the O.E. gasket. The strength of the gasket ensures the unit will be protected in all situations. This saves the customer time and money from unnecessary repairs.



- 12-month / 18,000 mile warranty
- Contact your local auto parts store or visit our web site, **www.cardone.com**, for more information on this and other CARDONE products today!



CARDONE[®]

CARDONE ProTech

Supporting Today's Professional Technician



Protecting GM Wiper Motors from Water Intrusion

Application:

All wiper motors

Problem:

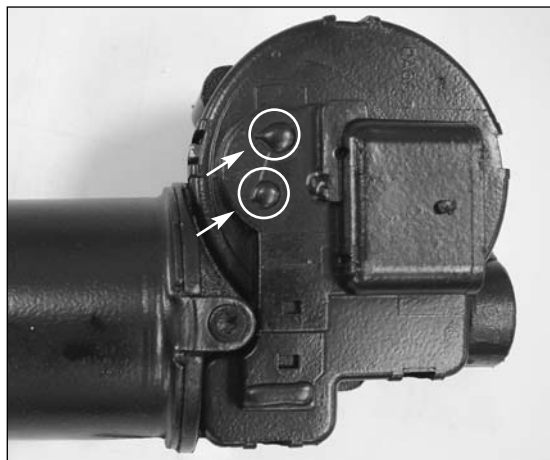
Wiper motors with and without integrated electronic pulse board not working properly or at all.

Cause:

Wiper motor and/or electronic components may have failed due to water intrusion.

Solution:

To protect the replacement wiper motor and pulse board, be sure water does not drain on wiper motor assembly. Remove any debris that might block or restrict the flow of drain water to the left or right fender well areas. Be sure to also check for proper operation of control switch and associated wiring.



CARDONE Upgrade:

To prevent water intrusion, our replacement units are re-engineered to overcome original design flaws. Vent holes that allow water entry are blocked, therefore protecting the motor & its electronic components.

For other ProTech publications, visit www.cardone.com
CARDONE Industries, Inc. • 5501 Whitaker Ave. • Philadelphia, PA 19124-1799