



# PRO 90X

Read and follow all warnings and instructions in included instruction manual before assembly and use of appliance.

## Model PRO90X-2

- Three cast aluminum 30,000 BTU burners
- Matchless ignition
- Three-sided windscreen
- Deluxe folding legs
- Folding side shelves
- Fully adjustable, kitchen style heat-control knobs
- Large cooking grate (608 sq in.)
- Includes leg levelers

## PRO 90X TROUBLESHOOTING

### BURNERS WILL NOT IGNITE

1. Make sure there is propane in the tank and that the propane tank is turned on.
2. Follow all instructions in instruction manual for lighting the burner

### BURNERS WILL NOT LIGHT WITH ROTARY IGNITER BUT DO LIGHT WITH MATCH

1. Turn the gas OFF at the supply tank valve.
2. Check the spark electrode. The wire of the spark electrode should be placed directly over one of the burner gas ports. There should be about a 1/8" vertical gap between the wire and the burner port.
3. Turn the rotary igniter and watch for the spark to jump from the spark electrode wire to the burner port. Ideally the spark should hit the center of the gas port.
4. Repeat for each of the spark electrodes.
5. Follow all instructions in instruction manual for lighting the burner.

### YELLOW FLAME

1. Adjust Air Shutter until burner has blue flame. Some yellow tipping of the flame is normal.
2. See Instruction Manual for Cleaning the burner

### FLAME IS VERY SMALL AND WON'T INCREASE.

1. Make sure there is propane in the tank and the propane tank is turned on a minimum of 3 full turns
2. Follow all instructions in manual for leak testing the stove.
3. Turn all valves on the stove to the off position. Turn the Propane Tank off. Disconnect regulator from the tank. Reconnect regulator to the tank. Slowly turn tank on. Follow all instructions in the manual for leak testing the stove. If no leaks are found follow all instructions in the manual for lighting the appliance.



Tank Sold Separately  
Réservoir vendu séparément



FOR OUTDOOR USE ONLY

KEEP FOR FUTURE REFERENCE

### STABILIZER INSTALLATION

Place stove upside down on ground. Press push button in and unfold legs. Make sure push button locks into place. Stand stove upright on solid, level ground.

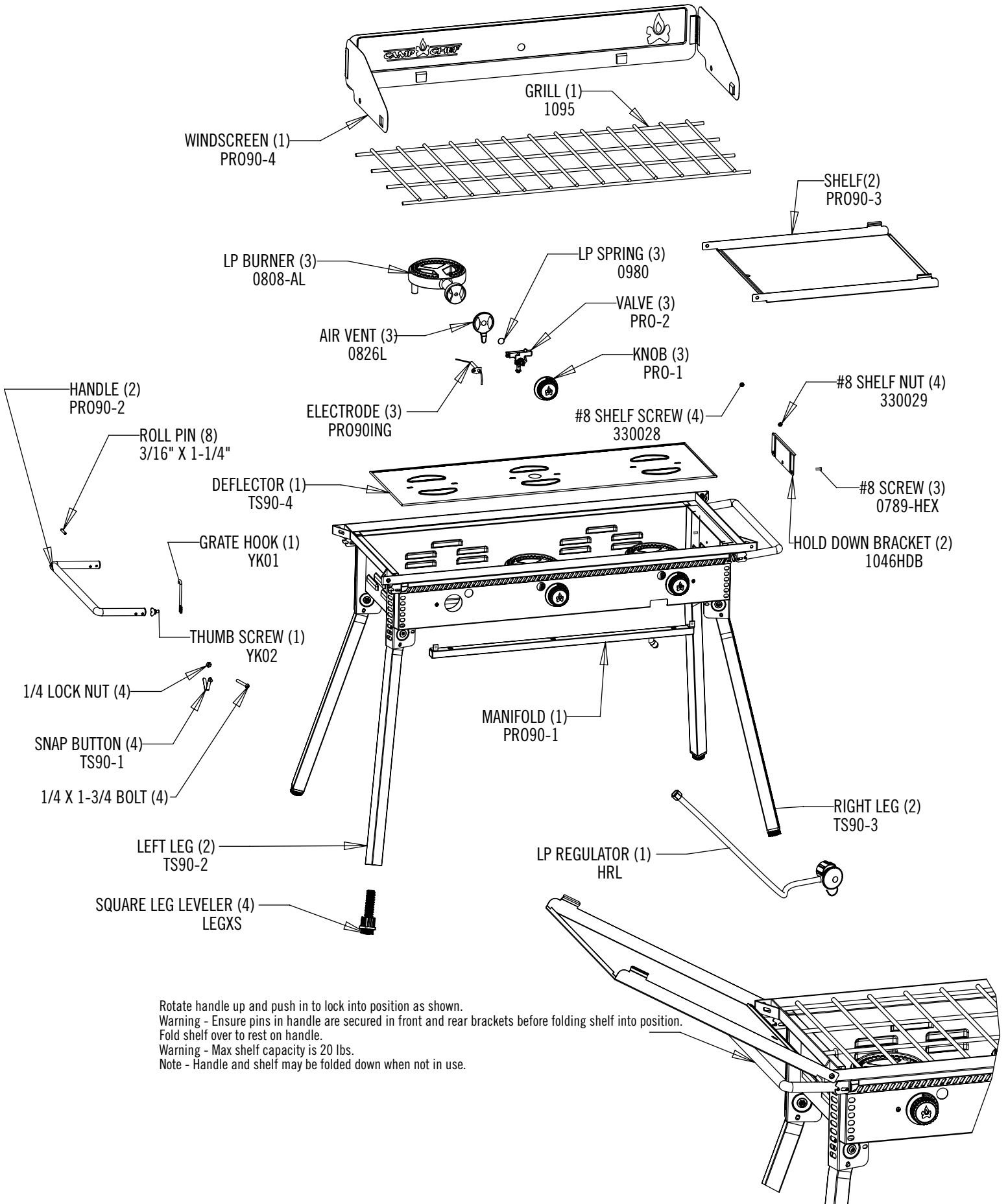
To level the stove simply twist the leg leveler in the bottom of each leg.



MAX POT DIAMETER 10"

Regulator Model  
R329, RA329,  
JY95A7A (JY95-007)

# PRO90X-2 PARTS LIST



Check out the collection of camping we offer.