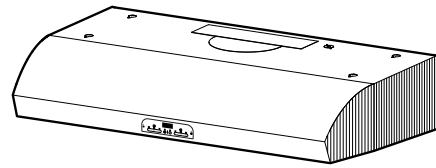


EVOLUTION™ 4 QP4 Series Range Hoods



Page 1

READ AND SAVE THESE INSTRUCTIONS

FOR DOMESTIC COOKING ONLY

WARNING

TO REDUCE THE RISK OF FIRE, ELECTRIC SHOCK, OR INJURY TO PERSONS, OBSERVE THE FOLLOWING:

1. Use this unit only in the manner intended by the manufacturer. If you have questions, contact the manufacturer at the address or telephone number listed in the warranty.
2. Before servicing or cleaning unit, switch power off at service panel and lock the service disconnecting means to prevent power from being switched on accidentally. When the service disconnecting means cannot be locked, securely fasten a prominent warning device, such as a tag, to the service panel.
3. Installation work and electrical wiring must be done by a qualified person(s) in accordance with all applicable codes and standards, including fire-rated construction.
4. Sufficient air is needed for proper combustion and exhausting of gases through the flue (chimney) of fuel burning equipment to prevent backdrafting. Follow the heating equipment manufacturer's guideline and safety standards such as those published by the National Fire Protection Association (NFPA), and the American Society of Heating, Refrigeration and Air Conditioning Engineers (ASHRAE), and the local code authorities.
5. This product may have sharp edges. Be careful to avoid cuts and abrasions during installation and cleaning.
6. When cutting or drilling into wall or ceiling, do not damage electrical wiring and other hidden utilities.
7. Ducted fans must always be vented to the outdoors.
8. Use only metal ductwork.
9. Do not use this fan with any solid-state speed control device.
10. As an alternative, this product may be installed with the UL-approved cord kit designated for the product, following instructions packed with the cord kit.
11. This unit must be grounded.

TO REDUCE THE RISK OF A RANGE TOP GREASE FIRE:

1. Never leave surface units unattended at high settings. Boilovers cause smoking and greasy spillovers that may ignite. Heat oils slowly on low or medium settings.
2. Always turn hood ON when cooking at high heat or when flambéing food (i.e. Crepes Suzette, Cherries Jubilee, Peppercorn Beef Flambé).
3. Clean ventilating fans frequently. Grease should not be allowed to accumulate on fan or filter.
4. Use proper pan size. Always use cookware appropriate for the size of the surface element.

TO REDUCE THE RISK OF INJURY TO PERSONS IN THE EVENT OF A RANGE TOP GREASE FIRE, OBSERVE THE FOLLOWING:*

1. SMOTHER FLAMES with a close-fitting lid, cookie sheet, or metal tray, then turn off the burner. BE CAREFUL TO PREVENT BURNS. If the flames do not go out immediately, EVACUATE AND CALL THE FIRE DEPARTMENT.

WARNING

2. NEVER PICK UP A FLAMING PAN — You may be burned or spread the fire.
 3. DO NOT USE WATER, including wet dishcloths or towels - a violent steam explosion will result.
 4. Use an extinguisher ONLY if:
 - A. You know you have a Class ABC extinguisher, and you already know how to operate it.
 - B. The fire is small and contained in the area where it started.
 - C. The fire department is being called.
 - D. You can fight the fire with your back to an exit.
- * Based on "Kitchen Firesafety Tips" published by NFPA.

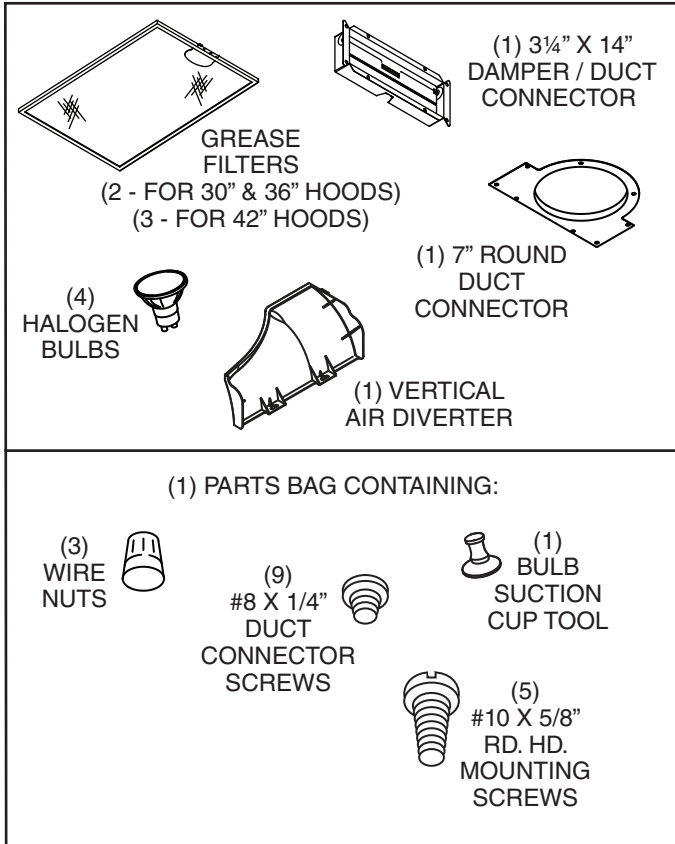
CAUTION

1. For indoor use only.
2. For general ventilating use only. Do not use to exhaust hazardous or explosive materials and vapors.
3. To avoid motor bearing damage and noisy and/or unbalanced impeller, keep drywall spray, construction dust, etc., off power unit.
4. Do not use over cooking equipment greater than 70,000 BTU/hr. as the blower motor will shut down intermittantly.
5. Your hood motor has a thermal overload which will automatically shut off the motor if it becomes overheated. The motor will restart when it cools down. If the motor continues to shut off and restart, have the hood serviced.
6. The top of the hood MUST NOT BE LESS than 30" and at a maximum of 36" above cooktop for best capture of cooking impurities.
7. This hood is not intended to be used as a shelf.
8. Please read specification label on product for further information and requirements.

**Installer: Leave this manual
with the homeowner.
Homeowner: Cleaning, Maintenance and
Operating instructions on page 2.**

CONTENTS

INCLUDED WITH THE HOOD:



CLEANING & MAINTENANCE

For performance, appearance, and health reasons, clean filter, fan and grease-laden surfaces. Use **only** a clean cloth and mild detergent solution on stainless and painted surfaces.

Clean all-metal filters in the dishwasher using a non-phosphate detergent. Discoloration of the filter may occur if using phosphate detergents, or as a result of local water conditions - but this will not affect filter performance. This discoloration is not covered by the warranty.

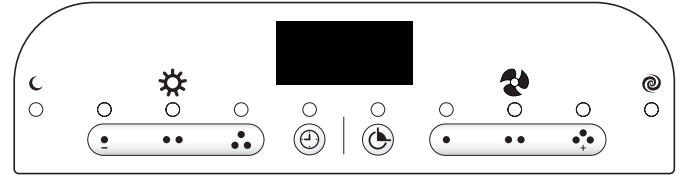
The motor is permanently lubricated and never needs oiling. If the motor bearings make excessive or unusual noise, replace the motor with the exact service motor. The impeller should also be replaced.

Use 120 V, 50 W, shielded halogen bulbs - MR16 with GU10 base.

OPERATION

Always turn the hood ON before cooking in order to establish an air flow in the kitchen. After turning off the range, let the hood run for a few minutes to clear the air.

Operate the hood as follows:



NOTE

The and buttons are used to adjust and toggle the menu and timer settings.

LIGHT (3-Pushbutton Switches 4-light Settings)

Turns the light on the low setting and activates a green indicator above the button. Pressing the button a second time activates the night time setting and illuminates the indicator.

Turns the light on the medium setting and activates a green indicator above the button.

Turns the light on the high setting and activates a green indicator above the button.

Pressing and holding the same light button again will turn the lights off.

When the night time setting is active, pressing and holding the low light setting button will turn the night time setting off.

FAN (3-Pushbutton Switches 4-fan speeds)

Turns the fan on the low speed and activates a green indicator above the button.

Turns the fan on the medium speed and activates a green indicator above the button.

Turns the fan on the high speed and activates a green indicator above the button. Pressing the button a second time activates the boost fan speed and illuminates the indicator.




Pressing and holding the same fan button again will turn the fan off.

When the boost speed is active, pressing and holding the high speed button will turn the boost speed off.



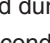




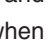
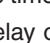
NOTE

This hood utilizes an offset blower design to achieve greater performance and lower sound levels. As a result, you may notice that cooking impurities are more attracted to one side or appear to be pulled-in faster than they appear on the opposite side. This is completely normal. The hood has been designed and tested to provide good capture of cooking impurities and odors under all normal cooking conditions regardless of the cooking location on the cooktop. Please note that cooking on the rear burners will always result in the best capture of cooking impurities, regardless of the hood design.




10-MINUTE DELAY OFF

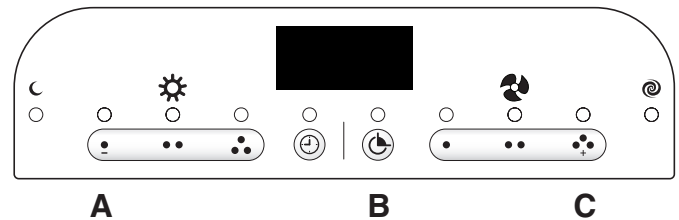
When your hood fan is on (any speed) press the  button to activate the delay off feature. When activated, the hood fan will automatically turn off after 10-minutes has elapsed. The delay feature is active when the following appear on the LED screen: A green indicator illuminated above the delay  button, a numeric countdown “10-0”, and a clockwise rotating LED. The delay button can be pressed once again, to stop the delay countdown. Pressing the  button again will resume the delay countdown. Pressing and holding the button will turn off the feature.

TIMER

Press the  button to activate the timer setting feature. Use the  and  buttons to reduce or advance the timer setting to the desired duration. When the desired timer setting is reached, allow 3 seconds without pressing any additional button or press the  button once again. The timer will then activate, and the countdown will be displayed on the LED screen along with an green indicator above the  button. After the timer has reached “0:00”, an audible beep will be heard. The beep will continue until the timer button  is pressed once again. The timer countdown can be stopped at any time by pressing the  once again. Pressing the  button again will resume the timer countdown. Pressing and holding the  button will turn off the feature. Note that when both the timer and delay off features are active together, the timer function will be illuminated on the LED display, and the delay off countdown will be active, but not displayed.

FEATURE MENU

Your hood offers many settings that can be accessed and adjusted by scrolling through the feature menu. Your hood fan must be off to be able to activate and access the feature menu. Pressing the  button when the hood fan is off will activate the feature menu. Pressing the  button again when the feature menu is active will scroll through the various features that can be adjusted/set. When the feature menu is active, if a button is not pressed within 10 seconds or after scrolling through all menu settings, the feature menu will automatically be exited, and all selected settings will be saved. A green indicator above the  icon will illuminate when the feature menu is active. The following features can be adjusted sequentially:



TO SET CLOCK:

Push (B) once – Hours will flash

Push (A) to decrease hours, Push (C) to increase hours.

Push (B) 2nd time – Minutes will flash

Push (A) to decrease minutes, Push (C) to increase minutes.

TO TURN DISPLAY ON & OFF:

(default from factory - display ON)

Push (B) 3 times: -d- will be seen

Push (C) once: (don) seen = display on (normal setting)

Push (C) 2nd time: (doff) seen = display off (no clock will be seen)

TO TURN SLEEP MODE ON & OFF:

(default from factory - OFF)

Push (B) 4 times: -S- will be seen

Push (C) once: (SOFF) seen = All hood functions work

Push (C) 2nd time: (SON) seen = only fan and light buttons work – display, ambient lights, delay off or timer will not function.

TO TURN AMBIENT LIGHT SENSOR ON & OFF:

(default from factory - OFF)

Push (B) 5 times: -A- will be seen

Push (C) once: (AON1) seen = night-lights on when room very dark.

Push (C) 2nd time: (AON2) seen = night-lights on when room is less dark.

Push (C) 3rd time: (AOFF) seen = night-lights no longer come on automatically.

Note that the feature menu can be exited any time by not pressing any button(s) for 10 seconds or by scrolling through the entire feature menu.

HEAT SENTRY SYSTEM

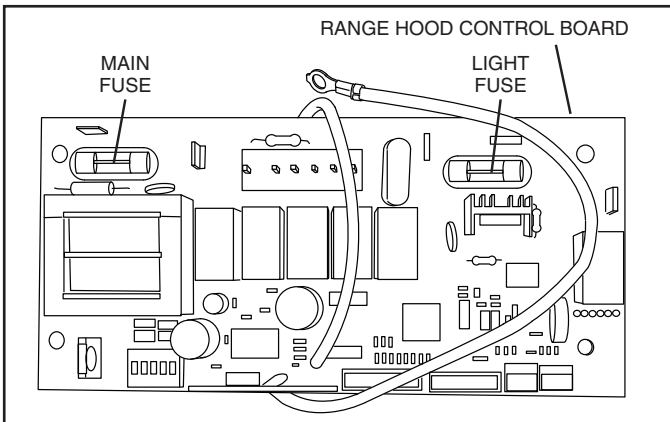
This range hood is equipped with an advanced Heat Sentry system that monitors excessive temperature and automatically adjusts the fan to the appropriate setting.

1) **If the fan is on**, the Heat Sentry system will increase the fan setting when the temperature is elevated. If the temperature continues to rise, the Heat Sentry system will continue to increase the fan setting until the temperature is stabilized or reduced. The flashing light above the fan button shows the Heat Sentry system fan setting. Once the temperature has reduced, the Heat Sentry system will change the fan to the original setting.

2) **If the fan is off**, the Heat Sentry system will automatically turn the fan on to its highest speed when the temperature is above normal. When the Heat Sentry system is on, the light above the high speed fan button will flash on and off. After the temperature has lowered to normal, the fan speed will be reduced until the temperature has stabilized, then the fan will turn off.

Note: Canadian version does not have this function.

FUSES



The **Range Hood Control Board** contains a **Main Fuse** and a **Light Fuse** to protect the controls from power surges. If a fuse has opened (blown), the green fan setting or light setting indicators will not operate properly when the fan or light buttons are pressed, and the fan and lights will not turn on.

New fuses can be purchased at your local electronic supply store. Use 8A, 120V, 5 mm diameter, 20 mm long, fast-acting, cartridge-type fuses.

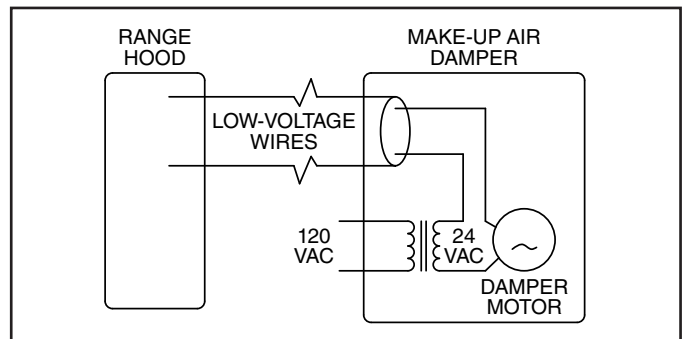
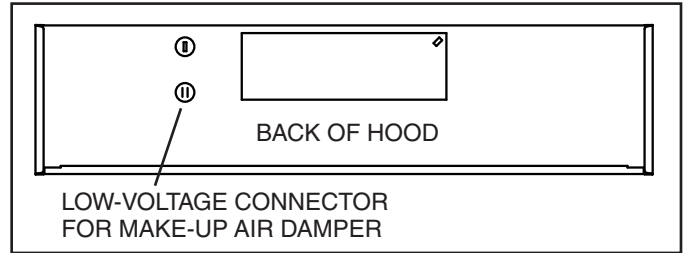
To replace a fuse (by qualified person(s)):

1. Disconnect power at service entrance.
2. Remove filters and bottom pan.
3. Remove and inspect fuse. If it is not open (blown), additional diagnostics are needed.

MAKE-UP AIR DAMPER

The hood is compatible with Broan Make-Up Air Damper Model MD6T or Model MD8T (optional). Purchase separately.

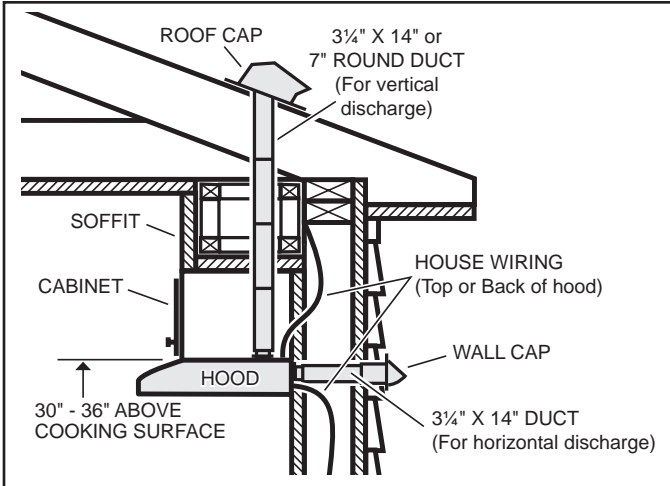
Make the connection to the Make-Up Air Damper with low voltage wiring, as shown. See Make-Up Air Damper instructions for additional information.



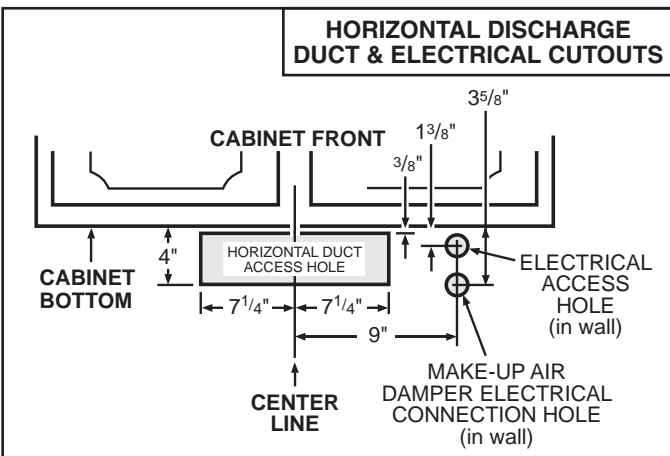
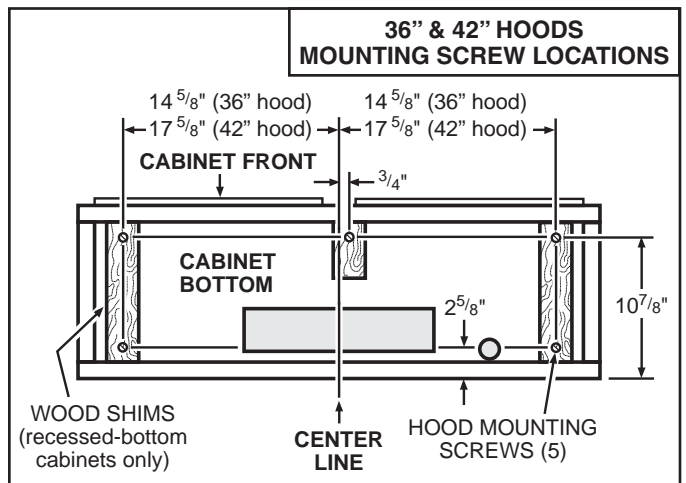
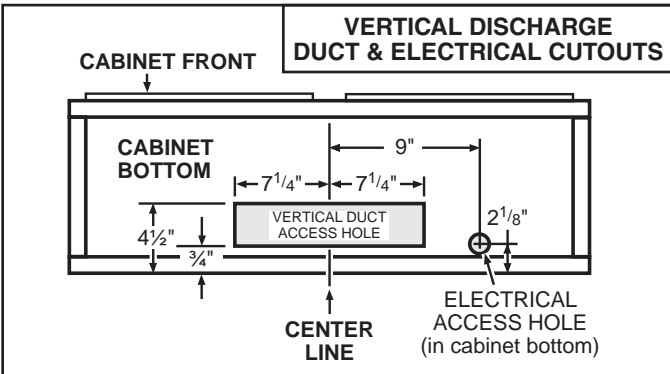
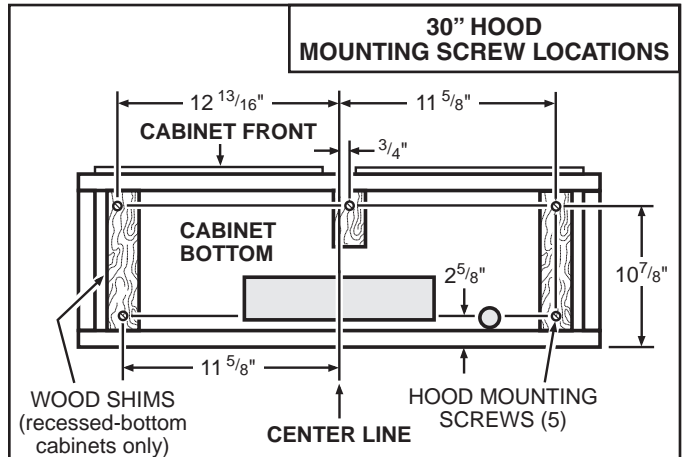
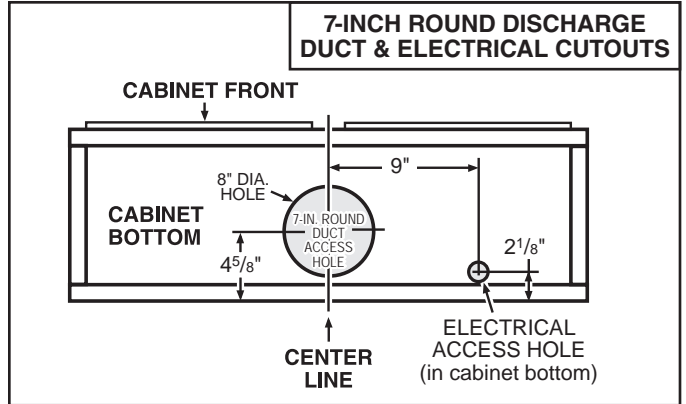
REMOTE CONTROL

The hood is compatible with Broan RF Remote Control Model BCR1 (optional). Purchase separately.

PREPARE HOOD LOCATION



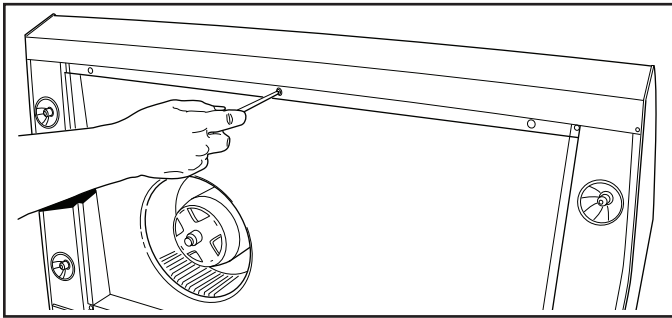
- 1 Determine whether hood will discharge vertically (3/4" x 14" or 7" Round), or horizontally (3/4" x 14" only). For vertical or horizontal discharge, run ductwork between the hood location and a roof cap or wall cap. For best results, use a minimum number of transitions and elbows.
- 2 Use the proper diagram, as follows, for placement of ductwork and electrical cutout in cabinet or wall.



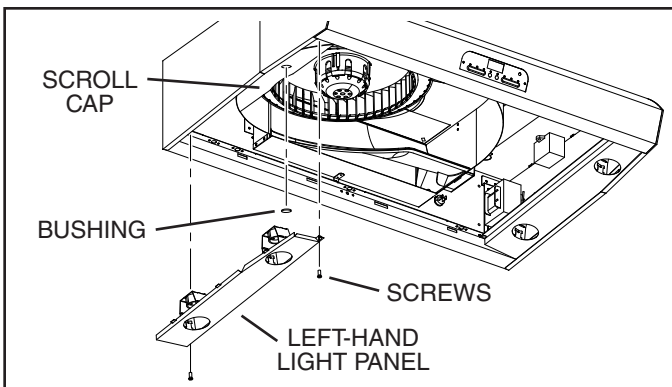
PREPARE THE HOOD

3 Remove parts bag and 3/4" x 14" damper/duct connector from inside the hardware box included with the hood.

4 Remove all protective polyfilm from the hood.

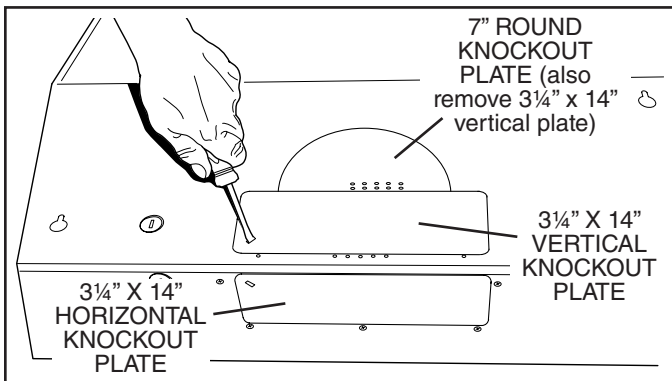


5 Remove 6 **Screws** holding **Bottom Pan** to hood. Set bottom pan and screws aside.

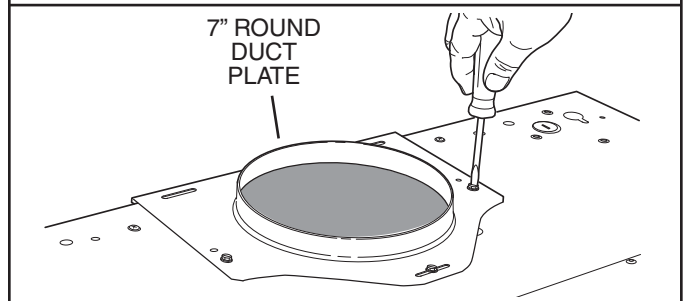
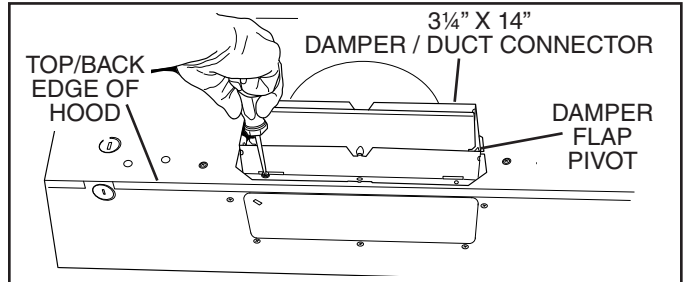


6 **FOR 30" MODEL ONLY:** Remove **Left-Hand Light Panel** by removing (2) **Screws** and disconnecting electrical connector.

Remove **Rubber Bushing** in **Scroll Cap**. Set parts aside.



7 Remove 3/4" x 14" vertical, 3/4" x 14" horizontal, or 7-inch round **Knockout Plate(s)** as appropriate for your ducting method.

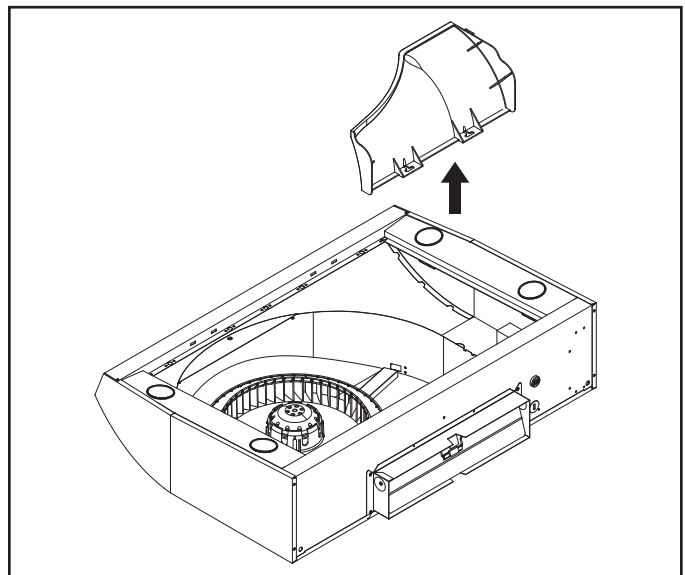


8 **VERTICAL 7" ROUND & 3/4" X 14" INSTALLATION ONLY:**
Attach 3/4" x 14" **Damper/Duct Connector** (if using 3/4" x 14" duct) or **7" Round Duct Plate** (if using 7-inch round duct) over the knockout opening.

Notes:

To accommodate off-center ductwork, the 3/4" x 14" damper/duct connector can be installed up to 1/2" on either side of the hood center and the 7" round duct plate can be installed up to 1/2" on either side of the hood center.

Install the 3/4" x 14" Damper/Duct Connector with the **Damper Flap Pivot** nearest the **Top/Back Edge of Hood**.



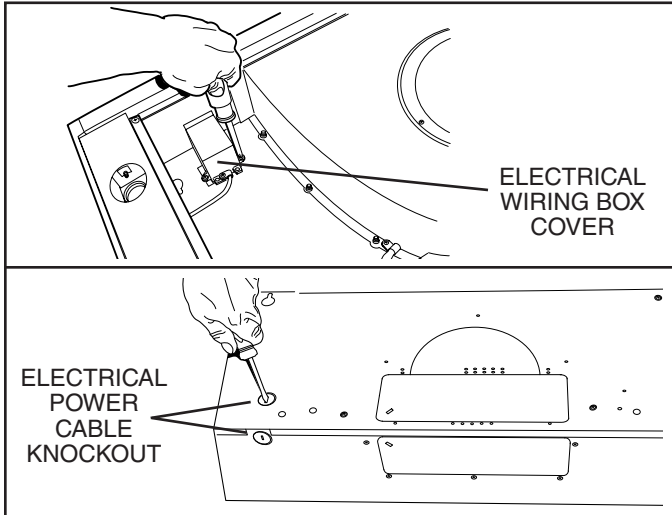
9 **HORIZONTAL 3/4" X 14" INSTALLATION ONLY:**
Remove and discard **Vertical Diverter Plate**.

INSTALL THE HOOD

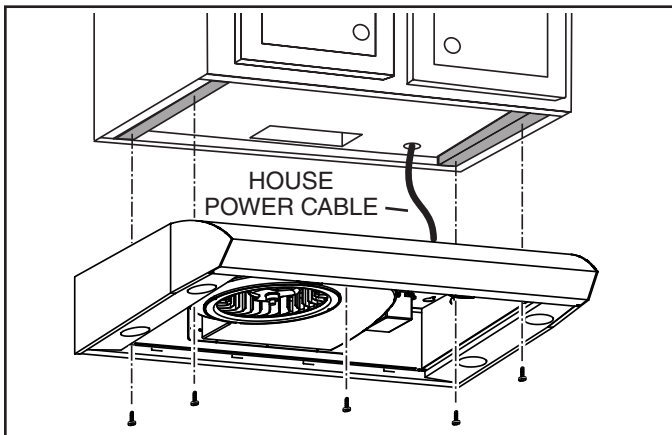


WARNING

To reduce the risk of electrical shock, switch power off at service panel. Lock or tag service panel to prevent power from being switched on accidentally.

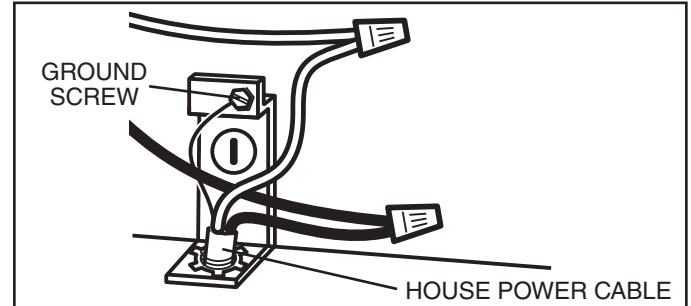


- 10** Remove **Electrical Wiring Box Cover** from inside of hood and appropriate **Electrical Power Cable Knockout** from top or back of hood.



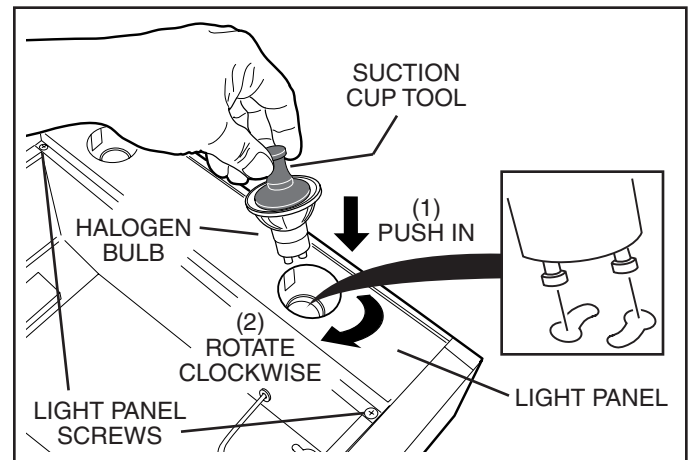
- 11** Run **House Power Cable** between service panel and hood location. Attach power cable to hood using appropriate clamp.
- 12** Hang hood from (4) mounting screws driven part-way into cabinet locations (shown in illustrations under "PREPARE HOOD LOCATION"). Mounting screws are included in parts bag. Slide hood back towards wall until mounting screw heads are engaged in narrow end of keyhole slots in top of hood. Tighten screws securely. Add 5th mounting screw in center hole in hood and tighten securely.
- 13** Connect ductwork to hood and use duct tape to make joints secure and air-tight. Make sure the damper / duct connector enters the ductwork and that the damper opens and closes freely.

CONNECT THE WIRING



- 14** Connect **House Power Cable** to range hood wiring - **BLACK to BLACK**, **WHITE to WHITE**, and **GREEN or BARE WIRE to Ground Screw**. Replace electrical wiring box cover.
- 15** **FOR 30" MODEL ONLY:** Replace rubber bushing, re-connect left-hand light panel electrical connector, and re-attach light panel with (2) screws removed in Step 6.
- 16** Re-attach **Bottom Pan** with 6 **Screws** removed in Step 5.
- 17** Install aluminum filters.

HOW TO CHANGE LIGHT BULBS



CAUTION: Bulbs may be hot. Refer to bulb packaging for further information.

Install (4) **Halogen Bulbs** (included with hood). Use 120 V, 50 W, shielded halogen bulbs - MR16 with GU10 base.

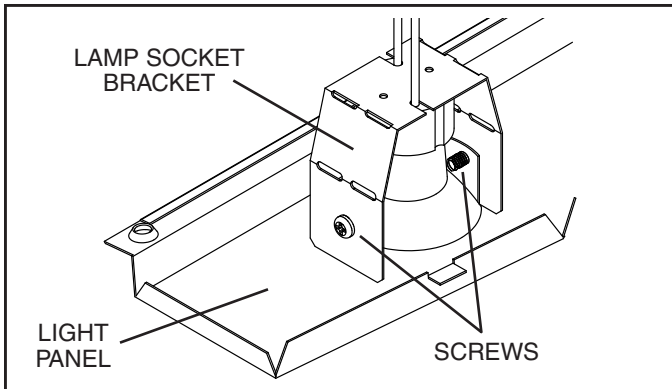
NOTE: Suction Cup Tool (included with hood) can be used to install and remove light bulbs.

Align pins on bulb with large diameter opening on socket, then push bulb in towards hood and rotate clockwise until firmly seated.

The position of the bulb socket (depth) is adjustable and may require adjustment when:

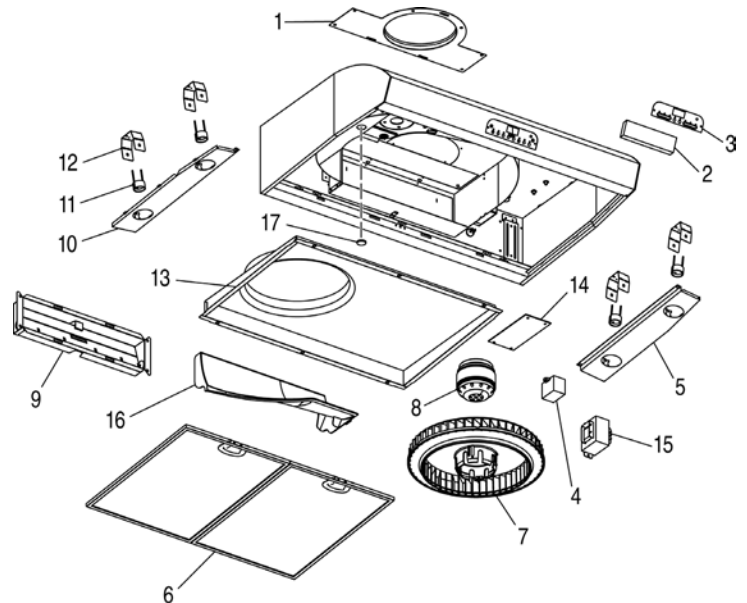
- a) certain brands of bulbs are difficult to install.
- b) the bulb protrudes too far below the light panel.

SERVICE PARTS



To change the depth of bulb sockets:

1. Remove bottom pan (See Step 5).
2. Remove 2 **Light Panel Screws** and **Light Panel**. Set screws aside.
3. Loosen 2 **Screws** holding **Lamp Socket Bracket** to **Light Panel**.
4. Adjust socket/bracket to desired depth.
5. Re-tighten screws securely.
6. Re-attach light panel and bottom pan.



KEY NO.	PART NO.	DESCRIPTION
1	97018567	7" Round Duct Plate (includes mounting hardware)
2	97018257	User Interface Assembly Black (includes interface, nameplate, mounting hardware)
3	99528259	Nameplate, Black
4	97018568	Capacitor Kit (includes wire nuts, mounting screw)
5	97018227	Light Panel RH Stainless (includes mounting hardware)
6	97018205	Filter Kit for 30" (2 per bag)
	97018206	Filter Kit for 36" (2 per bag)
	97018207	Filter Kit for 42" (3 per bag)
7	97018569	Blower Wheel (includes spring clip)
8	97018570	Motor Kit (includes motor, isolators, mounting hardware)
9	97018571	Damper / Duct Connector (includes mounting hardware)
10	97018231	Light Panel LH Stainless (includes mounting hardware)
11	97017731	Lamp Socket (includes lamp socket, wire nuts, mounting screws)
12	97018233	Lamp Socket Bracket
13	97018572	Bottom Pan 30" (includes mounting hardware)
	97018573	Bottom Pan 36" (includes mounting hardware)
	97018574	Bottom Pan 42" (includes mounting hardware)
14	97018260	Circuit Board
15	97018262	Transformer (includes mounting hardware)
16	97018575	Vertical Diverter
17	97018582	Rubber Bushing
*	97017735	Parts Bag
*	99526707	Suction Cup Tool
*	97018252	Heat Sensor
*	97018253	Fuse
*	97018261	Ribbon Cable Kit (contains 3)
*	V05921	50W Halogen GU10 Bulb

* Not shown

Order replacement parts by PART NO. - not by KEY NO.

99527577D