

Fits: 2004 - 2006

Dodge Durango



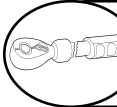
Tow hooks must be removed, if equipped.



REMOVE CONTENTS FROM BOX. VERIFY ALL PARTS ARE PRESENT.



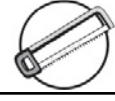
READ INSTRUCTIONS CAREFULLY BEFORE STARTING INSTALLATION.



DO NOT OVER TORQUE. STANDARD OPERATING LOAD FOR TIGHTEN BODY MOUNT NUTS & BOLTS VARIES FROM 45 TO 65 FOOT POUND.



60-180 min



Cutting Required



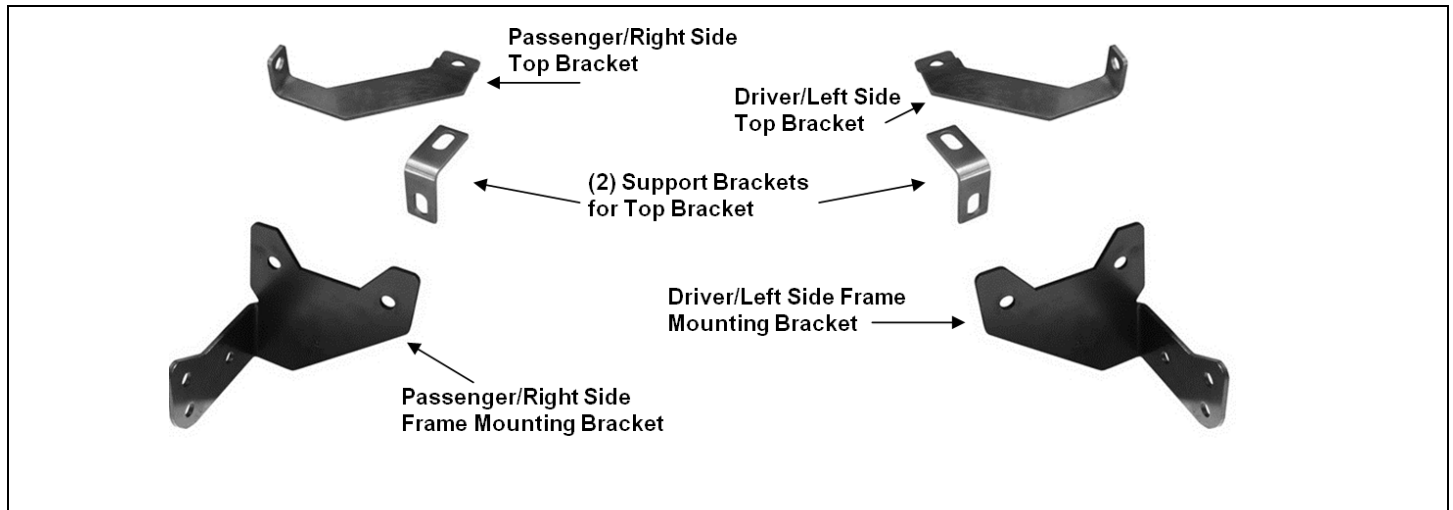
Drilling Not Required



POLISHED STAINLESS STEEL - LIMITED LIFETIME  
POWDER COATED BLACK - 3 YEARS

### PARTS LIST:

Qty	Part Description	Qty	Part Description
1	Driver/Left Frame Mounting Bracket	12	12mm x 44mm OD x 4mm Flat Washers
1	Passenger/Right Frame Mounting Bracket	6	12mm Nylon Lock Nuts
2	"L" Support Brackets (for Top Brackets)	2	10-1.50mm x 25mm Button Head Bolts
1	Driver/Left Top Bracket	2	10-1.50mm x 25mm Hex Bolts
1	Passenger/Right Top Bracket	4	10mm Nylon Lock Nuts
6	12-1.75mm x 30mm Hex Bolts	8	10mm x 30mm OD x 2.5mm Flat Washers
		1	Allen Wrench

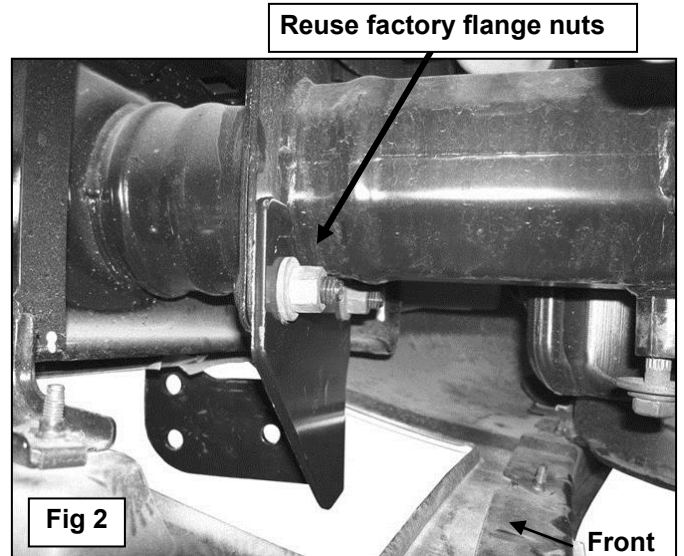


### INSTALLATION PROCEDURE

1. Start installation under the front-passenger side of the vehicle. Remove the (2) lower factory hex nuts bolting the bumper bracket to the end of the main frame channel, **(Figure 1)**. Slide the Frame Bracket over the threaded studs and secure using the factory flange nuts, **(Figure 2)**. Snug but do not tighten hardware at this time. Repeat this Step for driver side Frame Mount Bracket installation.



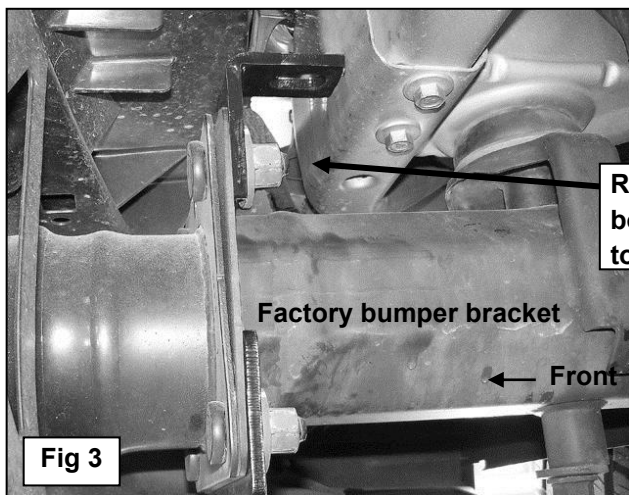
**(Fig 1) Passenger side bumper bracket pictured from below. Remove (2) bottom flange nuts**



**Fig 2**

**Reuse factory flange nuts**

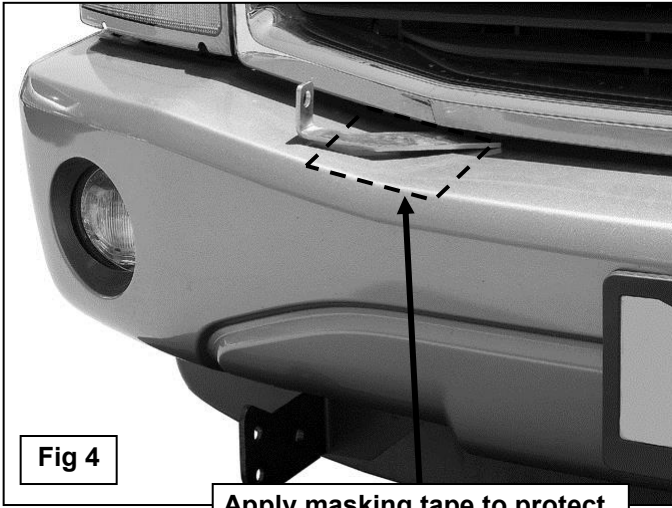
2. **NOTE:** It may be necessary to cut the plastic lower bumper to clear the Frame Mounting Brackets. Use a sharp knife or hacksaw and cut as little as possible to clear the Brackets.
3. Next, remove the factory hex nut on the top-inside of the bumper bracket above the previously installed Frame Mounting Bracket. Select (1) "L" Top Support Bracket. Slide the Top Support Bracket onto the threaded stud and secure to the frame channel with the factory flange nut, **(Figure 3)**. **NOTE:** The "L" Top Support Bracket will point away from the front bumper. Line up the top of the Support Bracket with the top of the bumper. Snug but do not tighten hardware at this time. Repeat this Step for driver side Top Support Bracket installation.



**Fig 3**

**Reuse factory flange nut to bolt Top Support Bracket to bumper bracket**

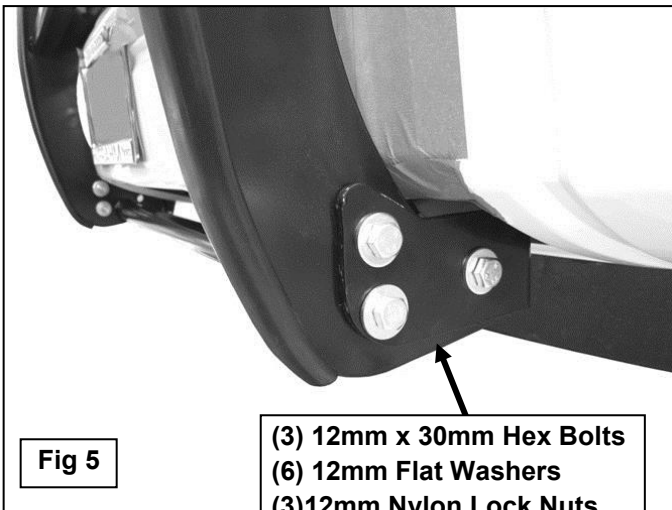
4. Before continuing, we highly recommend covering the top of the plastic bumper cover with removable tape, (masking tape for example), to protect the finish during Top Bracket installation, **(Figure 4)**.
5. Select the passenger side Top Bracket. Slide the Top Bracket through the gap between the bottom of the grille and the front bumper, **(Figure 4)**. Line up the mounting hole with the previously installed Top Support Bracket. Bolt the Top Bracket to the Support Bracket with (1) 10mm x 25mm Hex Bolt, (2) 10mm Flat Washers and (1) 10mm Nylon Lock Nut. Do not tighten hardware at this time. Repeat this Step to install the driver side Top Bracket.



**Fig 4**

**Apply masking tape to protect finish during installation**

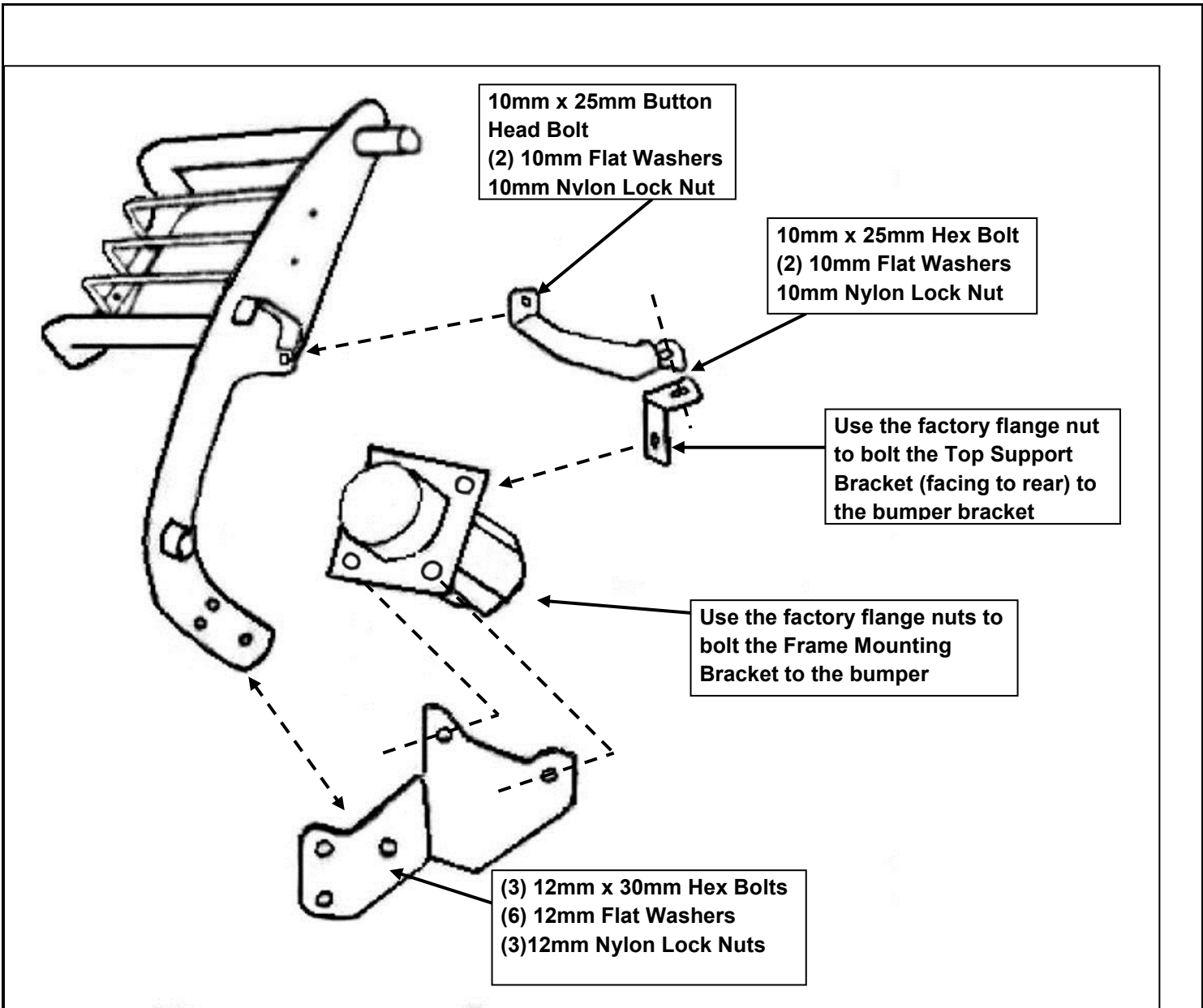
6. With assistance, position the Grille Guard up to the inside of the Frame Mounting Brackets. Use the included (6) 12mm x 30mm Hex Bolts, (12) 12mm Flat Washers and (6) 12mm Nylon Lock Nuts, **(Figure 5)**. Do not tighten hardware at this time.



**Fig 5**

**(3) 12mm x 30mm Hex Bolts  
(6) 12mm Flat Washers  
(3) 12mm Nylon Lock Nuts**

7. Attach the Grille Guard to the Top Brackets using the included (2) 10mm x 25mm Button Head Bolts, (4) 10mm Flat Washers and (2) 10mm Nylon Lock Nuts.
8. Adjust Grille Guard properly and tighten all hardware at this time.



## PRODUCT CARE

- ☒ Periodically check the product to ensure all fasteners are tight and components are intact.
- ☒ Regular waxing is recommended to protect the finish of the product.
- ☒ **Use ONLY Non-Abrasive automotive wax.** Use of any soap, polish or wax that contains an abrasive is detrimental and can scratch the finish leading to corrosion.
- ☒ Aluminum polish may be used to polish small scratches and scuffs for **Stainless Steel finish.**
- ☒ Mild soap may be used to clean the product for both **Stainless Steel and Black finish.**

## FAQ's

1. Hardware's are not of correct size.  
*In GMC / Chevrolet truck model 2006 & up, customer needs to reuse the factory body bolts to install the bracket. If your vehicle is not GMC / Chevrolet 2006 & up, ensure that holes are not partially covered with any plastic grommet or rust? If it is, remove the plastic grommet & rust from the thread holes & re-try the installation.*
2. **Mounting Bracket are not getting Installed properly.**  
*In some cases Illustration images shown in Installation manual may not be the exactly same as per actual vehicle images ,also if Driver / Passenger side mounting brackets are very identical in the design, suggest referring Parts Identification guide to avoid fitment issue.*
3. **Products are thumping / rattling after installation.**  
*Ensure that all required mounting brackets / hardware's are installed & tighten correctly. Suggest using white lithium / regular grease between the metal to metal contact surfaces.*
4. **Side Bar is not aligning with vehicle / Step Pads are not aligning with vehicle doors.**  
*Side bar may be interchanged or mounting brackets are not installed at the correct position in the vehicle. Refer Parts identification guide.*
5. **Missing / Excess Hardware.**  
*Recheck hardware count as per the part list.*
6. **Product not installing properly.**  
*Ensure make model year, cab length and bed size of your vehicle is listed in the application. All installation steps are followed correctly.*