

**S300GX**

**Cummins 5.9 Upgrade**

BorgWarner S300G Upgrade Turbo for Cummins 5.9 Engines

AIRWERKS



**Key Turbo Features**

The BorgWarner S300GX replacement turbo is more than a great match for your Cummins 5.9 engine. The S300G is aerodynamically designed to provide boost that can propel your Cummins 5.9 engine to 400 wheel horsepower. A rugged thrust bearing system helps insure the durability of your S300G, even under these extreme load conditions.

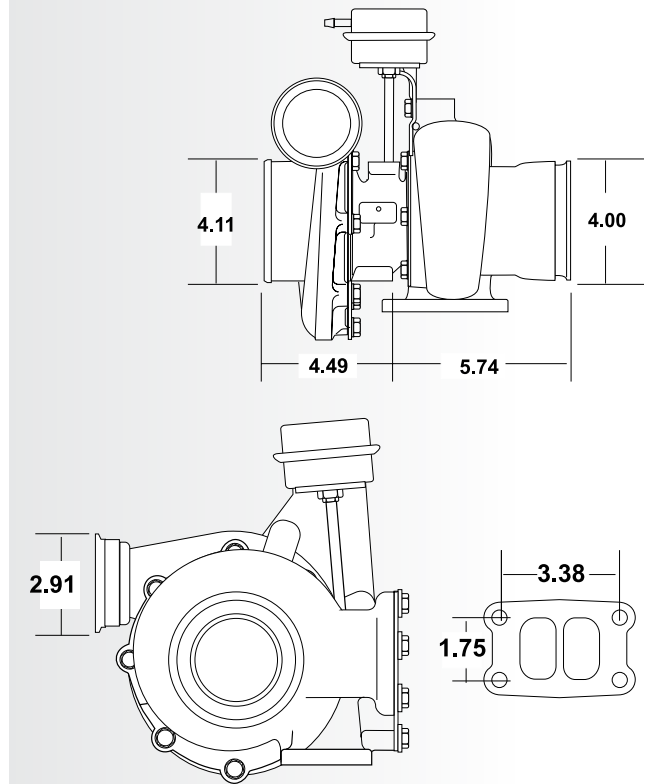
To realize the full horsepower potential of your S300G, we highly recommend the use of the following upgrade components:

- 4" Exhaust System
- Performance Chip
- High Flow Fuel Injectors
- High Flow Air Filter
- Ram Air Intake Tube
- Boost Control Fitting

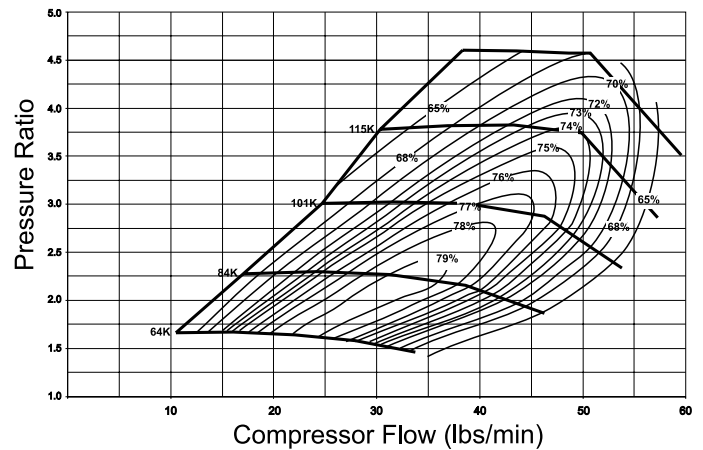
**DODGE 5.9 ENGINE PERFORMANCE TURBO UPGRADE CHART**

Model Year	Transmission Type	Stock Horsepower	BWTS Turbo Part #	Turbo Mfr. Model #
1994	Auto	160	174430	S300G
	Manual	175		
	One Ton Truck	240		
1995	Auto	160	174430	S300G
	Manual	175		
1996	Auto	180	174430	S300G
	Manual	215		
	Calif. Emission	180		
1997	Auto	180	174430	S300G
	Manual	215		
	Calif. Emission	180		
1998	12 Valve Auto	180	174430	S300G
	12 Valve Manual	215		
	12 Calif. Emission	180		
1998.5	12 V Auto & Manual	215	174430	S300G
1999	Auto	215	174430	S300G
	Manual	230		
2000	Auto	215	174430	S300G
	Manual	230		
2001	Auto	235	174430	S300G
	Manual	245		
2002	Auto	235	174430	S300G
	Manual	245		

**TURBO FRAME DIMENSIONS**



**COMPRESSOR MAP**



Turbo Part #	Comp. Wheel O.D.	Comp Wheel Inducer Dia.	Comp Wheel Inducer Dia. (mm)	Turbine Wheel O.D.
174430	3.29	2.25	57.10	2.92

Turbine Wheel Exducer	Turbine Wheel Exducer (mm)	Turbine A/R
2.54	64.50	.80