

**S200SXE**

**300 - 650 HP Super Core**

AIRWERKS



**Key Turbo Features**

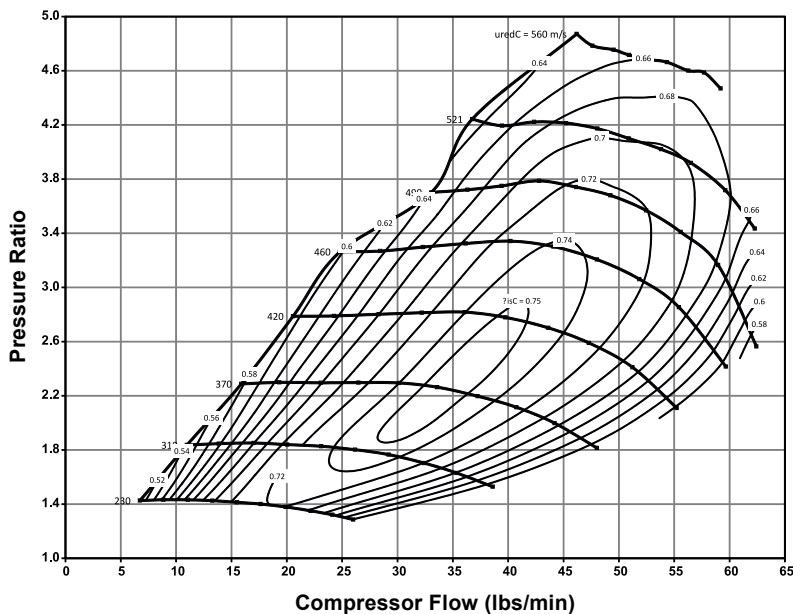
- Integrated speed sensor port
- Forged milled compressor wheel
- Pre-machined boost port
- Optimized compressor cover aerodynamics

**Not included with turbo assemblies:**

- Speed sensor
- Turbine outlet V-Band
- Turbine inlet gasket
- Oil drain gasket or drain port fitting

**COMPRESSOR MAP**

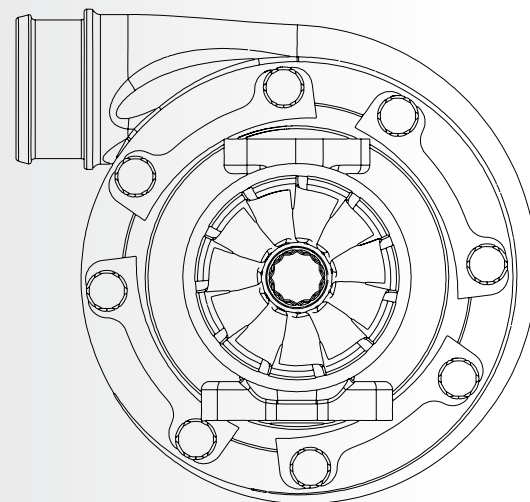
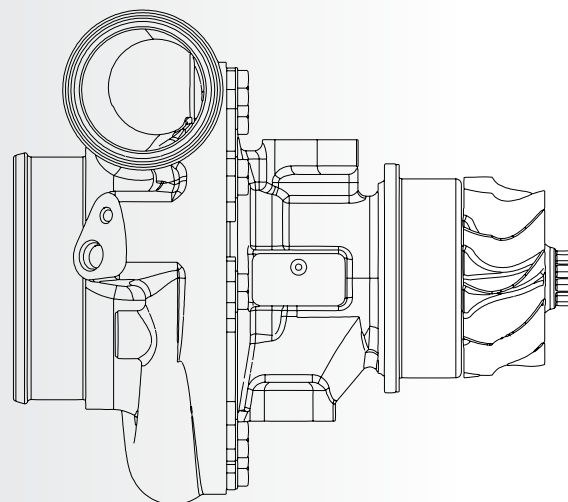
(Applicable to part number 12769095003)



All turbine housing mounting hardware, clamp plates and cap screws included with super core.

Super Core Part #	Comp. Wheel O.D.	Comp Wheel Inducer Dia.	Comp Wheel Inducer Dia. (mm)	Turbine Wheel O.D.	Turbine Wheel O.D.	Turbine Wheel Exducer	Turbine Wheel Exducer (mm)
12709095019	2.74	2.05	52.17	2.74	70	2.42	61
12769095003	3.00	2.25	57.15	2.74	70	2.42	61

**TURBO FRAME DIMENSIONS**



**TURBINE HOUSING**

Part #	A/R	Configuratio
177191	0.83	Volute, Twin Flow
177193	1.00	Volute, Twin Flow
177192	1.15	Volute, Twin Flow
177194	1.22	Volute, Twin Flow

