

K44

1100 - 2000 HP Turbo

AIRWERKS

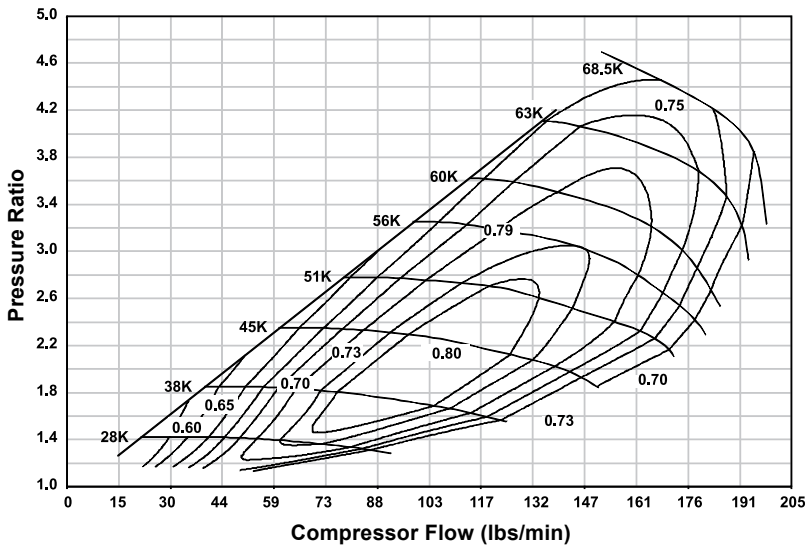


Key Turbo Features

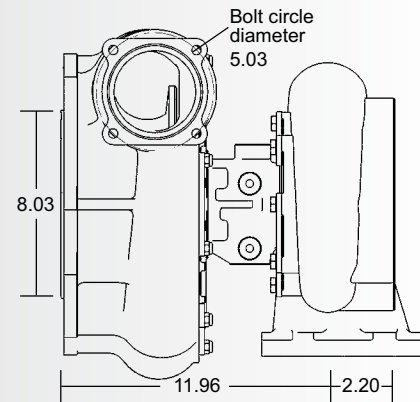
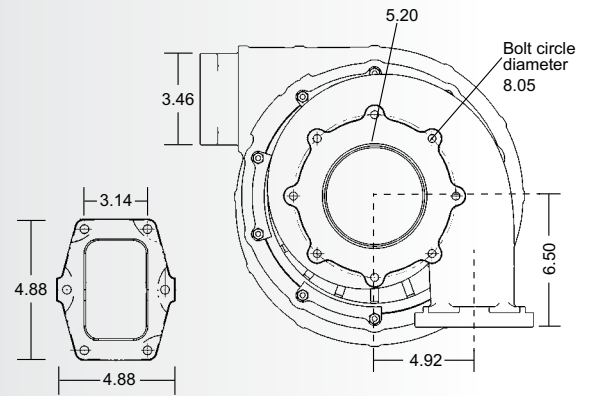
- 360 degree thrust bearing
- Twin hydrodynamic journal bearings.
- Adjustable compressor and turbine housing orientation
- Compressor cover recirculation grooves
- Frequency optimized compressor wheel



COMPRESSOR MAP



TURBO FRAME DIMENSIONS



TURBINE HOUSING

Part #	Area
5344 101 6300	40 cm ²
5345 101 6301	32 cm ²



Turbo Part #	Comp. Wheel O.D.	Comp Wheel Inducer Dia.	Comp Wheel Inducer Dia. (mm)	Turbine Wheel O.D.	Turbine Wheel O.D. (mm)	Turbine Wheel Exducer	Turbine Wheel Exducer (mm)	Turbine Area	Cartridge Assembly	Service Kit
5344 988 6900	6.14	4.24	107.7		140	4,92	125	32 cm ²	5344 710 0018	5344 711 050